

**1998**

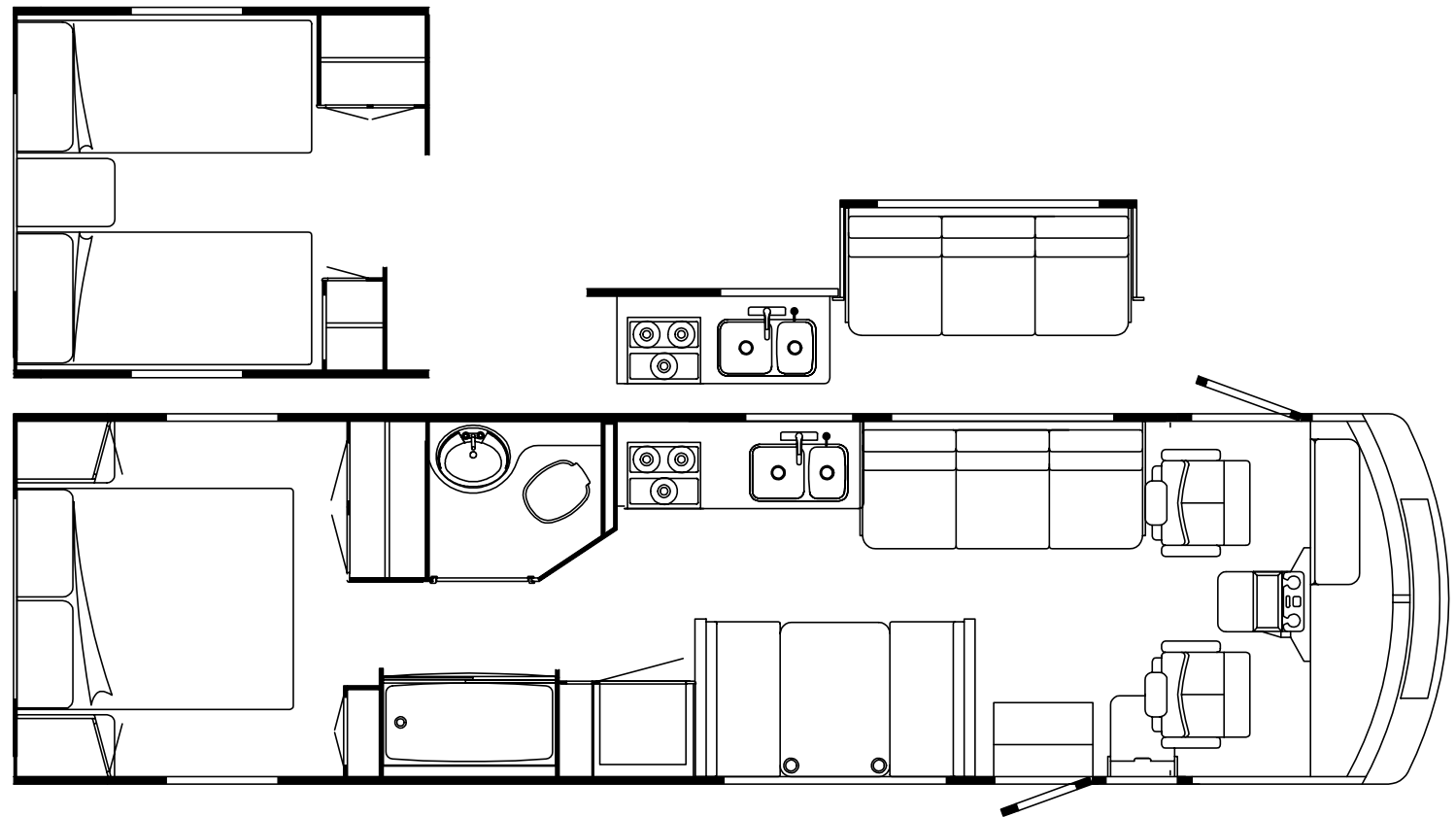
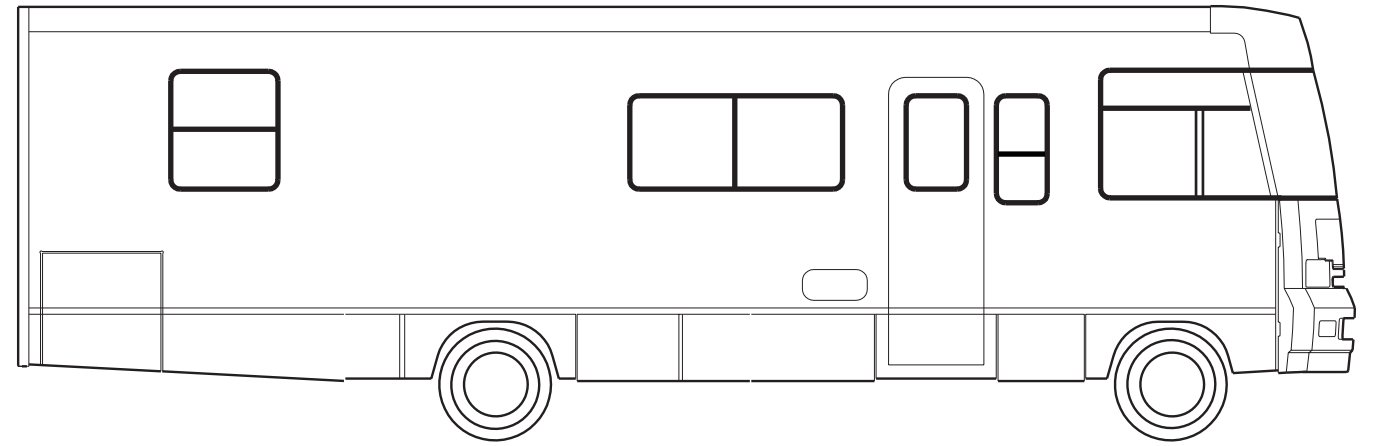
**WCF33DQ**

**J20**

**VILLAGE GREEN (GREEN )**

**J21**

**BARCELONA (TAUPE)**



**ACCESSORIES GROUP  
OPERATOR MANUAL**

KEY	PART NUMBER	U/M DESCRIPTION
	054185-H1-000	EA MANUAL - OPERATOR 98 BRAVE - F SERIES
	092318-01-000	EA BINDER - 3 RING - MOTOR HOME MANUAL
	129079-01-01A	EA CASE - VINYL/BLACK-EXPANDABLE ACCORDION SIDES-7"WX9"HX14"L FROM: 00-00-00 THRU: 02-15-98
	092319-01-000	EA POCKET PAGE - 3 RING BINDER - PLASTIC - (50 PER PKG) FROM: 02-16-98 THRU: 99-99-99
	125967-01-000	DW TOP LEVEL-F, 1998

**AUDIO VIDEO GROUP  
PATIO ENTERTAINMENT CENTER**

KEY	PART NUMBER	U/M DESCRIPTION
	076319-09-000	EA WALLPLATE - CABLE RECEPTACLE - TV - SINGLE - BROWN
	077069-02-000	EA CABLE - ANTENNA/EXTENSION - RADIO - 96"
	086756-01-000	EA SPLITTER - TV - 2 WAY
	125322-02-000	EA RADIO - AM/FM STEREO - CASSETTE - AUDIOVOX
	090944-01-000	EA ANTENNA - RADIO - 16" RUBBER
	108847-01-000	EA BRACKET - ANTENNA GROUND
	109889-04-000	EA EXTENDER - ANTENNA SHAFT - 3"
	110469-01-000	EA SPEAKER - 4" X 6" OVAL - COAXIAL
	110470-01-01A	EA GRILLE - 4" X 6" OVAL - BLACK

**DELUXE SOUND SYSTEM**

KEY	PART NUMBER	U/M DESCRIPTION
	124883-02-000	EA SPEAKER - CUBE - W/BRACKET
	124884-01-000	EA SPEAKER - 6" X 9" - SUB-WOOFER
	124885-01-000	EA GRILLE - SPEAKER - 6" X 9" - SUB-WOOFER
	124881-01-000	EA AMPLIFIER - AUDIO
	124882-02-000	EA WIRE ASSEMBLY - AMPLIFIER

**RADIO SYSTEM & ANTENNA**

KEY	PART NUMBER	U/M DESCRIPTION	VENDOR NO.
	127516-01-000	EA RADIO - AM/FM STEREO - CD PLAYER	
	127516-01-700	EA FACE - REMOVEABLE	YEPOFX3114
	127516-01-701	EA TRIM RING	YGFC025263
	127516-01-702	EA FACTORY HARNESS	YGAJ02719
	127516-01-703	EA CARRIER F/REMOVEABLE FACE	YEFA131290
	110267-04-000	EA RADIO - AM/FM STEREO - CD COMPATIBLE - AUDIOVOX	
	077069-02-000	EA CABLE - ANTENNA/EXTENSION - RADIO - 96"	
	090944-01-000	EA ANTENNA - RADIO - 16" RUBBER	
	115916-01-01B	EA BRACKET - ANTENNA MOUNT	
	110469-01-000	EA SPEAKER - 4" X 6" OVAL - COAXIAL	
	110470-01-01A	EA GRILLE - 4" X 6" OVAL - BLACK	
	N/A	EA SPEAKER - 5" X 7" OVAL	
	111177-01-01A	EA GRILLE - SPEAKER - 6.6" X 8.9" - HOUSING 5" X 7" SPEAKER MUST ORDER P.N.#F2UF-18814-CD FROM YOUR LOCAL FORD DEALER	

**CB ANTENNA**

KEY	PART NUMBER	U/M DESCRIPTION
	123256-01-000	EA ANTENNA - CB - W/O CABLE
	123256-02-000	EA CABLE - CB - COAX

**AUDIO VIDEO GROUP (CONTINUED)**  
TV, VCR & COMPONENTS

KEY	PART NUMBER	U/M DESCRIPTION	VENDOR NO.
	126696-01-000	EA TV - 19" COLOR W/1/8" JACK - UL/CSA	
			FROM: 00-00-00 THRU: 04-12-98
	126696-01-700	EA REMOTE	226725
			FROM: 00-00-00 THRU: 04-12-98
	126696-02-000	EA TV - 19" COLOR W/1/8" JACK - UL/CSA	
			FROM: 04-13-98 THRU: 99-99-99
	126696-01-700	EA REMOTE	226725
			FROM: 04-13-98 THRU: 99-99-99
	086231-08-000	EA TV - 13" COLOR - DC - AUDIOVOX	
	086231-08-700	EA REMOTE-UNIVERSAL	8822325
	086231-08-701	EA ADAPTER - WIRE	0891436
	126697-01-000	EA VCR - VHS/CABLE READY - W/REMOTE - GE	
			FROM: 00-00-00 THRU: 03-22-98
	126697-01-700	EA REMOTE - F/VCR	2040R
			FROM: 00-00-00 THRU: 03-22-98
	126697-02-000	EA VCR-VHS - CABLE READY - W/REMOTE	
			FROM: 03-23-98 THRU: 99-99-99
	126697-02-700	EA REMOTE - F/VCR	
			FROM: 03-23-98 THRU: 99-99-99
	086231-08-000	EA TV - 13" COLOR - DC - AUDIOVOX	
	086231-08-700	EA REMOTE-UNIVERSAL	8822325
	086231-08-701	EA ADAPTER - WIRE	0891436
	086757-03-000	EA CONTROL CENTER - SWITCH - VCR/TV	
	086777-05-000	EA WALLPLATE - TV CABLE - ANTENNA/1 OUTPUT - IVORY	
	086777-06-000	EA WALLPLATE - TV CABLE - ANTENNA/1 OUTPUT - BROWN	
	093214-01-02A	EA GRILLE - SPEAKER - 4" BROWN	
	098819-01-000	EA SPEAKER - 4" - 2 WATT - 8 OHM	
	086777-02-000	EA WALLPLATE - TV CABLE - W/ANTENNA SWITCH	
	093901-03-000	EA PLATE - TV COAX - EXTERIOR - 1.8" X 2.5"	
	076319-12-000	EA CONNECTOR - COAXIAL - ONE PIECE	
	082134-01-000	EA ADAPTER - TV - CABLE TO CABLE	
	086756-01-000	EA SPLITTER - TV - 2 WAY	
	076319-03-000	FT CABLE - COAXIAL - 75 OHM	
	082136-01-000	EA NUT - HEX JAM - 3/8 - 32	
	114870-02-000	EA PLUG - .14" AUDIO W/LEADS	
	115466-02-02B	EA STRAP - TIEDOWN - TV	

**REAR MONITOR SYSTEM**

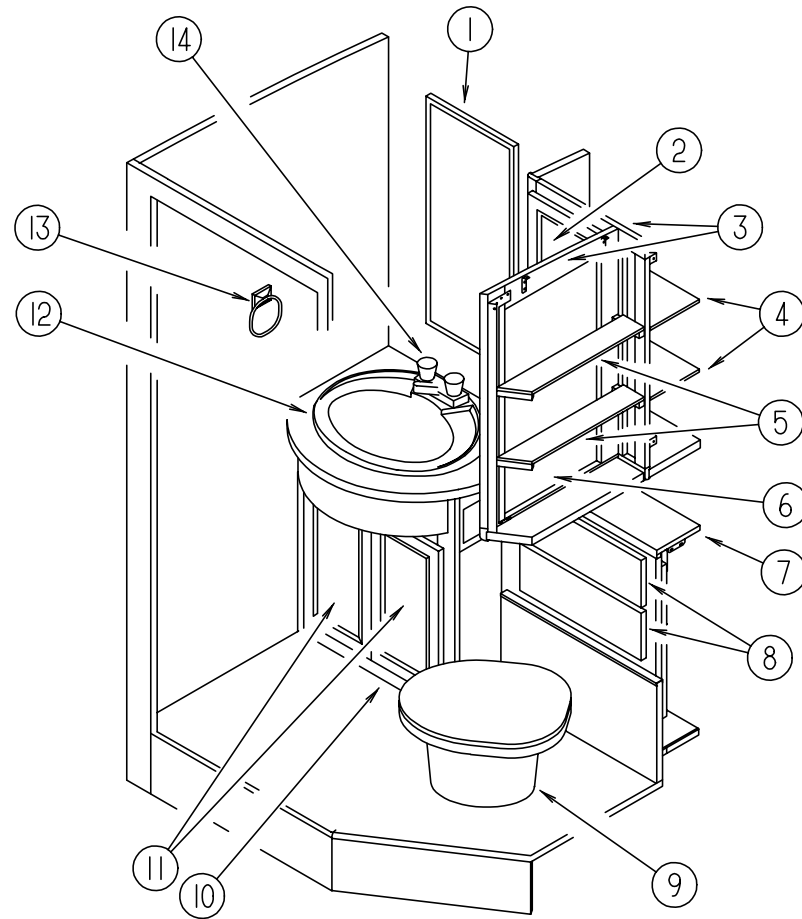
KEY	PART NUMBER	U/M DESCRIPTION
	126838-01-000	EA MONITOR/CAMERA - REAR VIEW 7"
	126838-01-700	EA MONITOR - 7" VIDEOMAN
	126838-01-701	EA CAMERA VIDEOMAN
	126838-03-000	EA CABLE - MONITOR/CAMERA
	108885-02-000	EA WIRE - REAR MONITOR(W/3 PIN HOUSING F/FUSE BLOCK) CHEVY

**AUDIO VIDEO GROUP (CONTINUED)**  
WINEGARD TV ANTENNA

KEY	PART NUMBER	U/M DESCRIPTION
*	076319-21-000	EA ANTENNA-TV - ROOF MOUNT - 3" ROOF
		FROM: 00-00-00 THRU: 12-07-97
*	076319-23-000	EA ANTENNA-TV - ROOF MOUNT - 44.5" MAST
		FROM: 12-08-97 THRU: 99-99-99

\* COMPONENT PARTS FOUND IN SERVICE PARTS LIBRARY

**BATH GROUP**  
**BATHROOM CABINET & COMPONENTS**



KEY	PART NUMBER	U/M	DESCRIPTION
1	058331-D0-000	EA	MIRROR - SAFETY GLASS - 19.65 X 35.37"
1	105004-01-05A	EA	MOLDING - VINYL WRAPPED - 1" X 96" - WATERFORD OAK
2	M05992-50-J20	EA	DOOR - STRAIGHT CORNER/OGEE EDGE - 11.4" X 28.1" - W/O HDW
3	122148-01-H13	EA	CABINET - LINEN/MEDICINE - W/O DOORS/HARDWARE
4	122148-12-H13	EA	SHELF - W/PLASTIC EDGE TRIM
5	122148-13-H13	EA	SHELF - W/PLASTIC EDGE TRIM
6	M05992-48-J20	EA	DOOR - STRAIGHT CORNER/OGEE EDGE - 15.7" X 27.9" - W/O HDW
7	122201-12-H14	EA	COUNTERTOP - LAVATORY (J20)
7	122201-12-J21	EA	COUNTERTOP - LAVATORY (J21)
8	M08630-01-H13	EA	DRAWER - OGEE EDGE - TIPOUT - W/TRAY
	108126-01-000	EA	TRAY HINGE SET (QTY. 2 PER SET)
9*	067487-02-000	EA	TOILET - 12.37" - IVORY - FOOT FLUSH
10	122201-01-H14	EA	CABINET - LAVATORY - W/COUNTERTOP - W/O DOORS/DRAWERS/HDW (J20)
10	122201-01-J21	EA	CABINET - LAVATORY - W/COUNTERTOP - W/O DOORS/DRAWERS/HDW (J21)
11	M05992-05-J20	EA	DOOR - STRAIGHT CORNER/OGEE EDGE - 10.0" X 19.1" - W/O HDW
12	105921-01-01A	EA	SINK - LAVATORY - LARGE/OVAL - 17" X 20" PLASTIC/OFF WHITE
	106116-01-01A	EA	STRAINER - SINK-W/STOPPER/TAILPIECE/GASKET & NUT - PLASTIC
13	075454-02-000	EA	RING - TOWEL - W/MOUNTING HARDWARE - BRASS
14	075240-06-000	EA	FAUCET - LAVATORY/BONE
	091253-01-000	EA	GASKET - FAUCET - LAVATORY/GALLEY
	105218-01-01A	EA	SPACER - FAUCET/LAVATORY SINK - 2" X 5.9" - ABS PLASTIC
	085278-01-000	EA	HOLDER - TOILET PAPER - RECESSED - BRASS

**\* COMPONENT PARTS FOUND IN SERVICE PARTS LIBRARY**

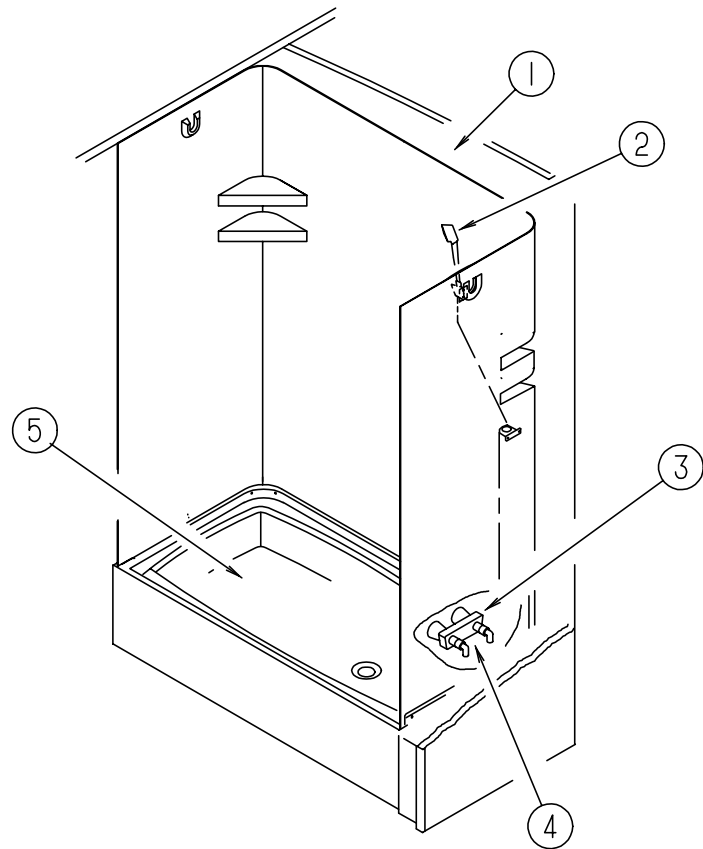
**BATH DOOR**

KEY	PART NUMBER	U/M	DESCRIPTION
	121449-12-G04	EA	RACK - TOWEL - BATH DOOR
	100357-01-000	EA	ROD - F/TOWEL BAR - BRASS
	121449-10-H13	EA	DOOR - BATH
	094485-03-01A	EA	KNOB - BRASS
	102920-01-01A	EA	HINGE - SPRING LOADED/BRASS
	110496-01-01A	EA	HINGE - BRASS

**BATH SKYLIGHT**

KEY	PART NUMBER	U/M	DESCRIPTION
	122192-01-02A	EA	PANEL - SKYLIGHT - OUTER - 16.4" X 27.8"
	122193-02-02A	EA	PANEL - SKYLITE - INNER

**BATH GROUP (CONTINUED)**



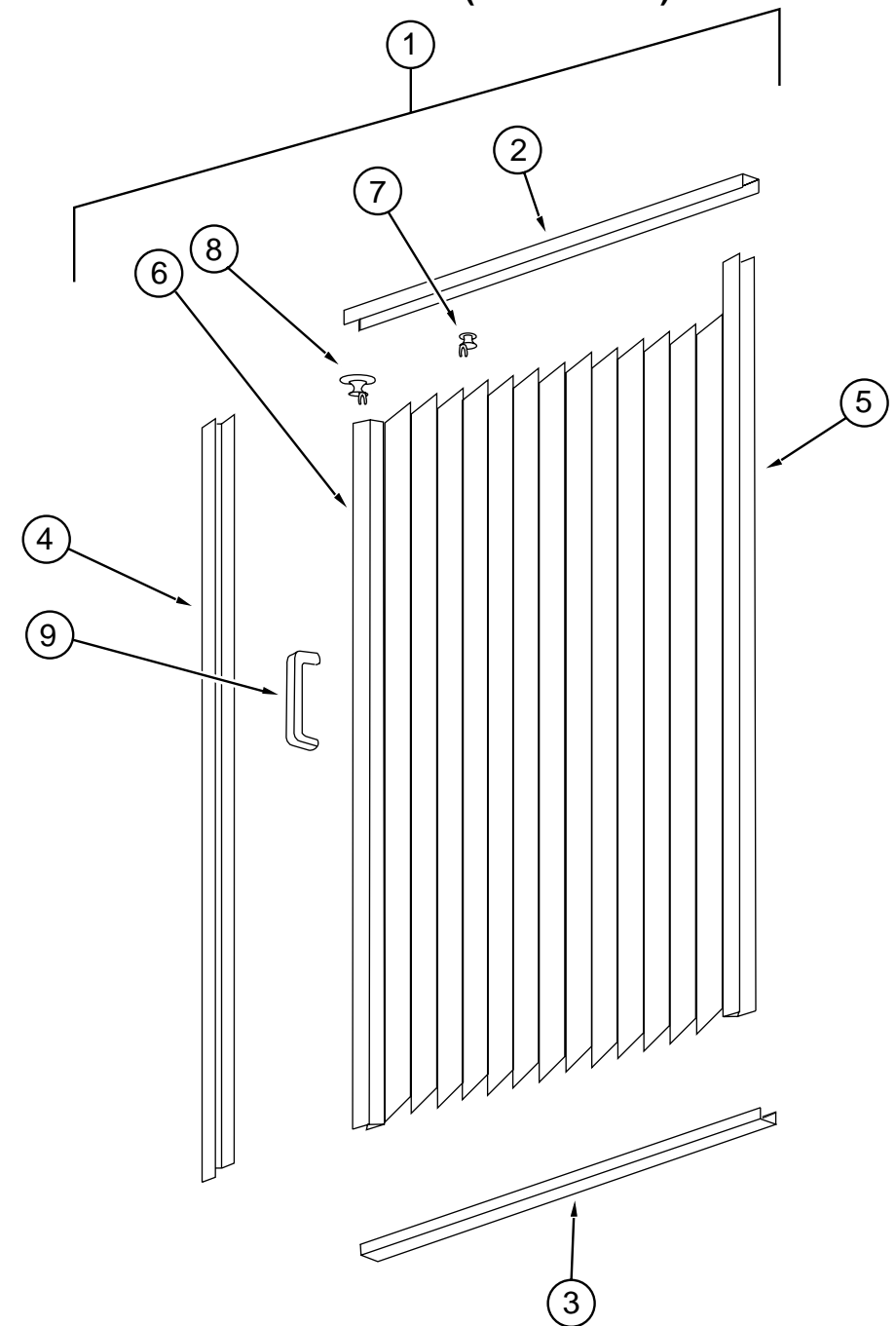
**SHOWER & COMPONENTS**

KEY	PART NUMBER	U/M DESCRIPTION	VENDOR NO.
1	110541-01-01A	EA SURROUND - SHOWER/TUB W/MOLDED ROD BRACKETS	
2	103092-02-000	EA SHOWER HEAD - W/60" HOSE - CSA	
2	103092-01-000	EA SHOWER HEAD - W/60" HOSE - WHITE	
	103092-01-700	EA BRACKET-F/SHOWER HEAD, CLEAR	2328028
	103092-01-702	EA SEALS-SPRAY HEAD	24466
	011048-03-700	EA BRACKET - F/SHOWER HEAD	2328029-I
3	079563-04-01A	EA FAUCET - SHOWER 1/2"MPT X 1 1/4"LONG INLET PIPE	
4	075606-01-000	EA PANEL - PLASTIC - FAUCET BACK - 5" X 9"	
5	M02630-25-E37	EA SHOWER PAN - W/STRAINER/TAILPIECE	
	115793-01-01A	EA ANGLE - PLASTIC	

**SHOWER SKYLIGHT**

KEY	PART NUMBER	U/M DESCRIPTION
	114496-01-02A	EA PANEL - SKYLIGHT - OUTER - 22" X 37"
	122191-01-02A	EA PANEL - SKYLIGHT - INNER W/LIGHT CUTOUT - 20.7" X 35.4"

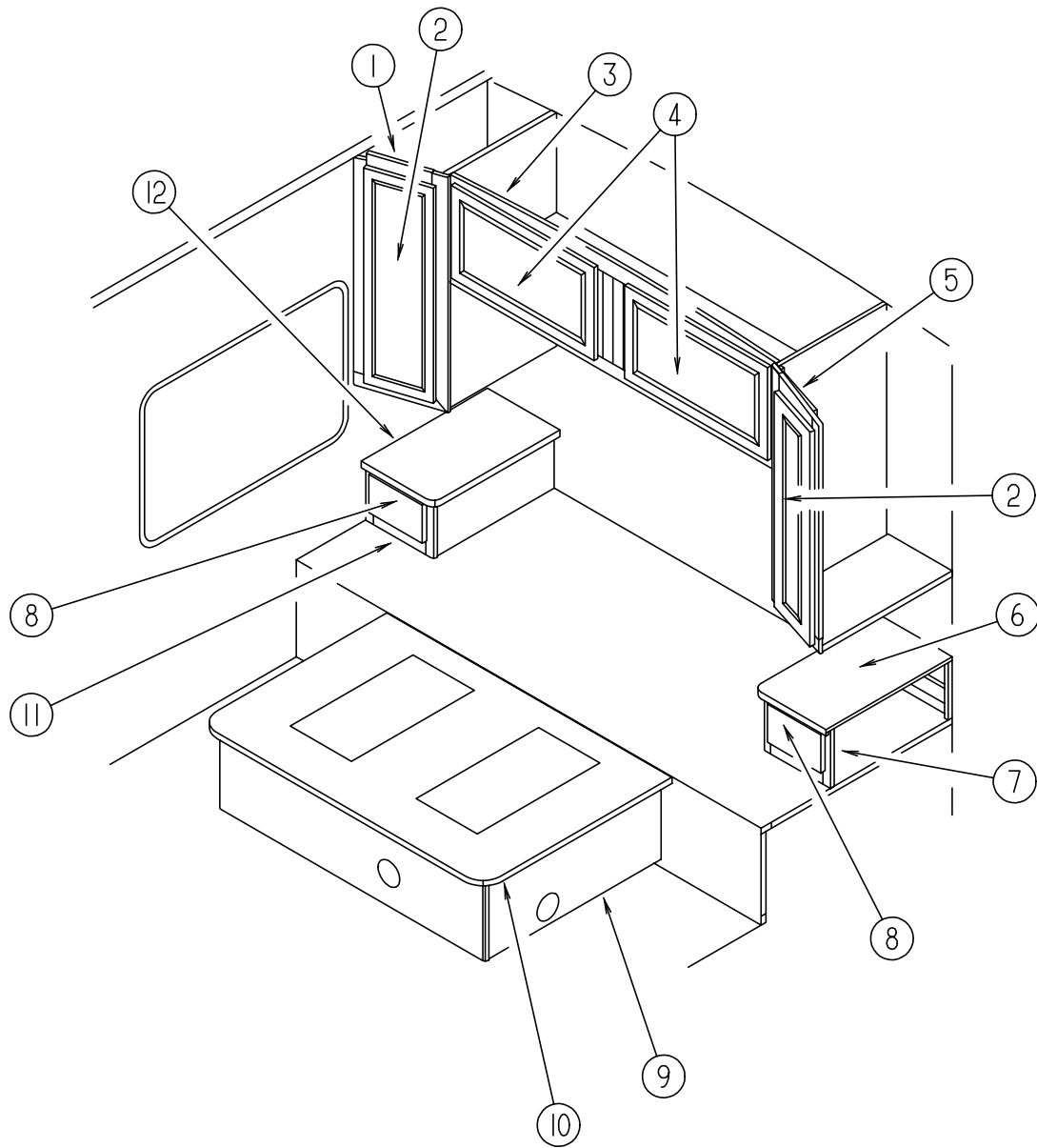
**BATH GROUP (CONTINUED)**



**SHOWER DOOR COMPONENTS**

KEY	PART NUMBER	U/M DESCRIPTION
1	117431-05-01A	EA DOOR - SHOWER - PLEATED FABRIC
2	117431-01-700	EA TRACK-TOP, ALUM.IVORY INSERT 48"
3	117431-01-701	EA TRACK-BOTTOM, 48 "
4	117431-01-702	EA RAIL-SIDE, 67"
5	117431-01-703	EA RAIL-STATIONARY, 67"
6	117431-01-704	EA RAIL-LEAD, 67"
7	117431-01-705	EA GLIDE-IVORY, TRAVELER
8	117431-01-706	EA GLIDE-IVORY LEAD, TRAVELER
9	117431-01-708	EA HANDLES & SCREWS
	117431-01-707	EA LATCH
	117431-05-700	EA STRAP-VINYL SHOWER

**BEDROOM GROUP  
QUEEN BEDROOM CABINETRY**

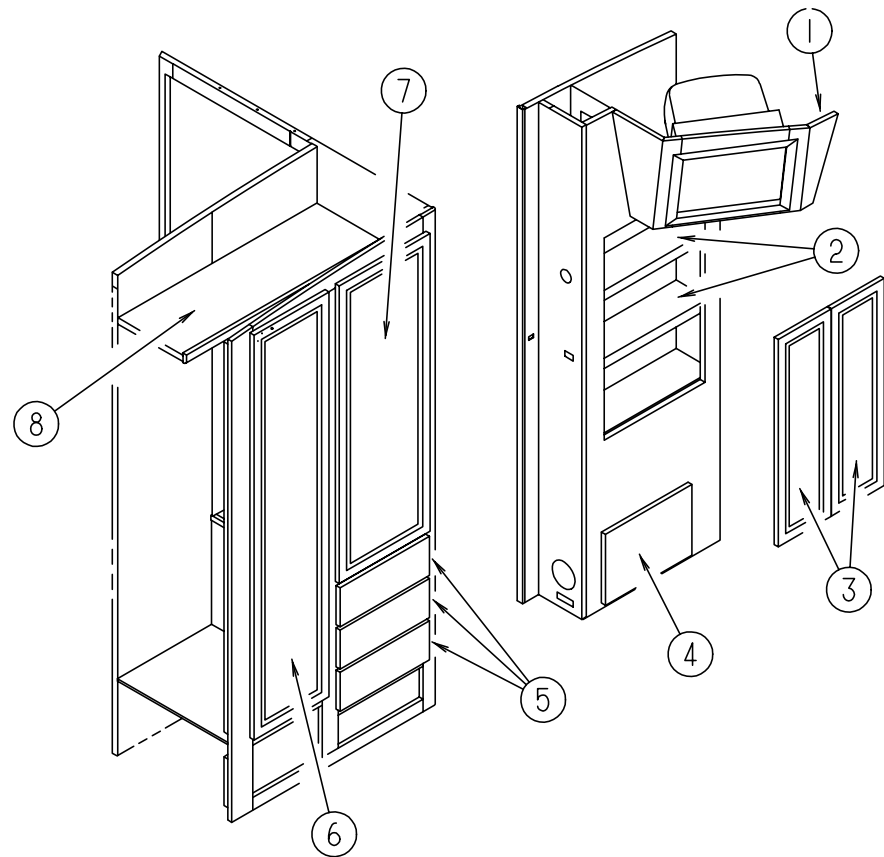


KEY	PART NUMBER	U/M	DESCRIPTION
1	126003-01-J20	EA	CABINET - SHIRT CLOSET/RIGHT HAND - W/O DOORS/HARDWARE
	009112-01-000	EA	FLANGE - PLASTIC - 1" CLOTHES ROD - OFF WHITE
	042438-01-000	EA	DOWEL - WOOD - CLOTHES ROD - 1" DIAMETER X 4'
2	M05992-91-J20	EA	DOOR - STRAIGHT CORNER/OGEE EDGE - 14.3" X 36.4" - W/O HDW
3	106523-01-G09	EA	CABINET - OVERHEAD/REAR - W/O DOORS/HARDWARE
4	M05992-48-J20	EA	DOOR - STRAIGHT CORNER/OGEE EDGE - 15.7" X 27.9" - W/O HDW
5	126003-02-J20	EA	CABINET - SHIRT CLOSET/LEFT HAND - W/O DOORS/HARDWARE
	009112-01-000	EA	FLANGE - PLASTIC - 1" CLOTHES ROD - OFF WHITE
	042438-01-000	EA	DOWEL - WOOD - CLOTHES ROD - 1" DIAMETER X 4'
6	125904-12-J20	EA	COUNTERTOP - NIGHTSTAND
6	125904-12-J21	EA	COUNTERTOP - NIGHTSTAND
7	125904-02-J20	EA	CABINET - NIGHTSTAND/LH-W/COUNTERTOP-W/O DOORS/DWRS/HDW
7	125904-02-J21	EA	CABINET - NIGHTSTAND/LH-W/COUNTERTOP-W/O DOORS/DWRS/HDW
8	M05971-L5-J20	EA	DRAWER - OGEE EDGE - 11.5"W X 21.6"D - W/O SLIDES/HARDWARE
9	P21862-01-H13	EA	CABINET - BASE - QUEEN BED - W/O DOORS/DRAWERS/HARDWARE
	107796-06-000	EA	SPRING/GAS - 12" COMPRESSED/20" EXTENDED - 120 LB.
	126259-01-000	EA	STUD - BALL - GAS SHOCK MOUNTING
	126263-02-02B	EA	BRACKET - GAS SPRING
	097872-04-000	EA	DOWEL - WOOD - 1" DIAMETER X 1.38" LONG
	057534-01-000	EA	TIEBACK/TIEDOWN - 6" CLEAR PLASTIC
10	M05706-17-000	EA	TOP - QUEEN BED - W/O HARDWARE
11	125904-01-J20	EA	CABINET - NIGHTSTAND/RH-W/COUNTERTOP-W/O DOORS/DWRS/HDW
11	125904-01-J21	EA	CABINET - NIGHTSTAND/RH-W/COUNTERTOP-W/O DOORS/DWRS/HDW
12	125904-11-J20	EA	COUNTERTOP - NIGHTSTAND
12	125904-11-J21	EA	COUNTERTOP - NIGHTSTAND

**BEDROOM FOLDING PRIVACY DOOR**

KEY	PART NUMBER	U/M	DESCRIPTION	VENDOR NO.
	042488-12-000	EA	DOOR - FOLDING - OFF WHITE FABRIC - 27.5" X 75"	
				FROM: 00-00-00 THRU: 12-07-97
	042488-10-700	EA	LEADRAIL-PREPUNCHED F/HANDLE	DW2100
	080224-01-700	EA	HANDLE W/LATCH-CATCH, BROWN	DE03505
	080224-01-705	EA	LATCH & CATCH ASM., ALMOND	DE25010 & DE25020
	042488-13-000	EA	DOOR - FOLDING - FABRIC - 27.5" X 75"	
				FROM: 12-08-97 THRU: 99-99-99
	094856-05-01A	EA	TRACK - DOOR/FOLDING - OFF WHITE	
	009700-04-002	EA	TRACK/CURTAIN - L SHAPED - 15.5' - OFF WHITE	
	009702-01-000	EA	END STOP - CURTAIN CARRIER - L ROD	

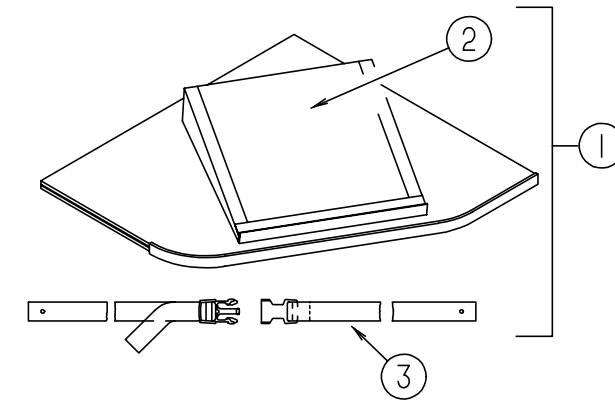
**BEDROOM GROUP (CONTINUED)**



**QUEEN BEDROOM WARDROBE CABINETRY**

KEY	PART NUMBER	U/M DESCRIPTION
1	127286-01-J20	EA CABINET - OVERHEAD/TV/REAR - W/O DOORS/HARDWARE
	127286-11-J20	EA TRIM - OVERHEAD/REAR - TV CABINET
2	126567-11-J20	EA SHELF - W/PLASTIC EDGE TRIM
3	M05992-01-J20	EA DOOR - STRAIGHT CORNER/OGEE EDGE - 9.8" X 33.4" - W/O HDW
4	M05992-R5-J20	EA DOOR - STRAIGHT CORNER/OGEE EDGE - 15.8" X 11.4" - W/O HDW
5	M05971-AA-J20	EA DRAWER - OGEE EDGE - 14.8"W X 19.7"D - W/O SLIDES/HARDWARE
6	M06803-B8-H13	EA DOOR - MITERED CORNER/OGEE EDGE - 14.2" X 65.4" - W/O HDW
7	M06803-C6-G09	EA DOOR - MIRROR/MTRD CRNR/OGEE EDGE - 16.7" X 48" - W/O HDW
8	126566-17-J20	EA SHELF - W/PLASTIC EDGE TRIM

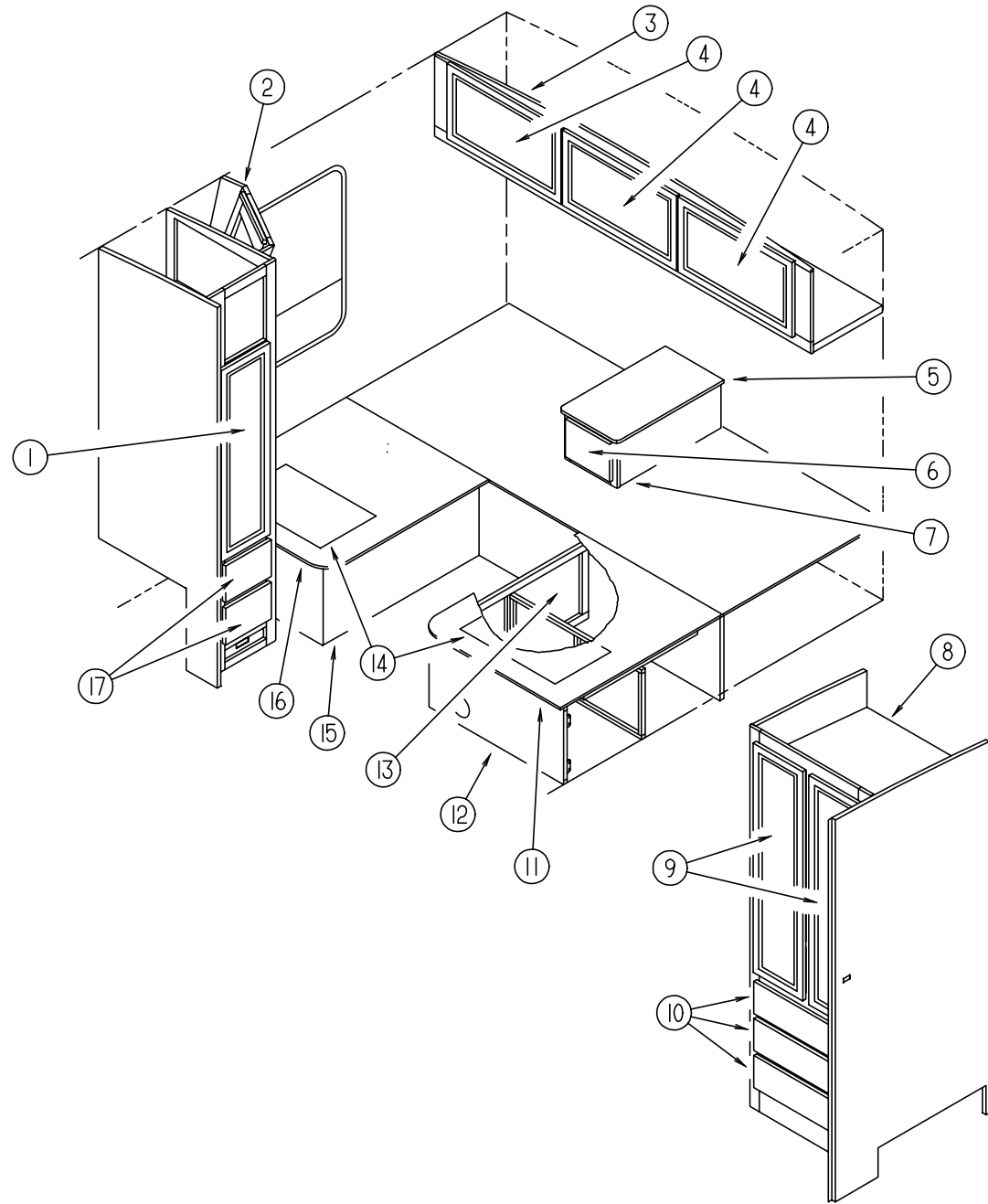
**BEDROOM GROUP (CONTINUED)**



**TV SHELF**

KEY	PART NUMBER	U/M DESCRIPTION
1	P23534-01-J20	EA SHELF - TV - W/O TIEDOWN - F/QUEEN BED
1	P23534-02-H13	EA SHELF - TV - W/O TIEDOWN - F/TWIN BED
2	123534-12-H13	EA WEDGE - TV SHELF
3	099717-01-000	EA STRAP - TV TIE DOWN W/24" FEMALE STRAP & 14.2" MALE STRIP

**BEDROOM GROUP (CONTINUED)**  
**TWIN BEDROOM CABINETS**



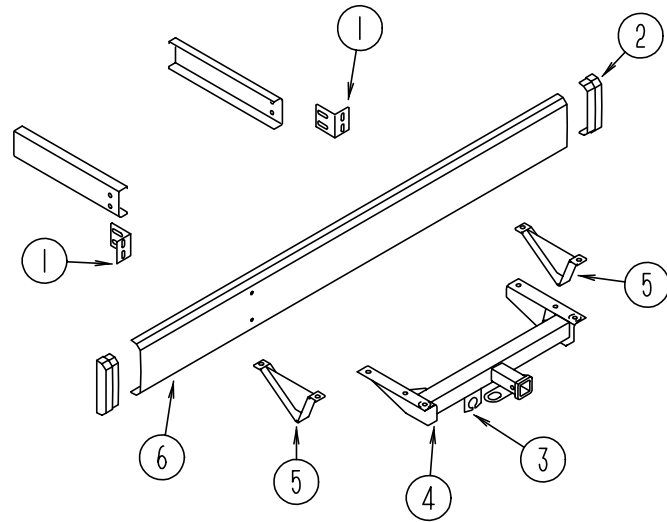
KEY	PART NUMBER	U/M	DESCRIPTION
1	M05992-47-J20	EA	DOOR - STRAIGHT CORNER/OGEE EDGE - 12" X 39.9" - W/O HDW
	009112-01-000	EA	FLANGE - PLASTIC - 1" CLOTHES ROD - OFF WHITE
	042438-01-000	EA	DOWEL-WOOD, CLOTHES ROD - 1" DIAMETER X 4'
2	127286-01-J20	EA	CABINET - OVERHEAD/TV/REAR - W/O DOORS/HARDWARE
	127286-11-J20	EA	TRIM - OVERHEAD/REAR - TV CABINET
3	116187-01-H17	EA	CABINET - OVERHEAD/REAR - W/O DOORS/HARDWARE - TWIN BED
4	M05992-48-J20	EA	DOOR - STRAIGHT CORNER/OGEE EDGE - 15.7" X 27.9" - W/O HDW
5	126059-11-J20	EA	COUNTERTOP - NIGHTSTAND
5	126059-11-J21	EA	COUNTERTOP - NIGHTSTAND
6	M05971-EL-J20	EA	DRAWER - OGEE EDGE - 15.5"W X 23.6"D - W/O SLIDES/HARDWARE
7	126059-01-J20	EA	CABINET - NIGHTSTAND/TWNB-D-W/COUNTERTOP-W/O DOORS/DWRS/HDW
7	126059-01-J21	EA	CABINET - NIGHTSTAND/TWNB-D-W/COUNTERTOP-W/O DOORS/DWRS/HDW
8	126565-12-J20	EA	SHELF - W/PLASTIC EDGE TRIM
9	M05992-L2-J20	EA	DOOR - MIRROR/MTRD CORNER/OGEE EDGE - 12" X 48" - W/O HDW
	009112-01-000	EA	FLANGE - 1" ROD, CLOTHES - PLASTIC - OFF WHITE
	042438-01-000	EA	DOWEL-WOOD, CLOTHES ROD - 1" DIAMETER X 4'
10	M05971-AB-H13	EA	DRAWER - OGEE EDGE - 23"W X 23.6"D - W/O SLIDES/HARDWARE
11	M04170-12-000	EA	TOP - TWIN BED/LEFT HAND - W/O HARDWARE
12	P21859-01-H13	EA	CABINET - BASE - TWIN BED - W/O DOORS/DRAWERS/HARDWARE
13	M05992-L2-J20	EA	DOOR - STRAIGHT CORNER/OGEE EDGE - 14.3" X 17.9" - W/O HDW
14	096764-02-000	FT	SLIPNOT - ANTISLIP - 1" WIDE (100' ROLLS)
15	P21860-01-H13	EA	CABINET - BASE - TWIN BED - W/O DOORS/DRAWERS/HARDWARE
16	M04170-13-000	EA	TOP - TWIN BED/RIGHT HAND - W/O HARDWARE
17	M05971-Z8-H13	EA	DRAWER - OGEE EDGE - 8.9"W X 23.6"D - W/O SLIDES/HARDWARE

**BEDROOM FOLDING PRIVACY DOOR**

KEY	PART NUMBER	U/M	DESCRIPTION	VENDOR NO.
	042488-10-000	EA	DOOR - FOLDING - OFF WHITE FABRIC - 37" X 75"	
			TRACK MUST BE ORDERED SEPERATELY	
	042488-10-700	EA	LEADRAIL-PREPUNCHED F/HANDLE	DW2100
	080224-01-700	EA	HANDLE W/LATCH-CATCH, BROWN DE03505	
	080224-01-705	EA	LATCH & CATCH ASM., ALMOND DE25010 & DE25020	
	094832-02-01A	EA	TRACK - FOLDING DOOR	
	009700-04-002	EA	TRACK/CURTAIN - L SHAPED - 15.5' - OFF WHITE	
	009702-01-000	EA	END STOP - CURTAIN CARRIER - L ROD	



## CHASSIS GROUP



### REAR BUMPER, TRAILER HITCH & COMPONENTS

KEY	PART NUMBER	U/M DESCRIPTION
1	104418-07-000	EA ANGLE - BUMPER - REAR SUPPORT
2	103228-01-05A	EA END CAP - REAR BUMPER - DRIVER/PASSENGER SIDE
3	113588-01-01B	EA BRACKET - CONNECTOR - TRAILER W/LIP - 1999 FORD CHASSIS
3	113588-02-01B	EA BRACKET - CONNECTOR - TRAILER W/O LIP 1997 FORD CHASSIS & CHEVY CHASSIS
4	107707-01-000	EA HITCH RECEIVER - BOLT-ON CLASS II - 1997 FORD CHASSIS & CHEVY CHASSIS FROM: 00-00-00 THRU: 05-10-98
4	130339-01-000	EA HITCH RECEIVER - BOLT-ON CLASS II - 1997 FORD CHASSIS & CHEVY CHASSIS FROM: 05-11-98 THRU: 99-99-99
4	117313-03-04B	EA DRAWBAR - HITCH CLASS III - 1999 FORD CHASSIS
5	111742-01-000	EA PLATE - SKID
6	103099-10-02A	EA BUMPER - REAR
	070579-09-000	EA PLATE - ANCHOR FROM: 00-00-00 THRU: 10-06-97
	113589-02-000	EA CONNECTOR - SOCKET - TRAILER
	113589-01-000	EA CONNECTOR - PLUG - TRAILER

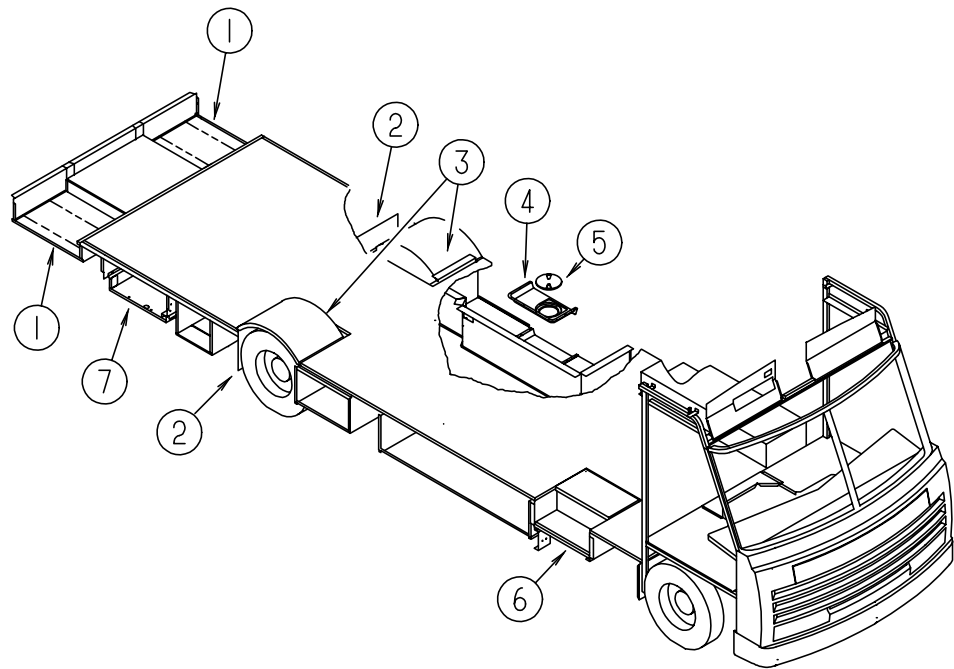
## CHASSIS GROUP (CONTINUED) 19.5" STAINLESS WHEEL LINERS

KEY	PART NUMBER	U/M DESCRIPTION	VENDOR NO.
	110435-10-000	EA LINER - WHEEL - SET 4 - 19.5"	
	110435-10-700	EA LINER - WHEEL - FRONT - 1 PC	V195P7-FWC
	110435-10-701	EA LINER - WHEEL - REAR - 1 PC.	V195P7-RWC
	110435-10-702	EA COVER-LUG NUT W/STEEL JN	V195P7-EJN
	110435-10-703	EA STUD - PLASTIC	V195P7-PST
	110435-10-704	EA COVER-LUG NUT W/PLASTIC JN	V195P7-PJN
	110435-10-705	EA TOOL - INSTALLATION	V195P7-TOL

### 16" STAINLESS WHEEL LINERS

KEY	PART NUMBER	U/M DESCRIPTION	VENDOR NO.
	110435-08-000	EA LINER - WHEEL SET (SET=4) 16"	
	110435-01-711	EA DECAL-CENTER CAP, 2" DECAL	
	110435-02-702	EA STUD EXTENDER	V160SD-STX
	110435-02-703	EA NUT (JAMB)	V160SD-JNT
	110435-02-704	EA COVER-LUG NUT	V160FO-LNC
	110435-02-705	EA TOOL F/ JAMB NUT, INSTALL.	V160FO-TOL
	110435-08-700	EA LINER-WHEEL, FRONT	V160SD-FWC
	110435-08-701	EA LINER-WHEEL, REAR	V160SD-RWC

## CHASSIS GROUP (CONTINUED)

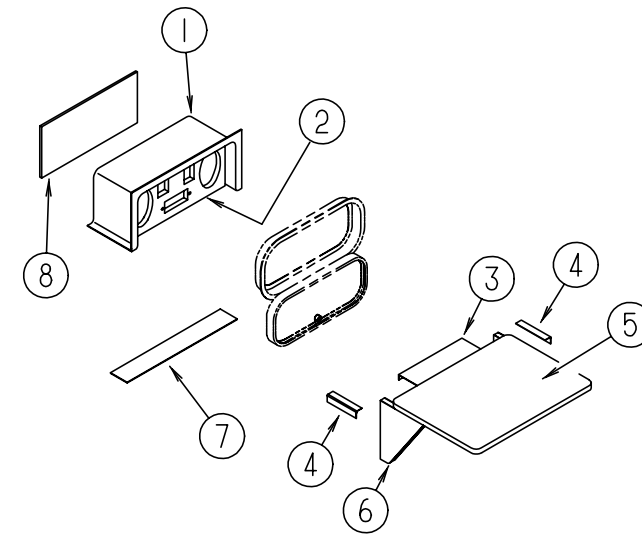


### STORAGE COMPARTMENTS & WHEELWELLS

KEY	PART NUMBER	U/M	DESCRIPTION
1	110820-03-000	EA	COMPARTMENT - STORAGE
2	017516-01-000	EA	MUD FLAP - 14" X 18" - BLACK
2	020167-05-000	EA	DIRT GUARD - STEEL - 14.9" LONG
3	125673-01-000	EA	WHEELWELL - PLASTIC
4	121784-01-01A	EA	COVER - VALVE - DRAINAGE
5	092887-01-000	EA	HATCH/PLATE - 8.2" FLANGE/6.5" R.O. - BLACK
	092887-04-000	EA	CHAIN - TWIST CAP - 9"
6*	094708-01-01A	EA	STEP - ENTRY DOOR - ELECTRIC - SINGLE - W/O DOOR SWITCH
7	105732-02-000	EA	TRAY - GENERATOR
	065450-05-000	EA	TIEDOWN - BATTERY - 8.4" TUBE

\* COMPONENT PARTS FOUND IN SERVICE PARTS LIBRARY

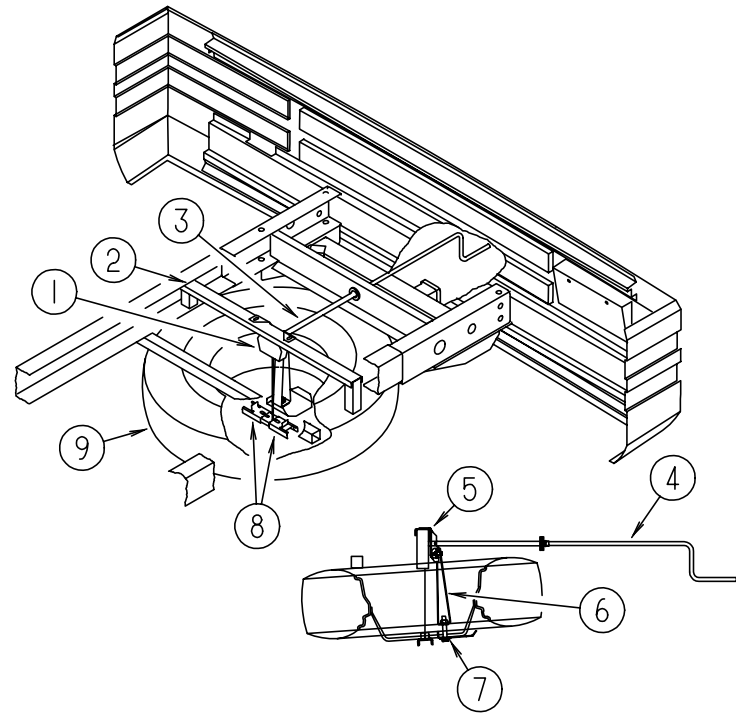
## CHASSIS GROUP (CONTINUED)



### PATIO ENTERTAINMENT CENTER

KEY	PART NUMBER	U/M	DESCRIPTION
1	124696-01-01A	EA	BOX - ENTERTAINMENT CENTER/EXTERIOR
2	127409-02-J01	EA	PLATE - RADIO MOUNTING
3	105377-01-04A	EA	BRACKET - TABLE HANGER - BRIGHT WHITE
4	105376-01-03A	EA	HINGE - CONTINUOUS - 2" X 5.5" - BRIGHT WHITE
5	105230-11-J01	EA	SHELF - EXTERIOR ENTERTAINMENT CENTER - W/O HARDWARE
6	105230-12-J01	EA	SUPPORT - EXTERIOR SHELF
7	104898-01-02A	EA	PLATE - PLASTIC BOTTOM - BRIGHT WHITE
8	104898-02-02A	EA	PLATE - PLASTIC BACK - BRIGHT WHITE

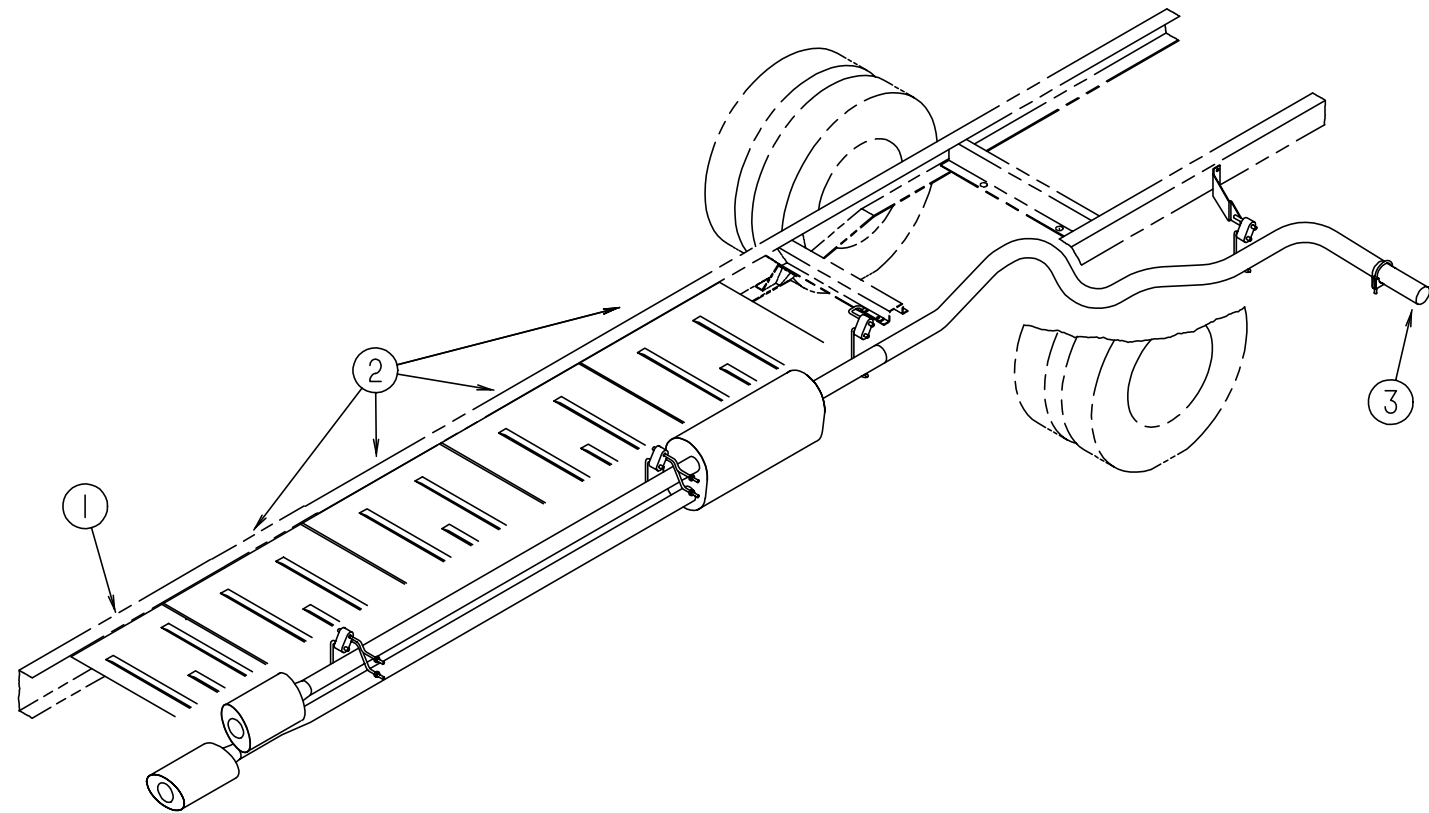
## CHASSIS GROUP (CONTINUED)



**TIRE HOIST**

KEY	PART NUMBER	U/M	DESCRIPTION
1	093267-03-000	EA	HOIST - SPARE TIRE - #100 LB
2	093362-06-000	EA	CHANNEL - TIRE HOIST
3	093375-05-000	EA	EXTENSION - TIRE HOIST
4	093376-02-000	EA	HANDLE - CRANK - TIRE HOIST
	114376-01-000	EA	PIN - DRIVE - .156 X .750 - TYPE E - TIRE HOIST
5	124751-01-02B	EA	HANGER - SPARE TIRE - E-COATED
6	091274-03-000	EA	BOLT-J - 3/8-16 X 12.0
			FROM: 00-00-00 THRU: 02-21-98
6	129086-01-02B	EA	SUPPORT - SPARE TIRE
			FROM: 02-22-98 THRU: 99-99-99
7	124754-01-02B	EA	CATCH - SPARE TIRE
			FROM: 00-00-00 THRU: 02-21-98
7	129085-01-02B	EA	PLATE - SUPPORT - SPARE TIRE
			FROM: 02-22-98 THRU: 99-99-99
8	105499-01-000	EA	BRACKET - TIRE HOIST
9	083425-05-000	EA	TIRE - MICHELIN - LT 235/85R16 - LOAD RANGE E - 1997 FORD CHASSIS
9	102340-04-000	EA	TIRE - 245/70R - 19.5F - GOODYEAR - 1999 FORD CHASSIS
9	091673-01-000	EA	TIRE - 225.70 R19.5 LRF - XZA - CHEVY
9	051377-05-000	EA	VALVE STEM - 1997 FORD CHASSIS
9	051377-04-000	EA	VALVE STEM - .5" X 2" - 1999 FORD CHASSIS
9	051377-01-000	EA	VALVE STEM - CHEVY
9	095853-02-000	EA	WHEEL - STEEL - 16" X 6K - 1997 FORD CHASSIS
9	118814-04-700	EA	WHEEL/TAKE OFF (19.5X6.75RW) 8 BOLT ACCURIDE F53 - 1999 FORD CHASSIS
9	064963-01-000	EA	WHEEL - STEEL - 19.5" X 6" - GM 14005758 - CHEVY
	077030-02-000	EA	EXTENSION - VALVE STEM - 1.25"

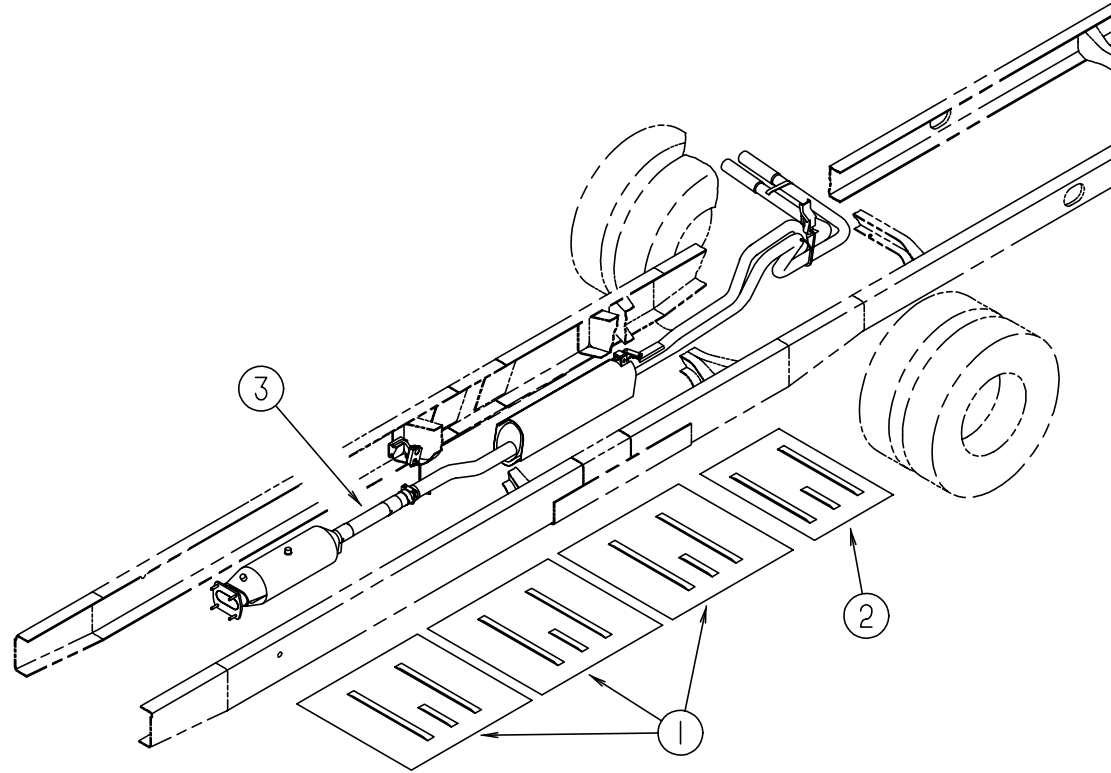
## CHASSIS GROUP (CONTINUED)



**CHEVY EXHAUST SYSTEM**

KEY	PART NUMBER	U/M	DESCRIPTION
1	101544-01-000	EA	SHIELD - HEAT/EXHAUST - 19.7" X 29.1"
2	101544-02-000	EA	SHIELD - HEAT/EXHAUST - 30" X 29.1"
3	098762-11-000	EA	PIPE - EXHAUST - STRAIGHT - 3"
	094918-01-000	EA	CLAMP - EXHAUST - 3" - GUILLOTINE STYLE

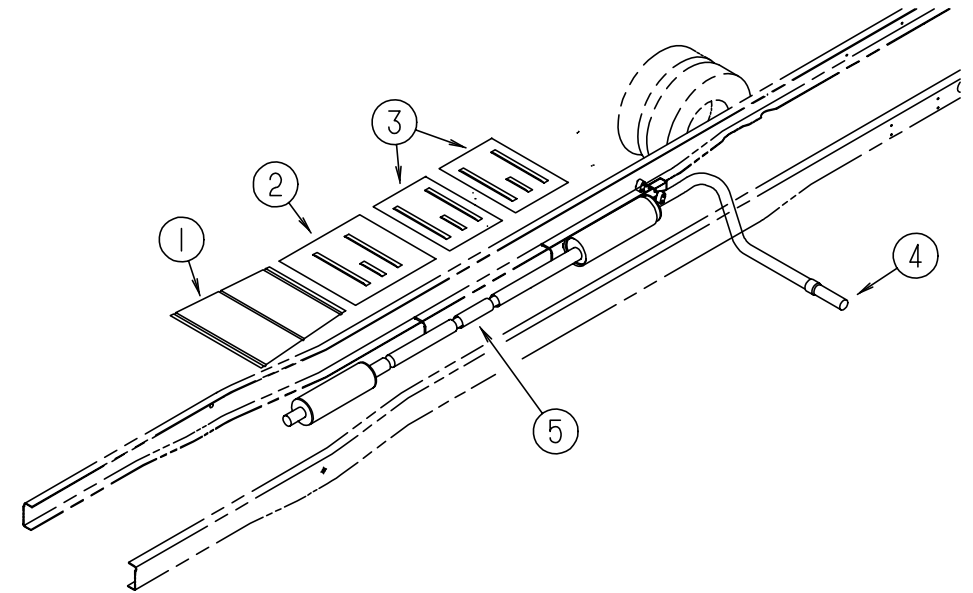
**CHASSIS GROUP (CONTINUED)**



**FORD EXHAUST SYSTEM - 1997 CHASSIS**

KEY	PART NUMBER	U/M	DESCRIPTION
1	101544-06-000	EA	SHIELD - HEAT/EXHAUST - 33.9" X 29.1"
2	101544-01-000	EA	SHIELD - HEAT/EXHAUST - 19.7" X 29.1"
	094918-06-000	EA	CLAMP - EXHAUST - 3" - HEAVY DUTY
3	098762-16-000	EA	PIPE - EXHAUST - STRAIGHT - 3"

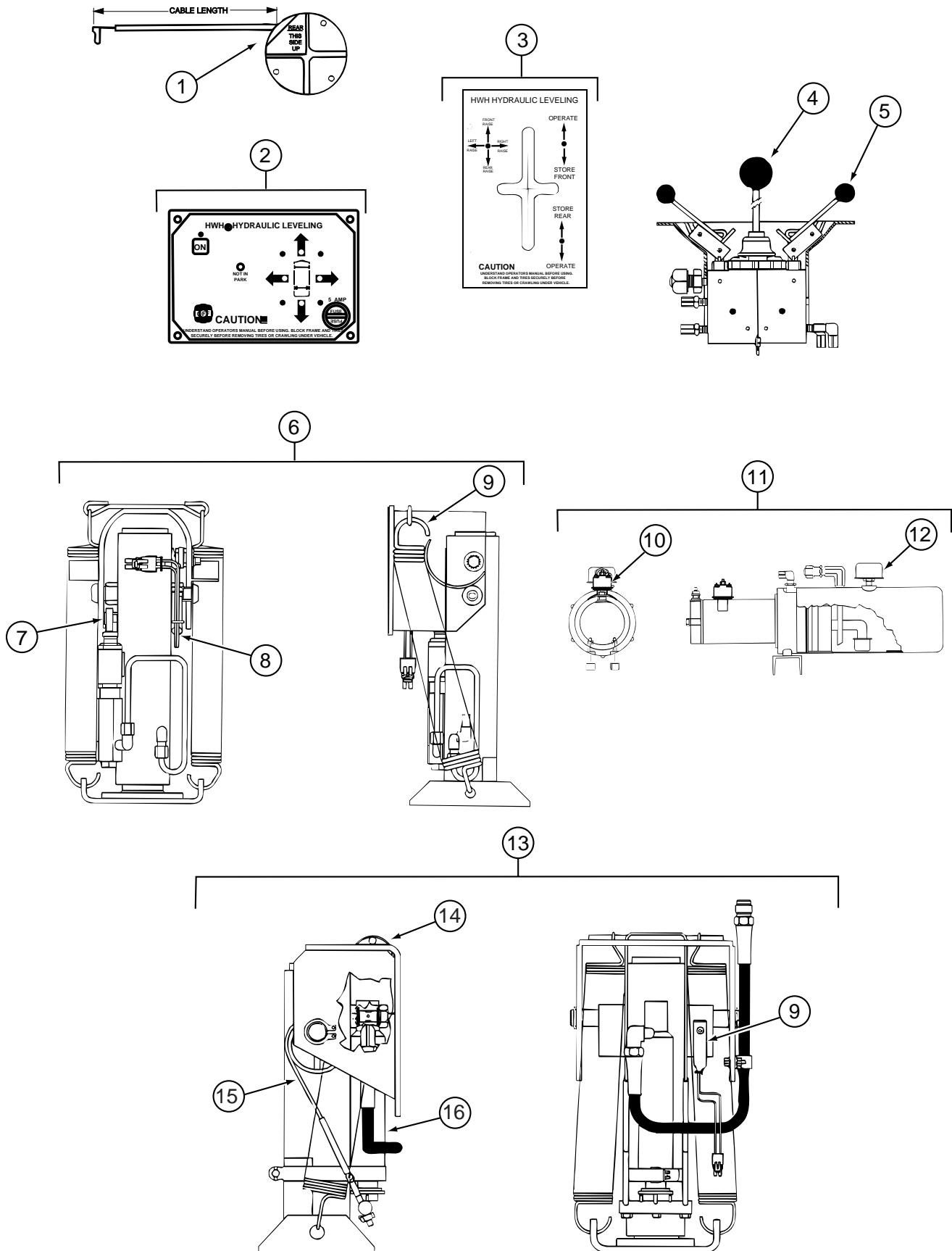
**CHASSIS GROUP (CONTINUED)**



**FORD EXHAUST SYSTEM - 1999 CHASSIS**

KEY	PART NUMBER	U/M	DESCRIPTION
1	128756-01-02B	EA	SHIELD - HEAT EXHAUST - E-COATED
2	101544-06-000	EA	SHIELD - HEAT/EXHAUST - 33.9" X 29.1"
3	101544-02-000	EA	SHIELD - HEAT/EXHAUST - 30" X 29.1"
4	129726-01-000	EA	PIPE - EXHAUST - FORD
5	112012-04-000	EA	PIPE - EXHAUST - 76.2" DIAMETER

**CHASSIS GROUP (CONTINUED)**  
**LEVELING SYSTEM - W/O SLIDEOUT OPTION**

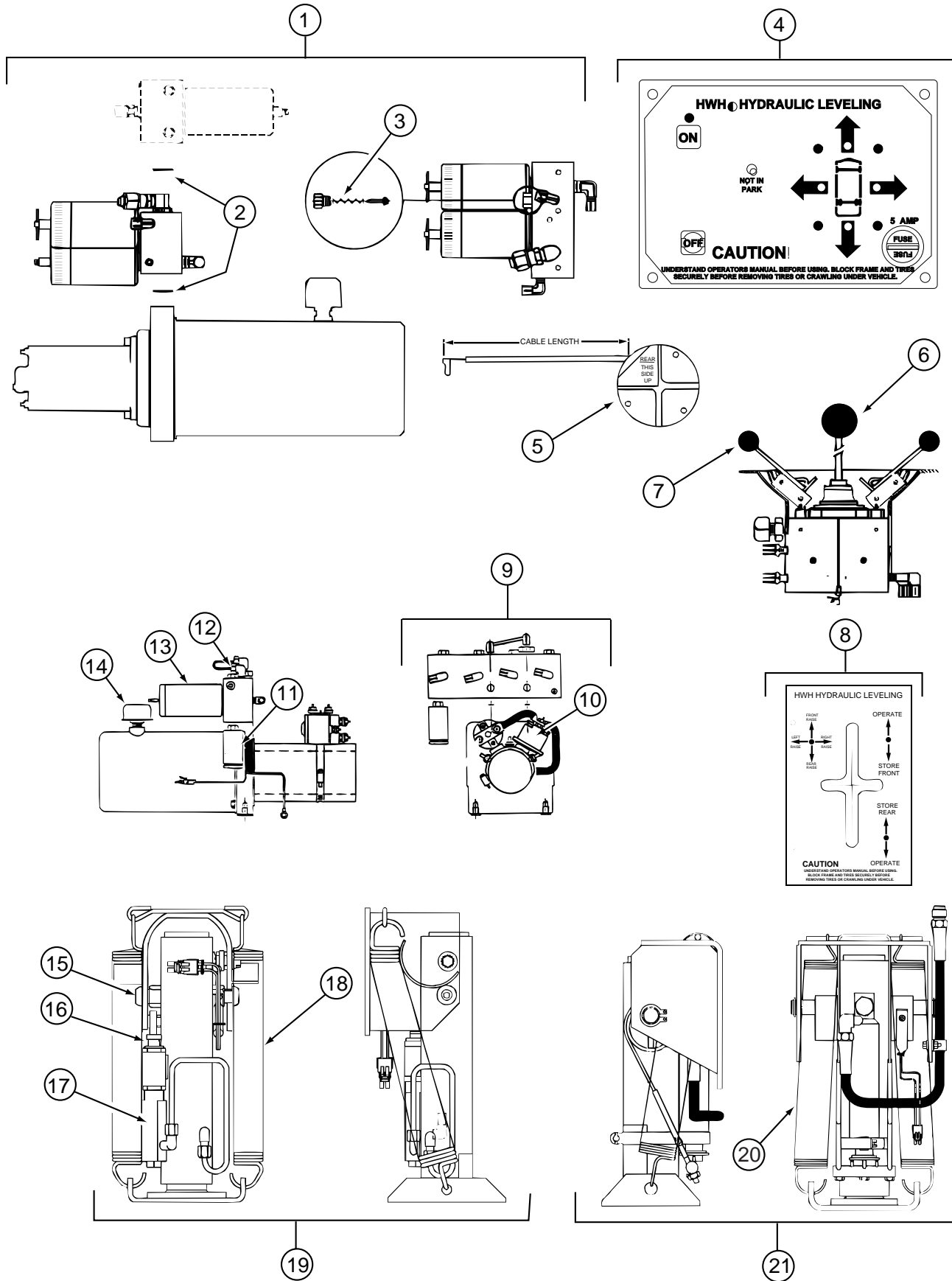


KEY	PART NUMBER	U/M DESCRIPTION	VENDOR NO.
	100532-08-000	EA LEVELING SYSTEM - HYDRAULIC - JOYSTICK - HWH	
1	100532-03-710	EA SENSING UNIT 21' MTA	RAP6798
2	100532-08-703	EA PANEL ASM.-200 BI-AXIS SYS.	RAP9755
3	100532-08-707	EA BEZEL W/GASKET, F/SYSTEM 200	RAP9592
4	100532-08-706	EA KNOB-1 3/16" BLACK	RAP9734
5	100532-08-705	EA KNOB-3/4" BLACK, SET OF FOUR	RAP1379
6	100532-08-704	EA JACK ASM.-9K TALL 200 SYS.	RAP7002
7	100532-09-707	EA ACTUATOR ASM.-9K	RAP0547
8	100532-01-704	EA SWITCH - MERCURY -6K/9K JACK	RAP1010
9	100532-01-705	EA SPRING KIT-9K JACK	R1171
10	100532-09-710	EA SOLENOID-INTERMITTENT DUTY	RAP0533
11	100532-02-705	EA PUMP/RESERVOIR ASM-MONARCH	RAP8178
12	100532-03-715	EA CAP-BREATHER W/DIPSTICK	RAP7876
13	100532-02-700	EA JACK ASSEMBLY, 6K TALL	RAP7164
14	100532-02-701	EA SPRING KIT-6K JACK	R6824
15	100532-02-704	EA CABLE-ACTUATOR, 6K JACK	RAP7194
16	100532-09-709	EA ACTUATOR ASM.-6K	RAP0448
	100532-01-714	EA SCREW KIT (LEVELING JACKS)	R1280
	100532-08-700	EA POWER UNIT ASM.	AP10470
	100532-08-701	EA CONTROL, BI-AXIS-F/200 SYSTEM	RAP0612
	100532-08-702	EA VALVE, BI-AXIS	RAP9589
	100533-05-000	EA BRACKETS - FRONT LEVELING JACK - KICKDOWN - CHEVY	
	100533-06-000	EA BRACKETS - FRONT LEVELING JACKS - KICKDOWN - FORD	
	100534-12-000	EA BRACKETS - REAR LEVELING JACKS (KICKDOWN) - CHEVY	
	107890-01-000	EA ELBOW - STEEL - 90 D - 1/4 X 3/7 D - FLARE	
	117183-01-02B	EA COVER - SENSOR - LEVELING	
	120916-01-02B	EA BRACKET - PUMP - LEVELING SYSTEM	
	122309-01-09B	EA SHIELD - LEVELING JACK - GALVANIZED - CHEVY	

**HOSE KIT - LEVELING SYSTEM/JACKS**

KEY	PART NUMBER	U/M DESCRIPTION	VENDOR NO.
	100536-10-000	EA HOSE KIT - LEVELING SYSTEM/JACKS	
	100536-09-700	EA HOSE-HYDRAULIC-324"	AP2464
	100536-09-701	EA HOSE-HYDRAULIC-60"	RAP4073
	100536-09-702	EA HOSE-HYDRAULIC-354"	RAP4311
	100536-10-700	EA HOSE-HYDRAULIC-84"	RAP1412
	100536-10-701	EA HOSE-HYDRAULIC-116"	RAP90349

**CHASSIS GROUP (CONTINUED)**  
**LEVELING SYSTEM - W/SLIDEOUT OPTION**

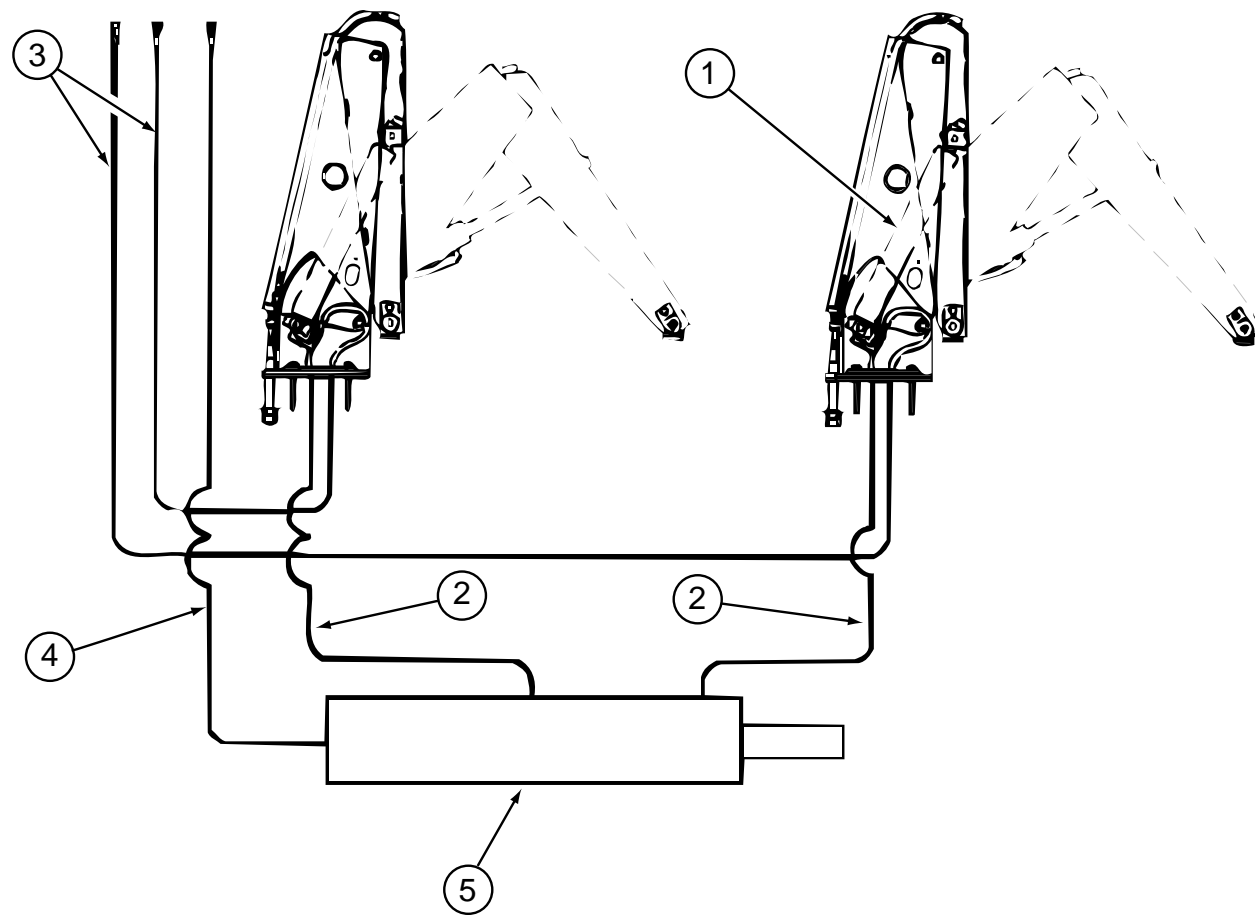


KEY	PART NUMBER	U/M DESCRIPTION	VENDOR NO.
	100532-47-000	EA LEVELING SYS-HYD,SLIDE-OUT - HWH AP16020	
1	100532-37-701	EA PUMP/RESERVOIR/MANIFOLD ASM	RAP13232
2	100532-31-702	EA O-RING/SEAL KIT - MANIFOLD	RAP90127
3	100532-31-701	EA CHECK VALVE & KIT	RAP10021
4	100532-08-703	EA PANEL ASM.-200 BI-AXIS SYS.	RAP9755
5	100532-03-710	EA SENSING UNIT 21' MTA	RAP6798
6	100532-08-706	EA KNOB-1 3/16" BLACK	RAP9734
7	100532-08-705	EA KNOB-3/4" BLACK, SET OF FOUR	RAP1379
8	100532-08-707	EA BEZEL W/GASKET, F/SYSTEM 200	RAP9592
9	100532-16-701	EA MANIFOLD ASM. F/SLIDE OUT	RAP1716
10	100532-09-710	EA SOLENOID-INTERMITTENT DUTY	RAP0533
11	100532-03-723	EA O-RING/SEAL KIT	RAP9171
12	100532-01-713	EA PUMP-RESERVOIR ASM.-MONARCH	RAP90014
13	100532-09-704	EA VALVE-PRESSURE SOLENOID	RAP0642
14	100532-03-715	EA CAP-BREATHER W/DIPSTICK	RAP7876
15	100532-01-707	EA BEARING-ROLLER KIT, 9K JACK	R2527
16	100532-09-709	EA ACTUATOR ASM.-6K	RAP0448
17	100532-09-707	EA ACTUATOR ASM.-9K	RAP0547
18	100532-01-705	EA SPRING KIT-9K JACK	R1171
19	100532-47-700	EA JACK - 9K LOW PROFILE - REAR	RAP7001
20	100532-02-701	EA SPRING KIT-6K JACK	R6824
21	100532-02-700	EA JACK ASSEMBLY, 6K TALL	RAP7164
	100532-01-704	EA SWITCH - MERCURY -6K/9K JACK	RAP1010
	100532-01-714	EA SCREW KIT (LEVELING JACKS)	R1280
	100532-03-722	EA O-RING KIT	R7430
	100532-47-701	EA VALVE - BI-AXIS - W/O LEVERS	RAP0367
	100533-05-000	EA BRACKETS - FRONT LEVELING JACK - KICKDOWN - CHEVY	
	100533-06-000	EA BRACKETS - FRONT LEVELING JACKS - KICKDOWN - FORD	
	100534-12-000	EA BRACKETS - REAR LEVELING JACKS (KICKDOWN) - CHEVY	
	107890-01-000	EA ELBOW - STEEL - 90 D - 1/4 X 3/8 D - FLARE	
	117183-01-02B	EA COVER - SENSOR - LEVELING	
	120916-01-02B	EA BRACKET - PUMP - LEVELING SYSTEM	
	122309-01-09B	EA SHIELD - LEVELING JACK - GALVANIZED - CHEVY	

**HOSE KIT - LEVELING SYSTEM/JACKS**

KEY	PART NUMBER	U/M DESCRIPTION	VENDOR NO.
	100536-10-000	EA HOSE KIT - LEVELING SYSTEM/JACKS	
	100536-09-700	EA HOSE-HYDRAULIC-324"	AP2464
	100536-09-701	EA HOSE-HYDRAULIC-60"	RAP4073
	100536-09-702	EA HOSE-HYDRAULIC-354"	RAP4311
	100536-10-700	EA HOSE-HYDRAULIC-84"	RAP1412
	100536-10-701	EA HOSE-HYDRAULIC-116"	RAP90349

### CHASSIS GROUP (CONTINUED)



**HYDRAULIC SLIDEOUT SYSTEM**

KEY	PART NUMBER	U/M DESCRIPTION	VENDOR NO.
	122359-01-000	EA SLIDEOUT - HYDRAULIC ARM ASSEMBLY	
1	122359-01-700	EA CYLINDER - HYDRAULIC (RAM)	RAP90324
2	122359-01-701	EA HOSE - HIGH PRESSURE 180"	RAP90322
3	122359-01-702	EA HOSE - HYDRAULIC - 204"	RAP90321
4	122359-01-703	EA HOSE - HYDRAULIC - 60"	RAP90320
5	122359-01-704	EA CYLINDER-SYNCHRONIZING	RAP90326
	122359-04-000	EA PUMP/RESERVOIR - SLIDE-OUT - HYDRAULIC - W/O JACKS SYSTEM	
	107938-06-000	EA BRACKET - PUMP	
	108629-01-000	EA SHIELD - PUMP	
	123264-01-000	EA TEE - UNION - 1/4" X 1/4" X 1/4"	

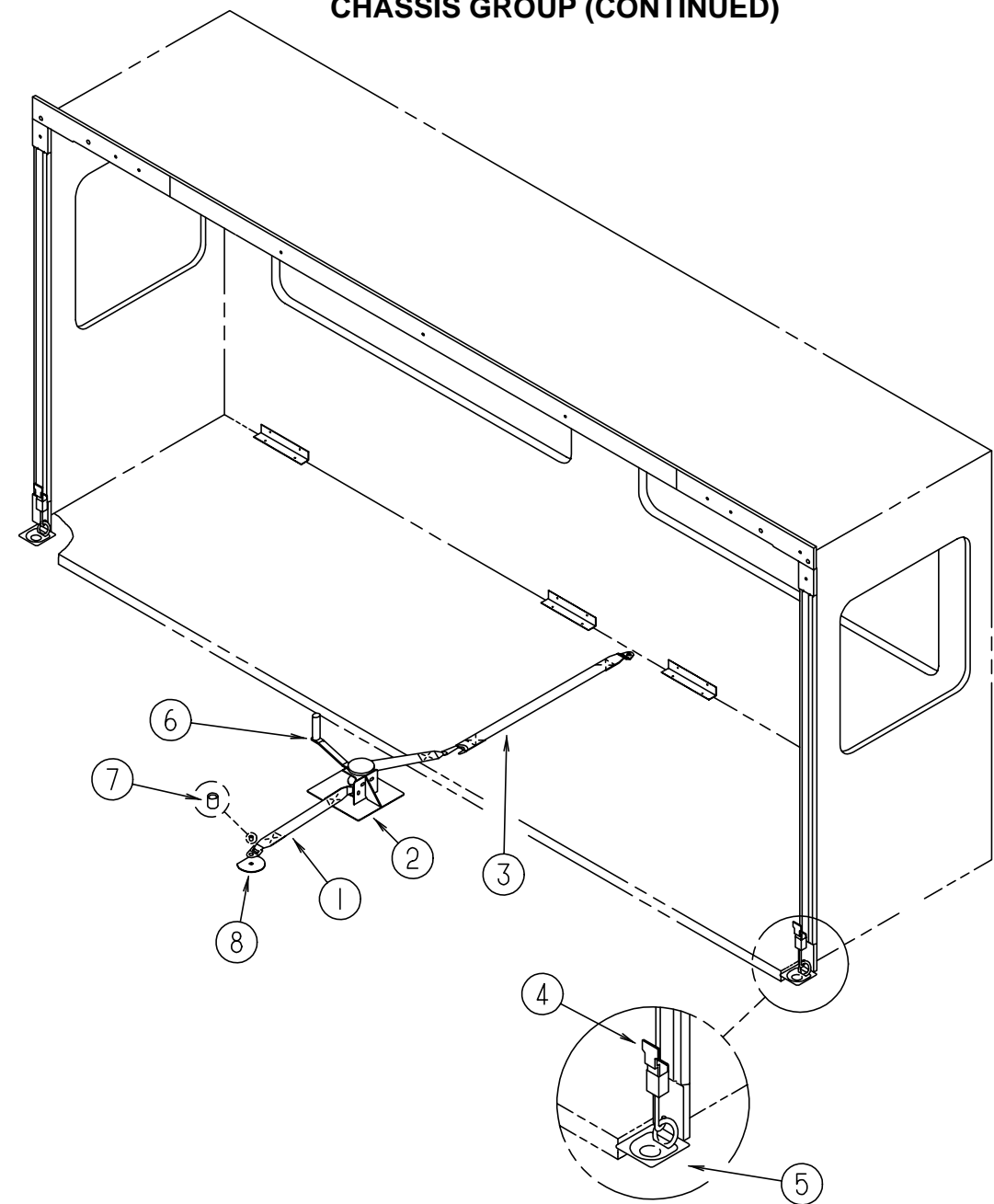
**HOSE KIT - HYDRAULIC SLIDEOUT SYSTEM (FROM: 00-00-00 THRU: 01-09-98)**

KEY	PART NUMBER	U/M DESCRIPTION	VENDOR NO.
	100536-29-000	EA HOSE KIT - PUMP TO SLIDE-OUT VALVING	
	100536-14-700	EA HOSE-HYDRAULIC-288"	RAP4063
	100536-29-700	EA HOSE-HYDRAULIC-280"	AP4729

**HOSE KIT - HYDRAULIC SLIDEOUT SYSTEM (FROM: 01-10-98 THRU: 99-99-99)**

KEY	PART NUMBER	U/M DESCRIPTION	VENDOR NO.
	100536-42-000	EA HOSE KIT - PUMP TO SLIDE-OUT VALVE	
	100536-42-700	EA HOSE - HYDRAULIC - 168"	RAP6115
	100536-42-701	EA HOSE - HYDRAULIC - 175"	RAP90350

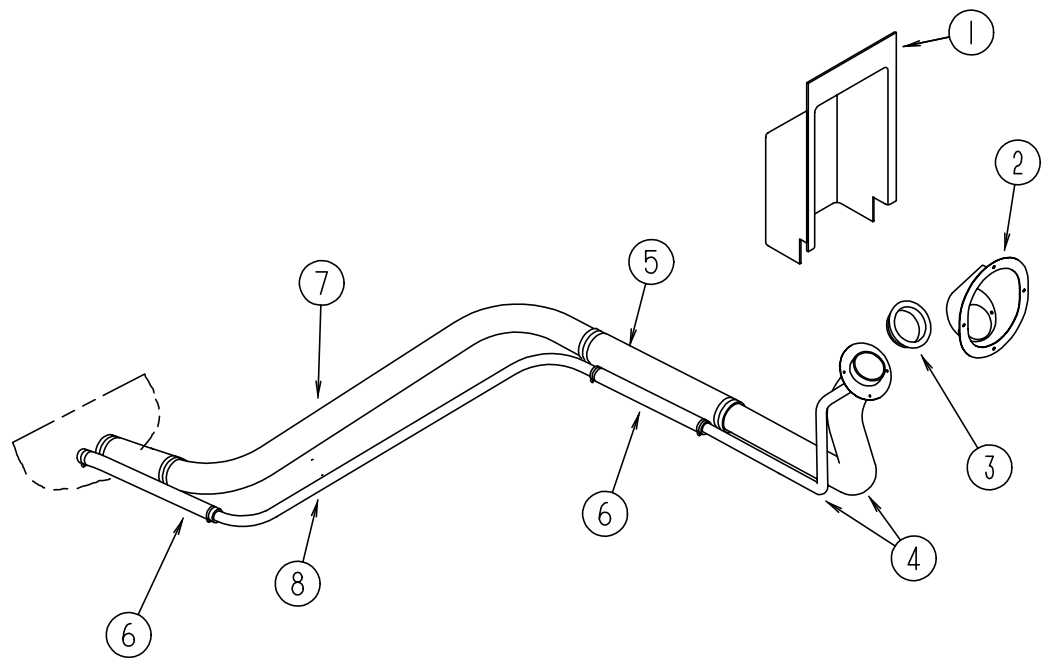
### CHASSIS GROUP (CONTINUED)



**SLIDEOUT HARDWARE**

KEY	PART NUMBER	U/M DESCRIPTION	
1	116101-01-F31	EA STRAP - WINCH	
			FROM: 00-00-00 THRU: 09-29-97
1	116101-03-H13	EA STRAP - WINCH	
			FROM: 09-30-97 THRU: 99-99-99
2	116082-01-02B	EA BRACKET - WINCH	
3	116101-02-F31	EA STRAP - WINCH	
4	116737-01-01A	EA LATCH - DRAW - ADJUSTABLE - ZINC	
5	116736-01-01A	EA TIEDOWN - DROP/D - ZINC	
6	115767-02-000	EA WINCH - SLIDEOUT	
7	116743-01-01A	EA CAP - LUG COVER - THREAD - BLACK	
8	057759-01-000	EA WASHER BRACKET - SEAT BELT - 4" DIAMETER	
8	064081-03-000	EA NUT - WING 3/8-16 - W/WELD NUT	

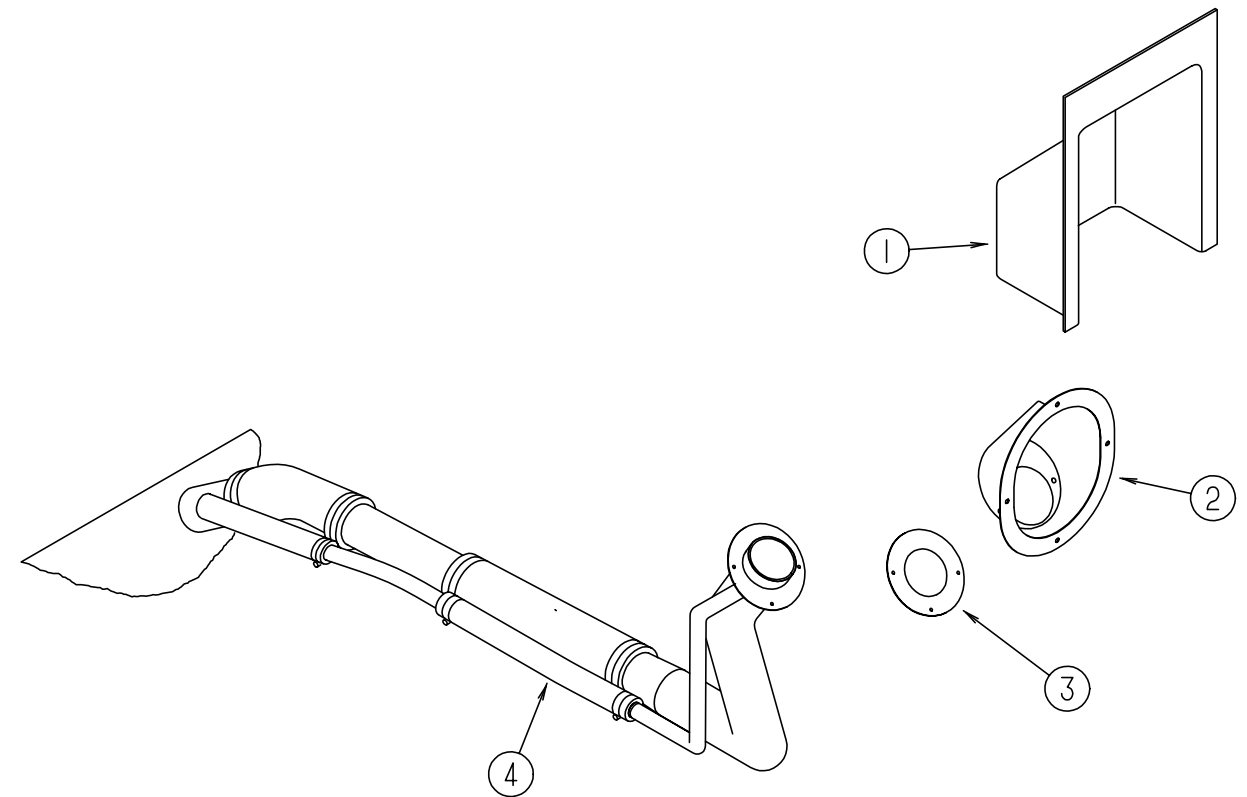
## CHASSIS GROUP (CONTINUED)



### FORD FUEL SYSTEM

KEY	PART NUMBER	U/M	DESCRIPTION
1	072447-04-000	EA	SHROUD - FUEL FILL - UPPER
2	102951-01-06A	EA	SHROUD - FUEL FILL - BRIGHT WHITE
3	078200-01-000	EA	GASKET - FUEL FILL - 3.5" OD X 2" ID
4	095606-01-000	EA	NECK - FUEL FILL - W/CHECK VALVE - L-SHAPERD - 18.2"-FORD
5	007111-02-000	EA	HOSE - FUEL FILL - 2" ID
6	066732-01-000	FT	HOSE - FUEL - .62"ID
7	100140-02-000	EA	TUBE - FUEL INLET
8	100139-02-000	EA	TUBE - FUEL VENT
	007063-01-000	FT	HOSE - FUEL - 1/4"ID X 1/2"OD
	084884-01-000	EA	PLUG - BRASS - 3/8"

## CHASSIS GROUP (CONTINUED)



### CHEVY FUEL SYSTEM

KEY	PART NUMBER	U/M	DESCRIPTION
1	072447-09-000	EA	SHROUD - FUEL FILL - 97 CHASSIS
1	072447-04-000	EA	SHROUD - FUEL FILL - UPPER - 98 CHASSIS
2	095854-01-04A	EA	SHROUD - FUEL FILL - BRIGHT WHITE - 97 CHASSIS
2	127291-01-01A	EA	SHROUD - FUEL FILL - BRIGHT WHITE - 98 CHASSIS
3	078200-01-000	EA	GASKET - FUEL FILL - 3.5" OD X 2" ID
4	066732-01-000	FT	HOSE - FUEL - .62"ID - 97 CHASSIS
4	128139-02-000	FT	HOSE - FUEL - LOW PERMEABILITY - 5/8" DIAMETER - 98 CHASSIS
	084884-01-000	EA	PLUG - BRASS - 3/8"
	007063-01-000	FT	HOSE - FUEL - 1/4"ID X 1/2"OD - 97 CHASSIS
	128139-03-000	FT	HOSE - FUEL - LOW PERMEABILITY - 1/4" DIAMETER - 98 CHASSIS
	068382-06-000	EA	BUSHING - BRASS - 3/8 MPT X 1/8 FPT
	114254-01-000	EA	ADAPTER - 1/4 BARB X 1/8 MPT
	044317-01-000	FT	HOSE - FUEL - 3/8" ID
	098779-01-000	EA	COUPLER - FUEL LINE - 1.2" LONG X 14MM THREAD
	098779-02-000	EA	COUPLER - FUEL LINE - 1.2" LONG X 16MM THREAD



**CHASSIS GROUP (CONTINUED)**  
**SHOCKS & STABILIZER KIT - FRONT**

KEY	PART NUMBER	U/M DESCRIPTION	VENDOR NO.
	122756-02-000	EA SHOCK AND STABILIZER (BLUE BOOT) KIT - FRONT END P30 CHASS NOTE: ORDER 70139029000, FOR AFTER MARKET INSTALLATION	
	122756-02-700	EA BRACKET ASM - DRIVER SIDE	T818L
	122756-02-701	EA BRACKET ASM - PASSENGER SIDE	T818R
	122756-02-702	EA BRACKET ONLY - DRIVER SIDE	T818L
	122756-02-703	EA BRACKET ONLY -PASSENGER SIDE T818R	
	122756-02-704	EA BOLT PACKAGE -BOLTS/NUTS ETC	T818R
	122756-02-705	EA SHOCK	T818SH
	122756-02-706	EA STUD - SHOCK MOUNTING	T818S
	122756-02-707	EA DAMPNER - STEERING	T818SD
	122756-02-708	EA BOOT - DAMPNER	T818SDB
	122756-02-709	EA BUSHING PKG-STEERING DAMPNER	T818SDBSH
	122756-02-710	EA BOLT PKG - STEERING DAMPNER	T818SBS

**LUG WRENCH & LEVERAGE BAR**

KEY	PART NUMBER	U/M DESCRIPTION
	080208-02-000	EA BAR - LEVERAGE - LUG WRENCH
	080208-06-000	EA LUG WRENCH - 1" X 1.06" W/DEEP SOCKET ENDS

**DRIVESHAFT & BRAKE LINE UNIONS**

KEY	PART NUMBER	U/M DESCRIPTION
	088498-01-000	EA UNION - INVERTED FLARE - BRASS - 3/16 BRAKE LINE
	075466-01-000	EA UNION - INVERTED FLAIR - 1/4" BRAKE LINE UNION WHEN CHASSIS IS STRETCHED
	088497-02-000	EA NUT - INVERTED FLARE - 1/4"
	083415-01-000	EA SHIELD - HEAT - DRIVESHAFT BEARING - 4" X 5.5" - STEEL
	075302-29-000	EA DRIVESHAFT ASSEMBLY - 3 PIECES BALANCED - CHEVY 216"

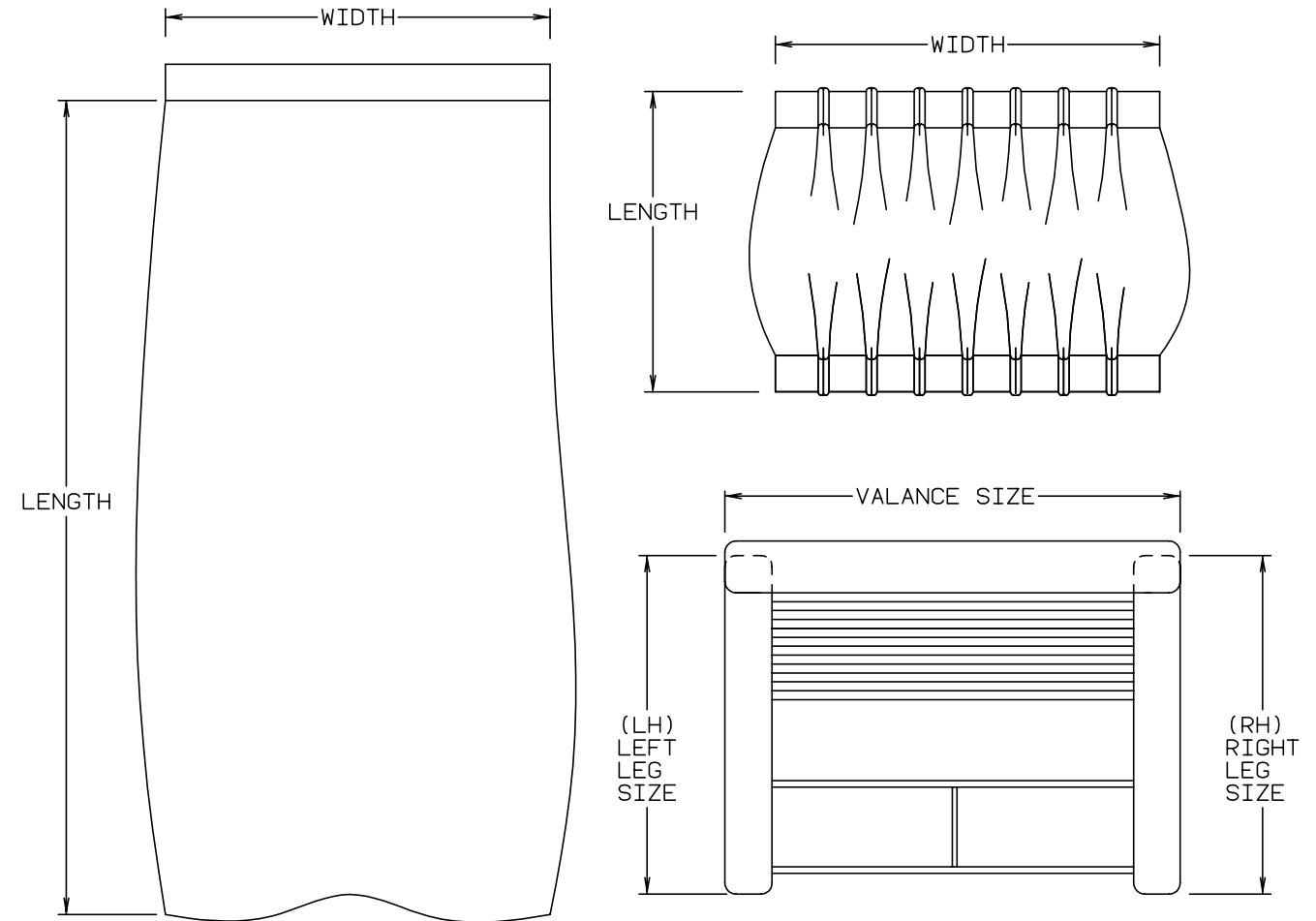
**CHASSIS MISCELLANEOUS**

KEY	PART NUMBER	U/M DESCRIPTION
	008042-01-000	FT TUBING - VINYL - .65" ID
	008401-01-000	EA STRAP - CONDUIT - 3/4" - 1 HOLE - GALVANIZED STEEL
	113007-01-000	EA PIN - SPRING - .375 X 3"
	123361-01-000	EA DUCT - AIR INTAKE

**CURTAIN & CUSHION GROUP**  
**NOTICE**

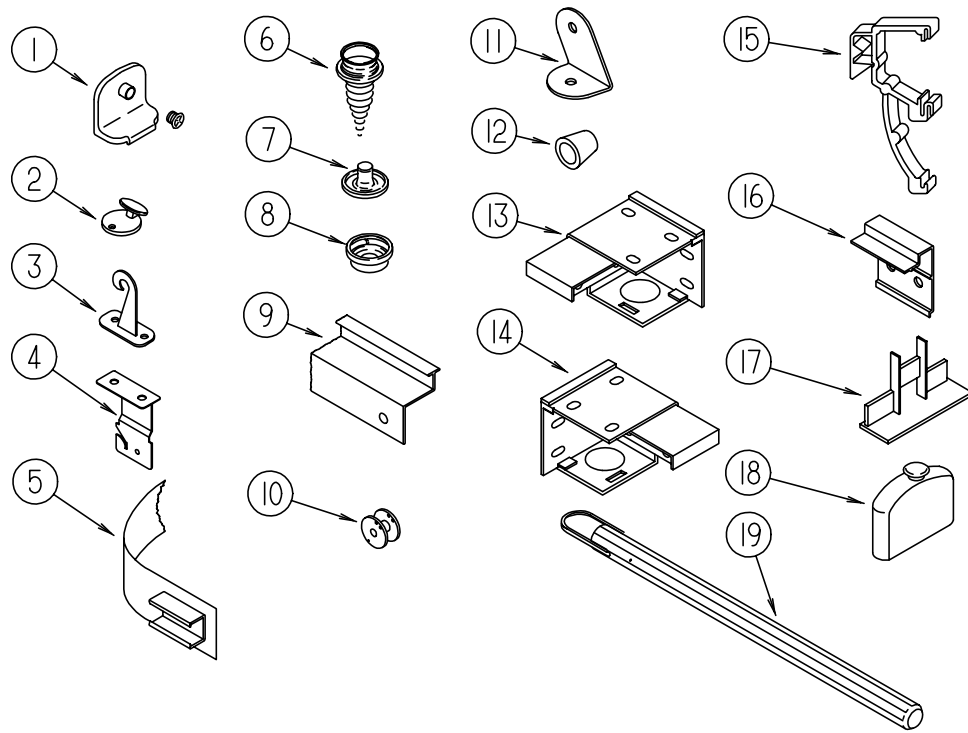
IN ORDER TO ASSIST OUR PARTS SALES DEPT. IN PROVIDING INTERIOR SOFTGOODS ITEMS, PLEASE INCLUDE THE SERIAL NUMBER AND THE COLOR CODE NUMBER FROM THE VEHICLE CERTIFICATION LABEL WHEN ORDERING. THIS LABEL IS LOCATED ON THE LEFT SIDEWALL AT THE END OF THE DASH (A-BODY),OR ON THE DRIVER'S DOOR LATCH PLATE (C-BODY).

AN EXAMPLE OF A COLOR CODE NUMBER IS B07, WHICH DESIGNATES AN OVERALL COLOR SCHEME OF A PARTICULAR UNIT. THE COLOR LISTED AFTER THE ITEM DESCRIPTION ON THE MICROFICHE, INDICATES THE OVERALL UNIT COLOR. ORDER THE ITEM YOU DESIRE ACCORDING TO UNIT COLOR CODE.



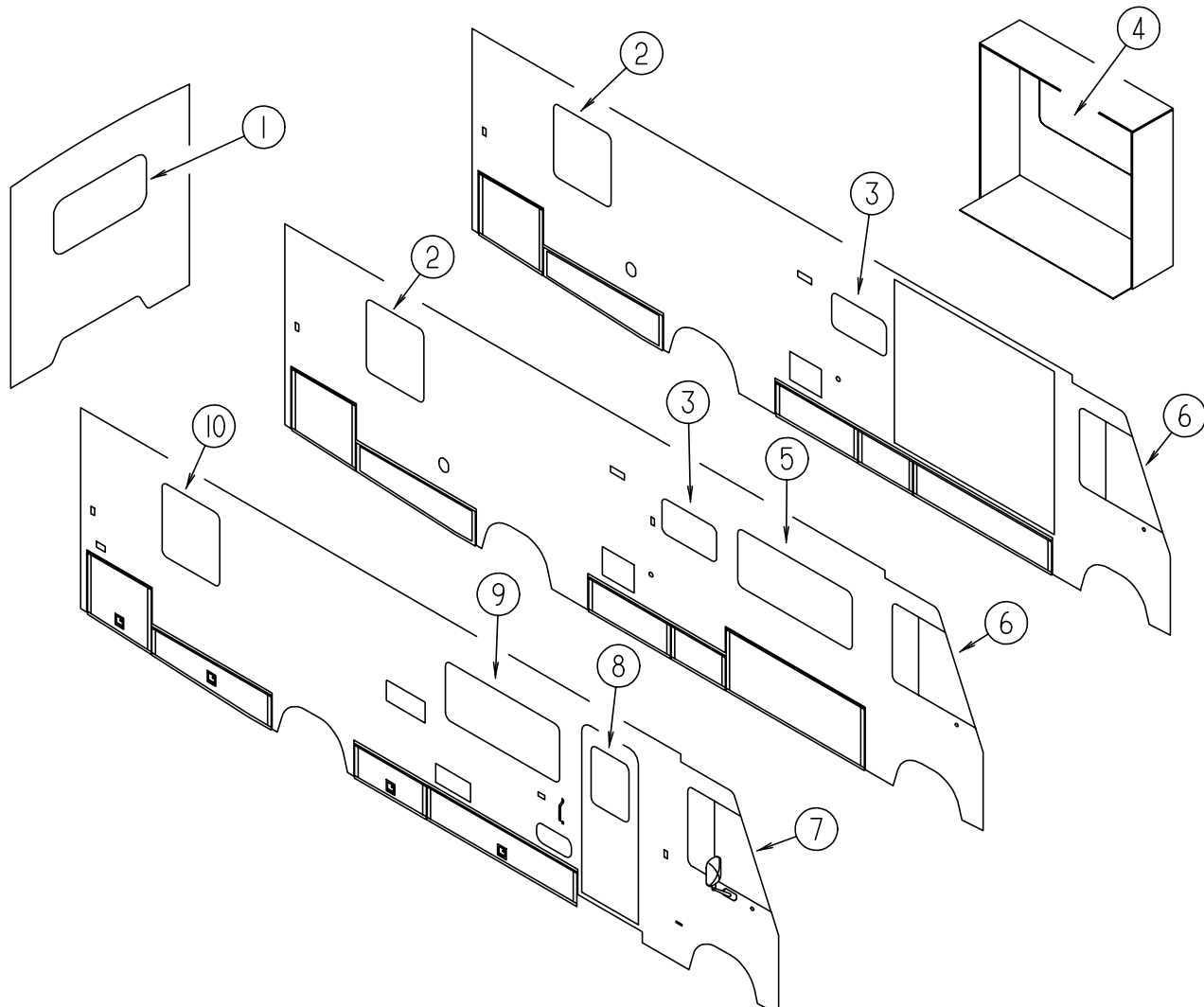
NOTE:USE THIS ILLUSTRATION WHEN DETERMINING LENGTH AND WIDTH MEASUREMENTS FOR CURTAINS. YOU WILL NOTE THE WIDTH MEASUREMENT IS TAKEN ON THE TOP OF THE CURTAIN WITH THE CURTAIN FULLY EXTENDED. THE LENGTH MEASUREMENT IS TAKEN FROM TOP TO BOTTOM. LEFT AND RIGHT WINDOW LEGS ARE DETERMINED WHEN FACING THE WINDOW.

**CURTAIN & CUSHION GROUP (CONTINUED)**  
**CURTAIN, BLIND HARDWARE & TRACKS**



KEY	PART NUMBER	U/M	DESCRIPTION
1	106544-01-000	EA	PULL - SHADE/BRASS
1	106544-01-001	EA	SCREW - SHADE/BRASS
2	102555-03-000	EA	CLEAT - BLIND CORD - MILKY WHITE PLASTIC
3	109441-03-000	EA	HOLD DOWN - BLIND (CLOUDY)
	109441-02-000	EA	HOLD DOWN-SPACER
4	084434-01-000	EA	BRACKET - MOUNTING - ROLLER SHADE - 1 3/8"
	096843-01-000	EA	SPRING - REWIND/ROLLER SHADE
	086276-01-000	EA	TAPE - DOUBLE SIDED - 1/2"
5	101031-01-000	YD	TAPE - GLIDE/CURTAIN - 4.25" SPACING
6	029130-01-000	EA	SCREW - SNAP SOCKET - #8 PH X 5/8"
7	029155-01-000	EA	CAP - SNAP - 5/32" OUTSIDE DIAMETER OF PIN
8	029156-01-000	EA	SOCKET - SNAP - 9/16" O.D.
9	127254-05-01A	EA	TRACK - CURTAIN/RIGHT HAND
9	127254-06-01A	EA	TRACK - CURTAIN/LEFT HAND
10	097592-01-000	EA	SPOOL - CORD - ELEVATED BLIND HOLDUP - SMALL - CLEAR FROM: 00-00-00 THRU: 11-23-97
10	097592-02-000	EA	SPOOL - CORD - ELEVATED BLIND HOLDUP - LARGE - CLEAR FROM: 11-24-97 THRU: 99-99-99
11	099205-02-02A	EA	BRACKET - WRAPAROUND
12	097564-01-000	EA	HANDLE - KNOB - E-Z LIFT SHADE - SMOKED FROM: 00-00-00 THRU: 10-19-97
12	097564-03-000	EA	HANDLE - KNOB - E-Z LIFT SHADE - TAN FROM: 10-20-97 THRU: 99-99-99
13	083170-01-000	EA	BRACKET - BLIND - LEFT SIDE WHEN FACING WINDOW
14	083170-02-000	EA	BRACKET - BLIND - RIGHT SIDE WHEN FACING WINDOW
15	109353-04-000	EA	CLIP - VALANCE SLAT MOUNTING - CLEAR PLASTIC
16	097565-01-000	EA	BRACKET - MOUNTING/PLEATED BLIND
17	094907-02-000	EA	END CAP - TOP/PLEATED BLIND - PLASTIC - GRAY
18	093475-01-701	EA	CAP-END, WITH INVERTED STUD PAR
19	093475-01-700	EA	WAND-BLIND W/METAL CLIP, 8" NONE
	046867-02-000	EA	WASHER - HANDY BUTTON #3
	046867-03-000	EA	GROMMET - HANDY BUTTON #3
	068716-01-001	EA	BRACE - 90 DEGREE L-ANGLE - 16'
	094896-02-000	EA	GROMMET - CORD/PLEATED BLIND - NYLON - GRAY
	094907-04-000	EA	HARDWARE - END CAP BOTTOM - PULL TYPE (RH & LH)
	000G68-06-12B	EA	SCREW - 6-18 X .75 POH
	097591-01-000	EA	SPRING - EXTENSION/PLEATED BLIND
	097593-02-000	FT	CORD - BLIND/PLEATED - GRAY
	095567-01-000	EA	TACK - STRIP - .5" X 625' ROLL
	074494-05-000	EA	BUTTON - #30 - SINGLE PIVOT
	074494-06-000	EA	BUTTON - #30 - PIVOT
	083125-07-000	EA	BRACE - COUCH - 2.5" USED TO SUPPORT DINETTE PADS & CURTAIN LEGS
	105648-01-02A	EA	BRACE - VALANCE - OFF/WHITE - 14"

**CURTAIN & CUSHION GROUP (CONTINUED)**  
WINDOW TREATMENT



KEY	PART NUMBER	U/M	DESCRIPTION
1	126609-04-J20	EA	VALANCE - MONA - 52"
1	126821-04-J21	EA	VALANCE - LAURA - 52"
1	121410-58-J21	EA	VALANCE - MODERATE - 53"
1	127017-07-J20	EA	LEG - RIGHT - 7.5" X 31"
1	127017-07-J21	EA	LEG - RIGHT - 7.5" X 31"
1	127017-08-J20	EA	LEG - LEFT - 7.5" X 31"
1	127017-08-J21	EA	LEG - LEFT - 7.5" X 31"
1	111910-62-J11	EA	BLIND - DAY/NIGHTER - 49" X 27"
2	126609-05-J20	EA	VALANCE - MONA - 34"
2	126821-09-J21	EA	VALANCE - LAURA - 34"
2	121410-59-J21	EA	VALANCE - MODERATE - 34"
2	127017-09-J20	EA	LEG - RIGHT - 34"
2	127017-09-J21	EA	LEG - RIGHT - 34"
2	127017-10-J20	EA	LEG - LEFT - 34"
2	127017-10-J21	EA	LEG - LEFT - 34"
2	111910-58-J20	EA	BLIND - DAY/NIGHTER - 31" X 37"
3	111861-09-01A	EA	BLIND - MINI - 30.5" X 18"

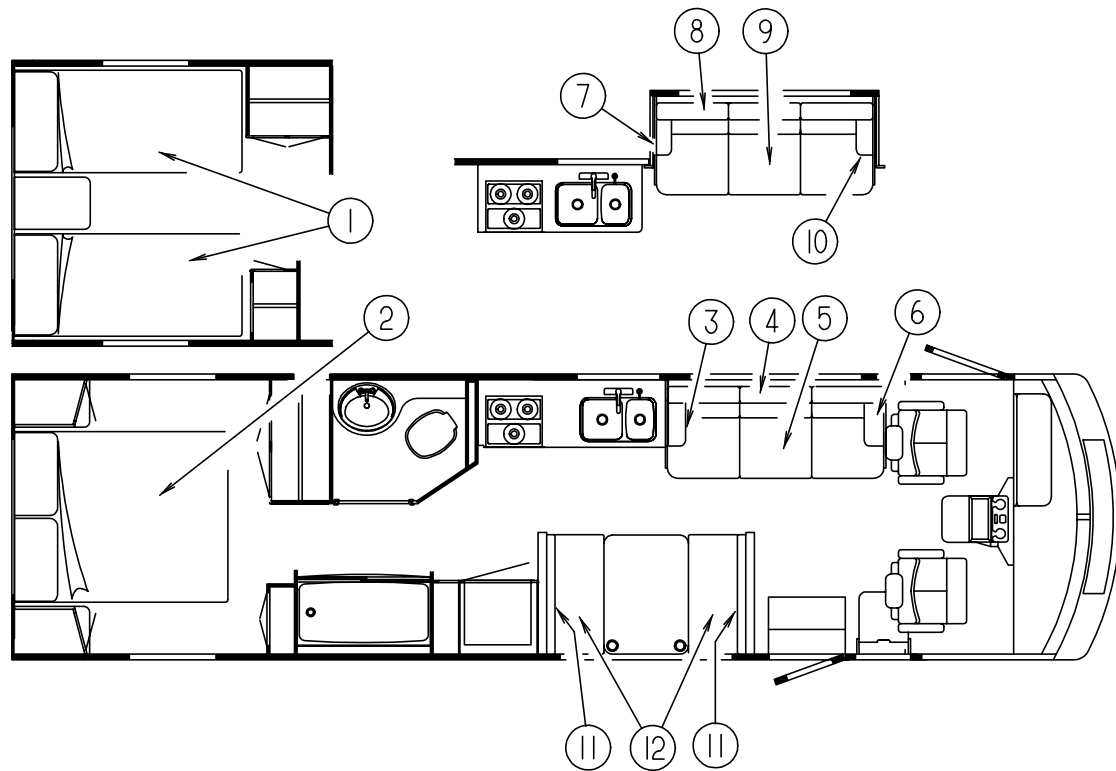
KEY	PART NUMBER	U/M	DESCRIPTION
4	126609-11-J20	EA	VALANCE - MONA - 62.5"
4	126821-07-J21	EA	VALANCE - LAURA - RIGHT - 62.5"
4	121410-04-J21	EA	VALANCE - MODERATE - 62.5"
4	127017-01-J20	EA	LEG - RIGHT - 25"
4	127017-01-J21	EA	LEG - RIGHT - 25"
4	127017-02-J20	EA	LEG - LEFT - 25"
4	127017-02-J21	EA	LEG - LEFT - 25"
4	109802-48-G35	EA	BLIND - PLEATED - 59" X 26.5"
4	111910-56-J20	EA	BLIND - DAY/NIGHTER - 59" X 26.5" - WINDOW COVERINGS OPTION
5	126609-01-J20	EA	VALANCE - MONA - 64.5"
5	126821-01-J21	EA	VALANCE - LAURA - 64.5"
5	121410-44-J21	EA	VALANCE - MODERATE - 64.5"
5	127017-01-J20	EA	LEG - RIGHT - 25"
5	127017-01-J21	EA	LEG - RIGHT - 25"
5	127017-02-J20	EA	LEG - LEFT - 25"
5	127017-02-J21	EA	LEG - LEFT - 25"
5	109802-58-J20	EA	BLIND - PLEATED - 61" X 28.5" (J20,J21)
5	111910-57-J20	EA	BLIND - DAY/NIGHTER - 61" X 29.5" - WINDOW COVERINGS OPTION
6	101668-66-J20	EA	CURTAIN - LEFT HAND - 35.5" X 106"
6	126841-03-000	EA	SHADE - PULL - CHARCOAL MESH - 40.25" X 60" - OPTIONAL
7	101668-65-J20	EA	CURTAIN - RIGHT HAND - 35.5" X 106"
7	126841-03-000	EA	SHADE - PULL - CHARCOAL MESH - 40.25" X 60" - OPTIONAL
	073260-42-C18	EA	TIEBACK - 6" X 18"
8	126609-12-J20	EA	VALANCE - MONA - 12" X 34.5"
8	126821-05-J21	EA	VALANCE - LAURA - 34"
8	121410-60-J21	EA	VALANCE - MODERATE - 12" X 34.5"
8	084755-60-F01	EA	SHADE - PULL - 29.25"
9	126609-01-J20	EA	VALANCE - MONA - 64.5"
9	126821-08-J21	EA	VALANCE - LAURA - 64.5"
9	121410-44-J21	EA	VALANCE - MODERATE - 64.5"
9	127017-01-J20	EA	LEG - RIGHT - 25"
9	127017-01-J21	EA	LEG - RIGHT - 25"
9	127017-02-J20	EA	LEG - LEFT - 25"
9	127017-02-J21	EA	LEG - LEFT - 25"
9	109802-58-J20	EA	BLIND - PLEATED - 61" X 28.5"
9	111910-57-J20	EA	BLIND - DAY/NIGHTER - 61" X 29.5" - WINDOW COVERINGS OPTION
10	126609-05-J20	EA	VALANCE - MONA - 34"
10	126821-05-J21	EA	VALANCE - LAURA - 34"
10	121410-59-J21	EA	VALANCE - MODERATE - 34"
10	127017-09-J20	EA	LEG - RIGHT - 34"
10	127017-09-J21	EA	LEG - RIGHT - 34"
10	127017-10-J20	EA	LEG - LEFT - 34"
10	127017-10-J21	EA	LEG - LEFT - 34"
10	111910-58-J20	EA	BLIND - DAY/NIGHTER - 31" X 37"

FROM: 00-00-00 THRU: 08-10-97  
FROM: 08-11-97 THRU: 99-99-99  
FROM: 00-00-00 THRU: 08-10-97  
FROM: 08-11-97 THRU: 99-99-99

FROM: 00-00-00 THRU: 08-10-97  
FROM: 08-11-97 THRU: 99-99-99  
FROM: 00-00-00 THRU: 08-10-97  
FROM: 08-11-97 THRU: 99-99-99  
FROM: 00-00-00 THRU: 08-10-97  
FROM: 08-11-97 THRU: 99-99-99  
FROM: 00-00-00 THRU: 08-10-97  
FROM: 08-11-97 THRU: 99-99-99

## CURTAIN & CUSHION GROUP (CONTINUED)

### SOFA/BED - W/O SLIDEOUT OPTION



#### TWIN MATTRESSES & BEDSPREADS

KEY	PART NUMBER	U/M	DESCRIPTION
1	123015-04-000	EA	MATTRESS - INNERSPRING - 36" X 79.5"
1	123471-24-J20	EA	BEDSPREAD/THROW - 36" X 80"
1	123471-24-J21	EA	BEDSPREAD/THROW - 36" X 80"
	104565-14-J20	EA	SHAM - PILLOW - 22" X 37"
	104565-14-J21	EA	SHAM - PILLOW - 22" X 37"
	124773-02-J20	EA	PILLOW - 14" X 17"
	124773-02-J21	EA	PILLOW - 14" X 17"

#### QUEEN MATTRESS & BEDSPREAD

KEY	PART NUMBER	U/M	DESCRIPTION
2	123015-06-000	EA	MATTRESS - INNERSPRING - 60" X 74.5"
2	123471-11-J20	EA	BEDSPREAD/THROW - 60" X 75"
2	123471-11-J21	EA	BEDSPREAD/THROW - 60" X 75"
	104565-13-J20	EA	PILLOW SHAM - 20" X 33"
	104565-13-J21	EA	PILLOW SHAM - 20" X 33"
	124773-02-J20	EA	PILLOW - 14" X 17"
	124773-02-J21	EA	PILLOW - 14" X 17"

KEY	PART NUMBER	U/M	DESCRIPTION
3	127562-01-J20	EA	ARMREST/REMOVABLE - RIGHT HAND
3	127562-01-J21	EA	ARMREST/REMOVABLE - RIGHT HAND
	P27562-01-J20	EA	COVER - ARMREST - RIGHT
	P27562-01-J21	EA	COVER - ARMREST - RIGHT
	127335-08-000	EA	BRACKET - REMOVABLE ARM/COUCH
	127335-09-000	EA	BRACKET - REMOVABLE ARM/CUSHION
4	127561-01-J20	EA	BACK - SOFA/BED - 74"
4	127561-01-J21	EA	BACK - SOFA/BED - 74"
	P27561-01-J20	EA	COVER - BACK - SOFA/BED - 74"
	P27561-01-J21	EA	COVER - BACK - SOFA/BED - 74"
5	127561-02-J20	EA	SEAT - SOFA/BED - 74"
5	127561-02-J21	EA	SEAT - SOFA/BED - 74"
	P27561-02-J20	EA	COVER - SEAT - SOFA/BED - 74"
	P27561-02-J21	EA	COVER - SEAT - SOFA/BED - 74"
6	127562-02-J20	EA	ARMREST/REMOVABLE - LEFT HAND
6	127562-02-J21	EA	ARMREST/REMOVABLE - LEFT HAND
	P27562-02-J20	EA	COVER - ARMREST - LEFT
	P27562-02-J21	EA	COVER - ARMREST - LEFT
	127335-08-000	EA	BRACKET - REMOVABLE ARM/COUCH
	127335-09-000	EA	BRACKET - REMOVABLE ARM/CUSHION
	127335-10-000	EA	BRACKET - CANADIAN LATCH
	111637-11-J20	EA	PILLOW - 16" X 16"
	111637-11-J21	EA	PILLOW - 16" X 16"

NOTE: COUCH FRONT AND SIDE PANELS ARE FOUND IN THE LOUNGE GROUP

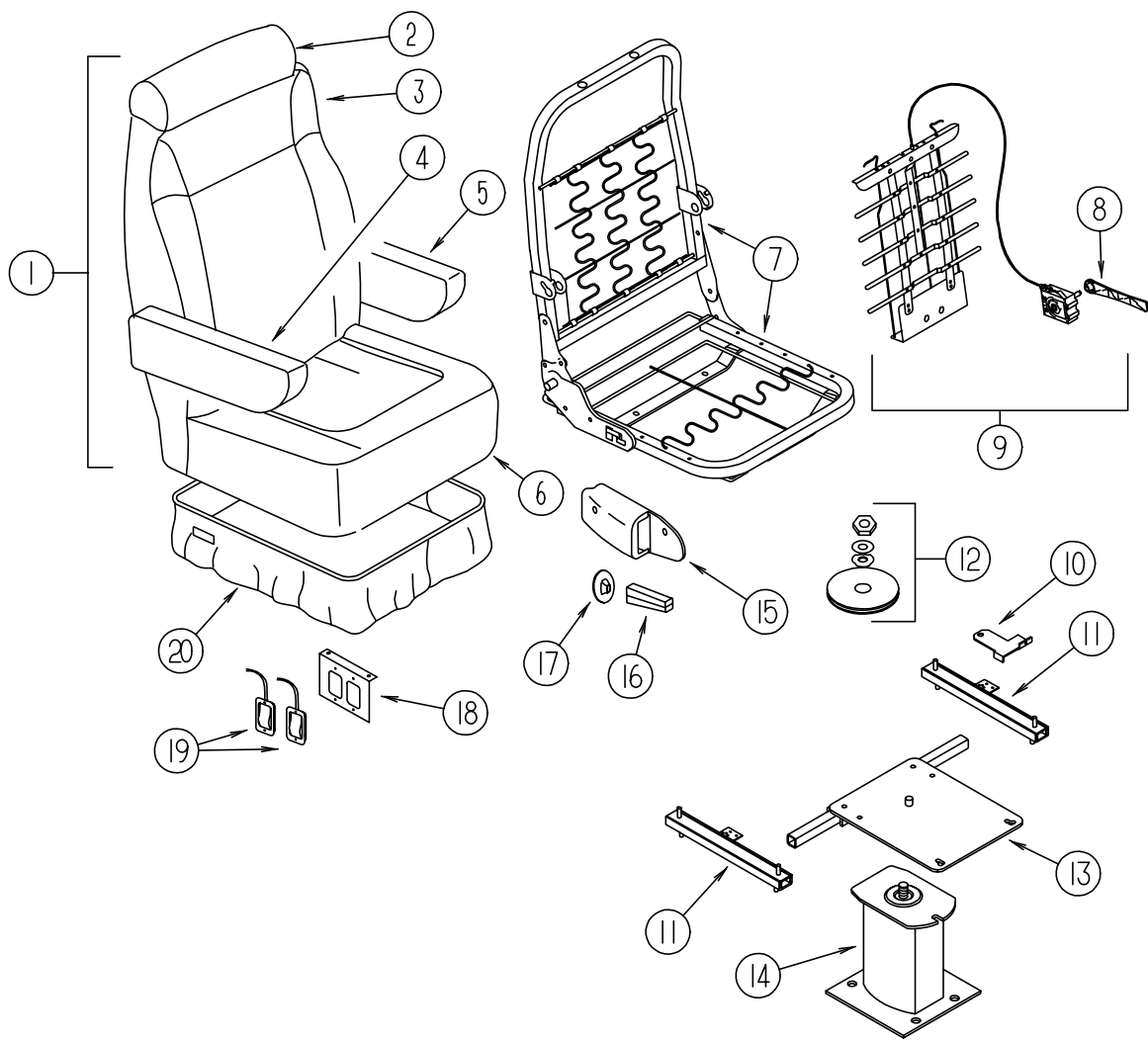
### SOFA/BED - W/SLIDEOUT OPTION

KEY	PART NUMBER	U/M	DESCRIPTION
7	127568-01-J20	EA	ARM - RIGHT
7	127568-01-J21	EA	ARM - RIGHT
	P27568-01-J20	EA	COVER - ARMREST - RIGHT
	P27568-01-J21	EA	COVER - ARMREST - RIGHT
8	127561-03-J20	EA	BACK - SOFA/BED - 67.5"
8	127561-03-J21	EA	BACK - SOFA/BED - 67.5"
	P27561-03-J20	EA	COVER - BACK - SOFA/BED - 67.5"
	P27561-03-J21	EA	COVER - BACK - SOFA/BED - 67.5"
9	127561-04-J20	EA	SEAT - SOFA/BED - 67.5"
9	127561-04-J21	EA	SEAT - SOFA/BED - 67.5"
	P27561-04-J20	EA	COVER - SEAT - SOFA/BED - 67.5"
	P27561-04-J21	EA	COVER - SEAT - SOFA/BED - 67.5"
10	127568-02-J20	EA	ARM - LEFT
10	127568-02-J21	EA	ARM - LEFT
	P27568-02-J20	EA	COVER - ARMREST - LEFT
	P27568-02-J21	EA	COVER - ARMREST - LEFT
	116104-04-02B	EA	BRACKET - ZEE W/HOLES - 3.2"
	127335-10-000	EA	BRACKET - CANADIAN LATCH
	120992-13-J20	EA	PANEL - FRONT KICK - SOFA/BED - FABRIC COVERED
	120992-13-J21	EA	PANEL - FRONT KICK - SOFA/BED - FABRIC COVERED
	121906-01-02B	EA	BRACKET - KICKBOARD - E-COATED
	111637-11-J20	EA	PILLOW - 16" X 16"
	111637-11-J21	EA	PILLOW - 16" X 16"

### DINETTE CUSHIONS

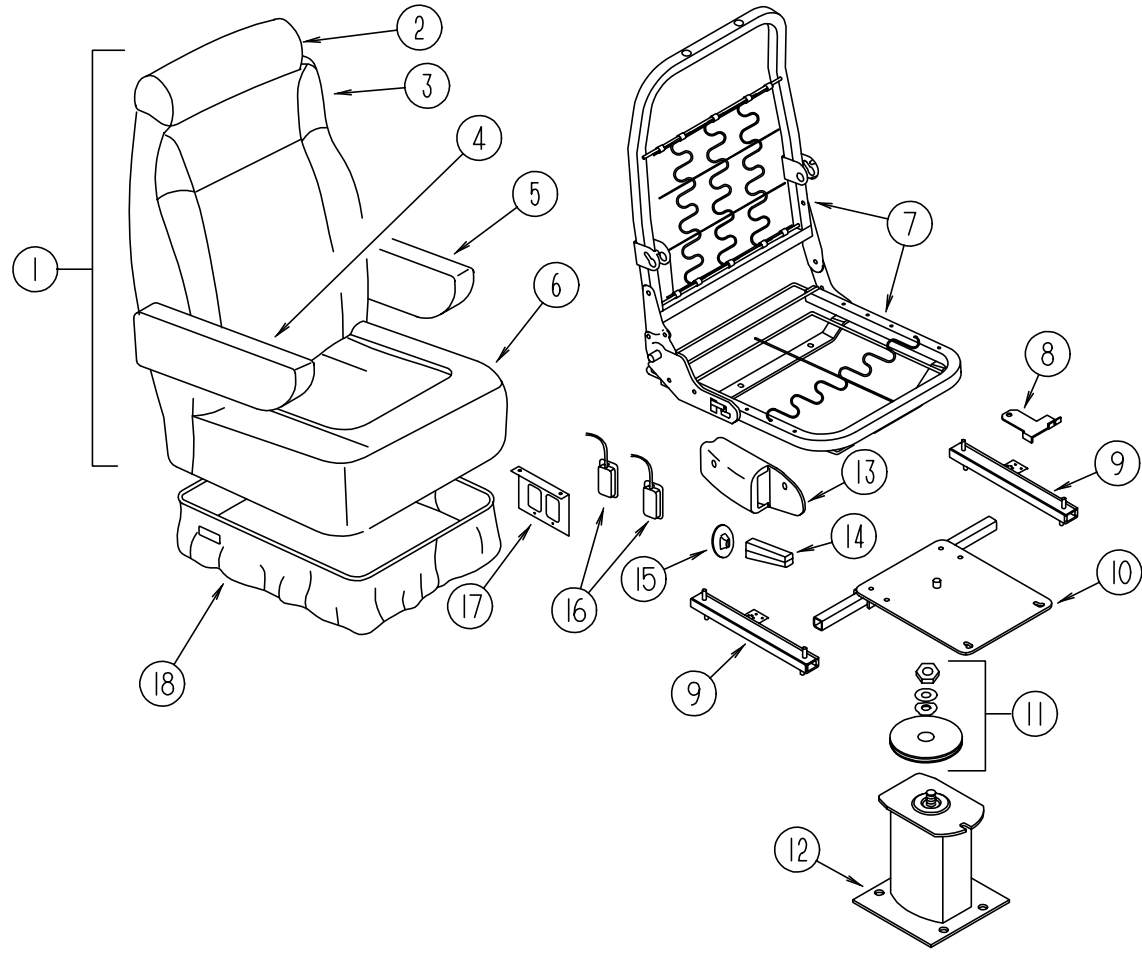
KEY	PART NUMBER	U/M	DESCRIPTION
11	111897-05-J20	EA	CUSHION - BACK - 13.5" X 42" X 5"
11	111897-05-J21	EA	CUSHION - BACK - 13.5" X 42" X 5"
	P11897-05-J20	EA	COVER - BACK - 13.5" X 42" X 5"
	P11897-05-J21	EA	COVER - BACK - 13.5" X 42" X 5"
12	105603-15-J20	EA	CUSHION - SEAT - 23" X 42" X 5"
12	105603-15-J21	EA	CUSHION - SEAT - 23" X 42" X 5"
	P05603-15-J20	EA	COVER - SEAT - 23" X 42" X 5"
	P05603-15-J21	EA	COVER - SEAT - 23" X 42" X 5"

**CURTAIN & CUSHION GROUP (CONTINUED)**  
**DRIVER BUCKET SEAT W/LUMBAR**



KEY	PART NUMBER	U/M	DESCRIPTION	VENDOR NO.
1	127540-01-J20	EA	SEAT - BUCKET - DRIVER W/LUMBAR SUPPORT - WIDE	
1	127540-01-J21	EA	SEAT - BUCKET - DRIVER W/LUMBAR SUPPORT - WIDE	
2	119509-01-H30	EA	HEADREST - BUCKET SEAT (J20)	
2	119509-01-J21	EA	HEADREST - BUCKET SEAT (J21)	
	P19509-01-H30	EA	COVER - HEADREST (J20)	
	P19509-01-J21	EA	COVER - HEADREST (J21)	
	113977-12-000	EA	HEADREST INSERT - W/O LOCK	
	113977-13-000	EA	HEADREST INSERT - W/LOCK	
3	M05962-71-J20	EA	COVER - BACK - WIDE	
3	M05962-71-J21	EA	COVER - BACK - WIDE	
4	122780-01-H30	EA	ARMREST - RIGHT HAND (J20)	
4	122780-01-J21	EA	ARMREST - RIGHT HAND (J21)	
	P22780-01-H30	EA	COVER - ARMREST - RIGHT HAND (J20)	
	P22780-01-J21	EA	COVER - ARMREST - RIGHT HAND (J21)	
	115617-03-000	EA	ARMREST - W/O COVER - RIGHT HAND	
5	122780-02-H30	EA	ARMREST - LEFT HAND (J20)	
5	122780-02-J21	EA	ARMREST - LEFT HAND (J21)	
	P22780-02-H30	EA	COVER - ARMREST - LEFT HAND (J20)	
	P22780-02-J21	EA	COVER - ARMREST - LEFT HAND (J21)	
	115617-04-000	EA	ARMREST - W/O COVER - LEFT HAND	
6	M05962-40-H17	EA	COVER - SEAT (J20)	
6	M05962-40-J21	EA	COVER - SEAT (J21)	
7	122695-01-01B	EA	FRAME - SEAT/BACK	
8	122611-02-701	EA	LUMBAR-LEVER	412
9	122611-02-000	EA	LUMBAR - W/LEVER	
10	117125-01-02B	EA	BRACKET - CABLE MOUNT - ADJUSTER W/LOCK	
11	119952-06-000	EA	SLIDE/SEAT - HEAVY DUTY LOCKING - 4 STUDS	
			FROM: 00-00-00 THRU: 11-02-97	
11	119952-04-000	EA	SLIDE/SEAT - HEAVY DUTY LOCKING - 4 STUDS	
			FROM: 11-03-97 THRU: 99-99-99	
12	107921-06-000	EA	BEARING KIT - PEDESTAL	
13	107921-05-000	EA	PLATE - TOP - W/SEAT BELT BAR	
14	107921-01-000	EA	PEDESTAL/FLOOR MOUNTED - W/9.75" EXTENSION	
15	080730-09-000	EA	SHIELD - RECLINER HANDLE	
16	080730-08-000	EA	HANDLE - RECLINER	
17	080730-11-000	EA	SHIELD - RUBBER BOOT	
18	127159-02-02B	EA	BRACKET - SEAT RELEASE - REMOTE	
19	108049-04-000	EA	CABLE - W/SWITCHES - W/26" MINI LEVER ACTION	
	108049-02-000	EA	CLIP - CABLE/PEDESTAL	
20	071126-58-H17	EA	SKIRT - SINGLE 10.5" - W/SEAT BELT SLOT (J20)	
20	071126-58-J21	EA	SKIRT - SINGLE 10.5" - W/SEAT BELT SLOT (J21)	

**CURTAIN & CUSHION GROUP (CONTINUED)**  
**BUCKET SEAT W/O LUMBAR**



KEY	PART NUMBER	U/M	DESCRIPTION
1	127540-02-J20	EA	SEAT - BUCKET - MANUAL RECLINING - WIDE
1	127540-02-J21	EA	SEAT - BUCKET - MANUAL RECLINING - WIDE
2	119509-01-H30	EA	HEADREST - BUCKET SEAT (J20)
2	119509-01-J21	EA	HEADREST - BUCKET SEAT (J21)
	P19509-01-H30	EA	COVER - HEADREST (J20)
	P19509-01-J21	EA	COVER - HEADREST (J21)
	113977-12-000	EA	HEADREST INSERT - W/O LOCK
	113977-13-000	EA	HEADREST INSERT - W/LOCK
3	M05962-71-J20	EA	COVER - BACK - WIDE
3	M05962-71-J21	EA	COVER - BACK - WIDE
4	122780-01-H30	EA	ARMREST - RIGHT HAND (J20)
4	122780-01-J21	EA	ARMREST - RIGHT HAND (J21)
	P22780-01-H30	EA	COVER - ARMREST - RIGHT HAND (J20)
	P22780-01-J21	EA	COVER - ARMREST - RIGHT HAND (J21)
	115617-03-000	EA	ARMREST - W/O COVER - RIGHT HAND
5	122780-02-H30	EA	ARMREST - LEFT HAND (J20)
5	122780-02-J21	EA	ARMREST - LEFT HAND (J21)
	P22780-02-H30	EA	COVER - ARMREST - LEFT HAND (J20)
	P22780-02-J21	EA	COVER - ARMREST - LEFT HAND (J21)
	115617-04-000	EA	ARMREST - W/O COVER - LEFT HAND
6	M05962-40-H17	EA	COVER - SEAT (J20)
6	M05962-40-J21	EA	COVER - SEAT (J21)
7	122695-01-01B	EA	FRAME - SEAT/BACK
	081212-02-000	EA	CLIP - BACK SPRING
8	117125-01-02B	EA	BRACKET - CABLE MOUNT - ADJUSTER W/LOCK
9	119952-06-000	EA	SLIDE/SEAT - HEAVY DUTY LOCKING - 4 STUDS
			FROM: 00-00-00 THRU: 11-02-97
9	119952-04-000	EA	SLIDE/SEAT - HEAVY DUTY LOCKING - 4 STUDS
			FROM: 11-03-97 THRU: 99-99-99
	119952-07-000	EA	WIRE - LATCH RELEASE/ROTARY
10	107921-05-000	EA	PLATE - TOP - W/SEAT BELT BAR
11	107921-06-000	EA	BEARING KIT - PEDESTAL
12	107921-01-000	EA	PEDESTAL/FLOOR MOUNTED - W/9.75" EXTENSION
13	080730-09-000	EA	SHIELD - RECLINER HANDLE
14	080730-08-000	EA	HANDLE - RECLINER
15	080730-11-000	EA	SHIELD - RUBBER BOOT
16	108049-04-000	EA	CABLE - W/SWITCHES - W/26" MINI LEVER ACTION
	108049-02-000	EA	CLIP - CABLE/PEDESTAL
17	127159-02-02B	EA	BRACKET - SEAT RELEASE - REMOTE
18	071126-58-H17	EA	SKIRT - SINGLE - SEAT BELT SLOT (J20)
18	071126-58-J21	EA	SKIRT - SINGLE - SEAT BELT SLOT (J21)

**CURTAIN & CUSHION GROUP (CONTINUED)**  
**BUTTON, TRIM, ASSIST HANDLE & SEAT BELT**

KEY	PART NUMBER	U/M DESCRIPTION
	070578-13-J74	EA BUTTON - #30 (J20)
	070578-13-J21	EA BUTTON - #30 (J21)
	079349-04-H17	YD WELT - NARROW (J20)
	079349-04-J21	YD WELT - NARROW (J21)
	084415-70-000	YD TRIM - BRAID - CORD (J20)
	084415-66-000	YD TRIM - BRAID - CORD (J21)
	057759-01-000	EA WASHER - FLAT F/SEAT BELT - 4" DIAMETER
	007021-01-000	EA SEAT BELT - 2" X 90" - BLACK
	056271-02-000	EA BELT - SEAT - 2" X 72" - BLACK
	069178-02-000	EA BRACKET - MOUNTING/ASSIST HANDLE - GRAY
	000D20-07-00B	EA NUT - ACORN - ASSIST HANDLE - 7/16 - 14
	053552-02-AA8	EA HANDLE - ASSIST - INTERIOR/ENTRY DOOR - VINYL/OFF WHITE
	057534-01-000	EA TIEBACK/TIEDOWN - 6" CLEAR PLASTIC

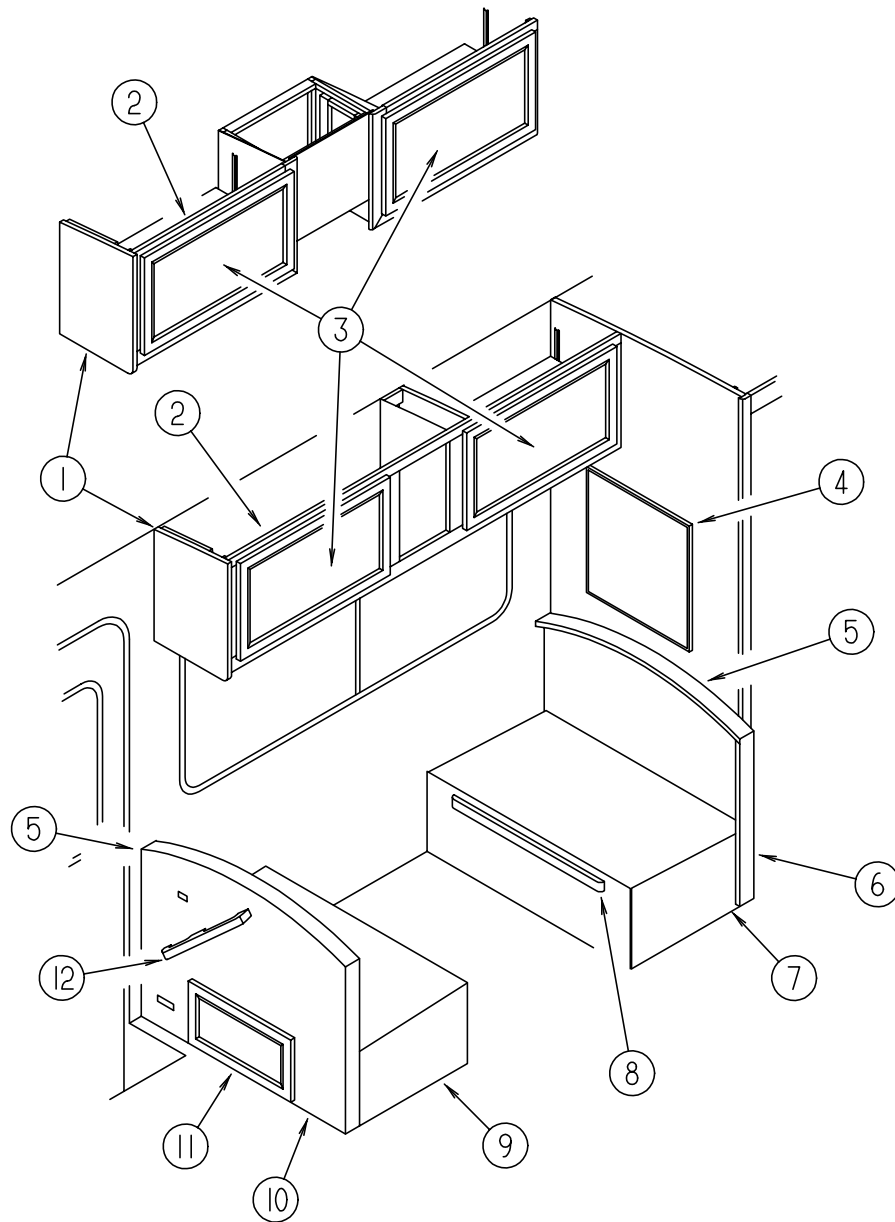
**CURTAIN & CUSHION GROUP (CONTINUED)**

**BRAVE FABRIC**

COLOR CODES	J20	J21
	<b>VILLAGE GREEN (GREEN)</b>	<b>BARCELONA (TAUPE)</b>
<b>CEILING MATERIAL</b>	113979-01-01A	113979-01-01A
<b>MADRID VINYL</b>	103907-01-01A	103907-01-01A
<b>ALLANTE ANTELOPE VINYL</b>	103907-01-07A 103907-02-07A	103907-01-07A 103907-02-07A
<b>DRAPERY LINING</b>	087272-03-000	087272-03-000
<b>BUCKET SEATS</b>	108446-G0-000	108446-W7-000
<b>SLIDEOUT TRIM WINGS</b>	108446-G0-000	108446-W7-000
<b>DINETTE</b>	108446-T2-000	108446-W8-000
<b>DINETTE PADS</b>	108446-G0-000	108446-W7-000
<b>SOFA</b>	108446-T2-000	108446-W8-000
<b>SOFA PILLOWS</b>	108446-T3-000	108446-W7-000
<b>SWIVEL CHAIR</b>	108446-T3-000	108446-W7-000
<b>LOUNGE WINDOWS</b>	108446-T2-000	108446-W8-000
<b>BEDROOM WINDOWS</b>	105745-H0-000	105745-H5-000
<b>BEDSPREAD</b>	105745-H0-000	105745-H5-000
<b>PILLOW SHAMS</b>	105745-H0-000	105745-H5-000
<b>HEADBOARD</b>	105745-H0-000	105745-H5-000
<b>BEDROOM PILLOWS</b>	105745-H0-000 105745-E7-000	105745-H5-000 105745-B5-000
<b>FRONT WRAP AROUND</b>	072333-85-000	072333-85-000
<b>LOUNGE CABINET INSERTS</b>	108446-T3-000	108446-W7-000
<b>BEDROOM CABINET INSERTS</b>	105745-E7-000	105745-B5-000
<b>MAP POCKETS</b>	108446-T3-000	108446-W7-000

NOTE: FABRIC LISTED FIRST, IN A BLOCK, IS THE LARGEST QUANTITY OF FABRIC USED.

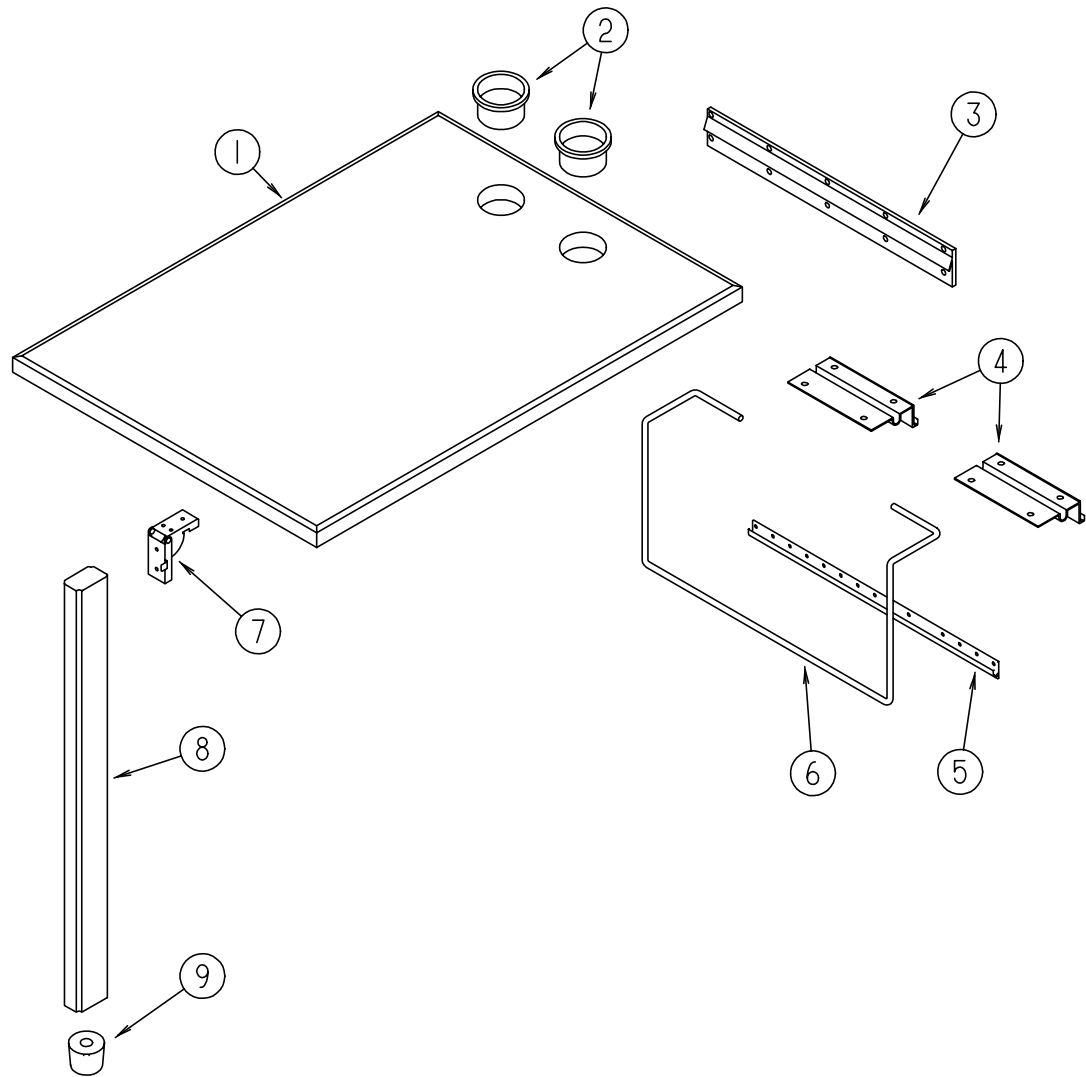
**DINETTE GROUP**  
**DINETTE CABINERY**



KEY	PART NUMBER	U/M	DESCRIPTION
1	103128-02-G09	EA	END CAP - OVERHEAD CABINET - LEFT HAND
2	117902-10-J20	EA	CABINET - OVERHEAD/DINETTE - W/O DOORS/HARDWARE
2	117902-10-J21	EA	CABINET - OVERHEAD/DINETTE - W/O DOORS/HARDWARE
2	117902-09-J20	EA	CABINET - OVERHEAD/DINETTE - W/O DOORS/HARDWARE DELUXE SOUND SYSTEM OPTION
2	117902-09-J21	EA	CABINET - OVERHEAD/DINETTE - W/O DOORS/HARDWARE DELUXE SOUND SYSTEM OPTION
	117902-14-G09	EA	SHELF - W/PLASTIC EDGE TRIM
2	117579-51-J20	EA	CABINET - OVERHEAD/DINETTE - W/O DOORS/HARDWARE COFFEEMAKER OPTION
2	117579-51-J21	EA	CABINET - OVERHEAD/DINETTE - W/O DOORS/HARDWARE COFFEEMAKER OPTION
2	117579-52-J20	EA	CABINET - OVERHEAD/DINETTE - W/O DOORS/HARDWARE COFFEEMAKER AND DELUXE SOUND SYSTEM OPTION
2	117579-52-J21	EA	CABINET - OVERHEAD/DINETTE - W/O DOORS/HARDWARE COFFEEMAKER AND DELUXE SOUND SYSTEM OPTION
	117579-13-G09	EA	SHELF - W/PLASTIC EDGE TRIM
3	M05992-48-J20	EA	DOOR - STRAIGHT CORNER/OGEE EDGE - 15.7" X 27.9" - W/O HDW
4	058331-47-000	EA	MIRROR - SAFETY GLASS - 22.36" X 15.09"
4	105004-01-05A	EA	MOLDING - VINYL WRAPPED - 1" X 96" - WATERFORD OAK
5	104787-08-J20	EA	PAD-DINETTE
5	104787-08-J21	EA	PAD-DINETTE
6	M08752-02-J20	EA	CABINET - SEATBACK - RIGHT HAND
7	M08753-02-J20	EA	CABINET - SEATBASE - RIGHT HAND - W/O DOOR/DRAWER/HARDWARE
8	081295-01-G01	EA	SUPPORT - BED/DINETTE - 28" LONG
9	M08753-01-J20	EA	CABINET - SEATBASE/LEFT HAND - W/O DOOR/DRAWER/HARDWARE W/O SLIDEOUT OPTION
9	M08753-03-J20	EA	CABINET - SEATBASE - LEFT HAND - W/O DOOR/DRAWER/HARDWARE W/SLIDEOUT OPTION
10	M08752-01-J20	EA	CABINET - SEATBACK - LEFT HAND W/O SLIDEOUT OPTION
10	M08752-03-J20	EA	CABINET - SEATBACK - LEFT HAND W/SLIDEOUT OPTION
11	M05992-77-J20	EA	DOOR - STRAIGHT CORNER/OGEE EDGE - 10" X 25.2" - W/O HDW
12	091257-10-000	EA	HANDLE - ASSIST - WATERFORD OAK



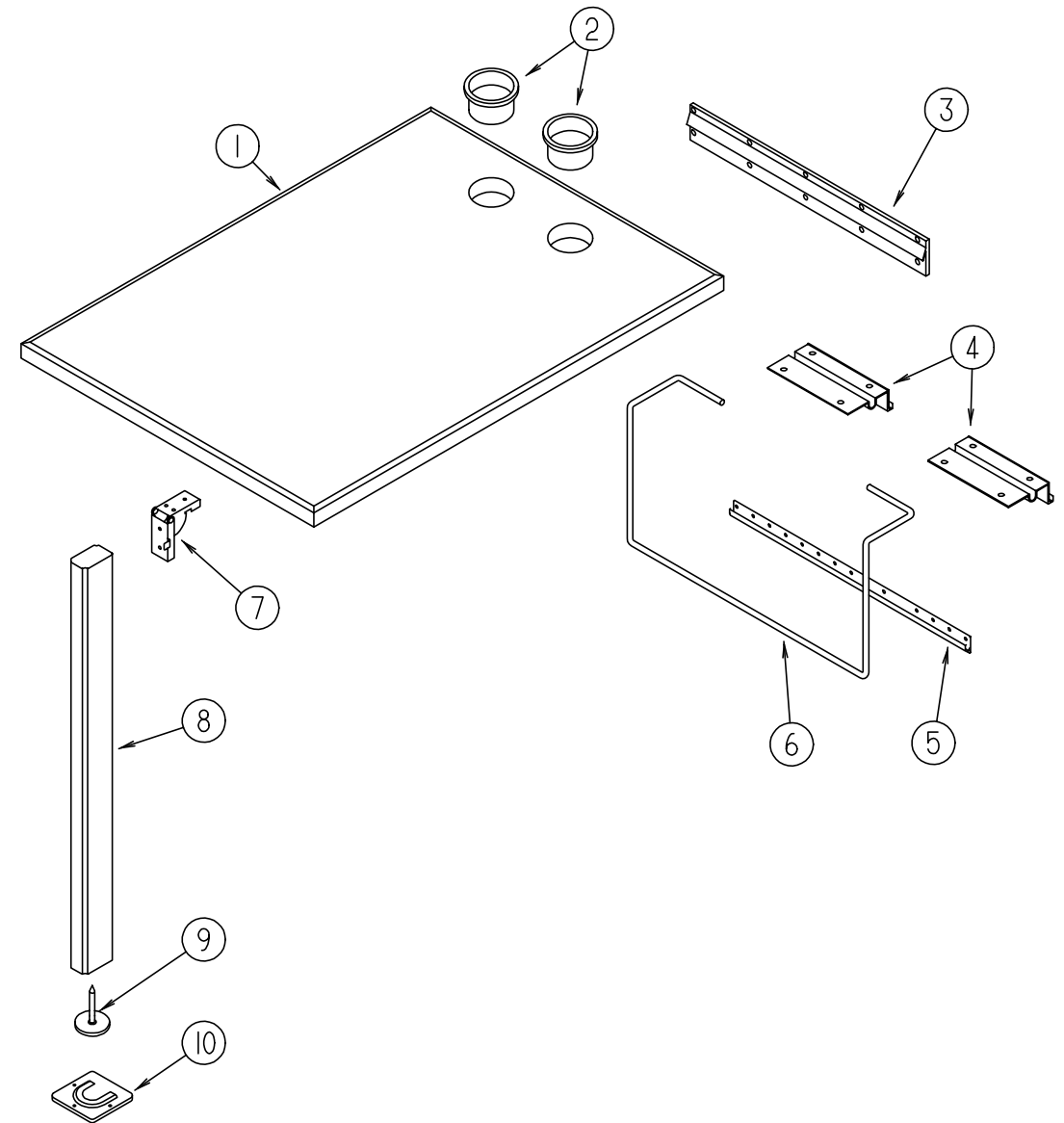
**DINETTE GROUP (CONTINUED)**



**DINETTE TABLE (FROM: 00-00-00 THRU: 08-24-97)**

KEY	PART NUMBER	U/M DESCRIPTION
1	088913-08-J20	EA TABLE - DINETTE - W/O HARDWARE
1	088913-08-J21	EA TABLE - DINETTE - W/O HARDWARE
2	064781-06-000	EA HOLDER - CUP - TWO STEP - OFF WHITE
3	053200-12-000	EA BRACKET - TABLE SUPPORT - UPPER WALL MOUNTED - 23.50"
4	088410-02-000	EA BRACKET - LIFT - TABLE MOUNTED
5	024281-14-000	EA BRACKET - LIFT ROD/LOWER WALL MOUNTED - 22.12"
6	024275-12-000	EA ROD - TABLE LIFT
7	093550-01-000	EA BRACKET - HINGE - MOUNTS TO LEG & TABLE TOP - 1.7" X 2.6"
8	092707-04-05A	EA MOLDING - TABLE LEG - 27"
9	069726-02-000	EA BUMPER - .88" OD X .40" THICK - BLACK

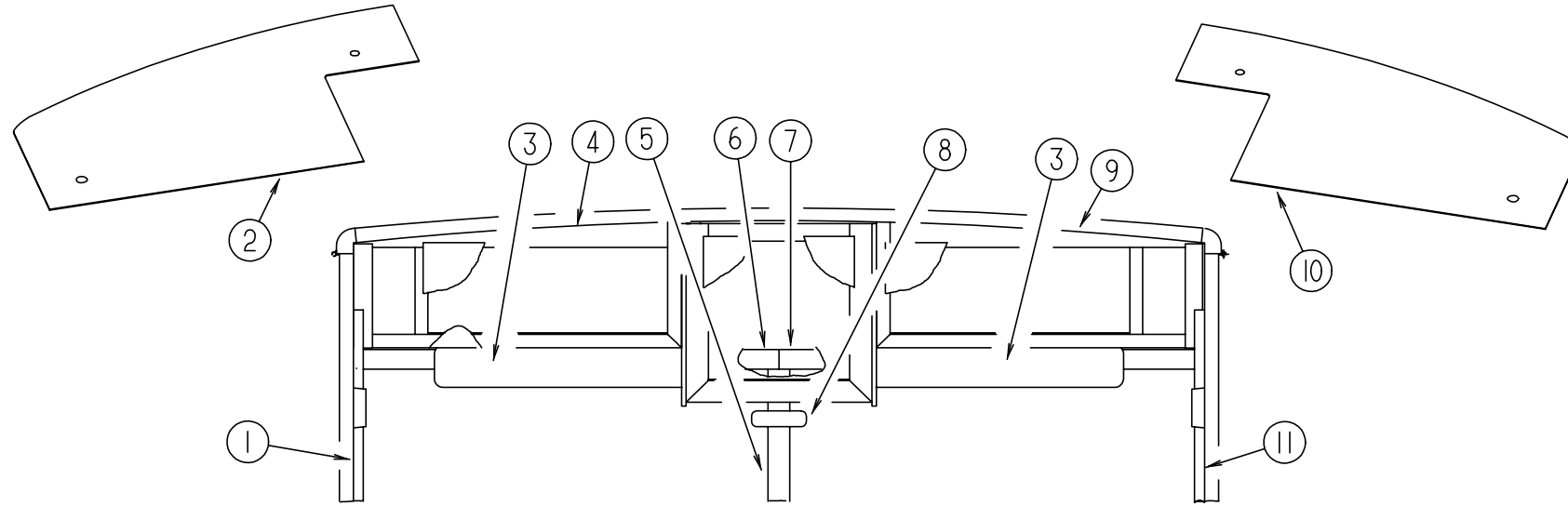
**DINETTE GROUP (CONTINUED)**



**DINETTE TABLE (FROM: 08-25-97 THRU: 99-99-99)**

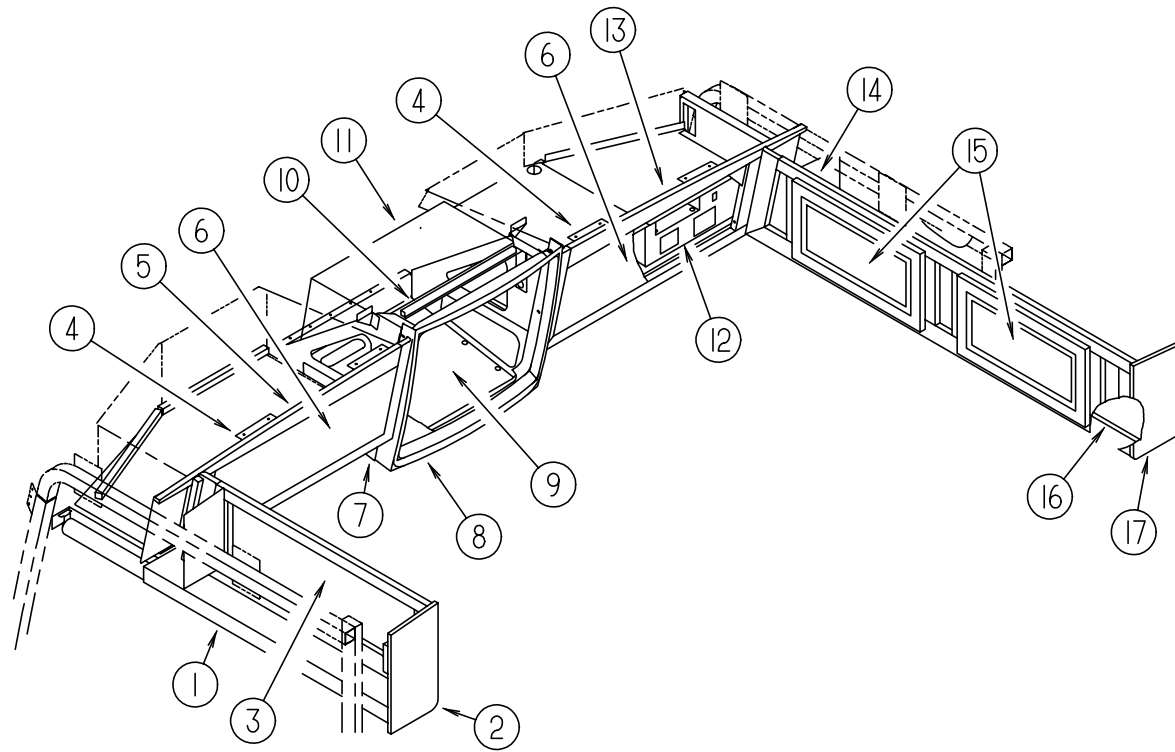
KEY	PART NUMBER	U/M DESCRIPTION
1	088913-08-J20	EA TABLE - DINETTE - W/O HARDWARE
1	088913-08-J21	EA TABLE - DINETTE - W/O HARDWARE
2	064781-06-000	EA HOLDER - CUP - TWO STEP - OFF WHITE
3	053200-12-000	EA BRACKET - TABLE SUPPORT - UPPER WALL MOUNTED - 23.50"
4	088410-02-000	EA BRACKET - LIFT - TABLE MOUNTED
5	024281-14-000	EA BRACKET - LIFT ROD/LOWER WALL MOUNTED - 22.12"
6	024275-12-000	EA ROD - TABLE LIFT
7	093550-01-000	EA BRACKET - HINGE - MOUNTS TO LEG & TABLE TOP - 1.7" X 2.6"
8	092707-04-05A	EA MOLDING - TABLE LEG - 27"
9	092593-01-05A	EA CATCH - TABLE LEG - OFF/WHITE
10	049493-12-000	EA CATCH - TABLE LEG/FLOOR MOUNTED - OFF WHITE
10	049493-11-700	EA CATCH - TABLE LEG/FLOOR MOUNTED - E COATED

**DRIVERS COMPARTMENT GROUP**  
**DRIVERS COMPARTMENT - UPPER**



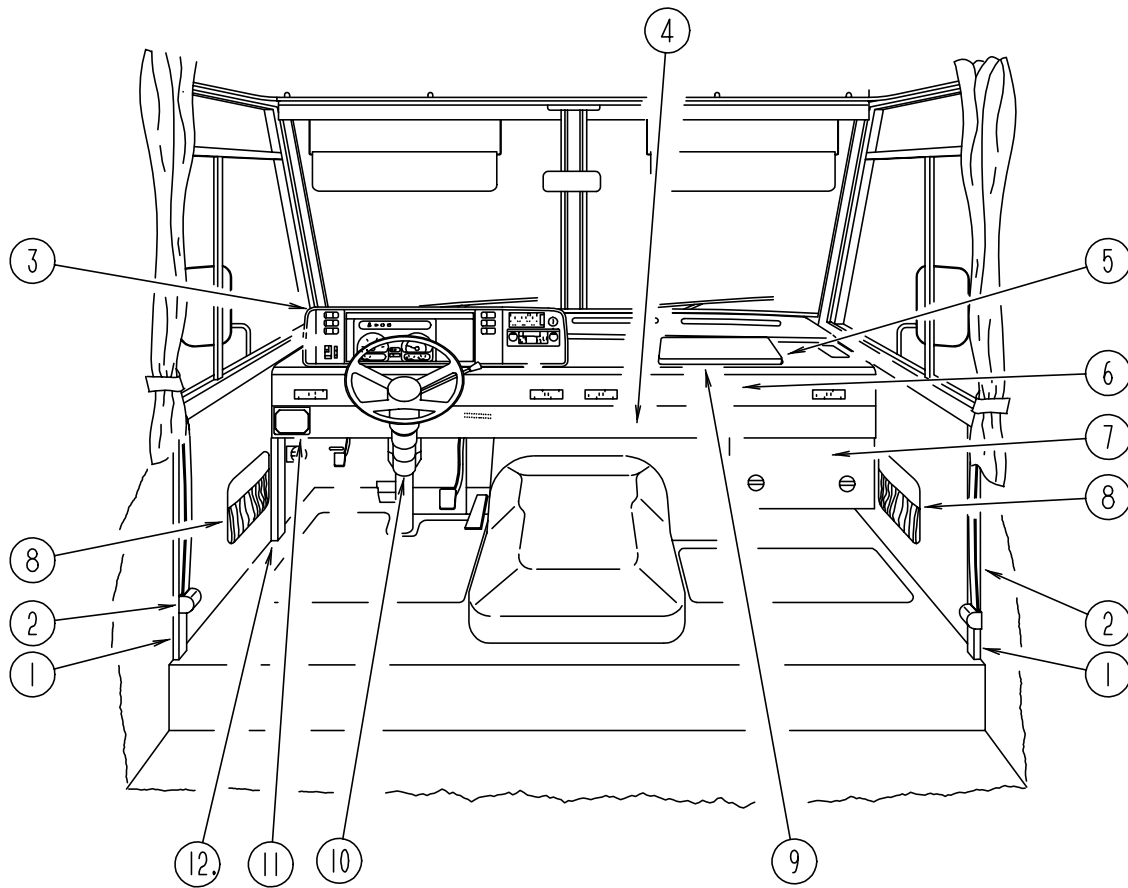
KEY	PART NUMBER	U/M	DESCRIPTION
1	125508-04-01A	EA	TRIM - A-PILLAR - INTERIOR - ANTELOPE
	123045-11-02A	EA	BACKING - SCREW - ANTELOPE
2	126440-02-J20	EA	PANEL - OVERHEAD - FRONT/BOTTOM/LEFT HAND
3	123298-02-04A	EA	SUNVISOR - 10.5" X 28.5"
4	126457-02-J20	EA	PANEL - CLOSEOUT - OVERHEAD FRONT - UPPER/LOWER LEFT HAND
5	118452-05-01A	EA	TRIM - WINDSHIELD - CENTER - ANTELOPE
6	118453-04-01A	EA	TRIM - WINDSHIELD - INNER/TOP/DRIVER
7	118453-03-01A	EA	TRIM - WINDSHIELD - INNER/TOP/PASSENGER
8	040714-01-000	EA	MIRROR - REAR VIEW/ARM MOUNT & SET SCREW
	067490-01-000	EA	BUTTON - MIRROR/REAR VIEW
9	126457-01-J20	EA	PANEL - CLOSEOUT - OVERHEAD FRONT - UPPER/LOWER RIGHT HAND
10	126440-01-J20	EA	PANEL - OVERHEAD - FRONT/BOTTOM/RIGHT HAND
11	125508-03-01A	EA	TRIM - A-PILLAR - INTERIOR - ANTELOPE
	123045-11-02A	EA	BACKING - SCREW - ANTELOPE

**DRIVERS COMPARTMENT GROUP (CONTINUED)**  
**INTERIOR STORAGE AND TV CABINETS**



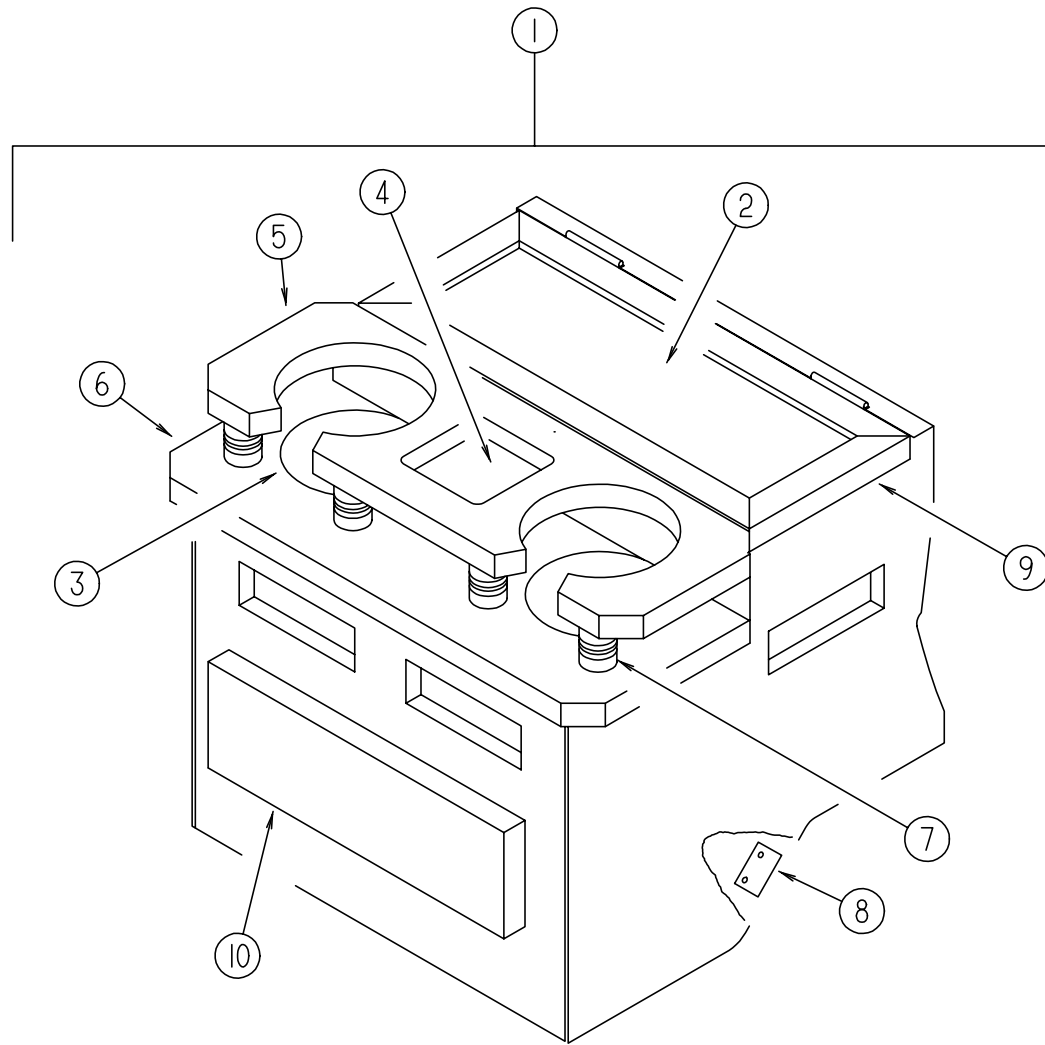
KEY	PART NUMBER	U/M	DESCRIPTION
1	126443-09-J20	EA	PANEL - OVERHEAD/FRONT - LEFT HAND
2	126880-01-J20	EA	CABINET - OVERHEAD - FRONT/LEFT HAND - W/O DRS/HDW
	103128-18-J20	EA	END CAP - OVERHEAD CABINET - LEFT HAND
3	M05992-L9-J20	EA	DOOR - STRAIGHT CORNER/OGEE EDGE - 10" X 19" - W/O HDW
4	106699-01-01A	EA	BRACKET - OVERHEAD CABINET/TV
5	126876-02-J20	EA	CABINET - OVERHEAD - FRONT/LEFT HAND - W/O DOORS/HARDWARE
6	100708-08-000	EA	DOOR - GLASS - TV CABINET - 9.7" X 27" - W/O HARDWARE
7	126006-02-J20	EA	COVER - TV - OVERHEAD/BOTTOM
8	125977-01-02A	EA	COVER - TV - OVERHEAD/FRONT - ANTELOPE - W/TV OPTIONS
8	126602-02-J22	EA	COVER - OVERHEAD FRONT - W/O TV OPTIONS
	091261-01-000	FT	SLIPNOT - ANTISLIP - 1' WIDE - W/TV OPTIONS
9	100708-16-000	EA	DOOR - GLASS - TV CABINET - 15.5" X 15.7" - W/O HARDWARE - W/O TV OPTIONS
10	114706-04-02B	EA	SUPPORT - SHELF/TV
	126081-03-02B	EA	BRACKET/SUPPORT - TV - 10 DEGREE - E-COATED
	126081-04-02B	EA	BRACKET/SUPPORT - TV - 10 DEGREE - E-COATED
11	126854-01-J20	EA	PANEL - HEADLINER/TV/TOP - W/O TV OPTIONS
12	126601-01-J20	EA	PANEL - SHELF - VINYL COVERED - W/O INVERTOR CUTOUT - W/TV ANTENNA
12	126601-03-J20	EA	PANEL - SHELF - VINYL COVERED - W/O INVERTOR CUTOUT - W/TV OPTIONS
12	126601-07-J20	EA	PANEL - SHELF - VINYL COVERED - W/INVERTOR CUTOUT - W/TV OPTIONS
13	126876-01-J20	EA	CABINET - OVERHEAD - FRONT/RIGHT HAND - W/O DOORS/HARDWARE
	126275-01-02B	EA	SHELF - OVERHEAD/FRONT - E-COATED
14	126878-01-J20	EA	CABINET - OVERHEAD/FRONT/RIGHT HAND/SIDE - W/O DRS/HDW
15	M05992-13-J20	EA	DOOR - STRAIGHT CORNER/OGEE EDGE - 10" X 19" - W/O HDW
16	126443-11-J20	EA	PANEL - OVERHEAD/FRONT - RIGHT HAND
17	103128-17-J20	EA	END CAP - OVERHEAD CABINET - RIGHT HAND

**DRIVERS COMPARTMENT GROUP (CONTINUED)**  
**DRIVERS COMPARTMENT - LOWER**



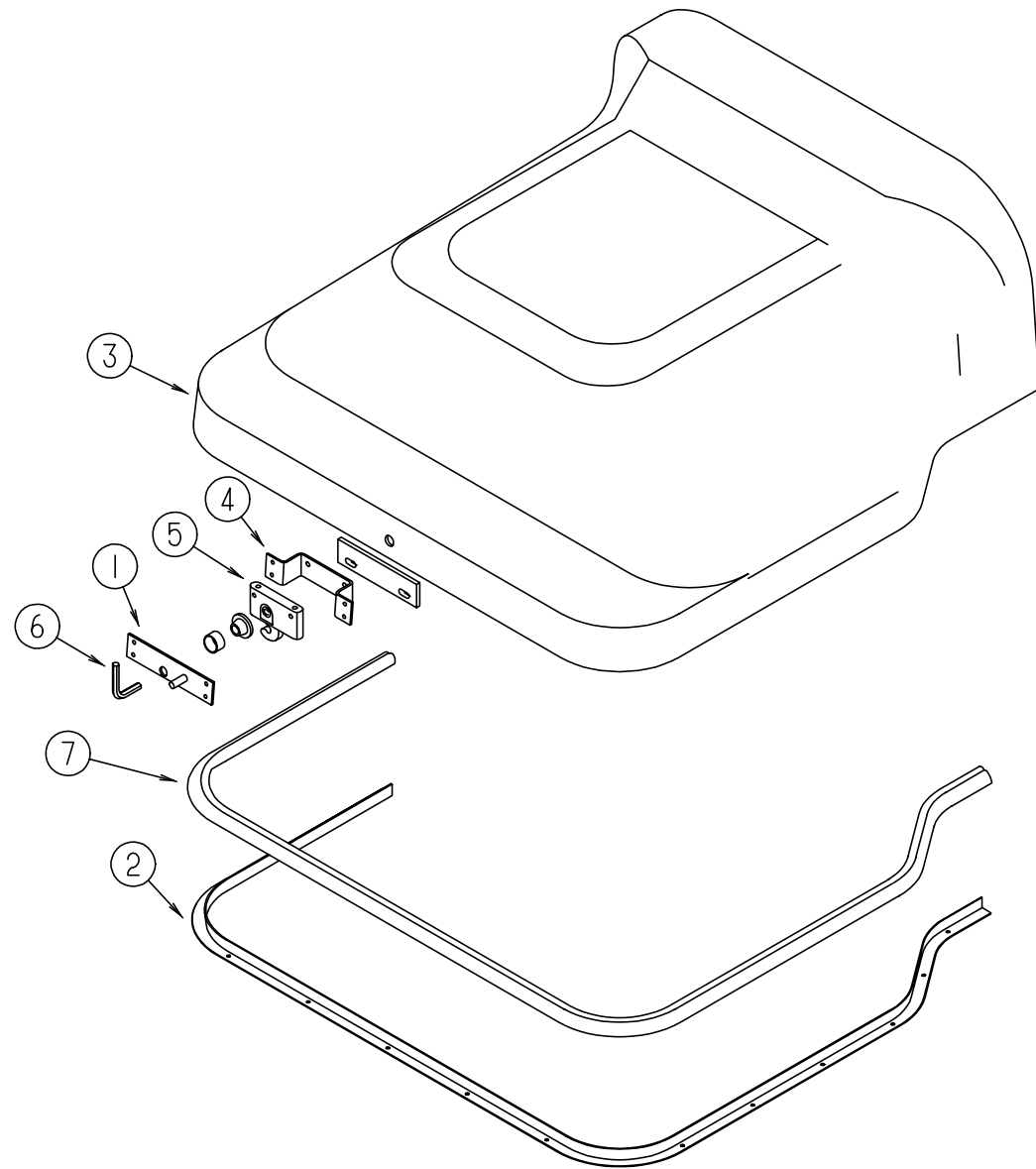
KEY	PART NUMBER	U/M DESCRIPTION	VENDOR NO.
1	024700-51-000	EA COVER - ROLL BAR	
2	091990-04-01A	EA SEAT BELT/SHOULDER HARNESS - DRIVERS/PASSENGER - BLACK	
	091990-01-700	EA COVER-BOLT	
	091990-01-701	EA EXTENDER 9" FOR A8408 3 PT	I-1331-02
	109146-01-000	EA BOLT - SHOULDER/SEAT BELT	
	103961-02-01A	EA COVER - BRACKET - SEAT BELT/LEFT HAND - DRIVER DOOR	
3	125677-02-J20	EA POD - INSTRUMENT PANEL	
			FROM: 00-00-00 THRU: 02-28-98
3	111499-01-06A	EA POD - INSTRUMENT PANEL - ANTELOPE	
			FROM: 03-01-98 THRU: 04-21-98
3	125677-02-J20	EA POD - INSTRUMENT PANEL	
			FROM: 04-22-98 THRU: 99-99-99
4	114620-11-02A	EA TRIM - LOWER DASH - GM - 96" - ANTELOPE	
4	114620-09-02A	EA TRIM - LOWER DASH - GM - 96" - ANTELOPE - HEATED MIRRORS OPTION	
4	117306-03-J20	EA TRIM - LOWER DASH-DRIVER - 15" W/O CUTOUT - FORD/ANTELOPE	
			FROM: 00-00-00 THRU: 10-27-97
4	111528-04-04A	EA TRIM - LOWER DASH - DRIVER - ANTELOPE - FORD	
			FROM: 10-28-97 THRU: 99-99-99
4	111528-07-04A	EA TRIM - LOWER DASH - PASSENGER - FORD - ANTELOPE	
5	P26082-01-000	EA DASH - W/O VINYL - E-COATED - CHEVY	
5	P26082-03-000	EA DASH - W/O VINYL - E-COATED - FORD - 1997 CHASSIS	
5	P26082-11-000	EA DASH - W/O VINYL - E-COATED - FORD - 1999 CHASSIS	
	106569-11-01A	EA VINYL - LAMINATE - ALLANTE ANTELOPE - 1/4" X 21" X 100"	
	113452-01-000	FT SEAL/TRIM - FRONT - VINYL W/WIRE CARRIER	
6	104354-08-03A	EA APPLIQUE - LOWER DASH - GM/FORD	
	126340-01-01A	EA DECAL - LOGO - BRAVE	
7	095757-05-G15	EA COVER - HEATER (J20)	
7	095757-05-G16	EA COVER - HEATER (J21)	
8	086120-01-J61	EA PAD - MAP POCKET - 12" X 16" (J20)	
8	086120-01-J21	EA PAD - MAP POCKET - 12" X 16" (J21)	
9	127692-01-J20	EA TABLE - DASH	
	127597-01-000	EA SLIDE - WORK STATION - DASH	
10	103498-09-000	EA BOOT - STEERING COLUMN - W/1/2 CIRCLE - CHEVY	
	111521-05-01A	EA COVER - STEERING COLUMN - BLACK - FORD - 1997 FORD CHASSIS	
	130111-01-01A	EA COVER - STEERING COLUMN - BLACK - FORD - 1999 FORD CHASSIS	
	125655-01-01A	EA TRIM - STEERING COLUMN - RIGHT HAND/FORD - 1997 FORD CHASSIS	
	125655-03-01A	EA TRIM - STEERING COLUMN - RIGHT HAND/FORD - 1999 FORD CHASSIS	
	125655-02-01A	EA TRIM - STEERING COLUMN - LEFT HAND/FORD - 1997 FORD CHASSIS	
	125655-04-01A	EA TRIM - STEERING COLUMN - LEFT HAND/FORD - 1999 FORD CHASSIS	
11	112236-01-J20	EA BEZEL - LEVELING PANEL	
11	108356-02-01A	EA COVER/ACTUATOR SWITCH - 2 ROWS DIMPLES- CONTURA II - BLACK	
11	108357-07-000	EA SWITCH - ROCKER SPDT - MOM/OFF/MOM - 3 TERMINAL	
11	116220-01-000	EA APPLIQUE - SWITCH/SLIDEOUT	
12	127901-01-01A	EA PANEL - TOEKICK/LEFT HAND - ANTELOPE	
			FROM: 00-00-00 THRU: 07-13-97
12	127901-02-01A	EA PANEL - TOEKICK/LEFT HAND - ANTELOPE	
			FROM: 07-14-97 THRU: 99-99-99

**DRIVERS COMPARTMENT GROUP (CONTINUED)**  
**BEVERAGE TRAY**



KEY	PART NUMBER	U/M	DESCRIPTION
1	126680-01-H17	EA	TRAY - BEVERAGE - W/SHELF/CUPHOLDER - W/O DRAWER - FORD
1	126680-02-H17	EA	TRAY - BEVERAGE - W/SHELF/CUPHOLDER - W/O DRAWER - CHEVY
2	122717-06-01A	FT	PAD - NON-SKID - PSA - 6.5" X 13.8"
3	122717-01-01A	EA	PAD - NON SKID - 4" DIAMETER ROUND
4	122717-02-01A	EA	PAD - NON SKID - 4" X 4"
5	126680-15-H17	EA	SHELF/CUPHOLDER
6	126680-14-H17	EA	SHELF/CUPHOLDER - W/PADS
7	097872-04-000	EA	DOWEL - WOOD - 1" DIAMETER X 1.38" LONG
8	122832-01-02B	EA	BRACKET - MOUNTING - BEVERAGE TRAY
9	126680-16-H17	EA	LID - BEVERAGE TRAY
10	M05971-AZ-H33	EA	DRAWER - OGEE EDGE - 10"W X 11.8"D - W/O SLIDES/HARDWARE
	100128-02-000	FT	SEAL - FOAM - ADHESIVE BACK - .37" WIDE X .37" THICK

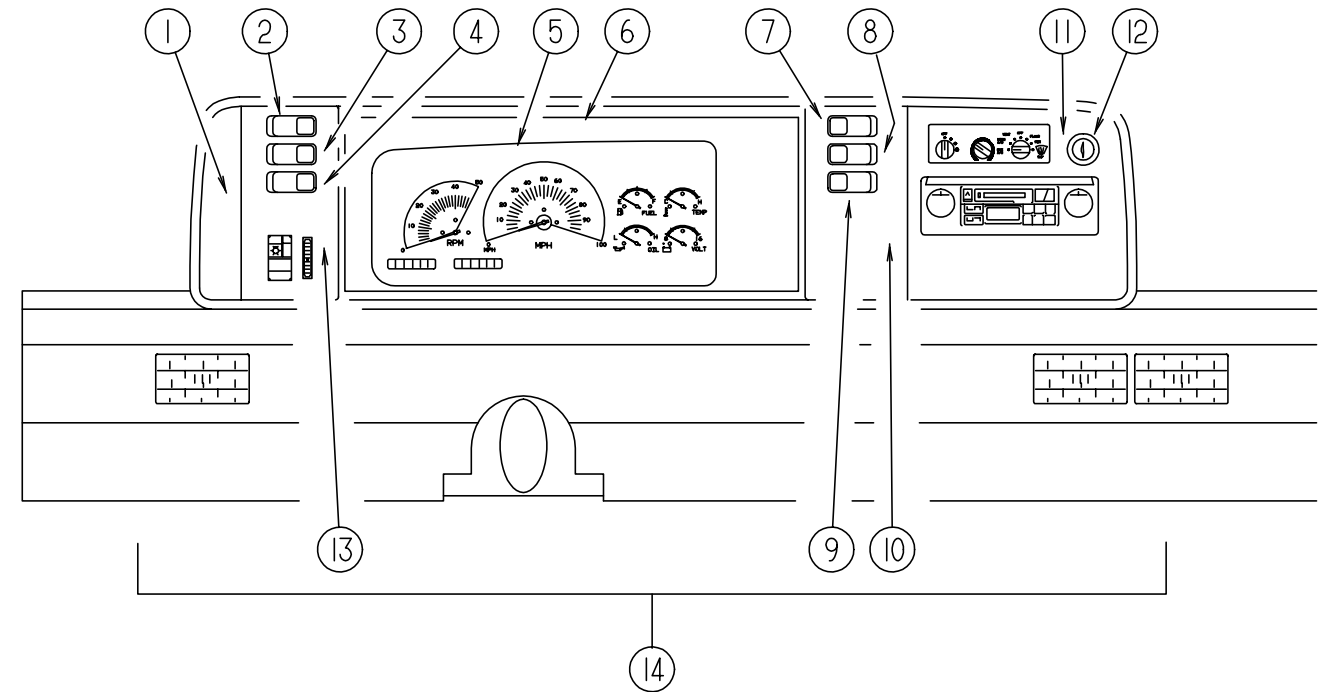
**DRIVERS COMPARTMENT GROUP (CONTINUED)**



**MOTOR COVER**

KEY	PART NUMBER	U/M DESCRIPTION
1	115852-01-02B	EA STRIKE - LATCH - MOTOR COVER - E-COATED
2	115860-01-01A	EA TRIM - MOTOR COVER
2	115860-03-01A	EA TRIM-MOTOR COVER - 1999 FORD CHASSIS
3	115840-01-01A	EA COVER - MOTOR - W/O CARPET - 1997 FORD CHASSIS
3	115840-03-01A	EA COVER - MOTOR - W/O CARPET - 1999 FORD CHASSIS
3	115840-02-01A	EA COVER - MOTOR - W/O CARPET - CHEVY
4	115850-01-02B	EA RETAINER - LATCH - MOTOR COVER - RIGHT HAND - E-COATED FROM: 00-00-00 THRU: 05-17-98
4	115850-03-02B	EA RETAINER - LATCH - MOTOR COVER - RIGHT HAND - E-COATED FROM: 05-18-98 THRU: 99-99-99
5	116581-01-000	EA LATCH - MOTOR COVER
6	116833-01-02B	EA WRENCH - HEX MOTOR COVER - E-COATED
7	039623-01-000	FT SEAL - MOTOR COVER - RUBBER BULB TYPE
	122772-02-02B	EA BRACKET - MOUNTING - BEVERAGE TRAY

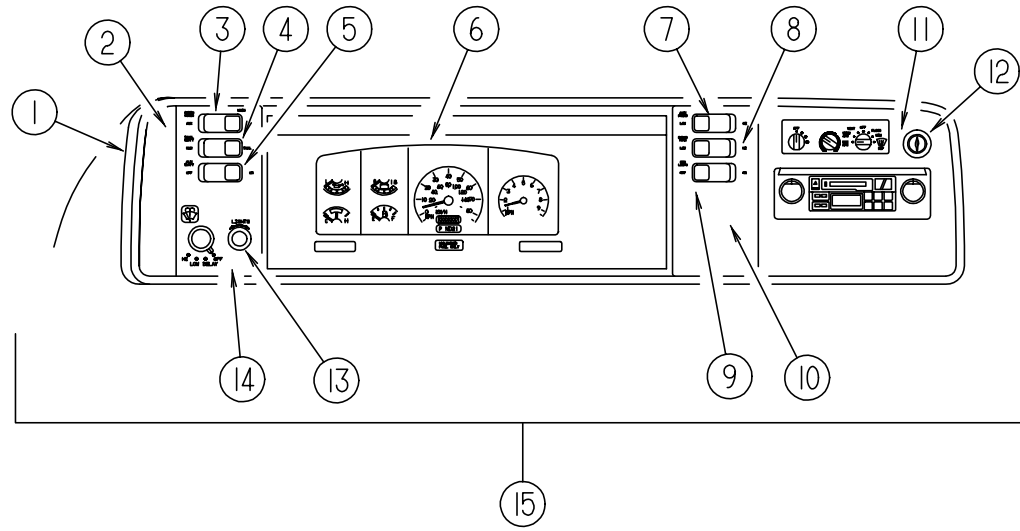
**DRIVERS COMPARTMENT GROUP (CONTINUED)**



**DASH, GAUGES & SWITCHES - CHEVY**

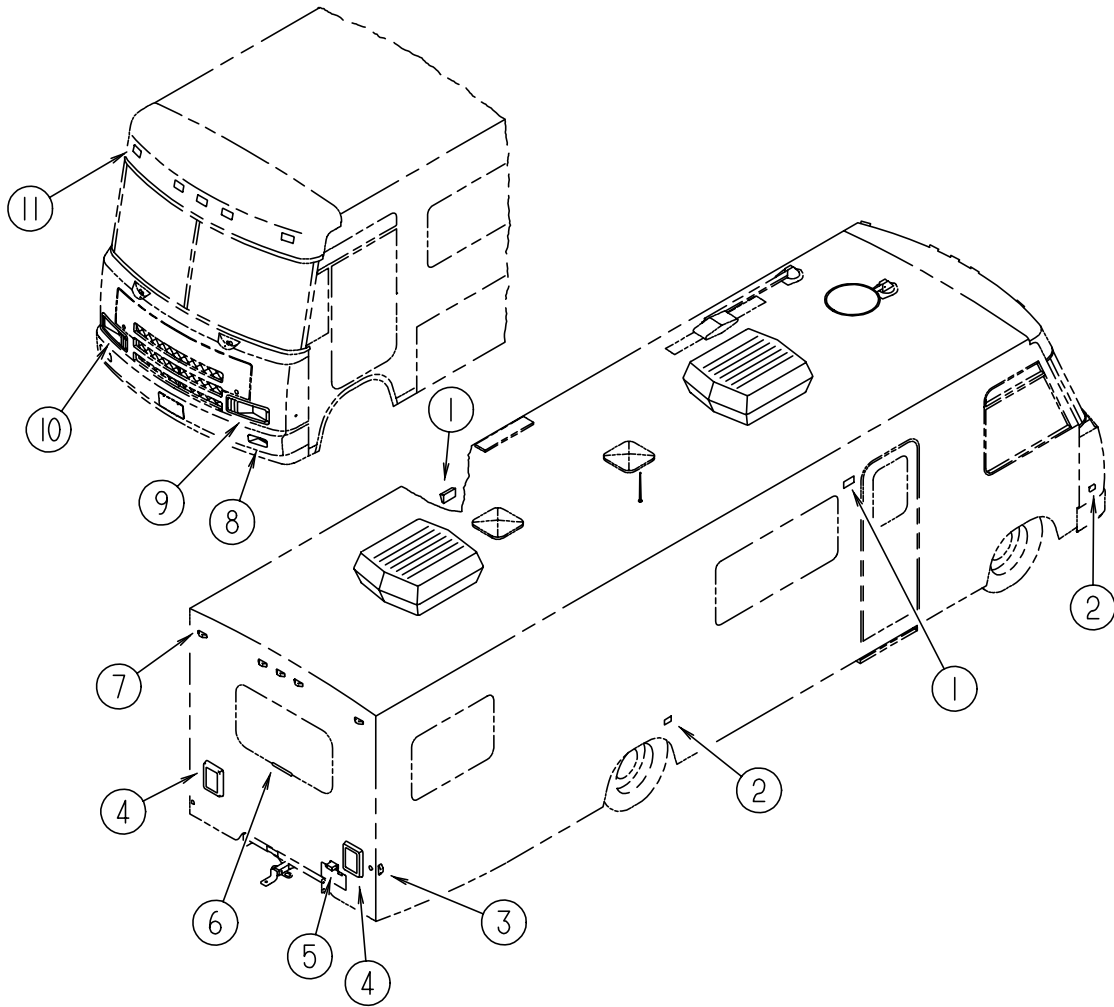
KEY	PART NUMBER	U/M DESCRIPTION
1	104056-01-07A	EA APPLIQUE - BEZEL - DRIVER DRESS UP
2	108356-02-01A	EA COVER/ACTUATOR SWITCH - 2 ROWS DIMPLES- CONTURA II - BLACK
2	108357-05-000	EA SWITCH - ROCKER SPDT - ON/NONE/ON - 3 TERMINAL - RADIO POWER W/O CD
2	108357-08-000	EA SWITCH - ROCKER DPDT - ON/NONE/ON - 6 TERMINAL - RADIO POWER W/CD
3	108356-02-01A	EA COVER/ACTUATOR SWITCH - 2 ROWS DIMPLES- CONTURA II - BLACK
3	108357-09-000	EA SWITCH - ROCKER SPDT - ON/NONE/MOM - 3 TERMINAL - AUXILIARY START
4	108356-02-01A	EA COVER/ACTUATOR SWITCH - 2 ROWS DIMPLES- CONTURA II - BLACK
4	108357-06-000	EA SWITCH - ROCKER DPDT - MOM/OFF/MOM - 6 TERMINAL - AUXILIARY BATTERY
5	N/A	EA CLUSTER-INSTRUMENT PANEL - KILO REG/MPH READING - GAS CSA FROM: 00-00-00 THRU: 08-03-97
5	N/A	EA CLUSTER - INSTRUMENT PANEL - K/M - GAS - CANADIAN FROM: 08-04-97 THRU: 99-99-99
6	103662-06-01A	EA BEZEL - INSTRUMENT PANEL - 97 CHASSIS
6	103662-08-01A	EA BEZEL - INSTRUMENT PANEL - GM - 98 CHASSIS
7	108356-04-01A	EA COVER/ACTUATOR SWITCH-2 ROWS DIMPLES W/LENS-CONTURAIIBLK
7	108357-10-000	EA SWITCH - ROCKER SPDT W/LIGHT - MOM/NONE/MOM - 5 TERMINAL - GENERATOR
7	096241-03-000	EA SWITCH - BLANK - BLACK
8	108356-02-01A	EA COVER/ACTUATOR SWITCH - 2 ROWS DIMPLES- CONTURA II - BLACK
8	108357-03-000	EA SWITCH - ROCKER SPDT - ON/OFF/ON - 3 TERMINAL - REAR HEATER
8	096241-03-000	EA SWITCH - BLANK - BLACK
9	096241-03-000	EA SWITCH - BLANK - BLACK
10	104056-21-01A	EA APPLIQUE - BEZEL - PASSENGER DRESS UP
11	104056-06-07A	EA APPLIQUE - BEZEL - PASSENGER DRESS UP
12	089294-01-000	EA LIGHTER - CIGARETTE - W/SOCKET & WIRE
13	104056-22-01A	EA APPLIQUE - BEZEL - DRIVER SWITCHES
14	M05946-50-J20	EA DASH POD - CHEVY - W/O CLUSTER
	100138-01-000	EA MODULE - DAYTIME/RUNNING LIGHT - CANADIAN
	103603-01-000	EA BULB - 12 VOLT - #74 - .12A WEDGE - GE 22-25 USED IN DASH
	077031-01-000	EA FILM - BLACK - 1" X 1.75"
	077031-03-000	EA FILM - WHITE - .75" X 1"
	049176-01-000	EA HEDLOCK II - 3/4 DIAMETER SCREW MOUNT

**DRIVERS COMPARTMENT GROUP (CONTINUED)**  
**DASH, GAUGES & SWITCHES - FORD**



KEY	PART NUMBER	U/M	DESCRIPTION
1	103662-05-01A	EA	BEZEL - INSTRUMENT PANEL FROM: 00-00-00 THRU: 02-22-98
1	103662-09-01A	EA	BEZEL - INSTRUMENT PANEL FROM: 02-23-98 THRU: 03-20-98
1	103662-11-01A	EA	BEZEL - INSTRUMENT PANEL FROM: 03-21-98 THRU: 04-21-98
1	103662-12-01A	EA	BEZEL - INSTRUMENT PANEL FROM: 04-22-98 THRU: 99-99-99
2	104056-01-07A	EA	APPLIQUE - BEZEL - DRIVER - VENICE BURLWOOD
	104056-39-01A	EA	APPLIQUE - BEZEL - DRIVER - BLACK - 1999 FORD CHASSIS
3	108356-02-01A	EA	COVER/ACTUATOR SWITCH - 2 ROWS DIMPLES- CONTURA II - BLACK
3	108357-05-000	EA	SWITCH - ROCKER SPDT - ON/NONE/ON - 3 TERMINAL - RADIO POWER W/O CD
3	108357-08-000	EA	SWITCH - ROCKER DPDT - ON/NONE/ON - 6 TERMINAL - RADIO POWER W/CD
4	108356-02-01A	EA	COVER/ACTUATOR SWITCH - 2 ROWS DIMPLES- CONTURA II - BLACK
4	108357-09-000	EA	SWITCH - ROCKER SPDT - ON/NONE/MOM - 3 TERMINAL - AUXILIARY START
5	108356-02-01A	EA	COVER/ACTUATOR SWITCH - 2 ROWS DIMPLES- CONTURA II - BLACK
5	108357-06-000	EA	SWITCH - ROCKER DPDT - MOM/OFF/MOM - 6 TERMINAL - AUXILIARY BATTERY
6	N/A	EA	CLUSTER - INSTRUMENT PANEL
7	108356-04-01A	EA	COVER/ACTUATOR SWITCH-2 ROWS DIMPLES W/LENS-CONTURAIIBLK
7	108357-10-000	EA	SWITCH - ROCKER SPDT W/LIGHT - MOM/NONE/MOM - 5 TERMINAL - GENERATOR
7	096241-03-000	EA	SWITCH - BLANK - BLACK
8	108356-02-01A	EA	COVER/ACTUATOR SWITCH - 2 ROWS DIMPLES- CONTURA II - BLACK
8	108357-03-000	EA	SWITCH - ROCKER SPDT - ON/OFF/ON - 3 TERMINAL - REAR HEATER
8	096241-03-000	EA	SWITCH - BLANK - BLACK
9	096241-03-000	EA	SWITCH - BLANK - BLACK
10	104056-21-01A	EA	APPLIQUE - BEZEL - PASSENGER DRESS UP
11	104056-06-07A	EA	APPLIQUE - BEZEL - PASSENGER DRESS UP
12	089294-01-000	EA	LIGHTER - CIGARETTE - W/SOCKET & WIRE
13	096674-01-000	EA	NUT - HEADLAMP KNOB - BLACK - 1997 CHASSIS
13	096675-01-000	EA	KNOB - HEADLAMP - W/SHAFT - 1997 CHASSIS
14	104056-24-01A	EA	APPLIQUE - BEZEL - DRIVER - BLACK
	104056-39-01A	EA	APPLIQUE - BEZEL - DRIVER - BLACK - 1999 FORD CHASSIS
15	M05946-51-J20	EA	DASH POD - FORD - W/O CLUSTER
	100138-01-000	EA	MODULE - DAYTIME/RUNNING LIGHT - CANADIAN
	077031-01-000	EA	FILM - BLACK - 1" X 1.75"
	077031-03-000	EA	FILM - WHITE - .75" X 1"
	049176-01-000	EA	HEDLOCK II - 3/4 DIAMETER SCREW MOUNT
	103603-01-000	EA	BULB - 12 VOLT - #74 - .12A WEDGE - GE 22-25 USED IN DASH
	111904-01-000	EA	CABLE/INDICATOR - TRANSMISSION - 23.1" EYE/EYE - 1997 CHASSIS
	129644-01-000	EA	CABLE/INDICATOR - TRANSMISSION - 46.7" EYE/EYE - 1999 CHASSIS

**ELECTRICAL GROUP  
EXTERIOR LIGHTS**



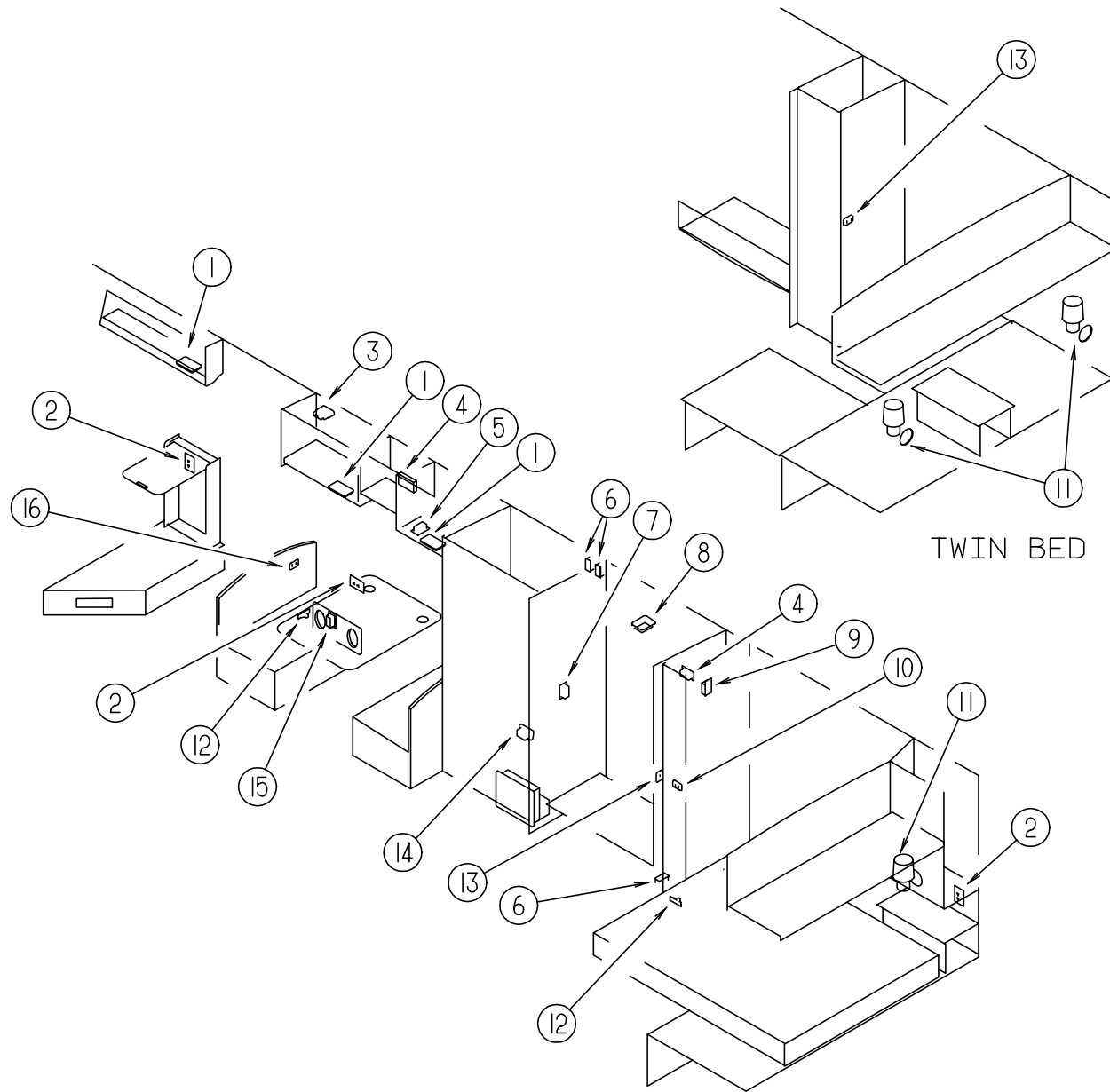
KEY	PART NUMBER	U/M	DESCRIPTION	VENDOR NO.
1	097917-01-06A	EA	LIGHT - PORCH - BRIGHT WHITE	
	008215-01-000	EA	BULB - 12 VOLT - NUMBER 1003 - .94 AMP	
	097917-01-700	EA	LENS-LIGHT, CLEAR	
1	008089-02-000	EA	LIGHT - PORCH - RECESSED - CANADIAN	
	008089-01-700	EA	LENS-LIGHT, RECESSED, PORCH DECO	
	008214-01-000	EA	BULB - 12 VOLT - #67 - .59 AMP	
	091981-01-000	EA	GASKET - PORCH LIGHT	
2	111102-01-000	EA	BASE - LAMP MARKER	
2	111102-02-000	EA	LENS - AMBER - MARKER LAMP	
	036196-01-000	EA	BULB - 12 VOLT - #194 - .27 AMP - BAYONETTE	
3	111102-01-000	EA	BASE - LAMP MARKER	
3	111102-03-000	EA	LENS - RED - MARKER LAMP	
	036196-01-000	EA	BULB - 12 VOLT - #194 - .27 AMP - BAYONETTE	
4	117831-01-000	EA	LAMP - STOP/TURN/TAILO/BACKUP	
4	117831-02-000	EA	LAMP - STOP/TURN/TAILO/BACKUP	
	037934-01-000	EA	BULB - 12V - #1156 - 2.1 AMP CLEAR GLASS BACK UP & TURN SIGNAL BULB	
	037935-01-000	EA	BULB - 12V - #1157 OR #2057 - 2.1 AMP - CLEAR GLASS BRAKE LIGHT BULB	
4	126210-01-J20	EA	TRIM - BACKWALL/DRIVER-PASSENGER - BRIGHT WHITE	
5	066432-02-000	EA	LIGHT - LICENSE - BLACK	
5	066432-03-000	EA	BRACKET - LICENSE PLATE	
6	121950-01-000	EA	LIGHT - BRAKE - CENTER MOUNT	
7	127536-01-000	EA	LIGHT - CLEARANCE - RED	
7	127536-02-000	EA	SOCKET - LIGHT - 194 WEDGE	
8	084901-01-000	EA	LAMP - PARK/TURN - GM #916558 (BULB #2057) USES BULB #2057 OR GM #9438848 - OBTAIN EITHER LOCALLY	
9	049186-04-000	EA	HEADLAMP - DRIVER - HIGH/LOW - HALOGEN	
9	049188-04-000	EA	HEADLAMP - DRIVER - HIGH BEAM - HALOGEN	
9	049359-01-000	EA	SPRING - RETAINER - HEADLAMP - GM #496096	
9	110750-01-000	EA	SCREW - HEADLAMP ADJUSTING	
10	049185-04-000	EA	HEADLAMP - PASSENGER - HIGH/LOW - HALOGEN	
10	049187-04-000	EA	HEADLAMP - PASSENGER - HIGH BEAM - HALOGEN	
10	049359-01-000	EA	SPRING - RETAINER - HEADLAMP - GM #496096	
10	110750-01-000	EA	SCREW - HEADLAMP ADJUSTING	
11	102520-01-000	EA	LIGHT - CLEARANCE - W/O SOCKET/HOUSING - AMBER	
11	067789-02-000	EA	SOCKET - LAMP	
11	036196-01-000	EA	BULB - 12 VOLT - #194 - .27 AMP - BAYONETTE	
11	102540-01-000	EA	SEAL - SCREW - ROUND - RUBBER	
11	102541-01-000	EA	GASKET - CLEARANCE LIGHT	

VENDOR NO.

30-78-021

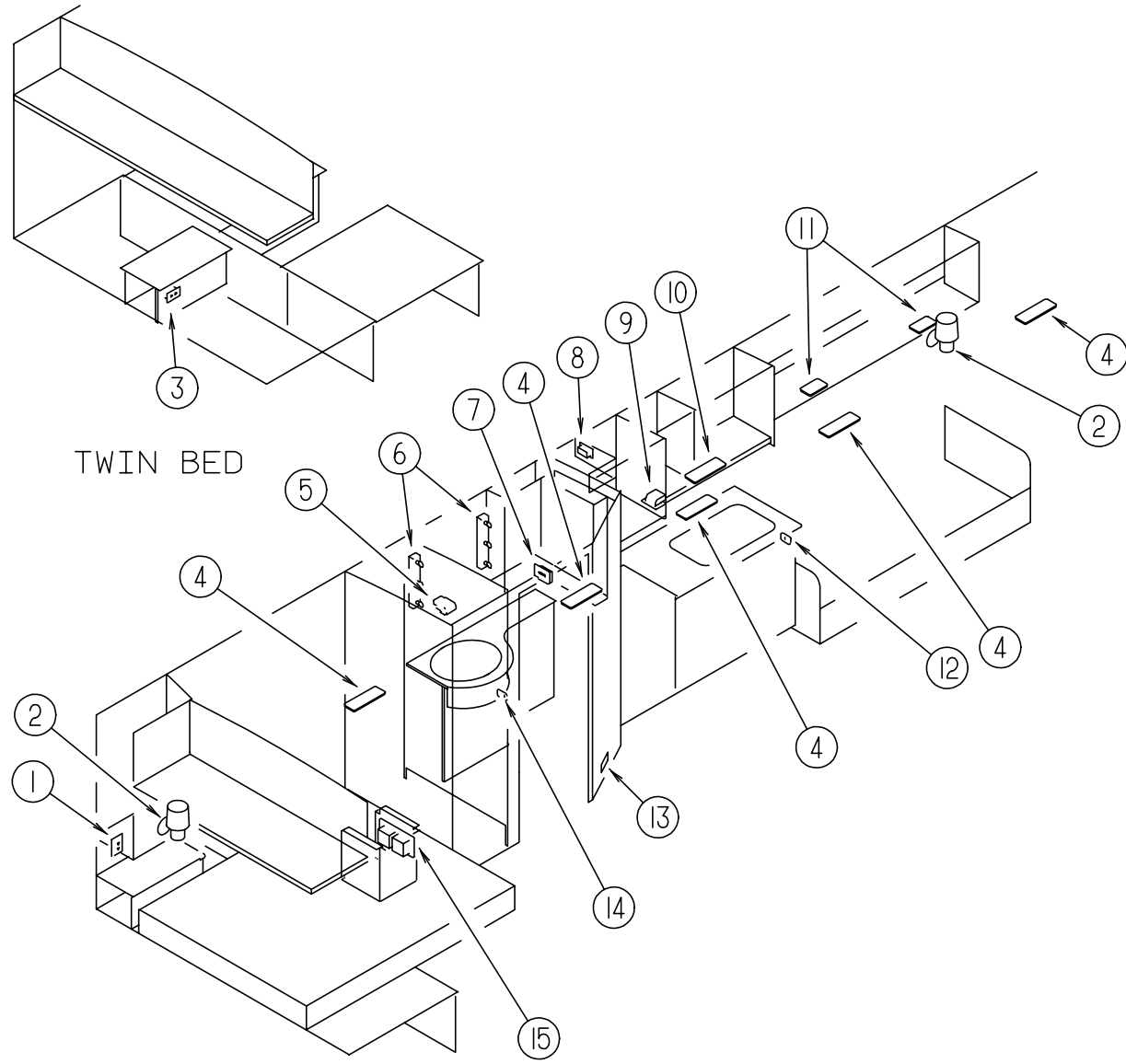


**ELECTRICAL GROUP (CONTINUED)**  
**LIGHTS, SWITCHES, & RECEPTACLES PASSENGERS SIDE**



KEY	PART NUMBER	U/M	DESCRIPTION	VENDOR NO.
1	098024-05-02A	EA	LIGHT - DOME - 1 BULB - SKYLITE - WHITE	
	008218-01-000	EA	BULB - DOME LIGHT - 12 VOLT - NO. 1141	
	098024-01-701	EA	LENS - OPTI CLEAR - SKYLITE	809902
2	058708-02-000	EA	RECEPTACLE - ELECTRIC - DOUBLE - IVORY	
2	102568-01-GB1	EA	SPACER - RECEPTACLE - BETWEEN SIDEWALL & PLATE - WOOD	
3	091927-01-000	EA	COVER - RECEPTACLE - DOUBLE - IVORY - W/O ROOF A/C OPTION	
4	058708-05-000	EA	RECEPTACLE - SINGLE - BROWN - COFFEEMAKER OPTION	
5	058708-01-000	EA	RECEPTACLE - ELECTRIC - DOUBLE - BROWN - W/O COFFEEMAKER OPTION	
6	058707-02-000	EA	RECEPTACLE - BLANK JUNCTION BOX	
7	058707-01-000	EA	RECEPTACLE - ELECTRIC - SINGLE - BROWN	
8	121935-01-01A	EA	LIGHT - DOME - SHOWER	
9	079364-01-000	EA	SWITCH - ON/OFF ROCKER - 2 TERMINAL - BROWN - TV	
9	098351-14-01A	EA	PLATE - SWITCH - 1 GANG W/LABEL	
10	079364-01-000	EA	SWITCH - ON/OFF ROCKER - 2 TERMINAL - BROWN - BEDROOM LAMP	
10	079364-03-000	EA	SWITCH - ON/OFF ROCKER - 3 TERMINAL - BROWN - COURTESY LAMP	
10	098351-02-01A	EA	PLATE - SWITCH - 2 GANG POLISHED BRASS	
10	095188-01-01A	EA	SPACER - SWITCH - 2.3" X 3.4" - PLASTIC - DARK BROWN	
11	119257-04-01A	EA	SHADE - LAMP - LINEN WHITE	
11	119258-05-01A	EA	LAMP - WALL	
	119258-01-700	EA	FINIAL (PYRAMID)	12-0322
11	067479-01-000	EA	BULB - 12 VOLT - #1076 - 1.80 AMP	
12	061424-01-000	EA	LIGHT - AISLE - 12 VOLT - RECTANGULAR	
	008103-01-000	EA	BULB - DASH/AISLE LIGHT - #53 - 12 VOLT - .12 AMP	
13	079364-01-000	EA	SWITCH - ON/OFF ROCKER - 2 TERMINAL - BROWN - SHOWER LAMP	
13	098351-01-01A	EA	PLATE - SWITCH - 1 GANG POLISHED BRASS	
13	095188-01-01A	EA	SPACER - SWITCH - 2.3" X 3.4" - PLASTIC - DARK BROWN	
14	112822-01-01A	EA	RECEPTACLE - DUPLEX - IVORY	
14	112824-01-03A	EA	COVER - EXTERIOR DUPLEX RECEPTACLE - WHITE PLASTIC	
15	058708-01-000	EA	RECEPTACLE - ELECTRIC - DOUBLE - BROWN	
16	095188-02-01A	EA	SPACER - SWITCH - 2.3" X 4.1" - PLASTIC - DARK BROWN	
16	098351-05-01A	EA	PLATE - SWITCH - 3 GANG POLISHED BRASS	
16	079364-01-000	EA	SWITCH - ON/OFF ROCKER - 2 TERMINAL - BROWN - STEP	
	086280-01-000	EA	LIGHT - SURFACE MOUNT - 12 VOLT	
	086280-01-700	EA	BULB, 12V	ARP1089
	112643-01-000	EA	LIGHT - SINGLE - SWIVEL	
	112642-01-06A	EA	TRIM RING - SINGLE LIGHT - BLACK	

**ELECTRICAL GROUP (CONTINUED)**  
**LIGHTS, SWITCHES, & RECEPTACLES DRIVERS SIDE**



KEY	PART NUMBER	U/M	DESCRIPTION	VENDOR NO.
1	058708-02-000	EA	RECEPTACLE - ELECTRIC - DOUBLE - IVORY	
1	102568-01-GB1	EA	SPACER - RECEPTACLE - BETWEEN SIDEWALL & PLATE - WOOD	
2	119257-04-01A	EA	SHADE - LAMP - LINEN WHITE	
2	119258-05-01A	EA	LAMP - WALL	
	119258-01-700	EA	FINIAL (PYRAMID)	12-0322
2	067479-01-000	EA	BULB - 12 VOLT - #1076 - 1.80 AMP	
3	058708-01-000	EA	RECEPTACLE - ELECTRIC - DOUBLE - BROWN	
4	098024-03-02A	EA	LIGHT - DOME - 2 BULB - WHITE	
	008218-01-000	EA	BULB - DOME LIGHT - 12 VOLT - NO. 1141	
	098024-01-700	EA	LENS-LIGHT	807877
5	091927-01-000	EA	COVER - RECEPTACLE - DOUBLE - IVORY - W/O ROOF A/C OPTION	
6	110235-01-01A	EA	LIGHT - MAKE UP - 3 BULB - 12 VOLT	
	081633-01-700	EA	BULB-LIGHT, MAKE-UP	RP1041
7	084076-01-000	EA	RECEPTACLE - GFI - 15 AMP - 125 VOLT - IVORY	
8	058708-05-000	EA	RECEPTACLE - SINGLE - BROWN - MICROWAVE	
9	084076-02-000	EA	RECEPTACLE - GFI - 15 AMP/125 VOLT - BROWN	
10	091937-05-000	EA	LIGHT - FLUORESCENT - 12V/16 WATT - 15" LONG - THIN LITE	
	091937-05-701	EA	LENS-LIGHT, FLUORESCENT	D-732
11	098024-05-02A	EA	LIGHT - DOME - 1 BULB - SKYLITE - WHITE	
	008218-01-000	EA	BULB - DOME LIGHT - 12 VOLT - NO. 1141	
	098024-01-701	EA	LENS - OPTI CLEAR - SKYLITE	809902
12	079364-03-000	EA	SWITCH - ON/OFF ROCKER - 3 TERMINAL - BROWN	
12	098351-01-01A	EA	PLATE - SWITCH - 1 GANG POLISHED BRASS	
13	061424-01-000	EA	LIGHT - AISLE - 12 VOLT - RECTANGULAR	
	008103-01-000	EA	BULB - DASH/AISLE LIGHT - #53 - 12 VOLT - .12 AMP	
14	079364-03-000	EA	SWITCH - ON/OFF ROCKER - 3 TERMINAL - BROWN - WATER PUMP	
14	079364-01-000	EA	SWITCH - ON/OFF ROCKER - 2 TERMINAL - BROWN - MAKEUP LAMP	
14	098351-02-01A	EA	PLATE - SWITCH - 2 GANG POLISHED BRASS	
14	095188-02-01A	EA	SPACER - SWITCH - 2.3" X 4.1" - PLASTIC - DARK BROWN	
15	024924-02-000	EA	RECEPTACLE - POWER CORD - W/PARTIAL PLATE	
	086280-01-000	EA	LIGHT - SURFACE MOUNT - 12 VOLT	
	086280-01-700	EA	BULB, 12V	ARP1089
	112643-01-000	EA	LIGHT - SINGLE - SWIVEL	
	112642-01-06A	EA	TRIM RING - SINGLE LIGHT - BLACK	

**ELECTRICAL GROUP (CONTINUED)**  
**FUSES & FUSE HOUSINGS**

KEY	PART NUMBER	U/M DESCRIPTION
	062901-02-000	EA FUSE - 05 AMPS - AUTOMOTIVE
	062901-05-000	EA FUSE - 15 AMPS - AUTOMOTIVE
	062901-06-000	EA FUSE - 20 AMPS - AUTOMOTIVE
	062901-07-000	EA FUSE - 25 AMPS - AUTOMOTIVE
	062901-08-000	EA FUSE - 30 AMPS - AUTOMOTIVE
	062037-01-000	EA HOUSING - AUTO FUSE - NATURAL
	062037-02-000	EA HOUSING - AUTO FUSE - GREEN
	062037-03-000	EA HOUSING - AUTO FUSE - BLACK
	062037-04-000	EA HOUSING - AUTO FUSE - BLUE
	062037-06-000	EA HOUSING - AUTO FUSE - BROWN
	062037-07-000	EA HOUSING - AUTO FUSE - RED
	108669-01-000	EA HOUSING - AUTO FUSE HOLDER
	106656-01-000	EA FUSE BLOCK - 4 CAVITY - AUTOFUSE

**CIRCUIT BREAKERS**

KEY	PART NUMBER	U/M DESCRIPTION
	083209-02-000	EA CIRCUIT BREAKER - 15/15 AMP - 120 VOLT
	083209-03-000	EA CIRCUIT BREAKER - 15/20 AMP - 120 VOLT
	083209-04-000	EA CIRCUIT BREAKER - 30 AMP - 120 VOLT
	083209-06-000	EA CIRCUIT BREAKER - 30/15 AMP - 120 VOLT
	083209-07-000	EA CIRCUIT BREAKER - 20/20 AMP - 120 VOLT
	093655-03-000	EA CIRCUIT BREAKER - 40 AMP - 12 VOLT

**TERMINALS**

KEY	PART NUMBER	U/M DESCRIPTION
	008326-01-000	EA TERMINAL - RING - 16/14 WIRE - 3/8" STUD
	008328-01-000	EA TERMINAL - RING - 12/10 WIRE - #10 STUD FIT
	008331-01-000	EA TERMINAL - RING - TONGUE - #4 WIRE - 3/8" STUD - COPPER
	008348-01-000	EA TERMINAL - RING - 3/8" STUD 2 GA. WIRE
	035416-04-000	EA TERMINAL - RING - #10 STUD FIT - INSULATED BARREL #16/14
	047443-01-000	EA TERMINAL - .250 RECEPTACLE FIT - INSULATED - 16/14 AWG
	062036-01-000	EA TERMINAL - PACK - CON - 12/10 AWG
	062036-02-000	EA TERMINAL - PACK - CON - 16/14 AWG
	088267-01-000	EA TERMINAL - FEMALE - 1/4
	088476-01-000	EA TERMINAL - ELECTRICAL
	098260-01-000	EA TERMINAL - MALE - 56 SERIES
	104100-03-000	EA TERMINAL - 75 AMP
	106007-01-000	EA TERMINAL - FEMALE - 14-16 AWG
	106655-01-000	EA TERMINAL - FUSE BLOCK - 14-16 AWG
	106655-02-000	EA TERMINAL - FUSE BLOCK - 10-12 AWG
	113135-01-000	EA TERMINAL - FEMALE - M/P - 14-16 - F/NON SEALED TERMINAL
	113306-01-000	EA TERMINAL - FEMALE - M/P - 14-16 - F/SEALED TERMINAL
	113307-01-000	EA TERMINAL - FEMALE - M/P - 16-20
	125324-01-000	EA TERMINAL - MALE - METRI-PACK - 150

**ELECTRICAL GROUP (CONTINUED)**  
**ELECTRIC BOXES & COVERS**

KEY	PART NUMBER	U/M DESCRIPTION
	008289-01-000	EA BOX - ELECTRIC/STEEL - 1/2" & 3/4" KNOCKOUTS - 4" X 4"
	008289-02-000	EA BOX - ELECTRIC/STEEL - 1/2" & 3/4" KNOCKOUTS - 4" X 4"-CAN
	008294-01-000	EA COVER - ELECTRICAL BOX - BLANK/STEEL - 4" X 4" - GRAY
	008294-02-000	EA COVER - ELECTRICAL BOX - BLANK STEEL - 4" X 4" - CANADIAN
	069238-01-000	EA COVER - ELECTRICAL BOX - W/HOLE - 4" X 4" - GRAY USED WITH 30 AMP RECEPTACLE
	073626-04-000	EA COVER - ELECTRIC - 10.4" X 7.8"
	074890-01-000	EA BOX - EXTENSION/STEEL - OPEN SIDES - 4" X 4" X 1 1/2"
	074897-01-000	EA COVER - ELECTRICAL BOX W/HOLES - 4" X 4"
	091910-01-000	EA BOX - ELECTRIC - 3.8" X 3.5" X 1.8" - PLASTIC
	091910-02-000	EA BOX - ELECTRIC - 2.2" X 3.5" X 1.7" - PLASTIC
	111509-01-000	EA BOX - ELECTRICAL - E-COATED
	111510-01-000	EA DOOR/ACCESS PANEL - ELECTRICAL BOX

**HOUSINGS, PINS & SOCKETS**

KEY	PART NUMBER	U/M DESCRIPTION
	088473-01-000	EA HOUSING - PIN - 12 CAVITY
	088473-02-000	EA HOUSING - PIN - 15 CAVITY
	088473-03-000	EA HOUSING - PIN - 9 CAVITY
	088473-06-000	EA HOUSING - PIN - 6 CAVITY
	088473-08-000	EA HOUSING - PIN - 4 CAVITY
	088473-09-000	EA HOUSING - PIN - 3 CAVITY
	088473-10-000	EA HOUSING - PIN - 2 CAVITY
	088474-01-000	EA HOUSING - SOCKET - 12 CAVITY
	088474-02-000	EA HOUSING - SOCKET - 15 CAVITY
	088474-03-000	EA HOUSING - SOCKET - 9 CAVITY
	088474-06-000	EA HOUSING - SOCKET - 6 CAVITY
	088474-07-000	EA HOUSING - SOCKET - 5 CAVITY
	088474-08-000	EA HOUSING - SOCKET - 4 CAVITY
	088474-09-000	EA HOUSING - ELECTRICAL - 3 TERMINAL
	088474-10-000	EA HOUSING - SOCKET - 2 CAVITY
	088475-01-000	EA PIN - CONNECTOR - 14 - 20 AWG
	088475-02-000	EA PIN - CONNECTOR - 10-12 AWG
	088476-02-000	EA SOCKET - CONNECTOR - 12-10 GA - PRE-TIN
	098261-02-000	EA SOCKET - CONNECTOR - WEATHERPACK
	098262-01-000	EA SEAL - CONNECTOR - WEATHERPACK
	098263-01-000	EA HOUSING - 3 PIN - WEATHER PACK
	098263-02-000	EA HOUSING - 3 PIN - WEATHERPACK
	098265-02-000	EA PIN - CONNECTOR - WEATHERPACK
	101571-01-000	EA HOUSING - 2 POSITION - MALE
	103608-01-000	EA SOCKET - WEDGE BASE W/LEADS
	104100-01-000	EA HOUSING - 1 POSITION - 75 AMPS
	106006-01-000	EA HOUSING - 1 POSITION - FEMALE
	110178-01-000	EA HOUSING - WIPER MOTOR
	113131-01-000	EA HOUSING - 3 PIN
	113468-01-000	EA HOUSING - 2 POSITION - FEMALE USED ON WIPER/WASHER WIRE ASM
	115556-01-000	EA HOUSING - 3 POSITION - FEMALE
	115556-02-000	EA HOUSING - 2 POSITION - FEMALE
	119248-02-000	EA HOUSING - 7 POSITION - FEMALE
	125323-02-000	EA HOUSING - 8 POSITION - MALE
	108355-01-000	EA HOUSING - SWITCH
	007954-01-000	EA RECEPTACLE - HOUSING - 6 POSITION
	080015-02-000	EA RECEPTACLE - FLAG - .185 - 16/14 GAUGE

**ELECTRICAL GROUP (CONTINUED)**  
**CONNECTORS**

KEY	PART NUMBER	U/M	DESCRIPTION
	008311-01-000	EA	CONNECTOR - WIRE NUT - INSULATED - RED
	008312-01-000	EA	CONNECTOR - WIRE NUT - INSULATED - BLUE
	008313-01-000	EA	CONNECTOR - WIRE NUT - INSULATED - YELLOW
	008314-01-000	EA	CONNECTOR - WIRE NUT - INSULATED - GRAY
	008355-01-000	EA	CONNECTOR - CABLE CLAMPING - 3/4"
	008356-01-000	EA	CONNECTOR - PLASTIC - 3/8" AVG
	008356-02-000	EA	CONNECTOR - PLASTIC - 21/32
	008398-01-000	EA	CONNECTOR - 1/2" X 90 DEGREE - FLEX CONDUIT - UL & CSA
	041480-01-000	EA	CONNECTOR - STRAIGHT - 1/2" FLEX CONDUIT
	058028-01-000	EA	CONNECTOR - ELECTRICAL PIGTAIL - NYLON - CLEAR
	112823-01-000	EA	SPLICE - REDUCER - 16-14 TO 18-22

**POWER CORDS**

KEY	PART NUMBER	U/M	DESCRIPTION
	008052-01-000	EA	CORD - POWER - 10/3 - 30 AMP - 25' - CANADIAN
	008054-01-000	EA	CORD - POWER - 10/3 - 30 AMP - 25'

**WIRE ASSEMBLIES**

KEY	PART NUMBER	U/M	DESCRIPTION
	P27516-02-000	EA	WIRE ASSEMBLY - RADIO AM/FM/CD
	P03784-01-000	EA	WIRE ASSEMBLY - HEADLAMP - GM
	P03784-02-000	EA	WIRE ASSEMBLY - HEADLAMP - FORD
	073328-B4-000	EA	CABLE ASSEMBLY - BATTERY - W/TERMINALS
	081059-02-000	EA	WIRE ASSEMBLY - 9PIN - F/RADIO
	083579-01-000	EA	WIRE ASSEMBLY - HEADLAMP
	090986-01-000	EA	WIRE ASSEMBLY - ELECTRIC STEP
	096449-01-000	EA	WIRE ASSEMBLY - WATER TANK TO MONITOR PANEL
	097618-01-000	EA	WIRE ASSEMBLY - MONITOR PANEL- W/3 WIRES & ORANGE RESISTOR
	100677-01-000	EA	WIRE ASSEMBLY - RADIO
	108303-01-000	EA	WIRE ASSEMBLY - REAR AUTO HEATER
	110256-01-000	EA	WIRE ASSEMBLY - INSTRUMENT PANEL - GENERATOR
	111915-01-000	EA	WIRE ASSEMBLY - DAYTIME RUNNING LAMPS - FUSED - GM
	111915-03-000	EA	WIRE ASSEMBLY - DAYTIME RUNNING LAMPS - FUSED - FORD
	113134-03-000	EA	WIRE ASSEMBLY - WIPER/WASHER
	123452-02-000	EA	WIRE - PUMP - SLIDEOUT
	126392-01-000	EA	WIRE ASSEMBLY - REMOTE MIRRORS
	126838-02-000	EA	WIRE ASSEMBLY - MONITOR

**CONDUIT**

KEY	PART NUMBER	U/M	DESCRIPTION
	008394-01-000	FT	CONDUIT - FLEXIBLE - 1/2"
	041953-01-000	FT	CONDUIT - CONVOLUTE SLIT - .5" ID
	041953-03-000	FT	CONDUIT - CONVOLUTE SLIT - 1" ID (CLOTHES ROD COVER)
	041953-05-000	FT	CONDUIT - CONVOLUTE SOLID - .62" ID
	041953-06-000	FT	CONDUIT - CONVOLUTE SLIT - .375" ID
	041953-07-000	FT	CONDUIT - CONVOLUTE SLIT - .25" ID
	041953-08-000	FT	CONDUIT - CONVOLUTE SLIT - 1.50" ID
	041953-09-000	FT	CONDUIT - CONVOLUTE SLIT - .50" ID
	041953-10-000	FT	CONDUIT - CONVOLUTE SLIT - .75" ID
	041953-11-000	FT	CONDUIT - CONVOLUTE SLIT - 1.06" ID
	041953-12-000	FT	CONDUIT - CONVOLUTE NON SLIT - 1.1" ID

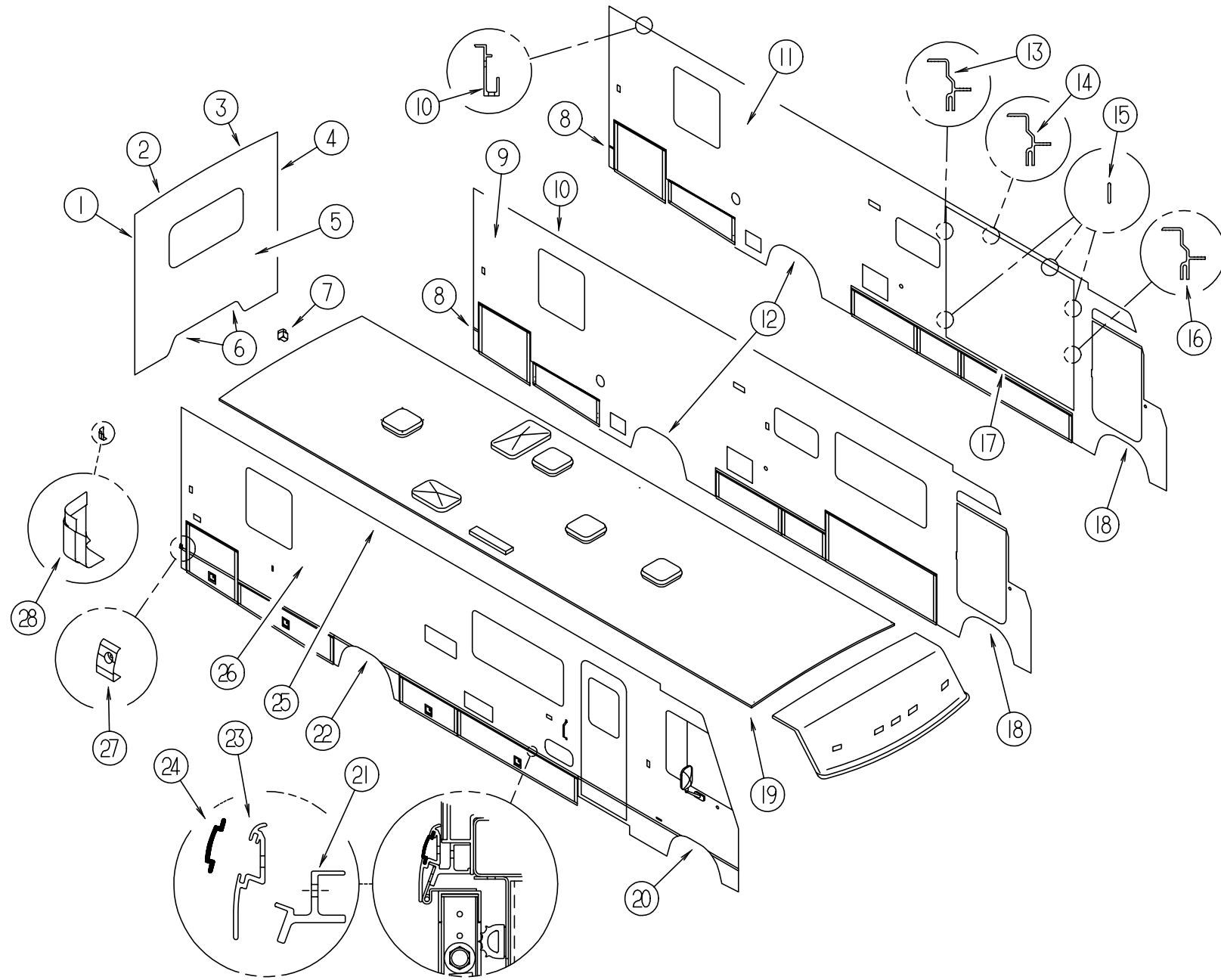
**ELECTRICAL GROUP (CONTINUED)**  
**CONVERTER & INVERTER**

KEY	PART NUMBER	U/M	DESCRIPTION
	083208-02-000	EA	CONVERTER - POWER - 45A - 120/12V
	099048-03-000	EA	INVERTER - 130 WATT
	113132-01-000	EA	LOAD CENTER - 120/240 VOLT - 60 AMP

**MISCELLANEOUS ELECTRICAL COMPONENTS**

KEY	PART NUMBER	U/M	DESCRIPTION
	007093-01-000	EA	SIGNAL FLASHER
	007956-05-000	EA	INSULATOR - SHRINK - .25 ID X 1.50
	008188-01-000	EA	SOLENOID - 3 POST - BATTERY CHANGE OVER
	063910-01-000	EA	HOUSING - RELAY
	063912-02-000	EA	RELAY - CANISTER - SPDT
	086233-01-000	EA	STUD - ISOLATED - 3/8" X 7/8" LONG
	086273-01-000	EA	RELAY - BATTERY DISCONNECT
	073626-04-000	EA	COVER - ELECTRIC - 10.4" X 7.8"
	103987-02-000	EA	SEAL - SOLENOID ACCESS
	125323-03-000	EA	LOCK - SECONDARY 8 POSITION
	125325-01-000	EA	SEAL - CAVITY
	087225-02-000	FT	SLEEVING - 5/8" - TYPE H
	077479-01-000	EA	BOOT - BATTERY TERMINAL - DOUBLE CABLE
	077479-02-000	EA	BOOT - BATTERY TERMINAL - SINGLE CABLE

**EXTERIOR BODY GROUP**  
**EXTERIOR BODY PANELS AND TRIM**



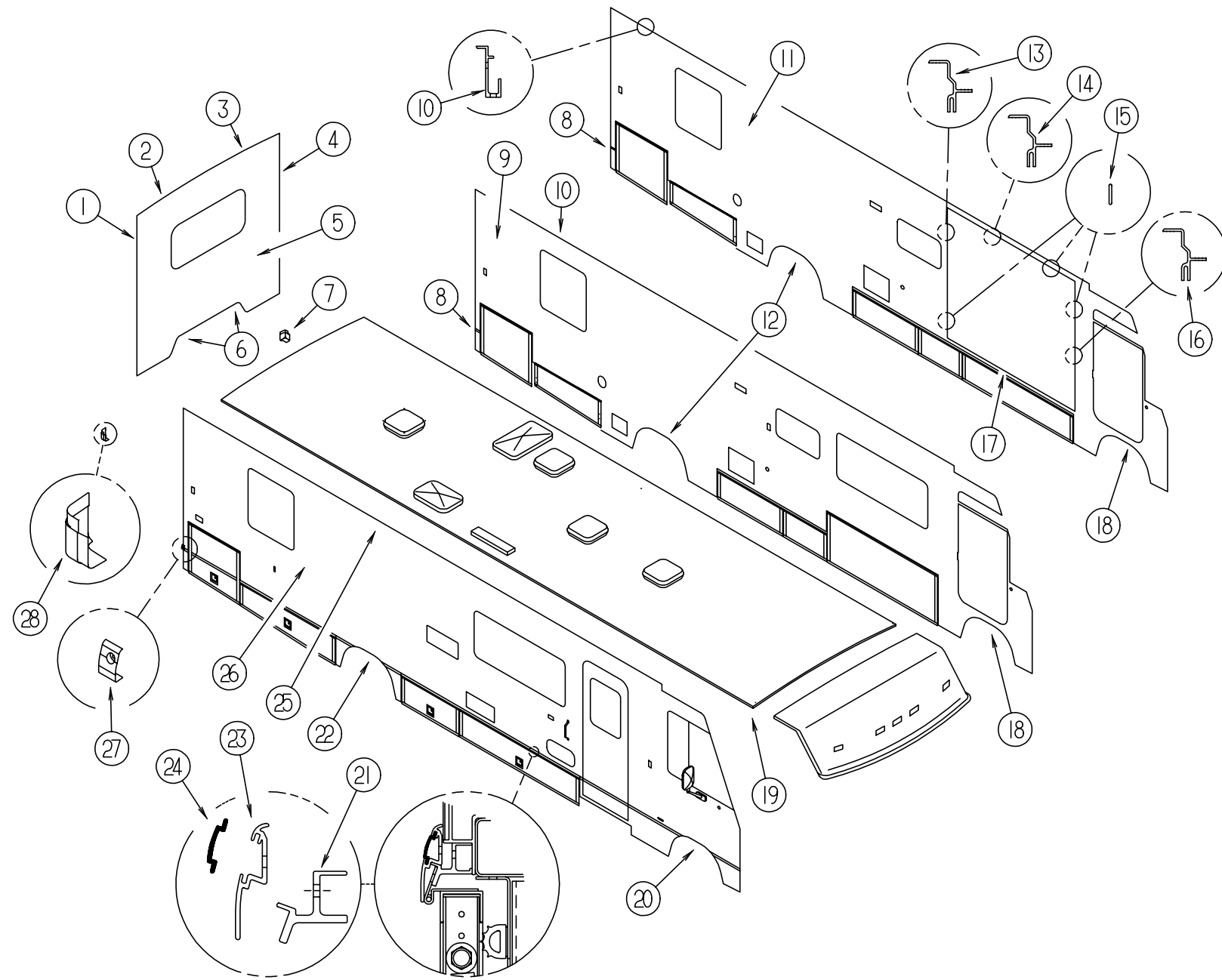
KEY	PART NUMBER	U/M	DESCRIPTION
1	126096-03-12B	EA	TRIM - BACKWALL/PASSENGER SIDE - BRIGHT WHITE
1	120548-03-01A	EA	TRIM-J - BACKWALL - PASSENGER - NOTCHED - BRIGHT WHITE
2	125690-01-01A	EA	TRIM - BACKWALL - TOP/PASSENGER SIDE
3	125689-01-01A	EA	TRIM - BACKWALL - TOP/DRIVER SIDE
4	126096-04-12B	EA	TRIM - BACKWALL/DRIVER SIDE - BRIGHT WHITE
4	120548-04-01A	EA	TRIM-J - BACKWALL - DRIVERS - NOTCHED - BRIGHT WHITE
5	M07419-27-J20	EA	BACKWALL - W/O WINDOW/TRIM
5	M07419-27-J21	EA	BACKWALL - W/O WINDOW/TRIM
6	050406-31-000	EA	TRIM - LOWER BACKWALL
6	050406-25-000	EA	TRIM - LOWER BACKWALL

FROM: 00-00-00 THRU: 03-15-98

FROM: 03-16-98 THRU: 99-99-99

KEY	PART NUMBER	U/M	DESCRIPTION
7	125873-02-01A	EA	TRIM - BACKWALL - LOWER/LEFT HAND
8	124132-01-01A	EA	CAP - SIDEWALL TRIM - RIGHT HAND - 1.4" - BRIGHT WHITE
9	125981-01-J20	EA	SIDEWALL - DRIVER - W/O WINDOWS/TRIMS
9	125981-01-J21	EA	SIDEWALL - DRIVER - W/O WINDOWS/TRIMS
10	120091-02-02A	EA	TRIM - ROOF
11	126521-01-J20	EA	SIDEWALL - DRIVER - W/O WINDOWS/TRIMS
11	126521-01-J21	EA	SIDEWALL - DRIVER - W/O WINDOWS/TRIMS
12	125800-04-JA1	EA	WHEEL LIP - REAR/DRIVER
13	115863-10-02A	EA	TRIM - SIDEWALL - BRIGHT WHITE
14	115863-11-01A	EA	TRIM - SIDEWALL - BRIGHT WHITE
15	115886-01-03A	EA	RETAINER - SIDEWALL

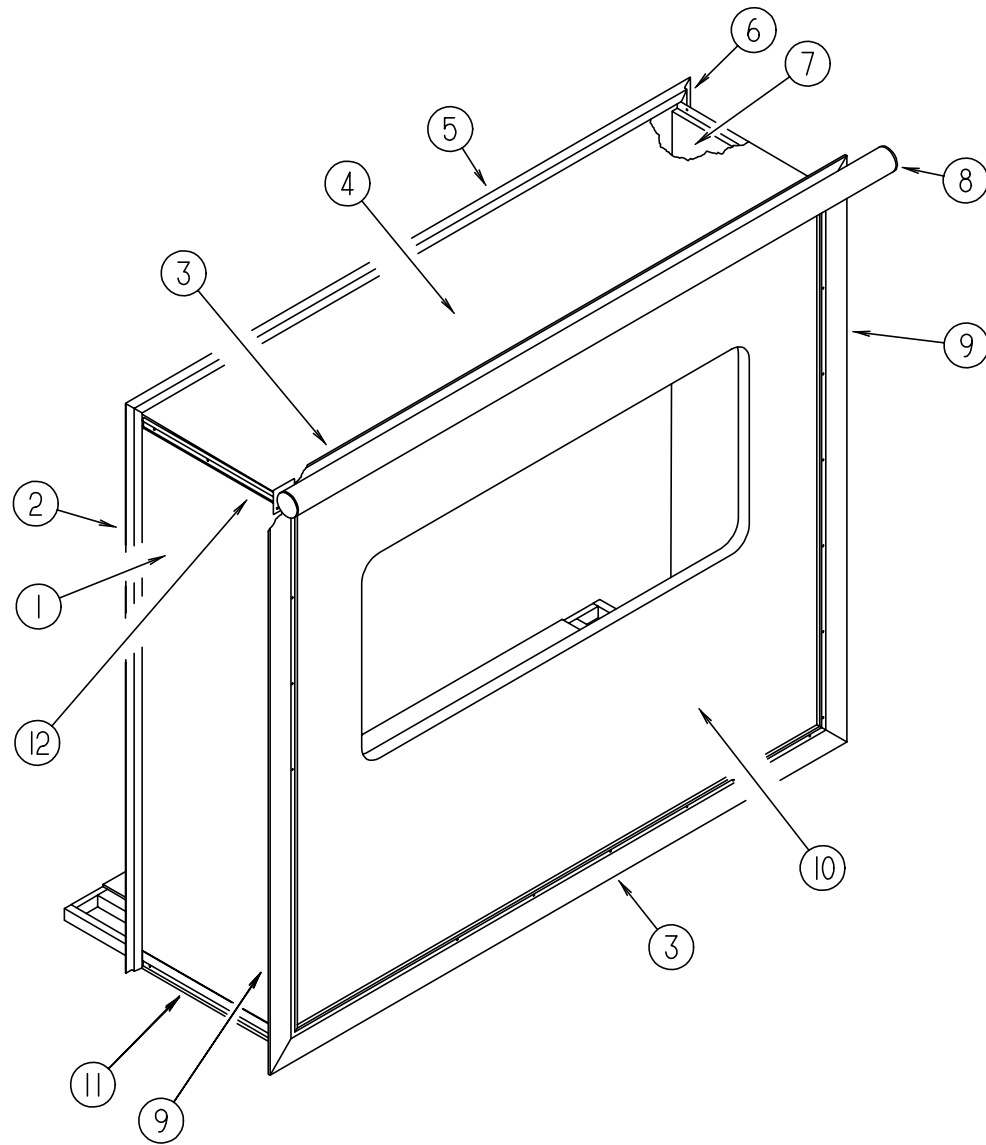
**EXTERIOR BODY GROUP**  
**EXTERIOR BODY PANELS AND TRIM (CONTINUED)**



KEY	PART NUMBER	U/M	DESCRIPTION
16	115863-09-02A	EA	TRIM - SIDEWALL - BRIGHT WHITE
17	124303-01-02A	EA	TRIM - SIDEWALL - BRIGHT WHITE
18	125799-07-JA1	EA	WHEEL LIP - FRONT/DRIVER
19	126095-01-J20	EA	ROOF - W/O LIGHTS/VENTS - W/WIRING
20	125799-05-JA1	EA	WHEEL LIP - FRONT/PASSENGER
21	124299-51-001	EA	EXTRUDED - RETAINER - TRIM - 144"
22	125800-03-JA1	EA	WHEEL LIP - REAR/PASSENGER
23	124176-01-01A	EA	TRIM - SIDEWALL - BRIGHT WHITE - 16'
24	105312-01-03A	FT	INSERT - VINYL FEATURE STRIP - GRAY METALLIC
24	105312-01-07A	FT	INSERT - VINYL FEATURE STRIP - BRIGHT WHITE
25	120092-01-02A	EA	RAIL - AWNING - BRIGHT WHITE
26	125980-01-J20	EA	SIDEWALL - PASSENGER - W/O WINDOWS/TRIMS
26	125980-01-J21	EA	SIDEWALL - PASSENGER - W/O WINDOWS/TRIMS

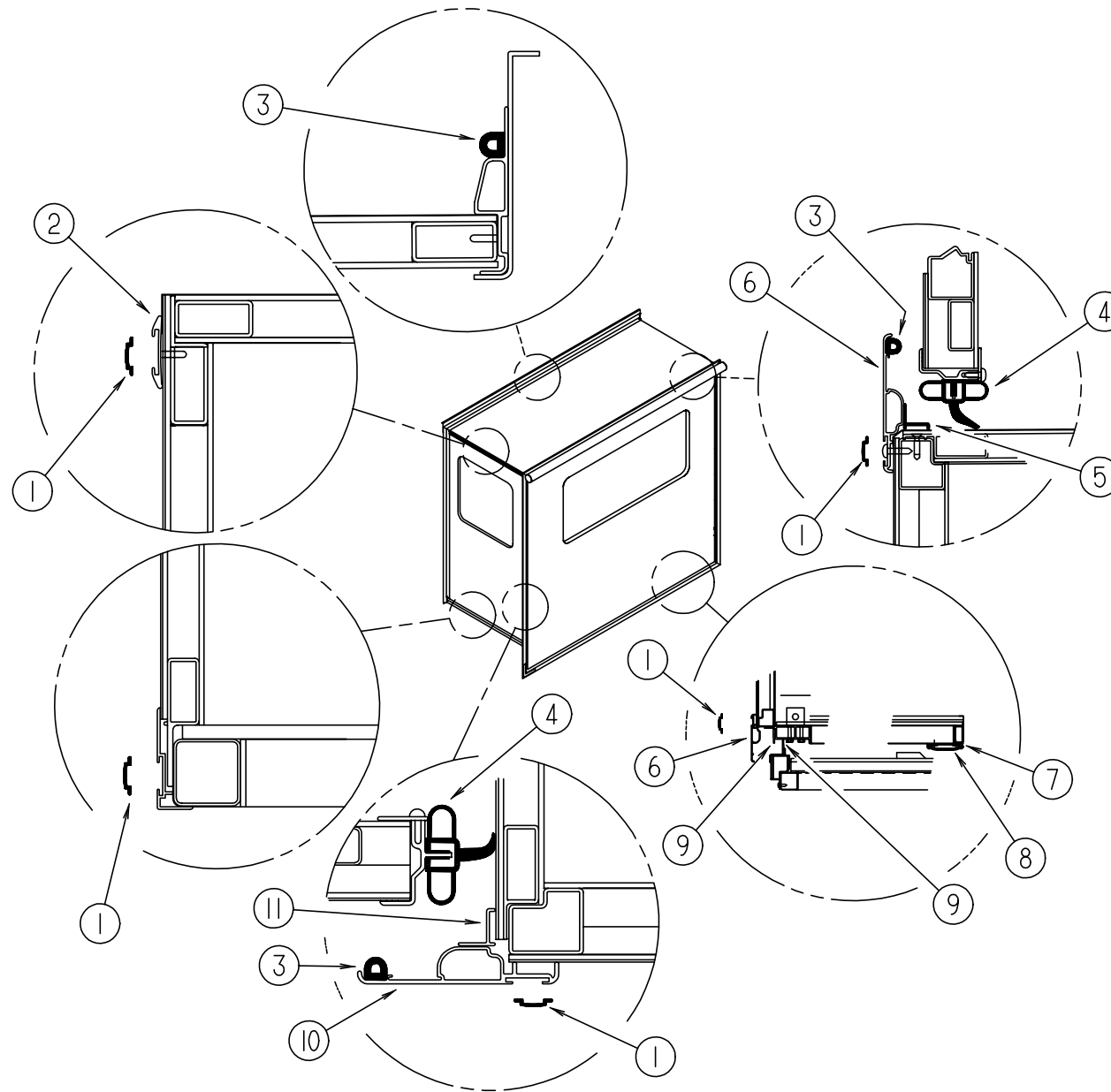
KEY	PART NUMBER	U/M	DESCRIPTION
27	124132-02-01A	EA	CAP - SIDEWALL TRIM - LEFT HAND - 1.4" - BRIGHT WHITE
28	125873-01-01A	EA	TRIM - BACKWALL - LOWER/RIGHT HAND
	002726-01-001	EA	GARNISH - U-CHANNEL - 1.38" X 19' - SERRATED
	002766-01-001	EA	ANGLE - EXTRUDED - 1" X 1.5" X 17'
	068716-01-001	EA	BRACE - 90 DEGREE L-ANGLE - 16'
	069726-02-000	EA	BUMPER - .88" OD X .40" THICK - BLACK
	099069-01-000	FT	SEAL - RUBBER - CLOSED SPONGE - .5" WIDE X .12" THICK -BLK
	119568-01-01A	EA	STANDOFF - VALANCE PANEL - BLACK
	120570-01-02B	EA	SUPPORT - VALANCE
			FROM: 00-00-00 THRU: 08-25-97
	128251-01-02B	EA	SUPPORT - VALANCE - E-COATED
			FROM: 08-26-97 THRU: 99-99-99

**EXTERIOR BODY GROUP (CONTINUED)**  
**EXTERIOR BODY SLIDEOUT PANELS AND TRIM**



KEY	PART NUMBER	U/M	DESCRIPTION
1	121401-01-J61	EA	PANEL - SLIDEOUT/FRONT (J20)
1	121401-01-H48	EA	PANEL - SLIDEOUT/FRONT (J21)
2	117004-06-01A	EA	TRIM - SEAL/INNER - OFF WHITE
3	119992-06-01A	EA	TRIM - SEAL - W/MITERED ENDS
4	122146-01-H13	EA	ROOF - SLIDEOUT - W/O LIGHTS/VENTS - W/WIRING
5	117004-05-01A	EA	TRIM-SEAL,INNER O/W
6	117004-07-01A	EA	TRIM - SEAL - INNER - OFF WHITE
7	121402-01-J20	EA	PANEL - SLIDEOUT/REAR (J20)
7	121402-01-H48	EA	PANEL - SLIDEOUT/REAR (J21)
8	122977-04-01A	EA	AWNING - SLIDEOUT- W/COVER
	117058-01-01A	FT	TAPE - LOOP - 3/4" WIDE - ADHESIVE BACKED USED WITH CAREFREE AWNING ON SLIDEOUT ROOMS
9	119992-05-02A	EA	TRIM - SEAL - W/MITERED ENDS
10	122208-01-J20	EA	PANEL - SLIDEOUT - OUTER
10	122208-01-J21	EA	PANEL - SLIDEOUT - OUTER
11	125051-01-01A	EA	STRIP - FEATURE - LOWER - BRIGHT WHITE
11	105312-01-03A	FT	INSERT - VINYL FEATURE STRIP - GRAY METALLIC
11	105312-01-07A	FT	INSERT - VINYL FEATURE STRIP - BRIGHT WHITE
12	108688-01-03A	EA	STRIP - FEATURE - 15'
12	105312-01-03A	FT	INSERT - VINYL FEATURE STRIP - GRAY METALLIC
12	105312-01-07A	FT	INSERT - VINYL FEATURE STRIP - BRIGHT WHITE
	064675-54-005	EA	STEEL - ANGLE ROOF JOINT - 5' - OFF/WHITE
	122175-01-02B	EA	PLATE - SEAL - SLIDEOUT
	122175-02-02B	EA	PLATE - SEAL - SLIDEOUT
	122176-01-01B	EA	PLATE - SEAL - SLIDEOUT
	122177-01-02B	EA	PLATE - RETAINER - SLIDEOUT
	122178-01-02B	EA	PLATE - SUPPORT - SLIDEOUT
	099069-01-000	FT	SEAL - RUBBER - CLOSED SPONGE - .5" WIDE X .12" THICK -BLK

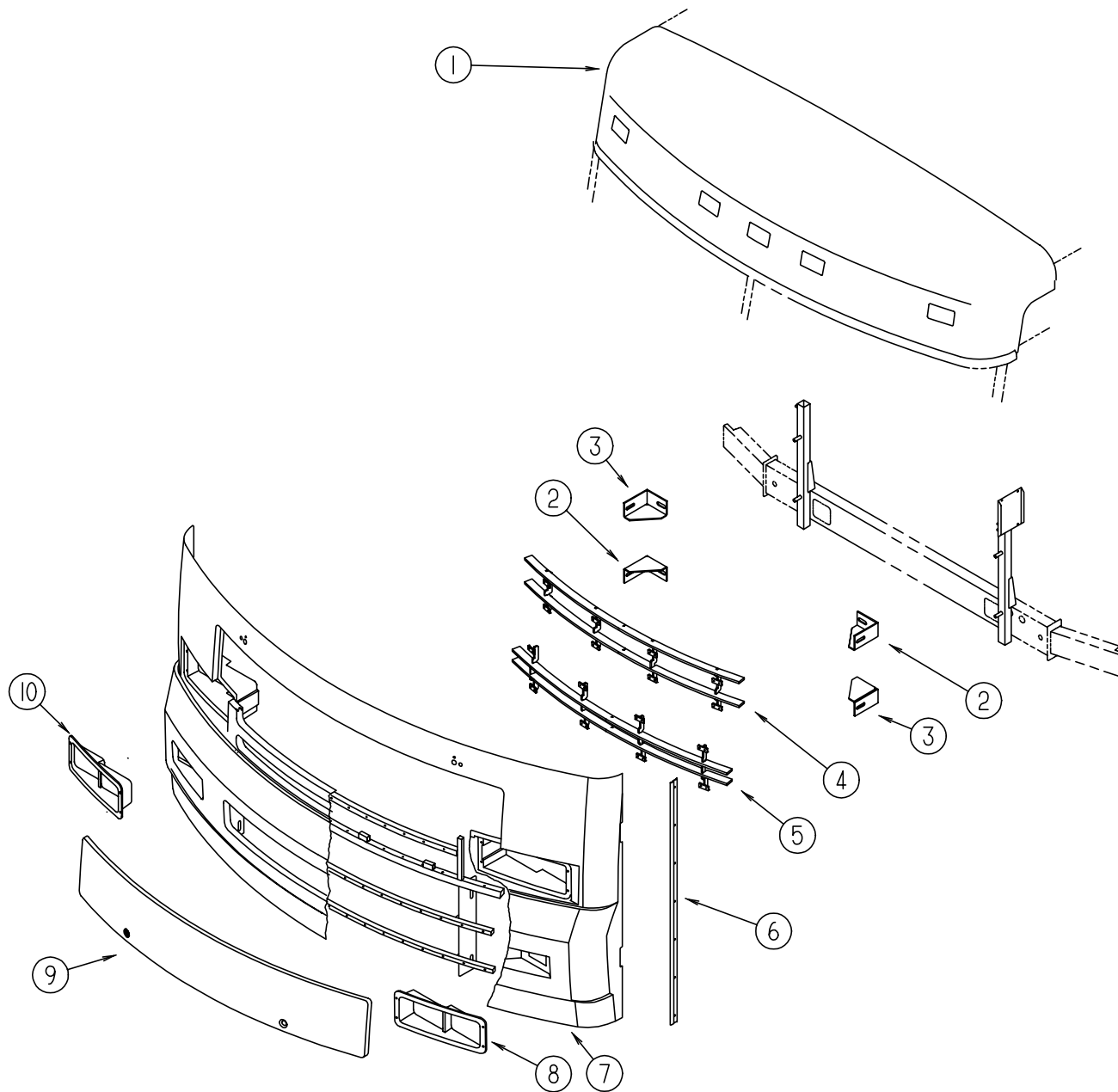
**EXTERIOR BODY GROUP (CONTINUED)**  
**EXTERIOR BODY SLIDEOUT PANELS AND TRIM (CONTINUED)**



KEY	PART NUMBER	U/M	DESCRIPTION
1	105312-01-03A	FT	INSERT - VINYL FEATURE STRIP - GRAY METALLIC
1	105312-01-07A	FT	INSERT - VINYL FEATURE STRIP - BRIGHT WHITE
2	108688-01-03A	EA	STRIP - FEATURE - 15'
3	099418-01-000	FT	SEAL - D-SECTION/ADHESIVE BACK - .44" X .44" - BLACK RUBBER
4	115076-01-000	FT	SEAL - SLIDEOUT
5	116933-15-01A	EA	TRIM - SEAL/FLOOR EDGE - 166.7" - BRIGHT WHITE
6	119992-06-01A	EA	TRIM - SEAL - W/MITERED ENDS
7	115325-03-02A	EA	RAIL - FLOOR/SLIDEOUT ROOM - BLACK - 64.5" LONG
8	115661-01-000	FT	POLYETHYLENE - HIGH DENSITY - 1/16" X 3'
9	123012-01-000	FT	SEAL - SLIDEOUT
10	119992-05-02A	EA	TRIM - SEAL - W/MITERED ENDS
11	116933-15-01A	EA	TRIM - SEAL/FLOOR EDGE - 166.7" - BRIGHT WHITE

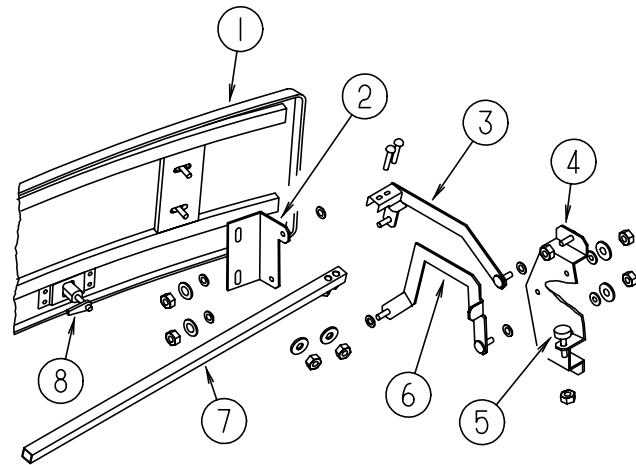


**EXTERIOR BODY GROUP (CONTINUED)**  
**FRONT END COMPONENTS**



KEY	PART NUMBER	U/M	DESCRIPTION
1	125052-02-J20	EA	CAP - ROOF - W/O LIGHTS/WIRING
	118383-01-04A	EA	RETAINER - SCREW
	118383-04-04A	EA	CAP - RETAINER/SCREW
	070579-06-000	EA	PLATE - ANCHOR - W/7/16 WELD NUT - 1.5" X 3.3"
	070579-07-000	EA	PLATE - ANCHOR - W/O WELD NUT - 1.5" X 3.3"
2	117611-06-02B	EA	BRACKET - BUMPER - LEFT HAND UPPER/RIGHT HAND LOWER FROM: 00-00-00 THRU: 12-16-97
2	128455-04-02B	EA	BRACKET - BUMPER - LEFT HAND UPPER/RIGHT HAND LOWER FROM: 12-17-97 THRU: 99-99-99
3	117611-05-02B	EA	BRACKET - BUMPER - RIGHT HAND UPPER/LEFT HAND LOWER FROM: 00-00-00 THRU: 12-16-97
3	128455-03-02B	EA	BRACKET - BUMPER - RIGHT HAND UPPER/LEFT HAND LOWER FROM: 12-17-97 THRU: 99-99-99
4	126899-01-J20	EA	GRILLE - 2 BAR UPPER
	P26899-01-J20	EA	GRILLE - LOWER
5	126898-01-J20	EA	GRILLE - 2 BAR LOWER
	P26898-01-J20	EA	GRILLE - LOWER
6	123680-05-01A	EA	TRIM - FIBERGLASS - PANEL
7	126229-04-J20	EA	PANEL - FRONT/LOWER - W/O NOTCH - BRIGHT WHITE
	007157-05-000	EA	NUT - WELL
8	126230-02-01A	EA	BEZEL - HEADLAMP - LEFT HAND
	110690-02-D18	EA	PLATE - HEADLAMP - QUAD/LEFT HAND
9	126956-01-J20	EA	HOOD - FRONT
10	126230-01-01A	EA	BEZEL - HEADLAMP - RIGHT HAND
	110690-01-D18	EA	PLATE - HEADLAMP - QUAD/RIGHT HAND

## EXTERIOR BODY GROUP (CONTINUED)



### HOOD & COMPONENTS

KEY	PART NUMBER	U/M	DESCRIPTION
1	126956-01-J20	EA	HOOD - FRONT
	106730-10-000	EA	PLATE - STUD - F/HOOD
2	126911-01-02B	EA	ANGLE - HOOD HINGE - PASSENGER - E-COATED
	126911-02-02B	EA	ANGLE - HOOD HINGE - DRIVER - E-COATED
3	125798-03-02B	EA	LINK - HOOD HINGE - UPPER PASSENGER
	125798-04-02B	EA	LINK - HOOD HINGE - UPPER DRIVER
4	126867-01-02B	EA	BRACKET - LINK - HOOD HINGE - PASSENGER - E-COATED
	126867-03-02B	EA	BRACKET - LINK - HOOD HINGE - DRIVER - E-COATED
5	058786-01-000	EA	BOLT - ADJUSTING HOOD - W/BLACK PAD
6	125778-07-02B	EA	LINK - HINGE/HOOD - LOWER RIGHT HAND - E-COATED
	125778-08-02B	EA	LINK - HINGE/HOOD - LOWER LEFT HAND - E-COATED
7	126913-02-02B	EA	TUBE - TIMING - HOOD HINGE - E-COATED
8	102330-02-000	EA	LATCH - VISE ACTION/KEY OPERATED
	102330-04-000	EA	PAWL - LATCH - STRAIGHT - 1.96"
	102328-01-000	EA	KEY - BARREL - NICKEL PLATED
	126352-04-02B	EA	LATCH - HOOD - E-COATED

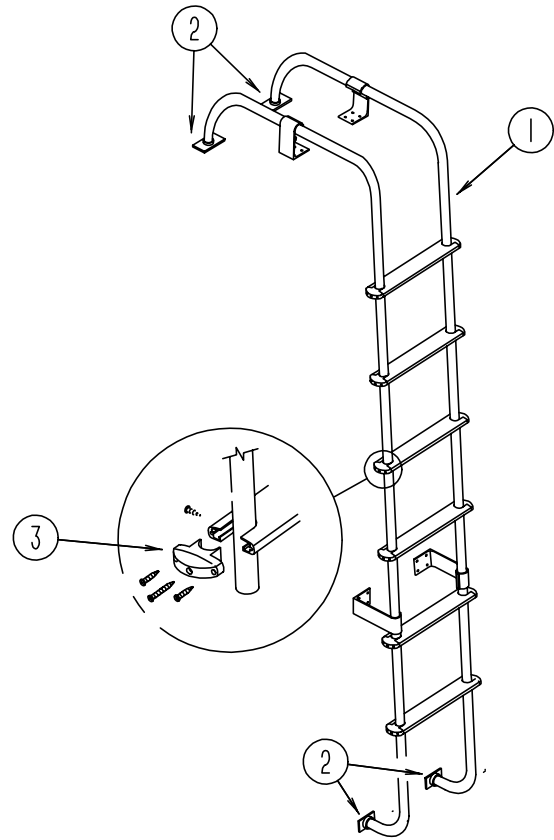
## EXTERIOR BODY GROUP (CONTINUED) MISCELLANEOUS FRONT END COMPONENTS

KEY	PART NUMBER	U/M	DESCRIPTION
	076364-57-000	EA	ANGLE - FORMED
	103318-01-000	EA	MOUNT ASM-SEATBELT,WALL
	106746-02-000	EA	PANEL - STEPWELL
	106747-03-000	EA	PANEL - STEPWELL - RIGHT HAND END
	106747-04-000	EA	PANEL - STEPWELL - LEFT HAND END
	078249-19-000	EA	TUBE-SWEPT,FRAME,CAB
	104797-03-000	EA	BRACKET-DEFROSTER
	104797-04-000	EA	BRACKET-DEFROSTER
	104797-05-000	EA	BRACKET-DEFROSTER
	117273-01-01A	EA	TUBE - SUPPORT - A-PILLAR
	117287-01-01B	EA	BRACKET - MOUNT - CABLE
	118592-01-01B	EA	SHIELD-SPLASH,RH,MILL
	120363-01-01B	EA	BRACKET - WINDSHIELD
	121269-09-01B	EA	FRAME-WINDSHIELD,A PILLAR,ML
	121269-10-01B	EA	FRAME-WINDSHIELD,A PILLAR,ML
	124764-51-01B	EA	HEADER - F/TV - MILL
	124904-03-01B	EA	HEADER - WINDSHIELD - CENTER
	124974-01-01B	EA	SUPPORT-WINDSHIELD,LOWER,MLL
	124975-01-01B	EA	SUPPORT-WINDSHIELD,UPPER,MLL
	125836-02-01B	EA	ZEE-WIPER MOTOR,MILL
	125837-02-01B	EA	BRACE-WIPER MOTOR,MILL
	110782-01-000	EA	ANGLE - SUPPORT - HEADLAMP
	125846-02-J20	EA	SUPPORT - WIPER
	121962-02-02B	EA	SHIELD/SPLASH - HEADLIGHT - E-COATED
	097123-01-000	EA	MOUNT-AIR INTAKE,FORD
	099102-01-000	EA	BRACKET-LINKAGE,THROTTLE
	104147-08-000	EA	SHIELD/SPLASH - HEADLIGHT
			FROM: 00-00-00 THRU: 07-19-97
	104147-14-000	EA	SHIELD/SPLASH - HEADLIGHT
			FROM: 07-20-97 THRU: 99-99-99
	123262-02-02B	EA	BRACKET ASM-FUSE PANEL,E-CT

### FIBERGLASS, STYROFOAM & INSULATION

KEY	PART NUMBER	U/M	DESCRIPTION
	076054-U8-000	EA	FIBERGLASS SHEET - 100" X 105" - BRIGHT WHITE
	077517-62-000	EA	FIBERGLASS - SHEET/SIDEWALL - 4' X 8' - BRIGHT WHITE
	076054-U4-000	EA	FIBERGLASS SHEET - 101" X 104" - BRIGHT WHITE
	076054-V7-000	EA	FIBERGLASS SHEET - 79" X 385" - BRIGHT WHITE
	076054-W6-000	EA	FIBERGLASS SHEET - 79" X 367" - BRIGHT WHITE
	076054-X5-000	EA	FIBERGLASS - SHEET - 26" X 60" - BRIGHT WHITE
	076054-X9-000	EA	FIBERGLASS SHEET - 22.1" X 70.6" - BRIGHT WHITE
	108535-04-705	EA	FRP FLAT 6" X 400" BRT WHT PARTS DEPT
	108535-05-702	EA	FRP FLAT 108" X 396" BRT WHT (ROOF COVERING)
	000870-08-000	SF	STYROFOAM - .75" X 48" X 96" PLANED EXPANDED BEAD BOARD
	100619-01-000	BF	FOAM - EXPANDED POLYSTYRENE - 1.34" X 48" X 96"
	100619-02-000	BF	FOAM - EXPANDED POLYSTYRENE - 1.5" X 48" X 96"
	100619-04-000	BF	FOAM - EXPANDED POLYSTYRENE - .5" X 48" X 96"
	100619-05-000	BF	FOAM - EXPANDED POLYSTYRENE - .75" X 48" X 96" - 1.5 DENSITY
	100619-10-000	BF	FOAM - EXPANDED POLYSTYRENE - 1.5" X 48" X 96"
	100619-11-000	BF	FOAM - EXPANDED POLYSTYRENE - 2" X 48" X 96"
	100619-16-000	BF	FOAM - EXPANDED POLYSTYRENE - .75" X 48" X 96" - 2.0 DENSITY
	105077-08-000	EA	FOAM - PLUG - ROOF CAP
	120107-01-000	EA	FOAM - COVE - ROOF - 2.8" X 96" LONG
	120107-02-000	EA	FOAM - PLUG - ROOF TUBE - 2.2" X 2.9" X 1.8" LONG
	120107-03-000	EA	FOAM - PLUG - SIDEWALL TUBE - 1.2" X 2.1" X 1.8" LONG
	105290-01-000	SF	INSULATION - AIR POCKET W/FOIL

**EXTERIOR BODY GROUP (CONTINUED)**



**LADDER**

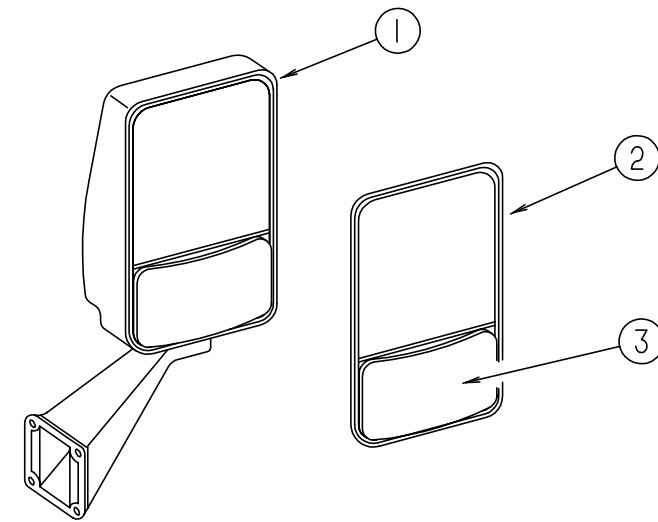
KEY	PART NUMBER	U/M DESCRIPTION	
1	102953-19-J20	EA LADDER	
2	067165-01-000	EA BRACKET - MOUNTING - LOWER LADDER	
3	076980-02-000	EA END CAP - STEP - BLACK	
	038327-04-000	EA TAPE - ANTI SLIP - 12" X 60'	
	129375-01-000	EA SEAL/FOAM - LADDER BRACKET	
			FROM: 05-18-98 THRU: 99-99-99

**A & E AWNING & HARDWARE**

KEY	PART NUMBER	U/M DESCRIPTION	
	113874-07-01A	EA AWNING - W/O HDW 18' (POLAR BLUE LAVENDER) VINYL	
*	113874-01-02A	EA HARDWARE KIT - AWNING - W/O STANDOFF BRACKET - BRIGHT WHT	
	111037-01-01A	EA SPACER - AWNING - UPPER - BLACK	
			FROM: 00-00-00 THRU: 04-12-98
	119496-01-02A	EA SPACER/ZEE - AWNING	
			FROM: 00-00-00 THRU: 04-12-98
	130320-01-02A	EA BRACKET - AWNING - F/A&E INSTALLATION - BRIGHT WHITE	
			FROM: 04-13-98 THRU: 99-99-99
	127647-01-01A	EA ROD/AWNING GUARD - ENTRANCE DOOR	

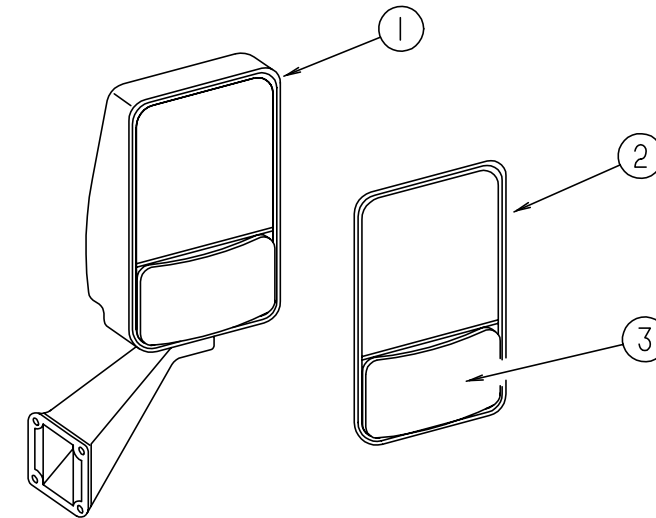
\* COMPONENT PARTS FOUND IN SERVICE PARTS LIBRARY

**EXTERIOR BODY GROUP (CONTINUED)**



**VELVAC HEATED EXTERIOR MIRRORS**

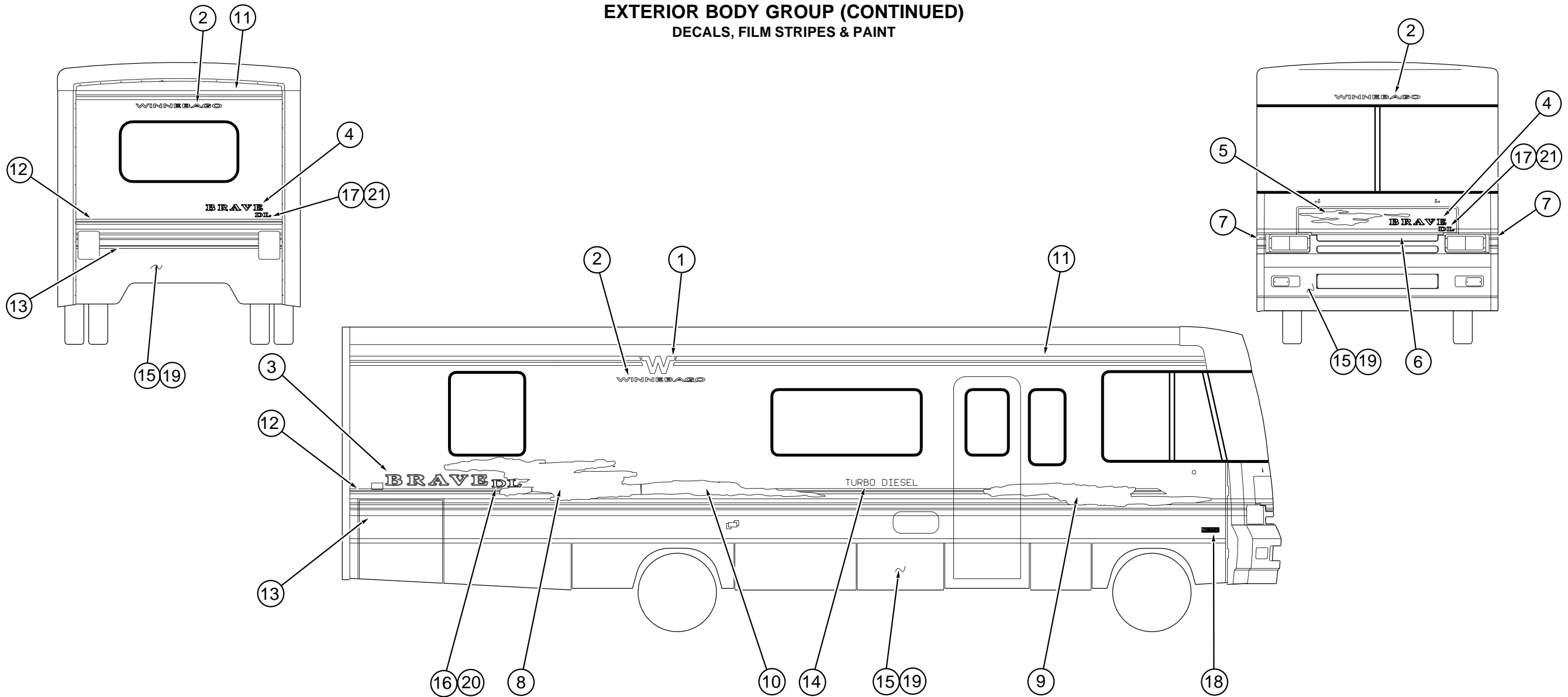
KEY	PART NUMBER	U/M DESCRIPTION	VENDOR NO.
1	106015-12-01A	EA MIRROR - EXTERIOR REMOTE/HEAT - PASSENGER	
1	106015-13-01A	EA MIRROR - EXTERIOR REMOTE/HEAT - DRIVER	
2	106015-12-700	EA MIRROR-FLAT - W/W/O HEAT	709448
3	106015-12-701	EA MIRROR-CONVEX - W/W/O HEAT	709449
	106015-12-702	EA SCREW CAP - (BAG OF 4)	748329
	087695-02-000	EA SWITCH - HEATER - EXTERIOR MIRROR	
	088246-01-000	EA SWITCH - REMOTE - EXTERIOR - SQUARE PUSH	
	087695-03-000	EA CONNECTOR - ASSEMBLY	



**VELVAC EXTERIOR MIRRORS**

KEY	PART NUMBER	U/M DESCRIPTION	VENDOR NO.
1	106015-14-01A	EA MIRROR - EXTERIOR ADJUSTABLE GLASS - PASSENGER	
1	106015-15-01A	EA MIRROR - EXTERIOR ADJUSTABLE GLASS - DRIVER	
2	106015-12-700	EA MIRROR-FLAT - W/W/O HEAT	709448
3	106015-12-701	EA MIRROR-CONVEX - W/W/O HEAT	709449
	106015-12-702	EA SCREW CAP - (BAG OF 4)	748329

**EXTERIOR BODY GROUP (CONTINUED)**  
DECALS, FILM STRIPES & PAINT

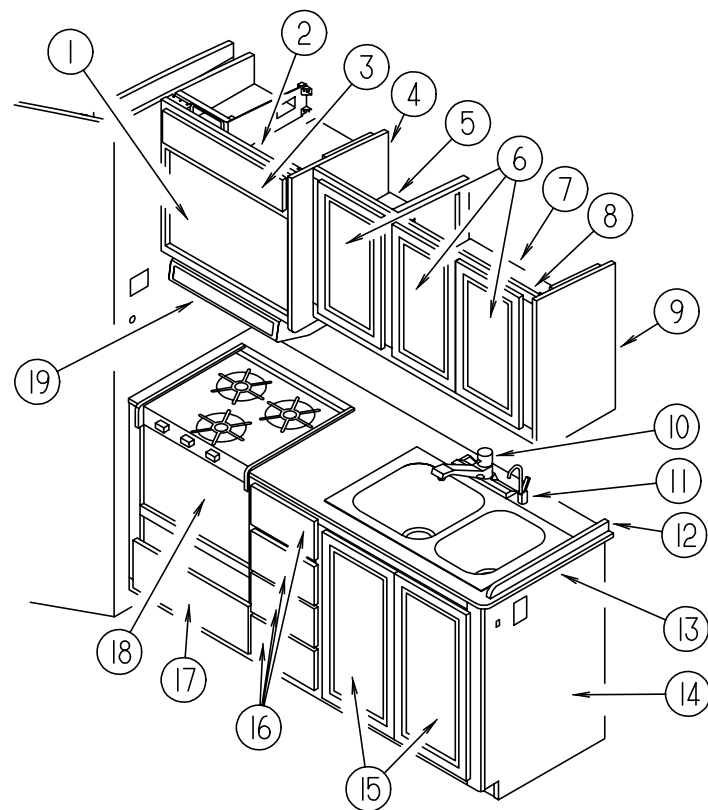


KEY	PART NUMBER	U/M	DESCRIPTION
1	121743-02-01A	EA	DECAL - LOGO - "W"
2	120702-03-06A	EA	DECAL - LOGO - WINNEBAGO
3	121437-01-02A	EA	DECAL - LOGO/BRAVE - LARGE
4	121437-02-02A	EA	DECAL - LOGO/BRAVE - SMALL
5	125009-01-01A	EA	DECAL - SPLASH - HOOD
6	125010-01-01A	EA	DECAL - HOOD
7	125012-01-01A	EA	DECAL - CORNER - RIGHT HAND
7	125012-02-01A	EA	DECAL - CORNER - LEFT HAND
8	125007-01-01A	EA	DECAL - SPLASH - REAR/RIGHT HAND
	125007-02-01A	EA	DECAL - SPLASH - REAR/LEFT HAND
9	125008-01-01A	EA	DECAL - SPLASH - FRONT/RIGHT HAND
	125008-02-01A	EA	DECAL - SPLASH - FRONT/LEFT HAND
10	125020-01-01A	EA	DECAL - SPLASH - REAR/RIGHT HAND TAIL
	125020-02-01A	EA	DECAL - SPLASH - REAR/LEFT HAND TAIL
11	105781-60-01A	FT	FILM - MULTISTRIPE 3.7"
12	105781-61-01A	FT	FILM - MULTISTRIPE 2.1"
13	118710-04-01A	FT	FILM - MULTISTRIPE/OVERLAY - 7.98"
14	111318-03-03A	EA	DECAL - TURBO DIESEL
15	N/A		PAINT - SILVER METALLIC
16	120995-07-01A	EA	DECAL - LOGO - DL - LARGE
17	120995-08-01A	EA	DECAL - LOGO - DL - SMALL
18	122312-02-01A	EA	DECAL - VORTEC 7400 FUEL INJECTED
19	N/A		PAINT - COOL BLUE METALLIC
20	127162-01-01A	EA	DECAL - SE - LARGE
21	127162-02-01A	EA	DECAL - SE - SMALL
	093681-40-01A	FT	FILM - 2"

**DUPONT COLOR CODES**

BRIGHT WHITE	(MAIN BODY COLOR)	B8951
SILVER METALLIC	(LOWER ACCENT COLOR)	F2573U
COOL BLUE METALLIC	(LOWER ACCENT COLOR)	F3353U
DUSTY ROSE METALLIC	(DECAL COLOR)	F4583
TEAL GREEN METALLIC	(DECAL COLOR)	F4584
DARK GREEN METALLIC	(DECAL COLOR)	MM172
STELLAR BLUE METALLIC	(DECAL COLOR)	F4585
ORCHID MIST METALLIC	(DECAL COLOR)	F1916K

**GALLEY GROUP**  
**GALLEY CABINETRY W/O SLIDEOUT OPTION**

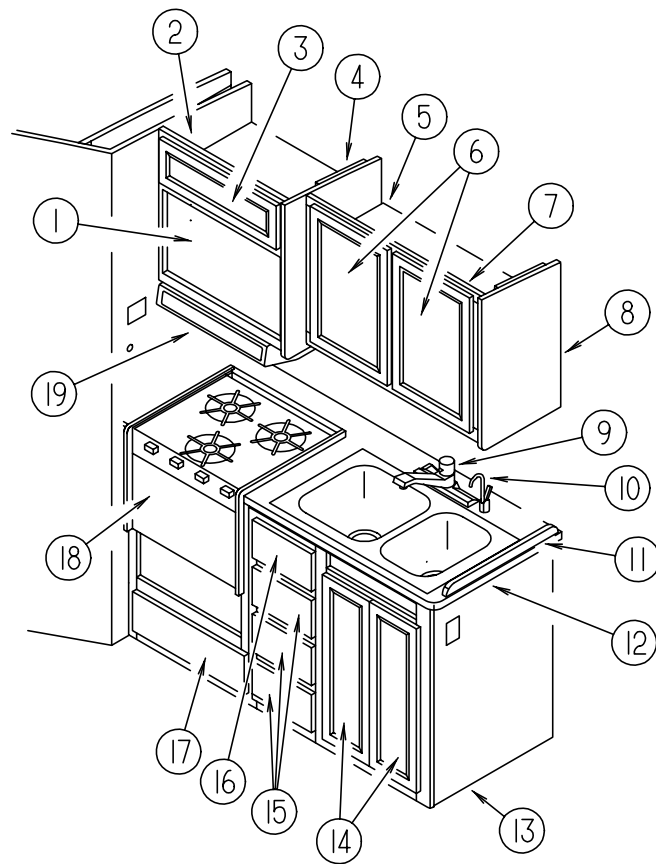


KEY	PART NUMBER	U/M DESCRIPTION	VENDOR NO.
1	115303-02-000	EA OVEN - MICROWAVE - 1.3 CU FT	
	115401-02-01A	EA TRIM - MICROWAVE	FROM: 00-00-00 THRU: 10-05-97
	094750-07-000	EA BRACKET - MICROWAVE - 89 DEGREE	FROM: 00-00-00 THRU: 10-05-97
	098916-16-02B	EA BRACE - MICROWAVE - LEFT HAND	FROM: 00-00-00 THRU: 10-05-97
	098916-17-02B	EA BRACE - MICROWAVE - RIGHT HAND	FROM: 00-00-00 THRU: 10-05-97
1	128527-02-000	EA OVEN - MICROWAVE - 1.2 CU FT - NON CONVECTION	FROM: 10-06-97 THRU: 99-99-99
	128527-02-700	EA TRIM RING-F/1.2 CU.FT. MICRO	MC-6471-EA
	128642-02-000	EA TRIM KIT W/VENT - MICROWAVE - 1.2 CU FT SAMSUNG	FROM: 10-06-97 THRU: 99-99-99
	094750-10-000	EA BRACKET - MICROWAVE - 89 DEGREE	FROM: 10-06-97 THRU: 99-99-99
	098916-22-02B	EA BRACE - MICROWAVE CABINET - LEFT HAND	FROM: 10-06-97 THRU: 99-99-99
	098916-23-02B	EA BRACE - MICROWAVE CABINET - RIGHT HAND	FROM: 10-06-97 THRU: 99-99-99

KEY	PART NUMBER	U/M DESCRIPTION	VENDOR NO.
2	121328-01-H16	EA CABINET - MICROWAVE/OVERHEAD - W/O DOORS/HARDWARE	FROM: 00-00-00 THRU: 10-05-97
2	128620-01-J15	EA CABINET - MICROWAVE/OVERHEAD - W/O DOORS/HARDWARE	FROM: 10-06-97 THRU: 99-99-99
3	M05992-J9-H13	EA DOOR - STRAIGHT CORNER/OGEE EDGE - 5.1" X 22.4" - W/O HDW	FROM: 00-00-00 THRU: 10-05-97
3	M05992-G3-G09	EA DOOR - STRAIGHT CORNER/OGEE EDGE - 6.3" X 23.2" - W/O HDW	FROM: 10-06-97 THRU: 99-99-99
4	081320-16-G09	EA END CAP - OVERHEAD CABINET	
5	122093-12-H13	EA SHELF - W/PLASTIC EDGE TRIM	
6	M05992-79-J20	EA DOOR - STRAIGHT CORNER/OGEE EDGE - 12" X 21.8" - W/O HDW	
7	122093-11-H13	EA SHELF - W/PLASTIC EDGE TRIM	
8	122093-01-H13	EA CABINET - OVERHEAD/GALLEY - W/O DOORS/HARDWARE	
		W/O DELUXE SOUND SYSTEM	
8	122093-02-J20	EA CABINET - OVERHEAD/GALLEY - W/O DOORS/HARDWARE	
		W/DELUXE SOUND SYSTEM	
9	081320-20-G09	EA END CAP - OVERHEAD CABINET	
10	104114-02-01A	EA FAUCET - GALLEY - SINGLE CONTROL	
	103635-01-000	EA FAUCET - SINGLE CONTROL (WATER PURIFIER)	
	103635-01-700	EA FITTING KIT, FAUCET REPAIR	3071-70
	103635-01-701	EA TUBING-PLASTIC	3019-20
11	110654-01-000	EA SINK - STAINLESS STEEL/DOUBLE BASIN (1 LG-1 SM BASIN)	
	092303-01-000	EA STRAINER - SINK	
	108464-03-F40	EA COVER - SINK - 15" X 11" - LAMINATED BOTH SIDES (J20)	
	108464-03-J21	EA COVER - SINK - 15" X 11" - LAMINATED BOTH SIDES (J21)	
	108464-04-F40	EA COVER - SINK - 15" X 15" - LAMINATED BOTH SIDES (J20)	
	108464-04-J21	EA COVER - SINK - 15" X 15" - LAMINATED BOTH SIDES (J21)	
12	122345-18-J20	EA BACKSPLASH - GALLEY	
12	122345-18-J21	EA BACKSPLASH - GALLEY	
13	122373-19-J20	EA COUNTERTOP - GALLEY	
13	122373-19-J21	EA COUNTERTOP - GALLEY	
14	122373-03-J20	EA CABINET - GALLEY - W/O DOORS/DRAWERS/HARDWARE	
14	122373-03-J21	EA CABINET - GALLEY - W/O DOORS/DRAWERS/HARDWARE	
	122373-11-H13	EA SHELF - W/PLASTIC EDGE TRIM	
15	M05992-M1-J20	EA DOOR - STRAIGHT CORNER/OGEE EDGE - 13.6" X 27.1" - W/O HDW	
16	M05971-11-J20	EA DRAWER - OGEE EDGE - 9.9"W X 17.7"D - W/O SLIDES/HARDWARE	
17	M05992-R1-J20	EA DOOR - STRAIGHT CORNER/OGEE EDGE - 12.8 X 21.8" - W/O HDW	
18*	112881-02-03A	EA RANGE-16"-3 BURNER-FRONT HI-OUTPUT BURNER - BLK TOP/DOOR	
	105458-03-000	EA BRACKET - STOVE TIEDOWN - RIGHT HAND	
	105458-04-000	EA BRACKET - STOVE TIEDOWN - LEFT HAND	
19*	100258-16-04A	EA HOOD - RANGE - W/O MONITOR PANEL-W/O HOUR METER/SWITCH-US	
19*	100258-17-04A	EA HOOD - RANGE - W/O MONITOR PANEL-W/O HOUR METER/SWITCH-CSA	
19*	100258-18-03A	EA HOOD - RANGE - W/O MONITOR PANEL-W/HOUR METER/SWITCH - US	

\* COMPONENT PARTS FOUND IN SERVICE PARTS LIBRARY

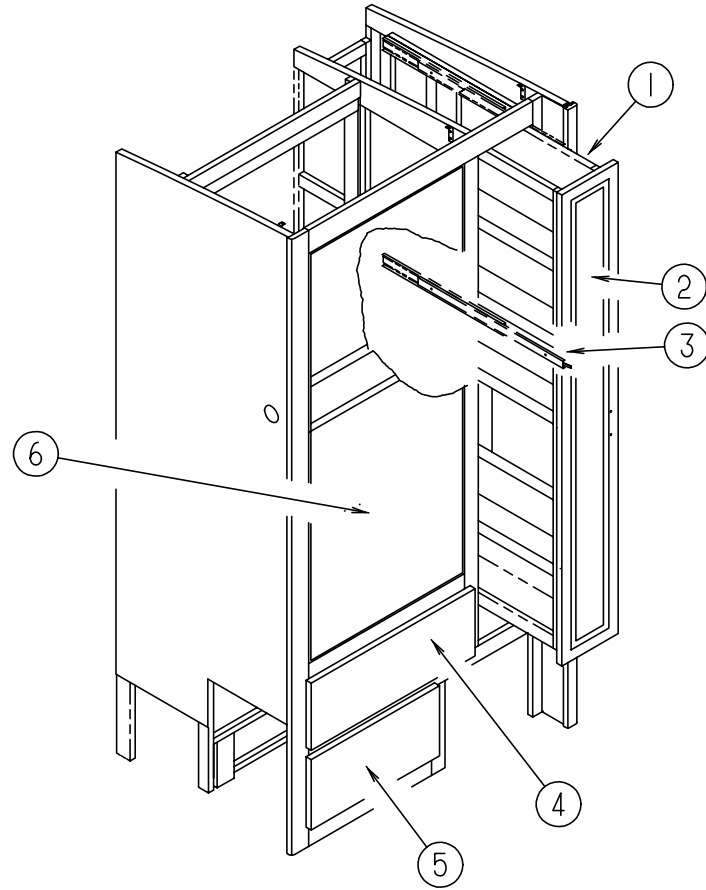
**GALLEY GROUP (CONTINUED)**  
**GALLEY CABINETS W/SLIDEOUT OPTION**



KEY	PART NUMBER	U/M	DESCRIPTION	VENDOR NO.
1	115303-02-000	EA	OVEN - MICROWAVE - 1.3 CU FT	
				FROM: 00-00-00 THRU: 10-05-97
	115401-02-01A	EA	TRIM - MICROWAVE	
				FROM: 00-00-00 THRU: 10-05-97
	094750-07-000	EA	BRACKET - MICROWAVE - 89 DEGREE	
				FROM: 00-00-00 THRU: 10-05-97
	098916-16-02B	EA	BRACE - MICROWAVE - LEFT HAND	
				FROM: 00-00-00 THRU: 10-05-97
	098916-17-02B	EA	BRACE - MICROWAVE - RIGHT HAND	
				FROM: 00-00-00 THRU: 10-05-97
1	128527-02-000	EA	OVEN - MICROWAVE - 1.2 CU FT - NON CONVECTION	
				FROM: 00-00-00 THRU: 10-05-97
	128527-02-700	EA	TRIM RING-F/1.2 CU.FT. MICRO	MC-6471-EA
				FROM: 10-06-97 THRU: 99-99-99
	128642-02-000	EA	TRIM KIT W/VENT - MICROWAVE - 1.2 CU FT SAMSUNG	
				FROM: 10-06-97 THRU: 99-99-99
	094750-10-000	EA	BRACKET - MICROWAVE - 89 DEGREE	
				FROM: 10-06-97 THRU: 99-99-99
	098916-22-02B	EA	BRACE - MICROWAVE CABINET - LEFT HAND	
				FROM: 10-06-97 THRU: 99-99-99
	098916-23-02B	EA	BRACE - MICROWAVE CABINET - RIGHT HAND	
				FROM: 10-06-97 THRU: 99-99-99
2	121328-01-H16	EA	CABINET - MICROWAVE/OVERHEAD - W/O DOORS/HARDWARE	
				FROM: 00-00-00 THRU: 10-05-97
2	128620-01-J15	EA	CABINET - MICROWAVE/OVERHEAD - W/O DOORS/HARDWARE	
				FROM: 10-06-97 THRU: 99-99-99
3	M05992-J9-H13	EA	DOOR - STRAIGHT CORNER/OGEE EDGE - 5.1" X 22.4" - W/O HDW	
				FROM: 00-00-00 THRU: 10-05-97
3	M05992-G3-G09	EA	DOOR - STRAIGHT CORNER/OGEE EDGE - 6.3" X 23.2" - W/O HDW	
				FROM: 10-06-97 THRU: 99-99-99
4	081320-16-G09	EA	END CAP - OVERHEAD CABINET	
5	122310-11-H13	EA	SHELF - W/PLASTIC EDGE TRIM	
6	M05992-42-J20	EA	DOOR - STRAIGHT CORNER/OGEE EDGE - 14.9" X 21.8" - W/O HDW	
7	122310-01-H13	EA	CABINET - OVERHEAD/GALLEY - W/O DOORS/HARDWARE	
8	081320-20-G09	EA	END CAP - OVERHEAD CABINET	
9	104114-02-01A	EA	FAUCET - GALLEY - SINGLE CONTROL	
10	103635-01-000	EA	FAUCET - SINGLE CONTROL (WATER PURIFIER)	
	103635-01-700	EA	FITTING KIT, FAUCET REPAIR	3071-70
	103635-01-701	EA	TUBING-PLASTIC	3019-20
	110654-01-000	EA	SINK - STAINLESS STEEL/DOUBLE BASIN (1 LG-1 SM BASIN)	
	092303-01-000	EA	STRAINER - SINK	
	108464-03-F40	EA	COVER - SINK - 15" X 11" - LAMINATED BOTH SIDES (J20)	
	108464-03-J21	EA	COVER - SINK - 15" X 11" - LAMINATED BOTH SIDES (J21)	
	108464-04-F40	EA	COVER - SINK - 15" X 15" - LAMINATED BOTH SIDES (J20)	
	108464-04-J21	EA	COVER - SINK - 15" X 15" - LAMINATED BOTH SIDES (J21)	
11	122345-18-J20	EA	BACKSPLASH - GALLEY	
11	122345-18-J21	EA	BACKSPLASH - GALLEY	
12	122345-19-J20	EA	COUNTERTOP - GALLEY	
12	122345-19-J21	EA	COUNTERTOP - GALLEY	
13	122345-03-J20	EA	CABINET - GALLEY - W/COUNTERTOP - W/O DOORS/DRAWERS/HDW	
13	122345-03-J21	EA	CABINET - GALLEY - W/COUNTERTOP - W/O DOORS/DRAWERS/HDW	
	122345-11-H13	EA	SHELF - W/PLASTIC EDGE TRIM	
14	M05992-L0-J20	EA	DOOR - STRAIGHT CORNER/OGEE EDGE - 9" X 26.5" - W/O HDW	
15	M05971-11-J20	EA	DRAWER - OGEE EDGE - 9.9"W X 17.7"D - W/O SLIDES/HARDWARE	
16	M05992-J0-H13	EA	DOOR - STRAIGHT CORNER/OGEE EDGE - 6.2" X 12" - W/O HDW	
17	M05992-R1-J20	EA	DOOR - STRAIGHT CORNER/OGEE EDGE - 12.8" X 21.8" - W/O HDW	
18*	112881-02-03A	EA	RANGE-16"-3 BURNER-FRONT HI-OUTPUT BURNER - BLK TOP/DOOR	
	105458-03-000	EA	BRACKET - STOVE TIEDOWN - RIGHT HAND	
	105458-04-000	EA	BRACKET - STOVE TIEDOWN - LEFT HAND	
19*	100258-16-04A	EA	HOOD - RANGE - W/O MONITOR PANEL-W/O HOUR METER/SWITCH-US	
19*	100258-17-04A	EA	HOOD - RANGE - W/O MONITOR PANEL-W/O HOUR METER/SWITCH-CSA	
19*	100258-18-03A	EA	HOOD - RANGE - W/O MONITOR PANEL-W/HOUR METER/SWITCH - US	

\* COMPONENT PARTS FOUND IN SERVICE PARTS LIBRARY

### GALLEY GROUP (CONTINUED)



### PANTRY AND REFRIGERATOR CABINERY

KEY	PART NUMBER	U/M	DESCRIPTION
1	122325-03-H13	EA	CABINET - PANTRY/RIGHT HAND SLIDING - W/O SLIDES/HARDWARE
2	M05992-P1-J20	EA	DOOR - STRAIGHT CORNER/OGEE EDGE - 9.2" X 64" - W/O HDW
3	122360-02-000	EA	SLIDE - PANTRY - W/O LOCK - RIGHT & LEFT HAND
	122360-01-000	EA	SLIDE - PANTRY - W/LOCK - LEFT HAND
	122360-03-000	EA	SLIDE - PANTRY - W/LOCK - RIGHT HAND
	123673-01-01A	EA	KNOB - PANTRY SLIDE
4	M05971-AC-J20	EA	DRAWER - OGEE EDGE - 22.5"W X 23.6"D - W/O SLIDES/HARDWARE
5	M05971-AD-J20	EA	DRAWER - OGEE EDGE - 17.2"W X 13.8"D - W/O SLIDES/HARDWARE
6*	121568-02-01A	EA	REFRIGERATOR - SMALL DOUBLE DOOR/LEFT HAND - 2-WAY
	116751-05-01A	EA	TRAY - REFRIGERATOR - BLACK
	054450-01-000	EA	LEVEL - REFRIGERATOR
	065225-02-000	EA	PLATE - TIEDOWN - REFRIGERATOR
	093646-03-000	EA	BRACKET - TIEDOWN/RIGHT HAND - REFRIGERATOR
	093646-04-000	EA	BRACKET - TIEDOWN/LEFT HAND - REFRIGERATOR
	090329-01-000	FT	SEAL/T - REFRIGERATOR CABINET

### COFFEE MAKER

KEY	PART NUMBER	U/M	DESCRIPTION	VENDOR NO.
	126019-01-01A	EA	COFFEEMAKER - OPTIMA - W/BRACKETS - BLACK & DECKER	
	126019-01-700	EA	GLASS CARAFE	172547-00
	126019-01-701	EA	RESERVOIR- WATER	172554
	126019-01-702	EA	BASKET - FILTER	172553-00
	126019-01-703	EA	HARDWARE - MOUNTING	172174-00

### LVS MONITOR PANEL

KEY	PART NUMBER	U/M	DESCRIPTION
*	102765-04-01A	EA	PANEL - MONITOR - 2 HOLDING TANKS - ADJUSTABLE

\* COMPONENT PARTS FOUND IN SERVICE PARTS LIBRARY

### GENERATOR GROUP 5,000 WATT ONAN EMERALD PLUS

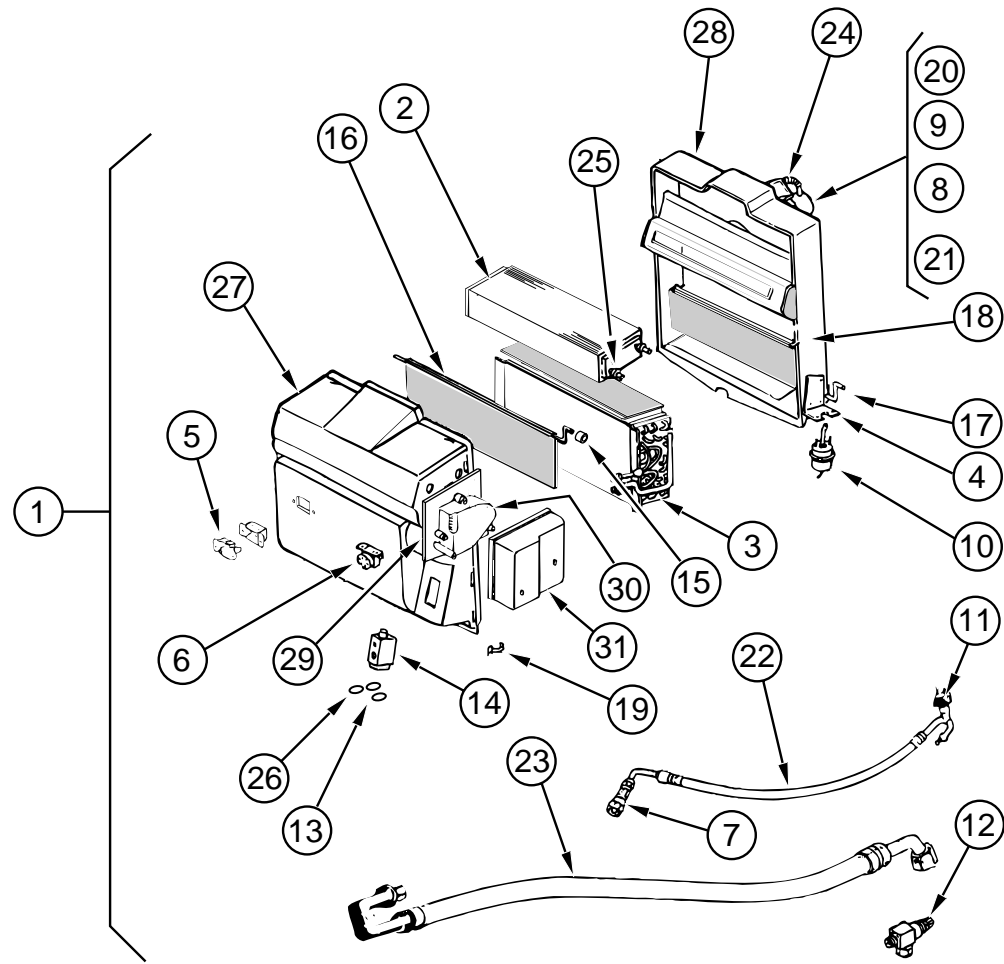
KEY	PART NUMBER	U/M	DESCRIPTION
	109303-01-000	EA	GENERATOR - 5 KW - EMERALD PLUS WITH ONAN TRAY #403-2727
	007067-01-000	SF	INSULATION - FIBERGLASS - 1" THICK X 4' - INCREMENTS/4 SF
	007125-03-000	EA	CLAMP - MUFFLER - 1.5" DIAMETER
	007125-04-000	EA	CLAMP - MUFFLER - 1.12" DIAMETER
	079654-05-000	EA	PIPE - EXHAUST - ANGLED W/FLANGE - 2" ID
	081364-03-000	EA	MUFFLER - GENERATOR - ONAN
	094059-01-000	EA	SPACER - GENERATOR - ONAN
	106602-01-000	EA	PIPE - EXHAUST - GENERATOR
	106607-01-000	EA	ANGLE - SUPPORT - EXHAUST

### 6,500 WATT ONAN EMERALD PLUS

KEY	PART NUMBER	U/M	DESCRIPTION
	100975-01-000	EA	GENERATOR - 6.5 KW EMERALD PLUS WITH ONAN TRAY #403-2218
	007067-01-000	SF	INSULATION - FIBERGLASS - 1" THICK X 4' - INCREMENTS/4 SF
	007125-03-000	EA	CLAMP - MUFFLER - 1.5" DIAMETER
	007125-04-000	EA	CLAMP - MUFFLER - 1.12" DIAMETER
	007131-01-000	EA	HANGER - TAILPIPE - 6 SLOTS
	079654-05-000	EA	PIPE - EXHAUST - ANGLED W/FLANGE - 2" ID
	081364-03-000	EA	MUFFLER - GENERATOR - ONAN
	094059-01-000	EA	SPACER - GENERATOR - ONAN
	106602-01-000	EA	PIPE - EXHAUST - GENERATOR
	106607-01-000	EA	ANGLE - SUPPORT - EXHAUST

NOTE: ADDITIONAL GENERATOR COMPONENTS ARE FOUND IN THE CHASSIS GROUP

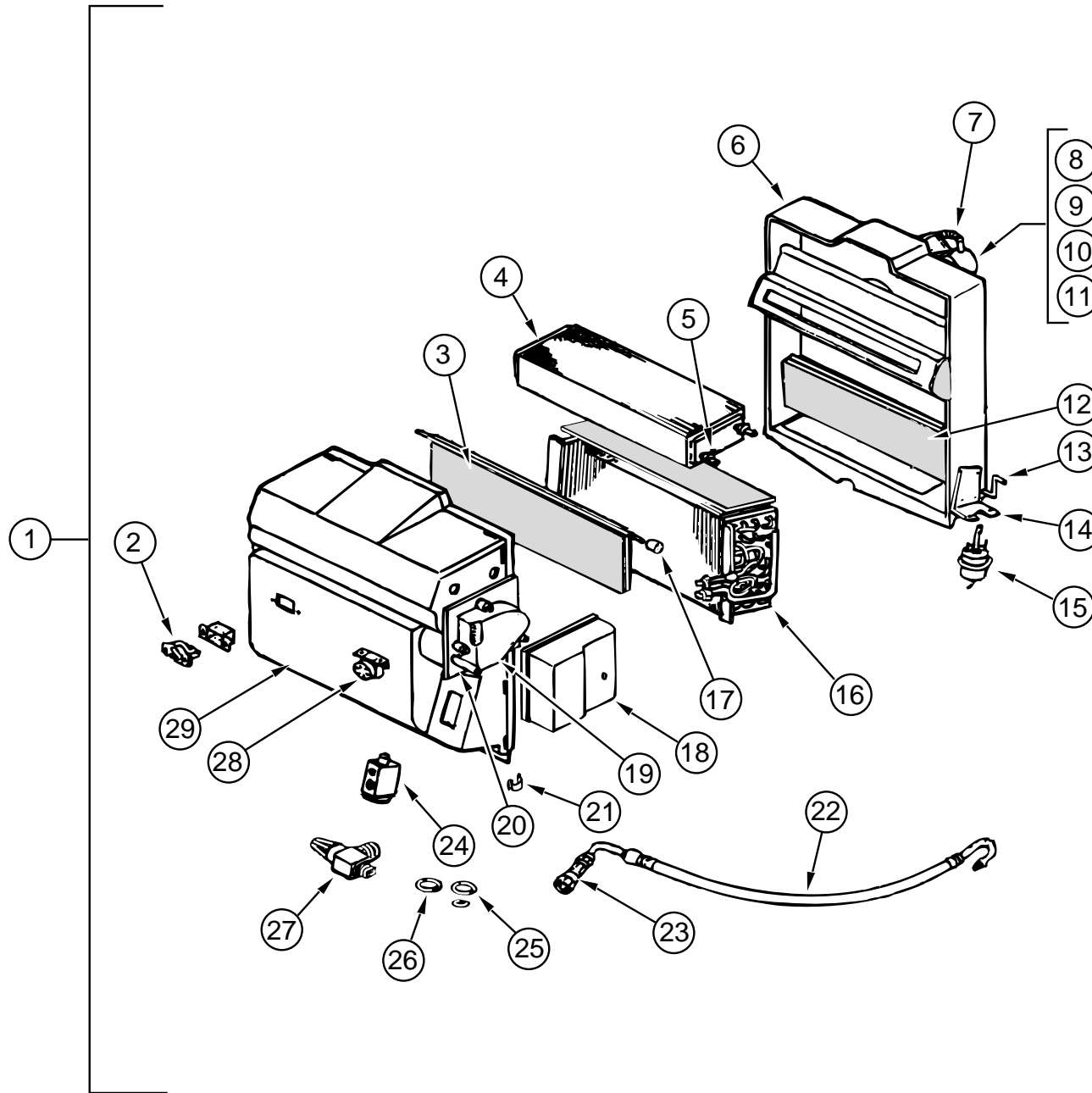
**HEATING & AIR CONDITIONING GROUP**  
**SCS EVAPORATOR/HEATER ASSEMBLY - FORD CHASSIS**



KEY	PART NUMBER	U/M	DESCRIPTION	VENDOR NO.
1	103930-31-000	EA	EVAPORATOR/HEATER - FORD - SERVO MOTOR CONTROLLED	
2	103930-01-703	EA	CORE-HEATER	042-0010
3	103930-01-704	EA	COIL-EVAPORATOR	041-0017
4	103930-01-708	EA	BRACKET-VACUUM MOTOR	070-0113
5	103930-01-710	EA	RESISTOR-FUSED, A/C	035-0006
6	103930-01-711	EA	THERMOSTAT	033-0003
7	103930-01-713	EA	FITTING-QUICK CONNECT, #4	050-0030
8	103930-01-717	EA	WHEEL-BLOWER, CLOCKWISE	062-0010
9	103930-30-706	EA	MOTOR-BLOWER PM147 W/ADAPTER	030-0109
10	103930-02-708	EA	MOTOR-VACUUM SERVO, A/C	030-0025
11	103930-12-708	EA	SWITCH-BINARY-HI/LOW CUTOUT	032-0048
12	103930-13-702	EA	VALVE-SERVICE, W/O COMP.	050-0152
13	103930-17-702	EA	O'RING #10	045-0127
14	103930-20-700	EA	VALVE-EXPANSION-BLOCK, 2 TON	034-0032
15	103930-30-702	EA	BUSHING - BLEND AIR DOOR	062-0168
16	103930-30-705	EA	DOOR - BLEND AIR	071-0568
17	103930-20-704	EA	ROD-DOOR-RECIRCULATING	073-0018
18	103930-20-705	EA	PANEL-DOOR, RECIRCULATING	071-0213
19	103930-20-706	EA	CLIP-RETAINER - CASE ATTACH	022-0057
20	103930-20-707	EA	HOUSING-BLOWER	062-0145
21	103930-20-708	EA	CLIP-MOTOR SHAFT	022-0001
22	103930-21-700	EA	HOSE ASM #6 EVAPORATOR/DRIER	085-0139
23	103930-21-701	EA	HOSE ASM #10 EVAPORATOR/COMP	085-0149
24	110279-01-703	EA	HOSE-VENT F/BLOWER MOTOR	051-0034
25	110279-01-712	EA	FITTING-HEATER	050-0076
26	113245-01-707	EA	O'RING #8	045-0126
27	103930-30-700	EA	CASE - FRONT	062-0542
28	103930-20-711	EA	CASE-BACK, SUB-ASSEMBLY	062-0147
29	103930-30-701	EA	PLATE - MOTOR MOUNT	062-0544
30	103930-30-703	EA	MOTOR - SERVO	030-0104
31	103930-30-704	EA	COVER - SERVO	062-0545

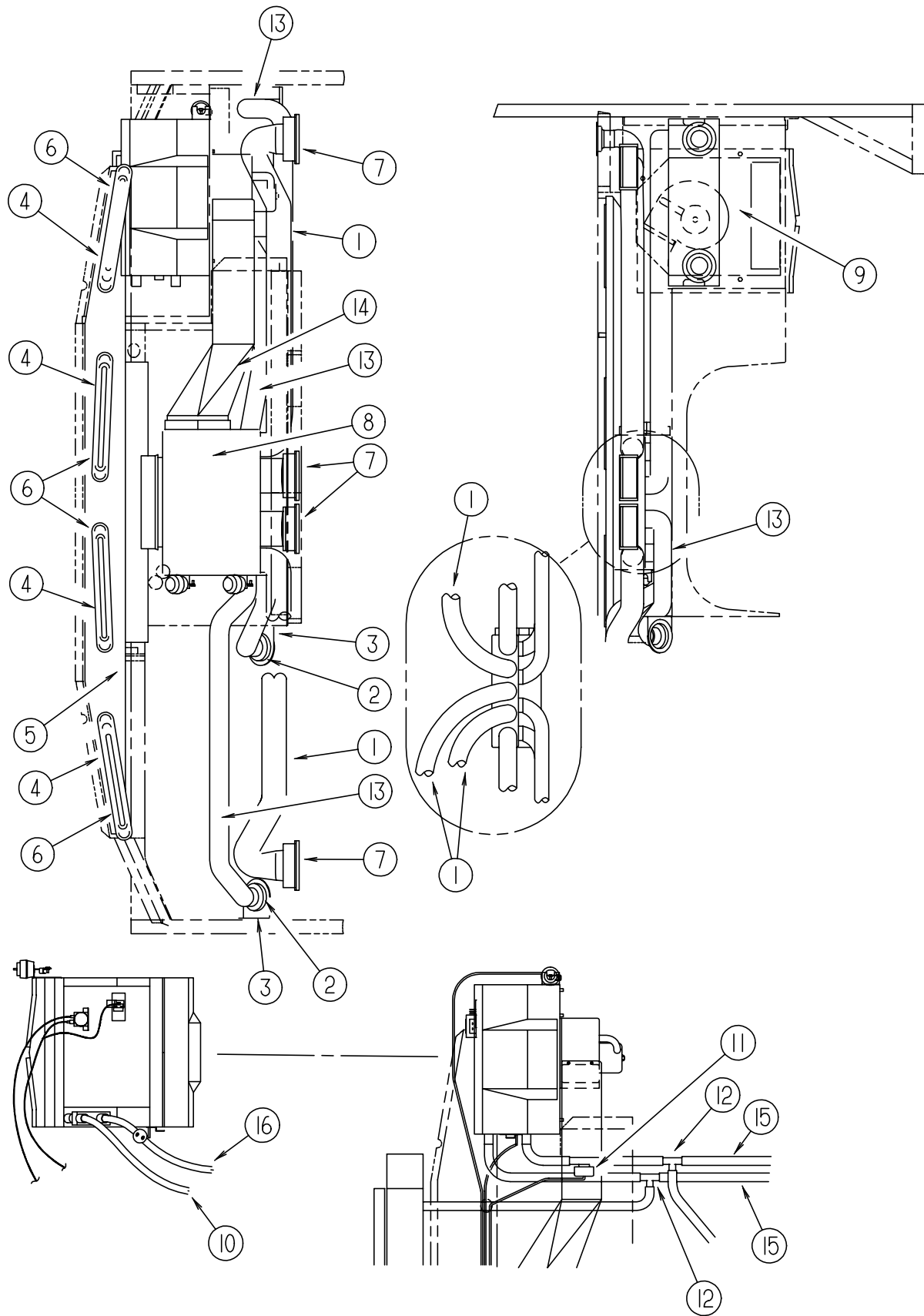


**HEATING & AIR CONDITIONING GROUP (CONTINUED)**  
**SCS EVAPORATOR/HEATER ASSEMBLY - CHEVY CHASSIS**



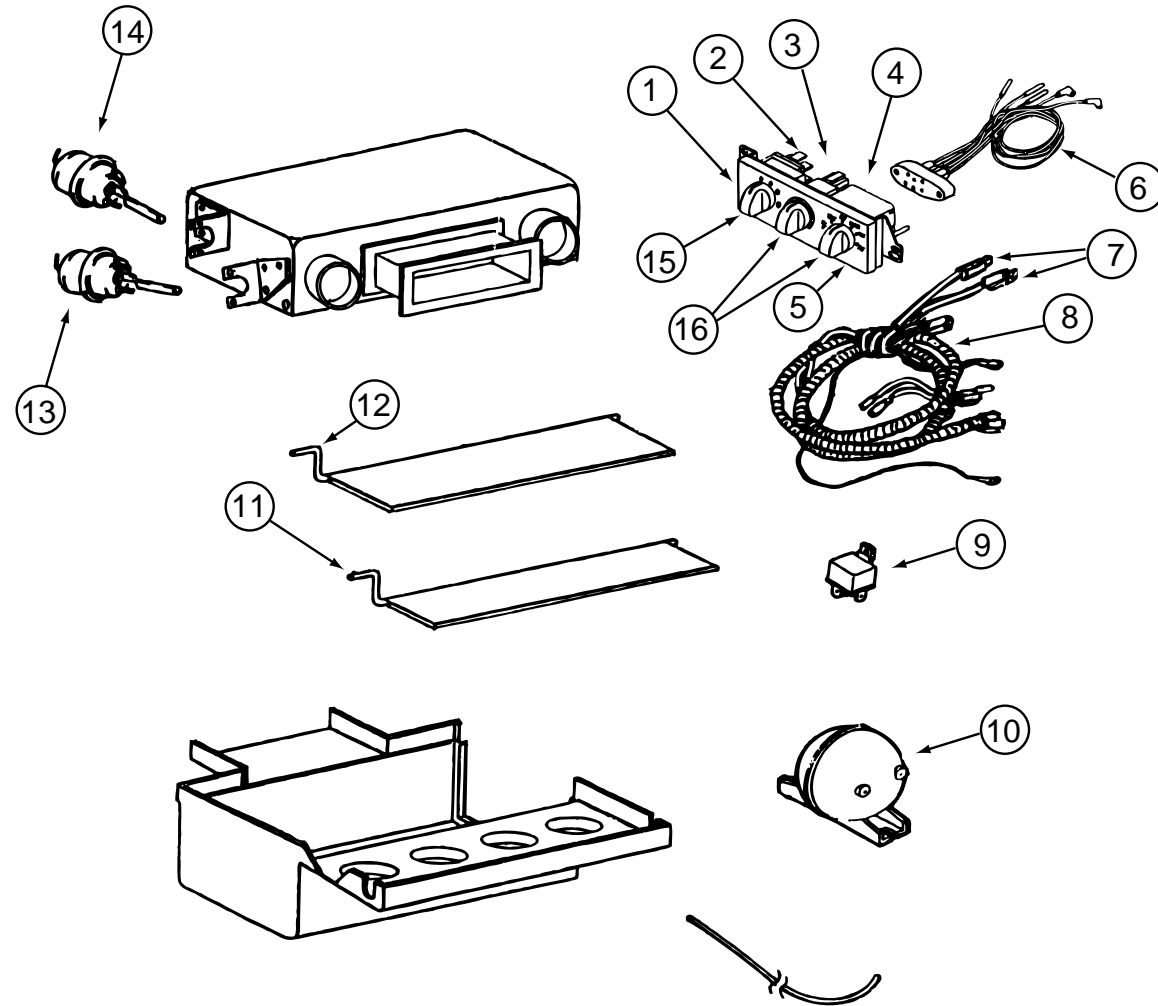
KEY	PART NUMBER	U/M	DESCRIPTION	VENDOR NO.
1	103930-30-000	EA	EVAPORATOR/HEATER - CHEVY - SERVO MOTOR CONTROLLED	
2	103930-01-710	EA	RESISTOR-FUSED, A/C	035-0006
3	103930-30-705	EA	DOOR - BLEND AIR	071-0568
4	103930-01-703	EA	CORE-HEATER	042-0010
5	110279-01-712	EA	FITTING-HEATER	050-0076
6	103930-20-711	EA	CASE-BACK, SUB-ASSEMBLY	062-0147
7	110279-01-703	EA	HOSE-VENT F/BLOWER MOTOR	051-0034
8	103930-20-707	EA	HOUSING-BLOWER	062-0145
9	103930-30-706	EA	MOTOR-BLOWER PM147 W/ADAPTER	030-0109
10	103930-01-717	EA	WHEEL-BLOWER, CLOCKWISE	062-0010
11	103930-20-708	EA	CLIP-MOTOR SHAFT	022-0001
12	103930-20-705	EA	PANEL-DOOR, RECIRCULATING	071-0213
13	103930-20-704	EA	ROD-DOOR-RECIRCULATING	073-0018
14	103930-01-708	EA	BRACKET-VACUUM MOTOR	070-0113
15	103930-02-708	EA	MOTOR-VACUUM SERVO, A/C	030-0025
16	103930-01-704	EA	COIL-EVAPORATOR	041-0017
17	103930-30-702	EA	BUSHING - BLEND AIR DOOR	062-0168
18	103930-30-704	EA	COVER - SERVO	062-0545
19	103930-30-703	EA	MOTOR - SERVO	030-0104
20	103930-30-701	EA	PLATE - MOTOR MOUNT	062-0544
21	103930-20-706	EA	CLIP-RETAINER - CASE ATTACH	022-0057
22	103930-25-700	EA	HOSE ASM #6 EVAPORATOR/DRIER	085-0350
23	103930-12-709	EA	FITTING-QUICK CONNECT	050-0120
24	103930-20-700	EA	VALVE-EXPANSION-BLOCK, 2 TON	034-0032
25	103930-17-702	EA	O'RING #10	045-0127
26	113245-01-707	EA	O'RING #8	045-0126
27	103930-20-709	EA	VALVE-SERVICE	050-0159
28	103930-01-711	EA	THERMOSTAT	033-0003
29	103930-30-700	EA	CASE - FRONT	062-0542

**HEATING & AIR CONDITIONING GROUP (CONTINUED)**  
**AUTOMOTIVE HEATER MISCELLANEOUS**



KEY	PART NUMBER	U/M	DESCRIPTION	VENDOR NO.
1	007281-01-000	EA	HOSE - FLEXIBLE PVC - 2.5" ID X 50'	
1	007281-01-700	FT	HOSE-FLEXIBLE PVC, 2 1/2 ID	
2	024990-05-000	EA	OUTLET - DEFROSTER - 4" DIAMETER W/SWIVEL DEFLECTORS	
3	056402-05-000	EA	BRACKET - HEATER VENT - ROUND W/BEND - BLACK	
4	077075-01-000	EA	GASKET - INSTRUMENT PANEL TO DEFROSTER PLENUM	
5	103017-03-000	EA	PLENUM - DEFROSTER	
6	103558-01-10A	EA	VENT - DEFROSTER - 2" X 14.4" X 1.4" - ANTELOPE	
7	103796-01-01A	EA	LOUVER - A/C-ADJUSTABLE - 2.2" X 5.4" F/2.5" HOSE - BLACK	
8	103930-40-000	EA	CONTROL/PLENUM - ROTARY	
9	103930-30-000	EA	EVAPORATOR/HEATER - CHEVY - SERVO MOTOR CONTROLLED	
9	103930-31-000	EA	EVAPORATOR/HEATER - SERVO MOTOR CONTROLLED - FORD 1997 CHASSIS	
9	103930-43-000	EA	EVAPORATOR/HEATER ASSEMBLY - NON-CHARGED - FORD 1999 CHASSIS	
10	103930-29-000	EA	HOSE KIT - #10 F/GM L-29 & L-65 CHASSIS	
	103930-17-702	EA	O'RING #10	045-0127
	103930-29-701	EA	O'RING F/LOW PRESSURE SWITCH	045-0483
10	103930-45-000	EA	HOSE - EVAPORATOR/COMPRESSOR - FORD 1999 CHASSIS	
11	103930-23-000	EA	VALVE - WATER - 2 PORT	
12	076776-01-000	EA	TEE - BEADED - 5/8" X 5/8" X 5/8"	
13	007076-01-000	EA	HOSE - FLEXIBLE PVC - 2" ID - INCREMENTS OF 50'	
14	103016-03-000	EA	PLENUM - TRANSITION	
15	007108-01-000	FT	HOSE - HEATER - 5/8" ID - HI-TEMP - FORD	
16	103930-44-000	EA	HOSE - EVAPORATOR/DRYER - #6 - FORD 1999 CHASSIS	
	077539-01-000	EA	BRACKET - MOUNTING/DASH PANEL - L/SHAPED - 2.5"X1"X1.5"	
	089353-01-000	EA	UNION - 5/8" - TUBE TO TUBE	
	126692-01-H17	EA	PLENUM - A/C - BEVERAGE TRAY	
	103930-37-000	EA	MANUAL - OWNERS - HEATER/A/C	
	7SB003-97-01A	EA	SCS/FRIGETTE SERVICE MANUAL AIR CONDITIONING	

**HEATING & AIR CONDITIONING GROUP (CONTINUED)**



**SCS CONTROL/PLENUM**

KEY	PART NUMBER	U/M DESCRIPTION	VENDOR NO.
	103930-40-000	EA CONTROL/PLENUM - ROTARY	
1	103930-33-702	EA CONTROL PANEL	083-0169
2	103930-33-707	EA SWITCH - BLOWER	032-0186
3	103930-33-708	EA SWITCH - POTENTIOMETER	032-0184
4	103930-33-709	EA SWITCH - VACUUM	032-0183
5	103930-33-710	EA DECAL F/CONTROL HEAD	058-0102
6	103930-33-703	EA VACUUM HARNESS	036-0466
7	103930-33-705	EA LIGHT BULBS	035-0030
8	103930-33-711	EA WIRE HARNESS - MAIN	036-0496
9	103930-02-707	EA RELAY-BOSCH W/RESISTER	031-0001
10	103930-02-710	EA CANISTER-VACUUM	054-0002
11	103930-39-700	EA ROD - DOOR - AC/HEAT	073-0028
12	103930-39-701	EA ROD - DOOR - AC/DEFROST	073-0060
13	103930-02-708	EA MOTOR-VACUUM SERVO, A/C	030-0025
14	103930-33-701	EA MOTOR - VACUUM, 3 STAGE	030-0105
15	103930-39-702	EA KNOB - BLOWER	062-0539
16	103930-39-703	EA KNOB - TEMPERATURE	062-0540
	103930-39-704	EA SPRING	022-0119

**HEATING & AIR CONDITIONING GROUP (CONTINUED)**  
**COLEMAN ROOF A/C & CEILING ASM**

KEY	PART NUMBER	U/M DESCRIPTION
*	108889-01-05A	EA A/C - ROOF - 13,500 TSR
	102289-01-000	EA SPRING - SCREW - ROOF A/C GASKET
*	108892-01-01A	EA CEILING ASSEMBLY - A/C DUCTED
	117238-01-01A	EA THERMOSTAT - A/C - FURNACE
	117238-02-01A	EA THERMOSTAT - A/C ONLY

\* COMPONENT PARTS FOUND IN SERVICE PARTS LIBRARY

**ROOF A/C SELECTOR SWITCH, COVERS, AND REGISTER**

KEY	PART NUMBER	U/M DESCRIPTION
	073937-03-000	EA SWITCH - ROTARY- AC - SELECTOR - 3 DECK
	022756-03-000	EA COVER - A/C - OFF WHITE PLASTIC
	121365-01-01A	EA COVER - A/C SWITCH - DUAL
	121365-02-01A	EA COVER - A/C SWITCH - SINGLE
	092633-02-02A	EA COVER - BLANK - ROOF A/C - 5.1" X 5.1"
	120134-01-02A	EA REGISTER - 4" TO 5" IN DIAMETER W/DAMPER

**35,000 BTU SUBURBAN FURNACE, REGISTERS & WALL THERMOSTAT**

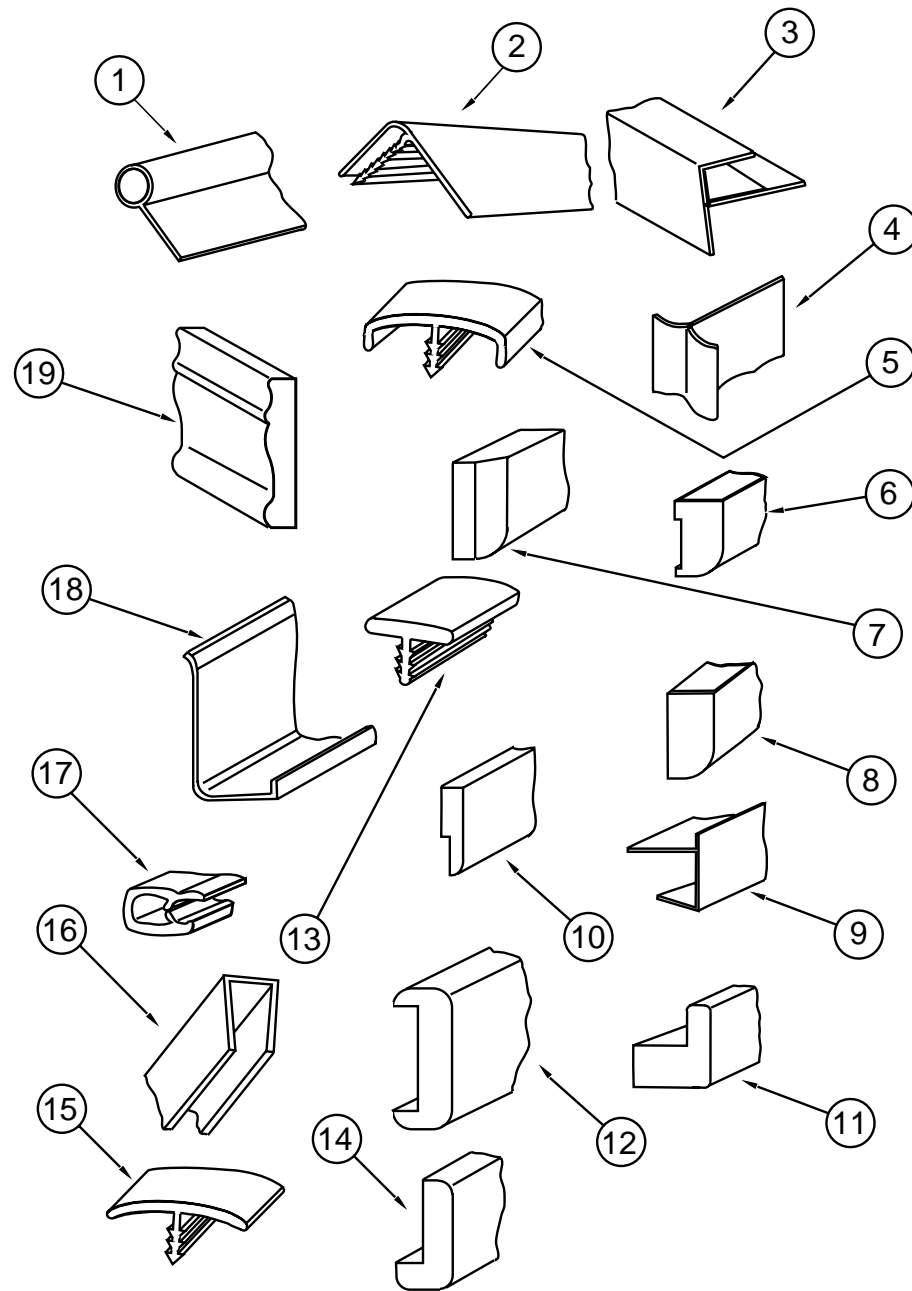
KEY	PART NUMBER	U/M DESCRIPTION
*	098668-21-000	EA FURNACE - 35,000 BTU
	098668-23-000	EA DOOR - ACCESS - FURNACE - BRIGHT WHITE
	056464-09-000	EA REGISTER - 4" DIAMETER - PLASTIC - W/DAMPER - BEIGE
	094600-05-01A	EA REGISTER W/O DAMPER-3.6" X 11.3" FACE/2.1" X 9.9" RO-BEIGE
	094600-06-01A	EA REGISTER - HEAT - W/DAMPER
	093614-01-02A	EA GRILLE - RETURN AIR - 15.6" X 7.6" - BEIGE
	009198-01-000	FT DUCT - HEAT - FLEXIBLE - 4" ID X 25'
	009198-02-000	FT DUCT - FLEXIBLE - 2" ID X 25'
	092776-01-000	EA ADAPTER - DUCT - 2"
	092777-01-000	EA ADAPTER - DUCT - 4"
	093741-01-000	EA BOX - BOOT - FLOOR REGISTER
	009200-01-000	EA TAPE - FURNACE - 1 1/2"
	118085-01-01A	FT TAPE-FOIL, 2IN X 150FT
	115764-01-01A	EA THERMOSTAT - FURNACE

\* COMPONENT PARTS FOUND IN SERVICE PARTS LIBRARY

**EVANS REAR HEATER & COMPONENTS**

KEY	PART NUMBER	U/M DESCRIPTION	VENDOR NO.
	084405-01-000	EA HEATER - REAR/DUCTED - W/MOTOR AID	
	084405-01-700	EA CORE-HEATER	FT200229
	084405-01-701	EA FAN BLADES	HV029931
	084405-01-702	EA MOTOR ASSEMBLY, 12 VOLT	RV010348
	009198-01-000	FT DUCT - HEAT - FLEXIBLE - 4" ID X 25'	
	056464-09-000	EA REGISTER - 4" DIAMETER - PLASTIC - W/DAMPER - BEIGE	
	061673-01-000	EA BRACKET - MOTOR AID TUBES - 4" X 1.5" - STEEL	
	079059-01-000	EA HOSE - 90 DEGREE - 5/8" ID X 4" X 36"	

**INTERIOR FINISH GROUP**  
**MOLDINGS & TRIMS**



KEY	PART NUMBER	U/M	DESCRIPTION
1	009767-12-000	FT	WELTING - SIDEWALL/CEILING/CABINET - OFF/WHT
2	009809-28-000	EA	MOLDING - CORNER - OUTSIDE - 1" X 84" - WATERFORD OAK
3	009812-29-000	EA	MOLDING - PLASTIC - 1/2" O/S CORNER - WATERFORD OAK
4	022992-11-000	FT	MOLDING - REVERSE COVE - T-SHAPED VINYL - IVORY
5	083620-12-000	FT	MOLDING-T - END CAP EDGE - W/EDGE LIP - .75"-WATERFORD OAK
6	117268-D2-134	EA	MOLDING - VINYL WRAPPED - .7" X 1.6" X 84" - WATERFORD OAK
6	117268-F2-134	EA	MOLDING - VINYL WRAPPED - .7" X 2.7" X 84" - WATERFORD OAK
7	100659-01-G09	EA	MOLDING/TRIM - VINYL FLOOR
8	100818-01-05A	EA	MOLDING - VINYL WRAPPED - 1.65" X .4" X 7' - WATERFORD OAK
9	103186-01-05A	FT	MOLDING - PLASTIC 3/8" U-CHANNEL 3/4" FACE - WATERFORD OAK
9	103186-02-05A	FT	MOLDING - PLASTIC/1" U-CHANNEL W/1 3/8" FACE-WATERFORD OAK
10	105004-01-05A	EA	MOLDING - VINYL WRAPPED - 1" X 96" - WATERFORD OAK
11	100819-01-05A	EA	MOLDING - VINYL WRAPPED - L-SHAPED - 1.5" X 1.5" X 7' - WATERFORD OAK
12	078323-06-G15	EA	MOLDING - CAP - WALL - 78"
13	104676-02-04A	FT	MOLDING-T - 1/2" - WATERFORD OAK
14	077840-01-G01	EA	MOLDING - CAP/WALL - 8' WATERFORD OAK
15	105709-01-000	FT	MOLDING-T - 1" - MODERN IVORY
16	009778-21-000	FT	U-CHANNEL - 1" - WATERFORD OAK
16	070504-36-000	FT	U-CHANNEL - PLASTIC - .13" X 72" - WATERFORD OAK
16	070504-37-000	FT	U-CHANNEL - PLASTIC - .87" X 84" - WATERFORD OAK
17	113452-01-000	EA	SEAL/TRIM - FRONT - VINYL W/WIRE CARRIER
18	085746-01-000	FT	TRIM-J - CARPET - 1.2" X .5" ANGLE - 10' LONG - BEIGE PVC
19	100182-10-G29	EA	TRIM - RAIL/CHAIR - 8'
	117267-D2-438	EA	LUMBER - VINYL WRAPPED - .7" X 1.5" X 96" - WATERFORD OAK
	117267-E2-438	EA	LUMBER - VINYL WRAPPED - .7" X 2" X 96" - WATERFORD OAK
	117267-F2-438	EA	LUMBER - VINYL WRAPPED - .7" X 2.5" X 96" - WATERFORD OAK
	117267-J2-438	EA	LUMBER - VINYL WRAPPED - .7" X 5.5" X 96" - WATERFORD OAK

**INTERIOR FINISH GROUP (CONTINUED)**  
**BATT STRIPS**

KEY	PART NUMBER	U/M DESCRIPTION
	069733-83-000	EA BATT STRIP - WOODGRAINED/WATERFORD OAK - 8'
	079653-28-000	EA BATT STRIP - KERFED - WOODGRAINED/WATERFORD OAK - 8'
	088263-E3-000	EA BATT STRIP - DECORATIVE - PEBBLE EMBOSSSED/ANTIQUE-8'
	088263-F6-000	EA BATT STRIP - DECORATIVE - ARTESIA/SPRING - 8' (J20)
	088263-E2-000	EA BATT STRIP - DECORATIVE - PRIMAVERA/STONE - 8' (J21)
	085284-B5-000	FT BATT TAPE - ADHESIVE BACKED - WOODGRAINED - WATERFORD OAK
	085284-D6-000	FT BATT TAPE - ADHESIVE BACKED -DECORATIVE - EMBOSSSED ANTIQUE
	085284-F2-000	FT BATT TAPE - ADHESIVE BACKED - DECORATIVE ARTESIA/SPRING (J20)
	085284-D5-000	FT BATT TAPE - ADHESIVE BACKED - DECORATIVE - PRIMAVERA/STONE (J21)
	086229-20-000	EA BATTEN - 1" X 96" - BEIGE
	086229-01-000	EA RETAINER - BATTEN - .75" X 92.3" - ANY COLOR

**PLASTIC LAMINATE & EDGE BAND**

KEY	PART NUMBER	U/M DESCRIPTION
	074498-71-000	SF LAMINATE - PLASTIC - NEUTRAL SANTOS - 5'X8' - INC OF 40SF (J20)
	074498-80-000	SF LAMINATE - PLASTIC - 5' X 8' - INCREMENTS OF 40 SF (J21)
	076325-39-000	FT MOLDING - EDGE BAND - 1 5/16" X .030" (J20,J21)
	076325-40-000	FT MOLDING - EDGE BAND - .875" X .024" (J20,J21)
	074498-77-000	SF LAMINATE - PLASTIC - ART CABIN - 4' X 8' - INC OF 32 SF (PULL OUT TABLE)
	076325-68-000	FT MOLDING - EDGE BAND - 1 5/16" X .038 - WATERFORD OAK (PULL OUT TABLE)
	074498-40-000	SF LAMINATE - PLASTIC - OFF WHITE - 5' X 8' - INC OF 40 SF (PATIO ENTERTAINMENT CENTER TABLE)
	076325-73-000	FT MOLDING - EDGE BAND - .93" X .024" (PATIO ENTERTAINMENT CENTER TABLE)

**WALLPAPER BORDER - QUEEN BED**

KEY	PART NUMBER	U/M DESCRIPTION
	122481-05-000	FT WALLPAPER - 6" BORDER - MERCURY(J20)
	122481-06-000	FT WALLPAPER - 3.5" BORDER (J21)

**INTERIOR FINISH GROUP (CONTINUED)**  
**SMOKE DETECTOR, CO DETECTOR, FIRE EXTINGUISHER & CLOCK**

KEY	PART NUMBER	U/M DESCRIPTION
	072852-01-000	EA DETECTOR - SMOKE - W/9 VOLT BATTERY - US
	072852-02-000	EA DETECTOR - SMOKE - W/9 VOLT BATTERY - CANADIAN
	094499-01-000	EA EXTINGUISHER/FIRE - DRY W/MOUNTING BRACKET FROM: 00-00-00 THRU: 02-24-98
	094499-01-700	EA BRACKET MTG. W/PLAS. STRAP 294039
	094499-01-701	EA STRAP ONLY (METAL) 320351
	094499-03-000	EA EXTINGUISHER/FIRE - DRY - 10B:C - W/O BRACKET FROM: 02-25-98 THRU: 99-99-99
	094499-04-000	EA BRACKET - FIRE EXTINGUISHER FROM: 02-25-98 THRU: 99-99-99
	094499-02-000	EA EXTINGUISHER/FIRE - DRY - 1A10BC - CANADIAN
	125136-01-000	EA CO DETECTOR - GAS - ROUND W/2 SCREWS - 9 VOLT
	118081-02-01A	EA CLOCK - WALL - ROUND 8" - BRASS

**ANTISLIP & FLOOR MATS**

KEY	PART NUMBER	U/M DESCRIPTION
	091261-01-000	FT SLIPNOT - ANTISLIP - 1' WIDE
	105924-01-F06	EA MAT - FLOOR - 18" X 27" (J20)
	105924-01-F12	EA MAT - FLOOR - 18" X 27" (J21)

**CARPET, VINYL, & TILE**

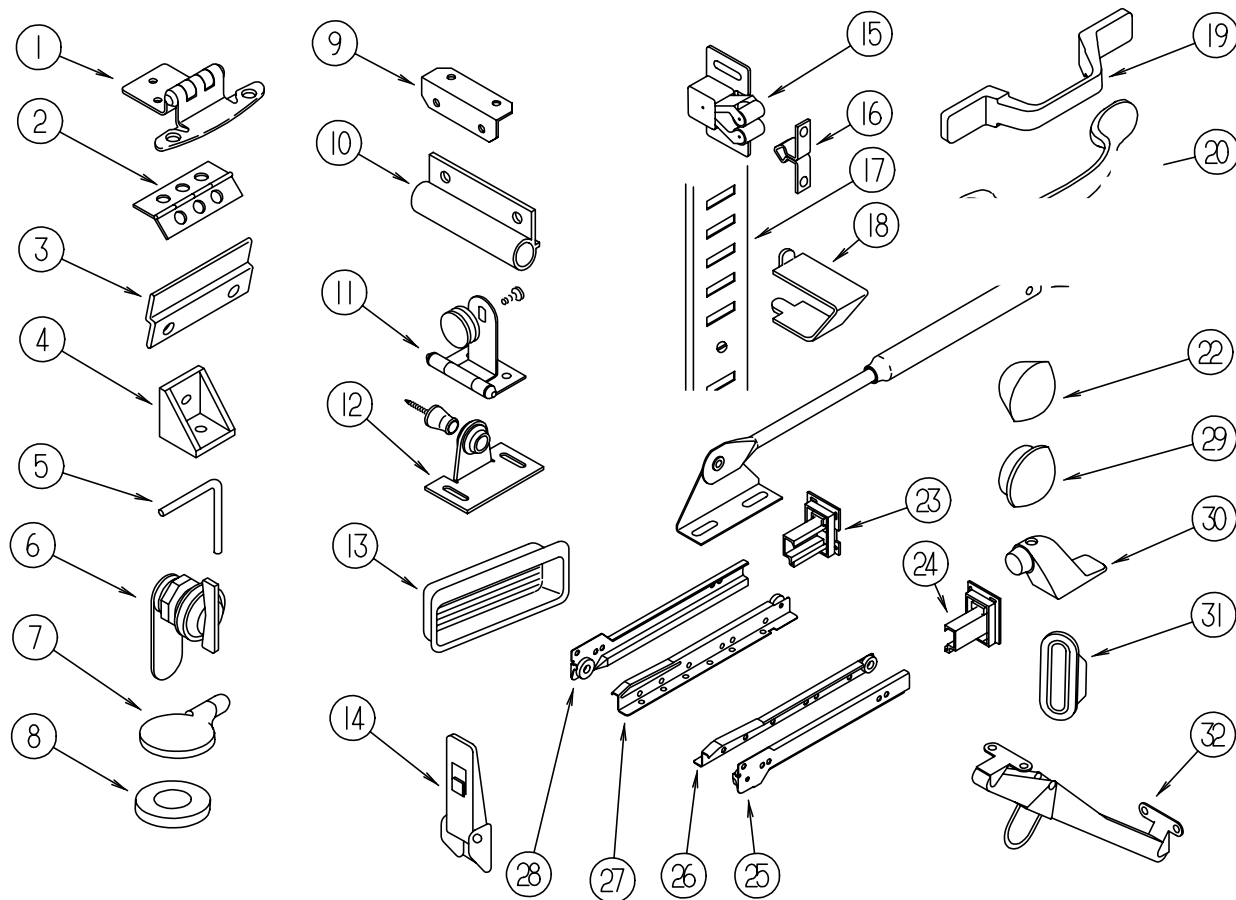
KEY	PART NUMBER	U/M DESCRIPTION
	093486-01-000	SY CARPET - COMPARTMENT - 72" WIDE - DARK GRAY
	096060-98-000	SY CARPET - SILVER ASPEN - INCREMENTS OF 4 SQ YD (J20)
	096060-99-000	SY CARPET - PARCHMENT (J21)
	042720-21-000	SY VINYL - FLOOR COVERING - 7' WIDE - MODULATION (J20,J21)
	122755-02-01A	EA TILE - RUBBER/ENTRANCE DOOR - 18.5" X 29.3"
	122755-04-01A	EA TILE - RUBBER/ENTRANCE DOOR - 17.7" X 28.5"

**PANELING, PLYWOOD, & PARTICLE BOARD**

KEY	PART NUMBER	U/M DESCRIPTION
	074497-28-000	SF PANELING - WATERFORD OAK - 48" X 96"
	088272-G1-000	SF PANELING - PEBBLE EMBOSSSED - ANTIQUE WHITE - 4' X 7'
	088272-H6-000	SF PANELING - ARTESIA SPRING - 4' X 7' (J20)
	088272-F9-000	SF PANELING - PRIMAVERA STONE - 4' X 8' (J21)
	000846-01-000	SF PLYWOOD - 5/16" X 48" X 96" - CD GRADE
	000846-02-000	SF PLYWOOD/UNDERLAYMENT - 5/16" X 48" X 96"
	089297-01-000	SF PLYWOOD - LUAN - OVERLAY GRADE - 48" X 96"
	089297-02-000	SF PLYWOOD - LUAN - OVERLAY GRADE - 48" X 108"
	126339-01-000	SF BOARD - WHEAT - 60" X 72"
	000885-76-000	SF PARTICLE BOARD-3/8" X 48" X 96"-WATERFORD OAK/VINYL 1 SIDE
	000885-77-000	SF PARTICLE BOARD-3/8" X 48" X 96"-WATERFORD OAK/VINYL 2 SIDE
	000885-78-000	SF PARTICLE BOARD-1/2" X 48" X 96"-WATERFORD OAK/VINYL 2 SIDE
	000885-79-000	SF PARTICLE BOARD-3/4" X 48" X 96"-WATERFORD OAK/VINYL 2 SIDE

**INTERIOR FINISH GROUP (CONTINUED)**  
**CABINET HARDWARE**

**CABINET DRAWER SLIDES - FROM: 00-00-00 THRU: 02-22-98**



KEY	PART NUMBER	U/M DESCRIPTION
1	108138-01-000	EA HINGE - CABINET DOOR - BURNISHED BRASS
2	009059-02-000	EA HINGE - DOOR - 2" X 2.7" - BRASS
3	101272-01-000	EA CATCH - GLASS DOOR
4	065740-01-000	EA BRACE - CABINET/CORNER - PLASTIC
5	108487-02-01A	EA SUPPORT - PROP ROD/OVERHEAD - BLACK
6	100710-01-01A	EA LOCK - GLASS DOOR/TWIST TYPE - BRASS
7	101766-01-000	EA PIN - SUPPORT/GLASS DOOR
8	100707-01-000	EA SPACER - GLASS DOOR - .8" DIA - .3" HOLE - PLASTIC
9	016604-01-000	EA BRACE - CABINET - ANGLE - 2.5" - UNPAINTED METAL
9	016604-05-000	EA BRACE - CABINET - ANGLE - 2.5" - OFF WHITE METAL
10	108486-01-01A	EA BRACKET - PROP ROD/OVERHEAD - BLACK
11	100711-01-01A	EA HINGE - GLASS DOOR
12	009013-01-000	EA CATCH - BULLDOG - MALE/FEMALE
13	124311-01-01A	EA HANDLE - RECESSED - BRASS
14	116975-01-01A	EA LATCH - W/O STRIKE - BLACK - NEW STYLE
15	093586-06-000	EA CATCH - SPRING - ROLLER
16	093586-05-000	EA STRIKE - SPRING STEEL
17	098980-01-000	EA PILASTER - ADJUSTABLE SHELF - 18" WOODGRAIN APPEARANCE
17	098980-02-000	EA PILASTER - ADJUSTABLE SHELF - 12" WOODGRAIN APPEARANCE
17	098980-03-000	EA PILASTER - ADJUSTABLE SHELF - 9" WOODGRAIN APPEARANCE
18	098979-01-000	EA CLIP - ADJUSTABLE SHELF
19	117801-01-01A	EA PULL - CABINET - BRASS
21	074493-02-000	EA SUPPORT - PISTON SPRING - CABINET DOOR
22	042356-01-000	EA PLUG - BUTTON - MAHOGANY - 3/8" DIAMETER - WOOD

KEY	PART NUMBER	U/M DESCRIPTION
23	114045-01-000	EA BACKSOCKET - ADJUSTABLE LEFT
24	114045-02-000	EA BACKSOCKET - ADJUSTABLE RIGHT
25	114031-02-000	EA SLIDE - 12" - RIGHT SIDE/CABINET
25	114031-06-000	EA SLIDE - 14" - RIGHT SIDE/CABINET
25	114031-14-000	EA SLIDE - 18" - RIGHT SIDE/CABINET
25	114031-18-000	EA SLIDE - 20" - RIGHT SIDE/CABINET
25	114031-26-000	EA SLIDE - 24" - RIGHT SIDE/CABINET
26	114031-04-000	EA SLIDE - 12" - RIGHT SIDE/DRAWER
26	114031-08-000	EA SLIDE - 14" - RIGHT SIDE/DRAWER
26	114031-16-000	EA SLIDE - 18" - RIGHT SIDE/DRAWER
26	114031-20-000	EA SLIDE - 20" - RIGHT SIDE/DRAWER
26	114031-28-000	EA SLIDE - 24" - RIGHT SIDE/DRAWER
27	114031-03-000	EA SLIDE - 12" - LEFT SIDE/DRAWER
27	114031-07-000	EA SLIDE - 14" - LEFT SIDE/DRAWER
27	114031-15-000	EA SLIDE - 18" - LEFT SIDE/DRAWER
27	114031-19-000	EA SLIDE - 20" - LEFT SIDE/DRAWER
27	114031-27-000	EA SLIDE - 24" - LEFT SIDE/DRAWER
28	114031-01-000	EA SLIDE - 12" - LEFT SIDE/CABINET
28	114031-05-000	EA SLIDE - 14" - LEFT SIDE/CABINET
28	114031-13-000	EA SLIDE - 18" - LEFT SIDE/CABINET
28	114031-17-000	EA SLIDE - 20" - LEFT SIDE/CABINET
28	114031-25-000	EA SLIDE - 24" - LEFT SIDE/CABINET

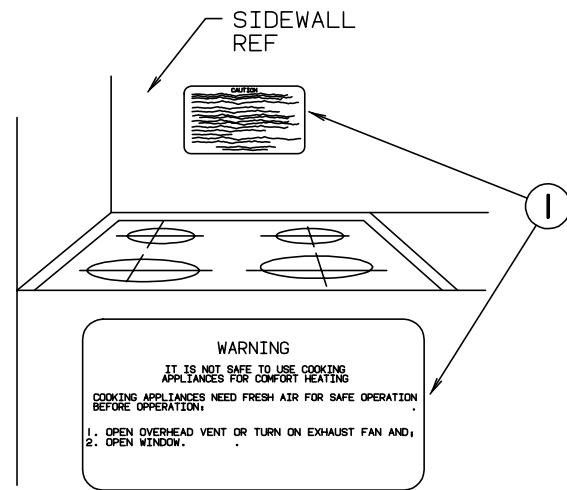
**CABINET DRAWER SLIDES - FROM: FROM: 02-23-98 THRU: 99-99-99**

KEY	PART NUMBER	U/M DESCRIPTION
23	128811-01-01A	EA BACKSOCKET - ADJUSTABLE - LEFT
24	128811-02-01A	EA BACKSOCKET - ADJUSTABLE - RIGHT
25	128810-02-01A	EA SLIDE - 12" - RIGHT SIDE/CABINET
25	128810-06-01A	EA SLIDE - 14" - RIGHT SIDE/CABINET
25	128810-14-01A	EA SLIDE - 18" - RIGHT SIDE/CABINET
25	128810-18-01A	EA SLIDE - 20" - RIGHT SIDE/CABINET
25	128810-26-01A	EA SLIDE - 24" - RIGHT SIDE/CABINET
26	128810-04-01A	EA SLIDE - 12" - RIGHT SIDE/DRAWER
26	128810-08-01A	EA SLIDE - 14" - RIGHT SIDE/DRAWER
26	128810-16-01A	EA SLIDE - 18" - RIGHT SIDE/DRAWER
26	128810-20-01A	EA SLIDE - 20" - RIGHT SIDE/DRAWER
26	128810-28-01A	EA SLIDE - 24" - RIGHT SIDE/DRAWER
27	128810-03-01A	EA SLIDE - 12" - LEFT SIDE/DRAWER
27	128810-07-01A	EA SLIDE - 14" - LEFT SIDE/DRAWER
27	128810-15-01A	EA SLIDE - 18" - LEFT SIDE/DRAWER
27	128810-19-01A	EA SLIDE - 20" - LEFT SIDE/DRAWER
27	128810-27-01A	EA SLIDE - 24" - LEFT SIDE/DRAWER
28	128810-01-01A	EA SLIDE - 12" - LEFT SIDE/CABINET
28	128810-05-01A	EA SLIDE - 14" - LEFT SIDE/CABINET
28	128810-13-01A	EA SLIDE - 18" - LEFT SIDE/CABINET
28	128810-17-01A	EA SLIDE - 20" - LEFT SIDE/CABINET
28	128810-25-01A	EA SLIDE - 24" - LEFT SIDE/CABINET

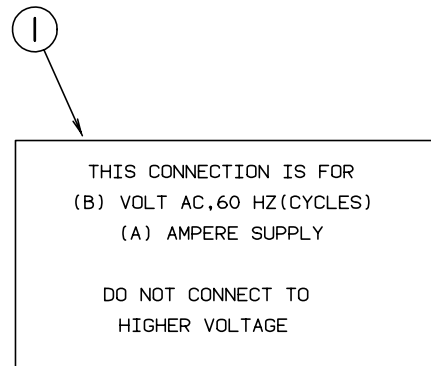
**CABINET HARDWARE (CONTINUED)**

KEY	PART NUMBER	U/M DESCRIPTION
29	074045-01-000	EA PLUG - OAK - 1/2" DIAMETER
30	103257-01-000	EA STOP - DOOR
31	098410-01-01A	EA PULL - FINGER - OVAL - BRASS
32	104181-01-01A	EA SUPPORT - LEAF 5.3" EXTENDS TO 7.5" - SAFETY RING - METAL
	009021-01-000	EA CATCH - GRILLE - NYLON
	004354-01-000	EA BUMPER - RUBBER - .5" DIA - BROWN
	009112-01-000	EA FLANGE - PLASTIC - 1" CLOTHES ROD - OFF WHITE
	023320-01-000	EA PAD - FELT 3/8" DIAMETER
	042438-01-000	EA DOWEL - WOOD - CLOTHES ROD - 1" DIAMETER X 4"
	042438-02-000	EA DOWEL - WOOD - 2" X 2"
	122021-01-02A	EA ANGLE - W/HOLES - OFF/WHITE
	122021-02-02A	EA ANGLE - W/HOLES

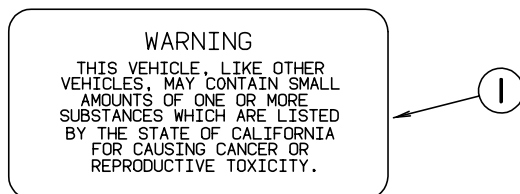
## LABELS GROUP



KEY	PART NUMBER	U/M DESCRIPTION
1	050225-01-000	EA LABEL - WARNING - STOVE VENT - US
1	050222-01-000	EA LABEL - STOVE VENT - CANADIAN

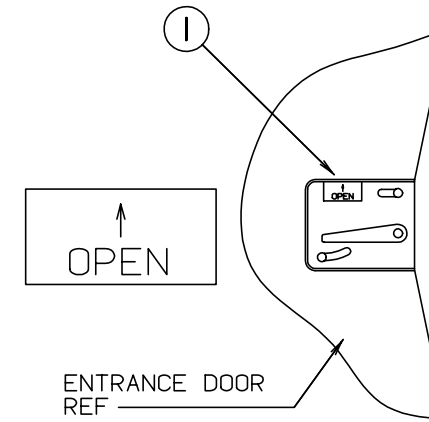


KEY	PART NUMBER	U/M DESCRIPTION
1	125306-01-01A	EA LABEL - ELECTRICAL ENTRANCE - 110VOLT 30AMP

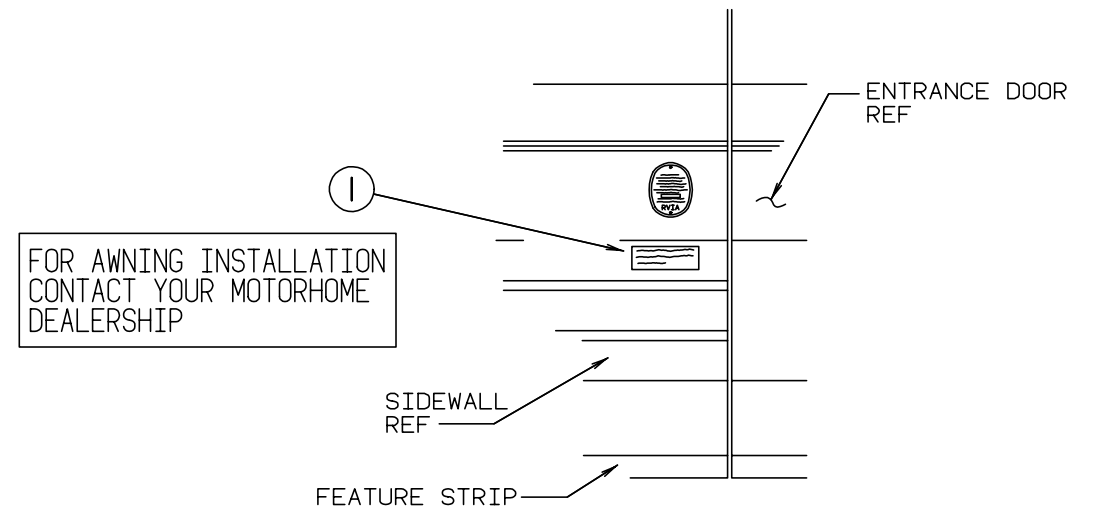


KEY	PART NUMBER	U/M DESCRIPTION
1	099689-01-000	EA LABEL - WARNING - CANCER/TOXICITY - CALIFORNIA

## LABELS GROUP (CONTINUED)

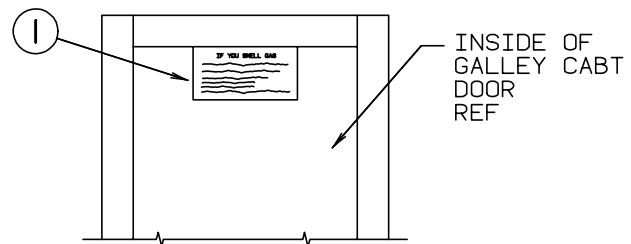


KEY	PART NUMBER	U/M DESCRIPTION
1	040944-01-000	EA LABEL - ENTRANCE DOOR - "OPEN"



KEY	PART NUMBER	U/M DESCRIPTION
1	099509-01-000	EA LABEL - AWNING INSTALLATION

**LABELS GROUP (CONTINUED)**

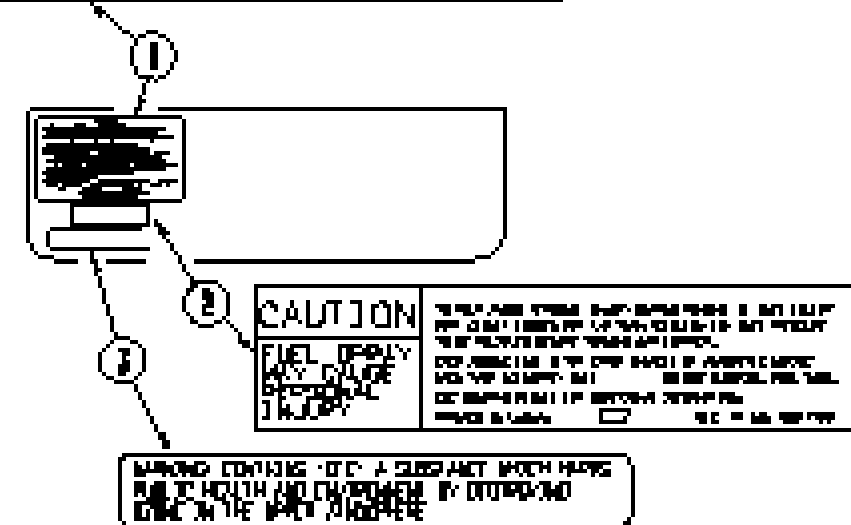
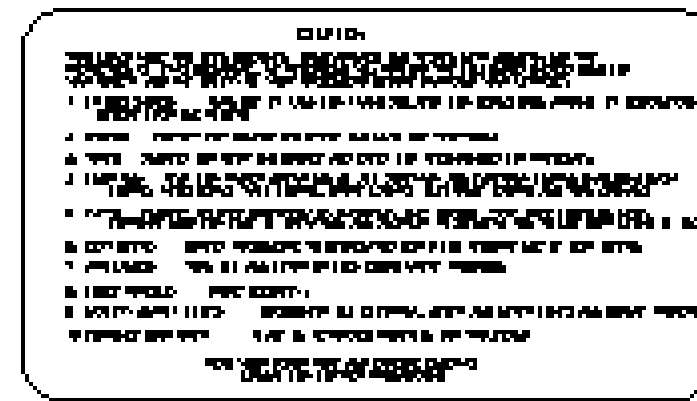


**IF YOU SMELL GAS**

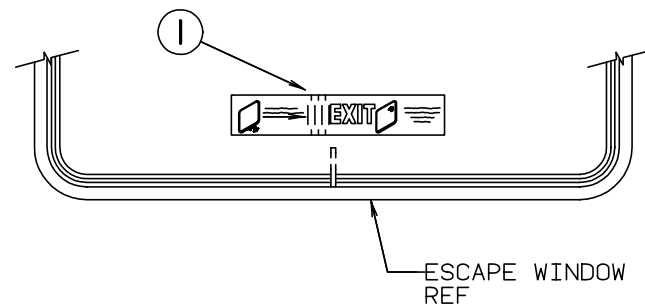
1. EXTINGUISH ANY OPEN FLAME, PILOT LIGHTS AND ALL SMOKING MATERIALS.
2. SHUT OFF THE GAS SUPPLY AT THE TANK VALVE( OR GAS SUPPLY CONNECTION.
3. OPEN DOORS AND OTHER VENTILATING OPENINGS.
4. DO NOT TOUCH ELECTRICAL SWITCHES.
5. LEAVE THE AREA UNTIL ODOR CLEARS.
6. HAVE THE GAS SYSTEM CHECKED AND LEAKAGE SOURCE CORRECTED BEFORE USING AGAIN.

KEY	PART NUMBER	U/M DESCRIPTION
1	073998-01-000	EA LABEL - LPG ODOR WARNING

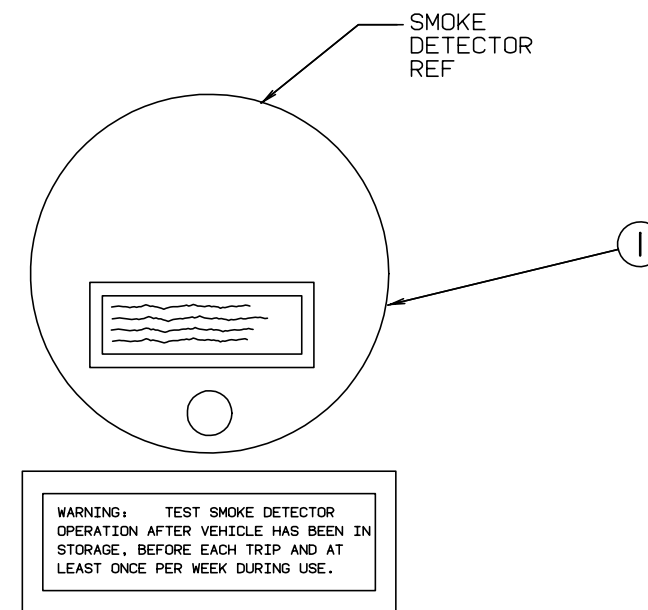
**LABELS GROUP (CONTINUED)**



KEY	PART NUMBER	U/M DESCRIPTION
1	056259-01-000	EA LABEL - SAFETY CHECK LIST
2	087207-05-000	EA LABEL - FUEL CAP REMOVAL
3	111802-01-000	EA LABEL - CFC WARNING



KEY	PART NUMBER	U/M DESCRIPTION
1	107571-01-000	EA LABEL - EXIT/ESCAPE WINDOW



KEY	PART NUMBER	U/M DESCRIPTION
1	077956-01-000	EA LABEL - WARNING - SMOKE DETECTOR

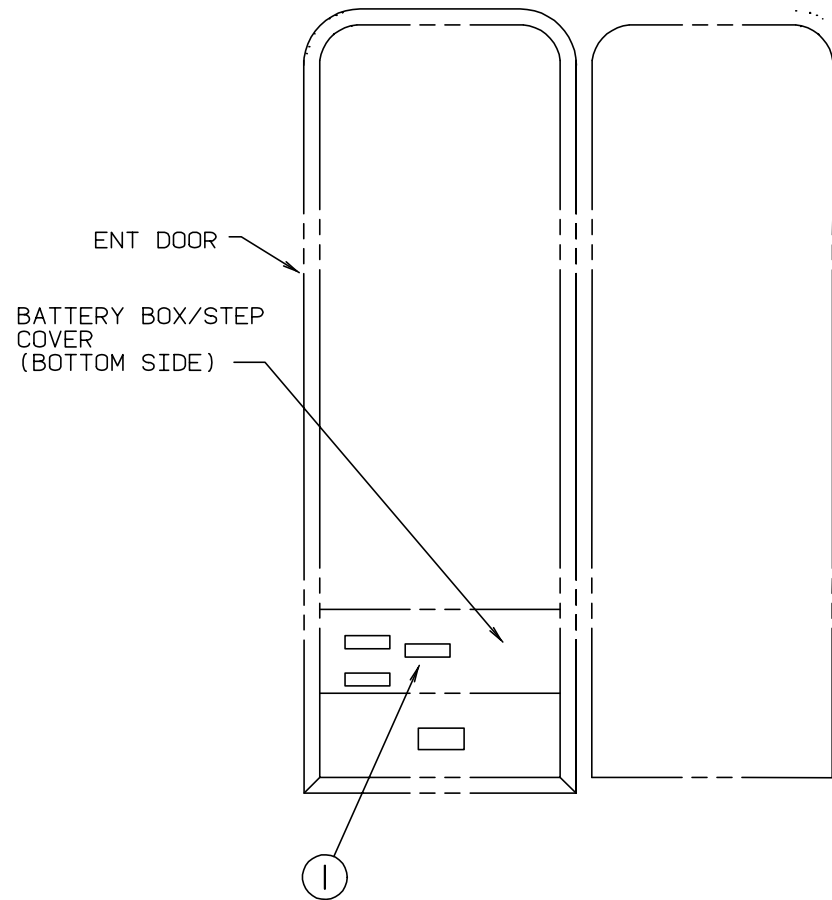


**LABELS GROUP (CONTINUED)**

AIR CONDITIONING CIRCUIT.  
THIS CONNECTION IS FOR  
AIR CONDITIONERS RATED 110-  
125 VOLT AC, 60 HZ, 16  
AMPERES MAXIMUM. DO NOT  
EXCEED CIRCUIT RATING.



KEY	PART NUMBER	U/M DESCRIPTION
1	091243-01-000	EA LABEL - A/C COVER "AIR CONDITIONING CIRCUIT ETC."

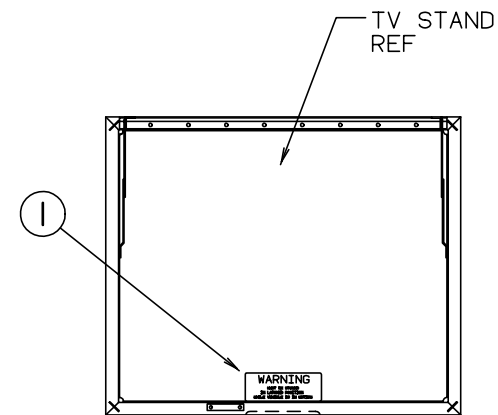


KEY	PART NUMBER	U/M DESCRIPTION
1	065748-01-000	EA LABEL - CAUTION - BATTERY CHARGING

**LABELS GROUP (CONTINUED)**

DO NOT USE HITCH BEFORE  
READING OWNERS MANUAL REGARDING  
VEHICLE LOADING AND TOWING

KEY	PART NUMBER	U/M DESCRIPTION
1	111104-01-000	EA LABEL - HITCH - READ MANUAL - WHITE
1	111104-02-000	EA LABEL - HITCH - READ MANUAL - BLACK



WARNING  
MUST BE STOWED  
IN LATCHED POSITION  
WHILE VEHICLE IS IN MOTION

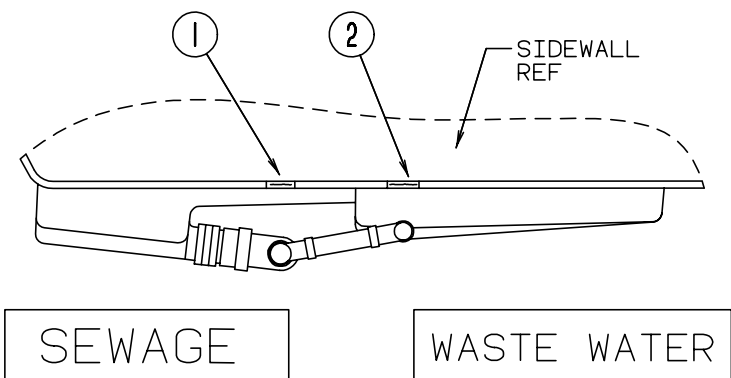
KEY	PART NUMBER	U/M DESCRIPTION
1	079966-01-000	EA LABEL - WARNING - STOWED - MOTION

NOTE: TUNE ANTENNA  
PER MANUFACTURER'S  
DIRECTIONS. FAILURE TO  
COMPLY COULD RESULT IN  
DAMAGE TO CB.

CB POWER PROVISION  
RED +12 V  
BLACK GROUND  
COAX ANTENNA  
(SEE REVERSE ALSO)

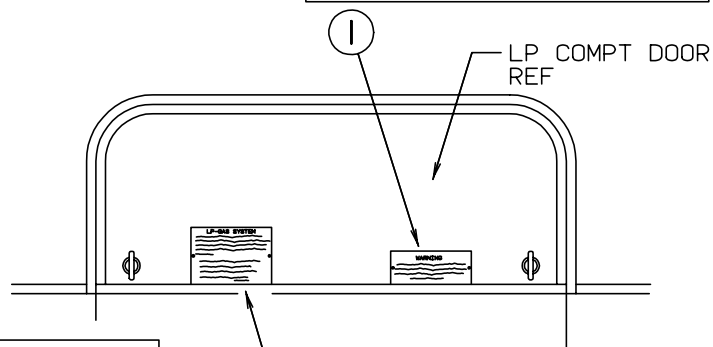
KEY	PART NUMBER	U/M DESCRIPTION
1	104678-01-000	EA LABEL-CB PREP

**LABELS GROUP (CONTINUED)**



KEY	PART NUMBER	U/M DESCRIPTION
1	006187-01-000	EA LABEL - SEWAGE
2	006188-01-000	EA LABEL - WASTE WATER

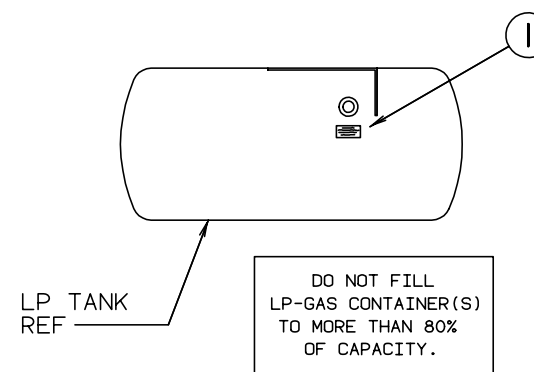
**WARNING**  
ALL PILOT LIGHTS AND APPLIANCES SHALL BE TURNED OFF DURING REFUELING OF MOTOR FUEL TANKS AND/OR PERMANENTLY MOUNTED LP-GAS CONTAINERS.



**LP-GAS SYSTEM**  
THIS GAS PIPING SYSTEM IS DESIGNED FOR USE OF LIQUEFIED PETROLEUM GAS ONLY. DO NOT CONNECT NATURAL GAS TO THIS SYSTEM.  
  
SECURELY CAP INLET(S) WHEN NOT CONNECTED FOR USE. AFTER TURNING ON GAS, EXCEPT AFTER NORMAL CONTAINER REPLACEMENT, TEST GAS PIPING AND CONNECTIONS TO APPLIANCE FOR LEAKAGE WITH SOAPY WATER OR BUBBLE SOLUTION. DO NOT USE PRODUCTS THAT CONTAIN AMMONIA OR CHLORINE.  
P.N. 54531

KEY	PART NUMBER	U/M DESCRIPTION
1	124519-01-01A	EA LABEL - WARNING/REFUELING - BLACK ON CLEAR
1	124519-02-01A	EA LABEL - WARNING/REFUELING - CSA
2	124520-01-01A	EA LABEL - LP GAS ONLY
2	023769-01-000	EA LABEL - WARNING - LPG - CANADIAN

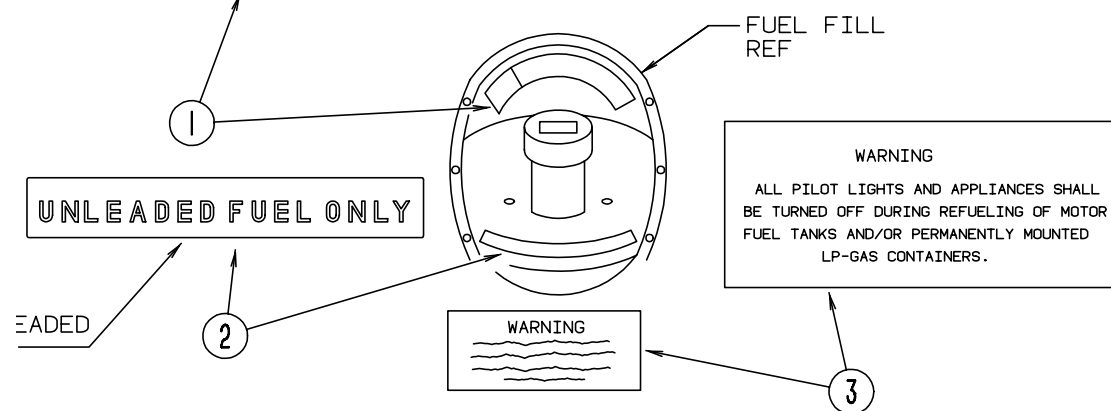
**LABELS GROUP (CONTINUED)**



DO NOT FILL LP-GAS CONTAINER(S) TO MORE THAN 80% OF CAPACITY.

KEY	PART NUMBER	U/M DESCRIPTION
1	079965-01-000	EA LABEL - LPG - 80% CAPACITY

**CAUTION**  
FUEL SPRAY MAY CAUSE PERSONAL INJURY  
TO HELP AVOID PERSONAL INJURY DURING REMOVAL OF FUEL FILLER CAP, SLOWLY LOOSEN CAP 1/2 TURN TO ALLOW ANY FUEL PRESSURE TO BE RELIEVED BEFORE TURNING CAP FURTHER.  
STOP ADDING FUEL AFTER FIRST SHUTOFF BY AUTOMATIC NOZZLE WHEN TANK IS NEARLY FULL. DO NOT OVERFILL FUEL TANK.  
SEE OWNERS MANUAL FOR ADDITIONAL INFORMATION.  
PRINTED IN U.S.A. MLC PT NO 15611763

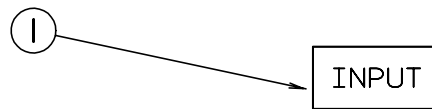


KEY	PART NUMBER	U/M DESCRIPTION
1	087207-05-000	EA LABEL - FUEL CAP REMOVAL
2	062043-01-000	EA LABEL - FUEL - UNLEADED
3	124519-01-01A	EA LABEL - WARNING/REFUELING - BLACK ON CLEAR
3	124519-02-01A	EA LABEL - WARNING/REFUELING - CSA

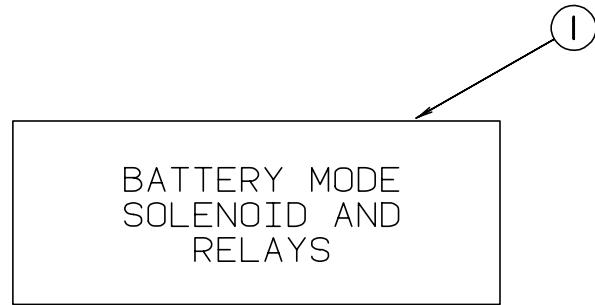
**WARNING**  
ROOF SURFACE MAY BE SLIPPERY ESPECIALLY WHERE MOISTURE IS PRESENT. SLIPPING MAY RESULT IN PERSONAL INJURY.  
128218-01

KEY	PART NUMBER	U/M DESCRIPTION
1	128218-01-01A	EA LABEL - WARNING - ROOF SLIPPERY

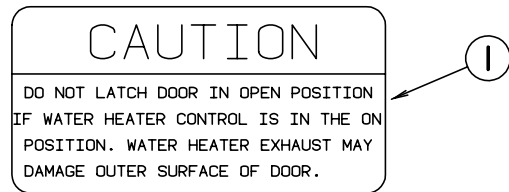
**LABELS GROUP (CONTINUED)**



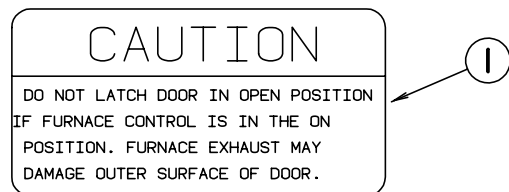
**KEY PART NUMBER U/M DESCRIPTION**  
 1 087236-01-000 EA LABEL - CABLE - INPUT



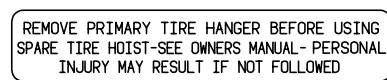
**KEY PART NUMBER U/M DESCRIPTION**  
 1 098379-04-000 EA LABEL - ELECTRICAL BOX - SIDE



**KEY PART NUMBER U/M DESCRIPTION**  
 1 113402-01-000 EA LABEL - CAUTION - WATER HEATER EXHAUST



**KEY PART NUMBER U/M DESCRIPTION**  
 1 113402-02-000 EA LABEL - CAUTION - FURNACE EXHAUST  
 FROM: 00-00-00 THRU: 11-12-97

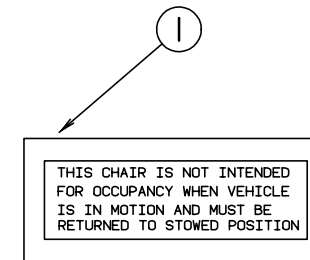


**KEY PART NUMBER U/M DESCRIPTION**  
 1 126024-01-01A EA LABEL - TIRE HANGER REMOVAL

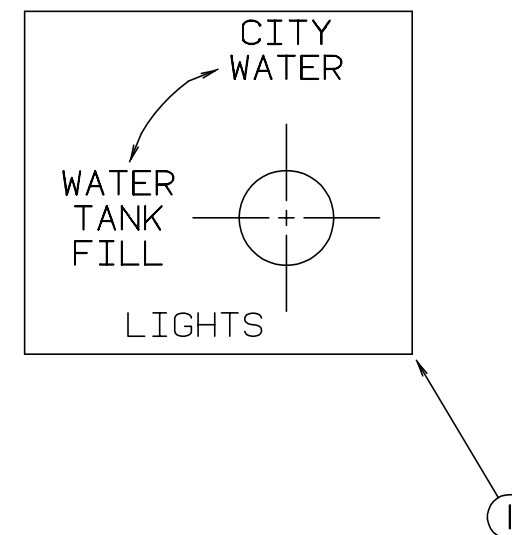
**LABELS GROUP (CONTINUED)**



**KEY PART NUMBER U/M DESCRIPTION**  
 1 098641-01-000 EA LABEL - FUEL - UNLEADED - DASH

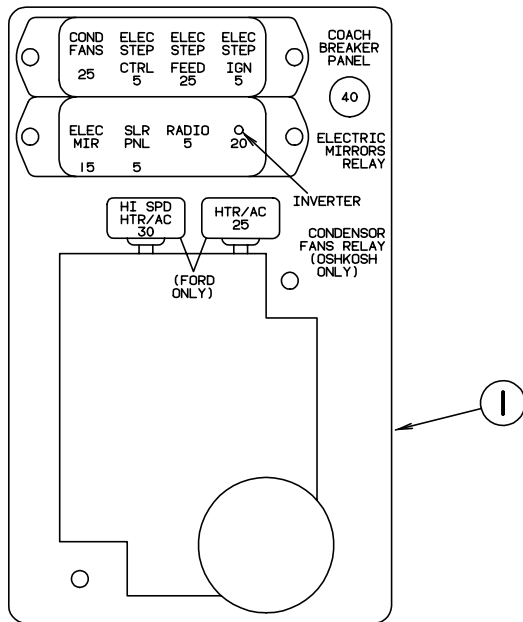


**KEY PART NUMBER U/M DESCRIPTION**  
 1 102267-01-000 EA LABEL - NO OCCUPANCY - US  
 102267-02-000 EA LABEL - NO OCCUPANCY - CSA

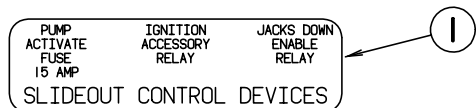


**KEY PART NUMBER U/M DESCRIPTION**  
 1 117629-01-000 EA LABEL - WATER PUMP/FILL

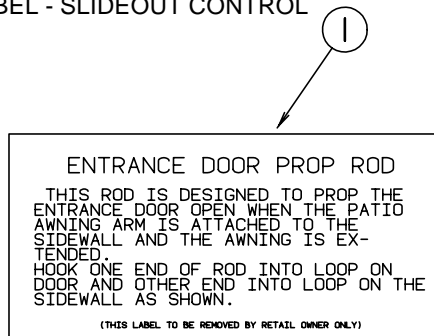
**LABELS GROUP (CONTINUED)**



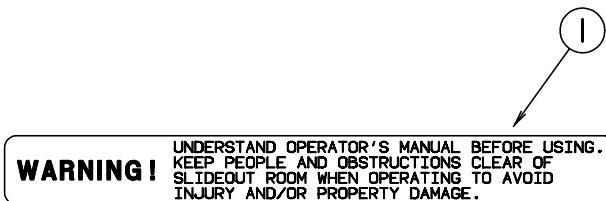
**KEY PART NUMBER U/M DESCRIPTION**  
1 111537-07-000 EA LABEL - FUSES



**KEY PART NUMBER U/M DESCRIPTION**  
1 111537-05-000 EA LABEL - SLIDEOUT CONTROL



**KEY PART NUMBER U/M DESCRIPTION**  
1 128658-01-000 EA LABEL - PROP ROD - ENTRY DOOR

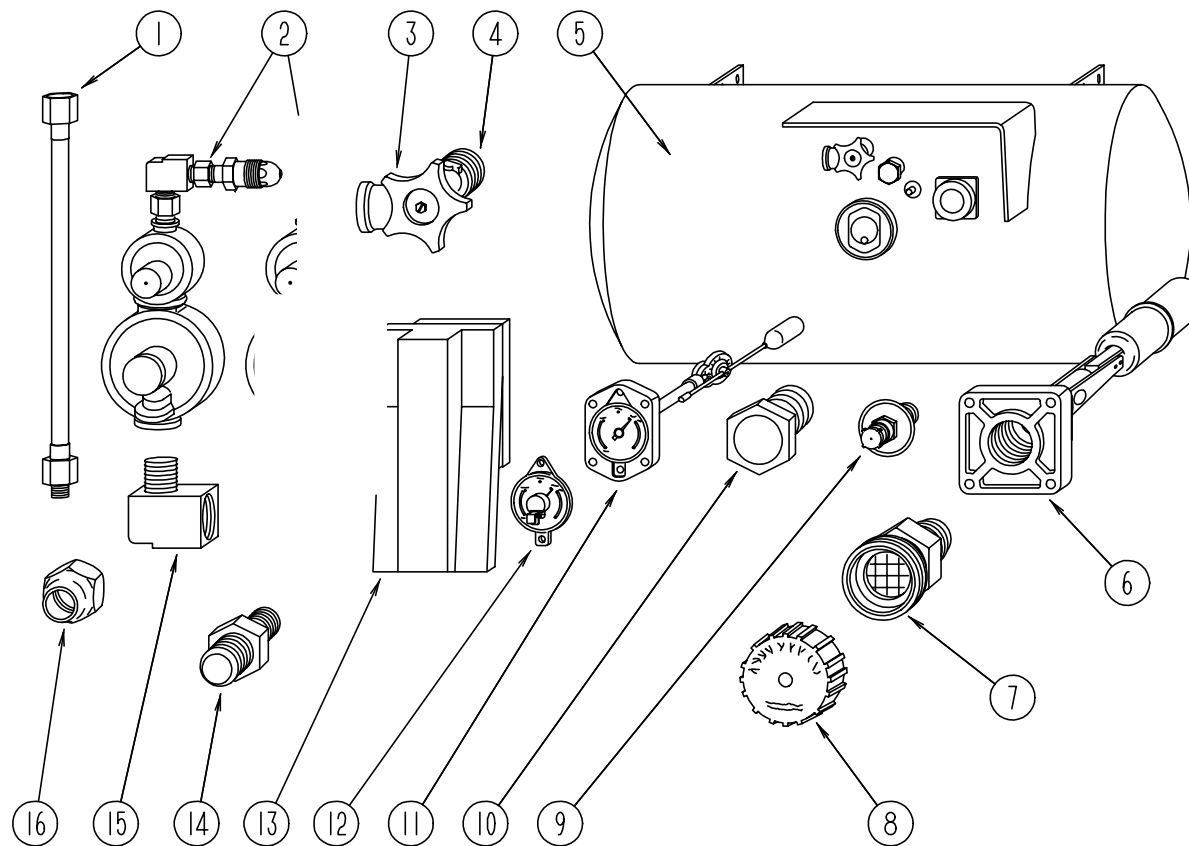


**KEY PART NUMBER U/M DESCRIPTION**  
1 116549-01-000 EA LABEL - WARNING - SLIDEOUT

**MISCELLANEOUS LABELS**

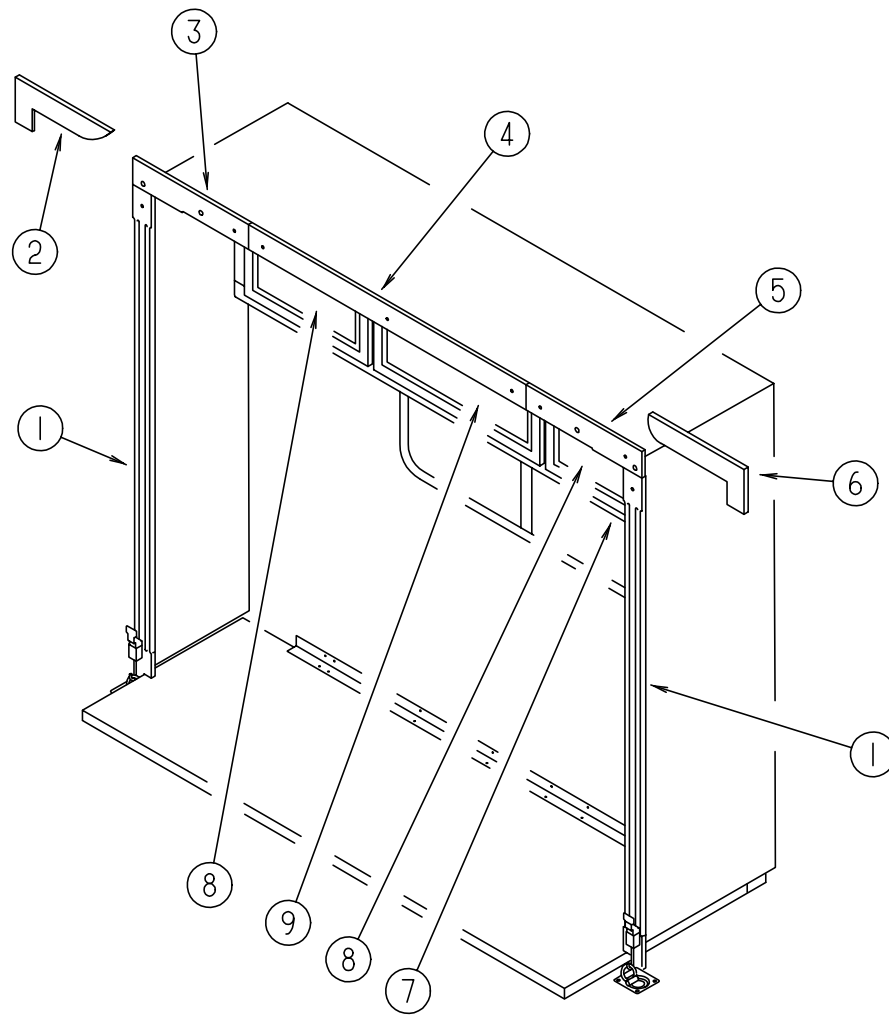
**KEY PART NUMBER U/M DESCRIPTION**  
006064-01-000 EA LABEL-SEAT W/O SEATBELT "NOT INTENDED FOR USE WHILE COACH IN MOTION"  
074983-01-000 EA LABEL - SWITCH - A/C SELECTOR FOR FRONT OR REAR

**LP GROUP  
LP TANK & COMPONENTS**



KEY	PART NUMBER	U/M DESCRIPTION	VENDOR NO.
1	045703-01-000	EA HOSE - LP - 3/8"ID X 24" - 3/8"MPT X 1/2"F SWIVEL - U.S.	
1	045703-02-000	EA HOSE - LP - 3/8"ID X 24" - 3/8"MPT X 1/2"F SWIVEL - CANADA	
1	045703-09-000	EA HOSE - LP - 3/8"ID X 24" - 3/8"ID F SWIVEL X 3/8"ID F SWIV	
2	106150-01-000	EA REGULATOR - TWO STAGE -W/90 DEGREE ELBOW & 3/8" FPT OUTLET	
3	040421-01-708	EA HANDWHEEL-SERVICE VALVE	G-1015-A
4	040421-01-712	EA VALVE,SERV. W/O VAPOR RELIEF	29000853
5	088253-03-000	EA TANK - LP - 100 LB - 16"DIAMETER X 36" LONG - SPL	
6	040421-01-711	EA VALVE-80% FILL W/AUTO STOP	LLL/TL3
7	040421-01-701	EA VALVE-FILL-SHORT, LP	7547B
8	040421-01-702	EA CAP-FILL VALVE, PLASTIC	G-1014-A
9	040421-01-700	EA VALVE-LIQUID LEVEL, 20%	G-1013
10	040421-01-713	EA VALVE-RELIEF 1" W/SPRING 7"	29000587
11	088253-01-700	EA GAUGE-FLOAT ASSEMBLY, L.P.	16C
12	040440-02-000	EA TRANSMITTER - DIAL - 0-90 OHM -2 TERMINAL (POWER & GROUND)	
13	105658-01-000	EA COMPARTMENT - LP REGULATOR	
14	010323-01-000	EA ADAPTER - BRASS - 3/8"F X 1/2"MPT	
14	010329-01-000	EA ADAPTER - BRASS - 1/2" F X 1/2" MPT	
15	065318-02-000	EA ELBOW - 90 DEGREE - 3/8" MPT TO 3/8" FPT	
16	010377-02-000	EA NUT - BRASS - 3/8" FLARE - FORGED	
	008042-01-000	FT TUBING - VINYL - .65" ID	
	010252-01-000	EA ELBOW - BRASS - 90 DEGREE - 3/8"F X 1/2"MPT	
	010326-01-000	EA ADAPTER - FLARE - W/CONE GASKET - 3/8"FEMALE X 1/2"MALE	
	103613-03-000	EA DETECTOR - LP GAS - W/O SHUT-OFF VALVE	

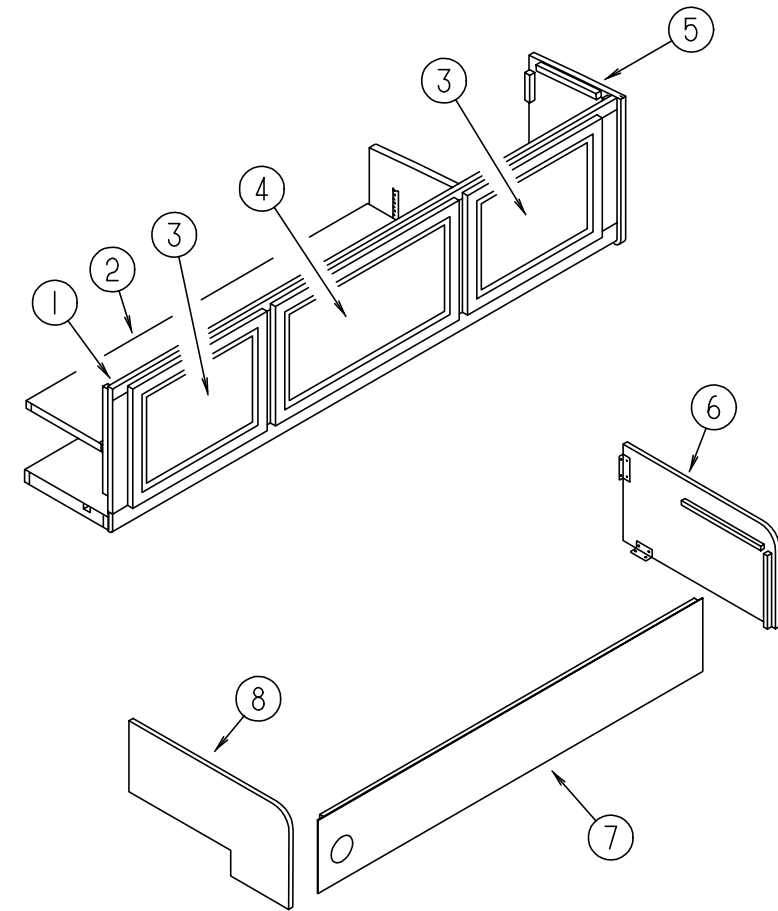
## LOUNGE GROUP



**DRIVER SIDE LOUNGE - W/SLIDEOUT OPTION**

KEY	PART NUMBER	U/M	DESCRIPTION
1	116951-01-G35	EA	MOLDING - WOOD - 3" X 70.5"
2	115811-16-J20	EA	OVERLAY - 7.5" X 22 3/8"
2	115811-16-J21	EA	OVERLAY - 7.5" X 22 3/8"
3	116968-01-G35	EA	TRIM - END/LEFT HAND - WOOD - 3.8" X 19.1"
4	116967-02-H13	EA	TRIM - CENTER - WOOD - 3.8" X 46.1"
5	116968-02-G35	EA	TRIM - END/RIGHT HAND - WOOD - 3.8" X 19.1"
6	115811-15-J20	EA	OVERLAY - 7.5" X 22 3/8"
6	115811-15-J21	EA	OVERLAY - 7.5" X 22 3/8"
7	127700-01-J20	EA	CABINET - OVERHEAD - FRONT - W/O DOORS/HARDWARE W/O DELUXE SOUND SYSTEM
7	127700-02-J20	EA	CABINET - OVERHEAD - FRONT - W/O DOORS/HARDWARE W/DELUXE SOUND SYSTEM
8	M05992-M6-J20	EA	DOOR - STRAIGHT CORNER/OGEE EDGE - 9" X 26.5" - W/O HDW
9	M05992-X5-J20	EA	DOOR - STRAIGHT CORNER/OGEE EDGE - 9.4" X 15.4" - W/O HDW

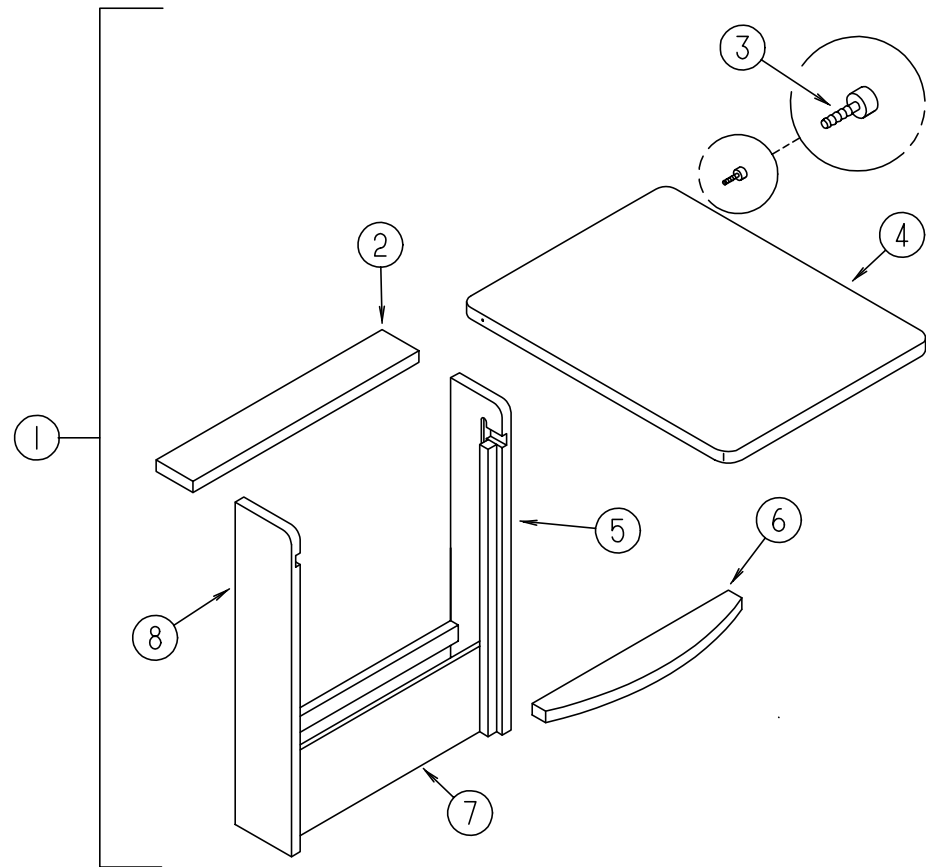
## LOUNGE GROUP (CONTINUED)



**DRIVER SIDE LOUNGE - W/O SLIDEOUT OPTION**

KEY	PART NUMBER	U/M	DESCRIPTION
1	122094-03-J20	EA	CABINET - OVERHEAD/FRONT/LEFT HAND - W/O DOORS/HARDWARE W/O DELUXE SOUND SYSTEM
1	122094-03-J21	EA	CABINET - OVERHEAD/FRONT/LEFT HAND - W/O DOORS/HARDWARE W/O DELUXE SOUND SYSTEM
1	122094-02-J20	EA	CABINET - OVERHEAD/FRONT/LEFT HAND - W/O DOORS/HARDWARE W/DELUXE SOUND SYSTEM
1	122094-02-J21	EA	CABINET - OVERHEAD/FRONT/LEFT HAND - W/O DOORS/HARDWARE W/DELUXE SOUND SYSTEM
2	122094-12-H13	EA	SHELF - W/PLASTIC EDGE TRIM
3	M05992-41-J20	EA	DOOR - STRAIGHT CORNER/OGEE EDGE - 15.7" X 20.4" - W/O HDW
4	M05992-48-J20	EA	DOOR - STRAIGHT CORNER/OGEE EDGE - 15.7" X 27.9" - W/O HDW
5	103128-01-G09	EA	END CAP - OVERHEAD CABINET - RIGHT HAND
6	122716-12-J20	EA	PANEL - RIGHT END - SOFA/BED - FABRIC COVERED
6	122716-12-J21	EA	PANEL - RIGHT END - SOFA/BED - FABRIC COVERED
7	M08164-01-J20	EA	PANEL - FRONT KICK - SOFA/BED - FABRIC COVERED
7	M08164-01-J21	EA	PANEL - FRONT KICK - SOFA/BED - FABRIC COVERED
8	122716-11-J20	EA	PANEL - LEFT END - SOFA/BED - FABRIC COVERED
8	122716-11-J21	EA	PANEL - LEFT END - SOFA/BED - FABRIC COVERED
	116104-03-02B	EA	BRACKET - ZEE W/HOLES
	101926-01-02A	EA	BRACKET - ZEE - BLACK
	082525-01-000	EA	BRACE - COUCH - FLOOR MOUNT - ANGLE 3" LONG

**LOUNGE GROUP (CONTINUED)**



**PASSENGER SIDE PULLOUT TABLE & ENTRY STEP LID**

KEY	PART NUMBER	U/M DESCRIPTION
1	P19559-01-G35	EA CABINET - W/PULLOUT TABLE/TOP
2	119559-13-G35	EA TOP - F/CABINET/PULLOUT TABLE
3	079921-01-000	EA ROLLER - NYLON - W/STEEL SHAFT - BARBED
4	119559-17-G35	EA TABLE TOP - PULLOUT
	080736-01-000	EA PULL - RECESSED - 1.25 X 4" - OAK
5	119559-11-G35	EA CABINET/RIGHT SIDE - F/PULLOUT TABLE - 5.7" X 28.7"
6	119559-14-G35	EA SHELF - SUPPORT F/PULLOUT TABLE
7	119559-15-G35	EA PANEL - BOTTOM F/TABLE CABINET - 18.1" X 6.7"
8	119559-12-G35	EA CABINET/LEFT SIDE - F/PULLOUT TABLE - 5.7" X 28.7"
	120234-03-H17	EA LID - ENTRY STEP
	101222-01-04A	EA BRACKET - CATCH - LID - E-COATED
	116975-01-01A	EA LATCH - W/O STRIKE - BLACK - NEW STYLE
	116975-02-01A	EA KEEPER/STRIKE - BLACK - NEW STYLE
	064075-07-000	FT SEAL - BULB - W/WIRED U CHANNEL - .3" X .5" CHANNEL - BLK

**SEALANTS & FASTENERS GROUP  
ADHESIVE**

KEY	PART NUMBER	U/M DESCRIPTION	VENDOR NO.
	004020-01-000	QT ADHESIVE - ABS CEMENT - QUART	
	081377-01-700	EA ADHESIVE-CYANOACRYLATE 10 GM	
	087211-01-000	GL PROMOTER - ADHESIVE	
	004006-05-700	EA ADHESIVE-NAT. STARCH (5 GAL)	0802
	062917-03-000	EA ADHESIVE - LOCTITE 242	
	067788-01-000	EA ADHESIVE - SPRAY - 3M - 19.5 AEROSOL CAN	
	112901-02-000	EA ADHESIVE - PLEXUS - 50ML	

**SEALERS**

KEY	PART NUMBER	U/M DESCRIPTION
	069640-01-000	FT SEALER - RIBBON - 1/4" DIAMETER X 30' - BLACK
	069640-02-000	FT SEALER - TAPE - 1/8"THICK X .50"WIDE X 60'
	069640-03-000	FT SEALER - TAPE - 1/8"THICK X .75"WIDE X 60' - BLACK
	069640-07-000	FT SEALER - TAPE - 3/32"THICK X 2"WIDE X 45'
	069640-09-000	FT SEALER - TAPE - 1/32"THICK X 2.50"WIDE X 80' - GREY
	069640-11-000	FT SEALER - TAPE - 3/16"THICK X 3/8"WIDE X 40'
	069640-13-000	FT SEALER - TAPE - 3/32"THICK X 2"WIDE X 45'
	069640-14-000	FT SEALER - TAPE - 1/16"THICK X 1"WIDE X 100'
	069640-15-000	FT SEALER - TAPE - 1/16"THICK X 3/8"WIDE X 80' - GREY
	069640-17-000	FT SEALER - TAPE - 1/32" THICK X 1"WIDE X 90'
	069640-18-000	FT SEALER - TAPE - 1/2"THICK X 1/8"WIDE X 60' - BRT/WHITE
	069640-19-000	FT SEALER - TAPE - 3/4" X 1/8" X 60' - BRIGHT WHITE
	069640-21-000	FT SEALER - TAPE - 1/2" X 1/16" X 100' - BRIGHT WHITE
	900390-01-000	EA TIP - 2 1/2" X 1/8" ORIFICE
	900390-03-000	EA NOZZLE - SILICONE TUBE
	034552-02-000	EA SILICONE - TUBE - 300 ML - W/O NOZZLE - CLEAR
	034552-15-000	EA SILICONE - TUBE - 300 ML - W/O NOZZLE - BRIGHT WHITE
	039518-01-000	EA SILICONE - TUBE - 300 ML - BLACK - W/O NOZZLE
	108716-03-000	EA SILICONE - TUBE - BRIGHT WHITE/SELF LEVELING - W/O NOZZLE
	053766-02-000	EA BEDDING COMPOUND - TUBE - WHITE
	072889-01-000	EA SEALANT - URETHANE - BLACK - 1/10
	072889-09-000	EA SEALANT - URETHANE - BLACK (TUBE)
	072889-10-000	EA SEALANT - URETHANE (HV) - BRIGHT WHITE
	072889-12-000	EA SEALANT - URETHANE (LV) BRIGHT WHITE
	102352-01-000	EA SEALER - PUMPABLE - BLACK
	102352-02-000	EA SEALER - PUMPABLE - CLEAR
	106206-01-000	EA SEALER - PUMPABLE - MANUS 30A - BLACK
	112864-01-000	FT SEAL - FOAM/BUTYL COVERED - 3/8"
	120074-02-01A	EA SEALANT - SILICONE - OFF WHITE

**NUTS**

KEY	PART NUMBER	U/M DESCRIPTION
	000D24-10-00B	EA NUT - HEX - SELF LOCKING - 10-32 ZINC
	000D29-05-00B	EA NUT - 5/16 - 18 UNC - SF/LOCKING - NYLON WASHER INSERT
	000D34-06-00B	EA NUT - HEX - LOCKING - 3/8 - 16 GRADE C - ZINC-PREVAILING T
	000D39-04-00B	EA NUT - HEX - LOCKING W/SERRATED FLANGE - 1/4-20 - ZINC
	000D39-05-00B	EA NUT - HEX - LOCKING W/SERRATED FLANGE - 5/16-18 - ZINC
	000D39-06-00B	EA NUT - HEX - LOCKING W/SERRATED FLANGE - 3/8-18 - ZINC
	000D39-07-00B	EA NUT - HEX - LOCKING W/SERRATED FLANGE - 7/16-14 - ZINC
	000D39-08-00B	EA NUT - HEX - LOCKING W/SERRATED FLANGE - 1/2-13 - ZINC
	000D44-07-00B	EA NUT - HEX - SERRATED FLANGE/LOCKING - 7/16-20 - ZINC
	000D46-04-00A	EA NUT - HEX - WELD - 1/4 - 20 - PLAIN
	000D76-06-00B	EA NUT - HEX FLANGE - 3/8-16
	040921-01-000	EA NUT - SPEED - U TYPE - 10-24 BLACK
	040921-03-000	EA NUT - SPEED - U TYPE - #10
	040921-04-000	EA NUT - SPEED - U TYPE - # 8 - .59" LENGTH X .44" WIDTH
	040921-09-000	EA NUT - SPEED - U TYPE - # 8
	044364-02-000	EA NUT - SPEED - FLAT - ROUND
	063253-07-000	EA NUT - J - #8A - .120 - .130 PNL THK
	083163-06-000	EA PUSHNUT - FLAT TYPE 3/8 STUD - FORD ONLY
	104369-01-000	EA NUT - HEX - HEAVY - 5/8-11 UNC

**SEALANTS & FASTENERS GROUP (CONTINUED)**  
**SCREWS**

KEY	PART NUMBER	U/M DESCRIPTION
	0G1208-12-170	EA SCREW - 8-18 X .75 POH - BRIGHT WHITE
	0G3908-08-170	EA SCREW - SF/DR - 8-18 X .50 PPH - BRIGHT WHITE
	0G3908-20-170	EA SCREW - SF/DR - 8-18 X 1.25 PPH - BRIGHT WHITE
	0G3908-24-170	EA SCREW - SF/DR - 8-18 X 1.50 PPH - BRIGHT WHITE
	0G3910-12-170	EA SCREW - SF/DR - 10-16 X .75 PPH - BRIGHT WHITE
	0G5508-12-260	EA SCREW - SF/DR - 8-18 X .75 PWH - ALLANTE ANTELOPE
	0G5508-16-260	EA SCREW - SF/DR - 8-18 X 1.00 PWH ZINC - INTERIOR ANTELOPE
	0G6710-08-170	EA SCREW - 10-12 X 1/2 PPH - BRIGHT WHITE
	000G11-05-08B	EA SCREW - 5-20 X .50 PPH - ZINC
	000G11-06-08B	EA SCREW - 6-20 X .50 PPH - ZINC
	000G11-06-06B	EA SCREW - 6-20 X 3/8 PPH - ZINC
	000G11-06-10J	EA SCREW - 6-20 X 5/8 PPH - BRASS
	000G11-06-10B	EA SCREW - 6-20 X 5/8 PPH - ZINC
	000G11-07-08B	EA SCREW - 7-19 X .50 PPH - ZINC
	000G11-08-06B	EA SCREW - 8-18 X 3/8 PPH - ZINC
	000G11-08-20B	EA SCREW - 8-18 X 1.25 PPH - ZINC
	000G11-08-16S	EA SCREW - 8-18 X 1 PPH - OFF WHITE
	000G11-08-12T	EA SCREW - 8-18 X .75 PPH - BLACK
	000G11-08-12P	EA SCREW - 8-18 X .75 PPH - DARK BROWN
	000G11-08-12D	EA SCREW - 8-18 X .75 PPH - BLACK
	000G11-08-12B	EA SCREW - 8-18 X .75 PPH - ZINC
	000G11-08-08B	EA SCREW - 8-18 X .50 PPH - ZINC
	000G11-10-24P	EA SCREW - 10-16 X 1 1/2 PPH - DARK BROWN
	000G11-10-16B	EA SCREW - 10-16 X 1 PPH - ZINC
	000G11-10-12S	EA SCREW - 10-16 X .75 PPH - OFF WHITE
	000G11-10-12D	EA SCREW - 10-16 X .75 PPH - BLACK
	000G11-10-40B	EA SCREW - 10-16 X 2 1/2 PPH CAD - 34927-01-000
	000G12-06-08T	EA SCREW - 6-20 X 1/2 POH - BLACK
	000G13-06-16J	EA SCREW - 6-20 X 1 PFH - BRASS
	000G13-06-10G	EA SCREW - 6-20 X 5/8 PFH - ANTIQUE BRASS
	000G13-06-24J	EA SCREW - 6-20 X 1.50 PFH - BRASS
	000G13-07-12B	EA SCREW - 7-19 X .75 PFH - ZINC
	000G18-08-22B	EA SCREW - MACHINE - 8-32 X 1 3/8 PPH - ZINC
	000G19-10-12F	EA SCREW - MACHINE - 10-32 X .75 - PPH - STAINLESS STEEL
	000G19-10-20B	EA SCREW - MACHINE - 10-32 X 1.25 PPH - ZINC
	000G32-10-06B	EA SCREW - 10-32 X 3/8 PPH - ZINC
	000G36-10-12T	EA SCREW - 10-24X 3/4 PFH TYPE 23 - BLACK
	000G39-06-16T	EA SCREW - SF/DR - 6-20 X 1 PPH - BLACK
	000G39-06-10T	EA SCREW - SF/DR - 6-20 X 5/8 PPH - BLACK
	000G39-08-12B	EA SCREW - SF/DR - 8-18 X .75 PPH - ZINC
	000G39-08-08S	EA SCREW - SF/DR - 8-18 X .50 PPH - OFF WHITE
	000G39-08-08B	EA SCREW - SF/DR - 8-18 X 1.50 PPH - ZINC
	000G39-08-08T	EA SCREW - SF/DR - 8-18 X 1/2 PPH - BLACK
	000G39-08-06B	EA SCREW - SF/DR - 8-18 X 3/8 PPH - ZINC
	000G39-08-16T	EA SCREW - SF/DR - 6-20 X 1 PPH - BLACK
	000G39-08-16R	EA SCREW - SF/DR - 8-18 X 1 PPH - BEIGE
	000G39-08-16B	EA SCREW - SF/DR - 8-18 X 1 PPH - ZINC
	000G39-08-12T	EA SCREW - SF/DR - 8-18 X .75 PPH - BLACK
	000G39-10-20B	EA SCREW - SF/DR - 10-16 X 1.25 PPH - ZINC
	000G39-10-129	EA SCREW - SF/DR - 10-16 X .75 PPH - FLUOROCARBON SILVER
	000G39-10-12D	EA SCREW - SF/DR - 10-16 X .75 PPH - BLACK
	000G39-10-12B	EA SCREW - SF/DR - 10-16 X .75 PPH - ZINC
	000G39-10-10B	EA SCREW - SF/DR - 10-16 X .625 - ZINC
	000G39-10-088	EA SCREW - SF/DR - 10-16 X 1/2 PPH - FLEX FLUOROCARBON
	000G39-10-08B	EA SCREW - SF/DR - 10-16 X .50 PPH - ZINC
	000G39-10-20T	EA SCREW - SF/DR - 10-16 X 1.25 PPH
	000G39-10-48T	EA SCREW - SF/DR - 10-16 X 3.00 PPH - BLACK

**SEALANTS & FASTENERS GROUP (CONTINUED)**  
**SCREWS (CONTINUED)**

KEY	PART NUMBER	U/M DESCRIPTION
	000G42-04-12B	EA SCREW - SF/DR - 1/4-14 X .75 HWH - ZINC
	000G43-06-24B	EA SCREW - MACHINE - 6-32 X 1.50 - ZINC
	000G46-08-24T	EA SCREW - MACHINE - 8-32 X 1.50 PFH - BLACK
	000G50-04-12B	EA SCREW - MACHINE - 1/4-20 X .75 PPH - ZINC
	000G52-08-18B	EA SCREW - MACHINE - 8-32 X 1 1/8 PTH - ZINC
	000G54-04-20B	EA SCREW - 1/4-20 X 1.25 PTH - TYPE 23 - ZINC PLATED
	000G55-08-16S	EA SCREW - SF/DR - 8-18 X 1.00 - PWH - OFF WHITE
	000G55-08-12S	EA SCREW - SF/DR - 8-18 X .75 PWH - OFF WHITE
	000G56-12-48B	EA SCREW - WOOD - 12-11 X 3 POH - SPECIAL HARDENED
	000G60-10-28T	EA SCREW - SF/DR - 10-16 X 1.75 - BLACK
	000G60-10-20B	EA SCREW - SF/DR - 10-16 X 1.25 POH - ZINC
	000G67-10-120	EA SCREW - 10-12 X .75 PPH - TAN
	000G67-10-12P	EA SCREW - 10-12 X .75 - PPH - DARK BROWN
	000G67-10-12B	EA SCREW - 10-12 X .75 PPH - ZINC
	000G67-10-10S	EA SCREW - 10-12 X 5/8 PPH - OFF WHITE
	000G67-10-10D	EA SCREW - 10-12 X 5/8 PPH - BLACK - TYPE A
	000G67-10-10B	EA SCREW - 10-12 X 5/8 PPH - ZINC - TYPE A
	000G67-10-08R	EA SCREW - 10-12 X 1/2 PPH - BEIGE - TYPE A
	000G67-10-08B	EA SCREW - 10-12 X .50 PPH - ZINC
	000G67-10-36T	EA SCREW - 10-12 X 2.25 PPH - BLACK
	000G67-10-24B	EA SCREW - 10-12 X 1.25 PPH - ZINC
	000G67-10-20D	EA SCREW - 10-12 X 1.25 PPH - BLACK
	000G67-10-120	EA SCREW - 10-12 X .75 PPH - TAN
	000G68-06-10G	EA SCREW - 6-18 X 5/8 POH - ANTIQUE BRASS
	000G68-10-20I	EA SCREW - 10-12 X 1 1/4 POH - BLACK
	049465-01-000	EA SCREW - 10-16 W/WASHER PTH - DARK BROWN
	049465-17-000	EA SCREW - 10-16 X 1 POH W/WASHER
	054434-02-000	EA SCREW - SF/DR - 10-16 X 2 - ZINC
	057671-01-000	EA COVER - SCREW - #8 - PLASTIC - OFF WHITE
	057671-15-000	EA COVER - SCREW - BRIGHT WHITE
	075908-01-000	EA SCREW - MACHINE - 10-32 X .56 PTH - EXTERNAL TOOTH - ZINC
	076790-01-000	EA SCREW - 6-20 X 1 1/4 PPH - BLACK
	083554-01-000	EA SCREW - DRYWALL - 8 X 1.25
	083554-04-000	EA SCREW - DRYWALL - 8 X 2.50
	086256-01-000	EA SCREW - SF/DR - 8 X 3/4 HWH LONG
	097974-01-000	EA SCREW - PARTICLE BOARD - 7-9 X 3/4 PPH
	101618-01-000	EA SCREW - 1/4-20 X 3/4 HEX - TAPPING - STALGARD TYPE F
	113563-01-01A	EA SCREW - 8 X .62 LONG SHOULDER/WASHER HD

**SEALANTS & FASTENERS GROUP (CONTINUED)**

**CLAMPS**

KEY	PART NUMBER	U/M DESCRIPTION
	007161-01-000	EA CLAMP - HOSE - SPRING TYPE - 1/2"
	010495-01-000	EA CLAMP - CABLE - 9/16"
	010497-01-000	EA CLAMP - CLOSED - 5/8" ID
	010497-03-000	EA CLAMP - CLOSED - 1" ID - CUSHIONED
	010497-04-000	EA CLAMP - CLOSED - 1.62" ID
	010499-01-000	EA CLAMP - CLOSED - 3/8" ID
	062401-01-000	EA CLAMP - HOSE - WORMGEAR - .25" - 1"
	062401-02-000	EA CLAMP - HOSE - WORMGEAR - 1.56" - 2.5"
	062401-03-000	EA CLAMP - HOSE - WORMGEAR - .22" - 1"
	062401-04-000	EA CLAMP - HOSE - WORMGEAR - .69" - 1.25"
	062401-05-000	EA CLAMP - HOSE - WORMGEAR - 2" TO 3" ID
	062401-06-000	EA CLAMP - HOSE - WORMGEAR - .22" - .62" ID
	062401-11-000	EA CLAMP - HOSE - WORMGEAR - 3.50" - 4.50"
	075148-02-000	EA CLAMP - GROUNDING - BRONZE SCREWS
	083609-01-000	EA CLAMP - WIRE - DUAL - EQUAL DIAMETERS - 5/8"
	083610-01-000	EA CLAMP - WIRE - DUAL - UNEQUAL DIAMETERS - 3/4" & 1 1/4"
	083610-02-000	EA CLAMP - WIRE - DUAL - UNEQUAL DIAMETERS - 3/4" & 2"

**BOLTS**

KEY	PART NUMBER	U/M DESCRIPTION
	000C12-05-16B	EA BOLT - HEX - 5/16-18 X 1 - ZINC 5
	000C12-06-16B	EA BOLT - HEX - 3/8-16 X 1 LG - ZINC 5
	000C12-06-44B	EA BOLT - HEX - 3/8-16 X 2 3/4 - ZINC 5
	000C12-08-24B	EA BOLT - HEX - 1/2-13 X 1.50 - ZINC 5
	000C12-08-16B	EA BOLT - HEX - 1/2-13 X 1.00 - GD5 - ZINC
	000C12-10-24B	EA BOLT - HEX - 5/8-11 X 1.50 - ZINC 5
	000C13-07-48B	EA BOLT - HEX - 7/16-20 X 3 - ZINC 5
	000C18-05-40A	EA BOLT - ELEVATOR - 5/16-18 X 2.50 - PL
	000C26-04-10B	EA BOLT - HEX - SERRATED FLANGE - 1/4-20 X 5/8 - ZINC
	000C26-04-18B	EA BOLT - HEX - SERRATED FLANGE - 1/4-20 X 1 1/8 - ZINC
	000C26-04-14B	EA BOLT - HEX - SERRATED FLANGE - 1/4-20 X 7/8 - ZINC
	000C26-05-16B	EA BOLT - HEX - SERRATED FLANGE - 5/16-18 X 1 - ZINC
	000C26-05-12B	EA BOLT - HEX - SERRATED FLANGE - 5/16-18 X 3/4 - ZINC
	000C26-06-16B	EA BOLT - HEX - SERRATED FLANGE - 3/8-16 X 1 - ZINC
	000C26-06-12B	EA BOLT - HEX - SERRATED FLANGE - 3/8-16 X 3/4 - ZINC
	000C26-08-24B	EA BOLT - HEX - SERRATED FLANGE - 1/2-13 X 1.5 ZINC
	000G45-04-24B	EA BOLT - LAG - 1/4-9 X 1.50 ZINC
	051387-06-000	EA BOLT - CARRIAGE W/O HOLE - 5/16-18 X 9.5 - ZINC
	091274-03-000	EA BOLT-J - 3/8-16 X 12.0
	102333-01-06A	EA BOLT - CARRIAGE - 7/16-14 STAINLESS STEEL CAP
	106166-01-000	EA BOLT/COLLARED HANGER - 8-32 X 1"
	088787-12-000	EA STUD - WELD - 1/4 - 20 X 1.0 LG - MN
	108067-03-000	EA STUD - WELD - 1/4 - 20 X 1/2 CD

**TAPES**

KEY	PART NUMBER	U/M DESCRIPTION
	076314-02-000	FT TAPE - CARPET SEAM - HEAT-BOND - 4" WIDE
	076322-05-000	FT TAPE - DOUBLE COATED/ADHESIVE BACK - .045"THK X .75"W X 9'
	076322-07-000	FT TAPE - DOUBLE COATED/ADHESIVE BACK - .045"THK X .50"W X 9'
	110274-01-000	FT TAPE - DOUBLE SIDED FOAM - .45" X 1"
	120534-01-01A	EA TAPE - SCOTCH - 3M - 1/2" FINE LINE
	123244-01-000	FT TAPE - DOUBLE SIDED FOAM 5/64" THICK X .75" WIDE
	123816-01-000	FT TAPE - DOUBLE SIDED - 1"
	123816-02-000	FT TAPE - DOUBLE SIDED - 1/2" X 35 MIL THICK
	123816-03-000	FT TAPE - DOUBLE SIDED - 1/2" X 20 MIL THICK

**SEALANTS & FASTENERS GROUP (CONTINUED)**

**WASHERS**

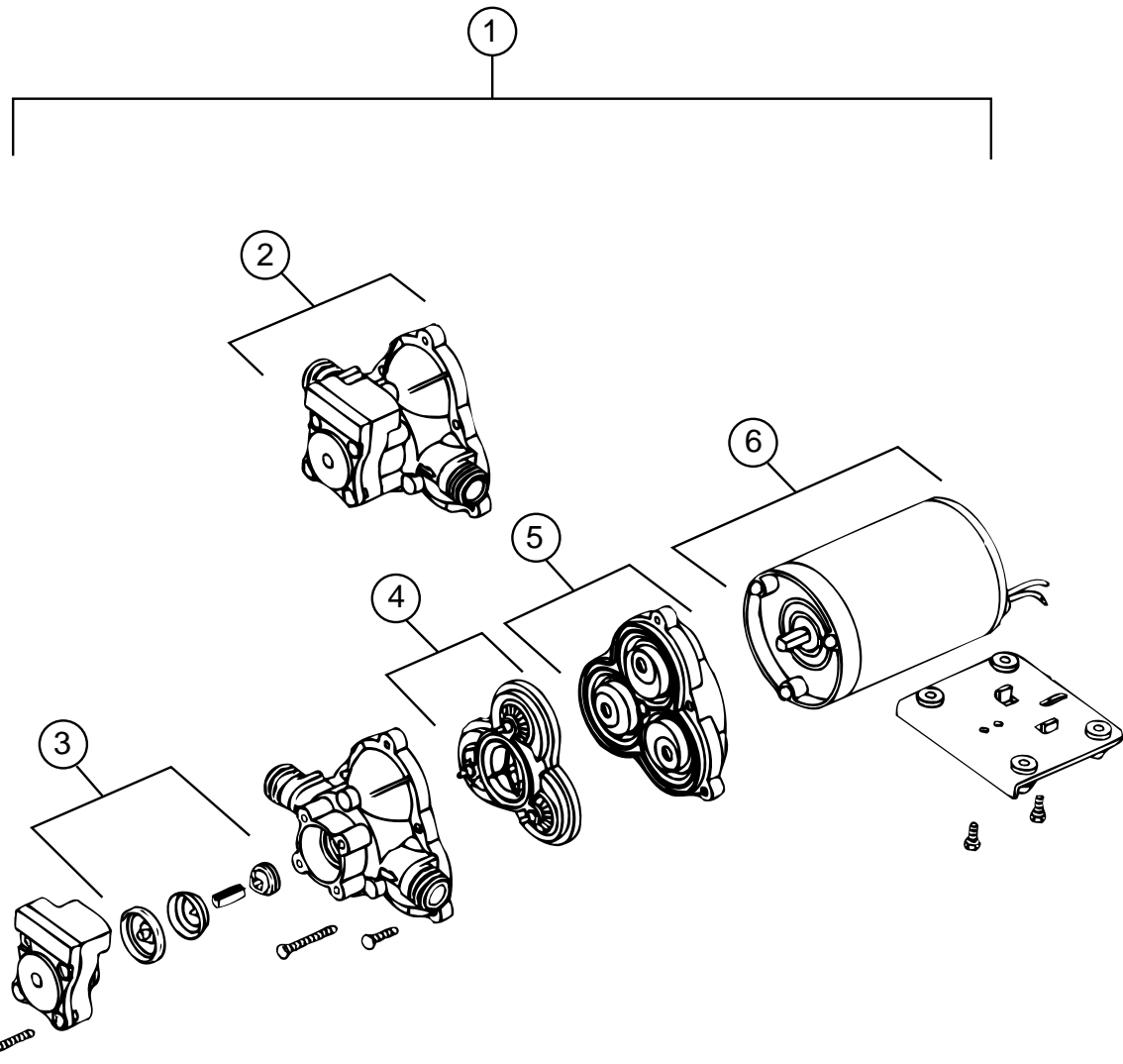
KEY	PART NUMBER	U/M DESCRIPTION
	000E11-07-00B	EA WASHER - LOCKING - 7/16 MED SPLIT - ZINC
	000E11-08-00B	EA WASHER - LOCKING - 1/2 MED SPLIT - ZINC
	000E13-14-00B	EA WASHER - FLAT - 1/4 WIDE - ZINC
	000E13-18-00B	EA WASHER - FLAT - 3/8 WIDE - ZINC
	000E13-20-00B	EA WASHER - FLAT - 7/16 WIDE - ZINC
	000E13-21-00B	EA WASHER - FLAT - W/2 NAR - ZINC
	000E13-22-00B	EA WASHER - FLAT - 1/2 WIDE - ZINC
	000E13-26-00B	EA WASHER - FLAT - 5/8 WIDE - ZINC
	044533-01-000	EA WASHER - PLASTIC - 1 3/8" OD - FOR BUTTONS
	058716-02-000	EA WASHER - FLAT NYLON
	077071-01-000	EA WASHER - FENDER - 3/16"ID X 1" OD
	107397-01-000	EA WASHER - FENDER - .25" ID X 1" OD

**RIVETS, GROMMETS AND MISCELLANEOUS FASTENERS**

KEY	PART NUMBER	U/M DESCRIPTION
	000H14-04-04A	EA RIVET - MANDREL BLIND - 1/8 X .400
	000H16-04-06R	EA RIVET - POP ALUMINUM - 1/8" X .313 - .375
	000H16-06-10R	EA RIVET - POP ALUMINUM - 3/16 X .501-.625
	069592-02-000	EA RIVET-T - POP - 1/4 X .093 - .156
	000F10-04-16B	EA PIN - COTTER - 1/8" X 1" - ZINC
	000F10-06-32B	EA PIN - COTTER - 3/16" X 2" - ZINC
	008380-01-000	EA GROMMET - RUBBER - 5/8" HOLE X 1 1/2" DIAMETER - BLACK
	016188-03-000	EA GROMMET - L/P LINE - 3/8" HOLE X 2 1/2" LONG - RUBBER
	016188-05-000	EA GROMMET - L/P LINE - 3/8" HOLE X 1 1/4" LONG - RUBBER
	023942-01-000	EA GROMMET - RUBBER - 2" OD
	071015-11-000	EA GROMMET - 1.00 ID - FITS .12 MATERIAL
	071015-30-000	EA GROMMET - RUBBER - .31" ID X .81" OD W/.12" GROOVE - BLK
	088756-01-000	EA GROMMET - WEB - 1 1/8 " I.D.
	099637-01-000	EA GROMMET - RUBBER - .37" X .94" DIAMETER - BLACK
	114208-02-000	EA GROMMET - EDGE LINER - FITS .625
	056134-02-000	EA HOLDER - RING - 1.8" DIAMETER - METAL
	081211-05-000	EA PLUG - PLASTIC - .188 DIAMETER - NATURAL
	086285-01-000	EA SPACER - NYLON - .5" OD X .257" ID
	029094-04-000	YD VELCRO TAPE - LOOP - 1" WIDE - BLACK
	029096-03-000	YD VELCRO TAPE - HOOK - 1" WIDE - BLACK
	085774-01-000	FT FASTENER - DUAL HOOK - 1" WIDE - ADHESIVE BACK - BLACK
	085774-02-000	FT FASTENER - DUAL HOOK - 1" WIDE - ADHESIVE BACK - BLACK
	008343-01-000	EA TIE - WIRE - 6"
	008343-02-000	EA TIE - WIRE - 14"
	108046-02-000	EA CABLE TIE - SCREW MOUNT 15"
	080734-02-000	EA CLIP - WIRE NYLON
	091952-02-000	EA CLIP - GRIPPER - 3/4"
	094362-02-000	EA CLIP - XMAS TREE - BINDER HEAD - .9" LONG
	094362-05-000	EA CLIP - XMAS TREE - ROUND HEAD - 1.4" LONG
	110943-02-000	FT FELTSTRIP - 3/8" - ADHESIVE BACK - WHITE
	115361-01-01A	EA PLUG - PLASTIC
	116743-01-01A	EA CAP - LUG COVER - THREAD PROTECTOR - BLACK



**WATER & SEWAGE GROUP**



**SHURFLO WATER PUMP**

KEY	PART NUMBER	U/M DESCRIPTION	VENDOR NO.
1	098607-01-000	EA PUMP - WATER - W/.5" MPT FITTING - FLOW 2.8 GPM	
2	098607-01-706	EA HOUSING, W/SWITCH ONLY	94-231-20
3	098607-01-705	EA VALVE-CHECK, KIT	94-237-00
4	098607-01-703	EA VALVE KIT	94-232-00
5	098607-01-702	EA DIAPHRAGM/DRIVE ASSEMBLY KIT	94-238-04
6	098607-01-707	EA MOTOR W/BASEPLATE	11-148-04

**WATER PURIFICATION SYSTEM**

KEY	PART NUMBER	U/M DESCRIPTION	VENDOR NO.
	701069-01-000	EA WATER PURIFICATION SYSTEM	
	701069-03-700	EA CARTRIDGE RELACEMENT	9592-06

**ATWOOD WATER HEATER W/MOTOR AID (GH6-8E)**

KEY	PART NUMBER	U/M DESCRIPTION
*	051393-01-000	EA WATER HEATER - GH6-8E - ELECTRONIC IGNITION W/MOTOR AID

\* COMPONENT PARTS FOUND IN SERVICE PARTS LIBRARY

**WATER & SEWAGE GROUP (CONTINUED)**  
**WATER TANKS**

KEY	PART NUMBER	U/M DESCRIPTION
	125359-02-000	EA TANK - WATER - 66 GALLON - W/FITTINGS - QUEEN BED
	125359-01-000	EA TANK - WATER - 66 GALLON - W/O FITTINGS - QUEEN BED
	121959-04-000	EA TANK - WATER - 50 GALLON - W/FITTINGS - TWIN BED
	121959-01-000	EA TANK - WATER - 50 GALLON - W/O FITTINGS - TWIN BED
	039861-01-000	EA SENDING UNIT - W/SCREW - WASHER - WELL NUT/TERMINAL RING
	010224-01-000	EA ADAPTER - HOSE TO PIPE - 3/8 MPT X 3/8 BARB - PLASTIC
	114429-02-000	EA ELBOW - 1/2"P X 1/2"MPT - QUEEN BED
	114430-03-000	EA ADAPTER - 1/2"P X 1/2"MPT
	042989-03-000	EA FITTING - WATER TANK - SPINWELD - 1 1/4"NPT - PLASTIC
	042989-04-000	EA FITTING - WATER TANK - SPINWELD - 3/8 FPT - WHITE PLASTIC
	042989-05-000	EA FITTING - WATER TANK - SPINWELD - 1/2"FPT - PLASTIC
	049032-01-000	EA PATCH - SPINWELD - 3/8" - PLASTIC
	044927-01-000	EA ADAPTER - HOSE TO PIPE - 1 1/4 MPT X 1 1/4 BARB - BLK PLS
	077954-02-000	EA FILTER - WATER TANK - W/SCREEN IN TANK
	079381-01-000	FT TUBING - SMOOTH FLEXIBLE - 1 3/8 ID X 20'

**EXTERIOR SHOWER**

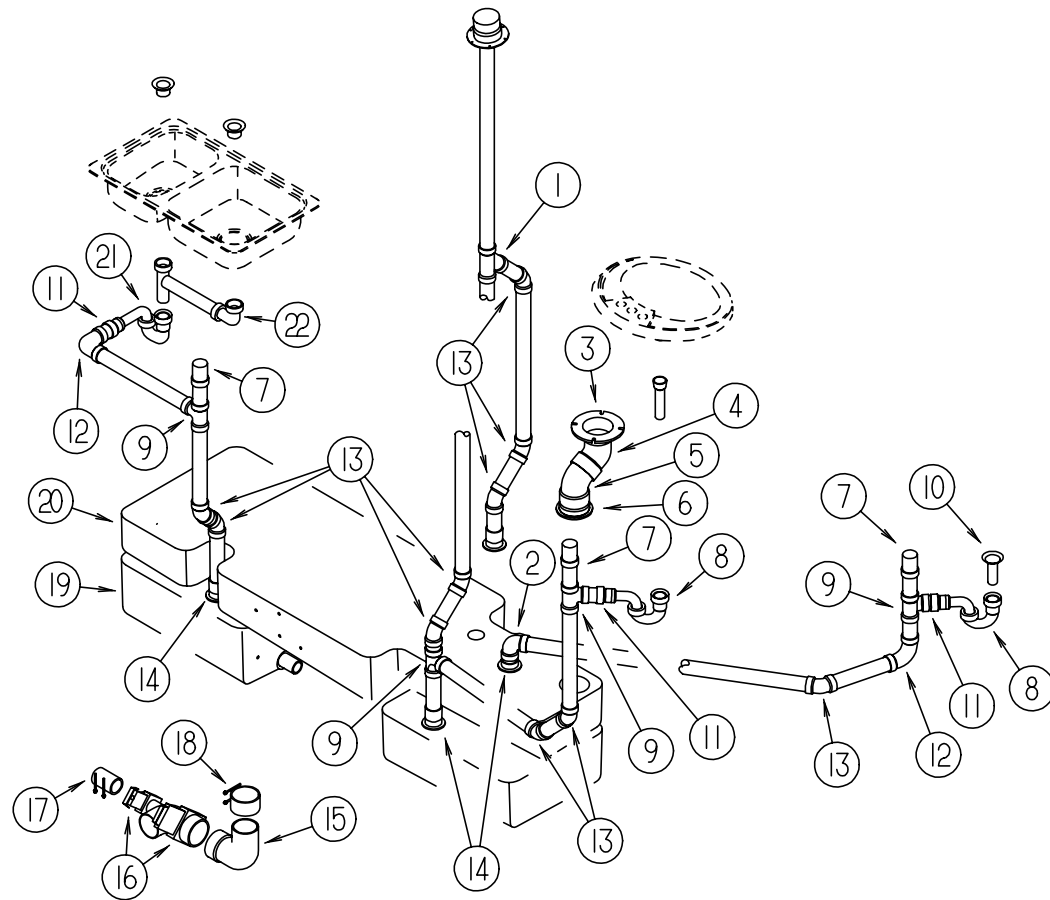
KEY	PART NUMBER	U/M DESCRIPTION	VENDOR NO.
	075241-05-000	EA FAUCET/SHOWER - BONE 3/4" MPT X 1.4" LONG INLET PIPES	
	103092-02-000	EA SHOWER HEAD - W/60" HOSE - CSA	
	103092-01-000	EA SHOWER HEAD - W/60" HOSE - WHITE	
	103092-01-700	EA BRACKET-F/SHOWER HEAD, CLEAR	2328028
	011048-03-700	EA BRACKET - F/SHOWER HEAD	2328029-1
	103092-01-702	EA SEALS-SPRAY HEAD	24466
	093527-02-000	EA BRACKET - EXTERIOR SHOWER HEAD/SQUEEGEE	
	108357-08-000	EA SWITCH - ROCKER DPDT - ON/NONE/ON - 6 TERMINAL	
	108356-02-01A	EA COVER/ACTUATOR SWITCH - 2 ROWS DIMPLES- CONTURA II - BLACK	
	114293-01-01A	EA PAN - DRIP - EXTERIOR - OFF WHITE	

FROM: 08-01-97 THRU: 99-99-99

**WATER SYSTEM**

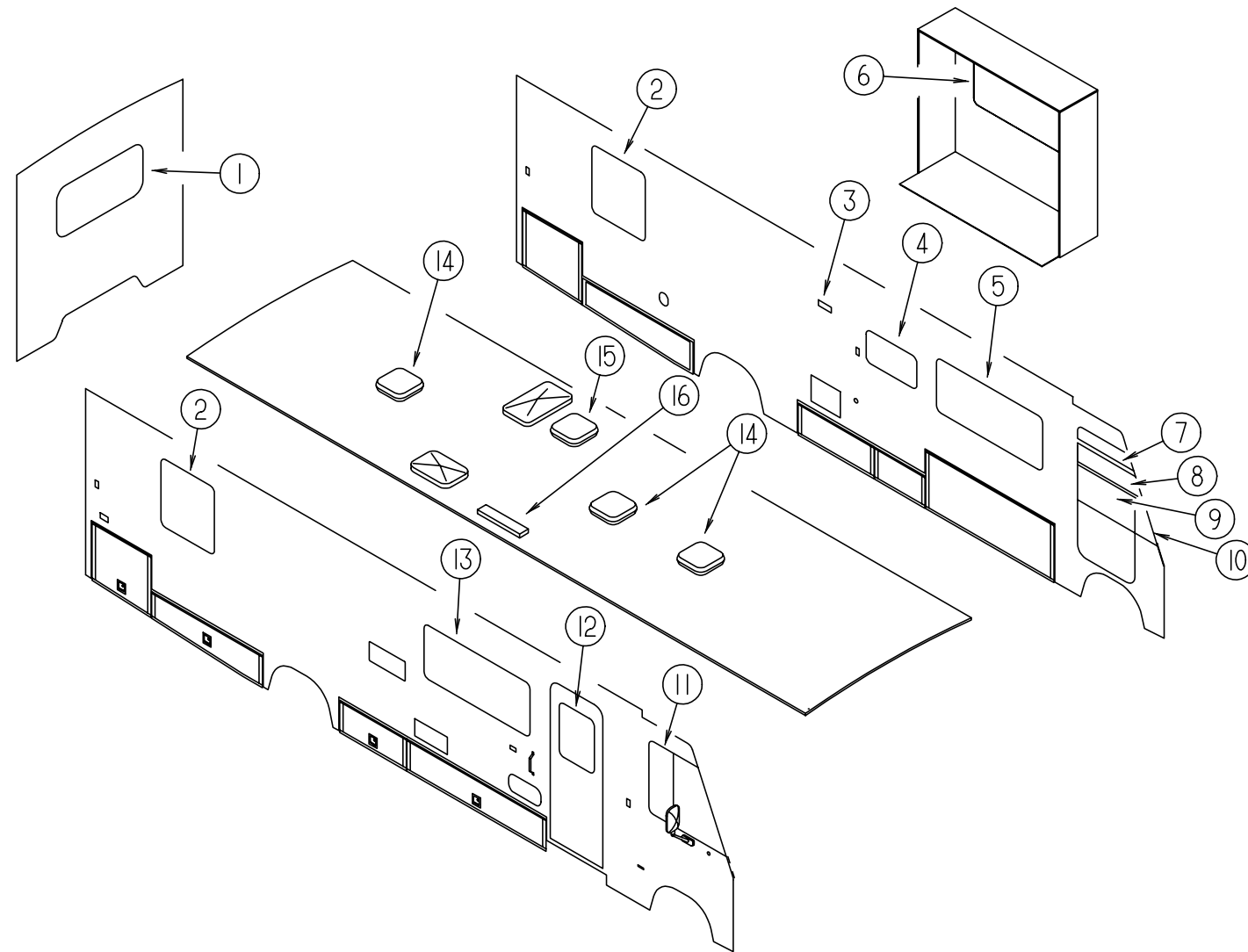
KEY	PART NUMBER	U/M DESCRIPTION
	039800-04-000	FT TUBING - POLYBUTYL - 1/4"OD
	039808-03-000	EA ELBOW - 1/2" MPT X 1/2" MPT - PLASTIC
	103798-01-000	EA CONNECTOR - 1/4 OD X 3/8 MPT
	110438-02-000	EA VALVE - CHECK - BRASS - 1/2 MPT X 1/2 MPT
	110915-01-01A	EA FILL - CITY WATER - CHROME
	111888-01-000	EA FERRULE - PLASTIC - .250 ID X .375 OD
	111888-02-000	EA INSERT - BRASS - 1/4 COMP
	112176-01-000	FT TUBING - VINYL - REINFORCED - 1/2" ID
	113697-01-000	EA CAP - 3/8 FTG
	114428-01-000	EA TEE - 1/2"P X 1/2"P X 1/2"P
	114428-02-000	EA TEE - SWIVEL - 1/2"P X 1/2"P X 1/2"FPT
	114429-01-000	EA ELBOW - 1/2"P X 1/2"P
	114429-02-000	EA ELBOW - 1/2"P X 1/2"MPT
	114429-03-000	EA ELBOW - FLAIR-IT SWIVEL - 1/2"P X 1/2"FPT
	114429-04-000	EA ELBOW - 1/2"P X 3/8"MPT
	114430-02-000	EA ADAPTER - SWIVEL - 1/2"P X 1/2"FPT
	114430-03-000	EA ADAPTER - 1/2"P X 1/2"MPT
	114430-06-000	EA ADAPTER - 1/2"P X 3/8"FPT
	114431-01-000	EA VALVE - 180 DEGREE/CENTER DRAIN - 1/2P - THREE WAY
	114431-02-000	EA VALVE - WATER BYPASS - 1/2"P - THREE WAY (WATER HEATER)
	114431-03-000	EA VALVE - 90 DEGREE DRAIN - 1/2"P
	123150-01-000	EA ELBOW - 1/2 FPT X 1/2 BARB - SWIVEL
	123152-01-000	EA ADAPTER - 1/2 FPT X 1/2 BARB - SWIVEL
	124188-01-000	FT TUBING - PEX - 1/2" ID X 20' - BLUE
	124188-02-000	FT TUBING - PEX - 1/2" ID X 20' - RED
	124184-01-000	EA SUPPORT - WATER LINE - BEND

**WATER & SEWAGE GROUP (CONTINUED)**  
DRAINAGE SYSTEM



KEY	PART NUMBER	U/M DESCRIPTION	VENDOR NO.
1	010073-01-000	EA WYE - 45 DEGREE - 1 1/2" HUB X HUB X HUB - PLASTIC	
2	010009-01-000	EA ELBOW - 90 DEGREE - 1/4 BEND - 1 1/2" PLASTIC	
3	063641-01-000	EA FLANGE - CLOSET - 4" X 3"	
4	010061-01-000	EA ELBOW - 45 DEGREE ST - 3" SPIGOT/HUB - PLASTIC	
5	010024-01-000	EA ELBOW - 45 DEGREE - 3" HUB X HUB - PLASTIC	
6	061607-02-000	EA GROMMET - HOLDING TANK - 3" NPS	
7	079968-01-000	EA VENT - MECHANICAL/TRAP ARM - ANTI-SIPHON - 2" X 7.3" PLASTIC	
8	107538-01-000	EA P TRAP - PLASTIC - 1 1/4" W/EXTENSION ARM	
8	011071-01-000	EA P-TRAP - PLASTIC - 1 1/2" - CSA	
9	010071-01-000	EA TEE - SANITARY - 1 1/2 HUB X HUB X HUB - PLASTIC	
10	011069-02-000	EA TAILPIECE - TUB/SHOWER - 1 1/2" X 1 1/4" X 4" - BRASS	
	066440-01-000	EA STRAINER - SHOWER DRAIN - W/RUBBER WASHER	
			FROM: 00-00-00 THRU: 12-02-97
	066729-01-000	EA STRAINER - TUB/SHOWER W/PLUG - CHROME	
			FROM: 12-03-97 THRU: 99-99-99
	069735-01-000	EA WASHER - STRAINER TO TAILPIECE - PLASTIC - 1.5"	
			FROM: 00-00-00 THRU: 10-21-97
	127440-02-01A	EA WASHER - RUBBER - 1.8" X .1"	
			FROM: 10-22-97 THRU: 99-99-99
	066436-01-000	EA NUT - SLIP - TAILPIECE 1.5"	
			FROM: 00-00-00 THRU: 01-25-98
	130403-01-000	EA NUT - SLIP - W/WINGS 1 1/2"	
			FROM: 01-26-98 THRU: 99-99-99
11	109571-01-000	EA ADAPTER - P TRAP - 1 1/2"P X 1 1/4"MPT	
12	010008-01-000	EA ELBOW - 90 DEGREE - 1 1/2" HUB X HUB - PLASTIC	
13	010006-01-000	EA ELBOW - 45 DEGREE - 1 1/2" HUB X HUB - PLASTIC	
14	010115-01-000	EA COUPLING - 1 1/2" HUB X HUB - PLASTIC	
14	061607-01-000	EA GROMMET - HOLDING TANK - 1 1/2" NPS	
15	041956-01-000	EA ELBOW - 3" STREET - 90 DEGREE PLASTIC	
16	070916-01-000	EA VALVE - DUAL DUMP - W/CAP - 3" X 1 1/2"	
	070916-01-700	EA VALVE ONLY (WASTE) 3"	T1003BU
	070916-01-701	EA VALVE ONLY (WASTE) 1 1/2"	T1001BU
17	089355-01-000	EA COUPLER - RUBBER - 1 1/2" X 1 1/2"	
18	078406-01-000	EA COUPLER - RUBBER - W/CLAMPS - 3" X 3"	
19	121505-01-700	EA TANK-HOLDING 43 GAL-1.5"ADAP PARTS SALES	
	039861-01-000	EA SENDING UNIT - W/SCREW - WASHER - WELL NUT/TERMINAL RING	
20	121500-01-000	EA TANK - HOLDING - 35 GALLON - W/O FITTINGS	
21	107538-01-000	EA P TRAP - PLASTIC - 1 1/4" W/EXTENSION ARM	
21	011071-01-000	EA P TRAP - PLASTIC - 1 1/2" - ABS - CANADIA	
22	011091-02-000	EA WASTE - CONTINUOUS - DOUBLE SINK	
	010201-01-000	EA HOSE - SEWER - 3" ID X 8'	
	062416-01-000	EA ADAPTER - SEWER HOSE TO 3" PIPE	

**WINDOW, VENT & EXTERIOR DOOR GROUP**  
WINDOWS AND ROOF VENTS

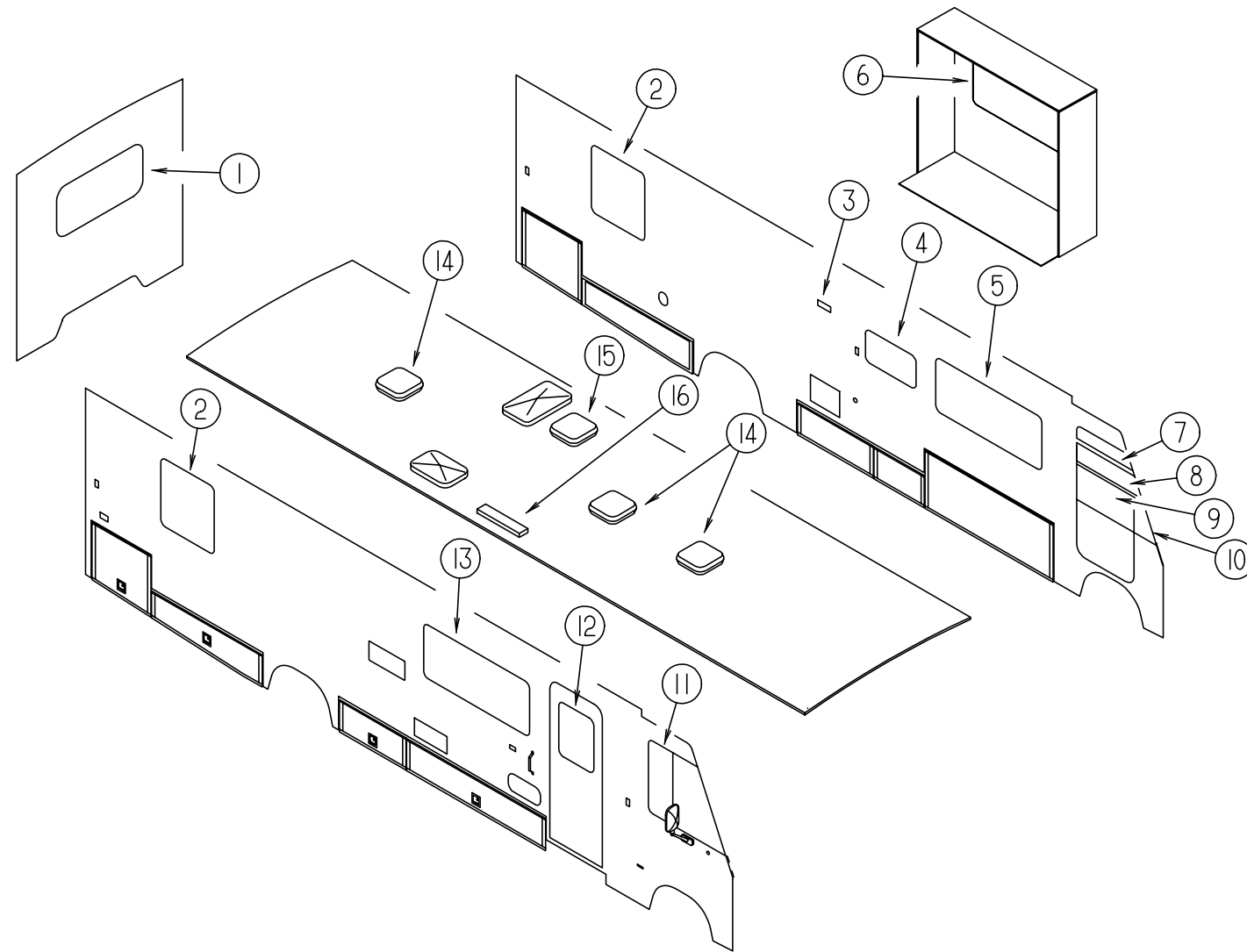


KEY	PART NUMBER	U/M DESCRIPTION
1*	078528-06-E10	EA WINDOW - ESCAPE - W/O RETAINER/TRIM - 48.5" X 24.5"
1	074816-11-000	EA RETAINER - TRIM - ESCAPE WINDOW - OFF WHITE
1*	113502-01-01A	EA WINDOW - REAR/CENTER ESCAPE - THERMO - 24.8" X 48.7"
2	126795-01-01A	EA WINDOW - TORQUE - 33" X 30" FROM: 00-00-00 THRU: 09-07-97
2*	112463-03-01A	EA WINDOW - TIPOUT W/RETAINER TRIM - 33.3" X 30.2" FROM: 09-08-97 THRU: 99-99-99
2*	112898-16-01A	EA WINDOW - VERTICAL SLIDER - THERMO - 33.2" X 30.2"
3	084616-07-000	EA SHROUD - EXHAUST VENT/RANGE HOOD - BRIGHT WHITE
	084878-09-000	EA VENT - EXHAUST/RANGE HOOD - OFF WHITE
4	126793-01-01A	EA WINDOW - HORIZONTAL SLIDER/RIGHT HAND - 15.98" X 28.74" FROM: 00-00-00 THRU: 09-07-97
4*	098647-34-01A	EA WINDOW - DRIVER HORIZ SLIDER W/TRIM-TINTED - 15.7" X 28.5" FROM: 09-08-97 THRU: 99-99-99
4*	112795-20-01A	EA WINDOW - DRIVER HORIZONTAL SLIDER - THERMO - 16" X 28.7"

KEY	PART NUMBER	U/M DESCRIPTION
5	126793-04-01A	EA WINDOW - HORIZONTAL SLIDER FROM: 00-00-00 THRU: 09-07-97
5*	098647-22-01A	EA WINDOW - DRIVER HORIZ SLIDER W/TRIM-TINTED - 26.1" X 59.7" FROM: 09-08-97 THRU: 99-99-99
5*	112795-15-01A	EA WINDOW - DRIVER HORIZONTAL SLIDER - THERMO - 26.4" X 60" FROM: 00-00-00 THRU: 09-07-97
6	126793-06-01A	EA WINDOW - HORIZONTAL SLIDER FROM: 09-08-97 THRU: 99-99-99
6*	098647-47-01A	EA WINDOW-DRVR HORIZ SLIDER W/TRIM - TINTED - 23.6" X 57.5" FROM: 09-08-97 THRU: 99-99-99
6*	112795-54-01A	EA WINDOW - DRIVER HORIZONTAL SLIDER - THERMO - 23.9" X 57.8"
7*	125586-03-01A	EA WINDOW - VISTA
7*	125600-03-01A	EA WINDOW - VISTA - THERMOPANE

\* COMPONENT PARTS FOUND IN SERVICE PARTS LIBRARY

**WINDOW, VENT & EXTERIOR DOOR GROUP**  
**WINDOWS AND ROOF VENTS (CONTINUED)**

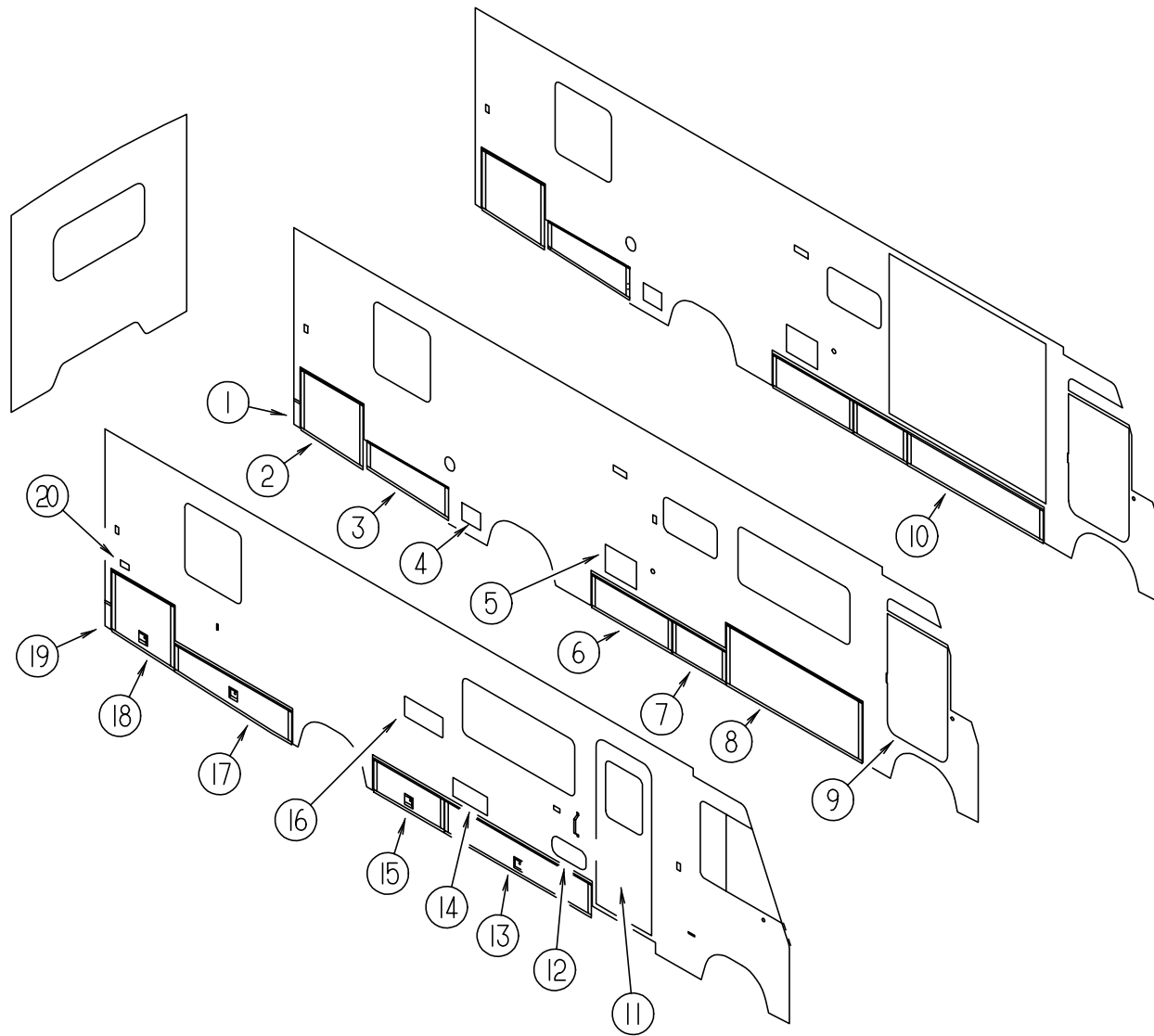


KEY	PART NUMBER	U/M	DESCRIPTION	VENDOR NO.
8	125581-04-705	EA	GLASS - STATIONARY	106-041547
9	125581-04-704	EA	GLASS - ROLL-UP	106-041821
10*	125584-01-01A	EA	WINDOW - FRONT SLANT - LEFT HAND	
10*	125585-01-01A	EA	WINDOW - FRONT SLANT - THERMO	
11	126791-01-01A	EA	WINDOW - CAB/RIGHT HAND - 35.9"H X 43.1"T X 49.9"B	
			FROM: 00-00-00 THRU: 09-07-97	
11*	125582-07-01A	EA	WINDOW - CAB - PASSENGER	
			FROM: 09-08-97 THRU: 99-99-99	
11*	125583-07-01A	EA	WINDOW - PASS CAB-3 GLASS THERMO-44.2"T X 51.2"B X 37"H	
12*	117053-02-F36	EA	WINDOW - PICTURE - 60% TINTING - 17" X 26.4"	
12	117054-02-02A	EA	RETAINER - TRIM - BRIGHT WHITE	
12*	113733-01-01A	EA	WINDOW - STATIONARY THERMOPANE - 17" X 26.4"	
13	126793-05-01A	EA	WINDOW - HORIZONTAL SLIDER	
			FROM: 00-00-00 THRU: 09-07-97	
13*	098647-23-01A	EA	WINDOW - PASS HORIZ SLIDER W/TRIM - TINTED - 26.1" X 59.7"	
			FROM: 09-08-97 THRU: 99-99-99	
13*	112795-16-01A	EA	WINDOW - PASSENGER HORIZONTAL SLIDER - THERMO-26.4" X 60"	

KEY	PART NUMBER	U/M	DESCRIPTION
14*	122882-01-01A	EA	VENT - ROOF - NONPOWERED - W/O INSIDE GARNISH
14	122882-07-01A	EA	GARNISH - ROOF VENT - 2.50" TO 4.12"
15*	122882-02-01A	EA	VENT - ROOF - W/FAN - W/O INSIDE GARNISH - UL
15*	122882-03-01A	EA	VENT - ROOF - W/FAN - W/O INSIDE GARNISH - CSA
15	122882-07-01A	EA	GARNISH - ROOF VENT - 2.50" TO 4.12"
16	084073-04-000	EA	BASE - ROOF VENT/REFRIGERATOR - BLACK - NORCOLD
16	084073-07-000	EA	VENT - ROOF/REFRIGERATOR - BRIGHT WHITE - NORCOLD
	083558-03-000	EA	VENT - PLUMBING - ROOF PIPE COVERED - OFF WHITE
	117046-01-000	EA	BUMPER - RUBBER/ROUND END
	117046-02-000	EA	BUMPER - RUBBER/ROUND END - THERMOPANE WINDOW OPTION

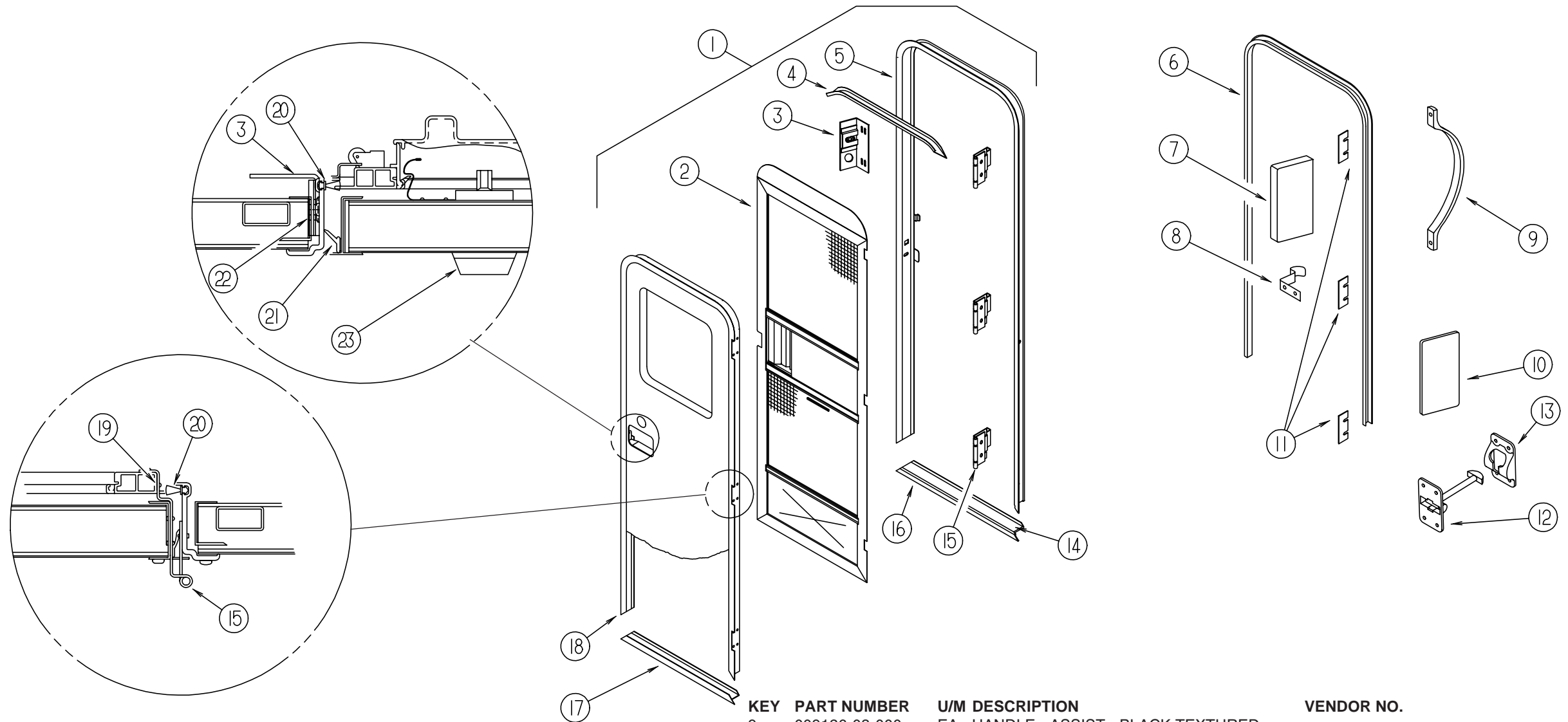
\* COMPONENT PARTS FOUND IN SERVICE PARTS LIBRARY

**WINDOW, VENT & EXTERIOR DOOR GROUP (CONTINUED)**  
**EXTERIOR DOORS & PANELS**



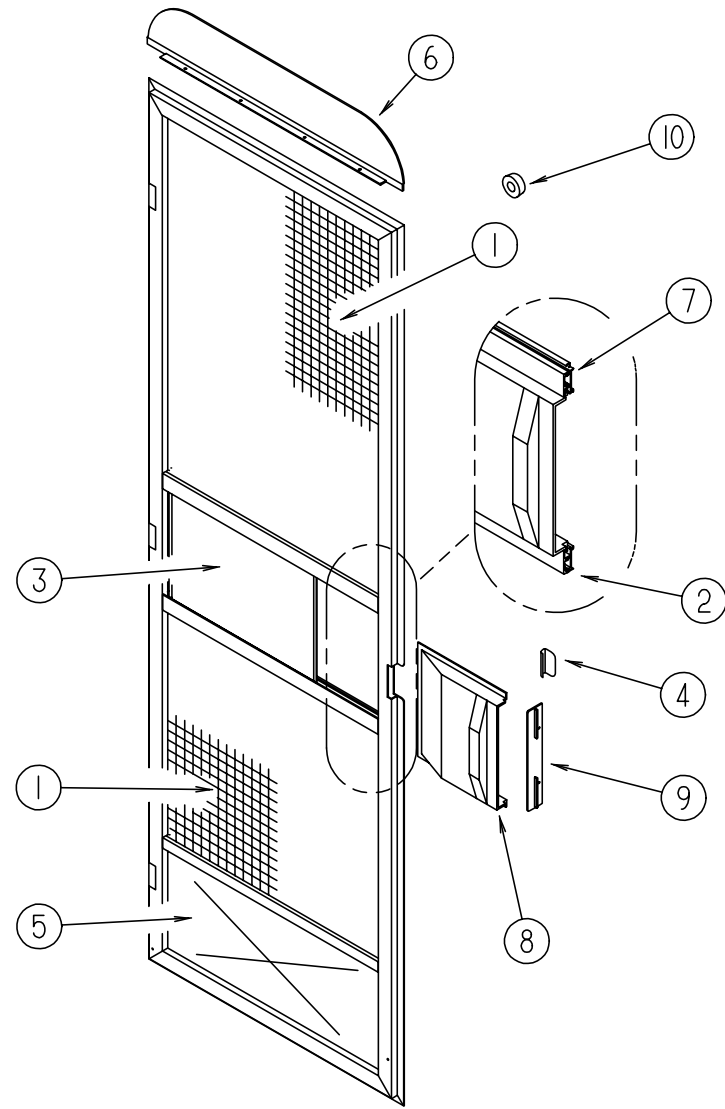
KEY	PART NUMBER	U/M	DESCRIPTION	VENDOR NO.
1	126645-08-JA1	EA	VALANCE/PANEL - REAR DRIVER - W/O HARDWARE - 4.4"	
2	124245-13-J15	EA	VALANCE/DOOR - REAR DRIVER - W/O PADDLE LATCH - 34.2"	
3	122391-46-JA1	EA	VALANCE/DOOR-DRIVER W/O PADDLE LATCH 17.6" X 43.7" X 15.6"	
4	088794-06-000	EA	DOOR - POWER CORD W/HATCH - BRIGHT WHITE - 9.2" X 11"	
	009426-01-000	EA	HATCH - POWER CORD - WHITE	
5	052009-06-000	EA	DOOR - WATER HEATER - BRIGHT WHITE - 18" X 14.6" DIMENSIONS: 7.8" X 9.5" INSIDE, 9.2" X 11" OUTSIDE	
6	122239-59-JA1	EA	VALANCE/DOOR - W/O PADDLE LATCH/HINGE - 18.2" X 42.9"	
7	122776-15-JA1	EA	VALANCE/PANEL - W/O HARDWARE - 28.5"	
8	124245-14-J20	EA	VALANCE/DOOR - W/O PADDLE LATCH - 73.4"	
9	125581-01-01A	EA	DOOR - DRIVER - NON-POWER	FROM: 00-00-00 THRU: 09-14-97
9	125581-04-01A	EA	DOOR - DRIVER - NON-POWER	FROM: 09-15-97 THRU: 99-99-99
10	122239-61-JA1	EA	VALANCE/DOOR - W/O PADDLE LATCH/HINGE - 18.2" X 72.6"	
11	115108-09-J20	EA	DOOR - ENTRY - W/SCREEN DOOR - W/O WINDOW	FROM: 00-00-00 THRU: 08-04-97
11	115108-09-J21	EA	DOOR - ENTRY - W/SCREEN DOOR - W/O WINDOW	FROM: 00-00-00 THRU: 08-04-97
11	115108-10-J20	EA	DOOR - ENTRY - W/SCREEN DOOR - W/O WINDOW	FROM: 08-05-97 THRU: 99-99-99
11	115108-10-J21	EA	DOOR - ENTRY - W/SCREEN DOOR - W/O WINDOW	FROM: 08-05-97 THRU: 99-99-99
12	126945-01-J22	EA	DOOR/STORAGE - W/O HARDWARE - 18" X 8.3"	
13	122239-62-JA1	EA	VALANCE/DOOR - W/O PADDLE LATCH/HINGE - 18.2" X 77.5"	
14	098668-23-000	EA	DOOR - ACCESS - FURNACE - BRIGHT WHITE	
15	122239-63-JA1	EA	VALANCE/DOOR - W/O PADDLE LATCH/HINGE - 18.2" X 36.1"	
16	084104-08-000	EA	JAMB - VENT DOOR/REFRIGERATOR - BRIGHT WHITE	
16	084103-08-000	EA	DOOR - VENT/REFRIGERATOR - W/O JAMB - BRIGHT WHITE	
	084104-01-700	EA	LOCK-MALE, FASTENER	201-721-010
	084104-01-701	EA	LOCK-FEMALE, FASTENER	201-802-010
17	122391-45-JA1	EA	VALANCE/DOOR - PASS W/O PADDLE LATCH 18.2" X 60.6" X 15.6"	
18	124245-12-J15	EA	VALANCE/DOOR - REAR PASSENGER - W/O PADDLE LATCH - 34.2"	
19	126645-07-JA1	EA	VALANCE/PANEL - REAR PASSENGER - W/O HARDWARE - 4.4"	
20	081240-16-000	EA	DOOR - WATER FILL - LOCKABLE W/O LOCK - 4" X 4 5/8"	
20	110506-02-000	EA	LOCK - KEYED - 13.64MM	

**WINDOW, VENT & EXTERIOR DOOR GROUP (CONTINUED)**  
ENTRANCE DOOR



KEY	PART NUMBER	U/M DESCRIPTION	KEY	PART NUMBER	U/M DESCRIPTION	VENDOR NO.
1	115108-09-J20	EA DOOR - ENTRY - W/SCREEN DOOR - W/O WINDOW FROM: 00-00-00 THRU: 08-04-97	9	009126-03-000	EA HANDLE - ASSIST - BLACK TEXTURED	
1	115108-09-J21	EA DOOR - ENTRY - W/SCREEN DOOR - W/O WINDOW FROM: 00-00-00 THRU: 08-04-97	10	076725-02-000	EA COVER - HINGE - ENTRY DOOR - 6" X 3.2" - OFF WHITE	
1	115108-10-J20	EA DOOR - ENTRY - W/SCREEN DOOR - W/O WINDOW FROM: 08-05-97 THRU: 99-99-99	11	102248-01-000	EA SHIM - DOOR	
1	115108-10-J21	EA DOOR - ENTRY - W/SCREEN DOOR - W/O WINDOW FROM: 08-05-97 THRU: 99-99-99	12	104099-01-04A	EA CATCH - DOOR HOLDER - STRIKE - BRIGHT WHITE	
2	090340-01-000	FT SEAL - FOAM - CLOSED CELL - 1/4" X 1/2" X 50'	13	104099-02-04A	EA CATCH - DOOR HOLDER - RETAINER - BRIGHT WHITE	
2	121899-04-H13	EA DOOR - SCREEN - W/O HARDWARE FROM: 00-00-00 THRU: 08-04-97	14	038327-01-000	EA TAPE - ANTI-SLIP - 2" X 60'	
2	121899-05-H17	EA DOOR - SCREEN - W/O HARDWARE FROM: 08-05-97 THRU: 99-99-99	15	106719-01-05A	EA HINGE - ENTRANCE DOOR - BRIGHT WHITE	
3	041546-07-000	EA BRACKET - DOOR ANGLE - OFF WHITE	15	106719-01-01A	EA HINGE - ENTRANCE DOOR - MILL	
4	044582-50-000	EA CAP - DRIP - JAMB MITERED	116111-02-01A	EA SCREW - TAPTITE - 1/4-20 X 3/8 PPH - ZINC		
5	121898-08-01A	EA JAMB - ENTRY DOOR FROM: 00-00-00 THRU: 08-04-97	039715-01-000	EA NUT-SERT - 1/4" DIAMETER - 20 THREADS		
5	121898-09-01A	EA JAMB - ENTRANCE DOOR FROM: 08-05-97 THRU: 99-99-99	16	051049-05-000	EA JAMB/DOOR - LOWER - ENTRANCE DOOR	
6	115222-11-01A	EA GARNISH - RADIUS - ENTRY DOOR FROM: 00-00-00 THRU: 08-04-97	17	121893-03-02A	EA FRAME - ENTRY DOOR/LOWER - BRIGHT WHITE	
6	115222-12-02A	EA GARNISH - RADIUS - ENTRY DOOR FROM: 08-05-97 THRU: 99-99-99	18	121894-10-01A	EA FRAME - DOOR/ENTRY FROM: 00-00-00 THRU: 08-04-97	
7	077461-03-000	EA COVER - STRIKE - ENTRY DOOR - 6.5" X 2.5" - WHITE PLASTIC	18	121894-11-01A	EA FRAME - ENTRY DOOR - BRIGHT WHITE FROM: 08-05-97 THRU: 99-99-99	
8	100412-01-000	EA CATCH - SCREEN DOOR	098173-01-04A	EA STIFFENER - ENTRY DOOR - SUPPORTS LATCH/STRIKE - UNPAINTED		
			122241-01-01A	EA BUMPER - FOAM RUBBER W/ADH BACK - .5" X .5" X .25" - BLACK		
			19	100128-02-000	FT SEAL - FOAM - ADHESIVE BACK - .37" WIDE X .37" THICK	
			20	118929-01-01A	FT SEAL - PILE - PUSH ON	
			21	075671-04-000	FT SEAL - SPONGE - LAZY T - W/ADHESIVE STRIP - .5" WIDE	
			22	104692-01-000	EA SEAL - FOAM/ADHESIVE BACK - .75"THICK X .75"WIDE X 25'	
			23	101145-01-06A	EA DEADBOLT - ENTRY DOOR W/O SECURITY BOLT W/2 KEYS - BLACK	
				101147-01-000	EA BOLT - SECURITY - 4.12"	
				095229-01-700	EA KEY-BLANK, DEADBOLT	81205-03
				101145-01-701	EA CYLINDER-LOCK ASM., W/KEY	81306-03

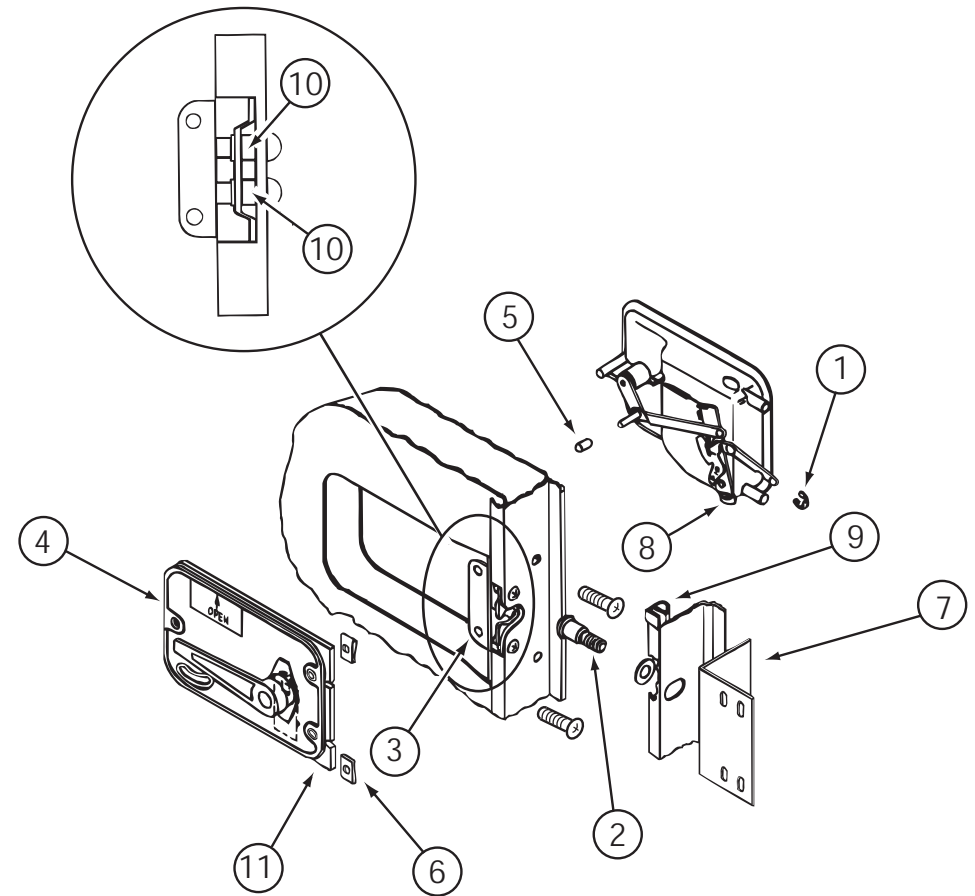
WINDOW, VENT & EXTERIOR DOOR GROUP (CONTINUED)



SCREEN DOOR

KEY	PART NUMBER	U/M	DESCRIPTION	
	121899-04-H13	EA	DOOR - SCREEN - W/O HARDWARE	
				FROM: 00-00-00 THRU: 08-04-97
	121899-05-H17	EA	DOOR - SCREEN - W/O HARDWARE	
				FROM: 08-05-97 THRU: 99-99-99
1	002293-02-000	SF	SCREENING - WINDOW/DOOR - 26" - CHARCOAL	
2	002294-01-000	FT	SPLINE - SCREENING - .135" X .138"	
3	016454-15-000	EA	INSERT - SCREEN DOOR - CENTER	
4	050712-06-000	EA	HANDLE - SCREEN DOOR - BRIGHT WHITE	
5	078552-09-000	EA	INSERT - SCREEN DOOR - LOWER	
6	078595-03-000	EA	PLATE - SCREEN DOOR	
7	078777-06-000	EA	CHANNEL - SLIDER - 24"	
				FROM: 00-00-00 THRU: 01-25-98
7	078777-08-000	FT	CHANNEL SLIDER	
				FROM: 01-26-98 THRU: 99-99-99
8	079086-03-000	EA	SLIDER - SCREEN DOOR - BRIGHT WHITE	
9	079087-03-000	EA	STRIKE - SLIDER - SCREEN DOOR - BRIGHT WHITE	
10	120863-05-000	EA	BUMPER - RUBBER - 3/4" X 3/8"	
				FROM: 00-00-00 THRU: 10-27-97
10	120863-06-000	EA	BUMPER - RUBBER - 3/4" X 3/8"	
				FROM: 10-28-97 THRU: 99-99-99
	075673-05-000	FT	SEAL - PILE - ADHESIVE BACK - BLACK	

WINDOW, VENT & EXTERIOR DOOR GROUP (CONTINUED)

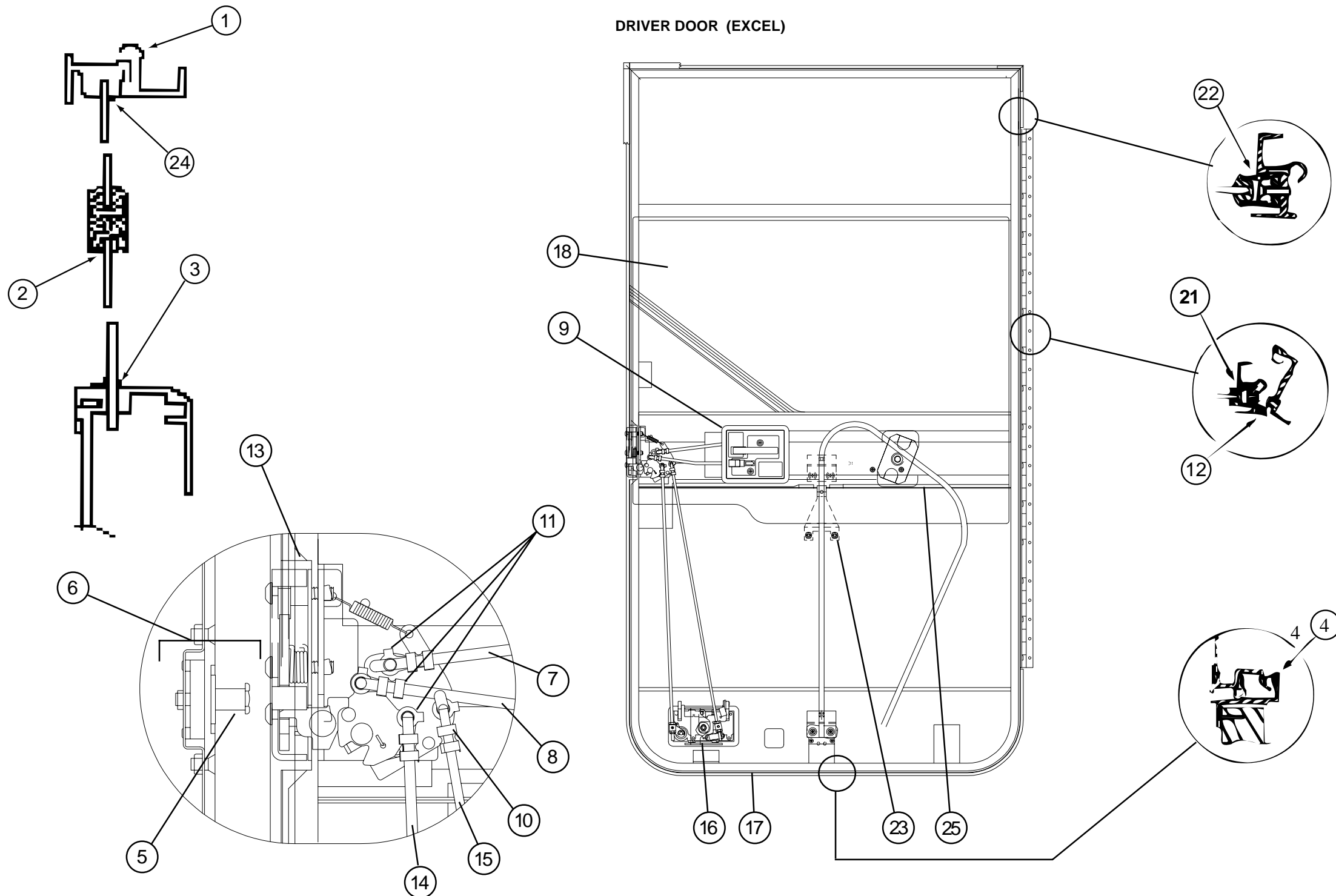


ENTRY DOOR LOCK INSTALLATION

KEY	PART NUMBER	U/M	DESCRIPTION	VENDOR NO.
1	036618-02-000	EA	E RING - EXTERNAL - 3/16" SHAFT DIAMETER - LYNOR DOOR LOCK	
2	039539-01-000	EA	STRIKE - LOCK - ENTRY DOOR - ROUND W/THREADED WASHER	
3	039540-01-000	EA	LATCH MECHANISM - HOOK - ENTRY DOOR - INTERIOR	
4	039979-06-000	EA	COVER - LATCH PLATE - RIGHT HAND - BLACK TEXTURED	
5	039984-01-000	EA	CAP - ROUND - VINYL - .28" ID X .62" - BLACK	
6	040921-01-000	EA	NUT - SPEED - U TYPE - 10-24 BLACK	
7	041546-07-000	EA	BRACKET - DOOR ANGLE - OFF WHITE	
8	045017-13-000	EA	LATCH - ENTRY DOOR - BLACK TEXTURED	
	045017-11-703	EA	CYLINDER-LOCK ASM. W/KEYS	81266-09
9	064075-07-000	FT	SEAL - BULB - W/WIRED U CHANNEL - .3" X .5" CHANNEL - BLK	
10	086285-05-000	EA	SPACER - NYLON - .7" X .56"	
11	096810-01-01A	EA	PLATE - LATCH - ENTRY DOOR - BLACK	

# WINDOW, VENT & EXTERIOR DOOR GROUP (CONTINUED)

## DRIVER DOOR (EXCEL)

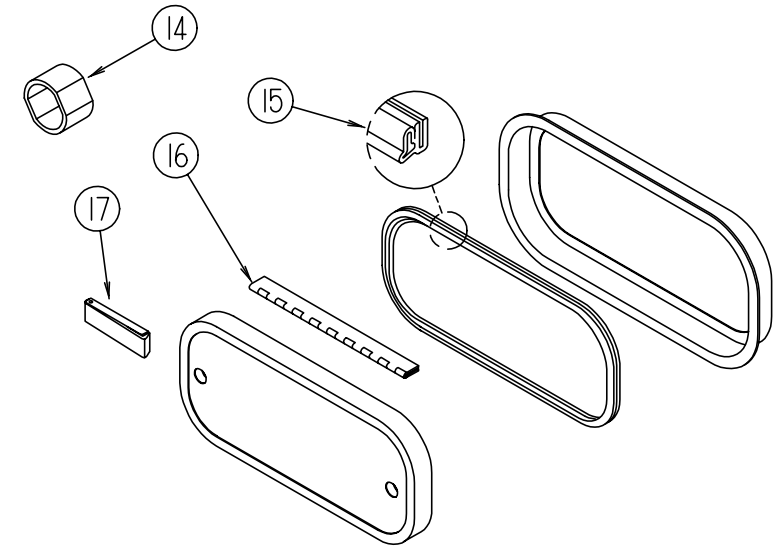
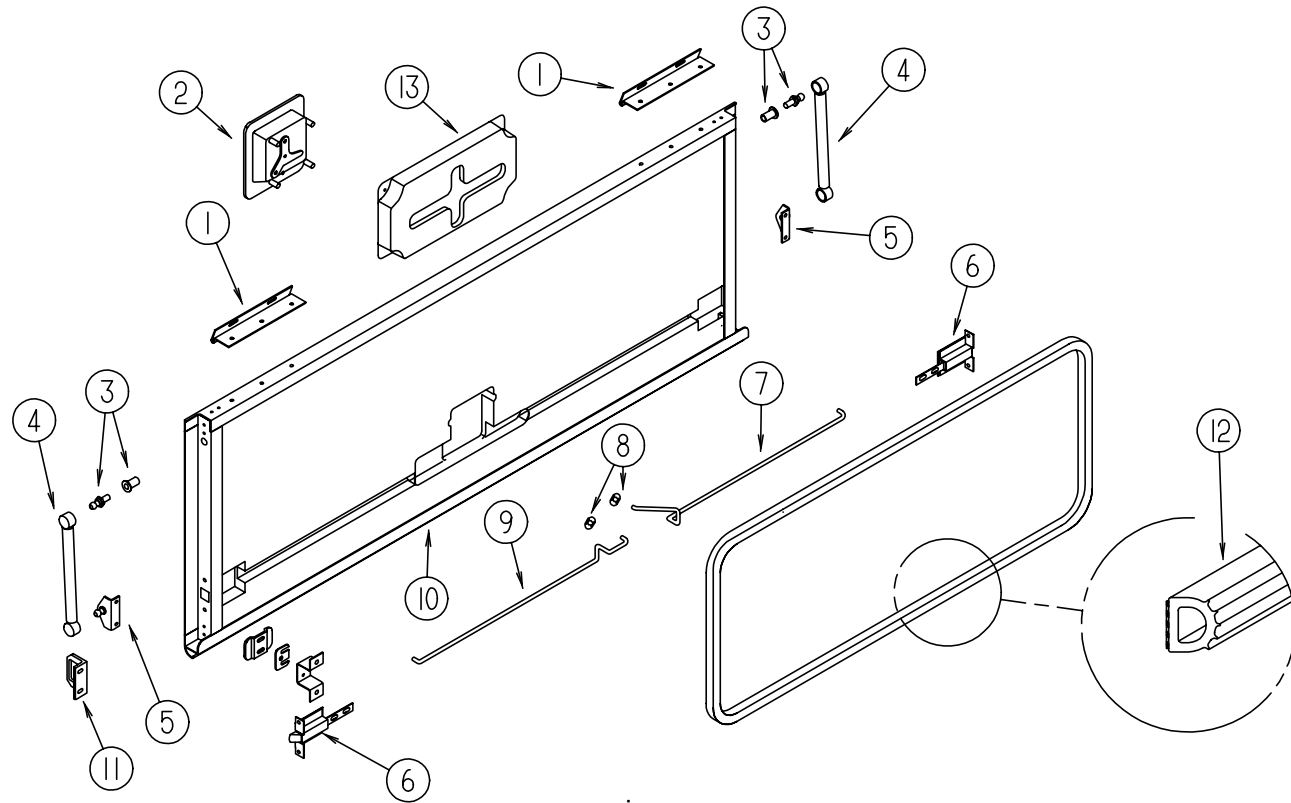


KEY	PART NUMBER	U/M	DESCRIPTION	VENDOR NO.
1	106469-01-702	EA	DOOR SEAL	122-040984
2	106469-01-705	FT	CHANNEL - RUN - SLIDING	122-010850
3	106469-01-709	FT	WEATHERSTRIP - FUZZY	171-040630
4	106469-01-723	EA	SEAL - BULB ASM. (JAMB)	171-040985
5	106469-04-703	EA	BOLT - STRIKER (W/ WASHER)	248-041152
6	106469-04-704	EA	NUT ASSEMBLY - CAGED - W/STRIKER	248-041151
7	106469-04-705	EA	LATCH ROD - HORIZONTAL	203-041139
8	106469-04-711	EA	LOCK ROD - HORIZONTAL	203-041137
9	106469-04-712	EA	HANDLE/DOOR - INNER W/HARDWARE	248-041402
10	106469-04-713	EA	ROD CLIP L.H.	248-041154
11	106469-04-714	EA	ROD CLIP R.H.	248-041153
12	106469-05-702	EA	HINGE - 42"	211-041194
13	106469-05-706	EA	LATCH - ROTARY - W/LINKAGE	248-041150

KEY	PART NUMBER	U/M	DESCRIPTION	VENDOR NO.
14	125581-04-700	EA	ROD - LATCH/VERTICAL ADJUST.	203041767
15	125581-04-701	EA	ROD - LOCK/VERTICAL ADJUST.	203-041768
16	125581-04-702	EA	PADDLE RH-W/COLLAR BLACK TEX	248-041403
17	125581-04-703	EA	FRAME - MOUNTING - BLACK	V180-35L
18	125581-04-704	EA	GLASS - ROLL-UP	106-041821
19	125581-04-705	EA	GLASS - STATIONARY	106-041547
20	125581-04-706	EA	FRAME - DOOR - SUB-ASSEMBLY	V180-94L
21	125581-04-707	EA	CHANNEL - ROLL UP GLASS	V156-60
22	125581-04-708	EA	CHANNEL - STATIONARY GLASS	V156-61
23	125581-04-709	EA	REGULATOR - MANUAL	410-08389
24	125581-04-710	EA	VINYL - GLAZING	132-041484
25	125581-04-711	EA	CHANNEL- GLASS	N135-66
	106469-04-701	EA	TUMBLER & KEYS (TRI-MARK)	248-041179
	106469-04-702	EA	KEYS (BLANK)	248-041180



**WINDOW, VENT & EXTERIOR DOOR GROUP (CONTINUED)**  
**EXTERIOR ACCESS DOOR COMPONENTS**



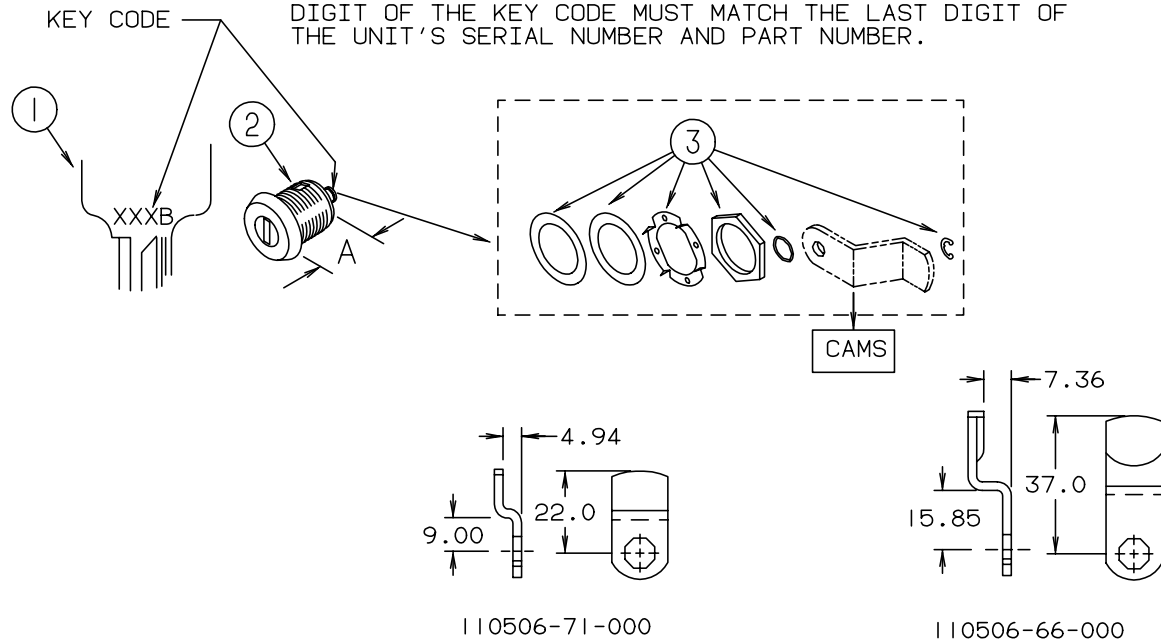
KEY	PART NUMBER	U/M	DESCRIPTION
1	121755-01-04A	EA	HINGE - 6.00 INCH
2	112949-01-04A	EA	LATCH - PADDLE W/LOCK - W/O KEY - BLACK
2	112949-01-03A	EA	LATCH - PADDLE W/LOCK - W/O KEY - BRIGHT WHITE
	112949-03-000	EA	KEY - TRI-MARK #TM500
2	112949-02-05A	EA	LATCH - PADDLE NON-LOCKING - BLACK
2	112949-02-04A	EA	LATCH - PADDLE NON-LOCKING - BRIGHT WHITE
3	057460-08-000	EA	BALL STUD - 10MM BALL - 5/16-18 - STAINLESS STEEL
			FROM: 00-00-00 THRU: 08-21-97
3	126259-01-000	EA	STUD - BALL
			FROM: 08-22-97 THRU: 99-99-99
	123892-02-02B	EA	CORNER STABILIZER W/WELD NUT - RIGHT HAND - E-COATED
			FROM: 00-00-00 THRU: 08-21-97
	123892-04-02B	EA	CORNER STABILIZER W/WELD NUT - LEFT HAND - E-COATED
			FROM: 00-00-00 THRU: 08-21-97
	123892-10-02B	EA	CORNER STABILIZER W/BALL STUD - RIGHT HAND - E-COATED
			FROM: 08-22-97 THRU: 99-99-99
	123892-12-02B	EA	CORNER STABILIZER W/BALL STUD - LEFT HAND - E-COATED
			FROM: 08-22-97 THRU: 99-99-99
4	107796-08-000	EA	SPRING/GAS - 11" COMPRESSED/17" EXTENDED - 60 LB
4	107796-11-000	EA	SPRING/GAS - 11" COMPRESSED/17" EXTENDED - 90 LB
4	107796-18-000	EA	SPRING/GAS - 10" LENGTH - 80 LB
5	107796-03-000	EA	BRACKET - GAS SPRING - SMALL
			FROM: 00-00-00 THRU: 08-24-97
6	121947-01-01A	EA	BOLT - SLIDE - LATCH - STEEL
7	122269-01-000	EA	ROD - LATCH - 13.71"
7	122269-08-000	EA	ROD - LATCH - 28.5"
7	122269-10-000	EA	ROD - LATCH - 31.03"
7	122269-16-000	EA	ROD - LATCH - 8.96"
7	122269-39-000	EA	ROD - LATCH - 10.31"
7	122269-40-000	EA	ROD - LATCH - 22.58"
7	122269-41-000	EA	ROD - LATCH - 14.19"

KEY	PART NUMBER	U/M	DESCRIPTION
8	124304-01-000	EA	CLIP - ROUND PUSH ON
9	122268-01-000	EA	ROD - LATCH - 13.71"
9	122268-08-000	EA	ROD - LATCH - 28.6"
9	122268-10-000	EA	ROD - LATCH - 31.03"
9	122268-16-000	EA	ROD - LATCH - 8.96"
9	122268-39-000	EA	ROD - LATCH - 10.31"
9	122268-40-000	EA	ROD - LATCH - 22.58"
9	122268-41-000	EA	ROD - LATCH - 14.19"
10	122613-55-001	EA	EXTRUDED - ROCKER PANEL - 192" - BRIGHT WHITE
10	122613-55-007	EA	EXTRUDED - ROCKER PANEL - 192" - BLACK
11	123783-01-01A	EA	STRIKER - DOOR - MILL
12	107721-07-000	FT	SEAL - ACCESS DOOR
13	122277-02-01A	EA	COVER - LATCH - BLACK
14	107997-51-001	EA	SPACER - DOOR LOCK - .6" DEEP
14	107997-51-002	EA	EXTRUDED - SPACER - 16'
15	106850-02-000	FT	SEAL-E - SPONGE RUBBER - .43" X .75"
16	115476-11-01A	EA	HINGE - CONTINUOUS - W/O HOLES - BRIGHT WHITE
16	081801-V3-000	EA	HINGE - ALUMINUM - 2" X 96" - BRIGHT WHITE
17	102768-01-000	EA	HOLDER - COMPARTMENT/ENTRY DOOR - METAL - MILL FINISH
	068559-01-001	EA	EXTRUDED - ANGLE - 1" X .9" X 192"
	098408-01-000	FT	SEAL - SPONGE RUBBER - CLOSED CELL
	104692-01-000	FT	SEAL - FOAM/ADHESIVE BACK - .75" THICK X .75" WIDE X 25'
	112160-01-000	FT	SEAL - D SECTION - .2 X .3" - FOAM RUBBER
	107865-21-000	EA	ROD - SUPPORT - VALANCE PANEL - 23.3"
	116424-01-000	EA	PROTECTOR - LATCH - WATER HEATER
	120863-02-000	EA	BUMPER - RUBBER - 1" DIAMETER X 1.50"
	122614-55-001	EA	EXTRUDED - H CHANNEL - 191" - BRIGHT WHITE
	122614-55-007	EA	EXTRUDED - H CHANNEL - 191" - BLACK
	122612-55-001	EA	U-CHANNEL/EXTRUSION - 192" - BRIGHT WHITE
	122612-55-007	EA	EXTRUDED - U CHANNEL - BLACK - 192"
	123512-01-02B	EA	BRACKET - VALANCE DOOR - E-COATED
	127960-01-01A	EA	RETAINER - 3/8" PROP ROD - STAINLESS STEEL

**WINDOW, VENT & EXTERIOR DOOR GROUP (CONTINUED)**

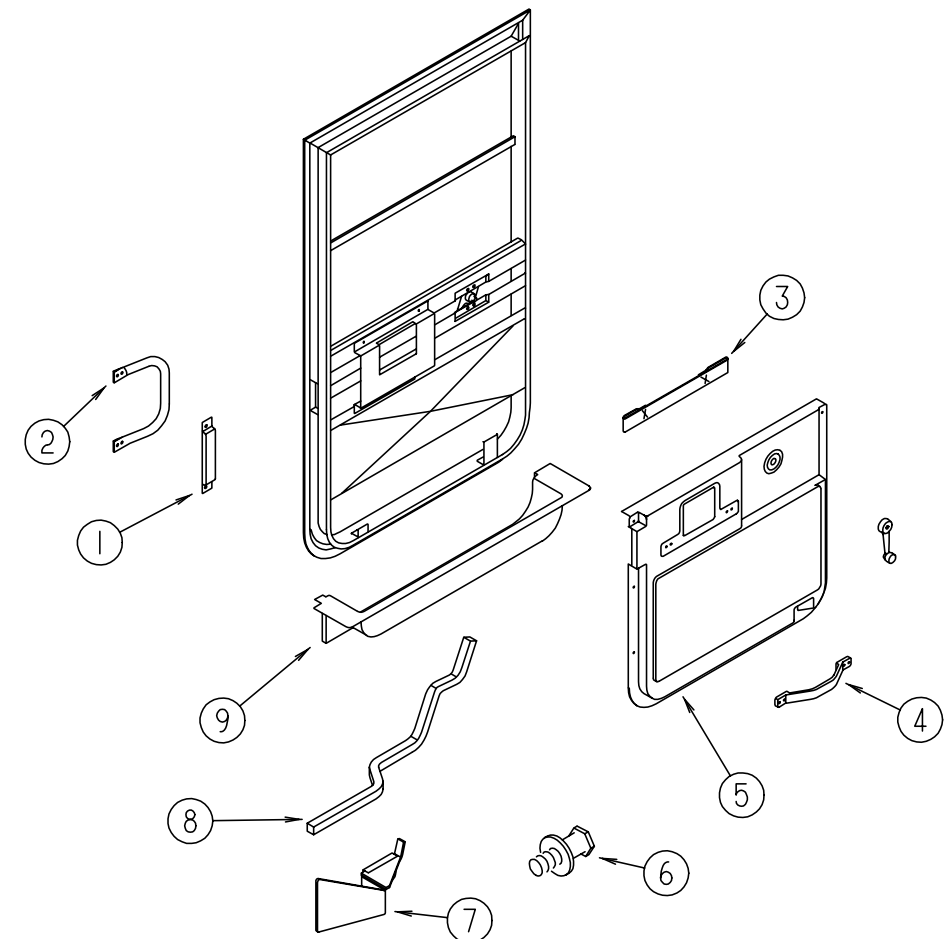
**WINDOW, VENT & EXTERIOR DOOR GROUP (CONTINUED)**

NOTE:  
WHEN ORDERING THE LOCK CASE, THE KEY CODE MUST MATCH THE LAST DIGIT OF THE UNIT'S SERIAL NUMBER AND PART NUMBER; WHEN ORDERING THE KEYS, THE THIRD DIGIT OF THE KEY CODE MUST MATCH THE LAST DIGIT OF THE UNIT'S SERIAL NUMBER AND PART NUMBER.



**BRIGGS & STRATTON LOCKS & COMPONENTS**

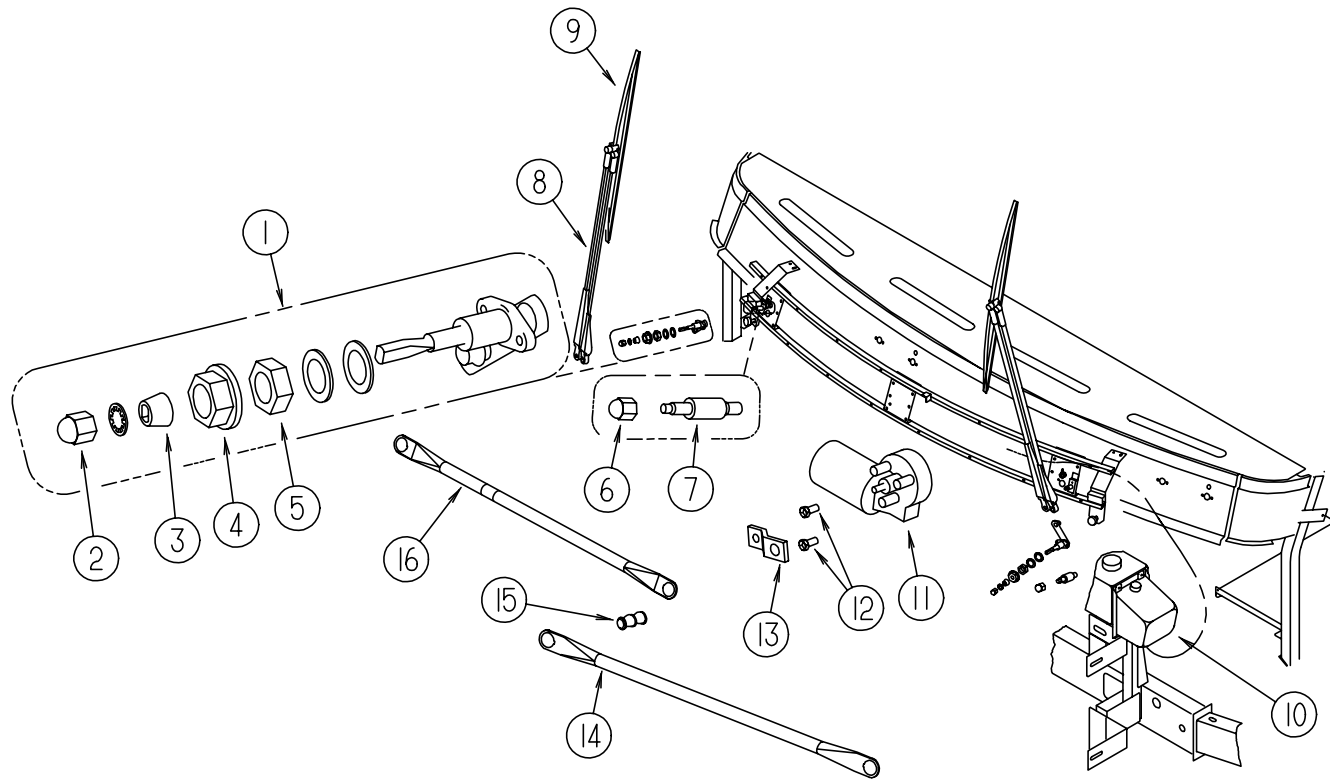
KEY	PART NUMBER	U/M	DESCRIPTION	VENDOR NO.
1	110506-59-000	EA	KEYS - SET OF TWO	596720
2	110506-52-000	EA	CASE/CYLINDER - LOCKING W/O CAM - .65"	702370
2	110506-54-000	EA	CASE/CYLINDER - LOCKING W/O CAM OR KEY - 1 1/4"	703170
1	110506-59-001	EA	KEYS - SET OF TWO	596721
2	110506-52-001	EA	CASE/CYLINDER - LOCKING W/O CAM - .65"	702371
2	110506-54-001	EA	CASE/CYLINDER - LOCKING W/O CAM OR KEY - 1 1/4"	703171
1	110506-59-002	EA	KEYS - SET OF TWO	596722
2	110506-52-002	EA	CASE/CYLINDER - LOCKING W/O CAM - .65"	702372
2	110506-54-002	EA	CASE/CYLINDER - LOCKING W/O CAM OR KEY - 1 1/4"	703172
1	110506-59-003	EA	KEYS - SET OF TWO	596723
2	110506-52-003	EA	CASE/CYLINDER - LOCKING W/O CAM - .65"	702373
2	110506-54-003	EA	CASE/CYLINDER - LOCKING W/O CAM OR KEY - 1 1/4"	703173
1	110506-59-004	EA	KEYS - SET OF TWO	596724
2	110506-52-004	EA	CASE/CYLINDER - LOCKING W/O CAM - .65"	702374
2	110506-54-004	EA	CASE/CYLINDER - LOCKING W/O CAM OR KEY - 1 1/4"	703174
1	110506-59-005	EA	KEYS - SET OF TWO	596725
2	110506-52-005	EA	CASE/CYLINDER - LOCKING W/O CAM - .65"	702375
2	110506-54-005	EA	CASE/CYLINDER - LOCKING W/O CAM OR KEY - 1 1/4"	703175
1	110506-59-006	EA	KEYS - SET OF TWO	596726
2	110506-52-006	EA	CASE/CYLINDER - LOCKING W/O CAM - .65"	702376
2	110506-54-006	EA	CASE/CYLINDER - LOCKING W/O CAM OR KEY - 1 1/4"	703176
1	110506-59-007	EA	KEYS - SET OF TWO	596727
2	110506-52-007	EA	CASE/CYLINDER - LOCKING W/O CAM - .65"	702377
2	110506-54-007	EA	CASE/CYLINDER - LOCKING W/O CAM OR KEY - 1 1/4"	703177
1	110506-59-008	EA	KEYS - SET OF TWO	596728
2	110506-52-008	EA	CASE/CYLINDER - LOCKING W/O CAM - .65"	702378
2	110506-54-008	EA	CASE/CYLINDER - LOCKING W/O CAM OR KEY - 1 1/4"	703178
1	110506-59-009	EA	KEYS - SET OF TWO	596729
2	110506-52-009	EA	CASE/CYLINDER - LOCKING W/O CAM - .65"	702379
2	110506-54-009	EA	CASE/CYLINDER - LOCKING W/O CAM OR KEY - 1 1/4"	703179
3	110506-40-700	EA	HDWE KIT	596950AAL
	110506-59-701	EA	KEY BLANK (GOLD)	596728



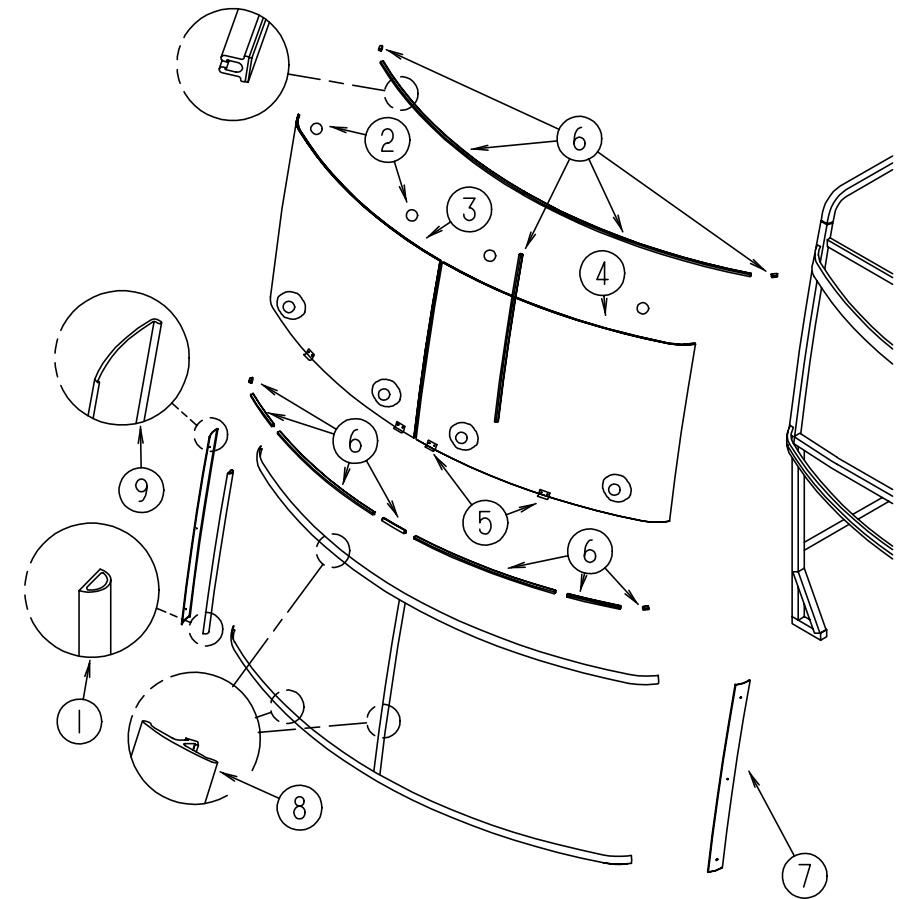
**EXCEL DRIVERS DOOR**

KEY	PART NUMBER	U/M	DESCRIPTION	VENDOR NO.
	125581-01-01A	EA	DOOR - DRIVER - NON-POWER	
			FROM: 00-00-00 THRU: 09-14-97	
	125581-04-01A	EA	DOOR - DRIVER - NON-POWER	
			FROM: 09-15-97 THRU: 99-99-99	
1	108654-01-01A	EA	COVER - STRIKE - DRIVER DOOR	
2	108832-01-02A	EA	HANDLE - ASSIST - DRIVER DOOR	
	108833-03-01A	EA	COVER - ASSIST HANDLE	
3	109378-01-000	EA	STRAP - CHECK - DRIVER DOOR - 12.8"	
4	110604-01-01A	EA	HANDLE - ASSIST - DRIVER DOOR - 10.8" LONG - BLACK	
5	125899-03-01A	EA	PANEL - CAB DOOR - INNER/DRIVER	
6	106469-04-703	EA	BOLT-STRIKER, W/WASHER	248-041152
7	128255-01-04B	EA	STEP - DRIVER DOOR - BLACK - 1999 FORD CHASSIS	
			FROM: 00-00-00 THRU: 04-01-98	
7	128255-02-04B	EA	STEP - DRIVER DOOR - BLACK - 1999 FORD CHASSIS	
			FROM: 04-02-98 THRU: 99-99-99	
8	063977-16-000	EA	STEP - DRIVER DOOR - LEFT HAND/BLACK	
9	107818-03-03A	EA	TRIM - STEP/DRIVER DOOR	
	102569-02-000	EA	MAT - ANTI SLIP - LOWER	
	109235-01-01A	FT	COVER - SCREW - MAT BLACK	
	109235-01-05A	FT	COVER - SCREW - BRIGHT WHITE	
	076725-02-000	EA	COVER - HINGE - ENTRY DOOR - 6" X 3.2" - OFF WHITE	
	107868-01-000	EA	ANGLE - SUPPORT - DOOR - 1.5" X 1.5" X .7"	
	125804-01-02B	EA	ANGLE - SUPPORT - DOOR - E-COATED	
	109644-01-000	FT	TRIM - EDGE - RUBBER	

## WINDSHIELD & WIPER GROUP



## WINDSHIELD & WIPER GROUP (CONTINUED)



### WIPER & WASHER COMPONENTS

KEY	PART NUMBER	U/M DESCRIPTION	VENDOR NO.
1	096505-09-000	EA SHAFT/PIVOT - WINDSHIELD WIPER	
2	096505-02-703	EA CAP-NUT(ACORN) HD W/.687 BRL	51065-40-NT27WC
3	096505-02-700	EA DRIVER-KNURLED,(HD) BRL .687	NT721017
4	096505-02-702	EA CAP-RUBBER (HD) BARREL .687	CP721084
5	096505-02-701	EA NUT-HEX (HD) W/.687 BARREL	NT721021
6	077049-02-000	EA NUT - ACORN - 10-32 BLACK/ANODIZED	
7	117768-01-000	EA SHAFT - ADAPTER - PANTOGRAPH ARM	
8	117769-01-000	EA ARM - WIPER - PANTOGRAPH - 28"	
	096931-01-701	EA NOZZLE-HARDWARE KIT	
9	095964-01-000	EA BLADE - WINDSHIELD WIPER - 24"	
	095964-01-700	EA BLADE-REFILL24" EA = 1 PAIR	12360
10	117766-02-000	EA RESERVOIR/PUMP - WINDSHIELD WASHER	
	045794-01-000	FT HOSE - WASHER - WINDSHIELD - 5/32" ID - BLACK	
	096931-01-700	FT HOSE - WASHER - 1/8" ID	
	110605-01-000	EA TEE - PLASTIC - BARBED - 1/8" X 1/8" X 3/16"	
	117765-03-000	EA CONNECTOR - 5/32" - WINDSHIELD WASHER	
11	104346-05-000	EA MOTOR - WIPER W/INTERNAL BREAKER - DYNAMIC PARK - FORD	
11	104346-04-000	EA MOTOR - WIPER W/INTERNAL BREAKER - CHEVY	
12	117322-01-000	EA SCREW - 1/4-28 UNFINISHED - 2A - TORX	
13	104347-04-000	EA ARM - DRIVE - WIPER MOTOR	
14	117770-01-000	EA LINK - CONNECTING - 24" - CLOSED GROMMET/OPEN GROMMET	
15	067188-01-000	EA STUD - CRANK - WIPER MOTOR	
16	117770-02-000	EA LINK - CONNECTING - 24" - CLOSED GROMMET/CLOSED GROMMET	
	061603-01-000	EA GROMMET - SNAP - 3/16"ID - 3/8" HOLE - PLASTIC BLACK	

### WINDSHIELD MOLDINGS & GLASS

KEY	PART NUMBER	U/M DESCRIPTION
1	099418-01-000	FT SEAL - D-SECTION/ADHESIVE BACK - .44" X .44"- BLK RUBBER
2	081914-01-000	EA BUMPER - RUBBER - ROUND - .43" DIAMETER
3	124973-01-000	EA GLASS - WINDSHIELD - RIGHT HAND
4	124973-02-000	EA GLASS - WINDSHIELD - LEFT HAND
5	002328-02-000	EA BLOCK - WINDSHIELD - .062" X .5" X .98"
6	127862-01-000	EA CARRIER - REVEAL - WINDSHIELD - 47.2"
7	125384-06-02A	EA TRIM - WINDSHIELD - A-PILLAR - DRIVER
8	120533-01-000	FT MOLDING - REVEAL - WINDSHIELD
9	125384-05-02A	EA TRIM - WINDSHIELD - A-PILLAR - PASSENGER