

1998

WFF31WQ

WCF31DQ

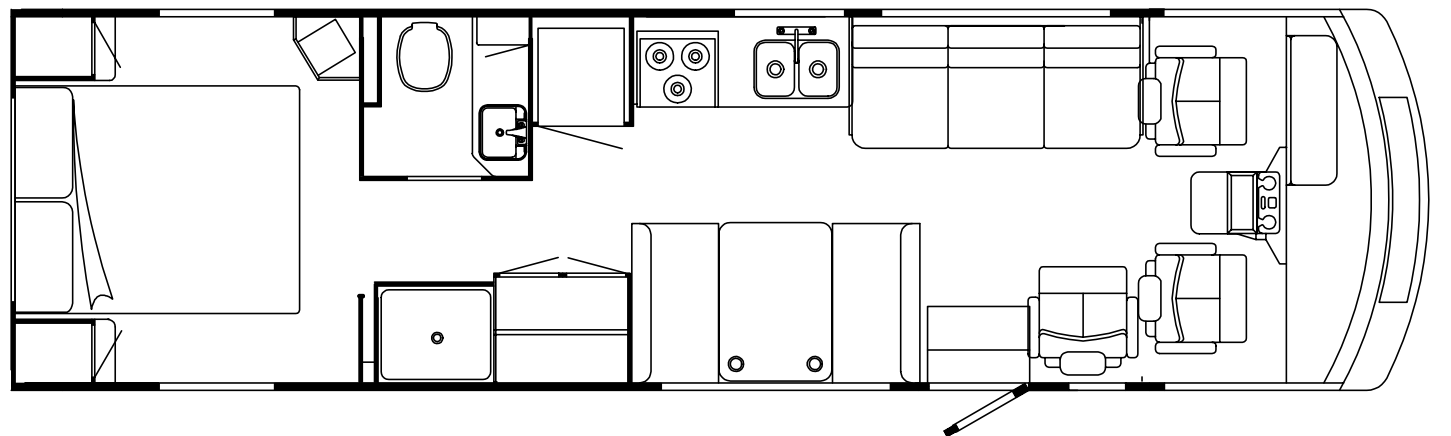
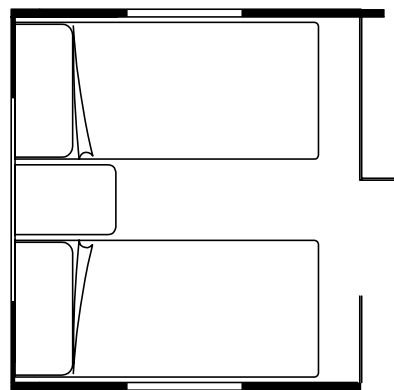
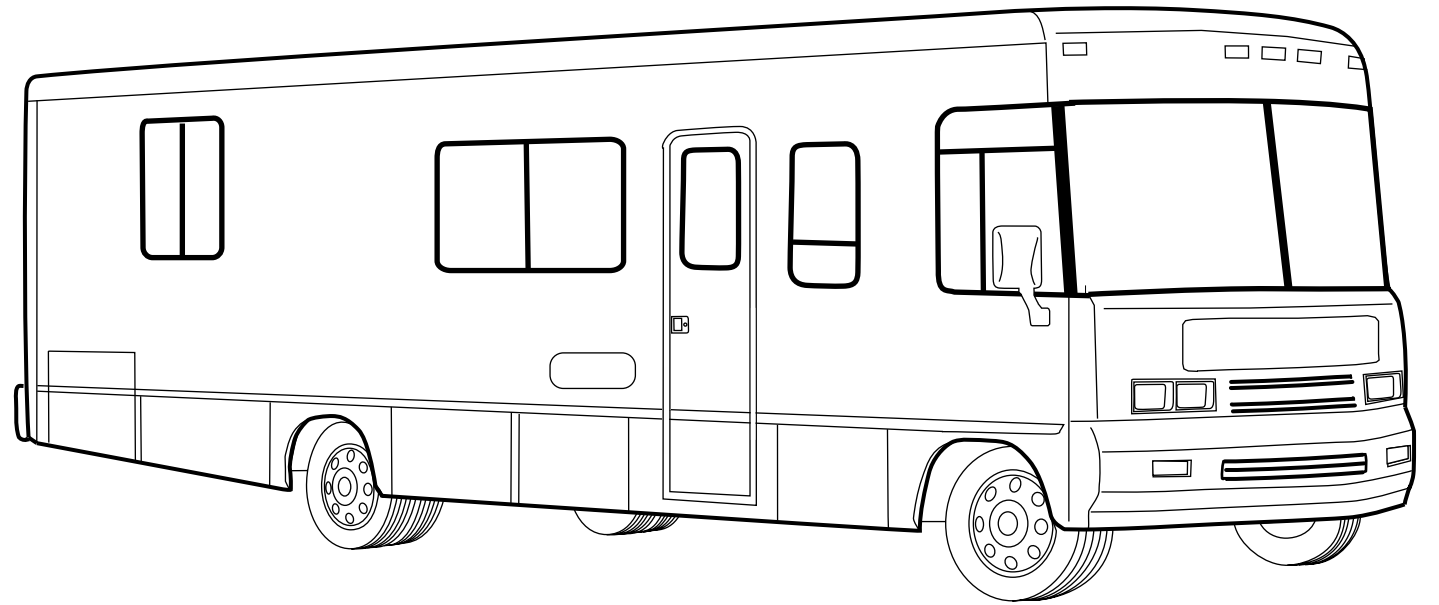
J15 MONACO/BLUE WFF31WQ

J16 DUNE/TAN WFF31WQ

J17 BAYBERRY/GREEN WFF31WQ

J20 VILLAGE GREEN WCF31DQ

J21 BARCELONA/TAUPE WCF31DQ



**ACCESSORIES GROUP
OPERATOR MANUAL**

KEY	PART NUMBER	U/M DESCRIPTION
	054185-H1-000	EA MANUAL-OPERATOR 1998 BRAVE - F SERIES
	092318-01-000	EA BINDER - 3 RING - MOTOR HOME MANUAL
		FROM: 00-00-00 THRU: 02-15-98
	129079-01-01A	EA CASE - VINYL/BLACK-EXPANDABLE ACCORDION SIDES-7"WX9"HX14"L
		FROM: 02-16 THRU: 99-99-99
	092319-01-000	EA POCKET PAGE - 3 RING BINDER - PLASTIC - (50 PER PKG)
	125967-01-000	DW TOP LEVEL-F, 1998

**AUDIO VIDEO GROUP
PATIO ENTERTAINMENT CENTER**

KEY	PART NUMBER	U/M DESCRIPTION
	076319-09-000	EA WALLPLATE - CABLE RECEPTACLE - TV - SINGLE - BROWN
	077069-02-000	EA CABLE-ANTENNA, RADIO - EXTENSION 96" - ARA 6700667
	086756-01-000	EA SPLITTER - TV - 2 WAY
	125322-02-000	EA RADIO - AM/FM STEREO - CASSETTE - AUDIOVOX
	090944-01-000	EA ANTENNA - RADIO - 16" RUBBER
	108847-01-000	EA BRACKET - ANTENNA GROUND
	109889-04-000	EA EXTENDER - ANTENNA SHAFT - 3"
	110469-01-000	EA SPEAKER - 4" X 6" OVAL - COAXIAL
	110470-01-01A	EA GRILLE - 4" X 6" OVAL - BLACK

RADIO SYSTEM & ANTENNA

KEY	PART NUMBER	U/M DESCRIPTION	VENDOR NO.
	127516-01-000	EA RADIO - AM/FM STEREO - CD PLAYER	
	127516-01-700	EA FACE - REMOVEABLE	YEPOFX3114
	127516-01-701	EA TRIM RING	YGFC025263
	127516-01-702	EA FACTORY HARNESS	YGAJ02719
	127516-01-703	EA CARRIER F/REMOVEABLE FACE	YEFA131290
	110267-04-000	EA RADIO - AM/FM STEREO - CD COMPATIBLE - AUDIOVOX	
	077069-02-000	EA CABLE - ANTENNA/EXTENSION - RADIO - 96"	
	090944-01-000	EA ANTENNA - RADIO - 16" RUBBER	
	115916-01-01B	EA BRACKET - ANTENNA MOUNT	
	110469-01-000	EA SPEAKER - 4" X 6" OVAL - COAXIAL	
	110470-01-01A	EA GRILLE - 4" X 6" OVAL - BLACK	
	N/A	EA SPEAKER - 5" X 7" OVAL	
		MUST ORDER P.N.#F2UF-18814-CD FROM YOUR LOCAL FORD DEALER	
	111177-01-01A	EA GRILLE - SPEAKER - 6.6" X 8.9" - HOUSING 5" X 7" SPEAKER	

AUDIO VIDEO GROUP (CONTINUED)
TV, VCR & COMPONENTS

KEY	PART NUMBER	U/M DESCRIPTION	VENDOR NO.
	126696-01-000	EA TV - 19" COLOR W/1/8" JACK - UL/CSA - GE	
	126696-01-700	EA REMOTE	226725
	126697-01-000	EA VCR-VHS - CABLE READY - W/REMOTE - GE	
	126697-01-700	EA REMOTE - F/VCR	2040R
	086231-08-000	EA TV - 13" COLOR - DC - AUDIOVOX	
	086231-08-700	EA REMOTE-UNIVERSAL	8822325
	086231-08-701	EA ADAPTER - WIRE	0891436
	086757-03-000	EA CONTROL CENTER - SWITCH - VCR/TV	
	086777-05-000	EA WALLPLATE - TV CABLE - ANTENNA/1 OUTPUT - IVORY	
	086777-06-000	EA WALLPLATE - TV CABLE - ANTENNA/1 OUTPUT - BROWN	
	093214-01-02A	EA GRILLE - SPEAKER - 4" BROWN	
	098819-01-000	EA SPEAKER - 4" - 2 WATT - 8 OHM	
	076319-09-000	EA WALLPLATE - CABLE RECEPTACLE - TV - SINGLE - BROWN	
	076319-08-000	EA WALLPLATE - CABLE RECEPTACLE - TV - SINGLE - IVORY	
	086777-02-000	EA WALLPLATE - TV CABLE - W/ANTENNA SWITCH	
	093901-03-000	EA PLATE - TV COAX - EXTERIOR - 1.8" X 2.5"	
	076319-12-000	EA CONNECTOR - COAXIAL - ONE PIECE	
	082134-01-000	EA ADAPTER - TV - CABLE TO CABLE	
	086756-01-000	EA SPLITTER - TV - 2 WAY	
	076319-03-000	FT CABLE - COAXIAL - 75 OHM	
	082136-01-000	EA NUT - HEX JAM - 3/8 - 32	
	114870-02-000	EA PLUG - .14" AUDIO W/LEADS	

REAR MONITOR SYSTEM

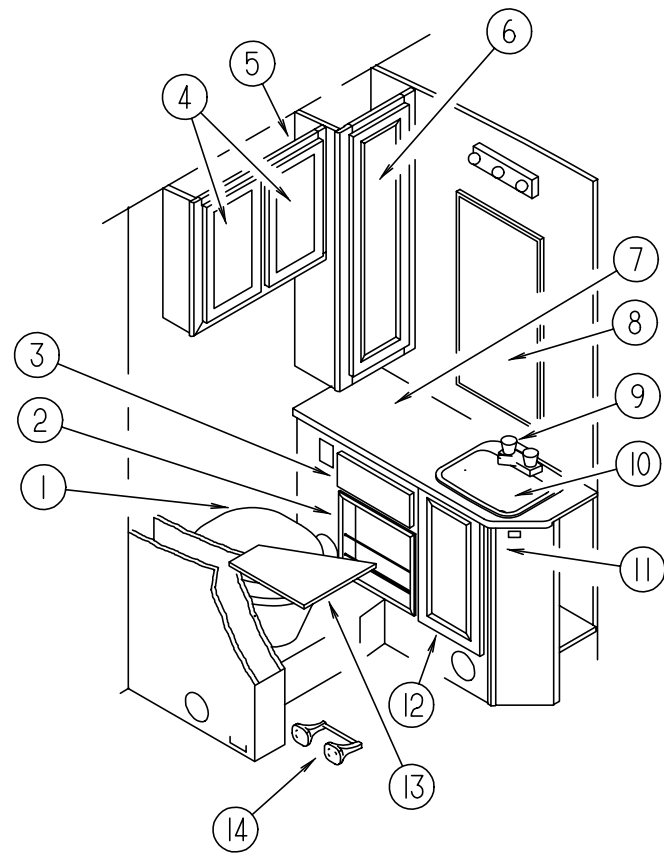
KEY	PART NUMBER	U/M DESCRIPTION
	126838-01-000	EA MONITOR/CAMERA - REAR VIEW 7"
	126838-01-700	EA MONITOR - 7" - VIDEOMAN
	126838-01-701	EA CAMERA - VIDEOMAN
	108885-02-000	EA WIRE-REAR MONITOR -(W/3 PIN HOUSING F/FUSE BLOCK) CHEVY

AUDIO VIDEO GROUP (CONTINUED)
WINEGARD TV ANTENNA

KEY	PART NUMBER	U/M DESCRIPTION
*	076319-21-000	EA ANTENNA-TV - ROOF MOUNT - 3" ROOF FROM: 00-00-00 THRU: 12-07-97
*	076319-23-000	EA ANTENNA-TV - ROOF MOUNT - 44.5" MAST FROM: 12-08-97 THRU: 99-99-99

*** COMPONENT PARTS FOUND IN SERVICE PARTS LIBRARY**

**BATH GROUP
BATHROOM CABINET & COMPONENTS**

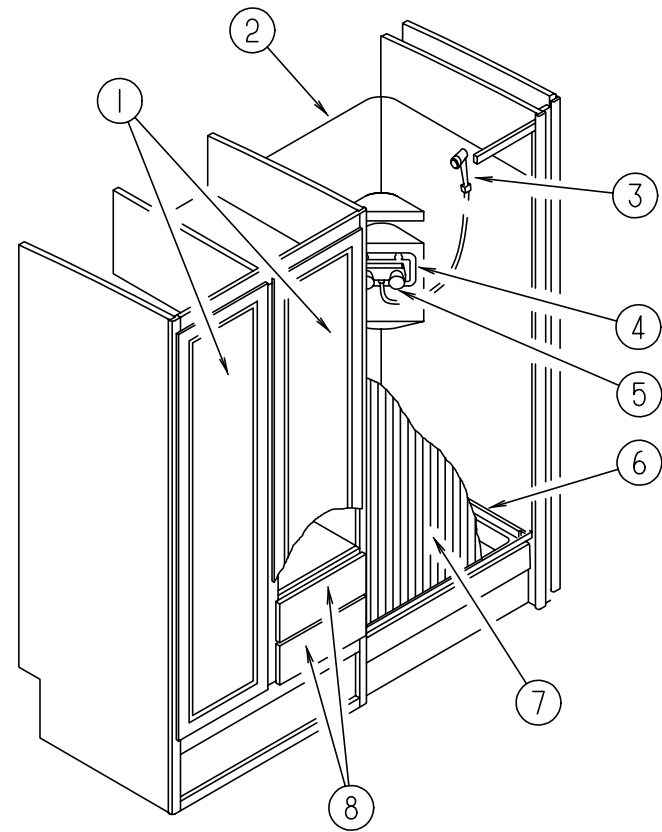


KEY	PART NUMBER	U/M	DESCRIPTION
1*	067487-01-000	EA	TOILET - 12.37" - IVORY - HAND FLUSH - WFF31WQ
2	097208-05-J20	EA	MAGAZINE RACK
2	097208-07-J22	EA	MAGAZINE RACK
3	M05971-EB-J15	EA	DRAWER - OGEE EDGE - 12.4"W X 11.8"D - W/O SLIDES/HARDWARE (J15,J16,J17)
3	M05971-EB-J20	EA	DRAWER - OGEE EDGE - 12.4"W X 11.8"D - W/O SLIDES/HARDWARE (J20,J21)
4	M08758-76-J15	EA	DOOR - MITERED CORNER/OGEE EDGE - 11.2" X 19.7" - W/O HDW (J15,J16,J17) (FLAT MEDIUM DENSITY FIBERBOARD INSERT)
4	M06803-87-H13	EA	DOOR - MITERED CORNER/OGEE EDGE - 11.2" X 19.6" - W/O HDW (J20,J21) (RAISED WOOD INSERT)
4	M06803-87-K16	EA	DOOR - MITERED CORNER/OGEE EDGE - 11.2" X 19.6" - W/O HDW (J15,J16,J17) (GENERAL TRAILER OPTION)
4	M08758-41-J15	EA	DOOR - MITERED CORNER/OGEE EDGE - 11.2" X 19.6" - W/O HDW (J15,J16,J17) (RAISED MEDIUM DENSITY FIBERBOARD INSERT)

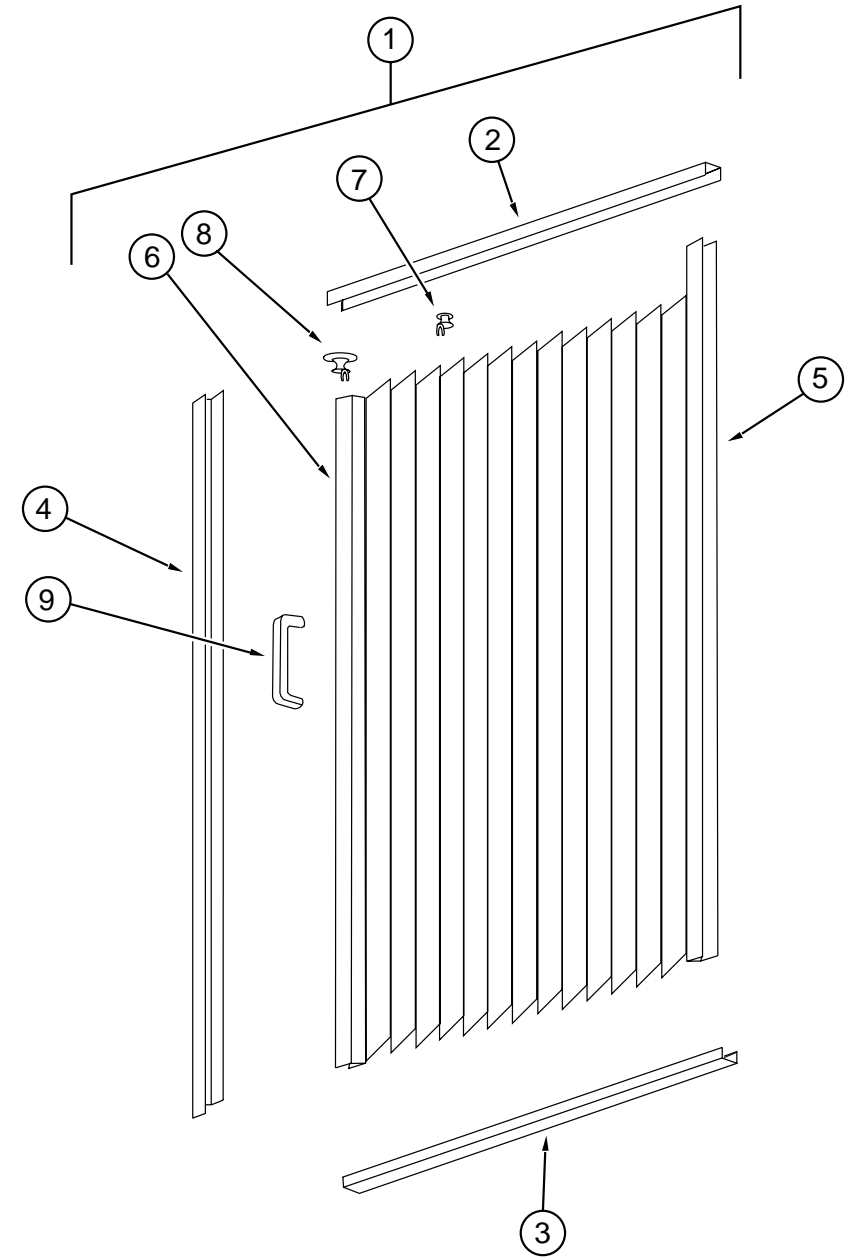
* COMPONENT PARTS FOUND IN SERVICE PARTS LIBRARY

KEY	PART NUMBER	U/M	DESCRIPTION	VENDOR NO.
5	111178-01-G09	EA	CABINET - LINEN - W/O DOORS/HARDWARE	
	111178-11-G09	EA	SHELF - W/PLASTIC EDGE TRIM	
	111178-12-G09	EA	SHELF - W/PLASTIC EDGE TRIM	
	076767-04-000	EA	CABLE - SUPPORT - 5.9" STAINLESS STEEL	
6	M08758-75-J15	EA	DOOR - MITERED CORNER/OGEE EDGE - 11.2" X 36.4" - W/O HDW (J15,J16,J17) (FLAT MEDIUM DENSITY FIBERBOARD INSERT)	
6	M05992-K9-J20	EA	DOOR - STRAIGHT CORNER/OGEE EDGE - 10.8" X 36.4" - W/O HDW (J20,J21) (RAISED WOOD INSERT)	
6	M05992-K9-K16	EA	DOOR - STRAIGHT CORNER/OGEE EDGE - 10.8" X 36.4" - W/O HDW (J15,J16,J17) (GENERAL TRAILER OPTION)	
6	M08758-40-J15	EA	DOOR - MITERED CORNER/OGEE EDGE - 11.2" X 36.4" - W/O HDW (J15,J16,J17) (RAISED MEDIUM DENSITY FIBERBOARD INSERT)	
7	125777-12-J15	EA	COUNTERTOP - LAVATORY (J15)	
7	125777-12-J16	EA	COUNTERTOP - LAVATORY (J16)	
7	125777-12-J20	EA	COUNTERTOP - LAVATORY (J17,J20)	
7	125777-12-J21	EA	COUNTERTOP - LAVATORY (J21)	
8	058331-51-000	EA	MIRROR - SAFETY GLASS - 25.9" X 40"	
8	105004-01-05A	EA	MOLDING - VINYL WRAPPED - 1" X 96" - WATERFORD OAK	
9	075240-06-000	EA	FAUCET - LAVATORY/BONE	
	091253-01-000	EA	GASKET - FAUCET - LAVATORY/GALLEY	
10	096927-01-01A	EA	SINK - LAVATORY - RECTANGULAR - PLASTIC/BONE	
	096927-01-700	EA	SINK STOPPER	M9801
	096927-01-701	EA	TAILPIECE-DRAIN-LAVATORY	M9802
11	125777-01-J15	EA	CABINET - LAVATORY - W/O DOORS/DRAWERS/HARDWARE (J15)	
11	125777-01-J16	EA	CABINET - LAVATORY - W/O DOORS/DRAWERS/HARDWARE (J16)	
11	125777-01-J20	EA	CABINET - LAVATORY - W/O DOORS/DRAWERS/HARDWARE (J17,J20)	
11	125777-01-J21	EA	CABINET - LAVATORY - W/O DOORS/DRAWERS/HARDWARE (J21)	
12	M08758-76-J15	EA	DOOR - MITERED CORNER/OGEE EDGE - 11.2" X 19.7" - W/O HDW (J15,J16,J17) (FLAT MEDIUM DENSITY FIBERBOARD INSERT)	
12	M05992-G0-J20	EA	DOOR - STRAIGHT CORNER/OGEE EDGE - 11.2" X 19.7" - W/O HDW (J20,J21) (RAISED WOOD INSERT)	
12	M05992-AE-K16	EA	DOOR - STRAIGHT CORNER/OGEE EDGE - 11.2" X 19.7" - W/O HDW (J15,J16,J17) (GENERAL TRAILER OPTION)	
13	101859-03-J15	EA	SHELF - W/PLASTIC EDGE MOLDING (J15)	
13	101859-03-J16	EA	SHELF - W/PLASTIC EDGE MOLDING (J16)	
13	101859-03-J20	EA	SHELF - W/PLASTIC EDGE MOLDING (J17,J20)	
13	101859-03-J21	EA	SHELF - W/PLASTIC EDGE MOLDING (J21)	
14	075452-02-000	EA	HOLDER - TOILET TISSUE - BRASS	
	058331-52-000	EA	MIRROR - SAFETY GLASS - 10.9" X 37.9"	
	105004-01-05A	EA	MOLDING - VINYL WRAPPED - 1" X 96" - WATERFORD OAK	
	075453-02-000	EA	BAR - TOWEL - 18" BRASS	
	121449-12-G04	EA	RACK - TOWEL - BATH DOOR	
	100357-01-000	EA	ROD - F/TOWEL BAR - BRASS	
	121449-05-H13	EA	DOOR - BATH	
	094485-03-01A	EA	KNOB - BRASS	
	102920-01-01A	EA	HINGE - SPRING LOADED/BRASS	
	110496-01-01A	EA	HINGE - BRASS	
	104013-02-G09	EA	DOOR - SLIDING - W/O HARDWARE	
	103874-01-000	EA	HANGER - SLIDING DOOR	
	103868-02-01A	EA	TRACK-SLIDING DOOR, 48.6" - OFF WHITE	

BATH GROUP (CONTINUED)



BATH GROUP (CONTINUED)



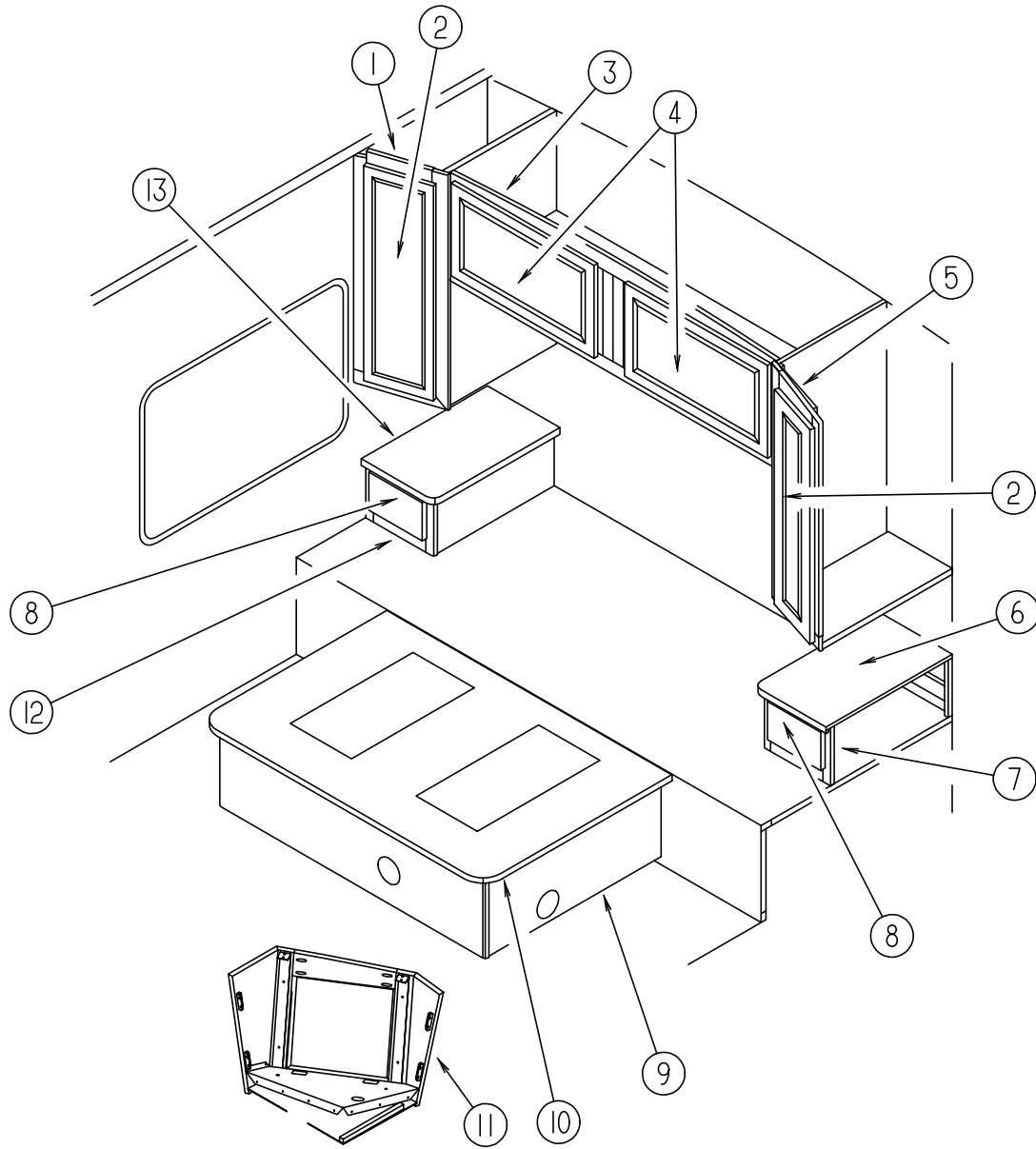
WARDROBE & SHOWER COMPONENTS

KEY	PART NUMBER	U/M DESCRIPTION	VENDOR NO.
1	M08758-42-J15	EA DOOR - MITERED CORNER/OGEE EDGE - 16.1" X 65.3" - W/O HDW (J15,J16,J17)	
1	M06803-11-G09	EA DOOR - MIRROR/MTRD CRNR/OGEE EDGE - 16.1" X 65.3"-W/O HDW (J20,J21)	
1	M06803-11-K16	EA DOOR - MIRROR/MTRD CRNR/OGEE EDGE - 16.1" X 65.3"-W/O HDW (J15,J16,J17) (GENERAL TRAILER OPTION)	
2	121583-01-01A	EA SURROUND - SHOWER	
3	103092-02-000	EA SHOWER HEAD - W/60" HOSE - CSA	
3	103092-01-000	EA SHOWER HEAD - W/60" HOSE - WHITE	
	103092-01-700	EA BRACKET-F/SHOWER HEAD, CLEAR	2328028
	103092-01-702	EA SEALS-SPRAY HEAD	24466
	011048-03-700	EA BRACKET - F/SHOWER HEAD	2328029-I
4	075606-01-000	EA PANEL - PLASTIC - FAUCET BACK - 5" X 9"	
5	075241-05-000	EA FAUCET/SHOWER - BONE 3/4" MPT X 1.4" LONG INLET PIPES	
6	M02429-07-000	EA PAN - SHOWER	
		FROM: 00-00-00 THRU: 12-02-97	
	M02429-11-000	EA PAN - SHOWER	
		FROM: 12-03-97 THRU: 99-99-99	
7	117431-04-01A	EA DOOR - SHOWER - PLEATED FABRIC	
8	P11023-03-G09	EA DRAWER - 14.1"W X 21.6"D - W/O SLIDES/HARDWARE	
	122192-01-02A	EA PANEL - SKYLITE - OUTER - 16.4" X 27.8"	
	122193-01-02A	EA PANEL - SKYLITE - INNER	

SHOWER DOOR COMPONENTS

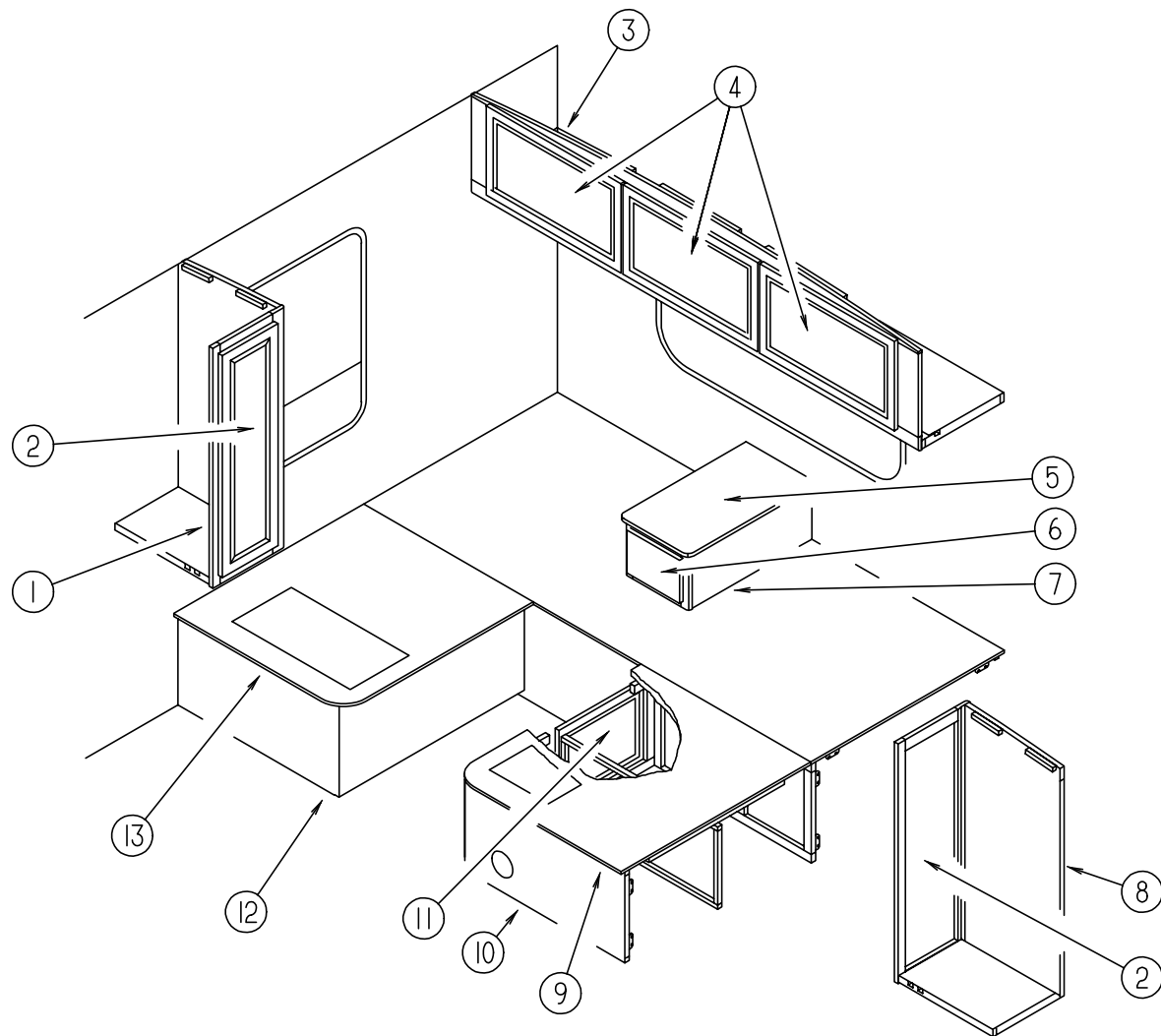
KEY	PART NUMBER	U/M DESCRIPTION
1	117431-04-01A	EA DOOR - SHOWER - PLEATED FABRIC
2	117431-01-700	EA TRACK-TOP, ALUM.IVORY INSERT 48"
3	117431-01-701	EA TRACK-BOTTOM, 48 "
4	117431-01-702	EA RAIL-SIDE, 67"
5	117431-01-703	EA RAIL-STATIONARY, 67"
6	117431-01-704	EA RAIL-LEAD, 67"
7	117431-01-705	EA GLIDE-IVORY, TRAVELER
8	117431-01-706	EA GLIDE-IVORY LEAD, TRAVELER
9	117431-01-708	EA HANDLES & SCREWS
	117431-01-707	EA LATCH
	117431-04-700	EA STRAP-VINYL SHOWER

BEDROOM GROUP
QUEEN BEDROOM CABINETS



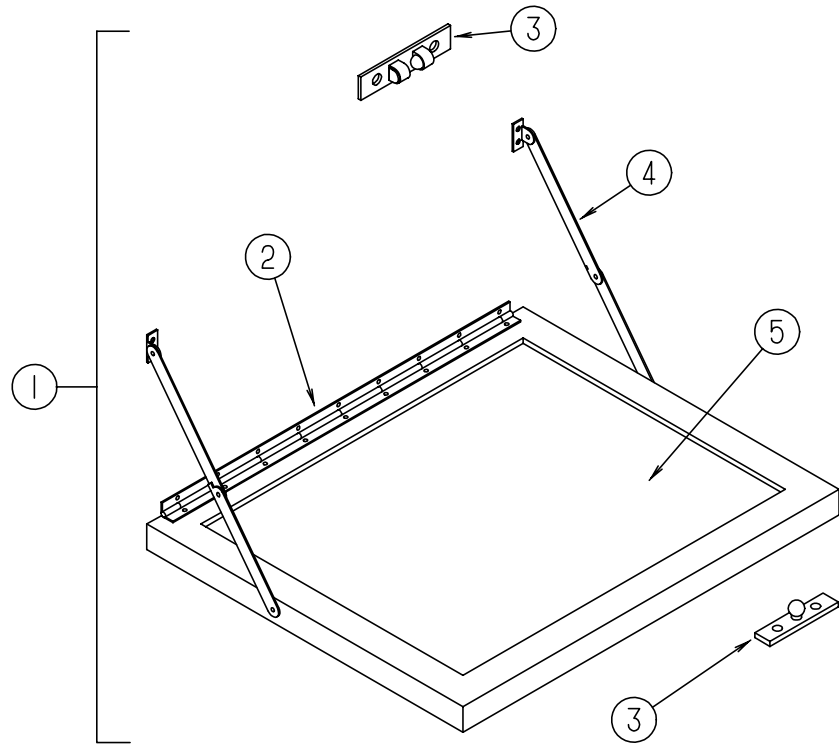
KEY	PART NUMBER	U/M	DESCRIPTION
1	126003-01-J20	EA	CABINET - SHIRT CLOSET/RIGHT HAND - W/O DOORS/HARDWARE
	009112-01-000	EA	FLANGE - PLASTIC - 1" CLOTHES ROD - OFF WHITE
	042438-01-000	EA	DOWEL - WOOD - CLOTHES ROD - 1" DIAMETER X 4'
2	M08758-69-J15	EA	DOOR - MITERED CORNER/OGEE EDGE - 14.3" X 26.4" - W/O HDW (J15,J16,J17) (FLAT MEDIUM DENSITY FIBERBOARD INSERT)
2	M05992-91-J20	EA	DOOR - STRAIGHT CORNER/OGEE EDGE - 14.3" X 36.4" - W/O HDW (J20,J21) (RAISED WOOD INSERT)
2	M05992-91-K16	EA	DOOR - STRAIGHT CORNER/OGEE EDGE - 14.3" X 36.4" - W/O HDW (J15,J16,J17) (GENERAL TRAILER OPTION)
2	M08758-49-J15	EA	DOOR - MITERED CORNER/OGEE EDGE - 14.3" X 36.4" - W/O HDW (J15,J16,J17) (RAISED MEDIUM DENSITY FIBERBOARD INSERT)
3	106523-01-G09	EA	CABINET - OVERHEAD/REAR - W/O DOORS/HARDWARE
4	M08758-43-J15	EA	DOOR - MITERED CORNER/OGEE EDGE - 15.7" X 27.9" - W/O HDW (J15,J16,J17) (FLAT MEDIUM DENSITY FIBERBOARD INSERT)
4	M05992-48-J20	EA	DOOR - STRAIGHT CORNER/OGEE EDGE - 15.7" X 27.9" - W/O HDW (J20,J21) (RAISED WOOD INSERT)
4	M05992-48-J15	EA	DOOR - STRAIGHT CORNER/OGEE EDGE - 15.7" X 27.9" - W/O HDW (J15,J16,J17) (GENERAL TRAILER OPTION)
4	M08758-01-J05	EA	DOOR - MITERED CORNER/OGEE EDGE - 15.7" X 27.9" - W/O HDW (J15,J16,J17) (RAISED MEDIUM DENSITY FIBERBOARD INSERT)
5	126003-02-J20	EA	CABINET - SHIRT CLOSET/LEFT HAND - W/O DOORS/HARDWARE
	009112-01-000	EA	FLANGE - PLASTIC - 1" CLOTHES ROD - OFF WHITE
	042438-01-000	EA	DOWEL - WOOD - CLOTHES ROD - 1" DIAMETER X 4'
6	125904-12-J15	EA	COUNTERTOP - NIGHTSTAND (J15)
6	125904-12-J16	EA	COUNTERTOP - NIGHTSTAND (J16)
6	125904-12-J20	EA	COUNTERTOP - NIGHTSTAND (J17,J20)
6	125904-12-J21	EA	COUNTERTOP - NIGHTSTAND (J21)
7	125904-02-J15	EA	CABINET - NIGHTSTAND/LH - W/CTRTP - W/O DOORS/DRAWERS/HDW (J15)
7	125904-02-J16	EA	CABINET - NIGHTSTAND/LH - W/CTRTP - W/O DOORS/DRAWERS/HDW (J16)
7	125904-02-J20	EA	CABINET - NIGHTSTAND/LH - W/CTRTP - W/O DOORS/DRAWERS/HDW (J17,J20)
7	125904-02-J21	EA	CABINET - NIGHTSTAND/LH - W/CTRTP - W/O DOORS/DRAWERS/HDW (J21)
8	M05971-L5-J15	EA	DRAWER - OGEE EDGE - 11.5"W X 21.6"D - W/O SLIDES/HARDWARE (J15,J16,J17)
8	M05971-L5-J20	EA	DRAWER - OGEE EDGE - 11.5"W X 21.6"D - W/O SLIDES/HARDWARE (J20,J21)
9	P21862-02-J20	EA	CABINET - BASE/QUEEN BED - W/O DOORS/DRAWERS/HARDWARE
	057534-01-000	EA	TIEBACK/TIEDOWN - 6" CLEAR PLASTIC
10	M05706-17-000	EA	TOP - QUEEN BED - W/O HARDWARE
11	127286-02-J20	EA	CABINET - OVERHEAD/TV/REAR - W/O DOORS/HARDWARE
12	125904-01-J15	EA	CABINET - NIGHTSTAND/RH - W/CTRTP - W/O DOORS/DRAWERS/HDW (J15)
12	125904-01-J16	EA	CABINET - NIGHTSTAND/RH - W/CTRTP - W/O DOORS/DRAWERS/HDW (J16)
12	125904-01-J20	EA	CABINET - NIGHTSTAND/RH - W/CTRTP - W/O DOORS/DRAWERS/HDW (J17,J20)
12	125904-01-J21	EA	CABINET - NIGHTSTAND/RH - W/CTRTP - W/O DOORS/DRAWERS/HDW (J21)
13	125904-11-J15	EA	COUNTERTOP - NIGHTSTAND (J15)
13	125904-11-J16	EA	COUNTERTOP - NIGHTSTAND (J16)
13	125904-11-J20	EA	COUNTERTOP - NIGHTSTAND (J17,J20)
13	125904-11-J21	EA	COUNTERTOP - NIGHTSTAND (J21)

BEDROOM GROUP (CONTINUED)
TWIN BEDROOM CABINETS



KEY	PART NUMBER	U/M DESCRIPTION
1	110946-01-G09	EA CABINET - SHIRT CLOSET/RIGHT HAND - W/O DOORS/HARDWARE
	009112-01-000	EA FLANGE - 1" ROD, CLOTHES - PLASTIC - OFF WHITE
	042438-01-000	EA DOWEL-WOOD, CLOTHES ROD - 1" DIAMETER X 4'
2	M08758-59-J15	EA DOOR - MITERED CORNER/OGEE EDGE - 12" X 39.9" - W/O HDW (J15,J16,J17) (FLAT MEDIUM DENSITY FIBERBOARD INSERT)
2	M05992-47-J20	EA DOOR - STRAIGHT CORNER/OGEE EDGE - 12" X 39.9" - W/O HDW (J20,J21) (RAISED WOOD INSERT)
2	M05992-47-K16	EA DOOR - STRAIGHT CORNER/OGEE EDGE - 12" X 39.9" - W/O HDW (J15,J16,J17) (GENERAL TRAILER OPTION)
2	M08758-28-J15	EA DOOR - MITERED CORNER/OGEE EDGE - 12" X 39.9" - W/O HDW (J15,J16,J17) (RAISED MEDIUM DENSITY FIBERBOARD INSERT)
3	116187-01-H17	EA CABINET - OVERHEAD/REAR - W/O DOORS/HARDWARE - TWIN BED
4	M08758-43-J15	EA DOOR - MITERED CORNER/OGEE EDGE - 15.7" X 27.9" - W/O HDW (J15,J16,J17) (FLAT MEDIUM DENSITY FIBERBOARD INSERT)
4	M05992-48-J20	EA DOOR - STRAIGHT CORNER/OGEE EDGE - 15.7" X 27.9" - W/O HDW (J20,J21) (RAISED WOOD INSERT)
4	M05992-48-J15	EA DOOR - STRAIGHT CORNER/OGEE EDGE - 15.7" X 27.9" - W/O HDW (J15,J16,J17) (GENERAL TRAILER OPTION)
4	M08758-01-J05	EA DOOR - MITERED CORNER/OGEE EDGE - 15.7" X 27.9" - W/O HDW (J15,J16,J17) (RAISED MEDIUM DENSITY FIBERBOARD INSERT)
5	126059-11-J15	EA COUNTERTOP - NIGHTSTAND (J15)
5	126059-11-J16	EA COUNTERTOP - NIGHTSTAND (J16)
5	126059-11-J20	EA COUNTERTOP - NIGHTSTAND (J17,J20)
5	126059-11-J21	EA COUNTERTOP - NIGHTSTAND (J21)
6	M05971-EL-J15	EA DRAWER - OGEE EDGE - 15.5"W X 23.6"D - W/O SLIDES/HARDWARE (J15,J16,J17)
6	M05971-EL-J20	EA DRAWER - OGEE EDGE - 15.5"W X 23.6"D - W/O SLIDES/HARDWARE (J20,J21)
7	126059-01-J15	EA CABINET - NIGHTSTAND - W/CTRTP - W/O DRS/DWRS/HDW - F/TWIN (J15)
7	126059-01-J16	EA CABINET - NIGHTSTAND - W/CTRTP - W/O DRS/DWRS/HDW - F/TWIN (J16)
7	126059-01-J20	EA CABINET - NIGHTSTAND - W/CTRTP - W/O DRS/DWRS/HDW - F/TWIN (J17,J20)
7	126059-01-J21	EA CABINET - NIGHTSTAND - W/CTRTP - W/O DRS/DWRS/HDW - F/TWIN (J21)
8	110947-01-G09	EA CABINET - SHIRT CLOSET/LEFT HAND - W/O DOORS/HARDWARE
	009112-01-000	EA FLANGE - 1" ROD, CLOTHES - PLASTIC - OFF WHITE
	042438-01-000	EA DOWEL-WOOD, CLOTHES ROD - 1" DIAMETER X 4'
9	M04170-12-000	EA TOP - TWIN BED/LEFT HAND - W/O HARDWARE
10	P21859-02-J20	EA CABINET - BASE/TWIN BED - LEFT HAND - W/O DOORS/DWRS/HDW
11	M08758-60-J15	EA DOOR - MITERED CORNER/OGEE EDGE - 14.3" X 17.9" - W/O HDW (J15,J16,J17) (FLAT MEDIUM DENSITY FIBERBOARD INSERT)
11	M05992-L2-J20	EA DOOR - STRAIGHT CORNER/OGEE EDGE - 14.3" X 17.9" - W/O HDW (J20,J21) (RAISED WOOD INSERT)
11	M05992-T1-J15	EA DOOR - STRAIGHT CORNER/OGEE EDGE - 14.3" X 17.8" - W/O HDW (J15,J16,J17) (GENERAL TRAILER OPTION)
12	P21860-01-H13	EA CABINET - BASE/TWIN BED - W/O DOORS/DRAWERS/HARDWARE
13	M04170-13-000	EA TOP - TWIN BED/RIGHT HAND - W/O HARDWARE

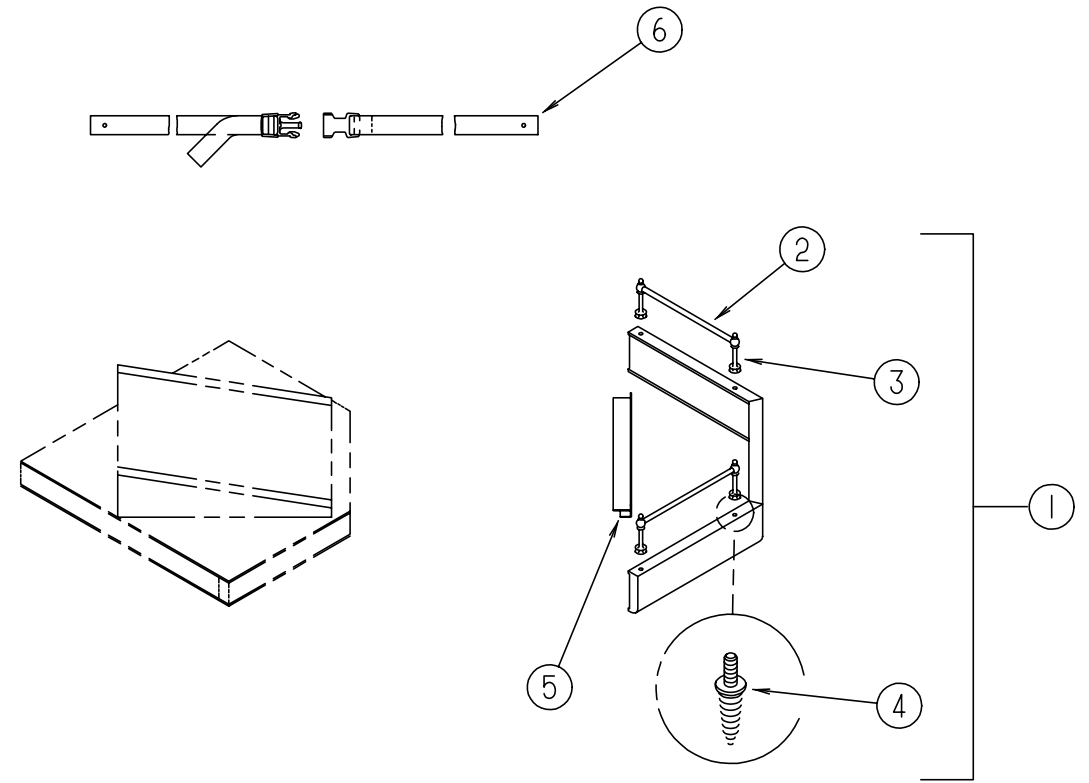
BEDROOM GROUP (CONTINUED)



TV STAND

KEY	PART NUMBER	U/M DESCRIPTION
1	084357-02-H13	EA TV STAND
2	084413-01-000	EA HINGE/CONTINUOUS - ALUMINUM 1" X 72" - W/HOLES
3	084451-01-000	EA CATCH - BRASS
4	084412-01-000	EA SUPPORT/HINGE KIT (LEFT & RIGHT HINGES)
5	084356-08-000	EA INSERT - TV STAND - W/SUPPORT HINGE
5	058331-14-000	EA MIRROR - SAFETY GLASS - 14" X 12.7"

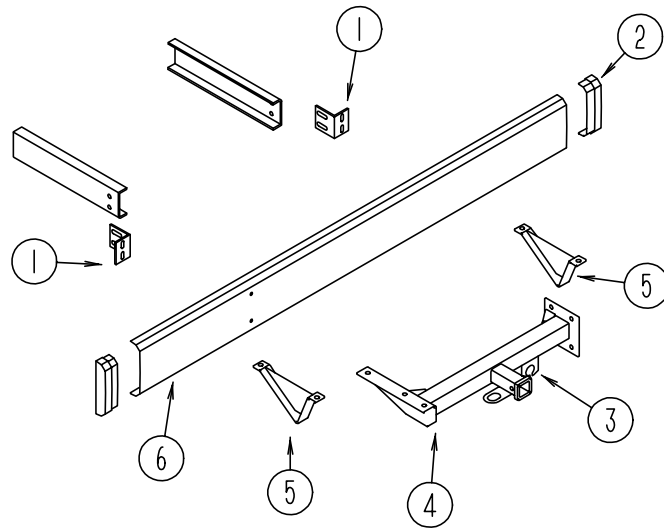
BEDROOM GROUP (CONTINUED)



TV SHELF

KEY	PART NUMBER	U/M DESCRIPTION
1	127376-02-J20	EA CABINET - TV SHELF - LEFT HAND
2	084071-27-000	EA ROD - BRASS - 2.7"
2	084071-19-000	EA ROD - BRASS - 7.09"
	084071-23-000	EA ROD - BRASS - 13.12"
3	084070-03-000	EA POST - END - 2.4" - BRASS
4	106166-01-000	EA BOLT/COLLARED HANGER - 8-32 X 1"
5	103186-01-05A	FT MOLDING - PLASTIC 3/8" U-CHANNEL 3/4" FACE - WATERFORD OAK
6	099717-02-000	EA STRAP - TV TIE DOWN W/29.9" FEMALE STRAP/14.2" MALE STRAP

CHASSIS GROUP



REAR BUMPER, TRAILER HITCH & COMPONENTS

KEY	PART NUMBER	U/M DESCRIPTION
1	104418-07-000	EA ANGLE - BUMPER - REAR SUPPORT
2	103228-01-06A	EA END CAP - REAR BUMPER - DRIVER/PASSENGER - WFF31WQ
2	103228-01-05A	EA END CAP - REAR BUMPER - DRIVER/PASSENGER SIDE - WCF31DQ
3	113588-01-01B	EA BRACKET - CONNECTOR - TRAILER W/LIP - 1999 FORD CHASSIS
3	113588-02-01B	EA BRACKET - CONNECTOR - TRAILER W/O LIP
4	107707-01-000	EA HITCH RECEIVER - BOLT-ON CLASS II - 1997 FORD CHASSIS & CHEVY CHASSIS FROM: 00-00-00 THRU: 05-10-98
4	130339-01-000	EA HITCH RECEIVER - BOLT-ON CLASS II FROM: 05-11-98 THRU: 99-99-99
4	117313-03-04B	EA DRAWBAR - HITCH CLASS III - 1999 FORD CHASSIS
5	111742-01-000	EA PLATE - SKID
6	103099-10-02A	EA BUMPER - REAR
	070579-09-000	EA PLATE - ANCHOR FROM: 00-00-00 THRU: 10-06-97
	113589-02-000	EA CONNECTOR - SOCKET - TRAILER
	113589-01-000	EA CONNECTOR - PLUG - TRAILER

19.5" CHEVY CHROME WHEEL LINERS

KEY	PART NUMBER	U/M DESCRIPTION	VENDOR NO.
	110435-10-000	EA LINER - WHEEL - SET 4 - 19.5"	
	110435-10-700	EA LINER - WHEEL - FRONT - 1 PC	V195P7-FWC
	110435-10-701	EA LINER - WHEEL - REAR - 1 PC.	V195P7-RWC
	110435-10-702	EA JAMB NUT & LUG NUT COVER COMBINATION	V195P7-EJN
	110435-10-703	EA STUD - PLASTIC	V195P7-PST
	110435-10-704	EA NUT - PLASTIC W/STAINLESS STEEL NUT COVER	V195P7-PJN
	110435-10-705	EA TOOL - INSTALLATION	V195P7-TOL

**CHASSIS GROUP (CONTINUED)
16" FORD CHROME WHEEL LINERS**

KEY	PART NUMBER	U/M DESCRIPTION	VENDOR NO.
	110435-08-000	EA LINER - WHEEL SET (SET=4) 16"	
	110435-01-711	EA DECAL-CENTER CAP, 2" DECAL	
	110435-02-702	EA STUD EXTENDER	V160SD-STX
	110435-02-703	EA NUT (JAMB)	V160SD-JNT
	110435-02-704	EA COVER-LUG NUT	V160FO-LNC
	110435-02-705	EA TOOL F/ JAMB NUT, INSTALL.	V160FO-TOL
	110435-08-700	EA LINER-WHEEL, FRONT	V160SD-FWC
	110435-08-701	EA LINER-WHEEL, REAR	V160SD-RWC

19.5" FORD STAINLESS STEEL WHEEL LINERS - 15,500 # CHASSIS - 1999

KEY	PART NUMBER	U/M DESCRIPTION	VENDOR NO.
	110435-14-000	EA LINER - WHEEL SET/4 - 19.5"	
	110435-10-705	EA TOOL - INSTALLATION	V195P7-TOL
	110435-14-700	EA LINER - WHEEL - FRONT	V195F96-FWC
	110435-14-701	EA LINER - WHEEL - REAR	V195F96-RWC
	110435-15-702	EA NUT - JAM - ENCLOSED - 14M	V195F9-EJN
	095012-07-000	EA STABILIZER-VALVE EXTENSION,L	

19.5" FORD STAINLESS STEEL WHEEL LINERS - 18,000 # CHASSIS - 1999

KEY	PART NUMBER	U/M DESCRIPTION	VENDOR NO.
	110435-15-000	EA LINER - WHEEL SET/4 - 19.5"	
	110435-10-705	EA TOOL - INSTALLATION	V195P7-TOL
	110435-15-700	EA LINER - WHEEL - FRONT	V195F9-FWC
	110435-15-701	EA LINER - WHEEL - REAR	V195F9-RWC
	110435-15-702	EA NUT - JAM - ENCLOSED - 14M	V195F9-EJN
	095012-07-000	EA STABILIZER-VALVE EXTENSION,L	

16" FORD WHEEL COVERS - 1997 CHASSIS

KEY	PART NUMBER	U/M DESCRIPTION	VENDOR NO.
	098532-01-000	EA COVER - WHEEL - FORD - 16" - SET OF 4 DICOR SH-SD-16	
	098532-01-700	EA COVER-LUG NUT (CHROME)	SHAU-LNC
	098532-01-701	EA COVER-WHEEL-FRT/REAR 1 ONLY	SH-SD

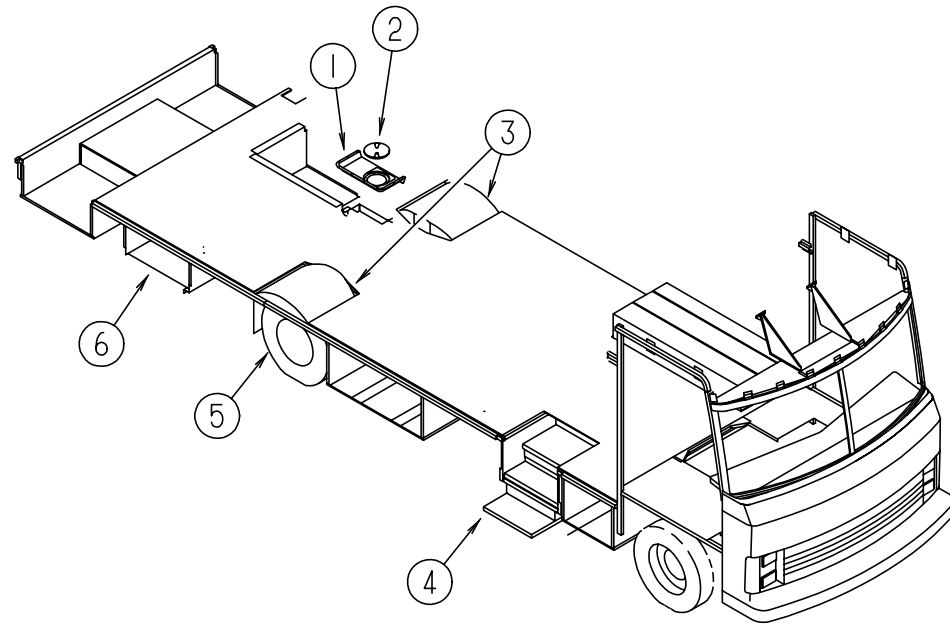
19.5" FORD WHEEL COVERS - 1999 CHASSIS

KEY	PART NUMBER	U/M DESCRIPTION	VENDOR NO.
	109443-07-000	EA WHEEL COVER - 4/SET - 19.5"	
	109443-01-703	EA CAP-CENTER, HUB - DICOR	SHAU95-CAP
	109443-07-700	EA COVER - WHEEL - 8 LUG	SHAF95-COV
	109443-07-701	EA BRACKET SET - FRONT	SHAF95-FBS
	109443-07-702	EA BRACKET SET - REAR	SHAF95-RBS

19.5" CHEVY WHEEL COVERS

KEY	PART NUMBER	U/M DESCRIPTION	VENDOR NO.
	109443-06-000	EA WHEEL - COVER - 4/SET - 19.5"	
	109443-01-700	EA COVER-WHEEL 19.5 FRT/RR EA=1	SHAG95
	109443-01-701	EA BRACKET-RETENTION FRONT	SHAG95-FBS
	109443-01-703	EA CAP-CENTER, HUB - DICOR	SHAU95-CAP
	109443-01-704	EA CLIP-RETAINER	V160GM-PNT
	109443-06-701	EA BRACKET-RETENTION REAR	SHG795-RBS

CHASSIS GROUP (CONTINUED)

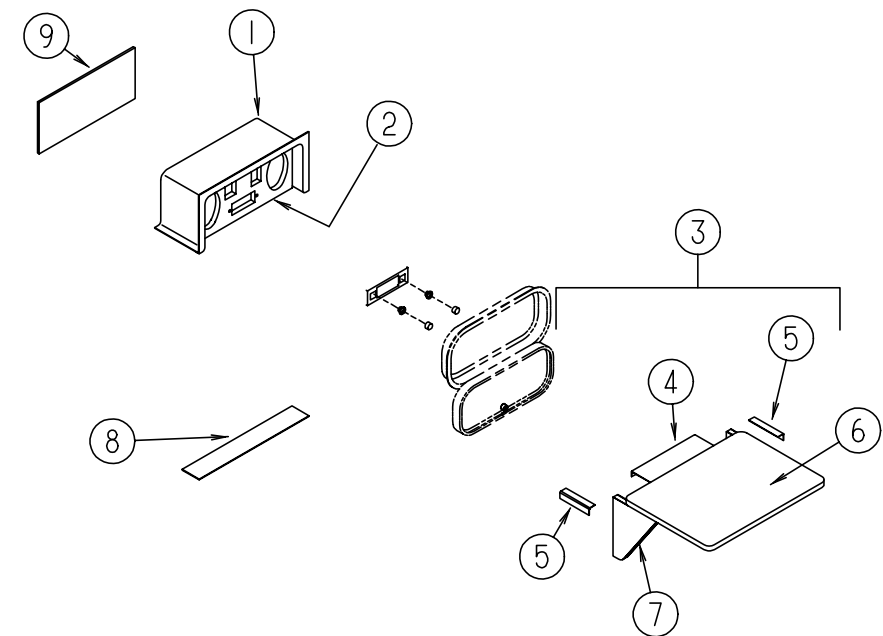


STORAGE COMPARTMENTS & WHEELWELLS

KEY	PART NUMBER	U/M	DESCRIPTION
1	121784-01-01A	EA	COVER - VALVE - DRAINAGE
2	092887-01-000	EA	HATCH/PLATE - 6"ID - BLACK
	092887-04-000	EA	CHAIN - TWIST CAP - 9"
3	125673-01-000	EA	WHEELWELL - PLASTIC
4*	094708-01-01A	EA	STEP - ENTRY DOOR - ELECTRIC - SINGLE - W/O DOOR SWITCH
5	017516-01-000	EA	MUD FLAP - 14" X 18" - BLACK
5	020167-04-000	EA	DIRT GUARD - STEEL - 14.9" LONG - FORD
5	020167-04-000	EA	DIRT GUARD - STEEL - 14.9" LONG - CHEVY
			FROM: 00-00-00 THRU: 01-11-98
5	020167-10-000	EA	DIRT GUARD - STEEL - 22" LONG - CHEVY
			FROM: 01-12-98 THRU: 99-99-99
6	105732-02-000	EA	TRAY - GENERATOR
	065450-05-000	EA	TIEDOWN - BATTERY - 8.4" TUBE
	061420-10-000	EA	PLUG/PLASTIC - 1.50" DIAMETER - BLACK
			FROM: 10-10-97 THRU: 99-99-99

* COMPONENT PARTS FOUND IN SERVICE PARTS LIBRARY

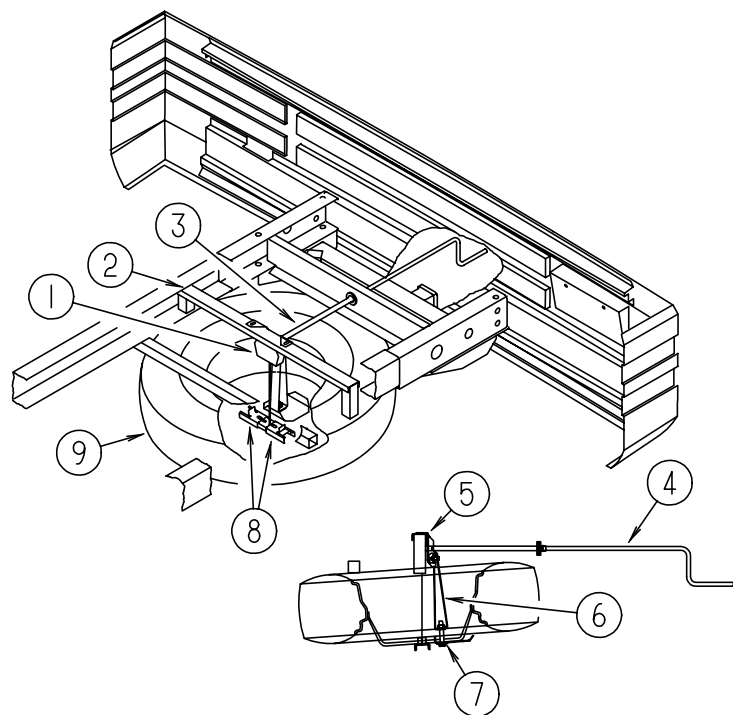
CHASSIS GROUP (CONTINUED)



PATIO ENTERTAINMENT CENTER

KEY	PART NUMBER	U/M	DESCRIPTION
1	124696-01-01A	EA	BOX - ENTERTAINMENT CENTER/EXTERIOR
2	127409-02-J01	EA	PLATE - RADIO MOUNTING
3	105230-01-J18	EA	SHELF - EXTERIOR ENTERTAINMENT CENTER - W/BRKT/HINGE/SUPT
4	105377-01-04A	EA	BRACKET - TABLE HANGER - BRIGHT WHITE
5	105376-01-03A	EA	HINGE - CONTINUOUS - 2" X 5.5" - BRIGHT WHITE
6	105230-11-J01	EA	SHELF - EXTERIOR ENTERTAINMENT CENTER-W/O BRKT/HINGE/SUPT
7	105230-12-J01	EA	SUPPORT - EXTERIOR SHELF
8	104898-01-02A	EA	PLATE - PLASTIC BOTTOM - BRIGHT WHITE
9	104898-02-02A	EA	PLATE - PLASTIC BACK - BRIGHT WHITE

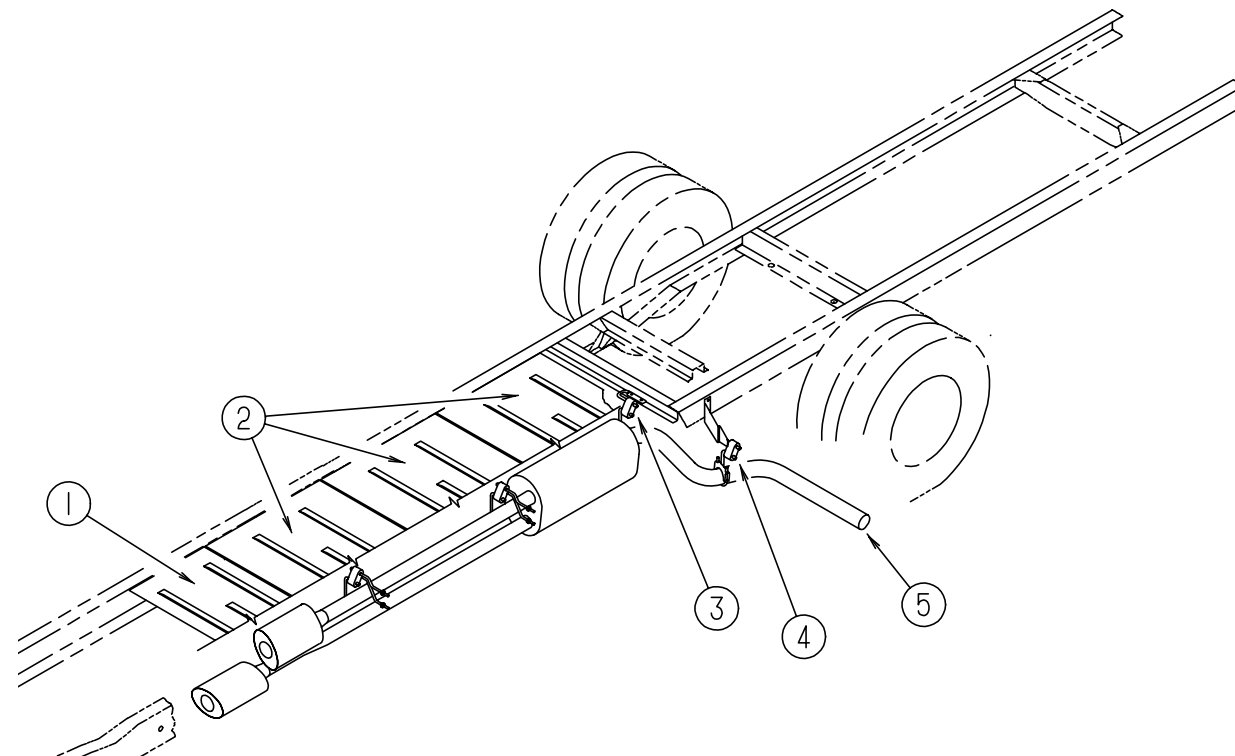
CHASSIS GROUP (CONTINUED)



TIRE HOIST

KEY	PART NUMBER	U/M	DESCRIPTION
1	093267-03-000	EA	HOIST - SPARE TIRE - #100 LB
2	093362-06-000	EA	CHANNEL - TIRE HOIST
3	093375-05-000	EA	EXTENSION - TIRE HOIST
4	093376-02-000	EA	HANDLE - CRANK - TIRE HOIST
	114376-01-000	EA	PIN - DRIVE - .156 X .750 - TYPE E - TIRE HOIST
5	124751-01-02B	EA	HANGER - SPARE TIRE - E-COATED
6	091274-03-000	EA	BOLT-J - 3/8-16 X 12.0
6	129086-01-02B	EA	SUPPORT - SPARE TIRE
			FROM: 00-00-00 THRU: 02-21-98
7	124754-01-02B	EA	CATCH - SPARE TIRE
			FROM: 02-22-98 THRU: 99-99-99
7	129085-01-02B	EA	PLATE - SUPPORT - SPARE TIRE
			FROM: 00-00-00 THRU: 02-21-98
			FROM: 02-22-98 THRU: 99-99-99
8	105499-01-000	EA	BRACKET - TIRE HOIST
9	083425-10-000	EA	TIRE - LT215/85R16 LRE XCH4 - 1997 15,200 # FORD CHASSIS
9	083425-05-000	EA	TIRE - MICHELIN - LT 235/85R16 - LOAD RANGE E - 1997 17,000 # FORD CHASSIS
9	091673-08-000	EA	TIRE - 225/70R - 19.5F - GENERAL - 1999 15,500 #FORD CHASSIS
9	102340-04-000	EA	TIRE - 245/70R - 19.5F - GOODYEAR - 1999 18,000 #FORD CHASSIS
9	091673-01-000	EA	TIRE - 225.70 R19.5 LRF - XZA - CHEVY
9	051377-05-000	EA	VALVE STEM - 1997 FORD CHASSIS
9	051377-04-000	EA	VALVE STEM - .5" X 2" - 1999 FORD CHASSIS
9	051377-01-000	EA	VALVE STEM - CHEVY
9	095853-02-000	EA	WHEEL - STEEL - 16" X 6K - 1997 FORD CHASSIS
9	064963-01-000	EA	WHEEL - STEEL - 19.5" X 6" - GM 14005758 - CHEVY
	077030-02-000	EA	EXTENSION - VALVE STEM - 1.25" - CHROME WHEEL LINERS
	077030-05-000	EA	EXTENSION - VALVE STEM - 95 DEGREE - STAINLESS STEEL WHEEL LINERS
	077030-06-000	EA	EXTENSION - VALVE STEM - 45 DEGREE - STAINLESS STEEL WHEEL LINERS
	095012-10-000	EA	EXTENSION - VALVE STEM - 8.5" - STAINLESS STEEL WHEEL LINERS

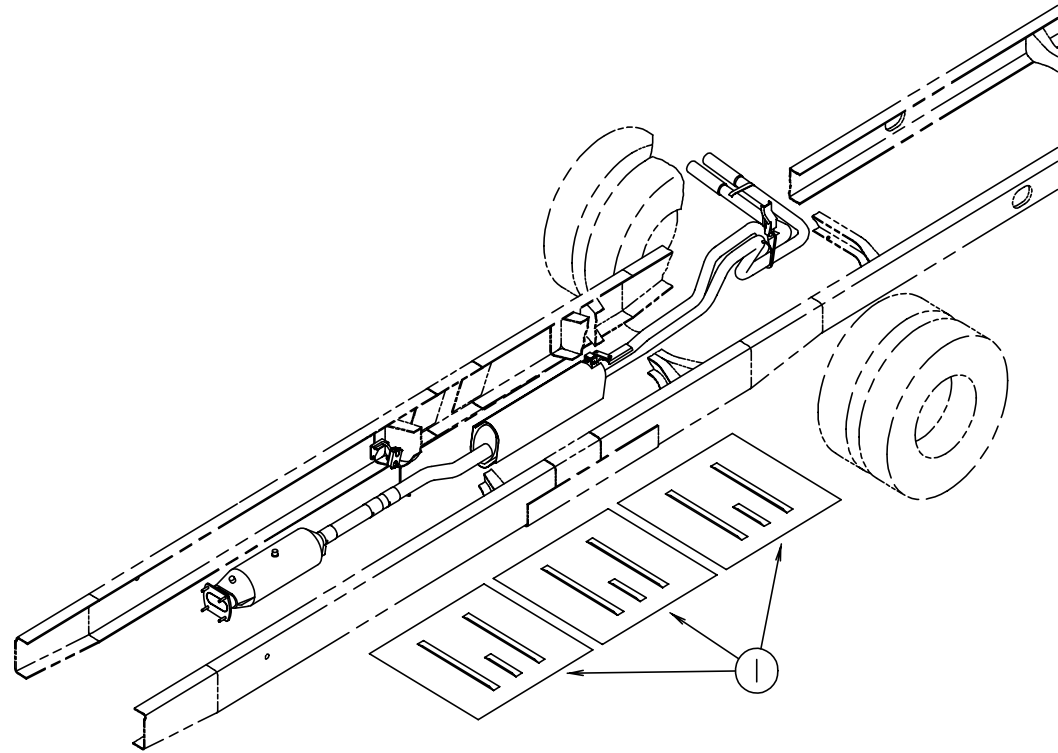
CHASSIS GROUP (CONTINUED)



CHEVY EXHAUST SYSTEM

KEY	PART NUMBER	U/M	DESCRIPTION
1	101544-01-000	EA	SHIELD - HEAT/EXHAUST - 19.7" X 29.1"
2	101544-02-000	EA	SHIELD - HEAT/EXHAUST - 30" X 29.1"
3	122392-01-02B	EA	HANGER - TAILPIPE
4	122392-03-02B	EA	HANGER - TAILPIPE - REAR
5	122529-02-000	EA	PIPE - EXHAUST
	094918-01-000	EA	CLAMP - EXHAUST - 3" - GUILLOTINE STYLE

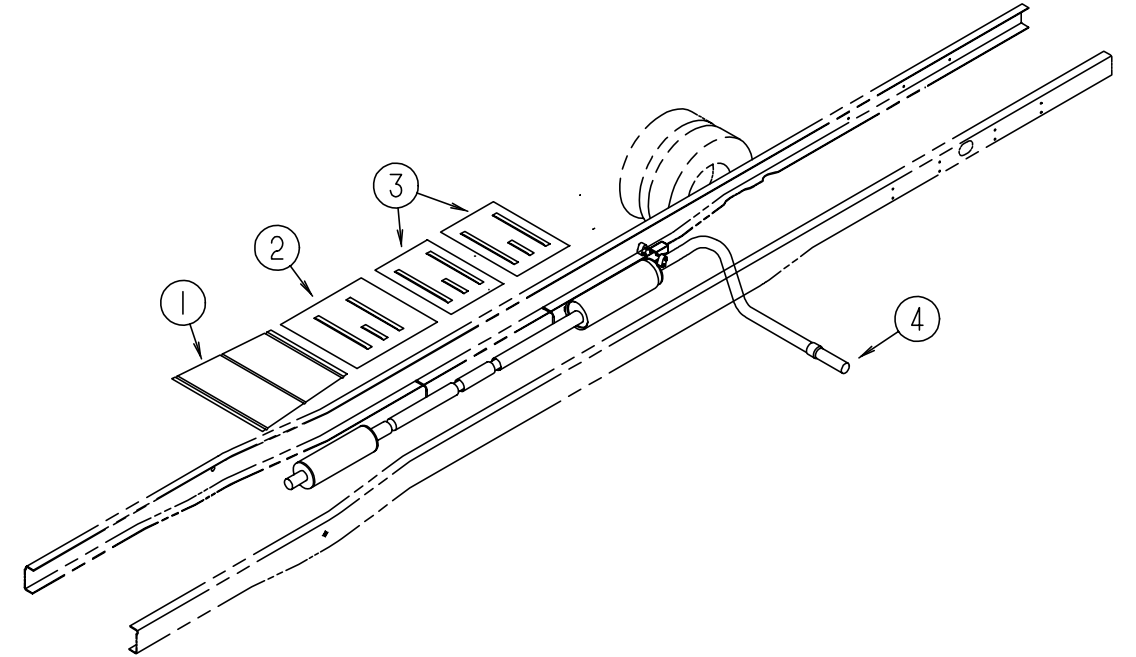
CHASSIS GROUP (CONTINUED)



FORD EXHAUST SYSTEM - 1997 CHASSIS

KEY	PART NUMBER	U/M DESCRIPTION
1	101544-06-000	EA SHIELD - HEAT/EXHAUST - 33.9" X 29.1"

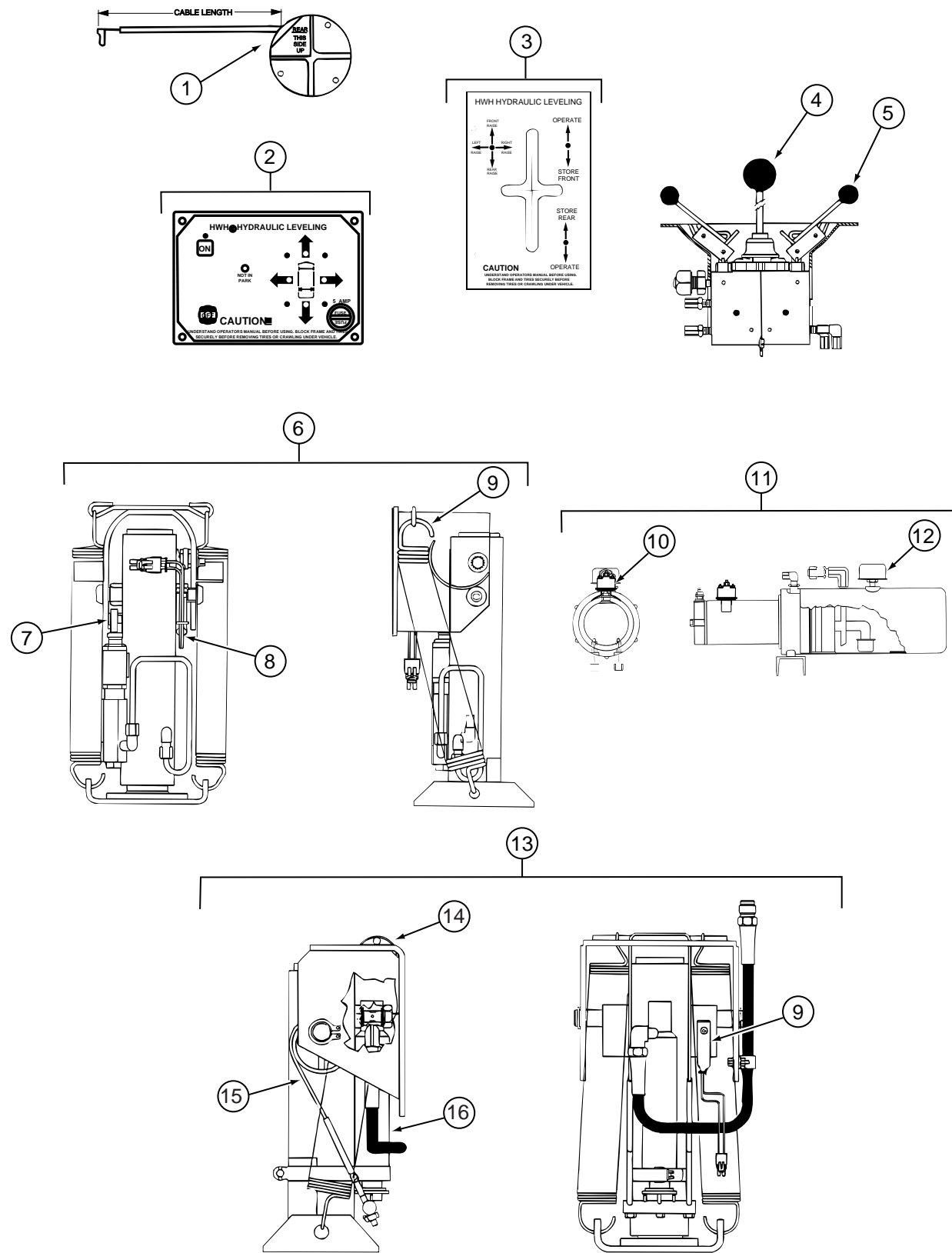
CHASSIS GROUP (CONTINUED)



FORD EXHAUST SYSTEM - 1999 CHASSIS

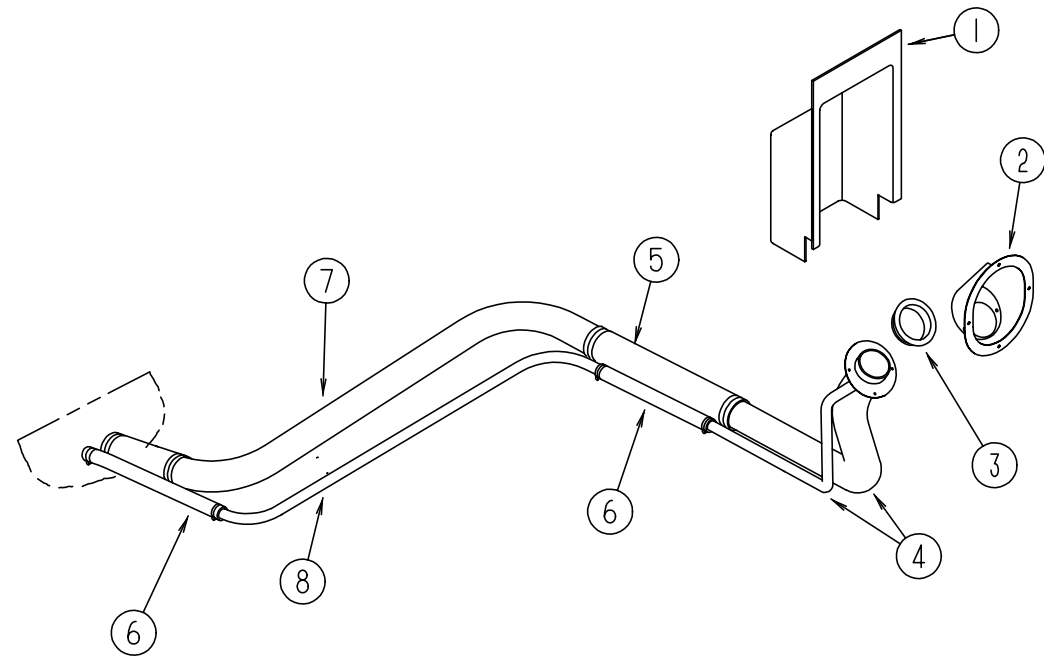
KEY	PART NUMBER	U/M DESCRIPTION
1	128756-01-02B	EA SHIELD - HEAT EXHAUST - E-COATED
2	101544-02-000	EA SHIELD - HEAT/EXHAUST - 30" X 29.1"
3	101544-01-000	EA SHIELD - HEAT/EXHAUST - 19.7" X 29.1"
4	098762-08-000	EA PIPE - EXHAUST/STRAIGHT

CHASSIS GROUP (CONTINUED) LEVELING SYSTEM



KEY	PART NUMBER	U/M DESCRIPTION	VENDOR NO.
	100532-08-000	EA LEVELING SYSTEM - HYDRAULIC - JOYSTICK - HWH	
1	100532-03-710	EA SENSING UNIT 21' MTA	RAP6798
2	100532-08-703	EA PANEL ASM.-200 BI-AXIS SYS.	RAP9755
3	100532-08-707	EA BEZEL W/GASKET, F/SYSTEM 200	RAP9592
4	100532-08-706	EA KNOB-1 3/16" BLACK	RAP9734
5	100532-08-705	EA KNOB-3/4" BLACK, SET OF FOUR	RAP1379
6	100532-08-704	EA JACK ASM.-9K TALL 200 SYS.	RAP7002
7	100532-09-707	EA ACTUATOR ASM.-9K	RAP0547
8	100532-01-704	EA SWITCH - MERCURY -6K/9K JACK	RAP1010
9	100532-01-705	EA SPRING KIT-9K JACK	R1171
10	100532-09-710	EA SOLENOID-INTERMITENT DUTY	RAP0533
11	100532-02-705	EA PUMP/RESERVOIR ASM-MONARCH	RAP8178
12	100532-03-715	EA CAP-BREATHER W/DIPSTICK	RAP7876
13	100532-02-700	EA JACK ASSEMBLY, 6K TALL	RAP7164
14	100532-02-701	EA SPRING KIT-6K JACK	R6824
15	100532-02-704	EA CABLE-ACTUATOR, 6K JACK	RAP7194
16	100532-09-709	EA ACTUATOR ASM.-6K	RAP0448
	100532-01-714	EA SCREW KIT (LEVELING JACKS)	R1280
	100532-08-700	EA POWER UNIT ASM.	AP10470
	100532-08-701	EA CONTROL, BI-AXIS-F/200 SYSTEM	RAP0612
	100532-08-702	EA VALVE, BI-AXIS	RAP9589
	100533-05-000	EA BRACKETS - FRONT LEVELING JACK - CHEVY	
	100533-06-000	EA BRACKETS - FRONT OR REAR LEVELING JACKS - FORD	
	100534-12-000	EA BRACKETS - REAR LEVELING JACKS (KICKDOWN) - CHEVY	
	100536-11-000	EA HOSE KIT - HWH #AP0013 CONTAINS:(FRONTS-60"&116"),(REARS-336"&306"),(PRESSURE & RETURN-BOTH 84")	
	107890-01-000	EA ELBOW - STEEL - 90 D - 1/4 X 37 D - FLARE	
	117183-01-02B	EA COVER - SENSOR - LEVELING	
	120916-01-02B	EA BRACKET - PUMP - LEVELING SYSTEM	
	122309-01-09B	EA SHIELD - LEVELING JACK - GALVANIZED - CHEVY	

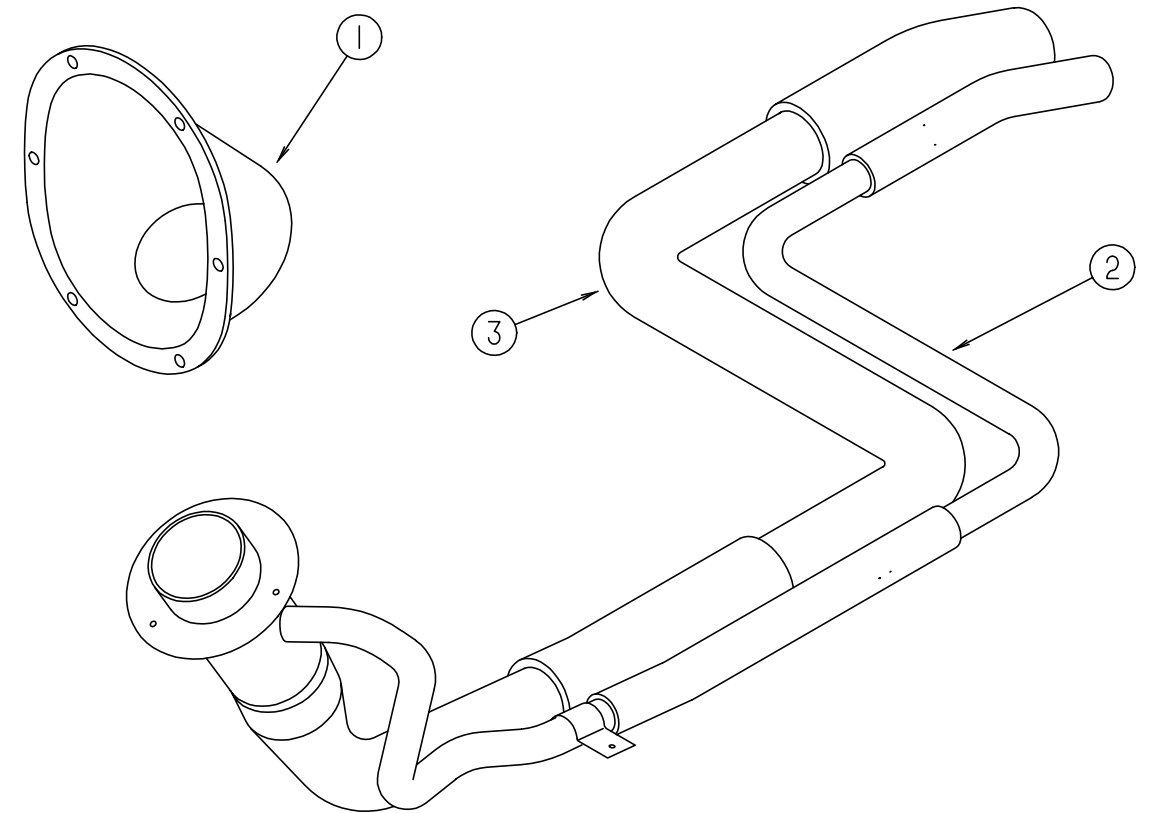
CHASSIS GROUP (CONTINUED)



FORD FUEL SYSTEM - 1997 CHASSIS

KEY	PART NUMBER	U/M	DESCRIPTION
1	072447-04-000	EA	SHROUD - FUEL FILL - UPPER
2	102951-01-06A	EA	SHROUD - FUEL FILL - BRIGHT WHITE
3	078200-01-000	EA	GASKET - FUEL FILL - 3.5" OD X 2" ID
4	095606-01-000	EA	NECK - FUEL FILL - W/CHECK VALVE - L-SHAPERD - 18.2"-FORD
5	007111-02-000	EA	HOSE - FUEL FILL - 2" ID
6	066732-01-000	FT	HOSE - FUEL - .62"ID
7	100140-04-000	EA	TUBE - FUEL INLET
8	100139-03-000	EA	TUBE - FUEL VENT
	007063-01-000	FT	HOSE - FUEL - 1/4"ID X 1/2"OD
	084884-01-000	EA	PLUG - BRASS - 3/8"

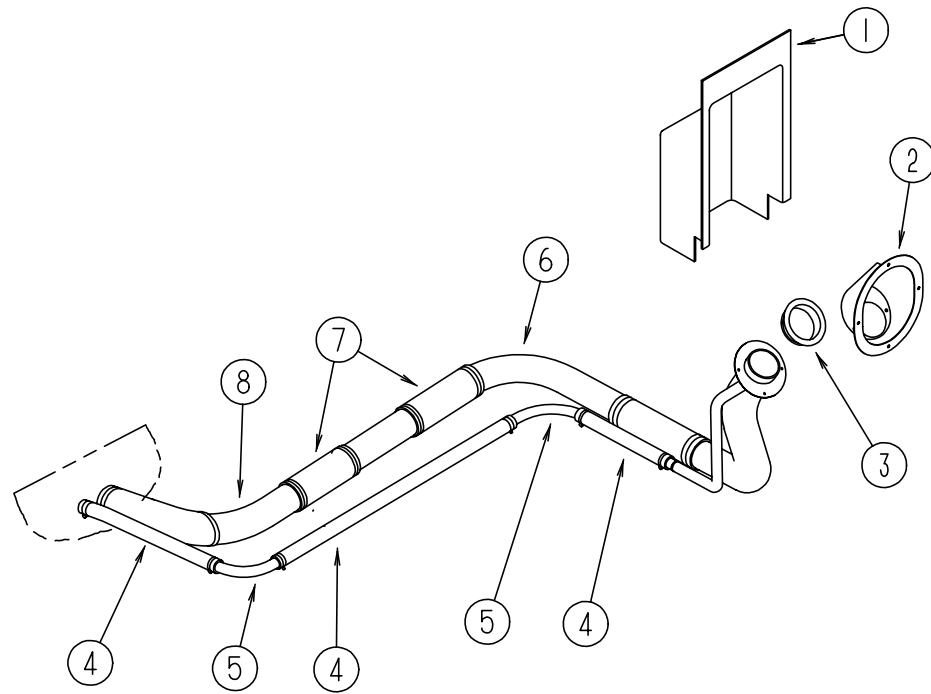
CHASSIS GROUP (CONTINUED)



FORD FUEL SYSTEM - 1999 CHASSIS

KEY	PART NUMBER	U/M	DESCRIPTION
1	127291-01-01A	EA	SHROUD - FUEL FILL - BRIGHT WHITE
2	129320-08-000	EA	PIPE - VENT/FILL
3	129321-08-000	EA	TUBE-FUEL INLET
	007063-01-000	FT	HOSE - FUEL - 1/4"ID X 1/2"OD
	084884-01-000	EA	PLUG - BRASS - 3/8"

CHASSIS GROUP (CONTINUED)



CHASSIS GROUP (CONTINUED) SHOCKS & STABILIZER KIT - FRONT

KEY	PART NUMBER	U/M	DESCRIPTION	VENDOR NO.
	122756-02-000	EA	SHOCK AND STABILIZER (BLUE BOOT) KIT - FRONT END P30 CHASS	
			NOTE: ORDER 70139029000, FOR AFTER MARKET INSTALLATION	
	122756-02-700	EA	BRACKET ASM - DRIVER SIDE	T818L
	122756-02-701	EA	BRACKET ASM - PASSENGER SIDE	T818R
	122756-02-702	EA	BRACKET ONLY - DRIVER SIDE	T818L
	122756-02-703	EA	BRACKET ONLY - PASSENGER SIDE	T818R
	122756-02-704	EA	BOLT PACKAGE -BOLTS/NUTS ETC	T818R
	122756-02-705	EA	SHOCK	T818SH
	122756-02-706	EA	STUD - SHOCK MOUNTING	T818S
	122756-02-707	EA	DAMPNER	T818SD
	122756-02-708	EA	BOOT	T818SDB
	122756-02-709	EA	BUSHING PKG	T818SDBSH
	122756-02-710	EA	BOLT PKG	T818SBS

CHEVY FUEL SYSTEM

KEY	PART NUMBER	U/M	DESCRIPTION
1	072447-09-000	EA	SHROUD - FUEL FILL - 97 CHASSIS
1	072447-04-000	EA	SHROUD - FUEL FILL - UPPER - 98 CHASSIS
2	095854-01-04A	EA	SHROUD - FUEL FILL - BRIGHT WHITE - 97 CHASSIS
2	127291-01-01A	EA	SHROUD - FUEL FILL - BRIGHT WHITE - 98 CHASSIS
3	078200-01-000	EA	GASKET - FUEL FILL - 3.5" OD X 2" ID
4	066732-01-000	FT	HOSE - FUEL - .62"ID - 97 CHASSIS
4	128139-02-000	FT	HOSE - FUEL - LOW PERMEABILITY - 5/8" DIAMETER - 98 CHASSIS
5	098806-01-000	EA	PIPE - FILL VENT - 90 DEGREE BEND - .635 OD - STEEL
6	098803-01-000	EA	PIPE - FUEL FILL - 90 DEGREE BEND - 13.2" - 1 3/4" OD
7	007111-03-000	EA	HOSE - FUEL FILL - 1.75" X 3' - 97 CHASSIS
7	128139-01-000	FT	HOSE - FUEL - LOW PERMEABILITY - 98 CHASSIS
8	098803-02-000	EA	PIPE - FUEL FILL
	084884-01-000	EA	PLUG - BRASS - 3/8"
	007063-01-000	FT	HOSE - FUEL - 1/4"ID X 1/2"OD - 97 CHASSIS
	128139-03-000	FT	HOSE - FUEL - LOW PERMEABILITY - 1/4" DIAMETER - 98 CHASSIS
	068382-06-000	EA	BUSHING - BRASS - 3/8 MPT X 1/8 FPT
	114254-01-000	EA	ADAPTER - 1/4 BARB X 1/8 MPT
	044317-01-000	FT	HOSE - FUEL - 3/8" ID

CHASSIS GROUP (CONTINUED)
LUG WRENCH & LEVERAGE BAR

KEY	PART NUMBER	U/M DESCRIPTION
	080208-02-000	EA BAR - LEVERAGE - LUG WRENCH
	080208-06-000	EA LUG WRENCH - 1" X 1.06" W/DEEP SOCKET ENDS

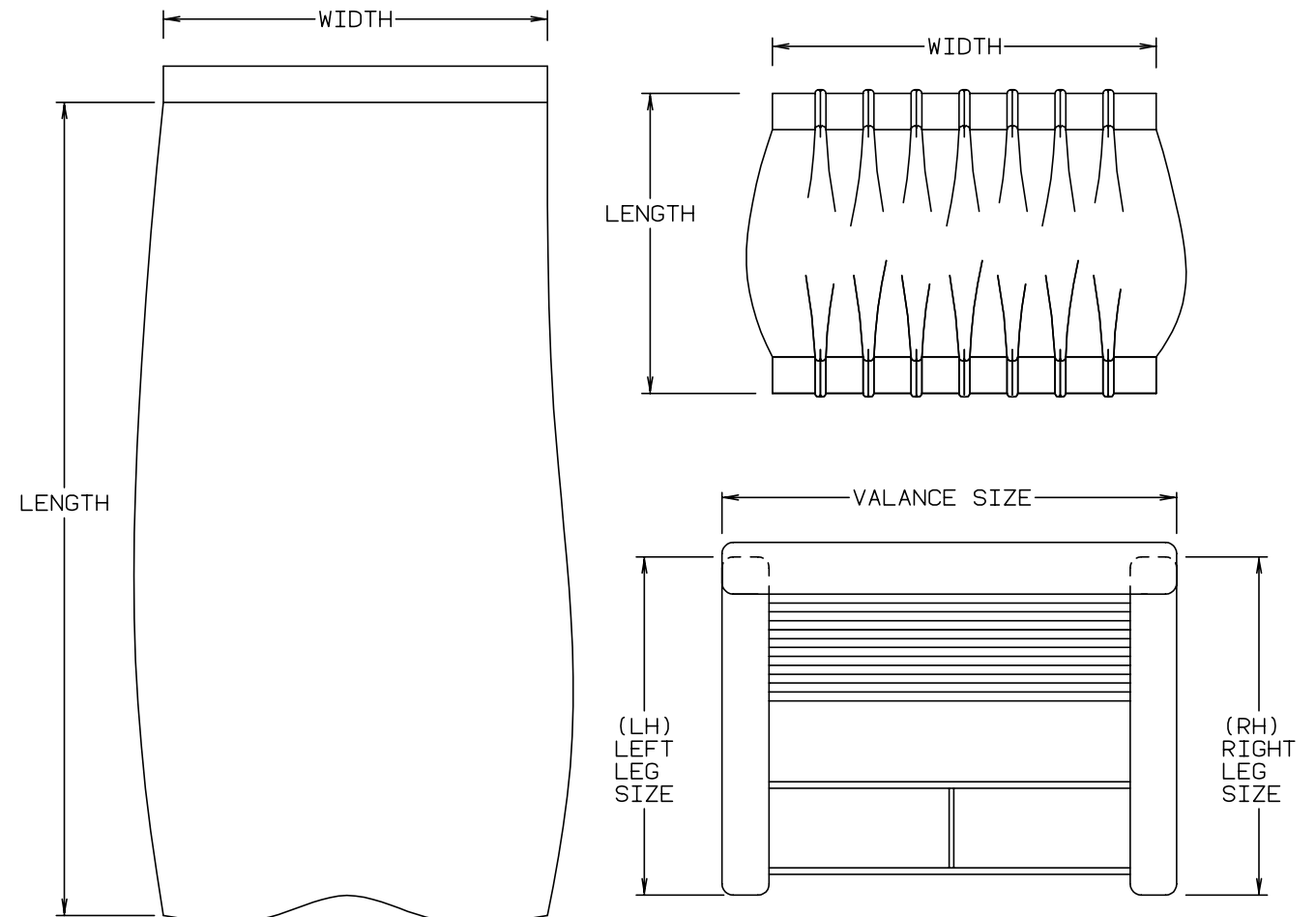
CHASSIS MISCELLANEOUS

KEY	PART NUMBER	U/M DESCRIPTION
	008042-01-000	FT TUBING - VINYL - .65" ID
	075307-03-000	EA SHIELD - HEAT - LP
	113007-01-000	EA PIN - SPRING - .375 X 3"
	123361-01-000	EA DUCT - AIR INTAKE

CURTAIN & CUSHION GROUP
NOTICE

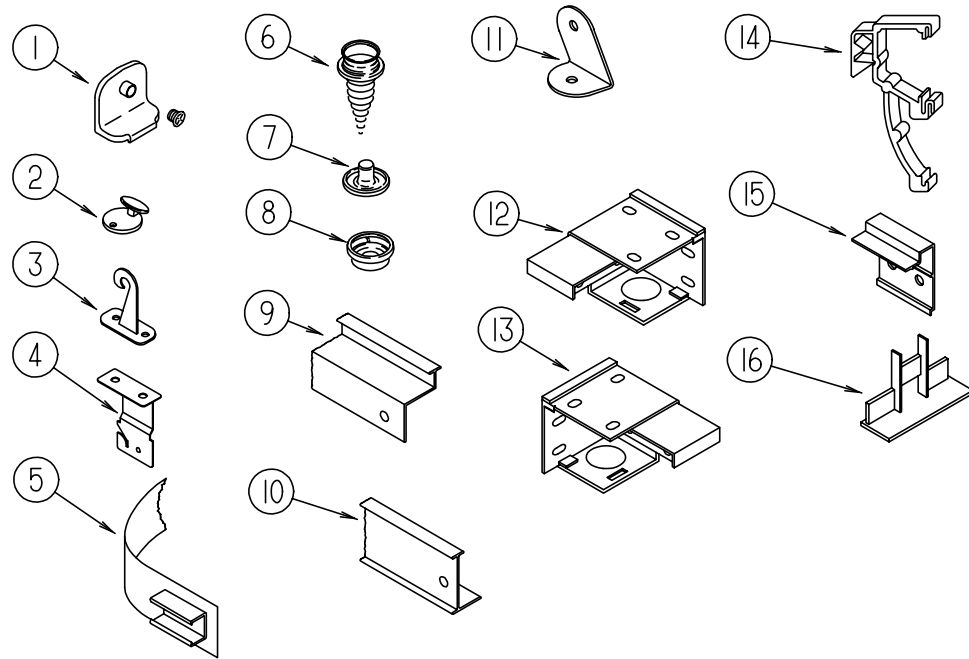
IN ORDER TO ASSIST OUR PARTS SALES DEPT. IN PROVIDING INTERIOR SOFTGOODS ITEMS, PLEASE INCLUDE THE SERIAL NUMBER AND THE COLOR CODE NUMBER FROM THE VEHICLE CERTIFICATION LABEL WHEN ORDERING. THIS LABEL IS LOCATED ON THE LEFT SIDEWALL AT THE END OF THE DASH (A-BODY), OR ON THE DRIVER'S DOOR LATCH PLATE (C-BODY).

AN EXAMPLE OF A COLOR CODE NUMBER IS B07, WHICH DESIGNATES AN OVERALL COLOR SCHEME OF A PARTICULAR UNIT. THE COLOR LISTED AFTER THE ITEM DESCRIPTION ON THE MICROFICHE, INDICATES THE OVERALL UNIT COLOR. ORDER THE ITEM YOU DESIRE ACCORDING TO UNIT COLOR CODE.



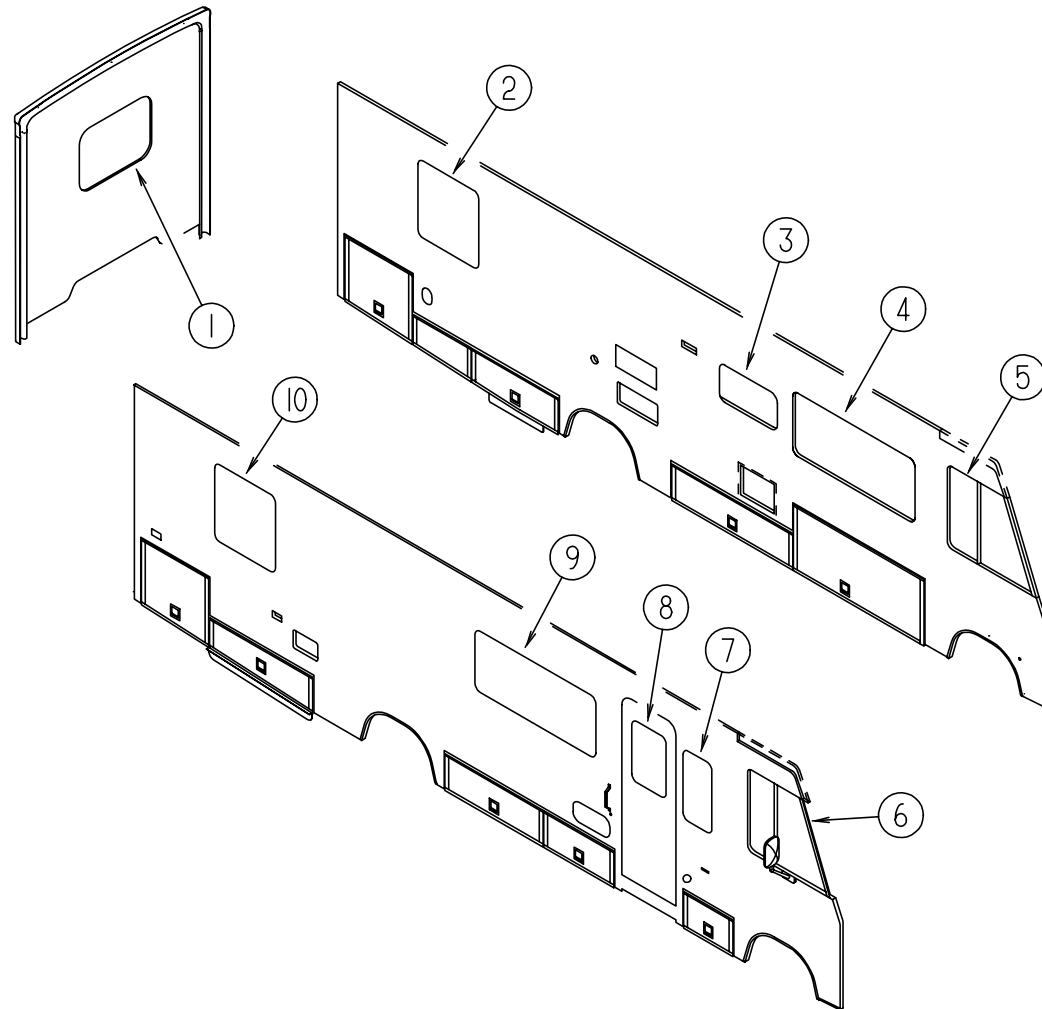
NOTE: USE THIS ILLUSTRATION WHEN DETERMINING LENGTH AND WIDTH MEASUREMENTS FOR CURTAINS. YOU WILL NOTE THE WIDTH MEASUREMENT IS TAKEN ON THE TOP OF THE CURTAIN WITH THE CURTAIN FULLY EXTENDED. THE LENGTH MEASUREMENT IS TAKEN FROM TOP TO BOTTOM. LEFT AND RIGHT WINDOW LEGS ARE DETERMINED WHEN FACING THE WINDOW.

CURTAIN & CUSHION GROUP (CONTINUED)
CURTAIN, BLIND HARDWARE & TRACKS



KEY	PART NUMBER	U/M	DESCRIPTION
1	106544-01-000	EA	PULL - SHADE/BRASS
1	106544-01-001	EA	SCREW - SHADE/BRASS
2	102555-03-000	EA	CLEAT - BLIND CORD - MILKY WHITE PLASTIC
3	109441-03-000	EA	HOLD DOWN - BLIND (CLOUDY)
	109441-02-000	EA	HOLD DOWN-SPACER
4	084434-01-000	EA	BRACKET - MOUNTING - ROLLER SHADE - 1 3/8"
	096843-01-000	EA	SPRING - REWIND/ROLLER SHADE
	086276-01-000	EA	TAPE - DOUBLE SIDED - 1/2"
5	101031-01-000	YD	TAPE - GLIDE/CURTAIN - 4.25" SPACING
6	029130-01-000	EA	SCREW - SNAP SOCKET - #8 PH X 5/8"
6	029130-03-000	EA	SCREW - SNAP SOCKET - #8 PH X 1"
7	029155-01-000	EA	CAP - SNAP - 5/32" OUTSIDE DIAMETER OF PIN
8	029156-01-000	EA	SOCKET - SNAP - 9/16" O.D.
9	127254-07-01A	EA	TRACK - CURTAIN - RIGHT HAND - ANTELOPE - WFF31WQ
9	127254-08-01A	EA	TRACK - CURTAIN - LEFT HAND - ANTELOPE - WFF31WQ
9	127254-05-01A	EA	TRACK - CURTAIN/RIGHT HAND - WCF31DQ
9	127254-06-01A	EA	TRACK - CURTAIN/LEFT HAND - WCF31DQ
9	105450-01-01A	EA	TRACK W/BRACKETS - WRAPAROUND CURTAIN LEFT HAND - 30.8" - BUNK
10	101589-02-C05	EA	TRACK W/BRACKETS - WRAPAROUND CURTAIN RIGHT HAND - 10' - BUNK
11	099205-02-02A	EA	BRACKET - WRAPAROUND
12	083170-01-000	EA	BRACKET - BLIND - LEFT SIDE WHEN FACING WINDOW
13	083170-02-000	EA	BRACKET - BLIND - RIGHT SIDE WHEN FACING WINDOW
14	109353-04-000	EA	CLIP - VALANCE SLAT MOUNTING - CLEAR PLASTIC
15	097565-01-000	EA	BRACKET - MOUNTING/PLEATED BLIND
16	094907-02-000	EA	END CAP - TOP/PLEATED BLIND - PLASTIC - GRAY
	097592-01-000	EA	SPOOL - CORD - ELEVATED BLIND HOLDUP - CLEAR PLASTIC
			FROM: 00-00-00 THRU: 11-23-97
	097592-02-000	EA	BRACKET - HOLDDOWN ADJUSTER
			FROM: 11-24-97 THRU: 99-99-99
	046867-03-000	EA	GROMMET - HANDY BUTTON #3
	056003-01-000	EA	BRACKET - DRAPERY RETAINING - FRONT - METAL
	056003-02-000	EA	BRACKET - DRAPERY RETAINING - REAR - METAL
	083125-07-000	EA	BRACE - COUCH - 2.5"
			USED TO SUPPORT DINETTE PADS & CURTAIN LEGS
	068716-01-001	EA	BRACE - 90 DEGREE L-ANGLE - 16'
	075943-06-000	EA	BRACE-L-SHAPED - 8" LONG - ALUMINUM - BEIGE
	094896-02-000	EA	GROMMET - CORD/PLEATED BLIND - NYLON - GRAY
	094907-04-000	EA	HARDWARE - END CAP BOTTOM - PULL TYPE (RH & LH)
	097564-01-000	EA	HANDLE - KNOB - E-Z LIFT SHADE - SMOKED
			FROM: 00-00-00 THRU: 10-19-97
	097564-03-000	EA	HANDLE - KNOB - E-Z LIFT SHADE - TAN
			FROM: 10-20-97 THRU: 99-99-99
	097564-04-000	EA	HANDLE - KNOB - E-Z LIFT SHADE - NAVY
			FROM: 10-20-97 THRU: 99-99-99
	000G68-06-12B	EA	SCREW - 6-18 X .75 POH
	097591-01-000	EA	SPRING - EXTENSION/PLEATED BLIND
	097593-06-000	FT	CORD - BLIND - PLEATED - PEWTER (J15)
	097593-02-000	FT	CORD - BLIND/PLEATED - GRAY (J16,J17,J20,J21)
	095567-01-000	EA	TACK - STRIP - .5" X 625' ROLL
	105648-01-02A	EA	BRACE - VALANCE - OFF/WHITE - 14"
	074494-05-000	EA	BUTTON - #30 - SINGLE PIVOT
	074494-06-000	EA	BUTTON - #30 - PIVOT

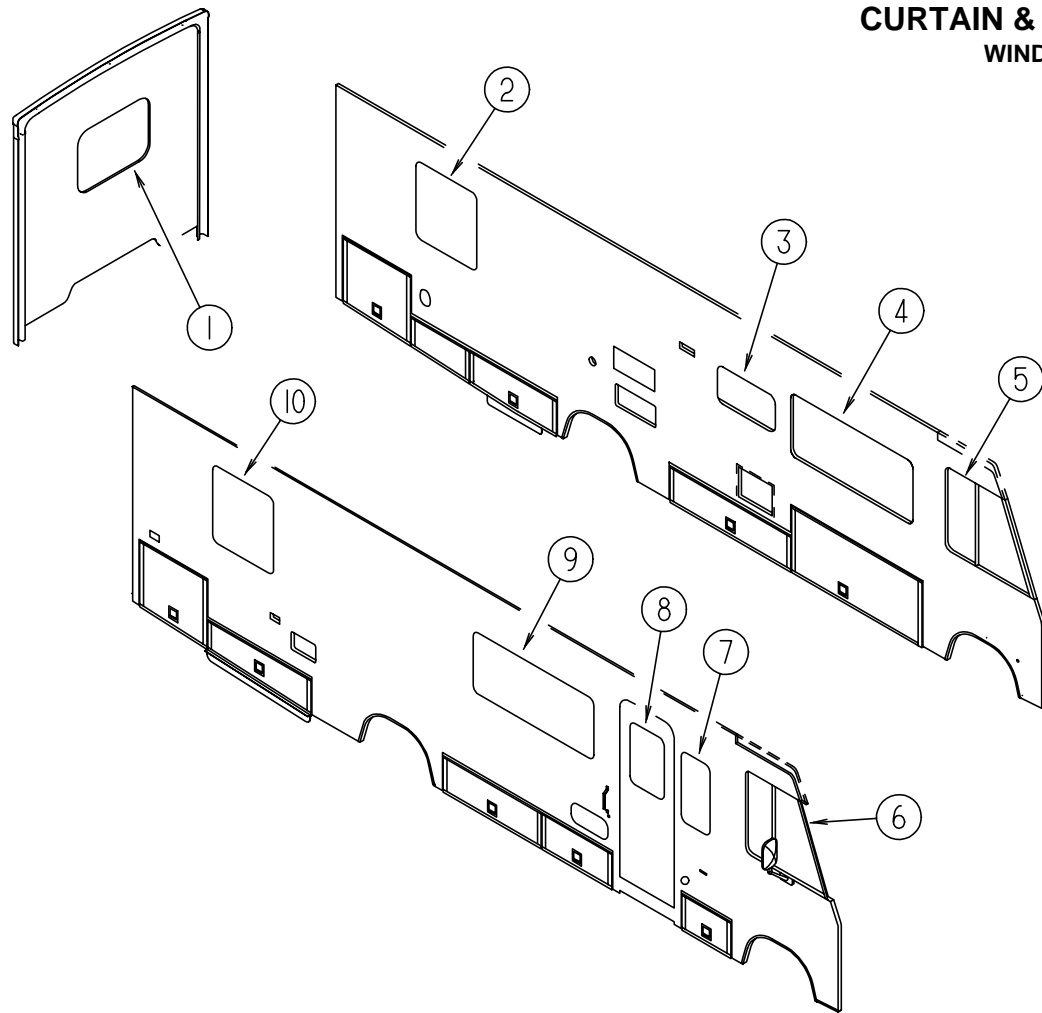
CURTAIN & CUSHION GROUP (CONTINUED)
WINDOW TREATMENT



KEY	PART NUMBER	U/M	DESCRIPTION
1	127060-04-J15	EA	VALANCE - DAVIS - 52"
1	127061-04-J16	EA	VALANCE - DUNE - 52"
1	119263-28-J17	EA	VALANCE - STARBUCK II - 52"
1	126609-04-J20	EA	VALANCE - MONA - 52"
1	126821-04-J21	EA	VALANCE - LAURA - 52"
FROM: 00-00-00 THRU: 08-10-97			
1	121410-58-J21	EA	VALANCE - MODERATE - 53"
FROM: 08-11-97 THRU: 99-99-99			
1	112986-14-J15	EA	CURTAIN - 27.5" X 6" (J15)
1	112986-14-J04	EA	CURTAIN - 27.5" X 6" (J16)
1	112986-14-J17	EA	CURTAIN - 27.5" X 6" (J17)
1	127017-07-J20	EA	LEG - RIGHT - 7.5" X 31"
1	127017-07-J21	EA	LEG - RIGHT - 7.5" X 31"
1	127017-08-J20	EA	LEG - LEFT - 7.5" X 31"
1	127017-08-J21	EA	LEG - LEFT - 7.5" X 31"
1	109041-54-01A	EA	BLIND - MINI - 50" X 27" (J15)
1	109041-54-02A	EA	BLIND - MINI - 50" X 27" (J16,J17)
1	111910-62-J11	EA	BLIND - DAY/NIGHTER - 49" X 27" (J20,J21)
1	111910-62-J10	EA	BLIND - DAY/NIGHTER - 49" X 27" - WINDOW OPTION (J15)
1	111910-62-J11	EA	BLIND - DAY/NIGHTER - 49" X 27" - WINDOW OPTION (J16,J17)

KEY	PART NUMBER	U/M	DESCRIPTION
2	127060-05-J15	EA	VALANCE - DAVIS - 34"
2	127061-05-J16	EA	VALANCE - DUNE - 34"
2	119263-29-J17	EA	VALANCE - STARBUCK II - 34"
2	126609-05-J20	EA	VALANCE - MONA - 34"
2	126821-09-J21	EA	VALANCE - LAURA - 34"
FROM: 00-00-00 THRU: 08-10-97			
2	121410-59-J21	EA	VALANCE - MODERATE - 34"
FROM: 08-11-97 THRU: 99-99-99			
2	112986-13-J15	EA	CURTAIN - 38.5" X 6"
2	112986-13-J16	EA	CURTAIN - 38.5" X 6"
2	112986-13-J17	EA	CURTAIN - 38.5" X 6"
2	127017-09-J20	EA	LEG - RIGHT - 34"
2	127017-09-J21	EA	LEG - RIGHT - 34"
2	127017-10-J20	EA	LEG - LEFT - 34"
2	127017-10-J21	EA	LEG - LEFT - 34"
2	109041-55-01A	EA	BLIND - MINI - 31" X 37" (J15)
2	109041-55-02A	EA	BLIND - MINI - 31" X 37" (J16,J17)
2	111910-58-J20	EA	BLIND - DAY/NIGHTER - 31" X 37" (J20,J21)
2	111910-58-J30	EA	BLIND - DAY/NIGHTER - 31" X 37" - WINDOW OPTION (J15)
2	111910-58-J20	EA	BLIND - DAY/NIGHTER - 31" X 37" - WINDOW OPTION (J16,J17)
3	109041-44-01A	EA	BLIND - MINI - 30.5" X 18" (J15)
3	109041-44-02A	EA	BLIND - MINI - 30.5" X 18" (J16,J17)
3	111861-09-01A	EA	BLIND - MINI - 30.5" X 18" (J20,J21)
3	109353-10-01A	EA	BLIND-SLAT,30.5" (J15)
3	109353-10-02A	EA	BLIND-SLAT, 30.5" (J16,J17)
4	127060-01-J15	EA	VALANCE - DAVIS - 64.5"
4	127061-01-J16	EA	VALANCE - DUNE - 64.5"
4	119263-25-J17	EA	VALANCE - STARBUCK II - 64.5"
4	126609-01-J20	EA	VALANCE - MONA - 64.5"
4	126821-01-J21	EA	VALANCE - LAURA - 64.5"
FROM: 00-00-00 THRU: 08-10-97			
4	121410-44-J21	EA	VALANCE - MODERATE - 64.5"
FROM: 08-11-97 THRU: 99-99-99			
4	127017-11-J15	EA	LEG - RIGHT - 25"
4	127017-11-J16	EA	LEG - RIGHT - 25"
4	127017-11-J17	EA	LEG - RIGHT - 25"
4	127017-01-J20	EA	LEG - RIGHT - 25"
4	127017-01-J21	EA	LEG - RIGHT - 25"
4	127017-12-J15	EA	LEG - LEFT - 25"
4	127017-12-J16	EA	LEG - LEFT - 25"
4	127017-12-J17	EA	LEG - LEFT - 25"
4	127017-02-J20	EA	LEG - LEFT - 25"
4	127017-02-J21	EA	LEG - LEFT - 25"
4	109041-53-01A	EA	BLIND - MINI - 61" X 28.5" (J15)
4	109041-53-02A	EA	BLIND - MINI - 61" X 28.5" (J16,J17)
4	109802-58-J20	EA	BLIND - PLEATED - 61" X 28.5" (J20,J21)
4	111910-57-J30	EA	BLIND - DAY/NIGHTER - 61" X 28.5" - WINDOW OPTION (J15)
4	111910-57-J20	EA	BLIND - DAY/NIGHTER - 61" X 29.5" - WINDOW OPTION (J16,J17,J20,J21)

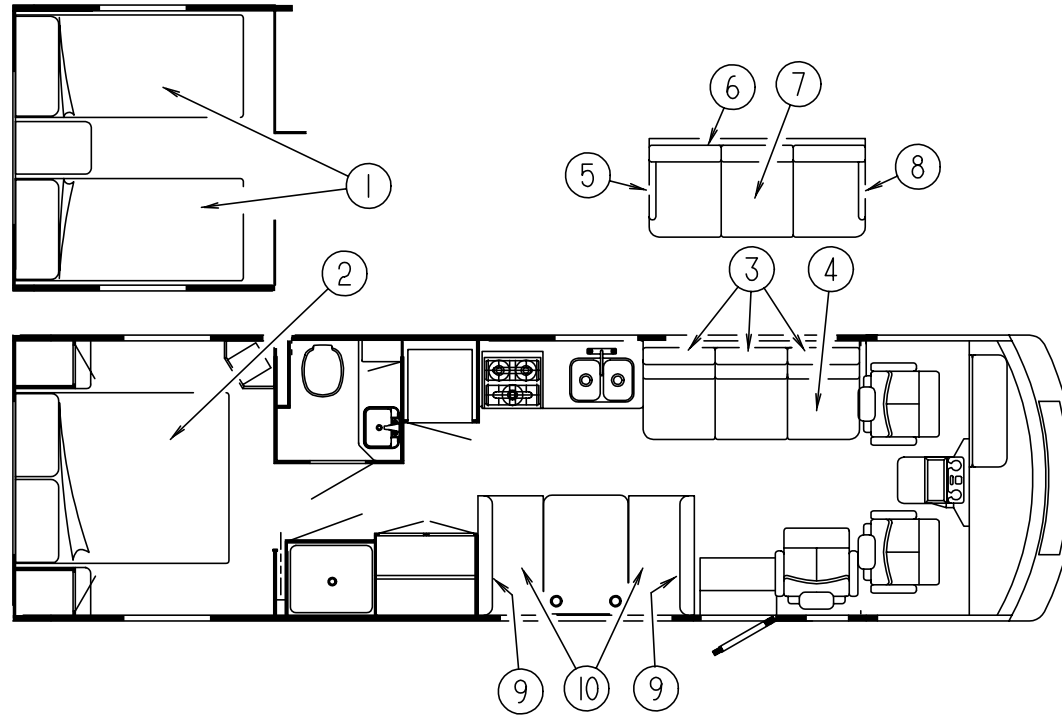
CURTAIN & CUSHION GROUP (CONTINUED)
WINDOW TREATMENT (CONTINUED)



KEY	PART NUMBER	U/M	DESCRIPTION
5	101668-66-J15	EA	CURTAIN - LEFT HAND - 35.5" X 106" (J15,J16,J17)
5	101668-66-J20	EA	CURTAIN - LEFT HAND - 35.5" X 106" (J20,J21)
5	101668-32-D10	EA	CURTAIN - 40" X 40" - BUNK OPTION (J15,J16,J17)
5	126841-03-000	EA	SHADE - PULL - CHARCOAL MESH - 40.25" X 60" (J20,J21) - OPTIONAL
6	101668-65-J15	EA	CURTAIN - RIGHT HAND - 35.5" X 106" (J15,J16,J17)
6	101668-65-J20	EA	CURTAIN - RIGHT HAND - 35.5" X 106" (J20,J21)
6	101668-33-D10	EA	CURTAIN - 38" X 125" - BUNK OPTION (J15,J16,J17)
6	126841-03-000	EA	SHADE - PULL - CHARCOAL MESH - 40.25" X 60" (J20,J21) - OPTIONAL
	073260-42-D10	EA	TIEBACK - 6" X 18" (J15,J16,J17)
	073260-42-C18	EA	TIEBACK - 6" X 18" (J20,J21)
7	127060-02-J15	EA	VALANCE - DAVIS - 17.5"
7	127061-02-J16	EA	VALANCE - DUNE - 17.5"
7	119263-26-J17	EA	VALANCE - STARBUCK II - 17.5"
7	126609-02-J20	EA	VALANCE - MONA - 17.5"
7	126821-02-J21	EA	VALANCE - LAURA - 17.5"
			FROM: 00-00-00 THRU: 08-10-97
7	121410-53-J21	EA	VALANCE - MODERATE - 17.5"
			FROM: 08-11-97 THRU: 99-99-99
7	109041-30-01A	EA	BLIND - MINI - 15.5" X 33" (J15)
7	109041-30-02A	EA	BLIND - MINI - 15.5" X 33" (J16,J17)
7	109802-41-H13	EA	BLIND - PLEATED - 15.5" X 33" (J20,J21)
7	111910-54-J51	EA	BLIND - DAY/NIGHTER - 15.5" X 33" - WINDOW OPTION (J15)
7	111910-54-J20	EA	BLIND - DAY/NIGHTER - 15.5" X 33" - WINDOW OPTION (J16,J17,J20,J21)

KEY	PART NUMBER	U/M	DESCRIPTION
8	127060-03-J15	EA	VALANCE - DAVIS - 12" X 31.75"
8	127061-03-J16	EA	VALANCE - DUNE - 12" X 31.75"
8	119263-27-J17	EA	VALANCE - STARBUCK II - 12" X 31.75"
8	126609-03-J20	EA	VALANCE - MONA - 12" X 21.75"
8	126821-03-J21	EA	VALANCE - LAURA - 12" X 21.75"
			FROM: 00-00-00 THRU: 08-10-97
8	121410-57-J21	EA	VALANCE - MODERATE - 12" X 21.75"
			FROM: 08-11-97 THRU: 99-99-99
8	084755-57-E07	EA	SHADE - PULL - 27.25"
9	127060-01-J15	EA	VALANCE - DAVIS - 64.5" (J15)
9	127061-01-J16	EA	VALANCE - DUNE - 64.5" (J16)
9	119263-25-J17	EA	VALANCE - STARBUCK II - 64.5" (J17)
9	121410-61-J15	EA	VALANCE - MODERATE - 64.5" - COFFEEMAKER
9	121410-61-J16	EA	VALANCE - MODERATE - 64.5" - COFFEEMAKER
9	121410-61-J17	EA	VALANCE - MODERATE - 64.5" - COFFEEMAKER
9	126609-01-J20	EA	VALANCE - MONA - 64.5" (J20)
9	126821-08-J21	EA	VALANCE - LAURA - 64.5" (J21)
			FROM: 00-00-00 THRU: 08-10-97
9	121410-44-J21	EA	VALANCE - MODERATE - 64.5" (J21)
			FROM: 08-11-97 THRU: 99-99-99
9	127017-11-J15	EA	LEG - RIGHT - 25"
9	127017-11-J16	EA	LEG - RIGHT - 25"
9	127017-11-J17	EA	LEG - RIGHT - 25"
9	127017-01-J20	EA	LEG - RIGHT - 25"
9	127017-01-J21	EA	LEG - RIGHT - 25"
9	127017-12-J15	EA	LEG - LEFT - 25"
9	127017-12-J16	EA	LEG - LEFT - 25"
9	127017-12-J17	EA	LEG - LEFT - 25"
9	127017-02-J20	EA	LEG - LEFT - 25"
9	127017-02-J21	EA	LEG - LEFT - 25"
9	109041-53-01A	EA	BLIND - MINI - 61" X 28.5" (J15)
9	109041-53-02A	EA	BLIND - MINI - 61" X 28.5" (J16,J17)
9	109802-58-J20	EA	BLIND - PLEATED - 61" X 28.5" (J20,J21)
9	111910-57-J30	EA	BLIND - DAY/NIGHTER - 61" X 28.5" - WINDOW OPTION (J15)
9	111910-57-J20	EA	BLIND - DAY/NIGHTER - 61" X 29.5" - WINDOW OPTION (J16,J17,J20,J21)
10	127060-05-J15	EA	VALANCE - DAVIS - 34"
10	127061-05-J16	EA	VALANCE - DUNE - 34"
10	119263-29-J17	EA	VALANCE - STARBUCK II - 34"
10	126609-05-J20	EA	VALANCE - MONA - 34"
10	126821-05-J21	EA	VALANCE - LAURA - 34"
			FROM: 00-00-00 THRU: 08-10-97
10	121410-59-J21	EA	VALANCE - MODERATE - 34"
			FROM: 08-11-97 THRU: 99-99-99
10	112986-13-J15	EA	CURTAIN - 38.5" X 6"
10	112986-13-J16	EA	CURTAIN - 38.5" X 6"
10	112986-13-J17	EA	CURTAIN - 38.5" X 6"
10	127017-09-J20	EA	LEG - RIGHT - 34"
10	127017-09-J21	EA	LEG - RIGHT - 34"
10	127017-10-J20	EA	LEG - LEFT - 34"
10	127017-10-J21	EA	LEG - LEFT - 34"
10	109041-55-01A	EA	BLIND - MINI - 31" X 37" (J15)
10	109041-55-02A	EA	BLIND - MINI - 31" X 37" (J16,J17)
10	111910-58-J20	EA	BLIND - DAY/NIGHTER - 31" X 37" (J20,J21)
10	111910-58-J30	EA	BLIND - DAY/NIGHTER - 31" X 37" - WINDOW OPTION (J15)
10	111910-58-J20	EA	BLIND - DAY/NIGHTER - 31" X 37" - WINDOW OPTION (J16,J17)

CURTAIN & CUSHION GROUP (CONTINUED)



TWIN MATTRESSES & BEDSPREADS

KEY	PART NUMBER	U/M DESCRIPTION
1	123015-04-000	EA MATTRESS - INNERSPRING - 36" X 79.5"
1	123471-09-J05	EA BEDSPREAD/THROW - 36" X 80" (J15)
1	123471-09-J16	EA BEDSPREAD/THROW - 36" X 80" (J16)
1	123471-09-J17	EA BEDSPREAD/THROW - 36" X 80" (J17)
1	123471-24-J20	EA BEDSPREAD/THROW - 36" X 80" (J20)
1	123471-24-J21	EA BEDSPREAD/THROW - 36" X 80" (J21)
	111863-16-J15	EA SHAM - PILLOW - 22" X 37"
	111863-16-J16	EA SHAM - PILLOW - 22" X 37"
	111863-16-J17	EA SHAM - PILLOW - 22" X 37"
	104565-14-J20	EA SHAM - PILLOW - 22" X 37"
	104565-14-J21	EA SHAM - PILLOW - 22" X 37"
	124773-02-J20	EA PILLOW - 14" X 17"
	124773-02-J21	EA PILLOW - 14" X 17"

QUEEN MATTRESS & BEDSPREAD

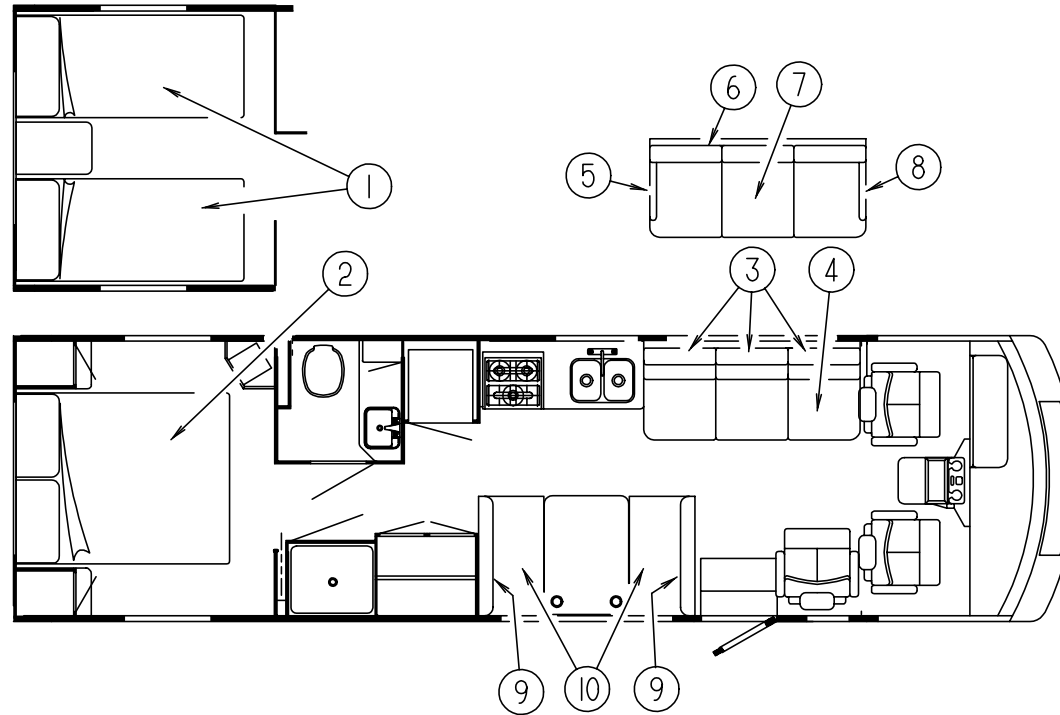
KEY	PART NUMBER	U/M DESCRIPTION
2	123015-06-000	EA MATTRESS - INNERSPRING - 60" X 74.5"
2	123471-08-J05	EA BEDSPREAD/THROW - 60" X 75" (J15)
2	123471-08-J04	EA BEDSPREAD/THROW - 60" X 75" (J16)
2	123471-08-J17	EA BEDSPREAD/THROW - 60" X 75" (J17)
2	123471-11-J20	EA BEDSPREAD/THROW - 60" X 75" (J20)
2	123471-11-J21	EA BEDSPREAD/THROW - 60" X 75" (J21)
	111863-15-J15	EA PILLOW SHAM - 20" X 33"
	111863-15-J16	EA PILLOW SHAM - 20" X 33"
	111863-15-J17	EA PILLOW SHAM - 20" X 33"
	104565-13-J20	EA PILLOW SHAM - 20" X 33"
	104565-13-J21	EA PILLOW SHAM - 20" X 33"
	124773-02-J20	EA PILLOW - 14" X 17"
	124773-02-J21	EA PILLOW - 14" X 17"

SOFA/BED

KEY	PART NUMBER	U/M DESCRIPTION
3	111319-01-J05	EA BACK - SOFA/BED - W/FRAME - 74" (J15)
3	111319-01-J04	EA BACK - SOFA/BED - W/FRAME - 74" (J16)
3	111319-01-J17	EA BACK - SOFA/BED - W/FRAME - 74" (J17)
	P11319-01-J05	EA COVER - BACK - SOFA/BED - 74" (J15)
	P11319-01-J04	EA COVER - BACK - SOFA/BED - 74" (J16)
	P11319-01-J17	EA COVER - BACK - SOFA/BED - 74" (J17)
	101085-10-000	EA FRAME - BACK - SOFA/BED - 74.75" X 16"
4	100032-43-J05	EA SEAT - SOFA/BED W/FRAME - 74" - W/O ARMS (J15)
4	100032-43-J04	EA SEAT - SOFA/BED W/FRAME - 74" - W/O ARMS (J16)
4	100032-43-J17	EA SEAT - SOFA/BED W/FRAME - 74" - W/O ARMS (J17)
	P00032-43-J05	EA COVER - SEAT - SOFA/BED - 74" - NO ARMS (J15)
	P00032-43-J04	EA COVER - SEAT - SOFA/BED - 74" - NO ARMS (J16)
	P00032-43-J17	EA COVER - SEAT - SOFA/BED - 74" - NO ARMS (J17)
	101085-04-000	EA FRAME - SEAT - SOFA/BED - 74.75"
	101085-06-000	EA FRAME - BASE - SOFA/BED - 74.75"
		THIS FRAME IS PART OF THE SEAT & BACK - IF THEY ARE ALREADY ON ORDER, DO NOT ORDER THIS PART
	111637-15-J15	EA PILLOW - 14" X 14"
	111637-15-J16	EA PILLOW - 14" X 14"
	111637-15-J17	EA PILLOW - 14" X 14"

NOTE: COUCH FRONT AND SIDE PANELS ARE FOUND IN THE LOUNGE GROUP

CURTAIN & CUSHION GROUP (CONTINUED)



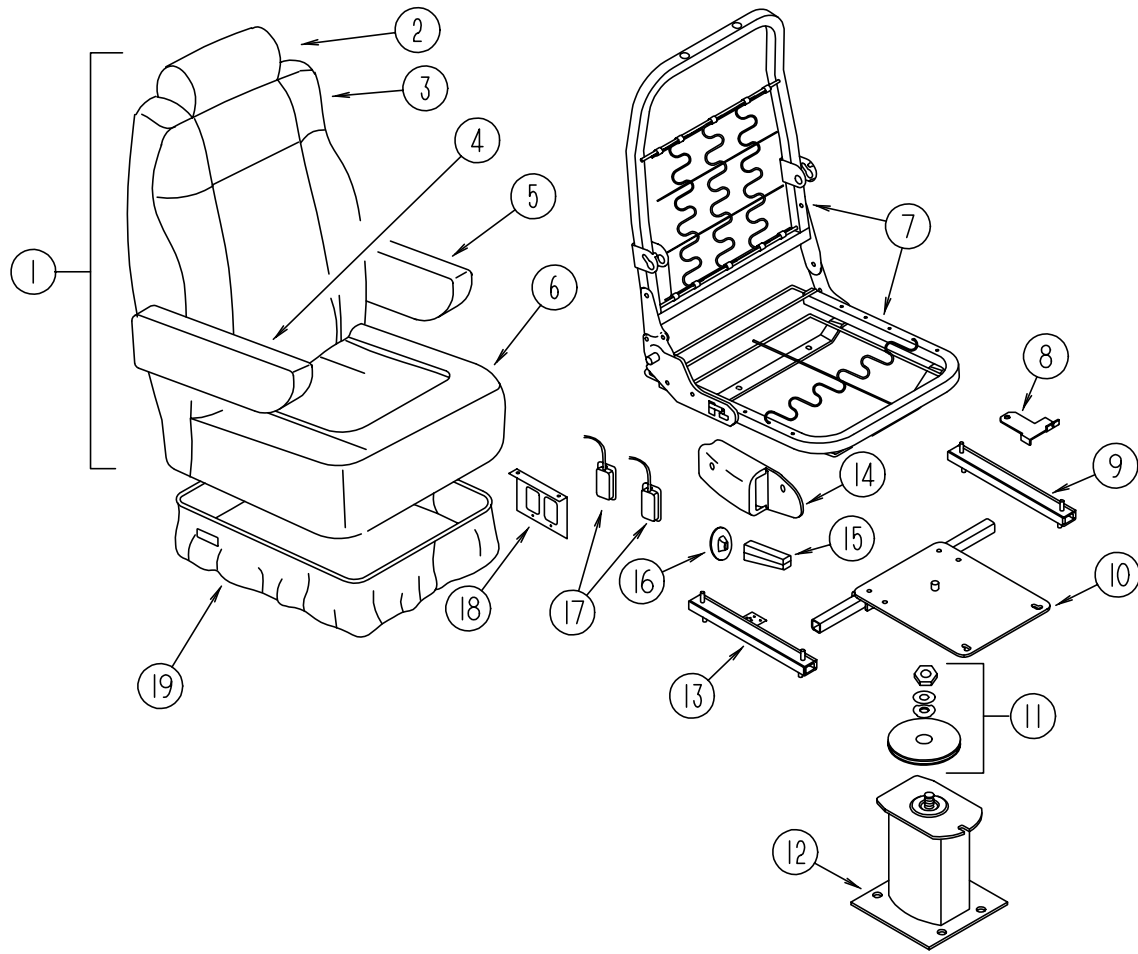
DINETTE CUSHIONS

KEY	PART NUMBER	U/M DESCRIPTION
9	111897-05-J15	EA CUSHION - BACK - 13.5" X 42" X 5"
9	111897-05-J16	EA CUSHION - BACK - 13.5" X 42" X 5"
9	111897-05-J17	EA CUSHION - BACK - 13.5" X 42" X 5"
9	111897-05-J20	EA CUSHION - BACK - 13.5" X 42" X 5"
9	111897-05-J21	EA CUSHION - BACK - 13.5" X 42" X 5"
	P11897-05-J15	EA COVER - BACK - 13.5" X 42" X 5"
	P11897-05-J16	EA COVER - BACK - 13.5" X 42" X 5"
	P11897-05-J17	EA COVER - BACK - 13.5" X 42" X 5"
	P11897-05-J20	EA COVER - BACK - 13.5" X 42" X 5"
	P11897-05-J21	EA COVER - BACK - 13.5" X 42" X 5"
10	105603-15-J15	EA CUSHION - SEAT - 23" X 42" X 5"
10	105603-15-J16	EA CUSHION - SEAT - 23" X 42" X 5"
10	105603-15-J17	EA CUSHION - SEAT - 23" X 42" X 5"
10	105603-15-J20	EA CUSHION - SEAT - 23" X 42" X 5"
10	105603-15-J21	EA CUSHION - SEAT - 23" X 42" X 5"
	P05603-15-J15	EA COVER - SEAT - 23" X 42" X 5"
	P05603-15-J16	EA COVER - SEAT - 23" X 42" X 5"
	P05603-15-J17	EA COVER - SEAT - 23" X 42" X 5"
	P05603-15-J20	EA COVER - SEAT - 23" X 42" X 5"
	P05603-15-J21	EA COVER - SEAT - 23" X 42" X 5"

BUNK CUSHION

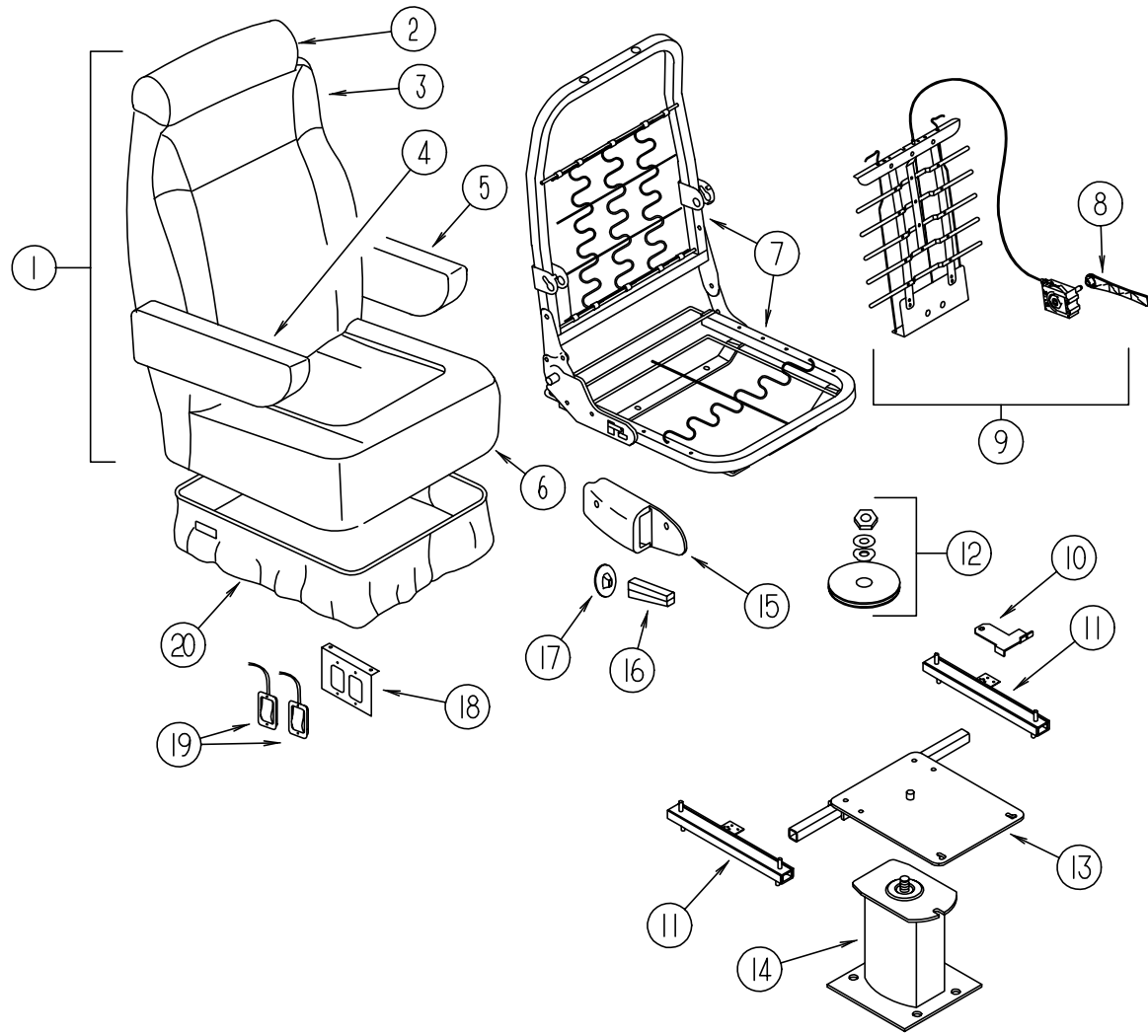
KEY	PART NUMBER	U/M DESCRIPTION
	079145-11-000	EA CUSHION - BUNK - 34" X 83"
	M79145-11-000	EA COVER - 34" X 83" X 4"

CURTAIN & CUSHION GROUP (CONTINUED)
LOUNGE SWIVEL CHAIR



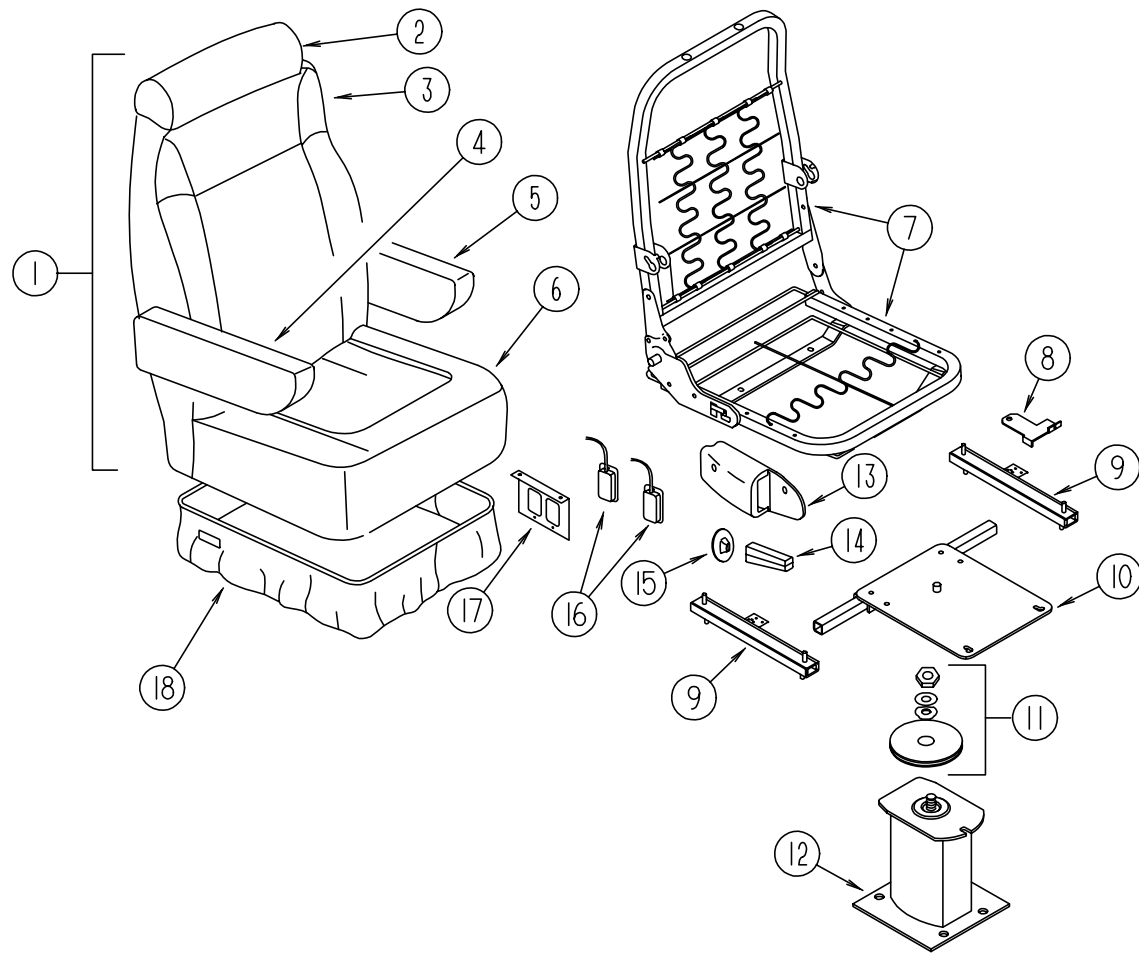
KEY	PART NUMBER	U/M	DESCRIPTION
1	127540-05-J15	EA	SEAT - BUCKET - WIDE - MANUAL RECLINING
1	127540-05-J16	EA	SEAT - BUCKET - WIDE - MANUAL RECLINING
1	127540-04-J17	EA	SEAT - BUCKET - WIDE - MANUAL RECLINING
2	127601-01-J15	EA	HEADREST
2	127601-01-J16	EA	HEADREST
2	127601-01-J17	EA	HEADREST
	P27601-01-J15	EA	COVER - HEADREST
	P27601-01-J16	EA	COVER - HEADREST
	P27601-01-J17	EA	COVER - HEADREST
3	M05962-65-J15	EA	COVER - BACK - WIDE
3	M05962-65-J16	EA	COVER - BACK - WIDE
3	M05962-67-J17	EA	COVER - BACK - WIDE
4	122780-01-J05	EA	ARMREST - RIGHT HAND (J15)
4	122780-01-H24	EA	ARMREST - RIGHT HAND (J16)
4	122780-01-J17	EA	ARMREST - RIGHT HAND (J17)
	P22780-01-J05	EA	COVER - ARMREST - RIGHT HAND (J15)
	P22780-01-H24	EA	COVER - ARMREST - RIGHT HAND (J16)
	P22780-01-J17	EA	COVER - ARMREST - RIGHT HAND (J17)
	115617-03-000	EA	ARMREST - W/O COVER - RIGHT HAND
5	122780-02-H3A	EA	ARMREST - LEFT HAND (J15)
5	122780-02-H24	EA	ARMREST - LEFT HAND (J16)
5	122780-02-J17	EA	ARMREST - LEFT HAND (J17)
	P22780-02-H3A	EA	COVER - ARMREST - LEFT HAND (J15)
	P22780-02-H24	EA	COVER - ARMREST - LEFT HAND (J16)
	P22780-02-J17	EA	COVER - ARMREST - LEFT HAND (J17)
	115617-04-000	EA	ARMREST - W/O COVER - LEFT HAND
6	M05962-66-J15	EA	COVER - SEAT - WIDE (J15)
6	M05962-66-J16	EA	COVER - SEAT - WIDE (J16)
6	M05962-68-J17	EA	COVER - SEAT - WIDE (J17)
7	122695-01-01B	EA	FRAME - SEAT/BACK
	081212-02-000	EA	CLIP - BACK SPRING
8	117125-01-02B	EA	BRACKET - CABLE MOUNT - ADJUSTER W/LOCK
9	119952-02-000	EA	SLIDE/SEAT - HEAVY DUTY NON LOCKING
	119952-07-000	EA	WIRE - LATCH RELEASE/ROTARY
10	107921-05-000	EA	PLATE - TOP - W/SEAT BELT BAR
11	107921-06-000	EA	BEARING KIT - PEDESTAL
12	107921-01-000	EA	PEDESTAL/FLOOR MOUNTED - W/9.75" EXTENSION
13	119952-06-000	EA	SLIDE/SEAT - HEAVY DUTY LOCKING - 4 STUDS
			FROM: 00-00-00 THRU: 11-02-97
13	119952-04-000	EA	SLIDE/SEAT - HEAVY DUTY LOCKING - 4 STUDS
			FROM: 11-03-97 THRU: 99-99-99
14	080730-09-000	EA	SHIELD - RECLINER HANDLE
15	080730-08-000	EA	HANDLE - RECLINER
16	080730-11-000	EA	SHIELD - RUBBER BOOT
17	108049-04-000	EA	CABLE - W/SWITCHES - W/26" MINI LEVER ACTION
	108049-02-000	EA	CLIP - CABLE/PEDESTAL
18	127159-02-02B	EA	BRACKET - SEAT RELEASE - REMOTE
19	071126-66-J15	EA	SKIRT - BUCKET/LARGE
19	071126-66-J16	EA	SKIRT - BUCKET/LARGE
19	071126-66-J17	EA	SKIRT - BUCKET/LARGE
	108445-02-000	EA	PLATE/FLOOR MOUNTED - PEDESTAL SEAT

CURTAIN & CUSHION GROUP (CONTINUED)
DRIVER BUCKET SEAT W/LUMBAR



KEY	PART NUMBER	U/M	DESCRIPTION	VENDOR NO.
1	127540-01-J20	EA	SEAT - BUCKET - DRIVER	
1	127540-01-J21	EA	SEAT - BUCKET - DRIVER	
2	119509-01-H30	EA	HEADREST - BUCKET SEAT (J20)	
2	119509-01-J21	EA	HEADREST - BUCKET SEAT (J21)	
	P19509-01-H30	EA	COVER - HEADREST (J20)	
	P19509-01-J21	EA	COVER - HEADREST (J21)	
	113977-12-000	EA	HEADREST INSERT - W/O LOCK	
	113977-13-000	EA	HEADREST INSERT - W/LOCK	
3	M05962-71-J20	EA	COVER - BACK - WIDE	
3	M05962-71-J21	EA	COVER - BACK - WIDE	
4	122780-01-H30	EA	ARMREST - RIGHT HAND (J20)	
4	122780-01-J21	EA	ARMREST - RIGHT HAND (J21)	
	P22780-01-H30	EA	COVER - ARMREST - RIGHT HAND (J20)	
	P22780-01-J21	EA	COVER - ARMREST - RIGHT HAND (J21)	
	115617-03-000	EA	ARMREST - W/O COVER - RIGHT HAND	
5	122780-02-H30	EA	ARMREST - LEFT HAND (J20)	
5	122780-02-J21	EA	ARMREST - LEFT HAND (J21)	
	P22780-02-H30	EA	COVER - ARMREST - LEFT HAND (J20)	
	P22780-02-J21	EA	COVER - ARMREST - LEFT HAND (J21)	
	115617-04-000	EA	ARMREST - W/O COVER - LEFT HAND	
6	M05962-40-H17	EA	COVER - SEAT (J20)	
6	M05962-40-J21	EA	COVER - SEAT (J21)	
7	122695-01-01B	EA	FRAME - SEAT/BACK	
8	122611-02-701	EA	LUMBAR-LEVER	412
9	122611-02-000	EA	LUMBAR - W/LEVER	
10	117125-01-02B	EA	BRACKET - CABLE MOUNT - ADJUSTER W/LOCK	
11	119952-06-000	EA	SLIDE/SEAT - HEAVY DUTY LOCKING - 4 STUDS	
			FROM: 00-00-00 THRU: 11-02-97	
11	119952-04-000	EA	SLIDE/SEAT - HEAVY DUTY LOCKING - 4 STUDS	
			FROM: 11-03-97 THRU: 99-99-99	
12	107921-06-000	EA	BEARING KIT - PEDESTAL	
13	107921-05-000	EA	PLATE - TOP - W/SEAT BELT BAR	
14	107921-01-000	EA	PEDESTAL/FLOOR MOUNTED - W/9.75" EXTENSION	
15	080730-09-000	EA	SHIELD - RECLINER HANDLE	
16	080730-08-000	EA	HANDLE - RECLINER	
17	080730-11-000	EA	SHIELD - RUBBER BOOT	
18	127159-02-02B	EA	BRACKET - SEAT RELEASE - REMOTE	
19	108049-04-000	EA	CABLE - W/SWITCHES - W/26" MINI LEVER ACTION	
	108049-02-000	EA	CLIP - CABLE/PEDESTAL	
20	071126-58-H17	EA	SKIRT - SINGLE 10.5" - W/SEAT BELT SLOT (J20)	
20	071126-58-J21	EA	SKIRT - SINGLE 10.5" - W/SEAT BELT SLOT (J21)	

CURTAIN & CUSHION GROUP (CONTINUED)
BUCKET SEAT W/O LUMBAR



KEY	PART NUMBER	U/M DESCRIPTION
1	127540-02-J15	EA SEAT - BUCKET - WIDE - DRIVER/PASSENGER
1	127540-02-J16	EA SEAT - BUCKET - WIDE - DRIVER/PASSENGER
1	127540-03-J17	EA SEAT - BUCKET - WIDE - MANUAL RECLINING
1	127540-02-J20	EA SEAT - BUCKET - WIDE - DRIVER/PASSENGER
1	127540-02-J21	EA SEAT - BUCKET - WIDE - DRIVER/PASSENGER
2	119509-01-H3A	EA HEADREST - BUCKET SEAT (J15)
2	119509-01-H23	EA HEADREST - BUCKET SEAT (J16)
2	119509-01-J17	EA HEADREST - BUCKET SEAT (J17)
2	119509-01-H30	EA HEADREST - BUCKET SEAT (J20)
2	119509-01-J21	EA HEADREST - BUCKET SEAT (J21)
	P19509-01-H3A	EA COVER - HEADREST (J15)
	P19509-01-H23	EA COVER - HEADREST (J16)
	P19509-01-J17	EA COVER - HEADREST (J17)
	P19509-01-H30	EA COVER - HEADREST (J20)
	P19509-01-J21	EA COVER - HEADREST (J21)
	113977-12-000	EA HEADREST INSERT - W/O LOCK
	113977-13-000	EA HEADREST INSERT - W/LOCK

KEY	PART NUMBER	U/M DESCRIPTION
3	M05962-71-J15	EA COVER - BACK - WIDE
3	M05962-71-J16	EA COVER - BACK - WIDE
3	M05962-63-J17	EA COVER - BACK - WIDE
3	M05962-71-J20	EA COVER - BACK - WIDE
3	M05962-71-J21	EA COVER - BACK - WIDE
4	122780-01-H3A	EA ARMREST - RIGHT HAND (J15)
4	122780-01-H23	EA ARMREST - RIGHT HAND (J16)
4	122780-01-J17	EA ARMREST - RIGHT HAND (J17)
4	122780-01-H30	EA ARMREST - RIGHT HAND (J20)
4	122780-01-J21	EA ARMREST - RIGHT HAND (J21)
	P22780-01-H3A	EA COVER - ARMREST - RIGHT HAND (J15)
	P22780-01-H23	EA COVER - ARMREST - RIGHT HAND (J16)
	P22780-01-J17	EA COVER - ARMREST - RIGHT HAND (J17)
	P22780-01-H30	EA COVER - ARMREST - RIGHT HAND (J20)
	P22780-01-J21	EA COVER - ARMREST - RIGHT HAND (J21)
	115617-03-000	EA ARMREST - W/O COVER - RIGHT HAND
5	122780-02-H3A	EA ARMREST - LEFT HAND (J15)
5	122780-02-H23	EA ARMREST - LEFT HAND (J16)
5	122780-02-J17	EA ARMREST - LEFT HAND (J17)
5	122780-02-H30	EA ARMREST - LEFT HAND (J20)
5	122780-02-J21	EA ARMREST - LEFT HAND (J21)
	P22780-02-H3A	EA COVER - ARMREST - LEFT HAND (J15)
	P22780-02-H23	EA COVER - ARMREST - LEFT HAND (J16)
	P22780-02-J17	EA COVER - ARMREST - LEFT HAND (J17)
	P22780-02-H30	EA COVER - ARMREST - LEFT HAND (J20)
	P22780-02-J21	EA COVER - ARMREST - LEFT HAND (J21)
	115617-04-000	EA ARMREST - W/O COVER - LEFT HAND
6	M05962-40-H3A	EA COVER - SEAT (J15)
6	M05962-40-J16	EA COVER - SEAT (J16)
6	M05962-64-J17	EA COVER - SEAT (J17)
6	M05962-40-H17	EA COVER - SEAT (J20)
6	M05962-40-J21	EA COVER - SEAT (J21)
7	122695-01-01B	EA FRAME - SEAT/BACK
	081212-02-000	EA CLIP - BACK SPRING
8	117125-01-02B	EA BRACKET - CABLE MOUNT - ADJUSTER W/LOCK
9	119952-06-000	EA SLIDE/SEAT - HEAVY DUTY LOCKING - 4 STUDS
		FROM: 00-00-00 THRU: 11-02-97
9	119952-04-000	EA SLIDE/SEAT - HEAVY DUTY LOCKING - 4 STUDS
		FROM: 11-03-97 THRU: 99-99-99
	119952-07-000	EA WIRE - LATCH RELEASE/ROTARY
10	107921-05-000	EA PLATE - TOP - W/SEAT BELT BAR
11	107921-06-000	EA BEARING KIT - PEDESTAL
12	107921-01-000	EA PEDESTAL/FLOOR MOUNTED - W/9.75" EXTENSION
13	080730-09-000	EA SHIELD - RECLINER HANDLE
14	080730-08-000	EA HANDLE - RECLINER
15	080730-11-000	EA SHIELD - RUBBER BOOT
16	108049-04-000	EA CABLE - W/SWITCHES - W/26" MINI LEVER ACTION
	108049-02-000	EA CLIP - CABLE/PEDESTAL
17	127159-02-02B	EA BRACKET - SEAT RELEASE - REMOTE
18	071126-58-H3A	EA SKIRT - SINGLE - SEAT BELT SLOT (J15)
18	071126-58-H54	EA SKIRT - SINGLE - SEAT BELT SLOT (J16)
18	071126-58-J17	EA SKIRT - SINGLE - SEAT BELT SLOT (J17)
18	071126-58-H17	EA SKIRT - SINGLE - SEAT BELT SLOT (J20)
18	071126-58-J21	EA SKIRT - SINGLE - SEAT BELT SLOT (J21)

CURTAIN & CUSHION GROUP (CONTINUED)
BUTTON, TRIM, ASSIST HANDLE & SEAT BELT

KEY	PART NUMBER	U/M DESCRIPTION
	070578-13-J74	EA BUTTON - #30 (J20)
	070578-13-J21	EA BUTTON - #30 (J21)
	079349-04-H3A	YD WELT - NARROW (J15)
	079349-04-H54	YD WELT - NARROW (J16)
	079349-04-J17	YD WELT - NARROW (J17)
	079349-04-H17	YD WELT - NARROW (J20)
	079349-04-J21	YD WELT - NARROW (J21)
	084415-70-000	YD TRIM - BRAID - CORD (J20)
	084415-66-000	YD TRIM - BRAID - CORD (J21)
	007021-01-000	EA SEAT BELT - 2" X 90" - BLACK
	056271-02-000	EA BELT - SEAT - 2" X 72" - BLACK
	069178-02-000	EA BRACKET - MOUNTING/ASSIST HANDLE - GRAY
	053552-02-AA8	EA HANDLE - ASSIST - INTERIOR/ENTRY DOOR - VINYL/OFF WHITE
	057534-01-000	EA TIEBACK/TIEDOWN - 6" CLEAR PLASTIC

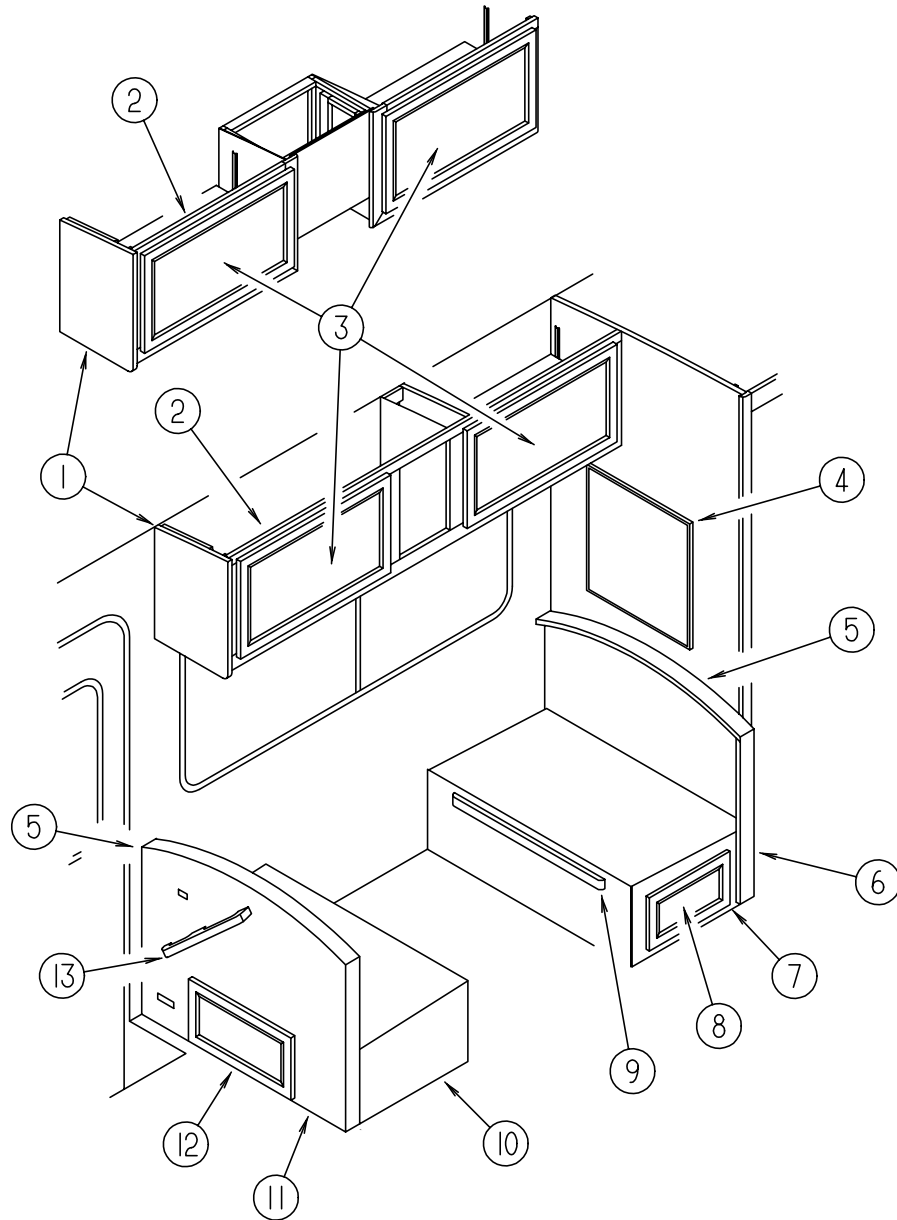
CURTAIN & CUSHION GROUP (CONTINUED)

BRAVE FABRIC

COLOR CODES	J15	J16	J17
	MONACO (BLUE)	DUNE (TAN)	BAYBERRY (GREEN)
CEILING MATERIAL	113979-01-01A	113979-01-01A	113979-01-01A
BUNK VINYL	089351-03-000	089351-03-000	089351-03-000
MADRID VINYL	103907-01-01A	103907-01-01A	103907-01-01A
ALLANTE ANTELOPE VINYL	103907-01-07A 103907-02-07A 103907-03-07A	103907-01-07A 103907-02-07A 103907-03-07A	103907-01-07A 103907-02-07A 103907-03-07A
DRAPERY LINING	087272-03-000	087272-03-000	087272-03-000
BUCKET SEATS	108446-S9-000	108446-R2-000	108446-U9-000 108446-U8-000
SLIDEOUT TRIM WINGS	108446-S2-000	108446-R7-000	108446-U0-000
DINETTE	108446-S2-000	108446-R7-000	108446-U0-000
DINETTE PADS	108446-S9-000	108446-R2-000	108446-U9-000
SOFA	108446-S2-000	108446-R7-000	108446-U0-000
SOFA PILLOWS	108446-S9-000	108446-R2-000	108446-U8-000
SWIVEL CHAIR	108446-S9-000	108446-R2-000	108446-U9-000 108446-U8-000
LOUNGE WINDOWS	108446-S9-000 108446-S2-000	108446-R2-000 108446-R7-000	108446-U8-000 108446-U0-000
BEDROOM WINDOWS	105745-G4-000 105745-E3-000	105745-G0-000 105745-B5-000	105745-B3-000 105745-45-000 105745-E9-000
BEDSPREAD	105745-G4-000	105745-G0-000	105745-B3-000
PILLOW SHAMS	105745-G4-000 105745-E3-000	105745-G0-000 105745-B5-000	105745-E9-000 105745-45-000
HEADBOARD	105745-G4-000 105745-E3-000	105745-G0-000 105745-B5-000	105745-E9-000 105745-45-000
BEDROOM PILLOWS			
FRONT WRAP AROUND	072333-82-000	072333-82-000	072333-82-000
LOUNGE CABINET INSERTS	108446-S9-000	108446-R2-000	108446-U8-000
BEDROOM CABINET INSERTS	105745-E3-000	105745-B5-000	105745-45-000
MAP POCKETS	108446-S9-000	108446-R2-000	108446-U9-000

NOTE: FABRIC LISTED FIRST, IN A BLOCK, IS THE LARGEST QUANTITY OF FABRIC USED.

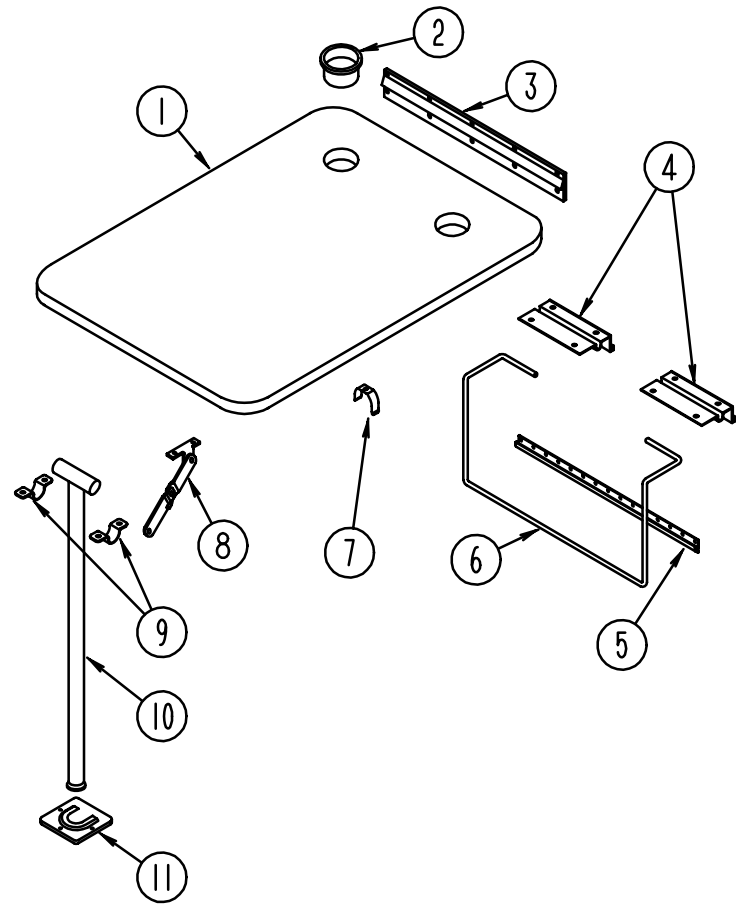
DINETTE GROUP
DINETTE CABINETRY



KEY	PART NUMBER	U/M	DESCRIPTION
1	103128-02-G09	EA	END CAP - OVERHEAD CABINET - LEFT HAND
2	117902-10-J15	EA	CABINET - OVERHEAD/DINETTE - W/O DOORS/HARDWARE
2	117902-10-J16	EA	CABINET - OVERHEAD/DINETTE - W/O DOORS/HARDWARE
2	117902-10-J17	EA	CABINET - OVERHEAD/DINETTE - W/O DOORS/HARDWARE
2	117902-10-J20	EA	CABINET - OVERHEAD/DINETTE - W/O DOORS/HARDWARE
2	117902-10-J21	EA	CABINET - OVERHEAD/DINETTE - W/O DOORS/HARDWARE

KEY	PART NUMBER	U/M	DESCRIPTION
2	117902-09-J20	EA	CABINET - OVERHEAD/DINETTE - W/O DOORS/HARDWARE DELUXE SOUND SYSTEM OPTION
2	117902-09-J21	EA	CABINET - OVERHEAD/DINETTE - W/O DOORS/HARDWARE DELUXE SOUND SYSTEM OPTION
	117902-14-G09	EA	SHELF - W/PLASTIC EDGE TRIM
2	117579-51-J15	EA	CABINET - OVERHEAD/DINETTE - W/O DOORS/HARDWARE COFFEEMAKER OPTION
2	117579-51-J16	EA	CABINET - OVERHEAD/DINETTE - W/O DOORS/HARDWARE COFFEEMAKER OPTION
2	117579-51-J17	EA	CABINET - OVERHEAD/DINETTE - W/O DOORS/HARDWARE COFFEEMAKER OPTION
2	117579-51-J20	EA	CABINET - OVERHEAD/DINETTE - W/O DOORS/HARDWARE COFFEEMAKER OPTION
2	117579-51-J21	EA	CABINET - OVERHEAD/DINETTE - W/O DOORS/HARDWARE COFFEEMAKER OPTION
2	117579-52-J20	EA	CABINET - OVERHEAD/DINETTE - W/O DOORS/HARDWARE COFFEEMAKER AND DELUXE SOUND SYSTEM OPTION
2	117579-52-J21	EA	CABINET - OVERHEAD/DINETTE - W/O DOORS/HARDWARE COFFEEMAKER AND DELUXE SOUND SYSTEM OPTION
	117579-13-G09	EA	SHELF - W/PLASTIC EDGE TRIM
3	M08758-43-J15	EA	DOOR - MITERED CORNER/OGEE EDGE - 15.7" X 27.9" - W/O HDW (J15,J16,J17) (FLAT MEDIUM DENSITY FIBERBOARD INSERT)
3	M05992-48-J20	EA	DOOR - STRAIGHT CORNER/OGEE EDGE - 15.7" X 27.9" - W/O HDW (J20,J21) (RAISED WOOD INSERT)
3	M05992-48-J15	EA	DOOR - STRAIGHT CORNER/OGEE EDGE - 15.7" X 27.9" - W/O HDW (J15,J16,J17) (GENERAL TRAILER OPTION)
3	M08758-01-J05	EA	DOOR - MITERED CORNER/OGEE EDGE - 15.7" X 27.9" - W/O HDW (J15,J16,J17) (RAISED MEDIUM DENSITY FIBERBOARD INSERT)
4	058331-47-000	EA	MIRROR - SAFETY GLASS - 22.36" X 15.09"
4	105004-01-05A	EA	MOLDING - VINYL WRAPPED - 1" X 96" - WATERFORD OAK
5	104787-08-J15	EA	PAD-DINETTE
5	104787-08-J16	EA	PAD-DINETTE
5	104787-08-J17	EA	PAD-DINETTE
5	104787-08-J20	EA	PAD-DINETTE
5	104787-08-J21	EA	PAD-DINETTE
6	M08752-04-J20	EA	CABINET - SEATBACK/RIGHT HAND - W/O HARDWARE
7	M08753-04-J20	EA	CABINET - SEATBASE/RIGHT HAND - W/O DOORS/DRAWERS/HARDWARE
8	M08758-44-J15	EA	DOOR - MITERED CORNER/OGEE EDGE - 10" X 19.1" - W/O HDW (J15,J16,J17) (FLAT MEDIUM DENSITY FIBERBOARD INSERT)
8	M05992-13-J20	EA	DOOR - STRAIGHT CORNER/OGEE EDGE - 10" X 19.1" - W/O HDW (J20,J21) (RAISED WOOD INSERT)
8	M05992-R9-J37	EA	DOOR - STRAIGHT CORNER/OGEE EDGE - 10" X 19.1" - W/O HDW (J15,J16,J17) (GENERAL TRAILER OPTION)
9	081295-01-G01	EA	SUPPORT - BED/DINETTE - 28" LONG
10	M08753-05-J20	EA	CABINET - SEATBASE/LEFT HAND - W/O DOORS/DRAWERS/HARDWARE
11	M08752-05-J20	EA	CABINET - SEATBACK/LEFT HAND - W/O HARDWARE
12	M08758-80-J15	EA	DOOR - MITERED CORNER/OGEE EDGE - 9" X 26.5" - W/O HDW (J15,J16,J17) (FLAT MEDIUM DENSITY FIBERBOARD INSERT)
12	M05992-77-J20	EA	DOOR - STRAIGHT CORNER/OGEE EDGE - 10" X 25.2" - W/O HDW (J20,J21) (RAISED WOOD INSERT)
			FROM: 00-00-00 THRU: 07-13-97
12	M05992-M6-J20	EA	DOOR - STRAIGHT CORNER/OGEE EDGE - 9" X 26.5" - W/O HDW (J20,J21) (RAISED WOOD INSERT)
			FROM: 07-14-97 THRU: 99-99-99
12	M05992-X6-K16	EA	DOOR - STRAIGHT CORNER/OGEE EDGE - 9" X 26.5" - W/O HDW (J15,J16,J17) (GENERAL TRAILER OPTION)
13	091257-10-000	EA	HANDLE - ASSIST - WATERFORD OAK

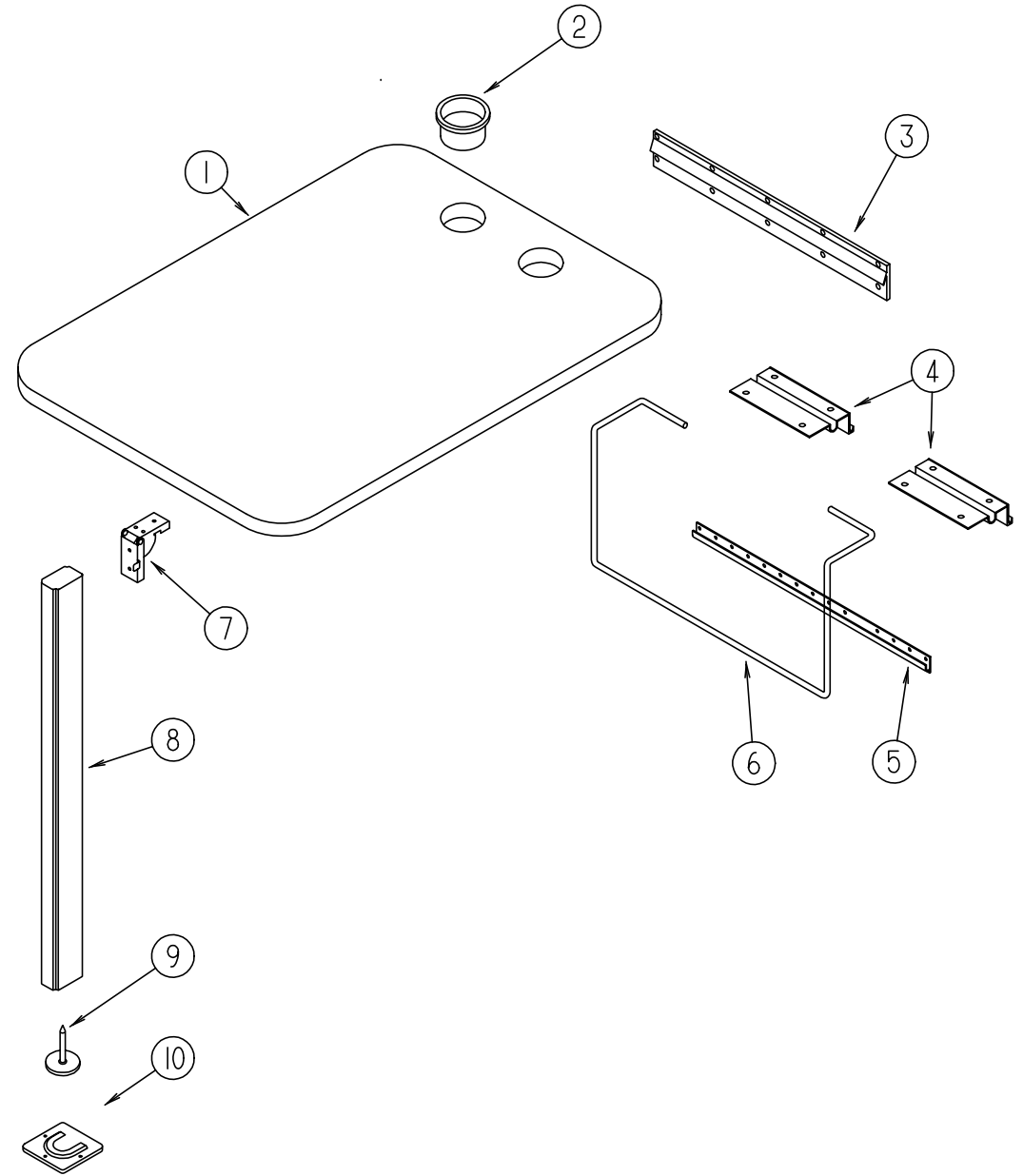
DINETTE GROUP (CONTINUED)



DINETTE TABLE - (FROM: 00-00-00 THRU: 08-24-97)

KEY	PART NUMBER	U/M DESCRIPTION
1	081322-16-G24	EA TABLE TOP ONLY (J15)
1	081322-16-G05	EA TABLE TOP ONLY (J16)
1	081322-16-G25	EA TABLE TOP ONLY (J17)
2	064781-06-000	EA HOLDER - CUP - TWO STEP - OFF WHITE
3	053200-12-000	EA BRACKET - TABLE SUPPORT - UPPER WALL MOUNTED - 23.50"
4	088410-02-000	EA BRACKET - LIFT - TABLE MOUNTED
5	024281-14-000	EA BRACKET - LIFT ROD/LOWER WALL MOUNTED - 22.12"
6	024275-12-000	EA ROD - TABLE LIFT
7	024283-01-000	EA CLIP - LEG - 1" - 1.125" OD - BLACK
8	024282-01-000	EA BRACE - TABLE LEG - HINGED
9	064050-05-000	EA HINGE - TABLE LEG - OFF WHITE
10	024276-23-000	EA LEG - TABLE - METAL - OFF WHITE
11	049493-12-000	EA CATCH - TABLE LEG/FLOOR MOUNTED - OFF WHITE
11	049493-11-700	EA CATCH - TABLE LEG/FLOOR MOUNTED - E COATED

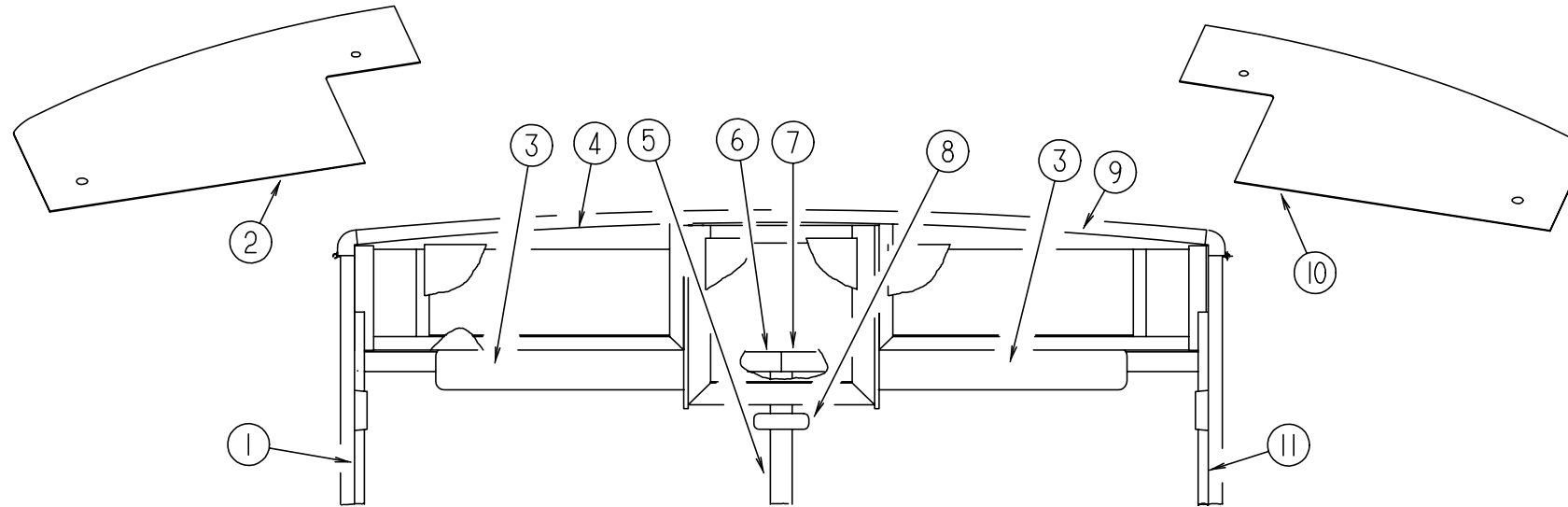
DINETTE GROUP (CONTINUED)



DINETTE TABLE - (FROM: 08-25-97 THRU: 99-99-99)

KEY	PART NUMBER	U/M DESCRIPTION
1	M81322-12-J03	EA TABLE - DINETTE W/SUPPORT - W/O HARDWARE (J15)
1	M81322-12-J04	EA TABLE - DINETTE W/SUPPORT - W/O HARDWARE (J16)
1	M81322-12-J01	EA TABLE - DINETTE W/SUPPORT - W/O HARDWARE (J17)
2	064781-06-000	EA HOLDER - CUP - TWO STEP - OFF WHITE
3	053200-12-000	EA BRACKET - TABLE SUPPORT - UPPER WALL MOUNTED - 23.50"
4	088410-02-000	EA BRACKET - LIFT - TABLE MOUNTED
5	024281-14-000	EA BRACKET - LIFT ROD/LOWER WALL MOUNTED - 22.12"
6	024275-12-000	EA ROD - TABLE LIFT
7	093550-01-000	EA BRACKET - HINGE - MOUNTS TO LEG & TABLE TOP - 1.7" X 2.6"
8	092707-04-05A	EA MOLDING - TABLE LEG - 27"
9	092593-01-05A	EA CATCH - TABLE LEG - OFF/WHITE
10	049493-12-000	EA CATCH - TABLE LEG/FLOOR MOUNTED - OFF WHITE
10	049493-11-700	EA CATCH - TABLE LEG/FLOOR MOUNTED - E COATED

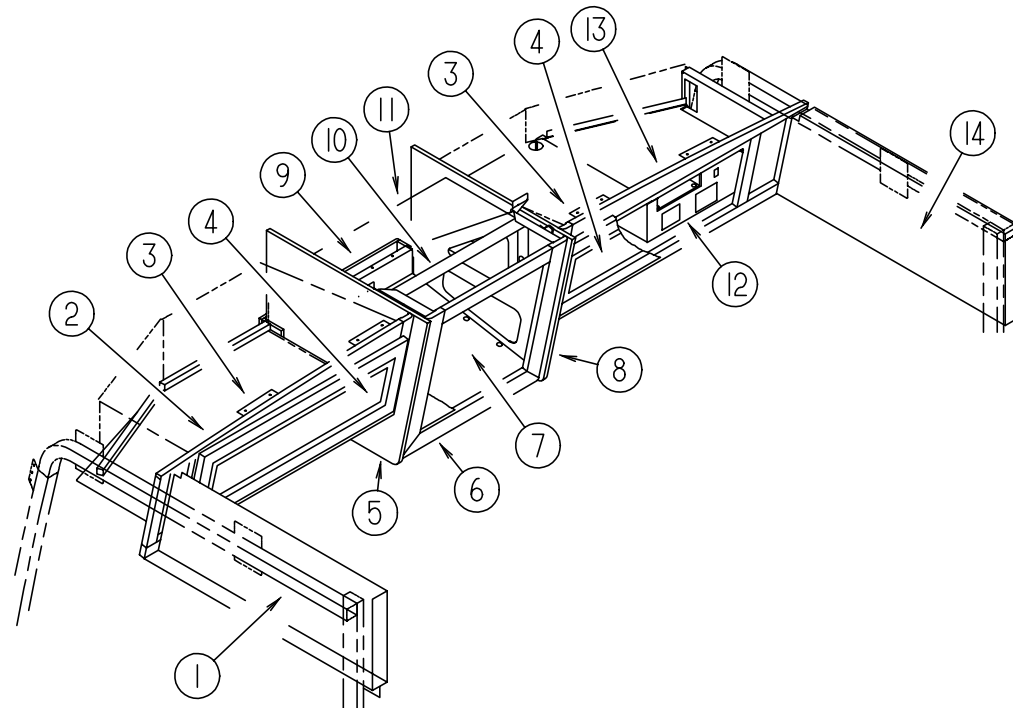
DRIVERS COMPARTMENT GROUP
DRIVERS COMPARTMENT - UPPER



KEY	PART NUMBER	U/M DESCRIPTION
1	125508-04-01A	EA TRIM - A-PILLAR - INTERIOR - ANTELOPE
	123045-11-02A	EA BACKING - SCREW - ANTELOPE
2	126440-04-J15	EA PANEL - OVERHEAD - FRONT/BOTTOM/LEFT HAND - WFF31WQ FROM: 00-00-00 THRU: 06-29-97
2	126440-02-J20	EA PANEL - OVERHEAD - FRONT/BOTTOM/LEFT HAND - WFF31WQ FROM: 06-30-97 THRU: 99-99-99
2	126440-02-J20	EA PANEL - OVERHEAD - FRONT/BOTTOM/LEFT HAND - WCF31DQ
3	123298-02-04A	EA SUNVISOR - 10.5" X 28.5"
4	126457-02-J20	EA PANEL - CLOSEOUT - OVERHEAD FRONT - UPPER/LOWER LEFT HAND
5	118452-05-01A	EA TRIM - WINDSHIELD - CENTER - ANTELOPE
6	118453-04-01A	EA TRIM - WINDSHIELD - INNER/TOP/DRIVER
7	118453-03-01A	EA TRIM - WINDSHIELD - INNER/TOP/PASSENGER

KEY	PART NUMBER	U/M DESCRIPTION
8	040714-01-000	EA MIRROR - REAR VIEW/ARM MOUNT & SET SCREW
	067490-01-000	EA BUTTON - MIRROR/REAR VIEW
9	126457-01-J20	EA PANEL - CLOSEOUT - OVERHEAD FRONT - UPPER/LOWER RIGHT HAND
10	126440-03-J15	EA PANEL - OVERHEAD - FRONT/BOTTOM/RIGHT HAND - WFF31WQ FROM: 00-00-00 THRU: 06-29-97
10	126440-01-J20	EA PANEL - OVERHEAD - FRONT/BOTTOM/RIGHT HAND - WFF31WQ FROM: 06-30-97 THRU: 99-99-99
10	126440-01-J20	EA PANEL - OVERHEAD - FRONT/BOTTOM/RIGHT HAND - WCF31DQ
11	125508-03-01A	EA TRIM - A-PILLAR - INTERIOR - ANTELOPE
	123045-11-02A	EA BACKING - SCREW - ANTELOPE

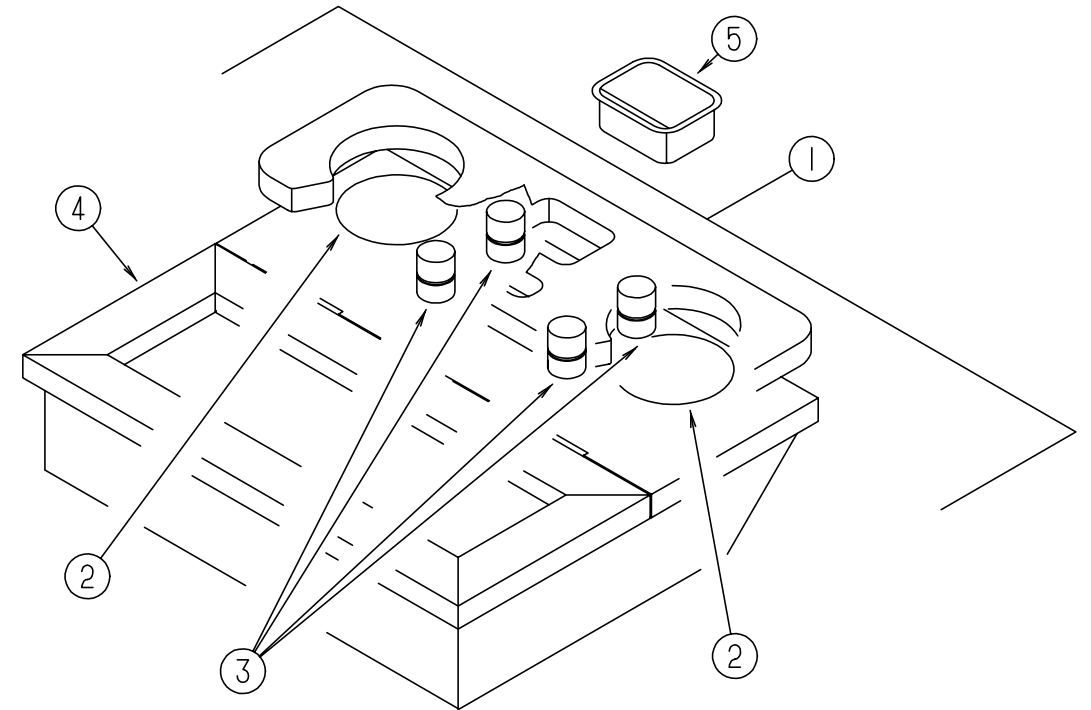
DRIVERS COMPARTMENT GROUP (CONTINUED)



INTERIOR STORAGE AND TV CABINETS

KEY	PART NUMBER	U/M	DESCRIPTION
1	126765-02-J15	EA	PANEL - OVERHEAD/DRIVER
2	126877-02-J15	EA	CABINET - OVERHEAD - FRONT/LEFT HAND - W/O DOORS/HARDWARE
3	106699-01-01A	EA	BRACKET - OVERHEAD CABINET/TV
4	M08758-70-J15	EA	DOOR - MITERED CORNER/OGEE EDGE - 10.8" X 27.9" - W/O HDW (FLAT MEDIUM DENSITY FIBERBOARD INSERT)
4	M05992-90-K16	EA	DOOR - STRAIGHT CORNER/OGEE EDGE - 10.8" X 27.9" - W/O HDW (GENERAL TRAILER OPTION)
4	M08758-52-J15	EA	DOOR - MITERED CORNER/OGEE EDGE - 10.6" X 27.9" - W/O HDW (RAISED MEDIUM DENSITY FIBERBOARD INSERT)
5	103128-25-J15	EA	END CAP - OVERHEAD CABINET - LEFT HAND
6	126718-01-J15	EA	FRAME/FACE - TV CABINET - W/O DOOR/HARDWARE - W/O TV OPTIONS
6	116791-02-J15	EA	FRAME/FACE - TV CABINET - F/TV - W/TV OPTIONS
	091261-01-000	FT	SLIPNOT - ANTISLIP - 1' WIDE - W/TV OPTIONS
7	100708-16-000	EA	DOOR - GLASS - TV CABINET - 15.5" X 15.7" - W/O HARDWARE - W/O TV OPTIONS
8	103128-26-J15	EA	END CAP - OVERHEAD CABINET - RIGHT HAND
9	126801-01-J15	EA	COVER - TV/OVERHEAD/BOTTOM - VINYL COVERED
10	114706-04-02B	EA	SUPPORT - SHELF/TV
11	126854-01-J20	EA	PANEL - HEADLINER/TV/TOP - W/O TV OPTIONS
12	126601-01-J20	EA	PANEL - SHELF - VINYL COVERED - W/O INVERTOR CUTOUT - W/TV ANTENNA
12	126601-03-J20	EA	PANEL - SHELF - VINYL COVERED - W/O INVERTOR CUTOUT - W/TV OPTIONS
12	126601-07-J20	EA	PANEL - SHELF - VINYL COVERED - W/INVERTOR CUTOUT - W/TV OPTIONS
13	126877-01-J15	EA	CABINET - OVERHEAD - FRONT/RIGHT HAND - W/O DOORS/HARDWARE
14	126765-01-J15	EA	PANEL - OVERHEAD/PASSENGER

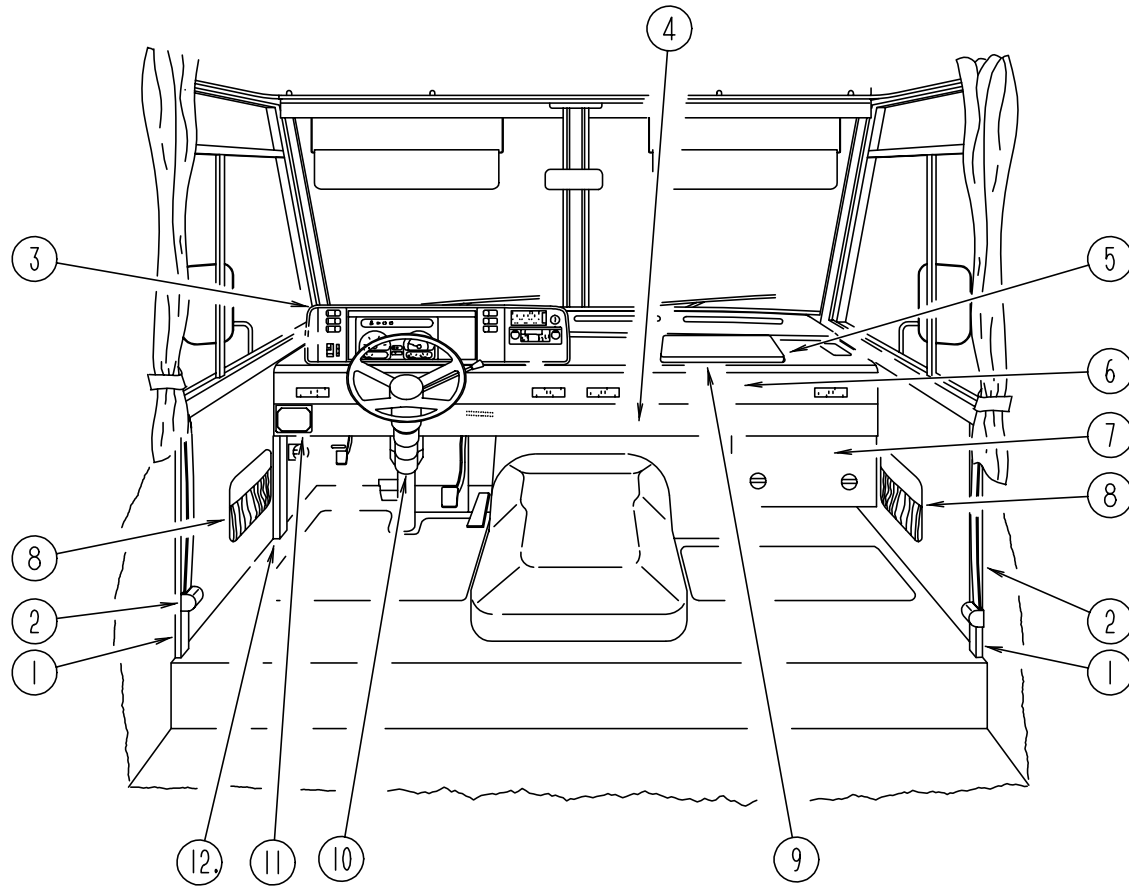
DRIVERS COMPARTMENT GROUP (CONTINUED)



BEVERAGE TRAY

KEY	PART NUMBER	U/M	DESCRIPTION
1	111618-01-H17	EA	TRAY - BEVERAGE W/COMPARTMENT - W/O CUPHOLDERS
2	122717-01-01A	EA	PAD - NON SKID - 4" DIAMETER ROUND
3	097872-04-000	EA	DOWEL - WOOD - 1" DIAMETER X 1.38" LONG
4	111618-13-GB1	EA	LID - BEVERAGE TRAY COMPARTMENT
5	046886-03-000	EA	ASHTRAY - CHROME W/COVER

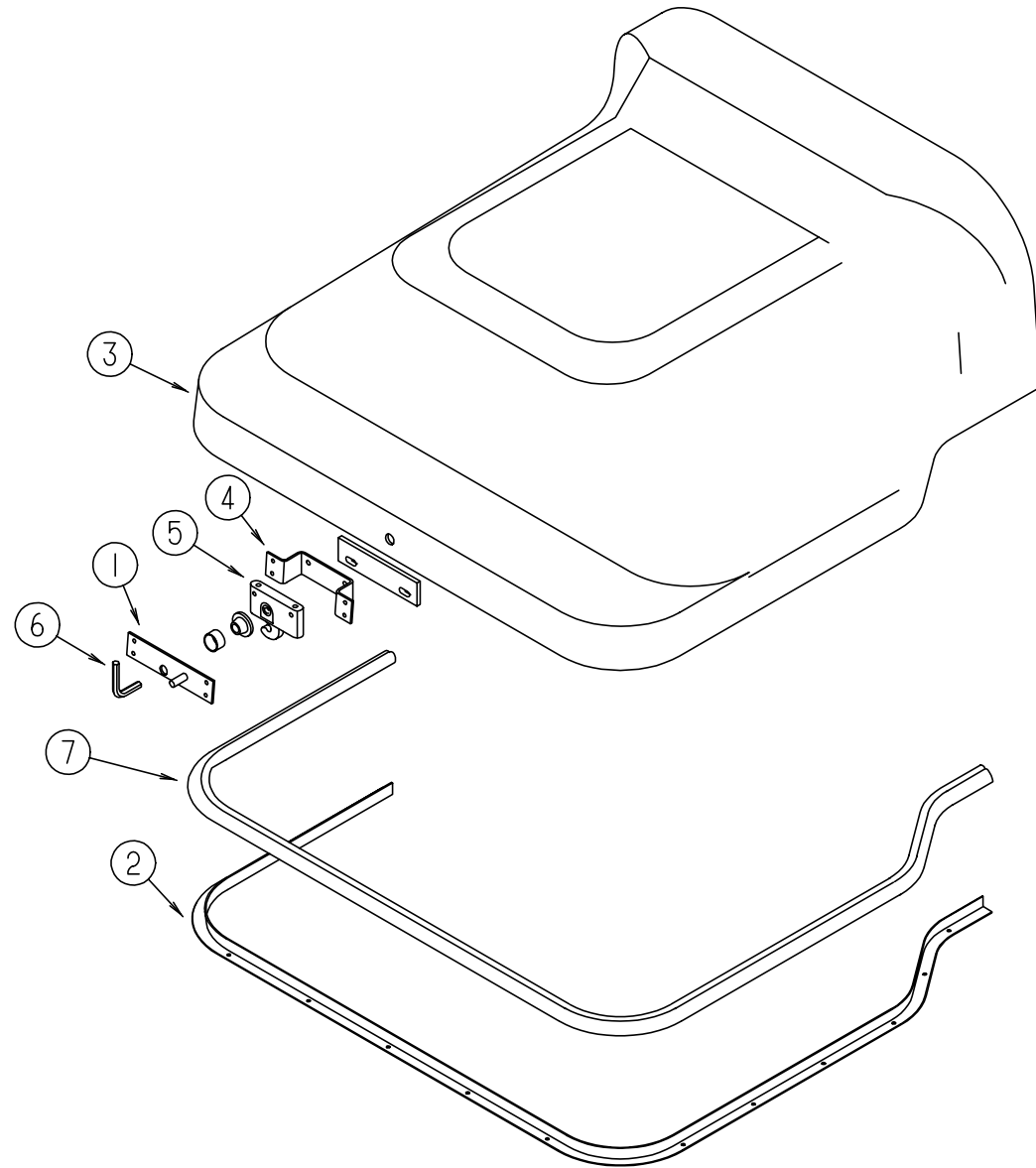
DRIVERS COMPARTMENT GROUP (CONTINUED)
DRIVERS COMPARTMENT - LOWER



KEY	PART NUMBER	U/M DESCRIPTION	VENDOR NO.
1	024700-44-000	EA COVER - ROLL BAR - 53" - LOWER - DRIVER/PASSENGER	
1	024700-45-000	EA COVER - ROLL BAR - 12.8" - W/O DRIVER DOOR - OFF WHITE	
		FROM: 00-00-00 THRU: 08-03-97	
1	024700-38-000	EA COVER - ROLL BAR - U-CHANNEL - 15.25" PLASTIC	
		FROM: 08-04-97 THRU: 99-99-99	
1	024700-47-000	EA COVER - ROLL BAR - 18.9"	
1	024700-48-000	EA COVER - ROLL BAR - SIDEWALL - 25" - OFF WHITE	
2	091990-04-01A	EA SEAT BELT/SHOULDER HARNESS - DRIVERS/PASSENGER - BLACK	
	091990-01-700	EA COVER-BOLT	
	091990-01-701	EA EXTENDER 9" FOR A8408 3 PT	I-1331-02
	109146-01-000	EA BOLT - SHOULDER/SEAT BELT	
	103961-02-01A	EA COVER - BRACKET - SEAT BELT/LEFT HAND - DRIVER DOOR	

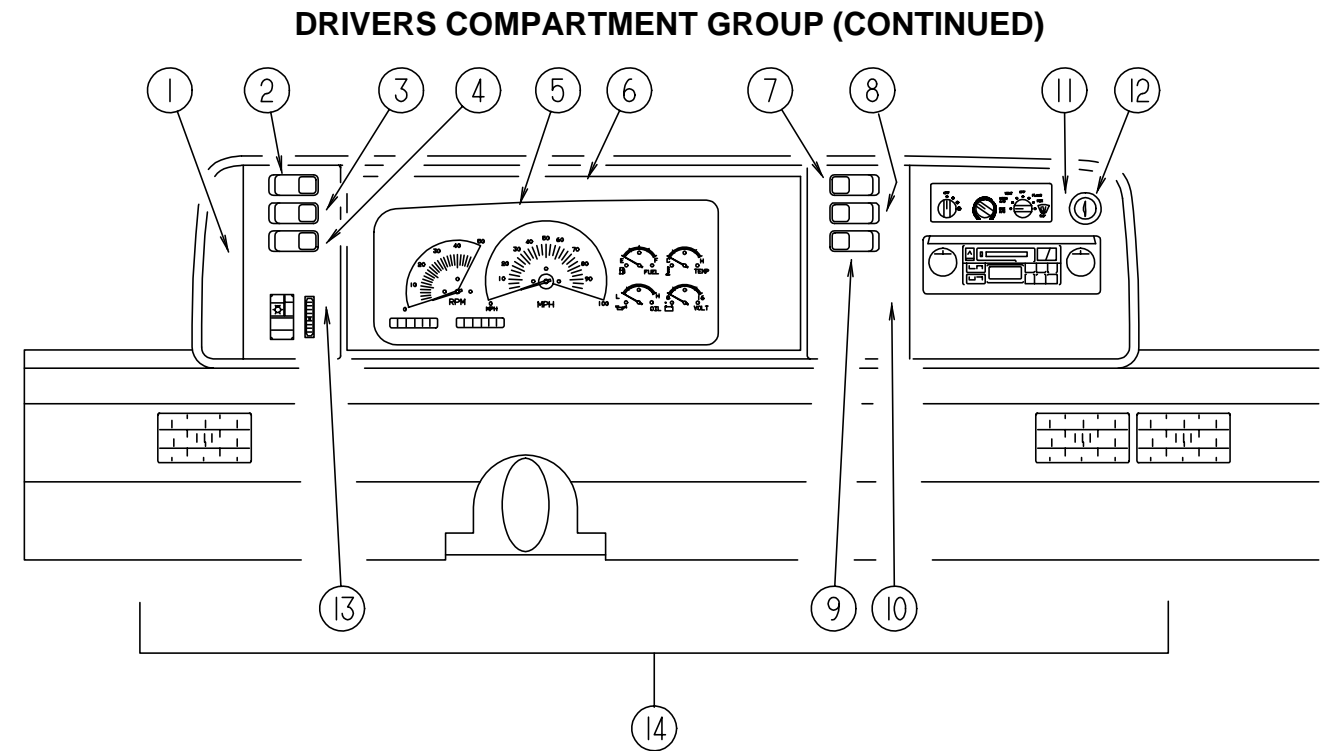
KEY	PART NUMBER	U/M DESCRIPTION	VENDOR NO.
3	125677-02-J20	EA POD - INSTRUMENT PANEL	
		FROM: 00-00-00 THRU: 02-28-98	
3	111499-01-06A	EA POD - INSTRUMENT PANEL - ANTELOPE	
		FROM: 03-01-98 THRU: 04-21-98	
3	125677-02-J20	EA POD - INSTRUMENT PANEL	
		FROM: 04-22-98 THRU: 99-99-99	
4	114620-12-02A	EA TRIM - LOWER DASH - GM - 96" - ANTELOPE - WFF31WQ	
4	114620-01-04A	EA TRIM - LOWER DASH - GM - 96" - ANTELOPE - WFF31WQ - HEATED MIRRORS	
4	114620-11-02A	EA TRIM - LOWER DASH - GM - 96" - ANTELOPE - WCF31DQ	
4	114620-09-02A	EA TRIM - LOWER DASH - GM - 96" - ANTELOPE - WCF31DQ - HEATED MIRRORS	
4	117306-02-J20	EA TRIM - DASH/LOWER LH - 15" W/O CUTOUT - FORD - ANTELOPE - WFF31WQ	
		FROM: 00-00-00 THRU: 10-27-97	
4	117306-03-J20	EA TRIM - DASH/LOWER LH - 15" W/O CUTOUT - FORD - ANTELOPE - WCF31DQ	
		FROM: 00-00-00 THRU: 10-27-97	
4	111528-04-04A	EA TRIM - LOWER DASH - DRIVER - ANTELOPE - FORD	
		FROM: 10-28-97 THRU: 99-99-99	
4	111528-03-05A	EA TRIM - LOWER DASH - PASSENGER - ANTELOPE - FORD	
		HEATED MIRRORS - 1997 CHASSIS - WFF31WQ	
4	111528-08-02A	EA TRIM - LOWER DASH - PASS - FORD - ANTELOPE - 1997 CHASSIS - WFF31WQ	
4	111528-07-04A	EA TRIM - LOWER DASH - PASS - FORD - ANTELOPE - WCF31DQ	
5	P26082-01-000	EA DASH - W/O VINYL - E-COATED - CHEVY	
5	P26082-03-000	EA DASH - W/O VINYL - E-COATED - FORD	
5	P26082-11-000	EA DASH - W/O VINYL - E-COATED - FORD - 1999 CHASSIS	
	106569-11-01A	EA VINYL - LAMINATE - ALLANTE ANTELOPE - 1/4" X 21" X 100"	
	113452-01-000	FT SEAL/TRIM - FRONT - VINYL W/WIRE CARRIER	
6	104354-08-03A	EA APPLIQUE - LOWER DASH - GM/FORD - WCF31DQ	
	126340-01-01A	EA DECAL - LOGO - BRAVE	
7	095757-05-H37	EA COVER - HEATER (J15)	
7	095757-05-H40	EA COVER - HEATER (J16)	
7	095757-05-J17	EA COVER - HEATER (J17)	
7	095757-05-G15	EA COVER - HEATER (J20)	
7	095757-05-G16	EA COVER - HEATER (J21)	
8	086120-01-H3A	EA PAD - MAP POCKET - 12" X 16" (J15)	
8	086120-01-H40	EA PAD - MAP POCKET - 12" X 16" (J16)	
8	086120-01-J17	EA PAD - MAP POCKET - 12" X 16" (J17)	
8	086120-01-G15	EA PAD - MAP POCKET - 12" X 16" (J20)	
8	086120-01-J21	EA PAD - MAP POCKET - 12" X 16" (J21)	
9	127692-01-J20	EA TABLE - DASH - WCF31DQ OPTION	
	127597-01-000	EA SLIDE - WORK STATION - DASH	
10	103498-09-000	EA BOOT - STEERING COLUMN - W/1/2 CIRCLE - CHEVY	
	111521-05-01A	EA COVER - STEERING COLUMN - BLACK - FORD - 1997 FORD CHASSIS	
	130111-01-01A	EA COVER - STEERING COLUMN - BLACK - FORD - 1999 FORD CHASSIS	
	125655-01-01A	EA TRIM - STEERING COLUMN - RIGHT HAND/FORD - 1997 FORD CHASSIS	
	125655-03-01A	EA TRIM - STEERING COLUMN - RIGHT HAND/FORD - 1999 FORD CHASSIS	
	125655-02-01A	EA TRIM - STEERING COLUMN - LEFT HAND/FORD - 1997 FORD CHASSIS	
	125655-04-01A	EA TRIM - STEERING COLUMN - LEFT HAND/FORD - 1999 FORD CHASSIS	
11	112236-01-J20	EA BEZEL - LEVELING PANEL	
12	127901-01-01A	EA PANEL - TOEKICK/LEFT HAND - ANTELOPE - WFF31WQ	
12	127901-01-01A	EA PANEL - TOEKICK/LEFT HAND - ANTELOPE - WCF31DQ	
		FROM: 00-00-00 THRU: 07-13-97	
12	127901-02-01A	EA PANEL - TOEKICK/LEFT HAND - ANTELOPE - WCF31DQ	
		FROM: 07-14-97 THRU: 99-99-99	

DRIVERS COMPARTMENT GROUP (CONTINUED)



MOTOR COVER

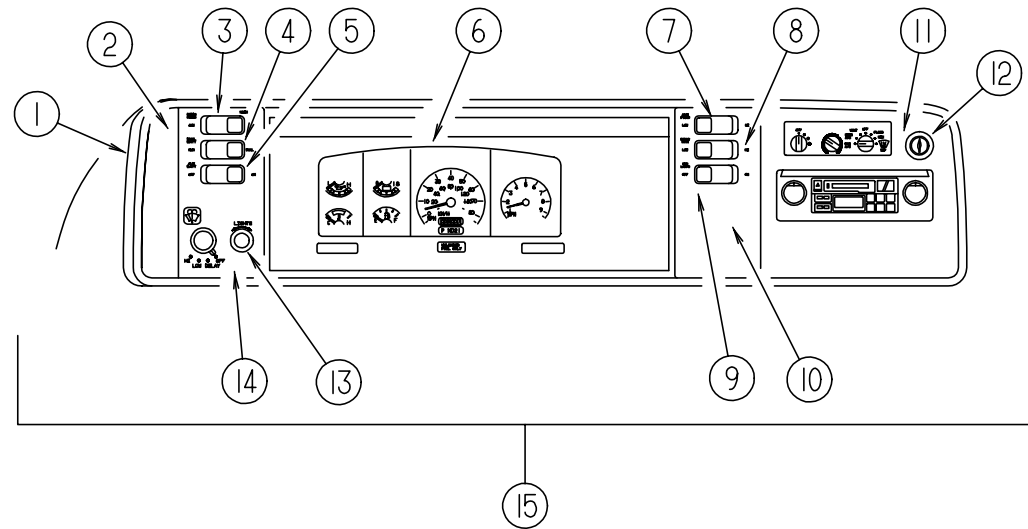
KEY	PART NUMBER	U/M DESCRIPTION
1	115852-01-02B	EA STRIKE - LATCH - MOTOR COVER - E-COATED
2	115860-01-01A	EA TRIM - MOTOR COVER
2	115860-03-01A	EA TRIM-MOTOR COVER - 1999 FORD CHASSIS
3	115840-01-01A	EA COVER - MOTOR - W/O CARPET - 1997 FORD CHASSIS
3	115840-02-01A	EA COVER - MOTOR - W/O CARPET - CHEVY
3	115840-03-01A	EA COVER - MOTOR - W/O CARPET - 1999 FORD CHASSIS
4	115850-01-02B	EA RETAINER - LATCH - MOTOR COVER - RIGHT HAND - E-COAT
5	116581-01-000	EA LATCH - MOTOR COVER
6	116833-01-02B	EA WRENCH - HEX MOTOR COVER - E-COATED
7	039623-01-000	FT SEAL - MOTOR COVER - RUBBER BULB TYPE
	122772-02-02B	EA BRACKET - MOUNTING - BEVERAGE TRAY - WCF31DQ



DASH, GAUGES & SWITCHES - CHEVY

KEY	PART NUMBER	U/M DESCRIPTION
1	104056-01-07A	EA APPLIQUE - BEZEL - DRIVER DRESS UP
2	108356-02-01A	EA COVER/ACTUATOR SWITCH - 2 ROWS DIMPLES- CONTURA II - BLACK
2	108357-05-000	EA SWITCH - ROCKER SPDT - ON/NONE/ON - 3 TERMINAL - RADIO POWER W/O CD
2	108357-08-000	EA SWITCH - ROCKER DPDT - ON/NONE/ON - 6 TERMINAL - RADIO POWER W/CD
3	108356-02-01A	EA COVER/ACTUATOR SWITCH - 2 ROWS DIMPLES- CONTURA II - BLACK
3	108357-09-000	EA SWITCH - ROCKER SPDT - ON/NONE/MOM - 3 TERMINAL - AUXILIARY START
4	108356-02-01A	EA COVER/ACTUATOR SWITCH - 2 ROWS DIMPLES- CONTURA II - BLACK
4	108357-06-000	EA SWITCH - ROCKER DPDT - MOM/OFF/MOM - 6 TERMINAL - AUXILIARY BATTERY
5	N/A	EA CLUSTER-INSTRUMENT PANEL - KILO REG/MPH READING - GAS CSA FROM: 00-00-00 THRU: 08-03-97
5	N/A	EA CLUSTER - INSTRUMENT PANEL - K/M - GAS - CANADIAN FROM: 08-04-97 THRU: 99-99-99
6	103662-06-01A	EA BEZEL - INSTRUMENT PANEL - 97 CHASSIS
6	103662-08-01A	EA BEZEL - INSTRUMENT PANEL - GM - 98 CHASSIS
7	108356-04-01A	EA COVER/ACTUATOR SWITCH-2 ROWS DIMPLES W/LENS-CONTURAIIBLK
7	108357-10-000	EA SWITCH - ROCKER SPDT W/LIGHT - MOM/NONE/MOM - 5 TERMINAL - GENERATOR
7	096241-03-000	EA SWITCH - BLANK - BLACK
8	108356-02-01A	EA COVER/ACTUATOR SWITCH - 2 ROWS DIMPLES- CONTURA II - BLACK
8	108357-03-000	EA SWITCH - ROCKER SPDT - ON/OFF/ON - 3 TERMINAL - REAR HEATER
8	096241-03-000	EA SWITCH - BLANK - BLACK
9	096241-03-000	EA SWITCH - BLANK - BLACK
10	104056-21-01A	EA APPLIQUE - BEZEL - PASSENGER DRESS UP
11	104056-06-07A	EA APPLIQUE - BEZEL - PASSENGER DRESS UP
12	089294-01-000	EA LIGHTER - CIGARETTE - W/SOCKET & WIRE
13	104056-22-01A	EA APPLIQUE - BEZEL - DRIVER SWITCHES
14	M05946-50-J20	EA DASH POD - CHEVY - W/O CLUSTER
	100138-01-000	EA MODULE - DAYTIME/RUNNING LIGHT - CANADIAN
	103603-01-000	EA BULB - 12 VOLT - #74 - .12A WEDGE - GE 22-25 USED IN DASH
	077031-01-000	EA FILM - BLACK - 1" X 1.75"
	077031-03-000	EA FILM - WHITE - .75" X 1"
	049176-01-000	EA HEDLOCK II - 3/4 DIAMETER SCREW MOUNT

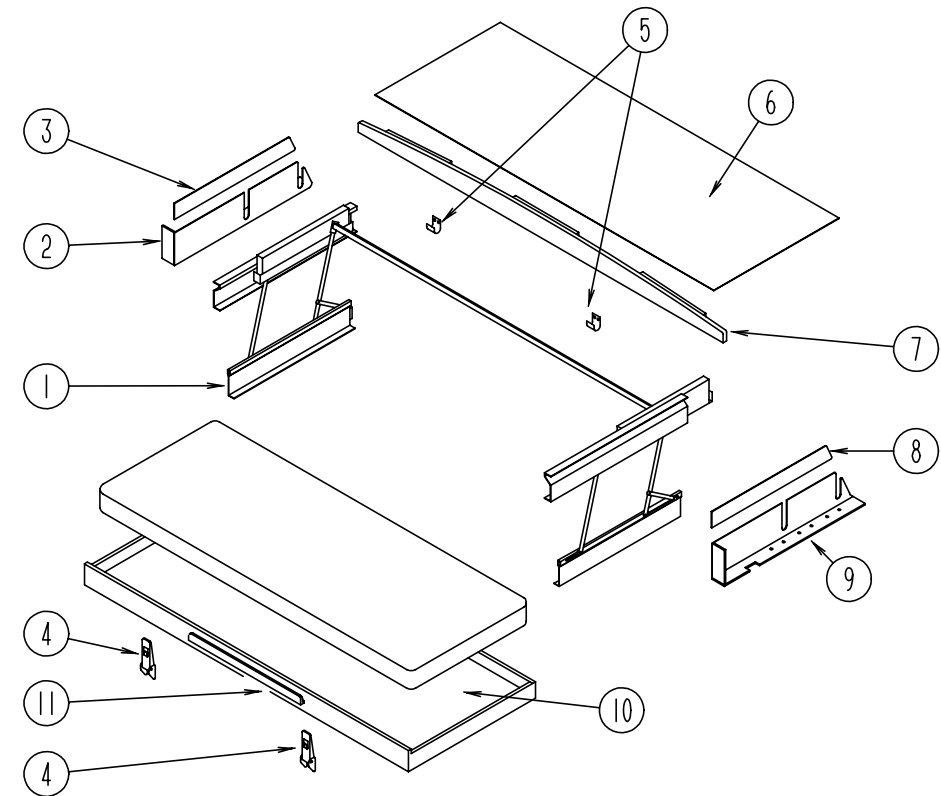
DRIVERS COMPARTMENT GROUP (CONTINUED)



DASH, GAUGES & SWITCHES - FORD

KEY	PART NUMBER	U/M	DESCRIPTION
1	103662-05-01A	EA	BEZEL - INSTRUMENT PANEL
			FROM: 00-00-00 THRU: 02-22-98
1	103662-09-01A	EA	BEZEL - INSTRUMENT PANEL
			FROM: 02-23-98 THRU: 03-20-98
1	103662-11-01A	EA	BEZEL - INSTRUMENT PANEL
			FROM: 03-21-98 THRU: 04-21-98
1	103662-12-01A	EA	BEZEL - INSTRUMENT PANEL
			FROM: 04-22-98 THRU: 99-99-99
2	104056-01-07A	EA	APPLIQUE - BEZEL - DRIVER DRESS UP
	104056-39-01A	EA	APPLIQUE - BEZEL - LEFT - 1999 FORD CHASSIS
3	108356-02-01A	EA	COVER/ACTUATOR SWITCH - 2 ROWS DIMPLES- CONTURA II - BLACK
3	108357-05-000	EA	SWITCH - ROCKER SPDT - ON/NONE/ON - 3 TERMINAL - RADIO POWER W/O CD
3	108357-08-000	EA	SWITCH - ROCKER DPDT - ON/NONE/ON - 6 TERMINAL - RADIO POWER W/CD
4	108356-02-01A	EA	COVER/ACTUATOR SWITCH - 2 ROWS DIMPLES- CONTURA II - BLACK
4	108357-09-000	EA	SWITCH - ROCKER SPDT - ON/NONE/MOM - 3 TERMINAL - AUXILIARY START
5	108356-02-01A	EA	COVER/ACTUATOR SWITCH - 2 ROWS DIMPLES- CONTURA II - BLACK
5	108357-06-000	EA	SWITCH - ROCKER DPDT - MOM/OFF/MOM - 6 TERMINAL - AUXILIARY BATTERY
6	N/A	EA	CLUSTER - INSTRUMENT PANEL
7	108356-04-01A	EA	COVER/ACTUATOR SWITCH-2 ROWS DIMPLES W/LENS-CONTURAII-BLK
7	108357-10-000	EA	SWITCH - ROCKER SPDT W/LIGHT - MOM/NONE/MOM - 5 TERMINAL - GENERATOR
7	096241-03-000	EA	SWITCH - BLANK - BLACK
8	108356-02-01A	EA	COVER/ACTUATOR SWITCH - 2 ROWS DIMPLES- CONTURA II - BLACK
8	108357-03-000	EA	SWITCH - ROCKER SPDT - ON/OFF/ON - 3 TERMINAL - REAR HEATER
8	096241-03-000	EA	SWITCH - BLANK - BLACK
9	096241-03-000	EA	SWITCH - BLANK - BLACK
10	104056-21-01A	EA	APPLIQUE - BEZEL - PASSENGER DRESS UP
11	104056-06-07A	EA	APPLIQUE - BEZEL - PASSENGER DRESS UP
12	089294-01-000	EA	LIGHTER - CIGARETTE - W/SOCKET & WIRE
13	096674-01-000	EA	NUT - HEADLAMP KNOB - BLACK - 1997 CHASSIS
13	096675-01-000	EA	KNOB - HEADLAMP - W/SHAFT - 1997 CHASSIS
14	104056-24-01A	EA	APPLIQUE - BEZEL - DRIVER DRESS UP
	104056-39-01A	EA	APPLIQUE - BEZEL - LEFT - 1999 FORD CHASSIS
15	M05946-51-J20	EA	DASH POD - FORD - W/O CLUSTER
	100138-01-000	EA	MODULE - DAYTIME/RUNNING LIGHT - CANADIAN
	077031-01-000	EA	FILM - BLACK - 1" X 1.75"
	077031-03-000	EA	FILM - WHITE - .75" X 1"
	049176-01-000	EA	HEDLOCK II - 3/4 DIAMETER SCREW MOUNT
	103603-01-000	EA	BULB - 12 VOLT - #74 - .12A WEDGE - GE 22-25 USED IN DASH
	111904-01-000	EA	CABLE/INDICATOR - TRANSMISSION - 23.1" EYE/EYE - 1997 CHASSIS
	129644-01-000	EA	CABLE/INDICATOR - TRANSMISSION - 46.7" EYE/EYE - 1999 CHASSIS

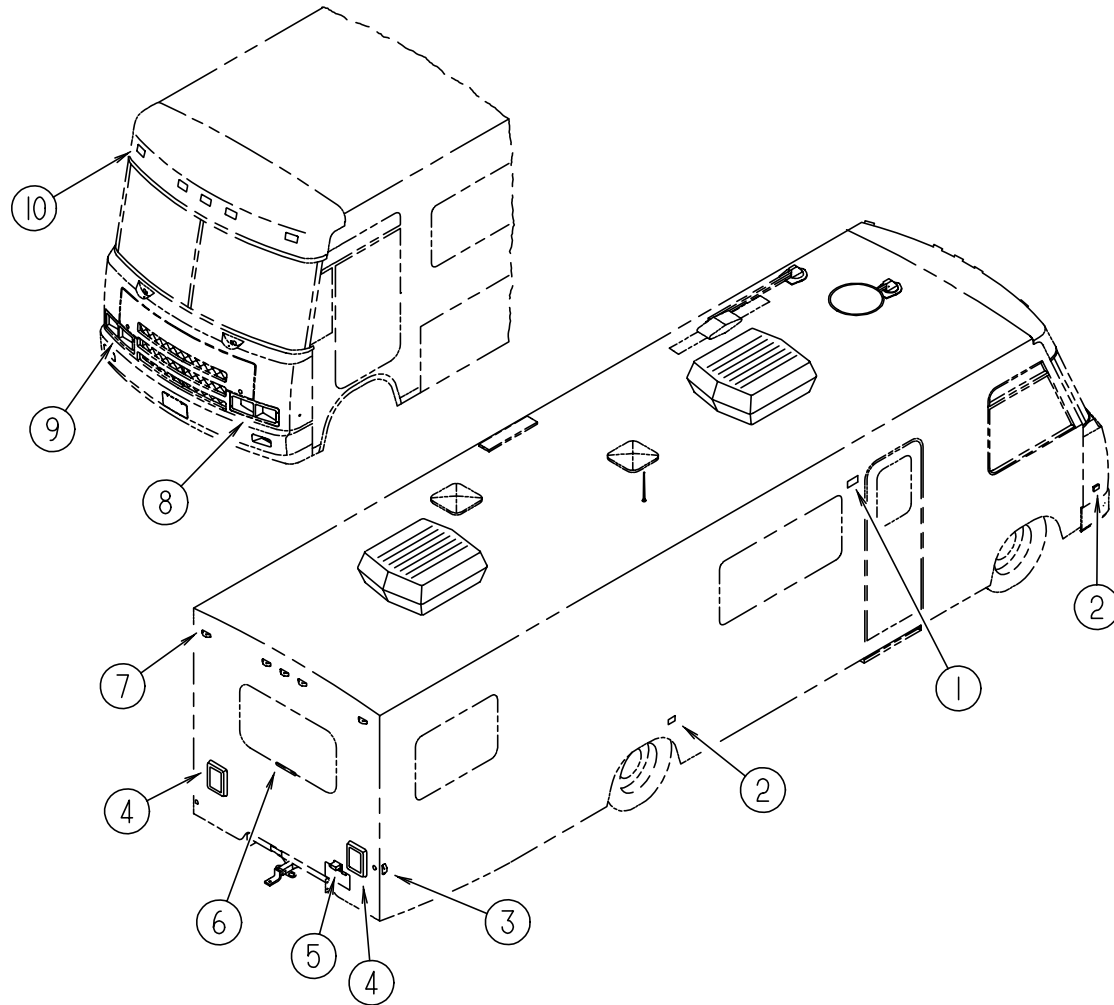
DRIVERS COMPARTMENT GROUP (CONTINUED)



FRONT BUNK

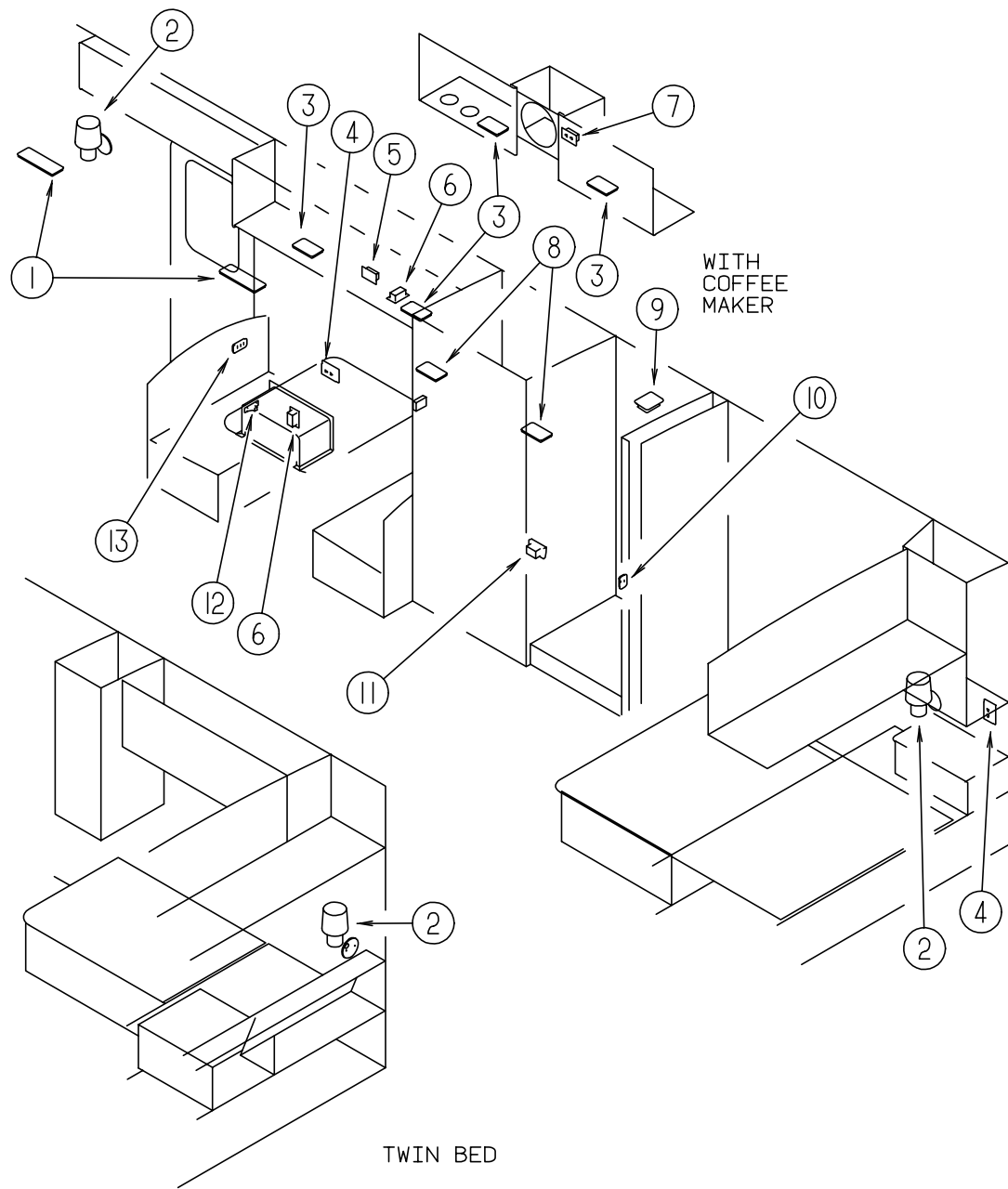
KEY	PART NUMBER	U/M	DESCRIPTION	VENDOR NO.
1	076760-02-000	EA	BUNK HARDWARE - COMPLETE	
	076760-02-700	EA	SPRING-GAS, BUNK HARDWARE	9272
2	101497-29-J15	EA	PANEL - END CAP - UPPER LEFT HAND	
3	101499-23-J15	EA	TRIM/PANEL - BOTTOM LH BUNK - 47" X 3" - VINYL WRAPPED	
4	116975-01-01A	EA	LATCH - W/O STRIKE - BLACK - NEW STYLE	
5	116975-02-01A	EA	KEEPER/STRIKE - BLACK - NEW STYLE	
6	122194-03-J15	EA	PANEL - HEADLINER - OVERHEAD TV	
7	P03199-03-J15	EA	TRIM - BUNK BOARD	
8	101499-22-J15	EA	TRIM/PANEL - BOTTOM RH BUNK - 47" X 3" - VINYL WRAPPED	
9	101497-28-J15	EA	PANEL - END CAP - UPPER RIGHT HAND	
10	081717-05-J15	EA	BED - FRONT BUNK	
11	094658-01-G09	EA	HANDLE - OAK/BUNK	

**ELECTRICAL GROUP
EXTERIOR LIGHTS**



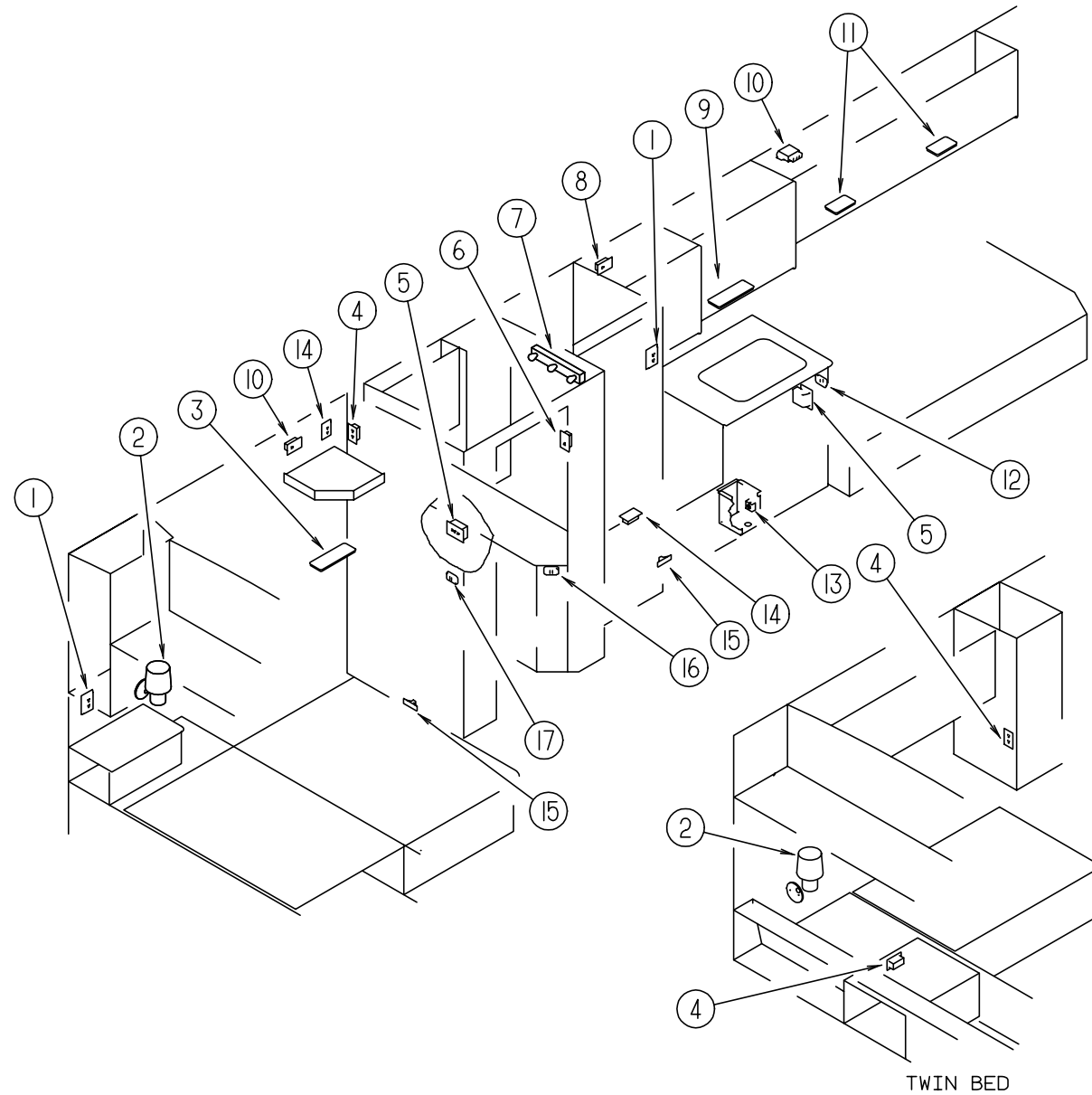
KEY	PART NUMBER	U/M	DESCRIPTION	VENDOR NO.
1	097917-01-06A	EA	LIGHT - PORCH - BRIGHT WHITE	
	008215-01-000	EA	BULB - 12 VOLT - NUMBER 1003 - .94 AMP	
	097917-01-700	EA	LENS-LIGHT, CLEAR	30-78-021
2	111102-01-000	EA	BASE - LAMP MARKER	
2	111102-02-000	EA	LENS - AMBER - MARKER LAMP	
	036196-01-000	EA	BULB - 12 VOLT - #194 - .27 AMP - BAYONETTE	
3	111102-01-000	EA	BASE - LAMP MARKER	
3	111102-03-000	EA	LENS - RED - MARKER LAMP	
	036196-01-000	EA	BULB - 12 VOLT - #194 - .27 AMP - BAYONETTE	
4	081638-01-000	EA	TAILLIGHT/DOUBLE W/BLACK TRIM - DRIVER/PASSENGER SIDE - WFF31WQ	
	037934-01-000	EA	BULB - 12V - #1156 - 2.1 AMP CLEAR GLASS BACK UP & TURN SIGNAL BULB	
	037935-01-000	EA	BULB - 12V - #1157 OR #2057 - 2.1 AMP - CLEAR GLASS BRAKE LIGHT BULB	
	081638-01-700	EA	LENS-TAILLIGHT, RED	30-84-010
	081638-01-701	EA	LENS-TAILLIGHT, W/BACKUP	30-84-700
4	103355-01-05A	EA	POD - TAIL LIGHT - WFF31WQ	
4	117831-01-000	EA	LAMP - STOP/TURN/TAIL/BACKUP - WCF31DQ	
4	117831-02-000	EA	LAMP - STOP/TURN/TAIL/BACKUP - WCF31DQ	
	037934-01-000	EA	BULB - 12V - #1156 - 2.1 AMP CLEAR GLASS BACK UP & TURN SIGNAL BULB	
	037935-01-000	EA	BULB - 12V - #1157 OR #2057 - 2.1 AMP - CLEAR GLASS BRAKE LIGHT BULB	
4	126210-01-J20	EA	TRIM - BACKWALL/DRIVER-PASSENGER - BRIGHT WHITE - WCF31DQ	
5	066432-02-000	EA	LIGHT - LICENSE - BLACK	
5	066432-03-000	EA	BRACKET - LICENSE PLATE	
6	121950-01-000	EA	LIGHT - BRAKE - CENTER MOUNT	
7	111102-01-000	EA	BASE - LAMP MARKER - WFF31WQ	
7	111102-03-000	EA	LENS - RED - MARKER LAMP - WFF31WQ	
	036196-01-000	EA	BULB - 12 VOLT - #194 - .27 AMP - BAYONETTE	
7	127536-01-000	EA	LIGHT - CLEARANCE - RED - WCF31DQ	
7	127536-02-000	EA	SOCKET - LIGHT - 194 WEDGE - WCF31DQ	
8	126713-02-000	EA	HEADLAMP - DRIVER HIGH/LOW HALOGEN - WFF31WQ	
8	049186-04-000	EA	HEADLAMP - DRIVER - HIGH/LOW - HALOGEN - WCF31DQ	
8	049188-04-000	EA	HEADLAMP - DRIVER - HIGH BEAM/HALOGEN - WCF31DQ	
8	049359-01-000	EA	SPRING - RETAINER - HEADLAMP - GM #496096	
8	110750-01-000	EA	SCREW - HEADLAMP ADJUSTING	
9	126713-01-000	EA	HEADLAMP - PASSENGER HIGH/LOW HALOGEN - WFF31WQ	
9	049185-04-000	EA	HEADLAMP - PASSENGER - HIGH/LOW - HALOGEN - WCF31DQ	
9	049187-04-000	EA	HEADLAMP - PASSENGER - HIGH BEAM - HALOGEN - WCF31DQ	
9	049359-01-000	EA	SPRING - RETAINER - HEADLAMP - GM #496096	
9	110750-01-000	EA	SCREW - HEADLAMP ADJUSTING	
10	102520-01-000	EA	LIGHT - CLEARANCE - W/O SOCKET/HOUSING - AMBER	
10	067789-02-000	EA	SOCKET - LAMP	
10	036196-01-000	EA	BULB - 12 VOLT - #194 - .27 AMP - BAYONETTE	
10	102540-01-000	EA	SEAL - SCREW - ROUND - RUBBER	
10	102541-01-000	EA	GASKET - CLEARANCE LIGHT	

ELECTRICAL GROUP (CONTINUED)
LIGHTS, SWITCHES, & RECEPTACLES PASSENGERS SIDE



KEY	PART NUMBER	U/M	DESCRIPTION	VENDOR NO.
1	098024-03-02A	EA	LIGHT - DOME - 2 BULB - WHITE	
	008218-01-000	EA	BULB - DOME LIGHT - 12 VOLT - NO. 1141	
	098024-01-700	EA	LENS-LIGHT	807877
2	119257-03-01A	EA	SHADE - LAMP - LINEN - WFF31WQ	
2	119258-02-01A	EA	LAMP - WALL - WFF31WQ	
	119258-01-700	EA	FINIAL (PYRAMID)	12-0322
2	119257-04-01A	EA	SHADE - LAMP - LINEN WHITE - WCF31DQ	
2	119258-05-01A	EA	LAMP - WALL - WCF31DQ	
	119258-01-700	EA	FINIAL (PYRAMID)	12-0322
2	067479-01-000	EA	BULB - 12 VOLT - #1076 - 1.80 AMP	
3	098024-05-02A	EA	LIGHT - DOME - 1 BULB - SKYLITE - WHITE	
	008218-01-000	EA	BULB - DOME LIGHT - 12 VOLT - NO. 1141	
	098024-01-701	EA	LENS - OPTI CLEAR - SKYLITE	809902
4	058708-02-000	EA	RECEPTACLE - ELECTRIC - DOUBLE - IVORY	
4	102568-01-GB1	EA	SPACER - RECEPTACLE - BETWEEN SIDEWALL & PLATE - WOOD	
5	058707-02-000	EA	RECEPTACLE - BLANK JUNCTION BOX	
6	058708-01-000	EA	RECEPTACLE - ELECTRIC - DOUBLE - BROWN	
7	058708-05-000	EA	RECEPTACLE - SINGLE - BROWN - COFFEEMAKER	
8	098024-01-03A	EA	LIGHT - DOME - 1 BULB - WHITE	
	008218-01-000	EA	BULB - DOME LIGHT - 12 VOLT - NO. 1141	
	098024-01-700	EA	LENS-LIGHT	807877
9	121935-01-01A	EA	LIGHT - DOME - SHOWER	
10	098351-01-01A	EA	PLATE - SWITCH - 1 GANG POLISHED BRASS	
10	079364-01-000	EA	SWITCH - ON/OFF ROCKER - 2 TERMINAL - BROWN - BEDROOM LIGHT	
11	112822-01-01A	EA	RECEPTACLE - DUPLEX - IVORY	
11	112824-01-03A	EA	COVER - RECEPTACLE - EXTERIOR DUPLEX	
12	061424-01-000	EA	LIGHT - AISLE - 12 VOLT - RECTANGULAR	
	008103-01-000	EA	BULB - DASH/AISLE LIGHT - #53 - 12 VOLT - .12 AMP	
13	095188-02-01A	EA	SPACER - SWITCH - 2.3" X 4.1" - PLASTIC - DARK BROWN	
13	098351-05-01A	EA	PLATE - SWITCH - 3 GANG POLISHED BRASS	
13	079364-01-000	EA	SWITCH - ON/OFF ROCKER - 2 TERMINAL - BROWN - STEP, CEILING & PORCH	
LAMP	086280-01-000	EA	LIGHT - SURFACE MOUNT - 12 VOLT - WFF31WQ	
	086280-01-700	EA	BULB, 12V - WFF31WQ	ARP1089
	112643-01-000	EA	LIGHT - SINGLE - SWIVEL - WCF31DQ	
	112642-01-06A	EA	TRIM RING - SINGLE LIGHT - BLACK - WCF31DQ	

ELECTRICAL GROUP (CONTINUED)
LIGHTS, SWITCHES, & RECEPTACLES DRIVERS SIDE



KEY	PART NUMBER	U/M	DESCRIPTION	VENDOR NO.
1	058708-02-000	EA	RECEPTACLE - ELECTRIC - DOUBLE - IVORY	
1	102568-01-GB1	EA	SPACER - RECEPTACLE - BETWEEN SIDEWALL & PLATE - WOOD	
2	119257-03-01A	EA	SHADE - LAMP - LINEN - WFF31WQ	
2	119258-02-01A	EA	LAMP - WALL - WFF31WQ	
	119258-01-700	EA	FINIAL (PYRAMID)	12-0322
2	119257-04-01A	EA	SHADE - LAMP - LINEN WHITE - WCF31DQ	
2	119258-05-01A	EA	LAMP - WALL - WCF31DQ	
	119258-01-700	EA	FINIAL (PYRAMID)	12-0322
2	067479-01-000	EA	BULB - 12 VOLT - #1076 - 1.80 AMP	
3	098024-03-02A	EA	LIGHT - DOME - 2 BULB - WHITE	
	008218-01-000	EA	BULB - DOME LIGHT - 12 VOLT - NO. 1141	
	098024-01-700	EA	LENS-LIGHT	807877
4	058708-01-000	EA	RECEPTACLE - ELECTRIC - DOUBLE - BROWN	
5	084076-02-000	EA	RECEPTACLE - GFI - 15 AMP - 125 VOLT - BROWN	
6	058707-01-000	EA	RECEPTACLE - ELECTRIC - SINGLE - BROWN - REFRIGERATOR	
7	110235-01-01A	EA	LIGHT - MAKE UP - 3 BULB - 12 VOLT - WCF31DQ	
	081633-01-700	EA	BULB-LIGHT, MAKE-UP	RP1041
8	058708-05-000	EA	RECEPTACLE - SINGLE - BROWN - MICROWAVE	
9	098024-06-02A	EA	LIGHT - DOME - 2 BULB - SKYLITE - WFF31WQ	
	008218-01-000	EA	BULB - DOME LIGHT - 12 VOLT - NO. 1141	
	098024-01-701	EA	LENS - OPTI CLEAR - SKYLITE	809902
9	091937-05-000	EA	LIGHT - FLUORESCENT - 12V/16 WATT - 15" LONG - THIN LITE - WCF31DQ	
	091937-05-701	EA	LENS-LIGHT, FLUORESCENT	D-732
10	091927-01-000	EA	COVER - RECEPTACLE - DOUBLE - IVORY - W/O ROOF A/C OPTION	
11	098024-05-02A	EA	LIGHT - DOME - 1 BULB - SKYLITE - WHITE	
	008218-01-000	EA	BULB - DOME LIGHT - 12 VOLT - NO. 1141	
	098024-01-701	EA	LENS - OPTI CLEAR - SKYLITE	809902
12	079364-03-000	EA	SWITCH - ON/OFF ROCKER - 3 TERMINAL - BROWN	
12	098351-01-01A	EA	PLATE - SWITCH - 1 GANG POLISHED BRASS	
13	024924-02-000	EA	RECEPTACLE - POWER CORD - W/PARTIAL PLATE	
14	058707-02-000	EA	RECEPTACLE - BLANK JUNCTION BOX	
15	061424-01-000	EA	LIGHT - AISLE - 12 VOLT - RECTANGULAR	
	008103-01-000	EA	BULB - DASH/AISLE LIGHT - #53 - 12 VOLT - .12 AMP	
16	079364-03-000	EA	SWITCH - ON/OFF ROCKER - 3 TERMINAL - BROWN - WATER PUMP	
16	079364-01-000	EA	SWITCH - ON/OFF ROCKER - 2 TERMINAL - BROWN - MAKEUP LIGHT	
16	098351-02-01A	EA	PLATE - SWITCH - 2 GANG POLISHED BRASS	
17	079364-03-000	EA	SWITCH - ON/OFF ROCKER - 3 TERMINAL - BROWN - COURTESY LIGHT	
17	079364-01-000	EA	SWITCH - ON/OFF ROCKER - 2 TERMINAL - BROWN - BEDROOM LIGHT	
17	098351-02-01A	EA	PLATE - SWITCH - 2 GANG POLISHED BRASS	
17	095188-01-01A	EA	SPACER - SWITCH - 2.3" X 3.4" - PLASTIC - DARK BROWN	
	086280-01-000	EA	LIGHT - SURFACE MOUNT - 12 VOLT - WFF31WQ	
	086280-01-700	EA	BULB, 12V - WFF31WQ	ARP1089
	112643-01-000	EA	LIGHT - SINGLE - SWIVEL - WCF31DQ	
	112642-01-06A	EA	TRIM RING - SINGLE LIGHT - BLACK - WCF31DQ	

ELECTRICAL GROUP (CONTINUED)
FUSES & FUSE HOUSINGS

KEY	PART NUMBER	U/M DESCRIPTION
	062901-02-000	EA FUSE - 05 AMPS - AUTOMOTIVE
	062901-05-000	EA FUSE - 15 AMPS - AUTOMOTIVE
	062901-06-000	EA FUSE - 20 AMPS - AUTOMOTIVE
	062901-07-000	EA FUSE - 25 AMPS - AUTOMOTIVE
	062901-08-000	EA FUSE - 30 AMPS - AUTOMOTIVE
	062037-01-000	EA HOUSING - AUTO FUSE - NATURAL
	062037-02-000	EA HOUSING - AUTO FUSE - GREEN
	062037-03-000	EA HOUSING - AUTO FUSE - BLACK
	062037-04-000	EA HOUSING - AUTO FUSE - BLUE
	062037-06-000	EA HOUSING - AUTO FUSE - BROWN
	062037-07-000	EA HOUSING - AUTO FUSE - RED
	108669-01-000	EA HOUSING - AUTO FUSE HOLDER
	106656-01-000	EA FUSE BLOCK - 4 CAVITY - AUTO FUSE

CIRCUIT BREAKERS

KEY	PART NUMBER	U/M DESCRIPTION
	083209-02-000	EA CIRCUIT BREAKER - 15/15 AMP - 120 VOLT
	083209-03-000	EA CIRCUIT BREAKER - 15/20 AMP - 120 VOLT
	083209-06-000	EA CIRCUIT BREAKER - 30/15 AMP - 120 VOLT
	083209-07-000	EA CIRCUIT BREAKER - 20/20 AMP - 120 VOLT
	093655-03-000	EA CIRCUIT BREAKER - 40 AMP - 12 VOLT

TERMINALS

KEY	PART NUMBER	U/M DESCRIPTION
	008326-01-000	EA TERMINAL - RING - 16/14 WIRE - 3/8" STUD
	008328-01-000	EA TERMINAL - RING - 12/10 WIRE - #10 STUD FIT
	008331-01-000	EA TERMINAL - RING - TONGUE - #4 WIRE - 3/8" STUD - COPPER
	008348-01-000	EA TERMINAL - RING - 3/8" STUD 2 GA. WIRE
	035416-04-000	EA TERMINAL - RING - #10 STUD FIT - INSULATED BARREL #16/14
	047443-01-000	EA TERMINAL - .250 RECEPTACLE FIT - INSULATED - 16/14 AWG
	062036-01-000	EA TERMINAL - PACK - CON - 12/10 AWG
	062036-02-000	EA TERMINAL - PACK - CON - 16/14 AWG
	088267-01-000	EA TERMINAL - FEMALE - 1/4
	088476-01-000	EA TERMINAL - ELECTRICAL
	098260-01-000	EA TERMINAL - MALE - 56 SERIES
	104100-03-000	EA TERMINAL - 75 AMP
	106007-01-000	EA TERMINAL - FEMALE - 14-16 AWG
	106655-01-000	EA TERMINAL - FUSE BLOCK - 14-16 AWG
	106655-02-000	EA TERMINAL - FUSE BLOCK - 10-12 AWG
	113135-01-000	EA TERMINAL - FEMALE - M/P - 14-16 - F/NON SEALED TERMINAL
	113306-01-000	EA TERMINAL - FEMALE - M/P - 14-16 - F/SEALED TERMINAL
	113307-01-000	EA TERMINAL - FEMALE - M/P - 16-20
	125324-01-000	EA TERMINAL - MALE - METRI-PACK - 150

ELECTRICAL GROUP (CONTINUED)
ELECTRIC BOXES & COVERS

KEY	PART NUMBER	U/M DESCRIPTION
	008289-01-000	EA BOX - ELECTRIC/STEEL - 1/2" & 3/4" KNOCKOUTS - 4" X 4"
	008289-02-000	EA BOX - ELECTRIC/STEEL - 1/2" & 3/4" KNOCKOUTS - 4" X 4"-CAN
	008294-01-000	EA COVER - ELECTRICAL BOX - BLANK/STEEL - 4" X 4" - GRAY
	008294-02-000	EA COVER - ELECTRICAL BOX - BLANK STEEL - 4" X 4" - CANADIAN
	069238-01-000	EA COVER - ELECTRICAL BOX - W/HOLE - 4" X 4" - GRAY USED WITH 30 AMP RECEPTACLE
	074890-01-000	EA BOX - EXTENSION/STEEL - OPEN SIDES - 4" X 4" X 1 1/2"
	074897-01-000	EA COVER - ELECTRICAL BOX W/HOLES - 4" X 4"
	091910-01-000	EA BOX - ELECTRIC - 3.8" X 3.5" X 1.8" - PLASTIC
	091910-02-000	EA BOX - ELECTRIC - 2.2" X 3.5" X 1.7" - PLASTIC
	111509-01-000	EA BOX - ELECTRICAL - E-COATED
	111510-01-000	EA DOOR/ACCESS PANEL - ELECTRICAL BOX

HOUSINGS, PINS & SOCKETS

KEY	PART NUMBER	U/M DESCRIPTION
	088473-01-000	EA HOUSING - PIN - 12 CAVITY
	088473-02-000	EA HOUSING - PIN - 15 CAVITY
	088473-03-000	EA HOUSING - PIN - 9 CAVITY
	088473-06-000	EA HOUSING - PIN - 6 CAVITY
	088473-08-000	EA HOUSING - PIN - 4 CAVITY
	088473-09-000	EA HOUSING - PIN - 3 CAVITY
	088473-10-000	EA HOUSING - PIN - 2 CAVITY
	088474-01-000	EA HOUSING - SOCKET - 12 CAVITY
	088474-02-000	EA HOUSING - SOCKET - 15 CAVITY
	088474-03-000	EA HOUSING - SOCKET - 9 CAVITY
	088474-06-000	EA HOUSING - SOCKET - 6 CAVITY
	088474-07-000	EA HOUSING - SOCKET - 5 CAVITY
	088474-08-000	EA HOUSING - SOCKET - 4 CAVITY
	088474-09-000	EA HOUSING - ELECTRICAL - 3 TERMINAL
	088474-10-000	EA HOUSING - SOCKET - 2 CAVITY
	088475-01-000	EA PIN - CONNECTOR - 14 - 20 AWG
	088475-02-000	EA PIN - CONNECTOR - 10-12 AWG
	088476-02-000	EA SOCKET - CONNECTOR - 12-10 GA - PRE-TIN
	101571-01-000	EA HOUSING - 2 POSITION - MALE
	103608-01-000	EA SOCKET - WEDGE BASE W/LEADS
	104100-01-000	EA HOUSING - 1 POSITION - 75 AMPS
	106006-01-000	EA HOUSING - 1 POSITION - FEMALE
	110178-01-000	EA HOUSING - WIPER MOTOR
	113131-01-000	EA HOUSING - 3 PIN
	113468-01-000	EA HOUSING - 2 POSITION - FEMALE USED ON WIPER/WASHER WIRE ASM
	115556-01-000	EA HOUSING - 3 POSITION - FEMALE
	115556-02-000	EA HOUSING - 2 POSITION - FEMALE
	119248-02-000	EA HOUSING - 7 POSITION - FEMALE
	125323-02-000	EA HOUSING - 8 POSITION - MALE
	108355-01-000	EA HOUSING - SWITCH
	007954-01-000	EA RECEPTACLE - HOUSING - 6 POSITION
	080015-02-000	EA RECEPTACLE - FLAG - .185 - 16/14 GAUGE

ELECTRICAL GROUP (CONTINUED)
CONNECTORS

KEY	PART NUMBER	U/M DESCRIPTION
	008312-01-000	EA CONNECTOR - WIRE NUT - INSULATED - BLUE
	008313-01-000	EA CONNECTOR - WIRE NUT - INSULATED - YELLOW
	008314-01-000	EA CONNECTOR - WIRE NUT - INSULATED - GRAY
	008355-01-000	EA CONNECTOR - CABLE CLAMPING - 3/4"
	008356-01-000	EA CONNECTOR - PLASTIC - 3/8" AVG
	008356-02-000	EA CONNECTOR - PLASTIC - 21/32
	008398-01-000	EA CONNECTOR - 1/2" X 90 DEGREE - FLEX CONDUIT - UL & CSA
	041480-01-000	EA CONNECTOR - STRAIGHT - 1/2' FLEX CONDUIT
	058028-01-000	EA CONNECTOR - ELECTRICAL PIGTAIL - NYLON - CLEAR
	112823-01-000	EA SPLICE - REDUCER - 16-14 TO 18-22

POWER CORDS

KEY	PART NUMBER	U/M DESCRIPTION
	008052-01-000	EA CORD - POWER - 10/3 - 30 AMP - 25' - CANADIAN
	008054-01-000	EA CORD - POWER - 10/3 - 30 AMP - 25'

WIRE ASSEMBLIES

KEY	PART NUMBER	U/M DESCRIPTION
	P27516-02-000	EA WIRE ASSEMBLY - RADIO AM/FM/CD
	P03784-01-000	EA WIRE ASSEMBLY - HEADLAMP - GM
	P03784-02-000	EA WIRE ASSEMBLY - HEADLAMP - FORD
	073328-B4-000	EA CABLE ASSEMBLY - BATTERY - W/TERMINALS
	081059-02-000	EA WIRE ASSEMBLY - 9PIN - F/RADIO
	083579-01-000	EA WIRE ASSEMBLY - HEADLAMP
	090986-01-000	EA WIRE ASSEMBLY - ELECTRIC STEP
	096449-01-000	EA WIRE ASSEMBLY - WATER TANK TO MONITOR PANEL
	097618-01-000	EA WIRE ASSEMBLY - MONITOR PANEL- W/3 WIRES & ORANGE RESISTOR
	100677-01-000	EA WIRE ASSEMBLY - RADIO
	108303-01-000	EA WIRE ASSEMBLY - REAR AUTO HEATER
	110256-01-000	EA WIRE ASSEMBLY - INSTRUMENT PANEL - GENERATOR
	111915-01-000	EA WIRE ASSEMBLY - DAYTIME RUNNING LAMPS - FUSED - GM
	111915-03-000	EA WIRE ASSEMBLY - DAYTIME RUNNING LAMPS - FUSED - FORD
	113134-03-000	EA WIRE ASSEMBLY - WIPER/WASHER
	126392-01-000	EA WIRE ASSEMBLY - REMOTE MIRRORS

CONDUIT

KEY	PART NUMBER	U/M DESCRIPTION
	008394-01-000	FT CONDUIT - FLEXIBLE - 1/2"
	041953-01-000	FT CONDUIT - CONVOLUTE SLIT - .5" ID
	041953-03-000	FT CONDUIT - CONVOLUTE SLIT - 1" ID (CLOTHES ROD COVER)
	041953-05-000	FT CONDUIT - CONVOLUTE SOLID - .62" ID
	041953-06-000	FT CONDUIT - CONVOLUTE SLIT - .375" ID
	041953-07-000	FT CONDUIT - CONVOLUTE SLIT - .25" ID
	041953-08-000	FT CONDUIT - CONVOLUTE SLIT - 1.50" ID
	041953-09-000	FT CONDUIT - CONVOLUTE SLIT - .50" ID
	041953-10-000	FT CONDUIT - CONVOLUTE SLIT - .75" ID
	041953-11-000	FT CONDUIT - CONVOLUTE SLIT - 1.06" ID
	041953-12-000	FT CONDUIT - CONVOLUTE NON SLIT - 1.1" ID

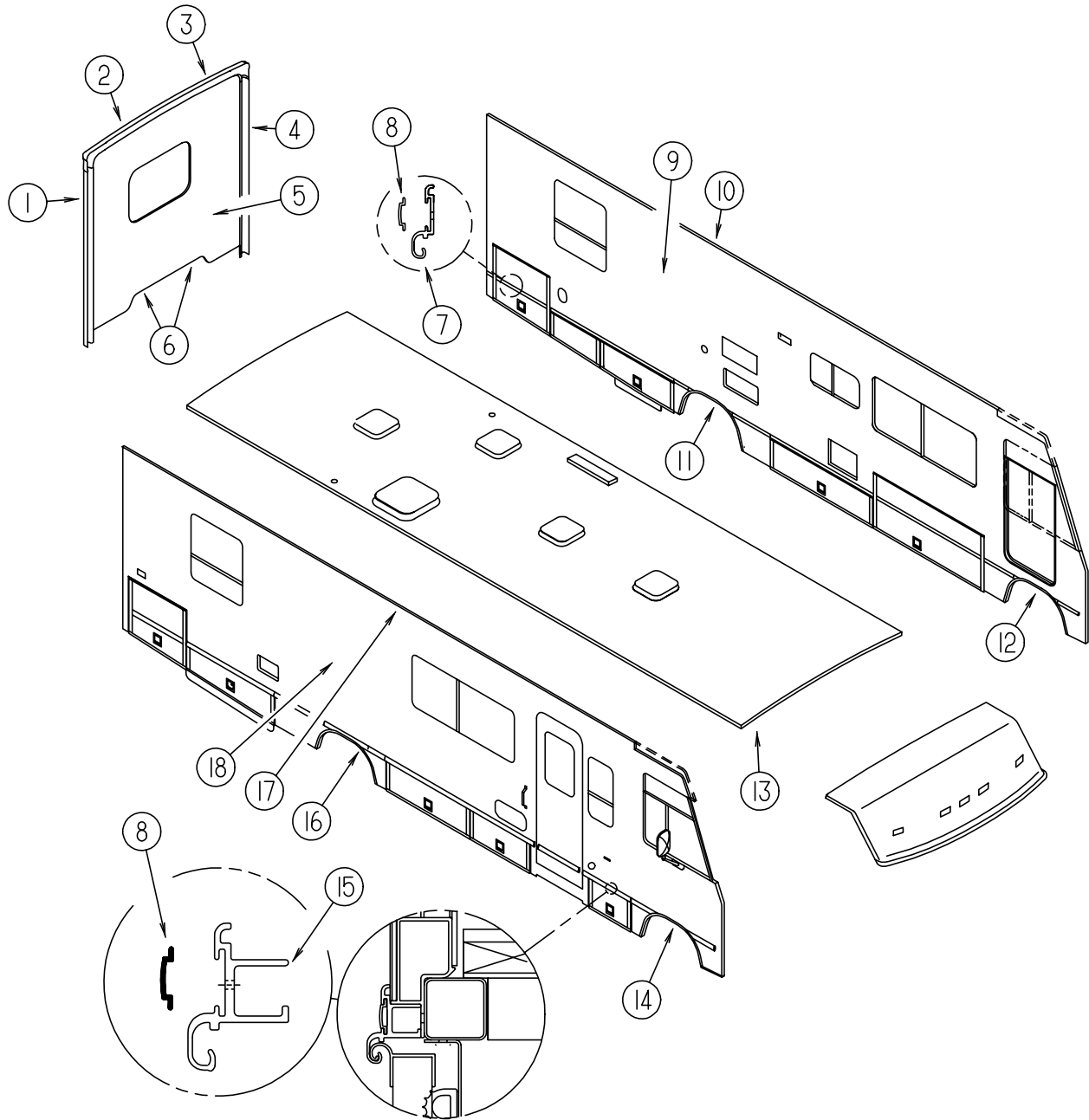
ELECTRICAL GROUP (CONTINUED)
CONVERTER & INVERTER

KEY	PART NUMBER	U/M DESCRIPTION
	083208-02-000	EA CONVERTER - POWER - 45A - 120/12V
	099048-03-000	EA INVERTER - 130 WATT

MISCELLANEOUS ELECTRICAL COMPONENTS

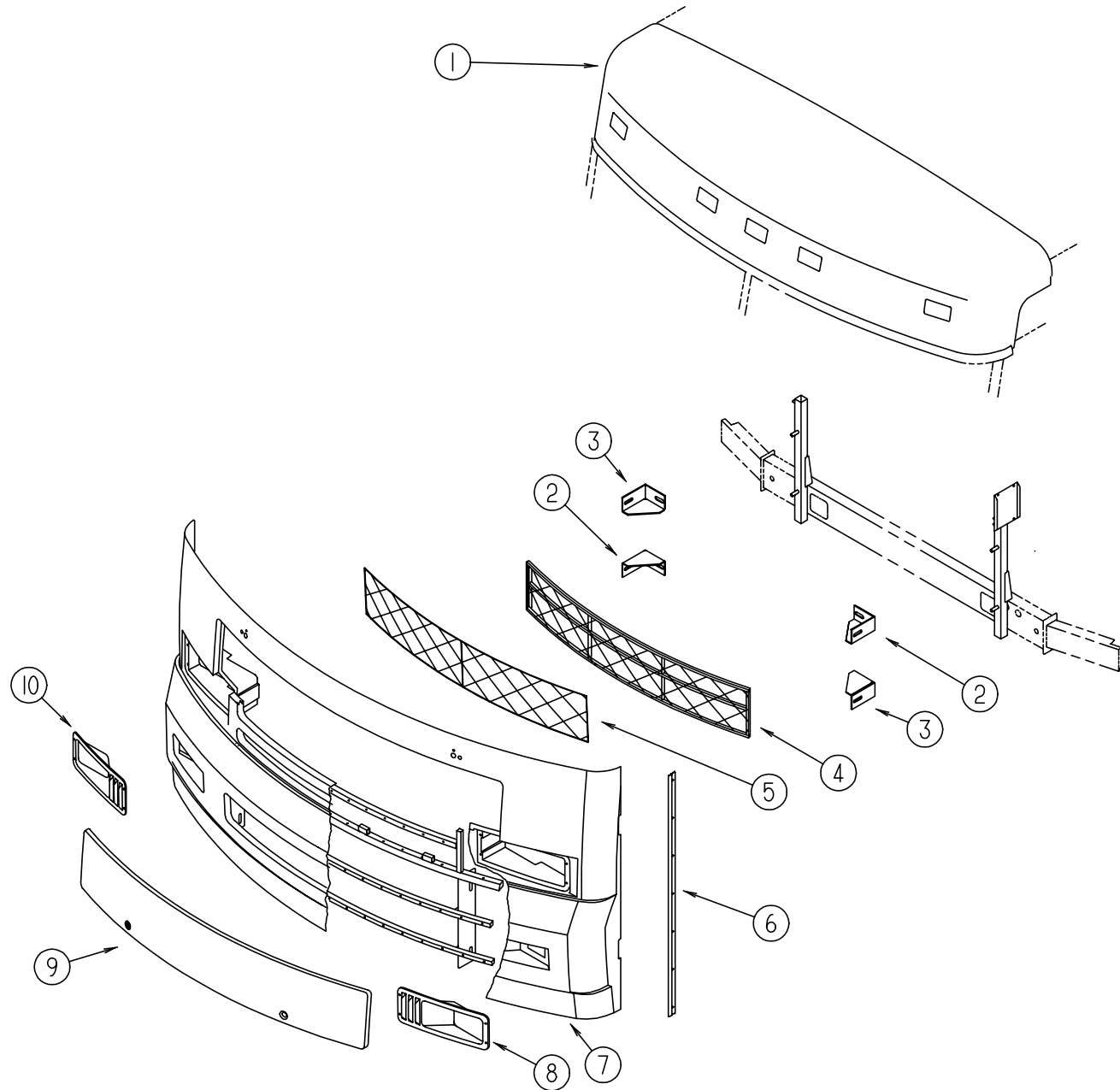
KEY	PART NUMBER	U/M DESCRIPTION
	007093-01-000	EA SIGNAL FLASHER
	007956-05-000	EA INSULATOR - SHRINK - .25 ID X 1.50
	008188-01-000	EA SOLENOID - 3 POST - BATTERY CHANGE OVER
	063910-01-000	EA HOUSING - RELAY
	063912-02-000	EA RELAY - CANISTER - SPDT
	086233-01-000	EA STUD - ISOLATED - 3/8" X 7/8" LONG
	086273-01-000	EA RELAY - BATTERY DISCONNECT
	073626-04-000	EA COVER - ELECTRIC - 10.4" X 7.8"
	103987-02-000	EA SEAL - SOLENOID ACCESS
	125323-03-000	EA LOCK - SECONDARY 8 POSITION
	125325-01-000	EA SEAL - CAVITY
	087225-02-000	FT SLEEVING - 5/8" - TYPE H
	077479-01-000	EA BOOT - BATTERY TERMINAL - DOUBLE CABLE
	077479-02-000	EA BOOT - BATTERY TERMINAL - SINGLE CABLE

EXTERIOR BODY GROUP
EXTERIOR BODY PANELS AND TRIM



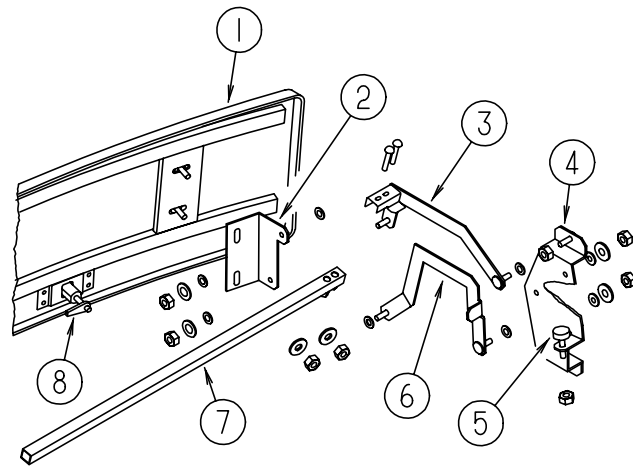
KEY	PART NUMBER	U/M	DESCRIPTION
1	114874-01-12B	EA	TRIM - BACKWALL - PASSENGER SIDE
1	120548-03-01A	EA	TRIM-J - BACKWALL - PASSENGER - NOTCHED - BRIGHT WHITE
2	114872-02-02A	EA	TRIM - BACKWALL - TOP - PASSENGER SIDE - BRT/WHITE
3	114873-02-02A	EA	TRIM - BACKWALL - TOP - DRIVER SIDE - BRT/WHITE
4	114874-02-12B	EA	TRIM - BACKWALL - DRIVER SIDE
4	120548-04-01A	EA	TRIM-J - BACKWALL - DRIVERS - NOTCHED - BRIGHT WHITE
5	M07419-23-J15	EA	BACKWALL - W/O WINDOW/TRIM - CHEVY
5	M07419-23-J16	EA	BACKWALL - W/O WINDOW/TRIM - CHEVY
5	M07419-23-J17	EA	BACKWALL - W/O WINDOW/TRIM - CHEVY
5	M07419-24-J15	EA	BACKWALL - W/O WINDOW/TRIM - FORD
5	M07419-24-J16	EA	BACKWALL - W/O WINDOW/TRIM - FORD
5	M07419-24-J17	EA	BACKWALL - W/O WINDOW/TRIM - FORD
6	050406-31-000	EA	TRIM - LOWER BACKWALL
			FROM: 00-00-00 THRU: 03-15-98
6	050406-25-000	EA	TRIM - BACKWALL - LOWER
			FROM: 03-16-98 THRU: 99-99-99
7	126903-01-01A	EA	TRIM - SIDEWALL - 60.9" - BRIGHT WHITE
8	105312-01-07A	EA	INSERT - VINYL FEATURE STRIP - BRIGHT WHITE
9	125775-01-J15	EA	SIDEWALL - DRIVER - W/O WINDOWS/TRIMS
9	125775-01-J16	EA	SIDEWALL - DRIVER - W/O WINDOWS/TRIMS
9	125775-01-J17	EA	SIDEWALL - DRIVER - W/O WINDOWS/TRIMS
10	120091-02-02A	EA	TRIM - ROOF
11	125800-06-J15	EA	WHEEL LIP - REAR/DRIVER
12	125799-11-J15	EA	WHEEL LIP - DRIVER FRONT
13	125579-01-J20	EA	ROOF - W/O LIGHTS/VENTS - W/WIRING
14	125799-09-J15	EA	WHEEL LIP - PASSENGER FRONT
15	126901-21-01A	EA	TRIM - SIDEWALL - 195" BRIGHT WHITE
16	125800-05-J15	EA	WHEEL LIP - REAR/PASSENGER
17	120092-01-02A	EA	RAIL - AWNING - BRIGHT WHITE
18	125844-01-J15	EA	SIDEWALL - PASSENGER - W/O WINDOWS/TRIMS
18	125844-01-J16	EA	SIDEWALL - PASSENGER - W/O WINDOWS/TRIMS
18	125844-01-J17	EA	SIDEWALL - PASSENGER - W/O WINDOWS/TRIMS
	127845-05-01A	EA	CAP - SIDEWALL TRIM - RIGHT HAND - 2.1" - BRIGHT WHITE
	127845-06-01A	EA	CAP - SIDEWALL TRIM - LEFT HAND - 2.1" - BRIGHT WHITE
	002726-01-001	EA	GARNISH - U-CHANNEL - 1.38" X 19' - SERRATED
	068716-01-001	EA	BRACE - 90 DEGREE L-ANGLE - 16'
	099069-01-000	FT	SEAL - RUBBER - CLOSED SPONGE - .5" WIDE X .12" THICK -BLK
	119568-01-01A	EA	STANDOFF-VALANCE PNL,BLACK
	120570-01-02B	EA	SUPPORT - VALANCE
			FROM: 00-00-00 THRU: 08-25-97
	128251-01-02B	EA	SUPPORT - VALANCE - E-COATED
			FROM: 08-26-97 THRU: 99-99-99
	107865-06-000	EA	ROD - SUPPORT - VALANCE PANEL - 15"
	107865-21-000	EA	ROD - SUPPORT - VALANCE PANEL - 23.3"

EXTERIOR BODY GROUP (CONTINUED)
FRONT END COMPONENTS



KEY	PART NUMBER	U/M	DESCRIPTION
1	125052-02-J20	EA	CAP - ROOF - W/O LIGHTS/WIRING
	118383-01-04A	EA	RETAINER - SCREW
	118383-04-04A	EA	CAP - RETAINER/SCREW
	070579-06-000	EA	PLATE - ANCHOR - W/7/16 WELD NUT - 1.5" X 3.3"
	070579-07-000	EA	PLATE - ANCHOR - W/O WELD NUT - 1.5" X 3.3"
2	117611-06-02B	EA	BRACKET - BUMPER - LEFT HAND UPPER/RIGHT HAND LOWER FROM: 00-00-00 THRU: 12-16-97
2	128455-04-02B	EA	BRACKET - BUMPER FROM: 12-17-97 THRU: 99-99-99
3	117611-05-02B	EA	BRACKET - BUMPER - RIGHT HAND UPPER/LEFT HAND LOWER FROM: 00-00-00 THRU: 12-16-97
3	128455-03-02B	EA	BRACKET - BUMPER FROM: 12-17-97 THRU: 99-99-99
4	126953-01-J15	EA	GRILLE ASSEMBLY
5	115924-15-02A	EA	WIRE MESH - F/GRILLE - FLAT BLACK
6	123680-05-01A	EA	TRIM - FIBERGLASS - PANEL
7	126229-04-J20	EA	PANEL - FRONT/LOWER - W/O NOTCH - BRIGHT WHITE
	007157-05-000	EA	NUT - WELL
8	126265-02-01A	EA	BEZEL - HEADLAMP - LEFT HAND - BRIGHT WHITE
	110690-02-D18	EA	PLATE - HEADLAMP - QUAD/LEFT HAND
9	126956-01-J15	EA	HOOD - FRONT
10	126265-01-01A	EA	BEZEL - HEADLAMP - RIGHT HAND - BRIGHT WHITE
	110690-01-D18	EA	PLATE - HEADLAMP - QUAD/RIGHT HAND

EXTERIOR BODY GROUP (CONTINUED)



HOOD & COMPONENTS

KEY	PART NUMBER	U/M DESCRIPTION
1	126956-01-J15	EA HOOD - FRONT - WFF31WQ
1	126956-01-J20	EA HOOD - FRONT - WCF31DQ
	106730-10-000	EA PLATE - STUD - F/HOOD
2	126911-01-02B	EA ANGLE - LINK/HOOD - RIGHT HAND - E-COATED
	126911-02-02B	EA ANGLE - LINK/HOOD - LEFT HAND - E-COATED
3	125798-03-02B	EA LINK - HOOD HINGE - UPPER PASSENGER
	125798-04-02B	EA LINK - HOOD HINGE - UPPER DRIVER
4	126867-01-02B	EA BRACKET - LINK - HOOD HINGE - PASSENGER - E-COATED
	126867-03-02B	EA BRACKET - LINK - HOOD HINGE - DRIVER - E-COATED
5	058786-01-000	EA BOLT - ADJUSTING HOOD - W/BLACK PAD
6	125778-07-02B	EA LINK - HINGE/HOOD - LOWER RIGHT HAND - E-COATED
	125778-08-02B	EA LINK - HINGE/HOOD - LOWER LEFT HAND - E-COATED
7	126913-02-02B	EA TUBE - TIMING - HOOD HINGE - E-COATED
8	102330-02-000	EA LATCH - VISE ACTION/KEY OPERATED
	102330-04-000	EA PAWL - LATCH - STRAIGHT - 1.96"
	102328-01-000	EA KEY - BARREL - NICKEL PLATED
	126352-04-02B	EA LATCH - HOOD - E-COATED

EXTERIOR BODY GROUP (CONTINUED) MISCELLANEOUS FRONT END COMPONENTS

KEY	PART NUMBER	U/M DESCRIPTION
	106746-02-000	EA PANEL - STEPWELL
	106747-03-000	EA PANEL - STEPWELL - RIGHT HAND END
	106747-04-000	EA PANEL - STEPWELL - LEFT HAND END
	078249-19-000	EA TUBE-SWEPT,FRAME,CAB
	104797-03-000	EA BRACKET-DEFROSTER
	104797-04-000	EA BRACKET-DEFROSTER
	104797-05-000	EA BRACKET-DEFROSTER
	117273-01-01A	EA TUBE - SUPPORT - A-PILLAR
	117287-01-01B	EA BRACKET - MOUNT - CABLE
	118592-01-01B	EA SHIELD-SPLASH,RH,MILL
	120363-01-01B	EA BRACKET - WINDSHIELD
	121269-09-01B	EA FRAME-WINDSHIELD,A PILLAR,ML
	121269-10-01B	EA FRAME-WINDSHIELD,A PILLAR,ML
	124904-03-01B	EA HEADER - WINDSHIELD - CENTER
	124974-01-01B	EA SUPPORT-WINDSHIELD,LOWER,MLL
	124975-01-01B	EA SUPPORT-WINDSHIELD,UPPER,MLL
	125836-02-01B	EA ZEE-WIPER MOTOR,MILL
	125837-02-01B	EA BRACE-WIPER MOTOR,MILL
	110782-01-000	EA ANGLE - SUPPORT - HEADLAMP
	125846-02-J20	EA SUPPORT - WIPER
	121962-02-02B	EA SHIELD/SPLASH - HEADLIGHT - E-COATED
	097123-01-000	EA MOUNT-AIR INTAKE,FORD
	099102-01-000	EA BRACKET-LINKAGE,THROTTLE
	104147-08-000	EA SHIELD/SPLASH - HEADLIGHT
		FROM: 00-00-00 THRU: 07-19-97
	104147-14-000	EA SHIELD/SPLASH - HEADLIGHT
		FROM: 07-20-97 THRU: 99-99-99
	123262-02-02B	EA BRACKET ASM-FUSE PANEL,E-CT

FIBERGLASS, STYROFOAM & INSULATION

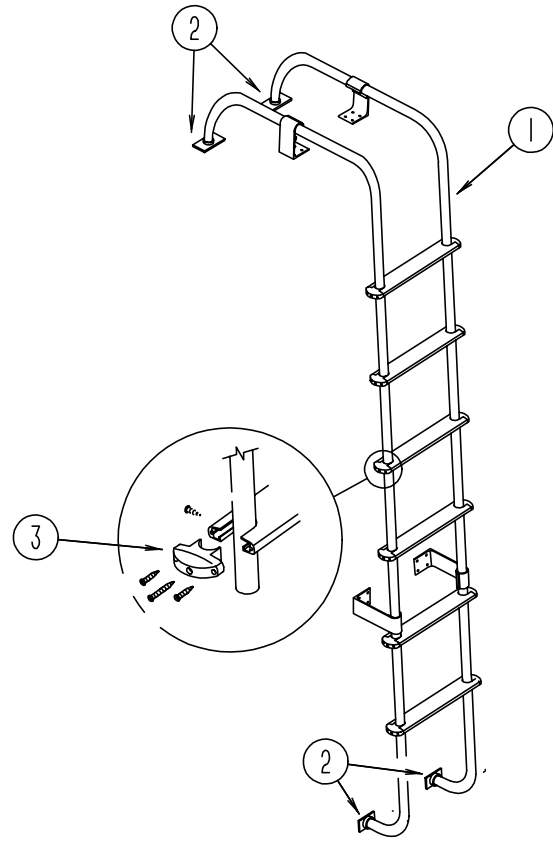
KEY	PART NUMBER	U/M DESCRIPTION
	076054-U8-000	EA FIBERGLASS SHEET - 100" X 105" - BRIGHT WHITE
	076054-W6-000	EA FIBERGLASS SHEET - 79" X 367" - BRIGHT WHITE
	077517-62-000	EA FIBERGLASS - SHEET/SIDEWALL - 4' X 8' - BRIGHT WHITE
	108535-05-702	EA FRP FLAT 108" X 396" BRT WHT (ROOF COVERING)
	000870-08-000	SF STYROFOAM - .75" X 48" X 96" PLANED EXPANDED BEAD BOARD
	100619-01-000	BF FOAM - EXPANDED POLYSTYRENE - 1.34" X 48" X 96"
	100619-04-000	BF FOAM - EXPANDED POLYSTYRENE - .5" X 48" X 96"
	100619-05-000	BF FOAM - EXPANDED POLYSTYRENE - .75" X 48" X 96" - 1.5 DENSITY
	100619-10-000	BF FOAM - EXPANDED POLYSTYRENE - 1.5" X 48" X 96"
	100619-11-000	BF FOAM - EXPANDED POLYSTYRENE - 2" X 48" X 96"
	100619-16-000	BF FOAM - EXPANDED POLYSTYRENE - .75" X 48" X 96" - 2.0 DENSITY
	105077-08-000	EA FOAM - PLUG - ROOF CAP
	120107-01-000	EA FOAM - COVE - ROOF - 2.8" X 96" LONG
	120107-02-000	EA FOAM - PLUG - ROOF TUBE - 2.2" X 2.9" X 1.8" LONG
	120107-03-000	EA FOAM - PLUG - SIDEWALL TUBE - 1.2" X 2.1" X 1.8" LONG

A & E AWNING & HARDWARE

KEY	PART NUMBER	U/M DESCRIPTION
	113874-06-01A	EA AWNING - W/O HDW 16' (POLAR BLUE LAVENDER) VINYL
*	113874-01-02A	EA HARDWARE KIT - AWNING - W/O STANDOFF BRACKET - BRIGHT WHT
	119496-01-02A	EA SPACER/ZEE - AWNING
	111037-01-01A	EA SPACER - AWNING - UPPER - BLACK

* COMPONENT PARTS FOUND IN SERVICE PARTS LIBRARY

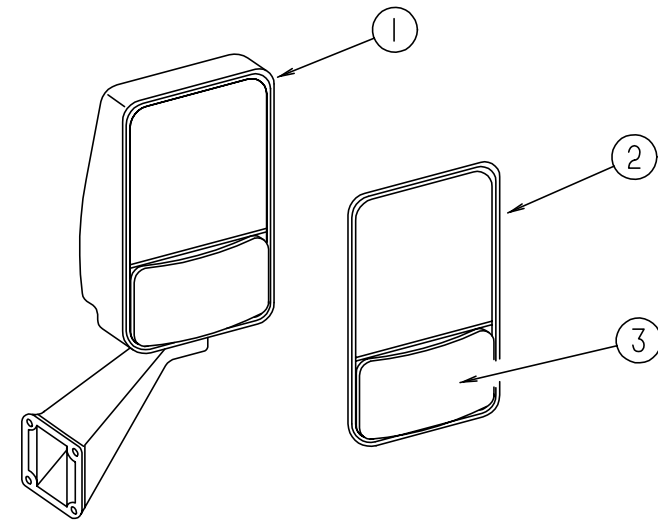
EXTERIOR BODY GROUP (CONTINUED)



LADDER

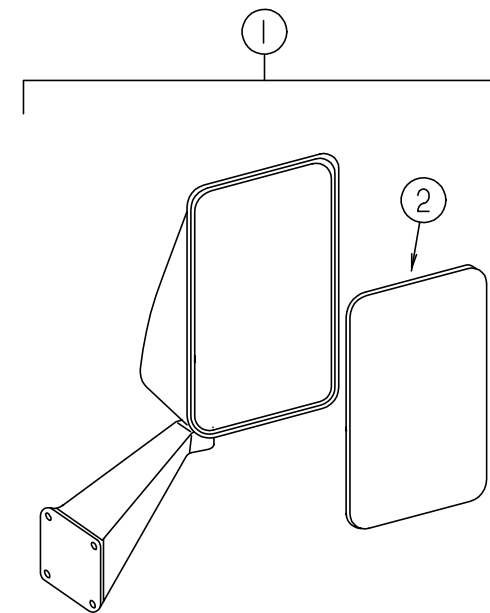
KEY	PART NUMBER	U/M DESCRIPTION
1	102953-19-J20	EA LADDER
2	067165-01-000	EA BRACKET - MOUNTING - LOWER LADDER
3	076980-02-000	EA END CAP - STEP - BLACK
	038327-04-000	EA TAPE - ANTI SLIP - 12" X 60'

EXTERIOR BODY GROUP (CONTINUED)



VELVAC HEATED EXTERIOR MIRRORS

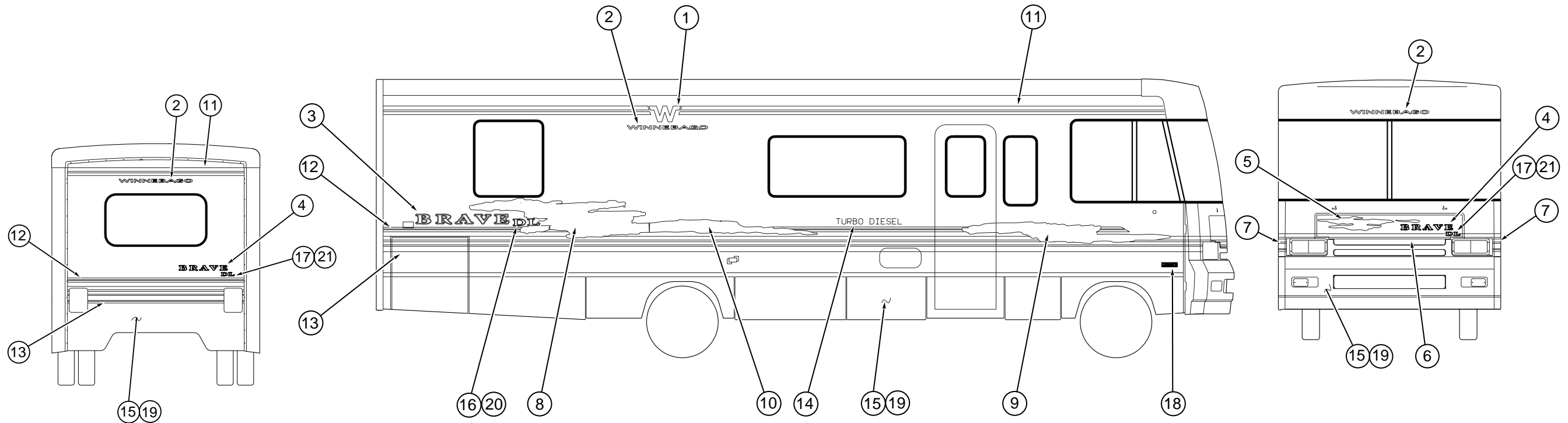
KEY	PART NUMBER	U/M DESCRIPTION	VENDOR NO.
1	106015-12-01A	EA MIRROR - EXTERIOR REMOTE/HEAT - PASSENGER	
1	106015-13-01A	EA MIRROR - EXTERIOR REMOTE/HEAT - DRIVER	
2	106015-12-700	EA MIRROR-FLAT - W/W/O HEAT	709448
3	106015-12-701	EA MIRROR-CONVEX - W/W/O HEAT	709449
	087695-02-000	EA SWITCH - HEATER - EXTERIOR MIRROR	
	088246-01-000	EA SWITCH - REMOTE - EXTERIOR - SQUARE PUSH	
	087695-03-000	EA CONNECTOR - ASSEMBLY	



VELVAC EXTERIOR MIRRORS

KEY	PART NUMBER	U/M DESCRIPTION	VENDOR NO.
1	123297-01-01A	EA MIRROR - EXTERIOR - ADJUSTABLE GLASS - DRIVER	
1	123297-02-01A	EA MIRROR - EXTERIOR - ADJUSTABLE GLASS - PASSENGER	
2	106860-02-702	EA GLASS ONLY FLAT RH/LH STAR	702086-8

EXTERIOR BODY GROUP (CONTINUED)
DECALS, FILM STRIPES & PAINT

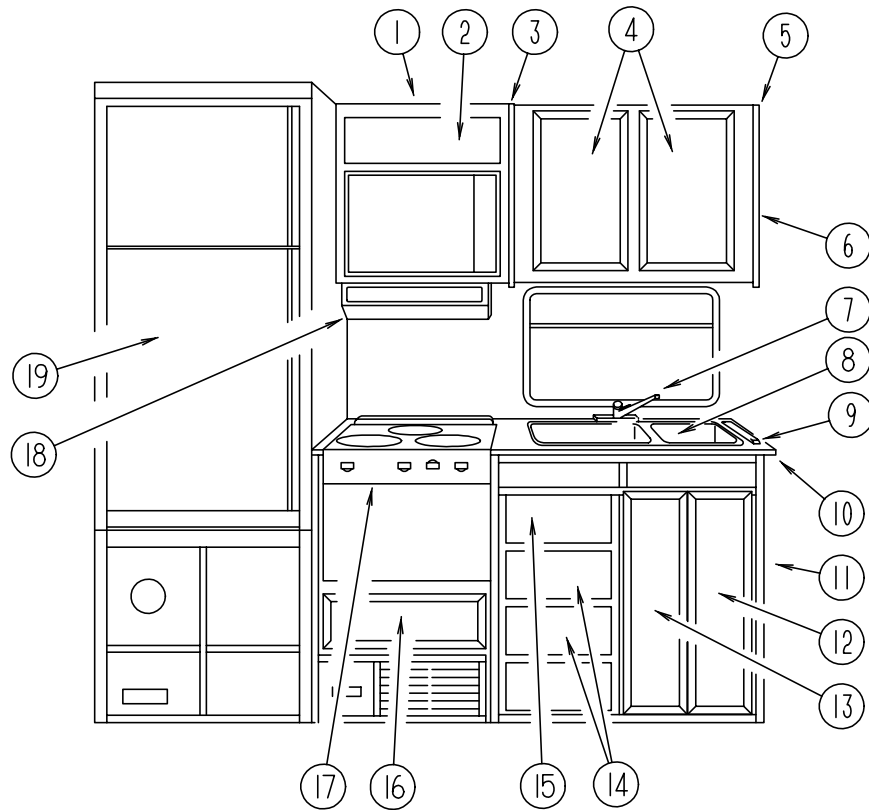


KEY	PART NUMBER	U/M	DESCRIPTION
1	121743-02-01A	EA	DECAL - LOGO - "W"
2	120702-03-06A	EA	DECAL - LOGO - WINNEBAGO
3	121437-01-02A	EA	DECAL - LOGO/BRAVE - LARGE
4	121437-02-02A	EA	DECAL - LOGO/BRAVE - SMALL
5	125009-01-01A	EA	DECAL - SPLASH - HOOD
6	125010-01-01A	EA	DECAL - HOOD
7	125012-01-01A	EA	DECAL - CORNER - RIGHT HAND
7	125012-02-01A	EA	DECAL - CORNER - LEFT HAND
8	125007-01-01A	EA	DECAL - SPLASH - REAR/RIGHT HAND
	125007-02-01A	EA	DECAL - SPLASH - REAR/LEFT HAND
9	125008-01-01A	EA	DECAL - SPLASH - FRONT/RIGHT HAND
	125008-02-01A	EA	DECAL - SPLASH - FRONT/LEFT HAND
10	125020-01-01A	EA	DECAL - SPLASH - REAR/RIGHT HAND TAIL
	125020-02-01A	EA	DECAL - SPLASH - REAR/LEFT HAND TAIL
11	105781-60-01A	FT	FILM - MULTISTRIPE 3.7"
12	105781-61-01A	FT	FILM - MULTISTRIPE 2.1"
13	118710-04-01A	FT	FILM - MULTISTRIPE/OVERLAY - 7.98"
14	111318-03-03A	EA	DECAL - TURBO DIESEL
15	N/A		PAINT - SILVER METALLIC
19	N/A		PAINT - COOL BLUE METALLIC
20	127162-01-01A	EA	DECAL - SE - LARGE
21	127162-02-01A	EA	DECAL - SE - SMALL

DUPONT COLOR CODES

BRIGHT WHITE	(MAIN BODY COLOR)	B8951
SILVER METALLIC	(LOWER ACCENT COLOR)	F2573U
COOL BLUE METALLIC	(LOWER ACCENT COLOR)	F3353U
DUSTY ROSE METALLIC	(DECAL COLOR)	F4583
TEAL GREEN METALLIC	(DECAL COLOR)	F4584
DARK GREEN METALLIC	(DECAL COLOR)	MM172
STELLAR BLUE METALLIC	(DECAL COLOR)	F4585
ORCHID MIST METALLIC	(DECAL COLOR)	F1916K

**GALLEY GROUP
CABINETS & APPLIANCES**



KEY	PART NUMBER	U/M DESCRIPTION	VENDOR NO.
1	121328-01-H16	EA CABINET - MICROWAVE/OVERHEAD - W/O DOORS/HARDWARE	
		FROM: 00-00-00 THRU: 10-05-97	
1	128620-01-J15	EA CABINET - MICROWAVE - W/O DOORS/HARDWARE	
		FROM: 10-06-97 THRU: 99-99-99	
2	M05992-J9-H47	EA DOOR - STRAIGHT CORNER/OGEE EDGE - 5.1" X 22.4" - W/O HDW (J15,J16,J17)	
		FROM: 00-00-00 THRU: 10-05-97	
2	M05992-J9-H13	EA DOOR - STRAIGHT CORNER/OGEE EDGE - 5.1" X 22.4" - W/O HDW (J20,J21)	
		FROM: 00-00-00 THRU: 10-05-97	
2	M05992-G3-J15	EA DOOR - STRAIGHT CORNER/OGEE EDGE - 6.3" X 23.2" - W/O HDW (J15,J16,J17)	
		FROM: 10-06-97 THRU: 99-99-99	
2	M05992-G3-G09	EA DOOR - STRAIGHT CORNER/OGEE EDGE - 6.3" X 23.2" - W/O HDW (J20,J21)	
		FROM: 10-06-97 THRU: 99-99-99	
3	081320-16-G09	EA END CAP - OVERHEAD CABINET	
4	M08758-78-J15	EA DOOR - MITERED CORNER/OGEE EDGE - 14.3" X 21.8" - W/O HDW (J15,J16,J17)	
		(FLAT MEDIUM DENSITY FIBERBOARD INSERT)	
4	M05992-69-J20	EA DOOR - STRAIGHT CORNER/OGEE EDGE - 14.3" X 21.8" - W/O HDW (J20,J21)	
		(RAISED WOOD INSERT)	
4	M05992-69-K16	EA DOOR - STRAIGHT CORNER/OGEE EDGE - 14.3" X 21.8" - W/O HDW (J15,J16,J17)	
		(GENERAL TRAILER OPTION)	
4	M08758-25-J15	EA DOOR - MITERED CORNER/OGEE EDGE - 14.3" X 21.8" - W/O HDW (J15,J16,J17)	
		(RAISED MEDIUM DENSITY FIBERBOARD INSERT)	
5	121823-01-H13	EA CABINET - GALLEY/OVERHEAD - W/O DOORS/HARDWARE (J15,J16,J17)	
5	121823-02-J20	EA CABINET - OVERHEAD/GALLEY - W/O DOORS/HARDWARE (J20,J21)	
	121823-11-H13	EA SHELF - W/PLASTIC EDGE TRIM	
6	081320-17-G09	EA END CAP - OVERHEAD CABINET	
7	103243-01-000	EA FAUCET - DUAL CONTROL (J15,J16,J17)	
7	104114-02-01A	EA FAUCET - GALLEY - SINGLE CONTROL (J15,J16,J17,J20,J21)	
	103635-01-000	EA FAUCET - SINGLE CONTROL (WATER PURIFIER) (J20,J21)	
	103635-01-700	EA FITTING KIT, FAUCET REPAIR	3071-70
	103635-01-701	EA TUBING-PLASTIC	3019-20
	103635-01-702	EA FAUCET REPAIR KIT	3026-46

KEY	PART NUMBER	U/M DESCRIPTION
8	104113-01-000	EA SINK - DOUBLE - STAINLESS STEEL
	092303-01-000	EA STRAINER - SINK
	103610-03-H04	EA COVER - SINK - 15.2" X 11" (J15)
	103610-03-H05	EA COVER - SINK - 15.2" X 11" (J16)
	103610-03-H07	EA COVER - SINK - 15.2" X 11" (J17)
	108464-03-F40	EA COVER - SINK - 15" X 11" - LAMINATED BOTH SIDES (J20)
	108464-04-F40	EA COVER - SINK - 15" X 15" - LAMINATED BOTH SIDES (J20)
	108464-03-J21	EA COVER - SINK - 15" X 11" - LAMINATED BOTH SIDES (J21)
	108464-04-J21	EA COVER - SINK - 15" X 15" - LAMINATED BOTH SIDES (J21)
9	098335-18-H33	EA RAIL - GALLEY - 25" (J15)
9	098335-18-H34	EA RAIL - GALLEY - 25" (J16)
9	098335-18-H14	EA RAIL - GALLEY - 25" (J17)
9	125851-17-J20	EA BACKSPLASH - GALLEY
9	125851-17-J21	EA BACKSPLASH - GALLEY
10	125851-15-J15	EA COUNTERTOP - GALLEY
10	125851-15-J16	EA COUNTERTOP - GALLEY
10	125851-15-J17	EA COUNTERTOP - GALLEY
10	125851-16-J20	EA COUNTERTOP - GALLEY
10	125851-16-J21	EA COUNTERTOP - GALLEY
11	125851-01-J15	EA CABINET - GALLEY - W/COUNTERTOP - W/O DOORS/DRAWERS/HDW
11	125851-01-J16	EA CABINET - GALLEY - W/COUNTERTOP - W/O DOORS/DRAWERS/HDW
11	125851-01-J17	EA CABINET - GALLEY - W/COUNTERTOP - W/O DOORS/DRAWERS/HDW
11	125851-02-J20	EA CABINET - GALLEY - W/O DOORS/DRAWERS/HARDWARE
11	125851-02-J21	EA CABINET - GALLEY - W/O DOORS/DRAWERS/HARDWARE
	125851-14-J20	EA SHELF - W/PLASTIC EDGE TRIM
12	M08758-80-J15	EA DOOR - MITERED CORNER/OGEE EDGE - 9" X 26.5" - W/O HDW (J15,J16,J17)
		(FLAT MEDIUM DENSITY FIBERBOARD INSERT)
12	M05992-L0-J20	EA DOOR - STRAIGHT CORNER/OGEE EDGE - 9" X 26.5" - W/O HDW (J20,J21)
		(RAISED WOOD INSERT)
12	M05992-H3-K16	EA DOOR - STRAIGHT CORNER/OGEE EDGE - 9" X 26.5" - W/O HDW (J15,J16,J17)
		(GENERAL TRAILER OPTION)
13	M08758-80-J15	EA DOOR - MITERED CORNER/OGEE EDGE - 9" X 26.5" - W/O HDW (J15,J16,J17)
		(FLAT MEDIUM DENSITY FIBERBOARD INSERT)
13	M05992-L1-J20	EA DOOR - STRAIGHT CORNER/OGEE EDGE - 9" X 26.5" - W/O HDW (J20,J21)
		(RAISED WOOD INSERT)
13	M05992-H2-K16	EA DOOR - STRAIGHT CORNER/OGEE EDGE - 9" X 26.5" - W/O HDW (J15,J16,J17)
		(GENERAL TRAILER OPTION)
14	M05971-11-J15	EA DRAWER - OGEE EDGE - 9.9"W X 17.7"D - W/O SLIDES/HARDWARE (J15,J16,J17)
14	M05971-11-J20	EA DRAWER - OGEE EDGE - 9.9"W X 17.7"D - W/O SLIDES/HARDWARE (J20,J21)
15	M05971-83-J15	EA DRAWER - OGEE EDGE - 8.4"W X 7.6"D - W/O SLIDES/HARDWARE (J15,J16,J17)
15	M05971-83-J20	EA DRAWER - OGEE EDGE - 8.4"W X 7.6"D - W/O SLIDES/HARDWARE (J20,J21)
16	M05971-50-J15	EA DRAWER - OGEE EDGE - 19.8"W X 17.7"D - W/O SLIDES/HARDWARE (J15,J16,J17)
16	M05971-50-G09	EA DRAWER - OGEE EDGE - 17.7"W X 19.8"D - W/O SLIDES/HARDWARE (J20,J21)
17*	112881-02-03A	EA RANGE-16" 3 BURNER-FRONT HI-OUTPUT BURNER - BLK TOP/DOOR
	105458-01-000	EA BRACKET - STOVE TIEDOWN - RIGHT HAND
	105458-02-000	EA BRACKET - STOVE TIEDOWN - LEFT HAND
18*	100258-16-04A	EA HOOD - RANGE - W/O MONITOR PANEL - W/O HOUR METER & SWITCH
18*	100258-17-04A	EA HOOD - RANGE - W/O MONITOR PANEL - W/O HOUR METER & SWITCH
18*	100258-18-03A	EA HOOD - RANGE - W/O MONITOR PANEL - W/HOUR METER & SWITCH
19*	121568-02-01A	EA REFRIGERATOR - SMALL DOUBLE DOOR - LEFT HAND - 2-WAY
	116751-03-01A	EA TRAY - REFRIGERATOR - BLACK
	054450-01-000	EA LEVEL - REFRIGERATOR
	065225-02-000	EA PLATE - TIEDOWN - REFRIGERATOR
	093646-03-000	EA BRACKET - TIEDOWN/RIGHT HAND - REFRIGERATOR
	093646-04-000	EA BRACKET - TIEDOWN/LEFT HAND - REFRIGERATOR
	090329-01-000	FT SEAL/T - REFRIGERATOR CABINET

* COMPONENT PARTS FOUND IN SERVICE PARTS LIBRARY

GALLEY GROUP (CONTINUED)
MICROWAVE OVEN & TRIMS, BRACKETS, AND BRACES

KEY	PART NUMBER	U/M DESCRIPTION	VENDOR NO.
	115303-02-000	EA OVEN - MICROWAVE - 1.3 CU FT	
		FROM: 00-00-00 THRU: 10-05-97	
	115401-02-01A	EA TRIM - MICROWAVE	
		FROM: 00-00-00 THRU: 10-05-97	
	128527-02-000	EA OVEN - MICROWAVE - 1.2 CU FT - NON CONVECTION	
		FROM: 10-06-97 THRU: 99-99-99	
	128527-02-700	EA TRIM RING-F/1.2 CU.FT. MICRO	MC-6471-EA
		FROM: 10-06-97 THRU: 99-99-99	
	128642-02-000	EA TRIM KIT W/VENT - MICROWAVE - 1.2 CU FT SAMSUNG	
		FROM: 10-06-97 THRU: 99-99-99	
	094750-07-000	EA BRACKET - MICROWAVE - 89 DEGREE	
		FROM: 00-00-00 THRU: 10-05-97	
	094750-10-000	EA BRACKET - MICROWAVE - 89 DEGREE	
		FROM: 10-06-97 THRU: 99-99-99	
	098916-16-02B	EA BRACE - MICROWAVE - LEFT HAND	
		FROM: 00-00-00 THRU: 10-05-97	
	098916-17-02B	EA BRACE - MICROWAVE - RIGHT HAND	
		FROM: 00-00-00 THRU: 10-05-97	
	098916-22-02B	EA BRACE - MICROWAVE CABINET - LEFT HAND	
		FROM: 10-06-97 THRU: 99-99-99	
	098916-23-02B	EA BRACE - MICROWAVE CABINET - RIGHT HAND	
		FROM: 10-06-97 THRU: 99-99-99	

COFFEE MAKER

KEY	PART NUMBER	U/M DESCRIPTION	VENDOR NO.
	126019-01-01A	EA COFFEEMAKER - OPTIMA - W/BRACKETS - BLACK & DECKER	
	126019-01-700	EA GLASS CARAFE	172547-00
	126019-01-701	EA RESERVOIR- WATER	172554
	126019-01-702	EA BASKET - FILTER	172553-00
	126019-01-703	EA HARDWARE - MOUNTING	172174-00

LVS MONITOR PANEL

KEY	PART NUMBER	U/M DESCRIPTION	VENDOR NO.
*	102765-03-01A	EA PANEL - MONITOR - 3 TANK/WATER HEATER	
		FROM: 00-00-00 THRU: 10-12-97	
*	102765-04-01A	EA PANEL - MONITOR - 2 HOLDING TANKS - ADJUSTABLE	
		FROM: 10-13-97 THRU: 99-99-99	

* COMPONENT PARTS FOUND IN SERVICE PARTS LIBRARY

GENERATOR GROUP
4,000 WATT ONAN EMERALD PLUS

KEY	PART NUMBER	U/M DESCRIPTION
	100974-01-000	EA GENERATOR - 4 KW EMERALD PLUS - ONAN BGE-FA26100G WITH ONAN GENERATOR TRAY #403-2218
	007067-01-000	SF INSULATION - FIBERGLASS - 1" THICK X 4' - INCREMENTS/4 SF
	007125-03-000	EA CLAMP - MUFFLER - 1.5" DIAMETER
	007125-04-000	EA CLAMP - MUFFLER - 1.12" DIAMETER
	079654-05-000	EA PIPE - EXHAUST - ANGLED W/FLANGE - 2" ID
	082272-01-000	EA MUFFLER - GENERATOR
	094059-01-000	EA SPACER - GENERATOR - ONAN
	105958-03-000	EA PIPE - GENERATOR EXHAUST 1.5" OD X 4.4" X 15.7"

5,000 WATT ONAN EMERALD PLUS

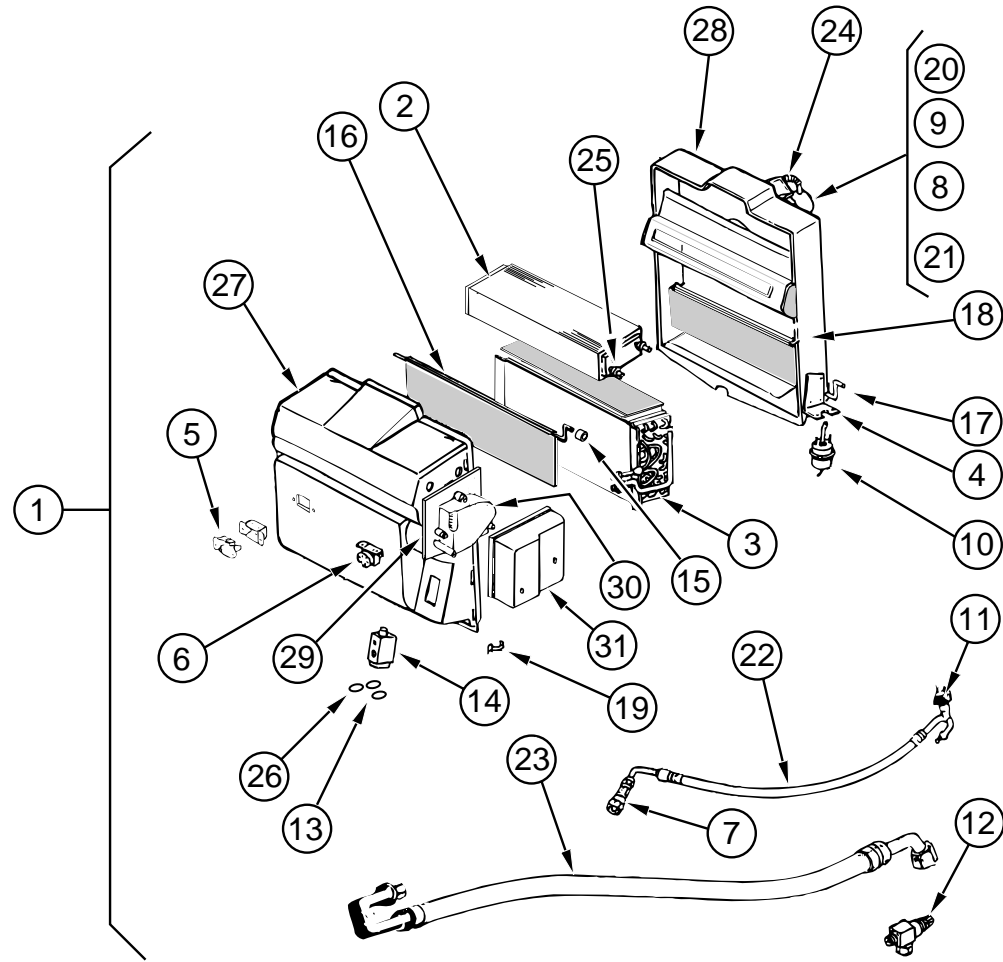
KEY	PART NUMBER	U/M DESCRIPTION
	109303-01-000	EA GENERATOR - 5 KW - EMERALD PLUS WITH ONAN TRAY #403-2727
	007067-01-000	SF INSULATION - FIBERGLASS - 1" THICK X 4' - INCREMENTS/4 SF
	007125-03-000	EA CLAMP - MUFFLER - 1.5" DIAMETER
	007125-04-000	EA CLAMP - MUFFLER - 1.12" DIAMETER
	079654-05-000	EA PIPE - EXHAUST - ANGLED W/FLANGE - 2" ID
	082272-01-000	EA MUFFLER - GENERATOR
	094059-01-000	EA SPACER - GENERATOR - ONAN
	105958-03-000	EA PIPE - GENERATOR EXHAUST 1.5" OD X 4.4" X 15.7"

6,500 WATT ONAN EMERALD PLUS

KEY	PART NUMBER	U/M DESCRIPTION
	100975-01-000	EA GENERATOR - 6.5 KW EMERALD PLUS WITH ONAN TRAY #403-2218
	007067-01-000	SF INSULATION - FIBERGLASS - 1" THICK X 4' - INCREMENTS/4 SF
	007125-03-000	EA CLAMP - MUFFLER - 1.5" DIAMETER
	007125-04-000	EA CLAMP - MUFFLER - 1.12" DIAMETER
	079654-05-000	EA PIPE - EXHAUST - ANGLED W/FLANGE - 2" ID
	082272-01-000	EA MUFFLER - GENERATOR
	094059-01-000	EA SPACER - GENERATOR - ONAN
	105958-03-000	EA PIPE - GENERATOR EXHAUST 1.5" OD X 4.4" X 15.7"

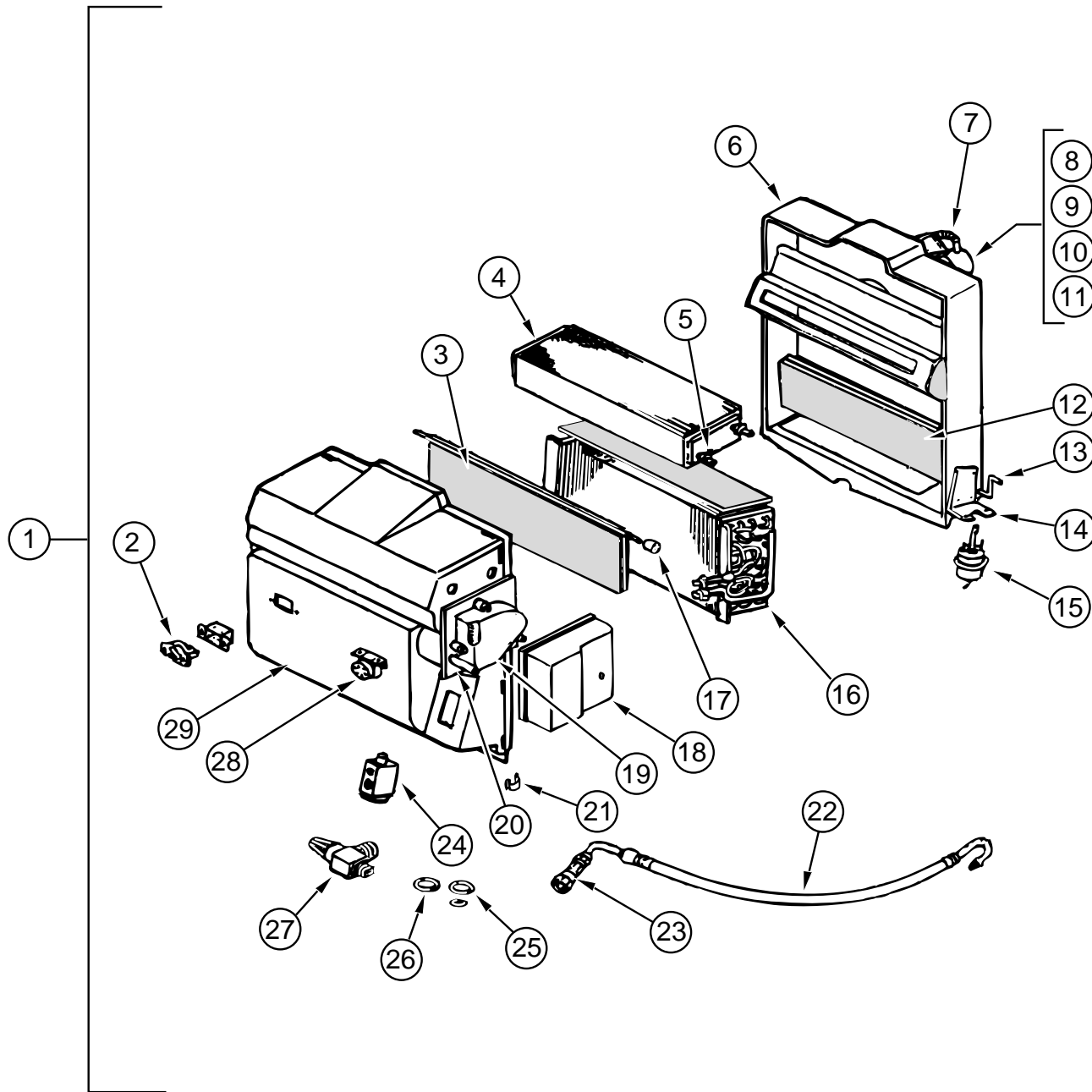
NOTE: ADDITIONAL GENERATOR COMPONENTS ARE FOUND IN THE CHASSIS GROUP

HEATING & AIR CONDITIONING GROUP
SCS EVAPORATOR/HEATER ASSEMBLY - FORD CHASSIS



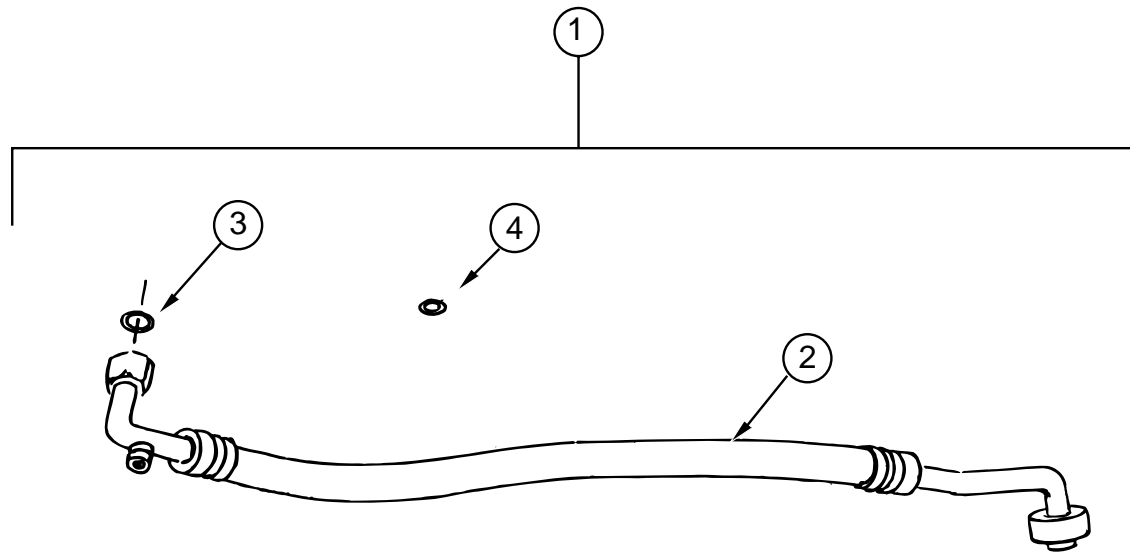
KEY	PART NUMBER	U/M	DESCRIPTION	VENDOR NO.
1	103930-31-000	EA	EVAPORATOR/HEATER - FORD - SERVO MOTOR CONTROLLED	
2	103930-01-703	EA	CORE-HEATER	042-0010
3	103930-01-704	EA	COIL-EVAPORATOR	041-0017
4	103930-01-708	EA	BRACKET-VACUUM MOTOR	070-0113
5	103930-01-710	EA	RESISTOR-FUSED, A/C	035-0006
6	103930-01-711	EA	THERMOSTAT	033-0003
7	103930-01-713	EA	FITTING-QUICK CONNECT, #4	050-0030
8	103930-01-717	EA	WHEEL-BLOWER, CLOCKWISE	062-0010
9	103930-30-706	EA	MOTOR-BLOWER PM147 W/ADAPTER	030-0109
10	103930-02-708	EA	MOTOR-VACUUM SERVO, A/C	030-0025
11	103930-12-708	EA	SWITCH-BINARY-HI/LOW CUTOFF	032-0048
12	103930-13-702	EA	VALVE-SERVICE, W/O COMP.	050-0152
13	103930-17-702	EA	O'RING #10	045-0127
14	103930-20-700	EA	VALVE-EXPANSION-BLOCK, 2 TON	034-0032
15	103930-30-702	EA	BUSHING - BLEND AIR DOOR	062-0168
16	103930-30-705	EA	DOOR - BLEND AIR	071-0568
17	103930-20-704	EA	ROD-DOOR-RECIRCULATING	073-0018
18	103930-20-705	EA	PANEL-DOOR, RECIRCULATING	071-0213
19	103930-20-706	EA	CLIP-RETAINER - CASE ATTACH	022-0057
20	103930-20-707	EA	HOUSING-BLOWER	062-0145
21	103930-20-708	EA	CLIP-MOTOR SHAFT	022-0001
22	103930-21-700	EA	HOSE ASM #6 EVAPORATOR/DRIER	085-0139
23	103930-21-701	EA	HOSE ASM #10 EVAPORATOR/COMP	085-0149
24	110279-01-703	EA	HOSE-VENT F/BLOWER MOTOR	051-0034
25	110279-01-712	EA	FITTING-HEATER	050-0076
26	113245-01-707	EA	O'RING #8	045-0126
27	103930-30-700	EA	CASE - FRONT	062-0542
28	103930-20-711	EA	CASE-BACK, SUB-ASSEMBLY	062-0147
29	103930-30-701	EA	PLATE - MOTOR MOUNT	062-0544
30	103930-30-703	EA	MOTOR - SERVO	030-0104
31	103930-30-704	EA	COVER - SERVO	062-0545

HEATING & AIR CONDITIONING GROUP (CONTINUED)
SCS EVAPORATOR/HEATER ASSEMBLY - CHEVY CHASSIS



KEY	PART NUMBER	U/M	DESCRIPTION	VENDOR NO.
1	103930-30-000	EA	EVAPORATOR/HEATER - CHEVY - SERVO MOTOR CONTROLLED	
2	103930-01-710	EA	RESISTOR-FUSED, A/C	035-0006
3	103930-30-705	EA	DOOR - BLEND AIR	071-0568
4	103930-01-703	EA	CORE-HEATER	042-0010
5	110279-01-712	EA	FITTING-HEATER	050-0076
6	103930-20-711	EA	CASE-BACK, SUB-ASSEMBLY	062-0147
7	110279-01-703	EA	HOSE-VENT F/BLOWER MOTOR	051-0034
8	103930-20-707	EA	HOUSING-BLOWER	062-0145
9	103930-30-706	EA	MOTOR-BLOWER PM147 W/ADAPTER	030-0109
10	103930-01-717	EA	WHEEL-BLOWER, CLOCKWISE	062-0010
11	103930-20-708	EA	CLIP-MOTOR SHAFT	022-0001
12	103930-20-705	EA	PANEL-DOOR, RECIRCULATING	071-0213
13	103930-20-704	EA	ROD-DOOR-RECIRCULATING	073-0018
14	103930-01-708	EA	BRACKET-VACUUM MOTOR	070-0113
15	103930-02-708	EA	MOTOR-VACUUM SERVO, A/C	030-0025
16	103930-01-704	EA	COIL-EVAPORATOR	041-0017
17	103930-30-702	EA	BUSHING - BLEND AIR DOOR	062-0168
18	103930-30-704	EA	COVER - SERVO	062-0545
19	103930-30-703	EA	MOTOR - SERVO	030-0104
20	103930-30-701	EA	PLATE - MOTOR MOUNT	062-0544
21	103930-20-706	EA	CLIP-RETAINER - CASE ATTACH	022-0057
22	103930-25-700	EA	HOSE ASM #6 EVAPORATOR/DRIER	085-0350
23	103930-12-709	EA	FITTING-QUICK CONNECT	050-0120
24	103930-20-700	EA	VALVE-EXPANSION-BLOCK, 2 TON	034-0032
25	103930-17-702	EA	O'RING #10	045-0127
26	113245-01-707	EA	O'RING #8	045-0126
27	103930-20-709	EA	VALVE-SERVICE	050-0159
28	103930-01-711	EA	THERMOSTAT	033-0003
29	103930-30-700	EA	CASE - FRONT	062-0542

HEATING & AIR CONDITIONING GROUP (CONTINUED)



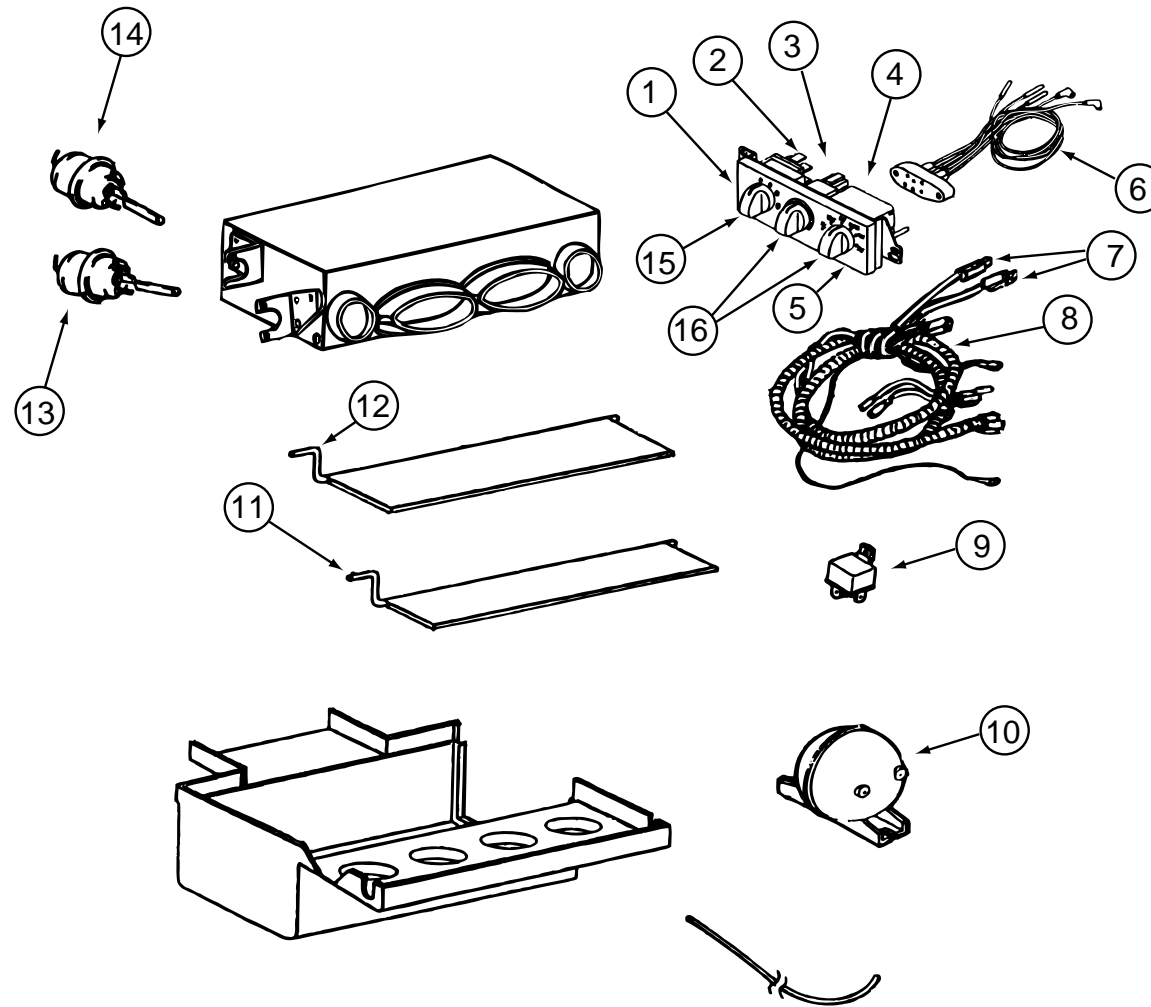
CHEVY HOSE KIT

KEY	PART NUMBER	U/M DESCRIPTION	VENDOR NO.
1	103930-29-000	EA HOSE KIT - #10 F/GM L-29 & L-65 CHASSIS	
2	N/A	EA HOSE ASM #10 EVAPORATOR/COMP	085-0348
3	103930-17-702	EA O'RING #10	045-0127
4	103930-29-701	EA O'RING F/LOW PRESSURE SWITCH	045-0483

**HEATING & AIR CONDITIONING GROUP (CONTINUED)
AUTOMOTIVE HEATER MISCELLANEOUS**

KEY	PART NUMBER	U/M DESCRIPTION
	007076-01-000	EA HOSE - FLEXIBLE PVC - 2" ID - INCREMENTS OF 50'
	007108-01-000	FT HOSE - HEATER - 5/8" ID - HI-TEMP - FORD
	007281-01-000	EA HOSE - FLEXIBLE PVC - 2.5" ID X 50'
	007281-01-700	FT HOSE-FLEXIBLE PVC, 2 1/2 ID
	024990-05-000	EA OUTLET - DEFROSTER - 4" DIAMETER W/SWIVEL DEFLECTORS
	056402-05-000	EA BRACKET - HEATER VENT - ROUND W/BEND - BLACK
	077075-01-000	EA GASKET - INSTRUMENT PANEL TO DEFROSTER PLENUM
	076776-01-000	EA TEE - BEADED - 5/8" X 5/8" X 5/8"
	089353-01-000	EA UNION - 5/8" - TUBE TO TUBE
	077539-01-000	EA BRACKET - MOUNTING/DASH PANEL - L/SHAPED - 2.5"X1"X1.5"
	103017-03-000	EA PLENUM - DEFROSTER
	126692-01-H17	EA PLENUM - A/C - BEVERAGE TRAY - WCF31DQ
	103930-23-000	EA VALVE - WATER - 2 PORT
	103558-01-10A	EA VENT - DEFROSTER - 2" X 14.4" X 1.4" - ANTELOPE
		FROM: 00-00-00 THRU: 05-09-98
	103558-04-03A	EA VENT - DEFROSTER - ANTELOPE
		FROM: 05-10-98 THRU: 99-99-99
	103796-01-01A	EA LOUVER - A/C
	103930-37-000	EA MANUAL - OWNERS - HEATER/A/C
	7SB003-97-01A	EA SCS/FRIGETTE SERVICE MANUAL AIR CONDITIONING

HEATING & AIR CONDITIONING GROUP (CONTINUED)



SCS CONTROL/PLENUM

KEY	PART NUMBER	U/M	DESCRIPTION	VENDOR NO.
	103930-39-000	EA	CONTROL/PLENUM - ROTARY	
1	103930-33-702	EA	CONTROL PANEL	083-0169
2	103930-33-707	EA	SWITCH - BLOWER	032-0186
3	103930-33-708	EA	SWITCH - POTENTIOMETER	032-0184
4	103930-33-709	EA	SWITCH - VACUUM	032-0183
5	103930-33-710	EA	DECAL F/CONTROL HEAD	058-0102
6	103930-33-703	EA	VACUUM HARNESS	036-0466
7	103930-33-705	EA	LIGHT BULBS	035-0030
8	103930-33-711	EA	WIRE HARNESS - MAIN	036-0496
9	103930-02-707	EA	RELAY-BOSCH W/RESISTER	031-0001
10	103930-02-710	EA	CANISTER-VACUUM	054-0002
11	103930-39-700	EA	ROD - DOOR - AC/HEAT	073-0028
12	103930-39-701	EA	ROD - DOOR - AC/DEFROST	073-0060
13	103930-02-708	EA	MOTOR-VACUUM SERVO, A/C	030-0025
14	103930-33-701	EA	MOTOR - VACUUM, 3 STAGE	030-0105
15	103930-39-702	EA	KNOB - BLOWER	062-0539
16	103930-39-703	EA	KNOB - TEMPERATURE	062-0540
	103930-39-704	EA	SPRING	022-0119

HEATING & AIR CONDITIONING GROUP (CONTINUED)
COLEMAN ROOF A/C & CEILING ASM

KEY	PART NUMBER	U/M DESCRIPTION
*	108889-01-05A	EA A/C - ROOF - 13,500 TSR
*	115219-01-03A	EA A/C - ROOF - 14/800 MACH 15 - BRIGHT WHITE
	102289-01-000	EA SPRING - SCREW - ROOF A/C GASKET
*	108892-01-01A	EA CEILING ASSEMBLY - A/C DUCTED
	117238-01-01A	EA THERMOSTAT - A/C - FURNACE

*** COMPONENT PARTS FOUND IN SERVICE PARTS LIBRARY**

ROOF A/C SELECTOR SWITCH, COVERS, AND REGISTER

KEY	PART NUMBER	U/M DESCRIPTION
	073937-03-000	EA SWITCH - ROTARY- AC - SELECTOR - 3 DECK
	022756-03-000	EA COVER - A/C - OFF WHITE PLASTIC
	121365-01-01A	EA COVER - A/C SWITCH - DUAL
	121365-02-01A	EA COVER - A/C SWITCH - SINGLE
	092633-02-02A	EA COVER - BLANK - ROOF A/C - 5.1" X 5.1"
	120134-01-02A	EA REGISTER - 4" TO 5" IN DIAMETER W/DAMPER

HEATING & AIR CONDITIONING GROUP (CONTINUED)
35,000 BTU SUBURBAN FURNACE, REGISTERS & WALL THERMOSTAT

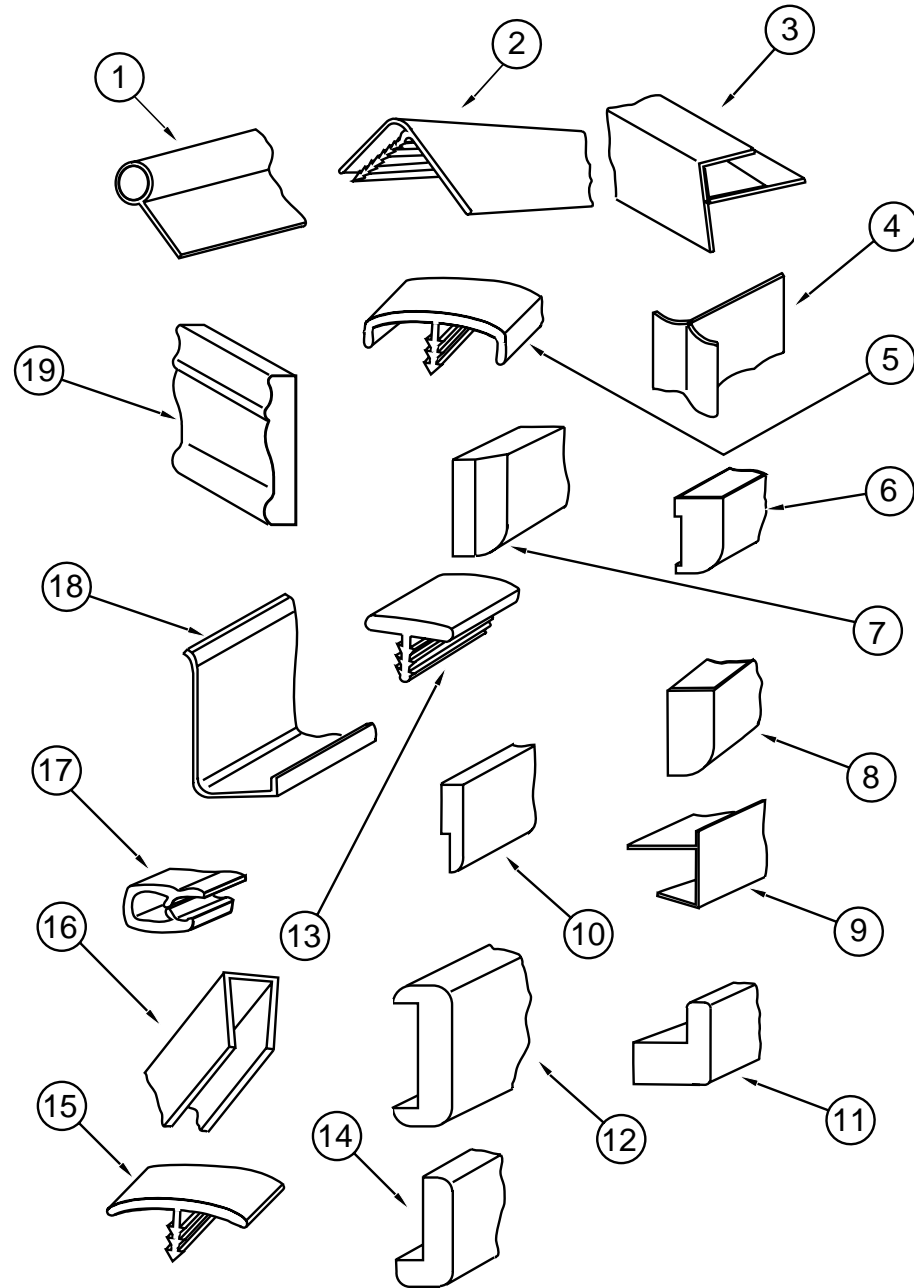
KEY	PART NUMBER	U/M DESCRIPTION
*	098668-21-000	EA FURNACE - 35,000 BTU
	098668-23-000	EA DOOR - ACCESS - FURNACE - BRIGHT WHITE
	056464-09-000	EA REGISTER - 4" DIAMETER - PLASTIC - W/DAMPER - BEIGE
	094600-06-01A	EA REGISTER - HEAT - W/DAMPER
	093614-01-02A	EA GRILLE - RETURN AIR - 15.6" X 7.6" - BEIGE
	009198-01-000	FT DUCT - HEAT - FLEXIBLE - 4" ID X 25'
	009198-02-000	FT DUCT - FLEXIBLE - 2" ID X 25'
	089367-02-000	EA TEE - 4" X 2" X 4"
	009200-01-000	EA TAPE - FURNACE - 1 1/2"
	115764-01-01A	EA THERMOSTAT - FURNACE

*** COMPONENT PARTS FOUND IN SERVICE PARTS LIBRARY**

EVANS REAR HEATER & COMPONENTS

KEY	PART NUMBER	U/M DESCRIPTION	VENDOR NO.
	084405-01-000	EA HEATER - REAR/DUCTED - W/MOTOR AID	
	084405-01-700	EA CORE-HEATER	FT200229
	084405-01-701	EA FAN BLADES	HV029931
	084405-01-702	EA MOTOR ASSEMBLY, 12 VOLT	RV010348
	009198-01-000	FT DUCT - HEAT - FLEXIBLE - 4" ID X 25'	
	056464-10-000	EA REGISTER - 4" DIAMETER - PLASTIC - W/O DAMPER - BEIGE	
	061673-01-000	EA BRACKET - MOTOR AID TUBES - 4" X 1.5" - STEEL	
	079059-01-000	EA HOSE - 90 DEGREE - 5/8" ID X 4" X 36"	

INTERIOR FINISH GROUP
MOLDINGS & TRIMS



KEY	PART NUMBER	U/M DESCRIPTION
1	009767-12-000	FT WELTING - SIDEWALL/CEILING/CABINET - OFF/WHT
2	009809-28-000	EA MOLDING - CORNER - OUTSIDE - 1" X 84" - WATERFORD OAK
3	009812-29-000	EA MOLDING - PLASTIC - 1/2" O/S CORNER - WATERFORD OAK
4	022992-11-000	FT MOLDING - REVERSE COVE - T-SHAPED VINYL - IVORY
5	083620-12-000	FT MOLDING-T - END CAP EDGE - W/EDGE LIP - .75"-WATERFORD OAK
6	117268-D2-134	EA MOLDING - VINYL WRAPPED - .7" X 1.6" X 84" - WATERFORD OAK
6	117268-F2-134	EA MOLDING - VINYL WRAPPED - .7" X 2.7" X 84" - WATERFORD OAK
7	100659-01-G09	EA MOLDING/TRIM - VINYL FLOOR
8	100818-01-05A	EA MOLDING - VINYL WRAPPED - 1.65" X .4" X 7'
9	103186-01-05A	FT MOLDING - PLASTIC 3/8" U-CHANNEL 3/4" FACE - WATERFORD OAK
9	103186-02-05A	FT MOLDING - PLASTIC/1" U-CHANNEL W/1 3/8" FACE-WATERFORD OAK
10	105004-01-05A	EA MOLDING - VINYL WRAPPED - 1" X 96" - WATERFORD OAK
11	100819-01-05A	EA MOLDING - VINYL WRAPPED - L-SHAPED - 1.5" X 1.5" X 7' - WATERFORD OAK
12	078323-06-G15	EA MOLDING - CAP - WALL - 78"
13	104676-02-04A	FT MOLDING-T - 1/2" - WATERFORD OAK
14	077840-01-G01	EA MOLDING - CAP/WALL - 8' WATERFORD OAK
15	105709-01-000	FT MOLDING-T - 1" - MODERN IVORY
16	009778-21-000	FT U-CHANNEL - 1" - WATERFORD OAK
16	070504-36-000	FT U-CHANNEL - PLASTIC - .13" X 72" - WATERFORD OAK
16	070504-37-000	FT U-CHANNEL - PLASTIC - .87" X 84" - WATERFORD OAK
17	113452-01-000	EA SEAL/TRIM - FRONT - VINYL W/WIRE CARRIER
18	085746-01-000	FT TRIM-J - CARPET - 1.2" X .5" ANGLE - 10' LONG - BEIGE PVC
19	100182-10-G29	EA TRIM - RAIL/CHAIR - 8'
	117267-D2-438	EA LUMBER - VINYL WRAPPED - .7" X 1.5" X 96" - WATERFORD OAK
	117267-E2-438	EA LUMBER - VINYL WRAPPED - .7" X 2" X 96" - WATERFORD OAK
	117267-G2-438	EA LUMBER - VINYL WRAPPED - .7" X 3" X 96" - WATERFORD OAK
	117267-J2-438	EA LUMBER - VINYL WRAPPED - .7" X 5.5" X 96" - WATERFORD OAK
	117267-R2-438	EA LUMBER - VINYL WRAPPED - .7" X 3" X 96" - WATERFORD OAK

INTERIOR FINISH GROUP (CONTINUED)
BATT STRIPS

KEY	PART NUMBER	U/M DESCRIPTION
	069733-83-000	EA BATT STRIP - WOODGRAINED/WATERFORD OAK - 8'
	079653-28-000	EA BATT STRIP - KERFED - WOODGRAINED/WATERFORD OAK - 8'
	088263-E3-000	EA BATT STRIP - DECORATIVE - PEBBLE EMBOSSSED/ANTIQUE-8'
	088263-F5-000	EA BATT - STRIP - DECORATIVE - FLAGSTAFF SAND - 8' (J15)
	088263-D2-000	EA BATT STRIP - DECORATIVE - WASH/VANILLA - 8' (J16)
	088263-E1-000	EA BATT STRIP - DECORATIVE - BOLERO/AQUA FROST - 8' (J17)
	088263-F6-000	EA BATT - STRIP - DECORATIVE - ARTESIA/SPRING - 8' (J20)
	088263-E2-000	EA BATT STRIP - DECORATIVE - PRIMAVERA/STONE - 8' (J21)
	085284-B5-000	FT BATT TAPE - ADHESIVE BACKED - WOODGRAINED - WATERFORD OAK
	085284-D6-000	FT BATT TAPE - ADHESIVE BACKED -DECORATIVE - EMBOSSSED ANTIQUE
	085284-F1-000	FT BATT TAPE - ADHESIVE BACKED - DECORATIVE/FLAGSTAFF SAND (J15)
	085284-C5-000	FT BATT TAPE - ADHESIVE BACKED-DECORATIVE-FRENCH WASH/VANILLA (J16)
	085284-D4-000	FT BATT TAPE - ADHESIVE BACKED - DECORATIVE-BOLERO/AQUA FROST (J17)
	085284-F2-000	FT BATT TAPE - ADHESIVE BACKED - DECORATIVE ARTESIA/SPRING (J20)
	085284-D5-000	FT BATT TAPE - ADHESIVE BACKED - DECORATIVE - PRIMAVERA/STONE (J21)
	086229-20-000	EA BATTEN - 1" X 96" - BEIGE
	086229-01-000	EA RETAINER - BATTEN - .75" X 92.3" - ANY COLOR

PLASTIC LAMINATE & EDGE BAND

KEY	PART NUMBER	U/M DESCRIPTION
	074498-62-000	SF LAMINATE - PLASTIC - GREY FINESSE - 5' X 8' - INC OF 40SF (J15)
	074498-72-000	SF LAMINATE - PLASTIC - PEBBLE SANTOS - 5' X 8' - INC OF 40SF (J16)
	074498-71-000	SF LAMINATE - PLASTIC - NEUTRAL SANTOS - 5'X8' - INC OF 40SF (J17,J20)
	074498-80-000	SF LAMINATE - PLASTIC - 5' X 8' - INCREMENTS OF 40 SF (J21)
	076325-46-000	FT MOLDING - EDGE BAND - 1 5/16" X .030" - CLOUD (J15)
	076325-37-000	FT MOLDING - EDGE BAND - 1 5/16" X .030" (J16)
	076325-39-000	FT MOLDING - EDGE BAND - 1 5/16" X .030" (J17,J20,J21)
	076325-43-000	FT MOLDING - EDGE BAND .876" X .024" - CLOUD (J15)
	076325-38-000	FT MOLDING - EDGE BAND - .875" X .024" (J16)
	076325-40-000	FT MOLDING - EDGE BAND - .875" X .024" (J17,J20,J21)
	074498-77-000	SF LAMINATE - PLASTIC - ART CABIN - 4' X 8' - INC OF 32 SF (PULL OUT TABLE)
	076325-68-000	FT MOLDING - EDGE BAND - 1 5/16" X .038 - WATERFORD OAK (PULL OUT TABLE)
	074498-40-000	SF LAMINATE - PLASTIC - OFF WHITE - 5' X 8' - INC OF 40 SF (PATIO ENTERTAINMENT CENTER TABLE)
	076325-73-000	FT MOLDING - EDGE BAND - .93" X .024" (PATIO ENTERTAINMENT CENTER TABLE)

INTERIOR FINISH GROUP (CONTINUED)
SMOKE DETECTOR, CO DETECTOR, FIRE EXTINGUISHER & CLOCK

KEY	PART NUMBER	U/M DESCRIPTION
	072852-01-000	EA DETECTOR - SMOKE - W/9 VOLT BATTERY - US
	072852-02-000	EA DETECTOR - SMOKE - W/9 VOLT BATTERY - CANADIAN
	094499-01-000	EA EXTINGUISHER/FIRE - DRY W/MOUNTING BRACKET FROM: 00-00-00 THRU: 02-24-98
	094499-01-700	EA BRACKET MTG. W/PLAS. STRAP 294039
	094499-01-701	EA STRAP ONLY (METAL) 320351
	094499-03-000	EA EXTINGUISHER/FIRE - DRY - 10B:C - W/O BRACKET FROM: 02-25-98 THRU: 99-99-99
	094499-04-000	EA BRACKET - FIRE EXTINGUISHER FROM: 02-25-98 THRU: 99-99-99
	094499-02-000	EA EXTINGUISHER/FIRE - DRY - 1A10BC - CANADIAN
	125136-01-000	EA CO DETECTOR - GAS - ROUND W/2 SCREWS - 9 VOLT
	118081-01-01A	EA CLOCK - WALL - ROUND 8" - BRASS FROM: 00-00-00 THRU: 06-22-97
	118081-02-01A	EA CLOCK - WALL - ROUND 8" - BRASS FROM: 06-23-97 THRU: 99-99-99

ANTISLIP & FLOOR MATS

KEY	PART NUMBER	U/M DESCRIPTION
	091261-01-000	FT SLIPNOT - ANTISLIP - 1' WIDE
	105924-01-F25	EA MAT - FLOOR - 18" X 27" (J15)
	105924-01-J16	EA MAT - FLOOR - 18" X 27" (J16)
	105924-01-F11	EA MAT - FLOOR - 18" X 27" (J17)
	105924-01-F06	EA MAT - FLOOR - 18" X 27" (J20)
	105924-01-F12	EA MAT - FLOOR - 18" X 27" (J21)

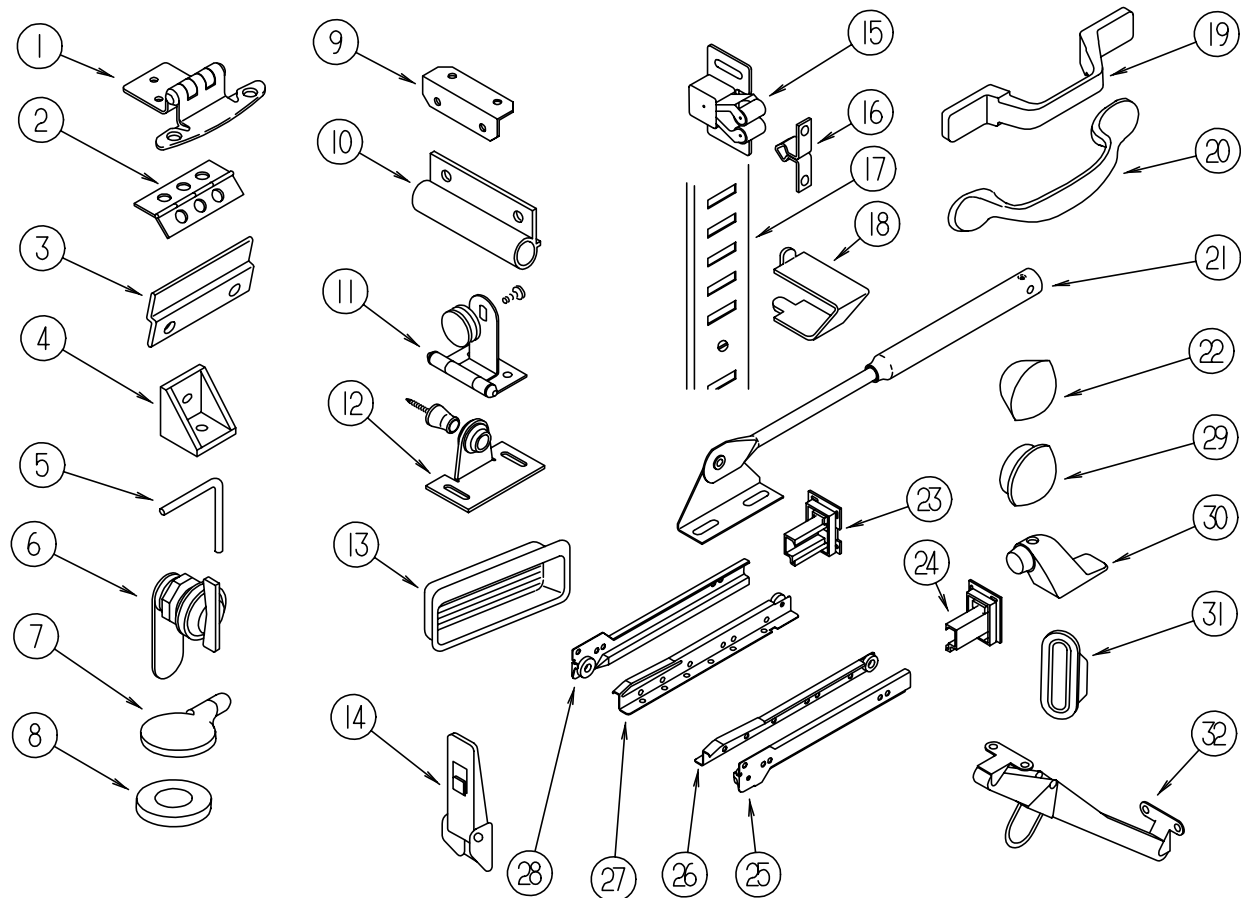
CARPET, VINYL, & TILE

KEY	PART NUMBER	U/M DESCRIPTION
	093486-01-000	SY CARPET - COMPARTMENT - 72" WIDE - DARK GRAY
	096060-A8-000	SY CARPET - BLUE LAGOON (J15)
	096060-95-000	SY CARPET - DOESKIN - INCREMENTS OF 4 SQ YDS (J16)
	096060-A2-000	SY CARPET - NEW MEADOW - INCREMENTS OF 4 SQ YD (J17)
	096060-98-000	SY CARPET - SILVER ASPEN - INCREMENTS OF 4 SQ YD (J20)
	096060-99-000	SY CARPET - PARCHMENT (J21)
	042720-20-000	SY VINYL - FLOOR COVERING - 7.5' WIDE - CALAY (J15,J16,J17)
	042720-21-000	SY VINYL - FLOOR COVERING - 7' WIDE - MODULATION (J20,J21)
	122755-01-01A	EA TILE - RUBBER/ENTRANCE DOOR - 18.5" X 27.2"
	122755-03-01A	EA TILE - RUBBER/ENTRANCE DOOR - 17.7" X 26.4"

PANELING, PLYWOOD, & PARTICLE BOARD

KEY	PART NUMBER	U/M DESCRIPTION
	074497-28-000	SF PANELING - WATERFORD OAK - 48" X 96"
	088272-G1-000	SF PANELING - PEBBLE EMBOSSSED - ANTIQUE WHITE - 4' X 7'
	088272-H5-000	SF PANELING - FLAGSTAFF - 4' X 7' (J15)
	088272-F3-000	SF PANELING - FRENCH WASH - VANILLA (J16)
	088272-F8-000	SF PANELING - BOLERO - AQUA FROST (J17)
	088272-H6-000	SF PANELING - ARTESIA SPRING - 4' X 7' (J20)
	088272-F9-000	SF PANELING - PRIMAVERA STONE - 4' X 8' (J21)
	080215-10-000	SF PANELING - 2 SIDED - WATERFORD - .2" X 48" X 96"
	000846-01-000	SF PLYWOOD - 5/16" X 48" X 96" - CD GRADE
	000846-02-000	SF PLYWOOD/UNDERLAYMENT - 5/16" X 48" X 96"
	089297-01-000	SF PLYWOOD - LUAN - OVERLAY GRADE - 48" X 96"
	126339-01-000	SF BOARD - WHEAT - 60" X 72"
	000885-76-000	SF PARTICLE BOARD-3/8" X 48" X 96"-WATERFORD OAK/VINYL 1 SIDE
	000885-77-000	SF PARTICLE BOARD-3/8" X 48" X 96"-WATERFORD OAK/VINYL 2 SIDE
	000885-78-000	SF PARTICLE BOARD-1/2" X 48" X 96"-WATERFORD OAK/VINYL 2 SIDE FROM: 00-00-00 THRU: 07-20-97
	000885-79-000	SF PARTICLE BOARD-3/4" X 48" X 96"-WATERFORD OAK/VINYL 2 SIDE

INTERIOR FINISH GROUP (CONTINUED)
CABINET HARDWARE



KEY	PART NUMBER	U/M DESCRIPTION
1	108138-01-000	EA HINGE - CABINET DOOR - BURNISHED BRASS
2	009059-01-000	EA HINGE - DOOR - 2" X 1.4" - BRASS
2	009059-02-000	EA HINGE - DOOR - 2" X 2.7" - BRASS
3	101272-01-000	EA CATCH - GLASS DOOR
4	065740-01-000	EA BRACE - CABINET/CORNER - PLASTIC
5	108487-02-01A	EA SUPPORT - PROP ROD/OVERHEAD - BLACK
6	100710-01-01A	EA LOCK - GLASS DOOR/TWIST TYPE - BRASS
7	101766-01-000	EA PIN - SUPPORT/GLASS DOOR
8	100707-01-000	EA SPACER - GLASS DOOR - .8" DIA - .3" HOLE - PLASTIC
9	016604-01-000	EA BRACE - CABINET - ANGLE - 2.5" - UNPAINTED METAL
9	016604-05-000	EA BRACE - CABINET - ANGLE - 2.5" - OFF WHITE METAL
10	108486-01-01A	EA BRACKET - PROP ROD/OVERHEAD - BLACK
11	100711-01-01A	EA HINGE - GLASS DOOR
12	009013-01-000	EA CATCH - BULLDOG - MALE/FEMALE
13	124311-01-01A	EA HANDLE - RECESSED - BRASS
14	116975-01-01A	EA LATCH - W/O STRIKE - BLACK - NEW STYLE
15	093586-06-000	EA CATCH - SPRING - ROLLER
16	093586-05-000	EA STRIKE - SPRING STEEL
17	098980-01-000	EA PILASTER - ADJUSTABLE SHELF - 18" WOODGRAIN APPEARANCE
17	098980-02-000	EA PILASTER - ADJUSTABLE SHELF - 12" WOODGRAIN APPEARANCE
17	098980-03-000	EA PILASTER - ADJUSTABLE SHELF - 9" WOODGRAIN APPEARANCE
18	098979-01-000	EA CLIP - ADJUSTABLE SHELF
19	117801-01-01A	EA PULL - CABINET - BRASS (J20,J21)
20	121891-01-01A	EA PULL - CABINET - BRASS (J15,J16,J17)
21	074493-02-000	EA SUPPORT - PISTON SPRING - CABINET DOOR
22	042356-01-000	EA PLUG - BUTTON - MAHOGANY - 3/8" DIAMETER - WOOD

CABINET DRAWER SLIDES - FROM: 00-00-00 THRU: 02-22-98

KEY	PART NUMBER	U/M DESCRIPTION
23	114045-01-000	EA BACKSOCKET - ADJUSTABLE LEFT
24	114045-02-000	EA BACKSOCKET - ADJUSTABLE RIGHT
25	114031-02-000	EA SLIDE - 12" - RIGHT SIDE/CABINET
25	114031-14-000	EA SLIDE - 18" - RIGHT SIDE/CABINET
25	114031-22-000	EA SLIDE - 22" - RIGHT SIDE/CABINET
25	114031-26-000	EA SLIDE - 24" - RIGHT SIDE/CABINET
26	114031-04-000	EA SLIDE - 12" - RIGHT SIDE/DRAWER
26	114031-16-000	EA SLIDE - 18" - RIGHT SIDE/DRAWER
26	114031-24-000	EA SLIDE - 22" - RIGHT SIDE/DRAWER
26	114031-28-000	EA SLIDE - 24" - RIGHT SIDE/DRAWER
27	114031-03-000	EA SLIDE - 12" - LEFT SIDE/DRAWER
27	114031-15-000	EA SLIDE - 18" - LEFT SIDE/DRAWER
27	114031-23-000	EA SLIDE - 22" - LEFT SIDE/DRAWER
27	114031-27-000	EA SLIDE - 24" - LEFT SIDE/DRAWER
28	114031-01-000	EA SLIDE - 12" - LEFT SIDE/CABINET
28	114031-13-000	EA SLIDE - 18" - LEFT SIDE/CABINET
28	114031-21-000	EA SLIDE - 22" - LEFT SIDE/CABINET
28	114031-25-000	EA SLIDE - 24" - LEFT SIDE/CABINET

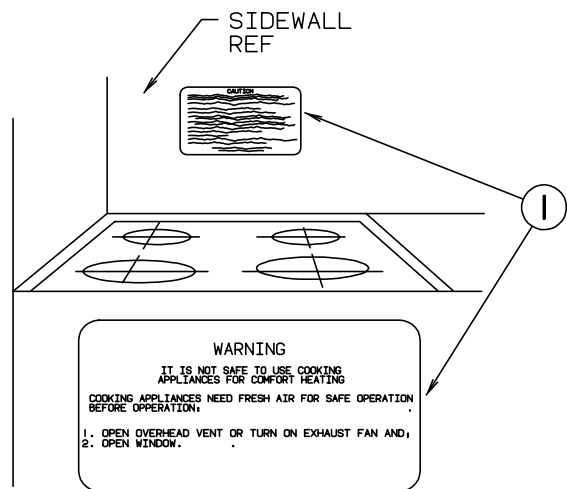
CABINET DRAWER SLIDES - FROM: 02-23-98 THRU: 99-99-99

KEY	PART NUMBER	U/M DESCRIPTION
23	128811-01-01A	EA BACKSOCKET - ADJUSTABLE - LEFT
24	128811-02-01A	EA BACKSOCKET - ADJUSTABLE - RIGHT
25	128810-02-01A	EA SLIDE - 12" - RIGHT SIDE/CABINET
25	128810-14-01A	EA SLIDE - 18" - RIGHT SIDE/CABINET
25	128810-22-01A	EA SLIDE - 22" - RIGHT SIDE/CABINET
25	128810-26-01A	EA SLIDE - 24" - RIGHT SIDE/CABINET
26	128810-04-01A	EA SLIDE - 12" - RIGHT SIDE/DRAWER
26	128810-16-01A	EA SLIDE - 18" - RIGHT SIDE/DRAWER
26	128810-24-01A	EA SLIDE - 22" - RIGHT SIDE/DRAWER
26	128810-28-01A	EA SLIDE - 24" - RIGHT SIDE/DRAWER
27	128810-03-01A	EA SLIDE - 12" - LEFT SIDE/DRAWER
27	128810-15-01A	EA SLIDE - 18" - LEFT SIDE/DRAWER
27	128810-23-01A	EA SLIDE - 22" - LEFT SIDE/DRAWER
27	128810-27-01A	EA SLIDE - 24" - LEFT SIDE/DRAWER
28	128810-01-01A	EA SLIDE - 12" - LEFT SIDE/CABINET
28	128810-13-01A	EA SLIDE - 18" - LEFT SIDE/CABINET
28	128810-21-01A	EA SLIDE - 22" - LEFT SIDE/CABINET
28	128810-25-01A	EA SLIDE - 24" - LEFT SIDE/CABINET

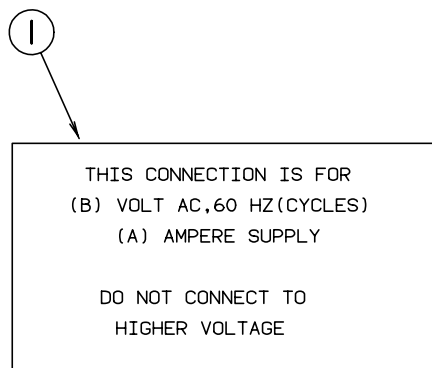
CABINET HARDWARE (CONTINUED)

KEY	PART NUMBER	U/M DESCRIPTION
29	074045-01-000	EA PLUG - OAK - 1/2" DIAMETER
30	103257-01-000	EA STOP - DOOR
31	098410-01-01A	EA PULL - FINGER - OVAL - BRASS
32	104181-01-01A	EA SUPPORT - LEAF 5.3" EXTENDS TO 7.5" - SAFETY RING - METAL
	009021-01-000	EA CATCH - GRILLE - NYLON
	004354-01-000	EA BUMPER - RUBBER - .5" DIA - BROWN
	009112-01-000	EA FLANGE - PLASTIC - 1" CLOTHES ROD - OFF WHITE
	023320-01-000	EA PAD - FELT 3/8" DIAMETER
	042438-01-000	EA DOWEL - WOOD - CLOTHES ROD - 1" DIAMETER X 4'
	042438-02-000	EA DOWEL - WOOD - 2" X 2"
	122021-01-01A	EA ANGLE - W/HOLES

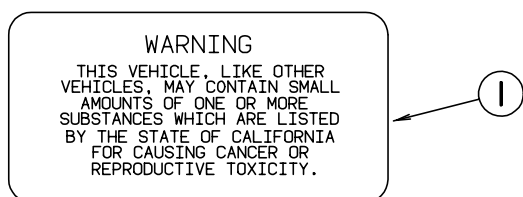
LABELS GROUP



KEY	PART NUMBER	U/M DESCRIPTION
1	050225-01-000	EA LABEL - WARNING - STOVE VENT - US
1	050222-01-000	EA LABEL - STOVE VENT - CANADIAN

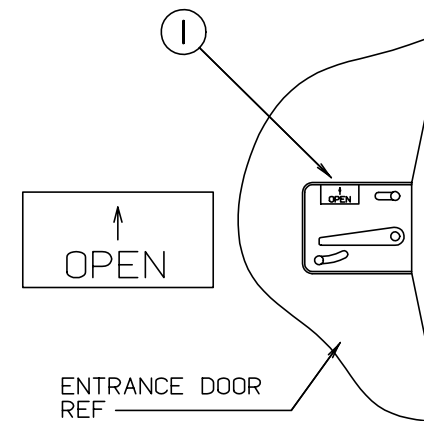


KEY	PART NUMBER	U/M DESCRIPTION
1	125306-01-01A	EA LABEL - ELECTRICAL ENTRANCE - 110VOLT 30AMP

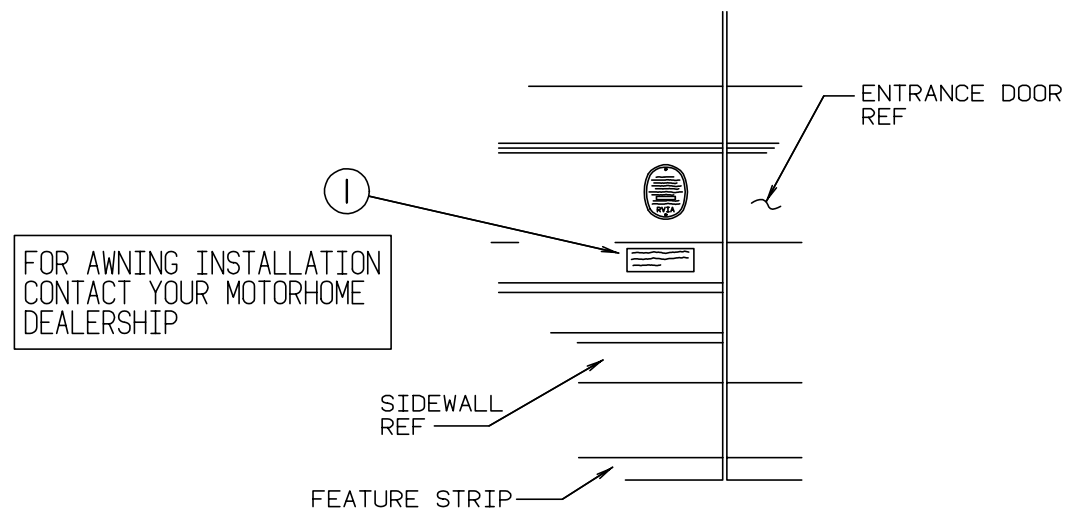


KEY	PART NUMBER	U/M DESCRIPTION
1	099689-01-000	EA LABEL - WARNING - CANCER/TOXICITY - CALIFORNIA

LABELS GROUP (CONTINUED)

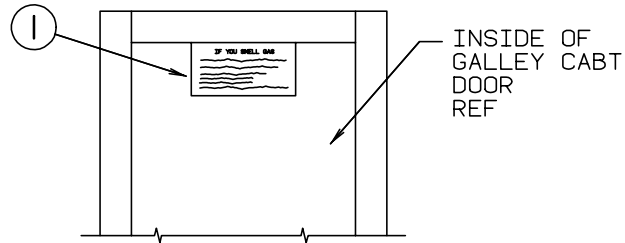


KEY	PART NUMBER	U/M DESCRIPTION
1	040944-01-000	EA LABEL - ENTRANCE DOOR - "OPEN"



KEY	PART NUMBER	U/M DESCRIPTION
1	099509-01-000	EA LABEL - AWNING INSTALLATION

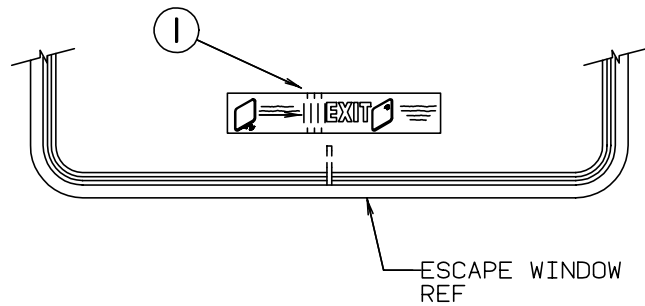
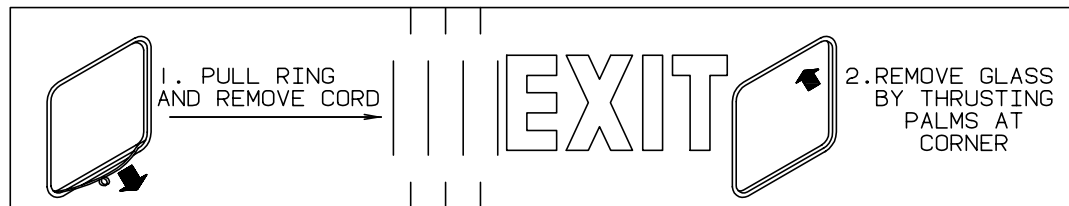
LABELS GROUP (CONTINUED)



IF YOU SMELL GAS

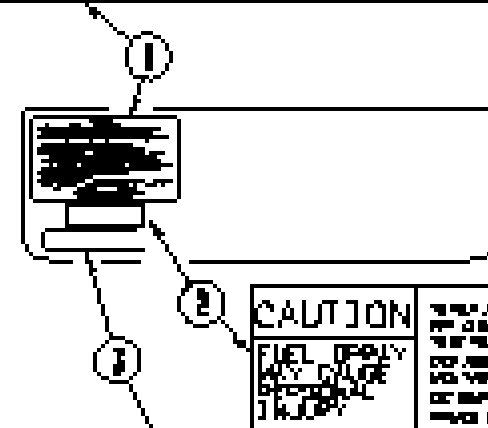
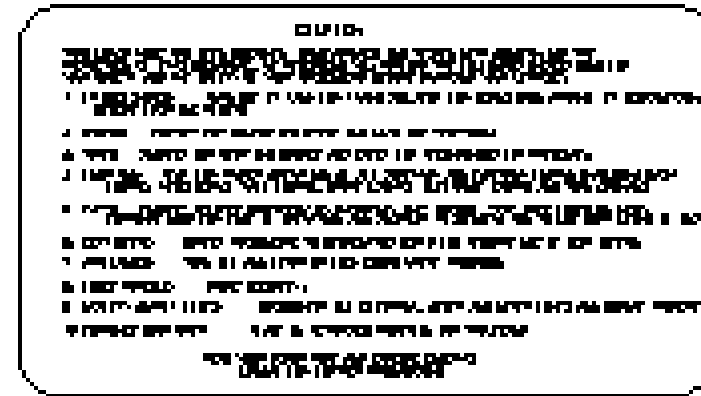
1. EXTINGUISH ANY OPEN FLAME, PILOT LIGHTS AND ALL SMOKING MATERIALS.
2. SHUT OFF THE GAS SUPPLY AT THE TANK VALVE(OR GAS SUPPLY CONNECTION.
3. OPEN DOORS AND OTHER VENTILATING OPENINGS.
4. DO NOT TOUCH ELECTRICAL SWITCHES.
5. LEAVE THE AREA UNTIL ODOR CLEARS.
6. HAVE THE GAS SYSTEM CHECKED AND LEAKAGE SOURCE CORRECTED BEFORE USING AGAIN.

KEY	PART NUMBER	U/M DESCRIPTION
1	073998-01-000	EA LABEL - LPG ODOR WARNING



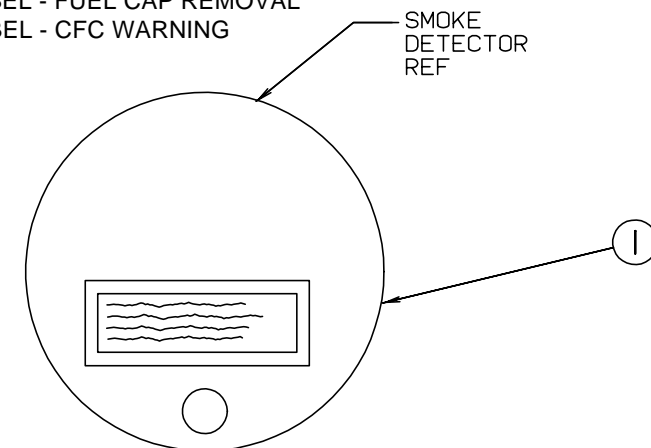
KEY	PART NUMBER	U/M DESCRIPTION
1	107571-01-000	EA LABEL - EXIT/ESCAPE WINDOW

LABELS GROUP (CONTINUED)



WARNING: CONTAINS HOT SURFACE WHICH MAY CAUSE BURNS TO MOUTH AND CHEEKS IF CONTACTED WHILE IN THE OPEN POSITION.

KEY	PART NUMBER	U/M DESCRIPTION
1	056259-01-000	EA LABEL - SAFETY CHECK LIST
2	087207-05-000	EA LABEL - FUEL CAP REMOVAL
3	111802-01-000	EA LABEL - CFC WARNING



WARNING: TEST SMOKE DETECTOR OPERATION AFTER VEHICLE HAS BEEN IN STORAGE, BEFORE EACH TRIP AND AT LEAST ONCE PER WEEK DURING USE.

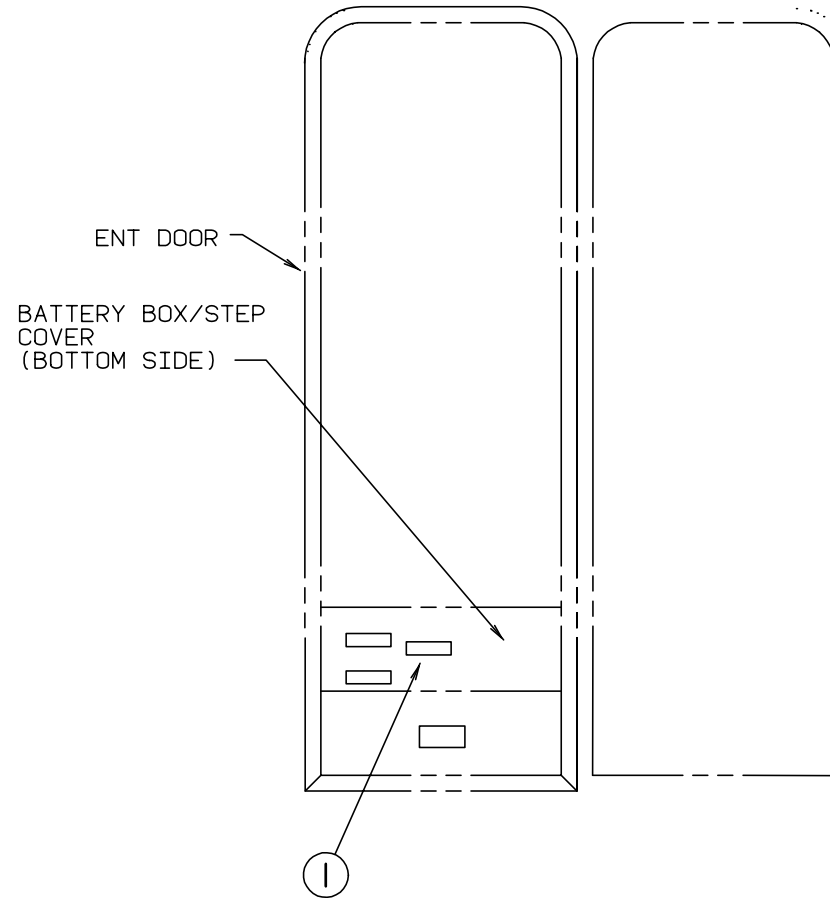
KEY	PART NUMBER	U/M DESCRIPTION
1	077956-01-000	EA LABEL - WARNING - SMOKE DETECTOR

LABELS GROUP (CONTINUED)

AIR CONDITIONING CIRCUIT.
THIS CONNECTION IS FOR
AIR CONDITIONERS RATED 110-
125 VOLT AC, 60 HZ, 16
AMPERES MAXIMUM. DO NOT
EXCEED CIRCUIT RATING.



KEY	PART NUMBER	U/M DESCRIPTION
1	091243-01-000	EA LABEL - A/C COVER "AIR CONDITIONING CIRCUIT ETC."



WARNING: DISCONNECT BATTERIES BEFORE CONNECTING EXTERNAL CHARGING EQUIPMENT.

AVERTISSEMENT: DEBRANCHER LES BATTERIES AVANT DE BRANCHER TOUT EQUIPEMENT DE CHARGE EXTERIEUR.

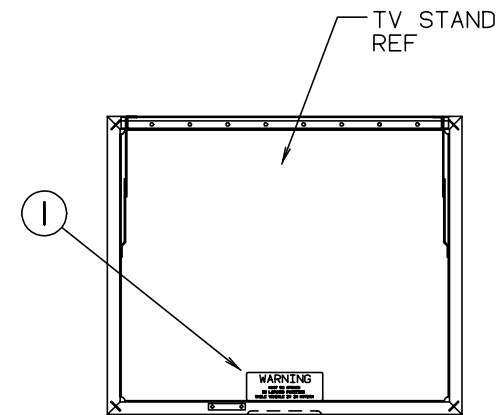
KEY	PART NUMBER	U/M DESCRIPTION
1	065748-01-000	EA LABEL - CAUTION - BATTERY CHARGING

LABELS GROUP (CONTINUED)

DO NOT USE HITCH BEFORE READING OWNERS MANUAL REGARDING VEHICLE LOADING AND TOWING



KEY	PART NUMBER	U/M DESCRIPTION
1	111104-01-000	EA LABEL - HITCH - READ MANUAL - WHITE
1	111104-02-000	EA LABEL - HITCH - READ MANUAL - BLACK



WARNING
MUST BE STOWED
IN LATCHED POSITION
WHILE VEHICLE IS IN MOTION

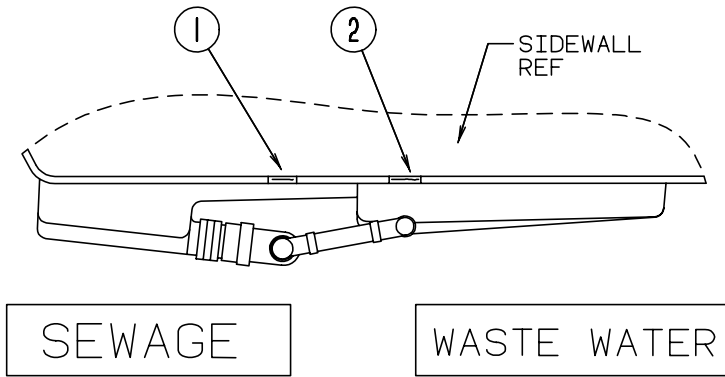
KEY	PART NUMBER	U/M DESCRIPTION
1	079966-01-000	EA LABEL - WARNING - STOWED - MOTION

NOTE: TUNE ANTENNA PER MANUFACTURER'S DIRECTIONS. FAILURE TO COMPLY COULD RESULT IN DAMAGE TO CB.

CB POWER PROVISION
RED +12 V
BLACK GROUND
COAX ANTENNA
(SEE REVERSE ALSO)

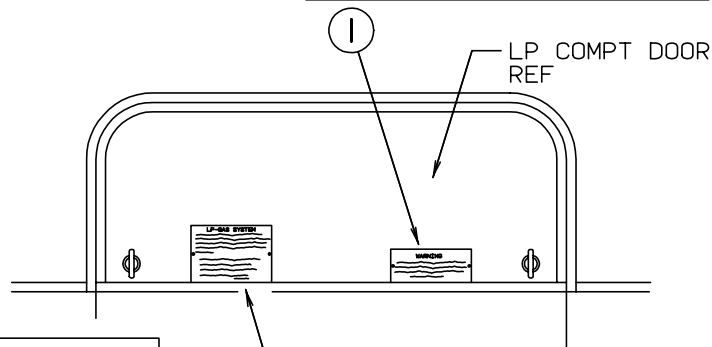
KEY	PART NUMBER	U/M DESCRIPTION
1	104678-01-000	EA LABEL-CB PREP

LABELS GROUP (CONTINUED)



KEY	PART NUMBER	U/M DESCRIPTION
1	006187-01-000	EA LABEL - SEWAGE
2	006188-01-000	EA LABEL - WASTE WATER

WARNING
ALL PILOT LIGHTS AND APPLIANCES SHALL BE TURNED OFF DURING REFUELING OF MOTOR FUEL TANKS AND/OR PERMANENTLY MOUNTED LP-GAS CONTAINERS.

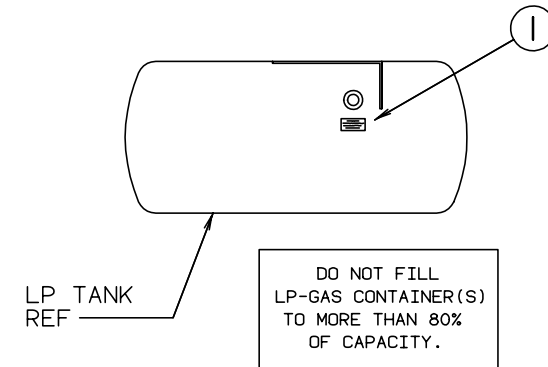


LP-GAS SYSTEM
THIS GAS PIPING SYSTEM IS DESIGNED FOR USE OF LIQUEFIED PETROLEUM GAS ONLY. DO NOT CONNECT NATURAL GAS TO THIS SYSTEM.

SECURELY CAP INLET(S) WHEN NOT CONNECTED FOR USE. AFTER TURNING ON GAS, EXCEPT AFTER NORMAL CONTAINER REPLACEMENT, TEST GAS PIPING AND CONNECTIONS TO APPLIANCE FOR LEAKAGE WITH SOAPY WATER OR BUBBLE SOLUTION. DO NOT USE PRODUCTS THAT CONTAIN AMMONIA OR CHLORINE.
P.N. 54531

KEY	PART NUMBER	U/M DESCRIPTION
1	124519-01-01A	EA LABEL - WARNING/REFUELING - BLACK ON CLEAR
1	124519-02-01A	EA LABEL - WARNING/REFUELING - CSA
2	124520-01-01A	EA LABEL - LP GAS ONLY
2	023769-01-000	EA LABEL - WARNING - LPG - CANADIAN

LABELS GROUP (CONTINUED)

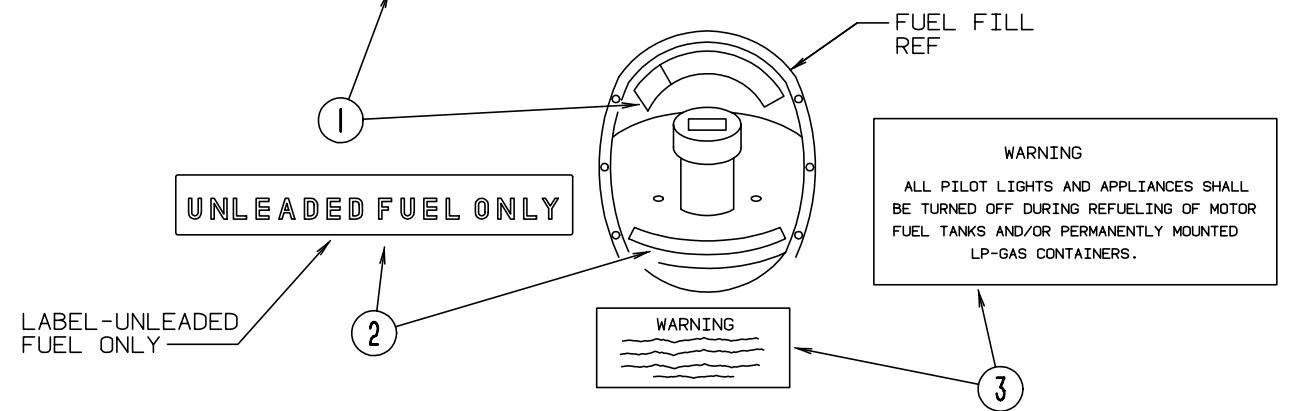


KEY	PART NUMBER	U/M DESCRIPTION
1	079965-01-000	EA LABEL - LPG - 80% CAPACITY

CAUTION
TO HELP AVOID PERSONAL INJURY DURING REMOVAL OF FUEL FILLER CAP, SLOWLY LOOSEN CAP 1/2 TURN TO ALLOW ANY FUEL PRESSURE TO BE RELIEVED BEFORE TURNING CAP FURTHER.

FUEL SPRAY MAY CAUSE PERSONAL INJURY
STOP ADDING FUEL AFTER FIRST SHUTOFF BY AUTOMATIC NOZZLE WHEN TANK IS NEARLY FULL. DO NOT OVERFILL FUEL TANK. SEE OWNERS MANUAL FOR ADDITIONAL INFORMATION.

PRINTED IN U.S.A. MLC PT NO 15611763



KEY	PART NUMBER	U/M DESCRIPTION
1	087207-05-000	EA LABEL - FUEL CAP REMOVAL
2	062043-01-000	EA LABEL - FUEL - UNLEADED
3	124519-01-01A	EA LABEL - WARNING/REFUELING - BLACK ON CLEAR
3	124519-02-01A	EA LABEL - WARNING/REFUELING - CSA

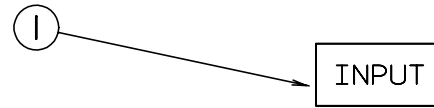
WARNING
ROOF SURFACE MAY BE SLIPPERY ESPECIALLY WHERE MOISTURE IS PRESENT. SLIPPING MAY RESULT IN PERSONAL INJURY.

128218-01

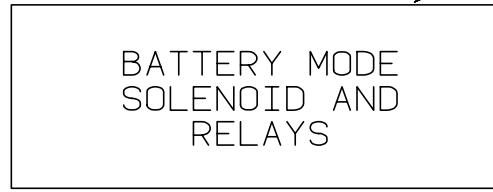
KEY	PART NUMBER	U/M DESCRIPTION
1	128218-01-01A	EA LABEL - WARNING - ROOF SLIPPERY

FROM: 11-13-97 THRU: 99-99-99

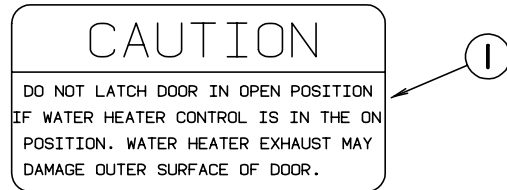
LABELS GROUP (CONTINUED)



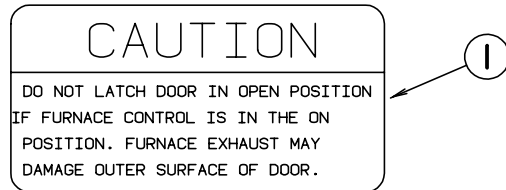
KEY PART NUMBER U/M DESCRIPTION
 1 087236-01-000 EA LABEL - CABLE - INPUT



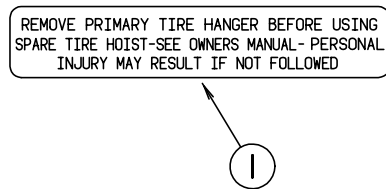
KEY PART NUMBER U/M DESCRIPTION
 1 098379-04-000 EA LABEL - ELECTRICAL BOX - SIDE



KEY PART NUMBER U/M DESCRIPTION
 1 113402-01-000 EA LABEL - CAUTION - WATER HEATER EXHAUST

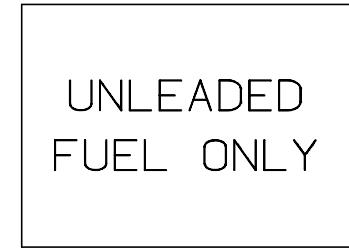


KEY PART NUMBER U/M DESCRIPTION
 1 113402-02-000 EA LABEL - CAUTION - FURNACE EXHAUST
 FROM: 00-00-00 THRU: 11-12-97

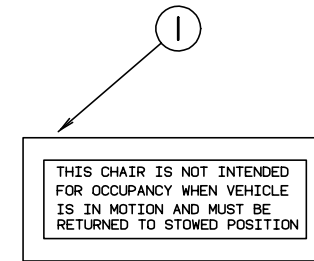


KEY PART NUMBER U/M DESCRIPTION
 1 126024-01-01A EA LABEL - TIRE HANGER REMOVAL

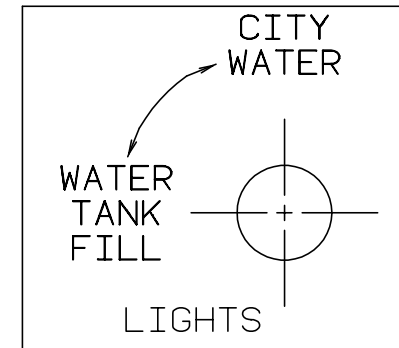
LABELS GROUP (CONTINUED)



KEY PART NUMBER U/M DESCRIPTION
 1 098641-01-000 EA LABEL - FUEL - UNLEADED - DASH



KEY PART NUMBER U/M DESCRIPTION
 1 102267-01-000 EA LABEL - NO OCCUPANCY - US
 102267-01-000 EA LABEL - NO OCCUPANCY - CSA

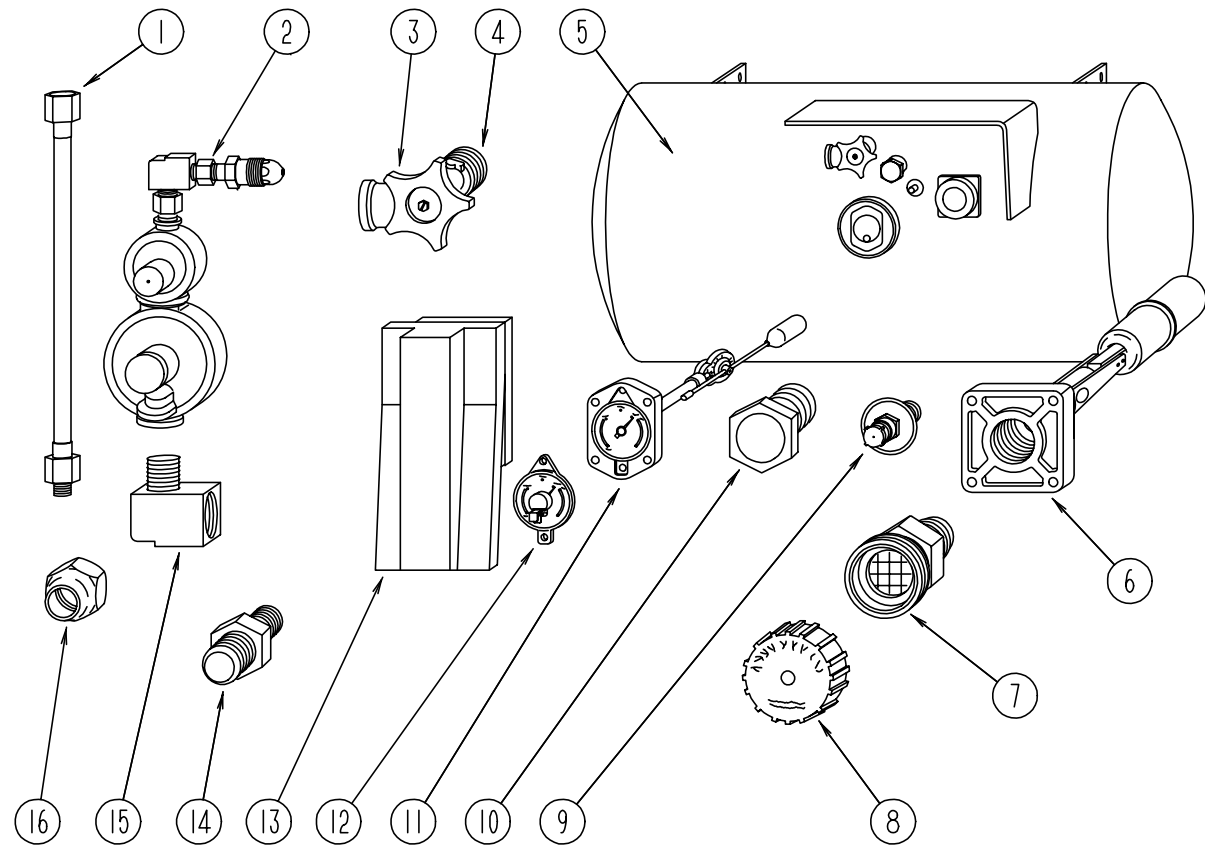


KEY PART NUMBER U/M DESCRIPTION
 1 117629-01-000 EA LABEL - WATER PUMP/FILL

MISCELLANEOUS LABELS

KEY PART NUMBER U/M DESCRIPTION
 006064-01-000 EA LABEL-SEAT W/O SEATBELT "NOT INTENDED FOR USE WHILE COACH IN MOTION"
 111537-07-000 EA LABEL - FUSES
 074983-01-000 EA LABEL - SWITCH - A/C SELECTOR FOR FRONT OR REAR

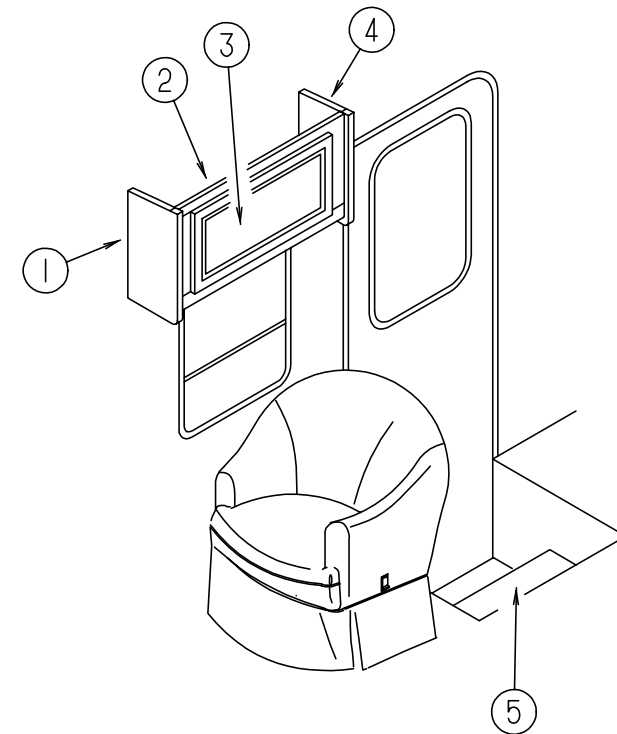
LP GROUP



LP TANK & COMPONENTS

KEY	PART NUMBER	U/M	DESCRIPTION	VENDOR NO.
1	045703-01-000	EA	HOSE - LP - 3/8"ID X 24" - 3/8"MPT X 1/2"F SWIVEL - U.S.	
1	045703-02-000	EA	HOSE - LP - 3/8"ID X 24" - 3/8"MPT X 1/2"F SWIVEL - CANADA	
1	045703-09-000	EA	HOSE - LP - 3/8"ID X 24" - 3/8"ID F SWIVEL X 3/8"ID F SWIV	
2	106150-01-000	EA	REGULATOR - TWO STAGE -W/90 DEGREE ELBOW & 3/8" FPT OUTLET	
3	040421-01-708	EA	HANDWHEEL-SERVICE VALVE	G-1015-A
4	040421-01-712	EA	VALVE,SERV. W/O VAPOR RELIEF	29000853
5	088253-01-000	EA	TANK - LP - 80 LB - 16" DIAMETER X 30" - WFF31WQ	
5	088253-03-000	EA	TANK - LP - 100 LB - 16"DIAMETER X 36" LONG - SPL - WCF31DQ	
6	040421-01-711	EA	VALVE-80% FILL W/AUTO STOP	LLL/TL3
7	040421-01-701	EA	VALVE-FILL-SHORT, LP	7547B
8	040421-01-702	EA	CAP-FILL VALVE, PLASTIC	G-1014-A
9	040421-01-700	EA	VALVE-LIQUID LEVEL, 20%	G-1013
10	040421-01-713	EA	VALVE-RELIEF 1" W/SPRING 7"	29000587
11	088253-01-700	EA	GAUGE-FLOAT ASSEMBLY, L.P.	16C
12	040440-02-000	EA	TRANSMITTER - DIAL - 0-90 OHM -2 TERMINAL (POWER & GROUND)	
13	105658-01-000	EA	COMPARTMENT - LP REGULATOR	
14	010323-01-000	EA	ADAPTER - BRASS - 3/8"F X 1/2"MPT	
14	010329-01-000	EA	ADAPTER - BRASS - 1/2" F X 1/2" MPT	
15	065318-02-000	EA	ELBOW - 90 DEGREE - 3/8" MPT TO 3/8" FPT	
16	010377-02-000	EA	NUT - BRASS - 3/8" FLARE - FORGED	
	008042-01-000	FT	TUBING - VINYL - .65" ID	
	010252-01-000	EA	ELBOW - BRASS - 90 DEGREE - 3/8"F X 1/2"MPT	
	010326-01-000	EA	ADAPTER - FLARE - W/CONE GASKET - 3/8"FEMALE X 1/2"MALE	
	103613-03-000	EA	DETECTOR - LP GAS - W/O SHUT-OFF VALVE	

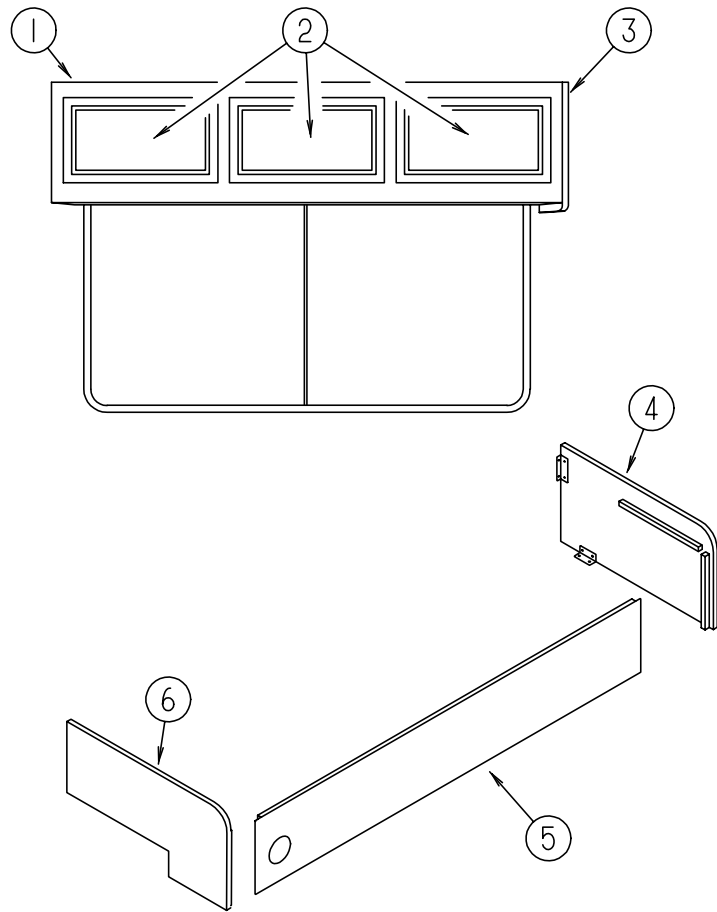
LOUNGE GROUP



PASSENGER SIDE LOUNGE

KEY	PART NUMBER	U/M	DESCRIPTION
1	103128-08-G09	EA	END CAP - OVERHEAD CABINET - RIGHT HAND (J15,J16,J17)
2	114189-01-J15	EA	CABINET - OVERHEAD FRONT PASSENGER - W/O DOORS/HDW (J15,J16,J17)
3	M08758-44-J15	EA	DOOR - MITERED CORNER/OGEE EDGE - 10" X 19.1" - W/O HDW (J15,J16,J17) (FLAT MEDIUM DENSITY FIBERBOARD INSERT)
3	M05992-13-K16	EA	DOOR - STRAIGHT CORNER/OGEE EDGE - 10" X 19.1" - W/O HDW (J15,J16,J17) (GENERAL TRAILER OPTION)
3	M08758-33-J15	EA	DOOR - MITERED CORNER/OGEE EDGE - 10" X 19.1" - W/O HDW (J15,J16,J17) (RAISED MEDIUM DENSITY FIBERBOARD INSERT)
4	103128-09-G09	EA	END CAP - OVERHEAD CABINET - LEFT HAND (J15,J16,J17)
5	120234-04-H13	EA	LID - ENTRY STEP
	101222-01-04A	EA	BRACKET - CATCH - LID
	116975-01-01A	EA	LATCH - W/O STRIKE - BLACK - NEW STYLE
	116975-02-01A	EA	KEEPER/STRIKE - BLACK - NEW STYLE
	064075-07-000	FT	SEAL - BULB - W/WIRED U CHANNEL - .3" X .5" CHANNEL - BLK

LOUNGE GROUP (CONTINUED)
DRIVER SIDE LOUNGE



KEY	PART NUMBER	U/M	DESCRIPTION
1	103275-04-J20	EA	CABINET - OVHD FRONT/LEFT HAND - W/O DOORS/HDW (J15,J16,J17,J20,J21)
1	103275-03-J20	EA	CABINET - OVHD FRONT/LEFT HAND - W/O DOORS/HARDWARE (J20,J21) DELUXE SOUND SYSTEM OPTION
	103275-12-G09	EA	SHELF - W/PLASTIC EDGE TRIM
2	M08758-82-J15	EA	DOOR - MITERED CORNER/OGEE EDGE - 15.7" X 20.4" - W/O HDW (J15,J16,J17) (FLAT MEDIUM DENSITY FIBERBOARD INSERT)
2	M05992-41-J20	EA	DOOR - STRAIGHT CORNER/OGEE EDGE - 15.7" X 20.4" - W/O HDW (J20,J21) (RAISED WOOD INSERT)
2	M05992-41-K16	EA	DOOR - STRAIGHT CORNER/OGEE EDGE - 15.7" X 20.4" - W/O HDW (J15,J16,J17) (GENERAL TRAILER OPTION)
2	M08758-04-J15	EA	DOOR - MITERED CORNER/OGEE EDGE - 15.7" X 20.4" - W/O HDW (J15,J16,J17) (RAISED MEDIUM DENSITY FIBERBOARD INSERT)
3	103128-01-G09	EA	END CAP - OVERHEAD CABINET - RIGHT HAND
4	122716-12-J15	EA	PANEL - RIGHT END - SOFA/BED - FABRIC COVERED
4	122716-12-J16	EA	PANEL - RIGHT END - SOFA/BED - FABRIC COVERED
4	122716-12-J17	EA	PANEL - RIGHT END - SOFA/BED - FABRIC COVERED
5	M08164-02-J15	EA	PANEL - FRONT KICK - SOFA/BED - FABRIC COVERED
5	M08164-02-J16	EA	PANEL - FRONT KICK - SOFA/BED - FABRIC COVERED
5	M08164-02-J17	EA	PANEL - FRONT KICK - SOFA/BED - FABRIC COVERED
6	122716-13-J15	EA	PANEL - LEFT END - SOFA/BED - FABRIC COVERED
6	122716-13-J16	EA	PANEL - LEFT END - SOFA/BED - FABRIC COVERED
6	122716-13-J17	EA	PANEL - LEFT END - SOFA/BED - FABRIC COVERED
	082525-01-000	EA	BRACE - COUCH - FLOOR MOUNT - ANGLE 3" LONG

SEALANTS & FASTENERS GROUP**ADHESIVE**

KEY	PART NUMBER	U/M DESCRIPTION	VENDOR NO.
	004020-01-000	QT ADHESIVE - ABS CEMENT - QUART	
	081377-01-700	EA ADHESIVE-CYANOACRYLATE 10 GM	
	087211-01-000	GL PROMOTER - ADHESIVE	
	004006-05-700	EA ADHESIVE-NAT. STARCH (5 GAL)	0802
	062917-03-000	EA ADHESIVE - LOCTITE 242	
	067788-01-000	EA ADHESIVE - SPRAY - 3M - 19.5 AEROSOL CAN	
	112901-02-000	EA ADHESIVE - PLEXUS - 50ML	

NUTS

KEY	PART NUMBER	U/M DESCRIPTION
	000D24-10-00B	EA NUT - HEX - SELF LOCKING - 10-32 ZINC
	000D29-05-00B	EA NUT - 5/16 - 18 UNC - SF/LOCKING - NYLON WASHER INSERT
	000D34-06-00B	EA NUT - HEX - LOCKING - 3/8 - 16 GRADE C - ZINC-PREVAILING T
	000D39-04-00B	EA NUT - HEX - LOCKING W/SERRATED FLANGE - 1/4-20 - ZINC
	000D39-05-00B	EA NUT - HEX - LOCKING W/SERRATED FLANGE - 5/16-18 - ZINC
	000D39-06-00B	EA NUT - HEX - LOCKING W/SERRATED FLANGE - 3/8-18 - ZINC
	000D39-07-00B	EA NUT - HEX - LOCKING W/SERRATED FLANGE - 7/16-14 - ZINC
	000D39-08-00B	EA NUT - HEX - LOCKING W/SERRATED FLANGE - 1/2-13 - ZINC
	000D44-07-00B	EA NUT - HEX - SERRATED FLANGE/LOCKING - 7/16-20 - ZINC
	000D46-04-00A	EA NUT - HEX - WELD - 1/4 - 20 - PLAIN
	000D76-06-00B	EA NUT - HEX FLANGE - 3/8-16
	040921-01-000	EA NUT - SPEED - U TYPE - 10-24 BLACK
	040921-03-000	EA NUT - SPEED - U TYPE - #10
	040921-04-000	EA NUT - SPEED - U TYPE - # 8 - .59" LENGTH X .44" WIDTH
	040921-09-000	EA NUT - SPEED - U TYPE - # 8
	044364-02-000	EA NUT - SPEED - FLAT - ROUND
	063253-07-000	EA NUT - J - #8A - .120 - .130 PNL THK
	083163-06-000	EA PUSHNUT - FLAT TYPE 3/8 STUD - FORD ONLY
	104369-01-000	EA NUT - HEX - HEAVY - 5/8-11 UNC

WASHERS

KEY	PART NUMBER	U/M DESCRIPTION
	000E11-07-00B	EA WASHER - LOCKING - 7/16 MED SPLIT - ZINC
	000E11-08-00B	EA WASHER - LOCKING - 1/2 MED SPLIT - ZINC
	000E13-14-00B	EA WASHER - FLAT - 1/4 WIDE - ZINC
	000E13-18-00B	EA WASHER - FLAT - 3/8 WIDE - ZINC
	000E13-20-00B	EA WASHER - FLAT - 7/16 WIDE - ZINC
	000E13-21-00B	EA WASHER - FLAT - W/2 NAR - ZINC
	000E13-22-00B	EA WASHER - FLAT - 1/2 WIDE - ZINC
	000E13-26-00B	EA WASHER - FLAT - 5/8 WIDE - ZINC
	044533-01-000	EA WASHER - PLASTIC - 1 3/8" OD - FOR BUTTONS
	058716-02-000	EA WASHER - FLAT NYLON
	077071-01-000	EA WASHER - FENDER - 3/16"ID X 1" OD
	107397-01-000	EA WASHER - FENDER - .25" ID X 1" OD

SEALANTS & FASTENERS GROUP (CONTINUED)**CLAMPS**

KEY	PART NUMBER	U/M DESCRIPTION
	007161-01-000	EA CLAMP - HOSE - SPRING TYPE - 1/2"
	010495-01-000	EA CLAMP - CABLE - 9/16"
	010497-01-000	EA CLAMP - CLOSED - 5/8" ID
	010497-03-000	EA CLAMP - CLOSED - 1" ID - CUSHIONED
	010497-04-000	EA CLAMP - CLOSED - 1.62" ID
	010499-01-000	EA CLAMP - CLOSED - 3/8" ID
	062401-01-000	EA CLAMP - HOSE - WORMGEAR - .25" - 1"
	062401-02-000	EA CLAMP - HOSE - WORMGEAR - 1.56" - 2.5"
	062401-03-000	EA CLAMP - HOSE - WORMGEAR - .22" - 1"
	062401-04-000	EA CLAMP - HOSE - WORMGEAR - .69" - 1.25"
	062401-05-000	EA CLAMP - HOSE - WORMGEAR - 2" TO 3" ID
	062401-06-000	EA CLAMP - HOSE - WORMGEAR - .22" - .62" ID
	062401-11-000	EA CLAMP - HOSE - WORMGEAR - 3.50" - 4.50"
	075148-02-000	EA CLAMP - GROUNDING - BRONZE SCREWS
	083609-01-000	EA CLAMP - WIRE - DUAL - EQUAL DIAMETERS - 5/8"
	083610-01-000	EA CLAMP - WIRE - DUAL - UNEQUAL DIAMETERS - 3/4" & 1 1/4"

SEALANTS & FASTENERS GROUP (CONTINUED)
SCREWS

KEY	PART NUMBER	U/M DESCRIPTION
	0G1208-12-170	EA SCREW - 8-18 X .75 POH - BRIGHT WHITE
	0G3908-08-170	EA SCREW - SF/DR - 8-18 X .50 PPH - BRIGHT WHITE
	0G3908-20-170	EA SCREW - SF/DR - 8-18 X 1.25 PPH - BRIGHT WHITE
	0G3908-24-170	EA SCREW - SF/DR - 8-18 X 1.50 PPH - BRIGHT WHITE
	0G3910-12-170	EA SCREW - SF/DR - 10-16 X .75 PPH - BRIGHT WHITE
	0G5508-12-260	EA SCREW - SF/DR - 8-18 X .75 PWH - ALLANTE ANTELOPE
	0G5508-16-260	EA SCREW - SF/DR - 8-18 X 1.00 PWH ZINC - INTERIOR ANTELOPE
	0G6710-08-170	EA SCREW - 10-12 X 1/2 PPH - BRIGHT WHITE
	000G11-05-08B	EA SCREW - 5-20 X .50 PPH - ZINC
	000G11-06-08B	EA SCREW - 6-20 X .50 PPH - ZINC
	000G11-06-06B	EA SCREW - 6-20 X 3/8 PPH - ZINC
	000G11-06-10J	EA SCREW - 6-20 X 5/8 PPH - BRASS
	000G11-06-10B	EA SCREW - 6-20 X 5/8 PPH - ZINC
	000G11-07-08B	EA SCREW - 7-19 X .50 PPH - ZINC
	000G11-08-06B	EA SCREW - 8-18 X 3/8 PPH - ZINC
	000G11-08-20B	EA SCREW - 8-18 X 1.25 PPH - ZINC
	000G11-08-16S	EA SCREW - 8-18 X 1 PPH - OFF WHITE
	000G11-08-12T	EA SCREW - 8-18 X .75 PPH - BLACK
	000G11-08-12P	EA SCREW - 8-18 X .75 PPH - DARK BROWN
	000G11-08-12D	EA SCREW - 8-18 X .75 PPH - BLACK
	000G11-08-12B	EA SCREW - 8-18 X .75 PPH - ZINC
	000G11-08-08B	EA SCREW - 8-18 X .50 PPH - ZINC
	000G11-10-24P	EA SCREW - 10-16 X 1 1/2 PPH - DARK BROWN
	000G11-10-16B	EA SCREW - 10-16 X 1 PPH - ZINC
	000G11-10-12S	EA SCREW - 10-16 X .75 PPH - OFF WHITE
	000G11-10-12D	EA SCREW - 10-16 X .75 PPH - BLACK
	000G11-10-40B	EA SCREW - 10-16 X 2 1/2 PPH CAD - 34927-01-000
	000G12-06-08T	EA SCREW - 6-20 X 1/2 POH - BLACK
	000G13-06-16J	EA SCREW - 6-20 X 1 PFH - BRASS
	000G13-06-10G	EA SCREW - 6-20 X 5/8 PFH - ANTIQUE BRASS
	000G13-06-24J	EA SCREW - 6-20 X 1.50 PFH - BRASS
	000G13-07-12B	EA SCREW - 7-19 X .75 PFH - ZINC
	000G18-08-22B	EA SCREW - MACHINE - 8-32 X 1 3/8 PPH - ZINC
	000G19-10-12F	EA SCREW - MACHINE - 10-32 X .75 - PPH - STAINLESS STEEL
	000G19-10-20B	EA SCREW - MACHINE - 10-32 X 1.25 PPH - ZINC
	000G32-10-06B	EA SCREW - 10-32 X 3/8 PPH - ZINC
	000G39-06-16T	EA SCREW - SF/DR - 6-20 X 1 PPH - BLACK
	000G39-06-10T	EA SCREW - SF/DR - 6-20 X 5/8 PPH - BLACK
	000G39-08-12B	EA SCREW - SF/DR - 8-18 X .75 PPH - ZINC
	000G39-08-08S	EA SCREW - SF/DR - 8-18 X .50 PPH - OFF WHITE
	000G39-08-08B	EA SCREW - SF/DR - 8-18 X 1.50 PPH - ZINC
	000G39-08-06B	EA SCREW - SF/DR - 8-18 X 3/8 PPH - ZINC
	000G39-08-16T	EA SCREW - SF/DR - 6-20 X 1 PPH - BLACK
	000G39-08-16R	EA SCREW - SF/DR - 8-18 X 1 PPH - BEIGE
	000G39-08-16B	EA SCREW - SF/DR - 8-18 X 1 PPH - ZINC
	000G39-08-12T	EA SCREW - SF/DR - 8-18 X .75 PPH - BLACK
	000G39-10-20B	EA SCREW - SF/DR - 10-16 X 1.25 PPH - ZINC
	000G39-10-129	EA SCREW - SF/DR - 10-16 X .75 PPH - FLUOROCARBON SILVER
	000G39-10-12D	EA SCREW - SF/DR - 10-16 X .75 PPH - BLACK
	000G39-10-12B	EA SCREW - SF/DR - 10-16 X .75 PPH - ZINC
	000G39-10-10B	EA SCREW - SF/DR - 10-16 X .625 - ZINC
	000G39-10-088	EA SCREW - SF/DR - 10-16 X 1/2 PPH - FLEX FLUOROCARBON
	000G39-10-08B	EA SCREW - SF/DR - 10-16 X .50 PPH - ZINC
	000G39-10-20T	EA SCREW - SF/DR - 10-16 X 1.25 PPH
	000G42-04-12B	EA SCREW - SF/DR - 1/4-14 X .75 HWH - ZINC
	000G43-06-24B	EA SCREW - MACHINE - 6-32 X 1.50 - ZINC
	000G46-08-24T	EA SCREW - MACHINE - 8-32 X 1.50 PFH - BLACK

SEALANTS & FASTENERS GROUP (CONTINUED)
SCREWS (CONTINUED)

KEY	PART NUMBER	U/M DESCRIPTION
	000G50-04-12B	EA SCREW - MACHINE - 1/4-20 X .75 PPH - ZINC
	000G52-08-18B	EA SCREW - MACHINE - 8-32 X 1 1/8 PTH - ZINC
	000G54-04-20B	EA SCREW - 1/4-20 X 1.25 PTH - TYPE 23 - ZINC PLATED
	000G55-08-16S	EA SCREW - SF/DR - 8-18 X 1.00 - PWH - OFF WHITE
	000G55-08-12S	EA SCREW - SF/DR - 8-18 X .75 PWH - OFF WHITE
	000G56-12-48B	EA SCREW - WOOD - 12-11 X 3 POH - SPECIAL HARDENED
	000G60-10-28T	EA SCREW - SF/DR - 10-16 X 1.75 - BLACK
	000G60-10-20B	EA SCREW - SF/DR - 10-16 X 1.25 POH - ZINC
	000G67-10-120	EA SCREW - 10-12 X .75 PPH - TAN
	000G67-10-12P	EA SCREW - 10-12 X .75 - PPH - DARK BROWN
	000G67-10-12B	EA SCREW - 10-12 X .75 PPH - ZINC
	000G67-10-10S	EA SCREW - 10-12 X 5/8 PPH - OFF WHITE
	000G67-10-10D	EA SCREW - 10-12 X 5/8 PPH - BLACK - TYPE A
	000G67-10-10B	EA SCREW - 10-12 X 5/8 PPH - ZINC - TYPE A
	000G67-10-08R	EA SCREW - 10-12 X 1/2 PPH - BEIGE - TYPE A
	000G67-10-08B	EA SCREW - 10-12 X .50 PPH - ZINC
	000G67-10-36T	EA SCREW - 10-12 X 2.25 PPH - BLACK
	000G67-10-24B	EA SCREW - 10-12 X 1.25 PPH - ZINC
	000G67-10-20D	EA SCREW - 10-12 X 1.25 PPH - BLACK
	000G67-10-120	EA SCREW - 10-12 X .75 PPH - TAN
	000G68-06-10G	EA SCREW - 6-18 X 5/8 POH - ANTIQUE BRASS
	049465-01-000	EA SCREW - 10-16 W/WASHER PTH - DARK BROWN
	049465-17-000	EA SCREW - 10-16 X 1 POH W/WASHER
	054434-02-000	EA SCREW - SF/DR - 10-16 X 2 - ZINC
	057671-01-000	EA COVER - SCREW - #8 - PLASTIC - OFF WHITE
	057671-15-000	EA COVER - SCREW - BRIGHT WHITE
	075908-01-000	EA SCREW - MACHINE - 10-32 X .56 PTH - EXTERNAL TOOTH - ZINC
	076790-01-000	EA SCREW - 6-20 X 1 1/4 PPH - BLACK
	083554-01-000	EA SCREW - DRYWALL - 8 X 1.25
	083554-04-000	EA SCREW - DRYWALL - 8 X 2.50
	086256-01-000	EA SCREW - SF/DR - 8 X 3/4 HWH LONG
	097974-01-000	EA SCREW - PARTICLE BOARD - 7-9 X 3/4 PPH
	101618-01-000	EA SCREW - 1/4-20 X 3/4 HEX - TAPPING - STALGARD TYPE F
	113563-01-01A	EA SCREW - 8 X .62 LONG SHOULDER/WASHER HD

SEALANTS & FASTENERS GROUP (CONTINUED)

BOLTS

KEY	PART NUMBER	U/M DESCRIPTION
	000C12-05-16B	EA BOLT - HEX - 5/16-18 X 1 - ZINC 5
	000C12-06-16B	EA BOLT - HEX - 3/8-16 X 1 LG - ZINC 5
	000C12-08-24B	EA BOLT - HEX - 1/2-13 X 1.50 - ZINC 5
	000C12-08-16B	EA BOLT - HEX - 1/2-13 X 1.00 - GD5 - ZINC
	000C12-10-24B	EA BOLT - HEX - 5/8-11 X 1.50 - ZINC 5
	000C13-07-48B	EA BOLT - HEX - 7/16-20 X 3 - ZINC 5
	000C18-05-40A	EA BOLT - ELEVATOR - 5/16-18 X 2.50 - PL
	000C26-04-10B	EA BOLT - HEX - SERRATED FLANGE - 1/4-20 X 5/8 - ZINC
	000C26-04-18B	EA BOLT - HEX - SERRATED FLANGE - 1/4-20 X 1 1/8 - ZINC
	000C26-04-14B	EA BOLT - HEX - SERRATED FLANGE - 1/4-20 X 7/8 - ZINC
	000C26-05-16B	EA BOLT - HEX - SERRATED FLANGE - 5/16-18 X 1 - ZINC
	000C26-05-12B	EA BOLT - HEX - SERRATED FLANGE - 5/16-18 X 3/4 - ZINC
	000C26-06-16B	EA BOLT - HEX - SERRATED FLANGE - 3/8-16 X 1 - ZINC
	000C26-06-12B	EA BOLT - HEX - SERRATED FLANGE - 3/8-16 X 3/4 - ZINC
	000C26-08-24B	EA BOLT - HEX - SERRATED FLANGE - 1/2-13 X 1.5 ZINC
	000G45-04-24B	EA BOLT - LAG - 1/4-9 X 1.50 ZINC
	051387-06-000	EA BOLT - CARRIAGE W/O HOLE - 5/16-18 X 9.5 - ZINC
	091274-03-000	EA BOLT-J - 3/8-16 X 12.0
	102333-01-06A	EA BOLT - CARRIAGE - 7/16-14 STAINLESS STEEL CAP
	106166-01-000	EA BOLT/COLLARED HANGER - 8-32 X 1"
	088787-12-000	EA STUD - WELD - 1/4 - 20 X 1.0 LG - MN
	108067-03-000	EA STUD - WELD - 1/4 - 20 X 1/2 CD

SEALERS

KEY	PART NUMBER	U/M DESCRIPTION
	069640-02-000	FT SEALER - TAPE - 1/8"THICK X .50"WIDE X 60'
	069640-03-000	FT SEALER - TAPE - 1/8"THICK X .75"WIDE X 60' - BLACK
	069640-07-000	FT SEALER - TAPE - 3/32"THICK X 2"WIDE X 45'
	069640-09-000	FT SEALER - TAPE - 1/32"THICK X 2.50"WIDE X 80' - GREY
	069640-11-000	FT SEALER - TAPE - 3/16"THICK X 3/8"WIDE X 40'
	069640-13-000	FT SEALER - TAPE - 3/32"THICK X 2"WIDE X 45'
	069640-14-000	FT SEALER - TAPE - 1/16"THICK X 1"WIDE X 100'
	069640-15-000	FT SEALER - TAPE - 1/16"THICK X 3/8"WIDE X 80' - GREY
	069640-17-000	FT SEALER - TAPE - 1/32" THICK X 1"WIDE X 90'
	069640-18-000	FT SEALER - TAPE - 1/2"THICK X 1/8"WIDE X 60' - BRT/WHITE
	069640-19-000	FT SEALER - TAPE - 3/4" X 1/8" X 60' - BRIGHT WHITE
	069640-21-000	FT SEALER - TAPE - 1/2" X 1/16" X 100' - BRIGHT WHITE
	900390-01-000	EA TIP - 2 1/2" X 1/8" ORIFICE
	900390-03-000	EA NOZZLE - SILICONE TUBE
	034552-02-000	EA SILICONE - TUBE - 300 ML - W/O NOZZLE - CLEAR
	034552-15-000	EA SILICONE - TUBE - 300 ML - W/O NOZZLE - BRIGHT WHITE
	039518-01-000	EA SILICONE - TUBE - 300 ML - BLACK - W/O NOZZLE
	108716-03-000	EA SILICONE - TUBE - BRIGHT WHITE/SELF LEVELING - W/O NOZZLE
	053766-02-000	EA BEDDING COMPOUND - TUBE - WHITE
	072889-01-000	EA SEALANT - URETHANE - BLACK - 1/10
	072889-09-000	EA SEALANT - URETHANE - BLACK (TUBE)
	072889-10-000	EA SEALANT - URETHANE (HV) - BRIGHT WHITE
	072889-12-000	EA SEALANT - URETHANE (LV) BRIGHT WHITE
	102352-01-000	EA SEALER - PUMPABLE - BLACK
	102352-02-000	EA SEALER - PUMPABLE - CLEAR
	106206-01-000	EA SEALER - PUMPABLE - MANUS 30A - BLACK
	112864-01-000	FT SEAL - FOAM/BUTYL COVERED - 3/8"
	120074-02-01A	EA SEALANT - SILICONE - OFF WHITE

SEALANTS & FASTENERS GROUP (CONTINUED)

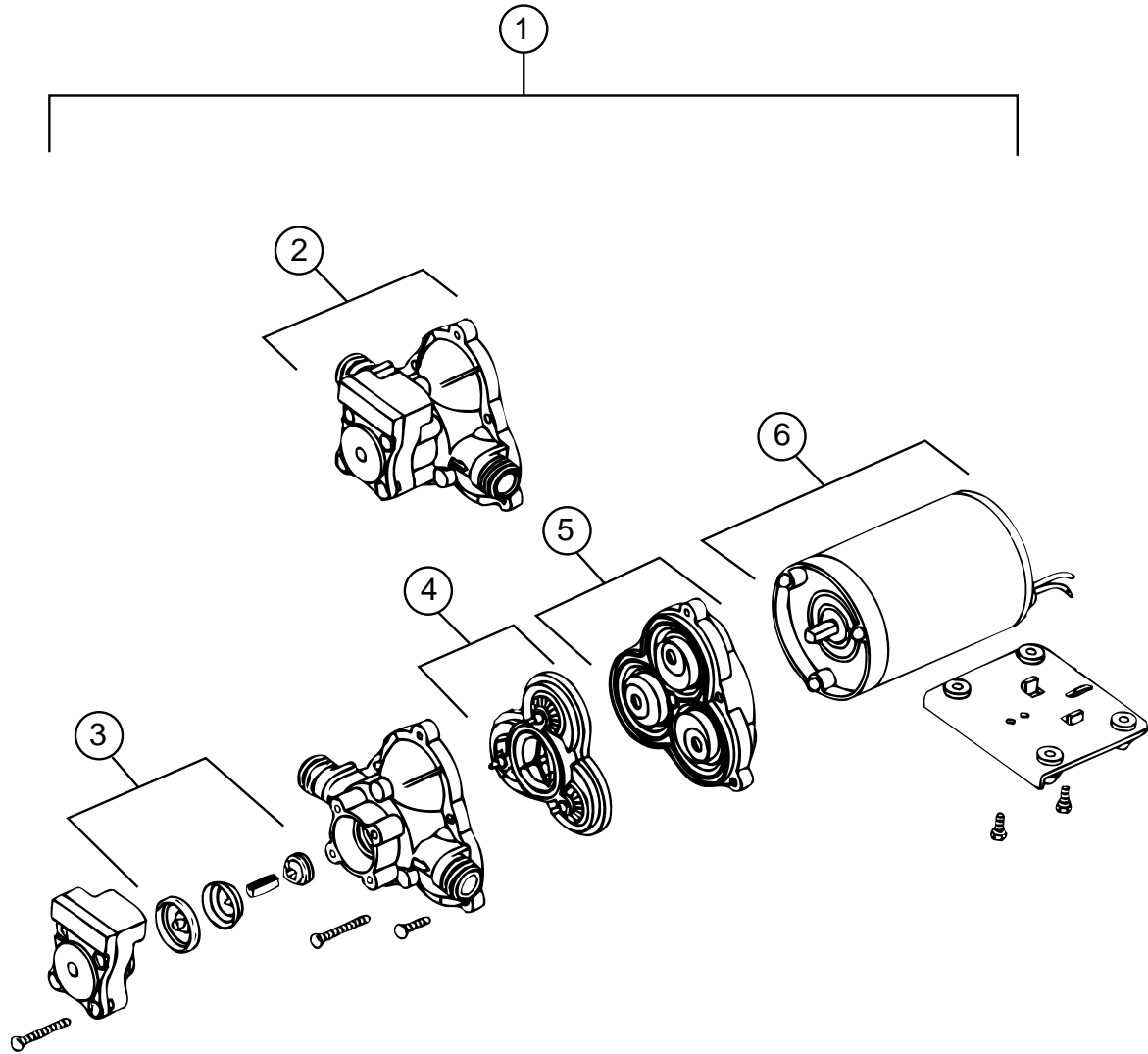
TAPES

KEY	PART NUMBER	U/M DESCRIPTION
	076314-02-000	FT TAPE - CARPET SEAM - HEAT-BOND - 4" WIDE
	076322-05-000	FT TAPE - DOUBLE COATED/ADHESIVE BACK - .045"THK X .75"W X 9'
	076322-07-000	FT TAPE - DOUBLE COATED/ADHESIVE BACK - .045"THK X .50"W X 9'
	110274-01-000	FT TAPE - DOUBLE SIDED FOAM - .45" X 1"
	120534-01-01A	EA TAPE - SCOTCH - 3M - 1/2" FINE LINE
	123244-01-000	FT TAPE - DOUBLE SIDED FOAM 5/64" THICK X .75" WIDE
	123816-01-000	FT TAPE - DOUBLE SIDED - 1"
	123816-02-000	FT TAPE - DOUBLE SIDED - 1/2" X 35 MIL THICK
	123816-03-000	FT TAPE - DOUBLE SIDED - 1/2" X 20 MIL THICK

RIVETS, GROMMETS AND MISCELLANEOUS FASTENERS

KEY	PART NUMBER	U/M DESCRIPTION
	000H14-04-04A	EA RIVET - MANDREL BLIND - 1/8 X .400
	000H16-04-06R	EA RIVET - POP ALUMINUM - 1/8" X .313 - .375
	000H16-06-10R	EA RIVET - POP ALUMINUM - 3/16 X .501-.625
	069592-02-000	EA RIVET-T - POP - 1/4 X .093 - .156
	000F10-04-16B	EA PIN - COTTER - 1/8" X 1" - ZINC
	000F10-06-32B	EA PIN - COTTER - 3/16" X 2" - ZINC
	008380-01-000	EA GROMMET - RUBBER - 5/8" HOLE X 1 1/2" DIAMETER - BLACK
	016188-03-000	EA GROMMET - L/P LINE - 3/8" HOLE X 2 1/2" LONG - RUBBER
	016188-05-000	EA GROMMET - L/P LINE - 3/8" HOLE X 1 1/4" LONG - RUBBER
	023942-01-000	EA GROMMET - RUBBER - 2" OD
	071015-11-000	EA GROMMET - 1.00 ID - FITS .12 MATERIAL
	071015-30-000	EA GROMMET - RUBBER - .31" ID X .81" OD W/.12" GROOVE - BLK
	088756-01-000	EA GROMMET - WEB - 1 1/8 " I.D.
	114208-02-000	EA GROMMET - EDGE LINER - FITS .625
	056134-02-000	EA HOLDER - RING - 1.8" DIAMETER - METAL
	081211-05-000	EA PLUG - PLASTIC - .188 DIAMETER - NATURAL
	086285-01-000	EA SPACER - NYLON - .5" OD X .257" ID
	029094-04-000	YD VELCRO TAPE - LOOP - 1" WIDE - BLACK
	029096-03-000	YD VELCRO TAPE - HOOK - 1" WIDE - BLACK
	085774-01-000	FT FASTENER - DUAL HOOK - 1" WIDE - ADHESIVE BACK - BLACK
	085774-02-000	FT FASTENER - DUAL HOOK - 1" WIDE - ADHESIVE BACK - BLACK
	008343-01-000	EA TIE - WIRE - 6"
	008343-02-000	EA TIE - WIRE - 14"
	108046-02-000	EA CABLE TIE - SCREW MOUNT 15"
	080734-02-000	EA CLIP - WIRE NYLON
	091952-02-000	EA CLIP - GRIPPER - 3/4"
	094362-02-000	EA CLIP - XMAS TREE - BINDER HEAD - .9" LONG
	094362-05-000	EA CLIP - XMAS TREE - ROUND HEAD - 1.4" LONG
	110943-02-000	FT FELTSTRIP - 3/8" - ADHESIVE BACK - WHITE
	115361-01-01A	EA PLUG - PLASTIC
	116743-01-01A	EA CAP - LUG COVER - THREAD PROTECTOR - BLACK

WATER & SEWAGE GROUP



SHURFLO WATER PUMP

KEY	PART NUMBER	U/M DESCRIPTION	VENDOR NO.
1	098607-01-000	EA PUMP - WATER - W/.5" MPT FITTING - FLOW 2.8 GPM	
2	098607-01-706	EA HOUSING, W/SWITCH ONLY	94-231-20
3	098607-01-705	EA VALVE-CHECK, KIT	94-237-00
4	098607-01-703	EA VALVE KIT	94-232-00
5	098607-01-702	EA DIAPHRAGM/DRIVE ASSEMBLY KIT	94-238-04
6	098607-01-707	EA MOTOR W/BASEPLATE	11-148-04

ATWOOD WATER HEATER W/MOTOR AID (GH6-8E)

KEY	PART NUMBER	U/M DESCRIPTION
*	051393-01-000	EA WATER HEATER - GH6-8E - ELECTRONIC IGNITION W/MOTOR AID

* COMPONENT PARTS FOUND IN SERVICE PARTS LIBRARY

WATER & SEWAGE GROUP (CONTINUED)

WATER TANKS

KEY	PART NUMBER	U/M DESCRIPTION
	125359-02-000	EA TANK - WATER - 66 GALLON - W/FITTINGS - QUEEN BED - WCF31DQ
	125359-03-000	EA TANK - WATER - 66 GALLON - W/FITTINGS - QUEEN BED - WFF31WQ
	125359-01-000	EA TANK - WATER - 66 GALLON - W/O FITTINGS - QUEEN BED
	121959-04-000	EA TANK - WATER - 50 GALLON - W/FITTINGS - TWIN BED - WCF31DQ
	121959-02-000	EA TANK - WATER - 50 GALLON - W/FITTINGS - TWIN BED - WFF31WQ
	121959-01-000	EA TANK - WATER - 50 GALLON - W/O FITTINGS - TWIN BED
	039861-01-000	EA SENDING UNIT - W/SCREW - WASHER - WELL NUT/TERMINAL RING
	010224-01-000	EA ADAPTER - HOSE TO PIPE - 3/8 MPT X 3/8 BARB - PLASTIC
	114429-02-000	EA ELBOW - 1/2"P X 1/2"MPT - QUEEN BED
	114430-03-000	EA ADAPTER - 1/2"P X 1/2"MPT
	042989-03-000	EA FITTING - WATER TANK - SPINWELD - 1 1/4"NPT - PLASTIC
	042989-04-000	EA FITTING - WATER TANK - SPINWELD - 3/8 FPT - WHITE PLASTIC
	042989-05-000	EA FITTING - WATER TANK - SPINWELD - 1/2"FPT - PLASTIC
	049032-01-000	EA PATCH - SPINWELD - 3/8" - PLASTIC
	044927-01-000	EA ADAPTER - HOSE TO PIPE - 1 1/4 MPT X 1 1/4 BARB - BLK PLS
	074462-02-000	FT TUBING - VINYL - 3/8 ID X 20' - CLEAR
	077954-02-000	EA FILTER - WATER TANK - W/SCREEN IN TANK
	079381-01-000	FT TUBING - SMOOTH FLEXIBLE - 1 3/8 ID X 20'

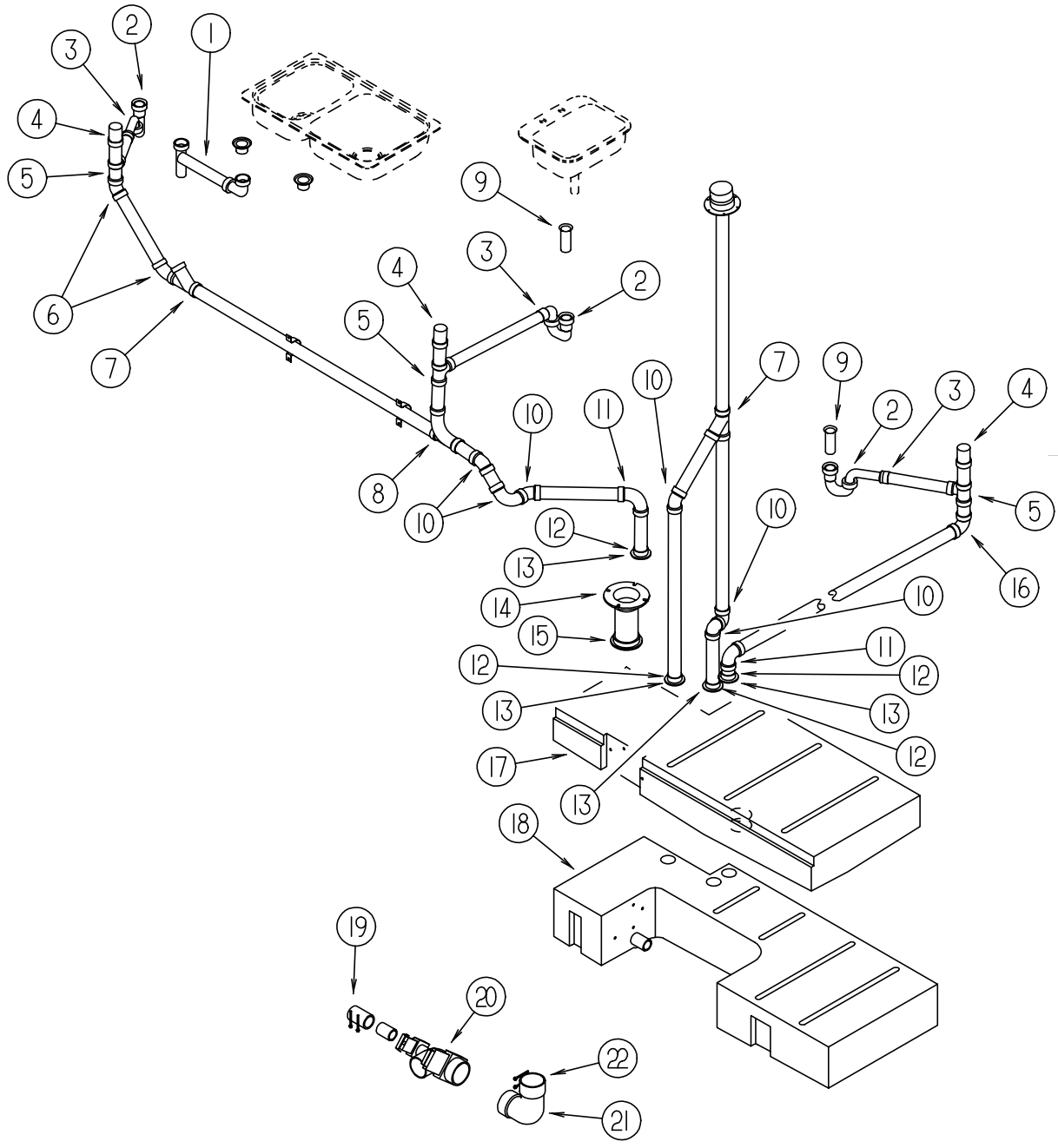
EXTERIOR SHOWER

KEY	PART NUMBER	U/M DESCRIPTION	VENDOR NO.
	075241-05-000	EA FAUCET/SHOWER - BONE 3/4" MPT X 1.4" LONG INLET PIPES	
	103092-02-000	EA SHOWER HEAD - W/60" HOSE - CSA	
	103092-01-000	EA SHOWER HEAD - W/60" HOSE - WHITE	
	103092-01-700	EA BRACKET-F/SHOWER HEAD, CLEAR	2328028
	011048-03-700	EA BRACKET - F/SHOWER HEAD	2328029-1
	103092-01-702	EA SEALS-SPRAY HEAD	24466
	093527-02-000	EA BRACKET - EXTERIOR SHOWER HEAD/SQUEEGEE	
	108357-08-000	EA SWITCH - ROCKER DPDT - ON/NONE/ON - 6 TERMINAL	
	108356-02-01A	EA COVER/ACTUATOR SWITCH - 2 ROWS DIMPLES- CONTURA II - BLACK	
	114293-01-01A	EA PAN - DRIP - EXTERIOR - OFF WHITE	

WATER SYSTEM

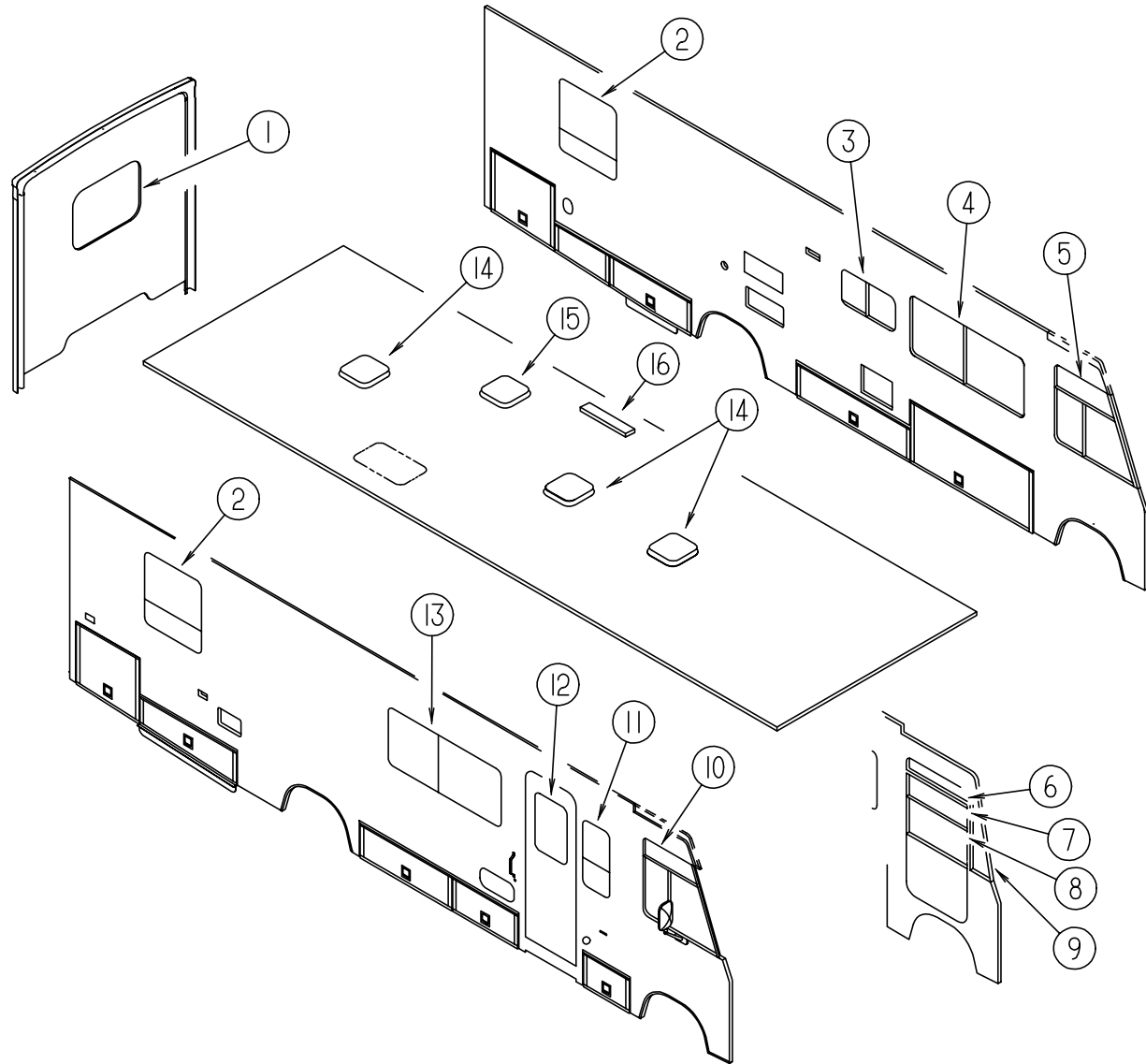
KEY	PART NUMBER	U/M DESCRIPTION
	039800-04-000	FT TUBING - POLYBUTYL - 1/4"OD
	039808-03-000	EA ELBOW - 1/2" MPT X 1/2" MPT - PLASTIC
	110438-02-000	EA VALVE - CHECK - BRASS - 1/2 MPT X 1/2 MPT
	110915-01-01A	EA FILL - CITY WATER - CHROME
	111888-01-000	EA FERRULE - PLASTIC - .250 ID X .375 OD
	111888-02-000	EA INSERT - BRASS - 1/4 COMP
	112176-01-000	FT TUBING - VINYL - REINFORCED - 1/2" ID
	113697-01-000	EA CAP - 3/8 FTG
	114428-01-000	EA TEE - 1/2"P X 1/2"P X 1/2"P
	114428-02-000	EA TEE - SWIVEL - 1/2"P X 1/2"P X 1/2"FPT
	114429-01-000	EA ELBOW - 1/2"P X 1/2"P
	114429-02-000	EA ELBOW - 1/2"P X 1/2"MPT
	114429-03-000	EA ELBOW - FLAIR-IT SWIVEL - 1/2"P X 1/2"FPT
	114429-04-000	EA ELBOW - 1/2"P X 3/8"MPT
	114430-02-000	EA ADAPTER - SWIVEL - 1/2"P X 1/2"FPT
	114430-03-000	EA ADAPTER - 1/2"P X 1/2"MPT
	114430-06-000	EA ADAPTER - 1/2"P X 3/8"FPT
	114431-01-000	EA VALVE - 180 DEGREE/CENTER DRAIN - 1/2P - THREE WAY
	114431-02-000	EA VALVE - WATER BYPASS - 1/2"P - THREE WAY (WATER HEATER)
	114431-03-000	EA VALVE - 90 DEGREE DRAIN - 1/2"P
	123150-01-000	EA ELBOW - 1/2 FPT X 1/2 BARB - SWIVEL
	123152-01-000	EA ADAPTER - 1/2 FPT X 1/2 BARB - SWIVEL
	124188-01-000	FT TUBING - PEX - 1/2" ID X 20' - BLUE
	124188-02-000	FT TUBING - PEX - 1/2" ID X 20' - RED
	124184-01-000	EA SUPPORT - WATER LINE - BEND

WATER & SEWAGE GROUP (CONTINUED)
DRAINAGE SYSTEM



KEY	PART NUMBER	U/M	DESCRIPTION	VENDOR NO.
1	011091-02-000	EA	WASTE - CONTINUOUS - DOUBLE SINK	
2	107538-01-000	EA	P TRAP - PLASTIC - 1 1/4" W/EXTENSION ARM	
2	011071-01-000	EA	P TRAP - PLASTIC - 1 1/2" - CANADIAN	
3	109571-01-000	EA	ADAPTER - P TRAP - 1 1/2" P X 1 1/4" MPT - US	
4	079968-01-000	EA	VENT - MECHANICAL/TRAP ARM - ANTI-SIPHON-2" X 7.3" PLASTIC	
5	010071-01-000	EA	TEE - SANITARY - 1 1/2" HUB X HUB X HUB - PLASTIC	
6	010051-01-000	EA	ELBOW - 45 DEGREE - 1 1/2" SPIGOT & HUB - PLASTIC	
7	010073-01-000	EA	WYE - 45 DEGREE - 1 1/2" HUB X HUB X HUB - PLASTIC	
	010122-01-000	EA	BUSHING - REDUCER - 1 1/2 SMTH X 1 1/4 THD - BLACK PLASTIC	
	010166-01-000	EA	PLUG - THREADED - 1 1/4" DIAMETER - PLASTIC - BLACK	
8	031365-02-000	EA	TEE - PLASTIC - 1 1/2" EXT LG TURN	
9	011069-02-000	EA	TAILPIECE - TUB/SHOWER - 1 1/2" X 1 1/4" X 4" - BRASS	
	069735-01-000	EA	WASHER - STRAINER TO TAILPIECE - PLASTIC - 1.5"	
10	010006-01-000	EA	ELBOW - 45 DEGREE - 1 1/2" HUB X HUB - PLASTIC	
11	010008-01-000	EA	ELBOW - 90 DEGREE - 1 1/2" HUB X HUB - PLASTIC	
12	010115-01-000	EA	COUPLING - 1 1/2" HUB X HUB - PLASTIC	
13	061607-01-000	EA	GROMMET - HOLDING TANK - 1 1/2" NPS	
14	116644-01-000	EA	FLANGE - CLOSET - 4" X 3"	
15	061607-02-000	EA	GROMMET - HOLDING TANK - 3" NPS	
16	010008-01-000	EA	ELBOW - 90 DEGREE - 1 1/2" HUB X HUB - PLASTIC	
			FROM: 00-00-00 THRU: 07-31-97	
16	033761-01-000	EA	ELBOW - TURN - 90 DEGREE 1 1/2" HUB X 1 1/2" SPIGOT	
			FROM: 08-01-97 THRU: 99-99-99	
17	122006-01-000	EA	TANK - HOLDING - 30 GALLON W/O FITTINGS	
	039861-01-000	EA	SENDING UNIT - W/SCREW - WASHER - WELL NUT/TERMINAL RING	
18	122027-01-700	EA	TANK - HOLDING - 34 GALLON W/1.5" OUTLET NIPPLE	
	039861-01-000	EA	SENDING UNIT - W/SCREW - WASHER - WELL NUT/TERMINAL RING	
19	089355-01-000	EA	COUPLER - RUBBER - 1 1/2" X 1 1/2"	
20	070916-01-000	EA	VALVE - DUAL DUMP - W/CAP - 3" X 1 1/2"	
	070916-01-700	EA	VALVE ONLY (WASTE) 3"	T1003BU
	070916-01-701	EA	VALVE ONLY (WASTE) 1 1/2"	T1001BU
	010201-01-000	EA	HOSE - SEWER - 3" ID X 8'	
	062416-01-000	EA	ADAPTER - SEWER HOSE TO 3" PIPE	
21	031126-01-000	EA	ELBOW - 1/4 BEND - 3" X 90" XLT - BLACK PLASTIC	
22	078406-01-000	EA	COUPLER - RUBBER - W/CLAMPS - 3" X 3"	
	066436-01-000	EA	NUT - SLIP - TAILPIECE 1.5"	
	066440-01-000	EA	STRAINER - SHOWER DRAIN - W/RUBBER WASHER	
			FROM: 00-00-00 THRU: 12-02-97	
	066729-01-000	EA	STRAINER - TUB/SHOWER W/PLUG - CHROME	
			FROM: 12-03-97 THRU: 99-99-99	
	127440-02-01A	EA	WASHER - RUBBER - 1.8" X .1"	
			FROM: 10-22-97 THRU: 99-99-99	

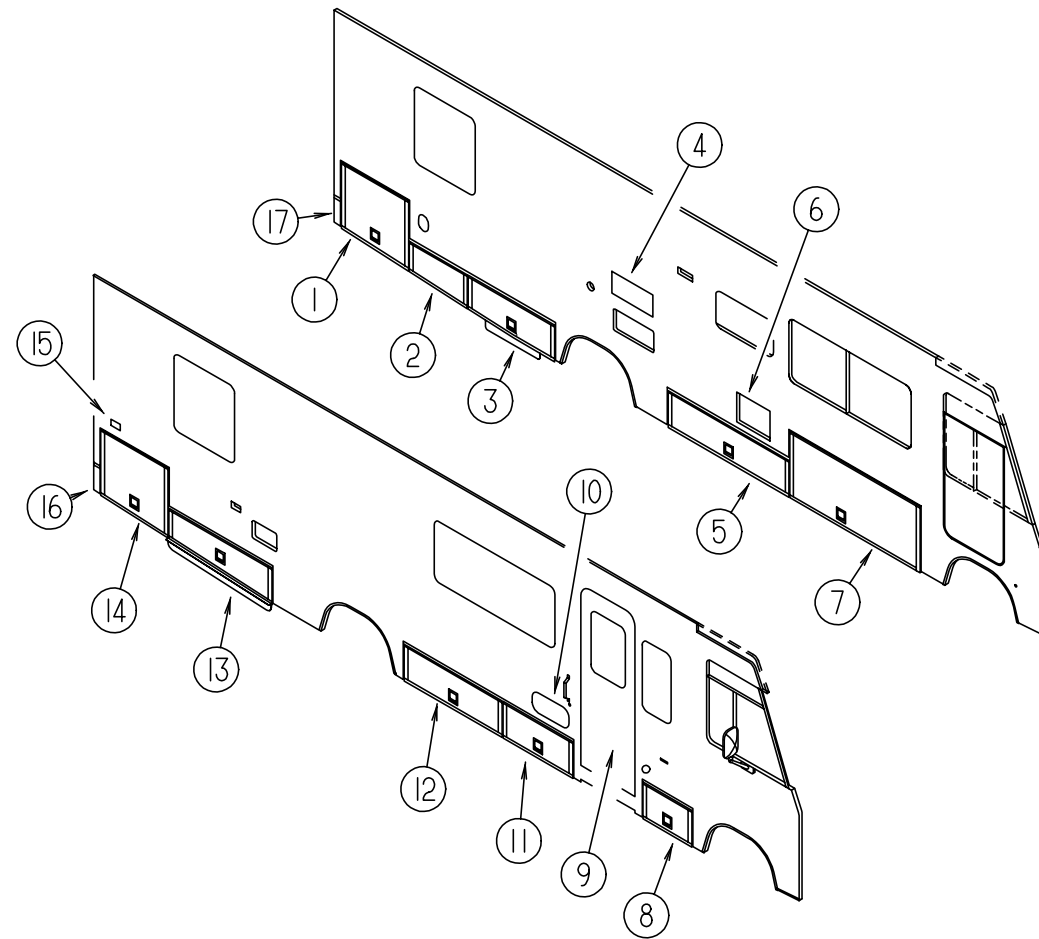
WINDOW, VENT & EXTERIOR DOOR GROUP
WINDOWS AND ROOF VENTS



KEY	PART NUMBER	U/M DESCRIPTION	VENDOR NO.
1*	078528-06-E10	EA WINDOW - ESCAPE - W/O RETAINER/TRIM - 48.5" X 24.5"	
1	074816-11-000	EA RETAINER - TRIM - ESCAPE WINDOW - OFF WHITE	
1*	113502-01-01A	EA WINDOW - REAR/CENTER ESCAPE - THERMO - 24.8" X 48.7"	
2	126795-01-01A	EA WINDOW - TORQUE - 33" X 30"	
2*	112463-03-01A	EA WINDOW - TIPOUT W/RETAINER TRIM - 33.3" X 30.2" FROM: 00-00-00 THRU: 09-07-97	
2*	112898-16-01A	EA WINDOW - VERTICAL SLIDER - THERMO - 33.2" X 30.2" FROM: 09-08-97 THRU: 99-99-99	
3	126793-01-01A	EA WINDOW - HORIZONTAL SLIDER/RIGHT HAND - 15.98" X 28.74" FROM: 00-00-00 THRU: 09-07-97	
3*	098647-34-01A	EA WINDOW - DR HORIZ SLIDER W/TRIM - TINTED - 15.7" X 28.5" FROM: 09-08-97 THRU: 99-99-99	
3*	112795-20-01A	EA WINDOW - DRIVER HORIZONTAL SLIDER - THERMO - 16" X 28.7"	
4	126793-04-01A	EA WINDOW - HORIZONTAL SLIDER FROM: 00-00-00 THRU: 09-07-97	
4*	098647-22-01A	EA WINDOW - DR HORIZ SLIDER W/TRIM - TINTED - 26.1" X 59.7" FROM: 09-08-97 THRU: 99-99-99	
4*	112795-15-01A	EA WINDOW - DRIVER HORIZONTAL SLIDER - THERMO - 26.4" X 60"	
5	126791-02-01A	EA WINDOW - CAB/LEFT HAND - 35.9"H X 33.7"T X 50.1"B FROM: 00-00-00 THRU: 09-07-97	
5*	125582-08-01A	EA WINDOW - CAB - DRIVER FROM: 09-08-97 THRU: 99-99-99	
5*	125583-08-01A	EA WINDOW - DRVR CAB-3 GLASS THERMO-44.2"T X 51.2"B X 37"H	
6*	125586-03-01A	EA WINDOW - VISTA	
6*	125600-03-01A	EA WINDOW - VISTA - THERMOPANE	
7	125581-04-705	EA GLASS - STATIONARY	106-041547
8	125581-04-704	EA GLASS - ROLL-UP	106-041821
9*	125584-01-01A	EA WINDOW - FRONT SLANT - LEFT HAND	
9*	125585-01-01A	EA WINDOW - FRONT SLANT - THERMO	
10	126791-01-01A	EA WINDOW - CAB/RIGHT HAND - 35.9"H X 43.1"T X 49.9"B FROM: 00-00-00 THRU: 09-07-97	
10*	125582-07-01A	EA WINDOW - CAB - PASSENGER FROM: 09-08-97 THRU: 99-99-99	
10*	125583-07-01A	EA WINDOW - PASS CAB-3 GLASS THERMO-44.2"T X 51.2"B X 37"H	
11	126792-01-01A	EA WINDOW - RAISED SLIDER - 30.9" X 30.2" FROM: 00-00-00 THRU: 09-07-97	
11*	098644-07-01A	EA WINDOW - VERTICAL SLIDER W/TRIM - TINTED - 30.2" X 14.3" FROM: 09-08-97 THRU: 99-99-99	
11*	112898-04-01A	EA WINDOW - VERTICAL SLIDER - THERMO - 30.2" X 14.3"	
12*	117053-02-F36	EA WINDOW - PICTURE - 60% TINTING - 17" X 26.4"	
12	117054-02-02A	EA RETAINER - TRIM - BRIGHT WHITE	
12*	113733-01-01A	EA WINDOW - STATIONARY THERMOPANE - 26.4" X 17"	
13	126793-05-01A	EA WINDOW - HORIZONTAL SLIDER FROM: 00-00-00 THRU: 09-07-97	
13*	098647-23-01A	EA WINDOW - PASS HORIZ SLIDER W/TRIM - TINTED - 26.1" X 59.7" FROM: 09-08-97 THRU: 99-99-99	
13*	112795-16-01A	EA WINDOW - PASSENGER HORIZ SLIDER - THERMO - 26.4" X 60"	
14*	122882-01-01A	EA VENT - ROOF - NONPOWERED - W/O INSIDE GARNISH	
14	122882-07-01A	EA GARNISH - ROOF VENT - 2.50" TO 4.12"	
15*	122882-02-01A	EA VENT - ROOF - W/FAN - W/O INSIDE GARNISH - UL	
15*	122882-03-01A	EA VENT - ROOF - W/FAN - W/O INSIDE GARNISH - CSA	
15	122882-07-01A	EA GARNISH - ROOF VENT - 2.50" TO 4.12"	
16	084073-04-000	EA BASE - ROOF VENT/REFRIGERATOR - BLACK - NORCOLD	
16	084073-07-000	EA VENT - ROOF/REFRIGERATOR - BRIGHT WHITE - NORCOLD	
	083558-03-000	EA VENT - PLUMBING - PIPE ROOF - W/COVER - OFF WHITE	
	117046-01-000	EA BUMPER - RUBBER/ROUND END	
	117046-02-000	EA BUMPER - RUBBER/ROUND END - THERMOPANE WINDOW OPTION	

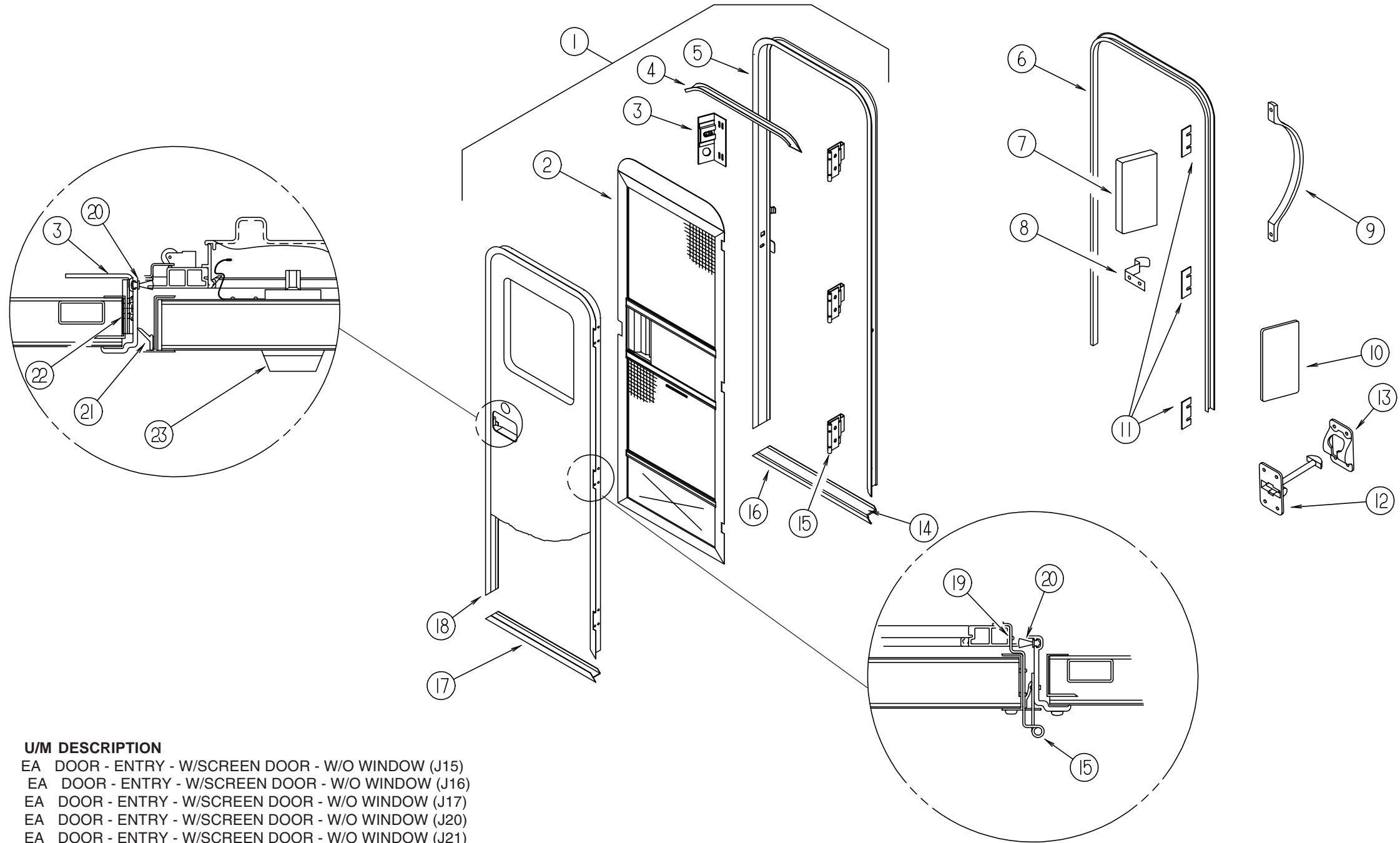
* COMPONENT PARTS FOUND IN SERVICE PARTS LIBRARY

WINDOW, VENT & EXTERIOR DOOR GROUP (CONTINUED)
EXTERIOR DOORS & PANELS



KEY	PART NUMBER	U/M	DESCRIPTION	VENDOR NO.
1	124245-19-J15	EA	DOOR - STORAGE - W/O PADDLE LATCH - 34" - WFF31WQ	
1	124245-13-J15	EA	DOOR - STORAGE - W/O PADDLE LATCH - 34.1" - WCF31DQ	
2	126645-01-J15	EA	PANEL - VALANCE/REAR - WFF31WQ	
2	122732-19-JA1	EA	PANEL - VALANCE - REAR - W/O HARDWARE - WCF31DQ	
3	126647-02-J15	EA	DOOR - STORAGE - W/O LATCHES - 40.2" - WFF31WQ	
3	122391-48-JA1	EA	VALANCE/DOOR-DRIVER W/O PADDLE LATCH 18.2" X 40.3" X 17.2" - WCF31DQ	
4	084103-08-000	EA	DOOR - REFRIGERATOR - VENTED - W/O JAMB	
4	084104-08-000	EA	JAMB - REFRIGERATOR DOOR	
	084104-01-700	EA	LOCK-MALE, FASTENER	201-721-010
	084104-01-701	EA	LOCK-FEMALE, FASTENER	201-802-010
5	126646-01-J15	EA	VALANCE/DOOR - W/O PADDLE LATCH - 60" - WFF31WQ	
5	122239-65-JA1	EA	VALANCE/DOOR - W/O PADDLE LATCH - 60" - WCF31DQ	
	009426-01-000	EA	HATCH - POWER CORD - WHITE	
6	052009-06-000	EA	DOOR - WATER HEATER - BRIGHT WHITE - 18" X 14.6"	
7	124245-20-J15	EA	DOOR - STORAGE - W/O PADDLE LATCH - 65.6" - WFF31WQ	
7	124245-15-J15	EA	DOOR - STORAGE - W/O PADDLE LATCH - 65.6" - WCF31DQ	
8	126646-02-J15	EA	VALANCE/DOOR - W/O PADDLE LATCH - 24.3" - WFF31WQ	
8	122239-66-JA1	EA	VALANCE/DOOR - W/O PADDLE LATCH - 24.4" - WCF31DQ	
9	115108-02-J05	EA	DOOR - ENTRY - W/SCREEN DOOR - W/O WINDOW (J15)	
9	115108-02-H27	EA	DOOR - ENTRY - W/SCREEN DOOR - W/O WINDOW (J16)	
9	115108-02-H07	EA	DOOR - ENTRY - W/SCREEN DOOR - W/O WINDOW (J17)	
9	115108-02-J20	EA	DOOR - ENTRY - W/SCREEN DOOR - W/O WINDOW (J20)	
9	115108-02-H28	EA	DOOR - ENTRY - W/SCREEN DOOR - W/O WINDOW (J21)	
10	126945-01-J22	EA	DOOR - STORAGE - W/O HARDWARE - 8.3" X 18"	
11	126646-03-J15	EA	VALANCE/DOOR - W/O PADDLE LATCH - 34.6" - WFF31WQ	
11	122239-67-JA1	EA	VALANCE/DOOR - W/O PADDLE LATCH - 34.7" - WCF31DQ	
12	126646-04-J15	EA	VALANCE/DOOR - W/O PADDLE LATCH - 48.6" - WFF31WQ	
12	122239-68-JA1	EA	VALANCE/DOOR - W/O PADDLE LATCH - 48.7" - WCF31DQ	
13	126647-01-J15	EA	DOOR - STORAGE - W/O LATCHES - 51.2" - WFF31WQ	
13	122391-47-JA1	EA	VALANCE/DOOR - PASS W/O PADDLE LATCH 18.2" X 51.2" X 15.6" - WCF31DQ	
14	124245-18-J15	EA	DOOR - STORAGE - W/O PADDLE LATCH - 34" - WFF31WQ	
14	124245-12-J15	EA	DOOR - STORAGE - W/O PADDLE LATCH - 34.1" - WCF31DQ	
15	081240-16-000	EA	DOOR - WATER FILL - LOCKABLE W/O LOCK - 4" X 4 5/8"	
16	126645-03-J15	EA	PANEL - VALANCE/REAR - WFF31WQ	
				FROM: 00-00-00 THRU: 06-29-97
16	122732-20-JA1	EA	PANEL - VALANCE - REAR - W/O HARDWARE - WCF31DQ	
				FROM: 00-00-00 THRU: 06-29-97
16	126645-07-J15	EA	PANEL - VALANCE/REAR - WFF31WQ	
				FROM: 06-30-97 THRU: 99-99-99
16	126645-07-JA1	EA	PANEL - VALANCE - REAR - WCF31DQ	
				FROM: 06-30-97 THRU: 99-99-99
17	126645-04-J15	EA	PANEL - VALANCE/REAR - WFF31WQ	
				FROM: 00-00-00 THRU: 06-29-97
17	122732-21-JA1	EA	PANEL - VALANCE - REAR - W/O HARDWARE - WCF31DQ	
				FROM: 00-00-00 THRU: 06-29-97
17	126645-08-J15	EA	PANEL - REAR VALANCE - WFF31WQ	
				FROM: 06-30-97 THRU: 99-99-99
17	126645-08-JA1	EA	PANEL - REAR VALANCE - WCF31DQ	
				FROM: 06-30-97 THRU: 99-99-99

WINDOW, VENT & EXTERIOR DOOR GROUP (CONTINUED)
ENTRANCE DOOR

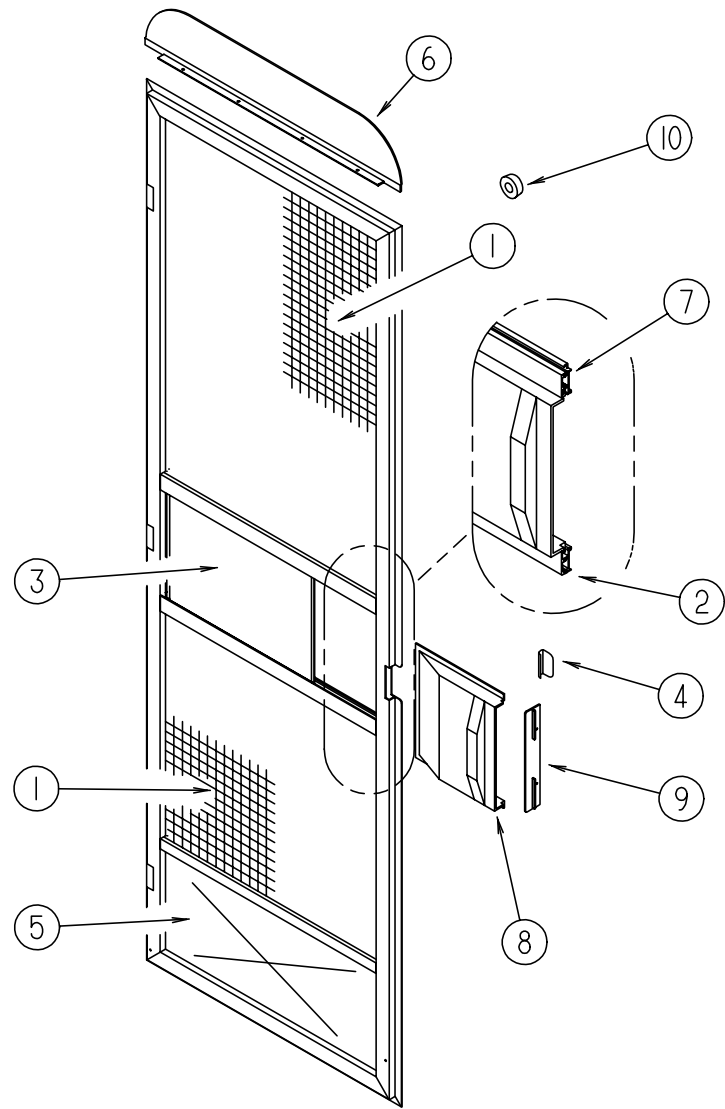


KEY	PART NUMBER	U/M DESCRIPTION
1	115108-02-J05	EA DOOR - ENTRY - W/SCREEN DOOR - W/O WINDOW (J15)
1	115108-02-H07	EA DOOR - ENTRY - W/SCREEN DOOR - W/O WINDOW (J16)
1	115108-02-H27	EA DOOR - ENTRY - W/SCREEN DOOR - W/O WINDOW (J17)
1	115108-02-J20	EA DOOR - ENTRY - W/SCREEN DOOR - W/O WINDOW (J20)
1	115108-02-H28	EA DOOR - ENTRY - W/SCREEN DOOR - W/O WINDOW (J21)
	090340-01-000	FT SEAL - FOAM - CLOSED CELL - 1/4" X 1/2" X 50'
2	121899-01-G04	EA DOOR - SCREEN - W/O HARDWARE - BRIGHT WHITE
3	041546-07-000	EA BRACKET - DOOR ANGLE - OFF WHITE
4	044582-44-000	EA CAP - DRIP - JAMB - BRIGHT WHITE
5	121898-01-01A	EA JAMB - ENTRY DOOR
6	115222-05-01A	EA GARNISH - RADIUS - ENTRY DOOR
7	077461-03-000	EA COVER - STRIKE - ENTRY DOOR - 6.5" X 2.5" - WHITE PLASTIC
8	100412-01-000	EA CATCH - SCREEN DOOR
9	009126-03-000	EA HANDLE - ASSIST - BLACK TEXTURED
10	076725-02-000	EA COVER - HINGE - ENTRY DOOR - 6" X 3.2" - OFF WHITE
11	102248-01-000	EA SHIM - DOOR
12	104099-01-04A	EA CATCH - DOOR HOLDER - STRIKE - BRIGHT WHITE
13	104099-02-04A	EA CATCH - DOOR HOLDER - RETAINER - BRIGHT WHITE
14	038327-01-000	EA TAPE - ANTI-SLIP - 2" X 60'
15	106719-01-05A	EA HINGE - ENTRANCE DOOR - BRIGHT WHITE
	116111-02-01A	EA SCREW - TAPTITE - 1/4-20 X 3/8 PPH - ZINC
	039715-01-000	EA NUT-SERT - 1/4" DIAMETER - 20 THREADS

KEY	PART NUMBER	U/M DESCRIPTION	VENDOR NO.
16	051049-01-000	EA JAMB - BOTTOM - ENTRY DOOR - 25.9" - UNPAINTED	
17	121893-01-01A	EA FRAME - ENTRY DOOR/BOTTOM - BRIGHT WHITE	
18	121894-03-01A	EA FRAME - ENTRY DOOR	
	098173-01-04A	EA STIFFENER - ENTRY DOOR - SUPPORTS LATCH/STRIKE - UNPAINTED	
19	100128-02-000	FT SEAL - FOAM - ADHESIVE BACK - .37" WIDE X .37" THICK	
20	118929-01-01A	FT SEAL - PILE - PUSH ON	
21	075671-04-000	FT SEAL - SPONGE - LAZY T - W/ADHESIVE STRIP - .5" WIDE	
22	104692-01-000	EA SEAL - FOAM/ADHESIVE BACK - .75"THICK X .75"WIDE X 25'	
23	101145-01-06A	EA DEADBOLT - ENTRY DOOR W/O SECURITY BOLT W/2 KEYS - BLACK	
	101147-01-000	EA BOLT - SECURITY - 4.12"	
	095229-01-700	EA KEY-BLANK, DEADBOLT	81205-03
	101145-01-701	EA CYLINDER-LOCK ASM., W/KEY	81306-03
	109403-01-000	EA CATCH - SINGLE ROLLER - SCREEN DOOR	
	130444-01-01A	EA CAP - KEY IDENTIFIER - GRAY	

FROM: 05-05-98 THRU: 99-99-99

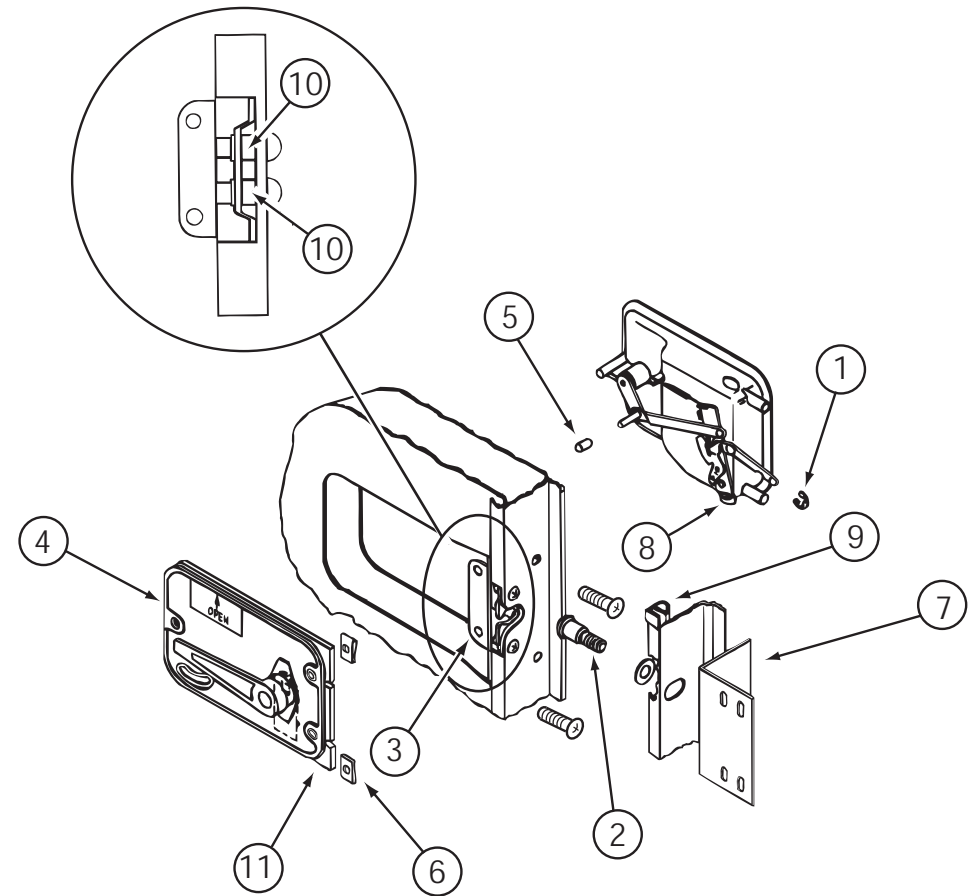
WINDOW, VENT & EXTERIOR DOOR GROUP (CONTINUED)



SCREEN DOOR

KEY	PART NUMBER	U/M DESCRIPTION
	121899-01-G04	EA DOOR - SCREEN - W/O HARDWARE - BRIGHT WHITE
1	002293-02-000	SF SCREENING - WINDOW/DOOR - 26" - CHARCOAL
2	002294-01-000	FT SPLINE - SCREENING - .135" X .138"
3	016454-01-000	EA INSERT - CENTER - LEATHER GRAIN ALUMINUM - UNPAINTED
	001014-01-013	EA INSERT - CENTER - 10.25" X 16.31" - UNPAINTED
4	050712-06-000	EA HANDLE - SCREEN DOOR - BRIGHT WHITE
5	078552-03-000	EA KICK PANEL - SCREEN DOOR - LOWER INSERT - UNPAINTED
6	078595-01-000	EA TOP PLATE - SCREEN DOOR - CURVED TOP - 4.7" X 25.35"
7	078777-01-000	EA CHANNEL - SLIDE - SCREEN DOOR CENTER SLIDER COVER
		FROM: 00-00-00 THRU: 02-22-98
7	078777-08-000	FT CHANNEL SLIDER
		FROM: 02-23-98 THRU: 99-99-99
8	079086-03-000	EA SLIDER - SCREEN DOOR - BRIGHT WHITE
9	079087-03-000	EA STRIKE - SLIDER - SCREEN DOOR - BRIGHT WHITE
10	120863-05-000	EA BUMPER - RUBBER - 3/4" X 3/8"
		FROM: 00-00-00 THRU: 10-27-97
10	120863-06-000	EA BUMPER - RUBBER - 3/4" X 3/8"
		FROM: 10-28-97 THRU: 99-99-99
	075673-01-000	FT SEAL - PILE - ADHESIVE BACK - GRAY
	075673-05-000	FT SEAL - PILE - ADHESIVE BACK - BLACK

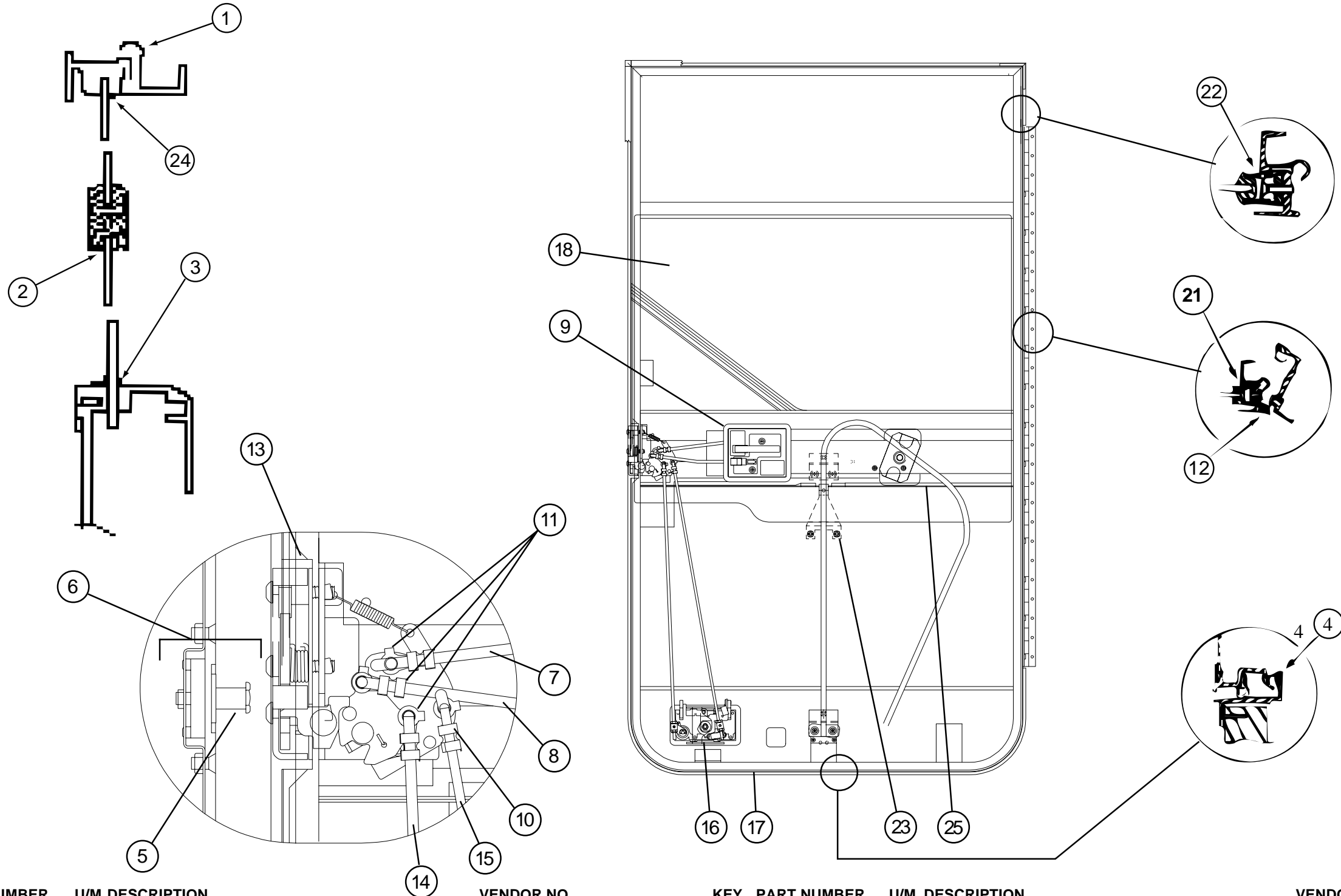
WINDOW, VENT & EXTERIOR DOOR GROUP (CONTINUED)



ENTRY DOOR LOCK INSTALLATION

KEY	PART NUMBER	U/M DESCRIPTION	VENDOR NO.
1	036618-02-000	EA E RING - EXTERNAL - 3/16" SHAFT DIAMETER - LYNOR DOOR LOCK	
2	039539-01-000	EA STRIKE - LOCK - ENTRY DOOR - ROUND W/THREADED WASHER	
3	039540-01-000	EA LATCH MECHANISM - HOOK - ENTRY DOOR - INTERIOR	
4	039979-06-000	EA COVER - LATCH PLATE - RIGHT HAND - BLACK TEXTURED	
5	039984-01-000	EA CAP - ROUND - VINYL - .28" ID X .62" - BLACK	
6	040921-01-000	EA NUT - SPEED - U TYPE - 10-24 BLACK	
7	041546-07-000	EA BRACKET - DOOR ANGLE - OFF WHITE	
8	045017-13-000	EA LATCH - ENTRY DOOR - BLACK TEXTURED	
	045017-11-703	EA CYLINDER-LOCK ASM. W/KEYS	81266-09
9	064075-07-000	FT SEAL - BULB - W/WIRED U CHANNEL - .3" X .5" CHANNEL - BLK	
10	086285-05-000	EA SPACER - NYLON - .7" X .56"	
11	096810-01-01A	EA PLATE - LATCH - ENTRY DOOR - BLACK	

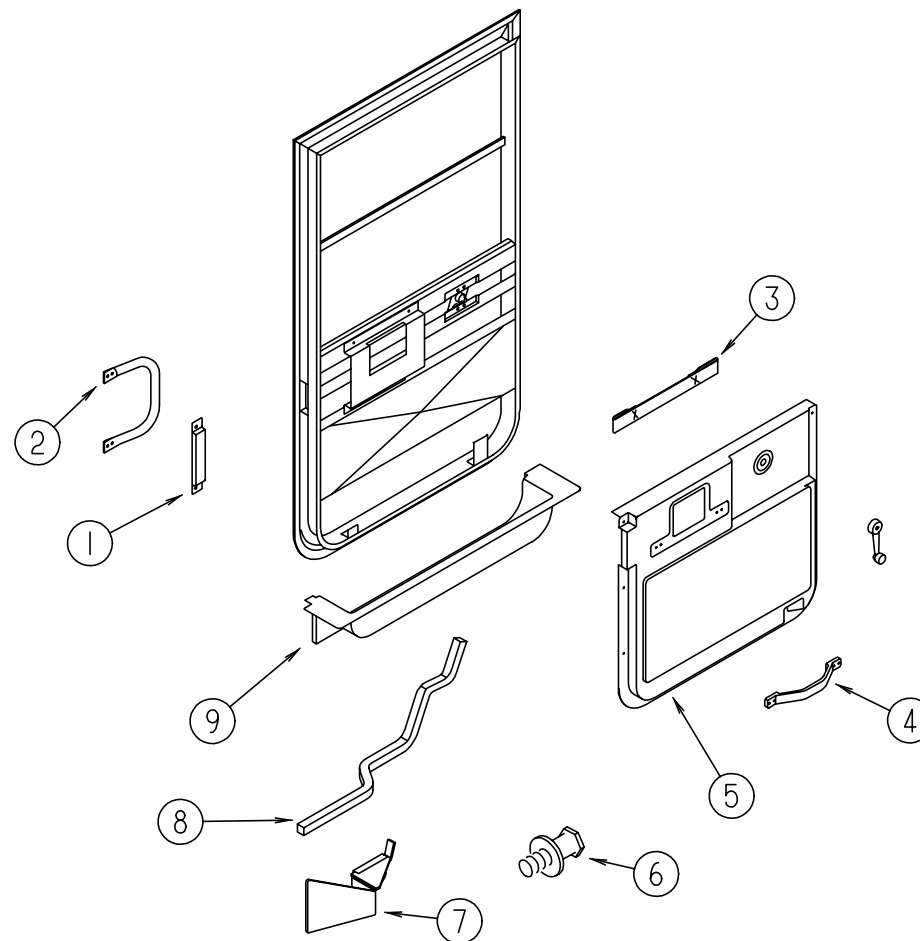
WINDOW, VENT & EXTERIOR DOOR GROUP (CONTINUED)
DRIVER DOOR (EXCEL)



KEY	PART NUMBER	U/M	DESCRIPTION	VENDOR NO.
1	106469-01-702	EA	DOOR SEAL	122-040984
2	106469-01-705	FT	CHANNEL - RUN - SLIDING	122-010850
3	106469-01-709	FT	WEATHERSTRIP - FUZZY	171-040630
4	106469-01-723	EA	SEAL - BULB ASM. (JAMB)	171-040985
5	106469-04-703	EA	BOLT - STRIKER (W/ WASHER)	248-041152
6	106469-04-704	EA	NUT ASSEMBLY - CAGED - W/STRIKER	248-041151
7	106469-04-705	EA	LATCH ROD - HORIZONTAL	203-041139
8	106469-04-711	EA	LOCK ROD - HORIZONTAL	203-041137
9	106469-04-712	EA	HANDLE/DOOR - INNER W/HARDWARE	248-041402
10	106469-04-713	EA	ROD CLIP L.H.	248-041154
11	106469-04-714	EA	ROD CLIP R.H.	248-041153
12	106469-05-702	EA	HINGE - 42"	211-041194
13	106469-05-706	EA	LATCH - ROTARY - W/LINKAGE	248-041150

KEY	PART NUMBER	U/M	DESCRIPTION	VENDOR NO.
14	125581-04-700	EA	ROD - LATCH/VERTICAL ADJUST.	203041767
15	125581-04-701	EA	ROD - LOCK/VERTICAL ADJUST.	203-041768
16	125581-04-702	EA	PADDLE RH-W/COLLAR BLACK TEX	248-041403
17	125581-04-703	EA	FRAME - MOUNTING - BLACK	V180-35L
18	125581-04-704	EA	GLASS - ROLL-UP	106-041821
19	125581-04-705	EA	GLASS - STATIONARY	106-041547
20	125581-04-706	EA	FRAME - DOOR - SUB-ASSEMBLY	V180-94L
21	125581-04-707	EA	CHANNEL - ROLL UP GLASS	V156-60
22	125581-04-708	EA	CHANNEL - STATIONARY GLASS	V156-61
23	125581-04-709	EA	REGULATOR - MANUAL	410-08389
24	125581-04-710	EA	VINYL - GLAZING	132-041484
25	125581-04-711	EA	CHANNEL- GLASS	N135-66
	106469-04-701	EA	TUMBLER & KEYS (TRI-MARK)	248-041179
	106469-04-702	EA	KEYS (BLANK)	248-041180

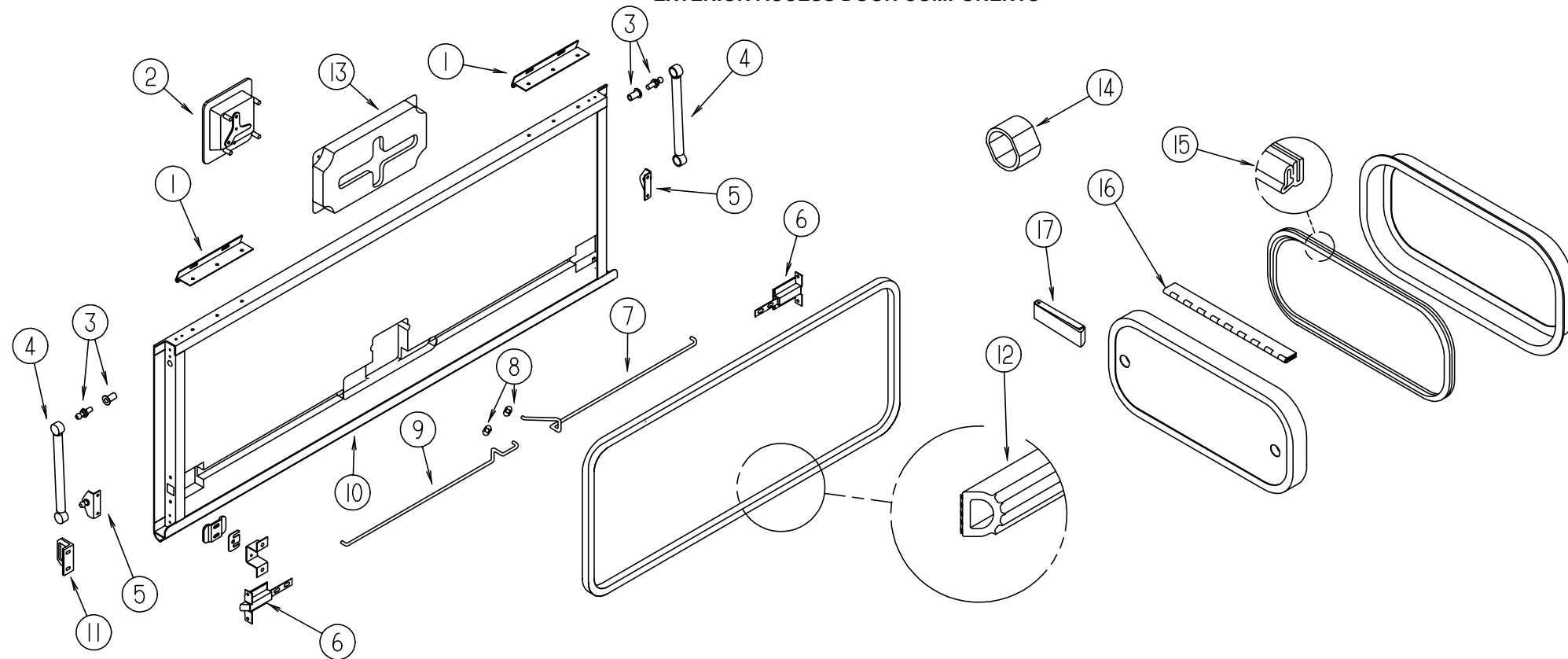
WINDOW, VENT & EXTERIOR DOOR GROUP (CONTINUED)
EXCEL DRIVERS DOOR



KEY	PART NUMBER	U/M DESCRIPTION	VENDOR NO.	KEY	PART NUMBER	U/M DESCRIPTION	VENDOR NO.
	125581-01-01A	EA DOOR - DRIVER - NON-POWER		7	128255-01-04B	EA STEP - DRIVER DOOR - BLACK - 1999 FORD CHASSIS	
			FROM: 00-00-00 THRU: 09-14-97				FROM: 00-00-00 THRU: 04-01-98
	125581-04-01A	EA DOOR - DRIVER - NON-POWER		7	128255-02-04B	EA STEP - DRIVER DOOR - BLACK - 1999 FORD CHASSIS	
			FROM: 09-15-97 THRU: 99-99-99				FROM: 04-02-98 THRU: 99-99-99
1	108654-01-01A	EA COVER - STRIKE - DRIVER DOOR		8	063977-16-000	EA STEP - DRIVER DOOR - LEFT HAND/BLACK	
2	108832-01-02A	EA HANDLE - ASSIST - DRIVER DOOR		9	126069-02-03A	EA TRIM - STEP - DRIVER	
	108833-02-01A	EA COVER - ASSIST HANDLE			102569-02-000	EA MAT - ANTI SLIP - LOWER	
			FROM: 00-00-00 THRU: 06-29-97		109235-01-01A	FT COVER - SCREW - MAT BLACK	
	108833-03-01A	EA COVER - ASSIST HANDLE			109235-01-05A	FT COVER - SCREW - BRIGHT WHITE	
			FROM: 06-30-97 THRU: 99-99-99		076725-02-000	EA COVER - HINGE - ENTRY DOOR - 6" X 3.2" - OFF WHITE	
3	109378-01-000	EA STRAP - CHECK - DRIVER DOOR - 12.8"			107868-01-000	EA ANGLE-SUPPORT, DOOR - 38 MM X 38 MM X 19 MM - E-COAT - STEEL	
4	110604-01-01A	EA HANDLE - ASSIST - DRIVER DOOR - 10.8" LONG - BLACK			109644-01-000	FT TRIM - EDGE - RUBBER	
5	125899-03-01A	EA PANEL - CAB DOOR - INNER/DRIVER					
6	106469-04-703	EA BOLT-STRIKER, W/WASHER	248-041152				

WINDOW, VENT & EXTERIOR DOOR GROUP (CONTINUED)

EXTERIOR ACCESS DOOR COMPONENTS



KEY	PART NUMBER	U/M	DESCRIPTION
1	121755-01-04A	EA	HINGE - 6.00 INCH
2	112949-01-04A	EA	LATCH - PADDLE W/LOCK - W/O KEY - BLACK
2	112949-01-03A	EA	LATCH - PADDLE W/LOCK - W/O KEY - BRIGHT WHITE
	112949-03-000	EA	KEY - TRI-MARK #TM500
2	112949-02-05A	EA	LATCH - PADDLE NON-LOCKING - BLACK
2	112949-02-04A	EA	LATCH - PADDLE NON-LOCKING - BRIGHT WHITE
3	057460-08-000	EA	BALL STUD - 10MM BALL - 5/16-18 - STAINLESS STEEL
			FROM: 00-00-00 THRU: 08-21-97
3	126259-01-000	EA	STUD - BALL
			FROM: 08-22-97 THRU: 99-99-99
	123892-02-02B	EA	CORNER STABILIZER W/WELD NUT - RIGHT HAND - E-COATED
			FROM: 00-00-00 THRU: 08-21-97
	123892-04-02B	EA	CORNER STABILIZER W/WELD NUT - LEFT HAND - E-COATED
			FROM: 00-00-00 THRU: 08-21-97
	123892-10-02B	EA	CORNER STABILIZER W/BALL STUD - RIGHT HAND - E-COATED
			FROM: 08-22-97 THRU: 99-99-99
	123892-12-02B	EA	CORNER STABILIZER W/BALL STUD - LEFT HAND - E-COATED
			FROM: 08-22-97 THRU: 99-99-99
4	107796-08-000	EA	SPRING/GAS - 11" COMPRESSED/17" EXTENDED - 60 LB
4	107796-11-000	EA	SPRING/GAS - 11" COMPRESSED/17" EXTENDED - 90 LB
4	107796-18-000	EA	SPRING/GAS - 10" LENGTH - 80 LB
			FROM: 06-30-97 THRU: 99-99-99
4	107796-20-000	EA	SPRING/GAS - 7" COMPRESSED/10" EXTENDED - 60 LB
5	107796-19-000	EA	BRACKET - GAS SPRING
			FROM: 00-00-00 THRU: 08-24-97
5	107796-03-000	EA	BRACKET - GAS SPRING - SMALL
			FROM: 00-00-00 THRU: 08-24-97
5	126263-02-02B	EA	BRACKET - GAS SPRING
			FROM: 08-25-97 THRU: 99-99-99
6	121947-01-01A	EA	BOLT - SLIDE - LATCH - STEEL
7	122269-07-000	EA	ROD - LATCH - 16.63"
7	122269-11-000	EA	ROD - LATCH - 24.71"
7	122269-12-000	EA	ROD - LATCH - 22.28"
7	122269-13-000	EA	ROD - LATCH - 4.46"
7	122269-14-000	EA	ROD - LATCH - 9.63"
7	122269-16-000	EA	ROD - LATCH - 8.96"

KEY	PART NUMBER	U/M	DESCRIPTION
7	122269-26-000	EA	ROD - LATCH - 17.89"
7	122269-38-000	EA	ROD - LATCH - 12.41"
8	124304-01-000	EA	CLIP - ROUND PUSH ON
9	122268-07-000	EA	ROD - LATCH - 16.63"
9	122268-11-000	EA	ROD - LATCH - 24.71"
9	122268-12-000	EA	ROD - LATCH - 22.28"
9	122268-13-000	EA	ROD - LATCH - 4.46"
9	122268-14-000	EA	ROD - LATCH - 9.63"
9	122268-16-000	EA	ROD - LATCH - 8.96"
9	122268-26-000	EA	ROD - LATCH - 17.89"
9	122268-38-000	EA	ROD - LATCH - 12.41"
10	122613-55-001	EA	EXTRUDED - ROCKER PANEL - 192" - BRIGHT WHITE
10	122613-55-007	EA	EXTRUDED - ROCKER PANEL - 192" - BLACK
11	123783-01-01A	EA	STRIKER - DOOR - MILL
12	107721-07-000	FT	SEAL - ACCESS DOOR
13	122277-02-01A	EA	COVER - LATCH - BLACK
14	107997-51-001	EA	SPACER - DOOR LOCK - .6" DEEP
14	107997-51-002	EA	EXTRUDED - SPACER - 16'
15	106850-02-000	FT	SEAL-E - SPONGE RUBBER - .43" X .75"
16	081801-02-000	EA	HINGE - DOOR - PIANO - 2" X 8"
16	081801-V3-000	EA	HINGE - ALUMINUM - 2" X 96" - BRIGHT WHITE
17	102768-01-000	EA	HOLDER - COMPARTMENT/ENTRY DOOR - METAL - MILL FINISH
	068559-01-001	EA	EXTRUDED - ANGLE - 1" X .9" X 192"
	076767-01-000	EA	CABLE - STEEL - 12"
	104692-01-000	FT	SEAL - FOAM/ADHESIVE BACK - .75"THICK X .75"WIDE X 25'
	112160-01-000	FT	SEAL - D SECTION - .2 X .3" - FOAM RUBBER
	116743-01-01A	EA	CAP - LUG COVER - THREAD PROTECTOR - BLACK
	107865-21-000	EA	ROD - SUPPORT - VALANCE PANEL - 23.3"
	116424-01-000	EA	PROTECTOR - LATCH - WATER HEATER
	120863-02-000	EA	BUMPER - RUBBER - 1" DIAMETER X 1.50"
	122614-55-001	EA	EXTRUDED - H CHANNEL - 191" - BRIGHT WHITE
	122614-55-007	EA	EXTRUDED - H CHANNEL - 191" - BLACK
	122612-55-007	EA	EXTRUDED - U CHANNEL - BLACK - 192"
	128298-01-12B	EA	CATCH - F/LOCK - COMPARTMENT DOORS

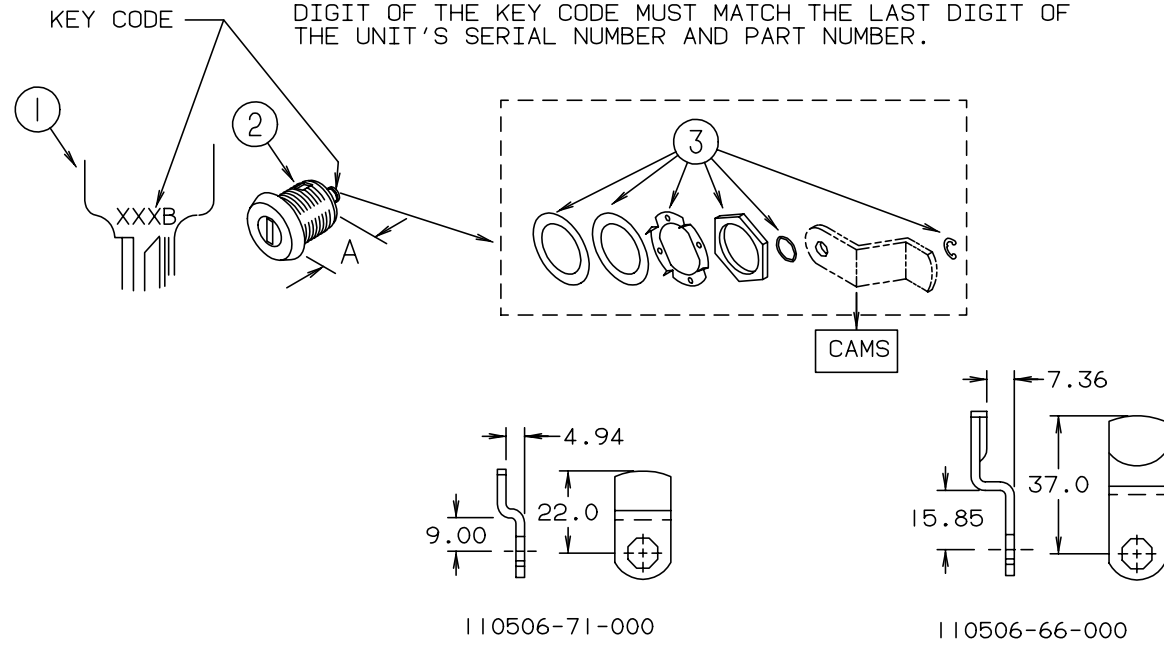
WINDOW, VENT & EXTERIOR DOOR GROUP (CONTINUED)

WINDOW, VENT & EXTERIOR DOOR GROUP (CONTINUED)

RANGE HOOD VENT AND SHROUD

KEY	PART NUMBER	U/M	DESCRIPTION
	084616-07-000	EA	SHROUD - EXHAUST VENT/RANGE HOOD - BRIGHT WHITE
	084878-09-000	EA	VENT - EXHAUST/RANGE HOOD - OFF WHITE

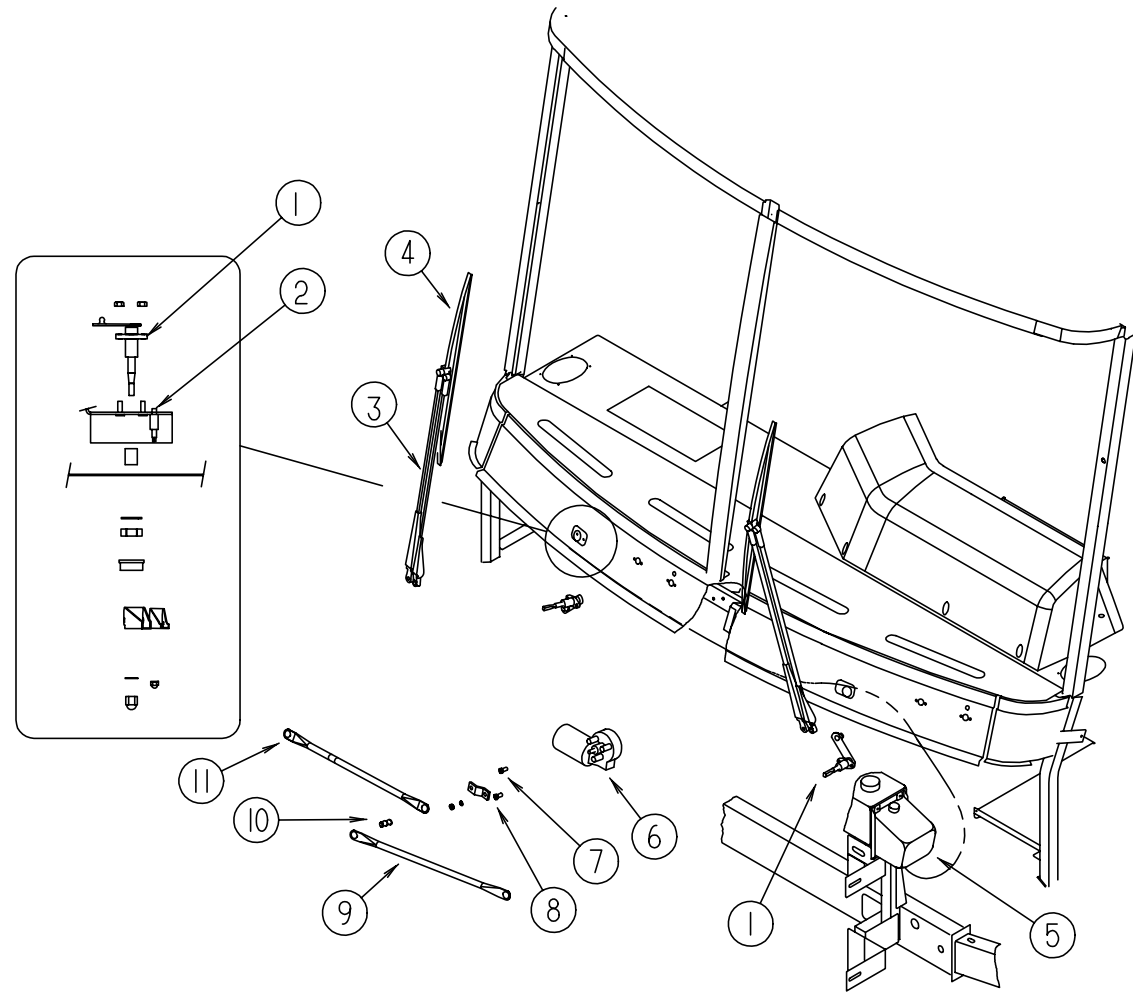
NOTE:
 WHEN ORDERING THE LOCK CASE, THE KEY CODE MUST MATCH THE LAST DIGIT OF THE UNIT'S SERIAL NUMBER AND PART NUMBER; WHEN ORDERING THE KEYS, THE THIRD DIGIT OF THE KEY CODE MUST MATCH THE LAST DIGIT OF THE UNIT'S SERIAL NUMBER AND PART NUMBER.



BRIGGS & STRATTON LOCKS & COMPONENTS

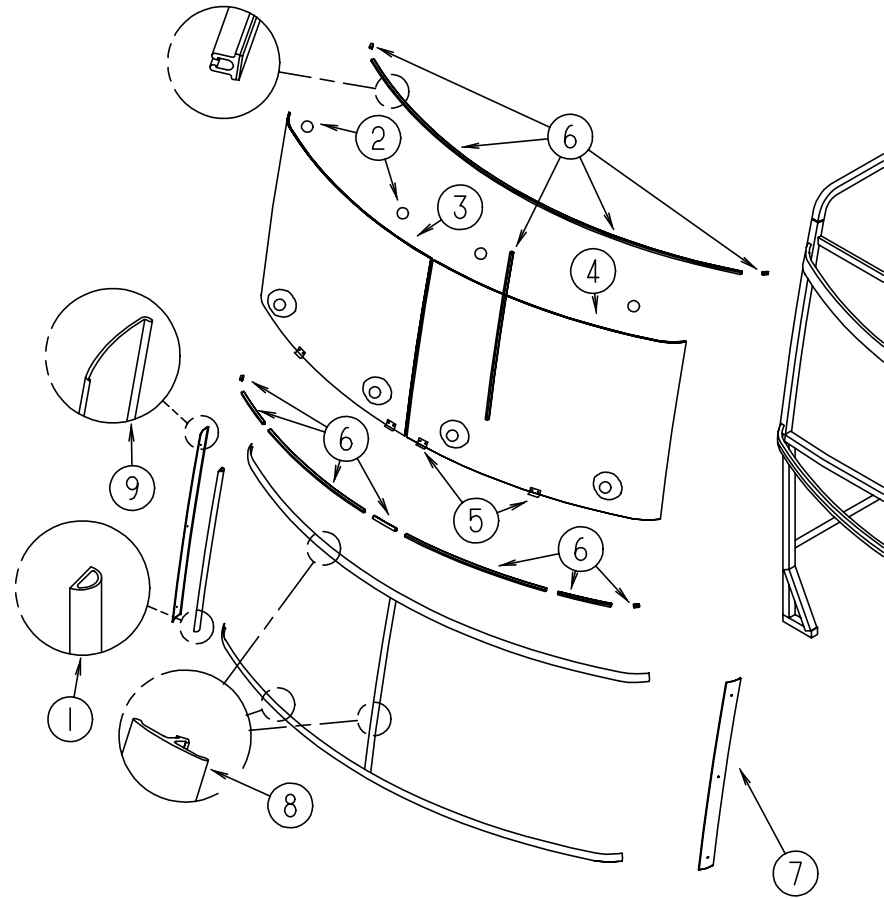
KEY	PART NUMBER	U/M	DESCRIPTION	VENDOR NO.
1	110506-59-000	EA	KEYS - SET OF TWO	596720
2	110506-52-000	EA	CASE/CYLINDER - LOCKING W/O CAM - .65"	702370
2	110506-54-000	EA	CASE/CYLINDER - LOCKING W/O CAM OR KEY - 1 1/4"	703170
1	110506-59-001	EA	KEYS - SET OF TWO	596721
2	110506-52-001	EA	CASE/CYLINDER - LOCKING W/O CAM - .65"	702371
2	110506-54-001	EA	CASE/CYLINDER - LOCKING W/O CAM OR KEY - 1 1/4"	703171
1	110506-59-002	EA	KEYS - SET OF TWO	596722
2	110506-52-002	EA	CASE/CYLINDER - LOCKING W/O CAM - .65"	702372
2	110506-54-002	EA	CASE/CYLINDER - LOCKING W/O CAM OR KEY - 1 1/4"	703172
1	110506-59-003	EA	KEYS - SET OF TWO	596723
2	110506-52-003	EA	CASE/CYLINDER - LOCKING W/O CAM - .65"	702373
2	110506-54-003	EA	CASE/CYLINDER - LOCKING W/O CAM OR KEY - 1 1/4"	703173
1	110506-59-004	EA	KEYS - SET OF TWO	596724
2	110506-52-004	EA	CASE/CYLINDER - LOCKING W/O CAM - .65"	702374
2	110506-54-004	EA	CASE/CYLINDER - LOCKING W/O CAM OR KEY - 1 1/4"	703174
1	110506-59-005	EA	KEYS - SET OF TWO	596725
2	110506-52-005	EA	CASE/CYLINDER - LOCKING W/O CAM - .65"	702375
2	110506-54-005	EA	CASE/CYLINDER - LOCKING W/O CAM OR KEY - 1 1/4"	703175
1	110506-59-006	EA	KEYS - SET OF TWO	596726
2	110506-52-006	EA	CASE/CYLINDER - LOCKING W/O CAM - .65"	702376
2	110506-54-006	EA	CASE/CYLINDER - LOCKING W/O CAM OR KEY - 1 1/4"	703176
1	110506-59-007	EA	KEYS - SET OF TWO	596727
2	110506-52-007	EA	CASE/CYLINDER - LOCKING W/O CAM - .65"	702377
2	110506-54-007	EA	CASE/CYLINDER - LOCKING W/O CAM OR KEY - 1 1/4"	703177
1	110506-59-008	EA	KEYS - SET OF TWO	596728
2	110506-52-008	EA	CASE/CYLINDER - LOCKING W/O CAM - .65"	702378
2	110506-54-008	EA	CASE/CYLINDER - LOCKING W/O CAM OR KEY - 1 1/4"	703178
1	110506-59-009	EA	KEYS - SET OF TWO	596729
2	110506-52-009	EA	CASE/CYLINDER - LOCKING W/O CAM - .65"	702379
2	110506-54-009	EA	CASE/CYLINDER - LOCKING W/O CAM OR KEY - 1 1/4"	703179
3	110506-40-700	EA	HDWE KIT	596950AAL
	110506-59-701	EA	KEY BLANK (GOLD)	596728

WINDSHIELD & WIPER GROUP
WIPER & WASHER COMPONENTS



KEY	PART NUMBER	U/M	DESCRIPTION	VENDOR NO.
1	096505-09-000	EA	SHAFT/PIVOT - WINDSHIELD WIPER	
	096505-02-700	EA	DRIVER-KNURLED,(HD) BRL .687	NT721017
	096505-02-701	EA	NUT-HEX (HD) W/.687 BARREL	NT721021
	096505-02-702	EA	CAP-RUBBER (HD) BARREL .687	CP721084
	096505-02-703	EA	CAP-NUT(ACORN) HD W/.687 BRL	51065-40-NT27WC
	077049-02-000	EA	NUT - ACORN - 10-32 BLACK/ANODIZED	
2	117768-01-000	EA	SHAFT - ADAPTER - PANTOGRAPH ARM	
3	117769-01-000	EA	ARM - WIPER - PANTOGRAPH - 28"	
	096931-01-701	EA	NOZZLE-HARDWARE KIT	
4	095964-01-000	EA	BLADE - WINDSHIELD WIPER - 24"	
	095964-01-700	EA	BLADE-REFILL 24" EA = 1 PAIR	12360
5	117766-02-000	EA	RESERVOIR/PUMP - WINDSHIELD WASHER	
	045794-01-000	FT	HOSE - WASHER - WINDSHIELD - 5/32" ID - BLACK	
	110605-01-000	EA	TEE - PLASTIC - BARBED - 1/8" X 1/8" X 3/16"	
	117765-03-000	EA	CONNECTOR - 5/32" - WINDSHIELD WASHER	
6	104346-05-000	EA	MOTOR - WIPER W/INTERNAL BREAKER - DYNAMIC PARK - FORD	
6	104346-04-000	EA	MOTOR - WIPER W/INTERNAL BREAKER - CHEVY	
7	117322-01-000	EA	SCREW - 1/4-28 UNFINISHED - 2A - TORX	
8	104347-04-000	EA	ARM - DRIVE - WIPER MOTOR	
9	117770-01-000	EA	LINK - CONNECTING - 24"	
10	067188-01-000	EA	STUD - CRANK - WIPER MOTOR	
11	117770-02-000	EA	LINK - CONNECTING - 24"	
	061603-01-000	EA	GROMMET - SNAP - 3/16"ID - 3/8" HOLE - PLASTIC BLACK	

WINDSHIELD & WIPER GROUP (CONTINUED)
WINDSHIELD MOLDINGS & GLASS



KEY	PART NUMBER	U/M	DESCRIPTION
1	099418-01-000	FT	SEAL - D-SECTION/ADHESIVE BACK - .44" X .44"- BLK RUBBER
2	081914-01-000	EA	BUMPER - RUBBER - ROUND - .43" DIAMETER
3	124973-01-000	EA	GLASS - WINDSHIELD - RIGHT HAND
4	124973-02-000	EA	GLASS - WINDSHIELD - LEFT HAND
5	002328-02-000	EA	BLOCK - WINDSHIELD - .062" X .5" X .98"
6	127862-01-000	EA	CARRIER - REVEAL - WINDSHIELD - 47.2"
7	125384-06-02A	EA	TRIM - WINDSHIELD - A-PILLAR - DRIVER
8	120533-01-000	FT	MOLDING - REVEAL - WINDSHIELD
9	125384-05-02A	EA	TRIM - WINDSHIELD - A-PILLAR - PASSENGER