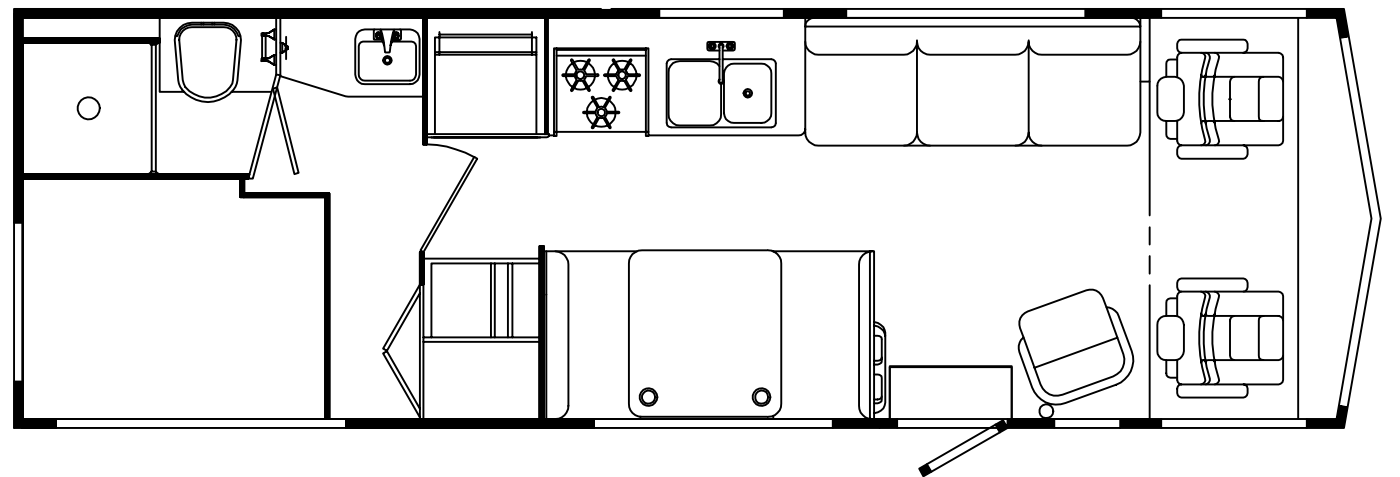
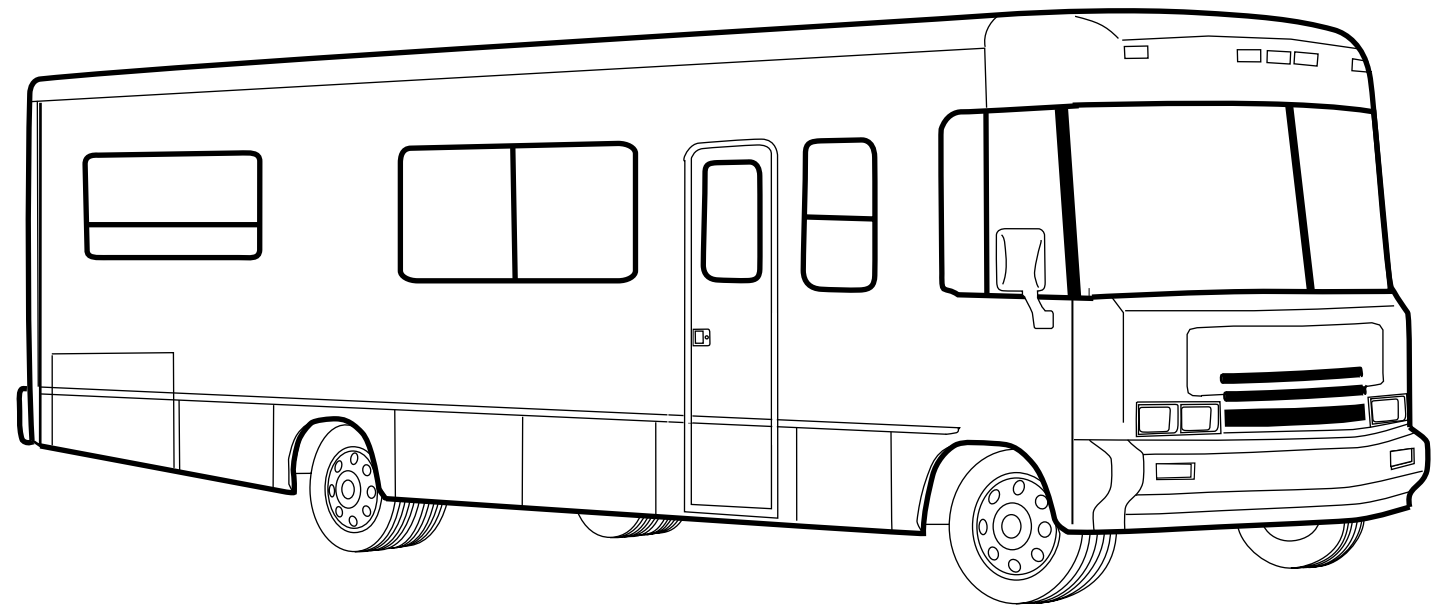


**1998
WCF28RC**

**J18
VILLAGE GREEN (GREEN)**

**J19
BARCELONA (TAUPE)**

**J44
HORIZON (BLUE)**



ACCESSORIES GROUP

OPERATOR MANUAL

KEY	PART NUMBER	U/M DESCRIPTION
	054185-H1-000	EA MANUAL - OPERATOR 98 BRAVE - F SERIES
	092318-01-000	EA BINDER - 3 RING - MOTOR HOME MANUAL FROM: 00-00-00 THRU: 02-15-98
	092319-01-000	EA POCKET PAGE - 3 RING BINDER - PLASTIC - (50 PER PKG) MINIMUM ORDER OF 50 (1 PKG) FROM: 00-00-00 THRU: 02-15-98
	129079-01-01A	EA CASE - VINYL/BLACK-EXPANDABLE ACCORDION SIDES-7"WX9"HX14"L FROM: 02-16-98 THRU: 99-99-99
	125967-01-000	DW TOP LEVEL-F,1998

AUDIO VIDEO GROUP

PATIO ENTERTAINMENT CENTER

KEY	PART NUMBER	U/M DESCRIPTION
	076319-09-000	EA WALLPLATE - CABLE RECEPTACLE - TV - SINGLE - BROWN
	077069-02-000	EA CABLE - ANTENNA/EXTENSION - RADIO - 96"
	086756-01-000	EA SPLITTER - TV - 2 WAY
	082134-01-000	EA ADAPTER - TV - CABLE TO CABLE
	125322-02-000	EA RADIO - AM/FM STEREO - CASSETTE - AUDIOVOX
	077069-02-000	EA CABLE - ANTENNA/EXTENSION - RADIO - 96"
	090944-01-000	EA ANTENNA - RADIO - 16" RUBBER
	108847-01-000	EA BRACKET - ANTENNA GROUND
	109889-04-000	EA EXTENDER - ANTENNA SHAFT - 3"
	110469-01-000	EA SPEAKER - 4" X 6" OVAL - COAXIAL
	110470-01-01A	EA GRILLE - 4" X 6" OVAL - BLACK

RADIO SYSTEMS & ANTENNA

KEY	PART NUMBER	U/M DESCRIPTION
	127264-03-000	EA RADIO - AM/FM STEREO/CASSETTE - EUROPEAN
	110267-04-000	EA RADIO - AM/FM STEREO/CD COMPATIBLE - AUDIOVOX
	077069-02-000	EA CABLE - ANTENNA/EXTENSION - RADIO - 96"
	110469-01-000	EA SPEAKER - 4" X 6" OVAL - COAXIAL
	110470-01-01A	EA GRILLE - 4" X 6" OVAL - BLACK
	090944-01-000	EA ANTENNA - RADIO - 16" RUBBER
	115916-01-01B	EA BRACKET - ANTENNA MOUNT
	089340-02-000	EA GRILLE - SPEAKER - 6.5" SQUARE
	089340-03-000	EA SPACER - SPEAKER GRILLE
	094097-01-000	EA SPEAKER - RADIO/TV - W/O GRILLE - 5.25" DIAMETER

RADIO - AM/FM STEREO/CASSETTE

KEY	PART NUMBER	U/M DESCRIPTION	VENDOR NO.
	127264-01-000	EA RADIO - AM/FM STEREO - CASSETTE - PANASONIC	
	127264-01-700	EA TRIM RING	YFC054C044ZB
	127264-01-701	EA KNOB - VOLUME	YFE074C045ZA
	127264-01-702	EA KNOB - FADER	YEFE074C026
	127264-01-703	EA FACTORY HARNESS	YAJ024C048ZB

RADIO - AM/FM STEREO/CD PLAYER

KEY	PART NUMBER	U/M DESCRIPTION	VENDOR NO.
	127516-01-000	EA RADIO - AM/FM STEREO - CD PLAYER - PANASONIC	
	088473-01-000	EA HOUSING - PIN - 12 CAVITY (3 ROWS OF 4)	
	088475-01-000	EA PIN - CONNECTOR - 14-20 AWG	
	127516-01-700	EA FACE - REMOVABLE	YEPOFX3114
	127516-01-701	EA TRIM RING	YGFC025263
	127516-01-702	EA FACTORY HARNESS	YGAJ02719
	127516-01-703	EA CARRIER F/REMOVEABLE FACE	YEFA131290

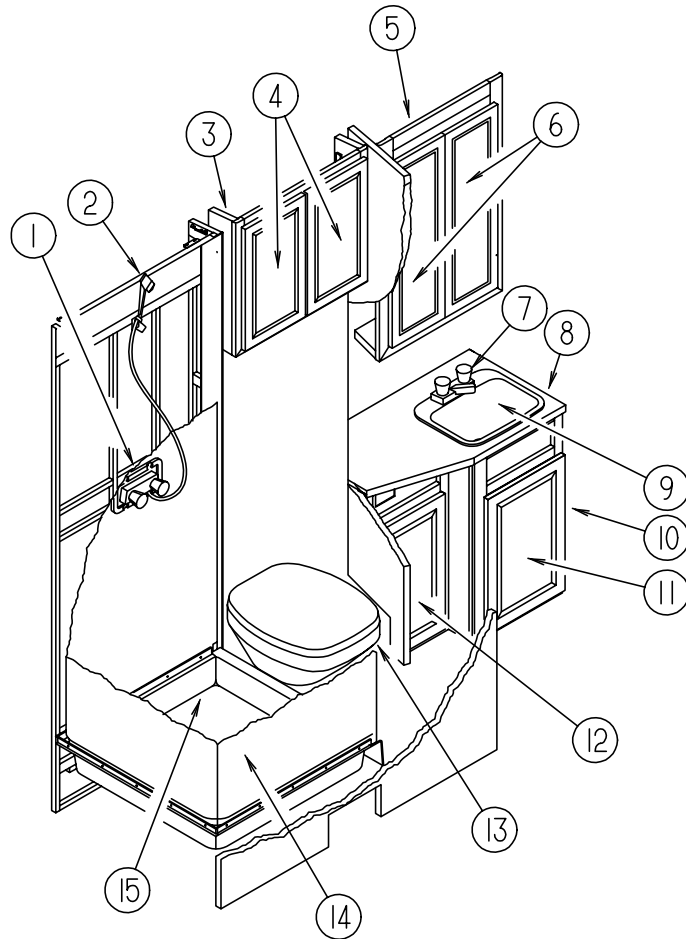
TV ANTENNA & TV INSTALLATION COMPONENTS

KEY	PART NUMBER	U/M DESCRIPTION
*	076319-23-000	EA ANTENNA - TV ROOF MOUNT - 44.5" MAST
*	076319-25-000	EA KIT - HARDWARE INTERIOR
	093214-01-02A	EA GRILLE - SPEAKER - 4" BROWN
	098819-01-000	EA SPEAKER - 4" - 2 WATT - 8 OHM
	086756-01-000	EA SPLITTER - TV - 2 WAY
	076319-03-000	FT CABLE - COAXIAL - 75 OHM
	076319-12-000	EA CONNECTOR - COAXIAL - ONE PIECE
	114870-02-000	EA PLUG - .14" AUDIO W/LEADS
	082134-01-000	EA ADAPTER - TV - CABLE TO CABLE
	076319-06-000	EA ADAPTER - CABLE ROOF PLATE
	082136-01-000	EA NUT - HEX JAM - 3/8-32
	086777-06-000	EA WALLPLATE - TV CABLE - ANTENNA BOOSTER/1 OUTPUT - BROWN
	086777-01-000	EA WALLPLATE - TV CABLE - ANTENNA SWITCH - IVORY
	076319-09-000	EA WALLPLATE - CABLE RECEPTACLE - TV - SINGLE - BROWN
	076319-08-000	EA WALLPLATE - CABLE RECEPTACLE - TV - SINGLE - IVORY
	093901-03-000	EA PLATE - TV COAX - EXTERIOR - 1.8" X 2.5"

* COMPONENT PARTS FOUND IN SERVICE PARTS LIBRARY

BATH GROUP

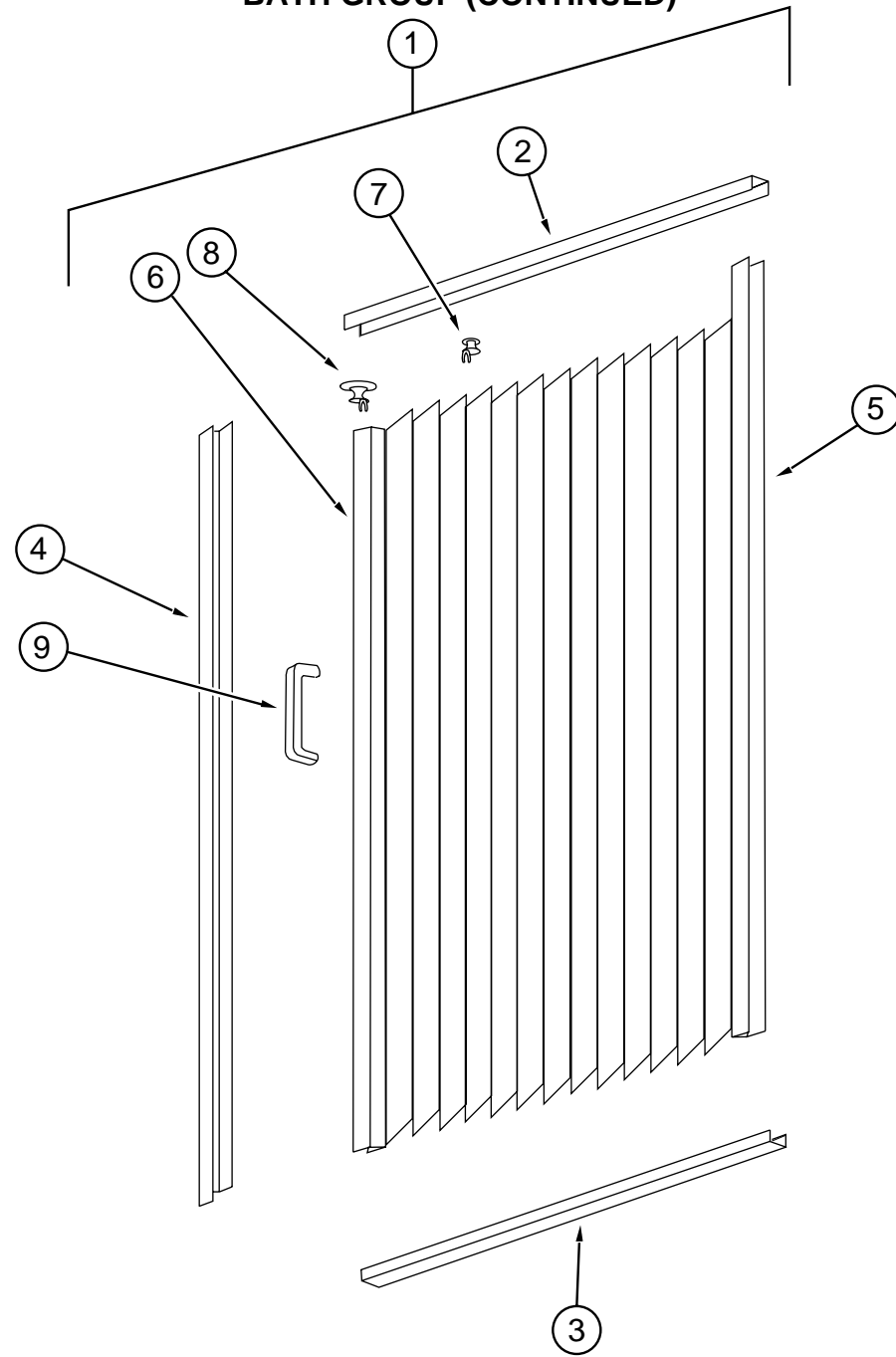
BATHROOM CABINETS & FIXTURES



KEY	PART NUMBER	U/M DESCRIPTION	VENDOR NO.
1	075241-05-000	EA FAUCET/SHOWER - BONE 3/4" MPT X 1.4" LONG INLET PIPES	
	075606-01-000	EA PANEL - PLASTIC - FAUCET BACK - 5" X 9"	
2	103092-01-000	EA SHOWER HEAD - W/60" HOSE - WHITE	
	103092-01-700	EA BRACKET-F/SHOWER HEAD, CLEAR	2328028
	103092-01-702	EA SEALS-SPRAY HEAD	24466
3	102851-01-G09	EA CABINET - STORAGE/BATH - W/O DOORS/DRAWERS/HARDWARE	
4	M05992-G1-J18	EA DOOR - STRAIGHT CORNER/OGEE EDGE - 11.2" X 19.7" - W/O HDW	
5	114914-01-G09	EA CABINET - MEDICINE - W/O DOORS/HARDWARE	
6	115237-03-G09	EA DOOR - MIRRORED/MEDICINE CABINET - 13.9" X 29.5" - W/O HDW	
	116684-01-000	EA MIRROR - PANEL - BEVELED 3 SIDES - 13.9" X 29.5"	
7	075240-06-000	EA FAUCET - LAVATORY/BONE	
	091253-01-000	EA GASKET - FAUCET - LAVATORY/GALLEY	
8	114912-11-G10	EA COUNTERTOP - LAVATORY (J18, J44)	
8	114912-11-J19	EA COUNTERTOP - LAVATORY (J19)	
9	096927-01-01A	EA SINK - LAVATORY - RECTANGULAR - PLASTIC/BONE	
	096927-01-700	EA SINK STOPPER	M9801
	096927-01-701	EA TAILPIECE-DRAIN-LAVATORY	M9802
10	P14912-01-G10	EA CABINET - LAVATORY - W/COUNTERTOP - W/O DOORS/DRAWERS/HDW (J18, J44)	
10	P14912-01-J19	EA CABINET - LAVATORY - W/COUNTERTOP - W/O DOORS/DRAWERS/HDW (J19)	
10	P14912-03-J18	EA CABINET - LAVATORY - W/COUNTERTOP - W/O DOORS/DRAWERS/HDW (J18, J44)	
10	P14912-03-J19	EA CABINET - LAVATORY - W/COUNTERTOP - W/O DOORS/DRAWERS/HDW (J19)	
11	M05992-AA-J18	EA DOOR - STRAIGHT CORNER/OGEE EDGE - 13.4" X 21.8" - W/O HDW	
12	M05992-W2-J18	EA DOOR - STRAIGHT CORNER/OGEE EDGE - 13.4" X 21.8" - W/O HDW	
13*	067487-02-000	EA TOILET - 12.37" - IVORY - FOOT FLUSH	
14	102046-01-01A	EA SURROUND - SHOWER - OFF WHITE	
	113714-02-01A	EA RETAINER - SHELF	
15	M02429-10-000	EA PAN - SHOWER - W/STRAINER	
	075452-02-000	EA HOLDER - TOILET TISSUE - BRASS	
	075453-02-000	EA BAR - TOWEL - 18" BRASS	
	075454-02-000	EA RING - TOWEL - W/MOUNTING HARDWARE - BRASS	

* COMPONENT PARTS FOUND IN SERVICE PARTS LIBRARY

BATH GROUP (CONTINUED)



SHOWER DOOR & COMPONENTS

KEY	PART NUMBER	U/M DESCRIPTION
1	117431-01-01A	EA DOOR - SHOWER - FABRIC PLEATED - 29.6" X 63.0"
2	117431-01-700	EA TRACK-TOP, ALUM.IVORY INSERT 48"
3	117431-01-701	EA TRACK-BOTTOM, 48"
4	117431-01-702	EA RAIL-SIDE, 67"
5	117431-01-703	EA RAIL-STATIONARY, 67"
6	117431-01-704	EA RAIL-LEAD, 67" - W/LATCH
7	117431-01-705	EA GLIDE-IVORY, TRAVELER
8	117431-01-706	EA GLIDE-IVORY LEAD, TRAVELER
9	117431-01-707	EA CATCH - BATH DOOR
	117431-01-708	EA HANDLES & SCREWS
	117431-01-709	EA STRAP-VINYL

BATH GROUP (CONTINUED)

BATH/BEDROOM PRIVACY DOOR

KEY	PART NUMBER	U/M DESCRIPTION
	115546-01-G09	EA DOOR - PRIVACY - W/HANDLE & HARDWARE
	115507-01-01A	EA BOLT - FURNITURE
	080728-01-000	EA HANDLE - PULL - 1.25" X 4.4" - BROWN PLASTIC
	102920-01-01A	EA HINGE/SPRING LOADED - BRASS
	110496-01-01A	EA HINGE - BRASS
	115506-01-01A	EA STRIKE - SCREW MOUNTED - BRASS

BATH DOOR

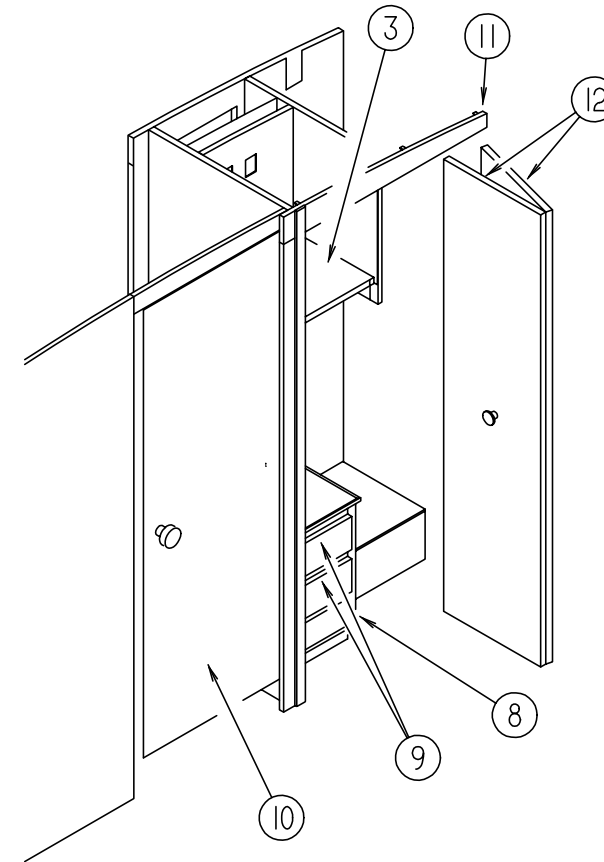
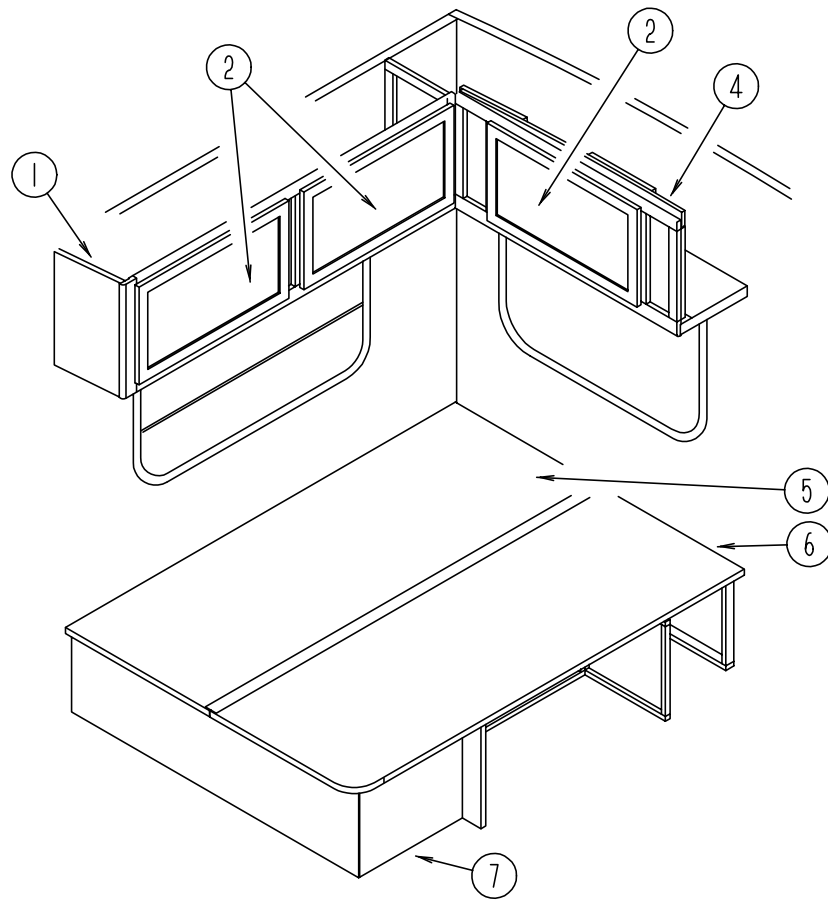
KEY	PART NUMBER	U/M DESCRIPTION
	121449-30-H13	EA DOOR - BATH
	094485-03-01A	EA KNOB - BRASS
	110496-01-01A	EA HINGE - BRASS
	121449-12-G04	EA RACK - TOWEL - BATH DOOR
	100357-01-000	EA ROD - F/TOWEL BAR - BRASS

SKYLITE

KEY	PART NUMBER	U/M DESCRIPTION
	122192-01-02A	EA PANEL - SKYLITE - OUTER - 16.4" X 27.8"
	122193-01-02A	EA PANEL - SKYLITE - INNER

BEDROOM GROUP

DOUBLE BEDROOM CABINETRY

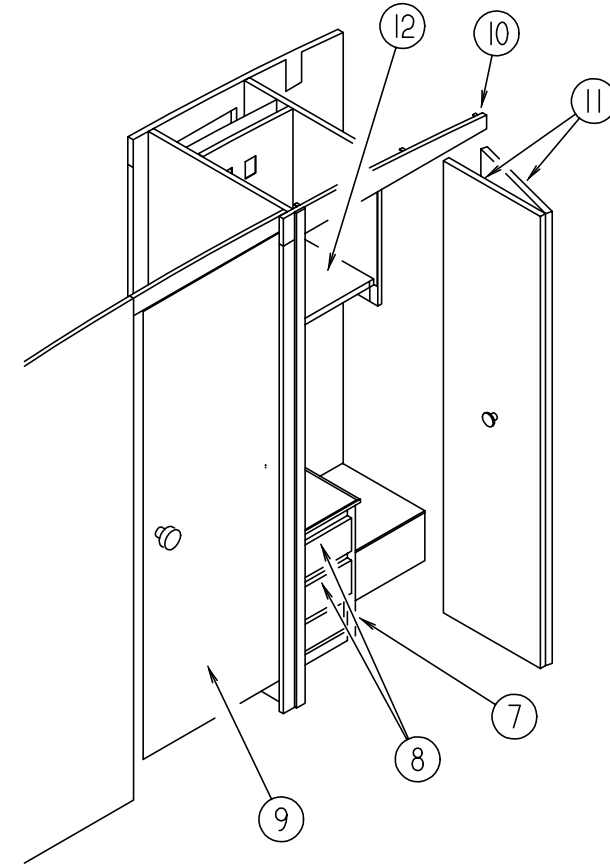
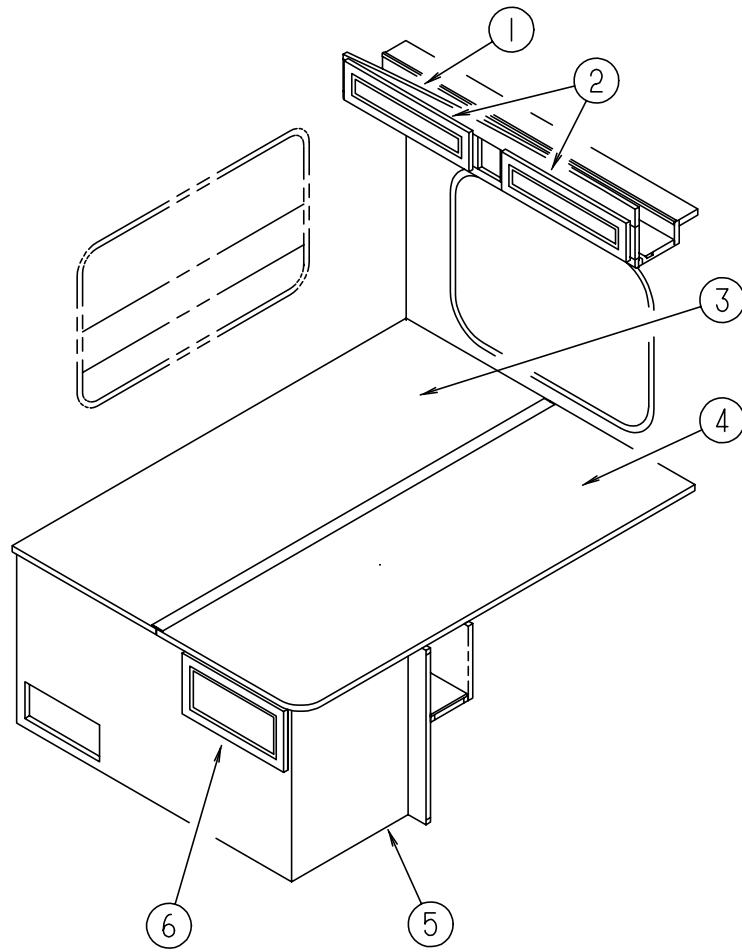


KEY	PART NUMBER	U/M DESCRIPTION
1	116151-01-G09	EA CABINET - OVERHEAD/REAR/RIGHT HAND - W/O DOORS/HARDWARE
2	M05992-48-J20	EA DOOR - STRAIGHT CORNER/OGEE EDGE - 15.7" X 27.9" - W/O HDW
3	124719-15-H13	EA SHELF - W/PLASTIC EDGE MOLDING
4	124873-01-J18	EA CABINET - OVERHEAD/REAR - W/O DOORS/HARDWARE (J18)
4	124873-01-J19	EA CABINET - OVERHEAD/REAR - W/O DOORS/HARDWARE (J19)
4	124873-01-H16	EA CABINET - OVERHEAD/REAR - W/O DOORS/HARDWARE (J44)
5	M04169-13-J18	EA TOP - DOUBLE BED - W/O HARDWARE
5	M04169-13-J19	EA TOP - DOUBLE BED - W/O HARDWARE
5	M04169-13-J44	EA TOP - DOUBLE BED - W/O HARDWARE

KEY	PART NUMBER	U/M DESCRIPTION
6	M04169-14-J18	EA TOP - DOUBLE BED - W/O HARDWARE
6	M04169-14-J19	EA TOP - DOUBLE BED - W/O HARDWARE
6	M04169-14-J44	EA TOP - DOUBLE BED - W/O HARDWARE
	089076-10-000	EA H-CHANNEL - SUPPORT - BED - OFF/WHITE
7	P19321-01-J18	EA CABINET - BASE - DOUBLE BED - W/O DOORS/DWRS/HDW
8	116269-01-G09	EA CABINET - WARDROBE/INNER - W/O DRAWERS/HARDWARE
9	P11023-05-G09	EA DRAWER - OGEE EDGE - 12.1"W X 19.7"D - W/O SLIDES/HARDWARE
10	115546-01-G09	EA DOOR - PRIVACY - W/HANDLE & HARDWARE
11	093170-09-01A	EA TRACK - BATH DOOR - 29.9" - OFF WHITE
12	124711-01-H13	EA DOOR - BI-FOLD
	092652-01-000	EA GUIDE WHEEL/DOOR - TOP MOUNT
	117978-01-01A	EA KNOB - DOOR - BRIGHT BRASS

BEDROOM GROUP (CONTINUED)

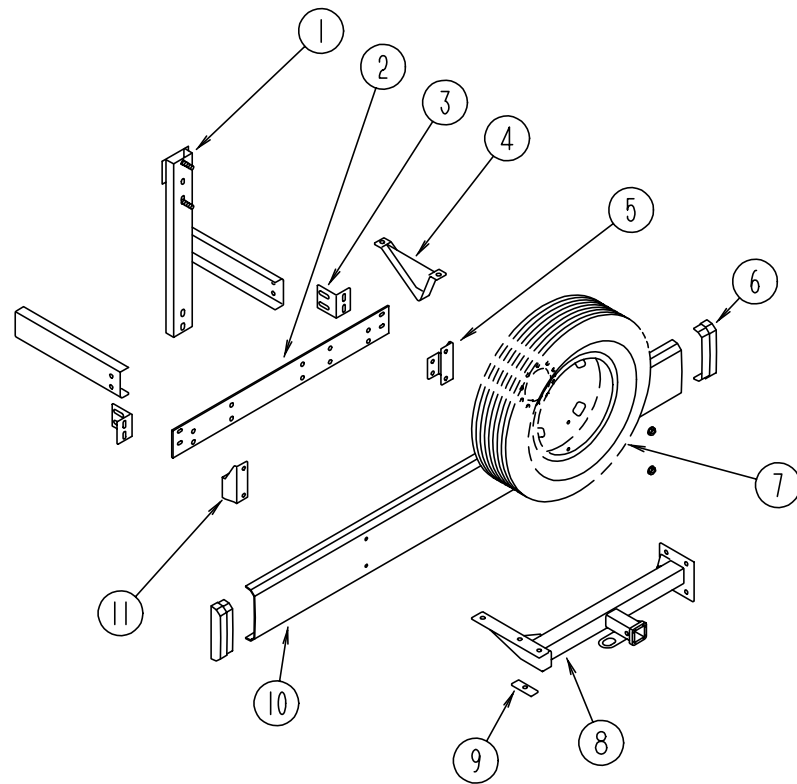
DOUBLE BEDROOM CABINETRY - RAISED BED OPTION



KEY	PART NUMBER	U/M	DESCRIPTION
1	119485-01-G09	EA	CABINET - OVERHEAD/REAR - W/O DOORS/HARDWARE
2	M05992-G3-G09	EA	DOOR - STRAIGHT CORNER/OGEE EDGE - 6.3" X 23.2" - W/O HDW
3	M04169-15-J18	EA	TOP - DOUBLE BED - W/O HARDWARE
3	M04169-15-J19	EA	TOP - DOUBLE BED - W/O HARDWARE
3	M04169-15-J44	EA	TOP - DOUBLE BED - W/O HARDWARE
4	M04169-16-J18	EA	TOP - DOUBLE BED - W/O HARDWARE
4	M04169-16-J19	EA	TOP - DOUBLE BED - W/O HARDWARE
4	M04169-16-J44	EA	TOP - DOUBLE BED - W/O HARDWARE
5	089076-10-000	EA	H-CHANNEL - SUPPORT - BED - OFF/WHITE
5	P19320-01-G09	EA	CABINET - BASE - DOUBLE BED/RAISED - W/O DOORS/DWRS/HDW

KEY	PART NUMBER	U/M	DESCRIPTION
6	M05992-R9-J18	EA	DOOR - STRAIGHT CORNER/OGEE EDGE - 10" X 19.1" - W/O HDW
7	116269-01-G09	EA	CABINET - WARDROBE/INNER - W/O DRAWERS/HARDWARE
8	P11023-05-G09	EA	DRAWER - OGEE EDGE - 12.1"W X 19.7"D - W/O SLIDES/HARDWARE
9	115546-01-G09	EA	DOOR - PRIVACY - W/HANDLE & HARDWARE
10	093170-09-01A	EA	TRACK - BATH DOOR - 29.9" - OFF WHITE
11	124711-01-H13	EA	DOOR - BI-FOLD
	092652-01-000	EA	GUIDE WHEEL/DOOR - TOP MOUNT
	117978-01-01A	EA	KNOB - DOOR - BRIGHT BRASS
12	124719-15-H13	EA	SHELF - W/PLASTIC EDGE MOLDING

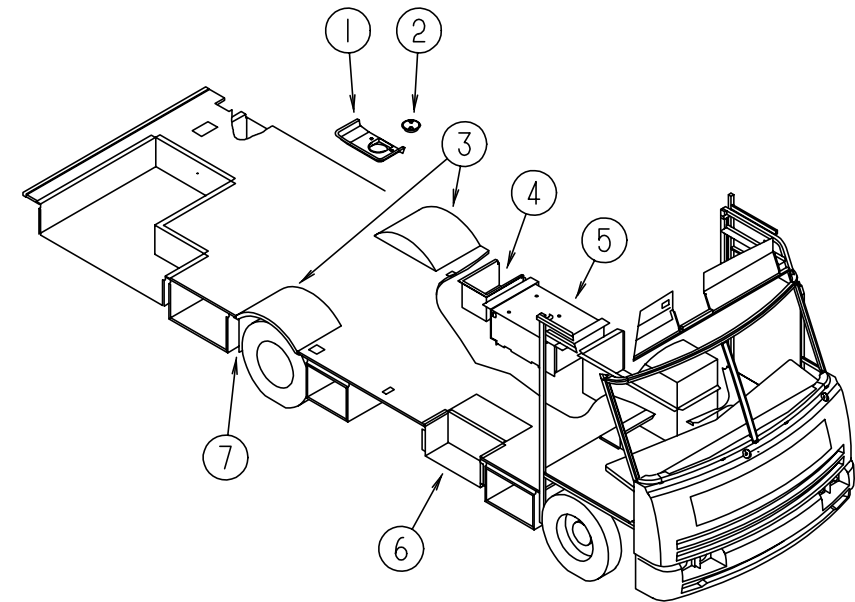
CHASSIS GROUP



REAR BUMPER & TRAILER HITCH COMPONENTS

KEY	PART NUMBER	U/M	DESCRIPTION
1	102944-05-000	EA	BRACKET - TIRE CARRIER - CHEVY
2	078678-02-000	EA	PLATE - MOUNTING - BUMPER/REAR - 46" X 5" - W/WELD NUTS
3	078668-01-000	EA	SUPPORT ANGLE - BUMPER/REAR - L ANGLE - 4" X 3" STEEL/BLK
4	111742-01-000	EA	PLATE - SKID
5	117950-03-02B	EA	BRACKET - BUMPER/REAR
6	103228-01-06A	EA	END CAP - REAR BUMPER - DRIVER/PASSENGER
	094362-02-000	EA	CLIP - XMAS TREE - BINDER HEAD - .9" LONG
7	091673-01-000	EA	TIRE - 225.70 R19.5 LRF - XZA
	051377-01-000	EA	VALVE STEM
	064963-01-000	EA	WHEEL - STEEL - 19.5" X 6" - GM 14005758
	108163-05-01A	EA	COVER - TIRE - 8 1/4" X 101"
	108560-04-01A	EA	INSERT - TIRE COVER
	077030-02-000	EA	EXTENSION - VALVE STEM - 1.25"
8	107707-09-000	EA	HITCH RECEIVER - BOLT-ON CLASS II
9	070579-09-000	EA	PLATE - ANCHOR
10	103099-01-06A	EA	BUMPER - REAR - BRIGHT WHITE
10	103099-07-02A	EA	BUMPER - REAR - BRIGHT WHITE - W.I.E. EXPORT
11	117950-04-02B	EA	BRACKET - BUMPER/REAR
	113588-02-01B	EA	BRACKET - CONNECTOR - TRAILER W/O LIP
	113589-02-000	EA	CONNECTOR - SOCKET - TRAILER

CHASSIS GROUP (CONTINUED)



STORAGE COMPARTMENTS & WHEELWELLS

KEY	PART NUMBER	U/M	DESCRIPTION
1	119536-01-01A	EA	COVER - VALVE - DRAINAGE
2	092887-01-000	EA	HATCH/PLATE - 8.2" FLANGE/6.5" R.O. - BLACK
	092887-04-000	EA	CHAIN - TWIST CAP - 9"
	061420-10-000	EA	PLUG/PLASTIC - 1.50" DIAMETER - BLACK
	106208-01-01A	EA	COMPARTMENT - EXTERIOR SHOWER
3	102921-01-000	EA	WHEELWELL - PLASTIC
	072877-03-000	EA	INSULATION - SOUND BARRIER - 1" X 36" X 57"
4	102979-01-000	EA	BOX - POWER CORD
5	114070-02-02B	EA	SUPPORT - GENERATOR - LEFT
5	114071-02-02B	EA	SUPPORT - GENERATOR - RIGHT
5	094657-02-000	EA	TRAY - GENERATOR - 22.5" X 30.4" X 6.9" - W/ANGLE & NUTS
6*	094708-01-01A	EA	STEP - ENTRY DOOR - ELECTRIC - SINGLE - W/O DOOR SWITCH
	116995-01-000	EA	SWITCH/MAGNET - ELECTRIC STEP
6	091176-01-000	EA	SUPPORT - BASE - ENTRANCE STEP
	065450-05-000	EA	TIEDOWN - BATTERY - 8.4" TUBE
7	106141-01-000	EA	MUD FLAP - W/HOLES & WINNEBAGO LOGO - BLACK - JAPAN EXPORT
7	017516-01-000	EA	MUD FLAP - 14" X 18" - BLACK
7	020167-04-000	EA	DIRT GUARD - STEEL - 14.9" LONG
	102805-01-000	EA	CHANNEL - EXTENSION - FRONT FRAME - 13.7"
	123361-01-000	EA	DUCT - AIR INTAKE
	113452-01-000	FT	SEAL/TRIM - FRONT - VINYL W/WIRE CARRIER

* COMPONENT PARTS FOUND IN SERVICE PARTS LIBRARY

CHASSIS GROUP (CONTINUED)**19.5" CHEVY STAINLESS STEEL WHEEL LINER**

KEY	PART NUMBER	U/M DESCRIPTION	VENDOR NO.
	110435-10-000	EA LINER - WHEEL - SET/4 - 19.5"	
	110435-10-700	EA LINER - WHEEL - FRONT - 1 PC	V195P7-FWC
	110435-10-701	EA LINER - WHEEL - REAR - 1 PC.	V195P7-RWC
	110435-10-702	EA COVER-LUG NUT W/STEEL JN	V195P7-EJN
	110435-10-703	EA STUD - PLASTIC	V195P7-PST
	110435-10-704	EA COVER-LUG NUT W/PLASTIC JN	V195P7-PJN
	110435-10-705	EA TOOL - INSTALLATION	V195P7-TOL

19.5" CHEVY WHEEL COVERS

KEY	PART NUMBER	U/M DESCRIPTION	VENDOR NO.
	109443-06-000	EA WHEEL - COVER - 4/SET - 19.5"	
	109443-01-700	EA COVER-WHEEL 19.5 FRT/RR EA=1	SHAG95
	109443-01-701	EA BRACKET-RETENTION FRONT	SHAG95-FBS
	109443-01-703	EA CAP-CENTER, HUB - DICOR	SHAU95-CAP
	109443-01-704	EA CLIP-RETAINER	V160GM-PNT
	109443-06-701	EA BRACKET-RETENTION REAR	SHG795-RBS

TIRE COVER

KEY	PART NUMBER	U/M DESCRIPTION
	108163-05-01A	EA COVER - TIRE - 8 1/4" X 101"
	108560-04-01A	EA INSERT - TIRE COVER

LUG WRENCH & LEVERAGE BAR

KEY	PART NUMBER	U/M DESCRIPTION
	080208-02-000	EA BAR - LEVERAGE - LUG WRENCH - CHEVY/OSHKOSH
	080208-06-000	EA LUG WRENCH - 1" X 1.06" W/DEEP SOCKET ENDS

CHASSIS GROUP (CONTINUED)**AIR COMPRESSOR - FIRESTONE AIRSPRING ASSEMBLY**

KEY	PART NUMBER	U/M DESCRIPTION	VENDOR NO.
	084086-07-000	EA COMPRESSOR/ACCESSORY KIT - 12 VOLT/ 1/6HP	
	084086-05-703	EA LOWER BRACKET	5098
	084086-07-700	EA COMPRESSOR	21-9014
	084086-07-701	EA TUBING-18FT	21-9038
	084086-07-702	EA TANK-AIR	21-9003
	084086-07-703	EA HOSE-AIR	21-9006

FIRESTONE AIRSPRING ASSEMBLY

KEY	PART NUMBER	U/M DESCRIPTION	VENDOR NO.
	084086-08-000	EA AIRSPRING KIT - '93-'97 GM 14,500-16,000 GVW	
	084086-05-706	EA VALVE-INFLATION,PUSH TO CONN	3032
	084086-08-700	EA BAG-AIR, (SPRING), 224C	0335
	084086-08-701	EA TUBING-22FT	0937
	084086-08-702	EA BRACKET-UPPER	5104
	084086-08-703	EA BRACKET-LOWER	5128
	084086-08-704	EA FITTING-PUSH TO CONNECT	3046
	084086-08-705	EA SLEEVE-THERMAL	0899

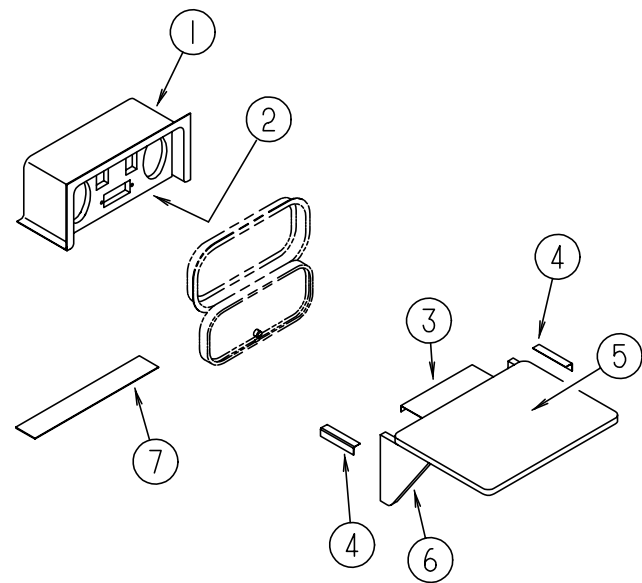
FIRESTONE AIRSPRING CONTROL ASSEMBLY

KEY	PART NUMBER	U/M DESCRIPTION	VENDOR NO.
	084086-09-000	EA CONTROL KIT - AIR SPRING - SINGLE CONTROL	
	084086-06-700	EA PANEL-AIR CONTROL, RIGHT	21-9012
	084086-06-702	EA TUBING-FLEXIBLE	21-9008
	084086-06-703	EA CONNECTOR-T	21/3025
	084086-06-704	EA FERRULE	21-0932
	120501-01-02B	EA BRACKET - CONTROL - RIDE RIDE	

FRONT SHOCKS & STABILIZER

KEY	PART NUMBER	U/M DESCRIPTION	VENDOR NO.
	122756-02-000	EA SHOCK AND STABILIZER (BLUE BOOT) KIT - FRONT END P30 CHASS	
	122756-02-700	EA BRACKET ASM - DRIVER SIDE	T818L
	122756-02-701	EA BRACKET ASM - PASSENGER SIDE	T818R
	122756-02-702	EA BRACKET ONLY - DRIVER SIDE	T818L
	122756-02-703	EA BRACKET ONLY -PASSENGER SIDE	T818R
	122756-02-704	EA BOLT PACKAGE -BOLTS/NUTS ETC	T818R
	122756-02-705	EA SHOCK	T818SH
	122756-02-706	EA STUD - SHOCK MOUNTING	T818S
	122756-02-707	EA DAMPNER	T818SD
	122756-02-708	EA BOOT	T818SDB
	122756-02-709	EA BUSHING PKG	T818SDBSH
	122756-02-710	EA BOLT PKG	T818SBS

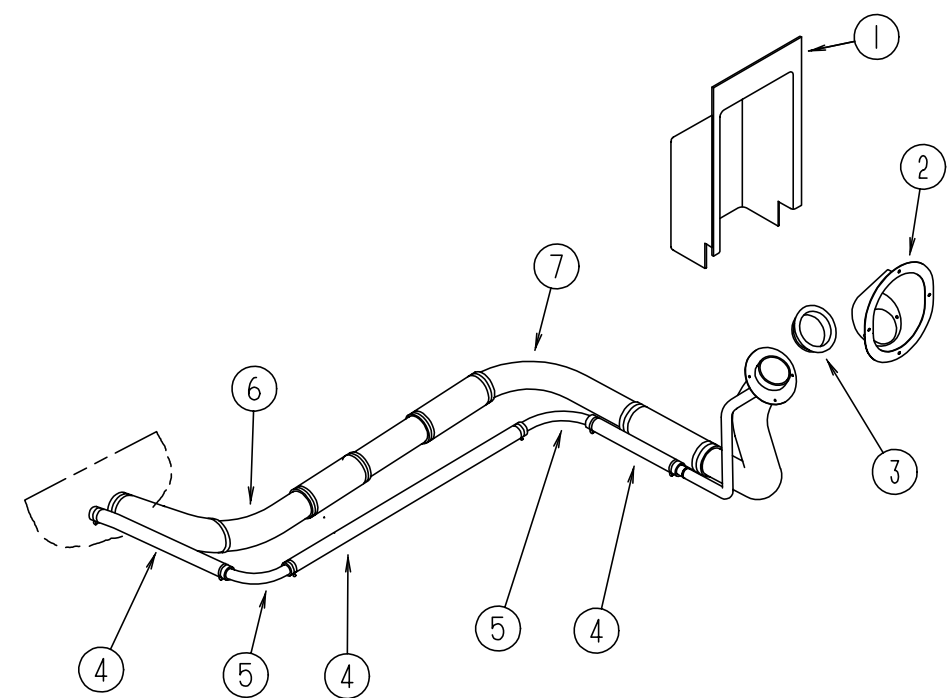
CHASSIS GROUP (CONTINUED)



PATIO ENTERTAINMENT CENTER

KEY	PART NUMBER	U/M	DESCRIPTION
1	104897-02-02A	EA	BOX - EXTERIOR ENTERTAINMENT CENTER
2	104899-01-C05	EA	PLATE - RADIO MOUNTING
3	105377-01-04A	EA	BRACKET - TABLE HANGER - BRIGHT WHITE
4	105376-01-03A	EA	HINGE - CONTINUOUS - 2" X 5.5" - BRIGHT WHITE
5	105230-11-J01	EA	SHELF - EXTERIOR ENTERTAINMENT CENTER - W/O HARDWARE
6	105230-12-J01	EA	SUPPORT - EXTERIOR SHELF
7	104898-01-02A	EA	PLATE - PLASTIC BOTTOM - BRIGHT WHITE

CHASSIS GROUP (CONTINUED)

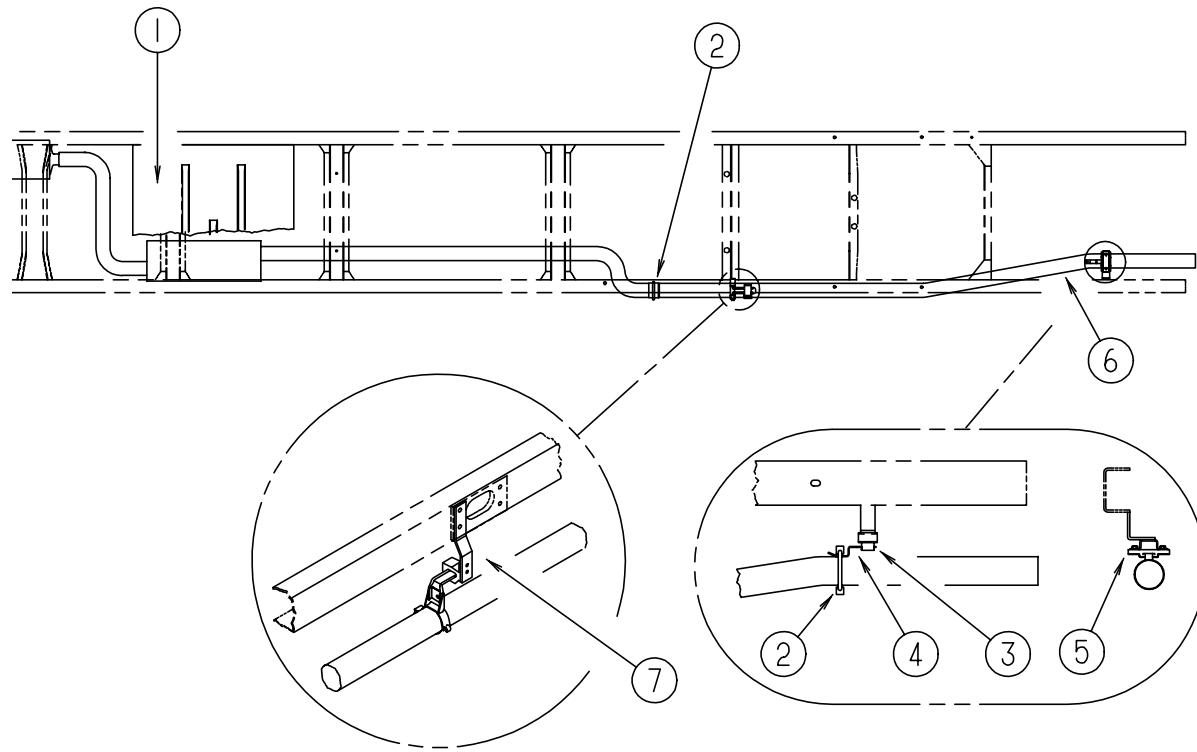


FUEL SYSTEM

KEY	PART NUMBER	U/M	DESCRIPTION
1	072447-09-000	EA	SHROUD - FUEL FILL - UPPER
	072447-04-000	EA	SHROUD - FUEL FILL - UPPER
2	095854-01-04A	EA	SHROUD - FUEL FILL - BRIGHT WHITE
3	078200-01-000	EA	GASKET - FUEL FILL - 3.5"OD X 2"ID
4	066732-01-000	FT	HOSE - FUEL - .62"ID
5	098806-01-000	EA	PIPE - FILL VENT - 90 DEGREE BEND - .635 OD - STEEL
6	098803-02-000	EA	PIPE - FUEL FILL
7	098803-01-000	EA	PIPE - FUEL FILL - 90 DEGREE BEND - 13.2" - 1 3/4" OD
	087269-01-000	EA	TEE - 1/4" X 1/4" X 1/4" - BRASS
	068382-06-000	EA	BUSHING - BRASS - 3/8"MPT X 1/8"FPT
	114254-01-000	EA	ADAPTER - 1/4 BARB X 1/8 MPT
	084884-01-000	EA	PLUG - BRASS - 3/8"
	092889-38-000	EA	FUEL LINE - SUPPLY - GENERATOR - 1/4" X 122" - STEEL

CHASSIS GROUP (CONTINUED)

EXHAUST SYSTEM - DIESEL



KEY	PART NUMBER	U/M	DESCRIPTION
1	101544-02-000	EA	SHIELD - HEAT/EXHAUST - 30" X 29.1"
2	094918-01-000	EA	CLAMP - EXHAUST - 3" - GUILLOTINE STYLE
3	095190-01-000	EA	HANGER - EXHAUST - 4" X 1.4"
4	096054-04-000	EA	SUPPORT - EXHAUST PIPE
5	102116-02-000	EA	BRACKET - EXHAUST - UPPER
6	117048-02-000	EA	PIPE - EXHAUST - TAIL
7	117029-01-02B	EA	HANGER - EXHAUST
7	129622-01-02B	EA	HANGER - TAILPIPE/REAR

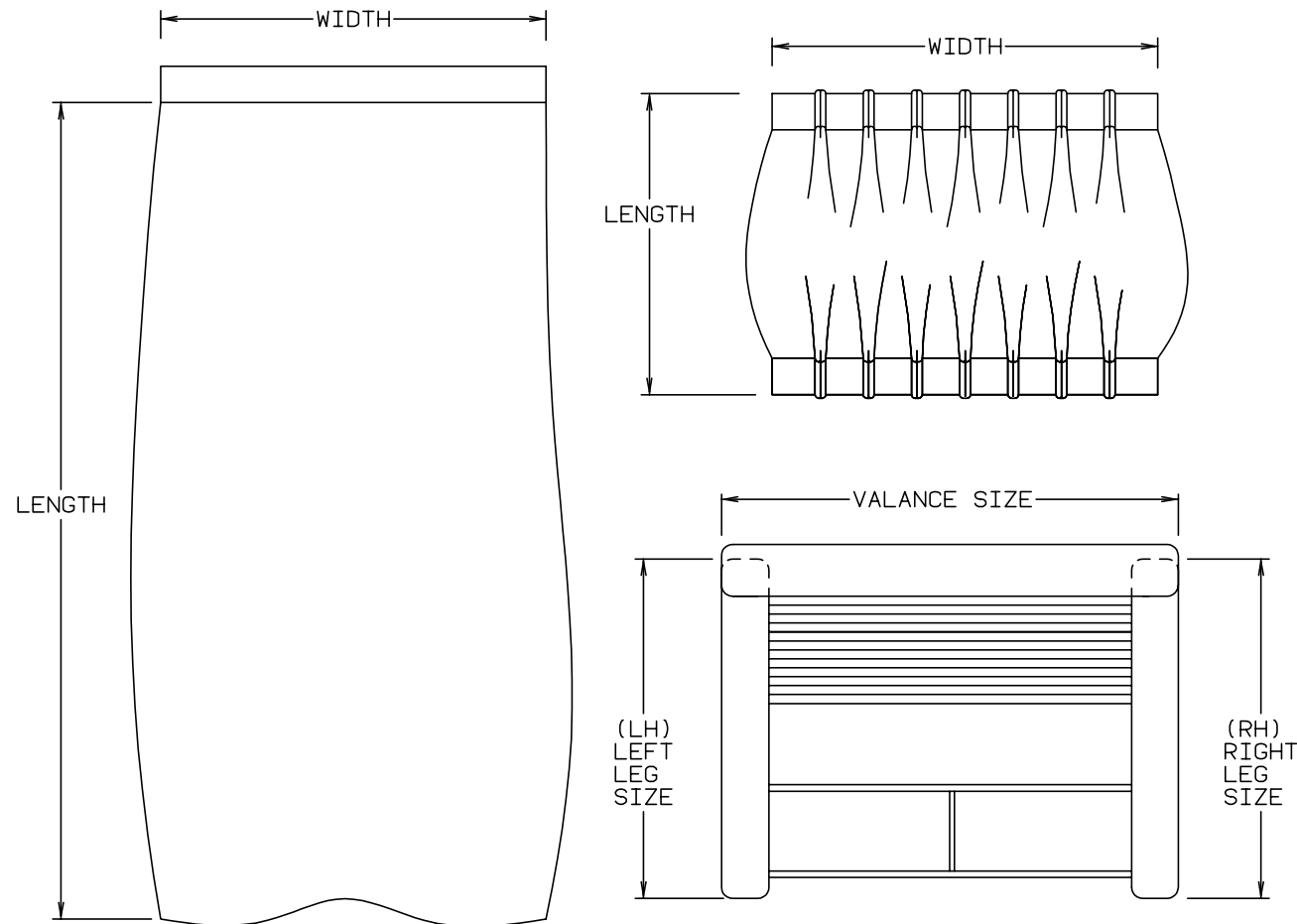
FROM: 00-00-00 THRU: 12-31-97

FROM: 01-01-98 THRU: 99-99-99

**CURTAIN & CUSHION GROUP
NOTICE**

IN ORDER TO ASSIST OUR PARTS SALES DEPT. IN PROVIDING INTERIOR SOFTGOODS ITEMS, PLEASE INCLUDE THE SERIAL NUMBER AND THE COLOR CODE NUMBER FROM THE VEHICLE CERTIFICATION LABEL WHEN ORDERING. THIS LABEL IS LOCATED ON THE LEFT SIDEWALL AT THE END OF THE DASH (A-BODY), OR ON THE DRIVER'S DOOR LATCH PLATE (C-BODY).

AN EXAMPLE OF A COLOR CODE NUMBER IS B07, WHICH DESIGNATES AN OVERALL COLOR SCHEME OF A PARTICULAR UNIT. THE COLOR LISTED AFTER THE ITEM DESCRIPTION ON THE MICROFICHE, INDICATES THE OVERALL UNIT COLOR. ORDER THE ITEM YOU DESIRE ACCORDING TO UNIT COLOR CODE.



NOTE: USE THIS ILLUSTRATION WHEN DETERMINING LENGTH AND WIDTH MEASUREMENTS FOR CURTAINS. YOU WILL NOTE THE WIDTH MEASUREMENT IS TAKEN ON THE TOP OF THE CURTAIN WITH THE CURTAIN FULLY EXTENDED. THE LENGTH MEASUREMENT IS TAKEN FROM TOP TO BOTTOM. LEFT AND RIGHT WINDOW LEGS ARE DETERMINED WHEN FACING THE WINDOW.

**CURTAIN & CUSHION GROUP (CONTINUED)
FABRICS**

Color Codes	J18	J19	J44
	VILLAGE GREEN	BARCELONA	HORIZON
BUCKET SEATS	108446-G0-000	108446-W7-000	108446-F7-000
DINETTE CUSHIONS	108446-T2-000	108446-W8-000	108446-U5-000
DINETTE PADS	108446-G0-000	108446-W7-000	108446-F7-000
SOFA	108446-T2-000	108446-W8-000	108446-U5-000
SWIVEL CHAIR	108446-T3-000	108446-W7-000	108446-F4-000
LOUNGE/DINETTE VALANCE/LEG	108446-T2-000	108446-W8-000	108446-U5-000
LOUNGE/DINETTE VALANCE TRIMS/OVERLAYS	084415-57-000	108446-W7-000	084415-87-000
BEDROOM VALANCE/LEG	105745-H0-000	105745-H5-000	105745-65-000
BEDROOM VALANCE TRIMS/OVERLAYS	084415-57-000	105745-B5-000	084415-87-000
BEDSPREAD	105745-H0-000 105745-E7-000	105745-H5-000 105745-B5-000	105745-65-000 105745-64-000
PILLOW SHAMS	105745-H0-000 084415-57-000	105745-H5-000 084415-66-000	105745-65-000 084415-87-000
BEDROOM PILLOWS	105745-H0-000 105745-E7-000	105745-H5-000 105745-B5-000	105745-65-000 105745-64-000
ENTRANCE DOOR VALANCE	108446-T2-000	108446-W8-000	108446-U5-000
MAP POCKETS	108446-G0-000	108446-W7-000	108446-F4-000
WRAP AROUND	072333-85-000	072333-85-000	072333-85-000
BUNK VINYL	089351-03-000	089351-03-000	089351-03-000
CEILING VINYL	113979-01-01A	113979-01-01A	113979-01-01A
OFF WHITE VINYL	103907-01-01A	103907-01-01A	103907-01-01A
WILLOW VINYL	103907-01-03A	103907-01-03A	103907-01-03A

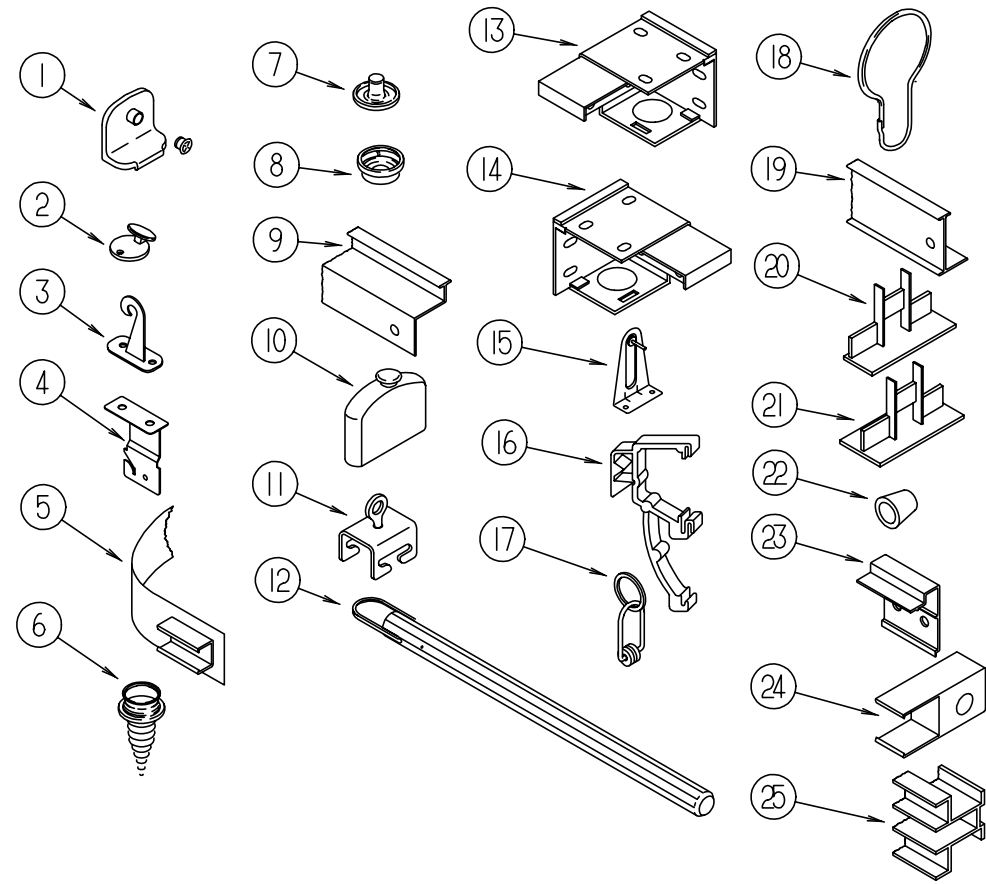
NOTE: FABRIC LISTED FIRST, IN A BLOCK, IS THE LARGEST QUANTITY OF FABRIC USED.

BUTTONS, WELT & TRIMS

KEY	PART NUMBER	U/M	DESCRIPTION
	070578-13-J74	EA	BUTTON - #30 (J18)
	070578-13-J21	EA	BUTTON - #30 (J19)
	070578-13-J44	EA	BUTTON - #30 (J44)
	070578-02-E38	EA	BUTTON - #30 - VINYL
	074494-05-000	EA	BUTTON - #30 - SINGLE PIVOT
	074494-06-000	EA	BUTTON - #30 - PIVOT
	079349-04-H17	YD	WELT - NARROW (J18)
	079349-04-J21	YD	WELT - NARROW (J19)
	079349-04-H16	YD	WELT - NARROW (J44)
	084415-70-000	YD	TRIM - BRAID - CORD (J18)
	084415-66-000	YD	TRIM - BRAID - CORD (J19)
	084415-81-000	YD	TRIM - BRAID - CORD (J44)

CURTAIN & CUSHION GROUP (CONTINUED)

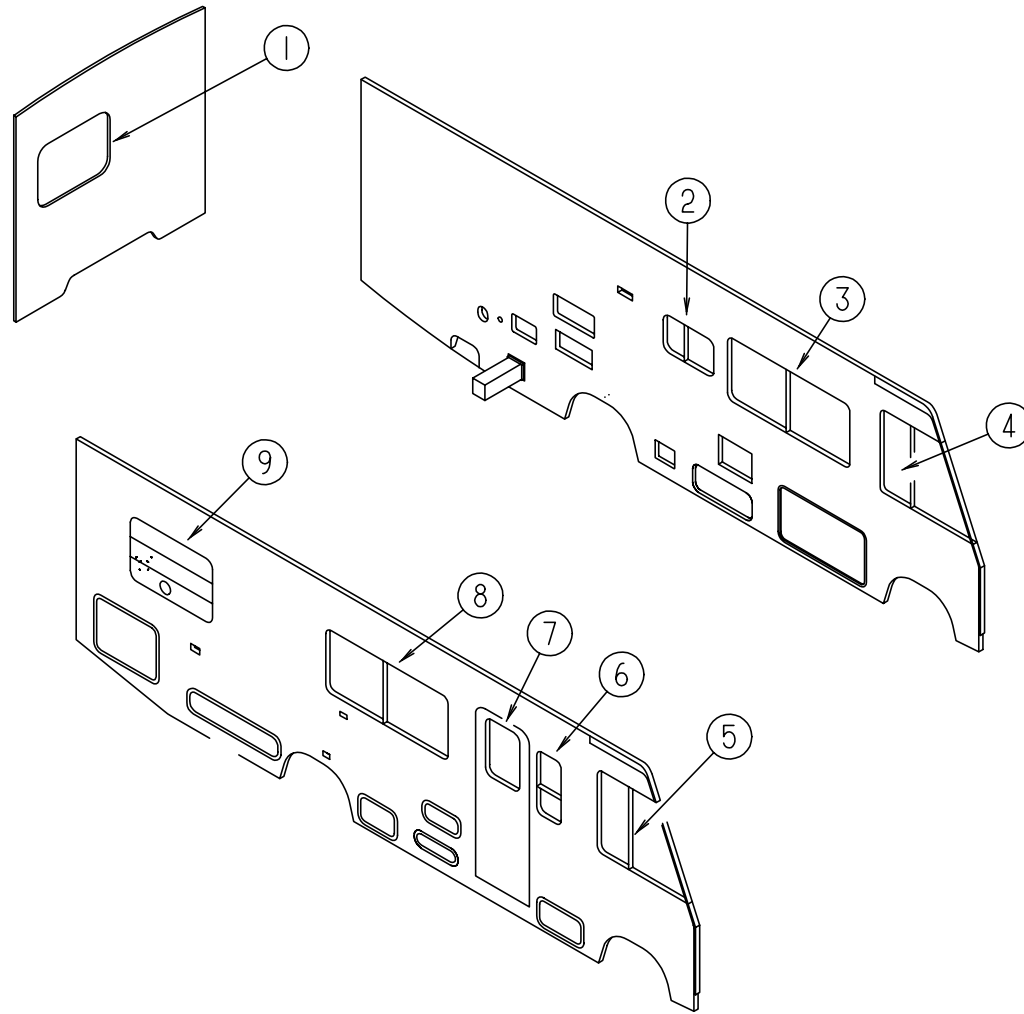
CURTAIN, BLIND HARDWARE & TRACKS



KEY	PART NUMBER	U/M	DESCRIPTION
1	106544-01-001	EA	SCREW - SHADE/BRASS
1	106544-01-000	EA	PULL - SHADE/BRASS
2	102555-03-000	EA	CLEAT - BLIND CORD - MILKY WHITE PLASTIC
3	109441-03-000	EA	HOLD DOWN - BLIND (CLOUDY)
	109441-02-000	EA	HOLD DOWN - SPACER
4	084434-01-000	EA	BRACKET - MOUNTING - ROLLER SHADE - 1 3/8"
	086276-01-000	EA	TAPE - DOUBLE SIDED - 1/2"
	096843-01-000	EA	SPRING - REWIND/ROLLER SHADE
5	101031-01-000	YD	TAPE - GLIDE/CURTAIN - 4.25" SPACING
6	029130-01-000	EA	SCREW - SNAP SOCKET - #8 PH X 5/8"
6	029130-03-000	EA	SCREW - SNAP SOCKET - #8 PH X 1"
7	029155-01-000	EA	CAP - SNAP - 5/32" OUTSIDE DIAMETER OF PIN
8	029156-01-000	EA	SOCKET - SNAP - 9/16" O.D.
9	122222-01-02A	EA	TRACK - WRAPAROUND CURTAIN - RIGHT HAND
9	122222-02-02A	EA	TRACK - WRAPAROUND CURTAIN - LEFT HAND
9	122222-03-H13	EA	TRACK - WRAPAROUND CURTAIN - RIGHT HAND
9	122222-04-H13	EA	TRACK - WRAPAROUND CURTAIN - LEFT HAND
10	093475-01-701	EA	END CAP-BLIND, W/STUD
11	009702-01-000	EA	END STOP - CURTAIN CARRIER - L ROD
12	093475-01-700	EA	WAND-BLIND, W/METAL CLIP - 8" LONG
13	083170-01-000	EA	BRACKET - BLIND - LEFT SIDE WHEN FACING WINDOW
14	083170-02-000	EA	BRACKET - BLIND - RIGHT SIDE WHEN FACING WINDOW
15	095591-02-000	EA	BRACKET - HOLD DOWN - W/PIN - METAL
16	109353-04-000	EA	CLIP - VALANCE SLAT MOUNTING - CLEAR PLASTIC
17	009701-01-000	EA	CARRIER - CURTAIN - L-ROD
18	009136-02-000	EA	HANGER - RING - PIN TYPE - CURTAIN - BRASS
19	009700-04-002	EA	TRACK - L-SHAPED 195.5" - OFF WHITE
20	094907-04-000	EA	HARDWARE - END CAP BOTTOM - PULL TYPE (RH & LH)
21	094907-02-000	EA	END CAP - TOP/PLEATED BLIND - PLASTIC - GRAY
22	097564-01-000	EA	HANDLE - KNOB - E-Z LIFT SHADE - SMOKED
22	097564-02-000	EA	HANDLE - KNOB - E-Z LIFT SHADE - BURGANDY
22	097564-03-000	EA	HANDLE - KNOB - E-Z LIFT SHADE - TAN
22	097564-04-000	EA	HANDLE - KNOB - E-Z LIFT SHADE - NAVY
22	097564-05-000	EA	HANDLE - KNOB - E-Z LIFT SHADE - TEAL
	000G68-06-12B	EA	SCREW - 6-18 X .75 POH
23	097565-01-000	EA	BRACKET - MOUNTING/PLEATED BLIND
24	101033-02-000	EA	END CAP - TRACK/CLEAR
25	101033-04-000	EA	TRACK - WALL - 3'
	097591-01-000	EA	SPRING - EXTENSION/PLEATED BLIND
	097592-02-000	EA	SPOOL - CORD - ELEVATED BLIND HOLDUP - LARGE - CLEAR
	094896-02-000	EA	GROMMET - CORD/PLEATED BLIND - NYLON - GRAY
	097593-02-000	FT	CORD - BLIND/PLEATED - GRAY
	046867-02-000	EA	WASHER - HANDY BUTTON #3
	046867-03-000	EA	GROMMET - HANDY BUTTON #3
	075943-06-000	EA	BRACE-L-SHAPED - 8" LONG - ALUMINUM - BEIGE

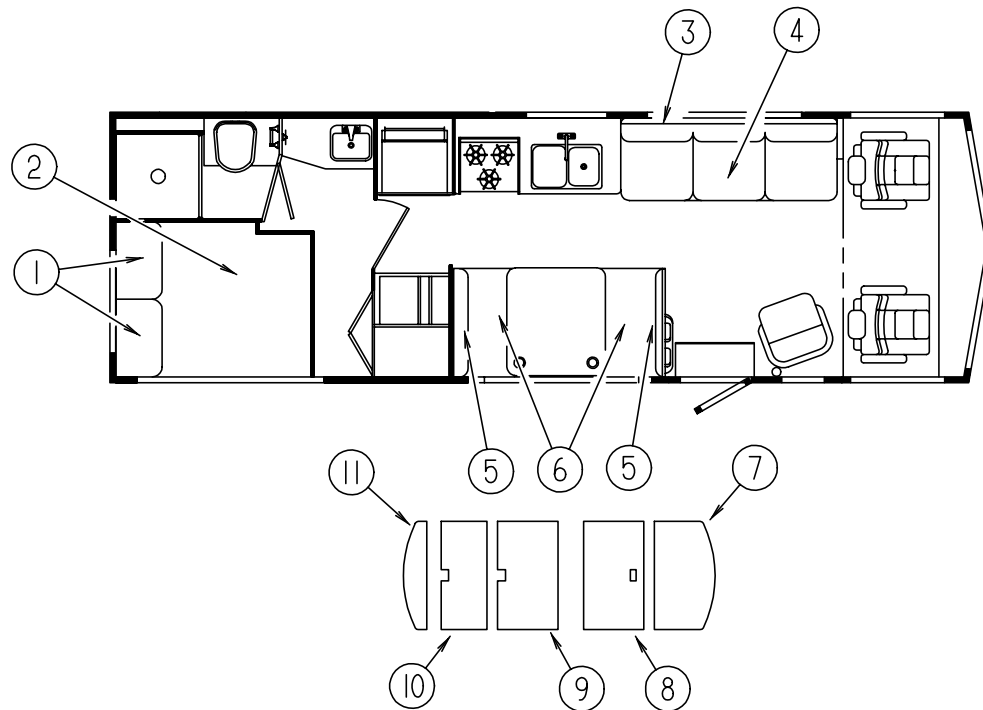
CURTAIN & CUSHION GROUP (CONTINUED)

WINDOW TREATMENT



KEY	PART NUMBER	U/M DESCRIPTION
1	126609-17-J18	EA VALANCE - MONA - 40.5"
1	121410-82-J19	EA VALANCE - MODERATE - 40.5"
1	126609-17-J44	EA VALANCE - MONA - 40.5"
1	111910-61-J18	EA BLIND - DAY/NIGHTER - 37" X 28" (J18)
1	111910-61-J18	EA BLIND - DAY/NIGHTER - 37" X 28" (J19, J44)
1	123910-29-J18	EA LEG - RIGHT - 25" (J18)
1	123910-27-J37	EA LEG - RIGHT - 25" (J19)
1	123910-29-J44	EA LEG - RIGHT - 25" (J44)
1	123910-30-J18	EA LEG - LEFT - 25" (J18)
1	123910-28-J37	EA LEG - LEFT - 25" (J19)
1	123910-30-J44	EA LEG - LEFT - 25" (J44)
2	111861-09-01A	EA BLIND - MINI - 30.5" X 18"
3	126609-01-J20	EA VALANCE - MONA - 64.5" (J18)
3	121410-44-J21	EA VALANCE - MODERATE - 64.5" (J19)
3	126609-01-J44	EA VALANCE - MONA - 64.5" (J44)
3	109802-58-J20	EA BLIND - PLEATED - 61" X 28.5"
3	127017-01-J20	EA LEG - RIGHT - 25" (J18)
3	127017-01-J21	EA LEG - RIGHT - 25" (J19)
3	127017-01-J97	EA LEG - RIGHT - 25" (J44)
3	127017-02-J20	EA LEG - LEFT - 25" (J18)
3	127017-02-J21	EA LEG - LEFT - 25" (J19)
3	127017-02-J97	EA LEG - LEFT - 25" (J44)
4	101668-57-H22	EA CURTAIN - LEFT HAND - 38" X 95"
5	101668-56-H22	EA CURTAIN - RIGHT HAND - 38" X 95"
	073260-42-C18	EA TIEBACK - 6" X 18"
6	126609-02-J20	EA VALANCE - MONA - 17.5" (J18)
6	121410-53-J21	EA VALANCE - MODERATE - 17.5" (J19)
6	126609-02-J44	EA VALANCE - MONA - 17.5" (J44)
6	109802-41-H13	EA BLIND - PLEATED - 15.5" X 33"
7	126609-16-J18	EA VALANCE - MONA - 12" X 31.25"
7	121410-81-J19	EA VALANCE - MODERATE - 12" X 31.25"
7	126609-16-J44	EA VALANCE - MONA - 12" X 31.25"
7	084755-57-E07	EA SHADE - PULL - 27.25"
8	126609-01-J20	EA VALANCE - MONA - 64.5" (J18)
8	121410-44-J21	EA VALANCE - MODERATE - 64.5" (J19)
8	126609-01-J44	EA VALANCE - MONA - 64.5" (J44)
8	109802-58-J20	EA BLIND - PLEATED - 61" X 28.5"
8	127017-01-J20	EA LEG - RIGHT - 25" (J18)
8	127017-01-J21	EA LEG - RIGHT - 25" (J19)
8	127017-01-J97	EA LEG - RIGHT - 25" (J44)
8	127017-02-J20	EA LEG - LEFT - 25" (J18)
8	127017-02-J21	EA LEG - LEFT - 25" (J19)
8	127017-02-J97	EA LEG - LEFT - 25" (J44)
9	126609-18-J18	EA VALANCE - MONA - 45.5"
9	121410-82-J19	EA VALANCE - MODERATE - 45.5"
9	126609-18-J44	EA VALANCE - MONA - 45.5"
9	111910-53-J44	EA BLIND - DAY/NIGHTER - 42" X 28.5"
9	127017-07-J20	EA LEG - RIGHT - 7.5" X 31" (J18)
9	127017-03-J19	EA LEG - RIGHT - 7.5" X 31" (J19)
9	127017-03-J97	EA LEG - RIGHT - 7.5" X 31" (J44)
9	127017-08-J20	EA LEG - LEFT - 7.5" X 31" (J18)
9	127017-04-J19	EA LEG - LEFT - 7.5" X 31" (J19)
9	127017-04-J97	EA LEG - LEFT - 7.5" X 31" (J44)

CURTAIN & CUSHION GROUP (CONTINUED)



SOFA/BED

KEY	PART NUMBER	U/M DESCRIPTION
3	112104-01-J20	EA BACK - SOFA/BED 74" - W/O ARMS (J18)
3	112104-01-J21	EA BACK - SOFA/BED 74" - W/O ARMS (J19)
3	112104-01-J47	EA BACK - SOFA/BED 74" - W/O ARMS (J44)
	P12104-01-J20	EA COVER - BACK - SOFA/BED 74" (J18)
	P12104-01-J21	EA COVER - BACK - SOFA/BED 74" (J19)
	P12104-01-J47	EA COVER - BACK - SOFA/BED 74" (J44)
	101085-10-000	EA FRAME - BACK - SOFA/BED - 74.75"
4	100032-43-J20	EA SEAT - SOFA/BED - W/FRAME - 74" - W/O ARMS (J18)
4	100032-43-J21	EA SEAT - SOFA/BED - W/FRAME - 74" - W/O ARMS (J19)
4	100032-43-J47	EA SEAT - SOFA/BED - W/FRAME - 74" - W/O ARMS (J44)
	P00032-43-J20	EA COVER - SEAT - SOFA/BED - 74" - NO ARMS (J18)
	P00032-43-J21	EA COVER - SEAT - SOFA/BED - 74" - NO ARMS (J19)
	P00032-43-J47	EA COVER - SEAT - SOFA/BED - 74" - NO ARMS (J44)
	101085-04-000	EA FRAME - SEAT - SOFA/BED - 74.75"
	101085-06-000	EA FRAME - BASE - SOFA/BED - 74.75"

NOTE: COUCH FRONT AND SIDE PANELS ARE FOUND IN THE LOUNGE GROUP

LOUNGE ACCENT PILLOWS

KEY	PART NUMBER	U/M DESCRIPTION
	111637-13-J18	EA PILLOW - 14" X 14"
	111637-13-J19	EA PILLOW - 14" X 14"
	111637-13-J44	EA PILLOW - 14" X 14"

DOUBLE BEDSPREAD, PILLOW SHAMS & MATTRESS,

KEY	PART NUMBER	U/M DESCRIPTION
1	104565-17-J18	EA PILLOW SHAM
1	104565-17-J19	EA PILLOW SHAM
1	104565-17-J44	EA PILLOW SHAM
2	123471-10-J18	EA BEDSPREAD/THROW - 54" X 75"
2	123471-10-J19	EA BEDSPREAD/THROW - 54" X 75"
2	123471-10-J44	EA BEDSPREAD/THROW - 54" X 75"
	101123-01-000	EA MATTRESS - 53" X 74" - TICKING COVERED FROM: 00-00-00 THRU: 02-08-98
	123015-05-000	EA MATTRESS - INNERSPRING - 54" X 74.5" FROM: 02-09-98 THRU: 99-99-99
	P01123-01-000	EA COVER - MATTRESS 53" X 74"

BEDROOM ACCENT PILLOWS

KEY	PART NUMBER	U/M DESCRIPTION
	124773-02-J20	EA PILLOW - 14" X 17" (J18)
	124773-02-J21	EA PILLOW - 14" X 17" (J19)
	124773-02-J44	EA PILLOW - 14" X 17" (J44)

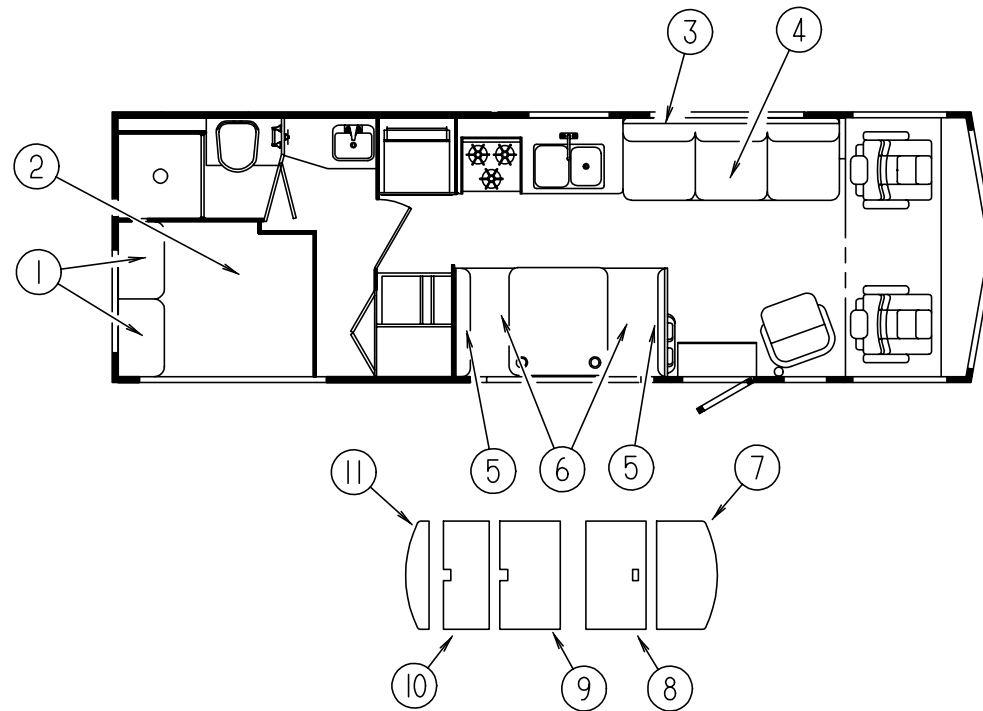
BUNK CUSHION

KEY	PART NUMBER	U/M DESCRIPTION
	079145-06-000	EA CUSHION - BUNK - 30" X 77" X 4"
	M79145-06-000	EA COVER - BUNK CUSHION - 30" X 77" X 4"
	094658-01-G09	EA HANDLE - OAK/BUNK

BUCKET SEAT - EUROPEAN EXPORT

KEY	PART NUMBER	U/M DESCRIPTION
	110148-13-J18	EA SEAT - ECONO 3 - THROW AWAY
	110148-13-J19	EA SEAT - ECONO 3 - THROW AWAY
	110148-13-J44	EA SEAT - ECONO 3 - THROW AWAY
	M05962-33-J18	EA COVER - BACK (J18)
	M05962-33-J19	EA COVER - BACK (J19)
	M05962-33-H01	EA COVER - BACK (J44)
	M05962-34-J18	EA COVER - SEAT (J18)
	M05962-34-J19	EA COVER - SEAT (J19)
	M05962-34-H01	EA COVER - SEAT (J44)
	080730-08-000	EA HANDLE - RECLINER
	080730-09-000	EA SHIELD - RECLINER HANDLE
	080730-11-000	EA SHIELD - RUBBER BOOT
	122695-02-01B	EA FRAME - SEAT/BACK

CURTAIN & CUSHION GROUP (CONTINUED)



DINETTE CUSHIONS

KEY	PART NUMBER	U/M	DESCRIPTION
5	111897-04-J20	EA	CUSHION - BACK - 13.5" X 38" X 5" (J18)
5	111897-04-J21	EA	CUSHION - BACK - 13.5" X 38" X 5" (J19)
5	111897-04-J47	EA	CUSHION - BACK - 13.5" X 38" X 5" (J44)
	P11897-04-J20	EA	COVER - BACK - 13.5" X 38" X 5" (J18)
	P11897-04-J21	EA	COVER - BACK - 13.5" X 38" X 5" (J19)
	P11897-04-J47	EA	COVER - BACK - 13.5" X 38" X 5" (J44)
	078155-01-000	EA	STRAP - SNAP - BACK CUSHION
6	088927-87-J20	EA	CUSHION - SEAT - 23" X 38" X 5" (J18)
6	088927-87-J21	EA	CUSHION - SEAT - 23" X 38" X 5" (J19)
6	088927-87-J47	EA	CUSHION - SEAT - 23" X 38" X 5" (J44)
	M88927-87-J20	EA	COVER - SEAT - 23" X 38" X 5" (J18)
	M88927-87-J21	EA	COVER - SEAT - 23" X 38" X 5" (J19)
	M88927-87-J47	EA	COVER - SEAT - 23" X 38" X 5" (J44)

DINETTE CUSHIONS - EUROPEAN EXPORT

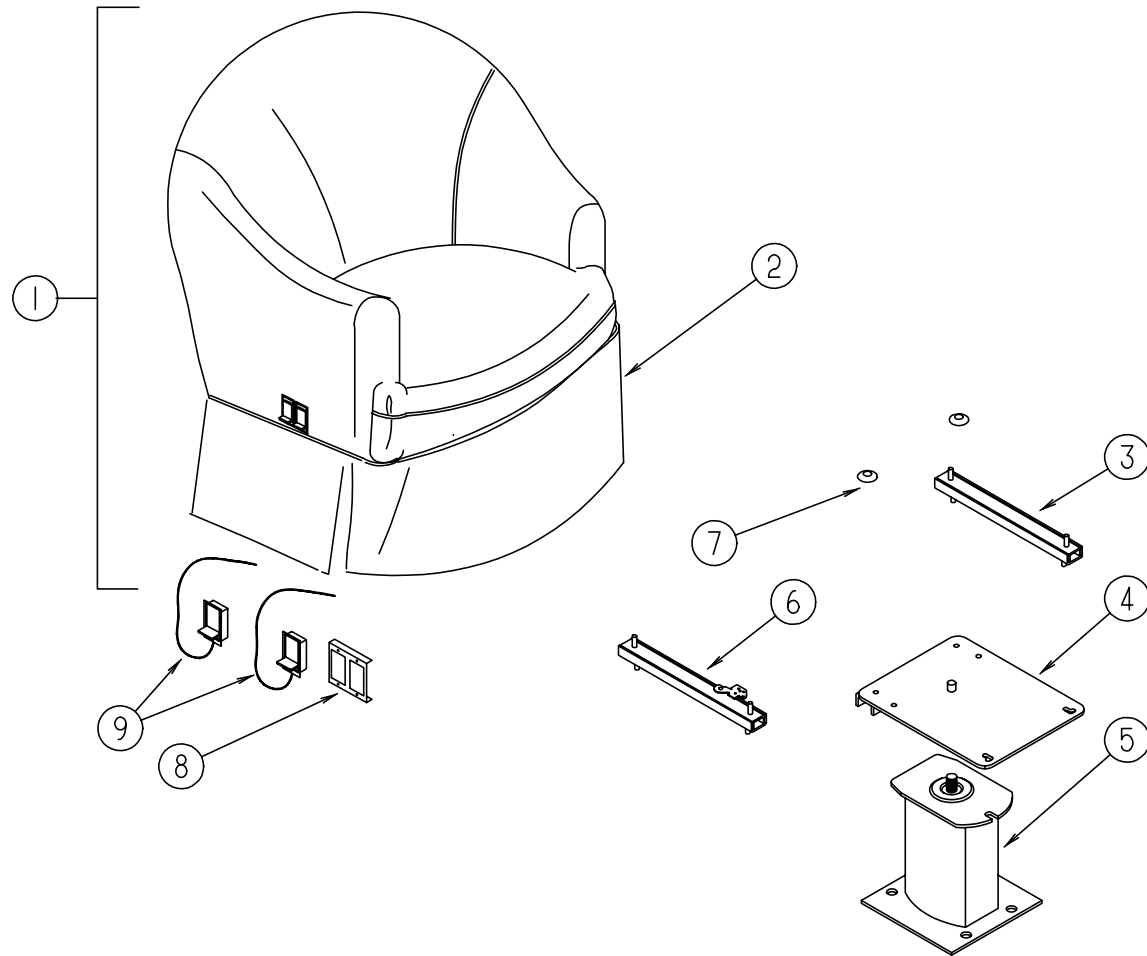
KEY	PART NUMBER	U/M	DESCRIPTION
7	120968-04-J18	EA	CUSHION - BACK - 13" X 41" X 5"
7	120968-04-J19	EA	CUSHION - BACK - 13" X 41" X 5"
7	120968-04-J44	EA	CUSHION - BACK - 13" X 41" X 5"
	P20968-04-J18	EA	COVER - BACK - 13" X 41" X 5"
	P20968-04-J19	EA	COVER - BACK - 13" X 41" X 5"
	P20968-04-J44	EA	COVER - BACK - 13" X 41" X 5"
8	120968-05-J18	EA	CUSHION - SEAT - 23" X 41" X 5"
8	120968-05-J19	EA	CUSHION - SEAT - 23" X 41" X 5"
8	120968-05-J44	EA	CUSHION - SEAT - 23" X 41" X 5"
	P20968-05-J18	EA	COVER - SEAT - 23" X 41" X 5"
	P20968-05-J19	EA	COVER - SEAT - 23" X 41" X 5"
	P20968-05-J44	EA	COVER - SEAT - 23" X 41" X 5"
9	120968-02-J18	EA	CUSHION - SEAT - 23" X 41" X 5"
9	120968-02-J19	EA	CUSHION - SEAT - 23" X 41" X 5"
9	120968-02-J44	EA	CUSHION - SEAT - 23" X 41" X 5"
	P20968-02-J18	EA	COVER - SEAT - 23" X 41" X 5"
	P20968-02-J19	EA	COVER - SEAT - 23" X 41" X 5"
	P20968-02-J44	EA	COVER - SEAT - 23" X 41" X 5"
10	120968-01-J18	EA	CUSHION - BACK - 23" X 41" X 5"
10	120968-01-J19	EA	CUSHION - BACK - 23" X 41" X 5"
10	120968-01-J44	EA	CUSHION - BACK - 23" X 41" X 5"
	P20968-01-J18	EA	COVER - BACK - 23" X 41" X 5"
	P20968-01-J19	EA	COVER - BACK - 23" X 41" X 5"
	P20968-01-J44	EA	COVER - BACK - 23" X 41" X 5"
11	120968-03-J18	EA	CUSHION - BACK/TOP
11	120968-03-J19	EA	CUSHION - BACK/TOP
11	120968-03-J44	EA	CUSHION - BACK/TOP
	P20968-03-J18	EA	COVER - BACK/TOP
	P20968-03-J19	EA	COVER - BACK/TOP
	P20968-03-J44	EA	COVER - BACK/TOP

ASSIST HANDLE & SEAT BELT

KEY	PART NUMBER	U/M	DESCRIPTION
	007021-01-000	EA	SEAT BELT - 2" X 90" - BLACK
	056271-02-000	EA	BELT - SEAT - 2" X 72" - BLACK
	118350-01-01A	EA	SEAT BELT - 2 POINT - BLACK
	057759-01-000	EA	WASHER - FLAT F/SEAT BELT - 4" DIAMETER
	053552-02-AA8	EA	HANDLE - ASSIST - INTERIOR/ENTRY DOOR - VINYL/OFF WHITE
	069178-02-000	EA	BRACKET - MOUNTING/ASSIST HANDLE - GRAY
	000C16-07-16B	EA	BOLT - CARRIAGE - ASSIST HANDLE - 7/16" - 14 X 1"
	000D20-07-00B	EA	NUT - ACORN - ASSIST HANDLE - 7/16 - 14
	057534-01-000	EA	TIEBACK/TIEDOWN - 6" CLEAR PLASTIC

CURTAIN & CUSHION GROUP (CONTINUED)

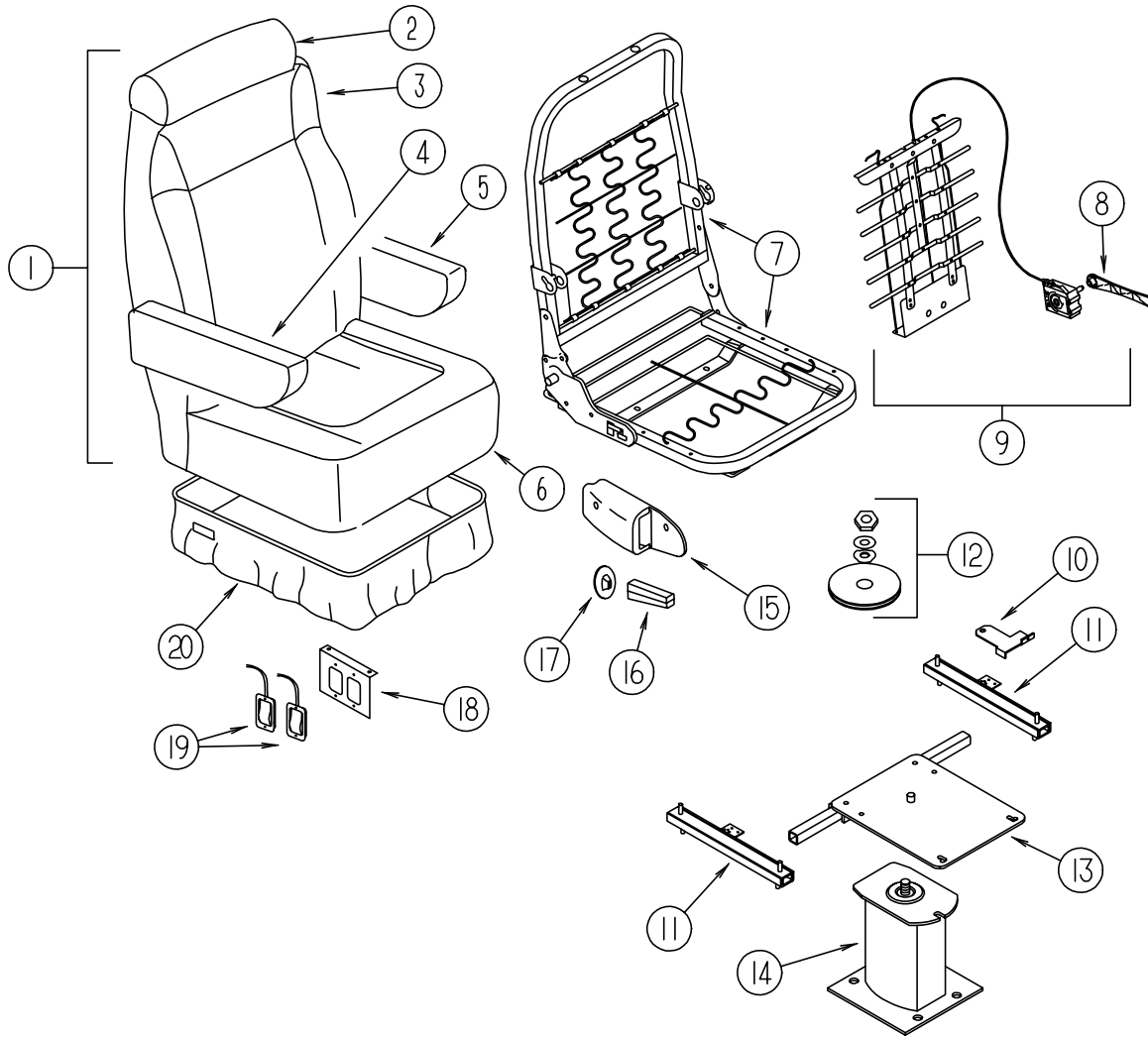
SWIVEL CHAIR



KEY	PART NUMBER	U/M	DESCRIPTION
1	118302-01-J20	EA	CHAIR - SWIVEL - W/SKIRT (J18)
1	118302-01-J21	EA	CHAIR - SWIVEL - W/SKIRT (J19)
1	118302-01-H16	EA	CHAIR - SWIVEL - W/SKIRT (J44)
	P18302-01-J20	EA	COVER - SWIVEL CHAIR (J18)
	P18302-01-J21	EA	COVER - SWIVEL CHAIR (J19)
	P18302-01-H16	EA	COVER - SWIVEL CHAIR (J44)
	P18302-27-J20	EA	COVER - ARMREST - UNIVERSAL (J18)
	P18302-27-J21	EA	COVER - ARMREST - UNIVERSAL (J19)
	P18302-27-H16	EA	COVER - ARMREST - UNIVERSAL (J44)
2	118306-01-J20	EA	SKIRT - SWIVEL CHAIR (J18)
2	118306-01-J21	EA	SKIRT - SWIVEL CHAIR (J19)
2	118306-01-H16	EA	SKIRT - SWIVEL CHAIR (J44)
3	119952-01-000	EA	SLIDE/SEAT - HEAVY DUTY NON LOCKING
4	107921-08-000	EA	TOP PLATE - PEDESTAL - W/O SEAT BELT BAR
	107921-06-000	EA	BEARING KIT - PEDESTAL
5	107921-02-000	EA	PEDESTAL/FLOOR MOUNTED - W/6.50" EXTENSION
6	119952-03-000	EA	SLIDE/SEAT - HEAVY DUTY LOCKING - 2 STUDS
7	007221-01-000	EA	SPACER - SEAT/ADJUSTER
8	127159-02-02B	EA	BRACKET - SEAT RELEASE - DUAL REMOTE
9	108049-04-000	EA	CABLE - W/SWITCHES - W/26" MINI LEVER ACTION
	108049-02-000	EA	CLIP - CABLE/PEDESTAL
	117125-01-02B	EA	BRACKET - CABLE MOUNT - ADJUSTER W/LOCK
	112436-03-000	FT	TRIM - #8 - FLEX RING
	108445-02-000	EA	PLATE/FLOOR MOUNTED - PEDESTAL SEAT

CURTAIN & CUSHION GROUP (CONTINUED)

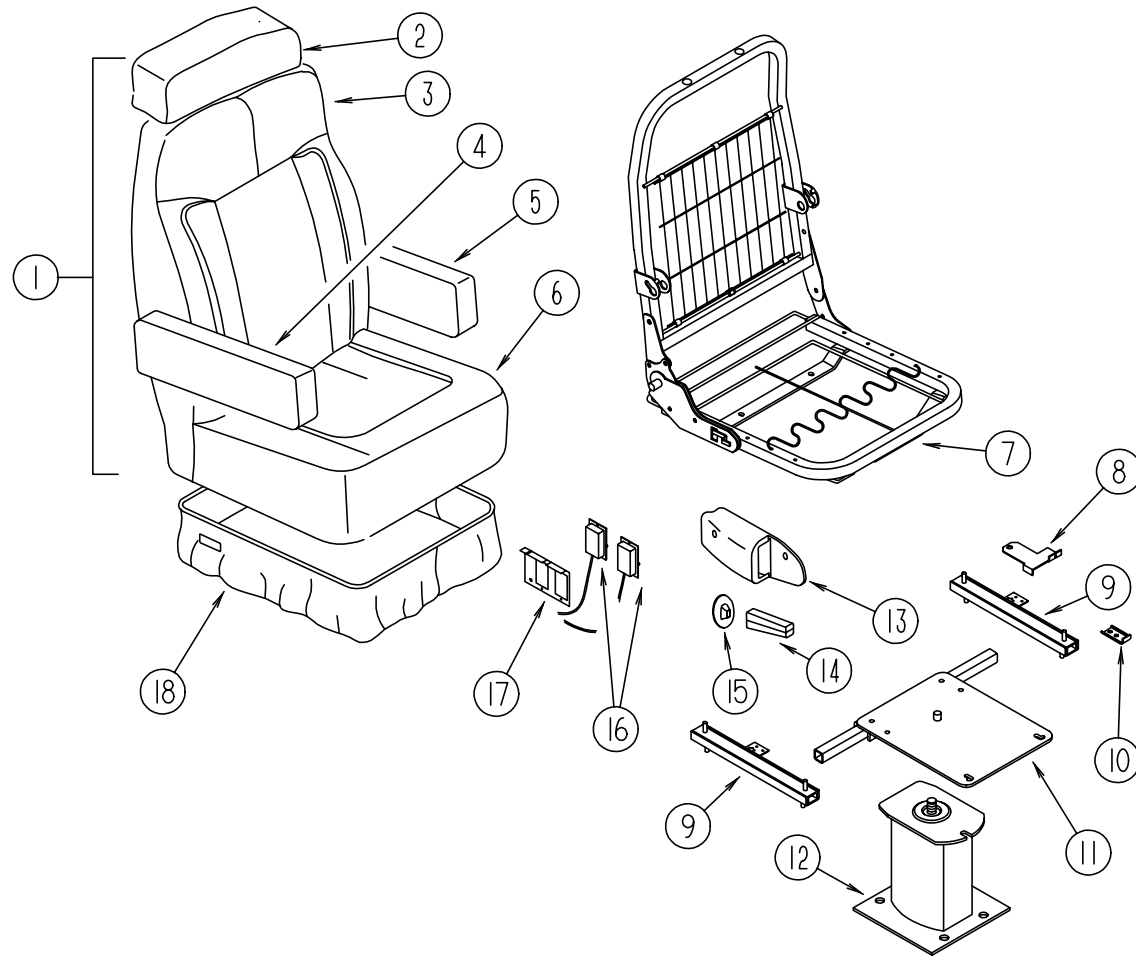
DRIVER BUCKET SEAT



KEY	PART NUMBER	U/M	DESCRIPTION
1	127540-01-J18	EA	SEAT - BUCKET - DRIVER - W/LUMBAR SUPPORT (J18)
1	127540-01-J21	EA	SEAT - BUCKET - DRIVER - W/LUMBAR SUPPORT (J19)
1	127540-01-J44	EA	SEAT - BUCKET - DRIVER - W/LUMBAR SUPPORT (J44)
2	119509-01-J26	EA	HEADREST - BUCKET SEAT (J18)
2	119509-01-J21	EA	HEADREST - BUCKET SEAT (J19)
2	119509-01-H01	EA	HEADREST - BUCKET SEAT (J44)
	P19509-01-J26	EA	COVER - HEADREST (J18)
	P19509-01-J21	EA	COVER - HEADREST (J19)
	P19509-01-H01	EA	COVER - HEADREST (J44)
	113977-12-000	EA	HEADREST INSERT - W/O LOCK
	113977-13-000	EA	HEADREST INSERT - W/LOCK
3	M05962-71-J20	EA	COVER - BACK (J18)
3	M05962-71-J21	EA	COVER - BACK (J19)
3	M05962-71-J44	EA	COVER - BACK (J44)
4	122780-01-J01	EA	ARMREST - RIGHT HAND (J18)
4	122780-01-J21	EA	ARMREST - RIGHT HAND (J19)
4	122780-01-H01	EA	ARMREST - RIGHT HAND (J44)
	P22780-01-J01	EA	COVER - ARMREST - RIGHT HAND (J18)
	P22780-01-J21	EA	COVER - ARMREST - RIGHT HAND (J19)
	P22780-01-H01	EA	COVER - ARMREST - RIGHT HAND (J44)
	115617-03-000	EA	ARMREST - W/O COVER - RIGHT HAND
5	122780-02-J26	EA	ARMREST - LEFT HAND (J18)
5	122780-02-J21	EA	ARMREST - LEFT HAND (J19)
5	122780-02-H16	EA	ARMREST - LEFT HAND (J44)
	P22780-02-J26	EA	COVER - ARMREST - LEFT HAND (J18)
	P22780-02-J21	EA	COVER - ARMREST - LEFT HAND (J19)
	P22780-02-H16	EA	COVER - ARMREST - LEFT HAND (J44)
	115617-04-000	EA	ARMREST - W/O COVER - LEFT HAND
6	M05962-40-J26	EA	COVER - SEAT (J18)
6	M05962-40-J21	EA	COVER - SEAT (J19)
6	M05962-40-J44	EA	COVER - SEAT (J44)
7	122695-01-01B	EA	FRAME - SEAT/BACK
8	122611-02-701	EA	LUMBAR - LEVER
9	122611-02-000	EA	LUMBAR - W/LEVER
10	117125-01-02B	EA	BRACKET - CABLE MOUNT - ADJUSTER W/LOCK
11	119952-04-000	EA	SLIDE/SEAT - HEAVY DUTY LOCKING - 4 STUDS
12	107921-06-000	EA	BEARING KIT - PEDESTAL
13	107921-05-000	EA	PLATE - TOP - W/SEAT BELT BAR
14	107921-01-000	EA	PEDESTAL/FLOOR MOUNTED - W/9.75" EXTENSION
15	080730-09-000	EA	SHIELD - RECLINER HANDLE
16	080730-08-000	EA	HANDLE - RECLINER
17	080730-11-000	EA	SHIELD - RUBBER BOOT
18	127159-02-02B	EA	BRACKET - SEAT RELEASE - DUAL REMOTE
19	108049-04-000	EA	CABLE - W/SWITCHES - W/26" MINI LEVER ACTION
	108049-02-000	EA	CLIP - CABLE/PEDESTAL
20	071126-58-H17	EA	SKIRT - SINGLE 10.5" - W/SEAT BELT SLOT (J18)
20	071126-58-J21	EA	SKIRT - SINGLE 10.5" - W/SEAT BELT SLOT (J19)
20	071126-58-H16	EA	SKIRT - SINGLE 10.5" - W/SEAT BELT SLOT (J44)

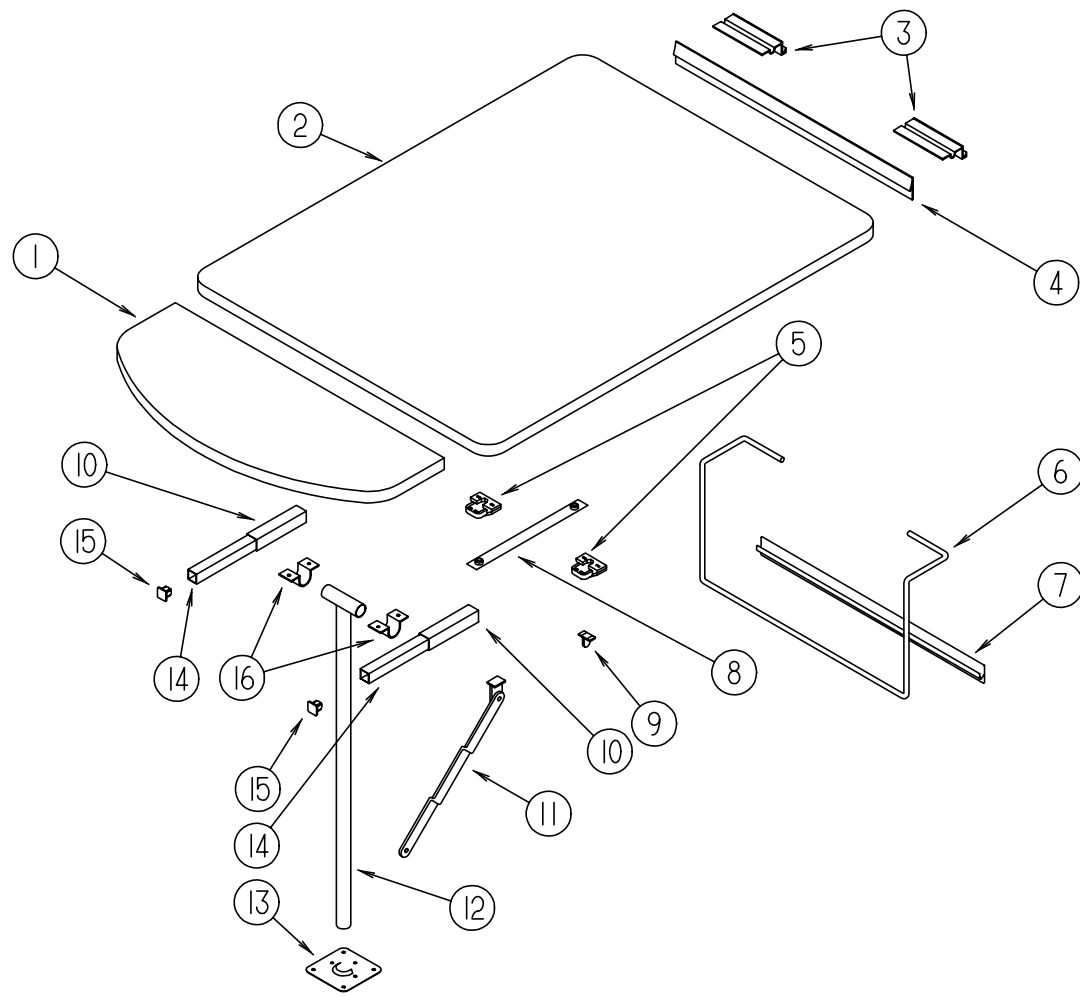
CURTAIN & CUSHION GROUP (CONTINUED)

PASSENGER BUCKET SEAT



KEY	PART NUMBER	U/M	DESCRIPTION
1	127540-02-J18	EA	SEAT - BUCKET - PASSENGER (J18)
1	127540-02-J21	EA	SEAT - BUCKET - PASSENGER (J19)
1	127540-02-J44	EA	SEAT - BUCKET - PASSENGER (J44)
2	119509-01-J26	EA	HEADREST - BUCKET SEAT (J18)
2	119509-01-J21	EA	HEADREST - BUCKET SEAT (J19)
2	119509-01-H01	EA	HEADREST - BUCKET SEAT (J44)
	P19509-01-J26	EA	COVER - HEADREST (J18)
	P19509-01-J21	EA	COVER - HEADREST (J19)
	P19509-01-H01	EA	COVER - HEADREST (J44)
	113977-12-000	EA	HEADREST INSERT - W/O LOCK
	113977-13-000	EA	HEADREST INSERT - W/LOCK
3	M05962-71-J20	EA	COVER - BACK (J18)
3	M05962-71-J21	EA	COVER - BACK (J19)
3	M05962-71-J44	EA	COVER - BACK (J44)
4	122780-01-J01	EA	ARMREST - RIGHT HAND (J18)
4	122780-01-J21	EA	ARMREST - RIGHT HAND (J19)
4	122780-01-H01	EA	ARMREST - RIGHT HAND (J44)
	P22780-01-J01	EA	COVER - ARMREST - RIGHT HAND (J18)
	P22780-01-J21	EA	COVER - ARMREST - RIGHT HAND (J19)
	P22780-01-H01	EA	COVER - ARMREST - RIGHT HAND (J44)
	115617-03-000	EA	ARMREST - W/O COVER - RIGHT HAND
5	122780-02-J26	EA	ARMREST - LEFT HAND (J18)
5	122780-02-J21	EA	ARMREST - LEFT HAND (J19)
5	122780-02-H16	EA	ARMREST - LEFT HAND (J44)
	P22780-02-J26	EA	COVER - ARMREST - LEFT HAND (J18)
	P22780-02-J21	EA	COVER - ARMREST - LEFT HAND (J19)
	P22780-02-H16	EA	COVER - ARMREST - LEFT HAND (J44)
	115617-04-000	EA	ARMREST - W/O COVER - LEFT HAND
6	M05962-40-J26	EA	COVER - SEAT (J18)
6	M05962-40-J21	EA	COVER - SEAT (J19)
6	M05962-40-J44	EA	COVER - SEAT (J44)
7	122695-01-01B	EA	FRAME - SEAT/BACK
8	117125-01-02B	EA	BRACKET - CABLE MOUNT - ADJUSTER W/LOCK
9	119952-04-000	EA	SLIDE/SEAT - HEAVY DUTY LOCKING - 4 STUDS
	119952-07-000	EA	WIRE - LATCH RELEASE/ROTARY
10	114889-01-000	EA	STOP BAR - UNIVERSAL
11	107921-05-000	EA	PLATE - TOP - W/SEAT BELT BAR
	107921-06-000	EA	BEARING KIT - PEDESTAL
12	107921-01-000	EA	PEDESTAL/FLOOR MOUNTED - W/9.75" EXTENSION
13	080730-09-000	EA	SHIELD - RECLINER HANDLE
14	080730-08-000	EA	HANDLE - RECLINER
15	080730-11-000	EA	SHIELD - RUBBER BOOT
16	108049-04-000	EA	CABLE - W/SWITCHES - W/26" MINI LEVER ACTION
	108049-02-000	EA	CLIP - CABLE/PEDESTAL
17	097683-02-000	EA	BRACKET - REMOTE/SIDE MOUNT - DOUBLE
18	071126-58-H17	EA	SKIRT - SINGLE 10.5" - W/SEAT BELT SLOT (J18)
18	071126-58-J21	EA	SKIRT - SINGLE 10.5" - W/SEAT BELT SLOT (J19)
18	071126-58-H16	EA	SKIRT - SINGLE 10.5" - W/SEAT BELT SLOT (J44)

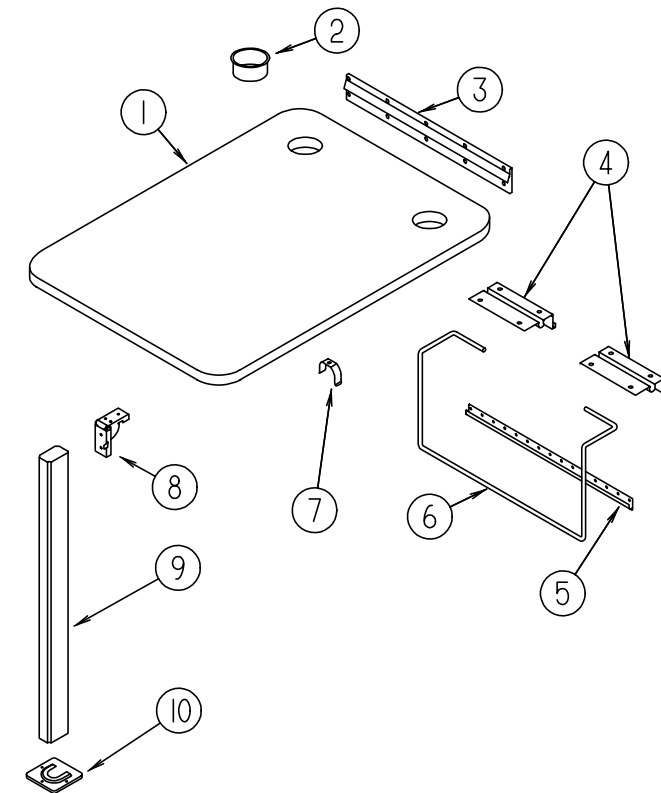
DINETTE GROUP



DINETTE TABLE - EXPORT OPTION

KEY	PART NUMBER	U/M DESCRIPTION
1	127539-12-J18	EA TABLE - EXTENSION (J18, J44)
1	127539-12-J19	EA TABLE - EXTENSION (J19)
2	127539-11-J18	EA TABLE TOP (J18, J44)
2	127539-11-J19	EA TABLE TOP (J19)
3	088410-02-000	EA BRACKET - LIFT - TABLE MOUNTED
4	053200-12-000	EA BRACKET - TABLE SUPPORT - UPPER/WALL MOUNTED - 23.50"
5	009050-02-000	EA LEVELER - TABLE TOP - MALE END W/4 SCREWS - PLASTIC
	009050-03-000	EA LEVELER - TABLE TOP - FEMALE END W/2 SCREWS - PLASTIC
6	024275-12-000	EA ROD - TABLE LIFT
7	024281-14-000	EA BRACKET/TABLE - LIFT ROD/LOWER WALL MOUNTED - 22.12"
	002929-01-001	EA EXTRUDED - BRACKET TABLE
8	057534-01-000	EA TIEBACK/TIEDOWN - 6" CLEAR PLASTIC
	029130-04-000	EA SOCKET - SNAP FASTENER
9	024283-01-000	EA CLIP - LEG - 1" - 1.125" OD - BLACK
10	113729-01-02A	EA TUBE - SUPPORT/TABLE
11	024282-01-000	EA BRACE - TABLE LEG - HINGED
12	024276-22-000	EA LEG - TABLE - W/O HARDWARE - OFF WHITE
13	049493-12-000	EA CATCH - TABLE LEG/FLOOR MOUNTED - OFF WHITE
	049493-11-700	EA CATCH-TABLE LEG,E-COAT
14	113728-01-02A	EA TUBE - SUPPORT/TABLE
	114117-01-02A	EA PLATE - SPACER
15	110550-01-000	EA CAP - TUBE .9" SQUARE
16	064050-05-000	EA HINGE - TABLE LEG - OFF WHITE
	004354-01-000	EA BUMPER - RUBBER - .5" DIA - BROWN

DINETTE GROUP (CONTINUED)

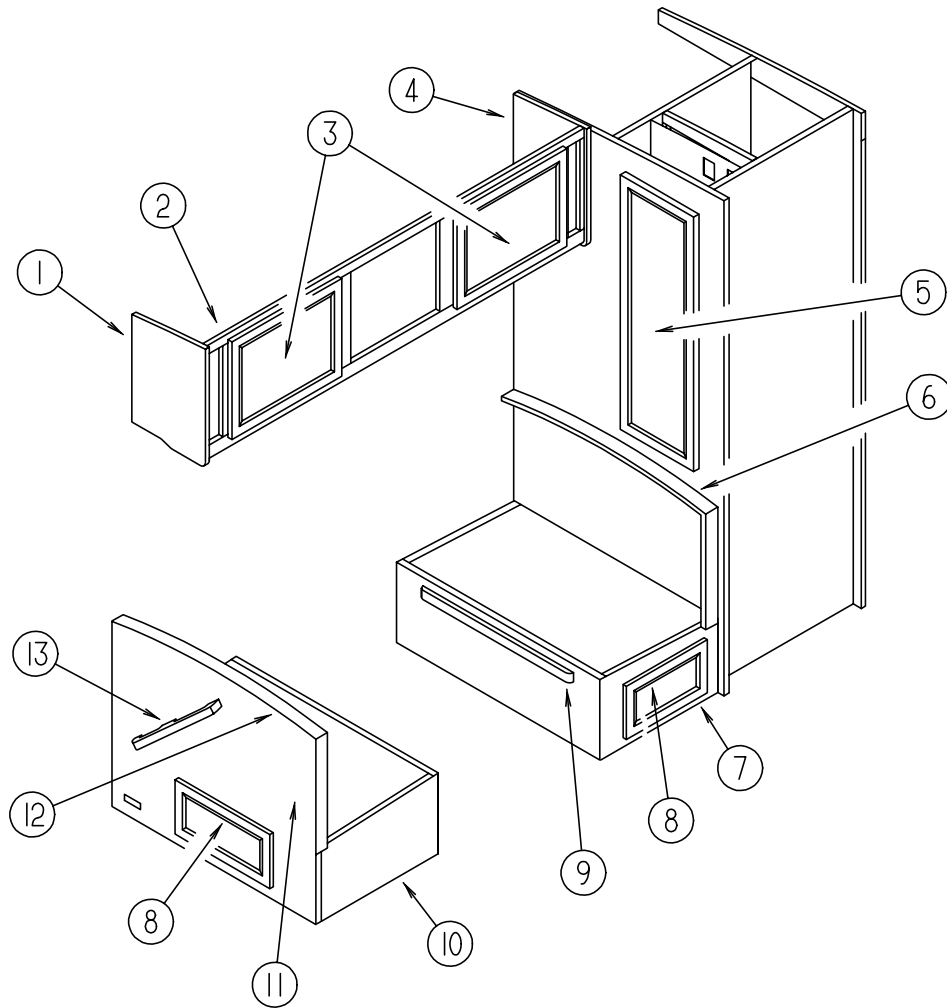


DINETTE TABLE

KEY	PART NUMBER	U/M DESCRIPTION
1	081322-01-G10	EA TABLE TOP ONLY (J18, J44)
1	081322-05-J19	EA TABLE TOP ONLY (J19)
2	064781-06-000	EA HOLDER - CUP - TWO STEP - OFF WHITE
3	053200-12-000	EA BRACKET - TABLE SUPPORT - UPPER/WALL MOUNTED - 23.50"
4	088410-02-000	EA BRACKET - LIFT - TABLE MOUNTED
5	024281-14-000	EA BRACKET/TABLE - LIFT ROD/LOWER WALL MOUNTED - 22.12"
6	024275-12-000	EA ROD - TABLE LIFT
7	024283-01-000	EA CLIP - LEG - 1" - 1.125" OD - BLACK
8	093550-01-000	EA BRACKET - HINGE - MOUNTS TO LEG & TABLE TOP - 1.7" X 2.6"
9	092707-04-05A	EA LEG - TABLE - W/O HARDWARE - 27" - WATERFORD OAK
10	092593-01-05A	EA CATCH - TABLE LEG - OFF/WHITE

DINETTE GROUP (CONTINUED)

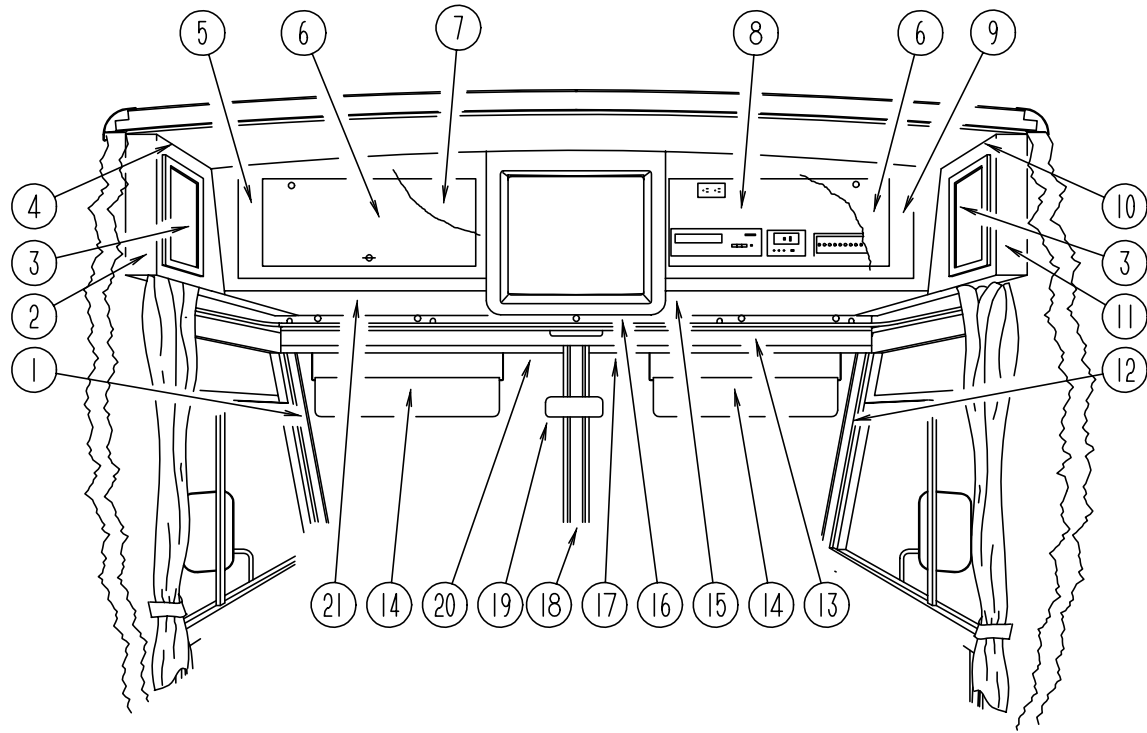
DINETTE CABINETS



KEY	PART NUMBER	U/M	DESCRIPTION
1	103128-02-J94	EA	END CAP - OVERHEAD CABINET - LEFT HAND
2	117902-03-J18	EA	CABINET - OVERHEAD - W/O DOORS/HARDWARE (J18)
2	117902-03-J19	EA	CABINET - OVERHEAD - W/O DOORS/HARDWARE (J19)
2	117902-03-J16	EA	CABINET - OVERHEAD - W/O DOORS/HARDWARE (J44)
2	117902-08-J18	EA	CABINET - OVERHEAD - W/O DOORS/HARDWARE - EUROPEAN EXPORT
2	117902-08-J19	EA	CABINET - OVERHEAD - W/O DOORS/HARDWARE - EUROPEAN EXPORT
2	117902-08-J44	EA	CABINET - OVERHEAD - W/O DOORS/HARDWARE - EUROPEAN EXPORT
	117902-14-G09	EA	SHELF - W/PLASTIC EDGE TRIM
3	M05992-48-J20	EA	DOOR - STRAIGHT CORNER/OGEE EDGE - 15.7" X 27.9" - W/O HDW
4	103128-16-H13	EA	END CAP - OVERHEAD CABINET - RIGHT HAND
5	M05992-Z0-J18	EA	DOOR - STRAIGHT CORNER/OGEE EGE - 15.7" X 43.2' - W/O HDW
6	104787-09-G07	EA	PAD - DINETTE SEATBACK - RH - EXPORT (J18)
6	104787-09-J19	EA	PAD - DINETTE SEATBACK - RH - EXPORT (J19)
6	104787-09-H16	EA	PAD - DINETTE SEATBACK - RH - EXPORT (J44)
6	104787-04-G15	EA	PAD - DINETTE SEATBACK (J18)
6	104787-04-J21	EA	PAD - DINETTE SEATBACK (J19)
6	104787-04-H16	EA	PAD - DINETTE SEATBACK (J44)
7	M04175-74-H33	EA	CABINET - SEATBASE - RIGHT HAND - W/O DOOR/DRAWER/HDW
8	M05992-M7-J18	EA	DOOR - STRAIGHT CORNER/OGEE EDGE - 10" X 19.1" - W/O HDW
9	081295-01-G01	EA	SUPPORT - BED/DINETTE - 28" LONG
10	M04175-69-H13	EA	CABINET - SEATBASE - LEFT HAND - W/O DOOR/DRAWER/HDW
11	M04174-69-G09	EA	CABINET - SEATBACK - LEFT HAND
12	104787-10-J18	EA	PAD - DINETTE SEATBACK - LH - EXPORT (J18)
12	104787-10-J19	EA	PAD - DINETTE SEATBACK - LH - EXPORT (J19)
12	104787-10-H16	EA	PAD - DINETTE SEATBACK - LH - EXPORT (J44)
12	104787-04-G15	EA	PAD - DINETTE SEATBACK (J18)
12	104787-04-J21	EA	PAD - DINETTE SEATBACK (J19)
12	104787-04-H16	EA	PAD - DINETTE SEATBACK (J44)
13	091257-10-000	EA	HANDLE - ASSIST - WATERFORD OAK

DRIVERS COMPARTMENT GROUP

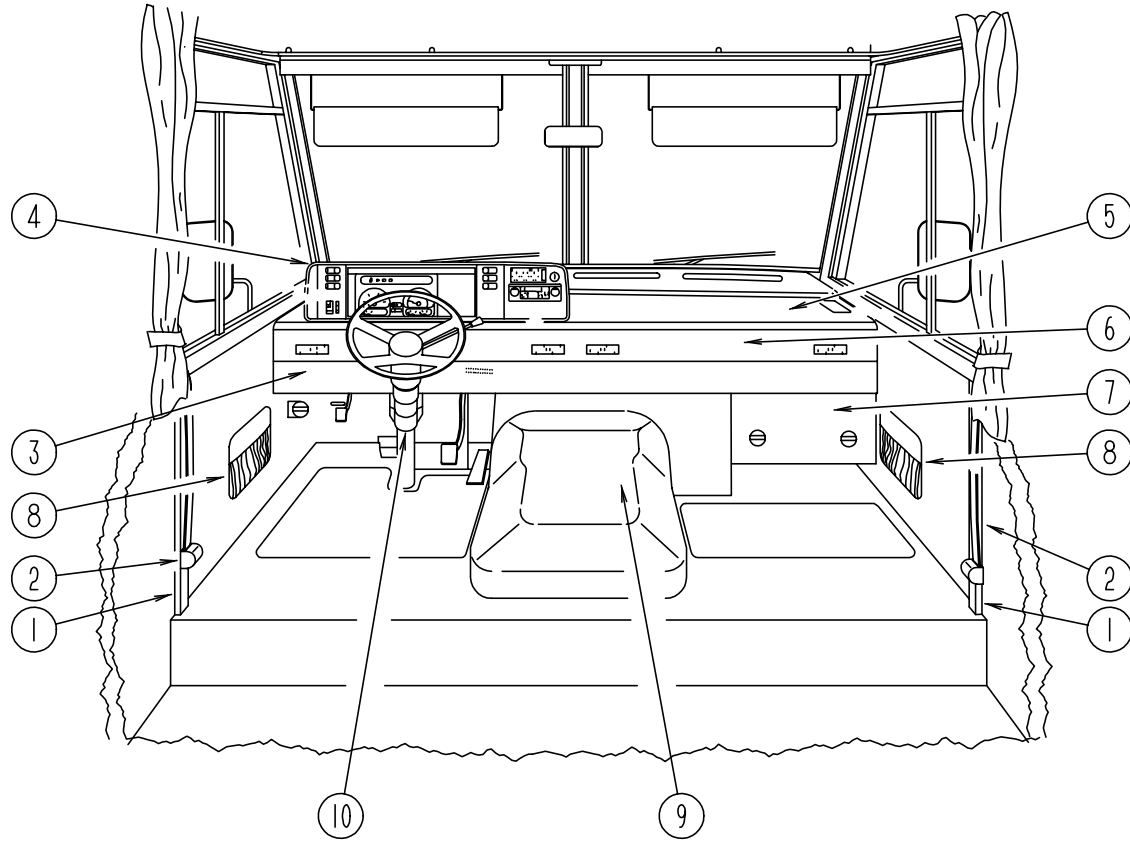
DRIVERS COMPARTMENT - UPPER



KEY	PART NUMBER	U/M	DESCRIPTION
1	107942-04-01A	EA	COVER - A-PILLAR - INTERIOR/DRIVER
2	103128-09-G09	EA	END CAP - OVERHEAD CABINET - LEFT HAND
3	M05992-77-J18	EA	DOOR - STRAIGHT CORNER/OGEE EDGE - 10" X 25.2" - W/O HDW
4	122244-02-J18	EA	CABINET - OVERHEAD FRONT/DRIVER - W/O DOORS/HARDWARE
4	122244-02-J19	EA	CABINET - OVERHEAD FRONT/DRIVER - W/O DOORS/HARDWARE
4	122244-02-J44	EA	CABINET - OVERHEAD FRONT/DRIVER - W/O DOORS/HARDWARE
	104289-10-H13	EA	PANEL - VINYL COVERED/OVERHEAD TV CABINET - LEFT SIDE
5	114612-01-G32	EA	FACE - OVERHEAD/TV - RIGHT HAND - 15.4" X 33.7"
	100676-02-000	EA	SHELF - OVERHEAD CABINET - VCR/INVERTOR
	106699-01-01A	EA	BRACKET - OVERHEAD CABINET/TV
6	100708-12-000	EA	DOOR - GLASS TV CABINET - 9.7" X 23.2" - W/O HARDWARE
7	122195-01-H13	EA	PANEL - HEADLINER - FRONT OVERHEAD/LEFT HAND
8	122195-03-H13	EA	PANEL - HEADLINER - FRONT OVERHEAD/RIGHT HAND
9	114612-02-G32	EA	FACE - OVERHEAD/TV - LEFT HAND - 15.4" X 33.7"
10	122244-05-J18	EA	CABINET - OVERHEAD FRONT/PASSENGER - W/O DOORS/HARDWARE
10	122244-05-J19	EA	CABINET - OVERHEAD FRONT/PASSENGER - W/O DOORS/HARDWARE
10	122244-05-J44	EA	CABINET - OVERHEAD FRONT/PASSENGER - W/O DOORS/HARDWARE
10	114189-01-J15	EA	CABINET - OVERHEAD FRONT/PASSENGER - W/O DOORS/HARDWARE - W/BUNK
	104289-09-H13	EA	PANEL - VINYL COVERED/OVERHEAD TV CABINET - RIGHT SIDE
11	103128-08-G09	EA	END CAP - OVERHEAD CABINET - RIGHT HAND
12	107942-03-01A	EA	COVER - A-PILLAR - INTERIOR/PASSENGER
13	122197-01-H13	EA	PANEL - TRIM - LOWER HEADER
13	122194-02-H13	EA	PANEL - HEADLINER - OVERHEAD TV
14	128076-01-01A	EA	SUNVISOR - CENTER MOUNT - WILLOW
15	P03077-08-G15	EA	SHELF - CABINET - OVERHEAD/RIGHT HAND - VINYL COVERED
15	P03077-04-G15	EA	SHELF - CABINET - OVERHEAD/RIGHT HAND - VINYL COVERED
16	122881-01-01A	EA	FACE PANEL - OVERHEAD TV/FRONT
	118022-04-H17	EA	INSERT - PLASTIC/OVERHEAD TV CABINET
	114706-02-02B	EA	SUPPORT - SHELF - TV
	091261-01-000	FT	SLIPNOT - ANTISLIP - 1' WIDE - TV OPTION
16	116791-01-H33	EA	FACE FRAME - TV CABINET - 20.6" X 22.2"
	P18192-02-H13	EA	CABINET - STEEL/VINYL COVERED - W/O TV
	M05992-V5-J18	EA	DOOR - STRAIGHT CORNER/OGEE EDGE - 16.7" X 18.1" - W/O HDW
	115638-01-G15	EA	PANEL - HEADLINER - TOP
	115639-01-G15	EA	PANEL - HEADLINER - SIDE
17	122083-01-01A	EA	TRIM - WINDSHIELD - INTERIOR/TOP
18	118452-02-01A	EA	TRIM - WINDSHIELD - CENTER - WILLOW
19	040714-01-000	EA	MIRROR - REAR VIEW/ARM MOUNT & SET SCREW
	067490-01-000	EA	BUTTON - MIRROR/REAR VIEW
20	122083-02-01A	EA	TRIM - WINDSHIELD - INTERIOR/TOP
21	P03077-07-G15	EA	SHELF - CABINET - OVERHEAD/LEFT HAND - VINYL COVERED
21	P03077-03-G15	EA	SHELF - CABINET - OVERHEAD/LEFT HAND - VINYL COVERED

DRIVERS COMPARTMENT GROUP (CONTINUED)

DRIVERS COMPARTMENT - LOWER

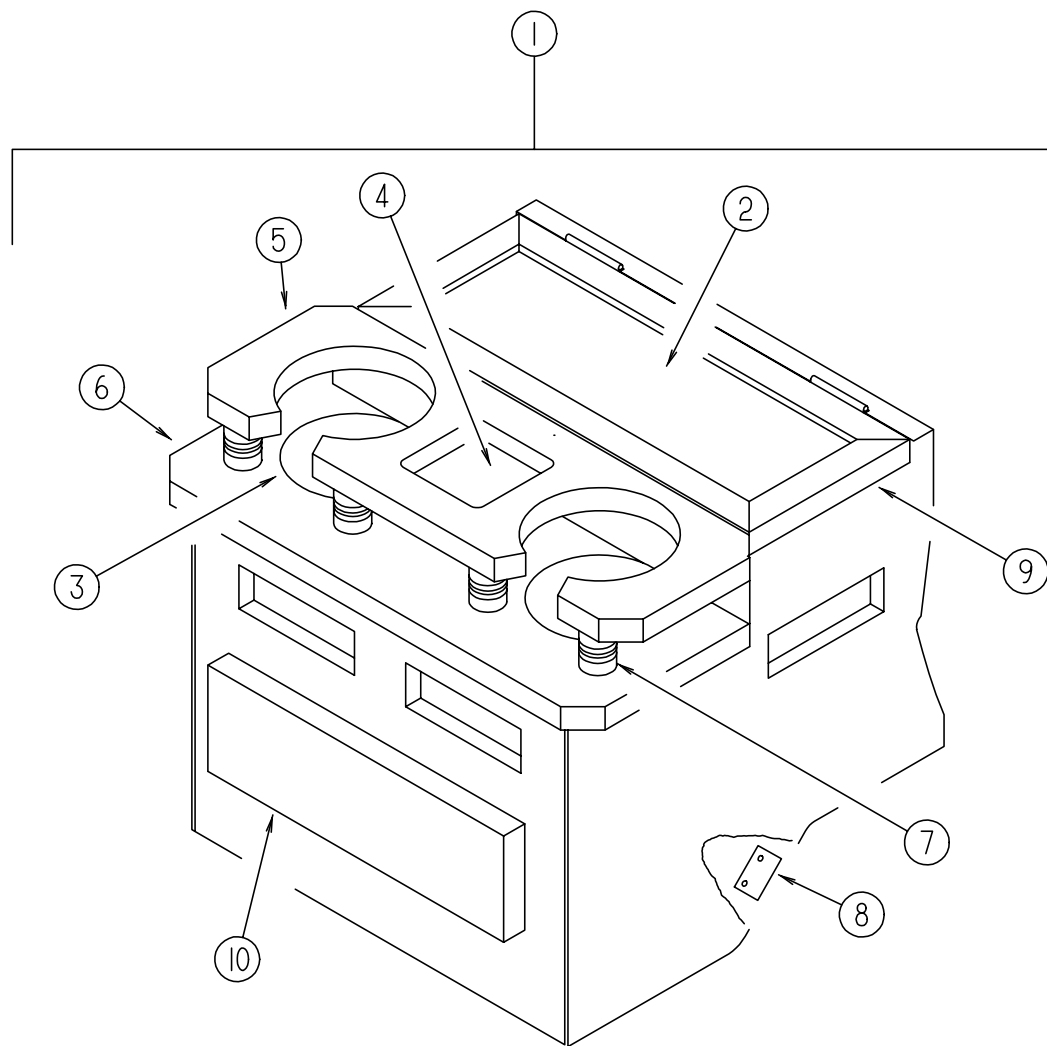


KEY	PART NUMBER	U/M	DESCRIPTION
1	024700-51-000	EA	COVER - ROLL BAR
2	091990-04-01A	EA	SEAT BELT/SHOULDER HARNESS - DRIVERS/PASSENGER - BLACK
	091990-01-701	EA	EXTENDER 9" FOR A8408 3 PT
	109146-01-000	EA	BOLT - SHOULDER/SEAT BELT
	103961-01-01A	EA	COVER - BRACKET - SEAT BELT/RIGHT HAND
	103961-02-01A	EA	COVER - BRACKET - SEAT BELT/LEFT HAND - DRIVER DOOR OPTION
	103961-04-01A	EA	COVER - BRACKET - SEAT BELT/EUROPEAN - DRIVER DOOR OPTION
	103961-05-01A	EA	COVER - BRACKET - SEAT BELT/EUROPEAN
3	103812-11-01A	EA	TRIM - DASH/LOWER - GM
4	111499-01-03A	EA	POD - INSTRUMENT PANEL - WILLOW
5	P03817-18-000	EA	DASH - W/O VINYL - GM
	106569-07-01A	EA	VINYL - WILLOW - 1/4" X 17" X 100"
	077539-01-000	EA	BRACKET - MOUNTING/DASH PANEL - L/SHAPED - 2.5"X1"X1.5"
	112804-02-02B	EA	PANEL - DASH - TOP W/STUD
	113452-01-000	FT	SEAL/TRIM - FRONT - VINYL W/WIRE CARRIER
6	104354-01-06A	EA	APPLIQUE - LOWER DASH
7	095757-03-F06	EA	COVER - HEATER (J18)
7	095757-03-E33	EA	COVER - HEATER (J19)
7	095757-03-F05	EA	COVER - HEATER (J44)
8	086120-01-J61	EA	PAD - MAP POCKET - 12" X 16" (J18)
8	086120-01-J21	EA	PAD - MAP POCKET - 12" X 16" (J19)
8	086120-01-H16	EA	PAD - MAP POCKET - 12" X 16" (J44)
9	115840-01-01A	EA	COVER - MOTOR - W/O CARPET
	115850-01-02B	EA	RETAINER - LATCH - MOTOR COVER - RIGHT HAND - E-COATED
			FROM: 00-00-00 THRU: 05-17-98
	115850-03-02B	EA	RETAINER - LATCH - MOTOR COVER - RIGHT HAND - E-COATED
			FROM: 05-18-98 THRU: 99-99-99
	116581-01-000	EA	LATCH - MOTOR COVER
	115852-01-02B	EA	STRIKE - LATCH - MOTOR COVER - E-COATED
	116833-01-02B	EA	WRENCH - HEX MOTOR COVER - E-COATED
	115860-01-01A	EA	TRIM - MOTOR COVER
	039623-01-000	FT	SEAL - MOTOR COVER - RUBBER BULB TYPE
	122772-02-02B	EA	BRACKET - MOUNTING - BEVERAGE TRAY
10	103498-09-000	EA	BOOT - STEERING COLUMN - W/1/2 CIRCLE

I-1331-02

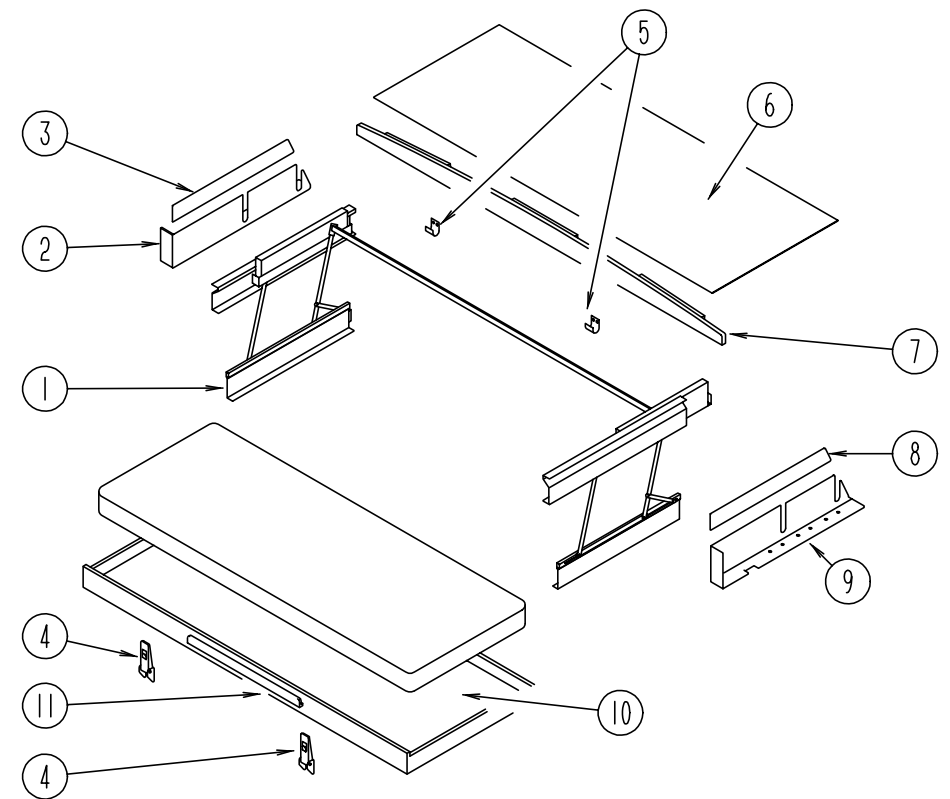
DRIVERS COMPARTMENT GROUP (CONTINUED)

DRIVERS COMPARTMENT GROUP (CONTINUED)



BEVERAGE TRAY

KEY	PART NUMBER	U/M	DESCRIPTION
1	126680-01-H17	EA	TRAY - BEVERAGE - W/SHELF/CUPHOLDER - W/O DRAWER
2	122717-06-01A	FT	PAD - NON-SKID - PSA - 6.5" X 13.8"
3	122717-01-01A	EA	PAD - NON SKID - 4" DIAMETER ROUND
4	122717-02-01A	EA	PAD - NON SKID - 4" X 4"
5	126680-15-H17	EA	SHELF/CUPHOLDER
6	126680-14-H17	EA	SHELF/CUPHOLDER - W/PADS
7	097872-04-000	EA	DOWEL - WOOD - 1" DIAMETER X 1.38" LONG
8	122832-01-02B	EA	BRACKET - MOUNTING - BEVERAGE TRAY
9	126680-16-H17	EA	LID - BEVERAGE TRAY
10	M05971-AZ-H33	EA	DRAWER - OGEE EDGE - 9.9"W X 11.8"D - W/O SLIDES/HARDWARE

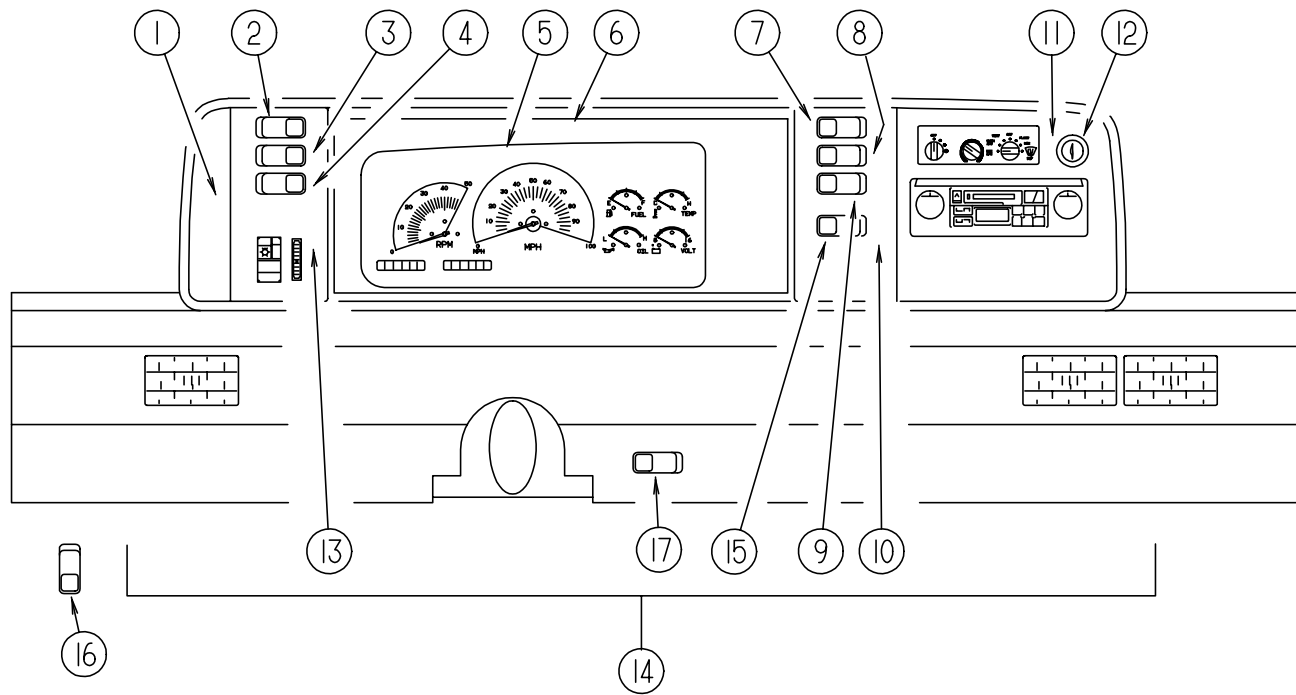


FRONT BUNK

KEY	PART NUMBER	U/M	DESCRIPTION	VENDOR NO.
1	076760-02-000	EA	BUNK HARDWARE - COMPLETE	9272
	076760-02-700	EA	SPRING-GAS, BUNK HARDWARE	
2	101499-10-H13	EA	TRIM/PANEL - BOTTOM LH BUNK - 43" X 3" - VINYL WRAPPED	
3	101497-25-H13	EA	PANEL - END CAP - UPPER LEFT HAND/BUNK	
4	116975-01-01A	EA	LATCH - W/O STRIKE - BLACK - NEW STYLE	
5	116975-02-01A	EA	KEEPER/STRIKE - BLACK - NEW STYLE	
6	122194-02-H13	EA	PANEL - HEADLINER - OVERHEAD TV	
7	P03199-01-C05	EA	TRIM - BUNK BOARD - CEILING MOUNTED	
8	101497-24-H13	EA	PANEL - END CAP - UPPER/RIGHT HAND BUNK	
9	101499-09-H13	EA	TRIM/PANEL - BOTTOM RH BUNK - 43" X 3" - VINYL WRAPPED	
10	081717-03-G09	EA	BED - BUNK/FRONT	
11	094658-01-G09	EA	HANDLE - OAK/BUNK	

DRIVERS COMPARTMENT GROUP (CONTINUED)

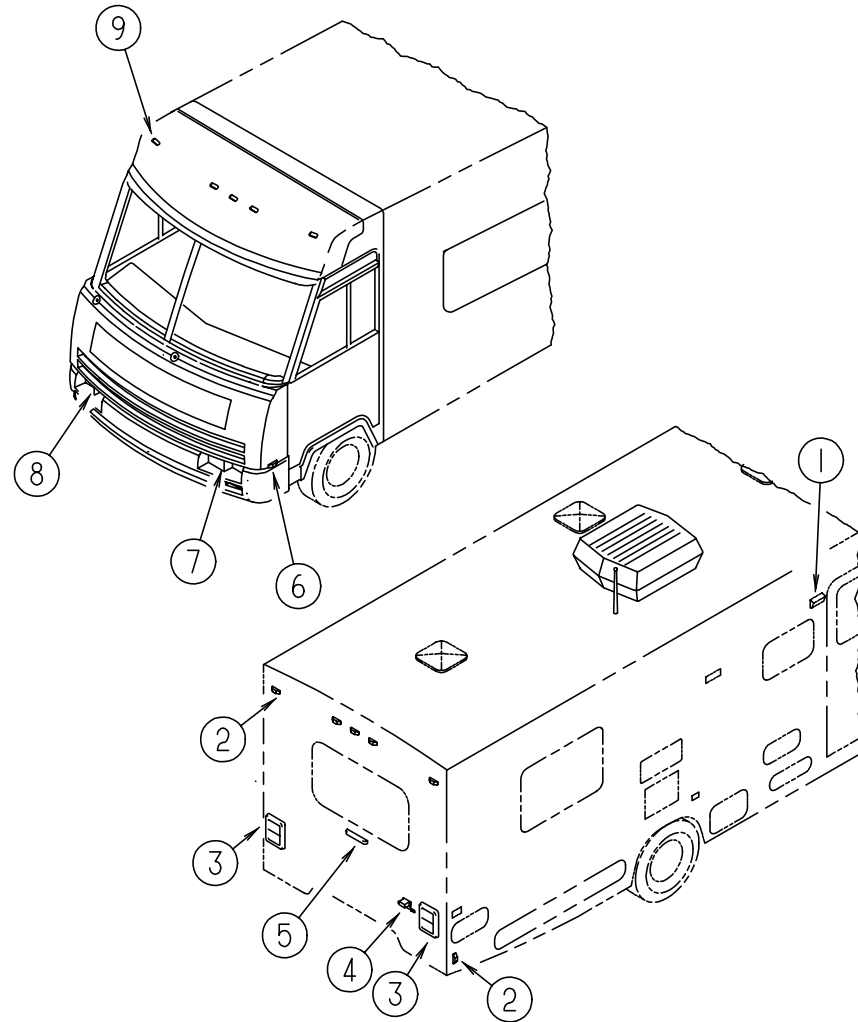
DASH, GAUGES & SWITCHES



KEY	PART NUMBER	U/M	DESCRIPTION
1	104056-01-04A	EA	APPLIQUE - BEZEL - DRIVER DRESS UP
2	108357-05-000	EA	SWITCH - ROCKER SPDT - ON/NONE/ON - 3 TERMINAL - W/O CD PLAYER
2	108357-08-000	EA	SWITCH - ROCKER DPDT - ON/NONE/ON - 6 TERMINAL - W/CD PLAYER
2	108356-02-01A	EA	COVER/ACTUATOR SWITCH - 2 ROWS DIMPLES- CONTURA II - BLACK
3	108357-09-000	EA	SWITCH - ROCKER SPDT - ON/NONE/MOM - 3 TERMINAL - AUXILIARY START
3	108356-02-01A	EA	COVER/ACTUATOR SWITCH - 2 ROWS DIMPLES- CONTURA II - BLACK
4	108357-06-000	EA	SWITCH - ROCKER DPDT - MOM/OFF/MOM-6 TERMINAL - BATTERY DISCONNECT
4	108356-02-01A	EA	COVER/ACTUATOR SWITCH - 2 ROWS DIMPLES- CONTURA II - BLACK
4	096241-03-000	EA	SWITCH - BLANK - BLACK
5	094796-11-000	EA	CLUSTER - INSTRUMENT PANEL - MILE/USA - DIESEL - ENGLAND
5	127244-02-000	EA	CLUSTER - INSTRUMENT PANEL - K/M - GAS
5	125001-04-000	EA	CLUSTER-INSTRUMENT PANEL-KILO REG/MPH READING - DIESEL
6	103662-01-01A	EA	BEZEL - INSTRUMENT PANEL
6	103662-10-01A	EA	BEZEL - INSTRUMENT PANEL
			FROM: 00-00-00 THRU: 06-02-98
			FROM: 06-03-98 THRU: 99-99-99
7	108357-10-000	EA	SWITCH - ROCKER SPDT - W/LIGHT - MOM/NONE/MOM - 5 TERMINAL - GEN
7	108356-04-01A	EA	COVER/ACTUATOR SWITCH - 2 ROWS DIMPLES W/LENS-CONTURAI - GEN
7	096241-03-000	EA	SWITCH - BLANK - BLACK - W/O GENERATOR
8	108357-03-000	EA	SWITCH - ROCKER SPDT - ON/OFF/ON - 3 TERMINAL - REAR HEATER/MOTOR AID
8	108356-02-01A	EA	COVER/ACTUATOR SWITCH-2 ROWS DIMPLES - REAR HEATER/MOTOR AID
8	096241-03-000	EA	SWITCH - BLANK - BLACK - W/O GENERATOR - W/O REAR HEATER/MOTOR AID
9	108357-03-000	EA	SWITCH - ROCKER SPDT - ON/OFF/ON - 3 TERMINAL - AUX. DEFROSTER FAN
9	108356-02-01A	EA	COVER/ACTUATOR SWITCH-2 ROWS DIMPLES - AUX. DEFROSTER FAN
9	096241-03-000	EA	SWITCH - BLANK - BLACK - W/O GENERATOR - W/O AUX. DEFROSTER FAN
10	104056-08-01A	EA	APPLIQUE - BEZEL - PASSENGER - 6 SWITCH
	077031-01-000	EA	FILM - BLACK - 1" X 1.75"
	077031-03-000	EA	FILM - WHITE - .75" X 1"
11	104056-06-04A	EA	APPLIQUE - BEZEL - PASSENGER DRESS UP
12	089294-01-000	EA	LIGHTER - CIGARETTE - W/ SOCKET & WIRE
13	104056-22-01A	EA	APPLIQUE - BEZEL - DRIVER SWITCHES
			FROM: 00-00-00 THRU: 05-08-98
13	104056-37-01A	EA	APPLIQUE - BEZEL - DRIVER SWITCHES
			FROM: 05-09-98 THRU: 99-99-99
14	M05946-38-H13	EA	DASH POD - CHEVY - W/O CLUSTER
15	108357-01-000	EA	SWITCH - ROCKER SPST - ON/OFF - 2 TERMINAL
15	108356-02-01A	EA	COVER/ACTUATOR SWITCH - 2 ROWS DIMPLES- CONTURA II - BLACK
16	P01713-01-000	EA	SWITCH - PUSH BUTTON -DRIVER DOOR
17	088246-01-000	EA	SWITCH - MIRROR REMOTE - EXTERIOR - SQUARE PUSH
17	087695-02-000	EA	SWITCH - HEATER - EXTERIOR MIRROR
	108355-01-000	EA	HOUSING - SWITCH
	077942-01-000	EA	SWITCH - DUMMY - BLACK

ELECTRICAL GROUP

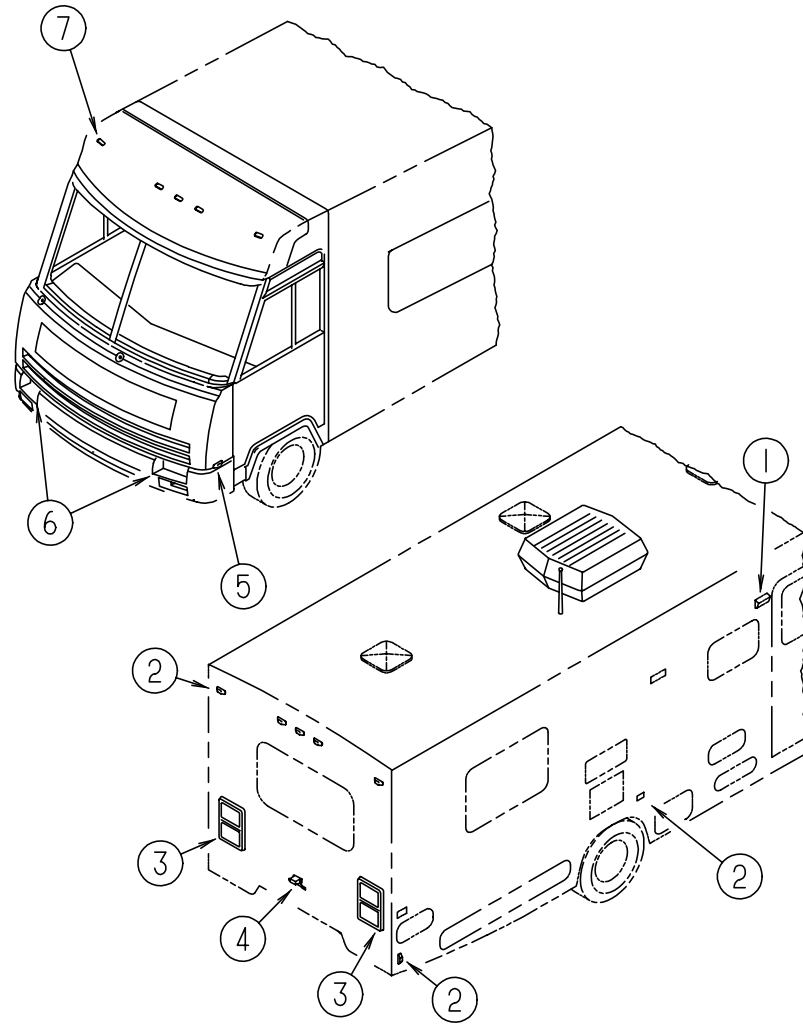
EXTERIOR LIGHTS - JAPAN EXPORT



KEY	PART NUMBER	U/M	DESCRIPTION	VENDOR NO.
1	097917-01-06A	EA	LIGHT - PORCH - BRIGHT WHITE	30-78-021
	008215-01-000	EA	BULB - 12 VOLT - #1003 - .94 AMP	
	097917-01-700	EA	LENS-LIGHT, CLEAR	
2	111102-01-000	EA	BASE - LAMP MARKER	30-84-050
	111102-03-000	EA	LENS - RED - MARKER LAMP	
3	036196-01-000	EA	BULB - 12V - #194 - .27 AMP - BAYONETTE	30-84-010 30-84-016 30-84-711
	103545-02-01A	EA	TAIL LIGHT - TRIPLE/AMBER	
	081638-06-700	EA	LENS-TAILLIGHT, CLEAR BACKUP	
4	037934-01-000	EA	BULB - 12V - #1156 - 2.1 AMP CLEAR GLASS	30-84-050
	037935-01-000	EA	BULB - 12V - #1157 OR #2057 - 2.1 AMP - CLEAR GLASS	
	081638-01-700	EA	LENS-TAILLIGHT, RED	
5	081638-02-700	EA	LENS-TAILLIGHT, AMBER	30-84-010 30-84-016 30-84-711
	103545-01-700	EA	LENS-BACKUP	
	105846-01-04A	EA	TRIM - TAIL LIGHT - REAR	
6	066432-02-000	EA	LIGHT - LICENSE - BLACK	30-84-050
	103247-01-000	EA	BRACKET - LICENSE PLATE - REAR	
	106646-02-000	EA	REFLECTOR - STICK ON - RED	
7	121950-01-000	EA	LIGHT - BRAKE - CENTER MOUNT	30-84-010 30-84-016 30-84-711
	111102-01-000	EA	BASE - LAMP MARKER	
	111102-02-000	EA	LENS - AMBER - MARKER LAMP	
8	036196-01-000	EA	BULB - 12V - #194 - .27 AMP - BAYONETTE	30-84-050
	049188-04-000	EA	HEADLAMP - DRIVER - HIGH BEAM - HALOGEN	
	049186-04-000	EA	HEADLAMP - DRIVER - HIGH/LOW - HALOGEN	
9	110690-02-D18	EA	PLATE - HEADLAMP - QUAD/LEFT HAND	30-84-010 30-84-016 30-84-711
	110782-01-000	EA	ANGLE - SUPPORT - HEADLAMP	
	049359-01-000	EA	SPRING - RETAINER - HEADLAMP - GM #496096	
10	110750-01-000	EA	SCREW - HEADLAMP ADJUSTING	30-84-050
	049185-04-000	EA	HEADLAMP - PASSENGER - HIGH/LOW - HALOGEN	
	049187-04-000	EA	HEADLAMP - PASSENGER - HIGH BEAM - HALOGEN	
11	110690-01-D18	EA	PLATE - HEADLAMP - QUAD/RIGHT HAND	30-84-010 30-84-016 30-84-711
	110782-01-000	EA	ANGLE - SUPPORT - HEADLAMP	
	049359-01-000	EA	SPRING - RETAINER - HEADLAMP - GM #496096	
12	110750-01-000	EA	SCREW - HEADLAMP ADJUSTING	30-84-050
	102520-01-000	EA	LIGHT - CLEARANCE - W/O SOCKET/HOUSING - AMBER	
	067789-02-000	EA	SOCKET - LAMP	
13	036196-01-000	EA	BULB - 12V - #194 - .27 AMP - BAYONETTE	30-84-010 30-84-016 30-84-711
	088474-09-000	EA	HOUSING - ELECTRICAL - 3 TERMINAL	
	088476-01-000	EA	TERMINAL - ELECTRICAL	

ELECTRICAL GROUP (CONTINUED)

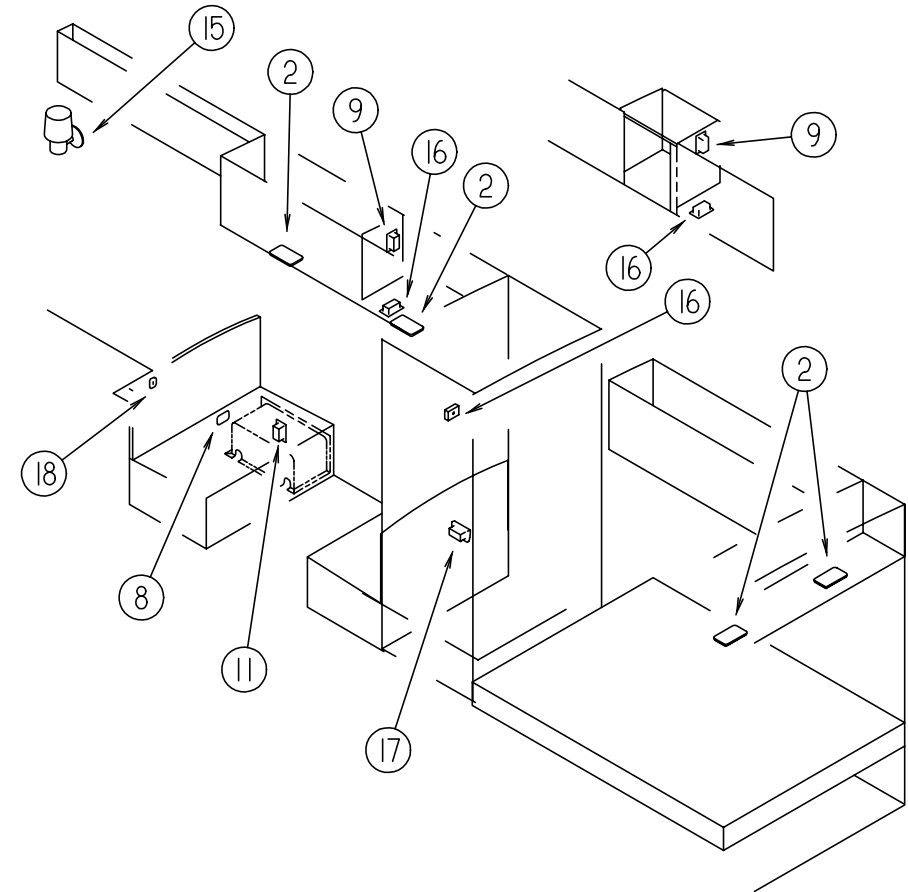
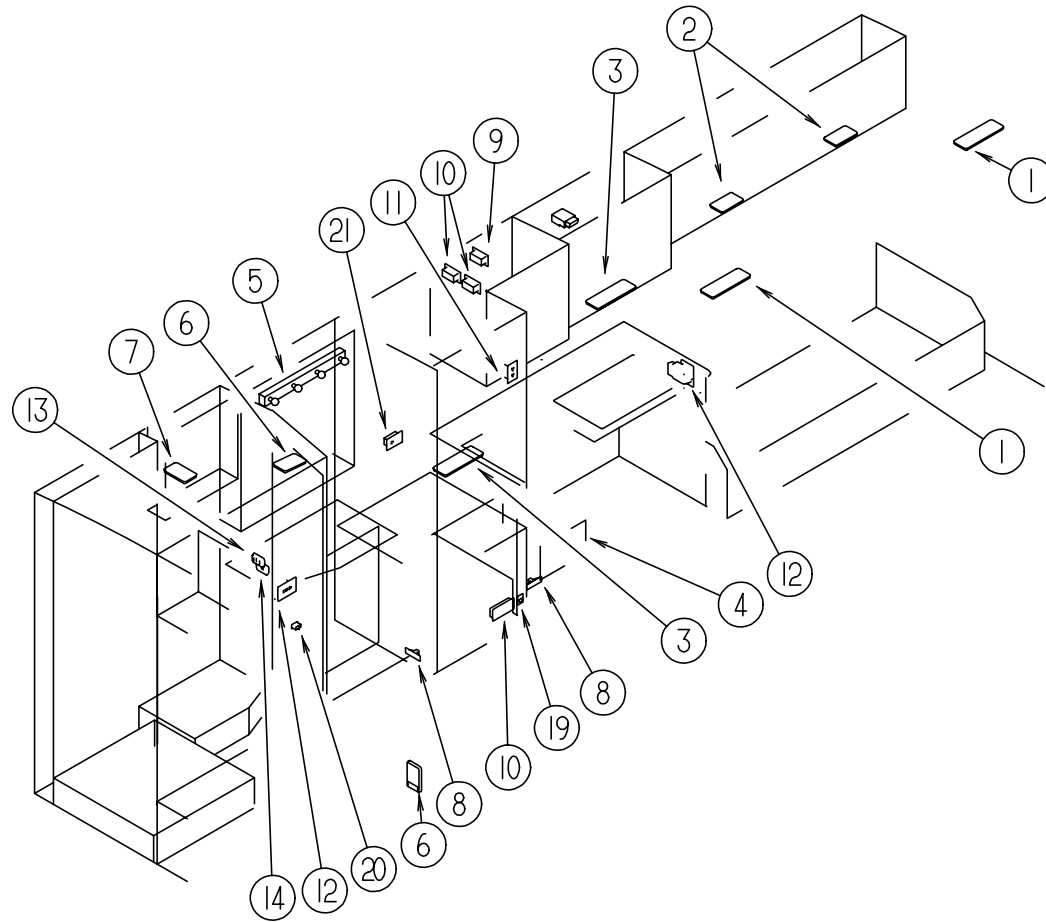
EXTERIOR LIGHTS - EUROPEAN EXPORT



KEY	PART NUMBER	U/M	DESCRIPTION	VENDOR NO.
1	097917-01-06A	EA	LIGHT - PORCH - BRIGHT WHITE	30-78-021
	008215-01-000	EA	BULB - 12 VOLT - #1003 - .94 AMP	
	097917-01-700	EA	LENS-LIGHT, CLEAR	
2	121685-03-000	EA	LAMP - SIDEMARKER - AMBER	9EL 141 135-031
	121685-03-700	EA	LENS	
	124221-01-000	EA	BULB - 12 VOLT/.4 AMP/5 WATT - #2825	
3	121679-01-000	EA	LIGHT - STOP/TAIL/BUMPER/TURN	9EL 122 689-021
	121679-01-700	EA	LENS	
	124219-01-000	EA	BULB - 12 VOLT/.83 AMP/10 WATT - #5008	
	124220-01-000	EA	BULB - 12 VOLT/1.75 AMP/21 WATT - #7506	
	123154-02-01A	EA	TRIM - TAIL LIGHT	
	057671-15-000	EA	COVER - SCREW - BRIGHT WHITE - EUROPEAN	
4	121680-01-000	EA	LAMP - LICENSE PLATE	
	124218-01-000	EA	BULB - 12VOLT/.4 AMP/5 WATT - #6418	
5	121684-01-000	EA	LAMP - SIDEMARKER - AMBER - RIGHT HAND	
	121684-02-000	EA	LAMP - SIDEMARKER - AMBER - LEFT HAND	
	124220-01-000	EA	BULB - 12 VOLT/1.75 AMP/21 WATT - #7506	
6	121682-01-000	EA	LAMP - TURN - FRONT	
	124220-01-000	EA	BULB - 12 VOLT/1.75 AMP/21 WATT - #7506	
6	121687-01-000	EA	HEADLAMP - HIGH/LOW - EUROPEAN - W/PARK	
	121687-02-000	EA	HEADLAMP - HIGH - EUROPEAN - INNER	
	124216-01-000	EA	BULB- 12 VOLT/55 WATT - #64150	
	121685-01-000	EA	LAMP - CLEARANCE - CLEAR	
7	121685-01-700	EA	LENS	9EL 141 135-011
	121685-01-000	EA	LAMP - CLEARANCE - CLEAR	
	124221-01-000	EA	BULB - 12 VOLT/.4 AMP/5 WATT - #2825	

ELECTRICAL GROUP (CONTINUED)

LIGHTS, SWITCHES & RECEPTACLES



KEY	PART NUMBER	U/M	DESCRIPTION	VENDOR NO.
1	098024-03-02A	EA	LIGHT - DOME - 2 BULB - WHITE	
	008218-01-000	EA	BULB - 12 VOLT - #1141 - 1.44AMP	
	098024-01-700	EA	LENS-LIGHT	807877
2	098024-05-02A	EA	LIGHT - DOME - 1 BULB - SKYLITE - WHITE	
	008218-01-000	EA	BULB - 12 VOLT - #1141 - 1.44AMP	
	098024-01-701	EA	LENS - OPTI CLEAR - SKYLITE	809902
3	098024-06-02A	EA	LIGHT - DOME - 2 BULB - SKYLITE	
	008218-01-000	EA	BULB - 12 VOLT - #1141 - 1.44AMP	
	098024-01-701	EA	LENS - OPTI CLEAR - SKYLITE	809902
4	024924-02-000	EA	RECEPTACLE - POWER CORD - W/PARTIAL PLATE	
5	110235-02-01A	EA	LIGHT - MAKE UP - 4 BULB PANLESS	
	081633-01-700	EA	BULB-LIGHT, MAKE-UP	RP1041
6	098024-01-03A	EA	LIGHT - DOME - 1 BULB - WHITE	
	008218-01-000	EA	BULB - 12 VOLT - #1141 - 1.44AMP	
	098024-01-700	EA	LENS-LIGHT	807877
7	121935-01-01A	EA	LIGHT - DOME - SHOWER	
8	061424-01-000	EA	LIGHT - AISLE - 12 VOLT - RECTANGULAR	
	008103-01-000	EA	BULB - DASH/AISLE LIGHT - #53 - 12 VOLT - .12 AMP	
9	058707-01-000	EA	RECEPTACLE - ELECTRIC - SINGLE - BROWN	
9	112590-01-000	EA	RECEPTACLE - 16 AMP - 240 VOLT - 2 POLE W/GROUND	
9	123660-01-02A	EA	RECEPTACLE - SINGLE W/C - EUROPEAN	
9	123661-01-01A	EA	FRAME - TRIM - SINGLE OUTLET - EXPORT	
10	058707-02-000	EA	RECEPTACLE - BLANK - JUNCTION BOX	

KEY	PART NUMBER	U/M	DESCRIPTION
11	058708-01-000	EA	RECEPTACLE - ELECTRIC - DOUBLE - BROWN
	102568-01-GB1	EA	SPACER - RECEPTACLE - BETWEEN SIDEWALL & PLATE - WOOD
12	084076-01-000	EA	RECEPTACLE - GFI - 15 AMP/125 VOLT - IVORY
12	123660-01-02A	EA	RECEPTACLE - SINGLE W/C - EUROPEAN
12	123661-01-01A	EA	FRAME - TRIM - SINGLE OUTLET - EXPORT
13	079364-01-000	EA	SWITCH - ON/OFF ROCKER - 2 TERMINAL - BROWN
13	079364-03-000	EA	SWITCH - ON/OFF ROCKER - 3 TERMINAL - BROWN
13	095188-01-01A	EA	SPACER - SWITCH - 2.3" X 3.4" - PLASTIC - DARK BROWN
13	098351-02-01A	EA	PLATE - SWITCH - 2 GANG POLISHED BRASS
14	098351-01-01A	EA	PLATE - SWITCH - 1 GANG POLISHED BRASS
14	079364-01-000	EA	SWITCH - ON/OFF ROCKER - 2 TERMINAL - BROWN
14	095188-01-01A	EA	SPACER - SWITCH - 2.3" X 3.4" - PLASTIC - DARK BROWN
15	119258-05-01A	EA	LAMP - WALL
15	119257-04-01A	EA	SHADE - LAMP - LINEN WHITE
	067479-01-000	EA	BULB - 12 VOLT - #1076 - 1.80 AMP
16	058708-01-000	EA	RECEPTACLE - ELECTRIC - DOUBLE - BROWN
16	123660-01-02A	EA	RECEPTACLE - SINGLE W/C - EUROPEAN
16	123661-01-01A	EA	FRAME - TRIM - SINGLE OUTLET - EXPORT
17	112822-01-01A	EA	RECEPTACLE - DUPLEX - IVORY
17	112824-01-03A	EA	COVER - EXTERIOR DUPLEX RECEPTACLE - WHITE PLASTIC
18	116995-01-000	EA	SWITCH/MAGNET - ELECTRIC STEP
19	079364-01-000	EA	SWITCH - ON/OFF ROCKER - 2 TERMINAL - BROWN
19	098351-01-01A	EA	PLATE - SWITCH - 1 GANG POLISHED BRASS
20	108357-08-000	EA	SWITCH - ROCKER DPDT - ON/NONE/ON - 6 TERMINAL
20	108356-02-01A	EA	COVER/ACTUATOR SWITCH - 2 ROWS DIMPLES- CONTURA II - BLACK
21	112590-01-000	EA	RECEPTACLE - 16 AMP - 240 VOLT - 2 POLE W/GROUND

ELECTRICAL GROUP (CONTINUED)

FUSES & FUSE HOUSINGS

KEY	PART NUMBER	U/M	DESCRIPTION
	062037-01-000	EA	HOUSING - AUTO FUSE - NATURAL
	062037-02-000	EA	HOUSING - AUTO FUSE - GREEN
	062037-03-000	EA	HOUSING - AUTO FUSE - BLACK
	062037-04-000	EA	HOUSING - AUTO FUSE - BLUE
	062037-05-000	EA	HOUSING - AUTO FUSE - GRAY
	062037-06-000	EA	HOUSING - AUTO FUSE - BROWN
	062037-07-000	EA	HOUSING - AUTO FUSE - RED
	062901-02-000	EA	FUSE - 05 AMPS - AUTOMOTIVE
	062901-05-000	EA	FUSE - 15 AMPS - AUTOMOTIVE
	062901-06-000	EA	FUSE - 20 AMPS - AUTOMOTIVE
	062901-07-000	EA	FUSE - 25 AMPS - AUTOMOTIVE
	106656-01-000	EA	FUSE BLOCK - 4 CAVITY - AUTOFUSE
	108669-01-000	EA	HOUSING - AUTO FUSE HOLDER

CIRCUIT BREAKERS

KEY	PART NUMBER	U/M	DESCRIPTION
	083209-02-000	EA	CIRCUIT BREAKER - 15/15 AMP - 120 VOLT
	083209-04-000	EA	CIRCUIT BREAKER - 30 AMP - 120 VOLT
	083209-07-000	EA	CIRCUIT BREAKER - 20/20 AMP - 120 VOLT
	083209-08-000	EA	CIRCUIT BREAKER - BLANK
	093655-03-000	EA	CIRCUIT BREAKER - 40 AMP - 12 VOLT
	112591-01-000	EA	CIRCUIT BREAKER - 16 AMP - 240 VOLT
	112592-01-000	EA	CIRCUIT BREAKER - 25 AMP - 240 VOLT - GFI

TERMINALS

KEY	PART NUMBER	U/M	DESCRIPTION
	008326-01-000	EA	TERMINAL - RING - 16/14 WIRE - 3/8" STUD
	008328-01-000	EA	TERMINAL - RING - 12/10 WIRE - #10 STUD FIT
	008331-01-000	EA	TERMINAL - RING - TONGUE - #4 WIRE - 3/8" STUD - COPPER
	008348-01-000	EA	TERMINAL - RING - 3/8" STUD 2 GA. WIRE
	035416-04-000	EA	TERMINAL - RING - #10 STUD FIT - INSULATED BARREL #16/14
	047443-01-000	EA	TERMINAL - .250 RECEPTACLE FIT - INSULATED - 16/14 AWG
	062036-01-000	EA	TERMINAL - PACK - CON - 12/10 AWG
	062036-02-000	EA	TERMINAL - PACK - CON - 16/14 AWG
	088267-01-000	EA	TERMINAL - FEMALE - 1/4
	088476-01-000	EA	TERMINAL - ELECTRICAL
	104100-03-000	EA	TERMINAL - 75 AMP
	106007-01-000	EA	TERMINAL - FEMALE - 14-16 AWG
	106655-01-000	EA	TERMINAL - FUSE BLOCK - 14-16 AWG
	106655-02-000	EA	TERMINAL - FUSE BLOCK - 10-12 AWG
	098260-01-000	EA	TERMINAL - MALE - 56 SERIES
	113306-01-000	EA	TERMINAL - FEMALE - M/P - 14-16 - F/SEALED TERMINAL
	113307-01-000	EA	TERMINAL - FEMALE - M/P - 16-20
	113308-01-000	EA	TERMINAL - FEMALE - M/P - 14-16 - 280
	125324-01-000	EA	TERMINAL - MALE - METRI-PACK - 150

ELECTRICAL GROUP (CONTINUED)

ELECTRIC BOXES & COVERS

KEY	PART NUMBER	U/M	DESCRIPTION
	008289-01-000	EA	BOX - ELECTRIC/STEEL - 1/2" & 3/4" KNOCKOUTS - 4" X 4"
	008294-01-000	EA	COVER - ELECTRICAL BOX - BLANK/STEEL - 4" X 4" - GRAY
	069238-01-000	EA	COVER - ELECTRICAL BOX - W/HOLE - 4" X 4" - GRAY USED WITH 30 AMP RECEPTACLE
	091910-02-000	EA	BOX - ELECTRIC - 2.2" X 3.5" X 1.8" - PLASTIC
	093257-02-000	EA	BOX - ELECTRIC - CIRCUIT BREAKER
	111509-01-000	EA	BOX - ELECTRICAL - E-COATED
	111510-01-000	EA	DOOR/ACCESS PANEL - ELECTRICAL BOX
	123659-01-000	EA	BOX - ELECTRIC - RECEPTACLE - EUROPEAN

HOUSINGS, PINS & SOCKETS

KEY	PART NUMBER	U/M	DESCRIPTION
	088473-01-000	EA	HOUSING - PIN - 12 CAVITY (3 ROWS OF 4)
	088473-02-000	EA	HOUSING - PIN - 15 CAVITY (3 ROWS OF 5)
	088473-03-000	EA	HOUSING - PIN - 9 CAVITY (3 ROWS OF 3)
	088473-06-000	EA	HOUSING - PIN - 6 CAVITY (2 ROWS OF 3)
	088473-08-000	EA	HOUSING - PIN - 4 CAVITY - IN-LINE
	088473-09-000	EA	HOUSING - PIN - 3 CAVITY IN-LINE
	088473-10-000	EA	HOUSING - PIN - 2 CAVITY - IN LINE
	088474-01-000	EA	HOUSING - SOCKET - 12 CAVITY
	088474-02-000	EA	HOUSING - SOCKET - 15 CAVITY
	088474-03-000	EA	HOUSING - SOCKET - 9 CAVITY
	088474-06-000	EA	HOUSING - SOCKET - 6 CAVITY
	088474-07-000	EA	HOUSING - SOCKET - 5 CAVITY
	088474-08-000	EA	HOUSING - SOCKET - 4 CAVITY
	088474-09-000	EA	HOUSING - ELECTRICAL - 3 TERMINAL
	088474-10-000	EA	HOUSING - SOCKET - 2 CAVITY
	101571-01-000	EA	HOUSING - 2 POSITION - MALE
	101751-01-000	EA	HOUSING - 1 PIN - WEATHER PACK
	101751-02-000	EA	HOUSING - 1 PIN - WEATHERPACK
	104100-01-000	EA	HOUSING - 1 POSITION - 75 AMPS
	106006-01-000	EA	HOUSING - 1 POSITION - FEMALE
	110178-01-000	EA	HOUSING - WIPER MOTOR
	063910-01-000	EA	HOUSING - RELAY
	088476-02-000	EA	SOCKET - CONNECTOR - 12-10 GA - PRE-TIN
	103608-01-000	EA	SOCKET - WEDGE BASE W/LEADS
	098261-02-000	EA	SOCKET - CONNECTOR - WEATHERPACK

ELECTRICAL GROUP (CONTINUED)**CONNECTORS**

KEY	PART NUMBER	U/M	DESCRIPTION
	007942-01-000	EA	TAB - WIRE 10 TO 14 AWG
	007954-01-000	EA	RECEPTACLE - HOUSING - 6 POSITION
	007956-05-000	EA	INSULATOR - SHRINK - .25 ID X 1.50
	008311-01-000	EA	CONNECTOR - WIRE NUT - INSULATED - RED
	008312-01-000	EA	CONNECTOR - WIRE NUT - INSULATED - BLUE
	008313-01-000	EA	CONNECTOR - WIRE NUT - INSULATED - YELLOW
	008314-01-000	EA	CONNECTOR - WIRE NUT - INSULATED - GRAY
	008355-01-000	EA	CONNECTOR - CABLE CLAMPING - 3/4"
	008356-01-000	EA	CONNECTOR - PLASTIC - 3/8" AVG
	041480-01-000	EA	CONNECTOR - STRAIGHT - 1/2" FLEX CONDUIT
	058028-01-000	EA	CONNECTOR - ELECTRICAL PIGTAIL - NYLON - CLEAR
	088475-01-000	EA	PIN - CONNECTOR - 14-20 AWG
	098265-02-000	EA	PIN - CONNECTOR - WEATHERPACK

POWER CORDS

KEY	PART NUMBER	U/M	DESCRIPTION
	008054-01-000	EA	CORD - POWER - 10/3 WIRE - 30 AMP - 25'

WIRE ASSEMBLIES

KEY	PART NUMBER	U/M	DESCRIPTION
	P03784-01-000	EA	WIRE ASSEMBLY - HEADLAMP - GM
	P27264-02-000	EA	WIRE ASSEMBLY - RADIO AM/FM CASSETTE
	P27516-02-000	EA	WIRE ASSEMBLY - RADIO AM/FM/CD
	073328-B4-000	EA	CABLE ASSEMBLY - BATTERY - W/TERMINALS
	081059-02-000	EA	WIRE ASSEMBLY - 9PIN - F/RADIO
	090986-01-000	EA	WIRE ASSEMBLY - ELECTRIC STEP
	096449-01-000	EA	WIRE ASSEMBLY - WATER TANK TO MONITOR PANEL
	097618-01-000	EA	WIRE ASSEMBLY - MONITOR PANEL- W/3 WIRES & ORANGE RESISTOR ORANGE RESISTOR W/3 (ORANGE-GREEN-BLUE) WIRES
	100677-01-000	EA	WIRE ASSEMBLY - RADIO
	102636-02-000	EA	WIRE ASSEMBLY - CLEARANCE LAMPS
	108303-01-000	EA	WIRE ASSEMBLY - REAR AUTO HEATER
	110256-01-000	EA	WIRE ASSEMBLY - INSTRUMENT PANEL - GENERATOR
	112593-01-000	FT	CABLE - 3 WIRE - 16A - FLEX RUBBER - EUROPEAN
	112593-02-000	FT	CABLE - 3 WIRE - 25A - FLEX RUBBER - EUROPEAN
	113134-03-000	EA	WIRE ASSEMBLY - WIPER/WASHER
	124096-01-000	EA	WIRE - INSTRUMENT PANEL - FOG LAMPS
	126392-01-000	EA	WIRE ASSEMBLY - REMOTE MIRRORS

ELECTRICAL GROUP (CONTINUED)**CONVERTER & INVERTER**

KEY	PART NUMBER	U/M	DESCRIPTION
	083208-02-000	EA	CONTROL CENTER - 45 AMP - 120/12V
	083208-05-000	EA	CONTROL CENTER - 45 AMP - 100/12V
	113493-01-000	EA	LOAD CENTER - 12 MDL - FLUSH MOUNT
	114511-01-000	EA	CONVERTER - 40 AMP - W/CHARGER
	125570-01-000	EA	TRANSFORMER - 220 TO 110 VAC

CONDUIT

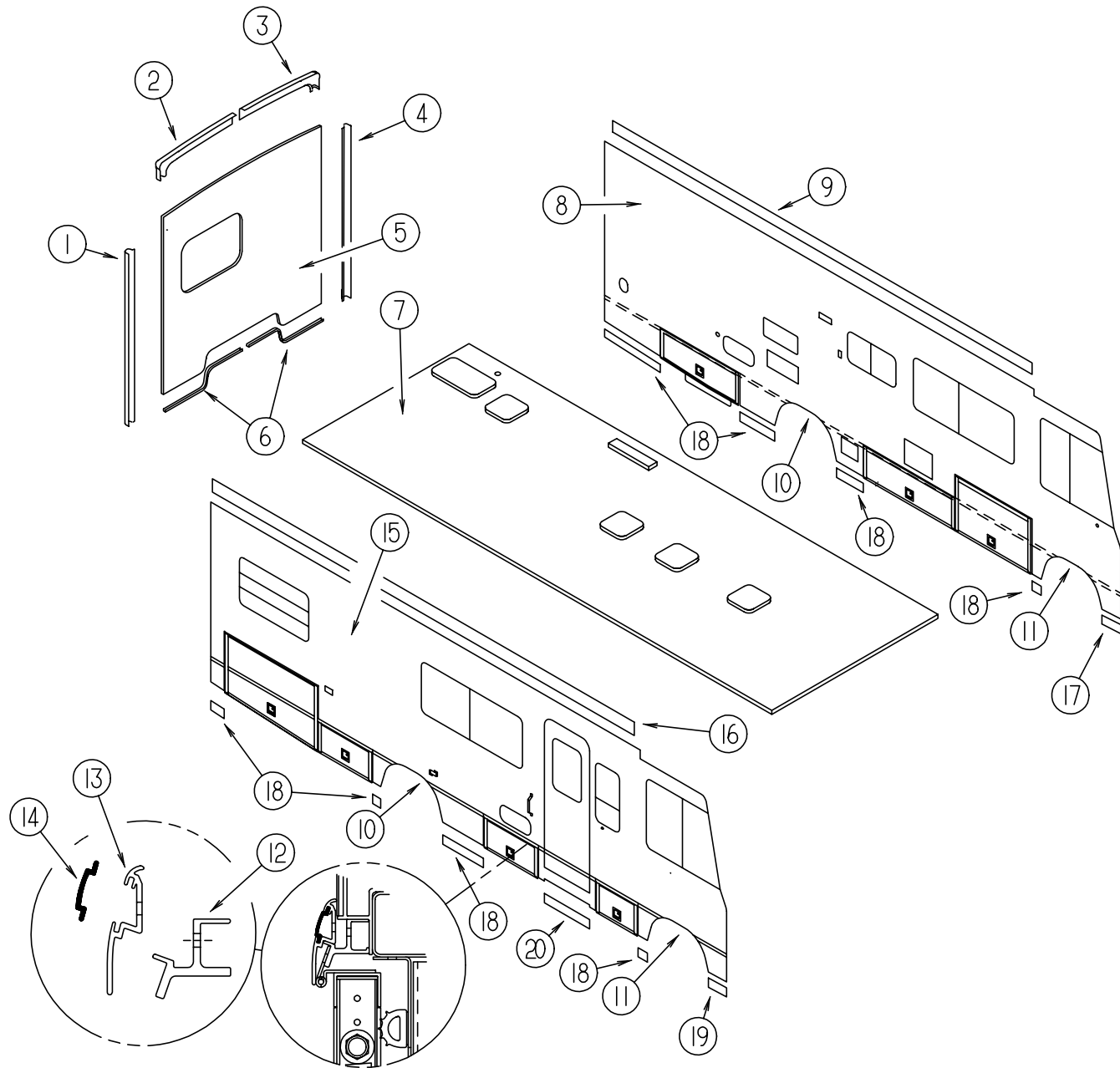
KEY	PART NUMBER	U/M	DESCRIPTION
	041953-01-000	FT	CONDUIT - CONVOLUTE SLIT - .5" ID
	041953-03-000	FT	CONDUIT - CONVOLUTE SLIT - 1" ID (CLOTHES ROD COVER)
	041953-05-000	FT	CONDUIT - CONVOLUTE SOLID - .62" ID
	041953-06-000	FT	CONDUIT - CONVOLUTE SLIT - .375" ID
	041953-07-000	FT	CONDUIT - CONVOLUTE SLIT - .25" ID
	041953-08-000	FT	CONDUIT - CONVOLUTE SLIT - 1.50" ID
	041953-09-000	FT	CONDUIT - CONVOLUTE SLIT - .50" ID
	041953-10-000	FT	CONDUIT - CONVOLUTE SLIT - .75" ID
	041953-11-000	FT	CONDUIT - CONVOLUTE SLIT - 1.06" ID
	041953-12-000	FT	CONDUIT - CONVOLUTE SOLID - 1.1" ID
	008394-01-000	FT	CONDUIT - FLEXIBLE - 1/2"

MISCELLANEOUS ELECTRICAL COMPONENTS

KEY	PART NUMBER	U/M	DESCRIPTION
	077479-01-000	EA	BOOT - BATTERY TERMINAL - DOUBLE CABLE
	077479-02-000	EA	BOOT - BATTERY TERMINAL - SINGLE CABLE
	080015-02-000	EA	RECEPTACLE - FLAG - .185 - 16/14 GAUGE
	087225-02-000	FT	SLEEVING - 5/8" - TYPE H
	098262-01-000	EA	SEAL - CONNECTOR - WEATHERPACK
	103987-02-000	EA	SEAL - SOLENOID ACCESS
	112594-01-000	EA	INLET - 16 AMP 240 VOLT - 2 POLE W/GROUND - EUROPEAN
	112823-01-000	EA	SPLICE - REDUCER - 16-14 TO 18-22
	125325-01-000	EA	SEAL - CAVITY
	007093-01-000	EA	SIGNAL FLASHER
	008188-01-000	EA	SOLENOID - 3 POST - BATTERY CHANGE OVER
	063912-02-000	EA	RELAY - CANISTER - SPDT
	086233-01-000	EA	STUD - ISOLATED - 3/8" X 7/8" LONG
	086273-01-000	EA	RELAY - BATTERY DISCONNECT
	113494-01-000	EA	CONTACTOR - 25 AMP - 230 VOLT - 50 HZ

EXTERIOR BODY GROUP

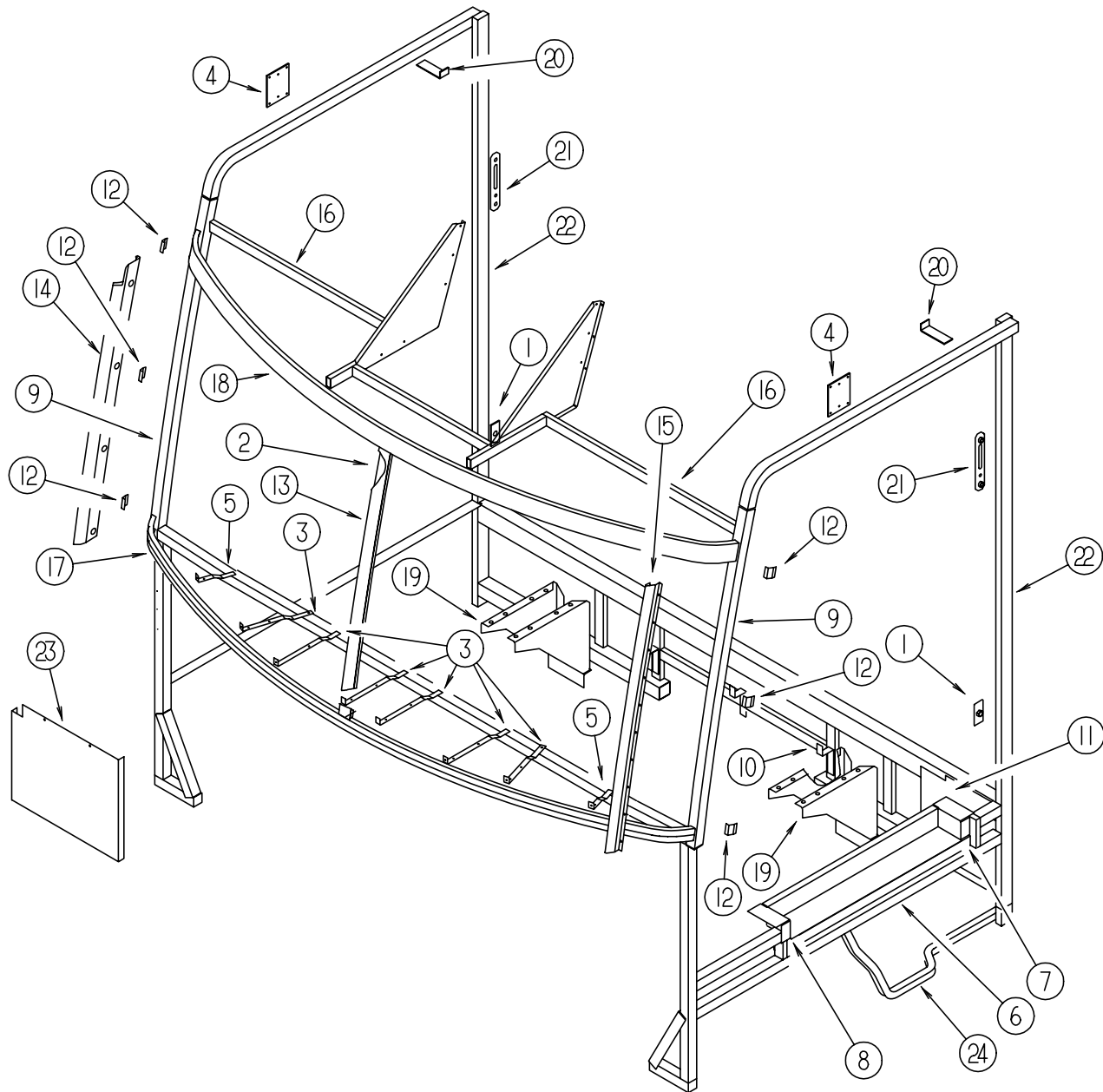
EXTERIOR BODY PANELS AND TRIM



KEY	PART NUMBER	U/M	DESCRIPTION
1	114874-05-12B	EA	TRIM - BACKWALL - SIDE/PASSENGER
1	104033-11-02A	EA	J-TRIM - BACKWALL - PASSENGER - 90.3" - BRIGHT WHITE
2	114872-03-03A	EA	TRIM - BACKWALL - TOP/PASSENGER - EUROPEAN EXPORT
2	114872-05-01A	EA	TRIM - BACKWALL - TOP/PASSENGER - BRIGHT WHITE - JAPAN EXPORT
	114248-02-01A	EA	ANGLE - PLASTIC - 96.6"
			FROM: 05-11-98 THRU: 99-99-99
3	114873-03-03A	EA	TRIM - BACKWALL - TOP/DRIVER - BRIGHT WHITE - EUROPEAN EXPORT
3	114873-05-01A	EA	TRIM - BACKWALL - TOP/DRIVER - BRIGHT WHITE - JAPAN EXPORT
4	114874-06-12B	EA	TRIM - BACKWALL - SIDE/DRIVER
4	104033-12-02A	EA	J-TRIM - BACKWALL - DRIVER - 90.3" - BRIGHT WHITE
5	M07419-21-J18	EA	BACKWALL - W/O WINDOW/TRIM - EUROPEAN EXPORT
5	M07419-21-J19	EA	BACKWALL - W/O WINDOW/TRIM - EUROPEAN EXPORT
5	M07419-21-J44	EA	BACKWALL - W/O WINDOW/TRIM - EUROPEAN EXPORT
5	M07419-22-J18	EA	BACKWALL - W/O WINDOW/TRIM - JAPAN EXPORT
5	M07419-22-J19	EA	BACKWALL - W/O WINDOW/TRIM - JAPAN EXPORT
5	M07419-22-J44	EA	BACKWALL - W/O WINDOW/TRIM - JAPAN EXPORT
	108688-01-03A	EA	STRIP - FEATURE - 15'
	108651-01-03A	EA	CAP - FEATURE STRIP - BRIGHT WHITE
	105312-01-07A	EA	INSERT - VINYL FEATURE STRIP - BRIGHT WHITE
6	050406-30-000	EA	TRIM - LOWER BACKWALL - BRIGHT WHITE
7	P24951-01-H13	EA	ROOF - W/O LIGHTS/VENTS - W/WIRING
8	M09306-01-J18	EA	SIDEWALL - DRIVER - W/O WINDOWS/TRIMS
8	M09306-01-J19	EA	SIDEWALL - DRIVER - W/O WINDOWS/TRIMS
8	M09306-01-J44	EA	SIDEWALL - DRIVER - W/O WINDOWS/TRIMS
9	120091-02-02A	EA	TRIM - ROOF
10	124512-01-01A	EA	TRIM - WHEELWELL/REAR - BRIGHT WHITE
11	124513-02-01A	EA	TRIM - WHEELWELL/FRONT - NOTCHED
12	124299-51-001	EA	EXTRUDED - RETAINER - TRIM - 144"
13	124176-01-01A	EA	TRIM - SIDEWALL - BRIGHT WHITE - 16'
14	105312-01-07A	FT	INSERT - VINYL FEATURE STRIP - BRIGHT WHITE
15	P24950-01-J18	EA	SIDEWALL - PASSENGER - W/O WINDOWS/TRIM
15	P24950-01-J19	EA	SIDEWALL - PASSENGER - W/O WINDOWS/TRIM
15	P24950-01-J44	EA	SIDEWALL - PASSENGER - W/O WINDOWS/TRIM
16	120092-01-02A	EA	RAIL - AWNING - BRIGHT WHITE
17	108109-13-01A	EA	TRIM - SIDEWALL - LOWER/FRONT - BRIGHT WHITE
18	122554-49-01A	EA	TRIM - ROCKER PANEL BRT/WHT 64.7"
19	108109-13-01A	EA	TRIM - SIDEWALL - LOWER/FRONT - BRIGHT WHITE
	116800-55-005	EA	EXTRUDED CHANNEL - 192" - BRIGHT WHITE
20	124542-02-J18	EA	TRIM - SIDEWALL - BLACK
	124132-01-01A	EA	CAP - SIDEWALL TRIM - RIGHT HAND - 1.4" - BRIGHT WHITE
	124132-02-01A	EA	CAP - SIDEWALL TRIM - LEFT HAND - 1.4" - BRIGHT WHITE
	124179-01-01A	EA	CAP - WHEELWELL TRIM - LEFT HAND - BRIGHT WHITE
	124179-02-01A	EA	CAP - WHEELWELL TRIM - RIGHT HAND - BRIGHT WHITE

EXTERIOR BODY GROUP (CONTINUED)

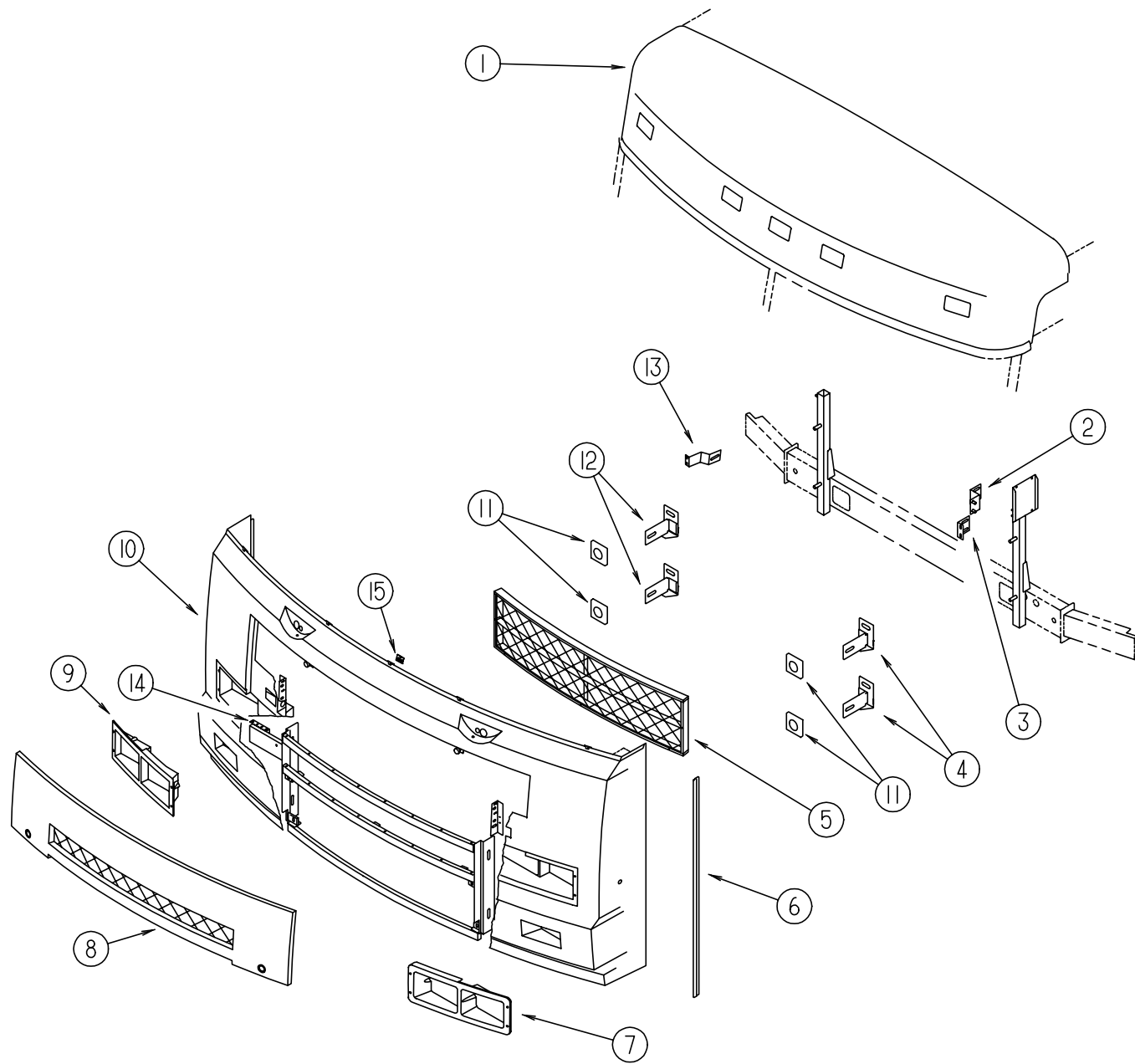
FRONT END ASSEMBLY



KEY	PART NUMBER	U/M	DESCRIPTION
1	070579-06-000	EA	PLATE - ANCHOR - W/7/16" WELD NUT - 1.5" X 3.3"
1	070579-07-000	EA	PLATE - ANCHOR - W/O WELD NUT - 1.5" X 3.3"
2	078249-15-000	EA	TUBE - SWEEP - CAB FRAME
3	104797-01-000	EA	BRACKET-DEFROSTER,6.5
4	033386-51-047	EA	STEEL - ANGLE - .125" X .75" X 2"
5	104797-02-000	EA	BRACKET-DEFROSTER,3.5
6	106746-01-000	EA	PANEL - STEPWELL
7	106747-01-000	EA	PANEL - STEPWELL - RIGHT HAND END
8	106747-02-000	EA	PANEL - STEPWELL - LEFT HAND END
9	105563-03-000	EA	TUBE - SUPPORT - A - PILLER - LEFT
9	105563-02-000	EA	TUBE - SUPPORT - A - PILLER - RIGHT
10	117287-01-01B	EA	BRACKET - MOUNT - CABLE
11	104148-02-000	EA	SHIELD - SPLASH - HEADLIGHT
12	120363-01-01B	EA	BRACKET - WINDSHIELD
13	120840-05-01B	EA	STRAP-W/HOLES,MILL
14	121269-09-01B	EA	FRAME-WINDSHIELD,A PILLAR,ML
15	121269-10-01B	EA	FRAME-WINDSHIELD,A PILLAR,ML
16	122037-12-01B	EA	HEADER - W/TV OPTION
17	077847-02-000	EA	SUPPORT - WINDSHIELD/LOWER - W/O BRACKETS
18	121964-01-01B	EA	SUPPORT - WINDSHIELD/UPPER - W/O BRACKETS
19	122086-01-01B	EA	BRACKET - SEAT
	069640-14-000	FT	SEALER - TAPE - .06"THICK X 1"WIDE X 100' - GRAY
20	101496-01-000	EA	BRACKET - PANEL - END CAP
21	103318-01-000	EA	MOUNT ASM-SEATBELT,WALL
22	117976-01-01B	EA	TUBE-B PILLAR,MILL
23	121962-04-02B	EA	SHIELD ASM-SPLASH,HDLGT,E-CT
24	063977-11-000	EA	STEP - DRIVER DOOR

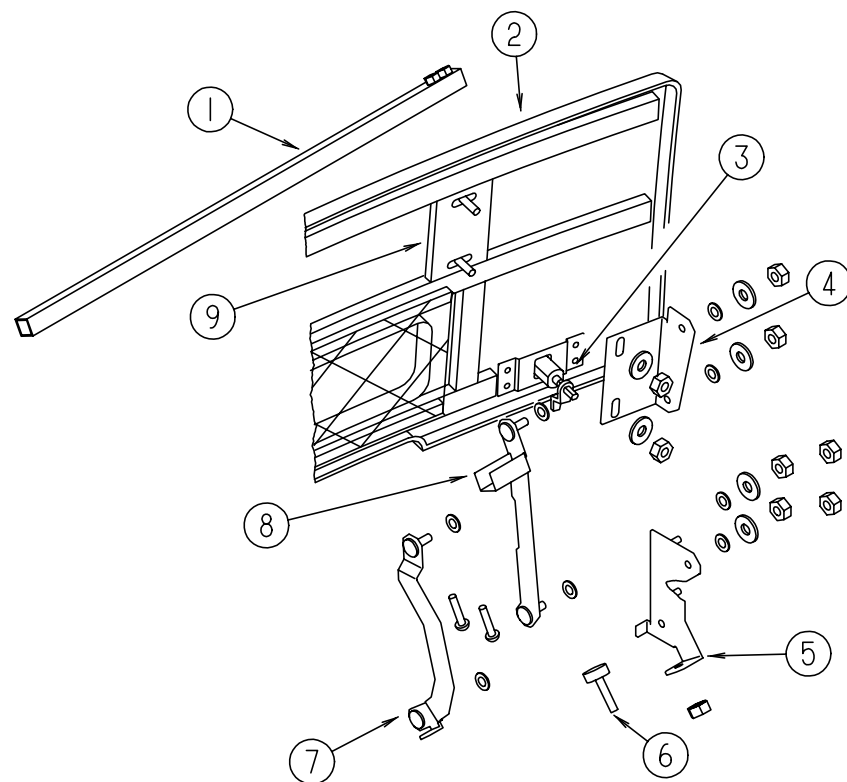
EXTERIOR BODY GROUP (CONTINUED)

FRONT END COMPONENTS



KEY	PART NUMBER	U/M	DESCRIPTION
1	M07435-05-H13	EA	CAP - FRONT - EUROPEAN EXPORT
1	M07435-06-H13	EA	CAP - FRONT - JAPAN EXPORT
1	122513-04-H13	EA	CAP - ROOF - EUROPEAN EXPORT
2	122842-01-02B	EA	BRACE - FRONT END - DRIVER SIDE - E-COATED
3	122800-01-02B	EA	ANGLE - FRONT END - DRIVER - E-COATED
4	122826-02-02B	EA	BRACKET - BUMPER - DRIVER - E-COATED
5	123945-01-H13	EA	GRILLE - W/WIRE MESH
	115924-09-02A	EA	WIRE MESH - F/GRILLE - FLAT BLACK
6	123680-03-01A	EA	TRIM - FIBERGLASS PANEL - BRIGHT WHITE
			FROM: 00-00-00 THRU: 02-08-98
6	123680-05-01A	EA	TRIM - FIBERGLASS PANEL - BRIGHT WHITE
			FROM: 02-09-98 THRU: 99-99-99
7	122510-02-01A	EA	BEZEL - HEADLAMP - LEFT HAND - BRIGHT WHITE
	007157-05-000	EA	NUT - WELL
8	122511-02-H13	EA	PANEL - HOOD/OUTER
	115924-08-02A	EA	WIRE MESH - F/GRILLE - FLAT BLACK
9	122510-01-01A	EA	BEZEL - HEADLAMP - RIGHT HAND
	007157-05-000	EA	NUT - WELL
10	122512-01-01A	EA	CAP - FRONT - LOWER
11	116617-02-02B	EA	SPACER - BUMPER
12	122826-01-02B	EA	BRACKET - BUMPER - PASSENGER - E-COATED
13	122787-01-02B	EA	BRACE - FRONT END - PASSENGER - E-COATED
14	106748-05-000	EA	LATCH - HOOD - FRONT END
15	119445-01-02B	EA	PLATE - W/HOLES

EXTERIOR BODY GROUP (CONTINUED)



HOOD & COMPONENTS

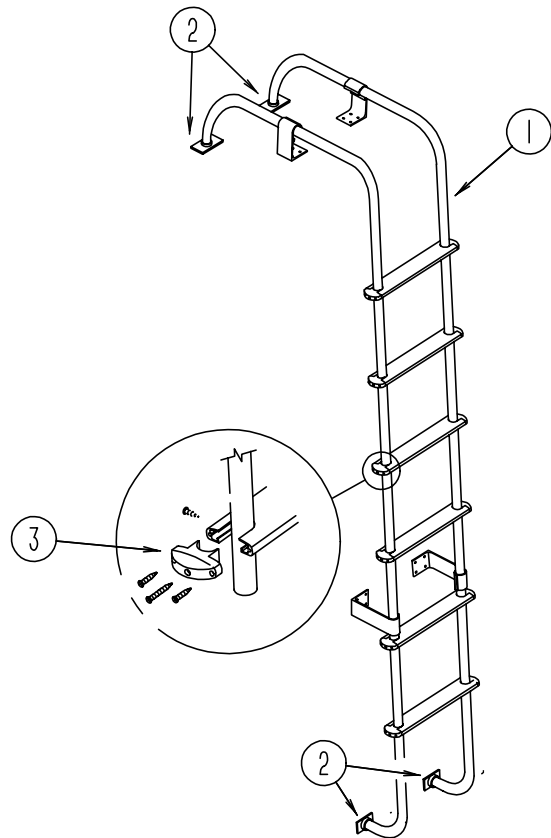
KEY	PART NUMBER	U/M	DESCRIPTION
1	105096-12-000	EA	TUBE - HOOD HINGE TIMING W/WELDNUTS
2	122511-02-H13	EA	PANEL - HOOD/OUTER
3	102330-02-000	EA	LATCH - VISE ACTION/KEY OPERATED
3	102328-01-000	EA	KEY - BARREL - NICKEL PLATED
4	122736-01-02B	EA	ANGLE - LINK - HOOD - RIGHT HAND
4	122736-02-02B	EA	ANGLE - LINK - HOOD - LEFT HAND
5	106613-07-000	EA	BRACKET - LINK/HINGE - RIGHT HAND
5	106613-08-000	EA	BRACKET - LINK/HINGE - LEFT HAND
6	058786-01-000	EA	BOLT - ADJUSTING HOOD - W/BLACK PAD
7	106612-05-000	EA	LINK - HINGE/HOOD - LOWER/RIGHT HAND
7	106612-06-000	EA	LINK - HINGE/HOOD - LOWER/LEFT HAND
8	106618-03-000	EA	LINK - HOOD HINGE - UPPER RIGHT HAND
8	106618-04-000	EA	LINK - HOOD HINGE - UPPER LEFT HAND
9	106730-10-000	EA	PLATE - STUD - F/HOOD

EXTERIOR BODY GROUP (CONTINUED)

FIBERGLASS, STYROFOAM & INSULATION

KEY	PART NUMBER	U/M	DESCRIPTION
	076054-N9-000	EA	FIBERGLASS SHEET - 96" X 102" - BRIGHT WHITE FROM: 00-00-00 THRU: 02-03-98
	076054-U8-000	EA	FIBERGLASS SHEET - 100" X 105" - BRIGHT WHITE FROM: 02-04-98 THRU: 99-99-99
	076054-U4-000	EA	FIBERGLASS SHEET - 101" X 104" - BRIGHT WHITE
	076054-W4-000	EA	FIBERGLASS SHEET - 79" X 337" - BRIGHT WHITE
	077517-62-000	EA	FIBERGLASS - SHEET/SIDEWALL - 48" X 96" - BRIGHT WHITE
	108535-04-705	EA	FIBERGLASS SHEET - 6" X 34' BRIGHT WHITE
	108535-05-702	EA	FIBERGLASS SHEET - FLAT - 110" X 396" BRIGHT WHITE - ROOF
	100619-01-000	BF	FOAM - EXPANDED POLYSTYRENE - 1.34" X 48" X 96"
	100619-04-000	BF	FOAM - EXPANDED POLYSTYRENE - .5" X 48" X 96"
	100619-05-000	BF	FOAM - EXPANDED POLYSTYRENE - .75" X 48" X 96"-1.5 DENSITY
	100619-10-000	BF	FOAM - EXPANDED POLYSTYRENE - 1.5" X 48" X 96"
	100619-11-000	BF	FOAM - EXPANDED POLYSTYRENE - 2" X 48" X 96"
	100619-16-000	BF	FOAM - EXPANDED POLYSTYRENE - .75" X 48" X 96"-2.0 DENSITY
	105077-08-000	EA	FOAM - PLUG - ROOF CAP
	120107-01-000	EA	FOAM - COVE - ROOF - 2.8" X 96" LONG
	120107-02-000	EA	FOAM - PLUG - ROOF TUBE - 2.2" X 2.9" X 1.8" LONG
	120107-03-000	EA	FOAM - PLUG - SIDEWALL TUBE - 1.2" X 2.1" X 1.8" LONG
	000870-08-000	SF	STYROFOAM - 3/4" X 48" X 96" PLANED EXPANDED BEAD BOARD
	002726-01-001	EA	GARNISH - U-CHANNEL - 1.38" X 19' - SERRATED
	058267-01-000	FT	CHANNEL - STEEL - W/HOLES - SIDEWALL STIFFENER - 2" X 20'
	068716-01-001	EA	BRACE - 90 DEGREE L-ANGLE - 16'
	089297-01-000	SF	PLYWOOD - LUAN - OVERLAY GRADE - 48" X 96"
	072878-01-000	SF	INSULATION - SOUND BARRIER PAD - .058" X 33" X 58"

EXTERIOR BODY GROUP (CONTINUED)



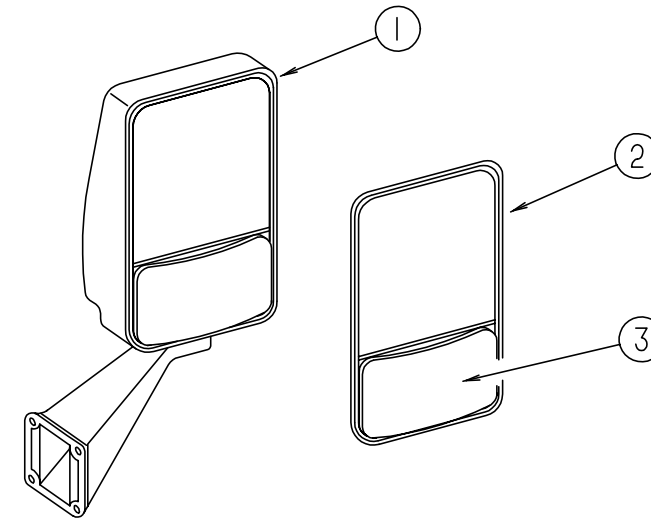
LADDER

KEY	PART NUMBER	U/M DESCRIPTION
1	102953-18-H13	EA LADDER
		FROM: 00-00-00 THRU: 05-24-98
1	129639-03-01A	EA LADDER - BRUSHED ALUMINUM
		FROM: 05-25-98 THRU: 99-99-99
2	067165-01-000	EA BRACKET - MOUNTING - RACK & LADDER
3	076980-02-000	EA END CAP - STEP - BLACK
	038327-01-000	EA TAPE - ANTI SLIP - 2" X 60'

HELLA HEATED EXTERIOR MIRRORS

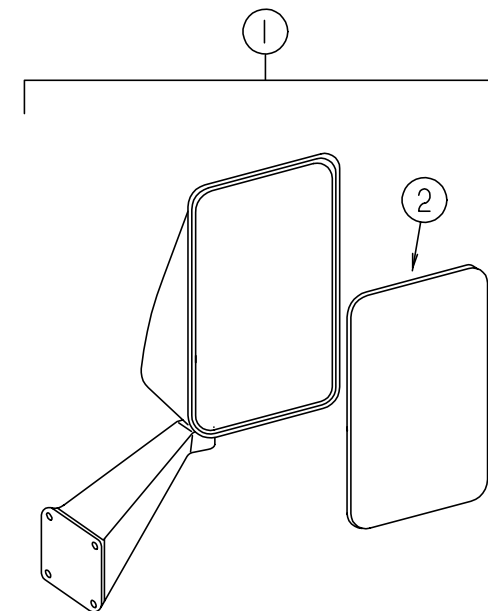
KEY	PART NUMBER	U/M DESCRIPTION
	129607-01-01A	EA MIRROR - PASSENGER - 12 VOLT/HEATED - BLACK
	129607-02-01A	EA MIRROR - DRIVER - 12 VOLT/HEATED - BLACK
	129607-03-01A	EA BRACKET - MOUNTING/MIRROR
	129607-04-01A	EA WIRE - MONITOR
	106477-05-000	EA SCREW - 14-10 X 2.25 PFH

EXTERIOR BODY GROUP (CONTINUED)



VELVAC HEATED EXTERIOR MIRRORS

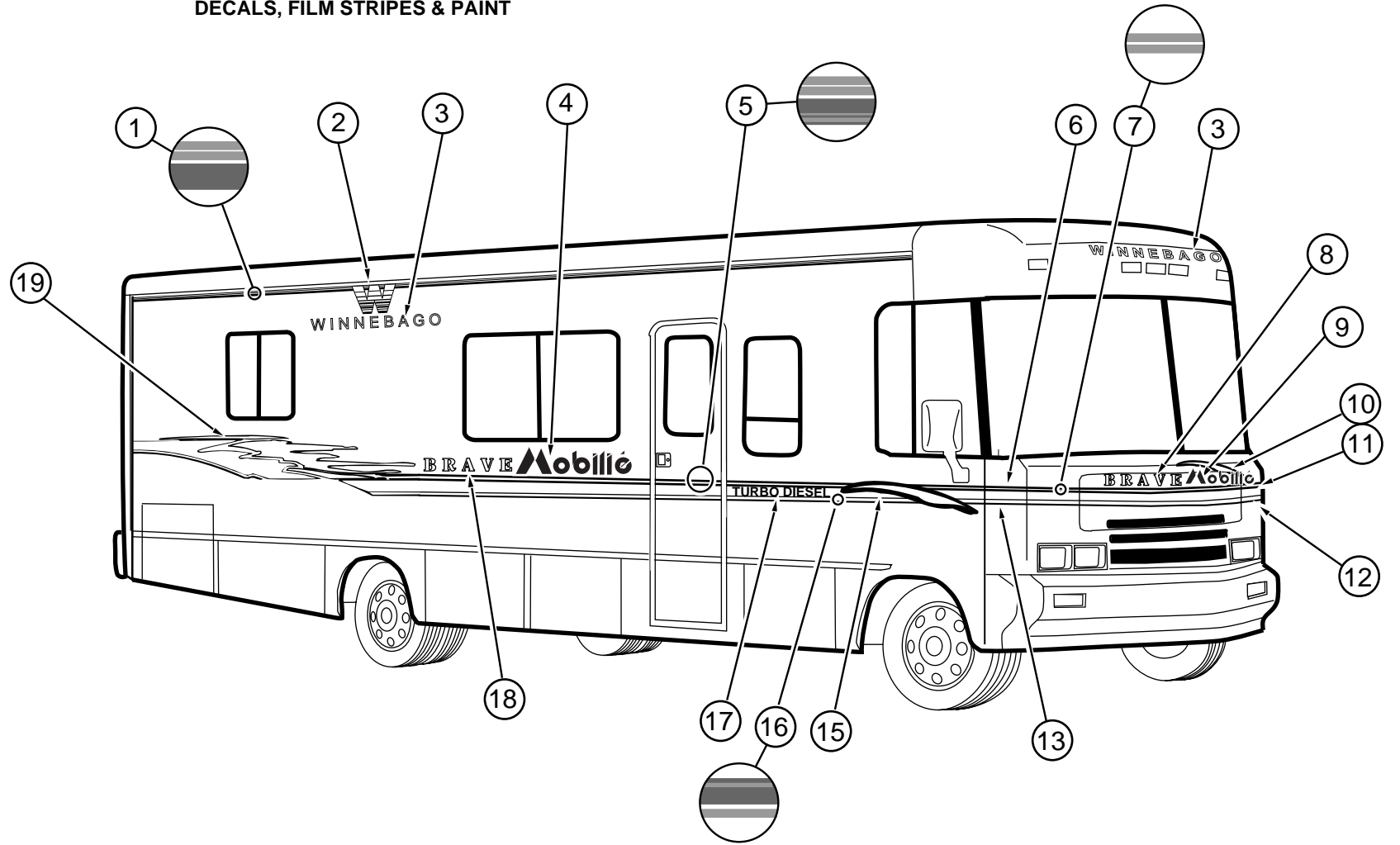
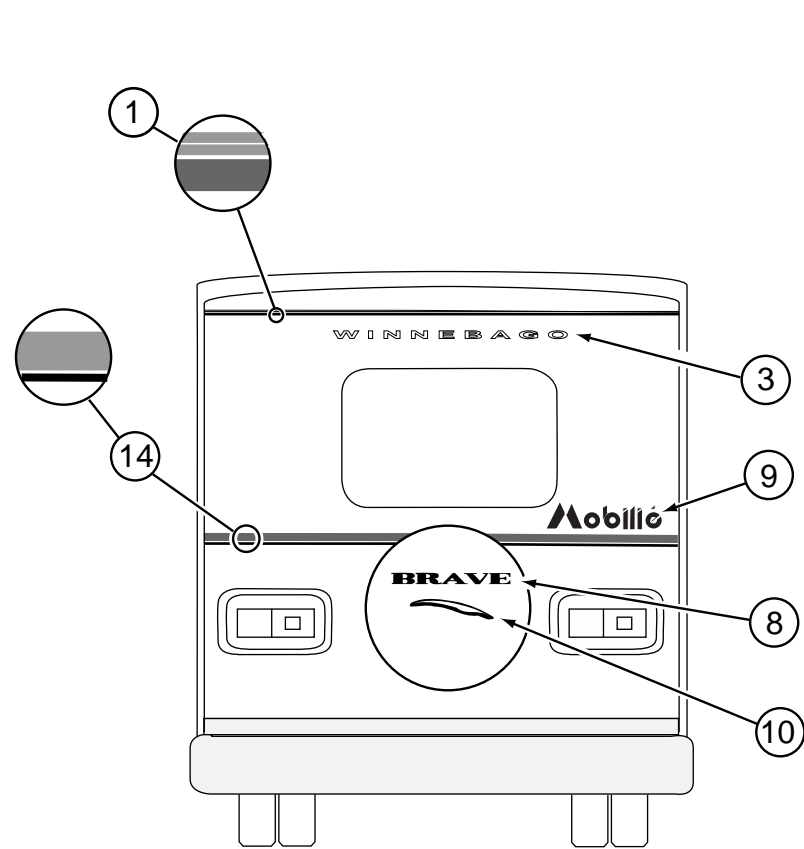
KEY	PART NUMBER	U/M DESCRIPTION	VENDOR NO.
1	106015-13-01A	EA MIRROR - EXTERIOR REMOTE/HEAT - DRIVER	
1	106015-12-01A	EA MIRROR - EXTERIOR REMOTE/HEAT - PASSENGER	
2	106015-12-700	EA MIRROR-FLAT - W/W/O HEAT	709448
3	106015-12-701	EA MIRROR-CONVEX - W/W/O HEAT	709449
	106015-12-702	EA SCREW CAP - (BAG OF 4)	748329
	087695-02-000	EA SWITCH - HEATER - EXTERIOR MIRROR	
	088246-01-000	EA SWITCH - REMOTE - EXTERIOR - SQUARE PUSH	
	087695-03-000	EA CONNECTOR - ASSEMBLY	



VELVAC EXTERIOR MIRRORS

KEY	PART NUMBER	U/M DESCRIPTION	VENDOR NO.
1	123297-01-01A	EA MIRROR - EXTERIOR - ADJUSTABLE GLASS - DRIVER	
1	123297-02-01A	EA MIRROR - EXTERIOR - ADJUSTABLE GLASS - PASSENGER	
2	106860-02-702	EA GLASS ONLY FLAT RH/LH STAR	702086-8
	117051-01-700	EA MIRROR-CONVEX	723068-4

EXTERIOR BODY GROUP (CONTINUED)
DECALS, FILM STRIPES & PAINT



KEY	PART NUMBER	U/M	DESCRIPTION
1	094443-43-01A	FT	FILM - MULTISTRIPE - 3.9"
2	120700-02-01A	EA	DECAL - LOGO - "W"
3	120702-03-01A	EA	DECAL - LOGO - WINNEBAGO/SMALL
4	122886-01-01A	EA	DECAL-MOBILIE,LARGE - JAPAN EXPORT
5	121426-01-01A	FT	FILM - OVERLAY - MULTI - 7"
6	121432-01-01A	EA	DECAL - CORNER - UPPER/RIGHT HAND
7	105781-57-01A	FT	FILM - MULTISTRIPE - 1.50"
8	121437-02-01A	EA	DECAL - LOGO/BRAVE - SMALL - EUROPEAN EXPORT
9	122886-02-01A	EA	DECAL - MOBILIE - SMALL - JAPAN EXPORT
10	121430-01-01A	EA	DECAL - SLASH - SMALL
11	121432-02-01A	EA	DECAL - CORNER - UPPER/LEFT HAND
12	121434-02-01A	EA	DECAL - CORNER - LOWER/LEFT HAND
13	121434-01-01A	EA	DECAL - CORNER - LOWER/RIGHT HAND
14	105781-52-01A	FT	FILM - MULTISTRIPE - 4.1"
15	121429-01-01A	EA	DECAL - SLASH - RIGHT HAND
15	121429-02-01A	EA	DECAL - SLASH - LEFT HAND
16	121427-01-01A	FT	FILM - OVERLAY - MULTI - 1.6"
17	111318-03-03A	EA	DECAL - TURBO DIESEL
18	121437-01-01A	EA	DECAL - LOGO/BRAVE - LARGE - EUROPEAN EXPORT
19	121428-01-01A	EA	DECAL - HORIZON - RIGHT HAND
19	121428-02-01A	EA	DECAL - HORIZON - LEFT HAND
	041561-03-000	EA	PAINT - 16 OUNCE SPRAY - OFF WHITE

DUPONT PAINT COLOR CODES

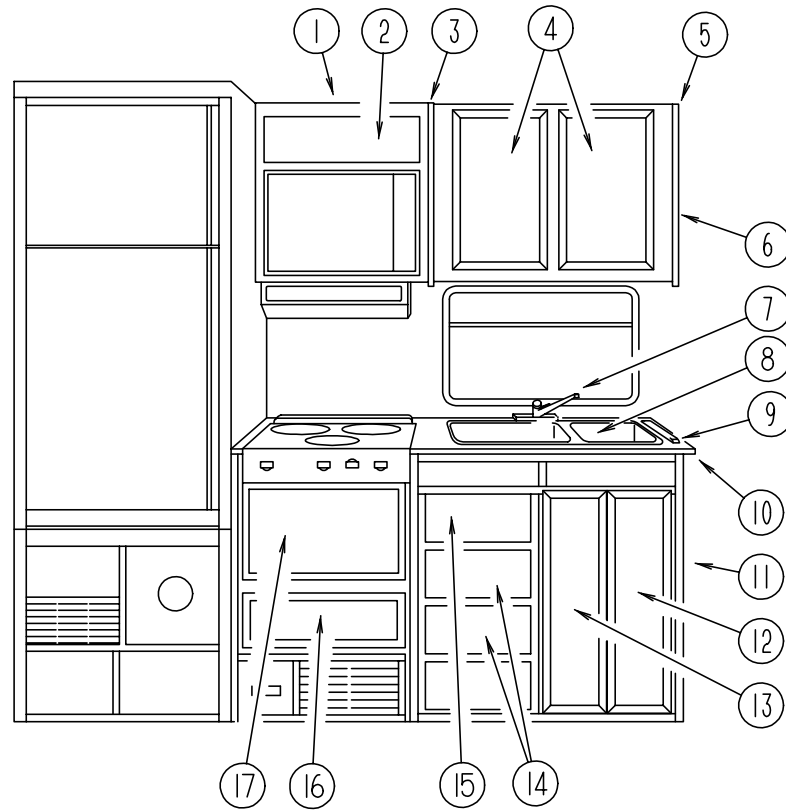
BRIGHT WHITE	B8951
DELFT BLUE METALLIC	F1919
LIGHT SILVER METALLIC	F2573U

DUPONT GRAPHIC COLOR CODES

SEAFOAM METALLIC	GM200
DELFT BLUE	BM501
MENDOCINO PEARL	F2985
SPARKLING TEAL	GM098

GALLEY GROUP

GALLEY CABINETRY



KEY	PART NUMBER	U/M	DESCRIPTION
1	128620-06-J15	EA	CABINET - MICROWAVE - W/O DOORS/HARDWARE
1	106016-07-J18	EA	FACE ONLY - MICROWAVE CABINET - JAPAN EXPORT
2	M05992-G3-J58	EA	DOOR - STRAIGHT CORNER/OGEE EDGE - 6.3" X 23.2" - W/O HDW
3	081320-16-G09	EA	END CAP - OVERHEAD CABINET
4	M05992-69-J20	EA	DOOR - STRAIGHT CORNER/OGEE EDGE - 14.3" X 21.8" - W/O HDW
5	103276-01-G09	EA	CABINET - OVERHEAD GALLEY - W/O DOORS/HARDWARE
	103276-11-G09	EA	SHELF - W/PLASTIC EDGE TRIM - F/GALLEY OVERHEAD CABINET
6	081320-17-G09	EA	END CAP - OVERHEAD CABINET
7	103243-01-000	EA	FAUCET - DUAL CONTROL
8	110654-01-000	EA	SINK - STAINLESS STEEL/DOUBLE BASIN (1 LG-1 SM BASIN)
	092303-01-000	EA	STRAINER - SINK
	108464-03-J31	EA	COVER - SINK - 15" X 11" - LAMINATED BOTH SIDES (J18, J44)
	108464-03-J21	EA	COVER - SINK - 15" X 11" - LAMINATED BOTH SIDES (J19)
	108464-04-J31	EA	COVER - SINK - 15" X 15" - LAMINATED BOTH SIDES (J18, J44)
	108464-04-J21	EA	COVER - SINK - 15" X 15" - LAMINATED BOTH SIDES (J19)
9	098335-18-H14	EA	RAIL - GALLEY - 25" (J18, J44)
9	098335-18-J19	EA	RAIL - GALLEY - 25" (J19)
10	121858-19-J18	EA	COUNTERTOP - GALLEY (J18, J44) - EUROPEAN EXPORT
10	121858-19-J19	EA	COUNTERTOP - GALLEY (J19) - EUROPEAN EXPORT
10	121858-20-J18	EA	COUNTERTOP - GALLEY (J18, J44) - JAPAN EXPORT
10	121858-20-J19	EA	COUNTERTOP - GALLEY (J19) - JAPAN EXPORT
11	121858-05-J18	EA	CABINET - GALLEY - W/COUNTERTOP - W/O DOORS/DRAWERS/HDW (J18, J44) EUROPEAN EXPORT
11	121858-05-J19	EA	CABINET - GALLEY - W/COUNTERTOP - W/O DOORS/DRAWERS/HDW (J19) EUROPEAN EXPORT
11	121858-06-J18	EA	CABINET - GALLEY - W/COUNTERTOP - W/O DOORS/DRAWERS/HDW (J18, J44) JAPAN EXPORT
11	121858-06-J19	EA	CABINET - GALLEY - W/COUNTERTOP - W/O DOORS/DRAWERS/HDW (J19) JAPAN EXPORT
	121858-12-H13	EA	SHELF - W/PLASTIC EDGE TRIM
12	M05992-H2-J18	EA	DOOR - STRAIGHT CORNER/OGEE EDGE - 9" X 26.5" - W/O HDW
13	M05992-H3-J18	EA	DOOR - STRAIGHT CORNER/OGEE EDGE - 9" X 26.5" - W/O HDW
14	M05971-83-J20	EA	DRAWER - OGEE EDGE - 8.4"W X 7.6"D - W/O SLIDES/HARDWARE
15	M05971-11-J20	EA	DRAWER - OGEE EDGE - 9.9"W X 17.7"D - W/O SLIDES/HARDWARE
16	M05971-50-G09	EA	DRAWER - OGEE EDGE - 19.8"W X 17.7"D - W/O SLIDES/HARDWARE
17	M05971-E0-G09	EA	DRAWER - OGEE EDGE - 19.7"W X 17.7"D - W/O SLIDES/HARDWARE
	090329-01-000	FT	SEAL/T - REFRIGERATOR CABINET

GALLEY GROUP (CONTINUED)

RANGE W/OVEN

KEY	PART NUMBER	U/M	DESCRIPTION
*	112881-02-03A	EA	RANGE-16" 3 BURNER-FRONT HI-OUTPUT BURNER - BLK TOP/DOOR
	081587-03-000	EA	BRACKET - TIEDOWN - RANGE - RIGHT
	081587-04-000	EA	BRACKET - TIEDOWN - RANGE - LEFT

* COMPONENT PARTS FOUND IN SERVICE PARTS LIBRARY

RANGE TOP

KEY	PART NUMBER	U/M	DESCRIPTION
*	114030-02-01A	EA	RANGE - 3 BURNER TOP - W/O OVEN - BLACK

* COMPONENT PARTS FOUND IN SERVICE PARTS LIBRARY

LVS MONITOR PANEL

KEY	PART NUMBER	U/M	DESCRIPTION
*	102765-04-01A	EA	PANEL - MONITOR - 2 HOLDING TANKS - ADJUSTABLE

* COMPONENT PARTS FOUND IN SERVICE PARTS LIBRARY

RANGE HOOD - W/HOUR METER

KEY	PART NUMBER	U/M	DESCRIPTION
*	100258-18-03A	EA	HOOD - RANGE - W/O MONITOR PANEL-W/HOUR METER/SWITCH - US
	100258-10-01A	EA	GAUGE - HOUR METER W/SWITCH - SCREW ON STYLE

* COMPONENT PARTS FOUND IN SERVICE PARTS LIBRARY

GALLEY GROUP (CONTINUED)

NORCOLD 963 REFRIGERATOR - RH

KEY	PART NUMBER	U/M	DESCRIPTION
*	120076-03-01A	EA	REFRIGERATOR - SMALL DOUBLE DOOR/BLACK 3-WAY - RIGHT HAND
	103251-03-01A	EA	INSERT - ACRYLIC/BLACK - 21.6" X 14.5"
	103251-07-01A	EA	INSERT - ACRYLIC/BLACK - 21.6" X 31.6"
	054450-01-000	EA	LEVEL - REFRIGERATOR
	065225-02-000	EA	PLATE - TIEDOWN - REFRIGERATOR
	093646-01-000	EA	BRACKET - TIEDOWN/REFRIGERATOR - RIGHT HAND
	093646-02-000	EA	BRACKET - TIEDOWN/REFRIGERATOR - LEFT HAND
	116751-06-01A	EA	TRAY - REFRIGERATOR - BLACK

* COMPONENT PARTS FOUND IN SERVICE PARTS LIBRARY

MICROWAVE OVEN BRACKET

KEY	PART NUMBER	U/M	DESCRIPTION
	094750-10-000	EA	BRACKET - MICROWAVE - 89 DEGREE

GENERATOR GROUP

3.3 KW ONAN MICROLITE - LP

KEY	PART NUMBER	U/M DESCRIPTION
	109982-05-000	EA GENERATOR - 3.3 MICROLITE
	007125-04-000	EA CLAMP - MUFFLER - 1.12" DIAMETER
	105958-09-000	EA PIPE - GENERATOR EXHAUST - 1.3" OD X 5.9" X 22"

4.0 KW EMERALD PLUS

KEY	PART NUMBER	U/M DESCRIPTION
	100974-04-000	EA GENERATOR - 4.0 KW EMERALD PLUS - WITH ONAN TRAY #403-2218
	007125-03-000	EA CLAMP - MUFFLER - 1.5" DIAMETER
	007125-04-000	EA CLAMP - MUFFLER - 1.12" DIAMETER
	081364-03-000	EA MUFFLER - GENERATOR - ONAN
	094059-01-000	EA SPACER - GENERATOR - ONAN
	105958-09-000	EA PIPE - GENERATOR EXHAUST - 1.3" OD X 5.9" X 22"
	105958-17-000	EA PIPE - GENERATOR EXHAUST - 1.5" OD X 4.9" X 24"
	094657-02-000	EA TRAY - GENERATOR - 22.5" X 30.4" X 6.9" - W/ANGLE & NUTS
		FROM: 00-00-00 THRU: 01-28-98
	127008-02-02B	EA TRAY - GENERATOR
		FROM: 01-29-98 THRU: 99-99-99

NOTE: ADDITIONAL GENERATOR COMPONENTS ARE FOUND IN THE CHASSIS GROUP.

HEATING & AIR CONDITIONING GROUP

FURNACE - 30,000 BTU SUBURBAN - MODEL SF-30 227

KEY	PART NUMBER	U/M DESCRIPTION
*	098668-20-000	EA FURNACE - 30,000 BTU
	115764-01-01A	EA THERMOSTAT - FURNACE
	081087-01-000	EA LIGHT - INDICATOR - JAPAN EXPORT
	009200-01-000	EA TAPE - FURNACE - 1 1/2"
	089367-02-000	EA TEE - 4" X 2" X 4"
	098668-23-000	EA DOOR - ACCESS - FURNACE - BRIGHT WHITE
	120134-01-02A	EA REGISTER - 4" TO 5" IN DIAMETER W/DAMPER
	093614-01-02A	EA GRILLE - RETURN AIR - 15.6" X 7.6" - BEIGE
	009198-01-000	FT DUCT - HEAT - FLEXIBLE - 4" ID X 25'
	009198-02-000	FT DUCT - FLEXIBLE - 2" ID X 25'

*** COMPONENT PARTS FOUND IN SERVICE PARTS LIBRARY**

COLEMAN 13,500 BTU ROOF A/C - EUROPEAN

KEY	PART NUMBER	U/M DESCRIPTION
*	108889-02-03A	EA AIR CONDITIONER - 13,500 BTU/220 VOLT - BRIGHT WHITE
	102289-01-000	EA SPRING - SCREW - ROOF A/C GASKET
	117238-01-01A	EA THERMOSTAT - A/C - FURNACE
	117238-02-01A	EA THERMOSTAT - A/C ONLY - GERMAN EXPORT
	120134-01-02A	EA REGISTER - 4" TO 5" IN DIAMETER W/DAMPER

*** COMPONENT PARTS FOUND IN SERVICE PARTS LIBRARY**

CEILING A/C - COLEMAN

KEY	PART NUMBER	U/M DESCRIPTION
*	108892-01-01A	EA CEILING ASSEMBLY - A/C DUCTED
	092633-02-02A	EA COVER - BLANK - ROOF A/C - 5.1" X 5.1"

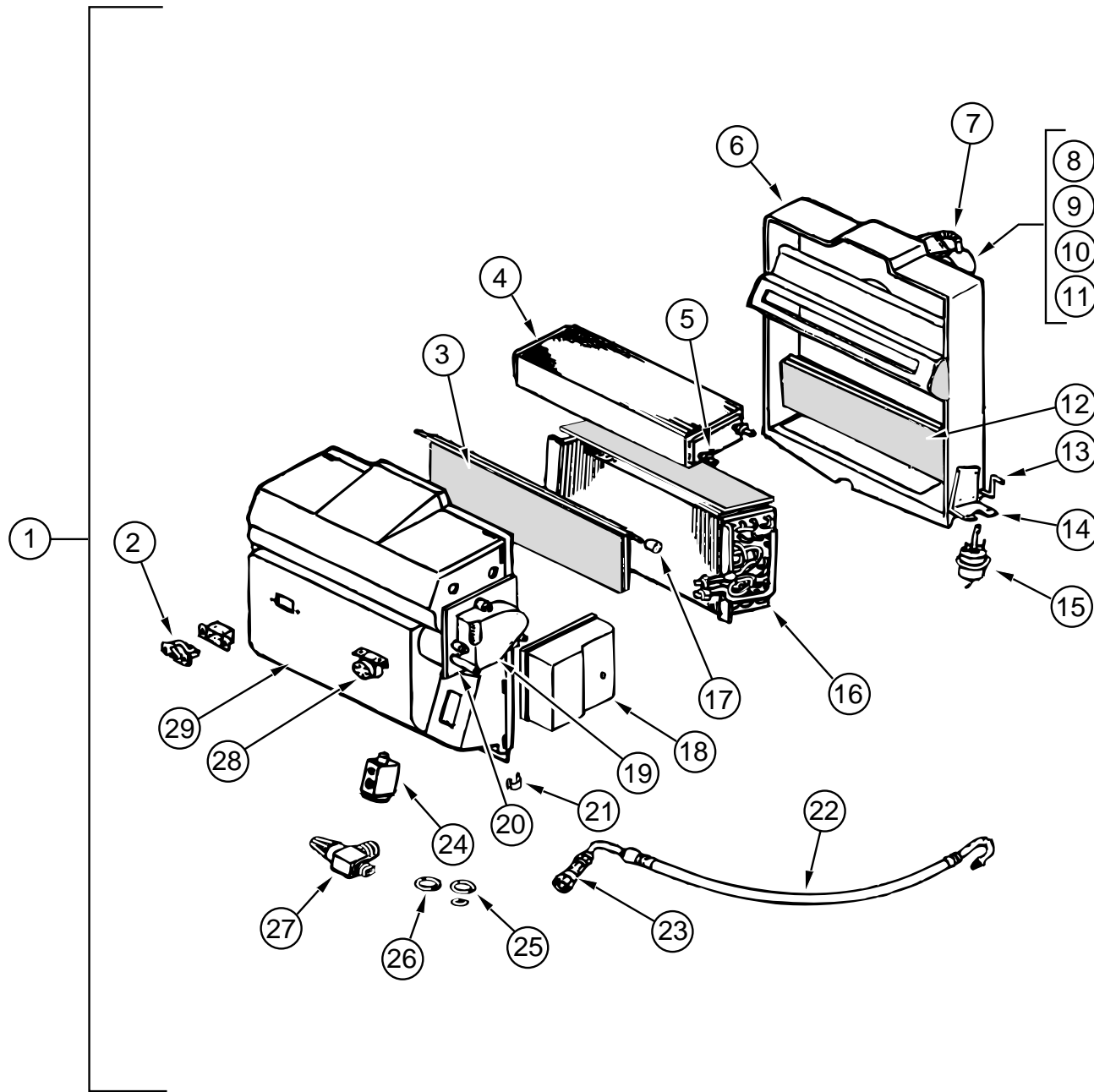
*** COMPONENT PARTS FOUND IN SERVICE PARTS LIBRARY**

EVANS REAR HEATER & COMPONENTS

KEY	PART NUMBER	U/M DESCRIPTION	VENDOR NO.
	084405-01-000	EA HEATER - REAR/DUCTED - W/MOTOR AID	
	084405-01-700	EA CORE-HEATER	FT200229
	084405-01-701	EA FAN BLADES	HV029931
	084405-01-702	EA MOTOR ASSEMBLY, 12 VOLT	RV010348
	061673-01-000	EA BRACKET - MOTOR AID TUBES - 4" X 1.5" - STEEL	
	009198-01-000	FT DUCT - HEAT - FLEXIBLE - 4" ID X 25'	
	056464-10-000	EA REGISTER - 4" DIAMETER - PLASTIC - W/O DAMPER - BEIGE	

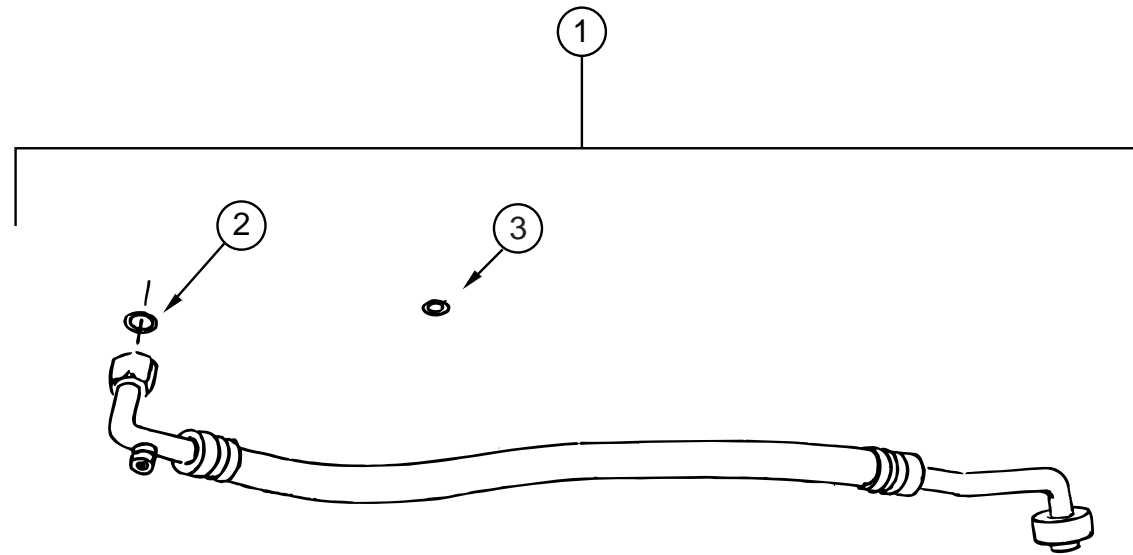
HEATING & AIR CONDITIONING GROUP (CONTINUED)

SCS EVAPORATOR/HEATER ASSEMBLY - CHEVY GAS & DIESEL CHASSIS



KEY	PART NUMBER	U/M	DESCRIPTION	VENDOR NO.
1	103930-30-000	EA	EVAPORATOR/HEATER - CHEVY - SERVO MOTOR CONTROLLED	
2	103930-01-710	EA	RESISTOR-FUSED, A/C	035-0006
3	103930-30-705	EA	DOOR - BLEND AIR	071-0568
4	103930-01-703	EA	CORE-HEATER	042-0010
5	110279-01-712	EA	FITTING-HEATER	050-0076
6	103930-20-711	EA	CASE-BACK, SUB-ASSEMBLY	062-0147
7	110279-01-703	EA	HOSE-VENT F/BLOWER MOTOR	051-0034
8	103930-20-707	EA	HOUSING-BLOWER	062-0145
9	103930-30-706	EA	MOTOR-BLOWER PM147 W/ADAPTER	030-0109
10	103930-01-717	EA	WHEEL-BLOWER, CLOCKWISE	062-0010
11	103930-20-708	EA	CLIP-MOTOR SHAFT	022-0001
12	103930-20-705	EA	PANEL-DOOR, RECIRCULATING	071-0213
13	103930-20-704	EA	ROD-DOOR-RECIRCULATING	073-0018
14	103930-01-708	EA	BRACKET-VACUUM MOTOR	070-0113
15	103930-02-708	EA	MOTOR-VACUUM SERVO, A/C	030-0025
16	103930-01-704	EA	COIL-EVAPORATOR	041-0017
17	103930-30-702	EA	BUSHING - BLEND AIR DOOR	062-0168
18	103930-30-704	EA	COVER - SERVO	062-0545
19	103930-30-703	EA	MOTOR - SERVO	030-0104
20	103930-30-701	EA	PLATE - MOTOR MOUNT	062-0544
21	103930-20-706	EA	CLIP-RETAINER - CASE ATTACH	022-0057
22	103930-25-700	EA	HOSE ASM #6 EVAPORATOR/DRIER	085-0350
23	103930-12-709	EA	FITTING-QUICK CONNECT	050-0120
24	103930-20-700	EA	VALVE-EXPANSION-BLOCK, 2 TON	034-0032
25	103930-17-702	EA	O'RING #10	045-0127
26	113245-01-707	EA	O'RING #8	045-0126
27	103930-20-709	EA	VALVE-SERVICE	050-0159
28	103930-01-711	EA	THERMOSTAT	033-0003
29	103930-30-700	EA	CASE - FRONT	062-0542

HEATING & AIR CONDITIONING GROUP (CONTINUED)



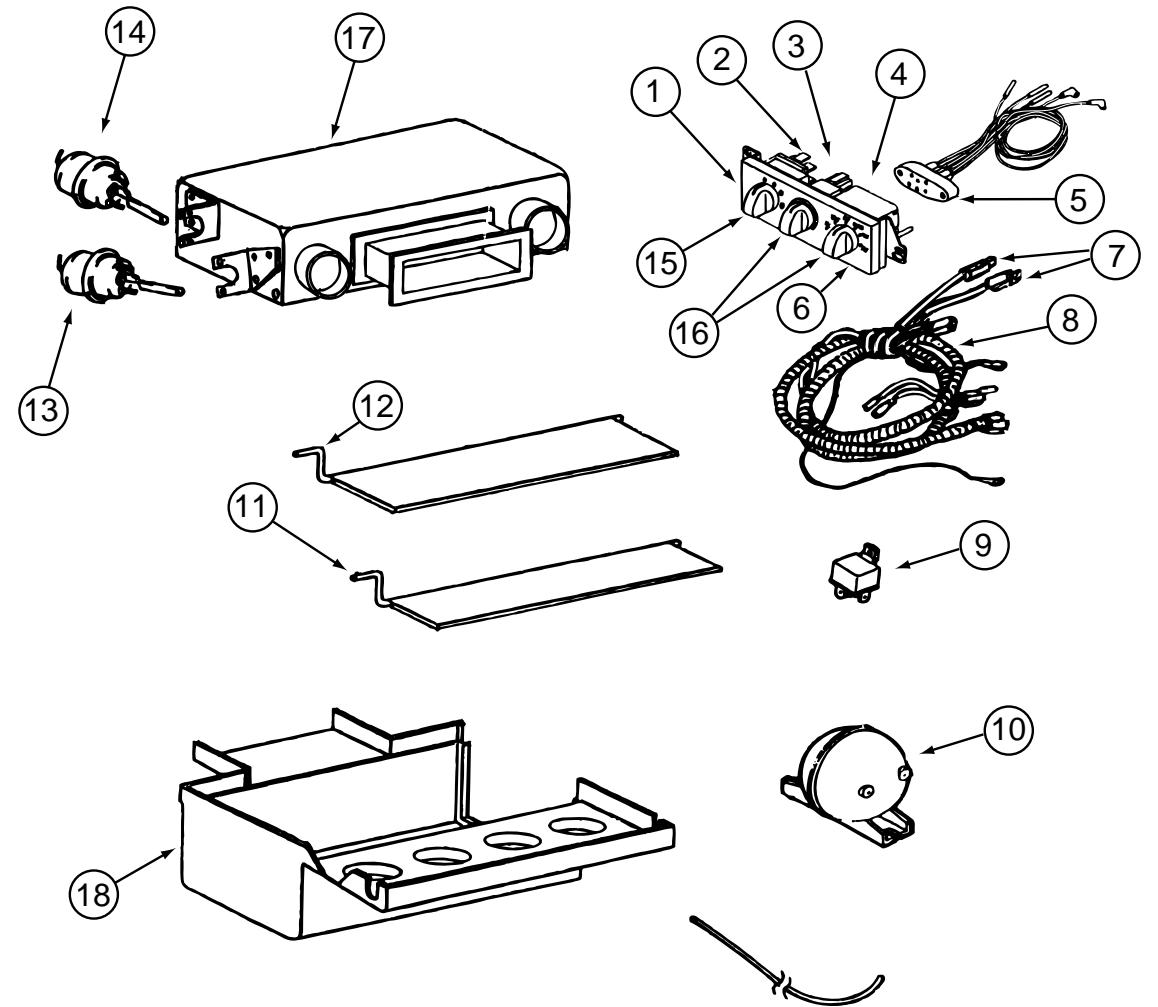
CHEVY HOSE KIT - DIESEL

KEY	PART NUMBER	U/M	DESCRIPTION
1	103930-29-000	EA	HOSE KIT - #10 F/GM L-29 & L-65 CHASSIS
2	103930-17-702	EA	O'RING #10
3	103930-29-701	EA	O'RING F/LOW PRESSURE SWITCH

VENDOR NO.

045-0127
045-0483

HEATING & AIR CONDITIONING GROUP (CONTINUED)

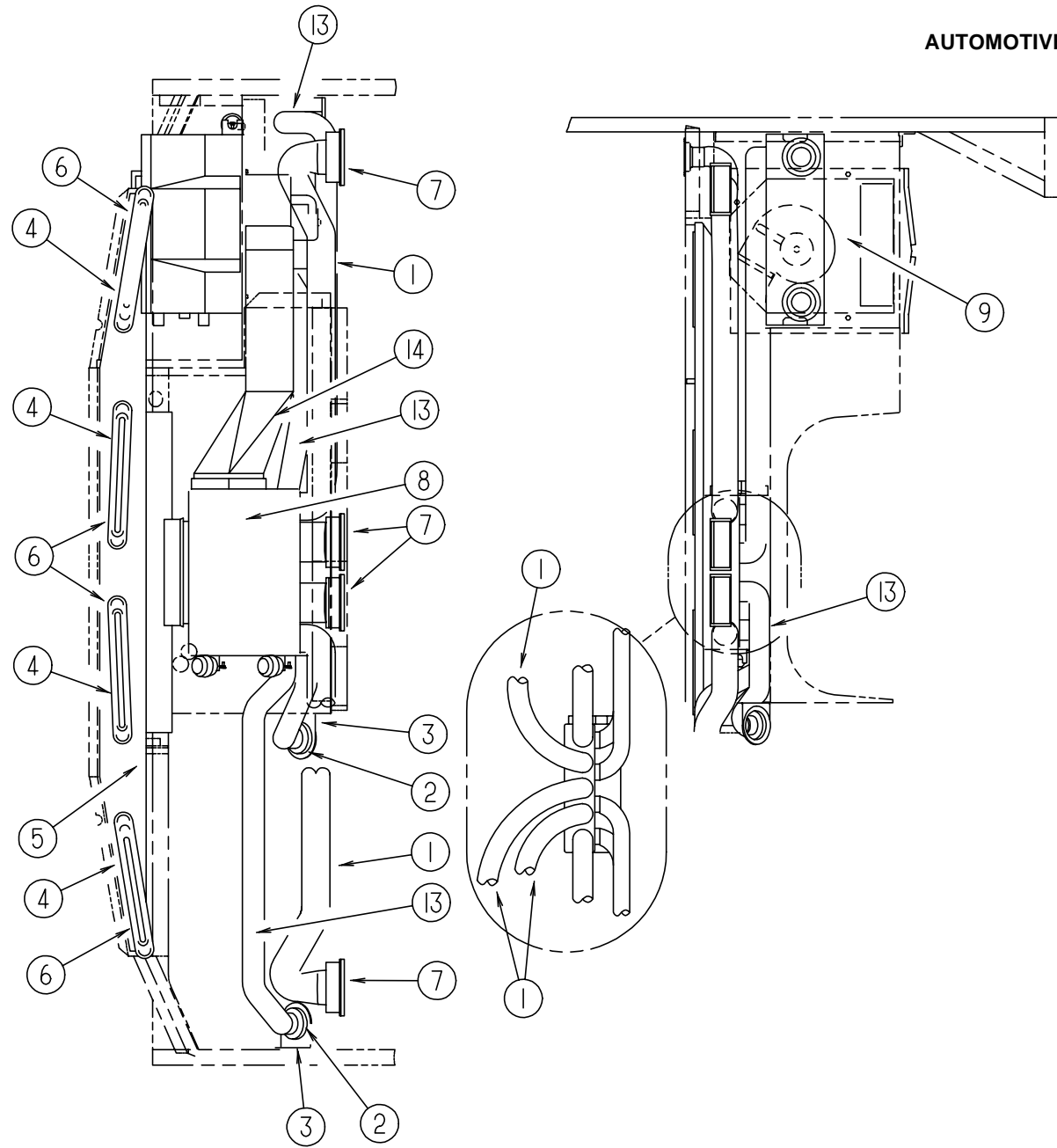


SCS CONTROL/PLENUM

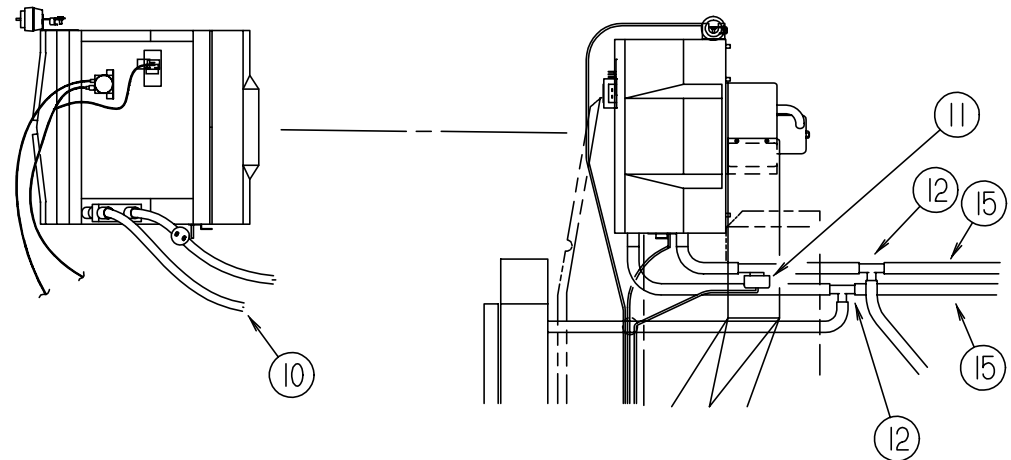
KEY	PART NUMBER	U/M	DESCRIPTION	VENDOR NO.
	103930-34-000	EA	CONTROL/PLENUM-ROTARY CONTROL HEAD	
1	103930-33-702	EA	PANEL ASSEMBLY-CONTROL	083-0169
2	103930-33-707	EA	SWITCH-BLOWER	032-00066
3	103930-33-708	EA	SWITCH-POTENTIOMETER	032-0184
4	103930-33-709	EA	SWITCH-VACUUM	032-0183
5	103930-33-703	EA	HARNES-VACUUM	036-0466
6	103930-33-710	EA	DECAL-CONTROL HEAD	058-0102
7	103930-33-705	EA	BULB-LIGHT	035-0030
8	103930-33-711	EA	HARNES-WIRE, MAIN	036-0496
9	103930-02-707	EA	RELAY-BOSCH W/RESISTOR	031-0001
10	103930-02-710	EA	CANISTER-VACUUM	054-0002
11	103930-33-700	EA	ROD-DOOR, DEFROSTER/A/C	073-0028
12	103930-33-706	EA	ROD-DOOR, A/C/DEFROST	073-0060
13	103930-02-708	EA	MOTOR-VACUUM SERVO, A/C	030-0025
14	103930-33-701	EA	MOTOR-VACUUM, 3 STAGE	030-0105
15	103930-33-712	EA	KNOB - BLOWER	062-00539
16	103930-33-713	EA	KNOB	062-00540
17	103930-34-700	EA	PLENUM - TOP	060-0432
18	103930-34-701	EA	PLENUM - BOTTOM	060-0435

HEATING & AIR CONDITIONING GROUP (CONTINUED)

AUTOMOTIVE HEATER & A/C

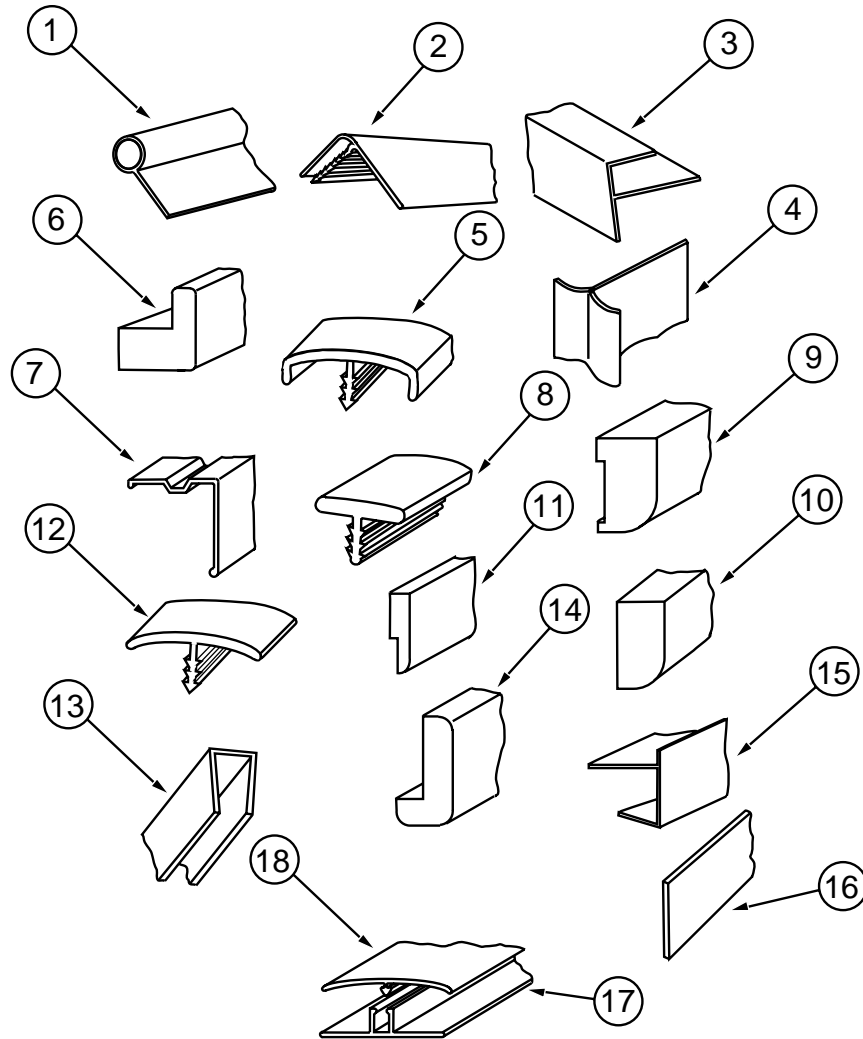


KEY	PART NUMBER	U/M	DESCRIPTION
1	007281-01-000	EA	HOSE - FLEXIBLE PVC - 2.5" ID X 50'
2	024990-05-000	EA	OUTLET - DEFROSTER - 4" DIAMETER W/SWIVEL DEFLECTORS
3	056402-05-000	EA	BRACKET - HEATER VENT - ROUND W/BEND - BLACK
4	077075-03-000	EA	GASKET - INSTRUMENT PANEL/DEFROSTER PLENUM - 1.3" X 10.2"
5	103017-01-000	EA	PLENUM - DEFROSTER
6	103558-01-07A	EA	VENT - DEFROSTER - 2" X 14.4" X 1.4" - WILLOW
7	103796-01-01A	EA	LOUVER - A/C-ADJUSTABLE - 2.2" X 5.4" F/2.5" HOSE - BLACK
8	103930-34-000	EA	CONTROL/PLENUM - ROTARY CONTROL HEAD
9	103930-30-000	EA	EVAPORATOR/HEATER - CHEVY - SERVO MOTOR CONTROLLED
10	103930-29-000	EA	HOSE KIT - #10 F/GM L-29 & L-65 CHASSIS
11	103930-23-000	EA	VALVE - WATER - 2 PORT
12	076776-01-000	EA	TEE - BEADED - 5/8" X 5/8" X 5/8"
13	007076-01-000	EA	HOSE - FLEXIBLE PVC - 2" ID - INCREMENTS OF 50'
14	103016-01-000	EA	PLENUM - TRANSITION
15	007108-01-000	FT	HOSE - HEATER - 5/8" ID - HI-TEMP
	126692-01-H17	EA	PLENUM - A/C - BEVERAGE TRAY
	103930-37-000	EA	MANUAL - OWNERS - HEATER/A/C



INTERIOR FINISH GROUP

MOLDINGS & TRIMS



KEY	PART NUMBER	U/M	DESCRIPTION
1	009767-12-000	FT	WELTING - SIDEWALL/CEILING/CABINET - OFF/WHT
2	009809-28-000	EA	MOLDING - CORNER - OUTSIDE - 1" X 84" - WATERFORD OAK
3	009812-24-000	EA	MOLDING - CORNER - 1/2" W/1/4" CHAN X 108" - IVORY PLASTIC
3	009812-29-000	EA	MOLDING - CORNER - 1/2" W/1/4" CHAN X 84" - WATERFORD OAK
4	022992-11-000	FT	MOLDING - REVERSE COVE - T-SHAPED VINYL - IVORY
5	083620-12-000	FT	MOLDING-T - END CAP EDGE - W/EDGE LIP - .75"-WATERFORD OAK
6	100819-01-05A	EA	MOLDING - VINYL WRAP - L-SHAPED - 1.5" X 1.5" X 84" - OAK
7	093873-01-01A	EA	TRIM - CARPET - L-ANGLE 1.1" X 1.3" X 12' - GRAY VINYL
8	104676-01-01A	FT	MOLDING-T - 5/16" RIGID GOLD
9	117268-D2-134	EA	MOLDING - VINYL WRAPPED - .7" X 1.6" X 84" - WATERFORD OAK
9	117268-D2-438	EA	MOLDING - VINYL WRAPPED - .7" X 1.5" X 96" - WATERFORD OAK
9	117268-F2-134	EA	MOLDING - VINYL WRAPPED - .7" X 2.7" X 84" - WATERFORD OAK
10	100818-01-05A	EA	MOLDING - VINYL WRAP - 1.6" X .4" X 84" - WATERFORD OAK
11	105004-01-05A	EA	MOLDING - VINYL WRAPPED - 1" X 96" - WATERFORD OAK
12	105709-01-000	FT	MOLDING-T - 1" - MODERN IVORY
13	009778-21-000	FT	U-CHANNEL - 1" - WATERFORD OAK
13	009778-22-000	FT	U-CHANNEL - 1 1/4" - WATERFORD OAK
13	070504-36-000	FT	U-CHANNEL - PLASTIC - .13" X 72" - WATERFORD OAK
13	070504-37-000	FT	U-CHANNEL - PLASTIC - .9" X 84" - WATERFORD OAK
14	077840-01-G01	EA	MOLDING - WALL CAP - 8' - WATERFORD OAK
15	103186-01-05A	FT	MOLDING - PLASTIC - 3/8" U-CHANNEL 3/4" FACE-WATERFORD OAK
15	103186-02-05A	FT	MOLDING - PLASTIC - 1" U-CHANNEL 1 3/8" FACE-WATERFORD OAK
16	076325-39-000	FT	MOLDING - EDGE BAND - 1 5/16" X .030" - ALMOND
16	076325-67-000	FT	MOLDING - EDGE BAND - .93" X .024" - WATERFORD OAK
16	076325-68-000	FT	MOLDING - EDGE BAND - 1 5/16" X .038" - WATERFORD OAK
16	076325-73-000	FT	MOLDING - EDGE BAND - .93" X .024" - OFF WHITE
17	086229-01-000	EA	RETAINER - BATTEN - .75" X 92.3" - ANY COLOR
18	086229-15-000	EA	BATTEN - 1" X 96" - MODERN IVORY
18	086229-20-000	EA	BATTEN - 1" X 96" - BEIGE
	117267-D2-438	EA	LUMBER - VINYL WRAPPED - .7" X 1.5" X 96" - WATERFORD OAK
	117267-E2-438	EA	LUMBER - VINYL WRAPPED - .7" X 2" X 96" - WATERFORD OAK
	117267-J2-438	EA	LUMBER - VINYL WRAPPED - .7" X 5.5" X 96" - WATERFORD OAK

INTERIOR FINISH GROUP (CONTINUED)

BATT STRIPS

KEY	PART NUMBER	U/M DESCRIPTION
	088263-E3-000	EA BATT STRIP - DECORATIVE - PEBBLE EMBOSSED/ANTIQUE - 8'
	069733-83-000	EA BATT STRIP - WOODGRAINED/WATERFORD OAK - 8'
	085284-B5-000	FT BATT TAPE - ADHESIVE BACKED - WOODGRAINED - WATERFORD OAK
	088263-F6-000	EA BATT STRIP - DECORATIVE - ARTESIA/SPRING - 96" (J18)
	088263-E2-000	EA BATT STRIP - DECORATIVE - PRIMAVERA/STONE - 96" (J19)
	088263-E6-000	EA BATT STRIP - DECORATIVE - MONTANA/FROST - 96" (J44)
	085284-F2-000	FT BATT TAPE - ADHESIVE BACKED - DECORATIVE - ARTESIA/SPRING (J18)
	085284-D5-000	FT BATT TAPE - ADHESIVE BACKED - DECORATIVE - PRIMAVERA/STONE (J19)
	085284-E0-000	FT BATT TAPE - ADHESIVE BACKED - DECORATIVE - MONTANA/FROST (J44)

PLASTIC LAMINATE

KEY	PART NUMBER	U/M DESCRIPTION
	074498-40-000	SF LAMINATE - PLASTIC - OFF WHITE - 5' X 8'
	074498-71-000	SF LAMINATE - PLASTIC - NEUTRAL SANTOS - 5'X 8' (J18, J44)
	074498-80-000	SF LAMINATE - PLASTIC - WHITE TUNDRA - 5'X 8' (J19)
	074498-77-000	SF LAMINATE - PLASTIC - ART CABIN - 4' X 8'

SMOKE DETECTOR, CO DETECTOR, FIRE EXTINGUISHER & CLOCK

KEY	PART NUMBER	U/M DESCRIPTION	VENDOR NO.
	072852-01-000	EA DETECTOR - SMOKE - W/9 VOLT BATTERY	
	125136-01-000	EA CO DETECTOR - GAS - ROUND W/2 SCREWS - 9 VOLT	
	094499-03-000	EA EXTINGUISHER/FIRE - DRY - 10B:C - W/O BRACKET	
	094499-01-700	EA BRACKET MTG. W/PLAS. STRAP	294039
	094499-01-701	EA STRAP ONLY (METAL)	320351
	094499-04-000	EA BRACKET - FIRE EXTINGUISHER	
	118081-02-01A	EA CLOCK - WALL - ROUND 8" - BRASS	

INTERIOR FINISH GROUP (CONTINUED)

FLOOR MATS & ANTISLIP

KEY	PART NUMBER	U/M DESCRIPTION
	105924-01-F06	EA MAT - FLOOR - 18" X 27" (J18)
	105924-01-F12	EA MAT - FLOOR - 18" X 27" (J19)
	105924-01-J51	EA MAT - FLOOR - 18" X 27" (J44)
	081075-03-000	EA MAT - FLOOR - ENTRANCE - WINNEBAGO
	091261-01-000	FT SLIPNOT - ANTISLIP - 1' WIDE

CARPET & TILE

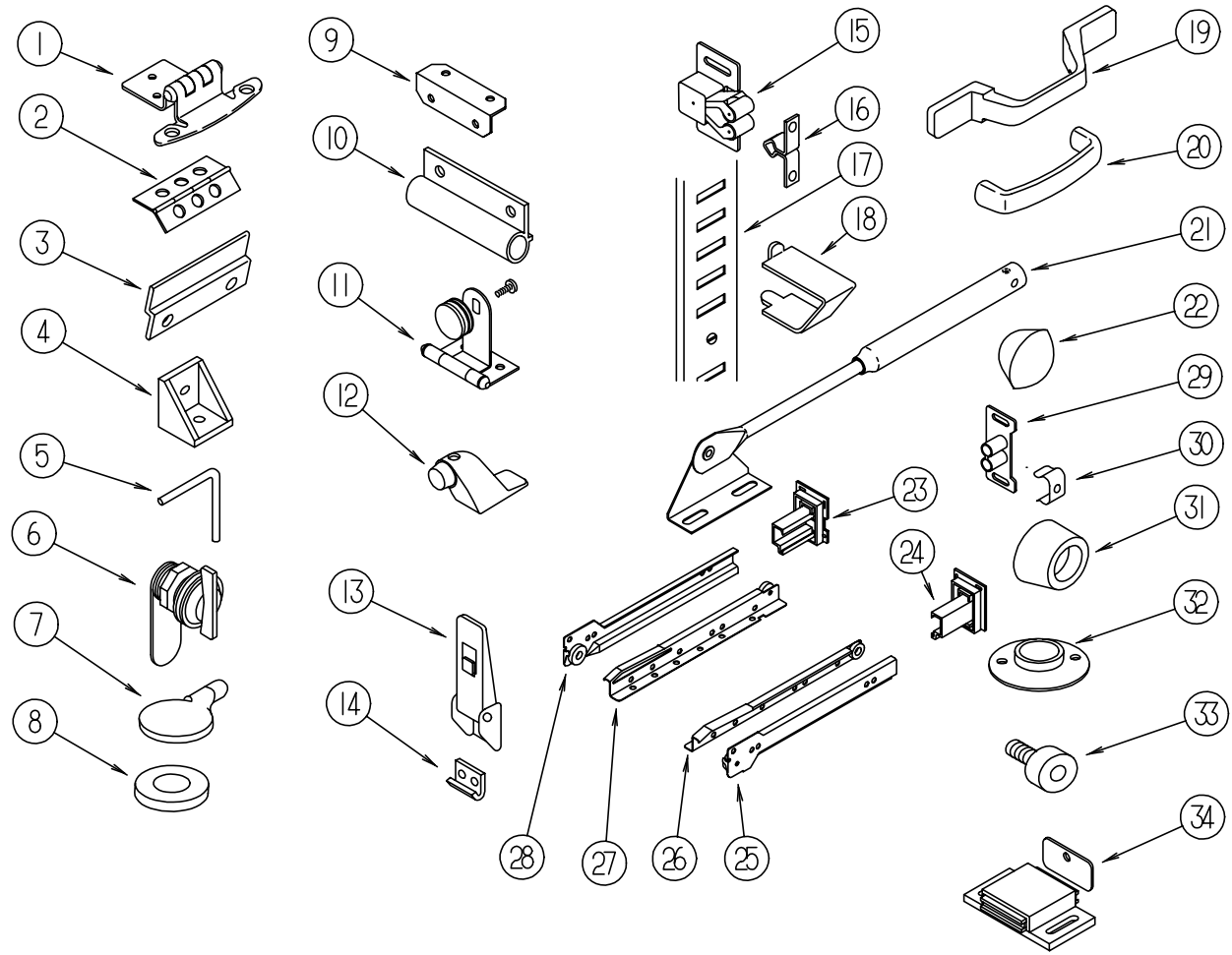
KEY	PART NUMBER	U/M DESCRIPTION
	096060-98-000	SY CARPET - SILVER ASPEN - INCREMENTS OF 4 SQ YD
	093486-01-000	SY CARPET - COMPARTMENT - 72" WIDE - DARK GRAY
	122755-05-01A	EA TILE - RUBBER/ENTRANCE DOOR - 11.2" X 26.9"
	042720-21-000	SY VINYL - FLOOR COVERING - 7' WIDE - MODULATION

PANELING, PLYWOOD & PARTICLE BOARD

KEY	PART NUMBER	U/M DESCRIPTION
	074497-28-000	SF PANELING - WATERFORD OAK - 4' X 8'
	080215-10-000	SF PANELING - 2 SIDED - WATERFORD - .2" X 4' X 8'
	088272-E2-000	SF PANELING - BIARRITZ - TRAVERTINE - 4' X 7'
	088272-G1-000	SF PANELING - PEBBLE EMBOSSED - ANTIQUE WHITE - 48" X 84"
	088272-H6-000	SF PANELING - ARTESIA SPRING - 48" X 96" (J18)
	088272-F9-000	SF PANELING - PRIMAVERA/STONE - 48" X 96" (J19)
	088272-G4-000	SF PANELING - MONTANA/FROST - 48" X 96" (J44)
	126339-01-000	SF BOARD - WHEAT - 60" X 72"
	000846-01-000	SF PLYWOOD - 5/16" X 48" X 96" - CD GRADE
	000846-02-000	SF PLYWOOD/UNDERLAYMENT - 5/16" X 48" X 96"
	000885-76-000	SF PARTICLE BOARD-3/8" X 48" X 96"-WATERFORD OAK/VINYL 1 SIDE
	000885-77-000	SF PARTICLE BOARD-3/8" X 48" X 96"-WATERFORD OAK/VINYL 2 SIDE
	000885-79-000	SF PARTICLE BOARD-3/4" X 48" X 96"-WATERFORD OAK/VINYL 2 SIDE

INTERIOR FINISH GROUP (CONTINUED)

CABINET HARDWARE

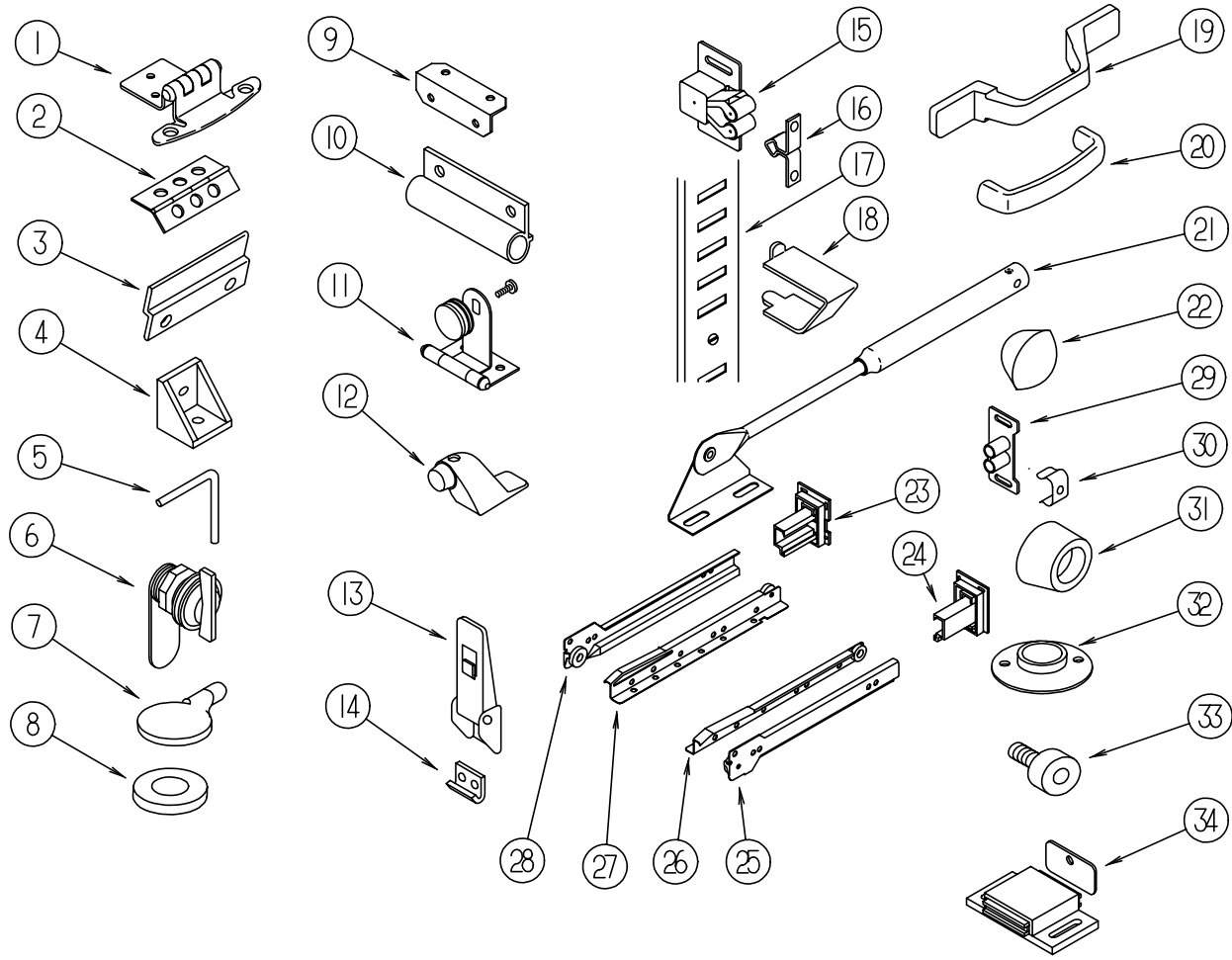


KEY	PART NUMBER	U/M	DESCRIPTION
1	108138-01-000	EA	HINGE - CABINET DOOR - BURNISHED BRASS
	000G13-06-08G	EA	SCREW
2	009059-01-000	EA	HINGE - DOOR - 2" X 1.4" - BRASS
2	009059-02-000	EA	HINGE - DOOR - 2" X 2.7" - BRASS
3	101272-01-000	EA	CATCH - GLASS DOOR
4	065740-01-000	EA	BRACE - CABINET/CORNER - PLASTIC
5	108487-02-01A	EA	SUPPORT - PROP ROD/OVERHEAD - BLACK
6	100710-01-01A	EA	LOCK - GLASS DOOR/TWIST TYPE - BRASS
7	101766-01-000	EA	PIN - SUPPORT/GLASS DOOR
8	100707-01-000	EA	SPACER - GLASS DOOR - .8" DIA - .3" HOLE - PLASTIC
	009112-01-000	EA	FLANGE - PLASTIC - 1" CLOTHES ROD - OFF WHITE
9	016604-01-000	EA	BRACE - CABINET - ANGLE - 2.5" - UNPAINTED METAL
9	016604-05-000	EA	BRACE - CABINET - ANGLE - 2.5" - OFF WHITE METAL
10	108486-01-01A	EA	BRACKET - PROP ROD/OVERHEAD - BLACK
11	100711-01-01A	EA	HINGE - GLASS DOOR
12	103257-01-000	EA	STOP - DOOR
13	116975-01-01A	EA	LATCH - W/O STRIKE - BLACK - NEW STYLE
14	116975-02-01A	EA	KEEPER/STRIKE - BLACK - NEW STYLE
15	093586-06-000	EA	CATCH - SPRING ROLLER
16	093586-05-000	EA	STRIKE - SPRING STEEL
17	098980-01-000	EA	PILASTER - ADJUSTABLE SHELF - 18" - WOODGRAIN
17	098980-02-000	EA	PILASTER - ADJUSTABLE SHELF - 12" - WOODGRAIN
17	098980-03-000	EA	PILASTER - ADJUSTABLE SHELF - 9" - WOODGRAIN
18	098979-01-000	EA	CLIP - ADJUSTABLE SHELF
19	117801-01-01A	EA	PULL - CABINET - BRASS
20	N/A	EA	PULL - CABINET - BRASS
21	074493-02-000	EA	SUPPORT - PISTON SPRING - CABINET DOOR - 26 LBS
22	042356-01-000	EA	PLUG - BUTTON - MAHOGANY - 3/8" DIAMETER - WOOD

INTERIOR FINISH GROUP (CONTINUED)

CABINET HARDWARE (CONTINUED)

CABINET DOOR SLIDES & BACKSOCKETS - FROM: 00-00-00 THRU: 02-22-98



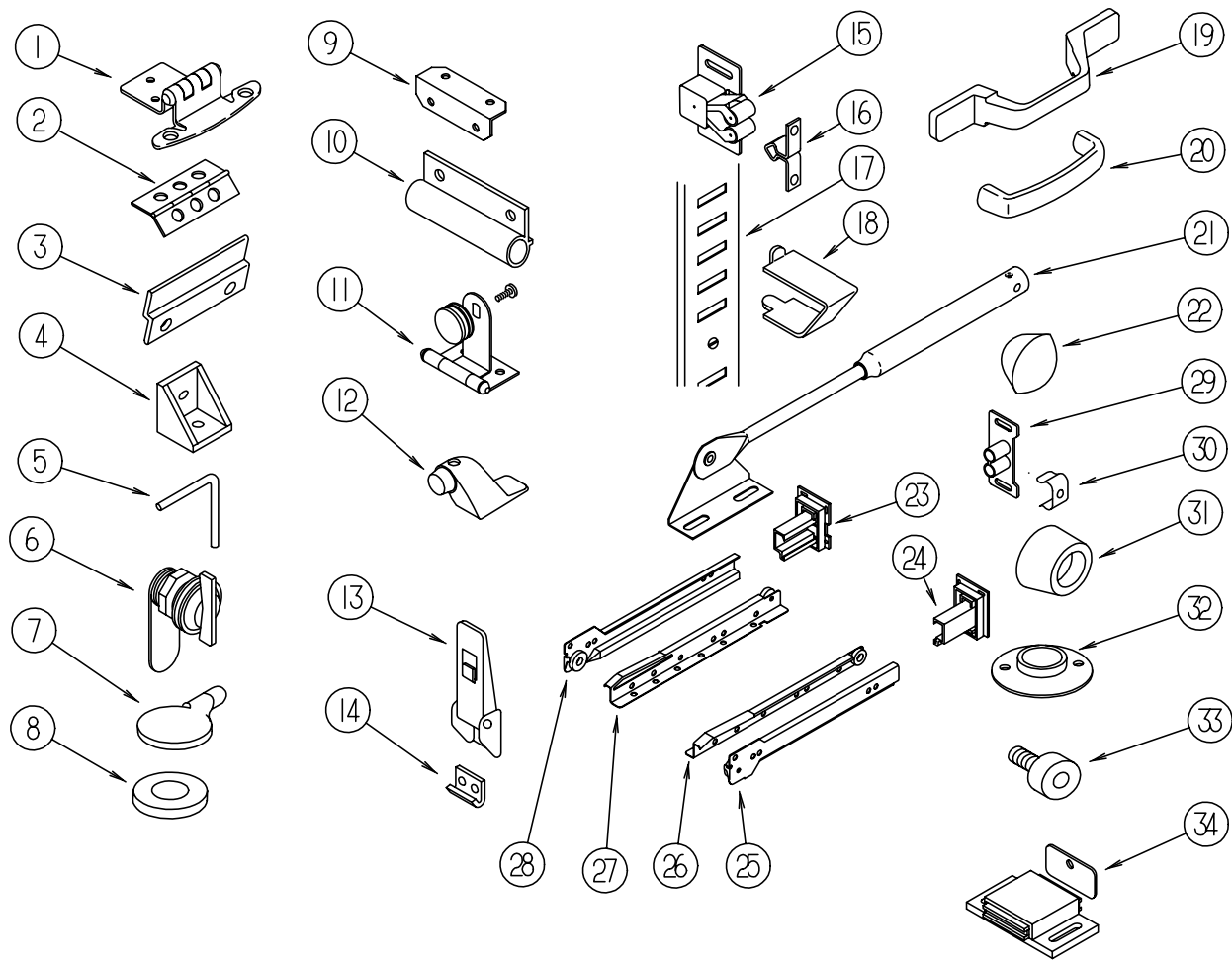
KEY	PART NUMBER	U/M	DESCRIPTION
23	114045-01-000	EA	BACKSOCKET - ADJUSTABLE LEFT
24	114045-02-000	EA	BACKSOCKET - ADJUSTABLE RIGHT
25	114031-02-000	EA	SLIDE - 12" - RIGHT SIDE/CABINET
25	114031-10-000	EA	SLIDE - 16" - RIGHT SIDE/CABINET
25	114031-14-000	EA	SLIDE - 18" - RIGHT SIDE/CABINET
25	114031-22-000	EA	SLIDE - 22" - RIGHT SIDE/CABINET
26	114031-04-000	EA	SLIDE - 12" - RIGHT SIDE/DRAWER
26	114031-12-000	EA	SLIDE - 16" - RIGHT SIDE/DRAWER
26	114031-16-000	EA	SLIDE - 18" - RIGHT SIDE/DRAWER
26	114031-24-000	EA	SLIDE - 22" - RIGHT SIDE/DRAWER
27	114031-03-000	EA	SLIDE - 12" - LEFT SIDE/DRAWER
27	114031-11-000	EA	SLIDE - 16" - LEFT SIDE/DRAWER
27	114031-15-000	EA	SLIDE - 18" - LEFT SIDE/DRAWER
27	114031-23-000	EA	SLIDE - 22" - LEFT SIDE/DRAWER
28	114031-01-000	EA	SLIDE - 12" - LEFT SIDE/CABINET
28	114031-09-000	EA	SLIDE - 16" - LEFT SIDE/CABINET
28	114031-13-000	EA	SLIDE - 18" - LEFT SIDE/CABINET
28	114031-21-000	EA	SLIDE - 22" - LEFT SIDE/CABINET

CABINET DOOR SLIDES & BACKSOCKETS - FROM: 02-23-98 THRU: 99-99-99

KEY	PART NUMBER	U/M	DESCRIPTION
23	128811-01-01A	EA	BACKSOCKET - ADJUSTABLE - LEFT
24	128811-02-01A	EA	BACKSOCKET - ADJUSTABLE RIGHT
25	128810-02-01A	EA	SLIDE - DRAWER - 12" - RIGHT CABINET
25	128810-10-01A	EA	SLIDE - DRAWER - 16" - RIGHT CABINET
25	128810-14-01A	EA	SLIDE - DRAWER - 18" - RIGHT CABINET
25	128810-22-01A	EA	SLIDE - DRAWER - 22" - RIGHT CABINET
26	128810-04-01A	EA	SLIDE - DRAWER - 12" - RIGHT DRAWER
26	128810-12-01A	EA	SLIDE - DRAWER - 16" - RIGHT DRAWER
26	128810-16-01A	EA	SLIDE - DRAWER - 18" - RIGHT DRAWER
26	128810-24-01A	EA	SLIDE - DRAWER - 22" - RIGHT DRAWER
27	128810-03-01A	EA	SLIDE - DRAWER - 12" - LEFT DRAWER
27	128810-11-01A	EA	SLIDE - DRAWER - 16" - LEFT DRAWER
27	128810-15-01A	EA	SLIDE - DRAWER - 18" - LEFT DRAWER
27	128810-23-01A	EA	SLIDE - DRAWER - 22" - LEFT DRAWER
28	128810-01-01A	EA	SLIDE - DRAWER - 12" - LEFT CABINET
28	128810-09-01A	EA	SLIDE - DRAWER - 16" - LEFT CABINET
28	128810-13-01A	EA	SLIDE - DRAWER - 18" - LEFT CABINET
28	128810-21-01A	EA	SLIDE - DRAWER - 22" - LEFT CABINET

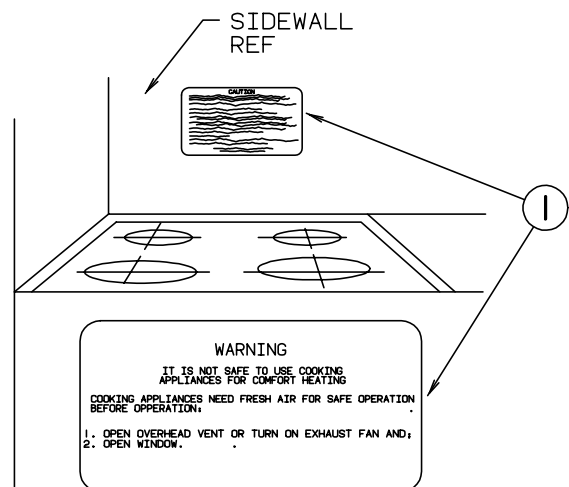
INTERIOR FINISH GROUP (CONTINUED)

CABINET HARDWARE (CONTINUED)



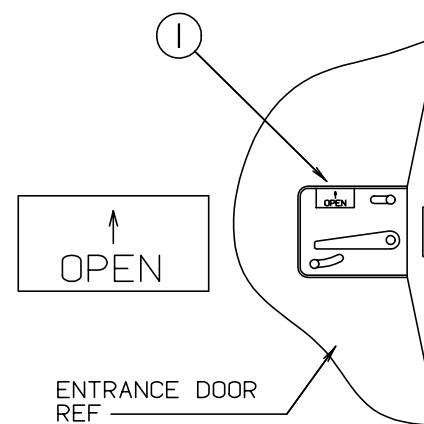
KEY	PART NUMBER	U/M	DESCRIPTION
	29	009021-01-000	EA CATCH - GRILLE - NYLON
	30	009021-02-000	EA STRIKE - SPRING STEEL
	31	004354-01-000	EA BUMPER - RUBBER - .5" DIA - BROWN
	32	009112-01-000	EA FLANGE - PLASTIC - 1" CLOTHES ROD - OFF WHITE
	33	079921-01-000	EA ROLLER - NYLON - W/STEEL SHAFT - BARBED
	34	088254-01-000	EA CATCH - MAGNETIC - 1.8" X .7"
		009089-01-000	EA CLIP - MIRROR
		042438-01-000	EA DOWEL - WOOD - CLOTHES ROD - 1" DIAMETER X 4'
		042438-02-000	EA DOWEL - WOOD - 2" X 2"
		023320-01-000	EA PAD - FELT 3/8" DIAMETER
		104181-01-01A	EA SUPPORT - LEAF 5.3" EXTENDS TO 7.5" - SAFETY RING - METAL
		064781-06-000	EA HOLDER - CUP - TWO STEP - OFF WHITE
		084625-06-000	EA HINGE - ALUMINUM - W/HOLES - 17.2" - OFF/WHITE
		122021-01-01A	EA ANGLE - W/HOLES - 1" X 1" X 9" - MILL
		122021-02-02A	EA ANGLE - W/HOLES - 1" X 1" X 13.8" - MILL

LABELS GROUP

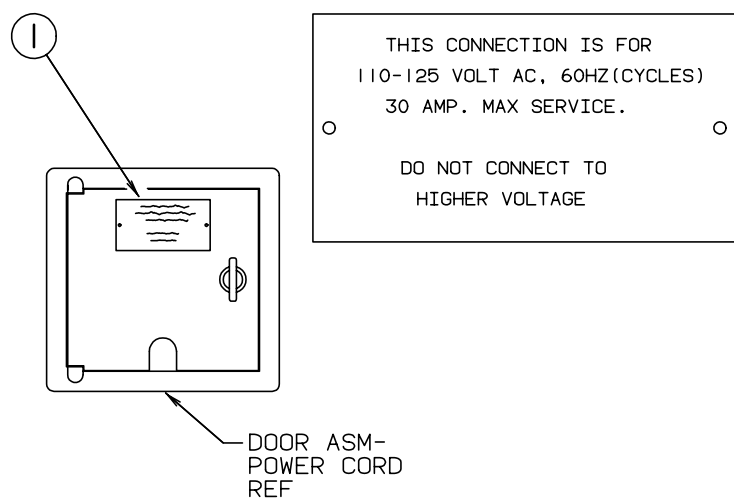


KEY	PART NUMBER	U/M DESCRIPTION
1	050225-01-000	EA LABEL - STOVE VENT - US

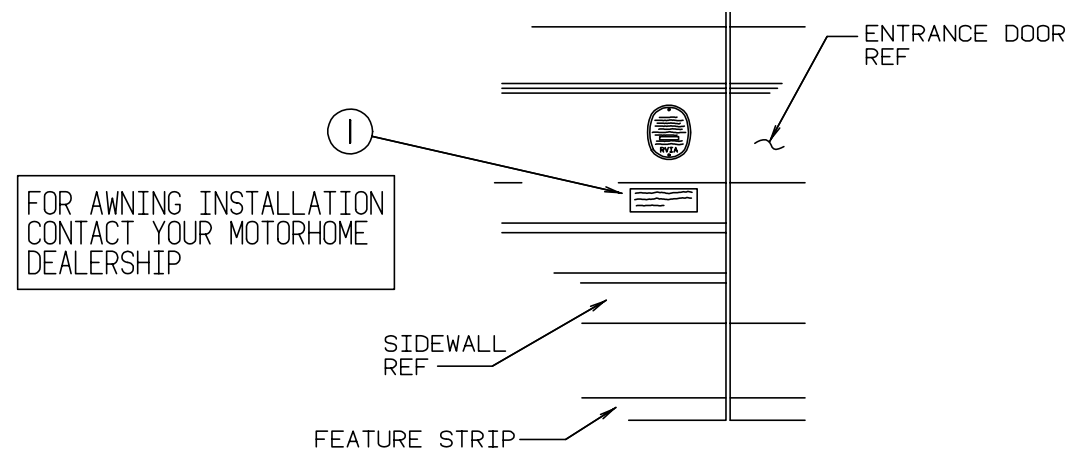
LABELS GROUP (CONTINUED)



KEY	PART NUMBER	U/M DESCRIPTION
1	040944-01-000	EA LABEL - ENTRANCE DOOR - "OPEN"

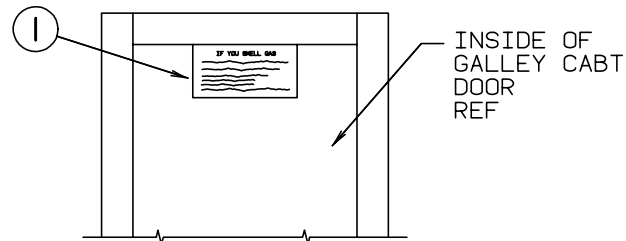


KEY	PART NUMBER	U/M DESCRIPTION
1	125306-03-01A	EA LABEL - ELECTRICAL ENTRANCE - 100 VOLT 30 AMP - JAPAN EXPORT



KEY	PART NUMBER	U/M DESCRIPTION
1	099509-01-000	EA LABEL - AWNING INSTALLATION

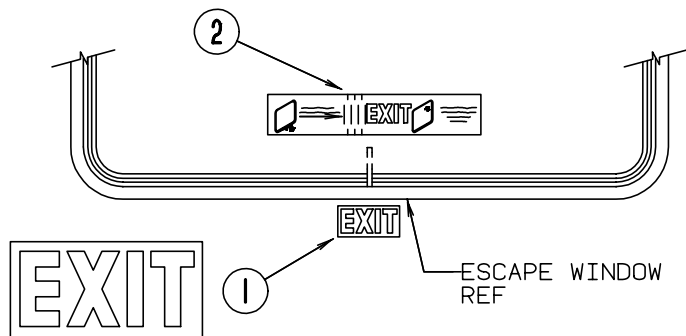
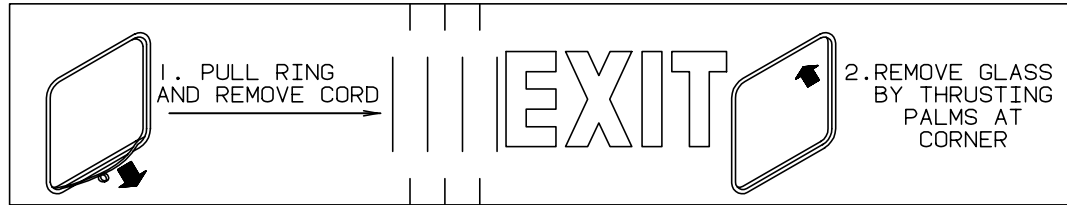
LABELS GROUP (CONTINUED)



IF YOU SMELL GAS

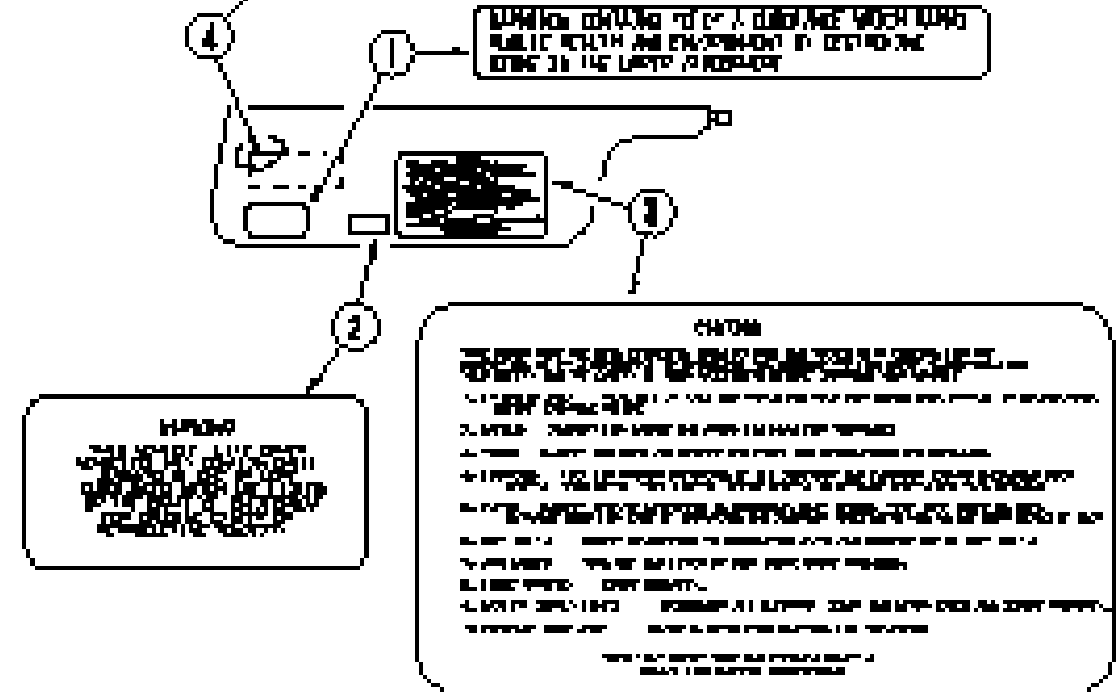
1. EXTINGUISH ANY OPEN FLAME, PILOT LIGHTS AND ALL SMOKING MATERIALS.
2. SHUT OFF THE GAS SUPPLY AT THE TANK VALVE(OR GAS SUPPLY CONNECTION.
3. OPEN DOORS AND OTHER VENTILATING OPENINGS.
4. DO NOT TOUCH ELECTRICAL SWITCHES.
5. LEAVE THE AREA UNTIL ODOR CLEARS.
6. HAVE THE GAS SYSTEM CHECKED AND LEAKAGE SOURCE CORRECTED BEFORE USING AGAIN.

KEY	PART NUMBER	U/M DESCRIPTION
1	073998-01-000	EA LABEL - LPG ODOR WARNING

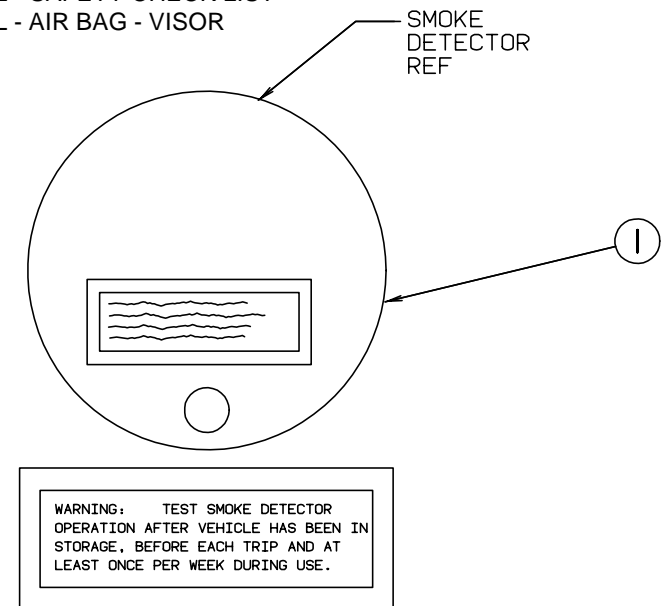


KEY	PART NUMBER	U/M DESCRIPTION
1	039290-01-000	EA LABEL - WARNING - EXIT
2	107571-01-000	EA LABEL - EXIT/ESCAPE WINDOW

LABELS GROUP (CONTINUED)



KEY	PART NUMBER	U/M DESCRIPTION
1	111802-01-000	EA LABEL - CFC WARNING
2	099689-01-000	EA LABEL - WARNING - CANCER/TOXICITY
3	056259-01-000	EA LABEL - SAFETY CHECK LIST
4	126611-01-000	EA LABEL - AIR BAG - VISOR



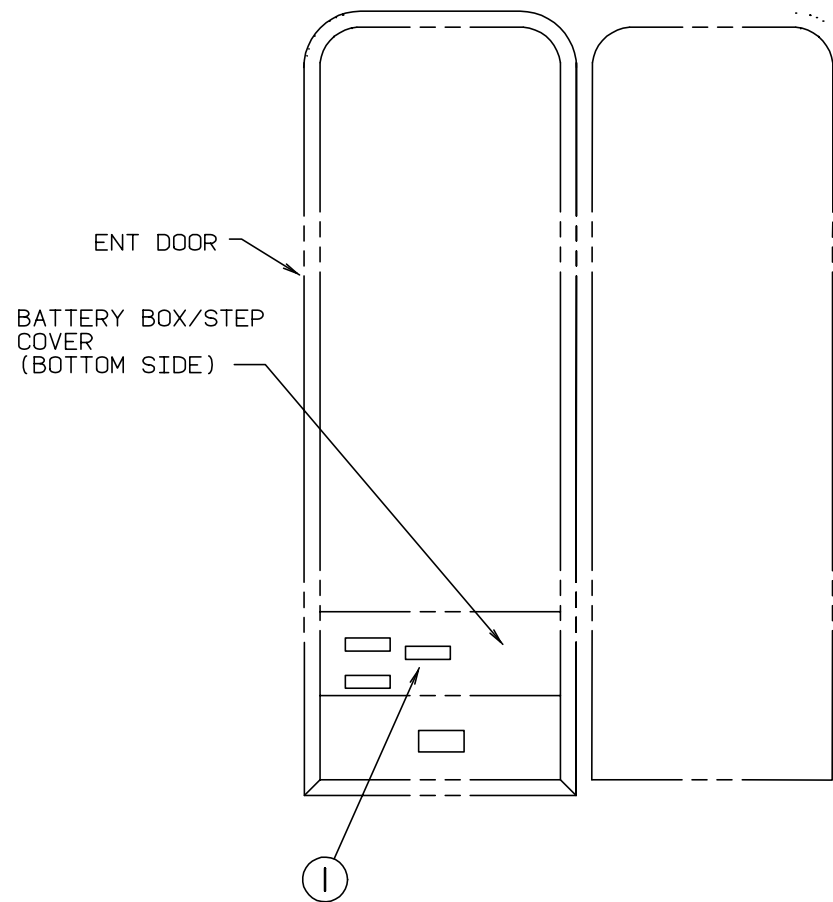
KEY	PART NUMBER	U/M DESCRIPTION
1	077956-01-000	EA LABEL - WARNING - SMOKE DETECTOR

LABELS GROUP (CONTINUED)

AIR CONDITIONING CIRCUIT.
THIS CONNECTION IS FOR
AIR CONDITIONERS RATED 110-
125 VOLT AC, 60 HZ, 16
AMPERES MAXIMUM. DO NOT
EXCEED CIRCUIT RATING.



KEY	PART NUMBER	U/M DESCRIPTION
1	091243-01-000	EA LABEL - A/C COVER "AIR CONDITIONING CIRCUIT ETC."

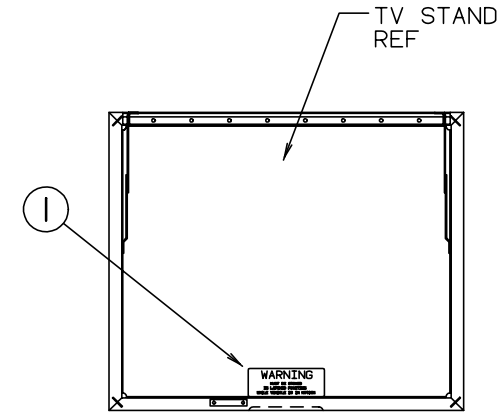


WARNING: DISCONNECT BATTERIES BEFORE CONNECTING EXTERNAL CHARGING EQUIPMENT.

AVERTISSEMENT: DEBRANCHER LES BATTERIES AVANT DE BRANCHER TOUT EQUIPEMENT DE CHARGE EXTERIEUR.

KEY	PART NUMBER	U/M DESCRIPTION
1	065748-01-000	EA LABEL - CAUTION - BATTERY CHARGING

LABELS GROUP (CONTINUED)



WARNING
MUST BE STOWED
IN LATCHED POSITION
WHILE VEHICLE IS IN MOTION

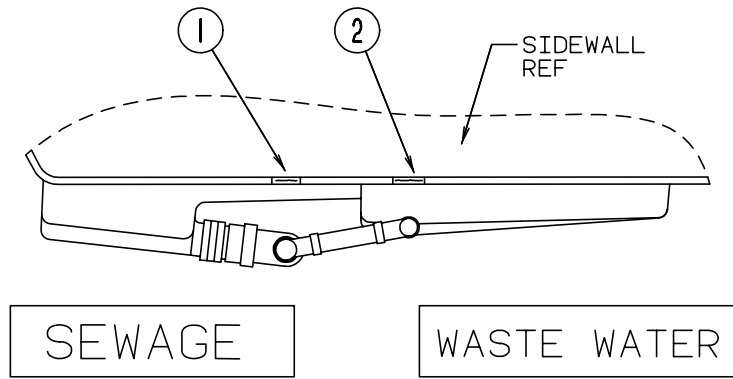
KEY	PART NUMBER	U/M DESCRIPTION
1	079966-01-000	EA LABEL - WARNING - STOWED - MOTION

NOTE: TUNE ANTENNA PER MANUFACTURER'S DIRECTIONS. FAILURE TO COMPLY COULD RESULT IN DAMAGE TO CB.

CB POWER PROVISION
RED +12 V
BLACK GROUND
COAX ANTENNA
(SEE REVERSE ALSO)

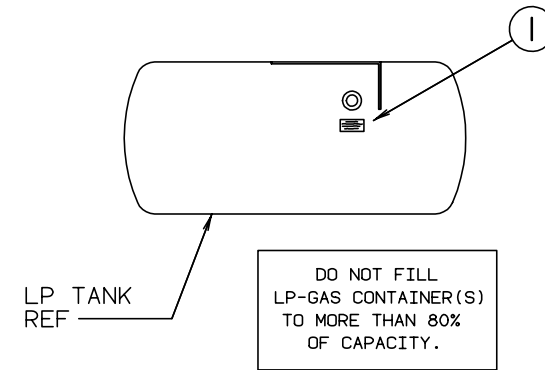
KEY	PART NUMBER	U/M DESCRIPTION
1	104678-01-000	EA LABEL - CB PREP

LABELS GROUP (CONTINUED)

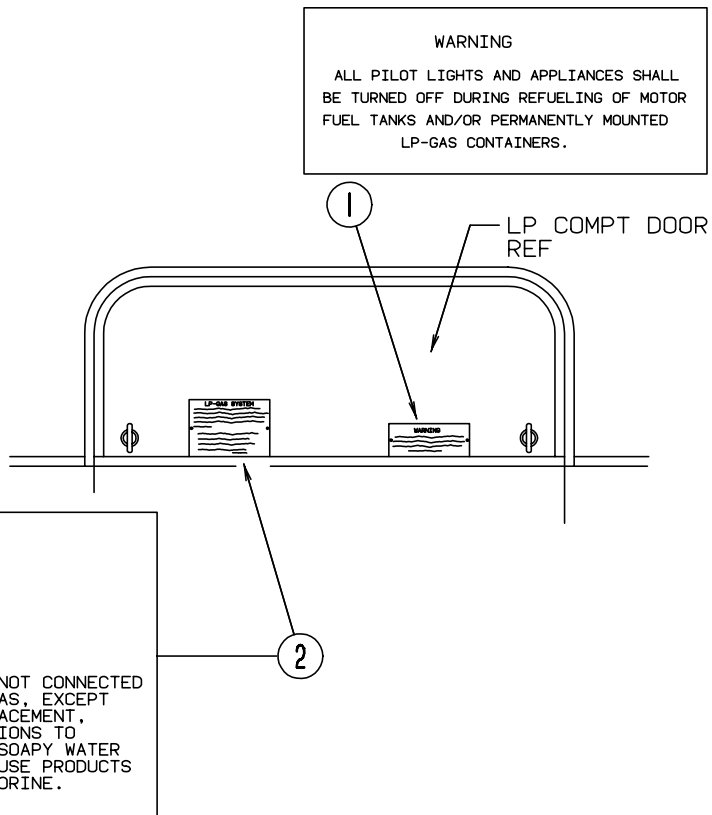


KEY	PART NUMBER	U/M DESCRIPTION
1	006187-01-000	EA LABEL - SEWAGE
2	006188-01-000	EA LABEL - WASTE WATER

LABELS GROUP (CONTINUED)

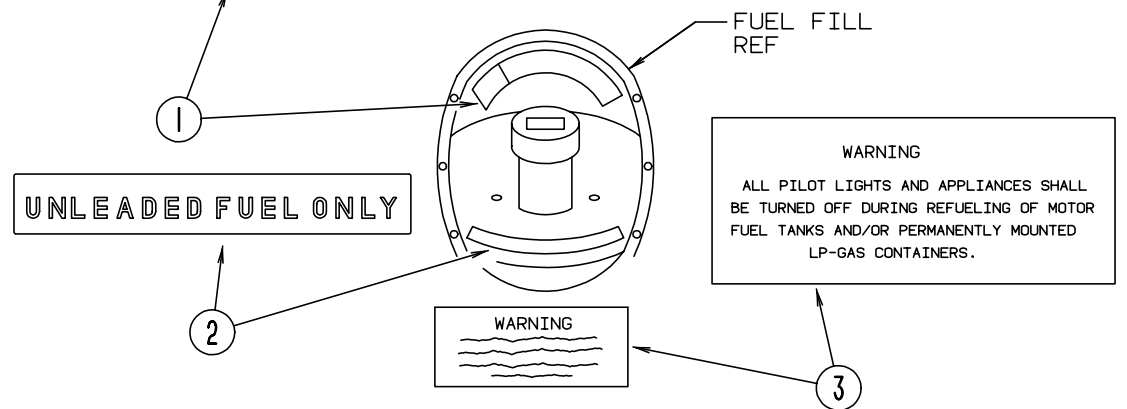


KEY	PART NUMBER	U/M DESCRIPTION
1	079965-01-000	EA LABEL - LPG - 80% CAPACITY



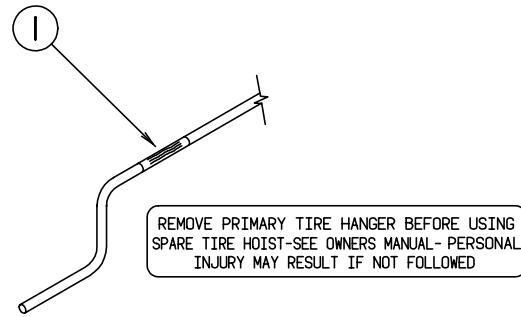
KEY	PART NUMBER	U/M DESCRIPTION
1	124519-01-01A	EA LABEL - WARNING/REFUELING - BLACK ON CLEAR
2	124520-01-01A	EA LABEL - LP GAS ONLY - BLACK ON CLEAR

CAUTION	TO HELP AVOID PERSONAL INJURY DURING REMOVAL OF FUEL FILLER CAP, SLOWLY LOOSEN CAP 1/2 TURN TO ALLOW ANY FUEL PRESSURE TO BE RELIEVED BEFORE TURNING CAP FURTHER.
FUEL SPRAY MAY CAUSE PERSONAL INJURY	STOP ADDING FUEL AFTER FIRST SHUTOFF BY AUTOMATIC NOZZLE WHEN TANK IS NEARLY FULL. DO NOT OVERFILL FUEL TANK. SEE OWNERS MANUAL FOR ADDITIONAL INFORMATION.
PRINTED IN U.S.A. MLC PT NO 15611763	



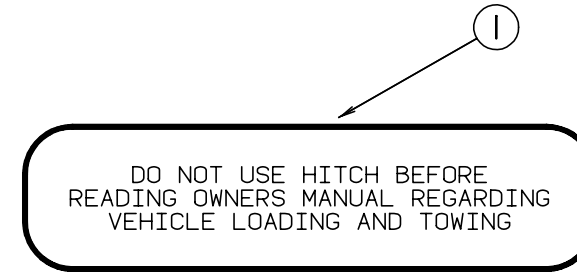
KEY	PART NUMBER	U/M DESCRIPTION
1	087207-05-000	EA LABEL - FUEL CAP REMOVAL
2	062043-01-000	EA LABEL - FUEL - UNLEADED
3	124519-01-01A	EA LABEL - WARNING/REFUELING - BLACK ON CLEAR

LABELS GROUP (CONTINUED)

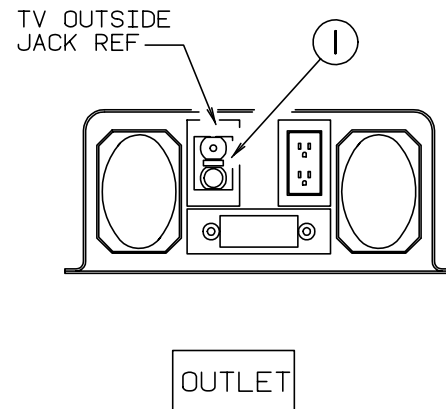


KEY	PART NUMBER	U/M DESCRIPTION
1	126024-01-01A	EA LABEL - TIRE HANGER REMOVAL

LABELS GROUP (CONTINUED)



KEY	PART NUMBER	U/M DESCRIPTION
1	111104-01-000	EA LABEL - HITCH - READ MANUAL - WHITE

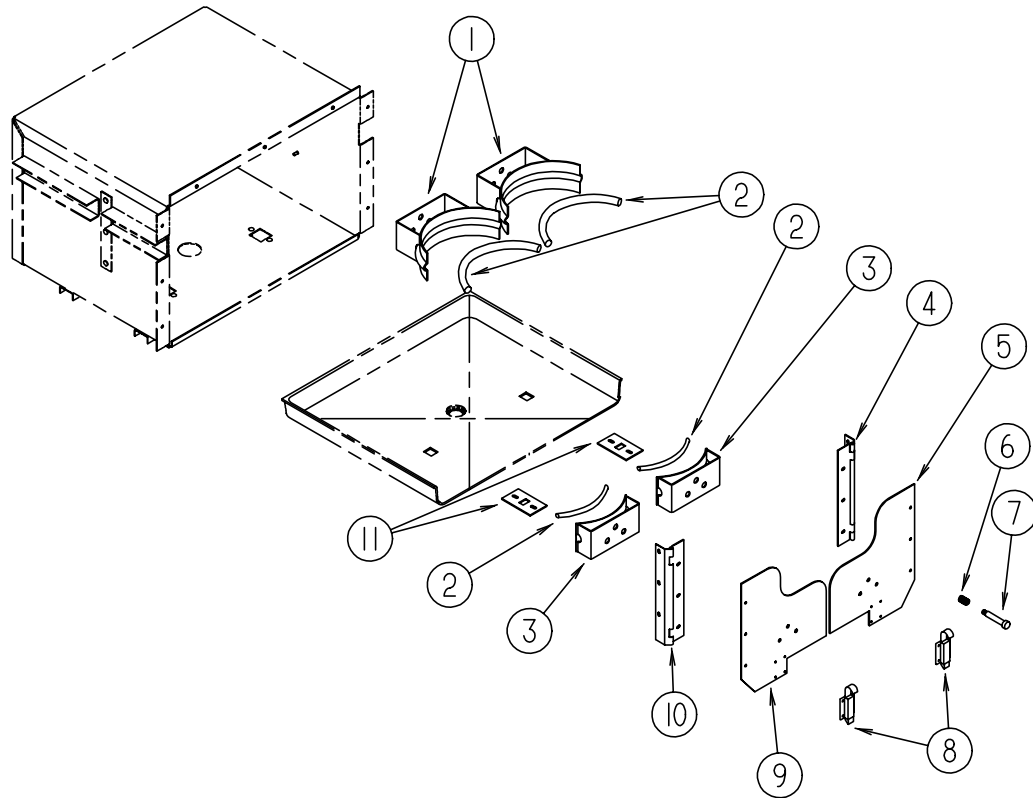


KEY	PART NUMBER	U/M DESCRIPTION
1	087236-01-000	EA LABEL - CABLE - INPUT

MISCELLANEOUS LABELS

KEY	PART NUMBER	U/M DESCRIPTION
	098379-04-000	EA LABEL - ELECTRICAL BOX - SIDE
	098641-01-000	EA LABEL - FUEL - UNLEADED - DASH
	102267-01-000	EA LABEL - NO OCCUPANCY - US
	111537-07-000	EA LABEL - FUSES
	113402-01-000	EA LABEL - CAUTION - WATER HEATER EXHAUST
	113402-02-000	EA LABEL - CAUTION - FURNACE EXHAUST
	128218-01-01A	EA LABEL - WARNING - SLIPPERY ROOF

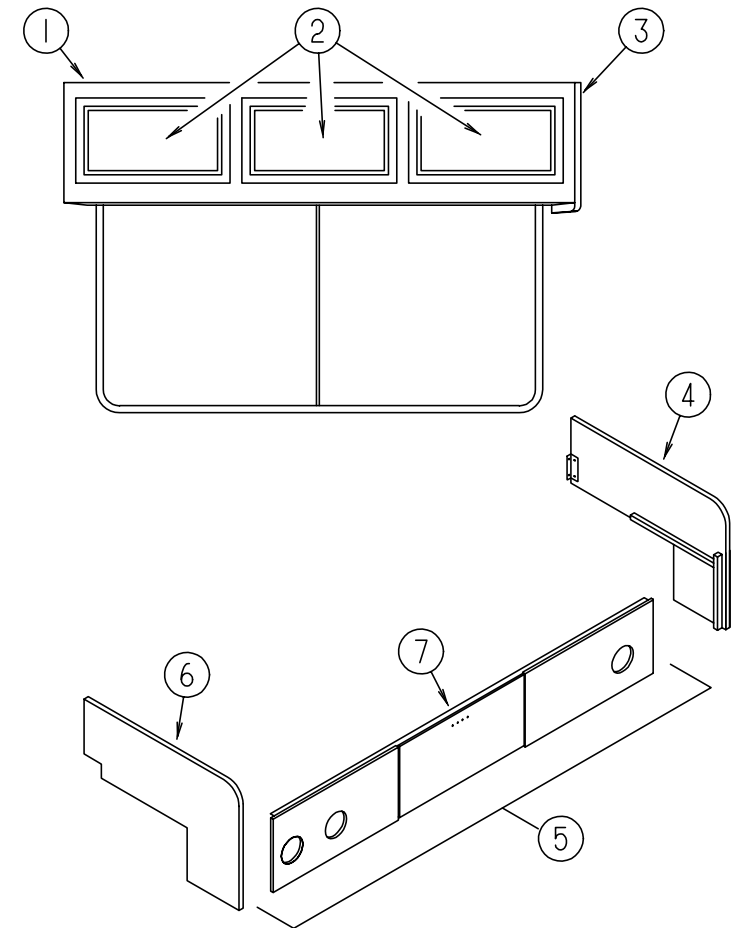
LP GROUP



LP COMPARTMENT & COMPONENTS

KEY	PART NUMBER	U/M	DESCRIPTION
1	107414-01-000	EA	CRADLE - LP TANK
2	098408-01-000	FT	SEAL - SPONGE RUBBER - CLOSED CELL
3	107414-02-000	EA	CRADLE - LP TANK
4	097207-02-01A	EA	HINGE-CONTINUOUS,DOOR,RH MIL
5	107433-01-C82	EA	DOOR - HINGED - LP BOX - RIGHT HAND
6	107394-01-000	EA	SPRING - COMPRESSION - DOOR - LP
7	107393-01-000	EA	BOLT - SHOULDER - SOCKET HEAD - BLACK
8	107395-01-02A	EA	LATCH - BOLT - FINGER - LP DOOR
9	107433-02-C82	EA	DOOR - HINGED - LP BOX - LEFT HAND
10	097207-03-02A	EA	HINGE - CONTINUOUS - LP DOOR
11	107421-01-000	EA	PLATE - STRIKE - LP COMPARTMENT
	010323-01-000	EA	ADAPTER - BRASS - 3/8" F X 1/2" MPT
	010497-03-000	EA	CLAMP - CLOSED - 1" ID - CUSHIONED
	010495-01-000	EA	CLAMP - CABLE - 9/16"
	016188-05-000	EA	GROMMET - L/P LINE - 3/8" HOLE X 1 1/4" LONG - RUBBER

LOUNGE GROUP



DRIVER SIDE LOUNGE

KEY	PART NUMBER	U/M	DESCRIPTION
1	103275-02-J18	EA	CABINET - OVERHEAD/FRONT - LEFT HAND - W/O DOORS/HARDWARE
	103275-12-G09	EA	SHELF - W/PLASTIC EDGE TRIM
2	M05992-77-J18	EA	DOOR - STRAIGHT CORNER/OGEE EDGE - 10" X 25.2" - W/O HDW
3	103128-09-G09	EA	END CAP - OVERHEAD CABINET - LEFT HAND
4	M04187-39-J18	EA	PANEL - LEFT END - SOFA/BED - FABRIC COVERED
4	M04187-39-J19	EA	PANEL - LEFT END - SOFA/BED - FABRIC COVERED
4	M04187-39-J44	EA	PANEL - LEFT END - SOFA/BED - FABRIC COVERED
5	M04187-42-J18	EA	PANEL - FRONT KICK W/DOOR - SOFA/BED - FABRIC COVERED
5	M04187-42-J19	EA	PANEL - FRONT KICK W/DOOR - SOFA/BED - FABRIC COVERED
5	M04187-42-J44	EA	PANEL - FRONT KICK W/DOOR - SOFA/BED - FABRIC COVERED
6	M04187-38-J18	EA	PANEL - RIGHT END - SOFA/BED - FABRIC COVERED
6	M04187-38-J19	EA	PANEL - RIGHT END - SOFA/BED - FABRIC COVERED
6	M04187-38-J44	EA	PANEL - RIGHT END - SOFA/BED - FABRIC COVERED
7	M04187-41-J18	EA	PANEL - DOOR - 12.6" X 24.8" - SOFA/BED - FABRIC COVERED
7	M04187-41-J19	EA	PANEL - DOOR - 12.6" X 24.8" - SOFA/BED - FABRIC COVERED
7	M04187-41-J44	EA	PANEL - DOOR - 12.6" X 24.8" - SOFA/BED - FABRIC COVERED
	083125-07-000	EA	BRACE - COUCH - 2.5"

LID - ENTRANCE STEP COMPARTMENT COMPONENTS

KEY	PART NUMBER	U/M	DESCRIPTION
	104006-01-C05	EA	LID - ENTRANCE STEP COMPARTMENT - W/O CARPET
	122755-05-01A	EA	TILE - RUBBER/ENTRANCE DOOR - 11.2" X 26.9"
	107941-01-02A	EA	SUPPORT - ENTRANCE STEP LID
	101222-01-02A	EA	BRACKET - CATCH - LID - OFF WHITE
	116975-01-01A	EA	LATCH - W/O STRIKE - BLACK - NEW STYLE
	116975-02-01A	EA	KEEPER/STRIKE - BLACK - NEW STYLE
	064075-07-000	FT	SEAL - BULB - W/WIRED U CHANNEL - .3" X .5" CHANNEL-BLACK

SEALANTS & FASTENERS GROUP

ADHESIVES, SEALERS & TAPES

KEY	PART NUMBER	U/M DESCRIPTION
	004006-05-700	EA ADHESIVE-NAT. STARCH (5 GAL) 0802
	034552-02-000	EA SILICONE - TUBE - W/O NOZZLE - CLEAR
	039518-01-000	EA SILICONE - TUBE - W/O NOZZLE - BLACK
	053766-02-000	EA BEDDING COMPOUND - TUBE - WHITE
	062917-03-000	EA ADHESIVE - LOCTITE 242
	067788-01-000	EA ADHESIVE - SPRAY - 3M - 19.5 AEROSOL CAN
	069640-01-000	FT SEALER - RIBBON - 1/4" DIAMETER X 30' - BLACK
	069640-02-000	FT SEALER - TAPE - .13"THICK X .5"WIDE X 60' - GRAY
	069640-03-000	FT SEALER - TAPE - .13"THICK X .75"WIDE X 60' - BLACK
	069640-07-000	FT SEALER - TAPE - .09"THICK X 2"WIDE X 45' - GRAY
	069640-09-000	FT SEALER - TAPE - .032"THICK X 2.50"WIDE X 80' - GREY
	069640-13-000	FT SEALER - TAPE - .03"THICK X 2"WIDE X 45' - BLACK
	069640-14-000	FT SEALER - TAPE - .06"THICK X 1"WIDE X 100' - GRAY
	069640-15-000	FT SEALER - TAPE - .06"THICK X .38"WIDE X 80' - GRAY
	069640-18-000	FT SEALER - TAPE - .50"THICK X 1/8"WIDE X 60' - BRIGHT WHITE
	072889-01-000	EA SEALANT - URETHANE - BLACK - 1/10
	072889-09-000	EA SEALANT - URETHANE - BLACK (TUBE)
	072889-10-000	EA SEALANT - URETHANE (HV) - BRIGHT WHITE
	072889-12-000	EA SEALANT - URETHANE (LV) BRIGHT WHITE
	076314-02-000	FT TAPE - CARPET SEAM - HEAT-BOND - 4" WIDE
	076322-02-000	FT TAPE - DOUBLE COATED/ADHESIVE BACK - .045"THK X 1"W X 108'
	076322-05-000	FT TAPE - DOUBLE COATED/ADHESIVE BACK - .045"THK X .75"W X 9'
	087211-01-000	GL PROMOTER - ADHESIVE
	088479-01-000	EA TAPE - ALUMINUM - 3"
	091255-02-000	FT SEAL - ADHESIVE BACKED/FOAM - .18" THICK X 1.5" WIDE
	102352-01-000	EA SEALER - PUMPABLE - BLACK
	102352-02-000	EA SEALER - PUMPABLE - CLEAR
	106206-01-000	EA SEALER - PUMPABLE - MANUS 30A - BLACK
	108716-03-000	EA SILICONE - TUBE - BRIGHT WHITE/SELF LEVELING - W/O NOZZLE
	110274-01-000	FT TAPE - DOUBLE SIDED FOAM - .45" X 1"
	111940-02-000	LB SEALER - PUTTY - THUMBING
		FROM: 03-08-98 THRU: 99-99-99
	112864-01-000	FT SEAL - FOAM/BUTYL COVERED - 3/8"
	112901-02-000	EA ADHESIVE - PLEXUS - 50ML
	120074-02-01A	EA SEALANT - SILICONE - OFF WHITE
	120534-01-01A	EA TAPE - SCOTCH - 3M - 1/2" FINE LINE
	123816-01-000	FT TAPE - DOUBLE SIDED - 1"
	123816-02-000	FT TAPE - DOUBLE SIDED - 1/2" X 1 1/3" THICK
	900390-01-000	EA TIP - 2 1/2" X 1/8" ORIFICE
	900390-03-000	EA NOZZLE - SILICONE TUBE

SEALANTS & FASTENERS GROUP (CONTINUED)

WASHERS

KEY	PART NUMBER	U/M DESCRIPTION
	000E11-07-00B	EA WASHER - LOCKING - 7/16 MED SPLIT - ZINC
	000E13-14-00B	EA WASHER - FLAT - 1/4 WIDE - ZINC
	000E13-18-00B	EA WASHER - FLAT - 3/8 WIDE - ZINC
	000E13-20-00B	EA WASHER - FLAT - 7/16 WIDE - ZINC
	000E13-21-00B	EA WASHER - FLAT - 1/2 NARROW - ZINC
	000E13-22-00B	EA WASHER - FLAT - 1/2 WIDE - ZINC
	000E13-26-00B	EA WASHER - FLAT - 5/8 WIDE - ZINC
	000E14-10-00B	EA WASHER - LOCKING - #10 EXTERNAL TOOTH - ZINC
	044533-01-000	EA WASHER - PLASTIC - 1 3/8" OD - FOR BUTTONS
	058716-02-000	EA WASHER - FLAT NYLON
	106649-01-000	EA WASHER - SEALING - GALVANIZED

NUTS

KEY	PART NUMBER	U/M DESCRIPTION
	000D24-10-00B	EA NUT - HEX - SELF LOCKING - 10-32 ZINC
	000D29-05-00B	EA NUT - HEX - LOCKING W/SERRATED FLANGE-NYLON WASHER INSERT
	000D34-06-00B	EA NUT - HEX - LOCKING - 3/8-16 GRADE C - ZINC-PREVAILING
	000D39-04-00B	EA NUT - HEX - LOCKING W/SERRATED FLANGE - 1/4-20 - ZINC
	000D39-05-00B	EA NUT - HEX - LOCKING W/SERRATED FLANGE - 5/16-18 - ZINC
	000D39-06-00B	EA NUT - HEX - LOCKING W/SERRATED FLANGE - 3/8-18 - ZINC
	000D39-07-00B	EA NUT - HEX - LOCKING W/SERRATED FLANGE - 7/16-14 - ZINC
	000D39-08-00B	EA NUT - HEX - LOCKING W/SERRATED FLANGE - 1/2-13 - ZINC
	000D44-07-00B	EA NUT - HEX - LOCKING W/SERRATED FLANGE - 7/16-20 - ZINC
	000D46-04-00A	EA NUT - HEX - WELD - 1/4-20 - PLAIN
	000D58-06-00A	EA NUT - HEX - WELD 3/8-16 - PLAIN
	000D60-05-00A	EA NUT - HEX - WELD/LOCK 5/16 - 18 UNCUT
	040921-01-000	EA NUT - SPEED - U TYPE - 10-24 BLACK
	040921-04-000	EA NUT - SPEED - U TYPE - 8-.59" LENGTH X .44" WIDTH
	040921-09-000	EA NUT - SPEED - U TYPE - 8
	044364-02-000	EA NUT - SPEED - FLAT - ROUND
	063253-07-000	EA NUT - J - #8A - .120 - .130 PNL THK
	087234-01-000	EA NUT - JACK - 1/4 X 20 THD - MOLLY -MOUNTS LICENSE PLATES
	104369-01-000	EA NUT - HEX - HEAVY - 5/8-11 UNC

CLAMPS

KEY	PART NUMBER	U/M DESCRIPTION
	007161-01-000	EA CLAMP - HOSE - SPRING TYPE - 1/2"
	010495-01-000	EA CLAMP - CABLE - 9/16"
	010497-01-000	EA CLAMP - CLOSED - 5/8" ID
	010497-03-000	EA CLAMP - CLOSED - 1" ID - CUSHIONED
	010497-04-000	EA CLAMP - CLOSED - 1.62" ID
	010497-05-000	EA CLAMP - CLOSED - 1/2 ID
	010499-01-000	EA CLAMP - CLOSED - 3/8 ID
	083609-01-000	EA CLAMP - WIRE - DUAL - EQUAL DIAMETERS - 5/8"
	083610-01-000	EA CLAMP - WIRE - DUAL - UNEQUAL DIAMETERS - 3/4" & 1 1/4"
	062401-01-000	EA CLAMP - HOSE - WORMGEAR - .25" - 1"
	062401-02-000	EA CLAMP - HOSE - WORMGEAR - 1.56" - 2.5"
	062401-04-000	EA CLAMP - HOSE - WORMGEAR - .69" - 1.25"
	062401-05-000	EA CLAMP - HOSE - WORMGEAR - 2" TO 3" ID
	062401-06-000	EA CLAMP - HOSE - WORMGEAR - .22" - .62" ID
	062401-11-000	EA CLAMP - HOSE - WORMGEAR - 3.50" - 4.50"
	075148-02-000	EA CLAMP - GROUNDING - BRONZE SCREWS

SEALANTS & FASTENERS GROUP (CONTINUED)

SCREWS

KEY	PART NUMBER	U/M DESCRIPTION
	0G3908-08-170	EA SCREW - SF/DR - 8-18 X .50 PPH - BRIGHT WHITE
	0G3908-20-170	EA SCREW - SF/DR - 8-18 X 1.25 PPH - BRIGHT WHITE
		FROM: 00-00-00 THRU: 01-25-98
	0G3908-24-170	EA SCREW - SF/DR - 8-18 X 1.50 PPH - BRIGHT WHITE
		FROM: 01-26-98 THRU: 99-99-99
	000G11-05-08B	EA SCREW - 5-20 X .50 PPH - ZINC
	000G11-06-08B	EA SCREW - 6-20 X 1/2 PPH - ZINC
	000G11-06-10J	EA SCREW - 6-20 X 5/8 PPH - BRASS
	000G11-06-10B	EA SCREW - 6-20 X 5/8 PPH - ZINC
	000G11-07-08B	EA SCREW - 7-19 X 1/2 PPH - ZINC
	000G11-08-06B	EA SCREW - 8-18 X 3/8 PPH - ZINC
	000G11-08-12D	EA SCREW - 8-18 X 3/4 PPH - BLACK
	000G11-08-12B	EA SCREW - 8-18 X 3/4 PPH - ZINC
	000G11-08-08T	EA SCREW - 8-18 X 1/2 PPH - FLUOROCARBON COATING
	000G11-08-08B	EA SCREW - 8-18 X 1/2 PPH - ZINC
	000G11-08-20B	EA SCREW - 8-18 X 1 1/4 PPH - ZINC
	000G11-08-16S	EA SCREW - 8-18 X 1 PPH - OFF WHITE
	000G11-08-12T	EA SCREW - 8-18 X 3/4 PPH - BLACK
	000G11-08-12P	EA SCREW - 8-18 X 3/4 PPH - DARK BROWN
	000G11-10-16B	EA SCREW - 10-16 X 1 PPH - ZINC
	000G11-10-12S	EA SCREW - 10-16 X 3/4 PPH - OFF WHITE
	000G11-10-12D	EA SCREW - 10-16 X 3/4 PPH - BLACK
	000G11-10-40B	EA SCREW - 10-16 X 2 1/2 PPH CAD - 34927-01-000
	000G12-06-08T	EA SCREW - 6-20 X 1/2 POH - BLACK
	000G13-06-10G	EA SCREW - 6-20 X 5/8 PFH - ANTIQUE BRASS
	000G13-06-08G	EA SCREW - 6-20 X .50 PFH - ANTIQUE BRASS
	000G13-06-24J	EA SCREW - 6-20 X 1 1/2 PFH - BRASS
	000G13-06-16J	EA SCREW - 6-20 X 1 PFH - BRASS
	000G13-07-12B	EA SCREW - 7-19 X 3/4 PFH - ZINC
	000G13-07-10H	EA SCREW - 7-19 X 5/8 PFH - BLACK
	000G13-08-16B	EA SCREW - 8-18 X 1 PFH - ZINC
	000G13-08-10S	EA SCREW - 8-18 X 5/8 PFH - OFF WHITE
	000G18-08-22B	EA SCREW - MACHINE - 8-32 X 1 3/8 PPH - ZINC
	000G19-10-08B	EA SCREW - MACHINE - 10-32 X 1/2 PPH - ZINC
	000G19-10-20B	EA SCREW - MACHINE - 10-32 X 1 1/2 PPH - ZINC
	000G19-10-12F	EA SCREW - MACHINE - 10-32 X 3/4 PPH - STAINLESS STEEL
	000G32-10-06B	EA SCREW - 10-32 X 3/8 PPH - ZINC
	000G37-08-089	EA SCREW - 8 X 18 X 1/2 PPH
	000G39-06-16T	EA SCREW - SF/DR - 6-20 X 1 PPH - BLACK
	000G39-06-10T	EA SCREW - SF/DR - 6-20 X 5/8 PPH - BLACK
	000G39-08-08B	EA SCREW - SF/DR - 8-18 X 1/2 PPH - ZINC
	000G39-08-06B	EA SCREW - SF/DR - 8-18 X 3/8 PPH - ZINC
	000G39-08-16B	EA SCREW - SF/DR - 8-18 X 1 PPH - ZINC
	000G39-08-12T	EA SCREW - SF/DR - 8-18 X 3/4 PPH - BLACK
	000G39-08-12B	EA SCREW - SF/DR - 8-18 X 3/4 PPH - ZINC
	000G39-08-08S	EA SCREW - SF/DR - 8-18 X 1/2 PPH - OFF WHITE
	000G39-08-32B	EA SCREW - SF/DR - 8-18 X 2 PPH - ZINC
	000G39-08-16T	EA SCREW - SF/DR - 6-20 X 1 PPH - BLACK
	000G39-08-16R	EA SCREW - SF/DR - 8-18 X 1 PPH - BEIGE
	000G39-10-08B	EA SCREW - SF/DR - 10-16 X 1/2 PPH - ZINC
	000G39-10-209	EA SCREW - SF/DR - 10-16 X 1 1/4 PPH - FLUOROCARBON SILVER
	000G39-10-20B	EA SCREW - SF/DR - 10-16 X 1 1/4 PPH - ZINC
	000G39-10-129	EA SCREW - SF/DR - 10-16 X 3/4 PPH - FLUOROCARBON SILVER
	000G39-10-12D	EA SCREW - SF/DR - 10-16 X 3/4 PPH - BLACK
	000G39-10-12B	EA SCREW - SF/DR - 10-16 X 3/4 PPH - ZINC
	000G39-10-10B	EA SCREW - SF/DR - 10-16 X 5/8 - ZINC
	000G39-10-088	EA SCREW - SF/DR - 10-16 X 1/2 PPH - FLEX FLUOROCARBON
	000G42-04-12B	EA SCREW - SF/DR - 1/4-14 X 3/4 HWH - ZINC
	000G46-08-24T	EA SCREW - MACHINE - 8-32 X 1 1/2 PFH - BLACK
	000G50-04-12B	EA SCREW - MACHINE - 1/4-20 X 3/4 PPH - ZINC
	000G50-04-08B	EA SCREW - MACHINE - 1/4-20 X 1/2 PTH - ZINC

SEALANTS & FASTENERS GROUP (CONTINUED)

SCREWS (CONTINUED)

KEY	PART NUMBER	U/M DESCRIPTION
	000G54-04-20B	EA SCREW - 1/4-20 X 1.25 PTH - TYPE 23 - ZINC PLATED
	000G55-08-16S	EA SCREW - SF/DR - 8-18 X 1.00 - PWH - OFF WHITE
	000G55-08-12S	EA SCREW - SF/DR - 8-18 X 3/4 PWH - OFF WHITE
	000G56-12-48B	EA SCREW - WOOD - 12-11 X 3 POH - SPECIAL HARDENED
	000G60-10-28T	EA SCREW - SF/DR - 10-16 X 1 3/4 - BLACK
	000G67-10-10S	EA SCREW - 10-12 X 5/8 PPH - OFF WHITE
	000G67-10-10D	EA SCREW - 10-12 X 5/8 PPH - BLACK - TYPE A
	000G67-10-08B	EA SCREW - 10-12 X 1/2 PPH - ZINC
	000G67-10-36T	EA SCREW - 10-12 X 2 1/4 - PPH - BLACK
	000G67-10-24B	EA SCREW - 10-12 X 1.50 PPH - ZINC
	000G67-10-20D	EA SCREW - 10-12 X 1.25 PPH - BLACK
	000G67-10-120	EA SCREW - 10-12 X 3/4 PPH - TAN
	000G67-10-120	EA SCREW - 10-12 X 3/4 PPH - TAN
	000G67-10-12B	EA SCREW - 10-12 X 3/4 PPH - ZINC
	000G68-06-10G	EA SCREW - 6-18 X 5/8 POH - ANTIQUE BRASS
	049465-03-000	EA SCREW - 10-16 X 1 POH W/WASHER - OFF WHITE
	049465-04-000	EA SCREW - 10-16 X 1 PTH W/WASHER - BEIGE
	049465-17-000	EA SCREW - 10-16 X 1 POH W/WASHER - BRIGHT WHITE
	057671-01-000	EA COVER - SCREW - #8 - PLASTIC - OFF WHITE
	057671-03-000	EA COVER - SCREW - #8 - WILLOW
	057671-15-000	EA COVER - SCREW - BRIGHT WHITE
	075908-01-000	EA SCREW - MACHINE - 10-32 X .56 PTH - EXTERNAL TOOTH - ZINC
	076790-01-000	EA SCREW - 6-20 X 1 1/4 PPH - BLACK
	083554-04-000	EA SCREW - DRYWALL - 8 X 2.50
	086256-01-000	EA SCREW - SF/DR - 8 X 3/4 HWH LONG
	087721-01-000	EA SCREW - FLAT HEAD - TAPPING - 1/4" X 1 1/4" LONG - ZINC
	101618-01-000	EA SCREW - 1/4-20 X 3/4 HEX - TAPPING - STALGARD TYPE F
	115430-01-01A	EA SCREW - 8-18 X 1/2 POH - W/WASHER

GROMMETS

KEY	PART NUMBER	U/M DESCRIPTION
	008380-01-000	EA GROMMET - RUBBER - 5/8" HOLE X 1 1/2" DIAMETER - BLACK
	016188-03-000	EA GROMMET - L/P LINE - 3/8" HOLE X 2 1/2" LONG - RUBBER
	016188-05-000	EA GROMMET - L/P LINE - 3/8" HOLE X 1 1/4" LONG - RUBBER
	023942-01-000	EA GROMMET - RUBBER - 2" OD
	071015-19-000	EA GROMMET - .38 ID - FITS .06 MATERIAL
	071015-21-000	EA GROMMET - RUBBER - 1/2 ID X 1.06 OD - W/.19 GROOVE - BLACK
	071015-26-000	EA GROMMET - RUBBER - 1.5" ID X 2.12" OD W/.06" GROOVE - BLK

SEALANTS & FASTENERS GROUP (CONTINUED)

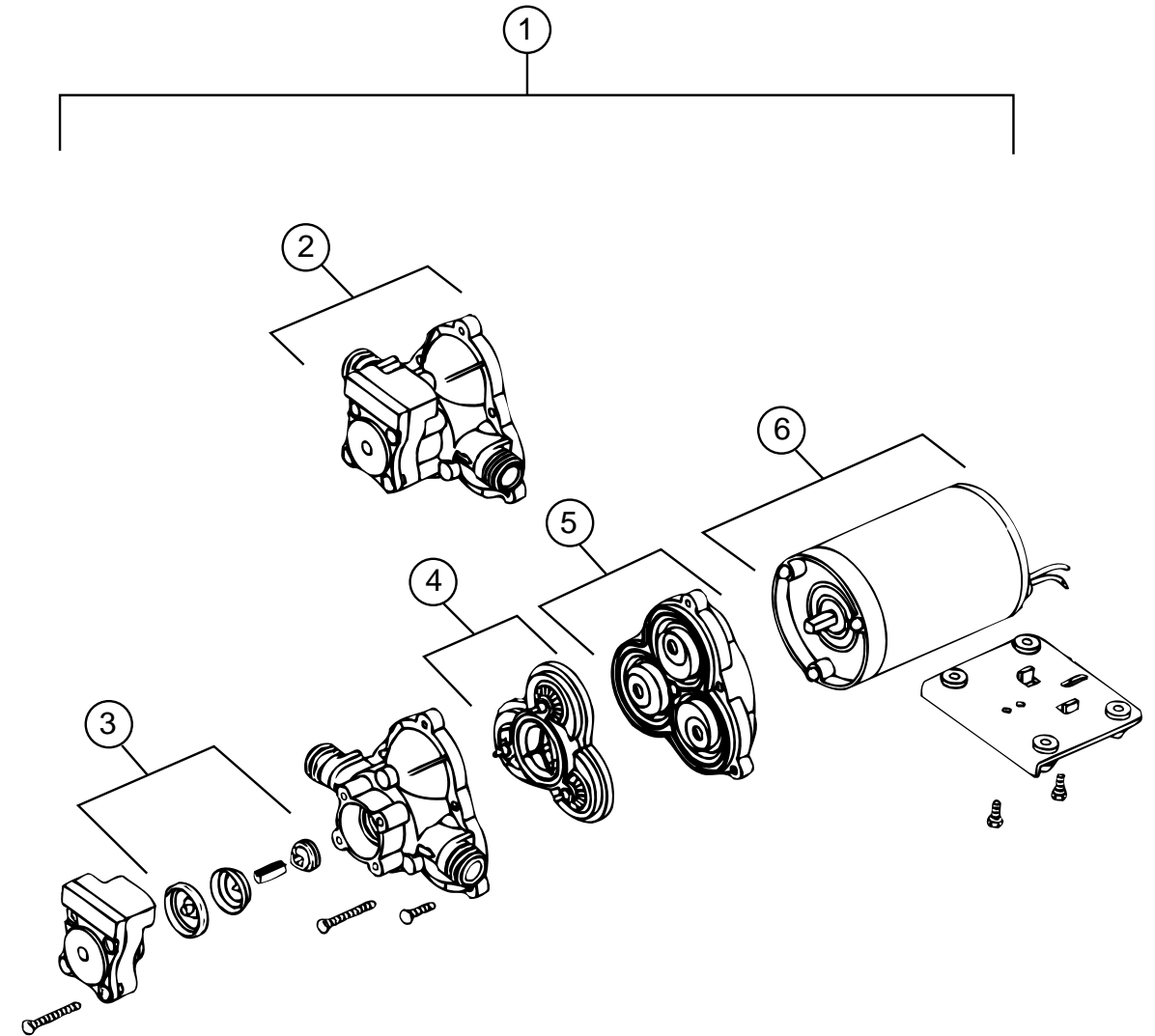
BOLTS

KEY	PART NUMBER	U/M DESCRIPTION
	000C12-04-24B	EA BOLT - HEX - 1/4-20 X 1 1/2 - ZINC 5
	000C12-05-16B	EA BOLT - HEX - 5/16-18 X 1 - ZINC 5
	000C12-06-16B	EA BOLT - HEX - 3/8-16 X 1 LG - ZINC 5
	000C12-08-24B	EA BOLT - HEX - 1/2-13 X 1.50 - ZINC 5
	000C12-10-24B	EA BOLT - HEX - 5/8-11 X 1.50 - ZINC 5
	000C13-07-48B	EA BOLT - HEX - 7/16-20 X 3 - ZINC 5
	000C18-05-40A	EA BOLT - ELEVATOR - 5/16-18 X 2.50 - PL
	000C26-04-10B	EA BOLT - HEX - SERRATED FLANGE - 1/4-20 X 5/8 - ZINC
	000C26-04-18B	EA BOLT - HEX - SERRATED FLANGE - 1/4-20 X 1 1/8 - ZINC
	000C26-04-14B	EA BOLT - HEX - SERRATED FLANGE - 1/4-20 X 7/8 - ZINC
	000C26-05-16B	EA BOLT - HEX - SERRATED FLANGE - 5/16-18 X 1 - ZINC
	000C26-05-12B	EA BOLT - HEX - SERRATED FLANGE - 5/16-18 X 3/4 - ZINC
	000C26-06-16B	EA BOLT - HEX - SERRATED FLANGE - 3/8-16 X 1 - ZINC
	000C26-06-12B	EA BOLT - HEX - SERRATED FLANGE - 3/8-16 X 3/4 - ZINC
	000C26-08-24B	EA BOLT - HEX - SERRATED FLANGE - 1/2-13 X 1 1/2 ZINC
	000C27-10-32B	EA BOLT - CARRIAGE - 5/8-11 X 2
	000G45-05-16B	EA BOLT - LAG - 5/16-9 X 1 - ZINC
	051387-06-000	EA BOLT - CARRIAGE W/O HOLE - 5/16-18 X 9.5 - ZINC
	102333-01-06A	EA BOLT - CARRIAGE - 7/16-14 STAINLESS STEEL CAP

RIVETS AND MISCELLANEOUS FASTENERS

KEY	PART NUMBER	U/M DESCRIPTION
	000H16-04-06R	EA RIVET - POP ALUMINUM - 1/8 X .313 - .375
	000H16-06-10R	EA RIVET - POP ALUMINUM - 3/16 X .501-.625
	069592-02-000	EA RIVET-T - POP - 1/4 X .093 - .156
	056134-02-000	EA HOLDER - RING - 1.8" DIAMETER - METAL
	080734-02-000	EA CLIP - WIRE NYLON
	091952-02-000	EA CLIP - GRIPPER - 3/4"
	094362-02-000	EA CLIP - XMAS TREE - BINDER HEAD - .9" LONG
	008343-01-000	EA TIE - WIRE - 6"
	008343-02-000	EA TIE - WIRE - 14"
	029094-04-000	YD VELCRO TAPE - LOOP - 1" WIDE - BLACK
	029096-03-000	YD VELCRO TAPE - HOOK - 1" WIDE - BLACK
	081211-05-000	EA PLUG - PLASTIC - .188 DIAMETER - NATURAL
	085774-01-000	FT FASTENER - DUAL HOOK - 1" WIDE - ADHESIVE BACK - BLACK
	085774-02-000	FT FASTENER - DUAL HOOK - 1" WIDE - ADHESIVE BACK - BLACK
	086285-01-000	EA SPACER - NYLON - .5" OD X .257" ID
	088792-01-000	YD VELCRO TAPE - HOOK - 5/8" - NON-ADHESIVE BACKED
		FROM: 00-00-00 THRU: 02-17-98
	088792-05-000	YD VELCRO TAPE - LOOP - 5/8" - NON-ADHESIVE BACKED - WHITE
		FROM: 02-18-98 THRU: 99-99-99
	108046-02-000	EA CABLE TIE - SCREW MOUNT 15"
	110943-02-000	FT FELTSTRIP - 3/8" - ADHESIVE BACK - WHITE

WATER & SEWAGE GROUP



SHURFLO WATER PUMP

KEY	PART NUMBER	U/M DESCRIPTION	VENDOR NO.
1	098607-01-000	EA PUMP-WATER, W/.5" MPT FITTING - FLOW 2.8 GPM - UL	
2	098607-01-706	EA HOUSING W/SWITCH ONLY	94-231-20
3	098607-01-705	EA VALVE-CHECK, KIT	94-237-00
4	098607-01-703	EA VALVE KIT	94-232-00
5	098607-01-702	EA DIAPHRAGM/DRIVE ASSEMBLY KIT	94-238-04
6	098607-01-707	EA MOTOR W/BASEPLATE	94-234-03

ATWOOD WATER HEATER W/ELECTRIC IGNITION (ICH6-6E) - EUROPEAN

KEY	PART NUMBER	U/M DESCRIPTION
*	111129-01-000	EA WATER HEATER - ELECTRIC IGNITION - 220 VOLTS
	112177-01-000	EA ADAPTER - BRASS - 1/2 MPT X 1/2 BARB
	112176-01-000	FT TUBING - VINYL - REINFORCED - 1/2" ID

* COMPONENT PARTS FOUND IN SERVICE PARTS LIBRARY

WATER & SEWAGE GROUP (CONTINUED)**FRESH WATER TANK**

KEY	PART NUMBER	U/M	DESCRIPTION
	118001-02-000	EA	TANK - WATER - 58 GALLON - W/FITTINGS
	118001-01-000	EA	TANK - WATER - 58 GALLON - W/O FITTINGS
	042989-03-000	EA	FITTING - SPINWELD - 1 1/4"NPT - PLASTIC
	042989-04-000	EA	FITTING - SPINWELD - 3/8"FPT - WHITE PLASTIC
	042989-05-000	EA	FITTING - SPINWELD - 1/2"FPT - PLASTIC
	049032-01-000	EA	PATCH - SPINWELD - 3/8" - PLASTIC
	039861-01-000	EA	SENDING UNIT - W/SCREW - WASHER - WELL NUT/TERMINAL RING
	077954-02-000	EA	FILTER - WATER TANK - W/SCREEN IN TANK

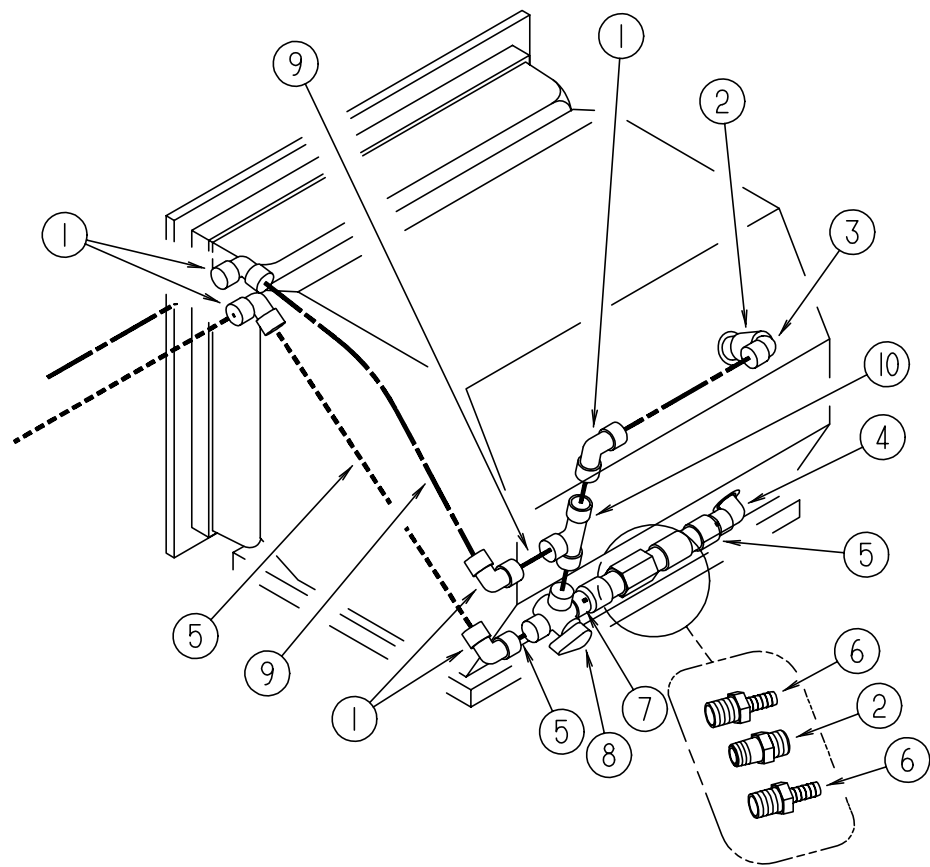
EXTERIOR SHOWER

KEY	PART NUMBER	U/M	DESCRIPTION
	106208-01-01A	EA	COMPARTMENT - EXTERIOR SHOWER
	079563-04-01A	EA	FAUCET - SHOWER 1/2"MPT X 1 1/4"LONG INLET PIPE
	054250-04-000	EA	COVER/ANGLED - W/O HOLE 3.6" X 4.5" - PLASTIC
	091952-02-000	EA	CLIP - GRIPPER - 3/4"
	093527-02-000	EA	BRACKET - EXTERIOR SHOWER HEAD/SQUEEGEE
	114430-02-000	EA	ADAPTER - SWIVEL - 1/2"P X 1/2"FPT
	121577-04-01A	EA	PLATE - EXTERIOR SHOWER - BRIGHT WHITE
	131383-01-01A	EA	SHOWER HEAD - W/HOSE & BRACKET - 60" - IVORY

WATER & SEWAGE GROUP (CONTINUED)**WATER SYSTEM COMPONENTS**

KEY	PART NUMBER	U/M	DESCRIPTION
	010224-01-000	EA	ADAPTER - HOSE TO PIPE - 3/8 MPT X 3/8 BARB - PLASTIC
	044927-01-000	EA	ADAPTER - HOSE TO PIPE-1 1/4 MPTX1 1/4 BARB-BLACK PLASTIC
	114430-02-000	EA	ADAPTER - SWIVEL - 1/2"P X 1/2"FPT
	114430-03-000	EA	ADAPTER - 1/2"P X 1/2"MPT
	114430-06-000	EA	ADAPTER - 1/2"P X 3/8"FPT
	118809-01-000	EA	ADAPTER - PLASTIC - 1/2 MPT X 3/8 BARB
	123152-01-000	EA	ADAPTER - 1/2 FPT X 1/2 BARB - SWIVEL
	074462-02-000	FT	TUBING - VINYL - 3/8 ID X 20' - CLEAR
	079381-01-000	FT	TUBING - RIBBED FLEXIBLE - WATER FILL - 1.4" X 10"
	124188-01-000	FT	TUBING - PEX - 1/2" ID X 20' - BLUE
	039808-03-000	EA	ELBOW - 1/2" MPT X 1/2" MPT - PLASTIC
	114429-01-000	EA	ELBOW - 1/2"P X 1/2"P
	114429-02-000	EA	ELBOW - 1/2"P X 1/2"MPT
	114429-03-000	EA	ELBOW - SWIVEL - 1/2"P X 1/2"FPT
	123150-01-000	EA	ELBOW - 1/2 FPT X 1/2 BARB - SWIVEL
	114431-01-000	EA	VALVE - 180 DEGREE/CENTER DRAIN - 1/2"P - THREE WAY
	114431-02-000	EA	VALVE - WATER BYPASS - 1/2"P - THREE WAY (WATER HEATER)
	114431-03-000	EA	VALVE - 90 DEGREE DRAIN - 1/2"P
	110438-02-000	EA	VALVE - CHECK - BRASS - 1/2 MPT X 1/2 MPT
	114428-01-000	EA	TEE - 1/2"P X 1/2"P X 1/2"P
	114428-02-000	EA	TEE - SWIVEL - 1/2"P X 1/2"P X 1/2"FPT
	101814-01-000	EA	COUPLING - FEMALE - 1/2" X 1/2" FPT - GRAY
	110915-01-01A	EA	FILL - CITY WATER - CHROME
	113697-01-000	EA	CAP - 3/8 FTG
	079563-04-01A	EA	FAUCET - SHOWER 1/2"MPT X 1 1/4"LONG INLET PIPE
	115029-01-000	FT	HOSE - WATER - 3/8 ID

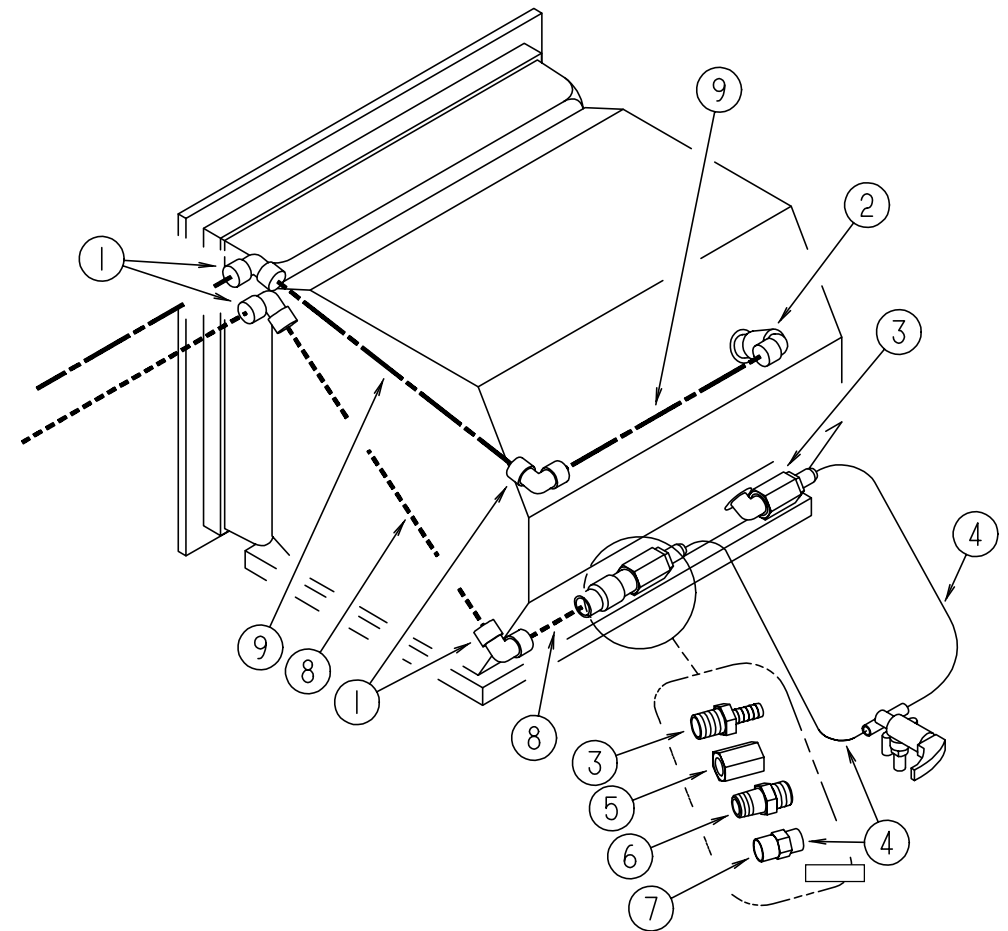
WATER & SEWAGE GROUP (CONTINUED)



WATER HEATER INSTALLATION COMPONENTS - JAPAN EXPORT

KEY	PART NUMBER	U/M	DESCRIPTION
1	114429-01-000	EA	ELBOW - 1/2"P X 1/2"P
2	110438-02-000	EA	VALVE - CHECK - BRASS - 1/2 MPT X 1/2 MPT
3	114429-02-000	EA	ELBOW - 1/2"P X 1/2"MPT
4	114429-03-000	EA	ELBOW - SWIVEL - 1/2"P X 1/2"FPT
5	124188-01-000	FT	TUBING - PEX - 1/2" ID X 20' - BLUE
6	114430-02-000	EA	ADAPTER - SWIVEL - 1/2"P X 1/2"FPT
7	039800-02-000	FT	TUBING - POLYBUTYL - 5/8"OD X 20' - INC OF 20'
8	114431-02-000	EA	VALVE - WATER BYPASS - 1/2"P - THREE WAY (WATER HEATER)
9	124188-02-000	FT	TUBING - PEX - 1/2" ID X 20' - RED
10	114428-01-000	EA	TEE - 1/2"P X 1/2"P X 1/2"P

WATER & SEWAGE GROUP (CONTINUED)

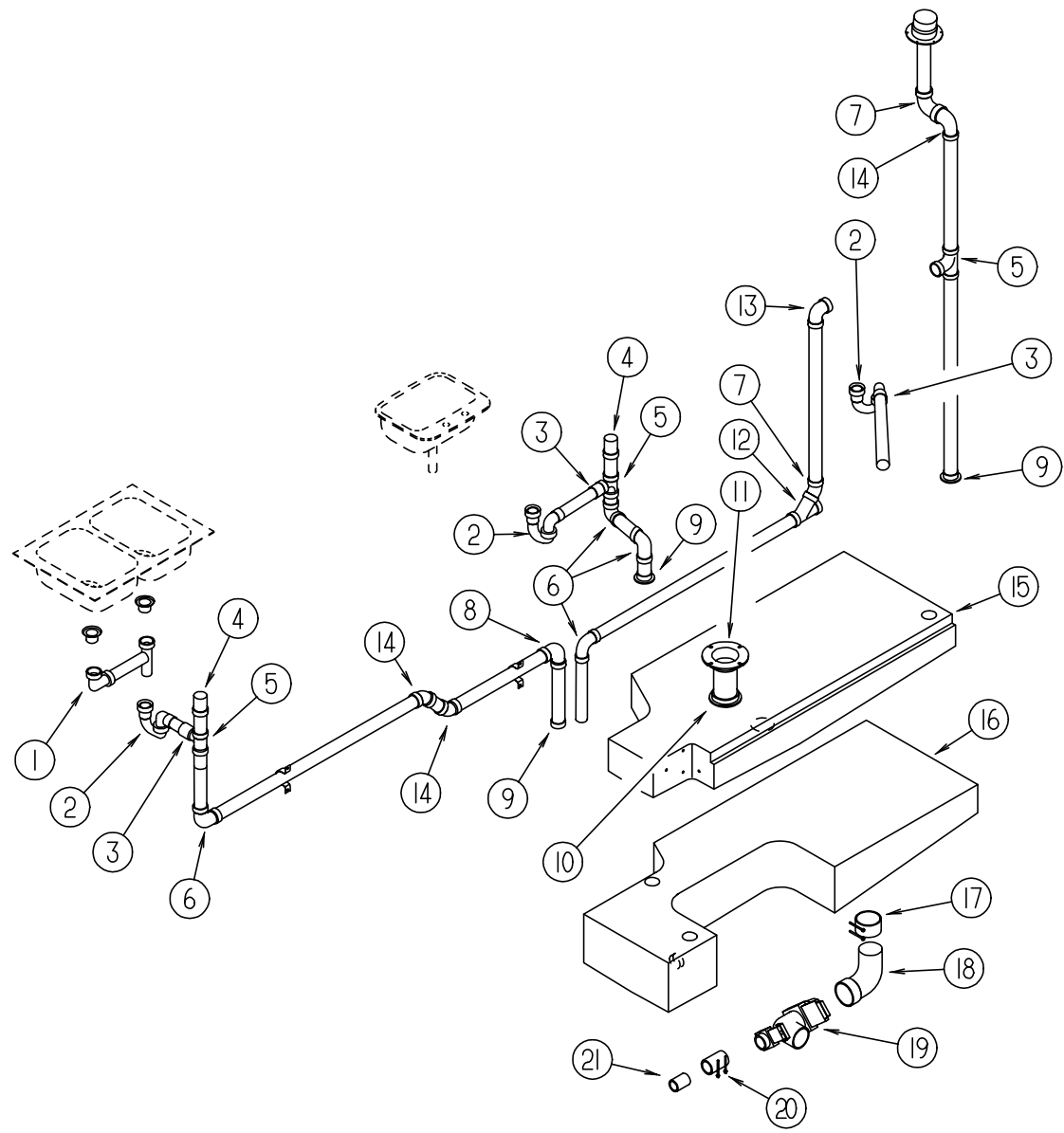


WATER HEATER INSTALLATION COMPONENTS - EUROPEAN EXPORT

KEY	PART NUMBER	U/M	DESCRIPTION
1	114429-01-000	EA	ELBOW - 1/2"P X 1/2"P
2	114429-02-000	EA	ELBOW - 1/2"P X 1/2"MPT
3	118809-01-000	EA	ADAPTER - PLASTIC - 1/2 MPT X 3/8 BARB
4	115029-01-000	FT	HOSE - WATER - 3/8 ID
	062401-03-000	EA	CLAMP - HOSE - WORMGEAR - .22"- 1"
5	101814-01-000	EA	COUPLING - FEMALE - 1/2" X 1/2" FPT - GRAY
6	110438-02-000	EA	VALVE - CHECK - BRASS - 1/2 MPT X 1/2 MPT
7	114430-02-000	EA	ADAPTER - SWIVEL - 1/2"P X 1/2"FPT
8	124188-01-000	FT	TUBING - PEX - 1/2" ID X 20' - BLUE
9	124188-02-000	FT	TUBING - PEX - 1/2" ID X 20' - RED

WATER & SEWAGE GROUP (CONTINUED)

DRAINAGE SYSTEM



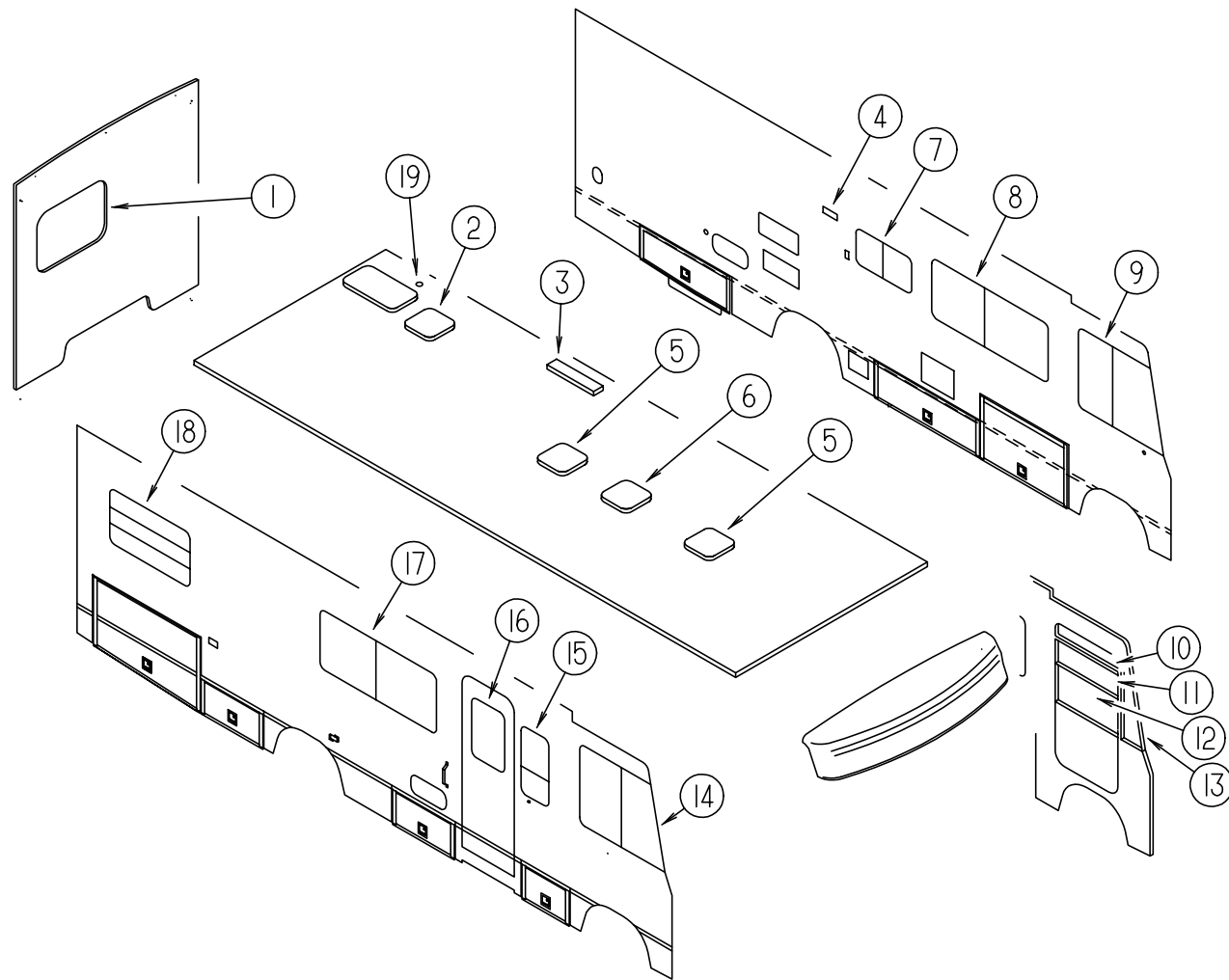
KEY	PART NUMBER	U/M	DESCRIPTION	VENDOR NO
1	011091-02-000	EA	WASTE - CONTINUOUS - DOUBLE SINK	
2	107538-01-000	EA	P TRAP - PLASTIC - 1 1/4" W/EXTENSION ARM	
3	109571-01-000	EA	ADAPTER - P TRAP - 1 1/2" P X 1 1/4" MPT	
4	079968-01-000	EA	VENT - MECHANICAL/TRAP ARM - ANTI-SIPHON-2" X 7.3" PLASTIC	
5	010071-01-000	EA	TEE - SANITARY - 1 1/2" HUB X HUB X HUB - PLASTIC	
6	010008-01-000	EA	ELBOW - 90 DEGREE - 1 1/2" HUB X HUB - PLASTIC	
7	010051-01-000	EA	ELBOW - 45 DEGREE - 1 1/2" SPIGOT & HUB - PLASTIC	
8	034250-01-000	EA	ELBOW - 90 DEGREE - LONG TURN - 1 1/2" HUB X HUB - ABS	
9	010115-01-000	EA	COUPLING - 1 1/2" HUB X HUB - PLASTIC	
9	061607-01-000	EA	GROMMET - HOLDING TANK - 1 1/2" NPS	
10	061607-02-000	EA	GROMMET - HOLDING TANK - 3" NPS	
11	116644-01-000	EA	FLANGE - CLOSET - 4" X 3"	
12	031365-02-000	EA	TEE - PLASTIC - 1 1/2" EXT LG TURN	
13	033761-01-000	EA	ELBOW - TURN - 90 DEGREE 1 1/2" HUB X 1 1/2" SPIGOT	
14	010006-01-000	EA	ELBOW - 45 DEGREE - 1 1/2" HUB X HUB - PLASTIC	
15	117925-01-000	EA	TANK - HOLDING - 32 GALLON - W/O FITTINGS	
16	117924-01-700	EA	TANK-HOLDING 35 GAL-1.5"ADAP PARTS SALES	
17	078406-01-000	EA	COUPLER - RUBBER - W/CLAMPS - 3" X 3"	
18	031126-01-000	EA	ELBOW - 1/4 BEND - 3" X 90" XLT - BLACK PLASTIC	
19	070916-01-000	EA	VALVE - DUAL DUMP - W/CAP - 3" X 1 1/2"	
	070916-01-700	EA	VALVE ONLY (WASTE) 3"	
	070916-01-701	EA	VALVE ONLY (WASTE) 1 1/2"	
	010201-01-000	EA	HOSE - SEWER - 3" ID X 8'	
	062416-01-000	EA	ADAPTER - SEWER HOSE TO 3" PIPE	
20	089355-01-000	EA	COUPLER - RUBBER - 1 1/2" X 1 1/2"	
21	102024-01-000	EA	NIPPLE - PLASTIC - 1.5" X 2.62" TOE	

VENDOR NO

T1003BU
T1001BU

WINDOW, VENT & EXTERIOR DOOR GROUP

WINDOWS & VENTS

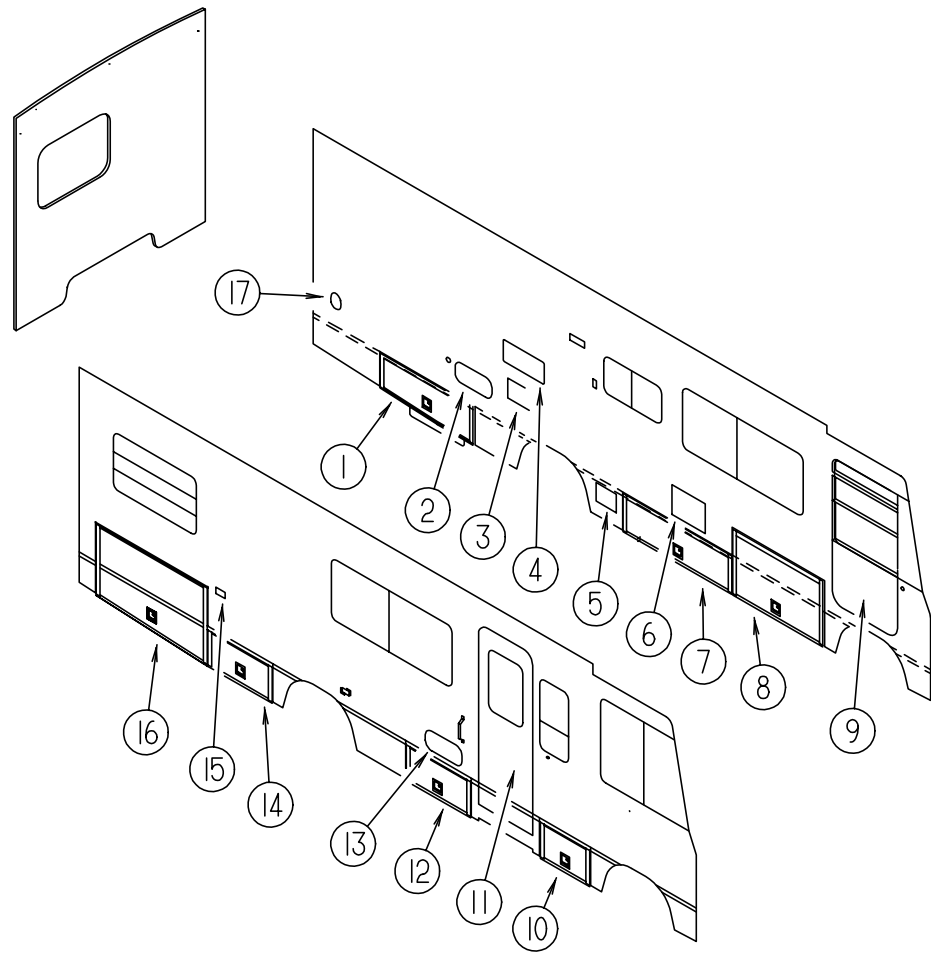


KEY	PART NUMBER	U/M	DESCRIPTION
1*	113502-03-01A	EA	WINDOW - REAR ESCAPE - THERMO - 26.4" X 35.9"
1*	113502-07-01A	EA	WINDOW - REAR ESCAPE - THERMO/EURO - 26.4" X 35.9"
2*	122882-02-01A	EA	VENT - ROOF - W/FAN - W/O INSIDE GARNISH - UL
3	084073-07-000	EA	VENT - ROOF/REFRIGERATOR - BRIGHT WHITE - NORCOLD
3	084073-04-000	EA	BASE - ROOF VENT/REFRIGERATOR - BLACK - NORCOLD
4	084878-09-000	EA	VENT - EXHAUST/RANGE HOOD - OFF WHITE
4	084616-07-000	EA	SHROUD - EXHAUST VENT/RANGE HOOD - BRIGHT WHITE
5*	122882-01-01A	EA	VENT - ROOF - NONPOWERED - W/O INSIDE GARNISH
6*	123780-03-01A	EA	VENT - ROOF - 3" TO 4" - W/FAN/POWER LIFT - W/O THERMOSTAT
7*	112795-20-01A	EA	WINDOW - DRIVER HORIZONTAL SLIDER - THERMO - 16" X 28.7"
7*	112795-42-01A	EA	WINDOW - DRVR HORIZONTAL SLIDER - THERMO/EURO-15.7"X 28.5"
8*	112795-15-01A	EA	WINDOW - DRIVER HORIZONTAL SLIDER - THERMO - 26.4" X 60"
8*	112795-40-01A	EA	WINDOW - DRVR HORIZONTAL SLDR - THERMO/EURO- 26.1" X 59.8"
9*	113501-10-01A	EA	WINDOW-DR CAB/THERMO(2 WINDOW)-37.2"T X 43.9"B X 35.7"H
9*	113501-12-01A	EA	WINDOW-DR CAB/THERMO/EURO(2 GLS)37.2"T X 43.9"B X 35.7"H
10*	116000-08-01A	EA	WINDOW - DRIVER VISTA - THERMO - 38.2"T X 39.4"B X 6.3"H
10*	116000-09-01A	EA	WINDOW - DRIVER VISTA-THERMO/EURO- 38.2"T X 39.4"B X 6.3"H
11	106469-02-702	EA	GLASS -STATIONARY HORIZONTAL
12	106469-01-704	EA	GLASS ASM - ROLL-UP W/ BRACKET
13*	115999-06-01A	EA	WINDOW - DRIVER WING - THERMO - 5.8"T X 11"B X 27.9"H
13*	115999-07-01A	EA	WINDOW - DRIVER WING - THERMO/EURO - 5.8"T X 11"B X 27.9"H
14*	113501-09-01A	EA	WINDOW-PASS CAB/THERMO(2 WINDOW)-37.2"T X 43.9"B X 35.7"H
14*	113501-11-01A	EA	WINDOW-PASS CAB/THERMO/EURO(2 GLS)37.2"T X 43.9"B X 35.7"H
15*	112898-04-01A	EA	WINDOW - VERTICAL SLIDER - THERMO - 14.5" X 30.2"
15*	112898-10-01A	EA	WINDOW - VERTICAL SLIDER - THERMO/EXPORT - 14.3" X 30.2"
16*	113733-01-01A	EA	WINDOW - STATIONARY THERMOPANE - 17" X 26.4"
16*	113733-03-01A	EA	WINDOW - STATIONARY THERMOPANE/EUROPEAN - 26.4" X 17"
17*	112795-16-01A	EA	WINDOW - PASSENGER HORIZ SLIDER - THERMO - 26.4" X 60"
17*	112795-39-01A	EA	WINDOW - PASS HORIZONTAL SLIDER - THERMO/EURO - 26.4" X 60"
18*	112795-21-01A	EA	WINDOW - PASSENGER HORIZ SLIDER - THERMO - 24.3" X 41"
18*	112795-44-01A	EA	WINDOW - PASSENGER HORIZ SLIDER - THERMO/EURO - 24.3" X 41"
19	083558-03-000	EA	VENT - PLUMBING - ROOF PIPE COVERED - OFF WHITE

* COMPONENT PARTS FOUND IN SERVICE PARTS LIBRARY

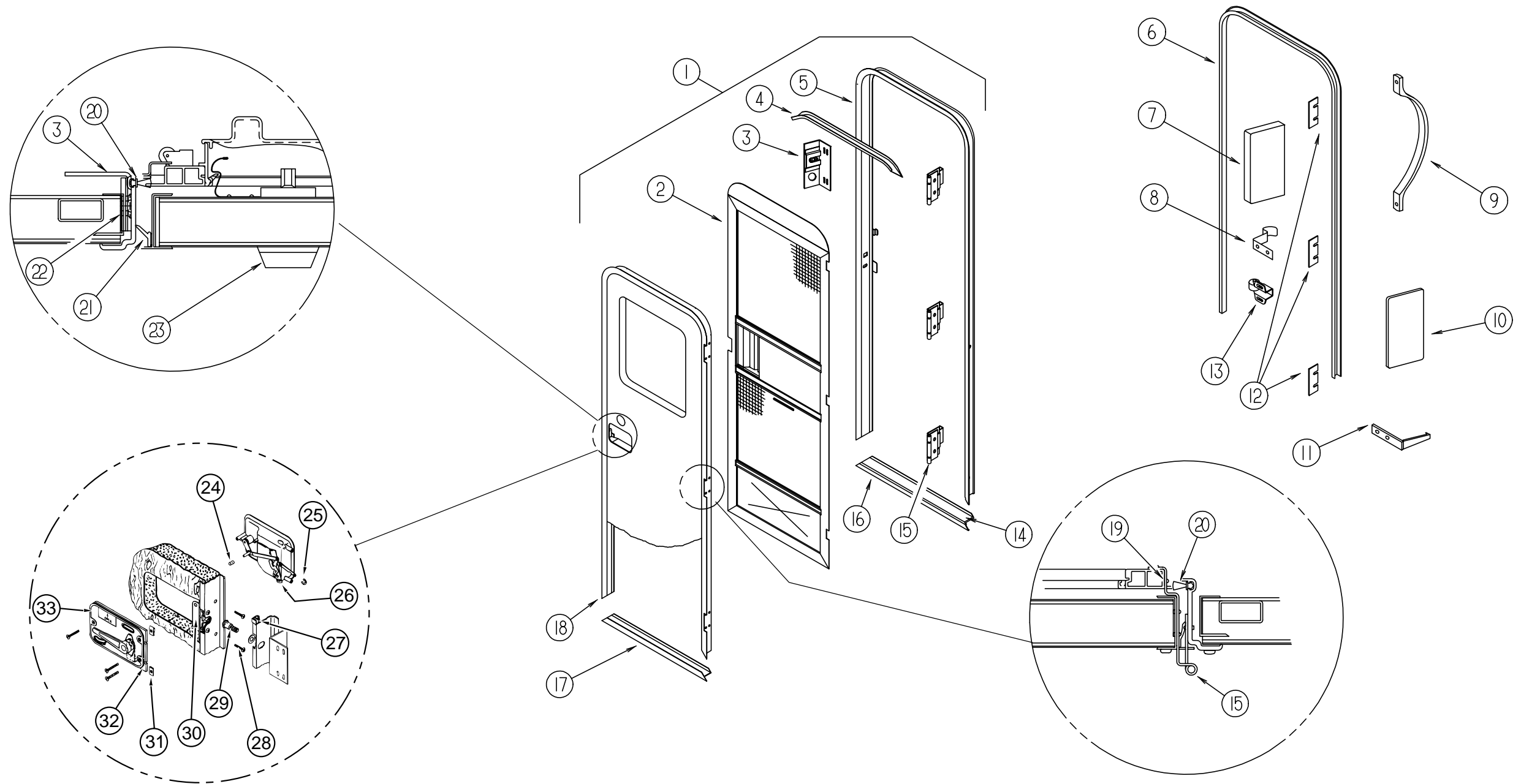
WINDOW, VENT & EXTERIOR DOOR GROUP (CONTINUED)

EXTERIOR DOORS



KEY	PART NUMBER	U/M	DESCRIPTION	VENDOR NO.
1	122391-42-J18	EA	VALANCE/DOOR-DRIVER W/O PADDLE LATCH 15.2" X 46.3" X 13.8"	
2	111017-02-F08	EA	DOOR - STORAGE - W/O LOCK - 8.1" X 17.8"	
3	098668-23-000	EA	DOOR - ACCESS - FURNACE - BRIGHT WHITE	
4	084103-08-000	EA	DOOR - VENT/REFRIGERATOR - W/O JAMB - BRIGHT WHITE	
	084104-08-000	EA	JAMB - VENT DOOR/REFRIGERATOR - BRIGHT WHITE	
	084104-01-700	EA	LOCK-MALE, FASTENER	201-721-010
	084104-01-701	EA	LOCK-FEMALE, FASTENER	201-802-010
5	088794-06-000	EA	DOOR - POWER CORD W/HATCH - BRIGHT WHITE - 9.2" X 11"	
6	052009-06-000	EA	DOOR - WATER HEATER - BRIGHT WHITE - 18" X 14.6"	
	116424-01-000	EA	PROTECTOR - LATCH - WATER HEATER	
7	122239-16-J18	EA	VALANCE/DOOR - W/O PADDLE LATCH/HINGE - 15.2" X 48.7"	
8	124245-09-H13	EA	VALANCE/DOOR - W/O PADDLE LATCH - 44.7"	
9	106469-07-01A	EA	DOOR - DRIVER	
9	106469-08-01A	EA	DOOR - DRIVER - E-GLASS	
10	122239-14-J18	EA	VALANCE/DOOR - W/O PADDLE LATCH/HINGE - 15.2" X 24.4"	
11	115108-05-J18	EA	DOOR - ENTRY - W/SCREEN DOOR - W/O WINDOW (J18)	
11	115108-05-J19	EA	DOOR - ENTRY - W/SCREEN DOOR - W/O WINDOW (J19)	
11	115108-05-J47	EA	DOOR - ENTRY - W/SCREEN DOOR - W/O WINDOW (J44)	
12	122239-84-J18	EA	VALANCE/DOOR - W/O PADDLE LATCH/HINGE - 15.2" X 31.9"	
13	111017-01-J22	EA	DOOR - STORAGE - W/O LOCK - 8.1" X 17.8"	
			FROM: 00-00-00 THRU: 05-13-98	
13	126945-01-J22	EA	DOOR/STORAGE - W/O HARDWARE - 18" X 8.3"	
			FROM: 05-14-98 THRU: 99-99-99	
14	122239-56-J18	EA	VALANCE/DOOR - W/O PADDLE LATCH/HINGE - 15.2" X 31.9"	
15	081240-16-000	EA	DOOR - WATER FILL - LOCKABLE W/O LOCK - 4" X 4 5/8"	
16	124245-10-H13	EA	VALANCE/DOOR - REAR PASSENGER - W/O PADDLE LATCH - 55.8"	
16	124245-11-H13	EA	VALANCE/DOOR - REAR PASSENGER - W/O PADDLE LATCH - 55.8" - RAISED BED	
17	078010-15-000	EA	DOOR - FUEL FILL - W/O LOCK	

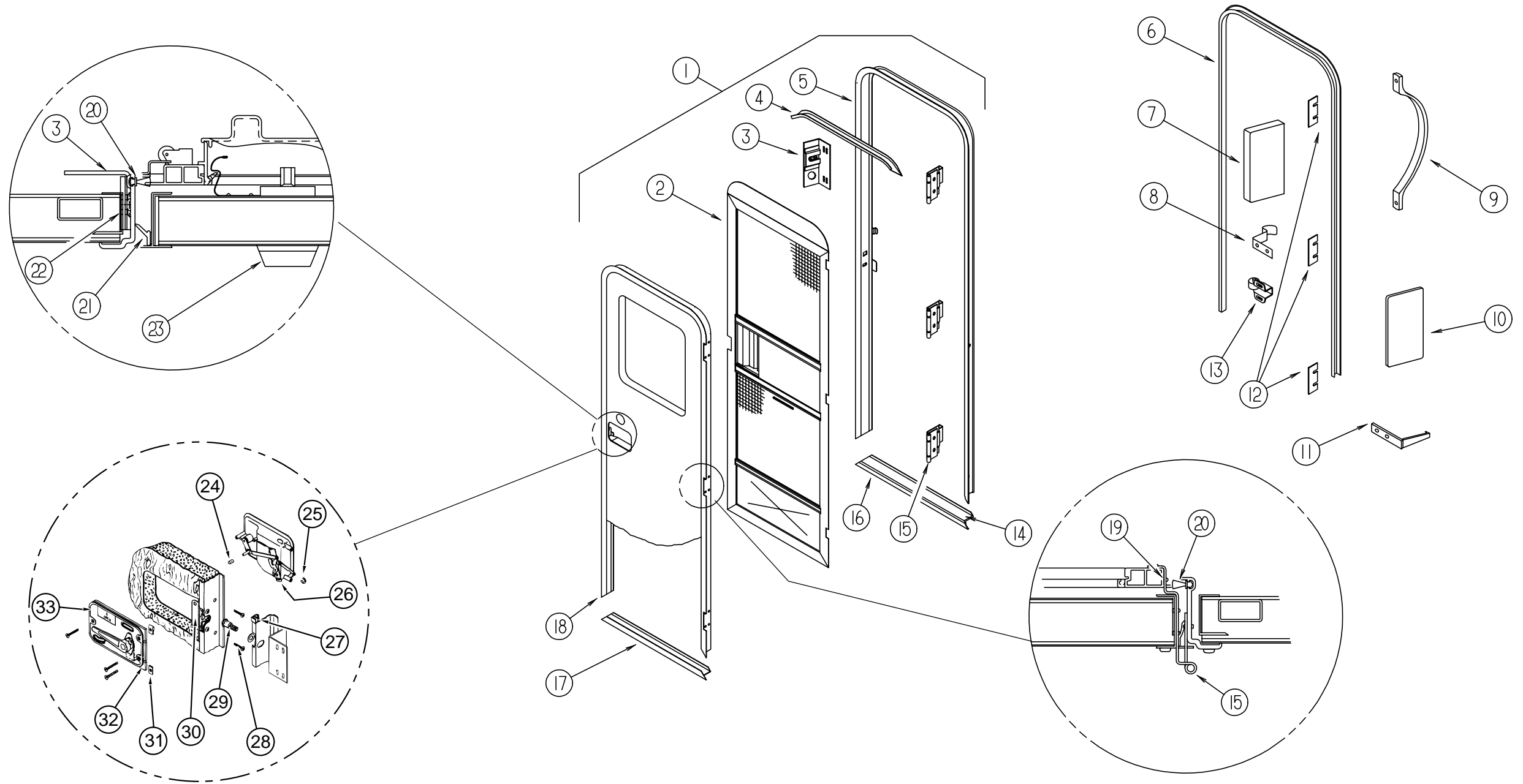
WINDOW, VENT & EXTERIOR DOOR GROUP (CONTINUED)
ENTRANCE DOOR



KEY	PART NUMBER	U/M DESCRIPTION
1	115108-05-J18	EA DOOR - ENTRY - W/SCREEN DOOR - W/O WINDOW (J18)
1	115108-05-J19	EA DOOR - ENTRY - W/SCREEN DOOR - W/O WINDOW (J19)
1	115108-05-J47	EA DOOR - ENTRY - W/SCREEN DOOR - W/O WINDOW (J44)
2	121899-03-GB1	EA DOOR - SCREEN - W/O HARDWARE
3	041546-07-000	EA BRACKET - DOOR ANGLE - OFF WHITE
4	044582-44-000	EA CAP - DRIP - JAMB - BRIGHT WHITE
5	121898-04-01A	EA JAMB - ENTRANCE DOOR - BRIGHT WHITE
6	115222-01-01A	EA GARNISH - RADIUS - ENTRY DOOR - OFF WHITE
7	077461-03-000	EA COVER - STRIKE - ENTRY DOOR - 6.5" X 2.5" - WHITE PLASTIC
8	100412-01-000	EA CATCH - SCREEN DOOR
9	009126-03-000	EA HANDLE - ASSIST - BLACK TEXTURED
10	076725-02-000	EA COVER - HINGE - ENTRY DOOR - 6" X 3.2" - OFF WHITE
11	102768-01-000	EA HOLDER - COMPARTMENT/ENTRY DOOR - METAL - MILL FINISH
12	102248-01-000	EA SHIM - DOOR

KEY	PART NUMBER	U/M DESCRIPTION
13	079087-03-000	EA STRIKE - SLIDER - SCREEN DOOR - BRIGHT WHITE
14	038327-01-000	FT TAPE - ANTI-SLIP - 2" X 60'
15	106719-01-05A	EA HINGE - ENTRANCE DOOR - BRIGHT WHITE
	039715-01-000	EA NUT-SERT - 1/4" DIAMETER - 20 THREADS - ENTRANCE DOOR HINGE
	116111-02-01A	EA SCREW - TAPTITE - 1/4-20 X 3/8 PPH - ZINC
16	051049-01-000	EA JAMB - BOTTOM - ENTRY DOOR - 25.9" - UNPAINTED
17	121893-01-01A	EA FRAME - ENTRY DOOR/BOTTOM - BRIGHT WHITE
18	121894-07-01A	EA FRAME - ENTRY DOOR - BRIGHT WHITE
	098173-01-04A	EA STIFFENER - ENTRY DOOR - SUPPORTS LATCH/STRIKE - UNPAINTED
19	100128-02-000	FT SEAL - FOAM/ADHESIVE BACK - .37" WIDE X .37" THICK
20	118929-01-01A	FT SEAL - PILE - PUSH ON

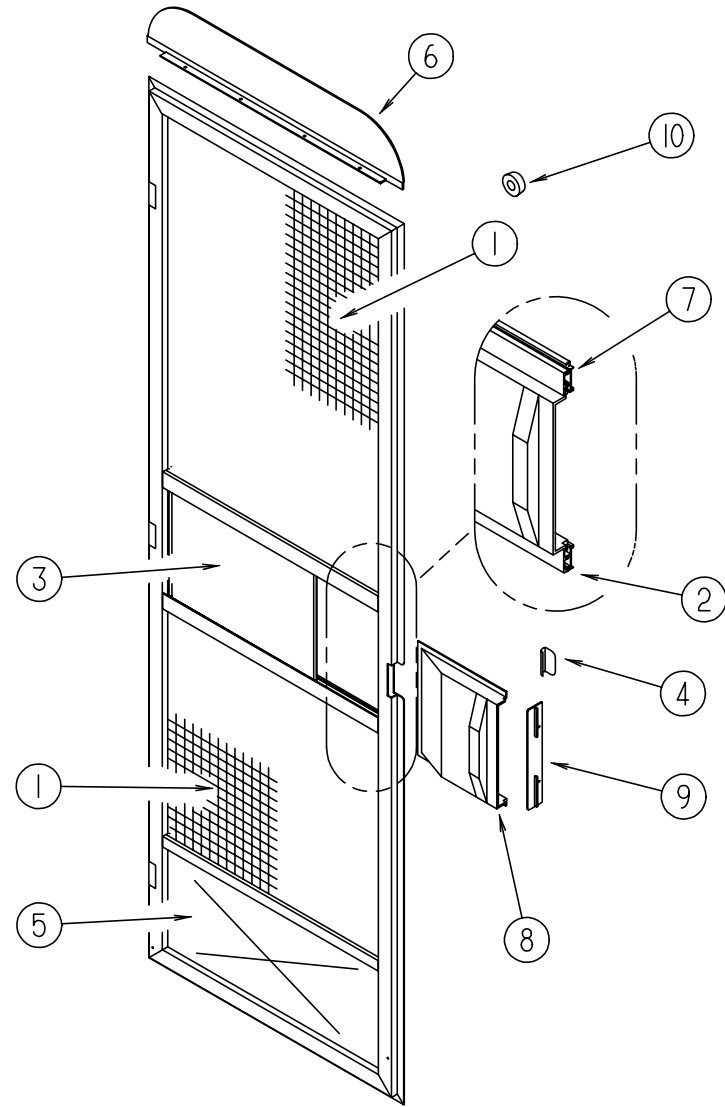
WINDOW, VENT & EXTERIOR DOOR GROUP (CONTINUED)
ENTRANCE DOOR



KEY	PART NUMBER	U/M DESCRIPTION
21	075671-04-000	FT SEAL - SPONGE - LAZY T - W/ADHESIVE STRIP - .5" WIDE
22	104692-01-000	FT SEAL - FOAM/ADHESIVE BACK - .75"THICK X .75"WIDE X 25'
23	101145-01-06A	EA DEADBOLT - ENTRY DOOR W/O SECURITY BOLT W/2 KEYS - BLACK
	095229-01-700	EA KEY-BLANK, DEADBOLT
	101145-01-701	EA CYLINDER-LOCK ASM., W/KEY
	101147-01-000	EA BOLT - SECURITY - 4.12"
24	039984-01-000	EA CAP - ROUND - VINYL - .28" ID X .62" - BLACK
25	036618-02-000	EA E-RING - EXTERNAL - 3/16" SHAFT DIAMETER - LYNOR DOOR LOCK
26	045017-13-000	EA LATCH - ENTRY DOOR - BLACK TEXTURED
	039979-05-000	EA COVER - INTERIOR LATCH - W/TRIP ARM - LEFT - BLACK
	045017-11-701	EA KEY-BLANK, F1 SERIES
	045017-11-703	EA CYLINDER-LOCK ASM. W/KEYS

VENDOR NO.	KEY	PART NUMBER	U/M DESCRIPTION
81205-03	27	064075-07-000	FT SEAL - BULB - W/WIRED U CHANNEL - .3" X .5" CHANNEL-BLACK
81306-03	28	000G54-04-20B	EA SCREW - 1/4-20 X 1.25 PTH - TYPE 23 - ZINC PLATED
	29	039539-01-000	EA STRIKE - LOCK - ENTRY DOOR - ROUND W/THREADED WASHER
	30	039540-01-000	EA STRIKE - LOCK - ENTRY DOOR - ROUND W/THREADED WASHER
	31	040921-01-000	EA LATCH MECHANISM - HOOK - ENTRY DOOR - INTERIOR
	32	096810-01-01A	EA NUT - SPEED - U TYPE - 10-24 BLACK
	33	039979-06-000	EA PLATE - LATCH - ENTRY DOOR - BLACK
		086285-05-000	EA COVER - LATCH PLATE - RIGHT HAND - BLACK TEXTURED
		104099-01-04A	EA SPACER - NYLON - .7" X .56"
14264-01-2001		104099-02-04A	EA CATCH - DOOR HOLDER - STRIKE - BRIGHT WHITE
81266-09		130444-01-01A	EA CATCH - DOOR HOLDER - RETAINER - BRIGHT WHITE
			EA CAP - KEY IDENTIFIER - GRAY

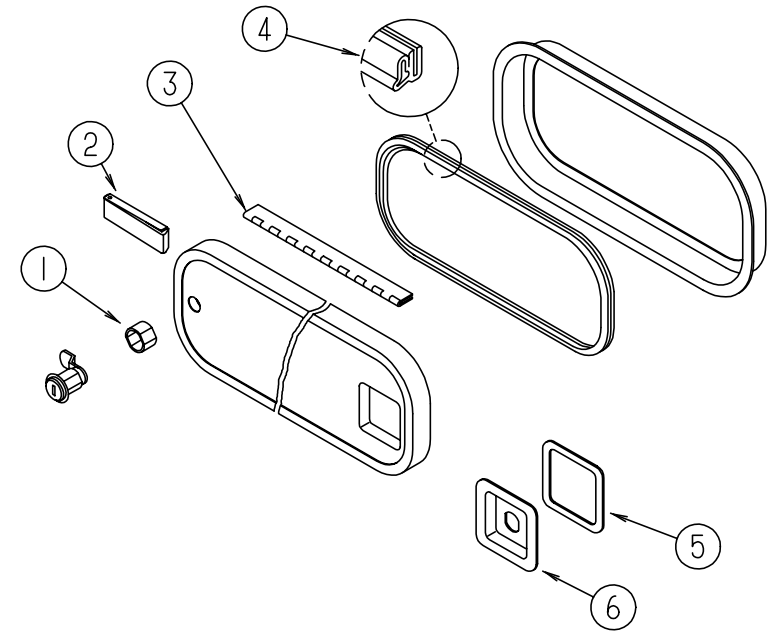
WINDOW, VENT & EXTERIOR DOOR GROUP (CONTINUED)



SCREEN DOOR

KEY	PART NUMBER	U/M	DESCRIPTION
	121899-03-GB1	EA	DOOR - SCREEN - W/O HARDWARE
1	002293-02-000	SF	SCREENING - WINDOW/DOOR - 26" - CHARCOAL
2	002294-01-000	FT	SPLINE - SCREENING - .135" X .138"
3	016454-01-000	EA	INSERT - CENTER - LEATHER GRAIN ALUMINUM - UNPAINTED
	001014-01-013	EA	INSERT - CENTER - 10.25" X 16.31" - UNPAINTED
4	050712-06-000	EA	HANDLE - SCREEN DOOR - BRIGHT WHITE
5	078552-03-000	EA	KICK PANEL - SCREEN DOOR - LOWER INSERT - UNPAINTED
6	078595-01-000	EA	TOP PLATE - SCREEN DOOR - CURVED TOP - 4.7" X 25.35"
7	078777-01-000	EA	CHANNEL - SLIDER - SCREEN DOOR CENTER SLIDER COVER
			FROM: 00-00-00 THRU: 02-22-98
7	078777-08-000	FT	CHANNEL - SLIDER
			FROM: 02-23-98 THRU: 99-99-99
8	079086-03-000	EA	SLIDER - SCREEN DOOR - BRIGHT WHITE
9	079087-03-000	EA	STRIKE - SLIDER - SCREEN DOOR - BRIGHT WHITE
10	120863-05-000	EA	BUMPER - RUBBER - 3/4" X 3/8"
			FROM: 00-00-00 THRU: 10-27-97
10	120863-06-000	EA	BUMPER - RUBBER - 3/4" X 3/8"
			FROM: 10-28-97 THRU: 99-99-99
	075673-01-000	FT	SEAL - PILE - ADHESIVE BACK - GRAY
	075673-05-000	FT	SEAL - PILE - ADHESIVE BACK - BLACK
	086285-05-000	EA	SPACER - NYLON - .7" X .56"

WINDOW, VENT & EXTERIOR DOOR GROUP (CONTINUED)

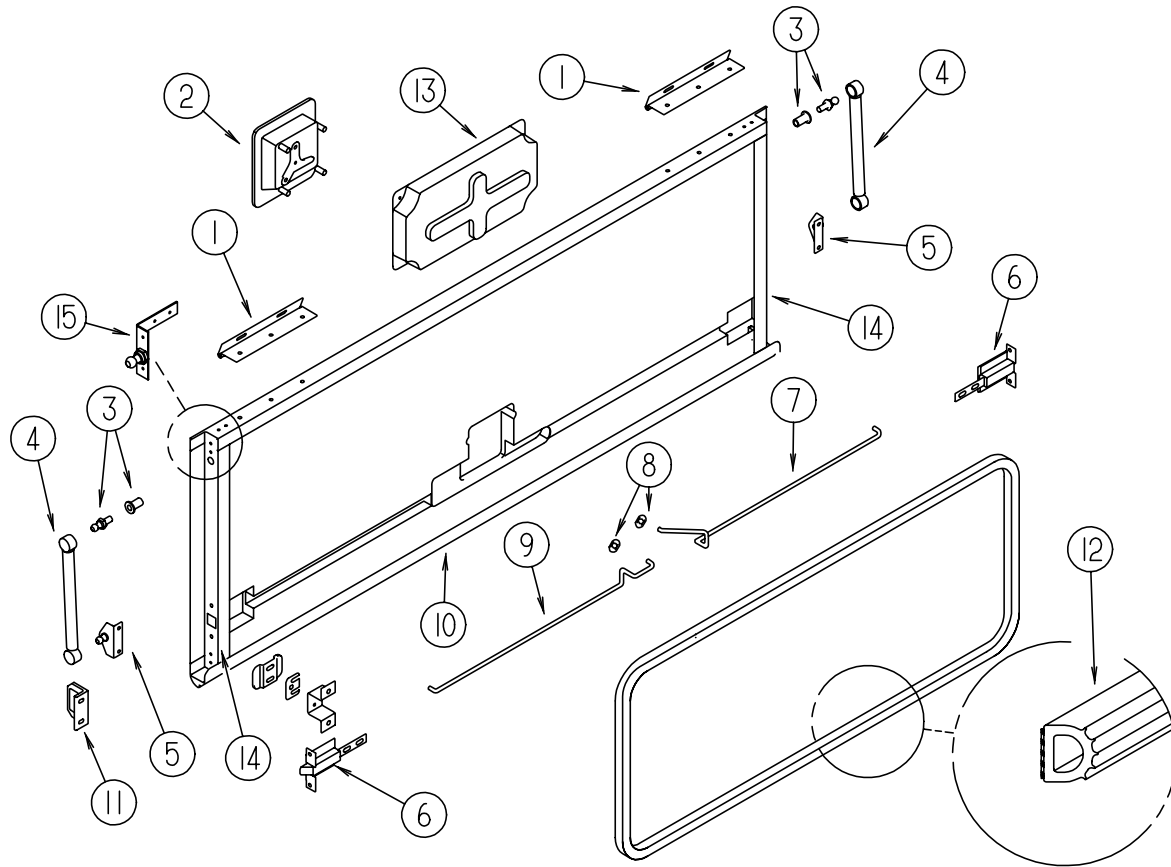


EXTERIOR ACCESS DOOR COMPONENTS

KEY	PART NUMBER	U/M	DESCRIPTION
1	107997-51-001	EA	SPACER - DOOR LOCK - .6" DEEP
	107997-51-002	EA	EXTRUDED - SPACER - 16'
2	102768-01-000	EA	HOLDER - COMPARTMENT/ENTRY DOOR - METAL - MILL FINISH
3	081801-V3-000	EA	HINGE - ALUMINUM - 2" X 96" - BRIGHT WHITE
3	034007-B3-000	EA	HINGE - CONTINUOUS - 1.5" X 96"
	009065-01-000	EA	HINGE - ALUMINUM - 1 1/2" X 96" - UNPAINTED
4	064075-07-000	FT	SEAL - BULB - W/WIRED U CHANNEL - .3" X .5" CHANNEL-BLACK
5	098338-01-000	EA	GASKET - LOCK POCKET
6	097111-01-04A	EA	POCKET - LOCK - VALANCE
	098408-01-000	FT	SEAL - SPONGE RUBBER - CLOSED CELL
	104692-01-000	FT	SEAL - FOAM/ADHESIVE BACK - .75"THICK X .75"WIDE X 25'
	106850-02-000	FT	SEAL-E - SPONGE RUBBER - .43" X .75"

WINDOW, VENT & EXTERIOR DOOR GROUP (CONTINUED)

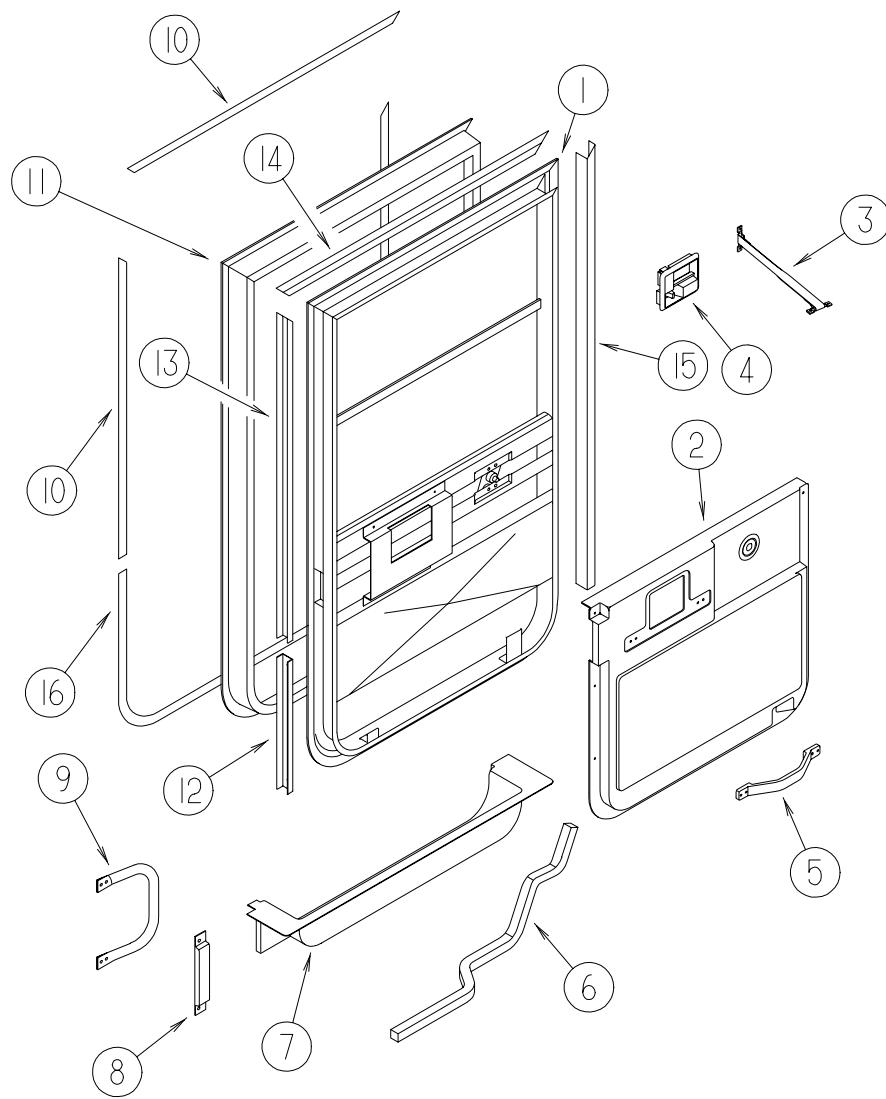
EXTERIOR ACCESS DOOR COMPONENTS



KEY	PART NUMBER	U/M	DESCRIPTION
1	121755-01-04A	EA	HINGE - 6.00 INCH
	122612-55-007	EA	U-CHANNEL/EXTRUSION - 192" - BLACK
2	112949-01-04A	EA	LATCH - PADDLE W/LOCK - W/O KEY - BLACK
3	057460-08-000	EA	BALL STUD - 10MM BALL - 5/16-18 - STAINLESS STEEL
4	107796-11-000	EA	SPRING/GAS - 11" COMPRESSED/17" EXTENDED - 90 LB
4	107796-20-000	EA	SPRING/GAS - 7" COMPRESSED/10" EXTENDED - 60 LB
4	107796-26-000	EA	SPRING/GAS - 12" COMPRESSED/20" EXTENDED - 90 LB.
4	107796-27-000	EA	SPRING/GAS - 8.5" COMPRESSED/12" EXTENDED - 90 LB
5	107796-19-000	EA	BRACKET - GAS SPRING
5	107796-03-000	EA	BRACKET - GAS SPRING - SMALL
6	121947-01-01A	EA	BOLT - SLIDE - LATCH - STEEL
7	122269-04-000	EA	ROD - LATCH - 15.42"
7	122269-07-000	EA	ROD - LATCH - 16.63"
7	122269-13-000	EA	ROD - LATCH - 4.46"
7	122269-19-000	EA	ROD - LATCH - 14.22"
7	122269-27-000	EA	ROD - LATCH - 8.22"
7	122269-57-000	EA	ROD - LATCH - 19.80"
8	124304-01-000	EA	CLIP - ROUND PUSH ON
9	122268-04-000	EA	ROD - LATCH - 15.42"
9	122268-07-000	EA	ROD - LATCH - 16.63"
9	122268-13-000	EA	ROD - LATCH - 4.46"
9	122268-19-000	EA	ROD - LATCH - 14.22"
9	122268-27-000	EA	ROD - LATCH - 8.22"
9	122268-57-000	EA	ROD - LATCH - 19.80"
10	122613-55-001	EA	EXTRUDED - ROCKER PANEL - 192" - BRIGHT WHITE
	122613-55-007	EA	U-CHANNEL/EXTRUSION - 192" - BLACK
11	123783-01-01A	EA	STRIKER - DOOR - MILL
12	107721-07-000	FT	SEAL - ACCESS DOOR
13	122277-02-01A	EA	COVER - LATCH - BLACK
14	122614-55-001	EA	EXTRUDED - H CHANNEL - 192" - BRIGHT WHITE
	122614-55-007	EA	U-CHANNEL/EXTRUSION - 192" - BLACK
15	123892-10-02B	EA	CORNER STABILIZER W/BALL STUD - RIGHT HAND - E-COATED
15	123892-12-02B	EA	CORNER STABILIZER W/BALL STUD - LEFT HAND - E-COATED

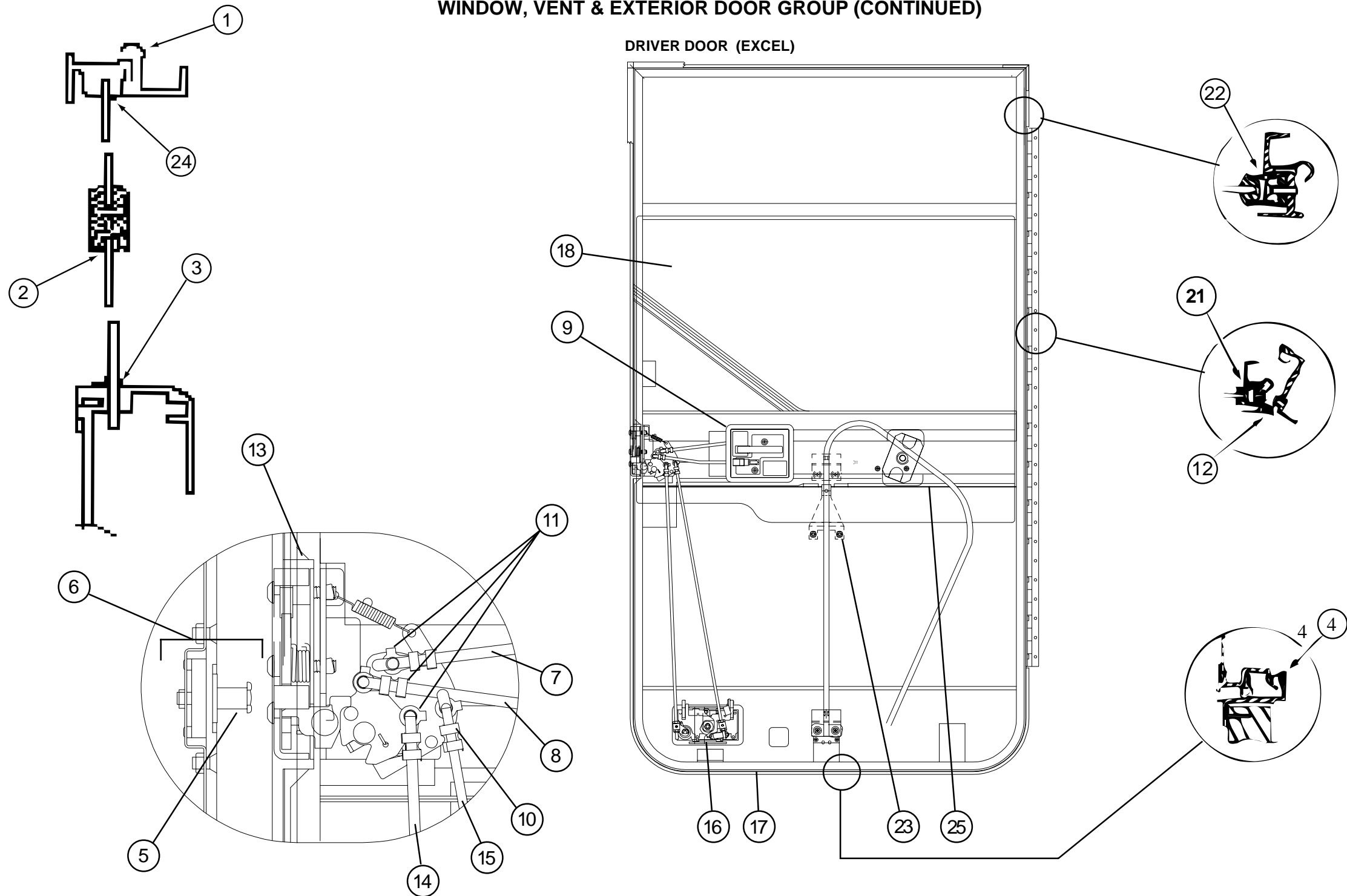
WINDOW, VENT & EXTERIOR DOOR GROUP (CONTINUED)

EXCEL DRIVERS DOOR



KEY	PART NUMBER	U/M	DESCRIPTION	VENDOR NO.
1	106469-07-01A	EA	DOOR - DRIVER	
1	106469-08-01A	EA	DOOR - DRIVER	
2	114973-01-02A	EA	PANEL - DOOR - INNER DRIVER - WILLOW	
3	106469-02-704	EA	PARTS BAG, WINDOW HDL MISC.	V068-16
	109378-01-000	EA	STRAP - CHECK - DRIVER DOOR - 12.8"	
	064219-01-000	EA	RETAINER - CHECK STRAP - DRIVER DOOR	
4	106469-04-712	EA	HANDLE/DOOR-INNER W/HARDWARE	248-041402
5	110604-01-01A	EA	HANDLE - ASSIST - DRIVER DOOR - 10.8" LONG - BLACK	
6	063977-11-000	EA	STEP - DRIVER DOOR	
7	126069-03-01A	EA	TRIM - STEP - DRIVER	
	102569-02-000	EA	MAT - ANTI SLIP - LOWER	
8	108654-01-01A	EA	COVER - STRIKE - DRIVER DOOR	
9	108832-01-02A	EA	HANDLE - ASSIST - DRIVER DOOR	
	108833-01-01A	EA	COVER - ASSIST HANDLE - W/0 NOTCH - OFF WHITE	
	108833-03-01A	EA	COVER - ASSIST HANDLE - W/NOTCH - OFF WHITE	
10	109235-01-01A	FT	COVER - SCREW - MAT BLACK	
11	106469-07-700	EA	FRAME MOUNTING ASM., (JAMB)	V130-30L
12	108897-02-01A	EA	GARNISH - DRIVER DOOR - REAR LOWER	
13	108108-04-02A	EA	GARNISH - DRIVER DOOR - REAR UPPER	
14	108107-01-02A	EA	GARNISH - DRIVER DOOR - TOP	
15	108129-02-02A	EA	GARNISH - DRIVER DOOR - FRONT	
16	109235-01-05A	FT	COVER - SCREW - BRIGHT WHITE	
	107868-01-000	EA	ANGLE - SUPPORT - DOOR - 1.5" X 1.5" X .7"	

WINDOW, VENT & EXTERIOR DOOR GROUP (CONTINUED)

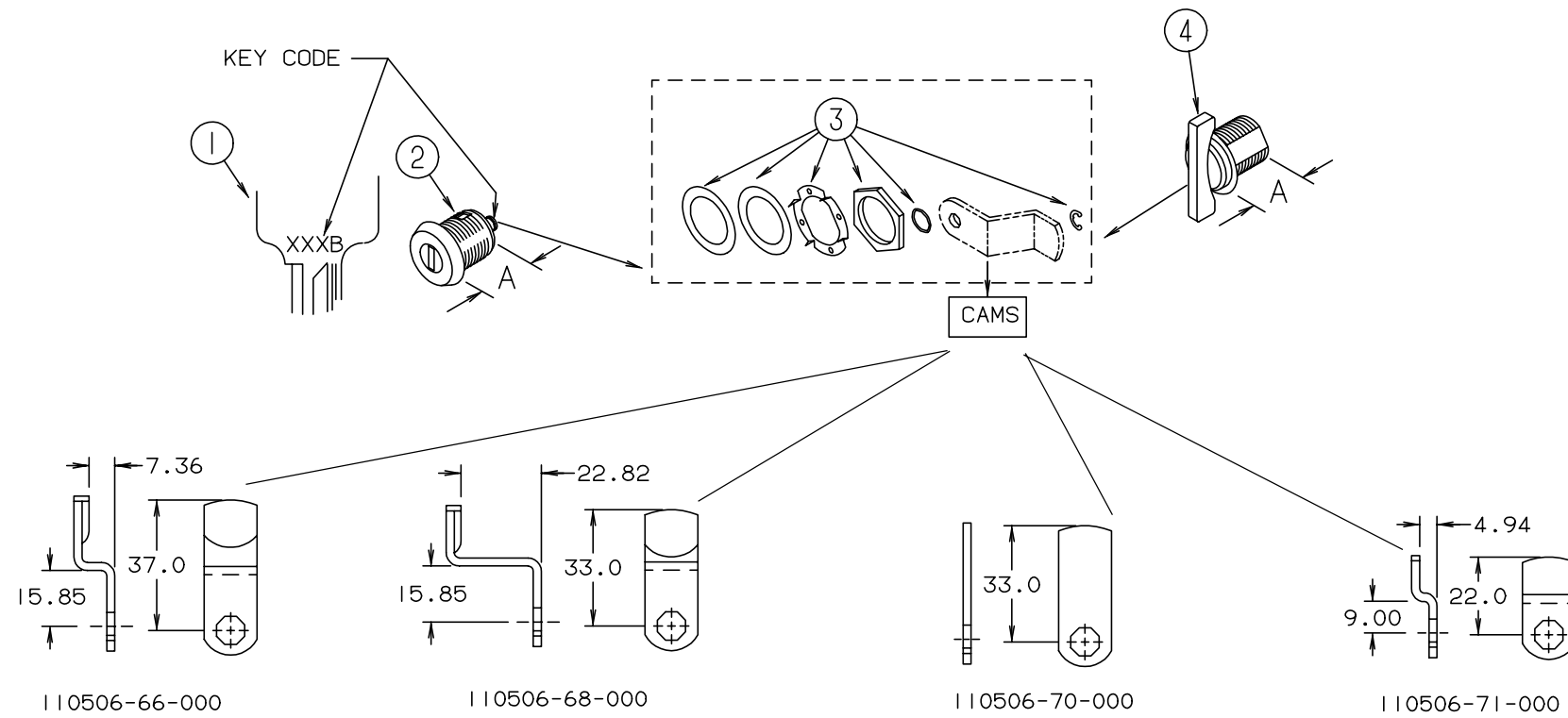


KEY	PART NUMBER	U/M DESCRIPTION	VENDOR NO.
	106469-07-01A	EA DOOR - DRIVER	
	106469-08-01A	EA DOOR - DRIVER	
1	106469-01-702	EA DOOR SEAL	122-040984
2	106469-01-705	FT CHANNEL - RUN - SLIDING	122-010850
3	106469-01-709	FT WEATHERSTRIP - FUZZY	171-040630
4	106469-01-723	EA SEAL - BULB ASM. (JAMB)	171-040985
5	106469-04-703	EA BOLT - STRIKER (W/ WASHER)	248-041152
6	106469-04-704	EA NUT ASSEMBLY - CAGED - W/STRIKER	248-041151
7	106469-04-705	EA LATCH ROD - HORIZONTAL	203-041139
8	106469-04-711	EA LOCK ROD - HORIZONTAL	203-041137
9	106469-04-712	EA HANDLE/DOOR - INNER W/HARDWARE	248-041402
10	106469-04-713	EA ROD CLIP L.H.	248-041154
11	106469-04-714	EA ROD CLIP R.H.	248-041153
12	106469-05-702	EA HINGE - 42"	211-041194
13	106469-05-706	EA LATCH - ROTARY - W/LINKAGE	248-041150

KEY	PART NUMBER	U/M DESCRIPTION	VENDOR NO.
14	125581-04-700	EA ROD - LATCH/VERTICAL ADJUST.	203041767
15	125581-04-701	EA ROD - LOCK/VERTICAL ADJUST.	203-041768
16	125581-04-702	EA PADDLE RH-W/COLLAR BLACK TEX	248-041403
17	125581-04-703	EA FRAME - MOUNTING - BLACK	V180-35L
18	125581-04-704	EA GLASS - ROLL-UP	106-041821
19	125581-04-705	EA GLASS - STATIONARY	106-041547
20	125581-04-706	EA FRAME - DOOR - SUB-ASSEMBLY	V180-94L
21	125581-04-707	EA CHANNEL - ROLL UP GLASS	V156-60
22	125581-04-708	EA CHANNEL - STATIONARY GLASS	V156-61
23	125581-04-709	EA REGULATOR - MANUAL	410-08389
24	125581-04-710	EA VINYL - GLAZING	132-041484
25	125581-04-711	EA CHANNEL- GLASS	N135-66
	106469-04-701	EA TUMBLER & KEYS (TRI-MARK)	248-041179
	106469-04-702	EA KEYS (BLANK)	248-041180

WINDOW, VENT & EXTERIOR DOOR GROUP (CONTINUED)
BRIGGS & STRATTON LOCKS & COMPONENTS

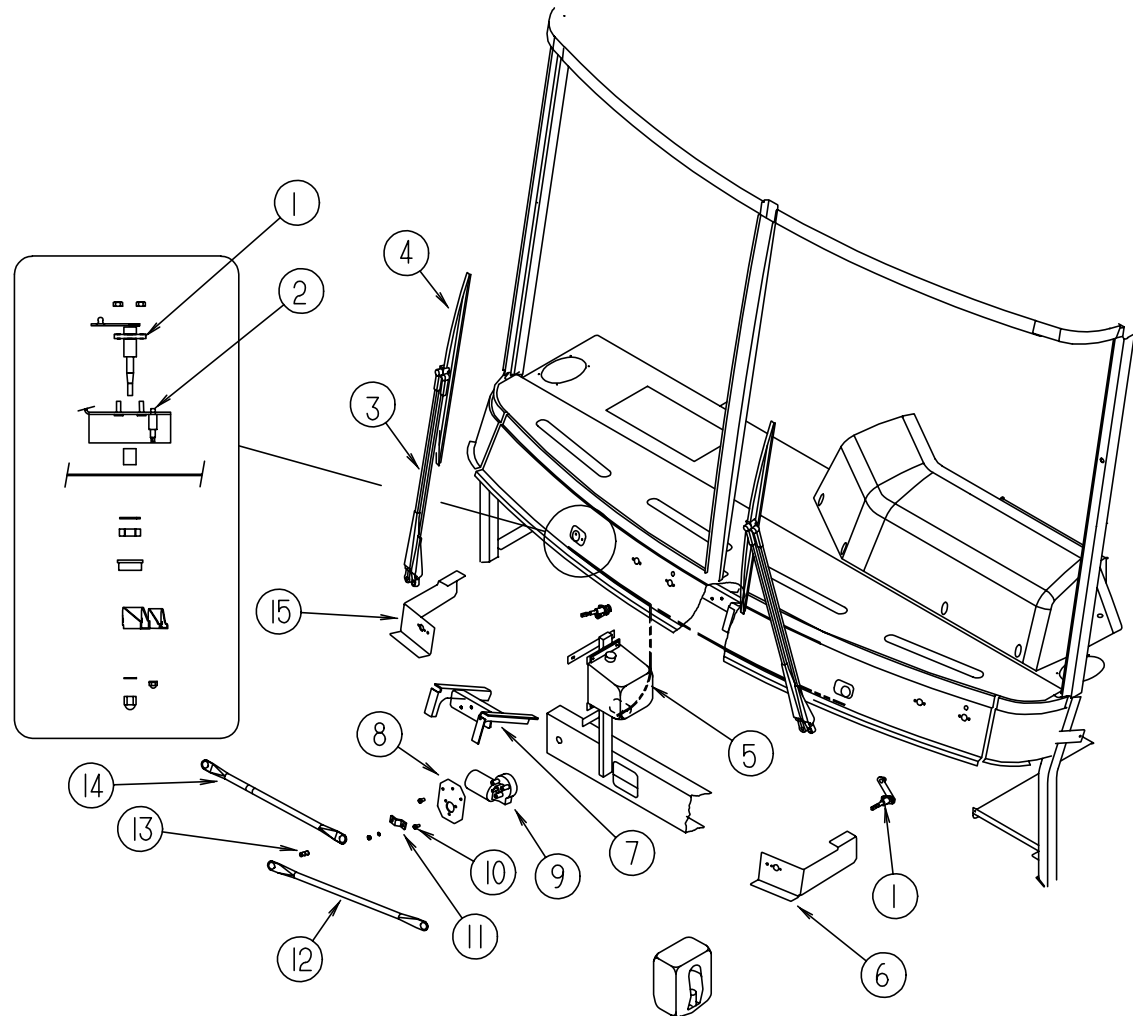
NOTE:
 WHEN ORDERING THE LOCK CASE, THE KEY CODE MUST MATCH THE LAST DIGIT OF THE VEHICLE'S SERIAL NUMBER AND PART NUMBER; WHEN ORDERING THE KEYS, THE THIRD DIGIT OF THE KEY CODE MUST MATCH THE LAST DIGIT OF THE VEHICLE'S SERIAL NUMBER AND PART NUMBER



KEY	PART NUMBER	U/M	DESCRIPTION	VENDOR NO.	KEY	PART NUMBER	U/M	DESCRIPTION	VENDOR NO.
1	110506-59-000	EA	KEYS-SET OF 2	596720	1	110506-59-006	EA	KEYS-SET OF 2	596726
2	110506-52-000	EA	CASE/CYLINDER - LOCKING - W/O CAM/KEY - .65"	702370	2	110506-52-006	EA	CASE/CYLINDER - LOCKING - W/O CAM/KEY - .65"	702376
2	110506-53-000	EA	CASE/CYLINDER - LOCKING - W/O CAM/KEY - 1"	702380	2	110506-53-006	EA	CASE/CYLINDER - LOCKING - W/O CAM/KEY - 1"	702386
2	110506-54-000	EA	CASE/CYLINDER - LOCKING - W/O CAM/KEY - 1.25"	703170	2	110506-54-006	EA	CASE/CYLINDER - LOCKING - W/O CAM/KEY - 1.25"	703176
1	110506-59-001	EA	KEYS-SET OF 2	596721	1	110506-59-007	EA	KEYS-SET OF 2	596727
2	110506-52-001	EA	CASE/CYLINDER - LOCKING - W/O CAM/KEY - .65"	702371	2	110506-52-007	EA	CASE/CYLINDER - LOCKING - W/O CAM/KEY - .65"	702377
2	110506-53-001	EA	CASE/CYLINDER - LOCKING - W/O CAM/KEY - 1"	702381	2	110506-53-007	EA	CASE/CYLINDER - LOCKING - W/O CAM/KEY - 1"	702387
2	110506-54-001	EA	CASE/CYLINDER - LOCKING - W/O CAM/KEY - 1.25"	703171	2	110506-54-007	EA	CASE/CYLINDER - LOCKING - W/O CAM/KEY - 1.25"	703177
1	110506-59-002	EA	KEYS-SET OF 2	596722	1	110506-59-008	EA	KEYS-SET OF 2	596728
2	110506-52-002	EA	CASE/CYLINDER - LOCKING - W/O CAM/KEY - .65"	702372	2	110506-52-008	EA	CASE/CYLINDER - LOCKING - W/O CAM/KEY - .65"	702378
2	110506-53-002	EA	CASE/CYLINDER - LOCKING - W/O CAM/KEY - 1"	702382	2	110506-53-008	EA	CASE/CYLINDER - LOCKING - W/O CAM/KEY - 1"	702388
2	110506-54-002	EA	CASE/CYLINDER - LOCKING - W/O CAM/KEY - 1.25"	703172	2	110506-54-008	EA	CASE/CYLINDER - LOCKING - W/O CAM/KEY - 1.25"	703178
1	110506-59-003	EA	KEYS-SET OF 2	596723	1	110506-59-009	EA	KEYS-SET OF 2	596729
2	110506-52-003	EA	CASE/CYLINDER - LOCKING - W/O CAM/KEY - .65"	702373	2	110506-52-009	EA	CASE/CYLINDER - LOCKING - W/O CAM/KEY - .65"	702379
2	110506-53-003	EA	CASE/CYLINDER - LOCKING - W/O CAM/KEY - 1"	702383	2	110506-53-009	EA	CASE/CYLINDER - LOCKING - W/O CAM/KEY - 1"	702389
2	110506-54-003	EA	CASE/CYLINDER - LOCKING - W/O CAM/KEY - 1.25"	703173	3	110506-54-009	EA	CASE/CYLINDER - LOCKING - W/O CAM/KEY - 1.25"	703179
1	110506-59-004	EA	KEYS-SET OF 2	596724	3	110506-40-700	EA	HARDWARE KIT-LOCK, W/GASKET, NUT, CLIP & WASHERS	
2	110506-52-004	EA	CASE/CYLINDER - LOCKING - W/O CAM/KEY - .65"	702374	4	110506-50-000	EA	CASE - TWIST LOCK - A= 17 MM	596952
2	110506-53-004	EA	CASE/CYLINDER - LOCKING - W/O CAM/KEY - 1"	702384	4	110506-51-000	EA	CASE - TWIST LOCK - A= 25 MM	596669
2	110506-54-004	EA	CASE/CYLINDER - LOCKING - W/O CAM/KEY - 1.25"	703174		110506-59-701	EA	KEY BLANK	
1	110506-59-005	EA	KEYS-SET OF 2	596725		110506-70-000	EA	CAM - LATCHING - STRAIGHT 1.3" LONG	
2	110506-52-005	EA	CASE/CYLINDER - LOCKING - W/O CAM/KEY - .65"	702375		110506-68-000	EA	CAM - LATCHING - DOG LEGGED 1.3" LONG	
2	110506-53-005	EA	CASE/CYLINDER - LOCKING - W/O CAM/KEY - 1"	702385		110506-66-000	EA	CAM - LATCHING - DOG LEGGED 1.5" LONG	
2	110506-54-005	EA	CASE/CYLINDER - LOCKING - W/O CAM/KEY - 1.25"	703175		110506-71-000	EA	CAM - LATCHING - DOG LEGGED .86" LONG	

WINDSHIELD & WIPER GROUP

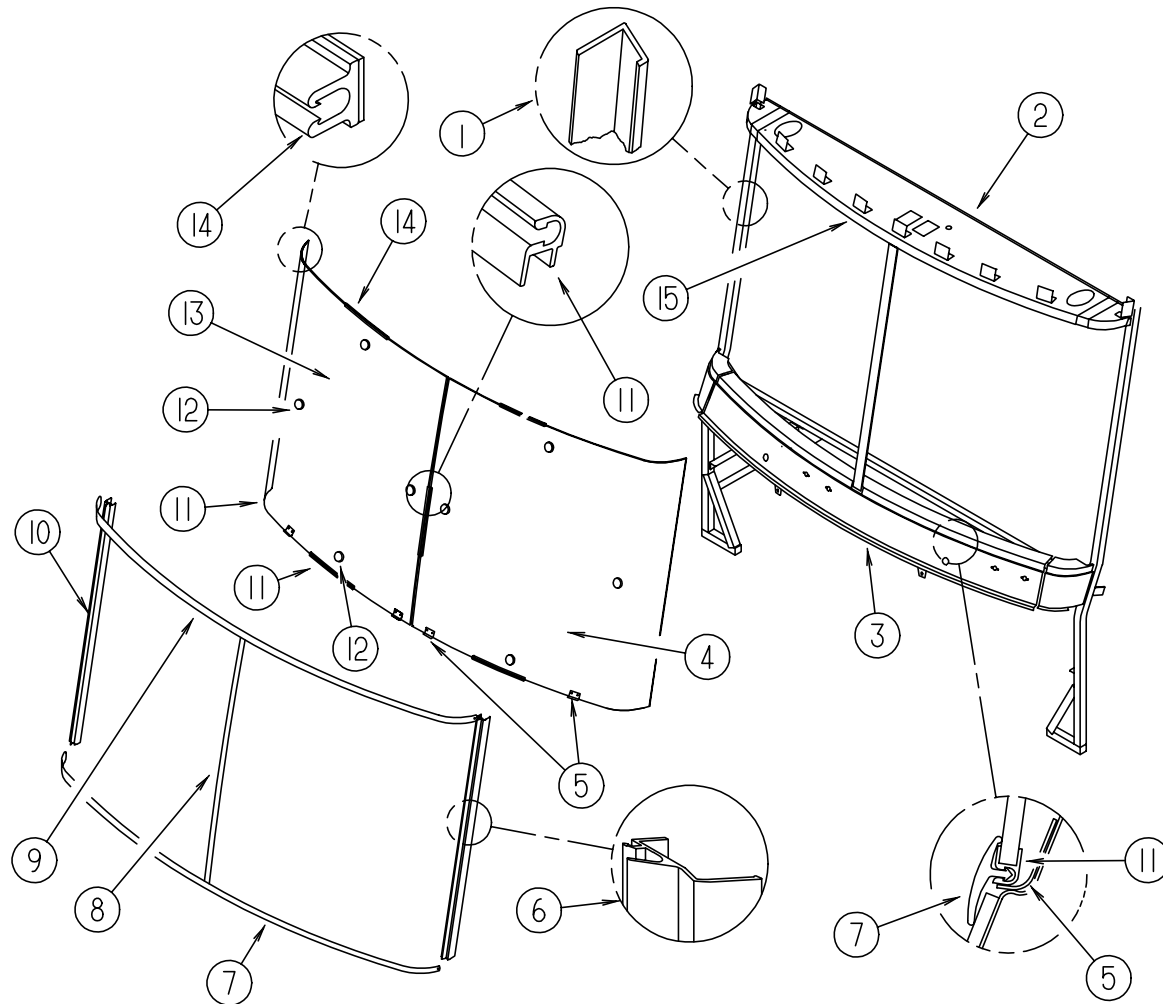
WIPER & WASHER COMPONENTS



KEY	PART NUMBER	U/M	DESCRIPTION	VENDOR NO.		
1	096505-05-000	EA	SHAFT/PIVOT - WINDSHIELD WIPER			
	096505-02-700	EA	DRIVER-KNURLED,(HD) BRL .687	NT721017		
	096505-02-701	EA	NUT-HEX (HD) W/.687 BARREL	NT721021		
	096505-02-702	EA	CAP-RUBBER (HD) BARREL .687	CP721084		
	096505-02-703	EA	CAP-NUT(ACORN) HD W/.687 BRL	51065-40-NT27WC		
	077049-02-000	EA	NUT - ACORN - 10-32 BLACK/ANODIZED			
	000D24-10-00B	EA	NUT - HEX - SELF LOCKING - 10-32 ZINC			
	071015-21-000	EA	GROMMET - RUBBER - 1/2 ID X 1.06 OD - W/.19 GROOVE - BLACK			
	2	077048-02-000	EA	SHAFT - ADAPTER - PANTOGRAPH ARM		
		3	117769-01-000	EA	ARM - WIPER - PANTOGRAPH - 28"	
			096931-01-701	EA	NOZZLE-HARDWARE KIT	
	4	096931-01-700	FT	HOSE - WASHER - 1/8" ID		
		097978-01-000	EA	BLADE - WIPER - FLEX 22 INCH		
		5	117766-02-000	EA	RESERVOIR/PUMP - WINDSHIELD WASHER	
	045794-01-000		FT	HOSE - WASHER - WINDSHIELD - 5/32" ID - BLACK		
110605-01-000	EA		TEE - PLASTIC - BARBED - 1/8" X 1/8" X 3/16"			
117765-03-000	EA		CONNECTOR - 5/32" - WINDSHIELD WASHER			
6	106680-02-000	EA	BRACKET - MOUNT - WIPER PIVOT			
7	106603-01-000	EA	MOUNT - WIPER MOTOR			
	106604-01-000	EA	PLATE - WIPER - MOTOR MOUNT			
8	103935-03-000	EA	PLATE - MOUNTING - WIPER MOTOR			
9	104346-04-000	EA	WIPER MOTOR - "COAST TO PARK" W/BKR - W/GRN/RED/WHITE WIRE			
10	117322-01-000	EA	SCREW - 1/4-28 UNFINISHED - 2A - TORX			
11	104347-04-000	EA	ARM - DRIVE - WIPER MOTOR			
12	117770-04-000	EA	LINK - CONNECTING - 22" - CLOSED GROMMET/CLOSED GROMMET			
13	067188-01-000	EA	STUD - CRANK - WIPER MOTOR			
14	117770-03-000	EA	LINK - CONNECTING - 22" - CLOSED GROMMET/OPEN GROMMET			
15	106680-01-000	EA	BRACKET - MOUNT - WIPER PIVOT			
	000D28-10-00B	EA	NUT - HEX - W/NYLON LOCK - 10-32 ZINC			
	061603-01-000	EA	GROMMET - SNAP - 3/16"ID - 3/8" HOLE - PLASTIC BLACK			

WINDSHIELD & WIPER GROUP (CONTINUED)

WINDSHIELD MOLDINGS & GLASS



KEY	PART NUMBER	U/M	DESCRIPTION
1	098788-06-000	EA	CHANNEL - 49" PVC
2	122037-12-01B	EA	HEADER - W/TV OPTION
3	077847-02-000	EA	SUPPORT - WINDSHIELD/LOWER - W/O BRACKETS
4	121963-02-000	EA	WINDSHIELD - DRIVERS - CURVED - 50.5" X 35.75"
4	121963-04-000	EA	GLASS - WINDSHIELD - LEFT HAND - EUROPEAN
5	107285-01-000	EA	BRACKET - SUPPORT - WINDSHIELD
6	103107-08-01A	EA	TRIM - WINDSHIELD - SIDE - BLACK
7	102936-01-000	FT	MOLDING - REVEAL - WINDSHIELD
8	118586-01-000	FT	MOLDING - REVEAL - WINDSHIELD (CENTER POST)
9	120533-01-000	FT	MOLDING - REVEAL - WINDSHIELD
10	103107-07-01A	EA	TRIM - WINDSHIELD - SIDE - BLACK
11	110268-01-000	EA	CARRIER - WINDSHIELD - 50.4"
12	081914-01-000	EA	BUMPER - RUBBER - ROUND - .43" DIAMETER
13	121963-01-000	EA	WINDSHIELD - PASSENGER - CURVED - 50.5" X 35.75"
13	121963-03-000	EA	WINDSHIELD - GLASS - PASSENGER - EUROPEAN
14	117335-01-000	EA	CARRIER/REVEAL - 94.6" W/ADHESIVE BACKING
15	121964-01-01B	EA	SUPPORT - WINDSHIELD/UPPER - W/O BRACKETS