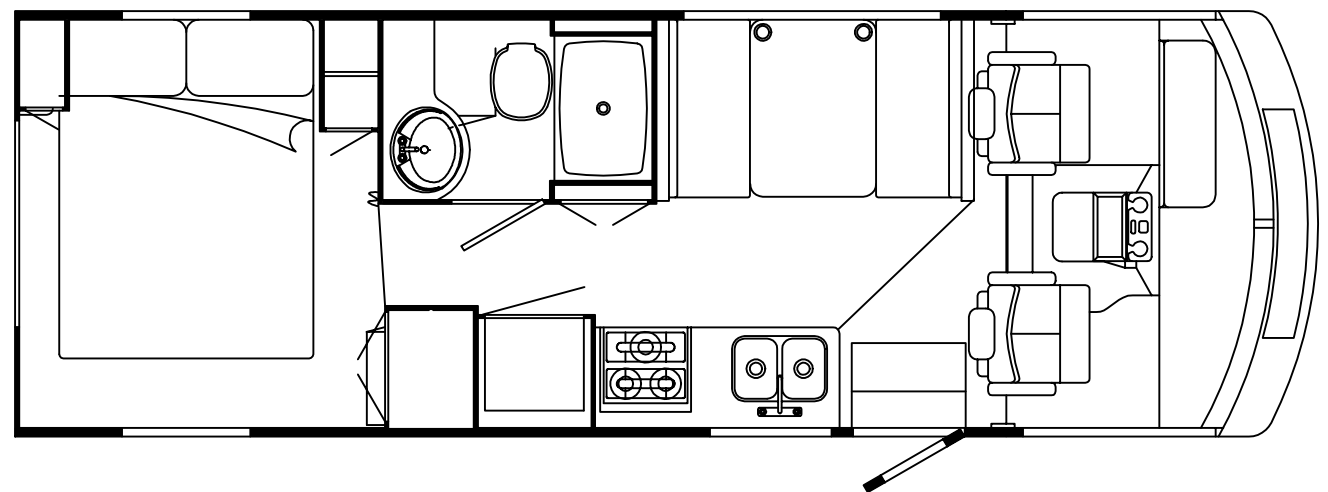
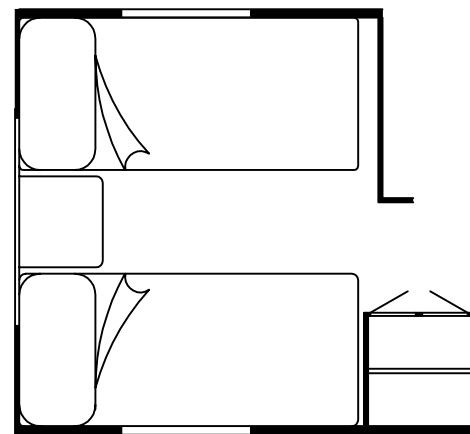
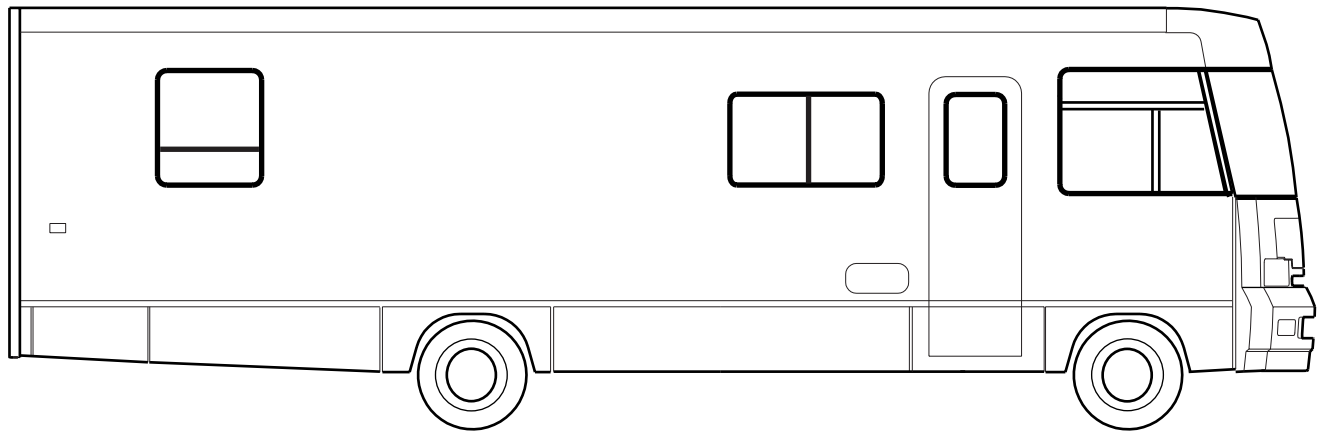


1998
WCF26WU

- J15**
MONACO (BLUE)
- J16**
DUNE (TAN)
- J17**
BAYBERRY (GREEN)



**ACCESSORIES GROUP
OPERATOR MANUAL**

KEY	PART NUMBER	U/M DESCRIPTION
	054185-H1-000	EA MANUAL-OPERATOR 1998 BRAVE - F SERIES
	092318-01-000	EA BINDER - 3 RING - MOTOR HOME MANUAL
	092319-01-000	EA POCKET PAGE - 3 RING BINDER - PLASTIC - (50 PER PKG) FROM: 00-00-00 THRU: 02-15-98
	129079-01-01A	EA CASE - VINYL/BLACK-EXPANDABLE ACCORDION SIDES-7"WX9"HX14"L FROM: 00-00-00 THRU: 02-15-98
	125967-01-000	DW TOP LEVEL-F, 1998 FROM: 02-16-98 THRU: 99-99-99

**AUDIO VIDEO GROUP
PATIO ENTERTAINMENT CENTER**

KEY	PART NUMBER	U/M DESCRIPTION
	076319-09-000	EA WALLPLATE - CABLE RECEPTACLE - TV - SINGLE - BROWN
	077069-02-000	EA CABLE - ANTENNA/EXTENSION - RADIO - 96"
	086756-01-000	EA SPLITTER - TV - 2 WAY
	125322-02-000	EA RADIO - AM/FM STEREO - CASSETTE - AUDIOVOX
	090944-01-000	EA ANTENNA - RADIO - 16" RUBBER
	108847-01-000	EA BRACKET - ANTENNA GROUND
	109889-04-000	EA EXTENDER - ANTENNA SHAFT - 3"
	110469-01-000	EA SPEAKER - 4" X 6" OVAL - COAXIAL
	110470-01-01A	EA GRILLE - 4" X 6" OVAL - BLACK

RADIO SYSTEM & ANTENNA

KEY	PART NUMBER	U/M DESCRIPTION	VENDOR NO.
	127516-01-000	EA RADIO - AM/FM STEREO - CD PLAYER	
	127516-01-700	EA FACE - REMOVEABLE	YEPOFX3114
	127516-01-701	EA TRIM RING	YGFC025263
	127516-01-702	EA FACTORY HARNESS	YGAJ02719
	127516-01-703	EA CARRIER F/REMOVEABLE FACE	YEFA131290
	110267-04-000	EA RADIO - AM/FM STEREO - CD COMPATIBLE - AUDIOVOX	
	077069-02-000	EA CABLE - ANTENNA/EXTENSION - RADIO - 96"	
	090944-01-000	EA ANTENNA - RADIO - 16" RUBBER	
	115916-01-01B	EA BRACKET - ANTENNA MOUNT	
	110469-01-000	EA SPEAKER - 4" X 6" OVAL - COAXIAL	
	110470-01-01A	EA GRILLE - 4" X 6" OVAL - BLACK	
	N/A	EA SPEAKER - 5" X 7" OVAL	
		MUST ORDER P.N.#F2UF-18814-CD FROM YOUR LOCAL FORD DEALER	
	111177-01-01A	EA GRILLE - SPEAKER - 6.6" X 8.9" - HOUSING 5" X 7" SPEAKER	

AUDIO VIDEO GROUP (CONTINUED)
TV, VCR & COMPONENTS

KEY	PART NUMBER	U/M DESCRIPTION	VENDOR NO.
	126696-01-000	EA TV - 19" COLOR W/1/8" JACK - UL/CSA	
			FROM: 00-00-00 THRU: 04-12-98
	126696-01-700	EA REMOTE	226725
			FROM: 00-00-00 THRU: 04-12-98
	126696-02-000	EA TV - 19" COLOR W/1/8" JACK - UL/CSA	
			FROM: 04-13-98 THRU: 99-99-99
	126696-01-700	EA REMOTE	226725
			FROM: 04-13-98 THRU: 99-99-99
	126697-01-000	EA VCR - VHS/CABLE READY - W/REMOTE - GE	
			FROM: 00-00-00 THRU: 03-22-98
	126697-01-700	EA REMOTE - F/VCR	2040R
			FROM: 00-00-00 THRU: 03-22-98
	126697-02-000	EA VCR-VHS - CABLE READY - W/REMOTE	
			FROM: 03-23-98 THRU: 99-99-99
	126697-02-700	EA REMOTE - F/VCR	
			FROM: 03-23-98 THRU: 99-99-99
	086757-03-000	EA CONTROL CENTER - SWITCH - VCR/TV	
	086777-05-000	EA WALLPLATE - TV CABLE - ANTENNA/1 OUTPUT - IVORY	
	093214-01-02A	EA GRILLE - SPEAKER - 4" BROWN	
	098819-01-000	EA SPEAKER - 4" - 2 WATT - 8 OHM	
	076319-09-000	EA WALLPLATE - CABLE RECEPTACLE - TV - SINGLE - BROWN	
	076319-08-000	EA WALLPLATE - CABLE RECEPTACLE - TV - SINGLE - IVORY	
	086777-02-000	EA WALLPLATE - TV CABLE - W/ANTENNA SWITCH	
	093901-03-000	EA PLATE - TV COAX - EXTERIOR - 1.8" X 2.5"	
	076319-12-000	EA CONNECTOR - COAXIAL - ONE PIECE	
	082134-01-000	EA ADAPTER - TV - CABLE TO CABLE	
	086756-01-000	EA SPLITTER - TV - 2 WAY	
	076319-03-000	FT CABLE - COAXIAL - 75 OHM	
	082136-01-000	EA NUT - HEX JAM - 3/8 - 32	
	114870-02-000	EA PLUG - .14" AUDIO W/LEADS	

WINEGARD TV ANTENNA

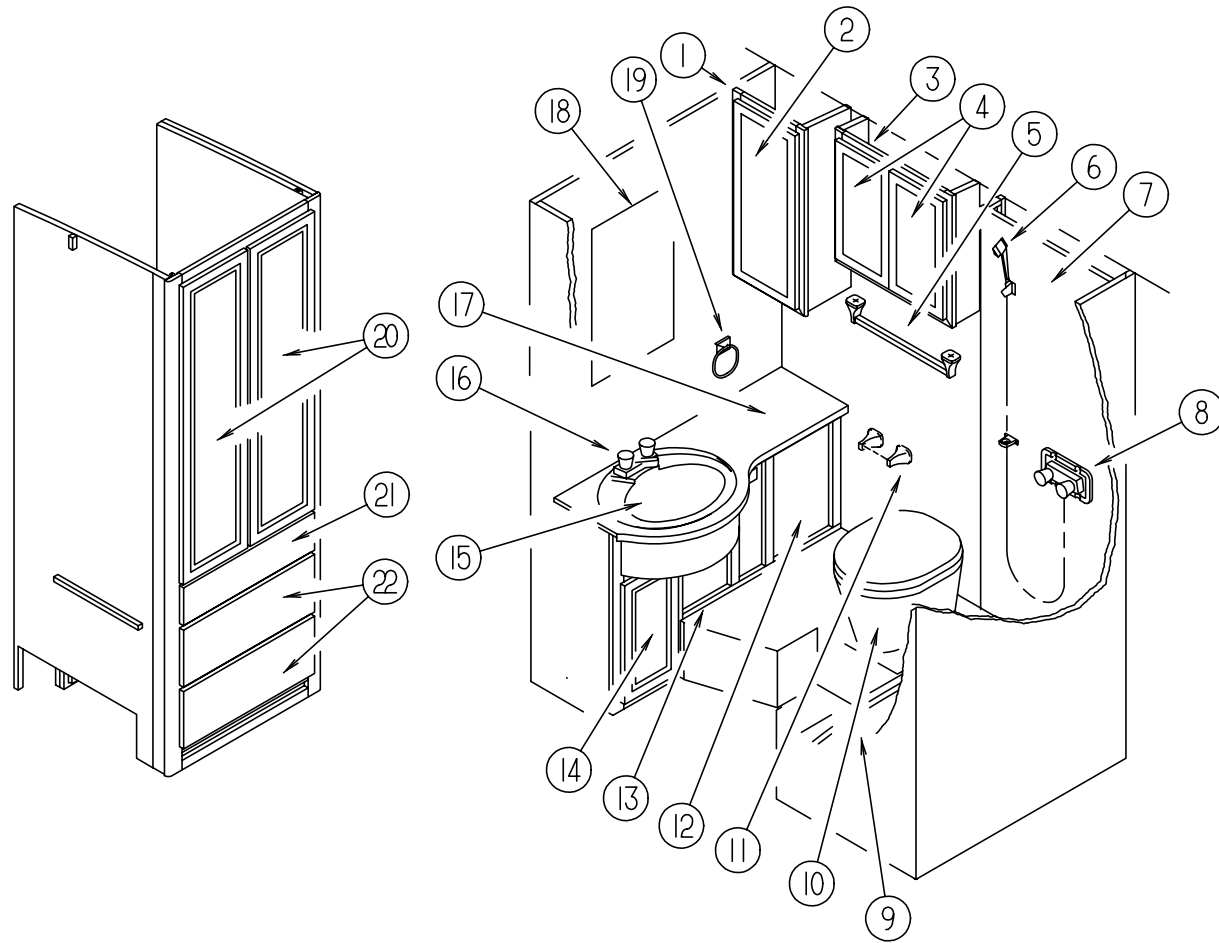
KEY	PART NUMBER	U/M DESCRIPTION
*	076319-21-000	EA ANTENNA-TV - ROOF MOUNT - 3" ROOF
		FROM: 00-00-00 THRU: 12-07-97
*	076319-23-000	EA ANTENNA-TV - ROOF MOUNT - 44.5" MAST
		FROM: 12-08-97 THRU: 99-99-99

* COMPONENT PARTS FOUND IN SERVICE PARTS LIBRARY

AUDIO VIDEO GROUP (CONTINUED)
REAR MONITOR SYSTEM

KEY	PART NUMBER	U/M DESCRIPTION
	126838-01-000	EA MONITOR/CAMERA - REAR VIEW 7"
	126838-01-700	EA MONITOR - 7" - VIDEOMAN
	126838-01-701	EA CAMERA - VIDEOMAN
	108885-02-000	EA WIRE-REAR MONITOR -(W/3 PIN HOUSING F/FUSE BLOCK) CHEVY

BATH GROUP
BATHROOM CABINET & COMPONENTS



KEY	PART NUMBER	U/M	DESCRIPTION	VENDOR NO.
1	128143-01-J15	EA	CABINET - MEDICINE - W/O HARDWARE	
	128143-12-J15	EA	SHELF - W/PLASTIC EDGE TRIM	
	076767-04-000	EA	CABLE - SUPPORT - 5.9" STAINLESS STEEL	
			FROM: 11-03-97 THRU: 99-99-99	
2	M08758-A9-J15	EA	DOOR - MITERED CORNER/OGEE EDGE - 11.4" X 28.1" - W/O HDW (FLAT MEDIUM DENSITY FIBERBOARD INSERT)	
2	M08758-26-J05	EA	DOOR - MITERED CORNER/OGEE EDGE - 11.4" X 28.1" - W/O HDW (RAISED MEDIUM DENSITY FIBERBOARD INSERT)	
3	111190-01-G09	EA	CABINET - LINEN - W/O DOORS/HARDWARE	
	111190-11-G09	EA	SHELF - W/PLASTIC EDGE TRIM	
4	M08758-44-J15	EA	DOOR - MITERED CORNER/OGEE EDGE - 10" X 19.1" - W/O HDW (FLAT MEDIUM DENSITY FIBERBOARD INSERT)	
4	M08758-33-J15	EA	DOOR - MITERED CORNER/OGEE EDGE - 10" X 19.1" - W/O HDW (RAISED MEDIUM DENSITY FIBERBOARD INSERT)	
5	075453-02-000	EA	BAR - TOWEL - 18" BRASS	
6	103092-01-000	EA	SHOWER HEAD - W/60" HOSE - WHITE	24466
	103092-01-702	EA	SEALS-SPRAY HEAD	
6	103092-02-000	EA	SHOWER HEAD - W/60" HOSE - CSA	2328028
	103092-01-700	EA	BRACKET-F/SHOWER HEAD, CLEAR	
	011048-03-700	EA	BRACKET - F/SHOWER HEAD	2328029-I
7	104464-03-01A	EA	SURROUND - SHOWER	
8	075242-04-000	EA	FAUCET - TUB/SHOWER - BONE	
	075606-01-000	EA	PANEL - PLASTIC - FAUCET BACK - 5" X 9"	
9	M02630-44-J15	EA	SHOWER PAN - W/STRAINER/TAILPIECE	
10*	067487-01-000	EA	TOILET - 12.37" - IVORY - HAND FLUSH	
11	075452-02-000	EA	HOLDER - TOILET TISSUE - BRASS	

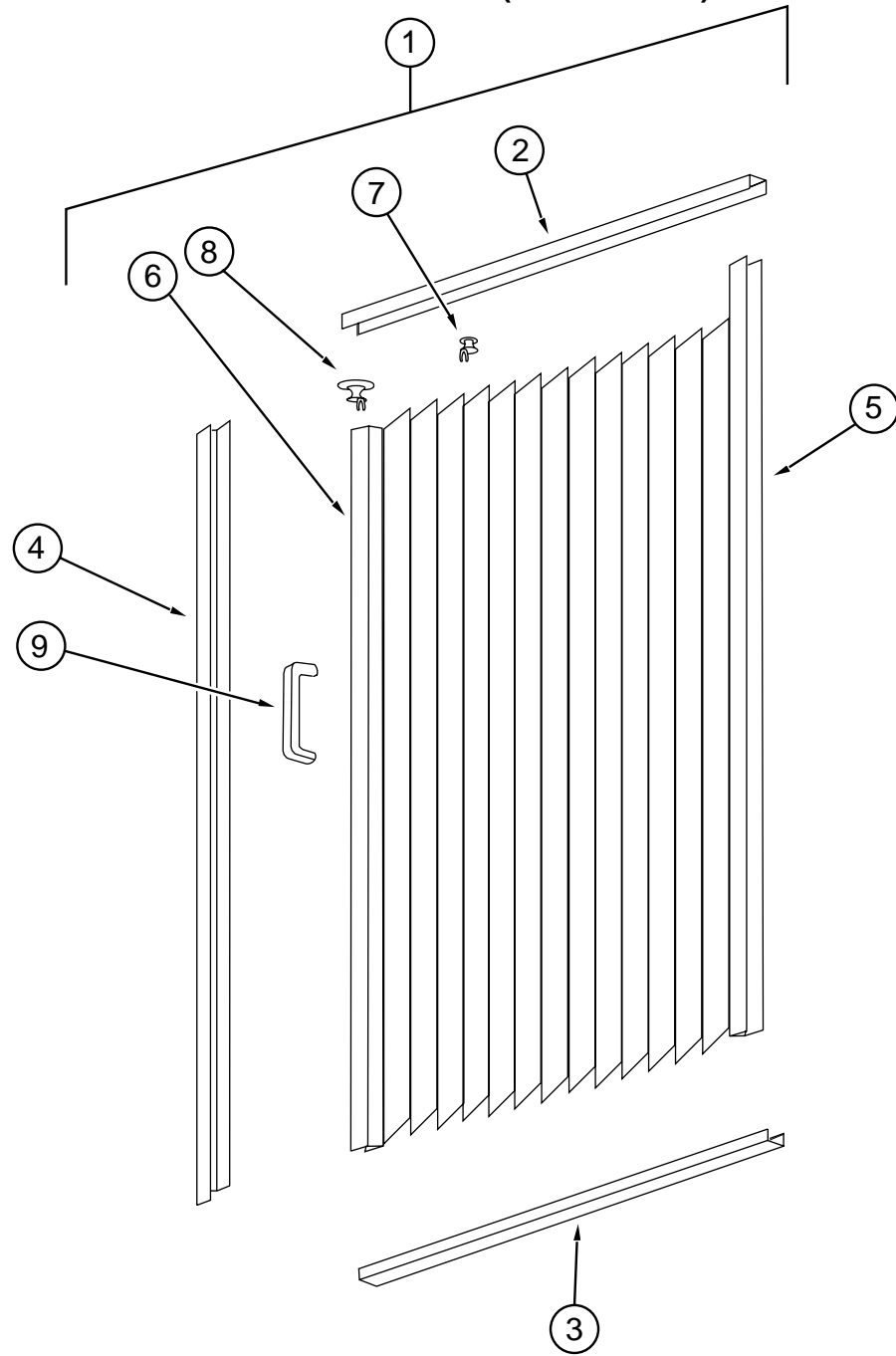
KEY	PART NUMBER	U/M	DESCRIPTION	VENDOR NO.
12	M08758-44-J15	EA	DOOR - MITERED CORNER/OGEE EDGE - 10" X 19.1" - W/O HDW (FLAT MEDIUM DENSITY FIBERBOARD INSERT)	
13	127012-01-J15	EA	CABINET - LAVATORY - W/COUNTERTOP - W/O DOORS/DWRS/HDW	
13	127012-01-J16	EA	CABINET - LAVATORY - W/COUNTERTOP - W/O DOORS/DWRS/HDW	
13	127012-01-J17	EA	CABINET - LAVATORY - W/COUNTERTOP - W/O DOORS/DWRS/HDW	
	127012-14-J15	EA	SHELF - W/PLASTIC EDGE MOLDING	
			FROM: 11-24-97 THRU: 99-99-99	
14	M08758-99-J01	EA	DOOR - MITERED CORNER/OGEE EDGE - 12.8" X 17.7" - W/O HDW (FLAT MEDIUM DENSITY FIBERBOARD INSERT)	
15	105921-01-01A	EA	SINK - LAVATORY - LARGE/OVAL - 17" X 20" PLASTIC/OFF WHITE	
	106116-01-01A	EA	STRAINER - SINK-W/STOPPER/TAILPIECE/GASKET & NUT - PLASTIC	
16	075240-06-000	EA	FAUCET - LAVATORY/BONE	
	091253-01-000	EA	GASKET - FAUCET - LAVATORY/GALLEY	
	105218-01-01A	EA	SPACER - FAUCET/LAVATORY SINK - 2" X 5.9" - ABS PLASTIC	
17	127012-11-J15	EA	COUNTERTOP - LAVATORY	
17	127012-11-J16	EA	COUNTERTOP - LAVATORY	
17	127012-11-J17	EA	COUNTERTOP - LAVATORY	
18	058331-D0-000	EA	MIRROR - SAFETY GLASS - 19.65 X 35.37"	
18	105004-01-05A	EA	MOLDING - VINYL WRAPPED - 1" X 96" - WATERFORD OAK	
19	075454-02-000	EA	RING - TOWEL - W/MOUNTING HARDWARE - BRASS	
20	M08758-95-J01	EA	DOOR - MITERED CORNER/OGEE EDGE - 12" X 48" - W/O HDW - TWIN BED OPTION (FLAT MEDIUM DENSITY FIBERBOARD INSERT)	
20	M08758-17-J37	EA	DOOR - MITERED CORNER/OGEE EDGE - 12" X 48" - W/O HDW - TWIN BED OPTION (RAISED MEDIUM DENSITY FIBERBOARD INSERT)	
	009112-01-000	EA	FLANGE - PLASTIC - 1" CLOTHES ROD - OFF WHITE	
	042438-01-000	EA	DOWEL - WOOD - CLOTHES ROD - 1" DIAMETER X 4'	
21	M05971-KW-J15	EA	DRAWER - OGEE EDGE - 22.4"W X 19.7"D - W/O SLIDES/HARDWARE TWIN BED OPTION	
22	M05971-KX-J15	EA	DRAWER - OGEE EDGE - 22.4"W X 19.7"D - W/O SLIDES/HARDWARE TWIN BED OPTION	
	042488-12-000	EA	DOOR - FOLDING - OFF WHITE FABRIC - 27.5" X 75"	
			FROM: 00-00-00 THRU: 12-07-97	
	042488-10-700	EA	LEADRAIL-PREPUNCHED F/HANDLE	DW2100
	080224-01-703	EA	HANDLE W/LATCH-CATCH, ALMOND	DE03505
	080224-01-705	EA	LATCH & CATCH ASM., ALMOND	DE25010 & DE25020
	042488-13-000	EA	DOOR - FOLDING - FABRIC - 27.5" X 75"	
			FROM: 12-08-97 THRU: 99-99-99	
	094856-05-01A	EA	TRACK - DOOR/FOLDING - OFF WHITE	
	009700-04-002	EA	TRACK - L-SHAPED 195.5" - OFF WHITE	
	009702-01-000	EA	END STOP - CURTAIN CARRIER - L ROD	
	121449-38-J15	EA	DOOR - BATH	
	105394-01-05A	EA	JAMB - DOOR/MOLDED PLASTIC - WATERFORD OAK - 7'	
	094485-03-01A	EA	KNOB - BRASS	
	103194-01-000	EA	STOP-DOOR,BATH	
	121449-12-G04	EA	RACK - TOWEL - BATH DOOR	
	100357-01-000	EA	ROD - F/TOWEL BAR - BRASS	

*** COMPONENT PARTS FOUND IN SERVICE PARTS LIBRARY**

SKYLITE

KEY	PART NUMBER	U/M	DESCRIPTION
	122192-01-02A	EA	PANEL - SKYLITE - OUTER - 16.4" X 27.8"
	122193-01-02A	EA	PANEL - SKYLITE - INNER

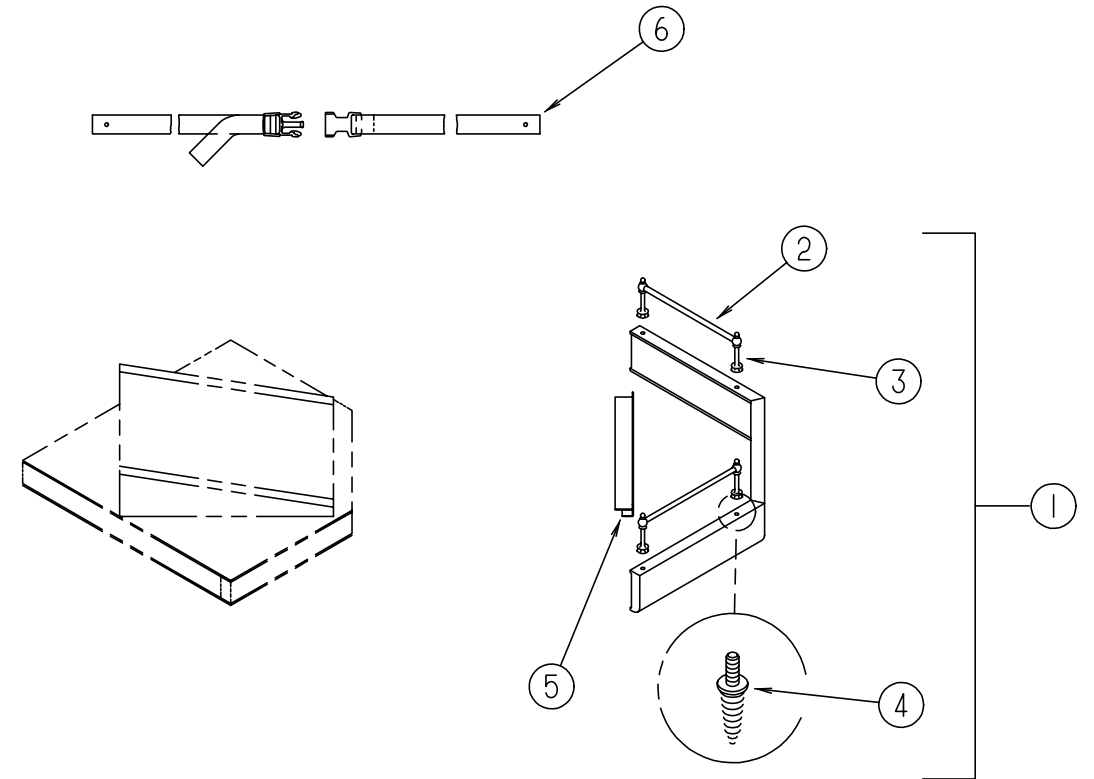
BATH GROUP (CONTINUED)



SHOWER DOOR COMPONENTS

KEY	PART NUMBER	U/M DESCRIPTION
1	117431-02-01A	EA DOOR - SHOWER - FABRIC/PLEATED
2	117431-01-700	EA TRACK-TOP, ALUM.IVORY INSERT 48"
3	117431-01-701	EA TRACK-BOTTOM, 48 "
4	117431-01-702	EA RAIL-SIDE, 67"
5	117431-01-703	EA RAIL-STATIONARY, 67"
6	117431-01-704	EA RAIL-LEAD, 67"
7	117431-01-705	EA GLIDE-IVORY, TRAVELER
8	117431-01-706	EA GLIDE-IVORY LEAD, TRAVELER
9	117431-01-708	EA HANDLES & SCREWS
	117431-01-707	EA LATCH
	117431-02-700	EA STRAP-VINYL SHOWER

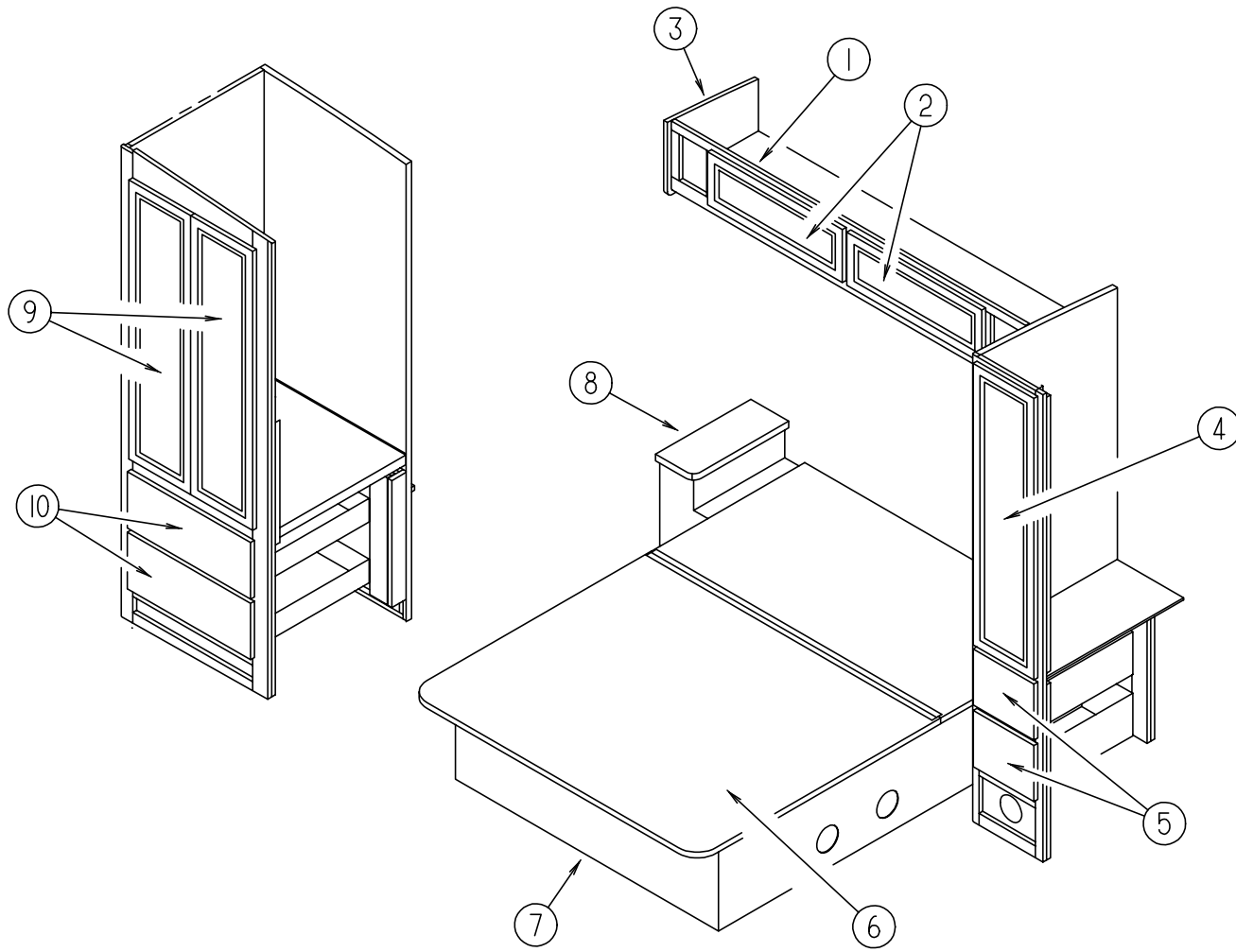
BEDROOM GROUP



QUEEN BED TV SHELF

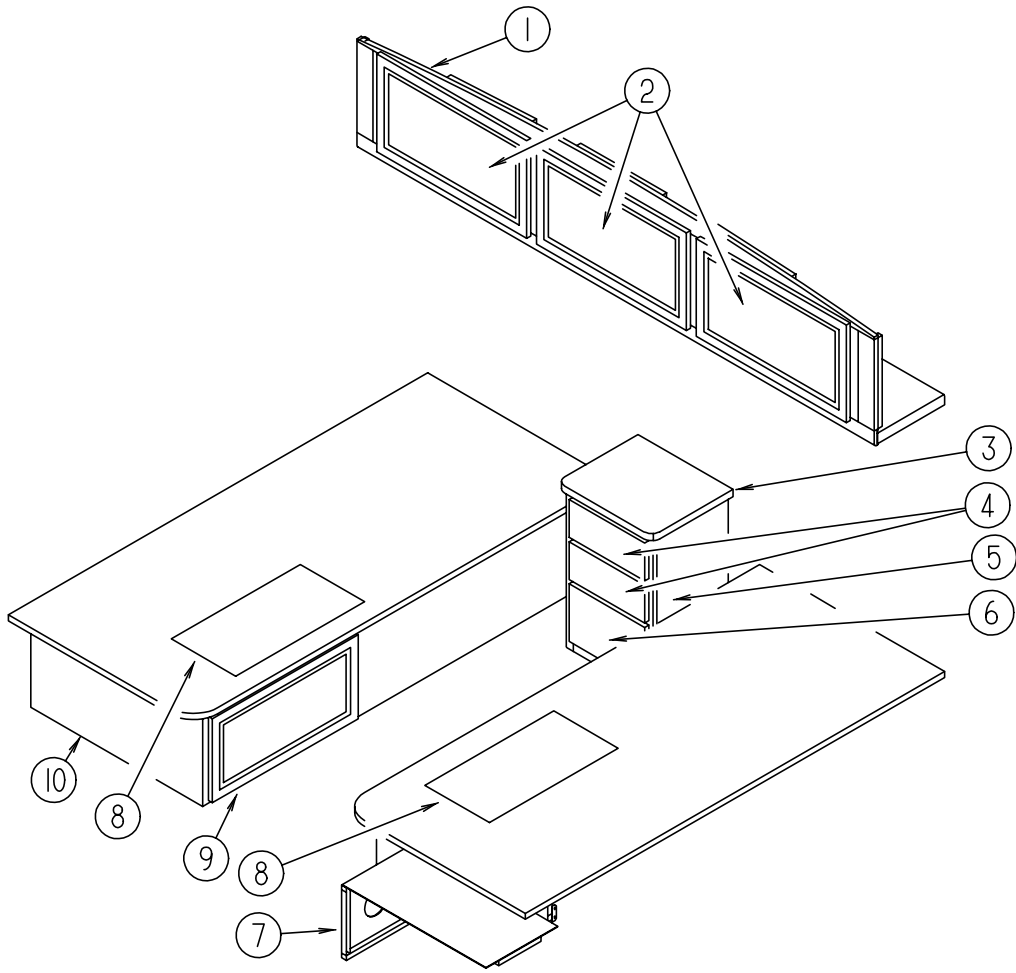
KEY	PART NUMBER	U/M DESCRIPTION
1	127376-03-J15	EA CABINET - TV SHELF
2	084071-27-000	EA ROD - BRASS - 2.7"
2	084071-19-000	EA ROD - BRASS - 7.09"
3	084070-03-000	EA POST - END - 2.4" - SHINY BRASS
4	106166-01-000	EA BOLT/COLLARED HANGER - 8-32 X 1"
5	100818-01-05A	EA MOLDING - VINYL WRAP - 1.65" X .4" X 84" - WATERFORD OAK
6	099717-02-000	EA STRAP - TV TIE DOWN W/29.9" FEMALE STRAP/14.2" MALE STRAP

BEDROOM GROUP (CONTINUED)
QUEEN BEDROOM CABINETS



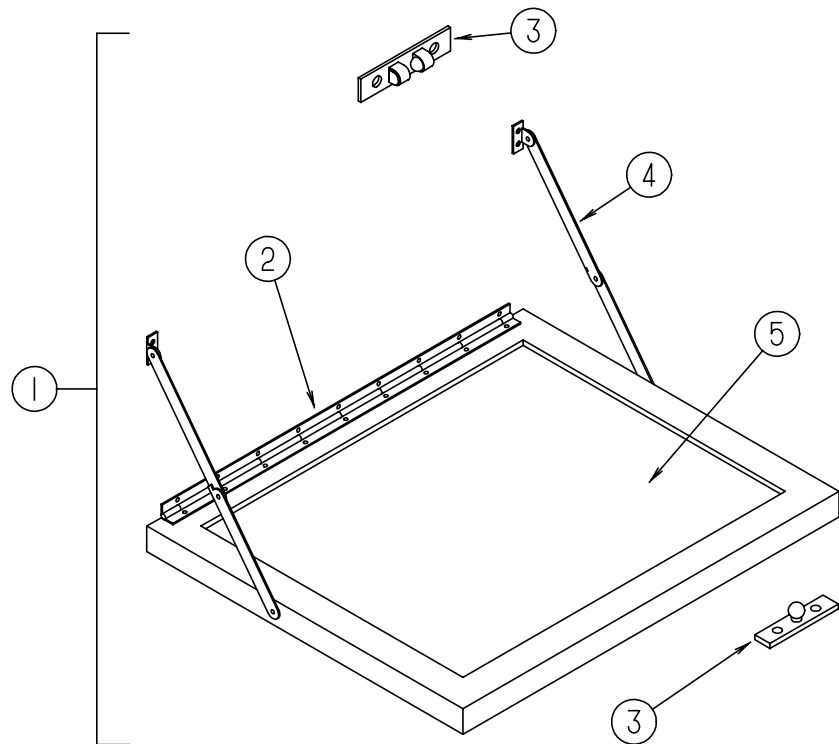
KEY	PART NUMBER	U/M	DESCRIPTION
1	128054-01-J15	EA	CABINET - OVERHEAD/REAR - W/O DOORS/HARDWARE
2	M08758-80-J15	EA	DOOR - MITERED CORNER/OGEE EDGE - 9" X 26.5" - W/O HDW (FLAT MEDIUM DENSITY FIBERBOARD INSERT)
2	M08758-31-J05	EA	DOOR - MITERED CORNER/OGEE EDGE - 9" X 26.5" - W/O HDW (RAISED MEDIUM DENSITY FIBERBOARD INSERT)
3	103128-35-J15	EA	END CAP - OVERHEAD - RIGHT HAND
4	M08758-95-J01	EA	DOOR - MITERED CORNER/OGEE EDGE - 12" X 48" - W/O HDW (FLAT MEDIUM DENSITY FIBERBOARD INSERT)
4	M08758-17-J37	EA	DOOR - MITERED CORNER/OGEE EDGE - 12" X 48" - W/O HDW (RAISED MEDIUM DENSITY FIBERBOARD INSERT)
	009112-01-000	EA	FLANGE - PLASTIC - 1" CLOTHES ROD - OFF WHITE
	042438-01-000	EA	DOWEL - WOOD - CLOTHES ROD - 1" DIAMETER X 4'
5	M05971-KP-J15	EA	DRAWER - OGEE EDGE - 10"W X 19.7"D - W/O SLIDES/HARDWARE
6	M08789-01-J15	EA	TOP - BED/QUEEN - W/O HARDWARE
7	P28052-01-J15	EA	CABINET - BASE - QUEEN BED - W/O DOORS/DRAWERS/HARDWARE
7	P28052-01-J16	EA	CABINET - BASE - QUEEN BED - W/O DOORS/DRAWERS/HARDWARE
7	P28052-01-J17	EA	CABINET - BASE - QUEEN BED - W/O DOORS/DRAWERS/HARDWARE
8	128052-11-J15	EA	COUNTERTOP - QUEEN BED
8	128052-11-J16	EA	COUNTERTOP - QUEEN BED
8	128052-11-J17	EA	COUNTERTOP - QUEEN BED
9	M08758-13-J01	EA	DOOR - MITERED CORNER/OGEE EDGE - 12" X 48" - W/O HDW
10	M05971-KT-J15	EA	DRAWER - OGEE EDGE - 22.5"W X 23.6"D - W/O SLIDES/HARDWARE
	009112-01-000	EA	FLANGE - PLASTIC - 1" CLOTHES ROD - OFF WHITE
	042438-01-000	EA	DOWEL - WOOD - CLOTHES ROD - 1" DIAMETER X 4'
	096764-02-000	FT	SLIPNOT-ANTISLIP, 1' WIDE (100' ROLLS)
	107796-06-000	EA	SPRING/GAS - 12" COMPRESSED/20" EXTENDED - 120 LB.
	126263-06-02B	EA	BRACKET - GAS SPRING - E-COATED
	126263-08-02B	EA	BRACKET - GAS SPRING - LOWER - E-COATED
	097872-04-000	EA	DOWEL - WOOD - 1" DIAMETER X 1.38" LONG

BEDROOM GROUP (CONTINUED)
TWIN BEDROOM CABINETS



KEY	PART NUMBER	U/M	DESCRIPTION
1	116187-01-H17	EA	CABINET - OVERHEAD/REAR - W/O DOORS/HARDWARE - F/TWIN BED
2	M08758-43-J15	EA	DOOR - MITERED CORNER/OGEE EDGE - 15.7" X 27.9" - W/O HDW (FLAT MEDIUM DENSITY FIBERBOARD INSERT)
2	M08758-01-J05	EA	DOOR - MITERED CORNER/OGEE EDGE - 15.7" X 27.9" - W/O HDW (RAISED MEDIUM DENSITY FIBERBOARD INSERT)
3	104507-11-H37	EA	COUNTERTOP - NIGHTSTAND (J15)
3	104507-11-F32	EA	COUNTERTOP ASM (J16)
3	104507-11-F12	EA	COUNTERTOP - NIGHTSTAND (J17)
4	M05971-65-J37	EA	DRAWER - OGEE EDGE - 12.2"W X 11.8"D - W/O SLIDES/HARDWARE
5	104507-01-H47	EA	CABINET/NIGHTSTAND - W/COUNTERTOP - W/O DOORS/DRAWERS/HDW (J15)
5	104507-01-G36	EA	CABINET/NIGHTSTAND - W/COUNTERTOP - W/O DOORS/DRAWERS/HDW (J16)
5	104507-01-G15	EA	CABINET/NIGHTSTAND - W/COUNTERTOP - W/O DOORS/DRAWERS/HDW (J17)
6	M05971-73-J37	EA	DRAWER - OGEE EDGE - 12.2"W X 11.8"D - W/O SLIDES/HARDWARE
7	P28235-01-J15	EA	CABINET - BASE - TWIN BED/LEFT HAND - W/O DRS/DWRS/HDW
	107796-06-000	EA	SPRING/GAS - 12" COMPRESSED/20" EXTENDED - 120 LB.
	126263-06-02B	EA	BRACKET - GAS SPRING - LOWER - E-COATED
	126263-08-02B	EA	BRACKET - GAS SPRING - LOWER - E-COATED
	097872-04-000	EA	DOWEL - WOOD - 1" DIAMETER X 1.38" LONG
8	096764-02-000	FT	SLIPNOT-ANTISLIP, 1' WIDE (100' ROLLS)
9	M08758-87-J37	EA	DOOR - MITERED CORNER/OGEE EDGE - 13.6" X 27" - W/O HDW (FLAT MEDIUM DENSITY FIBERBOARD INSERT)
10	P28236-01-J15	EA	CABINET - BASE - TWIN BED/RIGHT HAND - W/O DOORS/DWRS/HDW

BEDROOM GROUP (CONTINUED)



TWIN BED TV STAND

KEY	PART NUMBER	U/M DESCRIPTION
1	084357-02-H13	EA TV STAND
2	084413-01-000	EA HINGE/CONTINUOUS - ALUMINUM 1" X 72" - W/HOLES
3	084451-01-000	EA CATCH - BRASS
4	084412-01-000	EA SUPPORT/HINGE KIT (LEFT & RIGHT HINGES)
5	084356-08-000	EA INSERT - TV STAND - W/SUPPORT HINGE
5	058331-14-000	EA MIRROR - SAFETY GLASS - 14" X 12.7"

**CHASSIS GROUP
SHOCKS & STABILIZER KIT - FRONT**

KEY	PART NUMBER	U/M DESCRIPTION	VENDOR NO.
	122756-02-000	EA SHOCK AND STABILIZER (BLUE BOOT) KIT - FRONT END P30 CHASS	
		NOTE: ORDER 70139029000, FOR AFTER MARKET INSTALLATION	
	122756-02-700	EA BRACKET ASM - DRIVER SIDE	T818L
	122756-02-701	EA BRACKET ASM - PASSENGER SIDE	T818R
	122756-02-702	EA BRACKET ONLY - DRIVER SIDE	T818L
	122756-02-703	EA BRACKET ONLY - PASS. SIDE	T818R
	122756-02-704	EA BOLT PACKAGE -BOLTS/NUTS ETC	T818R
	122756-02-705	EA SHOCK	T818SH
	122756-02-706	EA STUD - SHOCK MOUNTING	T818S
	122756-02-707	EA DAMPNER	T818SD
	122756-02-708	EA BOOT	T818SDB
	122756-02-709	EA BUSHING PKG	T818SDBSH
	122756-02-710	EA BOLT PKG	T818SBS

AIR COMPRESSOR - FIRESTONE AIRSPRING ASSEMBLY

KEY	PART NUMBER	U/M DESCRIPTION	VENDOR NO.
	084086-07-000	EA COMPRESSOR/ACCESSORY KIT - 12 VOLT/ 1/6HP	
	084086-05-703	EA LOWER BRACKET	5098
	084086-07-700	EA COMPRESSOR	21-9014
	084086-07-701	EA TUBING-18FT	21-9038
	084086-07-702	EA TANK-AIR	21-9003
	084086-07-703	EA HOSE-AIR	21-9006

AIRSPRING KIT - FIRESTONE AIRSPRING ASSEMBLY

KEY	PART NUMBER	U/M DESCRIPTION	VENDOR NO.
	084086-04-000	EA AIRSPRING KIT - REAR AXLE - GM TO 1996 - 10,500-12,300 GVW	
	084086-01-701	EA TUBING, DOT 1/4"X22'	21-0937
	084086-01-702	EA BOLT, RIBBED NECK 3/8-24X21/2	21-0829
	084086-01-705	EA PROTECTOR-TUBING	21-0899
	084086-01-706	EA BRACKET-UPPER TO FRAME	21-0150
	084086-01-711	EA SHIELD-HEAT, 224-DOS SYSTEM	21-5042
	084086-01-713	EA BRACKET-AXLE STRAP, 4"	21-1163
	084086-01-714	EA BRACKET-AXLE STRAP, 4 3/4"	21-5038
	084086-04-700	EA BRACKET-LOWER DRIVERS SIDE	21-5064
	084086-04-701	EA BRACKET-LOWER PASSENGER SIDE	21-5065
	084086-04-702	EA BAG-AIR, BELLOWS W/BOLT-ELBOWW217602064	
		W/ 1/8" AIR INLET PORT - INTERNAL THREADS ON BOTH TOP AND	
		BOTTOM MOUNT PLATES	
	084086-05-706	EA VALVE-INFLATION, PUSH TO CONN	3032

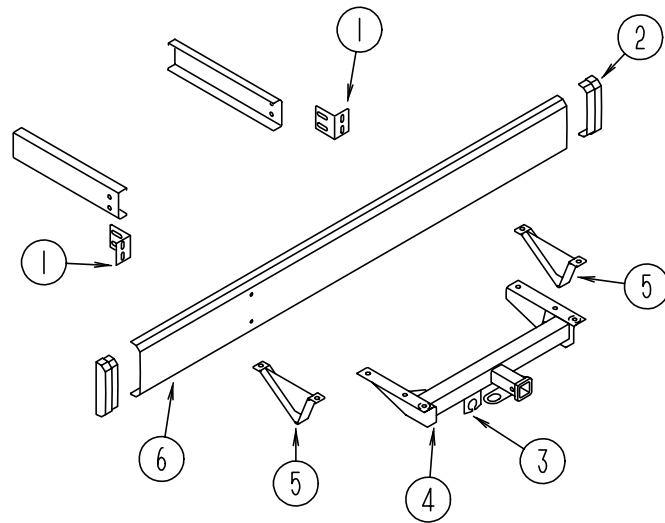
CONTROL KIT - FIRESTONE AIRSPRING ASSEMBLY

KEY	PART NUMBER	U/M DESCRIPTION	VENDOR NO.
	084086-09-000	EA CONTROL KIT - AIR SPRING - SINGLE CONTROL	
	084086-06-700	EA PANEL-AIR CONTROL, RIGHT	21-9012
	084086-06-702	EA TUBING-FLEXIBLE	21-9008
	084086-06-703	EA CONNECTOR-T	21-3005
	084086-06-704	EA FERRULE	21-0932
	120501-01-02B	EA BRACKET - CONTROL - RIDE RIDE	

CHASSIS MISCELLANEOUS

KEY	PART NUMBER	U/M DESCRIPTION
	008042-01-000	FT TUBING - VINYL - .65" ID
	008401-01-000	EA STRAP - CONDUIT - 3/4" - 1 HOLE - GALVANIZED STEEL
	113452-01-000	FT SEAL/TRIM - FRONT - VINYL W/WIRE CARRIER
	123361-01-000	EA DUCT - AIR INTAKE

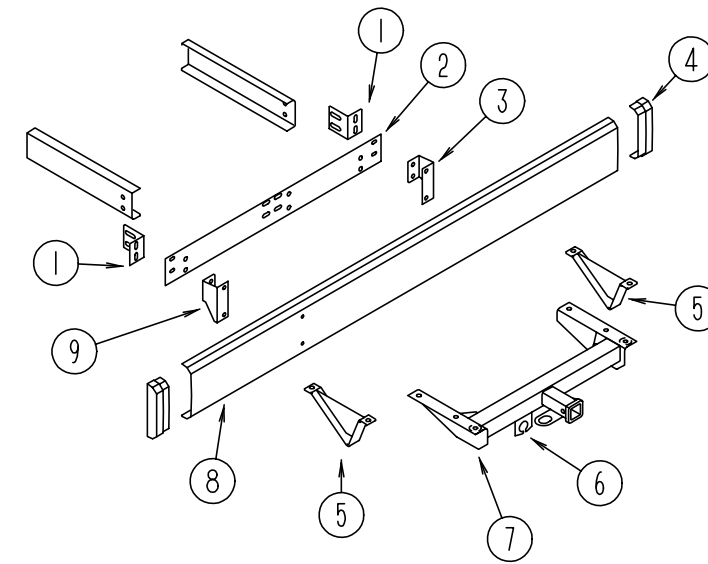
CHASSIS GROUP (CONTINUED)



REAR BUMPER, TRAILER HITCH & COMPONENTS

KEY	PART NUMBER	U/M	DESCRIPTION
1	104418-07-000	EA	ANGLE - BUMPER - REAR SUPPORT
2	103228-01-06A	EA	END CAP - REAR BUMPER - DRIVER/PASSENGER
3	113588-02-01B	EA	BRACKET - CONNECTOR - TRAILER W/O LIP
4	107707-01-000	EA	HITCH RECEIVER - BOLT-ON CLASS II
			FROM: 00-00-00 THRU: 05-10-98
4	130339-01-000	EA	HITCH RECEIVER - BOLT-ON CLASS II
			FROM: 05-11-98 THRU: 99-99-99
5	111742-01-000	EA	PLATE - SKID
6	103099-10-02A	EA	BUMPER - REAR - BRIGHT WHITE
	070579-09-000	EA	PLATE - ANCHOR
			FROM: 00-00-00 THRU: 10-06-97
	113589-02-000	EA	CONNECTOR - SOCKET - TRAILER
	113589-01-000	EA	CONNECTOR - PLUG - TRAILER

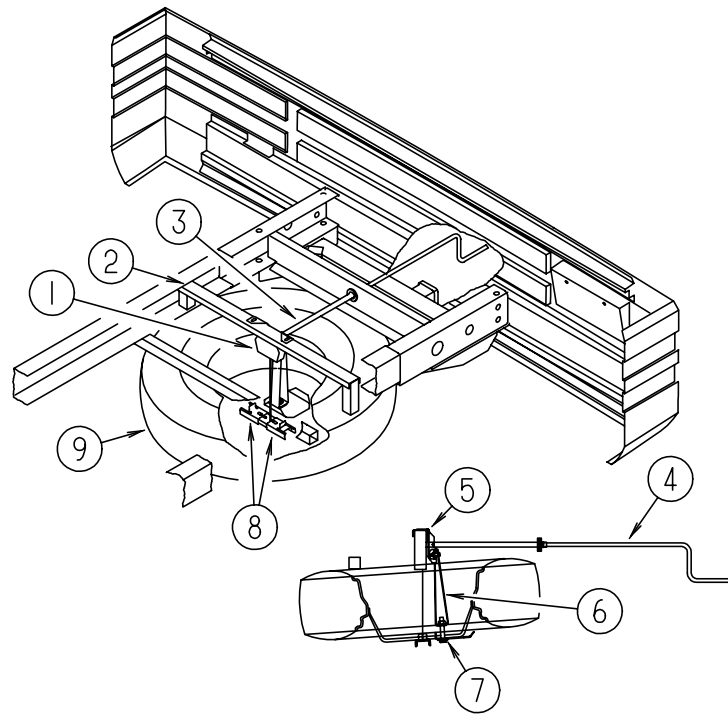
CHASSIS GROUP (CONTINUED)



REAR BUMPER, TRAILER HITCH & COMPONENTS - 60 GL FUEL TANK OPTION

KEY	PART NUMBER	U/M	DESCRIPTION
1	078668-01-000	EA	SUPPORT ANGLE - BUMPER/REAR - L ANGLE - 4" X 3" STEEL/BLK
2	078678-02-000	EA	PLATE - MOUNTING - BUMPER/REAR - 46" X 5" - W/WELD NUTS
3	117950-03-02B	EA	BRACKET - BUMPER/REAR
4	103228-01-06A	EA	END CAP - REAR BUMPER - DRIVER/PASSENGER
5	111742-01-000	EA	PLATE - SKID
6	113588-02-01B	EA	BRACKET - CONNECTOR - TRAILER W/O LIP
7	107707-01-000	EA	HITCH RECEIVER - BOLT-ON CLASS II
			FROM: 00-00-00 THRU: 05-10-98
7	130339-01-000	EA	HITCH RECEIVER - BOLT-ON CLASS II
			FROM: 05-11-98 THRU: 99-99-99
8	103099-11-02A	EA	BUMPER - REAR - BRIGHT WHITE
9	117950-04-02B	EA	BRACKET - BUMPER/REAR
	070579-09-000	EA	PLATE - ANCHOR
			FROM: 00-00-00 THRU: 10-06-97
	113589-02-000	EA	CONNECTOR - SOCKET - TRAILER
	113589-01-000	EA	CONNECTOR - PLUG - TRAILER

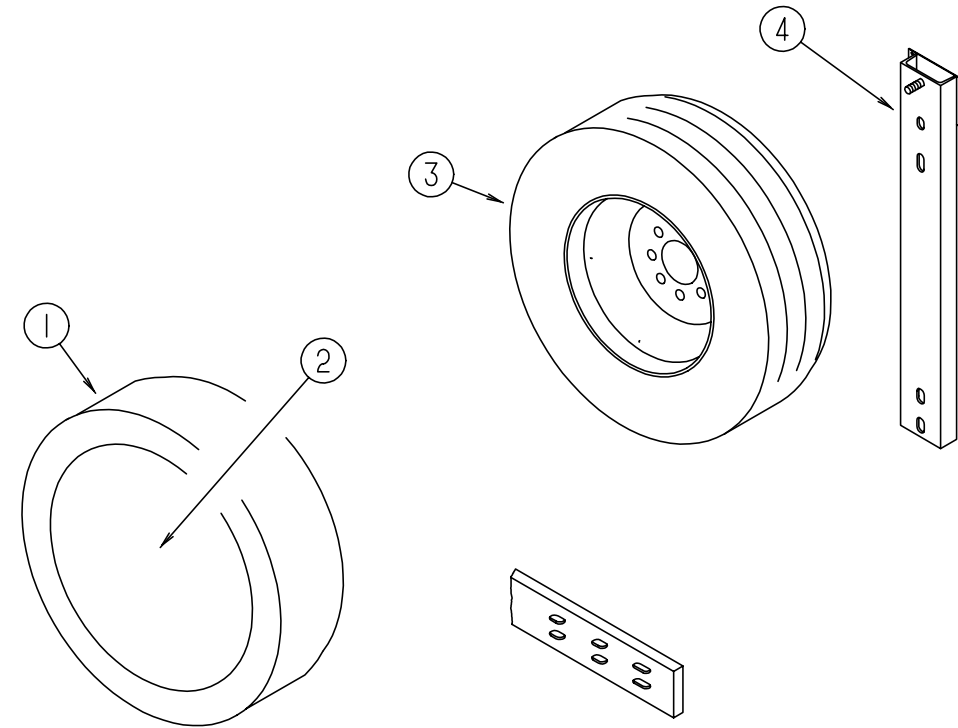
CHASSIS GROUP (CONTINUED)



SPARE TIRE & HOIST

KEY	PART NUMBER	U/M	DESCRIPTION
1	093267-03-000	EA	HOIST - SPARE TIRE - #100 LB
2	093362-06-000	EA	CHANNEL - TIRE HOIST
3	093375-05-000	EA	EXTENSION - TIRE HOIST
4	093376-02-000	EA	HANDLE - CRANK - TIRE HOIST
	114376-01-000	EA	PIN - DRIVE - .156 X .750 - TYPE E - TIRE HOIST
5	124751-01-02B	EA	HANGER - SPARE TIRE - E-COATED
6	091274-03-000	EA	BOLT-J - 3/8-16 X 12.0
			FROM: 00-00-00 THRU: 02-21-98
6	129086-01-02B	EA	SUPPORT - SPARE TIRE
			FROM: 02-22-98 THRU: 04-26-98
6	129086-02-02B	EA	SUPPORT - SPARE TIRE
			FROM: 04-27-98 THRU: 99-99-99
7	124754-01-02B	EA	CATCH - SPARE TIRE
			FROM: 00-00-00 THRU: 02-21-98
7	129085-01-02B	EA	PLATE - SUPPORT - SPARE TIRE
			FROM: 02-22-98 THRU: 99-99-99
8	105499-01-000	EA	BRACKET - TIRE HOIST
			FROM: 00-00-00 THRU: 12-13-97
8	105499-02-000	EA	BRACKET - TIRE HOIST
			FROM: 12-14-97 THRU: 99-99-99
9	083425-07-000	EA	TIRE - 7.50 X R16 LRD
9	051377-03-000	EA	VALVE STEM
9	089359-03-000	EA	WHEEL - STEEL - 16" X 6" L - 8 HOLE - PRIMED
	077030-02-000	EA	EXTENSION - VALVE STEM - 1.25"

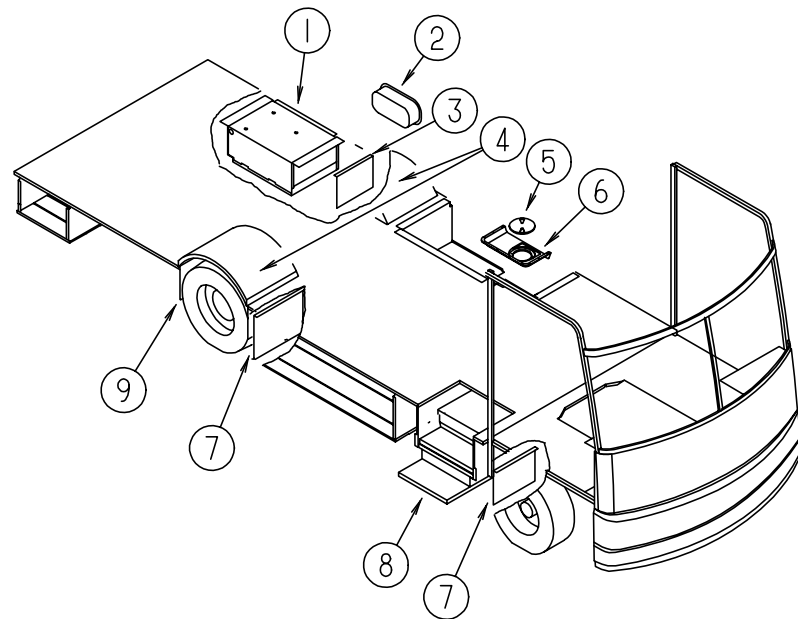
CHASSIS GROUP (CONTINUED)



SPARE TIRE & HOIST - 60 GL FUEL TANK OPTION

KEY	PART NUMBER	U/M	DESCRIPTION
1	108163-05-01A	EA	COVER - TIRE - 8 1/4" X 101"
2	108560-04-01A	EA	INSERT - TIRE COVER
3	091673-01-000	EA	TIRE - 225.70 R19.5 LRF - XZA
3	051377-01-000	EA	VALVE STEM
3	064963-01-000	EA	WHEEL - STEEL - 19.5" X 6" - GM 14005758
4	102944-05-000	EA	BRACKET - TIRE CARRIER - CHEVY
	077030-02-000	EA	EXTENSION - VALVE STEM - 1.25"

CHASSIS GROUP (CONTINUED)

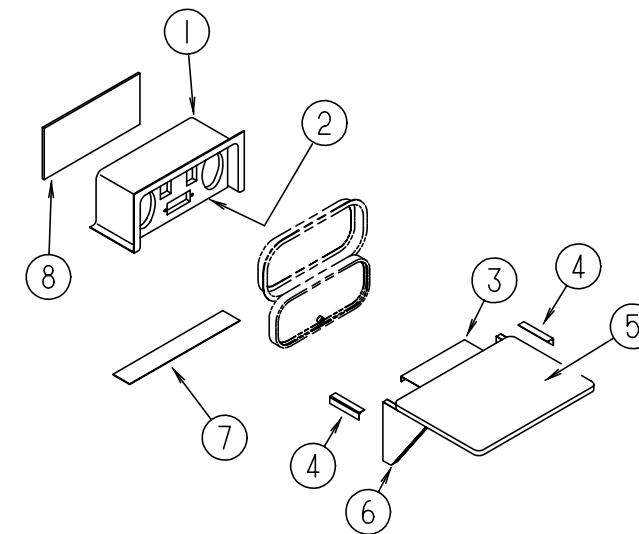


STORAGE COMPARTMENTS & WHEELWELLS

KEY	PART NUMBER	U/M	DESCRIPTION
1	114070-02-02B	EA	SUPPORT - GENERATOR - LEFT
1	114071-02-02B	EA	SUPPORT - GENERATOR - RIGHT
2	106208-01-01A	EA	COMPARTMENT - EXTERIOR SHOWER
3	020167-05-000	EA	DIRT GUARD - STEEL - 14.9" LONG
3	017516-01-000	EA	MUD FLAP - 14" X 18" - BLACK
4	125283-01-000	EA	WHEELWELL
5	092887-01-000	EA	HATCH/PLATE - 6"ID - BLACK
5	092887-04-000	EA	CHAIN - TWIST CAP - 9"
6	121784-01-01A	EA	COVER - VALVE - DRAINAGE
7	020167-03-000	EA	DIRT GUARD - STEEL - 11" LONG
8*	094708-01-01A	EA	STEP - ENTRY DOOR - ELECTRIC - SINGLE - W/O DOOR SWITCH
9	020167-04-000	EA	DIRT GUARD - STEEL - 14.9" LONG
9	017516-01-000	EA	MUD FLAP - 14" X 18" - BLACK
	065450-05-000	EA	TIEDOWN - BATTERY - 8.4" TUBE
	061420-10-000	EA	PLUG/PLASTIC - 1.50" DIAMETER - BLACK

* COMPONENT PARTS FOUND IN SERVICE PARTS LIBRARY

CHASSIS GROUP (CONTINUED)



PATIO ENTERTAINMENT CENTER

KEY	PART NUMBER	U/M	DESCRIPTION
1	124696-01-01A	EA	BOX - ENTERTAINMENT CENTER/EXTERIOR
2	127409-02-J01	EA	PLATE - RADIO MOUNTING
3	105377-01-04A	EA	BRACKET - TABLE HANGER - BRIGHT WHITE
4	105376-01-03A	EA	HINGE - CONTINUOUS - 2" X 5.5" - BRIGHT WHITE
5	105230-11-J01	EA	SHELF - EXTERIOR ENTERTAINMENT CENTER-W/O HARDWARE
6	105230-12-J01	EA	SUPPORT - EXTERIOR SHELF
7	104898-01-02A	EA	PLATE - PLASTIC BOTTOM - BRIGHT WHITE
8	104898-02-02A	EA	PLATE - PLASTIC BACK - BRIGHT WHITE

CHASSIS GROUP (CONTINUED)
19.5" CHEVY CHROME WHEEL LINERS

KEY	PART NUMBER	U/M DESCRIPTION	VENDOR NO.
	110435-10-000	EA LINER - WHEEL - SET 4 - 19.5"	
	110435-10-700	EA LINER - WHEEL - FRONT - 1 PC	V195P7-FWC
	110435-10-701	EA LINER - WHEEL - REAR - 1 PC.	V195P7-RWC
	110435-10-702	EA JAMB NUT - ENCLOSED/LNC	V195P7-EJN
	110435-10-703	EA STUD - PLASTIC	V195P7-PST
	110435-10-704	EA JAMB NUT - PLASTIC/LNC	V195P7-PJN
	110435-10-705	EA TOOL - INSTALLATION	V195P7-TOL

19.5" CHEVY WHEEL COVERS

KEY	PART NUMBER	U/M DESCRIPTION	VENDOR NO.
	109443-06-000	EA WHEEL - COVER - 4/SET - 19.5"	
	109443-01-700	EA COVER-WHEEL 19.5 FRT/RR EA=1	SHAG95
	109443-01-701	EA BRACKET-RETENTION FRONT	SHAG95-FBS
	109443-01-703	EA CAP-CENTER, HUB - DICOR	SHAU95-CAP
	109443-01-704	EA CLIP-RETAINER	V160GM-PNT
	109443-06-701	EA BRACKET-RETENTION REAR	SHG795-RBS

16" CHEVY STAINLESS STEEL WHEEL LINERS

KEY	PART NUMBER	U/M DESCRIPTION	VENDOR NO.
	091209-05-000	EA LINER - WHEEL - SET OF 4 - 16" - STAINLESS STEEL	
	091209-03-702	EA COVER-AXLE, FRONT, 8 LUG	64UE
	091209-03-703	EA COVER-AXLE, REAR, 8 LUG	65UE
	091209-03-704	EA RING-SNAP	00
	091209-05-700	EA LINER-WHEEL, FRONT	57-88 KAPER
	091209-05-701	EA LINER-WHEEL, REAR	58-88

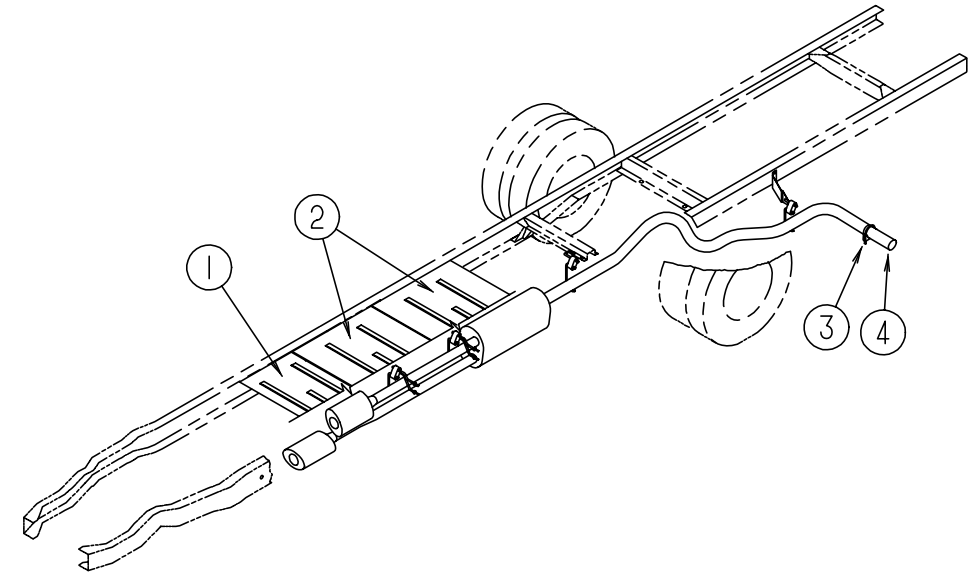
16" CHEVY STAINLESS STEEL WHEEL COVERS

KEY	PART NUMBER	U/M DESCRIPTION	VENDOR NO.
	109443-05-000	EA WHEEL COVER - 4/SET - 16" STAINLESS STEEL	
	098532-01-700	EA COVER-LUG NUT (CHROME)	SHAU-LNC
		NOTE:THE VENDOR DOES NOT RECOMMEND THIS PART TO BE REPLACED DUE TO POSSIBLE DAMAGE TO THE LINER	
	109443-05-700	EA COVER-WHEEL, 16" SS EA=1	SHFM16-CVR

LUG WRENCH & LEVERAGE BAR

KEY	PART NUMBER	U/M DESCRIPTION
	080208-02-000	EA BAR - LEVERAGE - LUG WRENCH
	080208-06-000	EA LUG WRENCH - 1" X 1.06" W/DEEP SOCKET ENDS

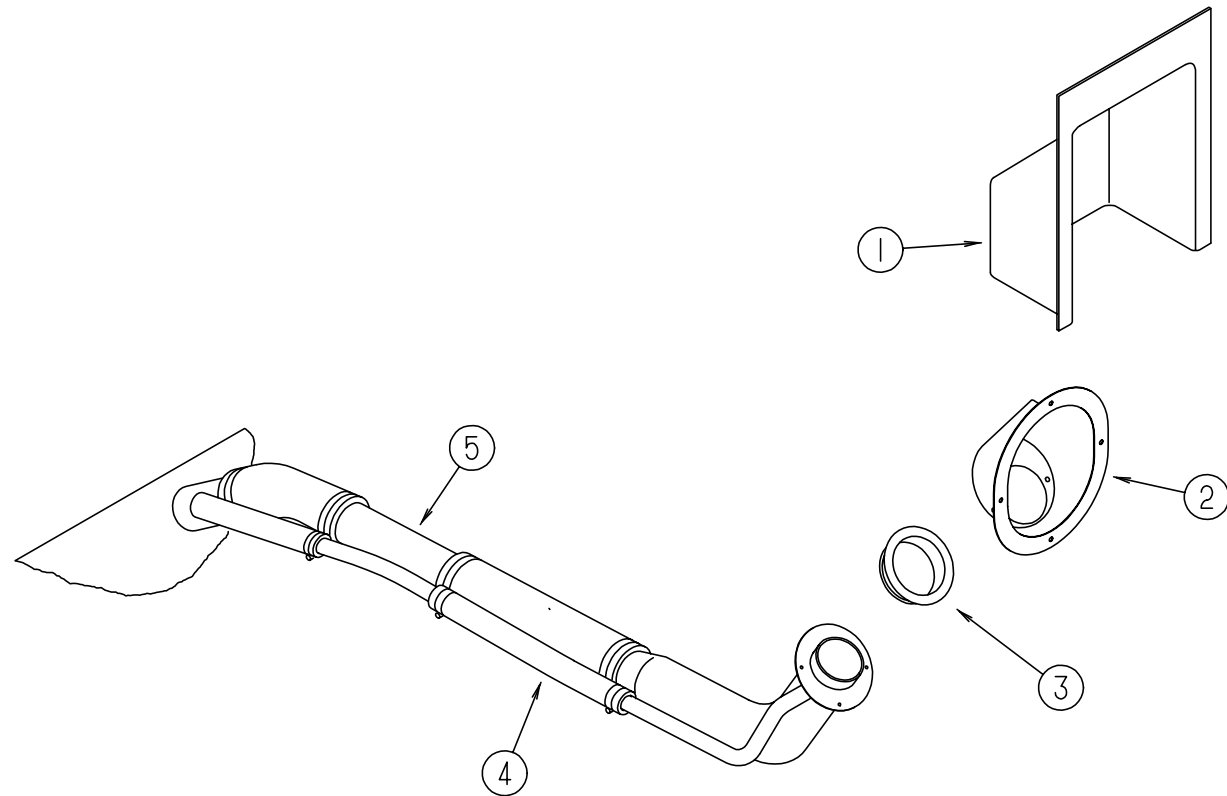
CHASSIS GROUP (CONTINUED)



CHEVY EXHAUST SYSTEM

KEY	PART NUMBER	U/M DESCRIPTION
1	101544-01-000	EA SHIELD - HEAT/EXHAUST - 19.7" X 29.1"
2	101544-02-000	EA SHIELD - HEAT/EXHAUST - 30" X 29.1"
3	094918-01-000	EA CLAMP - EXHAUST - 3" - GUILLOTINE STYLE
4	098762-11-000	EA PIPE - EXHAUST - STRAIGHT - 3"

CHASSIS GROUP (CONTINUED)



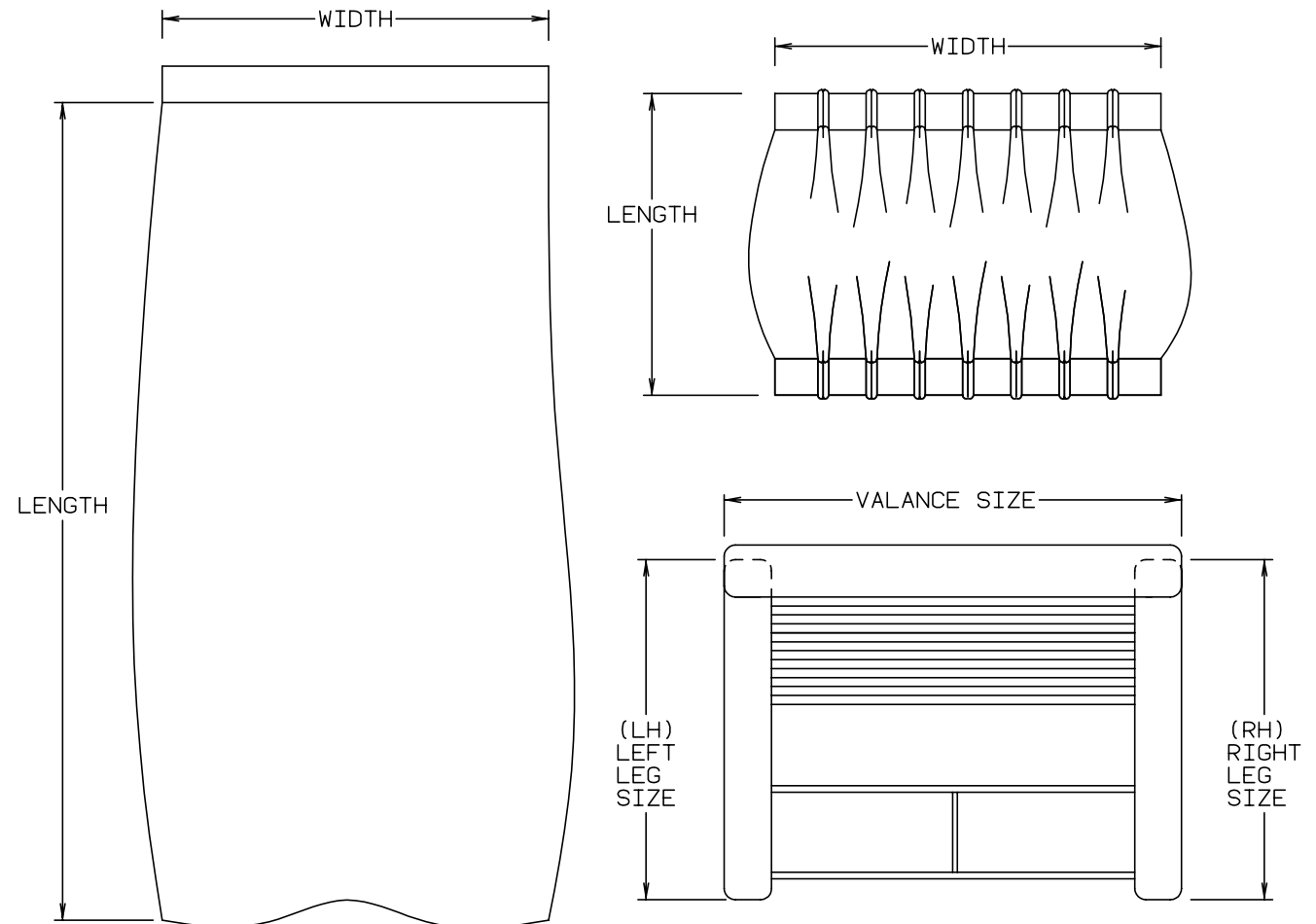
CHEVY FUEL SYSTEM

KEY	PART NUMBER	U/M	DESCRIPTION
1	072447-09-000	EA	SHROUD - FUEL FILL - UPPER - 97 CHASSIS
1	072447-04-000	EA	SHROUD - FUEL FILL - UPPER - 98 CHASSIS
2	095854-01-04A	EA	SHROUD - FUEL FILL - BRIGHT WHITE - 97 CHASSIS
2	127291-01-01A	EA	SHROUD - FUEL FILL - BRIGHT WHITE - 98 CHASSIS
3	078200-01-000	EA	GASKET - FUEL FILL - 3.5" OD X 2" ID
4	066732-01-000	FT	HOSE - FUEL - .62"ID - 97 CHASSIS
4	128139-02-000	FT	HOSE - FUEL - LOW PERMEABILITY - 5/8" DIAMETER - 98 CHASSIS
5	124327-05-000	FT	TUBE - FUEL INLET - 98 CHASSIS
	084884-01-000	EA	PLUG - BRASS - 3/8"
	007063-01-000	FT	HOSE - FUEL - 1/4"ID X 1/2"OD - 97 CHASSIS
	128139-03-000	FT	HOSE - FUEL - LOW PERMEABILITY - 1/4" DIAMETER - 98 CHASSIS
	068382-06-000	EA	BUSHING - BRASS - 3/8 MPT X 1/8 FPT
	114254-01-000	EA	ADAPTER - 1/4 BARB X 1/8 MPT
	044317-01-000	FT	HOSE - FUEL - 3/8" ID

CURTAIN & CUSHION GROUP NOTICE

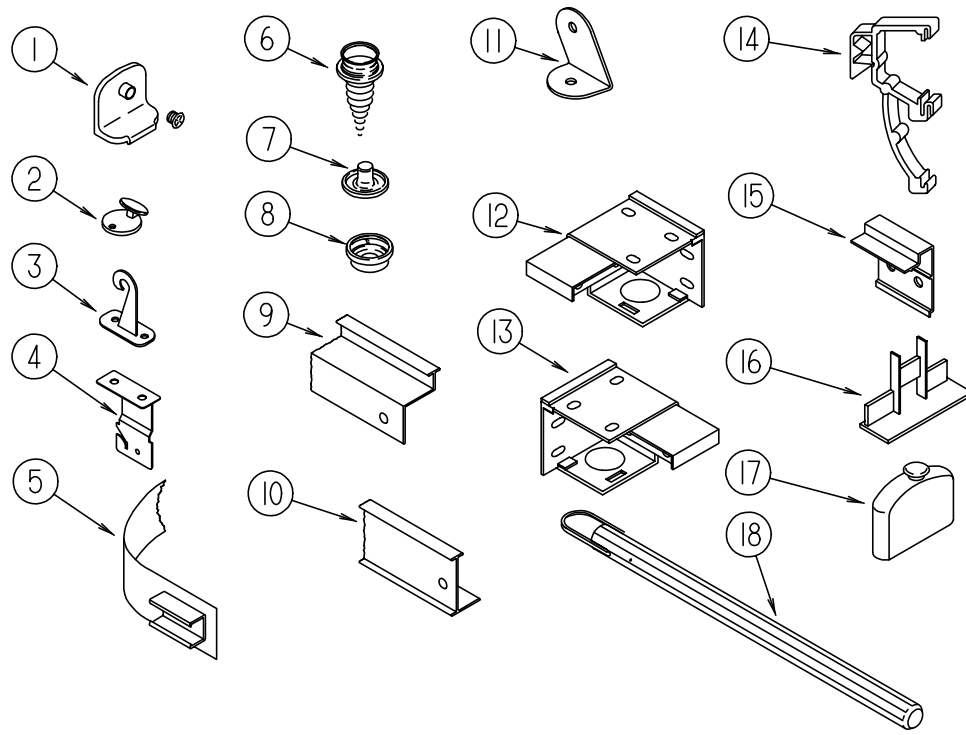
IN ORDER TO ASSIST OUR PARTS SALES DEPT. IN PROVIDING INTERIOR SOFTGOODS ITEMS, PLEASE INCLUDE THE SERIAL NUMBER AND THE COLOR CODE NUMBER FROM THE VEHICLE CERTIFICATION LABEL WHEN ORDERING. THIS LABEL IS LOCATED ON THE LEFT SIDEWALL AT THE END OF THE DASH (A-BODY), OR ON THE DRIVER'S DOOR LATCH PLATE (C-BODY).

AN EXAMPLE OF A COLOR CODE NUMBER IS B07, WHICH DESIGNATES AN OVERALL COLOR SCHEME OF A PARTICULAR UNIT. THE COLOR LISTED AFTER THE ITEM DESCRIPTION ON THE MICROFICHE, INDICATES THE OVERALL UNIT COLOR. ORDER THE ITEM YOU DESIRE ACCORDING TO UNIT COLOR CODE.



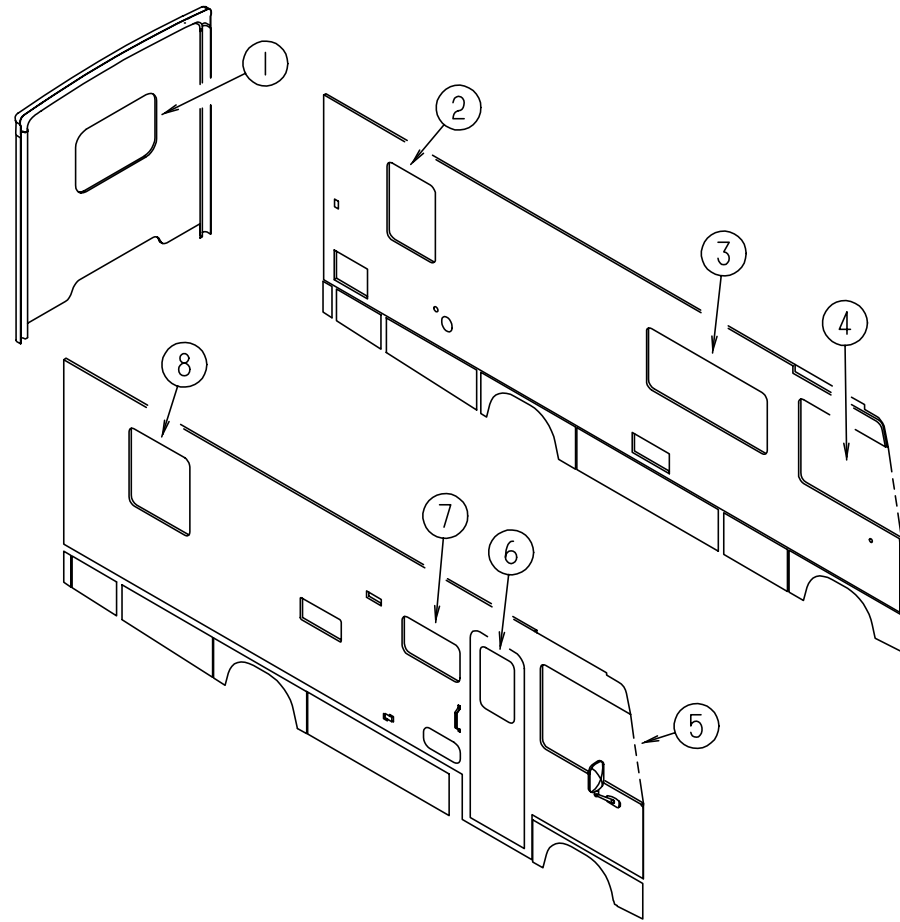
NOTE: USE THIS ILLUSTRATION WHEN DETERMINING LENGTH AND WIDTH MEASUREMENTS FOR CURTAINS. YOU WILL NOTE THE WIDTH MEASUREMENT IS TAKEN ON THE TOP OF THE CURTAIN WITH THE CURTAIN FULLY EXTENDED. THE LENGTH MEASUREMENT IS TAKEN FROM TOP TO BOTTOM. LEFT AND RIGHT WINDOW LEGS ARE DETERMINED WHEN FACING THE WINDOW.

CURTAIN & CUSHION GROUP (CONTINUED)
CURTAIN, BLIND HARDWARE & TRACKS



KEY	PART NUMBER	U/M	DESCRIPTION
1	106544-01-000	EA	PULL - SHADE/BRASS
1	106544-01-001	EA	SCREW - SHADE/BRASS
2	102555-03-000	EA	CLEAT - BLIND CORD - MILKY WHITE PLASTIC
3	109441-03-000	EA	HOLD DOWN - BLIND (CLOUDY)
	109441-02-000	EA	HOLD DOWN-SPACER
4	084434-01-000	EA	BRACKET - MOUNTING - ROLLER SHADE - 1 3/8"
	096843-01-000	EA	SPRING - REWIND/ROLLER SHADE
	086276-01-000	EA	TAPE - DOUBLE SIDED - 1/2"
5	101031-01-000	YD	TAPE - GLIDE/CURTAIN - 4.25" SPACING
6	029130-01-000	EA	SCREW - SNAP SOCKET - #8 PH X 5/8"
6	029130-03-000	EA	SCREW - SNAP SOCKET - #8 PH X 1"
7	029155-01-000	EA	CAP - SNAP - 5/32" OUTSIDE DIAMETER OF PIN
8	029156-01-000	EA	SOCKET - SNAP - 9/16" O.D.
9	127254-07-01A	EA	TRACK - CURTAIN - RIGHT HAND - ANTELOPE
9	127254-08-01A	EA	TRACK - CURTAIN - LEFT HAND - ANTELOPE
9	105450-01-01A	EA	TRACK W/BRKTS - CURTAIN LEFT HAND WRAPAROUND - 30.8" - BUNK OPTION
10	101589-02-C05	EA	TRACK W/BRACKETS - WRAPAROUND CURTAIN RIGHT HAND - BUNK OPTION
11	099205-02-02A	EA	BRACKET - WRAPAROUND
12	083170-01-000	EA	BRACKET - BLIND - LEFT SIDE WHEN FACING WINDOW
13	083170-02-000	EA	BRACKET - BLIND - RIGHT SIDE WHEN FACING WINDOW
14	109353-04-000	EA	CLIP - VALANCE SLAT MOUNTING - CLEAR PLASTIC
15	097565-01-000	EA	BRACKET - MOUNTING/PLEATED BLIND
16	094907-02-000	EA	END CAP - TOP/PLEATED BLIND - PLASTIC - GRAY
17	093475-01-701	EA	CAP-END, WITH INVERTED STUD PAR
18	093475-01-700	EA	WAND-BLIND W/METAL CLIP, 8" NONE
	097592-01-000	EA	SPOOL - CORD - ELEVATED BLIND HOLDUP - CLEAR PLASTIC
			FROM: 00-00-00 THRU: 11-23-97
	097592-02-000	EA	BRACKET - HOLDDOWN ADJUSTER
			FROM: 11-24-97 THRU: 99-99-99
	046867-03-000	EA	GROMMET - HANDY BUTTON #3
	048394-02-000	YD	VELCRO TAPE - HOOK - ADHESIVE BACK - .75" WIDE - BEIGE
	056003-01-000	EA	BRACKET - DRAPERY RETAINING - FRONT - METAL
	056003-02-000	EA	BRACKET - DRAPERY RETAINING - REAR - METAL
	083125-07-000	EA	BRACE - COUCH - 2.5"
			USED TO SUPPORT DINETTE PADS & CURTAIN LEGS
	068716-01-001	EA	BRACE - 90 DEGREE L-ANGLE - 16'
	075943-06-000	EA	BRACE-L-SHAPED - 8" LONG - ALUMINUM - BEIGE
	094896-02-000	EA	GROMMET - CORD/PLEATED BLIND - NYLON - GRAY
	094907-04-000	EA	HARDWARE - END CAP BOTTOM - PULL TYPE (RH & LH)
	097564-01-000	EA	HANDLE - KNOB - E-Z LIFT SHADE - SMOKED
			FROM: 00-00-00 THRU: 10-19-97
	097564-03-000	EA	HANDLE - KNOB - E-Z LIFT SHADE - TAN
			FROM: 10-20-97 THRU: 99-99-99
	097564-04-000	EA	HANDLE - KNOB - E-Z LIFT SHADE - NAVY
			FROM: 10-20-97 THRU: 99-99-99
	000G68-06-12B	EA	SCREW - 6-18 X .75 POH
	097591-01-000	EA	SPRING - EXTENSION/PLEATED BLIND
	097593-06-000	FT	CORD - BLIND - PLEATED - PEWTER (J15)
	097593-02-000	FT	CORD - BLIND/PLEATED - GRAY (J16,J17)
	105648-01-02A	EA	BRACE - VALANCE - OFF/WHITE - 14"

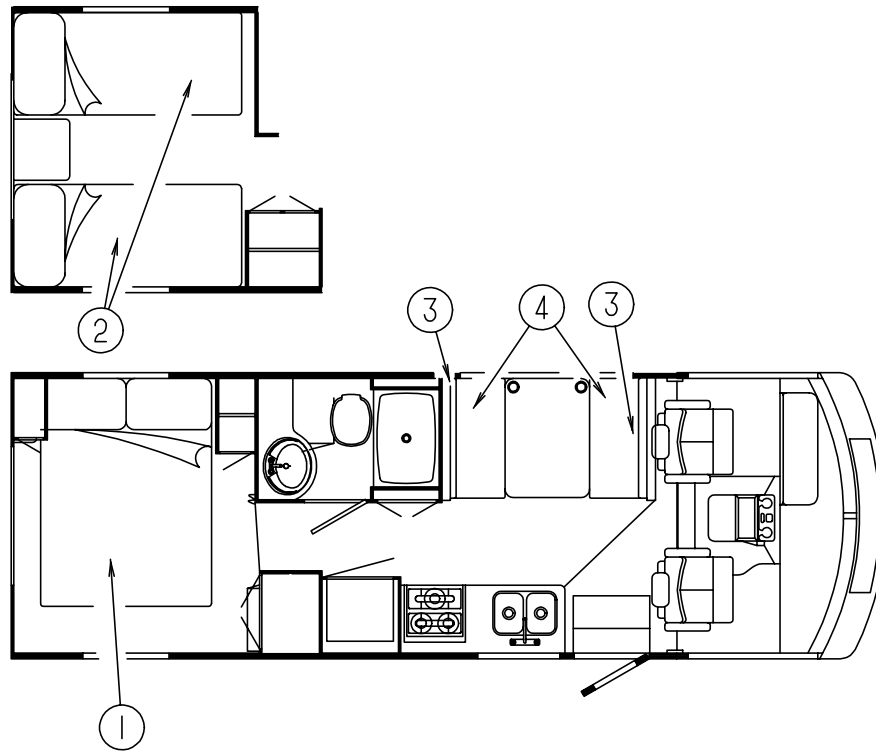
CURTAIN & CUSHION GROUP (CONTINUED)
WINDOW TREATMENT



KEY	PART NUMBER	U/M	DESCRIPTION
1	127060-04-J15	EA	VALANCE - DAVIS - 52"
1	127061-04-J16	EA	VALANCE - DUNE - 52"
1	119263-28-J17	EA	VALANCE - STARBUCK II - 52"
1	112986-14-J15	EA	CURTAIN - 27.5" X 6" (J15)
1	112986-14-J04	EA	CURTAIN - 27.5" X 6" (J16)
1	112986-14-J17	EA	CURTAIN - 27.5" X 6" (J17)
1	109041-54-01A	EA	BLIND - MINI - 50" X 27" (J15)
1	109041-54-02A	EA	BLIND - MINI - 50" X 27" (J16,J17)
1	111910-62-J10	EA	BLIND - DAY/NIGHTER - 49" X 27" - WINDOW COVERINGS OPTION (J15)
1	111910-62-J11	EA	BLIND - DAY/NIGHTER - 49" X 27" - WINDOW COVERINGS OPTION (J16,J17)
2	127060-05-J15	EA	VALANCE - DAVIS - 34"
2	127061-05-J16	EA	VALANCE - DUNE - 34"
2	119263-29-J17	EA	VALANCE - STARBUCK II - 34"
2	112986-16-J15	EA	CURTAIN - 35.5" X 6" - QUEEN BED
2	112986-16-J16	EA	CURTAIN - 35.5" X 6" - QUEEN BED
2	112986-16-J17	EA	CURTAIN - 35.5" X 6" - QUEEN BED
2	112986-13-J15	EA	CURTAIN - 38.5" X 6" - TWIN BED
2	112986-13-J16	EA	CURTAIN - 38.5" X 6" - TWIN BED
2	112986-13-J17	EA	CURTAIN - 38.5" X 6" - TWIN BED
2	109041-56-01A	EA	BLIND - MINI - 31" (J15) - QUEEN BED
2	109041-56-02A	EA	BLIND - MINI - 31" (J16,J17) - QUEEN BED
2	109041-55-01A	EA	BLIND - MINI - 31" X 37" (J15) - TWIN BED
2	109041-55-02A	EA	BLIND - MINI - 31" X 37" (J16,J17) - TWIN BED
2	111910-64-J15	EA	BLIND - DAY/NIGHTER - 31"(J15) - QUEEN BED WINDOW COVERINGS OPTION
2	111910-64-J16	EA	BLIND - DAY/NIGHTER - 31" (J16,J17) - QUEEN BED WINDOW COVERINGS OPTION
2	111910-58-J30	EA	BLIND - DAY/NIGHTER - 31" (J15) - TWIN BED WINDOW COVERINGS OPTION
2	111910-58-J20	EA	BLIND - DAY/NIGHTER - 31" (J16,J17) - TWIN BED WINDOW COVERINGS OPTION

KEY	PART NUMBER	U/M	DESCRIPTION
3	127060-01-J15	EA	VALANCE - DAVIS - 64.5"
3	127061-01-J16	EA	VALANCE - DUNE - 64.5"
3	119263-25-J17	EA	VALANCE - STARBUCK II - 64.5"
3	121410-61-J15	EA	VALANCE - MODERATE - 64.5" - COFFEEMAKER OPTION
3	121410-61-J16	EA	VALANCE - MODERATE - 64.5" - COFFEEMAKER OPTION
3	121410-61-J17	EA	VALANCE - MODERATE - 64.5" - COFFEEMAKER OPTION
3	127017-11-J15	EA	LEG - RIGHT - 25"
3	127017-11-J16	EA	LEG - RIGHT - 25"
3	127017-11-J17	EA	LEG - RIGHT - 25"
3	127017-12-J15	EA	LEG - LEFT - 25"
3	127017-12-J16	EA	LEG - LEFT - 25"
3	127017-12-J17	EA	LEG - LEFT - 25"
3	109041-53-01A	EA	BLIND - MINI - 61" X 28.5" (J15)
3	109041-53-02A	EA	BLIND - MINI - 61" X 28.5" (J16,J17)
3	111910-57-J30	EA	BLIND - DAY/NIGHTER - 61" - WINDOW COVERINGS OPTION (J15)
3	111910-57-J20	EA	BLIND - DAY/NIGHTER - 61" - WINDOW COVERINGS OPTION (J16,J17)
4	101668-66-J15	EA	CURTAIN - LEFT HAND - 35.5" X 106"
4	101668-32-D10	EA	CURTAIN - 40" X 40" - BUNK OPTION
5	101668-65-J15	EA	CURTAIN - RIGHT HAND - 35.5" X 106"
5	101668-33-D10	EA	CURTAIN - 38" X 125" - BUNK OPTION
	073260-42-D10	EA	TIEBACK - 6" X 18"
6	127060-12-J15	EA	VALANCE - FLAT - 12" X 33.3"
6	127061-12-J16	EA	VALANCE - 12" X 33.25"
6	119263-43-J17	EA	VALANCE - STARBUCK II - 12" X 33.75"
6	084755-57-E07	EA	SHADE - PULL - 27.25"
7	109041-44-01A	EA	BLIND - MINI - 30.5" X 18" (J15)
7	109041-44-02A	EA	BLIND - MINI - 30.5" X 18" (J16,J17)
8	127060-05-J15	EA	VALANCE - DAVIS - 34"
8	127061-05-J16	EA	VALANCE - DUNE - 34"
8	119263-29-J17	EA	VALANCE - STARBUCK II - 34"
8	112986-13-J15	EA	CURTAIN - 38.5" X 6"
8	112986-13-J16	EA	CURTAIN - 38.5" X 6"
8	112986-13-J17	EA	CURTAIN - 38.5" X 6"
8	109041-55-01A	EA	BLIND - MINI - 31" X 37" (J15)
8	109041-55-02A	EA	BLIND - MINI - 31" X 37" (J16,J17)
8	111910-58-J30	EA	BLIND - DAY/NIGHTER - 31" - WINDOW COVERINGS OPTION (J15)
8	111910-58-J20	EA	BLIND - DAY/NIGHTER - 31" - WINDOW COVERINGS OPTION (J16,J17)

CURTAIN & CUSHION GROUP (CONTINUED)



QUEEN MATTRESS & BEDSPREAD

KEY	PART NUMBER	U/M	DESCRIPTION
1	123015-06-000	EA	MATTRESS - INNERSPRING - 60" X 74.5" FROM: 00-00-00 THRU: 11-06-97
1	123015-07-000	EA	MATTRESS - INNERSPRING - 60" X 79.5" FROM: 11-07-97 THRU: 99-99-99
1	123471-23-J15	EA	BEDSPREAD/THROW - 60" X 80" (J15)
1	123471-23-J04	EA	BEDSPREAD/THROW - 60" X 80" (J16)
1	123471-23-J17	EA	BEDSPREAD/THROW - 60" X 80" (J17)
	111863-15-J15	EA	PILLOW SHAM - 20" X 33"
	111863-15-J16	EA	PILLOW SHAM - 20" X 33"
	111863-15-J17	EA	PILLOW SHAM - 20" X 33"

TWIN MATTRESSES & BEDSPREADS

KEY	PART NUMBER	U/M	DESCRIPTION
2	123015-04-000	EA	MATTRESS - INNERSPRING - 36" X 79.5"
2	123471-09-J05	EA	BEDSPREAD/THROW - 36" X 80" (J15)
2	123471-09-J16	EA	BEDSPREAD/THROW - 36" X 80" (J16)
2	123471-09-J17	EA	BEDSPREAD/THROW - 36" X 80" (J17)
	111863-16-J15	EA	PILLOW SHAM - 22" X 37"
	111863-16-J16	EA	PILLOW SHAM - 22" X 37"
	111863-16-J17	EA	PILLOW SHAM - 22" X 37"

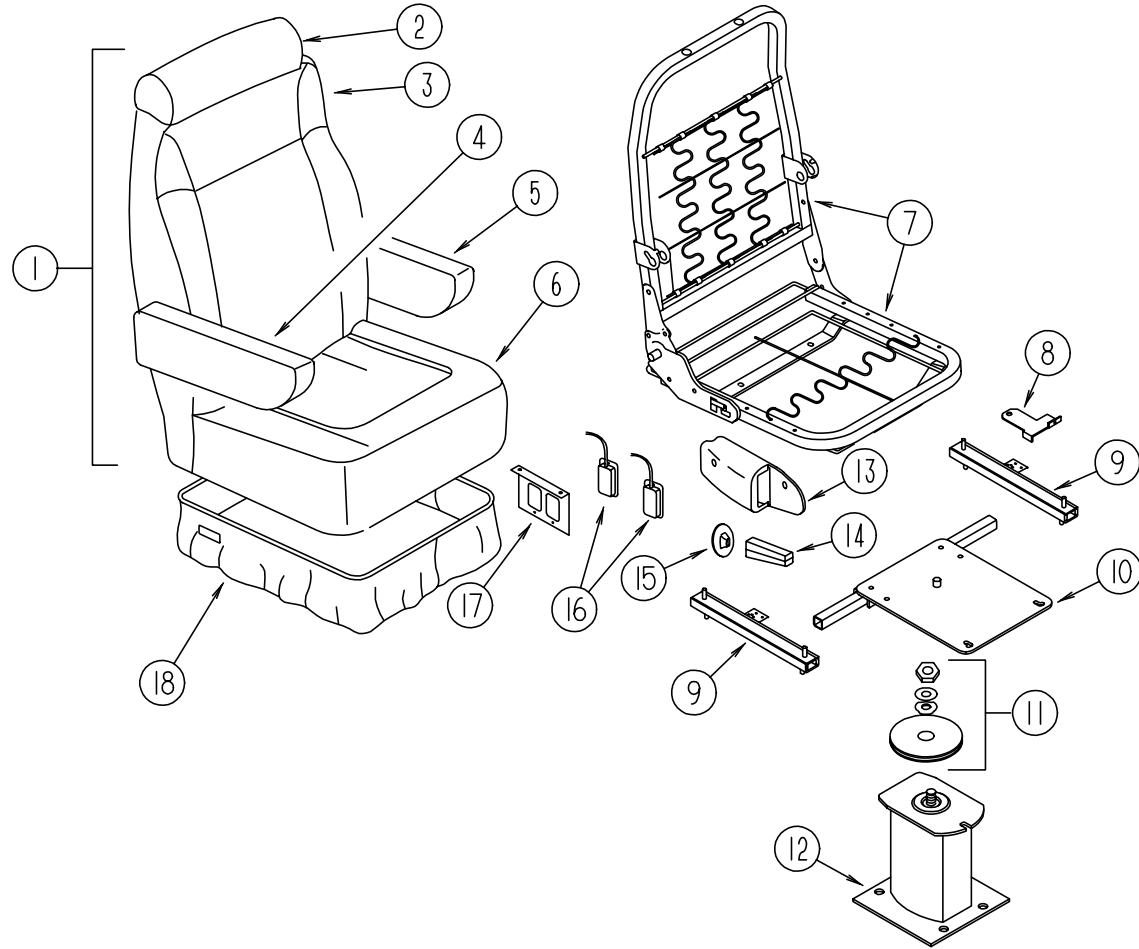
DINETTE CUSHIONS

KEY	PART NUMBER	U/M	DESCRIPTION
3	111897-05-J15	EA	CUSHION - BACK - 13.5" X 42" X 5"
3	111897-05-J16	EA	CUSHION - BACK - 13.5" X 42" X 5"
3	111897-05-J17	EA	CUSHION - BACK - 13.5" X 42" X 5"
	P11897-05-J15	EA	COVER - BACK - 13.5" X 42" X 5"
	P11897-05-J16	EA	COVER - BACK - 13.5" X 42" X 5"
	P11897-05-J17	EA	COVER - BACK - 13.5" X 42" X 5"
4	105603-15-J15	EA	CUSHION - SEAT - 23" X 42" X 5"
4	105603-15-J16	EA	CUSHION - SEAT - 23" X 42" X 5"
4	105603-15-J17	EA	CUSHION - SEAT - 23" X 42" X 5"
	P05603-15-J15	EA	COVER - SEAT - 23" X 42" X 5"
	P05603-15-J16	EA	COVER - SEAT - 23" X 42" X 5"
	P05603-15-J17	EA	COVER - SEAT - 23" X 42" X 5"

BUNK CUSHION

KEY	PART NUMBER	U/M	DESCRIPTION
	079145-11-000	EA	CUSHION - BUNK - 34" X 83"
	M79145-11-000	EA	COVER - 34" X 83" X 4"

CURTAIN & CUSHION GROUP (CONTINUED)
BUCKET SEAT W/O LUMBAR



KEY	PART NUMBER	U/M	DESCRIPTION
1	127540-02-J15	EA	SEAT - BUCKET - WIDE - DRIVER/PASSENGER
1	127540-02-J16	EA	SEAT - BUCKET - WIDE - DRIVER/PASSENGER
1	127540-03-J17	EA	SEAT - BUCKET - WIDE - MANUAL RECLINING
2	119509-01-H3A	EA	HEADREST - BUCKET SEAT (J15)
2	119509-01-H23	EA	HEADREST - BUCKET SEAT (J16)
2	119509-01-J17	EA	HEADREST - BUCKET SEAT (J17)
	P19509-01-H3A	EA	COVER - HEADREST (J15)
	P19509-01-H23	EA	COVER - HEADREST (J16)
	P19509-01-J17	EA	COVER - HEADREST (J17)
	113977-12-000	EA	HEADREST INSERT - W/O LOCK
	113977-13-000	EA	HEADREST INSERT - W/LOCK
3	M05962-71-J15	EA	COVER - BACK
3	M05962-71-J16	EA	COVER - BACK
3	M05962-63-J17	EA	COVER - BACK - WIDE
4	122780-01-H3A	EA	ARMREST - RIGHT HAND (J15)
4	122780-01-H23	EA	ARMREST - RIGHT HAND (J16)
4	122780-01-J17	EA	ARMREST - RIGHT HAND (J17)
	P22780-01-H3A	EA	COVER - ARMREST - RIGHT HAND (J15)
	P22780-01-H23	EA	COVER - ARMREST - RIGHT HAND (J16)
	P22780-01-J17	EA	COVER - ARMREST - RIGHT HAND (J17)
	115617-03-000	EA	ARMREST - W/O COVER - RIGHT HAND
5	122780-02-H3A	EA	ARMREST - LEFT HAND (J15)
5	122780-02-H23	EA	ARMREST - LEFT HAND (J16)
5	122780-02-J17	EA	ARMREST - LEFT HAND (J17)
	P22780-02-H3A	EA	COVER - ARMREST - LEFT HAND (J15)
	P22780-02-H23	EA	COVER - ARMREST - LEFT HAND (J16)
	P22780-02-J17	EA	COVER - ARMREST - LEFT HAND (J17)
	115617-04-000	EA	ARMREST - W/O COVER - LEFT HAND
6	M05962-40-H3A	EA	COVER - SEAT (J15)
6	M05962-40-J16	EA	COVER - SEAT (J16)
6	M05962-64-J17	EA	COVER - SEAT - WIDE (J17)
7	122695-01-01B	EA	FRAME - SEAT/BACK
8	117125-01-02B	EA	BRACKET - CABLE MOUNT - ADJUSTER W/LOCK
9	119952-06-000	EA	SLIDE/SEAT - HEAVY DUTY LOCKING - 4 STUDS
			FROM: 00-00-00 THRU: 11-02-97
9	119952-04-000	EA	SLIDE/SEAT - HEAVY DUTY LOCKING - 4 STUDS
			FROM: 11-03-97 THRU: 99-99-99
	119952-07-000	EA	WIRE - LATCH RELEASE/ROTARY
10	107921-05-000	EA	PLATE - TOP - W/SEAT BELT BAR
11	107921-06-000	EA	BEARING KIT - PEDESTAL
12	107921-01-000	EA	PEDESTAL/FLOOR MOUNTED - W/9.75" EXTENSION
13	080730-09-000	EA	SHIELD - RECLINER HANDLE
14	080730-08-000	EA	HANDLE - RECLINER
15	080730-11-000	EA	SHIELD - RUBBER BOOT
16	108049-04-000	EA	CABLE - W/SWITCHES - W/26" MINI LEVER ACTION
	108049-02-000	EA	CLIP - CABLE/PEDESTAL
17	127159-02-02B	EA	BRACKET - SEAT RELEASE - REMOTE
18	071126-58-H3A	EA	SKIRT - SINGLE - SEAT BELT SLOT (J15)
18	071126-58-H54	EA	SKIRT - SINGLE - SEAT BELT SLOT (J16)
18	071126-58-J17	EA	SKIRT - SINGLE - SEAT BELT SLOT (J17)

CURTAIN & CUSHION GROUP (CONTINUED)
BUTTON, TRIM, ASSIST HANDLE & SEAT BELT

KEY	PART NUMBER	U/M DESCRIPTION
	079349-04-H3A	YD WELT - NARROW (J15)
	079349-04-H54	YD WELT - NARROW (J16)
	079349-04-J17	YD WELT - NARROW (J17)
	007021-01-000	EA SEAT BELT - 2" X 90" - BLACK
	056271-02-000	EA BELT - SEAT - 2" X 72" - BLACK
	057759-01-000	EA WASHER BRACKET - SEAT BELT - 4" DIAMETER
	069178-02-000	EA BRACKET - MOUNTING/ASSIST HANDLE - GRAY
	053552-02-AA8	EA HANDLE - ASSIST - INTERIOR/ENTRY DOOR - VINYL/OFF WHITE
	057534-01-000	EA TIEBACK/TIEDOWN - 6" - CLEAR PLASTIC

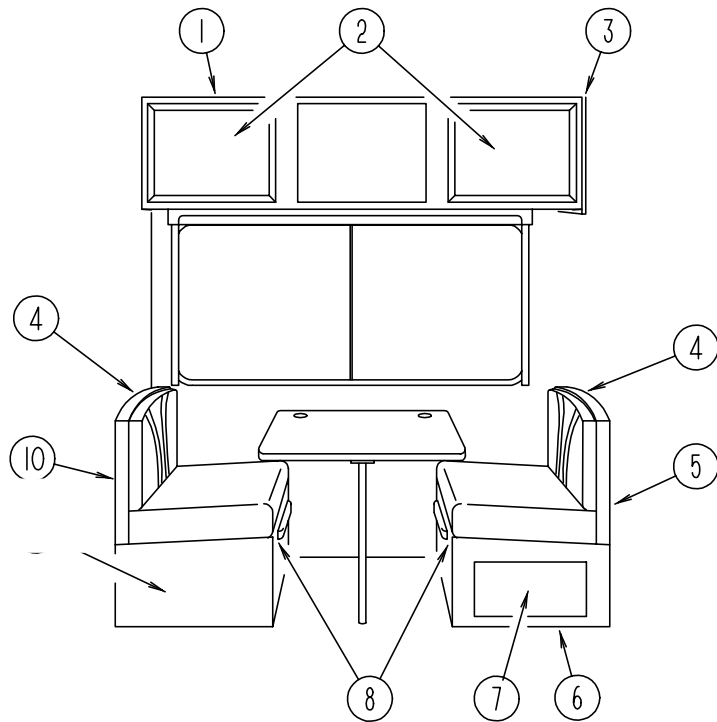
CURTAIN & CUSHION GROUP (CONTINUED)

BRAVE FABRIC

COLOR CODES	J15	J16	J17
	MONACO (BLUE)	DUNE (TAN)	BAYBERRY (GREEN)
CEILING MATERIAL	113979-01-01A	113979-01-01A	113979-01-01A
BUNK VINYL	089351-03-000	089351-03-000	089351-03-000
MADRID VINYL	103907-01-01A	103907-01-01A	103907-01-01A
ALLANTE ANTELOPE VINYL	103907-01-07A 103907-02-07A 103907-03-07A	103907-01-07A 103907-02-07A 103907-03-07A	103907-01-07A 103907-02-07A 103907-03-07A
DRAPERY LINING	087272-03-000	087272-03-000	087272-03-000
BUCKET SEATS	108446-S9-000	108446-R2-000	108446-U9-000 108446-U8-000
SLIDEOUT TRIM WINGS	108446-S2-000	108446-R7-000	108446-U0-000
DINETTE	108446-S2-000	108446-R7-000	108446-U0-000
DINETTE PADS	108446-S9-000	108446-R2-000	108446-U9-000
SOFA	108446-S2-000	108446-R7-000	108446-U0-000
SOFA PILLOWS	108446-S9-000	108446-R2-000	108446-U8-000
SWIVEL CHAIR	108446-S9-000	108446-R2-000	108446-U9-000 108446-U8-000
LOUNGE WINDOWS	108446-S9-000 108446-S2-000	108446-R2-000 108446-R7-000	108446-U8-000 108446-U0-000
BEDROOM WINDOWS	105745-G4-000 105745-E3-000	105745-G0-000 105745-B5-000	105745-B3-000 105745-45-000 105745-E9-000
BEDSPREAD	105745-G4-000	105745-G0-000	105745-B3-000
PILLOW SHAMS	105745-G4-000 105745-E3-000	105745-G0-000 105745-B5-000	105745-E9-000 105745-45-000
HEADBOARD	105745-G4-000 105745-E3-000	105745-G0-000 105745-B5-000	105745-E9-000 105745-45-000
BEDROOM PILLOWS			
FRONT WRAP AROUND	072333-82-000	072333-82-000	072333-82-000
LOUNGE CABINET INSERTS	108446-S9-000	108446-R2-000	108446-U8-000
BEDROOM CABINET INSERTS	105745-E3-000	105745-B5-000	105745-45-000
MAP POCKETS	108446-S9-000	108446-R2-000	108446-U9-000

NOTE: FABRIC LISTED FIRST, IN A BLOCK, IS THE LARGEST QUANTITY OF FABRIC USED.

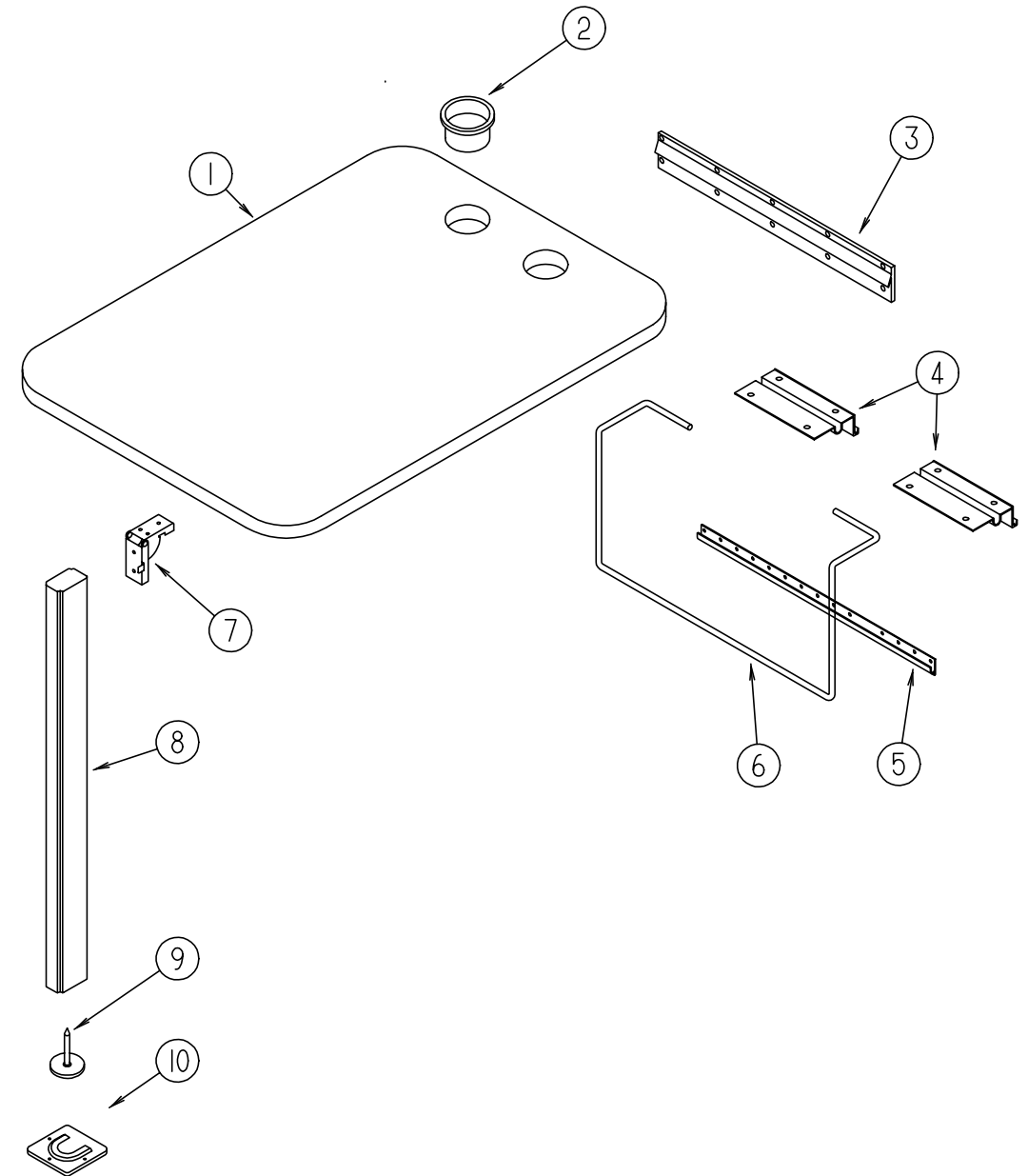
DINETTE GROUP



DINETTE CABINETRY

KEY	PART NUMBER	U/M DESCRIPTION
1	117902-51-J15	EA CABINET - OVERHEAD/DINETTE - W/O DOORS/HARDWARE
1	117902-51-J16	EA CABINET - OVERHEAD DINETTE - W/O DOORS/HARDWARE
1	117902-51-J17	EA CABINET - OVERHEAD DINETTE - W/O DOORS/HARDWARE
1	117902-14-G09	EA SHELF - W/PLASTIC EDGE TRIM
1	117579-56-J15	EA CABINET - OVERHEAD/DINETTE - W/O DOORS/HARDWARE - COFFEEMAKER FROM: 00-00-00 THRU: 11-23-97
1	117579-56-J16	EA CABINET - OVERHEAD/DINETTE - W/O DOORS/HARDWARE - COFFEEMAKER FROM: 00-00-00 THRU: 11-23-97
1	117579-56-J17	EA CABINET - OVERHEAD/DINETTE - W/O DOORS/HARDWARE - COFFEEMAKER FROM: 00-00-00 THRU: 11-23-97
	117579-13-G09	EA SHELF - W/PLASTIC EDGE TRIM - COFFEEMAKER FROM: 00-00-00 THRU: 11-23-97
1	129198-01-J15	EA CABINET - OVERHEAD/DINETTE - W/O DOORS/HARDWARE - COFFEEMAKER FROM: 11-24-97 THRU: 99-99-99
1	129198-01-J16	EA CABINET - OVERHEAD/DINETTE - W/O DOORS/HARDWARE - COFFEEMAKER FROM: 11-24-97 THRU: 99-99-99
1	129198-01-J17	EA CABINET - OVERHEAD/DINETTE - W/O DOORS/HARDWARE - COFFEEMAKER FROM: 11-24-97 THRU: 99-99-99
	129198-13-J15	EA SHELF - W/PLASTIC EDGE TRIM - COFFEEMAKER FROM: 11-24-97 THRU: 99-99-99
	128263-01-J15	EA CABINET - PIPE COVER - W/O DOORS/HARDWARE
	103128-01-G09	EA END CAP - OVERHEAD CABINET - RIGHT HAND
2	M08758-43-J15	EA DOOR - MITERED CORNER/OGEE EDGE - 15.7" X 27.9" - W/O HDW (FLAT MEDIUM DENSITY FIBERBOARD INSERT)
2	M08758-01-J05	EA DOOR - MITERED CORNER/OGEE EDGE - 15.7" X 27.9" - W/O HDW (RAISED MEDIUM DENSITY FIBERBOARD INSERT)
3	103128-01-G09	EA END CAP - OVERHEAD CABINET/RIGHT HAND
4	104787-08-J15	EA PAD - DINETTE
4	104787-08-J16	EA PAD - DINETTE
4	104787-08-J17	EA PAD - DINETTE
5	M08752-10-J37	EA CABINET - SEATBACK - RIGHT HAND - W/O HARDWARE
6	M08753-10-J37	EA CABINET - SEATBASE - RIGHT HAND - W/O DOORS/DRAWERS/HDW
7	M08758-44-J15	EA DOOR - MITERED CORNER/OGEE EDGE - 10" X 19.1" - W/O HDW (FLAT MEDIUM DENSITY FIBERBOARD INSERT)
8	081295-01-G01	EA SUPPORT - BED/DINETTE - 28" LONG
9	M08753-09-J15	EA CABINET - SEATBASE - LEFT HAND - W/O DOORS/DRAWERS/HDW

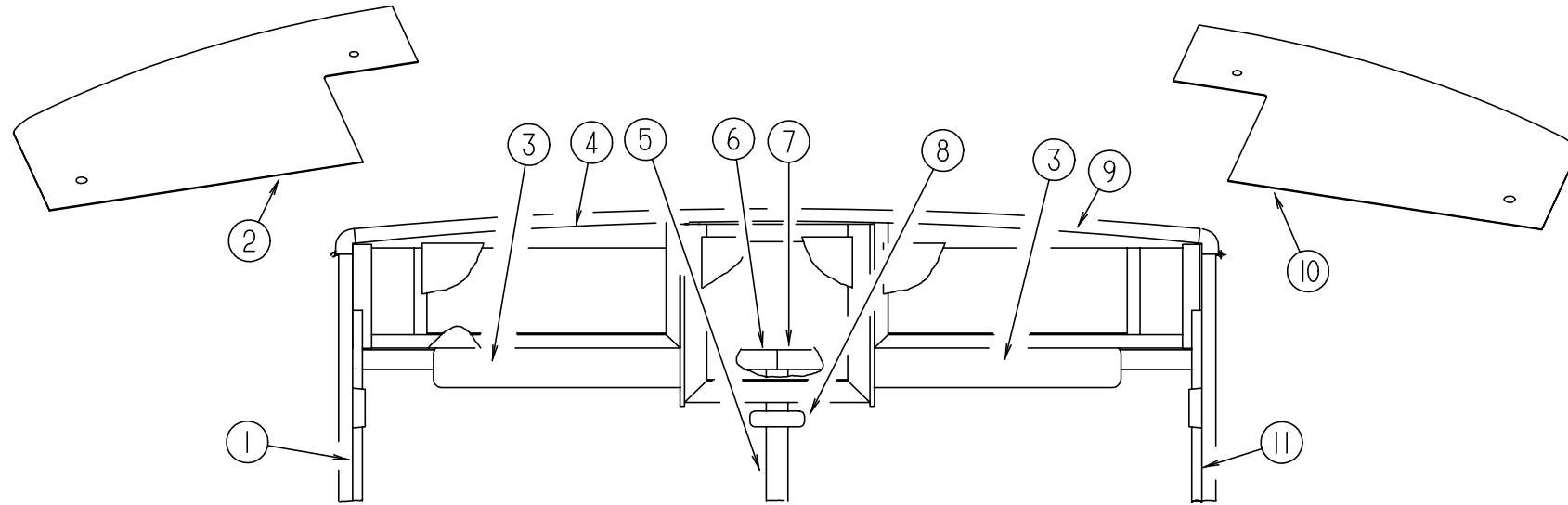
DINETTE GROUP (CONTINUED)



DINETTE TABLE

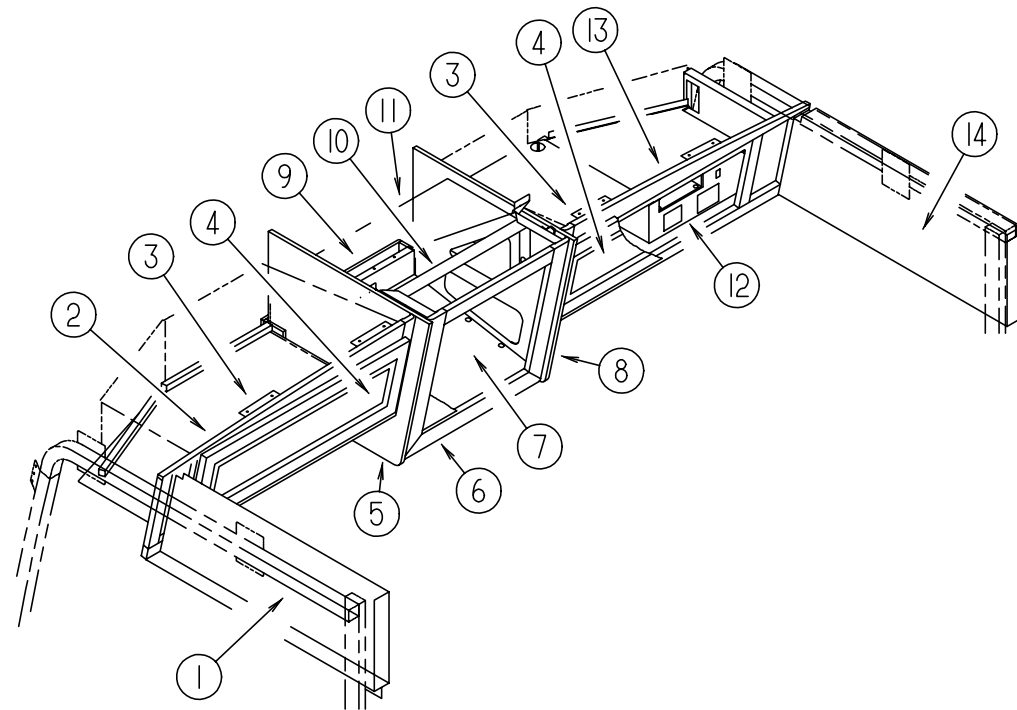
KEY	PART NUMBER	U/M DESCRIPTION
1	M81322-12-J03	EA TABLE - DINETTE W/SUPPORT - W/O HARDWARE (J15)
1	M81322-12-J04	EA TABLE - DINETTE W/SUPPORT - W/O HARDWARE (J16)
1	M81322-12-J01	EA TABLE - DINETTE W/SUPPORT - W/O HARDWARE (J17)
2	064781-06-000	EA HOLDER - CUP - TWO STEP - OFF WHITE
3	053200-12-000	EA BRACKET - TABLE SUPPORT - UPPER WALL MOUNTED - 23.50"
4	088410-02-000	EA BRACKET - LIFT - TABLE MOUNTED
5	024281-14-000	EA BRACKET - LIFT ROD/LOWER WALL MOUNTED - 22.12"
6	024275-12-000	EA ROD - TABLE LIFT
7	093550-01-000	EA BRACKET - HINGE - MOUNTS TO LEG & TABLE TOP - 1.7" X 2.6"
8	092707-04-05A	EA MOLDING - TABLE LEG - 27"
9	092593-01-05A	EA CATCH - TABLE LEG - OFF/WHITE
10	049493-12-000	EA CATCH - TABLE LEG/FLOOR MOUNTED - OFF WHITE
10	049493-11-700	EA CATCH - TABLE LEG/FLOOR MOUNTED - E COATED

DRIVERS COMPARTMENT GROUP
DRIVERS COMPARTMENT - UPPER



KEY	PART NUMBER	U/M	DESCRIPTION
1	125508-04-01A	EA	TRIM - A-PILLAR - INTERIOR - ANTELOPE
	123045-11-02A	EA	BACKING - SCREW - ANTELOPE
2	126440-02-J20	EA	PANEL - OVERHEAD - FRONT/BOTTOM/LEFT HAND
3	123298-02-04A	EA	SUNVISOR - 10.5" X 28.5"
4	126457-02-J20	EA	PANEL - CLOSEOUT - OVERHEAD FRONT - UPPER/LOWER LEFT HAND
5	118452-05-01A	EA	TRIM - WINDSHIELD - CENTER - ANTELOPE
6	118453-04-01A	EA	TRIM - WINDSHIELD - INNER/TOP/DRIVER
7	118453-03-01A	EA	TRIM - WINDSHIELD - INNER/TOP/PASSENGER
8	040714-01-000	EA	MIRROR - REAR VIEW/ARM MOUNT & SET SCREW
	067490-01-000	EA	BUTTON - MIRROR/REAR VIEW
9	126457-01-J20	EA	PANEL - CLOSEOUT - OVERHEAD FRONT - UPPER/LOWER RIGHT HAND
10	126440-01-J20	EA	PANEL - OVERHEAD - FRONT/BOTTOM/RIGHT HAND
11	125508-03-01A	EA	TRIM - A-PILLAR - INTERIOR - ANTELOPE
	123045-11-02A	EA	BACKING - SCREW - ANTELOPE

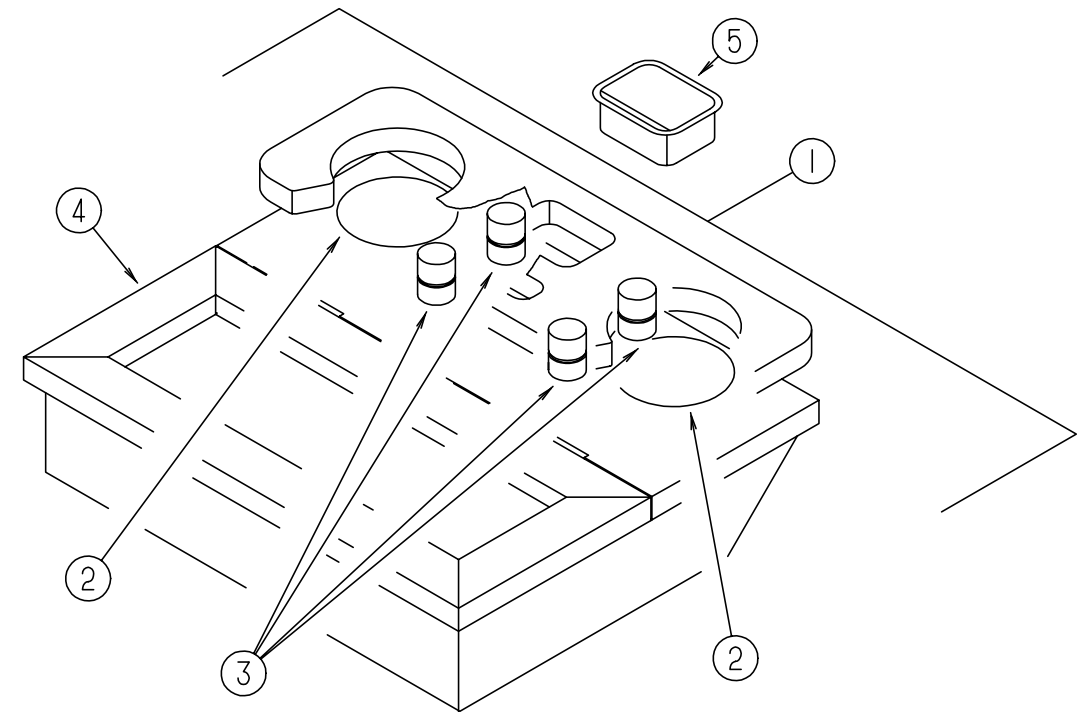
DRIVERS COMPARTMENT GROUP (CONTINUED)



INTERIOR STORAGE AND TV CABINETS

KEY	PART NUMBER	U/M	DESCRIPTION
1	126765-02-J15	EA	PANEL - OVERHEAD/DRIVER
2	126877-02-J15	EA	CABINET - OVERHEAD - FRONT/LEFT HAND - W/O DOORS/HARDWARE
3	106699-01-01A	EA	BRACKET - OVERHEAD CABINET/TV
4	M08758-70-J15	EA	DOOR - MITERED CORNER/OGEE EDGE - 10.8" X 27.9" - W/O HDW (FLAT MEDIUM DENSITY FIBERBOARD INSERT)
4	M08758-52-J15	EA	DOOR - MITERED CORNER/OGEE EDGE - 10.6" X 27.9" - W/O HDW (RAISED MEDIUM DENSITY FIBERBOARD INSERT)
5	103128-25-J15	EA	END CAP - OVERHEAD CABINET - LEFT HAND
6	126718-01-J15	EA	FRAME/FACE - TV CABINET - W/O DOOR/HARDWARE - W/O TV OPTIONS
6	116791-02-J15	EA	FRAME/FACE - TV CABINET - F/TV - W/TV OPTIONS
	091261-01-000	FT	SLIPNOT - ANTISLIP - 1' WIDE - W/TV OPTIONS
7	100708-16-000	EA	DOOR - GLASS - TV CABINET - 15.5" X 15.7" - W/O HARDWARE - W/O TV OPTIONS
8	103128-26-J15	EA	END CAP - OVERHEAD CABINET - RIGHT HAND
9	126801-01-J15	EA	COVER - TV/OVERHEAD/BOTTOM - VINYL COVERED
10	114706-04-02B	EA	SUPPORT - SHELF/TV
11	126854-01-J20	EA	PANEL - HEADLINER/TV/TOP - W/O TV OPTIONS
12	126601-01-J20	EA	PANEL - SHELF - VINYL COVERED - W/O INVERTOR CUTOUT - W/TV ANTENNA
12	126601-03-J20	EA	PANEL - SHELF - VINYL COVERED - W/O INVERTOR CUTOUT - W/TV OPTIONS
12	126601-07-J20	EA	PANEL - SHELF - VINYL COVERED - W/INVERTOR CUTOUT - W/TV OPTIONS
13	126877-01-J15	EA	CABINET - OVERHEAD - FRONT/RIGHT HAND - W/O DOORS/HARDWARE
14	126765-01-J15	EA	PANEL - OVERHEAD/PASSENGER

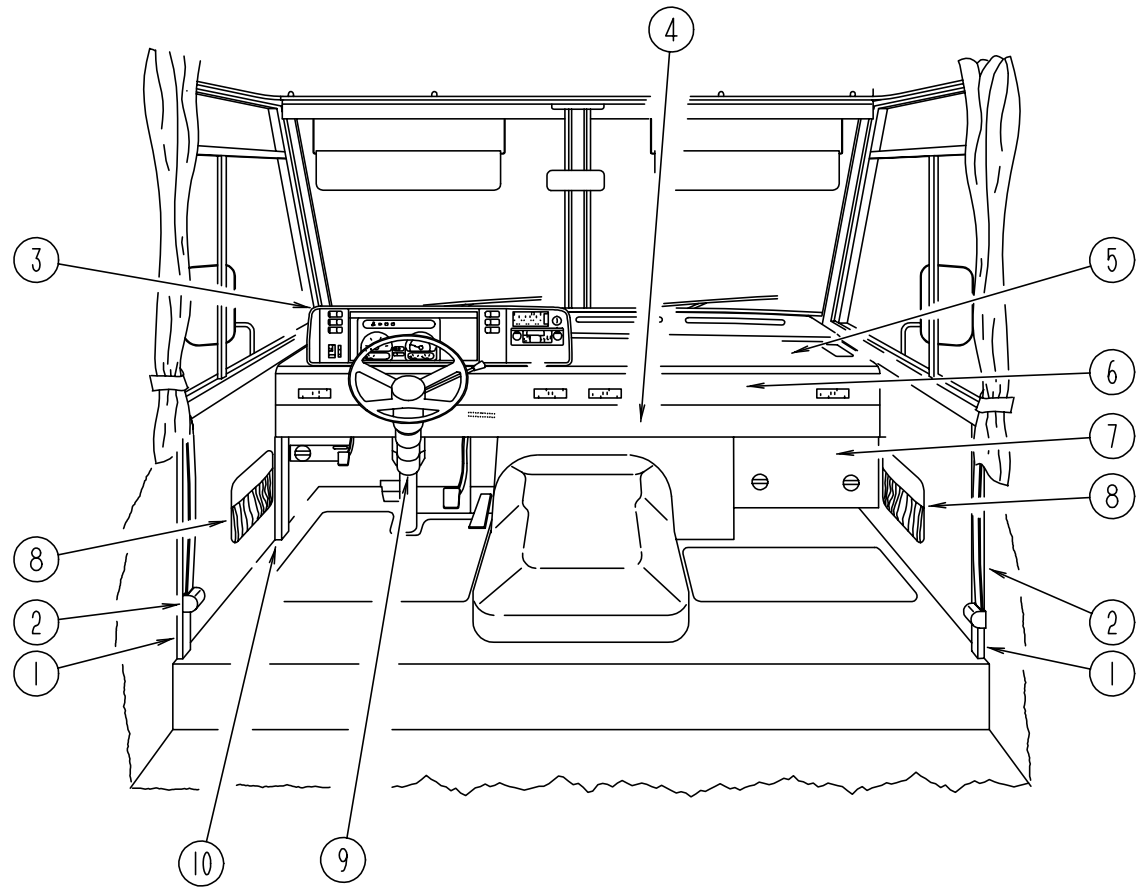
DRIVERS COMPARTMENT GROUP (CONTINUED)



BEVERAGE TRAY

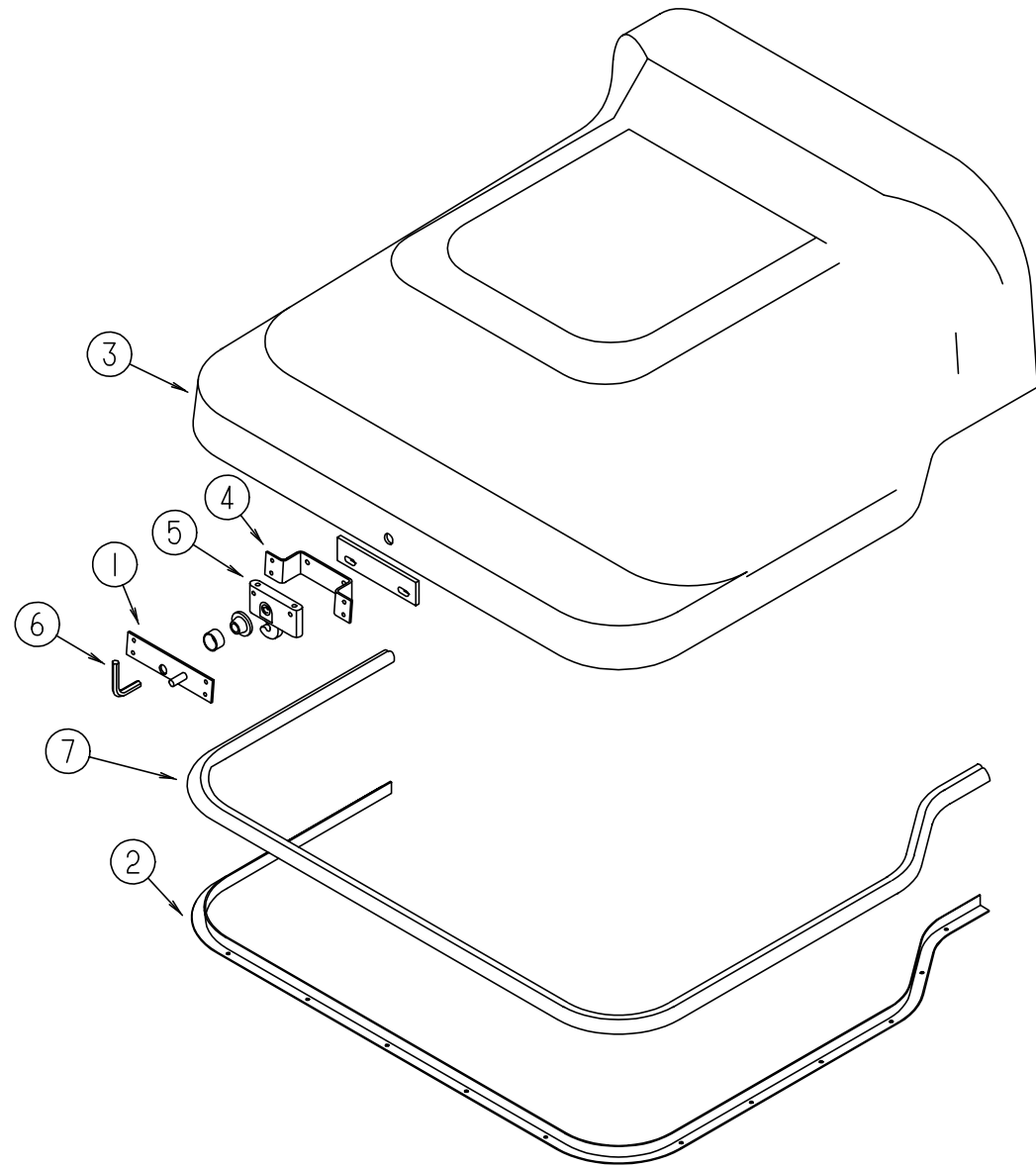
KEY	PART NUMBER	U/M	DESCRIPTION
1	111618-01-H17	EA	TRAY - BEVERAGE W/COMPARTMENT - W/O CUPHOLDERS
2	122717-01-01A	EA	PAD - NON SKID - 4" DIAMETER ROUND
3	097872-04-000	EA	DOWEL - WOOD - 1" DIAMETER X 1.38" LONG
4	111618-13-GB1	EA	LID - BEVERAGE TRAY COMPARTMENT
5	046886-03-000	EA	ASHTRAY - CHROME W/COVER

DRIVERS COMPARTMENT GROUP (CONTINUED)
DRIVERS COMPARTMENT - LOWER



KEY	PART NUMBER	U/M DESCRIPTION	VENDOR NO.
1	024700-51-000	EA COVER - ROLL BAR	
2	091990-04-01A	EA SEAT BELT/SHOULDER HARNESS - DRIVERS/PASSENGER - BLACK	
	091990-01-700	EA COVER-BOLT	
	091990-01-701	EA EXTENDER 9" FOR A8408 3 PT	I-1331-02
	109146-01-000	EA BOLT - SHOULDER/SEAT BELT	
3	125677-02-J20	EA POD - INSTRUMENT PANEL	
			FROM: 00-00-00 THRU: 02-28-98
3	111499-01-06A	EA POD - INSTRUMENT PANEL - ANTELOPE	
			FROM: 03-01-98 THRU: 04-21-98
3	125677-02-J20	EA POD - INSTRUMENT PANEL	
			FROM: 04-22-98 THRU: 99-99-99
4	114620-12-02A	EA TRIM - LOWER DASH - GM - 96" - ANTELOPE	
4	114620-01-04A	EA TRIM - LOWER DASH - GM - 96" - ANTELOPE - HEATED MIRRORS OPTION	
5	P26082-01-000	EA DASH - W/O VINYL - E-COATED - CHEVY	
	106569-11-01A	EA VINYL - LAMINATE - ALLANTE ANTELOPE - 1/4" X 21" X 100"	
	113452-01-000	FT SEAL/TRIM - FRONT - VINYL W/WIRE CARRIER	
6	126340-01-01A	EA DECAL - LOGO - BRAVE	
7	095757-05-H37	EA COVER - HEATER (J15)	
7	095757-05-J60	EA COVER - HEATER (J16)	
7	095757-05-J17	EA COVER - HEATER (J17)	
8	086120-01-H3A	EA PAD - MAP POCKET - 12" X 16" (J15)	
8	086120-01-J62	EA PAD - MAP POCKET - 12" X 16" (J16)	
8	086120-01-J17	EA PAD - MAP POCKET - 12" X 16" (J17)	
9	103498-09-000	EA BOOT - STEERING COLUMN - W/1/2 CIRCLE - CHEVY	
10	127901-01-01A	EA PANEL - TOEKICK/LEFT HAND - ANTELOPE	

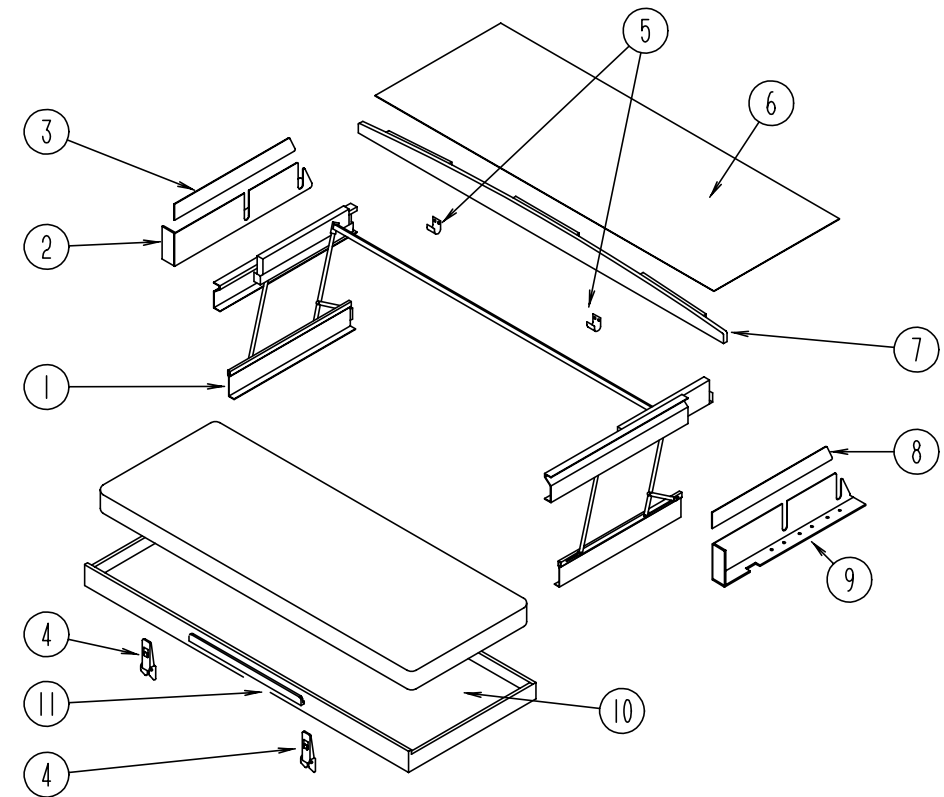
DRIVERS COMPARTMENT GROUP (CONTINUED)



MOTOR COVER

KEY	PART NUMBER	U/M	DESCRIPTION
1	115852-01-02B	EA	STRIKE - LATCH - MOTOR COVER - E-COATED
2	115860-01-01A	EA	TRIM - MOTOR COVER
2	115860-03-01A	EA	TRIM-MOTOR COVER - 1999 FORD CHASSIS
3	115840-02-01A	EA	COVER - MOTOR - W/O CARPET - CHEVY
4	115850-01-02B	EA	RETAINER - LATCH - MOTOR COVER - RIGHT HAND - E-COATED FROM: 00-00-00 THRU: 05-17-98
4	115850-03-02B	EA	RETAINER - LATCH - MOTOR COVER - RIGHT HAND - E-COATED FROM: 05-18-98 THRU: 99-99-99
5	116581-01-000	EA	LATCH - MOTOR COVER
6	116833-01-02B	EA	WRENCH - HEX MOTOR COVER - E-COATED
7	039623-01-000	FT	SEAL - MOTOR COVER - RUBBER BULB TYPE

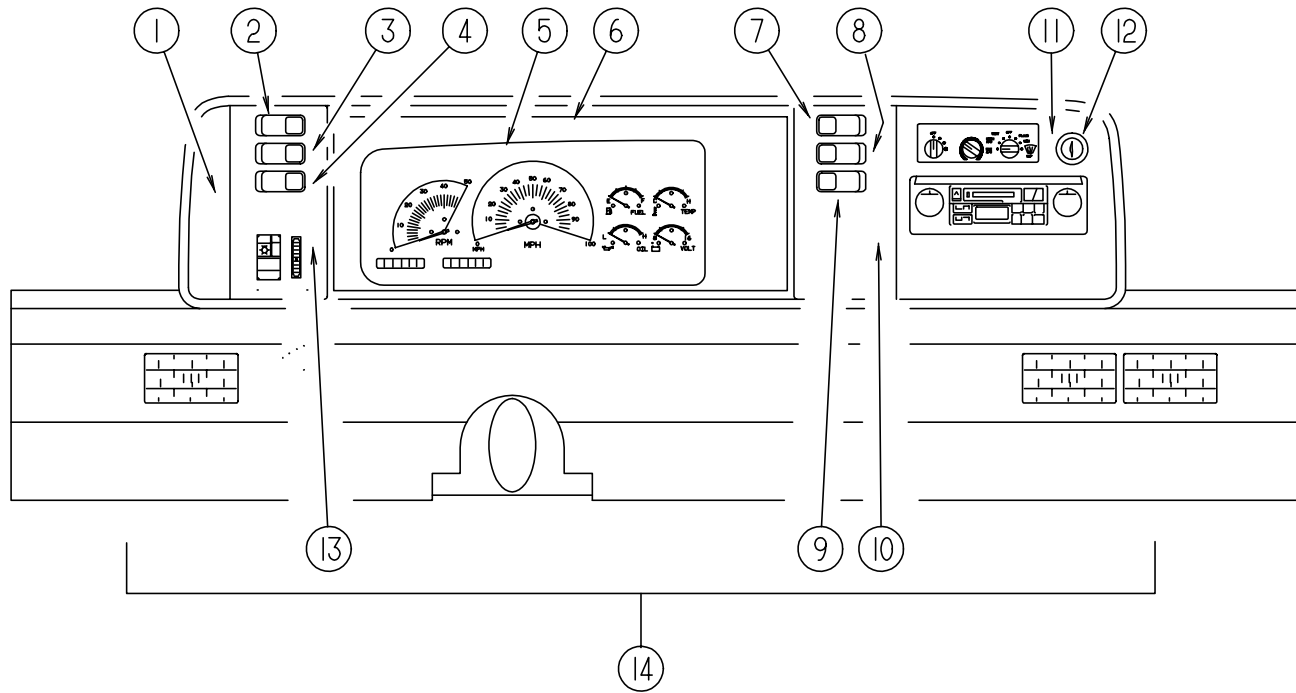
DRIVERS COMPARTMENT GROUP (CONTINUED)



FRONT BUNK

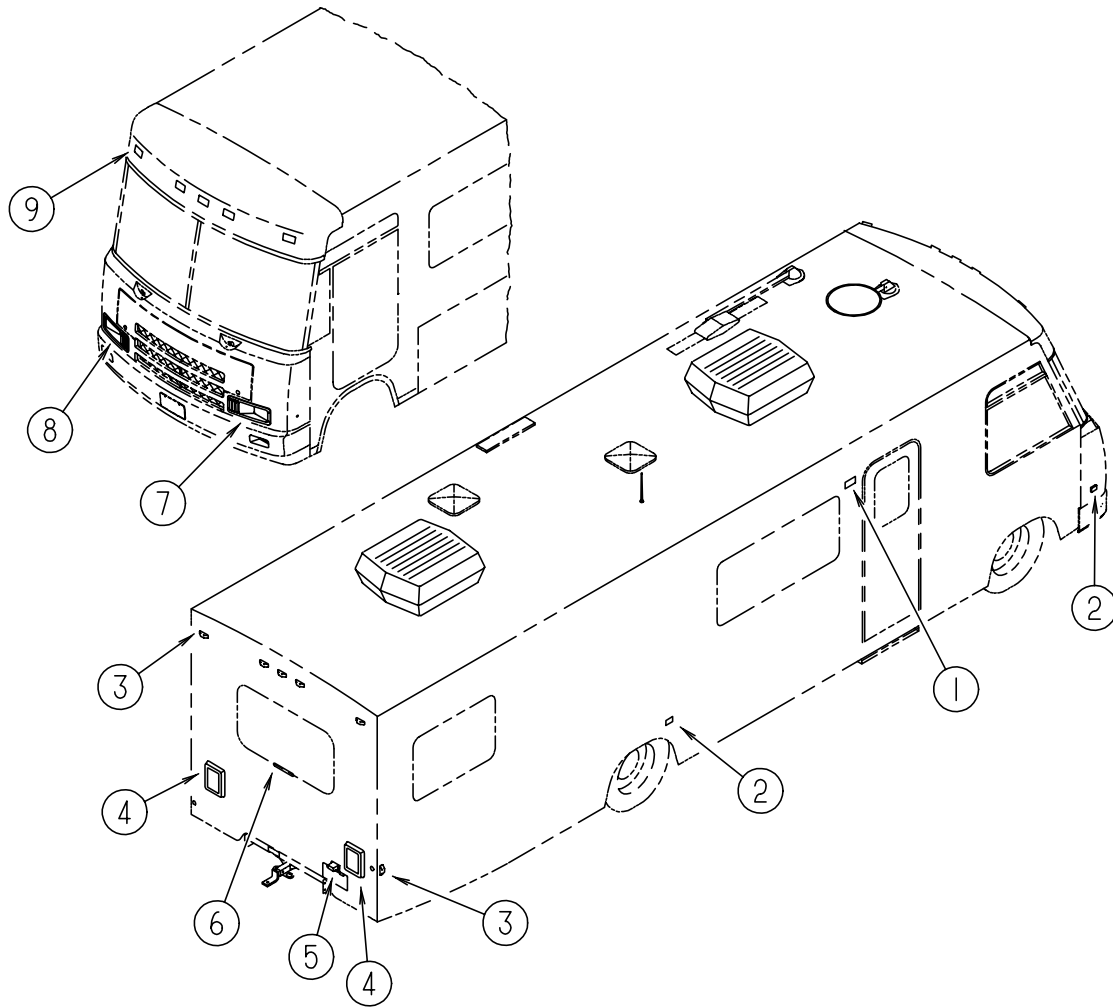
KEY	PART NUMBER	U/M	DESCRIPTION	VENDOR NO.
1	076760-02-000	EA	BUNK HARDWARE - COMPLETE	
	076760-02-700	EA	SPRING-GAS, BUNK HARDWARE	9272
2	101497-29-J15	EA	PANEL - END CAP - UPPER LEFT HAND	
3	101499-23-J15	EA	TRIM/PANEL - BOTTOM LH BUNK - 47" X 3" - VINYL WRAPPED	
4	116975-01-01A	EA	LATCH - W/O STRIKE - BLACK - NEW STYLE	
4	116975-02-01A	EA	KEEPER/STRIKE - BLACK - NEW STYLE	
6	122194-03-J15	EA	PANEL - HEADLINER - OVERHEAD TV	
7	P03199-03-J15	EA	TRIM - BUNK BOARD	
8	101499-22-J15	EA	TRIM/PANEL - BOTTOM RH BUNK - 47" X 3" - VINYL WRAPPED	
9	101497-28-J15	EA	PANEL - END CAP - UPPER RIGHT HAND	
10	081717-05-J15	EA	BED - FRONT BUNK	
11	094658-01-G09	EA	HANDLE - OAK/BUNK	

DRIVERS COMPARTMENT GROUP (CONTINUED)
DASH, GAUGES & SWITCHES - CHEVY



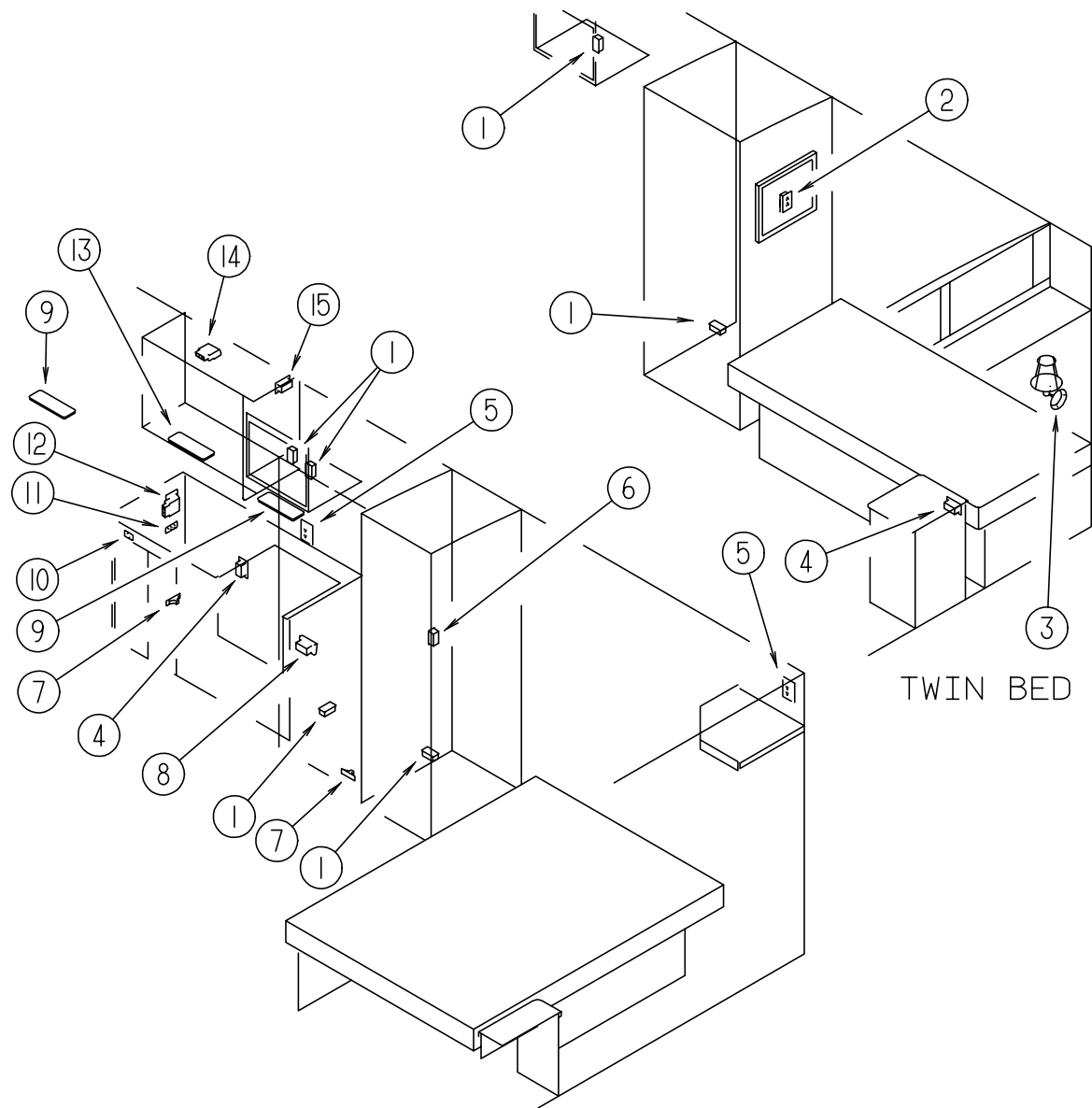
KEY	PART NUMBER	U/M DESCRIPTION
1	104056-01-07A	EA APPLIQUE - BEZEL - DRIVER DRESS UP
2	108356-02-01A	EA COVER/ACTUATOR SWITCH - 2 ROWS DIMPLES- CONTURA II - BLACK
2	108357-05-000	EA SWITCH - ROCKER SPDT - ON/NONE/ON - 3 TERMINAL - RADIO POWER W/O CD
2	108357-08-000	EA SWITCH - ROCKER DPDT - ON/NONE/ON - 6 TERMINAL - RADIO POWER W/CD
3	108356-02-01A	EA COVER/ACTUATOR SWITCH - 2 ROWS DIMPLES- CONTURA II - BLACK
3	108357-09-000	EA SWITCH - ROCKER SPDT - ON/NONE/MOM - 3 TERMINAL - AUXILIARY START
4	108356-02-01A	EA COVER/ACTUATOR SWITCH - 2 ROWS DIMPLES- CONTURA II - BLACK
4	108357-06-000	EA SWITCH - ROCKER DPDT - MOM/OFF/MOM - 6 TERMINAL - AUXILIARY BATTERY
5	N/A	EA CLUSTER-INSTRUMENT PANEL - KILO REG/MPH READING - GAS CSA FROM: 00-00-00 THRU: 08-03-97
5	N/A	EA CLUSTER - INSTRUMENT PANEL - K/M - GAS - CANADIAN FROM: 08-04-97 THRU: 99-99-99
6	103662-06-01A	EA BEZEL - INSTRUMENT PANEL - 60 GL FUEL TANK OPTION
6	103662-08-01A	EA BEZEL - INSTRUMENT PANEL - GM - 40 GL FUEL TANK
7	108356-04-01A	EA COVER/ACTUATOR SWITCH-2 ROWS DIMPLES W/LENS-CONTURAIIBLK
7	108357-10-000	EA SWITCH - ROCKER SPDT W/LIGHT - MOM/NONE/MOM - 5 TERMINAL - GENERATOR
7	096241-03-000	EA SWITCH - BLANK - BLACK
8	108356-02-01A	EA COVER/ACTUATOR SWITCH - 2 ROWS DIMPLES- CONTURA II - BLACK
8	108357-03-000	EA SWITCH - ROCKER SPDT - ON/OFF/ON - 3 TERMINAL - REAR HEATER
8	096241-03-000	EA SWITCH - BLANK - BLACK
9	096241-03-000	EA SWITCH - BLANK - BLACK
10	104056-21-01A	EA APPLIQUE - BEZEL - PASSENGER DRESS UP
11	104056-06-07A	EA APPLIQUE - BEZEL - PASSENGER DRESS UP
12	089294-01-000	EA LIGHTER - CIGARETTE - W/SOCKET & WIRE
13	104056-22-01A	EA APPLIQUE - BEZEL - DRIVER SWITCHES
14	M05946-50-J20	EA DASH POD - CHEVY - W/O CLUSTER
	100138-01-000	EA MODULE - DAYTIME/RUNNING LIGHT - CANADIAN
	103603-01-000	EA BULB - 12 VOLT - #74 - .12A WEDGE - GE 22-25 USED IN DASH
	077031-01-000	EA FILM - BLACK - 1" X 1.75"
	077031-03-000	EA FILM - WHITE - .75" X 1"
	049176-01-000	EA HEDLOCK II - 3/4 DIAMETER SCREW MOUNT

**ELECTRICAL GROUP
EXTERIOR LIGHTS**



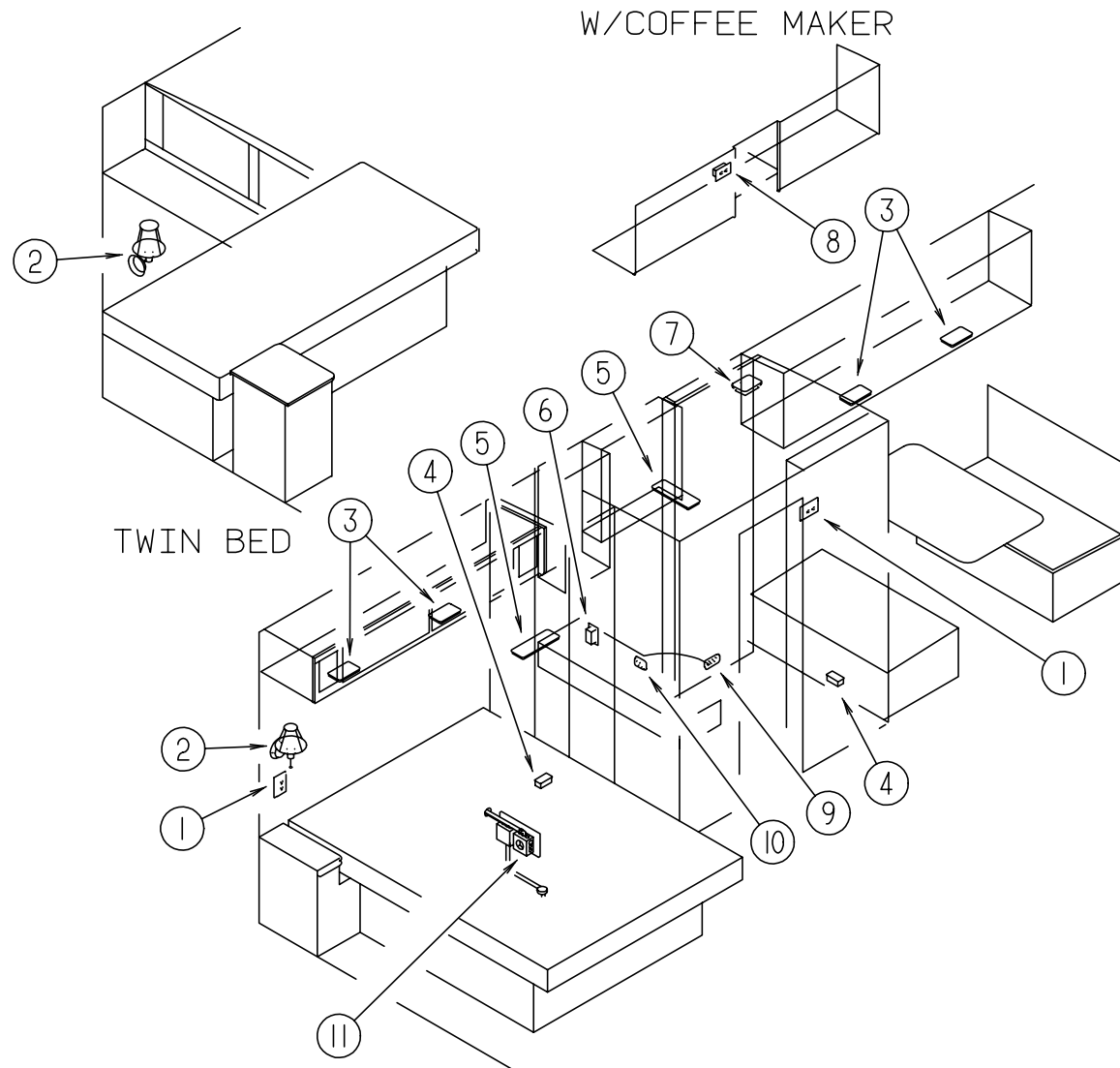
KEY	PART NUMBER	U/M	DESCRIPTION	VENDOR NO.
1	097917-01-06A	EA	LIGHT - PORCH - BRIGHT WHITE	
	008215-01-000	EA	BULB - 12 VOLT - NUMBER 1003 - .94 AMP	
	097917-01-700	EA	LENS-LIGHT, CLEAR	30-78-021
1	008089-02-000	EA	LIGHT - PORCH - RECESSED - CANADIAN	
	008089-01-700	EA	LENS-LIGHT, RECESSED, PORCH DECO	
	008214-01-000	EA	BULB - 12 VOLT - #67 - .59 AMP	
	091981-01-000	EA	GASKET - PORCH LIGHT	
2	111102-01-000	EA	BASE - LAMP MARKER	
2	111102-02-000	EA	LENS - AMBER - MARKER LAMP	
	036196-01-000	EA	BULB - 12 VOLT - #194 - .27 AMP - BAYONETTE	
3	111102-01-000	EA	BASE - LAMP MARKER	
3	111102-03-000	EA	LENS - RED - MARKER LAMP	
	036196-01-000	EA	BULB - 12 VOLT - #194 - .27 AMP - BAYONETTE	
4	081638-01-000	EA	TAILLIGHT/DOUBLE W/BLACK TRIM - DRIVER/PASSENGER SIDE	
	037934-01-000	EA	BULB - 12V - #1156 - 2.1 AMP CLEAR GLASS BACK UP & TURN SIGNAL BULB	
	037935-01-000	EA	BULB - 12V - #1157 OR #2057 - 2.1 AMP - CLEAR GLASS BRAKE LIGHT BULB	
	081638-01-700	EA	LENS-TAILLIGHT, RED	30-84-010
	081638-01-701	EA	LENS-TAILLIGHT, W/BACKUP	30-84-700
4	103355-01-05A	EA	POD - TAIL LIGHT	
5	066432-02-000	EA	LIGHT - LICENSE - BLACK	
5	066432-03-000	EA	BRACKET - LICENSE PLATE	
6	121950-01-000	EA	LIGHT - BRAKE - CENTER MOUNT	
7	126713-02-000	EA	HEADLAMP - DRIVER HIGH/LOW HALOGEN	
7	049359-01-000	EA	SPRING - RETAINER - HEADLAMP - GM #496096	
7	110750-01-000	EA	SCREW - HEADLAMP ADJUSTING	
8	126713-01-000	EA	HEADLAMP - PASSENGER HIGH/LOW HALOGEN	
8	049359-01-000	EA	SPRING - RETAINER - HEADLAMP - GM #496096	
8	110750-01-000	EA	SCREW - HEADLAMP ADJUSTING	
9	102520-01-000	EA	LIGHT - CLEARANCE - W/O SOCKET/HOUSING - AMBER	
9	067789-02-000	EA	SOCKET - LAMP	
9	036196-01-000	EA	BULB - 12 VOLT - #194 - .27 AMP - BAYONETTE	
9	102540-01-000	EA	SEAL - SCREW - ROUND - RUBBER	
9	102541-01-000	EA	GASKET - CLEARANCE LIGHT	

ELECTRICAL GROUP (CONTINUED)
LIGHTS, SWITCHES, & RECEPTACLES PASSENGERS SIDE



KEY	PART NUMBER	U/M	DESCRIPTION	VENDOR NO.
1	058707-02-000	EA	RECEPTACLE - BLANK JUNCTION BOX	
2	058708-02-000	EA	RECEPTACLE - ELECTRIC - DOUBLE - IVORY	
3	119257-03-01A	EA	SHADE - LAMP - LINEN	
3	119258-02-01A	EA	LAMP - WALL	
	119258-01-700	EA	FINIAL (PYRAMID)	12-0322
3	067479-01-000	EA	BULB - 12 VOLT - #1076 - 1.80 AMP	
4	058708-01-000	EA	RECEPTACLE - ELECTRIC - DOUBLE - BROWN	
5	058708-02-000	EA	RECEPTACLE - ELECTRIC - DOUBLE - IVORY	
5	102568-01-GB1	EA	SPACER - RECEPTACLE - BETWEEN SIDEWALL & PLATE - WOOD	
6	058707-01-000	EA	RECEPTACLE - ELECTRIC - SINGLE - BROWN	
7	061424-01-000	EA	LIGHT - AISLE - 12 VOLT - RECTANGULAR	
	008103-01-000	EA	BULB - DASH/AISLE LIGHT - #53 - 12 VOLT - .12 AMP	
8	112822-01-01A	EA	RECEPTACLE - DUPLEX - IVORY	
8	112824-01-03A	EA	COVER - RECEPTACLE - EXTERIOR DUPLEX	
9	098024-03-02A	EA	LIGHT - DOME - 2 BULB - WHITE	
	008218-01-000	EA	BULB - DOME LIGHT - 12 VOLT - NO. 1141	
	098024-01-700	EA	LENS-LIGHT	807877
10	079364-03-000	EA	SWITCH - ON/OFF ROCKER - 3 TERMINAL - BROWN - FRONT COURTESY LAMP	
10	098351-01-01A	EA	PLATE - SWITCH - 1 GANG POLISHED BRASS	
11	098351-05-01A	EA	PLATE - SWITCH - 3 GANG POLISHED BRASS	
11	079364-01-000	EA	SWITCH - ON/OFF ROCKER - 2 TERMINAL - BROWN - STEP	
12	084076-02-000	EA	RECEPTACLE - GFI - 15 AMP/125 VOLT - BROWN	
13	098024-06-02A	EA	LIGHT - DOME - 2 BULB - SKYLITE	
	008218-01-000	EA	BULB - 12 VOLT - #1141 - 1.44AMP	
	098024-01-701	EA	LENS - OPTI CLEAR - SKYLITE	809902
14	091927-01-000	EA	COVER - RECEPTACLE - DOUBLE - IVORY - W/O ROOF A/C OPTION	
15	058708-05-000	EA	RECEPTACLE - SINGLE - BROWN - MICROWAVE	
	086280-01-000	EA	LIGHT - SURFACE MOUNT - 12 VOLT	
	086280-01-700	EA	BULB,12V	ARP1089

ELECTRICAL GROUP (CONTINUED)
LIGHTS, SWITCHES, & RECEPTACLES DRIVERS SIDE



KEY	PART NUMBER	U/M	DESCRIPTION	VENDOR NO.
1	058708-02-000	EA	RECEPTACLE - ELECTRIC - DOUBLE - IVORY	
1	102568-01-GB1	EA	SPACER - RECEPTACLE - BETWEEN SIDEWALL & PLATE - WOOD	
2	119257-03-01A	EA	SHADE - LAMP - LINEN	
2	119258-02-01A	EA	LAMP - WALL	
	119258-01-700	EA	FINIAL (PYRAMID)	12-0322
2	067479-01-000	EA	BULB - 12 VOLT - #1076 - 1.80 AMP	
3	098024-05-02A	EA	LIGHT - DOME - 1 BULB - SKYLITE - WHITE	
	008218-01-000	EA	BULB - DOME LIGHT - 12 VOLT - NO. 1141	
	098024-01-701	EA	LENS - OPTI CLEAR - SKYLITE	809902
4	058707-02-000	EA	RECEPTACLE - BLANK JUNCTION BOX	
5	098024-03-02A	EA	LIGHT - DOME - 2 BULB - WHITE	
	008218-01-000	EA	BULB - DOME LIGHT - 12 VOLT - NO. 1141	
	098024-01-700	EA	LENS-LIGHT	807877
6	058708-02-000	EA	RECEPTACLE - ELECTRIC - DOUBLE - IVORY	
7	121935-01-01A	EA	LIGHT - DOME - SHOWER	
8	058708-01-000	EA	RECEPTACLE - ELECTRIC - DOUBLE - BROWN	
9	079364-03-000	EA	SWITCH - ON/OFF ROCKER - 3 TERMINAL - BROWN - WATER PUMP	
9	079364-01-000	EA	SWITCH - ON/OFF ROCKER - 2 TERMINAL - BROWN - BATH LAMP & SHOWER LAMP	
9	098351-03-01A	EA	PLATE - SWITCH - 3 GANG POLISHED BRASS	
9	095188-02-01A	EA	SPACER - SWITCH - 2.3" X 4.1" - PLASTIC - DARK BROWN	
10	079364-03-000	EA	SWITCH - ON/OFF ROCKER - 3 TERMINAL - BROWN - COURTESY LAMP	
10	079364-01-000	EA	SWITCH - ON/OFF ROCKER - 2 TERMINAL - BROWN - BEDROOM CEILING LAMP	
10	098351-02-01A	EA	PLATE - SWITCH - 2 GANG POLISHED BRASS	
10	095188-01-01A	EA	SPACER - SWITCH - 2.3" X 3.4" - PLASTIC - DARK BROWN	
11	024924-02-000	EA	RECEPTACLE - POWER CORD - W/PARTIAL PLATE	
	086280-01-000	EA	LIGHT - SURFACE MOUNT - 12 VOLT	
	086280-01-700	EA	BULB, 12V	ARP1089

ELECTRICAL GROUP (CONTINUED)
FUSES & FUSE HOUSINGS

KEY	PART NUMBER	U/M	DESCRIPTION
	062901-02-000	EA	FUSE - 05 AMPS - AUTOMOTIVE
	062901-05-000	EA	FUSE - 15 AMPS - AUTOMOTIVE
	062901-06-000	EA	FUSE - 20 AMPS - AUTOMOTIVE
	062901-07-000	EA	FUSE - 25 AMPS - AUTOMOTIVE
	062901-08-000	EA	FUSE - 30 AMPS - AUTOMOTIVE
	062037-01-000	EA	HOUSING - AUTO FUSE - NATURAL
	062037-02-000	EA	HOUSING - AUTO FUSE - GREEN
	062037-03-000	EA	HOUSING - AUTO FUSE - BLACK
	062037-04-000	EA	HOUSING - AUTO FUSE - BLUE
	062037-05-000	EA	HOUSING - AUTO FUSE - GRAY
	062037-06-000	EA	HOUSING - AUTO FUSE - BROWN
	062037-07-000	EA	HOUSING - AUTO FUSE - RED
	108669-01-000	EA	HOUSING - AUTO FUSE HOLDER
	106656-01-000	EA	FUSE BLOCK - 4 CAVITY - AUTOFUSE

CIRCUIT BREAKERS

KEY	PART NUMBER	U/M	DESCRIPTION
	083209-01-000	EA	CIRCUIT BREAKER - 15 AMP - 120 VOLT - CANADIAN
	083209-02-000	EA	CIRCUIT BREAKER - 15/15 AMP - 120 VOLT
	083209-03-000	EA	CIRCUIT BREAKER - 15/20 AMP - 120 VOLT
	083209-04-000	EA	CIRCUIT BREAKER - 30 AMP - 120 VOLT
	083209-06-000	EA	CIRCUIT BREAKER - 30/15 AMP - 120 VOLT
	083209-07-000	EA	CIRCUIT BREAKER - 20/20 AMP - 120 VOLT
	093655-03-000	EA	CIRCUIT BREAKER - 40 AMP - 12 VOLT
	112591-01-000	EA	CIRCUIT BREAKER - 16 AMP - 240 VOLT

TERMINALS

KEY	PART NUMBER	U/M	DESCRIPTION
	008326-01-000	EA	TERMINAL - RING - 16/14 WIRE - 3/8" STUD
	008328-01-000	EA	TERMINAL - RING - 12/10 WIRE - #10 STUD FIT
	008331-01-000	EA	TERMINAL - RING - TONGUE - #4 WIRE - 3/8" STUD - COPPER
	008348-01-000	EA	TERMINAL - RING - 3/8" STUD 2 GA. WIRE
	035416-04-000	EA	TERMINAL - RING - #10 STUD FIT - INSULATED BARREL #16/14
	047443-01-000	EA	TERMINAL - .250 RECEPTACLE FIT - INSULATED - 16/14 AWG
	047443-02-000	EA	TERMINAL - .250 RECEPTACLE FIT - INSULATED - 12/10 AWG
	062036-01-000	EA	TERMINAL - PACK - CON - 12/10 AWG
	062036-02-000	EA	TERMINAL - PACK - CON - 16/14 AWG
	088267-01-000	EA	TERMINAL - FEMALE - 1/4
	088476-01-000	EA	TERMINAL - ELECTRICAL
	098260-01-000	EA	TERMINAL - MALE - 56 SERIES
	104100-03-000	EA	TERMINAL - 75 AMP
	106007-01-000	EA	TERMINAL - FEMALE - 14-16 AWG
	106655-01-000	EA	TERMINAL - FUSE BLOCK - 14-16 AWG
	106655-02-000	EA	TERMINAL - FUSE BLOCK - 10-12 AWG
	113135-01-000	EA	TERMINAL - FEMALE- M/P - 14-16 - F/NON SEALED TERMINAL
	113306-01-000	EA	TERMINAL - FEMALE - M/P - 14-16 - F/SEALED TERMINAL
	113307-01-000	EA	TERMINAL - FEMALE - M/P - 16-20
	125324-01-000	EA	TERMINAL - MALE - METRI-PACK - 150

ELECTRICAL GROUP (CONTINUED)
ELECTRIC BOXES & COVERS

KEY	PART NUMBER	U/M	DESCRIPTION
	008289-01-000	EA	BOX - ELECTRIC/STEEL - 1/2" & 3/4" KNOCKOUTS - 4" X 4"
	008289-02-000	EA	BOX - ELECTRIC/STEEL - 1/2" & 3/4" KNOCKOUTS - 4" X 4"-CAN
	008294-01-000	EA	COVER - ELECTRICAL BOX - BLANK/STEEL - 4" X 4" - GRAY
	008294-02-000	EA	COVER - ELECTRICAL BOX - BLANK STEEL - 4" X 4" - CANADIAN
	069238-01-000	EA	COVER - ELECTRICAL BOX - W/HOLE - 4" X 4" - GRAY USED WITH 30 AMP RECEPTACLE
	091910-01-000	EA	BOX - ELECTRIC - 3.8" X 3.5" X 1.8" - PLASTIC
	091910-02-000	EA	BOX - ELECTRIC - 2.2" X 3.5" X 1.7" - PLASTIC
	111509-01-000	EA	BOX - ELECTRICAL - E-COATED
	111510-01-000	EA	DOOR/ACCESS PANEL - ELECTRICAL BOX

HOUSINGS, PINS & SOCKETS

KEY	PART NUMBER	U/M	DESCRIPTION
	088473-01-000	EA	HOUSING - PIN - 12 CAVITY
	088473-02-000	EA	HOUSING - PIN - 15 CAVITY
	088473-03-000	EA	HOUSING - PIN - 9 CAVITY
	088473-06-000	EA	HOUSING - PIN - 6 CAVITY
	088473-08-000	EA	HOUSING - PIN - 4 CAVITY
	088473-09-000	EA	HOUSING - PIN - 3 CAVITY
	088473-10-000	EA	HOUSING - PIN - 2 CAVITY
	088474-01-000	EA	HOUSING - SOCKET - 12 CAVITY
	088474-02-000	EA	HOUSING - SOCKET - 15 CAVITY
	088474-03-000	EA	HOUSING - SOCKET - 9 CAVITY
	088474-06-000	EA	HOUSING - SOCKET - 6 CAVITY
	088474-07-000	EA	HOUSING - SOCKET - 5 CAVITY
	088474-08-000	EA	HOUSING - SOCKET - 4 CAVITY
	088474-09-000	EA	HOUSING - ELECTRICAL - 3 TERMINAL
	088474-10-000	EA	HOUSING - SOCKET - 2 CAVITY
	088475-01-000	EA	PIN - CONNECTOR - 14 - 20 AWG
	088475-02-000	EA	PIN - CONNECTOR - 10-12 AWG
	088476-02-000	EA	SOCKET - CONNECTOR - 12-10 GA - PRE-TIN
	101571-01-000	EA	HOUSING - 2 POSITION - MALE
	103608-01-000	EA	SOCKET - WEDGE BASE W/LEADS
	104100-01-000	EA	HOUSING - 1 POSITION - 75 AMPS
	106006-01-000	EA	HOUSING - 1 POSITION - FEMALE
	108355-01-000	EA	HOUSING - SWITCH
	110178-01-000	EA	HOUSING - WIPER MOTOR
	113131-01-000	EA	HOUSING - 3 PIN
	113468-01-000	EA	HOUSING - 2 POSITION - FEMALE USED ON WIPER/WASHER WIRE ASM
	119248-02-000	EA	HOUSING - 7 POSITION - FEMALE
	125323-02-000	EA	HOUSING - 8 POSITION - MALE
	115556-01-000	EA	HOUSING - 3 POSITION - FEMALE
	115556-02-000	EA	HOUSING - 2 POSITION - FEMALE
	007954-01-000	EA	RECEPTACLE - HOUSING - 6 POSITION
	080015-02-000	EA	RECEPTACLE - FLAG - .185 - 16/14 GAUGE

ELECTRICAL GROUP (CONTINUED)
CONNECTORS

KEY	PART NUMBER	U/M	DESCRIPTION
	008311-01-000	EA	CONNECTOR - WIRE NUT - INSULATED - RED
	008312-01-000	EA	CONNECTOR - WIRE NUT - INSULATED - BLUE
	008313-01-000	EA	CONNECTOR - WIRE NUT - INSULATED - YELLOW
	008314-01-000	EA	CONNECTOR - WIRE NUT - INSULATED - GRAY
	008355-01-000	EA	CONNECTOR - CABLE CLAMPING - 3/4"
	008356-01-000	EA	CONNECTOR - PLASTIC - 3/8" AVG
	008356-02-000	EA	CONNECTOR - PLASTIC - 21/32
	008398-01-000	EA	CONNECTOR - 1/2" X 90 DEGREE - FLEX CONDUIT - UL & CSA
	058028-01-000	EA	CONNECTOR - ELECTRICAL PIGTAIL - NYLON - CLEAR
	112823-01-000	EA	SPLICE - REDUCER - 16-14 TO 18-22

POWER CORDS

KEY	PART NUMBER	U/M	DESCRIPTION
	008052-01-000	EA	CORD - POWER - 10/3 - 30 AMP - 25' - CANADIAN
	008054-02-000	EA	CORD - POWER - 10/3 WIRE - 30 AMP - 35'

WIRE ASSEMBLIES

KEY	PART NUMBER	U/M	DESCRIPTION
	P27516-02-000	EA	WIRE ASSEMBLY - RADIO AM/FM/CD
	073328-B4-000	EA	CABLE ASSEMBLY - BATTERY - W/TERMINALS
	081059-02-000	EA	WIRE ASSEMBLY - 9PIN - F/RADIO
	083579-01-000	EA	WIRE ASSEMBLY - HEADLAMP
	090986-01-000	EA	WIRE ASSEMBLY - ELECTRIC STEP
	096449-01-000	EA	WIRE ASSEMBLY - WATER TANK TO MONITOR PANEL
	097618-01-000	EA	WIRE ASSEMBLY - MONITOR PANEL - W/3 WIRES & ORANGE RESISTOR
	100677-01-000	EA	WIRE ASSEMBLY - RADIO
	108303-01-000	EA	WIRE ASSEMBLY - REAR AUTO HEATER
	110256-01-000	EA	WIRE ASSEMBLY - INSTRUMENT PANEL - GENERATOR
	111915-01-000	EA	WIRE ASSEMBLY - DAYTIME RUNNING LAMPS - FUSED - GM
	113134-03-000	EA	WIRE ASSEMBLY - WIPER/WASHER
	126392-01-000	EA	WIRE ASSEMBLY - REMOTE MIRRORS
	126838-02-000	EA	WIRE ASSEMBLY - MONITOR

CONDUIT

KEY	PART NUMBER	U/M	DESCRIPTION
	041953-01-000	FT	CONDUIT - CONVOLUTE SLIT - .5" ID - POLYETHELENE
	041953-03-000	FT	CONDUIT - CONVOLUTE SLIT - 1" ID (CLOTHES ROD COVER)
	041953-05-000	FT	CONDUIT - CONVOLUTE SOLID - .62" ID - POLYETHELENE
	041953-06-000	FT	CONDUIT - CONVOLUTE SLIT - .375" ID - POLYETHELENE
	041953-07-000	FT	CONDUIT - CONVOLUTE SLIT - .25" ID - POLYETHELENE
	041953-08-000	FT	CONDUIT - CONVOLUTE SLIT - 1.50" ID - POLYETHELENE
	041953-09-000	FT	CONDUIT - CONVOLUTE SLIT - .50" ID - NYLON
	041953-10-000	FT	CONDUIT - CONVOLUTE SLIT - .75" ID - NYLON
	041953-11-000	FT	CONDUIT - CONVOLUTE SLIT - 1.06" ID - NYLON
	041953-12-000	FT	CONDUIT - CONVOLUTE SOLID - 1.1" ID - NYLON

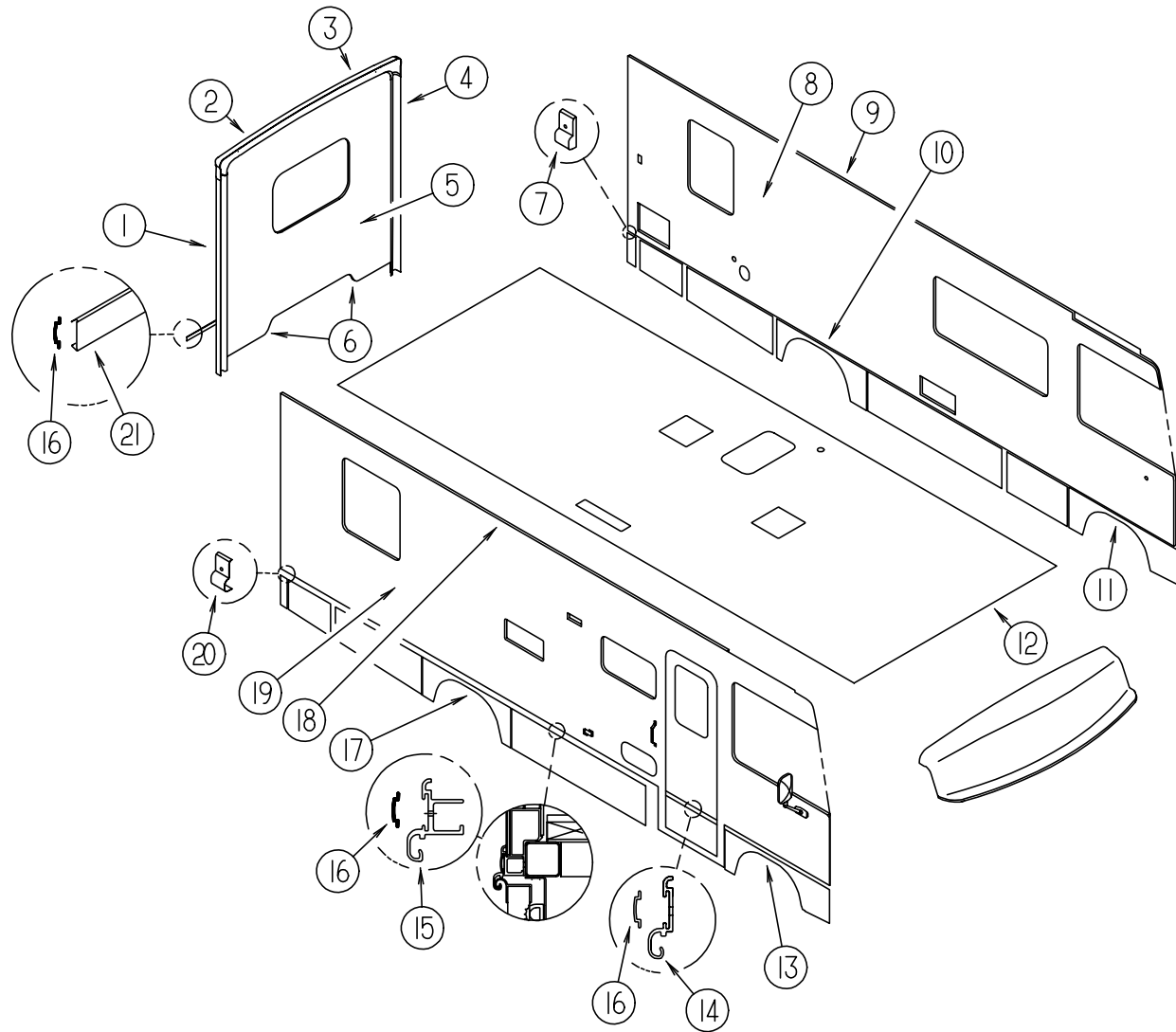
ELECTRICAL GROUP (CONTINUED)
CONVERTER & INVERTER

KEY	PART NUMBER	U/M	DESCRIPTION
	083208-02-000	EA	CONVERTER - POWER - 45A - 120/12V
	099048-03-000	EA	INVERTER - 130 WATT
	113132-01-000	EA	LOAD CENTER - 120/240 VOLT - 60 AMP

MISCELLANEOUS ELECTRICAL COMPONENTS

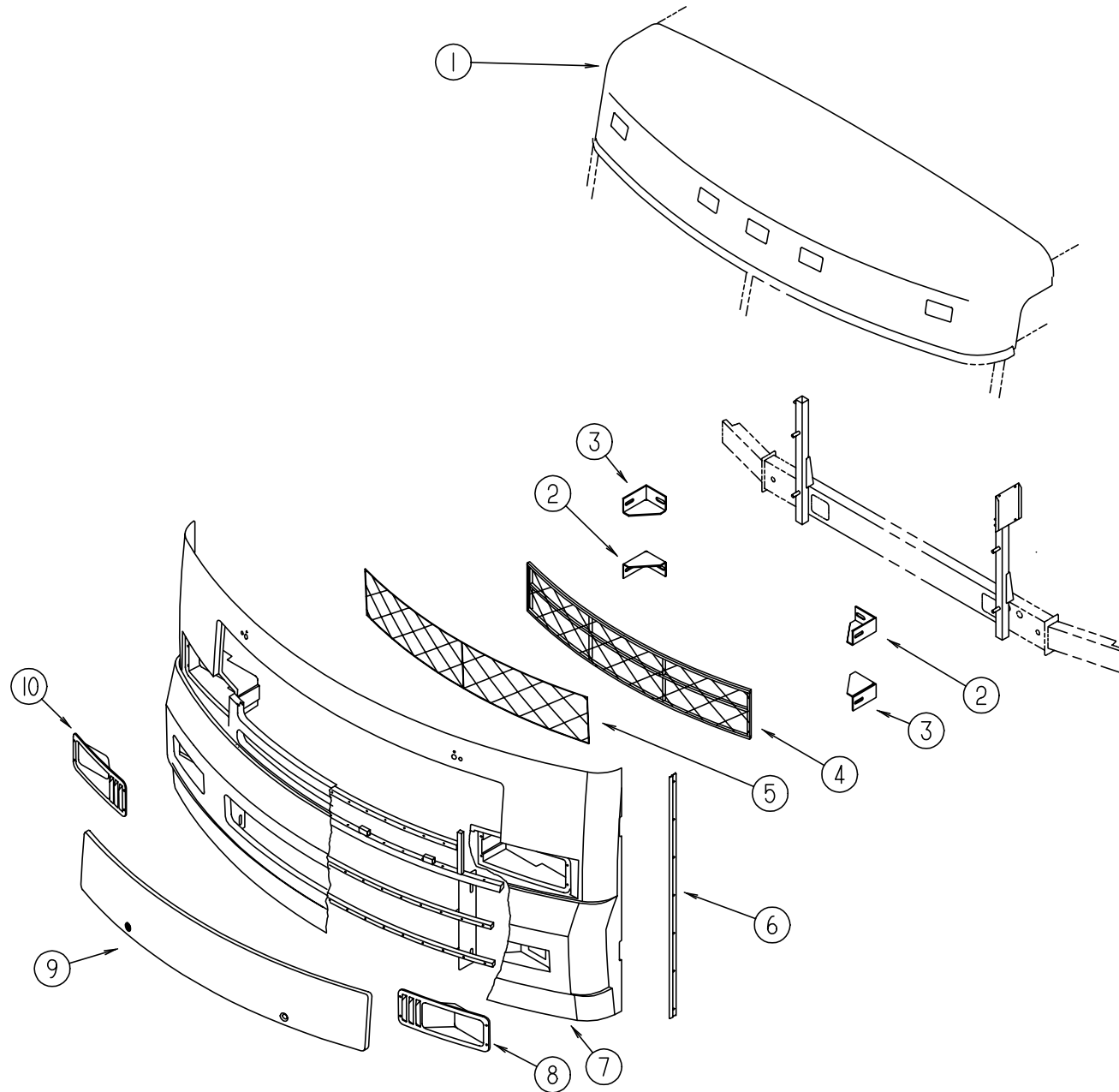
KEY	PART NUMBER	U/M	DESCRIPTION
	007093-01-000	EA	SIGNAL FLASHER
	007956-05-000	EA	INSULATOR - SHRINK - .25 ID X 1.50
	008188-01-000	EA	SOLENOID - 3 POST - BATTERY CHANGE OVER
	054250-04-000	EA	COVER/ANGLED - W/O HOLE 3.6" X 4.5" - PLASTIC ELECTRICAL PLATE SUPPORT
	063910-01-000	EA	HOUSING - RELAY
	063912-02-000	EA	RELAY - CANISTER - SPDT
	073626-04-000	EA	COVER - ELECTRIC - 10.4" X 7.8"
	086233-01-000	EA	STUD - ISOLATED - 3/8" X 7/8" LONG
	086273-01-000	EA	RELAY - BATTERY DISCONNECT
	103987-02-000	EA	SEAL - SOLENOID ACCESS
	125323-03-000	EA	LOCK - SECONDARY 8 POSITION
	125325-01-000	EA	SEAL - CAVITY
	087225-02-000	FT	SLEEVING - 5/8" - TYPE H
	077479-01-000	EA	BOOT - BATTERY TERMINAL - DOUBLE CABLE
	077479-02-000	EA	BOOT - BATTERY TERMINAL - SINGLE CABLE

EXTERIOR BODY GROUP
EXTERIOR BODY PANELS AND TRIM



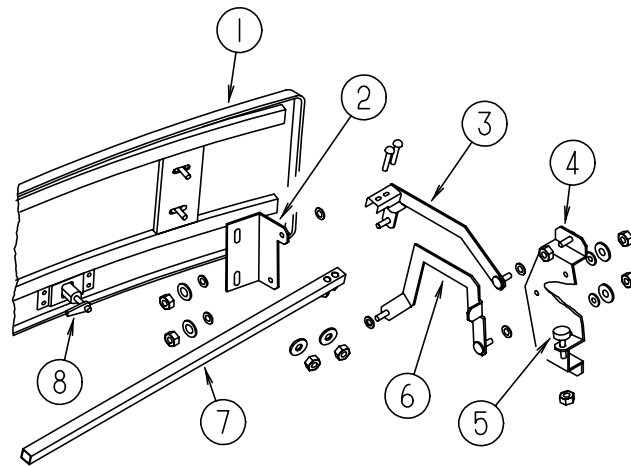
KEY	PART NUMBER	U/M	DESCRIPTION
1	114874-01-12B	EA	TRIM - BACKWALL - PASSENGER SIDE
1	120548-03-01A	EA	TRIM-J - BACKWALL - PASSENGER - NOTCHED - BRIGHT WHITE
2	114872-02-02A	EA	TRIM - BACKWALL - TOP - PASSENGER SIDE - BRT/WHITE
3	114873-02-02A	EA	TRIM - BACKWALL - TOP - DRIVER SIDE - BRT/WHITE
4	114874-02-12B	EA	TRIM - BACKWALL - DRIVER SIDE
4	120548-04-01A	EA	TRIM-J - BACKWALL - DRIVERS - NOTCHED - BRIGHT WHITE
5	M07419-29-J15	EA	BACKWALL - W/O WINDOW/TRIM
5	M07419-29-J16	EA	BACKWALL - W/O WINDOW/TRIM
5	M07419-29-J17	EA	BACKWALL - W/O WINDOW/TRIM
6	050406-31-000	EA	TRIM - LOWER BACKWALL
			FROM: 00-00-00 THRU: 03-15-98
6	050406-25-000	EA	TRIM - BACKWALL - LOWER
			FROM: 03-16-98 THRU: 99-99-99
7	127845-05-01A	EA	CAP - SIDEWALL TRIM - RIGHT HAND - 2.1" - BRIGHT WHITE
8	127400-01-J15	EA	SIDEWALL - DRIVER - W/O WINDOWS/TRIMS
8	127400-01-J16	EA	SIDEWALL - DRIVER - W/O WINDOWS/TRIMS
8	127400-01-J17	EA	SIDEWALL - DRIVER - W/O WINDOWS/TRIMS
9	120091-02-02A	EA	TRIM - ROOF
10	125800-10-J15	EA	WHEEL LIP - REAR/DRIVER
11	125799-17-J15	EA	WHEEL LIP - FRONT/DRIVER
12	127590-01-J15	EA	ROOF - W/O LIGHTS/VENTS - W/WIRING
13	125799-18-J15	EA	WHEEL LIP - FRONT/PASSENGER
14	126903-01-01A	EA	TRIM - SIDEWALL - 60.9" - BRIGHT WHITE
15	126901-21-01A	EA	TRIM - SIDEWALL - 195" BRIGHT WHITE
16	105312-01-07A	FT	INSERT - VINYL FEATURE STRIP - BRIGHT WHITE
17	125800-09-J15	EA	WHEEL LIP - REAR/PASSENGER
18	120092-01-02A	EA	RAIL - AWNING - BRIGHT WHITE
19	127399-01-J15	EA	SIDEWALL - PASSENGER - W/O WINDOWS/TRIMS
19	127399-01-J16	EA	SIDEWALL - PASSENGER - W/O WINDOWS/TRIMS
19	127399-01-J17	EA	SIDEWALL - PASSENGER - W/O WINDOWS/TRIMS
20	127845-06-01A	EA	CAP - SIDEWALL TRIM - LEFT HAND - 2.1" - BRIGHT WHITE
21	108688-01-03A	EA	STRIP - FEATURE - 15'
			FROM: 10-13-97 THRU: 99-99-99
	108651-01-01A	EA	END CAP - FEATURE STRIP
			FROM: 10-13-97 THRU: 99-99-99
	126694-55-001	EA	EXTRUSION - U-CHANNEL/HINGED - 191.7" - BRIGHT WHITE
	124511-14-01A	EA	TRIM - SIDEWALL - LOWER - BRIGHT WHITE
	002726-01-001	EA	GARNISH - U-CHANNEL - 1.38" X 19' - SERRATED
	068716-01-001	EA	BRACE - 90 DEGREE L-ANGLE - 16'
	069726-02-000	EA	BUMPER - .88" OD X .40" THICK - BLACK
	099069-01-000	FT	SEAL - RUBBER - CLOSED SPONGE - .5" WIDE X .12" THICK -BLK
	119568-01-01A	EA	STANDOFF - VALANCE PANEL - BLACK
	120570-01-02B	EA	SUPPORT - VALANCE
			FROM: 00-00-00 THRU: 08-25-97
	128251-01-02B	EA	SUPPORT - VALANCE - E-COATED
			FROM: 08-26-97 THRU: 99-99-99
	107865-02-000	EA	ROD - SUPPORT - VALANCE PANEL - 13.2"
	107865-21-000	EA	ROD - SUPPORT - VALANCE PANEL - 23.3"

EXTERIOR BODY GROUP (CONTINUED)
FRONT END COMPONENTS



KEY	PART NUMBER	U/M	DESCRIPTION
1	125052-02-J20	EA	CAP - ROOF - W/O LIGHTS/WIRING
	118383-01-04A	EA	RETAINER - SCREW
	118383-04-04A	EA	CAP - RETAINER/SCREW
	070579-06-000	EA	PLATE - ANCHOR - W/7/16 WELD NUT - 1.5" X 3.3"
	070579-07-000	EA	PLATE - ANCHOR - W/O WELD NUT - 1.5" X 3.3"
2	117611-06-02B	EA	BRACKET - BUMPER - LEFT HAND UPPER/RIGHT HAND LOWER FROM: 00-00-00 THRU: 12-16-97
2	128455-04-02B	EA	BRACKET - BUMPER FROM: 12-17-97 THRU: 99-99-99
3	117611-05-02B	EA	BRACKET - BUMPER - RIGHT HAND UPPER/LEFT HAND LOWER FROM: 00-00-00 THRU: 12-16-97
3	128455-03-02B	EA	BRACKET - BUMPER FROM: 12-17-97 THRU: 99-99-99
4	126953-01-J15	EA	GRILLE ASSEMBLY
5	115924-15-02A	EA	WIRE MESH - F/GRILLE - FLAT BLACK
6	123680-05-01A	EA	TRIM - FIBERGLASS - PANEL
7	126229-04-J20	EA	PANEL - FRONT/LOWER - W/O NOTCH - BRIGHT WHITE
	007157-05-000	EA	NUT - WELL
8	126265-02-01A	EA	BEZEL - HEADLAMP - LEFT HAND - BRIGHT WHITE
	110690-02-D18	EA	PLATE - HEADLAMP - QUAD/LEFT HAND
9	126956-01-J15	EA	HOOD - FRONT
10	126265-01-01A	EA	BEZEL - HEADLAMP - RIGHT HAND - BRIGHT WHITE
	110690-01-D18	EA	PLATE - HEADLAMP - QUAD/RIGHT HAND

EXTERIOR BODY GROUP (CONTINUED)



HOOD & COMPONENTS

KEY	PART NUMBER	U/M DESCRIPTION
1	126956-01-J15	EA HOOD - FRONT
	106730-10-000	EA PLATE - STUD - F/HOOD
2	126911-01-02B	EA ANGLE - LINK/HOOD - RIGHT HAND - E-COATED
	126911-02-02B	EA ANGLE - LINK/HOOD - LEFT HAND - E-COATED
3	125798-03-02B	EA LINK - HOOD HINGE - UPPER PASSENGER
	125798-04-02B	EA LINK - HOOD HINGE - UPPER DRIVER
4	126867-01-02B	EA BRACKET - LINK - HOOD HINGE - PASSENGER - E-COATED
	126867-03-02B	EA BRACKET - LINK - HOOD HINGE - DRIVER - E-COATED
5	058786-01-000	EA BOLT - ADJUSTING HOOD - W/BLACK PAD
6	125778-07-02B	EA LINK - HINGE/HOOD - LOWER RIGHT HAND - E-COATED
	125778-08-02B	EA LINK - HINGE/HOOD - LOWER LEFT HAND - E-COATED
7	126913-02-02B	EA TUBE - TIMING - HOOD HINGE - E-COATED
8	102330-02-000	EA LATCH - VISE ACTION/KEY OPERATED
	102330-04-000	EA PAWL - LATCH - STRAIGHT - 1.96"
	102328-01-000	EA KEY - BARREL - NICKEL PLATED
	126352-04-02B	EA LATCH - HOOD - E-COATED

EXTERIOR BODY GROUP (CONTINUED) MISCELLANEOUS FRONT END COMPONENTS

KEY	PART NUMBER	U/M DESCRIPTION
	078249-19-000	EA TUBE-SWEPT,FRAME,CAB
	104797-03-000	EA BRACKET-DEFROSTER
	104797-04-000	EA BRACKET-DEFROSTER
	104797-05-000	EA BRACKET-DEFROSTER
	117273-01-01A	EA TUBE - SUPPORT - A-PILLAR
	117287-01-01B	EA BRACKET - MOUNT - CABLE
	118592-01-01B	EA SHIELD-SPLASH,RH,MILL
	120363-01-01B	EA BRACKET - WINDSHIELD
	121269-09-01B	EA FRAME-WINDSHIELD,A PILLAR,ML
	121269-10-01B	EA FRAME-WINDSHIELD,A PILLAR,ML
	124904-03-01B	EA HEADER - WINDSHIELD - CENTER
	124974-01-01B	EA SUPPORT-WINDSHIELD,LOWER,MLL
	124975-01-01B	EA SUPPORT-WINDSHIELD,UPPER,MLL
	125836-02-01B	EA ZEE-WIPER MOTOR,MILL
	125837-02-01B	EA BRACE-WIPER MOTOR,MILL
	110782-01-000	EA ANGLE - SUPPORT - HEADLAMP
	125846-02-J20	EA SUPPORT - WIPER
	121962-02-02B	EA SHIELD/SPLASH - HEADLIGHT - E-COATED
	076364-57-000	EA ANGLE-FORMED

FIBERGLASS, STYROFOAM & INSULATION

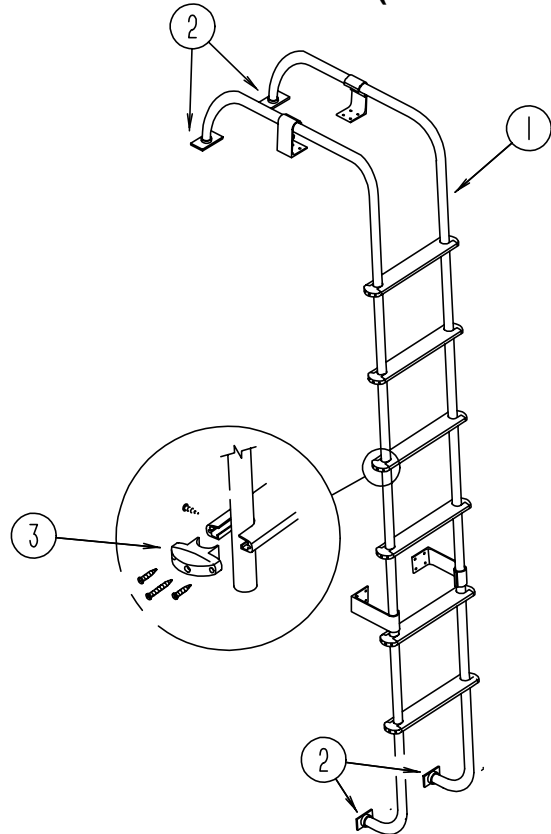
KEY	PART NUMBER	U/M DESCRIPTION
	076054-U4-000	EA FIBERGLASS SHEET - 101" X 104" - BRIGHT WHITE
	076054-U8-000	EA FIBERGLASS SHEET - 100" X 105" - BRIGHT WHITE
	076054-W4-000	EA FIBERGLASS SHEET - 79" X 337" - BRIGHT WHITE
	076054-W6-000	EA FIBERGLASS SHEET - 79" X 367" - BRIGHT WHITE
	077517-62-000	EA FIBERGLASS - SHEET/SIDEWALL - 48" X 96" - BRIGHT WHITE
	108535-05-702	EA FRP FLAT 108" X 396" BRT WHT (ROOF COVERING)
	000870-08-000	SF STYROFOAM - .75" X 48" X 96" PLANED EXPANDED BEAD BOARD
	100619-01-000	BF FOAM - EXPANDED POLYSTYRENE - 1.34" X 48" X 96"
	100619-04-000	BF FOAM - EXPANDED POLYSTYRENE - .5" X 48" X 96"
	100619-05-000	BF FOAM - EXPANDED POLYSTYRENE - .75" X 48" X 96"
	100619-10-000	BF FOAM - EXPANDED POLYSTYRENE - 1.5" X 48" X 96"
	100619-11-000	BF FOAM - EXPANDED POLYSTYRENE - 2" X 48" X 96"
	100619-16-000	BF FOAM - EXPANDED POLYSTYRENE - .75" X 48" X 96"
	105077-08-000	EA FOAM - PLUG - ROOF CAP
	120107-01-000	EA FOAM - COVE - ROOF - 2.8" X 96" LONG
	120107-02-000	EA FOAM - PLUG - ROOF TUBE - 2.2" X 2.9" X 1.8" LONG
	120107-03-000	EA FOAM - PLUG - SIDEWALL TUBE - 1.2" X 2.1" X 1.8" LONG

A & E AWNING & HARDWARE

KEY	PART NUMBER	U/M DESCRIPTION
	113874-05-05A	EA AWNING - W/O HARDWARE 14' (POLAR LAVENDER BLUE) VINYL
*	113874-01-02A	EA HARDWARE KIT - AWNING - W/O STANDOFF BRACKET - BRIGHT WHT
	119496-01-02A	EA SPACER/ZEE - AWNING
		FROM: 00-00-00 THRU: 04-12-98
	111037-01-01A	EA SPACER - AWNING - UPPER - BLACK
		FROM: 00-00-00 THRU: 04-12-98
	130320-01-02A	EA BRACKET - AWNING - F/A&E INSTALLATION - BRIGHT WHITE
		FROM: 04-13-98 THRU: 99-99-99
	127647-02-01A	EA ROD/AWNING GUARD - ENTRANCE DOOR
	127960-01-01A	EA RETAINER - 3/8" PROP ROD - STAINLESS STEEL

* COMPONENT PARTS FOUND IN SERVICE PARTS LIBRARY

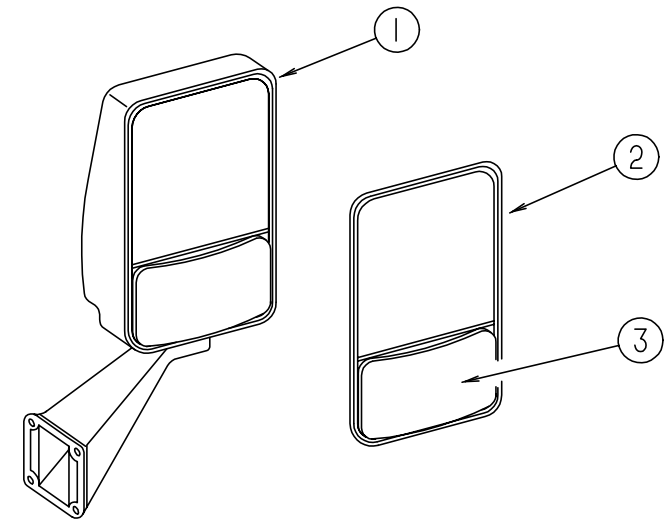
EXTERIOR BODY GROUP (CONTINUED)



LADDER

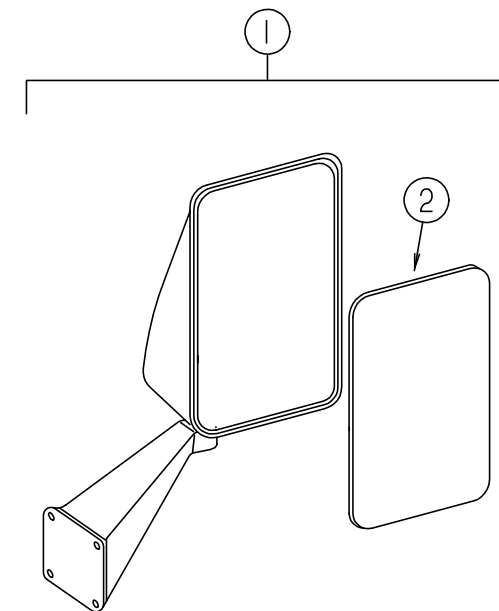
KEY	PART NUMBER	U/M DESCRIPTION	
1	102953-21-J15	EA LADDER	
			FROM: 00-00-00 THRU: 05-17-98
1	129639-03-01A	EA LADDER - BRUSHED ALUMINUM	FROM: 05-18-98 THRU: 99-99-99
2	067165-01-000	EA BRACKET - MOUNTING - LOWER LADDER	
3	076980-02-000	EA END CAP - STEP - BLACK	
	038327-04-000	EA TAPE - ANTI SLIP - 12" X 60'	

EXTERIOR BODY GROUP (CONTINUED)



VELVAC HEATED EXTERIOR MIRRORS

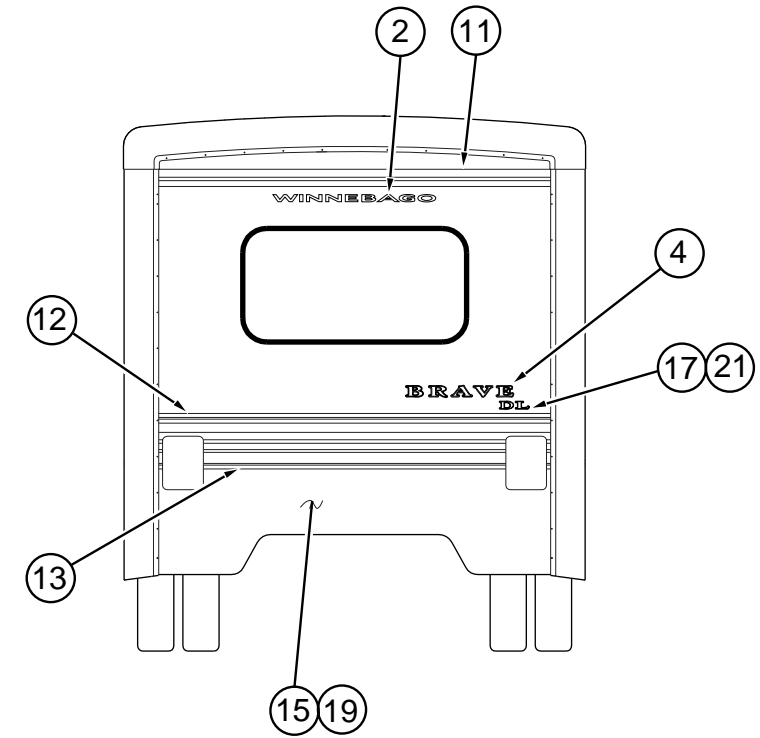
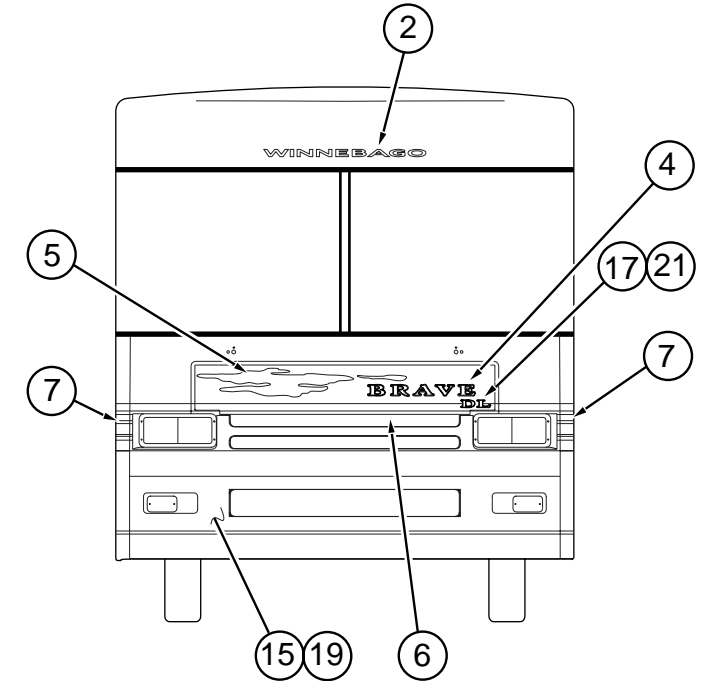
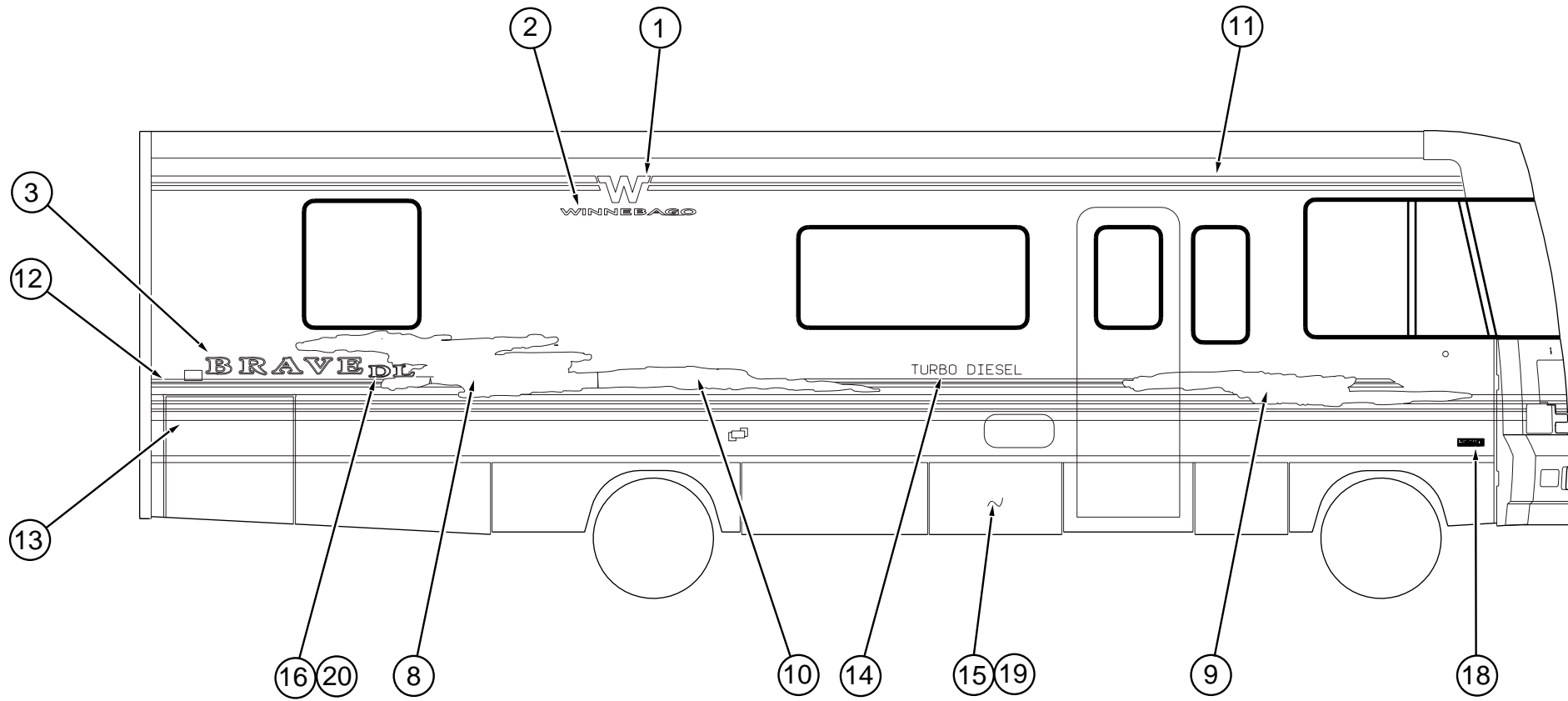
KEY	PART NUMBER	U/M DESCRIPTION	VENDOR NO.
1	106015-12-01A	EA MIRROR - EXTERIOR REMOTE/HEAT - PASSENGER	
1	106015-13-01A	EA MIRROR - EXTERIOR REMOTE/HEAT - DRIVER	
2	106015-12-700	EA MIRROR-FLAT - W/W/O HEAT	709448
3	106015-12-701	EA MIRROR-CONVEX - W/W/O HEAT	709449
	106015-12-702	EA SCREW CAP - (BAG OF 4)	748329
	087695-02-000	EA SWITCH - HEATER - EXTERIOR MIRROR	
	088246-01-000	EA SWITCH - REMOTE - EXTERIOR - SQUARE PUSH	
	087695-03-000	EA CONNECTOR - ASSEMBLY	



VELVAC EXTERIOR MIRRORS

KEY	PART NUMBER	U/M DESCRIPTION	VENDOR NO.
1	123297-01-01A	EA MIRROR - EXTERIOR - ADJUSTABLE GLASS - DRIVER	
1	123297-02-01A	EA MIRROR - EXTERIOR - ADJUSTABLE GLASS - PASSENGER	
2	106860-02-702	EA GLASS ONLY FLAT RH/LH STAR	702086-8

EXTERIOR BODY GROUP (CONTINUED)
DECALS, FILM STRIPES & PAINT

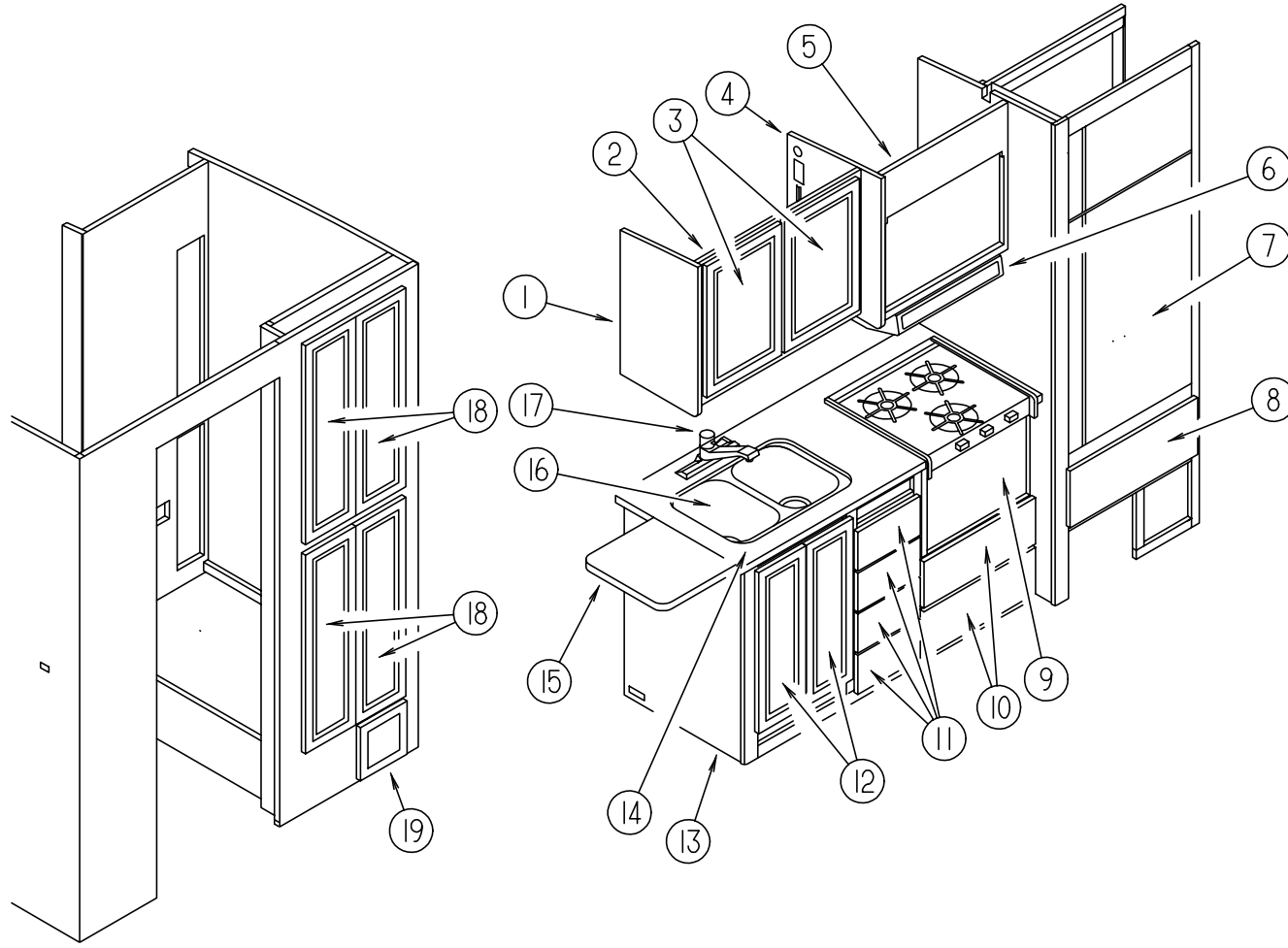


KEY	PART NUMBER	U/M	DESCRIPTION	VENDOR NO.
1	121743-02-01A	EA	DECAL - LOGO - "W"	
2	120702-03-06A	EA	DECAL - LOGO - WINNEBAGO	
3	121437-01-02A	EA	DECAL - LOGO/BRAVE - LARGE	
4	121437-02-02A	EA	DECAL - LOGO/BRAVE - SMALL	
5	125009-01-01A	EA	DECAL - SPLASH - HOOD	
6	125010-01-01A	EA	DECAL - HOOD	
7	125012-01-01A	EA	DECAL - CORNER - RIGHT HAND	
7	125012-02-01A	EA	DECAL - CORNER - LEFT HAND	
8	125007-01-01A	EA	DECAL - SPLASH - REAR/RIGHT HAND	
	125007-02-01A	EA	DECAL - SPLASH - REAR/LEFT HAND	
9	125008-01-01A	EA	DECAL - SPLASH - FRONT/RIGHT HAND	
	125008-02-01A	EA	DECAL - SPLASH - FRONT/LEFT HAND	
10	125020-01-01A	EA	DECAL - SPLASH - REAR/RIGHT HAND TAIL	
	125020-02-01A	EA	DECAL - SPLASH - REAR/LEFT HAND TAIL	
11	105781-60-01A	FT	FILM - MULTISTRIPE 3.7"	
12	105781-61-01A	FT	FILM - MULTISTRIPE 2.1"	
13	118710-04-01A	FT	FILM - MULTISTRIPE/OVERLAY - 7.98"	
14	111318-03-03A	EA	DECAL - TURBO DIESEL	
15	N/A		PAINT - SILVER METALLIC	
16	120995-07-01A	EA	DECAL - LOGO - DL - LARGE	
17	120995-08-01A	EA	DECAL - LOGO - DL - SMALL	
18	122312-02-01A	EA	DECAL - VORTEC 7400 FUEL INJECTED	
19	N/A		PAINT - COOL BLUE METALLIC	
20	127162-01-01A	EA	DECAL - SE - LARGE	
21	127162-02-01A	EA	DECAL - SE - SMALL	
	099399-23-700	EA	PAINT-SPRAY-BRT WHITE ENAMEL B8951U DUPONT	
	099399-23-701	EA	PAINT - BRT/WHT .3 OZ PEN RAABE	

DUPONT COLOR CODES

BRIGHT WHITE (MAIN BODY COLOR)	B8951
SILVER METALLIC (LOWER ACCENT COLOR)	F2573U
COOL BLUE METALLIC (LOWER ACCENT COLOR)	F3353U
DUSTY ROSE METALLIC (DECAL COLOR)	F4583
TEAL GREEN METALLIC (DECAL COLOR)	F4584
DARK GREEN METALLIC (DECAL COLOR)	MM172
STELLAR BLUE METALLIC (DECAL COLOR)	F4585
ORCHID MIST METALLIC (DECAL COLOR)	F1916K

GALLEY GROUP
GALLEY CABINETRY



KEY	PART NUMBER	U/M DESCRIPTION
1	103128-36-J15	EA END CAP - OVERHEAD - LEFT HAND
2	128051-01-J15	EA CABINET - OVERHEAD/GALLEY - W/O DOORS/HARDWARE
	128051-11-J15	EA SHELF - W/PLASTIC EDGE TRIM
3	M08758-78-J15	EA DOOR - MITERED CORNER/OGEE EDGE - 14.3" X 21.8" - W/O HDW (FLAT MEDIUM DENSITY FIBERBOARD INSERT)
3	M08758-25-J15	EA DOOR - MITERED CORNER/OGEE EDGE - 14.3" X 21.8" - W/O HDW (RAISED MEDIUM DENSITY FIBERBOARD INSERT)
4	081320-14-G09	EA END CAP - OVERHEAD CABINET
5	121328-51-J15	EA CABINET - OVERHEAD/MICROWAVE - W/O DOORS/HARDWARE
		FROM: 00-00-00 THRU: 10-05-97
5	128620-08-J15	EA CABINET - MICROWAVE - W/O DOORS/HARDWARE
		FROM: 10-06-97 THRU: 10-05-97

KEY	PART NUMBER	U/M DESCRIPTION
6*	100258-16-04A	EA HOOD - RANGE - W/O MONITOR PANEL-W/O HOUR METER/SWITCH-US
6*	100258-17-04A	EA HOOD - RANGE - W/O MONITOR PANEL-W/O HOUR METER/SWITCH-CSA
6*	100258-18-03A	EA HOOD - RANGE - W/O MONITOR PANEL-W/HOUR METER/SWITCH - US
7*	121568-01-01A	EA REFRIGERATOR - SMALL DOUBLE DOOR - 2-WAY
	116751-03-01A	EA TRAY - REFRIGERATOR - BLACK
	054450-01-000	EA LEVEL - REFRIGERATOR
	065225-02-000	EA PLATE - TIEDOWN - REFRIGERATOR
	093646-01-000	EA BRACKET - TIEDOWN/REFRIGERATOR - RIGHT HAND
	093646-02-000	EA BRACKET - TIEDOWN/REFRIGERATOR - LEFT HAND
	090329-01-000	FT SEAL/T - REFRIGERATOR CABINET
8	M05971-KS-J15	EA DRAWER - OGEE EDGE - 22.5"W X 23.6"D - W/O SLIDES/HARDWARE
9*	112881-02-03A	EA RANGE-16" 3 BURNER-FRONT HI-OUTPUT BURNER - BLK TOP/DOOR
	105458-03-000	EA BRACKET - STOVE TIEDOWN - RIGHT HAND
	105458-04-000	EA BRACKET - STOVE TIEDOWN - LEFT HAND
10	M05971-KR-J15	EA DRAWER - OGEE EDGE - 19.8"W X 17.7"D - W/O SLIDES/HARDWARE
11	M05971-11-J15	EA DRAWER - OGEE EDGE - 9.9"W X 17.7"D - W/O SLIDES/HARDWARE
12	M08758-80-J15	EA DOOR - MITERED CORNER/OGEE EDGE - 9" X 26.5" - W/O HDW (FLAT MEDIUM DENSITY FIBERBOARD INSERT)
13	127966-01-J15	EA CABINET - GALLEY - W/COUNTERTOP - W/O DOORS/DWRS/HDW
13	127966-01-J16	EA CABINET - GALLEY - W/COUNTERTOP - W/O DOORS/DWRS/HDW
13	127966-01-J17	EA CABINET - GALLEY - W/COUNTERTOP - W/O DOORS/DWRS/HDW
	127966-11-J15	EA SHELF - W/PLASTIC EDGE TRIM
14	127966-12-J15	EA COUNTERTOP - GALLEY
14	127966-12-J16	EA COUNTERTOP - GALLEY
14	127966-12-J17	EA COUNTERTOP - GALLEY
15	080812-06-GB1	EA EXTENSION - GALLEY COUNTERTOP (J15)
		FROM: 00-00-00 THRU: 02-01-98
15	080812-06-J16	EA EXTENSION - GALLEY COUNTERTOP (J16)
		FROM: 00-00-00 THRU: 02-01-98
15	080812-06-GD1	EA EXTENSION - GALLEY COUNTERTOP (J17)
		FROM: 00-00-00 THRU: 02-01-98
15	129503-02-J15	EA EXTENSION - GALLEY COUNTERTOP - W/O HARDWARE (J15)
		FROM: 02-02-98 THRU: 99-99-99
15	129503-02-J16	EA EXTENSION - GALLEY COUNTERTOP - W/O HARDWARE (J16)
		FROM: 02-02-98 THRU: 99-99-99
15	129503-02-J17	EA EXTENSION - GALLEY COUNTERTOP - W/O HARDWARE (J17)
		FROM: 02-02-98 THRU: 99-99-99
16	110654-01-000	EA SINK - STAINLESS STEEL/DOUBLE BASIN (1 LG-1 SM BASIN)
		FROM: 00-00-00 THRU: 12-04-97
16	104113-01-000	EA SINK - DOUBLE - STAINLESS STEEL
		FROM: 12-05-97 THRU: 99-99-99
	092303-01-000	EA STRAINER - SINK
	103610-03-H04	EA COVER - SINK - 15.2" X 11" (J15)
	103610-03-H05	EA COVER - SINK - 15.2" X 11" (J16)
	103610-03-H07	EA COVER - SINK - 15.2" X 11" (J17)
17	103243-01-000	EA FAUCET - DUAL CONTROL
17	104114-02-01A	EA FAUCET - GALLEY - SINGLE CONTROL - OPTIONAL
	120234-04-H13	EA LID - ENTRY STEP
	101222-01-04A	EA BRACKET - CATCH - LID
	116975-01-01A	EA LATCH - W/O STRIKE - BLACK - NEW STYLE
	116975-02-01A	EA KEEPER/STRIKE - BLACK - NEW STYLE
	064075-07-000	FT SEAL - BULB - W/WIRED U CHANNEL - .3" X .5" CHANNEL - BLK
18	M08758-21-J01	EA DOOR - MITERED CORNER/OGEE EDGE - 9.8" X 33.4" - W/O HDW (FLAT MEDIUM DENSITY FIBERBOARD INSERT)
	128066-14-J15	EA SHELF - W/PLASTIC EDGE TRIM
19	M05992-Y7-J15	EA DOOR - STRAIGHT CORNER/OGEE EDGE - 17.9" X 13.8" - W/O HDW

* COMPONENT PARTS FOUND IN SERVICE PARTS LIBRARY

GALLEY GROUP (CONTINUED)
MICROWAVE OVEN & TRIMS, BRACKETS, AND BRACES

KEY	PART NUMBER	U/M DESCRIPTION	VENDOR NO.
	115303-02-000	EA OVEN - MICROWAVE - 1.3 CU FT	
		FROM: 00-00-00 THRU: 10-05-97	
	115401-02-01A	EA TRIM - MICROWAVE	
		FROM: 00-00-00 THRU: 10-05-97	
	128527-02-000	EA OVEN - MICROWAVE - 1.2 CU FT - NON CONVECTION	
		FROM: 10-06-97 THRU: 99-99-99	
	128527-02-700	EA TRIM RING-F/1.2 CU.FT. MICRO	MC-6471-EA
		FROM: 10-06-97 THRU: 99-99-99	
	128642-02-000	EA TRIM KIT W/VENT - MICROWAVE - 1.2 CU FT SAMSUNG	
		FROM: 10-06-97 THRU: 99-99-99	
	094750-07-000	EA BRACKET - MICROWAVE - 89 DEGREE	
		FROM: 00-00-00 THRU: 10-05-97	
	094750-10-000	EA BRACKET - MICROWAVE - 89 DEGREE	
		FROM: 10-06-97 THRU: 99-99-99	
	098916-16-02B	EA BRACE - MICROWAVE - LEFT HAND	
		FROM: 00-00-00 THRU: 10-05-97	
	098916-17-02B	EA BRACE - MICROWAVE - RIGHT HAND	
		FROM: 00-00-00 THRU: 10-05-97	
	098916-22-02B	EA BRACE - MICROWAVE CABINET - LEFT HAND	
		FROM: 10-06-97 THRU: 99-99-99	
	098916-23-02B	EA BRACE - MICROWAVE CABINET - RIGHT HAND	
		FROM: 10-06-97 THRU: 99-99-99	

COFFEE MAKER

KEY	PART NUMBER	U/M DESCRIPTION	VENDOR NO.
	126019-01-01A	EA COFFEEMAKER - OPTIMA - W/BRACKETS - BLACK & DECKER	
	126019-01-700	EA GLASS CARAFE	172547-00
	126019-01-701	EA RESERVOIR- WATER	172554
	126019-01-702	EA BASKET - FILTER	172553-00
	126019-01-703	EA HARDWARE - MOUNTING	172174-00

LVS MONITOR PANEL

KEY	PART NUMBER	U/M DESCRIPTION	VENDOR NO.
*	102765-03-01A	EA PANEL - MONITOR - 3 TANK/WATER HEATER	
		FROM: 00-00-00 THRU: 10-12-97	
*	102765-04-01A	EA PANEL - MONITOR - 2 HOLDING TANKS - ADJUSTABLE	
		FROM: 10-13-97 THRU: 99-99-99	

* COMPONENT PARTS FOUND IN SERVICE PARTS LIBRARY

GENERATOR GROUP
3,300 WATT ONAN MICROLITE - EXPORT

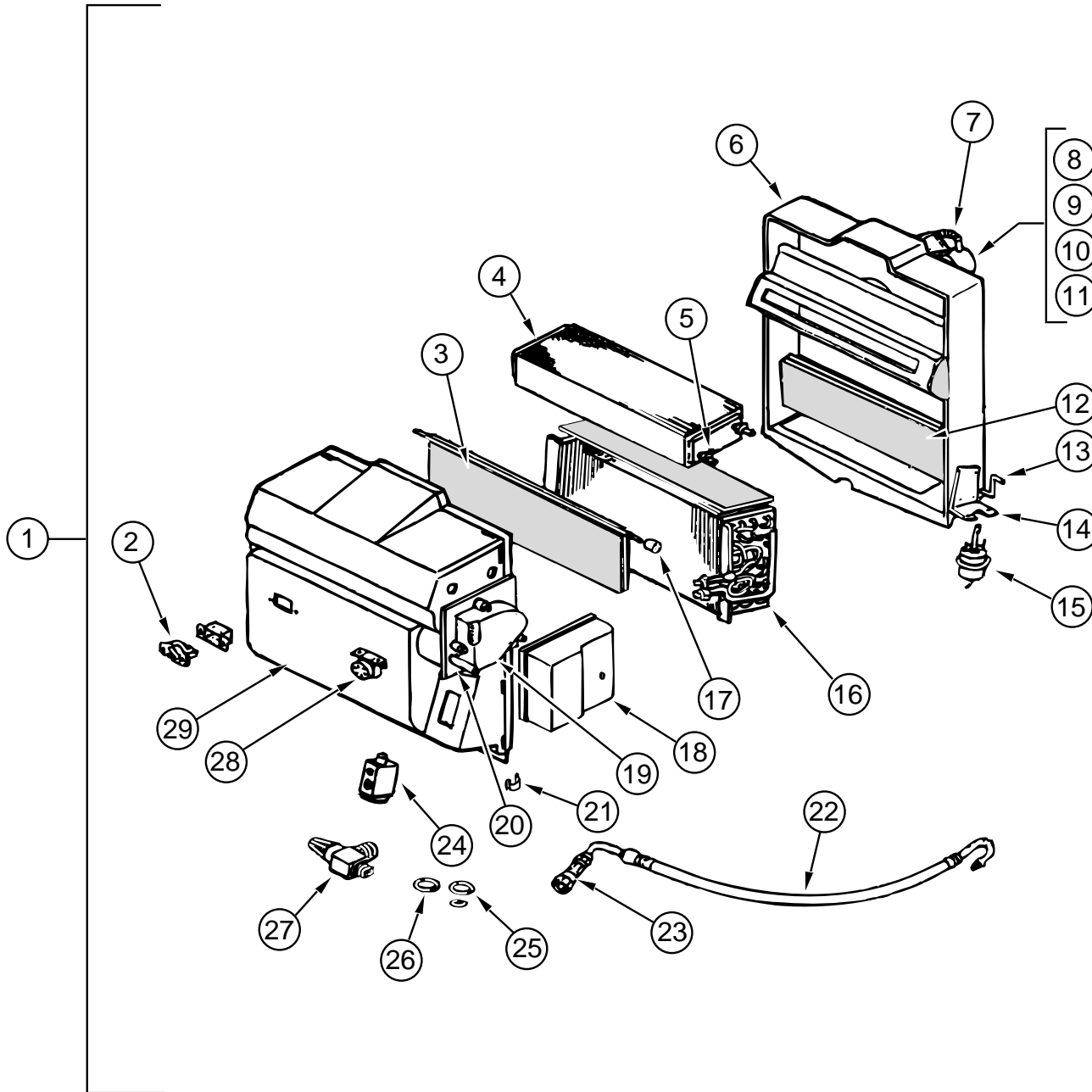
KEY	PART NUMBER	U/M DESCRIPTION
	109982-05-000	EA GENERATOR - 3.3 MICROLITE
	007125-04-000	EA CLAMP - MUFFLER - 1.12" DIAMETER
	008401-01-000	EA STRAP - CONDUIT - 3/4" - 1 HOLE - GALVANIZED STEEL
	105958-09-000	EA PIPE - GENERATOR EXHAUST - 1.3" OD X 5.9" X 22"

4,000 WATT ONAN MICROLITE

KEY	PART NUMBER	U/M DESCRIPTION
	109982-03-000	EA GENERATOR - 4.0 MICROLITE
	007125-04-000	EA CLAMP - MUFFLER - 1.12" DIAMETER
	008401-01-000	EA STRAP - CONDUIT - 3/4" - 1 HOLE - GALVANIZED STEEL
	105958-09-000	EA PIPE - GENERATOR EXHAUST - 1.3" OD X 5.9" X 22"

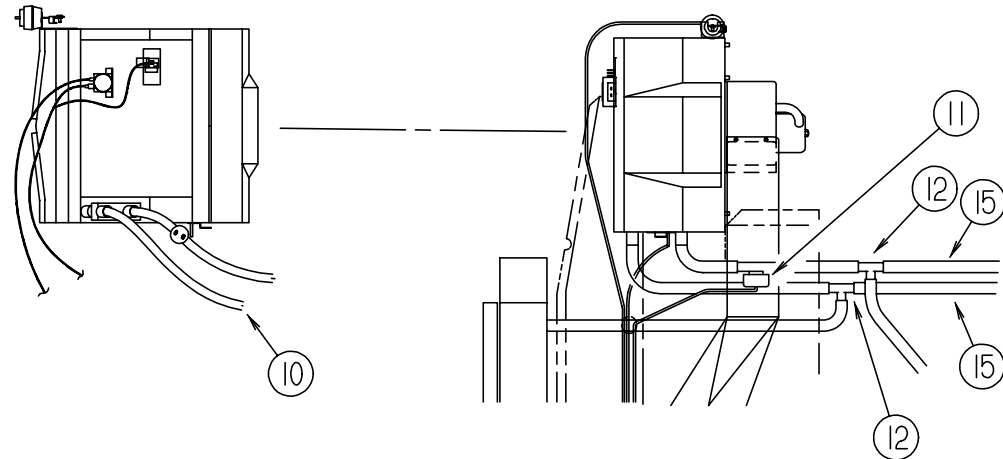
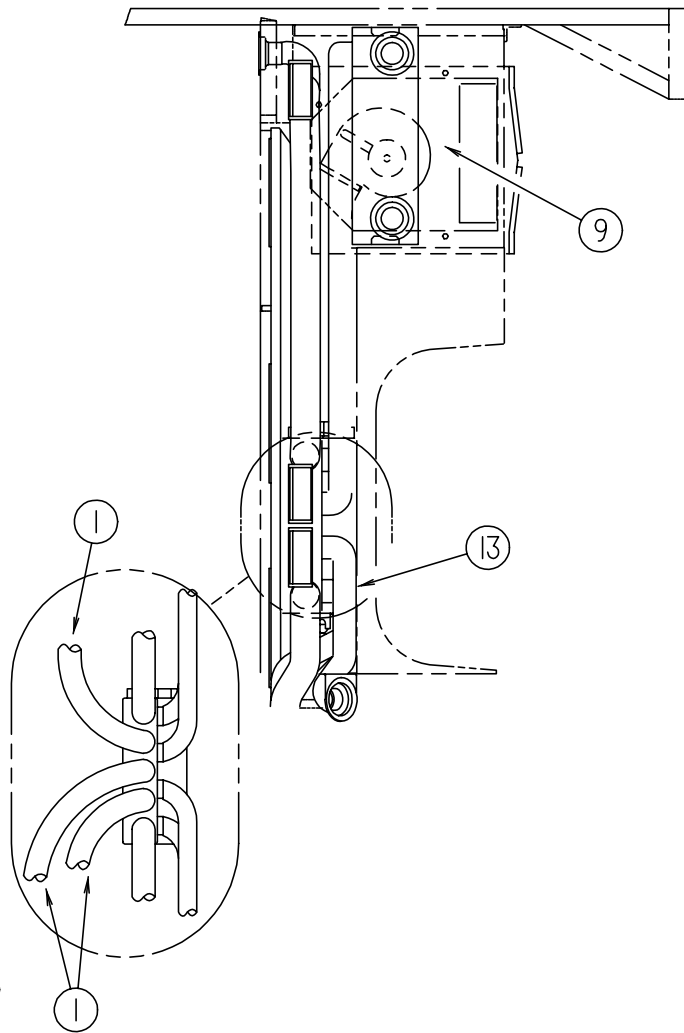
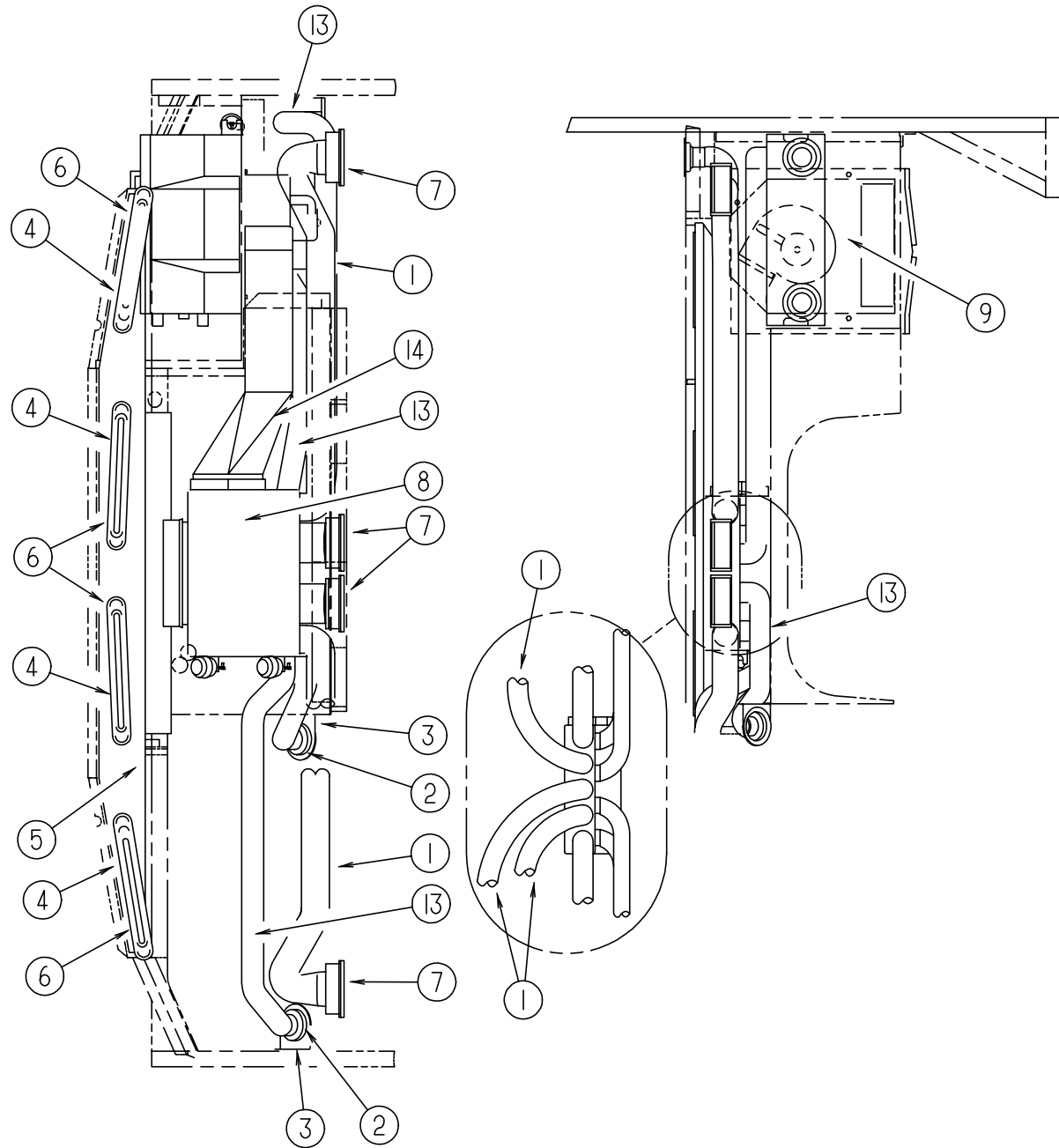
NOTE: ADDITIONAL GENERATOR COMPONENTS ARE FOUND IN THE CHASSIS GROUP

HEATING & AIR CONDITIONING GROUP
SCS EVAPORATOR/HEATER ASSEMBLY - CHEVY CHASSIS



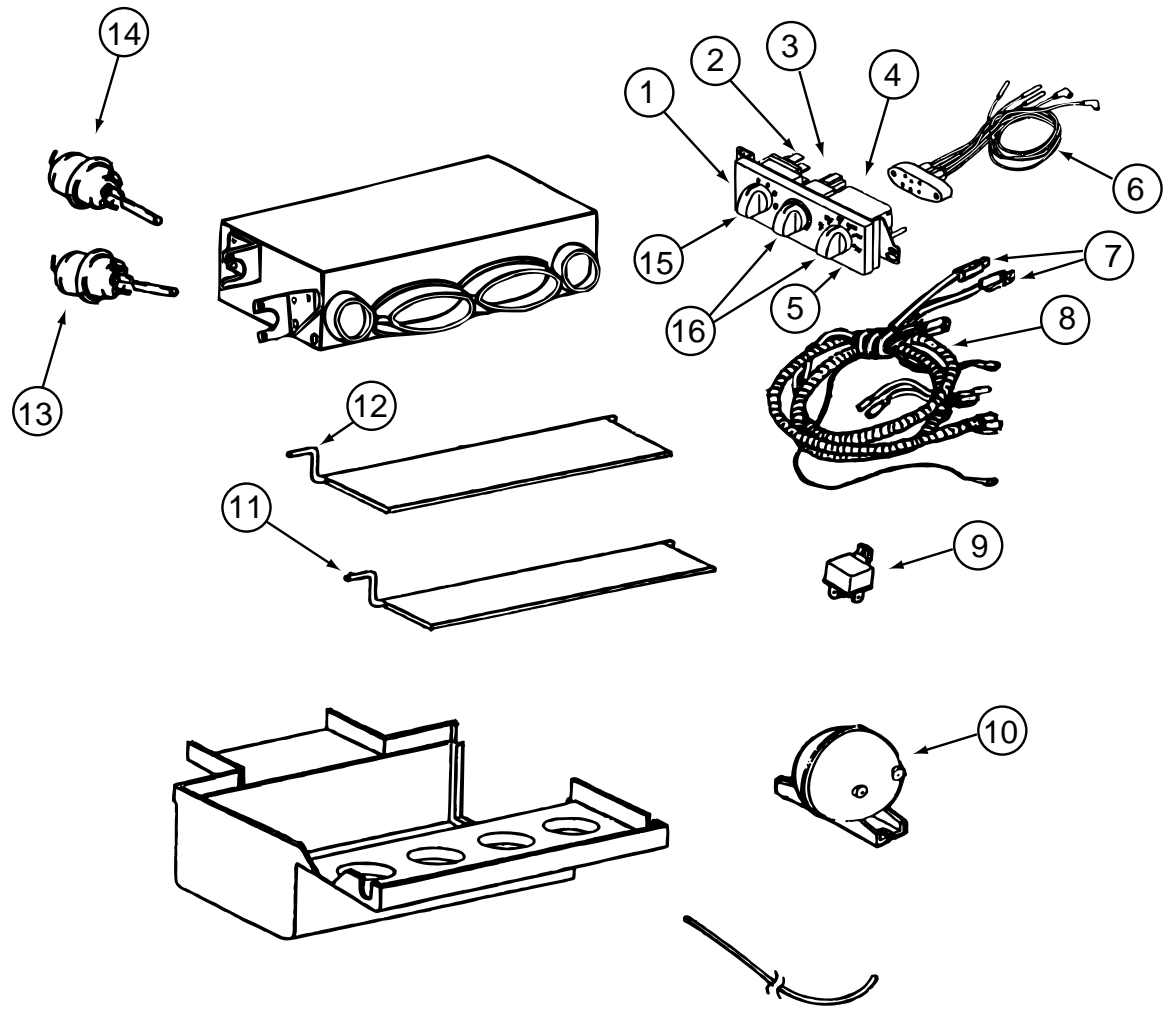
KEY	PART NUMBER	U/M	DESCRIPTION	VENDOR NO.
1	103930-30-000	EA	EVAPORATOR/HEATER - CHEVY - SERVO MOTOR CONTROLLED	
2	103930-01-710	EA	RESISTOR-FUSED, A/C	035-0006
3	103930-30-705	EA	DOOR - BLEND AIR	071-0568
4	103930-01-703	EA	CORE-HEATER	042-0010
5	110279-01-712	EA	FITTING-HEATER	050-0076
6	103930-20-711	EA	CASE-BACK, SUB-ASSEMBLY	062-0147
7	110279-01-703	EA	HOSE-VENT F/BLOWER MOTOR	051-0034
8	103930-20-707	EA	HOUSING-BLOWER	062-0145
9	103930-30-706	EA	MOTOR-BLOWER PM147 W/ADAPTER	030-0109
10	103930-01-717	EA	WHEEL-BLOWER, CLOCKWISE	062-0010
11	103930-20-708	EA	CLIP-MOTOR SHAFT	022-0001
12	103930-20-705	EA	PANEL-DOOR, RECIRCULATING	071-0213
13	103930-20-704	EA	ROD-DOOR-RECIRCULATING	073-0018
14	103930-01-708	EA	BRACKET-VACUUM MOTOR	070-0113
15	103930-02-708	EA	MOTOR-VACUUM SERVO, A/C	030-0025
16	103930-01-704	EA	COIL-EVAPORATOR	041-0017
17	103930-30-702	EA	BUSHING - BLEND AIR DOOR	062-0168
18	103930-30-704	EA	COVER - SERVO	062-0545
19	103930-30-703	EA	MOTOR - SERVO	030-0104
20	103930-30-701	EA	PLATE - MOTOR MOUNT	062-0544
21	103930-20-706	EA	CLIP-RETAINER - CASE ATTACH	022-0057
22	103930-25-700	EA	HOSE ASM #6 EVAPORATOR/DRIER	085-0350
23	103930-12-709	EA	FITTING-QUICK CONNECT	050-0120
24	103930-20-700	EA	VALVE-EXPANSION-BLOCK, 2 TON	034-0032
25	103930-17-702	EA	O'RING #10	045-0127
26	113245-01-707	EA	O'RING #8	045-0126
27	103930-20-709	EA	VALVE-SERVICE	050-0159
28	103930-01-711	EA	THERMOSTAT	033-0003
29	103930-30-700	EA	CASE - FRONT	062-0542

HEATING & AIR CONDITIONING GROUP (CONTINUED)
AUTOMOTIVE HEATER MISCELLANEOUS



KEY	PART NUMBER	U/M	DESCRIPTION	VENDOR NO.
1	007281-01-000	EA	HOSE - FLEXIBLE PVC - 2.5" ID X 50'	
1	007281-01-700	FT	HOSE-FLEXIBLE PVC, 2 1/2 ID	
2	024990-05-000	EA	OUTLET - DEFROSTER - 4" DIAMETER W/SWIVEL DEFLECTORS	
3	056402-05-000	EA	BRACKET - HEATER VENT - ROUND W/BEND - BLACK	
4	077075-01-000	EA	GASKET - INSTRUMENT PANEL TO DEFROSTER PLENUM	
5	103017-03-000	EA	PLENUM - DEFROSTER	
6	103558-01-10A	EA	VENT - DEFROSTER - 2" X 14.4" X 1.4" - ANTELOPE	
			FROM: 00-00-00 THRU: 05-09-98	
6	103558-04-03A	EA	VENT - DEFROSTER - ANTELOPE	
			FROM: 05-10-98 THRU: 99-99-99	
7	103796-01-01A	EA	LOUVER - A/C-ADJUSTABLE - 2.2" X 5.4" F/2.5" HOSE - BLACK	
8	103930-39-000	EA	CONTROL/PLENUM - ROTARY	
9	103930-30-000	EA	EVAPORATOR/HEATER - CHEVY - SERVO MOTOR CONTROLLED	
10	103930-29-000	EA	HOSE KIT - #10 F/GM L-29 & L-65 CHASSIS	
	103930-17-702	EA	O'RING #10	045-0127
	103930-29-701	EA	O'RING F/LOW PRESSURE SWITCH	045-0483
11	103930-23-000	EA	VALVE - WATER - 2 PORT	
12	076776-01-000	EA	TEE - BEADED - 5/8" X 5/8" X 5/8"	
13	007076-01-000	EA	HOSE - FLEXIBLE PVC - 2" ID - INCREMENTS OF 50'	
14	103016-03-000	EA	PLENUM - TRANSITION	
15	007108-01-000	FT	HOSE - HEATER - 5/8" ID - HI-TEMP - FORD	
	077539-01-000	EA	BRACKET - MOUNTING/DASH PANEL - L/SHAPED - 2.5"X1"X1.5"	
	103930-37-000	EA	MANUAL - OWNERS - HEATER/A/C	
	7SB003-97-01A	EA	SCS/FRIGETTE SERVICE MANUAL AIR CONDITIONING	
	093614-01-02A	EA	GRILLE - RETURN AIR - 15.6" X 7.6" - BEIGE	

HEATING & AIR CONDITIONING GROUP (CONTINUED)
SCS CONTROL/PLENUM



KEY	PART NUMBER	U/M DESCRIPTION	VENDOR NO.
	103930-39-000	EA CONTROL/PLENUM - ROTARY	
1	103930-33-702	EA CONTROL PANEL	083-0169
2	103930-33-707	EA SWITCH - BLOWER	032-0186
3	103930-33-708	EA SWITCH - POTENTIOMETER	032-0184
4	103930-33-709	EA SWITCH - VACUUM	032-0183
5	103930-33-710	EA DECAL F/CONTROL HEAD	058-0102
6	103930-33-703	EA VACUUM HARNESS	036-0466
7	103930-33-705	EA LIGHT BULBS	035-0030
8	103930-33-711	EA WIRE HARNESS - MAIN	036-0496
9	103930-02-707	EA RELAY-BOSCH W/RESISTER	031-0001
10	103930-02-710	EA CANISTER-VACUUM	054-0002
11	103930-39-700	EA ROD - DOOR - AC/HEAT	073-0028
12	103930-39-701	EA ROD - DOOR - AC/DEFROST	073-0060
13	103930-02-708	EA MOTOR-VACUUM SERVO, A/C	030-0025
14	103930-33-701	EA MOTOR - VACUUM, 3 STAGE	030-0105
15	103930-39-702	EA KNOB - BLOWER	062-0539
16	103930-39-703	EA KNOB - TEMPERATURE	062-0540
	103930-39-704	EA SPRING	022-0119

HEATING & AIR CONDITIONING GROUP (CONTINUED)
COLEMAN 14,800 BTU ROOF A/C & CEILING ASM

KEY	PART NUMBER	U/M DESCRIPTION
*	115219-01-03A	EA A/C - ROOF - 14,800 MACH 15 - BRIGHT WHITE
	102289-01-000	EA SPRING - SCREW - ROOF A/C GASKET
*	108892-01-01A	EA CEILING ASSEMBLY - A/C DUCTED
	117238-01-01A	EA THERMOSTAT - A/C - FURNACE
	120134-01-02A	EA REGISTER - 4" TO 5" IN DIAMETER W/DAMPER

COLEMAN 13,500 BTU ROOF A/C & CEILING ASM

KEY	PART NUMBER	U/M DESCRIPTION
*	108889-01-05A	EA A/C - ROOF - 13,500 TSR
	102289-01-000	EA SPRING - SCREW - ROOF A/C GASKET
*	108892-01-01A	EA CEILING ASSEMBLY - A/C DUCTED
	117238-01-01A	EA THERMOSTAT - A/C - FURNACE
	120134-01-02A	EA REGISTER - 4" TO 5" IN DIAMETER W/DAMPER

COLEMAN 13,500 BTU ROOF A/C - EUROPEAN

KEY	PART NUMBER	U/M DESCRIPTION
*	108889-02-03A	EA AIR CONDITIONER - 13,500 BTU/220 VOLT - BRIGHT WHITE - EXP
	102289-01-000	EA SPRING - SCREW - ROOF A/C GASKET
*	108892-01-01A	EA CEILING ASSEMBLY - A/C DUCTED
	117238-02-01A	EA THERMOSTAT - A/C ONLY
	120134-01-02A	EA REGISTER - 4" TO 5" IN DIAMETER W/DAMPER

*** COMPONENT PARTS FOUND IN SERVICE PARTS LIBRARY**

ROOF A/C COVERS

KEY	PART NUMBER	U/M DESCRIPTION
	084077-03-000	EA COVER/BLANK - ROOF A/C 5.2" X 3.5" - IVORY
	092633-02-02A	EA COVER - BLANK - ROOF A/C - 5.1" X 5.1"

HEATING & AIR CONDITIONING GROUP (CONTINUED)
30,000 BTU SUBURBAN FURNACE, REGISTERS & WALL THERMOSTAT

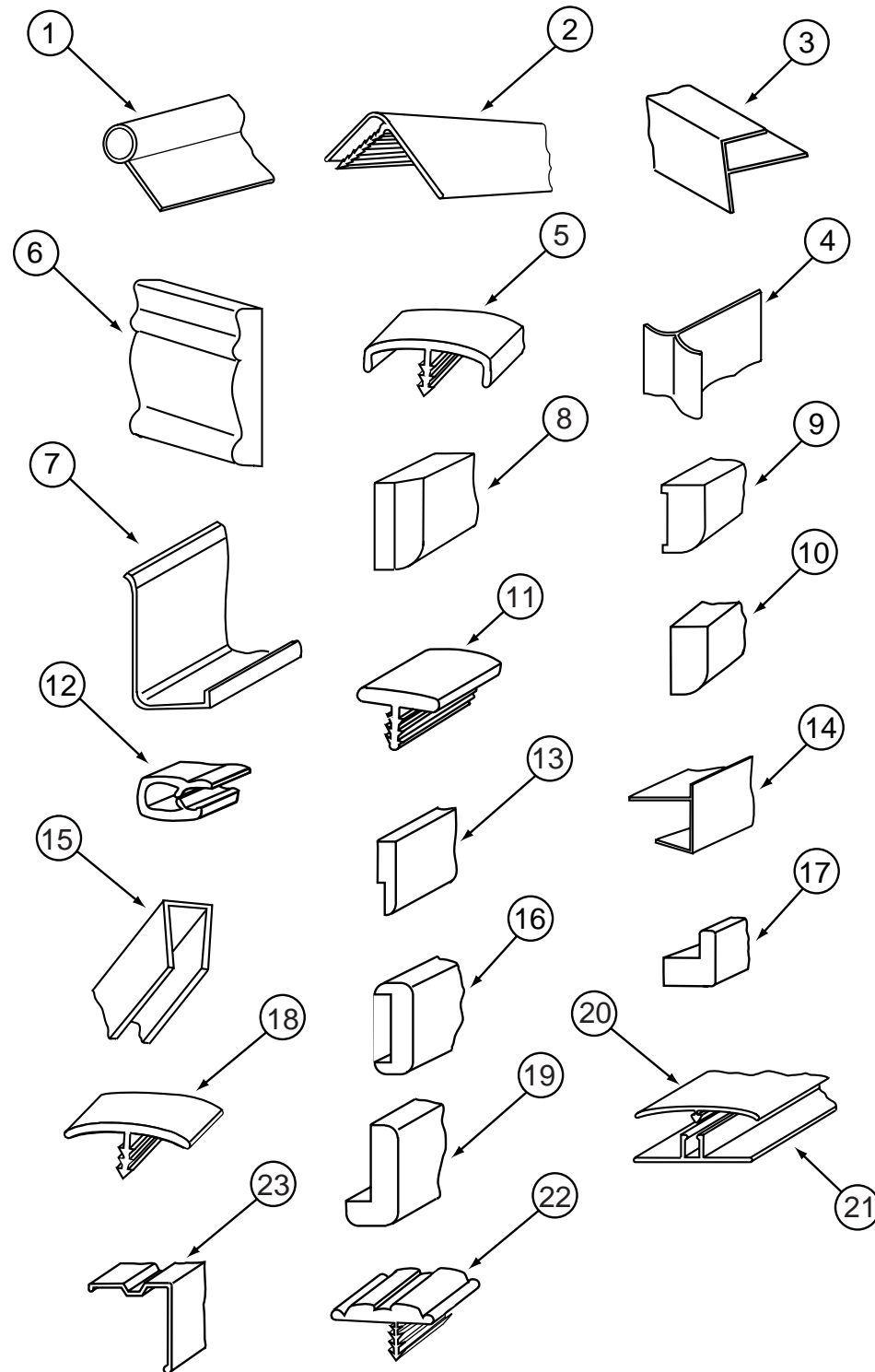
KEY	PART NUMBER	U/M DESCRIPTION
*	098668-20-000	EA FURNACE - 30,000 BTU
	098668-23-000	EA DOOR - ACCESS - FURNACE - BRIGHT WHITE
	056464-09-000	EA REGISTER - 4" DIAMETER - PLASTIC - W/DAMPER - BEIGE
	093614-01-02A	EA GRILLE - RETURN AIR - 15.6" X 7.6" - BEIGE
	009198-01-000	FT DUCT - HEAT - FLEXIBLE - 4" ID X 25'
	089367-02-000	EA TEE - 4" X 2" X 4"
	009200-01-000	EA TAPE - FURNACE - 1 1/2"
	115764-01-01A	EA THERMOSTAT - FURNACE

*** COMPONENT PARTS FOUND IN SERVICE PARTS LIBRARY**

EVANS REAR HEATER & COMPONENTS

KEY	PART NUMBER	U/M DESCRIPTION	VENDOR NO.
	084405-01-000	EA HEATER - REAR/DUCTED - W/MOTOR AID	
	084405-01-700	EA CORE-HEATER	FT200229
	084405-01-701	EA FAN BLADES	HV029931
	084405-01-702	EA MOTOR ASSEMBLY, 12 VOLT	RV010348
	009198-01-000	FT DUCT - HEAT - FLEXIBLE - 4" ID X 25'	
	056464-10-000	EA REGISTER - 4" DIAMETER - PLASTIC - W/O DAMPER - BEIGE	
	061673-01-000	EA BRACKET - MOTOR AID TUBES - 4" X 1.5" - STEEL	
	079059-01-000	EA HOSE - 90 DEGREE - 5/8" ID X 4" X 36"	

INTERIOR FINISH GROUP
MOLDINGS & TRIMS



KEY	PART NUMBER	U/M DESCRIPTION
1	009767-12-000	FT WELTING - SIDEWALL/CEILING/CABINET - OFF/WHT
2	009809-28-000	EA MOLDING - CORNER - OUTSIDE - 1" X 84" - WATERFORD OAK
3	009812-29-000	EA MOLDING - PLASTIC - 1/2" O/S CORNER - WATERFORD OAK
4	022992-11-000	FT MOLDING - REVERSE COVE - T-SHAPED VINYL - IVORY
5	083620-12-000	FT MOLDING-T - END CAP EDGE - W/EDGE LIP - .75"-WATERFORD OAK
6	100182-10-G29	EA TRIM - RAIL/CHAIR - 8'
7	085746-01-000	FT TRIM-J - CARPET - 1.2" X .5" ANGLE - 10' LONG - BEIGE PVC
8	100659-01-G09	EA MOLDING/TRIM - VINYL FLOOR
9	117268-D2-134	EA MOLDING - VINYL WRAPPED - .7" X 1.6" X 84" - WATERFORD OAK
9	117268-F2-134	EA MOLDING - VINYL WRAPPED - .7" X 2.7" X 84" - WATERFORD OAK
10	100818-01-05A	EA MOLDING - VINYL WRAPPED - 1.65" X .4" X 7'
11	104676-02-04A	FT MOLDING-T - 1/2" - WATERFORD OAK
12	113452-01-000	EA SEAL/TRIM - FRONT - VINYL W/WIRE CARRIER
13	105004-01-05A	EA MOLDING - VINYL WRAPPED - 1" X 96" - WATERFORD OAK
14	103186-01-05A	FT MOLDING - PLASTIC - 3/8" U-CHANNEL 3/4" FACE-WATERFORD OAK
14	103186-02-05A	FT MOLDING - PLASTIC - 1" U-CHANNEL 1 3/8" FACE-WATERFORD OAK
15	070504-03-000	FT U-CHANNEL - PLASTIC - .9" X 84" - GRADY BROWN
15	009778-21-000	FT U-CHANNEL - 1" - WATERFORD OAK
15	070504-36-000	FT U-CHANNEL - PLASTIC - .13" X 72" - WATERFORD OAK
15	070504-37-000	FT U-CHANNEL - PLASTIC - .87" X 84" - WATERFORD OAK
16	078323-06-G15	EA MOLDING - CAP - WALL - 78"
17	100819-01-05A	EA MOLDING - VINYL WRAPPED - L-SHAPED - 1.5" X 1.5" X 7' - WATERFORD OAK
18	105709-01-000	FT MOLDING-T - 1" - MODERN IVORY
19	077840-01-G01	EA MOLDING - CAP/WALL - 8' WATERFORD OAK
20	086229-20-000	EA BATTEN - 1" X 96" - BEIGE
21	086229-01-000	EA RETAINER - BATTEN - .75" X 92.3" - ANY COLOR
22	109736-02-01A	FT T-MOLDING - 1" - NATURAL OAK - GALLEY EXTENSION FROM: 02-02-98 THRU: 99-99-99
23	093873-01-01A	EA TRIM - CARPET - L-ANGLE 1.1" X 1.3" X 12' - GRAY VINYL
	117267-D2-438	EA LUMBER - VINYL WRAPPED - .7" X 1.5" X 96" - WATERFORD OAK
	117267-E2-438	EA LUMBER - VINYL WRAPPED - .7" X 2" X 96" - WATERFORD OAK
	117267-F2-438	EA LUMBER - VINYL WRAPPED - .7" X 2.5" X 96" - WATERFORD OAK
	117267-J2-438	EA LUMBER - VINYL WRAPPED - .7" X 5.5" X 96" - WATERFORD OAK
	117267-R2-438	EA LUMBER - VINYL WRAPPED - .7" X 3" X 96" - WATERFORD OAK

INTERIOR FINISH GROUP (CONTINUED)
BATT STRIPS

KEY	PART NUMBER	U/M DESCRIPTION
	069733-83-000	EA BATT STRIP - WOODGRAINED/WATERFORD OAK - 8'
	079653-28-000	EA BATT STRIP - KERFED - WOODGRAINED/WATERFORD OAK - 8'
	088263-E3-000	EA BATT STRIP - DECORATIVE - PEBBLE EMBOSSED/ANTIQUE-8' LONG
	088263-F5-000	EA BATT STRIP - DECORATIVE - FLAGSTAFF SAND - 8' (J15)
	088263-D2-000	EA BATT STRIP - DECORATIVE - WASH/VANILLA - 8' LONG (J16)
	088263-E1-000	EA BATT STRIP - DECORATIVE - BOLERO/AQUA FROST - 8' LONG (J17)
	085284-B5-000	FT BATT TAPE - ADHESIVE BACKED - WOODGRAINED - WATERFORD OAK
	085284-D6-000	FT BATT TAPE - ADHESIVE BACKED -DECORATIVE - EMBOSSED ANTIQUE
	085284-F1-000	FT BATT TAPE - ADHESIVE BACKED - DECORATIVE/FLAGSTAFF SAND (J15)
	085284-C5-000	FT BATT TAPE - ADHESIVE BACKED-DECORATIVE-FRENCH WASH/VANILLA (J16)
	085284-D4-000	FT BATT TAPE - ADHESIVE BACKED - DECORATIVE-BOLERO/AQUA FROST (J17)

PLASTIC LAMINATE & EDGE BAND

KEY	PART NUMBER	U/M DESCRIPTION
	074498-62-000	SF LAMINATE - PLASTIC - GREY FINESSE - 5' X 8' - INC OF 40SF (J15)
	074498-72-000	SF LAMINATE - PLASTIC - PEBBLE SANTOS - 5' X 8' - INC OF 40SF (J16)
	074498-71-000	SF LAMINATE - PLASTIC - NEUTRAL SANTOS - 5'X8' - INC OF 40SF (J17)
	076325-46-000	FT MOLDING - EDGE BAND - 1 5/16" X .030" - CLOUD (J15)
	076325-37-000	FT MOLDING - EDGE BAND - 1 5/16" X .030" (J16)
	076325-39-000	FT MOLDING - EDGE BAND - 1 5/16" X .030" (J17)
	076325-43-000	FT MOLDING - EDGE BAND .876" X .024" - CLOUD (J15)
	076325-38-000	FT MOLDING - EDGE BAND - .875" X .024" (J16)
	076325-40-000	FT MOLDING - EDGE BAND - .875" X .024" (J17)
	076325-67-000	FT MOLDING - EDGE BAND - .93" X .024" - WATERFORD OAK
	074498-77-000	SF LAMINATE - PLASTIC - ART CABIN - 4' X 8' - INC OF 32 SF (PULL OUT TABLE)
	076325-68-000	FT MOLDING - EDGE BAND - 1 5/16" X .038 - WATERFORD OAK (PULL OUT TABLE)
	074498-40-000	SF LAMINATE - PLASTIC - OFF WHITE - 5' X 8' - INC OF 40 SF (PATIO ENTERTAINMENT CENTER TABLE)
	076325-73-000	FT MOLDING - EDGE BAND - .93" X .024" (PATIO ENTERTAINMENT CENTER TABLE)

INTERIOR FINISH GROUP (CONTINUED)
SMOKE DETECTOR, CO DETECTOR, FIRE EXTINGUISHER,, & MIRROR

KEY	PART NUMBER	U/M DESCRIPTION	VENDOR NO.
	072852-01-000	EA DETECTOR - SMOKE - W/9 VOLT BATTERY - US	
	072852-02-000	EA DETECTOR - SMOKE - W/9 VOLT BATTERY - CANADIAN	
	094499-01-000	EA EXTINGUISHER/FIRE - DRY W/MOUNTING BRACKET	
			FROM: 00-00-00 THRU: 02-24-98
	094499-01-700	EA BRACKET MTG. W/PLAS. STRAP	294039
	094499-01-701	EA STRAP ONLY (METAL)	320351
	094499-03-000	EA EXTINGUISHER/FIRE - DRY - 10B:C - W/O BRACKET	
			FROM: 02-25-98 THRU: 99-99-99
	094499-04-000	EA BRACKET - FIRE EXTINGUISHER	
			FROM: 02-25-98 THRU: 99-99-99
	094499-02-000	EA EXTINGUISHER/FIRE - DRY - 1A10BC - CANADIAN	
	125136-01-000	EA CO DETECTOR - GAS - ROUND W/2 SCREWS - 9 VOLT	
	058331-17-000	EA MIRROR - SAFETY GLASS - 8.75" X 12.5"	

ANTISLIP & FLOOR MATS

KEY	PART NUMBER	U/M DESCRIPTION
	091261-01-000	FT SLIPNOT - ANTISLIP - 1' WIDE
	105924-01-F25	EA MAT - FLOOR - 18" X 27" (J15)
	105924-01-J16	EA MAT - FLOOR - 18" X 27" (J16)
	105924-01-F11	EA MAT - FLOOR - 18" X 27" (J17)

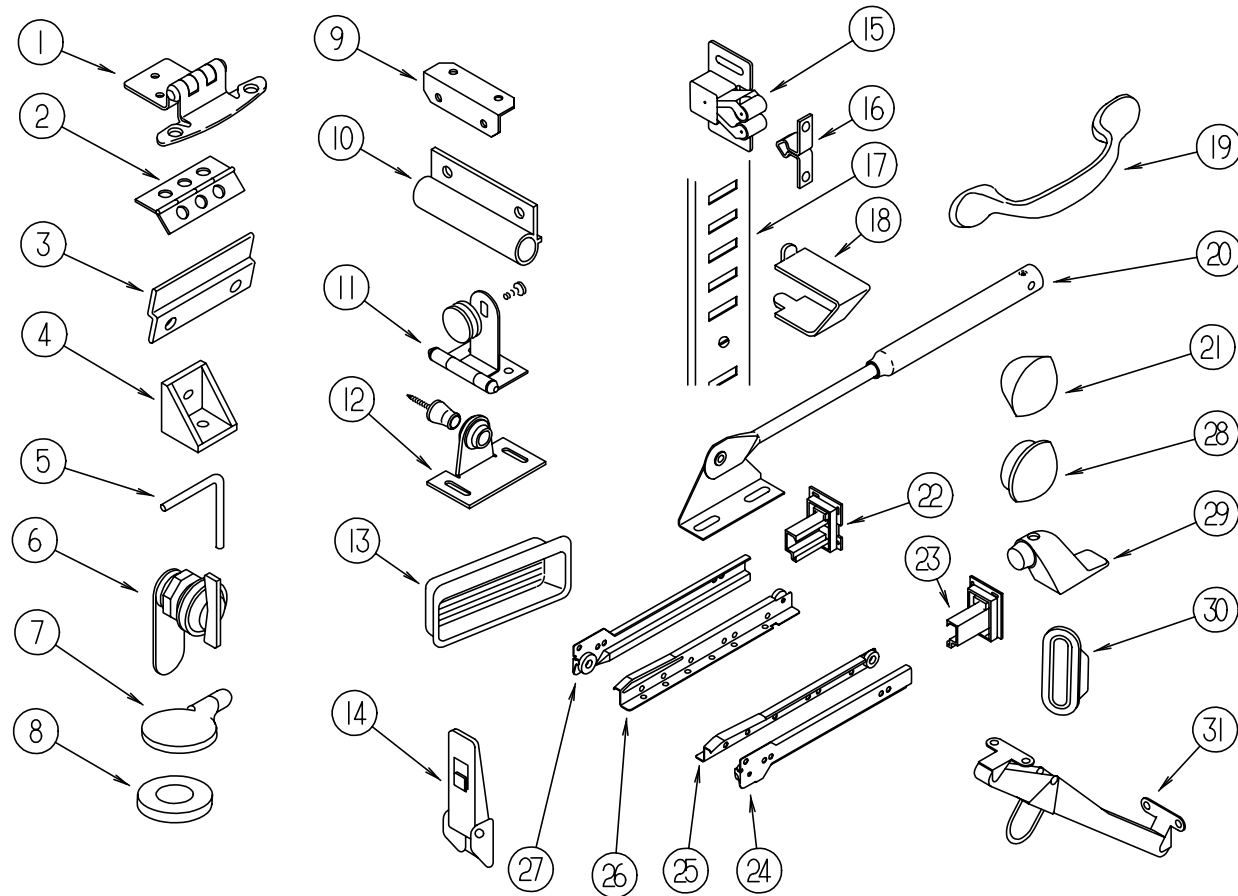
CARPET, VINYL, & TILE

KEY	PART NUMBER	U/M DESCRIPTION
	093486-01-000	SY CARPET - COMPARTMENT - 72" WIDE - DARK GRAY
	096060-A8-000	SY CARPET - BLUE LAGOON - INCREMENTS OF 4 SQ YDS (J15)
	096060-95-000	SY CARPET - DOESKIN - INCREMENTS OF 4 SQ YDS (J16)
	096060-A2-000	SY CARPET - NEW MEADOW - INCREMENTS OF 4 SQ YD (J17)
	042720-20-000	SY VINYL - FLOOR COVERING - 7.5' WIDE - CALAY
	122755-01-01A	EA TILE - RUBBER/ENTRANCE DOOR - 18.5" X 27.2"
	122755-03-01A	EA TILE - RUBBER/ENTRANCE DOOR - 17.7" X 26.4"

PANELING, PLYWOOD, & PARTICLE BOARD

KEY	PART NUMBER	U/M DESCRIPTION
	074497-28-000	SF PANELING - WATERFORD OAK - 48" X 96"
	088272-G1-000	SF PANELING - PEBBLE EMBOSSED - ANTIQUE WHITE - 4' X 7'
	088272-H5-000	SF PANELING - FLAGSTAFF - 4' X 7' (J15)
	088272-F3-000	SF PANELING - FRENCH WASH - VANILLA (J16)
	088272-F8-000	SF PANELING - BOLERO - AQUA FROST (J17)
	080215-10-000	SF PANELING - 2 SIDED - WATERFORD - .2" X 48" X 96"
	000846-01-000	SF PLYWOOD - 5/16" X 48" X 96" - CD GRADE
	000846-02-000	SF PLYWOOD/UNDERLAYMENT - 5/16" X 48" X 96"
	089297-01-000	SF PLYWOOD - LUAN - OVERLAY GRADE - 48" X 96"
	089297-02-000	SF PLYWOOD - LUAN - OVERLAY GRADE - 48" X 108"
	126339-01-000	SF BOARD - WHEAT - 60" X 72"
	000885-76-000	SF PARTICLE BOARD-3/8" X 48" X 96"-WATERFORD OAK/VINYL 1 SIDE
	000885-77-000	SF PARTICLE BOARD-3/8" X 48" X 96"-WATERFORD OAK/VINYL 2 SIDE
	000885-79-000	SF PARTICLE BOARD-3/4" X 48" X 96"-WATERFORD OAK/VINYL 2 SIDE

INTERIOR FINISH GROUP (CONTINUED)
CABINET HARDWARE



KEY	PART NUMBER	U/M	DESCRIPTION
1	108138-01-000	EA	HINGE - CABINET DOOR - BURNISHED BRASS
2	009059-01-000	EA	HINGE - DOOR - 2" X 1.4" - BRASS
2	009059-02-000	EA	HINGE - DOOR - 2" X 2.7" - BRASS
3	101272-01-000	EA	CATCH - GLASS DOOR
4	065740-01-000	EA	BRACE - CABINET/CORNER - PLASTIC
5	108487-02-01A	EA	SUPPORT - PROP ROD/OVERHEAD - BLACK
	039984-01-000	EA	CAP - ROUND - VINYL - .28" ID X .62" - BLACK
6	100710-01-01A	EA	LOCK - GLASS DOOR/TWIST TYPE - BRASS
7	101766-01-000	EA	PIN - SUPPORT/GLASS DOOR
8	100707-01-000	EA	SPACER - GLASS DOOR - .8" DIA - .3" HOLE - PLASTIC
9	016604-01-000	EA	BRACE - CABINET - ANGLE - 2.5" - UNPAINTED METAL
9	016604-05-000	EA	BRACE - CABINET - ANGLE - 2.5" - OFF WHITE METAL
10	108486-01-01A	EA	BRACKET - PROP ROD/OVERHEAD - BLACK
11	100711-01-01A	EA	HINGE - GLASS DOOR
12	009013-01-000	EA	CATCH - BULLDOG - MALE/FEMALE
13	124311-01-01A	EA	HANDLE - RECESSED - BRASS
14	116975-01-01A	EA	LATCH - W/O STRIKE - BLACK - NEW STYLE
15	093586-06-000	EA	CATCH - SPRING - ROLLER
16	093586-05-000	EA	STRIKE - SPRING STEEL
17	098980-01-000	EA	PILASTER - ADJUSTABLE SHELF - 18" WOODGRAIN APPEARANCE
17	098980-02-000	EA	PILASTER - ADJUSTABLE SHELF - 12" WOODGRAIN APPEARANCE
17	098980-03-000	EA	PILASTER - ADJUSTABLE SHELF - 9" WOODGRAIN APPEARANCE
17	098980-05-000	EA	PILASTER - ADJUSTABLE SHELF - 15"
18	098979-01-000	EA	CLIP - ADJUSTABLE SHELF
19	121891-01-01A	EA	PULL - CABINET - BRASS
20	074493-02-000	EA	SUPPORT - PISTON SPRING - CABINET DOOR
21	042356-01-000	EA	PLUG - BUTTON - MAHOGANY - 3/8" DIAMETER - WOOD

CABINET DRAWER SLIDES - FROM: 00-00-00 THRU: 02-22-98

KEY	PART NUMBER	U/M	DESCRIPTION
22	114045-01-000	EA	BACKSOCKET - ADJUSTABLE LEFT
23	114045-02-000	EA	BACKSOCKET - ADJUSTABLE RIGHT
24	114031-02-000	EA	SLIDE - 12" - RIGHT SIDE/CABINET
24	114031-14-000	EA	SLIDE - 18" - RIGHT SIDE/CABINET
24	114031-18-000	EA	SLIDE - 20" - RIGHT SIDE/CABINET
24	114031-22-000	EA	SLIDE - 22" - RIGHT SIDE/CABINET
24	114031-26-000	EA	SLIDE - 24" - RIGHT SIDE/CABINET
25	114031-04-000	EA	SLIDE - 12" - RIGHT SIDE/DRAWER
25	114031-16-000	EA	SLIDE - 18" - RIGHT SIDE/DRAWER
25	114031-20-000	EA	SLIDE - 20" - RIGHT SIDE/DRAWER
25	114031-24-000	EA	SLIDE - 22" - RIGHT SIDE/DRAWER
25	114031-28-000	EA	SLIDE - 24" - RIGHT SIDE/DRAWER
26	114031-03-000	EA	SLIDE - 12" - LEFT SIDE/DRAWER
26	114031-15-000	EA	SLIDE - 18" - LEFT SIDE/DRAWER
26	114031-19-000	EA	SLIDE - 20" - LEFT SIDE/DRAWER
26	114031-23-000	EA	SLIDE - 22" - LEFT SIDE/DRAWER
26	114031-27-000	EA	SLIDE - 24" - LEFT SIDE/DRAWER
27	114031-01-000	EA	SLIDE - 12" - LEFT SIDE/CABINET
27	114031-13-000	EA	SLIDE - 18" - LEFT SIDE/CABINET
27	114031-17-000	EA	SLIDE - 20" - LEFT SIDE/CABINET
27	114031-21-000	EA	SLIDE - 22" - LEFT SIDE/CABINET
27	114031-25-000	EA	SLIDE - 24" - LEFT SIDE/CABINET

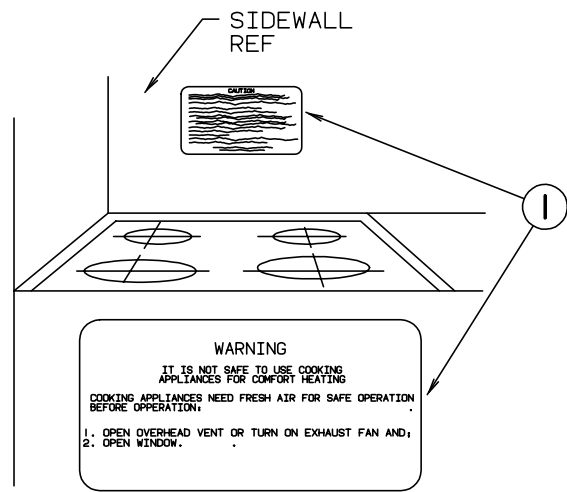
CABINET DRAWER SLIDES - FROM: 02-23-98 THRU: 99-99-99

KEY	PART NUMBER	U/M	DESCRIPTION
22	128811-01-01A	EA	BACKSOCKET - ADJUSTABLE - LEFT
23	128811-02-01A	EA	BACKSOCKET - ADJUSTABLE - RIGHT
24	128810-02-01A	EA	SLIDE - 12" - RIGHT SIDE/CABINET
24	128810-14-01A	EA	SLIDE - 18" - RIGHT SIDE/CABINET
24	128810-18-01A	EA	SLIDE - 20" - RIGHT SIDE/CABINET
24	128810-22-01A	EA	SLIDE - 22" - RIGHT SIDE/CABINET
24	128810-26-01A	EA	SLIDE - 24" - RIGHT SIDE/CABINET
25	128810-04-01A	EA	SLIDE - 12" - RIGHT SIDE/DRAWER
25	128810-16-01A	EA	SLIDE - 18" - RIGHT SIDE/DRAWER
25	128810-20-01A	EA	SLIDE - 20" - RIGHT SIDE/DRAWER
25	128810-24-01A	EA	SLIDE - 22" - RIGHT SIDE/DRAWER
25	128810-28-01A	EA	SLIDE - 24" - RIGHT SIDE/DRAWER
26	128810-03-01A	EA	SLIDE - 12" - LEFT SIDE/DRAWER
26	128810-15-01A	EA	SLIDE - 18" - LEFT SIDE/DRAWER
26	128810-19-01A	EA	SLIDE - 20" - LEFT SIDE/DRAWER
26	128810-23-01A	EA	SLIDE - 22" - LEFT SIDE/DRAWER
26	128810-27-01A	EA	SLIDE - 24" - LEFT SIDE/DRAWER
27	128810-01-01A	EA	SLIDE - 12" - LEFT SIDE/CABINET
27	128810-13-01A	EA	SLIDE - 18" - LEFT SIDE/CABINET
27	128810-17-01A	EA	SLIDE - 20" - LEFT SIDE/CABINET
27	128810-21-01A	EA	SLIDE - 22" - LEFT SIDE/CABINET
27	128810-25-01A	EA	SLIDE - 24" - LEFT SIDE/CABINET

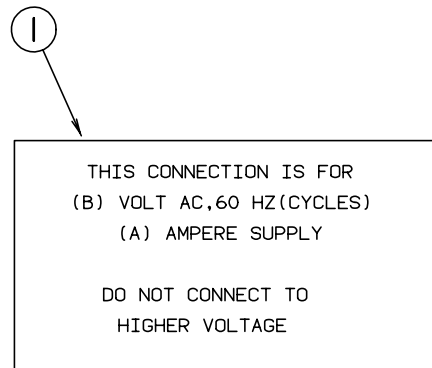
CABINET HARDWARE (CONTINUED)

KEY	PART NUMBER	U/M	DESCRIPTION
28	074045-01-000	EA	PLUG - OAK - 1/2" DIAMETER
29	103257-01-000	EA	STOP - DOOR
30	098410-01-01A	EA	PULL - FINGER - OVAL - BRASS
31	104181-01-01A	EA	SUPPORT - LEAF 5.3" EXTENDS TO 7.5" - SAFETY RING - METAL
	009021-01-000	EA	CATCH - GRILLE - NYLON
	004354-01-000	EA	BUMPER - RUBBER - .5" DIA - BROWN
	009112-01-000	EA	FLANGE - PLASTIC - 1" CLOTHES ROD - OFF WHITE
	023320-01-000	EA	PAD - FELT 3/8" DIAMETER
	041389-25-000	EA	HINGE - PIANO - 1 1/2" X 55"
	042438-01-000	EA	DOWEL - WOOD - CLOTHES ROD - 1" DIAMETER X 4"
	042438-02-000	EA	DOWEL - WOOD - 2" X 2"
	122021-01-02A	EA	ANGLE - W/HOLES - OFF/WHITE

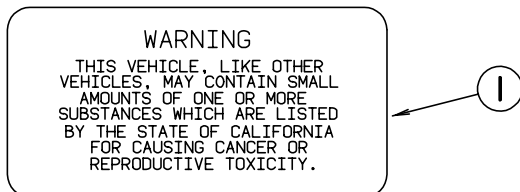
LABELS GROUP



KEY	PART NUMBER	U/M DESCRIPTION
1	050225-01-000	EA LABEL - WARNING - STOVE VENT - US
1	050222-01-000	EA LABEL - STOVE VENT - CANADIAN

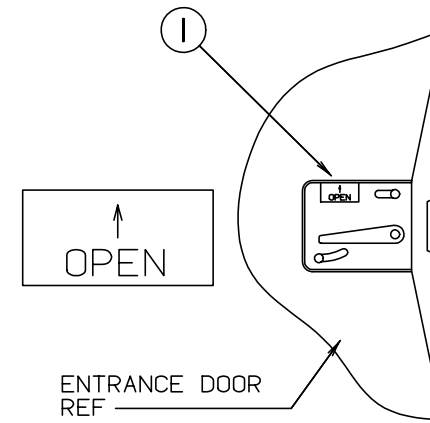


KEY	PART NUMBER	U/M DESCRIPTION
1	125306-01-01A	EA LABEL - ELECTRICAL ENTRANCE - 110VOLT 30AMP

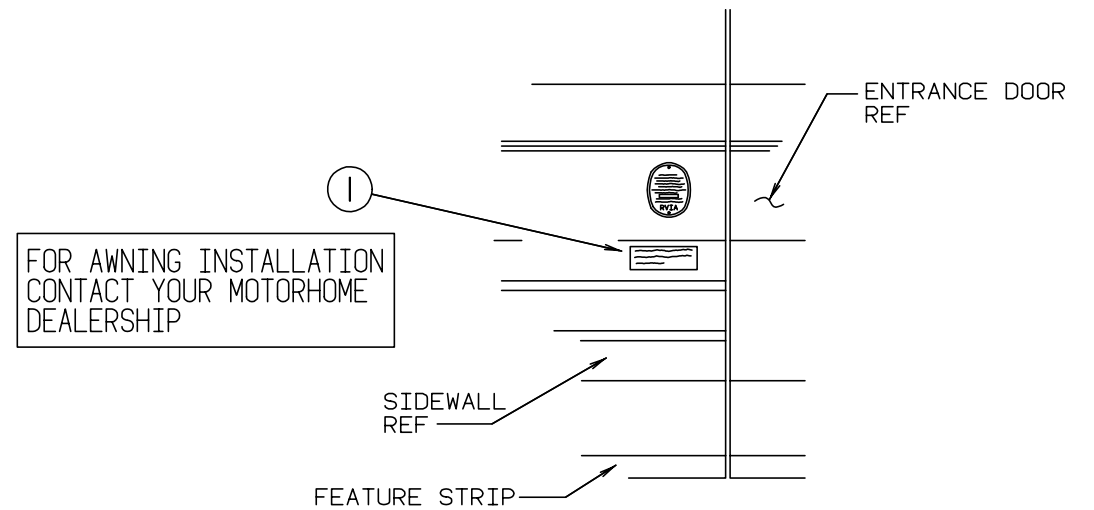


KEY	PART NUMBER	U/M DESCRIPTION
1	099689-01-000	EA LABEL - WARNING - CANCER/TOXICITY - CALIFORNIA

LABELS GROUP (CONTINUED)

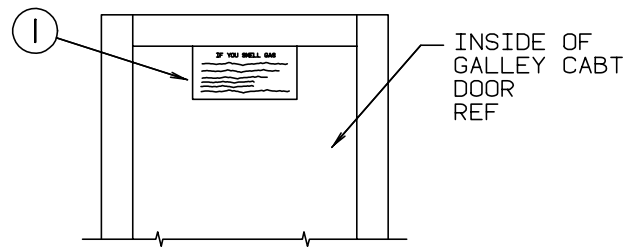


KEY	PART NUMBER	U/M DESCRIPTION
1	040944-01-000	EA LABEL - ENTRANCE DOOR - "OPEN"



KEY	PART NUMBER	U/M DESCRIPTION
1	099509-01-000	EA LABEL - AWNING INSTALLATION

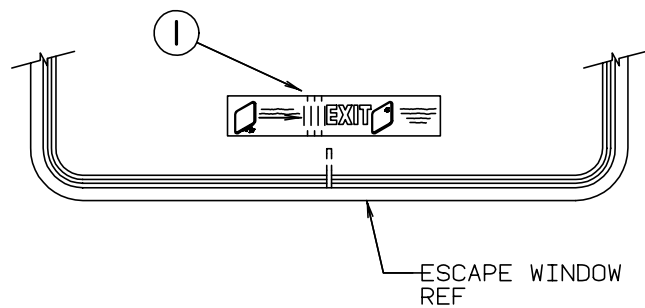
LABELS GROUP (CONTINUED)



IF YOU SMELL GAS

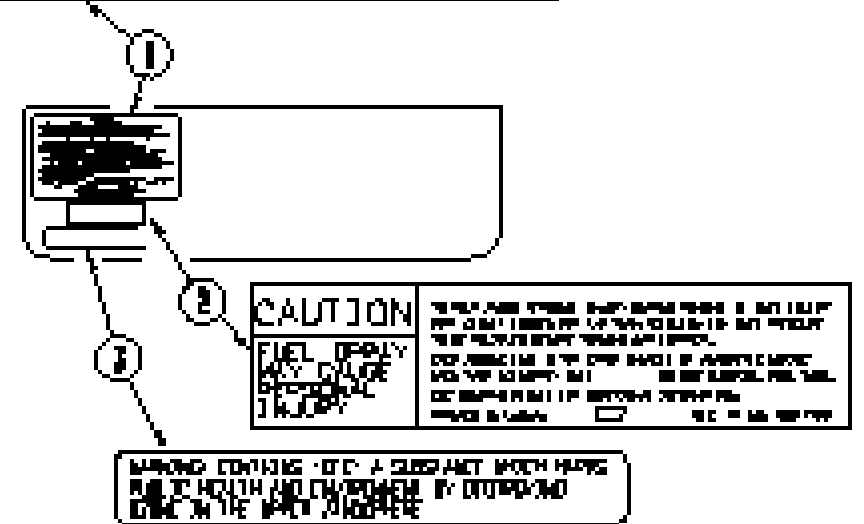
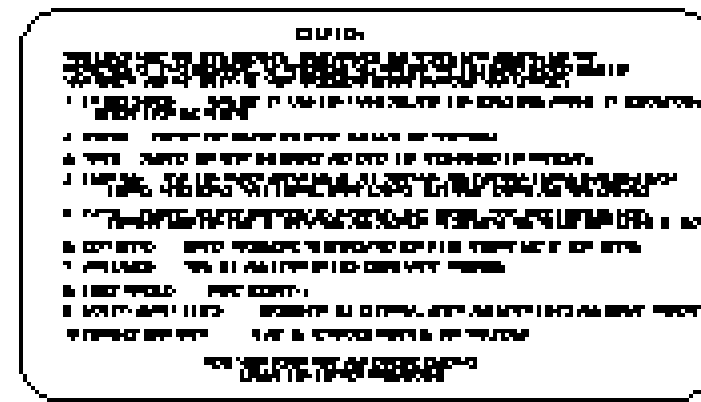
1. EXTINGUISH ANY OPEN FLAME, PILOT LIGHTS AND ALL SMOKING MATERIALS.
2. SHUT OFF THE GAS SUPPLY AT THE TANK VALVE(OR GAS SUPPLY CONNECTION.
3. OPEN DOORS AND OTHER VENTILATING OPENINGS.
4. DO NOT TOUCH ELECTRICAL SWITCHES.
5. LEAVE THE AREA UNTIL ODOR CLEARS.
6. HAVE THE GAS SYSTEM CHECKED AND LEAKAGE SOURCE CORRECTED BEFORE USING AGAIN.

KEY	PART NUMBER	U/M DESCRIPTION
1	073998-01-000	EA LABEL - LPG ODOR WARNING

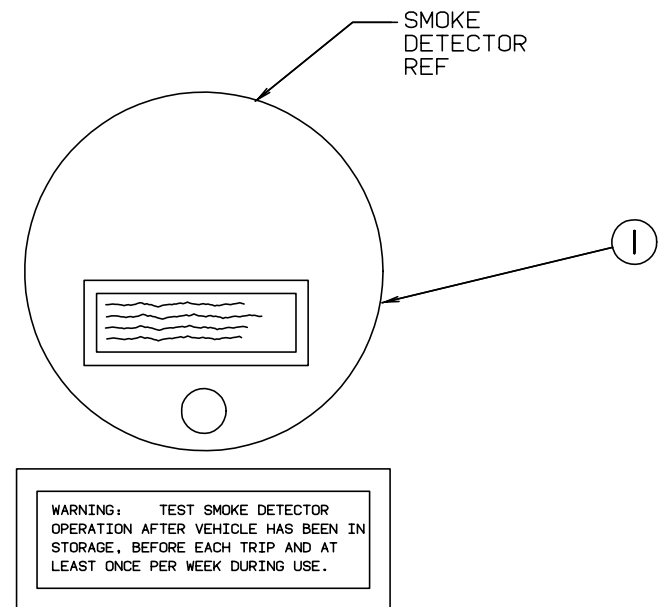


KEY	PART NUMBER	U/M DESCRIPTION
1	107571-01-000	EA LABEL - EXIT/ESCAPE WINDOW

LABELS GROUP (CONTINUED)



KEY	PART NUMBER	U/M DESCRIPTION
1	056259-01-000	EA LABEL - SAFETY CHECK LIST
2	087207-05-000	EA LABEL - FUEL CAP REMOVAL
3	111802-01-000	EA LABEL - CFC WARNING



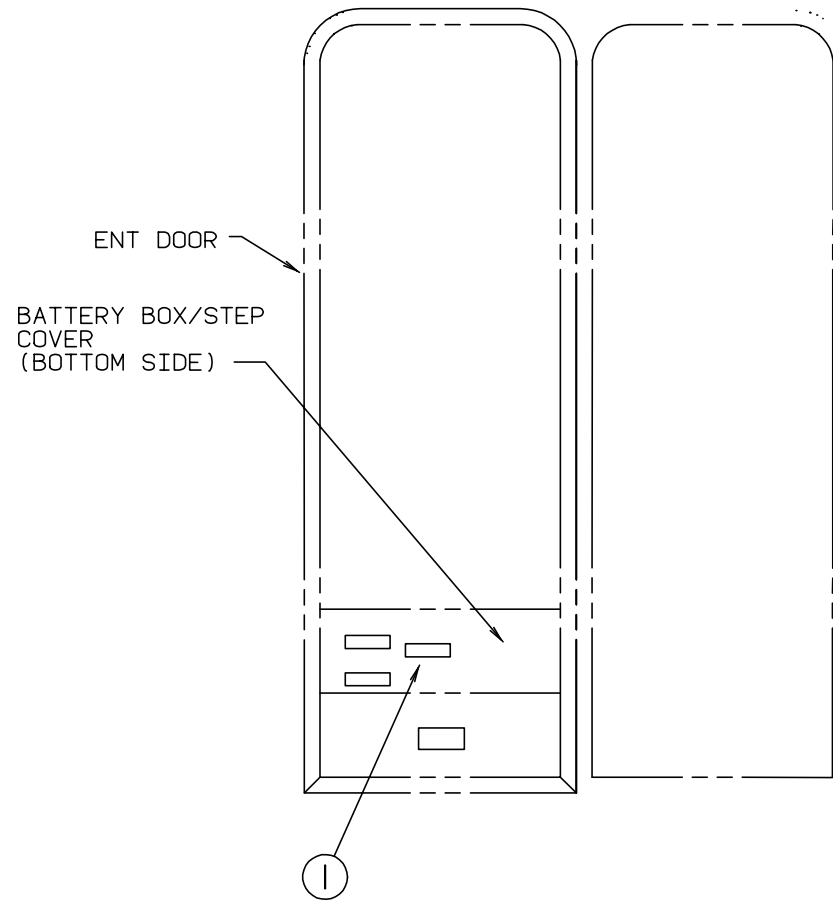
KEY	PART NUMBER	U/M DESCRIPTION
1	077956-01-000	EA LABEL - WARNING - SMOKE DETECTOR

LABELS GROUP (CONTINUED)

AIR CONDITIONING CIRCUIT.
THIS CONNECTION IS FOR
AIR CONDITIONERS RATED 110-
125 VOLT AC, 60 HZ, 16
AMPERES MAXIMUM. DO NOT
EXCEED CIRCUIT RATING.



KEY	PART NUMBER	U/M DESCRIPTION
1	091243-01-000	EA LABEL - A/C COVER "AIR CONDITIONING CIRCUIT ETC."



WARNING: DISCONNECT BATTERIES BEFORE CONNECTING EXTERNAL CHARGING EQUIPMENT.

AVERTISSEMENT: DEBRANCHER LES BATTERIES AVANT DE BRANCHER TOUT EQUIPEMENT DE CHARGE EXTERIEUR.

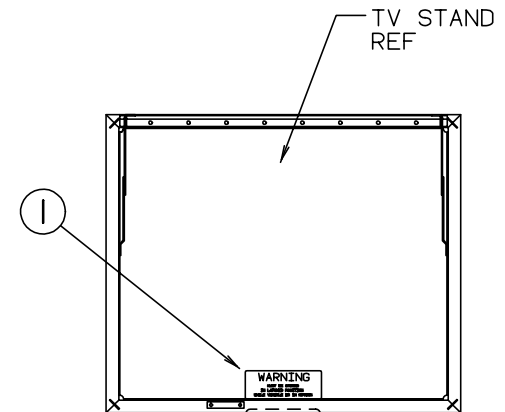
KEY	PART NUMBER	U/M DESCRIPTION
1	065748-01-000	EA LABEL - CAUTION - BATTERY CHARGING
1	065748-02-000	EA LABEL - WARNING - BATTERY/FRENCH

LABELS GROUP (CONTINUED)

DO NOT USE HITCH BEFORE READING OWNERS MANUAL REGARDING VEHICLE LOADING AND TOWING



KEY	PART NUMBER	U/M DESCRIPTION
1	111104-01-000	EA LABEL - HITCH - READ MANUAL - WHITE
1	111104-02-000	EA LABEL - HITCH - READ MANUAL - BLACK



WARNING
MUST BE STOWED
IN LATCHED POSITION
WHILE VEHICLE IS IN MOTION

KEY	PART NUMBER	U/M DESCRIPTION
1	079966-01-000	EA LABEL - WARNING - STOWED - MOTION

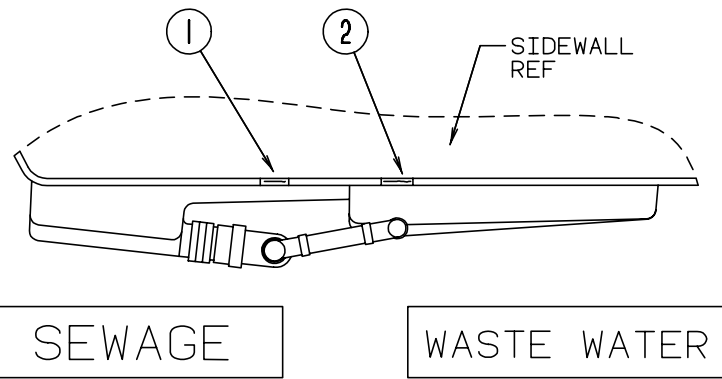
NOTE: TUNE ANTENNA PER MANUFACTURER'S DIRECTIONS. FAILURE TO COMPLY COULD RESULT IN DAMAGE TO CB.

CB POWER PROVISION
RED +12 V
BLACK GROUND
COAX ANTENNA
(SEE REVERSE ALSO)



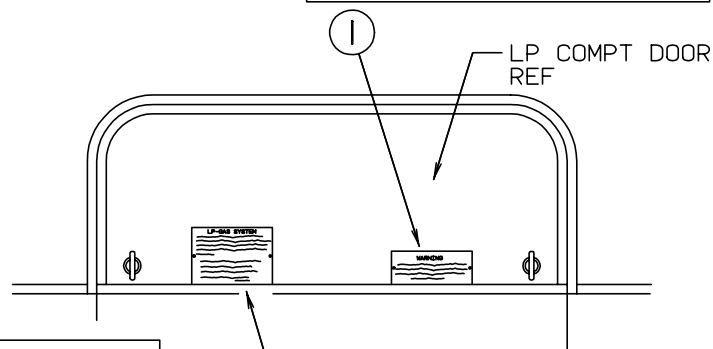
KEY	PART NUMBER	U/M DESCRIPTION
1	104678-01-000	EA LABEL-CB PREP

LABELS GROUP (CONTINUED)



KEY	PART NUMBER	U/M DESCRIPTION
1	006187-01-000	EA LABEL - SEWAGE
2	006188-01-000	EA LABEL - WASTE WATER

WARNING
 ALL PILOT LIGHTS AND APPLIANCES SHALL BE TURNED OFF DURING REFUELING OF MOTOR FUEL TANKS AND/OR PERMANENTLY MOUNTED LP-GAS CONTAINERS.

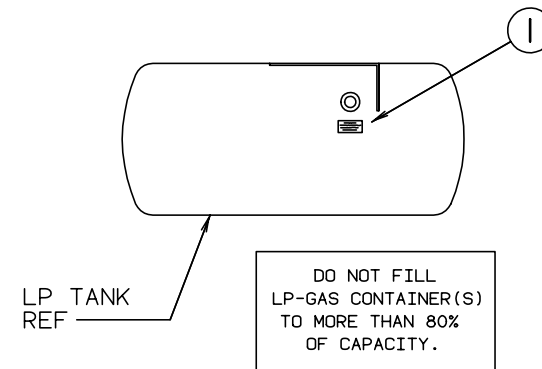


LP-GAS SYSTEM
 THIS GAS PIPING SYSTEM IS DESIGNED FOR USE OF LIQUEFIED PETROLEUM GAS ONLY. DO NOT CONNECT NATURAL GAS TO THIS SYSTEM.

SECURELY CAP INLET(S) WHEN NOT CONNECTED FOR USE. AFTER TURNING ON GAS, EXCEPT AFTER NORMAL CONTAINER REPLACEMENT, TEST GAS PIPING AND CONNECTIONS TO APPLIANCE FOR LEAKAGE WITH SOAPY WATER OR BUBBLE SOLUTION. DO NOT USE PRODUCTS THAT CONTAIN AMMONIA OR CHLORINE.
 P.N. 54531

KEY	PART NUMBER	U/M DESCRIPTION
1	124519-01-01A	EA LABEL - WARNING/REFUELING - BLACK ON CLEAR
1	124519-02-01A	EA LABEL - WARNING/REFUELING - CSA
2	124520-01-01A	EA LABEL - LP GAS ONLY
2	023769-01-000	EA LABEL - WARNING - LPG - CANADIAN

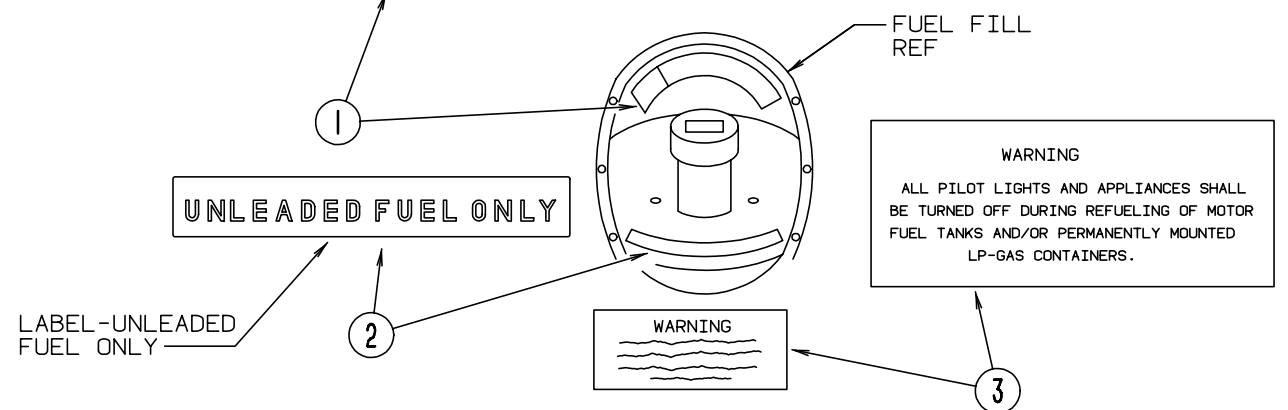
LABELS GROUP (CONTINUED)



KEY	PART NUMBER	U/M DESCRIPTION
1	079965-01-000	EA LABEL - LPG - 80% CAPACITY

CAUTION
 TO HELP AVOID PERSONAL INJURY DURING REMOVAL OF FUEL FILLER CAP, SLOWLY LOOSEN CAP 1/2 TURN TO ALLOW ANY FUEL PRESSURE TO BE RELIEVED BEFORE TURNING CAP FURTHER.

FUEL SPRAY MAY CAUSE PERSONAL INJURY
 STOP ADDING FUEL AFTER FIRST SHUTOFF BY AUTOMATIC NOZZLE WHEN TANK IS NEARLY FULL. DO NOT OVERFILL FUEL TANK. SEE OWNERS MANUAL FOR ADDITIONAL INFORMATION.
 PRINTED IN U.S.A. MLC PT NO 15611763



KEY	PART NUMBER	U/M DESCRIPTION
1	087207-05-000	EA LABEL - FUEL CAP REMOVAL
2	062043-01-000	EA LABEL - FUEL - UNLEADED
3	124519-01-01A	EA LABEL - WARNING/REFUELING - BLACK ON CLEAR
3	124519-02-01A	EA LABEL - WARNING/REFUELING - CSA

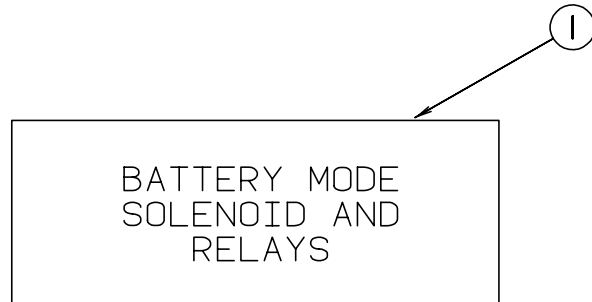
WARNING
 ROOF SURFACE MAY BE SLIPPERY ESPECIALLY WHERE MOISTURE IS PRESENT. SLIPPING MAY RESULT IN PERSONAL INJURY.
 128218-01

KEY	PART NUMBER	U/M DESCRIPTION
1	128218-01-01A	EA LABEL - WARNING - ROOF SLIPPERY

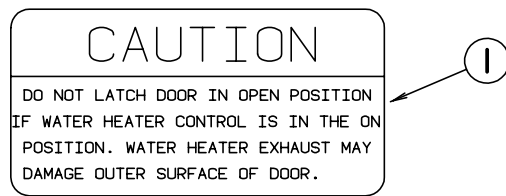
LABELS GROUP (CONTINUED)



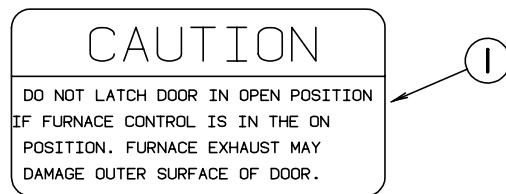
KEY PART NUMBER U/M DESCRIPTION
 1 087236-01-000 EA LABEL - CABLE - INPUT



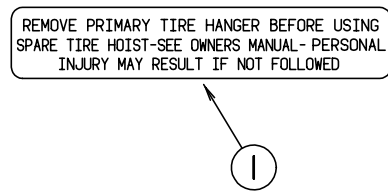
KEY PART NUMBER U/M DESCRIPTION
 1 098379-04-000 EA LABEL - ELECTRICAL BOX - SIDE



KEY PART NUMBER U/M DESCRIPTION
 1 113402-01-000 EA LABEL - CAUTION - WATER HEATER EXHAUST

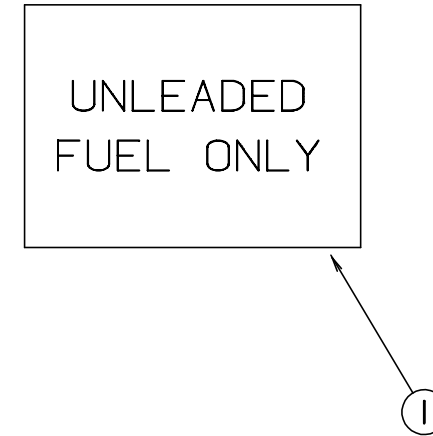


KEY PART NUMBER U/M DESCRIPTION
 1 113402-02-000 EA LABEL - CAUTION - FURNACE EXHAUST
 FROM: 00-00-00 THRU: 11-12-97

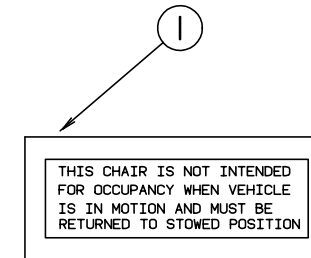


KEY PART NUMBER U/M DESCRIPTION
 1 126024-01-01A EA LABEL - TIRE HANGER REMOVAL

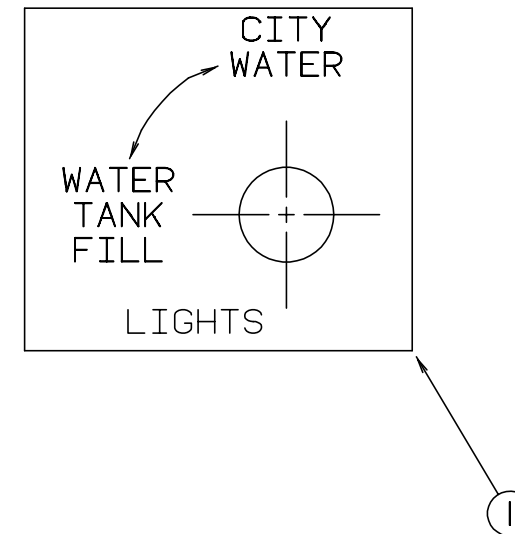
LABELS GROUP (CONTINUED)



KEY PART NUMBER U/M DESCRIPTION
 1 098641-01-000 EA LABEL - FUEL - UNLEADED - DASH



KEY PART NUMBER U/M DESCRIPTION
 1 102267-01-000 EA LABEL - NO OCCUPANCY - US
 102267-02-000 EA LABEL - NO OCCUPANCY - CSA

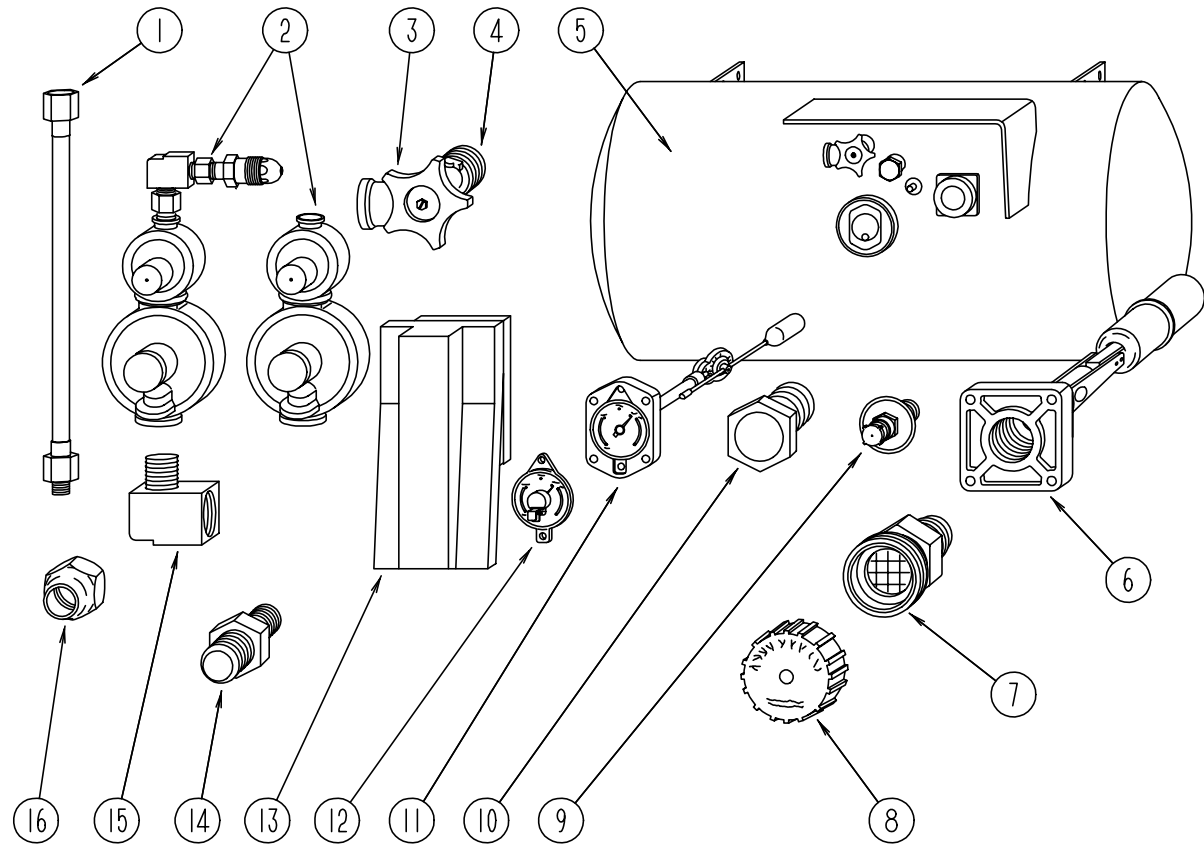


KEY PART NUMBER U/M DESCRIPTION
 1 117629-01-000 EA LABEL - WATER PUMP/FILL

MISCELLANEOUS LABELS

KEY PART NUMBER U/M DESCRIPTION
 006064-01-000 EA LABEL-SEAT W/O SEATBELT "NOT INTENDED FOR USE WHILE COACH IN MOTION"
 054531-01-000 EA LABEL - LP GAS ONLY
 111537-07-000 EA LABEL - FUSES

LP GROUP
LP TANK & COMPONENTS



KEY	PART NUMBER	U/M	DESCRIPTION	VENDOR NO.
1	045703-01-000	EA	HOSE - LP - 3/8"ID X 24" - 3/8"MPT X 1/2"F SWIVEL - U.S.	
1	045703-02-000	EA	HOSE - LP - 3/8"ID X 24" - 3/8"MPT X 1/2"F SWIVEL - CANADA	
1	045703-03-000	EA	HOSE - LP - 3/8"ID X 18" - 3/8"MPT X 1/2"F SWIVEL - EXPORT OPTION	
2	106150-01-000	EA	REGULATOR - TWO STAGE -W/90 DEGREE ELBOW & 3/8" FPT OUTLET	
2	106150-02-000	EA	REGULATOR - TWO STAGE - 1/4" FPT INLET/3/8" FPT OUTLET - EXPORT OPTION	
3	040421-01-708	EA	HANDWHEEL-SERVICE VALVE	G-1015-A
4	040421-01-712	EA	VALVE,SERV. W/O VAPOR RELIEF	29000853
5	088253-07-000	EA	TANK - LP - 80 LB - 16" X 30" - TOP MOUNT	
6	040421-01-711	EA	VALVE-80% FILL W/AUTO STOP	LLL/TL3
7	040421-01-701	EA	VALVE-FILL-SHORT, LP	7547B
8	040421-01-702	EA	CAP-FILL VALVE, PLASTIC	G-1014-A
9	040421-01-700	EA	VALVE-LIQUID LEVEL, 20%	G-1013
10	040421-01-713	EA	VALVE-RELIEF 1" W/SPRING 7"	29000587
11	088253-01-700	EA	GAUGE-FLOAT ASSEMBLY, L.P.	16C
12	040440-02-000	EA	TRANSMITTER - DIAL - 0-90 OHM -2 TERMINAL (POWER & GROUND)	
13	105658-01-000	EA	COMPARTMENT - LP REGULATOR	
14	010323-01-000	EA	ADAPTER - BRASS - 3/8"F X 1/2"MPT	
14	010329-01-000	EA	ADAPTER - BRASS - 1/2" F X 1/2" MPT	
15	065318-02-000	EA	ELBOW - 90 DEGREE - 3/8" MPT TO 3/8" FPT	
16	010377-02-000	EA	NUT - BRASS - 3/8" FLARE - FORGED	
	008042-01-000	FT	TUBING - VINYL - .65" ID	
	010265-01-000	EA	ELBOW - BRASS - 90 DEGREE - 3/8"F X 1/2"FPT	
	010380-02-000	EA	NUT - BRASS - 1/2" FLARE - FORGED	
	010326-01-000	EA	ADAPTER - FLARE - W/CONE GASKET - 3/8"FEMALE X 1/2"MALE	
	103613-03-000	EA	DETECTOR - LP GAS - W/O SHUT-OFF VALVE	

SEALANTS & FASTENERS GROUP**ADHESIVE**

KEY	PART NUMBER	U/M	DESCRIPTION	VENDOR NO.
	004020-01-000	QT	ADHESIVE - ABS CEMENT - QUART	
	087211-01-000	GL	PROMOTER - ADHESIVE	
	004006-05-700	EA	ADHESIVE-NAT. STARCH (5 GAL)	0802
	062917-03-000	EA	ADHESIVE - LOCTITE 242	
	067788-01-000	EA	ADHESIVE - SPRAY - 3M - 19.5 AEROSOL CAN	
	112901-02-000	EA	ADHESIVE - PLEXUS - 50ML	

NUTS

KEY	PART NUMBER	U/M	DESCRIPTION
	000D24-10-00B	EA	NUT - HEX - SELF LOCKING - 10-32 ZINC
	000D29-05-00B	EA	NUT - 5/16 - 18 UNC - SF/LOCKING - NYLON WASHER INSERT
	000D34-06-00B	EA	NUT - HEX - LOCKING - 3/8 - 16 GRADE C - ZINC-PREVAILING T
	000D39-04-00B	EA	NUT - HEX - LOCKING W/SERRATED FLANGE - 1/4-20 - ZINC
	000D39-05-00B	EA	NUT - HEX - LOCKING W/SERRATED FLANGE - 5/16-18 - ZINC
	000D39-06-00B	EA	NUT - HEX - LOCKING W/SERRATED FLANGE - 3/8-18 - ZINC
	000D39-07-00B	EA	NUT - HEX - LOCKING W/SERRATED FLANGE - 7/16-14 - ZINC
	000D39-08-00B	EA	NUT - HEX - LOCKING W/SERRATED FLANGE - 1/2-13 - ZINC
	000D44-07-00B	EA	NUT - HEX - SERRATED FLANGE/LOCKING - 7/16-20 - ZINC
	000D46-04-00A	EA	NUT - HEX - WELD - 1/4 - 20 - PLAIN
	000D76-06-00B	EA	NUT - HEX FLANGE - 3/8-16
	040921-01-000	EA	NUT - SPEED - U TYPE - 10-24 BLACK
	040921-04-000	EA	NUT - SPEED - U TYPE - # 8 - .59" LENGTH X .44" WIDTH
	040921-09-000	EA	NUT - SPEED - U TYPE - # 8
	044364-02-000	EA	NUT - SPEED - FLAT - ROUND
	063253-07-000	EA	NUT - J - #8A - .120 - .130 PNL THK
	104369-01-000	EA	NUT - HEX - HEAVY - 5/8-11 UNC

WASHERS

KEY	PART NUMBER	U/M	DESCRIPTION
	000E11-07-00B	EA	WASHER - LOCKING - 7/16 MED SPLIT - ZINC
	000E11-08-00B	EA	WASHER - LOCKING - 1/2 MED SPLIT - ZINC
	000E13-14-00B	EA	WASHER - FLAT - 1/4 WIDE - ZINC
	000E13-18-00B	EA	WASHER - FLAT - 3/8 WIDE - ZINC
	000E13-20-00B	EA	WASHER - FLAT - 7/16 WIDE - ZINC
	000E13-21-00B	EA	WASHER - FLAT - W/2 NAR - ZINC
	000E13-22-00B	EA	WASHER - FLAT - 1/2 WIDE - ZINC
	000E13-26-00B	EA	WASHER - FLAT - 5/8 WIDE - ZINC
	044533-01-000	EA	WASHER - PLASTIC - 1 3/8" OD - FOR BUTTONS
	058716-02-000	EA	WASHER - FLAT NYLON
	106649-01-000	EA	WASHER - SEALING - GALVANIZED
	107397-01-000	EA	WASHER - FENDER - .25" ID X 1" OD

CLAMPS

KEY	PART NUMBER	U/M	DESCRIPTION
	007161-01-000	EA	CLAMP - HOSE - SPRING TYPE - 1/2"
	010495-01-000	EA	CLAMP - CABLE - 9/16"
	010497-01-000	EA	CLAMP - CLOSED - 5/8" ID
	010497-03-000	EA	CLAMP - CLOSED - 1" ID - CUSHIONED
	010497-04-000	EA	CLAMP - CLOSED - 1.62" ID
	010497-07-000	EA	CLAMP - CLOSED - 3/8" ID
	010499-01-000	EA	CLAMP - CLOSED - 3/8" ID
	062401-01-000	EA	CLAMP - HOSE - WORMGEAR - .25" - 1"
	062401-02-000	EA	CLAMP - HOSE - WORMGEAR - 1.56" - 2.5"
	062401-03-000	EA	CLAMP - HOSE - WORMGEAR - .22" - 1"
	062401-04-000	EA	CLAMP - HOSE - WORMGEAR - .69" - 1.25"
	062401-05-000	EA	CLAMP - HOSE - WORMGEAR - 2" TO 3" ID
	062401-06-000	EA	CLAMP - HOSE - WORMGEAR - .22" - .62" ID
	062401-11-000	EA	CLAMP - HOSE - WORMGEAR - 3.50" - 4.50"
	075148-02-000	EA	CLAMP - GROUNDING - BRONZE SCREWS
	083609-01-000	EA	CLAMP - WIRE - DUAL - EQUAL DIAMETERS - 5/8"
	083610-01-000	EA	CLAMP - WIRE - DUAL - UNEQUAL DIAMETERS - 3/4" & 1 1/4"
	083610-02-000	EA	CLAMP - WIRE - DUAL - UNEQUAL DIAMETERS - 3/4" & 2"

SEALANTS & FASTENERS GROUP (CONTINUED)**SCREWS**

KEY	PART NUMBER	U/M	DESCRIPTION
	0G3908-08-170	EA	SCREW - SF/DR - 8-18 X .50 PPH - BRIGHT WHITE
	0G3908-20-170	EA	SCREW - SF/DR - 8-18 X 1.25 PPH - BRIGHT WHITE
	0G3908-24-170	EA	SCREW - SF/DR - 8-18 X 1.50 PPH - BRIGHT WHITE
	0G5508-12-260	EA	SCREW - SF/DR - 8-18 X .75 PWH - ALLANTE ANTELOPE
	0G5508-16-260	EA	SCREW - SF/DR - 8-18 X 1.00 PWH ZINC - INTERIOR ANTELOPE
	0G6710-08-170	EA	SCREW - 10-12 X 1/2 PPH - BRIGHT WHITE
	000G11-05-08B	EA	SCREW - 5-20 X .50 PPH - ZINC
	000G11-06-08B	EA	SCREW - 6-20 X .50 PPH - ZINC
	000G11-06-06B	EA	SCREW - 6-20 X 3/8 PPH - ZINC
	000G11-06-10J	EA	SCREW - 6-20 X 5/8 PPH - BRASS
	000G11-06-10B	EA	SCREW - 6-20 X 5/8 PPH - ZINC
	000G11-07-08B	EA	SCREW - 7-19 X .50 PPH - ZINC
	000G11-08-06B	EA	SCREW - 8-18 X 3/8 PPH - ZINC
	000G11-08-20B	EA	SCREW - 8-18 X 1.25 PPH - ZINC
	000G11-08-16S	EA	SCREW - 8-18 X 1 PPH - OFF WHITE
	000G11-08-12T	EA	SCREW - 8-18 X .75 PPH - BLACK
	000G11-08-12P	EA	SCREW - 8-18 X .75 PPH - DARK BROWN
	000G11-08-12D	EA	SCREW - 8-18 X .75 PPH - BLACK
	000G11-08-12B	EA	SCREW - 8-18 X .75 PPH - ZINC
	000G11-08-08B	EA	SCREW - 8-18 X .50 PPH - ZINC
	000G11-10-24P	EA	SCREW - 10-16 X 1 1/2 PPH - DARK BROWN
	000G11-10-16B	EA	SCREW - 10-16 X 1 PPH - ZINC
	000G11-10-12S	EA	SCREW - 10-16 X .75 PPH - OFF WHITE
	000G11-10-12D	EA	SCREW - 10-16 X .75 PPH - BLACK
	000G11-10-40B	EA	SCREW - 10-16 X 2 1/2 PPH CAD - 34927-01-000
	000G12-06-08T	EA	SCREW - 6-20 X 1/2 POH - BLACK
	000G13-06-08B	EA	SCREW - 6-20 X 1/2 PFH - ZINC
	000G13-06-16J	EA	SCREW - 6-20 X 1 PFH - BRASS
	000G13-06-10G	EA	SCREW - 6-20 X 5/8 PFH - ANTIQUE BRASS
	000G13-06-24J	EA	SCREW - 6-20 X 1.50 PFH - BRASS
	000G13-07-10H	EA	SCREW - 7-19 X 5/8 PFH - BLACK
	000G13-07-12B	EA	SCREW - 7-19 X .75 PFH - ZINC
	000G13-08-16B	EA	SCREW - 8-18 X 1 PFH - ZINC
	000G19-10-12F	EA	SCREW - MACHINE - 10-32 X .75 - PPH - STAINLESS STEEL
	000G19-10-20B	EA	SCREW - MACHINE - 10-32 X 1.25 PPH - ZINC
	000G32-10-06B	EA	SCREW - 10-32 X 3/8 PPH - ZINC
	000G39-06-16T	EA	SCREW - SF/DR - 6-20 X 1 PPH - BLACK
	000G39-06-10T	EA	SCREW - SF/DR - 6-20 X 5/8 PPH - BLACK
	000G39-08-12B	EA	SCREW - SF/DR - 8-18 X .75 PPH - ZINC
	000G39-08-08S	EA	SCREW - SF/DR - 8-18 X .50 PPH - OFF WHITE
	000G39-08-08B	EA	SCREW - SF/DR - 8-18 X 1.50 PPH - ZINC
	000G39-08-06B	EA	SCREW - SF/DR - 8-18 X 3/8 PPH - ZINC
	000G39-08-16T	EA	SCREW - SF/DR - 6-20 X 1 PPH - BLACK
	000G39-08-16R	EA	SCREW - SF/DR - 8-18 X 1 PPH - BEIGE
	000G39-08-16B	EA	SCREW - SF/DR - 8-18 X 1 PPH - ZINC
	000G39-08-12T	EA	SCREW - SF/DR - 8-18 X .75 PPH - BLACK
	000G39-08-24T	EA	SCREW - SF/DR - 8-18 X 1.50 PPH - BLACK
	000G39-10-20B	EA	SCREW - SF/DR - 10-16 X 1.25 PPH - ZINC
	000G39-10-129	EA	SCREW - SF/DR - 10-16 X .75 PPH - FLUOROCARBON SILVER
	000G39-10-12D	EA	SCREW - SF/DR - 10-16 X .75 PPH - BLACK
	000G39-10-12B	EA	SCREW - SF/DR - 10-16 X .75 PPH - ZINC
	000G39-10-10B	EA	SCREW - SF/DR - 10-16 X .625 - ZINC
	000G39-10-088	EA	SCREW - SF/DR - 10-16 X 1/2 PPH - FLEX FLUOROCARBON
	000G39-10-08B	EA	SCREW - SF/DR - 10-16 X .50 PPH - ZINC
	000G39-10-20T	EA	SCREW - SF/DR - 10-16 X 1.25 PPH
	000G43-06-24B	EA	SCREW - MACHINE - 6-32 X 1.50 - ZINC
	000G46-08-24T	EA	SCREW - MACHINE - 8-32 X 1.50 PFH - BLACK
	000G50-04-08B	EA	SCREW - MACHINE - 1/4-20 X 1/2 PTH - ZINC
	000G52-08-18B	EA	SCREW - MACHINE - 8-32 X 1 1/8 PTH - ZINC
	000G54-04-20B	EA	SCREW - 1/4-20 X 1.25 PTH - TYPE 23 - ZINC PLATED
	000G55-08-16S	EA	SCREW - SF/DR - 8-18 X 1.00 - PWH - OFF WHITE
	000G55-08-12S	EA	SCREW - SF/DR - 8-18 X .75 PWH - OFF WHITE
	000G56-12-48B	EA	SCREW - WOOD - 12-11 X 3 POH - SPECIAL HARDENED
	000G60-10-28T	EA	SCREW - SF/DR - 10-16 X 1.75 - BLACK
	000G60-10-20B	EA	SCREW - SF/DR - 10-16 X 1.25 POH - ZINC

SEALANTS & FASTENERS GROUP (CONTINUED)

SCREWS (CONTINUED)

KEY	PART NUMBER	U/M DESCRIPTION
	000G67-10-120	EA SCREW - 10-12 X .75 PPH - TAN
	000G67-10-12P	EA SCREW - 10-12 X .75 - PPH - DARK BROWN
	000G67-10-12B	EA SCREW - 10-12 X .75 PPH - ZINC
	000G67-10-10S	EA SCREW - 10-12 X 5/8 PPH - OFF WHITE
	000G67-10-10D	EA SCREW - 10-12 X 5/8 PPH - BLACK - TYPE A
	000G67-10-10B	EA SCREW - 10-12 X 5/8 PPH - ZINC - TYPE A
	000G67-10-08R	EA SCREW - 10-12 X 1/2 PPH - BEIGE - TYPE A
	000G67-10-08B	EA SCREW - 10-12 X .50 PPH - ZINC
	000G67-10-36T	EA SCREW - 10-12 X 2.25 PPH - BLACK
	000G67-10-24B	EA SCREW - 10-12 X 1.25 PPH - ZINC
	000G67-10-20D	EA SCREW - 10-12 X 1.25 PPH - BLACK
	000G67-10-120	EA SCREW - 10-12 X .75 PPH - TAN
	000G68-06-10G	EA SCREW - 6-18 X 5/8 POH - ANTIQUE BRASS
	049465-01-000	EA SCREW - 10-16 W/WASHER PTH - DARK BROWN
	049465-03-000	EA SCREW - 10-16 X 1 POH W/WASHER - OFF WHITE
	049465-17-000	EA SCREW - 10-16 X 1 POH W/WASHER
	054434-02-000	EA SCREW - SF/DR - 10-16 X 2 - ZINC
	057671-01-000	EA COVER - SCREW - #8 - PLASTIC - OFF WHITE
	057671-15-000	EA COVER - SCREW - BRIGHT WHITE
	075908-01-000	EA SCREW - MACHINE - 10-32 X .56 PTH - EXTERNAL TOOTH - ZINC
	076790-01-000	EA SCREW - 6-20 X 1 1/4 PPH - BLACK
	083554-01-000	EA SCREW - DRYWALL - 8 X 1.25
	083554-04-000	EA SCREW - DRYWALL - 8 X 2.50
	086256-01-000	EA SCREW - SF/DR - 8 X 3/4 HWH LONG
	087721-01-000	EA SCREW - FLAT HEAD - TAPPING - 1/4" X 1 1/4" LONG - ZINC
	097974-01-000	EA SCREW - PARTICLE BOARD - 7-9 X 3/4 PPH

BOLTS

KEY	PART NUMBER	U/M DESCRIPTION
	000C12-05-16B	EA BOLT - HEX - 5/16-18 X 1 - ZINC 5
	000C12-05-12B	EA BOLT - HEX - 5/16-18 X 3/4 - ZINC 5
	000C12-06-16B	EA BOLT - HEX - 3/8-16 X 1 LG - ZINC 5
	000C12-08-24B	EA BOLT - HEX - 1/2-13 X 1.50 - ZINC 5
	000C12-08-16B	EA BOLT - HEX - 1/2-13 X 1.00 - GD5 - ZINC
	000C12-10-24B	EA BOLT - HEX - 5/8-11 X 1.50 - ZINC 5
	000C13-07-48B	EA BOLT - HEX - 7/16-20 X 3 - ZINC 5
	000C18-05-40A	EA BOLT - ELEVATOR - 5/16-18 X 2.50 - PL
	000C18-06-56A	EA BOLT - ELEVATOR - 3/8-16 X 3 1/2 - GRADE 5
	000C26-04-10B	EA BOLT - HEX - SERRATED FLANGE - 1/4-20 X 5/8 - ZINC
	000C26-04-18B	EA BOLT - HEX - SERRATED FLANGE - 1/4-20 X 1 1/8 - ZINC
	000C26-04-14B	EA BOLT - HEX - SERRATED FLANGE - 1/4-20 X 7/8 - ZINC
	000C26-05-16B	EA BOLT - HEX - SERRATED FLANGE - 5/16-18 X 1 - ZINC
	000C26-05-12B	EA BOLT - HEX - SERRATED FLANGE - 5/16-18 X 3/4 - ZINC
	000C26-06-16B	EA BOLT - HEX - SERRATED FLANGE - 3/8-16 X 1 - ZINC
	000C26-06-12B	EA BOLT - HEX - SERRATED FLANGE - 3/8-16 X 3/4 - ZINC
	000C26-08-24B	EA BOLT - HEX - SERRATED FLANGE - 1/2-13 X 1.5 ZINC
	000G45-04-24B	EA BOLT - LAG - 1/4-9 X 1.50 ZINC
	051387-06-000	EA BOLT - CARRIAGE W/O HOLE - 5/16-18 X 9.5 - ZINC
	091274-03-000	EA BOLT-J - 3/8-16 X 12.0
	102333-01-06A	EA BOLT - CARRIAGE - 7/16-14 STAINLESS STEEL CAP
	106166-01-000	EA BOLT/COLLARED HANGER - 8-32 X 1"
	088787-12-000	EA STUD - WELD - 1/4 - 20 X 1.0 LG - MN
	108067-03-000	EA STUD - WELD - 1/4 - 20 X 1/2 CD

TAPES

KEY	PART NUMBER	U/M DESCRIPTION
	076322-01-000	FT TAPE - DOUBLE COATED/ADHESIVE BACK - .025"THK X .75"W X18"
	076322-05-000	FT TAPE - DOUBLE COATED/ADHESIVE BACK - .045"THK X .75"W X 9'
	076322-07-000	FT TAPE - DOUBLE COATED/ADHESIVE BACK - .045"THK X .50"W X 9'
	110274-01-000	FT TAPE - DOUBLE SIDED FOAM - .45" X 1"
	120534-01-01A	EA TAPE - SCOTCH - 3M - 1/2" FINE LINE
	123244-01-000	FT TAPE - DOUBLE SIDED FOAM 5/64" THICK X .75" WIDE
	123816-01-000	FT TAPE - DOUBLE SIDED - 1"
	123816-02-000	FT TAPE - DOUBLE SIDED - 1/2" X 35 MIL THICK
	123816-03-000	FT TAPE - DOUBLE SIDED - 1/2" X 20 MIL THICK

SEALANTS & FASTENERS GROUP (CONTINUED)

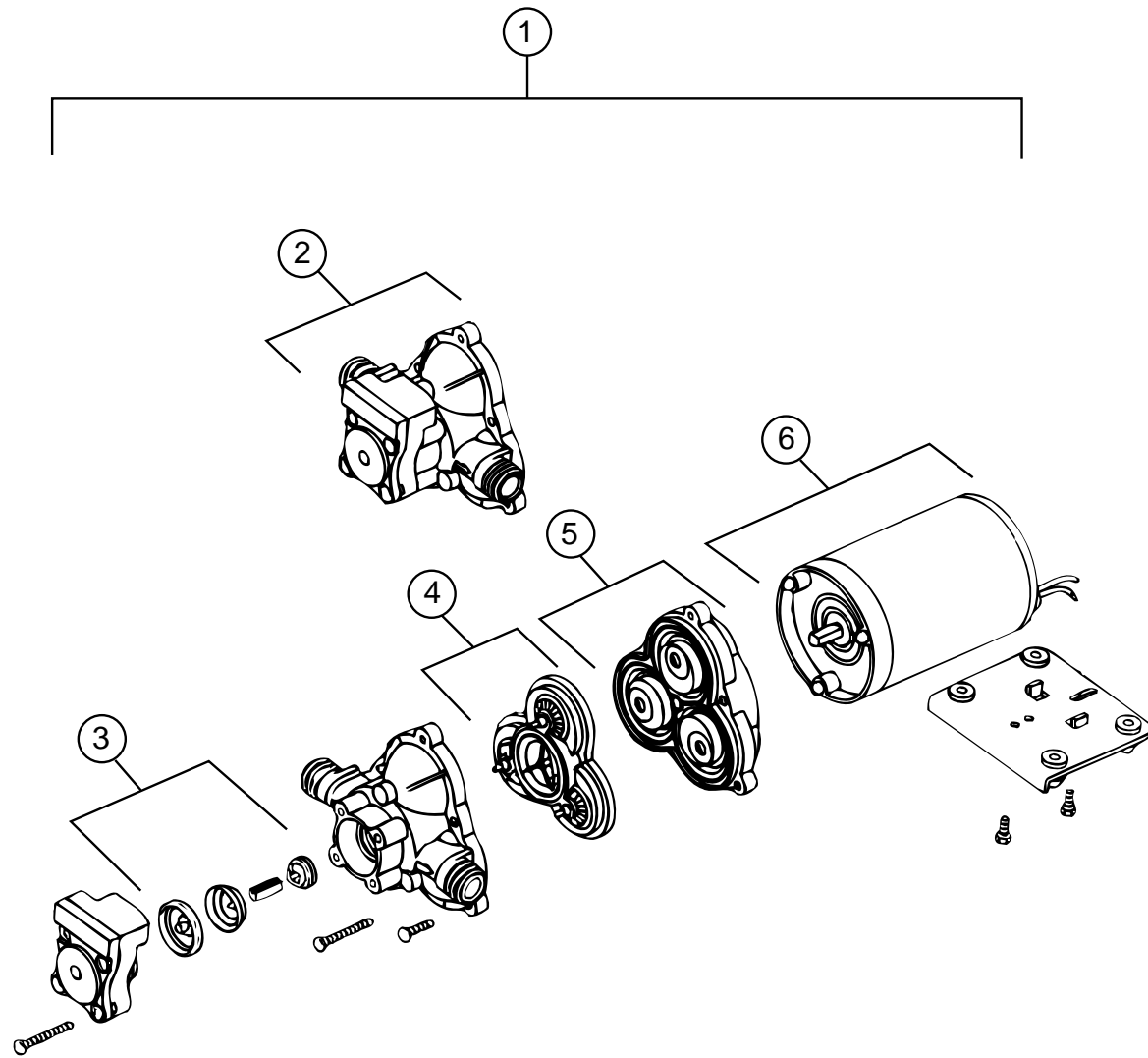
SEALERS

KEY	PART NUMBER	U/M DESCRIPTION
	069640-01-000	FT SEALER - RIBBON - 1/4" DIAMETER X 30' - BLACK
	069640-03-000	FT SEALER - TAPE - 1/8"THICK X .75"WIDE X 60' - BLACK
	069640-07-000	FT SEALER - TAPE - 3/32"THICK X 2"WIDE X 45'
	069640-09-000	FT SEALER - TAPE - 1/32"THICK X 2.50"WIDE X 80' - GREY
	069640-11-000	FT SEALER - TAPE - 3/16"THICK X 3/8"WIDE X 40'
	069640-13-000	FT SEALER - TAPE - 3/32"THICK X 2"WIDE X 45'
	069640-14-000	FT SEALER - TAPE - 1/16"THICK X 1"WIDE X 100'
	069640-15-000	FT SEALER - TAPE - 1/16"THICK X 3/8"WIDE X 80' - GRAY
	069640-17-000	FT SEALER - TAPE - 1/32" THICK X 1"WIDE X 90'
	069640-18-000	FT SEALER - TAPE - 1/2"THICK X 1/8"WIDE X 60' - BRT/WHITE
	069640-19-000	FT SEALER - TAPE - 3/4" X 1/8" X 60' - BRIGHT WHITE
	069640-21-000	FT SEALER - TAPE - 1/2" X 1/16" X 100' - BRIGHT WHITE
	900390-01-000	EA TIP - 2 1/2" X 1/8" ORIFICE
	900390-03-000	EA NOZZLE - SILICONE TUBE
	034552-02-000	EA SILICONE - TUBE - 300 ML - W/O NOZZLE - CLEAR
	034552-15-000	EA SILICONE - TUBE - 300 ML - W/O NOZZLE - BRIGHT WHITE
	039518-01-000	EA SILICONE - TUBE - 300 ML - BLACK - W/O NOZZLE
	108716-03-000	EA SILICONE - TUBE - BRIGHT WHITE/SELF LEVELING - W/O NOZZLE
	053766-02-000	EA BEDDING COMPOUND - TUBE - WHITE
	072889-01-000	EA SEALANT - URETHANE - BLACK - 1/10
	072889-09-000	EA SEALANT - URETHANE - BLACK (TUBE)
	072889-10-000	EA SEALANT - URETHANE (HV) - BRIGHT WHITE
	072889-12-000	EA SEALANT - URETHANE (LV) BRIGHT WHITE
	102352-01-000	EA SEALER - PUMPABLE - BLACK
	102352-02-000	EA SEALER - PUMPABLE - CLEAR
	106206-01-000	EA SEALER - PUMPABLE - MANUS 30A - BLACK
	112864-01-000	FT SEAL - FOAM/BUTYL COVERED - 3/8"
	120074-02-01A	EA SEALANT - SILICONE - OFF WHITE

RIVETS, GROMMETS AND MISCELLANEOUS FASTENERS

KEY	PART NUMBER	U/M DESCRIPTION
	000H14-04-04A	EA RIVET - MANDREL BLIND - 1/8 X .400
	000H16-04-06R	EA RIVET - POP ALUMINUM - 1/8" X .313 - .375
	000H16-06-10R	EA RIVET - POP ALUMINUM - 3/16 X .501-.625
	069592-02-000	EA RIVET-T - POP - 1/4 X .093 - .156
	000F10-04-16B	EA PIN - COTTER - 1/8" X 1" - ZINC
	000F10-06-32B	EA PIN - COTTER - 3/16" X 2" - ZINC
	008380-01-000	EA GROMMET - RUBBER - 5/8" HOLE X 1 1/2" DIAMETER - BLACK
	016188-03-000	EA GROMMET - L/P LINE - 3/8" HOLE X 2 1/2" LONG - RUBBER
	016188-05-000	EA GROMMET - L/P LINE - 3/8" HOLE X 1 1/4" LONG - RUBBER
	023942-01-000	EA GROMMET - RUBBER - 2" OD
	071015-11-000	EA GROMMET - 1.00 ID - FITS .12 MATERIAL
	071015-26-000	EA GROMMET - RUBBER - 1.5" ID X 2.12" OD W/.06" GROOVE - BLK
	071015-30-000	EA GROMMET - RUBBER - .31" ID X .81" OD W/.12" GROOVE - BLK
	114208-02-000	EA GROMMET - EDGE LINER - FITS .625
	056134-02-000	EA HOLDER - RING - 1.8" DIAMETER - METAL
	081211-05-000	EA PLUG - PLASTIC - .188 DIAMETER - NATURAL
	086285-01-000	EA SPACER - NYLON - .5" OD X .257" ID
	029094-04-000	YD VELCRO TAPE - LOOP - 1" WIDE - BLACK
	029096-03-000	YD VELCRO TAPE - HOOK - 1" WIDE - BLACK
	088792-02-000	YD VELCRO TAPE - LOOP - 3/4" - ADHESIVE BACKED - BEIGE
	085774-01-000	FT FASTENER - DUAL HOOK - 1" WIDE - ADHESIVE BACK - BLACK
	085774-02-000	FT FASTENER - DUAL HOOK - 1" WIDE - ADHESIVE BACK - BLACK
	008343-01-000	EA TIE - WIRE - 6"
	008343-02-000	EA TIE - WIRE - 14"
	108046-02-000	EA CABLE TIE - SCREW MOUNT 15"
	080734-02-000	EA CLIP - WIRE NYLON
	091952-01-000	EA CLIP - GRIPPER - 1"
	091952-02-000	EA CLIP - GRIPPER - 3/4"
	094362-02-000	EA CLIP - XMAS TREE - BINDER HEAD - .9" LONG
	094362-05-000	EA CLIP - XMAS TREE - ROUND HEAD - 1.4" LONG
	101447-01-000	EA CLIP - U TYPE
	110943-02-000	FT FELTSTRIP - 3/8" - ADHESIVE BACK - WHITE
	116743-01-01A	EA CAP - LUG COVER - THREAD PROTECTOR - BLACK

WATER & SEWAGE GROUP



SHURFLO WATER PUMP

KEY	PART NUMBER	U/M DESCRIPTION	VENDOR NO.
1	098607-01-000	EA PUMP - WATER - W/.5" MPT FITTING - FLOW 2.8 GPM	
2	098607-01-706	EA HOUSING, W/SWITCH ONLY	94-231-20
3	098607-01-705	EA VALVE-CHECK, KIT	94-237-00
4	098607-01-703	EA VALVE KIT	94-232-00
5	098607-01-702	EA DIAPHRAGM/DRIVE ASSEMBLY KIT	94-238-04
6	098607-01-707	EA MOTOR W/BASEPLATE	11-148-04

ATWOOD WATER HEATER W/MOTOR AID (GH6-8E)

KEY	PART NUMBER	U/M DESCRIPTION
*	051393-01-000	EA WATER HEATER - GH6-8E - ELECTRONIC IGNITION W/MOTOR AID

* COMPONENT PARTS FOUND IN SERVICE PARTS LIBRARY

WATER & SEWAGE GROUP (CONTINUED)
WATER TANKS

KEY	PART NUMBER	U/M DESCRIPTION
	121959-05-000	EA TANK - WATER - 50 GALLON - W/FITTINGS
	121959-01-000	EA TANK - WATER - 50 GALLON - W/O FITTINGS
	039861-01-000	EA SENDING UNIT - W/SCREW - WASHER - WELL NUT/TERMINAL RING
	010224-01-000	EA ADAPTER - HOSE TO PIPE - 3/8 MPT X 3/8 BARB - PLASTIC
	114430-03-000	EA ADAPTER - 1/2"P X 1/2"MPT
	042989-03-000	EA FITTING - WATER TANK - SPINWELD - 1 1/4"NPT - PLASTIC
	042989-04-000	EA FITTING - WATER TANK - SPINWELD - 3/8 FPT - WHITE PLASTIC
	042989-05-000	EA FITTING - WATER TANK - SPINWELD - 1/2"FPT - PLASTIC
	049032-01-000	EA PATCH - SPINWELD - 3/8" - PLASTIC
	044927-01-000	EA ADAPTER - HOSE TO PIPE - 1 1/4 MPT X 1 1/4 BARB - BLK PLS
	074462-02-000	FT TUBING - VINYL - 3/8 ID X 20' - CLEAR
	077954-02-000	EA FILTER - WATER TANK - W/SCREEN IN TANK
	079381-01-000	FT TUBING - SMOOTH FLEXIBLE - 1 3/8 ID X 20'

EXTERIOR SHOWER

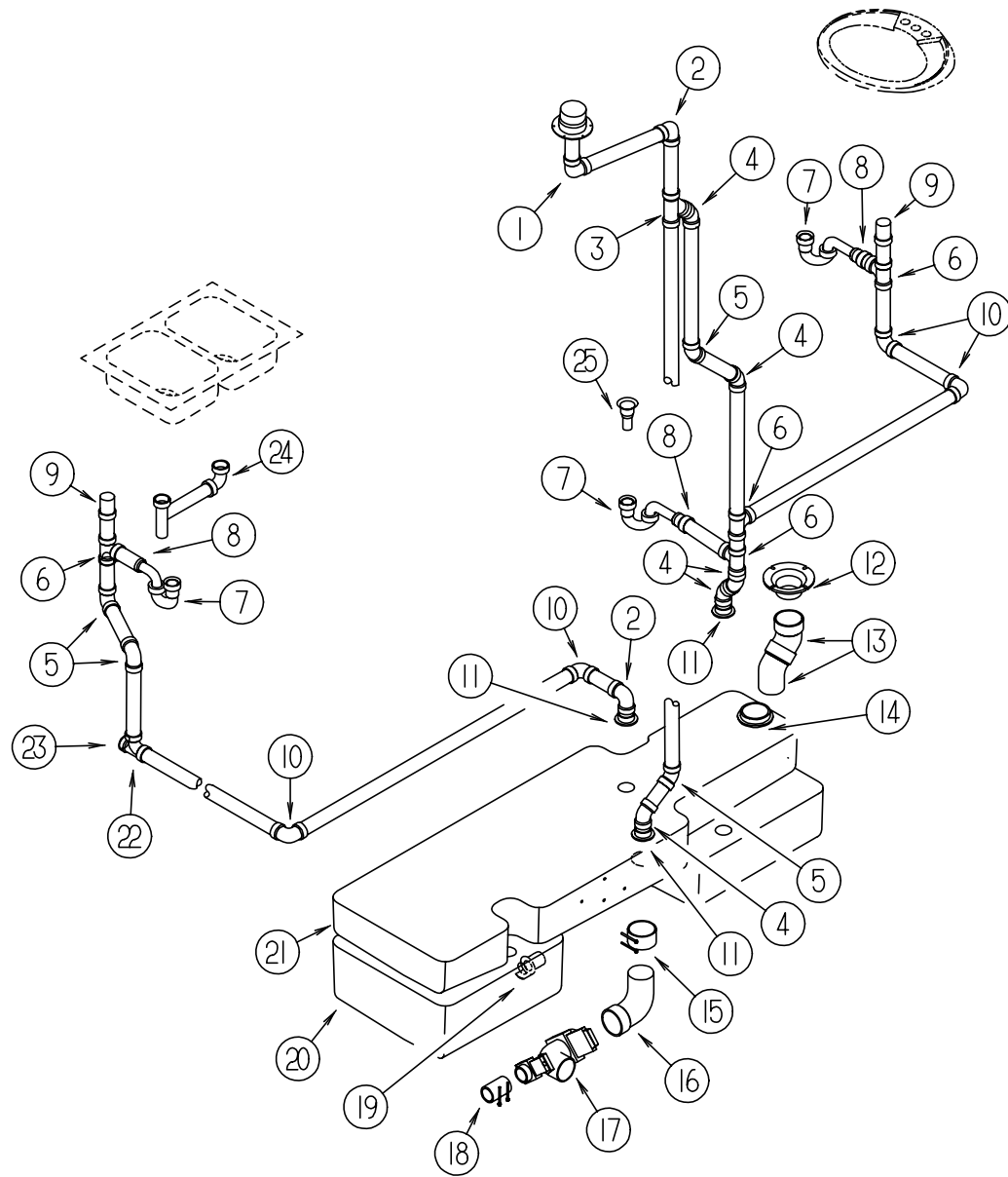
KEY	PART NUMBER	U/M DESCRIPTION	VENDOR NO.
	075241-05-000	EA FAUCET/SHOWER - BONE 3/4" MPT X 1.4" LONG INLET PIPES	
	103092-02-000	EA SHOWER HEAD - W/60" HOSE - CSA	
	103092-01-000	EA SHOWER HEAD - W/60" HOSE - WHITE	
	103092-01-700	EA BRACKET-F/SHOWER HEAD, CLEAR	2328028
	011048-03-700	EA BRACKET - F/SHOWER HEAD	2328029-I
	103092-01-702	EA SEALS-SPRAY HEAD	24466
	093527-02-000	EA BRACKET - EXTERIOR SHOWER HEAD/SQUEEGEE	
	108357-08-000	EA SWITCH - ROCKER DPDT - ON/NONE/ON - 6 TERMINAL	
	108356-02-01A	EA COVER/ACTUATOR SWITCH - 2 ROWS DIMPLES- CONTURA II - BLACK	

WATER SYSTEM

KEY	PART NUMBER	U/M DESCRIPTION
	110438-02-000	EA VALVE - CHECK - BRASS - 1/2 MPT X 1/2 MPT
	101814-01-000	EA COUPLING - FEMALE - 1/2" X 1/2" FPT - GRAY
	110915-01-01A	EA FILL - CITY WATER - CHROME
	112176-01-000	FT TUBING - VINYL - REINFORCED - 1/2" ID
	113697-01-000	EA CAP - 3/8 FTG
	114428-01-000	EA TEE - 1/2"P X 1/2"P X 1/2"P
	114428-02-000	EA TEE - SWIVEL - 1/2"P X 1/2"P X 1/2"FPT
	114428-03-000	EA TEE - 1/2"P X 1/2"P X 1/2"MPT
	114429-01-000	EA ELBOW - 1/2"P X 1/2"P
	114429-02-000	EA ELBOW - 1/2"P X 1/2"MPT
	114429-03-000	EA ELBOW - FLAIR-IT SWIVEL - 1/2"P X 1/2"FPT
	114429-04-000	EA ELBOW - 1/2"P X 3/8"MPT
	114430-02-000	EA ADAPTER - SWIVEL - 1/2"P X 1/2"FPT
	114430-03-000	EA ADAPTER - 1/2"P X 1/2"MPT
	114430-06-000	EA ADAPTER - 1/2"P X 3/8"FPT
	114431-01-000	EA VALVE - 180 DEGREE/CENTER DRAIN - 1/2P - THREE WAY
	114431-02-000	EA VALVE - WATER BYPASS - 1/2"P - THREE WAY (WATER HEATER)
	114431-03-000	EA VALVE - 90 DEGREE DRAIN - 1/2"P
	123150-01-000	EA ELBOW - 1/2 FPT X 1/2 BARB - SWIVEL
	123152-01-000	EA ADAPTER - 1/2 FPT X 1/2 BARB - SWIVEL
	124188-01-000	FT TUBING - PEX - 1/2" ID X 20' - BLUE
	124188-02-000	FT TUBING - PEX - 1/2" ID X 20' - RED
	124184-01-000	EA SUPPORT - WATER LINE - BEND

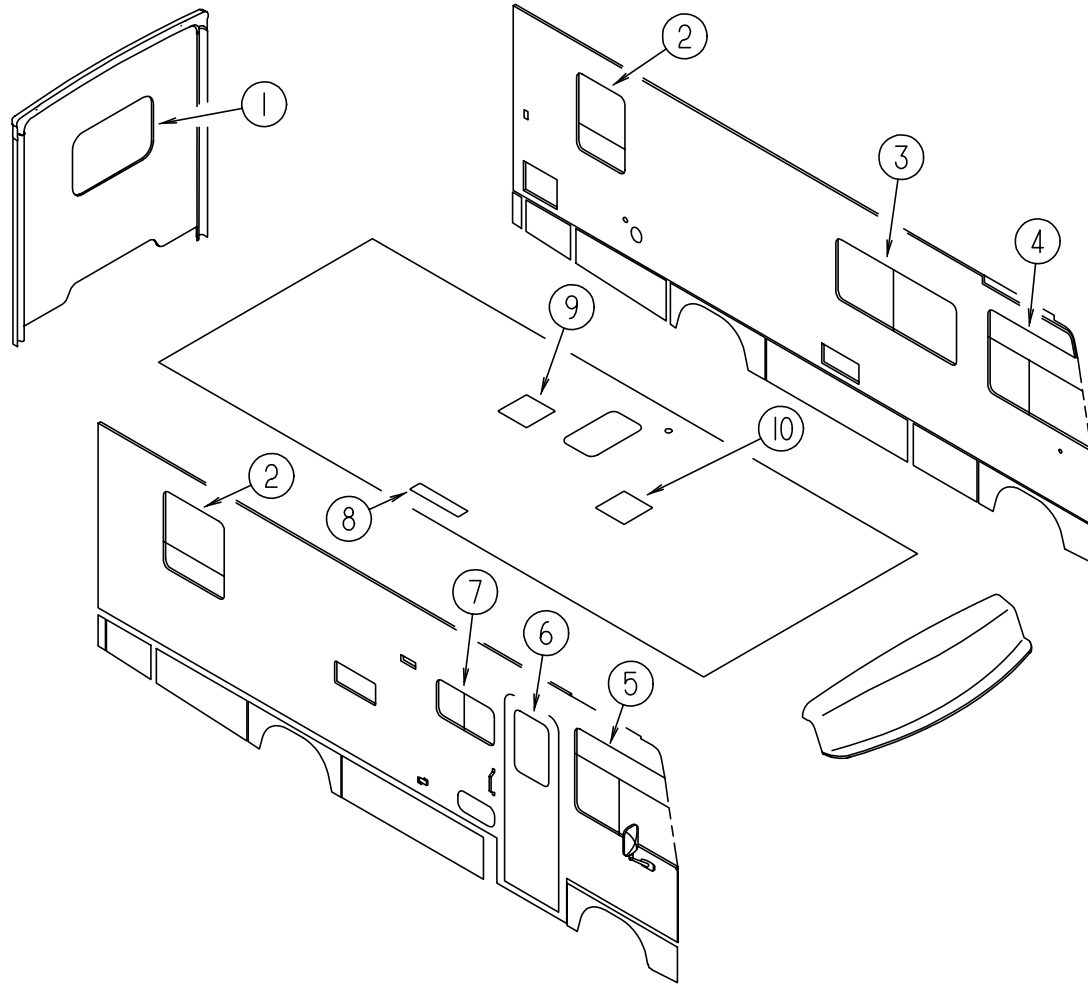
FROM: 00-00-00 THRU: 02-15-98

WATER & SEWAGE GROUP (CONTINUED)
DRAINAGE SYSTEM



KEY	PART NUMBER	U/M	DESCRIPTION	VENDOR NO.
1	034250-01-000	EA	ELBOW - 90 DEGREE - LONG TURN - 1 1/2" HUB X HUB - ABS	
2	010009-01-000	EA	ELBOW - 90 DEGREE - 1/4 BEND - 1 1/2" PLASTIC	
3	010073-01-000	EA	WYE - 45 DEGREE - 1 1/2" HUB X HUB X HUB - PLASTIC	
4	010051-01-000	EA	ELBOW - 45 DEGREE - 1 1/2" SPIGOT & HUB - PLASTIC	
5	010006-01-000	EA	ELBOW - 45 DEGREE - 1 1/2" HUB X HUB - PLASTIC	
6	010071-01-000	EA	TEE - SANITARY - 1 1/2" HUB X HUB X HUB - PLASTIC	
7	107538-01-000	EA	P TRAP - PLASTIC - 1 1/4" W/EXTENSION ARM	
7	011071-01-000	EA	P TRAP - PLASTIC - 1 1/2" - CANADIAN	
8	109571-01-000	EA	ADAPTER - P TRAP - 1 1/2" P X 1 1/4" MPT - US	
9	079968-01-000	EA	VENT - MECHANICAL/TRAP ARM - ANTI-SIPHON-2" X 7.3" PLASTIC	
10	010008-01-000	EA	ELBOW - 90 DEGREE - 1 1/2" HUB X HUB - PLASTIC	
11	010115-01-000	EA	COUPLING - 1 1/2" HUB X HUB - PLASTIC	
11	061607-01-000	EA	GROMMET - HOLDING TANK - 1 1/2" NPS	
12	063641-01-000	EA	FLANGE - CLOSET - 4" X 3"	
				FROM: 00-00-00 THRU: 12-04-97
12	116644-01-000	EA	FLANGE - CLOSET - 4" X 3"	
				FROM: 12-05-97 THRU: 99-99-99
13	010061-01-000	EA	ELBOW - 45 DEGREE ST - 3" SPIGOT/HUB - PLASTIC	
14	061607-02-000	EA	GROMMET - HOLDING TANK - 3" NPS	
15	078406-01-000	EA	COUPLER - RUBBER - W/CLAMPS - 3" X 3"	
16	041956-01-000	EA	ELBOW - STREET - 1/4" BARB X 90 DEGREE X 3 XLT	
17	070916-01-000	EA	VALVE - DUAL DUMP - W/CAP - 3" X 1 1/2"	
	070916-01-700	EA	VALVE ONLY (WASTE) 3"	T1003BU
	070916-01-701	EA	VALVE ONLY (WASTE) 1 1/2"	T1001BU
	010201-01-000	EA	HOSE - SEWER - 3" ID X 8'	
	062416-01-000	EA	ADAPTER - SEWER HOSE TO 3" PIPE	
	062422-01-000	EA	ADAPTER - OFFSET REDUCER - 3" X 1 1/2" - PLASTIC	
18	089355-01-000	EA	COUPLER - RUBBER - 1 1/2" X 1 1/2"	
19	109571-02-000	EA	ADAPTER - 1 1/2" HUB X 1 1/2" MPT	
20	121505-01-700	EA	TANK-HOLDING 43 GAL-1.5"ADAP	PARTS SALES
	039861-01-000	EA	SENDING UNIT - W/SCREW - WASHER - WELL NUT/TERMINAL RING	
21	121500-01-000	EA	TANK - HOLDING - 35 GALLON - W/O FITTINGS	
	039861-01-000	EA	SENDING UNIT - W/SCREW - WASHER - WELL NUT/TERMINAL RING	
22	031365-02-000	EA	TEE - PLASTIC - 1 1/2" EXT LG TURN	
23	010166-01-000	EA	PLUG - THREADED - 1 1/4" DIAMETER - PLASTIC - BLACK	
23	010122-01-000	EA	BUSHING - REDUCER - 1 1/2 SMTH X 1 1/4 THD - BLACK PLASTIC	
24	011091-02-000	EA	WASTE - CONTINUOUS - DOUBLE SINK	
25	011069-02-000	EA	TAILPIECE - TUB/SHOWER - 1 1/2" X 1 1/4" X 4" - BRASS	
	066440-01-000	EA	STRAINER - SHOWER DRAIN - W/RUBBER WASHER	
				FROM: 00-00-00 THRU: 12-02-97
	066729-01-000	EA	STRAINER - TUB/SHOWER W/PLUG - CHROME	
				FROM: 12-03-97 THRU: 99-99-99
	069735-01-000	EA	WASHER - STRAINER TO TAILPIECE - PLASTIC - 1.5"	
				FROM: 00-00-00 THRU: 10-21-97
	127440-02-01A	EA	WASHER - RUBBER - 1.8" X .1"	
				FROM: 10-22-97 THRU: 99-99-99
	066436-01-000	EA	NUT - SLIP - TAILPIECE 1.5"	
				FROM: 00-00-00 THRU: 01-25-98
	130403-01-000	EA	NUT - SLIP - W/WINGS 1 1/2"	
				FROM: 01-26-98 THRU: 99-99-99

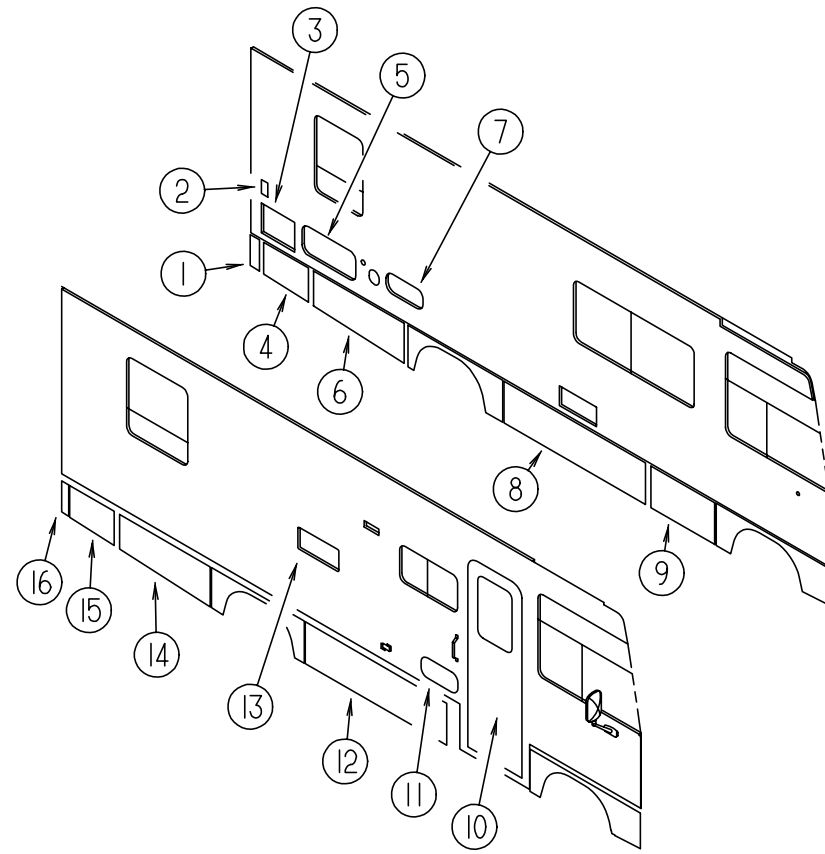
WINDOW, VENT & EXTERIOR DOOR GROUP
WINDOWS AND ROOF VENTS



KEY	PART NUMBER	U/M	DESCRIPTION
1*	078528-06-E10	EA	WINDOW - ESCAPE - W/O RETAINER/TRIM - 48.5" X 24.5"
1*	113502-01-01A	EA	WINDOW - REAR/CENTER ESCAPE - THERMO - 24.8" X 48.7"
2	126795-01-01A	EA	WINDOW - TORQUE - 33" X 30"
2*	112463-03-01A	EA	WINDOW - TIPOUT W/RETAINER TRIM - 33.3" X 30.2" FROM: 00-00-00 THRU: 09-07-97 FROM: 09-08-97 THRU: 99-99-99
2*	112898-16-01A	EA	WINDOW - VERTICAL SLIDER - THERMO - 33.2" X 30.2"
3	126793-05-01A	EA	WINDOW - HORIZONTAL SLIDER
3*	098647-22-01A	EA	WINDOW - DRIVER HORIZ SLIDER W/TRIM - TINTED - 26.1" X 59.7" FROM: 00-00-00 THRU: 09-07-97 FROM: 09-08-97 THRU: 99-99-99
3*	112795-15-01A	EA	WINDOW - DRIVER HORIZONTAL SLIDER - THERMO - 26.4" X 60"
4	126791-02-01A	EA	WINDOW - CAB/LEFT HAND - 35.9"H X 33.7"T X 50.1"B FROM: 00-00-00 THRU: 09-07-97
4*	125582-08-01A	EA	WINDOW - CAB - DRIVER FROM: 09-08-97 THRU: 99-99-99
4*	125583-08-01A	EA	WINDOW - DRVR CAB-3 GLASS THERMO-44.2"T X 51.2"B X 37"H
5	126791-01-01A	EA	WINDOW - CAB/RIGHT HAND - 35.9"H X 43.1"T X 49.9"B FROM: 00-00-00 THRU: 09-07-97
5*	125582-07-01A	EA	WINDOW - CAB - PASSENGER FROM: 09-08-97 THRU: 99-99-99
5*	125583-07-01A	EA	WINDOW - PASS CAB-3 GLASS THERMO-44.2"T X 51.2"B X 37"H
6*	117053-02-F36	EA	WINDOW - PICTURE - 60% TINTING - 17" X 26.4"
6	117054-02-02A	EA	RETAINER - TRIM - BRIGHT WHITE
6*	113733-01-01A	EA	WINDOW - STATIONARY THERMOPANE - 26.4" X 17"
7	126793-02-01A	EA	WINDOW - HORIZONTAL SLIDER
7*	098647-33-01A	EA	WINDOW - PASS HORIZ SLIDER W/TRIM - TINTED - 15.7" X 28.5" FROM: 00-00-00 THRU: 09-07-97 FROM: 09-08-97 THRU: 99-99-99
7*	112795-19-01A	EA	WINDOW - PASSENGER HORIZ SLIDER - THERMO - 16" X 28.7"
8	084073-04-000	EA	BASE - ROOF VENT/REFRIGERATOR - BLACK - NORCOLD
8	084073-07-000	EA	VENT - ROOF/REFRIGERATOR - BRIGHT WHITE - NORCOLD
9*	122882-02-01A	EA	VENT - ROOF - W/FAN - W/O INSIDE GARNISH - UL
9*	122882-03-01A	EA	VENT - ROOF - W/FAN - W/O INSIDE GARNISH - CSA
10*	122882-01-01A	EA	VENT - ROOF - NONPOWERED - W/O INSIDE GARNISH
	083558-03-000	EA	VENT - PLUMBING - PIPE ROOF - W/COVER - OFF WHITE

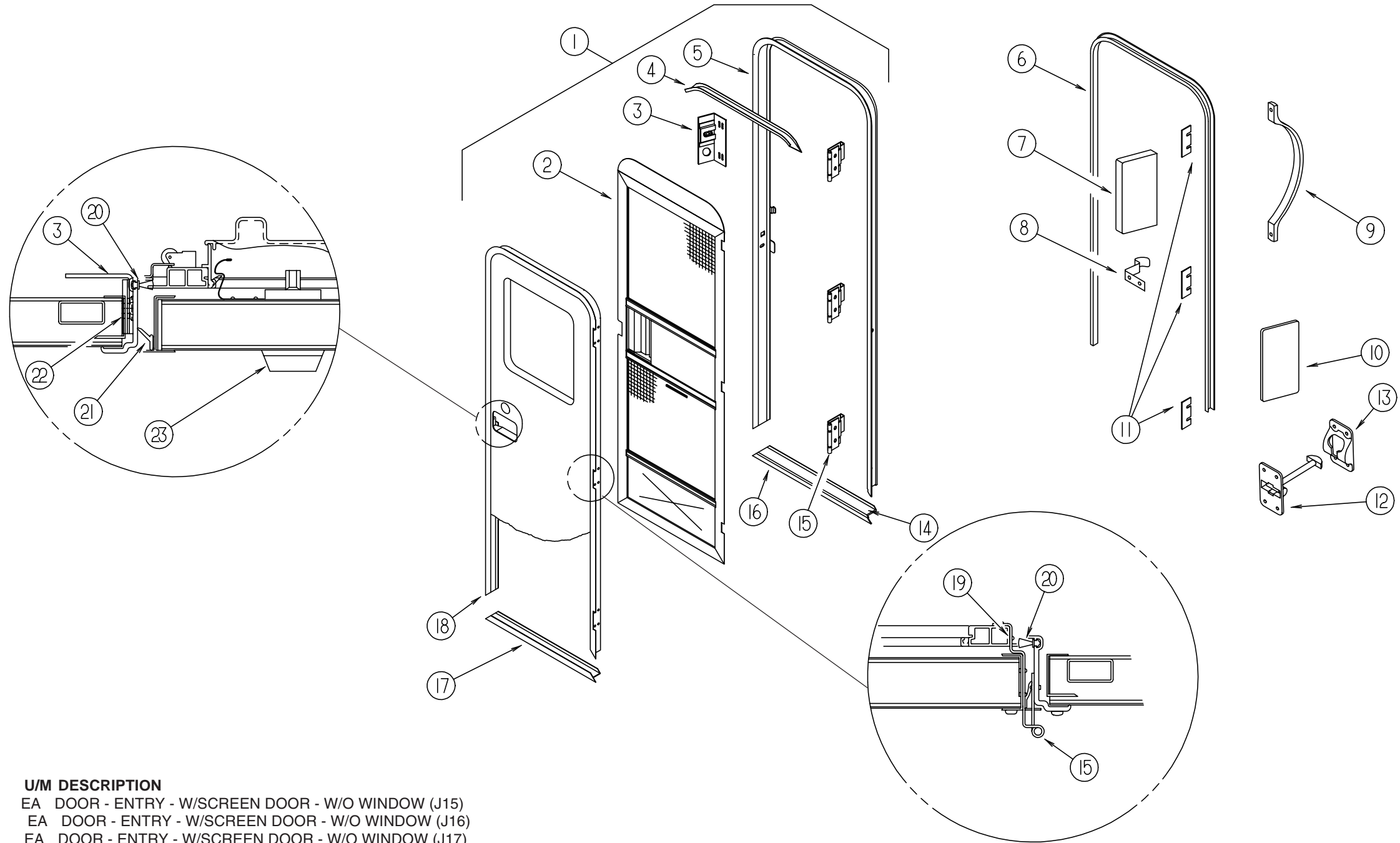
* COMPONENT PARTS FOUND IN SERVICE PARTS LIBRARY

WINDOW, VENT & EXTERIOR DOOR GROUP (CONTINUED)
EXTERIOR DOORS & PANELS



KEY	PART NUMBER	U/M DESCRIPTION	VENDOR NO.
1	126645-12-J15	EA VALANCE/PANEL - REAR DRIVER - W/O HARDWARE - 4.4"	
2	081240-16-000	EA DOOR - WATER FILL - LOCKABLE W/O LOCK - 4" X 4 5/8"	
3	052009-06-000	EA DOOR - WATER HEATER - BRIGHT WHITE - 18" X 14.6"	
4	126647-11-J15	EA VALANCE/DOOR - DRIVER W/O LATCH - 15.1" X 24.4" X 13.9"	
5	126946-10-J01	EA DOOR/STORAGE - W/O HARDWARE - 26.5" X 12.2"	
6	126647-12-J15	EA VALANCE/DOOR - DRIVER W/O LATCH - 17.5" X 47.3" X 15.2"	
7	126945-04-J01	EA DOOR/STORAGE - W/O HARDWARE - 18" X 8.3"	
8	126646-30-J15	EA VALANCE/DOOR - W/O PADDLE LATCH - 72.5"	
9	126646-20-J15	EA VALANCE/DOOR - W/O PADDLE LATCH - 33.9"	
10	115108-02-J05	EA DOOR - ENTRY - W/SCREEN DOOR - W/O WINDOW (J15)	
10	115108-02-H07	EA DOOR - ENTRY - W/SCREEN DOOR - W/O WINDOW (J16)	
10	115108-02-H27	EA DOOR - ENTRY - W/SCREEN DOOR - W/O WINDOW (J17)	
11	126945-01-J22	EA DOOR - STORAGE - W/O HARDWARE - 8.3" X 18"	
12	126646-05-J15	EA VALANCE/DOOR - W/O PADDLE LATCH - 72.4"	
13	084103-08-000	EA DOOR - REFRIGERATOR - VENTED - W/O JAMB	
13	084104-08-000	EA JAMB - REFRIGERATOR DOOR	
	084104-01-700	EA LOCK-MALE, FASTENER	201-721-010
	084104-01-701	EA LOCK-FEMALE, FASTENER	201-802-010
14	126647-17-J15	EA VALANCE/DOOR - PASS W/O LATCH - 17.5" X 47.3" X 15.7"	
15	126647-10-J15	EA VALANCE/DOOR - PASS W/O LATCH - 15.1" X 24.4" X 13.9"	
16	126645-11-J15	EA VALANCE/PANEL - REAR PASSENGER - W/O HARDWARE - 4.4"	
	009426-01-000	EA HATCH - POWER CORD - WHITE	

WINDOW, VENT & EXTERIOR DOOR GROUP (CONTINUED)
ENTRANCE DOOR

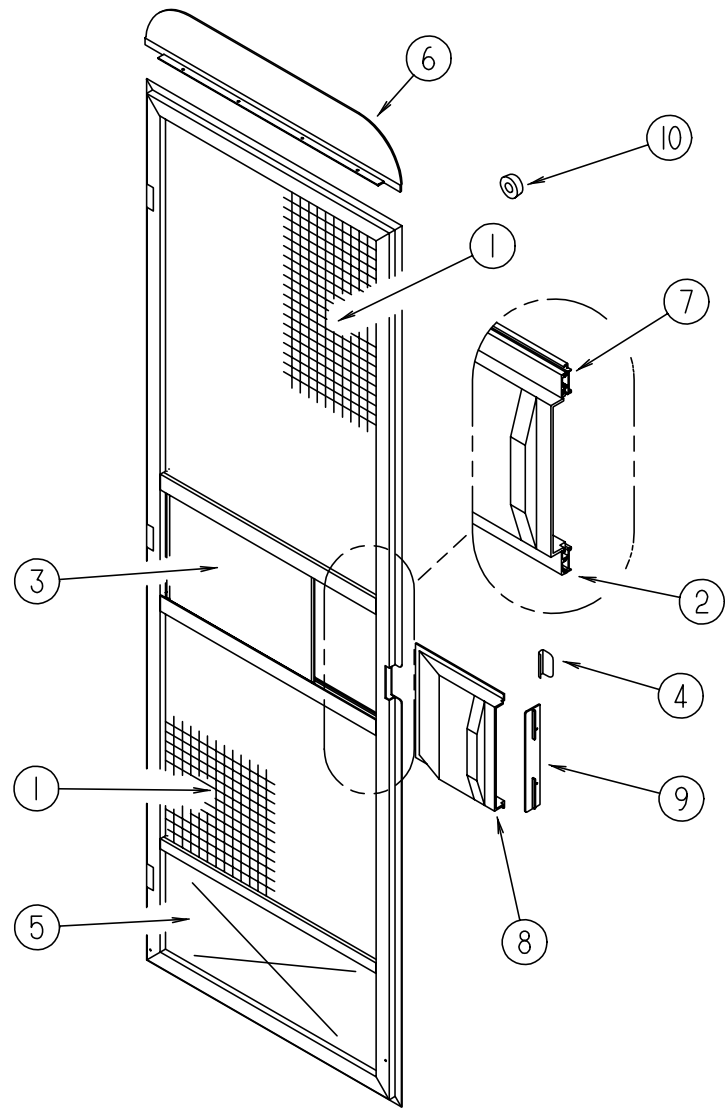


KEY	PART NUMBER	U/M DESCRIPTION
1	115108-02-J05	EA DOOR - ENTRY - W/SCREEN DOOR - W/O WINDOW (J15)
1	115108-02-H07	EA DOOR - ENTRY - W/SCREEN DOOR - W/O WINDOW (J16)
1	115108-02-H27	EA DOOR - ENTRY - W/SCREEN DOOR - W/O WINDOW (J17)
	090340-01-000	FT SEAL - FOAM - CLOSED CELL - 1/4" X 1/2" X 50'
2	121899-01-G04	EA DOOR - SCREEN - W/O HARDWARE - BRIGHT WHITE
3	041546-07-000	EA BRACKET - DOOR ANGLE - OFF WHITE
4	044582-44-000	EA CAP - DRIP - JAMB - BRIGHT WHITE
5	121898-01-01A	EA JAMB - ENTRY DOOR
6	115222-05-01A	EA GARNISH - RADIUS - ENTRY DOOR
7	077461-03-000	EA COVER - STRIKE - ENTRY DOOR - 6.5" X 2.5" - WHITE PLASTIC
8	100412-01-000	EA CATCH - SCREEN DOOR
9	009126-03-000	EA HANDLE - ASSIST - BLACK TEXTURED
10	076725-02-000	EA COVER - HINGE - ENTRY DOOR - 6" X 3.2" - OFF WHITE
11	102248-01-000	EA SHIM - DOOR
12	104099-01-04A	EA CATCH - DOOR HOLDER - STRIKE - BRIGHT WHITE
13	104099-02-04A	EA CATCH - DOOR HOLDER - RETAINER - BRIGHT WHITE
14	038327-01-000	EA TAPE - ANTI-SLIP - 2" X 60'
15	106719-01-05A	EA HINGE - ENTRANCE DOOR - BRIGHT WHITE
	116111-02-01A	EA SCREW - TAPTITE - 1/4-20 X 3/8 PPH - ZINC
	039715-01-000	EA NUT-SERT - 1/4" DIAMETER - 20 THREADS

KEY	PART NUMBER	U/M DESCRIPTION	VENDOR NO.
16	051049-01-000	EA JAMB - BOTTOM - ENTRY DOOR - 25.9" - UNPAINTED	
17	121893-01-01A	EA FRAME - ENTRY DOOR/BOTTOM - BRIGHT WHITE	
18	121894-03-01A	EA FRAME - ENTRY DOOR	
	098173-01-04A	EA STIFFENER - ENTRY DOOR - SUPPORTS LATCH/STRIKE - UNPAINTED	
19	100128-02-000	FT SEAL - FOAM - ADHESIVE BACK - .37" WIDE X .37" THICK	
20	118929-01-01A	FT SEAL - PILE - PUSH ON	
21	075671-04-000	FT SEAL - SPONGE - LAZY T - W/ADHESIVE STRIP - .5" WIDE	
22	104692-01-000	EA SEAL - FOAM/ADHESIVE BACK - .75"THICK X .75"WIDE X 25'	
23	101145-01-06A	EA DEADBOLT - ENTRY DOOR W/O SECURITY BOLT W/2 KEYS - BLACK	
	101147-01-000	EA BOLT - SECURITY - 4.12"	
	095229-01-700	EA KEY-BLANK, DEADBOLT	81205-03
	101145-01-701	EA CYLINDER-LOCK ASM., W/KEY	81306-03
	109403-01-000	EA CATCH - SINGLE ROLLER - SCREEN DOOR	
	130444-01-01A	EA CAP - KEY IDENTIFIER - GRAY	

FROM: 05-05-98 THRU: 99-99-99

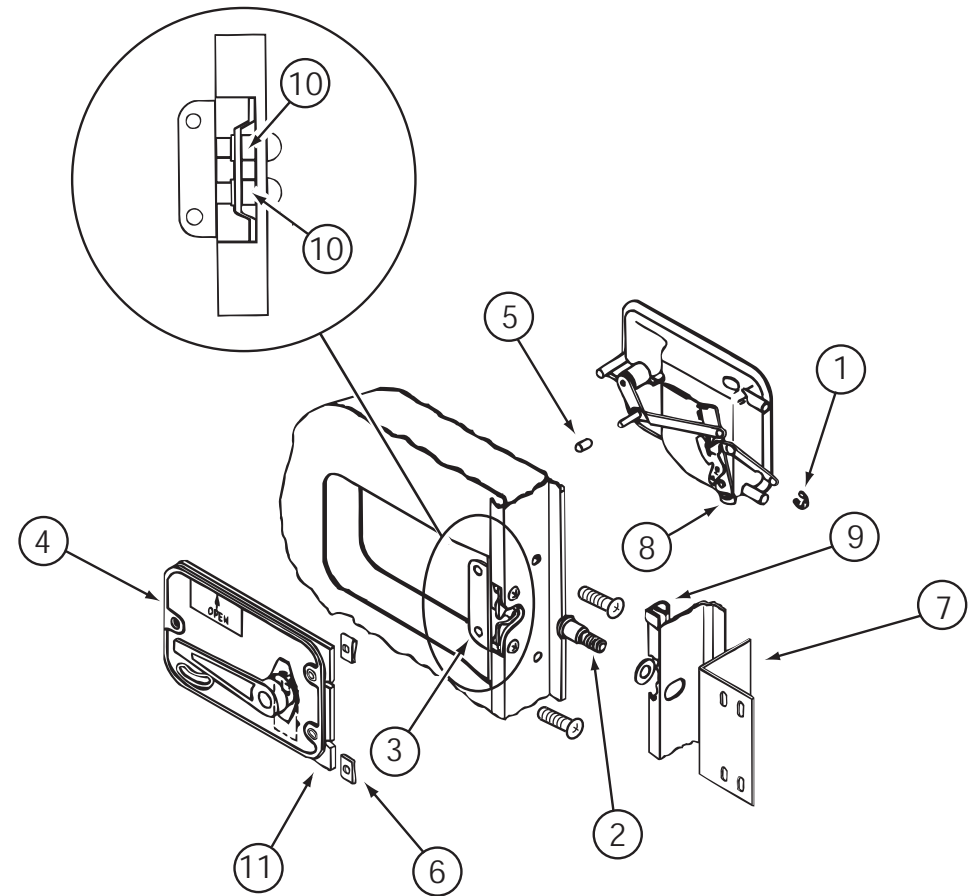
WINDOW, VENT & EXTERIOR DOOR GROUP (CONTINUED)



SCREEN DOOR

KEY	PART NUMBER	U/M DESCRIPTION
	121899-01-G04	EA DOOR - SCREEN - W/O HARDWARE - BRIGHT WHITE
1	002293-02-000	SF SCREENING - WINDOW/DOOR - 26" - CHARCOAL
2	002294-01-000	FT SPLINE - SCREENING - .135" X .138"
3	016454-01-000	EA INSERT - CENTER - LEATHER GRAIN ALUMINUM - UNPAINTED
	001014-01-013	EA INSERT - CENTER - 10.25" X 16.31" - UNPAINTED
4	050712-06-000	EA HANDLE - SCREEN DOOR - BRIGHT WHITE
5	078552-03-000	EA KICK PANEL - SCREEN DOOR - LOWER INSERT - UNPAINTED
6	078595-01-000	EA TOP PLATE - SCREEN DOOR - CURVED TOP - 4.7" X 25.35"
7	078777-01-000	EA CHANNEL - SLIDE - SCREEN DOOR CENTER SLIDER COVER
		FROM: 00-00-00 THRU: 02-22-98
7	078777-08-000	FT CHANNEL SLIDER
		FROM: 02-23-98 THRU: 99-99-99
8	079086-03-000	EA SLIDER - SCREEN DOOR - BRIGHT WHITE
9	079087-03-000	EA STRIKE - SLIDER - SCREEN DOOR - BRIGHT WHITE
10	120863-05-000	EA BUMPER - RUBBER - 3/4" X 3/8"
		FROM: 00-00-00 THRU: 10-27-97
10	120863-06-000	EA BUMPER - RUBBER - 3/4" X 3/8"
		FROM: 10-28-97 THRU: 99-99-99
	075673-01-000	FT SEAL - PILE - ADHESIVE BACK - GRAY
	075673-05-000	FT SEAL - PILE - ADHESIVE BACK - BLACK

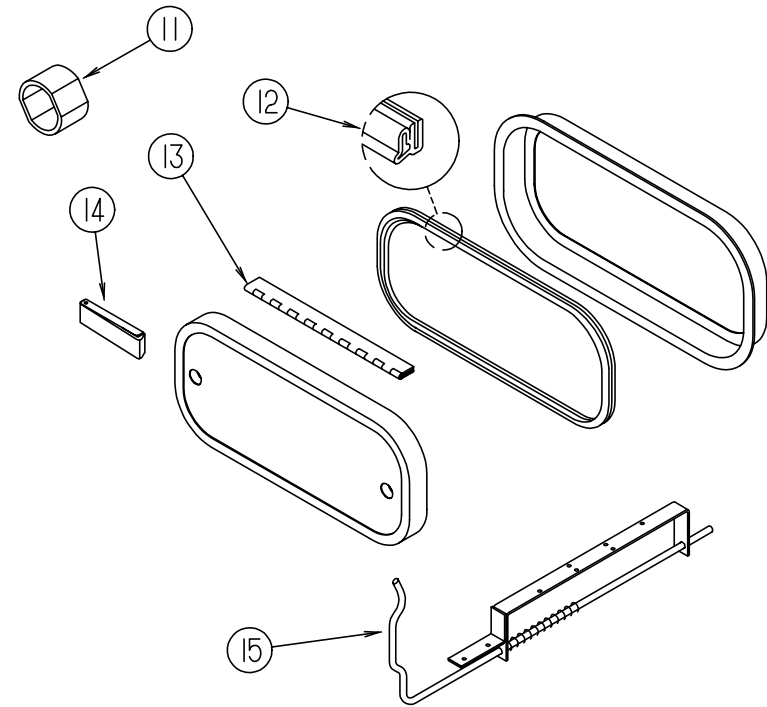
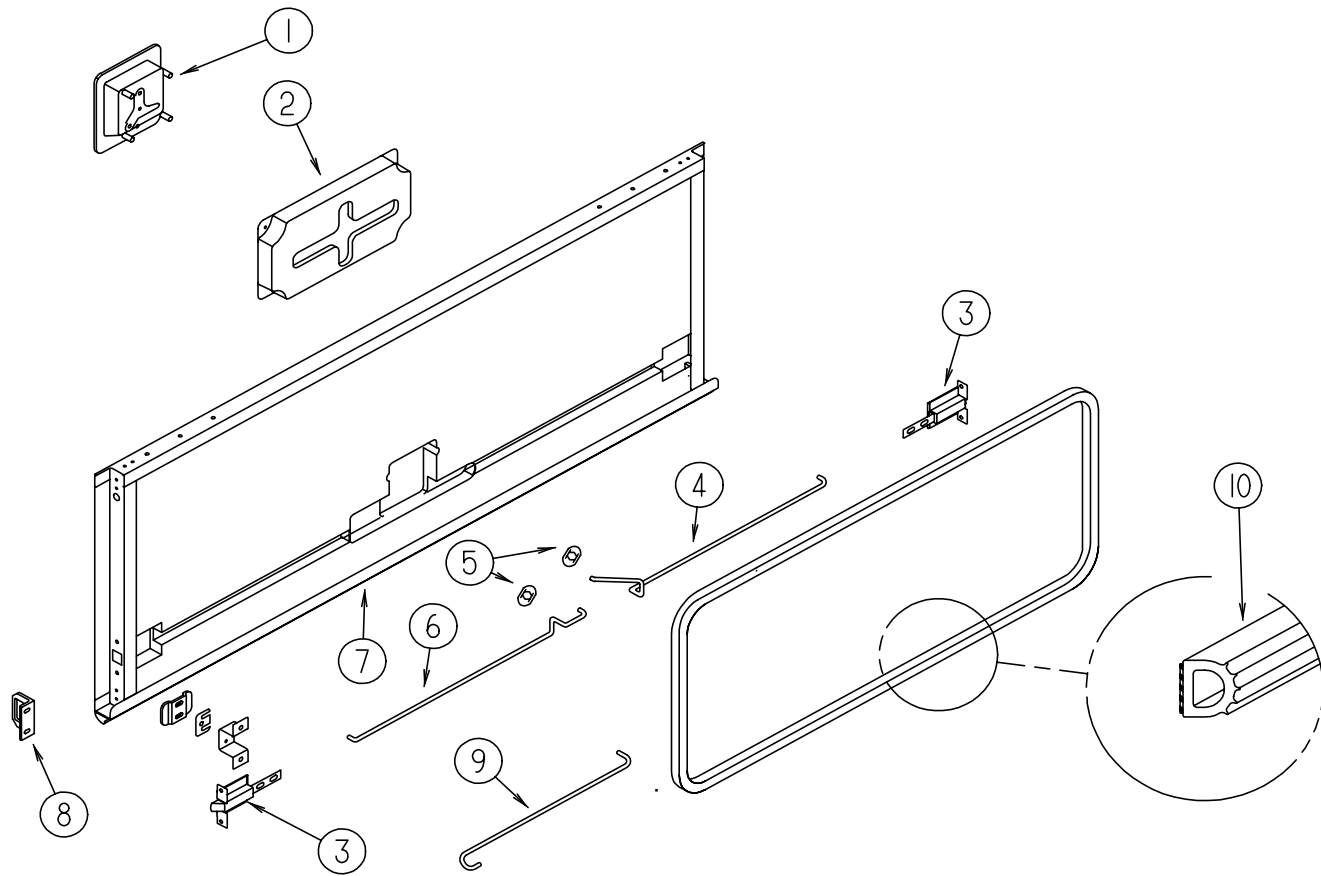
WINDOW, VENT & EXTERIOR DOOR GROUP (CONTINUED)



ENTRY DOOR LOCK INSTALLATION

KEY	PART NUMBER	U/M DESCRIPTION	VENDOR NO.
1	036618-02-000	EA E RING - EXTERNAL - 3/16" SHAFT DIAMETER - LYNOR DOOR LOCK	
2	039539-01-000	EA STRIKE - LOCK - ENTRY DOOR - ROUND W/THREADED WASHER	
3	039540-01-000	EA LATCH MECHANISM - HOOK - ENTRY DOOR - INTERIOR	
4	039979-06-000	EA COVER - LATCH PLATE - RIGHT HAND - BLACK TEXTURED	
5	039984-01-000	EA CAP - ROUND - VINYL - .28" ID X .62" - BLACK	
6	040921-01-000	EA NUT - SPEED - U TYPE - 10-24 BLACK	
7	041546-07-000	EA BRACKET - DOOR ANGLE - OFF WHITE	
8	045017-13-000	EA LATCH - ENTRY DOOR - BLACK TEXTURED	
	045017-11-703	EA CYLINDER-LOCK ASM. W/KEYS	81266-09
9	064075-07-000	FT SEAL - BULB - W/WIRED U CHANNEL - .3" X .5" CHANNEL - BLK	
10	086285-05-000	EA SPACER - NYLON - .7" X .56"	
11	096810-01-01A	EA PLATE - LATCH - ENTRY DOOR - BLACK	

WINDOW, VENT & EXTERIOR DOOR GROUP (CONTINUED)
EXTERIOR ACCESS DOOR COMPONENTS



KEY	PART NUMBER	U/M	DESCRIPTION
1	112949-01-03A	EA	LATCH - PADDLE W/LOCK - W/O KEY - BRIGHT WHITE
	112949-03-000	EA	KEY - TRI-MARK #TM500
1	112949-02-04A	EA	LATCH - PADDLE NON-LOCKING - BRIGHT WHITE
2	122277-02-01A	EA	COVER - LATCH - BLACK
3	121947-01-01A	EA	BOLT - SLIDE - LATCH - STEEL
4	122269-08-000	EA	ROD - LATCH - 28.5"
4	122269-13-000	EA	ROD - LATCH - 4.46"
4	122269-33-000	EA	ROD - LATCH - 9.24"
4	122269-43-000	EA	ROD - LATCH - 15.94"
5	124304-01-000	EA	CLIP - ROUND PUSH ON
6	122268-08-000	EA	ROD - LATCH - 28.6"
6	122268-13-000	EA	ROD - LATCH - 4.46"
6	122268-33-000	EA	ROD - LATCH - 9.24"
6	122268-43-000	EA	ROD - LATCH - 15.94"
7	122613-55-001	EA	EXTRUDED - ROCKER PANEL - 192" - BRIGHT WHITE
8	123783-01-01A	EA	STRIKER - DOOR - MILL
9	101667-02-000	EA	ROD - PROP
9	101667-05-000	EA	PROP ROD

FROM: 12-01-97 THRU: 99-99-99

KEY	PART NUMBER	U/M	DESCRIPTION
10	107721-07-000	FT	SEAL - ACCESS DOOR
11	107997-51-001	EA	SPACER - DOOR LOCK - .6" DEEP
11	107997-51-002	EA	EXTRUDED - SPACER - 16'
12	106850-02-000	FT	SEAL-E - SPONGE RUBBER - .43" X .75"
13	081801-V3-000	EA	HINGE - ALUMINUM - 2" X 96" - BRIGHT WHITE
14	102768-01-000	EA	HOLDER - COMPARTMENT/ENTRY DOOR - METAL - MILL FINISH
15	092644-04-J15	EA	ROD-PROP - COMPARTMENT DOOR - W/SPRING/CAM/BRACKET
	116743-01-01A	EA	CAP - LUG COVER - THREAD PROTECTOR - BLACK
	076767-01-000	EA	CABLE - STEEL - 12"
	104692-01-000	FT	SEAL - FOAM/ADHESIVE BACK - .75"THICK X .75"WIDE X 25'
	112160-01-000	FT	SEAL - D SECTION - .2 X .3" - FOAM RUBBER
	112160-02-000	FT	SEAL - D SECTION - .2 X .3" - FOAM RUBBER
	116424-01-000	EA	PROTECTOR - LATCH - WATER HEATER
	120863-02-000	EA	BUMPER - RUBBER - 1" DIAMETER X 1.50"
	122614-55-001	EA	EXTRUDED - H CHANNEL - 191" - BRIGHT WHITE
	123512-01-02B	EA	BRACKET - VALANCE DOOR - E-COATED
	128298-01-12B	EA	CATCH - F/LOCK - COMPARTMENT DOORS
			FROM: 05-04-98 THRU: 99-99-99
	121577-01-01A	EA	PLATE - W/HOLE - BRIGHT WHITE
			FROM: 08-18-97 THRU: 99-99-99
	121577-04-01A	EA	PLATE - EXTERIOR SHOWER - BRIGHT WHITE

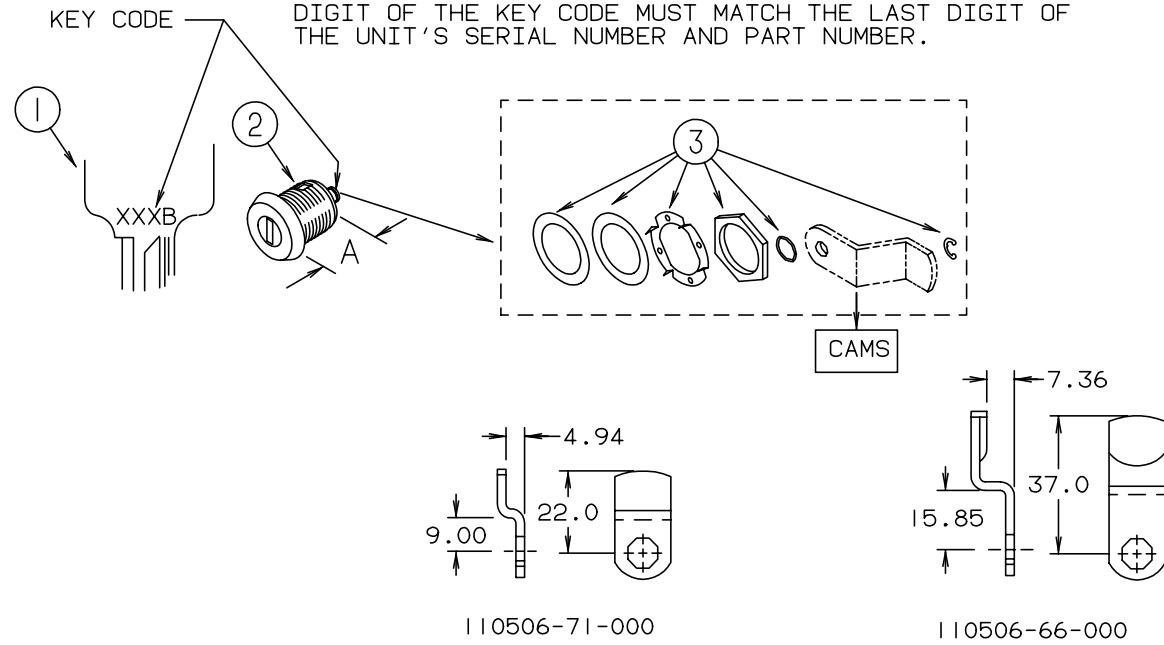
WINDOW, VENT & EXTERIOR DOOR GROUP (CONTINUED)

WINDOW, VENT & EXTERIOR DOOR GROUP (CONTINUED)

RANGE HOOD VENT AND SHROUD

KEY	PART NUMBER	U/M	DESCRIPTION
	084616-07-000	EA	SHROUD - EXHAUST VENT/RANGE HOOD - BRIGHT WHITE
	084878-09-000	EA	VENT - EXHAUST/RANGE HOOD - OFF WHITE

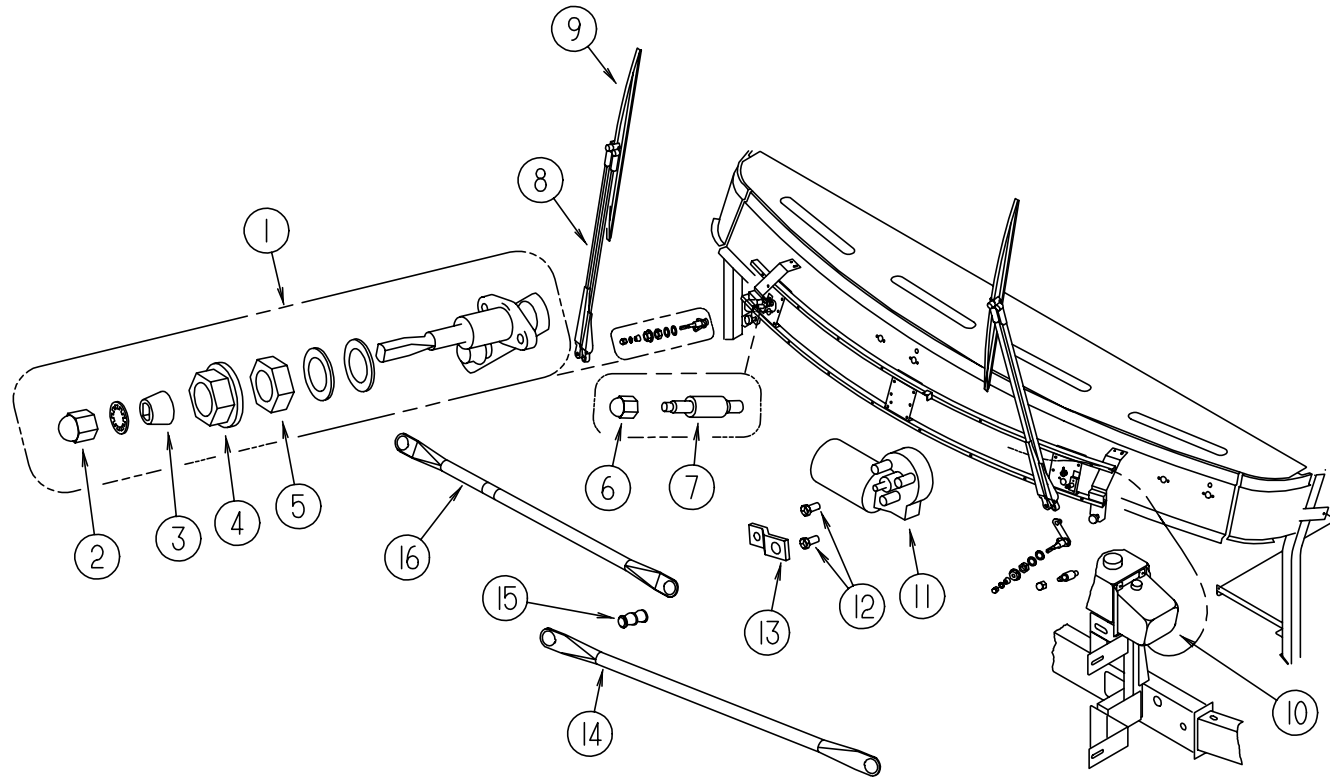
NOTE:
 WHEN ORDERING THE LOCK CASE, THE KEY CODE MUST MATCH THE LAST DIGIT OF THE UNIT'S SERIAL NUMBER AND PART NUMBER; WHEN ORDERING THE KEYS, THE THIRD DIGIT OF THE KEY CODE MUST MATCH THE LAST DIGIT OF THE UNIT'S SERIAL NUMBER AND PART NUMBER.



BRIGGS & STRATTON LOCKS & COMPONENTS

KEY	PART NUMBER	U/M	DESCRIPTION	VENDOR NO.
1	110506-59-000	EA	KEYS - SET OF TWO	596720
2	110506-52-000	EA	CASE/CYLINDER - LOCKING W/O CAM - .65"	702370
2	110506-54-000	EA	CASE/CYLINDER - LOCKING W/O CAM OR KEY - 1 1/4"	703170
1	110506-59-001	EA	KEYS - SET OF TWO	596721
2	110506-52-001	EA	CASE/CYLINDER - LOCKING W/O CAM - .65"	702371
2	110506-54-001	EA	CASE/CYLINDER - LOCKING W/O CAM OR KEY - 1 1/4"	703171
1	110506-59-002	EA	KEYS - SET OF TWO	596722
2	110506-52-002	EA	CASE/CYLINDER - LOCKING W/O CAM - .65"	702372
2	110506-54-002	EA	CASE/CYLINDER - LOCKING W/O CAM OR KEY - 1 1/4"	703172
1	110506-59-003	EA	KEYS - SET OF TWO	596723
2	110506-52-003	EA	CASE/CYLINDER - LOCKING W/O CAM - .65"	702373
2	110506-54-003	EA	CASE/CYLINDER - LOCKING W/O CAM OR KEY - 1 1/4"	703173
1	110506-59-004	EA	KEYS - SET OF TWO	596724
2	110506-52-004	EA	CASE/CYLINDER - LOCKING W/O CAM - .65"	702374
2	110506-54-004	EA	CASE/CYLINDER - LOCKING W/O CAM OR KEY - 1 1/4"	703174
1	110506-59-005	EA	KEYS - SET OF TWO	596725
2	110506-52-005	EA	CASE/CYLINDER - LOCKING W/O CAM - .65"	702375
2	110506-54-005	EA	CASE/CYLINDER - LOCKING W/O CAM OR KEY - 1 1/4"	703175
1	110506-59-006	EA	KEYS - SET OF TWO	596726
2	110506-52-006	EA	CASE/CYLINDER - LOCKING W/O CAM - .65"	702376
2	110506-54-006	EA	CASE/CYLINDER - LOCKING W/O CAM OR KEY - 1 1/4"	703176
1	110506-59-007	EA	KEYS - SET OF TWO	596727
2	110506-52-007	EA	CASE/CYLINDER - LOCKING W/O CAM - .65"	702377
2	110506-54-007	EA	CASE/CYLINDER - LOCKING W/O CAM OR KEY - 1 1/4"	703177
1	110506-59-008	EA	KEYS - SET OF TWO	596728
2	110506-52-008	EA	CASE/CYLINDER - LOCKING W/O CAM - .65"	702378
2	110506-54-008	EA	CASE/CYLINDER - LOCKING W/O CAM OR KEY - 1 1/4"	703178
1	110506-59-009	EA	KEYS - SET OF TWO	596729
2	110506-52-009	EA	CASE/CYLINDER - LOCKING W/O CAM - .65"	702379
2	110506-54-009	EA	CASE/CYLINDER - LOCKING W/O CAM OR KEY - 1 1/4"	703179
3	110506-40-700	EA	HDWE KIT	596950AAL
	110506-59-701	EA	KEY BLANK (GOLD)	596728

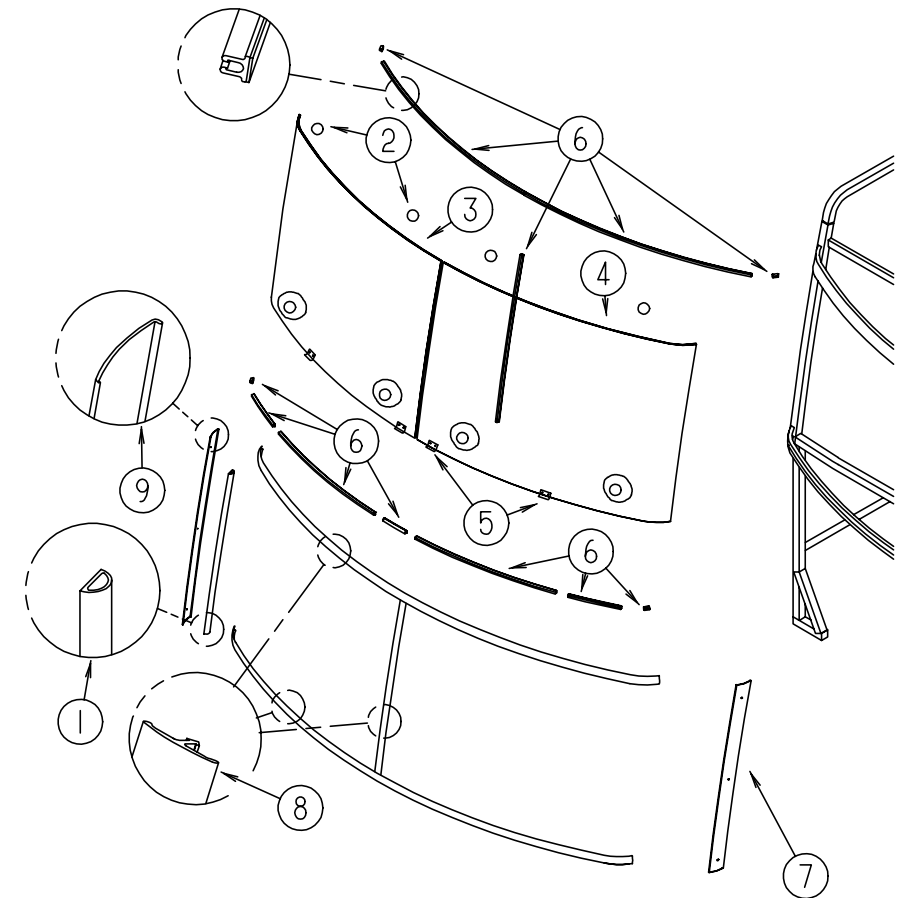
WINDSHIELD & WIPER GROUP



WIPER & WASHER COMPONENTS

KEY	PART NUMBER	U/M DESCRIPTION	VENDOR NO.
1	096505-09-000	EA SHAFT/PIVOT - WINDSHIELD WIPER	
2	096505-02-703	EA CAP-NUT(ACORN) HD W/.687 BRL	51065-40-NT27WC
3	096505-02-700	EA DRIVER-KNURLED,(HD) BRL .687	NT721017
4	096505-02-702	EA CAP-RUBBER (HD) BARREL .687	CP721084
5	096505-02-701	EA NUT-HEX (HD) W/.687 BARREL	NT721021
6	077049-02-000	EA NUT - ACORN - 10-32 BLACK/ANODIZED	
7	117768-01-000	EA SHAFT - ADAPTER - PANTOGRAPH ARM	
8	117769-01-000	EA ARM - WIPER - PANTOGRAPH - 28"	
	096931-01-701	EA NOZZLE-HARDWARE KIT	
9	095964-01-000	EA BLADE - WINDSHIELD WIPER - 24"	
	095964-01-700	EA BLADE-REFILL24" EA = 1 PAIR	12360
10	117766-02-000	EA RESERVOIR/PUMP - WINDSHIELD WASHER	
	045794-01-000	FT HOSE - WASHER - WINDSHIELD - 5/32" ID - BLACK	
	096931-01-700	FT HOSE - WASHER - 1/8" ID	
	110605-01-000	EA TEE - PLASTIC - BARBED - 1/8" X 1/8" X 3/16"	
	117765-03-000	EA CONNECTOR - 5/32" - WINDSHIELD WASHER	
11	104346-04-000	EA MOTOR - WIPER W/INTERNAL BREAKER - CHEVY	
12	117322-01-000	EA SCREW - 1/4-28 UNFINISHED - 2A - TORX	
13	104347-04-000	EA ARM - DRIVE - WIPER MOTOR	
14	117770-01-000	EA LINK - CONNECTING - 24" - CLOSED GROMMET/OPEN GROMMET	
15	067188-01-000	EA STUD - CRANK - WIPER MOTOR	
16	117770-02-000	EA LINK - CONNECTING - 24" - CLOSED GROMMET/CLOSED GROMMET	
	061603-01-000	EA GROMMET - SNAP - 3/16"ID - 3/8" HOLE - PLASTIC BLACK	

WINDSHIELD & WIPER GROUP (CONTINUED)



WINDSHIELD MOLDINGS & GLASS

KEY	PART NUMBER	U/M DESCRIPTION
1	099418-01-000	FT SEAL - D-SECTION/ADHESIVE BACK - .44" X .44" - BLK RUBBER
2	081914-01-000	EA BUMPER - RUBBER - ROUND - .43" DIAMETER
3	124973-01-000	EA GLASS - WINDSHIELD - RIGHT HAND
4	124973-02-000	EA GLASS - WINDSHIELD - LEFT HAND
5	002328-02-000	EA BLOCK - WINDSHIELD - .062" X .5" X .98"
6	127862-01-000	EA CARRIER - REVEAL - WINDSHIELD - 47.2"
7	125384-06-02A	EA TRIM - WINDSHIELD - A-PILLAR - DRIVER
8	120533-01-000	FT MOLDING - REVEAL - WINDSHIELD
9	125384-05-02A	EA TRIM - WINDSHIELD - A-PILLAR - PASSENGER