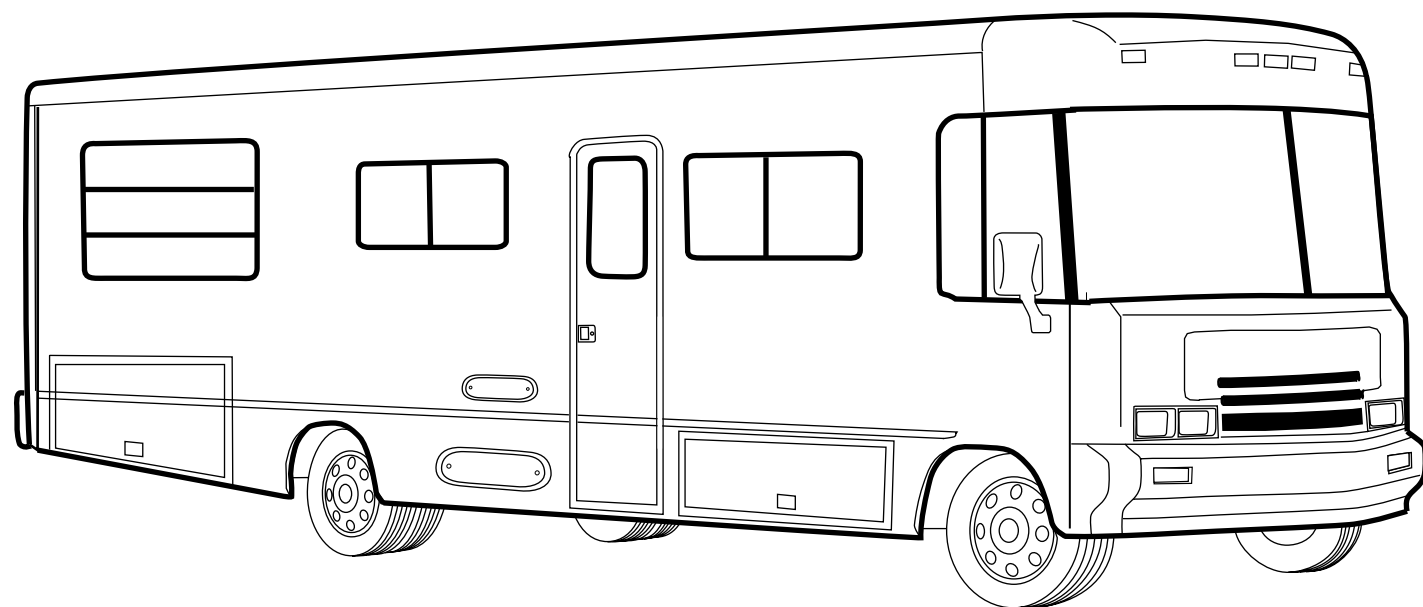


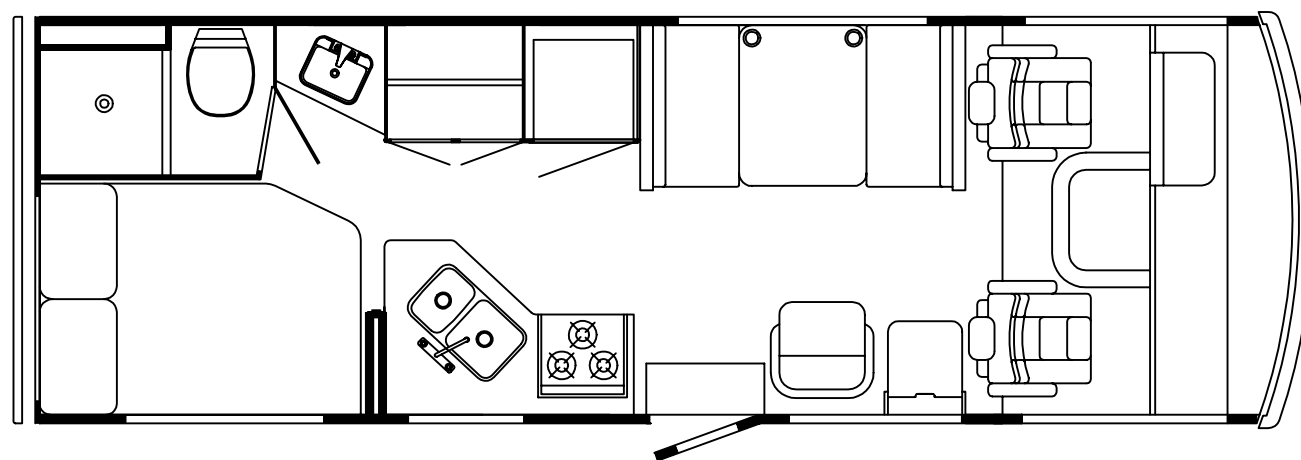
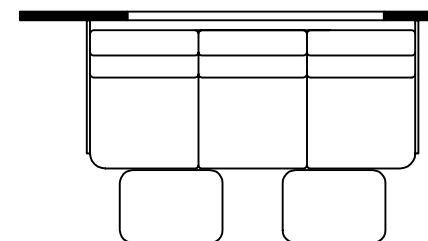
**1998
WCF25RC**



**J18
VILLAGE GREEN (GREEN)**

**J19
BARCELONA (TAUPE)**

**J44
HORIZON (BLUE)**



ACCESSORIES GROUP

OPERATOR MANUAL

KEY	PART NUMBER	U/M	DESCRIPTION
	054185-H1-000	EA	MANUAL - OPERATOR 98 BRAVE - F SERIES
	092318-01-000	EA	BINDER - 3 RING - MOTOR HOME MANUAL
			FROM: 00-00-00 THRU: 02-15-98
	092319-01-000	EA	POCKET PAGE - 3 RING BINDER - PLASTIC - (50 PER PKG) MINIMUM ORDER OF 50 (1 PKG)
			FROM: 00-00-00 THRU: 02-15-98
	129079-01-01A	EA	CASE - VINYL/BLACK-EXPANDABLE ACCORDION SIDES-7"WX9"HX14"L
			FROM: 02-16-98 THRU: 99-99-99
	125967-01-000	DW	TOP LEVEL-F,1998

AUDIO VIDEO GROUP

PATIO ENTERTAINMENT CENTER

KEY	PART NUMBER	U/M	DESCRIPTION
	076319-09-000	EA	WALLPLATE - CABLE RECEPTACLE - TV - SINGLE - BROWN
	077069-02-000	EA	CABLE - ANTENNA/EXTENSION - RADIO - 96"
	086756-01-000	EA	SPLITTER - TV - 2 WAY
	082134-01-000	EA	ADAPTER - TV - CABLE TO CABLE
	125322-02-000	EA	RADIO - AM/FM STEREO - CASSETTE - AUDIOVOX
	077069-02-000	EA	CABLE - ANTENNA/EXTENSION - RADIO - 96"
	090944-01-000	EA	ANTENNA - RADIO - 16" RUBBER
	108847-01-000	EA	BRACKET - ANTENNA GROUND
	109889-04-000	EA	EXTENDER - ANTENNA SHAFT - 3"
	110469-01-000	EA	SPEAKER - 4" X 6" OVAL - COAXIAL
	110470-01-01A	EA	GRILLE - 4" X 6" OVAL - BLACK

RADIO SYSTEMS & ANTENNA

KEY	PART NUMBER	U/M	DESCRIPTION
	127264-03-000	EA	RADIO - AM/FM STEREO/CASSETTE - EUROPEAN
	110267-04-000	EA	RADIO - AM/FM STEREO/CD COMPATIBLE - AUDIOVOX
	077069-02-000	EA	CABLE - ANTENNA/EXTENSION - RADIO - 96"
	110469-01-000	EA	SPEAKER - 4" X 6" OVAL - COAXIAL
	110470-01-01A	EA	GRILLE - 4" X 6" OVAL - BLACK
	090944-01-000	EA	ANTENNA - RADIO - 16" RUBBER
	115916-01-01B	EA	BRACKET - ANTENNA MOUNT
	089340-02-000	EA	GRILLE - SPEAKER - 6.5" SQUARE
	089340-03-000	EA	SPACER - SPEAKER GRILLE
	094097-01-000	EA	SPEAKER - RADIO/TV - W/O GRILLE - 5.25" DIAMETER

RADIO - AM/FM STEREO/CASSETTE

KEY	PART NUMBER	U/M	DESCRIPTION	VENDOR NO.
	127264-01-000	EA	RADIO - AM/FM STEREO - CASSETTE - PANASONIC	
	127264-01-700	EA	TRIM RING	YFC054C044ZB
	127264-01-701	EA	KNOB - VOLUME	YFE074C045ZA
	127264-01-702	EA	KNOB - FADER	YEFE074C026
	127264-01-703	EA	FACTORY HARNESS	YAJ024C048ZB

RADIO - AM/FM STEREO/CD PLAYER

KEY	PART NUMBER	U/M	DESCRIPTION	VENDOR NO.
	127516-01-000	EA	RADIO - AM/FM STEREO - CD PLAYER - PANASONIC	
	088473-01-000	EA	HOUSING - PIN - 12 CAVITY (3 ROWS OF 4)	
	088475-01-000	EA	PIN - CONNECTOR - 14-20 AWG	
	127516-01-700	EA	FACE - REMOVABLE	YEPOFX3114
	127516-01-701	EA	TRIM RING	YGFC025263
	127516-01-702	EA	FACTORY HARNESS	YGAJ02719
	127516-01-703	EA	CARRIER F/REMOVEABLE FACE	YEFA131290

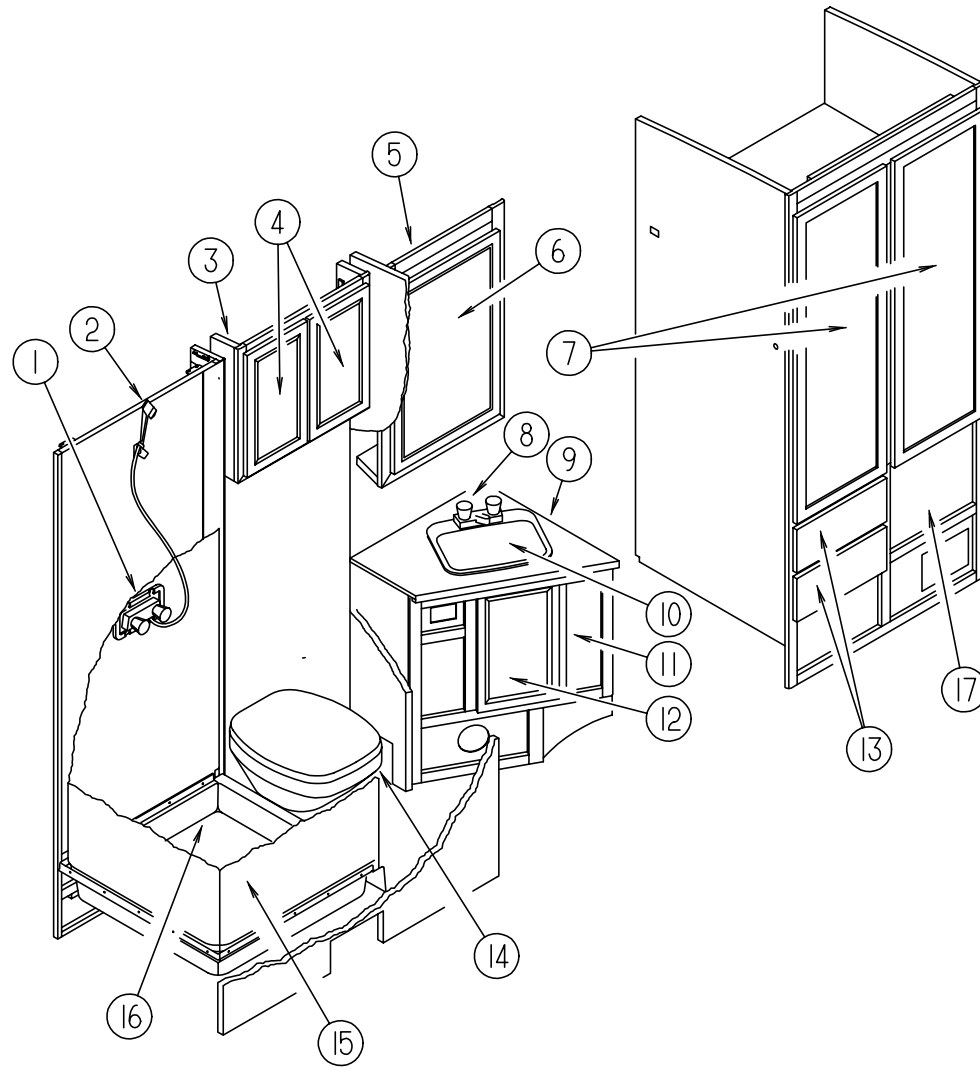
TV ANTENNA & TV INSTALLATION COMPONENTS

KEY	PART NUMBER	U/M	DESCRIPTION
*	076319-23-000	EA	ANTENNA - TV ROOF MOUNT - 44.5" MAST
*	076319-25-000	EA	KIT - HARDWARE INTERIOR
	093214-01-02A	EA	GRILLE - SPEAKER - 4" BROWN
	098819-01-000	EA	SPEAKER - 4" - 2 WATT - 8 OHM
	086756-01-000	EA	SPLITTER - TV - 2 WAY
	076319-03-000	FT	CABLE - COAXIAL - 75 OHM
	076319-12-000	EA	CONNECTOR - COAXIAL - ONE PIECE
	114870-02-000	EA	PLUG - .14" AUDIO W/LEADS
	082134-01-000	EA	ADAPTER - TV - CABLE TO CABLE
	082136-01-000	EA	NUT - HEX JAM - 3/8-32
	086777-06-000	EA	WALLPLATE - TV CABLE - ANTENNA BOOSTER/1 OUTPUT - BROWN
	086777-01-000	EA	WALLPLATE - TV CABLE - ANTENNA SWITCH - IVORY
	076319-09-000	EA	WALLPLATE - CABLE RECEPTACLE - TV - SINGLE - BROWN
	076319-08-000	EA	WALLPLATE - CABLE RECEPTACLE - TV - SINGLE - IVORY
	093901-03-000	EA	PLATE - TV COAX - EXTERIOR - 1.8" X 2.5"

* COMPONENT PARTS FOUND IN SERVICE PARTS LIBRARY

BATH GROUP

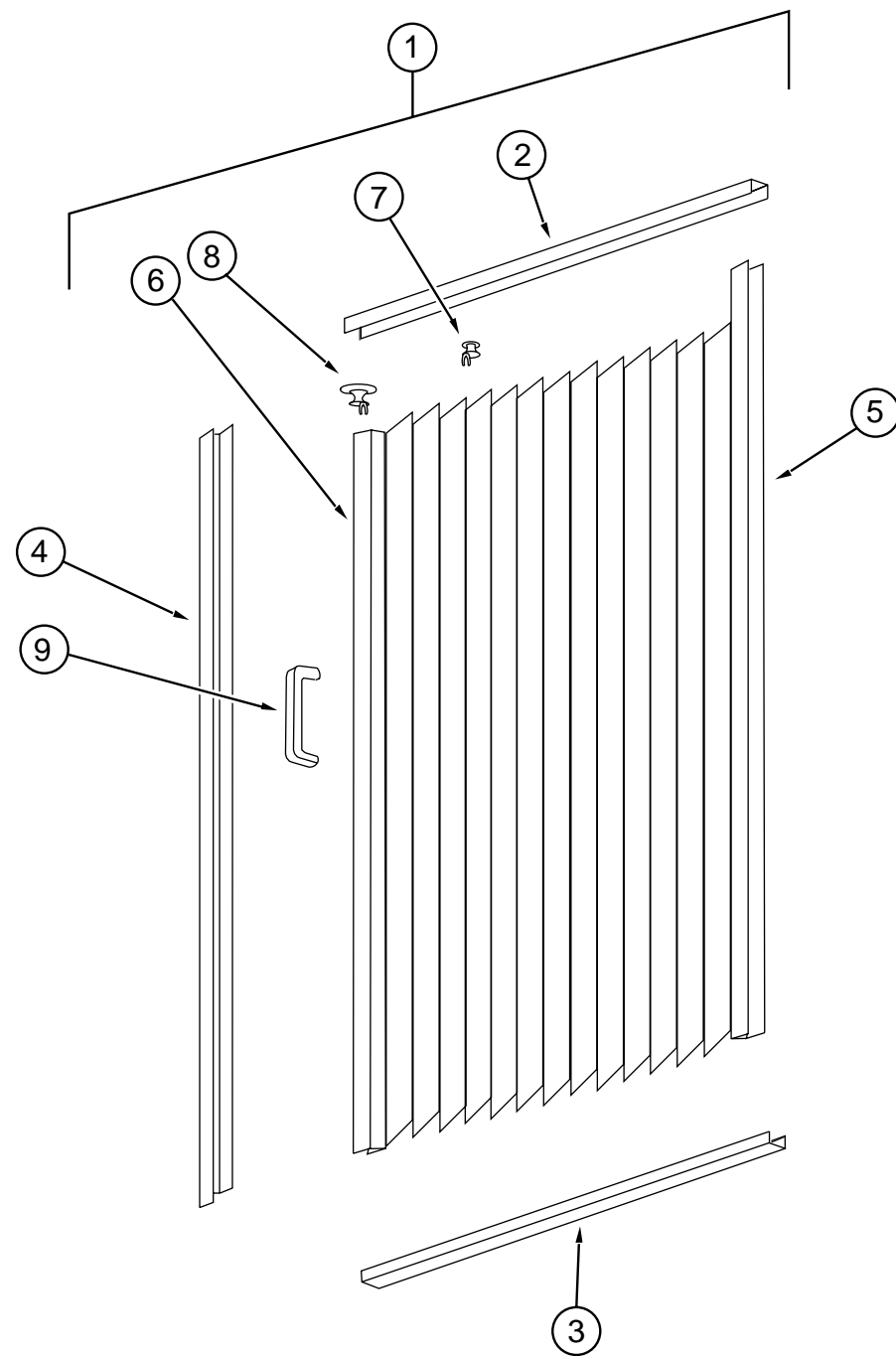
BATHROOM CABINETS & FIXTURES



KEY	PART NUMBER	U/M	DESCRIPTION	VENDOR NO.
1	075241-05-000	EA	FAUCET/SHOWER - BONE 3/4" MPT X 1.4" LONG INLET PIPES	
	075606-01-000	EA	PANEL - PLASTIC - FAUCET BACK - 5" X 9"	
2	103092-01-000	EA	SHOWER HEAD - W/60" HOSE - WHITE	
	103092-01-700	EA	BRACKET-F/SHOWER HEAD, CLEAR	2328028
	103092-01-702	EA	SEALS-SPRAY HEAD	24466
	113714-02-01A	EA	RETAINER - SHELF	
3	102851-01-G09	EA	CABINET - STORAGE/BATH - W/O DOORS/DRAWERS/HARDWARE	
4	M05992-G1-J18	EA	DOOR - STRAIGHT CORNER/OGEE EDGE - 11.2" X 19.7" - W/O HDW	
5	118964-01-G09	EA	CABINET - MEDICINE - W/O DOORS/HARDWARE	
6	115237-01-G01	EA	DOOR - MIRRORED/MEDICINE CABINET - 19.7" X 29.5" - W/O HDW	
	093606-18-000	EA	MIRROR - BEVELED PANEL - 19.7" X 29.5"	
7	M06803-N1-G09	EA	DOOR - MIRROR/MTRD CRNR/OGEE EDGE - 13.8" X 53.9" - W/O HDW	
8	075240-06-000	EA	FAUCET - LAVATORY/BONE	
9	118963-14-G10	EA	COUNTERTOP ASM (J18, J44)	
9	118963-14-J19	EA	COUNTERTOP ASM (J19)	
10	096927-01-01A	EA	SINK - LAVATORY - RECTANGULAR - PLASTIC/BONE	
	096927-01-700	EA	SINK STOPPER	M9801
	096927-01-701	EA	TAILPIECE-DRAIN-LAVATORY	M9802
11	P18963-01-H14	EA	CABINET - LAVATORY - W/COUNTERTOP - W/O DOORS/DRAWERS/HDW (J18, J44)	
			JAPAN EXPORT	
11	P18963-01-J19	EA	CABINET - LAVATORY - W/COUNTERTOP - W/O DOORS/DRAWERS/HDW (J19)	
			JAPAN EXPORT	
11	P18963-03-H14	EA	CABINET - LAVATORY - W/COUNTERTOP - W/O DOORS/DRAWERS/HDW (J18, J44)	
			EUROPEAN EXPORT	
11	P18963-03-J19	EA	CABINET - LAVATORY - W/COUNTERTOP - W/O DOORS/DRAWERS/HDW (J19)	
			EUROPEAN EXPORT	
12	M05992-V4-J18	EA	DOOR - STRAIGHT CORNER/OGEE EDGE - 12" X 18.7" - W/O HDW	
13	M05971-S1-G09	EA	DRAWER - OGEE EDGE - 11.6"W X 17.7"D - W/O SLIDES/HARDWARE	
14*	067487-02-000	EA	TOILET - 12.37" - IVORY - FOOT FLUSH	
15	102046-01-01A	EA	SURROUND - SHOWER - OFF WHITE	
16	M02429-10-000	EA	PAN - SHOWER - W/STRAINER	
17	M05992-V1-J18	EA	DOOR - STRAIGHT CORNER/OGEE EDGE - 10.6" X 13.8" - W/O HDW	
	075452-02-000	EA	HOLDER - TOILET TISSUE - BRASS	
	075453-02-000	EA	BAR - TOWEL - 18" BRASS	
	075454-02-000	EA	RING - TOWEL - W/MOUNTING HARDWARE - BRASS	

* COMPONENT PARTS FOUND IN SERVICE PARTS LIBRARY

BATH GROUP (CONTINUED)



SHOWER DOOR & COMPONENTS

KEY	PART NUMBER	U/M DESCRIPTION
1	117431-01-01A	EA DOOR - SHOWER - FABRIC PLEATED - 29.6" X 63.0"
2	117431-01-700	EA TRACK-TOP, ALUM.IVORY INSERT 48"
3	117431-01-701	EA TRACK-BOTTOM, 48 "
4	117431-01-702	EA RAIL-SIDE, 67"
5	117431-01-703	EA RAIL-STATIONARY, 67"
6	117431-01-704	EA RAIL-LEAD, 67"
7	117431-01-705	EA GLIDE-IVORY, TRAVELER
8	117431-01-706	EA GLIDE-IVORY LEAD, TRAVELER
9	117431-01-707	EA LATCH
	117431-01-708	EA HANDLES & SCREWS
	117431-01-709	EA STRAP-VINYL

BATH GROUP (CONTINUED)

BATH/BEDROOM PRIVACY DOOR

KEY	PART NUMBER	U/M DESCRIPTION	VENDOR NO.
	042488-10-000	EA DOOR - FOLDING - OFF WHITE FABRIC - 37" X 75"	
	042488-04-700	EA LATCH & CATCH ASM. LEAD EDGE	DW-21632
	042488-10-700	EA LEADRAIL-PREPUNCHED F/HANDLE	DW2100
	080224-01-703	EA HANDLE W/LATCH-CATCH, ALMOND	DE03505
	080224-01-705	EA LATCH & CATCH ASM., ALMOND	DE25010 & DE25020

BATH DOOR

KEY	PART NUMBER	U/M DESCRIPTION
	121449-30-H13	EA DOOR - BATH
	094485-03-01A	EA KNOB - BRASS
	110496-01-01A	EA HINGE - BRASS
	121449-12-G04	EA RACK - TOWEL - BATH DOOR
	100357-01-000	EA ROD - F/TOWEL BAR - BRASS

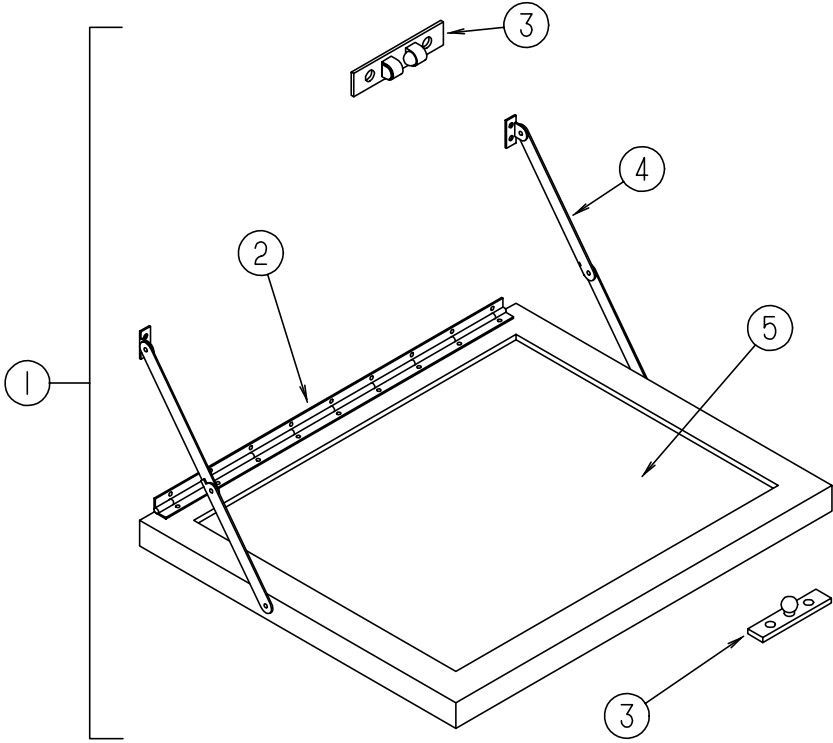
SKYLITE

KEY	PART NUMBER	U/M DESCRIPTION
	122192-01-02A	EA PANEL - SKYLITE - OUTER - 16.4" X 27.8"
	122193-01-02A	EA PANEL - SKYLITE - INNER

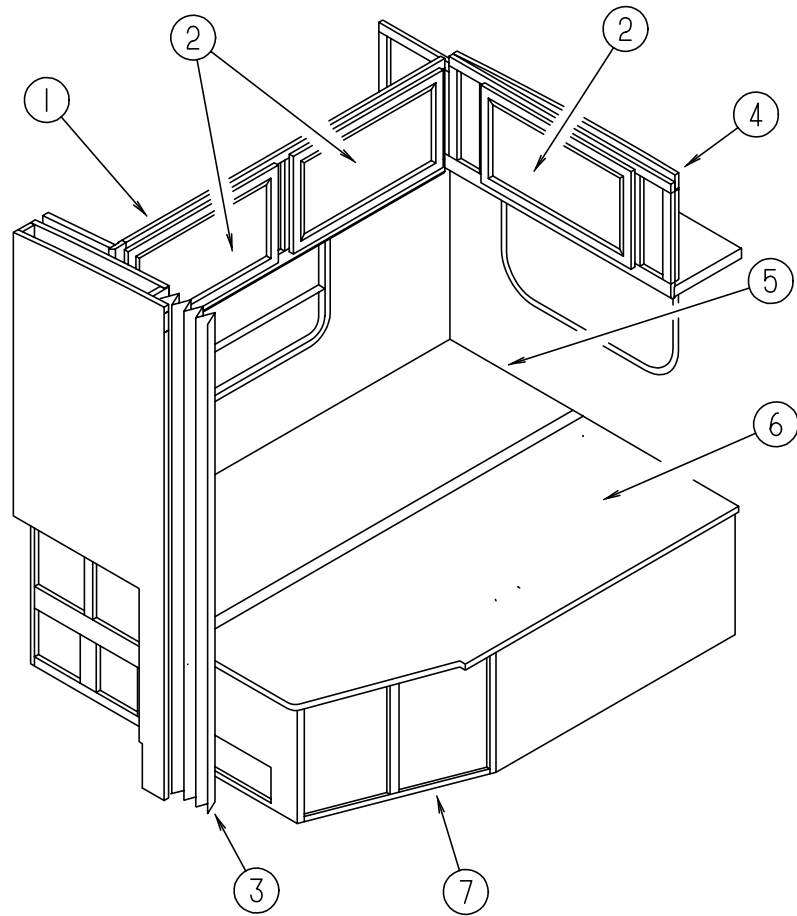
BEDROOM GROUP

TV STAND

KEY	PART NUMBER	U/M	DESCRIPTION
1	084357-01-G04	EA	TV STAND
2	084413-01-000	EA	HINGE/CONTINUOUS - ALUMINUM 1" X 72" - W/HOLES
3	084451-01-000	EA	CATCH - BRASS
4	084412-01-000	EA	SUPPORT/HINGE KIT (LEFT & RIGHT HINGES)
5	084356-03-000	EA	INSERT - TV STAND - METAL - TAN
	124815-01-H13	EA	EXTENSION - TV SHELF - EUROPEAN EXPORT



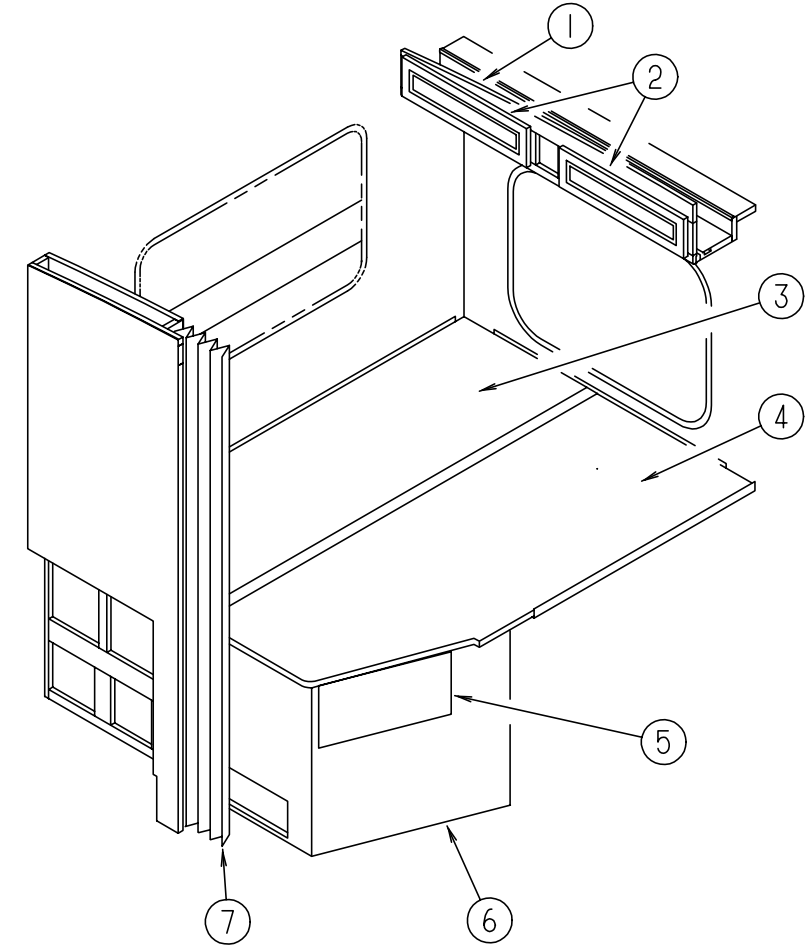
BEDROOM GROUP (CONTINUED)



DOUBLE BEDROOM CABINETRY

KEY	PART NUMBER	U/M	DESCRIPTION
1	116151-01-G09	EA	CABINET - OVERHEAD/REAR/RIGHT HAND - W/O DOORS/HARDWARE
2	M05992-48-J20	EA	DOOR - STRAIGHT CORNER/OGEE EDGE - 15.7" X 27.9" - W/O HDW
3	042488-10-000	EA	DOOR - FOLDING - OFF WHITE FABRIC - 37" X 75"
4	124873-01-J18	EA	CABINET - OVERHEAD/REAR - W/O DOORS/HARDWARE (J18)
4	124873-01-J19	EA	CABINET - OVERHEAD/REAR - W/O DOORS/HARDWARE (J19)
4	124873-01-J16	EA	CABINET - OVERHEAD/REAR - W/O DOORS/HARDWARE (J44)
5	M04169-11-J18	EA	TOP - DOUBLE BED - W/O HARDWARE
5	M04169-11-J19	EA	TOP - DOUBLE BED - W/O HARDWARE
5	M04169-11-J44	EA	TOP - DOUBLE BED - W/O HARDWARE
6	M04169-12-000	EA	TOP - DOUBLE BED W/O HARDWARE
7	P18965-01-G09	EA	CABINET - BASE - DOUBLE BED - W/O DOORS/DRAWERS/HARDWARE

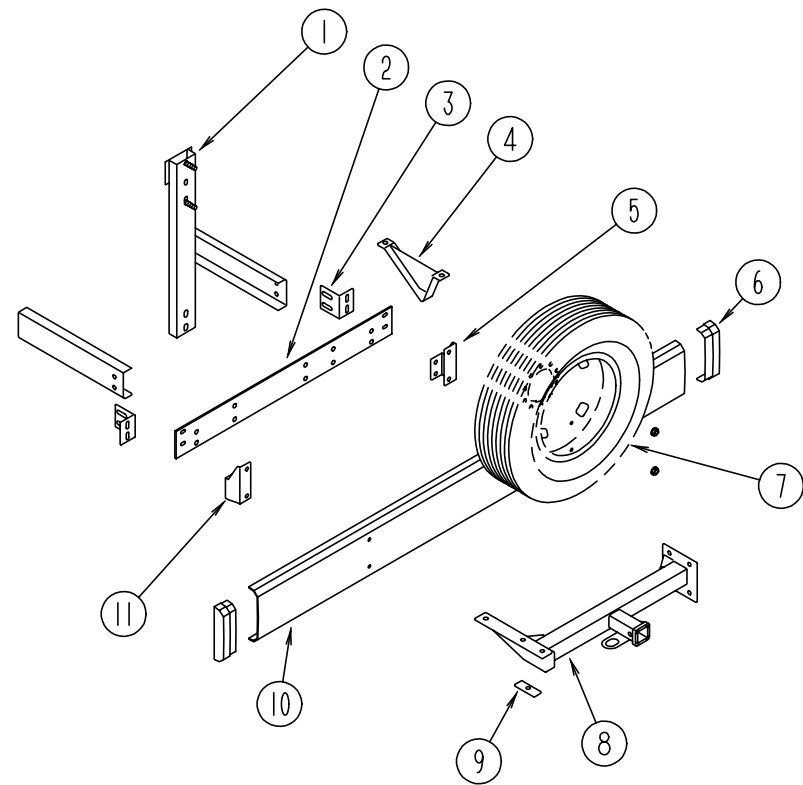
BEDROOM GROUP (CONTINUED)



DOUBLE BEDROOM CABINETRY - RAISED BED OPTION

KEY	PART NUMBER	U/M	DESCRIPTION
1	119485-01-G09	EA	CABINET - OVERHEAD/REAR - W/O DOORS/HARDWARE
2	M05992-G3-G09	EA	DOOR - STRAIGHT CORNER/OGEE EDGE - 6.3" X 23.2" - W/O HDW
3	M04169-18-J18	EA	TOP - RAISED BED - W/O HARDWARE
3	M04169-18-J19	EA	TOP - RAISED BED - W/O HARDWARE
3	M04169-18-J44	EA	TOP - RAISED BED - W/O HARDWARE
4	M04169-17-J18	EA	TOP - RAISED BED - W/O HARDWARE
4	M04169-17-J19	EA	TOP - RAISED BED - W/O HARDWARE
4	M04169-17-J44	EA	TOP - RAISED BED - W/O HARDWARE
5	M05992-R9-J18	EA	DOOR - STRAIGHT CORNER/OGEE EDGE - 10" X 19.1" - W/O HDW
6	P19360-01-G09	EA	CABINET - BASE - RAISED BED - W/O DOORS/DRAWERS/HARDWARE
7	042488-10-000	EA	DOOR - FOLDING - OFF WHITE FABRIC - 37" X 75"

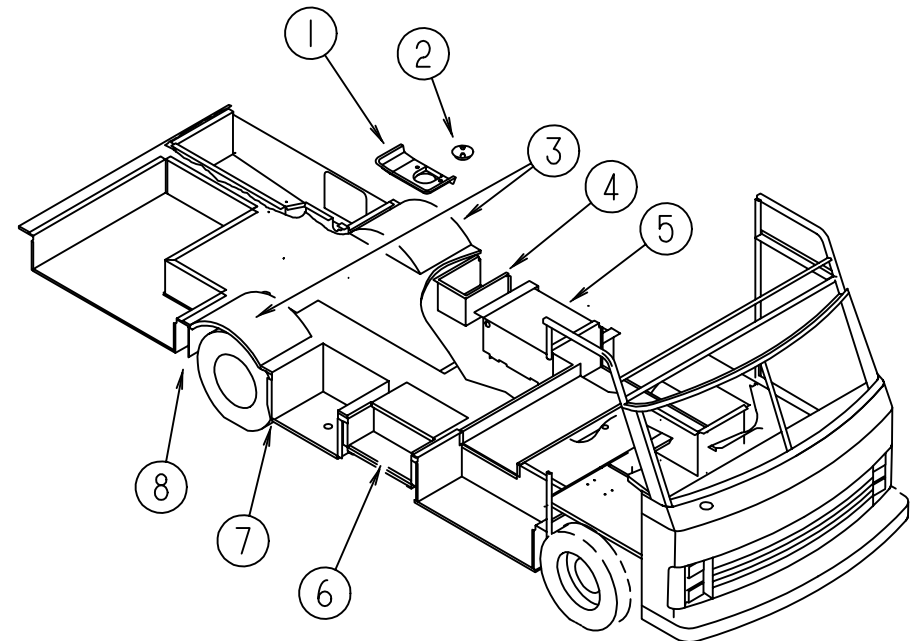
CHASSIS GROUP



REAR BUMPER, TRAILER HITCH & COMPONENTS

KEY	PART NUMBER	U/M	DESCRIPTION
1	102944-05-000	EA	BRACKET - TIRE CARRIER - CHEVY
2	078678-02-000	EA	PLATE - MOUNTING - BUMPER/REAR - 46" X 5" - W/WELD NUTS
3	078668-01-000	EA	SUPPORT ANGLE - BUMPER/REAR - L ANGLE - 4" X 3" STEEL/BLK
4	111742-01-000	EA	PLATE - SKID
5	117950-03-02B	EA	BRACKET - BUMPER/REAR
6	103228-01-06A	EA	END CAP - REAR BUMPER - DRIVER/PASSENGER
	094362-02-000	EA	CLIP - XMAS TREE - BINDER HEAD - .9" LONG
7	091673-01-000	EA	TIRE - 225.70 R19.5 LRF - XZA
	051377-01-000	EA	VALVE STEM
	064963-01-000	EA	WHEEL - STEEL - 19.5" X 6" - GM 14005758
	108163-05-01A	EA	COVER - TIRE - 8 1/4" X 101"
	108560-04-01A	EA	INSERT - TIRE COVER
	077030-02-000	EA	EXTENSION - VALVE STEM - 1.25"
7	083425-07-000	EA	TIRE - 7.50 X R16 LRD
	051377-03-000	EA	VALVE STEM
	089359-03-000	EA	WHEEL - STEEL - 16" X 6" L - 8 HOLE - PRIMED
	108163-01-01A	EA	COVER - TIRE - 16" CHEVY
	108560-02-03A	EA	INSERT - TIRE COVER - 16"
8	107707-09-000	EA	HITCH RECEIVER - BOLT-ON CLASS II
9	070579-09-000	EA	PLATE - ANCHOR
10	103099-01-06A	EA	BUMPER - REAR - BRIGHT WHITE
10	103099-07-02A	EA	BUMPER - REAR - BRIGHT WHITE - W.I.E. EXPORT
11	117950-04-02B	EA	BRACKET - BUMPER/REAR
	113588-02-01B	EA	BRACKET - CONNECTOR - TRAILER W/O LIP
	113589-02-000	EA	CONNECTOR - SOCKET - TRAILER
	080208-02-000	EA	BAR - LEVERAGE - LUG WRENCH - CHEVY/OSHKOSH
	080208-06-000	EA	LUG WRENCH - 1" X 1.06" W/DEEP SOCKET ENDS

CHASSIS GROUP (CONTINUED)



STORAGE COMPARTMENTS & WHEELWELLS

KEY	PART NUMBER	U/M	DESCRIPTION
1	119536-01-01A	EA	COVER - VALVE - DRAINAGE
2	092887-01-000	EA	HATCH/PLATE - 8.2" FLANGE/6.5" R.O. - BLACK
	092887-04-000	EA	CHAIN - TWIST CAP - 9"
	106208-01-01A	EA	COMPARTMENT - EXTERIOR SHOWER
3	102921-01-000	EA	WHEELWELL - PLASTIC
	072877-03-000	EA	INSULATION - SOUND BARRIER - 1" X 36" X 57" - EUROPEAN EXPORT
4	102979-04-000	EA	BOX - POWER CORD
5	114070-02-02B	EA	SUPPORT - GENERATOR - LEFT
5	114071-02-02B	EA	SUPPORT - GENERATOR - RIGHT
6*	094708-01-01A	EA	STEP - ENTRY DOOR - ELECTRIC - SINGLE - W/O DOOR SWITCH
	116995-01-000	EA	SWITCH/MAGNET - ELECTRIC STEP
6	091176-01-000	EA	SUPPORT - BASE - ENTRANCE STEP
	065450-05-000	EA	TIEDOWN - BATTERY - 8.4" TUBE
7	020167-05-000	EA	DIRT GUARD - STEEL - 14.9" LONG
8	017516-01-000	EA	MUD FLAP - 14" X 18" - BLACK
8	020167-05-000	EA	DIRT GUARD - STEEL - 14.9" LONG
8	106141-01-000	EA	MUD FLAP - W/HOLES & WINNEBAGO LOGO - BLACK - JAPAN EXPORT
	113452-01-000	FT	SEAL/TRIM - FRONT - VINYL W/WIRE CARRIER
	102805-01-000	EA	CHANNEL - EXTENSION - FRONT FRAME - 13.7"
	061420-10-000	EA	PLUG/PLASTIC - 1.50" DIAMETER - BLACK

* COMPONENT PARTS FOUND IN SERVICE PARTS LIBRARY

CHASSIS GROUP (CONTINUED)

19.5" CHEVY WHEEL COVERS

KEY	PART NUMBER	U/M	DESCRIPTION	VENDOR NO.
	109443-06-000	EA	WHEEL - COVER - 4/SET - 19.5"	
	109443-01-700	EA	COVER-WHEEL 19.5 FRT/RR EA=1	SHAG95
	109443-01-701	EA	BRACKET-RETENTION FRONT	SHAG95-FBS
	109443-01-703	EA	CAP-CENTER, HUB - DICOR	SHAU95-CAP
	109443-01-704	EA	CLIP-RETAINER	V160GM-PNT
	109443-06-701	EA	BRACKET-RETENTION REAR	SHG795-RBS

19.5" CHEVY STAINLESS STEEL WHEEL LINERS

KEY	PART NUMBER	U/M	DESCRIPTION	VENDOR NO.
	110435-10-000	EA	LINER - WHEEL - SET/4 - 19.5"	
	110435-10-700	EA	LINER - WHEEL - FRONT - 1 PC	V195P7-FWC
	110435-10-701	EA	LINER - WHEEL - REAR - 1 PC.	V195P7-RWC
	110435-10-702	EA	COVER - LUG - NUT/JAMB NUT	V195P7-EJN
	110435-10-703	EA	STUD - PLASTIC	V195P7-PST
	110435-10-704	EA	JAMB NUT - PLASTIC/LNC	V195P7-PJN
	110435-10-705	EA	TOOL - INSTALLATION	V195P7-TOL
	077030-02-000	EA	EXTENSION - VALVE STEM - 1.25"	

16" CHEVY WHEEL COVERS

KEY	PART NUMBER	U/M	DESCRIPTION	VENDOR NO.
	109443-05-000	EA	WHEEL COVER - 4/SET - 16" STAINLESS STEEL	
	098532-01-700	EA	COVER-LUG NUT (CHROME)	SHAU-LNC
	109443-05-700	EA	COVER-WHEEL, 16" SS EA=1	SHFM16-CVR

16" CHEVY STAINLESS STEEL WHEEL LINERS

KEY	PART NUMBER	U/M	DESCRIPTION	VENDOR NO.
	091209-05-000	EA	LINER - WHEEL - SET OF 4 - 16" - STAINLESS STEEL	
	091209-03-702	EA	COVER-AXLE, FRONT, 8 LUG	64UE
	091209-03-703	EA	COVER-AXLE, REAR, 8 LUG	65UE
	091209-03-704	EA	RING - CENTER CAP RETAINING	00
	091209-05-700	EA	LINER-WHEEL, FRONT	57-88 KAPER
	091209-05-701	EA	LINER-WHEEL, REAR	58-88
	077030-02-000	EA	EXTENSION - VALVE STEM - 1.25"	

CHASSIS MISCELLANEOUS

KEY	PART NUMBER	U/M	DESCRIPTION
	055278-51-259	FT	TUBING-STEEL, .75" X 1.5" X 12.5"
	008042-01-000	FT	TUBING - VINYL - .65" ID
	119847-01-02B	EA	SHIELD - A/C COMPRESSOR
	077298-55-003	EA	EXTRUSION - TUBE - .275
	104147-02-000	EA	SHIELD - SPLASH - RIGHT HAND
	114254-01-000	EA	ADAPTER - 1/4" SINGLE BARB X 1/8" MPT
	103491-02-000	EA	BRACKET - LICENSE PLATE - FRONT
	117287-01-01B	EA	BRACKET - MOUNT - CABLE

CHASSIS GROUP (CONTINUED)

AIR COMPRESSOR - FIRESTONE AIRSPRING ASSEMBLY

KEY	PART NUMBER	U/M	DESCRIPTION	VENDOR NO.
	084086-07-000	EA	COMPRESSOR/ACCESSORY KIT - 12 VOLT/ 1/6HP	
	084086-05-703	EA	LOWER BRACKET	5098
	084086-07-700	EA	COMPRESSOR	21-9014
	084086-07-701	EA	TUBING-18FT	21-9038
	084086-07-702	EA	TANK-AIR	21-9003
	084086-07-703	EA	HOSE-AIR	21-9006

FIRESTONE AIRSPRING ASSEMBLY 10,500 - 12,300 GVW

KEY	PART NUMBER	U/M	DESCRIPTION	VENDOR NO.
	084086-04-000	EA	AIRSPRING KIT - REAR AXLE - GM TO 1996 - 10,500-12,300 GVW	
	084086-01-701	EA	TUBING, DOT 1/4"X22'	21-0937
	084086-01-702	EA	BOLT, RIBBED NECK 3/8-24X21/2	21-0829
	084086-01-705	EA	PROTECTOR-TUBING	21-0899
	084086-01-706	EA	BRACKET-UPPER TO FRAME	21-0150
	084086-01-711	EA	SHIELD-HEAT, 224-DOS SYSTEM	21-5042
	084086-01-713	EA	BRACKET-AXLE STRAP, 4"	21-1163
	084086-01-714	EA	BRACKET-AXLE STRAP, 4 3/4"	21-5038
	084086-04-700	EA	BRACKET-LOWER DRIVERS SIDE	21-5064
	084086-04-701	EA	BRACKET-LOWER PASSENGER SIDE	21-5065
	084086-04-702	EA	BAG-AIR, BELLOWS W/BOLT-ELBOW	W217602064
	084086-05-706	EA	VALVE-INFLATION, PUSH TO CONN 3032	

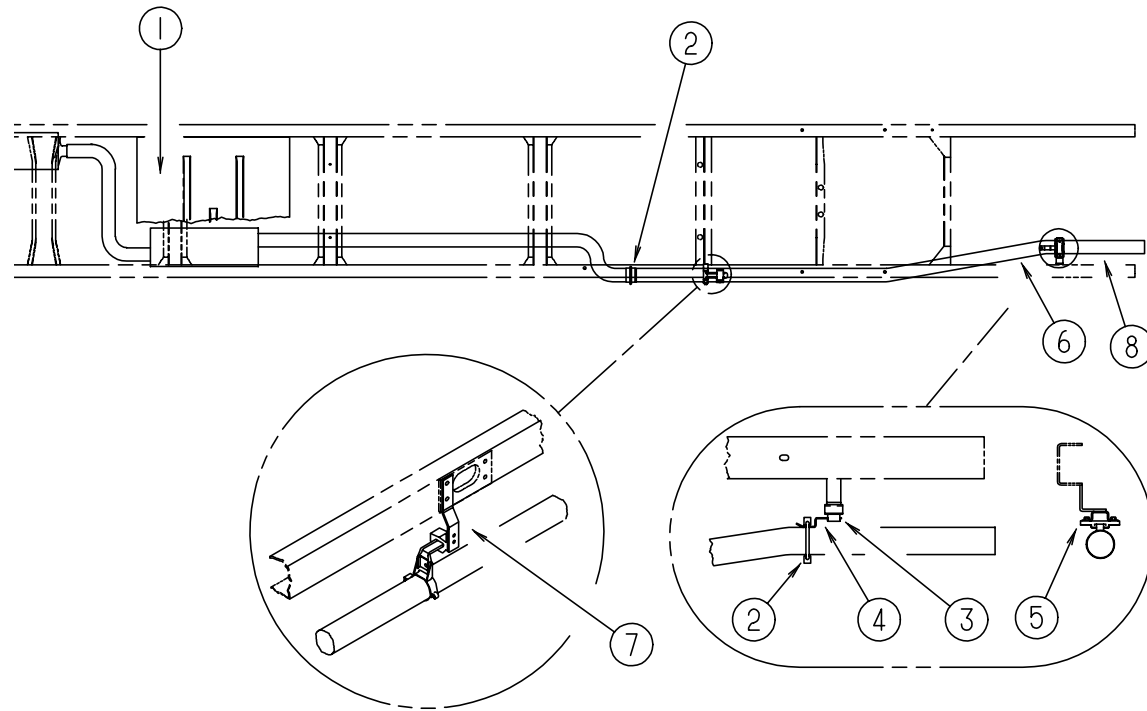
FIRESTONE AIRSPRING ASSEMBLY 14,500 - 16,000 GVW

KEY	PART NUMBER	U/M	DESCRIPTION	VENDOR NO.
	084086-08-000	EA	AIRSPRING KIT - '93-'97 GM 14,500-16,000 GVW	
	084086-05-706	EA	VALVE-INFLATION, PUSH TO CONN	3032
	109236-01-000	EA	PLATE - VALVE - AIR SPRING	
	084086-08-700	EA	BAG-AIR, (SPRING), 224C	0335
	084086-08-701	EA	TUBING-22FT	0937
	084086-08-702	EA	BRACKET-UPPER	5104
	084086-08-703	EA	BRACKET-LOWER	5128
	084086-08-704	EA	FITTING-PUSH TO CONNECT	3046
	084086-08-705	EA	SLEEVE-THERMAL	0899

FIRESTONE AIRSPRING CONTROL ASSEMBLY

KEY	PART NUMBER	U/M	DESCRIPTION	VENDOR NO.
	084086-09-000	EA	CONTROL KIT - AIR SPRING - SINGLE CONTROL	
	084086-06-700	EA	PANEL-AIR CONTROL, RIGHT	21-9012
	084086-06-702	EA	TUBING-FLEXIBLE	21-9008
	084086-06-703	EA	CONNECTOR-T	21/3025
	084086-06-704	EA	FERRULE	21-0932
	120501-01-02B	EA	BRACKET - CONTROL - RIDE RIDE	

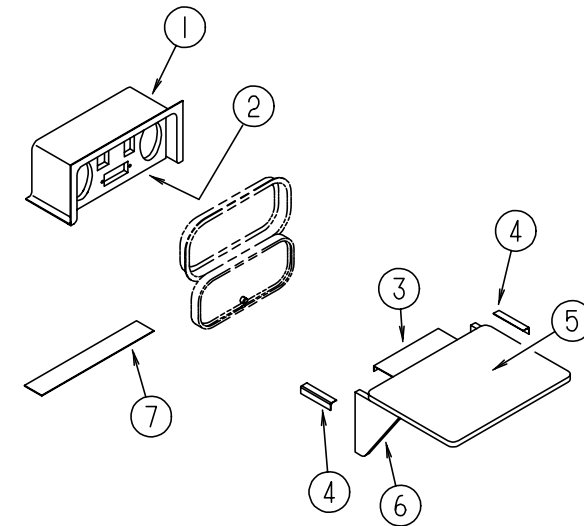
CHASSIS GROUP (CONTINUED)



EXHAUST SYSTEM - DIESEL

KEY	PART NUMBER	U/M	DESCRIPTION
1	101544-02-000	EA	SHIELD - HEAT/EXHAUST - 30" X 29.1"
2	094918-01-000	EA	CLAMP - EXHAUST - 3" - GUILLOTINE STYLE
3	095190-01-000	EA	HANGER - EXHAUST - 4" X 1.4"
4	096054-04-000	EA	SUPPORT - EXHAUST PIPE
5	102116-02-000	EA	BRACKET - EXHAUST - UPPER
6	117048-01-000	EA	PIPE - TAIL - EXHAUST OUT REAR
7	117029-01-02B	EA	HANGER - EXHAUST
			FROM: 00-00-00 THRU: 12-31-98
7	129622-01-02B	EA	HANGER - TAILPIPE/REAR
			FROM: 01-01-98 THRU: 99-99-99
8	098762-05-000	EA	EXTENSION - EXHAUST - STRAIGHT - 3" O.D X 7.9" LONG - SST
	094918-01-000	EA	CLAMP - EXHAUST - 3" - GUILLOTINE STYLE

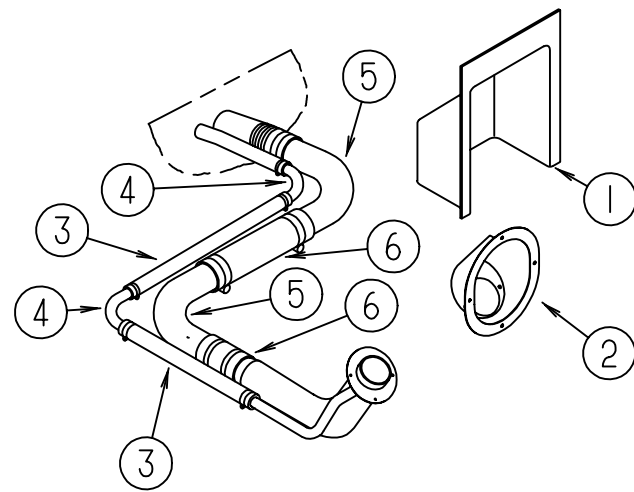
CHASSIS GROUP (CONTINUED)



PATIO ENTERTAINMENT CENTER

KEY	PART NUMBER	U/M	DESCRIPTION
1	104897-02-02A	EA	BOX - EXTERIOR ENTERTAINMENT CENTER
2	104899-01-C05	EA	PLATE - RADIO MOUNTING
3	105377-01-04A	EA	BRACKET - TABLE HANGER - BRIGHT WHITE
4	105376-01-03A	EA	HINGE - CONTINUOUS - 2" X 5.5" - BRIGHT WHITE
5	105230-11-J01	EA	SHELF - EXTERIOR ENTERTAINMENT CENTER - W/O HARDWARE
6	105230-12-J01	EA	SUPPORT - EXTERIOR SHELF
7	104898-01-02A	EA	PLATE - PLASTIC BOTTOM - BRIGHT WHITE

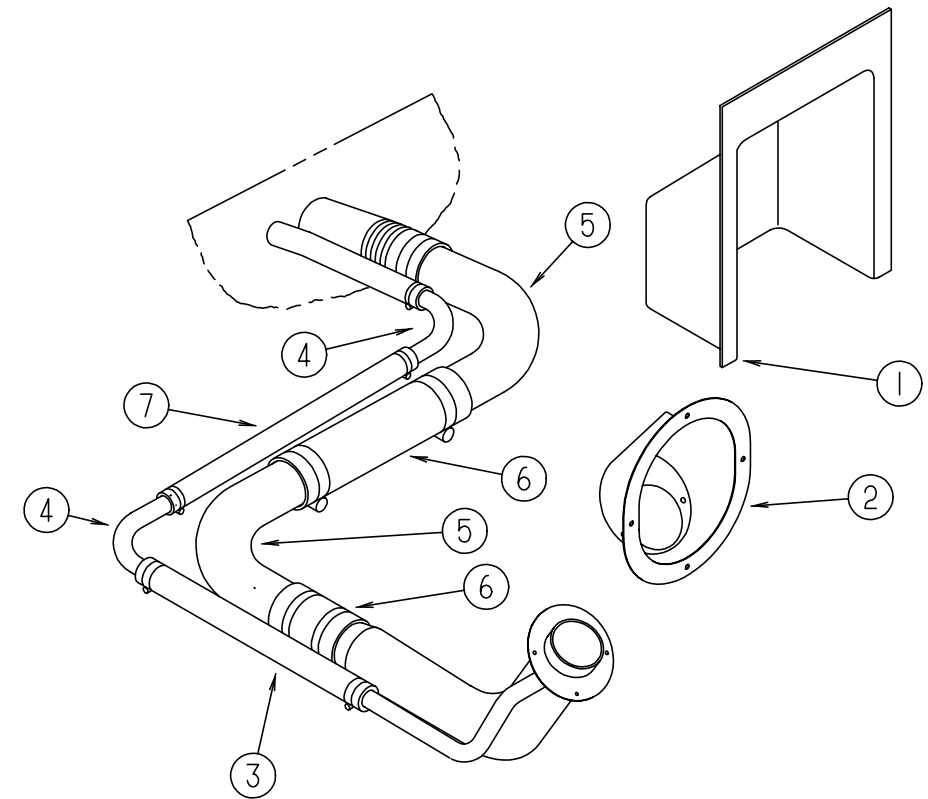
CHASSIS GROUP (CONTINUED)



FUEL SYSTEM - 1997 CHASSIS

KEY	PART NUMBER	U/M	DESCRIPTION
1	072447-09-000	EA	SHROUD - FUEL FILL - UPPER
2	095854-01-04A	EA	SHROUD - FUEL FILL - BRIGHT WHITE
3	066732-01-000	FT	HOSE - FUEL - .62"ID
4	098806-01-000	EA	PIPE - FILL VENT - 90 DEGREE BEND - .635 OD - STEEL
5	098803-02-000	EA	PIPE - FUEL FILL
6	007111-03-000	EA	HOSE - FUEL FILL - 1.75" X 3'
	087269-01-000	EA	TEE - 1/4" X 1/4" X 1/4" - BRASS
	097494-02-000	EA	TEE - BRASS - BARB - 3/8" X 5/32" X 3/8"
	084884-01-000	EA	PLUG - BRASS - 3/8"
	114254-01-000	EA	ADAPTER - 1/4 BARB X 1/8 MPT
	068382-06-000	EA	BUSHING - BRASS - 3/8"MPT X 1/8"FPT
	007063-01-000	FT	HOSE - FUEL - 1/4"ID X 1/2"OD
	092889-06-000	EA	FUEL LINE - SUPPLY - GENERATOR - 1/4" X 104.7" - STEEL

CHASSIS GROUP (CONTINUED)



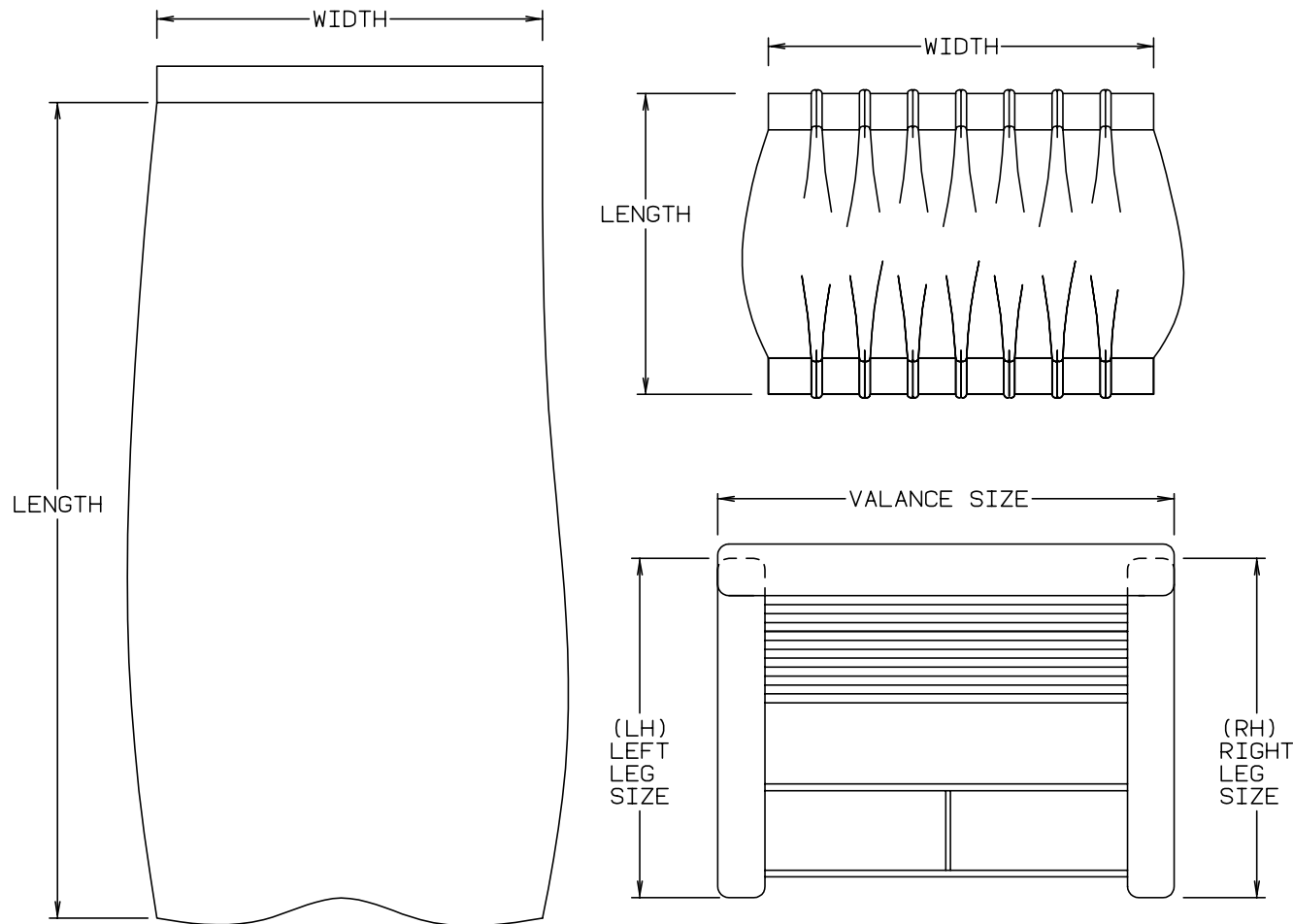
FUEL SYSTEM - 1998 CHASSIS

KEY	PART NUMBER	U/M	DESCRIPTION
1	072447-04-000	EA	SHROUD - FUEL FILL - UPPER
2	127291-01-01A	EA	SHROUD - FUEL FILL - BRIGHT WHITE
3	128139-02-000	FT	HOSE - FUEL - LOW PERMEABILITY - 5/8" DIAMETER
4	098806-01-000	EA	PIPE - FILL VENT - 90 DEGREE BEND - .635 OD - STEEL
5	098803-02-000	EA	PIPE - FUEL FILL
6	128139-01-000	FT	HOSE - FUEL - LOW PERMEABILITY
7	066732-01-000	FT	HOSE - FUEL - .62"ID
	068382-06-000	EA	BUSHING - BRASS - 3/8"MPT X 1/8"FPT
	087269-01-000	EA	TEE - 1/4" X 1/4" X 1/4" - BRASS
	084884-01-000	EA	PLUG - BRASS - 3/8"
	114254-01-000	EA	ADAPTER - 1/4 BARB X 1/8 MPT
	007063-01-000	FT	HOSE - FUEL - 1/4"ID X 1/2"OD
	092889-06-000	EA	FUEL LINE - SUPPLY - GENERATOR - 1/4" X 104.7" - STEEL

**CURTAIN & CUSHION GROUP
NOTICE**

IN ORDER TO ASSIST OUR PARTS SALES DEPT. IN PROVIDING INTERIOR SOFT GOODS ITEMS, PLEASE INCLUDE THE SERIAL NUMBER AND THE COLOR CODE NUMBER FROM THE VEHICLE CERTIFICATION LABEL WHEN ORDERING. THIS LABEL IS LOCATED ON THE LEFT SIDEWALL AT THE END OF THE DASH (A-BODY), OR ON THE DRIVER'S DOOR LATCH PLATE (C-BODY).

AN EXAMPLE OF A COLOR CODE NUMBER IS B07, WHICH DESIGNATES AN OVERALL COLOR SCHEME OF A PARTICULAR UNIT. THE COLOR LISTED AFTER THE ITEM DESCRIPTION ON THE MICROFICHE, INDICATES THE OVERALL UNIT COLOR. ORDER THE ITEM YOU DESIRE ACCORDING TO UNIT COLOR CODE.



NOTE: USE THIS ILLUSTRATION WHEN DETERMINING LENGTH AND WIDTH MEASUREMENTS FOR CURTAINS. YOU WILL NOTE THE WIDTH MEASUREMENT IS TAKEN ON THE TOP OF THE CURTAIN WITH THE CURTAIN FULLY EXTENDED. THE LENGTH MEASUREMENT IS TAKEN FROM TOP TO BOTTOM. LEFT AND RIGHT WINDOW LEGS ARE DETERMINED WHEN FACING THE WINDOW.

**CURTAIN & CUSHION GROUP (CONTINUED)
FABRICS**

Color Codes	J18	J19	J44
	VILLAGE GREEN	BARCELONA	HORIZON
BUCKET SEATS	108446-G0-000	108446-W7-000	108446-F7-000
DINETTE CUSHIONS	108446-T2-000	108446-W8-000	108446-U5-000
DINETTE PADS	108446-G0-000	108446-W7-000	108446-F7-000
SOFA	108446-T2-000	108446-W8-000	108446-U5-000
SWIVEL CHAIR	108446-T3-000	108446-W7-000	108446-F4-000
LOUNGE/DINETTE VALANCE/LEG	108446-T2-000	108446-W8-000	108446-U5-000
LOUNGE/DINETTE VALANCE TRIMS/OVERLAYS	084415-57-000	108446-W7-000	084415-87-000
BEDROOM VALANCE/LEG	105745-H0-000	105745-H5-000	105745-65-000
BEDROOM VALANCE TRIMS/OVERLAYS	084415-57-000	105745-B5-000	084415-87-000
BEDSPREAD	105745-H0-000 105745-E7-000	105745-H5-000 105745-B5-000	105745-65-000 105745-64-000
PILLOW SHAMS	105745-H0-000 084415-57-000	105745-H5-000 084415-66-000	105745-65-000 084415-87-000
BEDROOM PILLOWS	105745-H0-000 105745-E7-000	105745-H5-000 105745-B5-000	105745-65-000 105745-64-000
ENTRANCE DOOR VALANCE	108446-T2-000	108446-W8-000	108446-U5-000
MAP POCKETS	108446-G0-000	108446-W7-000	108446-F4-000
WRAP AROUND	072333-85-000	072333-85-000	072333-85-000
BUNK VINYL	089351-03-000	089351-03-000	089351-03-000
CEILING VINYL	113979-01-01A	113979-01-01A	113979-01-01A
OFF WHITE VINYL	103907-01-01A	103907-01-01A	103907-01-01A
WILLOW VINYL	103907-01-03A	103907-01-03A	103907-01-03A

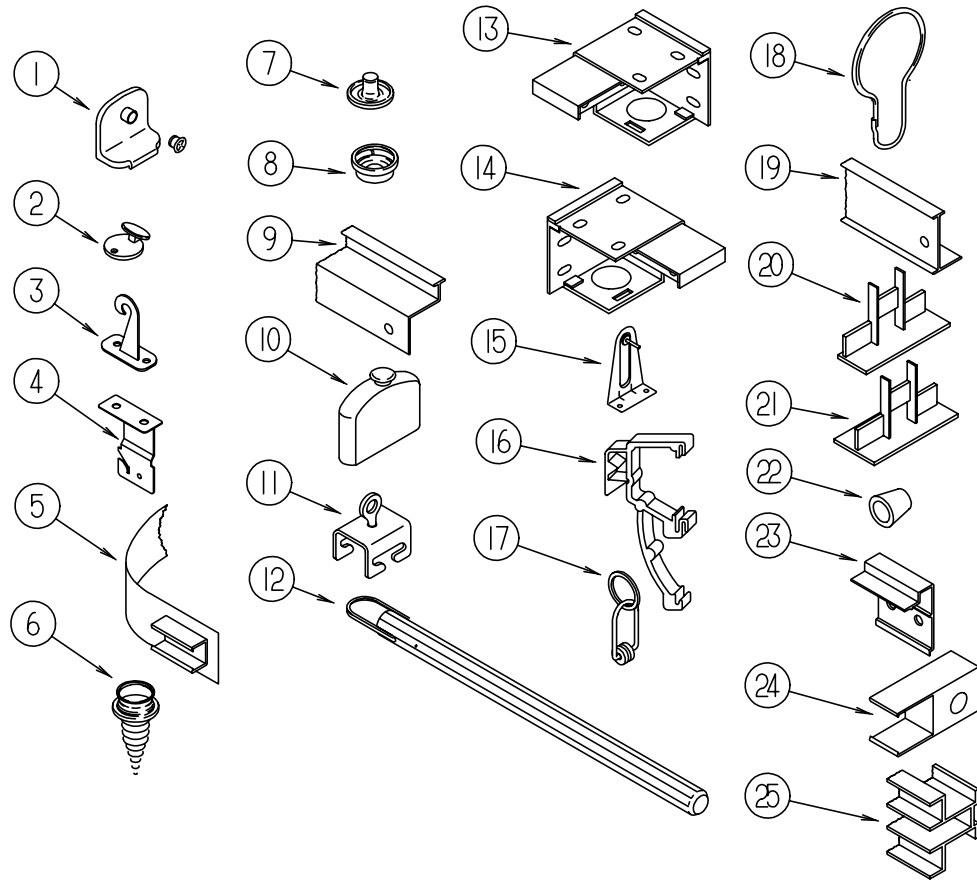
NOTE: FABRIC LISTED FIRST, IN A BLOCK, IS THE LARGEST QUANTITY OF FABRIC USED.

BUTTONS, WELT & TRIMS

KEY	PART NUMBER	U/M	DESCRIPTION
	070578-13-J74	EA	BUTTON - #30 (J18)
	070578-13-J21	EA	BUTTON - #30 (J19)
	070578-13-J44	EA	BUTTON - #30 (J44)
	070578-02-E38	EA	BUTTON - #30 - VINYL
	074494-05-000	EA	BUTTON - #30 - SINGLE PIVOT
	074494-06-000	EA	BUTTON - #30 - PIVOT
	079349-04-H17	YD	WELT - NARROW (J18)
	079349-04-J21	YD	WELT - NARROW (J19)
	079349-04-H16	YD	WELT - NARROW (J44)
	084415-70-000	YD	TRIM - BRAID - CORD (J18)
	084415-66-000	YD	TRIM - BRAID - CORD (J19)
	084415-81-000	YD	TRIM - BRAID - CORD (J44)

CURTAIN & CUSHION GROUP (CONTINUED)

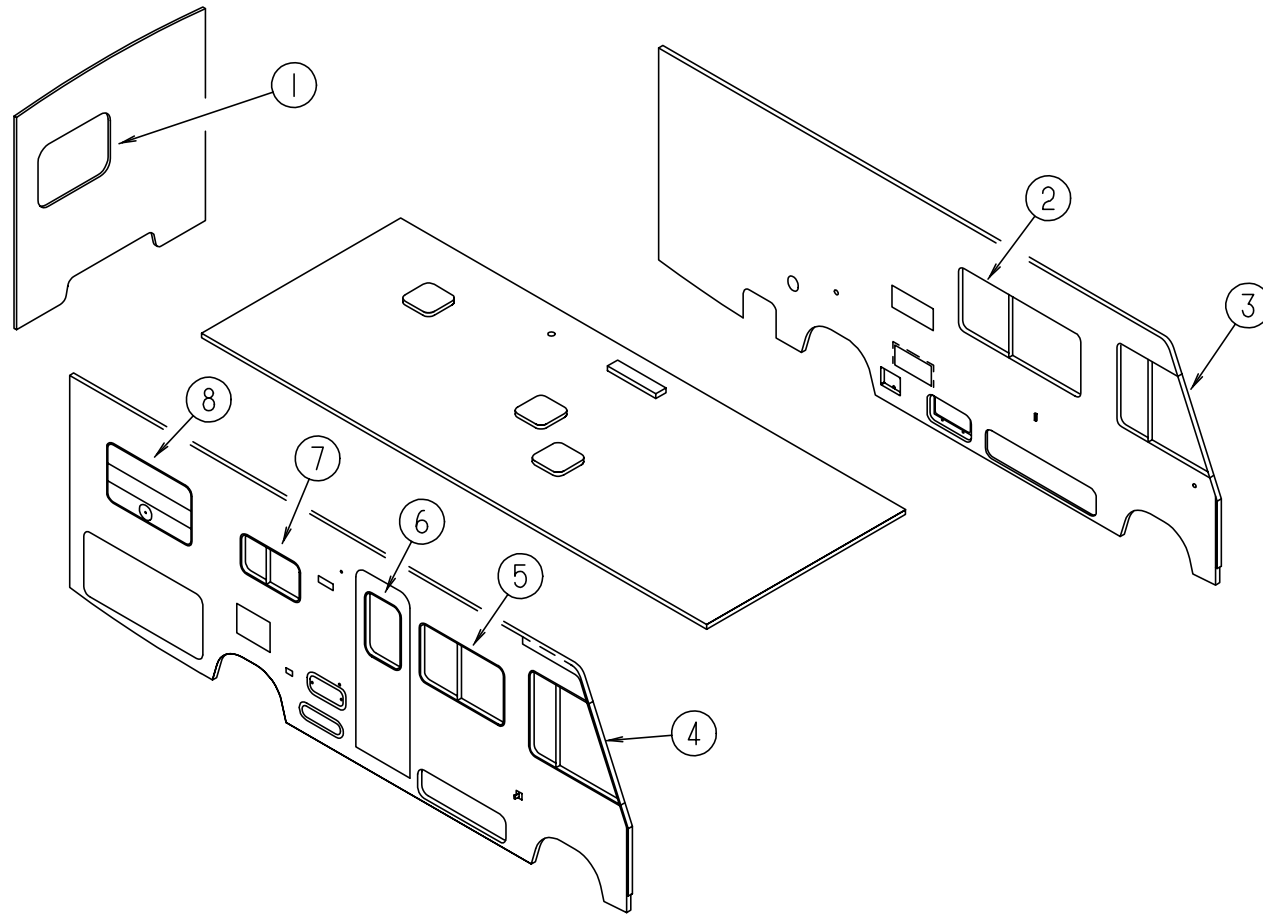
CURTAIN, BLIND HARDWARE & TRACKS



KEY	PART NUMBER	U/M	DESCRIPTION
1	106544-01-001	EA	SCREW - SHADE/BRASS
1	106544-01-000	EA	PULL - SHADE/BRASS
2	102555-03-000	EA	CLEAT - BLIND CORD - MILKY WHITE PLASTIC
3	109441-03-000	EA	HOLD DOWN - BLIND (CLOUDY)
	109441-02-000	EA	HOLD DOWN - SPACER
4	084434-01-000	EA	BRACKET - MOUNTING - ROLLER SHADE - 1 3/8"
	086276-01-000	EA	TAPE - DOUBLE SIDED - 1/2"
	096843-01-000	EA	SPRING - REWIND/ROLLER SHADE
5	101031-01-000	YD	TAPE - GLIDE/CURTAIN - 4.25" SPACING
6	029130-01-000	EA	SCREW - SNAP SOCKET - #8 PH X 5/8"
6	029130-03-000	EA	SCREW - SNAP SOCKET - #8 PH X 1"
7	029155-01-000	EA	CAP - SNAP - 5/32" OUTSIDE DIAMETER OF PIN
8	029156-01-000	EA	SOCKET - SNAP - 9/16" O.D.
9	122222-01-02A	EA	TRACK - WRAPAROUND CURTAIN - RIGHT HAND
9	122222-02-02A	EA	TRACK - WRAPAROUND CURTAIN - LEFT HAND
9	122222-03-H13	EA	TRACK - WRAPAROUND CURTAIN - RIGHT HAND
9	122222-04-H13	EA	TRACK - WRAPAROUND CURTAIN - LEFT HAND
10	093475-01-701	EA	END CAP-BLIND, W/STUD
11	009702-01-000	EA	END STOP - CURTAIN CARRIER - L ROD
12	093475-01-700	EA	WAND-BLIND, W/METAL CLIP - 8" LONG
13	083170-01-000	EA	BRACKET - BLIND - LEFT SIDE WHEN FACING WINDOW
14	083170-02-000	EA	BRACKET - BLIND - RIGHT SIDE WHEN FACING WINDOW
15	095591-02-000	EA	BRACKET - HOLD DOWN - W/PIN - METAL
16	109353-04-000	EA	CLIP - VALANCE SLAT MOUNTING - CLEAR PLASTIC
17	009701-01-000	EA	CARRIER-CURTAIN, L-ROD
18	009136-02-000	EA	HANGER-RING, PIN TYPE - CURTAIN - BRASS
19	009700-04-002	EA	TRACK - L-SHAPED 195.5" - OFF WHITE
20	094907-04-000	EA	HARDWARE - END CAP BOTTOM - PULL TYPE (RH & LH)
21	094907-02-000	EA	END CAP - TOP/PLEATED BLIND - PLASTIC - GRAY
22	097564-01-000	EA	HANDLE - KNOB - E-Z LIFT SHADE - SMOKED
22	097564-02-000	EA	HANDLE - KNOB - E-Z LIFT SHADE - BURGANDY
22	097564-03-000	EA	HANDLE - KNOB - E-Z LIFT SHADE - TAN
22	097564-04-000	EA	HANDLE - KNOB - E-Z LIFT SHADE - NAVY
22	097564-05-000	EA	HANDLE - KNOB - E-Z LIFT SHADE - TEAL
	000G68-06-12B	EA	SCREW - 6-18 X .75 POH
23	097565-01-000	EA	BRACKET - MOUNTING/PLEATED BLIND
24	101033-02-000	EA	END CAP - TRACK/CLEAR
25	101033-04-000	EA	TRACK - WALL - 3'
	097591-01-000	EA	SPRING - EXTENSION/PLEATED BLIND
	097592-01-000	EA	SPOOL - CORD - ELEVATED BLIND HOLDUP - SMALL - CLEAR
			FROM: 00-00-00 THRU: 11-23-97
	097592-02-000	EA	SPOOL - CORD - ELEVATED BLIND HOLDUP - LARGE - CLEAR
			FROM: 11-24-97 THRU: 99-99-99
	094896-02-000	EA	GROMMET - CORD/PLEATED BLIND - NYLON - GRAY
	097593-02-000	FT	CORD - BLIND/PLEATED - GRAY
	046867-02-000	EA	WASHER - HANDY BUTTON #3
	046867-03-000	EA	GROMMET - HANDY BUTTON #3
	075943-06-000	EA	BRACE-L-SHAPED - 8" LONG - ALUMINUM - BEIGE

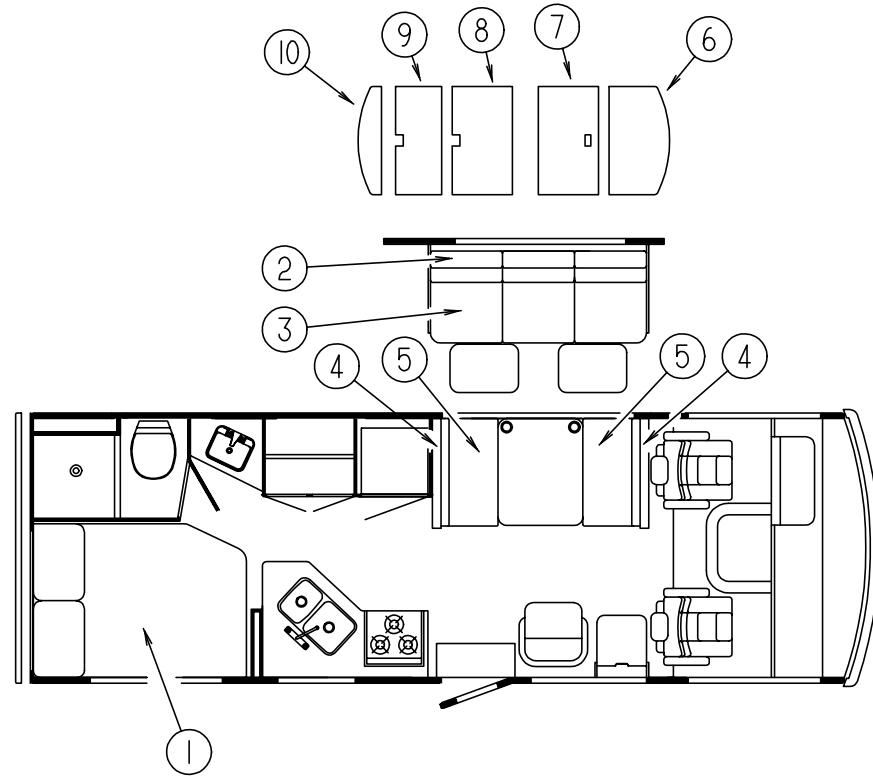
CURTAIN & CUSHION GROUP (CONTINUED)

WINDOW TREATMENT



KEY	PART NUMBER	U/M DESCRIPTION
1	126609-17-J18	EA VALANCE - MONA - 40.5"
1	121410-82-J19	EA VALANCE - MODERATE - 40.5"
1	126609-17-J44	EA VALANCE - MONA - 40.5"
1	111910-61-J18	EA BLIND - DAY/NIGHTER - 37" X 28" (J18, J19)
1	111910-61-J44	EA BLIND - DAY/NIGHTER - 37" X 28" (J44)
1	123910-29-J18	EA LEG - RIGHT - 25" (J18)
1	123910-27-J37	EA LEG - RIGHT - 25" (J19)
1	123910-29-J44	EA LEG - RIGHT - 25" (J44)
1	123910-30-J18	EA LEG - LEFT - 25" (J18)
1	123910-28-J37	EA LEG - LEFT - 25" (J19)
1	123910-30-J44	EA LEG - LEFT - 25" (J44)
2	126609-01-J20	EA VALANCE - MONA - 64.5" (J18)
2	121410-44-J21	EA VALANCE - MODERATE - 64.5" (J19)
2	126609-01-J44	EA VALANCE - MONA - 64.5" (J44)
2	109802-58-J20	EA BLIND - PLEATED - 61" X 28.5"
2	127017-01-J20	EA LEG - RIGHT - 25" (J18)
2	127017-01-J21	EA LEG - RIGHT - 25" (J19)
2	127017-01-J97	EA LEG - RIGHT - 25" (J44)
2	127017-02-J20	EA LEG - LEFT - 25" (J18)
2	127017-02-J21	EA LEG - LEFT - 25" (J19)
2	127017-02-J97	EA LEG - LEFT - 25" (J44)
3	101668-57-H22	EA CURTAIN - LEFT HAND - 38" X 95"
4	101668-56-H22	EA CURTAIN - RIGHT HAND - 38" X 95"
	073260-42-C18	EA TIEBACK - 6" X 18"
5	126609-15-J18	EA VALANCE - MONA - 45.5"
5	121410-80-J19	EA VALANCE - MODERATE - 45.5"
5	126609-15-J44	EA VALANCE - MONA - 45.5"
5	109802-44-G09	EA BLIND - PLEATED - 41" X 28.5"
5	127017-01-J20	EA LEG - RIGHT - 25" (J18)
5	127017-01-J21	EA LEG - RIGHT - 25" (J19)
5	127017-01-J97	EA LEG - RIGHT - 25" (J44)
5	127017-02-J20	EA LEG - LEFT - 25" (J18)
5	127017-02-J21	EA LEG - LEFT - 25" (J19)
5	127017-02-J97	EA LEG - LEFT - 25" (J44)
6	126609-16-J18	EA VALANCE - MONA - 12" X 31.25"
6	121410-81-J19	EA VALANCE - MODERATE - 12" X 31.25"
6	126609-16-J44	EA VALANCE - MONA - 12" X 31.25"
6	084755-57-E07	EA SHADE - PULL - 27.25"
7	111861-09-01A	EA BLIND - MINI - 30.5" X 18"
8	126609-18-J18	EA VALANCE - MONA - 45.5"
8	121410-83-J19	EA VALANCE - MODERATE - 45.5"
8	126609-18-J44	EA VALANCE - MONA - 45.5"
8	111910-53-J01	EA BLIND - DAY/NIGHTER - 42" X 28.5" (J18, J19)
8	111910-53-J44	EA BLIND - DAY/NIGHTER - 42" X 28.5" (J44)
8	127017-07-J20	EA LEG - RIGHT - 7.5" X 31" (J18)
8	127017-03-J19	EA LEG - RIGHT - 7.5" X 31" (J19)
8	127017-07-J44	EA LEG - RIGHT - 7.5" X 31" (J44)
8	127017-08-J20	EA LEG - LEFT - 7.5" X 31" (J18)
8	127017-04-J19	EA LEG - LEFT - 7.5" X 31" (J19)
8	127017-08-J44	EA LEG - LEFT - 7.5" X 31" (J44)

CURTAIN & CUSHION GROUP (CONTINUED)



DOUBLE MATTRESS, BEDSPREAD & PILLOW SHAMS

KEY	PART NUMBER	U/M DESCRIPTION
1	123471-10-J18	EA BEDSPREAD/THROW - 54" X 75"
1	123471-10-J19	EA BEDSPREAD/THROW - 54" X 75"
1	123471-10-J44	EA BEDSPREAD/THROW - 54" X 75"
1	104565-17-J18	EA PILLOW SHAM
1	104565-17-J19	EA PILLOW SHAM
1	104565-17-J44	EA PILLOW SHAM
	101123-03-000	EA MATTRESS - DOUBLE - W/CUT CORNER - 53" X 74"
	P01123-03-000	EA COVER - MATTRESS - 53" X 74"

BEDROOM ACCENT PILLOWS

KEY	PART NUMBER	U/M DESCRIPTION
	124773-02-J20	EA PILLOW - 14" X 17" (J18)
	124773-02-J21	EA PILLOW - 14" X 17" (J19)
	124773-02-J44	EA PILLOW - 14" X 17" (J44)

BUNK CUSHION

KEY	PART NUMBER	U/M DESCRIPTION
	079145-06-000	EA CUSHION - BUNK - 30" X 77" X 4"
	M79145-06-000	EA COVER - BUNK CUSHION - 30" X 77" X 4"
	094658-01-G09	EA HANDLE - OAK/BUNK

SOFA/BED

KEY	PART NUMBER	U/M DESCRIPTION
2	111319-01-J18	EA BACK - SOFA/BED - W/FRAME - 74"
2	111319-01-J19	EA BACK - SOFA/BED - W/FRAME - 74"
2	111319-01-J44	EA BACK - SOFA/BED - W/FRAME - 74"
	P11319-01-J18	EA COVER - BACK - SOFA/BED - 74"
	P11319-01-J19	EA COVER - BACK - SOFA/BED - 74"
	P11319-01-J44	EA COVER - BACK - SOFA/BED - 74"
	101085-10-000	EA FRAME - BACK - SOFA/BED - 74.75"
3	100032-43-J20	EA SEAT - SOFA/BED - W/FRAME - 74" - W/O ARMS (J18)
3	100032-43-J21	EA SEAT - SOFA/BED - W/FRAME - 74" - W/O ARMS (J19)
3	100032-43-J47	EA SEAT - SOFA/BED - W/FRAME - 74" - W/O ARMS (J44)
	P00032-43-J20	EA COVER - SEAT - SOFA/BED - 74" - NO ARMS (J18)
	P00032-43-J21	EA COVER - SEAT - SOFA/BED - 74" - NO ARMS (J19)
	P00032-43-J47	EA COVER - SEAT - SOFA/BED - 74" - NO ARMS (J44)
	101085-04-000	EA FRAME - SEAT - SOFA/BED - 74.75"
	101085-10-000	EA FRAME - BACK - SOFA/BED - 74.75"
	113990-09-000	EA LOCK - BRACKET - MALE FLEXSTEEL
	122556-04-01A	EA LOCK - JACK KNIFE SEAT

NOTE: COUCH FRONT AND SIDE PANELS ARE FOUND IN THE LOUNGE GROUP

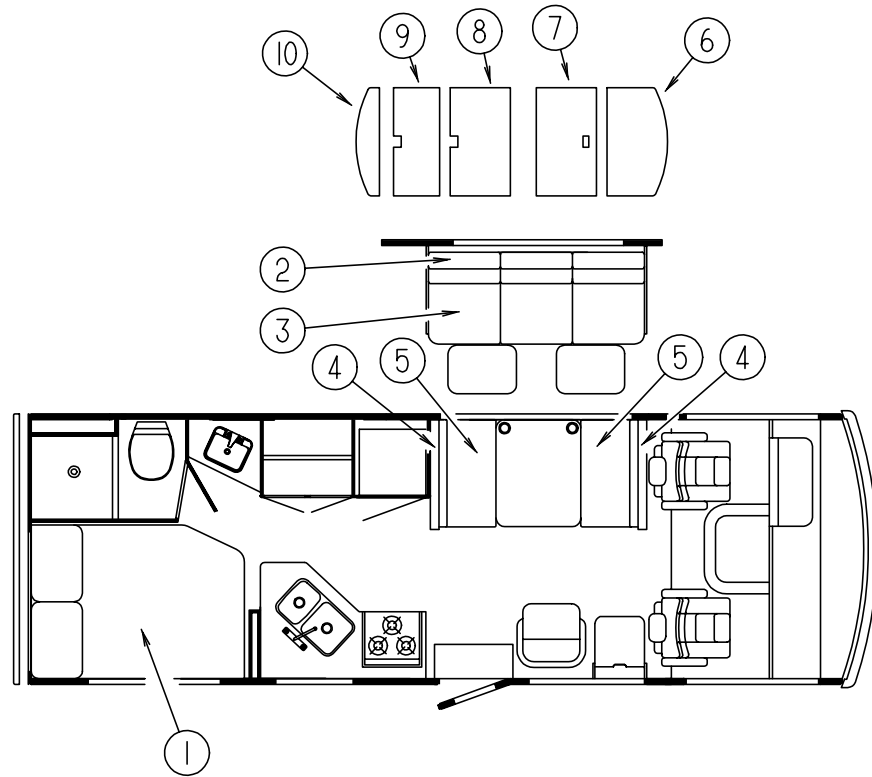
LOUNGE ACCENT PILLOWS

KEY	PART NUMBER	U/M DESCRIPTION
	111637-02-J18	EA PILLOW - 21" SQUARE (J18)
	111637-02-J19	EA PILLOW - 21" SQUARE (J19)
	111637-02-H16	EA PILLOW - 21" SQUARE (J44)

BUCKET SEAT - EUROPEAN OPTION

KEY	PART NUMBER	U/M DESCRIPTION
	110148-13-J18	EA SEAT - ECONO 3 - THROW AWAY
	110148-13-J19	EA SEAT - ECONO 3 - THROW AWAY
	110148-13-J44	EA SEAT - ECONO 3 - THROW AWAY
	M05962-33-J18	EA COVER - BACK (J18)
	M05962-33-J19	EA COVER - BACK (J19)
	M05962-33-H01	EA COVER - BACK (J44)
	M05962-34-J18	EA COVER - SEAT (J18)
	M05962-34-J19	EA COVER - SEAT (J19)
	M05962-34-H01	EA COVER - SEAT (J44)
	080730-08-000	EA HANDLE - RECLINER
	080730-09-000	EA SHIELD - RECLINER HANDLE
	080730-11-000	EA SHIELD - RUBBER BOOT
	122695-02-01B	EA FRAME - SEAT/BACK

CURTAIN & CUSHION GROUP (CONTINUED)



DINETTE CUSHIONS

KEY	PART NUMBER	U/M DESCRIPTION
4	111897-04-J20	EA CUSHION - BACK - 13.5" X 38" X 5" (J18)
4	111897-04-J21	EA CUSHION - BACK - 13.5" X 38" X 5" (J19)
4	111897-04-J44	EA CUSHION - BACK - 13.5" X 38" X 5" (J44)
	P11897-04-J20	EA COVER - BACK - 13.5" X 38" X 5" (J18)
	P11897-04-J21	EA COVER - BACK - 13.5" X 38" X 5" (J19)
	P11897-04-J44	EA COVER - BACK - 13.5" X 38" X 5" (J44)
	078155-01-000	EA STRAP - SNAP - BACK CUSHION
5	088927-87-J20	EA CUSHION - SEAT - 23" X 38" X 5" (J18)
5	088927-87-J21	EA CUSHION - SEAT - 23" X 38" X 5" (J19)
5	088927-87-J47	EA CUSHION - SEAT - 23" X 38" X 5" (J44)
	M88927-87-J20	EA COVER - SEAT - 23" X 38" X 5" (J18)
	M88927-87-J21	EA COVER - SEAT - 23" X 38" X 5" (J19)
	M88927-87-J47	EA COVER - SEAT - 23" X 38" X 5" (J44)

DINETTE CUSHIONS - EUROPEAN EXPORT

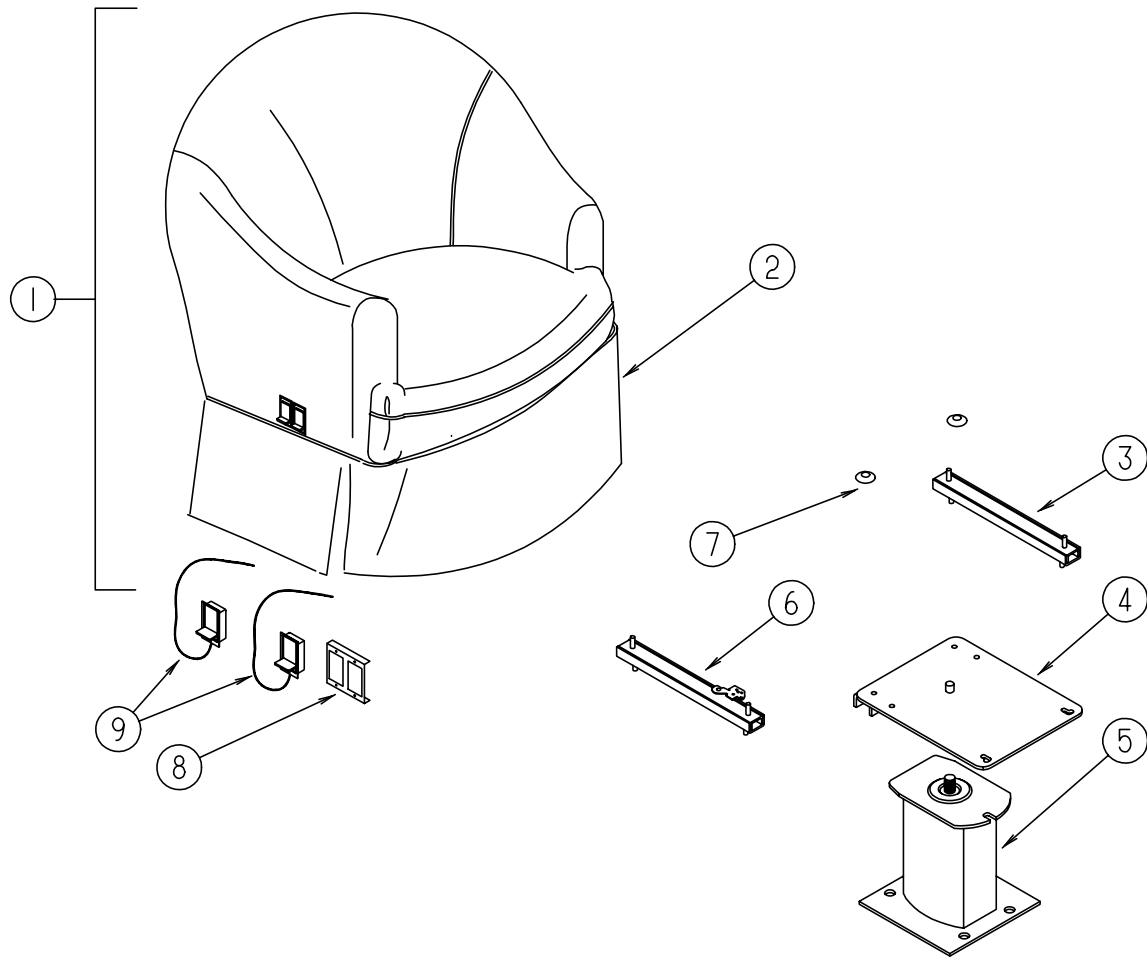
KEY	PART NUMBER	U/M DESCRIPTION
6	120968-04-J18	EA CUSHION - BACK - 13" X 41" X 5"
6	120968-04-J19	EA CUSHION - BACK - 13" X 41" X 5"
6	120968-04-J44	EA CUSHION - BACK - 13" X 41" X 5"
	P20968-04-J18	EA COVER - BACK - 13" X 41" X 5"
	P20968-04-J19	EA COVER - BACK - 13" X 41" X 5"
	P20968-04-J44	EA COVER - BACK - 13" X 41" X 5"
7	120968-05-J18	EA CUSHION - SEAT - 23" X 41" X 5"
7	120968-05-J19	EA CUSHION - SEAT - 23" X 41" X 5"
7	120968-05-J44	EA CUSHION - SEAT - 23" X 41" X 5"
	P20968-05-J18	EA COVER - SEAT - 23" X 41" X 5"
	P20968-05-J19	EA COVER - SEAT - 23" X 41" X 5"
	P20968-05-J44	EA COVER - SEAT - 23" X 41" X 5"
8	120968-02-J18	EA CUSHION - SEAT - 23" X 41" X 5"
8	120968-02-J19	EA CUSHION - SEAT - 23" X 41" X 5"
8	120968-02-J44	EA CUSHION - SEAT - 23" X 41" X 5"
	P20968-02-J18	EA COVER - SEAT - 23" X 41" X 5"
	P20968-02-J19	EA COVER - SEAT - 23" X 41" X 5"
	P20968-02-J44	EA COVER - SEAT - 23" X 41" X 5"
9	120968-01-J18	EA CUSHION - BACK - 23" X 41" X 5"
9	120968-01-J19	EA CUSHION - BACK - 23" X 41" X 5"
9	120968-01-J44	EA CUSHION - BACK - 23" X 41" X 5"
	P20968-01-J18	EA COVER - BACK - 23" X 41" X 5"
	P20968-01-J19	EA COVER - BACK - 23" X 41" X 5"
	P20968-01-J44	EA COVER - BACK - 23" X 41" X 5"
10	120968-03-J18	EA CUSHION - BACK/TOP
10	120968-03-J19	EA CUSHION - BACK/TOP
10	120968-03-J44	EA CUSHION - BACK/TOP
	P20968-03-J18	EA COVER - BACK/TOP
	P20968-03-J19	EA COVER - BACK/TOP
	P20968-03-J44	EA COVER - BACK/TOP
	120968-11-J18	EA CUSHION - BED - EUROPEAN DINETTE
	120968-11-J19	EA CUSHION - BED - EUROPEAN DINETTE
	120968-11-J44	EA CUSHION - BED - EUROPEAN DINETTE
	P20968-11-J18	EA COVER - CUSHION - EUROPEAN DINETTE
	P20968-11-J19	EA COVER - CUSHION - EUROPEAN DINETTE
	P20968-11-J44	EA COVER - CUSHION - EUROPEAN DINETTE

ASSIST HANDLE & SEAT BELT

KEY	PART NUMBER	U/M DESCRIPTION
	007021-01-000	EA SEAT BELT - 2" X 90" - BLACK
	056271-02-000	EA BELT - SEAT - 2" X 72" - BLACK
	118350-01-01A	EA SEAT BELT - 2 POINT - BLACK
	057759-01-000	EA WASHER - FLAT F/SEAT BELT - 4" DIAMETER
	053552-02-AA8	EA HANDLE - ASSIST - INTERIOR/ENTRY DOOR - VINYL/OFF WHITE
	069178-02-000	EA BRACKET - MOUNTING/ASSIST HANDLE - GRAY
	000C16-07-16B	EA BOLT - CARRIAGE - ASSIST HANDLE - 7/16" - 14 X 1"
	000D20-07-00B	EA NUT - ACORN - ASSIST HANDLE - 7/16 - 14
	057534-01-000	EA TIEBACK/TIEDOWN - 6" CLEAR PLASTIC

CURTAIN & CUSHION GROUP (CONTINUED)

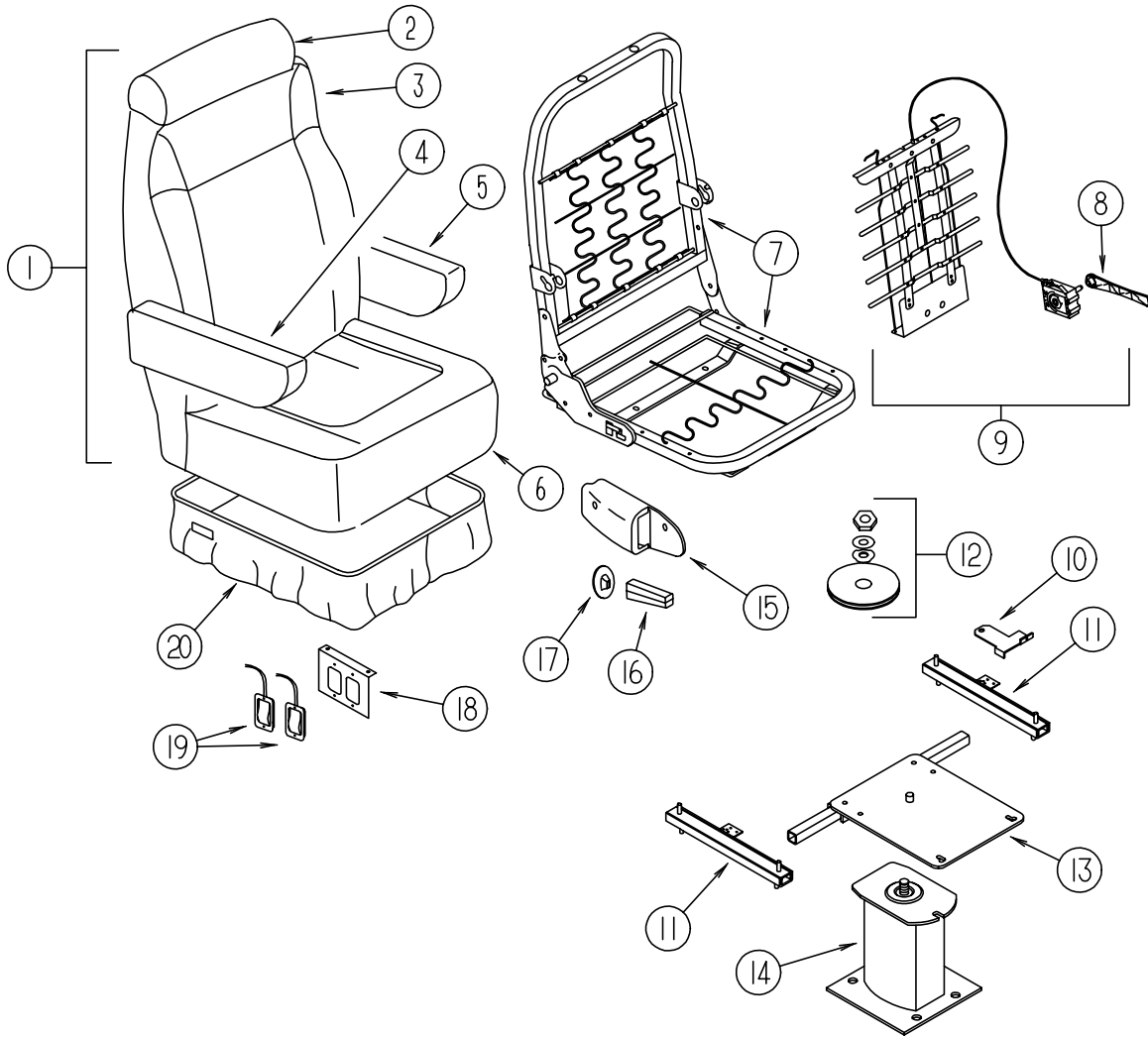
SWIVEL CHAIR



KEY	PART NUMBER	U/M	DESCRIPTION
1	118302-01-J20	EA	CHAIR - SWIVEL - W/SKIRT (J18)
1	118302-01-J21	EA	CHAIR - SWIVEL - W/SKIRT (J19)
1	118302-01-H16	EA	CHAIR - SWIVEL - W/SKIRT (J44)
	P18302-01-J20	EA	COVER - SWIVEL CHAIR (J18)
	P18302-01-J21	EA	COVER - SWIVEL CHAIR (J19)
	P18302-01-H16	EA	COVER - SWIVEL CHAIR (J44)
	P18302-27-J20	EA	COVER - ARMREST - UNIVERSAL (J18)
	P18302-27-J21	EA	COVER - ARMREST - UNIVERSAL (J19)
	P18302-27-H16	EA	COVER - ARMREST - UNIVERSAL (J44)
2	118306-01-J20	EA	SKIRT - SWIVEL CHAIR (J18)
2	118306-01-J21	EA	SKIRT - SWIVEL CHAIR (J19)
2	118306-01-H16	EA	SKIRT - SWIVEL CHAIR (J44)
3	119952-01-000	EA	SLIDE/SEAT - HEAVY DUTY NON LOCKING
4	107921-08-000	EA	TOP PLATE - PEDESTAL - W/O SEAT BELT BAR
	107921-06-000	EA	BEARING KIT - PEDESTAL
5	107921-02-000	EA	PEDESTAL/FLOOR MOUNTED - W/6.50" EXTENSION
6	119952-03-000	EA	SLIDE/SEAT - HEAVY DUTY LOCKING - 2 STUDS
7	007221-01-000	EA	SPACER - SEAT/ADJUSTER
8	127159-02-02B	EA	BRACKET - SEAT RELEASE - DUAL REMOTE
9	108049-04-000	EA	CABLE - W/SWITCHES - W/26" MINI LEVER ACTION
	108049-02-000	EA	CLIP - CABLE/PEDESTAL
	117125-01-02B	EA	BRACKET - CABLE MOUNT - ADJUSTER W/LOCK
	112436-03-000	FT	TRIM - #8 - FLEX RING
	108445-02-000	EA	PLATE/FLOOR MOUNTED - PEDESTAL SEAT

CURTAIN & CUSHION GROUP (CONTINUED)

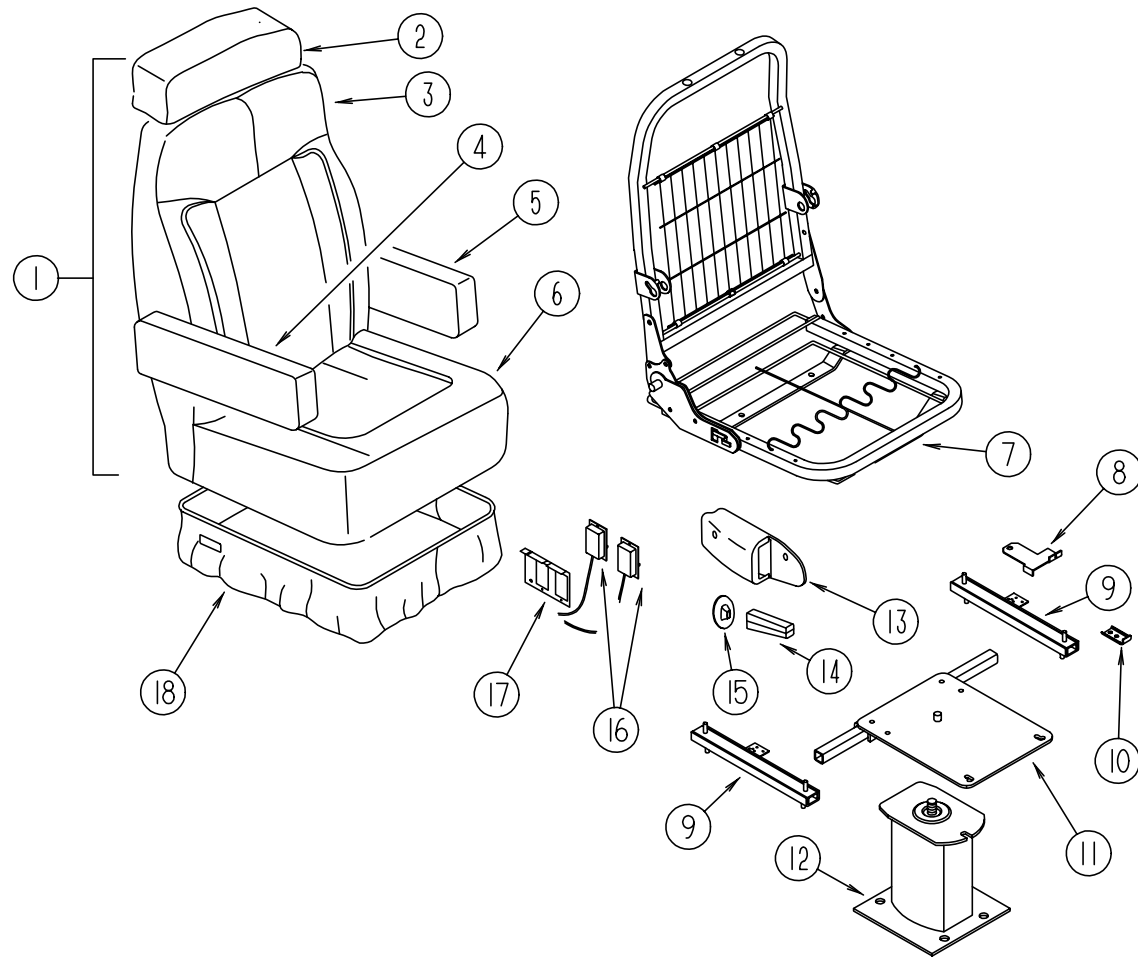
DRIVER BUCKET SEAT



KEY	PART NUMBER	U/M	DESCRIPTION
1	127540-01-J18	EA	SEAT - BUCKET - DRIVER - W/LUMBAR SUPPORT (J18)
1	127540-01-J21	EA	SEAT - BUCKET - DRIVER - W/LUMBAR SUPPORT (J19)
1	127540-01-J44	EA	SEAT - BUCKET - DRIVER - W/LUMBAR SUPPORT (J44)
2	119509-01-J26	EA	HEADREST - BUCKET SEAT (J18)
2	119509-01-J21	EA	HEADREST - BUCKET SEAT (J19)
2	119509-01-H01	EA	HEADREST - BUCKET SEAT (J44)
	P19509-01-J26	EA	COVER - HEADREST (J18)
	P19509-01-J21	EA	COVER - HEADREST (J19)
	P19509-01-H01	EA	COVER - HEADREST (J44)
	113977-12-000	EA	HEADREST INSERT - W/O LOCK
	113977-13-000	EA	HEADREST INSERT - W/LOCK
3	M05962-71-J20	EA	COVER - BACK (J18)
3	M05962-71-J21	EA	COVER - BACK (J19)
3	M05962-71-J44	EA	COVER - BACK (J44)
4	122780-01-J01	EA	ARMREST - RIGHT HAND (J18)
4	122780-01-J21	EA	ARMREST - RIGHT HAND (J19)
4	122780-01-H01	EA	ARMREST - RIGHT HAND (J44)
	P22780-01-J01	EA	COVER - ARMREST - RIGHT HAND (J18)
	P22780-01-J21	EA	COVER - ARMREST - RIGHT HAND (J19)
	P22780-01-H01	EA	COVER - ARMREST - RIGHT HAND (J44)
	115617-03-000	EA	ARMREST - W/O COVER - RIGHT HAND
5	122780-02-J26	EA	ARMREST - LEFT HAND (J18)
5	122780-02-J21	EA	ARMREST - LEFT HAND (J19)
5	122780-02-H16	EA	ARMREST - LEFT HAND (J44)
	P22780-02-J26	EA	COVER - ARMREST - LEFT HAND (J18)
	P22780-02-J21	EA	COVER - ARMREST - LEFT HAND (J19)
	P22780-02-H16	EA	COVER - ARMREST - LEFT HAND (J44)
	115617-04-000	EA	ARMREST - W/O COVER - LEFT HAND
6	M05962-40-J26	EA	COVER - SEAT (J18)
6	M05962-40-J21	EA	COVER - SEAT (J19)
6	M05962-40-J44	EA	COVER - SEAT (J44)
7	122695-01-01B	EA	FRAME - SEAT/BACK
8	122611-02-701	EA	LUMBAR - LEVER
9	122611-02-000	EA	LUMBAR - W/LEVER
10	117125-01-02B	EA	BRACKET - CABLE MOUNT - ADJUSTER W/LOCK
11	119952-06-000	EA	SLIDE/SEAT - HEAVY DUTY LOCKING - 4 STUDS
			FROM: 00-00-00 THRU: 11-02-97
11	119952-04-000	EA	SLIDE/SEAT - HEAVY DUTY LOCKING - 4 STUDS
			FROM: 11-03-97 THRU: 99-99-99
12	107921-06-000	EA	BEARING KIT - PEDESTAL
13	107921-05-000	EA	PLATE - TOP - W/SEAT BELT BAR
14	107921-01-000	EA	PEDESTAL/FLOOR MOUNTED - W/9.75" EXTENSION
15	080730-09-000	EA	SHIELD - RECLINER HANDLE
16	080730-08-000	EA	HANDLE - RECLINER
17	080730-11-000	EA	SHIELD - RUBBER BOOT
18	127159-02-02B	EA	BRACKET - SEAT RELEASE - DUAL REMOTE
19	108049-04-000	EA	CABLE - W/SWITCHES - W/26" MINI LEVER ACTION
	108049-02-000	EA	CLIP - CABLE/PEDESTAL
20	071126-58-H17	EA	SKIRT - SINGLE 10.5" - W/SEAT BELT SLOT (J18)
20	071126-58-J21	EA	SKIRT - SINGLE 10.5" - W/SEAT BELT SLOT (J19)
20	071126-58-H16	EA	SKIRT - SINGLE 10.5" - W/SEAT BELT SLOT (J44)

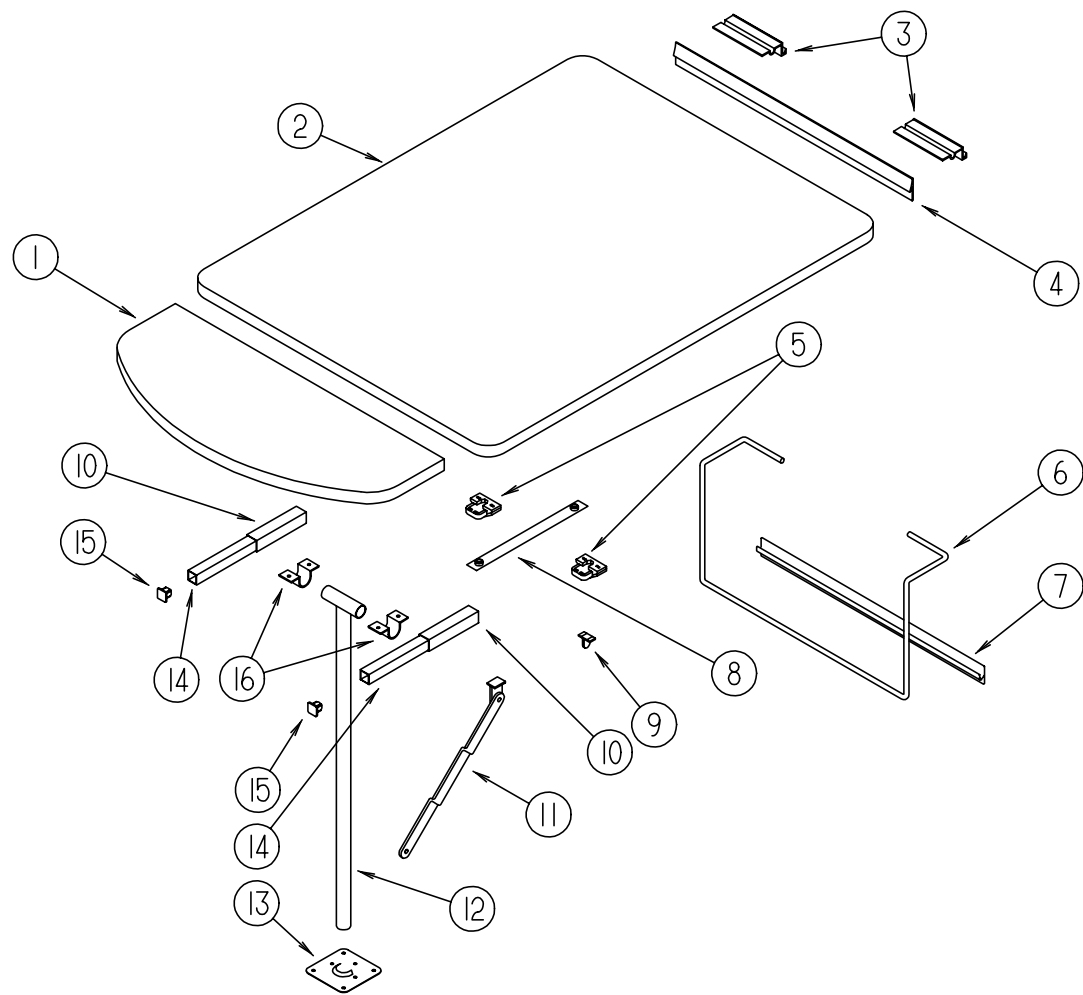
CURTAIN & CUSHION GROUP (CONTINUED)

PASSENGER BUCKET SEAT



KEY	PART NUMBER	U/M	DESCRIPTION
1	127540-02-J18	EA	SEAT - BUCKET - PASSENGER (J18)
1	127540-02-J21	EA	SEAT - BUCKET - PASSENGER (J19)
1	127540-02-J44	EA	SEAT - BUCKET - PASSENGER (J44)
2	119509-01-J26	EA	HEADREST - BUCKET SEAT (J18)
2	119509-01-J21	EA	HEADREST - BUCKET SEAT (J19)
2	119509-01-H01	EA	HEADREST - BUCKET SEAT (J44)
	P19509-01-J26	EA	COVER - HEADREST (J18)
	P19509-01-J21	EA	COVER - HEADREST (J19)
	P19509-01-H01	EA	COVER - HEADREST (J44)
	113977-12-000	EA	HEADREST INSERT - W/O LOCK
	113977-13-000	EA	HEADREST INSERT - W/LOCK
3	M05962-71-J20	EA	COVER - BACK (J18)
3	M05962-71-J21	EA	COVER - BACK (J19)
3	M05962-71-J44	EA	COVER - BACK (J44)
4	122780-01-J01	EA	ARMREST - RIGHT HAND (J18)
4	122780-01-J21	EA	ARMREST - RIGHT HAND (J19)
4	122780-01-H01	EA	ARMREST - RIGHT HAND (J44)
	P22780-01-J01	EA	COVER - ARMREST - RIGHT HAND (J18)
	P22780-01-J21	EA	COVER - ARMREST - RIGHT HAND (J19)
	P22780-01-H01	EA	COVER - ARMREST - RIGHT HAND (J44)
	115617-03-000	EA	ARMREST - W/O COVER - RIGHT HAND
5	122780-02-J26	EA	ARMREST - LEFT HAND (J18)
5	122780-02-J21	EA	ARMREST - LEFT HAND (J19)
5	122780-02-H16	EA	ARMREST - LEFT HAND (J44)
	P22780-02-J26	EA	COVER - ARMREST - LEFT HAND (J18)
	P22780-02-J21	EA	COVER - ARMREST - LEFT HAND (J19)
	P22780-02-H16	EA	COVER - ARMREST - LEFT HAND (J44)
	115617-04-000	EA	ARMREST - W/O COVER - LEFT HAND
6	M05962-40-J26	EA	COVER - SEAT (J18)
6	M05962-40-J21	EA	COVER - SEAT (J19)
6	M05962-40-J44	EA	COVER - SEAT (J44)
7	122695-01-01B	EA	FRAME - SEAT/BACK
8	117125-01-02B	EA	BRACKET - CABLE MOUNT - ADJUSTER W/LOCK
9	119952-06-000	EA	SLIDE/SEAT - HEAVY DUTY LOCKING - 4 STUDS
			FROM: 00-00-00 THRU: 11-02-97
9	119952-04-000	EA	SLIDE/SEAT - HEAVY DUTY LOCKING - 4 STUDS
			FROM: 11-03-97 THRU: 99-99-99
	119952-07-000	EA	WIRE - LATCH RELEASE/ROTARY
10	114889-01-000	EA	STOP BAR - UNIVERSAL
11	107921-05-000	EA	PLATE - TOP - W/SEAT BELT BAR
	107921-06-000	EA	BEARING KIT - PEDESTAL
12	107921-01-000	EA	PEDESTAL/FLOOR MOUNTED - W/9.75" EXTENSION
13	080730-09-000	EA	SHIELD - RECLINER HANDLE
14	080730-08-000	EA	HANDLE - RECLINER
15	080730-11-000	EA	SHIELD - RUBBER BOOT
16	108049-04-000	EA	CABLE - W/SWITCHES - W/26" MINI LEVER ACTION
	108049-02-000	EA	CLIP - CABLE/PEDESTAL
17	097683-02-000	EA	BRACKET - REMOTE/SIDE MOUNT - DOUBLE
18	071126-58-H17	EA	SKIRT - SINGLE 10.5" - W/SEAT BELT SLOT (J18)
18	071126-58-J21	EA	SKIRT - SINGLE 10.5" - W/SEAT BELT SLOT (J19)
18	071126-58-H16	EA	SKIRT - SINGLE 10.5" - W/SEAT BELT SLOT (J44)

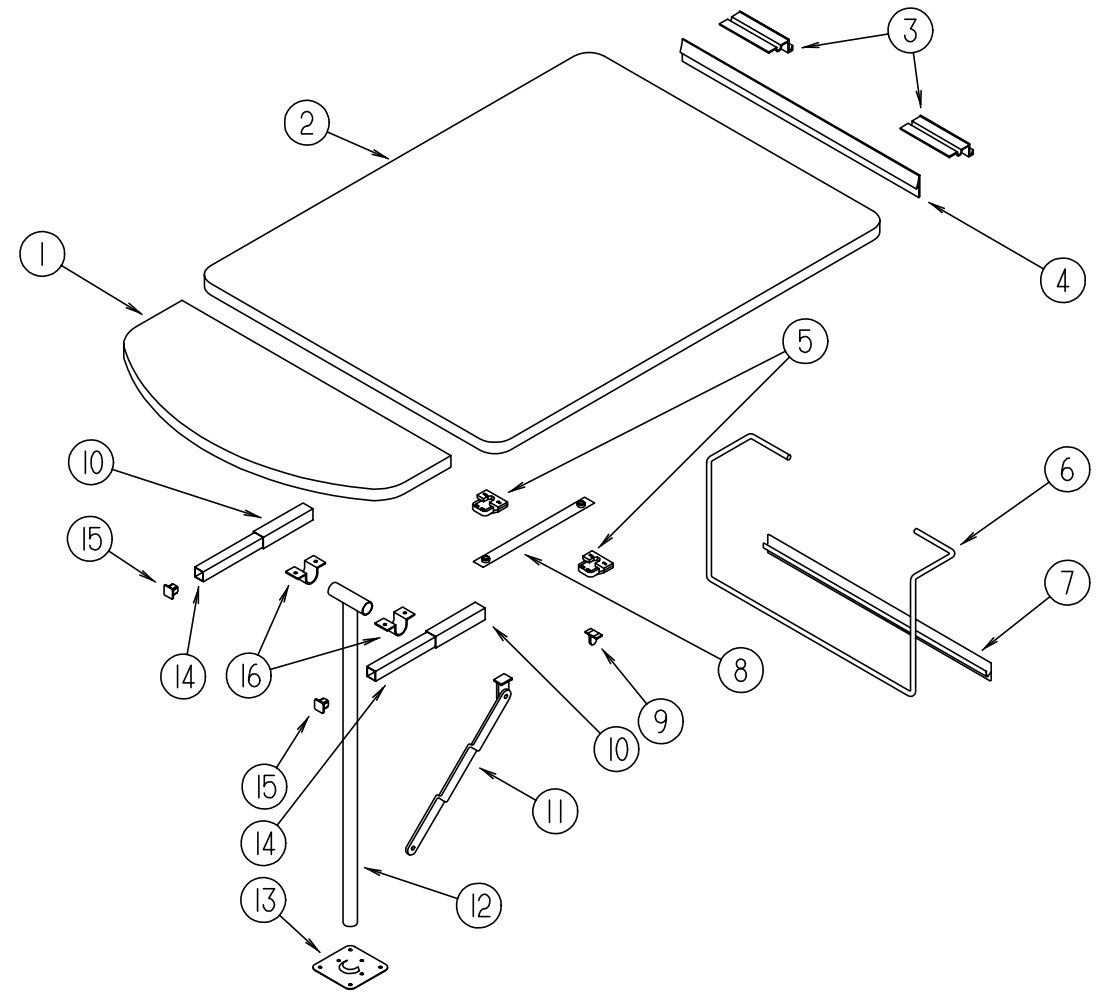
DINETTE GROUP



DINETTE TABLE - EUROPEAN EXPORT

KEY	PART NUMBER	U/M	DESCRIPTION
1	127539-12-J18	EA	TABLE - EXTENSION (J18, J44)
1	127539-12-J19	EA	TABLE - EXTENSION (J19)
2	127539-13-J18	EA	TABLE TOP (J18, J44)
2	127539-13-J19	EA	TABLE TOP (J19)
3	088410-02-000	EA	BRACKET - LIFT - TABLE MOUNTED
4	053200-12-000	EA	BRACKET - TABLE SUPPORT - UPPER/WALL MOUNTED - 23.50"
5	009050-02-000	EA	LEVELER - TABLE TOP - MALE END W/4 SCREWS - PLASTIC
	009050-03-000	EA	LEVELER - TABLE TOP - FEMALE END W/2 SCREWS - PLASTIC
6	024275-12-000	EA	ROD - TABLE LIFT
7	024281-14-000	EA	BRACKET/TABLE - LIFT ROD/LOWER WALL MOUNTED - 22.12"
	002929-01-001	EA	EXTRUDED - BRACKET TABLE
8	057534-01-000	EA	TIEBACK/TIEDOWN - 6" CLEAR PLASTIC
	029130-04-000	EA	SOCKET - SNAP FASTENER
9	024283-01-000	EA	CLIP - LEG - 1" - 1.125" OD - BLACK
10	113729-01-02A	EA	TUBE - SUPPORT/TABLE
11	024282-01-000	EA	BRACE - TABLE LEG - HINGED
12	024276-22-000	EA	LEG - TABLE - W/O HARDWARE - OFF WHITE
13	049493-12-000	EA	CATCH - TABLE LEG/FLOOR MOUNTED - OFF WHITE
	049493-11-700	EA	CATCH-TABLE LEG,E-COAT
14	113728-01-02A	EA	TUBE - SUPPORT/TABLE
	114117-01-02A	EA	PLATE - SPACER
15	110550-01-000	EA	CAP - TUBE .9" SQUARE
16	064050-05-000	EA	HINGE - TABLE LEG - OFF WHITE
	004354-01-000	EA	BUMPER - RUBBER - .5" DIA - BROWN

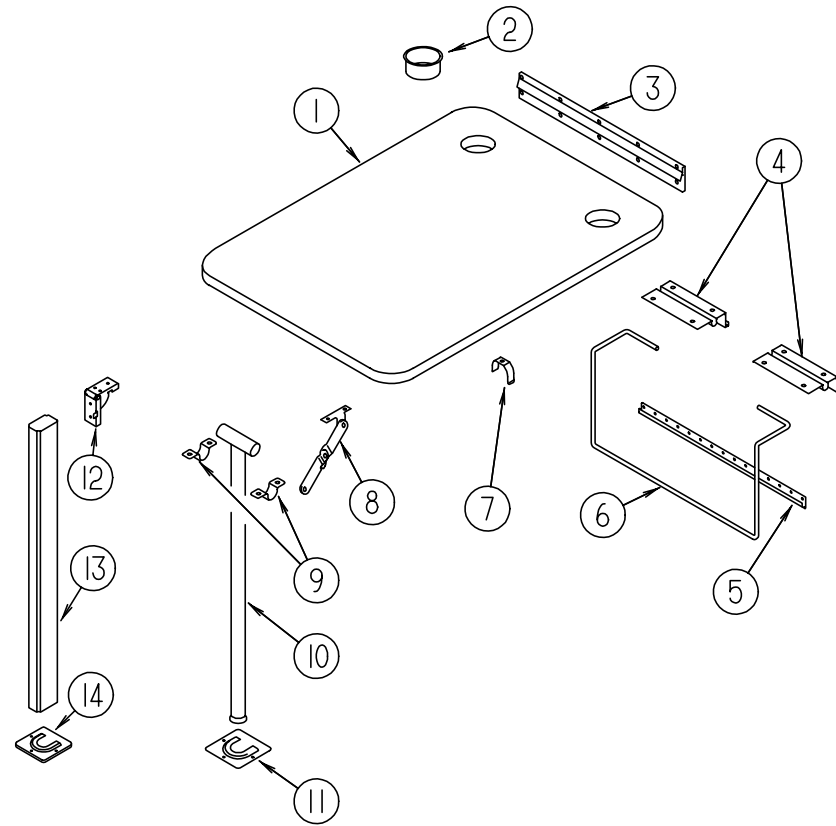
DINETTE GROUP (CONTINUED)



DINETTE TABLE - GERMAN EXPORT

KEY	PART NUMBER	U/M	DESCRIPTION
1	127539-12-J18	EA	TABLE - EXTENSION (J18, J44)
1	127539-12-J19	EA	TABLE - EXTENSION (J19)
2	127539-11-J18	EA	TABLE TOP (J18, J44)
2	127539-11-J19	EA	TABLE TOP (J19)
3	088410-02-000	EA	BRACKET - LIFT - TABLE MOUNTED
4	053200-12-000	EA	BRACKET - TABLE SUPPORT - UPPER/WALL MOUNTED - 23.50"
5	009050-02-000	EA	LEVELER - TABLE TOP - MALE END W/4 SCREWS - PLASTIC
	009050-03-000	EA	LEVELER - TABLE TOP - FEMALE END W/2 SCREWS - PLASTIC
6	024275-12-000	EA	ROD - TABLE LIFT
7	024281-14-000	EA	BRACKET/TABLE - LIFT ROD/LOWER WALL MOUNTED - 22.12"
	002929-01-001	EA	EXTRUDED - BRACKET TABLE
8	057534-01-000	EA	TIEBACK/TIEDOWN - 6" CLEAR PLASTIC
	029130-04-000	EA	SOCKET - SNAP FASTENER
9	024283-01-000	EA	CLIP - LEG - 1" - 1.125" OD - BLACK
10	113729-01-02A	EA	TUBE - SUPPORT/TABLE
11	024282-01-000	EA	BRACE - TABLE LEG - HINGED
12	024276-22-000	EA	LEG - TABLE - W/O HARDWARE - OFF WHITE
13	049493-12-000	EA	CATCH - TABLE LEG/FLOOR MOUNTED - OFF WHITE
	049493-11-700	EA	CATCH-TABLE LEG,E-COAT
14	113728-01-02A	EA	TUBE - SUPPORT/TABLE
	114117-01-02A	EA	PLATE - SPACER
15	110550-01-000	EA	CAP - TUBE .9" SQUARE
16	064050-05-000	EA	HINGE - TABLE LEG - OFF WHITE
	004354-01-000	EA	BUMPER - RUBBER - .5" DIA - BROWN

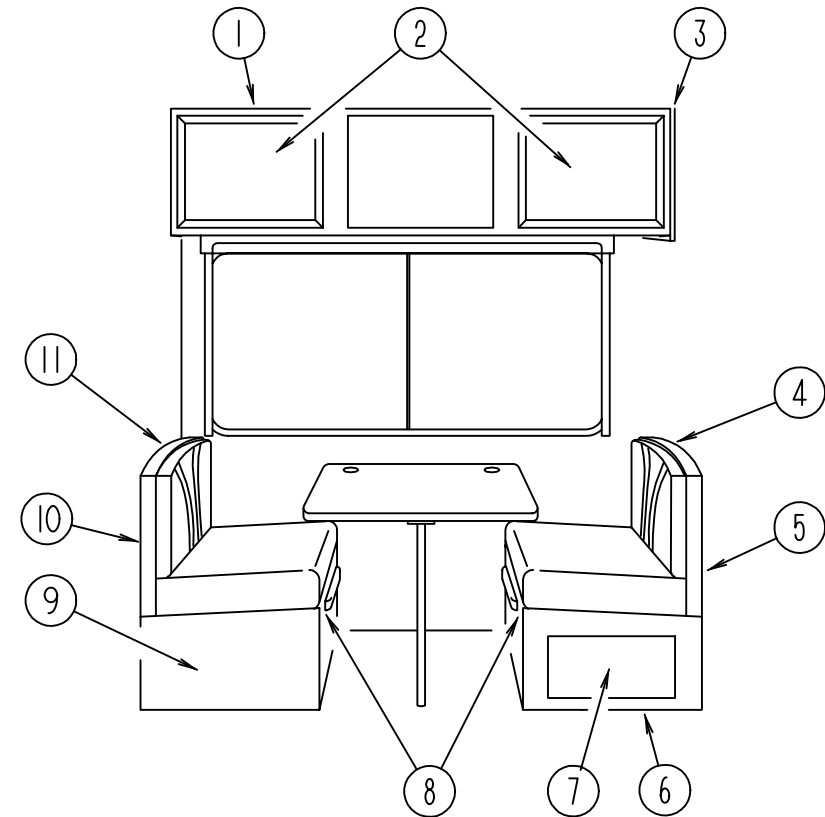
DINETTE GROUP (CONTINUED)



DINETTE TABLE

KEY	PART NUMBER	U/M	DESCRIPTION
1	081322-05-G10	EA	TABLE TOP ONLY (J18, J44)
1	081322-05-J19	EA	TABLE TOP ONLY (J19)
2	064781-06-000	EA	HOLDER - CUP - TWO STEP - OFF WHITE
3	053200-12-000	EA	BRACKET - TABLE SUPPORT - UPPER/WALL MOUNTED - 23.50"
4	088410-02-000	EA	BRACKET - LIFT - TABLE MOUNTED
5	024281-14-000	EA	BRACKET/TABLE - LIFT ROD/LOWER WALL MOUNTED - 22.12"
6	024275-12-000	EA	ROD - TABLE LIFT
7	024283-01-000	EA	CLIP - LEG - 1" - 1.125" OD - BLACK
8	024282-01-000	EA	BRACE - TABLE LEG - HINGED
9	064050-05-000	EA	HINGE - TABLE LEG - OFF WHITE
10	024276-23-000	EA	LEG - TABLE - METAL - OFF WHITE
			FROM: 00-00-00 THRU: 10-12-97
11	049493-12-000	EA	CATCH - TABLE LEG/FLOOR MOUNTED - OFF WHITE
	049493-11-700	EA	CATCH-TABLE LEG,E-COAT
12	093550-01-000	EA	BRACKET - HINGE - MOUNTS TO LEG & TABLE TOP - 1.7" X 2.6"
13	092707-04-05A	EA	LEG - TABLE - W/O HARDWARE - 27" - WATERFORD OAK
			FROM: 10-13-97 THRU: 99-99-99
14	092593-01-05A	EA	CATCH - TABLE LEG - OFF/WHITE

DINETTE GROUP (CONTINUED)

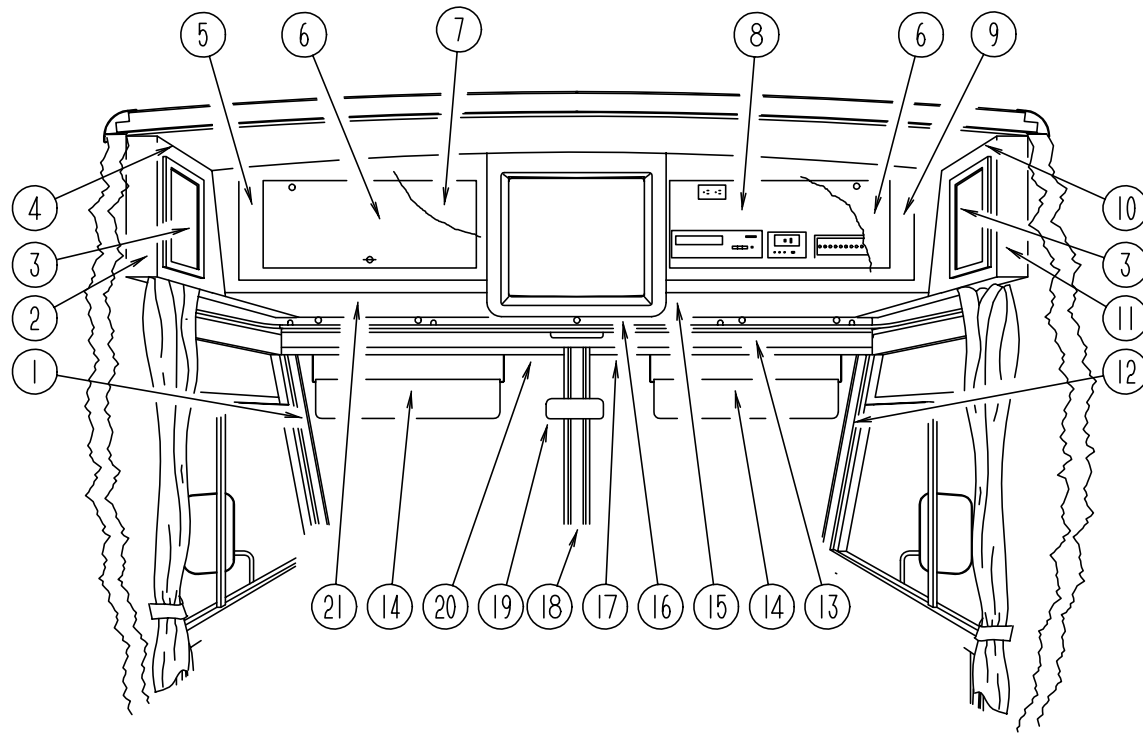


DINETTE CABINETRY

KEY	PART NUMBER	U/M	DESCRIPTION
1	117922-01-J18	EA	CABINET - OVERHEAD/DINETTE - W/O DOORS/HARDWARE (J18)
1	117922-01-J19	EA	CABINET - OVERHEAD/DINETTE - W/O DOORS/HARDWARE (J19)
1	117922-01-H16	EA	CABINET - OVERHEAD/DINETTE - W/O DOORS/HARDWARE (J44)
1	117922-06-H33	EA	CABINET - OVERHEAD/DINETTE - W/O DOORS/HARDWARE - W.I.E. (J18, J19)
1	117922-06-H16	EA	CABINET - OVERHEAD/DINETTE - W/O DOORS/HARDWARE - W.I.E. (J44)
	117922-14-G35	EA	SHELF - W/PLASTIC EDGE TRIM
2	M05992-48-J20	EA	DOOR - STRAIGHT CORNER/OGEE EDGE - 15.7" X 27.9" - W/O HDW
3	103128-01-G09	EA	END CAP - OVERHEAD CABINET - RIGHT HAND
4	104787-04-G15	EA	PAD - DINETTE SEATBACK (J18)
4	104787-04-J21	EA	PAD - DINETTE SEATBACK (J19)
4	104787-04-H16	EA	PAD - DINETTE SEATBACK (J44)
4	104787-09-G07	EA	PAD - DINETTE SEATBACK - EUROPEAN EXPORT (J18)
4	104787-09-J19	EA	PAD - DINETTE SEATBACK - EUROPEAN EXPORT (J19)
4	104787-09-H16	EA	PAD - DINETTE SEATBACK - EUROPEAN EXPORT (J44)
5	M04174-79-G09	EA	CABINET - SEATBACK - RIGHT HAND
5	M04174-81-G09	EA	CABINET - SEATBACK - RIGHT HAND - EXPORT
6	M04175-79-H33	EA	CABINET - SEATBASE - RIGHT HAND - W/O DOOR/DRAWER/HDW
6	M04175-81-H33	EA	CABINET - SEATBASE - RIGHT HAND - W/O DOOR/DRAWER/HDW - EXPORT
7	M05992-R9-J18	EA	DOOR - STRAIGHT CORNER/OGEE EDGE - 10" X 19.1" - W/O HDW
8	081295-01-G01	EA	SUPPORT - BED/DINETTE - 28" LONG
9	M04175-80-H13	EA	CABINET - SEATBASE - LEFT HAND - W/O DOOR/DRAWER/HDW
9	M04175-82-G09	EA	CABINET - SEATBASE - LEFT HAND - W/O DOOR/DRAWER/HDW - EXPORT
10	M04174-80-G09	EA	CABINET - SEATBACK - LEFT HAND
10	M04174-82-G09	EA	CABINET - SEATBACK - LEFT HAND - EXPORT
11	104787-10-G07	EA	PAD - DINETTE SEATBACK - EUROPEAN EXPORT (J18)
11	104787-10-J19	EA	PAD - DINETTE SEATBACK - EUROPEAN EXPORT (J19)
11	104787-10-H16	EA	PAD - DINETTE SEATBACK - EUROPEAN EXPORT (J44)

DRIVERS COMPARTMENT GROUP

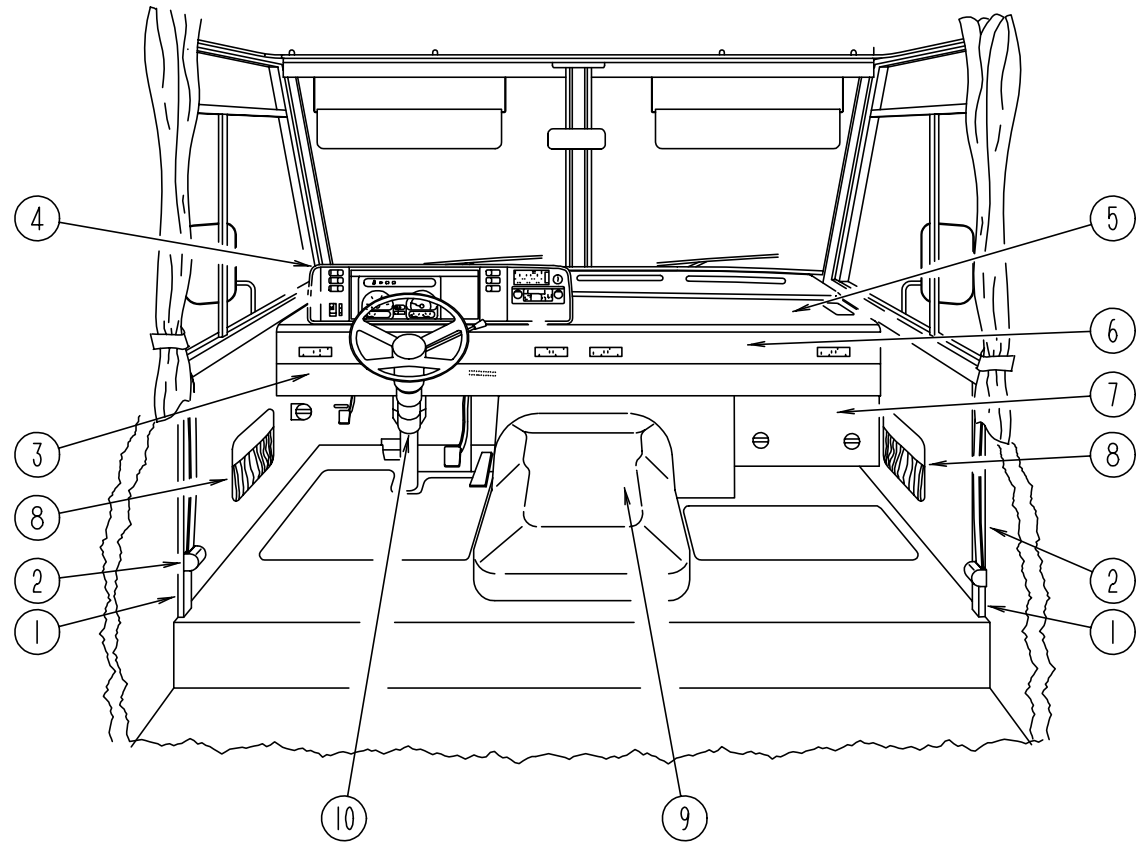
DRIVERS COMPARTMENT - UPPER



KEY	PART NUMBER	U/M	DESCRIPTION
1	107942-04-01A	EA	COVER - A-PILLAR - INTERIOR/DRIVER
2	103128-09-G09	EA	END CAP - OVERHEAD CABINET - LEFT HAND
3	M05992-77-J18	EA	DOOR - STRAIGHT CORNER/OGEE EDGE - 10" X 25.2" - W/O HDW
4	122244-02-J18	EA	CABINET - OVERHEAD FRONT/DRIVER - W/O DOORS/HARDWARE
4	122244-02-J19	EA	CABINET - OVERHEAD FRONT/DRIVER - W/O DOORS/HARDWARE
4	122244-02-J44	EA	CABINET - OVERHEAD FRONT/DRIVER - W/O DOORS/HARDWARE
	104289-10-H13	EA	PANEL - VINYL COVERED/OVERHEAD TV CABINET - LEFT SIDE
5	114612-02-G32	EA	FACE - OVERHEAD/TV - LEFT HAND - 15.4" X 33.7"
	100676-02-000	EA	SHELF - OVERHEAD CABINET - VCR/INVERTOR
	106699-01-01A	EA	BRACKET - OVERHEAD CABINET/TV
6	100708-12-000	EA	DOOR - GLASS TV CABINET - 9.7" X 23.2" - W/O HARDWARE
7	122195-01-H13	EA	PANEL - HEADLINER - FRONT OVERHEAD/LEFT HAND
8	122195-03-H13	EA	PANEL - HEADLINER - FRONT OVERHEAD/RIGHT HAND
8	122195-07-H13	EA	PANEL - HEADLINER - FRONT OVERHEAD/RIGHT HAND
9	114612-01-G32	EA	FACE - OVERHEAD/TV - RIGHT HAND - 15.4" X 33.7"
10	122244-01-J18	EA	CABINET - OVERHEAD FRONT/PASSENGER - W/O DOORS/HARDWARE
10	122244-01-J19	EA	CABINET - OVERHEAD FRONT/PASSENGER - W/O DOORS/HARDWARE
10	122244-01-J44	EA	CABINET - OVERHEAD FRONT/PASSENGER - W/O DOORS/HARDWARE
	104289-09-H13	EA	PANEL - VINYL COVERED/OVERHEAD TV CABINET - RIGHT SIDE
11	103128-08-G09	EA	END CAP - OVERHEAD CABINET - RIGHT HAND
12	107942-03-01A	EA	COVER - A-PILLAR - INTERIOR/PASSENGER
13	122197-01-H13	EA	PANEL - TRIM - LOWER HEADER
13	122194-02-H13	EA	PANEL - HEADLINER - OVERHEAD TV - W/BUNK
14	128076-01-01A	EA	SUNVISOR - CENTER MOUNT - WILLOW
15	P03077-08-G15	EA	SHELF - CABINET - OVERHEAD/RIGHT HAND - VINYL COVERED
15	P03077-04-G15	EA	SHELF - CABINET - OVERHEAD/RIGHT HAND - VINYL COVERED
16	122881-01-01A	EA	FACE PANEL - OVERHEAD TV/FRONT
	118022-04-H17	EA	INSERT - PLASTIC/OVERHEAD TV CABINET
	114706-02-02B	EA	SUPPORT - SHELF - TV OPTION
	091261-01-000	FT	SLIPNOT - ANTISLIP - 1' WIDE - TV OPTION
16	116791-01-H33	EA	FACE FRAME - TV CABINET - 20.6" X 22.2" - W/O TV
	P18192-02-H13	EA	CABINET - STEEL/VINYL COVERED - W/O TV
	M05992-V5-J18	EA	DOOR - STRAIGHT CORNER/OGEE EDGE - 16.7" X 18.1" - W/O HDW
	115638-01-G15	EA	PANEL - HEADLINER - TOP
	115639-01-G15	EA	PANEL - HEADLINER - SIDE
17	122083-01-01A	EA	TRIM - WINDSHIELD - INTERIOR/TOP
18	118452-02-01A	EA	TRIM - WINDSHIELD - CENTER - WILLOW
19	040714-01-000	EA	MIRROR - REAR VIEW/ARM MOUNT & SET SCREW
	067490-01-000	EA	BUTTON - MIRROR/REAR VIEW
20	122083-02-01A	EA	TRIM - WINDSHIELD - INTERIOR/TOP
21	P03077-07-G15	EA	SHELF - CABINET - OVERHEAD/LEFT HAND - VINYL COVERED
21	P03077-03-G15	EA	SHELF - CABINET - OVERHEAD/LEFT HAND - VINYL COVERED

DRIVERS COMPARTMENT GROUP (CONTINUED)

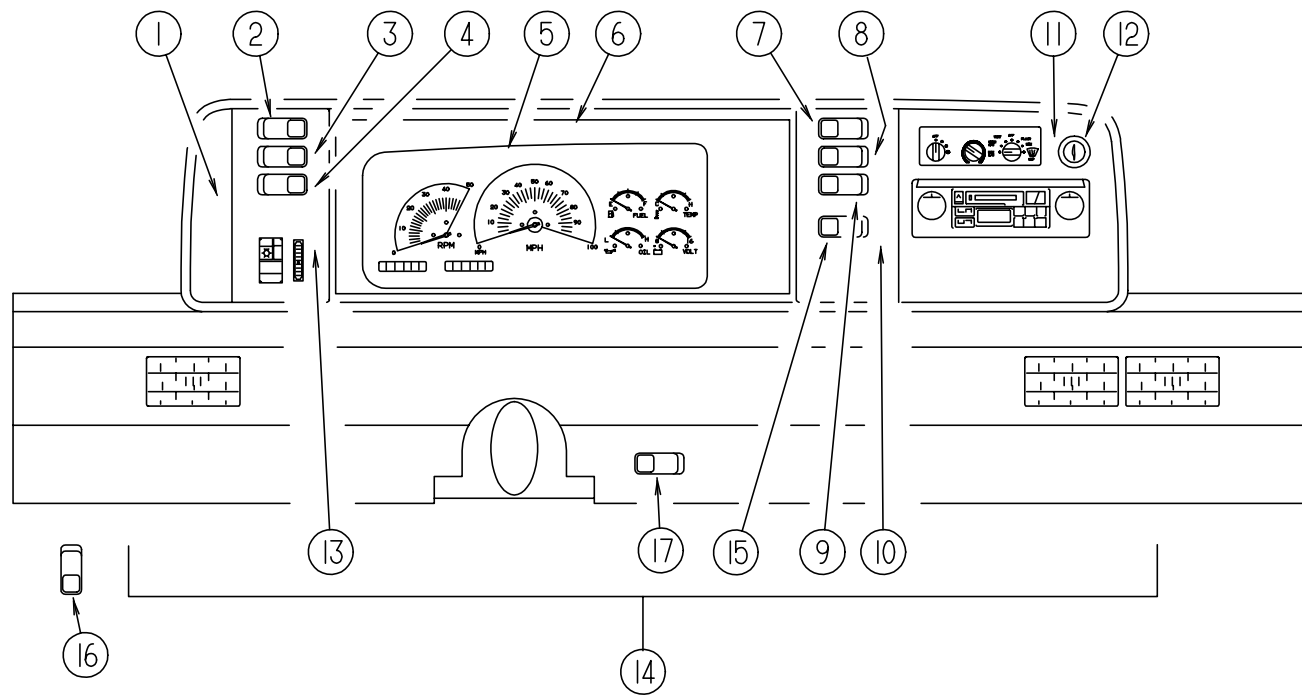
DRIVERS COMPARTMENT - LOWER



KEY	PART NUMBER	U/M DESCRIPTION	VENDOR NO.
1	024700-51-000	EA COVER - ROLL BAR	
2	091990-04-01A	EA SEAT BELT/SHOULDER HARNESS - DRIVERS/PASSENGER - BLACK	
	091990-01-701	EA EXTENDER 9" FOR A8408 3 PT	I-1331-02
	109146-01-000	EA BOLT - SHOULDER/SEAT BELT	
	103961-01-01A	EA COVER - BRACKET - SEAT BELT/RIGHT HAND	
	103961-02-01A	EA COVER - BRACKET - SEAT BELT/LEFT HAND - DRIVER DOOR OPTION	
	103961-04-01A	EA COVER - BRACKET - SEAT BELT/EUROPEAN - DRIVER DOOR OPTION	
	103961-05-01A	EA COVER - BRACKET - SEAT BELT/EUROPEAN	
3	103812-11-01A	EA TRIM - DASH/LOWER - GM	
4	111499-01-03A	EA POD - INSTRUMENT PANEL - WILLOW	
5	P03817-18-000	EA DASH - W/O VINYL - GM	
	106569-07-01A	EA VINYL - MADRID WILLOW - 1/4" X 17" X 100"	
	077539-01-000	EA BRACKET - MOUNTING/DASH PANEL - L/SHAPED - 2.5"X1"X1.5"	
	112804-02-02B	EA PANEL - DASH - TOP W/STUD	
	113452-01-000	FT SEAL/TRIM - FRONT - VINYL W/WIRE CARRIER	
6	104354-01-06A	EA APPLIQUE - LOWER DASH	
7	095757-03-F06	EA COVER - HEATER (J18)	
7	095757-03-E33	EA COVER - HEATER (J19)	
7	095757-03-F05	EA COVER - HEATER (J44)	
8	086120-01-J61	EA PAD - MAP POCKET - 12" X 16" (J18)	
8	086120-01-J21	EA PAD - MAP POCKET - 12" X 16" (J19)	
8	086120-01-H16	EA PAD - MAP POCKET - 12" X 16" (J44)	
9	115840-01-01A	EA COVER - MOTOR - W/O CARPET	
	115850-01-02B	EA RETAINER - LATCH - MOTOR COVER - RIGHT HAND - E-COATED	FROM: 00-00-00 THRU: 05-17-98
	115850-03-02B	EA RETAINER - LATCH - MOTOR COVER - RIGHT HAND - E-COATED	FROM: 05-18-98 THRU: 99-99-99
	116581-01-000	EA LATCH - MOTOR COVER	
	115852-01-02B	EA STRIKE - LATCH - MOTOR COVER - E-COATED	
	116833-01-02B	EA WRENCH - HEX MOTOR COVER - E-COATED	
	115860-01-01A	EA TRIM - MOTOR COVER	
	039623-01-000	FT SEAL - MOTOR COVER - RUBBER BULB TYPE	
	122772-02-02B	EA BRACKET - MOUNTING - BEVERAGE TRAY	
10	103498-09-000	EA BOOT - STEERING COLUMN - W/1/2 CIRCLE	

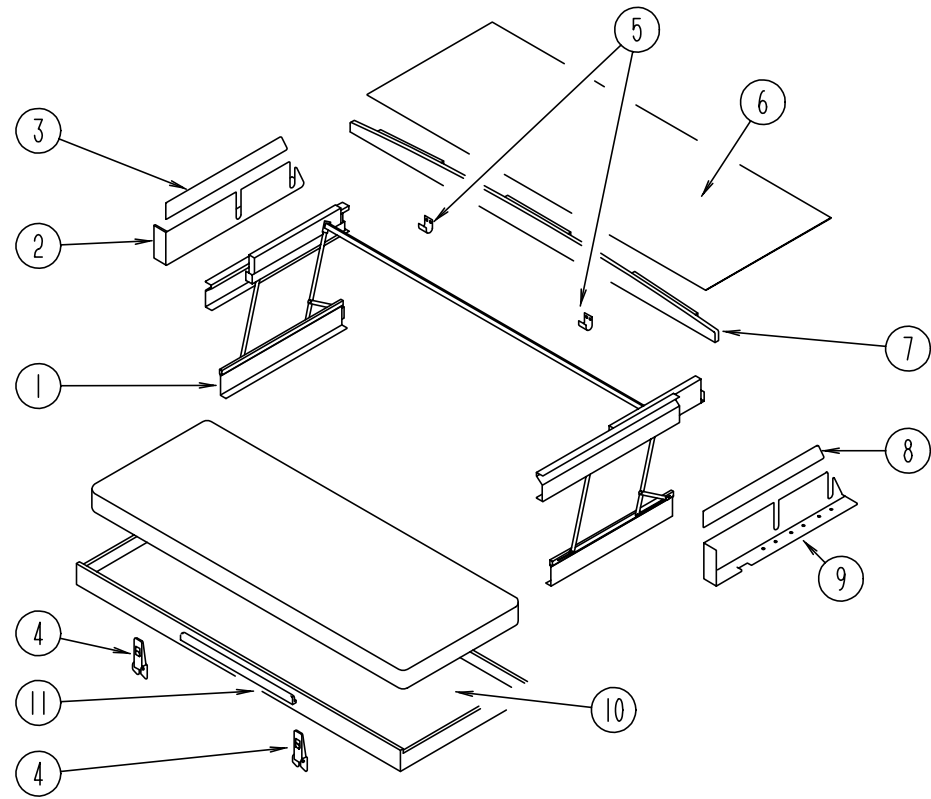
DRIVERS COMPARTMENT GROUP (CONTINUED)

DASH, GAUGES & SWITCHES - CHEVY



KEY	PART NUMBER	U/M	DESCRIPTION
1	104056-01-04A	EA	APPLIQUE - BEZEL - DRIVER DRESS UP
2	108357-05-000	EA	SWITCH - ROCKER SPDT - ON/NONE/ON - 3 TERMINAL - W/O CD PLAYER
2	108357-08-000	EA	SWITCH - ROCKER DPDT - ON/NONE/ON - 6 TERMINAL - W/CD PLAYER
2	108356-02-01A	EA	COVER/ACTUATOR SWITCH - 2 ROWS DIMPLES- CONTURA II - BLACK
3	108357-09-000	EA	SWITCH - ROCKER SPDT - ON/NONE/MOM - 3 TERMINAL - AUXILIARY START
3	108356-02-01A	EA	COVER/ACTUATOR SWITCH - 2 ROWS DIMPLES- CONTURA II - BLACK
4	108357-06-000	EA	SWITCH - ROCKER DPDT - MOM/OFF/MOM-6 TERMINAL - BATTERY DISCONNECT
4	108356-02-01A	EA	COVER/ACTUATOR SWITCH - 2 ROWS DIMPLES- CONTURA II - BLACK
4	096241-03-000	EA	SWITCH - BLANK - BLACK
5	094796-11-000	EA	CLUSTER - INSTRUMENT PANEL - MILE/USA - DIESEL - ENGLAND
5	127244-02-000	EA	CLUSTER - INSTRUMENT PANEL - K/M - GAS
5	125001-04-000	EA	CLUSTER-INSTRUMENT PANEL-KILO REG/MPH READING - DIESEL
6	103662-01-01A	EA	BEZEL - INSTRUMENT PANEL
6	103662-10-01A	EA	BEZEL - INSTRUMENT PANEL
			FROM: 00-00-00 THRU: 06-02-98
			FROM: 06-03-98 THRU: 99-99-99
7	108357-10-000	EA	SWITCH - ROCKER SPDT - W/LIGHT - MOM/NONE/MOM - 5 TERMINAL - GENERATOR
7	108356-04-01A	EA	COVER/ACTUATOR SWITCH - 2 ROWS DIMPLES W/LENS-CONTURAI - GENERATOR
7	096241-03-000	EA	SWITCH - BLANK - BLACK - W/O GENERATOR
8	108357-03-000	EA	SWITCH - ROCKER SPDT - ON/OFF/ON - 3 TERMINAL - REAR HEATER/MOTOR AID
8	108356-02-01A	EA	COVER/ACTUATOR SWITCH-2 ROWS DIMPLES - REAR HEATER/MOTOR AID
8	096241-03-000	EA	SWITCH - BLANK - BLACK - W/O GENERATOR - W/O REAR HEATER/MOTOR AID
9	108357-03-000	EA	SWITCH - ROCKER SPDT - ON/OFF/ON - 3 TERMINAL - AUX. DEFROSTER FAN
9	108356-02-01A	EA	COVER/ACTUATOR SWITCH-2 ROWS DIMPLES - AUX. DEFROSTER FAN
9	096241-03-000	EA	SWITCH - BLANK - BLACK - W/O GENERATOR - W/O AUX. DEFROSTER FAN
10	104056-08-01A	EA	APPLIQUE - BEZEL - PASSENGER - 6 SWITCH
	077031-01-000	EA	FILM - BLACK - 1" X 1.75"
	077031-03-000	EA	FILM - WHITE - .75" X 1"
11	104056-06-04A	EA	APPLIQUE - BEZEL - PASSENGER DRESS UP
12	089294-01-000	EA	LIGHTER - CIGARETTE - W/SOCKET & WIRE
13	104056-22-01A	EA	APPLIQUE - BEZEL - DRIVER SWITCHES
			FROM: 00-00-00 THRU: 05-08-98
13	104056-37-01A	EA	APPLIQUE - BEZEL - DRIVER SWITCHES
			FROM: 05-09-98 THRU: 99-99-99
14	M05946-38-H13	EA	DASH POD - CHEVY - W/O CLUSTER
15	108357-01-000	EA	SWITCH - ROCKER SPST - ON/OFF - 2 TERMINAL
15	108356-02-01A	EA	COVER/ACTUATOR SWITCH - 2 ROWS DIMPLES- CONTURA II - BLACK
16	P01713-01-000	EA	SWITCH - PUSH BUTTON -DRIVER DOOR
17	088246-01-000	EA	SWITCH - MIRROR REMOTE - EXTERIOR - SQUARE PUSH
17	087695-02-000	EA	SWITCH - HEATER - EXTERIOR MIRROR
	108355-01-000	EA	HOUSING - SWITCH
	077942-01-000	EA	SWITCH - DUMMY - BLACK

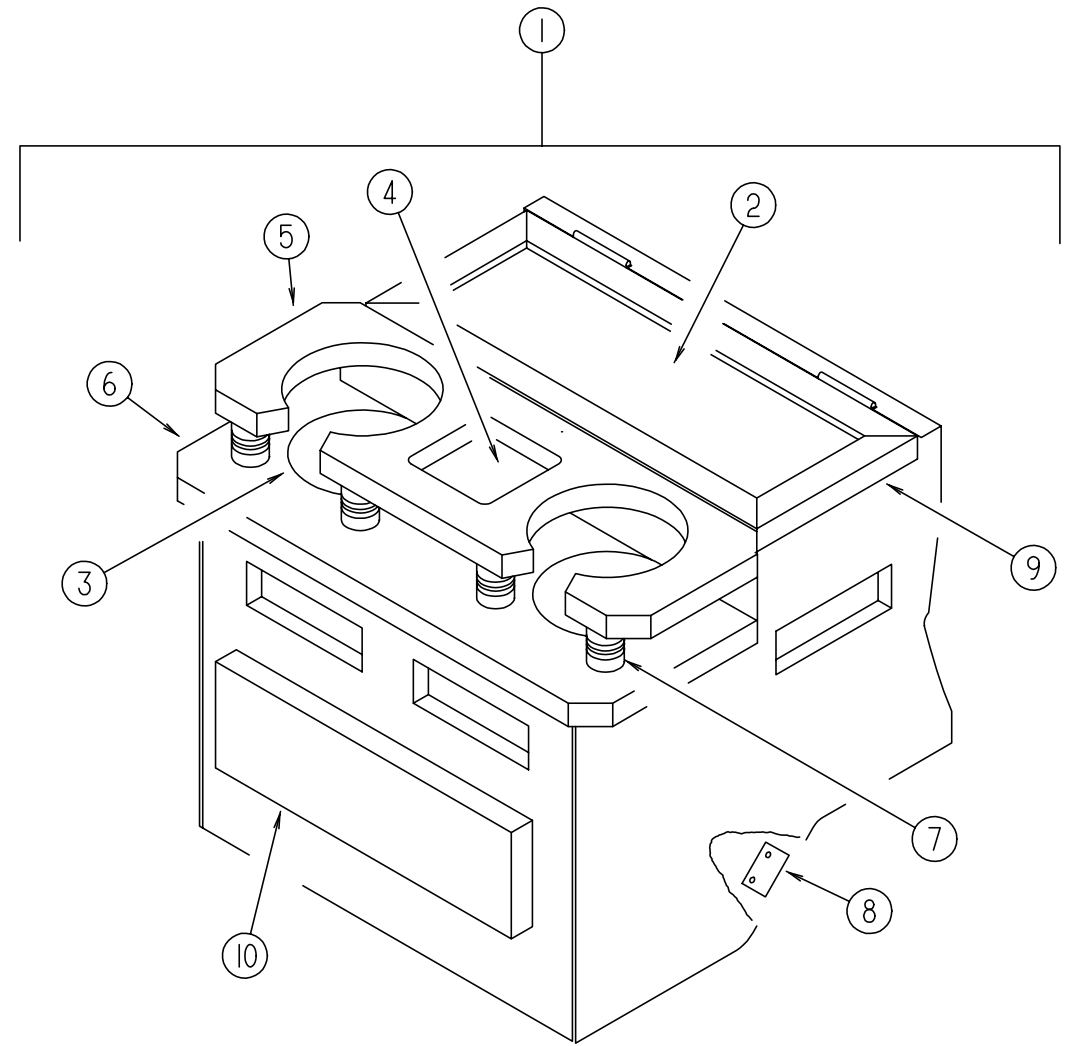
DRIVERS COMPARTMENT GROUP (CONTINUED)



FRONT BUNK

KEY	PART NUMBER	U/M DESCRIPTION
1	076760-02-000	EA BUNK HARDWARE - COMPLETE
	076760-02-700	EA SPRING-GAS, BUNK HARDWARE
2	101499-10-H13	EA TRIM/PANEL - BOTTOM LH BUNK - 43" X 3" - VINYL WRAPPED
3	101497-25-H13	EA PANEL - END CAP - UPPER LEFT HAND/BUNK
4	116975-01-01A	EA LATCH - W/O STRIKE - BLACK - NEW STYLE
5	116975-02-01A	EA KEEPER/STRIKE - BLACK - NEW STYLE
6	122194-02-H13	EA PANEL - HEADLINER - OVERHEAD TV
7	P03199-01-C05	EA TRIM - BUNK BOARD - CEILING MOUNTED
8	101497-24-H13	EA PANEL - END CAP - UPPER/RIGHT HAND BUNK
9	101499-09-H13	EA TRIM/PANEL - BOTTOM RH BUNK - 43" X 3" - VINYL WRAPPED
10	081717-03-G09	EA BED - BUNK/FRONT
11	094658-01-G09	EA HANDLE - OAK/BUNK

DRIVERS COMPARTMENT GROUP (CONTINUED)

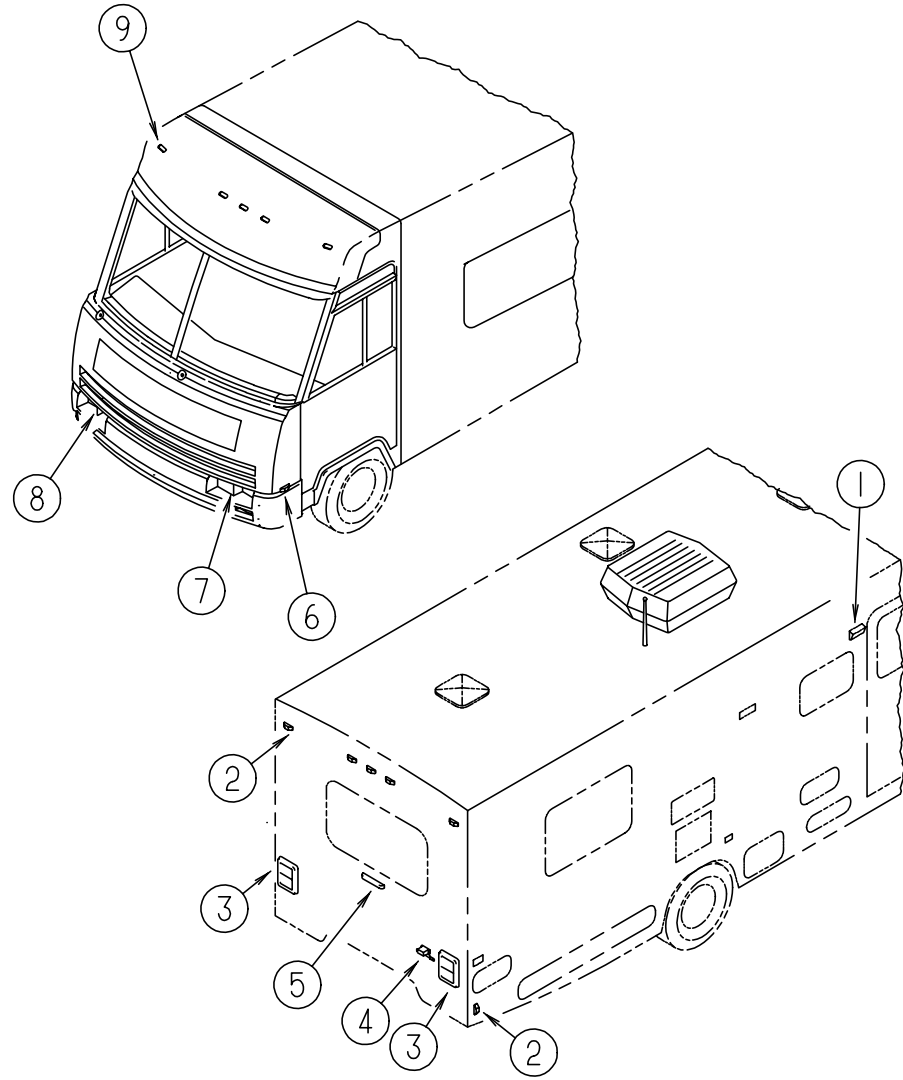


BEVERAGE TRAY

VENDOR NO.	KEY	PART NUMBER	U/M DESCRIPTION
	1	126680-01-H17	EA TRAY - BEVERAGE - W/SHELF/CUPHOLDER - W/O DRAWER
9272	2	122717-06-01A	FT PAD - NON-SKID - PSA - 6.5" X 13.8"
	3	122717-01-01A	EA PAD - NON SKID - 4" DIAMETER ROUND
	4	122717-02-01A	EA PAD - NON SKID - 4" X 4"
	5	126680-15-H17	EA SHELF/CUPHOLDER
	6	126680-14-H17	EA SHELF/CUPHOLDER - W/PADS
	7	097872-04-000	EA DOWEL - WOOD - 1" DIAMETER X 1.38" LONG
	8	122832-01-02B	EA BRACKET - MOUNTING - BEVERAGE TRAY
	9	126680-16-H17	EA LID - BEVERAGE TRAY
	10	M05971-AZ-H33	EA DRAWER - OGEE EDGE - 9.9"W X 11.8"D - W/O SLIDES/HARDWARE

ELECTRICAL GROUP

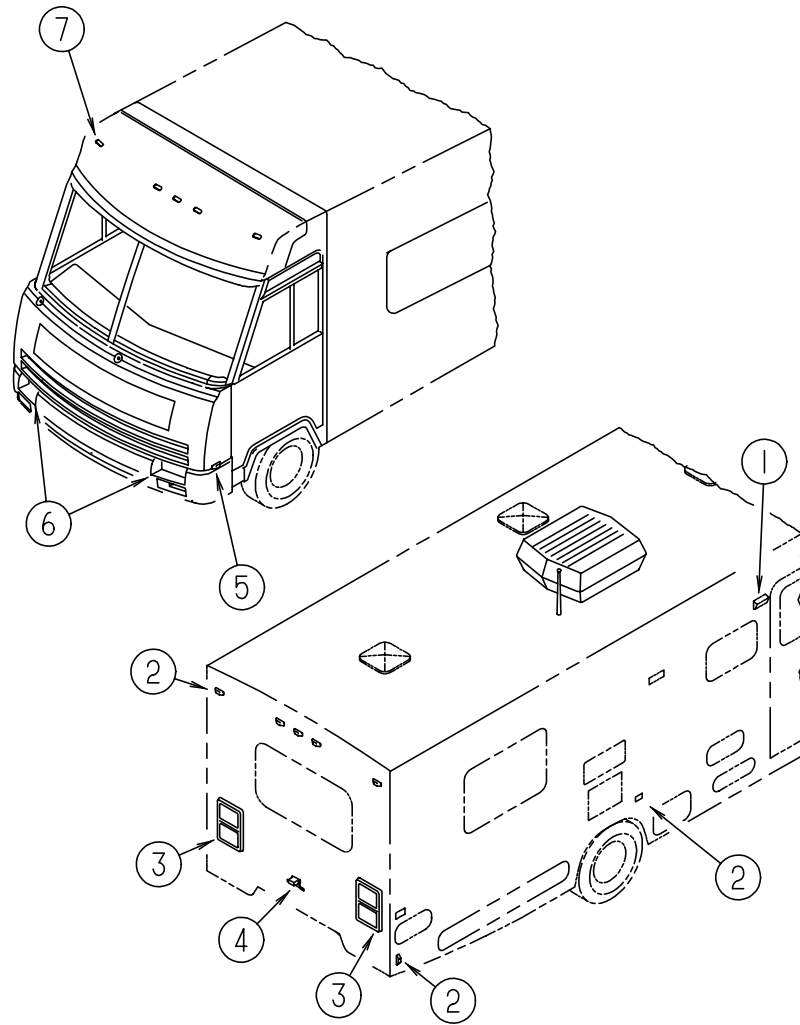
EXTERIOR LIGHTS - JAPAN EXORT



KEY	PART NUMBER	U/M	DESCRIPTION	VENDOR NO.
1	097917-01-06A	EA	LIGHT - PORCH - BRIGHT WHITE	
	008215-01-000	EA	BULB - 12 VOLT - #1003 - .94 AMP	
	097917-01-700	EA	LENS-LIGHT, CLEAR	30-78-021
2	111102-01-000	EA	BASE - LAMP MARKER	
2	111102-03-000	EA	LENS - RED - MARKER LAMP	
	036196-01-000	EA	BULB - 12V - #194 - .27 AMP - BAYONETTE	
3	103545-02-01A	EA	TAIL LIGHT - TRIPLE/AMBER	
3	081638-06-700	EA	LENS-TAILLIGHT, CLEAR BACKUP	30-84-050
	037934-01-000	EA	BULB - 12V - #1156 - 2.1 AMP CLEAR GLASS	
	037935-01-000	EA	BULB - 12V - #1157 OR #2057 - 2.1 AMP - CLEAR GLASS	
	081638-01-700	EA	LENS-TAILLIGHT, RED	30-84-010
	081638-02-700	EA	LENS-TAILLIGHT, AMBER	30-84-016
	103545-01-700	EA	LENS-BACKUP	30-84-711
	105846-01-04A	EA	TRIM - TAIL LIGHT - REAR	
4	066432-02-000	EA	LIGHT - LICENSE - BLACK	
	103247-01-000	EA	BRACKET - LICENSE PLATE - REAR	
	106646-02-000	EA	REFLECTOR - STICK ON - RED	
5	121950-01-000	EA	LIGHT - BRAKE - CENTER MOUNT	
6	111102-01-000	EA	BASE - LAMP MARKER	
6	111102-02-000	EA	LENS - AMBER - MARKER LAMP	
	036196-01-000	EA	BULB - 12V - #194 - .27 AMP - BAYONETTE	
7	049188-04-000	EA	HEADLAMP - DRIVER - HIGH BEAM - HALOGEN	
7	049186-04-000	EA	HEADLAMP - DRIVER - HIGH/LOW - HALOGEN	
	110690-02-D18	EA	PLATE - HEADLAMP - QUAD/LEFT HAND	
	110782-01-000	EA	ANGLE - SUPPORT - HEADLAMP	
	049359-01-000	EA	SPRING - RETAINER - HEADLAMP - GM #496096	
	110750-01-000	EA	SCREW - HEADLAMP ADJUSTING	
8	049185-04-000	EA	HEADLAMP - PASSENGER - HIGH/LOW - HALOGEN	
8	049187-04-000	EA	HEADLAMP - PASSENGER - HIGH BEAM - HALOGEN	
	110690-01-D18	EA	PLATE - HEADLAMP - QUAD/RIGHT HAND	
	110782-01-000	EA	ANGLE - SUPPORT - HEADLAMP	
	049359-01-000	EA	SPRING - RETAINER - HEADLAMP - GM #496096	
	110750-01-000	EA	SCREW - HEADLAMP ADJUSTING	
9	102520-01-000	EA	LIGHT - CLEARANCE - W/O SOCKET/HOUSING - AMBER	
	067789-02-000	EA	SOCKET - LAMP	
	036196-01-000	EA	BULB - 12V - #194 - .27 AMP - BAYONETTE	
	088474-09-000	EA	HOUSING - ELECTRICAL - 3 TERMINAL	
	088476-01-000	EA	TERMINAL - ELECTRICAL	

ELECTRICAL GROUP (CONTINUED)

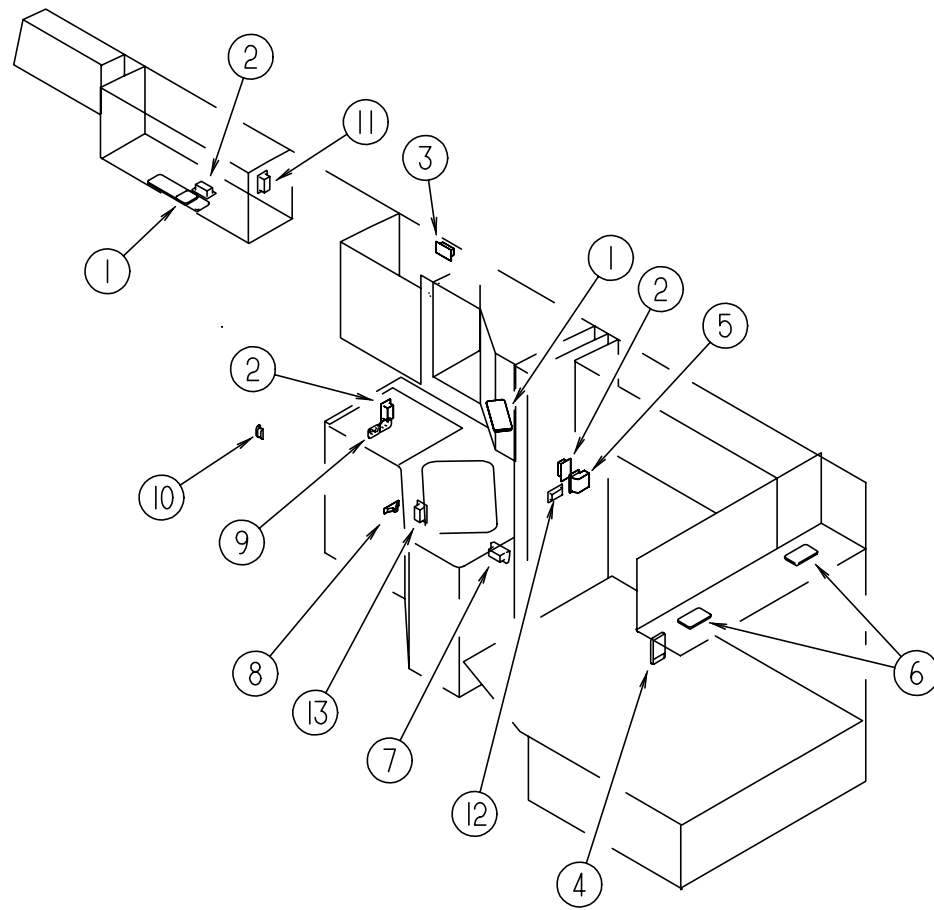
EXTERIOR LIGHTS - EUROPEAN EXPORT



KEY	PART NUMBER	U/M	DESCRIPTION	VENDOR NO.
1	097917-01-06A	EA	LIGHT - PORCH - BRIGHT WHITE	30-78-021
	008215-01-000	EA	BULB - 12 VOLT - #1003 - .94 AMP	
	097917-01-700	EA	LENS-LIGHT, CLEAR	
2	121685-03-000	EA	LAMP - SIDEMARKER - AMBER	9EL 141 135-031
	121685-03-700	EA	LENS	
	124221-01-000	EA	BULB - 12 VOLT/.4 AMP/5 WATT - #2825	
3	121679-01-000	EA	LIGHT - STOP/TAIL/BUMPER/TURN	9EL 122 689-021
	121679-01-700	EA	LENS	
	124219-01-000	EA	BULB - 12 VOLT/.83 AMP/10 WATT - #5008	
	124220-01-000	EA	BULB - 12 VOLT/1.75 AMP/21 WATT - #7506	
	123154-02-01A	EA	TRIM - TAIL LIGHT	
4	057671-15-000	EA	COVER - SCREW - BRIGHT WHITE - EUROPEAN	
	121680-01-000	EA	LAMP - LICENSE PLATE	
5	124218-01-000	EA	BULB - 12VOLT/.4 AMP/5 WATT - #6418	
	121684-01-000	EA	LAMP - SIDEMARKER - AMBER - RIGHT HAND	
	121684-02-000	EA	LAMP - SIDEMARKER - AMBER - LEFT HAND	
	124220-01-000	EA	BULB - 12 VOLT/1.75 AMP/21 WATT - #7506	
6	121682-01-000	EA	LAMP - TURN - FRONT	
	124220-01-000	EA	BULB - 12 VOLT/1.75 AMP/21 WATT - #7506	
6	121687-01-000	EA	HEADLAMP - HIGH/LOW - EUROPEAN - W/PARK	
	121687-02-000	EA	HEADLAMP - HIGH - EUROPEAN - INNER	
	124216-01-000	EA	BULB- 12 VOLT/55 WATT - #64150	
7	121685-01-000	EA	LAMP - CLEARANCE - CLEAR	9EL 141 135-011
	121685-01-700	EA	LENS	
	124221-01-000	EA	BULB - 12 VOLT/.4 AMP/5 WATT - #2825	

ELECTRICAL GROUP (CONTINUED)

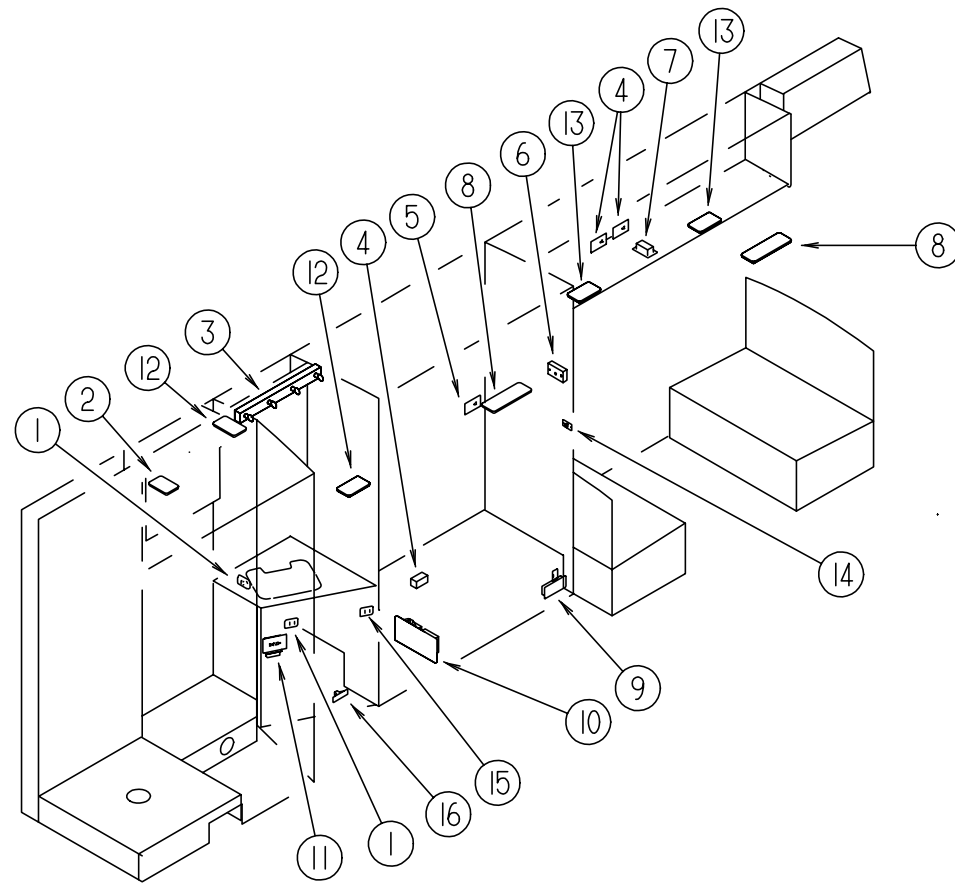
LIGHTS, SWITCHES & RECEPTACLES - PASSENGERS SIDE



KEY	PART NUMBER	U/M DESCRIPTION	VENDOR NO.
1	098024-06-02A	EA LIGHT - DOME - 2 BULB - SKYLITE	809902
	008218-01-000	EA BULB - 12 VOLT - #1141 - 1.44AMP	
	098024-01-701	EA LENS - OPTI CLEAR - SKYLITE	
2	058708-01-000	EA RECEPTACLE - ELECTRIC - DOUBLE - BROWN	807877
	123657-01-01A	EA RECEPTACLE - DUPLEX - 16 AMP - EUROPEAN	
3	058707-01-000	EA RECEPTACLE - ELECTRIC - SINGLE - BROWN	809902
	112590-01-000	EA RECEPTACLE - 16 AMP - 240 VOLT - 2 POLE W/GROUND	
4	098024-01-03A	EA LIGHT - DOME - 1 BULB - WHITE	807877
	008218-01-000	EA BULB - 12 VOLT - #1141 - 1.44AMP	
	098024-01-700	EA LENS-LIGHT	
5	084076-02-000	EA RECEPTACLE - GFI - 15 AMP/125 VOLT - BROWN	809902
	084077-02-000	EA PLATE - COVER - RECEPTACLE - GFI - BROWN	
	091927-01-000	EA COVER - RECEPTACLE - DOUBLE - IVORY	
6	098024-05-02A	EA LIGHT - DOME - 1 BULB - SKYLITE - WHITE	809902
	008218-01-000	EA BULB - 12 VOLT - #1141 - 1.44AMP	
	098024-01-701	EA LENS - OPTI CLEAR - SKYLITE	
7	112822-01-01A	EA RECEPTACLE - DUPLEX - IVORY	809902
	112824-01-03A	EA COVER - EXTERIOR DUPLEX RECEPTACLE - WHITE PLASTIC	
8	061424-01-000	EA LIGHT - AISLE - 12 VOLT - RECTANGULAR	809902
	008103-01-000	EA BULB - DASH/AISLE LIGHT - #53 - 12 VOLT - .12 AMP	
9	098351-05-01A	EA PLATE - SWITCH - 3 GANG POLISHED BRASS	809902
	079364-01-000	EA SWITCH - ON/OFF ROCKER - 2 TERMINAL - BROWN	
9	095188-02-01A	EA SPACER - SWITCH - 2.3" X 4.1" - PLASTIC - DARK BROWN	
10	116995-01-000	EA SWITCH/MAGNET - ELECTRIC STEP	
11	058707-02-000	EA RECEPTACLE - BLANK - JUNCTION BOX	809902
	123660-01-01A	EA RECEPTACLE - SINGLE - WC - EUROPEAN	
12	123661-01-01A	EA FRAME - TRIM - SINGLE OUTLET - EXPORT	809902
	058708-01-000	EA RECEPTACLE - ELECTRIC - DOUBLE - BROWN	
13	058708-01-000	EA RECEPTACLE - ELECTRIC - DOUBLE - BROWN	

ELECTRICAL GROUP (CONTINUED)

LIGHTS, SWITCHES & RECEPTACLES - DRIVERS SIDE



KEY	PART NUMBER	U/M	DESCRIPTION	VENDOR NO.
1	079364-01-000	EA	SWITCH - ON/OFF ROCKER - 2 TERMINAL - BROWN	
1	079364-03-000	EA	SWITCH - ON/OFF ROCKER - 3 TERMINAL - BROWN	
1	098351-02-01A	EA	PLATE - SWITCH - 2 GANG POLISHED BRASS	
1	095188-02-01A	EA	SPACER - SWITCH - 2.3" X 4.1" - PLASTIC - DARK BROWN	
2	121935-01-01A	EA	LIGHT - DOME - SHOWER	
3	110235-02-01A	EA	LIGHT - MAKE UP - 4 BULB PANLESS	
	081633-01-700	EA	BULB-LIGHT, MAKE-UP	RP1041
4	058707-02-000	EA	RECEPTACLE - BLANK - JUNCTION BOX	
5	058707-01-000	EA	RECEPTACLE - ELECTRIC - SINGLE - BROWN	
5	112590-01-000	EA	RECEPTACLE - 16 AMP - 240 VOLT - 2 POLE W/GROUND	
6	081087-01-000	EA	LIGHT - INDICATOR	
	117806-01-000	EA	BULB - 12 VOLT #912 - 1.0 AMPS	
7	058708-01-000	EA	RECEPTACLE - ELECTRIC - DOUBLE - BROWN	
7	123657-01-01A	EA	RECEPTACLE - DUPLEX - 16 AMP - EUROPEAN	
8	098024-03-02A	EA	LIGHT - DOME - 2 BULB - WHITE	
	008218-01-000	EA	BULB - 12 VOLT - #1141 - 1.44AMP	
	098024-01-700	EA	LENS-LIGHT	807877
9	079364-01-000	EA	SWITCH - ON/OFF ROCKER - 2 TERMINAL - BROWN	
9	098351-01-01A	EA	PLATE - SWITCH - 1 GANG POLISHED BRASS	
10	024924-02-000	EA	RECEPTACLE - POWER CORD - W/PARTIAL PLATE	
11	084076-02-000	EA	RECEPTACLE - GFI - 15 AMP/125 VOLT - BROWN	
	084077-02-000	EA	PLATE - COVER - RECEPTACLE - GFI - BROWN	
	091927-01-000	EA	COVER - RECEPTACLE - DOUBLE - IVORY	
11	123660-01-01A	EA	RECEPTACLE - SINGLE - WC - EUROPEAN	
11	123661-01-01A	EA	FRAME - TRIM - SINGLE OUTLET - EXPORT	
12	098024-01-03A	EA	LIGHT - DOME - 1 BULB - WHITE	
	008218-01-000	EA	BULB - 12 VOLT - #1141 - 1.44AMP	
	098024-01-700	EA	LENS-LIGHT	807877
13	098024-05-02A	EA	LIGHT - DOME - 1 BULB - SKYLITE - WHITE	
	008218-01-000	EA	BULB - 12 VOLT - #1141 - 1.44AMP	
	098024-01-701	EA	LENS - OPTI CLEAR - SKYLITE	809902
14	098351-01-01A	EA	PLATE - SWITCH - 1 GANG POLISHED BRASS	
14	079364-03-000	EA	SWITCH - ON/OFF ROCKER - 3 TERMINAL - BROWN	
15	061424-01-000	EA	LIGHT - AISLE - 12 VOLT - RECTANGULAR	
	008103-01-000	EA	BULB - DASH/AISLE LIGHT - #53 - 12 VOLT - .12 AMP	
16	108357-08-000	EA	SWITCH - ROCKER DPDT - ON/NONE/ON - 6 TERMINAL	
16	108356-02-01A	EA	COVER/ACTUATOR SWITCH - 2 ROWS DIMPLES- CONTURA II - BLACK	

ELECTRICAL GROUP (CONTINUED)

FUSES & FUSE HOUSINGS

KEY	PART NUMBER	U/M	DESCRIPTION
	008234-01-000	EA	FUSE - 12 VOLT - 10 AMP
	062037-01-000	EA	HOUSING - AUTO FUSE - NATURAL
	062037-02-000	EA	HOUSING - AUTO FUSE - GREEN
	062037-03-000	EA	HOUSING - AUTO FUSE - BLACK
	062037-04-000	EA	HOUSING - AUTO FUSE - BLUE
	062037-05-000	EA	HOUSING - AUTO FUSE - GRAY
	062037-06-000	EA	HOUSING - AUTO FUSE - BROWN
	062037-07-000	EA	HOUSING - AUTO FUSE - RED
	062901-02-000	EA	FUSE - 05 AMPS - AUTOMOTIVE
	062901-05-000	EA	FUSE - 15 AMPS - AUTOMOTIVE
	062901-06-000	EA	FUSE - 20 AMPS - AUTOMOTIVE
	062901-07-000	EA	FUSE - 25 AMPS - AUTOMOTIVE
	106656-01-000	EA	FUSE BLOCK - 4 CAVITY - AUTOFUSE
	108669-01-000	EA	HOUSING - AUTO FUSE HOLDER

CIRCUIT BREAKERS

KEY	PART NUMBER	U/M	DESCRIPTION
	083209-02-000	EA	CIRCUIT BREAKER - 15/15 AMP - 120 VOLT
	083209-03-000	EA	CIRCUIT BREAKER - 15/20 AMP - 120 VOLT
	083209-04-000	EA	CIRCUIT BREAKER - 30 AMP - 120 VOLT
	083209-05-000	EA	CIRCUIT BREAKER - 20AMP - 120 VOLT
	083209-07-000	EA	CIRCUIT BREAKER - 20/20 AMP - 120 VOLT
	083209-08-000	EA	CIRCUIT BREAKER - BLANK
	093655-03-000	EA	CIRCUIT BREAKER - 40 AMP - 12 VOLT
	112591-01-000	EA	CIRCUIT BREAKER - 16 AMP - 240 VOLT
	112592-01-000	EA	CIRCUIT BREAKER - 25 AMP - 240 VOLT - GFI

TERMINALS

KEY	PART NUMBER	U/M	DESCRIPTION
	008326-01-000	EA	TERMINAL - RING - 16/14 WIRE - 3/8" STUD
	008328-01-000	EA	TERMINAL - RING - 12/10 WIRE - #10 STUD FIT
	008331-01-000	EA	TERMINAL - RING - TONGUE - #4 WIRE - 3/8" STUD - COPPER
	008348-01-000	EA	TERMINAL - RING - 3/8" STUD 2 GA. WIRE
	035416-04-000	EA	TERMINAL - RING - #10 STUD FIT - INSULATED BARREL #16/14
	047443-01-000	EA	TERMINAL - .250 RECEPTACLE FIT - INSULATED - 16/14 AWG
	062036-01-000	EA	TERMINAL - PACK - CON - 12/10 AWG
	062036-02-000	EA	TERMINAL - PACK - CON - 16/14 AWG
	088267-01-000	EA	TERMINAL - FEMALE - 1/4
	088476-01-000	EA	TERMINAL - ELECTRICAL
	098260-01-000	EA	TERMINAL - MALE - 56 SERIES
	104100-03-000	EA	TERMINAL - 75 AMP
	106007-01-000	EA	TERMINAL - FEMALE - 14-16 AWG
	106655-01-000	EA	TERMINAL - FUSE BLOCK - 14-16 AWG
	106655-02-000	EA	TERMINAL - FUSE BLOCK - 10-12 AWG
	113306-01-000	EA	TERMINAL - FEMALE - M/P - 14-16 - F/SEALED TERMINAL
	113307-01-000	EA	TERMINAL - FEMALE - M/P - 16-20
	113308-01-000	EA	TERMINAL - FEMALE - M/P - 14-16 - 280
	125324-01-000	EA	TERMINAL - MALE - METRI-PACK - 150

ELECTRICAL GROUP (CONTINUED)

ELECTRIC BOXES, COVERS & POWER CORDS

KEY	PART NUMBER	U/M	DESCRIPTION
	008289-01-000	EA	BOX - ELECTRIC/STEEL - 1/2" & 3/4" KNOCKOUTS - 4" X 4"
	008294-01-000	EA	COVER - ELECTRICAL BOX - BLANK/STEEL - 4" X 4" - GRAY
	069238-01-000	EA	COVER - ELECTRICAL BOX - W/HOLE - 4" X 4" - GRAY USED WITH 30 AMP RECEPTACLE
	091910-02-000	EA	BOX - ELECTRIC - 2.2" X 3.5" X 1.8" - PLASTIC
	093257-02-000	EA	BOX - ELECTRIC - CIRCUIT BREAKER
	111509-01-000	EA	BOX - ELECTRICAL - E-COATED
	111510-01-000	EA	DOOR/ACCESS PANEL - ELECTRICAL BOX
	123659-01-000	EA	BOX - ELECTRIC - RECEPTACLE - EUROPEAN
	008054-01-000	EA	CORD - POWER - 10/3 WIRE - 30 AMP - 25'

HOUSINGS, PINS & SOCKETS

KEY	PART NUMBER	U/M	DESCRIPTION
	088473-01-000	EA	HOUSING - PIN - 12 CAVITY (3 ROWS OF 4)
	088473-02-000	EA	HOUSING - PIN - 15 CAVITY (3 ROWS OF 5)
	088473-03-000	EA	HOUSING - PIN - 9 CAVITY (3 ROWS OF 3)
	088473-06-000	EA	HOUSING - PIN - 6 CAVITY (2 ROWS OF 3)
	088473-08-000	EA	HOUSING - PIN - 4 CAVITY - IN-LINE
	088473-09-000	EA	HOUSING - PIN - 3 CAVITY IN-LINE
	088473-10-000	EA	HOUSING - PIN - 2 CAVITY - IN LINE
	088474-01-000	EA	HOUSING - SOCKET - 12 CAVITY
	088474-02-000	EA	HOUSING - SOCKET - 15 CAVITY
	088474-03-000	EA	HOUSING - SOCKET - 9 CAVITY
	088474-06-000	EA	HOUSING - SOCKET - 6 CAVITY
	088474-07-000	EA	HOUSING - SOCKET - 5 CAVITY
	088474-08-000	EA	HOUSING - SOCKET - 4 CAVITY
	088474-09-000	EA	HOUSING - ELECTRICAL - 3 TERMINAL
	088474-10-000	EA	HOUSING - SOCKET - 2 CAVITY
	088475-01-000	EA	PIN - CONNECTOR - 14-20 AWG
	088475-02-000	EA	PIN - CONNECTOR - 10 - 12 AWG
	088476-02-000	EA	SOCKET - CONNECTOR - 12-10 GA - PRE-TIN
	098261-02-000	EA	SOCKET - CONNECTOR - WEATHERPACK
	098265-02-000	EA	PIN - CONNECTOR - WEATHERPACK
	101571-01-000	EA	HOUSING - 2 POSITION - MALE
	101751-01-000	EA	HOUSING - 1 PIN - WEATHER PACK
	101751-02-000	EA	HOUSING - 1 PIN - WEATHERPACK
	103608-01-000	EA	SOCKET - WEDGE BASE W/LEADS
	104100-01-000	EA	HOUSING - 1 POSITION - 75 AMPS
	106006-01-000	EA	HOUSING - 1 POSITION - FEMALE
	110178-01-000	EA	HOUSING - WIPER MOTOR
	113468-01-000	EA	HOUSING - 2 POSITION - FEMALE
	115556-01-000	EA	HOUSING - 3 POSITION - FEMALE
	119248-02-000	EA	HOUSING - 7 POSITION - FEMALE
	125323-02-000	EA	HOUSING - 8 POSITION - MALE

ELECTRICAL GROUP (CONTINUED)**CONNECTORS**

KEY	PART NUMBER	U/M	DESCRIPTION
	008311-01-000	EA	CONNECTOR - WIRE NUT - INSULATED - RED
	008312-01-000	EA	CONNECTOR - WIRE NUT - INSULATED - BLUE
	008313-01-000	EA	CONNECTOR - WIRE NUT - INSULATED - YELLOW
	008314-01-000	EA	CONNECTOR - WIRE NUT - INSULATED - GRAY
	008355-01-000	EA	CONNECTOR - CABLE CLAMPING - 3/4"
	008356-01-000	EA	CONNECTOR - PLASTIC - 3/8" AVG
	041480-01-000	EA	CONNECTOR - STRAIGHT - 1/2" FLEX CONDUIT
	058028-01-000	EA	CONNECTOR - ELECTRICAL PIGTAIL - NYLON - CLEAR
	007954-01-000	EA	RECEPTACLE - HOUSING - 6 POSITION
	080015-02-000	EA	RECEPTACLE - FLAG - .185 - 16/14 GAUGE
	098262-01-000	EA	SEAL - CONNECTOR - WEATHERPACK

WIRE ASSEMBLIES

KEY	PART NUMBER	U/M	DESCRIPTION
	P03784-01-000	EA	WIRE ASSEMBLY - HEADLAMP - GM
	P27264-02-000	EA	WIRE ASSEMBLY - RADIO AM/FM CASSETTE
	P27516-02-000	EA	WIRE ASSEMBLY - RADIO AM/FM/CD
	073328-B4-000	EA	CABLE ASSEMBLY - BATTERY - W/TERMINALS
	081059-02-000	EA	WIRE ASSEMBLY - 9PIN - F/RADIO
	090986-01-000	EA	WIRE ASSEMBLY - ELECTRIC STEP
	096449-01-000	EA	WIRE ASSEMBLY - WATER TANK TO MONITOR PANEL
	097618-01-000	EA	WIRE ASSEMBLY - MONITOR PANEL- W/3 WIRES & ORANGE RESISTOR ORANGE RESISTOR W/3 (ORANGE-GREEN-BLUE) WIRES
	100677-01-000	EA	WIRE ASSEMBLY - RADIO
	102636-02-000	EA	WIRE ASSEMBLY - CLEARANCE LAMPS
	108303-01-000	EA	WIRE ASSEMBLY - REAR AUTO HEATER
	110256-01-000	EA	WIRE ASSEMBLY - INSTRUMENT PANEL - GENERATOR
	112593-01-000	FT	CABLE - 3 WIRE - 16A - FLEX RUBBER - EUROPEAN
	112593-02-000	FT	CABLE - 3 WIRE - 25A - FLEX RUBBER - EUROPEAN
	113134-03-000	EA	WIRE ASSEMBLY - WIPER/WASHER
	124096-01-000	EA	WIRE - INSTRUMENT PANEL - FOG LAMPS
	126392-01-000	EA	WIRE ASSEMBLY - REMOTE MIRRORS

CONDUIT

KEY	PART NUMBER	U/M	DESCRIPTION
	041953-01-000	FT	CONDUIT - CONVOLUTE SLIT - .5" ID
	041953-03-000	FT	CONDUIT - CONVOLUTE SLIT - 1" ID (CLOTHES ROD COVER)
	041953-05-000	FT	CONDUIT - CONVOLUTE SOLID - .62" ID
	041953-06-000	FT	CONDUIT - CONVOLUTE SLIT - .375" ID
	041953-07-000	FT	CONDUIT - CONVOLUTE SLIT - .25" ID
	041953-08-000	FT	CONDUIT - CONVOLUTE SLIT - 1.50" ID
	041953-09-000	FT	CONDUIT - CONVOLUTE SLIT - .50" ID
	041953-10-000	FT	CONDUIT - CONVOLUTE SLIT - .75" ID
	041953-11-000	FT	CONDUIT - CONVOLUTE SLIT - 1.06" ID
	041953-12-000	FT	CONDUIT - CONVOLUTE SOLID - 1.1" ID

ELECTRICAL GROUP (CONTINUED)**CONVERTER & INVERTER**

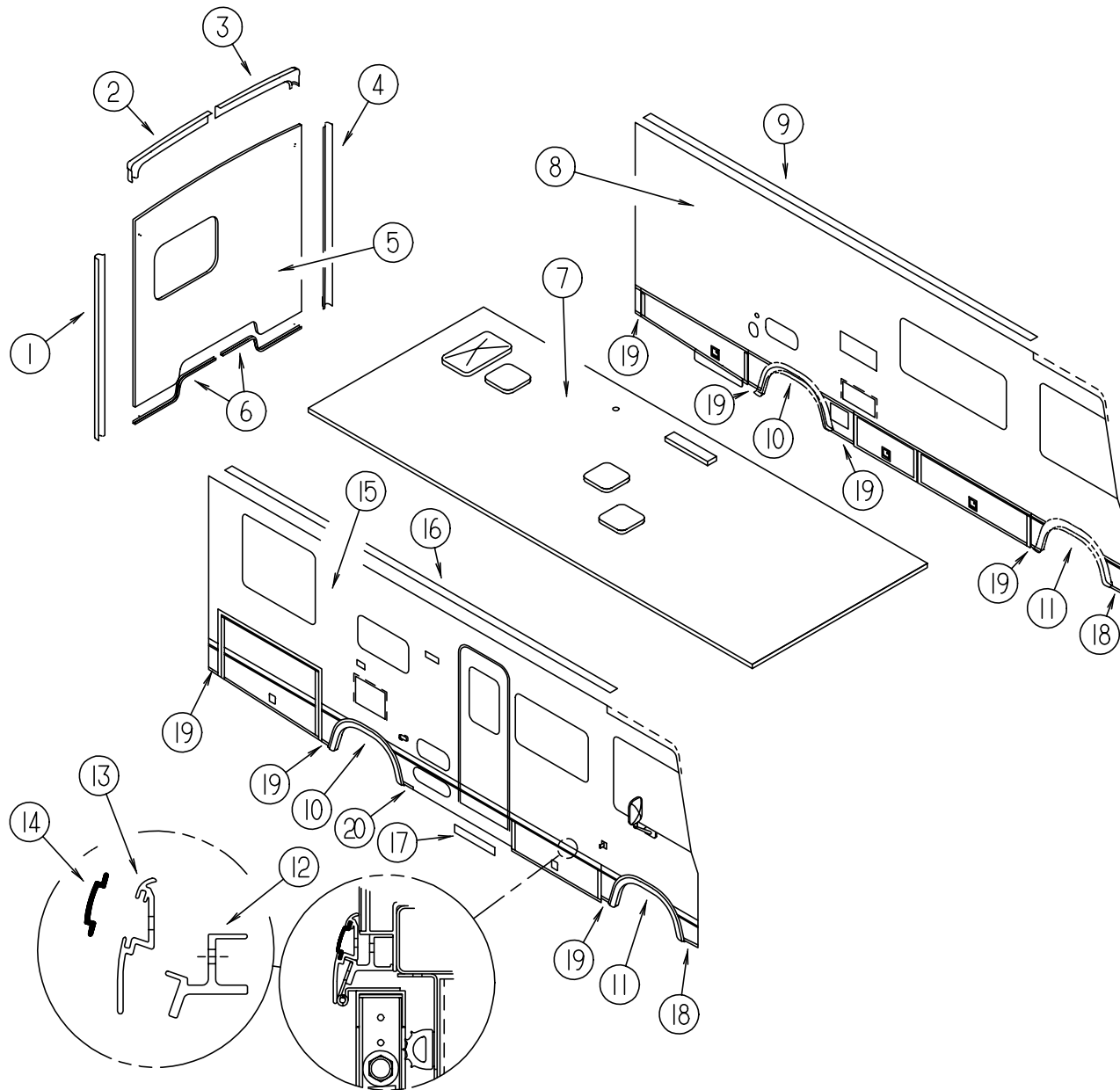
KEY	PART NUMBER	U/M	DESCRIPTION
	083208-01-000	EA	CONTROL CENTER - 32A AMP - 120V/12V
	083208-02-000	EA	CONTROL CENTER - 45 AMP - 120/12V
	083208-05-000	EA	CONTROL CENTER - 45 AMP - 100/12V
	113493-01-000	EA	LOAD CENTER - 12 MDL - FLUSH MOUNT
	114511-01-000	EA	CONVERTER - 40 AMP - W/CHARGER
	125570-01-000	EA	TRANSFORMER - 220 TO 110 VAC

MISCELLANEOUS ELECTRICAL COMPONENTS

KEY	PART NUMBER	U/M	DESCRIPTION
	007956-05-000	EA	INSULATOR - SHRINK - .25 ID X 1.50
	077479-02-000	EA	BOOT - BATTERY TERMINAL - SINGLE CABLE
	087225-02-000	FT	SLEEVING - 5/8" - TYPE H
	007942-01-000	EA	TAB - WIRE 10 TO 14 AWG
	007093-01-000	EA	SIGNAL FLASHER
	008188-01-000	EA	SOLENOID - 3 POST - BATTERY CHANGE OVER
	063910-01-000	EA	HOUSING - RELAY
	063912-02-000	EA	RELAY - CANISTER - SPDT
	086233-01-000	EA	STUD - ISOLATED - 3/8" X 7/8" LONG
	086273-01-000	EA	RELAY - BATTERY DISCONNECT
	113494-01-000	EA	CONTACTOR - 25 AMP - 230 VOLT - 50 HZ
	103987-02-000	EA	SEAL - SOLENOID ACCESS
	125325-01-000	EA	SEAL - CAVITY
	112594-01-000	EA	INLET - 16 AMP 240 VOLT - 2 POLE W/GROUND - EUROPEAN
	112823-01-000	EA	SPLICE - REDUCER - 16-14 TO 18-22
	077479-02-000	EA	BOOT-BATTERY TERMINAL, SINGLE CABLE

EXTERIOR BODY GROUP

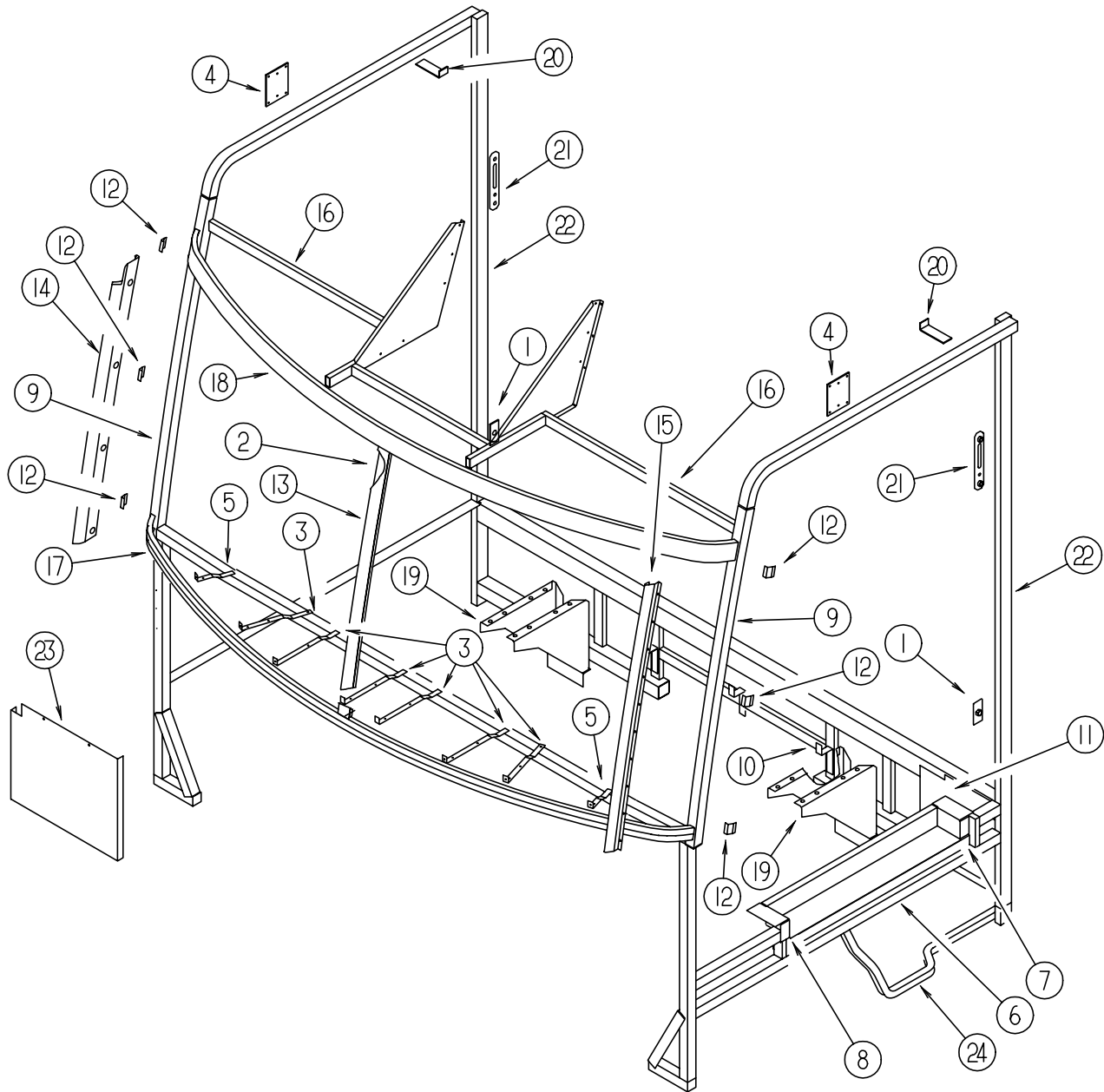
EXTERIOR BODY PANELS AND TRIM



KEY	PART NUMBER	U/M	DESCRIPTION
1	114874-05-12B	EA	TRIM - BACKWALL - SIDE/PASSENGER
1	104033-11-02A	EA	J-TRIM - BACKWALL - PASSENGER - 90.3" - BRIGHT WHITE
2	114872-03-03A	EA	TRIM - BACKWALL - TOP/PASSENGER - EUROPEAN EXPORT
2	114872-05-01A	EA	TRIM - BACKWALL - TOP/PASSENGER - BRIGHT WHITE - JAPAN EXPORT
	114248-02-01A	EA	ANGLE - PLASTIC - 96.6"
			FROM: 05-11-98 THRU: 99-99-99
3	114873-03-03A	EA	TRIM - BACKWALL - TOP/DRIVER - BRIGHT WHITE - EUROPEAN EXPORT
3	114873-05-01A	EA	TRIM - BACKWALL - TOP/DRIVER - BRIGHT WHITE - JAPAN EXPORT
4	114874-06-12B	EA	TRIM - BACKWALL - SIDE/DRIVER
4	104033-12-02A	EA	J-TRIM - BACKWALL - DRIVER - 90.3" - BRIGHT WHITE
5	M07419-21-J18	EA	BACKWALL - W/O WINDOW/TRIM - EUROPEAN EXPORT
5	M07419-21-J19	EA	BACKWALL - W/O WINDOW/TRIM - EUROPEAN EXPORT
5	M07419-21-J44	EA	BACKWALL - W/O WINDOW/TRIM - EUROPEAN EXPORT
5	M07419-22-J18	EA	BACKWALL - W/O WINDOW/TRIM - JAPAN EXPORT
5	M07419-22-J19	EA	BACKWALL - W/O WINDOW/TRIM - JAPAN EXPORT
5	M07419-22-J44	EA	BACKWALL - W/O WINDOW/TRIM - JAPAN EXPORT
	108688-01-03A	EA	STRIP - FEATURE - 15'
	108651-01-03A	EA	CAP - FEATURE STRIP - BRIGHT WHITE
	105312-01-07A	EA	INSERT - VINYL FEATURE STRIP - BRIGHT WHITE
6	050406-30-000	EA	TRIM - LOWER BACKWALL - BRIGHT WHITE
7	122899-01-H13	EA	ROOF - W/O LIGHTS & VENTS - W/WIRING
8	P22897-91-J18	EA	SIDEWALL - DRIVER - W/O WINDOWS/TRIMS - W/DRIVER DOOR
8	P22897-91-J19	EA	SIDEWALL - DRIVER - W/O WINDOWS/TRIMS - W/DRIVER DOOR
8	P22897-91-J44	EA	SIDEWALL - DRIVER - W/O WINDOWS/TRIMS - W/DRIVER DOOR
9	120091-02-02A	EA	TRIM - ROOF
10	124512-01-01A	EA	TRIM - WHEELWELL/REAR - BRIGHT WHITE
11	124513-02-01A	EA	TRIM - WHEELWELL/Front - NOTCHED
12	124299-51-001	EA	EXTRUDED - RETAINER - TRIM - 144"
13	124176-01-01A	EA	TRIM - SIDEWALL - BRIGHT WHITE - 16'
14	105312-01-03A	FT	INSERT - VINYL FEATURE STRIP - GRAY METALLIC
15	122896-01-J18	EA	SIDEWALL - PASSENGER - W/O WINDOWS/TRIMS
15	122896-01-J19	EA	SIDEWALL - PASSENGER - W/O WINDOWS/TRIMS
15	122896-01-J44	EA	SIDEWALL - PASSENGER - W/O WINDOWS/TRIMS
16	120092-01-02A	EA	RAIL - AWNING - BRIGHT WHITE
17	124542-01-J18	EA	TRIM - SIDEWALL
18	108109-13-01A	EA	TRIM - SIDEWALL - LOWER/Front - BRIGHT WHITE
	116800-55-005	EA	EXTRUDED CHANNEL - 192" - BRIGHT WHITE
19	122554-49-01A	EA	TRIM - ROCKER PANEL BRT/WHT 64.7"
20	124542-02-J18	EA	TRIM - SIDEWALL - BLACK - EUROPEAN
	124132-01-01A	EA	CAP - SIDEWALL TRIM - RIGHT HAND - 1.4" - BRIGHT WHITE
	124132-02-01A	EA	CAP - SIDEWALL TRIM - LEFT HAND - 1.4" - BRIGHT WHITE
	124179-01-01A	EA	CAP - WHEELWELL TRIM - LEFT HAND - BRIGHT WHITE
	124179-02-01A	EA	CAP - WHEELWELL TRIM - RIGHT HAND - BRIGHT WHITE

EXTERIOR BODY GROUP (CONTINUED)

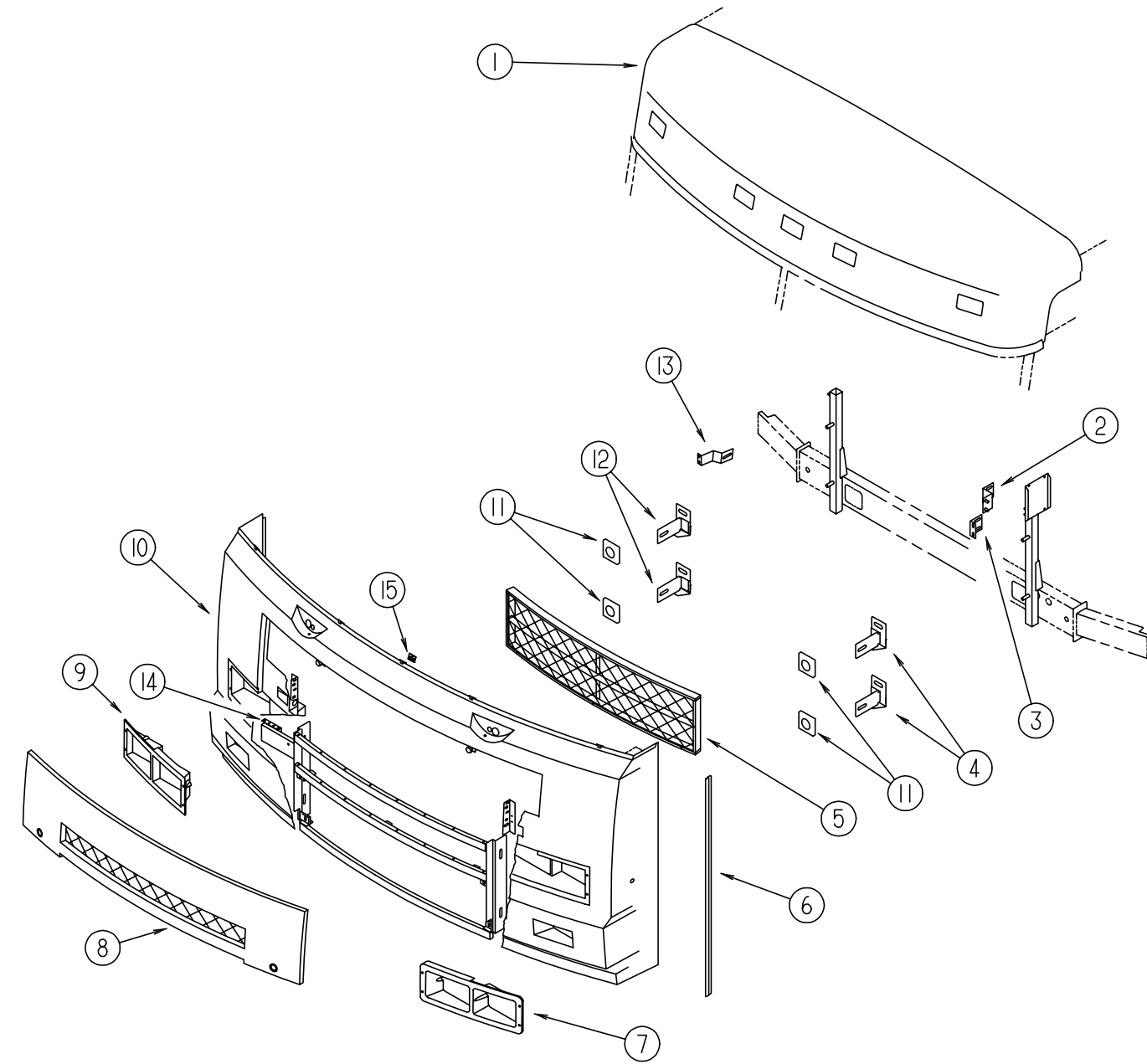
FRONT END FRAME ASSEMBLY



KEY	PART NUMBER	U/M	DESCRIPTION
1	070579-06-000	EA	PLATE - ANCHOR - W/7/16" WELD NUT - 1.5" X 3.3"
1	070579-07-000	EA	PLATE - ANCHOR - W/O WELD NUT - 1.5" X 3.3"
2	078249-15-000	EA	TUBE - SWEPT - CAB FRAME
3	104797-01-000	EA	BRACKET-DEFROSTER,6.5
4	033386-51-047	EA	STEEL - ANGLE - .125" X .75" X 2"
5	104797-02-000	EA	BRACKET-DEFROSTER,3.5
6	106746-01-000	EA	PANEL - STEPWELL
7	106747-01-000	EA	PANEL - STEPWELL - RIGHT HAND END
8	106747-02-000	EA	PANEL - STEPWELL - LEFT HAND END
9	105563-03-000	EA	TUBE - SUPPORT - A - PILLER - LEFT
9	105563-02-000	EA	TUBE - SUPPORT - A - PILLER - RIGHT
10	117287-01-01B	EA	BRACKET - MOUNT - CABLE
11	104148-02-000	EA	SHIELD - SPLASH - HEADLIGHT
12	120363-01-01B	EA	BRACKET - WINDSHIELD
13	120840-05-01B	EA	STRAP-W/HOLES,MILL
14	121269-09-01B	EA	FRAME-WINDSHIELD,A PILLAR,ML
15	121269-10-01B	EA	FRAME-WINDSHIELD,A PILLAR,ML
16	122037-12-01B	EA	HEADER - W/TV OPTION
17	077847-02-000	EA	SUPPORT - WINDSHIELD/LOWER - W/O BRACKETS
18	121964-01-01B	EA	SUPPORT - WINDSHIELD/UPPER - W/O BRACKETS
19	122086-01-01B	EA	BRACKET - SEAT
	069640-14-000	FT	SEALER - TAPE - .06"THICK X 1"WIDE X 100' - GRAY
20	101496-01-000	EA	BRACKET - PANEL - END CAP
21	103318-01-000	EA	MOUNT ASM-SEATBELT,WALL
22	117976-01-01B	EA	TUBE-B PILLAR,MILL
23	121962-04-02B	EA	SHIELD ASM-SPLASH,HDLGT,E-CT
24	063977-11-000	EA	STEP - DRIVER DOOR

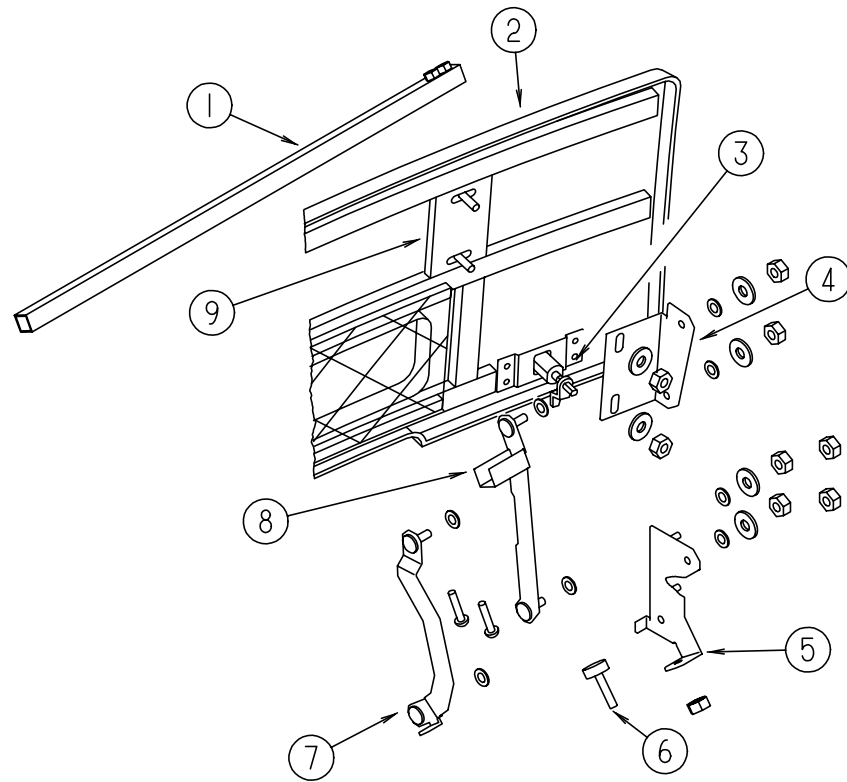
EXTERIOR BODY GROUP (CONTINUED)

FRONT END COMPONENTS



KEY	PART NUMBER	U/M	DESCRIPTION
1	M07435-05-H13	EA	CAP - FRONT - EUROPEAN EXPORT
1	M07435-06-H13	EA	CAP - FRONT - JAPAN EXPORT
1	122513-04-H13	EA	CAP - ROOF - EUROPEAN EXPORT
2	122842-01-02B	EA	BRACE - FRONT END - DRIVER SIDE - E-COATED
3	122800-01-02B	EA	ANGLE - FRONT END - DRIVER - E-COATED
4	122826-02-02B	EA	BRACKET - BUMPER - DRIVER - E-COATED
5	123945-01-H13	EA	GRILLE - W/WIRE MESH
	115924-09-02A	EA	WIRE MESH - F/GRILLE - FLAT BLACK
6	123680-03-01A	EA	TRIM - FIBERGLASS PANEL - BRIGHT WHITE
			FROM: 00-00-00 THRU: 02-08-98
6	123680-05-01A	EA	TRIM - FIBERGLASS PANEL - BRIGHT WHITE
			FROM: 02-09-98 THRU: 99-99-99
7	122510-02-01A	EA	BEZEL - HEADLAMP - LEFT HAND - BRIGHT WHITE
	007157-05-000	EA	NUT - WELL
8	122511-02-H13	EA	PANEL - HOOD/OUTER
	115924-08-02A	EA	WIRE MESH - F/GRILLE - FLAT BLACK
9	122510-01-01A	EA	BEZEL - HEADLAMP - RIGHT HAND
	007157-05-000	EA	NUT - WELL
10	122512-01-01A	EA	CAP - FRONT - LOWER
11	116617-02-02B	EA	SPACER - BUMPER
12	122826-01-02B	EA	BRACKET - BUMPER - PASSENGER - E-COATED
13	122787-01-02B	EA	BRACE - FRONT END - PASSENGER - E-COATED
14	106748-05-000	EA	LATCH - HOOD - FRONT END
15	119445-01-02B	EA	PLATE - W/HOLES

EXTERIOR BODY GROUP (CONTINUED)



HOOD & COMPONENTS

KEY	PART NUMBER	U/M DESCRIPTION
1	105096-12-000	EA TUBE - HOOD HINGE TIMING W/WELDNUTS
2	122511-02-H13	EA PANEL - HOOD/OUTER
3	102330-02-000	EA LATCH - VISE ACTION/KEY OPERATED
3	102328-01-000	EA KEY - BARREL - NICKEL PLATED
4	122736-01-02B	EA ANGLE - LINK - HOOD - RIGHT HAND
4	122736-02-02B	EA ANGLE - LINK - HOOD - LEFT HAND
5	106613-07-000	EA BRACKET - LINK/HINGE - RIGHT HAND
5	106613-08-000	EA BRACKET - LINK/HINGE - LEFT HAND
6	058786-01-000	EA BOLT - ADJUSTING HOOD - W/BLACK PAD
7	106612-05-000	EA LINK - HINGE/HOOD - LOWER/RIGHT HAND
7	106612-06-000	EA LINK - HINGE/HOOD - LOWER/LEFT HAND
8	106618-03-000	EA LINK - HOOD HINGE - UPPER RIGHT HAND
8	106618-04-000	EA LINK - HOOD HINGE - UPPER LEFT HAND
9	106730-10-000	EA PLATE - STUD - F/HOOD

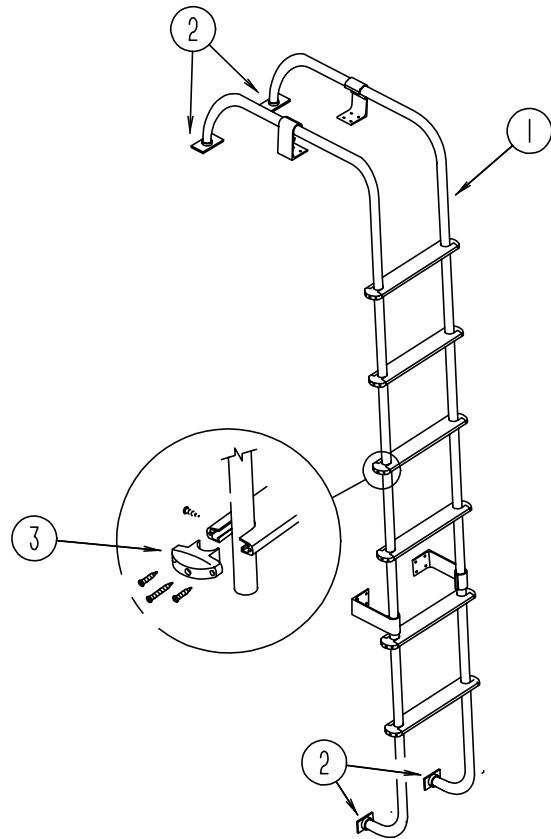
EXTERIOR BODY GROUP (CONTINUED)

FIBERGLASS, ALUMINUM, STYROFOAM, PLYWOOD & CHANNEL

KEY	PART NUMBER	U/M DESCRIPTION
	076054-N9-000	EA FIBERGLASS SHEET - 96" X 102" - BRIGHT WHITE FROM: 00-00-00 THRU: 02-03-98
	076054-U8-000	EA FIBERGLASS SHEET - 100" X 105" - BRIGHT WHITE FROM: 02-04-98 THRU: 99-99-99
	076054-U4-000	EA FIBERGLASS SHEET - 101" X 104" - BRIGHT WHITE
	076054-W4-000	EA FIBERGLASS SHEET - 79" X 337" - BRIGHT WHITE
	077517-62-000	EA FIBERGLASS - SHEET/SIDEWALL - 48" X 96" - BRIGHT WHITE
	108535-04-705	EA FIBERGLASS SHEET - 6" X 34' BRIGHT WHITE
	108535-05-702	EA FIBERGLASS SHEET - FLAT - 110" X 396" BRIGHT WHITE - ROOF
	100619-01-000	BF FOAM - EXPANDED POLYSTYRENE - 1.34" X 48" X 96"
	100619-04-000	BF FOAM - EXPANDED POLYSTYRENE - .5" X 48" X 96"
	100619-05-000	BF FOAM - EXPANDED POLYSTYRENE - .75" X 48" X 96"-1.5 DENSITY
	100619-10-000	BF FOAM - EXPANDED POLYSTYRENE - 1.5" X 48" X 96"
	100619-11-000	BF FOAM - EXPANDED POLYSTYRENE - 2" X 48" X 96"
	100619-16-000	BF FOAM - EXPANDED POLYSTYRENE - .75" X 48" X 96"-2.0 DENSITY
	105077-08-000	EA FOAM - PLUG - ROOF CAP
	120107-01-000	EA FOAM - COVE - ROOF - 2.8" X 96" LONG
	120107-02-000	EA FOAM - PLUG - ROOF TUBE - 2.2" X 2.9" X 1.8" LONG
	120107-03-000	EA FOAM - PLUG - SIDEWALL TUBE - 1.2" X 2.1" X 1.8" LONG
	000870-08-000	SF STYROFOAM - 3/4" X 48" X 96" PLANED EXPANDED BEAD BOARD
	002726-01-001	EA GARNISH - U-CHANNEL - 1.38" X 19' - SERRATED
	058267-01-000	FT CHANNEL - STEEL - W/HOLES - SIDEWALL STIFFENER - 2" X 20'
	068716-01-001	EA BRACE - 90 DEGREE L-ANGLE - 16'
	089297-01-000	SF PLYWOOD - LUAN - OVERLAY GRADE - 48" X 96"
	072878-01-000	SF INSULATION - SOUND BARRIER PAD - .058" X 33" X 58"

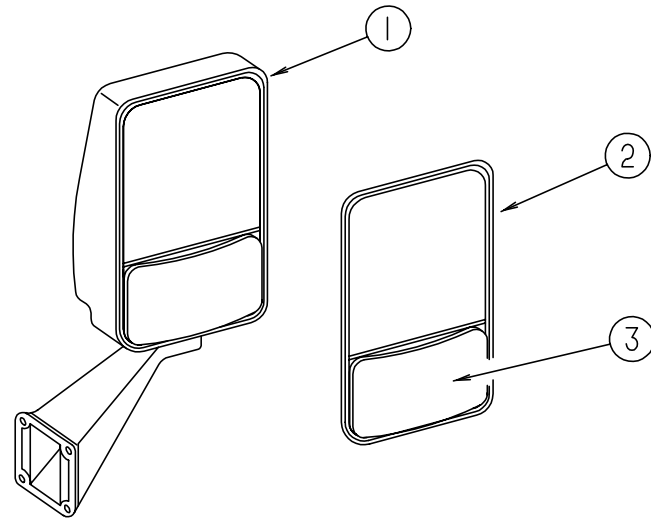
EXTERIOR BODY GROUP (CONTINUED)

LADDER



KEY	PART NUMBER	U/M	DESCRIPTION	
1	102953-18-H13	EA	LADDER	FROM: 00-00-00 THRU: 05-24-98
1	129639-03-01A	EA	LADDER - BRUSHED ALUMINUM	FROM: 05-25-98 THRU: 99-99-99
2	067165-01-000	EA	BRACKET - MOUNTING - RACK & LADDER	
3	076980-02-000	EA	END CAP - STEP - BLACK	
	038327-01-000	EA	TAPE - ANTI SLIP - 2" X 60'	

EXTERIOR BODY GROUP (CONTINUED)

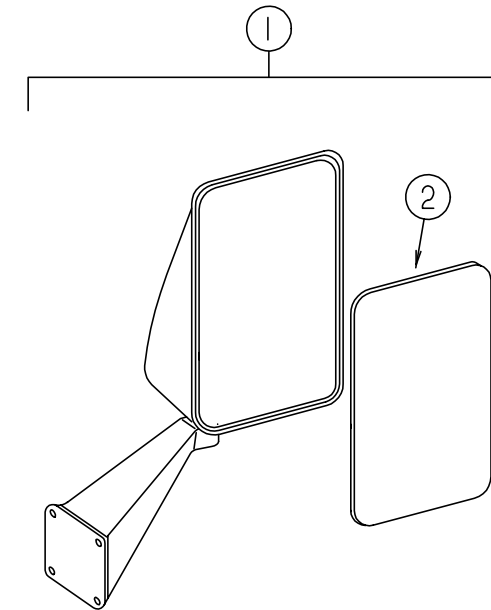


VELVAC HEATED EXTERIOR MIRRORS

KEY	PART NUMBER	U/M	DESCRIPTION
1	106015-13-01A	EA	MIRROR - EXTERIOR REMOTE/HEAT - DRIVER
1	106015-12-01A	EA	MIRROR - EXTERIOR REMOTE/HEAT - PASSENGER
2	106015-12-700	EA	MIRROR-FLAT - W/W/O HEAT
3	106015-12-701	EA	MIRROR-CONVEX - W/W/O HEAT
	106015-12-702	EA	SCREW CAP - (BAG OF 4)
	087695-02-000	EA	SWITCH - HEATER - EXTERIOR MIRROR
	088246-01-000	EA	SWITCH - REMOTE - EXTERIOR - SQUARE PUSH
	087695-03-000	EA	CONNECTOR - ASSEMBLY

VENDOR NO.
709448
709449
748329

EXTERIOR BODY GROUP (CONTINUED)



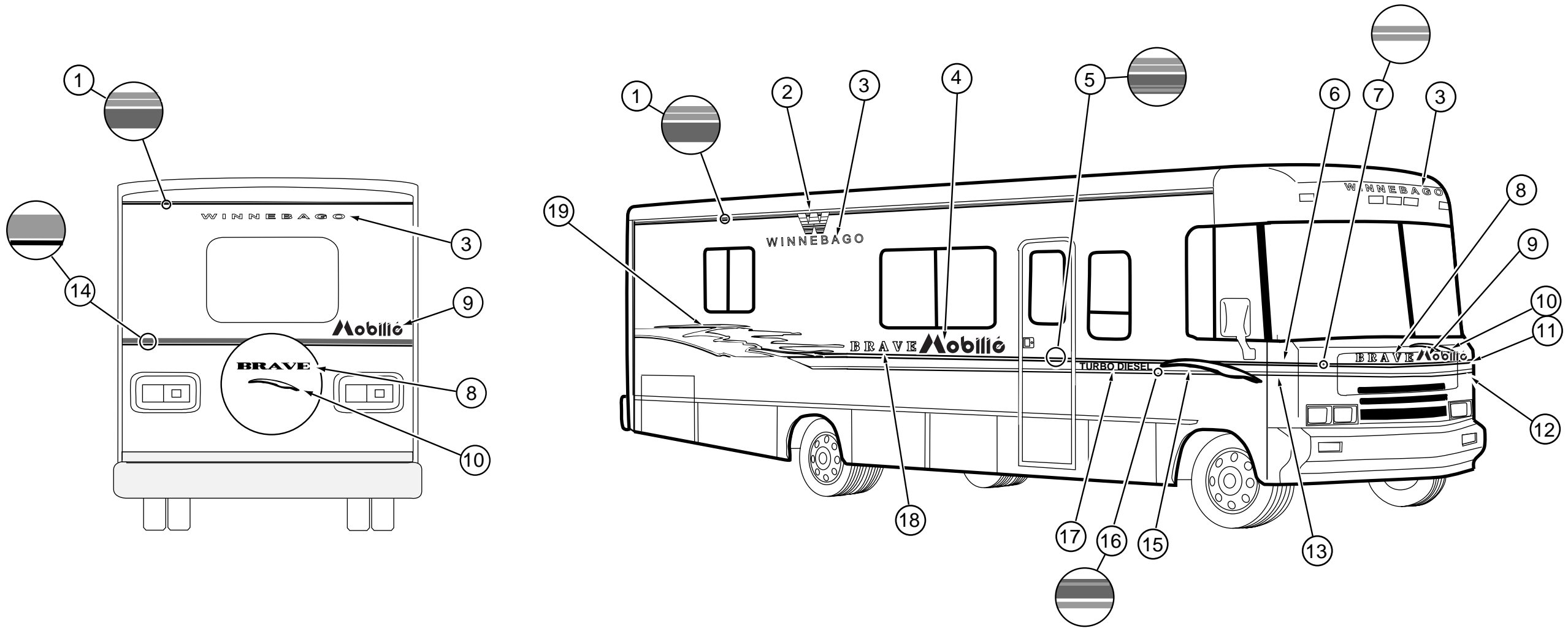
VELVAC EXTERIOR MIRRORS

KEY	PART NUMBER	U/M	DESCRIPTION	VENDOR NO.
1	123297-01-01A	EA	MIRROR - EXTERIOR - ADJUSTABLE GLASS - DRIVER	
1	123297-02-01A	EA	MIRROR - EXTERIOR - ADJUSTABLE GLASS - PASSENGER	
2	106860-02-702	EA	GLASS ONLY FLAT RH/LH STAR	702086-8
	117051-01-700	EA	MIRROR-CONVEX	723068-4

HELLA HEATED EXTERIOR MIRRORS

KEY	PART NUMBER	U/M	DESCRIPTION
	129607-01-01A	EA	MIRROR - PASSENGER - 12 VOLT/HEATED - BLACK
	129607-02-01A	EA	MIRROR - DRIVER - 12 VOLT/HEATED - BLACK
	129607-03-01A	EA	BRACKET - MOUNTING/MIRROR
	129607-04-01A	EA	WIRE - MONITOR
	106477-05-000	EA	SCREW - 14-10 X 2.25 PFH

EXTERIOR BODY GROUP (CONTINUED)
DECALS, FILM STRIPES & PAINT



KEY	PART NUMBER	U/M	DESCRIPTION
1	094443-43-01A	FT	FILM - MULTISTRIPE - 3.9"
2	120700-02-01A	EA	DECAL - LOGO - "W"
3	120702-03-01A	EA	DECAL - LOGO - WINNEBAGO/SMALL
4	122886-01-01A	EA	DECAL-MOBILIE,LARGE - JAPAN EXPORT
5	121426-01-01A	FT	FILM - OVERLAY - MULTI - 7"
6	121432-01-01A	EA	DECAL - CORNER - UPPER/RIGHT HAND
7	105781-57-01A	FT	FILM - MULTISTRIPE - 1.50"
8	121437-02-01A	EA	DECAL - LOGO/BRAVE - SMALL - EUROPEAN EXPORT
9	122886-02-01A	EA	DECAL - MOBILIE - SMALL - JAPAN EXPORT
10	121430-01-01A	EA	DECAL - SLASH - SMALL
11	121432-02-01A	EA	DECAL - CORNER - UPPER/LEFT HAND
12	121434-02-01A	EA	DECAL - CORNER - LOWER/LEFT HAND
13	121434-01-01A	EA	DECAL - CORNER - LOWER/RIGHT HAND
14	105781-52-01A	FT	FILM - MULTISTRIPE - 4.1"
15	121429-01-01A	EA	DECAL - SLASH - RIGHT HAND
15	121429-02-01A	EA	DECAL - SLASH - LEFT HAND
16	121427-01-01A	FT	FILM - OVERLAY - MULTI - 1.6"
17	111318-03-03A	EA	DECAL - TURBO DIESEL
18	121437-01-01A	EA	DECAL - LOGO/BRAVE - LARGE - EUROPEAN EXPORT
19	121428-01-01A	EA	DECAL - HORIZON - RIGHT HAND
19	121428-02-01A	EA	DECAL - HORIZON - LEFT HAND
	041561-03-000	EA	PAINT - 16 OUNCE SPRAY - OFF WHITE

DUPONT PAINT COLOR CODES

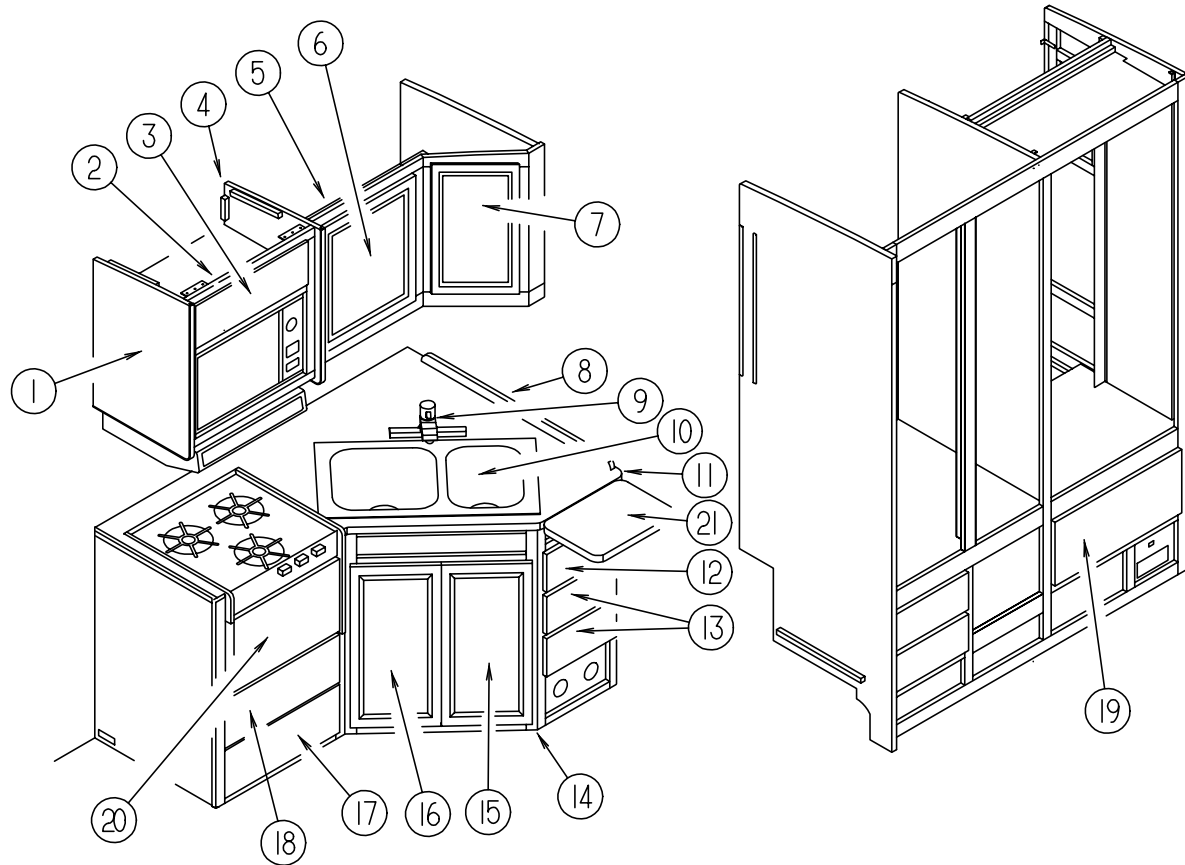
BRIGHT WHITE	B8951
DELFT BLUE METALLIC	F1919
LIGHT SILVER METALLIC	F2573U

DUPONT GRAPHIC COLOR CODES

SEAFOAM METALLIC	GM200
DELFT BLUE	BM501
MENDOCINO PEARL	F2985
SPARKLING TEAL	GM098

GALLEY GROUP

GALLEY CABINETS



KEY	PART NUMBER	U/M DESCRIPTION
1	081320-14-G09	EA END CAP - OVERHEAD CABINET
2	106016-06-H13	EA FACE ONLY - MICROWAVE CABINET - JAPAN FROM: 00-00-00 THRU: 04-05-98
2	106016-07-J18	EA FACE ONLY - MICROWAVE CABINET - JAPAN FROM: 04-06-98 THRU: 99-99-99
2	121328-03-H13	EA CABINET - OVERHEAD MICROWAVE - W/O DOORS/HARDWARE - WIE FROM: 00-00-00 THRU: 10-05-97
2	128620-03-J15	EA CABINET - MICROWAVE - W/O DOORS/HARDWARE - WIE FROM: 10-06-97 THRU: 99-99-99
3	M05992-J9-H13	EA DOOR - STRAIGHT CORNER/OGEE EDGE - 5.1" X 22.4" - W/O HDW FROM: 00-00-00 THRU: 10-05-97
3	M05992-G3-J58	EA DOOR - STRAIGHT CORNER/OGEE EDGE - 6.3" X 23.2" - W/O HDW FROM: 10-06-97 THRU: 99-99-99
4	081320-16-G09	EA END CAP - OVERHEAD CABINET
5	118943-01-G09	EA CABINET - OVERHEAD/GALLEY - W/O DOORS/DRAWERS/HARDWARE
6	M05992-V2-J18	EA DOOR - STRAIGHT CORNER/OGEE EDGE - 17.7" X 21.8" - W/O HDW
7	M05992-14-J20	EA DOOR - STRAIGHT CORNER/OGEE EDGE - 12" X 21.8" - W/O HDW
8	098335-11-H11	EA RAIL - GALLEY - 12" - WIE (J18, J44)
8	098335-11-J19	EA RAIL - GALLEY - 12" - WIE (J19)
8	098335-16-H14	EA RAIL - GALLEY - 39" - JAPAN (J18, J44)
8	098335-16-J19	EA RAIL - GALLEY - 39" - JAPAN (J19)
9	104114-02-01A	EA FAUCET - GALLEY - SINGLE CONTROL
9	103243-01-000	EA FAUCET - DUAL CONTROL
10	110654-01-000	EA SINK - STAINLESS STEEL/DOUBLE BASIN (1 LG-1 SM BASIN)
	092303-01-000	EA STRAINER - SINK
	108464-03-J31	EA COVER - SINK - 15" X 11" - LAMINATED BOTH SIDES (J18, J44)
	108464-03-J21	EA COVER - SINK - 15" X 11" - LAMINATED BOTH SIDES (J19)
	108464-04-J31	EA COVER - SINK - 15" X 15" - LAMINATED BOTH SIDES (J18, J44)
	108464-04-J21	EA COVER - SINK - 15" X 15" - LAMINATED BOTH SIDES (J19)
11	118798-26-J18	EA COUNTERTOP - GALLEY - EUROPEAN EXPORT (J18, J44)
11	118798-26-J19	EA COUNTERTOP - GALLEY - EUROPEAN EXPORT (J19)
11	118798-18-G10	EA COUNTERTOP - GALLEY - JAPAN EXPORT (J18, J44)
11	118798-18-G10	EA COUNTERTOP - GALLEY - JAPAN EXPORT (J19)
12	M05971-42-G09	EA DRAWER - OGEE EDGE - 10.8"W X 9"D - W/O SLIDES/HARDWARE
13	M05971-U5-G09	EA DRAWER - OGEE EDGE - 10.8"W X 11.8"D - W/O SLIDES/HARDWARE
14	P18798-07-J18	EA CABINET - GALLEY - W/CTRTP - W/O DOORS/DRAWERS/HDW-WIE (J18, J44)
14	P18798-07-J19	EA CABINET - GALLEY - W/CTRTP - W/O DOORS/DRAWERS/HDW-WIE (J19)
14	P18798-05-H14	EA CABINET - GALLEY - W/CTRTP - W/O DOORS/DRAWERS/HDW - JAPAN (J18, J44)
14	P18798-05-J19	EA CABINET - GALLEY - W/CTRTP - W/O DOORS/DRAWERS/HDW - JAPAN (J19)
15	M05992-C4-J18	EA DOOR - STRAIGHT CORNER/OGEE EDGE - 12" X 25.9" - W/O HDW
16	M05992-C3-J18	EA DOOR - STRAIGHT CORNER/OGEE EDGE - 12" X 25.9" - W/O HARDWARE
17	M05971-S3-G09	EA DRAWER - OGEE EDGE - 22"W X 9.8"D - W/O SLIDES/HARDWARE
18	M05971-S4-G09	EA DRAWER - OGEE EDGE - 19.8"W X 17.7"D - W/O SLIDES/HARDWARE
18	M05971-T1-G09	EA DRAWER - OGEE EDGE - 19.7"W X 15.7"D - W/O SLIDES/HARDWARE - JAPAN
19	M05971-S2-G09	EA DRAWER - OGEE EDGE - 22.5"W X 17.7"D - W/O SLIDES/HARDWARE
	090329-01-000	FT SEAL/T - REFRIGERATOR CABINET
20	M05971-E0-G09	EA DRAWER - OGEE EDGE - 19.7"W X 17.7"D - W/O SLIDES/HARDWARE - JAPAN
21	127523-02-J18	EA EXTENSION - GALLEY - EUROPEAN EXPORT (J18, J44)
21	127523-02-J19	EA EXTENSION - GALLEY - EUROPEAN EXPORT (J19)
21	080812-04-G10	EA EXTENSION - GALLEY COUNTERTOP - JAPAN (J18, J44)
21	080812-04-J19	EA EXTENSION - GALLEY COUNTERTOP - JAPAN (J19)

GALLEY GROUP (CONTINUED)

MAGIC CHEF RANGE - JAPAN EXPORT

KEY	PART NUMBER	U/M	DESCRIPTION
*	114030-02-01A	EA	RANGE - 3 BURNER TOP - W/O OVEN - BLACK
	081587-03-000	EA	BRACKET - TIEDOWN - RANGE - RIGHT
	081587-04-000	EA	BRACKET - TIEDOWN - RANGE - LEFT

* COMPONENT PARTS FOUND IN SERVICE PARTS LIBRARY

LVS MONITOR PANEL

KEY	PART NUMBER	U/M	DESCRIPTION
*	102765-04-01A	EA	PANEL - MONITOR - 2 HOLDING TANKS - ADJUSTABLE

* COMPONENT PARTS FOUND IN SERVICE PARTS LIBRARY

RANGE HOOD

KEY	PART NUMBER	U/M	DESCRIPTION
*	100258-18-03A	EA	HOOD - RANGE - W/O MONITOR PANEL-W/HOUR METER/SWITCH - US
	100258-10-01A	EA	GAUGE - HOUR METER W/SWITCH - SCREW ON STYLE

* COMPONENT PARTS FOUND IN SERVICE PARTS LIBRARY

GALLEY GROUP (CONTINUED)

NORCOLD 963RH REFRIGERATOR WITH TRAY, TIEDOWNS & LEVEL

KEY	PART NUMBER	U/M	DESCRIPTION
*	120076-03-01A	EA	REFRIGERATOR - SMALL DOUBLE DOOR/BLACK 3-WAY - RIGHT HAND
	103251-07-01A	EA	INSERT - ACRYLIC/BLACK - 21.6" X 14.5" - JAPAN EXPORT
	103251-08-01A	EA	INSERT - ACRYLIC/BLACK - 21.6" X 31.6" - JAPAN EXPORT
	116751-01-01A	EA	TRAY - REFRIGERATOR
	054450-01-000	EA	LEVEL - REFRIGERATOR
	065225-02-000	EA	PLATE - TIEDOWN - REFRIGERATOR
	093646-03-000	EA	BRACKET - TIEDOWN/REFRIGERATOR - RIGHT HAND
	093646-04-000	EA	BRACKET - TIEDOWN/REFRIGERATOR - LEFT HAND

* COMPONENT PARTS FOUND IN SERVICE PARTS LIBRARY

MICROWAVE OVEN BRACKETS - FROM: 00-00-00 THRU: 10-05-97

KEY	PART NUMBER	U/M	DESCRIPTION
	094750-07-000	EA	BRACKET - MICROWAVE - 89 DEGREE

MICROWAVE OVEN BRACKETS - FROM: 10-06-97 THRU: 99-99-99

KEY	PART NUMBER	U/M	DESCRIPTION
	094750-10-000	EA	BRACKET - MICROWAVE - 89 DEGREE

GENERATOR GROUP

3,300 WATT ONAN MICROLITE - EUROPEAN EXPORT

KEY	PART NUMBER	U/M DESCRIPTION
	109982-05-000	EA GENERATOR - 3.3 MICROLITE
	115716-02-000	EA PIPE - EXHAUST - GENERATOR - LEFT HAND
	007125-04-000	EA CLAMP - MUFFLER - 1.12" DIAMETER

4,000 WATT ONAN MICROLITE - JAPAN EXPORT

KEY	PART NUMBER	U/M DESCRIPTION
	109982-06-000	EA GENERATOR - 4.0 MICROLITE
	007125-04-000	EA CLAMP - MUFFLER - 1.12" DIAMETER
	115716-02-000	EA PIPE - EXHAUST - GENERATOR - LEFT HAND

NOTE: ADDITIONAL GENERATOR COMPONENTS ARE FOUND IN THE CHASSIS GROUP.

HEATING & AIR CONDITIONING GROUP

FURNACE - 30,000 BTU SUBURBAN - MODEL SF-30 227

KEY	PART NUMBER	U/M DESCRIPTION
*	098668-20-000	EA FURNACE - 30,000 BTU
	115764-01-01A	EA THERMOSTAT - FURNACE
	081087-01-000	EA LIGHT - INDICATOR - JAPAN EXPORT
	009200-01-000	EA TAPE - FURNACE - 1 1/2"
	089367-02-000	EA TEE - 4" X 2" X 4"
	098668-23-000	EA DOOR - ACCESS - FURNACE - BRIGHT WHITE
	120134-01-02A	EA REGISTER - 4" TO 5" IN DIAMETER W/DAMPER
	093614-01-02A	EA GRILLE - RETURN AIR - 15.6" X 7.6" - BEIGE
	009198-01-000	FT DUCT - HEAT - FLEXIBLE - 4" ID X 25'
	009198-02-000	FT DUCT - FLEXIBLE - 2" ID X 25'

* COMPONENT PARTS FOUND IN SERVICE PARTS LIBRARY

COLEMAN 13,500 BTU ROOF A/C - EUROPEAN

KEY	PART NUMBER	U/M DESCRIPTION
*	108889-02-03A	EA AIR CONDITIONER - 13,500 BTU/220 VOLT - BRIGHT WHITE
	102289-01-000	EA SPRING - SCREW - ROOF A/C GASKET
	117238-01-01A	EA THERMOSTAT - A/C - FURNACE
	117238-02-01A	EA THERMOSTAT - A/C ONLY - GERMAN EXPORT
	120134-01-02A	EA REGISTER - 4" TO 5" IN DIAMETER W/DAMPER

* COMPONENT PARTS FOUND IN SERVICE PARTS LIBRARY

CEILING A/C - COLEMAN

KEY	PART NUMBER	U/M DESCRIPTION
*	108892-01-01A	EA CEILING ASSEMBLY - A/C DUCTED
	092633-02-02A	EA COVER - BLANK - ROOF A/C - 5.1" X 5.1"

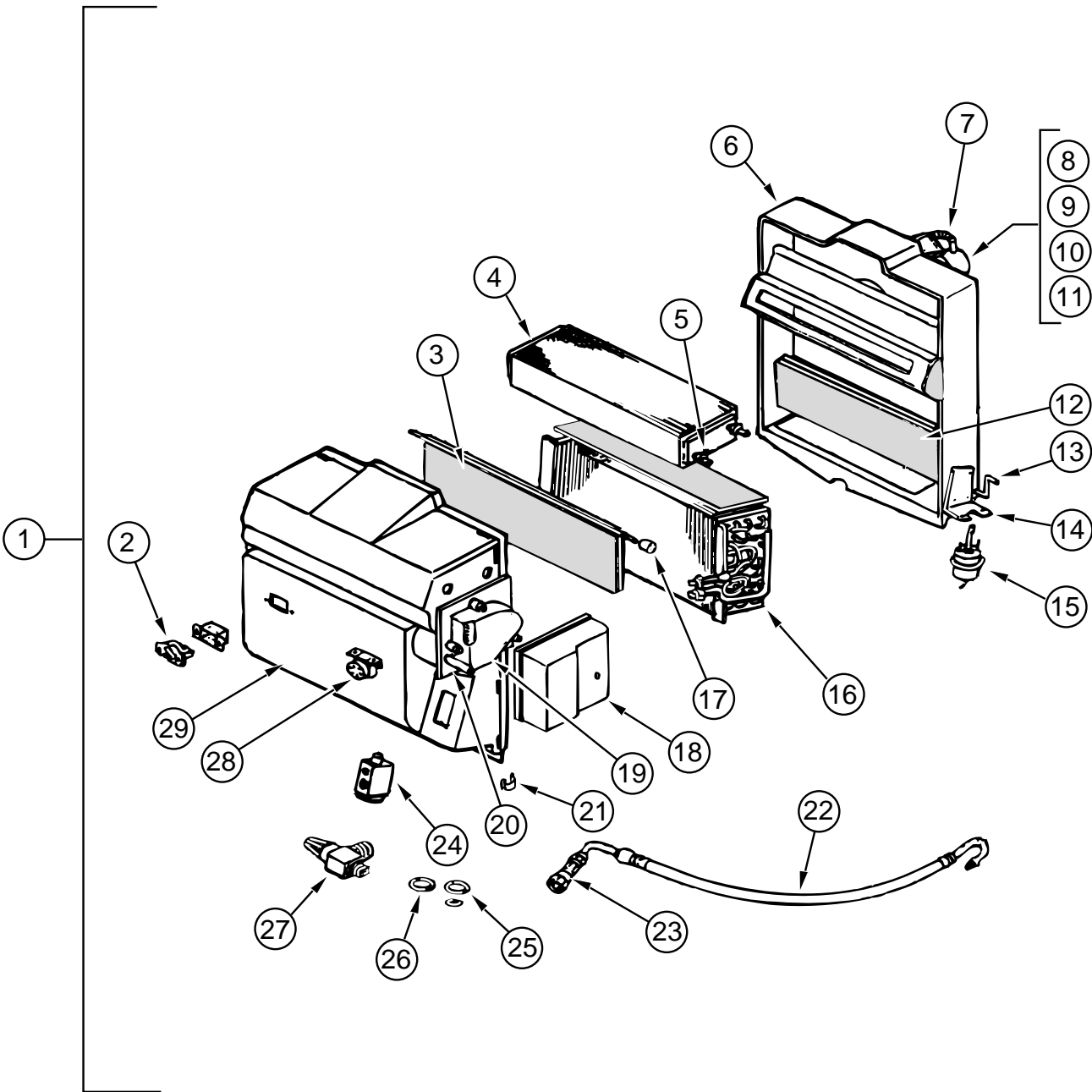
* COMPONENT PARTS FOUND IN SERVICE PARTS LIBRARY

EVANS REAR HEATER & COMPONENTS

KEY	PART NUMBER	U/M DESCRIPTION	VENDOR NO.
	084405-01-000	EA HEATER - REAR/DUCTED - W/MOTOR AID	
	084405-01-700	EA CORE-HEATER	FT200229
	084405-01-701	EA FAN BLADES	HV029931
	084405-01-702	EA MOTOR ASSEMBLY, 12 VOLT	RV010348
	061673-01-000	EA BRACKET - MOTOR AID TUBES - 4" X 1.5" - STEEL	
	009198-01-000	FT DUCT - HEAT - FLEXIBLE - 4" ID X 25'	
	056464-10-000	EA REGISTER - 4" DIAMETER - PLASTIC - W/O DAMPER - BEIGE	

HEATING & AIR CONDITIONING GROUP (CONTINUED)

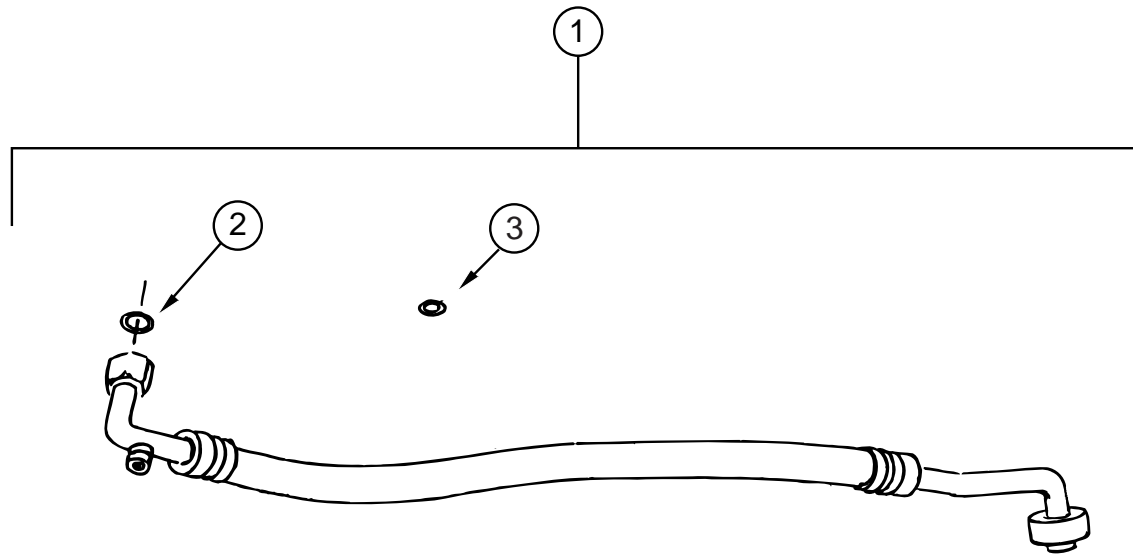
SCS EVAPORATOR/HEATER ASSEMBLY - CHEVY GAS & DIESEL CHASSIS



KEY	PART NUMBER	U/M	DESCRIPTION	VENDOR NO.
1	103930-30-000	EA	EVAPORATOR/HEATER - CHEVY - SERVO MOTOR CONTROLLED	
2	103930-01-710	EA	RESISTOR-FUSED, A/C	035-0006
3	103930-30-705	EA	DOOR - BLEND AIR	071-0568
4	103930-01-703	EA	CORE-HEATER	042-0010
5	110279-01-712	EA	FITTING-HEATER	050-0076
6	103930-20-711	EA	CASE-BACK, SUB-ASSEMBLY	062-0147
7	110279-01-703	EA	HOSE-VENT F/BLOWER MOTOR	051-0034
8	103930-20-707	EA	HOUSING-BLOWER	062-0145
9	103930-30-706	EA	MOTOR-BLOWER PM147 W/ADAPTER	030-0109
10	103930-01-717	EA	WHEEL-BLOWER, CLOCKWISE	062-0010
11	103930-20-708	EA	CLIP-MOTOR SHAFT	022-0001
12	103930-20-705	EA	PANEL-DOOR, RECIRCULATING	071-0213
13	103930-20-704	EA	ROD-DOOR-RECIRCULATING	073-0018
14	103930-01-708	EA	BRACKET-VACUUM MOTOR	070-0113
15	103930-02-708	EA	MOTOR-VACUUM SERVO, A/C	030-0025
16	103930-01-704	EA	COIL-EVAPORATOR	041-0017
17	103930-30-702	EA	BUSHING - BLEND AIR DOOR	062-0168
18	103930-30-704	EA	COVER - SERVO	062-0545
19	103930-30-703	EA	MOTOR - SERVO	030-0104
20	103930-30-701	EA	PLATE - MOTOR MOUNT	062-0544
21	103930-20-706	EA	CLIP-RETAINER - CASE ATTACH	022-0057
22	103930-25-700	EA	HOSE ASM #6 EVAPORATOR/DRIER	085-0350
23	103930-12-709	EA	FITTING-QUICK CONNECT	050-0120
24	103930-20-700	EA	VALVE-EXPANSION-BLOCK, 2 TON	034-0032
25	103930-17-702	EA	O-RING #10	045-0127
26	113245-01-707	EA	O-RING #8	045-0126
27	103930-20-709	EA	VALVE-SERVICE	050-0159
28	103930-01-711	EA	THERMOSTAT	033-0003
29	103930-30-700	EA	CASE - FRONT	062-0542

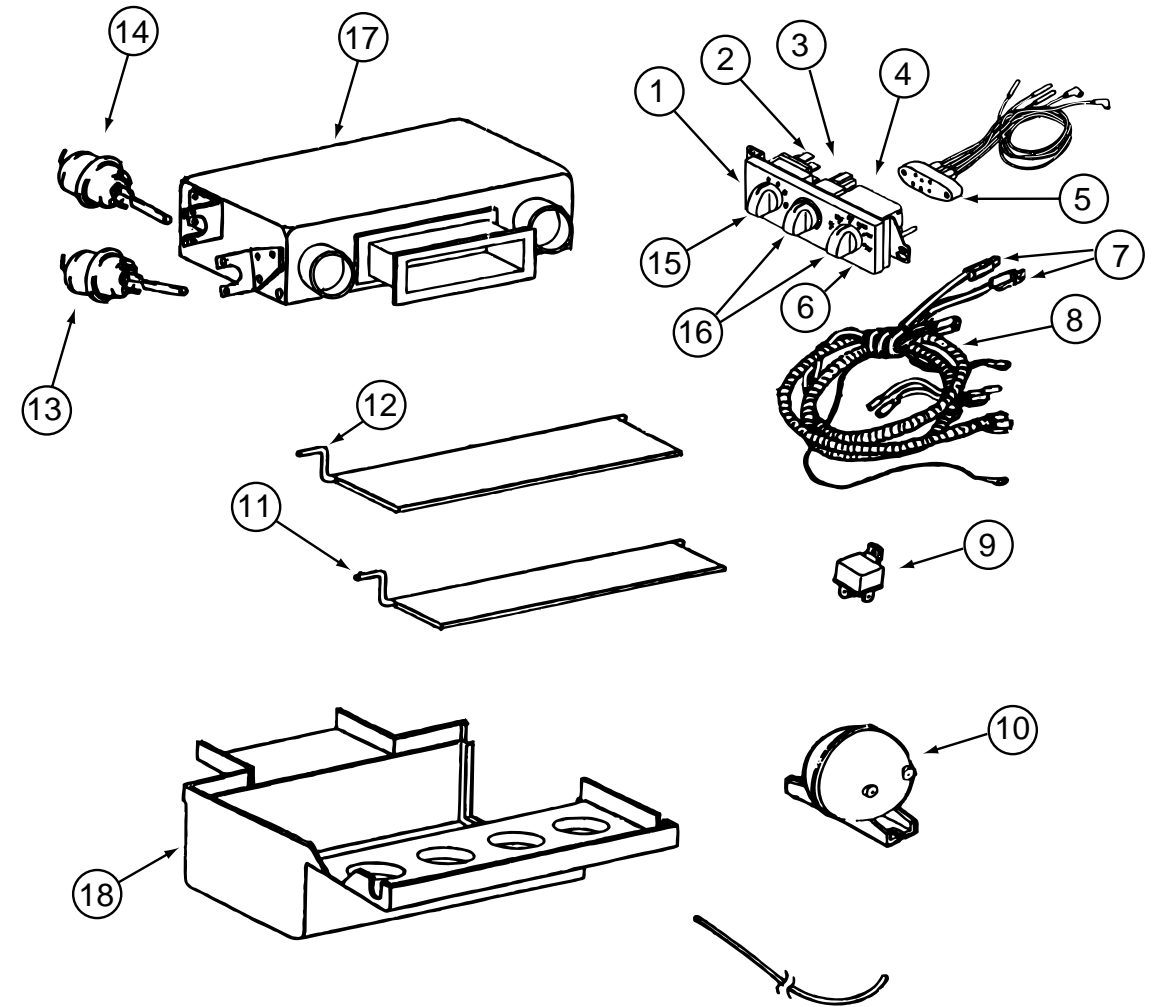
HEATING & AIR CONDITIONING GROUP (CONTINUED)

HEATING & AIR CONDITIONING GROUP (CONTINUED)



HOSE KIT - DIESEL

KEY	PART NUMBER	U/M	DESCRIPTION
1	103930-29-000	EA	HOSE KIT - #10 F/GM L-29 & L-65 CHASSIS
2	103930-17-702	EA	O'RING #10
3	103930-29-701	EA	O'RING F/LOW PRESSURE SWITCH

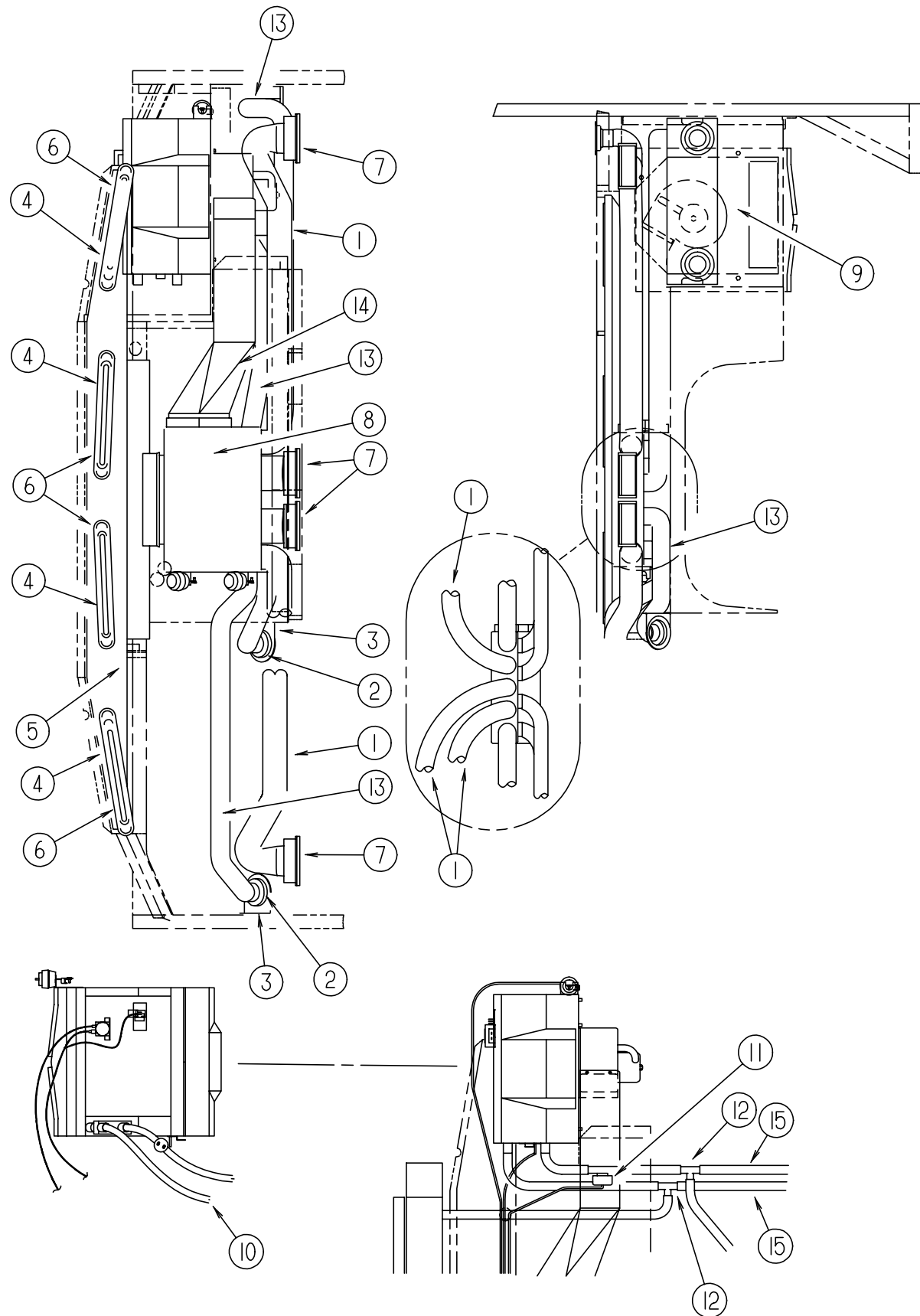


SCS CONTROL/PLENUM

VENDOR NO.	KEY	PART NUMBER	U/M	DESCRIPTION	VENDOR NO.
045-0127	1	103930-34-000	EA	CONTROL/PLENUM - ROTARY CONTROL HEAD	083-0169
045-0483	2	103930-33-702	EA	CONTROL PANEL	032-00066
	3	103930-33-707	EA	SWITCH - BLOWER	032-0184
	4	103930-33-708	EA	SWITCH - POTENTIOMETER	032-0183
	5	103930-33-709	EA	SWITCH - VACUUM	036-0466
	6	103930-33-703	EA	VACUUM HARNESS	058-0102
	7	103930-33-710	EA	DECAL F/CONTROL HEAD	035-0030
	8	103930-33-705	EA	LIGHT BULBS	036-0496
	9	103930-33-711	EA	WIRE HARNESS - MAIN	031-0001
	10	103930-02-707	EA	RELAY-BOSCH W/RESISTER	054-0002
	11	103930-02-710	EA	CANISTER-VACUUM	073-0028
	12	103930-33-700	EA	ROD - DOOR DEFROSTER/AC	073-0060
	13	103930-33-706	EA	ROD - DOOR AC/DEFROST	030-0025
	14	103930-02-708	EA	MOTOR-VACUUM SERVO, A/C	030-0105
	15	103930-33-701	EA	MOTOR - VACUUM, 3 STAGE	062-00539
	16	103930-33-712	EA	KNOB - BLOWER	062-00540
	17	103930-33-713	EA	KNOB	060-0432
	18	103930-34-700	EA	PLENUM - TOP	060-0435
		103930-34-701	EA	PLENUM - BOTTOM	

HEATING & AIR CONDITIONING GROUP (CONTINUED)

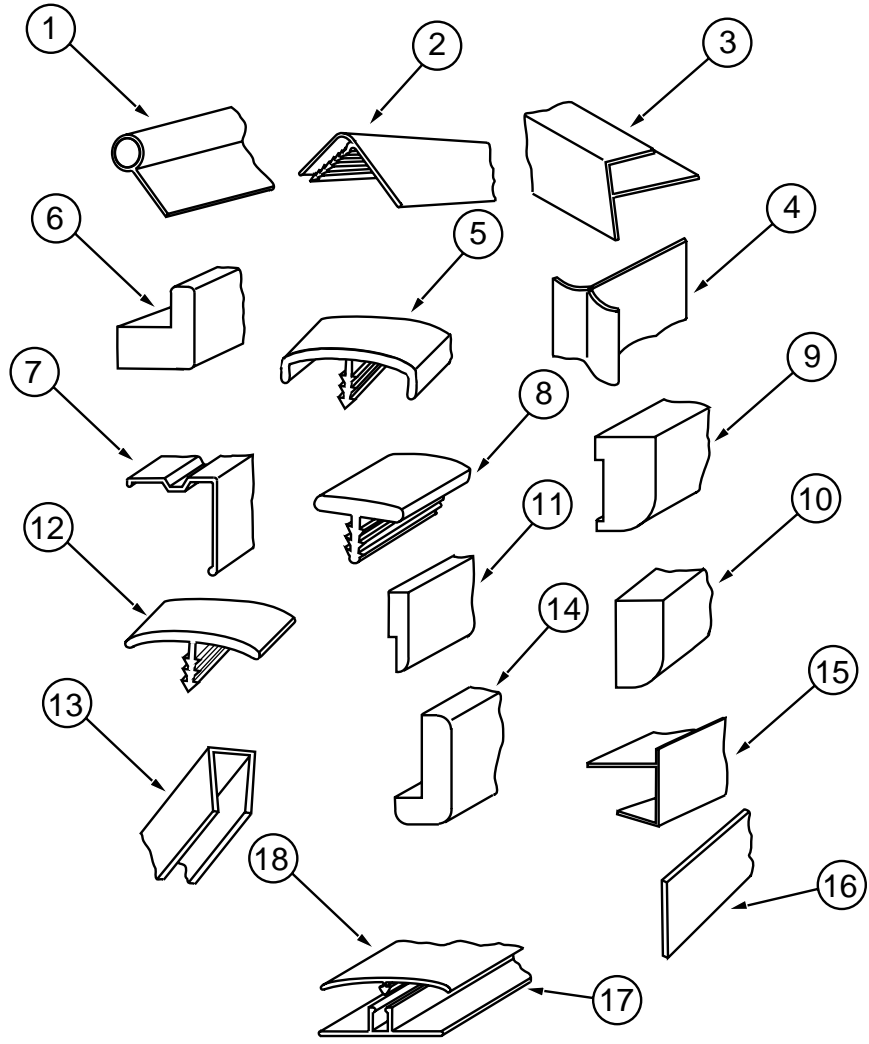
AUTOMOTIVE HEATER & A/C



KEY	PART NUMBER	U/M	DESCRIPTION
1	007281-01-000	EA	HOSE - FLEXIBLE PVC - 2.5" ID X 50'
2	024990-05-000	EA	OUTLET - DEFROSTER - 4" DIAMETER W/SWIVEL DEFLECTORS
3	056402-05-000	EA	BRACKET - HEATER VENT - ROUND W/BEND - BLACK
4	077075-03-000	EA	GASKET - INSTRUMENT PANEL/DEFROSTER PLENUM - 1.3" X 10.2"
5	103017-01-000	EA	PLENUM - DEFROSTER
6	103558-01-07A	EA	VENT - DEFROSTER - 2" X 14.4" X 1.4" - WILLOW
7	103796-01-01A	EA	LOUVER - A/C-ADJUSTABLE - 2.2" X 5.4" F/2.5" HOSE - BLACK
8	103930-34-000	EA	CONTROL/PLENUM - ROTARY CONTROL HEAD
9	103930-30-000	EA	EVAPORATOR/HEATER - CHEVY - SERVO MOTOR CONTROLLED
10	103930-29-000	EA	HOSE KIT - #10 F/GM L-29 & L-65 CHASSIS
11	103930-23-000	EA	VALVE - WATER - 2 PORT
12	076776-01-000	EA	TEE - BEADED - 5/8" X 5/8" X 5/8"
13	007076-01-000	EA	HOSE - FLEXIBLE PVC - 2" ID - INCREMENTS OF 50'
14	103016-01-000	EA	PLENUM - TRANSITION
15	007108-01-000	FT	HOSE - HEATER - 5/8" ID - HI-TEMP
	126692-01-H17	EA	PLENUM - A/C - BEVERAGE TRAY
	103930-37-000	EA	MANUAL - OWNERS - HEATER/A/C

INTERIOR FINISH GROUP

MOLDINGS & TRIMS



KEY	PART NUMBER	U/M DESCRIPTION
1	009767-12-000	FT WELTING - SIDEWALL/CEILING/CABINET - OFF/WHT
2	009809-28-000	EA MOLDING - CORNER - OUTSIDE - 1" X 84" - WATERFORD OAK
3	009812-24-000	EA MOLDING - CORNER - 1/2" W/1/4" CHAN X 108" - IVORY PLASTIC
3	009812-29-000	EA MOLDING - CORNER - 1/2" W/1/4" CHAN X 84" - WATERFORD OAK
4	022992-11-000	FT MOLDING - REVERSE COVE - T-SHAPED VINYL - IVORY
5	083620-12-000	FT MOLDING-T - END CAP EDGE - W/EDGE LIP - .75"-WATERFORD OAK
6	100819-01-05A	EA MOLDING - VINYL WRAP - L-SHAPED - 1.5" X 1.5" X 84" - OAK
7	093873-01-01A	EA TRIM - CARPET - L-ANGLE 1.1" X 1.3" X 12' - GRAY VINYL
8	104676-01-01A	FT MOLDING-T - 5/16" RIGID GOLD
9	117268-D2-134	EA MOLDING - VINYL WRAPPED - .7" X 1.6" X 84" - WATERFORD OAK
9	117268-D2-438	EA MOLDING - VINYL WRAPPED - .7" X 1.5" X 96" - WATERFORD OAK
9	117268-F2-134	EA MOLDING - VINYL WRAPPED - .7" X 2.7" X 84" - WATERFORD OAK
10	100818-01-05A	EA MOLDING - VINYL WRAP - 1.6" X .4" X 84" - WATERFORD OAK
11	105004-01-05A	EA MOLDING - VINYL WRAPPED - 1" X 96" - WATERFORD OAK
12	105709-01-000	FT MOLDING-T - 1" - MODERN IVORY
13	009778-21-000	FT U-CHANNEL - 1" - WATERFORD OAK
13	009778-22-000	FT U-CHANNEL - 1 1/4" - WATERFORD OAK
13	070504-36-000	FT U-CHANNEL - PLASTIC - .13" X 72" - WATERFORD OAK
13	070504-37-000	FT U-CHANNEL - PLASTIC - .9" X 84" - WATERFORD OAK
14	077840-01-G01	EA MOLDING - WALL CAP - 8' - WATERFORD OAK
15	103186-01-05A	FT MOLDING - PLASTIC - 3/8" U-CHANNEL 3/4" FACE-WATERFORD OAK
15	103186-02-05A	FT MOLDING - PLASTIC - 1" U-CHANNEL 1 3/8" FACE-WATERFORD OAK
16	076325-39-000	FT MOLDING - EDGE BAND - 1 5/16" X .030" - ALMOND
16	076325-67-000	FT MOLDING - EDGE BAND - .93" X .024" - WATERFORD OAK
16	076325-68-000	FT MOLDING - EDGE BAND - 1 5/16" X .038" - WATERFORD OAK
16	076325-73-000	FT MOLDING - EDGE BAND - .93" X .024" - OFF WHITE
17	086229-01-000	EA RETAINER - BATTEN - .75" X 92.3" - ANY COLOR
18	086229-15-000	EA BATTEN - 1" X 96" - MODERN IVORY
18	086229-20-000	EA BATTEN - 1" X 96" - BEIGE
	117267-D2-438	EA LUMBER - VINYL WRAPPED - .7" X 1.5" X 96" - WATERFORD OAK
	117267-E2-438	EA LUMBER - VINYL WRAPPED - .7" X 2" X 96" - WATERFORD OAK
	117267-J2-438	EA LUMBER - VINYL WRAPPED - .7" X 5.5" X 96" - WATERFORD OAK

INTERIOR FINISH GROUP (CONTINUED)

BATT STRIPS

KEY	PART NUMBER	U/M	DESCRIPTION
	088263-E3-000	EA	BATT STRIP - DECORATIVE - PEBBLE EMBOSSED/ANTIQUE - 8'
	069733-83-000	EA	BATT STRIP - WOODGRAINED/WATERFORD OAK - 8'
	085284-B5-000	FT	BATT TAPE - ADHESIVE BACKED - WOODGRAINED - WATERFORD OAK
	088263-F6-000	EA	BATT STRIP - DECORATIVE - ARTESIA/SPRING - 96" (J18)
	088263-E2-000	EA	BATT STRIP - DECORATIVE - PRIMAVERA/STONE - 96" (J19)
	088263-E6-000	EA	BATT STRIP - DECORATIVE - MONTANA/FROST - 96" (J44)
	085284-F2-000	FT	BATT TAPE - ADHESIVE BACKED - DECORATIVE - ARTESIA/SPRING (J18)
	085284-D5-000	FT	BATT TAPE - ADHESIVE BACKED - DECORATIVE - PRIMAVERA/STONE (J19)
	085284-E0-000	FT	BATT TAPE - ADHESIVE BACKED - DECORATIVE - MONTANA/FROST (J44)

PLASTIC LAMINATE

KEY	PART NUMBER	U/M	DESCRIPTION
	074498-40-000	SF	LAMINATE - PLASTIC - OFF WHITE - 5' X 8'
	074498-71-000	SF	LAMINATE - PLASTIC - NEUTRAL SANTOS - 5'X 8' (J18, J44)
	074498-80-000	SF	LAMINATE - PLASTIC - WHITE TUNDRA - 5'X 8' (J19)
	074498-77-000	SF	LAMINATE - PLASTIC - ART CABIN - 4' X 8'

SMOKE DETECTOR, CO DETECTOR, FIRE EXTINGUISHER & CLOCK

KEY	PART NUMBER	U/M	DESCRIPTION	VENDOR NO.
	072852-01-000	EA	DETECTOR - SMOKE - W/9 VOLT BATTERY	
	125136-01-000	EA	CO DETECTOR - GAS - ROUND W/2 SCREWS - 9 VOLT	
	094499-03-000	EA	EXTINGUISHER/FIRE - DRY - 10B:C - W/O BRACKET	
	094499-01-700	EA	BRACKET MTG. W/PLAS. STRAP	294039
	094499-01-701	EA	STRAP ONLY (METAL)	320351
	094499-04-000	EA	BRACKET - FIRE EXTINGUISHER	
	118081-02-01A	EA	CLOCK - WALL - ROUND 8" - BRASS	

INTERIOR FINISH GROUP (CONTINUED)

ANTISLIP & FLOOR MATS

KEY	PART NUMBER	U/M	DESCRIPTION
	091261-01-000	FT	SLIPNOT - ANTISLIP - 1' WIDE
	105924-01-F06	EA	MAT - FLOOR - 18" X 27" (J18)
	105924-01-F12	EA	MAT - FLOOR - 18" X 27" (J19)
	105924-01-J51	EA	MAT - FLOOR - 18" X 27" (J44)
	081075-03-000	EA	MAT - FLOOR - ENTRANCE - WINNEBAGO

CARPET & TILE

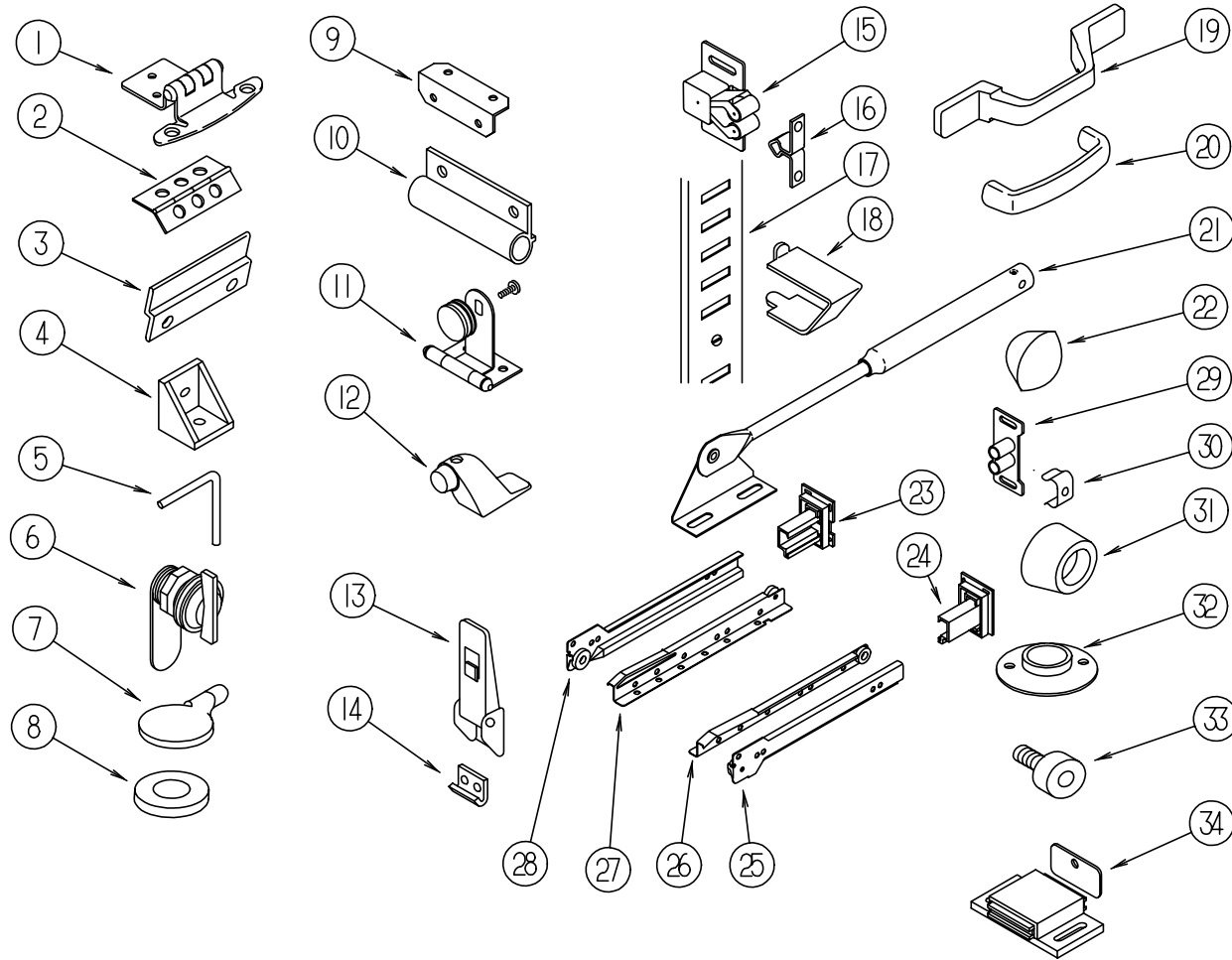
KEY	PART NUMBER	U/M	DESCRIPTION
	096060-98-000	SY	CARPET - SILVER ASPEN - INCREMENTS OF 4 SQ YD
	093486-01-000	SY	CARPET - COMPARTMENT - 72" WIDE - DARK GRAY
	122755-05-01A	EA	TILE - RUBBER/ENTRANCE DOOR - 11.2" X 26.9"
	042720-21-000	SY	VINYL - FLOOR COVERING - 7' WIDE - MODULATION

PANELING, PLYWOOD & PARTICLE BOARD

KEY	PART NUMBER	U/M	DESCRIPTION
	074497-28-000	SF	PANELING - WATERFORD OAK - 4' X 8'
	080215-10-000	SF	PANELING - 2 SIDED - WATERFORD - .2" X 4' X 8'
	088272-E2-000	SF	PANELING - BIARRITZ - TRAVERTINE - 4' X 7'
	088272-G1-000	SF	PANELING - PEBBLE EMBOSSED - ANTIQUE WHITE - 48" X 84"
	088272-H6-000	SF	PANELING - ARTESIA SPRING - 48" X 96" (J18)
	088272-F9-000	SF	PANELING - PRIMAVERA/STONE - 48" X 96" (J19)
	088272-G4-000	SF	PANELING - MONTANA/FROST - 48" X 96" (J44)
	126339-01-000	SF	BOARD - WHEAT - 60" X 72"
	000846-01-000	SF	PLYWOOD - 5/16" X 48" X 96" - CD GRADE
	000846-02-000	SF	PLYWOOD/UNDERLAYMENT - 5/16" X 48" X 96"
	000885-76-000	SF	PARTICLE BOARD-3/8" X 48" X 96"-WATERFORD OAK/VINYL 1 SIDE
	000885-77-000	SF	PARTICLE BOARD-3/8" X 48" X 96"-WATERFORD OAK/VINYL 2 SIDE
	000885-79-000	SF	PARTICLE BOARD-3/4" X 48" X 96"-WATERFORD OAK/VINYL 2 SIDE

INTERIOR FINISH GROUP (CONTINUED)

CABINET HARDWARE

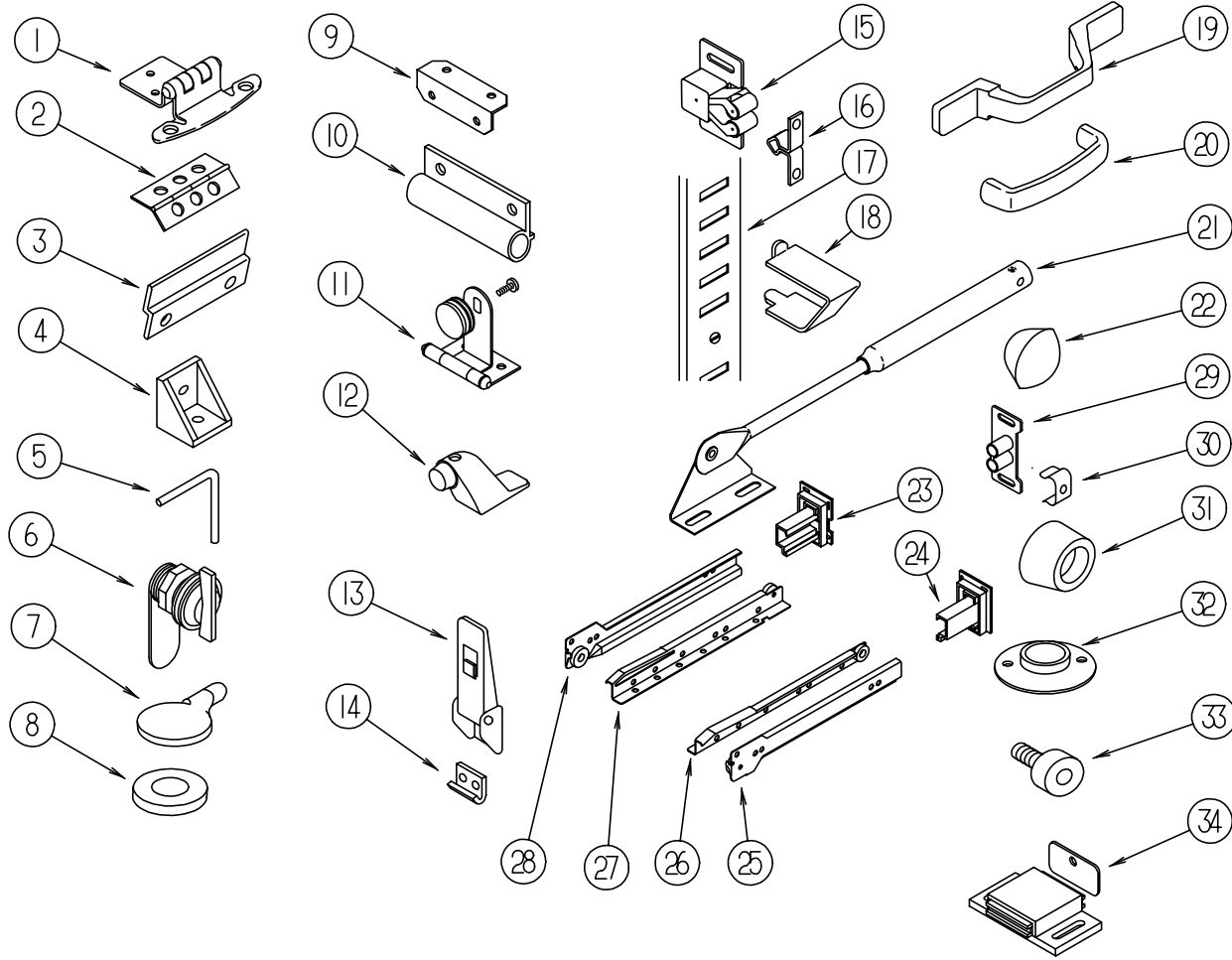


KEY	PART NUMBER	U/M	DESCRIPTION
1	108138-01-000	EA	HINGE - CABINET DOOR - BURNISHED BRASS
	000G13-06-08G	EA	SCREW
2	009059-01-000	EA	HINGE - DOOR - 2" X 1.4" - BRASS
2	009059-02-000	EA	HINGE - DOOR - 2" X 2.7" - BRASS
3	101272-01-000	EA	CATCH - GLASS DOOR
4	065740-01-000	EA	BRACE - CABINET/CORNER - PLASTIC
5	108487-02-01A	EA	SUPPORT - PROP ROD/OVERHEAD - BLACK
6	100710-01-01A	EA	LOCK - GLASS DOOR/TWIST TYPE - BRASS
7	101766-01-000	EA	PIN - SUPPORT/GLASS DOOR
8	100707-01-000	EA	SPACER - GLASS DOOR - .8" DIA - .3" HOLE - PLASTIC
	009112-01-000	EA	FLANGE - PLASTIC - 1" CLOTHES ROD - OFF WHITE
9	016604-01-000	EA	BRACE - CABINET - ANGLE - 2.5" - UNPAINTED METAL
9	016604-05-000	EA	BRACE - CABINET - ANGLE - 2.5" - OFF WHITE METAL
10	108486-01-01A	EA	BRACKET - PROP ROD/OVERHEAD - BLACK
11	100711-01-01A	EA	HINGE - GLASS DOOR
12	103257-01-000	EA	STOP - DOOR
13	116975-01-01A	EA	LATCH - W/O STRIKE - BLACK - NEW STYLE
14	116975-02-01A	EA	KEEPER/STRIKE - BLACK - NEW STYLE
15	093586-06-000	EA	CATCH - SPRING ROLLER
16	093586-05-000	EA	STRIKE - SPRING STEEL
17	098980-01-000	EA	PILASTER - ADJUSTABLE SHELF - 18" - WOODGRAIN
17	098980-02-000	EA	PILASTER - ADJUSTABLE SHELF - 12" - WOODGRAIN
17	098980-03-000	EA	PILASTER - ADJUSTABLE SHELF - 9" - WOODGRAIN
18	098979-01-000	EA	CLIP - ADJUSTABLE SHELF
19	117801-01-01A	EA	PULL - CABINET - BRASS
20	N/A	EA	PULL - CABINET - BRASS
21	074493-02-000	EA	SUPPORT - PISTON SPRING - CABINET DOOR - 26 LBS
22	042356-01-000	EA	PLUG - BUTTON - MAHOGANY - 3/8" DIAMETER - WOOD

INTERIOR FINISH GROUP (CONTINUED)

CABINET HARDWARE (CONTINUED)

CABINET DOOR SLIDES & BACKSOCKETS - FROM: 00-00-00 THRU: 02-22-98



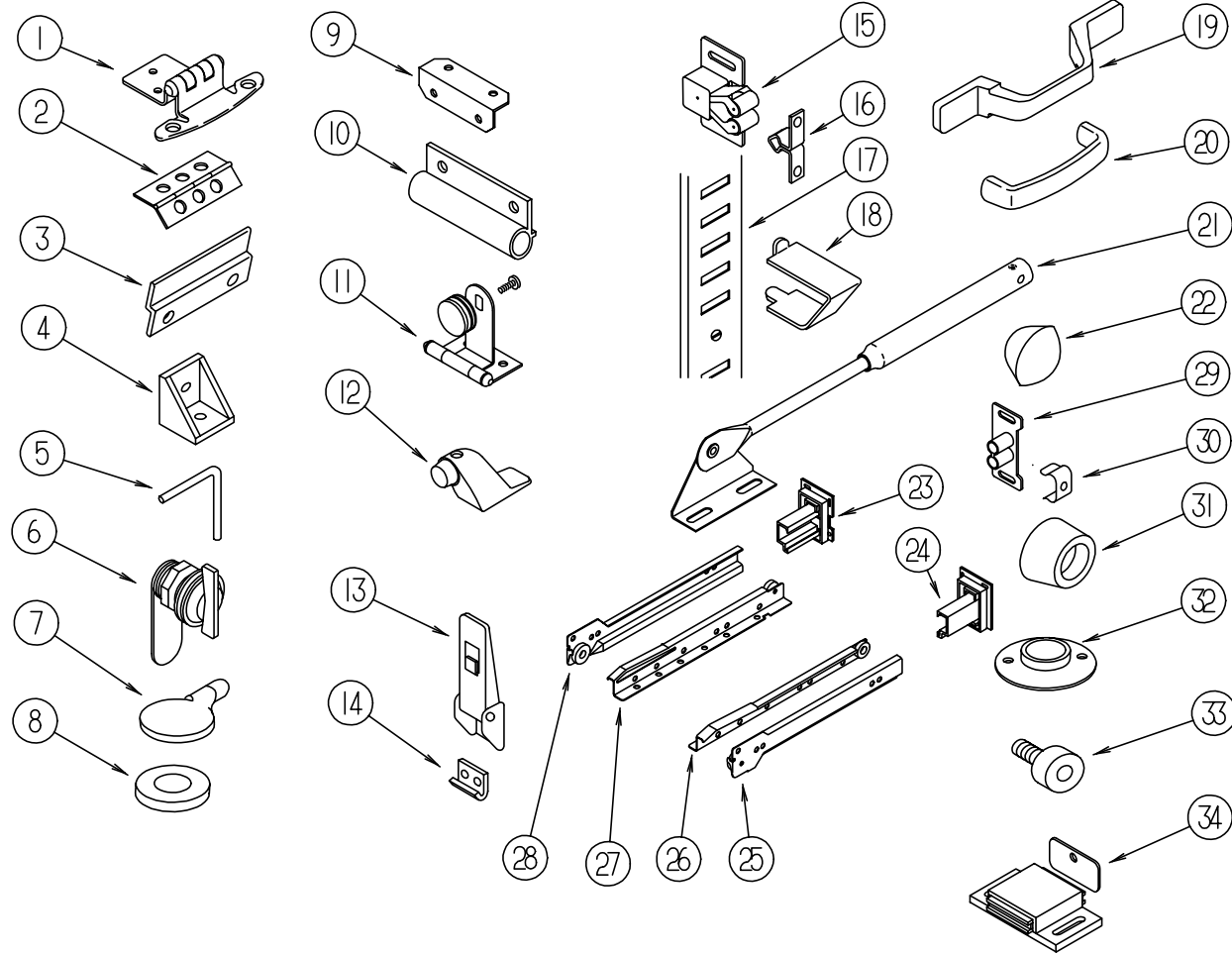
KEY	PART NUMBER	U/M	DESCRIPTION
23	114045-01-000	EA	BACKSOCKET - ADJUSTABLE LEFT
24	114045-02-000	EA	BACKSOCKET - ADJUSTABLE RIGHT
25	114031-02-000	EA	SLIDE - 12" - RIGHT SIDE/CABINET
25	114031-10-000	EA	SLIDE - 16" - RIGHT SIDE/CABINET
25	114031-14-000	EA	SLIDE - 18" - RIGHT SIDE/CABINET
25	114031-22-000	EA	SLIDE - 22" - RIGHT SIDE/CABINET
26	114031-04-000	EA	SLIDE - 12" - RIGHT SIDE/DRAWER
26	114031-12-000	EA	SLIDE - 16" - RIGHT SIDE/DRAWER
26	114031-16-000	EA	SLIDE - 18" - RIGHT SIDE/DRAWER
26	114031-24-000	EA	SLIDE - 22" - RIGHT SIDE/DRAWER
27	114031-03-000	EA	SLIDE - 12" - LEFT SIDE/DRAWER
27	114031-11-000	EA	SLIDE - 16" - LEFT SIDE/DRAWER
27	114031-15-000	EA	SLIDE - 18" - LEFT SIDE/DRAWER
27	114031-23-000	EA	SLIDE - 22" - LEFT SIDE/DRAWER
28	114031-01-000	EA	SLIDE - 12" - LEFT SIDE/CABINET
28	114031-09-000	EA	SLIDE - 16" - LEFT SIDE/CABINET
28	114031-13-000	EA	SLIDE - 18" - LEFT SIDE/CABINET
28	114031-21-000	EA	SLIDE - 22" - LEFT SIDE/CABINET

CABINET DOOR SLIDES & BACKSOCKETS - FROM: 02-23-98 THRU: 99-99-99

KEY	PART NUMBER	U/M	DESCRIPTION
23	128811-01-01A	EA	BACKSOCKET - ADJUSTABLE - LEFT
24	128811-02-01A	EA	BACKSOCKET - ADJUSTABLE RIGHT
25	128810-02-01A	EA	SLIDE - DRAWER - 12" - RIGHT CABINET
25	128810-10-01A	EA	SLIDE - DRAWER - 16" - RIGHT CABINET
25	128810-14-01A	EA	SLIDE - DRAWER - 18" - RIGHT CABINET
25	128810-22-01A	EA	SLIDE - DRAWER - 22" - RIGHT CABINET
26	128810-04-01A	EA	SLIDE - DRAWER - 12" - RIGHT DRAWER
26	128810-12-01A	EA	SLIDE - DRAWER - 16" - RIGHT DRAWER
26	128810-16-01A	EA	SLIDE - DRAWER - 18" - RIGHT DRAWER
26	128810-24-01A	EA	SLIDE - DRAWER - 22" - RIGHT DRAWER
27	128810-03-01A	EA	SLIDE - DRAWER - 12" - LEFT DRAWER
27	128810-11-01A	EA	SLIDE - DRAWER - 16" - LEFT DRAWER
27	128810-15-01A	EA	SLIDE - DRAWER - 18" - LEFT DRAWER
27	128810-23-01A	EA	SLIDE - DRAWER - 22" - LEFT DRAWER
28	128810-01-01A	EA	SLIDE - DRAWER - 12" - LEFT CABINET
28	128810-09-01A	EA	SLIDE - DRAWER - 16" - LEFT CABINET
28	128810-13-01A	EA	SLIDE - DRAWER - 18" - LEFT CABINET
28	128810-21-01A	EA	SLIDE - DRAWER - 22" - LEFT CABINET

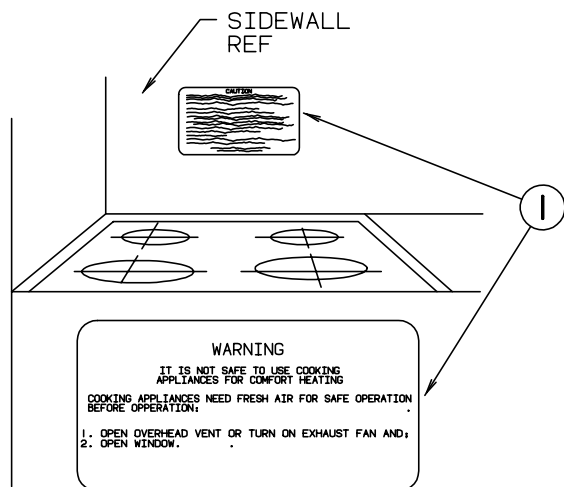
INTERIOR FINISH GROUP (CONTINUED)

CABINET HARDWARE (CONTINUED)



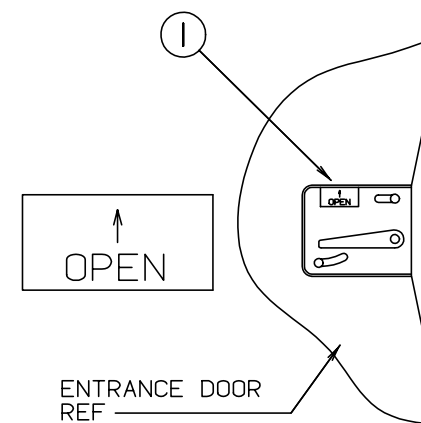
KEY	PART NUMBER	U/M	DESCRIPTION
29	009021-01-000	EA	CATCH - GRILLE - NYLON
30	009021-02-000	EA	STRIKE - SPRING STEEL
31	004354-01-000	EA	BUMPER - RUBBER - .5" DIA - BROWN
32	009112-01-000	EA	FLANGE - PLASTIC - 1" CLOTHES ROD - OFF WHITE
33	079921-01-000	EA	ROLLER - NYLON - W/STEEL SHAFT - BARBED
34	088254-01-000	EA	CATCH - MAGNETIC - 1.8" X .7"
	009089-01-000	EA	CLIP - MIRROR
	042438-01-000	EA	DOWEL - WOOD - CLOTHES ROD - 1" DIAMETER X 4'
	042438-02-000	EA	DOWEL - WOOD - 2" X 2"
	023320-01-000	EA	PAD - FELT 3/8" DIAMETER
	104181-01-01A	EA	SUPPORT - LEAF 5.3" EXTENDS TO 7.5" - SAFETY RING - METAL
	064781-06-000	EA	HOLDER - CUP - TWO STEP - OFF WHITE
	084625-06-000	EA	HINGE - ALUMINUM - W/HOLES - 17.2" - OFF/WHITE
	122021-01-01A	EA	ANGLE - W/HOLES - 1" X 1" X 9" - MILL
	122021-02-02A	EA	ANGLE - W/HOLES - 1" X 1" X 13.8" - MILL

LABELS GROUP

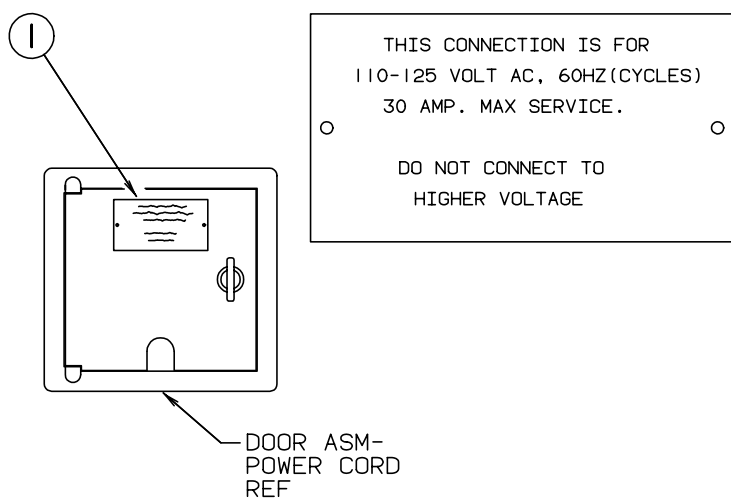


KEY	PART NUMBER	U/M DESCRIPTION
1	050225-01-000	EA LABEL - STOVE VENT

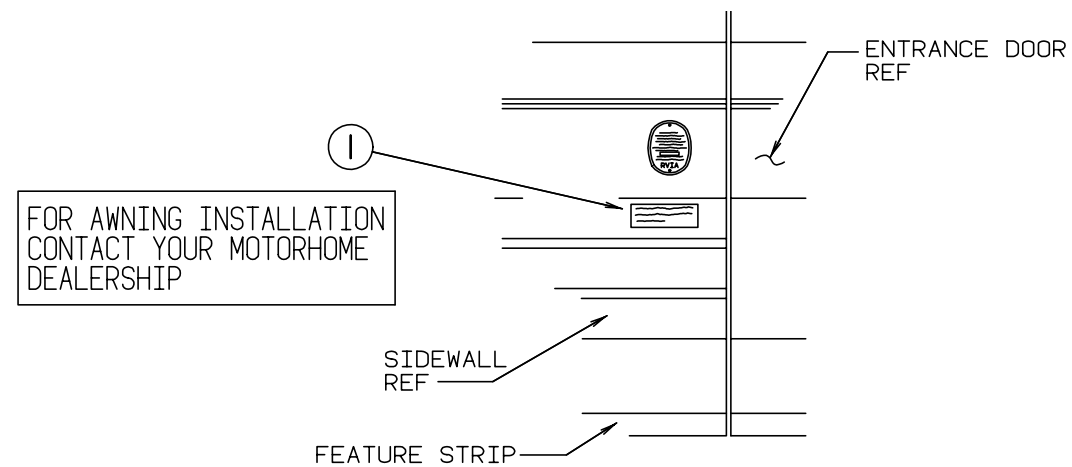
LABELS GROUP (CONTINUED)



KEY	PART NUMBER	U/M DESCRIPTION
1	040944-01-000	EA LABEL - ENTRANCE DOOR - "OPEN"

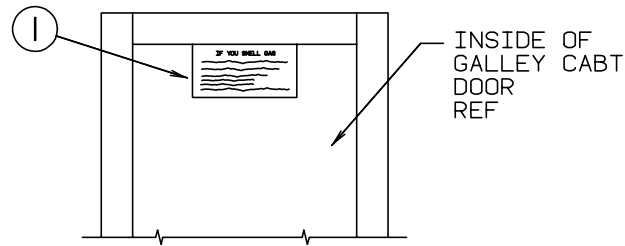


KEY	PART NUMBER	U/M DESCRIPTION
1	125306-03-01A	EA LABEL - ELECTRICAL ENTRANCE - 100 VOLT 30 AMP - JAPAN EXPORT
1	125306-05-01A	EA LABEL - ELECTRICAL ENTRANCE - 220 VOLT 25 AMP - EUROPEAN



KEY	PART NUMBER	U/M DESCRIPTION
1	099509-01-000	EA LABEL - AWNING INSTALLATION

LABELS GROUP (CONTINUED)



IF YOU SMELL GAS

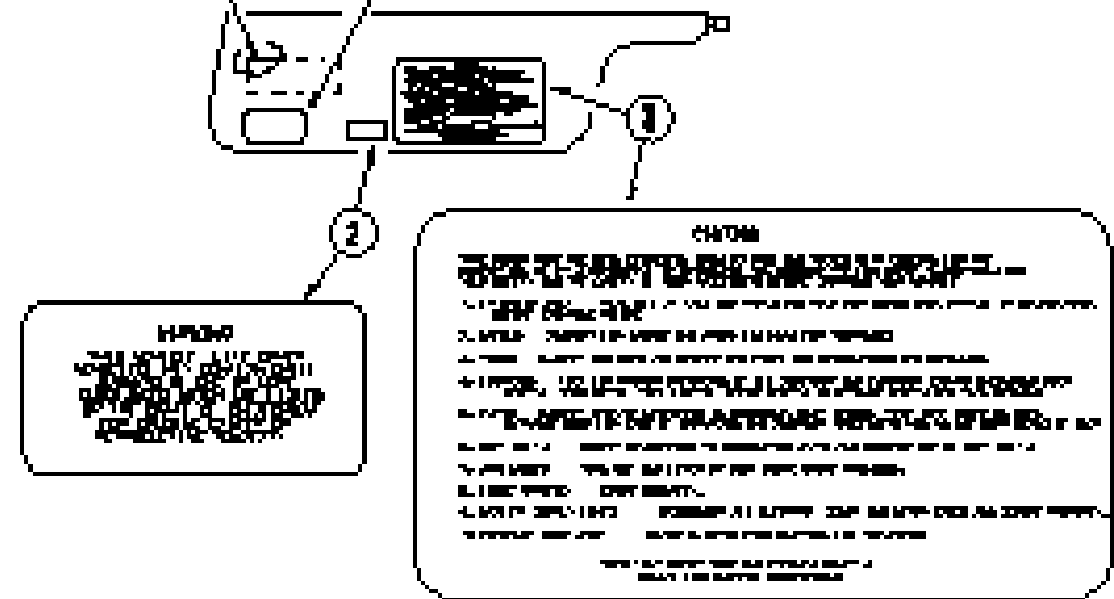
1. EXTINGUISH ANY OPEN FLAME, PILOT LIGHTS AND ALL SMOKING MATERIALS.
2. SHUT OFF THE GAS SUPPLY AT THE TANK VALVE(OR GAS SUPPLY CONNECTION.
3. OPEN DOORS AND OTHER VENTILATING OPENINGS.
4. DO NOT TOUCH ELECTRICAL SWITCHES.
5. LEAVE THE AREA UNTIL ODOR CLEARS.
6. HAVE THE GAS SYSTEM CHECKED AND LEAKAGE SOURCE CORRECTED BEFORE USING AGAIN.

KEY	PART NUMBER	U/M DESCRIPTION
	073998-01-000	EA LABEL - LPG ODOR WARNING

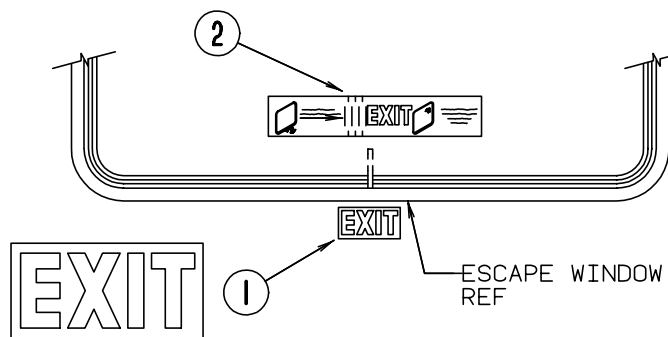
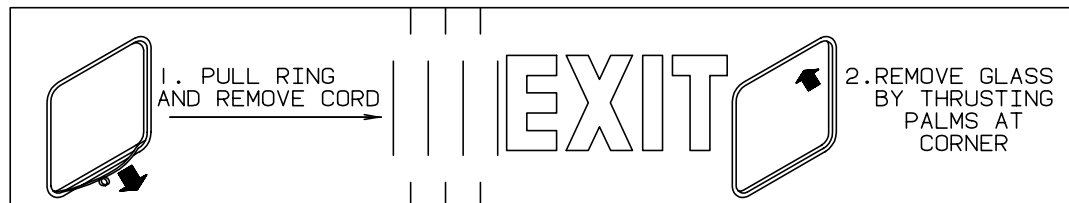
LABELS GROUP (CONTINUED)



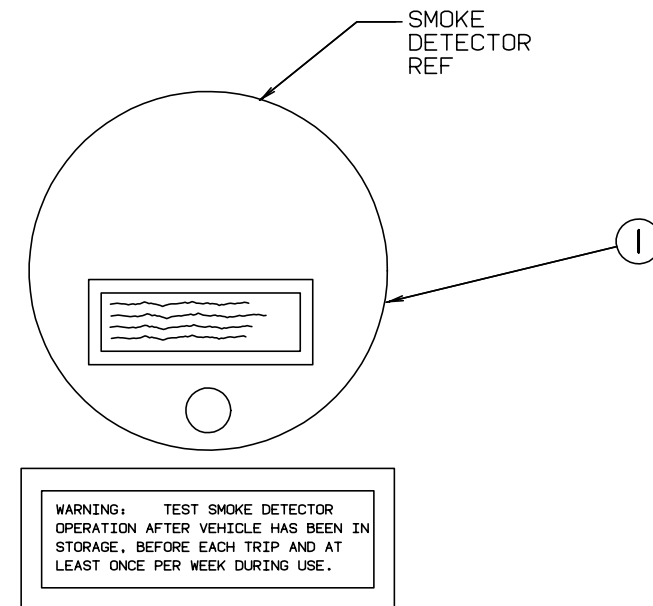
WARNING CONTAINS TOXIC SUBSTANCE WHICH MAY BE HARMFUL TO PUBLIC HEALTH AND ENVIRONMENT BY CONTACTING WITH THE LIQUID OR VAPOR



KEY	PART NUMBER	U/M DESCRIPTION
1	111802-01-000	EA LABEL - CFC WARNING
2	099689-01-000	EA LABEL - WARNING - CANCER/TOXICITY
3	056259-01-000	EA LABEL - SAFETY CHECK LIST
4	126611-01-000	EA LABEL - AIR BAG - VISOR

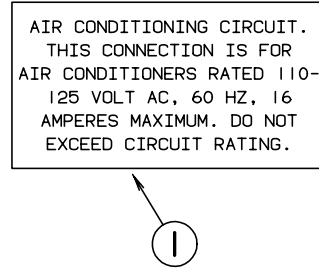


KEY	PART NUMBER	U/M DESCRIPTION
1	039290-01-000	EA LABEL - WARNING - EXIT
2	107571-01-000	EA LABEL - EXIT/ESCAPE WINDOW



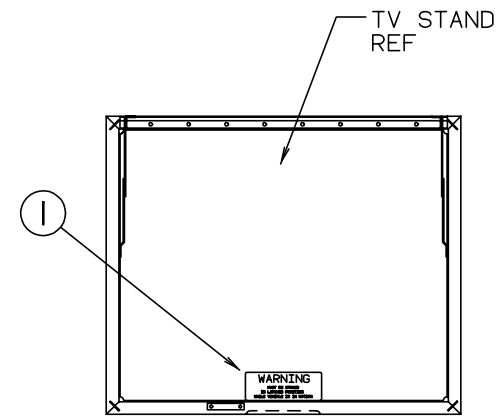
KEY	PART NUMBER	U/M DESCRIPTION
1	077956-01-000	EA LABEL - WARNING - SMOKE DETECTOR

LABELS GROUP (CONTINUED)



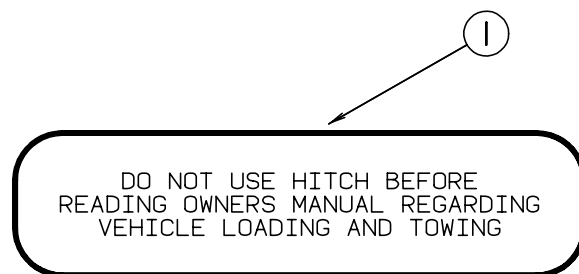
KEY PART NUMBER U/M DESCRIPTION
 1 091243-01-000 EA LABEL - A/C COVER "AIR CONDITIONING CIRCUIT ETC."

LABELS GROUP (CONTINUED)

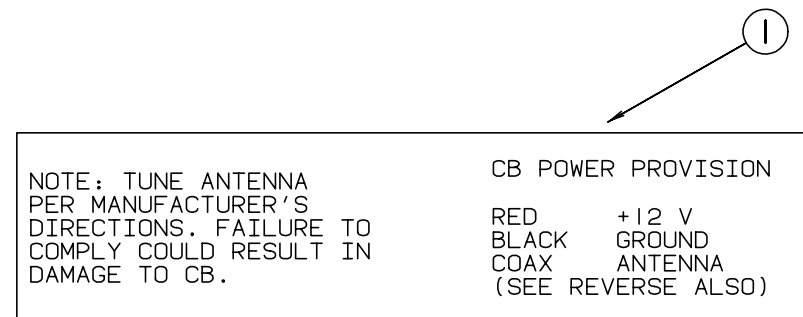


WARNING
 MUST BE STOWED
 IN LATCHED POSITION
 WHILE VEHICLE IS IN MOTION

KEY PART NUMBER U/M DESCRIPTION
 1 079966-01-000 EA LABEL - WARNING - STOWED - MOTION

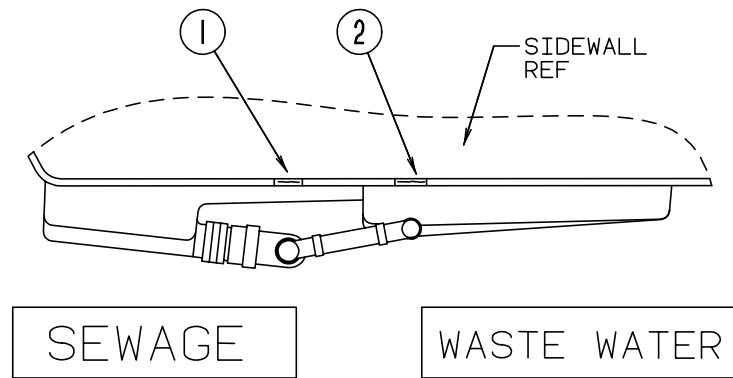


KEY PART NUMBER U/M DESCRIPTION
 1 111104-01-000 EA LABEL - HITCH - READ MANUAL - WHITE



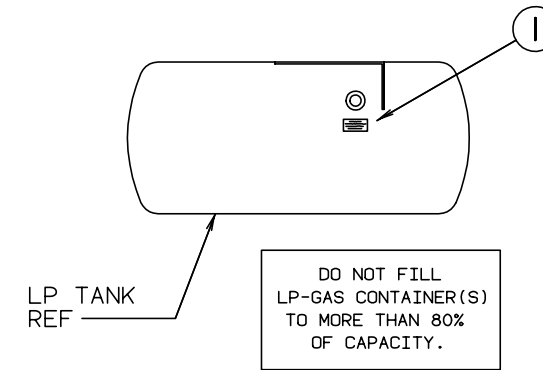
KEY PART NUMBER U/M DESCRIPTION
 1 104678-01-000 EA LABEL - CB PREP

LABELS GROUP (CONTINUED)

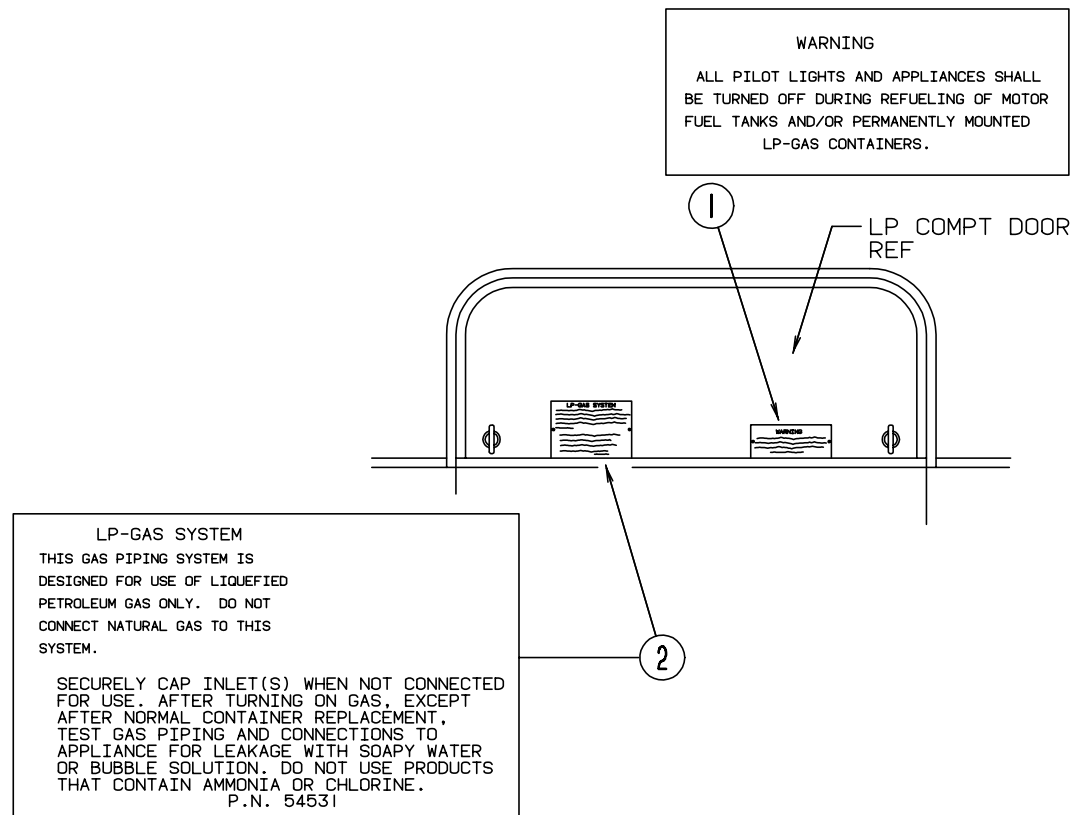


KEY	PART NUMBER	U/M DESCRIPTION
1	006187-01-000	EA LABEL - SEWAGE
2	006188-01-000	EA LABEL - WASTE WATER

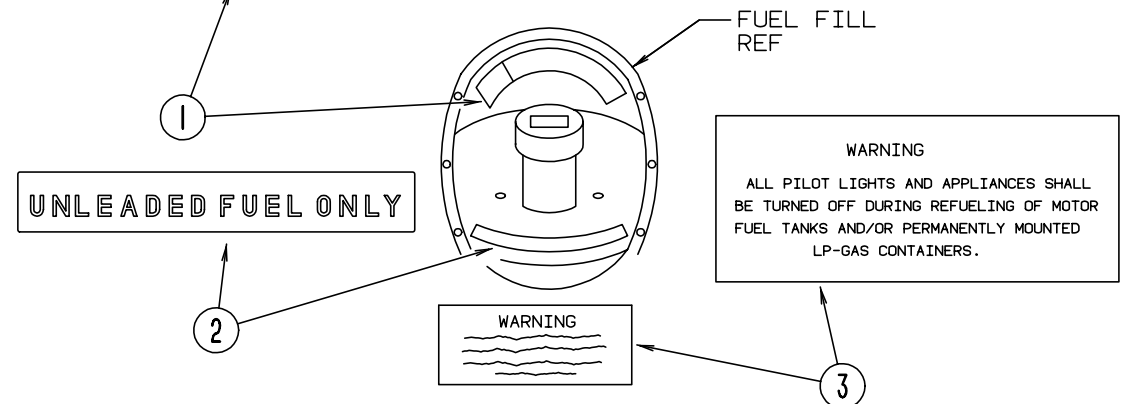
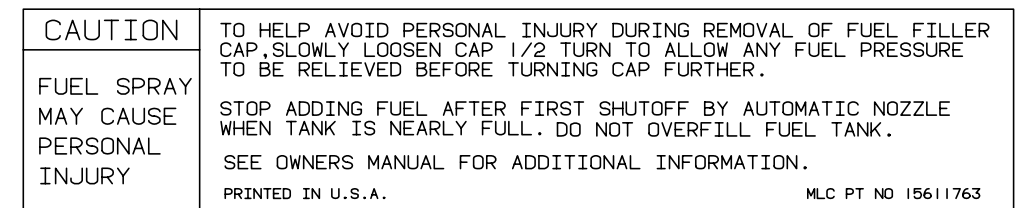
LABELS GROUP (CONTINUED)



KEY	PART NUMBER	U/M DESCRIPTION
1	079965-01-000	EA LABEL - LPG - 80% CAPACITY

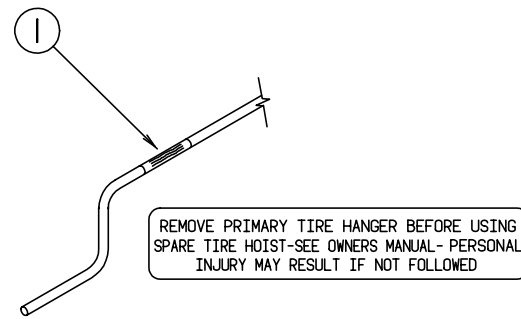


KEY	PART NUMBER	U/M DESCRIPTION
1	124519-01-01A	EA LABEL - WARNING/REFUELING - BLACK ON CLEAR
2	124520-01-01A	EA LABEL - LP GAS ONLY - BLACK ON CLEAR

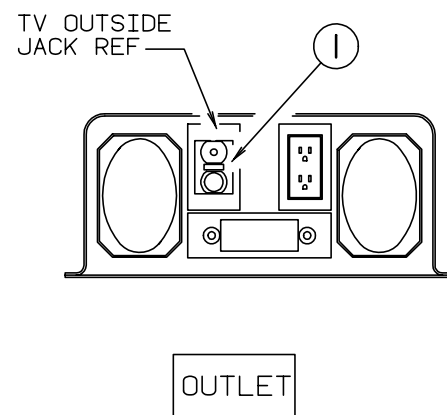


KEY	PART NUMBER	U/M DESCRIPTION
1	087207-05-000	EA LABEL - FUEL CAP REMOVAL
2	062043-01-000	EA LABEL - FUEL - UNLEADED
3	124519-01-01A	EA LABEL - WARNING/REFUELING - BLACK ON CLEAR

LABELS GROUP (CONTINUED)

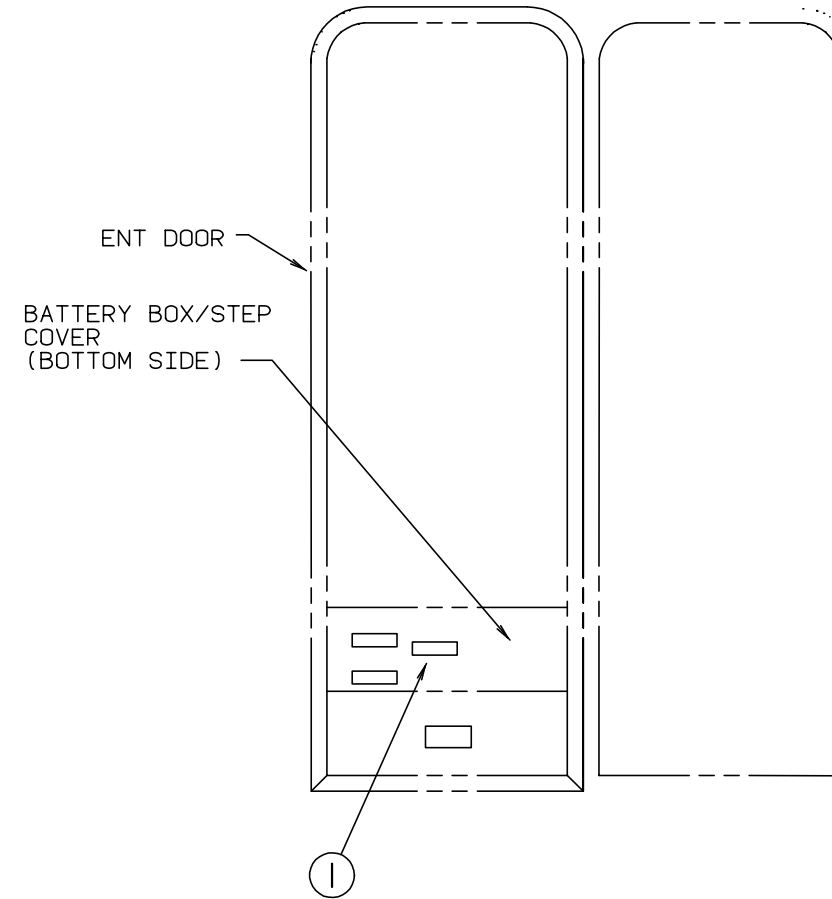


KEY	PART NUMBER	U/M DESCRIPTION
1	126024-01-01A	EA LABEL - TIRE HANGER REMOVAL



KEY	PART NUMBER	U/M DESCRIPTION
1	087236-01-000	EA LABEL - CABLE - INPUT

LABELS GROUP (CONTINUED)



WARNING: DISCONNECT BATTERIES BEFORE CONNECTING EXTERNAL CHARGING EQUIPMENT.

AVERTISSEMENT: DEBRANCHER LES BATTERIES AVANT DE BRANCHER TOUT EQUIPEMENT DE CHARGE EXTERIEUR.

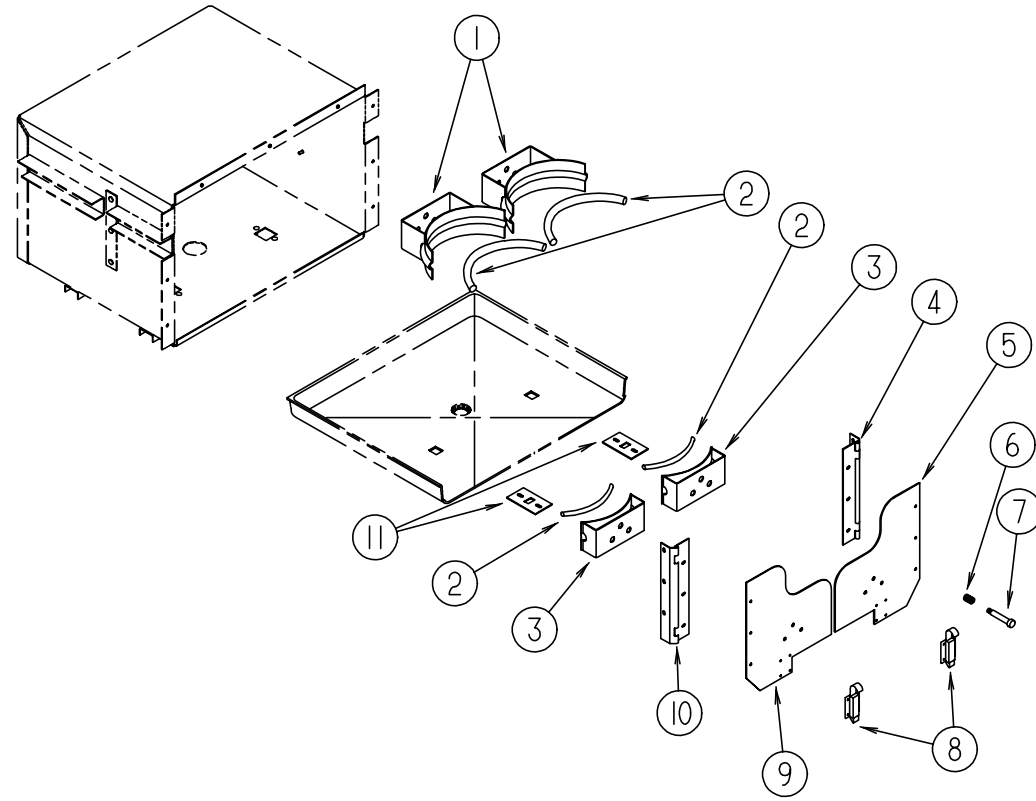
KEY	PART NUMBER	U/M DESCRIPTION
1	065748-01-000	EA LABEL - CAUTION - BATTERY CHARGING

MISCELLANEOUS LABELS

KEY	PART NUMBER	U/M DESCRIPTION
	098379-04-000	EA LABEL - ELECTRICAL BOX - SIDE
	098641-01-000	EA LABEL - FUEL - UNLEADED - DASH
	102267-01-000	EA LABEL - NO OCCUPANCY - US
	111537-07-000	EA LABEL - FUSES
	113402-01-000	EA LABEL - CAUTION - WATER HEATER EXHAUST
	113402-02-000	EA LABEL - CAUTION - FURNACE EXHAUST
	128218-01-01A	EA LABEL - WARNING - SLIPPERY ROOF

LP GROUP

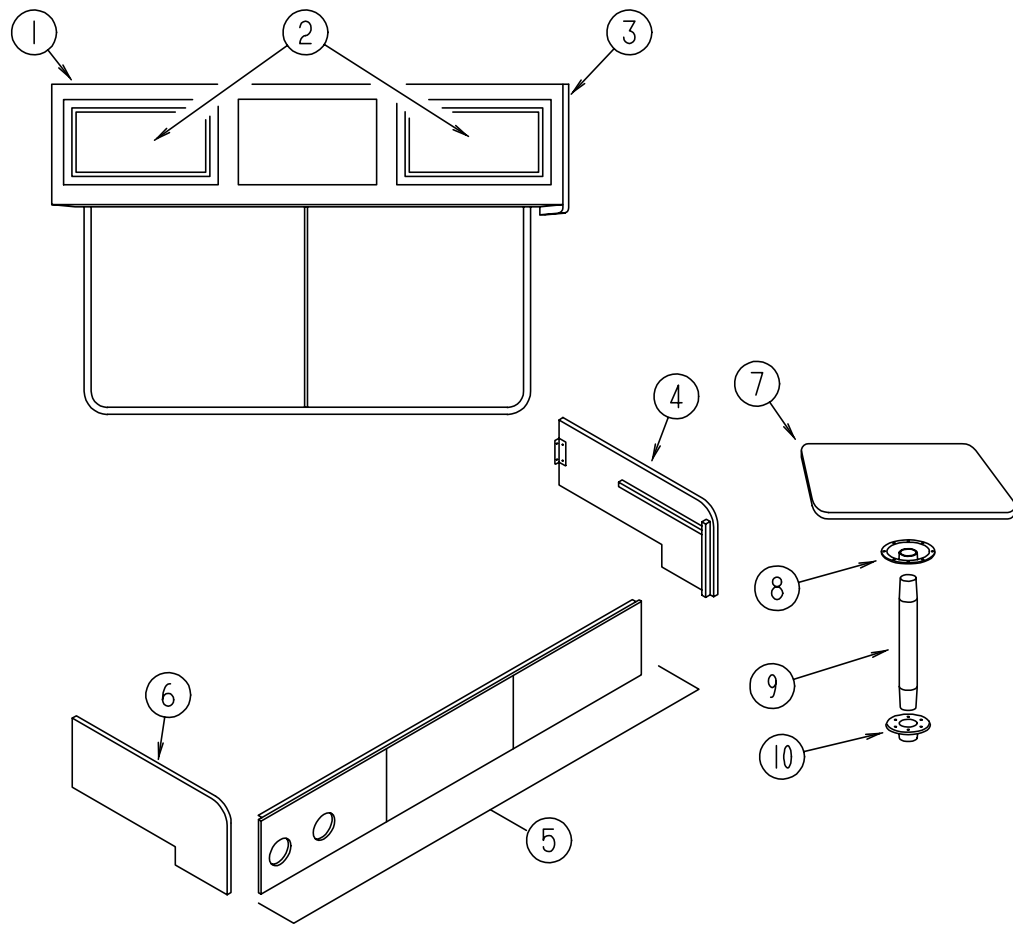
LP COMPARTMENT COMPONENTS - JAPAN



KEY	PART NUMBER	U/M	DESCRIPTION
1	107414-01-000	EA	CRADLE - LP TANK
2	098408-01-000	FT	SEAL - SPONGE RUBBER - CLOSED CELL
3	107414-02-000	EA	CRADLE - LP TANK
4	097207-02-01A	EA	HINGE-CONTINUOUS,DOOR,RH MIL
5	107433-01-C82	EA	DOOR - HINGED - LP BOX - RIGHT HAND
6	107394-01-000	EA	SPRING - COMPRESSION - DOOR - LP
7	107393-01-000	EA	BOLT - SHOULDER - SOCKET HEAD - BLACK
8	107395-01-02A	EA	LATCH - BOLT - FINGER - LP DOOR
9	107433-02-C82	EA	DOOR - HINGED - LP BOX - LEFT HAND
10	097207-03-02A	EA	HINGE - CONTINUOUS - LP DOOR
11	107421-01-000	EA	PLATE - STRIKE - LP COMPARTMENT
	010323-01-000	EA	ADAPTER - BRASS - 3/8" F X 1/2" MPT
	010497-03-000	EA	CLAMP - CLOSED - 1" ID - CUSHIONED
	010495-01-000	EA	CLAMP - CABLE - 9/16"
	016188-05-000	EA	GROMMET - L/P LINE - 3/8" HOLE X 1 1/4" LONG - RUBBER

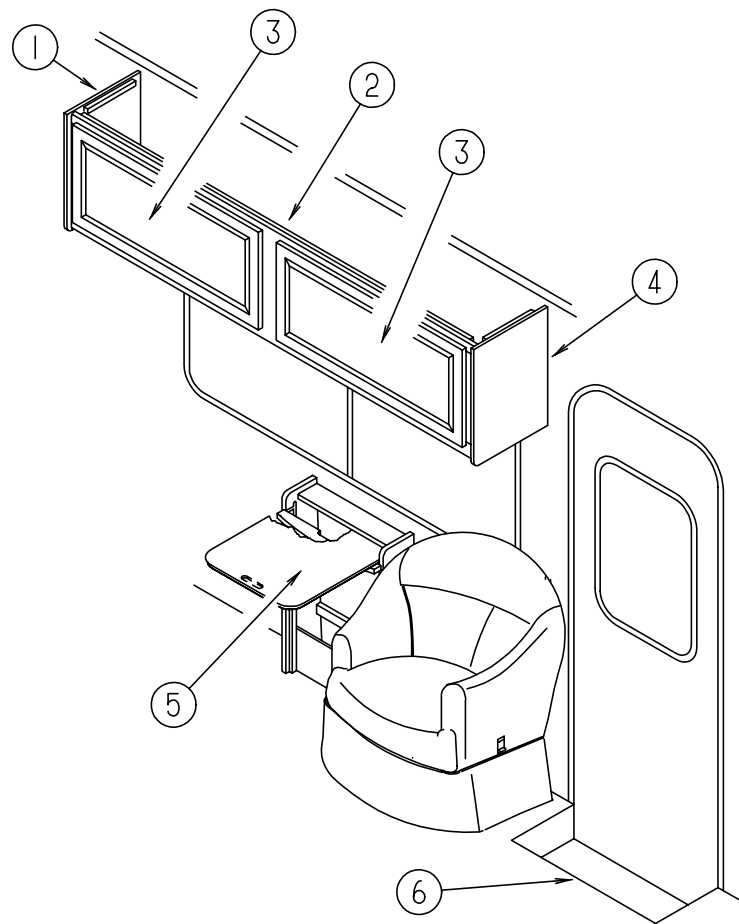
LOUNGE GROUP

DRIVER SIDE COUCH & TABLES



KEY	PART NUMBER	U/M DESCRIPTION
1	117922-01-J18	EA CABINET - OVERHEAD/DINETTE - W/O DOORS/HARDWARE (J18)
1	117922-01-J19	EA CABINET - OVERHEAD/DINETTE - W/O DOORS/HARDWARE (J19)
1	117922-01-H16	EA CABINET - OVERHEAD/DINETTE - W/O DOORS/HARDWARE (J44)
1	117922-06-H33	EA CABINET - OVERHEAD/DINETTE - W/O DOORS/HARDWARE - W.I.E. EXPORT (J18, J19)
1	117922-06-H16	EA CABINET - OVERHEAD/DINETTE - W/O DOORS/HARDWARE - W.I.E. EXPORT (J44)
	117922-14-G35	EA SHELF - W/PLASTIC EDGE TRIM
2	M05992-48-J20	EA DOOR - STRAIGHT CORNER/OGEE EDGE - 15.7" X 27.9" - W/O HDW
3	103128-01-G09	EA END CAP - OVERHEAD CABINET - RIGHT HAND
4	M06978-04-J18	EA PANEL - LEFT END - SOFA/BED - FABRIC COVERED
4	M06978-04-J19	EA PANEL - LEFT END - SOFA/BED - FABRIC COVERED
4	M06978-04-J44	EA PANEL - LEFT END - SOFA/BED - FABRIC COVERED
5	M06978-03-J18	EA PANEL - FRONT KICK - SOFA/BED - FABRIC COVERED
5	M06978-03-J19	EA PANEL - FRONT KICK - SOFA/BED - FABRIC COVERED
5	M06978-03-J44	EA PANEL - FRONT KICK - SOFA/BED - FABRIC COVERED
	082525-01-000	EA BRACE - COUCH - FLOOR MOUNT - ANGLE 3" LONG
	016604-01-000	EA BRACE - CABINET - ANGLE - 2.5" - UNPAINTED METAL
6	M06978-01-J18	EA PANEL - SOFA/BED - RIGHT END - FABRIC COVERED
6	M06978-01-J19	EA PANEL - SOFA/BED - RIGHT END - FABRIC COVERED
6	M06978-01-J44	EA PANEL - SOFA/BED - RIGHT END - FABRIC COVERED
7	081298-01-F09	EA TABLE TOP ONLY
8	009040-03-000	EA BASE - TABLE/RAISED - TABLE MOUNTED
9	009040-02-000	EA PEDESTAL TABLE LEG - 27.5" X 2.25" DIAMETER
	062046-01-000	EA CLIP - LEG - PEDESTAL - 1.7" X 2.2" - DIA FROM 2 - 2.5"
10	041194-01-000	EA BASE - TABLE/FLUSH - FLOOR MOUNTED

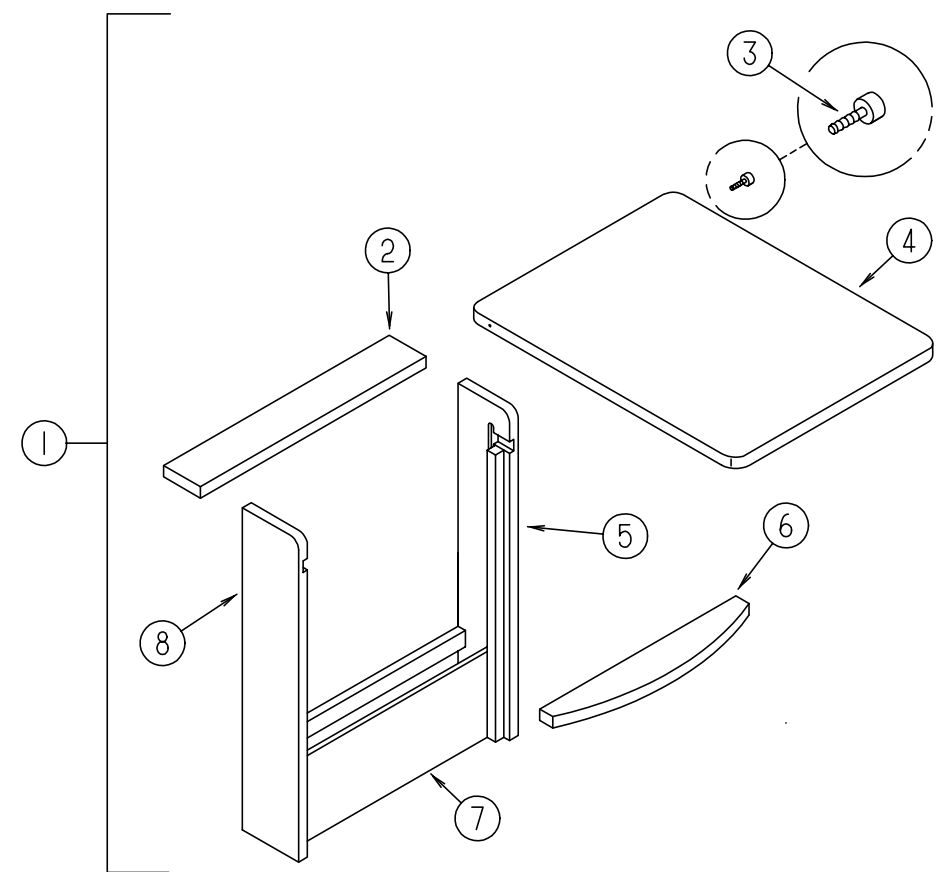
LOUNGE GROUP (CONTINUED)



PASSENGER SIDE SWIVEL CHAIR & TABLE

KEY	PART NUMBER	U/M	DESCRIPTION
1	103128-07-G15	EA	END CAP - OVERHEAD CABINET - LEFT HAND
2	118978-01-G09	EA	CABINET - OVERHEAD/FRONT/RIGHT HAND - W/O DOORS/HARDWARE
2	118978-02-H13	EA	CABINET - OVERHEAD/FRONT/RIGHT HAND - W/O DOORS/HARDWARE - EXPORT
3	M05992-V3-J18	EA	DOOR - STRAIGHT CORNER/OGEE EDGE - 15.7" X 19.6" - W/O HDW
4	103128-10-G15	EA	END CAP - OVERHEAD CABINET - RIGHT HAND
5	M96873-01-G01	EA	CABINET - F/PULLOUT TABLE - W/O TOP
6	104006-01-C05	EA	LID - ENTRANCE STEP COMPARTMENT - W/O CARPET
	107941-01-02A	EA	SUPPORT - ENTRANCE STEP LID
	101222-01-02A	EA	BRACKET - CATCH - LID - OFF WHITE
	116975-01-01A	EA	LATCH - W/O STRIKE - BLACK - NEW STYLE
	116975-02-01A	EA	KEEPER/STRIKE - BLACK - NEW STYLE

LOUNGE GROUP (CONTINUED)



PULLOUT TABLE

KEY	PART NUMBER	U/M	DESCRIPTION
1	M96873-01-G01	EA	CABINET - F/PULLOUT TABLE - W/O TOP
2	096873-15-G01	EA	SHELF - SUPPORT - OVER PULLOUT TABLE TOP
3	079921-01-000	EA	ROLLER - NYLON - W/STEEL SHAFT - BARBED
4	096873-11-G01	EA	TABLE TOP ONLY - PULLOUT
	080736-01-000	EA	PULL - RECESSED - 1.25 X 4" - OAK
5	096873-13-G01	EA	CABINET/RIGHT SIDE - F/PULLOUT TABLE - 5.7" X 28.7"
6	096873-12-G01	EA	SHELF - SUPPORT UNDER TABLE TOP
7	096873-16-G01	EA	TABLE FRONT - BOTTOM - 18.1" X 6.7"
8	096873-14-G01	EA	CABINET/LEFT SIDE - F/PULLOUT TABLE - 5.7" X 28.7"

SEALANTS & FASTENERS GROUP

ADHESIVES

KEY	PART NUMBER	U/M	DESCRIPTION
	004006-05-700	EA	ADHESIVE-NAT. STARCH (5 GAL) 0802
	062917-03-000	EA	ADHESIVE - LOCTITE 242
	067788-01-000	EA	ADHESIVE - SPRAY - 3M - 19.5 AEROSOL CAN
	087211-01-000	GL	PROMOTER - ADHESIVE
	112901-02-000	EA	ADHESIVE - PLEXUS - 50ML

TAPES

KEY	PART NUMBER	U/M	DESCRIPTION
	002707-02-000	FT	TAPE-SEALER - 5/16" X 1/2" - INCREMENTS OF 50 FT
	004363-01-000	FT	TAPE - ADHESIVE FOAM/1 SIDE - 3/16" X 1/2" X 50' - GRAY
	120534-01-01A	EA	TAPE - SCOTCH - 3M - 1/2" FINE LINE
	123816-01-000	FT	TAPE - DOUBLE SIDED - 1"
	123816-02-000	FT	TAPE - DOUBLE SIDED - 1/2" X 1 1/3" THICK
	123816-03-000	FT	TAPE - DOUBLE SIDED - 1/2" X 3/4" - THICK
	076314-02-000	FT	TAPE - CARPET SEAM - HEAT-BOND - 4" WIDE
	076322-02-000	FT	TAPE - DOUBLE COATED/ADHESIVE BACK - .045"THK X 1"W X 108'
	076322-05-000	FT	TAPE - DOUBLE COATED/ADHESIVE BACK - .045"THK X .75"W X 9'
	076322-05-000	FT	TAPE - DOUBLE COATED/ADHESIVE BACK - .045"THK X .75"W X 9'
	088479-01-000	EA	TAPE - ALUMINUM - 3"
	110274-01-000	FT	TAPE - DOUBLE SIDED FOAM - .45" X 1"

SEALERS

KEY	PART NUMBER	U/M	DESCRIPTION
	069640-01-000	FT	SEALER - RIBBON - 1/4" DIAMETER X 30' - BLACK
	069640-02-000	FT	SEALER - TAPE - .13"THICK X .5"WIDE X 60' - GRAY
	069640-03-000	FT	SEALER - TAPE - .13"THICK X .75"WIDE X 60' - BLACK
	069640-07-000	FT	SEALER - TAPE - .09"THICK X 2"WIDE X 45' - GRAY
	069640-09-000	FT	SEALER - TAPE - .032"THICK X 2.50"WIDE X 80' - GREY
	069640-11-000	FT	SEALER - TAPE - .19"THICK X .38"WIDE X 40' - BLACK
	069640-13-000	FT	SEALER - TAPE - .03"THICK X 2"WIDE X 45' - BLACK
	069640-14-000	FT	SEALER - TAPE - .06"THICK X 1"WIDE X 100' - GRAY
	069640-15-000	FT	SEALER - TAPE - .06"THICK X .38"WIDE X 80' - GREY
	069640-18-000	FT	SEALER - TAPE - .50"THICK X 1/8"WIDE X 60' - BRIGHT WHITE
	069640-19-000	FT	SEALER - TAPE - .75"THICK X 1/8"WIDE X 60' - BRIGHT WHITE
	069640-21-000	FT	SEALER - TAPE - .50" THICK X 1/16 X 100FT - BRIGHT WHITE
	034552-02-000	EA	SILICONE - TUBE - W/O NOZZLE - CLEAR
	034552-15-000	EA	SILICONE - TUBE - W/O NOZZLE - BRIGHT WHITE
	039518-01-000	EA	SILICONE - TUBE - W/O NOZZLE - BLACK
	053766-02-000	EA	BEDDING COMPOUND - TUBE - WHITE
	053766-06-000	EA	BEDDING COMPOUND - TUBE - CLEAR
	072889-01-000	EA	SEALANT - URETHANE - BLACK - 1/10
	072889-09-000	EA	SEALANT - URETHANE - BLACK (TUBE)
	072889-10-000	EA	SEALANT - URETHANE (HV) - BRIGHT WHITE
	072889-12-000	EA	SEALANT - URETHANE (LV) BRIGHT WHITE
	091255-02-000	FT	SEAL - ADHESIVE BACKED/FOAM - .18" THICK X 1.5" WIDE
	108716-03-000	EA	SILICONE - TUBE - BRIGHT WHITE/SELF LEVELING - W/O NOZZLE
	111940-02-000	LB	SEALER - PUTTY - THUMBING
	112864-01-000	FT	SEAL - FOAM/BUTYL COVERED - 3/8"
	120074-02-01A	EA	SEALANT - SILICONE - OFF WHITE
	900390-01-000	EA	TIP - 2 1/2" X 1/8" ORIFICE
	900390-03-000	EA	NOZZLE - SILICONE TUBE

SEALANTS & FASTENERS GROUP (CONTINUED)

WASHERS

KEY	PART NUMBER	U/M	DESCRIPTION
	000E11-07-00B	EA	WASHER - LOCKING - 7/16 MED SPLIT - ZINC
	000E13-14-00B	EA	WASHER - FLAT - 1/4 WIDE - ZINC
	000E13-18-00B	EA	WASHER - FLAT - 3/8 WIDE - ZINC
	000E13-20-00B	EA	WASHER - FLAT - 7/16 WIDE - ZINC
	000E13-21-00B	EA	WASHER - FLAT - 1/2 NARROW - ZINC
	000E13-22-00B	EA	WASHER - FLAT - 1/2 WIDE - ZINC
	000E13-26-00B	EA	WASHER - FLAT - 5/8 WIDE - ZINC
	000E14-10-00B	EA	WASHER - LOCKING - #10 EXTERNAL TOOTH - ZINC
	044533-01-000	EA	WASHER - PLASTIC - 1 3/8" OD - FOR BUTTONS
	058716-02-000	EA	WASHER - FLAT NYLON
	106649-01-000	EA	WASHER - SEALING - GALVANIZED

NUTS

KEY	PART NUMBER	U/M	DESCRIPTION
	000D24-10-00B	EA	NUT - HEX - SELF LOCKING - 10-32 ZINC
	000D29-05-00B	EA	NUT - HEX - LOCKING W/SERRATED FLANGE-NYLON WASHER INSERT
	000D34-06-00B	EA	NUT - HEX - LOCKING - 3/8-16 GRADE C - ZINC-PREVAILING
	000D39-04-00B	EA	NUT - HEX - LOCKING W/SERRATED FLANGE - 1/4-20 - ZINC
	000D39-05-00B	EA	NUT - HEX - LOCKING W/SERRATED FLANGE - 5/16-18 - ZINC
	000D39-06-00B	EA	NUT - HEX - LOCKING W/SERRATED FLANGE - 3/8-18 - ZINC
	000D39-07-00B	EA	NUT - HEX - LOCKING W/SERRATED FLANGE - 7/16-14 - ZINC
	000D39-08-00B	EA	NUT - HEX - LOCKING W/SERRATED FLANGE - 1/2-13 - ZINC
	000D44-07-00B	EA	NUT - HEX - LOCKING W/SERRATED FLANGE - 7/16-20 - ZINC
	000D46-04-00A	EA	NUT - HEX - WELD - 1/4-20 - PLAIN
	000D58-06-00A	EA	NUT - HEX - WELD 3/8-16 - PLAIN
	000D60-05-00A	EA	NUT - HEX - WELD/LOCK 5/16 - 18 UNCUT
	005081-01-000	EA	NUT - SPEED - C-TYPE - #8 SCREW
	040921-01-000	EA	NUT - SPEED - U TYPE - 10-24 BLACK
	040921-04-000	EA	NUT - SPEED - U TYPE - 8-.59" LENGTH X .44" WIDTH
	040921-09-000	EA	NUT - SPEED - U TYPE - 8
	044364-02-000	EA	NUT - SPEED - FLAT - ROUND
	063253-07-000	EA	NUT - J - #8A - .120 - .130 PNL THK
	087234-01-000	EA	NUT - JACK - 1/4 X 20 THD - MOLLY MOUNTS LICENSE PLATES
	088787-12-000	EA	STUD - WELD - 1/4 - 20 X 1.0 LG - MN
	104369-01-000	EA	NUT - HEX - HEAVY - 5/8-11 UNC

CLAMPS

KEY	PART NUMBER	U/M	DESCRIPTION
	007161-01-000	EA	CLAMP - HOSE - SPRING TYPE - 1/2"
	010495-01-000	EA	CLAMP - CABLE - 9/16"
	010497-01-000	EA	CLAMP - CLOSED - 5/8" ID
	010497-03-000	EA	CLAMP - CLOSED - 1" ID - CUSHIONED
	010497-05-000	EA	CLAMP - CLOSED - 1/2 ID
	010499-01-000	EA	CLAMP - CLOSED - 3/8 ID
	056134-02-000	EA	HOLDER - RING - 1.8" DIAMETER - METAL
	062401-01-000	EA	CLAMP - HOSE - WORMGEAR - .25" - 1"
	062401-02-000	EA	CLAMP - HOSE - WORMGEAR - 1.56" - 2.5"
	062401-03-000	EA	CLAMP - HOSE - WORMGEAR - .22" - 1"
	062401-04-000	EA	CLAMP - HOSE - WORMGEAR - .69" - 1.25"
	062401-05-000	EA	CLAMP - HOSE - WORMGEAR - 2" TO 3" ID
	062401-06-000	EA	CLAMP - HOSE - WORMGEAR - .22" - .62" ID
	062401-09-000	EA	CLAMP - HOSE - WORMGEAR - 2.8" - 3.75"
	062401-11-000	EA	CLAMP - HOSE - WORMGEAR - 3.50" - 4.50"
	075148-02-000	EA	CLAMP - GROUNDING - BRONZE SCREWS
	083609-01-000	EA	CLAMP - WIRE - DUAL - EQUAL DIAMETERS - 5/8"
	083610-01-000	EA	CLAMP - WIRE - DUAL - UNEQUAL DIAMETERS - 3/4" & 1 1/4"
	091952-02-000	EA	CLIP - GRIPPER - 3/4"
	094362-02-000	EA	CLIP - XMAS TREE - BINDER HEAD - .9" LONG

SEALANTS & FASTENERS GROUP (CONTINUED)

SCREWS

KEY	PART NUMBER	U/M	DESCRIPTION
	0G3908-08-170	EA	SCREW - SF/DR - 8-18 X .50 PPH - BRIGHT WHITE
	0G3908-20-170	EA	SCREW - SF/DR - 8-18 X 1.25 PPH - BRIGHT WHITE
			FROM: 00-00-00 THRU: 01-25-98
	0G3908-24-170	EA	SCREW - SF/DR - 8-18 X 1.50 PPH - BRIGHT WHITE
			FROM: 01-26-98 THRU: 99-99-99
	000G11-05-08B	EA	SCREW - 5-20 X .50 PPH - ZINC
	000G11-06-08B	EA	SCREW - 6-20 X 1/2 PPH - ZINC
	000G11-06-06B	EA	SCREW - 6-20 X 3/8 PPH - ZINC
	000G11-06-10J	EA	SCREW - 6-20 X 5/8 PPH - BRASS
	000G11-06-10B	EA	SCREW - 6-20 X 5/8 PPH - ZINC
	000G11-07-08B	EA	SCREW - 7-19 X 1/2 PPH - ZINC
	000G11-08-06B	EA	SCREW - 8-18 X 3/8 PPH - ZINC
	000G11-08-20B	EA	SCREW - 8-18 X 1 1/4 PPH - ZINC
	000G11-08-16S	EA	SCREW - 8-18 X 1 PPH - OFF WHITE
	000G11-08-12T	EA	SCREW - 8-18 X 3/4 PPH - BLACK
	000G11-08-12P	EA	SCREW - 8-18 X 3/4 PPH - DARK BROWN
	000G11-08-12P	EA	SCREW - 8-18 X 3/4 PPH - DARK BROWN
	000G11-08-12D	EA	SCREW - 8-18 X 3/4 PPH - BLACK
	000G11-08-12B	EA	SCREW - 8-18 X 3/4 PPH - ZINC
	000G11-08-08T	EA	SCREW - 8-18 X 1/2 PPH - FLUOROCARBON COATING
	000G11-08-08B	EA	SCREW - 8-18 X 1/2 PPH - ZINC
	000G11-10-24P	EA	SCREW - 10-16 X 1 1/2 PPH - DARK BROWN
	000G11-10-12S	EA	SCREW - 10-16 X 3/4 PPH - OFF WHITE
	000G11-10-12D	EA	SCREW - 10-16 X 3/4 PPH - BLACK
	000G11-10-40B	EA	SCREW - 10-16 X 2 1/2 PPH CAD - 34927-01-000
	000G12-06-08T	EA	SCREW - 6-20 X 1/2 POH - BLACK
	000G13-06-08G	EA	SCREW - 6-20 X .50 PFH - ANTIQUE BRASS
	000G13-06-08B	EA	SCREW - 6-20 X 1/2 PFH - ZINC
	000G13-06-24J	EA	SCREW - 6-20 X 1 1/2 PFH - BRASS
	000G13-06-16J	EA	SCREW - 6-20 X 1 PFH - BRASS
	000G13-06-10G	EA	SCREW - 6-20 X 5/8 PFH - ANTIQUE BRASS
	000G13-07-10H	EA	SCREW - 7-19 X 5/8 PFH - BLACK
	000G13-07-12B	EA	SCREW - 7-19 X 3/4 PFH - ZINC
	000G13-08-16B	EA	SCREW - 8-18 X 1 PFH - ZINC
	000G13-08-10S	EA	SCREW - 8-18 X 5/8 PFH - OFF WHITE
	000G18-08-22B	EA	SCREW - MACHINE - 8-32 X 1 3/8 PPH - ZINC
	000G19-10-20B	EA	SCREW - MACHINE - 10-32 X 1 1/2 PPH - ZINC
	000G19-10-12F	EA	SCREW - MACHINE - 10-32 X 3/4 PPH - STAINLESS STEEL
	000G19-10-08B	EA	SCREW - MACHINE - 10-32 X 1/2 PPH - ZINC
	000G32-10-06B	EA	SCREW - 10-32 X 3/8 PPH - ZINC
	000G37-08-089	EA	SCREW - SF/DR - 6-20 X 1 PPH - BLACK
	000G39-06-10T	EA	SCREW - SF/DR - 6-20 X 5/8 PPH - BLACK
	000G39-08-06B	EA	SCREW - SF/DR - 8-18 X 3/8 PPH - ZINC
	000G39-08-32B	EA	SCREW - SF/DR - 8-18 X 2 PPH - ZINC
	000G39-08-24B	EA	SCREW - SF/DR - 8-18 X 1 1/2 PPH - ZINC
	000G39-08-16T	EA	SCREW - SF/DR - 6-20 X 1 PPH - BLACK
	000G39-08-16R	EA	SCREW - SF/DR - 8-18 X 1 PPH - BEIGE
	000G39-08-16B	EA	SCREW - SF/DR - 8-18 X 1 PPH - ZINC
	000G39-08-12T	EA	SCREW - SF/DR - 8-18 X 3/4 PPH - BLACK
	000G39-08-12B	EA	SCREW - SF/DR - 8-18 X 3/4 PPH - ZINC
	000G39-08-08S	EA	SCREW - SF/DR - 8-18 X 1/2 PPH - OFF WHITE
	000G39-08-08B	EA	SCREW - SF/DR - 8-18 X 1/2 PPH - ZINC
	000G39-10-10B	EA	SCREW - SF/DR - 10-16 X 5/8 - ZINC
	000G39-10-088	EA	SCREW - SF/DR - 10-16 X 1/2 PPH - FLEX FLUOROCARBON
	000G39-10-08B	EA	SCREW - SF/DR - 10-16 X 1/2 PPH - ZINC
	000G39-10-209	EA	SCREW - SF/DR - 10-16 X 1 1/4 PPH - FLUOROCARBON SILVER
	000G39-10-20B	EA	SCREW - SF/DR - 10-16 X 1 1/4 PPH - ZINC
	000G39-10-129	EA	SCREW - SF/DR - 10-16 X 3/4 PPH - FLUOROCARBON SILVER

SEALANTS & FASTENERS GROUP (CONTINUED)

SCREWS (CONTINUED)

KEY	PART NUMBER	U/M	DESCRIPTION
	000G39-10-12D	EA	SCREW - SF/DR - 10-16 X 3/4 PPH - BLACK
	000G39-10-12B	EA	SCREW - SF/DR - 10-16 X 3/4 PPH - ZINC
	000G42-04-12B	EA	SCREW - SF/DR - 1/4-14 X 3/4 HWH - ZINC
	000G46-08-24T	EA	SCREW - MACHINE - 8-32 X 1 1/2 PFH - BLACK
	000G50-04-12B	EA	SCREW - MACHINE - 1/4-20 X 3/4 PPH - ZINC
	000G52-08-18B	EA	SCREW - MACHINE - 8-32 X 1 1/8 PTH - ZINC
	000G54-04-20B	EA	SCREW - 1/4-20 X 1.25 PTH - TYPE 23 - ZINC PLATED
	000G55-08-16S	EA	SCREW - SF/DR - 8-18 X 1.00 - PWH - OFF WHITE
	000G55-08-12S	EA	SCREW - SF/DR - 8-18 X 3/4 PWH - OFF WHITE
	000G56-12-48B	EA	SCREW - WOOD - 12-11 X 3 POH - SPECIAL HARDENED
	000G60-10-20B	EA	SCREW - SF/DR - 10-16 X 1 1/4 POH - ZINC
	000G67-10-08R	EA	SCREW - 10-12 X 1/2 PPH - BEIGE - TYPE A
	000G67-10-08B	EA	SCREW - 10-12 X 1/2 PPH - ZINC
	000G67-10-36T	EA	SCREW - 10-12 X 2 1/4 - PPH - BLACK
	000G67-10-24B	EA	SCREW - 10-12 X 1.50 PPH - ZINC
	000G67-10-20D	EA	SCREW - 10-12 X 1.25 PPH - BLACK
	000G67-10-16B	EA	SCREW - 10-12 X 1 PPH - ZINC
	000G67-10-120	EA	SCREW - 10-12 X 3/4 PPH - TAN
	000G67-10-120	EA	SCREW - 10-12 X 3/4 PPH - TAN
	000G67-10-12P	EA	SCREW - 10-12 X 3/4 PPH - DARK BROWN
	000G67-10-12B	EA	SCREW - 10-12 X 3/4 PPH - ZINC
	000G67-10-10D	EA	SCREW - 10-12 X 5/8 PPH - BLACK - TYPE A
	000G67-10-10B	EA	SCREW - 10-12 X 5/8 PPH - ZINC - TYPE A
	000G68-06-10G	EA	SCREW - 6-18 X 5/8 POH - ANTIQUE BRASS
	049465-01-000	EA	SCREW - 10-16 W/WASHER PTH - DARK BROWN
	049465-03-000	EA	SCREW - 10-16 X 1 POH W/WASHER - OFF WHITE
	049465-04-000	EA	SCREW - 10-16 X 1 PTH W/WASHER - BEIGE
	049465-17-000	EA	SCREW - 10-16 X 1 POH W/WASHER - BRIGHT WHITE
	057671-01-000	EA	COVER - SCREW - #8 - PLASTIC - OFF WHITE
	057671-03-000	EA	COVER - SCREW - #8 - WILLOW
	057671-15-000	EA	COVER - SCREW - BRIGHT WHITE
	075908-01-000	EA	SCREW - MACHINE - 10-32 X .56 PTH - EXTERNAL TOOTH - ZINC
	076790-01-000	EA	SCREW - 6-20 X 1 1/4 PPH - BLACK
	083554-01-000	EA	SCREW - DRYWALL - 8 X 1.25
	083554-04-000	EA	SCREW - DRYWALL - 8 X 2.50
	086256-01-000	EA	SCREW - SF/DR - 8 X 3/4 HWH LONG
	087721-01-000	EA	SCREW - FLAT HEAD - TAPPING - 1/4" X 1 1/4" LONG - ZINC
	097974-01-000	EA	SCREW - PARTICLE BOARD - 7-9 X 3/4 PPH
	101618-01-000	EA	SCREW - 1/4-20 X 3/4 HEX - TAPPING - STALGARD TYPE F
	115430-01-01A	EA	SCREW - 8-18 X 1/2 POH - W/WASHER

SEALANTS & FASTENERS GROUP (CONTINUED)

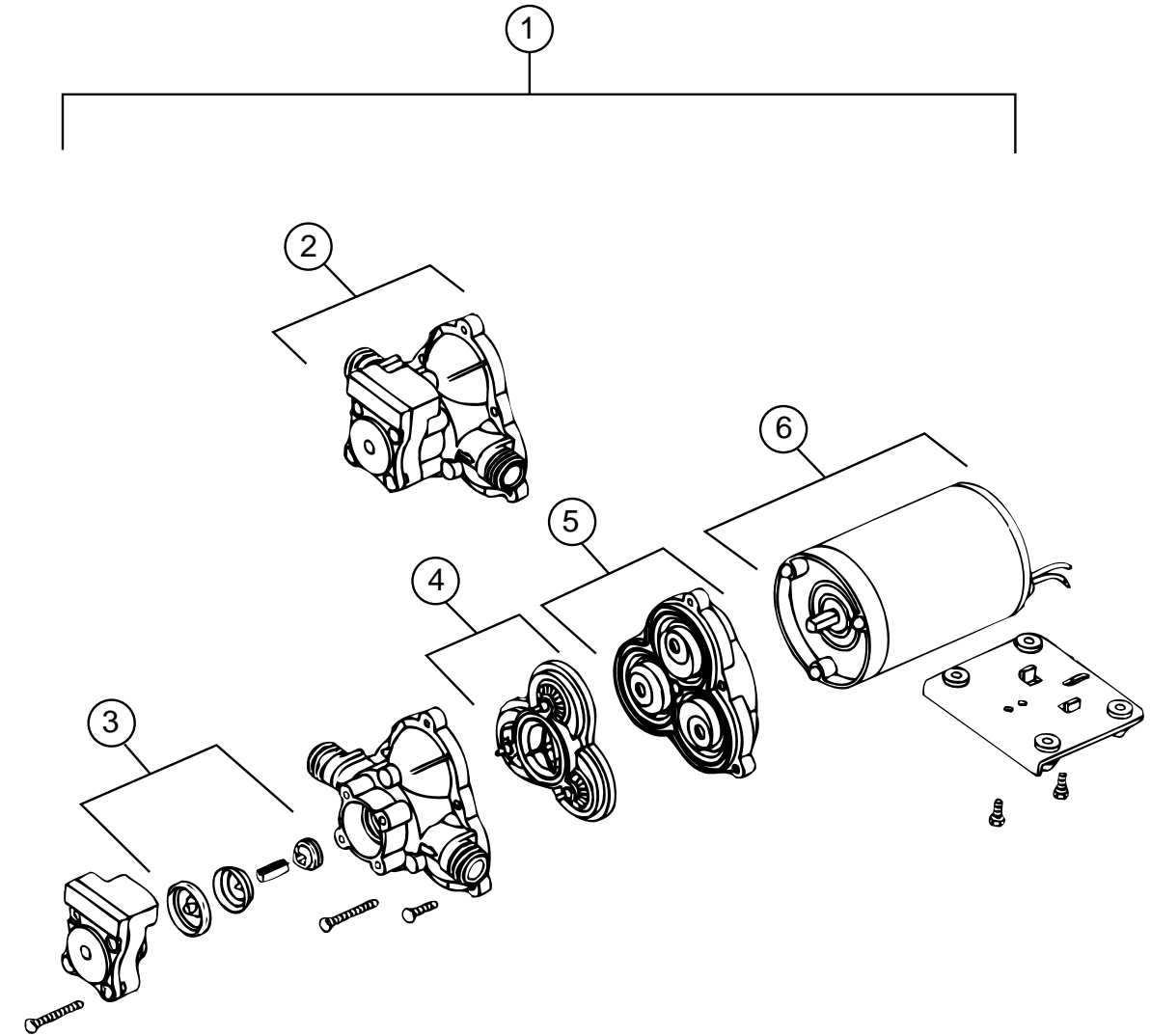
BOLTS

KEY	PART NUMBER	U/M DESCRIPTION
	000C12-04-24B	EA BOLT - HEX - 1/4-20 X 1 1/2 - ZINC 5
	000C12-05-16B	EA BOLT - HEX - 5/16-18 X 1 - ZINC 5
	000C12-06-16B	EA BOLT - HEX - 3/8-16 X 1 LG - ZINC 5
	000C12-07-20B	EA BOLT - HEX - 7/16-14 X 1 1/4 - ZINC 5
	000C12-08-24B	EA BOLT - HEX - 1/2-13 X 1.50 - ZINC 5
	000C12-10-24B	EA BOLT - HEX - 5/8-11 X 1.50 - ZINC 5
	000C13-07-48B	EA BOLT - HEX - 7/16-20 X 3 - ZINC 5
	000C18-05-40A	EA BOLT - ELEVATOR - 5/16-18 X 2.50 - PL
	000C26-04-10B	EA BOLT - HEX - SERRATED FLANGE - 1/4-20 X 5/8 - ZINC
	000C26-04-18B	EA BOLT - HEX - SERRATED FLANGE - 1/4-20 X 1 1/8 - ZINC
	000C26-04-14B	EA BOLT - HEX - SERRATED FLANGE - 1/4-20 X 7/8 - ZINC
	000C26-05-16B	EA BOLT - HEX - SERRATED FLANGE - 5/16-18 X 1 - ZINC
	000C26-05-12B	EA BOLT - HEX - SERRATED FLANGE - 5/16-18 X 3/4 - ZINC
	000C26-06-40B	EA BOLT - HEX - SERRATED FLANGE - 3/8-16 X 1 3/4 - ZINC
	000C26-06-16B	EA BOLT - HEX - SERRATED FLANGE - 3/8-16 X 1 - ZINC
	000C26-06-12B	EA BOLT - HEX - SERRATED FLANGE - 3/8-16 X 3/4 - ZINC
	000C26-08-24B	EA BOLT - HEX - SERRATED FLANGE - 1/2-13 X 1 1/2 ZINC
	000C27-10-32B	EA BOLT - CARRIAGE - 5/8-11 X 2
	051387-06-000	EA BOLT - CARRIAGE W/O HOLE - 5/16-18 X 9.5 - ZINC
	102333-01-06A	EA BOLT - CARRIAGE - 7/16-14 STAINLESS STEEL CAP

RIVETS, GROMMETS AND MISCELLANEOUS FASTENERS

KEY	PART NUMBER	U/M DESCRIPTION
	000H16-04-06R	EA RIVET - POP ALUMINUM - 1/8 X .313 - .375
	000H16-06-10R	EA RIVET - POP ALUMINUM - 3/16 X .501-.625
	069592-02-000	EA RIVET-T - POP - 1/4 X .093 - .156
	008380-01-000	EA GROMMET - RUBBER - 5/8" HOLE X 1 1/2" DIAMETER - BLACK
	016188-05-000	EA GROMMET - L/P LINE - 3/8" HOLE X 1 1/4" LONG - RUBBER
	023942-01-000	EA GROMMET - RUBBER - 2" OD
	071015-19-000	EA GROMMET - .38 ID - FITS .06 MATERIAL
	071015-21-000	EA GROMMET - RUBBER - 1/2 ID X 1.06 OD - W/.19 GROOVE - BLACK
	071015-26-000	EA GROMMET - RUBBER - 1.5" ID X 2.12" OD W/.06" GROOVE - BLK
	075148-02-000	EA CLAMP - GROUNDING - BRONZE SCREWS
	077953-01-000	EA GROMMET - EDGE LINER - FITS 1"
	114208-02-000	EA GROMMET - EDGE LINER - FITS .625
	008380-01-000	EA GROMMET - RUBBER - 5/8" HOLE X 1 1/2" DIAMETER - BLACK
	056134-02-000	EA HOLDER - RING - 1.8" DIAMETER - METAL
	091952-02-000	EA CLIP - GRIPPER - 3/4"
	094362-02-000	EA CLIP - XMAS TREE - BINDER HEAD - .9" LONG
	008343-01-000	EA TIE - WIRE - 6"
	008343-02-000	EA TIE - WIRE - 14"
	029094-04-000	YD VELCRO TAPE - LOOP - 1" WIDE - BLACK
	029096-03-000	YD VELCRO TAPE - HOOK - 1" WIDE - BLACK
	034141-02-000	EA PLUG - HOLE - 3/8" NYLON/BLACK
	081211-05-000	EA PLUG - PLASTIC - .188 DIAMETER - NATURAL
	085774-01-000	FT FASTENER - DUAL HOOK - 1" WIDE - ADHESIVE BACK - BLACK
	085774-02-000	FT FASTENER - DUAL HOOK - 1" WIDE - ADHESIVE BACK - BLACK
	086285-01-000	EA SPACER - NYLON - .5" OD X .257" ID
	088792-01-000	YD VELCRO TAPE - HOOK - 5/8" - NON-ADHESIVE BACKED FROM: 00-00-00 THRU: 02-17-98
	088792-05-000	YD VELCRO TAPE - LOOP - 5/8" - NON-ADHESIVE BACKED - WHITE FROM: 02-18-98 THRU: 99-99-99
	108046-02-000	EA CABLE TIE - SCREW MOUNT 15"
	110943-02-000	FT FELTSTRIP - 3/8" - ADHESIVE BACK - WHITE
	115361-01-01A	EA PLUG - PLASTIC

WATER & SEWAGE GROUP



SHURFLO WATER PUMP

KEY	PART NUMBER	U/M DESCRIPTION	VENDOR NO.
1	098607-01-000	EA PUMP - WATER - W/.5" MPT FITTING - FLOW 2.8 GPM	
2	098607-01-706	EA HOUSING W/SWITCH ONLY	94-231-20
3	098607-01-705	EA VALVE-CHECK, KIT	94-237-00
4	098607-01-703	EA VALVE KIT	94-232-00
5	098607-01-702	EA DIAPHRAGM/DRIVE ASSEMBLY KIT	94-238-04
6	098607-01-707	EA MOTOR W/BASEPLATE	94-234-03

ATWOOD WATER HEATER W/ELECTRIC IGNITION (ICH6-6E) - EUROPEAN

KEY	PART NUMBER	U/M DESCRIPTION
*	111129-01-000	EA WATER HEATER - ELECTRIC IGNITION - 220 VOLTS
	112177-01-000	EA ADAPTER - BRASS - 1/2 MPT X 1/2 BARB
	112176-01-000	FT TUBING - VINYL - REINFORCED - 1/2" ID

* COMPONENT PARTS FOUND IN SERVICE PARTS LIBRARY

WATER & SEWAGE GROUP (CONTINUED)

WATER TANK

KEY	PART NUMBER	U/M DESCRIPTION
	118001-04-000	EA TANK - WATER - 58 GALLON - W/FITTINGS - EUROPEAN EXPORT
	118001-02-000	EA TANK - WATER - 58 GALLON - W/FITTINGS - JAPAN EXPORT
	118001-01-000	EA TANK - WATER - 58 GALLON - W/O FITTINGS
	039861-01-000	EA SENDING UNIT - W/SCREW - WASHER - WELL NUT/TERMINAL RING
	077954-02-000	EA FILTER - WATER TANK - W/SCREEN IN TANK
	042989-03-000	EA FITTING - SPINWELD - 1 1/4"NPT - PLASTIC
	042989-04-000	EA FITTING - SPINWELD - 3/8"FPT - WHITE PLASTIC
	042989-05-000	EA FITTING - SPINWELD - 1/2"FPT - PLASTIC
	120070-01-000	EA FITTING - SPINWELD - PLASTIC 3" FPT
	049032-01-000	EA PATCH - SPINWELD - 3/8" - PLASTIC
	120069-01-000	EA PLUG - 3" - POLYETHYLENE MPT

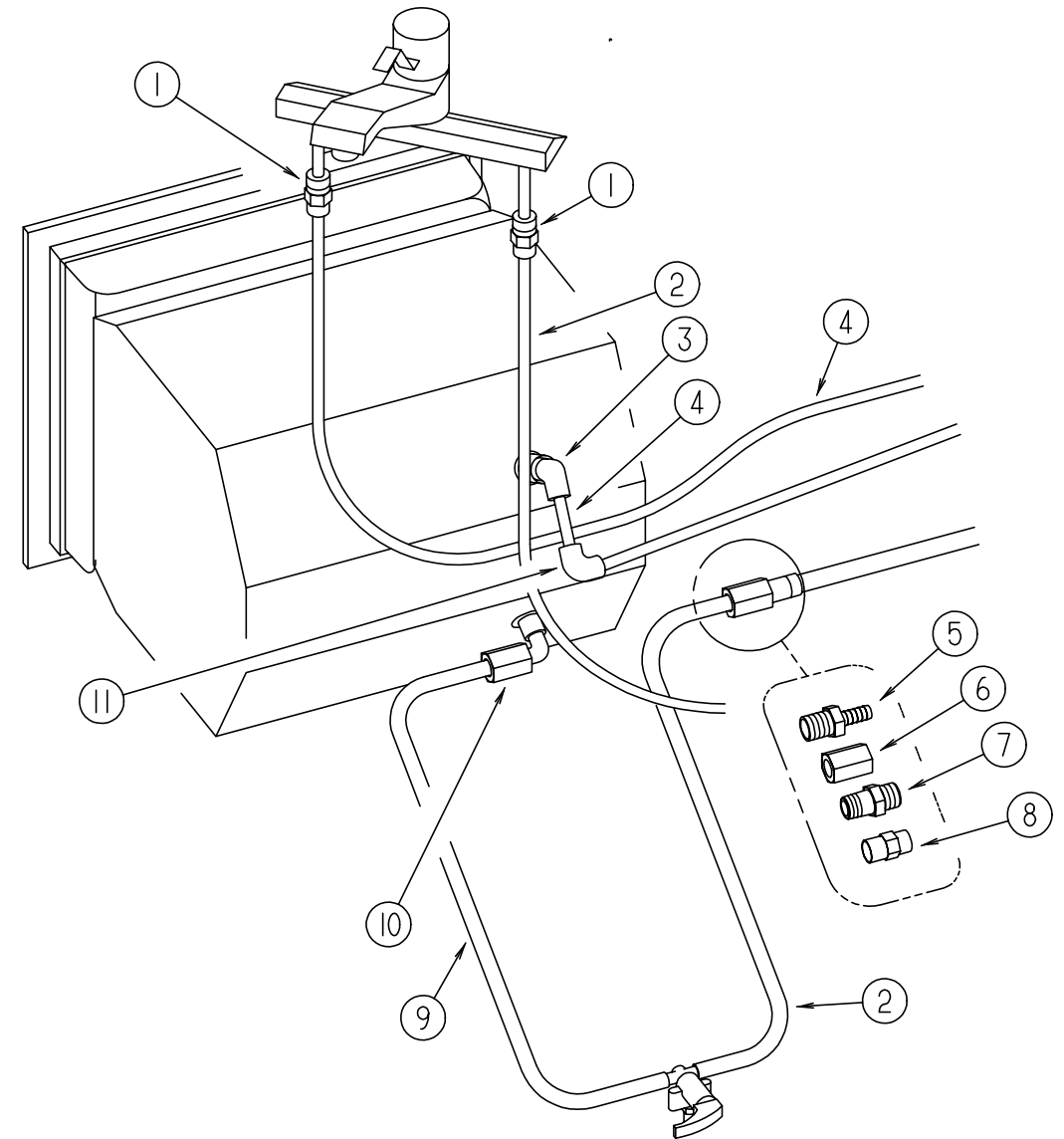
WATER SYSTEM COMPONENTS

KEY	PART NUMBER	U/M DESCRIPTION
	114428-01-000	EA TEE - 1/2"P X 1/2"P X 1/2"P
	114428-02-000	EA TEE - SWIVEL - 1/2"P X 1/2"P X 1/2"FPT
	114428-03-000	EA TEE - 1/2"P X 1/2"P X 1/2"MPT
	114429-01-000	EA ELBOW - 1/2"P X 1/2"P
	114429-02-000	EA ELBOW - 1/2"P X 1/2"MPT
	114429-03-000	EA ELBOW - SWIVEL - 1/2"P X 1/2"FPT
	123150-01-000	EA ELBOW - 1/2 FPT X 1/2 BARB - SWIVEL
	039808-03-000	EA ELBOW - 1/2" MPT X 1/2" MPT - PLASTIC
	010219-01-000	EA ELBOW - 1 1/4 MPT X 1 1/4 BARB - WATER FILL - PLASTIC
	035539-01-000	EA ELBOW - PLASTIC - 3/8 MPT X 3/8 BARB
	114430-02-000	EA ADAPTER - SWIVEL - 1/2"P X 1/2"FPT
	114430-03-000	EA ADAPTER - 1/2"P X 1/2"MPT
	114430-06-000	EA ADAPTER - 1/2"P X 3/8"FPT
	010224-01-000	EA ADAPTER - HOSE TO PIPE - 3/8 MPT X 3/8 BARB - PLASTIC
	123152-01-000	EA ADAPTER - 1/2 FPT X 1/2 BARB - SWIVEL
	044927-01-000	EA ADAPTER - HOSE TO PIPE-1 1/4 MPTX1 1/4 BARB-BLACK PLASTIC
	118809-01-000	EA ADAPTER - PLASTIC - 1/2 MPT X 3/8 BARB
	114431-01-000	EA VALVE - 180 DEGREE/CENTER DRAIN - 1/2"P - THREE WAY
	114431-02-000	EA VALVE - WATER BYPASS - 1/2"P - THREE WAY (WATER HEATER)
	110438-02-000	EA VALVE - CHECK - BRASS - 1/2 MPT X 1/2 MPT
	124188-01-000	FT TUBING - PEX - 1/2" ID X 20' - BLUE
	124188-02-000	FT TUBING - PEX - 1/2" ID X 20' - RED
	112176-01-000	FT TUBING - VINYL - REINFORCED - 1/2" ID
	074462-02-000	FT TUBING - VINYL - 3/8 ID X 20' - CLEAR
	079381-01-000	FT TUBING - SMOOTH FLEXIBLE - 1 3/8"ID X 10'
	101814-01-000	EA COUPLING - FEMALE - 1/2" X 1/2" FPT - GRAY
	113697-01-000	EA CAP - 3/8 FTG
	110915-01-01A	EA FILL - CITY WATER - CHROME
	081240-20-000	EA FILL - WATER - LOCKABLE - BRIGHT WHITE
	113697-01-000	EA CAP - 3/8 FTG

EXTERIOR SHOWER

KEY	PART NUMBER	U/M DESCRIPTION
	106208-01-01A	EA COMPARTMENT - EXTERIOR SHOWER
	079563-04-01A	EA FAUCET - SHOWER 1/2"MPT X 1 1/4"LONG INLET PIPE
	054250-04-000	EA COVER/ANGLED - W/O HOLE 3.6" X 4.5" - PLASTIC
	091952-02-000	EA CLIP - GRIPPER - 3/4"
	093527-02-000	EA BRACKET - EXTERIOR SHOWER HEAD/SQUEEGEE
	114430-02-000	EA ADAPTER - SWIVEL - 1/2"P X 1/2"FPT
	121577-04-01A	EA PLATE - EXTERIOR SHOWER - BRIGHT WHITE
	131383-01-01A	EA SHOWER HEAD - W/HOSE & BRACKET - 60" - IVORY

WATER & SEWAGE GROUP (CONTINUED)

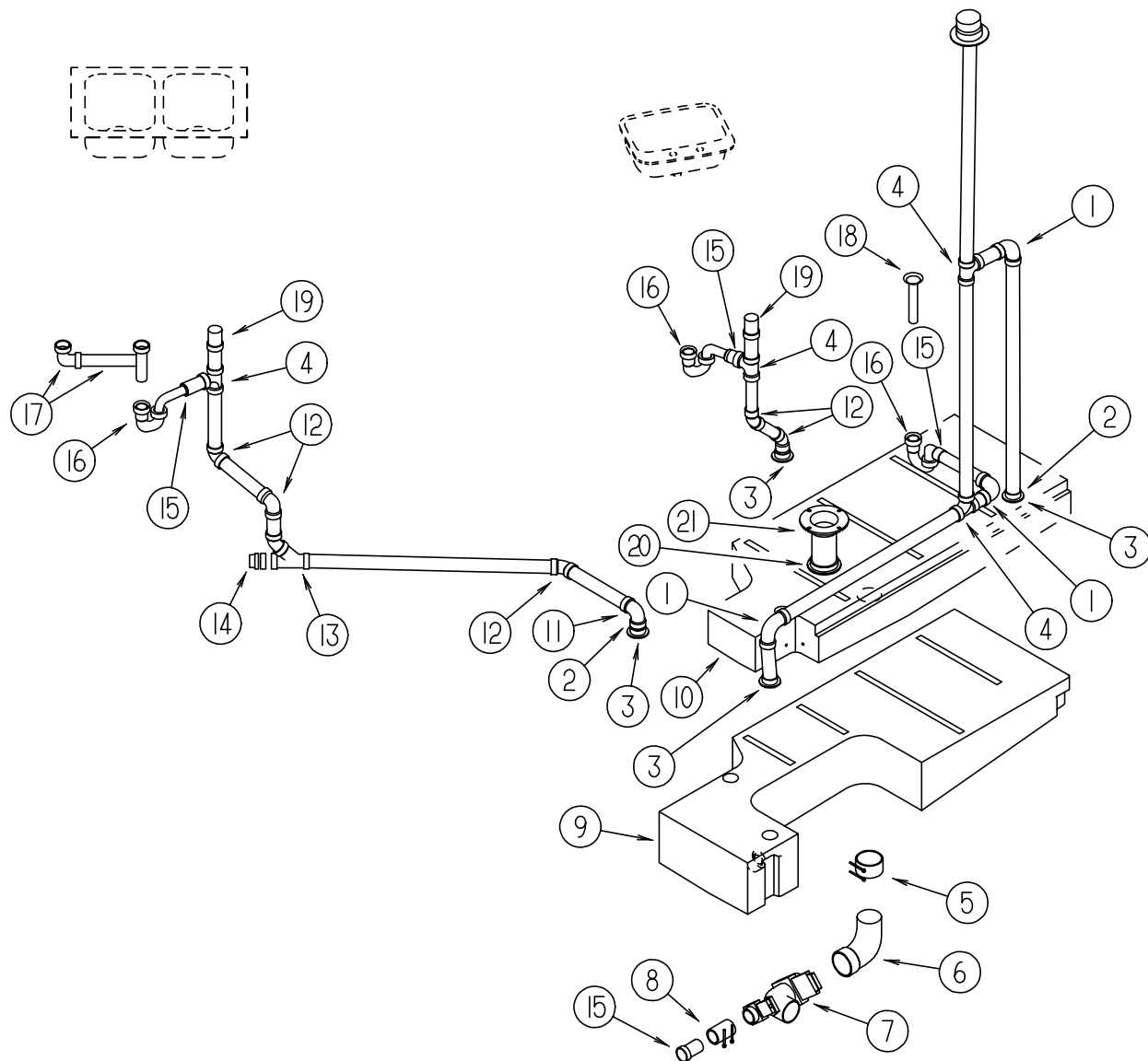


WATER HEATER INSTALLATION COMPONENTS

KEY	PART NUMBER	U/M DESCRIPTION
1	114430-02-000	EA ADAPTER - SWIVEL - 1/2"P X 1/2"FPT
2	124188-01-000	FT TUBING - PEX - 1/2" ID X 20' - BLUE
3	114429-02-000	EA ELBOW - 1/2"P X 1/2"MPT
4	124188-02-000	FT TUBING - PEX - 1/2" ID X 20' - RED
5	118809-01-000	EA ADAPTER - PLASTIC - 1/2 MPT X 3/8 BARB
6	101814-01-000	EA COUPLING - FEMALE - 1/2" X 1/2" FPT - GRAY
7	110438-02-000	EA VALVE - CHECK - BRASS - 1/2 MPT X 1/2 MPT
8	114430-02-000	EA ADAPTER - SWIVEL - 1/2"P X 1/2"FPT
9	115029-01-000	FT HOSE - WATER - 3/8 ID
10	039808-03-000	EA ELBOW - 1/2" MPT X 1/2" MPT - PLASTIC
10	101814-01-000	EA COUPLING - FEMALE - 1/2" X 1/2" FPT - GRAY
10	118809-01-000	EA ADAPTER - PLASTIC - 1/2 MPT X 3/8 BARB
11	114429-01-000	EA ELBOW - 1/2"P X 1/2"P

WATER & SEWAGE GROUP (CONTINUED)

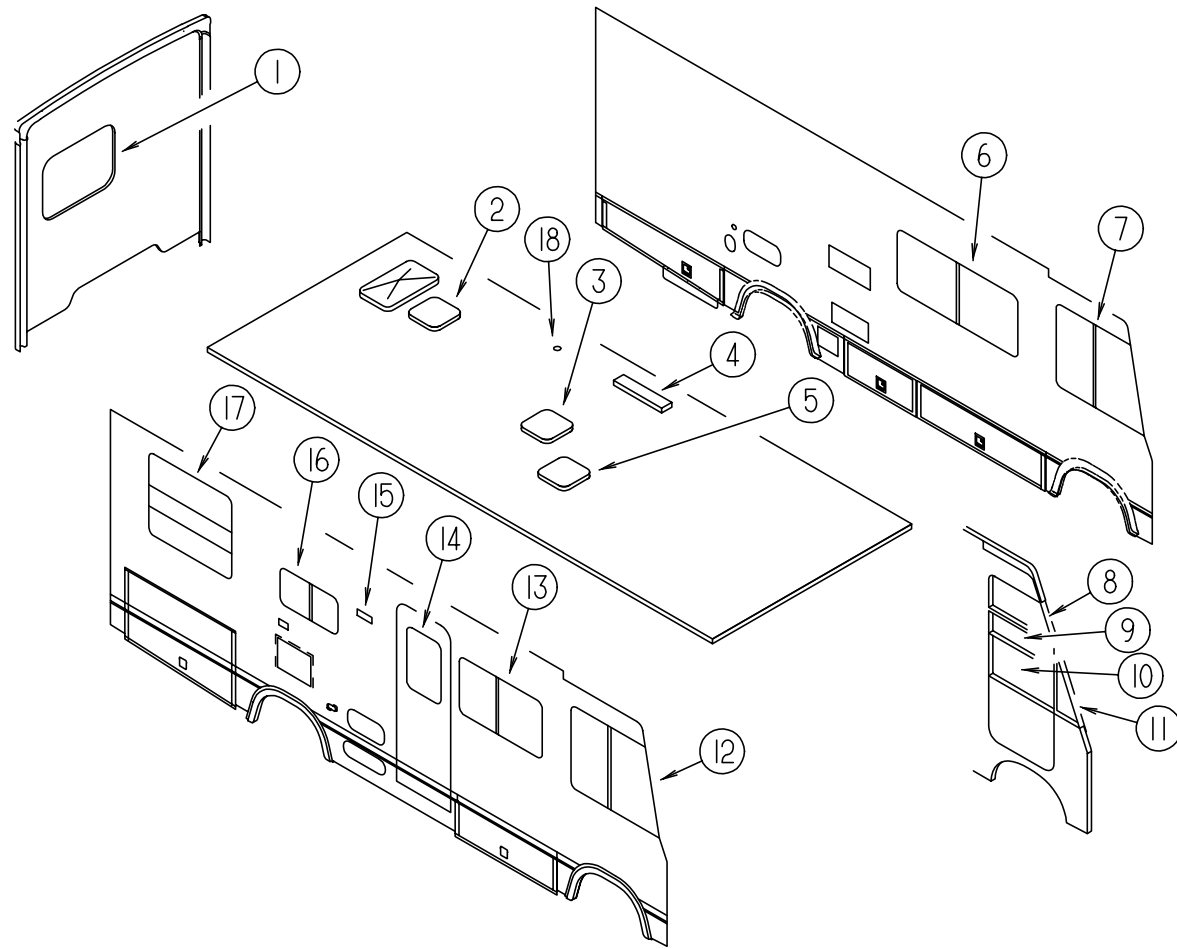
DRAINAGE SYSTEM



KEY	PART NUMBER	U/M	DESCRIPTION	VENDOR NO
1	010008-01-000	EA	ELBOW - 90 DEGREE - 1 1/2" HUB X HUB - PLASTIC	
2	010115-01-000	EA	COUPLING - 1 1/2" HUB X HUB - PLASTIC	
3	061607-01-000	EA	GROMMET - HOLDING TANK - 1 1/2" NPS	
4	010071-01-000	EA	TEE - SANITARY - 1 1/2" HUB X HUB X HUB - PLASTIC	
5	078406-01-000	EA	COUPLER - RUBBER - W/CLAMPS - 3" X 3"	
6	031126-01-000	EA	ELBOW - 1/4 BEND - 3" X 90" XLT - BLACK PLASTIC	
7	070916-01-000	EA	VALVE - DUAL DUMP - W/CAP - 3" X 1 1/2"	
	070916-01-700	EA	VALVE ONLY (WASTE) 3"	T1003BU
	070916-01-701	EA	VALVE ONLY (WASTE) 1 1/2"	T1001BU
	010201-01-000	EA	HOSE - SEWER - 3" ID X 8'	
	062416-01-000	EA	ADAPTER - SEWER HOSE TO 3" PIPE	
8	089355-01-000	EA	COUPLER - RUBBER - 1 1/2" X 1 1/2"	
9	117925-01-000	EA	TANK - HOLDING - 32 GALLON - W/O FITTINGS	
10	117924-01-700	EA	TANK - HOLDING - 35 GALLON W/1.5" OUTLET NIPPLE	
11	034250-01-000	EA	ELBOW - 90 DEGREE - LONG TURN - 1 1/2" HUB X HUB - ABS	
12	010006-01-000	EA	ELBOW - 45 DEGREE - 1 1/2" HUB X HUB - PLASTIC	
13	031365-02-000	EA	TEE - PLASTIC - 1 1/2" EXT LG TURN	
14	010166-01-000	EA	PLUG - THREADED - 1 1/4" DIAMETER - PLASTIC - BLACK	
15	109571-01-000	EA	ADAPTER - P TRAP - 1 1/2" P X 1 1/4" MPT	
16	107538-01-000	EA	P TRAP - PLASTIC - 1 1/4" W/EXTENSION ARM	
17	011091-02-000	EA	WASTE - CONTINUOUS - DOUBLE SINK	
18	011069-02-000	EA	TAILPIECE - TUB/SHOWER - 1 1/2" X 1 1/4" X 4" - BRASS	
19	079968-01-000	EA	VENT - MECHANICAL/TRAP ARM - ANTI-SIPHON-2" X 7.3" PLASTIC	
20	061607-02-000	EA	GROMMET - HOLDING TANK - 3" NPS	
21	063641-01-000	EA	FLANGE - CLOSET - 4" X 3"	
	066436-01-000	EA	NUT - SLIP - TAILPIECE 1.5"	
			FROM: 00-00-00 THRU: 01-25-98	
	130403-01-000	EA	NUT - SLIP - W/WINGS 1 1/2"	
			FROM: 03-23-98 THRU: 99-99-99	
	069735-01-000	EA	WASHER - STRAINER TO TAILPIECE - PLASTIC - 1.5"	

WINDOW, VENT & EXTERIOR DOOR GROUP

WINDOWS & VENTS

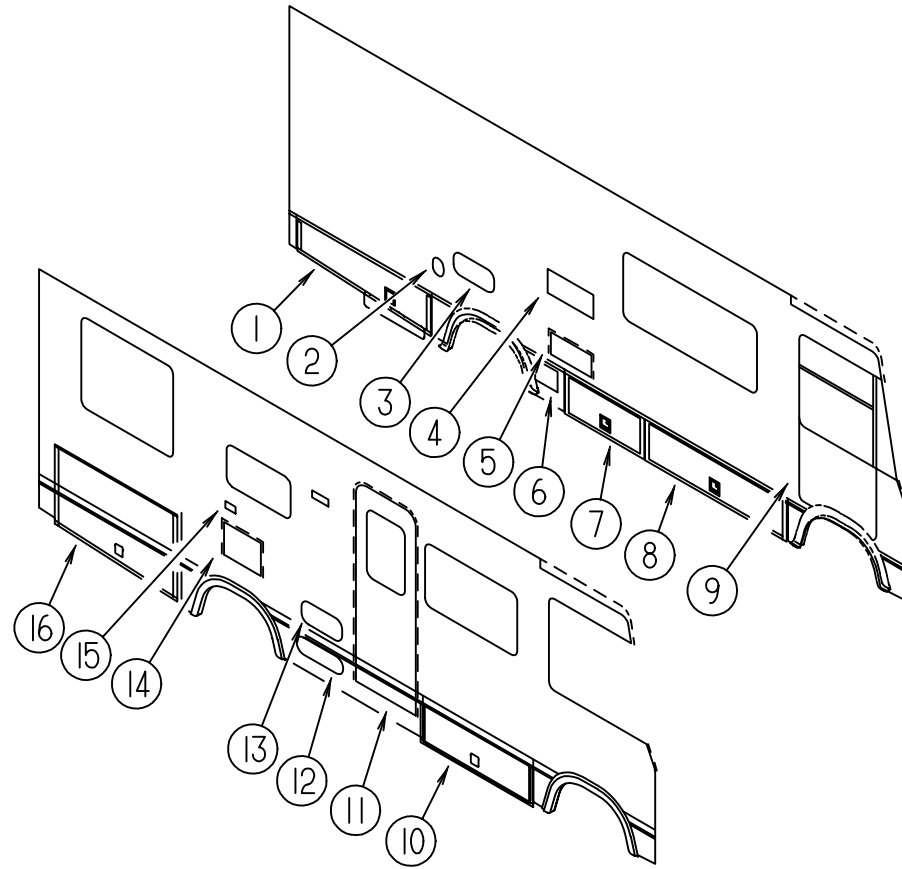


KEY	PART NUMBER	U/M	DESCRIPTION
1*	078528-12-FB1	EA	WINDOW - ESCAPE W/O INSIDE TRIM - TINTED - 35.6" X 26"
	074816-14-000	EA	FRAME - WINDOW - INSIDE ESCAPE
1*	113502-03-01A	EA	WINDOW - REAR ESCAPE - THERMO - 26.4" X 35.9"
1*	113502-07-01A	EA	WINDOW - REAR ESCAPE - THERMO/EURO - 26.4" X 35.9"
2*	122882-02-01A	EA	VENT - ROOF - W/FAN - W/O INSIDE GARNISH - UL
2*	123780-03-01A	EA	VENT - ROOF - 3" TO 4" - W/FAN/POWER LIFT - W/O THERMOSTAT
3*	122882-01-01A	EA	VENT - ROOF - NONPOWERED - W/O INSIDE GARNISH
4	084073-04-000	EA	BASE - ROOF VENT/REFRIGERATOR - BLACK - NORCOLD
4	084073-07-000	EA	VENT - ROOF/REFRIGERATOR - BRIGHT WHITE - NORCOLD
5*	123780-03-01A	EA	VENT - ROOF - 3" TO 4" - W/FAN/POWER LIFT - W/O THERMOSTAT
6*	098647-22-01A	EA	WINDOW-DRIVER HORIZ SLIDER W/TRIM-TINTED - 26.1" X 59.7"
6*	112795-15-01A	EA	WINDOW - DRIVER HORIZONTAL SLIDER - THERMO - 26.4" X 60"
6*	112795-40-01A	EA	WINDOW - DRVR HORIZONTAL SLDR - THERMO/EURO- 26.1" X 59.8"
7*	103658-11-01A	EA	WINDOW - DRIVER CAB (2 GLASS) - 38.3"T X 45.2"B X 36.7"H
7*	113501-10-01A	EA	WINDOW-DR CAB/THERMO(2 WINDOW)-37.2"T X 43.9"B X 35.7"H
7*	113501-12-01A	EA	WINDOW-DR CAB/THERMO/EURO(2 GLS)37.2"T X 43.9"B X 35.7"H
8*	106467-06-01A	EA	WINDOW - DRIVER VISTA W/TRIM - 39.2"T X 40.6"B X 7.3"H
8*	116000-08-01A	EA	WINDOW - DRIVER VISTA - THERMO - 38.2"T X 39.4"B X 6.3"H
8*	116000-09-01A	EA	WINDOW - DRIVER VISTA-THERMO/EURO- 38.2"T X 39.4"B X 6.3"H
9	106469-02-702	EA	GLASS -STATIONARY HORIZONTAL
10	106469-01-704	EA	GLASS ASM - ROLL-UP W/ BRACKET
11*	106468-05-01A	EA	WINDOW - DRIVER WING W/TRIM - 6.8"T X 12.2"B X 28.9"H
11*	115999-06-01A	EA	WINDOW - DRIVER WING - THERMO - 5.8"T X 11"B X 27.9"H
11*	115999-07-01A	EA	WINDOW - DRIVER WING - THERMO/EURO - 5.8"T X 11"B X 27.9"H
12*	103658-12-01A	EA	WINDOW - PASS. CAB (2 WINDOW) - 38.3"T X 45.2"B X 36.7"H
12*	113501-09-01A	EA	WINDOW-PASS CAB/THERMO(2 WINDOW)-37.2"T X 43.9"B X 35.7"H
12*	113501-11-01A	EA	WINDOW-PASS CAB/THERMO/EURO(2 GLS)37.2"T X 43.9"B X 35.7"H
13*	098647-41-01A	EA	WINDOW - PASS HORIZ SLIDER W/TRIM - TINTED - 24.2" X 41"
13*	112795-21-01A	EA	WINDOW - PASSENGER HORIZ SLIDER - THERMO - 24.3" X 41"
13*	112795-44-01A	EA	WINDOW-PASSENGER HORIZONTAL SLIDE THERMO - 24.3" X 41"
14*	117053-02-F36	EA	WINDOW - PICTURE - 60% TINTING - 17" X 26.4"
	117054-02-02A	EA	RETAINER - TRIM - BRIGHT WHITE
14*	113733-01-01A	EA	WINDOW - STATIONARY THERMOPANE - 17" X 26.4"
14*	113733-03-01A	EA	WINDOW - STATIONARY THERMOPANE/EUROPEAN - 26.4" X 17"
15	084616-07-000	EA	SHROUD - EXHAUST VENT/RANGE HOOD - BRIGHT WHITE
15	084878-09-000	EA	VENT - EXHAUST/RANGE HOOD - OFF WHITE
16*	098647-33-01A	EA	WINDOW - PASS HORIZ SLIDER W/TRIM - TINTED - 15.7" X 28.5"
16*	112795-19-01A	EA	WINDOW - PASSENGER HORIZ SLIDER - THERMO - 16" X 28.7"
16*	112795-41-01A	EA	WINDOW - PASSENGER HORIZONTAL SLIDER/THERMO/EURO - 16" X 28 3/4"
17*	113500-01-01A	EA	WINDOW - DOUBLE TIPOUT - TINTED - 24.5" X 41.3"
17*	112795-21-01A	EA	WINDOW - PASSENGER HORIZ SLIDER - THERMO - 24.5" X 41.3"
17*	112795-44-01A	EA	WINDOW-PASSENGER HORIZONTAL SLIDE THERMO 24 1/2" X 41"
18	083558-03-000	EA	VENT - PLUMBING - ROOF PIPE COVERED - OFF WHITE

* COMPONENT PARTS FOUND IN SERVICE PARTS LIBRARY

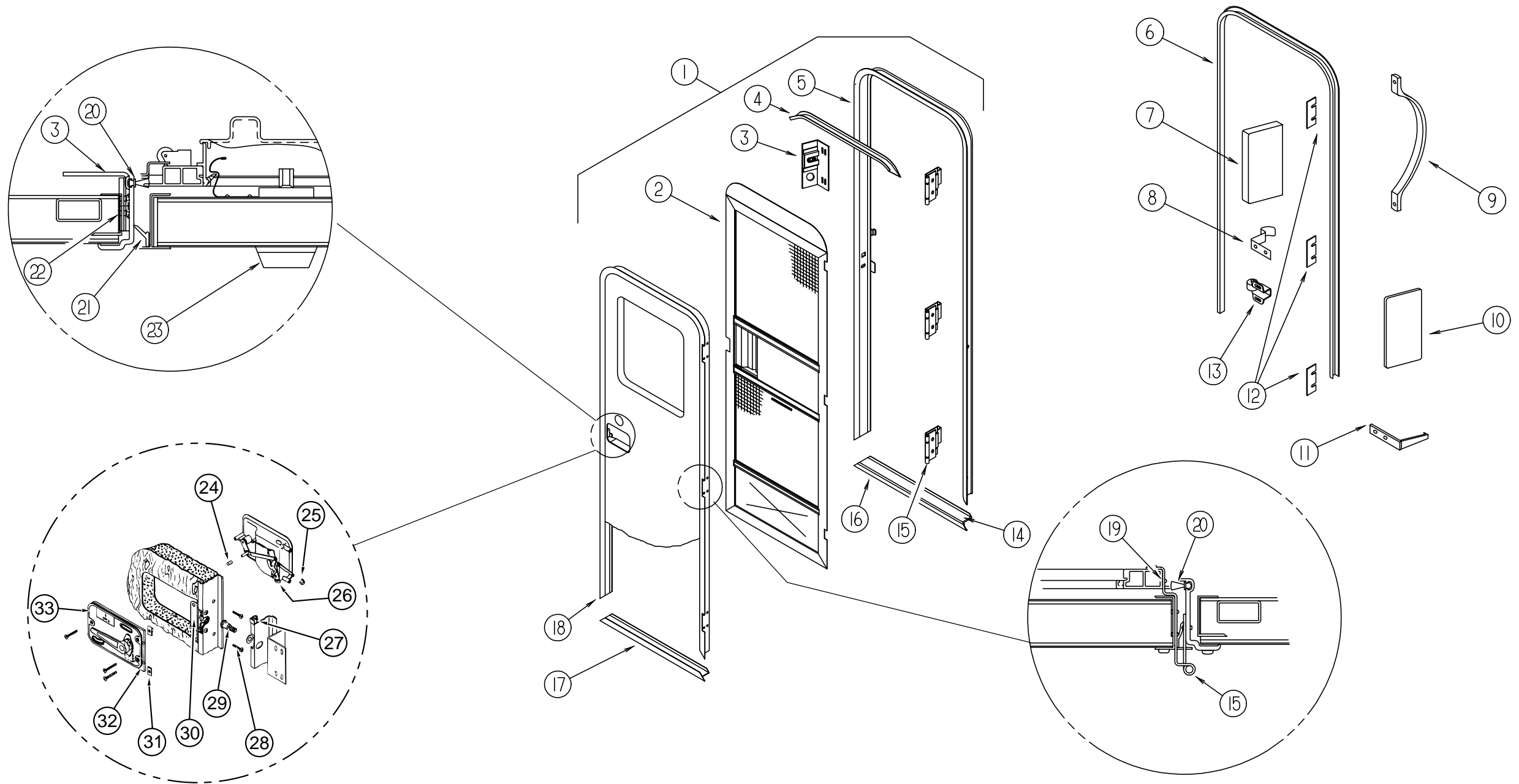
WINDOW, VENT & EXTERIOR DOOR GROUP (CONTINUED)

EXTERIOR DOORS



KEY	PART NUMBER	U/M	DESCRIPTION	VENDOR NO.
1	122391-28-J18	EA	VALANCE/DOOR-DRIVER W/O PADDLE LATCH 15.2" X 60" X 12.2"	
2	078010-15-000	EA	DOOR - FUEL FILL - W/O LOCK - JAPAN EXPORT	
3	126945-04-J01	EA	DOOR/STORAGE - W/O HARDWARE - 18" X 8.3"	
4	084103-08-000	EA	DOOR - VENT/REFRIGERATOR - W/O JAMB - BRIGHT WHITE	
	084104-08-000	EA	JAMB - VENT DOOR/REFRIGERATOR - BRIGHT WHITE	
	084104-01-700	EA	LOCK-MALE, FASTENER	201-721-010
	084104-01-701	EA	LOCK-FEMALE, FASTENER	201-802-010
5	098668-23-000	EA	DOOR - ACCESS - FURNACE - BRIGHT WHITE	
5	111013-23-H13	EA	DOOR - STORAGE - W/O LOCK - 10.3" X 20.5" - GERMAN EXPORT	
6	088794-06-000	EA	DOOR - POWER CORD W/HATCH - BRIGHT WHITE - 9.2" X 11"	
7	122239-37-J18	EA	VALANCE/DOOR - W/O PADDLE LATCH/HINGE - 15.2" X 35.7"	
8	122239-38-J18	EA	VALANCE/DOOR - W/O PADDLE LATCH/HINGE - 15.2" X 63.6"	
9	106469-08-01A	EA	DOOR - DRIVER	
10	122239-36-J18	EA	VALANCE/DOOR - W/O PADDLE LATCH/HINGE - 15.2" X 50.5"	
11	115108-05-J18	EA	DOOR - ENTRY - W/SCREEN DOOR - W/O WINDOW (J18)	
11	115108-05-J19	EA	DOOR - ENTRY - W/SCREEN DOOR - W/O WINDOW (J19)	
11	115108-05-J47	EA	DOOR - ENTRY - W/SCREEN DOOR - W/O WINDOW (J44)	
12	116313-03-J18	EA	DOOR - COMPARTMENT - W/O PADDLE LATCH - 20.4" X 11.7" - EUROPEAN EXPORT	
12	111013-58-J18	EA	DOOR - STORAGE - W/O LOCK - 14.7" X 27.4" - JAPAN EXPORT	
13	111017-01-H23	EA	DOOR - STORAGE - W/O LOCK - 8.1" X 17.8"	
13	126945-01-J22	EA	DOOR/STORAGE - W/O HARDWARE - 18" X 8.3" FROM: 00-00-00 THRU: 05-13-98 FROM: 05-14-98 THRU: 99-99-99	
14	052009-06-000	EA	DOOR - WATER HEATER - BRIGHT WHITE - 18" X 14.6"	
	116424-01-000	EA	PROTECTOR - LATCH - WATER HEATER	
15	081240-16-000	EA	DOOR - WATER FILL - LOCKABLE W/O LOCK - 4" X 4 5/8"	
16	124245-04-H13	EA	VALANCE/DOOR - REAR PASSENGER - W/O PADDLE LATCH - 55.8"	
16	124245-03-H13	EA	VALANCE/DOOR - REAR PASSENGER - W/O PADDLE LATCH - 55.8" - W/RAISED BED	

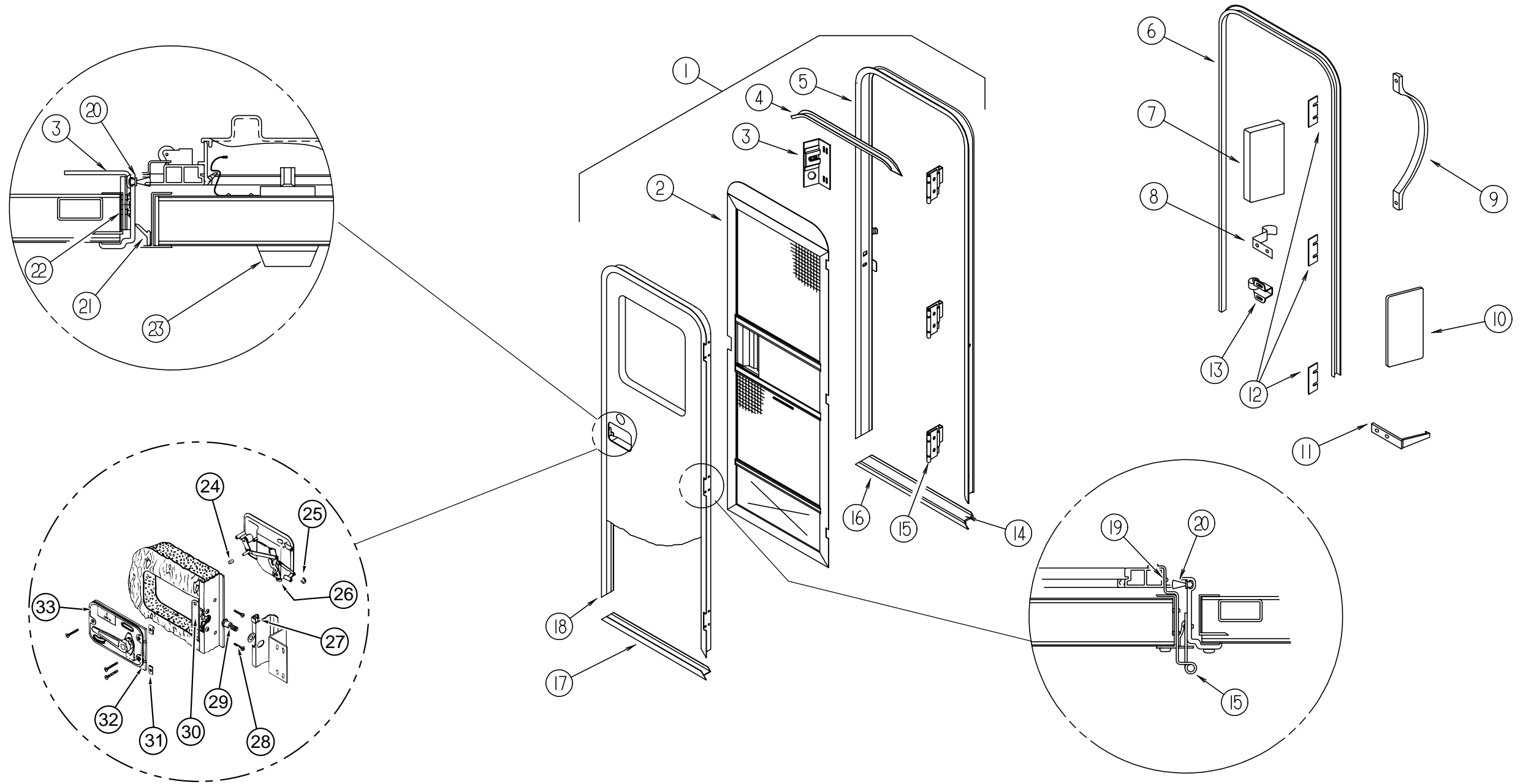
WINDOW, VENT & EXTERIOR DOOR GROUP (CONTINUED)
ENTRANCE DOOR



KEY	PART NUMBER	U/M DESCRIPTION
1	115108-05-J18	EA DOOR - ENTRY - W/SCREEN DOOR - W/O WINDOW (J18)
1	115108-05-J19	EA DOOR - ENTRY - W/SCREEN DOOR - W/O WINDOW (J19)
1	115108-05-J47	EA DOOR - ENTRY - W/SCREEN DOOR - W/O WINDOW (J44)
2	121899-03-GB1	EA DOOR - SCREEN - W/O HARDWARE
3	041546-07-000	EA BRACKET - DOOR ANGLE - OFF WHITE
4	044582-44-000	EA CAP - DRIP - JAMB - BRIGHT WHITE
5	121898-04-01A	EA JAMB - ENTRANCE DOOR - BRIGHT WHITE
6	115222-01-01A	EA GARNISH - RADIUS - ENTRY DOOR - OFF WHITE
7	077461-03-000	EA COVER - STRIKE - ENTRY DOOR - 6.5" X 2.5" - WHITE PLASTIC
8	100412-01-000	EA CATCH - SCREEN DOOR
9	009126-03-000	EA HANDLE - ASSIST - BLACK TEXTURED
10	076725-02-000	EA COVER - HINGE - ENTRY DOOR - 6" X 3.2" - OFF WHITE
11	102768-01-000	EA HOLDER - COMPARTMENT/ENTRY DOOR - METAL - MILL FINISH
12	102248-01-000	EA SHIM - DOOR

KEY	PART NUMBER	U/M DESCRIPTION
13	079087-03-000	EA STRIKE - SLIDER - SCREEN DOOR - BRIGHT WHITE
14	038327-01-000	FT TAPE - ANTI-SLIP - 2" X 60'
15	106719-01-05A	EA HINGE - ENTRANCE DOOR - BRIGHT WHITE
	039715-01-000	EA NUT-SERT - 1/4" DIAMETER - 20 THREADS - ENTRANCE DOOR HINGE
	116111-02-01A	EA SCREW - TAPTITE - 1/4-20 X 3/8 PPH - ZINC
16	051049-01-000	EA JAMB - BOTTOM - ENTRY DOOR - 25.9" - UNPAINTED
17	121893-01-01A	EA FRAME - ENTRY DOOR/BOTTOM - BRIGHT WHITE
18	121894-07-01A	EA FRAME - ENTRY DOOR - BRIGHT WHITE
	098173-01-04A	EA STIFFENER - ENTRY DOOR - SUPPORTS LATCH/STRIKE - UNPAINTED
19	100128-02-000	FT SEAL - FOAM/ADHESIVE BACK - .37" WIDE X .37" THICK
20	118929-01-01A	FT SEAL - PILE - PUSH ON

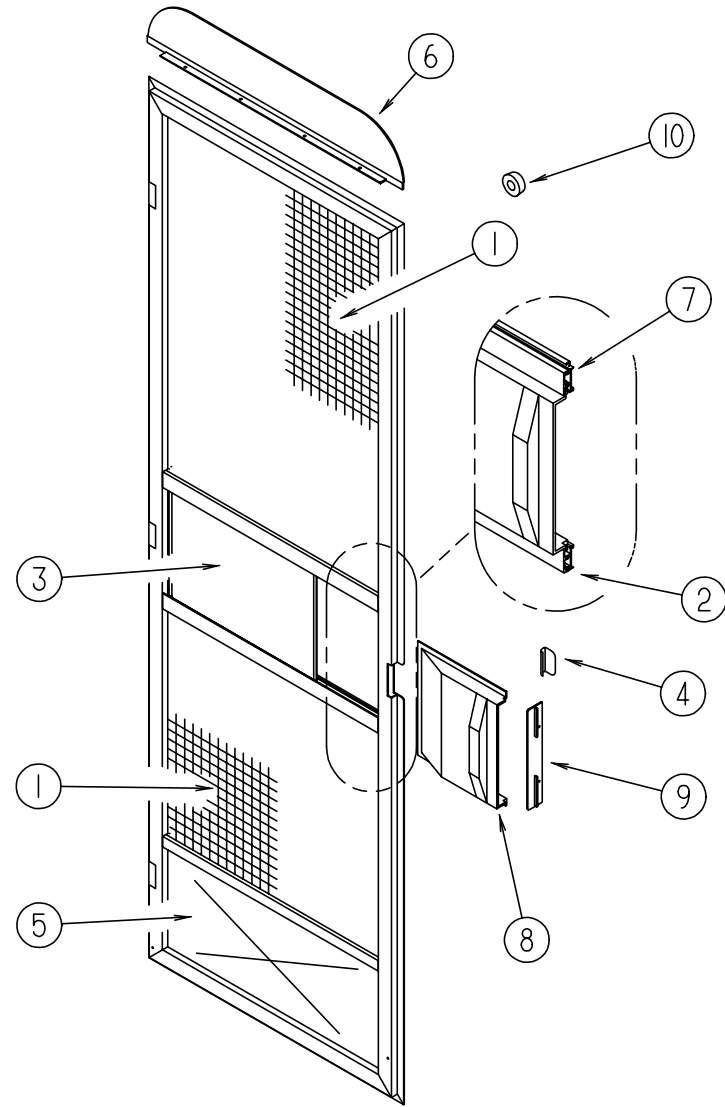
WINDOW, VENT & EXTERIOR DOOR GROUP (CONTINUED)
ENTRANCE DOOR



KEY	PART NUMBER	U/M DESCRIPTION
21	075671-04-000	FT SEAL - SPONGE - LAZY T - W/ADHESIVE STRIP - .5" WIDE
22	104692-01-000	FT SEAL - FOAM/ADHESIVE BACK - .75"THICK X .75"WIDE X 25'
23	101145-01-06A	EA DEADBOLT - ENTRY DOOR W/O SECURITY BOLT W/2 KEYS - BLACK
	095229-01-700	EA KEY-BLANK, DEADBOLT
	101145-01-701	EA CYLINDER-LOCK ASM., W/KEY
	101147-01-000	EA BOLT - SECURITY - 4.12"
24	039984-01-000	EA CAP - ROUND - VINYL - .28" ID X .62" - BLACK
25	036618-02-000	EA E-RING - EXTERNAL - 3/16" SHAFT DIAMETER - LYNOR DOOR LOCK
26	045017-13-000	EA LATCH - ENTRY DOOR - BLACK TEXTURED
	039979-05-000	EA COVER - INTERIOR LATCH - W/TRIP ARM - LEFT - BLACK
	045017-11-701	EA KEY-BLANK, F1 SERIES
	045017-11-703	EA CYLINDER-LOCK ASM. W/KEYS

VENDOR NO.	KEY	PART NUMBER	U/M DESCRIPTION
81205-03	27	064075-07-000	FT SEAL - BULB - W/WIRED U CHANNEL - .3" X .5" CHANNEL-BLACK
81306-03	28	000G54-04-20B	EA SCREW - 1/4-20 X 1.25 PTH - TYPE 23 - ZINC PLATED
	29	039539-01-000	EA STRIKE - LOCK - ENTRY DOOR - ROUND W/THREADED WASHER
	30	039540-01-000	EA STRIKE - LOCK - ENTRY DOOR - ROUND W/THREADED WASHER
	31	040921-01-000	EA NUT - SPEED - U TYPE - 10-24 BLACK
	32	096810-01-01A	EA PLATE - LATCH - ENTRY DOOR - BLACK
	33	039979-06-000	EA COVER - LATCH PLATE - RIGHT HAND - BLACK TEXTURED
		086285-05-000	EA SPACER - NYLON - .7" X .56"
14264-01-2001		104099-01-04A	EA CATCH - DOOR HOLDER - STRIKE - BRIGHT WHITE
81266-09		104099-02-04A	EA CATCH - DOOR HOLDER - RETAINER - BRIGHT WHITE
		130444-01-01A	EA CAP - KEY IDENTIFIER - GRAY

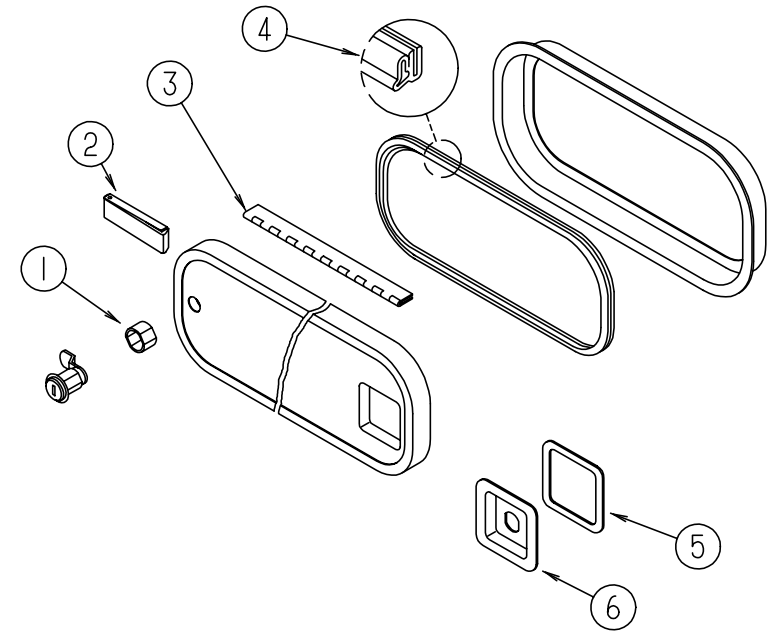
WINDOW, VENT & EXTERIOR DOOR GROUP (CONTINUED)



SCREEN DOOR

KEY	PART NUMBER	U/M	DESCRIPTION
	121899-03-GB1	EA	DOOR - SCREEN - W/O HARDWARE
1	002293-02-000	SF	SCREENING - WINDOW/DOOR - 26" - CHARCOAL
2	002294-01-000	FT	SPLINE - SCREENING - .135" X .138"
3	016454-01-000	EA	INSERT - CENTER - LEATHER GRAIN ALUMINUM - UNPAINTED
	001014-01-013	EA	INSERT - CENTER - 10.25" X 16.31" - UNPAINTED
4	050712-06-000	EA	HANDLE - SCREEN DOOR - BRIGHT WHITE
5	078552-03-000	EA	KICK PANEL - SCREEN DOOR - LOWER INSERT - UNPAINTED
6	078595-01-000	EA	TOP PLATE - SCREEN DOOR - CURVED TOP - 4.7" X 25.35"
7	078777-01-000	EA	CHANNEL - SLIDER - SCREEN DOOR CENTER SLIDER COVER
			FROM: 00-00-00 THRU: 02-22-98
7	078777-08-000	FT	CHANNEL - SLIDER
			FROM: 02-23-98 THRU: 99-99-99
8	079086-03-000	EA	SLIDER - SCREEN DOOR - BRIGHT WHITE
9	079087-03-000	EA	STRIKE - SLIDER - SCREEN DOOR - BRIGHT WHITE
10	120863-05-000	EA	BUMPER - RUBBER - 3/4" X 3/8"
			FROM: 00-00-00 THRU: 10-27-97
10	120863-06-000	EA	BUMPER - RUBBER - 3/4" X 3/8"
			FROM: 10-28-97 THRU: 99-99-99
	075673-01-000	FT	SEAL - PILE - ADHESIVE BACK - GRAY
	075673-05-000	FT	SEAL - PILE - ADHESIVE BACK - BLACK
	086285-05-000	EA	SPACER - NYLON - .7" X .56"

WINDOW, VENT & EXTERIOR DOOR GROUP (CONTINUED)

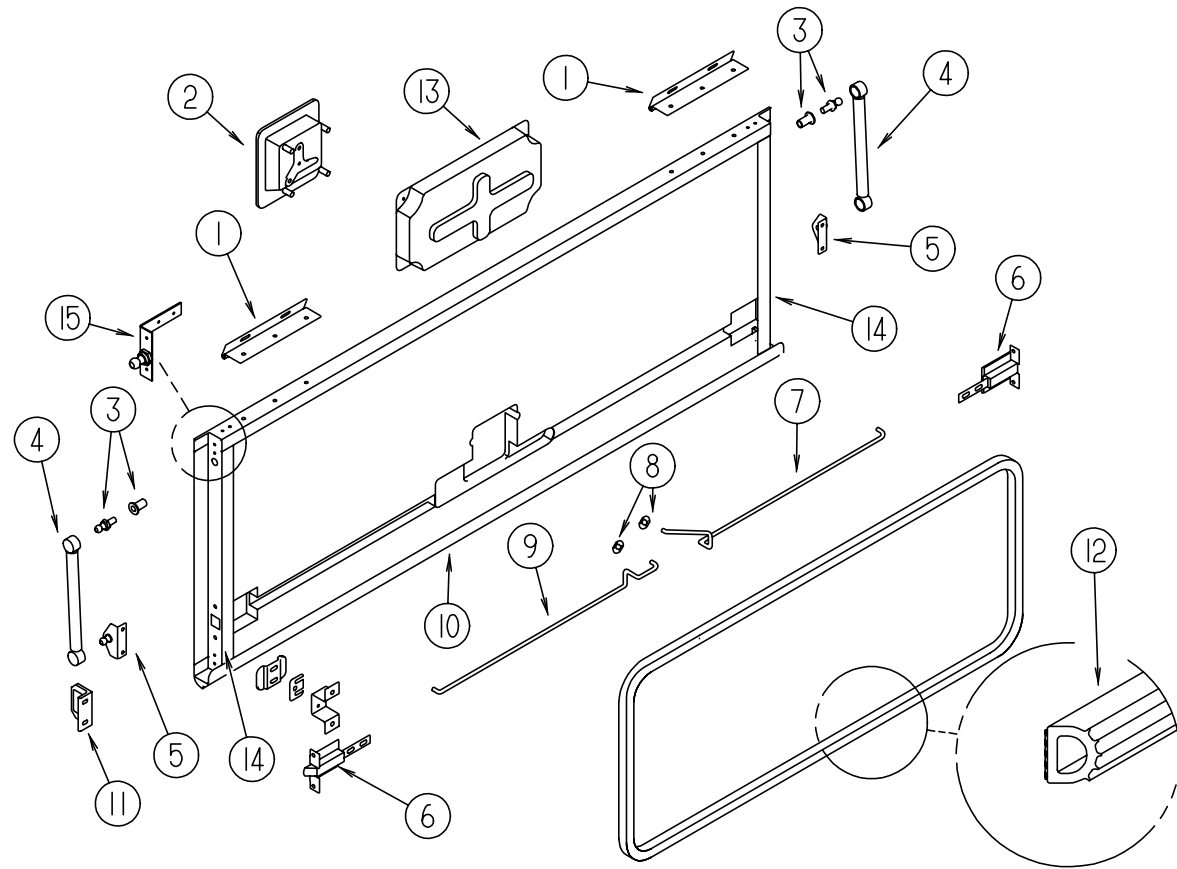


EXTERIOR ACCESS DOOR COMPONENTS

KEY	PART NUMBER	U/M	DESCRIPTION
1	107997-51-001	EA	SPACER - DOOR LOCK - .6" DEEP
	107997-51-002	EA	EXTRUDED - SPACER - 16'
2	102768-01-000	EA	HOLDER - COMPARTMENT/ENTRY DOOR - METAL - MILL FINISH
3	081801-V3-000	EA	HINGE - ALUMINUM - 2" X 96" - BRIGHT WHITE
3	034007-B3-000	EA	HINGE - CONTINUOUS - 1.5" X 96"
	009065-01-000	EA	HINGE - ALUMINUM - 1 1/2" X 96" - UNPAINTED
4	064075-07-000	FT	SEAL - BULB - W/WIRED U CHANNEL - .3" X .5" CHANNEL-BLACK
5	098338-01-000	EA	GASKET - LOCK POCKET
6	097111-01-04A	EA	POCKET - LOCK - VALANCE
	098408-01-000	FT	SEAL - SPONGE RUBBER - CLOSED CELL
	104692-01-000	FT	SEAL - FOAM/ADHESIVE BACK - .75"THICK X .75"WIDE X 25'
	106850-02-000	FT	SEAL-E - SPONGE RUBBER - .43" X .75"

WINDOW, VENT & EXTERIOR DOOR GROUP (CONTINUED)

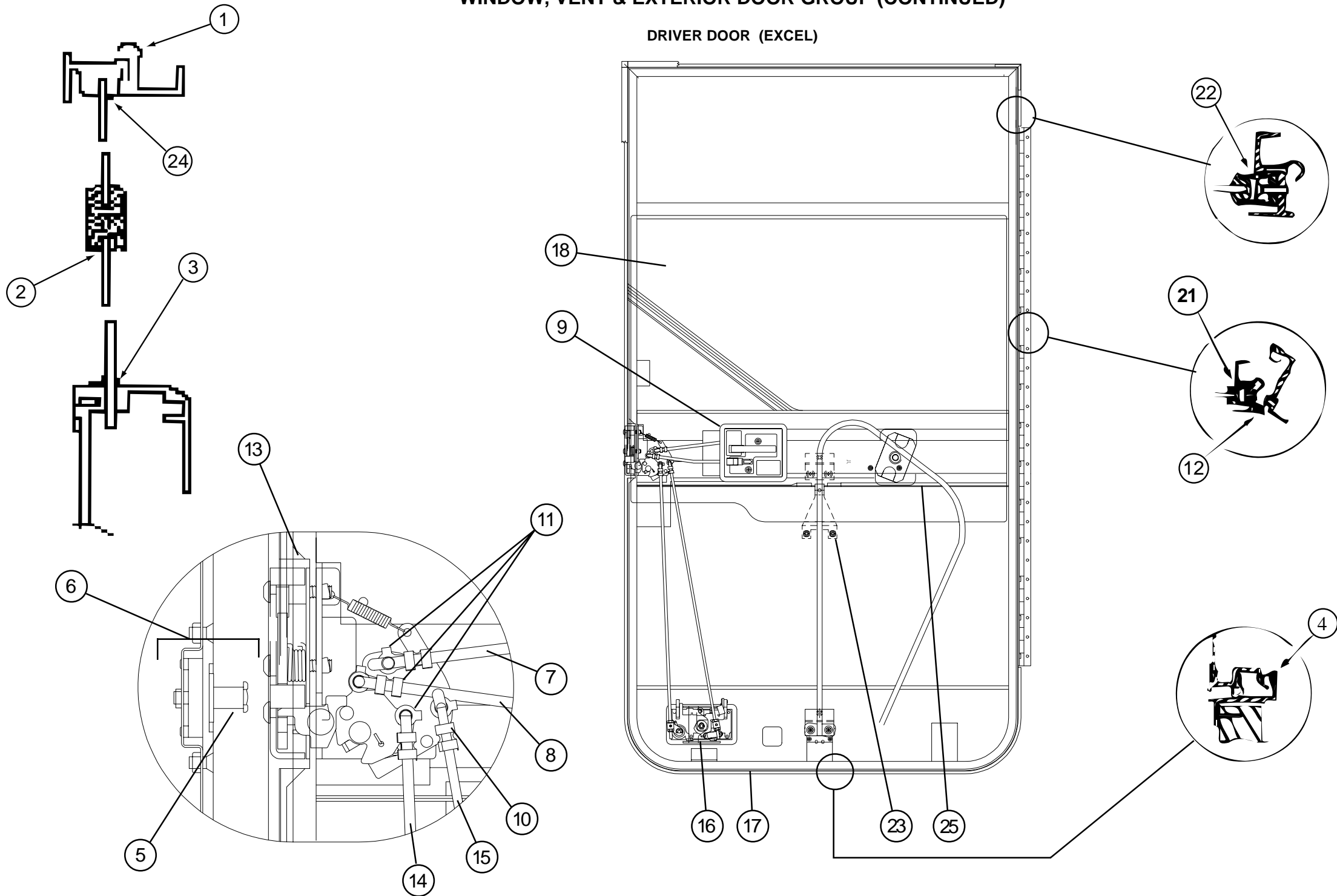
EXTERIOR ACCESS DOOR COMPONENTS



KEY	PART NUMBER	U/M	DESCRIPTION
1	121755-01-04A	EA	HINGE - 6.00 INCH
	122612-55-007	EA	U-CHANNEL/EXTRUSION - 192" - BLACK
2	112949-01-04A	EA	LATCH - PADDLE W/LOCK - W/O KEY - BLACK
3	057460-08-000	EA	BALL STUD - 10MM BALL - 5/16-18 - STAINLESS STEEL
4	107796-11-000	EA	SPRING/GAS - 11" COMPRESSED/17" EXTENDED - 90 LB
4	107796-18-000	EA	SPRING/GAS - 7" COMPRESSED/10" EXTENDED - 80 LB.
4	107796-20-000	EA	SPRING/GAS - 7" COMPRESSED/10" EXTENDED - 60 LB
4	107796-27-000	EA	SPRING/GAS - 8.5" COMPRESSED/12" EXTENDED - 90 LB
4	107796-26-000	EA	SPRING/GAS - 12" COMPRESSED/20" EXTENDED - 90 LB.
4	108998-04-000	EA	SPRING/GAS - 12" COMPRESSED/20" EXTENDED - 60LB
5	107796-19-000	EA	BRACKET - GAS SPRING
5	107796-03-000	EA	BRACKET - GAS SPRING - SMALL
6	121947-01-01A	EA	BOLT - SLIDE - LATCH - STEEL
7	122269-50-000	EA	ROD - LATCH - 10.13"
7	122269-57-000	EA	ROD - LATCH - 19.80"
7	122269-06-000	EA	ROD - LATCH - 24.07"
7	122269-58-000	EA	ROD - LATCH - 15.78"
7	122269-49-000	EA	ROD - LATCH - 17.51"
8	124304-01-000	EA	CLIP - ROUND PUSH ON
9	122268-57-000	EA	ROD - LATCH - 19.80"
9	122268-50-000	EA	ROD - LATCH - 10.13"
9	122268-06-000	EA	ROD - LATCH - 24.07"
9	122268-58-000	EA	ROD - LATCH - 28.75"
9	122268-49-000	EA	ROD - LATCH - 17.51"
10	122613-55-001	EA	EXTRUDED - ROCKER PANEL - 192" - BRIGHT WHITE
	122613-55-007	EA	U-CHANNEL/EXTRUSION - 192" - BLACK
11	123783-01-01A	EA	STRIKER - DOOR - MILL
12	107721-07-000	FT	SEAL - ACCESS DOOR
13	122277-02-01A	EA	COVER - LATCH - BLACK
14	122614-55-001	EA	EXTRUDED - H CHANNEL - 192" - BRIGHT WHITE
	122614-55-007	EA	U-CHANNEL/EXTRUSION - 192" - BLACK
15	123892-10-02B	EA	CORNER STABILIZER W/BALL STUD - RIGHT HAND - E-COATED
15	123892-12-02B	EA	CORNER STABILIZER W/BALL STUD - LEFT HAND - E-COATED

WINDOW, VENT & EXTERIOR DOOR GROUP (CONTINUED)

DRIVER DOOR (EXCEL)

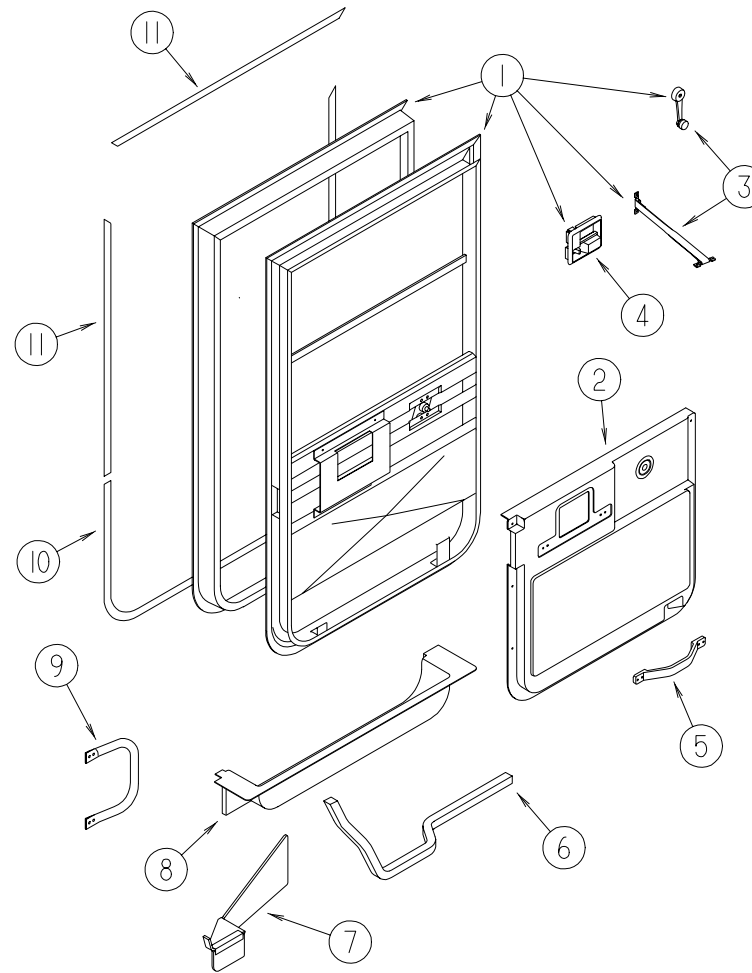


KEY	PART NUMBER	U/M DESCRIPTION	VENDOR NO.
1	106469-01-702	EA DOOR SEAL	122-040984
2	106469-01-705	FT CHANNEL - RUN - SLIDING	122-010850
3	106469-01-709	FT WEATHERSTRIP - FUZZY	171-040630
4	106469-01-723	EA SEAL - BULB ASM. (JAMB)	171-040985
5	106469-04-703	EA BOLT - STRIKER (W/ WASHER)	248-041152
6	106469-04-704	EA NUT ASSEMBLY - CAGED - W/STRIKER	248-041151
7	106469-04-705	EA LATCH ROD - HORIZONTAL	203-041139
8	106469-04-711	EA LOCK ROD - HORIZONTAL	203-041137
9	106469-04-712	EA HANDLE/DOOR - INNER W/HARDWARE	248-041402
10	106469-04-713	EA ROD CLIP L.H.	248-041154
11	106469-04-714	EA ROD CLIP R.H.	248-041153
12	106469-05-702	EA HINGE - 42"	211-041194
13	106469-05-706	EA LATCH - ROTARY - W/LINKAGE	248-041150

KEY	PART NUMBER	U/M DESCRIPTION	VENDOR NO.
14	125581-04-700	EA ROD - LATCH/VERTICAL ADJUST.	203041767
15	125581-04-701	EA ROD - LOCK/VERTICAL ADJUST.	203-041768
16	125581-04-702	EA PADDLE RH-W/COLLAR BLACK TEX	248-041403
17	125581-04-703	EA FRAME - MOUNTING - BLACK	V180-35L
18	125581-04-704	EA GLASS - ROLL-UP	106-041821
19	125581-04-705	EA GLASS - STATIONARY	106-041547
20	125581-04-706	EA FRAME - DOOR - SUB-ASSEMBLY	V180-94L
21	125581-04-707	EA CHANNEL - ROLL UP GLASS	V156-60
22	125581-04-708	EA CHANNEL - STATIONARY GLASS	V156-61
23	125581-04-709	EA REGULATOR - MANUAL	410-08389
24	125581-04-710	EA VINYL - GLAZING	132-041484
25	125581-04-711	EA CHANNEL- GLASS	N135-66
	106469-04-701	EA TUMBLER & KEYS (TRI-MARK)	248-041179
	106469-04-702	EA KEYS (BLANK)	248-041180

WINDOW, VENT & EXTERIOR DOOR GROUP (CONTINUED)

DRIVER DOOR (EXCEL)



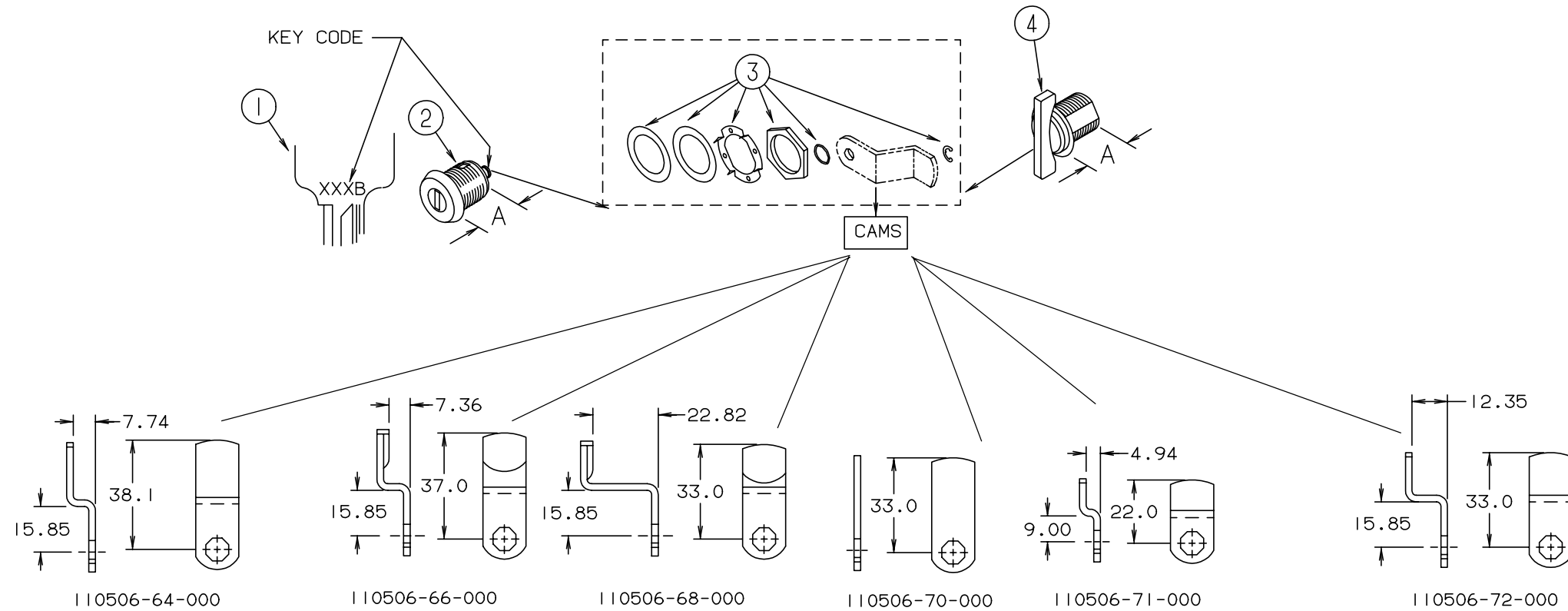
KEY	PART NUMBER	U/M	DESCRIPTION	VENDOR NO.
1	125581-04-01A	EA	DOOR - DRIVER - NON-POWER	
2	125899-03-01A	EA	PANEL - CAB DOOR - INNER/DRIVER	
3	106469-02-704	EA	PARTS BAG (WINDOW HANDLE & CHECK STRAP)	V068-16
	109378-01-000	EA	STRAP - CHECK - DRIVER DOOR - 12.8"	
4	106469-04-712	EA	HANDLE/DOOR - INNER W/HARDWARE	248-041402
5	110604-01-01A	EA	HANDLE - ASSIST - DRIVERS DOOR	
6	063977-14-000	EA	STEP - DRIVER DOOR - LEFT HAND	
7	128255-01-04B	EA	STEP - DRIVER DOOR - BLACK	
8	107818-03-04A	EA	TRIM - STEP/DRIVERS DOOR	
			FROM: 00-00-00 THRU: 02-08-98	
8	107818-05-02A	EA	TRIM - STEP/DRIVERS DOOR	
			FROM: 02-09-98 THRU: 99-99-99	
	102569-02-000	EA	MAT - ANTI SLIP - LOWER	
9	108832-02-01A	EA	HANDLE - ASSIST - DOOR/DRIVER	
	126701-01-03A	EA	COVER - ASSIST HANDLE - OFF WHITE	
10	109235-01-05A	FT	COVER - SCREW - BRIGHT WHITE	
11	109235-01-01A	FT	COVER - SCREW - MAT BLACK	
	P01713-01-000	EA	SWITCH - PUSH BUTTON - ELECTRIC STEP	

WINDOW, VENT & EXTERIOR DOOR GROUP (CONTINUED)

BRIGGS & STRATTON LOCKS & COMPONENTS

NOTE:

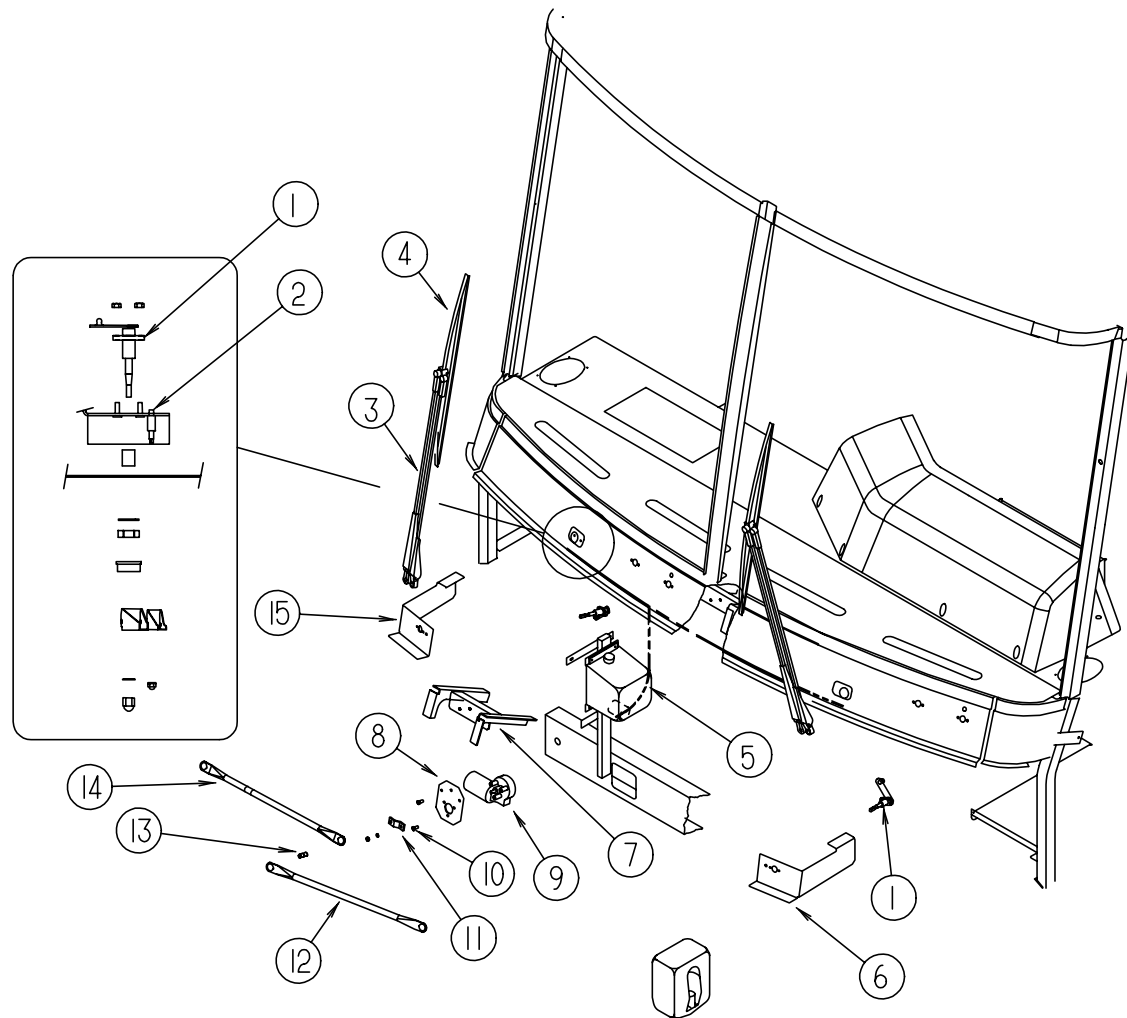
WHEN ORDERING THE LOCK CASE, THE KEY CODE MUST MATCH THE LAST DIGIT OF THE VEHICLE'S SERIAL NUMBER AND PART NUMBER; WHEN ORDERING THE KEYS, THE THIRD DIGIT OF THE KEY CODE MUST MATCH THE LAST DIGIT OF THE VEHICLE'S SERIAL NUMBER AND PART NUMBER



KEY	PART NUMBER	U/M	DESCRIPTION	VENDOR NO.	KEY	PART NUMBER	U/M	DESCRIPTION	VENDOR NO.
1	110506-59-000	EA	KEYS-SET OF 2	596720	1	110506-59-006	EA	KEYS-SET OF 2	596726
2	110506-52-000	EA	CASE/CYLINDER - LOCKING - W/O CAM/KEY - .65"	702370	2	110506-52-006	EA	CASE/CYLINDER - LOCKING - W/O CAM/KEY - .65"	702376
2	110506-53-000	EA	CASE/CYLINDER - LOCKING - W/O CAM/KEY - 1"	702380	2	110506-53-006	EA	CASE/CYLINDER - LOCKING - W/O CAM/KEY - 1"	702386
2	110506-54-000	EA	CASE/CYLINDER - LOCKING - W/O CAM/KEY - 1.25"	703170	2	110506-54-006	EA	CASE/CYLINDER - LOCKING - W/O CAM/KEY - 1.25"	703176
1	110506-59-001	EA	KEYS-SET OF 2	596721	1	110506-59-007	EA	KEYS-SET OF 2	596727
2	110506-52-001	EA	CASE/CYLINDER - LOCKING - W/O CAM/KEY - .65"	702371	2	110506-52-007	EA	CASE/CYLINDER - LOCKING - W/O CAM/KEY - .65"	702377
2	110506-53-001	EA	CASE/CYLINDER - LOCKING - W/O CAM/KEY - 1"	702381	2	110506-53-007	EA	CASE/CYLINDER - LOCKING - W/O CAM/KEY - 1"	702387
2	110506-54-001	EA	CASE/CYLINDER - LOCKING - W/O CAM/KEY - 1.25"	703171	2	110506-54-007	EA	CASE/CYLINDER - LOCKING - W/O CAM/KEY - 1.25"	703177
1	110506-59-002	EA	KEYS-SET OF 2	596722	1	110506-59-008	EA	KEYS-SET OF 2	596728
2	110506-52-002	EA	CASE/CYLINDER - LOCKING - W/O CAM/KEY - .65"	702372	2	110506-52-008	EA	CASE/CYLINDER - LOCKING - W/O CAM/KEY - .65"	702378
2	110506-53-002	EA	CASE/CYLINDER - LOCKING - W/O CAM/KEY - 1"	702382	2	110506-53-008	EA	CASE/CYLINDER - LOCKING - W/O CAM/KEY - 1"	702388
2	110506-54-002	EA	CASE/CYLINDER - LOCKING - W/O CAM/KEY - 1.25"	703172	2	110506-54-008	EA	CASE/CYLINDER - LOCKING - W/O CAM/KEY - 1.25"	703178
1	110506-59-003	EA	KEYS-SET OF 2	596723	1	110506-59-009	EA	KEYS-SET OF 2	596729
2	110506-52-003	EA	CASE/CYLINDER - LOCKING - W/O CAM/KEY - .65"	702373	2	110506-52-009	EA	CASE/CYLINDER - LOCKING - W/O CAM/KEY - .65"	702379
2	110506-53-003	EA	CASE/CYLINDER - LOCKING - W/O CAM/KEY - 1"	702383	2	110506-53-009	EA	CASE/CYLINDER - LOCKING - W/O CAM/KEY - 1"	702389
2	110506-54-003	EA	CASE/CYLINDER - LOCKING - W/O CAM/KEY - 1.25"	703173	3	110506-54-009	EA	CASE/CYLINDER - LOCKING - W/O CAM/KEY - 1.25"	703179
1	110506-59-004	EA	KEYS-SET OF 2	596724	3	110506-40-700	EA	HARDWARE KIT-LOCK, W/GASKET, NUT, CLIP & WASHERS	
2	110506-52-004	EA	CASE/CYLINDER - LOCKING - W/O CAM/KEY - .65"	702374	4	110506-50-000	EA	CASE - TWIST LOCK - A= 17 MM	596952
2	110506-53-004	EA	CASE/CYLINDER - LOCKING - W/O CAM/KEY - 1"	702384	4	110506-51-000	EA	CASE - TWIST LOCK - A= 25 MM	596669
2	110506-54-004	EA	CASE/CYLINDER - LOCKING - W/O CAM/KEY - 1.25"	703174		110506-59-701	EA	KEY BLANK	
1	110506-59-005	EA	KEYS-SET OF 2	596725		110506-64-000	EA	CAM - LATCHING - DOG LEGGED 1.8" LONG	
2	110506-52-005	EA	CASE/CYLINDER - LOCKING - W/O CAM/KEY - .65"	702375		110506-66-000	EA	CAM - LATCHING - DOG LEGGED 1.5" LONG	
2	110506-53-005	EA	CASE/CYLINDER - LOCKING - W/O CAM/KEY - 1"	702385		110506-68-000	EA	CAM - LATCHING - DOG LEGGED 1.3" LONG	
2	110506-54-005	EA	CASE/CYLINDER - LOCKING - W/O CAM/KEY - 1.25"	703175		110506-70-000	EA	CAM - LATCHING - STRAIGHT 1.3" LONG	
						110506-71-000	EA	CAM - LATCHING - DOG LEGGED .86" LONG	
						110506-72-000	EA	CAM - LATCHING - DOG LEGGED 1.3" LONG	

WINDSHIELD & WIPER GROUP

WIPER & WASHER COMPONENTS



KEY	PART NUMBER	U/M	DESCRIPTION	VENDOR NO.
1	096505-05-000	EA	SHAFT/PIVOT - WINDSHIELD WIPER	
	096505-02-700	EA	DRIVER-KNURLED,(HD) BRL .687	NT721017
	096505-02-701	EA	NUT-HEX (HD) W/.687 BARREL	NT721021
	096505-02-702	EA	CAP-RUBBER (HD) BARREL .687	CP721084
	096505-02-703	EA	CAP-NUT(ACORN) HD W/.687 BRL	51065-40-NT27WC
	077049-02-000	EA	NUT - ACORN - 10-32 BLACK/ANODIZED	
	000D24-10-00B	EA	NUT - HEX - SELF LOCKING - 10-32 ZINC	
	071015-21-000	EA	GROMMET - RUBBER - 1/2 ID X 1.06 OD - W/.19 GROOVE - BLACK	
	077048-02-000	EA	SHAFT - ADAPTER - PANTOGRAPH ARM	
	2	117769-01-000	EA	ARM - WIPER - PANTOGRAPH - 28"
096931-01-701		EA	NOZZLE-HARDWARE KIT	
096931-01-700		FT	HOSE - WASHER - 1/8" ID	
097978-01-000		EA	BLADE - WIPER - FLEX 22 INCH	
3	117766-02-000	EA	RESERVOIR/PUMP - WINDSHIELD WASHER	
	045794-01-000	FT	HOSE - WASHER - WINDSHIELD - 5/32" ID - BLACK	
	110605-01-000	EA	TEE - PLASTIC - BARBED - 1/8" X 1/8" X 3/16"	
	117765-03-000	EA	CONNECTOR - 5/32" - WINDSHIELD WASHER	
	106680-02-000	EA	BRACKET - MOUNT - WIPER PIVOT	
4	106680-02-000	EA	BRACKET - MOUNT - WIPER PIVOT	
	106603-01-000	EA	MOUNT - WIPER MOTOR	
5	106604-01-000	EA	PLATE - WIPER - MOTOR MOUNT	
	103935-03-000	EA	PLATE - MOUNTING - WIPER MOTOR	
6	104346-04-000	EA	WIPER MOTOR - "COAST TO PARK" W/BKR - W/GRN/RED/WHITE WIRE	
7	117322-01-000	EA	SCREW - 1/4-28 UNFINISHED - 2A - TORX	
8	104347-04-000	EA	ARM - DRIVE - WIPER MOTOR	
9	117770-04-000	EA	LINK - CONNECTING - 22" - CLOSED GROMMET/CLOSED GROMMET	
10	067188-01-000	EA	STUD - CRANK - WIPER MOTOR	
11	117770-03-000	EA	LINK - CONNECTING - 22" - CLOSED GROMMET/OPEN GROMMET	
12	106680-01-000	EA	BRACKET - MOUNT - WIPER PIVOT	
13	000D28-10-00B	EA	NUT - HEX - W/NYLON LOCK - 10-32 ZINC	
14	061603-01-000	EA	GROMMET - SNAP - 3/16"ID - 3/8" HOLE - PLASTIC BLACK	
15				

WINDSHIELD & WIPER GROUP (CONTINUED)

WINDSHIELD MOLDINGS & GLASS

KEY	PART NUMBER	U/M	DESCRIPTION
1	098788-06-000	EA	CHANNEL - 49" PVC
2	122037-12-01B	EA	HEADER - W/TV OPTION
3	077847-02-000	EA	SUPPORT - WINDSHIELD/LOWER - W/O BRACKETS
4	121963-02-000	EA	WINDSHIELD - DRIVERS - CURVED - 50.5" X 35.75"
4	121963-04-000	EA	GLASS - WINDSHIELD - LEFT HAND - EUROPEAN
5	107285-01-000	EA	BRACKET - SUPPORT - WINDSHIELD
6	103107-08-01A	EA	TRIM - WINDSHIELD - SIDE - BLACK
7	102936-01-000	FT	MOLDING - REVEAL - WINDSHIELD
8	118586-01-000	FT	MOLDING - REVEAL - WINDSHIELD (CENTER POST)
9	120533-01-000	FT	MOLDING - REVEAL - WINDSHIELD
10	103107-07-01A	EA	TRIM - WINDSHIELD - SIDE - BLACK
11	110268-01-000	EA	CARRIER - WINDSHIELD - 50.4"
12	081914-01-000	EA	BUMPER - RUBBER - ROUND - .43" DIAMETER
13	121963-01-000	EA	WINDSHIELD - PASSENGER - CURVED - 50.5" X 35.75"
13	121963-03-000	EA	WINDSHIELD - GLASS - PASSENGER - EUROPEAN
14	117335-01-000	EA	CARRIER/REVEAL - 94.6" W/ADHESIVE BACKING
15	121964-01-01B	EA	SUPPORT - WINDSHIELD/UPPER - W/O BRACKETS

