

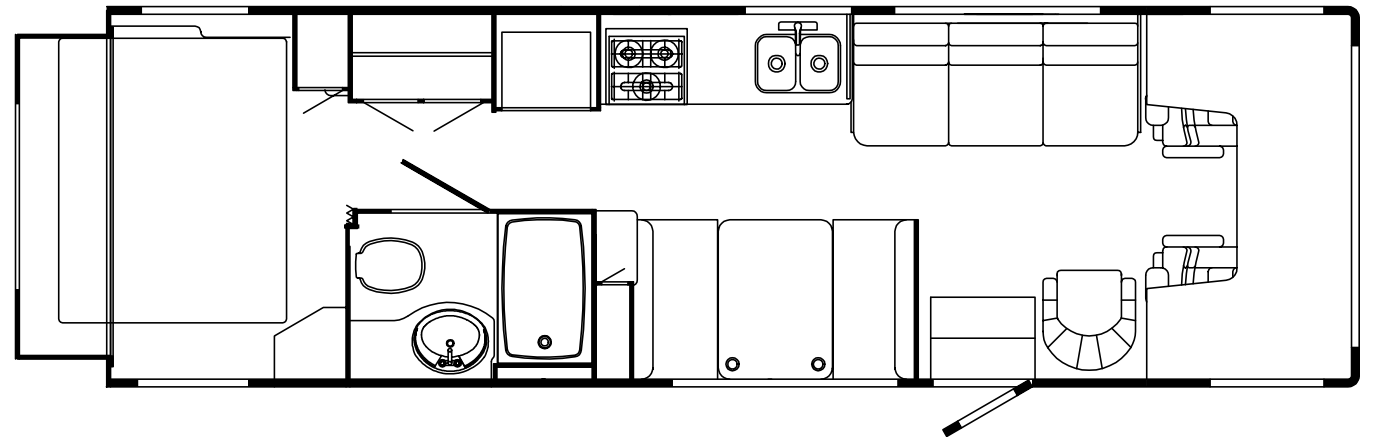
**1998**  
**WF431WS**

**J05**

**MONACO (BLUE)**

**J06**

**MINK (TAUPE)**



## ACCESSORIES GROUP

### OPERATORS MANUAL

KEY	PART NUMBER	U/M	DESCRIPTION
	054185-G9-000	EA	MANUAL - OPERATOR - 98 MINNIE WINNIE 400 SERIES
	092318-01-000	EA	BINDER - 3 RING - MOTOR HOME MANUAL FROM: 00-00-00 THRU: 02-15-98
	092319-01-000	EA	POCKET PAGE - 3 RING BINDER - PLASTIC - (50 PER PKG) FROM: 00-00-00 THRU: 02-15-98
	129079-01-01A	EA	CASE - VINYL/BLACK-EXPANDABLE ACCORDION SIDES-7"WX9"HX14"L FROM: 02-16-98 THRU: 99-99-99
	125441-01-000	DW	TOP LEVEL-C,1998

## AUDIO VIDEO GROUP

### RADIO SYSTEM & ANTENNA

KEY	PART NUMBER	U/M	DESCRIPTION
	N/A	EA	SPEAKER - 5" X 7" OVAL - FORD F2UF-18814-CD
	111177-01-01A	EA	GRILLE - SPEAKER - 6.6" X 8.9" - HOUSING 5" X 7" SPEAKER
	125322-01-000	EA	RADIO - AM/FM STEREO - CASSETTE - AUDIOVOX - MODEL MS-236 FROM: 00-00-00 THRU: 07-06-97
	125322-02-000	EA	RADIO - AM/FM STEREO - CASSETTE - AUDIOVOX - MODEL MS-306 FROM: 07-07-97 THRU: 99-99-99
	090944-01-000	EA	ANTENNA - RADIO - 16" RUBBER
	077069-02-000	EA	CABLE - ANTENNA/EXTENSION - RADIO - 96"
	108137-01-000	EA	PLUG - ANTENNA
	108847-01-000	EA	BRACKET - ANTENNA GROUND
	109889-04-000	EA	EXTENDER - ANTENNA SHAFT - 3"
	110469-01-000	EA	SPEAKER - 4" X 6" OVAL - COAXIAL
	110470-01-01A	EA	GRILLE - 4" X 6" OVAL - BLACK

### TV & VCR SYSTEMS

KEY	PART NUMBER	U/M	DESCRIPTION	VENDOR NO.
	086231-08-000	EA	TV - 13" COLOR - DC - AUDIOVOX	
	086231-08-700	EA	REMOTE-UNIVERSAL	8822325
	086231-08-701	EA	ADAPTER - WIRE	0891436
	126696-01-000	EA	TV - 19" COLOR W/1/8" JACK - UL/CSA - GE FROM: 00-00-00 THRU: 04-12-98	
	126696-02-000	EA	TV - 19" COLOR W/1/8" JACK - UL/CSA FROM: 04-13-98 THRU: 99-99-99	
	126696-01-700	EA	REMOTE	226725
	126697-01-000	EA	VCR-VHS - CABLE READY - W/REMOTE - GE FROM: 00-00-00 THRU: 03-22-98	
	126697-01-700	EA	REMOTE - F/VCR	2040R
	126697-02-000	EA	VCR-VHS - CABLE READY - W/REMOTE FROM: 03-23-98 THRU: 99-99-99	
	126697-02-700	EA	REMOTE - F/VCR	238513
	094487-03-000	EA	VIDEO CASSETTE PLAYER W/O REMOTE - AUDIOVOX FROM: 00-00-00 THRU: 03-11-98	
	094487-04-000	EA	VIDEO CASSETTE PLAYER W/O REMOTE - AUDIOVOX FROM: 03-12-98 THRU: 03-22-98	
	094487-05-000	EA	VIDEO CASSETTE PLAYER - VERTIC FROM: 03-23-98 THRU: 99-99-99	
	082134-01-000	EA	ADAPTER - TV - CABLE TO CABLE	
	082136-01-000	EA	NUT - HEX JAM - 3/8-32	
	076319-03-000	FT	CABLE - COAXIAL - 75 OHM	
	076319-12-000	EA	CONNECTOR - COAXIAL - ONE PIECE	
	076319-09-000	EA	WALLPLATE - CABLE RECEPTACLE - TV - SINGLE - BROWN	
	076319-08-000	EA	WALLPLATE - CABLE RECEPTACLE - TV - SINGLE - IVORY	
	086777-02-000	EA	WALLPLATE - TV CABLE - W/ANTENNA SWITCH - BROWN	
	086777-06-000	EA	WALLPLATE - TV CABLE - ANTENNA BOOSTER/1 OUTPUT - BROWN	
	086756-01-000	EA	SPLITTER - TV - 2 WAY	
	086757-03-000	EA	CONTROL CENTER - SWITCH - VCR/TV	
	099717-02-000	EA	STRAP - TV TIE DOWN W/29.9" FEMALE STRAP/14.2" MALE STRAP	
	099717-04-000	EA	STRAP - TIE DOWN W/21.3" FEMALE STRAP & 27.2" MALE STRAP	

**AUDIO VIDEO GROUP (CONTINUED)**

**TV ANTENNA & SATELLITE DISH**

KEY	PART NUMBER	U/M	DESCRIPTION
*	076319-21-000	EA	ANTENNA - TV ROOF MOUNT - 3" ROOF FROM: 00-00-00 THRU: 12-07-97
*	076319-23-000	EA	ANTENNA-TV - ROOF MOUNT - 44.5" MAST FROM: 12-08-97 THRU: 99-99-99
*	076319-25-000	EA	KIT - HARDWARE INTERIOR FROM: 08-04-97 THRU: 99-99-99
*	120233-01-000	EA	ANTENNA - SATELLITE (DISH & HDW) W/O RECEIVER - MANUAL FROM: 00-00-00 THRU: 06-14-98
*	120233-04-000	EA	ANTENNA - SATELLITE - W/DIGITAL SENSOR/READ OUT DISPLAY FROM: 06-15-98 THRU: 99-99-99

\* COMPONENT PARTS FOUND IN SERVICE PARTS LIBRARY

**BATH GROUP**

**BATH DOOR**

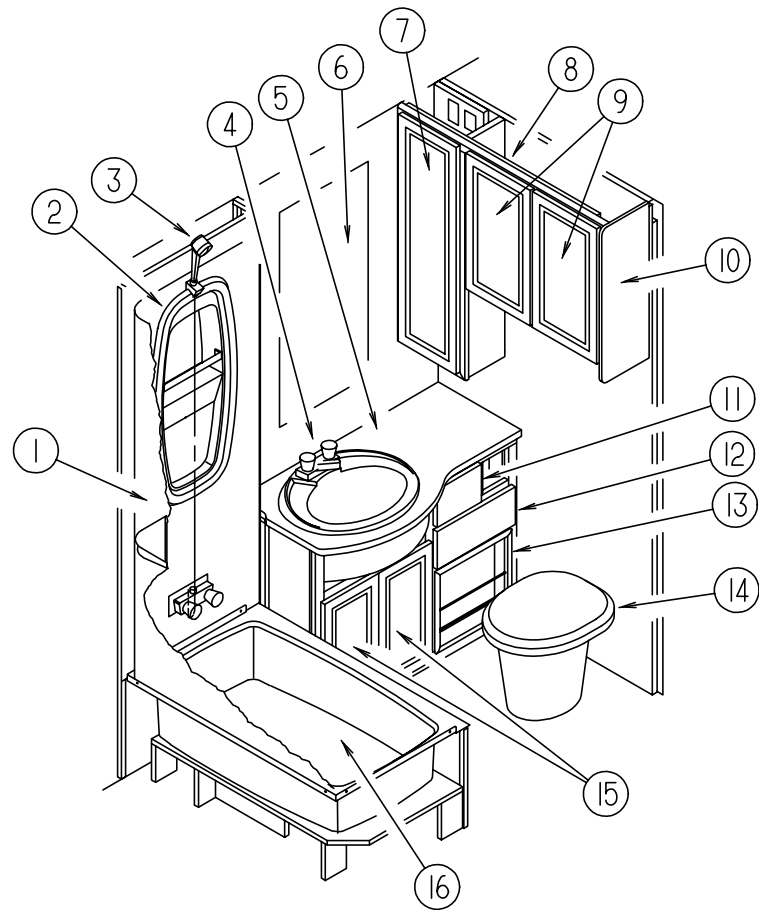
KEY	PART NUMBER	U/M	DESCRIPTION
	121449-35-J05	EA	DOOR - BATH
	110496-01-01A	EA	HINGE - BRASS
	102920-01-01A	EA	HINGE/SPRING LOADED - BRASS
	094485-03-01A	EA	KNOB - BRASS
	121449-12-G04	EA	RACK - TOWEL - BATH DOOR
	100357-01-000	EA	ROD - F/TOWEL BAR - BRASS
	105394-01-05A	EA	JAMB - DOOR/MOLDED PLASTIC - WATERFORD OAK - 7'

**EXTERIOR SHOWER PARTS**

KEY	PART NUMBER	U/M	DESCRIPTION	VENDOR NO.
	093527-02-000	EA	BRACKET - EXTERIOR SHOWER HEAD/SQUEEGEE	
	091952-02-000	EA	CLIP - GRIPPER - 3/4"	
	079563-04-01A	EA	FAUCET - SHOWER 1/2"MPT X 1 1/4"LONG INLET PIPE	
	103092-01-000	EA	SHOWER HEAD - W/60" HOSE - WHITE	
	103092-02-000	EA	SHOWER HEAD - W/60" HOSE - CSA	
	103092-01-700	EA	BRACKET-F/SHOWER HEAD, CLEAR	2328028
	011048-03-700	EA	BRACKET - F/SHOWER HEAD	2328029-I
	103092-01-702	EA	SEALS-SPRAY HEAD	24466

## BATH GROUP (CONTINUED)

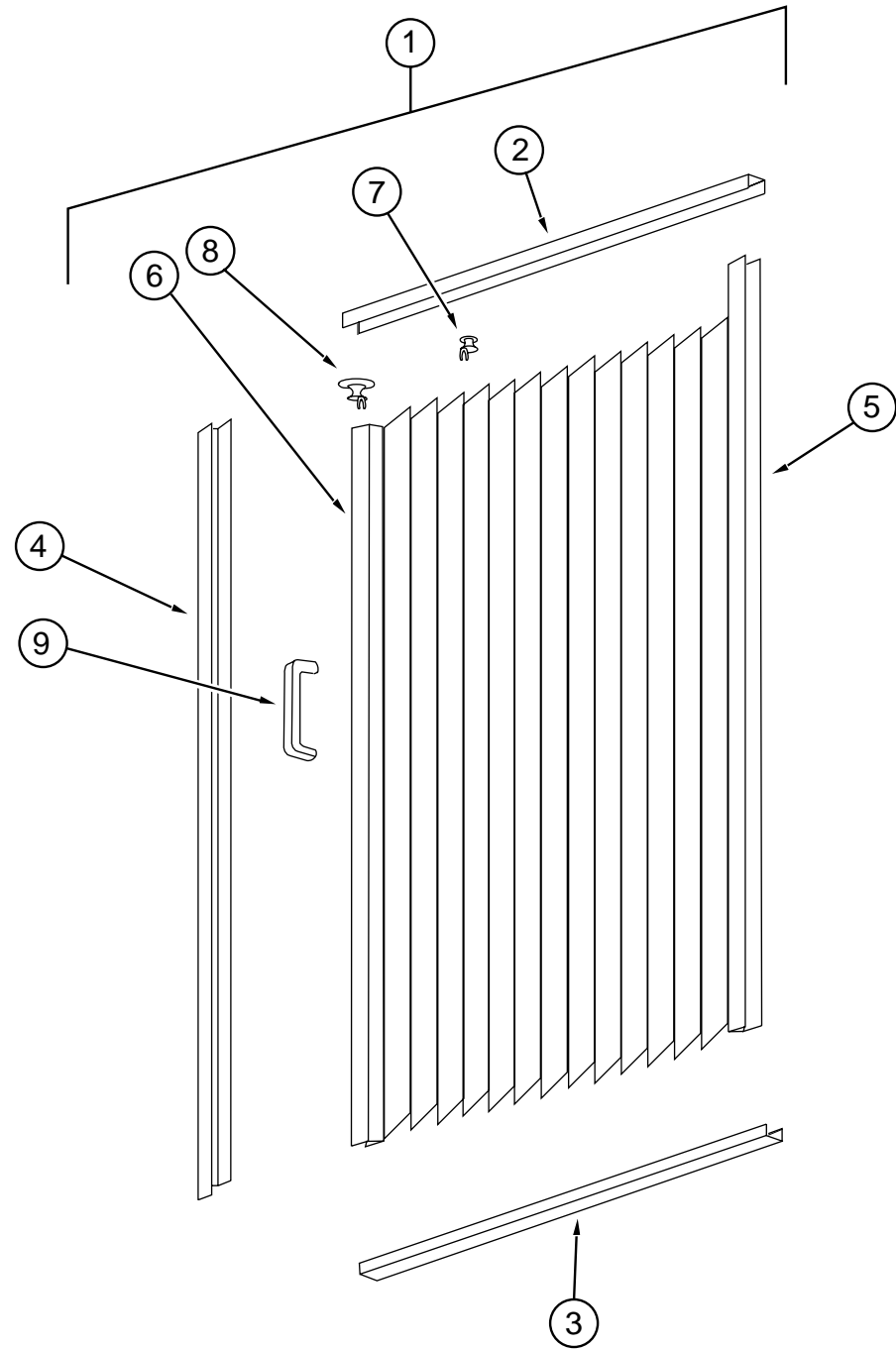
### BATHROOM CABINETS & FIXTURES



KEY	PART NUMBER	U/M	DESCRIPTION	VENDOR NO.
1	115612-01-01A	EA	SURROUND - SHOWER - OFF WHITE	
2	075606-01-000	EA	PANEL - PLASTIC - FAUCET BACK - 5" X 9"	
	104462-02-01A	EA	CADDY - SHOWER - OFF WHITE	
3	103092-01-000	EA	SHOWER HEAD - W/60" HOSE - WHITE	
3	103092-02-000	EA	SHOWER HEAD - W/60" HOSE - CSA	
	103092-01-700	EA	BRACKET-F/SHOWER HEAD, CLEAR	2328028
	011048-03-700	EA	BRACKET - F/SHOWER HEAD	2328029-I
	103092-01-702	EA	SEALS-SPRAY HEAD	24466
4	075240-06-000	EA	FAUCET - LAVATORY/BONE	
4	091253-01-000	EA	GASKET - FAUCET - LAVATORY/GALLEY	
4	105921-01-01A	EA	SINK - LAVATORY - LARGE/OVAL - 17" X 20" PLASTIC/OFF WHITE	
5	125637-01-J05	EA	CABINET - LAVATORY - W/COUNTERTOP - W/O DOORS/DRAWERS/HDW	
5	125637-01-J06	EA	CABINET - LAVATORY - W/COUNTERTOP - W/O DOORS/DRAWERS/HDW	
5	125637-17-J05	EA	COUNTERTOP - LAVATORY CABINET	
5	125637-17-J06	EA	COUNTERTOP - LAVATORY CABINET	
	125637-14-J05	EA	SHELF - W/PLASTIC EDGE MOLDING	
6	058331-01-000	EA	MIRROR - SAFETY GLASS - 19" X 26"	
7	M08758-36-J05	EA	DOOR - MITERED CORNER/OGEE EDGE - 10.8" X 36.4" - W/O HDW	
	125679-14-J05	EA	SHELF - W/PLASTIC EDGE MOLDING	
8	125679-01-J05	EA	CABINET - MEDICINE - W/O DOORS/HARDWARE	
9	M08758-14-J05	EA	DOOR - MITERED CORNER/OGEE EDGE - 12" X 21.8" - W/O HDW	
	125679-13-J05	EA	SHELF - W/PLASTIC EDGE MOLDING	
10	109908-56-J05	EA	END CAP - OVERHEAD CABINET	
11	M05971-FJ-J05	EA	DRAWER - OGEE EDGE - 6.1"W X 11.8"D - W/O SLIDES/HARDWARE	
12	M05971-EB-H17	EA	DRAWER - OGEE EDGE - 12.4"W X 11.8"D - W/O SLIDES/HARDWARE	
13	097208-05-J20	EA	MAGAZINE RACK	
				FROM: 00-00-00 THRU: 02-22-98
13	097208-07-J22	EA	MAGAZINE RACK	
				FROM: 02-23-98 THRU: 99-99-99
14*	063740-01-000	EA	TOILET - HIGH/HAND FLUSH	
15	M08758-44-J15	EA	DOOR - MITERED CORNER/OGEE EDGE - 10" X 19.1" - W/O HDW	
16	M02630-27-F11	EA	SHOWER PAN - W/STRAINER/TAILOPIECE	
	075242-04-000	EA	FAUCET - TUB/SHOWER - BONE	
	102075-10-01A	EA	ROD - CURTAIN/SHOWER	
	075452-02-000	EA	HOLDER - TOILET TISSUE - BRASS	
	075453-02-000	EA	BAR - TOWEL - 18" BRASS	
	114496-01-02A	EA	PANEL - SKYLIGHT - OUTER - 22" X 37"	
	122191-01-02A	EA	PANEL - SKYLIGHT - INNER W/LIGHT CUTOUT - 20.7" X 35.4"	

\* COMPONENT PARTS FOUND IN SERVICE PARTS LIBRARY

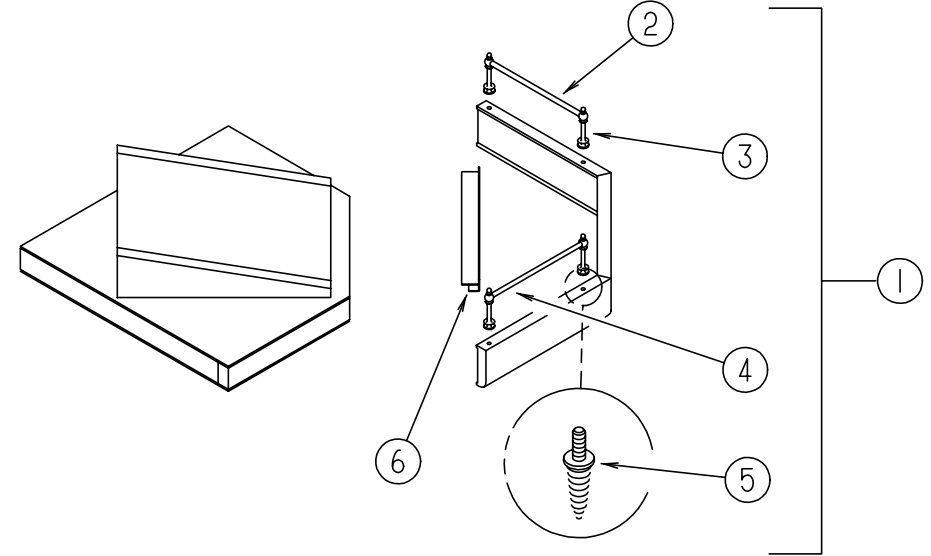
## BATH GROUP (CONTINUED)



**SHOWER DOOR - COASTAL**

KEY	PART NUMBER	U/M	DESCRIPTION
1	117431-03-01A	EA	DOOR - SHOWER PLEATED FABRIC
2	117431-01-700	EA	TRACK-TOP, ALUM.IVORY INSERT 48"
3	117431-01-701	EA	TRACK-BOTTOM, 48" - CUT TRACK TO DESIRED LENGTH
4	117431-01-702	EA	RAIL-SIDE, 67"
5	117431-01-703	EA	RAIL-STATIONARY, 67"
6	117431-01-704	EA	RAIL-LEAD, 67" - W/LATCH
7	117431-01-705	EA	GLIDE-IVORY, TRAVELER
8	117431-01-706	EA	GLIDE-IVORY LEAD, TRAVELER
	117431-01-707	EA	CATCH - BATH DOOR
9	117431-01-708	EA	HANDLES & SCREWS
	117431-03-700	EA	STRAP-VINYL SHOWER

## BEDROOM GROUP



**TV SHELF - BEDROOM**

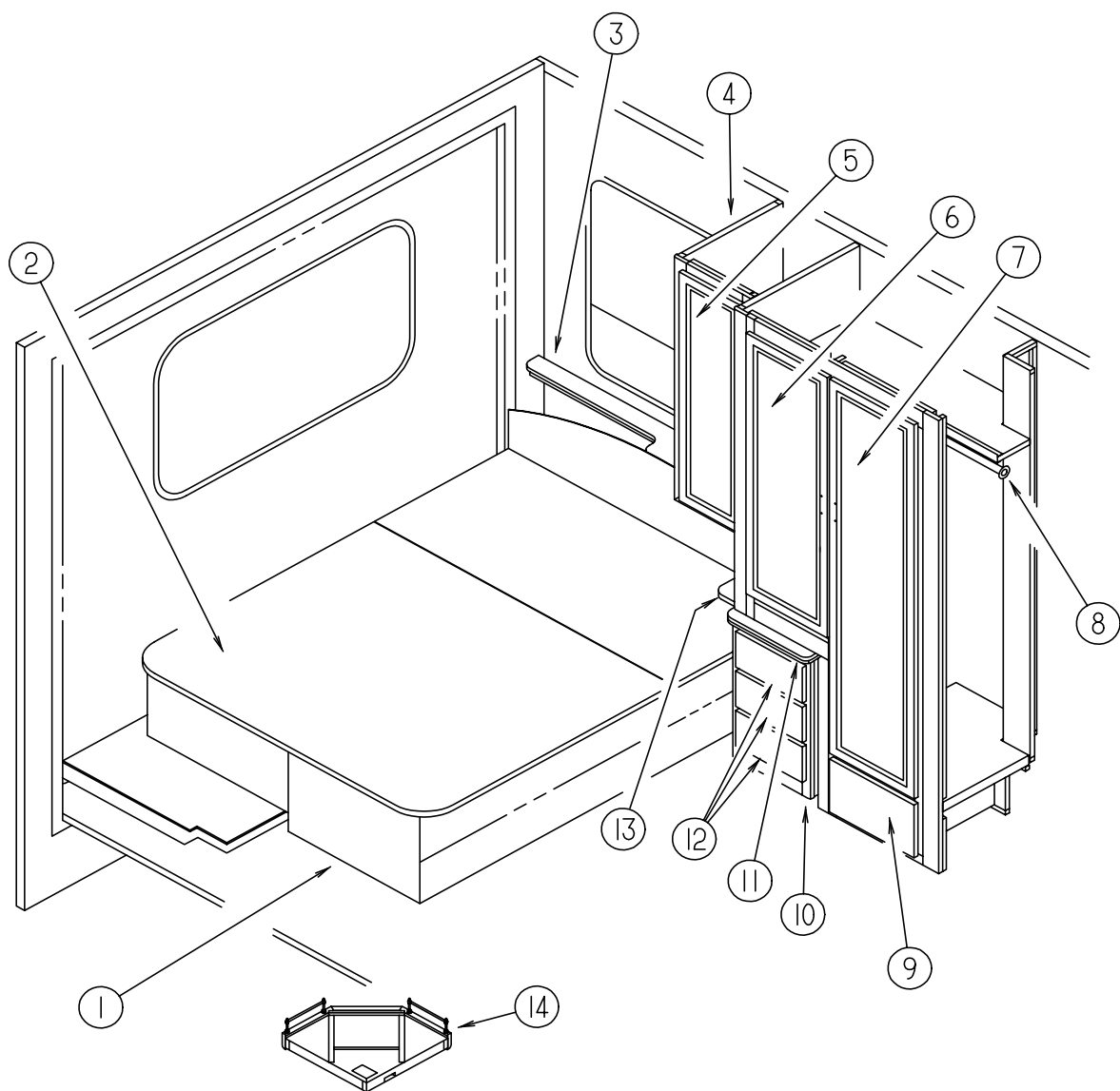
KEY	PART NUMBER	U/M	DESCRIPTION
1	116553-01-GB1	EA	CABINET - TV SHELF - W/BRASS RODS/POST ENDS
2	084071-12-000	EA	ROD - BRASS - 4.08" LONG
3	084070-03-000	EA	POST - END - 2.4" - SHINY BRASS
4	084071-19-000	EA	ROD - BRASS - 7.09" LONG
5	106166-01-000	EA	BOLT/COLLARED HANGER - 8-32 X 1"
6	103186-01-05A	FT	MOLDING - PLASTIC/3/8" U-CHANNEL W/3/4" FACE- WATERFORD OAK

**FOLDING DOOR & HARDWARE**

KEY	PART NUMBER	U/M	DESCRIPTION	VENDOR NO.
	042488-10-000	EA	DOOR - FOLDING - OFF WHITE FABRIC - 37" X 75"	
	042488-10-700	EA	LEADRAIL-PREPUNCHED F/HANDLE	DW2100
	080224-01-700	EA	HANDLE W/LATCH-CATCH, BROWN	DE03505
	080224-01-705	EA	LATCH & CATCH ASM., ALMOND	DE25010 & DE25020
	094856-10-01A	EA	TRACK - FOLDING DOOR - OFF WHITE	

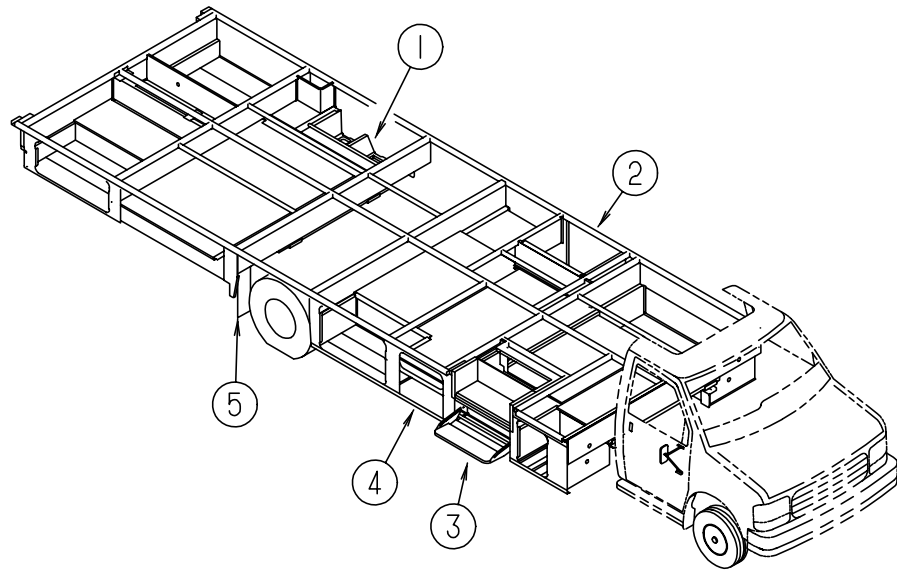
# BEDROOM GROUP (CONTINUED)

## CENTER QUEEN BEDROOM



KEY	PART NUMBER	U/M	DESCRIPTION
1	P26213-01-J05	EA	CABINET - BASE/QUEEN BED - W/O DOORS/DRAWERS/HARDWARE
2	M07550-02-G04	EA	TOP - QUEEN BED - W/O HARDWARE
	084413-01-000	EA	HINGE/CONTINUOUS - ALUMINUM 1" X 72" - W/HOLES
	091261-01-000	FT	SLIPNOT - ANTISLIP - 1" WIDE (100' ROLL)
	107796-07-000	EA	BRACKET - SUPPORT - GAS SPRING TO BED - ANGLE(UPPER) FROM: 00-00-00 THRU: 06-03-97
	126263-06-02B	EA	BRACKET - GAS SPRING - E-COATED FROM: 06-04-97 THRU: 99-99-99
	107796-05-000	EA	BRACKET - SUPPORT - GAS SPRING TO BED - FLAT (LOWER) FROM: 00-00-00 THRU: 06-03-97
	126263-08-02B	EA	BRACKET - GAS SPRING - LOWER - E-COATED FROM: 06-04-97 THRU: 99-99-99
	107796-06-000	EA	SPRING/GAS - 12" COMPRESSED/20" EXTENDED - 120 LB.
3	126240-01-J05	EA	SHELF - W/EDGE MOLDING
3	126240-01-J06	EA	SHELF - W/EDGE MOLDING
4	126143-01-J05	EA	CABINET - SHIRT CLOSET - W/O DOORS/HARDWARE
5	M08758-37-J05	EA	DOOR - MIRROR/MTRD CRND/OGEE EDGE - 12" X 40" - W/O HDW
6	M08758-38-J05	EA	DOOR - MIRROR/MTRD CRNR/OGEE EDGE - 15.5" X 45.4" - W/O HDW
7	M08758-42-J05	EA	DOOR - MIRROR/MTRD CRNR/OGEE EDGE - 16.1" X 65.3" - W/O HDW
8	097872-04-000	EA	DOWEL - WOOD - 1" DIAMETER X 1.38" LONG
8	091952-01-000	EA	CLIP-GRIPPER - 1"
9	M05971-EW-J05	EA	DRAWER - OGEE EDGE - 14"W X 15.7"D - W/O SLIDES/HARDWARE
10	P26153-01-J05	EA	CABINET - NIGHTSTAND - W/COUNTERTOP - W/O DOORS/DWRS/HDW
10	P26153-01-J06	EA	CABINET - NIGHTSTAND - W/COUNTERTOP - W/O DOORS/DWRS/HDW
11	126153-12-J05	EA	COUNTERTOP - NIGHTSTAND
11	126153-12-J06	EA	COUNTERTOP - NIGHTSTAND
12	M05971-FK-J05	EA	DRAWER - OGEE EDGE - 10.9"W X 13.8"D - W/O SLIDES/HARDWARE
13	125680-17-J05	EA	SHELF - W/PLASTIC EDGE MOLDING
13	125680-17-J06	EA	SHELF - W/PLASTIC EDGE MOLDING
14	116553-01-GB1	EA	CABINET - TV SHELF - W/BRASS RODS/POST ENDS

## CHASSIS GROUP



### COMPARTMENTS, PLUGS & SEALS

KEY	PART NUMBER	U/M	DESCRIPTION
1	117186-03-J05	EA	COMPARTMENT - STORAGE
1	116926-03-01A	EA	COMPARTMENT - SEWER
1	M06991-02-FQ0	EA	HATCH/COMPARTMENT - W/FOAMED INSULATION
1	M06991-04-FB1	EA	HATCH/COMPARTMENT - W/FOAMED INSULATION
1	121175-01-01A	EA	LATCH - SWELL - BLACK
2	114070-02-02B	EA	SUPPORT - GENERATOR - LEFT
			FROM: 00-00-00 THRU: 08-22-97
2	114071-02-02B	EA	SUPPORT - GENERATOR - RIGHT
			FROM: 00-00-00 THRU: 08-22-97
3*	094707-01-01A	EA	STEP - DOUBLE - ELECTRIC - KWIKEE
	116995-01-000	EA	SWITCH/MAGNET - ELECTRIC STEP
4	065450-05-000	EA	TIEDOWN - BATTERY - 8.4" TUBE
4	084993-01-000	EA	STRAP - BATTERY - 43.2" LONG
4	084993-02-000	EA	STRAP - BATTERY - 55" LONG
5	017516-01-000	EA	MUD FLAP - 14" X 18" - BLACK
	119845-01-01A	EA	PLUG - PLASTIC - BLACK
	061420-05-000	EA	PLUG/PLASTIC - 1.8" DIAMETER
	121948-01-000	EA	SHIELD - SIGHT

\* COMPONENT PARTS FOUND IN SERVICE PARTS LIBRARY

### DRIVESHAFT & BRAKE LINE FLARE UNION

KEY	PART NUMBER	U/M	DESCRIPTION
	074833-01-000	EA	SPACER - BEARING - DRIVESHAFT - 2" X 8" X .5" THICK
	085771-03-000	EA	NUT - HEX - FLARE TORQUE - GRADE G - DRIVESHAFT
	088498-01-000	EA	UNION - INVERTED FLARE - BRASS - 3/16 - BRAKE LINE
	103653-23-000	EA	BOLT - U-JOINT - 5/16-24 X .75
	103653-24-000	EA	STRAP - U-JOINT

## CHASSIS GROUP (CONTINUED)

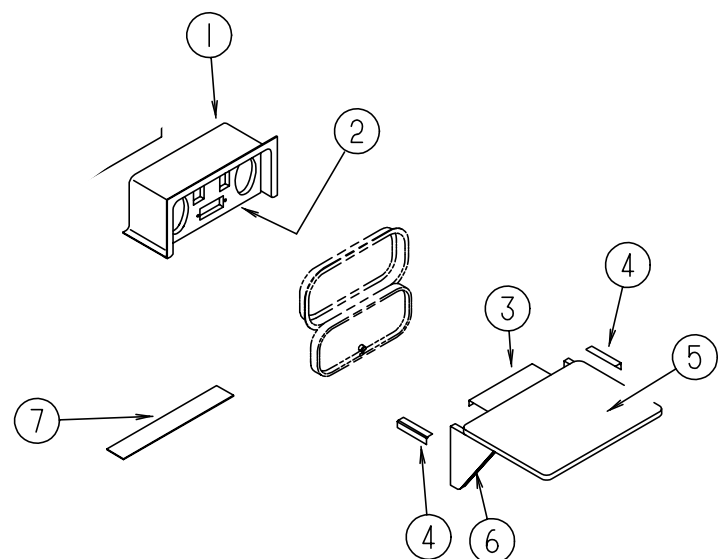
### SPARE TIRE

KEY	PART NUMBER	U/M	DESCRIPTION
	070917-06-000	EA	TIRE - LT225/75R16E - R4S - M/S - FIRESTONE
	083617-03-000	EA	WHEEL - STEEL - 16.0 X 6
	112358-01-000	EA	WRENCH - LUG - 7/8" - L-SHAPE
	051377-04-000	EA	VALVE STEM
	095012-05-000	EA	EXTENSION - VALVE STEM - LIVE 5"
	095012-06-000	EA	STABILIZER - VALVE EXTENSION - LIVE
	115580-02-000	EA	STRAP - SPARE TIRE

### WHEEL COVERS & WHEEL LINERS

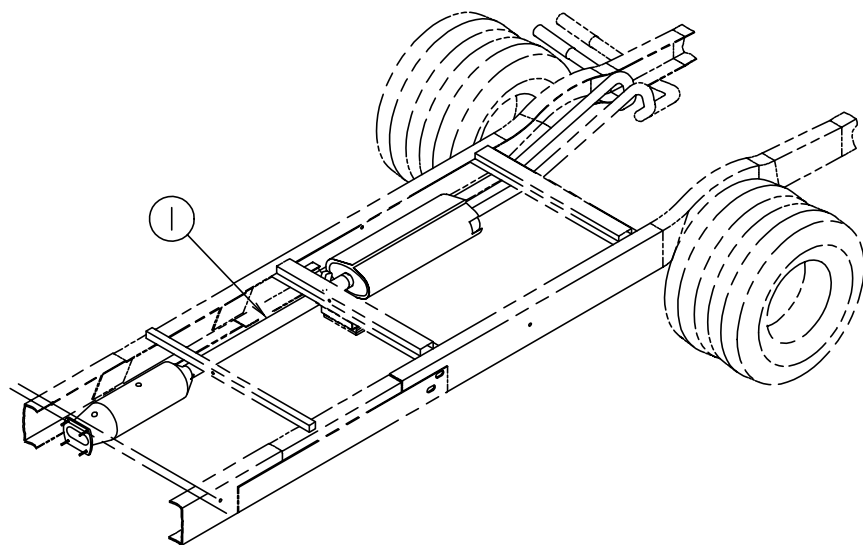
KEY	PART NUMBER	U/M	DESCRIPTION	VENDOR NO.
	109443-05-000	EA	WHEEL COVER - 4/SET - 16" STAINLESS STEEL	
	098532-01-700	EA	COVER-LUG NUT (CHROME)	SHAU-LNC
	109443-05-700	EA	COVER-WHEEL, 16" SS EA=1	SHFM16-CVR
	110435-02-000	EA	LINER/WHEEL - SET OF 4	
				FROM: 00-00-00 THRU: 10-08-97
	110435-01-711	EA	DECAL-CENTER CAP, 2"	2" DECAL
	110435-02-700	EA	LINER-WHEEL,FRONT	V160F2-FWC
	110435-02-701	EA	LINER-WHEEL,REAR	V160F2-RWC
	110435-02-702	EA	STUD EXTENDER	V160SD-STX
	110435-02-703	EA	NUT (JAMB)	V160SD-JNT
	110435-02-704	EA	COVER-LUG NUT	V160F0-LNC
	110435-02-705	EA	TOOL F/ JAMB NUT, INSTALL.	V160FO-TOL
	110435-13-000	EA	LINER - WHEEL - SET OF 4	
				FROM: 10-09-97 THRU: 99-99-99
	110435-10-705	EA	TOOL - INSTALLATION	V195P7-TOL
	110435-13-700	EA	WHEEL COVER - FRONT	V160F7-FWC
	110435-13-701	EA	WHEEL COVER - REAR	V160F7-RWC
	110435-13-702	EA	COVER - LUG NUT/JAMB NUT	V160F7-EJN
	095012-05-000	EA	EXTENSION - VALVE STEM - LIVE 5"	
	095012-06-000	EA	STABILIZER - VALVE - EXTENSION - L	

## CHASSIS GROUP (CONTINUED)



### ENTERTAINMENT COMPARTMENT

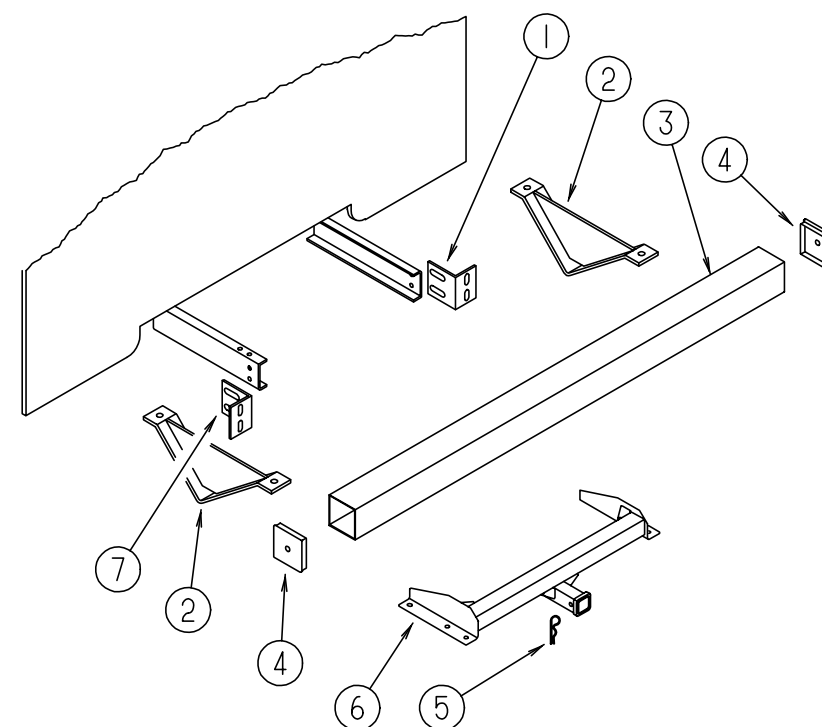
KEY	PART NUMBER	U/M	DESCRIPTION
1	124696-01-01A	EA	BOX - ENTERTAINMENT CENTER/EXTERIOR
2	127409-02-J01	EA	PLATE - RADIO MOUNTING
3	105377-01-04A	EA	BRACKET - TABLE HANGER - BRIGHT WHITE
4	105376-01-03A	EA	HINGE - CONTINUOUS - 2" X 5.5" - BRIGHT WHITE
5	105230-11-J01	EA	SHELF - EXTERIOR ENTERTAINMENT CENTER - W/O HARDWARE
6	105230-12-J01	EA	SUPPORT - EXTERIOR SHELF
7	104898-01-02A	EA	PLATE - PLASTIC BOTTOM - BRIGHT WHITE
	104898-02-02A	EA	PLATE - PLASTIC BACK - BRIGHT WHITE



### EXHAUST SYSTEM COMPONENTS

KEY	PART NUMBER	U/M	DESCRIPTION
	094918-02-000	EA	CLAMP - EXHAUST - 3.5"
1	111478-03-000	EA	EXHAUST PIPE - DOUBLE WALL STAINLESS STEEL - 49" - OUTER WALL IS 42.7"
	098762-18-000	EA	PIPE - EXHAUST - STRAIGHT - 3"

## CHASSIS GROUP (CONTINUED)

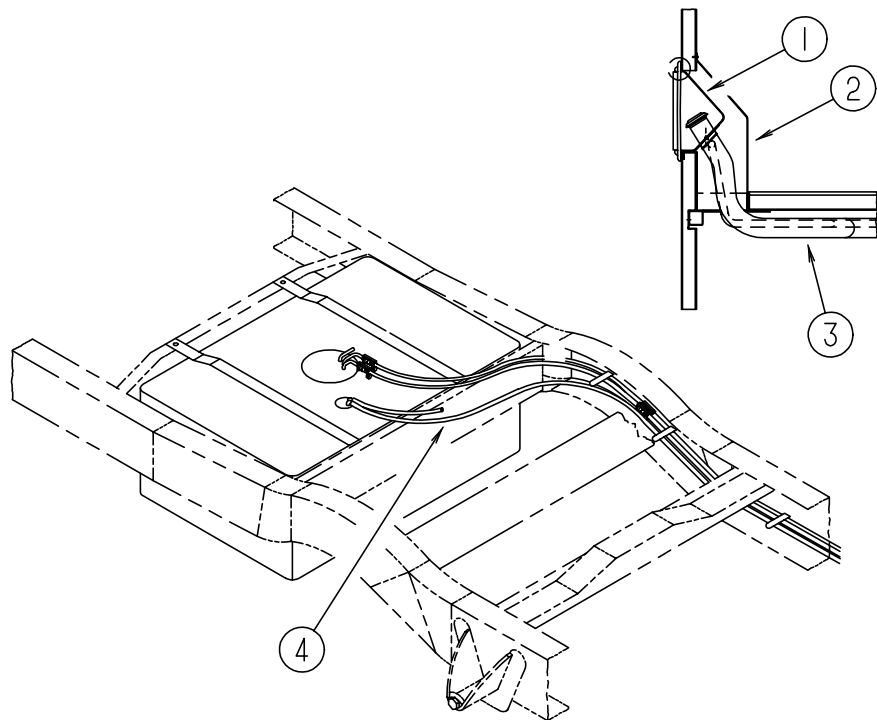


### REAR BUMPER & HITCH

KEY	PART NUMBER	U/M	DESCRIPTION
1	104420-01-000	EA	SUPPORT/ANGLE - REAR BUMPER
2	083376-01-000	EA	PLATE/SKID - 13.2" X 6" X 2" STEEL
3	103422-05-02A	EA	BUMPER/ALUMINUM - SQUARE TUBE
4	039779-01-000	EA	CAP - BUMPER - RUBBER - 4" X 4" - BLACK
5	034513-01-000	EA	PIN - HITCH - 3/16" WIRE
6	107707-08-000	EA	HITCH RECEIVER - BOLT-ON CLASS II
7	104420-02-000	EA	SUPPORT/ANGLE - REAR BUMPER
	097745-02-000	EA	HOUSING - RECEPTACLE - TRAILER - 48' WIRE LENGTH
	097744-02-000	EA	HOUSING - TRAILER PIN - 48"
	113634-01-000	EA	WIRE ASSEMBLY - TRAILER ADAPTER
			FROM: 00-00-00 THRU: 08-20-97
	113589-01-000	EA	CONNECTOR - PLUG - TRAILER
	113589-02-000	EA	CONNECTOR - SOCKET - TRAILER
	113588-02-01B	EA	BRACKET - CONNECTOR - TRAILER W/O LIP
	070579-09-000	EA	PLATE - ANCHOR
			FROM: 00-00-00 THRU: 10-06-97
	000C26-08-24B	EA	BOLT - HEX - SERRATED FLANGE - 1/2-13 X 1.5 ZINC
			FROM: 10-07-97 THRU: 99-99-99
	000E13-21-00B	EA	WASHER - FLAT - W/2 NAR - ZINC
			FROM: 10-07-97 THRU: 99-99-99



## CHASSIS GROUP (CONTINUED)



### FUEL SYSTEM COMPONENTS

KEY	PART NUMBER	U/M	DESCRIPTION
1	095854-01-04A	EA	SHROUD - FUEL FILL - BRIGHT WHITE
2	078040-06-000	EA	SHROUD - FUEL FILL - UPPER
3	124994-01-000	EA	NECK - FILLER - FUEL FILL - UNLEADED
	078200-01-000	EA	GASKET - FUEL FILL - 3.5" OD X 2" ID
4	007063-01-000	FT	HOSE - FUEL - 1/4"ID X 1/2"OD
	125187-01-000	FT	HOSE - FUEL - LOW PERM - 11.1 ID
	125187-02-000	FT	HOSE - FUEL - LOW PERM - 12.7 ID
	084884-01-000	EA	PLUG - BRASS - 3/8"

### SLIDEOUT

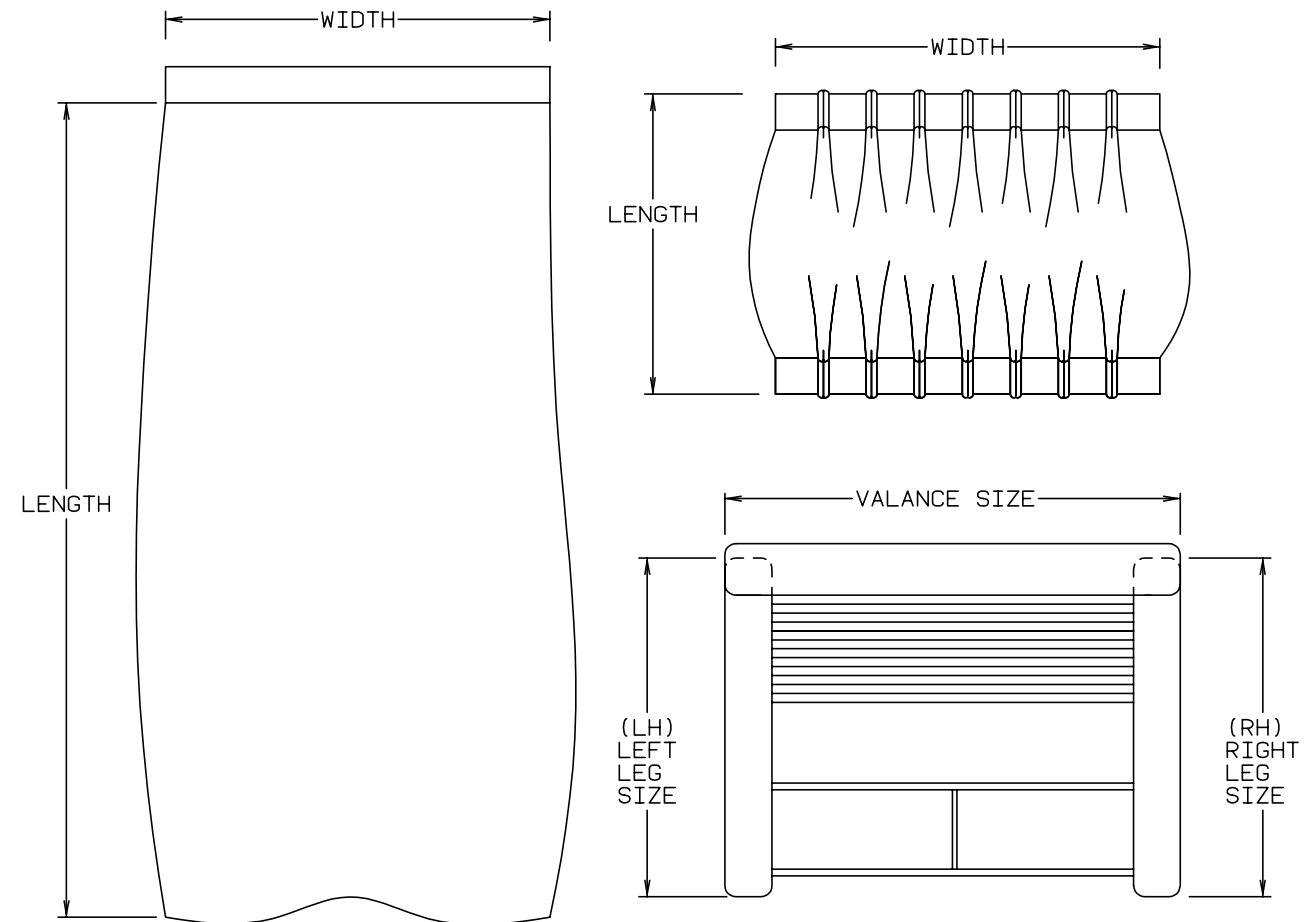
KEY	PART NUMBER	U/M	DESCRIPTION
	125774-01-000	EA	SLIDEOUT - ELECTRIC
	125774-04-000	EA	CRANK HANDLE
	121665-02-000	EA	SHIM - 1/16 THICK - SLIDE OUT ROOM
	121665-03-000	EA	SHIM - 1/8 THICK

## CURTAIN & CUSHION GROUP

### NOTICE

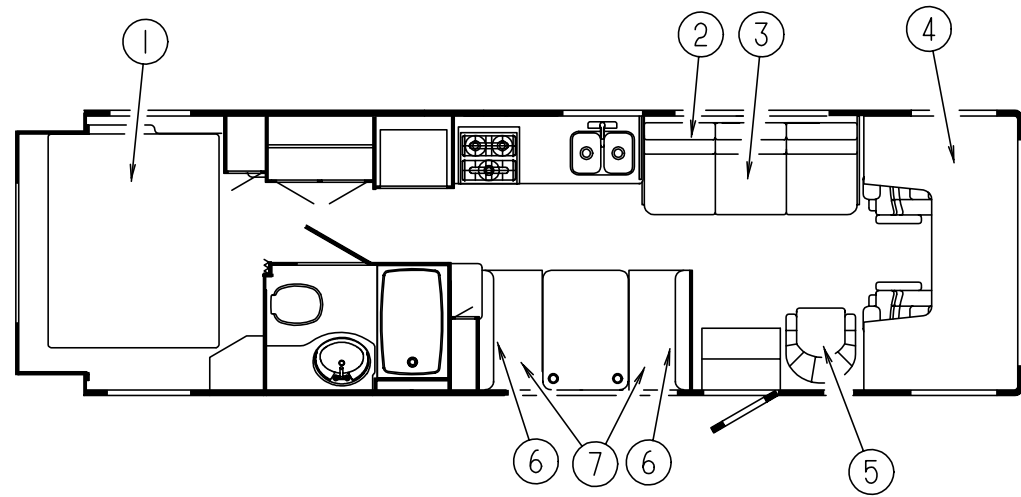
IN ORDER TO ASSIST OUR PARTS SALES DEPT. IN PROVIDING INTERIOR SOFTWARE ITEMS, PLEASE INCLUDE THE SERIAL NUMBER AND THE COLOR CODE NUMBER FROM THE VEHICLE CERTIFICATION LABEL WHEN ORDERING. THIS LABEL IS LOCATED ON THE LEFT SIDEWALL AT THE END OF THE DASH (A-BODY), OR ON THE DRIVER'S DOOR LATCH PLATE (C-BODY).

AN EXAMPLE OF A COLOR CODE NUMBER IS B07, WHICH DESIGNATES AN OVERALL COLOR SCHEME OF A PARTICULAR UNIT. THE COLOR LISTED AFTER THE ITEM DESCRIPTION ON THE MICROFICHE, INDICATES THE OVERALL UNIT COLOR. ORDER THE ITEM YOU DESIRE ACCORDING TO UNIT COLOR CODE.



NOTE: USE THIS ILLUSTRATION WHEN DETERMINING LENGTH AND WIDTH MEASUREMENTS FOR CURTAINS. YOU WILL NOTE THE WIDTH MEASUREMENT IS TAKEN ON THE TOP OF THE CURTAIN WITH THE CURTAIN FULLY EXTENDED. THE LENGTH MEASUREMENT IS TAKEN FROM TOP TO BOTTOM. LEFT AND RIGHT WINDOW LEGS ARE DETERMINED WHEN FACING THE WINDOW.

## CURTAIN & CUSHION GROUP (CONTINUED)



### SWIVEL CHAIR

KEY	PART NUMBER	U/M	DESCRIPTION
5	115470-01-J05	EA	CHAIR - SWIVEL
5	115470-01-J06	EA	CHAIR - SWIVEL

### DINETTE CUSHIONS

KEY	PART NUMBER	U/M	DESCRIPTION
6	111897-05-J05	EA	CUSHION - BACK - 13.5" X 42" X 5"
6	111897-05-J06	EA	CUSHION - BACK - 13.5" X 42" X 5"
	P11897-05-J05	EA	COVER - BACK - 13.5" X 42" X 5"
	P11897-05-J06	EA	COVER - BACK - 13.5" X 42" X 5"
7	105603-15-J05	EA	CUSHION - SEAT - 23" X 42" X 5"
7	105603-15-J06	EA	CUSHION - SEAT - 23" X 42" X 5"
	P05603-15-J05	EA	COVER - SEAT - 23" X 42" X 5"
	P05603-15-J06	EA	COVER - SEAT - 23" X 42" X 5"

### QUEEN BED, BEDSPREAD, PILLOW & MATTRESS

KEY	PART NUMBER	U/M	DESCRIPTION
1	123015-06-000	EA	MATTRESS - INNERSPRING - 60" X 74.5"
1	123471-08-J05	EA	BEDSPREAD/THROW - 60" X 75"
1	123471-08-J06	EA	BEDSPREAD/THROW - 60" X 75"
	104176-04-J05	EA	PILLOW SHAM - 30"
	104176-04-J06	EA	PILLOW SHAM - 30"
	111862-03-J05	EA	PILLOW - 15" X 15"
	111862-03-J06	EA	PILLOW - 15" X 15"

### VINYL ASSIST HANDLE, BUTTONS, WELTING & SEATBELTS

KEY	PART NUMBER	U/M	DESCRIPTION
	079349-04-H3A	YD	WELT - NARROW (J05)
	079349-04-J06	YD	WELT - NARROW (J06)
	046867-02-000	EA	WASHER - HANDY BUTTON #3
	046867-03-000	EA	GROMMET - HANDY BUTTON #3
	057759-01-000	EA	WASHER BRACKET - SEAT BELT - 4" DIAMETER
	007021-01-000	EA	SEAT BELT - 2" X 90" - BLACK
	069178-02-000	EA	BRACKET - MOUNTING/ASSIST HANDLE - GRAY
	000C16-07-16B	EA	BOLT - CARRIAGE - ASSIST HANDLE - 7/16" - 14 X 1"
	000D20-07-00B	EA	NUT - ACORN - ASSIST HANDLE - 7/16 - 14
	057534-01-000	EA	TIEBACK/TIEDOWN - 6" CLEAR PLASTIC
	053552-02-AA8	EA	HANDLE - ASSIST - INTERIOR/ENTRY DOOR - VINYL/OFF WHITE

### COUCH

KEY	PART NUMBER	U/M	DESCRIPTION
2	111319-01-J05	EA	BACK - SOFA/BED - W/FRAME - 74"
2	111319-01-J06	EA	BACK - SOFA/BED - W/FRAME - 74"
	P11319-01-J05	EA	COVER - BACK - SOFA/BED - 74"
	P11319-01-J06	EA	COVER - BACK - SOFA/BED - 74"
3	100032-43-J05	EA	SEAT - SOFA/BED W/FRAME - 74" - W/O ARMS
3	100032-43-J06	EA	SEAT - SOFA/BED W/FRAME - 74" - W/O ARMS
	P00032-43-J05	EA	COVER - SEAT - SOFA/BED - 74" - NO ARMS
	P00032-43-J06	EA	COVER - SEAT - SOFA/BED - 74" - NO ARMS
	101085-04-000	EA	FRAME - SEAT - SOFA/BED - 74.75"
	101085-06-000	EA	FRAME - SEAT - SOFA/BED - 74.75"
	101085-10-000	EA	FRAME - BACK - SOFA/BED - 74.75"
	122556-04-01A	EA	LOCK - JACK KNIFE SEAT
	113990-09-000	EA	LOCK - BRACKET - MALE FLEXSTEEL

**NOTE: COUCH FRONT AND SIDE PANELS ARE FOUND IN THE LOUNGE GROUP.**

### BUNK CUSHIONS

KEY	PART NUMBER	U/M	DESCRIPTION
4	105573-10-J05	EA	CUSHION - OVERHEAD - BUNK/REAR - 27" X 23" X 80" X 5"
4	105573-10-J06	EA	CUSHION - OVERHEAD - BUNK/REAR - 27" X 23" X 80" X 5"
	P05573-10-J05	EA	COVER - OVERHEAD - REAR BUNK CUSHION - 27" X 23" X 80" X 5"
	P05573-10-J06	EA	COVER - OVERHEAD - REAR BUNK CUSHION - 27" X 23" X 80" X 5"
	105573-09-J05	EA	CUSHION - OVERHEAD - FRONT - 32.5" X 80" X 5"
	105573-09-J06	EA	CUSHION - OVERHEAD - FRONT - 32.5" X 80" X 5"
	P05573-09-J05	EA	COVER - OVERHEAD - FRONT BUNK CUSHION - 32.5" X 80" X 5"
	P05573-09-J06	EA	COVER - OVERHEAD - FRONT BUNK CUSHION - 32.5" X 80" X 5"
	079145-08-000	EA	CUSHION - BUNK - 25" X 74" X 3.5" - FRONT ENTERTAINMENT CENTER
	M79145-08-000	EA	COVER - BUNK CUSHION - 25" X 74" X 3.5" - FRONT ENTERTAINMENT CENTER
	094658-02-G04	EA	HANDLE-OAK

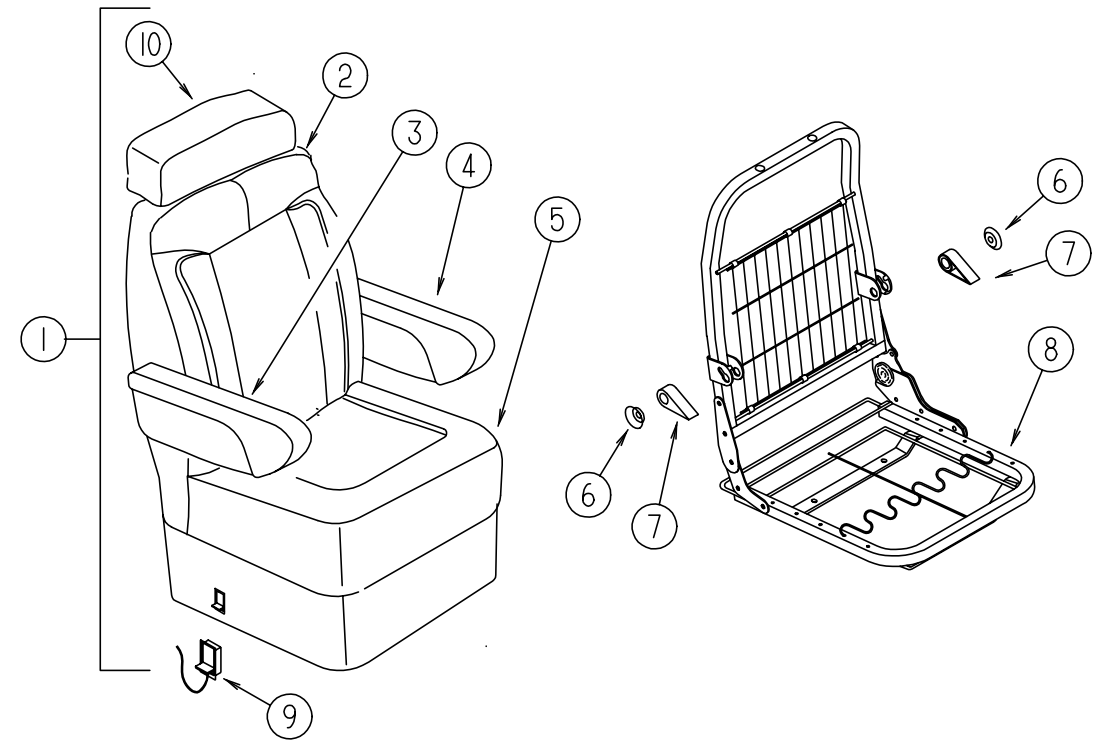
**CURTAIN & CUSHION GROUP (CONTINUED)**

**MINNIE WINNIE FABRICS**

Family - 400's	J05 Monaco	J06 Mink
Bucket Seats	108446-S9-000	108446-S6-000
Dinette	108446-S2-000	108446-S3-000
Dinette Pads	108446-S9-000	108446-S6-000
Sofa	108446-S2-000	108446-S3-000
Swivel Chair	108446-S9-000	108446-T4-000
Lounge Windows	108446-S9-000 108446-S2-000	108446-T4-000 108446-S3-000
Legs	105745-S9-000	105745-T4-000
Overhead Bunk	108446-S9-000	108446-T4-000
Bedroom Window	105745-G4-000 105745-E3-000	105745-G5-000 105745-B5-000
Bedroom Pillow	105745-E3-000 105745-G4-000	105745-B5-000 105745-G5-000
Bedsread	105745-G4-000	105745-G5-000
Pillow Shams	105745-G4-000 105745-E3-000	105745-G5-000 105745-B5-000
Front Wraparound	072333-82-000	07233-82-000
Overhead Curtain	105745-G4-000	105745-G5-000
Bedroom Pillow	105745-E3-000 105745-G4-000	105745-B5-000 105745-G5-000
Day/Nighter	094911-25-000 094911-38-000	094911-30-000 094911-50-000
Ceiling Vinyl	113979-01-01A	113979-01-01A

NOTE: THE FABRIC LISTED FIRST, IN A BLOCK, IS THE LARGEST QUANTITY OF FABRIC USED.

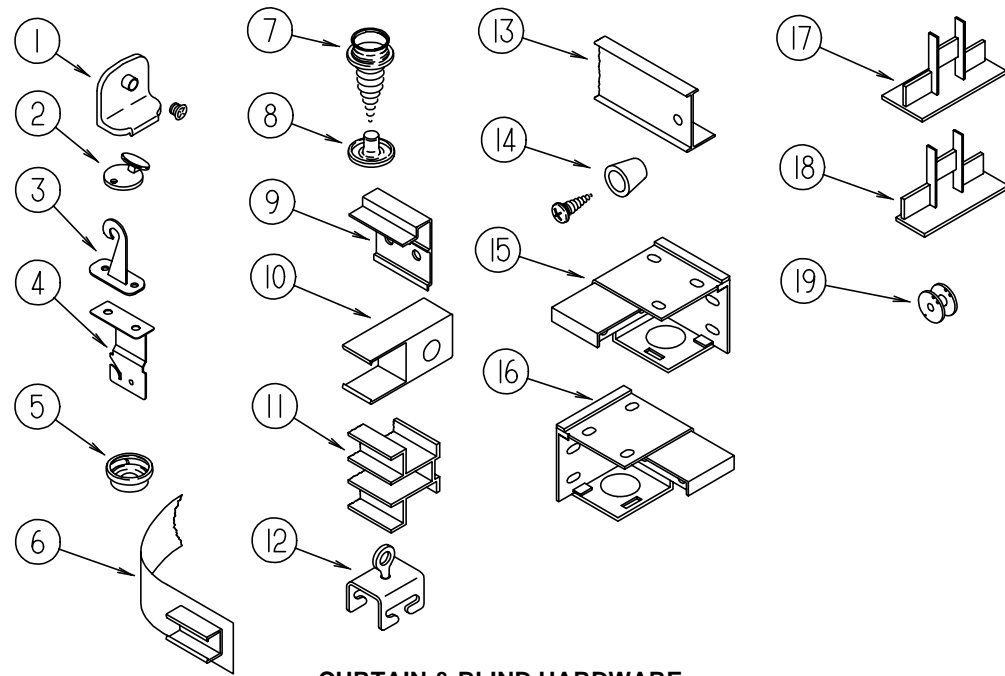
**CURTAIN & CUSHION GROUP (CONTINUED)**



**BUCKET SEATS**

KEY	PART NUMBER	U/M	DESCRIPTION
1	127540-06-J05	EA	SEAT - BUCKET - DRIVER - W/ARMREST
1	127540-06-J06	EA	SEAT - BUCKET - DRIVER - W/ARMREST
1	127540-07-J05	EA	SEAT - BUCKET - PASSENGER - W/ARMREST
1	127540-07-J06	EA	SEAT - BUCKET - PASSENGER - W/ARMREST
2	M05962-74-J05	EA	COVER - BACK/BUCKET
2	M05962-74-J06	EA	COVER - BACK/BUCKET
3	122780-01-H3A	EA	ARMREST - RIGHT HAND (J05)
3	122780-01-J06	EA	ARMREST - RIGHT HAND (J06)
	P22780-01-H3A	EA	COVER - ARMREST - RIGHT HAND (J05)
	P22780-01-J06	EA	COVER - ARMREST - RIGHT HAND (J06)
	115617-03-000	EA	ARMREST - W/O COVER - RIGHT HAND
4	122780-02-H3A	EA	ARMREST - LEFT HAND (J05)
4	122780-02-J06	EA	ARMREST - LEFT HAND (J06)
	P22780-02-H3A	EA	COVER - ARMREST - LEFT HAND (J05)
	P22780-02-J06	EA	COVER - ARMREST - LEFT HAND (J06)
	115617-04-000	EA	ARMREST - W/O COVER - LEFT HAND
5	M05962-58-J05	EA	COVER - SEAT
5	M05962-58-J06	EA	COVER - SEAT
6	125229-05-000	EA	PAL NUT
7	125229-06-000	EA	FRAME - SEAT - DRIVER - W/RIGHT ARMREST BRACKET FROM: 00-00-00 THRU: 06-25-97 FROM: 06-26-97 THRU: 99-99-99
7	125229-03-000	EA	LEVER - RECLINING
8	125229-02-000	EA	FRAME - SEAT - PASSENGER - W/LEFT ARMREST BRACKET
8	125229-01-000	EA	FRAME - SEAT - DRIVER - W/RIGHT ARMREST BRACKET
9	108049-03-000	EA	CABLE - W/SWITCHES - 25.5" SHEATH/28.5" CABLE W/DOG LEG FROM: 00-00-00 THRU: 06-25-97
9	108049-04-000	EA	CABLE - W/SWITCHES - W/26" MINI LEVER ACTION FROM: 06-26-97 THRU: 99-99-99
	108049-02-000	EA	CLIP - CABLE/PEDESTAL
10	119509-01-H3A	EA	HEADREST - BUCKET SEAT (J05)
10	119509-01-J06	EA	HEADREST - BUCKET SEAT (J06)
	P19509-01-H3A	EA	COVER - HEADREST (J05)
	P19509-01-J06	EA	COVER - HEADREST (J06)
	113977-12-000	EA	HEADREST INSERT - W/O LOCK
	113977-13-000	EA	HEADREST INSERT - W/LOCK

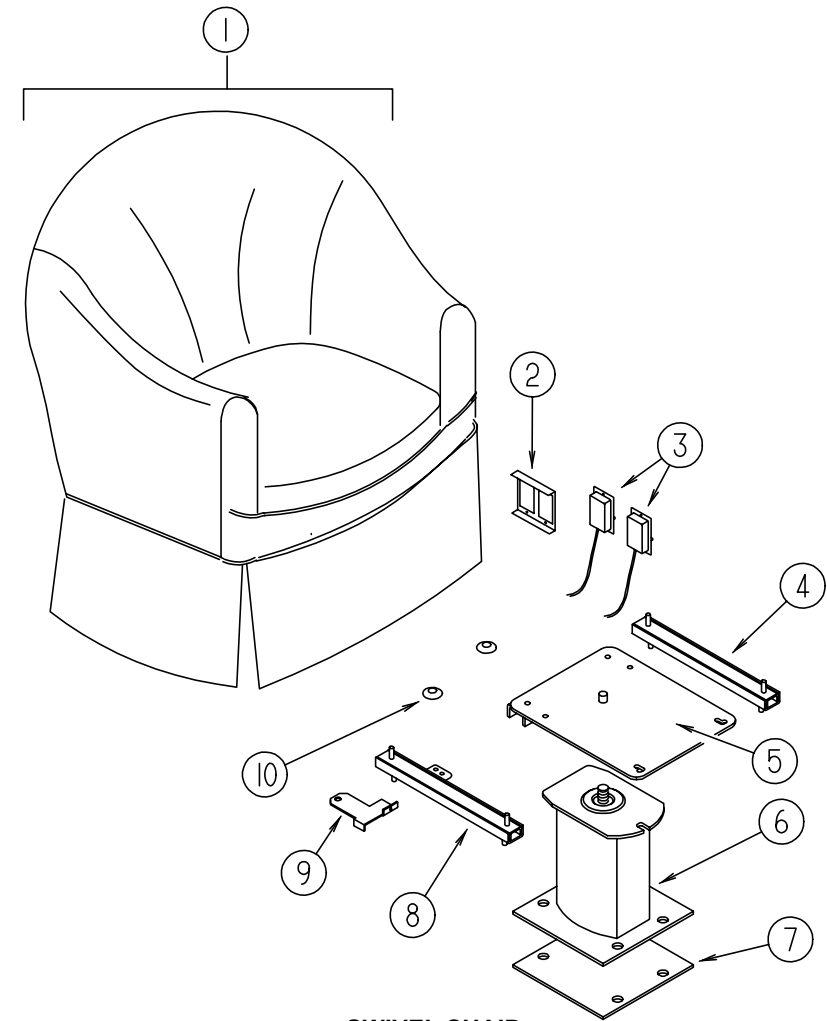
**CURTAIN & CUSHION GROUP (CONTINUED)**



**CURTAIN & BLIND HARDWARE**

KEY	PART NUMBER	U/M	DESCRIPTION
1	106544-01-000	EA	PULL - SHADE/BRASS
1	106544-01-001	EA	SCREW - SHADE/BRASS
2	102555-03-000	EA	CLEAT - BLIND CORD - MILKY WHITE PLASTIC
3	109441-03-000	EA	HOLD DOWN - BLIND (CLOUDY)
4	084434-01-000	EA	BRACKET - MOUNTING - ROLLER SHADE - 1 3/8"
5	029156-01-000	EA	SOCKET - SNAP - 9/16" O.D.
6	101031-01-000	YD	TAPE - GLIDE/CURTAIN - 4.25" SPACING
7	029130-01-000	EA	SCREW - SNAP SOCKET - #8 PH X 5/8"
8	029155-01-000	EA	CAP - SNAP - 5/32" OUTSIDE DIAMETER OF PIN
9	097565-01-000	EA	BRACKET - MOUNTING/PLEATED BLIND
10	101033-02-000	EA	END CAP - TRACK/CLEAR
11	101033-04-000	EA	TRACK - WALL - 3'
11	101033-06-000	EA	TRACK - WALL - 6.5'
11	101033-07-000	EA	TRACK - WALL - 2.5'
12	009702-01-000	EA	END STOP - CURTAIN CARRIER - L ROD
13	009700-04-002	EA	TRACK - L-SHAPED 195.5" - OFF WHITE
14	097564-04-000	EA	HANDLE - KNOB - E-Z LIFT SHADE - NAVY (J05)
14	097564-03-000	EA	HANDLE - KNOB - E-Z LIFT SHADE - TAN (J06)
	000G68-06-12B	EA	FASTENING SCREW
	083170-01-000	EA	BRACKET - BLIND - LEFT SIDE WHEN FACING WINDOW
	083170-02-000	EA	BRACKET - BLIND - RIGHT SIDE WHEN FACING WINDOW
	094907-04-000	EA	HARDWARE - END CAP BOTTOM - PULL TYPE (RH & LH)
	094907-02-000	EA	END CAP - TOP/PLEATED BLIND - PLASTIC - GRAY
	097592-01-000	EA	SPOOL - CORD - ELEVATED BLIND HOLDUP - CLEAR PLASTIC
			FROM: 00-00-00 THRU: 11-23-97
	097592-02-000	EA	BRACKET - HOLDDOWN ADJUSTER
			FROM: 11-24-97 THRU: 99-99-99
	093475-01-701	EA	CAP-END, WITH INVERTED STUD
	093475-01-700	EA	WAND-BLIND W/METAL CLIP, 8"
	048394-02-000	YD	VELCRO TAPE - HOOK - ADHESIVE BACK - .75" WIDE - BEIGE
	075943-10-000	EA	BRACE - VALANCE - 20"
	086276-01-000	EA	TAPE - DOUBLE SIDED - 1/2"
	094896-02-000	EA	GROMMET - CORD/PLEATED BLIND - NYLON - GRAY
	096843-01-000	EA	SPRING - REWIND/ROLLER SHADE
	097591-01-000	EA	SPRING - EXTENSION/PLEATED BLIND
	109353-04-000	EA	CLIP - VALANCE SLAT MOUNTING - CLEAR PLASTIC
	097593-06-000	FT	CORD - BLIND - PLEATED - PEWTER (J05)
	097593-02-000	FT	CORD - BLIND - PLEATED - GRAY (J06)

**CURTAIN & CUSHION GROUP (CONTINUED)**

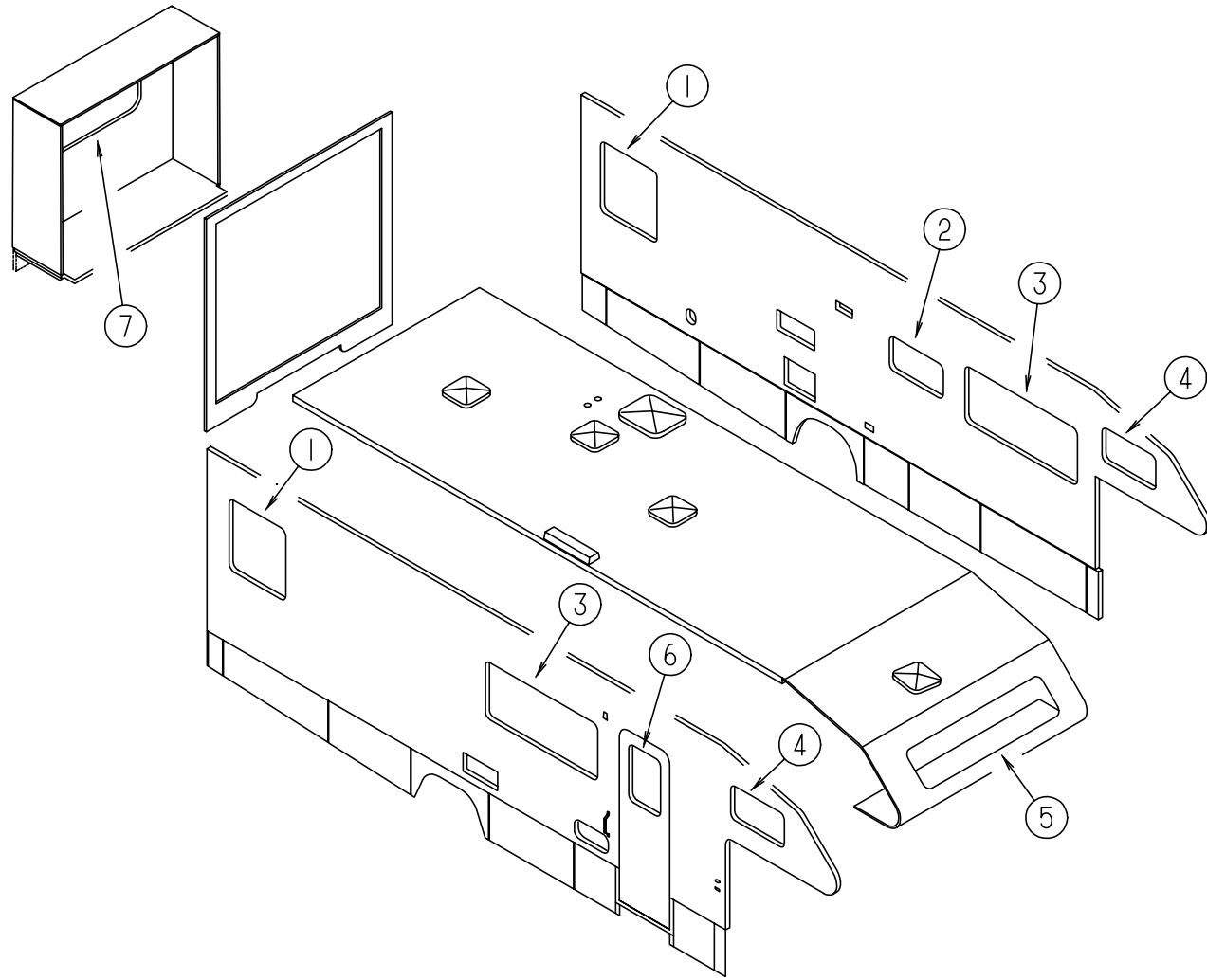


**SWIVEL CHAIR**

KEY	PART NUMBER	U/M	DESCRIPTION
1	115470-01-J05	EA	CHAIR - SWIVEL
1	115470-01-J06	EA	CHAIR - SWIVEL
	P15470-01-J05	EA	COVER - CHAIR
	P15470-01-J06	EA	COVER - CHAIR
	P07977-01-J05	EA	COVER - SKIRT
	P07977-01-J06	EA	COVER - SKIRT
2	127159-02-02B	EA	BRACKET - SEAT RELEASE - REMOTE
3	108049-03-000	EA	CABLE - W/SWITCHES - 25.5" SHEATH/28.5" CABLE W/DOG LEG
			FROM: 00-00-00 THRU: 06-25-97
	108049-04-000	EA	CABLE - W/SWITCHES - W/26" MINI LEVER ACTION
			FROM: 06-26-97 THRU: 99-99-99
	108049-02-000	EA	CLIP - CABLE/PEDESTAL
4	119952-01-000	EA	SLIDE/SEAT - HEAVY DUTY NON LOCKING
5	107921-08-000	EA	TOP PLATE - PEDESTAL - W/O SEAT BELT BAR
	107921-06-000	EA	BEARING KIT - PEDESTAL
6	107921-01-000	EA	PEDESTAL/FLOOR MOUNTED - W/9.75" EXTENSION
7	108445-02-000	EA	PLATE/FLOOR MOUNTED - PEDESTAL SEAT
8	119952-03-000	EA	SLIDE/SEAT - HEAVY DUTY LOCKING - 2 STUDS
9	117125-01-02B	EA	BRACKET - CABLE MOUNT - ADJUSTER W/LOCK
10	007221-01-000	EA	SPACER - SEAT/ADJUSTER - 4 USED PER SWIVEL CHAIR

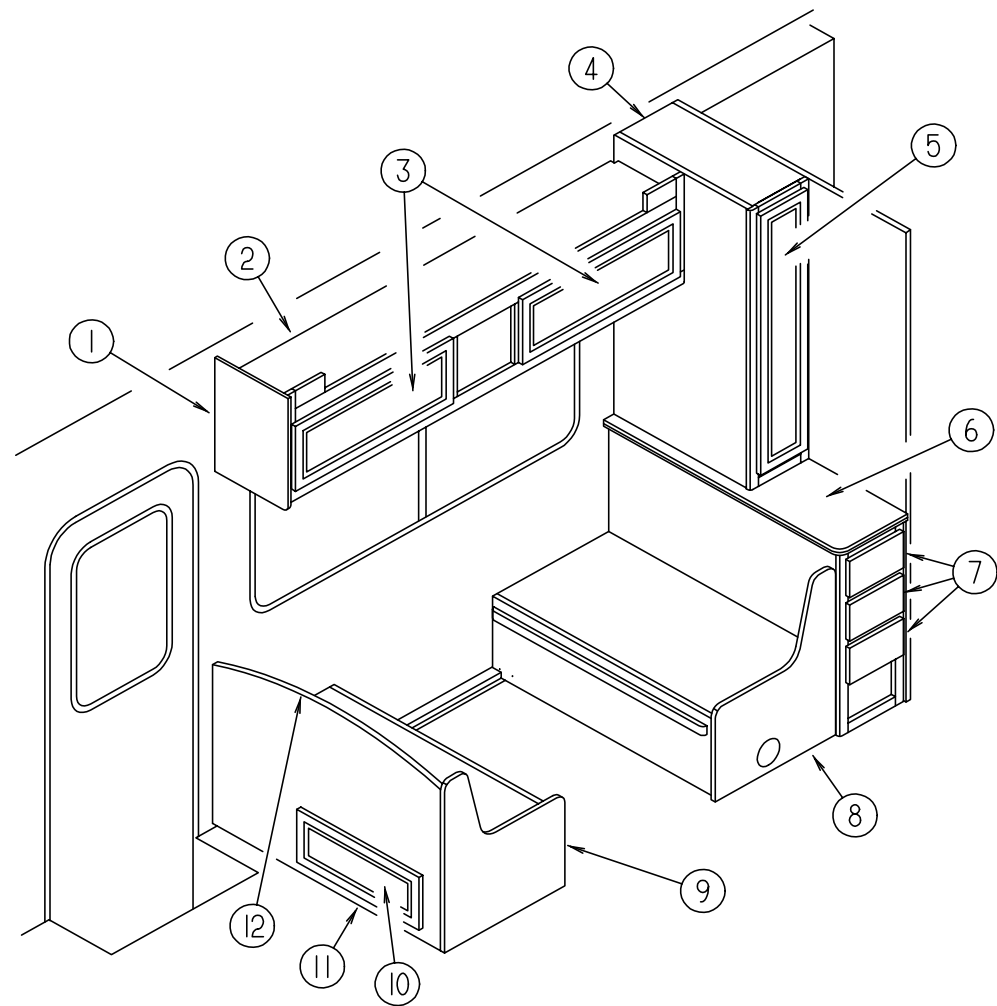
# CURTAIN & CUSHION GROUP (CONTINUED)

## CURTAINS, SHADES, VALANCES & BLINDS



KEY	PART NUMBER	U/M	DESCRIPTION
1	119263-24-J05	EA	VALANCE - STARBUCK II - 34"
1	119263-24-J06	EA	VALANCE - STARBUCK II - 34"
1	109041-51-01A	EA	BLIND - MINI - 33" X 36" (J05)
1	109041-51-02A	EA	BLIND - MINI - 33" X 36" (J06)
1	111910-52-J05	EA	BLIND - DAY/NIGHTER - 33" X 36"
1	111910-52-J06	EA	BLIND - DAY/NIGHTER - 33" X 36"
2	109041-44-01A	EA	BLIND - MINI - 27" X 20" (J05)
2	109041-44-02A	EA	BLIND - MINI - 27" X 20" (J06)
3	119263-25-J05	EA	VALANCE - STARBUCK II - 64.5"
3	119263-25-J06	EA	VALANCE - STARBUCK II - 64.5"
3	109041-53-01A	EA	BLIND - MINI - 61" X 28.5" (J05)
3	109041-53-02A	EA	BLIND - MINI - 61" X 28.5" (J06)
3	111910-57-J05	EA	BLIND - DAY/NIGHTER - 61" X 28.5"
3	111910-57-J06	EA	BLIND - DAY/NIGHTER - 61" X 28.5"
3	127017-11-J05	EA	LEG - RIGHT - 25"
3	127017-11-J06	EA	LEG - RIGHT - 25"
3	127017-12-J05	EA	LEG - LEFT - 25"
3	127017-12-J06	EA	LEG - LEFT - 25"
4	101034-51-J05	EA	CURTAIN - RIGHT HAND - 19" X 34"
4	101034-51-J06	EA	CURTAIN - RIGHT HAND - 19" X 34"
4	101034-52-J05	EA	CURTAIN - LEFT HAND - 19" X 34"
4	101034-52-J06	EA	CURTAIN - LEFT HAND - 19" X 34"
5	101034-33-J05	EA	CURTAIN - RIGHT HAND - 21" X 60"
5	101034-33-J06	EA	CURTAIN - RIGHT HAND - 21" X 60"
5	101034-34-J05	EA	CURTAIN - LEFT HAND - 21" X 60"
5	101034-34-J06	EA	CURTAIN - LEFT HAND - 21" X 60"
6	119263-30-J05	EA	VALANCE - STARBUCK II - 34.75"
6	119263-30-J06	EA	VALANCE - STARBUCK II - 34.75"
6	084755-57-E07	EA	SHADE - PULL - 27.25"

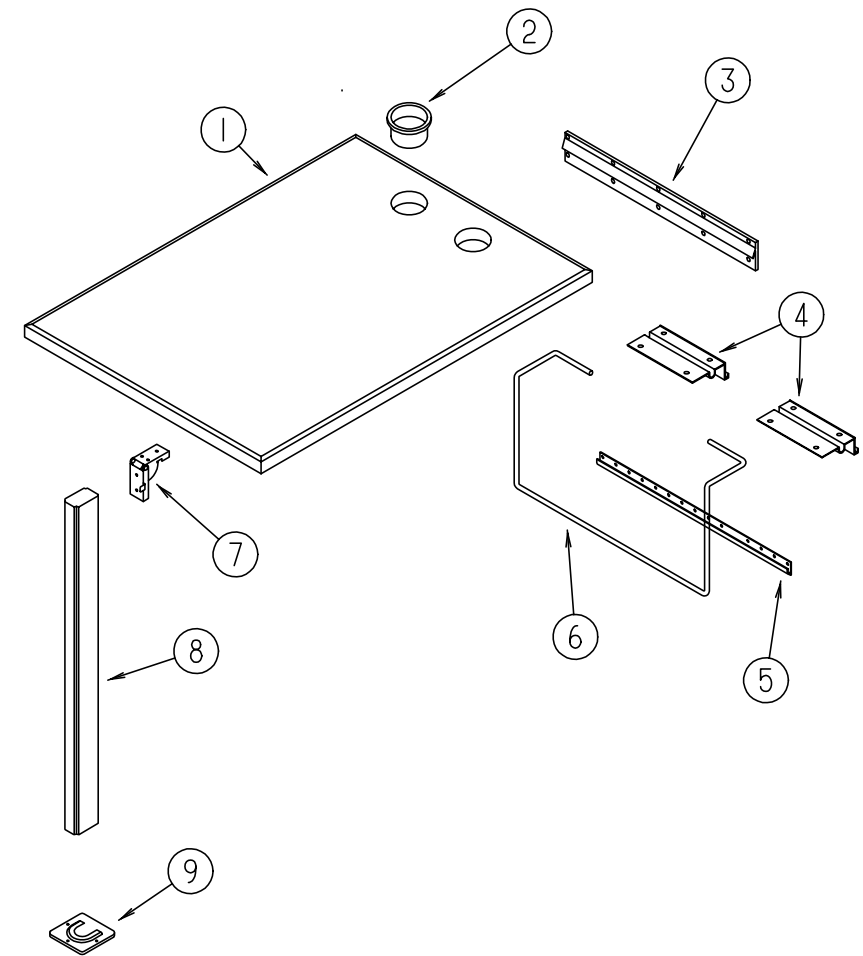
## DINETTE GROUP



### DINETTE CABINETRY

KEY	PART NUMBER	U/M	DESCRIPTION
1	109908-08-G04	EA	END CAP - OVERHEAD CABINET
2	126038-01-J05	EA	CABINET - OVERHEAD/DINETTE - W/O DOORS/HARDWARE
2	126038-02-J05	EA	CABINET - OVERHEAD/DINETTE - W/O DOORS/HARDWARE (W/FRONT ENTERTAINMENT CENTER)
3	M08758-35-J05	EA	DOOR - MITERED CORNER/OGEE EDGE - 11" X 21.8" - W/O HDW
3	M08758-25-J15	EA	DOOR - MITERED CORNER/OGEE EDGE-14.3" X21.8" - W/O HDW (W/FRONT ENTERTAINMENT CENTER)
4	125636-01-J05	EA	CABINET - PANTRY - W/COUNTERTOP - W/O DOORS/DRAWERS/HDW
4	125636-01-J06	EA	CABINET - PANTRY - W/COUNTERTOP - W/O DOORS/DRAWERS/HDW
5	M05992-M5-J05	EA	DOOR - STRAIGHT CORNER/OGEE EDGE - 7.9" X 43.6" - W/O HDW
	122325-04-J05	EA	CABINET - PANTRY/RIGHT HAND SLIDING - W/O SLIDES/HARDWARE
	122360-02-000	EA	SLIDE - PANTRY - W/O LOCK - RIGHT/LEFT HAND
	122360-03-000	EA	SLIDE - PANTRY - W/LOCK - RIGHT HAND
	123673-01-01A	EA	KNOB - PANTRY SLIDE
6	125636-13-J05	EA	COUNTERTOP - PANTRY
6	125636-13-J06	EA	COUNTERTOP - PANTRY
7	M05971-EY-J05	EA	DRAWER - OGEE EDGE - 5.5"W X 17.7"D - W/O SLIDES/HARDWARE
8	M08122-23-J05	EA	CABINET - SEATBASE - RIGHT HAND - W/O DOOR/DRAWER/HDW
	081295-01-G01	EA	SUPPORT - BED/DINETTE - 28" LONG
	M81322-12-J03	EA	TABLE - DINETTE W/SUPPORT - W/O HARDWARE (J05)
	M81322-12-J04	EA	TABLE - DINETTE W/SUPPORT - W/O HARDWARE (J06)
9	M08122-22-J05	EA	CABINET - SEATBASE - LEFT HAND - W/O DOOR/DRAWER/HDW
	081295-01-G01	EA	SUPPORT - BED/DINETTE - 28" LONG
10	M08758-80-J15	EA	DOOR - MITERED CORNER/OGEE EDGE - 9" X 26.5" - W/O HDW
11	M08123-22-J05	EA	CABINET - SEATBACK - LEFT HAND
12	111338-06-J05	EA	PAD - DINETTE SEATBACK (2 USED)
12	111338-06-J06	EA	PAD - DINETTE SEATBACK (2 USED)
	083125-07-000	EA	BRACE - COUCH - 2.5" - OFF WHITE (DINETTE PAD)

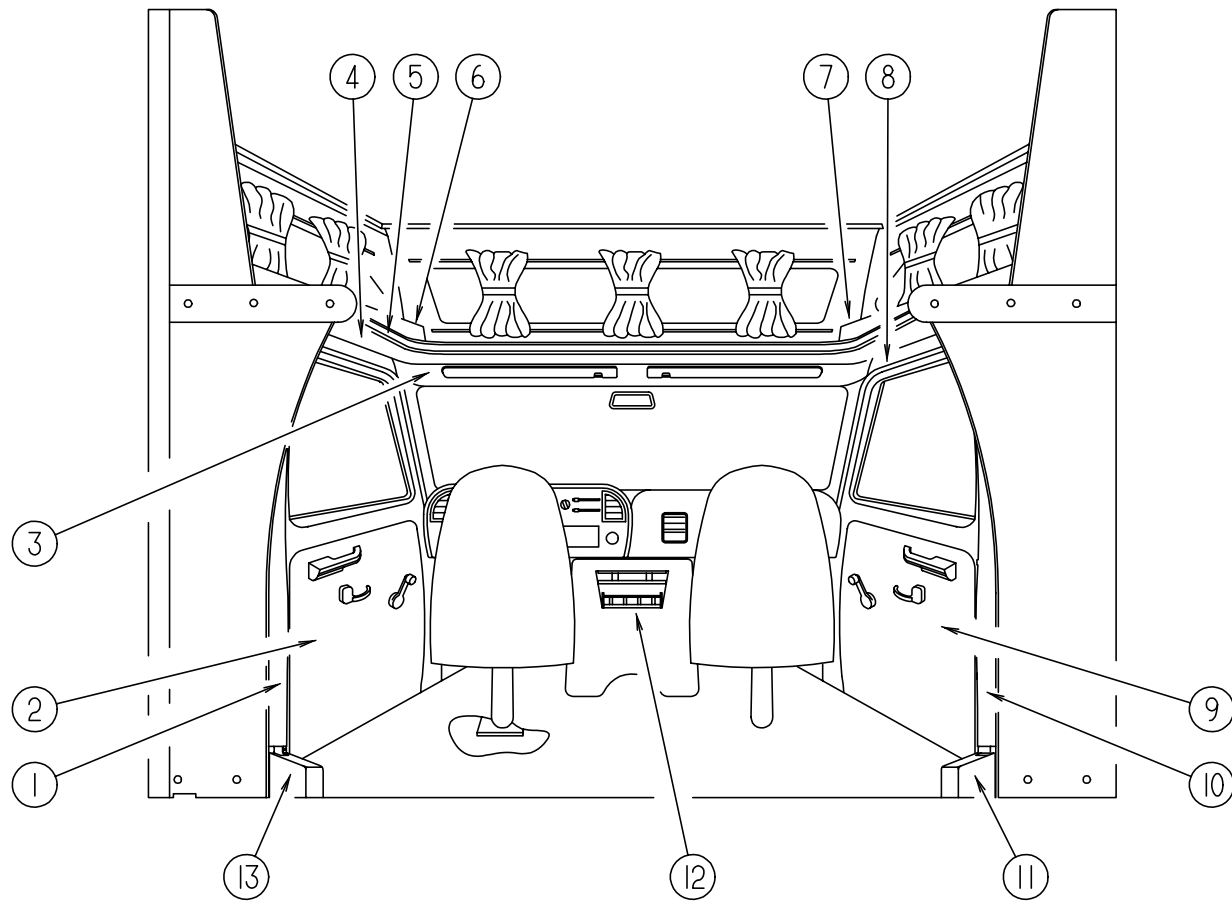
## DINETTE GROUP (CONTINUED)



### DINETTE TABLE

KEY	PART NUMBER	U/M	DESCRIPTION
1	M81322-12-J03	EA	TABLE - DINETTE W/SUPPORT - W/O HARDWARE (J05)
1	M81322-12-J04	EA	TABLE - DINETTE W/SUPPORT - W/O HARDWARE (J06)
2	064781-06-000	EA	HOLDER - CUP - TWO STEP - OFF WHITE
3	053200-12-000	EA	BRACKET - TABLE SUPPORT - UPPER WALL MOUNTED - 23.50"
4	088410-02-000	EA	BRACKET - LIFT - TABLE MOUNTED
5	024281-14-000	EA	BRACKET - LIFT ROD/LOWER WALL MOUNTED - 22.12"
6	024275-12-000	EA	ROD - TABLE LIFT
7	093550-01-000	EA	BRACKET - HINGE - MOUNTS TO LEG & TABLE TOP - 1.7" X 2.6"
8	092707-04-05A	EA	MOLDING - TABLE LEG - 27" - WATERFORD OAK
9	092593-01-05A	EA	CATCH - TABLE LEG - OFF/WHITE
	049493-12-000	EA	CATCH - TABLE LEG/FLOOR MOUNTED - OFF WHITE

**DRIVERS COMPARTMENT GROUP**



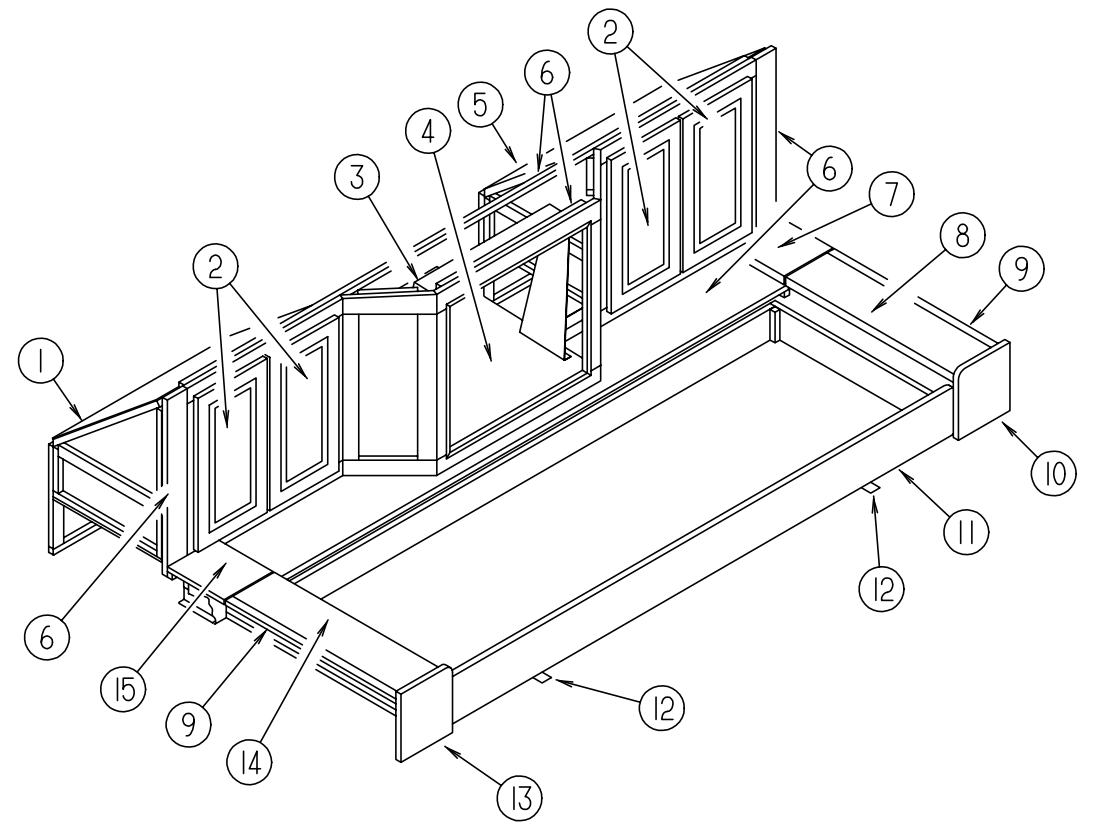
**DRIVERS COMPARTMENT**

KEY	PART NUMBER	U/M	DESCRIPTION	VENDOR NO.
1	125031-02-H04	EA	TRIM - CAB - B-PILLAR	
2	N/A	EA	CHASSIS SUPPLIED	
3	106448-01-H04	EA	HEADLINER - W/VINYL	
4	106447-04-H04	EA	TRIM - CAB DOOR - UPPER/LEFT HAND	
5	119520-01-01A	FT	MOLDING-T - 1" - W/EDGE LIPS (OFF/WHITE-CREAM)	
6	109894-01-J05	EA	CABINET - HAMPER - DRIVER/Front	
6	109894-01-J06	EA	CABINET - HAMPER - DRIVER/Front	
7	109894-03-J05	EA	CABINET - HAMPER - PASSENGER/Front	
7	109894-03-J06	EA	CABINET - HAMPER - PASSENGER/Front	
8	106447-03-H04	EA	TRIM - CAB DOOR - UPPER/RIGHT HAND	
9	N/A	EA	CHASSIS SUPPLIED	
10	125031-01-H04	EA	TRIM - CAB - B-PILLAR	
11	106431-01-02A	EA	COVER - SEATBELT RECOIL - PASSENGER SIDE - VW GREY	
12	N/A	EA	CHASSIS SUPPLIED	
13	106431-02-02A	EA	COVER - SEATBELT RECOIL - DRIVER SIDE - VW GREY	
	106025-03-01A	EA	LADDER - BUNK - BLACK - 47.3"	
	106025-01-700	EA	BRACKET SET-F/BUNK LADDER	08-0030-00
	091952-01-000	EA	CLIP-GRIPPER - 1"	
	116220-01-000	EA	APPLIQUE - SWITCH/SLIDEOUT	

**INSTRUMENT CLUSTERS & BATTERY SWITCH**

KEY	PART NUMBER	U/M	DESCRIPTION
	111414-01-000	EA	RECEPTACLE - 12V - W/O BIMETAL
	094795-09-000	EA	CLUSTER - INSTRUMENT PANEL - KM - GAS/DIESEL - FORD
	100138-01-000	EA	MODULE - DAYTIME/RUNNING LIGHT
	108357-09-000	EA	SWITCH - ROCKER SPDT - ON/NONE/MOM - 3 TERMINAL
	108357-08-000	EA	SWITCH - ROCKER DPDT - ON/NONE/ON - 6 TERMINAL
	108356-07-01A	EA	COVER/ACTUATOR SWITCH - 2 ROWS DIMPLES - AUX START - BLACK
	108356-11-01A	EA	COVER/ACTUATOR SWITCH - 3 GROOVES - AUX BATT - BLACK

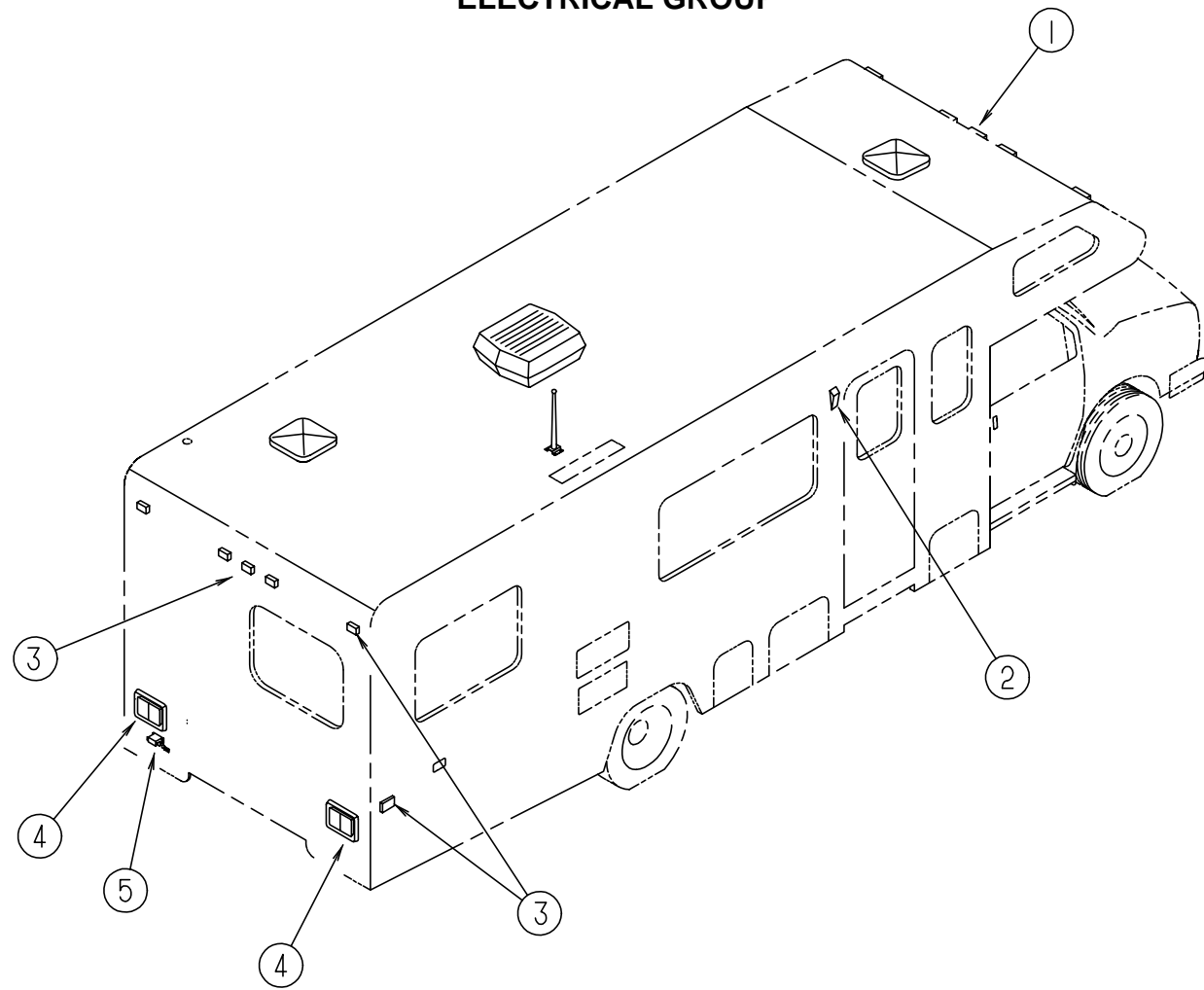
**DRIVERS COMPARTMENT GROUP (CONTINUED)**



**FRONT ENTERTAINMENT CENTER**

KEY	PART NUMBER	U/M	DESCRIPTION
1	113156-02-G04	EA	CABINET-ENTERTAINMENT CTR-W/SHELF-DRIVER SIDE-W/O DOOR/HDW
2	M08758-51-J03	EA	DOOR - MITERED CORNER/OGEE EDGE - 10.6" X 19.9" - W/O HDW
3	110790-03-000	EA	BRACKET - TIEDOWN/TV
4	111356-02-J01	EA	SHELF - TV - W/TIEDOWN BRACKET
5	113156-01-G04	EA	CABINET-ENTERTAINMENT CTR-W/SHELF-PASS SIDE-W/O DOOR/HDW
6	N/A	EA	FACE - ENTERTAINMENT CENTER - W/O HARDWARE
7	113155-11-F02	EA	COUNTERTOP - ENTERTAINMENT CENTER STORAGE (J05)
7	113155-11-G05	EA	COUNTERTOP - ENTERTAINMENT CENTER STORAGE (J06)
8	113155-12-G24	EA	COUNTERTOP - ENTERTAINMENT CENTER STORAGE (J05)
8	113155-12-G05	EA	COUNTERTOP - ENTERTAINMENT CENTER STORAGE (J06)
9	113155-21-F02	EA	COUNTERTOP - ENTERTAINMENT CENTER STORAGE (J05)
9	113155-21-G05	EA	COUNTERTOP - ENTERTAINMENT CENTER STORAGE (J06)
10	113155-01-H08	EA	CABINET/STORAGE - RIGHT END - W/FLIP UP COUNTERTOP (J05)
10	113155-01-J04	EA	CABINET/STORAGE - RIGHT END - W/FLIP UP COUNTERTOP (J06)
11	100847-01-J05	EA	DRAWER - ENTERTAINMENT CENTER - W/O HARDWARE
11	100847-01-J06	EA	DRAWER - ENTERTAINMENT CENTER - W/O HARDWARE
12	093673-01-01A	FT	TRIM/MOLDING - 1.4" WIDE X 8' LONG
13	113155-02-G24	EA	CABINET/STORAGE - LEFT END - W/FLIP UP COUNTERTOP (J05)
13	113155-02-G05	EA	CABINET/STORAGE - LEFT END - W/FLIP UP COUNTERTOP (J06)
14	113155-18-G24	EA	COUNTERTOP - ENTERTAINMENT CENTER STORAGE (J05)
14	113155-18-G05	EA	COUNTERTOP - ENTERTAINMENT CENTER STORAGE (J06)
15	113155-19-F02	EA	COUNTERTOP - ENTERTAINMENT CENTER STORAGE (J05)
15	113155-19-G05	EA	COUNTERTOP - ENTERTAINMENT CENTER STORAGE (J06)
	106699-01-01A	EA	BRACKET - OVERHEAD CABINET/TV

## ELECTRICAL GROUP



### EXTERIOR LIGHTS

KEY	PART NUMBER	U/M	DESCRIPTION	VENDOR NO.
1	111102-01-000	EA	BASE - LAMP MARKER	
1	111102-02-000	EA	LENS - AMBER - MARKER LAMP	
	036196-01-000	EA	BULB - 12 VOLT - #194 - .27 AMP - BAYONETTE	
2	097917-01-06A	EA	LIGHT - PORCH - BRIGHT WHITE	
	097917-01-700	EA	LENS-LIGHT, CLEAR	30-78-021
	008215-01-000	EA	BULB - 12 VOLT - #1003 - .94 AMP	
2	008089-02-000	EA	LIGHT - PORCH - RECESSED - CANADIAN	
	008089-01-700	EA	LENS-LIGHT, RECESSED, PORCH	DECO
	008214-01-000	EA	BULB - 12 VOLT NO 67 - 0.59 AMP	
	091981-01-000	EA	GASKET	
3	111102-01-000	EA	BASE - LAMP MARKER	
3	111102-03-000	EA	LENS - RED - MARKER LAMP	
	036196-01-000	EA	BULB - 12 VOLT - #194 - .27 AMP - BAYONETTE	
4	081638-01-000	EA	TAILLIGHT/DOUBLE W/BLACK TRIM - DRIVER/PASSENGER SIDE	
4	081638-01-700	EA	LENS-TAILLIGHT, RED	30-84-010
4	081638-01-701	EA	LENS-TAILLIGHT, W/BACKUP	30-84-700
4	103355-01-05A	EA	POD - TAIL LIGHT	
4	037934-01-000	EA	BULB# 1156 - (BACK UP & TURN SIGNAL)	
4	037935-01-000	EA	BULB# 2057 OR #1157 - (BRAKE LIGHT)	
5	066432-02-000	EA	LIGHT - LICENSE - BLACK	
	066432-03-000	EA	BRACKET - LICENSE PLATE	
	121950-01-000	EA	LIGHT - BRAKE - CENTER MOUNT	

## ELECTRICAL GROUP (CONTINUED)

### FUSES & CIRCUIT BREAKERS

KEY	PART NUMBER	U/M	DESCRIPTION
	008235-01-000	EA	FUSE - 15 AMP/12VOLT - AUTOMOTIVE
	062901-02-000	EA	FUSE - 05 AMPS - AUTOMOTIVE
	062901-05-000	EA	FUSE - 15 AMPS - AUTOMOTIVE
	083209-02-000	EA	CIRCUIT BREAKER - 15/15 AMP - 120 VOLT
	083209-03-000	EA	CIRCUIT BREAKER - 15/20 AMP - 120 VOLT
	083209-04-000	EA	CIRCUIT BREAKER - 30 AMP - 120 VOLT
	083209-06-000	EA	CIRCUIT BREAKER - 30/15 AMP - 120 VOLT
	083209-07-000	EA	CIRCUIT BREAKER - 20/20 AMP - 120 VOLT
			FROM: 00-00-00 THRU: 11-09-97
	093654-01-000	EA	CIRCUIT BREAKER - 6 AMP - 12 VOLT
	093654-03-000	EA	CIRCUIT BREAKER - 20 AMP - 12 VOLT
	093655-01-000	EA	CIRCUIT BREAKER - 25 AMP - 12 VOLT
	093655-02-000	EA	CIRCUIT BREAKER - 30 AMP - 12 VOLT
	100341-01-000	EA	FUSE HOLDER - IN LINE TYPE
	108669-01-000	EA	HOUSING - AUTO FUSE HOLDER

### POWER CONVERTER & INVERTER

KEY	PART NUMBER	U/M	DESCRIPTION
	099048-03-000	EA	INVERTER - 130 WATT
	123058-02-000	EA	CONVERTER - 45 AMP - ELECTRONIC - 4 1/8"H X 7"W X 12 3/8"L

### WIRING ASSEMBLIES

KEY	PART NUMBER	U/M	DESCRIPTION
	073328-B4-000	EA	CABLE ASSEMBLY - BATTERY - W/TERMINALS
	126591-01-02B	EA	CARRIER - WIRE - SLIDEOUT
	007942-01-000	EA	TAB - WIRE 10 TO 14 AWG
	090986-01-000	EA	WIRE ASSEMBLY - ELECTRIC STEP
	096449-01-000	EA	WIRE ASSEMBLY - WATER TANK TO MONITOR PANEL
	097618-01-000	EA	WIRE ASSEMBLY - MONITOR PANEL- W/3 WIRES & ORANGE RESISTOR
	106851-01-000	EA	WIRE ASSEMBLY - RUNNING LIGHTS - FUSE
	116894-01-000	EA	WIRE ASSEMBLY - SPEED SENSOR EXTENDED

### ELECTRIC BOXES, COVERS & POWER CORDS

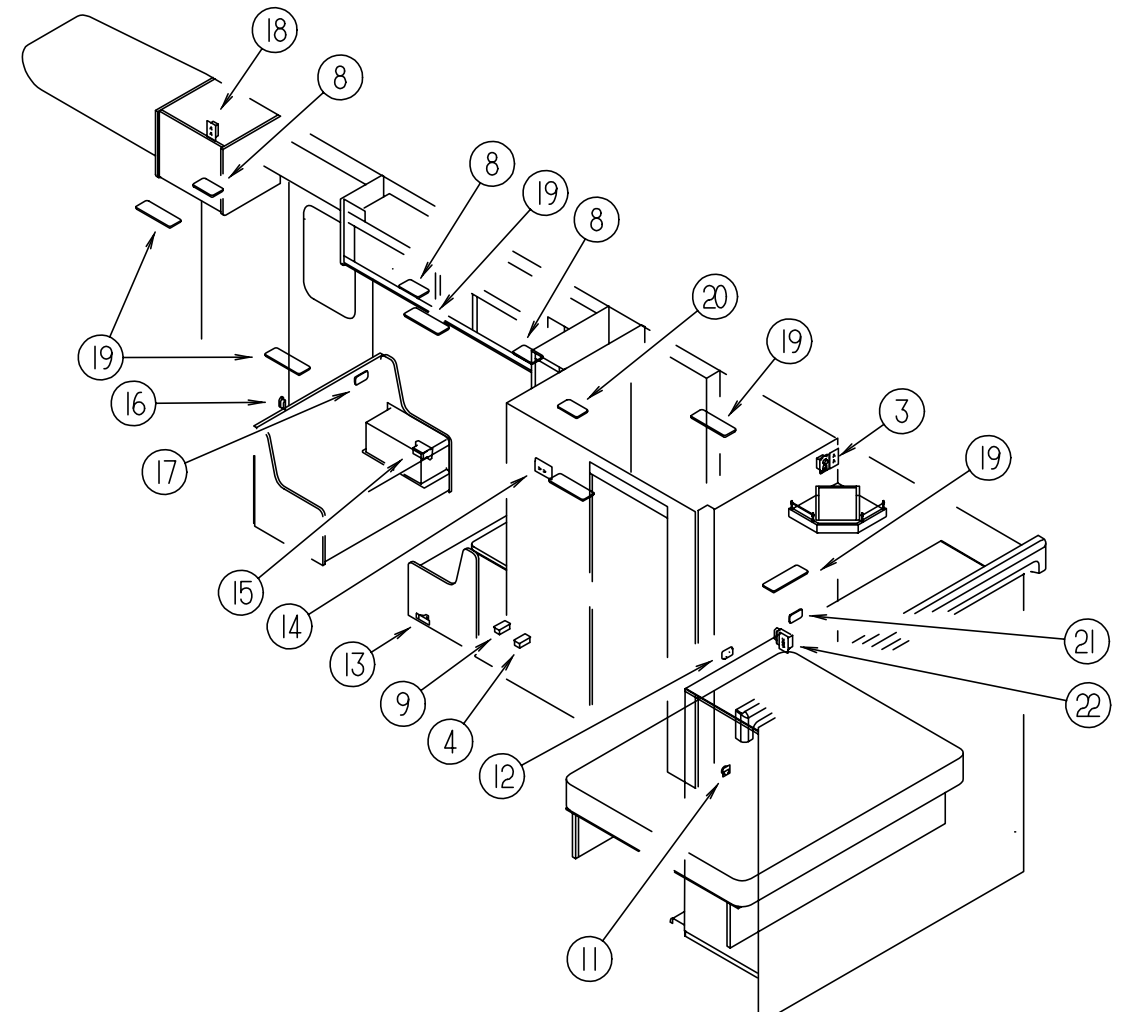
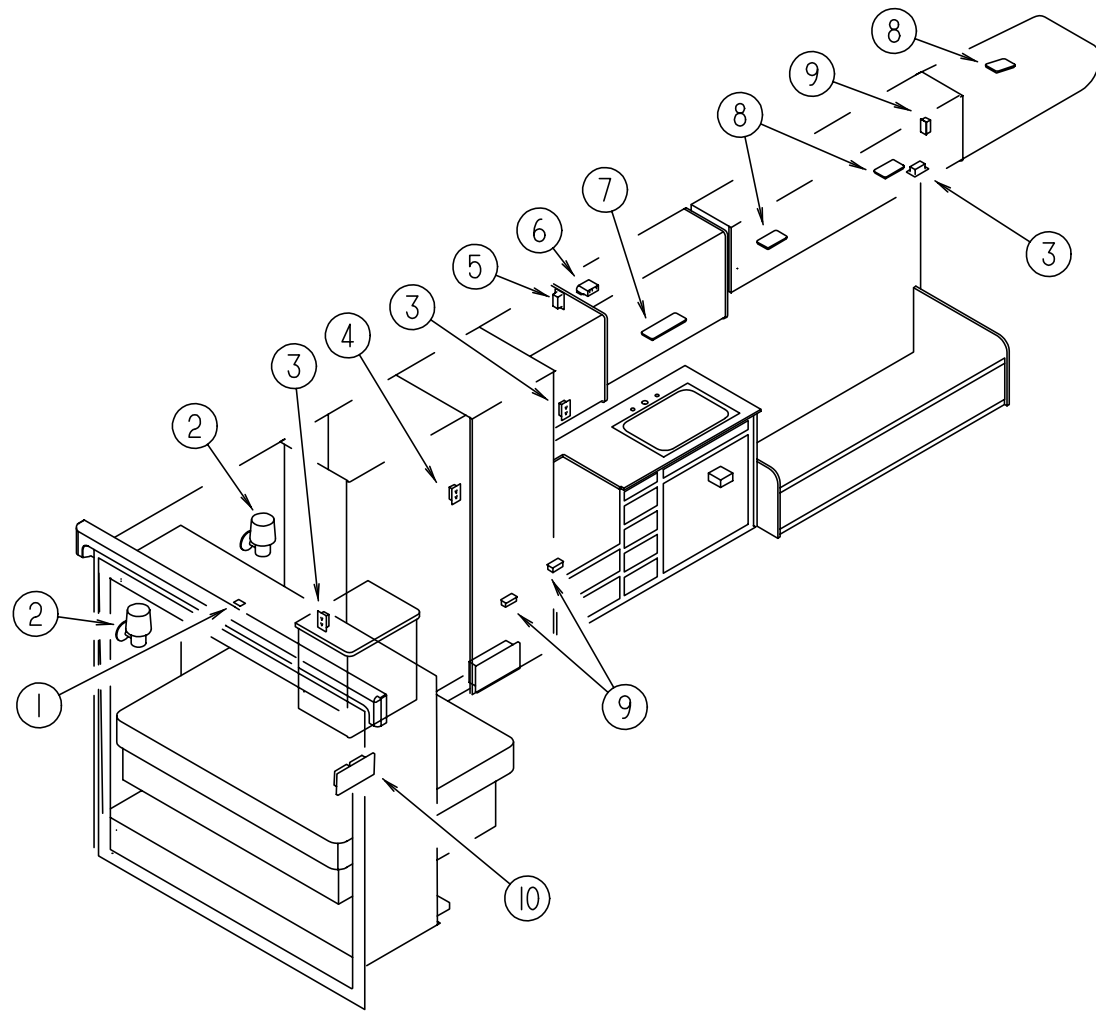
KEY	PART NUMBER	U/M	DESCRIPTION
	008052-01-000	EA	CORD - POWER - 10/3 - 30 AMP - 25' - CANADIAN
	008054-01-000	EA	CORD - POWER - 10/3 - 30 AMP - 25'
	008289-01-000	EA	BOX - ELECTRIC/STEEL - 1/2" & 3/4" KNOCKOUTS - 4" X 4"
	008289-02-000	EA	BOX - ELECTRIC/STEEL - 1/2" & 3/4" KNOCKOUTS - 4" X 4" - CAN
	008294-01-000	EA	COVER - ELECTRICAL BOX - BLANK/STEEL - 4" X 4" - GRAY
	008294-02-000	EA	COVER - ELECTRICAL BOX - BLANK/STEEL - 4" X 4" - GRAY
	069238-01-000	EA	COVER - ELECTRICAL BOX - W/HOLE - 4" X 4" - CANADIAN
	091910-01-000	EA	BOX - ELECTRIC - 3.8" X 3.5" X 1.8" - PLASTIC
	091910-02-000	EA	BOX - ELECTRIC - 2.2" X 3.5" X 1.7" - PLASTIC
	093257-02-000	EA	BOX - ELECTRIC - CIRCUIT BREAKER
	107165-01-01A	EA	BOX - CIRCUIT BREAKER - 14.6" X 4" - PLASTIC
	107165-04-01A	EA	BOX - CIRCUIT BREAKER MOUNT

### RELAY HOUSING & SOLENOID

KEY	PART NUMBER	U/M	DESCRIPTION
	008188-01-000	EA	SOLENOID - 3 POST - BATTERY CHANGE OVER
	063910-01-000	EA	HOUSING - RELAY
	063912-02-000	EA	RELAY - CANISTER - SPDT
	086273-01-000	EA	RELAY - BATTERY DISCONNECT



**ELECTRICAL GROUP (CONTINUED)**  
**LIGHTS, SWITCHES & RECEPTACLES**



KEY	PART NUMBER	U/M	DESCRIPTION	VENDOR NO.
1	108357-06-000	EA	SWITCH - ROCKER DPDT - MOM/OFF/MOM - 6 TERMINAL	
1	108356-02-01A	EA	COVER/ACTUATOR SWITCH - 2 ROWS DIMPLES- CONTURA II - BLACK	
2	119258-02-01A	EA	LAMP - WALL	
2	119258-01-700	EA	FINIAL (PYRAMID)	12-0322
2	119257-03-01A	EA	SHADE - LAMP - LINEN	
3	058708-01-000	EA	RECEPTACLE - ELECTRIC - DOUBLE - BROWN	
4	058707-01-000	EA	RECEPTACLE - ELECTRIC - SINGLE - BROWN	
5	058708-05-000	EA	RECEPTACLE - ELECTRIC - SINGLE - BROWN	
5	058708-02-000	EA	RECEPTACLE - ELECTRIC - DOUBLE - IVORY	
5	091927-01-000	EA	COVER - RECEPTACLE - DOUBLE - IVORY	
6	091910-02-000	EA	BOX - ELECTRIC - 2.2" X 3.5" X 1.8" - PLASTIC	
6	091927-01-000	EA	COVER - RECEPTACLE - DOUBLE - IVORY	
7	098024-06-02A	EA	LIGHT - DOME - 2 BULB - SKYLITE	
7	008218-01-000	EA	BULB - 12 VOLT - #1141 - 1.44 AMP	
7	098024-01-701	EA	LENS - OPTI CLEAR - SKYLITE	809902
7	117806-01-000	EA	BULB - 12 VOLT #912 - 1.0 AMPS	
8	098024-05-02A	EA	LIGHT - DOME - 1 BULB - SKYLITE - WHITE	
8	008218-01-000	EA	BULB - 12 VOLT - #1141 - 1.44 AMP	
8	098024-01-701	EA	LENS - OPTI CLEAR - SKYLITE	809902
9	058707-02-000	EA	RECEPTACLE - BLANK - JUNCTION BOX	
10	024924-02-000	EA	RECEPTACLE - POWER CORD - W/PARTIAL PLATE	
11	108354-01-01A	EA	LIGHT - COURTESY	
11	108354-01-700	EA	BULB-COURTESY LIGHT	395-B
12	079364-01-000	EA	SWITCH - ON/OFF ROCKER - 2 TERMINAL - BROWN	
12	079364-03-000	EA	SWITCH - ON/OFF ROCKER - 3 TERMINAL - BROWN	
12	098351-02-01A	EA	PLATE - SWITCH - 2 GANG POLISHED BRASS	
12	095188-01-01A	EA	SPACER - SWITCH - 2.3" X 3.4" - PLASTIC - DARK BROWN	
13	061424-01-000	EA	LIGHT - AISLE - 12 VOLT - RECTANGULAR	
13	008103-01-000	EA	BULB - DASH/AISLE LIGHT - #53 - 12 VOLT - .12 AMP	

KEY	PART NUMBER	U/M	DESCRIPTION	VENDOR NO.
14	058708-01-000	EA	RECEPTACLE - ELECTRIC - DOUBLE - BROWN	
14	102568-01-GB1	EA	SPACER - RECEPTACLE - BETWEEN SIDEWALL & PLATE - WOOD	
15	112822-01-01A	EA	RECEPTACLE - DUPLEX - IVORY	
15	112824-01-03A	EA	COVER - EXTERIOR DUPLEX RECEPTACLE - WHITE PLASTIC	
16	116995-01-000	EA	SWITCH/MAGNET - ELECTRIC STEP	
17	079364-01-000	EA	SWITCH - ON/OFF ROCKER - 2 TERMINAL - BROWN	
17	098351-05-01A	EA	PLATE - SWITCH - 3 GANG POLISHED BRASS	
17	095188-02-01A	EA	SPACER - SWITCH - 2.3" X 4.1" - PLASTIC - DARK BROWN	
18	079364-01-000	EA	SWITCH - ON/OFF ROCKER - 2 TERMINAL - BROWN	
18	079364-03-000	EA	SWITCH - ON/OFF ROCKER - 3 TERMINAL - BROWN	
18	098351-15-01A	EA	PLATE - SWITCH - 2 GANG W/LABEL	
19	098024-03-02A	EA	LIGHT - DOME - 2 BULB - WHITE	
19	008218-01-000	EA	BULB - 12 VOLT - #1141 - 1.44 AMP	
19	098024-01-700	EA	LENS-LIGHT	807877
20	121935-01-01A	EA	LIGHT - DOME - SHOWER	
21	079364-01-000	EA	SWITCH - ON/OFF ROCKER - 2 TERMINAL - BROWN	
21	079364-03-000	EA	SWITCH - ON/OFF ROCKER - 3 TERMINAL - BROWN	
21	098351-03-01A	EA	PLATE - SWITCH - 3 GANG POLISHED BRASS	
21	095188-02-01A	EA	SPACER - SWITCH - 2.3" X 4.1" - PLASTIC - DARK BROWN	
22	084076-02-000	EA	RECEPTACLE - GFI - 15 AMP/125 VOLT - BROWN	
	084077-02-000	EA	RECEPTACLE COVER	
	087202-01-000	EA	SWITCH - 4 POSITION - W/KNOB/BEZEL - 5 TERMINAL	
	087202-01-702	EA	PLATE F/ROTARY SWITCH	062-0105
	087202-01-701	EA	KNOB-SWITCH, ROTARY	062-0104
	098024-01-03A	EA	LIGHT - DOME - 1 BULB - WHITE	
	008218-01-000	EA	BULB - 12 VOLT - #1141 - 1.44 AMP	
	098024-01-700	EA	LENS-LIGHT	807877
	097734-01-02A	EA	EXTENSION - RECEPTACLE - 3.2" X 5" X .7" - BROWN PLASTIC	

**ELECTRICAL GROUP (CONTINUED)****CONDUIT, CONNECTORS, HOUSINGS & TERMINALS**

KEY	PART NUMBER	U/M	DESCRIPTION
	007956-05-000	EA	INSULATOR - SHRINK - .25 ID X 1.50
	008313-01-000	EA	CONNECTOR - WIRE NUT - INSULATED - YELLOW
	008314-01-000	EA	CONNECTOR - WIRE NUT - INSULATED - GRAY
	008326-01-000	EA	TERMINAL - RING - 16/14 WIRE - 3/8" STUD
	008328-01-000	EA	TERMINAL - RING - 12/10 WIRE - #10 STUD FIT
	008331-01-000	EA	TERMINAL - RING - TONGUE - #4 WIRE - 3/8" STUD - COPPER
	008348-01-000	EA	TERMINAL - RING - 3/8" STUD 2 GA. WIRE
	008355-01-000	EA	CONNECTOR - CABLE CLAMPING - 3/4"
	008356-01-000	EA	CONNECTOR - PLASTIC - 3/8" AVG
	008356-02-000	EA	CONNECTOR - PLASTIC - 21/32
	035416-04-000	EA	TERMINAL - RING - #10 STUD FIT - INSULATED BARREL #16/14
	041953-01-000	FT	CONDUIT - CONVOLUTE SLIT - .5" ID
	041953-03-000	FT	CONDUIT - CONVOLUTE SLIT - 1" ID (CLOTHES ROD COVER)
	041953-05-000	FT	CONDUIT - CONVOLUTE SOLID - .62" ID
	041953-06-000	FT	CONDUIT - CONVOLUTE SLIT - .375" ID
	041953-07-000	FT	CONDUIT - CONVOLUTE SLIT - .25" ID
	041953-08-000	FT	CONDUIT - CONVOLUTE SLIT - 1.50" ID
	041953-09-000	FT	CONDUIT - CONVOLUTE SLIT - .50" ID
	041953-10-000	FT	CONDUIT - CONVOLUTE SLIT - .75" ID
	041953-11-000	FT	CONDUIT - CONVOLUTE SLIT - 1.06" ID
	041953-12-000	FT	CONDUIT - CONVOLUTE NON SLIT - 1.1" ID
	047443-01-000	EA	TERMINAL - .250 RECEPTACLE FIT - INSULATED - 16/14 AWG
	047443-02-000	EA	TERMINAL - .250 RECEPTACLE FIT - INSULATED - 12/10 AWG
	058028-01-000	EA	CONNECTOR - ELECTRICAL PIGTAIL - NYLON - CLEAR
	077479-01-000	EA	BOOT - BATTERY TERMINAL - DOUBLE CABLE
	077479-02-000	EA	BOOT - BATTERY TERMINAL - SINGLE CABLE
	080015-02-000	EA	RECEPTACLE - FLAG - .185 - 16/14 GAUGE
	080015-03-000	EA	RECEPTACLE - FLAG - .250 - 14/16 GAUGE
	097734-01-02A	EA	EXTENSION - RECEPTACLE - 3.2" X 5" X .7" - BROWN PLASTIC
	087949-01-000	EA	BUSS BAR - 2 POSITION - .6" X 1.5"
	088473-01-000	EA	HOUSING - PIN - 12 CAVITY
	088473-06-000	EA	HOUSING - PIN - 6 CAVITY (2 ROWS OF 3)
	088473-02-000	EA	HOUSING - PIN - 15 CAVITY (3 ROWS OF 5)
	088473-03-000	EA	HOUSING - PIN - 9 CAVITY
	088473-08-000	EA	HOUSING - PIN - 4 CAVITY
	088473-09-000	EA	HOUSING - PIN - 3 CAVITY
	088473-10-000	EA	HOUSING - PIN - 2 CAVITY
	088474-01-000	EA	HOUSING - SOCKET - 12 CAVITY
	088474-02-000	EA	HOUSING - SOCKET - 15 CAVITY
	088474-06-000	EA	HOUSING - SOCKET - 6 CAVITY
	088474-03-000	EA	HOUSING - SOCKET - 9 CAVITY
	088474-07-000	EA	HOUSING - SOCKET - 5 CAVITY
	088474-08-000	EA	HOUSING - SOCKET - 4 CAVITY
	088474-09-000	EA	HOUSING - ELECTRICAL - 3 TERMINAL
	088474-10-000	EA	HOUSING - SOCKET - 2 CAVITY
	088475-01-000	EA	PIN - CONNECTOR - 14 - 20 AWG
	088475-02-000	EA	PIN - CONNECTOR - 10-12 AWG
	088476-01-000	EA	TERMINAL - ELECTRICAL
	088476-02-000	EA	SOCKET - CONNECTOR - WEATHERPACK - 14-18 AWG
	098261-02-000	EA	SOCKET - CONNECTOR - WEATHERPACK
	098262-01-000	EA	SEAL - CONNECTOR - WEATHERPACK
	098265-02-000	EA	PIN - CONNECTOR - WEATHERPACK
	098264-01-000	EA	HOUSING - 2 PIN - WEATHERPACK
	098264-02-000	EA	HOUSING - 2 PIN - WEATHERPACK
	047443-02-000	EA	TERMINAL - .250 RECEPTACLE FIT - INSULATED - 12/10 AWG
	102777-02-000	EA	TERMINAL - RING - #6 STUD - 10 AWG
	106655-01-000	EA	TERMINAL - FUSE BLOCK - 14-16 AWG
	106655-02-000	EA	TERMINAL - FUSE BLOCK - 10-12 AWG
	125323-02-000	EA	HOUSING - 8 POSITION - MALE
	125324-01-000	EA	TERMINAL - MALE - METRI-PACK - 150
	125325-01-000	EA	SEAL - CAVITY
	125323-03-000	EA	LOCK - SECONDARY 8 POSITION

**EXTERIOR BODY GROUP****RUNNING BOARDS**

KEY	PART NUMBER	U/M	DESCRIPTION	VENDOR NO.
	072884-27-000	EA	RUNNING BOARD SET - 39" - FORD - ALUMINUM	
	072884-27-700	EA	BRACKET SET 12" 92	RB2BRK/M
	072884-27-701	EA	RUNNING BOARD-FORD 39",RT&LT	
	072884-27-702	FT	TREAD TAPE	RB9202
	072884-27-703	EA	MUD FLAP W/HOLES, 1EA=PAIR	99171
	072884-27-704	EA	CAP-ENDS, 1EA=PAIR	99148

**AWNING & HARDWARE KIT - FAULKNER**

KEY	PART NUMBER	U/M	DESCRIPTION	VENDOR NO.
	113874-05-02A	EA	AWNING - W/O HARDWARE - 14' (POLAR/NAVY/TEAL) VINYL	
	122977-04-01A	EA	AWNING - SLIDEOUT- W/COVER	
*	113874-01-02A	EA	HARDWARE KIT - AWNING - W/O STANDOFF BRACKET-BRIGHT WHITE	
	111038-01-01A	EA	SPACER - AWNING - LOWER	
	127647-01-01A	EA	ROD/AWNING GUARD - ENTRANCE DOOR	
	130320-01-02A	EA	BRACKET - AWNING - F/A&E INSTALLATION - BRIGHT WHITE	
			FROM: 04-13-98 THRU: 99-99-99	
	117058-01-01A	FT	TAPE - LOOP - 3/4" WIDE - ADHESIVE BACKED	

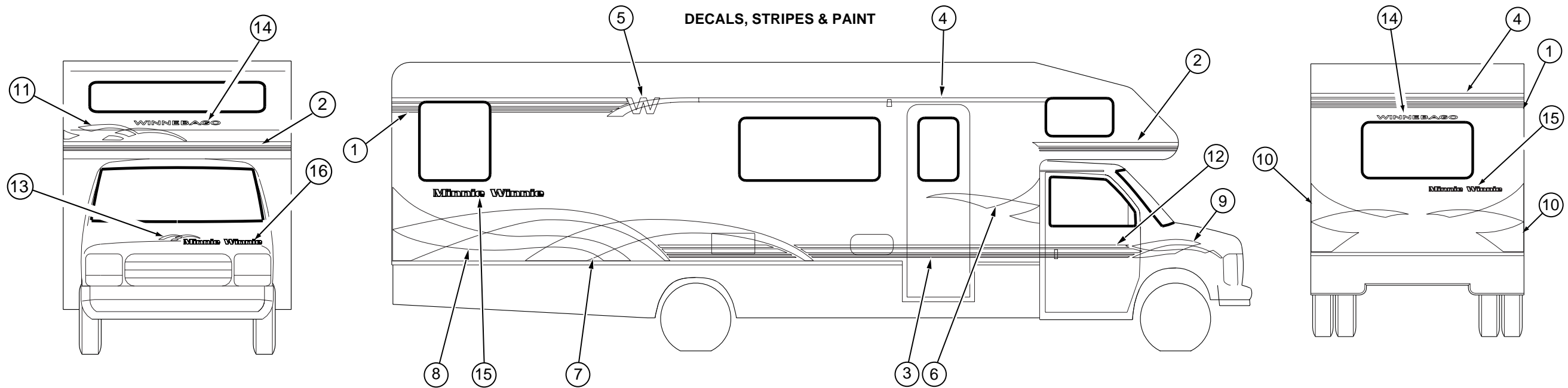
**\* COMPONENT PARTS FOUND IN SERVICE PARTS LIBRARY****EXTERIOR MIRRORS**

KEY	PART NUMBER	U/M	DESCRIPTION	VENDOR NO.
	120269-03-01A	EA	MIRROR - EXTERIOR - PASSENGER	
	120269-04-01A	EA	MIRROR - EXTERIOR - DRIVER	
	120269-01-700	EA	GLASS KIT W/BEZEL RH/LH	709407-8
	120269-05-01A	EA	MIRROR - EXTERIOR - W/HEAT/REMOTE - PASSENGER	
	120269-06-01A	EA	MIRROR - EXTERIOR - W/HEAT/REMOTE - DRIVER	
	120269-05-701	EA	GLASS ONLY REPLACEMENT RH/LH	709411-8
	120269-07-01A	EA	PANEL - DRIVERS DOOR MIRROR CONTROL W/SWITCH & PIGTAIL	
	120269-08-000	EA	HARNESS - ELECTRIC MIRROR	

**FIBERGLASS, STYROFOAM & ALUMINUM CHANNEL**

KEY	PART NUMBER	U/M	DESCRIPTION	VENDOR NO.
	000870-08-000	SF	STYROFOAM - 3/4" X 48" X 96" PLANED EXPANDED BEAD BOARD	
			FROM: 00-00-00 THRU: 09-28-97	
	002726-01-001	EA	GARNISH - U-CHANNEL - 1.38" X 19' - SERRATED	
	068716-01-001	EA	BRACE - 90 DEGREE L-ANGLE - 16'	
	076054-W2-000	EA	FIBERGLASS SHEET - 85" X 339" - BRIGHT WHITE	
	076054-R9-000	EA	FIBERGLASS SHEET - 38.1" X 70.6" - BRIGHT WHITE	
	076054-U4-000	EA	FIBERGLASS SHEET - 101" X 104" - BRIGHT WHITE	
	077517-62-000	EA	FIBERGLASS - SHEET/SIDEWALL - 48" X 96" - BRIGHT WHITE	
	108535-06-702	EA	FIBERGLASS SHEET - FLAT - 110" X 396" BRIGHT WHITE - ROOF	
			FROM: 00-00-00 THRU: 08-20-97	
	076054-AC-000	EA	FIBERGLASS SHEET - 20" X 99.8" - OFF WHITE	
			FROM: 08-21-97 THRU: 99-99-99	
	117754-03-01A	EA	FIBERGLASS SHEET - 10.5" X 96" - BRIGHT WHITE	
	083574-06-000	SF	STYROFOAM - .75 X 4' X 9' - INCREMENTS OF 14 SF	
			FROM: 00-00-00 THRU: 04-15-98	
	089297-01-000	SF	PLYWOOD - LUAN - OVERLAY GRADE - 48" X 96"	
	089297-02-000	SF	PLYWOOD - LUAN - OVERLAY GRADE - 48" X 108"	
	100619-01-000	BF	FOAM - EXPANDED POLYSTYRENE - 1.34" X 48" X 96"	
	100619-02-000	BF	FOAM - EXPANDED POLYSTYRENE - 1.5" X 48" X 96"	
	100619-04-000	BF	FOAM - EXPANDED POLYSTYRENE - .5" X 48" X 96"	
	100619-05-000	BF	FOAM - EXPANDED POLYSTYRENE - .75" X 48" X 96"-1.5 DENSITY	
	100619-11-000	BF	FOAM - EXPANDED POLYSTYRENE - 2" X 48" X 96"	
	100619-13-000	BF	FOAM - EXPANDED POLYSTYRENE - .34" X 34.65" X 96"	
	100619-16-000	BF	FOAM - EXPANDED POLYSTYRENE - .75" X 48" X 96"-2.0 DENSITY	
	116942-03-700	LB	ALUMINUM - .7" X 40.5" X 156"	

## EXTERIOR BODY GROUP (CONTINUED)



KEY	PART NUMBER	U/M	DESCRIPTION
1	094443-51-01A	FT	FILM - MULTISTRIPE - 3.74" - MED.SMOKE/DK.MARINE/C.GRAPE
2	094443-52-01A	FT	FILM - MULTISTRIPE - 3.6" - MED.SMOKE/O.BLUE GREEN/SEAFOAM
3	093689-23-01A	FT	FILM - MULTISTRIPE - 5.24" - C.GRAPE/MED.SMOKE/O.BLUE GREEN/SEAFOAM
4	093681-54-01A	FT	FILM - 1.74"
5	125403-01-01A	EA	DECAL - W - W/SWEEP - RIGHT HAND
	125403-02-01A	EA	DECAL - W - W/SWEEP - LEFT HAND
6	125395-01-700	EA	DECAL - CHECKERED FLAG - #1 - RIGHT HAND FROM: 00-00-00 THRU: 08-20-97
6	125395-01-01A	EA	DECAL - CHECKERED FLAG - #1 - RIGHT HAND FROM: 08-21-97 THRU: 99-99-99
	125395-02-700	EA	DECAL - CHECKERED FLAG - #1 - LEFT HAND FROM: 00-00-00 THRU: 08-20-97
	125395-02-01A	EA	DECAL - CHECKERED FLAG - #1 - LEFT HAND FROM: 08-21-97 THRU: 99-99-99
7	125396-01-700	EA	DECAL - CHECKERED FLAG - #2 - RIGHT HAND FROM: 00-00-00 THRU: 08-20-97
7	125396-01-01A	EA	DECAL - CHECKERED FLAG - #2 - RIGHT HAND FROM: 08-21-97 THRU: 99-99-99
	125396-02-700	EA	DECAL - CHECKERED FLAG - #2 - LEFT HAND FROM: 00-00-00 THRU: 08-20-97
	125396-02-01A	EA	DECAL - CHECKERED FLAG - #2 - LEFT HAND FROM: 08-21-97 THRU: 99-99-99
8	125397-01-700	EA	DECAL - CHECKERED FLAG - #3 - RIGHT HAND FROM: 00-00-00 THRU: 08-20-97
8	125397-01-01A	EA	DECAL - CHECKERED FLAG - #3 - RIGHT HAND FROM: 08-21-97 THRU: 99-99-99

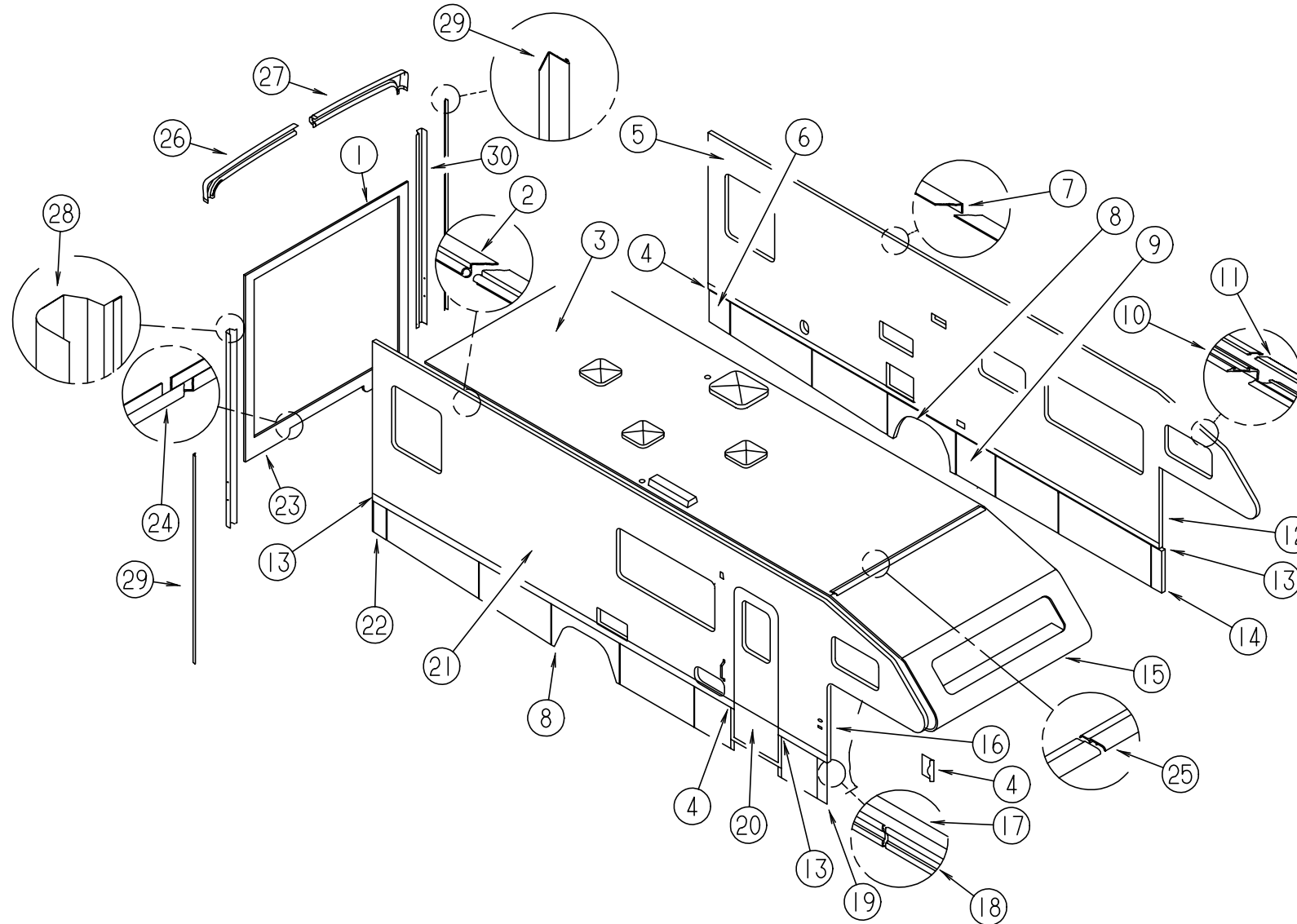
KEY	PART NUMBER	U/M	DESCRIPTION
	125397-02-700	EA	DECAL - CHECKERED FLAG - #3 - LEFT HAND FROM: 00-00-00 THRU: 08-20-97
	125397-02-01A	EA	DECAL - CHECKERED FLAG - #3 - LEFT HAND FROM: 08-21-97 THRU: 99-99-99
9	125400-01-01A	EA	DECAL - CHECKERED FLAG - CAB - RIGHT HAND
	125400-02-01A	EA	DECAL - CHECKERED FLAG - CAB - LEFT HAND
10	125394-01-700	EA	DECAL - CHECKERED FLAG - REAR - RIGHT HAND FROM: 00-00-00 THRU: 08-20-97
10	125394-01-01A	EA	DECAL - CHECKERED FLAG - REAR - RIGHT HAND FROM: 08-21-97 THRU: 99-99-99
	125394-02-700	EA	DECAL - CHECKERED FLAG - REAR - LEFT HAND FROM: 00-00-00 THRU: 08-20-97
	125394-02-01A	EA	DECAL - CHECKERED FLAG - REAR - LEFT HAND FROM: 08-21-97 THRU: 99-99-99
11	125401-01-01A	EA	DECAL - SLEEPER
12	125402-01-01A	EA	DECAL - CAB STRIPE - RIGHT HAND
	125402-02-01A	EA	DECAL - CAB STRIPE - LEFT HAND
13	125399-01-01A	EA	DECAL - CHECKERED FLAG - HOOD
14	120702-03-07A	EA	DECAL - LOGO - WINNEBAGO/SMALL
15	121744-01-02A	EA	DECAL - MINNIE WINNIE - LARGE
16	121744-02-02A	EA	DECAL - MINNIE WINNIE - 1.3" X 20"
	041561-03-000	EA	PAINT - 16 OUNCE SPRAY - OFF WHITE
	099399-23-700	EA	PAINT-SPRAY-BRT WHITE ENAMEL B8951U DUPONT
	099399-23-701	EA	PAINT - BRT/WHT .3 OZ PEN RAABE

### DUPONT COLOR CODES

OFF WHITE	L8723A
BRIGHT WHITE	B8951
DK MARINE MET	F4578
SEAFOAM	GM200
CONCORD GRAPE	F4582
ORIENTAL BLUE GREEN PEARL	GM101
MED SMOKE MET	MM088

# EXTERIOR BODY GROUP (CONTINUED)

## BODY PANELS & TRIMS

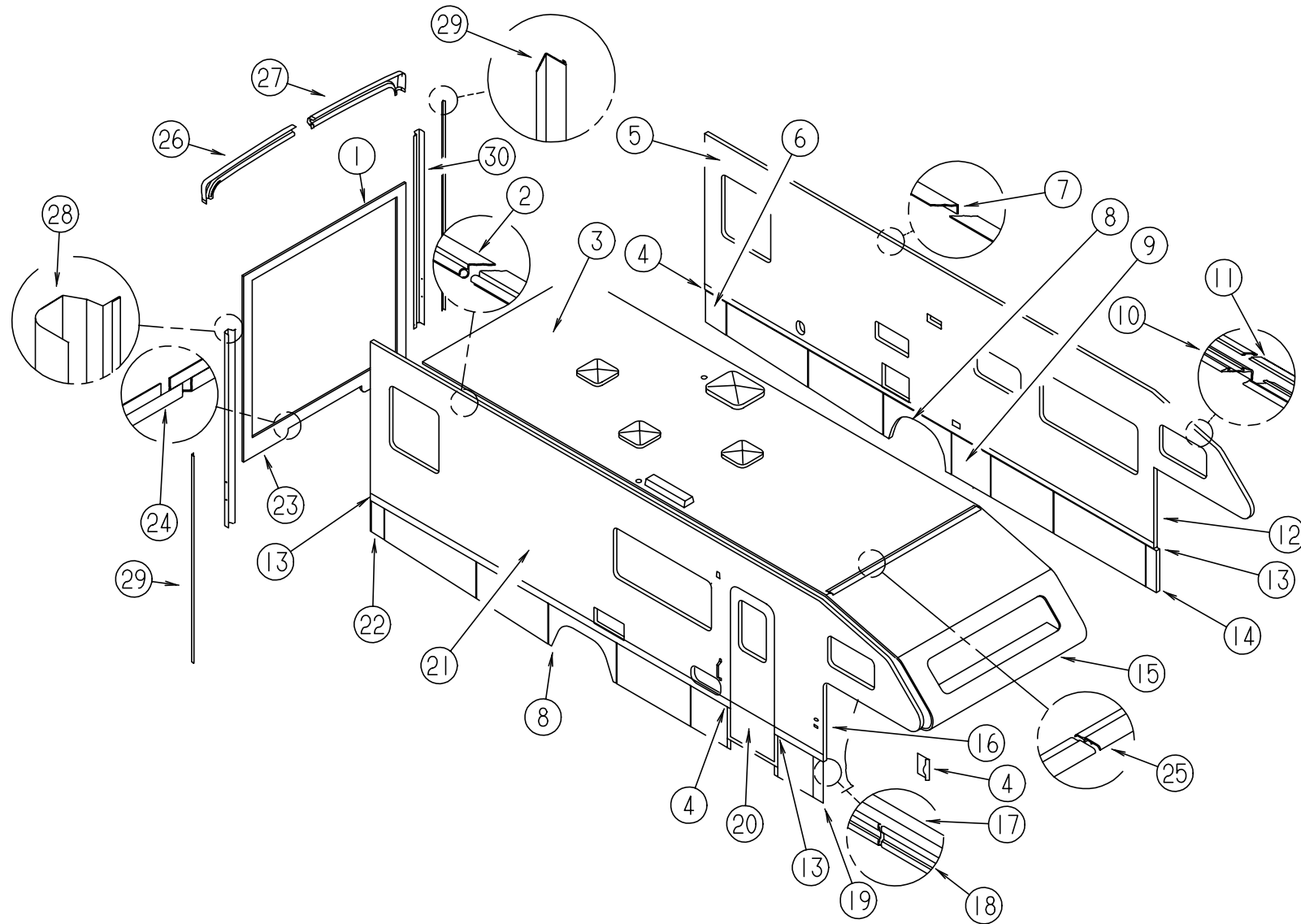


KEY	PART NUMBER	U/M	DESCRIPTION
1	P25666-01-J05	EA	BACKWALL - W/O WINDOW/TRIM
1	P25666-01-J06	EA	BACKWALL - W/O WINDOW/TRIM
2	099583-55-004	EA	AWNING RAIL - 133.9" - BRIGHT WHITE
2	099583-55-001	EA	AWNING RAIL- 10'
3	P25610-01-J05	EA	ROOF - W/O LIGHTS/VENTS - W/WIRING
4	124132-01-01A	EA	CAP - SIDEWALL TRIM - RIGHT HAND - 1.4" - BRIGHT WHITE
5	P25437-01-J05	EA	SIDEWALL - DRIVER - W/O WINDOWS/TRIM
5	P25437-01-J06	EA	SIDEWALL - DRIVER - W/O WINDOWS/TRIMS
6	122732-07-H07	EA	PANEL - REAR VALANCE - DRIVER - 12.6"
6	119568-01-01A	EA	STANDOFF - VALANCE PANEL - BLACK
7	096864-01-02A	EA	TRIM - CONTOUR - ROOF TO SIDEWALL - 120" FROM: 00-00-00 THRU: 04-01-98
7	096864-04-01A	EA	TRIM - CONTOUR - ROOF TO SIDEWALL - BRIGHT WHITE FROM: 04-02-98 THRU: 99-99-99

KEY	PART NUMBER	U/M	DESCRIPTION
8	121304-02-01A	EA	PANEL - WHEEL LIP - REAR
8	119568-01-01A	EA	STANDOFF - VALANCE PANEL - BLACK
9	122776-11-H07	EA	VALANCE/PANEL - W/O HARDWARE - 23.7"
9	119568-01-01A	EA	STANDOFF - VALANCE PANEL - BLACK
10	096854-05-02A	EA	TRIM - CONTOUR - BRIGHT WHITE - 114" FROM: 00-00-00 THRU: 04-01-98
10	096854-06-02A	EA	TRIM - CONTOUR - BRIGHT WHITE - 130" FROM: 04-02-98 THRU: 04-12-98
10	096854-07-02A	EA	TRIM - CONTOUR - 144" - BRIGHT WHITE FROM: 04-13-98 THRU: 99-99-99
11	105312-01-07A	FT	INSERT - VINYL FEATURE STRIP - BRIGHT WHITE
12	104479-06-02A	EA	TRIM - FRONT CONTOUR - BRIGHT WHITE - LEFT HAND
13	124132-02-01A	EA	CAP - SIDEWALL TRIM - LEFT HAND - 1.4" - BRIGHT WHITE
14	122776-02-H07	EA	VALANCE/PANEL - W/O HARDWARE - 7"
14	119568-01-01A	EA	STANDOFF - VALANCE PANEL - BLACK

## EXTERIOR BODY GROUP (CONTINUED)

### BODY PANELS & TRIMS (CONTINUED)

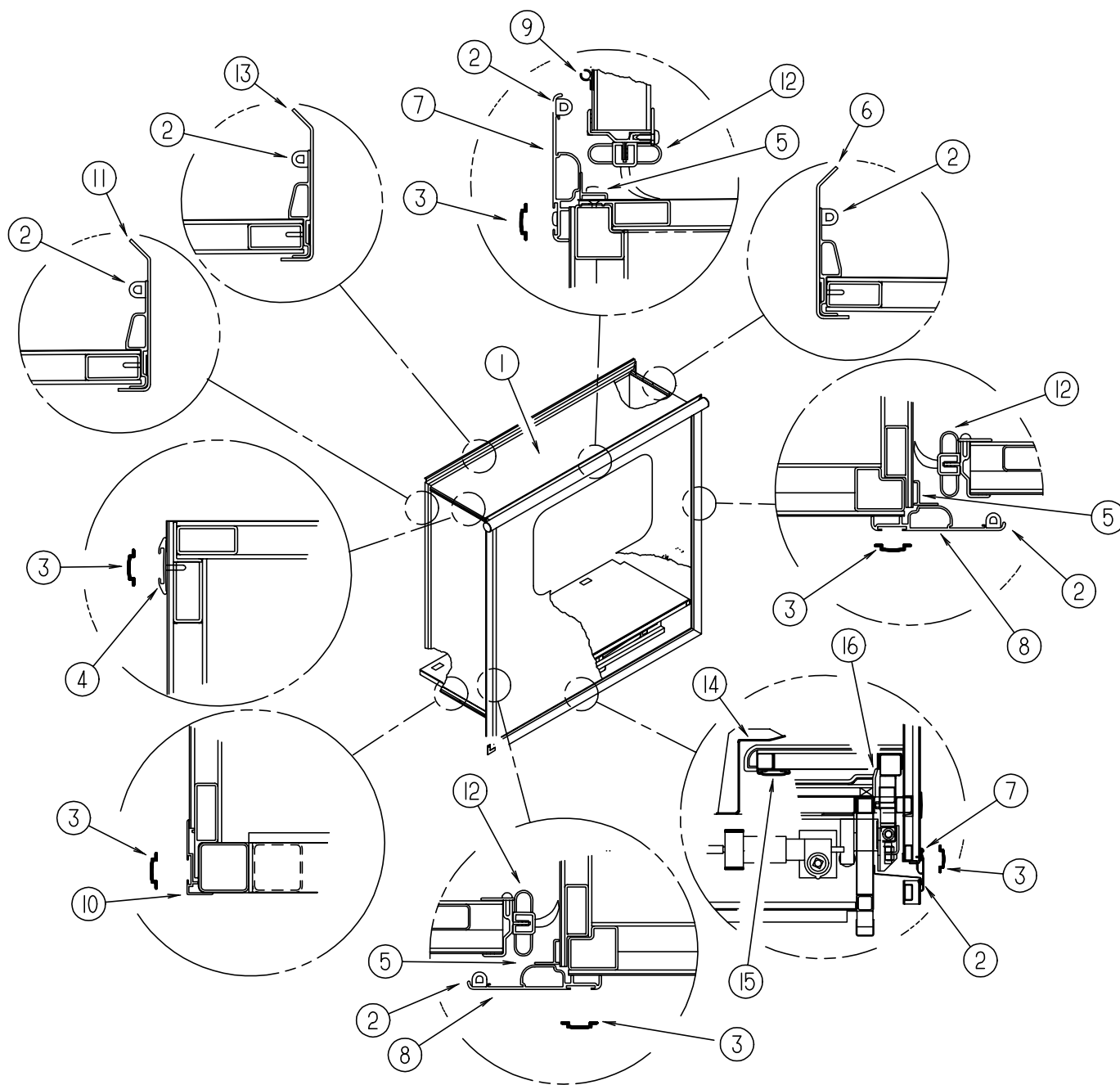


KEY	PART NUMBER	U/M	DESCRIPTION
15	P21337-01-H07	EA	ROOF - FRONT ONLY - W/O LIGHTS/VENTS - W/WIRING
16	104479-05-02A	EA	TRIM - FRONT CONTOUR - BRIGHT WHITE - RIGHT HAND
17	124299-51-001	EA	EXTRUDED - RETAINER - TRIM - 144"
18	124176-01-01A	EA	TRIM - SIDEWALL - BRIGHT WHITE - 16'
19	122776-16-J05	EA	VALANCE/PANEL - W/O HARDWARE - 7.4"
19	119568-01-01A	EA	STANDOFF - VALANCE PANEL - BLACK
20	108688-01-03A	EA	STRIP - FEATURE - 15'
	108651-01-01A	EA	END CAP - FEATURE STRIP
21	P25436-01-J05	EA	SIDEWALL - PASSENGER - W/O WINDOWS/TRIM
21	P25436-01-J06	EA	SIDEWALL - PASSENGER - W/O WINDOWS/TRIM
22	122732-06-H07	EA	VALANCE/PANEL - REAR PASSENGER - W/O HARDWARE - 7.2"
22	119568-01-01A	EA	STANDOFF - VALANCE PANEL - BLACK
23	103334-04-01A	EA	TRIM - BACKWALL - LOWER
24	103335-04-02A	EA	TRIM - BACKWALL - LOWER
25	078280-02-000	EA	TRIM - ROOF/FRONT/REAR CAP

KEY	PART NUMBER	U/M	DESCRIPTION
26	125598-01-01A	EA	TRIM - BACKWALL - UPPER/PASSENGER
27	125598-02-01A	EA	TRIM - BACKWALL - DRIVER/UPPER
28	126702-01-12B	EA	TRIM - BACKWALL - PASSENGER SIDE - BRIGHT WHITE
29	104033-20-01A	EA	J-TRIM - BACKWALL - PASSENGER - 97.7" - BRIGHT WHITE
30	126702-02-12B	EA	TRIM - BACKWALL - DRIVER SIDE - BRIGHT WHITE
	107865-01-000	EA	ROD - SUPPORT - VALANCE PANEL - 14.3" FROM: 00-00-00 THRU: 10-01-97
	107865-11-000	EA	ROD - SUPPORT - VALANCE PANEL - 8.6" FROM: 10-02-97 THRU: 99-99-99
	107865-02-000	EA	ROD - SUPPORT - VALANCE PANEL - 13.2" FROM: 00-00-00 THRU: 08-25-97
	107865-12-000	EA	ROD - SUPPORT - VALANCE PANEL - 16.2" FROM: 08-26-97 THRU: 10-01-97
	002365-03-006	EA	U-CHANNEL - EXTRUDED - 1" X 192" - BRIGHT WHITE
	119568-01-01A	EA	STANDOFF - VALANCE PANEL - BLACK

# EXTERIOR BODY GROUP (CONTINUED)

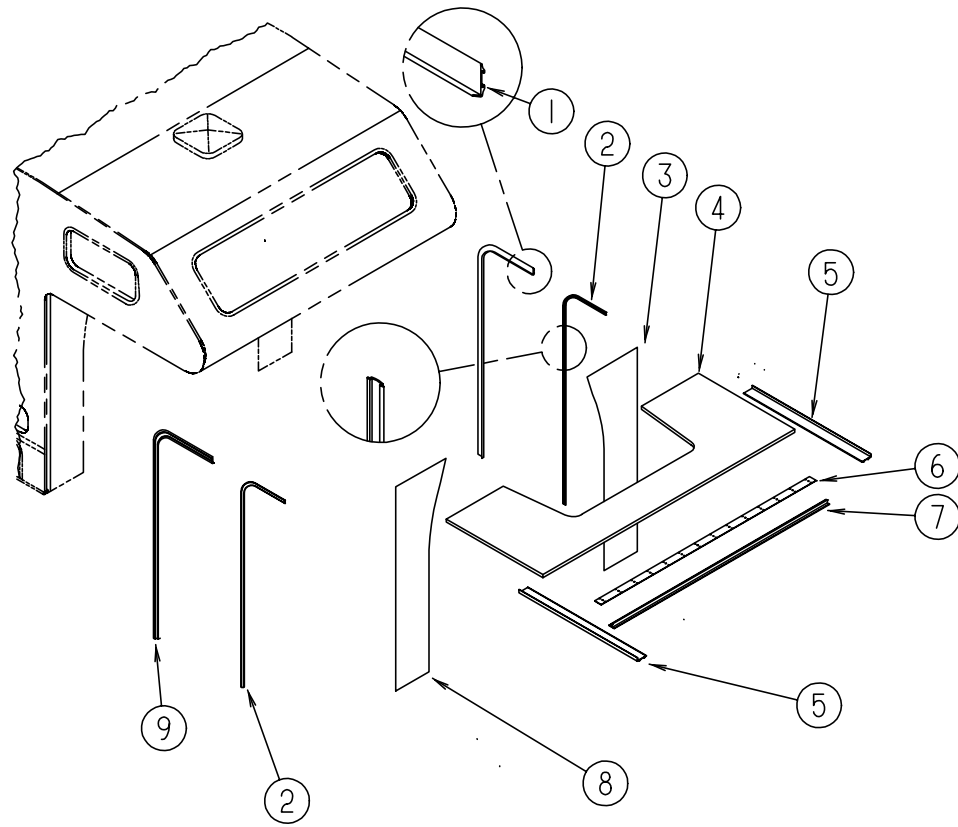
## SLIDEOUT & TRIMS



KEY	PART NUMBER	U/M	DESCRIPTION
1	125531-01-J05	EA	ROOF - W/O LIGHTS/VENTS- W/WIRING - F/SLIDEOUT
2	099418-01-000	FT	SEAL - D-SECTION/ADHESIVE BACK - .44" X .44"- BLK RUBBER
3	105312-01-07A	FT	INSERT - VINYL FEATURE STRIP - BRIGHT WHITE
4	108688-01-03A	EA	STRIP - FEATURE - 15'
5	116933-15-01A	EA	TRIM - SEAL/FLOOR EDGE - 166.7" - BRIGHT WHITE
6	117004-02-03A	EA	TRIM - SEAL/INNER RIGHT SIDE-W/MITERED ENDS-73.5" - BRIGHT WHITE
7	119992-04-02A	EA	TRIM - SEAL - W/MITERED ENDS - BRIGHT WHITE
8	119992-08-02A	EA	TRIM - SEAL - W/MITERED ENDS - BRIGHT WHITE
9	126631-01-01A	EA	RAIL - AWNING
10	115822-03-01A	EA	FEATURE STRIP - LOWER

KEY	PART NUMBER	U/M	DESCRIPTION
11	117004-01-03A	EA	TRIM - SEAL/INNER LEFT SIDE-W/MITERED ENDS-73.5" - BRIGHT WHITE
12	115076-01-000	FT	SEAL - SLIDEOUT
13	117004-04-03A	EA	TRIM - SEAL - INNER - BRIGHT WHITE
14	126292-01-02B	EA	BRACKET - HOLD DOWN
14	057759-01-000	EA	WASHER - FLAT F/SEAT BELT - 4" DIAMETER
15	115325-03-02A	EA	RAIL - FLOOR/SLIDEOUT ROOM - BLACK - 64.5" LONG
15	115661-01-000	EA	POLYETHYLENE - HIGH DENSITY - 1/16" X 3'
16	115075-02-000	FT	SEAL - WIPE - .25" X 3.15"
16	089275-02-000	FT	STRIP - 3/4" X 84" BLACK POLYETHELENE

**EXTERIOR BODY GROUP (CONTINUED)**



**WINGWALL, SLEEPERBOARD & TRIM**

KEY	PART NUMBER	U/M	DESCRIPTION
1	104479-06-02A	EA	TRIM - FRONT CONTOUR - BRIGHT WHITE - LEFT HAND
2	105312-01-07A	FT	INSERT - VINYL FEATURE STRIP - BRIGHT WHITE
3	125088-02-J05	EA	WINGWALL
4	P25129-01-J01	EA	SLEEPERBOARD
5	096854-05-02A	EA	TRIM - CONTOUR - BRIGHT WHITE - 114"
6	100086-04-01A	EA	TRIM - SLEEPER BOARD/ROOF - 2" X 96.6"
7	100085-05-01A	EA	TRIM - STRAP - SLEEPERBOARD
8	125088-01-J05	EA	WINGWALL
9	104479-05-02A	EA	TRIM - FRONT CONTOUR - BRIGHT WHITE - RIGHT HAND
	002365-03-006	EA	U-CHANNEL - EXTRUDED - 1" X 192" - BRIGHT WHITE

**GALLEY GROUP**

**COFFEE MAKER - BLACK & DECKER**

KEY	PART NUMBER	U/M	DESCRIPTION	VENDOR NO.
	126019-01-01A	EA	COFFEEMAKER - OPTIMA - W/BRACKETS - BLACK & DECKER	
	126019-01-700	EA	GLASS CARAFE	172547-00
	126019-01-701	EA	RESERVOIR- WATER	172554
	126019-01-702	EA	BASKET - FILTER	172553-00
	126019-01-703	EA	HARDWARE - MOUNTING	172174-00

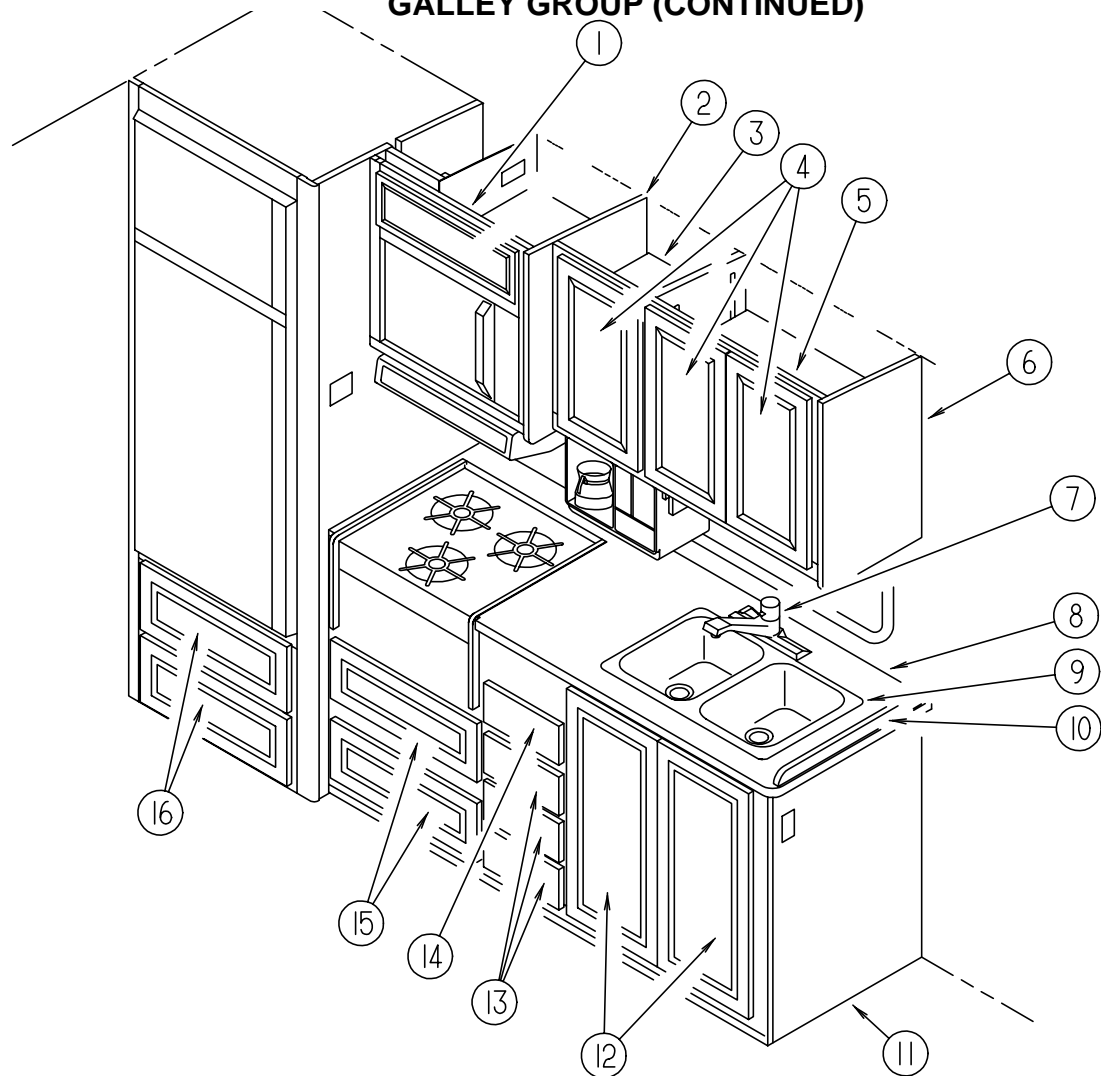
**MICROWAVE OVEN - MAGIC CHEF  
FROM: 00-00-00 THRU: 10-05-97**

KEY	PART NUMBER	U/M	DESCRIPTION
	115303-02-000	EA	OVEN - MICROWAVE - 1.3 CU FT
	115401-02-01A	EA	TRIM - MICROWAVE
	098916-18-02B	EA	BRACE - MICROWAVE CABINET - LEFT HAND
	098916-19-02B	EA	BRACE - MICROWAVE CABINET - RIGHT HAND
	094750-07-000	EA	BRACKET - MICROWAVE - 89 DEGREE

**MICROWAVE OVEN - SAMSUNG  
FROM: 10-06-97 THRU: 99-99-99**

KEY	PART NUMBER	U/M	DESCRIPTION
	128527-02-000	EA	OVEN - MICROWAVE - 1.2 CU FT - NON CONVECTION
	128642-02-000	EA	TRIM KIT W/VENT - MICROWAVE - 1.2 CU FT SAMSUNG
	098916-22-02B	EA	BRACE - MICROWAVE CABINET - LEFT HAND
	098916-23-02B	EA	BRACE - MICROWAVE CABINET - RIGHT HAND
	094750-10-000	EA	BRACKET - MICROWAVE - 89 DEGREE

## GALLEY GROUP (CONTINUED)



**GALLEY CABINETRY**

KEY	PART NUMBER	U/M	DESCRIPTION
1	122267-01-H07	EA	CABINET - MICROWAVE - W/O DOORS/HARDWARE FROM: 00-00-00 THRU: 10-05-97
	128619-01-J05	EA	CABINET - MICROWAVE - W/O DOORS/HARDWARE FROM: 10-06-97 THRU: 99-99-99
2	109908-68-J05	EA	END CAP - OVERHEAD CABINET
3	126071-01-J05	EA	CABINET - OVERHEAD/GALLEY - W/O DOORS/HARDWARE
4	M08758-14-J05	EA	DOOR - MITERED CORNER/OGEE EDGE - 12" X 21.8" - W/O HDW
5	126071-11-J05	EA	SHELF - W/EDGE MOLDING
6	109908-56-J05	EA	END CAP - OVERHEAD CABINET
7	104114-02-01A	EA	FAUCET - GALLEY - SINGLE CONTROL
8	125556-12-J05	EA	COUNTERTOP - GALLEY
8	125556-12-J06	EA	COUNTERTOP - GALLEY
9	104113-01-000	EA	SINK - DOUBLE - STAINLESS STEEL
	092303-01-000	EA	STRAINER - SINK
	102778-03-000	EA	BOARD - CUTTING - .7" X 10" X 17.7" - WOOD
	103610-03-H04	EA	COVER - SINK - 15.2" X 11"(J05)
	103610-03-H05	EA	COVER - SINK - 15.2" X 11"(J06)
10	098335-07-G24	EA	RAIL - GALLEY - 22.2"(J05)
10	098335-07-G36	EA	RAIL - GALLEY - 22.2" (J06)
11	125556-01-J05	EA	CABINET - GALLEY - W/COUNTERTOP - W/O DOORS/DRAWERS/HDW
11	125556-01-J06	EA	CABINET - GALLEY - W/COUNTERTOP - W/O DOORS/DRAWERS/HDW
	125556-11-J05	EA	SHELF - W/PLASTIC EDGE MOLDING
12	M08758-64-J15	EA	DOOR - MITERED CORNER/OGEE EDGE - 14.3" X 26.7" - W/O HDW
13	M05971-EX-J05	EA	DRAWER - OGEE EDGE - 9.8"W X 17.7"D - W/O SLIDES/HARDWARE
14	M05976-07-J05	EA	DRAWER - CUTTING BOARD - OGEE EDGE
15	M05971-50-J05	EA	DRAWER - OGEE EDGE - 19.8"W X 17.7"D - W/O SLIDES/HARDWARE
16	M05971-L9-J05	EA	DRAWER - OGEE EDGE - 22.5"W X 21.6"D - W/O SLIDES/HARDWARE

## GALLEY GROUP (CONTINUED)

### REFRIGERATOR - NORCOLD 9162

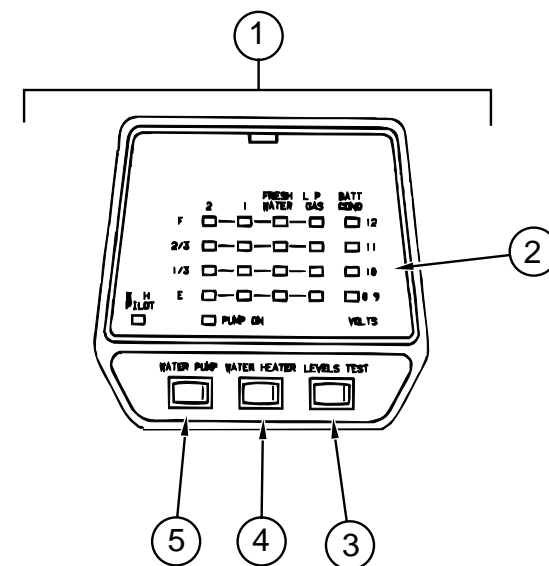
KEY	PART NUMBER	U/M	DESCRIPTION
*	121568-01-01A	EA	REFRIGERATOR - SMALL DOUBLE DOOR - 2-WAY
	090329-01-000	FT	SEAL/T - REFRIGERATOR CABINET
	093646-01-000	EA	BRACKET - TIEDOWN/REFRIGERATOR - RIGHT HAND
	093646-02-000	EA	BRACKET - TIEDOWN/REFRIGERATOR - LEFT HAND
	116751-05-01A	EA	TRAY - REFRIGERATOR
	054450-01-000	EA	LEVEL - REFRIGERATOR
	065225-02-000	EA	PLATE - TIEDOWN - REFRIGERATOR

\* COMPONENT PARTS FOUND IN SERVICE PARTS LIBRARY

### RANGE - MAGIC CHEF

KEY	PART NUMBER	U/M	DESCRIPTION
*	112881-02-03A	EA	RANGE - 16" 3 BURNER-FRONT 9100/REAR 6500 BTU-BLK TOP/DR
	105458-01-000	EA	BRACKET - STOVE TIEDOWN - RIGHT HAND
	105458-02-000	EA	BRACKET - STOVE TIEDOWN - LEFT HAND

\* COMPONENT PARTS FOUND IN SERVICE PARTS LIBRARY



**MONITOR PANEL - LVS**

KEY	PART NUMBER	U/M	DESCRIPTION	VENDOR NO.
1	102765-04-01A	EA	PANEL - MONITOR - 2 HOLDING TANK - ADJUSTABLE	
2	102765-04-700	EA	CIRCUIT BOARD	5076-11
3	097617-01-702	EA	SWITCH - ALMOND	107
4	097617-01-701	EA	SWITCH-ON/OFF - ALMOND	106
5	102765-01-700	EA	SWITCH-ON/ON - ALMOND	110-01
	096449-01-000	EA	WIRE ASSEMBLY - WATER TANK TO MONITOR PANEL	
	097618-01-000	EA	WIRE ASSEMBLY - MONITOR PANEL- W/3 WIRES & ORANGE RESISTOR	



## GENERATOR GROUP

### 4000 KW ONAN GENERATOR

KEY	PART NUMBER	U/M	DESCRIPTION
	007067-01-000	SF	INSULATION - FIBERGLASS - 1" THICK X 4' - INCREMENTS/4 SF
	109982-03-000	EA	GENERATOR - 4.0 MICROLITE
	118248-01-02B	EA	BRACKET - GENERATOR - W/O NOTCH - E-COATED
	118248-02-02B	EA	BRACKET - GENERATOR - W/NOTCH - E-COATED
	007125-04-000	EA	CLAMP - MUFFLER - 1.12" DIAMETER
	105958-09-000	EA	PIPE - GENERATOR EXHAUST 1.25" OD X 5.9" X 22"

### 3.6 KW ONAN GENERATOR

KEY	PART NUMBER	U/M	DESCRIPTION
	007067-01-000	SF	INSULATION - FIBERGLASS - 1" THICK X 4' - INCREMENTS/4 SF
	109982-04-000	EA	GENERATOR - 3.6 MICROLITE
	118248-01-02B	EA	BRACKET - GENERATOR - W/O NOTCH - E-COATED
	118248-02-02B	EA	BRACKET - GENERATOR - W/NOTCH - E-COATED
	007125-04-000	EA	CLAMP - MUFFLER - 1.12" DIAMETER
	105958-09-000	EA	PIPE - GENERATOR EXHAUST 1.25" OD X 5.9" X 22"

**NOTE: ADDITIONAL GENERATOR COMPONENTS ARE FOUND IN THE CHASSIS GROUP.**

## HEATING & AIR CONDITIONING GROUP

### HEATING SYSTEM

KEY	PART NUMBER	U/M	DESCRIPTION
	007108-01-000	FT	HOSE - HEATER - 5/8" ID - HI-TEMP - FORD
	076776-01-000	EA	TEE - BEADED - 5/8" X 5/8" X 5/8"
	009200-01-000	EA	TAPE - FURNACE - 1 1/2"
	089367-02-000	EA	TEE - 4" X 2" X 4"
	093614-02-02A	EA	GRILL - RETURN AIR
	094600-05-01A	EA	REGISTER - HEAT - W/O DAMPER - 11.3" - BEIGE
	056464-11-000	EA	REGISTER - 4" DIAMETER - PLASTIC - W/DAMPER - OFF WHITE

### REAR HEATER - EVANS

KEY	PART NUMBER	U/M	DESCRIPTION	VENDOR NO.
	084405-01-000	EA	HEATER - REAR/DUCTED - W/MOTOR AID	
	084405-01-700	EA	CORE-HEATER	FT200229
	084405-01-701	EA	FAN BLADES	HV029931
	084405-01-702	EA	MOTOR ASSEMBLY, 12 VOLT	RV010348
	009198-01-000	FT	DUCT - HEAT - FLEXIBLE - 4" ID X 25'	
	069636-02-000	EA	CONNECTOR - DUCT - 4" ID	
	061673-01-000	EA	BRACKET - MOTOR AID TUBES - 4" X 1.5" - STEEL	
	056464-10-000	EA	REGISTER - 4" DIAMETER - PLASTIC - W/O DAMPER - BEIGE	
	081994-06-000	EA	PLATE - SWITCH - AUXILIARY START	
	087202-01-000	EA	SWITCH - 4 POSITION - W/KNOB/BEZEL - 5 TERMINAL	
	087202-01-701	EA	KNOB-SWITCH, ROTARY	062-0104
	087202-01-702	EA	PLATE F/ROTARY SWITCH	062-0105
	079059-01-000	EA	HOSE - 90 DEGREE - 5/8" ID X 4" X 36"	

### AIR CONDITIONERS & CEILING ASM.

KEY	PART NUMBER	U/M	DESCRIPTION
*	115219-01-03A	EA	A/C - ROOF - 14,800 MACH 15 - BRIGHT WHITE
*	108892-01-01A	EA	CEILING ASSEMBLY - A/C DUCTED
	120134-01-02A	EA	REGISTER - 4" TO 5" IN DIAMETER W/DAMPER
	117238-01-01A	EA	THERMOSTAT - A/C - FURNACE
	102289-01-000	EA	SPRING - SCREW - ROOF A/C GASKET

**\* COMPONENT PARTS FOUND IN SERVICE PARTS LIBRARY**

### FURNACE - 30000 BTU

KEY	PART NUMBER	U/M	DESCRIPTION
*	098668-20-000	EA	FURNACE - 30000 BTU
	098668-23-000	EA	DOOR - ACCESS - FURNACE - BRIGHT WHITE

**\* COMPONENT PARTS FOUND IN SERVICE PARTS LIBRARY**

## INTERIOR FINISH GROUP

### PANELING, LAMINATES & PLASTIC

KEY	PART NUMBER	U/M	DESCRIPTION
	074497-28-000	SF	PANELING - WATERFORD OAK - 48" X 96"
	074497-38-000	SF	PANELING - IMPACT PEARL TEXTURE - 4' X 9' - SMOOTH (SLEEPERBOARD) FROM: 00-00-00 THRU: 10-05-97
	074497-41-000	SF	PANELING - CEILING - IMPACT PEAR - 4' X 9' (SLEEPERBOARD) FROM: 10-06-97 THRU: 99-99-99
	080215-10-000	SF	PANELING - 2 SIDED - WATERFORD - .2" X 48" X 96"
	088272-H5-000	SF	PANELING - FLAGSTAFF - 4' X 7' (J05)
	088272-H2-000	SF	PANELING - TUCAN MINK - 4' X 7' (J06)
	088272-G1-000	SF	PANELING - PEBBLE EMBOSSED - ANTIQUE WHITE - 4' X 7' (BATH)
	000885-76-000	SF	PARTICLE BOARD-3/8" X 48" X 96"-WATERFORD OAK/VINYL 1 SIDE
	000885-77-000	SF	PARTICLE BOARD-3/8" X 48" X 96"-WATERFORD OAK/VINYL 2 SIDE
	000885-78-000	SF	PARTICLE BOARD-1/2" X 48" X 96"-WATERFORD OAK/VINYL 2 SIDE
	000885-79-000	SF	PARTICLE BOARD-3/4" X 48" X 96"-WATERFORD OAK/VINYL 2 SIDE
	074498-62-000	SF	LAMINATE - PLASTIC - GREY FINESSE - 5' X 8' (J05)
	074498-72-000	SF	LAMINATE - PLASTIC - PEBBLE SANTOS - 5' X 8' (J06)
	074498-77-000	SF	LAMINATE - PLASTIC - ART CABIN - 4' X 8'
	074498-84-000	SF	LAMINATE - PLASTIC - OFF WHITE - 5' X 8'
	126339-01-000	SF	BOARD - WHEAT - 60" X 72"
	057882-04-700	EA	DOOR-TAMBOUR 4'X4' PC WINONA
	093743-05-01A	SF	PLASTIC - ABS COIL - BRIGHT WHITE - 20" X 108"
	000846-01-000	SF	PLYWOOD - 5/16" X 48" X 96" - CD GRADE
	000846-02-000	SF	PLYWOOD/UNDERLAYMENT - 5/16" X 48" X 96"

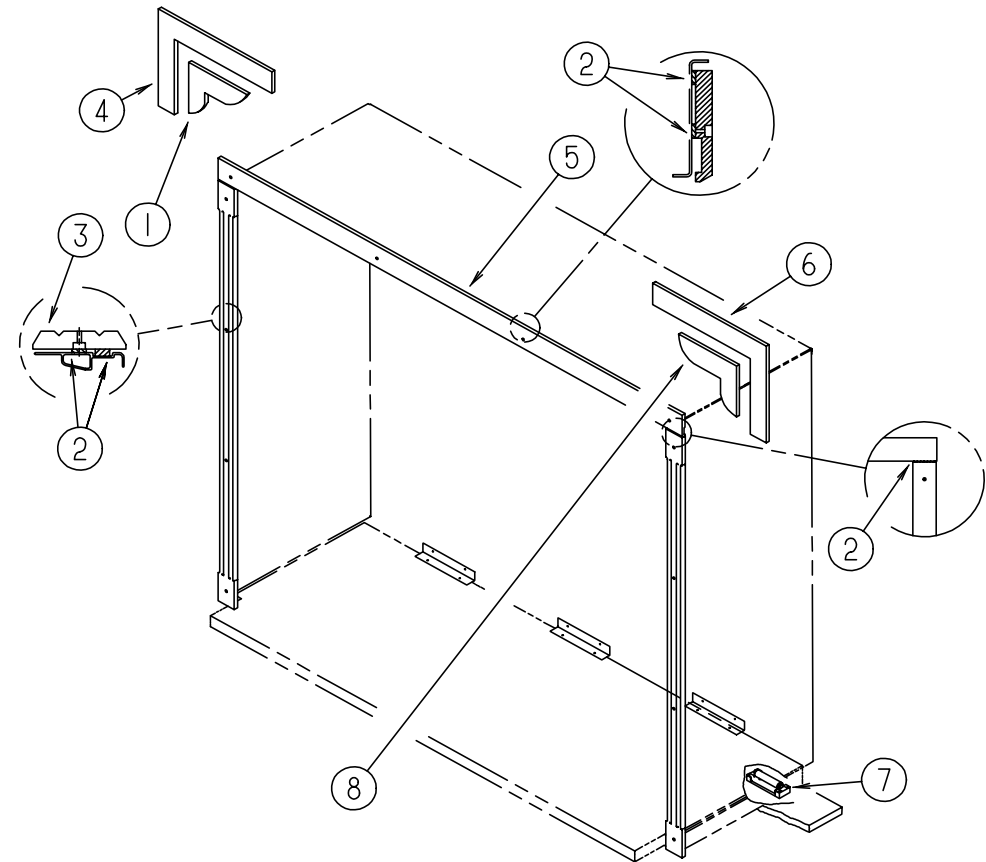
### FIRE EXTINGUISHER, DETECTORS & CLOCK

KEY	PART NUMBER	U/M	DESCRIPTION	VENDOR NO.
	072852-01-000	EA	DETECTOR - SMOKE - W/9 VOLT BATTERY - US	
	072852-02-000	EA	DETECTOR - SMOKE - W/9 VOLT BATTERY - CANADIAN	
	094499-01-000	EA	EXTINGUISHER/FIRE - DRY W/MOUNTING BRACKET	
	094499-02-000	EA	EXTINGUISHER/FIRE - DRY - 1A10BC - CANADIAN	
	094499-01-700	EA	BRACKET MTG. W/PLAS. STRAP	294039
	094499-01-701	EA	STRAP ONLY (METAL)	320351
	118081-02-01A	EA	CLOCK - WALL - ROUND 8" - BRASS	
	125136-01-000	EA	CO DETECTOR - GAS - ROUND W/2 SCREWS - 9 VOLT	

### CARPETING & FLOOR MATS

KEY	PART NUMBER	U/M	DESCRIPTION
	096060-A8-000	SY	CARPET - BLUE LAGOON (J05)
	096060-99-000	SY	CARPET - PARCHMENT (J06)
	093486-01-000	SY	CARPET - COMPARTMENT - 72" WIDE - DARK GRAY
	093873-01-01A	EA	TRIM - CARPET - L-ANGLE 1.1" X 1.3" X 12' - GRAY VINYL
	122755-05-01A	EA	TILE - RUBBER/ENTRANCE DOOR - 11.2" X 26.9"
	125780-01-000	EA	MAT - FLOOR - FRONT/PASSENGER - "W" - FORD
	125780-02-000	EA	MAT - FLOOR - FRONT/DRIVER - "W" - FORD

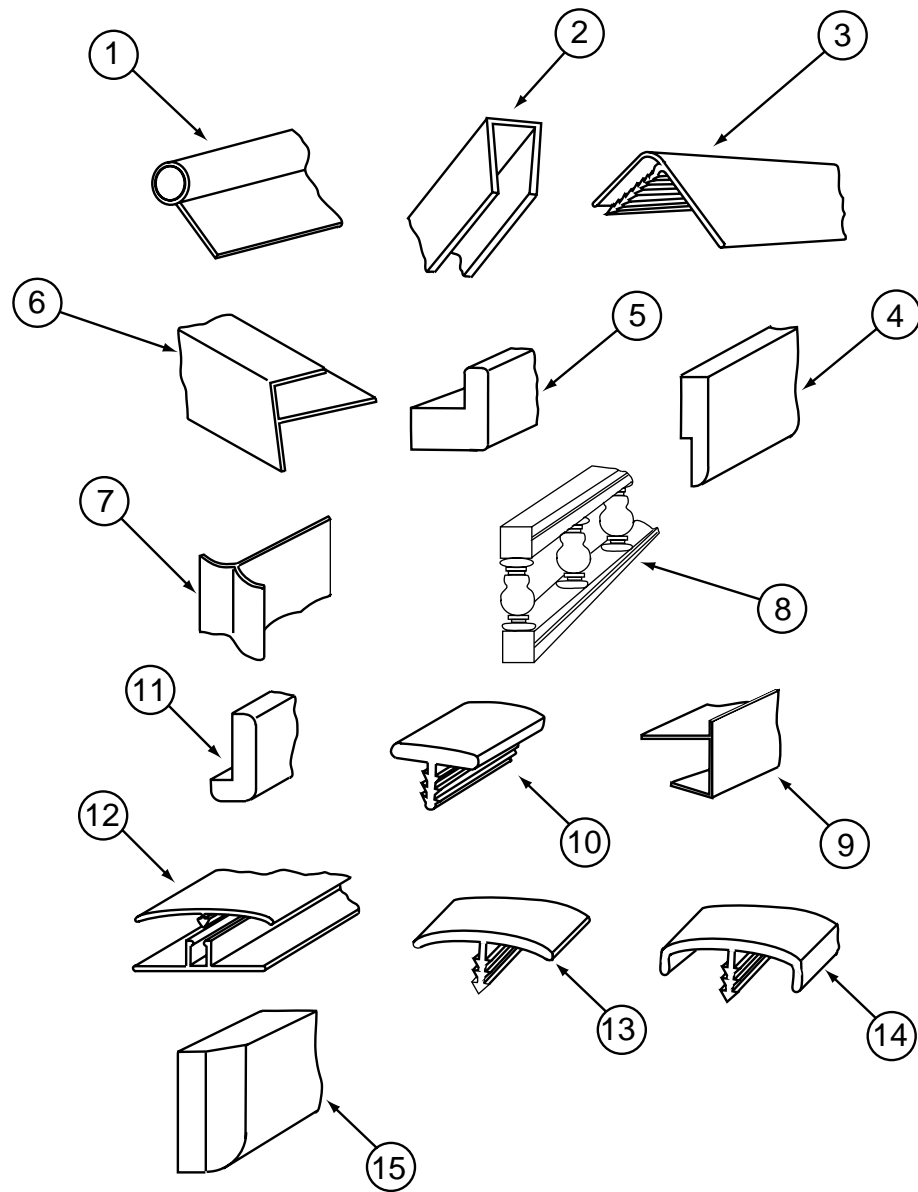
## INTERIOR FINISH GROUP (CONTINUED)



### INTERIOR TRIMS FOR SLIDEOUT

KEY	PART NUMBER	U/M	DESCRIPTION
1	127045-02-J05	EA	PAD - CORNER/LEFT HAND
1	127045-02-J06	EA	PAD - CORNER/LEFT HAND
2	100128-02-000	FT	SEAL - FOAM/ADHESIVE BACK - .37" WIDE X .37" THICK
3	116951-01-G35	EA	MOLDING - WOOD - 3" X 70.5"
4	115811-18-J05	EA	OVERLAY - NOVEAU - 7.5" X 16"
4	115811-18-J06	EA	OVERLAY - NOVEAU - 7.5" X 16"
5	116967-04-J05	EA	TRIM - CENTER - WOOD - 3.8" X 88.7"
6	115811-17-J05	EA	OVERLAY - NOVEAU - 7.5" X 16"
6	115811-17-J06	EA	OVERLAY - NOVEAU - 7.5" X 16"
7	126584-01-000	EA	ROLLER - OFFSET
	083166-01-01A	EA	PLUG - 3.8" DIAMETER
8	127045-01-J05	EA	PAD - CORNER/RIGHT HAND
8	127045-01-J06	EA	PAD - CORNER/RIGHT HAND

**INTERIOR FINISH GROUP (CONTINUED)**



**MOLDINGS & TRIMS**

KEY	PART NUMBER	U/M	DESCRIPTION
1	009767-12-000	FT	WELTING - SIDEWALL/CEILING/CABINET - OFF/WHT
2	009778-21-000	FT	U-CHANNEL - 1" - WATERFORD OAK
			FROM: 00-00-00 THRU: 11-09-97
2	009778-30-000	FT	U-CHANNEL - 1" - VILLAGE OAK
			FROM: 11-10-97 THRU: 99-99-99
2	009778-20-700	EA	U-CHANNEL - 1"X 55" MODERN IVORY
3	009809-23-000	EA	MOLDING - CORNER - OUTSIDE - 1" X 84" - MODERN IVORY
3	009809-28-000	EA	MOLDING - CORNER - OUTSIDE - 1" X 84" - WATERFORD OAK
4	105004-01-05A	EA	MOLDING - VINYL WRAPPED - 1" X 96" - WATERFORD OAK
5	100819-01-05A	EA	MOLDING - VINYL WRAPPED - L-SHAPED - 1.5" X 1.5" X 7" - WATERFORD OAK
6	009812-29-000	EA	MOLDING - PLASTIC - 1/2" O/S CORNER - WATERFORD OAK
6	009812-24-000	EA	MOLDING - PLASTIC - 1/2" O/S CORNER - IVORY
7	022992-11-000	FT	MOLDING - REVERSE COVE - T-SHAPED VINYL - IVORY
8	075249-01-000	EA	RAILING - OAK - 72" UNFINISHED
9	103186-01-05A	FT	MOLDING - PLASTIC - 3/8" U-CHANNEL 3/4" FACE-WATERFORD OAK
10	104676-02-04A	FT	MOLDING - T - 1/2" - WATERFORD OAK
11	077840-01-G01	EA	MOLDING - CAP/WALL - 8' WATERFORD OAK
			FROM: 00-00-00 THRU: 10-05-97

KEY	PART NUMBER	U/M	DESCRIPTION
12	086229-11-000	EA	RETAINER - OFFSET - 97.01"
12	086229-12-000	EA	BATTEN - 1.5" OFFSET X 97.01" IVORY
12	086229-13-000	EA	BATTEN - 1" X 96" - IVORY
12	086229-18-000	EA	BATTEN - 1" X 97.68" - OFF WHITE
12	086229-20-000	EA	BATTEN - 1" X 96" - BEIGE
13	009815-09-000	FT	MOLDING - T - .75" IVORY
13	105709-01-000	FT	MOLDING - T - 1" - MODERN IVORY
14	083620-09-000	FT	MOLDING - T - END CAP EDGE - W/EDGE LIPS - .75"-MODERN IVORY
14	083620-12-000	FT	MOLDING - T - END CAP EDGE - W/EDGE LIP - .75"-WATERFORD OAK
14	119520-01-01A	FT	MOLDING - T - 1" - W/EDGE LIPS (OFF/WHITE-CREAM)
15	100659-01-G09	EA	MOLDING/TRIM - VINYL FLOOR
	042357-20-000	EA	MOLDING - CORNER - RADIUS/PLASTIC - WATERFORD OAK
	070504-03-000	FT	U-CHANNEL PLASTIC - .87" X 84" - GRADY BROWN
	070504-18-000	FT	U-CHANNEL PLASTIC - .13" X 84" - IVORY
	070504-36-000	FT	U-CHANNEL - PLASTIC - .13" X 72" - WATERFORD OAK
	070504-37-000	FT	U-CHANNEL - PLASTIC - .87" X 84" - WATERFORD OAK
			FROM: 00-00-00 THRU: 10-05-97
	120492-01-04A	FT	STRIP - TRIM - WATERFORD OAK
	117267-D2-438	EA	LUMBER - VINYL WRAPPED - .7" X 1.5" X 96" - WATERFORD OAK
	117267-E2-438	EA	LUMBER - VINYL WRAPPED - .7" X 2" X 96" - WATERFORD OAK
	117267-J2-438	EA	LUMBER - VINYL WRAPPED - .7" X 5.5" X 96"- WATERFORD OAK
	117267-R2-438	EA	LUMBER - VINYL WRAPPED - .7" X 3" X 96"- WATERFORD OAK
	117268-D2-134	EA	MOLDING - VINYL WRAPPED - .7" X 1.6" X 84" - WATERFORD OAK
	117268-F2-134	EA	MOLDING - VINYL WRAPPED - .7" X 2.7" X 84" - WATERFORD OAK
			FROM: 00-00-00 THRU: 10-26-97

**EDGE BAND MOLDING**

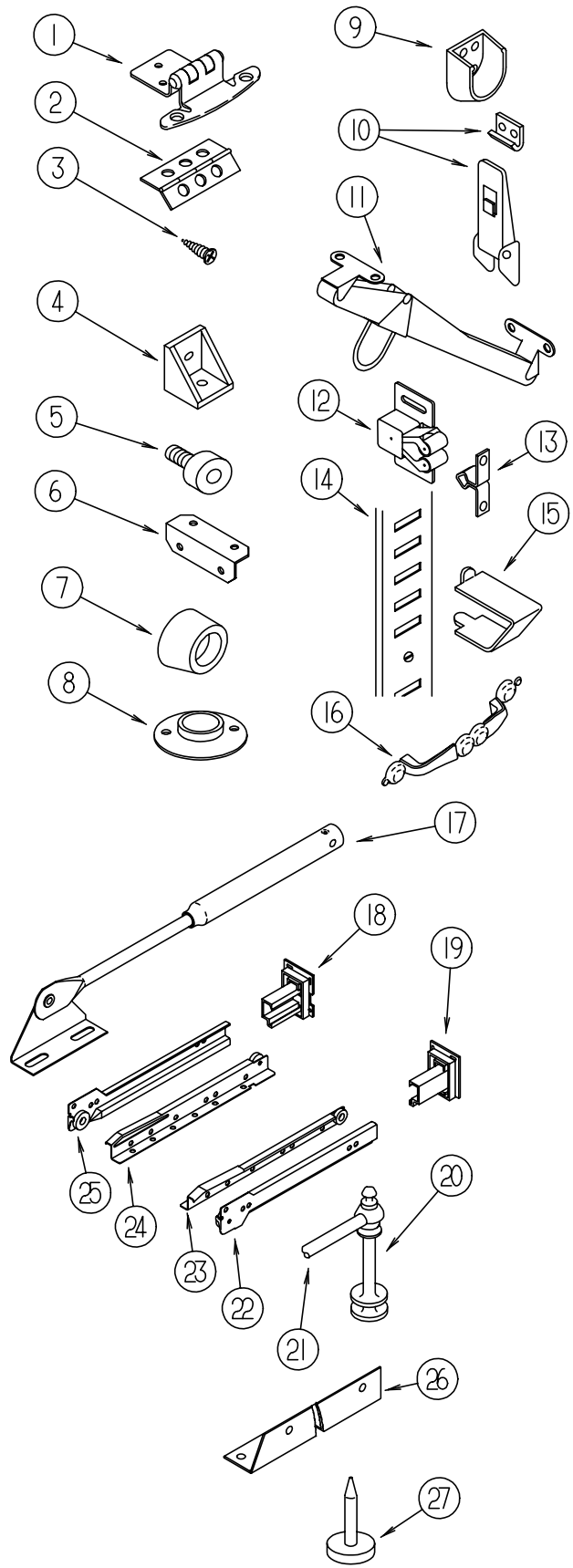
KEY	PART NUMBER	U/M	DESCRIPTION
	076325-68-000	FT	MOLDING - EDGE BAND - 1 5/16" X .038 - WATERFORD OAK
	076325-67-000	FT	MOLDING - EDGE BAND - .93" X .024" - WATERFORD OAK
	076325-43-000	FT	MOLDING - EDGE BAND .876" X .024" - CLOUD (J05)
	076325-46-000	FT	MOLDING - EDGE BAND - 1 5/16" X .030" - CLOUD (J05)
	076325-37-000	FT	MOLDING - EDGE BAND - 1 5/16" X .030" (J06)
	076325-38-000	FT	MOLDING - EDGE BAND - .875" X .024" (J06)
	076325-73-000	FT	MOLDING - EDGE BAND - .93" X .024" (EXT ENTERTAINMENT CENTER)

**BATT STRIP & TAPE**

KEY	PART NUMBER	U/M	DESCRIPTION
	069733-83-000	EA	BATT STRIP - WOODGRAINED/WATERFORD OAK - 8'
	085284-B5-000	FT	BATT TAPE - ADHESIVE BACKED - WOODGRAINED - WATERFORD OAK
	088263-F5-000	EA	BATT - STRIP - DECORATIVE - FLAGSTAFF SAND - 8' LENGTHS (J05)
	085284-F1-000	FT	BATT TAPE - ADHESIVE BACKED - DECORATIVE/FLAGSTAFF SAND (J05)
	088263-F2-000	EA	BATT STRIP - DECORATIVE - TUSCAN MINK (J06)
	085284-E7-000	FT	BATT TAPE - ADHESIVE BACKED - DECORATIVE/TUSCAN MINK (J06)
	088263-E3-000	EA	BATT STRIP - DECORATIVE - PEBBLE EMBOSSED/ANTIQUE (BATH)
	085284-D6-000	FT	BATT TAPE - ADHESIVE BACKED -DECORATIVE - EMBOSSED ANTIQUE (BATH)
	088263-F7-000	EA	BATT STRIP - DECORATIVE - IMPACT PEARL TEXTR
			FROM: 00-00-00 THRU: 10-05-97
	088263-F9-000	EA	BATT STRIP - CEILING - IMPACT PEARL
			FROM: 10-06-97 THRU: 99-99-99
	085284-F3-000	FT	BATT TAPE - ADHESIVE BACKED - IMPACT PEARL TEXTURE
			FROM: 00-00-00 THRU: 10-05-97
	085284-F6-000	FT	BATT TAPE - ADHESIVE BACKET - IMPACT PEARL
			FROM: 10-06-97 THRU: 99-99-99

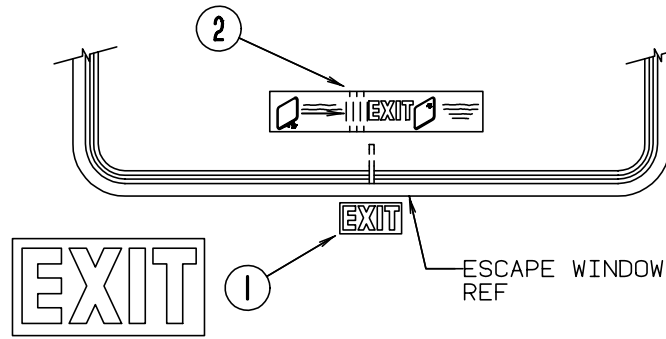
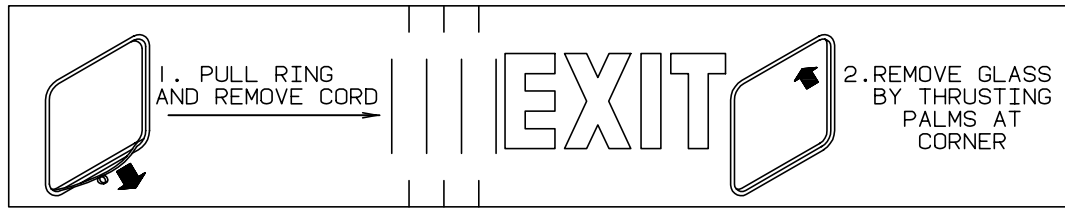
# INTERIOR FINISH GROUP (CONTINUED)

## CABINET & TABLE HARDWARE

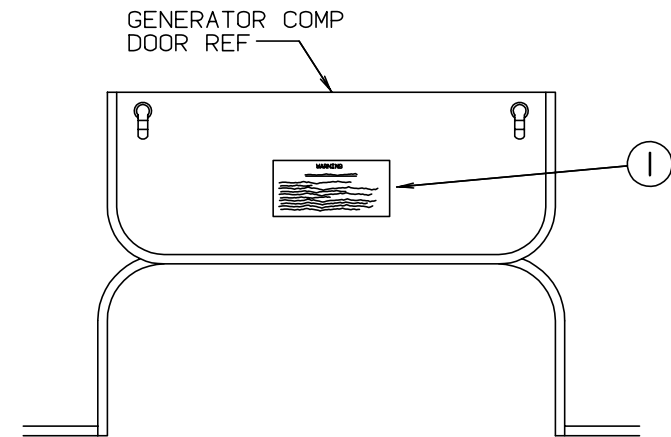


KEY	PART NUMBER	U/M	DESCRIPTION
1	108138-01-000	EA	HINGE - CABINET DOOR - BURNISHED BRASS
2	009059-01-000	EA	HINGE - DOOR - 2" X 1.4" - BRASS
2	041389-35-000	EA	HINGE - PIANO - OFF WHITE - 31"
3	000G13-06-08G	EA	SCREW - 6-20 X 5/8 PFH - ANTIQUE BRASS (HINGE 108138-01-000)
4	065740-01-000	EA	BRACE - CABINET/CORNER - PLASTIC
5	079921-01-000	EA	ROLLER - NYLON - W/STEEL SHAFT - BARBED
6	016604-01-000	EA	BRACE - CABINET - ANGLE - 2.5" - UNPAINTED METAL
6	016604-05-000	EA	BRACE - CABINET - ANGLE - 2.5" - OFF WHITE METAL
7	004354-01-000	EA	BUMPER - RUBBER - .5" DIA - BROWN
8	009112-01-000	EA	FLANGE - PLASTIC - 1" CLOTHES ROD - OFF WHITE
9	113236-01-01A	EA	BRACKET - CLOTHES - ROD
10	116975-01-01A	EA	LATCH - W/O STRIKE - BLACK - NEW STYLE
	116975-02-01A	EA	KEEPER/STRIKE - BLACK - NEW STYLE
11	104181-01-01A	EA	SUPPORT - LEAF 5.3" EXTENDS TO 7.5" - SAFETY RING - METAL
12	093586-06-000	EA	CATCH - SPRING - ROLLER
13	093586-05-000	EA	STRIKE - SPRING STEEL
14	098980-05-000	EA	PILASTER - ADJUSTABLE SHELF - 15"
15	098979-01-000	EA	CLIP - ADJUSTABLE SHELF
16	121890-01-01A	EA	PULL - CABINET - BRASS
17	074493-02-000	EA	SUPPORT - PISTON SPRING - CABINET DOOR
18	128811-01-01A	EA	BACKSOCKET - ADJUSTABLE - LEFT
19	128811-02-01A	EA	BACKSOCKET - ADJUSTABLE - RIGHT
20	084070-03-000	EA	POST - END - 2.4" - SHINY BRASS
21	084071-12-000	EA	ROD - BRASS - 4.08" LONG
21	084071-19-000	EA	ROD - BRASS - 7.09" LONG
22	128810-02-01A	EA	SLIDE - DRAWER - 12" - RIGHT CABINET
22	128810-06-01A	EA	SLIDE - DRAWER - 14" - RIGHT CABINET
22	128810-10-01A	EA	SLIDE - DRAWER - 16" - RIGHT CABINET
22	128810-14-01A	EA	SLIDE - DRAWER - 18" - RIGHT CABINET
22	128810-18-01A	EA	SLIDE - DRAWER - 20" - RIGHT CABINET
22	128810-22-01A	EA	SLIDE - DRAWER - 22" - RIGHT CABINET
23	128810-04-01A	EA	SLIDE - DRAWER - 12" - RIGHT DRAWER
23	128810-08-01A	EA	SLIDE - DRAWER - 14" - RIGHT DRAWER
23	128810-12-01A	EA	SLIDE - DRAWER - 16" - RIGHT DRAWER
23	128810-16-01A	EA	SLIDE - DRAWER - 18" - RIGHT DRAWER
23	128810-20-01A	EA	SLIDE - DRAWER - 20" - RIGHT DRAWER
23	128810-24-01A	EA	SLIDE - DRAWER - 22" - RIGHT DRAWER
24	128810-03-01A	EA	SLIDE - DRAWER - 12" - LEFT DRAWER
24	128810-07-01A	EA	SLIDE - DRAWER - 14" - LEFT DRAWER
24	128810-11-01A	EA	SLIDE - DRAWER - 16" - LEFT DRAWER
24	128810-15-01A	EA	SLIDE - DRAWER - 18" - LEFT DRAWER
24	128810-19-01A	EA	SLIDE - DRAWER - 20" - LEFT DRAWER
24	128810-23-01A	EA	SLIDE - DRAWER - 22" - LEFT DRAWER
25	128810-01-01A	EA	SLIDE - DRAWER - 12" - LEFT CABINET
25	128810-05-01A	EA	SLIDE - DRAWER - 14" - LEFT CABINET
25	128810-09-01A	EA	SLIDE - DRAWER - 16" - LEFT CABINET
25	128810-13-01A	EA	SLIDE - DRAWER - 18" - LEFT CABINET
25	128810-17-01A	EA	SLIDE - DRAWER - 20" - LEFT CABINET
25	128810-21-01A	EA	SLIDE - DRAWER - 22" - LEFT CABINET
26	114693-01-01A	EA	SUPPORT - BLACK - RIGHT HAND
26	114693-02-01A	EA	SUPPORT - BLACK - LEFT HAND
27	102194-01-000	EA	GUIDE - PLASTIC
	023320-01-000	EA	PAD - FELT 3/8" DIAMETER
	042438-01-000	EA	DOWEL - WOOD - CLOTHES ROD - 1" DIAMETER X 4'
	042438-02-000	EA	DOWEL - WOOD - 2" X 2"
	103256-01-000	EA	LATCH - SLIDE
	118933-01-01A	EA	SUPPORT - HINGE LOCK
	124311-01-01A	EA	HANDLE - RECESSED - BRASS
	084413-01-000	EA	HINGE/CONTINUOUS - ALUMINUM 1" X 72" - W/HOLES

**LABELS GROUP**



KEY	PART NUMBER	U/M DESCRIPTION
1	039290-01-000	EA LABEL - WARNING - EXIT
2	107571-01-000	EA LABEL - EXIT/ESCAPE WINDOW



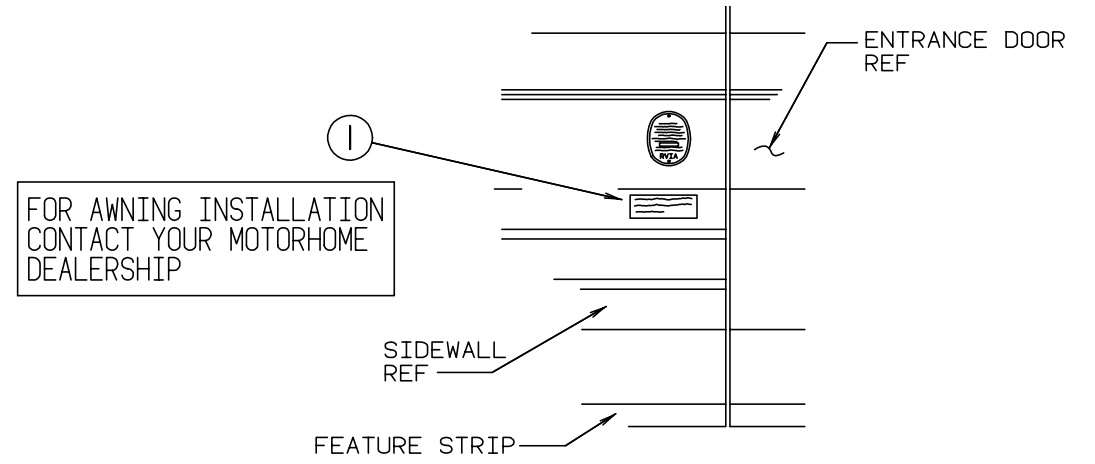
**WARNING**

WHEN ADDING A GENERATOR SET:

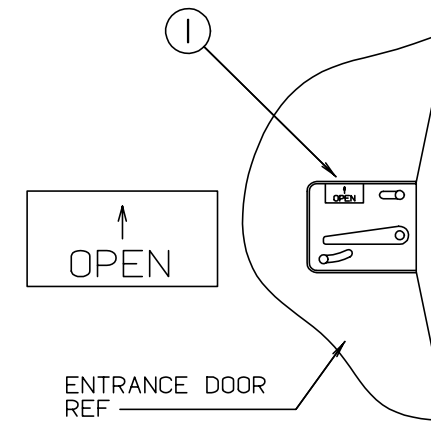
HIGH VOLTAGE-USE EXTREME CAUTION WHEN WORKING ON ELECTRICAL COMPONENTS.  
 HAVE ALL ELECTRICAL INSTALLATION PERFORMED BY A QUALIFIED LICENSED ELECTRICIAN-FOLLOW ALL STATE AND LOCAL CODES.  
 ONLY INSTALL GENERATOR SET APPROVED FOR R.V. APPLICATION. HAVE INSTALLED BY QUALIFIED TECHNICIAN.  
 TO AVOID HEAT BUILD-UP AND TO GUARANTEE AN ADEQUATE AIR SUPPLY TO THE GENERATOR CARBURETOR, FOLLOW INSTALLATION INSTRUCTIONS.  
 GENERATOR ENGINE EXHAUST GASES ARE TOXIC AND MUST NOT TERMINATE UNDER THE VEHICLE-DISCHARGE EXHAUST AWAY FROM VEHICLE.

KEY	PART NUMBER	U/M DESCRIPTION
1	077510-01-000	EA LABEL-GENERATOR PREP

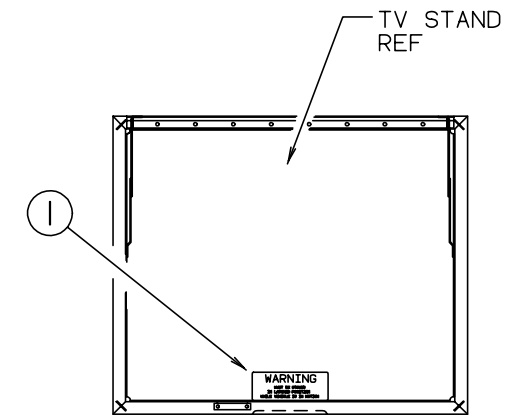
**LABELS GROUP (CONTINUED)**



KEY	PART NUMBER	U/M DESCRIPTION
1	099509-01-000	EA LABEL - AWNING INSTALLATION



KEY	PART NUMBER	U/M DESCRIPTION
1	040944-01-000	EA LABEL - ENTRANCE DOOR - "OPEN"



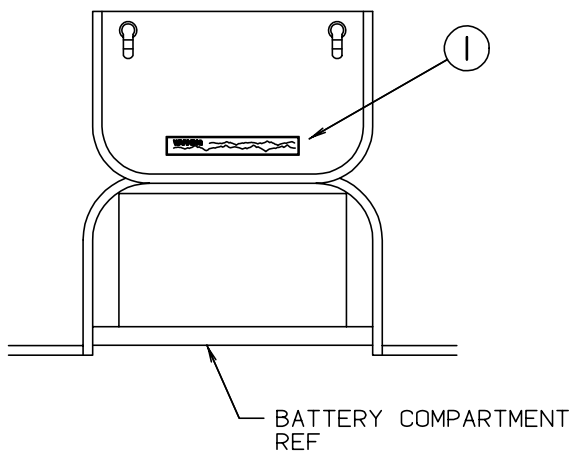
**WARNING**

MUST BE STOWED IN LATCHED POSITION WHILE VEHICLE IS IN MOTION

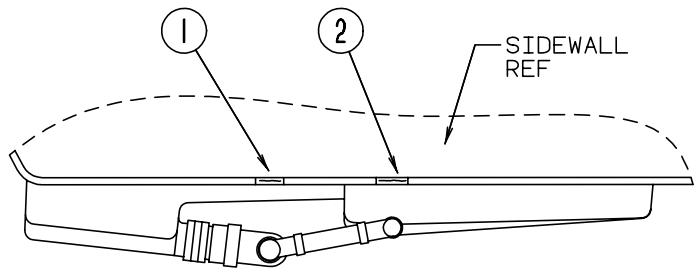
KEY	PART NUMBER	U/M DESCRIPTION
1	079966-01-000	EA LABEL - WARNING - STOWED - MOTION

**LABELS GROUP (CONTINUED)**

**WARNING** DISCONNECT BATTERIES BEFORE CONNECTING EXTERNAL CHARGING EQUIPMENT.



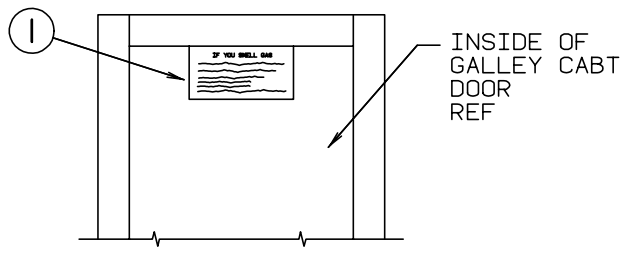
KEY	PART NUMBER	U/M	DESCRIPTION
1	065748-01-000	EA	LABEL - CAUTION - BATTERY CHARGING



SEWAGE

WASTE WATER

KEY	PART NUMBER	U/M	DESCRIPTION
1	006187-01-000	EA	LABEL - SEWAGE
2	006188-01-000	EA	LABEL - WASTE WATER

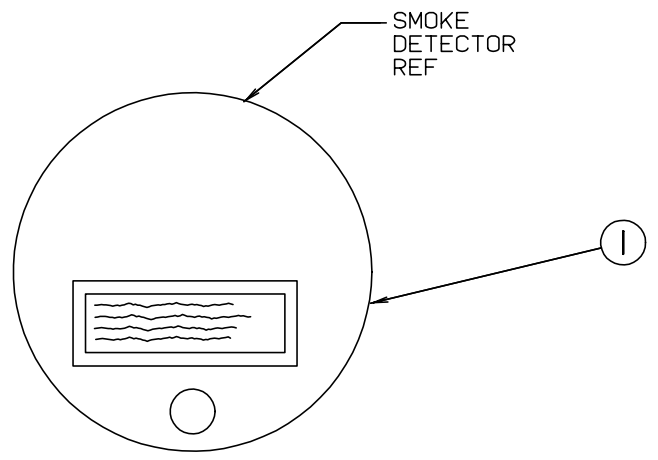


**IF YOU SMELL GAS**

1. EXTINGUISH ANY OPEN FLAME, PILOT LIGHTS AND ALL SMOKING MATERIALS.
2. SHUT OFF THE GAS SUPPLY AT THE TANK VALVE( OR GAS SUPPLY CONNECTION.
3. OPEN DOORS AND OTHER VENTILATING OPENINGS.
4. DO NOT TOUCH ELECTRICAL SWITCHES.
5. LEAVE THE AREA UNTIL ODOR CLEARS.
6. HAVE THE GAS SYSTEM CHECKED AND LEAKAGE SOURCE CORRECTED BEFORE USING AGAIN.

KEY	PART NUMBER	U/M	DESCRIPTION
1	073998-01-000	EA	LABEL - LPG ODOR WARNING

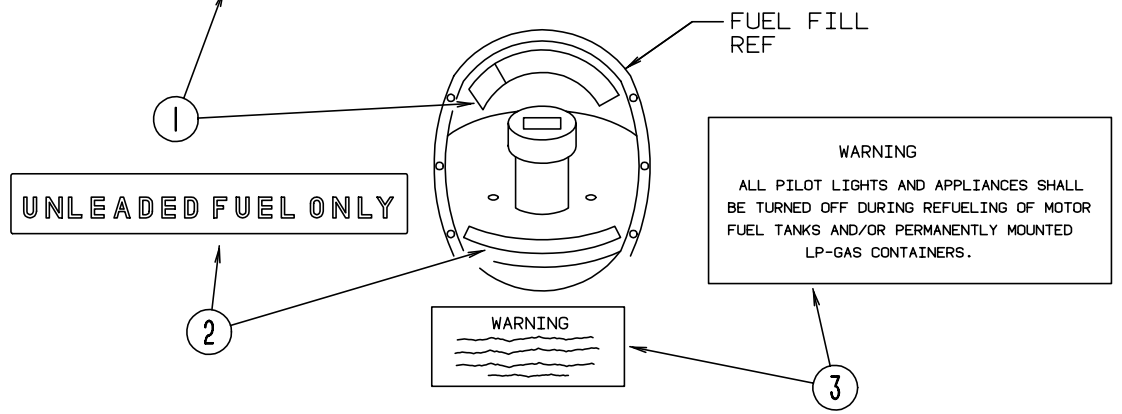
**LABELS GROUP (CONTINUED)**



**WARNING:** TEST SMOKE DETECTOR OPERATION AFTER VEHICLE HAS BEEN IN STORAGE, BEFORE EACH TRIP AND AT LEAST ONCE PER WEEK DURING USE.

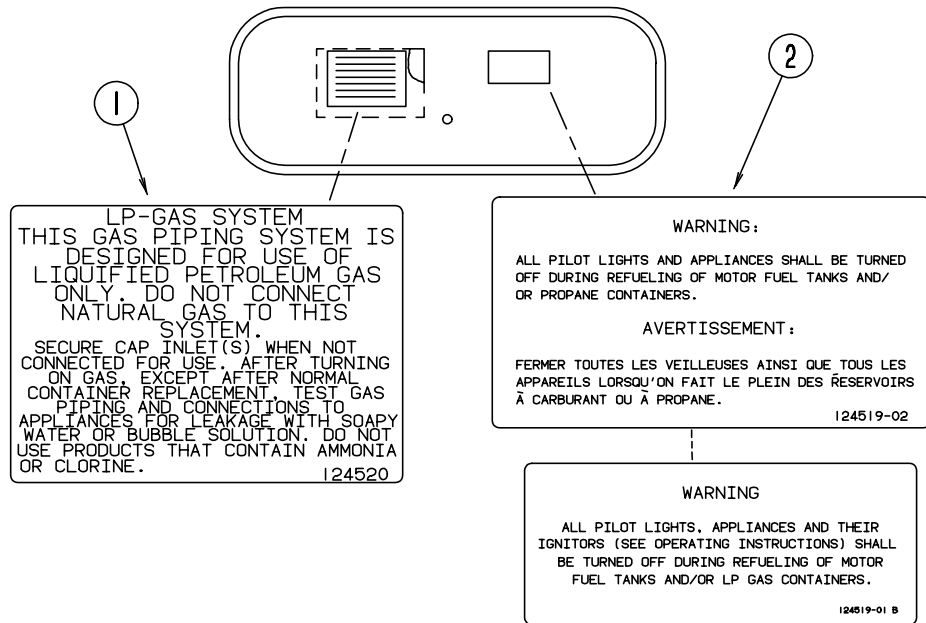
KEY	PART NUMBER	U/M	DESCRIPTION
1	077956-01-000	EA	LABEL - WARNING - SMOKE DETECTOR

<b>CAUTION</b>	TO HELP AVOID PERSONAL INJURY DURING REMOVAL OF FUEL FILLER CAP, SLOWLY LOOSEN CAP 1/2 TURN TO ALLOW ANY FUEL PRESSURE TO BE RELIEVED BEFORE TURNING CAP FURTHER.
<b>FUEL SPRAY MAY CAUSE PERSONAL INJURY</b>	STOP ADDING FUEL AFTER FIRST SHUTOFF BY AUTOMATIC NOZZLE WHEN TANK IS NEARLY FULL. DO NOT OVERFILL FUEL TANK. SEE OWNERS MANUAL FOR ADDITIONAL INFORMATION. PRINTED IN U.S.A. <span style="float: right;">MLC PT NO 15611763</span>

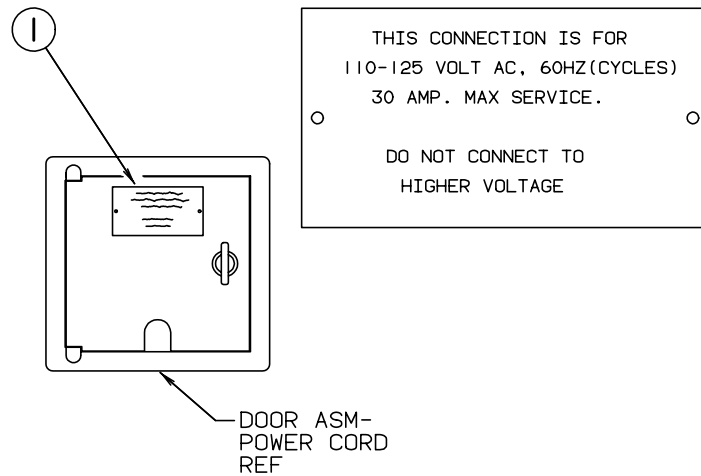


KEY	PART NUMBER	U/M	DESCRIPTION
1	087207-05-000	EA	LABEL - FUEL CAP REMOVAL
2	N/A	EA	LABEL - FUEL - UNLEADED
3	124519-01-01A	EA	LABEL - WARNING/REFUELING - BLACK ON CLEAR
3	124519-02-01A	EA	LABEL - WARNING/REFUELING - CSA

**LABELS GROUP (CONTINUED)**

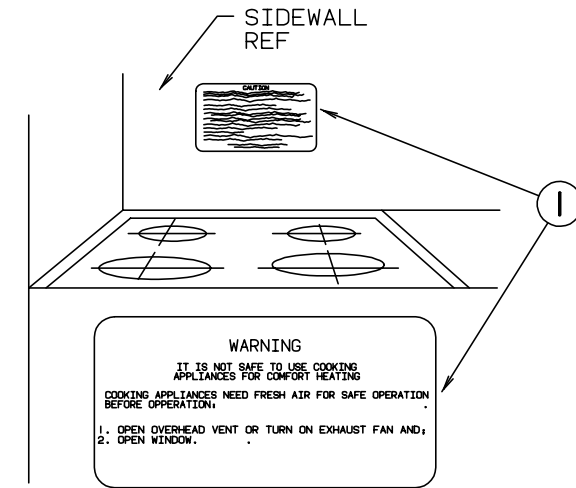


KEY	PART NUMBER	U/M	DESCRIPTION
1	124520-01-01A	EA	LABEL - LP GAS ONLY - US
	023769-01-000	EA	LABEL - WARNING - LPG - CANADIAN
2	124519-01-01A	EA	LABEL - WARNING/REFUELING - BLACK ON CLEAR
2	124519-02-01A	EA	LABEL - WARNING/REFUELING - CSA

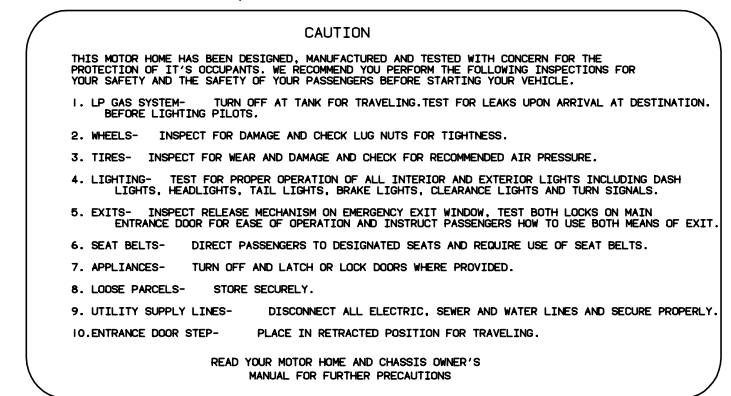
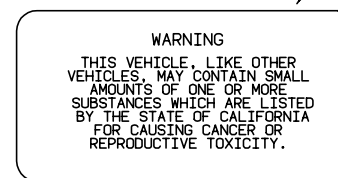
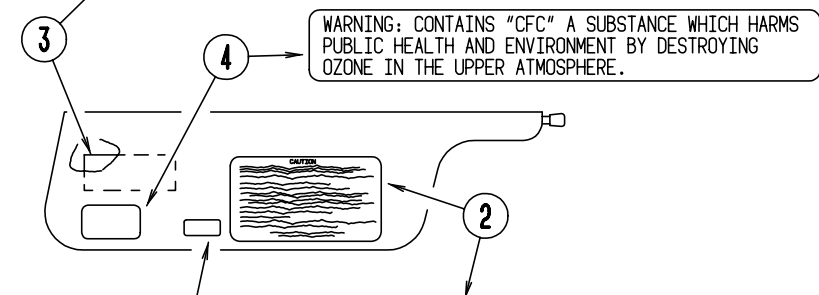
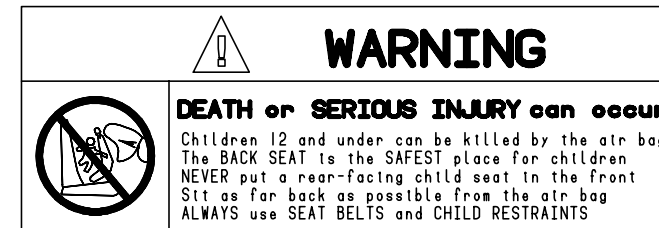


KEY	PART NUMBER	U/M	DESCRIPTION
1	125306-01-01A	EA	LABEL - ELECTRICAL ENTRANCE - 110VOLT 30AMP

**LABELS GROUP (CONTINUED)**

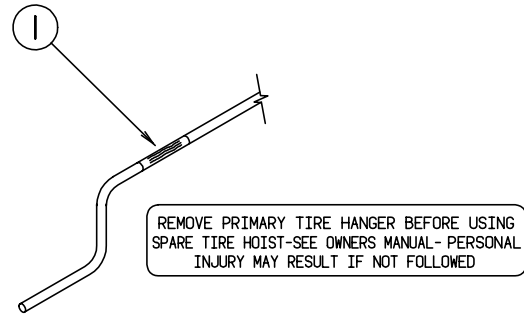


KEY	PART NUMBER	U/M	DESCRIPTION
1	050225-01-000	EA	LABEL - WARNING - STOVE VENT - US
1	050222-01-000	EA	LABEL - STOVE VENT - CANADIAN

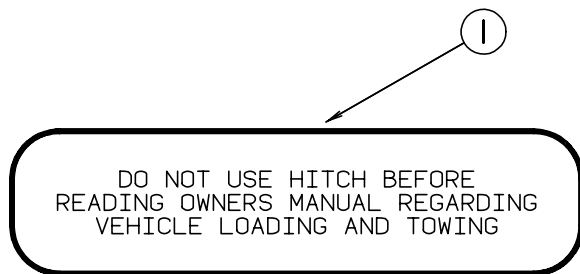


KEY	PART NUMBER	U/M	DESCRIPTION
1	099689-01-000	EA	LABEL - WARNING - CANCER/TOXICITY
2	056259-01-000	EA	LABEL - SAFETY CHECK LIST
3	126611-01-000	EA	LABEL - AIR BAG - VISOR
4	111802-01-000	EA	LABEL - CFC WARNING

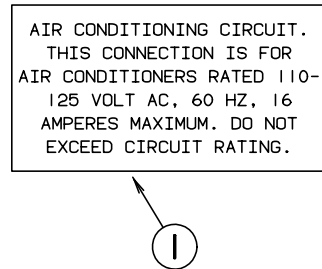
**LABELS GROUP (CONTINUED)**



KEY	PART NUMBER	U/M DESCRIPTION
1	126024-01-01A	EA LABEL - TIRE HANGER REMOVAL

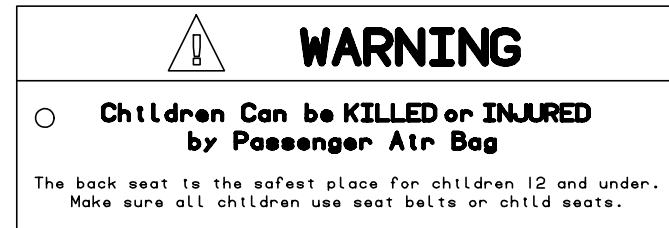
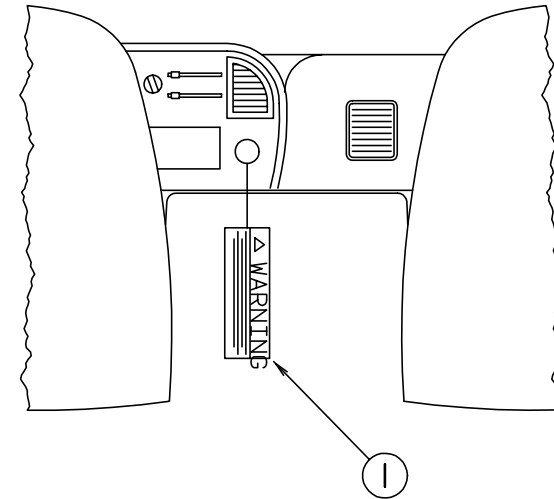


KEY	PART NUMBER	U/M DESCRIPTION
1	111104-01-000	EA LABEL - HITCH - READ MANUAL - WHITE



KEY	PART NUMBER	U/M DESCRIPTION
1	091243-01-000	EA LABEL - A/C COVER "AIR CONDITIONING CIRCUIT ETC."

**LABELS GROUP (CONTINUED)**



KEY	PART NUMBER	U/M DESCRIPTION
1	126612-01-000	EA LABEL - HANG TAG - AIR BAG - DASH

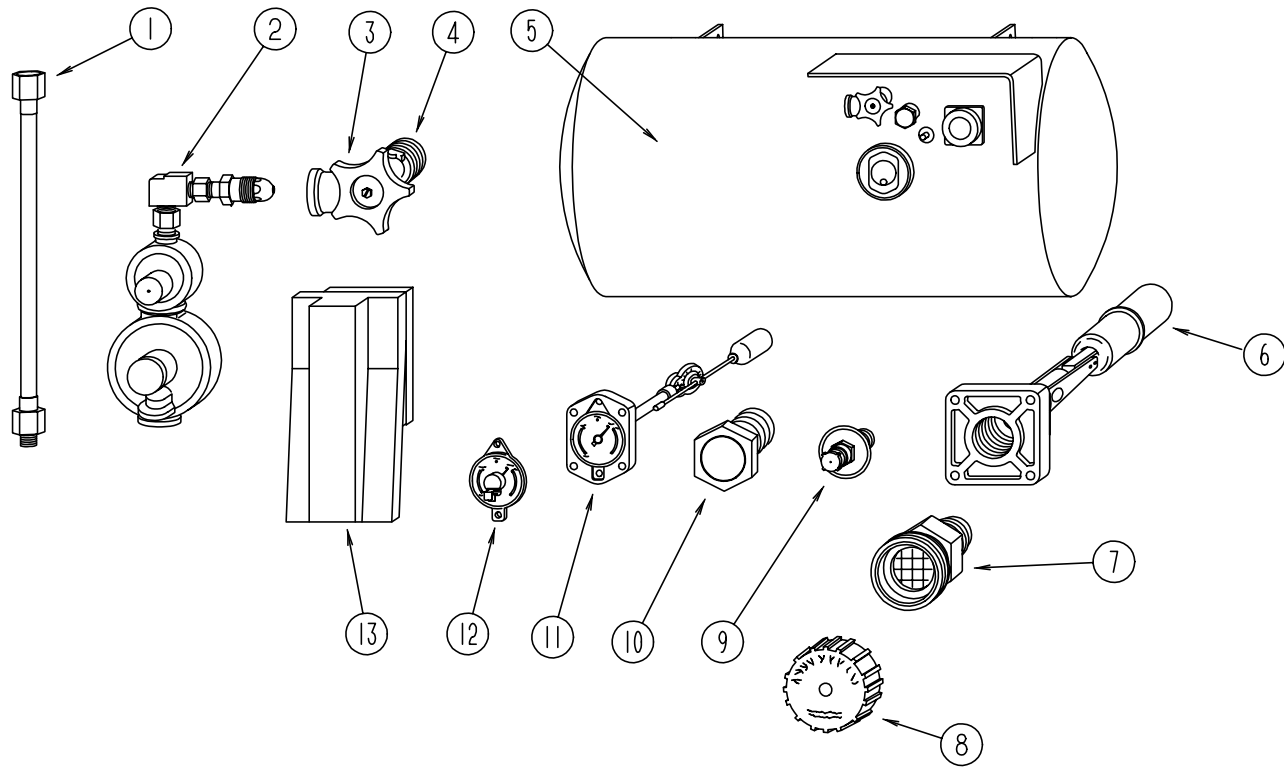
**MISCELLANEOUS LABELS**

KEY	PART NUMBER	U/M DESCRIPTION
	006064-01-000	EA LABEL - SEAT W/O SEATBELT
	061417-01-000	EA LABEL - FUEL - ON FUEL FILL DOOR
	062043-01-000	EA LABEL - FUEL - UNLEADED
	087236-01-000	EA LABEL - CABLE - INPUT
	093236-08-000	EA LABEL - CIRCUIT BREAKER
	111104-02-000	EA LABEL - HITCH - READ MANUAL - BLACK
	128218-01-01A	EA LABEL - WARNING - ROOF SLIPPERY
	116220-01-000	EA APPLIQUE - SWITCH/SLIDEOUT

FROM: 08-25-97 THRU: 99-99-99



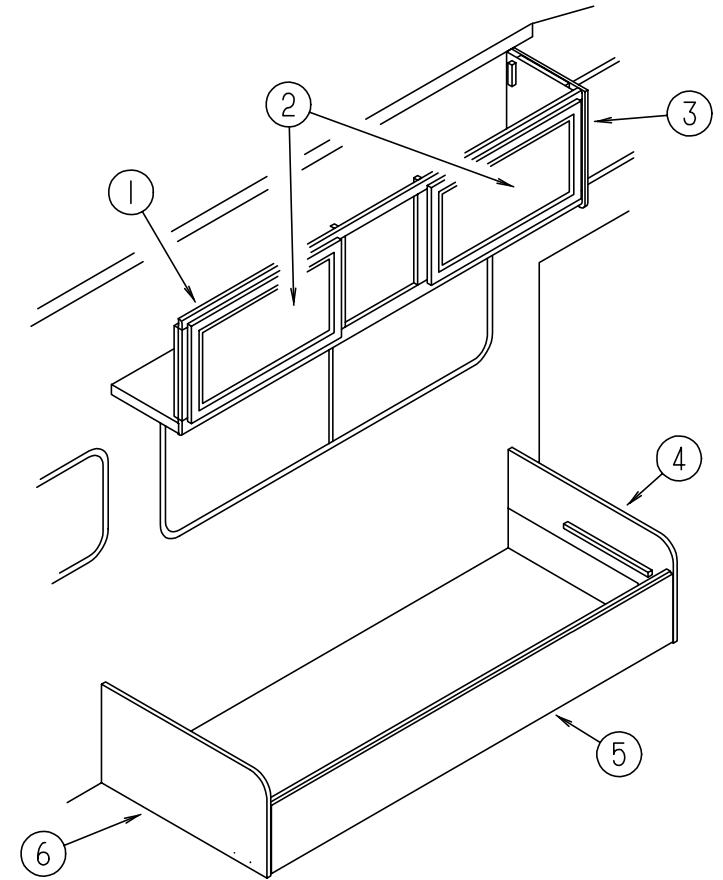
## LP GROUP



## LP SYSTEM

KEY	PART NUMBER	U/M	DESCRIPTION	VENDOR NO.
1	045703-01-000	EA	HOSE - LP - 3/8"ID X 24" - 3/8"MPT X 1/2"F SWIVEL - U.S.	
1	045703-02-000	EA	HOSE - LP - 3/8"ID X 24" - 3/8"MPT X 1/2"F SWIVEL - CANADA	
	045703-09-000	EA	HOSE - LP - 3/8"ID X 24" - 3/8"ID F SWIVEL X 3/8"ID F SWIV	
2	106150-01-000	EA	REGULATOR - TWO STAGE -W/90 DEGREE ELBOW & 3/8" FPT OUTLET	
2	106150-02-000	EA	REGULATOR - TWO STAGE - 1/4" FPT INLET/3/8" FPT OUTLET	
3	040421-01-708	EA	HANDWHEEL-SERVICE VALVE	G-1015-A
4	040421-01-712	EA	VALVE,SERV. W/O VAPOR RELIEF	29000853
5	097821-01-000	EA	TANK - LP - 60 LB BRUNNER - 14" X 30"	
6	040421-01-711	EA	VALVE-80% FILL W/AUTO STOP	LLL/TL3
7	040421-01-701	EA	VALVE-FILL-SHORT, LP	7547B
8	040421-01-702	EA	CAP-FILL VALVE, PLASTIC	G-1014-A
9	040421-01-700	EA	VALVE-LIQUID LEVEL, 20%	G-1013
10	040421-01-713	EA	VALVE-RELIEF 1" W/SPRING 7"	29000587
11	040421-01-707	EA	FLOAT ASM.(SIGHT GAUGE) 14"	14C
12	040440-02-000	EA	TRANSMITTER - DIAL - 0-90 OHM -2 TERMINAL (POWER & GROUND)	
13	105658-01-000	EA	COMPARTMENT - LP REGULATOR	
	010265-01-000	EA	ELBOW - BRASS - 90 DEGREE - 3/8"F X 1/2"FPT	
	024250-01-000	EA	ADAPTER - BRASS - 3/8"F X 1/2"FPT	
	010326-01-000	EA	ADAPTER - FLARE - W/CONE GASKET - 3/8"FEMALE X 1/2"MALE	
	010380-02-000	EA	NUT - BRASS - 1/2" FLARE - FORGED	
	010323-01-000	EA	ADAPTER - BRASS - 3/8"F X 1/2"MPT	
	010252-01-000	EA	ELBOW - BRASS - 90 DEGREE - 3/8"F X 1/2"MPT	
	010377-02-000	EA	NUT - BRASS - 3/8" FLARE - FORGED	
	103613-03-000	EA	DETECTOR - LP GAS - W/O SHUT-OFF VALVE	

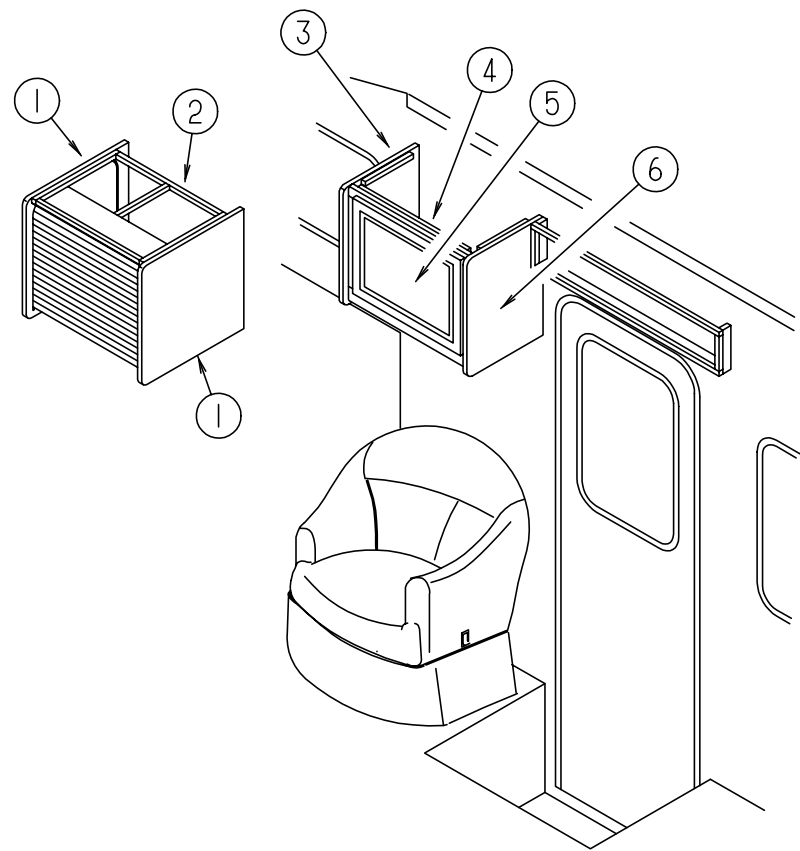
## LOUNGE GROUP



## FRONT DRIVER SIDE LOUNGE CABINERY

KEY	PART NUMBER	U/M	DESCRIPTION
1	122926-02-J05	EA	CABINET - OVERHEAD - W/O DOORS/HARDWARE
1	122926-02-J06	EA	CABINET - OVERHEAD - W/O DOORS/HARDWARE
2	M08758-27-J15	EA	DOOR - MITERED CORNER/OGEE EDGE - 14.3" X 26.7" - W/O HDW
3	109908-09-G04	EA	END CAP - OVERHEAD CABINET
4	126150-11-J05	EA	PANEL - LEFT END - SOFA/BED - FABRIC COVERED
4	126150-11-J06	EA	PANEL - LEFT END - SOFA/BED - FABRIC COVERED
5	M08107-22-J05	EA	PANEL - FRONT KICK - SOFA/BED - FABRIC COVERED
5	M08107-22-J06	EA	PANEL - FRONT KICK - SOFA/BED - FABRIC COVERED
6	126150-12-J05	EA	PANEL - RIGHT END - SOFA/BED - FABRIC COVERED
6	126150-12-J06	EA	PANEL - RIGHT END - SOFA/BED - FABRIC COVERED
	126150-13-J05	EA	PANEL - DOOR - SOFA/BED - FABRIC COVERED
	126150-13-J06	EA	PANEL - DOOR - SOFA/BED - FABRIC COVERED
	083125-07-000	EA	BRACE - COUCH - 2.5" - OFF WHITE
	082525-01-000	EA	BRACE-COUCH - FLOOR MOUNT - ANGLE 3" LONG - METAL

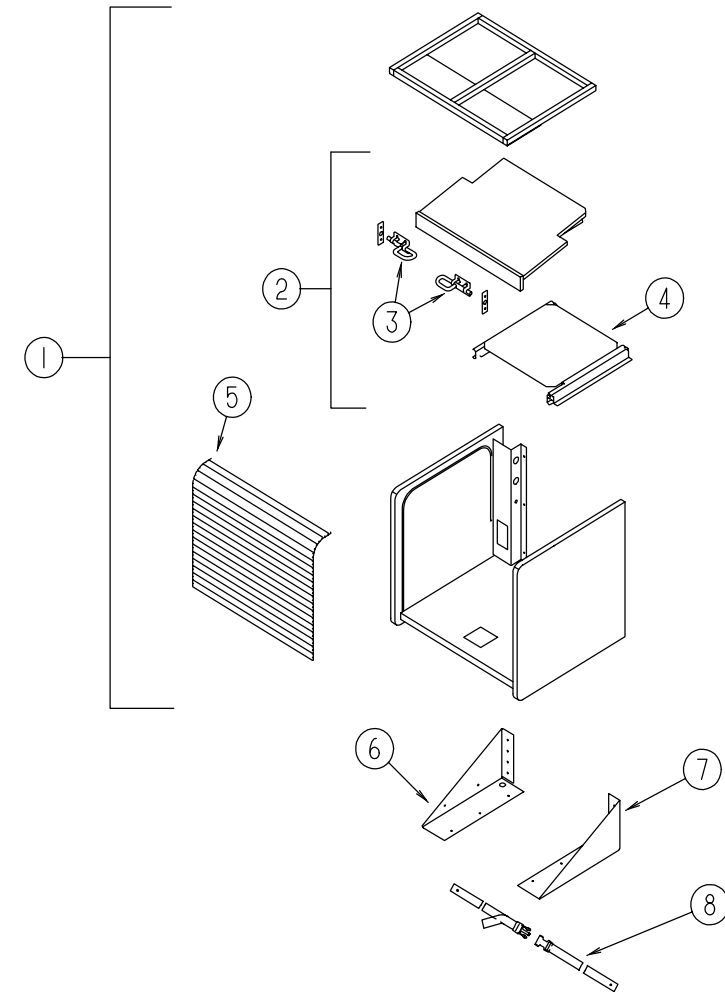
## LOUNGE GROUP (CONTINUED)



**PASSENGER SIDE LOUNGE W/TV CABINETRY**

KEY	PART NUMBER	U/M	DESCRIPTION
1	109908-58-J01	EA	END CAP - OVERHEAD CABINET
2	M08163-05-J01	EA	CABINET - TV/VCP - W/O SHELF/SLIDES/SWIVEL - W/TAMBOUR DOOR
2	M08163-06-J01	EA	CABINET - TV/VCP - W/SHELF/SLIDES/SWIVEL - W/TAMBOUR DOOR
	122469-01-02B	EA	BRACKET - ZEE
3	109908-23-H04	EA	END CAP - OVERHEAD CABINET
4	124390-01-H04	EA	CABINET - OVERHEAD FRONT/RIGHT HAND - W/O DOORS/HARDWARE
5	M08758-20-J03	EA	DOOR - MITERED CORNER/OGEE EDGE - 15.7" X 19.6" - W/O HDW
6	109908-22-H04	EA	END CAP - OVERHEAD CABINET
	120234-04-H13	EA	LID - ENTRY STEP
	101222-01-04A	EA	BRACKET - CATCH - LID - E-COATED

## LOUNGE GROUP (CONTINUED)



**PASSENGER SIDE TV CABINET**

KEY	PART NUMBER	U/M	DESCRIPTION
1	M08163-06-J01	EA	CABINET - TV/VCP - W/SHELF/SLIDES/SWIVEL - W/TAMBOUR DOOR
2	125722-13-J01	EA	SHELF - W/SLIDE AND SWIVEL
3	103256-01-000	EA	LATCH - SLIDE
4	116773-02-000	EA	SWIVEL/SLIDES - F/TV SHELF
5	057882-04-700	EA	TAMBOUR - 48" X 48" SHEET - UNFINISHED
6	122298-03-02B	EA	BRACKET - TV/VCR - RIGHT HAND
7	122298-02-02B	EA	BRACKET - TV/VCR - LEFT HAND
8	099717-04-000	EA	STRAP - TIE DOWN W/21.3" FEMALE STRAP & 27.2" MALE STRAP
	122469-02-02B	EA	BRACKET - ZEE
	125722-13-J01	EA	SHELF - W/SLIDE & SWIVEL

## SEALANTS & FASTENERS GROUP

### SCREWS

KEY	PART NUMBER	U/M	DESCRIPTION
	0B1210-32-180	EA	SET SCREW - 5/8-11 X 2.00
	0G1208-12-170	EA	SCREW - 8-18 X .75 POH - BRIGHT WHITE
	0G3908-08-170	EA	SCREW - SF/DR - 8-18 X .50 PPH - BRIGHT WHITE
	0G3908-20-170	EA	SCREW - SF/DR - 8-18 X 1.25 PPH - BRIGHT WHITE
			FROM: 12-01-97 THRU: 01-25-98
	0G3908-24-170	EA	SCREW - SF/DR - 8-18 X 1.50 PPH - BRIGHT WHITE
	0G5508-16-250	EA	SCREW - SF/DR - 8-18 X 1.00 PWH
	0G6710-08-170	EA	SCREW - 10-12 X 1/2 PPH - BRIGHT WHITE
	000C18-06-56A	EA	BOLT - ELEVATOR - 3/8-16 X 3 1/2 - GRADE 5
	000G11-06-06B	EA	SCREW - 6-20 X 3/8 PPH - ZINC
	000G11-06-10J	EA	SCREW - 6-20 X 5/8 PPH - BRASS
	000G11-06-10B	EA	SCREW - 6-20 X 5/8 PPH - ZINC
			FROM: 03-06-98 THRU: 99-99-99
	000G11-06-08B	EA	SCREW - 6-20 X 1/2 PPH - ZINC
	000G11-07-08B	EA	SCREW - 7-19 X 1/2 PPH - ZINC
	000G11-08-20B	EA	SCREW - 8-18 X 1 1/4 PPH - ZINC
	000G11-08-16S	EA	SCREW - 8-18 X 1 PPH - OFF WHITE
	000G11-08-12T	EA	SCREW - 8-18 X 3/4 PPH - BLACK
	000G11-08-12P	EA	SCREW - 8-18 X 3/4 PPH - DARK BROWN
	000G11-08-12D	EA	SCREW - 8-18 X 3/4 PPH - BLACK
	000G11-08-12B	EA	SCREW - 8-18 X 3/4 PPH - ZINC
	000G11-08-08B	EA	SCREW - 8-18 X 1/2 PPH - ZINC
	000G11-08-06B	EA	SCREW - 8-18 X 3/8 PPH - ZINC
	000G11-10-12S	EA	SCREW - 10-16 X 3/4 PPH - OFF WHITE
	000G11-10-12D	EA	SCREW - 10-16 X 3/4 PPH - BLACK
	000G12-06-08T	EA	SCREW - 6-20 X 1/2 POH - BLACK
	000G12-08-12S	EA	SCREW - 8-18 X .75 POH - OFF WHITE
	000G13-05-10B	EA	SCREW - 5-12 X 5/8 PFH - ZINC
	000G13-06-08G	EA	SCREW - 6-20 X .50 PFH - ANTIQUE BRASS
	000G13-06-08B	EA	SCREW - 6-20 X 1/2 PFH - ZINC
	000G13-06-24J	EA	SCREW - 6-20 X 1 1/2 PFH - BRASS
	000G13-06-16J	EA	SCREW - 6-20 X 1 PFH - BRASS
	000G13-06-10G	EA	SCREW - 6-20 X 5/8 PFH - ANTIQUE BRASS
	000G13-07-12B	EA	SCREW - 7-19 X 3/4 PFH - ZINC
	000G18-08-22B	EA	SCREW - MACHINE - 8-32 X 1 3/8 PPH - ZINC
	000G19-10-12F	EA	SCREW - MACHINE - 10-32 X 3/4 PPH - STAINLESS STEEL
	000G32-10-06B	EA	SCREW - 10-32 X 3/8 PPH - ZINC
	000G37-08-089	EA	SCREW - 8 X 18 X 1/2 PPH
			FROM: 03-02-98 THRU: 99-99-99
	000G39-06-10T	EA	SCREW - SF/DR - 6-20 X 5/8 PPH - BLACK
	000G39-06-08B	EA	SCREW - SF/DR - 6-18 X 1/2 - ZINC
	000G39-06-10T	EA	SCREW - SF/DR - 6-20 X 5/8 PPH - BLACK
	000G39-08-08B	EA	SCREW - SF/DR - 8-18 X 1/2 PPH - ZINC
	000G39-08-06B	EA	SCREW - SF/DR - 8-18 X 3/8 PPH - ZINC
	000G39-08-12T	EA	SCREW - SF/DR - 8-18 X 3/4 PPH - BLACK
	000G39-08-12B	EA	SCREW - SF/DR - 8-18 X 3/4 PPH - ZINC
	000G39-08-08T	EA	SCREW - SF/DR - 8-18 X 1/2 PPH - BLACK
	000G39-08-08S	EA	SCREW - SF/DR - 8-18 X 1/2 PPH - OFF WHITE
	000G39-08-24B	EA	SCREW - SF/DR - 8-18 X 1 1/2 PPH - ZINC
	000G39-08-16T	EA	SCREW - SF/DR - 6-20 X 1 PPH - BLACK
	000G39-08-16R	EA	SCREW - SF/DR - 8-18 X 1 PPH - BEIGE
	000G39-08-16B	EA	SCREW - SF/DR - 8-18 X 1 PPH - ZINC
	000G39-10-32B	EA	SCREW - SF/DR - 10-16 X 2 - PPH - ZINC
	000G39-10-20B	EA	SCREW - SF/DR - 10-16 X 1 1/4 PPH - ZINC
	000G39-10-129	EA	SCREW - SF/DR - 10-16 X 3/4 PPH - FLUOROCARBON SILVER
	000G39-10-12R	EA	SCREW - SF/DR - 10-16 X .75 PPH - BEIGE
	000G39-10-12D	EA	SCREW - SF/DR - 10-16 X 3/4 PPH - BLACK
	000G39-10-12B	EA	SCREW - SF/DR - 10-16 X 3/4 PPH - ZINC
	000G39-10-10B	EA	SCREW - SF/DR - 10-16 X 5/8 - ZINC
	000G39-10-088	EA	SCREW - SF/DR - 10-16 X 1/2 PPH - FLEX FLUOROCARBON
	000G39-10-08B	EA	SCREW - SF/DR - 10-16 X 1/2 PPH - ZINC
	000G42-04-16B	EA	SCREW - SF/DR - 1/4-14 X 1 HWH - ZINC

## SEALANTS & FASTENERS GROUP (CONTINUED)

### SCREWS (CONTINUED)

KEY	PART NUMBER	U/M	DESCRIPTION
	000G46-08-24T	EA	SCREW - MACHINE - 8-32 X 1 1/2 PFH - BLACK
	000G50-04-12B	EA	SCREW - MACHINE - 1/4-20 X 3/4 PPH - ZINC
	000G52-08-18B	EA	SCREW - MACHINE - 8-32 X 1 1/8 PTH - ZINC
	000G54-04-20B	EA	SCREW - 1/4-20 X 1.25 PTH - TYPE 23 - ZINC PLATED
	000G60-10-20B	EA	SCREW - SF/DR - 10-16 X 1 1/4 POH - ZINC
	000G60-10-28T	EA	SCREW - SF/DR - 10-16 X 1 3/4 - BLACK
			FROM: 00-00-00 THRU: 02-03-98
	000G67-10-08R	EA	SCREW - 10-12 X 1/2 PPH - BEIGE - TYPE A
	000G67-10-08B	EA	SCREW - 10-12 X 1/2 PPH - ZINC
	000G67-10-24B	EA	SCREW - 10-12 X 1.50 PPH - ZINC
	000G67-10-20D	EA	SCREW - 10-12 X 1.25 PPH - BLACK
	000G67-10-16B	EA	SCREW - 10-12 X 1 PPH - ZINC
	000G67-10-12P	EA	SCREW - 10-12 X 3/4 PPH - DARK BROWN
	000G67-10-12B	EA	SCREW - 10-12 X 3/4 PPH - ZINC
	000G67-10-10S	EA	SCREW - 10-12 X 5/8 PPH - OFF WHITE
	000G67-10-10D	EA	SCREW - 10-12 X 5/8 PPH - BLACK - TYPE A
	000G67-10-10B	EA	SCREW - 10-12 X 5/8 PPH - ZINC - TYPE A
	000G67-10-32B	EA	SCREW - 10-12 X 2 PPH - ZINC
	000G68-06-10G	EA	SCREW - 6-18 X 5/8 POH - ANTIQUE BRASS
	049465-17-000	EA	SCREW - 10-16 X 1 POH W/WASHER - BRIGHT WHITE
	054434-02-000	EA	SCREW - SF/DR - 10-16 X 2 - ZINC
	054434-03-000	EA	SCREW - SF/DR - 10-16 X 2 - PWH - ZINC - W/O WINGS
	057671-01-000	EA	COVER - SCREW - #8 - PLASTIC - OFF WHITE
	057671-15-000	EA	COVER - SCREW - BRIGHT WHITE
	075908-01-000	EA	SCREW - MACHINE - 10-32 X .56 PTH - EXTERNAL TOOTH - ZINC
	076790-01-000	EA	SCREW - 6-20 X 1 1/4 PPH - BLACK
	083554-01-000	EA	SCREW - DRYWALL - 8 X 1.25
			FROM: 00-00-00 THRU: 03-05-98
	086256-01-000	EA	SCREW - SF/DR - 8 X 3/4 HWH LONG
	087721-01-000	EA	SCREW - FLAT HEAD - TAPPING - 1/4" X 1 1/4" LONG - ZINC
	101618-01-000	EA	SCREW - 1/4-20 X 3/4 HEX - TAPPING - STALGARD TYPE F
	105126-01-000	EA	SCREW - MACH - 8-32 X 1 PPH TAPIT

### CLAMPS, GROMMETS, CLIPS & RIVETS

KEY	PART NUMBER	U/M	DESCRIPTION
	000H16-04-06R	EA	RIVET - POP ALUMINUM - 1/8 X .313 - .375
			FROM: 06-02-97 THRU: 99-99-99
	007161-01-000	EA	CLAMP - HOSE - SPRING TYPE - 1/2"
	010495-01-000	EA	CLAMP - CABLE - 9/16"
	010497-01-000	EA	CLAMP - CLOSED - 5/8" ID
	010497-03-000	EA	CLAMP - CLOSED - 1" ID - CUSHIONED
	010497-04-000	EA	CLAMP - CLOSED - 1.62" ID
	010497-08-000	EA	CLAMP - CLOSED - .125"
	010499-01-000	EA	CLAMP - CLOSED - 3/8 ID
	016188-05-000	EA	GROMMET - L/P LINE - 3/8" HOLE X 1 1/4" LONG - RUBBER
	023942-01-000	EA	GROMMET - RUBBER - 2" OD
	062401-01-000	EA	CLAMP - HOSE - WORMGEAR - .25" - 1"
	062401-03-000	EA	CLAMP - HOSE - WORMGEAR - .22" - 1"
	062401-04-000	EA	CLAMP - HOSE - WORMGEAR - .69" - 1.25"
	062401-06-000	EA	CLAMP - HOSE - WORMGEAR - .22" - .62" ID
	062401-11-000	EA	CLAMP - HOSE - WORMGEAR - 3.50" - 4.50"
	069592-02-000	EA	RIVET-T - POP - 1/4 X .093 - .156
	071015-26-000	EA	GROMMET - RUBBER - 1.5" ID X 2.12" OD W/.06" GROOVE - BLK
	075148-02-000	EA	CLAMP - GROUNDING - BRONZE SCREWS
	080734-02-000	EA	CLIP - WIRE NYLON
	083609-01-000	EA	CLAMP - WIRE - DUAL - EQUAL DIAMETERS - 5/8"
	083610-01-000	EA	CLAMP - WIRE - DUAL - UNEQUAL DIAMETERS - 3/4" & 1 1/4"
	083610-02-000	EA	CLAMP - WIRE - DUAL - UNEQUAL DIAMETERS - 3/4" & 2"
	091952-01-000	EA	CLIP - GRIPPER - 1"
	091952-02-000	EA	CLIP - GRIPPER - 3/4"
	091952-03-000	EA	CLIP - 1/2" GRIPPER
	114208-02-000	EA	GROMMET - EDGE LINER - FITS .625
			FROM: 00-00-00 THRU: 08-19-97

## SEALANTS & FASTENERS GROUP (CONTINUED)

### ADHESIVE & FASTENERS

KEY	PART NUMBER	U/M	DESCRIPTION
	004006-05-700	EA	ADHESIVE-NAT. STARCH (5 GAL) 0802
	034552-02-000	EA	SILICONE - TUBE - W/O NOZZLE - CLEAR
	034552-15-000	EA	SILICONE - TUBE - W/O NOZZLE - BRIGHT WHITE
			FROM: 00-00-00 THRU: 11-16-97
	039518-01-000	EA	SILICONE - TUBE - W/O NOZZLE - BLACK
	053766-06-000	EA	BEDDING COMPOUND - TUBE - CLEAR
	063642-01-000	FT	TAPE - ADHESIVE - .4" X 1.5" X 180"
			FROM: 00-00-00 THRU: 02-03-97
	067788-01-000	EA	ADHESIVE - SPRAY - 3M - 19.5 AEROSOL CAN
	069640-01-000	FT	SEALER - RIBBON - 1/4" DIAMETER X 30' - BLACK
	069640-02-000	FT	SEALER - TAPE - .13"THICK X .5"WIDE X 60' - GRAY
	069640-03-000	FT	SEALER - TAPE - .13"THICK X .75"WIDE X 60' - BLACK
	069640-07-000	FT	SEALER - TAPE - .09"THICK X 2"WIDE X 45' - GRAY
	069640-10-000	FT	SEALER - TAPE - .03"THICK X 1.50"WIDE X 90' - GRAY
	069640-11-000	FT	SEALER - TAPE - .19"THICK X .38"WIDE X 40' - BLACK
	069640-15-000	FT	SEALER - TAPE - .06"THICK X .38"WIDE X 80' - GRAY
	069640-17-000	FT	SEALER - TAPE - .03"THICK X 1"WIDE X 90' - GRAY
	069640-18-000	FT	SEALER - TAPE - .50"THICK X 1/8"WIDE X 60' - BRIGHT WHITE
	069640-19-000	FT	SEALER - TAPE - .75"THICK X 1/8"WIDE X 60' - BRIGHT WHITE
	069640-21-000	FT	SEALER - TAPE - .50" THICK X 1/16 X 100FT - BRIGHT WHITE
			FROM: 09-22-97 THRU: 99-99-99
	072889-09-000	EA	SEALANT - URETHANE - BLACK (TUBE)
	072889-10-000	EA	SEALANT - URETHANE (HV) - BRIGHT WHITE
	072889-12-000	EA	SEALANT - URETHANE (LV) BRIGHT WHITE
	076314-02-000	FT	TAPE - CARPET SEAM - HEAT-BOND - 4" WIDE
	076322-05-000	FT	TAPE - DOUBLE COATED/ADHESIVE BACK - .045"THK X .75"W X 9'
	076322-07-000	FT	TAPE - DOUBLE COATED/ADHESIVE BACK - .045"THK X .50"W X 9'
	087211-01-000	GL	PROMOTER - ADHESIVE
	091255-02-000	FT	SEAL - ADHESIVE BACKED/FOAM - .18" THICK X 1.5" WIDE
	102352-01-000	EA	SEALER - PUMPABLE - BLACK
	102352-02-000	EA	SEALER - PUMPABLE - CLEAR
	106206-01-000	EA	SEALER - PUMPABLE - MANUS 30A - BLACK
	108716-03-000	EA	SILICONE - TUBE - BRIGHT WHITE/SELF LEVELING - W/O NOZZLE
	112864-01-000	FT	SEAL - FOAM/BUTYL COVERED - 3/8"
	118085-02-01A	FT	TAPE - FOIL - 1"
	120074-02-01A	EA	SEALANT - SILICONE - OFF WHITE
	120534-01-01A	EA	TAPE - SCOTCH - 3M - 1/2" FINE LINE
	123816-01-000	FT	TAPE - DOUBLE SIDED - 1"
	123816-02-000	FT	TAPE - DOUBLE SIDED - 1/2" X 1 1/3" THICK
	123816-03-000	FT	TAPE - DOUBLE SIDED - 1/2" X 3/4" - THICK
	900390-01-000	EA	TIP - 2 1/2" X 1/8" ORIFICE
	900390-03-000	EA	NOZZLE - SILICONE TUBE
	008343-01-000	EA	TIE - WIRE - 6"
	081211-05-000	EA	PLUG - PLASTIC - .188 DIAMETER - NATURAL
	085774-01-000	FT	FASTENER - DUAL LOCK - 1" WIDE - ADHESIVE BACK - BLACK
	085774-02-000	FT	FASTENER - DUAL HOOK - 1" WIDE - ADHESIVE BACK - BLACK
	088792-01-000	YD	VELCRO TAPE - HOOK - 5/8" - NON-ADHESIVE BACKED
			FROM: 00-00-00 THRU: 02-17-98
	088792-05-000	YD	VELCRO TAPE - LOOP - 5/8" - NON-ADHESIVE BACKED - WHITE
			FROM: 02-18-98 THRU: 99-99-99
	088792-02-000	YD	VELCRO TAPE - LOOP - 3/4" - ADHESIVE BACKED - BEIGE
	108046-01-000	EA	CABLE TIE - SCREW MOUNT 8"
	108046-02-000	EA	CABLE TIE - SCREW MOUNT 15"
	110943-02-000	FT	FELTSTRIP - 3/8" - ADHESIVE BACK - WHITE

## SEALANTS & FASTENERS GROUP (CONTINUED)

### BOLTS, NUTS & WASHERS

KEY	PART NUMBER	U/M	DESCRIPTION
	0MC31K-08-020	EA	BOLT - HEX - SERRATED FLANGE - M8 X 020
	000C12-05-16B	EA	BOLT - HEX - 5/16-18 X 1 - ZINC 5
	000C12-06-16B	EA	BOLT - HEX - 3/8-16 X 1 LG - ZINC 5
	000C12-06-20B	EA	BOLT - HEX - 3/8 - 16 X 1 1/4 - ZINC #5
	000C12-07-20B	EA	BOLT - HEX - 7/16-14 X 1 1/4 - ZINC 5
	000C12-08-24B	EA	BOLT - HEX - 1/2-13 X 1.50 - ZINC 5
	000C13-07-48B	EA	BOLT - HEX - 7/16-20 X 3 - ZINC 5
	000C18-05-40A	EA	BOLT - ELEVATOR - 5/16-18 X 2.50 - PL
	000C18-06-48B	EA	BOLT - ELEVATOR - 3/8-16 X 3 - ZINC - GRADE 5
	000C26-04-14B	EA	BOLT - HEX - SERRATED FLANGE - 1/4-20 X 7/8 - ZINC
	000C26-04-10B	EA	BOLT - HEX - SERRATED FLANGE - 1/4-20 X 5/8 - ZINC
	000C26-05-16B	EA	BOLT - HEX - SERRATED FLANGE - 5/16-18 X 1 - ZINC
	000C26-05-12B	EA	BOLT - HEX - SERRATED FLANGE - 5/16-18 X 3/4 - ZINC
	000C26-06-40B	EA	BOLT - HEX - SERRATED FLANGE - 3/8-16 X 1 3/4 - ZINC
	000C26-06-28B	EA	BOLT - HEX - SERRATED FLANGE - 3/8-16 X 1 3/4 - ZINC
	000C26-06-16B	EA	BOLT - HEX - SERRATED FLANGE - 3/8-16 X 1 - ZINC
	000C26-08-24B	EA	BOLT - HEX - SERRATED FLANGE - 1/2-13 X 1 1/2 ZINC
	000D34-06-00B	EA	NUT - HEX - LOCKING - 3/8-16 GRADE C - ZINC-PREVAILING
	000D39-04-00B	EA	NUT - HEX - LOCKING W/SERRATED FLANGE - 1/4-20 - ZINC
	000D39-05-00B	EA	NUT - HEX - LOCKING W/SERRATED FLANGE - 5/16-18 - ZINC
	000D39-06-00B	EA	NUT - HEX - LOCKING W/SERRATED FLANGE - 3/8-18 - ZINC
	000D39-07-00B	EA	NUT - HEX - LOCKING W/SERRATED FLANGE - 7/16-14 - ZINC
	000D39-08-00B	EA	NUT - HEX - LOCKING W/SERRATED FLANGE - 1/2-13 - ZINC
	000D44-07-00B	EA	NUT - HEX - LOCKING W/SERRATED FLANGE - 7/16-20 - ZINC
	000D65-08-00B	EA	NUT - HEX/SERRATED FLANGE - 8-32 ZINC
	000D73-08-00C	EA	NUT - HEX FLANGE - 1/2-13
	000E11-07-00B	EA	WASHER - LOCKING - 7/16 MED SPLIT - ZINC
	000E13-14-00B	EA	WASHER - FLAT - 1/4 WIDE - ZINC
	000E13-18-00B	EA	WASHER - FLAT - 3/8 WIDE - ZINC
	000E13-20-00B	EA	WASHER - FLAT - 7/16 WIDE - ZINC
	000E13-21-00B	EA	WASHER - FLAT - 1/2 NARROW - ZINC
	000G45-04-24B	EA	BOLT - LAG - 1/4-9 X 1 1/2 - ZINC
			FROM: 00-00-00 THRU: 01-01-98
	040921-01-000	EA	NUT - SPEED - U TYPE - 10-24 BLACK
	041322-01-000	EA	WASHER - FLANGE - 15/32 ID X 2 3/8 OD - F/SEAT BELT MTG
	044364-02-000	EA	NUT - SPEED - FLAT - ROUND
	051387-06-000	EA	BOLT - CARRIAGE W/O HOLE - 5/16-18 X 9.5 - ZINC
	077071-01-000	EA	WASHER - FENDER - 3/16"ID X 1" OD
	087234-01-000	EA	NUT - JACK - 1/4 X 20 THD - MOLLY - MOUNTS LICENSE PLATES
	102333-01-06A	EA	BOLT - CARRIAGE - 7/16-14 STAINLESS STEEL CAP
	106166-01-000	EA	BOLT/COLLARED HANGER - 8-32 X 1"
	106956-03-000	EA	BOLT - HEX TAP - 1/2-12NC X 3 - GRADE 5 - FULL THREAD/ZINC

## WATER & SEWAGE GROUP

### WATER TANK

KEY	PART NUMBER	U/M	DESCRIPTION
	119109-06-000	EA	TANK - WATER - 40 GALLON - W/FITTINGS
	119109-01-000	EA	TANK - WATER - 40 GALLON - W/O FITTINGS
	042989-03-000	EA	FITTING - WATER TANK - SPINWELD - 1 1/4"NPT - PLASTIC
	042989-04-000	EA	FITTING - WATER TANK - SPINWELD - 3/8 FPT - WHITE PLASTIC
	042989-05-000	EA	FITTING - WATER TANK - SPINWELD - 1/2"FPT - PLASTIC
	049032-01-000	EA	PATCH - SPINWELD - 3/8" - PLASTIC
	077954-02-000	EA	FILTER - WATER TANK - W/SCREEN IN TANK
	039861-01-000	EA	SENDING UNIT - W/SCREW - WASHER - WELL NUT/TERMINAL RING
	091208-01-000	EA	WASHER - RUBBER - .06" X .75" X .5"

### WATER SYSTEM COMPONENTS

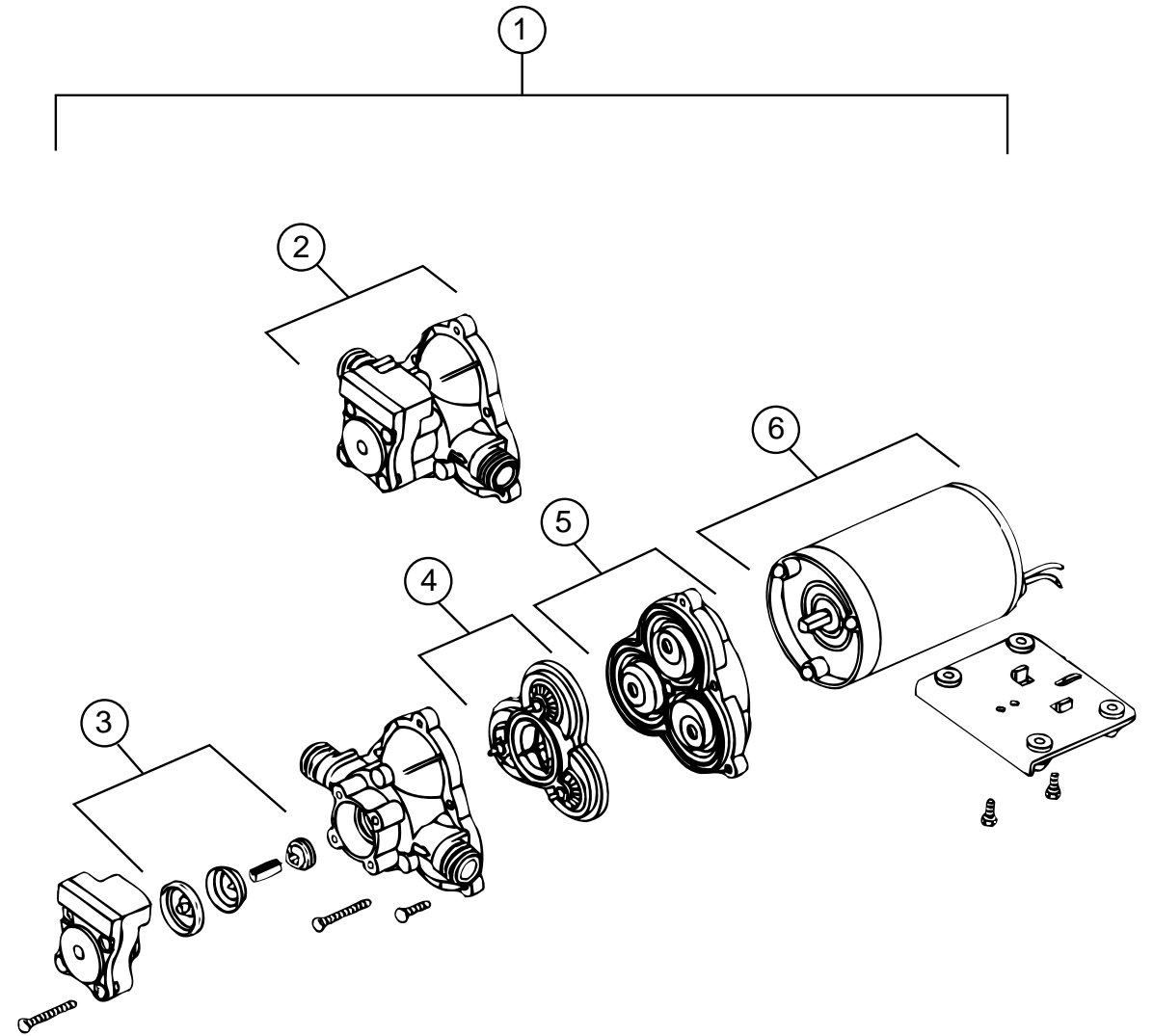
KEY	PART NUMBER	U/M	DESCRIPTION
	046128-01-000	EA	VALVE - DRAIN - PLASTIC - 1/2" FPT
	101814-01-000	EA	COUPLING - FEMALE - 1/2" X 1/2" FPT - GRAY
	110438-02-000	EA	VALVE - CHECK - BRASS - 1/2 MPT X 1/2 FPT
	010224-01-000	EA	ADAPTER - HOSE TO PIPE - 3/8 MPT X 3/8 BARB - PLASTIC
	044927-01-000	EA	ADAPTER - HOSE TO PIPE-1 1/4 MPTX1 1/4 BARB-BLACK PLASTIC
	123152-01-000	EA	ADAPTER - 1/2 FPT X 1/2 BARB - SWIVEL
	074462-02-000	FT	TUBING - VINYL - 3/8 ID X 20' - CLEAR
	079381-01-000	FT	TUBING - SMOOTH FLEXIBLE - 1 3/8 ID X 20'
	124188-02-000	FT	TUBING - PEX 1/2" ID X 20' (RED)
	010230-06-000	EA	FILL - CITY WATER - W/CHECK VALVE - MPT
	123150-01-000	EA	ELBOW - 1/2 FPT X 1/2 BARB - SWIVEL
	035539-01-000	EA	ELBOW - PLASTIC - 3/8 MPT X 3/8 BARB
	111223-02-000	EA	ELBOW - PLASTIC - 1/2MPT X 3/8 BARB
	113697-01-000	EA	CAP - 3/8 FTG
	115029-01-000	FT	HOSE - WATER - 3/8 ID
	114428-01-000	EA	TEE - 1/2"P X 1/2"P X 1/2"P
	114428-02-000	EA	TEE - SWIVEL - 1/2"P X 1/2"P X 1/2"FPT
	114428-03-000	EA	TEE - 1/2"P X 1/2"P X 1/2"MPT
	114429-01-000	EA	ELBOW - 1/2"P X 1/2"P
	114429-02-000	EA	ELBOW - 1/2"P X 1/2"MPT
	114429-03-000	EA	ELBOW - FLAIR-IT SWIVEL - 1/2"P X 1/2"FPT
	114430-02-000	EA	ADAPTER - SWIVEL - 1/2"P X 1/2"FPT
	114430-03-000	EA	ADAPTER - 1/2"P X 1/2"MPT
	114430-06-000	EA	ADAPTER - 1/2P X 3/8FPT
	114431-02-000	EA	VALVE - WATER BYPASS - 1/2"P - THREE WAY (WATER HEATER)
	114431-03-000	EA	VALVE - 90 DEGREE DRAIN - 1/2"P

### WATER HEATERS

KEY	PART NUMBER	U/M	DESCRIPTION
*	051393-01-000	EA	WATER HEATER - GH6-8E - ELECTRONIC IGNITION W/MOTOR AID
*	051391-03-000	EA	WATER HEATER G6A-8E - ELECTRONIC IGNITION
	097967-01-000	EA	SWITCH - WATER HEATER - REMOTE W/LIGHT

\* COMPONENT PARTS FOUND IN SERVICE PARTS LIBRARY

## WATER & SEWAGE GROUP (CONTINUED)

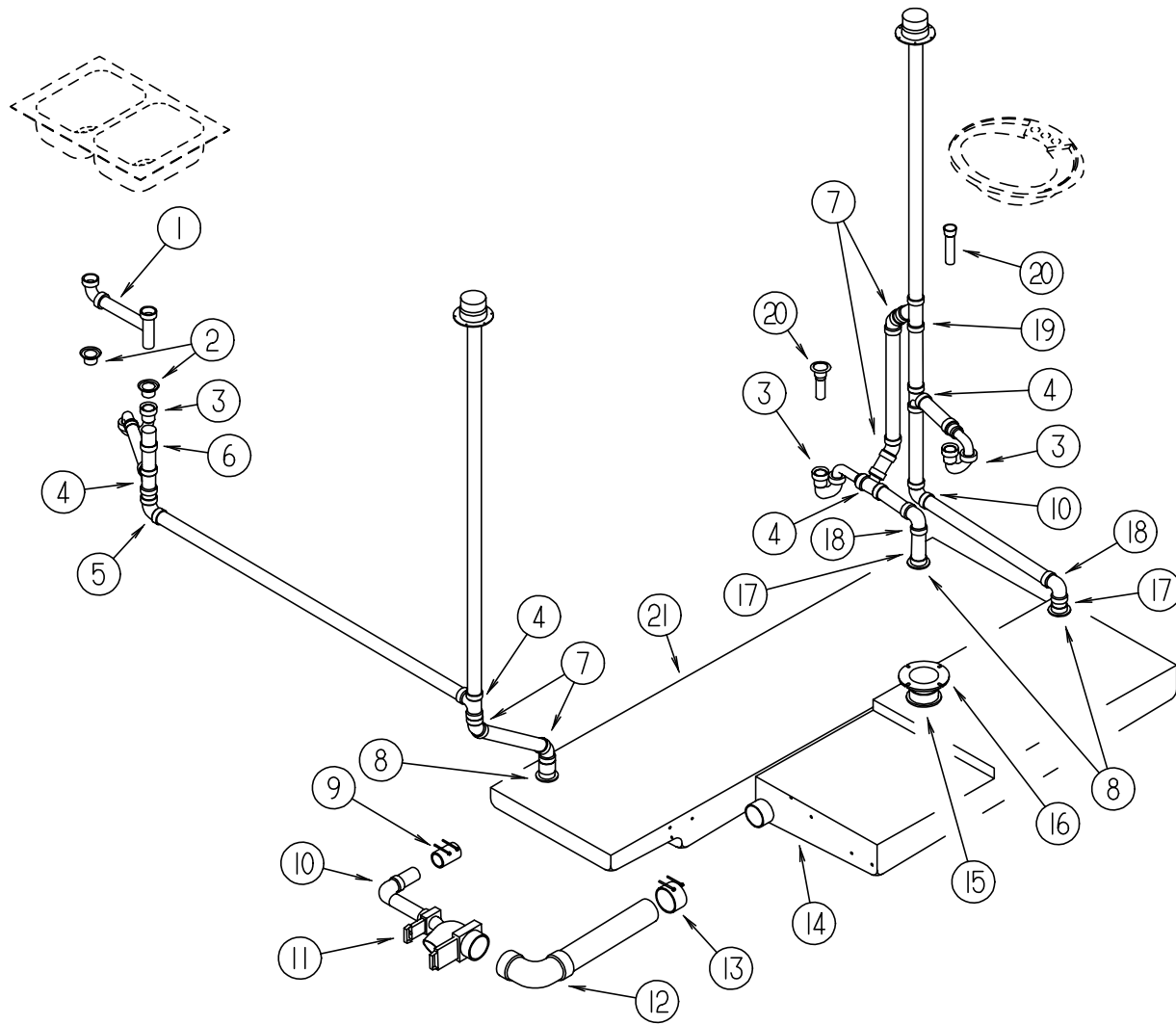


### WATER PUMP - SHURFLO

KEY	PART NUMBER	U/M	DESCRIPTION	VENDOR NO.
1	098607-01-000	EA	PUMP - WATER - W/.5" MPT FITTING - FLOW W.9 GPM - UL	
2	098607-01-706	EA	HOUSING - W/ SWITCH ONLY	94-231-20
3	098607-01-705	EA	VALVE - CHECK - KIT	94-237-00
4	098607-01-703	EA	VALVE KIT	94-232-00
5	098607-01-702	EA	DIAPHRAGM/ DRIVE ASSEMBLY KIT	94-238-04
6	098607-01-707	EA	MOTOR W/ BASEPLATE	11-148-04

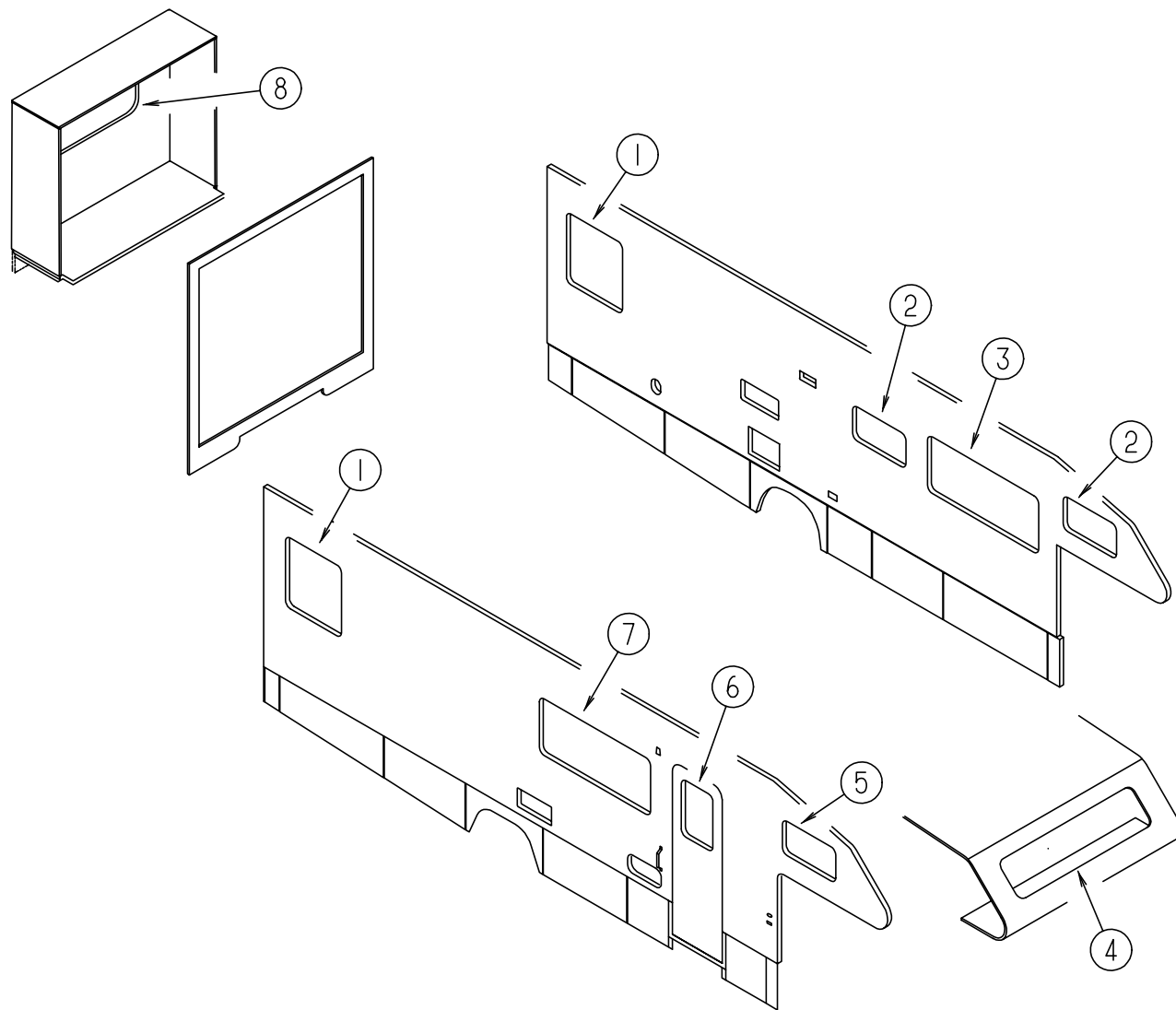
# WATER & SEWAGE GROUP (CONTINUED)

## DRAINAGE SYSTEM



KEY	PART NUMBER	U/M	DESCRIPTION	VENDOR NO.
1	011091-02-000	EA	WASTE - CONTINUOUS - DOUBLE SINK	
1	011091-03-000	EA	WASTE - CONTINUOUS - DOUBLE SINK - CSA	
2	092303-01-000	EA	STRAINER - SINK	
3	107538-01-000	EA	P TRAP - PLASTIC - 1 1/4" W/EXTENSION ARM	
3	011071-01-000	EA	P-TRAP - PLASTIC - 1 1/2" - CSA	
	109571-01-000	EA	ADAPTER - P TRAP - 1 1/2"P X 1 1/4"MPT	
4	010071-01-000	EA	TEE - SANITARY - 1 1/2" HUB X HUB X HUB - PLASTIC	
5	033761-01-000	EA	ELBOW - TURN - 90 DEGREE 1 1/2" HUB X 1 1/2" SPIGOT	
6	079968-01-000	EA	VENT - MECHANICAL/TRAP ARM - ANTI-SIPHON-2" X 7.3" PLASTIC	
7	010006-01-000	EA	ELBOW - 45 DEGREE - 1 1/2" HUB X HUB - PLASTIC	
8	061607-01-000	EA	GROMMET - HOLDING TANK - 1 1/2" NPS	
9	089355-01-000	EA	COUPLER - RUBBER - 1 1/2" X 1 1/2"	
9	109571-01-000	EA	ADAPTER - P TRAP - 1 1/2"P X 1 1/4"MPT	
10	010008-01-000	EA	ELBOW - 90 DEGREE - 1 1/2" HUB X HUB - PLASTIC	
11	070916-01-000	EA	VALVE - DUAL DUMP - W/CAP - 3" X 1 1/2"	
	070916-01-700	EA	VALVE ONLY (WASTE) 3"	T1003BU
	070916-01-701	EA	VALVE ONLY (WASTE) 1 1/2"	T1001BU
11	062416-01-000	EA	ADAPTER - SEWER HOSE TO 3" PIPE	
11	010201-01-000	EA	HOSE - SEWER - 3" ID X 8'	
12	031126-01-000	EA	ELBOW - 1/4 BEND - 3" X 90" XLT - BLACK PLASTIC	
13	078406-01-000	EA	COUPLER - RUBBER - W/CLAMPS - 3" X 3"	
14	123643-01-000	EA	TANK - HOLDING - 32 GALLON - W/O FITTINGS	
15	061607-02-000	EA	GROMMET - HOLDING TANK - 3" NPS	
16	063641-01-000	EA	FLANGE - CLOSET - 4" X 3"	
17	010115-01-000	EA	COUPLING - 1 1/2" HUB X HUB - PLASTIC	
18	034250-01-000	EA	ELBOW - 90 DEGREE - LONG TURN - 1 1/2" HUB X HUB - ABS	
19	010073-01-000	EA	WYE - 45 DEGREE - 1 1/2" HUB X HUB X HUB - PLASTIC	
20	066729-01-000	EA	STRAINER - TUB/SHOWER W/PLUG - CHROME	
	069735-01-000	EA	WASHER - STRAINER TO TAILPIECE - PLASTIC - 1.5"	
			FROM: 00-00-00 THRU: 10-21-97	
	127440-02-01A	EA	WASHER - RUBBER - 1.8" X .1"	
			FROM: 10-22-97 THRU: 99-99-99	
21	125615-01-700	EA	TANK - HOLDING W/O OUTLET NIPPLE - 36 GALLON	
	109571-02-000	EA	ADAPTER - 1 1/2" HUB X 1 1/2" MPT	
	120981-01-01A	EA	DRAIN - BATH/SHOWER W/SPRING LOADED PLUNGER - BRASS	
	066436-01-000	EA	NUT - SLIP - TAILPIECE 1.5"	
			FROM: 00-00-00 THRU: 01-25-98	
	116644-01-000	EA	FLANGE - CLOSET - 4" X 3"	

## WINDOW, VENT & EXTERIOR DOOR GROUP

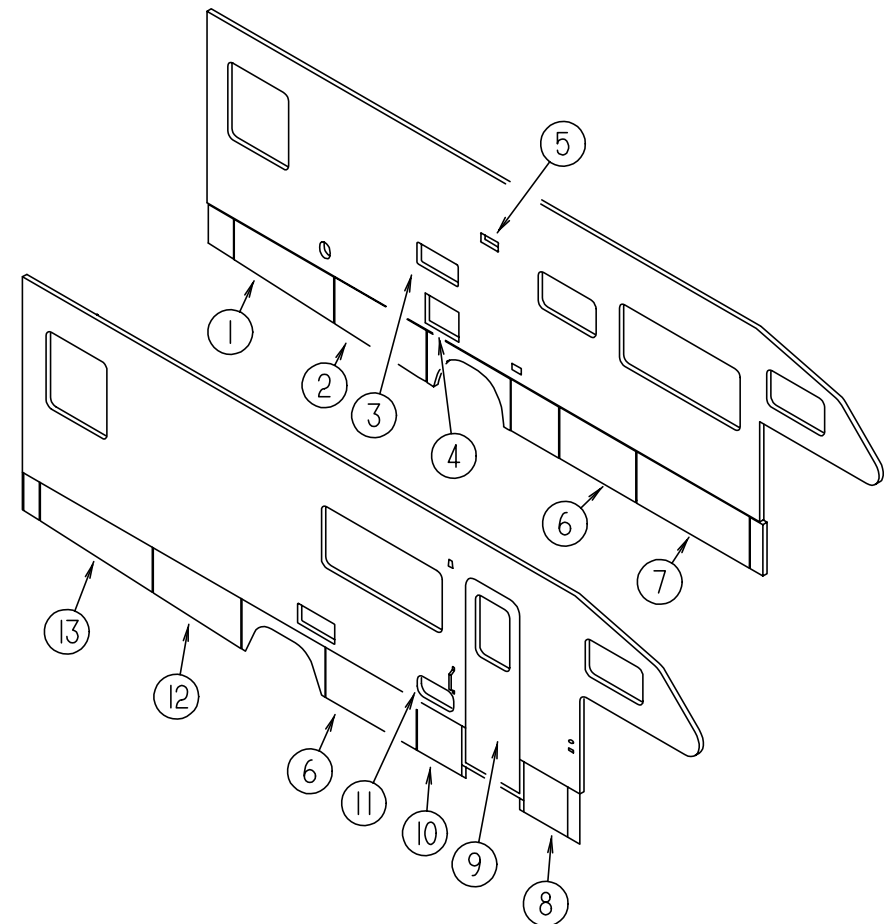


### WINDOWS

KEY	PART NUMBER	U/M	DESCRIPTION
1*	112463-03-01A	EA	WINDOW - TIPOUT W/RETAINER TRIM - 33.3" X 30.2"
2*	098647-34-01A	EA	WINDOW-DRIVER HORIZ SLIDER W/TRIM-TINTED - 15.7" X 28.5"
3*	098647-22-01A	EA	WINDOW-DRIVER HORIZ SLIDER W/TRIM-TINTED - 26.1" X 59.7"
4*	103313-03-F15	EA	WINDOW - PICTURE - 23.3" X 71.3"
5*	098647-33-01A	EA	WINDOW - PASSENGER - HORIZONTAL SLIDER - 15.7" X 28.5"
6*	117053-02-F36	EA	WINDOW - PICTURE - ENTRANCE DOOR - 17" X 26.4"
7*	098647-23-01A	EA	WINDOW - PASS HORIZ SLIDER W/TRIM - TINTED - 26.1" X 59.7"
8*	078528-03-Y12	EA	WINDOW-ESCAPE W/O INSIDE TRIM - 47.8" X 26.5"

\* COMPONENT PARTS FOUND IN SERVICE PARTS LIBRARY

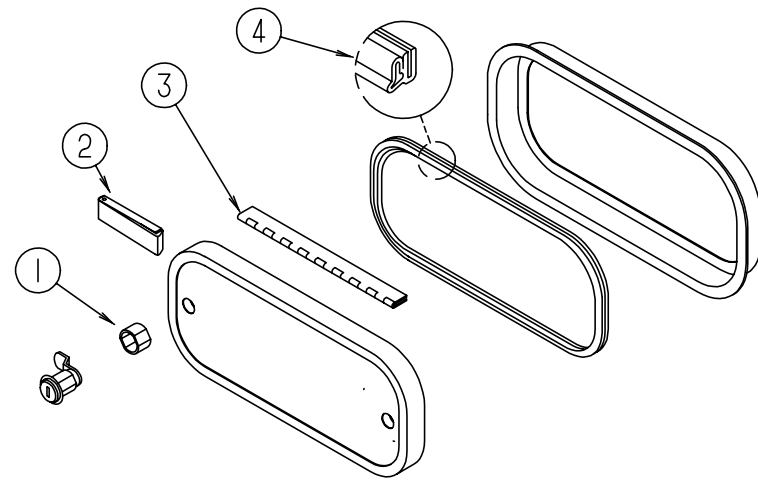
## WINDOW, VENT & EXTERIOR DOOR GROUP (CONTINUED)



### EXTERIOR DOORS

KEY	PART NUMBER	U/M	DESCRIPTION	VENDOR NO.
1	122391-38-H07	EA	VALANCE/DOOR-DRIVER W/O PADDLE LATCH 19.3" X 49.5" X 16.8"	
2	122391-10-H07	EA	VALANCE/DOOR-DRIVER W/O PADDLE LATCH 21.5" X 45.6" X 19.5"	
3	084103-08-000	EA	DOOR - REFRIGERATOR - VENTED - W/O JAMB	
3	084104-08-000	EA	JAMB - REFRIGERATOR DOOR	
3	084104-01-700	EA	LOCK - MALE - FASTENER	201-721-010
3	084104-01-701	EA	LOCK - FEMALE - FASTENER	201-802-010
4	052009-06-000	EA	DOOR - WATER HEATER - BRIGHT WHITE - 18" X 14.6"	
4	116424-01-000	EA	PROTECTOR - LATCH - WATER HEATER	
5	084878-09-000	EA	VENT - EXHAUST/RANGE HOOD - OFF WHITE	
6	122239-17-H07	EA	VALANCE/DOOR - W/O PADDLE LATCH/HINGE - 21.5" X 38"	
7	122239-24-H07	EA	VALANCE/DOOR - W/O PADDLE LATCH/HINGE - 21.5" X 56"	
8	122239-70-J05	EA	VALANCE/DOOR - W/O PADDLE LATCH/HINGE - 21.5" X 19.6"	
	123478-03-J05	EA	DOOR - COMPARTMENT - W/O LOCKS/HINGE	
9	115108-02-J05	EA	DOOR - ENTRY - W/SCREEN DOOR - W/O WINDOW	
9	115108-02-J06	EA	DOOR - ENTRY - W/SCREEN DOOR - W/O WINDOW	
10	122239-71-J05	EA	VALANCE/DOOR - W/O PADDLE LATCH/HINGE - 21.5" X 28.5"	
11	126945-01-J22	EA	DOOR - STORAGE - W/O HARDWARE - 8.3" X 18"	
12	122391-37-H07	EA	VALANCE/DOOR-PASS W/O PADDLE LATCH 21.5" X 43.7" X 19.6"	
13	122391-11-H07	EA	VALANCE/DOOR-PASS W/O PADDLE LATCH 19.4" X 55.8" X 16.6"	

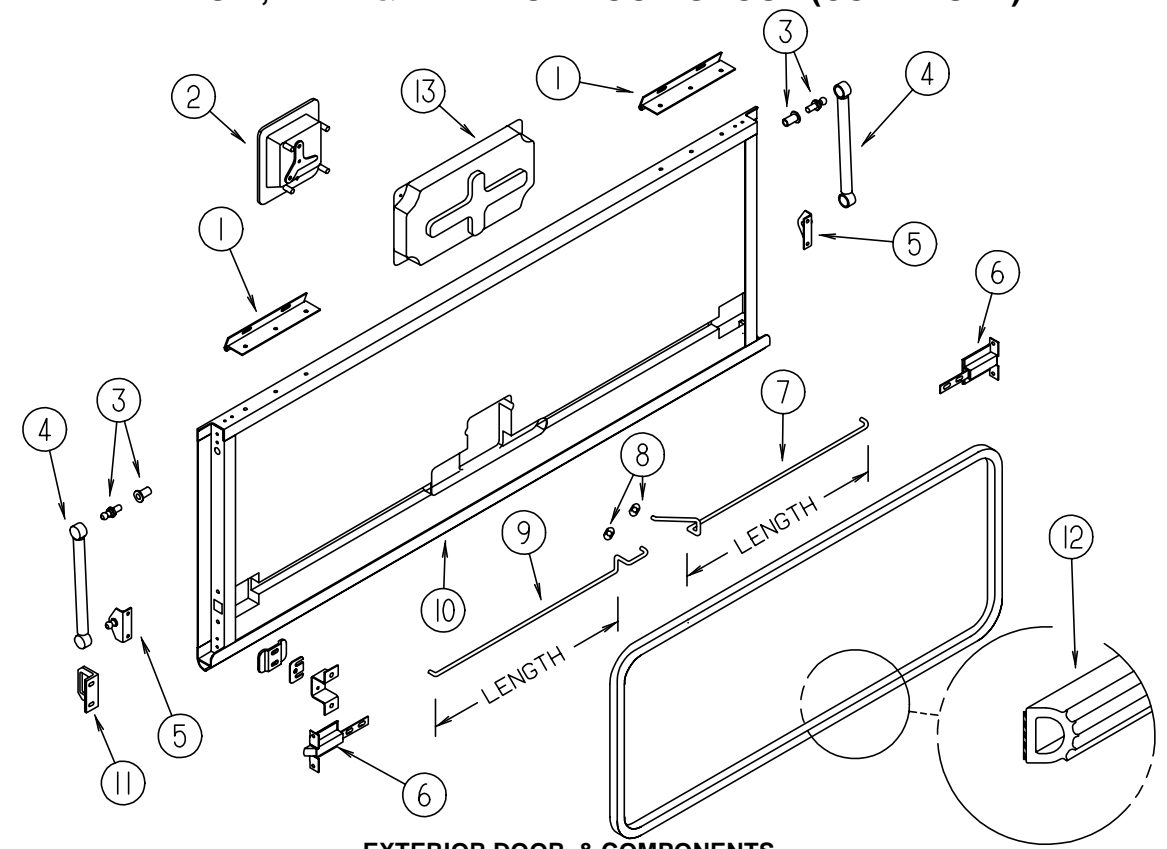
**WINDOW, VENT & EXTERIOR DOOR GROUP (CONTINUED)**



**EXTERIOR DOOR & COMPONENTS**

KEY	PART NUMBER	U/M	DESCRIPTION
1	107997-51-001	EA	SPACER - DOOR LOCK - .6" DEEP
	107997-51-002	EA	EXTRUDED - SPACER - 16'
2	102768-01-000	EA	HOLDER - COMPARTMENT/ENTRY DOOR - METAL - MILL FINISH
3	081801-V3-000	EA	HINGE - ALUMINUM - 2" X 96" - BRIGHT WHITE
3	009065-01-000	EA	HINGE - ALUMINUM - 1 1/2" X 96" - UNPAINTED
4	106850-01-000	FT	SEAL-E - SPONGE RUBBER - .43" X .75" FROM: 00-00-00 THRU: 12-02-97
4	106850-02-000	FT	SEAL-E - SPONGE RUBBER - .43" X .75" FROM: 12-03-97 THRU: 99-99-99
4	098408-01-000	FT	SEAL - SPONGE RUBBER - CLOSED CELL
	064075-07-000	FT	SEAL - BULB - W/WIRED U CHANNEL - .3" X .5" CHANNEL - BLK
	081801-02-000	EA	HINGE - DOOR - PIANO - 2" X 8'
	120863-02-000	EA	BUMPER - RUBBER - 1" DIAMETER X 1.50"

**WINDOW, VENT & EXTERIOR DOOR GROUP (CONTINUED)**



**EXTERIOR DOOR & COMPONENTS**

KEY	PART NUMBER	U/M	DESCRIPTION
1	121755-01-04A	EA	HINGE - 6.00 INCH
2	112949-01-03A	EA	LATCH - PADDLE W/LOCK - W/O KEY - BRIGHT WHITE
2	112949-02-04A	EA	LATCH - PADDLE NON-LOCKING - BRIGHT WHITE
	112949-03-000	EA	KEY - TRI-MARK #TM500
3	057460-08-000	EA	BALL STUD - 10MM BALL - 5/16-18 - STAINLESS STEEL FROM: 00-00-00 THRU: 08-21-97
4	107796-18-000	EA	SPRING/GAS - 10" LENGTH - 80 LB
5	107796-19-000	EA	BRACKET - GAS SPRING FROM: 00-00-00 THRU: 08-24-97
5	107796-03-000	EA	BRACKET - GAS SPRING - SMALL FROM: 00-00-00 THRU: 08-24-97
5	126263-02-02B	EA	BRACKET - GAS SPRING FROM: 08-25-97 THRU: 99-99-99
6	121947-01-01A	EA	BOLT - SLIDE - LATCH - STEEL
7	122269-21-000	EA	ROD - LATCH - 4.52"
7	122269-18-000	EA	ROD - LATCH - 11.28"
7	122269-19-000	EA	ROD - LATCH - 14.22"
7	122269-24-000	EA	ROD - LATCH - 15.09"
7	122269-25-000	EA	ROD - LATCH - 17.04"
7	122269-23-000	EA	ROD - LATCH - 20.19"
8	124304-01-000	EA	CLIP - ROUND PUSH ON
9	122268-21-000	EA	ROD - LATCH - 4.52"
9	122268-18-000	EA	ROD - LATCH - 11.28"
9	122268-19-000	EA	ROD - LATCH - 14.22"
9	122268-24-000	EA	ROD - LATCH - 15.09"
9	122268-25-000	EA	ROD - LATCH - 17.04"
9	122268-23-000	EA	ROD - LATCH - 20.19"
10	122613-55-001	EA	EXTRUDED - ROCKER PANEL - 192" - BRIGHT WHITE
11	123783-01-01A	EA	STRIKER - DOOR - MILL
12	107721-08-000	FT	SEAL - ACCESS DOOR
13	122277-02-01A	EA	COVER - LATCH - BLACK
	122614-55-001	EA	EXTRUDED - H CHANNEL - 191" - BRIGHT WHITE
	123892-10-02B	EA	KEY ASSEMBLY - CORNER/DOOR - E-COATED
	123892-12-02B	EA	KEY ASSEMBLY - CORNER/DOOR - E-COATED
	122612-55-001	EA	U-CHANNEL/EXTRUSION - 192" - BRIGHT WHITE

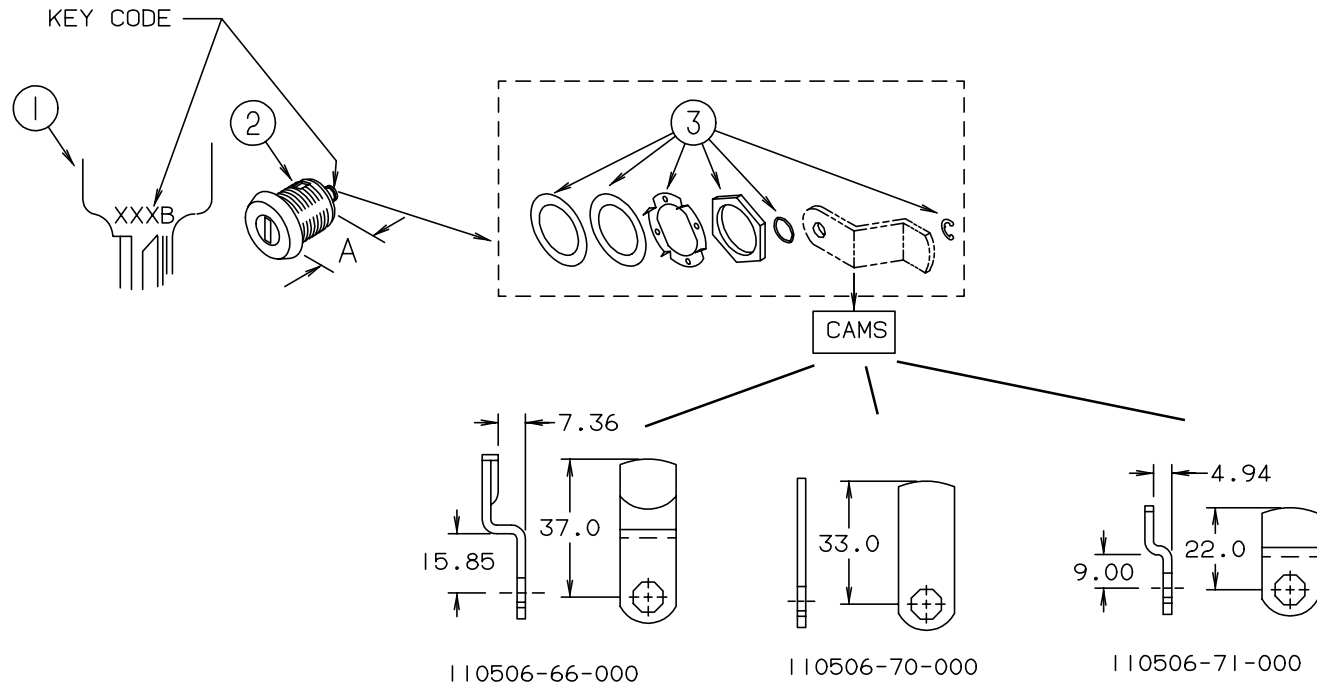


## WINDOW, VENT & EXTERIOR DOOR GROUP (CONTINUED)

### BRIGGS & STRATTON LOCKS & COMPONENTS

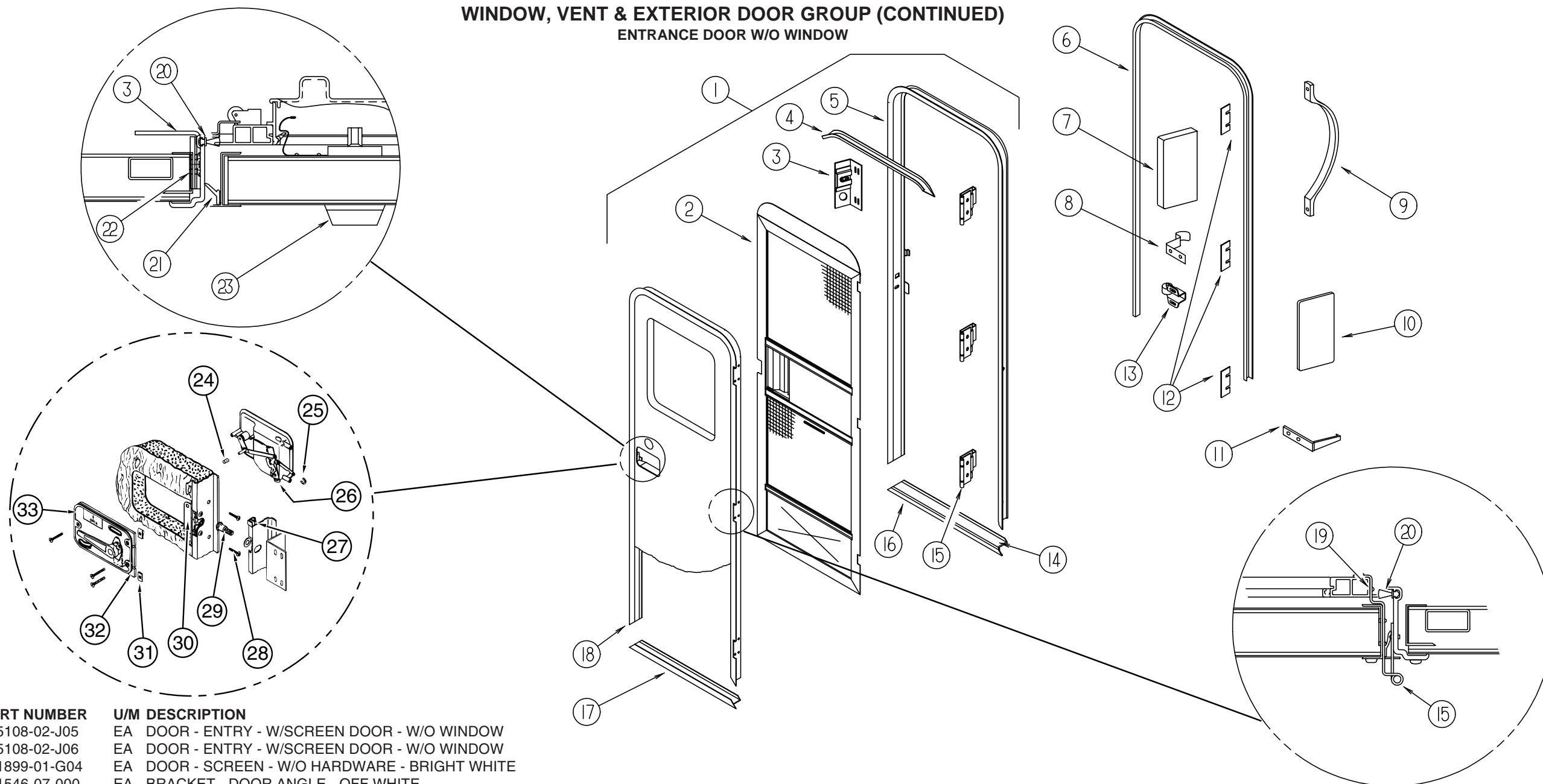
**NOTE:**

WHEN ORDERING THE LOCK CASE, THE KEY CODE MUST MATCH THE LAST DIGIT OF THE VEHICLE'S SERIAL NUMBER AND PART NUMBER; WHEN ORDERING THE KEYS, THE THIRD DIGIT OF THE KEY CODE MUST MATCH THE LAST DIGIT OF THE VEHICLE'S SERIAL NUMBER AND PART NUMBER.



KEY	PART NUMBER	U/M	DESCRIPTION	VENDOR NO.	KEY	PART NUMBER	U/M	DESCRIPTION	VENDOR NO.
1	110506-59-000	EA	KEYS - SET OF TWO	596720	1	110506-59-006	EA	KEYS - SET OF TWO	597936
2	110506-52-000	EA	CASE/CYLINDER - LOCKING - W/O CAM/KEY - .65"	702370	2	110506-52-006	EA	CASE/CYLINDER - LOCKING - W/O CAM/KEY - .65"	702376
2	110506-54-000	EA	CASE/CYLINDER - LOCKING - W/O CAM/KEY - 1.25"	703170	2	110506-54-006	EA	CASE/CYLINDER - LOCKING - W/O CAM/KEY - 1.25"	703176
1	110506-59-001	EA	KEYS - SET OF TWO	596721	1	110506-59-007	EA	KEYS - SET OF TWO	597937
2	110506-52-001	EA	CASE/CYLINDER - LOCKING - W/O CAM/KEY - .65"	702371	2	110506-52-007	EA	CASE/CYLINDER - LOCKING - W/O CAM/KEY - .65"	702377
2	110506-54-001	EA	CASE/CYLINDER - LOCKING - W/O CAM/KEY - 1.25"	703171	2	110506-54-007	EA	CASE/CYLINDER - LOCKING - W/O CAM/KEY - 1.25"	703177
1	110506-59-002	EA	KEYS - SET OF TWO	596722	1	110506-59-008	EA	KEYS - SET OF TWO	596728
2	110506-52-002	EA	CASE/CYLINDER - LOCKING - W/O CAM/KEY - .65"	702372	2	110506-52-008	EA	CASE/CYLINDER - LOCKING - W/O CAM/KEY - .65"	702378
2	110506-54-002	EA	CASE/CYLINDER - LOCKING - W/O CAM/KEY - 1.25"	703172	2	110506-54-008	EA	CASE/CYLINDER - LOCKING - W/O CAM/KEY - 1.25"	703178
1	110506-59-003	EA	KEYS - SET OF TWO	596723	1	110506-59-009	EA	KEYS - SET OF TWO	596729
2	110506-52-003	EA	CASE/CYLINDER - LOCKING - W/O CAM/KEY - .65"	702373	2	110506-52-009	EA	CASE/CYLINDER - LOCKING - W/O CAM/KEY - .65"	702379
2	110506-54-003	EA	CASE/CYLINDER - LOCKING - W/O CAM/KEY - 1.25"	703172	2	110506-54-009	EA	CASE/CYLINDER - LOCKING - W/O CAM/KEY - 1.25"	703179
1	110506-59-004	EA	KEYS - SET OF TWO	596724	3	110506-40-700	EA	HDWE KIT	596950AAL
2	110506-52-004	EA	CASE/CYLINDER - LOCKING - W/O CAM/KEY - .65"	702374		110506-66-000	EA	CAM - LATCHING - DOG LEGGED 1.5" LONG	
2	110506-54-004	EA	CASE/CYLINDER - LOCKING - W/O CAM/KEY - 1.25"	703174		110506-70-000	EA	CAM - LATCHING - STRAIGHT 1.3" LONG	
1	110506-59-005	EA	KEYS - SET OF TWO	596725		110506-71-000	EA	CAM - LATCHING - DOG LEGGED .86" LONG	
2	110506-52-005	EA	CASE/CYLINDER - LOCKING - W/O CAM/KEY - .65"	702375		P10506-59-701	EA	KEY BLANK (GOLD)	
2	110506-54-005	EA	CASE/CYLINDER - LOCKING - W/O CAM/KEY - 1.25"	703175					

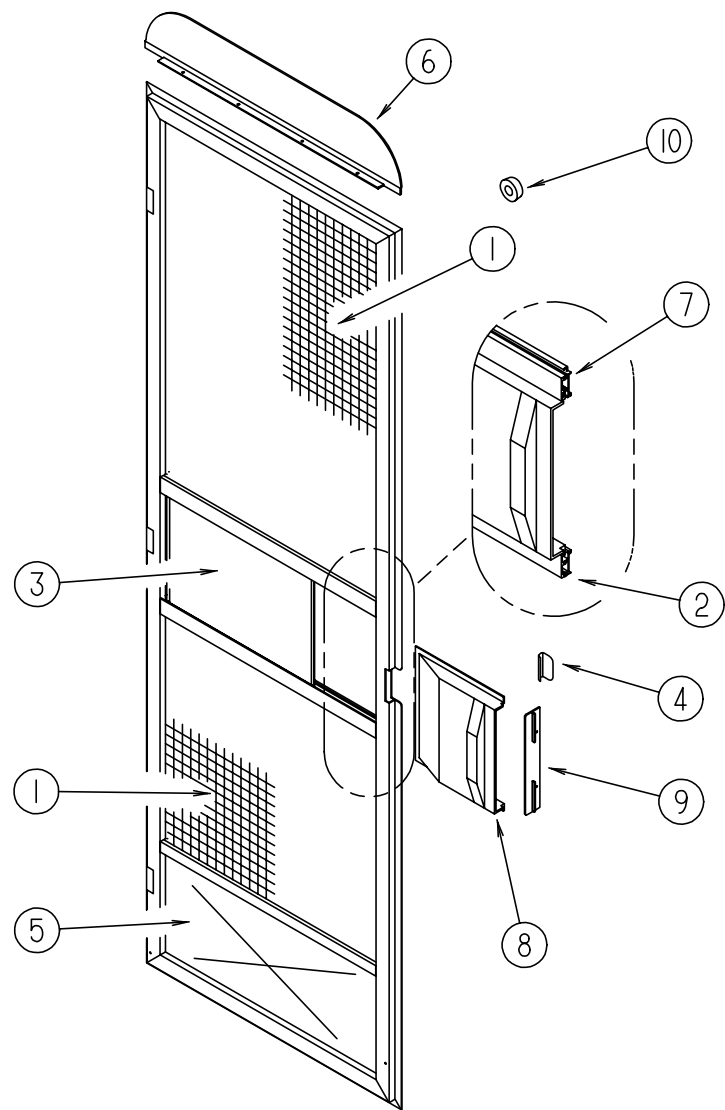
**WINDOW, VENT & EXTERIOR DOOR GROUP (CONTINUED)**  
ENTRANCE DOOR W/O WINDOW



KEY	PART NUMBER	U/M	DESCRIPTION
1	115108-02-J05	EA	DOOR - ENTRY - W/SCREEN DOOR - W/O WINDOW
1	115108-02-J06	EA	DOOR - ENTRY - W/SCREEN DOOR - W/O WINDOW
2	121899-01-G04	EA	DOOR - SCREEN - W/O HARDWARE - BRIGHT WHITE
3	041546-07-000	EA	BRACKET - DOOR ANGLE - OFF WHITE
4	044582-44-000	EA	CAP - DRIP - JAMB - BRIGHT WHITE
5	121898-01-01A	EA	GARNISH - RADIUS - ENTRY DOOR
7	077461-05-000	EA	COVER/BRACKET - STRIKE
8	100412-01-000	EA	CATCH - SCREEN DOOR
9	009126-03-000	EA	HANDLE - ASSIST - BLACK TEXTURED
10	076725-02-000	EA	COVER - HINGE - ENTRY DOOR - 6" X 3.2" - OFF WHITE
11	102768-01-000	EA	HOLDER - COMPARTMENT/ENTRY DOOR - METAL - MILL FINISH
12	102248-01-000	EA	SHIM - DOOR
13	079087-03-000	EA	STRIKE - SLIDER - SCREEN DOOR - BRIGHT WHITE
14	038327-01-000	EA	TAPE - ANTI-SLIP - 2" X 60'
15	106719-01-05A	EA	HINGE - ENTRANCE DOOR - BRIGHT WHITE
	106719-01-01A	EA	HINGE - ENTRANCE DOOR - MILL
	039715-01-000	EA	NUT-SERT - 1/4" DIAMETER - 20 THREADS
16	051049-01-000	EA	JAMB - BOTTOM - ENTRY DOOR - 25.9" - UNPAINTED
	075673-05-000	FT	SEAL - PILE - ADHESIVE BACK - BLACK
17	121893-01-01A	EA	FRAME - ENTRY DOOR/BOTTOM - BRIGHT WHITE
18	121894-03-01A	EA	FRAME - ENTRY DOOR
	098173-01-04A	EA	STIFFENER - ENTRY DOOR - SUPPORTS LATCH/STRIKE - UNPAINTED
	098173-01-04A	EA	STIFFENER - ENTRY DOOR - SUPPORTS LATCH/STRIKE - UNPAINTED
19	100128-02-000	FT	SEAL - FOAM - ADHESIVE BACK - .37" WIDE X .37" THICK
20	118929-01-01A	FT	SEAL - PILE - PUSH ON
21	075671-04-000	FT	SEAL - SPONGE - LAZY T - W/ADHESIVE STRIP - .5" WIDE
22	104692-01-000	FT	SEAL - FOAM/ADHESIVE BACK - .75"THICK X .75"WIDE X 25'

KEY	PART NUMBER	U/M	DESCRIPTION
23	101145-01-06A	EA	DEADBOLT - ENTRY DOOR W/O SECURITY BOLT W/2 KEYS - BLACK
	101147-01-000	EA	BOLT - SECURITY - 4.12"
	095229-01-700	EA	KEY-BLANK, DEADBOLT 81205-03
	101145-01-701	EA	CYLINDER-LOCK ASM., W/KEY 81306-03
24	039984-01-000	EA	CAP - ROUND - VINYL - .28" ID X .62" - BLACK
25	036618-02-000	EA	E RING - EXTERNAL - 3/16" SHAFT DIAMETER - LYNOR DOOR LOCK
26	045017-13-000	EA	LATCH - ENTRY DOOR - BLACK TEXTURED
	045017-11-701	EA	KEY-BLANK, F1 SERIES 81312-02
	045017-11-703	EA	CYLINDER-LOCK ASM. W/KEYS 81266-09
27	064075-07-000	FT	SEAL - BULB - W/WIRED U CHANNEL - .3" X .5" CHANNEL - BLK
28	000G54-04-20B	EA	SCREW - 1/4-20 X 1.25 PTH - TYPE 23 - ZINC PLATED
29	039539-01-000	EA	STRIKE - LOCK - ENTRY DOOR - ROUND W/THREADED WASHER
30	039540-01-000	EA	LATCH MECHANISM - HOOK - ENTRY DOOR - INTERIOR
31	040921-01-000	EA	NUT - SPEED - U TYPE - 10-24 BLACK
32	096810-01-01A	EA	PLATE - LATCH - ENTRY DOOR - BLACK
33	039979-06-000	EA	COVER - LATCH PLATE - RIGHT HAND - BLACK TEXTURED
	086285-05-000	EA	SPACER - NYLON - .7" X .56"
	104099-01-04A	EA	CATCH - DOOR HOLDER - STRIKE - BRIGHT WHITE
	104099-02-04A	EA	CATCH - DOOR HOLDER - RETAINER - BRIGHT WHITE
	121676-01-01A	EA	ANGLE - ENTRY DOOR - BRIGHT WHITE
	121676-02-01A	EA	ANGLE - ENTRY DOOR - BRIGHT WHITE
	121676-03-01A	EA	ANGLE - ENTRY DOOR

**WINDOW, VENT & EXTERIOR DOOR GROUP (CONTINUED)**



**SCREEN DOOR COMPONENTS**

KEY	PART NUMBER	U/M	DESCRIPTION
	121899-01-G04	EA	DOOR - SCREEN - W/O HARDWARE - BRIGHT WHITE
1	002293-02-000	SF	SCREENING - WINDOW/DOOR - 26" - CHARCOAL
2	002294-01-000	FT	SPLINE - SCREENING - .135" X .138"
3	016454-01-000	EA	INSERT - CENTER - LEATHER GRAIN ALUMINUM - UNPAINTED
	001014-01-013	EA	INSERT - CENTER - 10.25" X 16.31" - UNPAINTED
4	050712-06-000	EA	HANDLE - SCREEN DOOR - BRIGHT WHITE
5	078552-03-000	EA	KICK PANEL - SCREEN DOOR - LOWER INSERT - UNPAINTED
6	078595-01-000	EA	TOP PLATE - SCREEN DOOR - CURVED TOP - 4.7" X 25.35"
7	078777-01-000	EA	CHANNEL - SLIDE - SCREEN DOOR CENTER SLIDER COVER
			FROM: 00-00-00 THRU: 02-22-98
7	078777-08-000	FT	CHANNEL SLIDER
			FROM: 02-23-98 THRU: 99-99-99
8	079086-03-000	EA	SLIDER - SCREEN DOOR - BRIGHT WHITE
9	079087-03-000	EA	STRIKE - SLIDER - SCREEN DOOR - BRIGHT WHITE
10	120863-05-000	EA	BUMPER - RUBBER - 3/4" X 3/8"
			FROM: 00-00-00 THRU: 10-27-97
10	120863-06-000	EA	BUMPER - RUBBER - 3/4" X 3/8"

**WINDOW, VENT & EXTERIOR DOOR GROUP (CONTINUED)**

**POWERED ROOF VENTILATOR - US - FANTASTIC**

KEY	PART NUMBER	U/M	DESCRIPTION
*	123780-02-01A	EA	VENTILATOR - ROOF/1" - W/O THERMOSTAT/POWER LIFT
			FROM: 00-00-00 THRU: 10-05-97
*	123780-01-01A	EA	VENTILATOR - ROOF/1" - W/O THERMOSTAT/POWER LIFT
			FROM: 10-06-97 THRU: 99-99-99

**\* COMPONENT PARTS FOUND IN SERVICE PARTS LIBRARY**

**VENT**

KEY	PART NUMBER	U/M	DESCRIPTION
*	122882-01-01A	EA	VENT - ROOF - NONPOWERED - W/O INSIDE GARNISH
*	122882-02-01A	EA	VENT - ROOF - W/FAN - W/O INSIDE GARNISH - UL
*	122882-03-01A	EA	VENT - ROOF - W/FAN - W/O INSIDE GARNISH - CSA
	122882-07-01A	EA	GARNISH - ROOF VENT - 2.50" TO 4.12"
	122882-06-01A	EA	GARNISH - ROOF VENT - 1" TO 2.56"

**\* COMPONENT PARTS FOUND IN SERVICE PARTS LIBRARY**

**VENTS, SHROUDS AND ROOF COVERS**

KEY	PART NUMBER	U/M	DESCRIPTION
	084073-07-000	EA	VENT - ROOF/REFRIGERATOR - BRIGHT WHITE - NORCOLD
	084073-04-000	EA	BASE - ROOF VENT/REFRIGERATOR - BLACK - NORCOLD
	084616-07-000	EA	SHROUD - EXHAUST VENT/RANGE HOOD - BRIGHT WHITE
	084878-09-000	EA	VENT - EXHAUST/RANGE HOOD - OFF WHITE
	083558-03-000	EA	VENT - PLUMBING - PIPE ROOF - W/COVER - OFF WHITE

FROM: 10-28-97 THRU: 99-99-99