

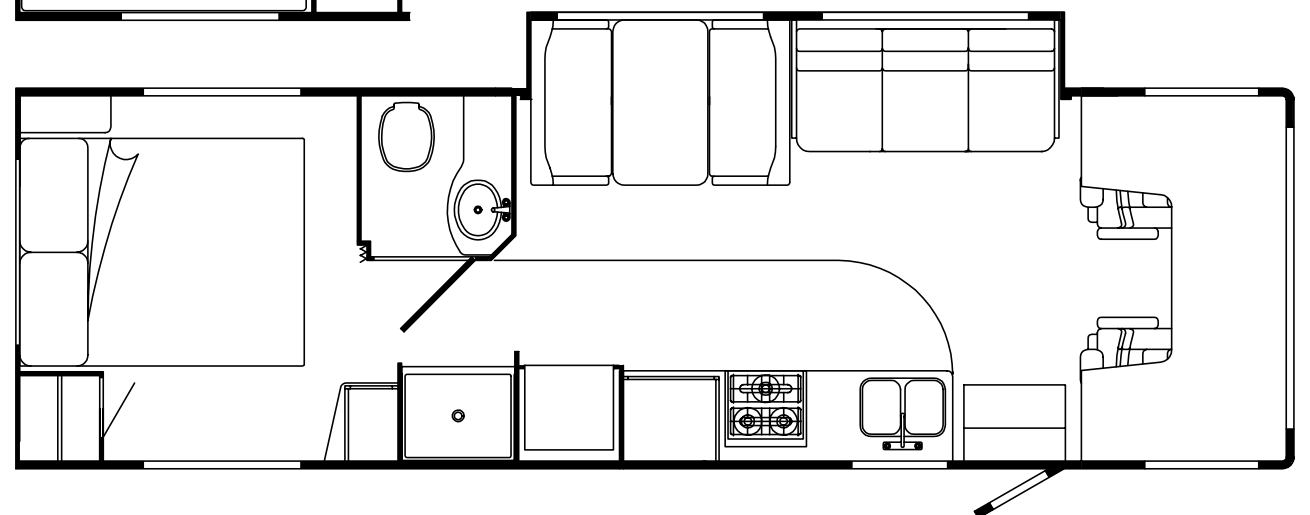
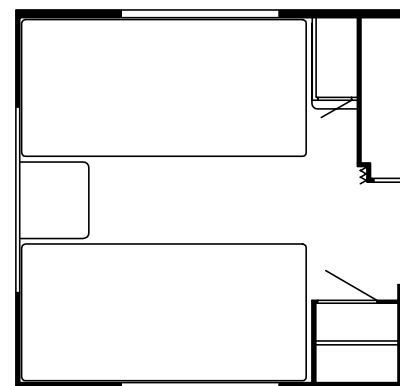
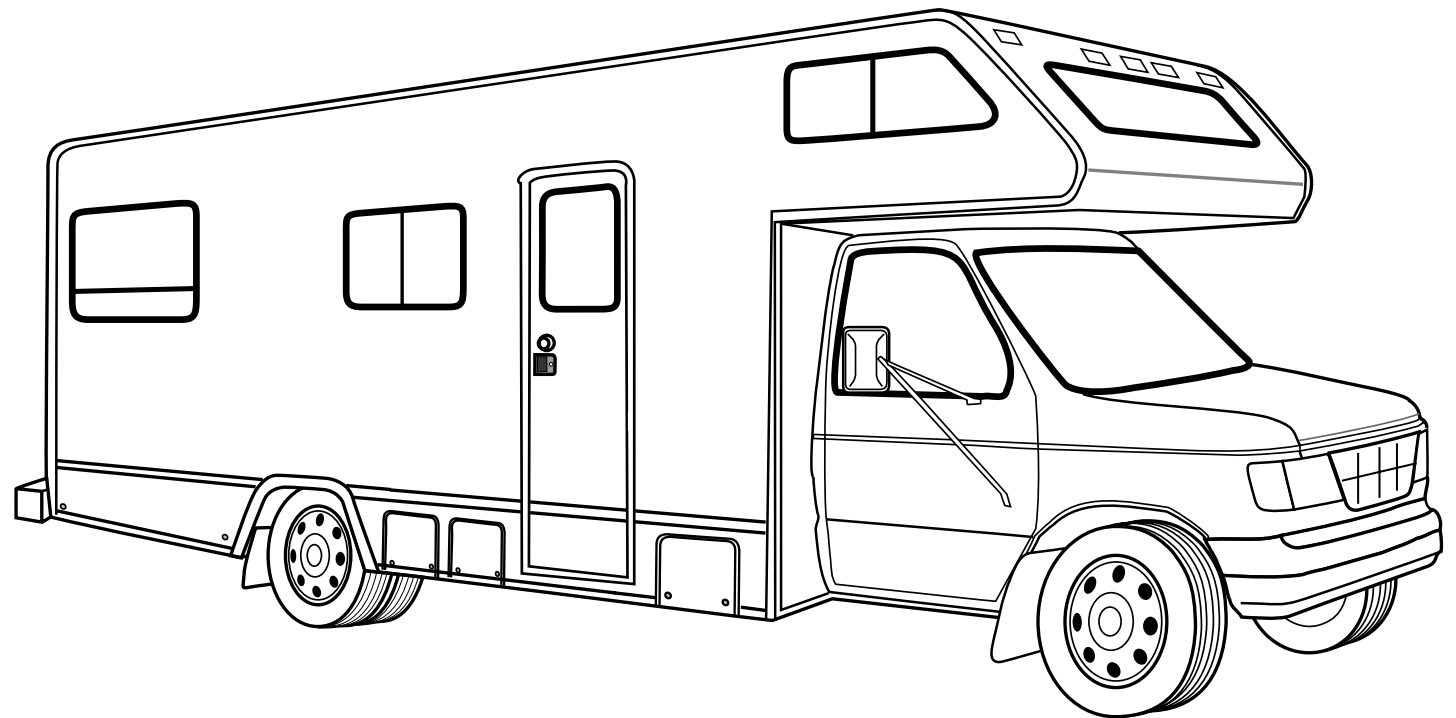
1998
WF331WM

J01

GEMSTONE (GREEN)

J02

SANDPIPER (TAUPE)



ACCESSORIES GROUP

OPERATORS MANUAL

KEY	PART NUMBER	U/M DESCRIPTION
	092318-01-000	EA BINDER - 3 RING - MOTOR HOME MANUAL
	092319-01-000	EA POCKET PAGE - 3 RING BINDER - PLASTIC - (50 PER PKG)
	129079-01-01A	EA CASE - VINYL/BLACK-EXPANDABLE ACCORDION SIDES-7"WX9"HX14"L
	054185-G8-000	EA MANUAL - OPERATOR 98 MINNIE - 300 SERIES
	125441-01-000	DW TOP LEVEL-C,1998

AUDIO VIDEO GROUP

RADIO SPEAKER

KEY	PART NUMBER	U/M DESCRIPTION
	125322-02-000	EA RADIO - AM-FM STEREO - CASSETTE - AUDIOVOX
	090944-01-000	EA ANTENNA - RADIO - 16" RUBBER
	108847-01-000	EA BRACKET - ANTENNA GROUND
	109889-01-000	EA EXTENDER - SHAFT - ANTENNA 1"
	110469-01-000	EA SPEAKER - 4" X 6" OVAL - COAXIAL
	110470-01-01A	EA GRILLE - 4" X 6" OVAL - BLACK
	108137-01-000	EA PLUG - ANTENNA
	111177-01-01A	EA GRILLE - SPEAKER - 6.6" X 8.9" - HOUSING 5" X 7" SPEAKER

RADIO-PATIO ENTERTAINMENT CENTER

KEY	PART NUMBER	U/M DESCRIPTION
	125322-02-000	EA RADIO - AM-FM STEREO - CASSETTE - AUDIOVOX
	090944-01-000	EA ANTENNA - RADIO - 16" RUBBER
	077069-02-000	EA CABLE - ANTENNA/EXTENSION - RADIO - 96"
	108847-01-000	EA BRACKET - ANTENNA GROUND
	082134-01-000	EA ADAPTER - TV - CABLE TO CABLE
	086756-01-000	EA SPLITTER - TV - 2 WAY
	076319-09-000	EA WALLPLATE - CABLE RECEPTACLE - TV - SINGLE - BROWN
	058708-02-000	EA RECEPTACLE - ELECTRIC - DOUBLE - IVORY
	109889-01-000	EA EXTENDER - SHAFT - ANTENNA 1"
	110469-01-000	EA SPEAKER - 4" X 6" OVAL - COAXIAL
	110470-01-01A	EA GRILLE - 4" X 6" OVAL - BLACK

TV - VCR SYSTEMS

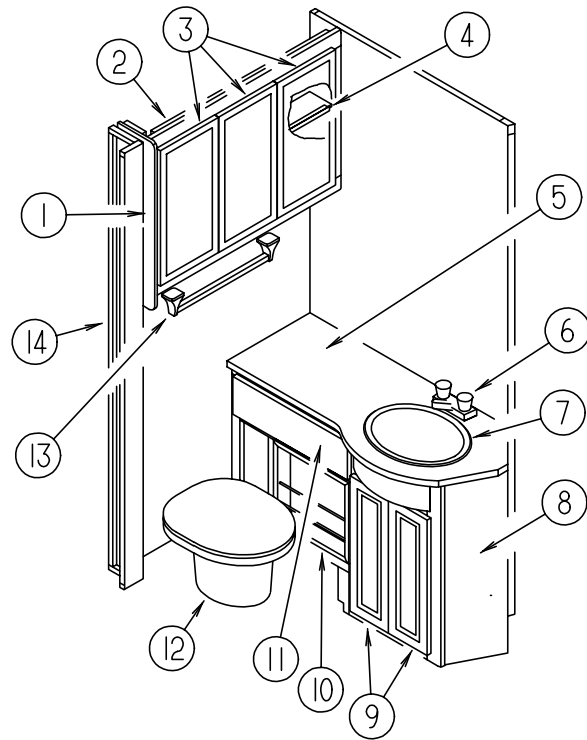
KEY	PART NUMBER	U/M DESCRIPTION	VENDOR NO.
	126696-01-000	EA TV - 19" COLOR W/1/8" JACK - UL/CSA - GE	
	126696-01-700	EA REMOTE	226725
	126697-01-000	EA VCR-VHS - CABLE READY - W/REMOTE - GE	
	126697-01-700	EA REMOTE - F/VCR	2040R
	086757-03-000	EA CONTROL CENTER - SWITCH - VCR/TV	
	086756-01-000	EA SPLITTER - TV - 2 WAY	
	082134-01-000	EA ADAPTER - TV - CABLE TO CABLE	
	082136-01-000	EA NUT - HEX JAM - 3/8 - 32	
	076319-03-000	FT CABLE - COAXIAL - 75 OHM	
	076319-12-000	EA CONNECTOR - COAXIAL - ONE PIECE	
	086777-02-000	EA WALLPLATE - TV CABLE - W/ANTENNA SWITCH	
	086777-06-000	EA WALLPLATE - TV CABLE - ANTENNA/1 OUTPUT - BROWN	

TV ANTENNA - WINEGARD

KEY	PART NUMBER	U/M DESCRIPTION
*	076319-20-000	EA ANTENNA-TV - ROOF MOUNT - 1" ROOF FROM: 00-00-00 THRU: 12-07-97
*	076319-23-000	EA ANTENNA-TV - ROOF MOUNT - 44.5" MAST FROM: 12-08-97 THRU: 99-99-99

* COMPONENT PARTS FOUND IN SERVICE PARTS LIBRARY

BATH GROUP

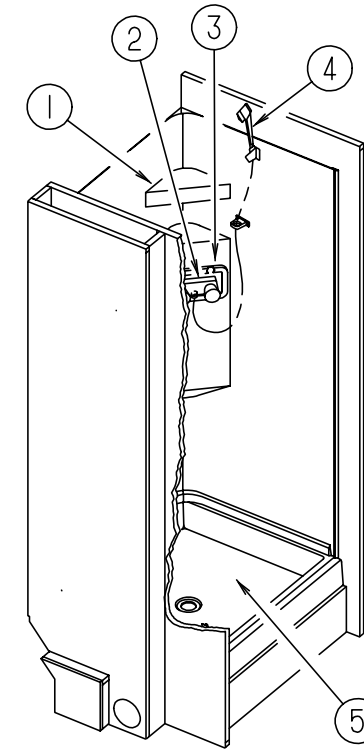


BATHROOM CABINETS & FIXTURES

KEY	PART NUMBER	U/M	DESCRIPTION
1	109908-62-J01	EA	END CAP - OVERHEAD CABINET
2	127895-01-J01	EA	CABINET - MEDICINE - W/O DOORS/HARDWARE
3	M08758-93-J01	EA	DOOR - MITERED CORNER/OGEE EDGE - 11" X 21.8" - W/O HDW
3	M08758-35-J05	EA	DOOR - MITERED CORNER/OGEE EDGE - 11" X 21.8" - W/O HDW - RAISED PANEL
3	M05992-17-J01	EA	DOOR - STRAIGHT CORNER/OGEE EDGE - 11" X 21.8" - W/O HDW - UPGRADE
4	127895-11-J01	EA	SHELF - W/PLASTIC EDGE TRIM
5	127740-14-J01	EA	COUNTERTOP - LAVATORY
5	127740-14-J02	EA	COUNTERTOP - LAVATORY
6	075240-06-000	EA	FAUCET - LAVATORY/BONE
7	089366-01-000	EA	SINK - OVAL - PLASTIC - IVORY
	106116-01-01A	EA	STRAINER - SINK-W/STOPPER/TAILPIECE/GASKET & NUT - PLASTIC
8	P27740-01-J01	EA	CABINET - LAVATORY - W/COUNTERTOP - W/O DOORS/DRAWERS/HDW
8	P27740-01-J02	EA	CABINET - LAVATORY - W/COUNTERTOP - W/O DOORS/DRAWERS/HDW
9	M08758-78-J15	EA	DOOR - MITERED CORNER/OGEE EDGE - 14.4" X 21.8" - W/O HDW
9	M05992-Q7-J01	EA	DOOR - STRAIGHT CORNER/OGEE EDGE - 14.4" X 21.8" - W/O HDW - UPGRADE
10	097208-05-J20	EA	MAGAZINE RACK
			FROM: 00-00-00 THRU: 02-22-98
10	097208-07-J22	EA	MAGAZINE RACK
			FROM: 02-23-98 THRU: 99-99-99
11	M05971-KJ-J01	EA	DRAWER - OGEE EDGE - 19.2"W X 9.8"D - W/O SLIDES/HARDWARE
11	M05971-LT-J01	EA	DRAWER - OGEE EDGE - 19.2"W X 9.8"D - W/O SLIDES/HARDWARE - UPGRADE
12*	067487-01-000	EA	TOILET - 12.37" - IVORY - HAND FLUSH
13	075453-02-000	EA	BAR - TOWEL - 18" BRASS
14	109180-07-J01	EA	CABINET - PIPE COVER - W/O HARDWARE
14	109180-07-J02	EA	CABINET - PIPE COVER - W/O HARDWARE
	075452-02-000	EA	HOLDER - TOILET TISSUE - BRASS

* COMPONENT PARTS FOUND IN SERVICE PARTS LIBRARY

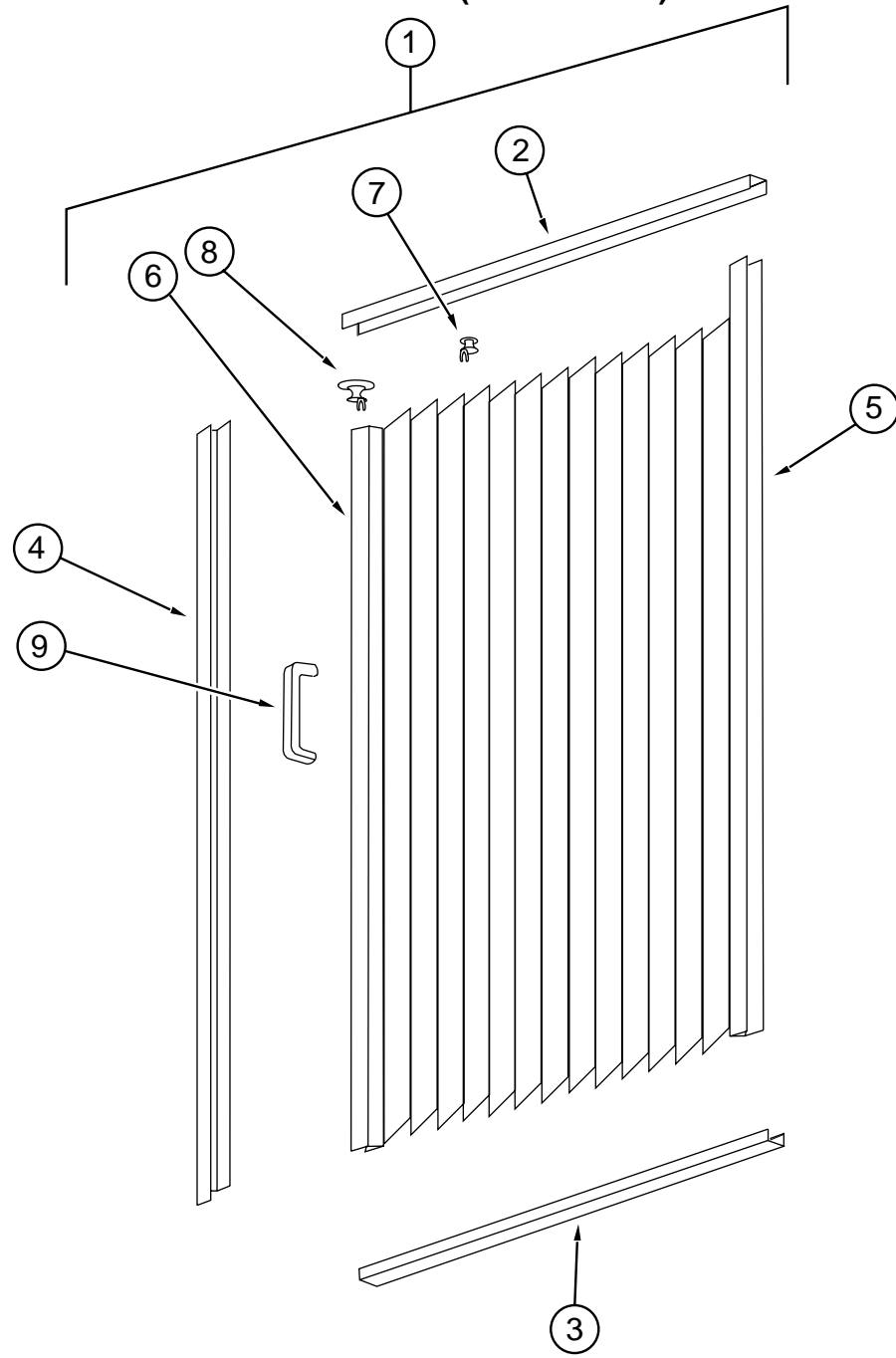
BATH GROUP (CONTINUED)



SHOWER CABINET & FIXTURES

KEY	PART NUMBER	U/M	DESCRIPTION	VENDOR NO.
1	105707-01-01A	EA	CADDY - SHOWER	
2	075241-05-000	EA	FAUCET/SHOWER - BONE 3/4" MPT X 1.4" LONG INLET PIPES	
3	075606-01-000	EA	PANEL - PLASTIC - FAUCET BACK - 5" X 9"	
4	103092-01-000	EA	SHOWER HEAD - W/60" HOSE - WHITE	
4	103092-02-000	EA	SHOWER HEAD - W/60" HOSE - CSA	
	103092-01-700	EA	BRACKET-F/SHOWER HEAD, CLEAR	2328028
	103092-01-702	EA	SEALS-SPRAY HEAD	24466
	011048-03-700	EA	BRACKET - F/SHOWER HEAD	2328029-I
5	M02673-08-000	EA	SHOWER PAN - OFF WHITE	
	066436-01-000	EA	NUT - SLIP - TAILPIECE 1.5"	
	066440-01-000	EA	STRAINER - SHOWER DRAIN - W/RUBBER WASHER	
	069735-01-000	EA	WASHER - STRAINER TO TAILPIECE - PLASTIC - 1.5"	
			FROM: 00-00-00 THRU: 10-21-97	
	127440-02-01A	EA	WASHER - RUBBER - 1.8" X .1"	
			FROM: 10-22-97 THRU: 99-99-99	

BATH GROUP (CONTINUED)



SHOWER DOOR

KEY	PART NUMBER	U/M DESCRIPTION
1	117431-01-01A	EA DOOR - SHOWER - FABRIC PLEATED - 29.6" X 63.0"
2	117431-01-700	EA TRACK-TOP, ALUM.IVORY INSERT 48"
3	117431-01-701	EA TRACK-BOTTOM, 48"
4	117431-01-702	EA RAIL-SIDE, 67"
5	117431-01-703	EA RAIL-STATIONARY, 67"
6	117431-01-704	EA RAIL-LEAD, 67"
7	117431-01-705	EA GLIDE-IVORY, TRAVELER
8	117431-01-706	EA GLIDE-IVORY LEAD, TRAVELER
9	117431-01-708	EA HANDLES & SCREWS
	117431-01-707	EA LATCH
	117431-01-709	EA STRAP-VINYL

BATH GROUP (CONTINUED)

SKYLIGHT

KEY	PART NUMBER	U/M DESCRIPTION
	122192-01-01A	EA PANEL - SKYLITE - OUTER - 16.4" X 27.8"
	122193-01-02A	EA PANEL - SKYLITE - INNER

BATH DOOR

KEY	PART NUMBER	U/M DESCRIPTION
	121449-32-H04	EA DOOR - BATH - W/O HARDWARE
	105394-01-05A	EA EXTRUDED PLASTIC - DOOR JAMB - WATERFORD OAK - 7'
	094485-03-01A	EA KNOB - BRASS
	102920-01-01A	EA HINGE - SPRING LOADED/BRASS
	110496-01-01A	EA HINGE - BRASS
	121449-12-G04	EA RACK - TOWEL - BATH DOOR
	100357-01-000	EA ROD - F/TOWEL BAR - BRASS

BATH/BEDROOM PRIVACY DOOR

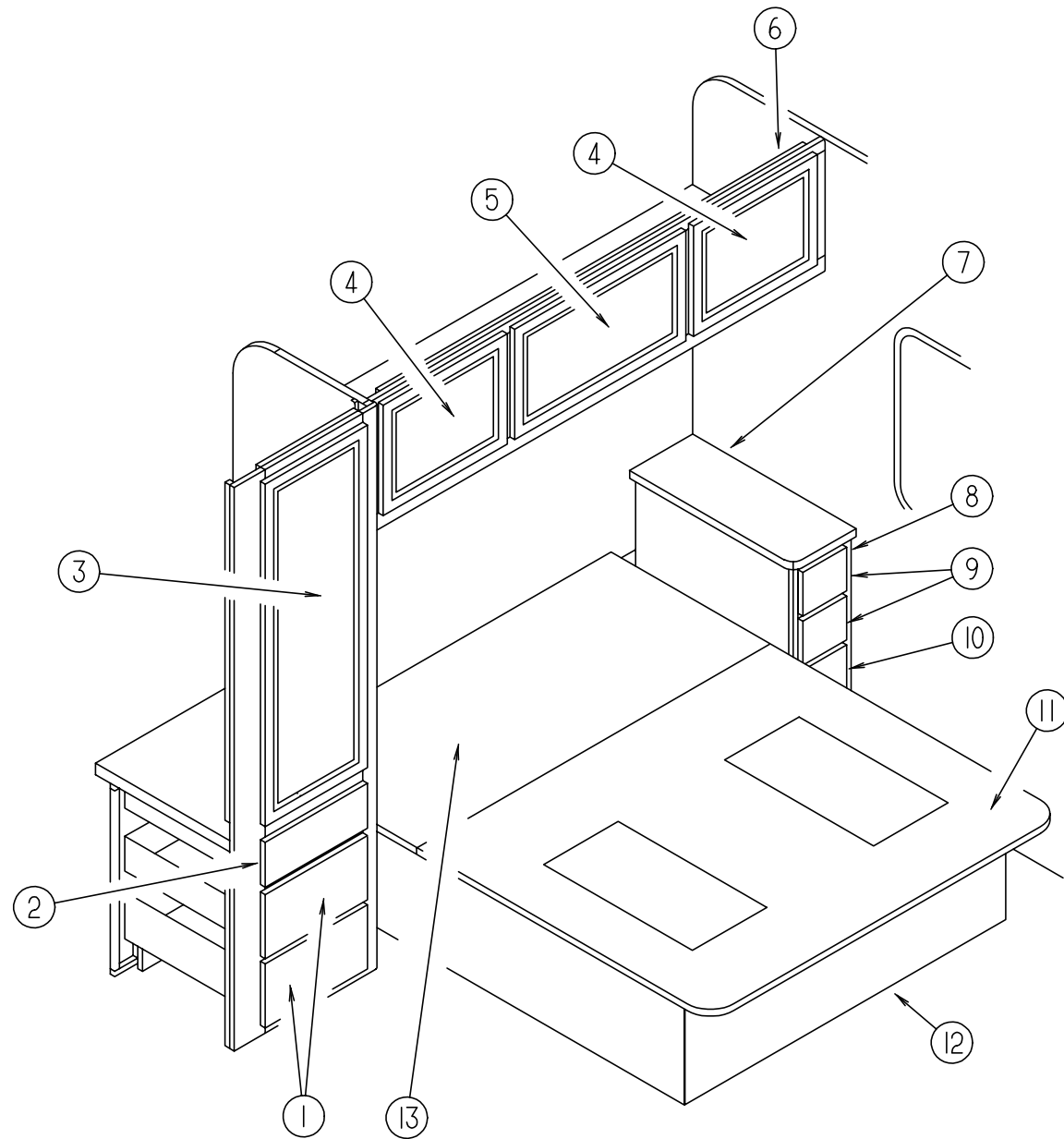
KEY	PART NUMBER	U/M DESCRIPTION
	042488-10-000	EA DOOR - FOLDING - OFF WHITE FABRIC - 37" X 75"
	042488-10-700	EA LEADRAIL-PREPUNCHED F/HANDLE
	080224-01-703	EA HANDLE W/LATCH-CATCH, ALMOND
	080224-01-705	EA LATCH & CATCH ASM., ALMOND
	094856-14-01A	EA TRACK - FOLDING DOOR - OFF WHITE - QUEEN BED
	009700-04-002	EA TRACK - L-SHAPED 195.5" - OFF WHITE - TWIN BED
	029130-01-000	EA SCREW - SNAP SOCKET - #8 PH X 5/8"
	009702-01-000	EA END STOP - CURTAIN CARRIER - L ROD

VENDOR NO.

DW2100
DE03505
DE25010 & DE25020

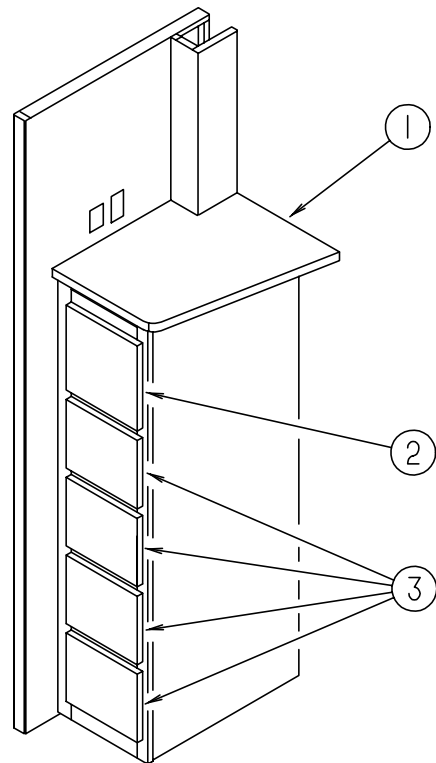
BEDROOM GROUP

QUEEN BEDROOM CABINETS



KEY	PART NUMBER	U/M	DESCRIPTION
1	M09316-35-J01	EA	DRAWER - OGEE EDGE - 14.7"W X 17.7"D - W/O SLIDES/HARDWARE
1	M09316-37-J01	EA	DRAWER - OGEE EDGE - 14.7"W X 17.7"D - W/O SLIDES/HARDWARE - UPGRADE
2	M09316-34-J01	EA	DRAWER - OGEE EDGE - 14.7"W X 17.7"D - W/O SLIDES/HARDWARE
2	M09316-36-J01	EA	DRAWER - OGEE EDGE - 14.7"W X 17.7"D - W/O SLIDES/HARDWARE - UPGRADE
3	M08758-47-J15	EA	DOOR - MIRRORED/MTRD CRNR/OGEE EDGE - 16.7" X 48" - W/O HDW
3	M06803-C6-J01	EA	DOOR - MITERED CORNER/OGEE EDGE - 16.7" X 48" - W/O HDW - UPGRADE
4	M08758-82-J15	EA	DOOR - MITERED CORNER/OGEE EDGE - 15.7" X 20.4" - W/O HDW
4	M08758-04-J15	EA	DOOR - MITERED CORNER/OGEE EDGE - 15.7" X 20.4" - W/O HDW - RAISED PANEL
4	M05992-41-J01	EA	DOOR - STRAIGHT CORNER/OGEE EDGE - 15.7" X 20.4" - W/O HDW - UPGRADE
5	M08758-43-J15	EA	DOOR - MITERED CORNER/OGEE EDGE - 15.7" X 27.9" - W/O HDW
5	M08758-01-J05	EA	DOOR - MITERED CORNER/OGEE EDGE - 15.7" X 27.9" - W/O HDW - RAISED PANEL
5	M05992-48-J01	EA	DOOR - STRAIGHT CORNER/OGEE EDGE - 15.7" X 27.9" - W/O HDW - UPGRADE
6	127825-01-J01	EA	CABINET - OVERHEAD/REAR - W/O DOORS/HARDWARE
7	127645-11-J01	EA	COUNTERTOP - NIGHTSTAND
7	127645-11-J02	EA	COUNTERTOP - NIGHTSTAND
8	P27645-01-J01	EA	CABINET - NIGHTSTAND - W/COUNTERTOP - W/O DOORS/DWRS/HDW
8	P27645-01-J02	EA	CABINET - NIGHTSTAND - W/COUNTERTOP - W/O DOORS/DWRS/HDW
9	M05971-HC-J01	EA	DRAWER - OGEE EDGE - 5.2"W X 11.8"D - W/O SLIDES/HARDWARE
10	M05971-HD-J01	EA	DRAWER - OGEE EDGE - 5.2"W X 11.8"D - W/O SLIDES/HARDWARE
11	M08110-09-000	EA	TOP - BED/QUEEN - W/O HARDWARE
	M79284-02-A03	EA	EXTRUSION - U-CHANNEL - .03" X 96" - GRADY BROWN
12	P27646-01-J01	EA	CABINET - BASE/QUEEN BED - W/O DOORS/DRAWERS/HARDWARE
13	M08110-10-J01	EA	TOP - BED/QUEEN - W/O HARDWARE
	091261-01-000	FT	SLIPNOT - ANTISLIP - 1" WIDE
	107796-06-000	EA	SPRING/GAS - 12" COMPRESSED/20" EXTENDED - 120 LB.
	126263-06-02B	EA	BRACKET - GAS SPRING - E-COATED
	126263-08-02B	EA	BRACKET - GAS SPRING - LOWER - E-COATED
	097872-04-000	EA	DOWEL - WOOD - 1" DIAMETER X 1.38" LONG
	091952-01-000	EA	CLIP - GRIPPER - 1"

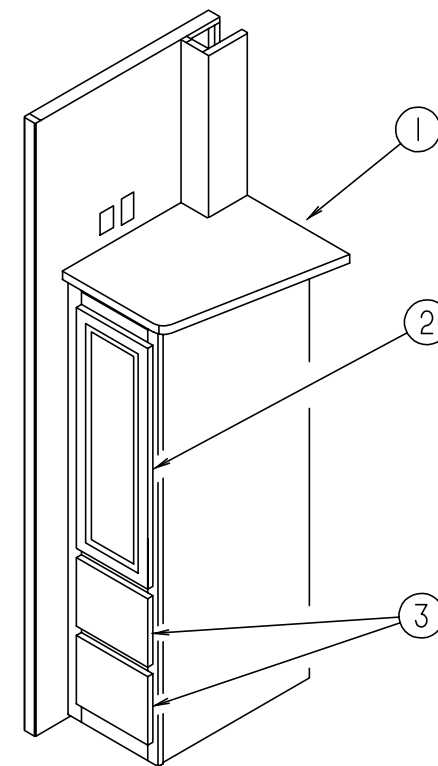
BEDROOM GROUP (CONTINUED)



DRESSER - QUEEN BED - FROM: 00-00-00 THRU: 11-02-97

KEY	PART NUMBER	U/M	DESCRIPTION
1	127718-11-J01	EA	COUNTERTOP - DRESSER
1	127718-11-J02	EA	COUNTERTOP - DRESSER
2	M05971-HV-J01	EA	DRAWER - OGEE EDGE - 9.2"W X 15.7"D - W/O SLIDES/HARDWARE
3	M05971-KL-J01	EA	DRAWER - OGEE EDGE - 9.2"W X 11.8"D - W/O SLIDES/HARDWARE

BEDROOM GROUP (CONTINUED)

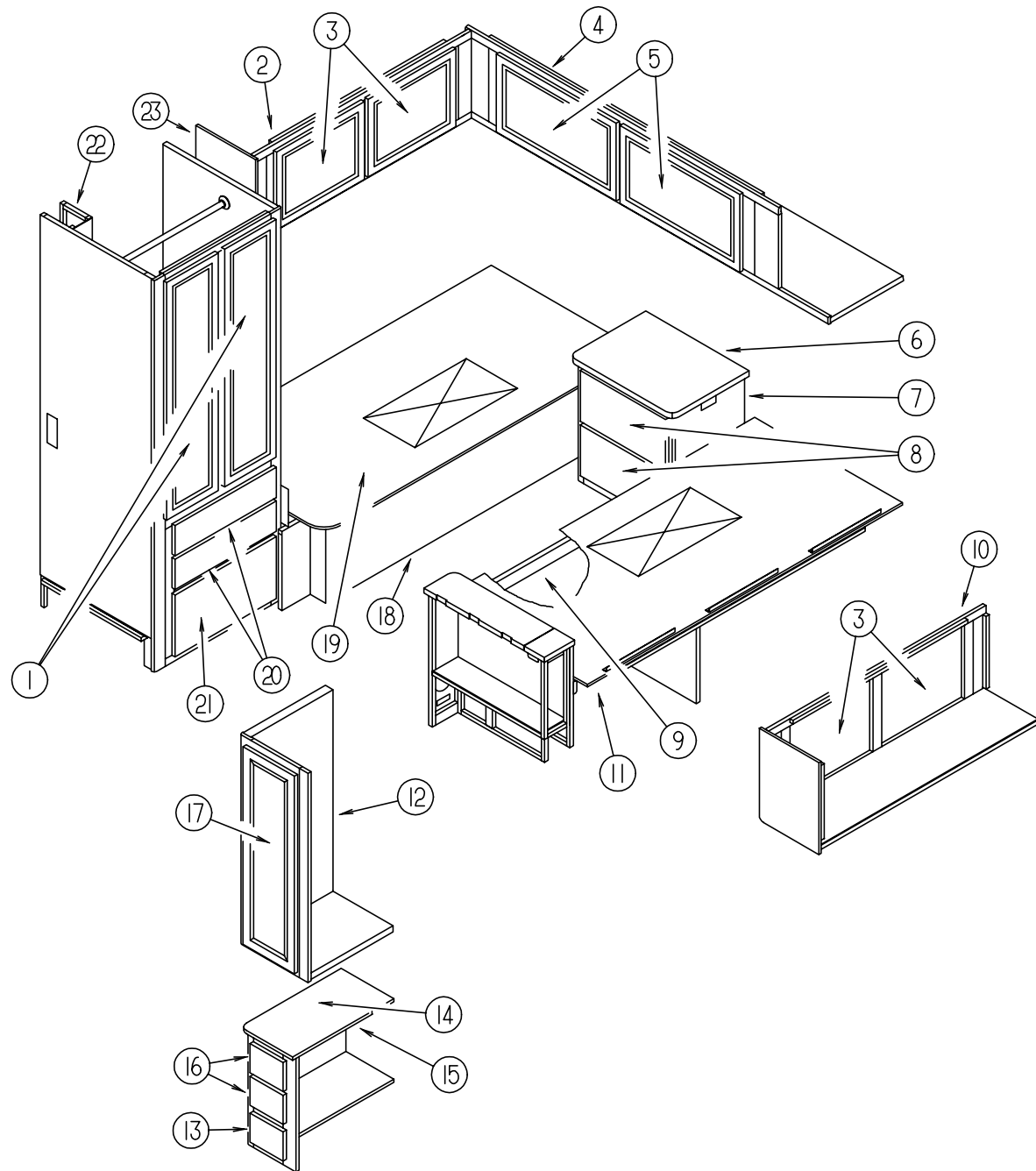


DRESSER - QUEEN BED - FROM: 11-03-97 THRU: 99-99-99

KEY	PART NUMBER	U/M	DESCRIPTION
1	128691-12-J01	EA	COUNTERTOP - WARDROBE/RIGHT HAND
1	128691-12-J02	EA	COUNTERTOP - WARDROBE/RIGHT HAND
2	M08758-B9-J01	EA	DOOR - MITERED CORNER/OGEE EDGE - 10.8" X 36.4" - W/O HDW
2	M05992-AY-J01	EA	DOOR - STRAIGHT CORNER/OGEE EDGE - 10.8" X 36.4" - W/O HDW - UPGRADE
3	M05971-LG-J01	EA	DRAWER - OGEE EDGE - 8.8"W X 13.8"D - W/O SLIDES/HARDWARE
3	M05971-LS-J01	EA	DRAWER - OGEE EDGE - 8.8"W X 13.8"D - W/O SLIDES/HARDWARE - UPGRADE

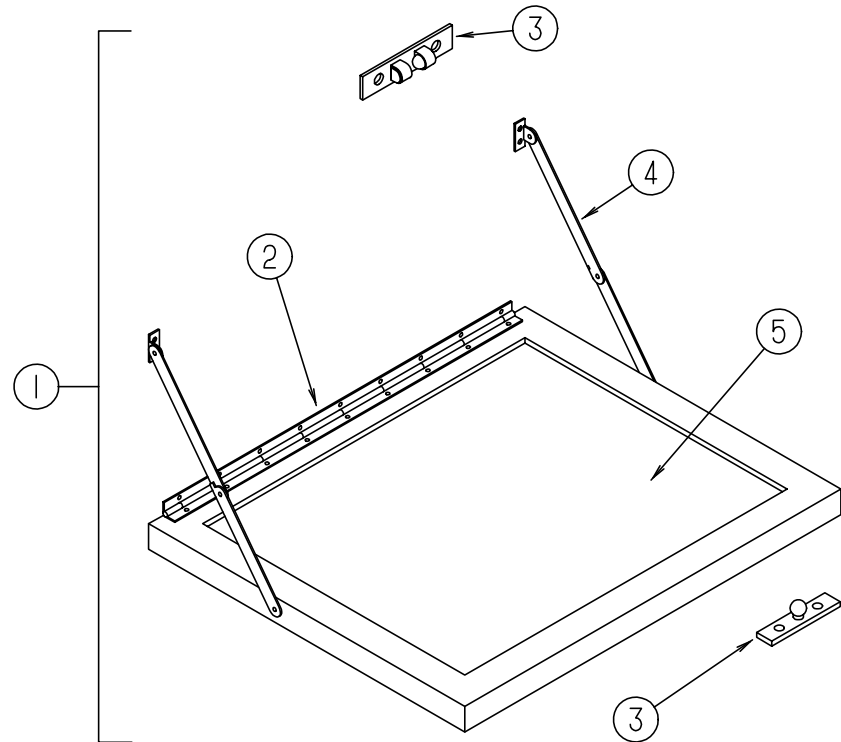
BEDROOM GROUP (CONTINUED)

TWIN BEDROOM CABINETS



KEY	PART NUMBER	U/M	DESCRIPTION
1	M08758-47-J15	EA	DOOR - MIRRORED/MTRD CRNR/OGEE EDGE - 16.7" X 48" - W/O HDW
1	M06803-C6-J01	EA	DOOR - MITERED CORNER/OGEE EDGE - 16.7" X 48" - W/O HDW - UPGRADE
2	121345-03-H04	EA	CABINET - OVERHEAD/REAR - W/O DOORS/HARDWARE - F/TWIN BED
3	M08758-82-J15	EA	DOOR - MITERED CORNER/OGEE EDGE - 15.7" X 20.4" - W/O HDW
3	M08758-04-J15	EA	DOOR - MITERED CORNER/OGEE EDGE - 15.7" X 20.4" - W/O HDW - RAISED PANEL
3	M05992-41-J01	EA	DOOR - STRAIGHT CORNER/OGEE EDGE - 15.7" X 20.4" - W/O HDW - UPGRADE
4	121210-01-G04	EA	CABINET - OVERHEAD REAR - W/O DOORS/HARDWARE - F/TWIN BED
5	M08758-43-J15	EA	DOOR - MITERED CORNER/OGEE EDGE - 15.7" X 27.9" - W/O HDW
5	M08758-01-J05	EA	DOOR - MITERED CORNER/OGEE EDGE - 15.7" X 27.9" - W/O HDW - RAISED PANEL
5	M05992-48-J01	EA	DOOR - STRAIGHT CORNER/OGEE EDGE - 15.7" X 27.9" - W/O HDW - UPGRADE
6	121166-11-G25	EA	COUNTERTOP - NIGHTSTAND (J01)
6	121166-11-H24	EA	COUNTERTOP - NIGHTSTAND (J02)
7	P21166-01-G25	EA	CABINET - NIGHTSTAND - W/COUNTERTOP - W/O DOORS/DWRS/HDW (J01)
7	P21166-01-H24	EA	CABINET - NIGHTSTAND - W/COUNTERTOP - W/O DOORS/DWRS/HDW (J02)
8	M05971-CK-J01	EA	DRAWER - OGEE EDGE - 17.9"W X 13.7"D - W/O SLIDES/HARDWARE
8	M05971-LZ-J01	EA	DRAWER - OGEE EDGE - 17.9"W X 13.7"D - W/O SLIDES/HARDWARE - UPGRADE
9	P25691-01-J01	EA	CABINET - BASE - TWIN BED/LEFT HAND-W/O DOORS/DRAWERS/HDW
			FROM: 00-00-00 THRU: 01-12-98
9	P29567-01-J01	EA	CABINET - BASE - TWIN BED/LEFT HAND-W/O DOORS/DRAWERS/HDW
			FROM: 01-13-98 THRU: 99-99-99
10	121345-04-H04	EA	CABINET - OVERHEAD/REAR - W/O DOORS/HARDWARE - F/TWIN BED
	109908-30-GB1	EA	END CAP - OVERHEAD CABINET
11	M07551-05-G04	EA	TOP - TWIN BED - W/O HARDWARE
12	126143-02-J01	EA	CABINET - SHIRT CLOSET - W/O DOORS/HARDWARE
	097872-01-000	EA	DOWEL - WOOD - CLOTHES ROD - 1" DIAMETER X 4'
13	M05971-JY-J01	EA	DRAWER - OGEE EDGE - 8.9"W X 19.7"D - W/O SLIDES/HARDWARE
13	M05971-LY-J01	EA	DRAWER - OGEE EDGE - 8.9"W X 19.7"D - W/O SLIDES/HARDWARE - UPGRADE
14	128082-11-J01	EA	COUNTERTOP - NIGHTSTAND - TWIN
14	128082-11-J02	EA	COUNTERTOP - NIGHTSTAND - TWIN
15	P28082-01-J01	EA	CABINET - NIGHTSTAND/TWIN - W/CTRTP - W/O DOORS/DWRS/HDW
15	P28082-01-J02	EA	CABINET - NIGHTSTAND/TWIN - W/CTRTP - W/O DOORS/DWRS/HDW
16	M05971-JX-J01	EA	DRAWER - OGEE EDGE - 8.9"W X 19.7"D - W/O SLIDES/HARDWARE
16	M05971-LX-J01	EA	DRAWER - OGEE EDGE - 8.9"W X 19.7"D - W/O SLIDES/HARDWARE - UPGRADE
17	M08758-59-J15	EA	DOOR - MITERED CORNER/OGEE EDGE - 12" X 39.9" - W/O HDW
17	M08758-28-J15	EA	DOOR - MITERED CORNER/OGEE EDGE - 12" X 39.9" - W/O HDW - RAISED PANEL
17	M05992-47-J01	EA	DOOR - STRAIGHT CORNER/OGEE EDGE - 12" X 39.9" - W/O HDW - UPGRADE
18	P21138-01-G04	EA	CABINET - BASE - TWIN BED/RIGHT HAND-W/O DOORS/DRAWERS/HDW
19	121138-11-G04	EA	TOP - TWIN BED - W/O HARDWARE
20	M05971-JW-J01	EA	DRAWER - OGEE EDGE - 14.6"W X 11.8"D - W/O SLIDES/HARDWARE
20	M05971-LW-J01	EA	DRAWER - OGEE EDGE - 14.6"W X 11.8"D - W/O SLIDES/HARDWARE - UPGRADE
21	M05971-JV-J01	EA	DRAWER - OGEE EDGE - 14.6"W X 11.8"D - W/O SLIDES/HARDWARE
21	M05971-LV-J01	EA	DRAWER - OGEE EDGE - 14.6"W X 11.8"D - W/O SLIDES/HARDWARE - UPGRADE
22	109180-05-J01	EA	CABINET - PIPE COVER - W/O HARDWARE
22	109180-05-J02	EA	CABINET - PIPE COVER - W/O HARDWARE
23	109908-31-GB1	EA	END CAP - OVERHEAD CABINET
	107796-06-000	EA	SPRING/GAS - 12" COMPRESSED/20" EXTENDED - 120 LB.
	126263-06-02B	EA	BRACKET - GAS SPRING - E-COATED
	126263-08-02B	EA	BRACKET - GAS SPRING - LOWER - E-COATED
	097872-04-000	EA	DOWEL - WOOD - 1" DIAMETER X 1.38" LONG
	091952-01-000	EA	CLIP - GRIPPER - 1"

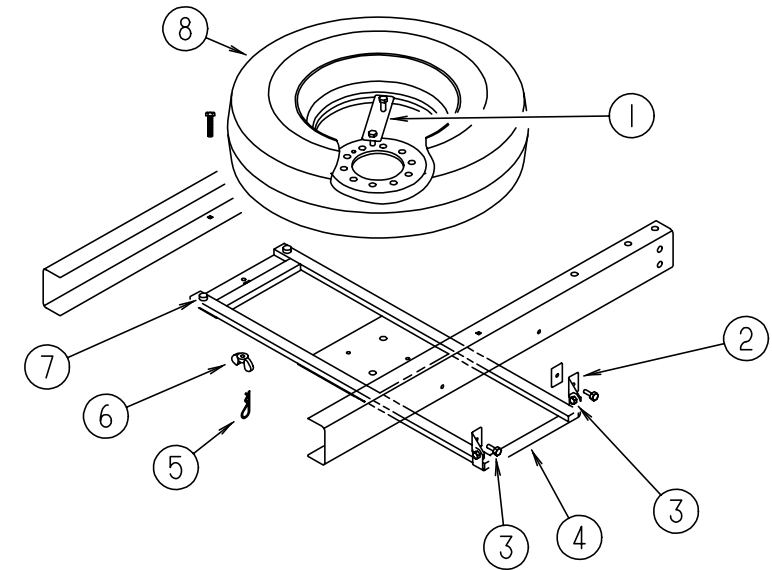
BEDROOM GROUP (CONTINUED)



TV SHELF - TWIN BED

KEY	PART NUMBER	U/M DESCRIPTION
1	084357-02-H13	EA TV STAND
2	084413-01-000	EA HINGE/CONTINUOUS - ALUMINUM 1" X 72" - W/HOLES
3	088451-01-000	EA CATCH - BRASS
4	084412-01-000	EA SUPPORT/HINGE KIT (LEFT & RIGHT HINGES)
5	084356-08-000	EA INSERT - TV STAND - W/SUPPORT HINGE

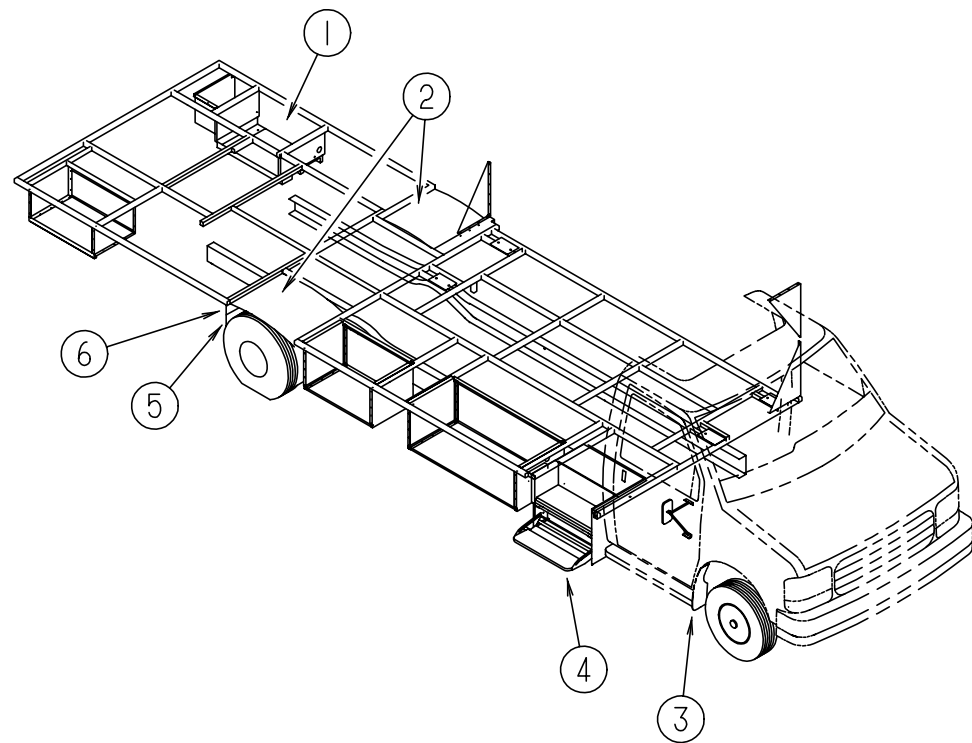
CHASSIS GROUP



SPARE TIRE

KEY	PART NUMBER	U/M DESCRIPTION
1	116338-02-02B	EA BRACKET/CLAMP - SPARE TIRE - E-COATED
	000D29-09-00B	EA NUT - HEX SELFLOCKING - 9/16-12 - ZINC
2	116349-01-02B	EA BRACKET/HINGE - SPARE TIRE - E-COATED
3	000C26-06-12B	EA BOLT - HEX - SERRATED FLANGE - 3/8-16 X 3/4 - ZINC
	000D34-06-00B	EA NUT - HEX - LOCKING - 3/8 - 16 GRADE C - ZINC-PREVAILING TORQUE
	000E13-17-00B	EA WASHER - FLAT - 3/8 AR - ZINC
4	116348-01-02B	EA CRADLE - SPARE TIRE - E-COATED
5	034513-01-000	EA PIN - HITCH - 3/16 WIRE
6	064081-03-000	EA NUT - WING - 3/8-16 - W/WELD NUT
7	069726-02-000	EA BUMPER - .88 DIAMETER - 40 - BLACK
8	070917-06-000	EA TIRE - LT225/75R16E - R4S - M/S - FIRESTONE
	112358-01-000	EA WRENCH - LUG - 7/8" - L-SHAPE

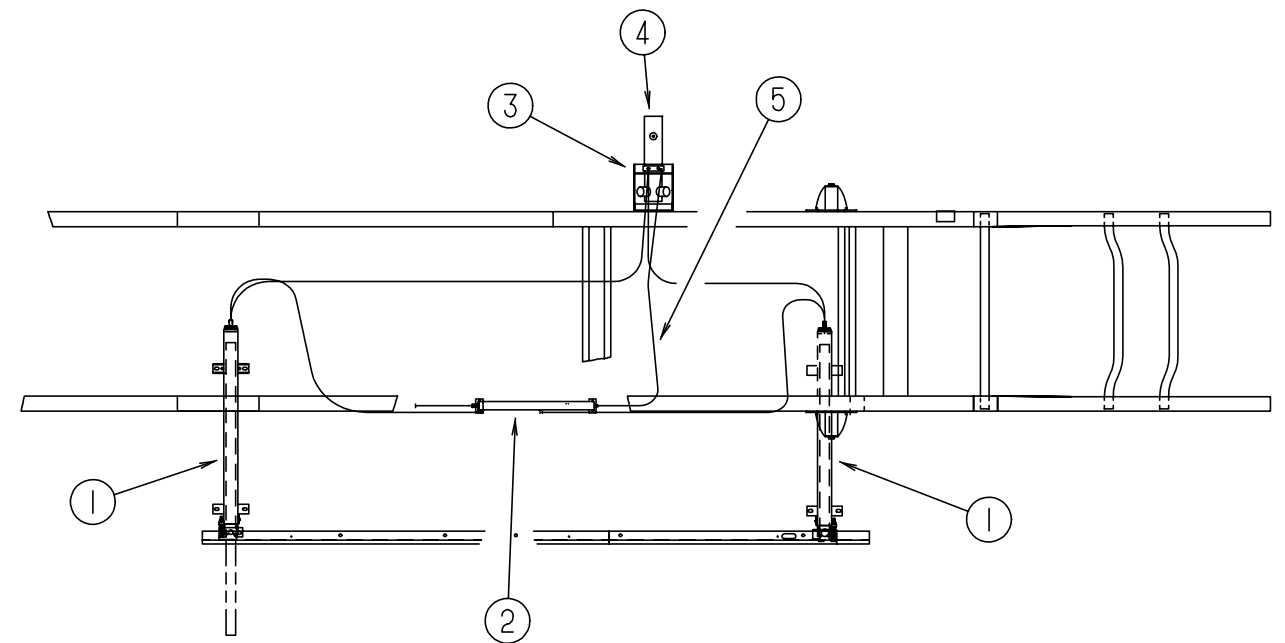
CHASSIS GROUP (CONTINUED)



MISCELLANEOUS CHASSIS COMPONENTS

KEY	PART NUMBER	U/M DESCRIPTION	VENDOR NO.
1	114070-02-02B	EA SUPPORT - GENERATOR - LEFT	
1	114071-02-02B	EA SUPPORT - GENERATOR - RIGHT	
2	112435-03-000	EA WHEELWELL	
3	072884-27-703	EA MUD FLAP W/HOLES, 1EA=PAIR	99171
4	077848-05-000	EA STEP - PULLOUT	
	091176-01-000	EA SUPPORT - BASE - ENTRANCE STEP	
	077441-06-000	EA BRACKET - STEP	
	102569-04-000	EA MAT - ANTI SLIP	
	065450-05-000	EA TIEDOWN - BATTERY - 8.4" TUBE	
	084993-01-000	EA STRAP - BATTERY - 43.2" LONG	
	084993-02-000	EA STRAP - BATTERY - 55" LONG	
5	017516-01-000	EA MUD FLAP - 14" X 18" - BLACK	
6	045731-06-000	EA GUARD - ROCK	
	061420-01-000	EA PLUG/PLASTIC - 1.75" DIAMETER - BROWN	
	061420-05-000	EA PLUG/PLASTIC - 1.8" DIAMETER	

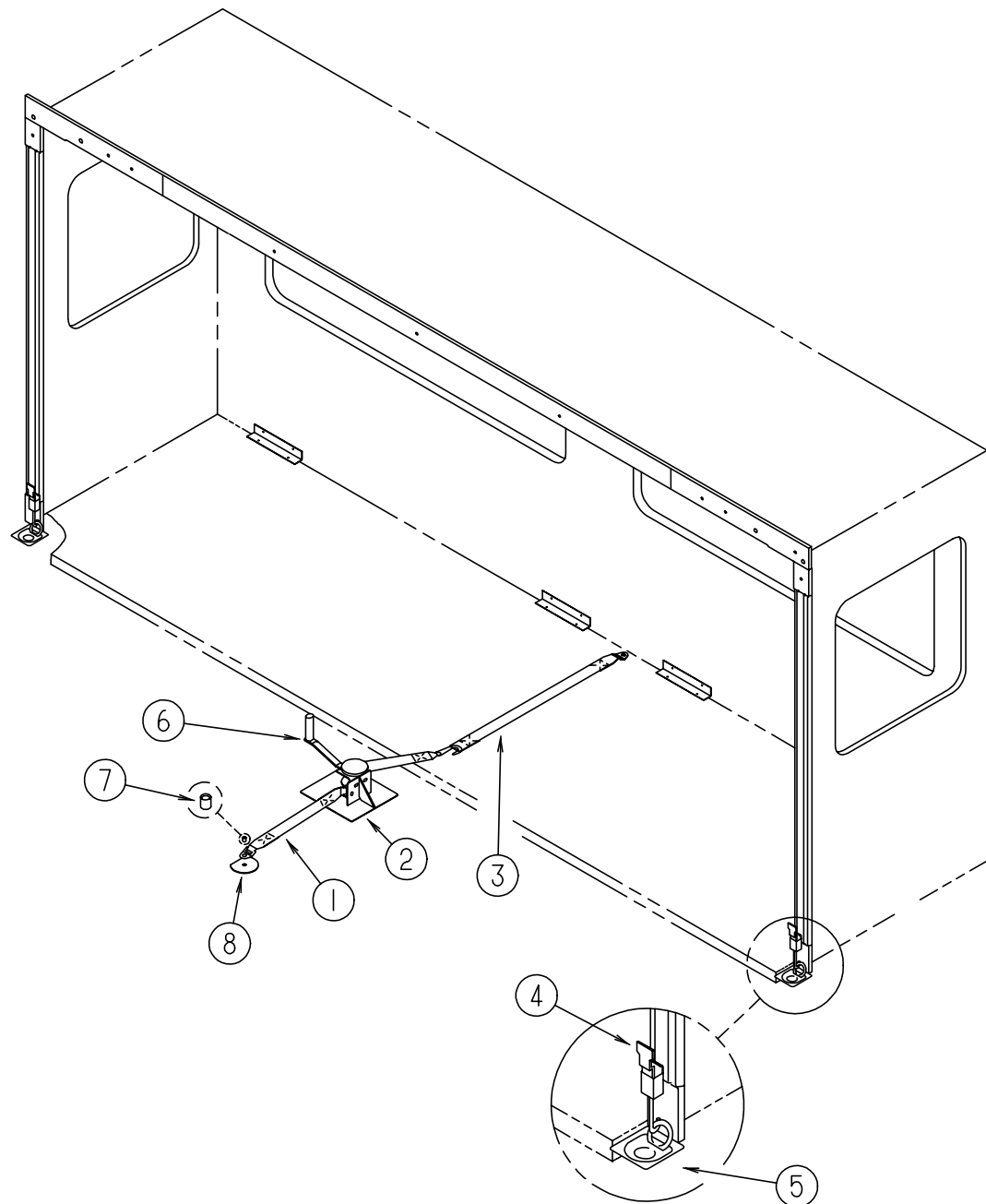
CHASSIS GROUP (CONTINUED)



SLIDEOUT ROOM HYDRAULIC SYSTEM

KEY	PART NUMBER	U/M DESCRIPTION	VENDOR NO.
1	125687-01-000	EA SLIDEOUT - HYDRAULIC	
	125687-01-700	EA CYLINDER	AP15190
	125687-01-701	EA HOSE - HYDRAULIC - 120"	RAP13772
2	125687-01-702	EA CYLINDER - SYCRONIZING	AP13607
3	107938-07-000	EA BRACKET - PUMP	
4	122359-04-000	EA PUMP/RESERVOIR - SLIDE-OUT - HYDRAULIC - W/O JACKS SYSTEM	
5	100536-41-000	EA HOSE - F/SLIDEOUT	

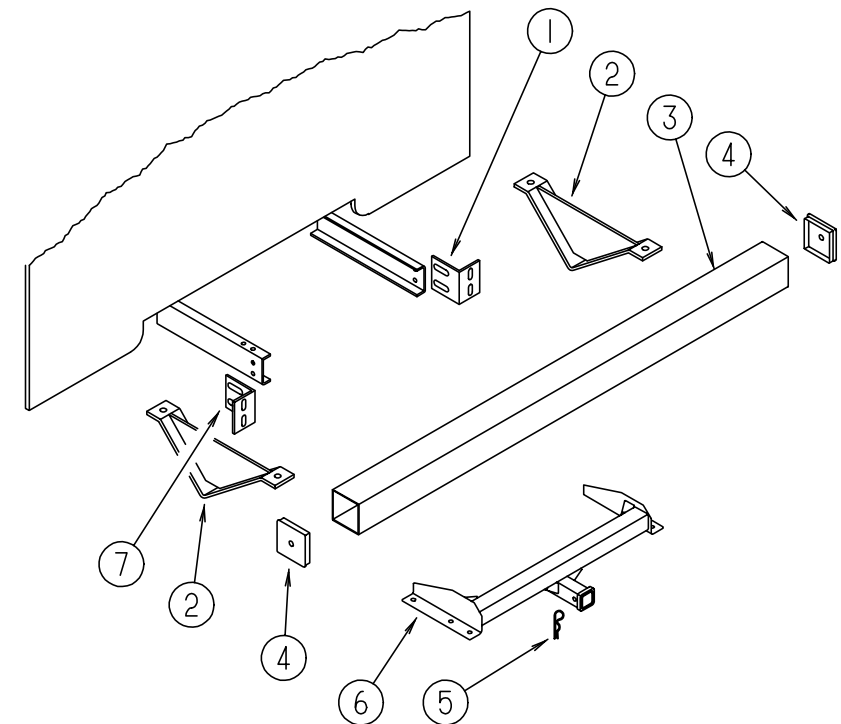
CHASSIS GROUP (CONTINUED)



SLIDEOUT ROOM WINCH & COMPONENTS

KEY	PART NUMBER	U/M DESCRIPTION
1	116101-01-F31	EA STRAP - WINCH
2	116082-01-02B	EA BRACKET - WINCH
3	116101-02-F31	EA STRAP - WINCH
4	116737-01-01A	EA LATCH - DRAW - ADJUSTABLE - ZINC
5	116736-01-01A	EA TIEDOWN - DROP/D - ZINC
6	115767-02-000	EA WINCH - SLIDEOUT
7	116743-01-01A	EA CAP - LUG COVER - THREAD PROTECTOR - BLACK
8	057759-01-000	EA WASHER BRACKET - SEAT BELT - 4" DIAMETER
	077298-55-003	EA EXTRUSION - TUBE - .275"

CHASSIS GROUP (CONTINUED)



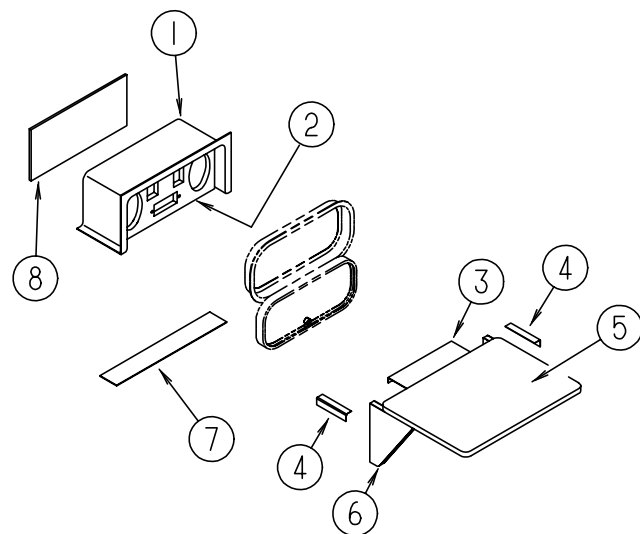
REAR BUMPER & HITCH

KEY	PART NUMBER	U/M DESCRIPTION
1	104420-01-000	EA SUPPORT/ANGLE - REAR BUMPER
2	083376-01-000	EA PLATE/SKID - 13.2" X 6" X 2" STEEL
3	103422-05-02A	EA BUMPER/ALUMINUM - SQUARE TUBE
4	039779-01-000	EA CAP - BUMPER - RUBBER - 4" X 4" - BLACK
5	034513-01-000	EA PIN - HITCH - 3/16" WIRE
6	107707-08-000	EA HITCH RECEIVER - BOLT-ON CLASS II
7	104420-02-000	EA SUPPORT/ANGLE - REAR BUMPER
	070579-09-000	EA PLATE - ANCHOR
	113588-02-01B	EA BRACKET - CONNECTOR - TRAILER W/O LIP
	113589-02-000	EA CONNECTOR - SOCKET - TRAILER
	097745-02-000	EA HOUSING - RECEPTACLE - TRAILER - 48' WIRE LENGTH
	113589-02-000	EA CONNECTOR - SOCKET - TRAILER
	113589-01-000	EA CONNECTOR - PLUG - TRAILER
	113634-01-000	EA WIRE ASSEMBLY - TRAILER ADAPTER

DRIVESHAFT

KEY	PART NUMBER	U/M DESCRIPTION
	103653-10-000	EA DRIVESHAFT - BALANCED PAIR - 190" WB - DIESEL ENGINE
	115043-02-000	EA BUSHING - STEP-UP - 2.5 OD - 3.5 OD - EXHAUST - DIESEL
	074833-01-000	EA SPACER - BEARING - DRIVESHAFT - 2" X 8" X .5" THICK
	085771-03-000	EA NUT - HEX - FLARE TORQUE - GRADE G - DRIVESHAFT
	088498-01-000	EA UNION - INVERTED FLARE - BRASS - 3/16
	103653-23-000	EA BOLT - U-JOINT - 5/16-24 X .75
	103653-24-000	EA STRAP - U-JOINT

CHASSIS GROUP (CONTINUED)



EXTERIOR ENTERTAINMENT CENTER

KEY	PART NUMBER	U/M DESCRIPTION
1	124696-01-01A	EA BOX - ENTERTAINMENT CENTER/EXTERIOR
2	127409-02-J01	EA PLATE - RADIO MOUNTING
3	105377-01-04A	EA BRACKET - TABLE HANGER - BRIGHT WHITE
4	105376-01-03A	EA HINGE - CONTINUOUS - 2" X 5.5" - BRIGHT WHITE
5	105230-11-J01	EA SHELF - EXTERIOR ENTERTAINMENT CENTER - W/O HARDWARE
6	105230-12-J01	EA SUPPORT - EXTERIOR SHELF
7	104898-01-02A	EA PLATE - PLASTIC BOTTOM - BRIGHT WHITE
8	104898-02-02A	EA PLATE - PLASTIC BACK - BRIGHT WHITE

CHASSIS GROUP (CONTINUED)

WHEEL LINERS - DICOR - 00-00-00 THRU: 10-08-97

KEY	PART NUMBER	U/M DESCRIPTION	VENDOR NO.
	110435-02-000	EA LINER/WHEEL - SET OF 4	
	110435-01-711	EA DECAL-CENTER CAP, 2" DECAL	
	110435-02-700	EA LINER-WHEEL,FRONT	V160F2-FWC
	110435-02-701	EA LINER-WHEEL,REAR	V160F2-RWC
	110435-02-702	EA STUD EXTENDER	V160SD-STX
	110435-02-703	EA NUT (JAMB)	V160SD-JNT
	110435-02-704	EA COVER-LUG NUT	V160F0-LNC
	110435-02-705	EA TOOL F/ JAMB NUT, INSTALL.	V160FO-TOL
	095012-05-000	EA EXTENSION - VALVE STEM - LIVE 5"	
	095012-06-000	EA STABILIZER - VALVE - EXTENSION - L	

WHEEL LINERS - DICOR - 10-09-97 THRU: 99-99-99

KEY	PART NUMBER	U/M DESCRIPTION	VENDOR NO.
	110435-13-000	EA LINER - WHEEL - SET OF 4	
	110435-10-705	EA TOOL - INSTALLATION	V195P7-TOL
	110435-13-700	EA WHEEL COVER - FRONT	V160F7-FWC
	110435-13-701	EA WHEEL COVER - REAR	V160F7-RWC
	110435-13-702	EA JAM NUT/ENCLOSED - 9/16"	V160F7-EJN
	095012-05-000	EA EXTENSION - VALVE STEM - LIVE 5"	
	095012-06-000	EA STABILIZER - VALVE - EXTENSION - L	

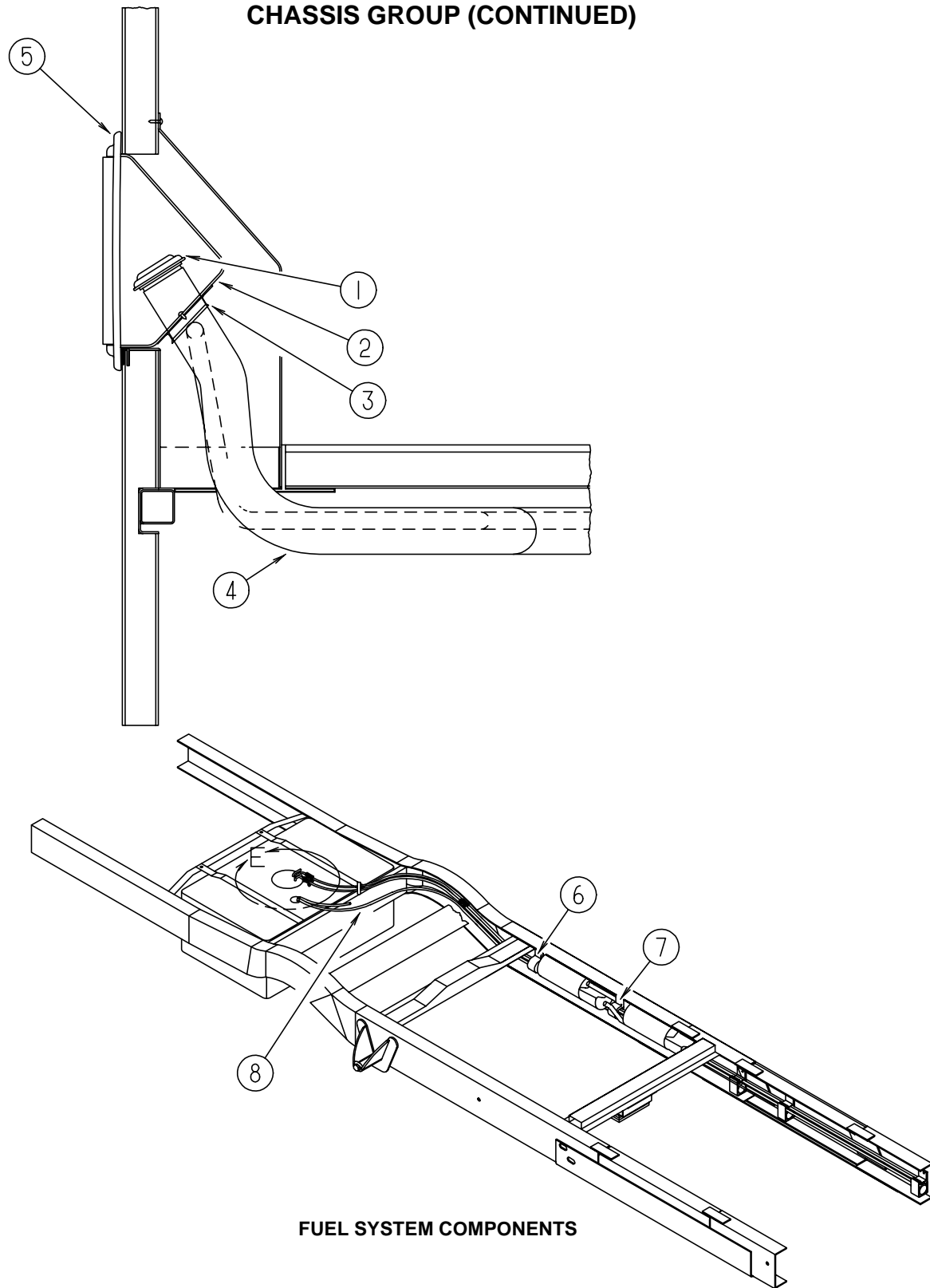
WHEEL COVER

KEY	PART NUMBER	U/M DESCRIPTION	VENDOR NO.
	109443-05-000	EA WHEEL COVER - 4/SET - 16" STAINLESS STEEL	
	098532-01-700	EA COVER-LUG NUT (CHROME)	SHAU-LNC
	109443-05-700	EA COVER-WHEEL, 16" SS EA=1	SHFM16-CVR

TIRE & WHEEL

KEY	PART NUMBER	U/M DESCRIPTION
	051377-04-000	EA VALVE STEM
	070917-06-000	EA TIRE - LT225/75R16E - R4S - M/S - FIRESTONE
	083617-03-000	EA WHEEL - STEEL - 16.0 X 6
	095012-06-000	EA STABLIZER - VALVE - EXTENSION - L

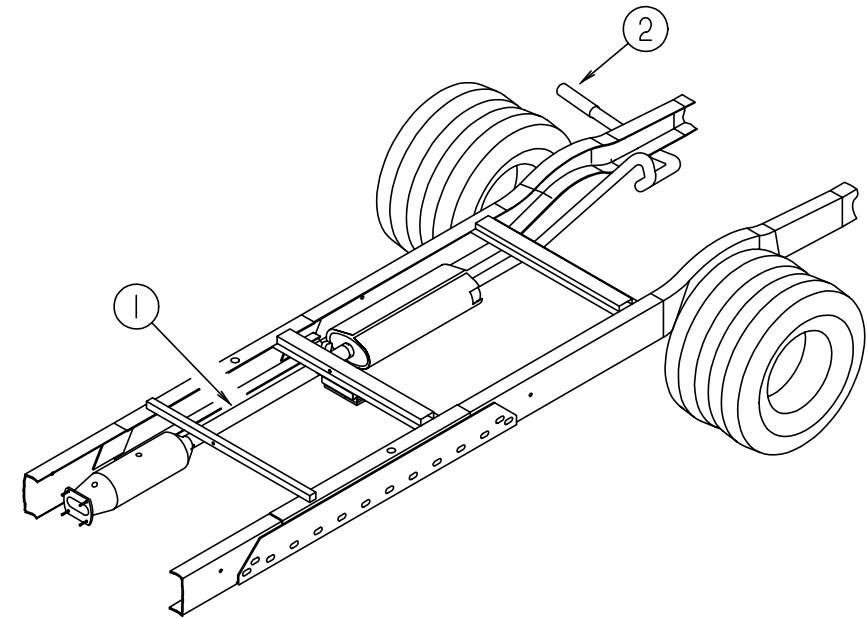
CHASSIS GROUP (CONTINUED)



FUEL SYSTEM COMPONENTS

KEY	PART NUMBER	U/M	DESCRIPTION
1	095854-01-04A	EA	SHROUD - FUEL FILL - BRIGHT WHITE
2	078040-06-000	EA	SHROUD - FUEL FILL - UPPER
3	078200-01-000	EA	GASKET - FUEL FILL - 3.5" OD X 2" ID
4	127628-01-000	EA	NECK - FUEL FILL - UNLEADED
4	106413-02-000	EA	NECK - FILLER - FUEL FILL - DIESEL
5	077963-01-000	EA	GASKET - DOOR - FUEL FILL - 10.1" X 8" - W/PSA
6	010497-04-000	EA	CLAMP - CLOSED - 1.62" ID
7	125187-02-000	FT	HOSE - FUEL - LOW PERM - 12.7 ID
8	125187-01-000	FT	HOSE - FUEL - LOW PERM - 11.1 ID
	007063-01-000	FT	HOSE - FUEL - 1/4"ID X 1/2"OD
	084884-01-000	EA	PLUG - BRASS - 3/8"

CHASSIS GROUP (CONTINUED)



EXHAUST SYSTEM COMPONENTS

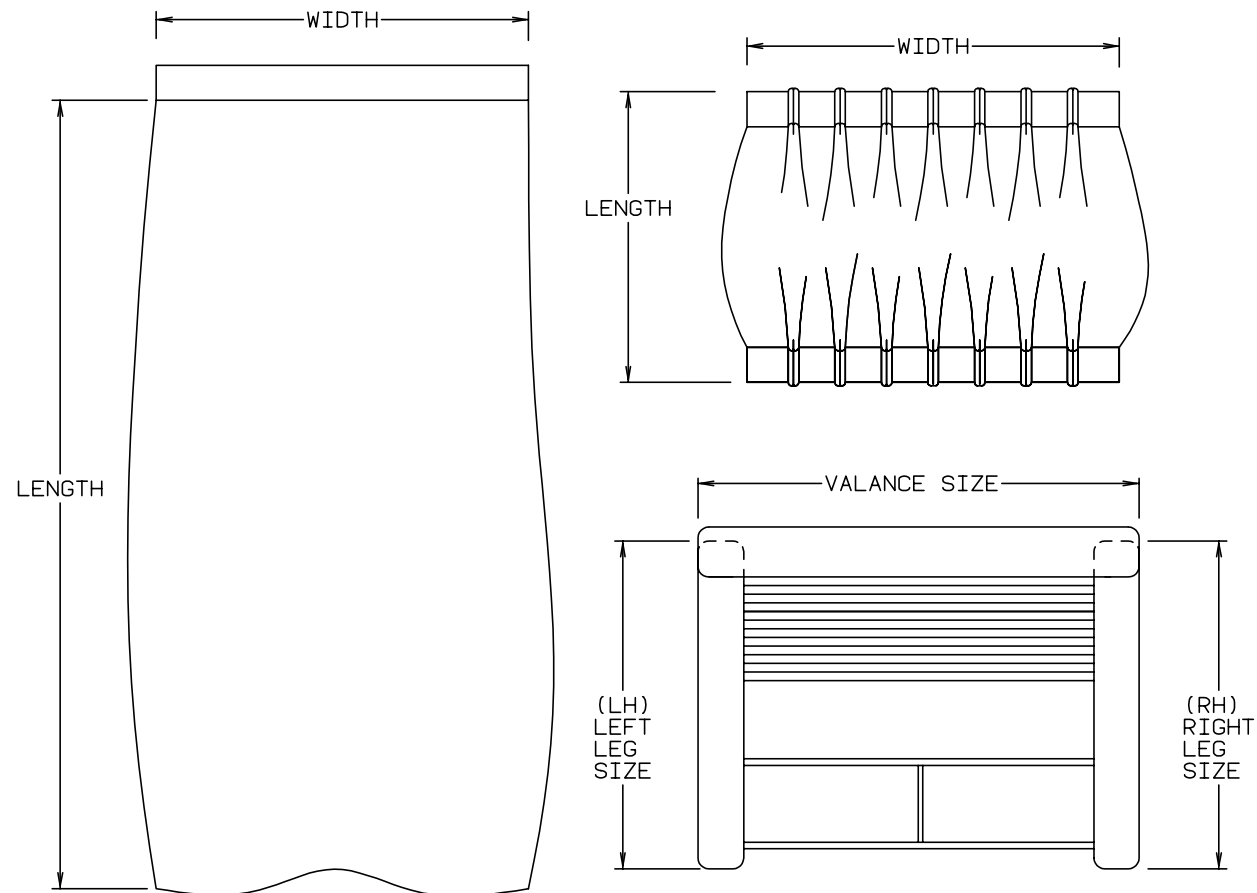
KEY	PART NUMBER	U/M	DESCRIPTION
1	111478-04-000	EA	EXHAUST PIPE - DOUBLE WALL STAINLESS STEEL - 63.9"
	094918-06-000	EA	CLAMP - EXHAUST - 3" - HEAVY DUTY
1	098762-15-000	EA	PIPE - EXHAUST - STRAIGHT - 3.5"
	094918-02-000	EA	CLAMP - EXHAUST - 3.5"
2	098762-18-000	EA	PIPE - EXHAUST - STRAIGHT - 3"
	094918-02-000	EA	CLAMP - EXHAUST - 3.5"

CURTAIN & CUSHION GROUP

NOTICE

IN ORDER TO ASSIST OUR PARTS SALES DEPT. IN PROVIDING INTERIOR SOFTWARE ITEMS, PLEASE INCLUDE THE SERIAL NUMBER AND THE COLOR CODE NUMBER FROM THE VEHICLE CERTIFICATION LABEL WHEN ORDERING. THIS LABEL IS LOCATED ON THE LEFT SIDEWALL AT THE END OF THE DASH (A-BODY), OR ON THE DRIVER'S DOOR LATCH PLATE (C-BODY).

AN EXAMPLE OF A COLOR CODE NUMBER IS B07, WHICH DESIGNATES AN OVERALL COLOR SCHEME OF A PARTICULAR UNIT. THE COLOR LISTED AFTER THE ITEM DESCRIPTION ON THE MICROFICHE, INDICATES THE OVERALL UNIT COLOR. ORDER THE ITEM YOU DESIRE ACCORDING TO UNIT COLOR CODE.



NOTE: USE THIS ILLUSTRATION WHEN DETERMINING LENGTH AND WIDTH MEASUREMENTS FOR CURTAINS. YOU WILL NOTE THE WIDTH MEASUREMENT IS TAKEN ON THE TOP OF THE CURTAIN WITH THE CURTAIN FULLY EXTENDED. THE LENGTH MEASUREMENT IS TAKEN FROM TOP TO BOTTOM. LEFT AND RIGHT WINDOW LEGS ARE DETERMINED WHEN FACING THE WINDOW.

CURTAIN & CUSHION GROUP (CONTINUED)

Color Codes	J01	J02
	GEMSTONE	SANDPIPER
BUCKET SEATS	108446-G0-000 108446-N3-000	108446-U1-000 108446-57-000
DINETTE CUSHIONS	108446-N4-000	108446-R8-000
DINETTE PADS	108446-G0-000	108446-U1-000
SOFA	108446-N4-000	108446-R8-000
SWIVEL CHAIR	108446-N3-000	108446-57-000
LOUNGE/DINETTE VALANCE/LEG	108446-N3-000	108446-57-000
LOUNGE OVERLAYS	108446-N4-000	108446-R8-000
BEDROOM VALANCE/LEG	105745-G1-000	105745-G2-000
BEDROOM OVERLAYS	105745-E7-000	105745-A1-000
BEDSPREAD	105745-G1-000	105745-G2-000
PILLOW SHAMS	105745-G1-000 105745-E7-000	105745-G2-000 105745-A1-000
ENTRANCE DOOR VALANCE	108446-N3-000	108446-57-000
BUNK CUSHIONS	108446-N3-000	106569-03-02A
BUNK/PRIVACY CURTAINS	105745-G1-000	105745-G2-000
DRAPERY LINING	087272-03-000	087272-03-000
TIRE COVER	103907-01-06A	103907-01-06A
HEADLINER	103907-01-04A	103907-01-04A

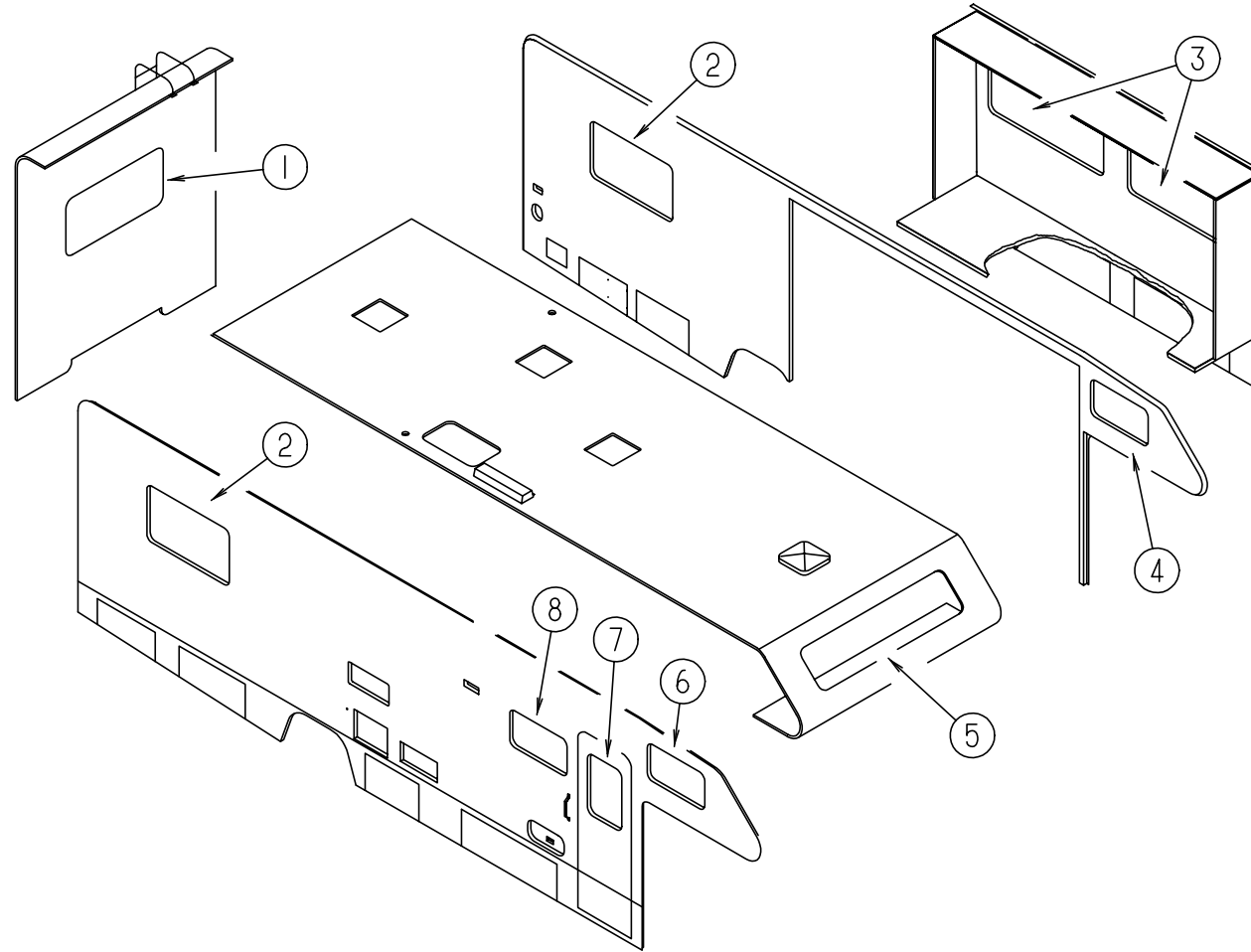
NOTE: FABRIC LISTED FIRST IN A BLOCK, IS THE LARGEST QUANTITY OF FABRIC USED

BUTTONS

KEY	PART NUMBER	U/M	DESCRIPTION
	070578-10-J01	EA	BUTTON - #30 - SCREW STUD
	070578-10-J02	EA	BUTTON - #30 - SCREW STUD

CURTAIN & CUSHION GROUP (CONTINUED)

CURTAINS & WINDOW TREATMENT



KEY	PART NUMBER	U/M	DESCRIPTION
1	119263-28-J45	EA	VALANCE - STARBUCK II - 52" (J01)
1	119263-28-J02	EA	VALANCE - STARBUCK II - 52" (J02)
1	111910-62-J11	EA	BLIND - DAY/NIGHTER - 49" X 27"
1	084755-92-F15	EA	SHADE - PULL - 50.25"
1	112986-12-J01	EA	CURTAIN - 29.5" X 6" - QUEEN BED
1	112986-12-J02	EA	CURTAIN - 29.5" X 6" - QUEEN BED
1	112986-14-J01	EA	CURTAIN - 27.5" X 6" - TWIN BED
1	112986-14-J02	EA	CURTAIN - 27.5" X 6" - TWIN BED
2	119263-32-J01	EA	VALANCE - STARBUCK II - 45"
2	119263-32-J02	EA	VALANCE - STARBUCK II - 45"
2	111910-53-J01	EA	BLIND - DAY/NIGHTER - 42" X 28.5"
2	084755-93-F15	EA	SHADE - PULL - 42.25"
2	112986-14-J01	EA	CURTAIN - 27.5" X 6"
2	112986-14-J02	EA	CURTAIN - 27.5" X 6"
3	119263-39-J01	EA	VALANCE - STARBUCK II - 62.5"
3	119263-39-J02	EA	VALANCE - STARBUCK II - 62.5"
3	111910-55-J31	EA	BLIND - DAY/NIGHTER - 59" X 26.5"
3	127522-02-J01	EA	SHADE - PULL - 59"
3	127017-43-J01	EA	LEG - RIGHT - 23.5"
3	127017-43-J02	EA	LEG - RIGHT - 23.5"
3	127017-44-J01	EA	LEG - LEFT - 23.5"
3	127017-44-J02	EA	LEG - LEFT - 23.5"
4	101034-52-J01	EA	CURTAIN - LEFT HAND - 19" X 34"
4	101034-52-J02	EA	CURTAIN - LEFT HAND - 19" X 34"

KEY	PART NUMBER	U/M	DESCRIPTION
5	101034-33-J01	EA	CURTAIN - RIGHT HAND - 21" X 60"
5	101034-33-J02	EA	CURTAIN - RIGHT HAND - 21" X 60"
5	101034-34-J01	EA	CURTAIN - LEFT HAND - 21" X 60"
5	101034-34-J02	EA	CURTAIN - LEFT HAND - 21" X 60"
6	101034-51-J01	EA	CURTAIN - RIGHT HAND - 19" X 34"
6	101034-51-J02	EA	CURTAIN - RIGHT HAND - 19" X 34"
7	119263-40-J01	EA	VALANCE - STARBUCK II - FLAT - 34.25
7	119263-40-J02	EA	VALANCE - STARBUCK II - FLAT - 34.25
7	084755-57-E07	EA	SHADE - PULL - 27.25"
8	109041-36-02A	EA	BLIND - MINI - 31" X 18"
8	109041-57-02A	EA	BLIND - MINI - 26" X 17"

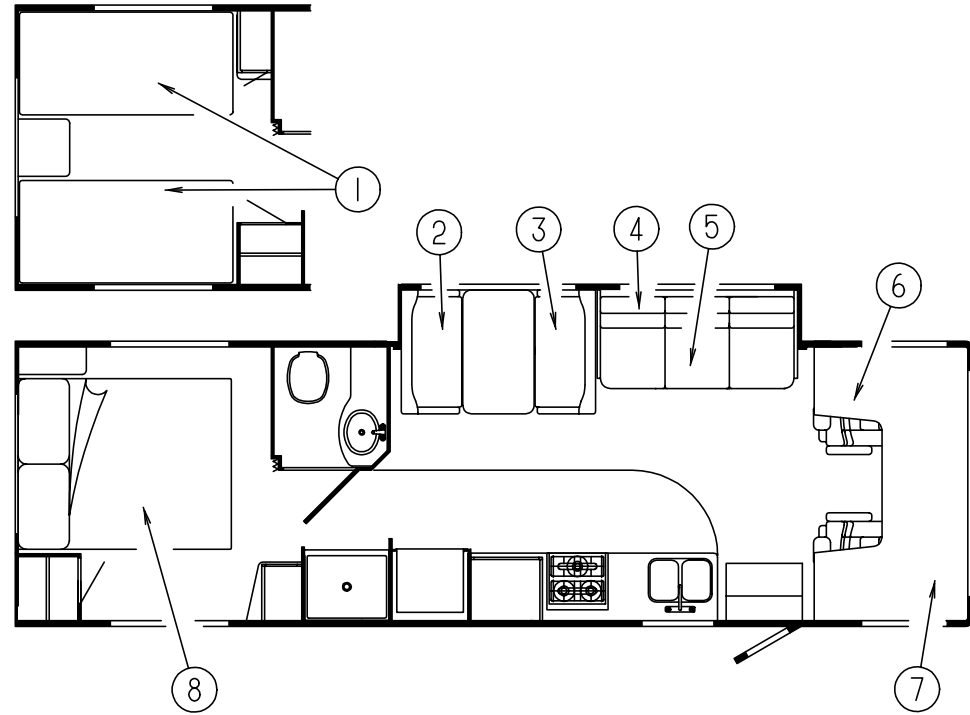
FROM: 00-00-00 THRU: 11-17-97

FROM: 11-18-97 THRU: 99-99-99

PRIVACY CURTAINS & TIEBACKS

KEY	PART NUMBER	U/M	DESCRIPTION
	076892-23-J01	EA	CURTAIN - 44" X 80"
	076892-23-J02	EA	CURTAIN - 44" X 80"
	101668-39-J01	EA	CURTAIN - RIGHT HAND - 35" X 50" (J01)
	101668-39-G01	EA	CURTAIN - RIGHT HAND - 35" X 50" (J02)
	101668-40-J01	EA	CURTAIN - LEFT HAND - 35" X 50" (J01)
	101668-40-G02	EA	CURTAIN - LEFT HAND - 35" X 50" (J02)
	073260-23-J01	EA	TIEBACK - CURTAIN - 3" X 18" (J01)
	073260-23-G01	EA	TIEBACK - CURTAIN - 3" X 18" (J02)

CURTAIN & CUSHION GROUP (CONTINUED)



TWIN BEDSPREAD & MATTRESS

KEY	PART NUMBER	U/M DESCRIPTION
1	123471-21-J01	EA BEDSPREAD/THROW - 36" X 75"
1	123471-21-J02	EA BEDSPREAD/THROW - 36" X 75"
	104176-08-J01	EA SHAM - PILLOW - 33"
	104176-08-J02	EA SHAM - PILLOW - 33"
	101123-29-000	EA MATTRESS - FOAM - 35" X 74"
	P01123-29-000	EA COVER - MATTRESS - 35" X 74"

DINETTE CUSHIONS

KEY	PART NUMBER	U/M DESCRIPTION
2	128090-02-J01	EA CUSHION - 13.5" X 42" X 5"
		FROM: 00-00-00 THRU: 02-01-98
2	129913-02-J01	EA BENCH-W/FRAMING/FABRIC COVERED-13.5"X42"X5"-LT FWD FACING
		FROM: 02-02-98 THRU: 99-99-99
2	128090-02-J02	EA CUSHION - 13.5" X 42" X 5"
		FROM: 00-00-00 THRU: 02-01-98
2	129913-02-J02	EA BENCH-W/FRAMING/FABRIC COVERED-13.5"X42"X5"-LT FWD FACING
		FROM: 02-02-98 THRU: 99-99-99
3	128090-01-J01	EA CUSHION - 13.5" X 42" X 5"
		FROM: 00-00-00 THRU: 02-01-98
3	129913-01-J01	EA BENCH-W/FRAMING/FABRIC COVERED-13.5"X42"X5"-RT REAR FACING
		FROM: 02-02-98 THRU: 99-99-99
3	128090-01-J02	EA CUSHION - 13.5" X 42" X 5"
		FROM: 00-00-00 THRU: 02-01-98
3	129913-01-J02	EA BENCH-W/FRAMING/FABRIC COVERED-13.5"X42"X5"-RT REAR FACING
		FROM: 02-02-98 THRU: 99-99-99

CURTAIN & CUSHION GROUP (CONTINUED)

DRIVERS SIDE COUCH

KEY	PART NUMBER	U/M DESCRIPTION
4	111319-03-J01	EA BACK - SOFA/BED - W/FRAME - 66.5"
4	111319-03-J02	EA BACK - SOFA/BED - W/FRAME - 66.5"
	P11319-03-J01	EA COVER - BACK - SOFA/BED - 66.5"
	P11319-03-J02	EA COVER - BACK - SOFA/BED - 66.5"
	101085-09-000	EA FRAME - BACK - SOFA/BED - 66.5" X 16"
	114763-09-000	EA FRAME - JACKKNIFE FRAME - W/8" LEGS
5	100032-37-J01	EA SEAT - SOFA/BED W/FRAME - 66.5"
5	100032-37-J02	EA SEAT - SOFA/BED W/FRAME - 66.5"
	P00032-37-J01	EA COVER - SEAT - SOFA/BED - 66.5"
	P00032-37-J02	EA COVER - SEAT - SOFA/BED - 66.5"
	101085-01-000	EA FRAME - SEAT - SOFA/BED - 66.5"
	101085-03-000	EA FRAME - BASE - SOFA/BED - 66.5"

NOTE: COUCH FRONT AND SIDE PANELS ARE FOUND IN LOUNGE GROUP

BUNK CUSHIONS

KEY	PART NUMBER	U/M DESCRIPTION
6	105573-10-J01	EA CUSHION - OVERHEAD BUNK/REAR - 27" X 23" X 5"
6	105573-10-J02	EA CUSHION - OVERHEAD BUNK/REAR - 27" X 23" X 5"
	P05573-10-J01	EA COVER - CUSHION/OVERHEAD BUNK/REAR - 27"X 23"X 80"X 5"
	P05573-10-J02	EA COVER - CUSHION/OVERHEAD BUNK/REAR - 27"X 23"X 80"X 5"
7	105573-09-H30	EA CUSHION - OVERHEAD BUNK/FRONT - 32.5" X 80" X 5" (J01)
7	105573-09-E22	EA CUSHION - OVERHEAD BUNK/FRONT - 32.5" X 80" X 5" (J02)
	P05573-09-H30	EA COVER - CUSHION/OVERHEAD BUNK/FRONT - 32.5" X 80" X 5" (J01)
	P05573-09-E22	EA COVER - CUSHION/OVERHEAD BUNK/FRONT - 32.5" X 80" X 5" (J02)

QUEEN BEDSPREAD & MATTRESS

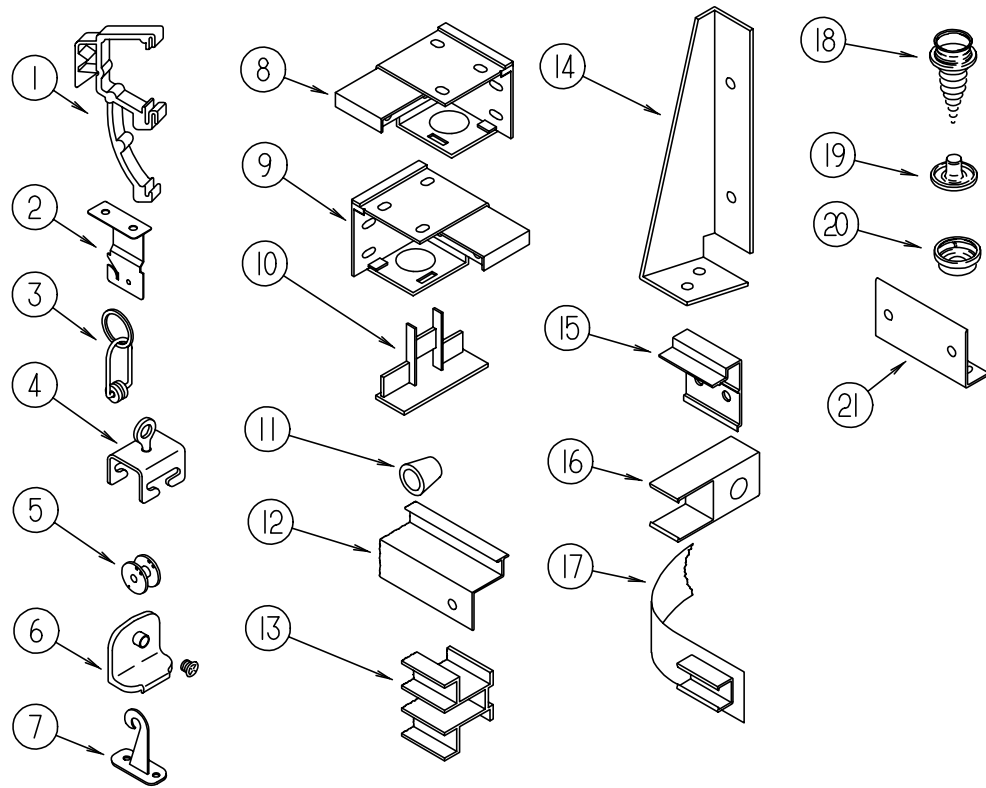
KEY	PART NUMBER	U/M DESCRIPTION
8	123471-08-J01	EA BEDSPREAD/THROW - 60" X 75"
8	123471-08-J02	EA BEDSPREAD/THROW - 60" X 75"
	104176-04-J01	EA PILLOW SHAM - 30"
	104176-04-J02	EA PILLOW SHAM - 30"
	123015-06-000	EA MATTRESS - INNERSPRING - 60" X 74.5"

ASSIST HANDLE & SEATBELTS

KEY	PART NUMBER	U/M DESCRIPTION
	007021-01-000	EA SEAT BELT - 2" X 90" - BLACK
	057759-01-000	EA WASHER BRACKET - SEAT BELT - 4" DIAMETER
	069178-02-000	EA BRACKET - MOUNTING/ASSIST HANDLE - GRAY
	000C16-07-16B	EA BOLT - CARRIAGE - ASSIST HANDLE - 7/16" - 14 X 1"
	000D20-07-00B	EA NUT - ACORN - ASSIST HANDLE - 7/16 - 14
	053552-02-AA8	EA HANDLE - ASSIST - INTERIOR/ENTRY DOOR - VINYL/OFF WHITE
	057534-06-000	EA TIEBACK/TIEDOWN - VINYL - 6" BEIGE

CURTAIN & CUSHION GROUP (CONTINUED)

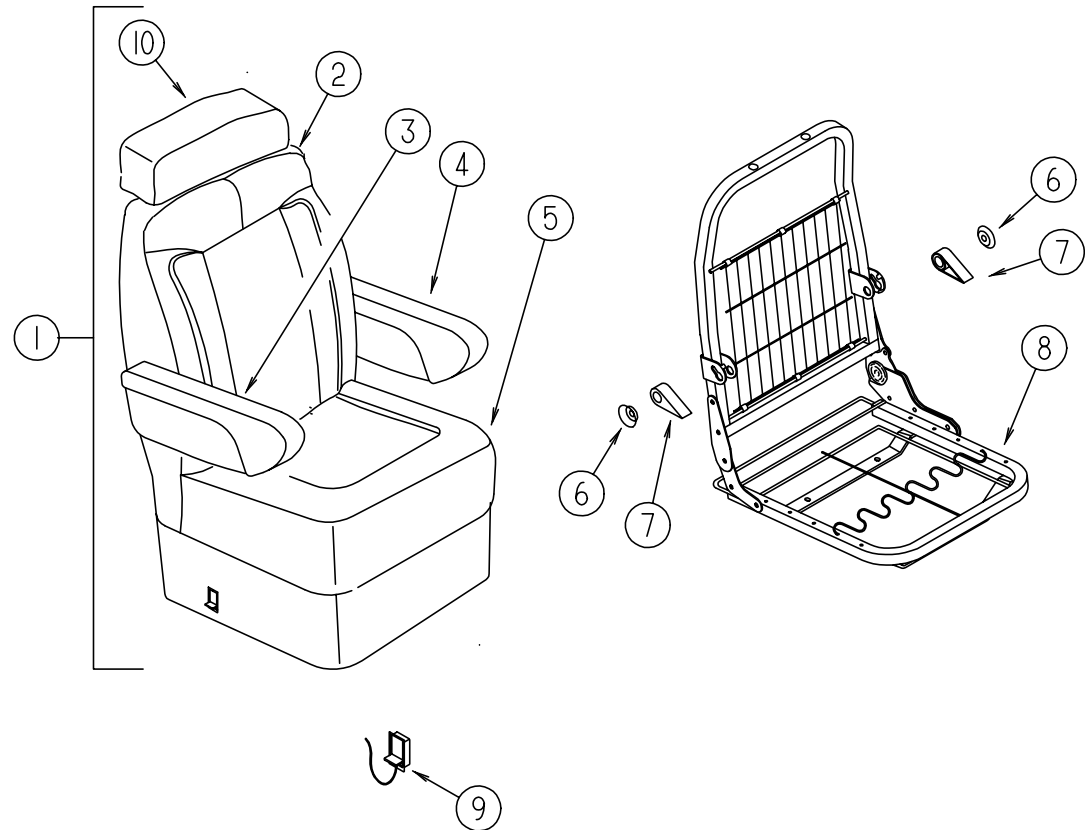
CURTAIN & BLIND HARDWARE



KEY	PART NUMBER	U/M	DESCRIPTION
	046867-03-000	EA	GROMMET - HANDY BUTTON #3
	048394-02-000	YD	VELCRO TAPE - HOOK - ADHESIVE BACK - .75" WIDE - BEIGE
	084433-05-000	EA	SHADE - ROLLER - 72.25"
	086276-01-000	EA	TAPE - DOUBLE SIDED - 1/2"
	088792-01-000	YD	VELCRO TAPE - HOOK - 5/8" - NON-ADHESIVE BACKED
	088792-02-000	YD	VELCRO TAPE - LOOP - .75" - ADHESIVE BACKED - BEIGE
	088792-05-000	YD	VELCRO TAPE - LOOP - 5/8" - NON-ADHESIVE BACKED - WHITE
	088792-06-000	YD	VELCRO TAPE - LOOP - .75" - NON-ADHESIVE BACKED - BUFF
	094896-02-000	EA	GROMMET - CORD/PLEATED BLIND - NYLON - GRAY
	094907-04-000	EA	HARDWARE - END CAP BOTTOM - PULL TYPE (RH & LH)
	096843-01-000	EA	SPRING - REWIND/ROLLER SHADE
	097591-01-000	EA	SPRING - EXTENSION/PLEATED BLIND
	097592-02-000	EA	BRACKET - HOLDDOWN ADJUSTER
	097593-06-000	FT	CORD - BLIND/PLEATED - PEWTER (J03)
	097593-02-000	FT	CORD - BLIND/PLEATED - GRAY (J04)
	109441-03-000	EA	HOLD DOWN - BLIND (CLOUDY)
	056003-01-000	EA	BRACKET - DRAPERY RETAINING - FRONT - METAL
	056003-02-000	EA	BRACKET - DRAPERY RETAINING - REAR - METAL
	075943-10-000	EA	BRACE - VALANCE - 20"
	084434-01-000	EA	BRACKET - MOUNTING - ROLLER SHADE - 1 3/8"
	094907-02-000	EA	END CAP - TOP/PLEATED BLIND - PLASTIC - GRAY
	083125-07-000	EA	BRACE - COUCH - 2.5"

KEY	PART NUMBER	U/M	DESCRIPTION
1	109353-04-000	EA	CLIP - VALANCE SLAT MOUNTING - CLEAR PLASTIC
2	084434-01-000	EA	BRACKET - MOUNTING - ROLLER SHADE - 1 3/8"
3	009701-01-000	EA	CARRIER - CURTAIN - L ROD
4	009702-01-000	EA	END STOP - CURTAIN CARRIER - L ROD
5	097592-01-000	EA	SPOOL - CORD - ELEVATED BLIND HOLDUP - CLEAR PLASTIC
6	106544-01-000	EA	PULL - SHADE/BRASS
	106544-01-001	EA	SCREW - SHADE/BRASS
7	109441-03-000	EA	HOLD DOWN - BLIND (CLOUDY)
8	083170-01-000	EA	BRACKET - BLIND - LEFT SIDE WHEN FACING WINDOW
9	083170-02-000	EA	BRACKET - BLIND - RIGHT SIDE WHEN FACING WINDOW
10	094907-02-000	EA	END CAP - TOP/PLEATED BLIND - PLASTIC - GRAY
11	097564-01-000	EA	HANDLE - KNOB - E-Z LIFT SHADE - SMOKED
11	097564-04-000	EA	HANDLE - KNOB - E-Z LIFT SHADE - NAVY
12	105450-03-01A	EA	TRACK - CURTAIN - 50" LONG
12	105450-14-01A	EA	TRACK - CURTAIN - 90"
13	101033-04-000	EA	TRACK - WALL - 3'
13	101033-06-000	EA	TRACK - WALL - 6.5'
13	101033-07-000	EA	TRACK - WALL - 2.5'
14	076827-02-000	EA	BRACKET - LEG - 2.9" X 1.8" - TRIANGLE
15	097565-01-000	EA	BRACKET - MOUNTING/PLEATED BLIND
16	101033-02-000	EA	END CAP - TRACK/CLEAR
17	101031-01-000	YD	TAPE - GLIDE/CURTAIN - 4.25" SPACING
18	029130-01-000	EA	SCREW - SNAP SOCKET - #8 PH X 5/8"
19	029155-01-000	EA	CAP - SNAP - 5/32" OUTSIDE DIAMETER OF PIN
20	029156-01-000	EA	SOCKET - SNAP - 9/16" O.D
21	083125-07-000	EA	BRACE - COUCH - 2.5"

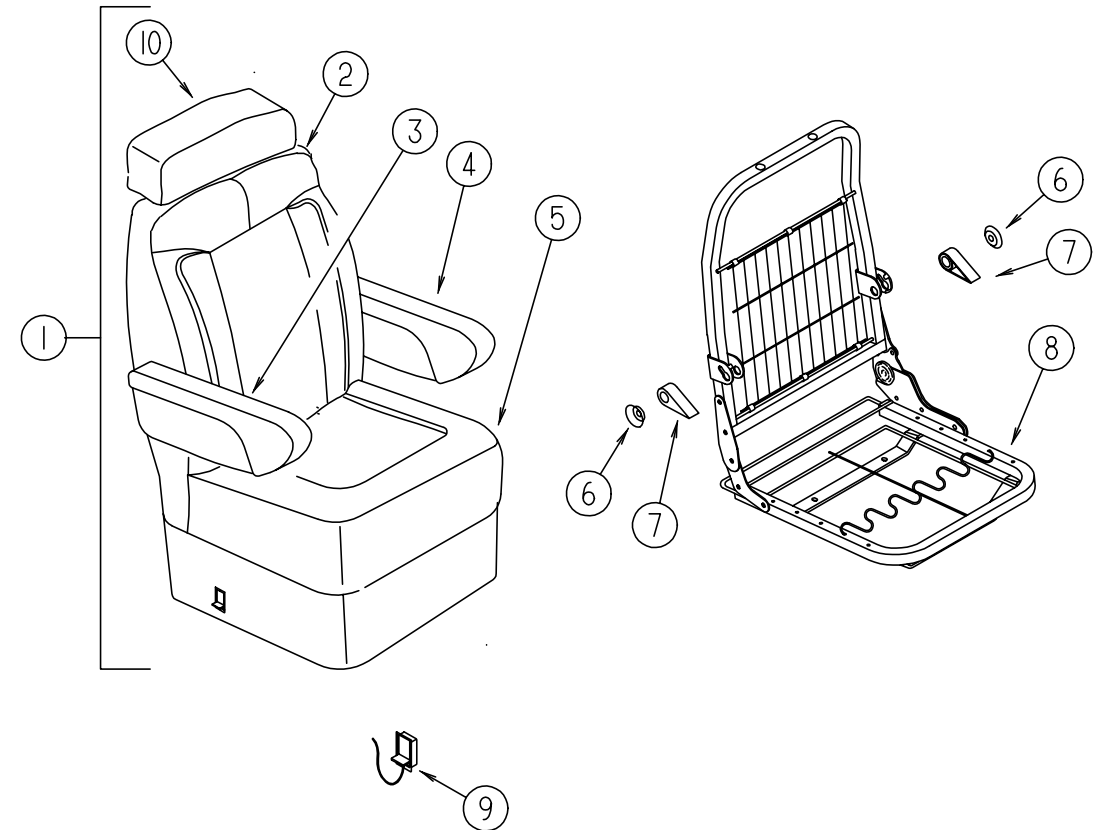
CURTAIN & CUSHION GROUP (CONTINUED)



BUCKET SEAT - FORD - FROM: 00-00-00 THRU: 02-28-98

KEY	PART NUMBER	U/M	DESCRIPTION
1	110148-10-J01	EA	SEAT - BUCKET - W/RIGHT ARMREST/HEADREST - DRIVER
1	110148-10-J02	EA	SEAT - BUCKET - W/RIGHT ARMREST/HEADREST - DRIVER
1	110148-11-J01	EA	SEAT - BUCKET - W/LEFT ARMREST/HEADREST - PASSENGER
1	110148-11-J02	EA	SEAT - BUCKET - W/LEFT ARMREST/HEADREST - PASSENGER
2	M05962-55-J01	EA	COVER - BACK
2	M05962-55-J02	EA	COVER - BACK
3	122780-01-J01	EA	ARMREST - RIGHT HAND
3	122780-01-J02	EA	ARMREST - RIGHT HAND
	P22780-01-J01	EA	COVER - ARMREST - RIGHT HAND
	P22780-01-J02	EA	COVER - ARMREST - RIGHT HAND
	115617-03-000	EA	ARMREST - W/O COVER - RIGHT HAND
4	122780-02-J26	EA	ARMREST - LEFT HAND (J01)
4	122780-02-J02	EA	ARMREST - LEFT HAND (J02)
	P22780-02-J26	EA	COVER - ARMREST - LEFT HAND (J01)
	P22780-02-J02	EA	COVER - ARMREST - LEFT HAND (J02)
	115617-04-000	EA	ARMREST - W/O COVER - LEFT HAND
5	M05962-56-J01	EA	COVER - SEAT
5	M05962-56-J02	EA	COVER - SEAT
6	125229-05-000	EA	PAL NUT
7	125229-03-000	EA	LEVER - RECLINING
8	125229-02-000	EA	FRAME - SEAT - PASSENGER - W/LEFT ARMREST BRACKET
8	125229-01-000	EA	FRAME - SEAT - DRIVER - W/RIGHT ARMREST BRACKET
9	117125-01-02B	EA	BRACKET - CABLE MOUNT - ADJUSTER W/LOCK
10	119509-01-J26	EA	HEADREST - BUCKET SEAT (J01)
10	119509-01-J02	EA	HEADREST - BUCKET SEAT (J02)
	P19509-01-J26	EA	COVER - HEADREST (J01)
	P19509-01-J02	EA	COVER - HEADREST (J02)
	113977-12-000	EA	HEADREST INSERT - W/O LOCK
	113977-13-000	EA	HEADREST INSERT - W/LOCK
	007221-01-000	EA	SPACER - SEAT/ADJUSTER

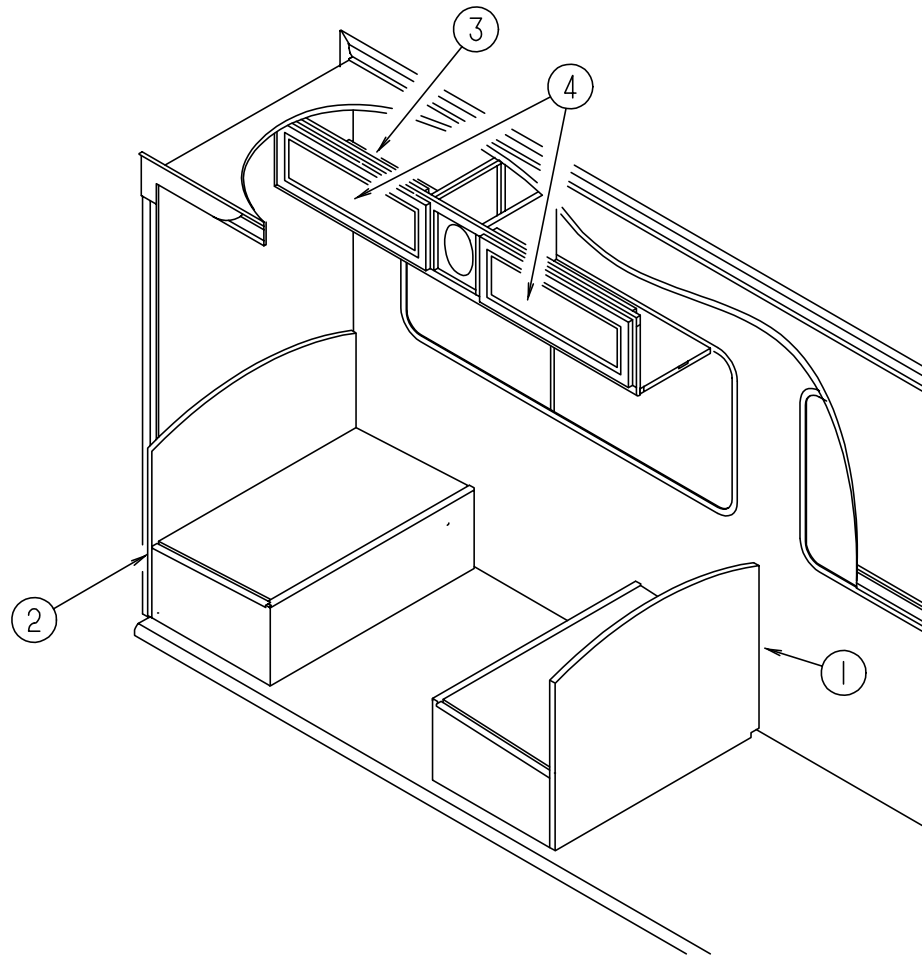
CURTAIN & CUSHION GROUP (CONTINUED)



BUCKET SEAT - FORD - FROM: 03-01-98 THRU: 99-99-99

KEY	PART NUMBER	U/M	DESCRIPTION
1	110148-16-J01	EA	SEAT - BUCKET - W/RIGHT ARMREST/HEADREST - DRIVER
1	110148-16-J02	EA	SEAT - BUCKET - W/RIGHT ARMREST/HEADREST - DRIVER
1	110148-17-J01	EA	SEAT - BUCKET - W/LEFT ARMREST/HEADREST - PASSENGER
1	110148-17-J02	EA	SEAT - BUCKET - W/LEFT ARMREST/HEADREST - PASSENGER
2	M05962-55-J01	EA	COVER - BACK
2	M05962-55-J02	EA	COVER - BACK
3	122780-01-J01	EA	ARMREST - RIGHT HAND
3	122780-01-J02	EA	ARMREST - RIGHT HAND
	P22780-01-J01	EA	COVER - ARMREST - RIGHT HAND
	P22780-01-J02	EA	COVER - ARMREST - RIGHT HAND
	115617-03-000	EA	ARMREST - W/O COVER - RIGHT HAND
4	122780-02-J26	EA	ARMREST - LEFT HAND (J01)
4	122780-02-J02	EA	ARMREST - LEFT HAND (J02)
	P22780-02-J26	EA	COVER - ARMREST - LEFT HAND (J01)
	P22780-02-J02	EA	COVER - ARMREST - LEFT HAND (J02)
	115617-04-000	EA	ARMREST - W/O COVER - LEFT HAND
5	M05962-56-J01	EA	COVER - SEAT
5	M05962-56-J02	EA	COVER - SEAT
6	125229-05-000	EA	PAL NUT
7	125229-03-000	EA	LEVER - RECLINING
8	125229-07-001	EA	FRAME - SEAT - PASSENGER W/RIGHT ARMREST BRACKET
8	125229-07-000	EA	FRAME - SEAT - PASSENGER - W/LEFT ARMREST BRACKET
8	125229-06-001	EA	FRAME - SEAT - DRIVER W/RIGHT ARMREST BRACKET
8	125229-06-000	EA	FRAME - SEAT - DRIVER - W/RIGHT ARMREST BRACKET
9	117125-01-02B	EA	BRACKET - CABLE MOUNT - ADJUSTER W/LOCK
10	119509-01-J26	EA	HEADREST - BUCKET SEAT (J01)
10	119509-01-J02	EA	HEADREST - BUCKET SEAT (J02)
	P19509-01-J26	EA	COVER - HEADREST (J01)
	P19509-01-J02	EA	COVER - HEADREST (J02)
	113977-12-000	EA	HEADREST INSERT - W/O LOCK
	113977-13-000	EA	HEADREST INSERT - W/LOCK
	007221-01-000	EA	SPACER - SEAT/ADJUSTER

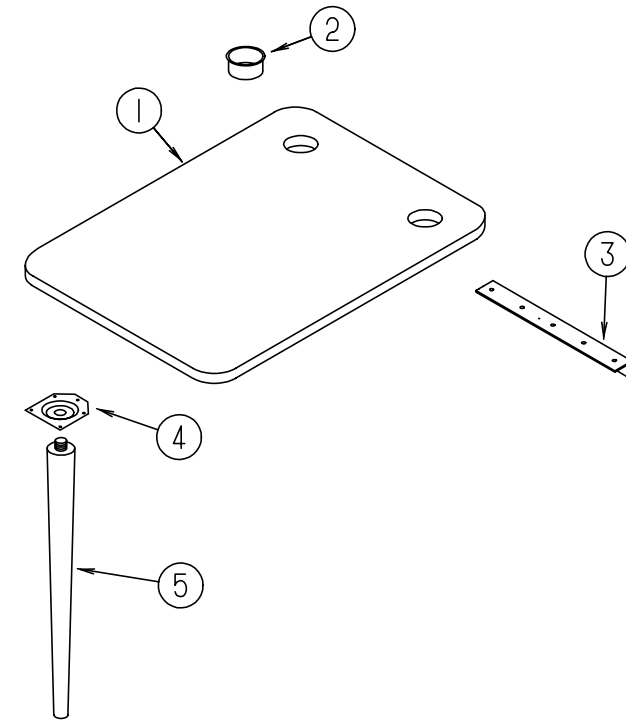
DINETTE GROUP



DINETTE CABINETS

KEY	PART NUMBER	U/M DESCRIPTION
1	127880-01-000	EA CABINET - DINETTE/RIGHT HAND - W/O DOORS/HARDWARE FROM: 00-00-00 THRU: 02-01-98
1	129837-01-000	EA CABINET - DINETTE - W/O DOORS/HARDWARE FROM: 02-02-98 THRU: 99-99-99
2	127880-02-000	EA CABINET - DINETTE - LEFT HAND - W/O DOORS/HARDWARE FROM: 00-00-00 THRU: 02-01-98
2	129837-02-000	EA CABINET - DINETTE - W/O DOORS/HARDWARE FROM: 02-02-98 THRU: 99-99-99
3	127841-01-J01	EA CABINET - OVERHEAD - FRONT/DINETTE - W/O DOORS/HDW
3	127841-01-J02	EA CABINET - OVERHEAD - FRONT/DINETTE - W/O DOORS/HDW
4	M08758-70-J15	EA DOOR - MITERED CORNER/OGEE EDGE - 10.8" X 27.9" - W/O HDW
4	M08758-52-J15	EA DOOR - MITERED CORNER/OGEE EDGE - 10.8" X 27.9" - W/O HDW - RAISED PANEL
4	M05992-90-J03	EA DOOR - STRAIGHT CORNER/OGEE EDGE - 10.8" X 27.9" - W/O HDW - UPGRADE

DINETTE GROUP (CONTINUED)

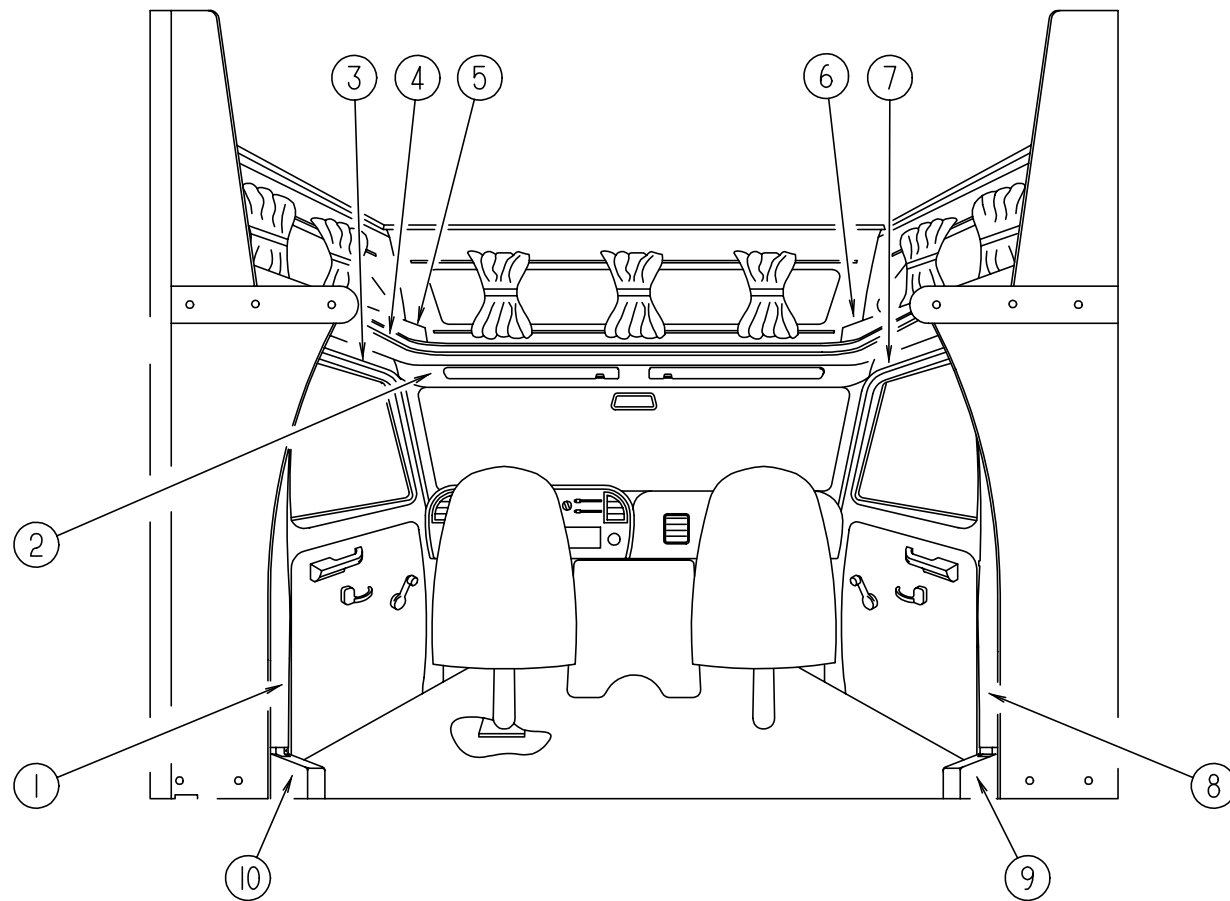


DINETTE TABLE & HARDWARE

KEY	PART NUMBER	U/M DESCRIPTION
1	081322-12-F09	EA TABLE TOP ONLY (J01)
1	081322-12-E01	EA TABLE TOP ONLY (J02)
2	064781-06-000	EA HOLDER - CUP - TWO STEP - OFF WHITE
3	122021-03-01A	EA ANGLE - W/HOLES
4	114724-02-000	EA PLATE - TABLE LEG
5	114724-01-03A	EA LEG - TABLE/TAPERED - WOOD - WATERFORD OAK
	114724-01-01A	EA LEG - TABLE/TAPERED - WOOD - UNFINISHED

DRIVERS COMPARTMENT GROUP

DRIVERS COMPARTMENT



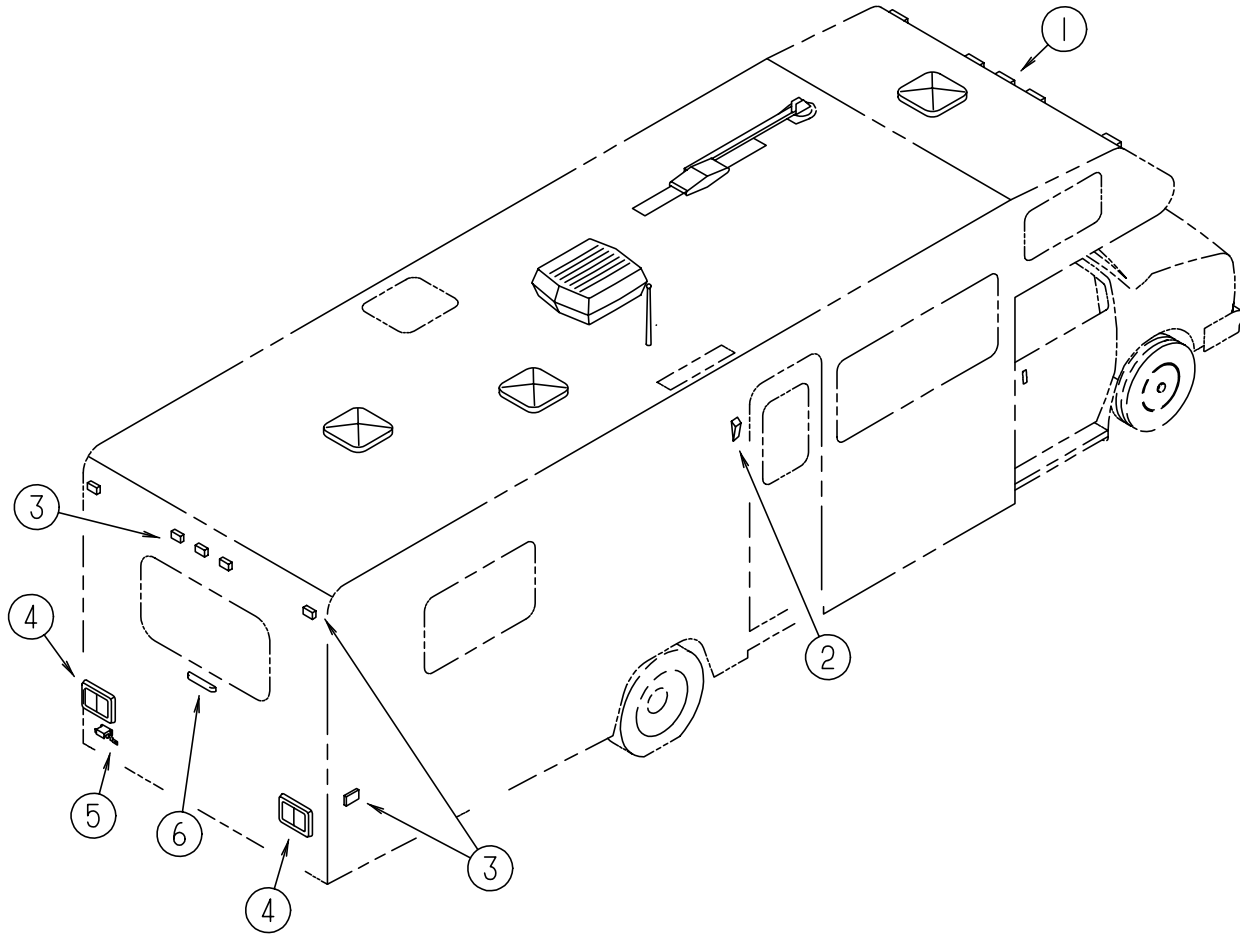
KEY	PART NUMBER	U/M DESCRIPTION	VENDOR NO.
1	125031-02-H04	EA TRIM - CAB - B-PILLAR	
2	106448-01-H04	EA HEADLINER - W/VINYL	
3	106447-04-H04	EA TRIM - CAB DOOR - UPPER/LEFT HAND	
4	119520-01-01A	FT MOLDING-T - 1" - W/EDGE LIPS (OFF/WHITE-CREAM)	
5	109894-01-H30	EA CABINET - HAMPER - FRONT - DRIVER (J01)	
5	109894-01-J02	EA CABINET - HAMPER - FRONT - DRIVER (J02)	
6	109894-03-H30	EA CABINET - HAMPER - FRONT - PASSENGER (J01)	
6	109894-03-J02	EA CABINET - HAMPER - FRONT - PASSENGER (J02)	
7	106447-03-H04	EA TRIM - CAB DOOR - UPPER/RIGHT HAND	
8	125031-01-H04	EA TRIM - CAB - B-PILLAR	
9	106431-01-02A	EA COVER - SEATBELT RECOIL - PASSENGER SIDE - VW GREY	
10	106431-02-02A	EA COVER - SEATBELT RECOIL - DRIVER SIDE - VW GRAY	
	106025-02-01A	EA LADDER - BUNK - 52"	
	106025-01-700	EA BRACKET SET-F/BUNK LADDER	08-0030-00

INSTRUMENT CLUSTERS

KEY	PART NUMBER	U/M DESCRIPTION
	094795-09-000	EA CLUSTER - INSTRUMENT PANEL - KM - GAS/DIESEL - FORD
	094795-06-000	EA CLUSTER - INSTRUMENT PANEL - KILOMETERS - GAS/DIESEL - CANADIAN
	100138-01-000	EA MODULE - DAYTIME/RUNNING LIGHT
	108357-08-000	EA SWITCH - ROCKER DPDT - ON/NONE/ON - 6 TERMINAL
	111414-01-000	EA RECEPTACLE - 12V - W/O BIMETAL
	108356-07-01A	EA COVER/ACTUATOR SWITCH - 2 ROWS DIMPLES - AUX START - BLACK
	108357-09-000	EA SWITCH - ROCKER SPDT - ON/NONE/MOM - 3 TERMINAL
	116220-01-000	EA APPLIQUE - SWITCH/SLIDEOUT

ELECTRICAL GROUP

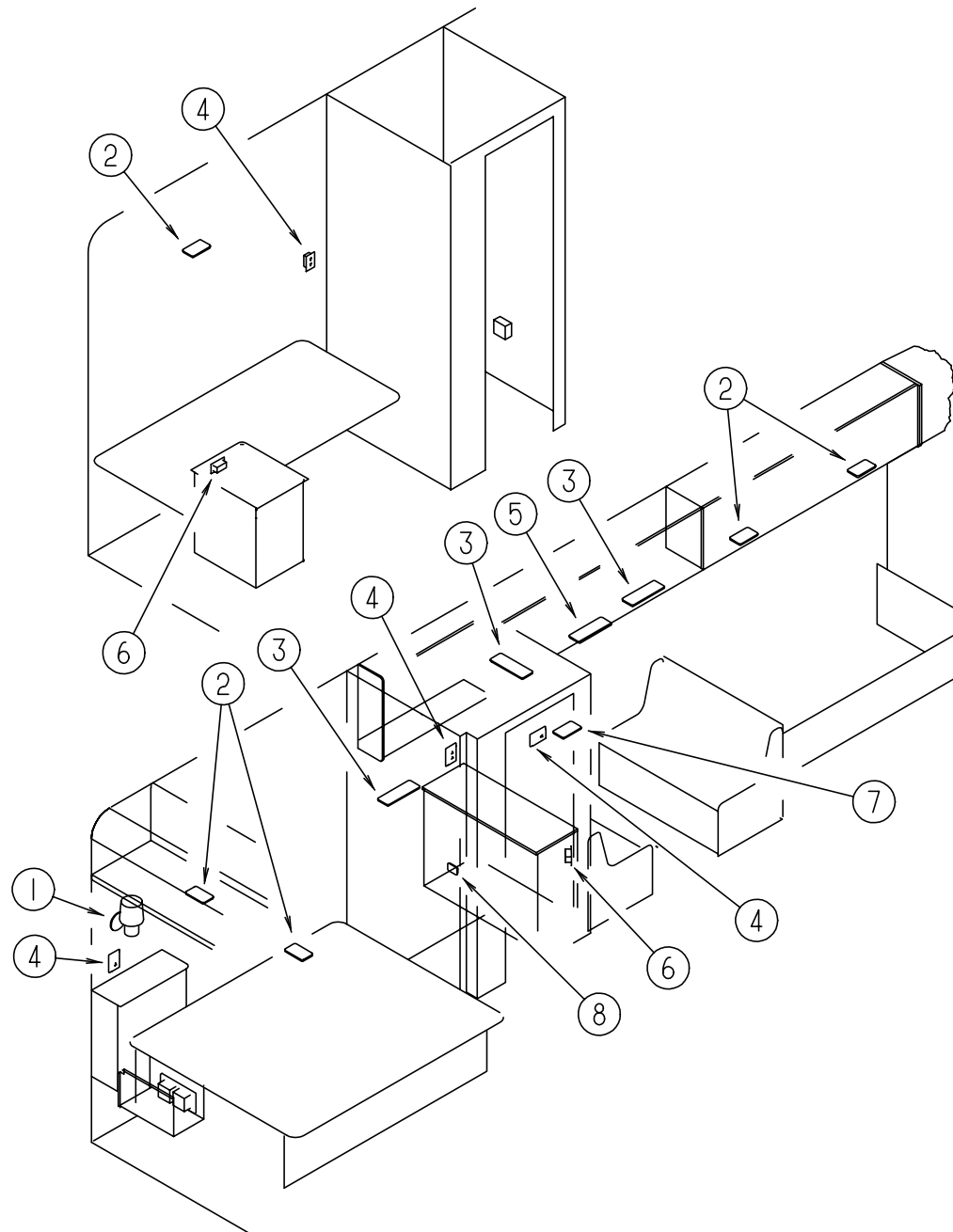
EXTERIOR LIGHTS



KEY	PART NUMBER	U/M DESCRIPTION	VENDOR NO.
1	111102-02-000	EA LENS - AMBER - MARKER LAMP	
	111102-01-000	EA BASE - LAMP MARKER	
	036196-01-000	EA BULB - 12 VOLT - #194 - .27 AMP - BAYONETTE	
	091983-01-000	EA GASKET - CLEARANCE/SIDEMARKER LIGHT	
	112823-01-000	EA SPLICE - REDUCER - 16-14 TO 18-22	
2	097917-01-06A	EA LIGHT - PORCH - BRIGHT WHITE	
	008215-01-000	EA BULB - 12 VOLT - #1003 - .94 AMP	
	097917-01-700	EA LENS-LIGHT, CLEAR	30-78-021
2	008089-02-000	EA LIGHT - PORCH - RECESSED - CANADIAN	
	091981-01-000	EA GASKET - PORCH LIGHT	
	008089-01-700	EA LENS-LIGHT, RECESSED, PORCH DECO	
	008214-01-000	EA BULB - 12 VOLT - #67 - .59 AMP	
3	111102-03-000	EA LENS - RED - MARKER LAMP	
	111102-01-000	EA BASE - LAMP MARKER	
	036196-01-000	EA BULB - 12 VOLT - #194 - .27 AMP - BAYONETTE	
	091983-01-000	EA GASKET - CLEARANCE/SIDEMARKER LIGHT	
	112823-01-000	EA SPLICE - REDUCER - 16-14 TO 18-22	
4	103355-01-05A	EA POD - TAIL LIGHT	
	081638-01-000	EA TAILLIGHT/DOUBLE W/BLACK TRIM - DRIVER/PASSENGER SIDE	
	037934-01-000	EA BULB - 12V - #1156 - 2.1 AMP CLEAR GLASS	
	037935-01-000	EA BULB - 12V - #1157 OR #2057 - 2.1 AMP - CLEAR GLASS	
	081638-01-700	EA LENS-TAILLIGHT, RED	30-84-010
	081638-01-701	EA LENS-TAILLIGHT, W/BACKUP	30-84-700
5	066432-02-000	EA LIGHT - LICENSE - BLACK	
	066432-03-000	EA BRACKET - LICENSE PLATE	
6	121950-01-000	EA LIGHT - BRAKE - CENTER MOUNT	

ELECTRICAL GROUP (CONTINUED)

LIGHTS, SWITCHES & RECEPTACLES - DRIVER SIDE - QUEEN & TWIN BED

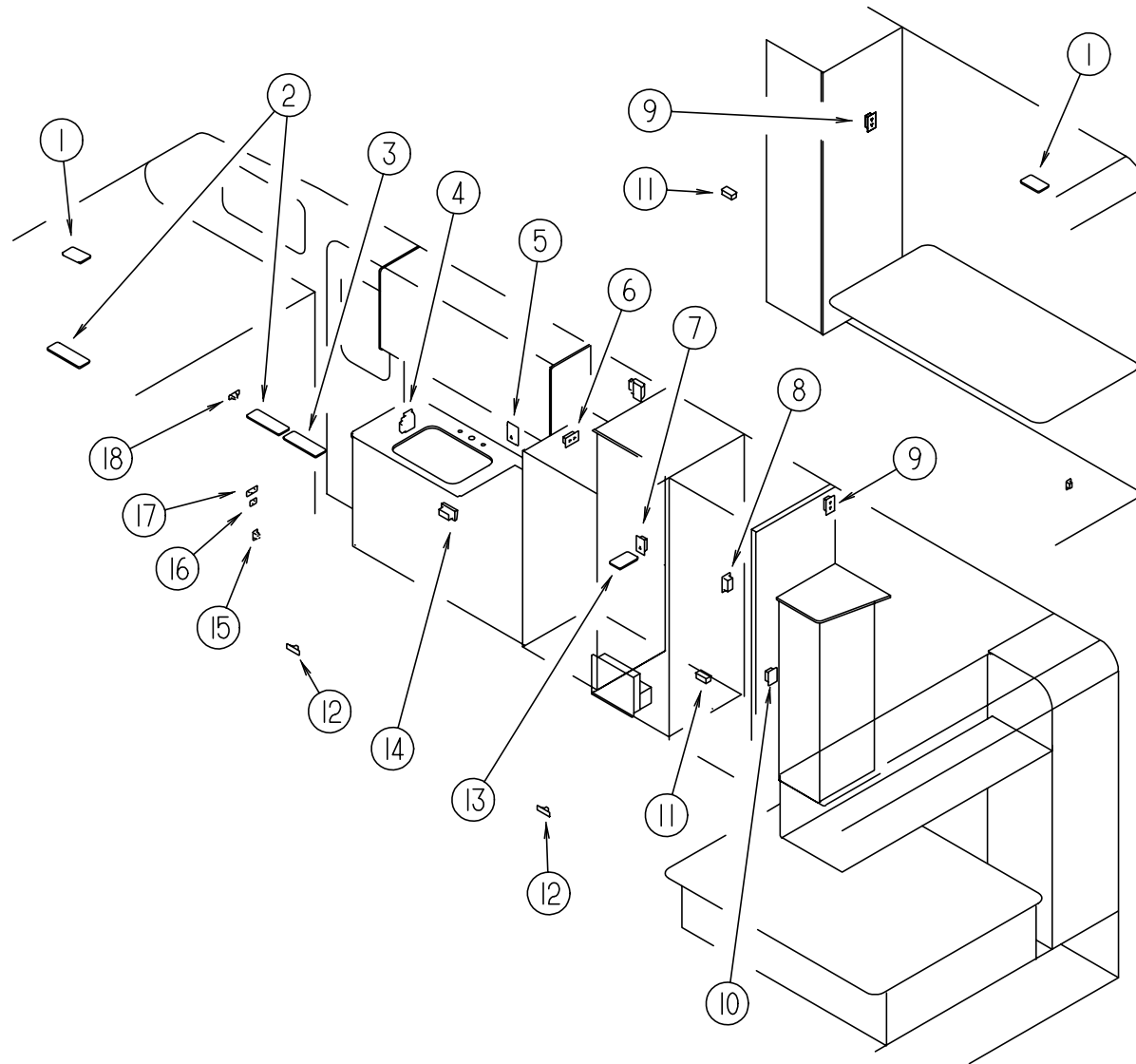


KEY	PART NUMBER	U/M	DESCRIPTION	VENDOR NO.
1	119258-05-01A	EA	LAMP - WALL	12-0322
	119257-04-01A	EA	SHADE - LAMP - LINEN WHITE	
	119258-01-700	EA	FINIAL (PYRAMID)	
2	098024-05-02A	EA	LIGHT - DOME - 1 BULB - SKYLITE - WHITE	809902
	008218-01-000	EA	BULB - DOME LIGHT - 12 VOLT - NO. 1141	
	098024-01-701	EA	LENS - OPTI CLEAR - SKYLITE	
3	098024-03-02A	EA	LIGHT - DOME - 2 BULB - WHITE	809902
	008218-01-000	EA	BULB - DOME LIGHT - 12 VOLT - NO. 1141	
	098024-01-700	EA	LENS-LIGHT 807877	
4	058708-02-000	EA	RECEPTACLE - ELECTRIC - DOUBLE - IVORY	

KEY	PART NUMBER	U/M	DESCRIPTION	VENDOR NO.
5	098024-06-02A	EA	LIGHT - DOME - 2 BULB - SKYLITE	809902
	008218-01-000	EA	BULB - DOME LIGHT - 12 VOLT - NO. 1141	
	098024-01-701	EA	LENS - OPTI CLEAR - SKYLITE	
6	058708-01-000	EA	RECEPTACLE - ELECTRIC - DOUBLE - BROWN	809902
	098024-01-03A	EA	LIGHT - DOME - 1 BULB - WHITE	
7	008218-01-000	EA	BULB - DOME LIGHT - 12 VOLT - NO. 1141	807877
	098024-01-700	EA	LENS-LIGHT	
8	098351-02-01A	EA	PLATE - SWITCH - 2 GANG POLISHED BRASS	
8	079364-01-000	EA	SWITCH - ON/OFF ROCKER - 2 TERMINAL - BROWN	
8	079364-03-000	EA	SWITCH - ON/OFF ROCKER - 3 TERMINAL - BROWN	
8	095188-01-01A	EA	SPACER - SWITCH - 2.3" X 3.4" - PLASTIC - DARK BROWN	

ELECTRICAL GROUP (CONTINUED)

LIGHTS, SWITCHES & RECEPTACLES - PASSENGER SIDE - QUEEN & TWIN BED



KEY	PART NUMBER	U/M	DESCRIPTION	VENDOR NO.	KEY	PART NUMBER	U/M	DESCRIPTION
1	098024-05-02A	EA	LIGHT - DOME - 1 BULB - SKYLITE - WHITE		10	079364-01-000	EA	SWITCH - ON/OFF ROCKER - 2 TERMINAL - BROWN
	008218-01-000	EA	BULB - DOME LIGHT - 12 VOLT - NO. 1141		10	079364-03-000	EA	SWITCH - ON/OFF ROCKER - 3 TERMINAL - BROWN
	098024-01-701	EA	LENS - OPTI CLEAR - SKYLITE	809902	10	098351-02-01A	EA	PLATE - SWITCH - 2 GANG POLISHED BRASS
2	098024-03-02A	EA	LIGHT - DOME - 2 BULB - WHITE		11	058707-02-000	EA	RECEPTACLE - BLANK JUNCTION BOX
	008218-01-000	EA	BULB - DOME LIGHT - 12 VOLT - NO. 1141		12	061424-01-000	EA	LIGHT - AISLE - 12 VOLT - RECTANGULAR
	098024-01-700	EA	LENS-LIGHT	807877	008103-01-000	EA	BULB - DASH/AISLE LIGHT - #53 - 12 VOLT - .12 AMP	
3	098024-06-02A	EA	LIGHT - DOME - 2 BULB - SKYLITE		13	121935-01-01A	EA	LIGHT - DOME - SHOWER
	008218-01-000	EA	BULB - DOME LIGHT - 12 VOLT - NO. 1141		14	112822-01-01A	EA	RECEPTACLE - DUPLEX - IVORY
	098024-01-701	EA	LENS - OPTI CLEAR - SKYLITE	809902	112824-01-03A	EA	COVER - RECEPTACLE - EXTERIOR DUPLEX	
4	084076-02-000	EA	RECEPTACLE - GFI - 15 AMP/125 VOLT - BROWN		15	098351-07-01A	EA	PLATE - SWITCH - GENERATOR - POLISHED BRASS
4	084077-02-000	EA	PLATE - COVER - RECEPTACLE - GFI - BROWN		15	108357-06-000	EA	SWITCH - ROCKER DPDT - MOM/OFF/MOM - 6 TERMINAL
5	058708-02-000	EA	RECEPTACLE - ELECTRIC - DOUBLE - IVORY		15	108356-11-01A	EA	COVER-ACTUATOR SWITCH - 3 GROOVES - AUX BATT - BLACK
6	058708-01-000	EA	RECEPTACLE - ELECTRIC - DOUBLE - BROWN		16	079364-01-000	EA	SWITCH - ON/OFF ROCKER - 2 TERMINAL - BROWN
6	086777-02-000	EA	WALLPLATE - TV CABLE - W/ANTENNA SWITCH		16	098351-10-01A	EA	PLATE - SWITCH - 1 GANG W/LABEL
6	086777-05-000	EA	WALLPLATE - TV CABLE - ANTENNA/1 OUTPUT - IVORY		17	079364-01-000	EA	SWITCH - ON/OFF ROCKER - 2 TERMINAL - BROWN
7	058708-05-000	EA	RECEPTACLE - SINGLE - BROWN		17	079364-03-000	EA	SWITCH - ON/OFF ROCKER - 3 TERMINAL - BROWN
8	058707-01-000	EA	RECEPTACLE - ELECTRIC - SINGLE - BROWN		17	098351-03-01A	EA	PLATE - SWITCH - 3 GANG POLISHED BRASS
9	076319-08-000	EA	WALLPLATE - CABLE RECEPTACLE - TV - SINGLE - IVORY		18	081994-10-000	EA	PLATE-SWITCH,SLIDEOUT
9	058708-02-000	EA	RECEPTACLE - ELECTRIC - DOUBLE - IVORY		18	108357-06-000	EA	SWITCH - ROCKER DPDT - MOM/OFF/MOM - 6 TERMINAL
					18	108356-02-01A	EA	COVER/ACTUATOR SWITCH - 2 ROWS DIMPLES- CONTURA II - BLACK

ELECTRICAL GROUP (CONTINUED)**FUSES & CIRCUIT BREAKERS**

KEY	PART NUMBER	U/M	DESCRIPTION
	008235-01-000	EA	FUSE - 15 AMP/12VOLT - AUTOMOTIVE
	062901-02-000	EA	FUSE - 05 AMPS - AUTOMOTIVE
	062901-05-000	EA	FUSE - 15 AMPS - AUTOMOTIVE
	083209-02-000	EA	CIRCUIT BREAKER - 15/15 AMP - 120 VOLT
	083209-03-000	EA	CIRCUIT BREAKER - 15/20 AMP - 120 VOLT
	083209-04-000	EA	CIRCUIT BREAKER - 30 AMP - 120 VOLT
	083209-06-000	EA	CIRCUIT BREAKER - 30/15 AMP - 120 VOLT
	093654-01-000	EA	CIRCUIT BREAKER - 6 AMP - 12 VOLT
	093654-03-000	EA	CIRCUIT BREAKER - 20 AMP - 12 VOLT
	093655-02-000	EA	CIRCUIT BREAKER - 30 AMP - 12 VOLT
	100341-01-000	EA	FUSE HOLDER - IN LINE TYPE
	108669-01-000	EA	HOUSING - AUTO FUSE HOLDER

ELECTRIC BOXES, COVERS & POWER CORDS

KEY	PART NUMBER	U/M	DESCRIPTION
	008052-01-000	EA	CORD - POWER - 10/3 WIRE - 30 AMP - 25' - CANADIAN
	008054-01-000	EA	CORD - POWER - 10/3 WIRE - 30 AMP - 25'
	008289-01-000	EA	BOX - ELECTRIC/STEEL - 1/2" & 3/4" KNOCKOUTS - 4" X 4"
	008289-02-000	EA	BOX - ELECTRIC/STEEL - 1/2" & 3/4" KNOCKOUTS - 4" X 4"-CAN
	008294-01-000	EA	COVER - ELECTRICAL BOX - BLANK/STEEL - 4" X 4" - GRAY
	008294-02-000	EA	COVER - ELECTRICAL BOX - BLANK STEEL - 4" X 4" - CANADIAN
	069238-01-000	EA	COVER - ELECTRICAL BOX - W/HOLE - 4" X 4" - GRAY USED WITH 30 AMP RECEPTACLE
	091910-01-000	EA	BOX - ELECTRIC - 3.8" X 3.5" X 1.8" - PLASTIC
	091910-02-000	EA	BOX - ELECTRIC - 2.2" X 3.5" X 1.7" - PLASTIC
	093603-01-000	EA	BOX - ELECTRIC - 4" X 2 1/8" X 2 1/8"
	107165-01-01A	EA	BOX - CIRCUIT BREAKER - 14.6" X 4" - PLASTIC

CONDUIT

KEY	PART NUMBER	U/M	DESCRIPTION
	041953-01-000	FT	CONDUIT - CONVOLUTE SLIT - .5" ID
	041953-03-000	FT	CONDUIT - CONVOLUTE SLIT - 1" ID (CLOTHES ROD COVER)
	041953-05-000	FT	CONDUIT - CONVOLUTE SOLID - .62" ID
	041953-06-000	FT	CONDUIT - CONVOLUTE SLIT - .375" ID
	041953-07-000	FT	CONDUIT - CONVOLUTE SLIT - .25" ID
	041953-08-000	FT	CONDUIT - CONVOLUTE SLIT - 1.50" ID
	041953-09-000	FT	CONDUIT - CONVOLUTE SLIT - .50" ID
	041953-10-000	FT	CONDUIT - CONVOLUTE SLIT - .75" ID
	041953-11-000	FT	CONDUIT - CONVOLUTE SLIT - 1.06" ID
	041953-12-000	FT	CONDUIT - CONVOLUTE NON SLIT - 1.1" ID

POWER CONVERTER & INVERTER

KEY	PART NUMBER	U/M	DESCRIPTION
	083208-02-000	EA	CONVERTER - POWER - 45A - 120/12V
	099048-03-000	EA	INVERTER - 130 WATT
	113132-01-000	EA	LOAD CENTER - 120/240 VOLT - 60 AMP

ELECTRICAL MISCELLANEOUS

KEY	PART NUMBER	U/M	DESCRIPTION
	008188-01-000	EA	SOLENOID - 3 POST - BATTERY CHANGE OVER
	063910-01-000	EA	HOUSING - RELAY
	086233-01-000	EA	STUD - ISOLATED - 3/8" X 7/8" LONG
	086273-01-000	EA	RELAY - BATTERY DISCONNECT

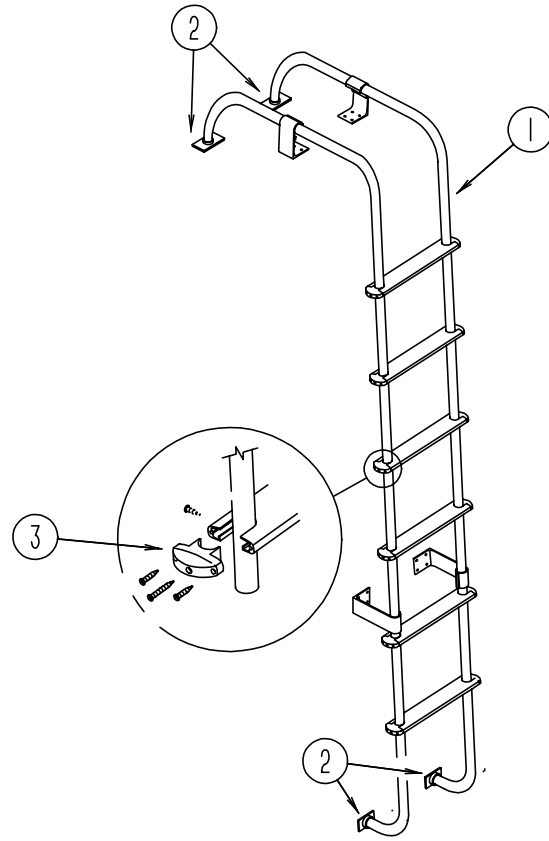
ELECTRICAL GROUP (CONTINUED)**CONNECTORS, HOUSINGS, & TERMINALS**

KEY	PART NUMBER	U/M	DESCRIPTION
	007942-01-000	EA	TAB - WIRE 10 TO 14 AWG
	007956-05-000	EA	INSULATOR - SHRINK - .25 ID X 1.50
	008311-01-000	EA	CONNECTOR - WIRE NUT - INSULATED - RED
	008312-01-000	EA	CONNECTOR - WIRE NUT - INSULATED - BLUE
	008313-01-000	EA	CONNECTOR - WIRE NUT - INSULATED - YELLOW
	008314-01-000	EA	CONNECTOR - WIRE NUT - INSULATED - GRAY
	008326-01-000	EA	TERMINAL - RING - 16/14 WIRE - 3/8" STUD
	008328-01-000	EA	TERMINAL - RING - 12/10 WIRE - #10 STUD FIT
	008331-01-000	EA	TERMINAL - RING - TONGUE - #4 WIRE - 3/8" STUD - COPPER
	008348-01-000	EA	TERMINAL - RING - 3/8" STUD 2 GA. WIRE
	008355-01-000	EA	CONNECTOR - CABLE CLAMPING - 3/4"
	008356-01-000	EA	CONNECTOR - PLASTIC - 3/8" AVG
	008356-02-000	EA	CONNECTOR - PLASTIC - 21/32
	035416-04-000	EA	TERMINAL - RING - #10 STUD FIT - INSULATED BARREL #16/14
	041480-01-000	EA	CONNECTOR - STRAIGHT - 1/2' FLEX CONDUIT
	047443-01-000	EA	TERMINAL - .250 RECEPTACLE FIT - INSULATED - 16/14 AWG
	047443-02-000	EA	TERMINAL - .250 RECEPTACLE FIT - INSULATED - 12/10 AWG
	058028-01-000	EA	CONNECTOR - ELECTRICAL PIGTAIL - NYLON - CLEAR
	077479-01-000	EA	BOOT - BATTERY TERMINAL - DOUBLE CABLE
	077479-02-000	EA	BOOT - BATTERY TERMINAL - SINGLE CABLE
	080015-02-000	EA	RECEPTACLE - FLAG - .185 - 16/14 GAUGE
	080015-03-000	EA	RECEPTACLE - FLAG - .250 - 14/16 GAUGE
	087949-01-000	EA	BUSS BAR - 2 POSITION - .6" X 1.5"
	088473-01-000	EA	HOUSING - PIN - 12 CAVITY (3 ROWS OF 4)
	088473-02-000	EA	HOUSING - PIN - 15 CAVITY (3 ROWS OF 5)
	088473-03-000	EA	HOUSING - PIN - 9 CAVITY (3 ROWS OF 3)
	088473-06-000	EA	HOUSING - PIN - 6 CAVITY (2 ROWS OF 3)
	088473-08-000	EA	HOUSING - PIN - 4 CAVITY - IN-LINE
	088473-09-000	EA	HOUSING - PIN - 3 CAVITY IN-LINE
	088473-10-000	EA	HOUSING - PIN - 2 CAVITY
	088474-01-000	EA	HOUSING - SOCKET - 12 CAVITY
	088474-02-000	EA	HOUSING - SOCKET - 15 CAVITY
	088474-03-000	EA	HOUSING - SOCKET - 9 CAVITY
	088474-06-000	EA	HOUSING - SOCKET - 6 CAVITY
	088474-07-000	EA	HOUSING - SOCKET - 5 CAVITY
	088474-08-000	EA	HOUSING - SOCKET - 4 CAVITY
	088474-09-000	EA	HOUSING - ELECTRICAL - 3 TERMINAL
	088474-10-000	EA	HOUSING - SOCKET - 2 CAVITY
	088475-01-000	EA	PIN - CONNECTOR - 14 - 20 AWG
	088475-02-000	EA	PIN - CONNECTOR - 10-12 AWG
	088476-01-000	EA	TERMINAL - ELECTRICAL
	088476-02-000	EA	SOCKET - CONNECTOR - 12-10 GA - PRE-TIN
	098261-02-000	EA	SOCKET - CONNECTOR - WEATHERPACK
	098262-01-000	EA	SEAL - CONNECTOR - WEATHERPACK
	098265-02-000	EA	PIN - CONNECTOR - WEATHERPACK
	101751-02-000	EA	HOUSING - 1 PIN - WEATHER PACK
	102777-02-000	EA	TERMINAL - RING - #6 STUD - 10 AWG
	106655-01-000	EA	TERMINAL - FUSE BLOCK - 14-16 AWG
	106655-02-000	EA	TERMINAL - FUSE BLOCK - 10-12 AWG
	119223-01-000	EA	HOUSING - 6 POSITION - MALE - WEATHERPAK
	125323-02-000	EA	HOUSING - 8 POSITION - MALE
	125323-03-000	EA	LOCK - SECONDARY 8 POSITION
	125324-01-000	EA	TERMINAL - MALE - METRI-PACK - 150
	125325-01-000	EA	SEAL - CAVITY

WIRING ASSEMBLIES

KEY	PART NUMBER	U/M	DESCRIPTION
	096449-01-000	EA	WIRE ASSEMBLY - WATER TANK TO MONITOR PANEL
	097618-01-000	EA	WIRE ASSEMBLY - MONITOR PANEL - W/3 WIRES & ORANGE RESISTOR ORANGE RESISTOR W/3 (ORANGE-GREEN-BLUE) WIRES
	106851-01-000	EA	WIRE ASSEMBLY - RUNNING LIGHTS - FUSE
	116894-01-000	EA	WIRE ASSEMBLY - SPEED SENSOR EXTENDED

EXTERIOR BODY GROUP



LADDER

KEY	PART NUMBER	U/M DESCRIPTION
1	102953-10-F15	EA LADDER
		FROM: 00-00-00 THRU: 02-01-98
1	129639-01-01A	EA LADDER - BRUSHED ALUMINUM
		FROM: 02-02-98 THRU: 99-99-99
2	067165-01-000	EA BRACKET - MOUNTING - LOWER LADDER
3	076980-02-000	EA END CAP - STEP - BLACK
	000G39-06-10T	EA SCREW - SF/DR - 6-20 X 5/8 PPH - BLACK
	000G68-10-36T	EA SCREW - 10-12 X 2.25 POH BLACK
	038327-01-000	EA TAPE - ANTI SLIP - 2" X 60'

EXTERIOR BODY GROUP (CONTINUED)

EXTERIOR MIRRORS - PLATE MOUNT - VELVAC

KEY	PART NUMBER	U/M DESCRIPTION	VENDOR NO.
	120269-03-02A	EA MIRROR - EXTERIOR - PASSENGER - 102"	
	120269-04-02A	EA MIRROR - EXTERIOR - DRIVER - 102"	
	120269-01-700	EA GLASS KIT W/BEZEL RH/LH	709407-8

RUNNING BOARDS

KEY	PART NUMBER	U/M DESCRIPTION	VENDOR NO.
	072884-27-000	EA RUNNING BOARD SET - 39" - FORD - ALUMINUM	
	072884-27-700	EA BRACKET SET 12" 92	RB2BRK/M
	072884-27-701	EA RUNNING BOARD-FORD 39",RT<	
	072884-27-702	FT TREAD TAPE	RB9202
	072884-27-703	EA MUD FLAP W/HOLES, 1EA=PAIR	99171
	072884-27-704	EA CAP-ENDS, 1EA=PAIR	99148

FIBERGLASS, STYROFOAM, PLYWOOD & CHANNEL

KEY	PART NUMBER	U/M DESCRIPTION
	076054-U4-000	EA FIBERGLASS SHEET - 101" X 104" - BRIGHT WHITE
	076054-W5-000	EA FIBERGLASS SHEET - 101.4" X 108.7" - BRIGHT WHITE
	076054-Y2-000	EA FIBERGLASS SHEET - 102" X 320"
	000870-08-000	SF STYROFOAM - .75" X 48" X 96" PLANED EXPANDED BEAD BOARD
	083574-06-000	SF STYROFOAM - .75 X 48" X 108" - INCREMENTS OF 14 SF
	100619-01-000	BF FOAM - EXPANDED POLYSTYRENE - 1.34" X 48" X 96"
	100619-04-000	BF FOAM - EXPANDED POLYSTYRENE - .5" X 48" X 96"
	100619-05-000	BF FOAM - EXPANDED POLYSTYRENE - .75" X 48" X 96"
	100619-16-000	BF FOAM - EXPANDED POLYSTYRENE - .75" X 48" X 96"
	089297-01-000	SF PLYWOOD - LUAN - OVERLAY GRADE - 48" X 96"
	002726-01-001	EA GARNISH - U-CHANNEL - 1.38" X 19' - SERRATED
	002766-01-001	EA ANGLE - EXTRUDED - 1" X 1.5" X 17'
	068716-01-001	EA BRACE - 90 DEGREE L-ANGLE - 16'

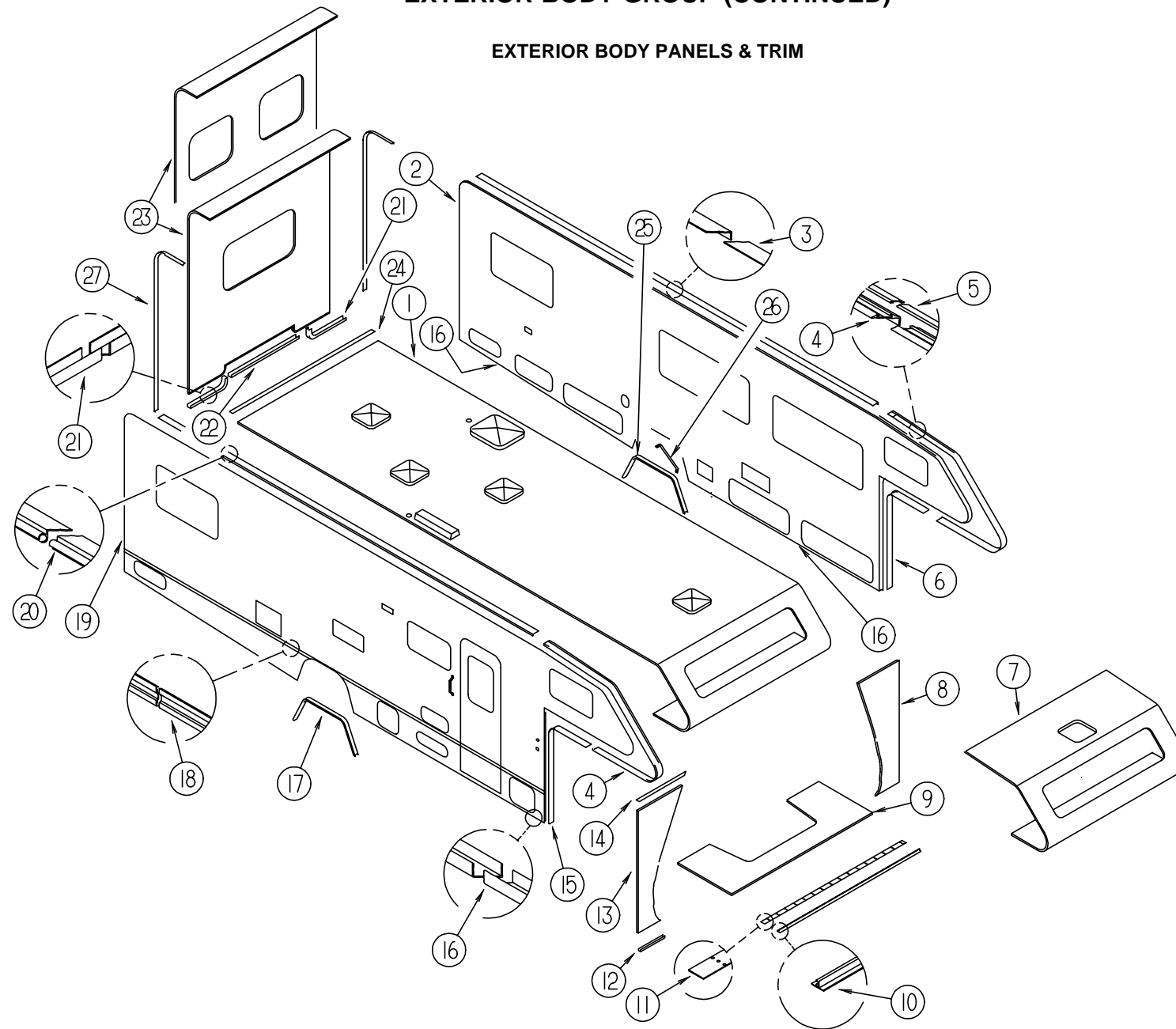
AWNING

KEY	PART NUMBER	U/M DESCRIPTION
	113874-06-04A	EA AWNING - W/O HARDWARE - 16' - VINYL (POLAR BLUE)
	127647-02-01A	EA ROD/AWNING GUARD - ENTRANCE DOOR
	127960-01-01A	EA RETAINER - 3/8" PROP ROD - STAINLESS STEEL
	117058-01-01A	FT TAPE - LOOP - 3/4" WIDE - ADHESIVE BACKED
	122977-07-01A	EA AWNING - SLIDEOUT COVER - 147" - BRIGHT WHITE
	111038-01-01A	EA SPACER - AWNING - LOWER
*	113874-01-02A	EA HARDWARE KIT - AWNING - W/O STANDOFF BRACKET - BRIGHT WHT

* COMPONENT PARTS FOUND IN SERVICE PARTS LIBRARY

EXTERIOR BODY GROUP (CONTINUED)

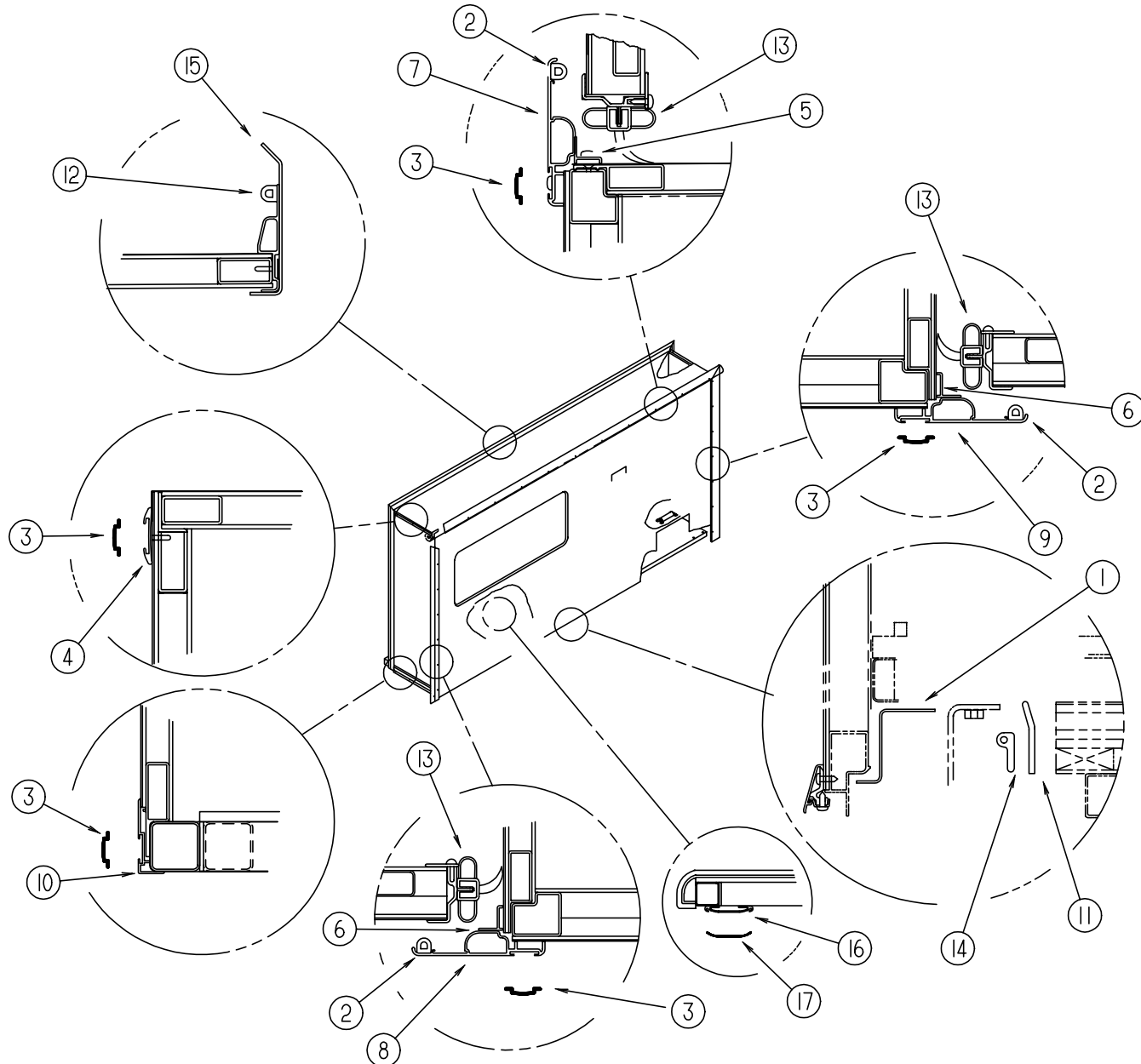
EXTERIOR BODY PANELS & TRIM



KEY	PART NUMBER	U/M	DESCRIPTION
1	M08777-01-J01	EA	ROOF - W/O LIGHTS/VENTS - W/WIRING - QUEEN BED CENTER
1	M08777-03-J01	EA	ROOF - W/O LIGHTS/VENTS - W/WIRING - TWIN BED
	064675-54-003	EA	STEEL - ANGLE ROOF JOINT - 4' - OFF/WHITE
2	P27790-01-J01	EA	SIDEWALL - DRIVER - W/O WINDOWS/TRIMS
2	P27790-01-J02	EA	SIDEWALL - DRIVER - W/O WINDOWS/TRIMS
3	096864-01-02A	EA	TRIM - CONTOUR - ROOF TO SIDEWALL - 120"
4	096854-06-02A	EA	TRIM - CONTOUR- 130" - BRIGHT WHITE
5	105312-01-07A	FT	INSERT - VINYL FEATURE STRIP - BRIGHT WHITE
6	104479-06-02A	EA	TRIM - FRONT CONTOUR - BRIGHT WHITE
7	M76177-01-700	EA	ROOF SECTION - FRONT, 8' X 8'
8	125088-07-J01	EA	WINGWALL
9	P25129-01-J01	EA	SLEEPERBOARD
10	100086-04-01A	EA	TRIM - SLEEPER BOARD/ROOF - 2" X 96.6"
11	100085-05-01A	EA	TRIM - STRAP - SLEEPERBOARD
12	002365-03-006	EA	U-CHANNEL - EXTRUDED - 1" X 192" - BRIGHT WHITE
13	125088-03-J01	EA	WINGWALL
14	022992-14-000	FT	MOLDING - REVERSE COVE
15	104479-05-02A	EA	TRIM - FRONT CONTOUR - BRIGHT WHITE
16	128732-03-J01	EA	TRIM ASSEMBLY - SIDEWALL
17	127848-01-01A	EA	TRIM - WHEELWELL - PASSENGER SIDE - BRIGHT WHITE

KEY	PART NUMBER	U/M	DESCRIPTION
18	108688-01-03A	EA	STRIP - FEATURE - 15'
18	105312-01-07A	FT	INSERT - VINYL FEATURE STRIP - BRIGHT WHITE
	108651-01-01A	EA	END CAP - FEATURE STRIP
	127910-01-01A	EA	CAP - TRIM/SIDEWALL - RIGHT HAND - BRIGHT WHITE
	127910-02-01A	EA	CAP - TRIM/SIDEWALL - LEFT HAND - BRIGHT WHITE
19	P27771-01-J01	EA	SIDEWALL - PASSENGER - W/O WINDOWS/TRIMS
19	P27771-01-J02	EA	SIDEWALL - PASSENGER - W/O WINDOWS/TRIMS
20	099583-55-003	EA	RAIL - AWNING - 120"
21	103334-03-02A	EA	TRIM - BACKWALL/LOWER
22	103335-02-02A	EA	TRIM - BACKWALL/LOWER
23	M08778-01-J01	EA	BACKWALL - W/O WINDOW/TRIMS - QUEEN BED CENTER
23	M08778-01-J02	EA	BACKWALL - W/O WINDOW/TRIMS - QUEEN BED CENTER
23	M08778-03-J01	EA	BACKWALL - W/O WINDOW/TRIMS - TWIN BED
23	M08778-03-J02	EA	BACKWALL - W/O WINDOW/TRIMS - TWIN BED
24	078580-02-000	EA	TRIM - ROOF/FRONT/REAR CAP
25	127815-01-01A	EA	TRIM - WHEELWELL - BRIGHT WHITE
25	127852-01-J01	EA	TRIM - WHEELWELL
25	127815-02-01A	EA	TRIM - WHEELWELL - BRIGHT WHITE
26	069362-06-000	EA	TUBE/SUPPORT - FLOOR TO VALANCE PANEL - 17"
27	096854-05-02A	EA	TRIM - CONTOUR - BRIGHT WHITE - 114"

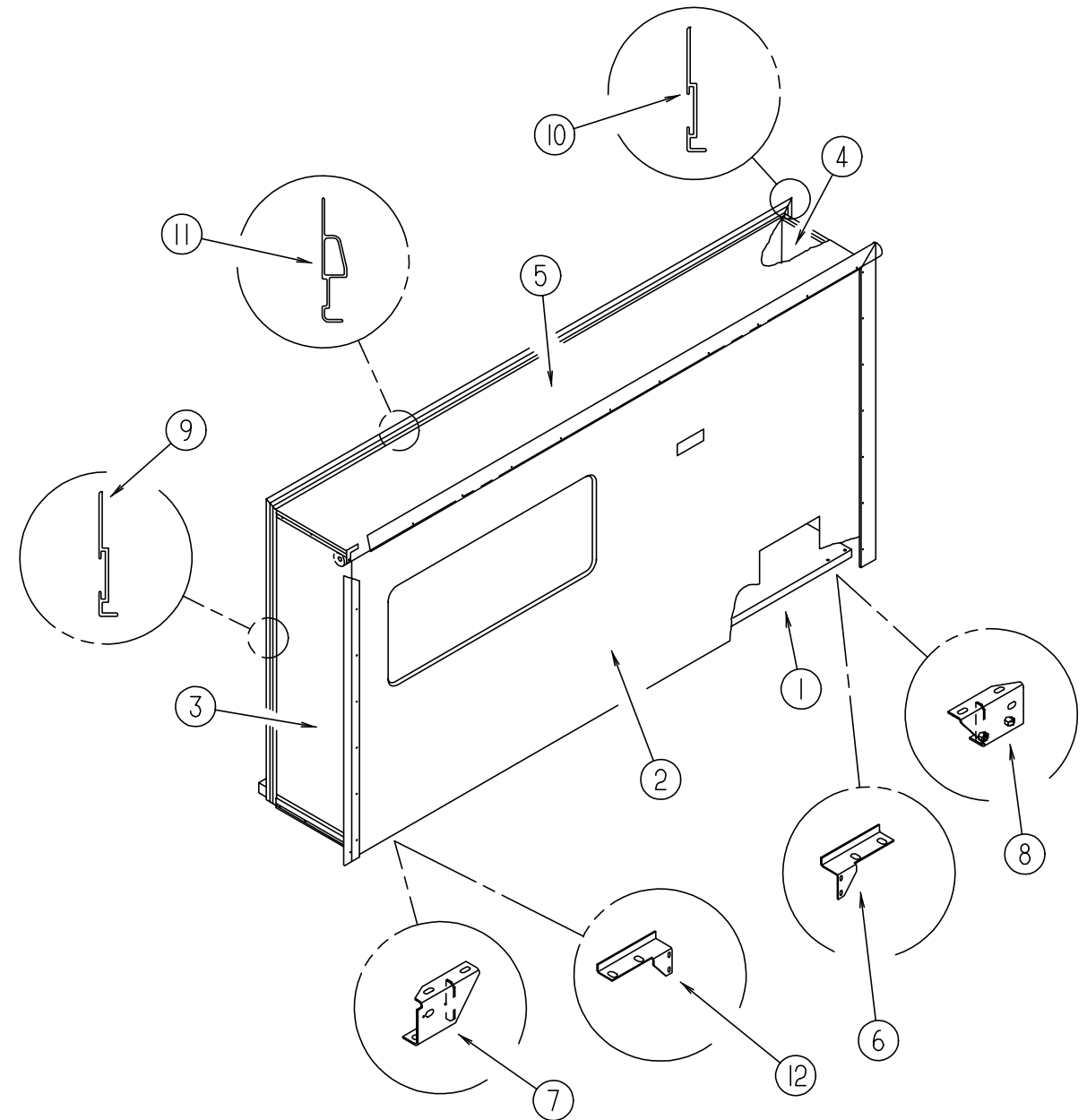
EXTERIOR BODY GROUP (CONTINUED)



SLIDEOUT SUPPORTS, SEALS & TRIMS

KEY	PART NUMBER	U/M	DESCRIPTION
1	128621-02-01A	EA	ZEE-SLIDEOUT,W/HOLES,MILL
2	099418-01-000	FT	SEAL - D-SECTION/ADHESIVE BACK - .44" X .44"- BLK RUBBER
3	105312-01-07A	FT	INSERT - VINYL FEATURE STRIP - BRIGHT WHITE
4	108688-01-03A	EA	STRIP - FEATURE - 15'
5	116933-01-01A	EA	TRIM - SEAL/FLOOR EDGE - 154" - BRIGHT WHITE
6	116933-01-01A	EA	TRIM - SEAL/FLOOR EDGE - 154" - BRIGHT WHITE
7	119992-15-01A	EA	TRIM - SEAL - W/MITERED ENDS - BRIGHT/WHITE
8	117058-01-01A	FT	TAPE - LOOP - 3/4" WIDE - ADHESIVE BACKED
8	119992-13-01A	EA	TRIM - SEAL - W/MITERED ENDS - BRIGHT/WHITE
9	119992-14-01A	EA	TRIM - SEAL - W/MITERED ENDS - BRIGHT WHITE
10	125051-01-01A	EA	STRIP - FEATURE - LOWER - BRIGHT WHITE
11	115075-02-000	FT	SEAL - WIPE - .25" X 3.15"
12	089275-02-000	FT	STRIP - 3/4" X 84" BLACK POLYETHELENE
13	112091-01-000	FT	SEAL-D - NEOPRENE - TRUNK
13	115076-01-000	FT	SEAL - SLIDEOUT
14	121283-01-000	FT	SEAL - P SHAPED
15	125466-03-01A	EA	SUPPORT - ROOF - INTERIOR - OFF WHITE
16	115325-03-02A	EA	RAIL - FLOOR/SLIDEOUT ROOM - BLACK
16	115325-09-02A	EA	RAIL - FLOOR/SLIDEOUT ROOM - BLACK
17	115661-01-000	FT	POLYETHYLENE - HIGH DENSITY - 1/16" X 3'

EXTERIOR BODY GROUP (CONTINUED)

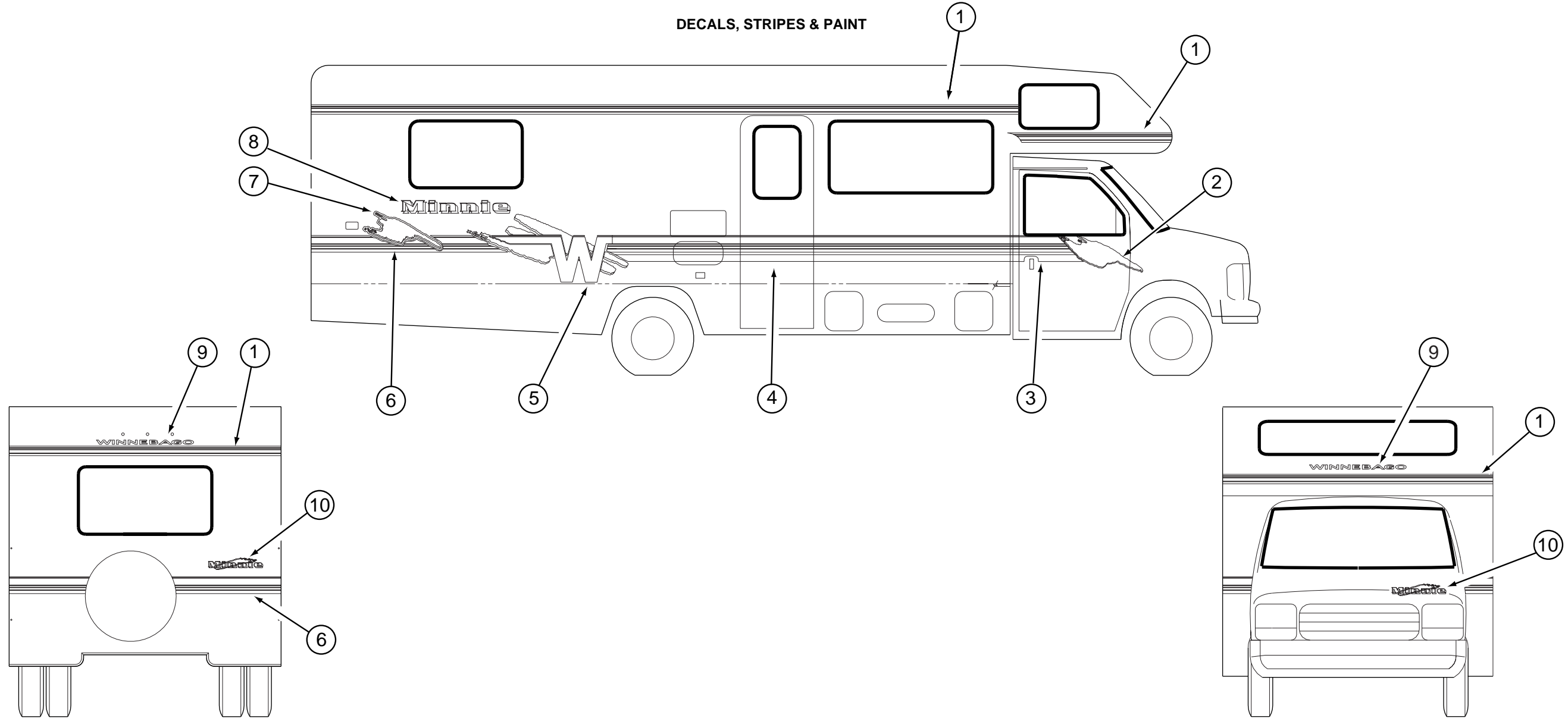


SLIDEOUT PANELS & INNER TRIM SEALS

KEY	PART NUMBER	U/M	DESCRIPTION
1	P27760-01-J01	EA	FLOOR ASM-SLIDEOUT
2	099069-01-000	FT	SEAL - RUBBER - CLOSED SPONGE - .5" WIDE X .12" THICK -BLK
2	115264-08-J01	EA	PANEL ASM-SLIDEOUT, OUTER
2	115264-08-J02	EA	PANEL ASM-SLIDEOUT, OUTER
3	121401-01-H40	EA	PANEL - SLIDEOUT/FRONT (J01)
3	121401-01-J02	EA	PANEL - SLIDEOUT/FRONT (J02)
4	121402-02-J01	EA	PANEL - SLIDEOUT/REAR
4	121402-02-J02	EA	PANEL - SLIDEOUT/REAR
5	128654-01-J01	EA	ROOF ASM-SLIDEOUT
6	127828-01-02B	EA	BRACKET - OUTER REAR/SLIDEOUT - E-COATED
7	127030-03-02B	EA	BRACKET - INNER FRONT/SLIDEOUT - E-COATED
8	127030-04-02B	EA	BRACKET - INNER REAR/SLIDEOUT - E-COATED
9	117004-01-01A	EA	TRIM - SEAL/INNER LEFT SIDE-W/MITERED ENDS-73.5" OFF WHITE
10	115863-19-01A	EA	TRIM - SIDEWALL - BRIGHT WHITE
10	115886-02-03A	EA	RETAINER-SIDEWALL,BRT/WT
11	117004-02-01A	EA	TRIM - SEAL/INNER RIGHT SIDE-W/MITERED ENDS-73.5"OFF WHITE
11	117004-09-01A	EA	TRIM - SEAL - INNER - OFF WHITE
11	115863-20-01A	EA	TRIM - SIDEWALL - BRIGHT WHITE
12	127828-02-02B	EA	BRACKET - OUTER FRONT/SLIDEOUT - E-COATED

EXTERIOR BODY GROUP (CONTINUED)

DECALS, STRIPES & PAINT



KEY	PART NUMBER	U/M	DESCRIPTION
1	118710-03-01A	FT	FILM - MULTISTRIPE - 4"
2	124449-01-01A	EA	DECAL - SPLASH - FRONT/RIGHT HAND
2	124449-02-01A	EA	DECAL - SPLASH - FRONT/LEFT HAND
3	124451-01-01A	EA	DECAL - CAB - RIGHT HAND - FORD
3	124451-02-01A	EA	DECAL - CAB - LEFT HAND - FORD
4	094446-02-01A	FT	FILM - MULTISTRIPE - 9.5"
5	124448-01-01A	EA	DECAL - "W" W/SPLASH - RIGHT HAND
5	124448-02-01A	EA	DECAL - "W" W/SPLASH - LEFT HAND
6	094445-06-01A	FT	FILM - MULTISTRIPE - 6.1"
7	124450-01-01A	EA	DECAL - SPLASH - REAR/RIGHT HAND
7	124450-02-01A	EA	DECAL - SPLASH - REAR/LEFT HAND
8	116849-01-03A	EA	DECAL - LOGO/MINNIE - LARGE
9	120702-03-05A	EA	DECAL - LOGO WINNEBAGO
10	124447-01-01A	EA	DECAL - MINNIE W/SPLASH
	041561-03-000	EA	PAINT - 16 OUNCE SPRAY - OFF WHITE

DUPONT PAINT COLOR CODES

BRIGHT WHITE

DUPONT B8951U

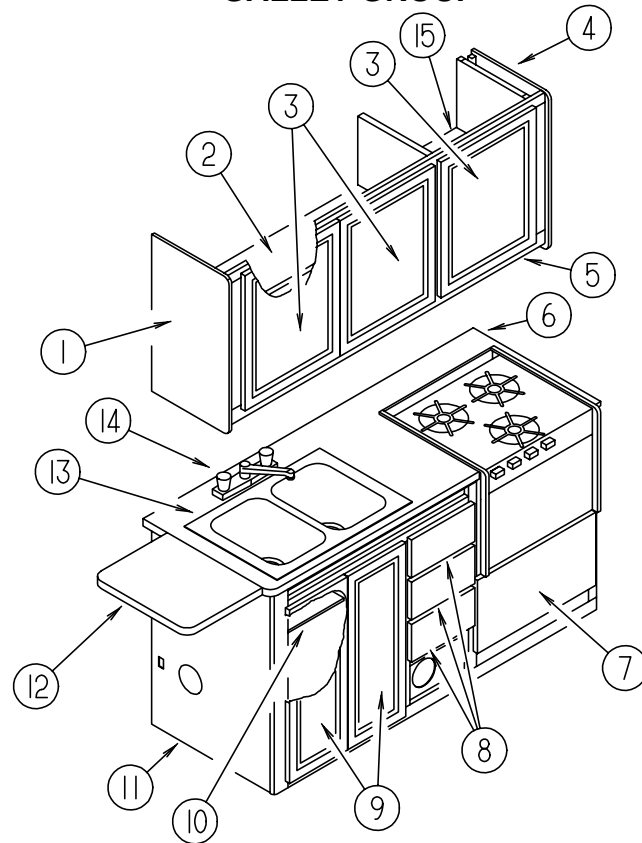
DUPONT GRAPHICS COLOR CODES

MARLIN BLUE METALLIC
 BLAZER BLUE METALLIC
 LIGHT MARINE BLUE METALLIC
 FUSCHIA ICE METALLIC

FILM #561
 FILM #525
 FILM #418
 FILM #162

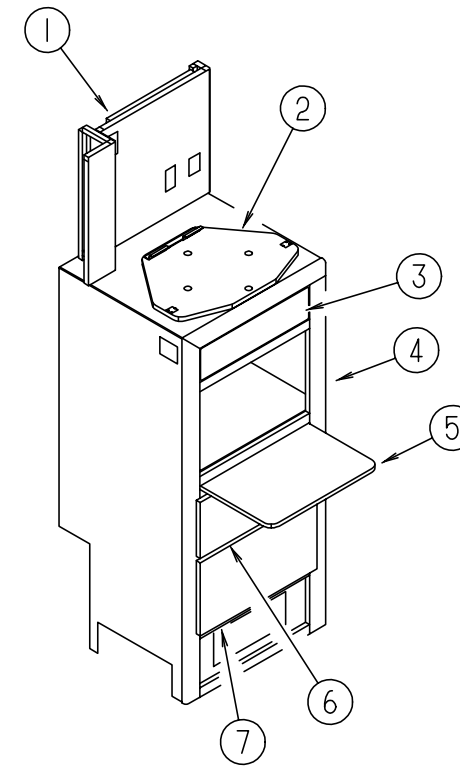
DUPONT BM500
 DUPONT BM090
 DUPONT K9457
 DUPONT RM011

GALLEY GROUP



GALLEY CABINETS & FIXTURES

GALLEY GROUP (CONTINUED)



MICROWAVE/TV CABINET

KEY	PART NUMBER	U/M	DESCRIPTION
1	109908-53-H04	EA	END CAP - OVERHEAD CABINET
2	127829-11-J01	EA	SHELF - W/PLASTIC EDGE TRIM
3	M08758-10-J01	EA	DOOR - MITERED CORNER/OGEE EDGE - 17.7" X 21.8" - W/O HDW
3	M08758-11-J01	EA	DOOR - MITERED CORNER/OGEE EDGE - 17.7" X 21.8" - W/O HDW - RAISED PANEL
3	M05992-V2-J01	EA	DOOR - STRAIGHT CORNER/OGEE EDGE - 17.7" X 21.8" - W/O HDW - UPGRADE
4	109908-57-J01	EA	END CAP - OVERHEAD CABINET
5	127829-01-J01	EA	CABINET - OVERHEAD/GALLEY - W/O DOORS/HARDWARE
6	127643-14-J01	EA	COUNTERTOP - GALLEY CABINET
6	127643-14-J02	EA	COUNTERTOP - GALLEY CABINET
7	M05971-KE-J01	EA	DRAWER - OGEE EDGE - 19.7"W X 15.7"D - W/O SLIDES/HARDWARE
7	M09316-27-J01	EA	DRAWER - OGEE EDGE - 19.7"W X 15.7"D - W/O SLIDES/HARDWARE - UPGRADE
8	M05971-KD-J01	EA	DRAWER - OGEE EDGE - 9.9"W X 15.7"D - W/O SLIDES/HARDWARE
8	M09316-25-J01	EA	DRAWER - OGEE EDGE - 9.9"W X 15.7"D - W/O SLIDES/HARDWARE - UPGRADE
9	M08758-70-J15	EA	DOOR - MITERED CORNER/OGEE EDGE - 10.8" X 27.9" - W/O HDW
9	M05992-J1-J01	EA	DOOR - STRAIGHT CORNER/OGEE EDGE - 10.8" X 27.9" - W/O HDW - UPGRADE
10	127643-12-J01	EA	SHELF - W/PLASTIC EDGE TRIM
11	127643-01-J01	EA	CABINET - GALLEY - W/COUNTERTOP - W/O DOORS/DRAWERS/HDW
11	127643-01-J02	EA	CABINET - GALLEY - W/COUNTERTOP - W/O DOORS/DRAWERS/HDW
12	080812-04-G10	EA	EXTENSION - GALLEY COUNTERTOP (J01)
12	080812-04-G29	EA	EXTENSION - GALLEY COUNTERTOP (J02)
13	104113-01-000	EA	SINK - DOUBLE - STAINLESS STEEL
	066437-01-000	EA	STRAINER - W/BASKET - SINK
			FROM: 00-00-00 THRU: 03-03-98
	066437-02-000	EA	STRAINER - W/BASKET - SINK
			FROM: 03-04-98 THRU: 99-99-99
	103610-03-H07	EA	COVER - SINK - 15.2" X 11" (J01)
	103610-03-H24	EA	COVER - SINK - 15.2" X 11" (J02)
14	104114-02-01A	EA	FAUCET - GALLEY - SINGLE CONTROL
14	103243-01-000	EA	FAUCET - DUAL CONTROL
15	127829-12-J01	EA	SHELF - W/PLASTIC EDGE TRIM
	090329-01-000	FT	SEAL/T - REFRIGERATOR CABINET

KEY	PART NUMBER	U/M	DESCRIPTION
1	127911-01-J01	EA	CABINET - PIPE COVER - W/O HARDWARE
1	127911-01-J02	EA	CABINET - PIPE COVER - W/O HARDWARE
2	P27953-01-J01	EA	CABINET - SHELF/TV - W/O HARDWARE
	127953-11-J01	EA	SHELF - W/PLASTIC EDGE TRIM
	130048-01-01A	EA	PIN - HINGE 6.35" DIAMETER X 82"
	116975-01-01A	EA	LATCH - W/O STRIKE - BLACK - NEW STYLE
	116975-02-01A	EA	KEEPER/STRIKE - BLACK - NEW STYLE
3	100708-19-000	EA	DOOR - GLASS - CABINET - 5.3" X 20.2"
4	P27770-01-J01	EA	CABINET - MICROWAVE - TV - W/O DOORS/HARDWARE
5	127770-17-J01	EA	CUTTING BOARD - W/O HARDWARE
6	M05971-KF-J01	EA	DRAWER - OGEE EDGE - 20.8"W X 15.7"D - W/O SLIDES/HARDWARE
			FROM: 00-00-00 THRU: 11-02-97
6	M05971-LE-J01	EA	DRAWER - OGEE EDGE - 19.4"W X 15.7"D - W/O SLIDES/HARDWARE
			FROM: 11-03-97 THRU: 99-99-99
6	M09316-30-J01	EA	DRAWER - OGEE EDGE - 19.4"W X 15.7"D - W/O SLIDES/HARDWARE - UPGRADE
7	M05971-KG-J01	EA	DRAWER - OGEE EDGE - 20.8"W X 15.7"D - W/O SLIDES/HARDWARE
			FROM: 00-00-00 THRU: 11-02-97
7	M05971-LF-J01	EA	DRAWER - OGEE EDGE - 19.4"W X 15.7"D-W/O SLIDES/HARDWARE
			FROM: 11-03-97 THRU: 99-99-99
7	M09316-31-J01	EA	DRAWER - OGEE EDGE - 19.4"W X 15.7"D-W/O SLIDES/HARDWARE - UPGRADE

GALLEY GROUP (CONTINUED)

MICROWAVE OVEN - FROM: 00-00-00 THRU: 11-09-97

KEY	PART NUMBER	U/M	DESCRIPTION
	115303-01-000	EA	MICROWAVE OVEN - 14 1/8"H X 21 7/8"W X 13 1/4" - D.8 CU FT./700 WATT
	094750-07-000	EA	BRACKET - MICROWAVE - 89 DEGREE
	094750-10-000	EA	BRACKET - MICROWAVE - 89 DEGREE
	115401-01-01A	EA	TRIM - MICROWAVE
	098916-14-01A	EA	BRACE - MICROWAVE CABINET LEFT HAND - E COATED
	098916-15-01A	EA	BRACE - MICROWAVE CABINET - RIGHT HAND - E-COATED

MICROWAVE OVEN - FROM: 11-10-97 THRU: 99-99-99

KEY	PART NUMBER	U/M	DESCRIPTION
	128527-01-000	EA	OVEN - MICROWAVE - .9 CU FT - NON CONVECTION
	094750-10-000	EA	BRACKET - MICROWAVE - 89 DEGREE
	128527-01-700	EA	TRIM RING - F/.9 CU.FT. SAMSUNG MICROWAVE
	128642-01-000	EA	TRIM KIT W/VENT - MICROWAVE - .9 CU FT SAMSUNG
	098916-24-02B	EA	BRACE - MICROWAVE CABINET - LEFT HAND
	098916-25-02B	EA	BRACE - MICROWAVE CABINET - RIGHT HAND

MONITOR PANEL - LVS

KEY	PART NUMBER	U/M	DESCRIPTION
*	102765-04-01A	EA	PANEL - MONITOR - 2 HOLDING TANKS - ADJUSTABLE

* COMPONENT PARTS FOUND IN SERVICE PARTS LIBRARY

RANGE HOOD W/O MONITOR PANEL - U.S. - MODEL TCS-5008-NADL

KEY	PART NUMBER	U/M	DESCRIPTION
*	100258-16-03A	EA	HOOD - RANGE - W/O MONITOR PANEL - W/O HOUR METER & SWITCH

* COMPONENT PARTS FOUND IN SERVICE PARTS LIBRARY

RANGE HOOD W/O MONITOR PANEL - CANADIAN - MODEL TCS-5008-NACL

KEY	PART NUMBER	U/M	DESCRIPTION
*	100258-17-03A	EA	HOOD - RANGE - W/O MONITOR PANEL

* COMPONENT PARTS FOUND IN SERVICE PARTS LIBRARY

GALLEY GROUP (CONTINUED)

RANGE HOOD W/O MONITOR PANEL - U.S. - MODEL TPS-5009-SADLG

KEY	PART NUMBER	U/M	DESCRIPTION
*	100258-18-02A	EA	HOOD - RANGE - W/O MONITOR PANEL - US
	100258-10-01A	EA	GAUGE - HOUR METER W/SWITCH - SCREW ON STYLE

* COMPONENT PARTS FOUND IN SERVICE PARTS LIBRARY

NORCOLD REFRIGERATOR SMALL DOUBLE DOOR - MODEL 9162 R

KEY	PART NUMBER	U/M	DESCRIPTION
*	121568-01-01A	EA	REFRIGERATOR - SMALL DOUBLE DOOR - 2-WAY
	116751-05-01A	EA	TRAY - REFRIGERATOR - BLACK
			FROM: 00-00-00 THRU: 09-04-97
	116751-02-01A	EA	TRAY - REFRIGERATOR - BLACK
			FROM: 09-05-97 THRU: 99-99-99
	054450-01-000	EA	LEVEL - REFRIGERATOR
	065225-02-000	EA	PLATE - TIEDOWN - REFRIGERATOR
	093646-01-000	EA	BRACKET - TIEDOWN/REFRIGERATOR - RIGHT HAND
	093646-02-000	EA	BRACKET - TIEDOWN/REFRIGERATOR - LEFT HAND

* COMPONENT PARTS FOUND IN SERVICE PARTS LIBRARY

RANGE W/OVEN - MAGIC CHEF - MODEL CLY1631BDL

KEY	PART NUMBER	U/M	DESCRIPTION
*	112881-02-02A	EA	RANGE - 16" - 3 BURNER
	105458-01-000	EA	BRACKET - STOVE TIEDOWN - RIGHT HAND
	105458-02-000	EA	BRACKET - STOVE TIEDOWN - LEFT HAND

* COMPONENT PARTS FOUND IN SERVICE PARTS LIBRARY

GENERATOR GROUP

4.0 KW ONAN GENERATOR

KEY	PART NUMBER	U/M	DESCRIPTION
	109982-03-000	EA	GENERATOR - 4.0 MICROLITE
	007125-03-000	EA	CLAMP - MUFFLER - 1.5" DIAMETER
	007131-01-000	EA	HANGER - TAILPIPE - 6 SLOTS
	105958-08-000	EA	PIPE - GENERATOR EXHAUST - 1.5" OD X 3.1" X 19.7"
	007067-01-000	SF	INSULATION - FIBERGLASS - 1" THICK X 4' - INCREMENTS/4 SF

3.6 KW ONAN GENERATOR

KEY	PART NUMBER	U/M	DESCRIPTION
	109982-04-000	EA	GENERATOR - 3.6 MICROLITE
	007125-03-000	EA	CLAMP - MUFFLER - 1.5" DIAMETER
	007131-01-000	EA	HANGER - TAILPIPE - 6 SLOTS
	105958-08-000	EA	PIPE - GENERATOR EXHAUST - 1.5" OD X 3.1" X 19.7"
	007067-01-000	SF	INSULATION - FIBERGLASS - 1" THICK X 4' - INCREMENTS/4 SF

NOTE: ADDITIONAL GENERATOR COMPONENTS ARE FOUND IN THE CHASSIS GROUP

HEATING & AIR CONDITIONING GROUP

A/C-14,800 BTU - COLEMAN - MODEL 7335B896

KEY	PART NUMBER	U/M	DESCRIPTION
*	115219-01-03A	EA	A/C - ROOF - 14,800 MACH 15 - BRIGHT WHITE
	102289-01-000	EA	SPRING - SCREW - ROOF A/C GASKET
	084077-03-000	EA	COVER/BLANK - ROOF A/C 5.2" X 3.5" - IVORY

* COMPONENT PARTS FOUND IN SERVICE PARTS LIBRARY

CEILING A/C - COLEMAN

KEY	PART NUMBER	U/M	DESCRIPTION
*	108891-01-02A	EA	CEILING ASSEMBLY - A/C COOL
	022756-03-000	EA	COVER - A/C - OFF WHITE PLASTIC

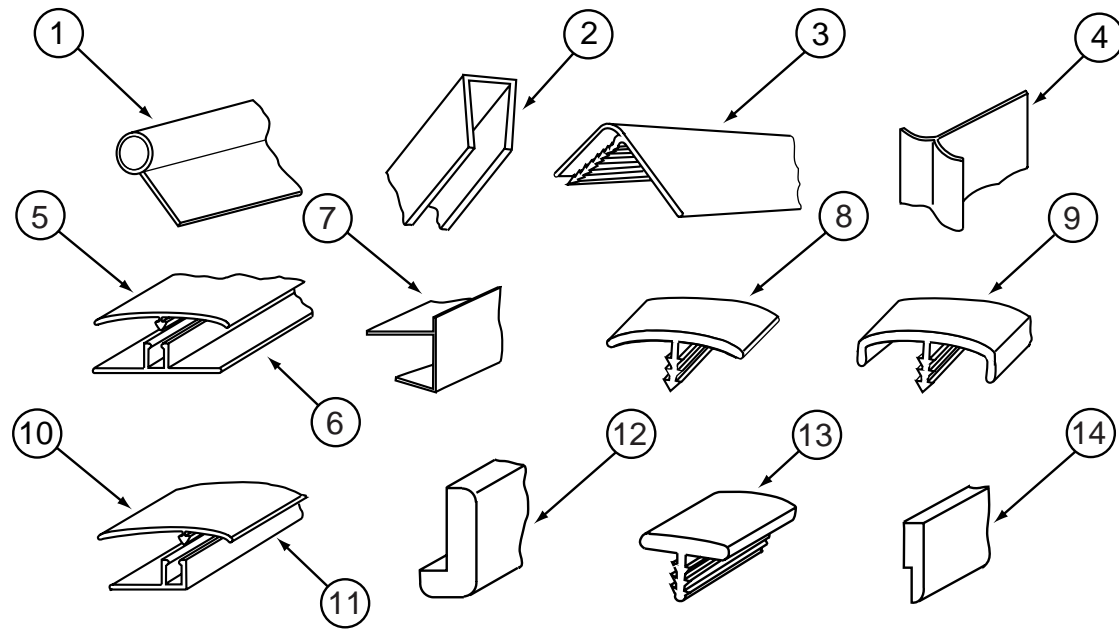
* COMPONENT PARTS FOUND IN SERVICE PARTS LIBRARY

FURNACE - 30,000 BTU - SUBURBAN - MODEL SF-30 2273

KEY	PART NUMBER	U/M	DESCRIPTION
*	098668-20-000	EA	FURNACE - 30000 BTU
	098668-23-000	EA	DOOR - ACCESS - FURNACE - BRIGHT WHITE
	009200-01-000	EA	TAPE - FURNACE - 1 1/2"
	089367-01-000	EA	TEE - 4" OD - 7" LONG - METAL
	115764-01-01A	EA	THERMOSTAT - FURNACE
	009198-01-000	FT	DUCT - HEAT - FLEXIBLE - 4" ID X 25'
	069636-02-000	EA	CONNECTOR - DUCT - 4" ID
	056464-10-000	EA	REGISTER - 4" DIAMETER - PLASTIC - W/O DAMPER - BEIGE

* COMPONENT PARTS FOUND IN SERVICE PARTS LIBRARY

INTERIOR FINISH GROUP



MOLDINGS & TRIMS

KEY	PART NUMBER	U/M	DESCRIPTION
1	009767-12-000	FT	WELTING - SIDEWALL/CEILING/CABINET - OFF/WHT
1	009767-15-000	FT	WELTING - WATERFORD OAK
2	009778-21-000	FT	U-CHANNEL - 1" - WATERFORD OAK
			FROM: 00-00-00 THRU: 11-09-97
2	009778-30-000	FT	U-CHANNEL - 1" - VILLAGE OAK
			FROM: 11-10-97 THRU: 99-99-99
2	009778-22-000	FT	U-CHANNEL - 1 1/4" - WATERFORD OAK
2	009778-11-000	FT	U-CHANNEL - 1" - IVORY
2	070504-36-000	FT	U-CHANNEL - PLASTIC - .13" X 72" - WATERFORD OAK
2	070504-37-000	FT	U-CHANNEL - PLASTIC - .87" X 84" - WATERFORD OAK
2	070504-18-000	FT	U-CHANNEL - PLASTIC - .13" X 84" - IVORY
3	009809-23-000	EA	MOLDING - CORNER - OUTSIDE - 1" X 84" - MODERN IVORY
3	009809-28-000	EA	MOLDING - CORNER - OUTSIDE - 1" X 84" - WATERFORD OAK
3	009809-24-000	EA	MOLDING - PLASTIC - 1/2" O/S CORNER - IVORY
3	009812-29-000	EA	MOLDING - PLASTIC - 1/2" O/S CORNER - WATERFORD OAK
4	022992-11-000	EA	MOLDING - REVERSE COVE - T-SHAPED VINYL - IVORY
5	086229-13-000	EA	BATTEN - 1" X 96" - IVORY
5	086229-20-000	EA	BATTEN - 1" X 96" - BEIGE
6	086229-01-000	EA	RETAINER - BATTEN - .75" X 92.3" - ANY COLOR
7	103186-01-05A	FT	MOLDING - PLASTIC 3/8" U-CHANNEL 3/4" FACE - WATERFORD OAK
8	009815-09-000	FT	MOLDING-T - .75" IVORY
8	105709-01-000	FT	MOLDING-T - 1" IVORY
9	083620-09-000	FT	MOLDING-T - END CAP EDGE - W/EDGE LIPS - .75"-MODERN IVORY
9	083620-12-000	FT	MOLDING-T - END CAP EDGE - W/EDGE LIP - .75"-WATERFORD OAK
9	119520-01-01A	FT	MOLDING-T - 1" - W/EDGE LIPS (OFF/WHITE-CREAM)
9	104676-02-04A	FT	MOLDING-T - 1/2" - WATERFORD OAK
10	086229-12-000	EA	BATTEN - 1.5" OFFSET X 97.01" IVORY
11	086229-11-000	EA	RETAINER - OFFSET - 97.01"
12	077840-01-G01	EA	MOLDING - CAP/WALL - 8' WATERFORD OAK
13	104676-01-01A	FT	MOLDING-T - 5/16" - RIGID GOLD
14	105004-01-05A	EA	MOLDING - VINYL WRAPPED - 1" X 8' WATERFORD OAK

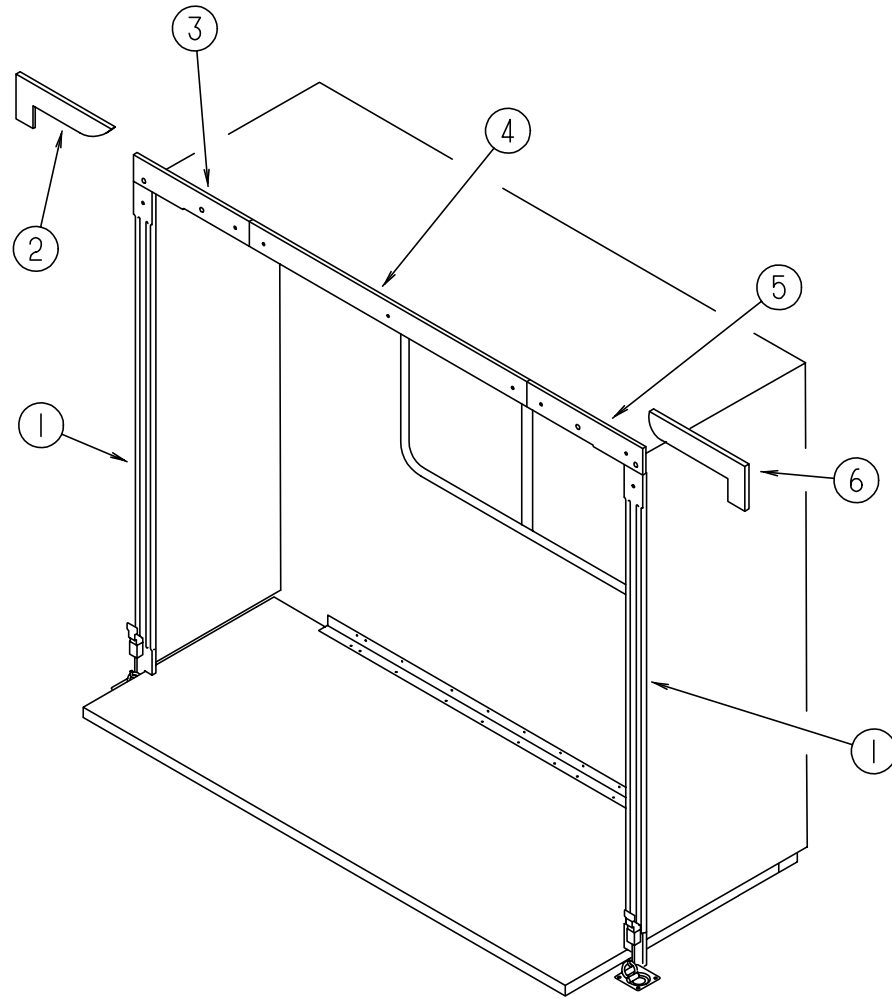
INTERIOR FINISH GROUP (CONTINUED)

MOLDINGS & TRIMS (CONTINUED)

KEY	PART NUMBER	U/M	DESCRIPTION
	117268-D2-134	EA	MOLDING - VINYL WRAPPED - .7" X 1.6" X 84" - WATERFORD OAK
	100818-01-05A	EA	MOLDING - VINYL WRAPPED - 1.65" X .4" X 84"-WATERFORD OAK
	100819-01-05A	EA	MOLDING - VINYL WRAPPED - L-SHAPED-1.5" X 1.5" X 7' - WATERFORD OAK
	117268-F2-134	EA	MOLDING - VINYL WRAPPED - .7" X 2.7" X 84" - WATERFORD OAK
	117267-D2-438	EA	LUMBER - VINYL WRAPPED - .7" X 1.5" X 96" - WATERFORD OAK
	117267-E2-438	EA	LUMBER - VINYL WRAPPED - .7" X 2" X 96" - WATERFORD OAK
	117267-G2-438	EA	LUMBER - VINYL WRAPPED - .7" X 3" X 96" - WATERFORD OAK
	117267-J2-438	EA	LUMBER - VINYL WRAPPED - .7" X 5.5" X 96"- WATERFORD OAK
	075249-01-000	EA	RAILING - OAK - 72" UNFINISHED
	100659-01-G09	EA	MOLDING/TRIM - VINYL FLOOR
	120492-01-04A	FT	STRIP - TRIM - WATERFORD OAK
	085746-04-000	FT	TRIM-J - CARPET 1.2" X .5" ANGLE - 12' LONG - OFF WHITE
	093873-01-01A	EA	TRIM - CARPET - L-ANGLE 1.1" X 1.3" X 12' - GRAY VINYL

INTERIOR FINISH GROUP (CONTINUED)

SLIDEOUT ROOM MOLDINGS & TRIMS



KEY	PART NUMBER	U/M	DESCRIPTION
1	116951-01-G35	EA	MOLDING - WOOD - 3" X 70.5"
2	115811-20-J01	EA	OVERLAY - NOVEAU - 7.5" X 23.8" - LEFT HAND
2	115811-20-J02	EA	OVERLAY - NOVEAU - 7.5" X 23.8" - LEFT HAND
3	116968-02-G35	EA	TRIM - END/LEFT HAND - WOOD - 3.8" X 19.1"
4	116967-05-J01	EA	TRIM-CENTER
5	116968-01-G35	EA	TRIM - END/RIGHT HAND - WOOD - 3.8" X 19.1"
6	115811-19-J01	EA	OVERLAY - NOVEAU - 7.5" X 23.8" - RIGHT HAND
6	115811-19-J02	EA	OVERLAY - NOVEAU - 7.5" X 23.8" - RIGHT HAND

INTERIOR FINISH GROUP (CONTINUED)

EDGE BAND MOLDING

KEY	PART NUMBER	U/M DESCRIPTION
	076325-39-000	FT MOLDING - EDGE BAND - 1 5/16" X .030" (J01)
	076325-47-000	FT MOLDING - EDGE BAND - 1 5/16" X .030" (J02)
	076325-40-000	FT MOLDING - EDGE BAND - .875" X .024" (J01)
	076325-44-000	FT MOLDING - EDGE BAND - .876" X .024" (J02)
	076325-73-000	FT MOLDING - EDGE BAND - .93" X .024"
	076325-37-000	FT MOLDING - EDGE BAND - 1 5/16" X .030"
	076325-67-000	FT MOLDING - EDGE BAND - .93" X .024" - WATERFORD OAK
	076325-68-000	FT MOLDING - EDGE BAND - 1 5/16" X .038 - WATERFORD OAK

BATT STRIPS

KEY	PART NUMBER	U/M DESCRIPTION
	079653-28-000	EA BATT STRIP - KERFED - WOODGRAINED/WATERFORD OAK - 8'
	069733-83-000	EA BATT STRIP - WOODGRAINED/WATERFORD OAK - 8'
	085284-B5-000	FT BATT TAPE - ADHESIVE BACKED - WOODGRAINED - WATERFORD OAK
	088263-E7-000	EA BATT STRIP - DECORATIVE - GAZEBO STRIPE/SAGE - 8' LONG (J01)
	088263-C4-000	EA BATT STRIP - DECORATIVE - CORBIN/TOBACCO - 8' LONG (J02)
	085284-E1-000	FT BATT TAPE - ADHESIVE BACKED - DECORATIVE-GAZEBO/STRIPE/SAGE (J01)
	085284-B7-000	FT BATT TAPE - ADHESIVE BACKED - DECORATIVE - CORBIN/TOBACCO (J02)
	088263-F7-000	EA BATT STRIP - DECORATIVE - IMPACT PEARL TEXTR - INC OF 8' FROM: 00-00-00 THRU: 10-05-97
	088263-F9-000	EA BATT STRIP - CEILING - IMPACT PEARL - INC OF 9' FROM: 10-06-97 THRU: 99-99-99
	085284-F3-000	FT BATT TAPE - ADHESIVE BACKED - IMPACT PEARL TEXTURE FROM: 00-00-00 THRU: 10-05-97
	085284-F6-000	FT BATT TAPE - ADHESIVE BACKET - IMPACT PEARL FROM: 10-06-97 THRU: 99-99-99
	088263-E3-000	EA BATT STRIP - DECORATIVE - PEBBLE EMBOSSED/ANTIQUÉ-8' LONG
	085284-D6-000	FT BATT TAPE - ADHESIVE BACKED -DECORATIVE - EMBOSSED ANTIQUÉ

WALLPAPER BORDER

KEY	PART NUMBER	U/M DESCRIPTION
	122481-05-000	FT WALLPAPER - 6" BORDER - MERCURY

INTERIOR FINISH GROUP (CONTINUED)

PANELING, LAMINATES & PLASTIC

KEY	PART NUMBER	U/M DESCRIPTION
	074497-28-000	SF PANELING - WATERFORD OAK - 48" X 96"
	074497-37-000	SF PANELING - IMPACT PEARL TEXTURE - 4' X 8' - ROUGH FROM: 00-00-00 THRU: 10-05-97
	074497-40-000	SF PANELING - CEILING - IMPACT PEARL - 4' X 8' FROM: 10-06-97 THRU: 99-99-99
	080215-10-000	SF PANELING - 2 SIDED - WATERFORD - .2" X 48" X 96"
	088272-G1-000	SF PANELING - PEBBLE EMBOSSED - ANTIQUE WHITE - 4' X 7'
	088272-G5-000	SF PANELING - GAZEBO STRIPE - 4' X 7' (J01)
	088272-E5-000	SF PANELING-CORBIN-TOBACCO (J02)
	074498-40-000	SF LAMINATE - PLASTIC - OFF WHITE - 5' X 8' - INC OF 40 SF
	074498-71-000	SF LAMINATE - PLASTIC - NEUTRAL SANTOS - 5'X8' - INC OF 40SF (J01)
	074498-54-000	SF LAMINATE - PLASTIC - SAND SPEKTRUM - 5' X 8' - INC OF 40SF (J02)
	000885-67-000	SF LAMINATE - PLASTIC - ORCHID MIST - 5' X 8' - INC OF 40SF
	000885-77-000	SF LAMINATE - PLASTIC - ART CABIN - 4' X 8' - INC OF 32 SF
	000885-76-000	SF PARTICLE BOARD-3/8" X 48" X 96"-WATERFORD OAK/VINYL 1 SIDE
	000885-77-000	SF PARTICLE BOARD-3/8" X 48" X 96"-WATERFORD OAK/VINYL 2 SIDE
	000885-78-000	SF PARTICLE BOARD-1/2" X 48" X 96"-WATERFORD OAK/VINYL 2 SIDE
	000885-79-000	SF PARTICLE BOARD-3/4" X 48" X 96"-WATERFORD OAK/VINYL 2 SIDE
	057882-04-700	EA DOOR-TAMBOUR 4'X4' PC WINONA PART SALES
	000846-01-000	SF PLYWOOD - 5/16" X 48" X 96" - CD GRADE
	000846-02-000	SF PLYWOOD/UNDERLAYMENT - 5/16" X 48" X 96"
	126339-01-000	SF BOARD - WHEAT - 60" X 72"
	093743-05-01A	SF PLASTIC - ABS COIL - BRIGHT WHITE - 20" X 108"

CARPETING & FLOOR MATS

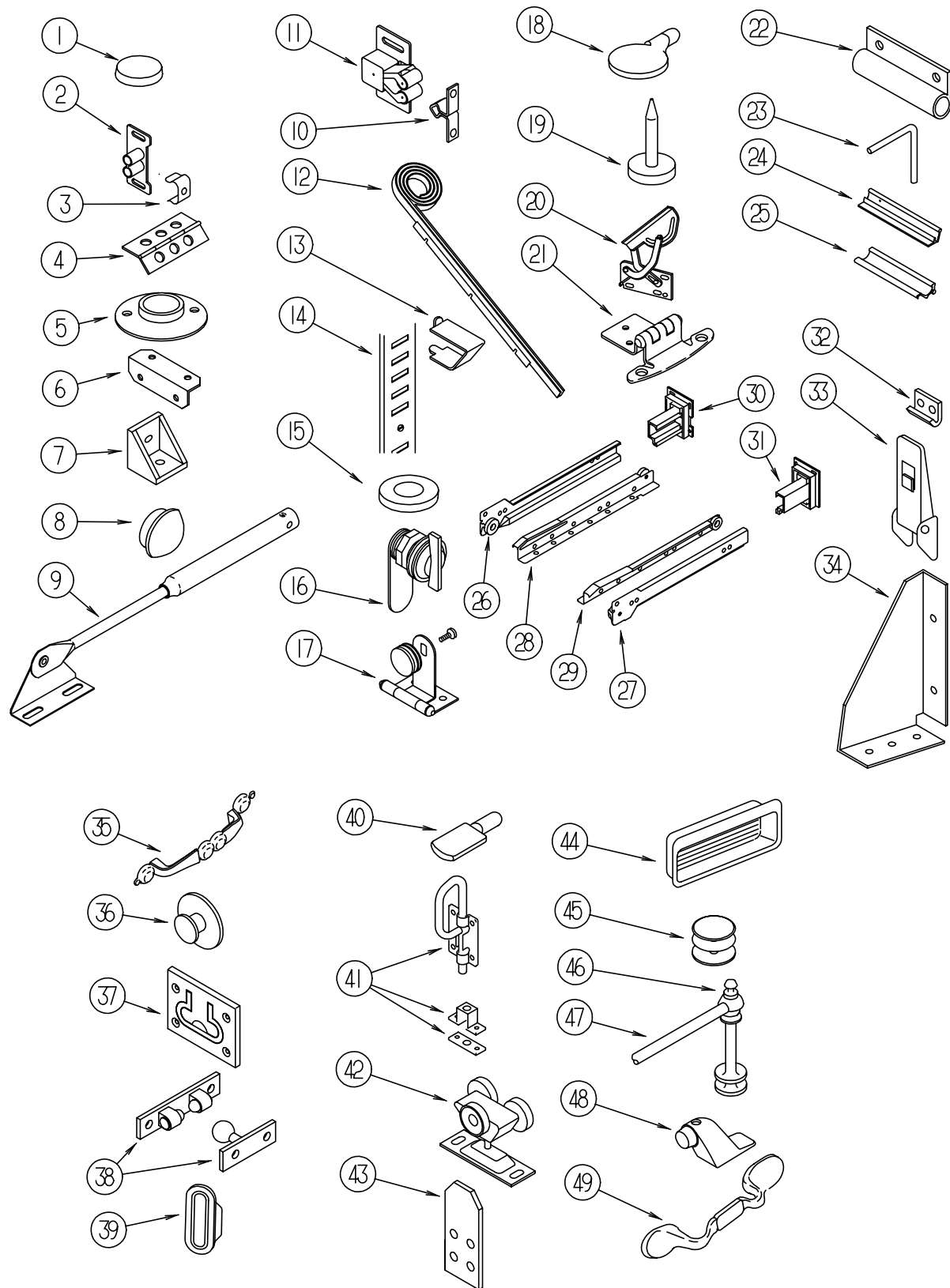
KEY	PART NUMBER	U/M DESCRIPTION
	096060-98-000	SY CARPET - SILVER ASPEN - INCREMENTS OF 4 SQ YD (J01)
	096060-95-000	SY CARPET - DOE SKIN - INCREMENTS OF 4 SQ YD (J02)
	093486-01-000	SY CARPET - COMPARTMENT - 72" WIDE - DARK GRAY
	122755-01-01A	EA TILE - RUBBER/ENTRANCE DOOR - 18.5" X 27.2"
	122755-03-01A	EA TILE - RUBBER/ENTRANCE DOOR - 17.7" X 26.4"
	122755-05-01A	EA TILE - RUBBER/ENTRANCE DOOR - 11.2" X 26.9"
	125780-01-000	EA MAT - FLOOR - FRONT/PASSENGER - "W" - FORD
	125780-02-000	EA MAT - FLOOR - FRONT/DRIVER - "W" - FORD
	102569-04-000	EA MAT - ANTI SLIP

FIRE EXTINGUISHER & DETECTORS

KEY	PART NUMBER	U/M DESCRIPTION	VENDOR NO.
	072852-02-000	EA DETECTOR - SMOKE - W/9 VOLT BATTERY - CANADIAN	
	094499-02-000	EA EXTINGUISHER/FIRE - DRY - 1A10BC - CANADIAN	
	094499-01-700	EA BRACKET MTG. W/PLAS. STRAP	294039
	072852-01-000	EA DETECTOR - SMOKE - W/9 VOLT BATTERY - US	
	094499-01-000	EA EXTINGUISHER/FIRE - DRY W/MOUNTING BRACKET	
	094499-01-700	EA BRACKET MTG. W/PLAS. STRAP	294039
	094499-01-701	EA STRAP ONLY (METAL)	320351
	125136-01-000	EA CO DETECTOR - GAS - ROUND W/2 SCREWS - 9 VOLT	

INTERIOR FINISH GROUP (CONTINUED)

CABINET & TABLE HARDWARE

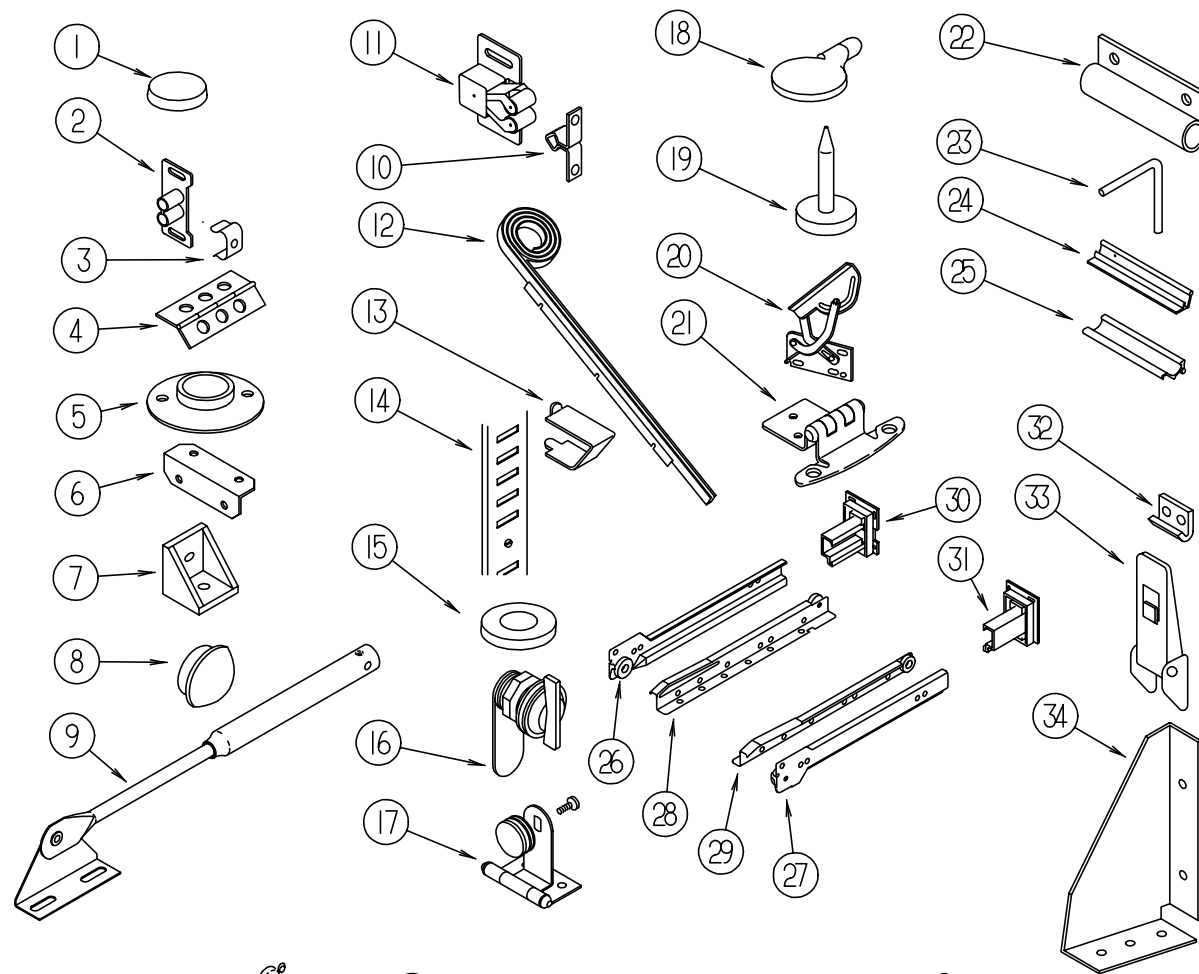


KEY	PART NUMBER	U/M	DESCRIPTION
1	004354-01-000	EA	BUMPER - RUBBER - .5" DIA - BROWN
2	009021-01-000	EA	CATCH - GRILLE - NYLON
3	009021-02-000	EA	STRIKE - SPRING STEEL
4	009059-01-000	EA	HINGE - DOOR - 2" X 1.4" - BRASS
4	009059-02-000	EA	HINGE - DOOR - 2" X 2.7" - BRASS
4	041389-35-000	EA	HINGE - PIANO - OFF WHITE - 31"
5	009112-01-000	EA	FLANGE - PLASTIC - 1" CLOTHES ROD - OFF WHITE
6	016604-01-000	EA	BRACE - CABINET - ANGLE - 2.5" - UNPAINTED METAL
6	016604-05-000	EA	BRACE - CABINET - ANGLE - 2.5" - OFF WHITE METAL
7	065740-01-000	EA	BRACE - CABINET/CORNER - PLASTIC
8	074045-01-000	EA	PLUG - OAK - 1/2" DIAMETER
9	074493-02-000	EA	SUPPORT - PISTON SPRING - CABINET DOOR
10	093586-05-000	EA	STRIKE - SPRING STEEL
11	093586-06-000	EA	CATCH - SPRING - ROLLER
12	097141-02-700	EA	KIT - TRACK - TAMBOUR DOOR - W/ONE RT & ONE LEFT TRACK
13	098979-01-000	EA	CLIP - ADJUSTABLE SHELF
14	098980-06-000	EA	PILASTER - ADJUSTABLE SHELF - 24"
15	100707-01-000	EA	SPACER - GLASS DOOR - .8" DIA - .3" HOLE - PLASTIC
16	100710-01-01A	EA	LOCK - GLASS DOOR/TWIST TYPE - BRASS
17	100711-01-01A	EA	HINGE - GLASS DOOR
18	101766-01-000	EA	PIN - SUPPORT/GLASS DOOR
19	102194-01-000	EA	GUIDE - PLASTIC
20	108126-01-000	EA	TRAY HINGE SET (QTY. 2 PER SET)
21	108138-01-000	EA	HINGE - CABINET DOOR - BURNISHED BRASS
	000G13-06-08G	EA	SCREW - 6-20 X .50 PFH - ANTIQUE BRASS
22	108486-01-01A	EA	BRACKET - PROP ROD/OVERHEAD - BLACK
23	108487-02-01A	EA	SUPPORT - PROP ROD/OVERHEAD - BLACK
24	110107-01-04A	EA	PULL - DOOR - TERRATONE
25	110108-01-04A	EA	LATCH - DOOR - TERRATONE

INTERIOR FINISH GROUP (CONTINUED)

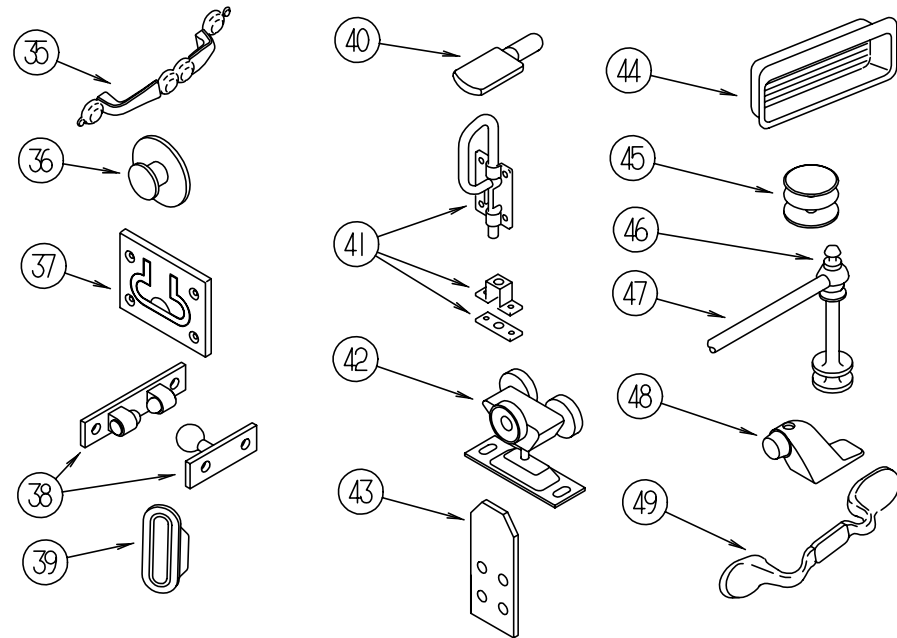
CABINET & TABLE HARDWARE (CONTINUED)

CABINET DOOR SLIDES & BACKSOCKETS - FROM: 00-00-00 THRU: 02-22-98



KEY	PART NUMBER	U/M	DESCRIPTION
26	114031-01-000	EA	SLIDE - 12" - LEFT SIDE/CABINET
26	114031-05-000	EA	SLIDE - 14" - LEFT SIDE/CABINET
26	114031-09-000	EA	SLIDE - 16" - LEFT SIDE/CABINET
26	114031-13-000	EA	SLIDE - 18" - LEFT SIDE/CABINET
26	114031-17-000	EA	SLIDE - 20" - LEFT SIDE/CABINET
26	114031-25-000	EA	SLIDE - 24" - LEFT SIDE/CABINET
27	114031-02-000	EA	SLIDE - 12" - RIGHT SIDE/CABINET
27	114031-06-000	EA	SLIDE - 14" - RIGHT SIDE/CABINET
27	114031-10-000	EA	SLIDE - 16" - RIGHT SIDE/CABINET
27	114031-14-000	EA	SLIDE - 18" - RIGHT SIDE/CABINET
27	114031-18-000	EA	SLIDE - 20" - RIGHT SIDE/CABINET
27	114031-26-000	EA	SLIDE - 24" - RIGHT SIDE/CABINET
28	114031-03-000	EA	SLIDE - 12" - LEFT SIDE/DRAWER
28	114031-07-000	EA	SLIDE - 14" - LEFT SIDE/DRAWER
28	114031-11-000	EA	SLIDE - 16" - LEFT SIDE/DRAWER
28	114031-15-000	EA	SLIDE - 18" - LEFT SIDE/DRAWER
28	114031-19-000	EA	SLIDE - 20" - LEFT SIDE/DRAWER
28	114031-27-000	EA	SLIDE - 24" - LEFT SIDE/DRAWER
29	114031-04-000	EA	SLIDE - 12" - RIGHT SIDE/DRAWER
29	114031-08-000	EA	SLIDE - 14" - RIGHT SIDE/DRAWER
29	114031-12-000	EA	SLIDE - 16" - RIGHT SIDE/DRAWER
29	114031-16-000	EA	SLIDE - 18" - RIGHT SIDE/DRAWER
29	114031-20-000	EA	SLIDE - 20" - RIGHT SIDE/DRAWER
29	114031-28-000	EA	SLIDE - 24" - RIGHT SIDE/DRAWER
30	114045-01-000	EA	BACKSOCKET - ADJUSTABLE LEFT
31	114045-02-000	EA	BACKSOCKET - ADJUSTABLE RIGHT

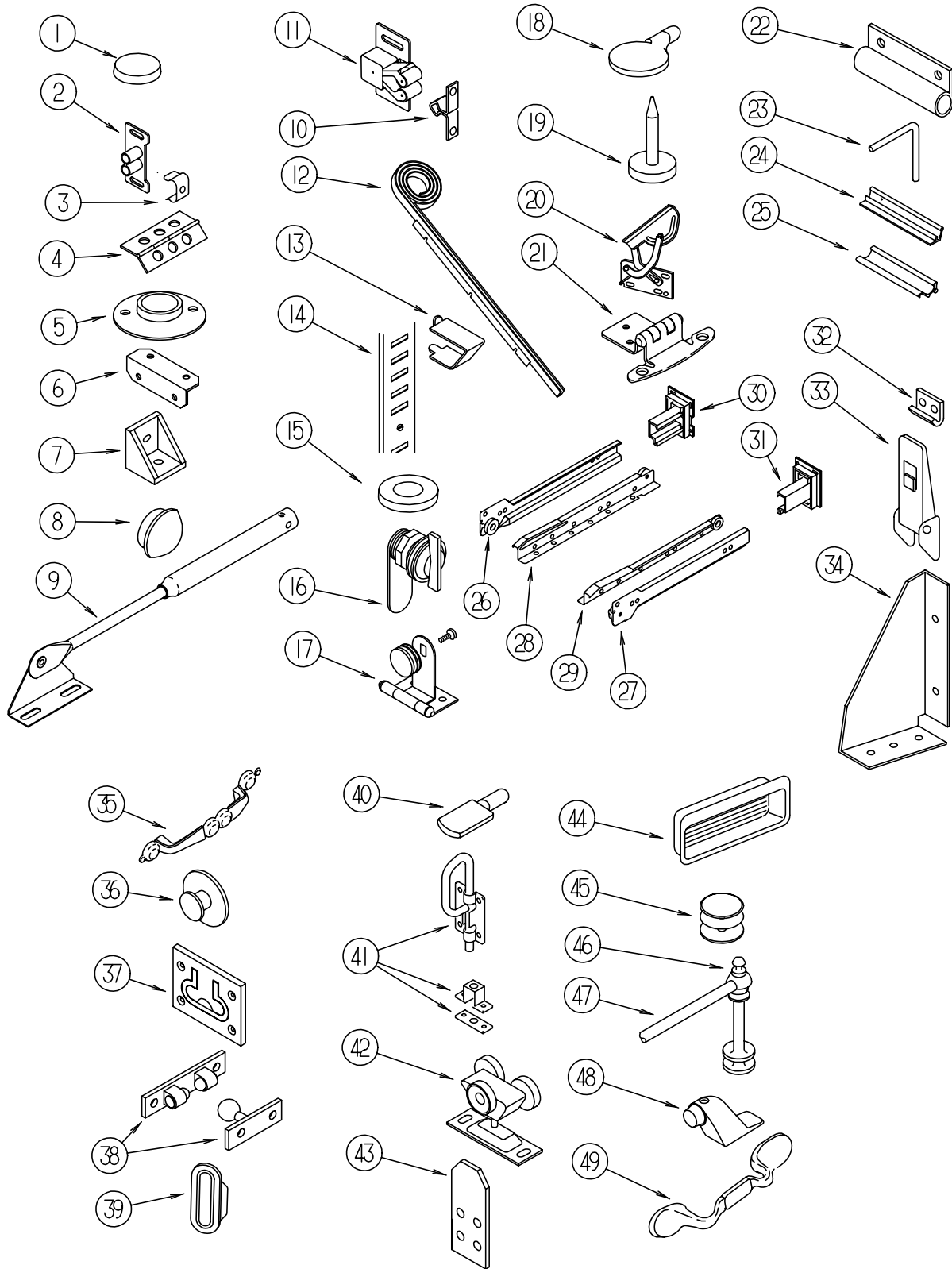
CABINET DOOR SLIDES & BACKSOCKETS - FROM: 02-23-98 THRU: 99-99-99



KEY	PART NUMBER	U/M	DESCRIPTION
26	128810-01-01A	EA	SLIDE - DRAWER - 12" - LEFT CABINET
26	128810-05-01A	EA	SLIDE - DRAWER - 14" - LEFT CABINET
26	128810-09-01A	EA	SLIDE - DRAWER - 16" - LEFT CABINET
26	128810-13-01A	EA	SLIDE - DRAWER - 18" - LEFT CABINET
26	128810-17-01A	EA	SLIDE - DRAWER - 20" - LEFT CABINET
26	128810-25-01A	EA	SLIDE - DRAWER - 24" - LEFT CABINET
27	128810-02-01A	EA	SLIDE - DRAWER - 12" - RIGHT CABINET
27	128810-06-01A	EA	SLIDE - DRAWER - 14" - RIGHT CABINET
27	128810-10-01A	EA	SLIDE - DRAWER - 16" - RIGHT CABINET
27	128810-14-01A	EA	SLIDE - DRAWER - 18" - RIGHT CABINET
27	128810-18-01A	EA	SLIDE - DRAWER - 20" - RIGHT CABINET
27	128810-26-01A	EA	SLIDE - DRAWER - 24" - RIGHT CABINET
28	128810-03-01A	EA	SLIDE - DRAWER - 12" - LEFT DRAWER
28	128810-07-01A	EA	SLIDE - DRAWER - 14" - LEFT DRAWER
28	128810-11-01A	EA	SLIDE - DRAWER - 16" - LEFT DRAWER
28	128810-15-01A	EA	SLIDE - DRAWER - 18" - LEFT DRAWER
28	128810-19-01A	EA	SLIDE - DRAWER - 20" - LEFT DRAWER
28	128810-27-01A	EA	SLIDE - DRAWER - 24" - LEFT DRAWER
29	128810-04-01A	EA	SLIDE - DRAWER - 12" - RIGHT DRAWER
29	128810-08-01A	EA	SLIDE - DRAWER - 14" - RIGHT DRAWER
29	128810-12-01A	EA	SLIDE - DRAWER - 16" - RIGHT DRAWER
29	128810-16-01A	EA	SLIDE - DRAWER - 18" - RIGHT DRAWER
29	128810-20-01A	EA	SLIDE - DRAWER - 20" - RIGHT DRAWER
29	128810-28-01A	EA	SLIDE - DRAWER - 24" - RIGHT DRAWER
30	128811-01-01A	EA	BACKSOCKET - ADJUSTABLE - LEFT
31	128811-02-01A	EA	BACKSOCKET - ADJUSTABLE RIGHT

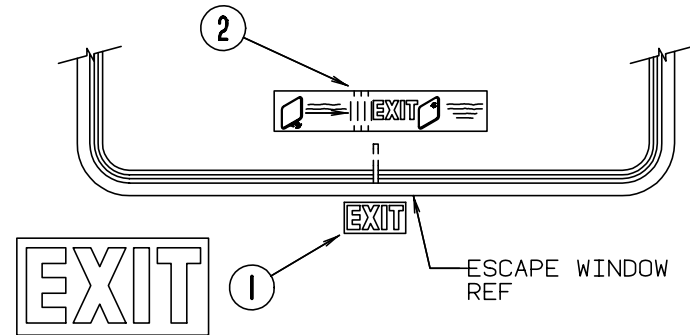
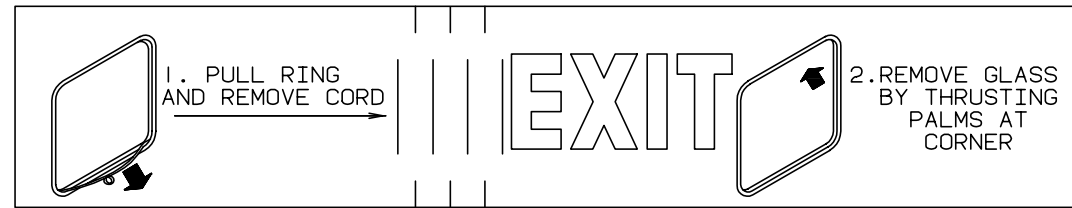
INTERIOR FINISH GROUP (CONTINUED)

CABINET & TABLE HARDWARE (CONTINUED)

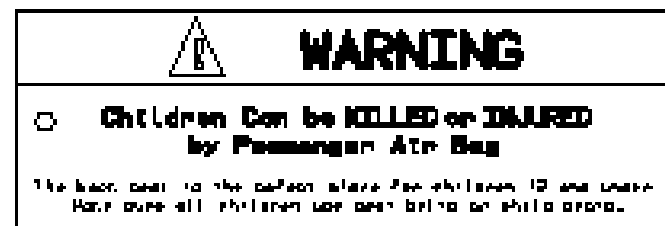
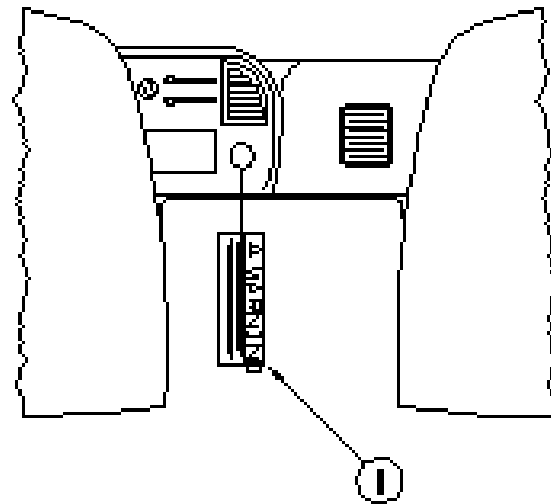


KEY	PART NUMBER	U/M	DESCRIPTION
32	116975-02-01A	EA	KEEPER/STRIKE - BLACK - NEW STYLE
33	116975-01-01A	EA	LATCH - W/O STRIKE - BLACK - NEW STYLE
34	116978-01-03B	EA	GUSSET - SLIDEOUT ROOM - OFF/WHITE
35	121891-01-01A	EA	PULL - CABINET - BRASS
36	125221-01-01A	EA	PULL - MIRROR - W/ROUND HANDLE
37	072871-01-000	EA	PULL - FLUSH - CHROME
38	084451-01-000	EA	CATCH - BRASS
39	098410-01-01A	EA	PULL - FINGER - OVAL - BRASS
40	101766-01-000	EA	PIN - SUPPORT/GLASS DOOR
41	103256-01-000	EA	LATCH - SLIDE
42	103874-01-000	EA	HANGER - SLIDING DOOR
43	112053-01-01A	EA	STOP - DRAWER - BLACK
44	124311-01-01A	EA	HANDLE - RECESSED - BRASS
45	081114-02-000	EA	CAP - INSERT - ROUND 1" DIAMETER - WHITE
46	084070-03-000	EA	POST - END - 2.4" - BRASS
47	084071-12-000	EA	ROD - BRASS - 4.08" LONG
47	084071-19-000	EA	ROD - BRASS - 7.09" LONG
47	084071-23-000	EA	ROD - BRASS - 13.12" LONG
48	103257-01-000	EA	STOP - DOOR
49	117800-01-01A	EA	PULL - CABINET - BRASS
079921-01-000		EA	ROLLER - NYLON - W/STEEL SHAFT - BARBED
113236-01-01A		EA	BRACKET - CLOTHES - ROD
023320-01-000		EA	PAD - FELT 3/8" DIAMETER
042438-01-000		EA	DOWEL - WOOD - CLOTHES ROD - 1" DIAMETER X 4'
042438-02-000		EA	DOWEL - WOOD - 2" X 2"

LABELS GROUP

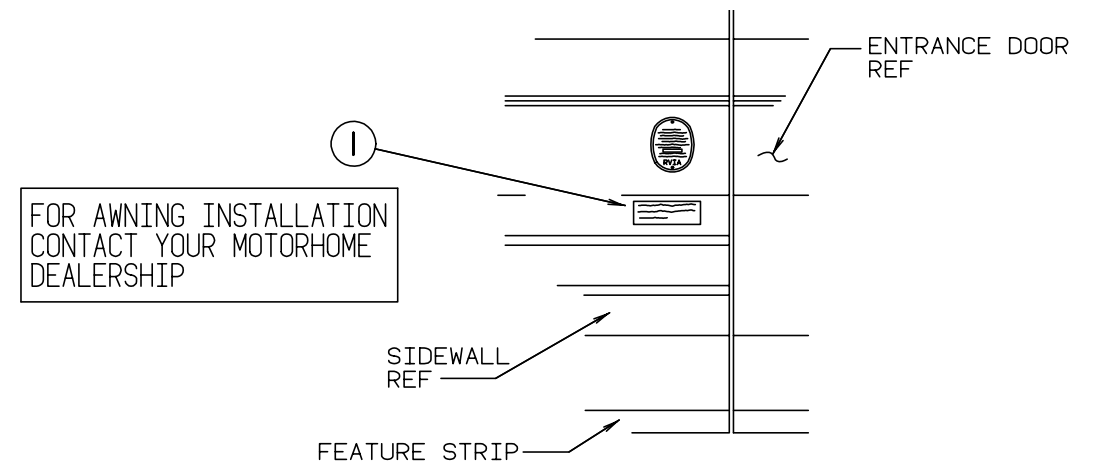


KEY	PART NUMBER	U/M DESCRIPTION
1	039290-01-000	EA LABEL - WARNING - EXIT
2	107571-01-000	EA LABEL - EXIT/ESCAPE WINDOW

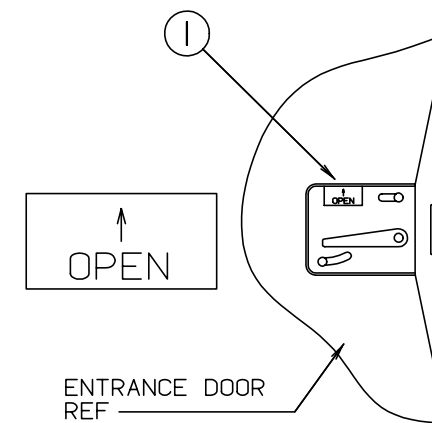


KEY	PART NUMBER	U/M DESCRIPTION
1	126612-01-000	EA LABEL - HANG TAG - AIR BAG - DASH

LABELS GROUP (CONTINUED)



KEY	PART NUMBER	U/M DESCRIPTION
1	099509-01-000	EA LABEL - AWNING INSTALLATION

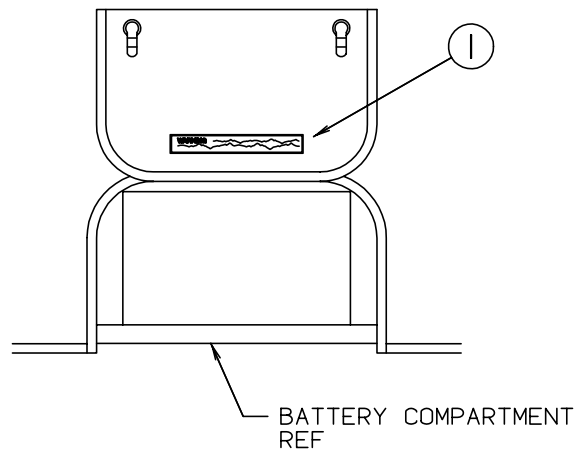


KEY	PART NUMBER	U/M DESCRIPTION
1	040944-01-000	EA LABEL - ENTRANCE DOOR - "OPEN"

LABELS GROUP (CONTINUED)
MISCELLANEOUS LABELS

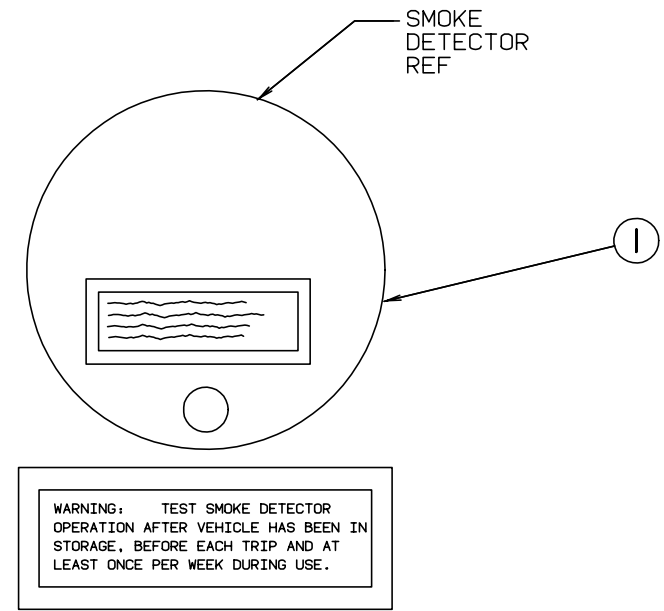
KEY	PART NUMBER	U/M DESCRIPTION
	006064-01-000	EA LABEL - SEAT W/O SEATBELT
	054531-01-000	EA LABEL - LP GAS ONLY
	061417-01-000	EA LABEL - FUEL - ON FUEL FILL DOOR
	073998-01-000	EA LABEL - LPG ODOR WARNING
	087236-01-000	EA LABEL - CABLE - INPUT
	091243-01-000	EA LABEL - A/C COVER "AIR CONDITIONING CIRCUIT ETC."
	093236-08-000	EA LABEL - CIRCUIT BREAKER
	098641-01-000	EA LABEL - FUEL - UNLEADED - DASH
	111104-01-000	EA LABEL - HITCH - READ MANUAL - WHITE
	111104-02-000	EA LABEL - HITCH - READ MANUAL - BLACK
	128658-01-000	EA LABEL - PROP ROD - ENTRY DOOR
	116549-01-000	EA LABEL - WARNING - SLIDEOUT
	128218-01-01A	EA LABEL - WARNING - ROOF SLIPPERY

WARNING DISCONNECT BATTERIES BEFORE CONNECTING EXTERNAL CHARGING EQUIPMENT.

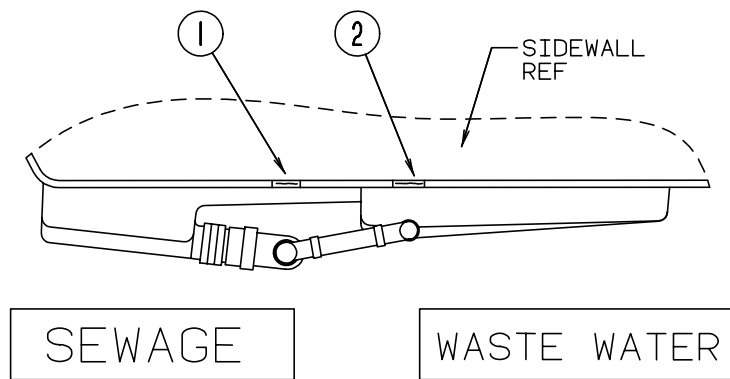


KEY	PART NUMBER	U/M DESCRIPTION
1	065748-01-000	EA LABEL - CAUTION - BATTERY CHARGING

LABELS GROUP (CONTINUED)

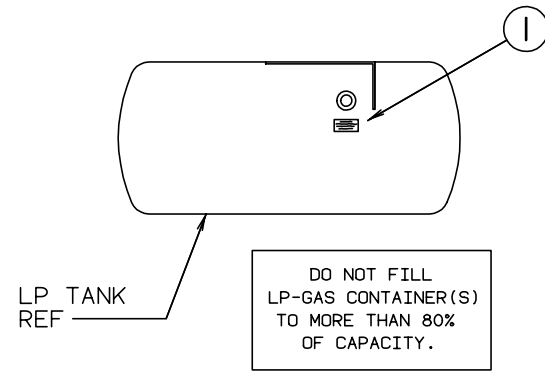


KEY	PART NUMBER	U/M DESCRIPTION
1	077956-01-000	EA LABEL - WARNING - SMOKE DETECTOR



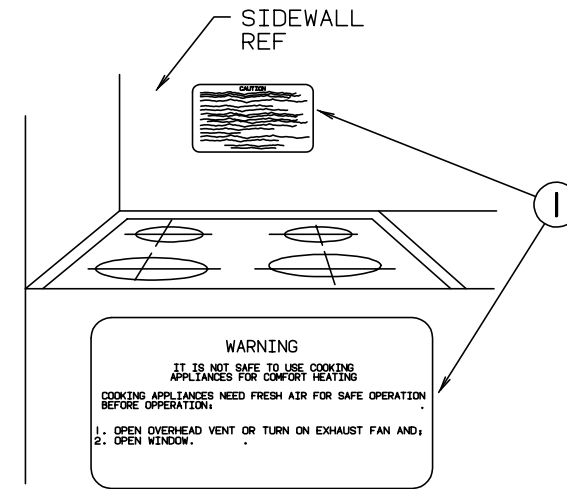
KEY	PART NUMBER	U/M DESCRIPTION
1	006187-01-000	EA LABEL - SEWAGE
2	006188-01-000	EA LABEL - WASTE WATER

LABELS GROUP (CONTINUED)

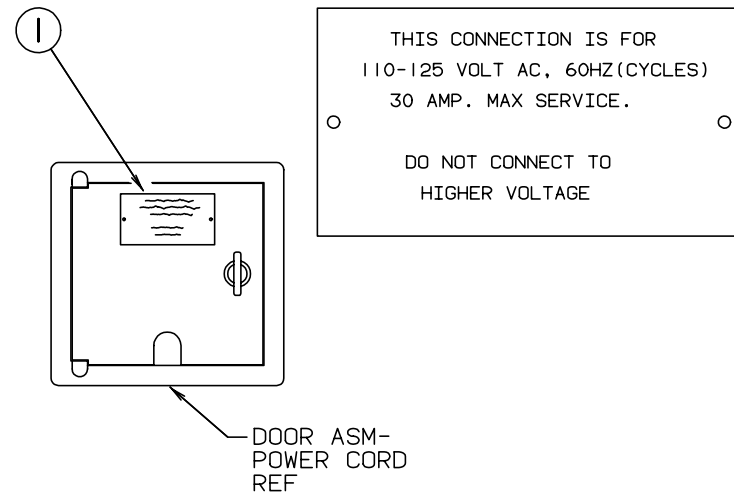


KEY	PART NUMBER	U/M DESCRIPTION
1	079965-01-000	EA LABEL - LPG - 80% CAPACITY

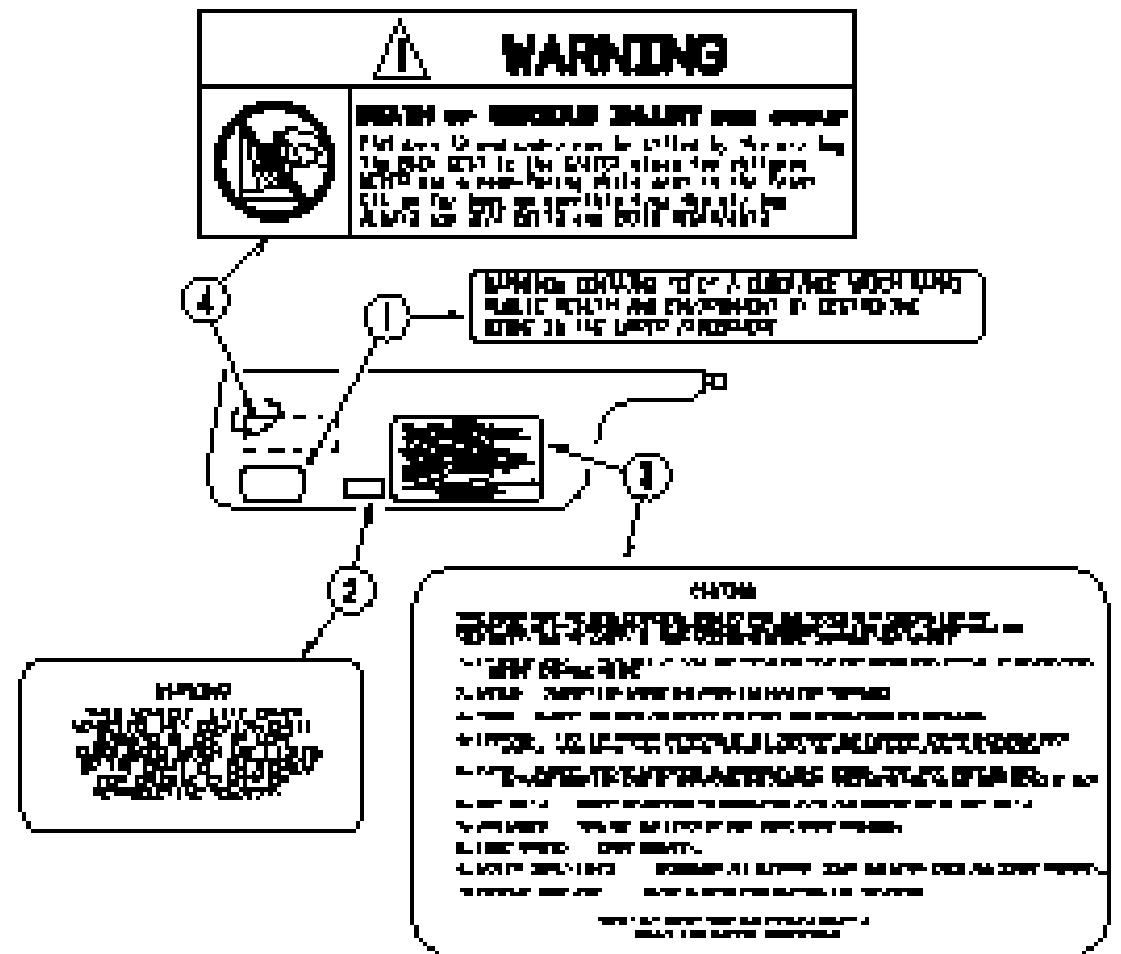
LABELS GROUP (CONTINUED)



KEY	PART NUMBER	U/M DESCRIPTION
1	050222-01-000	EA LABEL - STOVE VENT - CANADIAN
1	050225-01-000	EA LABEL - WARNING - STOVE VENT - US

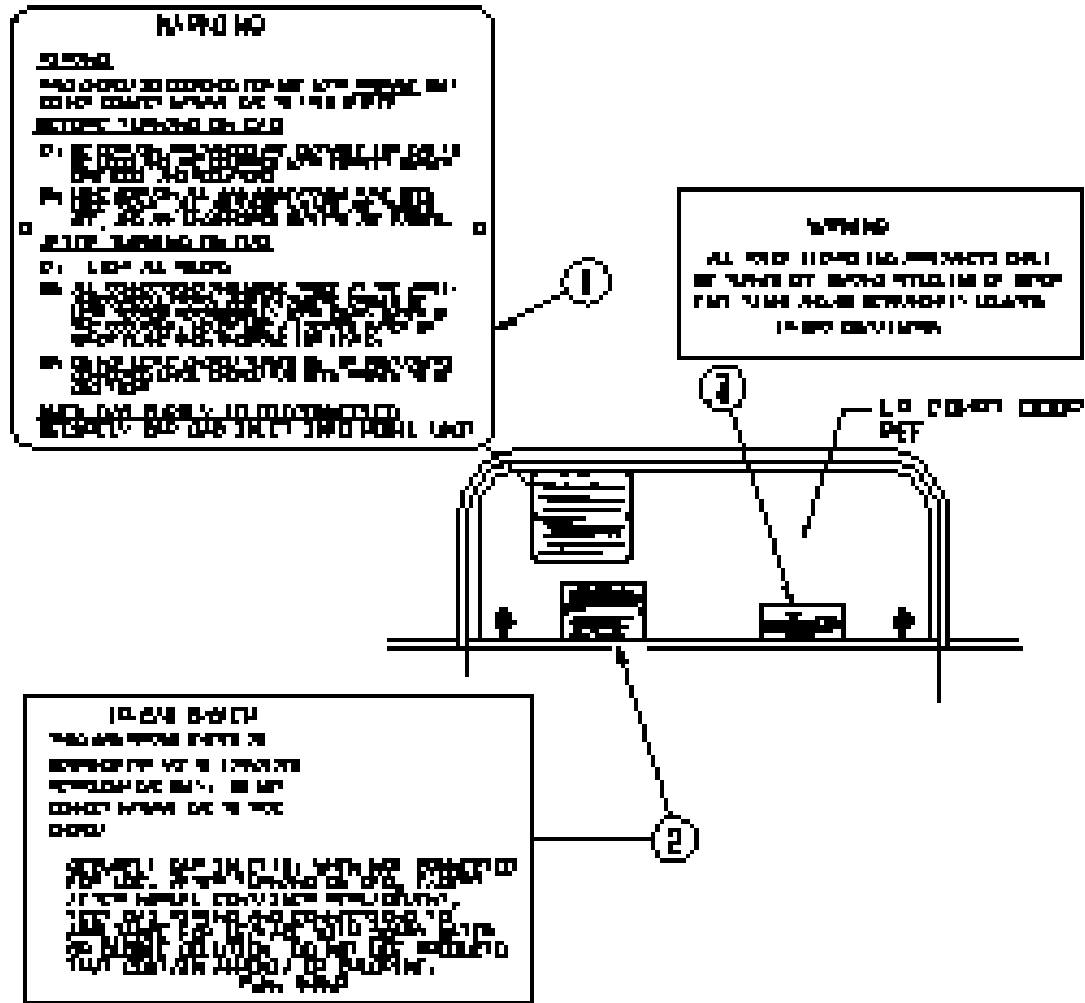


KEY	PART NUMBER	U/M DESCRIPTION
1	125306-01-01A	EA LABEL - ELECTRICAL ENTRANCE - 110VOLT 30AMP



KEY	PART NUMBER	U/M DESCRIPTION
1	111802-01-000	EA LABEL - CFC WARNING
2	099689-01-000	EA LABEL - WARNING - CANCER/TOXICITY
3	056259-01-000	EA LABEL - SAFETY CHECK LIST
4	126611-01-000	EA LABEL - AIR BAG - VISOR

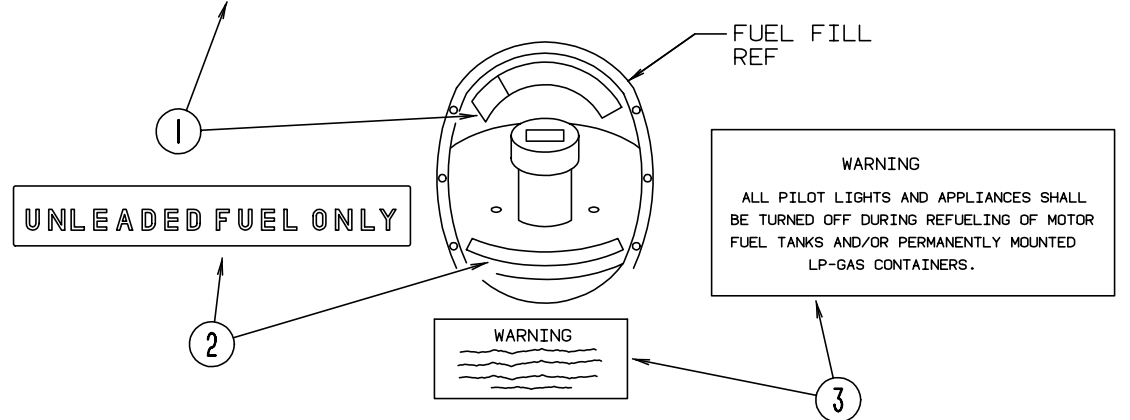
LABELS GROUP (CONTINUED)



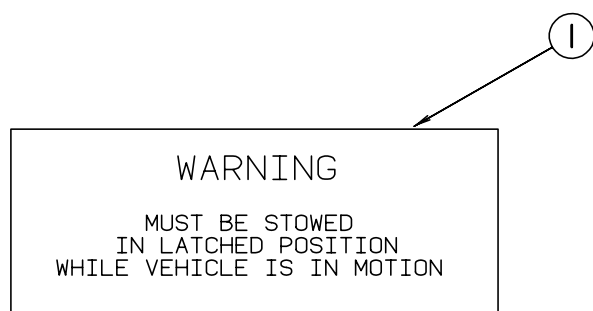
KEY	PART NUMBER	U/M DESCRIPTION
1	023769-01-000	EA LABEL - WARNING - LPG - CANADIAN
2	124520-01-01A	EA LABEL - LP GAS ONLY
3	124519-01-01A	EA LABEL - WARNING/REFUELING - BLACK ON CLEAR
3	124519-02-01A	EA LABEL - WARNING/REFUELING - CSA

LABELS GROUP (CONTINUED)

CAUTION	TO HELP AVOID PERSONAL INJURY DURING REMOVAL OF FUEL FILLER CAP, SLOWLY LOOSEN CAP 1/2 TURN TO ALLOW ANY FUEL PRESSURE TO BE RELIEVED BEFORE TURNING CAP FURTHER.
FUEL SPRAY MAY CAUSE PERSONAL INJURY	STOP ADDING FUEL AFTER FIRST SHUTOFF BY AUTOMATIC NOZZLE WHEN TANK IS NEARLY FULL. DO NOT OVERFILL FUEL TANK. SEE OWNERS MANUAL FOR ADDITIONAL INFORMATION. PRINTED IN U.S.A. MLC PT NO 15611763

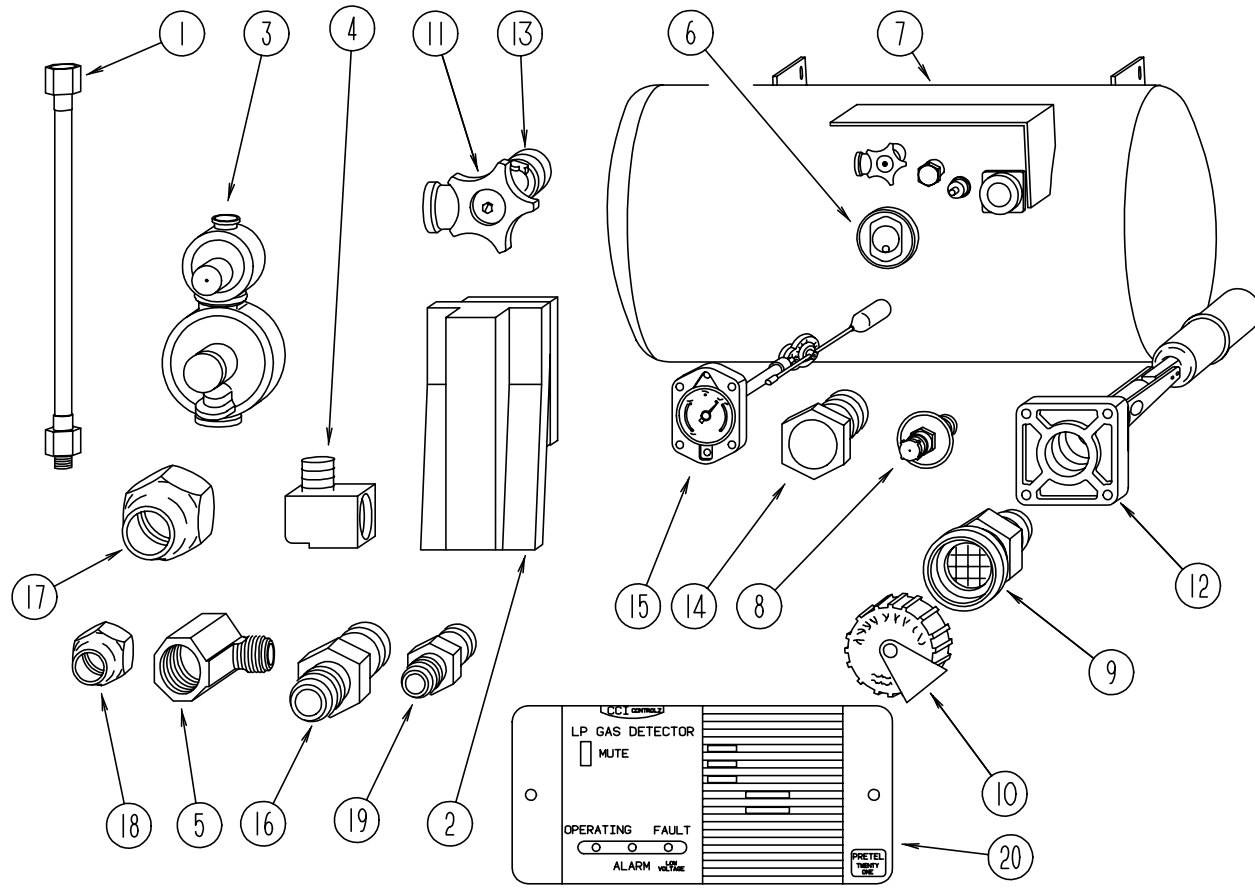


KEY	PART NUMBER	U/M DESCRIPTION
1	087207-05-000	EA LABEL - FUEL CAP REMOVAL
2	062043-01-000	EA LABEL - FUEL - UNLEADED
3	124519-01-01A	EA LABEL - WARNING/REFUELING - BLACK ON CLEAR
3	124519-02-01A	EA LABEL - WARNING/REFUELING - CSA



KEY	PART NUMBER	U/M DESCRIPTION
1	079966-01-000	EA LABEL - WARNING - STOWED - MOTION

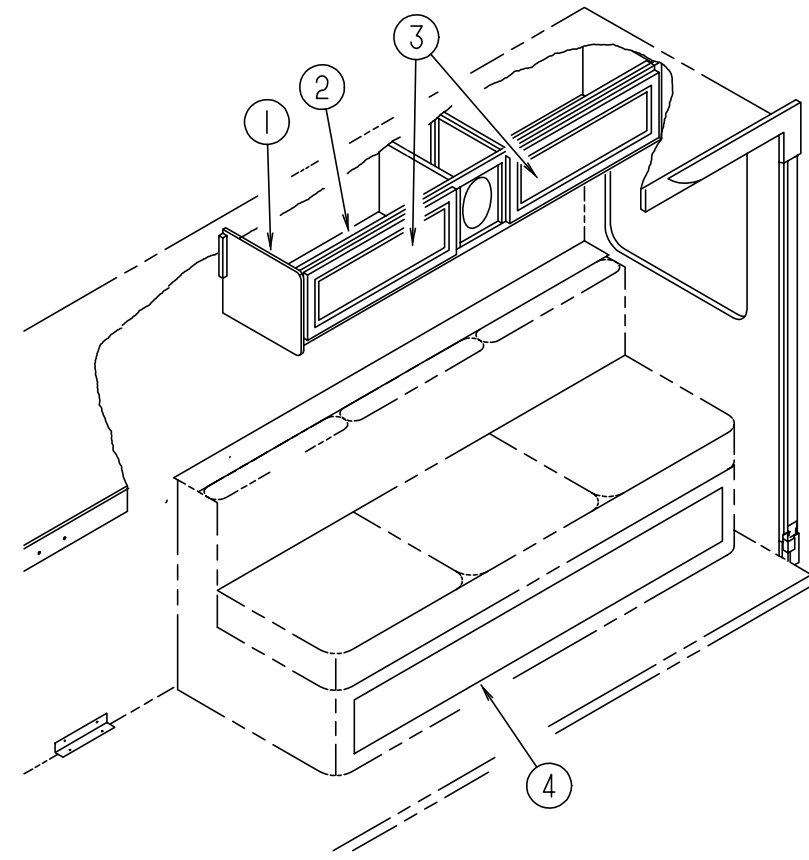
LP GROUP



LP SYSTEM

KEY	PART NUMBER	U/M	DESCRIPTION	VENDOR NO.
1	045703-01-000	EA	HOSE - LP - 3/8"ID X 24" - 3/8"MPT X 1/2"F SWIVEL - U.S.	
1	045703-09-000	EA	HOSE - LP - 3/8"ID X 24" - 3/8"ID F SWIVEL X 3/8"ID F SWIV	
1	045703-05-000	EA	HOSE - LP - 3/8"ID X 28" - 3/8"MPT X 1/2"F SWIVEL - U.S.	
1	045703-06-000	EA	HOSE - LP - 3/8"ID X 28" - 3/8"MPT X 1/2"F SWIVEL - CANADA	
1	045703-02-000	EA	HOSE - LP - 3/8"ID X 24" - 3/8"MPT X 1/2"F SWIVEL - CANADA	
2	105658-01-000	EA	COMPARTMENT - LP REGULATOR	
3	106150-01-000	EA	REGULATOR - TWO STAGE -W/90 DEGREE ELBOW & 3/8" FPT OUTLET	
3	106150-02-000	EA	REGULATOR - TWO STAGE - 1/4" FPT INLET/3/8" FPT OUTLET	
4	010252-01-000	EA	ELBOW - BRASS - 90 DEGREE - 3/8"F X 1/2"MPT	
5	010265-01-000	EA	ELBOW - BRASS - 90 DEGREE - 3/8"F X 1/2"FPT	
6	040440-02-000	EA	TRANSMITTER - DIAL - 0-90 OHM -2 TERMINAL (POWER & GROUND)	
7	097821-03-000	EA	TANK - LP - 60 LB - 14" X 30"	
8	040421-01-700	EA	VALVE-LIQUID LEVEL, 20%	G-1013
9	040421-01-701	EA	VALVE-FILL-SHORT, LP	7547B
10	040421-01-702	EA	CAP-FILL VALVE, PLASTIC	G-1014-A
11	040421-01-708	EA	HANDWHEEL-SERVICE VALVE	G-1015-A
12	040421-01-711	EA	VALVE-80% FILL W/AUTO STOP	LLL/TL3
13	040421-01-712	EA	VALVE.SERV. W/O VAPOR RELIEF	29000853
14	040421-01-713	EA	VALVE-RELIEF 1" W/SPRING 7"	29000587
15	040421-01-707	EA	FLOAT ASM.(SIGHT GAUGE) 14"	14C
16	010329-01-000	EA	ADAPTER - BRASS - 1/2" F X 1/2" MPT	
17	010377-02-000	EA	NUT - BRASS - 3/8" FLARE - FORGED	
18	010380-02-000	EA	NUT - BRASS - 1/2" FLARE - FORGED	
19	010326-01-000	EA	ADAPTER - FLARE - W/CONE GASKET - 3/8"FEMALE X 1/2"MALE	
20	103613-03-000	EA	DETECTOR - LP GAS - W/O SHUT-OFF VALVE	
	010323-01-000	EA	ADAPTER - BRASS - 3/8"F X 1/2"MPT	

LOUNGE GROUP



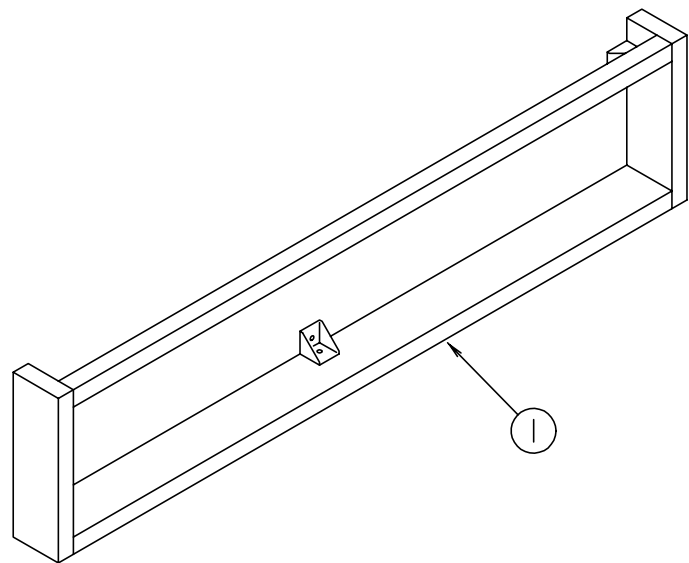
DRIVER SIDE CABINETS

KEY	PART NUMBER	U/M	DESCRIPTION
1	109908-60-J01	EA	END CAP - OVERHEAD CABINET
2	127857-01-J01	EA	CABINET - OVERHEAD/FRONT - W/O DOORS/HARDWARE
2	127857-01-J02	EA	CABINET - OVERHEAD/FRONT - W/O DOORS/HARDWARE
3	M08758-70-J15	EA	DOOR - MITERED CORNER/OGEE EDGE - 10.8" X 27.9" - W/O HDW
3	M08758-52-J15	EA	DOOR - MITERED CORNER/OGEE EDGE - 10.8" X 27.9" - W/O HDW - RAISED PANEL
3	M05992-90-J03	EA	DOOR - STRAIGHT CORNER/OGEE EDGE - 10.8" X 27.9" - W/O HDW - UPGRADE
4	M08107-23-J01	EA	PANEL - FRONT KICK - SOFA/BED - FABRIC COVERED
4	M08107-23-J02	EA	PANEL - FRONT KICK - SOFA/BED - FABRIC COVERED
4	127821-11-J01	EA	PANEL - DOOR - SOFA/BED - FABRIC COVERED
4	127821-11-J02	EA	PANEL - DOOR - SOFA/BED - FABRIC COVERED
	082525-01-000	EA	BRACE - COUCH - FLOOR MOUNT - ANGLE 3" LONG

LID-ENTRANCE DOOR CABINET

KEY	PART NUMBER	U/M	DESCRIPTION
	P14437-02-000	EA	CABINET - LID ENTRANCE DOOR - W/O CARPET
	120234-04-H13	EA	LID - ENTRY STEP
	122755-05-01A	EA	TILE - RUBBER/ENTRANCE DOOR - 11.2" X 26.9"
	101222-01-04A	EA	BRACKET - CATCH - LID
			FROM: 00-00-00 THRU: 01-07-98
	101222-01-02A	EA	BRACKET - CATCH - LID - OFF WHITE
			FROM: 01-08-98 THRU: 99-99-99

LOUNGE GROUP (CONTINUED)



PASSENGER SIDE OVERHEAD CABINET

KEY	PART NUMBER	U/M DESCRIPTION
1	112964-02-F01	EA CABINET - OVERHEAD/ENTRY DOOR - W/O DOORS/HARDWARE
	065740-01-000	EA BRACE - CABINET/CORNER - PLASTIC

SEALANTS & FASTENERS GROUP

ADHESIVES AND SEALERS

KEY	PART NUMBER	U/M DESCRIPTION
	004006-05-700	EA ADHESIVE-NAT. STARCH (5 GAL) 0802
	034552-02-000	EA SILICONE - TUBE - 300 ML - W/O NOZZLE - CLEAR
	039518-01-000	EA SILICONE - TUBE - 300 ML - BLACK - W/O NOZZLE
	053766-02-000	EA BEDDING COMPOUND - TUBE - WHITE
	053766-06-000	EA BEDDING COMPOUND - TUBE - CLEAR
	069640-01-000	FT SEALER - RIBBON - 1/4" DIAMETER X 30'
	069640-02-000	FT SEALER - TAPE - 1/8"THICK X .50"WIDE X 60' - GRAY
	069640-03-000	FT SEALER - TAPE - 1/8"THICK X .75"WIDE X 60' - BLACK
	069640-07-000	FT SEALER - TAPE - 3/32"THICK X 2"WIDE X 45' - GRAY
	069640-09-000	FT SEALER - TAPE - 1/32"THICK X 2.50"WIDE X 80' - GREY
	069640-10-000	FT SEALER - TAPE - 1/32"THICK X 1.50"WIDE X 90' - GRAY
	069640-11-000	FT SEALER - TAPE - 3/16"THICK X 3/8"WIDE X 40' - BLACK
	069640-15-000	FT SEALER - TAPE - 1/16"THICK X 3/8"WIDE X 100' - GREY
	069640-17-000	FT SEALER - TAPE - 1/32" THICK X 1"WIDE X 90' - GRAY
	069640-18-000	FT SEALER - TAPE - 1/2"THICK X 1/8"WIDE X 60' - BRT/WHITE
	069640-19-000	FT SEALER - TAPE - 3/4" X 1/8" X 60' - BRIGHT WHITE
	069640-21-000	FT SEALER - TAPE - 1/2" X 1/16" X 100' - BRIGHT WHITE
	069640-22-000	FT SEALER - TAPE - 1/4" X 1/32" - BRIGHT WHITE
	072889-09-000	EA SEALANT - URETHANE - BLACK (TUBE)
	072889-10-000	EA SEALANT - URETHANE (HV) - BRIGHT WHITE
	072889-11-000	EA SEALANT - URETHANE - (TUBE) - GRAY
	072889-12-000	EA SEALANT - URETHANE (LV) BRIGHT WHITE
	076322-01-000	FT TAPE - DOUBLE COATED/ADHESIVE BACK - .025"THK X .75"W X 18'
	076322-05-000	FT TAPE - DOUBLE COATED/ADHESIVE BACK - .045"THK X .75"W X 9'
	076322-07-000	FT TAPE - DOUBLE COATED/ADHESIVE BACK - .045"THK X .50"W X 9'
	087211-01-000	GL PROMOTER - ADHESIVE
	102352-01-000	EA SEALER - PUMPABLE - BLACK
	102352-02-000	EA SEALER - PUMPABLE - CLEAR
	106206-01-000	EA SEALER - PUMPABLE - MANUS 30A - BLACK
	108716-03-000	EA SILICONE - TUBE - BRIGHT WHITE/SELF LEVELING - W/O NOZZLE
	120074-02-01A	EA SEALANT - SILICONE - OFF WHITE
	120534-01-01A	EA TAPE - SCOTCH - 3M - 1/2" FINE LINE
	123816-03-000	FT TAPE - DOUBLE SIDED - 1/2" X 20 MIL THICK
	900390-01-000	EA TIP - 2 1/2" X 1/8" ORIFICE
	900390-03-000	EA NOZZLE - SILICONE TUBE

SEALANTS & FASTENERS GROUP (CONTINUED)

WASHERS

KEY	PART NUMBER	U/M DESCRIPTION
	000E11-07-00B	EA WASHER - LOCKING - 7/16 MED SPLIT - ZINC
	000E11-08-00B	EA WASHER - LOCKING - 1/2 MED SPLIT - ZINC
	000E13-14-00B	EA WASHER - FLAT - 1/4 WIDE - ZINC
	000E13-17-00B	EA WASHER - FLAT - 3/8" AR - ZINC
	000E13-18-00B	EA WASHER - FLAT - 3/8 WIDE - ZINC
	000E13-20-00B	EA WASHER - FLAT - 7/16 WIDE - ZINC
	000E13-21-00B	EA WASHER - FLAT - W/2 NAR - ZINC
	041322-01-000	EA WASHER - FLANGE - 15/32 ID X 2 3/8 OD - FOR SEAT BELT MOUN
	044533-01-000	EA WASHER - PLASTIC - 1 3/8" OD - FOR BUTTONS
	077071-01-000	EA WASHER - FENDER - 3/16"ID X 1" OD

GROMMETS

KEY	PART NUMBER	U/M DESCRIPTION
	071015-11-000	EA GROMMET - 1.00 ID - FITS .12 MATERIAL
	071015-26-000	EA GROMMET - RUBBER - 1.5" ID X 2.12" OD W/.06" GROOVE - BLK
	088756-01-000	EA GROMMET - WEB - 1 1/8" I.D.
	114208-02-000	EA GROMMET - EDGE LINER - FITS .625
	016188-03-000	EA GROMMET - L/P LINE - 3/8" HOLE X 2 1/2" LONG - RUBBER
	023942-01-000	EA GROMMET - RUBBER - 2" OD

BOLTS

KEY	PART NUMBER	U/M DESCRIPTION
	000C12-05-16B	EA BOLT - HEX - 5/16-18 X 1 - ZINC 5
	000C12-06-44B	EA BOLT - HEX - 3/8-16 X 2 3/4 - ZINC 5
	000C12-06-16B	EA BOLT - HEX - 3/8-16 X 1 LG - ZINC 5
	000C12-07-20B	EA BOLT - HEX - 7/16-14 X 1 1/4 - ZINC 5
	000C12-08-24B	EA BOLT - HEX - 1/2-13 X 1.50 - ZINC 5
	000C12-08-16B	EA BOLT - HEX - 1/2-13 X 1.00 - GD5 - ZINC
	000C13-07-48B	EA BOLT - HEX - 7/16-20 X 3 - ZINC 5
	000C18-05-40A	EA BOLT - ELEVATOR - 5/16-18 X 2.50 - PL
	000C18-06-48B	EA BOLT - ELEVATOR - 3/8-16 X 3 - ZINC - GRADE 5
	000C26-04-14B	EA BOLT - HEX - SERRATED FLANGE - 1/4-20 X 7/8 - ZINC
	000C26-04-10B	EA BOLT - HEX - SERRATED FLANGE - 1/4-20 X 5/8 - ZINC
	000C26-05-16B	EA BOLT - HEX - SERRATED FLANGE - 5/16-18 X 1 - ZINC
	000C26-06-12B	EA BOLT - HEX - SERRATED FLANGE - 3/8-16 X 3/4 - ZINC
	000C26-06-16B	EA BOLT - HEX - SERRATED FLANGE - 3/8-16 X 1 - ZINC
	000C26-08-24B	EA BOLT - HEX - SERRATED FLANGE - 1/2-13 X 1.5 ZINC
	051387-06-000	EA BOLT - CARRIAGE W/O HOLE - 5/16-18 X 9.5 - ZINC
	106956-03-000	EA BOLT - HEX TAP - 1/2-12NC X 3 - GRADE 5 - FULL THREAD/ZINC

SEALANTS & FASTENERS GROUP (CONTINUED)

NUTS AND RIVETS

KEY	PART NUMBER	U/M DESCRIPTION
	000D29-09-00B	EA NUT - HEX - SELF LOCKING - 9/16-12 - ZINC
	000D34-06-00B	EA NUT - HEX - LOCKING - 3/8 - 16 GRADE C - ZINC-PREVAILING T
	000D39-04-00B	EA NUT - HEX - LOCKING W/SERRATED FLANGE - 1/4-20 - ZINC
	000D39-05-00B	EA NUT - HEX - LOCKING W/SERRATED FLANGE - 5/16-18 - ZINC
	000D39-06-00B	EA NUT - HEX - LOCKING W/SERRATED FLANGE - 3/8-18 - ZINC
	000D39-07-00B	EA NUT - HEX - LOCKING W/SERRATED FLANGE - 7/16-14 - ZINC
	000D39-08-00B	EA NUT - HEX - LOCKING W/SERRATED FLANGE - 1/2-13 - ZINC
	000D44-07-00B	EA NUT - HEX - SERRATED FLANGE/LOCKING - 7/16-20 - ZINC
	040921-01-000	EA NUT - SPEED - U TYPE - 10-24 BLACK
	069592-02-000	EA RIVET-T - POP - 1/4 X .093 - .156
	000H16-04-06R	EA RIVET - POP ALUMINUM - 1/8" X .313 - .375

CLAMPS AND TIES

KEY	PART NUMBER	U/M DESCRIPTION
	007161-01-000	EA CLAMP - HOSE - SPRING TYPE - 1/2"
	010495-01-000	EA CLAMP - CABLE - 9/16"
	010497-01-000	EA CLAMP - CLOSED - 5/8" ID
	010497-03-000	EA CLAMP - CLOSED - 1" ID - CUSHIONED
	010497-04-000	EA CLAMP - CLOSED - 1.62" ID
	010499-01-000	EA CLAMP - CLOSED - 3/8" ID
	056134-02-000	EA HOLDER - RING - 1.8" DIAMETER - METAL
	062401-01-000	EA CLAMP - HOSE - WORMGEAR - .25" - 1"
	062401-02-000	EA CLAMP - HOSE - WORMGEAR - 1.56" - 2.5"
	062401-03-000	EA CLAMP - HOSE - WORMGEAR - .22" - 1"
	062401-04-000	EA CLAMP - HOSE - WORMGEAR - .69" - 1.25"
	062401-05-000	EA CLAMP - HOSE - WORMGEAR - 2" TO 3" ID
	062401-06-000	EA CLAMP - HOSE - WORMGEAR - .22" - .62" ID
	062401-11-000	EA CLAMP - HOSE - WORMGEAR - 3.50" - 4.50"
	091952-01-000	EA CLIP - GRIPPER - 1"
	075148-02-000	EA CLAMP - GROUNDING - BRONZE SCREWS
	080734-02-000	EA CLIP - WIRE NYLON
	083609-01-000	EA CLAMP - WIRE - DUAL - EQUAL DIAMETERS - 5/8"
	083610-01-000	EA CLAMP - WIRE - DUAL - UNEQUAL DIAMETERS - 3/4" & 1 1/4"
	083610-02-000	EA CLAMP - WIRE - DUAL - UNEQUAL DIAMETERS
	083610-03-000	EA CLAMP - DUAL WIRE
	008343-01-000	EA TIE - WIRE - 6"
	008343-02-000	EA TIE - WIRE - 14"
	008343-03-000	EA TIE - WIRE - 7 1/2" - BLACK
	108046-01-000	EA CABLE TIE - SCREW MOUNT 8"
	108046-02-000	EA CABLE TIE - SCREW MOUNT 15"
	085774-01-000	FT FASTENER - DUAL HOOK - 1" WIDE - ADHESIVE BACK - BLACK
	085774-02-000	FT FASTENER - DUAL HOOK - 1" WIDE - ADHESIVE BACK - BLACK
	088792-01-000	YD VELCRO TAPE - HOOK - 5/8" - NON-ADHESIVE BACKED
	088792-02-000	YD VELCRO TAPE - LOOP - .75" - ADHESIVE BACKED - BEIGE
	088792-06-000	YD VELCRO TAPE - LOOP - .75" - NON-ADHESIVE BACKED - BUFF
	088792-05-000	YD VELCRO TAPE - LOOP - 5/8" - NON-ADHESIVE BACKED - WHITE
	110943-02-000	FT FELTSTRIP - 3/8" - ADHESIVE BACK - WHITE

SEALANTS & FASTENERS GROUP (CONTINUED)

SCREWS

KEY	PART NUMBER	U/M	DESCRIPTION
	0G1208-12-170	EA	SCREW - 8-18 X .75 POH - BRIGHT WHITE
	0G3908-08-170	EA	SCREW - SF/DR - 8-18 X .50 PPH - BRIGHT WHITE
	0G3908-20-170	EA	SCREW - SF/DR - 8-18 X 1.25 PPH - BRIGHT WHITE
	0G3908-24-170	EA	SCREW - SF/DR - 8-18 X 1.50 PPH - BRIGHT WHITE
	0G3910-12-170	EA	SCREW - SF/DR - 10-16 X .75 PPH - BRIGHT WHITE
	0G5508-16-250	EA	SCREW - SF/DR - 8-18 X 1.00 PWH
	0G6008-16-170	EA	SCREW - SF/DR - 8-18 X 1.00 POH
	0G6710-08-170	EA	SCREW - 10-12 X 1/2 PPH - BRIGHT WHITE
	000C18-06-56A	EA	BOLT - ELEVATOR - 3/8-16 X 3 1/2 - GRADE 5
	000G11-06-08B	EA	SCREW - 6-20 X .50 PPH - ZINC
	000G11-06-06B	EA	SCREW - 6-20 X 3/8 PPH - ZINC
	000G11-06-18B	EA	SCREW - 6-20 X 1 1/8 PPH - ZINC
	000G11-06-10J	EA	SCREW - 6-20 X 5/8 PPH - BRASS
	000G11-07-08B	EA	SCREW - 7-19 X .50 PPH - ZINC
	000G11-08-06B	EA	SCREW - 8-18 X 3/8 PPH - ZINC
	000G11-08-20B	EA	SCREW - 8-18 X 1.25 PPH - ZINC
	000G11-08-16S	EA	SCREW - 8-18 X 1 PPH - OFF WHITE
	000G11-08-12T	EA	SCREW - 8-18 X .75 PPH - BLACK
	000G11-08-12P	EA	SCREW - 8-18 X .75 PPH - DARK BROWN
	000G11-08-12B	EA	SCREW - 8-18 X .75 PPH - ZINC
	000G11-08-08B	EA	SCREW - 8-18 X .50 PPH - ZINC
	000G11-10-12D	EA	SCREW - 10-16 X .75 PPH - BLACK
	000G11-10-16B	EA	SCREW - 10-16 X 1 PPH - ZINC
	000G11-10-12S	EA	SCREW - 10-16 X .75 PPH - OFF WHITE
	000G12-06-08T	EA	SCREW - 6-20 X 1/2 POH - BLACK
	000G12-08-12S	EA	SCREW - 8-18 X .75 POH - OFF WHITE
	000G13-05-10B	EA	SCREW - 5-12 X 5/8 PFH - ZINC
	000G13-06-10G	EA	SCREW - 6-20 X 5/8 PFH - ANTIQUE BRASS
	000G13-06-08G	EA	SCREW - 6-20 X .50 PFH - ANTIQUE BRASS
	000G13-06-08B	EA	SCREW - 6-20 X .50 PFH - ZINC
	000G13-06-24J	EA	SCREW - 6-20 X 1.50 PFH - BRASS
	000G13-06-16J	EA	SCREW - 6-20 X 1 PFH - BRASS
	000G13-07-12B	EA	SCREW - 7-19 X .75 PFH - ZINC
	000G13-07-10H	EA	SCREW - 7-19 X 5/8 PFH - BLACK
	000G13-08-16B	EA	SCREW - 8-18 X 1 PFH - ZINC
	000G19-10-12F	EA	SCREW - MACHINE - 10-32 X .75 - PPH - STAINLESS STEEL
	000G32-10-06B	EA	SCREW - 10-32 X 3/8 PPH - ZINC
	000G39-06-10T	EA	SCREW - SF/DR - 6-20 X 5/8 PPH - BLACK
	000G39-06-16T	EA	SCREW - SF/DR - 6-20 X 1 PPH - BLACK
	000G39-08-08T	EA	SCREW - SF/DR - 8-18 X 1/2 PPH - BLACK
	000G39-08-08S	EA	SCREW - SF/DR - 8-18 X .50 PPH - OFF WHITE
	000G39-08-08B	EA	SCREW - SF/DR - 8-18 X 1.50 PPH - ZINC
	000G39-08-24B	EA	SCREW - SF/DR - 8-18 X 1 1/2 PPH - ZINC
	000G39-08-16R	EA	SCREW - SF/DR - 8-18 X 1 PPH - BEIGE
	000G39-08-16B	EA	SCREW - SF/DR - 8-18 X 1 PPH - ZINC
	000G39-08-12B	EA	SCREW - SF/DR - 8-18 X .75 PPH - ZINC
	000G39-10-32B	EA	SCREW - SF/DR - 10-16 X 2 - PPH - ZINC
	000G39-10-20B	EA	SCREW - SF/DR - 10-16 X 1.25 PPH - ZINC
	000G39-10-129	EA	SCREW - SF/DR - 10-16 X .75 PPH - FLUOROCARBON SILVER
	000G39-10-12D	EA	SCREW - SF/DR - 10-16 X .75 PPH - BLACK
	000G39-10-12B	EA	SCREW - SF/DR - 10-16 X .75 PPH - ZINC
	000G39-10-10B	EA	SCREW - SF/DR - 10-16 X .625 - ZINC
	000G42-04-16B	EA	SCREW - SF/DR - 1/4-14 X 1 HWH - ZINC
	000G46-08-24T	EA	SCREW - MACHINE - 8-32 X 1.50 PFH - BLACK
	000G52-08-18B	EA	SCREW - MACHINE - 8-32 X 1 1/8 PTH - ZINC
	000G54-04-20B	EA	SCREW - 1/4-20 X 1.25 PTH - TYPE 23 - ZINC PLATED
	000G55-08-12S	EA	SCREW - SF/DR - 8-18 X .75 PWH - OFF WHITE

SEALANTS & FASTENERS GROUP (CONTINUED)

SCREWS (CONTINUED)

KEY	PART NUMBER	U/M	DESCRIPTION
	000G56-12-48B	EA	SCREW - WOOD - 12-11 X 3 POH - SPECIAL HARDENED
	000G60-10-28T	EA	SCREW - SF/DR - 10-16 X 1.75 - BLACK
	000G60-10-20B	EA	SCREW - SF/DR - 10-16 X 1.25 POH - ZINC
	000G67-10-08R	EA	SCREW - 10-12 X 1/2 PPH - BEIGE - TYPE A
	000G67-10-08B	EA	SCREW - 10-12 X .50 PPH - ZINC
	000G67-10-16B	EA	SCREW - 10-12 X 1 PPH - ZINC
	000G67-10-120	EA	SCREW - 10-12 X .75 PPH - TAN
	000G67-10-12R	EA	SCREW - 10-12 X .75 PPH - BEIGE
	000G67-10-12P	EA	SCREW - 10-12 X .75 - PPH - DARK BROWN
	000G67-10-12B	EA	SCREW - 10-12 X .75 PPH - ZINC
	000G67-10-10S	EA	SCREW - 10-12 X 5/8 PPH - OFF WHITE
	000G67-10-10D	EA	SCREW - 10-12 X 5/8 PPH - BLACK - TYPE A
	000G67-10-10B	EA	SCREW - 10-12 X 5/8 PPH - ZINC - TYPE A
	000G67-10-36T	EA	SCREW - 10-12 X 2.25 PPH - BLACK
	000G67-10-32B	EA	SCREW - 10-12 X 2 PPH - ZINC
	000G67-10-24B	EA	SCREW - 10-12 X 1.25 PPH - ZINC
	000G67-10-20D	EA	SCREW - 10-12 X 1.25 PPH - BLACK
	000G68-06-10G	EA	SCREW - 6-18 X 5/8 POH - ANTIQUE BRASS
	000G68-10-20I	EA	SCREW - 10-12 X 1 1/4 POH - BLACK
	049465-03-000	EA	SCREW - 10-16 X 1 POH W/WASHER - OFF WHITE
	049465-22-000	EA	SCREW - 10-16 A 1 1/2 POH W/WASHER - SABLE
	054434-02-000	EA	SCREW - SF/DR - 10-16 X 2 - ZINC
	057671-01-000	EA	COVER - SCREW - #8 - PLASTIC - OFF WHITE
	057671-15-000	EA	COVER - SCREW - BRIGHT WHITE
	076790-01-000	EA	SCREW - 6-20 X 1 1/4 PPH - BLACK
	086256-01-000	EA	SCREW - SF/DR - 8 X 3/4 HWH LONG
	087721-01-000	EA	SCREW - FLAT HEAD - TAPPING - 1/4" X 1 1/4" LONG - ZINC
	101618-01-000	EA	SCREW - 1/4-20 X 3/4 HEX - TAPPING - STALGARD TYPE F

WATER & SEWAGE GROUP

FRESH WATER TANK

KEY	PART NUMBER	U/M DESCRIPTION
	064214-20-000	EA TANK - WATER - 31 GALLON - W/FITTINGS
	064214-01-000	EA TANK - WATER - 31 GAL - W/O FITTINGS - 24" X 12.75" X 30"
	042989-03-000	EA FITTING - WATER TANK - SPINWELD - 1 1/4"NPT - PLASTIC
	042989-04-000	EA FITTING - WATER TANK - SPINWELD - 3/8 FPT - WHITE PLASTIC
	042989-05-000	EA FITTING - SPINWELD - 1/2" FPT - PLASTIC
	049032-01-000	EA PATCH - SPINWELD - 3/8" - PLASTIC
	039861-01-000	EA SENDING UNIT - W/SCREW - WASHER - WELL NUT/TERMINAL RING
	077954-02-000	EA FILTER - WATER TANK - W/SCREEN IN TANK

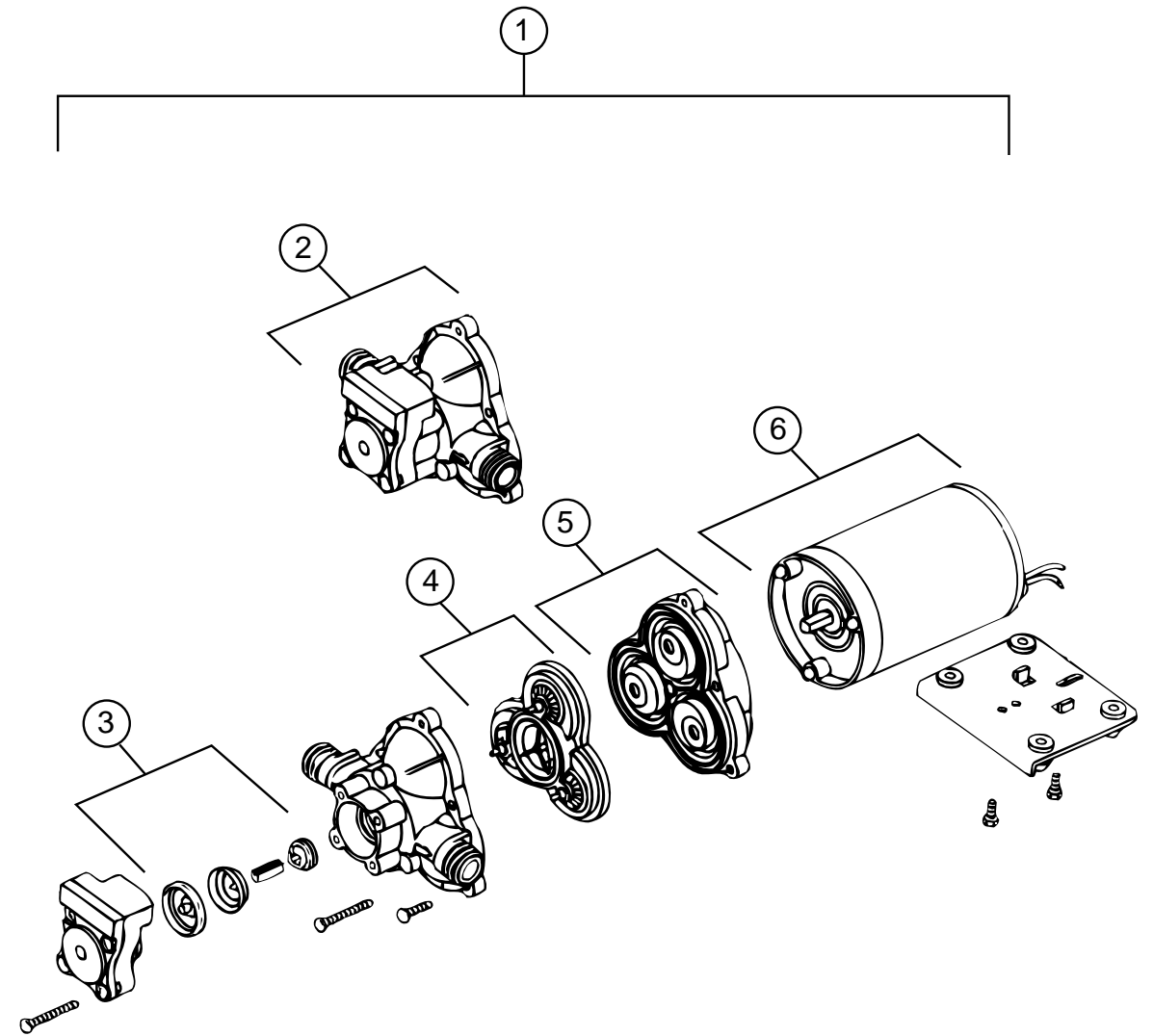
WATER SYSTEM

KEY	PART NUMBER	U/M DESCRIPTION
	010224-01-000	EA ADAPTER - HOSE TO PIPE - 3/8 MPT X 3/8 BARB - PLASTIC
	044927-01-000	EA ADAPTER - HOSE TO PIPE - 1 1/4 MPT X 1 1/4 BARB - BLK PLS
	114430-03-000	EA ADAPTER - 1/2"P X 1/2"MPT
	123152-01-000	EA ADAPTER - 1/2 FPT X 1/2 BARB - SWIVEL
	114430-02-000	EA ADAPTER - SWIVEL - 1/2"P X 1/2"FPT
	114430-03-000	EA ADAPTER - 1/2"P X 1/2"MPT
	114430-06-000	EA ADAPTER - 1/2"P X 3/8"FPT
	074462-02-000	FT TUBING - VINYL - 3/8 ID X 20' - CLEAR
	079381-01-000	FT TUBING - SMOOTH FLEXIBLE - 1 3/8 ID X 20'
	112176-01-000	FT TUBING - VINYL - REINFORCED - 1/2" ID
	124188-01-000	FT TUBING - PEX - 1/2" ID X 20' - BLUE
	124188-02-000	FT TUBING - PEX - 1/2" ID X 20' - RED
	114428-01-000	EA TEE - 1/2"P X 1/2"P X 1/2"P
	114428-03-000	EA TEE - 1/2"P X 1/2"P X 1/2"MPT
	114429-01-000	EA ELBOW - 1/2"P X 1/2"P
	114429-02-000	EA ELBOW - 1/2"P X 1/2"MPT
	114429-03-000	EA ELBOW - FLAIR-IT SWIVEL - 1/2"P X 1/2"FPT
	123150-01-000	EA ELBOW - 1/2 FPT X 1/2 BARB - SWIVEL
	114431-01-000	EA VALVE - 180 DEGREE/CENTER DRAIN - 1/2P - THREE WAY
	114431-02-000	EA VALVE - WATER BYPASS - 1/2"P - THREE WAY (WATER HEATER)
	114431-03-000	EA VALVE - 90 DEGREE DRAIN - 1/2"P
	110438-02-000	EA VALVE - CHECK - BRASS - 1/2 MPT X 1/2 MPT
	114431-04-000	EA VALVE - "INLINE SHUT-OFF" - 1/2"P
	110915-01-01A	EA FILL - CITY WATER - CHROME
	113697-01-000	EA CAP - 3/8 FTG
	115029-01-000	FT HOSE - WATER - 3/8 ID
	124184-01-000	EA SUPPORT - WATER LINE - BEND

EXTERIOR SHOWER

KEY	PART NUMBER	U/M DESCRIPTION
	106208-01-01A	EA COMPARTMENT - EXTERIOR SHOWER
	103092-01-000	EA SHOWER HEAD - W/60" HOSE - WHITE
	103092-02-000	EA SHOWER HEAD - W/60" HOSE - CSA
	103092-01-700	EA BRACKET-F/SHOWER HEAD, CLEAR
	103092-01-702	EA SEALS-SPRAY HEAD
	011048-03-700	EA BRACKET - F/SHOWER HEAD
	114428-01-000	EA TEE - 1/2"P X 1/2"P X 1/2"P
	114428-03-000	EA TEE - 1/2"P X 1/2"P X 1/2"MPT
	114429-01-000	EA ELBOW - 1/2"P X 1/2"P
	114429-03-000	EA ELBOW - FLAIR-IT SWIVEL - 1/2"P X 1/2"FPT
	114431-04-000	EA VALVE - "INLINE SHUT-OFF" - 1/2"P
	124188-01-000	FT TUBING - PEX - 1/2" ID X 20' - BLUE
	124188-02-000	FT TUBING - PEX - 1/2" ID X 20' - RED
	075241-05-000	EA FAUCET/SHOWER - BONE 3/4" MPT X 1.4" LONG INLET PIPES
	103106-01-000	EA FAUCET - EXTERIOR - 1/2"MPT INLET X 3/4" MALE HOSE
	091952-02-000	EA CLIP - GRIPPER - 3/4"
	093527-02-000	EA BRACKET - EXTERIOR SHOWER HEAD/SQUEEGEE
	108356-02-01A	EA COVER/ACTUATOR SWITCH - 2 ROWS DIMPLES- CONTURA II - BLACK
	108357-08-000	EA SWITCH - ROCKER DPDT - ON/NONE/ON - 6 TERMINAL

WATER & SEWAGE GROUP (CONTINUED)



WATER PUMP - SHURFLO

KEY	PART NUMBER	U/M DESCRIPTION	VENDOR NO.
	1	098607-01-000 EA PUMP - WATER - W/.5" MPT FITTING - FLOW 2.8 GPM	
	2	098607-01-706 EA HOUSING, W/SWITCH ONLY	94-231-20
	3	098607-01-705 EA VALVE-CHECK, KIT	94-237-00
	4	098607-01-703 EA VALVE KIT	94-232-00
	5	098607-01-702 EA DIAPHRAGM/DRIVE ASSEMBLY KIT	94-238-04
	6	098607-01-707 EA MOTOR W/BASEPLATE	11-148-04

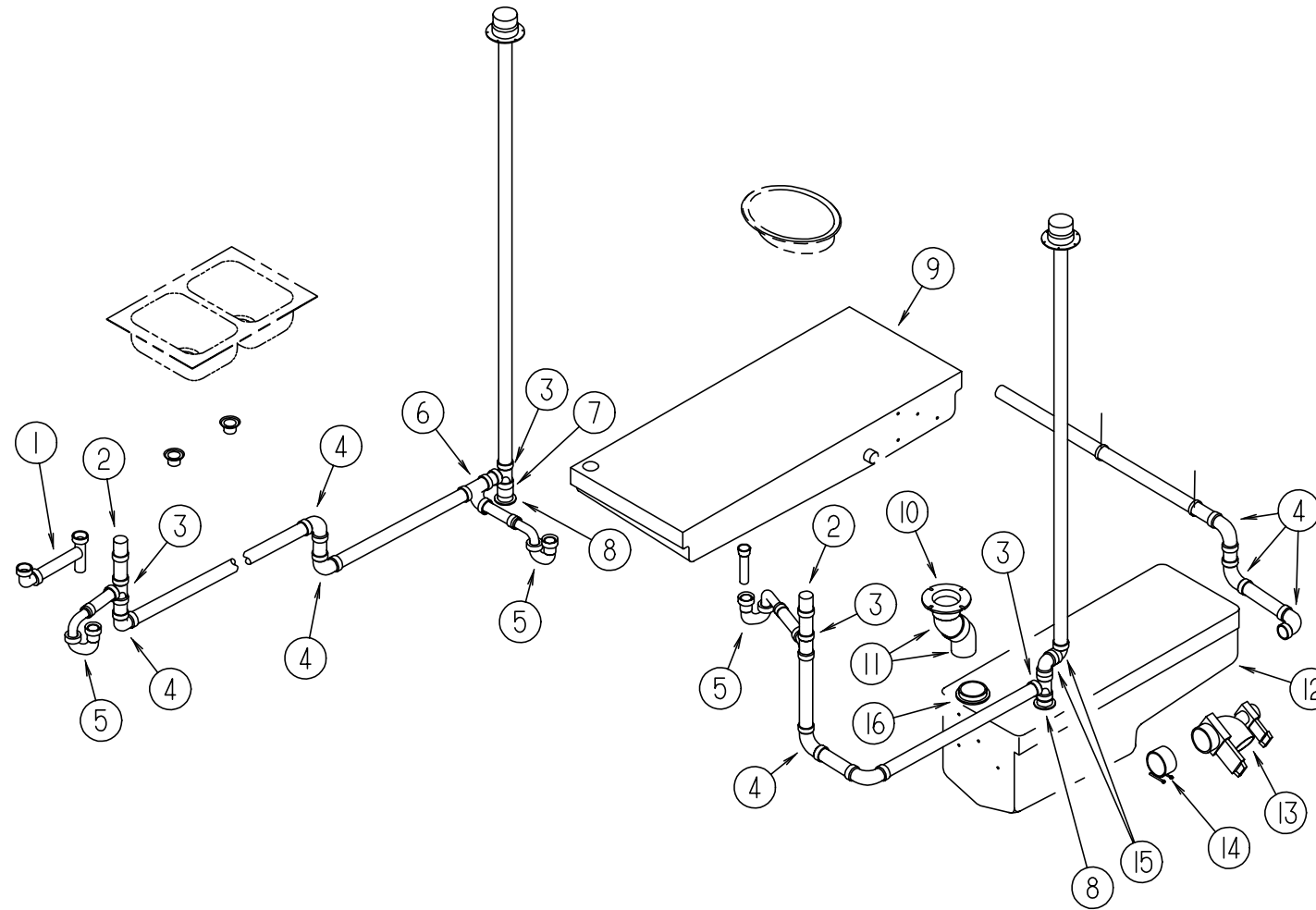
WATER HEATER W/O MOTOR AID - ATWOOD G6A-8E

KEY	PART NUMBER	U/M DESCRIPTION
*	051391-03-000	EA WATER HEATER G6A-8E ELECTRONIC IGNITION
	097967-01-000	EA SWITCH - WATER HEATER - REMOTE W/LIGHT

* COMPONENT PARTS FOUND IN SERVICE PARTS LIBRARY

WATER & SEWAGE GROUP (CONTINUED)

DRAINAGE SYSTEM



KEY	PART NUMBER	U/M DESCRIPTION
1	011091-02-000	EA WASTE - CONTINUOUS - DOUBLE SINK
2	079968-01-000	EA VENT - MECHANICAL/TRAP ARM - ANTI-SIPHON-2" X 7.3" PLASTIC
3	010071-01-000	EA TEE - SANITARY - 1 1/2" HUB X HUB X HUB - PLASTIC
4	010008-01-000	EA ELBOW - 90 DEGREE - 1 1/2" HUB X HUB - PLASTIC
5	107538-01-000	EA P TRAP - PLASTIC - 1 1/4" W/EXTENSION ARM
5	011071-01-000	EA P TRAP - PLASTIC - 1 1/2" - CSA
5	109571-01-000	EA ADAPTER - P TRAP - 1 1/2"P X 1 1/4"MPT
6	031365-02-000	EA TEE - PLASTIC - 1 1/2" EXT LG TURN
7	010115-01-000	EA COUPLING - 1 1/2" HUB X HUB - PLASTIC
8	061607-01-000	EA GROMMET - HOLDING TANK - 1 1/2" NPS
9	127519-01-700	EA TANK - HOLDING - 34 GALLON W/1.5" OUTLET NIPPLE
10	063641-01-000	EA FLANGE - CLOSET - 4" X 3"

KEY	PART NUMBER	U/M DESCRIPTION
11	010061-01-000	EA ELBOW - 45 DEGREE ST - 3" SPIGOT/HUB - PLASTIC
12	127489-01-000	EA TANK - HOLDING - 34 GALLON - W/O FITTINGS
13	070916-01-000	EA VALVE - DUAL DUMP - W/CAP - 3" X 1 1/2"
	070916-01-700	EA VALVE ONLY (WASTE) 3"
	070916-01-701	EA VALVE ONLY (WASTE) 1 1/2"
	010201-01-000	EA HOSE - SEWER - 3" ID X 8'
	062416-01-000	EA ADAPTER - SEWER HOSE TO 3" PIPE
14	078406-01-000	EA COUPLER - RUBBER - W/CLAMPS - 3" X 3"
15	010006-01-000	EA ELBOW - 45 DEGREE - 1 1/2" HUB X HUB - PLASTIC
16	061607-02-000	EA GROMMET - HOLDING TANK - 3" NPS

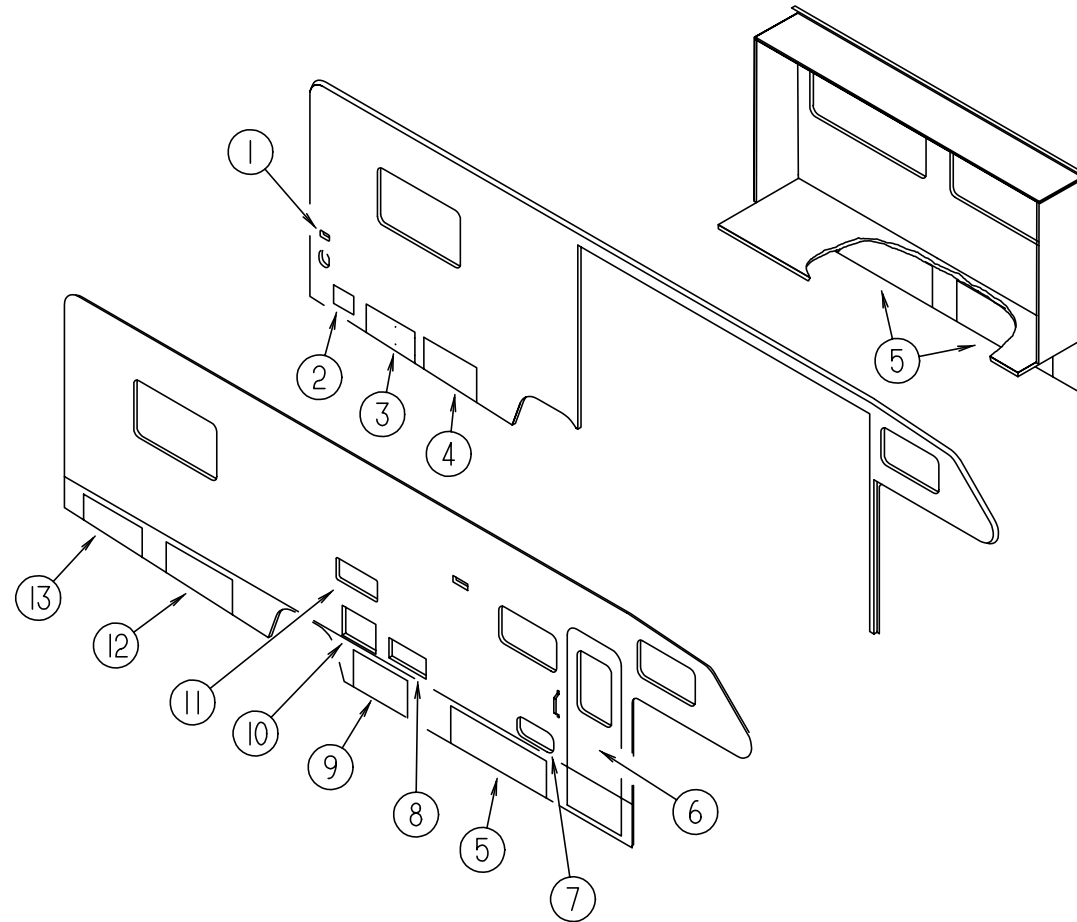
VENDOR NO.

T1003BU

T1001BU

WINDOW, VENT & EXTERIOR DOOR GROUP

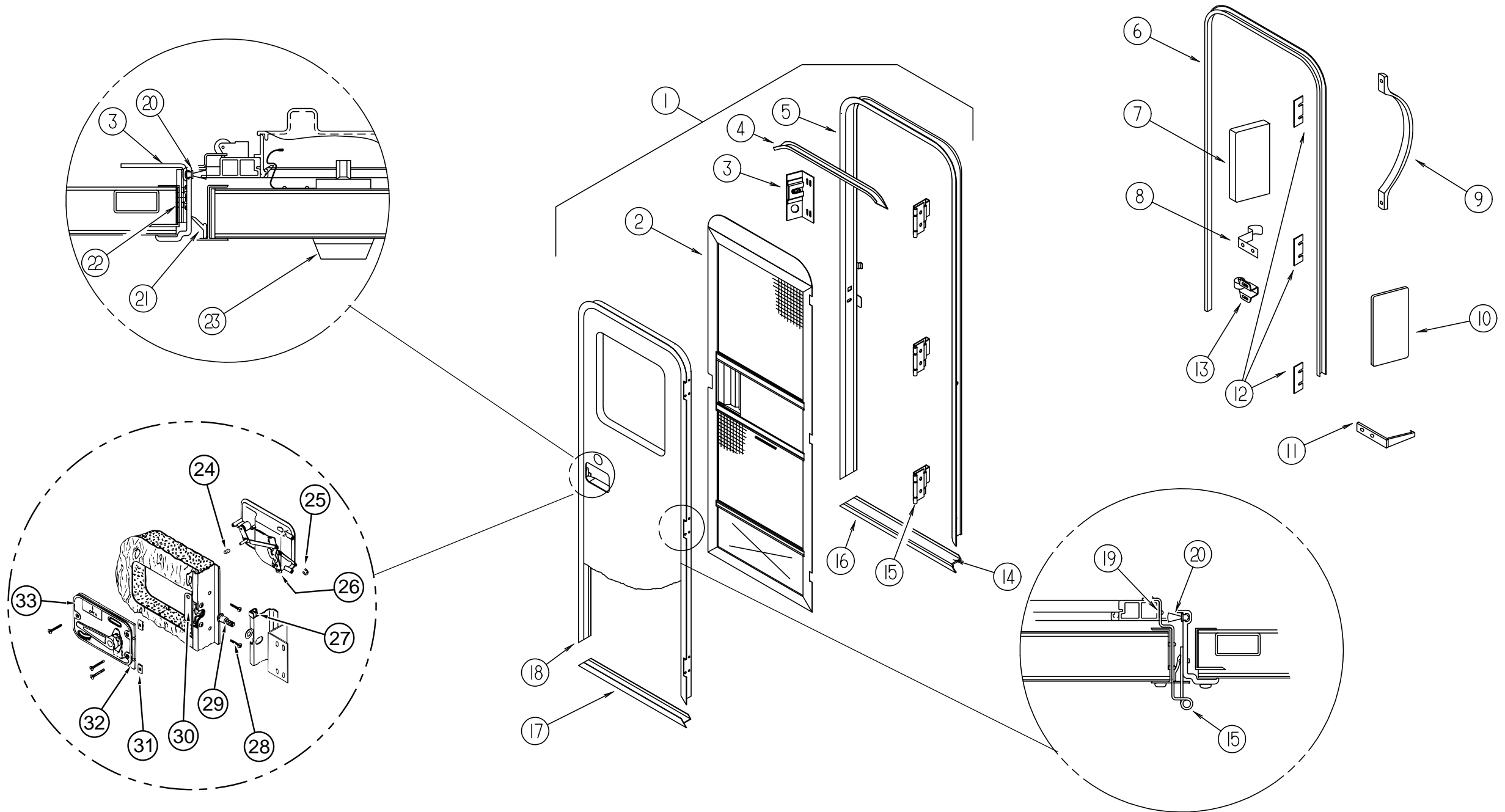
EXTERIOR DOORS



KEY	PART NUMBER	U/M	DESCRIPTION
1	081240-16-000	EA	DOOR - WATER FILL - LOCKABLE W/O LOCK - 4" X 4 5/8"
2	088794-06-000	EA	DOOR - POWER CORD W/HATCH - BRIGHT WHITE - 9.2" X 11"
3	127826-04-J01	EA	DOOR - STORAGE - LEFT HAND - W/O LOCKS - 22.4"
4	127826-03-J01	EA	DOOR - STORAGE - LEFT HAND - W/O LOCKS - 24.5"
5	127795-01-J01	EA	DOOR - STORAGE - W/O LOCKS - 46.3"
6	115108-01-J01	EA	DOOR - ENTRY - W/SCREEN DOOR - W/O WINDOW
6	115108-01-J02	EA	DOOR - ENTRY - W/SCREEN DOOR - W/O WINDOW
7	126945-01-J22	EA	DOOR - STORAGE - W/O HARDWARE - 8.3" X 18"

KEY	PART NUMBER	U/M	DESCRIPTION	VENDOR NO.
8	098668-23-000	EA	DOOR - ACCESS - FURNACE - BRIGHT WHITE	
9	127795-02-J01	EA	DOOR - STORAGE - W/O LOCKS - 25.5"	
10	052009-06-000	EA	DOOR - WATER HEATER - BRIGHT WHITE - 18" X 14.6"	
	116424-01-000	EA	PROTECTOR - LATCH - WATER HEATER	
11	084103-08-000	EA	DOOR - REFRIGERATOR - VENTED - W/O JAMB	
	084104-08-000	EA	JAMB - REFRIGERATOR DOOR	
	084104-01-700	EA	LOCK-MALE, FASTENER	201-721-010
	084104-01-701	EA	LOCK-FEMALE, FASTENER	201-802-010
12	127826-01-J01	EA	DOOR - STORAGE - RIGHT HAND - W/O LOCKS - 24.5"	
13	127826-02-J01	EA	DOOR - STORAGE - RIGHT HAND - W/O LOCKS - 27.8"	

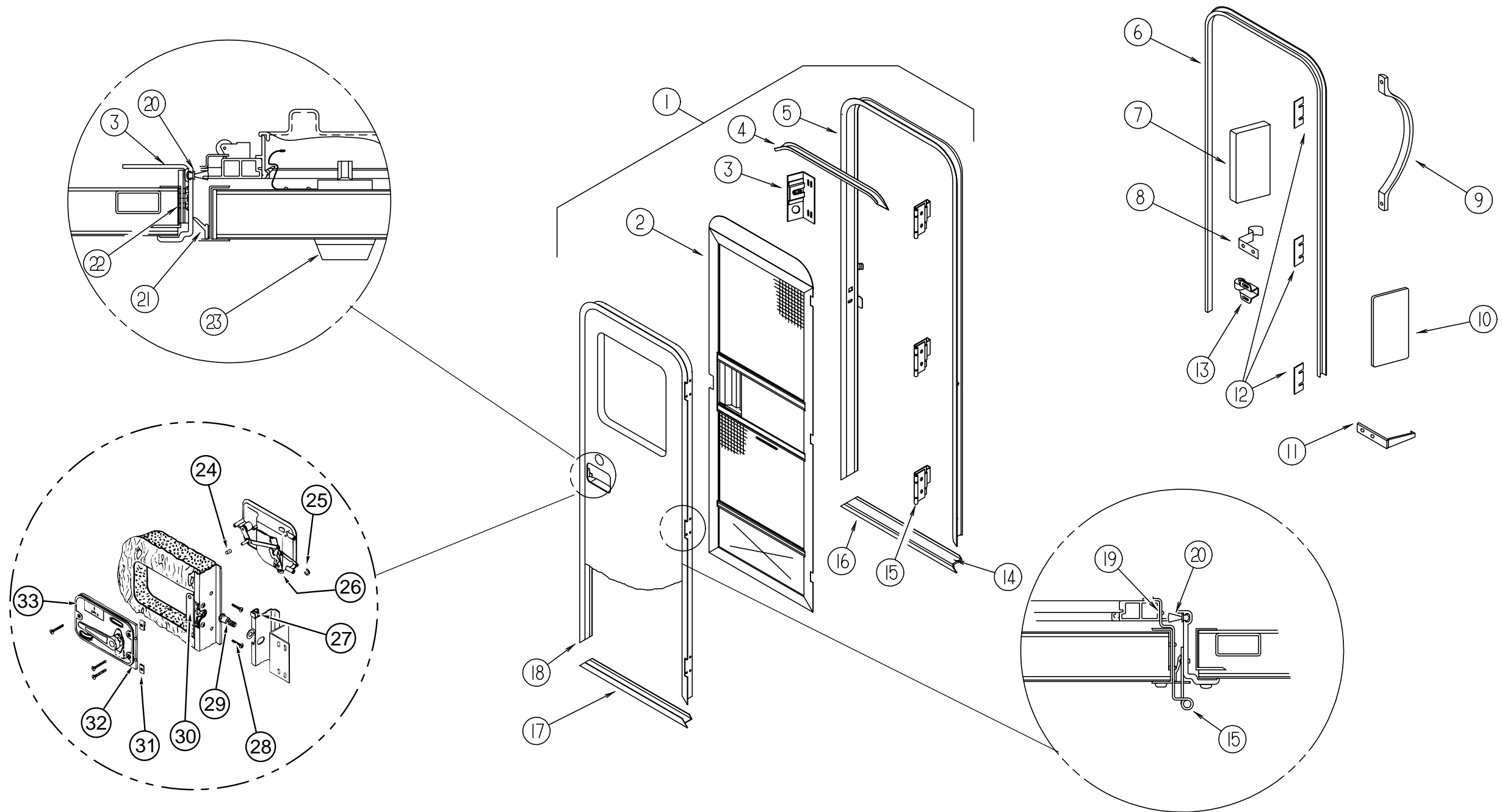
WINDOW, VENT & EXTERIOR DOOR GROUP (CONTINUED)
ENTRANCE DOOR



KEY	PART NUMBER	U/M	DESCRIPTION
1	115108-01-J01	EA	DOOR - ENTRY - W/SCREEN DOOR - W/O WINDOW
1	115108-01-J02	EA	DOOR - ENTRY - W/SCREEN DOOR - W/O WINDOW
2	121899-03-GB1	EA	DOOR - SCREEN - W/O HARDWARE
3	041546-07-000	EA	BRACKET - DOOR ANGLE - OFF WHITE
4	044582-44-000	EA	CAP - DRIP - BRIGHT WHITE
5	121898-03-01A	EA	JAMB - DOOR/ENTRANCE
6	115222-04-01A	EA	GARNISH - ENTRY DOOR - RADIUS
7	077461-03-000	EA	COVER - STRIKE - ENTRY DOOR - 6.5" X 2.5" - WHITE PLASTIC
8	100412-01-000	EA	CATCH - SCREEN DOOR
9	009126-03-000	EA	HANDLE - ASSIST - BLACK TEXTURED
10	076725-02-000	EA	COVER - HINGE - ENTRY DOOR - 6" X 3.2" - OFF WHITE
11	102768-01-000	EA	HOLDER - COMPARTMENT/ENTRY DOOR - METAL - MILL FINISH
12	102248-01-000	EA	SHIM - DOOR

KEY	PART NUMBER	U/M	DESCRIPTION
13	079087-03-000	EA	STRIKE - SLIDER - SCREEN DOOR - BRIGHT WHITE
14	038327-01-000	EA	TAPE - ANTI SLIP - 2" X 60'
15	106719-01-05A	EA	HINGE - ENTRANCE DOOR - BRIGHT WHITE
	106719-01-01A	EA	HINGE - ENTRANCE DOOR - MILL
	039715-01-000	EA	NUT-SERT - 1/4" DIAMETER - 20 THREADS
	116111-02-01A	EA	SCREW - TAPTITE - 1/4-20 X 3/8 PPH - ZINC
16	051049-01-000	EA	JAMB - BOTTOM - ENTRY DOOR - 25.9" - UNPAINTED
	036618-02-000	EA	E RING - EXTERNAL - 3/16" SHAFT DIAMETER - LYNOR DOOR LOCK
17	121893-01-01A	EA	FRAME - ENTRY DOOR/BOTTOM - BRIGHT WHITE
18	121894-07-01A	EA	FRAME - ENTRY DOOR/BOTTOM - BRIGHT WHITE
	098173-01-04A	EA	STIFFENER - ENTRY DOOR - SUPPORTS LATCH/STRIKE - UNPAINTED
	122241-01-01A	EA	BUMPER - FOAM RUBBER W/ADH BACK - .5" X .5" X .25" - BLACK

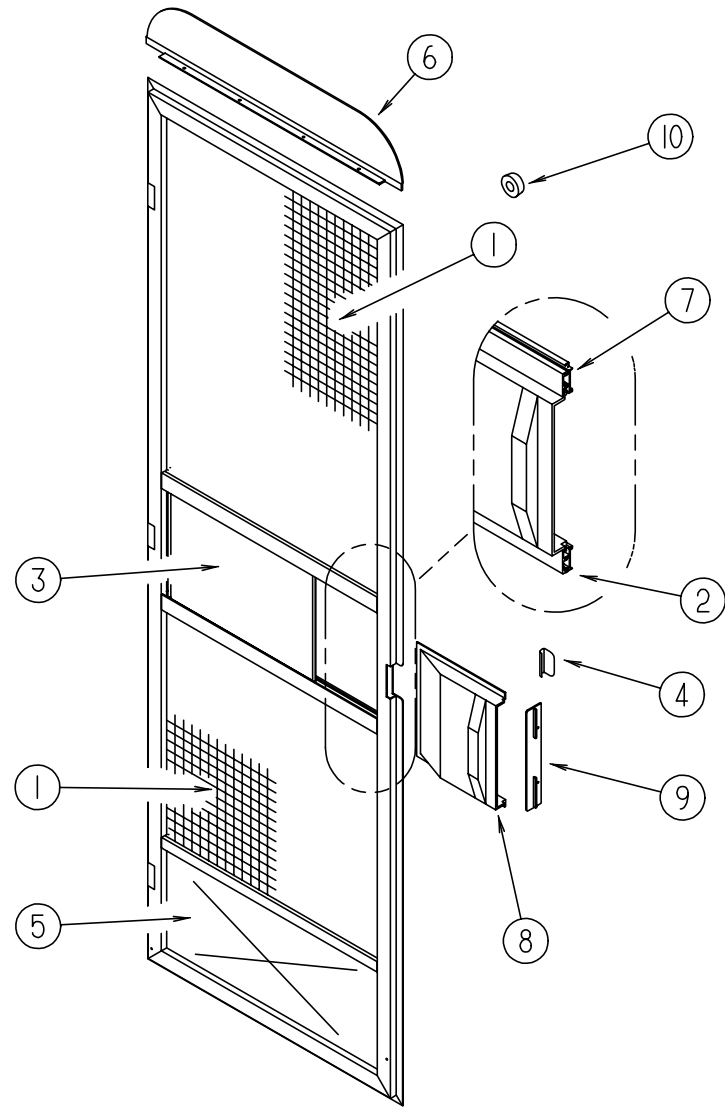
WINDOW, VENT & EXTERIOR DOOR GROUP (CONTINUED)
ENTRANCE DOOR (CONTINUED)



KEY	PART NUMBER	U/M DESCRIPTION
19	100128-02-000	EA SEAL - FOAM - ADHESIVE BACK - .37" WIDE X .37" THICK
20	118929-01-01A	FT SEAL - PILE - PUSH ON
21	075671-04-000	FT SEAL - SPONGE - LAZY T - W/ADHESIVE STRIP - .5" WIDE
22	104692-01-000	FT SEAL - FOAM/ADHESIVE BACK - .75"THICK X .75"WIDE X 25'
23	101145-01-06A	EA DEADBOLT - ENTRY DOOR W/O SECURITY BOLT W/2 KEYS - BLACK
	095229-01-700	EA KEY-BLANK, DEADBOLT
	101145-01-701	EA CYLINDER-LOCK ASM., W/KEY
	101147-01-000	EA BOLT - SECURITY - 4.12"
24	039984-01-000	EA CAP - ROUND - VINYL - .28" ID X .62" - BLACK
25	036618-02-000	EA E RING - EXTERNAL - 3/16" SHAFT DIAMETER - LYNOR DOOR LOCK
26	045017-13-000	EA LATCH - ENTRY DOOR - BLACK TEXTURED
	045017-11-701	EA KEY-BLANK, F1 SERIES
	045017-11-703	EA CYLINDER-LOCK ASM. W/KEYS

VENDOR NO.	KEY	PART NUMBER	U/M DESCRIPTION
	27	064075-07-000	FT SEAL - BULB - W/WIRED U CHANNEL - .3" X .5" CHANNEL - BLK
	28	000G54-04-20B	EA SCREW - 1/4-20 X 11/4 PTH TYP 23
	29	039539-01-000	EA STRIKE - LOCK - ENTRY DOOR - ROUND W/THREADED WASHER
		039715-01-000	EA NUT-SERT - 1/4" DIAMETER - 20 THREADS
	30	039540-01-000	EA LATCH MECHANISM - HOOK - ENTRY DOOR - INTERIOR
81205-03	31	040921-01-000	EA NUT-SPEED-U TYPE 10-24 BLACK
81306-03	32	096810-01-01A	EA PLATE - LATCH - ENTRY DOOR - BLACK
	33	039979-06-000	EA COVER - LATCH PLATE - RIGHT HAND - BLACK TEXTURED
		086285-05-000	EA SPACER - NYLON - .7" X .56"
		104099-01-04A	EA CATCH - DOOR HOLDER - STRIKE - BRIGHT WHITE
81312-02			
81266-09			

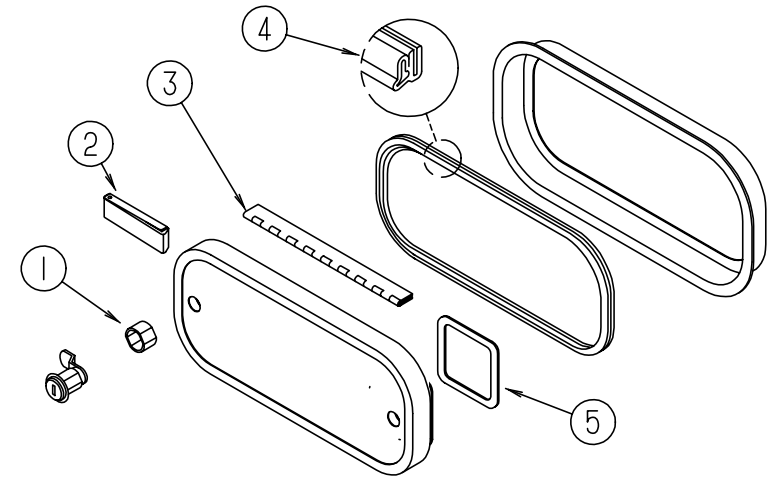
WINDOW, VENT & EXTERIOR DOOR GROUP (CONTINUED)



SCREEN DOOR COMPONENTS

KEY	PART NUMBER	U/M	DESCRIPTION
	121899-03-GB1	EA	DOOR - SCREEN - W/O HARDWARE
1	002293-02-000	SF	SCREENING - WINDOW/DOOR - 26" - CHARCOAL
2	002294-01-000	FT	SPLINE - SCREENING - .135" X .138"
3	016454-01-000	EA	INSERT - CENTER - LEATHER GRAIN ALUMINUM - UNPAINTED
	001014-01-013	EA	INSERT - CENTER - 10.25" X 16.31" - UNPAINTED
4	050712-06-000	EA	HANDLE - SCREEN DOOR - BRIGHT WHITE
5	078552-03-000	EA	KICK PANEL - SCREEN DOOR - LOWER INSERT - UNPAINTED
6	078595-01-000	EA	TOP PLATE - SCREEN DOOR - CURVED TOP - 4.7" X 25.35"
7	078777-01-000	EA	CHANNEL - SLIDE - SCREEN DOOR CENTER SLIDER COVER
			FROM: 00-00-00 THRU: 02-22-98
7	078777-08-000	FT	CHANNEL SLIDER
			FROM: 02-23-98 THRU: 99-99-99
8	079086-03-000	EA	SLIDER - SCREEN DOOR - BRIGHT WHITE
9	079087-03-000	EA	STRIKE - SLIDER - SCREEN DOOR - BRIGHT WHITE
10	120863-05-000	EA	BUMPER - RUBBER - 3/4" X 3/8"
			FROM: 00-00-00 THRU: 10-27-97
10	120863-06-000	EA	BUMPER - RUBBER - 3/4" X 3/8"
			FROM: 10-28-97 THRU: 99-99-99

WINDOW, VENT & EXTERIOR DOOR GROUP (CONTINUED)



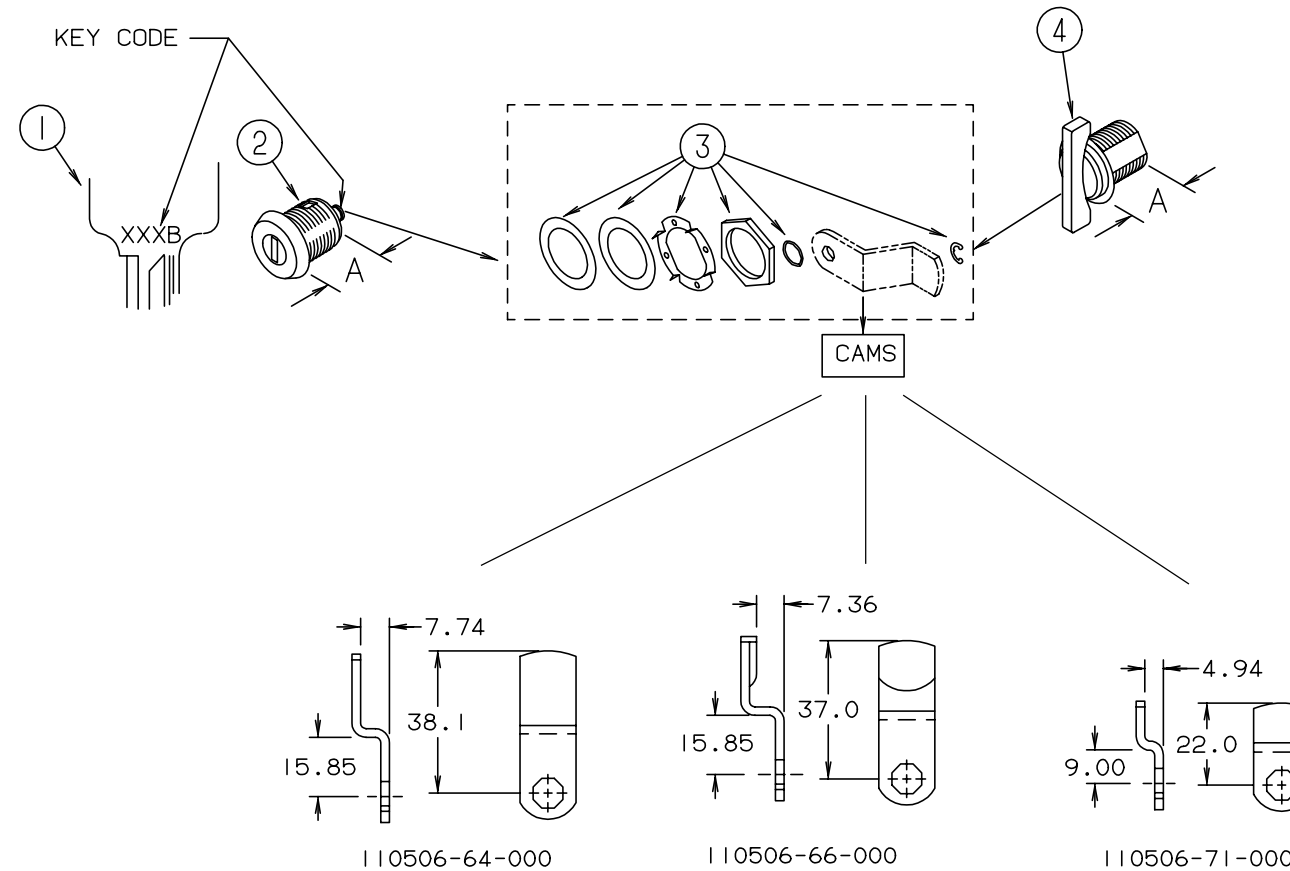
EXTERIOR DOOR COMPONENTS

KEY	PART NUMBER	U/M	DESCRIPTION
1	107997-51-001	EA	SPACER - DOOR LOCK - .6" DEEP
	107997-51-002	EA	EXTRUDED - SPACER - 16'
2	102768-01-000	EA	HOLDER - COMPARTMENT/ENTRY DOOR - METAL - MILL FINISH
3	081801-V3-000	EA	HINGE - ALUMINUM - 2" X 96" - BRIGHT WHITE
	081801-02-000	EA	HINGE - DOOR - PIANO - 2" X 8"
4	064075-07-000	FT	SEAL - BULB - W/WIRED U CHANNEL - .3" X .5" CHANNEL - BLK
5	098338-01-000	EA	GASKET - LOCK POCKET
	098408-01-000	FT	SEAL - SPONGE RUBBER - CLOSED CELL
	104692-01-000	FT	SEAL - FOAM/ADHESIVE BACK - .75"THICK X .75"WIDE X 25'
	091876-01-000	EA	RETAINER - DOOR - 1.9" X .8" - METAL
	106850-02-000	FT	SEAL-E - SPONGE RUBBER - .43" X .75"
	121264-01-01A	EA	BRACKET - F/PROP ROD - BRIGHT WHITE
	089329-02-000	EA	CLIP - SPRING
	101667-05-000	EA	PROP ROD

WINDOW, VENT & EXTERIOR DOOR GROUP (CONTINUED)

BRIGGS & STRATTON LOCKS & COMPONENTS

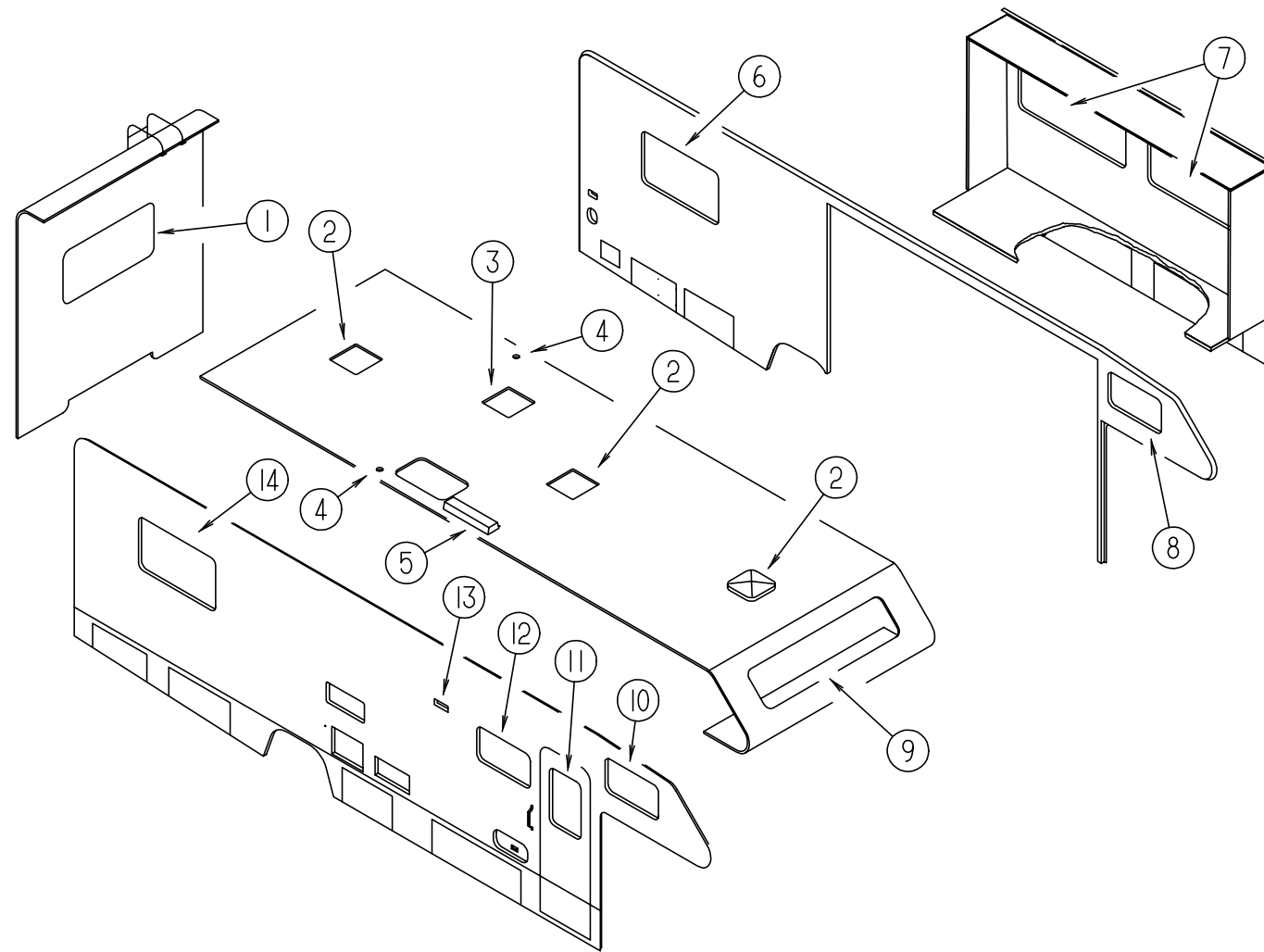
NOTE:
 WHEN ORDERING THE LOCK CASE, THE KEY CODE MUST MATCH THE LAST DIGIT OF THE VEHICLE'S SERIAL NUMBER AND PART NUMBER; WHEN ORDERING THE KEYS, THE THIRD DIGIT OF THE KEY CODE MUST MATCH THE LAST DIGIT OF THE VEHICLE'S SERIAL NUMBER AND PART NUMBER



KEY	PART NUMBER	U/M	DESCRIPTION	VENDOR NO.	KEY	PART NUMBER	U/M	DESCRIPTION	VENDOR NO.
1	110506-59-000	EA	KEYS - SET OF TWO	596720	1	110506-59-006	EA	KEYS - SET OF TWO	596726
2	110506-52-000	EA	CASE/CYLINDER - LOCKING W/O CAM - .65"	702370	2	110506-52-006	EA	CASE/CYLINDER - LOCKING W/O CAM - .65"	702370
2	110506-54-000	EA	CASE/CYLINDER - LOCKING W/O CAM OR KEY - 1 1/4"	703170	2	110506-54-006	EA	CASE/CYLINDER - LOCKING W/O CAM OR KEY - 1 1/4"	703170
1	110506-59-001	EA	KEYS - SET OF TWO	596721	1	110506-59-007	EA	KEYS - SET OF TWO	596727
2	110506-52-001	EA	CASE/CYLINDER - LOCKING W/O CAM - .65"	702370	2	110506-52-007	EA	CASE/CYLINDER - LOCKING W/O CAM - .65"	702370
2	110506-54-001	EA	CASE/CYLINDER - LOCKING W/O CAM OR KEY - 1 1/4"	703170	2	110506-54-007	EA	CASE/CYLINDER - LOCKING W/O CAM OR KEY - 1 1/4"	703170
1	110506-59-002	EA	KEYS - SET OF TWO	596722	1	110506-59-008	EA	KEYS - SET OF TWO	596728
2	110506-52-002	EA	CASE/CYLINDER - LOCKING W/O CAM - .65"	702370	2	110506-52-008	EA	CASE/CYLINDER - LOCKING W/O CAM - .65"	702370
2	110506-54-002	EA	CASE/CYLINDER - LOCKING W/O CAM OR KEY - 1 1/4"	703170	2	110506-54-008	EA	CASE/CYLINDER - LOCKING W/O CAM OR KEY - 1 1/4"	703170
1	110506-59-003	EA	KEYS - SET OF TWO	596723	1	110506-59-009	EA	KEYS - SET OF TWO	596729
2	110506-52-003	EA	CASE/CYLINDER - LOCKING W/O CAM - .65"	702370	2	110506-52-009	EA	CASE/CYLINDER - LOCKING W/O CAM - .65"	702370
2	110506-54-003	EA	CASE/CYLINDER - LOCKING W/O CAM OR KEY - 1 1/4"	703170	2	110506-54-009	EA	CASE/CYLINDER - LOCKING W/O CAM OR KEY - 1 1/4"	703170
1	110506-59-004	EA	KEYS - SET OF TWO	596724	3	110506-40-700	EA	HARDWARE KIT	
2	110506-52-004	EA	CASE/CYLINDER - LOCKING W/O CAM - .65"	702370	4	110506-55-000	EA	CASE/CYLINDER - TWIST LOCK W/O CAM - 1 1/4"	
2	110506-54-004	EA	CASE/CYLINDER - LOCKING W/O CAM OR KEY - 1 1/4"	703170		110506-64-000	EA	CAM - LATCHING - DOG LEGGED 1.8" LONG	
						110506-66-000	EA	CAM - LATCHING - DOG LEGGED 1.5" LONG	
						110506-71-000	EA	CAM - LATCHING - DOG LEGGED .86" LONG	
1	110506-59-005	EA	KEYS - SET OF TWO	596725		110506-59-701	EA	KEY BLANK (GOLD)	
2	110506-52-005	EA	CASE/CYLINDER - LOCKING W/O CAM - .65"	702370					
2	110506-54-005	EA	CASE/CYLINDER - LOCKING W/O CAM OR KEY - 1 1/4"	703170					

WINDOW, VENT & EXTERIOR DOOR GROUP (CONTINUED)

WINDOWS & VENTS



KEY	PART NUMBER	U/M DESCRIPTION
1*	078528-07-F15	EA WINDOW - ESCAPE W/O INSIDE TRIM - CLEAR - 24.5" X 48.5"
	074816-11-000	EA RETAINER - TRIM - ESCAPE WINDOW - OFF WHITE
1*	113502-01-01A	EA WINDOW - REAR/CENTER ESCAPE - THERMO - 24.8" X 48.7"
2*	122882-01-01A	EA VENT - ROOF - NONPOWERED - W/O INSIDE GARNISH
3*	122882-02-01A	EA VENT - ROOF - W/FAN - W/O INSIDE GARNISH - UL
3*	122882-03-01A	EA VENT - ROOF - W/FAN - W/O INSIDE GARNISH - CSA
4	083558-03-000	EA VENT - PLUMBING - PIPE ROOF - W/COVER - OFF WHITE
5	084073-07-000	EA VENT - ROOF/REFRIGERATOR - BRIGHT WHITE - NORCOLD
5	084073-04-000	EA BASE - ROOF VENT/REFRIGERATOR - BLACK - NORCOLD
6*	098647-30-01A	EA WINDOW - DR HORIZ SLIDER W/TRIM - CLEAR - 24.2" X 41"
6*	112795-23-01A	EA WINDOW - DRIVER HORIZONTAL SLIDER - THERMO - 24.5" X 41.3"
7*	098647-47-01A	EA WINDOW - DR HORIZ SLIDER W/TRIM - TINTED - 23.6" X 57.5"
7*	112795-54-01A	EA WINDOW - DRIVER/HORIZONTAL SLIDER - THERMO - 23.9" X 57.8"
8*	098647-32-01A	EA WINDOW - DR HORIZ SLIDER W/TRIM - CLEAR - 15.7" X 28.5"
8*	112795-20-01A	EA WINDOW - DRIVER HORIZONTAL SLIDER - THERMO - 16" X 28.7"

KEY	PART NUMBER	U/M DESCRIPTION
9*	103313-03-F15	EA WINDOW - PICTURE - 23.3" X 71.3"
	117054-01-01A	EA RETAINER - TRIM - WHITE
9*	115630-01-01A	EA WINDOW - STATIONARY/THERMOPANE - 17.2" X 72"
10*	098647-31-01A	EA WINDOW - PASS HORIZ SLIDER W/TRIM - CLEAR - 15.7" X 28.5"
10*	112795-19-01A	EA WINDOW - PASSENGER HORIZ SLIDER - THERMO - 16" X 28.7"
11*	117053-04-FB1	EA WINDOW - PICTURE - CLEAR - 17" X 26.4"
	117054-02-02A	EA RETAINER - TRIM - BRIGHT WHITE
11*	113733-01-01A	EA WINDOW - STATIONARY THERMOPANE - 26.4" X 17"
12*	098647-49-01A	EA WINDOW - PASS HORIZ SLIDER W/TRIM - CLEAR - 15" X 23.7"
12*	112795-61-01A	EA WINDOW - PASSENGER HORIZONTAL SLIDER-THERMO - 15.2"X24"
13	084878-09-000	EA VENT - EXHAUST/RANGE HOOD - OFF WHITE
	084616-07-000	EA SHROUD - EXHAUST VENT/RANGE HOOD - BRIGHT WHITE
14*	112795-21-01A	EA WINDOW - PASSENGER HORIZ SLIDER - THERMO - 24.5" X 41.3"
14*	098647-29-01A	EA WINDOW - PASS HORIZ SLIDER W/TRIM - CLEAR - 24.2" X 41"

* COMPONENT PARTS FOUND IN SERVICE PARTS LIBRARY