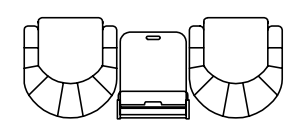
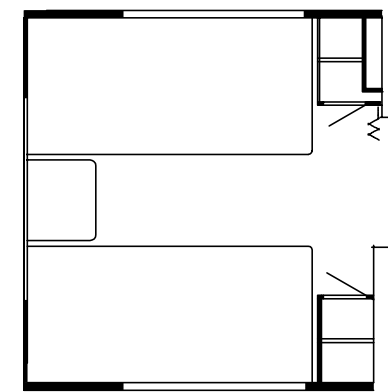
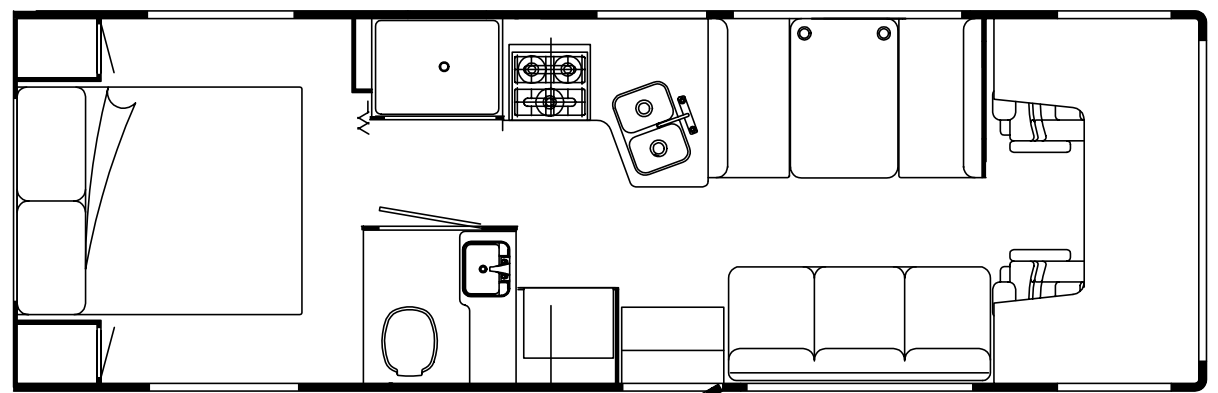
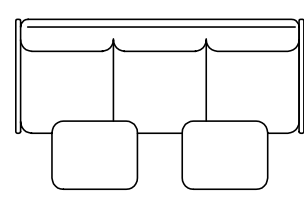
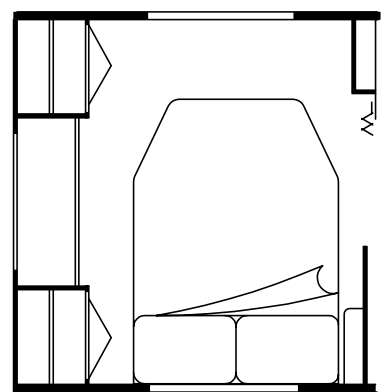
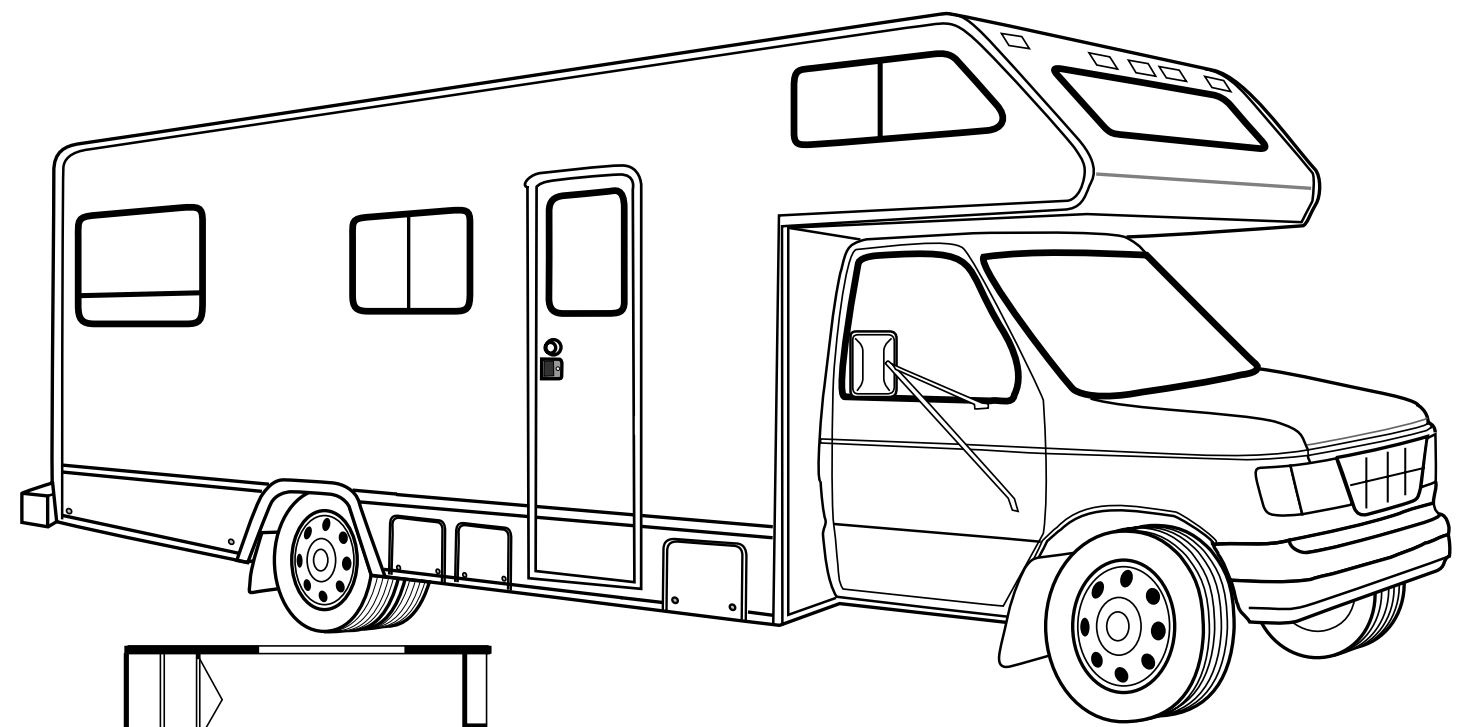


1998
WF329WQ
J01
GEMSTONE (GREEN)
J02
SANDPIPER (TAUPE)



ACCESSORIES GROUP

OPERATORS MANUAL

KEY	PART NUMBER	U/M	DESCRIPTION
	054185-G8-000	EA	MANUAL - OPERATOR 98 MINNIE - 300 SERIES
	092318-01-000	EA	BINDER - 3 RING - MOTOR HOME MANUAL
	092319-01-000	EA	POCKET PAGE - 3 RING BINDER - PLASTIC - (50 PER PKG)
	129079-01-01A	EA	CASE - VINYL/BLACK-EXPANDABLE ACCORDION SIDES-7"WX9"HX14"L
	125441-01-000	DW	TOP LEVEL DRAWING - 1998 C BODY

AUDIO VIDEO GROUP

RADIO SPEAKER

KEY	PART NUMBER	U/M	DESCRIPTION
	125322-02-000	EA	RADIO - AM-FM STEREO - CASSETTE - AUDIOVOX
	090944-01-000	EA	ANTENNA - RADIO - 16" RUBBER
	108847-01-000	EA	BRACKET - ANTENNA GROUND
	109889-01-000	EA	EXTENDER - SHAFT - ANTENNA 1"
	110469-01-000	EA	SPEAKER - 4" X 6" OVAL - COAXIAL
	110470-01-01A	EA	GRILLE - 4" X 6" OVAL - BLACK
	108137-01-000	EA	PLUG - ANTENNA
	111177-01-01A	EA	GRILLE - SPEAKER - 6.6" X 8.9" - HOUSING 5" X 7" SPEAKER

RADIO-PATIO ENTERTAINMENT CENTER

KEY	PART NUMBER	U/M	DESCRIPTION
	125322-02-000	EA	RADIO - AM-FM STEREO - CASSETTE - AUDIOVOX
	090944-01-000	EA	ANTENNA - RADIO - 16" RUBBER
	077069-02-000	EA	CABLE - ANTENNA/EXTENSION - RADIO - 96"
	108847-01-000	EA	BRACKET - ANTENNA GROUND
	082134-01-000	EA	ADAPTER - TV - CABLE TO CABLE
	086756-01-000	EA	SPLITTER - TV - 2 WAY
	076319-09-000	EA	WALLPLATE - CABLE RECEPTACLE - TV - SINGLE - BROWN
	058708-02-000	EA	RECEPTACLE - ELECTRIC - DOUBLE - IVORY
	109889-01-000	EA	EXTENDER - SHAFT - ANTENNA 1"
	110469-01-000	EA	SPEAKER - 4" X 6" OVAL - COAXIAL
	110470-01-01A	EA	GRILLE - 4" X 6" OVAL - BLACK

TV - VCR SYSTEMS

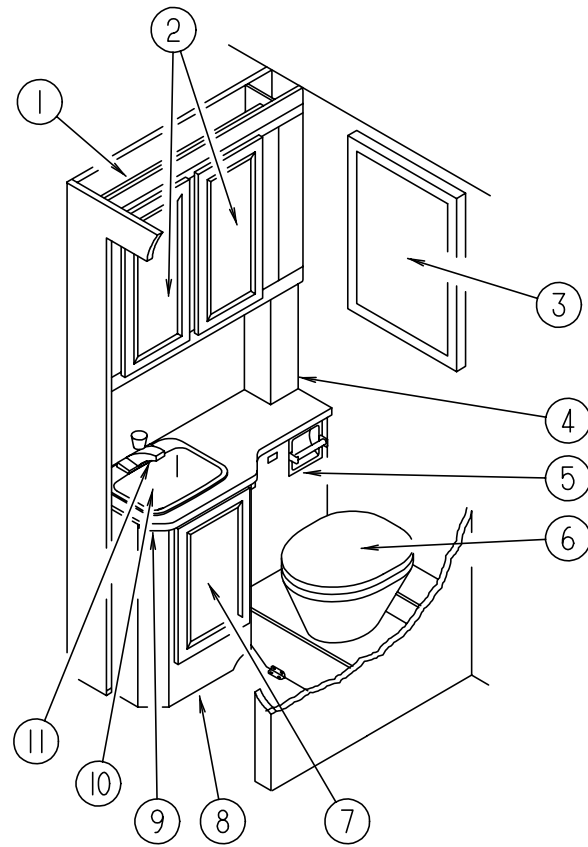
KEY	PART NUMBER	U/M	DESCRIPTION	VENDOR NO.
	126696-01-000	EA	TV - 19" COLOR W/1/8" JACK - UL/CSA - GE	
	126696-01-700	EA	REMOTE	226725
	126697-01-000	EA	VCR-VHS - CABLE READY - W/REMOTE - GE	
	126697-01-700	EA	REMOTE - F/VCR	2040R
	086231-08-000	EA	TV - 13" COLOR - DC - AUDIOVOX	
	086231-08-700	EA	REMOTE-UNIVERSAL	8822325
	086231-08-701	EA	ADAPTER - WIRE	0891436
	094487-03-000	EA	VIDEO CASSETTE PLAYER W/O REMOTE - AUDIOVOX	
	086231-08-700	EA	REMOTE-UNIVERSAL	8822325
	094487-03-700	EA	WIRE - ADAPTER	0891436
	082134-01-000	EA	ADAPTER - TV - CABLE TO CABLE	
	082136-01-000	EA	NUT - HEX JAM - 3/8 - 32	
	082134-01-000	EA	ADAPTER - TV - CABLE TO CABLE	
	086756-01-000	EA	SPLITTER - TV - 2 WAY	
	076319-03-000	FT	CABLE - COAXIAL - 75 OHM	
	076319-12-000	EA	CONNECTOR - COAXIAL - ONE PIECE	
	086777-02-000	EA	WALLPLATE - TV CABLE - W/ANTENNA SWITCH	
	086777-06-000	EA	WALLPLATE - TV CABLE - ANTENNA/1 OUTPUT - BROWN	
	086757-03-000	EA	CONTROL CENTER - SWITCH - VCR/TV	

TV ANTENNA - WINEGARD

KEY	PART NUMBER	U/M	DESCRIPTION
*	076319-20-000	EA	ANTENNA-TV - ROOF MOUNT - 1" ROOF FROM: 00-00-00 THRU: 12-07-97
*	076319-23-000	EA	ANTENNA-TV - ROOF MOUNT - 44.5" MAST FROM: 12-08-97 THRU: 99-99-99

* COMPONENT PARTS FOUND IN SERVICE PARTS LIBRARY

BATH GROUP

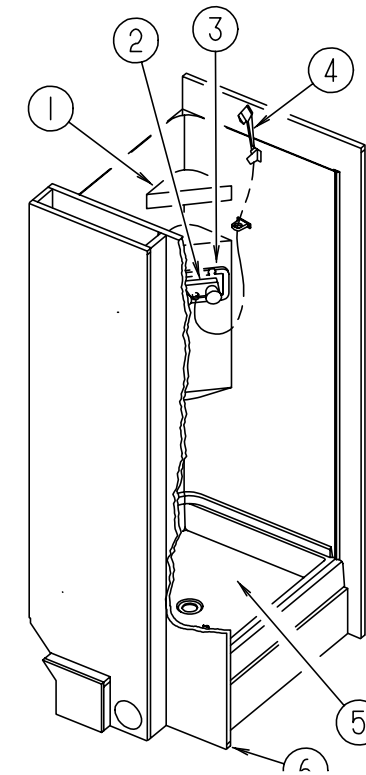


BATHROOM CABINETS & FIXTURES

KEY	PART NUMBER	U/M	DESCRIPTION
1	125240-01-J01	EA	CABINET - MEDICINE - W/O DOORS/HARDWARE FROM: 00-00-00 THRU: 08-19-97
	125240-11-J01	EA	SHELF - W/PLASTIC EDGE TRIM
1	128308-01-J01	EA	CABINET - OVERHEAD/MEDICINE - W/O DOORS/HARDWARE FROM: 08-20-97 THRU: 99-99-99
	128308-12-J01	EA	SHELF - W/PLASTIC EDGE TRIM
2	M08758-B6-J01	EA	DOOR - MITERED CORNER/OGEE EDGE - 13.6" X 27.2" - W/O HDW
2	M08758-D6-J01	EA	DOOR - MITERED CORNER/OGEE EDGE - 13.6" X 27.2" - W/O HDW - RAISED PANEL
2	M06803-CT-J01	EA	DOOR - MIRROR/MTRD CORNER/OGEE EDGE - 13.6" X 27.2" - W/O HDW - UPGRADE
3	058331-01-000	EA	MIRROR - SAFETY GLASS - 19" X 26"
4	109180-02-H30	EA	CABINET - PIPE COVER (J01)
4	109180-02-J02	EA	CABINET - PIPE COVER (J02)
5	075452-02-000	EA	HOLDER - TOILET TISSUE - BRASS
6*	067487-01-000	EA	TOILET - 12.37" - IVORY - HAND FLUSH
7	M08758-85-J01	EA	DOOR - MITERED CORNER/OGEE EDGE - 12" X 21.8" - W/O HDW
7	M05992-P9-J01	EA	DOOR - STRAIGHT CORNER/OGEE EDGE - 12" X 21.8" - W/O HDW - UPGRADE
8	125239-01-J01	EA	CABINET - LAVATORY - W/COUNTERTOP - W/O DOORS/DRAWERS/HDW
8	125239-01-J02	EA	CABINET - LAVATORY - W/COUNTERTOP - W/O DOORS/DRAWERS/HDW
9	125239-12-J01	EA	COUNTERTOP - LAVATORY
9	125239-12-J02	EA	COUNTERTOP - LAVATORY
10	096927-01-01A	EA	SINK - LAVATORY - RECTANGULAR - PLASTIC/BONE
	096927-01-700	EA	SINK STOPPER
	096927-01-701	EA	TAILPIECE-DRAIN-LAVATORY
11	075240-06-000	EA	FAUCET - LAVATORY/BONE
	091253-01-000	EA	GASKET - FAUCET - LAVATORY/GALLEY
	075453-02-000	EA	BAR - TOWEL - 18" BRASS

* COMPONENT PARTS FOUND IN SERVICE PARTS LIBRARY

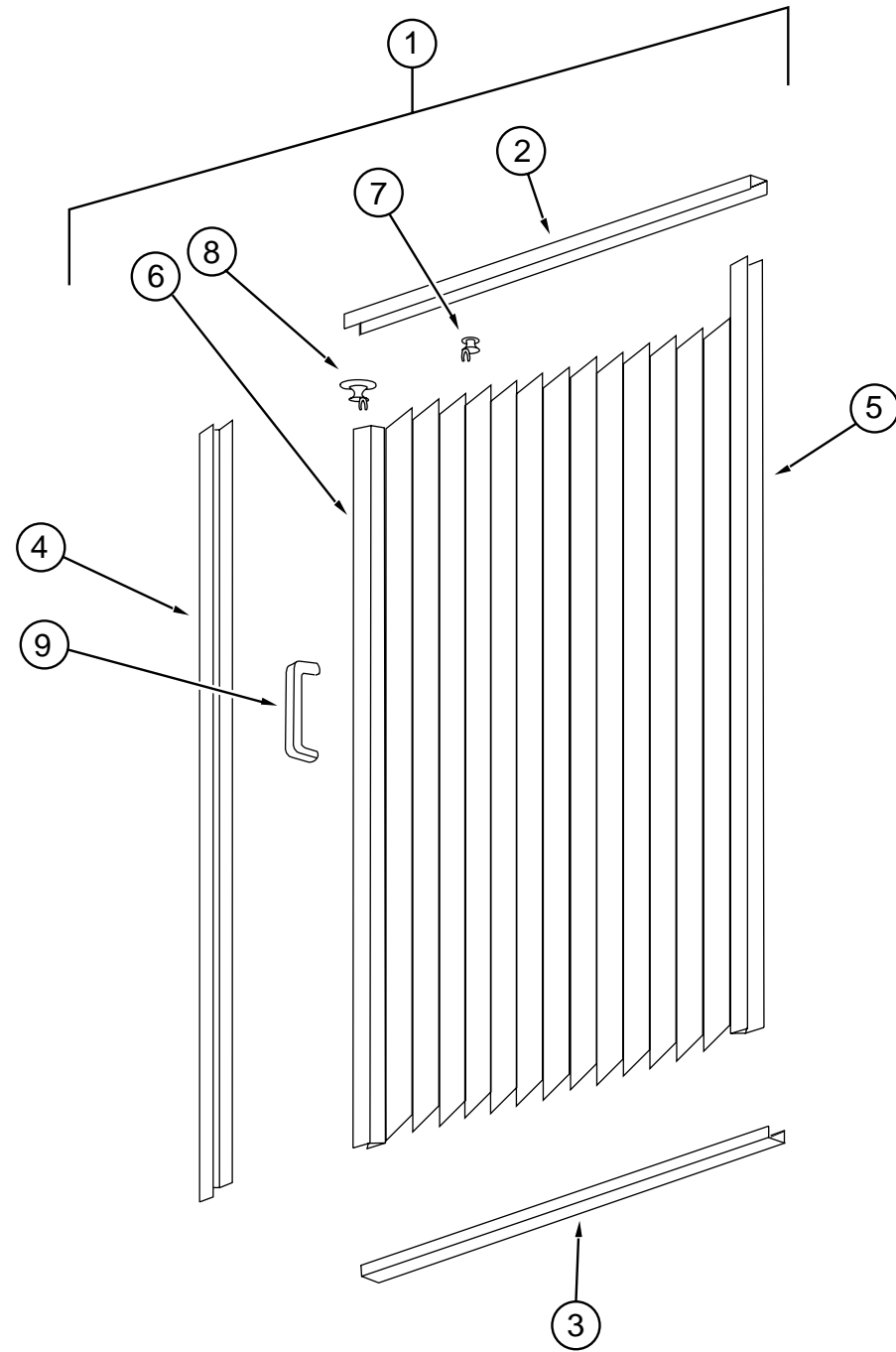
BATH GROUP (CONTINUED)



SHOWER CABINET & FIXTURES

KEY	PART NUMBER	U/M	DESCRIPTION	VENDOR NO,
1	105707-01-01A	EA	CADDY - SHOWER	
2	075241-05-000	EA	FAUCET/SHOWER - BONE 3/4" MPT X 1.4" LONG INLET PIPES	
3	075606-01-000	EA	PANEL - PLASTIC - FAUCET BACK - 5" X 9"	
4	103092-01-000	EA	SHOWER HEAD - W/60" HOSE - WHITE	
4	103092-02-000	EA	SHOWER HEAD - W/60" HOSE - CSA	
	103092-01-700	EA	BRACKET-F/SHOWER HEAD, CLEAR	2328028
	103092-01-702	EA	SEALS-SPRAY HEAD	24466
	011048-03-700	EA	BRACKET - F/SHOWER HEAD	2328029-I
5	M02673-05-B13	EA	PAN - SHOWER - 29.8" X 22.7" X 5.7"	
	101435-01-01A	EA	SHOWER PAN OFF WHITE	
	011069-02-000	EA	TAILPIECE - TUB/SHOWER - 1 1/2" X 1 1/4" X 4" - BRASS	
	066436-01-000	EA	NUT - SLIP - TAILPIECE 1.5"	
	066440-01-000	EA	STRAINER - SHOWER DRAIN - W/RUBBER WASHER	
	069735-01-000	EA	WASHER - STRAINER TO TAILPIECE - PLASTIC - 1.5"	
			FROM: 00-00-00 THRU: 10-21-97	
	127440-02-01A	EA	WASHER - RUBBER - 1.8" X .1"	
			FROM: 10-22-97 THRU: 99-99-99	
	057671-01-000	EA	COVER - SCREW - #8 - PLASTIC - OFF WHITE	

BATH GROUP (CONTINUED)



SHOWER DOOR

KEY	PART NUMBER	U/M DESCRIPTION
1	117431-01-01A	EA DOOR - SHOWER - FABRIC PLEATED - 29.6" X 63.0"
2	117431-01-700	EA TRACK-TOP, ALUM.IVORY INSERT 48"
3	117431-01-701	EA TRACK-BOTTOM, 48"
4	117431-01-702	EA RAIL-SIDE, 67"
5	117431-01-703	EA RAIL-STATIONARY, 67"
6	117431-01-704	EA RAIL-LEAD, 67"
7	117431-01-705	EA GLIDE-IVORY, TRAVELER
8	117431-01-706	EA GLIDE-IVORY LEAD, TRAVELER
9	117431-01-708	EA HANDLES & SCREWS
	117431-01-707	EA LATCH
	117431-01-709	EA STRAP-VINYL
	105394-01-05A	EA EXTRUDED PLASTIC - DOOR JAMB - WATERFORD OAK - 7'

BATH GROUP (CONTINUED)

SKYLIGHT

KEY	PART NUMBER	U/M DESCRIPTION
	122192-01-02A	EA PANEL - SKYLITE - OUTER - 16.4" X 27.8"
	122193-01-02A	EA PANEL - SKYLITE - INNER

BATH DOOR

KEY	PART NUMBER	U/M DESCRIPTION
	121449-04-H04	EA DOOR - BATH
	094485-03-01A	EA KNOB - BRASS
	102920-01-01A	EA HINGE - SPRING LOADED/BRASS
	110496-01-01A	EA HINGE - BRASS
	121449-12-G04	EA RACK - TOWEL - BATH DOOR
	100357-01-000	EA ROD - F/TOWEL BAR - BRASS

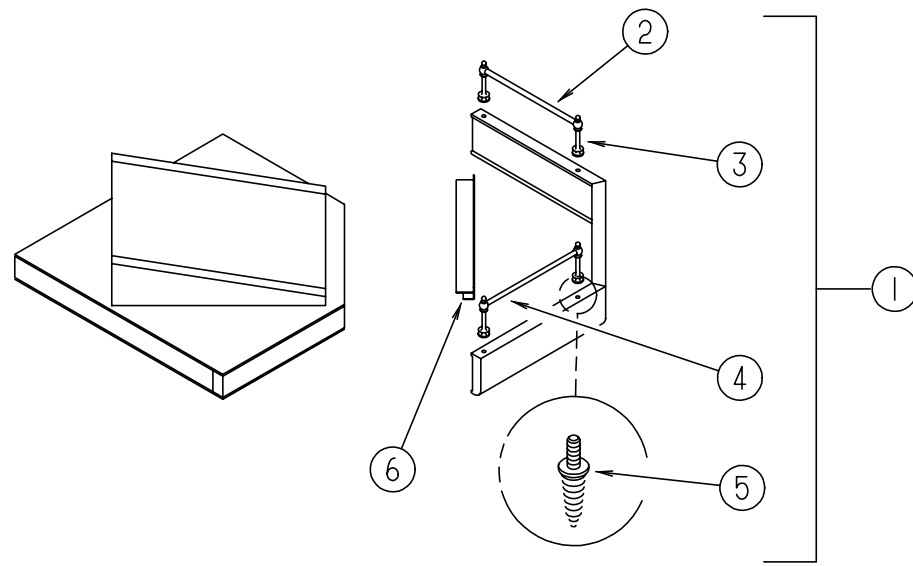
BATH/BEDROOM PRIVACY DOOR

KEY	PART NUMBER	U/M DESCRIPTION
	042488-10-000	EA DOOR - FOLDING - OFF WHITE FABRIC - 37" X 75"
	042488-10-700	EA LEADRAIL-PREPUNCHED F/HANDLE
	080224-01-703	EA HANDLE W/LATCH-CATCH, ALMOND
	080224-01-705	EA LATCH & CATCH ASM., ALMOND
	094856-06-02A	EA TRACK - FOLDING DOOR - 37.6"
	029130-01-000	EA SCREW - SNAP SOCKET - #8 PH X 5/8"
	009702-01-000	EA END STOP - CURTAIN CARRIER - L ROD

VENDOR NO.

DW2100
DE03505
DE25010 & DE25020

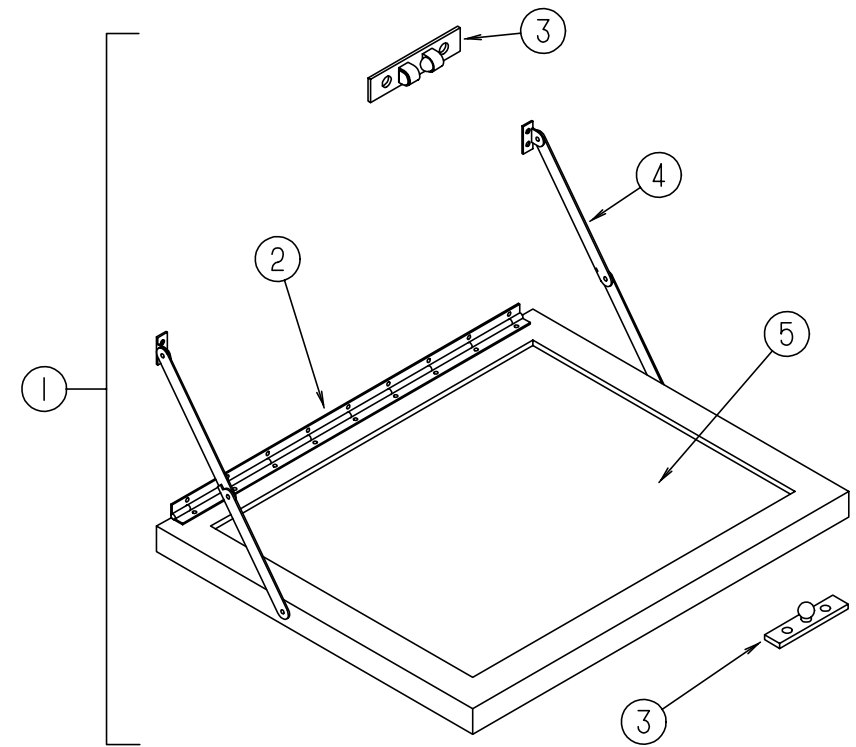
BEDROOM GROUP



TV SHELF - QUEEN & DOUBLE BED

KEY	PART NUMBER	U/M	DESCRIPTION
1	116553-02-G32	EA	CABINET - TV SHELF - W/BRASS RODS/POST ENDS
2	084071-12-000	EA	ROD - BRASS - 4.08" LONG
3	084070-03-000	EA	POST - END - 2.4" - BRASS
4	084071-19-000	EA	ROD - BRASS - 7.09" LONG
5	106166-01-000	EA	BOLT/COLLARED HANGER - 8-32 X 1"
6	103186-01-05A	FT	MOLDING - PLASTIC 3/8" U-CHANNEL 3/4" FACE - WATERFORD OAK

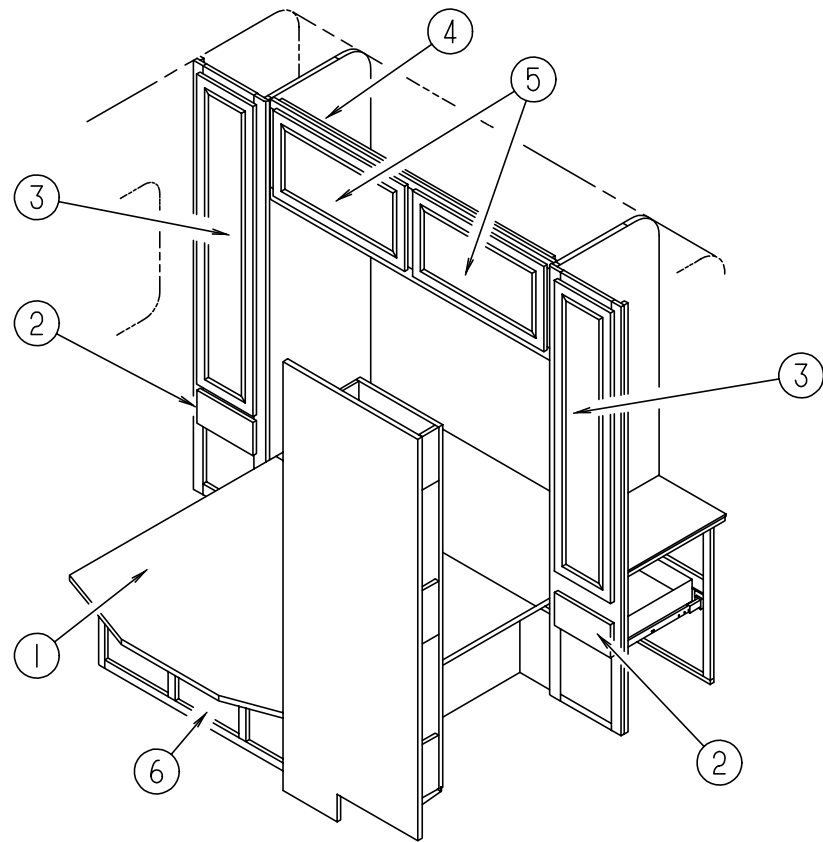
BEDROOM GROUP (CONTINUED)



TV SHELF - TWIN BED

KEY	PART NUMBER	U/M	DESCRIPTION
1	084357-02-H13	EA	TV STAND
2	084413-01-000	EA	HINGE/CONTINUOUS - ALUMINUM 1" X 72" - W/HOLES
3	084451-01-000	EA	CATCH - BRASS
4	084412-01-000	EA	SUPPORT/HINGE KIT (LEFT & RIGHT HINGES)
5	084356-08-000	EA	INSERT - TV STAND - W/SUPPORT HINGE

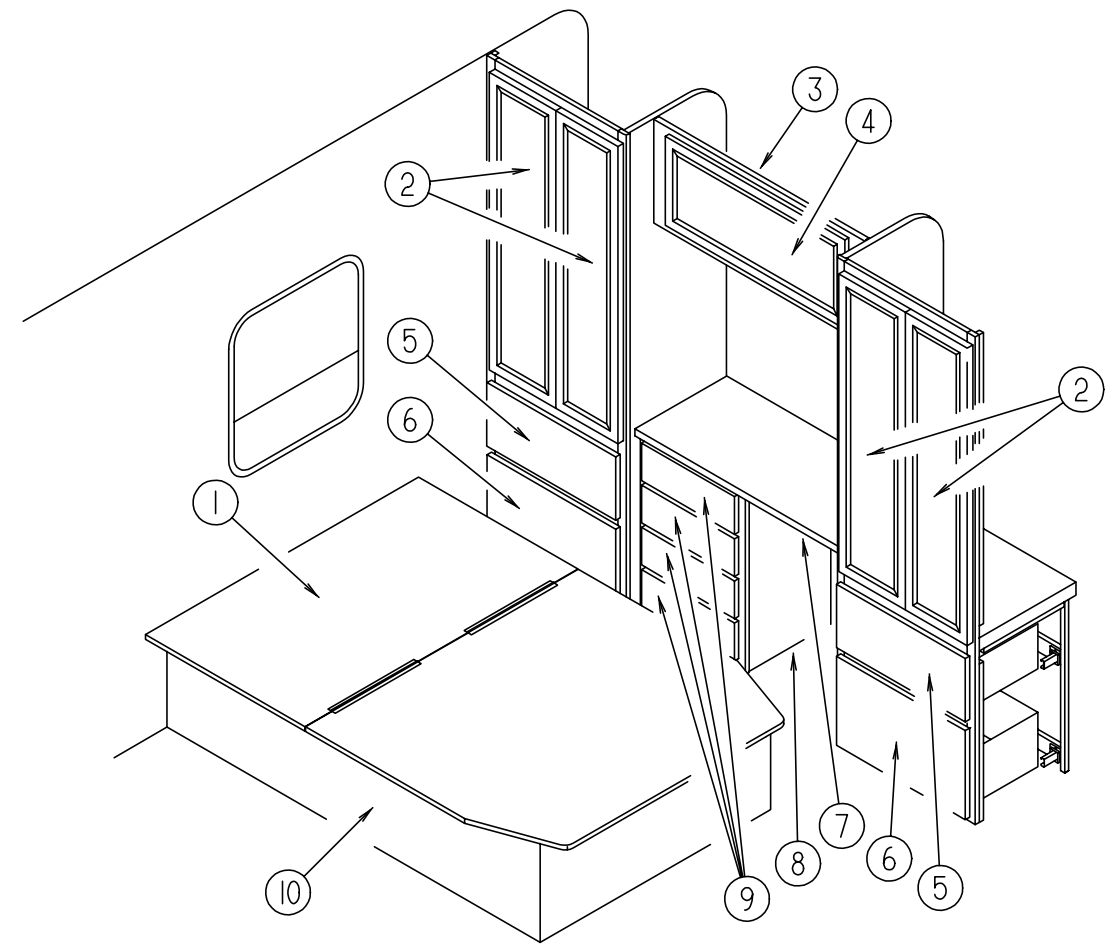
BEDROOM GROUP (CONTINUED)



QUEEN BEDROOM CABINETS

KEY	PART NUMBER	U/M	DESCRIPTION
1	M06959-01-F15	EA	TOP - QUEEN BED - W/O HARDWARE
	091261-01-000	FT	SLIPNOT - ANTISLIP - 1" WIDE (100' ROLL)
	105376-01-02A	EA	HINGE - CONTINUOUS - 2" X 5.5" - OFF WHITE
2	M05971-H0-J01	EA	DRAWER - OGEE EDGE - 9.8"W X 17.7"D - W/O SLIDES/HARDWARE
2	M05971-49-J01	EA	DRAWER - OGEE EDGE - 9.8"W X 17.7"D - W/O SLIDES/HARDWARE - UPGRADE
3	M08758-13-J01	EA	DOOR - MITERED CORNER/OGEE EDGE - 12" X 48" - W/O HDW
3	M06803-28-J01	EA	DOOR - MIRROR/MTRD CORNER/OGEE EDGE - 12" X 48" - W/O HDW - UPGRADE
4	120419-01-G04	EA	CABINET - OVERHEAD/REAR - W/O DOORS/HARDWARE
5	M08758-43-J15	EA	DOOR - MITERED CORNER/OGEE EDGE - 15.7" X 27.9" - W/O HDW
5	M08758-01-J05	EA	DOOR - MITERED CORNER/OGEE EDGE - 15.7" X 27.9" - W/O HDW - RAISED PANEL
5	M05992-48-J15	EA	DOOR - STRAIGHT CORNER/OGEE EDGE - 15.7" X 27.9" - W/O HDW - UPGRADE
6	P14435-01-G01	EA	CABINET - BASE - QUEEN BED - W/O DOORS/DRAWERS/HARDWARE
	107796-06-000	EA	SPRING/GAS - 12" COMPRESSED/20" EXTENDED - 120 LB.
	126259-01-000	EA	STUD - BALL
	126263-06-02B	EA	BRACKET - GAS SPRING - E-COATED
	126263-08-02B	EA	BRACKET - GAS SPRING - LOWER - E-COATED

BEDROOM GROUP (CONTINUED)

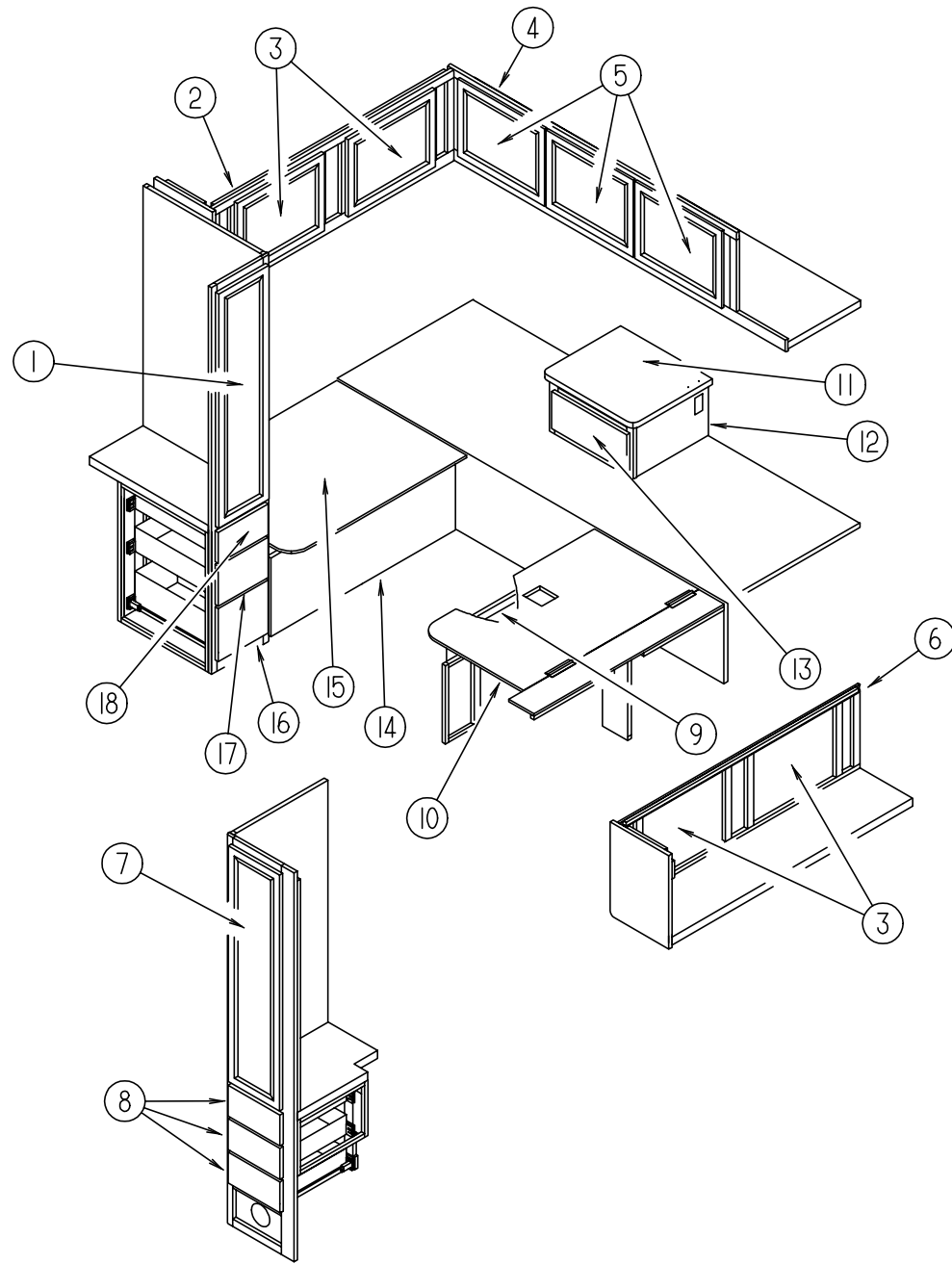


DOUBLE BEDROOM CABINETS

KEY	PART NUMBER	U/M	DESCRIPTION
1	119644-11-000	EA	TOP - DOUBLE BED CABINET
	091261-01-000	FT	SLIPNOT - ANTISLIP - 1" WIDE (100' ROLL)
2	M08758-13-J01	EA	DOOR - MITERED CORNER/OGEE EDGE - 12" X 48" - W/O HDW
3	118677-02-J01	EA	CABINET - OVERHEAD/REAR - W/O DOORS/HARDWARE
4	M08758-94-J01	EA	DOOR - MITERED CORNER/OGEE EDGE - 14.3" X 33.4" - W/O HDW
4	M08758-16-J01	EA	DOOR - MITERED CORNER/OGEE EDGE - 14.3" X 33.4" - W/O HDW - RAISED PANEL
4	M05992-58-J22	EA	DOOR - STRAIGHT CORNER/OGEE EDGE - 14.3" X 33.4" - W/O HDW - UPGRADE
5	M05971-M0-J01	EA	DRAWER - OGEE EDGE - 21.6"W X 13.8"D - W/O SLIDES/HARDWARE
5	M05971-T3-J01	EA	DRAWER - OGEE EDGE - 21.6"W X 13.8"D - W/O SLIDES/HARDWARE - UPGRADE
6	M05971-M1-J01	EA	DRAWER - OGEE EDGE - 21.6"W X 13.8"D - W/O SLIDES/HARDWARE
6	M05971-MD-J01	EA	DRAWER - OGEE EDGE - 21.8"W X 13.8"D - W/O SLIDES/HARDWARE - UPGRADE
7	118676-11-G25	EA	COUNTERTOP - VANITY - W/T MOLDING (J01)
7	118676-11-G04	EA	COUNTERTOP - VANITY - W/T MOLDING (J02)
8	P18676-01-G25	EA	CABINET - VANITY - W/COUNTERTOP - W/O DOORS/DRAWERS/HDW (J01)
8	P18676-01-G04	EA	CABINET - VANITY - W/COUNTERTOP - W/O DOORS/DRAWERS/HDW (J02)
9	M05971-M2-J01	EA	DRAWER - OGEE EDGE - 15.4"W X 13.8"D - W/O SLIDES/HARDWARE
9	M05971-T5-J01	EA	DRAWER - OGEE EDGE - 15.4"W X 13.8"D - W/O SLIDES/HARDWARE - UPGRADE
10	P19644-01-G01	EA	CABINET - BASE - DOUBLE BED - W/O DOORS/DRAWERS/HARDWARE
	107796-06-000	EA	SPRING/GAS - 12" COMPRESSED/20" EXTENDED - 120 LB.
	126259-01-000	EA	STUD - BALL
	126263-06-02B	EA	BRACKET - GAS SPRING - E-COATED
	126263-08-02B	EA	BRACKET - GAS SPRING - LOWER - E-COATED

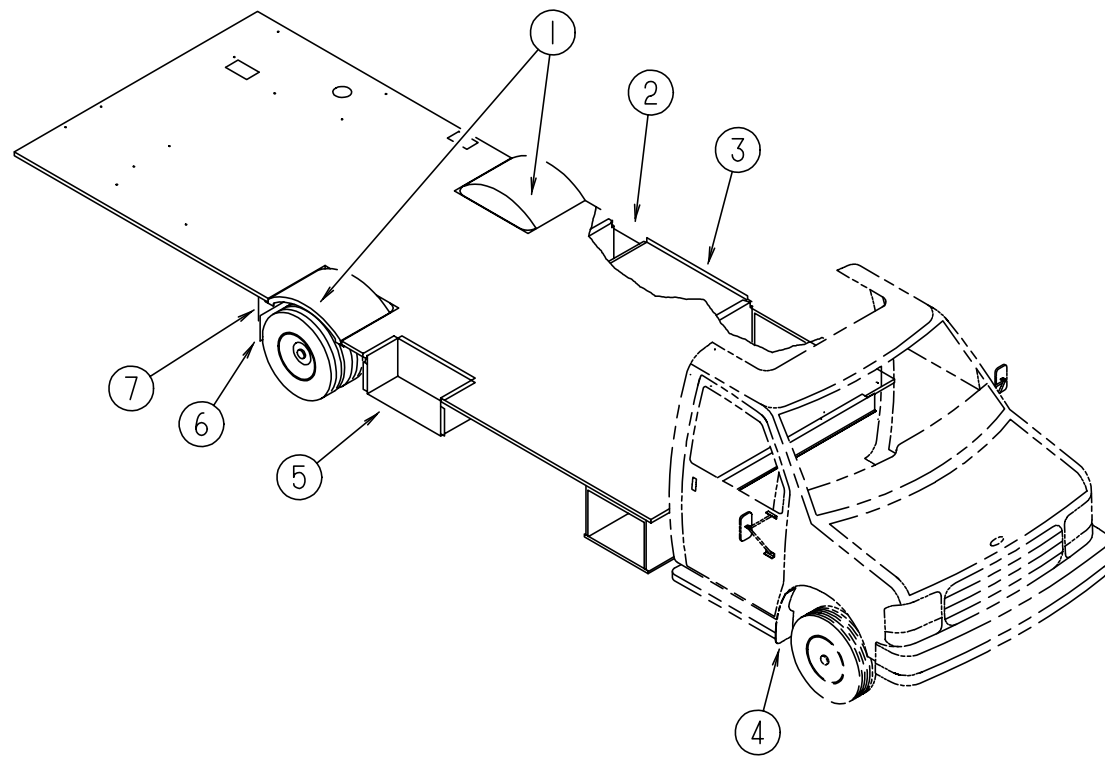
BEDROOM GROUP (CONTINUED)

TWIN BEDROOM CABINETS



KEY	PART NUMBER	U/M DESCRIPTION
1	M08758-95-J01	EA DOOR - MITERED CORNER/OGEE EDGE - 12" X 48" - W/O HDW
1	M08758-17-J37	EA DOOR - MITERED CORNER/OGEE EDGE - 12" X 48" - W/O HDW - RAISED PANEL
1	M05992-15-J37	EA DOOR - STRAIGHT CORNER/OGEE EDGE - 12" X 48" - W/O HDW - UPGRADE
2	121675-02-H04	EA CABINET - OVERHEAD - W/O DOORS/HARDWARE
	109908-31-GB1	EA END CAP - OVERHEAD CABINET
3	M08758-82-J15	EA DOOR - MITERED CORNER/OGEE EDGE - 15.7" X 20.4" - W/O HDW
3	M08758-04-J15	EA DOOR - MITERED CORNER/OGEE EDGE - 15.7" X 20.4" - W/O HDW - RAISED PANEL
3	M05992-41-J01	EA DOOR - DOOR - STRAIGHT CORNER/OGEE EDGE - 15.7" X 20.4" - W/O HDW - UPGRADE
4	125235-01-J01	EA CABINET - OVERHEAD/REAR - TWIN BED - W/O DOORS/HARDWARE
5	M08758-82-J15	EA DOOR - MITERED CORNER/OGEE EDGE - 15.7" X 20.4" - W/O HDW
5	M08758-04-J15	EA DOOR - MITERED CORNER/OGEE EDGE - 15.7" X 20.4" - W/O HDW - RAISED PANEL
5	M05992-41-J01	EA DOOR - DOOR - STRAIGHT CORNER/OGEE EDGE - 15.7" X 20.4" - W/O HDW - UPGRADE
6	121675-01-H04	EA CABINET - OVERHEAD - W/O DOORS/HARDWARE
	109908-30-GB1	EA END CAP - OVERHEAD CABINET
7	M08758-95-J01	EA DOOR - MITERED CORNER/OGEE EDGE - 12" X 48" - W/O HDW
7	M08758-17-J37	EA DOOR - MITERED CORNER/OGEE EDGE - 12" X 48" - W/O HDW - RAISED PANEL
7	M05992-15-J37	EA DOOR - STRAIGHT CORNER/OGEE EDGE - 12" X 48" - W/O HDW - UPGRADE
8	M05971-P3-J01	EA DRAWER - OGEE EDGE - 10.3"W X 19.6"D - W/O SLIDES/HARDWARE
8	M05971-V0-J01	EA DRAWER - OGEE EDGE - 10.3"W X 19.6"D - W/O SLIDES/HARDWARE - UPGRADE
9	P25275-01-J01	EA CABINET - BASE/TWIN BED/LEFT HAND - W/O DOORS/DRAWERS/HDW
10	M06960-05-J01	EA TOP - TWIN BED/LEFT HAND - W/O HARDWARE
11	125233-11-J01	EA COUNTERTOP - NIGHTSTAND
11	125233-11-J02	EA COUNTERTOP - NIGHTSTAND
12	P25233-01-J01	EA CABINET - NIGHTSTAND/TWIN - W/COUNTERTOP-W/O DRS/DWRS/HDW
12	P25233-01-J02	EA CABINET - NIGHTSTAND/TWIN - W/COUNTERTOP-W/O DRS/DWRS/HDW
13	M05971-EA-J01	EA DRAWER - OGEE EDGE - 14.9"W X 11.8"D - W/O SLIDES/HARDWARE
13	M05971-MC-J01	EA DRAWER - OGEE EDGE - 14.9"W X 11.8"D - W/O SLIDES/HARDWARE - UPGRADE
14	P25276-01-J01	EA CABINET - BASE/TWIN BED/RIGHT HAND - W/O DOORS/DRAWERS/HDW
15	M06960-04-000	EA TOP - TWIN BED/RIGHT HAND - W/O HARDWARE
16	M05971-P0-J01	EA DRAWER - OGEE EDGE - 9.8"W X 19.6"D - W/O SLIDES/HARDWARE
16	M05971-U7-J01	EA DRAWER - OGEE EDGE - 9.8"W X 19.6"D - W/O SLIDES/HARDWARE - UPGRADE
17	M05971-P1-J01	EA DRAWER - OGEE EDGE - 9.8"W X 19.6"D - W/O SLIDES/HARDWARE
17	M05971-U8-J01	EA DRAWER - OGEE EDGE - 9.8"W X 19.6"D - W/O SLIDES/HARDWARE - UPGRADE
18	M05971-P2-J01	EA DRAWER - OGEE EDGE - 9.8"W X 19.6"D - W/O SLIDES/HARDWARE
18	M05971-U9-J01	EA DRAWER - OGEE EDGE - 9.8"W X 19.6"D - W/O SLIDES/HARDWARE - UPGRADE

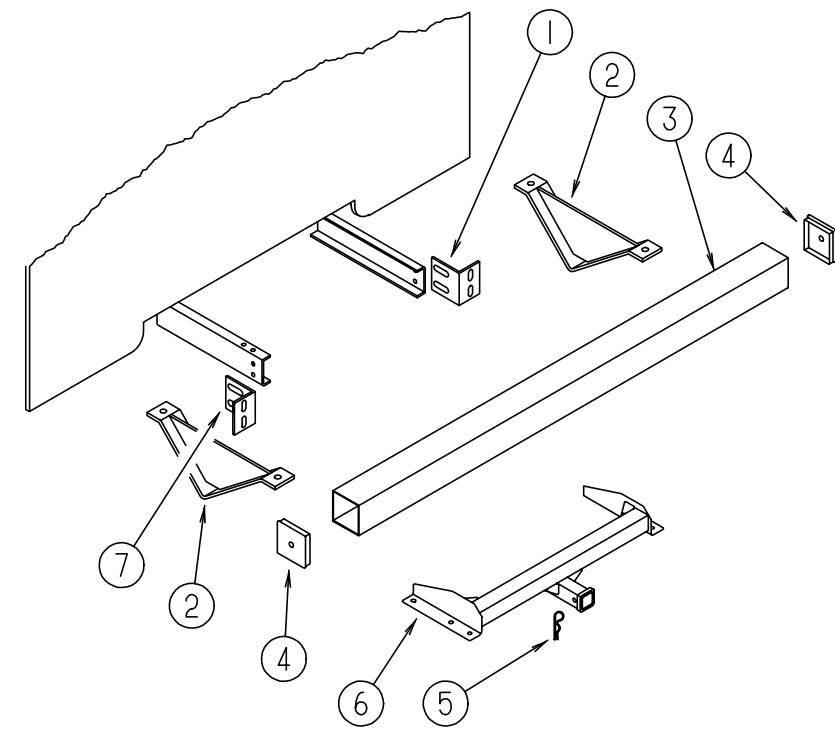
CHASSIS GROUP



MISCELLANEOUS CHASSIS COMPONENTS

KEY	PART NUMBER	U/M	DESCRIPTION
1	112435-03-000	EA	WHEELWELL
2	102979-04-000	EA	BOX - POWER CORD
3	114394-01-02B	EA	COMPARTMENT - GENERATOR
	114070-02-02B	EA	SUPPORT - GENERATOR - LEFT
	114071-02-02B	EA	SUPPORT - GENERATOR - RIGHT
4	072884-27-703	EA	MUD FLAP W/HOLES, 1EA=PAIR
5	077848-05-000	EA	STEP - PULLOUT
	102569-04-000	EA	MAT - ANTI SLIP
	077441-06-000	EA	BRACKET - STEP
	104452-03-000	EA	SUPPORT - STEP
	084993-01-000	EA	STRAP - BATTERY
	084993-02-000	EA	STRAP - BATTERY
	065450-05-000	EA	TIEDOWN - BATTERY - 8.4" TUBE
6	017516-01-000	EA	MUD FLAP - 14" X 18" - BLACK
7	045731-06-000	EA	GUARD - ROCK
	061420-01-000	EA	PLUG/PLASTIC - 1.75" DIAMETER - BROWN
	061420-05-000	EA	PLUG/PLASTIC - 1.8" DIAMETER
	061420-09-000	EA	PLUG/PLASTIC - 1.00" - DIAMETER
	061420-10-000	EA	PLUG/PLASTIC - 1.50" DIAMETER - BLACK
	105376-01-02A	EA	HINGE - CONTINUOUS - 2" X 5.5" - OFF WHITE

CHASSIS GROUP (CONTINUED)



REAR BUMPER & HITCH

KEY	PART NUMBER	U/M	DESCRIPTION
1	104420-01-000	EA	SUPPORT/ANGLE - REAR BUMPER
2	083376-01-000	EA	PLATE/SKID - 13.2" X 6" X 2" STEEL
3	103422-05-02A	EA	BUMPER/ALUMINUM - SQUARE TUBE
4	039779-01-000	EA	CAP - BUMPER - RUBBER - 4" X 4" - BLACK
5	034513-01-000	EA	PIN - HITCH - 3/16" WIRE
6	107707-08-000	EA	HITCH RECEIVER - BOLT-ON CLASS II
7	104420-02-000	EA	SUPPORT/ANGLE - REAR BUMPER
	097745-02-000	EA	HOUSING - RECEPTACLE - TRAILER - 48' WIRE LENGTH
	113589-02-000	EA	CONNECTOR - SOCKET - TRAILER
	097744-02-000	EA	HOUSING - TRAILER PIN - 48"
	113589-01-000	EA	CONNECTOR - PLUG - TRAILER
	113588-02-01B	EA	BRACKET - CONNECTOR - TRAILER W/O LIP
	113634-01-000	EA	WIRE ASSEMBLY - TRAILER ADAPTER

DRIVESHAFT

KEY	PART NUMBER	U/M	DESCRIPTION
	103653-10-000	EA	DRIVESHAFT - BALANCED PAIR - 190" WB - DIESEL ENGINE
	103653-21-000	EA	DRIVESHAFT - BALANCED PAIR - 190" WHEEL BASE - GAS
	115043-02-000	EA	BUSHING - STEP-UP - 2.5 OD - 3.5 OD - EXHAUST - DIESEL
	074833-01-000	EA	SPACER - BEARING - DRIVESHAFT - 2" X 8" X .5" THICK
	085771-03-000	EA	NUT - HEX - FLARE TORQUE - GRADE G - DRIVESHAFT
	088498-01-000	EA	UNION - INVERTED FLARE - BRASS - 3/16

CHASSIS GROUP (CONTINUED)

WHEEL LINERS - DICOR - 00-00-00 THRU: 10-08-97

KEY	PART NUMBER	U/M	DESCRIPTION	VENDOR NO.
	110435-02-000	EA	LINER/WHEEL - SET OF 4	
	110435-01-711	EA	DECAL-CENTER CAP, 2" DECAL	
	110435-02-700	EA	LINER-WHEEL,FRONT	V160F2-FWC
	110435-02-701	EA	LINER-WHEEL,REAR	V160F2-RWC
	110435-02-702	EA	STUD EXTENDER	V160SD-STX
	110435-02-703	EA	NUT (JAMB)	V160SD-JNT
	110435-02-704	EA	COVER-LUG NUT	V160F0-LNC
	110435-02-705	EA	TOOL F/ JAMB NUT, INSTALL.	V160FO-TOL
	095012-05-000	EA	EXTENSION - VALVE STEM - LIVE 5"	
	095012-06-000	EA	STABILIZER - VALVE - EXTENSION - L	

WHEEL LINERS - DICOR - 10-09-97 THRU: 99-99-99

KEY	PART NUMBER	U/M	DESCRIPTION	VENDOR NO.
	110435-13-000	EA	LINER - WHEEL - SET OF 4	
	110435-10-705	EA	TOOL - INSTALLATION	V195P7-TOL
	110435-13-700	EA	WHEEL COVER - FRONT	V160F7-FWC
	110435-13-701	EA	WHEEL COVER - REAR	V160F7-RWC
	110435-13-702	EA	JAM NUT/ENCLOSED - 9/16"	V160F7-EJN
	095012-05-000	EA	EXTENSION - VALVE STEM - LIVE 5"	
	095012-06-000	EA	STABILIZER - VALVE - EXTENSION - L	

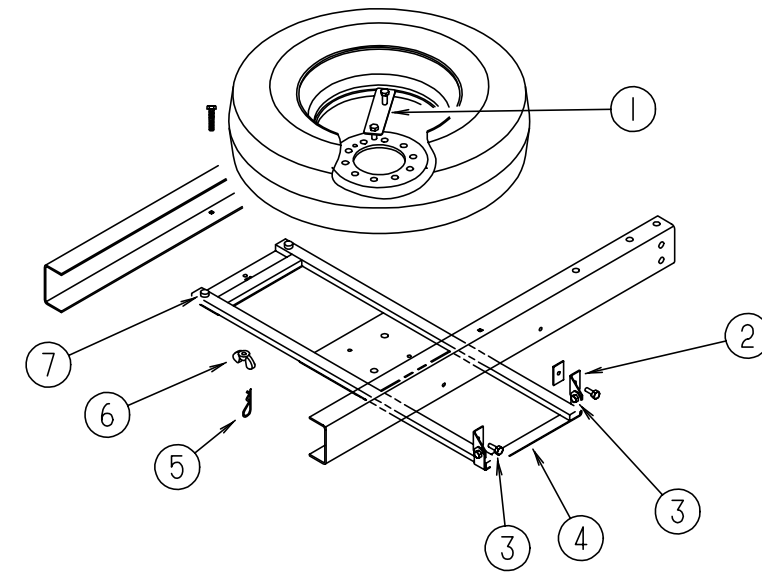
WHEEL COVERS - DICOR

KEY	PART NUMBER	U/M	DESCRIPTION	VENDOR NO.
	109443-05-000	EA	WHEEL COVER - 4/SET - 16" STAINLESS STEEL	
	098532-01-700	EA	COVER-LUG NUT (CHROME)	SHAU-LNC
	109443-05-700	EA	COVER-WHEEL, 16" SS EA=1	SHFM16-CVR

TIRE & WHEEL

KEY	PART NUMBER	U/M	DESCRIPTION
	070917-06-000	EA	TIRE - LT225/75R16E - R4S - M/S
	051377-04-000	EA	VALVE STEM ASM-TR602-HP
	083617-03-000	EA	WHEEL - STEEL - 16.0 X 6

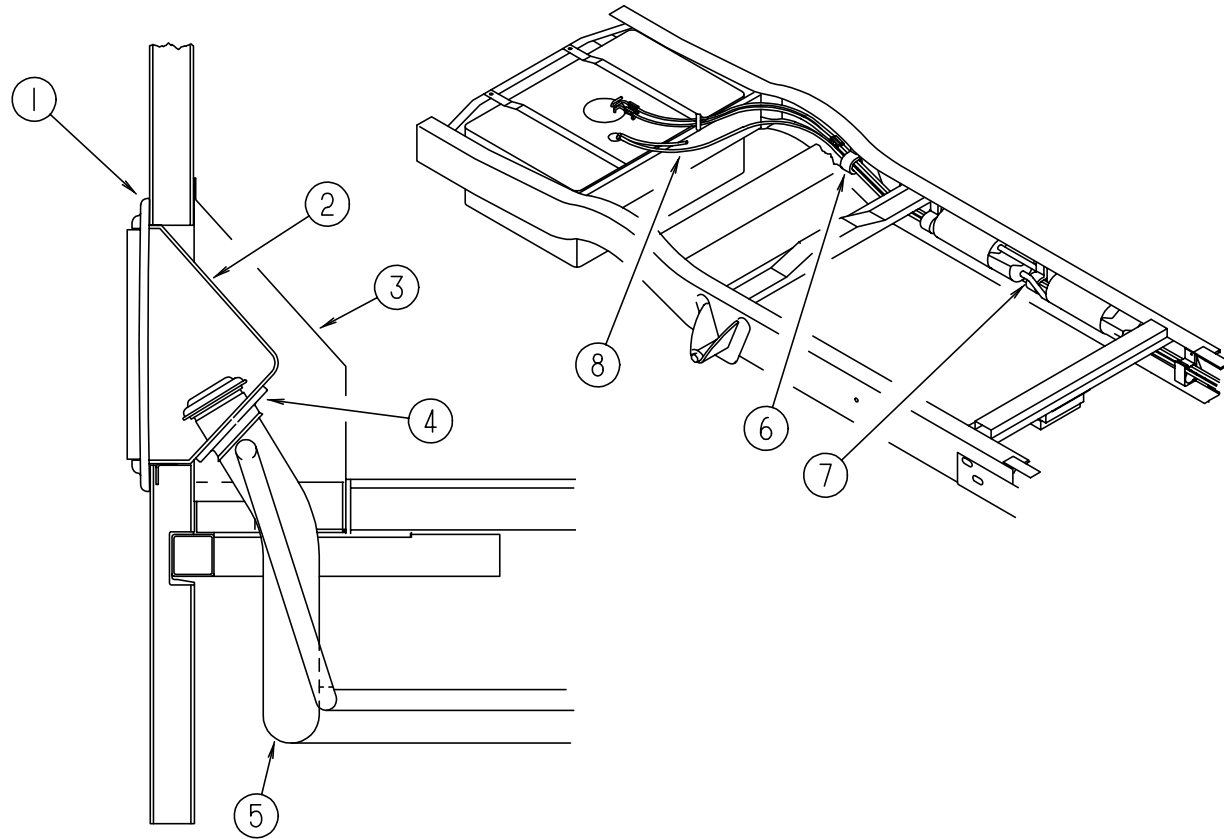
CHASSIS GROUP (CONTINUED)



SPARE TIRE INSTALLATION

KEY	PART NUMBER	U/M	DESCRIPTION
1	116338-02-02B	EA	BRACKET/CLAMP - SPARE TIRE - E-COATED
	000D29-09-00B	EA	NUT - HEX SELFLOCKING - 9/16-12 - ZINC
2	116349-01-02B	EA	BRACKET/HINGE - SPARE TIRE - E-COATED
3	000C26-06-12B	EA	BOLT - HEX - SERRATED FLANGE - 3/8-16 X 3/4 - ZINC
	000D34-06-00B	EA	NUT - HEX -LOCKING - 3/8-16 GRADE C ZINC - PREVAILING TORQUE
	000E13-17-00B	EA	WASHER - FLAT - 3/8" AR - ZINC
4	116348-01-02B	EA	CRADLE - SPARE TIRE - E-COATED
5	034513-01-000	EA	PIN - HITCH - 3/16" WIRE
6	064081-03-000	EA	NUT - WING 3/8-16 - W/WELD NUT
7	069726-02-000	EA	BUMPER - .88 DIAMETER - 40 - BLACK
	112358-01-000	EA	WRENCH - LUG - 7/8" - L-SHAPE

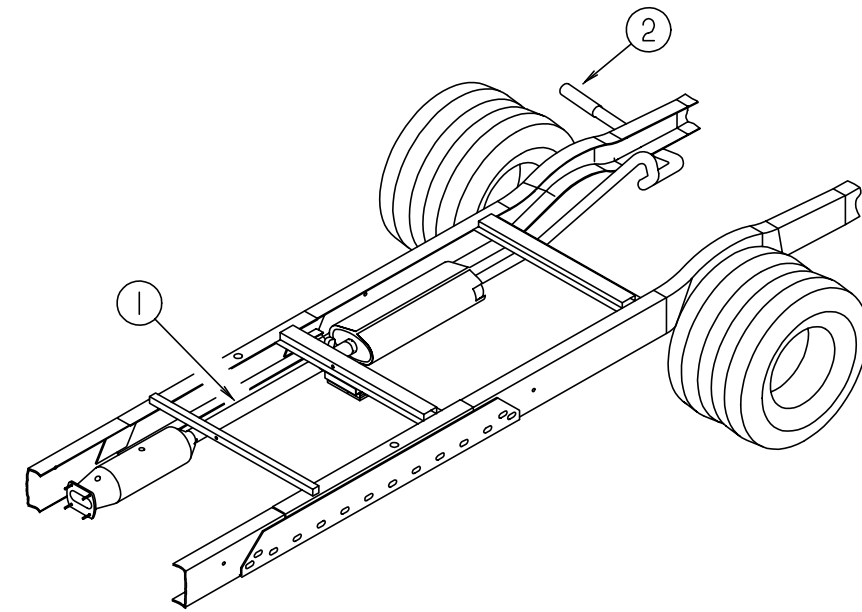
CHASSIS GROUP (CONTINUED)



FUEL SYSTEM COMPONENTS

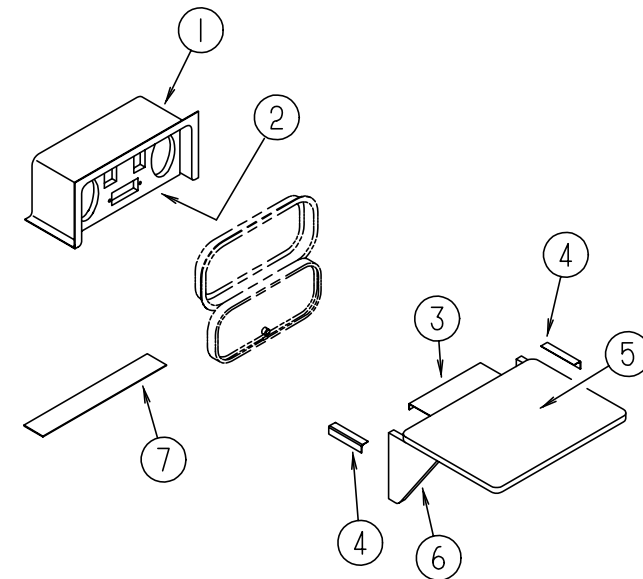
KEY	PART NUMBER	U/M DESCRIPTION
1	077963-01-000	FT GASKET - DOOR - FUEL FILL - 10.1" X 8" - W/PSA
2	095854-01-04A	EA SHROUD - FUEL FILL - BRIGHT WHITE
3	078040-06-000	EA SHROUD - FUEL FILL - UPPER
4	078200-01-000	EA GASKET - FUEL FILL - 3.5" OD X 2" ID
5	108603-02-000	EA NECK - FILLER - FUEL FILL - DIESEL
5	124996-01-000	EA NECK - FILLER - FUEL FILL - UNLEADED
6	010497-04-000	EA CLAMP - CLOSED - 1.62" ID
7	125187-01-000	FT HOSE - FUEL - LOW PERM - 11.1 ID
8	125187-02-000	FT HOSE - FUEL - LOW PERM - 12.7 ID
	007063-01-000	FT HOSE - FUEL - 1/4"ID X 1/2"OD
	084884-01-000	EA PLUG - BRASS - 3/8"

CHASSIS GROUP (CONTINUED)



EXHAUST SYSTEM COMPONENTS

KEY	PART NUMBER	U/M DESCRIPTION
1	111478-02-000	EA EXHAUST PIPE - DOUBLE WALL STAINLESS STEEL - 33.9" LONG - GAS
	094918-06-000	EA CLAMP - EXHAUST - 3" - HEAVY DUTY
1	098762-13-000	EA PIPE - EXHAUST - STRAIGHT - 3.5" - DIESEL
	094918-02-000	EA CLAMP - EXHAUST - 3.5"
2	098762-18-000	EA PIPE - EXHAUST - STRAIGHT - 3"



EXTERIOR ENTERTAINMENT CENTER

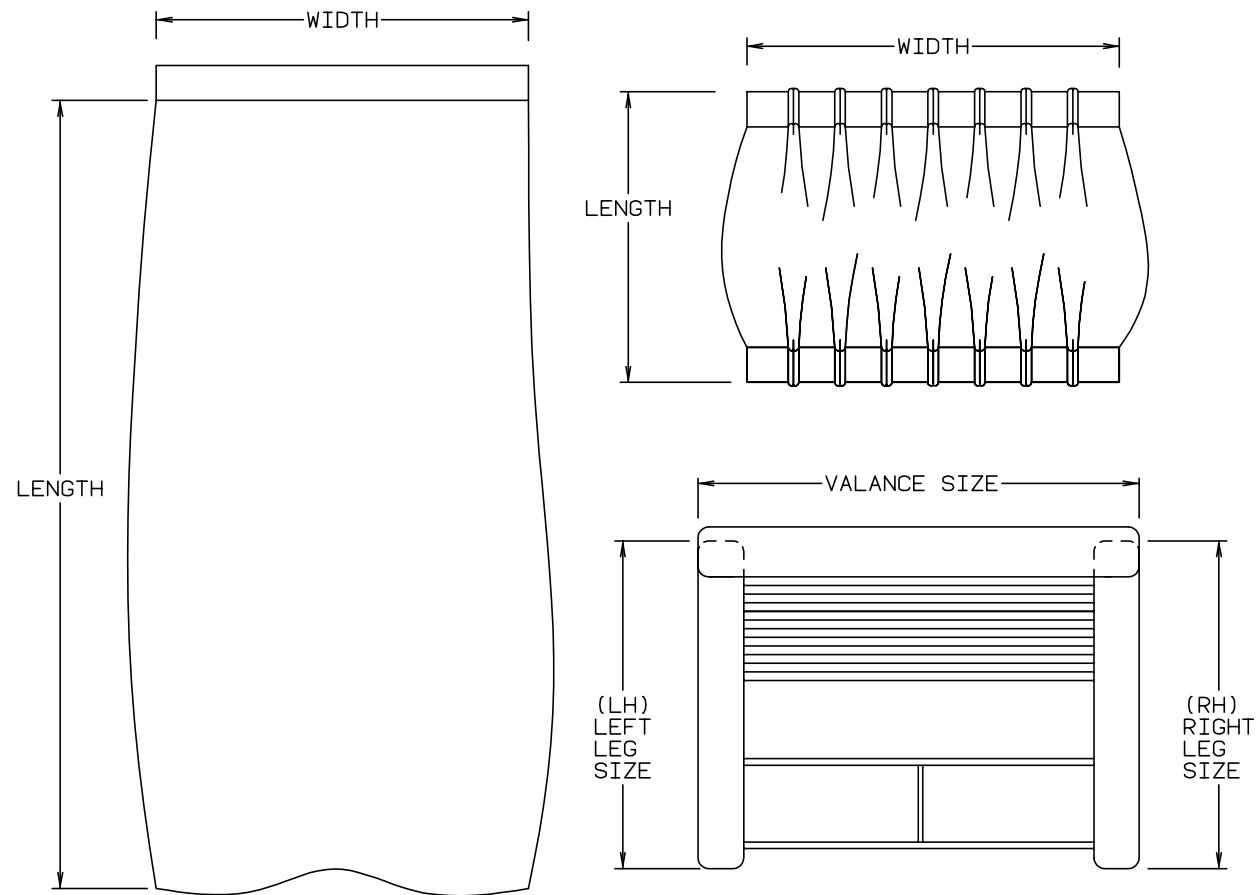
KEY	PART NUMBER	U/M DESCRIPTION
1	104897-02-02A	EA BOX - EXTERIOR ENTERTAINMENT CENTER
2	127409-02-J01	EA PLATE - RADIO MOUNTING
3	105377-01-04A	EA BRACKET - TABLE HANGER - BRIGHT WHITE
4	105376-01-03A	EA HINGE - CONTINUOUS - 2" X 5.5" - BRIGHT WHITE
5	105230-11-J01	EA SHELF - EXTERIOR ENTERTAINMENT CENTER - W/O HARDWARE
6	105230-13-J01	EA SUPPORT - EXTERIOR SHELF
7	104898-01-02A	EA PLATE - PLASTIC BOTTOM - BRIGHT WHITE

CURTAIN & CUSHION GROUP

NOTICE

IN ORDER TO ASSIST OUR PARTS SALES DEPT. IN PROVIDING INTERIOR SOFTWARE ITEMS, PLEASE INCLUDE THE SERIAL NUMBER AND THE COLOR CODE NUMBER FROM THE VEHICLE CERTIFICATION LABEL WHEN ORDERING. THIS LABEL IS LOCATED ON THE LEFT SIDEWALL AT THE END OF THE DASH (A-BODY), OR ON THE DRIVER'S DOOR LATCH PLATE (C-BODY).

AN EXAMPLE OF A COLOR CODE NUMBER IS B07, WHICH DESIGNATES AN OVERALL COLOR SCHEME OF A PARTICULAR UNIT. THE COLOR LISTED AFTER THE ITEM DESCRIPTION ON THE MICROFICHE, INDICATES THE OVERALL UNIT COLOR. ORDER THE ITEM YOU DESIRE ACCORDING TO UNIT COLOR CODE.



NOTE: USE THIS ILLUSTRATION WHEN DETERMINING LENGTH AND WIDTH MEASUREMENTS FOR CURTAINS. YOU WILL NOTE THE WIDTH MEASUREMENT IS TAKEN ON THE TOP OF THE CURTAIN WITH THE CURTAIN FULLY EXTENDED. THE LENGTH MEASUREMENT IS TAKEN FROM TOP TO BOTTOM. LEFT AND RIGHT WINDOW LEGS ARE DETERMINED WHEN FACING THE WINDOW.

CURTAIN & CUSHION GROUP (CONTINUED)

FABRICS

Color Codes	J01	J02
	GEMSTONE	SANDPIPER
BUCKET SEATS	108446-G0-000 108446-N3-000	108446-U1-000 108446-57-000
DINETTE CUSHIONS	108446-N4-000	108446-R8-000
DINETTE PADS	108446-G0-000	108446-U1-000
SOFA	108446-N4-000	108446-R8-000
SWIVEL CHAIR	108446-N3-000	108446-57-000
LOUNGE/DINETTE VALANCE/LEG	108446-N3-000	108446-57-000
LOUNGE OVERLAYS	108446-N4-000	108446-R8-000
BEDROOM VALANCE/LEG	105745-G1-000	105745-G2-000
BEDROOM OVERLAYS	105745-E7-000	105745-A1-000
BEDSPREAD	105745-G1-000	105745-G2-000
PILLOW SHAMS	105745-G1-000 105745-E7-000	105745-G2-000 105745-A1-000
ENTRANCE DOOR VALANCE	108446-N3-000	108446-57-000
BUNK CUSHIONS	108446-N3-000	106569-03-02A
BUNK/PRIVACY CURTAINS	105745-G1-000	105745-G2-000
DRAPERY LINING	087272-03-000	087272-03-000
TIRE COVER	103907-01-06A	103907-01-06A
HEADLINER	103907-01-04A	103907-01-04A

NOTE: FABRIC LISTED FIRST IN A BLOCK IS THE LARGEST QUANTITY OF FABRIC USED

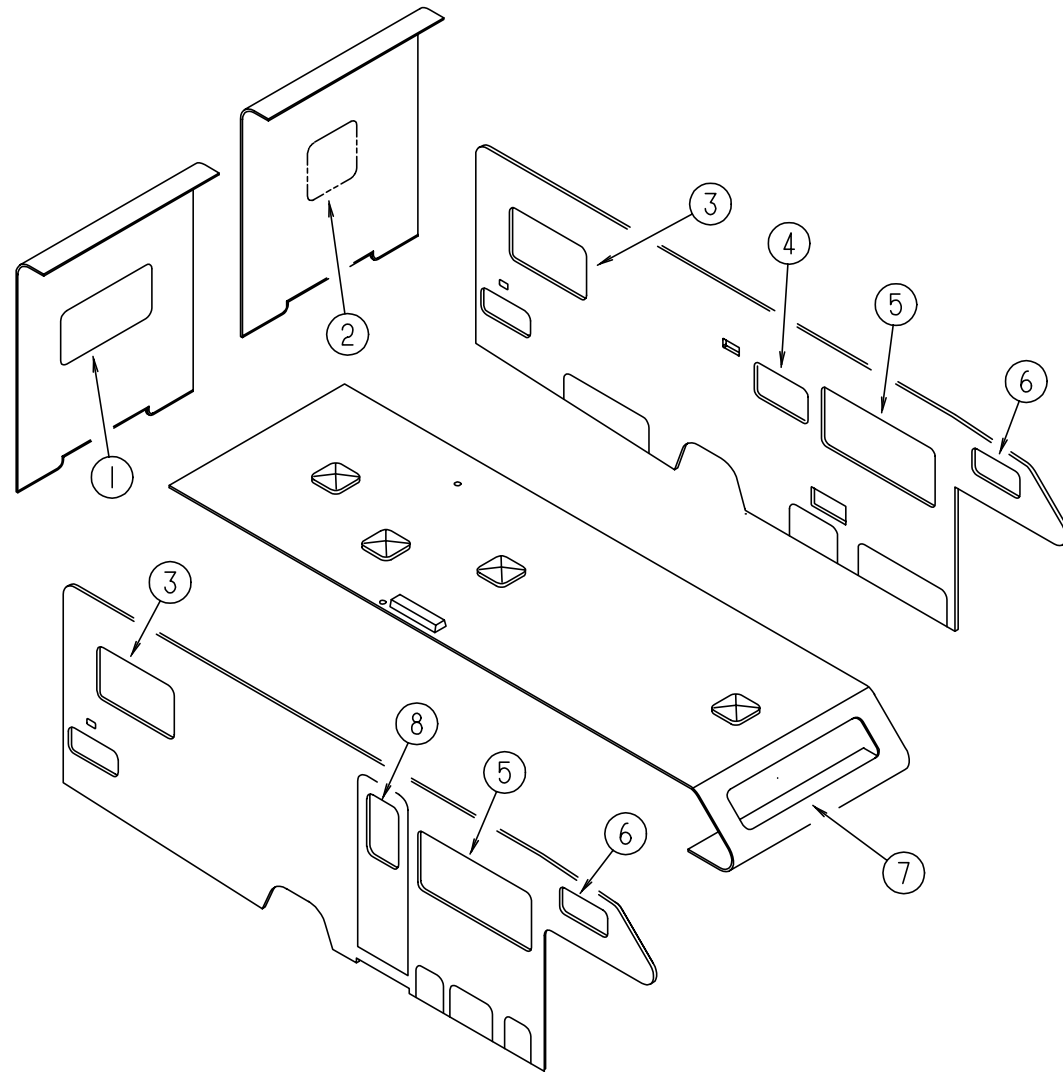
BUTTONS

KEY	PART NUMBER	U/M DESCRIPTION
	070578-10-J01	EA BUTTON - #30 - SCREW STUD
	070578-10-J02	EA BUTTON - #30 - SCREW STUD

CURTAIN & CUSHION GROUP (CONTINUED)

CURTAIN & CUSHION GROUP (CONTINUED)

CURTAINS & WINDOW TREATMENT (CONTINUED)



CURTAINS & WINDOW TREATMENT

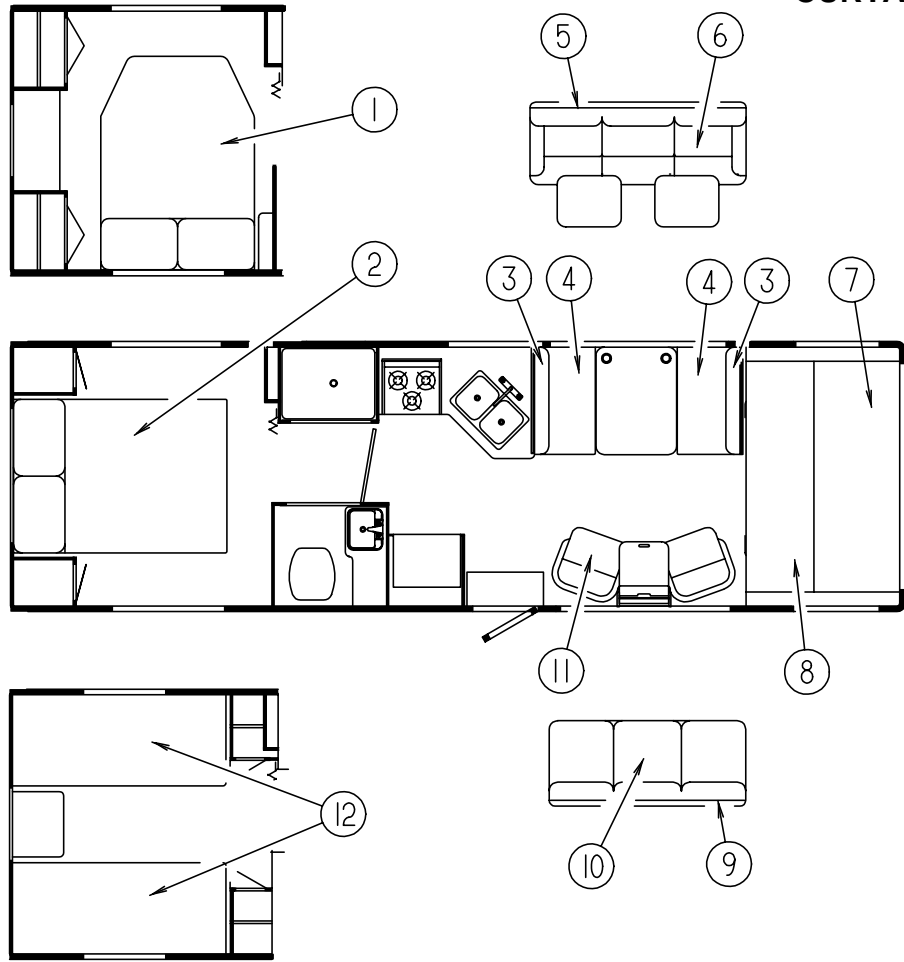
KEY	PART NUMBER	U/M DESCRIPTION
5	119263-25-J45	EA VALANCE - STARBUCK II - 64.5" (J01)
5	119263-25-J02	EA VALANCE - STARBUCK II - 64.5" (J02)
5	127522-01-J01	EA SHADE - PULL - 61"
5	111910-57-J20	EA BLIND - DAY/NIGHTER - 61" X 29.5"
5	127017-11-J01	EA LEG - RIGHT - 25"
5	127017-11-J02	EA LEG - RIGHT - 25"
5	127017-12-J01	EA LEG - LEFT - 25"
5	127017-12-J02	EA LEG - LEFT - 25"
6	101034-51-J01	EA CURTAIN - RIGHT HAND - 19" X 34"
6	101034-51-J02	EA CURTAIN - RIGHT HAND - 19" X 34"
6	101034-52-J01	EA CURTAIN - LEFT HAND - 19" X 34"
6	101034-52-J02	EA CURTAIN - LEFT HAND - 19" X 34"
7	101034-33-J01	EA CURTAIN - RIGHT HAND - 21" X 60"
7	101034-33-J02	EA CURTAIN - RIGHT HAND - 21" X 60"
7	101034-34-J01	EA CURTAIN - LEFT HAND - 21" X 60"
7	101034-34-J02	EA CURTAIN - LEFT HAND - 21" X 60"
8	119263-31-J01	EA VALANCE - STARBUCK II - 29"
8	119263-31-J02	EA VALANCE - STARBUCK II - 29"
8	084755-57-E07	EA SHADE - PULL - 27.25"

PRIVACY CURTAINS & TIEBACKS

KEY	PART NUMBER	U/M DESCRIPTION
	076892-23-J01	EA CURTAIN - 44" X 80"
	076892-23-J02	EA CURTAIN - 44" X 80"
	101668-39-J01	EA CURTAIN - RIGHT HAND - 35" X 50" (J01)
	101668-39-G01	EA CURTAIN - RIGHT HAND - 35" X 50" (J02)
	101668-40-J01	EA CURTAIN - LEFT HAND - 35" X 50" (J01)
	101668-40-G01	EA CURTAIN - LEFT HAND - 35" X 50" (J02)
	073260-23-J01	EA TIEBACK - CURTAIN - 3" X 18" (J01)
	073260-23-G01	EA TIEBACK - CURTAIN - 3" X 18" (J02)

KEY	PART NUMBER	U/M DESCRIPTION
1	119263-28-J45	EA VALANCE - STARBUCK II - 52" (J01) - QUEEN/TWIN BED
1	119263-28-J02	EA VALANCE - STARBUCK II - 52" (J02) - QUEEN/TWIN BED
1	084755-92-F15	EA SHADE - PULL - 50.25" - QUEEN/TWIN BED
1	111910-62-J11	EA BLIND - DAY/NIGHTER - 49" X 27" - QUEEN/TWIN BED
1	112986-14-J01	EA CURTAIN - 27.5" X 6" - QUEEN/TWIN BED
1	112986-14-J02	EA CURTAIN - 27.5" X 6" - QUEEN/TWIN BED
2	119263-34-J01	EA VALANCE - STARBUCK II - 31" - DOUBLE BED
2	119263-34-J02	EA VALANCE - STARBUCK II - 31" - DOUBLE BED
2	084755-57-E07	EA SHADE - PULL - 27.25" - DOUBLE BED
2	111910-20-HA3	EA BLIND - DAY/NIGHTER - 28" X 28" - DOUBLE BED
2	112986-12-J01	EA CURTAIN - 29.5" X 6" - DOUBLE BED
2	112986-12-J02	EA CURTAIN - 29.5" X 6" - DOUBLE BED
3	119263-32-J01	EA VALANCE - STARBUCK II - 45"
3	119263-32-J02	EA VALANCE - STARBUCK II - 45"
3	084755-93-F15	EA SHADE - PULL - 42.25"
3	111910-53-J01	EA BLIND - DAY/NIGHTER - 42" X 28.5"
3	112986-12-J01	EA CURTAIN - 29.5" X 6" - QUEEN BED
3	112986-12-J02	EA CURTAIN - 29.5" X 6" - QUEEN BED
3	112986-14-J01	EA CURTAIN - 27.5" X 6" - TWIN/DOUBLE BED
3	112986-14-J02	EA CURTAIN - 27.5" X 6" - TWIN/DOUBLE BED
4	109041-44-02A	EA BLIND - MINI - 30.5" X 18"
	109353-10-02A	EA BLIND - SLAT - 30.5"
	109353-04-000	EA CLIP - VALANCE SLAT MOUNTING - CLEAR PLASTIC

CURTAIN & CUSHION GROUP (CONTINUED)



DINETTE CUSHIONS

KEY	PART NUMBER	U/M DESCRIPTION
3	111897-14-J01	EA CUSHION - BACK - 13.5" X 42" X 5"
3	111897-14-J02	EA CUSHION - BACK - 13.5" X 42" X 5"
	P11897-14-J01	EA COVER - BACK CUSHION - 13.5" X 42" X 5"
	P11897-14-J02	EA COVER - BACK CUSHION - 13.5" X 42" X 5"
	078155-01-000	EA STRAP - SNAP - BACK CUSHION
4	105603-15-H30	EA CUSHION - SEAT - 23" X 42" X 5" (J01)
4	105603-15-J02	EA CUSHION - SEAT - 23" X 42" X 5" (J02)
	P05603-15-H30	EA COVER - CUSHION SEAT - 23" X 42" X 5" (J01)
	P05603-15-J02	EA COVER - CUSHION SEAT - 23" X 42" X 5" (J02)

DRIVERS SIDE COUCH

KEY	PART NUMBER	U/M DESCRIPTION
5	111319-01-J01	EA BACK - SOFA/BED - W/FRAME - 74"
5	111319-01-J02	EA BACK - SOFA/BED - W/FRAME - 74"
	P11319-01-J01	EA COVER - BACK CUSHION - SOFA/BED - 74"
	P11319-01-J02	EA COVER - BACK CUSHION - SOFA/BED - 74"
	101085-10-000	EA FRAME - BACK - SOFA/BED - 74.75" X 16"
6	100032-43-H30	EA SEAT - SOFA/BED W/FRAME - 74" - W/O ARMS (J01)
6	100032-43-J02	EA SEAT - SOFA/BED W/FRAME - 74" - W/O ARMS (J02)
	P00032-43-H30	EA COVER - SEAT - SOFA/BED - 74" - NO ARMS (J01)
	P00032-43-J02	EA COVER - SEAT - SOFA/BED - 74" - NO ARMS (J02)
	101085-04-000	EA FRAME - SEAT - SOFA/BED - 74.75"
	101085-06-000	EA FRAME - BASE - SOFA/BED - 74.75"
	105947-01-000	EA BRACKET - HOLD DOWN - COUCH - CANADIAN
	122556-04-01A	EA LOCK - JACK KNIFE SEAT
	113990-09-000	EA LOCK - BRACKET - MALE FLEXSTEEL

NOTE: COUCH FRONT AND SIDE PANELS ARE FOUND IN LOUNGE GROUP

DOUBLE BEDSPREAD & MATTRESS

KEY	PART NUMBER	U/M DESCRIPTION
1	123471-22-J01	EA BEDSPREAD/THROW - 54" X 75"
1	123471-22-J02	EA BEDSPREAD/THROW - 54" X 75"
	104176-02-J01	EA SHAM - PILLOW
	104176-02-J02	EA SHAM - PILLOW
	101123-22-000	EA MATTRESS - FOAM - 54" X 75" X 5" W/2 CUT CORNERS
	P01123-22-000	EA COVER - MATTRESS - 54" X 75" X 5" - W/2 CUT CORNERS

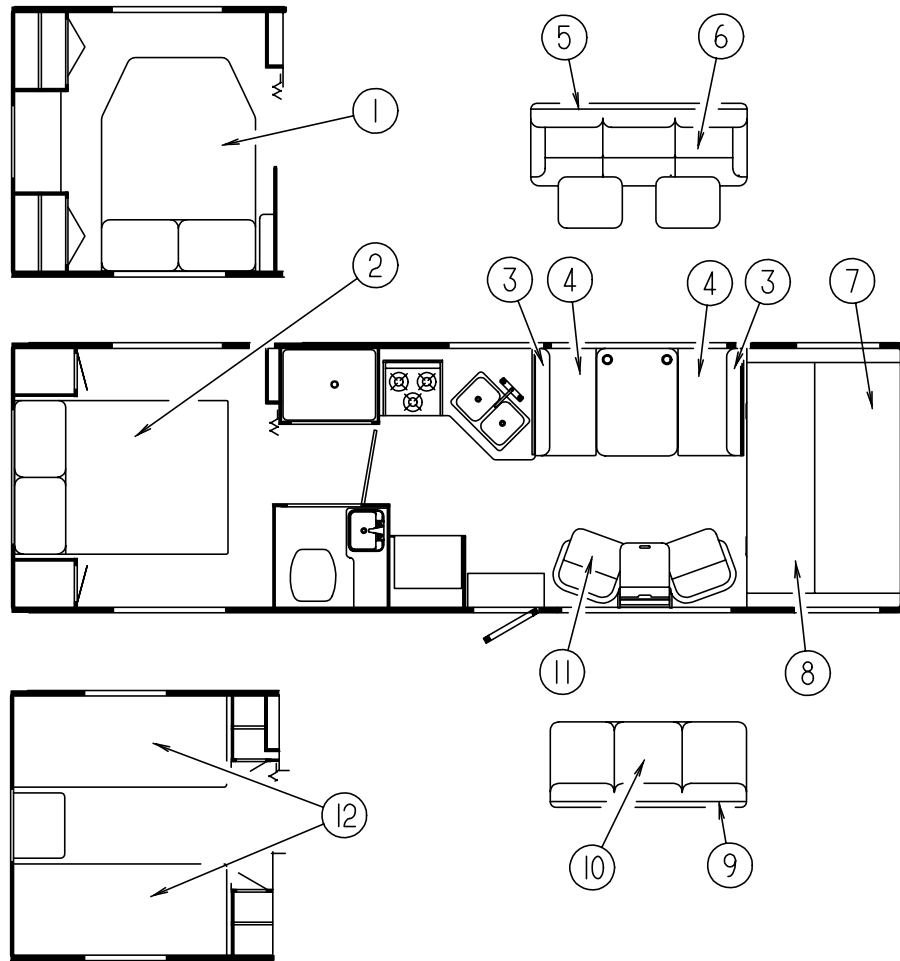
QUEEN BEDSPREAD & MATTRESS

KEY	PART NUMBER	U/M DESCRIPTION
2	123471-08-J01	EA BEDSPREAD/THROW - 60" X 75"
2	123471-08-J02	EA BEDSPREAD/THROW - 60" X 75"
	104176-04-J01	EA SHAM - PILLOW - 30"
	104176-04-J02	EA SHAM - PILLOW - 30"
	123015-06-000	EA MATTRESS - INNERSPRING - 60" X 74.5"

BUNK CUSHIONS

KEY	PART NUMBER	U/M DESCRIPTION
7	105573-09-H30	EA CUSHION - OVERHEAD BUNK/FRONT - 32.5" X 80" X 5" (J01)
7	105573-09-E22	EA CUSHION - OVERHEAD BUNK/FRONT - 32.5" X 80" X 5" (J02)
	P05573-09-H30	EA COVER - CUSHION/OVERHEAD BUNK/FRONT - 32.5" X 80" X 5" (J01)
	P05573-09-E22	EA COVER - CUSHION/OVERHEAD BUNK/FRONT - 32.5" X 80" X 5" (J02)
8	105573-10-J01	EA CUSHION - OVERHEAD BUNK/REAR - 27" X 23" X 5"
8	105573-10-J02	EA CUSHION - OVERHEAD BUNK/REAR - 27" X 23" X 5"
	P05573-10-J01	EA COVER - CUSHION/OVERHEAD BUNK/REAR - 27" X 23" X 80" X 5"
	P05573-10-J02	EA COVER - CUSHION/OVERHEAD BUNK/REAR - 27" X 23" X 80" X 5"

CURTAIN & CUSHION GROUP (CONTINUED)



BUNK CUSHIONS-OVERHEAD ENTERTAINMENT CENTER

KEY	PART NUMBER	U/M DESCRIPTION
	079145-08-000	EA CUSHION - BUNK - 25" X 74" X 3.5"
	M79145-08-000	EA COVER - CUSHION/BUNK - 25" X 74" X 3.5"

PASSENGER SIDE COUCH

KEY	PART NUMBER	U/M DESCRIPTION
9	111319-03-J01	EA BACK - SOFA/BED - W/FRAME - 66.5"
9	111319-03-J02	EA BACK - SOFA/BED - W/FRAME - 66.5"
	P11319-03-J01	EA COVER - BACK - SOFA/BED - 66.5"
	P11319-03-J02	EA COVER - BACK - SOFA/BED - 66.5"
	101085-09-000	EA FRAME - BACK - SOFA/BED - 66.5" X 16"
10	100032-37-H30	EA SEAT - SOFA/BED W/FRAME - 66.5" (J01)
10	100032-37-J02	EA SEAT - SOFA/BED W/FRAME - 66.5" (J02)
	P00032-37-H30	EA COVER - SEAT - SOFA/BED - 66.5" (J01)
	P00032-37-J02	EA COVER - SEAT - SOFA/BED - 66.5" (J02)
	101085-01-000	EA FRAME - SEAT - SOFA/BED - 66.5"
	101085-03-000	EA FRAME - BASE - SOFA/BED - 66.5"
	105947-01-000	EA BRACKET - HOLD DOWN - COUCH - CANADIAN
	122556-04-01A	EA LOCK - JACK KNIFE SEAT
	113990-09-000	EA LOCK - BRACKET - MALE FLEXSTEEL

NOTE: COUCH FRONT AND SIDE PANELS ARE FOUND IN LOUNGE GROUP

CURTAIN & CUSHION GROUP (CONTINUED)

CHAIR - SWIVEL

KEY	PART NUMBER	U/M DESCRIPTION
11	115470-01-H30	EA CHAIR - SWIVEL (J01)
11	115470-01-F01	EA CHAIR - SWIVEL (J02)

TWIN BEDSPREAD & MATTRESS

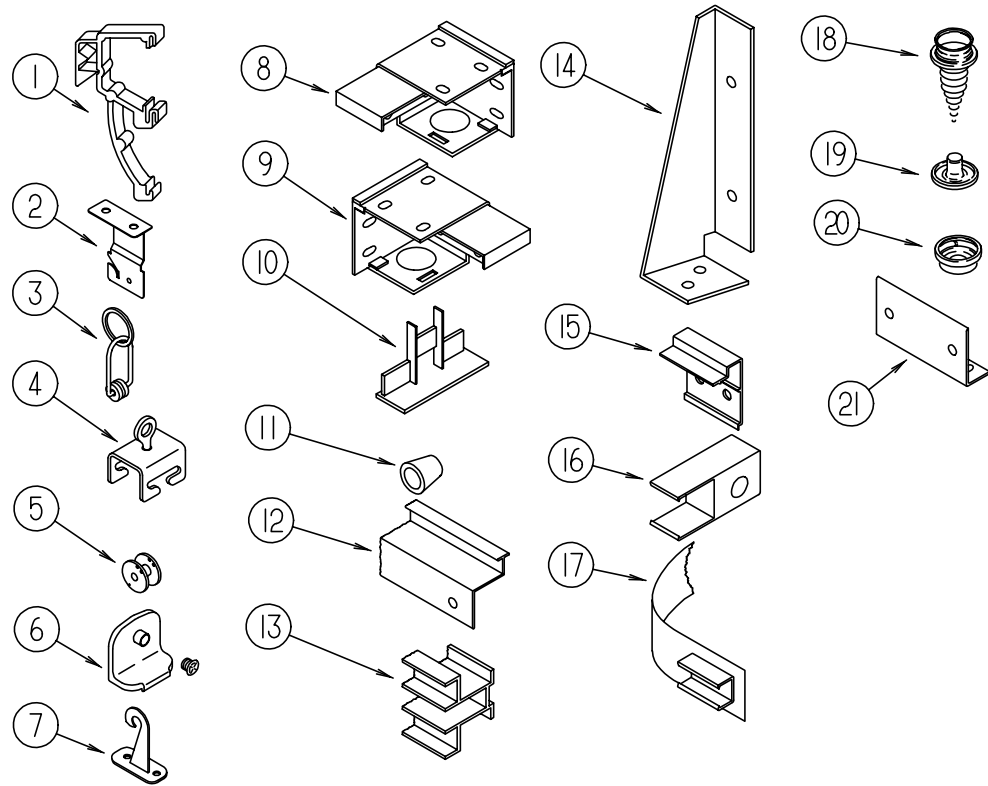
KEY	PART NUMBER	U/M DESCRIPTION
12	123471-21-J01	EA BEDSPREAD/THROW - 36" X 75"
12	123471-21-J02	EA BEDSPREAD/THROW - 36" X 75"
	104176-08-J01	EA SHAM - PILLOW
	104176-08-J02	EA SHAM - PILLOW
	101123-29-000	EA MATTRESS - FOAM - 35" X 74"
	P01123-29-000	EA COVER - MATTRESS - 35" X 74"

ASSIST HANDLE & SEATBELTS

KEY	PART NUMBER	U/M DESCRIPTION
	007021-01-000	EA SEAT BELT - 2" X 90" - BLACK
	057759-01-000	EA WASHER BRACKET - SEAT BELT - 4" DIAMETER
	069178-02-000	EA BRACKET - MOUNTING/ASSIST HANDLE - GRAY
	000C16-07-16B	EA BOLT - CARRIAGE - ASSIST HANDLE - 7/16" - 14 X 1"
	000D20-07-00B	EA NUT - ACORN - ASSIST HANDLE - 7/16 - 14
	053552-02-AA8	EA HANDLE - ASSIST - INTERIOR/ENTRY DOOR - VINYL/OFF WHITE
	057534-06-000	EA TIEBACK/TIEDOWN - VINYL - 6" BEIGE

CURTAIN & CUSHION GROUP (CONTINUED)

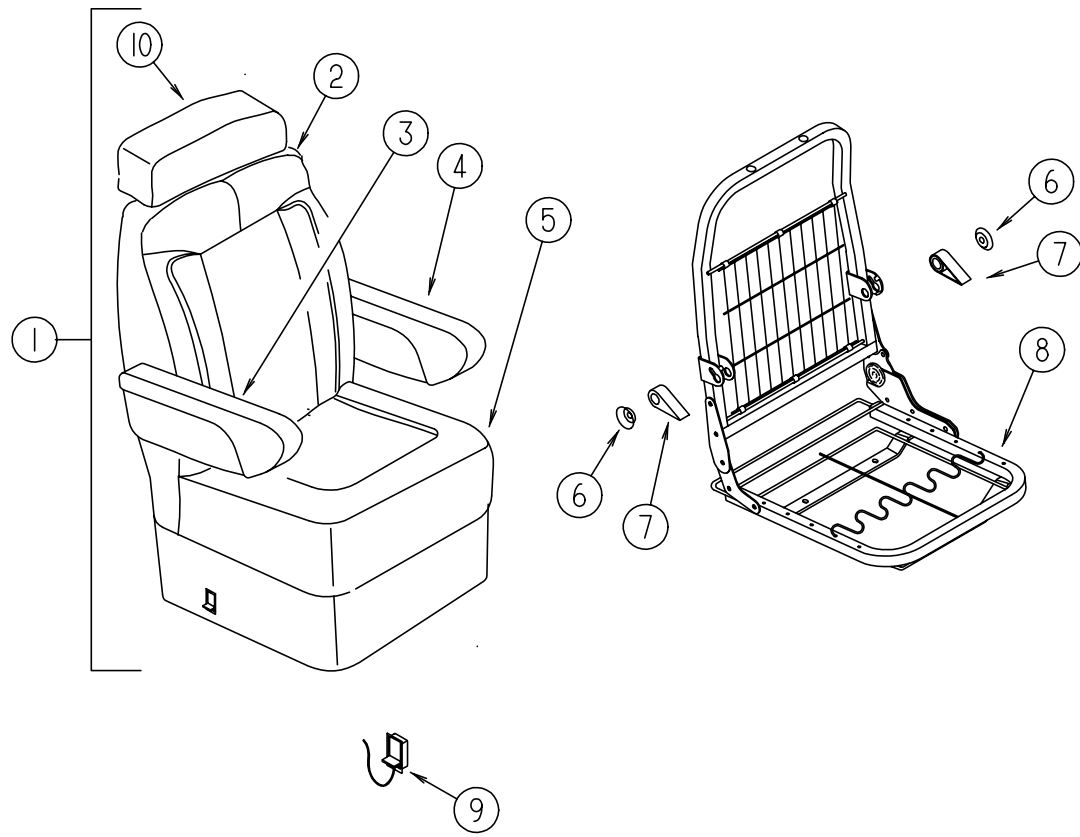
CURTAIN & BLIND HARDWARE



KEY	PART NUMBER	U/M DESCRIPTION
	046867-03-000	EA GROMMET - HANDY BUTTON #3
	048394-02-000	YD VELCRO TAPE - HOOK - ADHESIVE BACK - .75" WIDE - BEIGE
	084433-05-000	EA SHADE - ROLLER - 72.25"
	086276-01-000	EA TAPE - DOUBLE SIDED - 1/2"
	088792-01-000	YD VELCRO TAPE - HOOK - 5/8" - NON-ADHESIVE BACKED
	088792-02-000	YD VELCRO TAPE - LOOP - .75" - ADHESIVE BACKED - BEIGE
	088792-05-000	YD VELCRO TAPE - LOOP - 5/8" - NON-ADHESIVE BACKED - WHITE
	088792-06-000	YD VELCRO TAPE - LOOP - .75" - NON-ADHESIVE BACKED - BUFF
	094896-02-000	EA GROMMET - CORD/PLEATED BLIND - NYLON - GRAY
	094907-04-000	EA HARDWARE - END CAP BOTTOM - PULL TYPE (RH & LH)
	096843-01-000	EA SPRING - REWIND/ROLLER SHADE
	097591-01-000	EA SPRING - EXTENSION/PLEATED BLIND
	097592-02-000	EA BRACKET - HOLDDOWN ADJUSTER
	097593-02-000	FT CORD - BLIND/PLEATED - GRAY
	109441-03-000	EA HOLD DOWN - BLIND (CLOUDY)
	056003-01-000	EA BRACKET - DRAPERY RETAINING - FRONT - METAL
	056003-02-000	EA BRACKET - DRAPERY RETAINING - REAR - METAL
	075943-10-000	EA BRACE - VALANCE - 20"
	084434-01-000	EA BRACKET - MOUNTING - ROLLER SHADE - 1 3/8"
	094907-02-000	EA END CAP - TOP/PLEATED BLIND - PLASTIC - GRAY

KEY	PART NUMBER	U/M DESCRIPTION
1	109353-04-000	EA CLIP - VALANCE SLAT MOUNTING - CLEAR PLASTIC
2	084434-01-000	EA BRACKET - MOUNTING - ROLLER SHADE - 1 3/8"
3	009701-01-000	EA CARRIER - CURTAIN - L ROD
4	009702-01-000	EA END STOP - CURTAIN CARRIER - L ROD
5	097592-01-000	EA SPOOL - CORD - ELEVATED BLIND HOLDUP - CLEAR PLASTIC
6	106544-01-000	EA PULL - SHADE/BRASS
	106544-01-001	EA SCREW - SHADE/BRASS
7	109441-03-000	EA HOLD DOWN - BLIND (CLOUDY)
8	083170-01-000	EA BRACKET - BLIND - LEFT SIDE WHEN FACING WINDOW
9	083170-02-000	EA BRACKET - BLIND - RIGHT SIDE WHEN FACING WINDOW
10	094907-02-000	EA END CAP - TOP/PLEATED BLIND - PLASTIC - GRAY
11	097564-01-000	EA HANDLE - KNOB - E-Z LIFT SHADE - SMOKED
11	097564-03-000	EA HANDLE - KNOB - E-Z LIFT SHADE - TAN
12	105450-03-01A	EA TRACK - CURTAIN - 50" LONG
12	105450-14-01A	EA TRACK - CURTAIN - 90"
13	101033-04-000	EA TRACK - WALL - 3'
13	101033-06-000	EA TRACK - WALL - 6.5'
13	101033-07-000	EA TRACK - WALL - 2.5'
14	076827-02-000	EA BRACKET - LEG - 2.9" X 1.8" - TRIANGLE
15	097565-01-000	EA BRACKET - MOUNTING/PLEATED BLIND
16	101033-02-000	EA END CAP - TRACK/CLEAR
17	101031-01-000	YD TAPE - GLIDE/CURTAIN - 4.25" SPACING
18	029130-01-000	EA SCREW - SNAP SOCKET - #8 PH X 5/8"
19	029155-01-000	EA CAP - SNAP - 5/32" OUTSIDE DIAMETER OF PIN
20	029156-01-000	EA SOCKET - SNAP - 9/16" O.D
21	083125-07-000	EA BRACE - COUCH - 2.5"

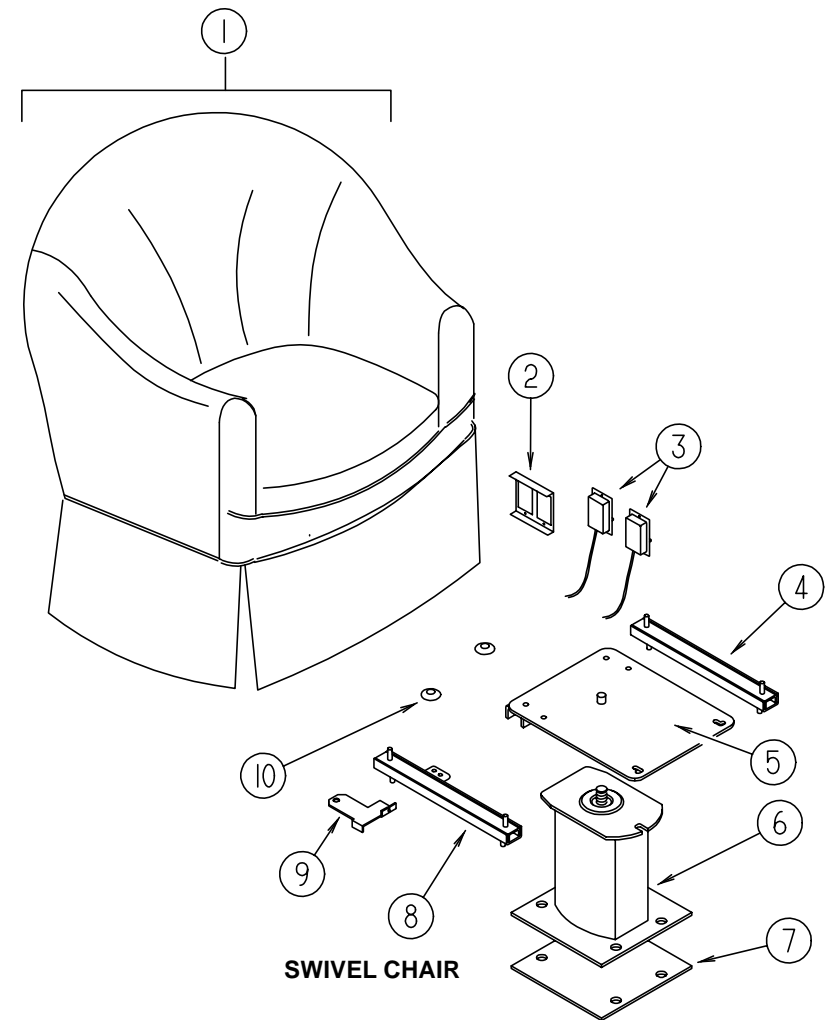
CURTAIN & CUSHION GROUP (CONTINUED)



BUCKET SEAT

KEY	PART NUMBER	U/M	DESCRIPTION
1	110148-10-J01	EA	SEAT - BUCKET - W/LEFT ARMREST
1	110148-10-J02	EA	SEAT - BUCKET - W/LEFT ARMREST
1	110148-11-J01	EA	SEAT - BUCKET - W/RIGHT ARMREST
1	110148-11-J02	EA	SEAT - BUCKET - W/RIGHT ARMREST
2	M05962-55-J01	EA	COVER - BACK
2	M05962-55-J02	EA	COVER - BACK
3	122780-01-J01	EA	ARMREST - RIGHT HAND
3	122780-01-J02	EA	ARMREST - RIGHT HAND
	P22780-01-J01	EA	COVER - ARMREST - RIGHT HAND
	P22780-01-J02	EA	COVER - ARMREST - RIGHT HAND
	115617-03-000	EA	ARMREST - W/O COVER - RIGHT HAND
4	122780-02-J26	EA	ARMREST - LEFT HAND (J01)
4	122780-02-J02	EA	ARMREST - LEFT HAND (J02)
	P22780-02-J26	EA	COVER - ARMREST - LEFT HAND (J01)
	P22780-02-J02	EA	COVER - ARMREST - LEFT HAND (J02)
	115617-04-000	EA	ARMREST - W/O COVER - LEFT HAND
5	M05962-56-J01	EA	COVER - SEAT
5	M05962-56-J02	EA	COVER - SEAT
6	125229-05-000	EA	PAL NUT
7	125229-03-000	EA	LEVER - RECLINING
8	125229-02-000	EA	FRAME - SEAT - PASSENGER - W/LEFT ARMREST BRACKET
8	125229-01-000	EA	FRAME - SEAT - DRIVER - W/RIGHT ARMREST BRACKET
9	117125-01-02B	EA	BRACKET - CABLE MOUNT - ADJUSTER W/LOCK
10	119509-01-J26	EA	HEADREST - BUCKET SEAT (J01)
10	119509-01-J02	EA	HEADREST - BUCKET SEAT (J02)
	P19509-01-J26	EA	COVER - HEADREST (J01)
	P19509-01-J02	EA	COVER - HEADREST (J02)
	113977-12-000	EA	HEADREST INSERT - W/O LOCK
	113977-13-000	EA	HEADREST INSERT - W/LOCK
	007221-01-000	EA	SPACER - SEAT/ADJUSTER

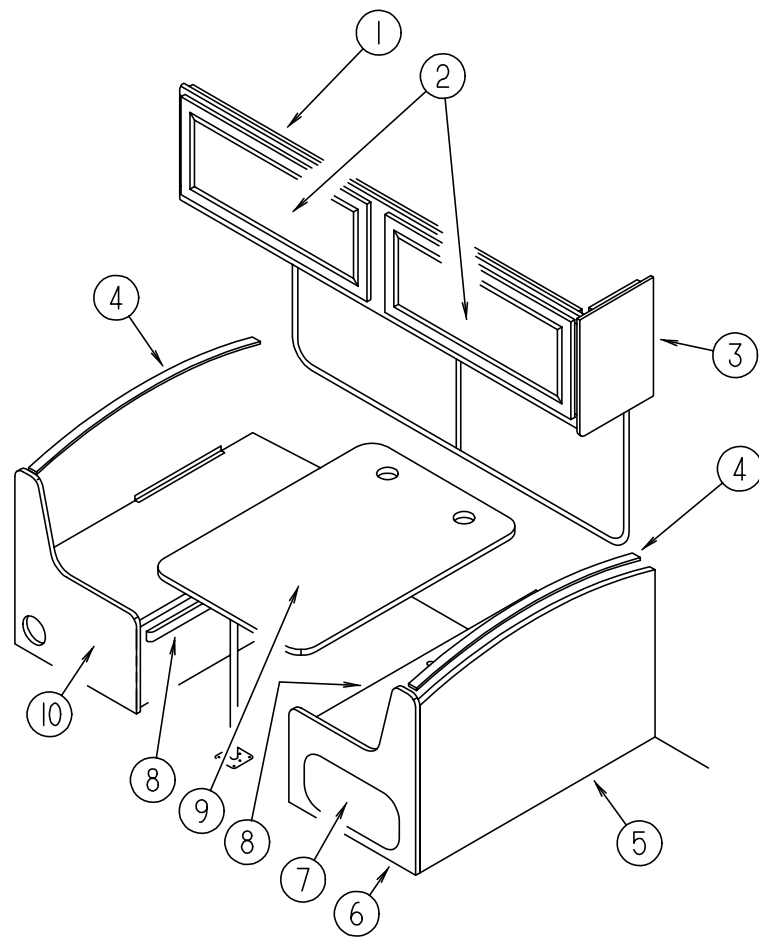
CURTAIN & CUSHION GROUP (CONTINUED)



SWIVEL CHAIR

KEY	PART NUMBER	U/M	DESCRIPTION
1	115470-01-H30	EA	CHAIR - SWIVEL (J01)
1	115470-01-F01	EA	CHAIR - SWIVEL (J02)
	P15470-01-H30	EA	COVER - CHAIR (J01)
	P15470-01-F01	EA	COVER - CHAIR (J02)
	P07977-01-H30	EA	COVER - SKIRT (J01)
	P07977-01-F01	EA	COVER - SKIRT (J02)
2	097683-02-000	EA	BRACKET - REMOTE/SIDE MOUNT - DOUBLE
3	108049-03-000	EA	CABLE - W/SWITCHES - 25.5" SHEATH/28.5" CABLE W/DOG LEG
	108049-02-000	EA	CLIP - CABLE/PEDESTAL
4	119952-01-000	EA	SLIDE - SEAT - NONLOCKING HD
5	107921-08-000	EA	TOP PLATE - PEDESTAL- WO SEAT BELT BAR
	107921-06-000	EA	BEARING KIT - PEDESTAL
6	107921-01-000	EA	PEDESTAL/FLOOR MOUNTED - W/9.75" EXTENSION
7	108445-02-000	EA	PLATE/FLOOR MOUNTED - PEDESTAL SEAT
8	119952-03-000	EA	SLIDE - SEAT/ HEAVY DUTY/LOCKING W/2 STUDS
9	117125-01-02B	EA	BRACKET - CABLE MOUNT - ADJUSTER W/LOCK
10	007221-01-000	EA	SPACER - SEAT ADJUSTER

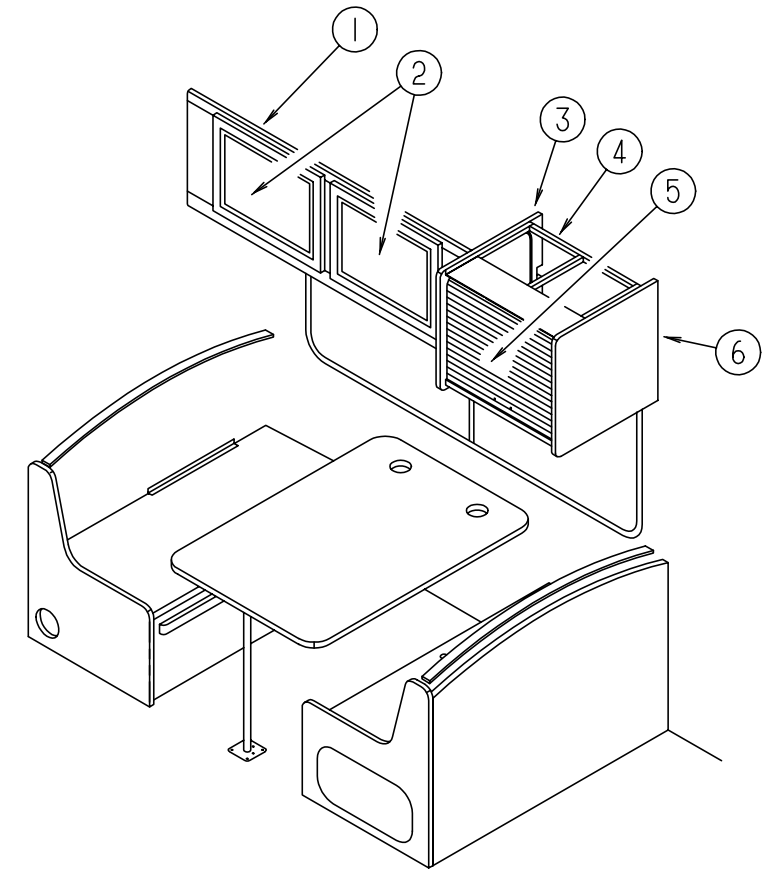
DINETTE GROUP



DINETTE CABINETS, PADS & TABLE

KEY	PART NUMBER	U/M	DESCRIPTION
1	121459-01-H04	EA	CABINET - OVERHEAD/DINETTE - W/O DOORS/HARDWARE
2	M08758-43-J15	EA	DOOR - MITERED CORNER/OGEE EDGE - 15.7" X 27.9" - W/O HDW
2	M08758-01-J05	EA	DOOR - MITERED CORNER/OGEE EDGE - 15.7" X 27.9" - W/O HDW - RAISED PANEL
2	M05992-48-J01	EA	DOOR - STRAIGHT CORNER/OGEE EDGE - 15.7" X 27.9" - W/O HDW - UPGRADE
3	109908-09-G04	EA	END CAP - OVERHEAD CABINET
4	111338-11-J01	EA	PAD - DINETTE
4	111338-11-J02	EA	PAD - DINETTE
5	M08123-16-J01	EA	CABINET - BACK - RIGHT HAND - W/O HARDWARE
6	M08122-17-J01	EA	CABINET - SEAT BOTTOM - RIGHT HAND - W/O DOORS/DRAWERS/HDW
7	M08758-44-J15	EA	DOOR - MITERED CORNER/OGEE EDGE - 10" X 19.1" - W/O HDW
7	M05992-M7-J01	EA	DOOR - STRAIGHT CORNER/OGEE EDGE - 10" X 19.1" - W/O HDW - UPGRADE
8	081295-04-G04	EA	SUPPORT - BED/DINETTE - 40" LONG
			FROM: 00-00-00 THRU: 01-04-98
8	081295-01-G01	EA	SUPPORT - BED/DINETTE - 28" LONG
			FROM: 01-05-98 THRU: 99-99-99
9	081322-12-F09	EA	TABLE TOP ONLY (J01)
9	081322-12-E01	EA	TABLE TOP ONLY (J02)
10	M08122-18-J01	EA	CABINET - SEAT BOTTOM - LEFT HAND - W/O DOORS/DRAWERS/HDW

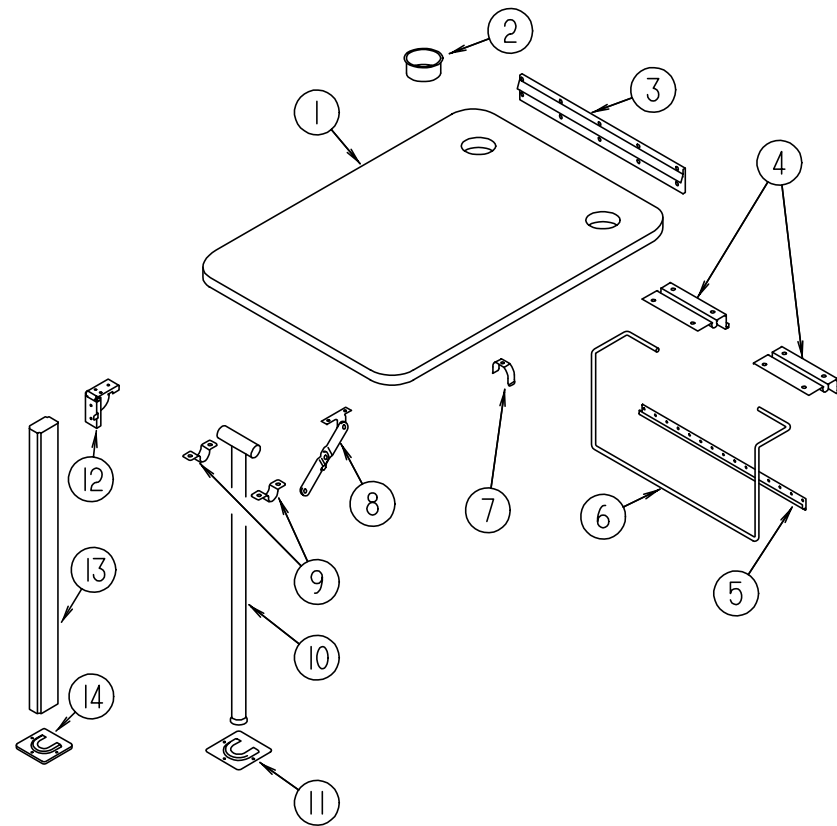
DINETTE GROUP (CONTINUED)



DINETTE CABINET WITH TV CABINET

KEY	PART NUMBER	U/M	DESCRIPTION
1	121840-01-H04	EA	CABINET - OVERHEAD - W/O DOORS/HARDWARE
2	M08758-82-J15	EA	DOOR - MITERED CORNER/OGEE EDGE - 15.7" X 20.4" - W/O HDW
2	M08758-04-J15	EA	DOOR - MITERED CORNER/OGEE EDGE - 15.7" X 20.4" - W/O HDW - RAISED PANEL
2	M05992-48-J01	EA	DOOR - STRAIGHT CORNER/OGEE EDGE - 15.7" X 20.4" - W/O HDW - UPGRADE
3	109908-20-G01	EA	END CAP - OVERHEAD CABINET
4	M08163-07-J01	EA	CABINET - TV/VCP - W/O TV/VCP - W/O DOORS/HDW
	122298-03-02B	EA	BRACKET - TV/VCR - RIGHT HAND
	122298-02-02B	EA	BRACKET - TV/VCR - LEFT HAND
	122469-02-02B	EA	BRACKET - ZEE
4	M08163-08-J01	EA	CABINET - TV/VCP - W/SHELF/SIDES/SWIVEL/TAMBOUR DOOR
	122298-03-02B	EA	BRACKET - TV/VCR - RIGHT HAND
	122298-02-02B	EA	BRACKET - TV/VCR - LEFT HAND
	122469-02-02B	EA	BRACKET - ZEE
	116773-02-000	EA	SWIVEL/SLIDES - F/TV SHELF
	099717-04-000	EA	STRAP - TIE DOWN W/21.3" FEMALE STRAP & 27.2" MALE STRAP
	103256-01-000	EA	LATCH - SLIDE
5	057882-04-700	EA	TAMBOUR - 4' X 4' SHEET - UNFINISHED
	093622-01-000	EA	TRACK - DOOR - TAMBOUR - PLASTIC - 8' LENGTHS
	093623-01-000	EA	CORNER - TRACK - TAMBOUR DOOR
6	109908-58-J01	EA	END CAP - OVERHEAD CABINET

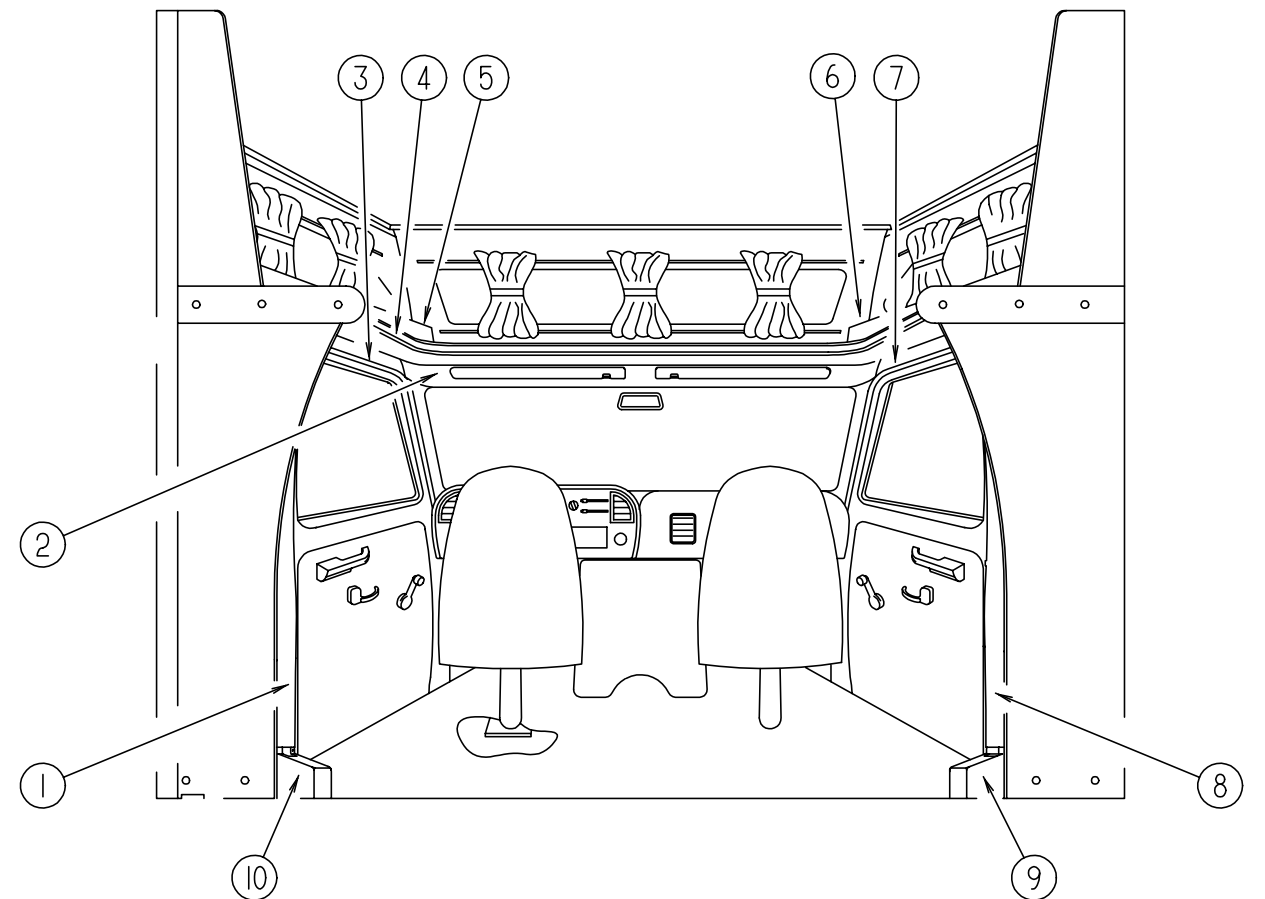
DINETTE GROUP (CONTINUED)



DINETTE TABLE & HARDWARE

KEY	PART NUMBER	U/M	DESCRIPTION
1	081322-12-F09	EA	TABLE TOP ONLY (J01)
1	081322-12-E01	EA	TABLE TOP ONLY (J02)
2	064781-06-000	EA	HOLDER - CUP - TWO STEP - OFF WHITE
3	053200-12-000	EA	BRACKET - TABLE SUPPORT - UPPER WALL MOUNTED - 23.50"
4	088410-02-000	EA	BRACKET - LIFT - TABLE MOUNTED
5	024281-14-000	EA	BRACKET - LIFT ROD/LOWER WALL MOUNTED - 22.12"
6	024275-12-000	EA	ROD - TABLE LIFT
7	024283-01-000	EA	CLIP - LEG - 1" - 1.125" OD - BLACK
8	024282-01-000	EA	BRACE - TABLE LEG - HINGED
9	064050-05-000	EA	HINGE - TABLE LEG - OFF WHITE
10	024276-22-000	EA	LEG - TABLE - W/O HARDWARE - OFF WHITE
			FROM: 00-00-00 THRU: 09-23-97
11	049493-12-000	EA	CATCH - TABLE LEG/FLOOR MOUNTED - OFF WHITE
	049493-11-700	EA	CATCH - TABLE LEG/FLOOR MOUNTED - E COATED
12	093550-01-000	EA	BRACKET - HINGE - MOUNTS TO LEG & TABLE TOP - 1.7" X 2.6"
13	092708-06-J01	EA	LEG - TABLE - W/O HARDWARE
			FROM: 09-24-97 THRU: 99-99-99
	092707-04-05A	EA	MOLDING - TABLE LEG - 27"
14	092593-01-05A	EA	CATCH - TABLE LEG - OFF/WHITE

DRIVERS COMPARTMENT GROUP



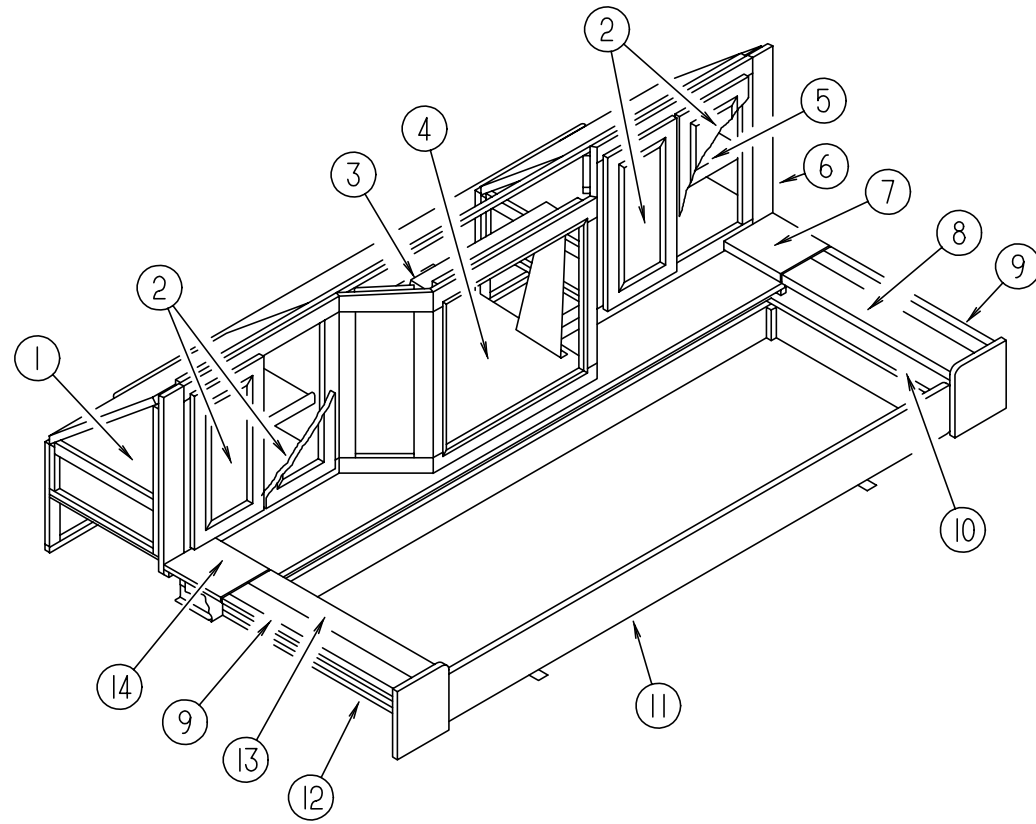
DRIVERS COMPARTMENT

KEY	PART NUMBER	U/M	DESCRIPTION
1	125031-02-H04	EA	TRIM - CAB - B-PILLAR
2	106448-01-H04	EA	HEADLINER - W/VINYL
3	106447-04-H04	EA	TRIM - CAB DOOR - UPPER/LEFT HAND
4	119520-01-01A	FT	MOLDING-T - 1" - W/EDGE LIPS (OFF/WHITE-CREAM)
5	109894-01-H30	EA	CABINET - HAMPER - FRONT - DRIVER (J01)
5	109894-01-J02	EA	CABINET - HAMPER - FRONT - DRIVER (J02)
6	109894-03-H30	EA	CABINET - HAMPER - FRONT - PASSENGER (J01)
6	109894-03-J02	EA	CABINET - HAMPER - FRONT - PASSENGER (J02)
7	106447-03-H04	EA	TRIM - CAB DOOR - UPPER/RIGHT HAND
8	125031-01-H04	EA	TRIM - CAB - B-PILLAR
9	106431-01-02A	EA	COVER - SEATBELT RECOIL - PASSENGER SIDE - VW GREY
10	106431-02-02A	EA	COVER - SEATBELT RECOIL - DRIVER SIDE - VW GRAY

INSTRUMENT CLUSTERS

KEY	PART NUMBER	U/M	DESCRIPTION
	094795-09-000	EA	CLUSTER - INSTRUMENT PANEL - KM - GAS/DIESEL - FORD
	100138-01-000	EA	MODULE - DAYTIME/RUNNING LIGHT
	108357-08-000	EA	SWITCH - ROCKER DPDT - ON/NONE/ON - 6 TERMINAL
	111414-01-000	EA	RECEPTACLE - 12V - W/O BIMETAL
	108356-07-01A	EA	COVER/ACTUATOR SWITCH - 2 ROWS DIMPLES - AUX START - BLACK
	108357-06-000	EA	SWITCH - ROCKER DPDT - MOM/OFF/MOM - 6 TERMINAL

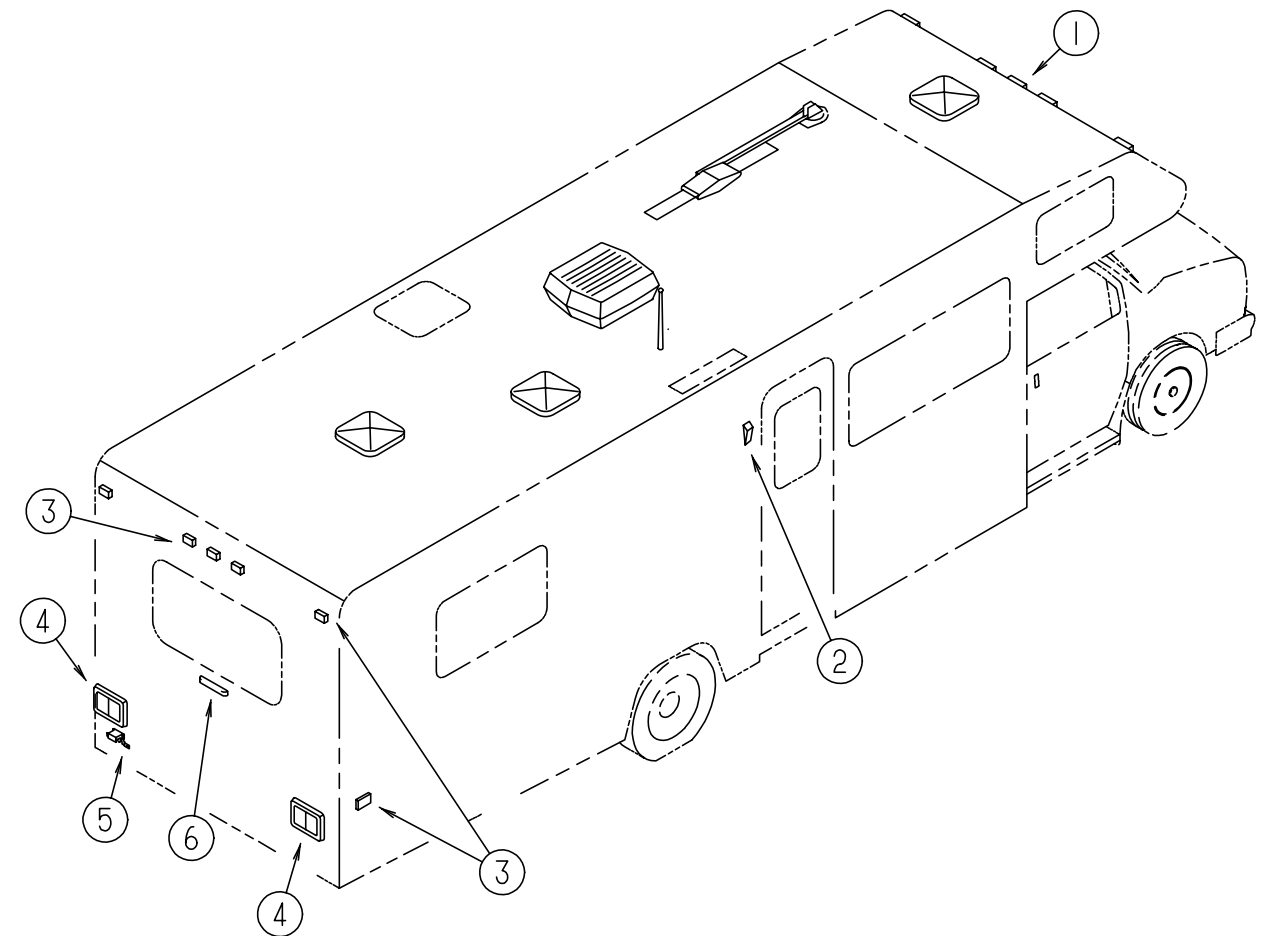
DRIVERS COMPARTMENT GROUP (CONTINUED)



FRONT ENTERTAINMENT CENTER

KEY	PART NUMBER	U/M	DESCRIPTION
1	113156-02-G04	EA	CABINET-ENTERTAINMENT CTR-W/SHELF-DRIVER SIDE-W/O DOOR/HDW
2	M08758-54-J03	EA	DOOR - MITERED CORNER/OGEE EDGE - 10.6" X 19.9" - W/O HDW
2	M08758-51-J03	EA	DOOR - MITERED CORNER/OGEE EDGE - 10.6" X 19.9" - W/O HDW - RAISED PANEL
2	M05992-67-J01	EA	DOOR - STRAIGHT CORNER/OGEE EDGE - 10.6" X 19.9" - W/O HDW - UPGRADE
3	110790-03-000	EA	BRACKET - TIEDOWN/TV
4	111356-02-J01	EA	SHELF - TV - W/TIEDOWN BRACKET
5	113156-01-G04	EA	CABINET-ENTERTAINMENT CTR-W/SHELF-PASS SIDE-W/O DOOR/HDW
6	113157-02-J01	EA	CABINET/FACE - ENTERTAINMENT CENTER - W/O HARDWARE
7	113155-11-F09	EA	COUNTERTOP - ENTERTAINMENT CENTER STORAGE (J01)
7	113155-11-E01	EA	COUNTERTOP - ENTERTAINMENT CENTER STORAGE (J02)
8	113155-12-G07	EA	COUNTERTOP - ENTERTAINMENT CENTER STORAGE (J01)
8	113155-12-G04	EA	COUNTERTOP - ENTERTAINMENT CENTER STORAGE (J02)
9	113155-21-F09	EA	COUNTERTOP - ENTERTAINMENT CENTER (J01)
9	113155-21-G04	EA	COUNTERTOP - ENTERTAINMENT CENTER (J02)
10	113155-01-H07	EA	CABINET/STORAGE - RIGHT END - W/FLIP UP COUNTERTOP (J01)
10	113155-01-J02	EA	CABINET/STORAGE - RIGHT END - W/FLIP UP COUNTERTOP (J02)
11	100847-01-J01	EA	DRAWER - ENTERTAINMENT CENTER - W/O HARDWARE
11	100847-01-J02	EA	DRAWER - ENTERTAINMENT CENTER - W/O HARDWARE
12	113155-02-G25	EA	CABINET/STORAGE - LEFT END - W/FLIP UP COUNTERTOP (J01)
12	113155-02-G04	EA	CABINET/STORAGE - LEFT END - W/FLIP UP COUNTERTOP (J02)
13	113155-18-G07	EA	COUNTERTOP - ENTERTAINMENT CENTER (J01)
13	113155-18-G04	EA	COUNTERTOP - ENTERTAINMENT CENTER (J02)
14	113155-19-F09	EA	COUNTERTOP - ENTERTAINMENT CENTER (J01)
14	113155-19-E01	EA	COUNTERTOP - ENTERTAINMENT CENTER (J02)

ELECTRICAL GROUP

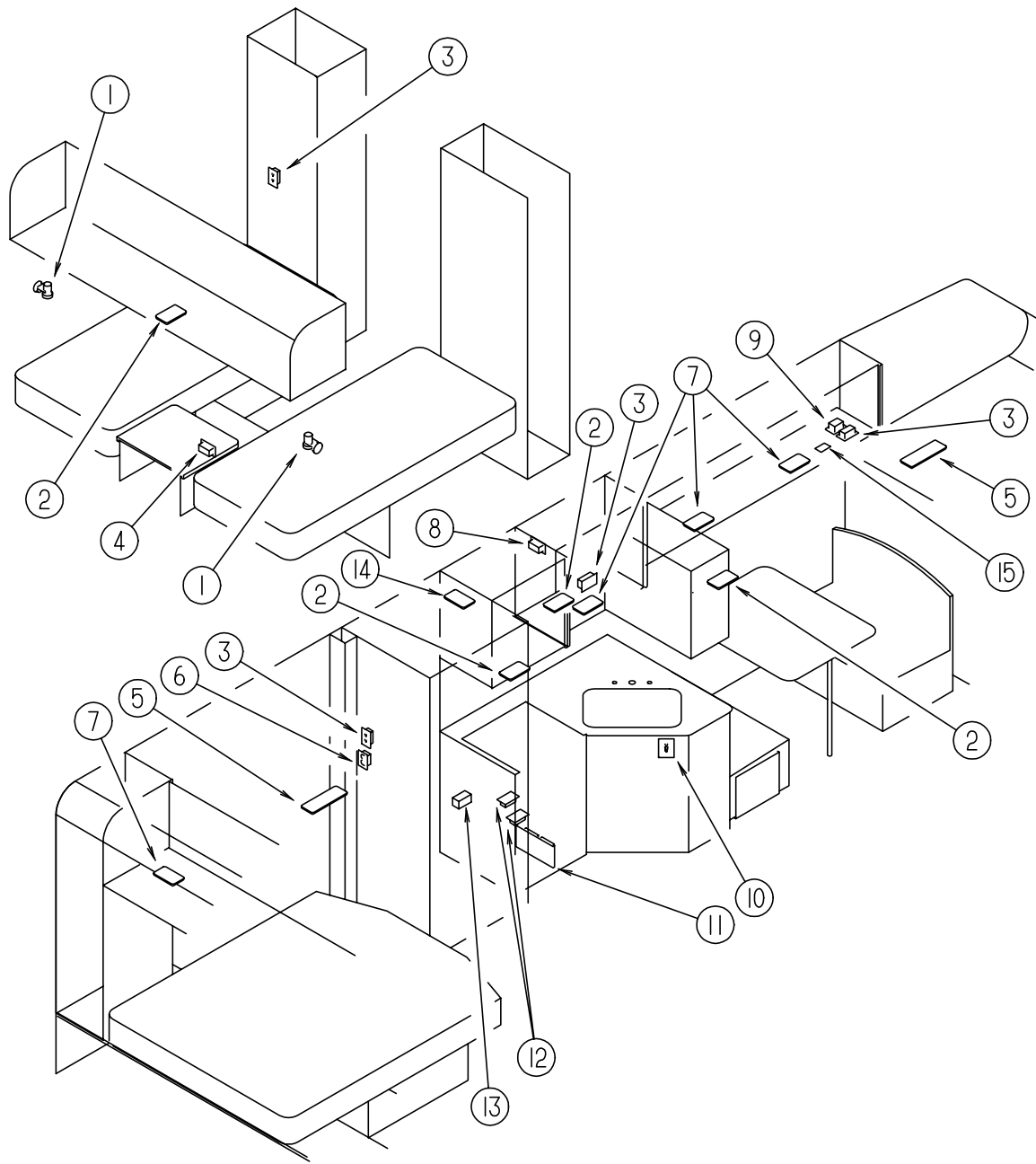


EXTERIOR LIGHTS

KEY	PART NUMBER	U/M	DESCRIPTION	VENDOR NO.
1	111102-02-000	EA	LENS - AMBER - MARKER LAMP	
	111102-01-000	EA	BASE - LAMP MARKER	
	036196-01-000	EA	BULB - 12 VOLT - #194 - .27 AMP - BAYONETTE	
	091983-01-000	EA	GASKET - CLEARANCE/SIDEMARKER LIGHT	
	112823-01-000	EA	SPLICE - REDUCER - 16-14 TO 18-22	
2	097917-01-06A	EA	LIGHT - PORCH - BRIGHT WHITE	
	008215-01-000	EA	BULB - 12 VOLT - #1003 - .94 AMP	
	097917-01-700	EA	LENS-LIGHT, CLEAR	30-78-021
3	111102-03-000	EA	LENS - RED - MARKER LAMP	
	111102-01-000	EA	BASE - LAMP MARKER	
	036196-01-000	EA	BULB - 12 VOLT - #194 - .27 AMP - BAYONETTE	
	091983-01-000	EA	GASKET - CLEARANCE/SIDEMARKER LIGHT	
	112823-01-000	EA	SPLICE - REDUCER - 16-14 TO 18-22	
4	103355-01-05A	EA	POD - TAIL LIGHT	
	081638-01-000	EA	TAILLIGHT/DOUBLE W/BLACK TRIM - DRIVER/PASSENGER SIDE	
	037934-01-000	EA	BULB - 12V - #1156 - 2.1 AMP CLEAR GLASS	
	037935-01-000	EA	BULB - 12V - #1157 OR #2057 - 2.1 AMP - CLEAR GLASS	
	081638-01-700	EA	LENS-TAILLIGHT, RED	30-84-010
	081638-01-701	EA	LENS-TAILLIGHT, W/BACKUP	30-84-700
5	066432-02-000	EA	LIGHT - LICENSE - BLACK	
	066432-03-000	EA	BRACKET - LICENSE PLATE	
6	121950-01-000	EA	LIGHT - BRAKE - CENTER MOUNT	

ELECTRICAL GROUP (CONTINUED)

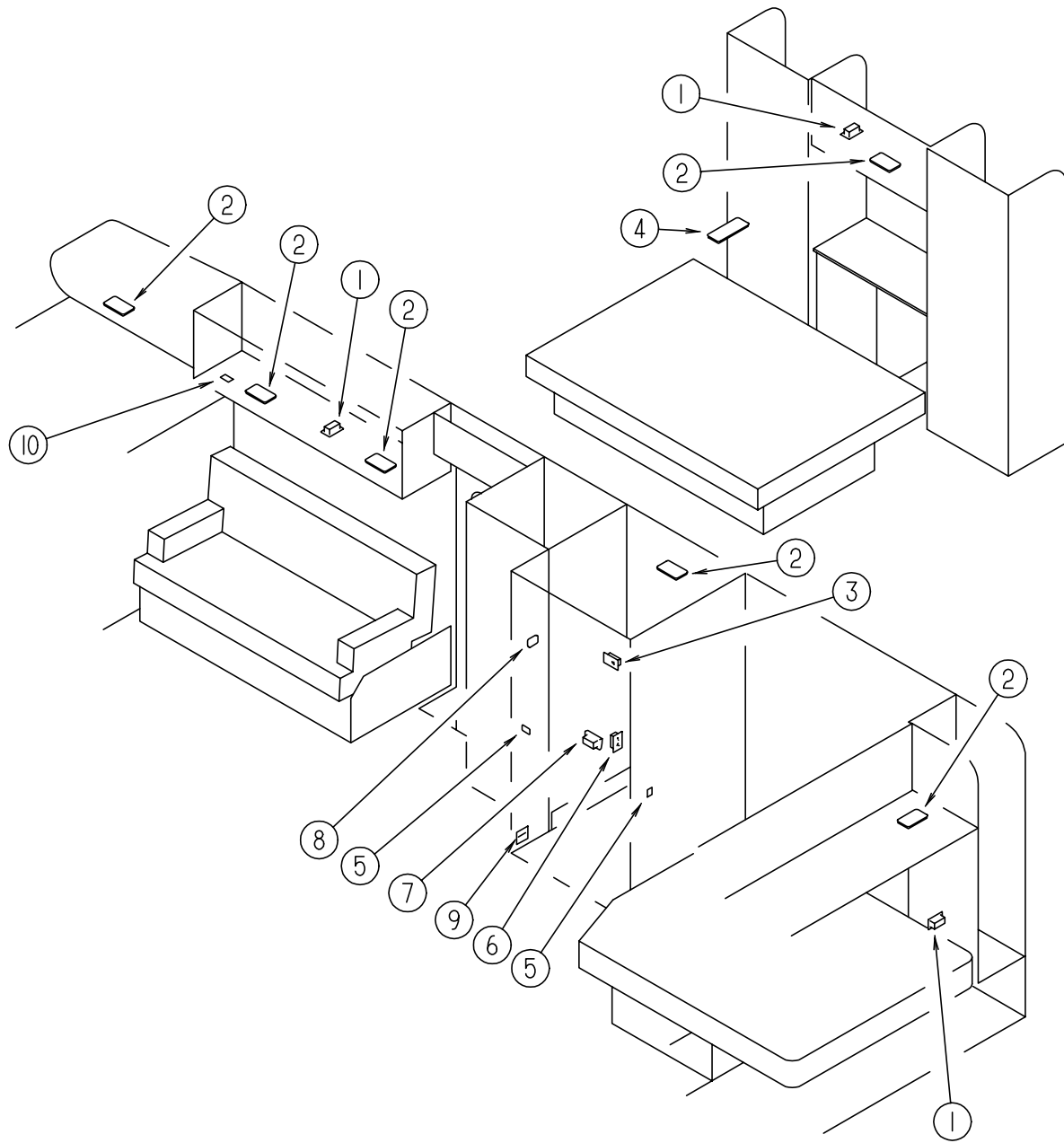
LIGHTS, SWITCHES & RECEPTACLES - DRIVER SIDE - QUEEN & TWIN BEDS



KEY	PART NUMBER	U/M DESCRIPTION	VENDOR NO.
1	104173-02-01A	EA LIGHT - DESIGNER - BLACK	81900
	104173-01-700	EA BULB	
1	104172-01-01A	EA LIGHT - BULLET - BULB #93 12V	807877
	117806-01-000	EA BULB - 12 VOLT #912 - 1.0 AMPS	
	098024-01-03A	EA LIGHT - DOME - 1 BULB - WHITE	
2	008218-01-000	EA BULB - DOME LIGHT - 12 VOLT - NO. 1141	807877
	098024-01-700	EA LENS-LIGHT	
	058708-01-000	EA RECEPTACLE - ELECTRIC - DOUBLE - BROWN	
4	058708-02-000	EA RECEPTACLE - ELECTRIC - DOUBLE - IVORY	
5	098024-03-02A	EA LIGHT - DOME - 2 BULB - WHITE	807877
	008218-01-000	EA BULB - DOME LIGHT - 12 VOLT - NO. 1141	
	098024-01-700	EA LENS-LIGHT	
6	086777-02-000	EA WALLPLATE - TV CABLE - W/ANTENNA SWITCH	
7	098024-05-02A	EA LIGHT - DOME - 1 BULB - SKYLITE - WHITE	809902
	008218-01-000	EA BULB - DOME LIGHT - 12 VOLT - NO. 1141	
	098024-01-701	EA LENS - OPTI CLEAR - SKYLITE	
8	058708-05-000	EA RECEPTACLE - SINGLE - BROWN	
9	086777-02-000	EA WALLPLATE - TV CABLE - W/ANTENNA SWITCH	
9	086777-06-000	EA WALLPLATE - TV CABLE - ANTENNA/1 OUTPUT - BROWN	
10	084076-02-000	EA RECEPTACLE - GFI - 15 AMP - 125 VOLT - BROWN	
	097734-01-01A	EA EXTENSION/RECEPTACLE - .7" 3.2" X 5" - IVORY	
11	024924-02-000	EA RECEPTACLE - POWER CORD - W/PARTIAL PLATE	
12	058707-02-000	EA RECEPTACLE - BLANK JUNCTION BOX	
13	108356-02-01A	EA COVER/ACTUATOR SWITCH - 2 ROWS DIMPLES- CONTURA II - BLACK	
	108356-07-01A	EA COVER/ACTUATOR SWITCH - 2 ROWS DIMPLES - AUX START - BLACK	
	108356-11-01A	EA COVER-ACTUATOR SWITCH - 3 GROOVES - AUX BATT - BLACK	
	108355-01-000	EA HOUSING - SWITCH	
14	121935-01-01A	EA LIGHT - DOME - SHOWER	
15	098351-01-01A	EA PLATE - SWITCH - 1 GANG POLISHED BRASS	
	079364-01-000	EA SWITCH - ON/OFF ROCKER - 2 TERMINAL - BROWN	

ELECTRICAL GROUP (CONTINUED)

LIGHTS, SWITCHES & RECEPTACLES - PASSENGER SIDE - QUEEN & DOUBLE BEDS



KEY	PART NUMBER	U/M	DESCRIPTION	VENDOR NO.
1	058708-02-000	EA	RECEPTACLE - ELECTRIC - DOUBLE - IVORY	
2	098024-01-03A	EA	LIGHT - DOME - 1 BULB - WHITE	
	008218-01-000	EA	BULB - DOME LIGHT - 12 VOLT - NO. 1141	
	098024-01-700	EA	LENS-LIGHT	807877
3	058707-01-000	EA	RECEPTACLE - ELECTRIC - SINGLE - BROWN	
4	098024-05-02A	EA	LIGHT - DOME - 1 BULB - SKYLITE - WHITE	
	008218-01-000	EA	BULB - DOME LIGHT - 12 VOLT - NO. 1141	
	098024-01-701	EA	LENS - OPTI CLEAR - SKYLITE	809902
5	098351-02-01A	EA	PLATE - SWITCH - 2 GANG POLISHED BRASS	
	079364-01-000	EA	SWITCH - ON/OFF ROCKER - 2 TERMINAL - BROWN	
	095188-02-01A	EA	SPACER - SWITCH - 2.3" X 4.1" - PLASTIC - DARK BROWN	
6	058708-01-000	EA	RECEPTACLE - ELECTRIC - DOUBLE - BROWN	
	112822-01-01A	EA	RECEPTACLE - DUPLEX - IVORY	
	112824-01-03A	EA	COVER - RECEPTACLE - EXTERIOR DUPLEX	
7	098351-07-01A	EA	PLATE - SWITCH - GENERATOR - POLISHED BRASS	
	108357-06-000	EA	SWITCH - ROCKER DPDT - MOM/OFF/MOM - 6 TERMINAL	
	108356-11-01A	EA	COVER-ACTUATOR SWITCH - 3 GROOVES - AUX BATT - BLACK	
8	098351-06-01A	EA	PLATE - SWITCH - 2 GANG POLISHED BRASS	
	079364-01-000	EA	SWITCH - ON/OFF ROCKER - 2 TERMINAL - BROWN	
	095188-01-01A	EA	SPACER - SWITCH - 2.3" X 3.4" - PLASTIC - DARK BROWN	
9	061424-01-000	EA	LIGHT - AISLE - 12 VOLT - RECTANGULAR	
	008103-01-000	EA	BULB - DASH/AISLE LIGHT - #53 - 12 VOLT - .12 AMP	
10	098351-01-01A	EA	PLATE - SWITCH - 1 GANG POLISHED BRASS	
	079364-01-000	EA	SWITCH - ON/OFF ROCKER - 2 TERMINAL - BROWN	

ELECTRICAL GROUP (CONTINUED)

FUSES & CIRCUIT BREAKERS

KEY	PART NUMBER	U/M	DESCRIPTION
	008235-01-000	EA	FUSE - 15 AMP/12VOLT - AUTOMOTIVE
	062901-02-000	EA	FUSE - 05 AMPS - AUTOMOTIVE
	062901-05-000	EA	FUSE - 15 AMPS - AUTOMOTIVE
	083209-02-000	EA	CIRCUIT BREAKER - 15/15 AMP - 120 VOLT
	083209-03-000	EA	CIRCUIT BREAKER - 15/20 AMP - 120 VOLT
	083209-04-000	EA	CIRCUIT BREAKER - 30 AMP - 120 VOLT
	083209-06-000	EA	CIRCUIT BREAKER - 30/15 AMP - 120 VOLT
	083209-07-000	EA	CIRCUIT BREAKER - 20/20 AMP - 120 VOLT
	083209-08-000	EA	CIRCUIT BREAKER - BLANK
	093654-01-000	EA	CIRCUIT BREAKER - 6 AMP - 12 VOLT
	093654-03-000	EA	CIRCUIT BREAKER - 20 AMP - 12 VOLT
	093655-02-000	EA	CIRCUIT BREAKER - 30 AMP - 12 VOLT
	094810-01-000	EA	CIRCUIT BREAKER - 30/30 AMP - 120 VOLT
	100341-01-000	EA	FUSE HOLDER - IN LINE TYPE

ELECTRIC BOXES, COVERS & POWER CORDS

KEY	PART NUMBER	U/M	DESCRIPTION
	008052-01-000	EA	CORD - POWER - 10/3 - 30 AMP - 25' - CANADIAN
	008054-01-000	EA	CORD - POWER - 10/3 - 30 AMP - 25'
	008289-01-000	EA	BOX - ELECTRIC/STEEL - 1/2" & 3/4" KNOCKOUTS - 4" X 4"
	008289-02-000	EA	BOX - ELECTRIC/STEEL - 1/2" & 3/4" KNOCKOUTS - 4" X 4"-CAN
	008294-02-000	EA	COVER - ELECTRICAL BOX - BLANK STEEL - 4" X 4" - CANADIAN
	069238-01-000	EA	COVER - ELECTRICAL BOX - W/HOLE - 4" X 4" - GRAY USED WITH 30 AMP RECEPTACLE
	091910-02-000	EA	BOX - ELECTRIC - 2.2" X 3.5" X 1.7" - PLASTIC
	093603-01-000	EA	BOX - ELECTRIC - 4" X 2 1/8" X 2 1/8"
	107165-01-01A	EA	BOX - CIRCUIT BREAKER - 14.6" X 4" - PLASTIC

CONDUIT

KEY	PART NUMBER	U/M	DESCRIPTION
	041953-01-000	FT	CONDUIT - CONVOLUTE SLIT - .5" ID
	041953-01-000	FT	CONDUIT - CONVOLUTE SLIT - .5" ID
	041953-03-000	FT	CONDUIT - CONVOLUTE SLIT - 1" ID (CLOTHES ROD COVER)
	041953-05-000	FT	CONDUIT - CONVOLUTE SOLID - .62" ID
	041953-06-000	FT	CONDUIT - CONVOLUTE SLIT - .375" ID
	041953-07-000	FT	CONDUIT - CONVOLUTE SLIT - .25" ID
	041953-08-000	FT	CONDUIT - CONVOLUTE SLIT - 1.50" ID
	041953-09-000	FT	CONDUIT - CONVOLUTE SLIT - .50" ID
	041953-10-000	FT	CONDUIT - CONVOLUTE SLIT - .75" ID
	041953-11-000	FT	CONDUIT - CONVOLUTE SLIT - 1.06" ID
	041953-12-000	FT	CONDUIT - CONVOLUTE NON SLIT - 1.1" ID

POWER CONVERTER & INVERTER

KEY	PART NUMBER	U/M	DESCRIPTION
	051912-01-000	EA	TRANSFORMER-DRY CONT 1.5KVA - GE 9T51B511
	083208-01-000	EA	CONVERTER - POWER - 32A AMP - 120V/12V
	092615-01-700	EA	DOOR-ACCESS-FUSES 91500075
	092615-01-000	EA	CONVERTER - 40 AMP W/CHARGER
	094809-01-000	EA	CENTER LOAD - 240VOLT - 125 AMP
	099048-03-000	EA	INVERTER - 130 WATT

ELECTRICAL MISCELLANEOUS

KEY	PART NUMBER	U/M	DESCRIPTION
	008188-01-000	EA	SOLENOID - 3 POST - BATTERY CHANGE OVER
	063910-01-000	EA	HOUSING - RELAY
	086233-01-000	EA	STUD - ISOLATED - 3/8" X 7/8" LONG
	086273-01-000	EA	RELAY - BATTERY DISCONNECT

ELECTRICAL GROUP (CONTINUED)

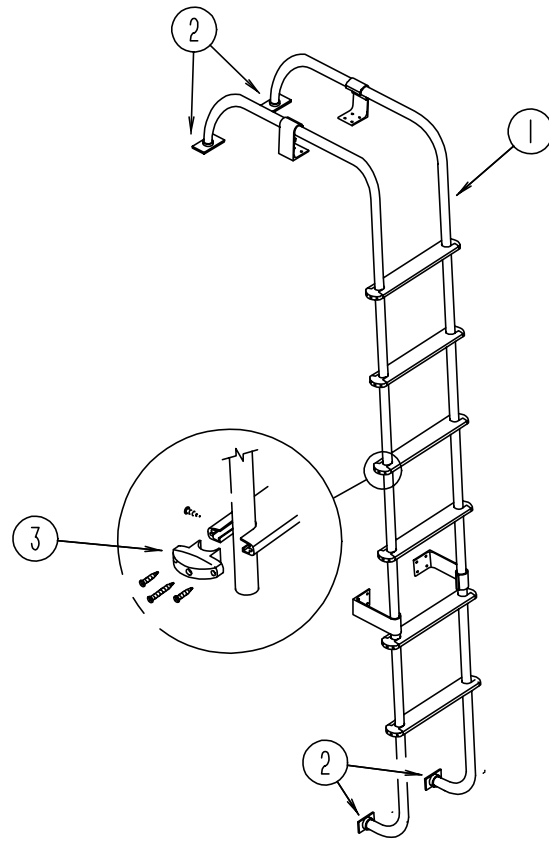
CONNECTORS, HOUSINGS, & TERMINALS

KEY	PART NUMBER	U/M	DESCRIPTION
	007956-05-000	EA	INSULATOR - SHRINK - .25 ID X 1.50
	008311-01-000	EA	CONNECTOR - WIRE NUT - INSULATED - RED
	008313-01-000	EA	CONNECTOR - WIRE NUT - INSULATED - YELLOW
	008314-01-000	EA	CONNECTOR - WIRE NUT - INSULATED - GRAY
	008326-01-000	EA	TERMINAL - RING - 16/14 WIRE - 3/8" STUD
	008328-01-000	EA	TERMINAL - RING - 12/10 WIRE - #10 STUD FIT
	008331-01-000	EA	TERMINAL - RING - TONGUE - #4 WIRE - 3/8" STUD - COPPER
	008348-01-000	EA	TERMINAL - RING - 3/8" STUD 2 GA. WIRE
	008355-01-000	EA	CONNECTOR - CABLE CLAMPING - 3/4"
	008356-01-000	EA	CONNECTOR - PLASTIC - 3/8" AVG
	008356-02-000	EA	CONNECTOR - PLASTIC - 21/32
	035416-04-000	EA	TERMINAL - RING - #10 STUD FIT - INSULATED BARREL #16/14
	041480-01-000	EA	CONNECTOR - STRAIGHT - 1/2' FLEX CONDUIT
	047443-01-000	EA	TERMINAL - .250 RECEPTACLE FIT - INSULATED - 16/14 AWG
	047443-02-000	EA	TERMINAL - .250 RECEPTACLE FIT - INSULATED - 12/10 AWG
	058028-01-000	EA	CONNECTOR - ELECTRICAL PIGTAIL - NYLON - CLEAR
	077479-01-000	EA	BOOT - BATTERY TERMINAL - DOUBLE CABLE
	077479-02-000	EA	BOOT - BATTERY TERMINAL - SINGLE CABLE
	080015-02-000	EA	RECEPTACLE - FLAG - .185 - 16/14 GAUGE
	080015-03-000	EA	RECEPTACLE - FLAG - .250 - 14/16 GAUGE
	087225-02-000	FT	SLEEVING - 5/8" - TYPE H
	087949-01-000	EA	BUSS BAR - 2 POSITION - .6" X 1.5"
	088473-02-000	EA	HOUSING - PIN - 15 CAVITY
	088473-03-000	EA	HOUSING - PIN - 9 CAVITY
	088473-06-000	EA	HOUSING - PIN - 6 CAVITY
	088473-07-000	EA	HOUSING - PIN - 5 CAVITY
	088473-08-000	EA	HOUSING - PIN - 4 CAVITY
	088473-09-000	EA	HOUSING - PIN - 3 CAVITY
	088473-10-000	EA	HOUSING - PIN - 2 CAVITY
	088474-02-000	EA	HOUSING - SOCKET - 15 CAVITY
	088474-03-000	EA	HOUSING - SOCKET - 9 CAVITY
	088474-06-000	EA	HOUSING - SOCKET - 6 CAVITY
	088474-07-000	EA	HOUSING - SOCKET - 5 CAVITY
	088474-08-000	EA	HOUSING - SOCKET - 4 CAVITY
	088474-09-000	EA	HOUSING - ELECTRICAL - 3 TERMINAL
	088474-10-000	EA	HOUSING - SOCKET - 2 CAVITY
	088475-01-000	EA	PIN - CONNECTOR - 14 - 20 AWG
	088475-02-000	EA	PIN - CONNECTOR - 10-12 AWG
	088476-01-000	EA	TERMINAL - ELECTRICAL
	088476-02-000	EA	SOCKET - CONNECTOR - 12-10 GA - PRE-TIN
	098261-02-000	EA	SOCKET - CONNECTOR - WEATHERPACK
	098262-01-000	EA	SEAL - CONNECTOR - WEATHERPACK
	098265-02-000	EA	PIN - CONNECTOR - WEATHERPACK
	101751-02-000	EA	HOUSING - 1 PIN - WEATHER PACK
	102777-02-000	EA	TERMINAL - RING - #6 STUD - 10 AWG
	112823-01-000	EA	SPLICE - REDUCER - 16-14 TO 18-22
	119223-01-000	EA	HOUSING - 6 POSITION - MALE - WEATHERPAK
	125323-02-000	EA	HOUSING - 8 POSITION - MALE
	125323-03-000	EA	LOCK - SECONDARY 8 POSITION
	125324-01-000	EA	TERMINAL - MALE - METRI-PACK - 150
	125325-01-000	EA	SEAL - CAVITY

WIRING ASSEMBLIES

KEY	PART NUMBER	U/M	DESCRIPTION
	096449-01-000	EA	WIRE ASSEMBLY - WATER TANK TO MONITOR PANEL
	097618-01-000	EA	WIRE ASSEMBLY - MONITOR PANEL- W/3 WIRES & ORANGE RESISTOR ORANGE RESISTOR W/3 (ORANGE-GREEN-BLUE) WIRES
	106851-01-000	EA	WIRE ASSEMBLY - RUNNING LIGHTS - FUSE
	116894-01-000	EA	WIRE ASSEMBLY - SPEED SENSOR EXTENDED

EXTERIOR BODY GROUP



LADDER

KEY	PART NUMBER	U/M DESCRIPTION
1	102953-10-F15	EA LADDER
		FROM: 00-00-00 THRU: 02-01-98
1	129639-01-01A	EA LADDER - BRUSHED ALUMINUM
		FROM: 02-02-98 THRU: 99-99-99
2	067165-01-000	EA BRACKET - MOUNTING - LOWER LADDER
3	076980-02-000	EA END CAP - STEP - BLACK
	000G39-06-10T	EA SCREW - SF/DR - 6-20 X 5/8 PPH - BLACK
	000G68-10-36T	EA SCREW - 10-12 X 2.25 POH BLACK
	038327-01-000	EA TAPE - ANTI SLIP - 2" X 60'

EXTERIOR BODY GROUP (CONTINUED)

EXTERIOR MIRRORS - PLATE MOUNT - VELVAC

KEY	PART NUMBER	U/M DESCRIPTION	VENDOR NO.
	120269-03-02A	EA MIRROR - EXTERIOR - PASSENGER - 102"	
	120269-04-02A	EA MIRROR - EXTERIOR - DRIVER - 102"	
	120269-01-700	EA GLASS KIT W/BEZEL RH/LH	709407-8

RUNNING BOARDS

KEY	PART NUMBER	U/M DESCRIPTION	VENDOR NO.
	072884-27-000	EA RUNNING BOARD SET - 39" - FORD - ALUMINUM	
	072884-27-700	EA BRACKET SET 12" 92	RB2BRK/M
	072884-27-701	EA RUNNING BOARD-FORD 39",RT<	
	072884-27-702	FT TREAD TAPE	RB9202
	072884-27-703	EA MUD FLAP W/HOLES, 1EA=PAIR	99171
	072884-27-704	EA CAP-ENDS, 1EA=PAIR	99148

FIBERGLASS, STYROFOAM, PLYWOOD & CHANNEL

KEY	PART NUMBER	U/M DESCRIPTION
	076054-P9-000	EA FIBERGLASS SHEET - 37.4" X 99.3" - BRIGHT WHITE
	076054-W5-000	EA FIBERGLASS SHEET - 101.4" X 108.7" - BRIGHT WHITE
	076054-Y2-000	EA FIBERGLASS SHEET - 102" X 320"
	076054-Z5-000	EA FIBERGLASS SHEET - 27.4" X 66" - BRIGHT WHITE
	077517-62-000	EA FIBERGLASS - SHEET/SIDEWALL - 4' X 8' - BRIGHT WHITE
	000870-08-000	SF STYROFOAM - .75" X 48" X 96" PLANED EXPANDED BEAD BOARD
	083574-06-000	SF STYROFOAM - .75" X 48" X 108" - INCREMENTS OF 14 SF
	100619-01-000	BF FOAM - EXPANDED POLYSTYRENE - 1.34" X 48" X 96"
	100619-04-000	BF FOAM - EXPANDED POLYSTYRENE - .5" X 48" X 96"
	100619-05-000	BF FOAM - EXPANDED POLYSTYRENE - .75" X 48" X 96"
	100619-16-000	BF FOAM - EXPANDED POLYSTYRENE - .75" X 48" X 96"
	089297-01-000	SF PLYWOOD - LUAN - OVERLAY GRADE - 48" X 96"
	002726-01-001	EA GARNISH - U-CHANNEL - 1.38" X 19' - SERRATED
	002766-01-001	EA ANGLE - EXTRUDED - 1" X 1.5" X 17'
	068716-01-001	EA BRACE - 90 DEGREE L-ANGLE - 16'

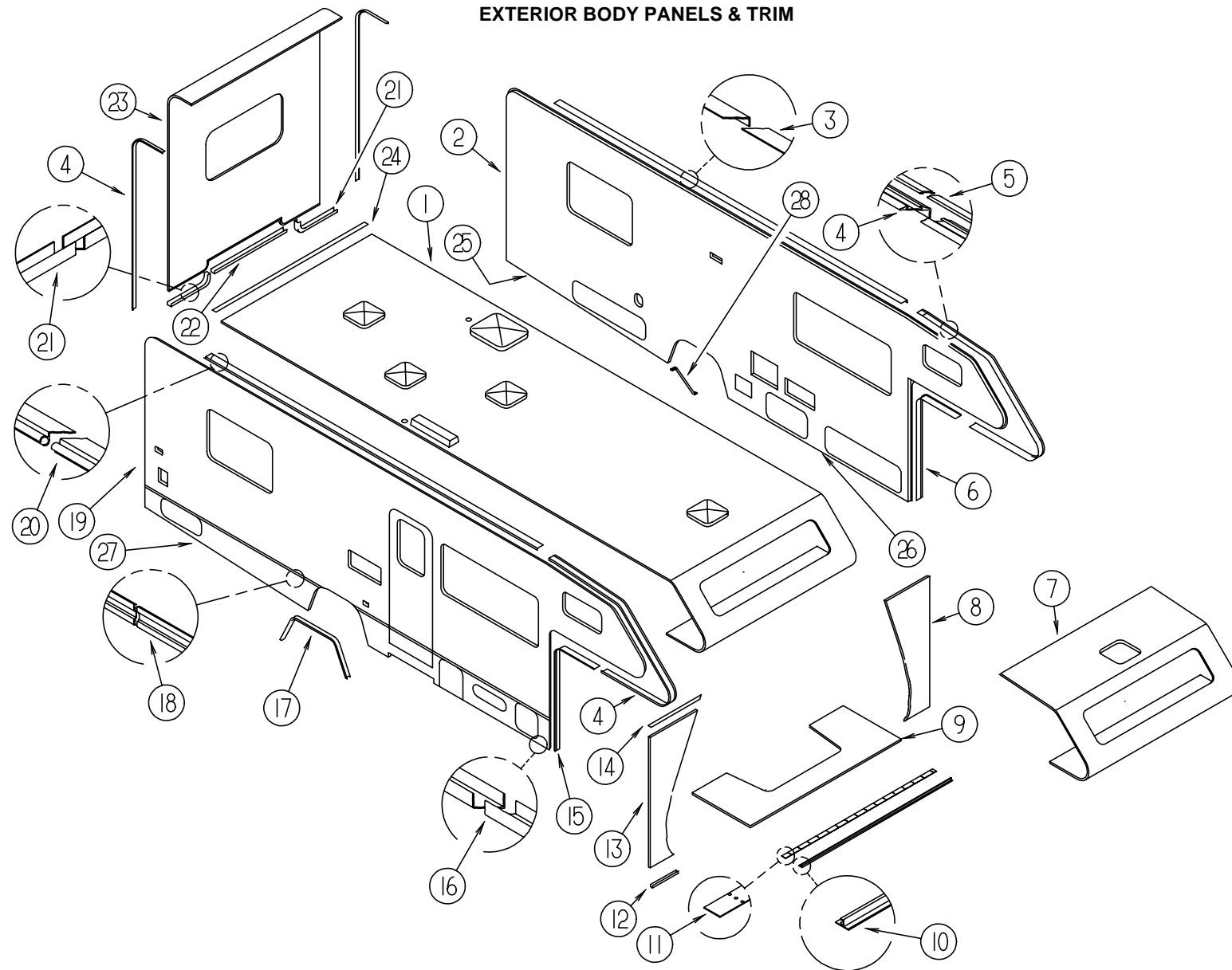
AWNING

KEY	PART NUMBER	U/M DESCRIPTION
	113874-05-03A	EA AWNING - W/O HARDWARE - 14' (POLAR BLUE) VINYL
*	113874-01-02A	EA HARDWARE KIT - AWNING - W/O STANDOFF BRACKET - BRIGHT WHT

* COMPONENT PARTS FOUND IN SERVICE PARTS LIBRARY

EXTERIOR BODY GROUP (CONTINUED)

EXTERIOR BODY PANELS & TRIM

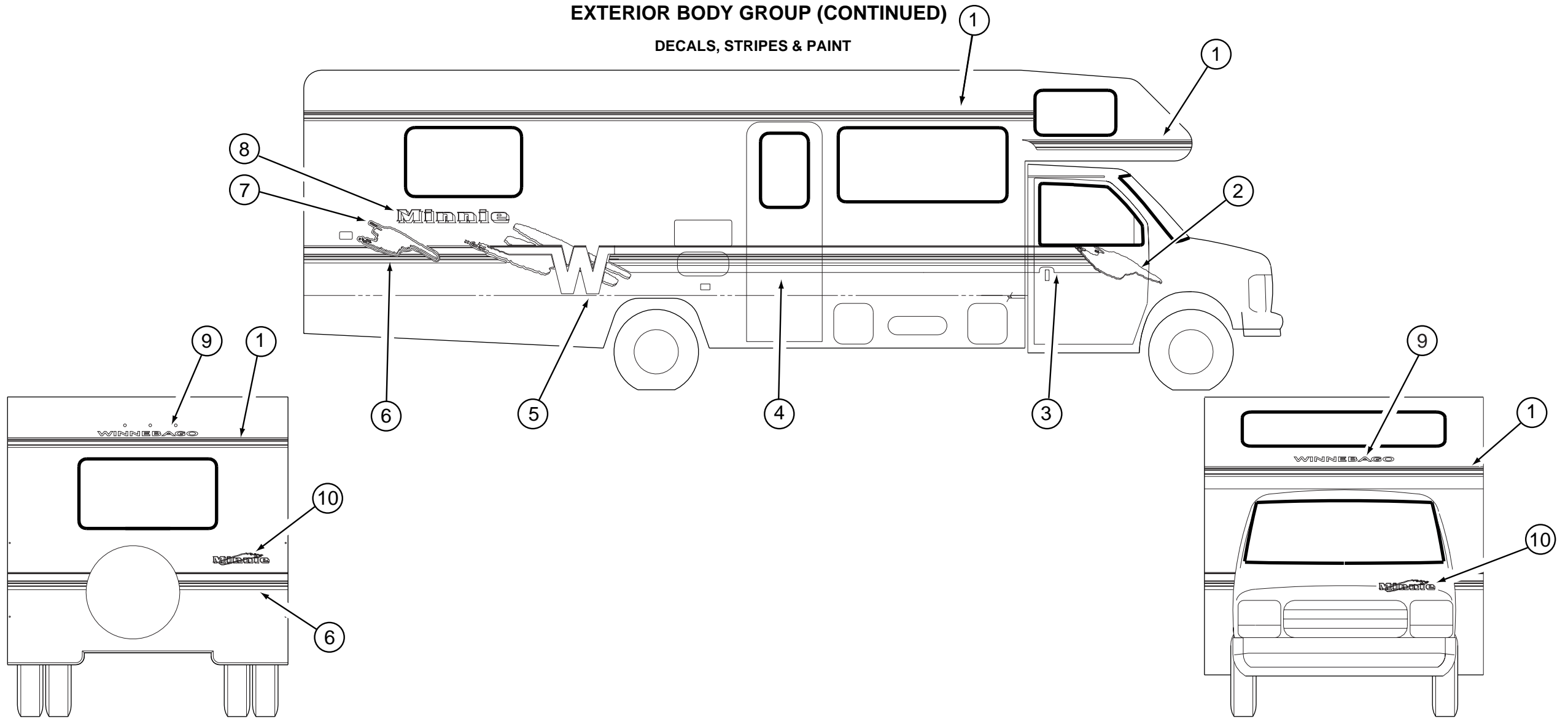


KEY	PART NUMBER	U/M	DESCRIPTION
1	P25172-01-J01	EA	ROOF - W/O VENTS/LIGHTS - W/WIRING
2	P25174-01-J01	EA	SIDEWALL - DRIVER - W/O WINDOWS/TRIMS
2	P25174-01-J02	EA	SIDEWALL - DRIVER - W/O WINDOWS/TRIMS
	064675-54-003	EA	STEEL - ANGLE ROOF JOINT - 4' - OFF/WHITE
	064675-54-004	EA	STEEL - ANGLE ROOF JOINT - 1.7' - OFF/WHITE
3	096864-02-02A	EA	TRIM - CONTOUR/ROOF - 134"
3	096864-03-01A	EA	TRIM - CONTOUR - ROOF TO SIDEWALL - 125.8" - BRIGHT WHITE
4	096854-05-02A	EA	TRIM - CONTOUR - BRIGHT WHITE - 114"
5	105312-01-07A	FT	INSERT - VINYL FEATURE STRIP - BRIGHT WHITE
6	104479-06-02A	EA	TRIM - FRONT CONTOUR - BRIGHT WHITE
7	M76177-01-700	EA	ROOF SECTION, FRONT 8' X 8'
8	125088-04-J01	EA	WINGWALL
9	P25129-01-J01	EA	SLEEPERBOARD
10	100086-04-01A	EA	TRIM - SLEEPER BOARD/ROOF - 2" X 96.6"
11	100085-05-01A	EA	TRIM - STRAP - SLEEPERBOARD
12	002365-03-006	EA	U-CHANNEL - EXTRUDED - 1" X 192" - BRIGHT WHITE
13	125088-03-J01	EA	WINGWALL
14	022992-14-000	FT	MOLDING - REVERSE COVE
15	104479-05-02A	EA	TRIM - FRONT CONTOUR - BRIGHT WHITE
16	108039-09-01A	EA	TRIM - SIDEWALL - 113.5" - BRIGHT WHITE

KEY	PART NUMBER	U/M	DESCRIPTION
17	122168-01-01A	EA	PANEL - WHEEL LIP - REAR - BRIGHT WHITE
	105100-02-02A	EA	TRIM - WHEELWELL
			FROM: 00-00-00 THRU: 01-11-98
	124517-04-01A	EA	TRIM - WHEELWELL/REAR - BRIGHT WHITE
			FROM: 01-12-98 THRU: 99-99-99
18	108688-01-03A	EA	STRIP - FEATURE - 15'
	105312-01-07A	FT	INSERT - VINYL FEATURE STRIP - BRIGHT WHITE
	108651-01-01A	EA	END CAP - FEATURE STRIP
19	P25175-01-J01	EA	SIDEWALL - PASSENGER - W/O WINDOWS/TRIMS
19	P25175-01-J02	EA	SIDEWALL - PASSENGER - W/O WINDOWS/TRIMS
	064675-54-005	EA	STEEL - ANGLE ROOF JOINT - 5' - OFF/WHITE
20	099583-55-004	EA	AWNING RAIL - 133.9" - BRIGHT WHITE
21	103334-03-02A	EA	TRIM - BACKWALL/LOWER
22	103335-02-02A	EA	TRIM - BACKWALL/LOWER
23	P25173-01-J01	EA	BACKWALL - W/O WINDOW/TRIM
23	P25173-01-J02	EA	BACKWALL - W/O WINDOW/TRIM
24	078580-02-000	EA	TRIM - ROOF/FRONT/REAR CAP
25	108039-12-01A	EA	TRIM - SIDEWALL - 108" - BRIGHT WHITE
26	108039-11-01A	EA	TRIM - SIDEWALL - 113.5" - BRIGHT WHITE
27	108039-10-01A	EA	TRIM - SIDEWALL - 108" - BRIGHT WHITE
28	069362-06-000	EA	TUBE/SUPPORT - FLOOR TO VALANCE PANEL - 17"

EXTERIOR BODY GROUP (CONTINUED)

DECALS, STRIPES & PAINT



KEY	PART NUMBER	U/M	DESCRIPTION
1	118710-03-01A	FT	FILM - MULTISTRIPE - 4"
2	124449-01-01A	EA	DECAL - SPLASH - FRONT/RIGHT HAND
2	124449-02-01A	EA	DECAL - SPLASH - FRONT/LEFT HAND
3	124451-01-01A	EA	DECAL - CAB - RIGHT HAND - FORD
3	124451-02-01A	EA	DECAL - CAB - LEFT HAND - FORD
4	094446-02-01A	FT	FILM - MULTISTRIPE - 9.5"
5	124448-01-01A	EA	DECAL - "W" W/SPLASH - RIGHT HAND
5	124448-02-01A	EA	DECAL - "W" W/SPLASH - LEFT HAND
6	094445-06-01A	FT	FILM - MULTISTRIPE - 6.1"
7	124450-01-01A	EA	DECAL - SPLASH - REAR/RIGHT HAND
7	124450-02-01A	EA	DECAL - SPLASH - REAR/LEFT HAND
8	116849-01-03A	EA	DECAL - LOGO/MINNIE - LARGE
9	120702-03-05A	EA	DECAL - LOGO WINNEBAGO
10	124447-01-01A	EA	DECAL - MINNIE W/SPLASH
	122886-02-01A	EA	DECAL - MOBILIE - SMALL - JAPAN
	041561-03-000	EA	PAINT - 16 OUNCE SPRAY - OFF WHITE

DUPONT PAINT COLOR CODES

BRIGHT WHITE

DUPONT B8951U

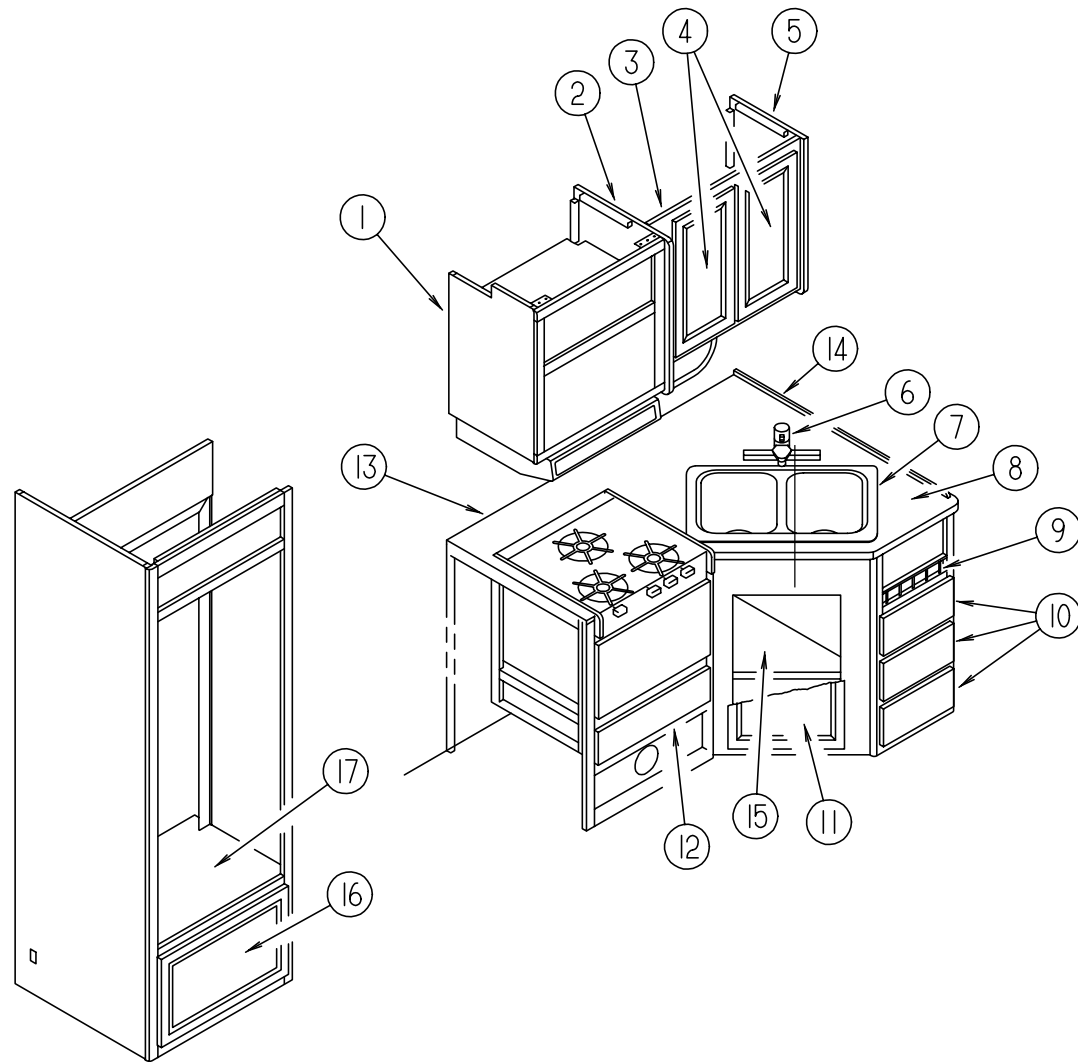
DUPONT GRAPHICS COLOR CODES

MARLIN BLUE METALLIC
 BLAZER BLUE METALLIC
 LIGHT MARINE BLUE METALLIC
 FUSCHIA ICE METALLIC

FILM #561	DUPONT BM500
FILM #525	DUPONT BM090
FILM #418	DUPONT K9457
FILM #162	DUPONT RM011

GALLEY GROUP

GALLEY CABINETS & FIXTURES



KEY	PART NUMBER	U/M DESCRIPTION
1	115956-04-H04	EA CABINET - MICROWAVE - W/O DOORS/HARDWARE FROM: 00-00-00 THRU: 11-09-97
1	128618-02-J01	EA CABINET - MICROWAVE - W/O DOORS/HARDWARE FROM: 11-10-97 THRU: 99-99-99
2	109908-49-H04	EA END CAP - OVERHEAD CABINET
3	121396-01-H04	EA CABINET - OVERHEAD GALLEY - W/O DOORS/HARDWARE FROM: 00-00-00 THRU: 11-09-97
	081321-75-J01	EA SHELF - W/PLASTIC EDGE TRIM
3	128615-01-J01	EA CABINET - OVERHEAD/GALLEY - W/O DOORS/HARDWARE FROM: 11-10-97 THRU: 99-99-99
	081321-79-J01	EA SHELF - W/PLASTIC EDGE MOLDING
4	M08758-A2-J01	EA DOOR - MITERED CORNER/OGEE EDGE - 12.8" X 21.8" - W/O HDW
4	M08758-A3-J01	EA DOOR - MITERED CORNER/OGEE EDGE - 12.8" X 21.8" - W/O HDW - RAISED PANEL
4	M05992-AZ-J01	EA DOOR - STRAIGHT CORNER/OGEE EDGE - 12.8" X 21.8" - W/O HDW - UPGRADE
5	121396-13-H04	EA END CAP
6	104114-02-01A	EA FAUCET - GALLEY - SINGLE CONTROL
6	103243-01-000	EA FAUCET - DUAL CONTROL
7	104113-01-000	EA SINK - DOUBLE - STAINLESS STEEL
	092303-01-000	EA STRAINER - SINK
	103610-03-H07	EA COVER - SINK - 15.2" X 11" (J01)
	103610-03-H24	EA COVER - SINK - 15.2" X 11" (J02)
8	125330-15-J01	EA COUNTERTOP - GALLEY
8	125330-15-J02	EA COUNTERTOP - GALLEY
9	075249-01-000	EA RAILING - OAK - 72" UNFINISHED
	125330-11-J01	EA SPICE RACK
10	M05971-DZ-J01	EA DRAWER - OGEE EDGE - 10.8"W X 19.7"D - W/O SLIDES/HARDWARE
10	M05971-MB-J01	EA DRAWER - OGEE EDGE - 10.8"W X 19.7"D - W/O SLIDES/HARDWARE - UPGRADE
11	M08758-45-J15	EA DOOR - MITERED CORNER/OGEE EDGE - 10" X 25.2" - W/O HDW
11	M05992-H0-J01	EA DOOR - STRAIGHT CORNER/OGEE EDGE - 10" X 25.2" - W/O HDW - UPGRADE
12	M05971-H2-J01	EA DRAWER - OGEE EDGE - 15.4"W X 21.6"D - W/O SLIDES/HARDWARE
12	M05971-48-J01	EA DRAWER - OGEE EDGE - 19.8"W X 15.7"D - W/O SLIDES/HARDWARE - UPGRADE
13	125330-01-J01	EA CABINET - GALLEY - W/COUNTERTOP - W/O DOORS/DWRS/HDW
13	125330-01-J02	EA CABINET - GALLEY - W/COUNTERTOP - W/O DOORS/DWRS/HDW
14	098335-17-G22	EA RAIL - GALLEY - 41" (J01)
14	098335-17-G01	EA RAIL - GALLEY - 41" (J02)
15	125330-13-J01	EA SHELF - W/PLASTIC EDGE TRIM
16	M08758-83-J01	EA DOOR - MITERED CORNER/OGEE EDGE - 21.8" X 14.9" - W/O HDW
16	M05992-BD-J01	EA DOOR - STRAIGHT CORNER/OGEE EDGE - 14.9" X 21.8" - W/O HDW - UPGRADE
	090329-01-000	FT SEAL/T - REFRIGERATOR CABINET

GALLEY GROUP (CONTINUED)

MICROWAVE OVEN - FROM: 00-00-00 THRU: 11-09-97

KEY	PART NUMBER	U/M	DESCRIPTION
	115303-01-000	EA	MICROWAVE OVEN - 14 1/8"H X 21 7/8"W X 13 1/4" - D.8 CU FT./700 WATT
	094750-07-000	EA	BRACKET - MICROWAVE - 89 DEGREE
	094750-10-000	EA	BRACKET - MICROWAVE - 89 DEGREE
	115401-01-01A	EA	TRIM - MICROWAVE
	098916-14-01A	EA	BRACE - MICROWAVE CABINET LEFT HAND - E COATED
	098916-15-01A	EA	BRACE - MICROWAVE CABINET - RIGHT HAND - E-COATED

MICROWAVE OVEN - FROM: 11-10-97 THRU: 99-99-99

KEY	PART NUMBER	U/M	DESCRIPTION
	128527-01-000	EA	OVEN - MICROWAVE - .9 CU FT - NON CONVECTION
	094750-10-000	EA	BRACKET - MICROWAVE - 89 DEGREE
	128527-01-700	EA	TRIM RING - F/9 CU.FT. SAMSUNG MICROWAVE
	128642-01-000	EA	TRIM KIT W/VENT - MICROWAVE - .9 CU FT SAMSUNG
	098916-24-02B	EA	BRACE - MICROWAVE CABINET - LEFT HAND
	098916-25-02B	EA	BRACE - MICROWAVE CABINET - RIGHT HAND

MONITOR PANEL - LVS

KEY	PART NUMBER	U/M	DESCRIPTION
*	102765-04-01A	EA	PANEL - MONITOR - 2 HOLDING TANKS - ADJUSTABLE

* COMPONENT PARTS FOUND IN SERVICE PARTS LIBRARY

RANGE HOOD W/O MONITOR PANEL - U.S. - MODEL TPS-5009-SADLG

KEY	PART NUMBER	U/M	DESCRIPTION
*	100258-18-02A	EA	HOOD - RANGE - W/O MONITOR PANEL

* COMPONENT PARTS FOUND IN SERVICE PARTS LIBRARY

GALLEY GROUP (CONTINUED)

RANGE HOOD W/O MONITOR PANEL - U.S. - MODEL TCS-5008-NADL

KEY	PART NUMBER	U/M	DESCRIPTION
*	100258-16-03A	EA	HOOD - RANGE - W/O MONITOR PANEL - W/O HOUR METER & SWITCH

* COMPONENT PARTS FOUND IN SERVICE PARTS LIBRARY

RANGE HOOD W/O MONITOR PANEL - CANADIAN - MODEL TCS-5008-NACL

KEY	PART NUMBER	U/M	DESCRIPTION
*	100258-17-03A	EA	HOOD - RANGE - W/O MONITOR PANEL

* COMPONENT PARTS FOUND IN SERVICE PARTS LIBRARY

NORCOLD REFRIGERATOR - MODEL 9162 RH

KEY	PART NUMBER	U/M	DESCRIPTION
*	121568-01-01A	EA	REFRIGERATOR - SMALL DOUBLE DOOR - 2-WAY
	116751-02-01A	EA	TRAY - REFRIGERATOR - BLACK
	054450-01-000	EA	LEVEL - REFRIGERATOR
	065225-02-000	EA	PLATE - TIEDOWN - REFRIGERATOR
	093646-01-000	EA	BRACKET - TIEDOWN/REFRIGERATOR - RIGHT HAND
	093646-02-000	EA	BRACKET - TIEDOWN/REFRIGERATOR - LEFT HAND

* COMPONENT PARTS FOUND IN SERVICE PARTS LIBRARY

RANGE W/OVEN - MAGIC CHEF - MODEL CLY1631BDL

KEY	PART NUMBER	U/M	DESCRIPTION
*	112881-02-02A	EA	RANGE - 16" - 3 BURNER
	105458-01-000	EA	BRACKET - STOVE TIEDOWN - RIGHT HAND
	105458-02-000	EA	BRACKET - STOVE TIEDOWN - LEFT HAND

* COMPONENT PARTS FOUND IN SERVICE PARTS LIBRARY

GENERATOR GROUP

3.6 KW ONAN GENERATOR - U.S. LP

KEY	PART NUMBER	U/M	DESCRIPTION
	109982-04-000	EA	GENERATOR - 3.6 MICROLITE
	007125-03-000	EA	CLAMP - MUFFLER - 1.5" DIAMETER
	105958-09-000	EA	PIPE - GENERATOR EXHAUST 1.25" OD X 5.9" X 22"
	007067-01-000	SF	INSULATION - FIBERGLASS - 1" THICK X 4' - INCREMENTS/4 SF

4.0 KW ONAN GENERATOR - U.S. & EXPORT

KEY	PART NUMBER	U/M	DESCRIPTION
	109982-03-000	EA	GENERATOR - 4.0 MICROLITE
	007125-03-000	EA	CLAMP - MUFFLER - 1.5" DIAMETER
	105958-09-000	EA	PIPE - GENERATOR EXHAUST 1.25" OD X 5.9" X 22"
	007067-01-000	SF	INSULATION - FIBERGLASS - 1" THICK X 4' - INCREMENTS/4 SF

3.3 KW ONAN GENERATOR - EXPORT LP

KEY	PART NUMBER	U/M	DESCRIPTION
	109982-05-000	EA	GENERATOR - 3.3 MICROLITE
	007125-03-000	EA	CLAMP - MUFFLER - 1.5" DIAMETER
	105958-09-000	EA	PIPE - GENERATOR EXHAUST 1.25" OD X 5.9" X 22"
	007067-01-000	SF	INSULATION - FIBERGLASS - 1" THICK X 4' - INCREMENTS/4 SF

NOTE: ADDITIONAL GENERATOR COMPONENTS ARE FOUND IN THE CHASSIS GROUP

HEATING & AIR CONDITIONING GROUP

ROOF A/C - 13,500 BTU - COLEMAN - MODEL - TSR HO

KEY	PART NUMBER	U/M	DESCRIPTION
*	108889-01-05A	EA	A/C - ROOF - 13,500 TSR
	102289-01-000	EA	SPRING - SCREW - ROOF A/C GASKET
	084077-03-000	EA	COVER/BLANK - ROOF A/C 5.2" X 3.5" - IVORY

* COMPONENT PARTS FOUND IN SERVICE PARTS LIBRARY

A/C-13,500 BTU-EUROPE - COLEMAN - MODEL TSR 220

KEY	PART NUMBER	U/M	DESCRIPTION
*	108889-02-03A	EA	AIR CONDITIONER - 13,500 BTU/220 VOLT - BRIGHT WHITE - EXP
	084077-03-000	EA	COVER/BLANK - ROOF A/C 5.2" X 3.5" - IVORY

* COMPONENT PARTS FOUND IN SERVICE PARTS LIBRARY

CEILING A/C - COLEMAN

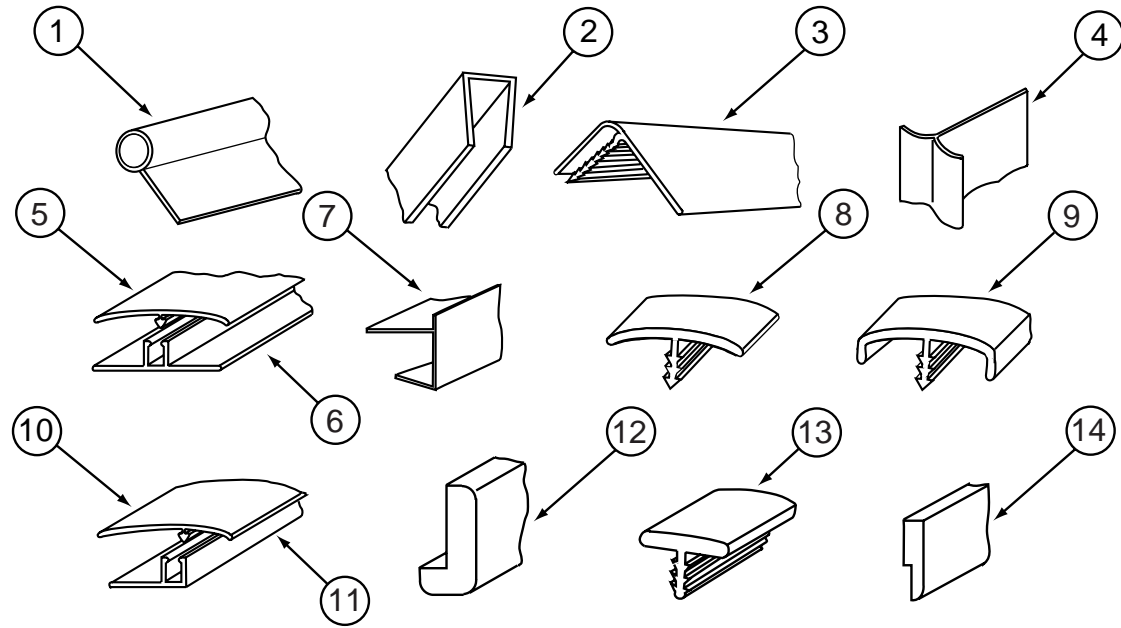
KEY	PART NUMBER	U/M	DESCRIPTION	VENDOR NO.
	108891-01-02A	EA	CEILING ASSEMBLY - A/C COOL	
	042204-01-709	EA	THERMOSTAT-IN 64 OUT 58	6701-3401
	073742-01-701	EA	SWITCH - SELECTOR/5 TERMINAL	6759-3251
	073742-01-702	EA	DECAL-COOL ONLY	6759C3431
	091225-01-713	EA	KNOB	6701-3351
	093766-02-701	EA	DECAL-LEFT	6799-3971
	108891-01-700	EA	PARTS PKG. SGL (KNOB & NUTS)	6792-5991
	108891-01-701	EA	CLIP-FILTER RETAINER, 6 PER	6799-3141
	108891-01-702	EA	COLLAR-DUCT, W/METL FLANGE	6792-4541
	108891-01-703	EA	SHROUD - CEILING WHITE	6769-5051
	022756-03-000	EA	COVER - A/C - OFF WHITE PLASTIC	

FURNACE - 30,000 BTU - SUBURBAN - MODEL SF-30 2273

KEY	PART NUMBER	U/M	DESCRIPTION
*	098668-20-000	EA	FURNACE - 30000 BTU
	009200-01-000	EA	TAPE - FURNACE - 1 1/2"
	089367-01-000	EA	TEE - 4" OD - 7" LONG - METAL
	098668-23-000	EA	DOOR - ACCESS - FURNACE - BRIGHT WHITE
	115764-01-01A	EA	THERMOSTAT - FURNACE
	009198-01-000	FT	DUCT - HEAT - FLEXIBLE - 4" ID X 25'
	069636-02-000	EA	CONNECTOR - DUCT - 4" ID
	056464-10-000	EA	REGISTER - 4" DIAMETER - PLASTIC - W/O DAMPER - BEIGE

* COMPONENT PARTS FOUND IN SERVICE PARTS LIBRARY

INTERIOR FINISH GROUP



MOLDINGS & TRIMS

KEY	PART NUMBER	U/M DESCRIPTION
1	009767-12-000	FT WELTING - SIDEWALL/CEILING/CABINET - OFF/WHT
1	009767-15-000	FT WELTING - WATERFORD OAK
2	009778-21-000	FT U-CHANNEL - 1" - WATERFORD OAK
		FROM: 00-00-00 THRU: 11-09-97
2	009778-30-000	FT U-CHANNEL - 1" - VILLAGE OAK
		FROM: 11-10-97 THRU: 99-99-99
2	009778-22-000	FT U-CHANNEL - 1 1/4" - WATERFORD OAK
2	009778-11-000	FT U-CHANNEL - 1" - IVORY
2	070504-36-000	FT U-CHANNEL - PLASTIC - .13" X 72" - WATERFORD OAK
2	070504-37-000	FT U-CHANNEL - PLASTIC - .87" X 84" - WATERFORD OAK
2	070504-18-000	FT U-CHANNEL - PLASTIC - .13" X 84" - IVORY
3	009809-23-000	EA MOLDING - CORNER - OUTSIDE - 1" X 84" - MODERN IVORY
3	009809-28-000	EA MOLDING - CORNER - OUTSIDE - 1" X 84" - WATERFORD OAK
3	009809-24-000	EA MOLDING - PLASTIC - 1/2" O/S CORNER - IVORY
3	009812-29-000	EA MOLDING - PLASTIC - 1/2" O/S CORNER - WATERFORD OAK
4	022992-11-000	EA MOLDING - REVERSE COVE - T-SHAPED VINYL - IVORY
5	086229-13-000	EA BATTEN - 1" X 96" - IVORY
5	086229-20-000	EA BATTEN - 1" X 96" - BEIGE
6	086229-01-000	EA RETAINER - BATTEN - .75" X 92.3" - ANY COLOR
7	103186-01-05A	FT MOLDING - PLASTIC 3/8" U-CHANNEL 3/4" FACE - WATERFORD OAK
8	009815-09-000	FT MOLDING-T - .75" IVORY
9	083620-09-000	FT MOLDING-T - END CAP EDGE - W/EDGE LIPS - .75"-MODERN IVORY
9	083620-12-000	FT MOLDING-T - END CAP EDGE - W/EDGE LIP - .75"-WATERFORD OAK
9	119520-01-01A	FT MOLDING-T - 1" - W/EDGE LIPS (OFF/WHITE-CREAM)
9	104676-02-04A	FT MOLDING-T - 1/2" - WATERFORD OAK
10	086229-12-000	EA BATTEN - 1.5" OFFSET X 97.01" IVORY
11	086229-11-000	EA RETAINER - OFFSET - 97.01"
12	077840-01-G01	EA MOLDING - CAP/WALL - 8' WATERFORD OAK
13	104676-01-01A	FT T-MOLDING - 5/16" - RIGID GOLD
14	105004-01-05A	EA MOLDING - VINYL WRAPPED - 1" X 8' WATERFORD OAK

INTERIOR FINISH GROUP (CONTINUED)

MOLDINGS & TRIMS (CONTINUED)

KEY	PART NUMBER	U/M DESCRIPTION
	117268-D2-134	EA MOLDING - VINYL WRAPPED - .7" X 1.6" X 84" - WATERFORD OAK
	100818-01-05A	EA MOLDING - VINYL WRAPPED - 1.65" X .4" X 84"-WATERFORD OAK
	100819-01-05A	EA MOLDING - VINYL WRAPPED - L-SHAPED-1.5" X 1.5" X 7' - WATERFORD OAK
	117268-F2-134	EA MOLDING - VINYL WRAPPED - .7" X 2.7" X 84" - WATERFORD OAK
	117267-E2-438	EA LUMBER - VINYL WRAPPED - .7" X 2" X 96" - WATERFORD OAKP
	117267-D2-438	EA LUMBER - VINYL WRAPPED - .7" X 3" X 96" - WATERFORD OAK
	117267-E2-438	EA LUMBER - VINYL WRAPPED - .7" X 1.5" X 96" - WATERFORD OAK
	117267-G2-438	EA LUMBER - VINYL WRAPPED - .7" X 2" X 96" - WATERFORD OAK
	117267-G2-438	EA LUMBER - VINYL WRAPPED - .7" X 3" X 96" - WATERFORD OAK
	117267-J2-438	EA LUMBER - VINYL WRAPPED - .7" X 5.5" X 96"- WATERFORD OAK
	075249-01-000	EA RAILING - OAK - 72" UNFINISHED
	100659-01-G09	EA MOLDING/TRIM - VINYL FLOOR
	120492-01-04A	FT STRIP - TRIM - WATERFORD OAK
	085746-04-000	FT TRIM-J - CARPET 1.2" X .5" ANGLE - 12' LONG - OFF WHITE
	093873-01-01A	EA TRIM - CARPET - L-ANGLE 1.1" X 1.3" X 12' - GRAY VINYL

EDGE BAND MOLDING

KEY	PART NUMBER	U/M DESCRIPTION
	076325-39-000	FT MOLDING - EDGE BAND - 1 5/16" X .030" (J01)
	076325-47-000	FT MOLDING - EDGE BAND - 1 5/16" X .030" (J02)
	076325-40-000	FT MOLDING - EDGE BAND - .875" X .024" (J01)
	076325-44-000	FT MOLDING - EDGE BAND - .876" X .024" (J02)
	076325-73-000	FT MOLDING - EDGE BAND - .93" X .024"
	076325-37-000	FT MOLDING - EDGE BAND - 1 5/16" X .030"
	076325-67-000	FT MOLDING - EDGE BAND - .93" X .024" - WATERFORD OAK
	076325-68-000	FT MOLDING - EDGE BAND - 1 5/16" X .038 - WATERFORD OAK

BATT STRIPS

KEY	PART NUMBER	U/M DESCRIPTION
	079653-28-000	EA BATT STRIP - KERFED - WOODGRAINED/WATERFORD OAK - 8'
	069733-83-000	EA BATT STRIP - WOODGRAINED/WATERFORD OAK - 8'
	085284-B5-000	FT BATT TAPE - ADHESIVE BACKED - WOODGRAINED - WATERFORD OAK
	088263-E7-000	EA BATT STRIP - DECORATIVE - GAZEBO STRIPE/SAGE - 8' LONG (J01)
	088263-C4-000	EA BATT STRIP - DECORATIVE - CORBIN/TOBACCO - 8' LONG (J02)
	085284-E1-000	FT BATT TAPE - ADHESIVE BACKED - DECORATIVE-GAZEBO/STRIPE/SAGE (J01)
	085284-B7-000	FT BATT TAPE - ADHESIVE BACKED - DECORATIVE - CORBIN/TOBACCO (J02)
	088263-F7-000	EA BATT STRIP - DECORATIVE - IMPACT PEARL TEXTR - INC OF 8'
		FROM: 00-00-00 THRU: 10-05-97
	088263-F9-000	EA BATT STRIP - CEILING - IMPACT PEARL - INC OF 9'
		FROM: 10-06-97 THRU: 99-99-99
	085284-F3-000	EA BATT TAPE - ADHESIVE BACKED - IMPACT PEARL TEXTURE
		FROM: 00-00-00 THRU: 10-05-97
	085284-F6-000	EA BATT TAPE - ADHESIVE BACKET - IMPACT PEARL
		FROM: 10-06-97 THRU: 99-99-99
	088263-E3-000	EA BATT STRIP - DECORATIVE - PEBBLE EMBOSSED/ANTIQUE-8' LONG
	085284-D6-000	FT BATT TAPE - ADHESIVE BACKED -DECORATIVE - EMBOSSED ANTIQUE

INTERIOR FINISH GROUP (CONTINUED)

PANELING, LAMINATES & PLASTIC

KEY	PART NUMBER	U/M	DESCRIPTION
	074497-28-000	SF	PANELING - WATERFORD OAK - 48" X 96"
	074497-37-000	SF	PANELING - IMPACT PEARL TEXTURE - 4' X 8' - ROUGH
			FROM: 00-00-00 THRU: 10-05-97
	074497-40-000	SF	PANELING - CEILING - IMPACT PEARL - 4' X 8'
			FROM: 10-06-97 THRU: 99-99-99
	080215-10-000	SF	PANELING - 2 SIDED - WATERFORD - .2" X 48" X 96"
	088272-G1-000	SF	PANELING - PEBBLE EMBOSSED - ANTIQUE WHITE - 4' X 7'
	088272-G5-000	SF	PANELING - GAZEBO STRIPE - 4' X 7' (J01)
	088272-E5-000	SF	PANELING-CORBIN-TOBACCO (J02)
	074498-40-000	SF	LAMINATE - PLASTIC - OFF WHITE - 5' X 8' - INC OF 40 SF
	074498-71-000	SF	LAMINATE - PLASTIC - NEUTRAL SANTOS - 5'X8' - INC OF 40SF (J01)
	074498-54-000	SF	LAMINATE - PLASTIC - SAND SPEKTRUM - 5' X 8' - INC OF 40SF (J02)
	000885-67-000	SF	LAMINATE - PLASTIC - ORCHID MIST - 5' X 8' - INC OF 40SF
	000885-77-000	SF	LAMINATE - PLASTIC - ART CABIN - 4' X 8' - INC OF 32 SF
	000885-76-000	SF	PARTICLE BOARD-3/8" X 48" X 96"-WATERFORD OAK/VINYL 1 SIDE
	000885-77-000	SF	PARTICLE BOARD-3/8" X 48" X 96"-WATERFORD OAK/VINYL 2 SIDE
	000885-78-000	SF	PARTICLE BOARD-1/2" X 48" X 96"-WATERFORD OAK/VINYL 2 SIDE
	000885-79-000	SF	PARTICLE BOARD-3/4" X 48" X 96"-WATERFORD OAK/VINYL 2 SIDE
	057882-04-700	EA	DOOR-TAMBOUR 4'X4' PC WINONA PART SALES
	000846-01-000	SF	PLYWOOD - 5/16" X 48" X 96" - CD GRADE
	000846-02-000	SF	PLYWOOD/UNDERLAYMENT - 5/16" X 48" X 96"
	126339-01-000	SF	BOARD - WHEAT - 60" X 72"
	093743-05-01A	SF	PLASTIC - ABS COIL - BRIGHT WHITE - 20" X 108"

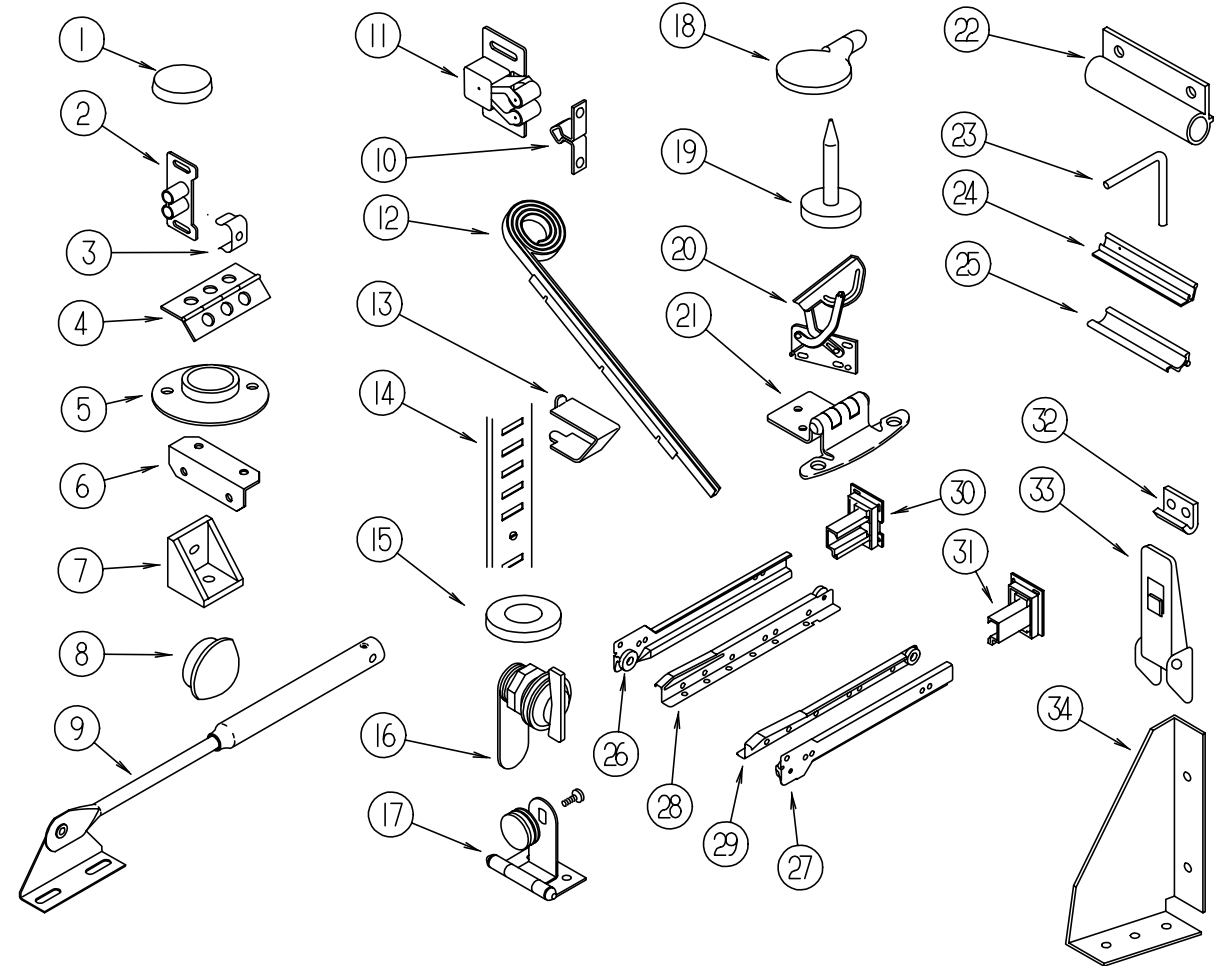
CARPETING & FLOOR MATS

KEY	PART NUMBER	U/M	DESCRIPTION
	096060-98-000	SY	CARPET - SILVER ASPEN - INCREMENTS OF 4 SQ YD (J01)
	096060-95-000	SY	CARPET - DOE SKIN - INCREMENTS OF 4 SQ YD (J02)
	093486-01-000	SY	CARPET - COMPARTMENT - 72" WIDE - DARK GRAY
	122755-01-01A	EA	TILE - RUBBER/ENTRANCE DOOR - 18.5" X 27.2"
	122755-03-01A	EA	TILE - RUBBER/ENTRANCE DOOR - 17.7" X 26.4"
	122755-05-01A	EA	TILE - RUBBER/ENTRANCE DOOR - 11.2" X 26.9"
	125780-01-000	EA	MAT - FLOOR - FRONT/PASSENGER - "W" - FORD
	125780-02-000	EA	MAT - FLOOR - FRONT/DRIVER - "W" - FORD
	102569-04-000	EA	MAT - ANTI SLIP

FIRE EXTINGUISHER & DETECTORS

KEY	PART NUMBER	U/M	DESCRIPTION	VENDOR NO.
	072852-02-000	EA	DETECTOR - SMOKE - W/9 VOLT BATTERY - CANADIAN	
	094499-02-000	EA	EXTINGUISHER/FIRE - DRY - 1A10BC - CANADIAN	
	094499-01-700	EA	BRACKET MTG. W/PLAS. STRAP	294039
	072852-01-000	EA	DETECTOR - SMOKE - W/9 VOLT BATTERY - US	
	094499-01-000	EA	EXTINGUISHER/FIRE - DRY W/MOUNTING BRACKET	
	094499-01-700	EA	BRACKET MTG. W/PLAS. STRAP	294039
	094499-01-701	EA	STRAP ONLY (METAL)	320351
	125136-01-000	EA	CO DETECTOR - GAS - ROUND W/2 SCREWS - 9 VOLT	

INTERIOR FINISH GROUP (CONTINUED)



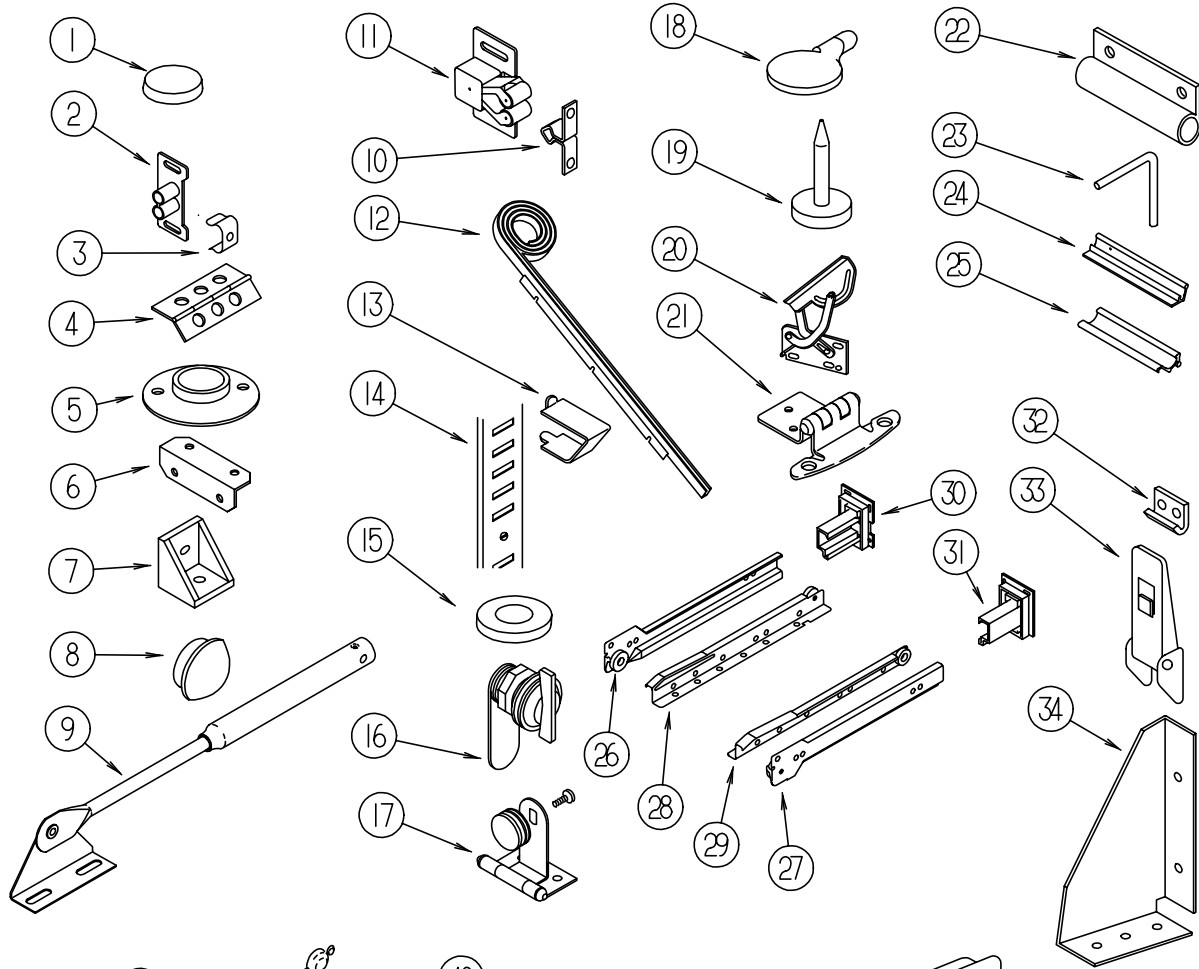
CABINET & TABLE HARDWARE

KEY	PART NUMBER	U/M	DESCRIPTION
1	004354-01-000	EA	BUMPER - RUBBER - .5" DIA - BROWN
2	009021-01-000	EA	CATCH - GRILLE - NYLON
3	009021-02-000	EA	STRIKE - SPRING STEEL
4	009059-01-000	EA	HINGE - DOOR - 2" X 1.4" - BRASS
4	009059-02-000	EA	HINGE - DOOR - 2" X 2.7" - BRASS
4	041389-35-000	EA	HINGE - PIANO - OFF WHITE - 31"
5	009112-01-000	EA	FLANGE - PLASTIC - 1" CLOTHES ROD - OFF WHITE
6	016604-01-000	EA	BRACE - CABINET - ANGLE - 2.5" - UNPAINTED METAL
6	016604-05-000	EA	BRACE - CABINET - ANGLE - 2.5" - OFF WHITE METAL
7	065740-01-000	EA	BRACE - CABINET/CORNER - PLASTIC
8	074045-01-000	EA	PLUG - OAK - 1/2" DIAMETER
9	074493-02-000	EA	SUPPORT - PISTON SPRING - CABINET DOOR
10	093586-05-000	EA	STRIKE - SPRING STEEL
11	093586-06-000	EA	CATCH - SPRING - ROLLER
12	097141-02-700	EA	KIT - TRACK - TAMBOUR DOOR - W/ONE RT & ONE LEFT TRACK
13	098979-01-000	EA	CLIP - ADJUSTABLE SHELF
14	098980-06-000	EA	PILASTER - ADJUSTABLE SHELF - 24"
15	100707-01-000	EA	SPACER - GLASS DOOR - .8" DIA - .3" HOLE - PLASTIC
16	100710-01-01A	EA	LOCK - GLASS DOOR/TWIST TYPE - BRASS
17	100711-01-01A	EA	HINGE - GLASS DOOR
18	101766-01-000	EA	PIN - SUPPORT/GLASS DOOR
19	102194-01-000	EA	GUIDE - PLASTIC
20	108126-01-000	EA	TRAY HINGE SET (QTY. 2 PER SET)
21	108138-01-000	EA	HINGE - CABINET DOOR - BURNISHED BRASS
	000G13-06-08G	EA	SCREW - 6-20 X .50 PFH - ANTIQUE BRASS
22	108486-01-01A	EA	BRACKET - PROP ROD/OVERHEAD - BLACK
23	108487-02-01A	EA	SUPPORT - PROP ROD/OVERHEAD - BLACK
24	110107-01-04A	EA	PULL - DOOR - TERRATONE
25	110108-01-04A	EA	LATCH - DOOR - TERRATONE

INTERIOR FINISH GROUP (CONTINUED)

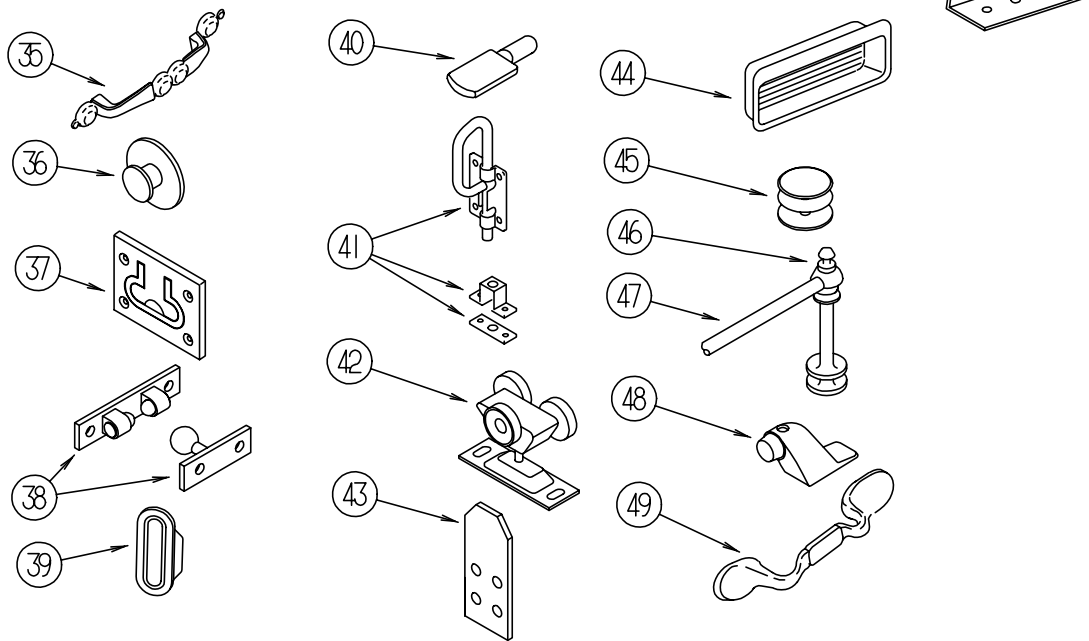
CABINET & TABLE HARDWARE (CONTINUED)

CABINET DOOR SLIDES & BACKSOCKETS - FROM: 00-00-00 THRU: 02-22-98



KEY	PART NUMBER	U/M DESCRIPTION
26	114031-01-000	EA SLIDE - 12" - LEFT SIDE/CABINET
26	114031-05-000	EA SLIDE - 14" - LEFT SIDE/CABINET
26	114031-09-000	EA SLIDE - 16" - LEFT SIDE/CABINET
26	114031-13-000	EA SLIDE - 18" - LEFT SIDE/CABINET
26	114031-17-000	EA SLIDE - 20" - LEFT SIDE/CABINET
27	114031-02-000	EA SLIDE - 12" - RIGHT SIDE/CABINET
27	114031-06-000	EA SLIDE - 14" - RIGHT SIDE/CABINET
27	114031-10-000	EA SLIDE - 16" - RIGHT SIDE/CABINET
27	114031-14-000	EA SLIDE - 18" - RIGHT SIDE/CABINET
27	114031-18-000	EA SLIDE - 20" - RIGHT SIDE/CABINET
28	114031-03-000	EA SLIDE - 12" - LEFT SIDE/DRAWER
28	114031-07-000	EA SLIDE - 14" - LEFT SIDE/DRAWER
28	114031-11-000	EA SLIDE - 16" - LEFT SIDE/DRAWER
28	114031-15-000	EA SLIDE - 18" - LEFT SIDE/DRAWER
28	114031-19-000	EA SLIDE - 20" - LEFT SIDE/DRAWER
29	114031-04-000	EA SLIDE - 12" - RIGHT SIDE/DRAWER
29	114031-08-000	EA SLIDE - 14" - RIGHT SIDE/DRAWER
29	114031-12-000	EA SLIDE - 16" - RIGHT SIDE/DRAWER
29	114031-16-000	EA SLIDE - 18" - RIGHT SIDE/DRAWER
29	114031-20-000	EA SLIDE - 20" - RIGHT SIDE/DRAWER
30	114045-01-000	EA BACKSOCKET - ADJUSTABLE LEFT
31	114045-02-000	EA BACKSOCKET - ADJUSTABLE RIGHT

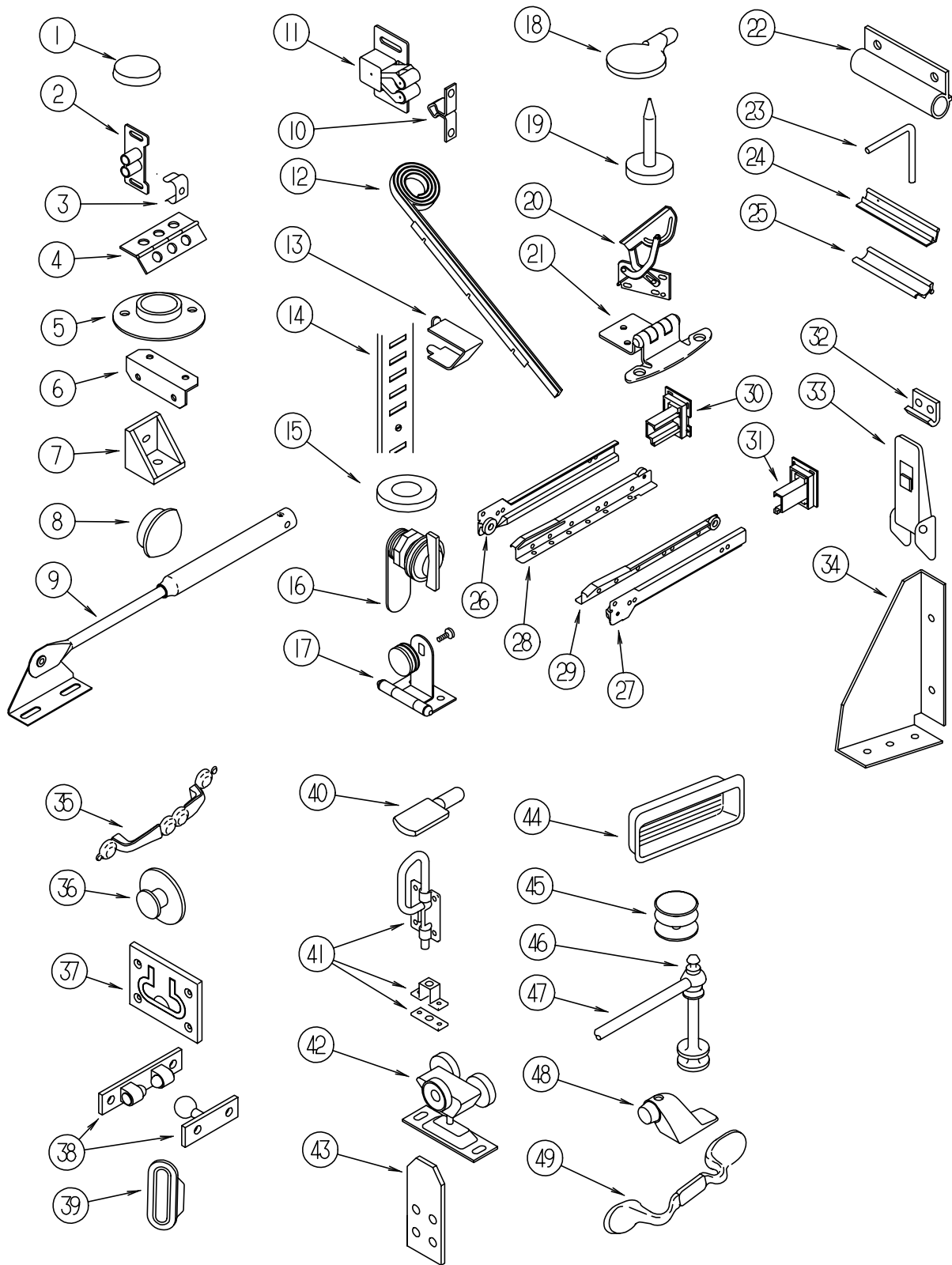
CABINET DOOR SLIDES & BACKSOCKETS - FROM: 02-23-98 THRU: 99-99-99



KEY	PART NUMBER	U/M DESCRIPTION
26	128810-01-01A	EA SLIDE - DRAWER - 12" - LEFT CABINET
26	128810-05-01A	EA SLIDE - DRAWER - 14" - LEFT CABINET
26	128810-09-01A	EA SLIDE - DRAWER - 16" - LEFT CABINET
26	128810-13-01A	EA SLIDE - DRAWER - 18" - LEFT CABINET
26	128810-17-01A	EA SLIDE - DRAWER - 20" - LEFT CABINET
27	128810-02-01A	EA SLIDE - DRAWER - 12" - RIGHT CABINET
27	128810-06-01A	EA SLIDE - DRAWER - 14" - RIGHT CABINET
27	128810-10-01A	EA SLIDE - DRAWER - 16" - RIGHT CABINET
27	128810-14-01A	EA SLIDE - DRAWER - 18" - RIGHT CABINET
27	128810-18-01A	EA SLIDE - DRAWER - 20" - RIGHT CABINET
28	128810-03-01A	EA SLIDE - DRAWER - 12" - LEFT DRAWER
28	128810-07-01A	EA SLIDE - DRAWER - 14" - LEFT DRAWER
28	128810-11-01A	EA SLIDE - DRAWER - 16" - LEFT DRAWER
28	128810-15-01A	EA SLIDE - DRAWER - 18" - LEFT DRAWER
28	128810-19-01A	EA SLIDE - DRAWER - 20" - LEFT DRAWER
29	128810-04-01A	EA SLIDE - DRAWER - 12" - RIGHT DRAWER
29	128810-08-01A	EA SLIDE - DRAWER - 14" - RIGHT DRAWER
29	128810-12-01A	EA SLIDE - DRAWER - 16" - RIGHT DRAWER
29	128810-16-01A	EA SLIDE - DRAWER - 18" - RIGHT DRAWER
29	128810-20-01A	EA SLIDE - DRAWER - 20" - RIGHT DRAWER
30	128811-01-01A	EA BACKSOCKET - ADJUSTABLE - LEFT
31	128811-02-01A	EA BACKSOCKET - ADJUSTABLE RIGHT

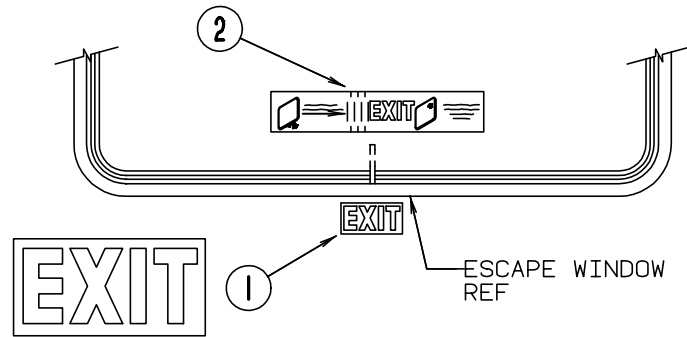
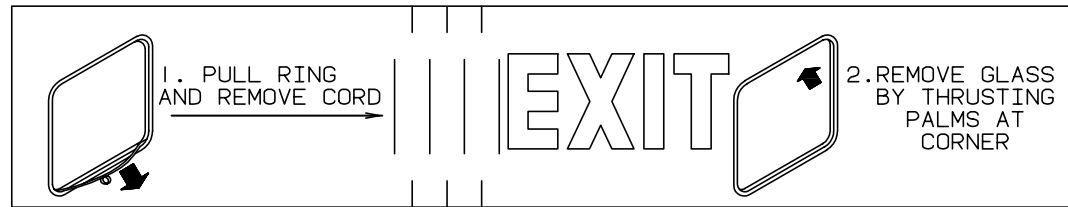
INTERIOR FINISH GROUP (CONTINUED)

CABINET & TABLE HARDWARE (CONTINUED)

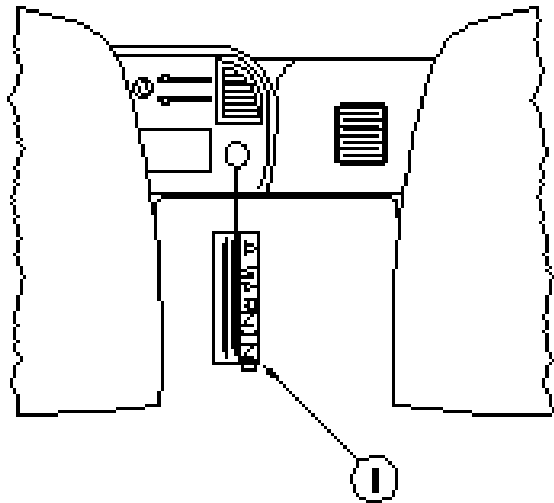


KEY	PART NUMBER	U/M	DESCRIPTION
	32	EA	KEEPER/STRIKE - BLACK - NEW STYLE
	33	EA	LATCH - W/O STRIKE - BLACK - NEW STYLE
	34	EA	GUSSET - SLIDEOUT ROOM - OFF/WHITE
	35	EA	PULL - CABINET - BRASS
	36	EA	PULL - MIRROR - W/ROUND HANDLE
	37	EA	PULL - FLUSH - CHROME
	38	EA	CATCH - BRASS
	39	EA	PULL - FINGER - OVAL - BRASS
	40	EA	PIN - SUPPORT/GLASS DOOR
	41	EA	LATCH - SLIDE
	42	EA	HANGER - SLIDING DOOR
	43	EA	STOP - DRAWER - BLACK
	44	EA	HANDLE - RECESSED - BRASS
	45	EA	CAP - INSERT - ROUND 1" DIAMETER - WHITE
	46	EA	POST - END - 2.4" - BRASS
	47	EA	ROD - BRASS - 4.08" LONG
	47	EA	ROD - BRASS - 7.09" LONG
	48	EA	STOP - DOOR
	49	EA	PULL - CABINET - BRASS
	079921-01-000	EA	ROLLER - NYLON - W/STEEL SHAFT - BARBED
	113236-01-01A	EA	BRACKET - CLOTHES - ROD
	023320-01-000	EA	PAD - FELT 3/8" DIAMETER
	042438-01-000	EA	DOWEL - WOOD - CLOTHES ROD - 1" DIAMETER X 4'
	042438-02-000	EA	DOWEL - WOOD - 2" X 2"

LABELS GROUP



KEY	PART NUMBER	U/M DESCRIPTION
1	039290-01-000	EA LABEL - WARNING - EXIT
2	107571-01-000	EA LABEL - EXIT/ESCAPE WINDOW



WARNING

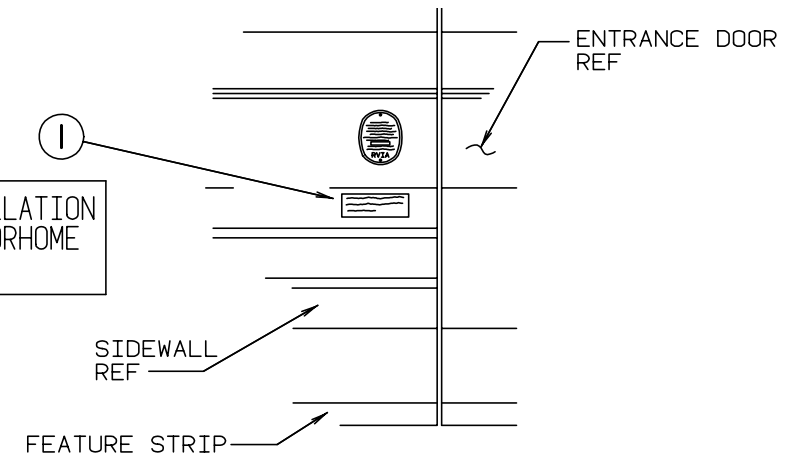
⚠ Children Can be **KILLED or INJURED** by Passenger Air Bag

The back seat is the safest place for children 12 and under. Make sure all children use seat belts or child seats.

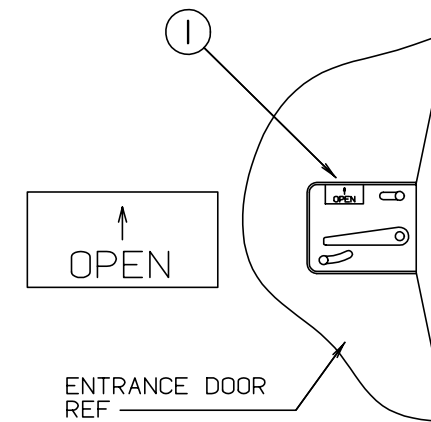
KEY	PART NUMBER	U/M DESCRIPTION
1	126612-01-000	EA LABEL - HANG TAG - AIR BAG - DASH

LABELS GROUP (CONTINUED)

FOR AWNING INSTALLATION CONTACT YOUR MOTORHOME DEALERSHIP



KEY	PART NUMBER	U/M DESCRIPTION
1	099509-01-000	EA LABEL - AWNING INSTALLATION



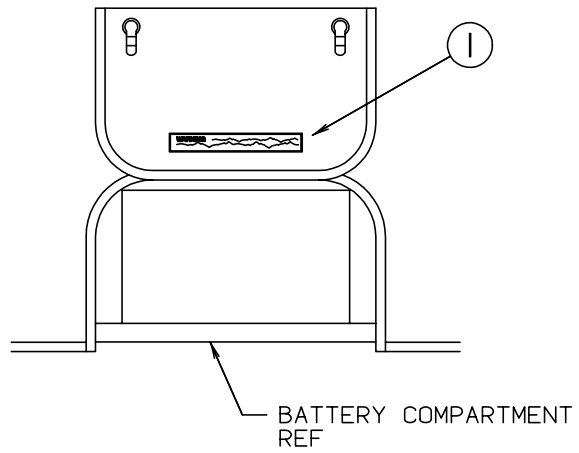
KEY	PART NUMBER	U/M DESCRIPTION
1	040944-01-000	EA LABEL - ENTRANCE DOOR - "OPEN"

LABELS GROUP (CONTINUED)

MISCELLANEOUS LABELS

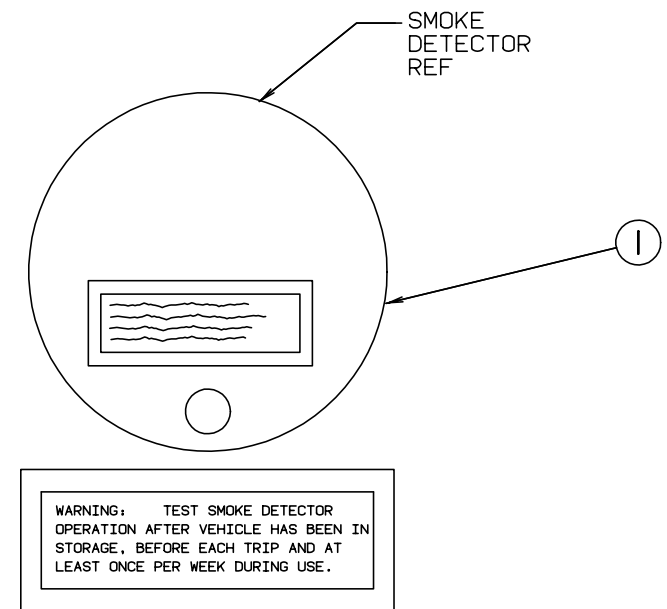
KEY	PART NUMBER	U/M	DESCRIPTION
	006064-01-000	EA	LABEL - SEAT W/O SEATBELT
	061417-01-000	EA	LABEL - FUEL - ON FUEL FILL DOOR
	073998-01-000	EA	LABEL - LPG ODOR WARNING
	087236-01-000	EA	LABEL - CABLE - INPUT
	091243-01-000	EA	LABEL - A/C COVER "AIR CONDITIONING CIRCUIT ETC."
	093236-08-000	EA	LABEL - CIRCUIT BREAKER
	104236-01-000	EA	LABEL - GENERATOR CIRCUIT
	111104-01-000	EA	LABEL - HITCH - READ MANUAL - WHITE
	111104-02-000	EA	LABEL - HITCH - READ MANUAL - BLACK
	128218-01-01A	EA	LABEL - WARNING - ROOF SLIPPERY

WARNING DISCONNECT BATTERIES BEFORE CONNECTING EXTERNAL CHARGING EQUIPMENT.

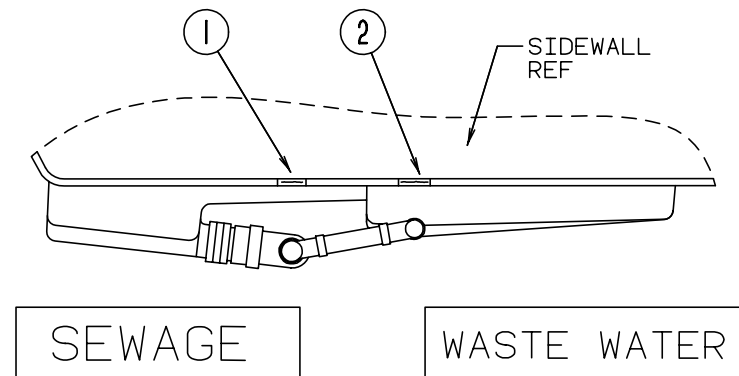


KEY	PART NUMBER	U/M	DESCRIPTION
1	065748-01-000	EA	LABEL - CAUTION - BATTERY CHARGING

LABELS GROUP (CONTINUED)

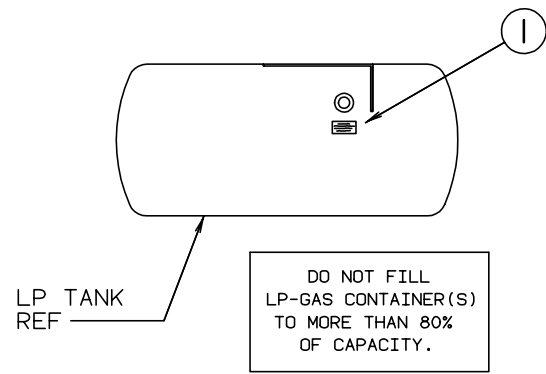


KEY	PART NUMBER	U/M	DESCRIPTION
1	077956-01-000	EA	LABEL - WARNING - SMOKE DETECTOR

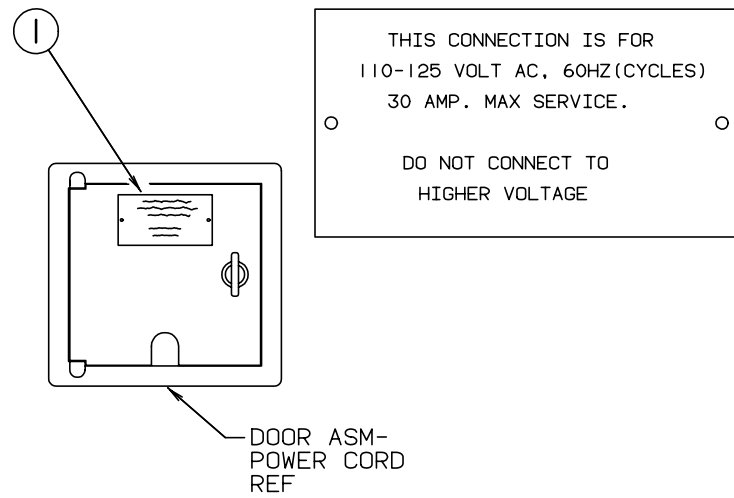


KEY	PART NUMBER	U/M	DESCRIPTION
1	006187-01-000	EA	LABEL - SEWAGE
2	006188-01-000	EA	LABEL - WASTE WATER

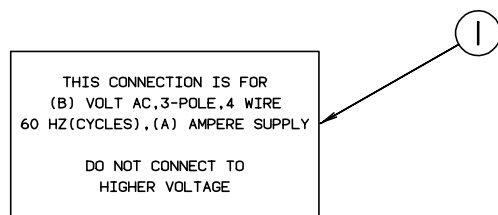
LABELS GROUP (CONTINUED)



KEY	PART NUMBER	U/M DESCRIPTION
1	079965-01-000	EA LABEL - LPG - 80% CAPACITY

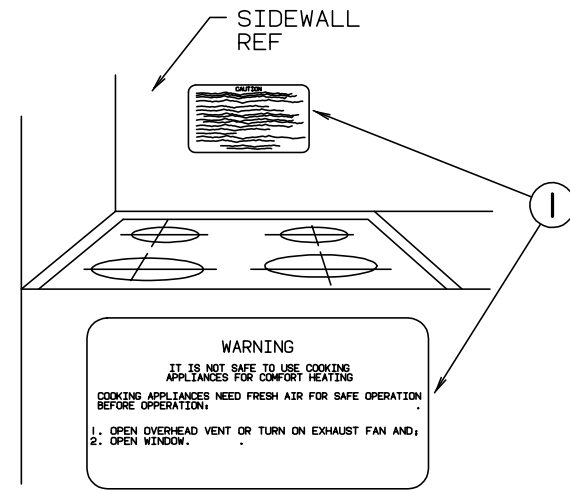


KEY	PART NUMBER	U/M DESCRIPTION
1	006062-01-000	EA LABEL - ELECTRIC - 110 VOLT CONNECTION

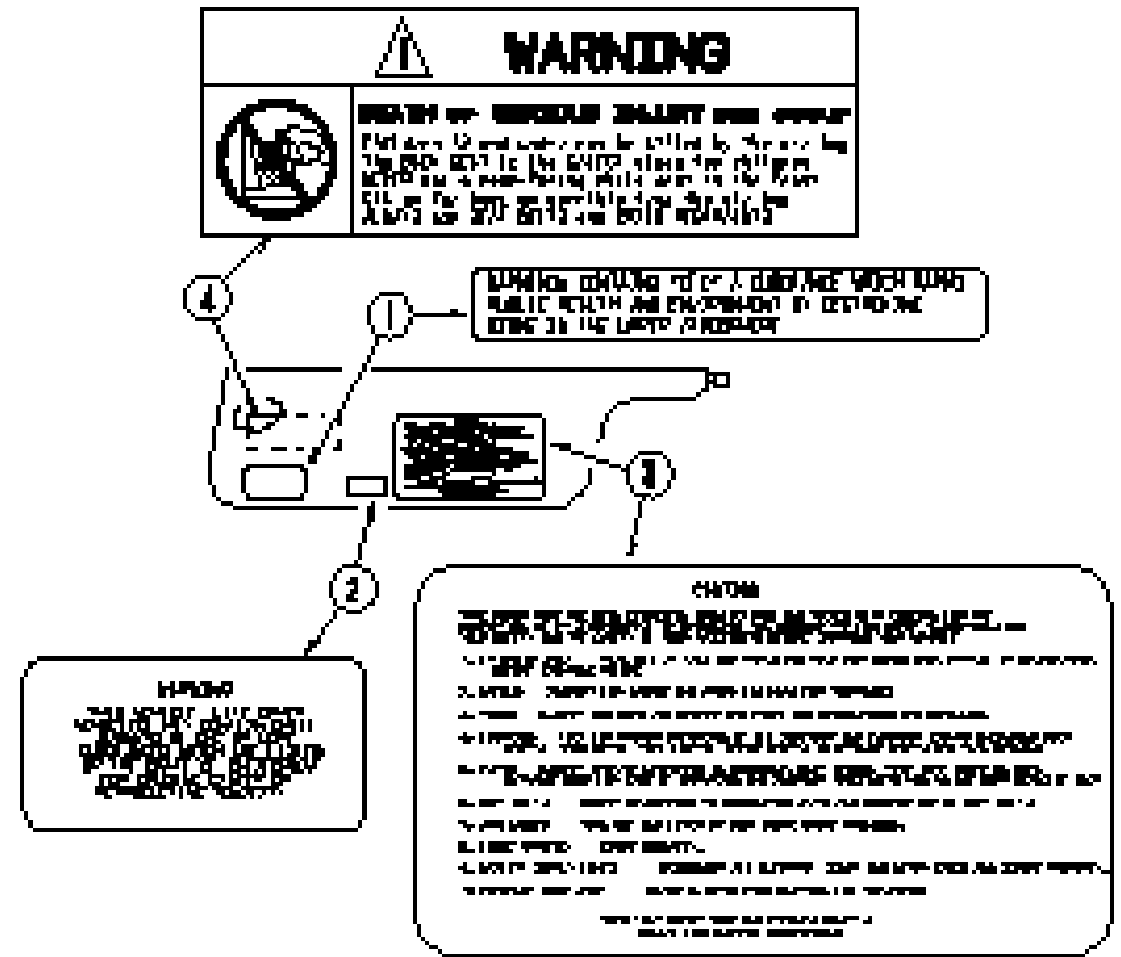


KEY	PART NUMBER	U/M DESCRIPTION
1	125306-01-01A	EA LABEL - ELECTRICAL ENTRANCE - 110VOLT 30AMP

LABELS GROUP (CONTINUED)



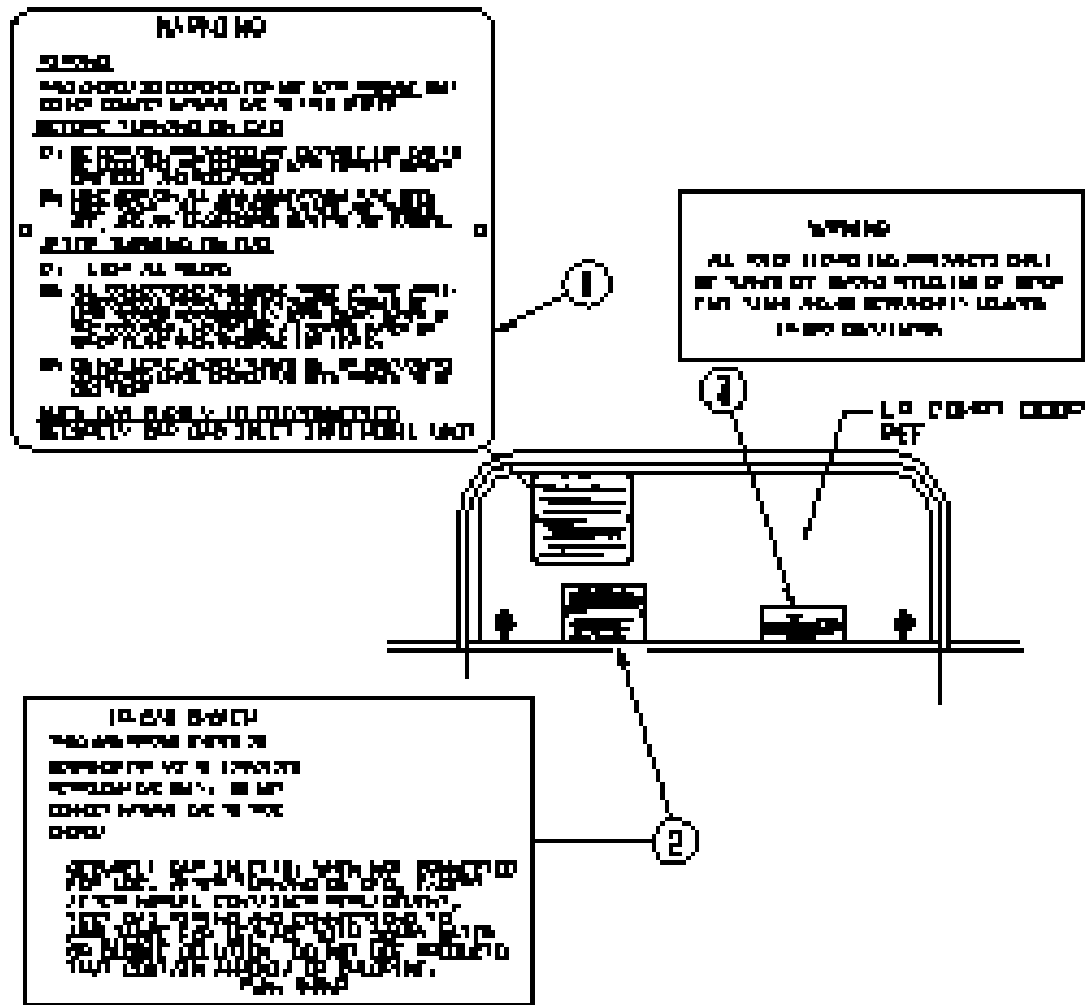
KEY	PART NUMBER	U/M DESCRIPTION
1	050222-01-000	EA LABEL - STOVE VENT - CANADIAN
1	050225-01-000	EA LABEL - WARNING - STOVE VENT - US



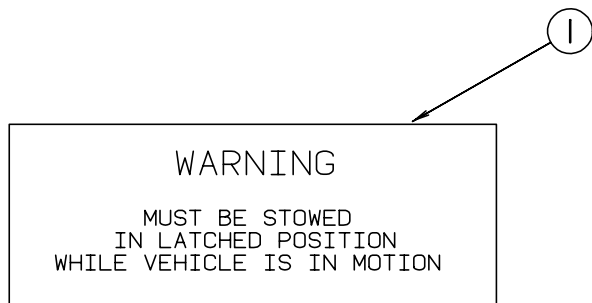
KEY	PART NUMBER	U/M DESCRIPTION
1	111802-01-000	EA LABEL - CFC WARNING
2	099689-01-000	EA LABEL - WARNING - CANCER/TOXICITY
3	056259-01-000	EA LABEL - SAFETY CHECK LIST
4	126611-01-000	EA LABEL - AIR BAG - VISOR

LABELS GROUP (CONTINUED)

LABELS GROUP (CONTINUED)

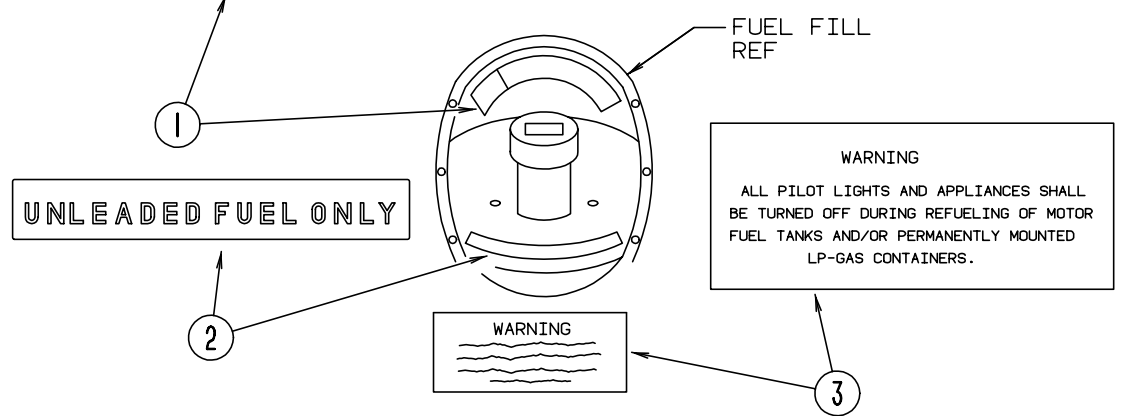


KEY	PART NUMBER	U/M DESCRIPTION
1	023769-01-000	EA LABEL - WARNING - LPG - CANADIAN
2	124520-01-01A	EA LABEL - LP GAS ONLY
3	124519-01-01A	EA LABEL - WARNING/REFUELING - BLACK ON CLEAR
3	124519-02-01A	EA LABEL - WARNING/REFUELING - CSA



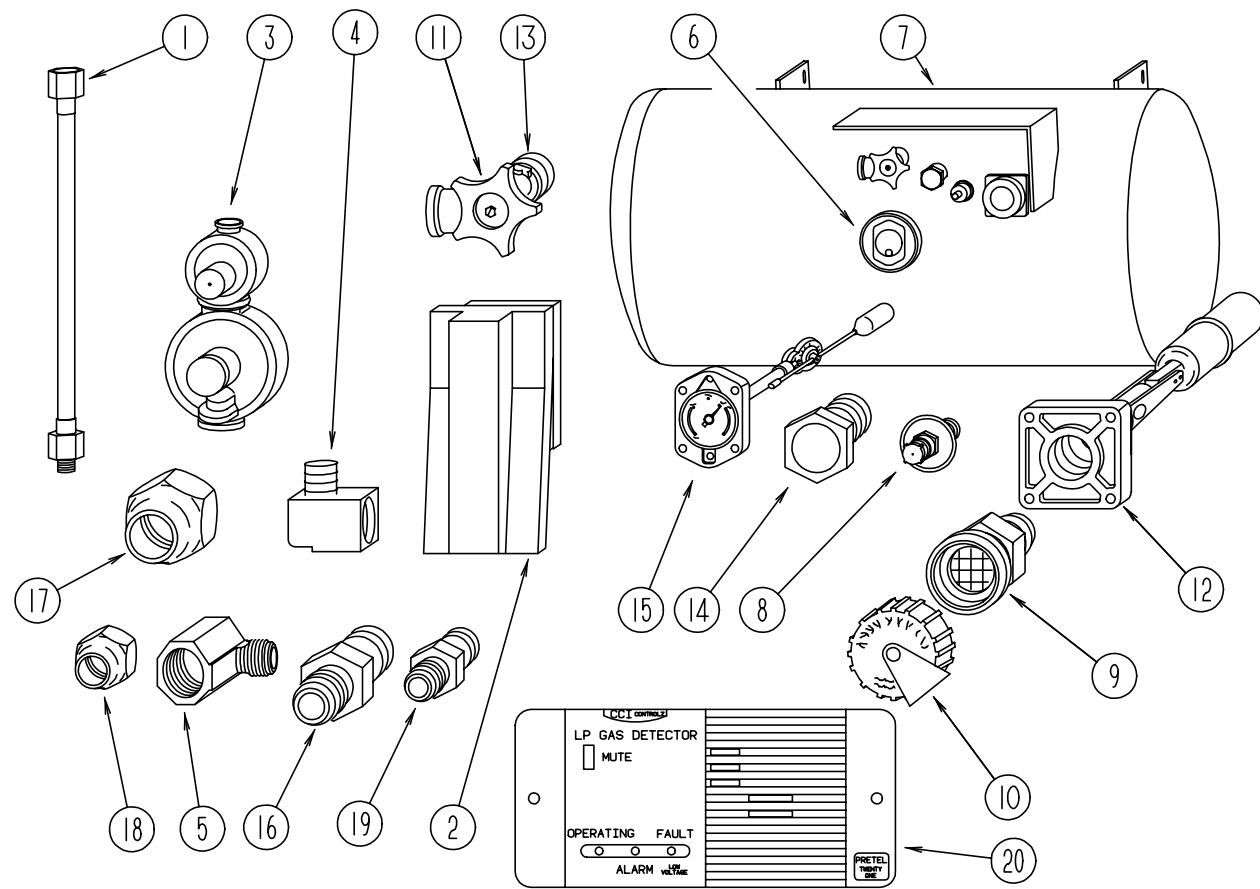
KEY	PART NUMBER	U/M DESCRIPTION
1	079966-01-000	EA LABEL - WARNING - STOWED - MOTION

CAUTION	TO HELP AVOID PERSONAL INJURY DURING REMOVAL OF FUEL FILLER CAP, SLOWLY LOOSEN CAP 1/2 TURN TO ALLOW ANY FUEL PRESSURE TO BE RELIEVED BEFORE TURNING CAP FURTHER.
FUEL SPRAY MAY CAUSE PERSONAL INJURY	STOP ADDING FUEL AFTER FIRST SHUTOFF BY AUTOMATIC NOZZLE WHEN TANK IS NEARLY FULL. DO NOT OVERFILL FUEL TANK. SEE OWNERS MANUAL FOR ADDITIONAL INFORMATION. PRINTED IN U.S.A. MLC PT NO 15611763



KEY	PART NUMBER	U/M DESCRIPTION
1	087207-05-000	EA LABEL - FUEL CAP REMOVAL
2	062043-01-000	EA LABEL - FUEL - UNLEADED
3	124519-01-01A	EA LABEL - WARNING/REFUELING - BLACK ON CLEAR
3	124519-02-01A	EA LABEL - WARNING/REFUELING - CSA

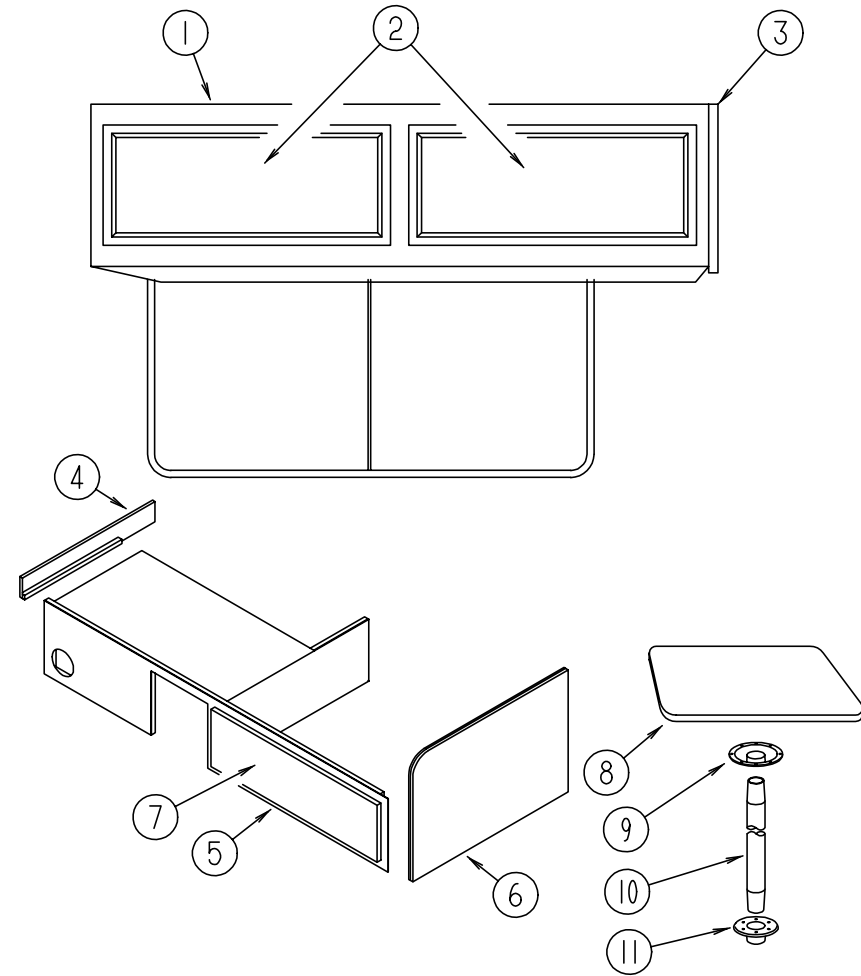
LP GROUP



LP SYSTEM

KEY	PART NUMBER	U/M	DESCRIPTION	VENDOR NO.
1	045703-01-000	EA	HOSE - LP - 3/8"ID X 24" - 3/8"MPT X 1/2"F SWIVEL - U.S.	
1	045703-02-000	EA	HOSE - LP - 3/8"ID X 24" - 3/8"MPT X 1/2"F SWIVEL - CANADA	
1	045703-09-000	EA	HOSE - LP - 3/8"ID X 24" - 3/8"ID F SWIVEL X 3/8"ID F SWIV	
2	105658-01-000	EA	COMPARTMENT - LP REGULATOR	
3	106150-01-000	EA	REGULATOR - TWO STAGE -W/90 DEGREE ELBOW & 3/8" FPT OUTLET	
3	106150-02-000	EA	REGULATOR - TWO STAGE - 1/4" FPT INLET/3/8" FPT OUTLET - DIESEL	
4	010252-01-000	EA	ELBOW - BRASS - 90 DEGREE - 3/8"F X 1/2"MPT	
5	010265-01-000	EA	ELBOW - BRASS - 90 DEGREE - 3/8"F X 1/2"FPT	
6	040440-02-000	EA	TRANSMITTER - DIAL - 0-90 OHM -2 TERMINAL (POWER & GROUND)	
7	080450-01-000	EA	TANK-LP - 42 LB - 13" DIAMETER X 24" LONG	
8	040421-01-700	EA	VALVE-LIQUID LEVEL, 20%	G-1013
9	040421-01-701	EA	VALVE-FILL-SHORT, LP	7547B
10	040421-01-702	EA	CAP-FILL VALVE, PLASTIC	G-1014-A
11	040421-01-708	EA	HANDWHEEL-SERVICE VALVE	G-1015-A
12	040421-01-711	EA	VALVE-80% FILL W/AUTO STOP	LLL/TL3
13	040421-01-712	EA	VALVE,SERV. W/O VAPOR RELIEF	29000853
14	040421-01-713	EA	VALVE-RELIEF 1" W/SPRING 7"	29000587
15	074142-01-700	EA	FLOAT ASM.SCREW ON F/13"TANK	13C-SCR
	074142-01-701	EA	FLOAT ASM.(SIGHT GAUGE) BOLT	13C-BLT
16	010329-01-000	EA	ADAPTER - BRASS - 1/2" F X 1/2" MPT	
17	010377-02-000	EA	NUT - BRASS - 3/8" FLARE - FORGED	
18	010380-02-000	EA	NUT - BRASS - 1/2" FLARE - FORGED	
19	010326-01-000	EA	ADAPTER - FLARE - W/CONE GASKET - 3/8"FEMALE X 1/2"MALE	
20	103613-03-000	EA	DETECTOR - LP GAS - W/O SHUT-OFF VALVE	
	010323-01-000	EA	ADAPTER - BRASS - 3/8"F X 1/2"MPT	
	024250-01-000	EA	ADAPTER - BRASS - 3/8"F X 1/2"FPT	
	057042-01-000	EA	ADAPTER - CROSS 1/2"PIPE	

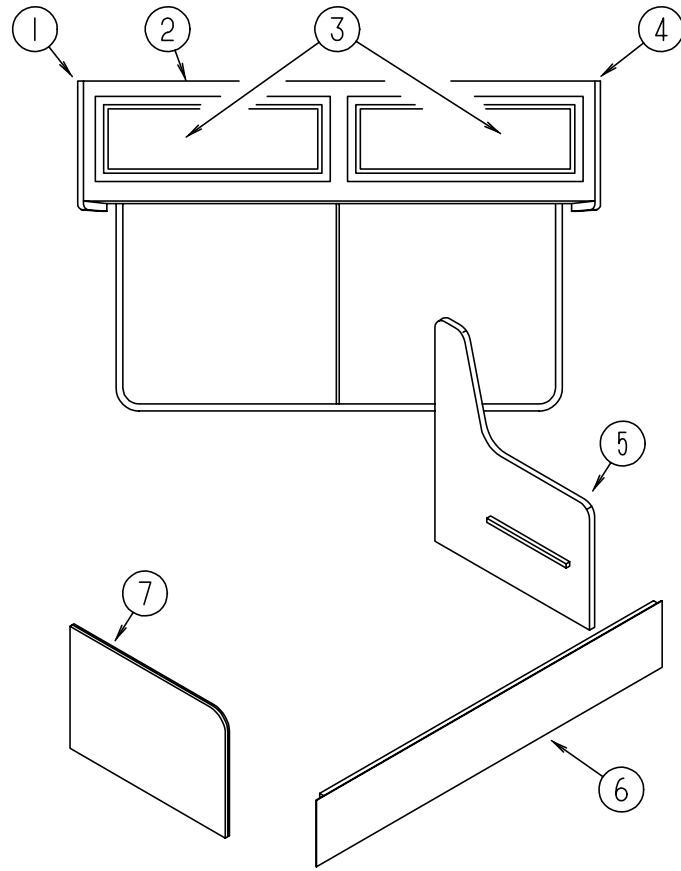
LOUNGE GROUP



DRIVER SIDE COUCH CABINETS & TABLES

KEY	PART NUMBER	U/M	DESCRIPTION
1	121459-01-H04	EA	CABINET - OVERHEAD/DINETTE - W/O DOORS/HARDWARE
2	M08758-43-J15	EA	DOOR - MITERED CORNER/OGEE EDGE - 15.7" X 27.9" - W/O HDW
2	M08758-01-J05	EA	DOOR - MITERED CORNER/OGEE EDGE - 15.7" X 27.9" - W/O HDW - RAISED PANEL
2	M05992-48-J01	EA	DOOR - STRAIGHT CORNER/OGEE EDGE - 15.7" X 27.9" - W/O HDW - UPGRADE
3	109908-09-G04	EA	END CAP - OVERHEAD CABINET
4	M08107-11-J01	EA	PANEL - RIGHT END - SOFA/BED - FABRIC COVERED
4	M08107-11-J02	EA	PANEL - RIGHT END - SOFA/BED - FABRIC COVERED
	082525-01-000	EA	BRACE - COUCH - FLOOR MOUNT - ANGLE 3" LONG
	105947-01-000	EA	BRACKET - HOLD DOWN - COUCH - CANADIAN
5	M08107-08-J01	EA	PANEL - FRONT KICK - SOFA/BED - FABRIC COVERED
5	M08107-08-J02	EA	PANEL - FRONT KICK - SOFA/BED - FABRIC COVERED
	121891-01-01A	EA	PULL - CABINET - BRASS
6	M08107-09-J01	EA	PANEL - LEFT END - SOFA/BED - FABRIC COVERED
6	M08107-09-J02	EA	PANEL - LEFT END - SOFA/BED - FABRIC COVERED
7	121314-14-J01	EA	DOOR - COUCH - FABRIC COVERED
7	121314-14-J02	EA	DOOR - COUCH - FABRIC COVERED
	108138-01-000	EA	HINGE - CABINET DOOR - BURNISHED BRASS
	000G13-06-08G	EA	SCREW - 6-20 X .50 PFH - ANTIQUE BRASS
	093586-05-000	EA	STRIKE - SPRING STEEL
	093586-06-000	EA	CATCH - SPRING - ROLLER
8	081298-01-H07	EA	TABLE TOP ONLY (J01)
8	081298-01-G01	EA	TABLE TOP ONLY (J02)
9	009040-03-000	EA	BASE - TABLE/RAISED - TABLE MOUNTED
10	009040-02-000	EA	PEDESTAL TABLE LEG - 27.5" X 2.25" DIAMETER
11	041194-01-000	EA	BASE - TABLE/FLUSH - FLOOR MOUNTED
	062046-01-000	EA	CLIP - LEG - PEDESTAL - 1.7" X 2.2" - DIA FROM 2 - 2.5"
	042438-02-000	EA	DOWEL - WOOD - 2" X 2"

LOUNGE GROUP (CONTINUED)



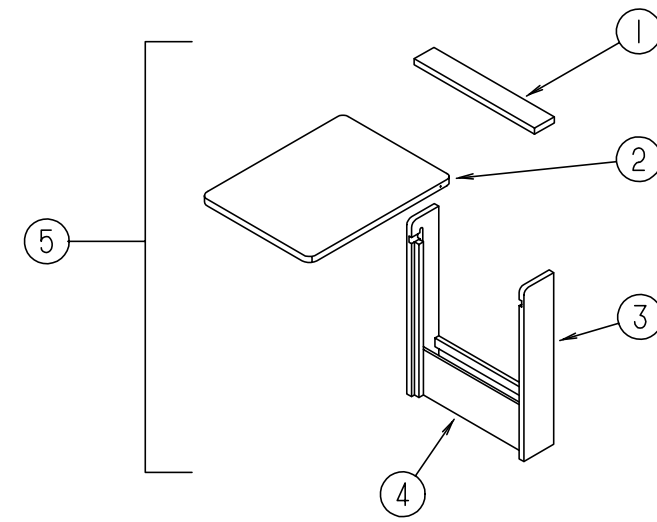
PASSENGER SIDE COUCH CABINETS

KEY	PART NUMBER	U/M	DESCRIPTION
1	109908-08-G04	EA	END CAP - OVERHEAD CABINET
2	121397-01-H04	EA	CABINET - OVERHEAD - W/O DOORS/HARDWARE
3	M08758-43-J15	EA	DOOR - MITERED CORNER/OGEE EDGE - 15.7" X 27.9" - W/O HDW
3	M08758-01-J05	EA	DOOR - MITERED CORNER/OGEE EDGE - 15.7" X 27.9" - W/O HDW - RAISED PANEL
2	M05992-48-J01	EA	DOOR - STRAIGHT CORNER/OGEE EDGE - 15.7" X 27.9" - W/O HDW - UPGRADE
4	109908-09-G04	EA	END CAP - OVERHEAD CABINET
5	M08107-07-H30	EA	PANEL - LEFT END - SOFA/BED - FABRIC COVERED (J01)
5	M08107-07-J02	EA	PANEL - LEFT END - SOFA/BED - FABRIC COVERED (J02)
6	M08107-05-H30	EA	PANEL - FRONT KICK - SOFA/BED - FABRIC COVERED (J01)
6	M08107-05-J02	EA	PANEL - FRONT KICK - SOFA/BED - FABRIC COVERED (J02)
7	M08107-06-H30	EA	PANEL - RIGHT END - SOFA/BED - FABRIC COVERED (J01)
7	M08107-06-J02	EA	PANEL - RIGHT END - SOFA/BED - FABRIC COVERED (J02)
	082525-01-000	EA	BRACE - COUCH - FLOOR MOUNT - ANGLE 3" LONG
	105947-01-000	EA	BRACKET - HOLD DOWN - COUCH - CANADIAN
	065740-01-000	EA	BRACE - CABINET/CORNER - PLASTIC

ENTRANCE DOOR STEP & COMPONENTS

KEY	PART NUMBER	U/M	DESCRIPTION
	120234-04-H13	EA	LID - ENTRY STEP
	122755-03-01A	EA	TILE - RUBBER/ENTRANCE DOOR - 17.7" X 26.4"
	101222-01-04A	EA	BRACKET - CATCH - LID

LOUNGE GROUP (CONTINUED)



PULLOUT TABLE

KEY	PART NUMBER	U/M	DESCRIPTION
1	096873-15-G01	EA	SHELF - SUPPORT - OVER PULLOUT TABLE TOP
	079921-01-000	EA	ROLLER - NYLON - W/STEEL SHAFT - BARBED
2	096873-11-G01	EA	TABLE TOP ONLY - PULLOUT
3	096873-14-G01	EA	SIDE END - TABLE - LEFT SIDE - 28.7" X 5.7"
3	096873-13-G01	EA	SIDE END - TABLE - RIGHT SIDE - 28.7" X 5.7"
4	096873-16-G01	EA	TABLE FRONT - BOTTOM - 18.1" X 6.7"
	080736-01-000	EA	PULL - RECESSED - 1.25 X 4" - OAK
5	M96873-01-G01	EA	CABINET - F/PULLOUT TABLE - W/O TOP

SEALANTS & FASTENERS GROUP

ADHESIVES AND SEALERS

KEY	PART NUMBER	U/M	DESCRIPTION
	004006-05-700	EA	ADHESIVE-NAT. STARCH (5 GAL) 0802
	034552-02-000	EA	SILICONE - TUBE - 300 ML - W/O NOZZLE - CLEAR
	034552-15-000	EA	SILICONE - TUBE - 300 ML - W/O NOZZLE - BRIGHT WHITE
	039518-01-000	EA	SILICONE - TUBE - 300 ML - BLACK - W/O NOZZLE
	053766-02-000	EA	BEDDING COMPOUND - TUBE - WHITE
	053766-06-000	EA	BEDDING COMPOUND - TUBE - CLEAR
	053766-08-000	EA	BEDDING COMPOUND - TUBE/GRAY
	069640-01-000	FT	SEALER - RIBBON - 1/4" DIAMETER X 30'
	069640-02-000	FT	SEALER - TAPE - 1/8"THICK X .50"WIDE X 60'
	069640-03-000	FT	SEALER - TAPE - 1/8"THICK X .75"WIDE X 60' - BLACK
	069640-07-000	FT	SEALER - TAPE - 3/32"THICK X 2"WIDE X 45'
	069640-10-000	FT	SEALER - TAPE - 1/32"THICK X 1.50"WIDE X 90'
	069640-11-000	FT	SEALER - TAPE - 3/16"THICK X 3/8"WIDE X 40'
	069640-17-000	FT	SEALER - TAPE - 1/32" THICK X 1"WIDE X 90'
	069640-18-000	FT	SEALER - TAPE - 1/2"THICK X 1/8"WIDE X 60' - BRT/WHITE
	069640-19-000	FT	SEALER - TAPE - 3/4" X 1/8" X 60' - BRIGHT WHITE
	069640-21-000	FT	SEALER - TAPE - 1/2" X 1/16" X 100' - BRIGHT WHITE
	069640-22-000	FT	SEALER - TAPE - 1/4" X 1/32" - BRIGHT WHITE
	072889-09-000	EA	SEALANT - URETHANE - BLACK (TUBE)
	072889-10-000	EA	SEALANT - URETHANE (HV) - BRIGHT WHITE
	072889-12-000	EA	SEALANT - URETHANE (LV) BRIGHT WHITE
	076322-02-000	FT	TAPE - DOUBLE COATED/ADHESIVE BACK - .045"THK X 1"W X 9'
	076322-05-000	FT	TAPE - DOUBLE COATED/ADHESIVE BACK - .045"THK X .75"W X 9'
	076322-07-000	FT	TAPE - DOUBLE COATED/ADHESIVE BACK - .045"THK X .50"W X 9'
	087211-01-000	GL	PROMOTER - ADHESIVE
	091255-02-000	FT	SEAL - ADHESIVE BACKED/FOAM - .18" THICK X 1.5" WIDE
	102352-01-000	EA	SEALER - PUMPABLE - BLACK
	102352-02-000	EA	SEALER - PUMPABLE - CLEAR
	106206-01-000	EA	SEALER - PUMPABLE - MANUS 30A - BLACK
	108716-03-000	EA	SILICONE - TUBE - BRIGHT WHITE/SELF LEVELING - W/O NOZZLE
	120074-02-01A	EA	SEALANT - SILICONE - OFF WHITE
	120534-01-01A	EA	TAPE - SCOTCH - 3M - 1/2" FINE LINE
	123816-03-000	FT	TAPE - DOUBLE SIDED - 1/2" X 20 MIL THICK
	900390-01-000	EA	TIP - 2 1/2" X 1/8" ORIFICE
	900390-03-000	EA	NOZZLE - SILICONE TUBE

WASHERS

KEY	PART NUMBER	U/M	DESCRIPTION
	000E11-07-00B	EA	WASHER - LOCKING - 7/16 MED SPLIT - ZINC
	000E11-08-00B	EA	WASHER - LOCKING - 1/2 MED SPLIT - ZINC
	000E13-14-00B	EA	WASHER - FLAT - 1/4 WIDE - ZINC
	000E13-17-00B	EA	WASHER - FLAT - 3/8" AR - ZINC
	000E13-18-00B	EA	WASHER - FLAT - 3/8 WIDE - ZINC
	000E13-20-00B	EA	WASHER - FLAT - 7/16 WIDE - ZINC
	000E13-21-00B	EA	WASHER - FLAT - W/2 NAR - ZINC
	041322-01-000	EA	WASHER - FLANGE - 15/32 ID X 2 3/8 OD - FOR SEAT BELT MOUN
	044533-01-000	EA	WASHER - PLASTIC - 1 3/8" OD - FOR BUTTONS
	077071-01-000	EA	WASHER - FENDER - 3/16"ID X 1" OD

SEALANTS & FASTENERS GROUP (CONTINUED)

NUTS AND RIVETS

KEY	PART NUMBER	U/M	DESCRIPTION
	040921-01-000	EA	NUT - SPEED - U TYPE - 10-24 BLACK
	000D29-09-00B	EA	NUT - HEX - SELF LOCKING - 9/16-12 - ZINC
	000D34-06-00B	EA	NUT - HEX - LOCKING - 3/8 - 16 GRADE C - ZINC-PREVAILING T
	000D39-04-00B	EA	NUT - HEX - SERRATED FLANGE/LOCKING - 1/4 - 20 - ZINC
	000D39-05-00B	EA	NUT - HEX - SERRATED FLANGE/LOCKING - 5/16 - 18 - ZINC
	000D39-06-00B	EA	NUT - HEX - SERRATED FLANGE/LOCKING - 3/8 - 18 - ZINC
	000D39-07-00B	EA	NUT - HEX - SERRATED FLANGE/LOCKING - 7/16 - 14 - ZINC
	000D39-08-00B	EA	NUT - HEX - SERRATED FLANGE/LOCKING - 1/2 - 13 - ZINC
	000D44-07-00B	EA	NUT - HEX - SERRATED FLANGE/LOCKING - 7/16-20 - ZINC
	000H16-04-06R	EA	RIVET - POP ALUMINUM - 1/8" X .313 - .375
	069592-02-000	EA	RIVET-T - POP - 1/4 X .093 - .156

GROMMETS

KEY	PART NUMBER	U/M	DESCRIPTION
	114208-02-000	EA	GROMMET - EDGE LINER - FITS .625
	016188-03-000	EA	GROMMET - L/P LINE - 3/8" HOLE X 2 1/2" LONG - RUBBER
	023942-01-000	EA	GROMMET - RUBBER - 2" OD
	071015-11-000	EA	GROMMET - 1.00 ID - FITS .12 MATERIAL
	071015-26-000	EA	GROMMET - RUBBER - 1.5" ID X 2.12" OD W/.06" GROOVE - BLK

CLAMPS AND TIES

KEY	PART NUMBER	U/M	DESCRIPTION
	007161-01-000	EA	CLAMP - HOSE - SPRING TYPE - 1/2"
	010495-01-000	EA	CLAMP - CABLE - 9/16"
	010497-01-000	EA	CLAMP - CLOSED - 5/8" ID
	010497-03-000	EA	CLAMP - CLOSED - 1" ID - CUSHIONED
	010497-04-000	EA	CLAMP - CLOSED - 1.62" ID
	010497-08-000	EA	CLAMP - CLOSED - .125"
	010499-01-000	EA	CLAMP - CLOSED - 3/8" ID
	056134-01-000	EA	HOLDER - RING - 3.6" DIAMETER - METAL
	062401-01-000	EA	CLAMP - HOSE - WORMGEAR - .25" - 1"
	062401-02-000	EA	CLAMP - HOSE - WORMGEAR - 1.56" - 2.5"
	062401-03-000	EA	CLAMP - HOSE - WORMGEAR - .22" - 1"
	062401-04-000	EA	CLAMP - HOSE - WORMGEAR - .69" - 1.25"
	062401-06-000	EA	CLAMP - HOSE - WORMGEAR - .22" - .62" ID
	062401-11-000	EA	CLAMP - HOSE - WORMGEAR - 3.50" - 4.50"
	075148-02-000	EA	CLAMP - GROUNDING - BRONZE SCREWS
	080734-02-000	EA	CLIP - WIRE NYLON
	083609-01-000	EA	CLAMP - WIRE - DUAL - EQUAL DIAMETERS - 5/8"
	083610-01-000	EA	CLAMP - WIRE - DUAL - UNEQUAL DIAMETERS - 3/4" & 1 1/4"
	091952-01-000	EA	CLIP - GRIPPER - 1"
	091952-02-000	EA	CLIP - GRIPPER - 3/4"
	101447-01-000	EA	CLIP - U TYPE
	008343-01-000	EA	TIE - WIRE - 6"
	008343-02-000	EA	TIE - WIRE - 14"
	008343-03-000	EA	TIE - WIRE - 7 1/2" - BLACK
	085774-01-000	FT	FASTENER - DUAL HOOK - 1" WIDE - ADHESIVE BACK - BLACK
	085774-02-000	FT	FASTENER - DUAL HOOK - 1" WIDE - ADHESIVE BACK - BLACK
	108046-01-000	EA	CABLE TIE - SCREW MOUNT 8"
	108046-02-000	EA	CABLE TIE - SCREW MOUNT 15"
	110943-02-000	FT	FELTSTRIP - 3/8" - ADHESIVE BACK - WHITE
	115361-01-01A	EA	PLUG - PLASTIC

SEALANTS & FASTENERS GROUP (CONTINUED)

SCREWS

KEY	PART NUMBER	U/M	DESCRIPTION
	0G3908-08-170	EA	SCREW - SF/DR - 8-18 X .50 PPH - BRIGHT WHITE
	0G3908-20-170	EA	SCREW - SF/DR - 8-18 X 1.25 PPH - BRIGHT WHITE
	0G3910-12-170	EA	SCREW - SF/DR - 10-16 X .75 PPH - BRIGHT WHITE
	0G5508-16-250	EA	SCREW - SF/DR - 8-18 X 1.00 PWH
	0G6008-16-170	EA	SCREW - SF/DR - 8-18 X 1.00 POH
	0G6710-08-170	EA	SCREW - 10-12 X 1/2 PPH - BRIGHT WHITE
	000G11-05-08B	EA	SCREW - 5-20 X .50 PPH - ZINC
	000G11-06-10J	EA	SCREW - 6-20 X 5/8 PPH - BRASS
	000G11-06-08B	EA	SCREW - 6-20 X .50 PPH - ZINC
	000G11-06-06B	EA	SCREW - 6-20 X 3/8 PPH - ZINC
	000G11-07-08B	EA	SCREW - 7-19 X .50 PPH - ZINC
	000G11-08-20B	EA	SCREW - 8-18 X 1.25 PPH - ZINC
	000G11-08-16S	EA	SCREW - 8-18 X 1 PPH - OFF WHITE
	000G11-08-12T	EA	SCREW - 8-18 X .75 PPH - BLACK
	000G11-08-12P	EA	SCREW - 8-18 X .75 PPH - DARK BROWN
	000G11-08-12P	EA	SCREW - 8-18 X .75 PPH - DARK BROWN
	000G11-08-12B	EA	SCREW - 8-18 X .75 PPH - ZINC
	000G11-08-08T	EA	SCREW - 8-18 X 1/5 PPH - FLUOROCARBON COATING
	000G11-08-08B	EA	SCREW - 8-18 X .50 PPH - ZINC
	000G11-08-06B	EA	SCREW - 8-18 X 3/8 PPH - ZINC
	000G11-10-12S	EA	SCREW - 10-16 X .75 PPH - OFF WHITE
	000G12-06-08T	EA	SCREW - 6-20 X 1/2 POH - BLACK
	000G12-08-12S	EA	SCREW - 8-18 X .75 POH - OFF WHITE
	000G13-05-10B	EA	SCREW - 5-12 X 5/8 PFH - ZINC
	000G13-06-16J	EA	SCREW - 6-20 X 1 PFH - BRASS
	000G13-06-10G	EA	SCREW - 6-20 X 5/8 PFH - ANTIQUE BRASS
	000G13-06-08B	EA	SCREW - 6-20 X .50 PFH - ZINC
	000G13-06-24J	EA	SCREW - 6-20 X 1.50 PFH - BRASS
	000G13-07-12B	EA	SCREW - 7-19 X .75 PFH - ZINC
	000G19-10-12F	EA	SCREW - MACHINE - 10-32 X .75 - PPH - STAINLESS STEEL
	000G32-10-06B	EA	SCREW - 10-32 X 3/8 PPH - ZINC
	000G39-06-16T	EA	SCREW - SF/DR - 6-20 X 1 PPH - BLACK
	000G39-06-10T	EA	SCREW - SF/DR - 6-20 X 5/8 PPH - BLACK
	000G39-06-08B	EA	SCREW - SF/DR - 6-18 X .50 - ZINC
	000G39-08-08B	EA	SCREW - SF/DR - 8-18 X 1.50 PPH - ZINC
	000G39-08-24B	EA	SCREW - SF/DR - 8-18 X 1 1/2 PPH - ZINC
	000G39-08-16R	EA	SCREW - SF/DR - 8-18 X 1 PPH - BEIGE
	000G39-08-16B	EA	SCREW - SF/DR - 8-18 X 1 PPH - ZINC
	000G39-08-12T	EA	SCREW - SF/DR - 8-18 X .75 PPH - BLACK
	000G39-08-12B	EA	SCREW - SF/DR - 8-18 X .75 PPH - ZINC
	000G39-08-08T	EA	SCREW - SF/DR - 8-18 X 1/2 PPH - BLACK
	000G39-08-08S	EA	SCREW - SF/DR - 8-18 X .50 PPH - OFF WHITE
	000G39-10-12B	EA	SCREW - SF/DR - 10-16 X .75 PPH - ZINC
	000G39-10-32B	EA	SCREW - SF/DR - 10-16 X 2 - PPH - ZINC
	000G39-10-20B	EA	SCREW - SF/DR - 10-16 X 1.25 PPH - ZINC
	000G39-10-129	EA	SCREW - SF/DR - 10-16 X .75 PPH - FLUOROCARBON SILVER
	000G39-10-12R	EA	SCREW - SF/DR - 10-16 X .75 PPH - BEIGE
	000G39-10-12D	EA	SCREW - SF/DR - 10-16 X .75 PPH - BLACK
	000G42-04-16B	EA	SCREW - SF/DR - 1/4-14 X 1 HWH - ZINC
	000G46-08-24T	EA	SCREW - MACHINE - 8-32 X 1.50 PFH - BLACK
	000G52-08-18B	EA	SCREW - MACHINE - 8-32 X 1 1/8 PTH - ZINC
	000G54-04-20B	EA	SCREW - 1/4-20 X 1.25 PTH - TYPE 23 - ZINC PLATED
	000G55-08-12S	EA	SCREW - SF/DR - 8-18 X .75 PWH - OFF WHITE
	000G56-12-48B	EA	SCREW - WOOD - 12-11 X 3 POH - SPECIAL HARDENED
	000G60-10-28T	EA	SCREW - SF/DR - 10-16 X 1.75 - BLACK
	000G67-10-10B	EA	SCREW - 10-12 X 5/8 PPH - ZINC - TYPE A
	000G67-10-08R	EA	SCREW - 10-12 X 1/2 PPH - BEIGE - TYPE A
	000G67-10-08B	EA	SCREW - 10-12 X .50 PPH - ZINC
	000G67-10-36T	EA	SCREW - 10-12 X 2.25 PPH - BLACK

SEALANTS & FASTENERS GROUP (CONTINUED)

SCREWS (CONTINUED)

KEY	PART NUMBER	U/M	DESCRIPTION
	000G67-10-32B	EA	SCREW - 10-12 X 2 PPH - ZINC
	000G67-10-24B	EA	SCREW - 10-12 X 1.25 PPH - ZINC
	000G67-10-20D	EA	SCREW - 10-12 X 1.25 PPH - BLACK
	000G67-10-16B	EA	SCREW - 10-12 X 1 PPH - ZINC
	000G67-10-120	EA	SCREW - 10-12 X .75 PPH - TAN
	000G67-10-120	EA	SCREW - 10-12 X .75 PPH - TAN
	000G67-10-12R	EA	SCREW - 10-12 X .75 PPH - BEIGE
	000G67-10-12P	EA	SCREW - 10-12 X .75 - PPH - DARK BROWN
	000G67-10-12B	EA	SCREW - 10-12 X .75 PPH - ZINC
	000G67-10-10S	EA	SCREW - 10-12 X 5/8 PPH - OFF WHITE
	000G67-10-10D	EA	SCREW - 10-12 X 5/8 PPH - BLACK - TYPE A
	000G68-06-10G	EA	SCREW - 6-18 X 5/8 POH - ANTIQUE BRASS
	049465-03-000	EA	SCREW - 10-16 X 1 POH W/WASHER - OFF WHITE
	054434-02-000	EA	SCREW - SF/DR - 10-16 X 2 - ZINC
	057671-01-000	EA	COVER - SCREW - #8 - PLASTIC - OFF WHITE
	057671-15-000	EA	COVER - SCREW - BRIGHT WHITE
	076790-01-000	EA	SCREW - 6-20 X 1 1/4 PPH - BLACK
	076790-05-000	EA	SCREW - 6-20 X 1/2 PPH BLACK - THREADCUTTING - WOOD
	083554-01-000	EA	SCREW - DRYWALL - 8 X 1.25
	086256-01-000	EA	SCREW - SF/DR - 8 X 3/4 HWH LONG
	087721-01-000	EA	SCREW - FLAT HEAD - TAPPING - 1/4" X 1 1/4" LONG - ZINC
	097974-01-000	EA	SCREW - PARTICLE BOARD - 7-9 X 3/4 PPH
	101618-01-000	EA	SCREW - 1/4-20 X 3/4 HEX - TAPPING - STALGARD TYPE F
	105126-01-000	EA	SCREW - MACH - 8-32 X 1 PPH TAPIT

BOLTS

KEY	PART NUMBER	U/M	DESCRIPTION
	0MC31K-08-020	EA	BOLT - HEX - SERRATED FLANGE - M8 X 020
	000C12-05-16B	EA	BOLT - HEX - 5/16-18 X 1 - ZINC 5
	000C12-06-16B	EA	BOLT - HEX - 3/8-16 X 1 LG - ZINC 5
	000C12-07-20B	EA	BOLT - HEX - 7/16-14 X 1 1/4 - ZINC 5
	000C12-08-24B	EA	BOLT - HEX - 1/2-13 X 1.50 - ZINC 5
	000C13-07-48B	EA	BOLT - HEX - 7/16-20 X 3 - ZINC 5
	000C18-05-40A	EA	BOLT - ELEVATOR - 5/16-18 X 2.50 - PL
	000C18-06-48B	EA	BOLT - ELEVATOR - 3/8-16 X 3 - ZINC - GRADE 5
	000C26-04-14B	EA	BOLT - HEX - SERRATED FLANGE - 1/4-20 X 7/8 - ZINC
	000C26-04-10B	EA	BOLT - HEX - SERRATED FLANGE - 1/4-20 X 5/8 - ZINC
	000C26-05-16B	EA	BOLT - HEX - SERRATED FLANGE - 5/16-18 X 1 - ZINC
	000C26-06-12B	EA	BOLT - HEX - SERRATED FLANGE - 3/8-16 X 3/4 - ZINC
	000C26-08-24B	EA	BOLT - HEX - SERRATED FLANGE - 1/2-13 X 1.5 ZINC
	000G45-05-16B	EA	BOLT - LAG - 5/16-9 X 1 - ZINC
	051387-06-000	EA	BOLT - CARRIAGE W/O HOLE - 5/16-18 X 9.5 - ZINC
	106166-01-000	EA	BOLT/COLLARED HANGER - 8-32 X 1"
	000C18-06-56A	EA	BOLT - ELEVATOR - 3/8-16 X 3 1/2 - GRADE 5

WATER & SEWAGE GROUP

FRESH WATER TANK

KEY	PART NUMBER	U/M	DESCRIPTION
	064214-13-000	EA	TANK - WATER - 31 GALLON - W/FITTINGS - 24" X 12.75" X 30" - QUEEN BED
	064214-10-000	EA	TANK - WATER - 31 GALLON - W/FITTINGS - 24" X 12.75" X 30" - DOUBLE/TWIN BED
	064214-01-000	EA	TANK - WATER - 30 GAL - W/O FITTINGS - 24" X 12.75" X 30"
	039861-01-000	EA	SENDING UNIT - W/SCREW - WASHER - WELL NUT/TERMINAL RING
	010224-01-000	EA	ADAPTER - HOSE TO PIPE - 3/8 MPT X 3/8 BARB - PLASTIC
	044927-01-000	EA	ADAPTER - HOSE TO PIPE - 1 1/4 MPT X 1 1/4 BARB - BLK PLS
	042989-03-000	EA	FITTING - WATER TANK - SPINWELD - 1 1/4"NPT - PLASTIC
	042989-04-000	EA	FITTING - WATER TANK - SPINWELD - 3/8 FPT - WHITE PLASTIC
	042989-05-000	EA	FITTING - WATER TANK - SPINWELD - 1/2"FPT - PLASTIC
	049032-01-000	EA	PATCH - SPINWELD - 3/8" - PLASTIC
	077954-02-000	EA	FILTER - WATER TANK - W/SCREEN IN TANK

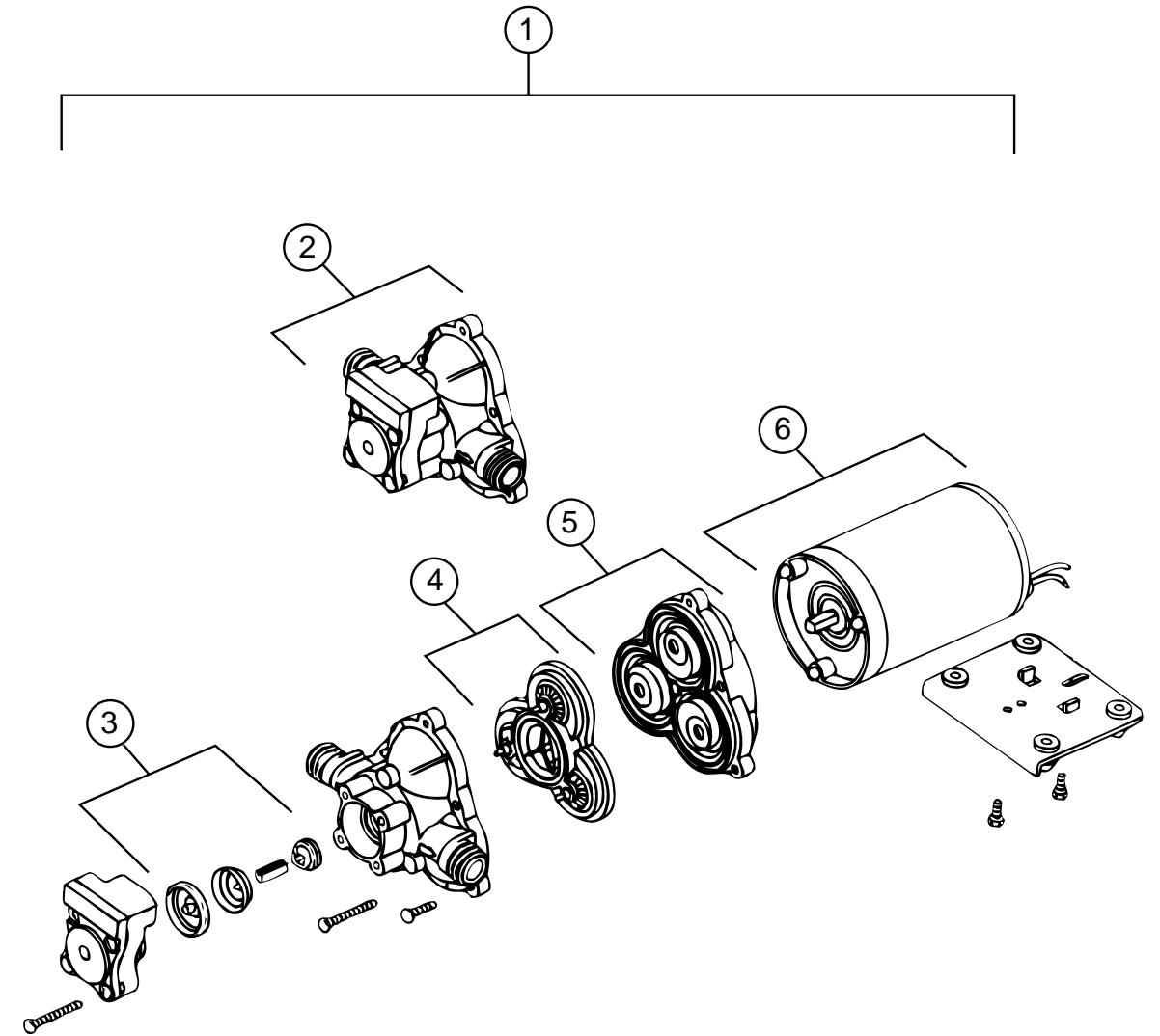
WATER SYSTEM

KEY	PART NUMBER	U/M	DESCRIPTION
	074462-02-000	FT	TUBING - VINYL - 3/8 ID X 20' - CLEAR
	079381-01-000	FT	TUBING - SMOOTH FLEXIBLE - 1 3/8 ID X 20'
	124188-01-000	FT	TUBING - PEX - 1/2" ID X 20' - BLUE
	124188-02-000	FT	TUBING - PEX - 1/2" ID X 20' - RED
	112176-01-000	FT	TUBING - VINYL - REINFORCED - 1/2" ID
	113697-01-000	EA	CAP - 3/8 FTG
	114428-01-000	EA	TEE - 1/2"P X 1/2"P X 1/2"P
	114429-01-000	EA	ELBOW - 1/2"P X 1/2"P
	114429-02-000	EA	ELBOW - 1/2"P X 1/2"MPT
	114429-03-000	EA	ELBOW - FLAIR-IT SWIVEL - 1/2"P X 1/2"FPT
	123150-01-000	EA	ELBOW - 1/2 FPT X 1/2 BARB - SWIVEL
	114430-02-000	EA	ADAPTER - SWIVEL - 1/2"P X 1/2"FPT
	114430-03-000	EA	ADAPTER - 1/2"P X 1/2"MPT
	114430-06-000	EA	ADAPTER - 1/2"P X 3/8"FPT
	123152-01-000	EA	ADAPTER - 1/2 FPT X 1/2 BARB - SWIVEL
	114431-01-000	EA	VALVE - 180 DEGREE/CENTER DRAIN - 1/2P - THREE WAY
	114431-02-000	EA	VALVE - WATER BYPASS - 1/2"P - THREE WAY (WATER HEATER)
	110438-02-000	EA	VALVE - CHECK - BRASS - 1/2 MPT X 1/2 MPT
	110438-02-000	EA	VALVE - CHECK - BRASS - 1/2 MPT X 1/2 MPT
	110915-01-01A	EA	FILL - CITY WATER - CHROME

EXTERIOR SHOWER

KEY	PART NUMBER	U/M	DESCRIPTION
	106208-01-01A	EA	COMPARTMENT - EXTERIOR SHOWER
	103092-01-000	EA	SHOWER HEAD - W/60" HOSE - WHITE
	103092-02-000	EA	SHOWER HEAD - W/60" HOSE - CSA
	103092-01-700	EA	BRACKET-F/SHOWER HEAD, CLEAR
	011048-03-700	EA	BRACKET - F/SHOWER HEAD
	114428-01-000	EA	TEE - 1/2"P X 1/2"P X 1/2"P
	114430-02-000	EA	ADAPTER - SWIVEL - 1/2"P X 1/2"FPT
	075241-05-000	EA	FAUCET/SHOWER - BONE 3/4" MPT X 1.4" LONG INLET PIPES
	091952-02-000	EA	CLIP - GRIPPER - 3/4"
	093527-02-000	EA	BRACKET - EXTERIOR SHOWER HEAD/SQUEEGEE
	108356-02-01A	EA	COVER/ACTUATOR SWITCH - 2 ROWS DIMPLES- CONTURA II - BLACK
	108357-08-000	EA	SWITCH - ROCKER DPDT - ON/NONE/ON - 6 TERMINAL
	054250-04-000	EA	COVER/ANGLED - W/O HOLE 3.6" X 4.5" - PLASTIC

WATER & SEWAGE GROUP (CONTINUED)



WATER PUMP-SHURFLO

KEY	PART NUMBER	U/M	DESCRIPTION	VENDOR NO.	
	1	098607-01-000	EA	PUMP - WATER - W/.5" MPT FITTING - FLOW 2.8 GPM	
	2	098607-01-706	EA	HOUSING, W/SWITCH ONLY	94-231-20
	3	098607-01-705	EA	VALVE-CHECK, KIT	94-237-00
	4	098607-01-703	EA	VALVE KIT	94-232-00
	5	098607-01-702	EA	DIAPHRAGM/DRIVE ASSEMBLY KIT	94-238-04
	6	098607-01-707	EA	MOTOR W/BASEPLATE	11-148-04

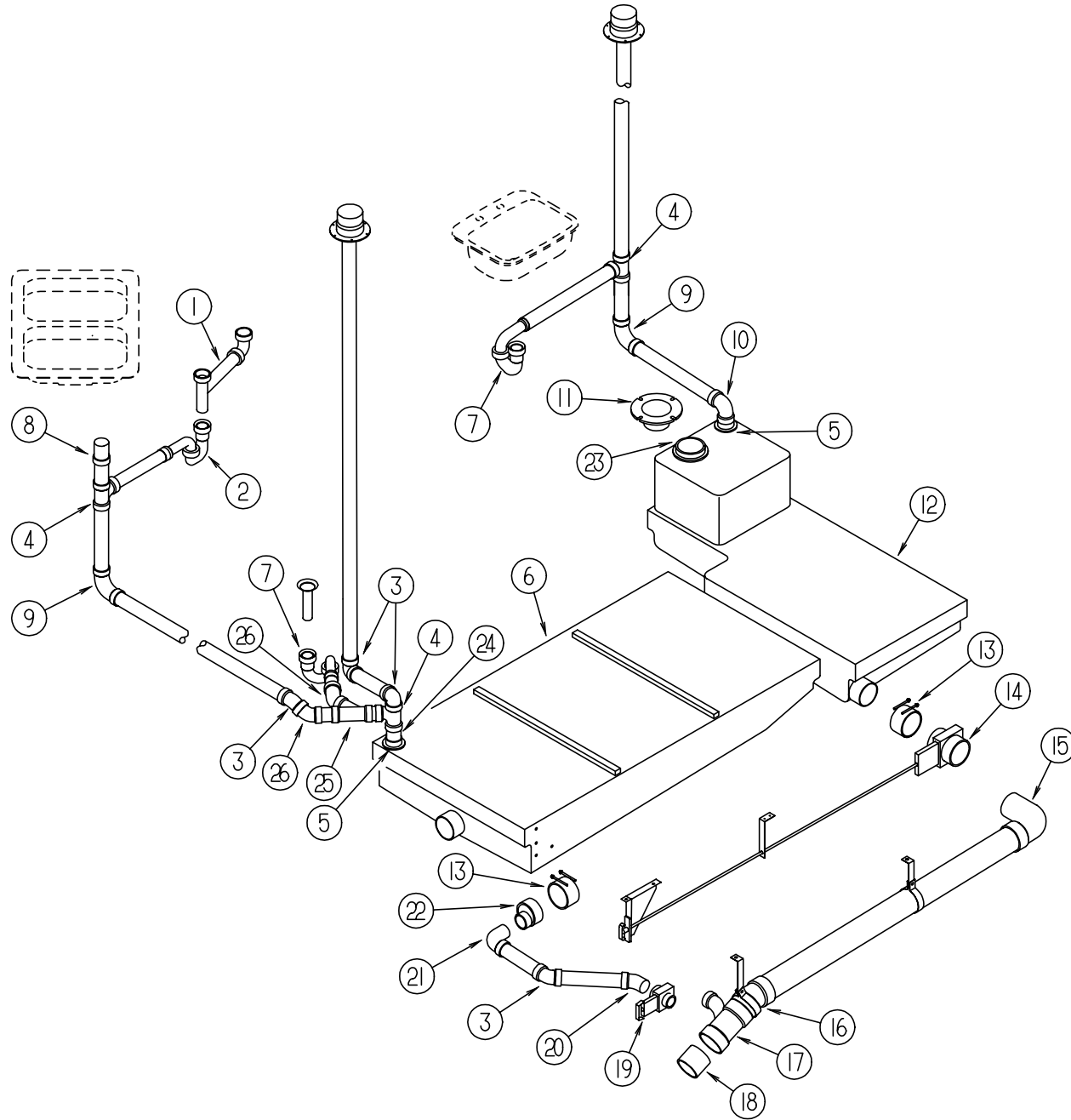
WATER HEATER W/O MOTOR AID - ATWOOD G6A-8E

KEY	PART NUMBER	U/M	DESCRIPTION
*	051391-03-000	EA	WATER HEATER G6A-8E ELECTRONIC IGNITION
	097967-01-000	EA	SWITCH - WATER HEATER - REMOTE W/LIGHT

* COMPONENT PARTS FOUND IN SERVICE PARTS LIBRARY

WATER & SEWAGE GROUP (CONTINUED)

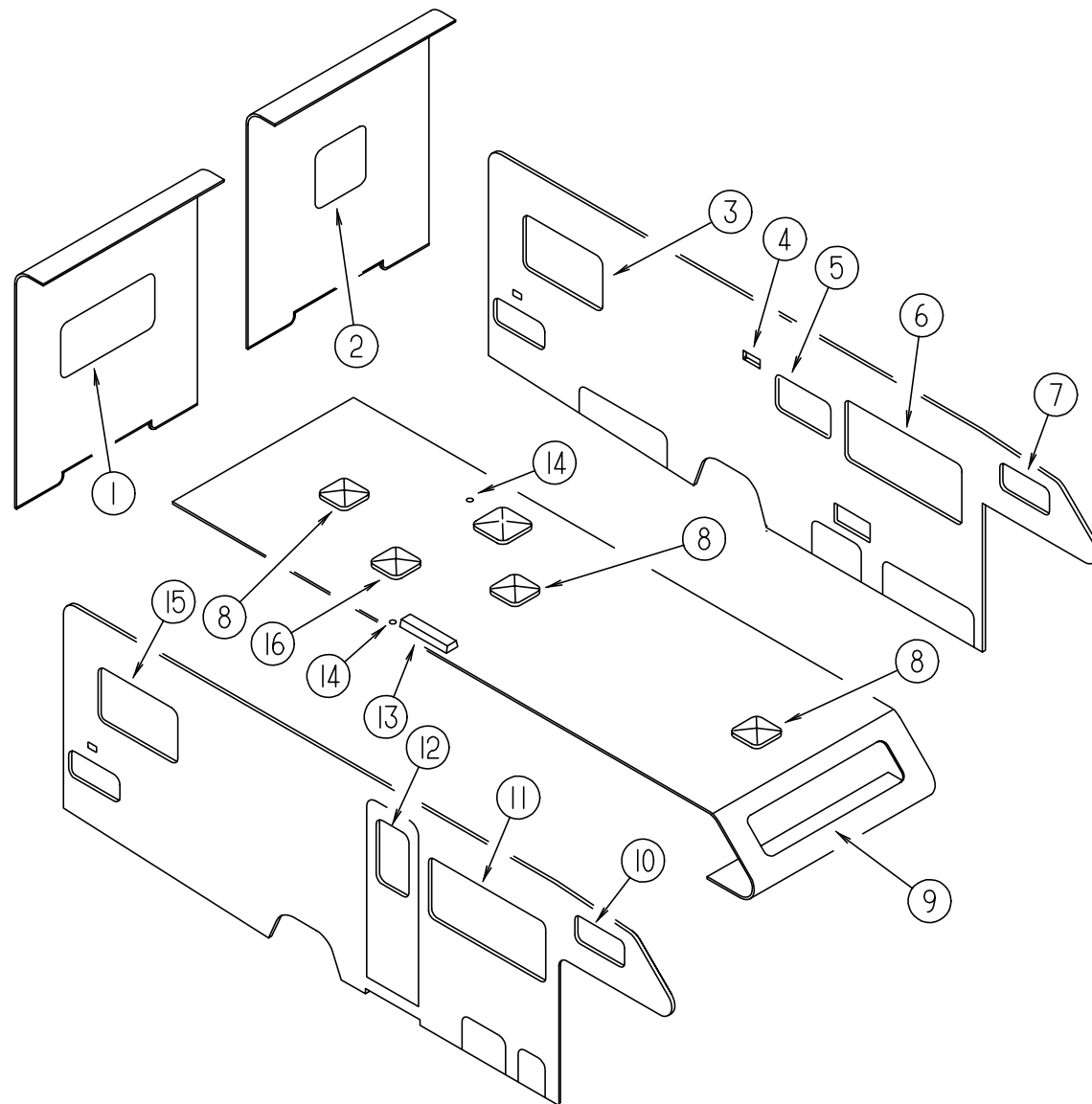
DRAINAGE SYSTEM



KEY	PART NUMBER	U/M	DESCRIPTION
1	011091-02-000	EA	WASTE - CONTINUOUS - DOUBLE SINK
2	107538-01-000	EA	P TRAP - PLASTIC - 1 1/4" W/EXTENSION ARM
2	011071-01-000	EA	P TRAP - PLASTIC - 1 1/2" - CSA
	109571-01-000	EA	ADAPTER - P TRAP - 1 1/2"P X 1 1/4"MPT
3	010006-01-000	EA	ELBOW - 45 DEGREE - 1 1/2" HUB X HUB - PLASTIC
4	010071-01-000	EA	TEE - SANITARY - 1 1/2" HUB X HUB X HUB - PLASTIC
	109571-01-000	EA	ADAPTER - P TRAP - 1 1/2"P X 1 1/4"MPT
5	061607-01-000	EA	GROMMET - HOLDING TANK - 1 1/2" NPS
6	102762-01-000	EA	TANK/HOLDING - 42 GALLON 57.4" X 8.4" X 29" - AUXILIARY
7	107538-01-000	EA	P TRAP - PLASTIC - 1 1/4" W/EXTENSION ARM
7	011071-01-000	EA	P TRAP - PLASTIC - 1 1/2" - CSA
	109571-01-000	EA	ADAPTER - P TRAP - 1 1/2"P X 1 1/4"MPT
8	079968-01-000	EA	VENT - MECHANICAL/TRAP ARM - ANTI-SIPHON-2" X 7.3" PLASTIC
9	010008-01-000	EA	ELBOW - 90 DEGREE - 1 1/2" HUB X HUB - PLASTIC
10	034250-01-000	EA	ELBOW - 90 DEGREE - LONG TURN - 1 1/2" HUB X HUB - ABS
11	063641-01-000	EA	FLANGE - CLOSET - 4" X 3"
12	108593-01-000	EA	TANK - HOLDING - 27 GALLON - W/O FITTINGS
13	078406-01-000	EA	COUPLER - RUBBER - W/CLAMPS - 3" X 3"
14	062418-01-000	EA	VALVE - DUMP - W/HANDLE - 3" - PLASTIC/BLACK
	062419-04-000	EA	HANDLE - EXTENSION - W/TAPPERED END
	062419-05-000	EA	BRACKET - VALVE - LOCKING
	062419-06-000	EA	HANDLE-T
15	041956-01-000	EA	ELBOW - STREET - 1/4" BARB X 90 DEGREE X 3 XLT
16	010023-01-000	EA	ELBOW-PLAS,ST 1/16BD 3X22.5'
17	031365-01-000	EA	TEE - PLASTIC - 3" X 3" X 1 1/2" EXTENSION LG TURN
18	109450-01-000	EA	ADAPTER - PLASTIC HOSE/SEWER
	010201-01-000	EA	HOSE - SEWER - 3" ID X 8'
	062415-01-000	EA	CAP - SEWER - 3" DIAMETER
	062415-01-700	EA	STRING-SEWER CAP
	062416-01-000	EA	ADAPTER - SEWER HOSE TO 3" PIPE
19	062421-01-000	EA	VALVE - DUMP - W/HANDLE - 1 1/2" - BLACK PLASTIC
	070916-01-000	EA	VALVE - DUAL DUMP - W/CAP - 3" X 1 1/2"
	070916-01-700	EA	VALVE ONLY (WASTE) 3"
	070916-01-701	EA	VALVE ONLY (WASTE) 1 1/2"
20	010051-01-000	EA	ELBOW - 45 DEGREE - 1 1/2" SPIGOT & HUB - PLASTIC
21	033761-01-000	EA	ELBOW - TURN - 90 DEGREE 1 1/2" HUB X 1 1/2" SPIGOT
22	062422-01-000	EA	ADAPTER - OFFSET REDUCER - 3" X 1 1/2" - PLASTIC
23	061607-02-000	EA	GROMMET - HOLDING TANK - 3" NPS
24	010115-01-000	EA	COUPLING - 1 1/2" HUB X HUB - PLASTIC
25	010073-01-000	EA	WYE - 45 DEGREE - 1 1/2" HUB X HUB X HUB - PLASTIC
26	010051-01-000	EA	ELBOW - 45 DEGREE - 1 1/2" SPIGOT & HUB - PLASTIC

WINDOW, VENT & EXTERIOR DOOR GROUP

WINDOWS & VENTS

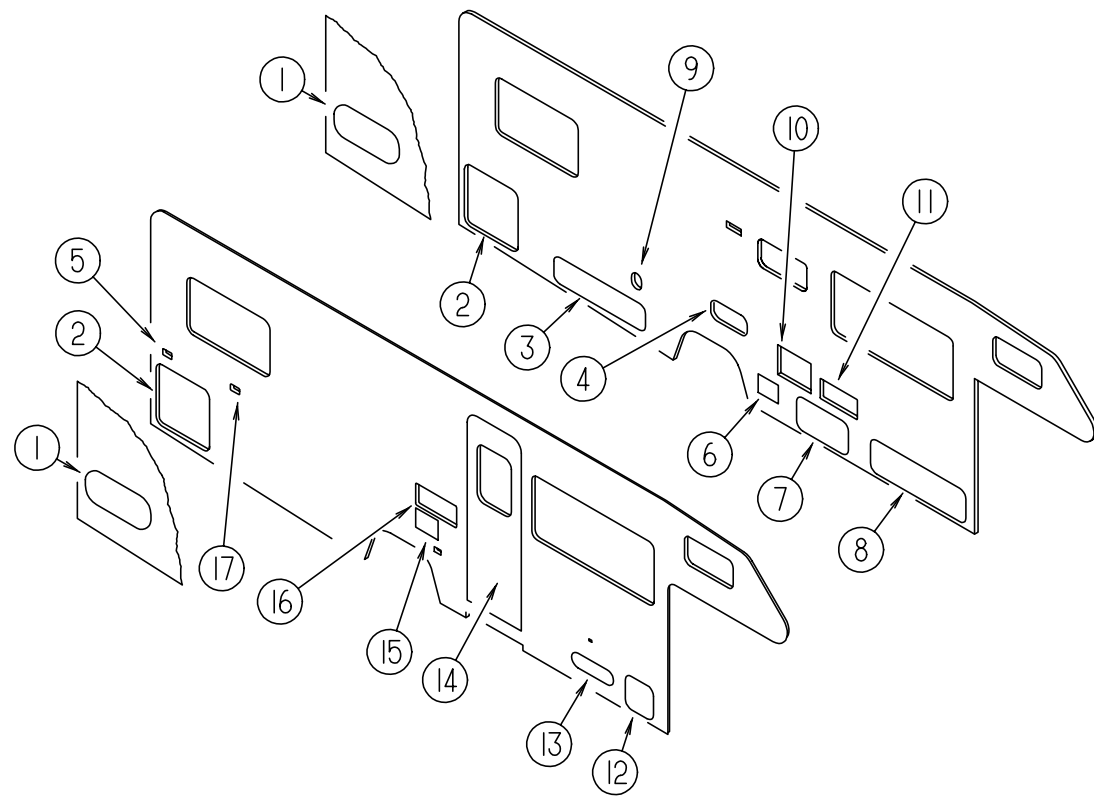


KEY	PART NUMBER	U/M	DESCRIPTION
1*	078528-07-F15	EA	WINDOW - ESCAPE W/O INSIDE TRIM - CLEAR - 24.5" X 48.5"
	074816-11-000	EA	RETAINER - TRIM - ESCAPE WINDOW - OFF WHITE
1*	113502-01-01A	EA	WINDOW - REAR/CENTER ESCAPE - THERMO - 24.8" X 48.7"
2*	116976-01-01A	EA	WINDOW - REAR ESCAPE - 26.4" X 26.3"
2*	113502-04-01A	EA	WINDOW - REAR ESCAPE - THERMO - 26.4" X 26.3"
3*	098647-30-01A	EA	WINDOW - DR HORIZ SLIDER W/TRIM - CLEAR - 24.2" X 41"
3*	112795-23-01A	EA	WINDOW - DRIVER HORIZONTAL SLIDER - THERMO - 24.5" X 41.3"
4	084878-09-000	EA	VENT - EXHAUST/RANGE HOOD - OFF WHITE
	084616-07-000	EA	SHROUD - EXHAUST VENT/RANGE HOOD - BRIGHT WHITE
5*	098647-32-01A	EA	WINDOW - DR HORIZ SLIDER W/TRIM - CLEAR - 15.7" X 28.5"
5*	098647-27-01A	EA	WINDOW - PASS HORIZ SLIDER W/TRIM - CLEAR - 26.1" X 59.7"
6*	098647-28-01A	EA	WINDOW - DR HORIZ SLIDER W/TRIM - CLEAR - 26.1" X 59.7"
6*	112795-15-01A	EA	WINDOW - DRIVER HORIZONTAL SLIDER - THERMO - 26.4" X 60"
7*	098647-32-01A	EA	WINDOW - DR HORIZ SLIDER W/TRIM - CLEAR - 15.7" X 28.5"
7*	112795-20-01A	EA	WINDOW - DRIVER HORIZONTAL SLIDER - THERMO - 16" X 28.7"
8*	122882-01-01A	EA	VENT - ROOF - NONPOWERED - W/O INSIDE GARNISH
9*	103313-03-F15	EA	WINDOW - PICTURE - 23.3" X 71.3"
	117054-01-01A	EA	RETAINER - TRIM
9*	115630-01-01A	EA	WINDOW - STATIONARY/THERMOPANE - 17.2" X 72"
10*	098647-31-01A	EA	WINDOW - PASS HORIZ SLIDER W/TRIM - CLEAR - 15.7" X 28.5"
10*	112795-19-01A	EA	WINDOW - PASSENGER HORIZ SLIDER - THERMO - 16" X 28.7"
11*	098647-27-01A	EA	WINDOW - PASS HORIZ SLIDER W/TRIM - CLEAR - 26.1" X 59.7"
11*	112795-16-01A	EA	WINDOW - PASSENGER HORIZ SLIDER - THERMO - 26.4" X 60"
12*	117053-04-FB1	EA	WINDOW - PICTURE - CLEAR - 17" X 26.4"
	117054-02-02A	EA	RETAINER - TRIM - BRIGHT WHITE
12*	113733-01-01A	EA	WINDOW - STATIONARY - THERMOPANE - 17" X 26.4"
13	084073-07-000	EA	VENT - ROOF/REFRIGERATOR - BRIGHT WHITE - NORCOLD
	084073-04-000	EA	BASE - ROOF VENT/REFRIGERATOR - BLACK - NORCOLD
14	083558-03-000	EA	VENT - PLUMBING - PIPE ROOF - W/COVER - OFF WHITE
15*	098647-29-01A	EA	WINDOW - PASS HORIZ SLIDER W/TRIM - CLEAR - 24.2" X 41"
15*	112795-21-01A	EA	WINDOW - PASSENGER HORIZ SLIDER - THERMO - 24.5" X 41.3"
16*	122882-02-01A	EA	VENT - ROOF - W/FAN - W/O INSIDE GARNISH - UL
16*	122882-03-01A	EA	VENT - ROOF - W/FAN - W/O INSIDE GARNISH - CSA

* COMPONENT PARTS FOUND IN SERVICE PARTS LIBRARY

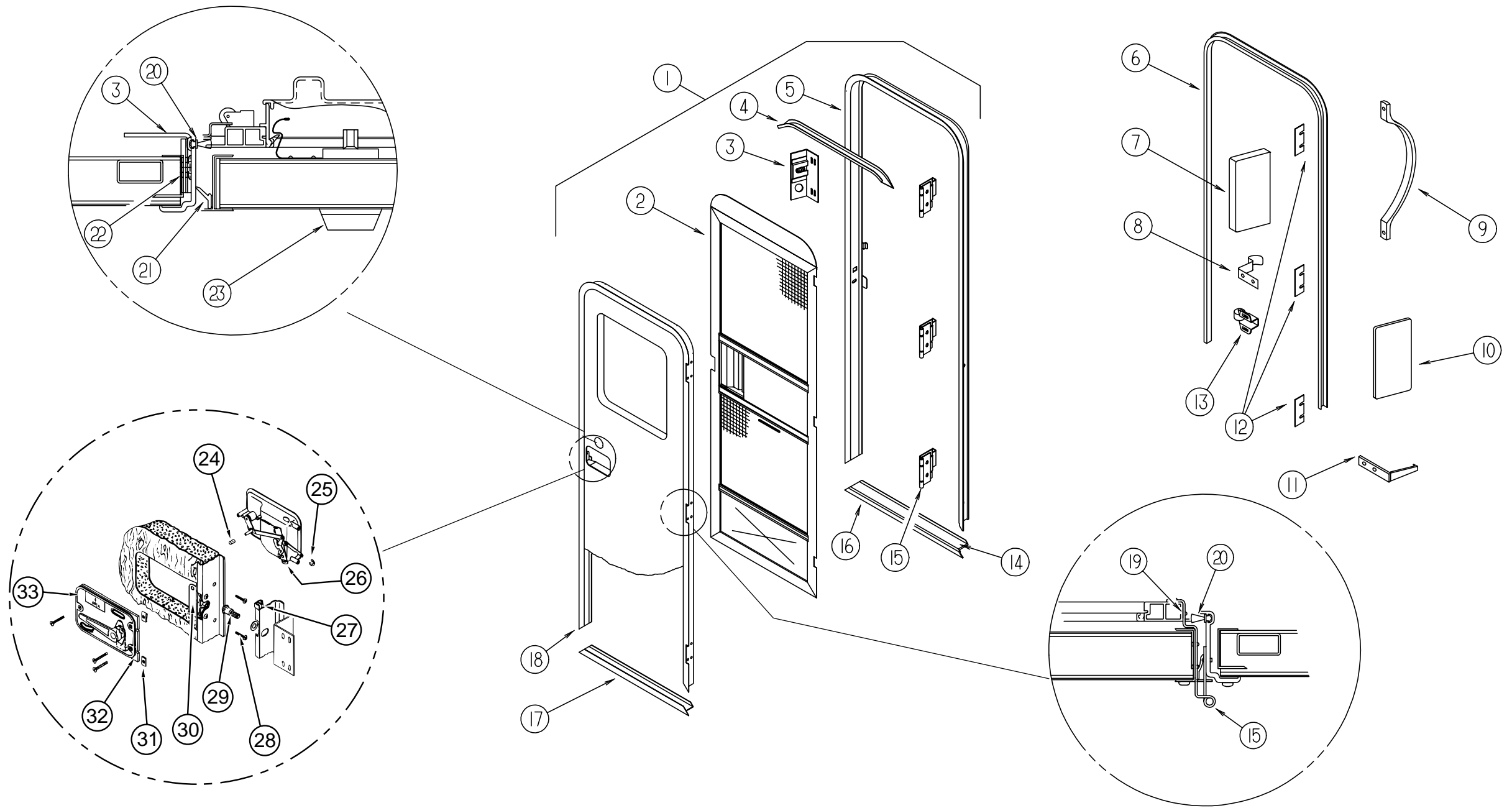
WINDOW, VENT & EXTERIOR DOOR GROUP (CONTINUED)

EXTERIOR DOORS



KEY	PART NUMBER	U/M DESCRIPTION
1	126946-17-J01	EA DOOR - STORAGE - W/O HARDWARE - 8.3" X 20.8"
2	126946-03-J01	EA DOOR - STORAGE - W/O HARDWARE - 23.7" X 21.2"
3	126946-16-J01	EA DOOR - STORAGE - W/O HARDWARE - 11.1" X 45.2"
4	126945-04-J01	EA DOOR - STORAGE - W/O HARDWARE - 8.3" X 18"
5	081240-16-000	EA DOOR - WATER FILL - LOCKABLE W/O LOCK - 4" X 4 5/8" - QUEEN BED
6	088794-06-000	EA DOOR - POWER CORD W/HATCH - BRIGHT WHITE - 9.2" X 11"
7	126946-02-J01	EA DOOR - STORAGE - W/O HARDWARE - 11.8" X 27"
8	126946-01-J01	EA DOOR - STORAGE - W/O HARDWARE - 14" X 47.1"
9	078010-15-000	EA DOOR - FUEL FILL - W/O LOCK
10	052009-06-000	EA DOOR - WATER HEATER - BRIGHT WHITE - 18" X 14.6"
	116424-01-000	EA PROTECTOR - LATCH - WATER HEATER
11	098668-23-000	EA DOOR - ACCESS - FURNACE - BRIGHT WHITE
12	126945-03-J01	EA DOOR - STORAGE - W/O HARDWARE - 14" X 16.4"
13	126945-02-J01	EA DOOR - LP/STORAGE - W/O HARDWARE - 8.3" X 18"
14	115108-01-J01	EA DOOR - ENTRY - W/SCREEN DOOR - W/O WINDOW
14	115108-01-J02	EA DOOR - ENTRY - W/SCREEN DOOR - W/O WINDOW
15	126945-01-J22	EA DOOR - STORAGE - W/O HARDWARE - 8.3" X 18"
16	084103-08-000	EA DOOR - REFRIGERATOR - VENTED - W/O JAMB
	084104-08-000	EA JAMB - REFRIGERATOR DOOR
	084104-01-700	EA LOCK-MALE, FASTENER
	084104-01-701	EA LOCK-FEMALE, FASTENER
17	081240-16-000	EA DOOR - WATER FILL - LOCKABLE W/O LOCK - 4" X 4 5/8" - DOUBLE OR TWIN BED

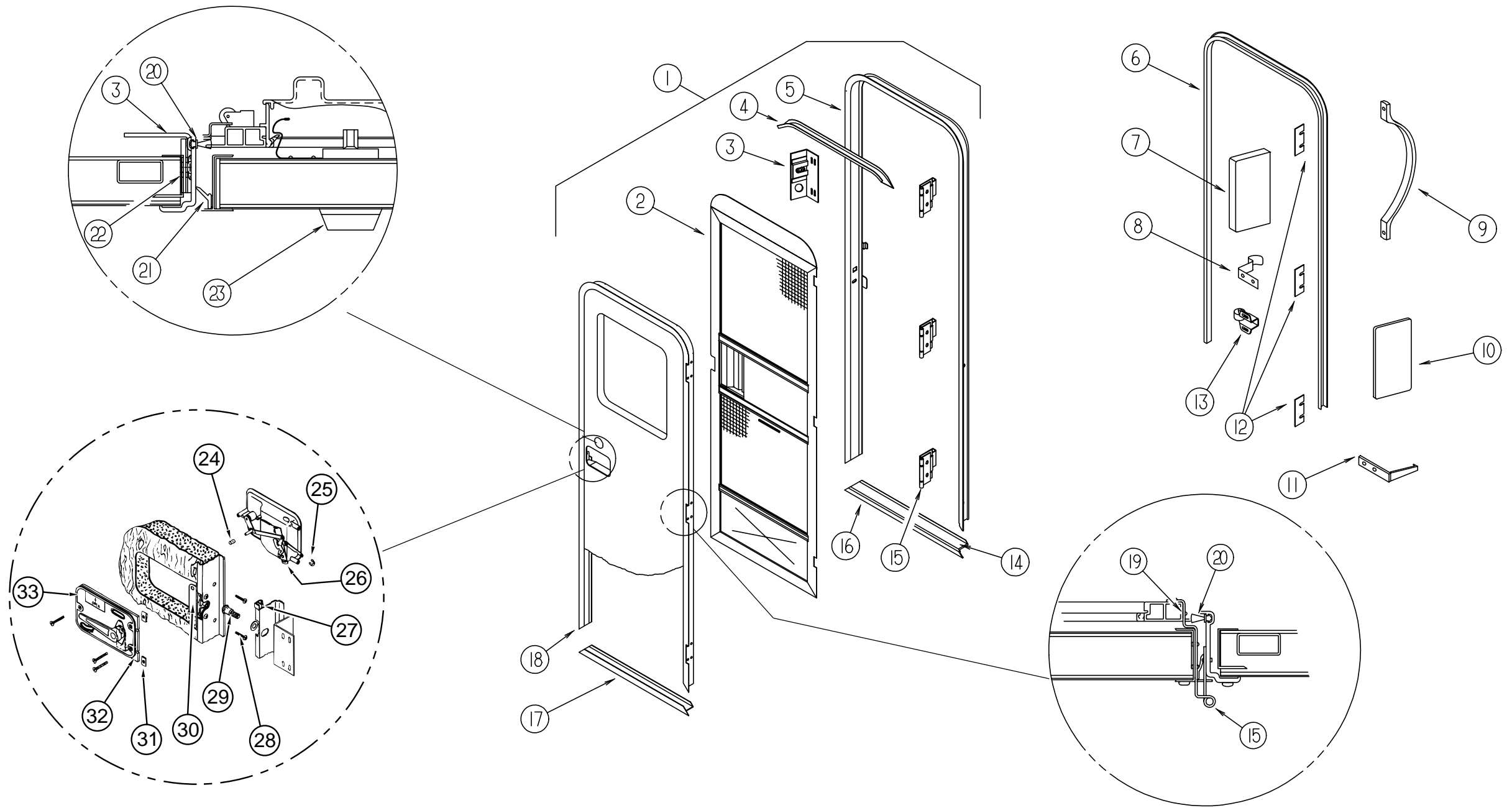
WINDOW, VENT & EXTERIOR DOOR GROUP (CONTINUED)
ENTRANCE DOOR



KEY	PART NUMBER	U/M	DESCRIPTION
1	115108-01-J01	EA	DOOR - ENTRY - W/SCREEN DOOR - W/O WINDOW
1	115108-01-J02	EA	DOOR - ENTRY - W/SCREEN DOOR - W/O WINDOW
2	121899-03-GB1	EA	DOOR - SCREEN - W/O HARDWARE
3	041546-07-000	EA	BRACKET - DOOR ANGLE - OFF WHITE
4	044582-44-000	EA	CAP - DRIP - BRIGHT WHITE
5	121898-03-01A	EA	JAMB - DOOR/ENTRANCE
6	115222-04-01A	EA	GARNISH - ENTRY DOOR - RADIUS
7	077461-03-000	EA	COVER - STRIKE - ENTRY DOOR - 6.5" X 2.5" - WHITE PLASTIC
8	100412-01-000	EA	CATCH - SCREEN DOOR
9	009126-03-000	EA	HANDLE - ASSIST - BLACK TEXTURED
10	076725-02-000	EA	COVER - HINGE - ENTRY DOOR - 6" X 3.2" - OFF WHITE
11	102768-01-000	EA	HOLDER - COMPARTMENT/ENTRY DOOR - METAL - MILL FINISH
12	102248-01-000	EA	SHIM - DOOR

KEY	PART NUMBER	U/M	DESCRIPTION
13	079087-03-000	EA	STRIKE - SLIDER - SCREEN DOOR - BRIGHT WHITE
14	038327-01-000	EA	TAPE - ANTI SLIP - 2" X 60'
15	106719-01-05A	EA	HINGE - ENTRANCE DOOR - BRIGHT WHITE
	106719-01-01A	EA	HINGE - ENTRANCE DOOR - MILL
	039715-01-000	EA	NUT-SERT - 1/4" DIAMETER - 20 THREADS
	116111-02-01A	EA	SCREW - TAPTITE - 1/4-20 X 3/8 PPH - ZINC
16	051049-01-000	EA	JAMB - BOTTOM - ENTRY DOOR - 25.9" - UNPAINTED
	036618-02-000	EA	E RING - EXTERNAL - 3/16" SHAFT DIAMETER - LYNOR DOOR LOCK
17	121893-01-01A	EA	FRAME - ENTRY DOOR/BOTTOM - BRIGHT WHITE
18	121894-07-01A	EA	FRAME - ENTRY DOOR/BOTTOM - BRIGHT WHITE
	098173-01-04A	EA	STIFFENER - ENTRY DOOR - SUPPORTS LATCH/STRIKE - UNPAINTED
	122241-01-01A	EA	BUMPER - FOAM RUBBER W/ADH BACK - .5" X .5" X .25" - BLACK

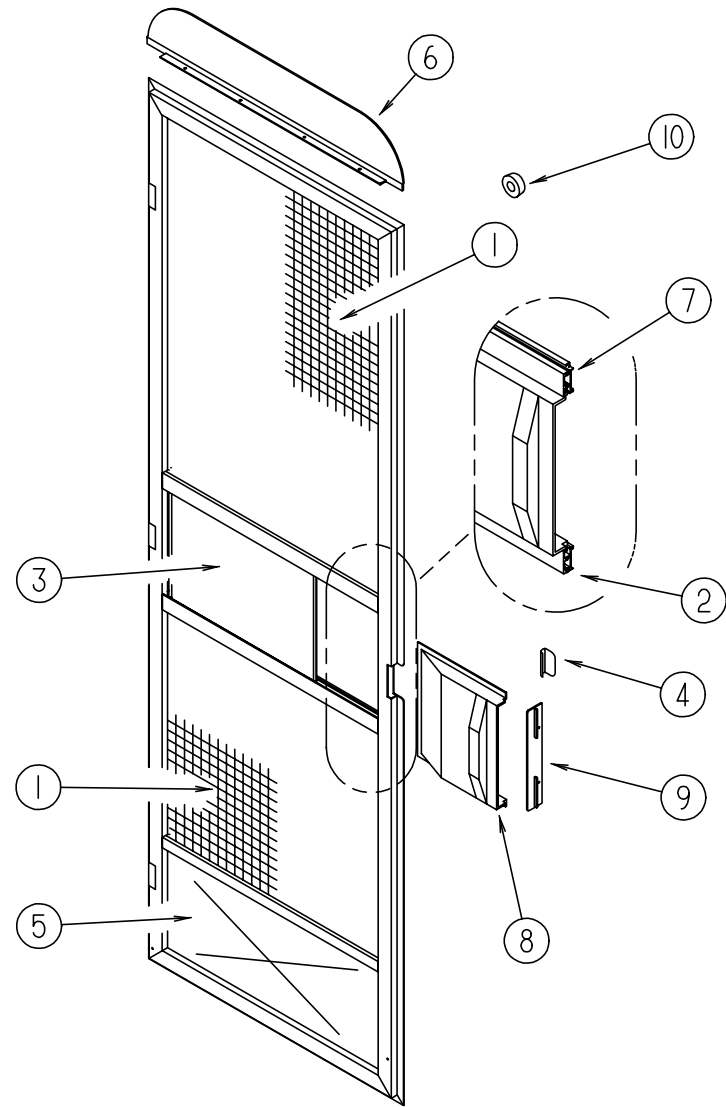
WINDOW, VENT & EXTERIOR DOOR GROUP (CONTINUED)
ENTRANCE DOOR (CONTINUED)



KEY	PART NUMBER	U/M	DESCRIPTION
19	100128-02-000	EA	SEAL - FOAM - ADHESIVE BACK - .37" WIDE X .37" THICK
20	118929-01-01A	FT	SEAL - PILE - PUSH ON
21	075671-04-000	FT	SEAL - SPONGE - LAZY T - W/ADHESIVE STRIP - .5" WIDE
22	104692-01-000	FT	SEAL - FOAM/ADHESIVE BACK - .75"THICK X .75"WIDE X 25'
23	101145-01-06A	EA	DEADBOLT - ENTRY DOOR W/O SECURITY BOLT W/2 KEYS - BLACK
	095229-01-700	EA	KEY-BLANK, DEADBOLT
	101145-01-701	EA	CYLINDER-LOCK ASM., W/KEY
	101147-01-000	EA	BOLT - SECURITY - 4.12"
24	039984-01-000	EA	CAP - ROUND - VINYL - .28" ID X .62" - BLACK
25	036618-02-000	EA	E RING - EXTERNAL - 3/16" SHAFT DIAMETER - LYNOR DOOR LOCK
26	045017-13-000	EA	LATCH - ENTRY DOOR - BLACK TEXTURED
	045017-11-701	EA	KEY-BLANK, F1 SERIES
	045017-11-703	EA	CYLINDER-LOCK ASM. W/KEYS

VENDOR NO.	KEY	PART NUMBER	U/M	DESCRIPTION
	27	064075-07-000	FT	SEAL - BULB - W/WIRED U CHANNEL - .3" X .5" CHANNEL - BLK
	28	000G54-04-20B	EA	SCREW - 1/4-20 X 11/4 PTH TYP 23
	29	039539-01-000	EA	STRIKE - LOCK - ENTRY DOOR - ROUND W/THREADED WASHER
		039715-01-000	EA	NUT-SERT - 1/4" DIAMETER - 20 THREADS
	30	039540-01-000	EA	LATCH MECHANISM - HOOK - ENTRY DOOR - INTERIOR
81205-03	31	040921-01-000	EA	NUT-SPEED-U TYPE 10-24 BLACK
81306-03	32	096810-01-01A	EA	PLATE - LATCH - ENTRY DOOR - BLACK
	33	039979-06-000	EA	COVER - LATCH PLATE - RIGHT HAND - BLACK TEXTURED
		086285-05-000	EA	SPACER - NYLON - .7" X .56"
		104099-01-04A	EA	CATCH - DOOR HOLDER - STRIKE - BRIGHT WHITE
81312-02				
81266-09				

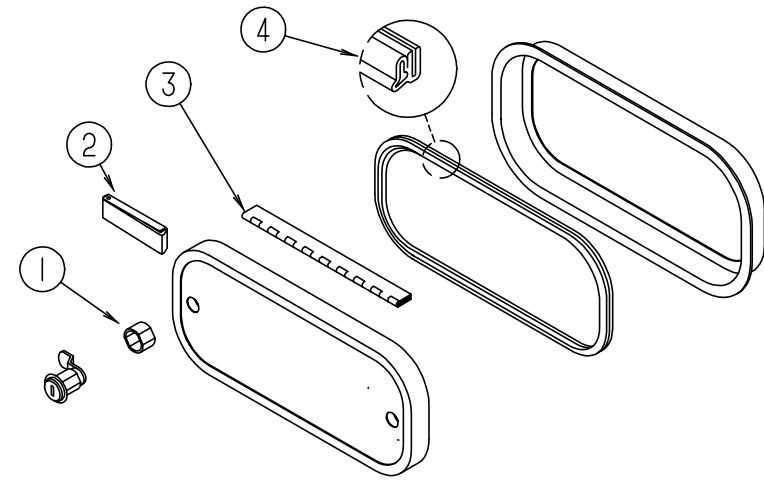
WINDOW, VENT & EXTERIOR DOOR GROUP (CONTINUED)



SCREEN DOOR COMPONENTS

KEY	PART NUMBER	U/M	DESCRIPTION
	121899-03-GB1	EA	DOOR - SCREEN - W/O HARDWARE
1	002293-02-000	SF	SCREENING - WINDOW/DOOR - 26" - CHARCOAL
2	002294-01-000	FT	SPLINE - SCREENING - .135" X .138"
3	016454-01-000	EA	INSERT - CENTER - LEATHER GRAIN ALUMINUM - UNPAINTED
	001014-01-013	EA	INSERT - CENTER - 10.25" X 16.31" - UNPAINTED
4	050712-06-000	EA	HANDLE - SCREEN DOOR - BRIGHT WHITE
5	078552-03-000	EA	KICK PANEL - SCREEN DOOR - LOWER INSERT - UNPAINTED
6	078595-01-000	EA	TOP PLATE - SCREEN DOOR - CURVED TOP - 4.7" X 25.35"
7	078777-01-000	EA	CHANNEL - SLIDE - SCREEN DOOR CENTER SLIDER COVER
			FROM: 00-00-00 THRU: 02-22-98
7	078777-08-000	FT	CHANNEL SLIDER
			FROM: 02-23-98 THRU: 99-99-99
8	079086-03-000	EA	SLIDER - SCREEN DOOR - BRIGHT WHITE
9	079087-03-000	EA	STRIKE - SLIDER - SCREEN DOOR - BRIGHT WHITE
10	120863-05-000	EA	BUMPER - RUBBER - 3/4" X 3/8"
			FROM: 00-00-00 THRU: 10-27-97
10	120863-06-000	EA	BUMPER - RUBBER - 3/4" X 3/8"
			FROM: 10-28-97 THRU: 99-99-99

WINDOW, VENT & EXTERIOR DOOR GROUP (CONTINUED)



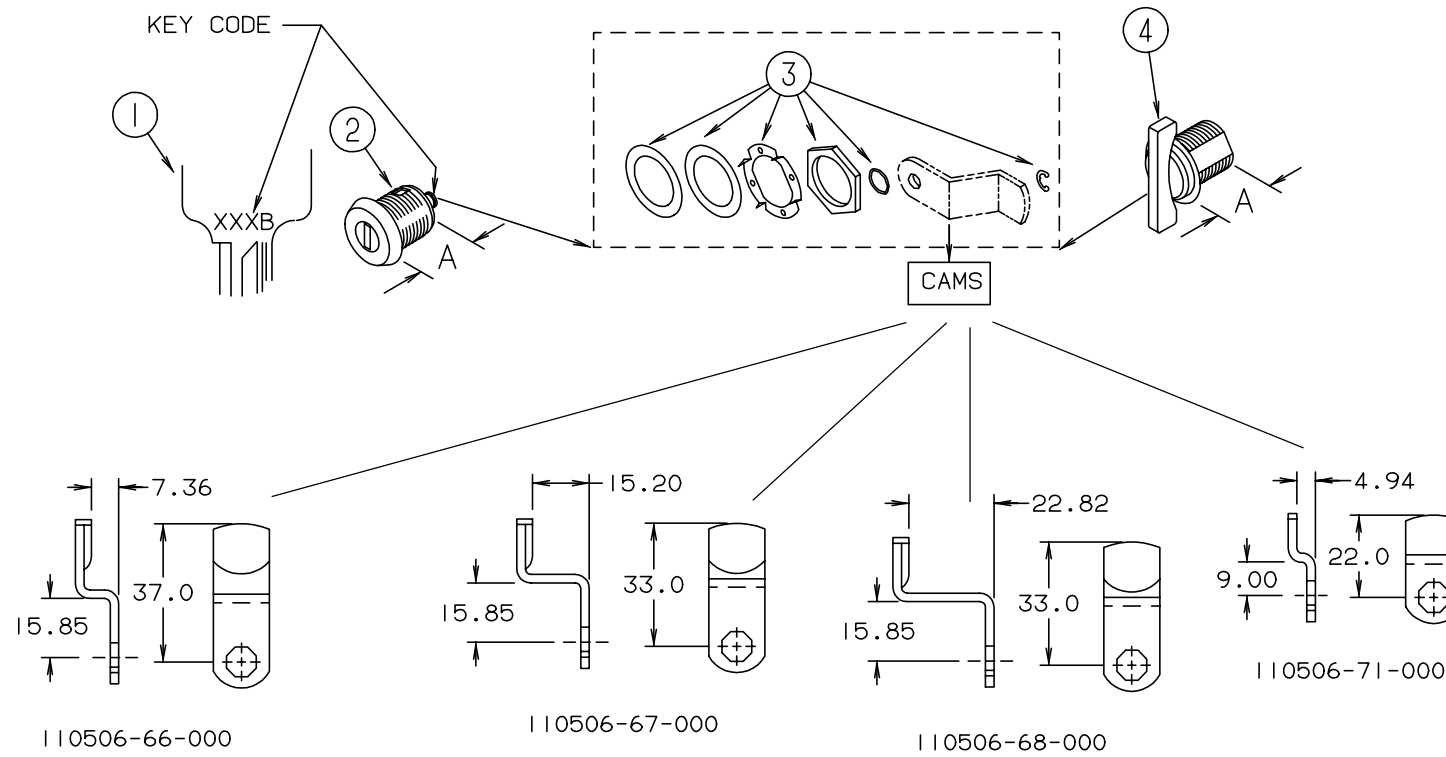
EXTERIOR DOOR COMPONENTS

KEY	PART NUMBER	U/M	DESCRIPTION
1	107997-51-001	EA	SPACER - DOOR LOCK - .6" DEEP
	107997-51-002	EA	EXTRUDED - SPACER - 16'
2	102768-01-000	EA	HOLDER - COMPARTMENT/ENTRY DOOR - METAL - MILL FINISH
3	081801-V3-000	EA	HINGE - ALUMINUM - 2" X 96" - BRIGHT WHITE
	081801-02-000	EA	HINGE - DOOR - PIANO - 2" X 8'
4	064075-07-000	FT	SEAL - BULB - W/WIRED U CHANNEL - .3" X .5" CHANNEL - BLK
	098408-01-000	FT	SEAL - SPONGE RUBBER - CLOSED CELL
	104692-01-000	FT	SEAL - FOAM/ADHESIVE BACK - .75"THICK X .75"WIDE X 25'
	091876-01-000	EA	RETAINER - DOOR - 1.9" X .8" - METAL
	106850-02-000	FT	SEAL-E - SPONGE RUBBER - .43" X .75"

WINDOW, VENT & EXTERIOR DOOR GROUP (CONTINUED)

NOTE:
 WHEN ORDERING THE LOCK CASE, THE KEY CODE MUST MATCH THE LAST DIGIT OF THE VEHICLE'S SERIAL NUMBER AND PART NUMBER; WHEN ORDERING THE KEYS, THE THIRD DIGIT OF THE KEY CODE MUST MATCH THE LAST DIGIT OF THE VEHICLE'S SERIAL NUMBER AND PART NUMBER

BRIGGS & STRATTON LOCKS & COMPONENTS



KEY	PART NUMBER	U/M	DESCRIPTION	VENDOR NO.	KEY	PART NUMBER	U/M	DESCRIPTION	VENDOR NO.
1	110506-59-000	EA	KEYS - SET OF TWO	596720	1	110506-59-006	EA	KEYS - SET OF TWO	596726
2	110506-52-000	EA	CASE/CYLINDER - LOCKING W/O CAM - .65"	702370	2	110506-52-006	EA	CASE/CYLINDER - LOCKING W/O CAM - .65"	702370
2	110506-53-000	EA	CASE/CYLINDER - LOCKING W/O CAM - 1"	702380	2	110506-53-006	EA	CASE/CYLINDER - LOCKING W/O CAM - 1"	702380
2	110506-54-000	EA	CASE/CYLINDER - LOCKING W/O CAM OR KEY - 1 1/4"	703170	2	110506-54-006	EA	CASE/CYLINDER - LOCKING W/O CAM OR KEY - 1 1/4"	703170
1	110506-59-001	EA	KEYS - SET OF TWO	596721	1	110506-59-007	EA	KEYS - SET OF TWO	596727
2	110506-52-001	EA	CASE/CYLINDER - LOCKING W/O CAM - .65"	702370	2	110506-52-007	EA	CASE/CYLINDER - LOCKING W/O CAM - .65"	702370
2	110506-53-001	EA	CASE/CYLINDER - LOCKING W/O CAM - 1"	702380	2	110506-53-007	EA	CASE/CYLINDER - LOCKING W/O CAM - 1"	702380
2	110506-54-001	EA	CASE/CYLINDER - LOCKING W/O CAM OR KEY - 1 1/4"	703170	2	110506-54-007	EA	CASE/CYLINDER - LOCKING W/O CAM OR KEY - 1 1/4"	703170
1	110506-59-002	EA	KEYS - SET OF TWO	596722	1	110506-59-008	EA	KEYS - SET OF TWO	596728
2	110506-52-002	EA	CASE/CYLINDER - LOCKING W/O CAM - .65"	702370	2	110506-52-008	EA	CASE/CYLINDER - LOCKING W/O CAM - .65"	702370
2	110506-53-002	EA	CASE/CYLINDER - LOCKING W/O CAM - 1"	702380	2	110506-53-008	EA	CASE/CYLINDER - LOCKING W/O CAM - 1"	702380
2	110506-54-002	EA	CASE/CYLINDER - LOCKING W/O CAM OR KEY - 1 1/4"	703170	2	110506-54-008	EA	CASE/CYLINDER - LOCKING W/O CAM OR KEY - 1 1/4"	703170
1	110506-59-003	EA	KEYS - SET OF TWO	596723	1	110506-59-009	EA	KEYS - SET OF TWO	596729
2	110506-52-003	EA	CASE/CYLINDER - LOCKING W/O CAM - .65"	702370	2	110506-52-009	EA	CASE/CYLINDER - LOCKING W/O CAM - .65"	702370
2	110506-53-003	EA	CASE/CYLINDER - LOCKING W/O CAM - 1"	702380	2	110506-53-009	EA	CASE/CYLINDER - LOCKING W/O CAM - 1"	702380
2	110506-54-003	EA	CASE/CYLINDER - LOCKING W/O CAM OR KEY - 1 1/4"	703170	2	110506-54-009	EA	CASE/CYLINDER - LOCKING W/O CAM OR KEY - 1 1/4"	703170
1	110506-59-004	EA	KEYS - SET OF TWO	596724	3	110506-40-700	EA	HARDWARE KIT	
2	110506-52-004	EA	CASE/CYLINDER - LOCKING W/O CAM - .65"	702370	4	110506-55-000	EA	CASE/CYLINDER - TWIST LOCK W/O CAM - 1 1/4"	
2	110506-53-004	EA	CASE/CYLINDER - LOCKING W/O CAM - 1"	702380		110506-66-000	EA	CAM - LATCHING - DOG LEGGED 1.5" LONG	
2	110506-54-004	EA	CASE/CYLINDER - LOCKING W/O CAM OR KEY - 1 1/4"	703170		110506-67-000	EA	CAM - LATCHING - DOG LEGGED 1.3" LONG	
1	110506-59-005	EA	KEYS - SET OF TWO	596725		110506-68-000	EA	CAM - LATCHING - DOG LEGGED 1.3" LONG	
2	110506-52-005	EA	CASE/CYLINDER - LOCKING W/O CAM - .65"	702370		110506-71-000	EA	CAM - LATCHING - DOG LEGGED .86" LONG	
2	110506-53-005	EA	CASE/CYLINDER - LOCKING W/O CAM - 1"	702380		110506-59-000	EA	KEYS - SET OF TWO	596720
2	110506-54-005	EA	CASE/CYLINDER - LOCKING W/O CAM OR KEY - 1 1/4"	703170		110506-59-701	EA	KEY BLANK (GOLD)	