

**1998
WF324RC**

J01

GEMSTONE (GREEN)

J02

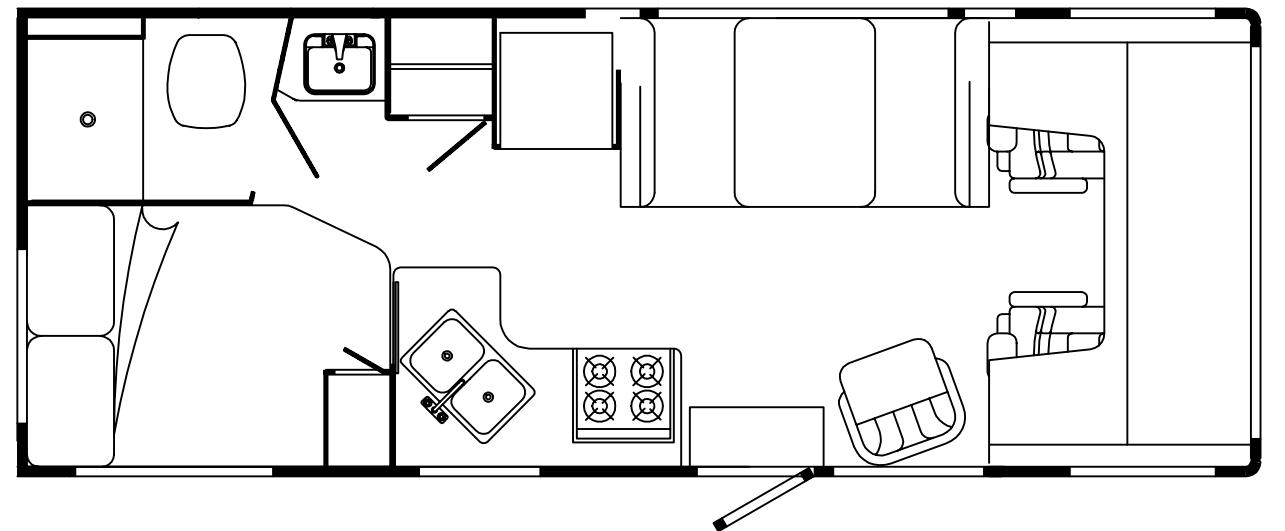
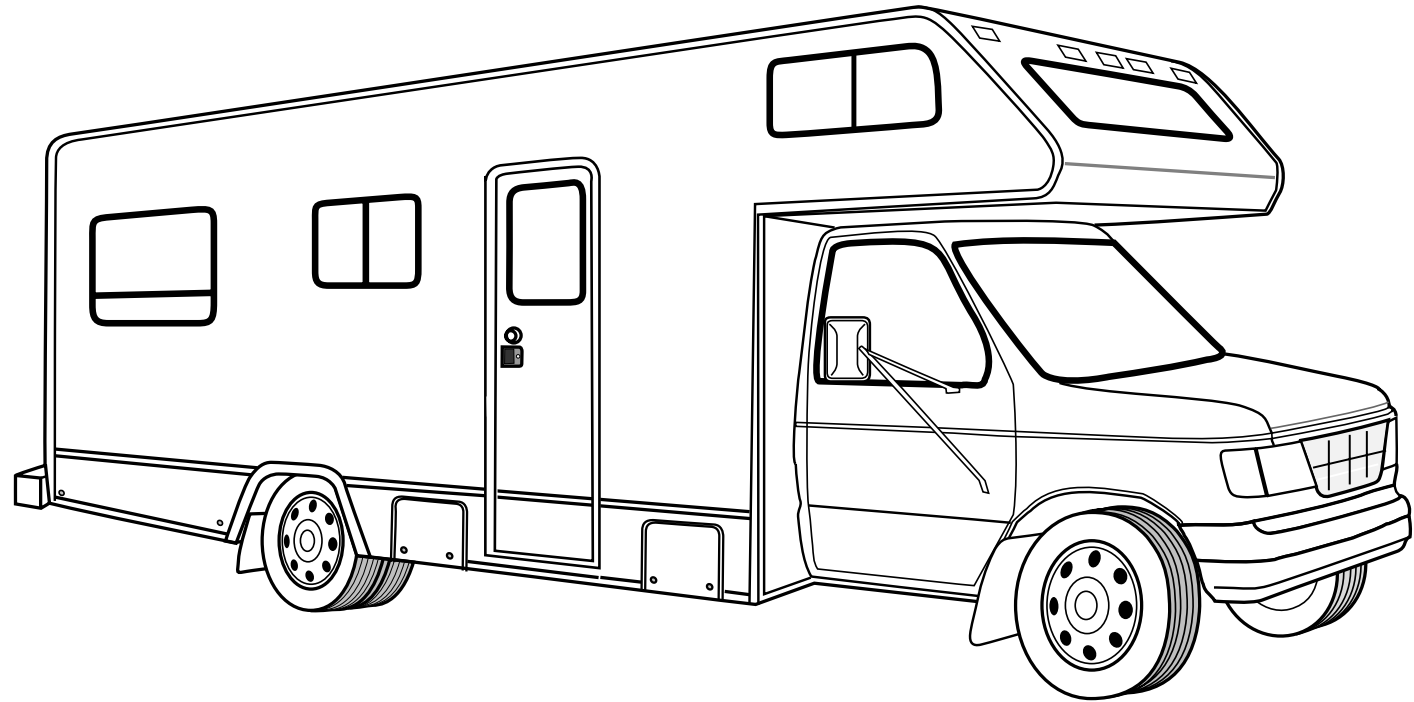
SANDPIPER (TAUPE)

J10

CHAMELEON (BLUE)

J11

MERCURY (BLUSH)



ACCESSORIES GROUP

OPERATORS MANUAL

KEY	PART NUMBER	UM	DESCRIPTION
	092318-01-000	EA	BINDER - 3 RING - MOTOR HOME MANUAL
	092319-01-000	EA	POCKET PAGE - 3 RING BINDER - PLASTIC - (50 PER PKG)
	129079-01-01A	EA	CASE - VINYL/BLACK-EXPANDABLE ACCORDION SIDES - 7"W X 9"H X 14"L
	054185-G8-000	EA	MANUAL - OPERATOR 98 MINNIE - 300 SERIES
	125441-01-000	DW	TOP LEVEL - C, 1998

AUDIO VIDEO GROUP

RADIO SYSTEM

KEY	PART NUMBER	U/M	DESCRIPTION
	125322-02-000	EA	RADIO - AM/FM STEREO - CASSETTE - AUDIOVOX
	108137-01-000	EA	PLUG - ANTENNA
	077069-02-000	EA	CABLE - ANTENNA/EXTENSION - RADIO - 96"
	090944-01-000	EA	ANTENNA - RADIO - 16" RUBBER
	108847-01-000	EA	BRACKET - ANTENNA GROUND
	109889-01-000	EA	EXTENDER - SHAFT - ANTENNA 1"
	110469-01-000	EA	SPEAKER - 4" X 6" OVAL - COAXIAL
	110470-01-01A	EA	GRILLE - 4" X 6" OVAL - BLACK

RADIO-PATIO ENTERTAINMENT CENTER

KEY	PART NUMBER	U/M	DESCRIPTION
	125322-02-000	EA	RADIO - AM-FM STEREO - CASSETTE - AUDIOVOX
	090944-01-000	EA	ANTENNA - RADIO - 16" RUBBER
	077069-02-000	EA	CABLE - ANTENNA/EXTENSION - RADIO - 96"
	108847-01-000	EA	BRACKET - ANTENNA GROUND
	082134-01-000	EA	ADAPTER - TV - CABLE TO CABLE
	086756-01-000	EA	SPLITTER - TV - 2 WAY
	076319-09-000	EA	WALLPLATE - CABLE RECEPTACLE - TV - SINGLE - BROWN
	058708-02-000	EA	RECEPTACLE - ELECTRIC - DOUBLE - IVORY
	109889-01-000	EA	EXTENDER - SHAFT - ANTENNA 1"
	110469-01-000	EA	SPEAKER - 4" X 6" OVAL - COAXIAL
	110470-01-01A	EA	GRILLE - 4" X 6" OVAL - BLACK

TV - VCR SYSTEMS

KEY	PART NUMBER	U/M	DESCRIPTION	VENDOR NO.
	126696-01-000	EA	TV - 19" COLOR W/1/8" JACK - UL/CSA - GE	
			FROM: 00-00-00 THRU: 04-12-98	
	126696-02-000	EA	TV - 19" COLOR W/1/8" JACK - UL/CSA - GE	
			FROM: 04-13-98 THRU: 99-99-99	
	126696-01-700	EA	REMOTE	226725
	126697-01-000	EA	VCR-VHS - CABLE READY - W/REMOTE - GE	
			FROM: 00-00-00 THRU: 03-22-98	
	126697-02-000	EA	VCR-VHS - CABLE READY - W/REMOTE - GE	
			FROM: 03-23-98 THRU: 99-99-99	
	126697-01-700	EA	REMOTE - F/VCR	2040R
	086231-08-000	EA	TV - 13" COLOR - DC - AUDIOVOX	
	086231-08-700	EA	REMOTE-UNIVERSAL	8822325
	086231-08-701	EA	ADAPTER - WIRE	0891436
	094487-03-000	EA	VIDEO CASSETTE PLAYER W/O REMOTE - AUDIOVOX	
			FROM: 00-00-00 THRU: 03-11-98	
	094487-04-000	EA	PLAYER - CASSETTE VIDEO - AUDIOVOX	
			FROM: 03-12-98 THRU: 03-23-98	
	094487-05-000	EA	PLAYER - CASSETTE VIDEO - VERTIC	
			FROM: 03-24-98 THRU: 99-99-99	
	086231-08-700	EA	REMOTE-UNIVERSAL	8822325
	094487-03-700	EA	WIRE - ADAPTER	0891436
	082136-01-000	EA	NUT - HEX JAM - 3/8 - 32	
	082134-01-000	EA	ADAPTER - TV - CABLE TO CABLE	
	086756-01-000	EA	SPLITTER - TV - 2 WAY	
	076319-03-000	FT	CABLE - COAXIAL - 75 OHM	
	076319-12-000	EA	CONNECTOR - COAXIAL - ONE PIECE	
	086777-02-000	EA	WALLPLATE - TV CABLE - W/ANTENNA SWITCH	
	086777-06-000	EA	WALLPLATE - TV CABLE - ANTENNA/1 OUTPUT - BROWN	
	086757-03-000	EA	CONTROL CENTER - SWITCH - VCR/TV	

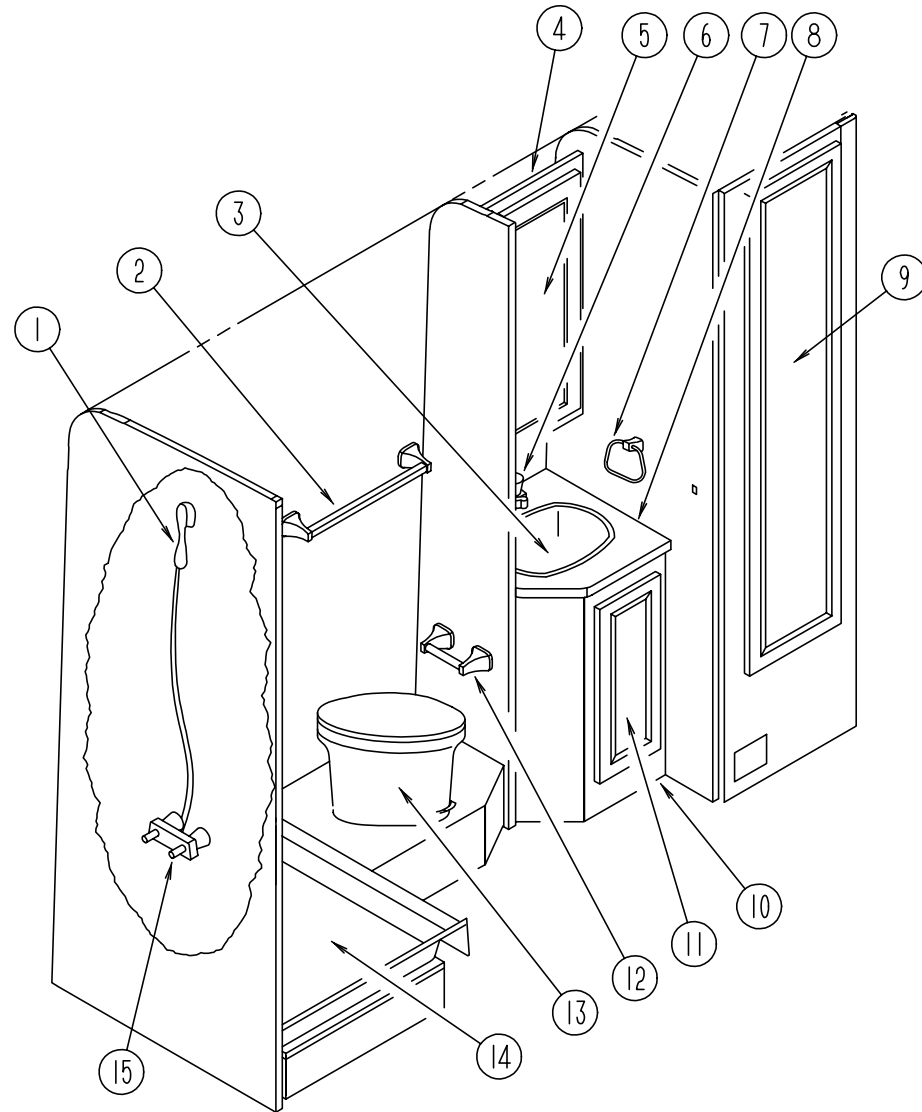
TV ANTENNA - WINEGARD - MODEL RVA W02

KEY	PART NUMBER	U/M	DESCRIPTION
*	076319-20-000	EA	ANTENNA-TV - ROOF MOUNT - 1" ROOF
			FROM: 00-00-00 THRU: 12-07-97
*	076319-23-000	EA	ANTENNA-TV - ROOF MOUNT - 44.5" MAST
			FROM: 12-08-97 THRU: 99-99-99

* COMPONENT PARTS FOUND IN SERVICE PARTS LIBRARY

BATH GROUP

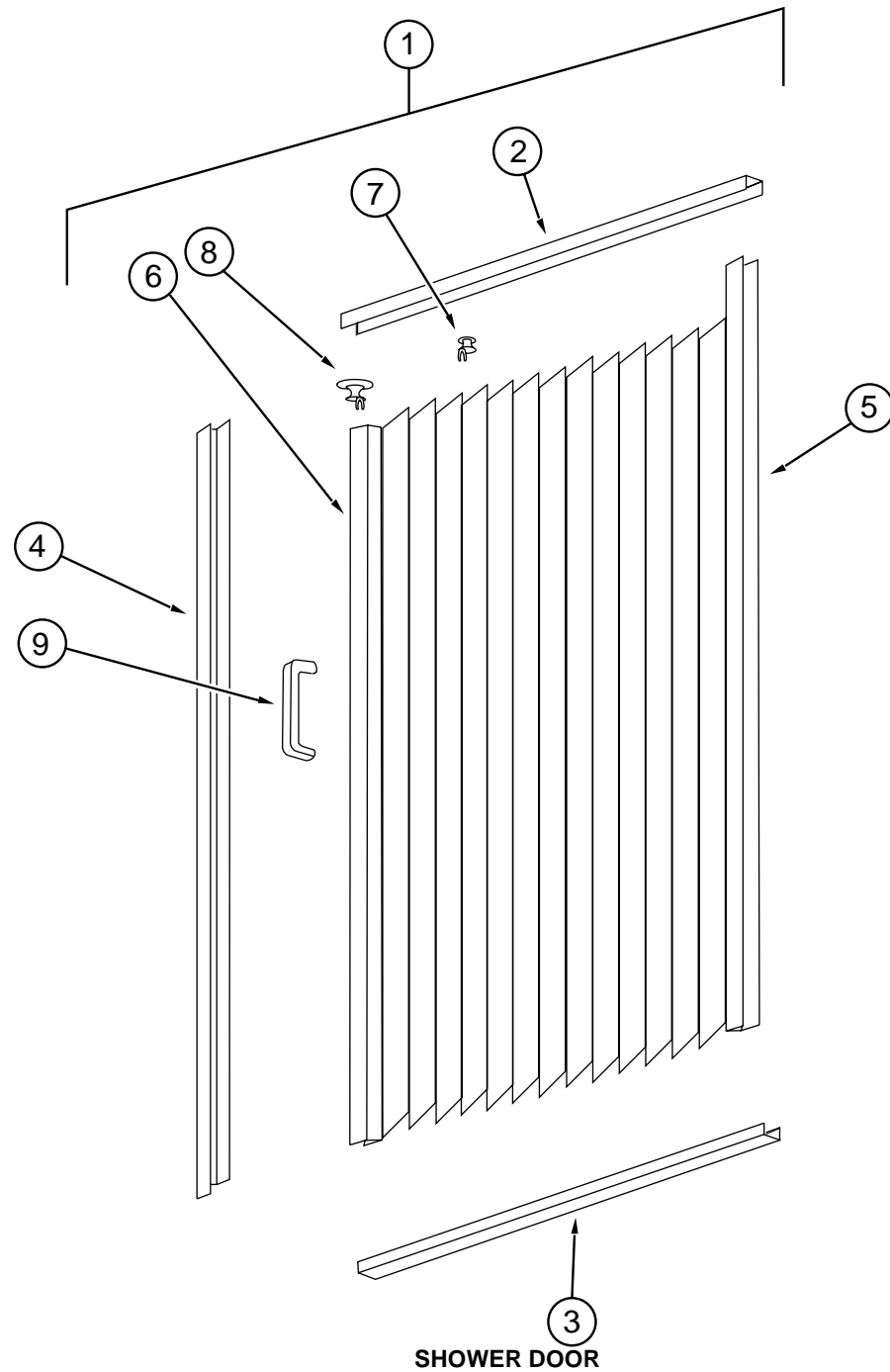
BATHROOM CABINETS & FIXTURES



KEY	PART NUMBER	U/M	DESCRIPTION	VENDOR NO.
1	103092-01-000	EA	SHOWER HEAD - W/60" HOSE - WHITE	
1	103092-02-000	EA	SHOWER HEAD - W/60" HOSE - CSA	
	103092-01-700	EA	BRACKET-F/SHOWER HEAD, CLEAR	2328028
	011048-03-700	EA	BRACKET - F/SHOWER HEAD	2328029-I
	103092-01-702	EA	SEALS-SPRAY HEAD	24466
	075606-01-000	EA	PANEL - PLASTIC - FAUCET BACK - 5" X 9"	
2	075453-02-000	EA	BAR - TOWEL - 18" BRASS	
3	096927-01-01A	EA	SINK - LAVATORY - RECTANGULAR - PLASTIC/BONE	
	096927-01-700	EA	SINK STOPPER	M9801
	096927-01-701	EA	TAILPIECE-DRAIN-LAVATORY	M9802
4	116863-01-J01	EA	CABINET - MEDICINE - W/O DOORS/HARDWARE - WATERFORD OAK	
4	116863-01-G07	EA	CABINET - MEDICINE - W/O DOORS/HARDWARE - SALEM CHERRY	
5	115237-04-G01	EA	DOOR - MIRROR - BATH - W/O HARDWARE - WATERFORD OAK	
5	115237-04-F08	EA	DOOR - MIRROR - BATH - W/O HARDWARE - SALEM CHERRY	
6	075240-06-000	EA	FAUCET - LAVATORY/BONE	
	091253-01-000	EA	GASKET - FAUCET - LAVATORY/GALLEY	
7	075454-02-000	EA	RING - TOWEL - W/MOUNTING HARDWARE - BRASS	
8	123296-13-H11	EA	COUNTERTOP - LAVATORY (J01, J11) U.S. & JAPAN EXPORT	
8	123296-13-H24	EA	COUNTERTOP - LAVATORY (J02)	
8	123296-13-H04	EA	COUNTERTOP - LAVATORY (J10) JAPAN EXPORT	
8	123296-14-J10	EA	COUNTERTOP - LAVATORY (J10) W.I.E. EXPORT	
8	123296-14-J11	EA	COUNTERTOP - LAVATORY (J11) W.I.E. EXPORT	
9	M08758-38-J03	EA	DOOR - MITERED CORNER/OGEE EDGE - 15.5" X 45.4"-W/O HDW-WATERFORD OAK	
9	M06803-91-J10	EA	DOOR-MIRROR/MTRD CRNR/OGEE EDGE-15.5"X 45.4"-W/O HDW-SALEM CHERRY	
10	P23296-01-J01	EA	CABINET - LAVATORY - W/CTRTP - W/O DOORS/DWRS/HDW (J01)	
10	P23296-01-H24	EA	CABINET - LAVATORY - W/CTRTP - W/O DOORS/DWRS/HDW (J02)	
10	P23296-01-H10	EA	CABINET - LAVATORY - W/CTRTP - W/O DOORS/DWRS/HDW (J10) JAPAN EXPORT	
10	P23296-01-H11	EA	CABINET - LAVATORY - W/CTRTP - W/O DOORS/DWRS/HDW (H11) JAPAN EXPORT	
10	P23296-03-J10	EA	CABINET - LAVATORY - W/O DOORS/DRAWERS/HARDWARE (J10) W.I.E. EXPORT	
10	P23296-03-J11	EA	CABINET - LAVATORY - W/O DOORS/DRAWERS/HARDWARE (J11) W.I.E. EXPORT	
11	M08758-46-J03	EA	DOOR-MITERED CORNER/OGEE EDGE - 13.4" X 21.8" - W/O HDW-WATERFORD OAK	
11	M05992-W2-J10	EA	DOOR-STRAIGHT CRNR/OGEE EDGE-13.4" X 21.8" - W/O HDW - SALEM CHERRY	
12	075452-02-000	EA	HOLDER - TOILET TISSUE - BRASS	
13*	067487-01-000	EA	TOILET - 12.37" - IVORY - HAND FLUSH	
14	M02673-05-B13	EA	PAN - SHOWER - 29.8" X 22.7" X 5.7" - W/STRAINER	
	066436-01-000	EA	NUT - SLIP - TAILPIECE 1.5"	
			FROM: 00-00-00 THRU: 01-25-98	
	066440-01-000	EA	STRAINER - SHOWER DRAIN - W/RUBBER WASHER	
	069735-01-000	EA	WASHER - STRAINER TO TAILPIECE - PLASTIC - 1.5"	
			FROM: 00-00-00 THRU: 10-21-97	
	127440-02-01A	EA	WASHER - RUBBER - 1.8" X .1"	
			FROM: 10-22-97 THRU: 99-99-99	
	011069-02-000	EA	TAILPIECE - TUB/SHOWER - 1 1/2" X 1 1/4" X 4" - BRASS	
	069735-01-000	EA	WASHER - STRAINER TO TAILPIECE - PLASTIC - 1.5"	
	130403-01-000	EA	NUT - SLIP - W/WINGS 1 1/2"	
15	075241-05-000	EA	FAUCET/SHOWER - BONE 3/4" MPT X 1.4" LONG INLET PIPES	
	105629-01-01A	EA	SURROUND SHOWER - EXPORT	

* COMPONENT PARTS FOUND IN SERVICE PARTS LIBRARY

BATH GROUP (CONTINUED)



KEY	PART NUMBER	U/M DESCRIPTION
1	117431-01-01A	EA DOOR - SHOWER - FABRIC PLEATED - 29.6" X 63.0"
2	117431-01-700	EA TRACK-TOP, ALUMINUM - IVORY INSERT - 48"
3	117431-01-701	EA TRACK-BOTTOM, 40"
4	117431-01-702	EA RAIL-SIDE, 67"
5	117431-01-703	EA RAIL-STATIONARY, 67"
6	117431-01-704	EA RAIL-LEAD, 67"
7	117431-01-705	EA GLIDE-IVORY, TRAVELER
8	117431-01-706	EA GLIDE-IVORY LEAD, TRAVELER
9	117431-01-708	EA HANDLES & SCREWS
	117431-01-707	EA LATCH
	117431-01-709	EA STRAP-VINYL SHOWER

BATH GROUP (CONTINUED)

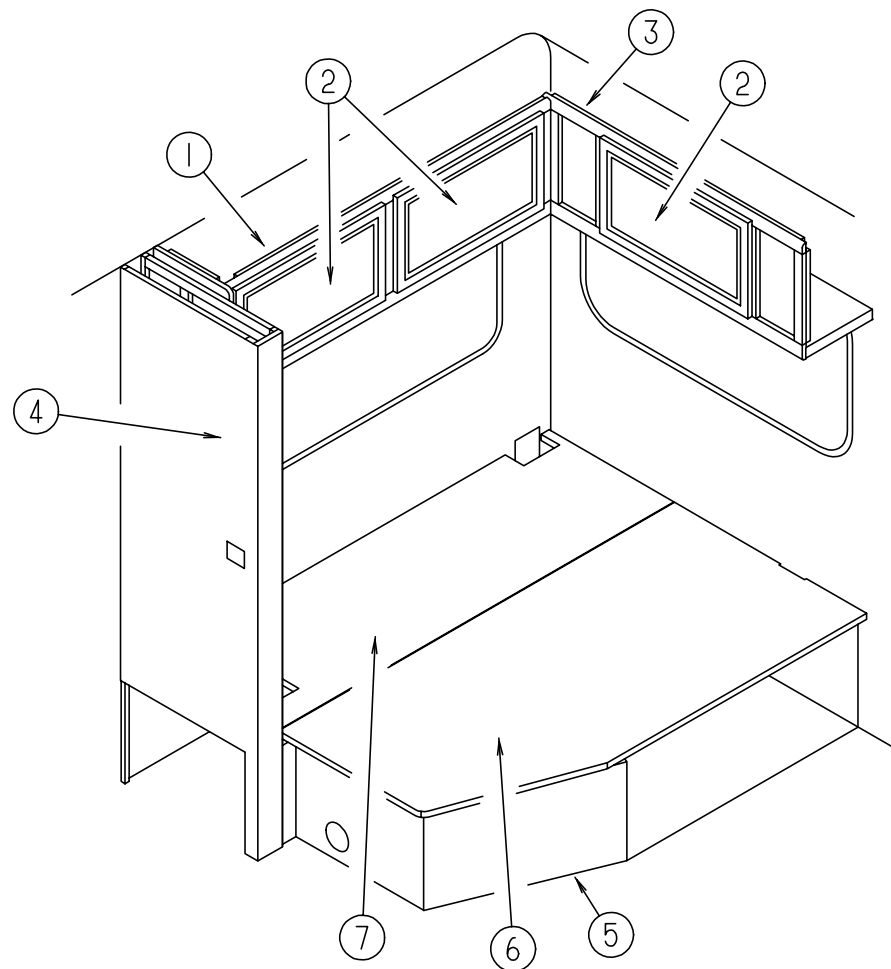
BATH PRIVACY DOOR - WATERFORD OAK

KEY	PART NUMBER	U/M DESCRIPTION
	121449-21-H04	EA DOOR - BATH
	094485-03-01A	EA KNOB - BRASS
	102920-01-01A	EA HINGE/SPRING LOADED - BRASS
	110496-01-01A	EA HINGE - BRASS
	121449-12-G04	EA RACK - TOWEL - BATH DOOR
	100357-01-000	EA ROD - F/TOWEL BAR - BRASS
	105394-01-05A	EA JAMB - DOOR/MOLDED PLASTIC - WATERFORD OAK - 7'

BATH PRIVACY DOOR - SALEM CHERRY

KEY	PART NUMBER	U/M DESCRIPTION
	121449-21-H10	EA DOOR - BATH
	094485-03-01A	EA KNOB - BRASS
	102920-01-01A	EA HINGE/SPRING LOADED - BRASS
	110496-01-01A	EA HINGE - BRASS
	121449-12-G07	EA RACK - TOWEL - BATH DOOR
	100357-01-000	EA ROD - F/TOWEL BAR - BRASS
	105394-01-04A	EA JAMB - DOOR/MOLDED PLASTIC - CHERRY - 7'

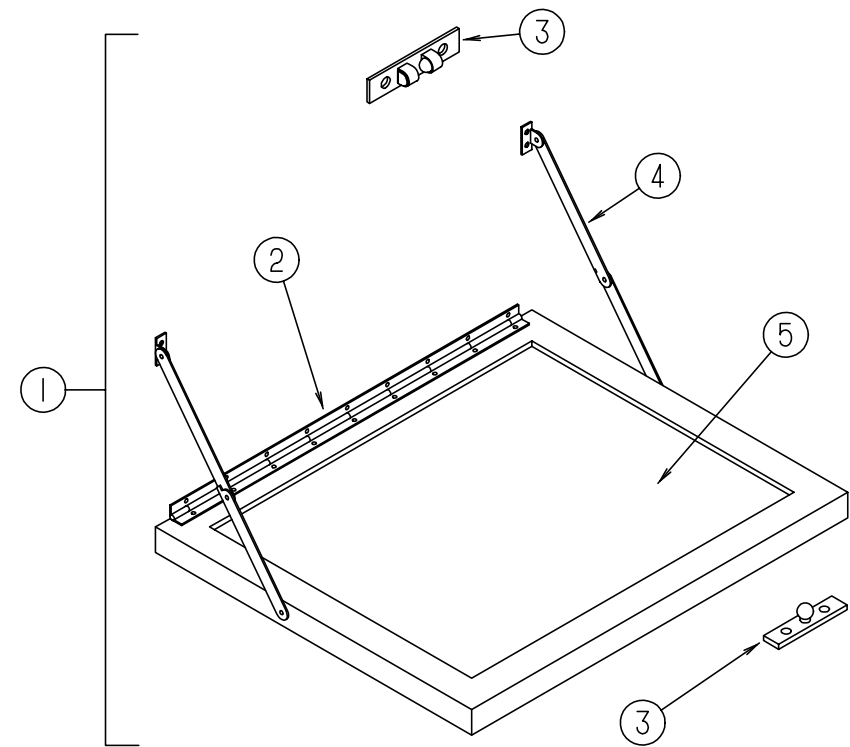
BEDROOM GROUP



BEDROOM CABINETS

KEY	PART NUMBER	U/M	DESCRIPTION
1	122609-01-J01	EA	CABINET - OVERHEAD/REAR - W/O DOORS/HARDWARE - WATERFORD OAK
1	122609-01-J10	EA	CABINET - OVERHEAD/REAR - W/O DOORS/HARDWARE - SALEM CHERRY
2	M08758-43-J15	EA	DOOR-MTRD CRNR/OG EDGE - 15.7" X 27.9"-W/O HDW-WATERFORD OAK
2	M08758-01-J05	EA	DOOR-MTRD CRNR/OG-EDGE - 15.7" X 27.9" - W/O HDW-WATERFORD UPGRADE
2	M05992-48-J10	EA	DOOR - STRAIGHT CRNR/OG EDGE-15.7" X 27.9"-W/O HDW - SALEM CHERRY
3	122974-01-H04	EA	CABINET - REAR OVERHEAD - W/O DOORS/HARDWARE - WATERFORD OAK
3	122974-01-H10	EA	CABINET - REAR OVERHEAD - W/O DOORS/HARDWARE - SALEM CHERRY
4	122649-01-J01	EA	CABINET - PIPE COVER - W/O DOORS/HARDWARE
4	122649-01-J02	EA	CABINET - PIPE COVER - W/O DOORS/HARDWARE
4	122649-01-J10	EA	CABINET - PIPE COVER - W/O DOORS/HARDWARE
4	122649-01-J11	EA	CABINET - PIPE COVER - W/O DOORS/HARDWARE
5	P27538-01-J01	EA	CABINET - BASE - DOUBLE BED - W/O DOORS/DRAWERS/HARDWARE
5	P27538-01-J10	EA	CABINET - BASE - DOUBLE BED - W/O DOORS/DRAWERS/HDW - SALEM CHERRY
5	P27538-02-J01	EA	CABINET - BASE - DOUBLE BED - RAISED BED EXCHANGE - WATERFORD OAK
5	P27538-02-J10	EA	CABINET - BASE - DOUBLE BED - RAISED BED EXCHANGE - SALEM CHERRY
6	M07448-10-J01	EA	TOP - DOUBLE BED - W/O HARDWARE
7	M07448-09-000	EA	TOP - DOUBLE BED - W/O HARDWARE
	126259-01-000	EA	STUD - BALL
	057460-02-000	EA	STUD BALL - GAS SPRING - .39" - 5/16"-18 - RAISED BED EXCHANGE
	107796-10-000	EA	BRACKET - GAS SPRING - 90 DEGREE SMALL
			FROM: 00-00-00 THRU: 08-24-97
	126263-03-01B	EA	BRACKET - GAS SPRING
			FROM: 08-25-97 THRU: 99-99-99
	108998-04-000	EA	SPRING-GAS 12" COMPRESSED/20"EXTENDED - 60LB.
	089076-08-000	EA	H-CHANNEL - SUPPORT/BED

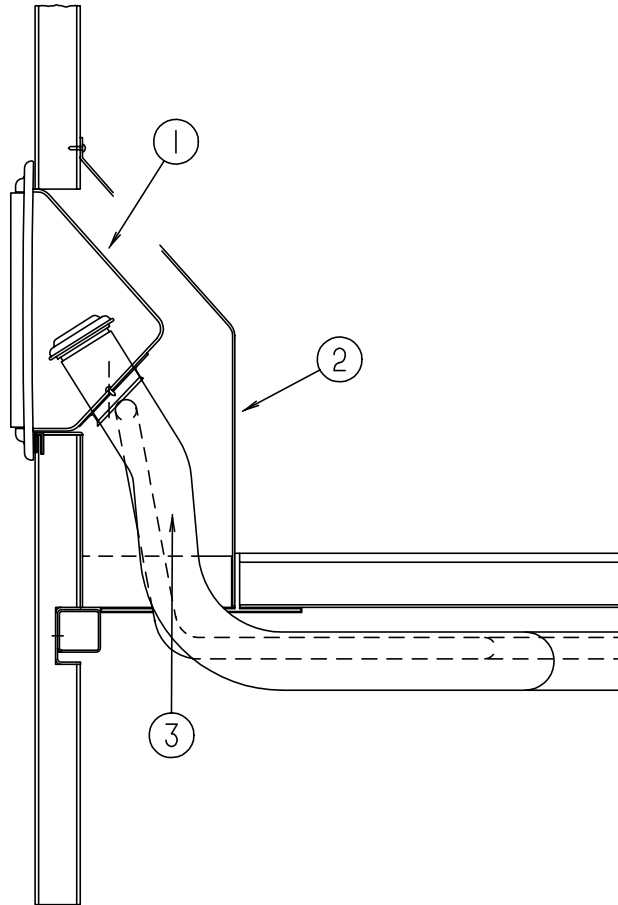
BEDROOM GROUP (CONTINUED)



TV SHELF - JAPAN/WIE EXPORT

KEY	PART NUMBER	U/M	DESCRIPTION
1	084357-02-G07	EA	TV STAND - FOLD DOWN W/MIRROR
2	084413-01-000	EA	HINGE/CONTINUOUS - ALUMINUM 1" X 72" - W/HOLES
3	088451-01-000	EA	CATCH - BRASS
4	084412-01-000	EA	SUPPORT/HINGE KIT (LEFT & RIGHT HINGES)
5	084356-08-000	EA	INSERT - TV STAND - W/SUPPORT HINGE

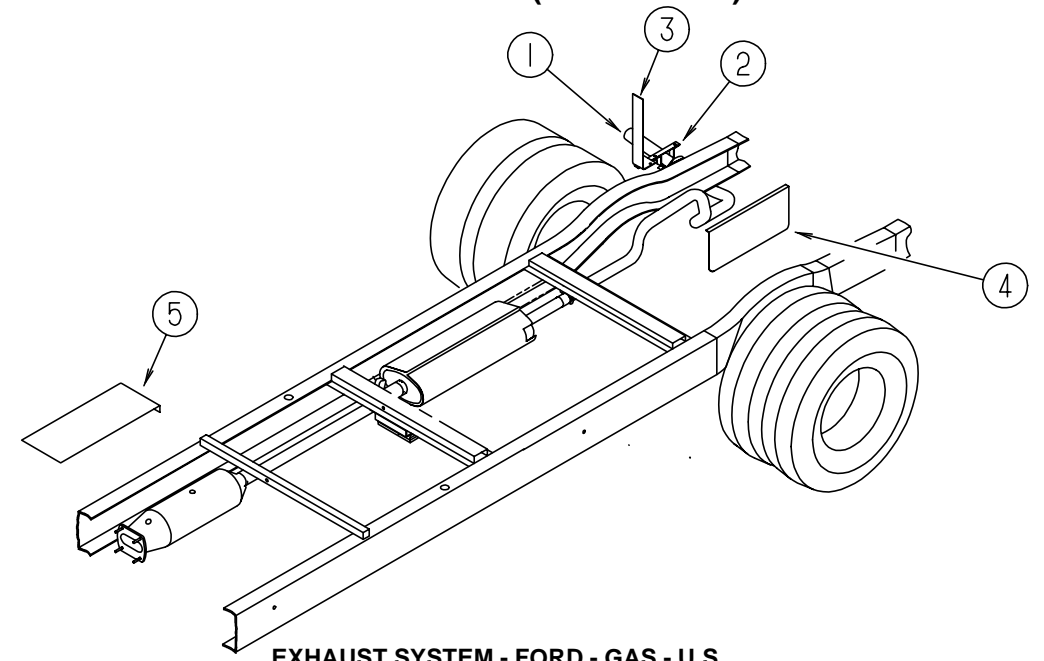
CHASSIS GROUP



FUEL SYSTEM COMPONENTS

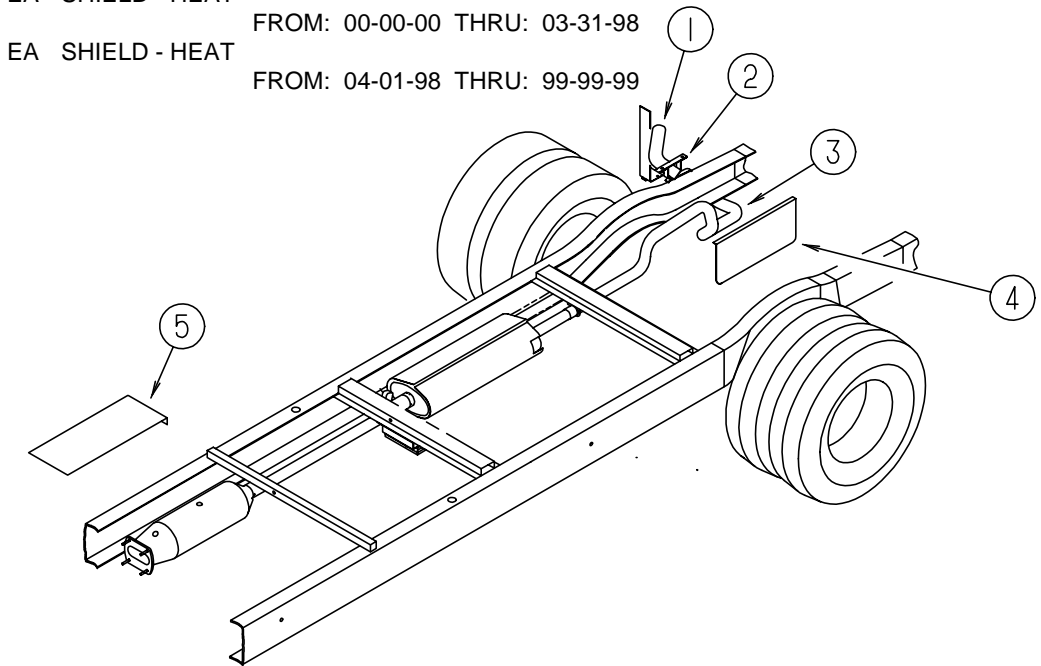
KEY	PART NUMBER	U/M	DESCRIPTION
1	095854-01-04A	EA	SHROUD - FUEL FILL - BRIGHT WHITE
2	078040-05-000	EA	SHROUD - FUEL FILL - UPPER
3	124326-02-000	EA	NECK - FILLER - FUEL FILL
			FROM: 00-00-00 THRU: 08-24-97
3	128312-02-000	EA	NECK - FUEL FILL - CHEVY DIESEL
			FROM: 08-25-97 THRU: 99-99-99
3	124326-01-000	EA	NECK - FILLER - FUEL FILL
			FROM: 00-00-00 THRU: 08-24-97
3	128312-01-000	EA	NECK - FUEL FILL - CHEVY UNLEADED
			FROM: 08-25-97 THRU: 99-99-99
3	124995-01-000	EA	NECK - FUEL FILL - UNLEADED
	007063-01-000	FT	HOSE - FUEL - 1/4"ID X 1/2"OD
	084884-01-000	EA	PLUG - BRASS - 3/8"

CHASSIS GROUP (CONTINUED)



EXHAUST SYSTEM - FORD - GAS - U.S.

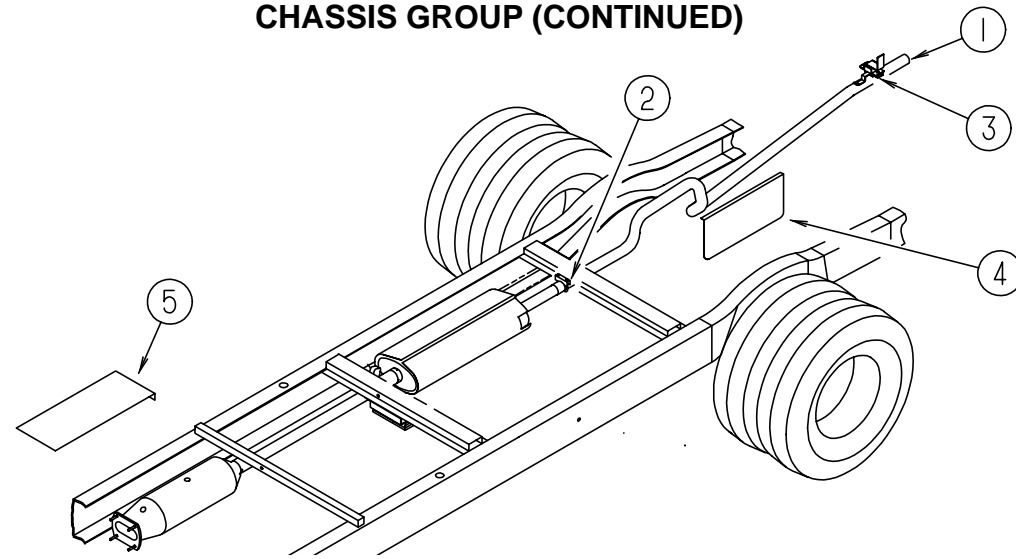
KEY	PART NUMBER	U/M	DESCRIPTION
1		EA	CHASSIS SUPPLIED
2	007125-08-000	EA	CLAMP - MUFFLER - 3"
3	007131-01-000	EA	HANGER - TAILPIPE - 6 SLOTS
3	007125-07-000	EA	CLAMP - MUFFLER - 2.5" DIAMETER
4	111848-01-02B	EA	SHIELD - HEAT - EXHAUST
5	127971-04-02B	EA	SHIELD - HEAT
			FROM: 00-00-00 THRU: 03-31-98
5	091182-01-000	EA	SHIELD - HEAT
			FROM: 04-01-98 THRU: 99-99-99



EXHAUST SYSTEM - FORD - JAPAN EXPORT - GAS

KEY	PART NUMBER	U/M	DESCRIPTION
1	125282-01-000	EA	PIPE - EXHAUST
2	007125-08-000	EA	CLAMP - MUFFLER - 3"
3	007131-01-000	EA	HANGER - TAILPIPE - 6 SLOTS
3	007125-07-000	EA	CLAMP - MUFFLER - 2.5" DIAMETER
4	111848-01-02B	EA	SHIELD - HEAT - EXHAUST
5	127971-04-02B	EA	SHIELD - HEAT
			FROM: 00-00-00 THRU: 03-31-98
5	091182-01-000	EA	SHIELD - HEAT
			FROM: 04-01-98 THRU: 99-99-99

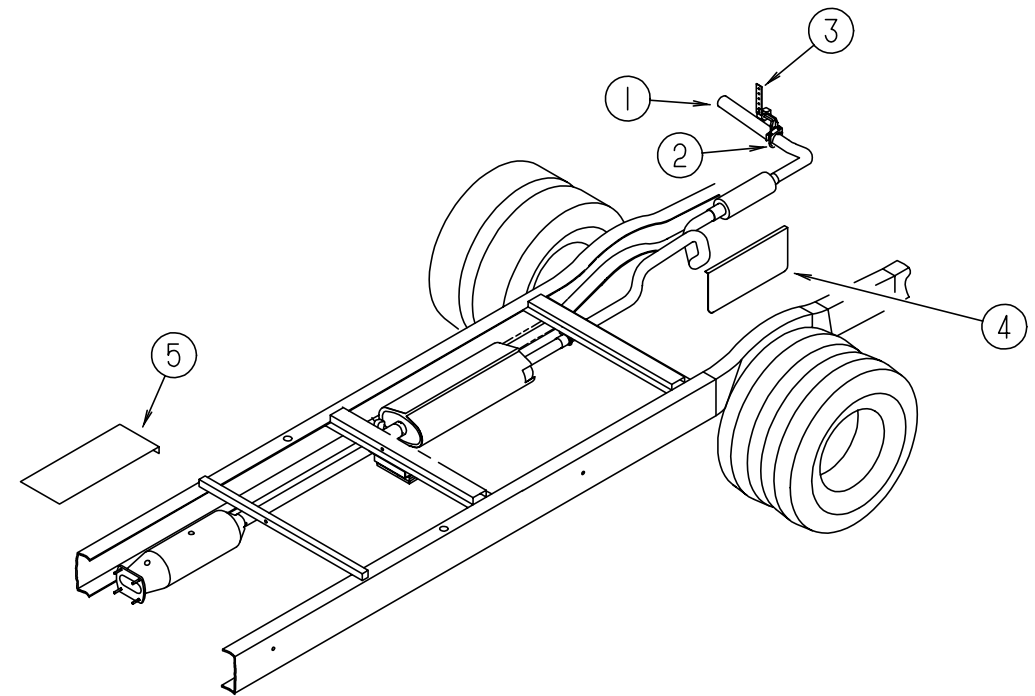
CHASSIS GROUP (CONTINUED)



EXHAUST SYSTEM - FORD - WIE EXPORT - DIESEL

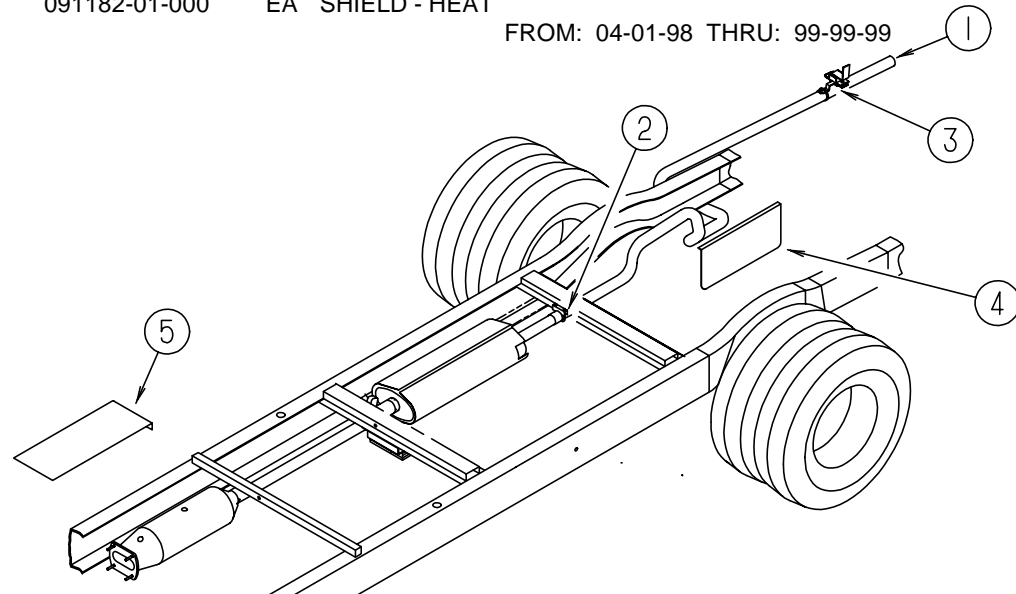
KEY	PART NUMBER	U/M	DESCRIPTION
1	117832-01-000	EA	PIPE - EXHAUST - TAIL
2	094918-02-000	EA	CLAMP - EXHAUST - 3.5"
3	117380-01-02B	EA	HANGER - TAILPIPE - EUROPEAN - E-COATED
	094918-02-000	EA	CLAMP - EXHAUST - 3.5"
	096054-04-000	EA	SUPPORT - EXHAUST PIPE
	095190-01-000	EA	HANGER - EXHAUST - 4" X 1.4"
4	111848-01-02B	EA	SHIELD - HEAT - EXHAUST
5	127971-04-02B	EA	SHIELD - HEAT
			FROM: 00-00-00 THRU: 03-31-98
5	091182-01-000	EA	SHIELD - HEAT
			FROM: 04-01-98 THRU: 99-99-99

CHASSIS GROUP (CONTINUED)



EXHAUST SYSTEM - CHEVY - GAS

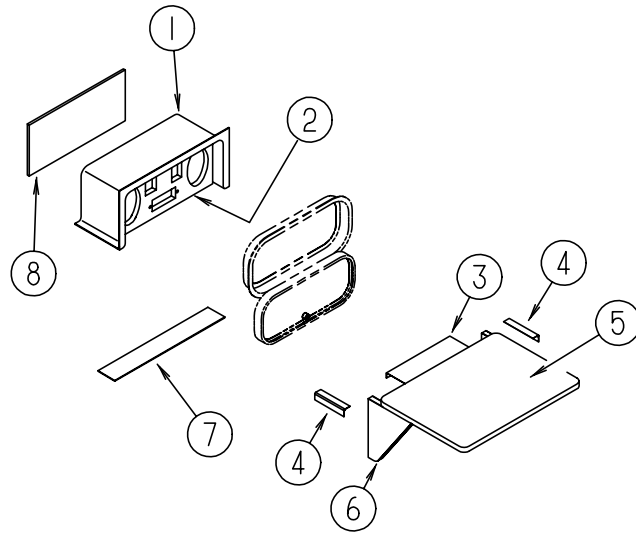
KEY	PART NUMBER	U/M	DESCRIPTION
1	124570-01-000	EA	PIPE - EXHAUST, TAIL
2	007125-07-000	EA	CLAMP - MUFFLER - 2.5" DIAMETER
3	007131-01-000	EA	HANGER - TAILPIPE - 6 SLOTS
	007125-07-000	EA	CLAMP - MUFFLER - 2.5" DIAMETER
4	111848-01-02B	EA	SHIELD - HEAT - EXHAUST
5	127971-04-02B	EA	SHIELD - HEAT
			FROM: 00-00-00 THRU: 03-31-98
	091182-01-000	EA	SHIELD - HEAT
			FROM: 04-01-98 THRU: 99-99-99



EXHAUST SYSTEM - CHEVY - WIE EXPORT - DIESEL

KEY	PART NUMBER	U/M	DESCRIPTION
1	098762-17-000	EA	PIPE - EXHAUST - STRAIGHT 2.5 INSIDE
2	007125-07-000	EA	CLAMP - MUFFLER - 2.5" DIAMETER
3	117380-01-02B	EA	HANGER - TAILPIPE - EUROPEAN - E-COATED
	094918-02-000	EA	CLAMP - EXHAUST - 3.5"
	096054-04-000	EA	SUPPORT - EXHAUST PIPE
	095190-01-000	EA	HANGER - EXHAUST - 4" X 1.4"
4	111848-01-02B	EA	SHIELD - HEAT - EXHAUST
5	127971-04-02B	EA	SHIELD - HEAT
			FROM: 00-00-00 THRU: 03-31-98
	091182-01-000	EA	SHIELD - HEAT
			FROM: 04-01-98 THRU: 99-99-99

CHASSIS GROUP (CONTINUED)



EXTERIOR ENTERTAINMENT CENTER

KEY	PART NUMBER	U/M DESCRIPTION
1	104897-01-02A	EA BOX - EXTERIOR ENTERTAINMENT CENTER
2	104899-01-C05	EA PLATE - RADIO MOUNTING
3	105377-01-04A	EA BRACKET - TABLE HANGER - BRIGHT WHITE
4	105376-01-03A	EA HINGE - CONTINUOUS - 2" X 5.5" - BRIGHT WHITE
5	105230-11-J01	EA SHELF - EXTERIOR ENTERTAINMENT CENTER - W/O HARDWARE
6	105230-12-J01	EA SUPPORT - EXTERIOR SHELF
7	104898-01-02A	EA PLATE - PLASTIC BOTTOM - BRIGHT WHITE
8	105230-01-J01	EA SHELF - EXTERIOR TV

REAR AIR BAGS

KEY	PART NUMBER	U/M DESCRIPTION
	106067-03-000	EA AIRSPRING - 4" DIAMETER TWIN - FORD
	106067-04-000	EA AIRSPRING - 4" DIAMETER TWIN - CHEVY
	106067-03-700	EA AIR BAG REPL. KIT (2 BAGS) - FORD
	106067-04-700	EA AIR BAG REPL. KIT (2 BAGS) - CHEVY
	109236-01-000	EA PLATE - VALVE - AIR SPRING

ELECTRIC STEP - EXPORT OPTION

KEY	PART NUMBER	U/M DESCRIPTION
*	094708-01-01A	EA STEP - ENTRY DOOR - ELECTRIC - SINGLE - W/O DOOR SWITCH
	116995-01-000	EA SWITCH/MAGNET - ELECTRIC STEP

* COMPONENT PARTS FOUND IN SERVICE PARTS LIBRARY

CHASSIS GROUP (CONTINUED)

WHEEL COVERS

KEY	PART NUMBER	U/M DESCRIPTION	VENDOR NO.
	109443-05-000	EA WHEEL COVER - 4/SET - 16" STAINLESS STEEL	
	098532-01-700	EA COVER-LUG NUT (CHROME)	SHAU-LNC
	109443-05-700	EA COVER-WHEEL, 16" SS EA=1	SHFM16-CVR
	077030-02-000	EA EXTENSION - VALVE STEM - 1.25"	

WHEEL LINERS - FORD - FROM: 00-00-00 THRU: 10-08-97

KEY	PART NUMBER	U/M DESCRIPTION	VENDOR NO.
	110435-02-000	EA LINER/WHEEL - SET OF 4	
	110435-01-711	EA DECAL-CENTER CAP, 2"	
	110435-02-700	EA LINER-WHEEL,FRONT	V160F2-FWC
	110435-02-701	EA LINER-WHEEL,REAR	V160F2-RWC
	110435-02-702	EA STUD EXTENDER	V160SD-STX
	110435-02-703	EA NUT (JAMB)	V160SD-JNT
	110435-02-704	EA COVER-LUG NUT	V160F0-LNC
	110435-02-705	EA TOOL F/ JAMB NUT, INSTALL.	V160FO-TOL

WHEEL LINERS - FORD - FROM: 10-09-97 THRU: 99-99-99

KEY	PART NUMBER	U/M DESCRIPTION	VENDOR NO.
	110435-13-000	EA LINER - WHEEL - SET OF 4	
	110435-10-705	EA TOOL - INSTALLATION	V195P7-TOL
	110435-13-700	EA WHEEL COVER - FRONT	V160F7-FWC
	110435-13-701	EA WHEEL COVER - REAR	V160F7-RWC
	110435-13-702	EA JAM NUT/ENCLOSED - 9/16"	V160F7-EJN
	095012-05-000	EA EXTENSION - VALVE STEM - LIVE 5"	
	095012-06-000	EA STABILIZER - VALVE - EXTENSION - L	
	051377-04-000	EA VALVE STEM - .5" X 2"	

WHEEL - FORD

KEY	PART NUMBER	U/M DESCRIPTION
	083617-03-000	EA WHEEL-STEEL, 16.0 X 6 - ACCURIDE 28618 - FORD

WHEEL LINERS - CHEVY

KEY	PART NUMBER	U/M DESCRIPTION	VENDOR NO.
	091209-05-000	EA LINER - WHEEL - SET OF 4 - 16" - STAINLESS STEEL	
	091209-03-702	EA COVER-AXLE, FRONT, 8 LUG	64UE
	091209-03-703	EA COVER-AXLE, REAR, 8 LUG	65UE
	091209-03-704	EA RING-SNAP	
	091209-05-700	EA LINER-WHEEL, FRONT	57-88 KAPER
	091209-05-701	EA LINER-WHEEL, REAR	58-88
	077030-02-000	EA EXTENSION - VALVE STEM - 1.25"	
	051377-03-000	EA VALVE STEM - CHEVY	

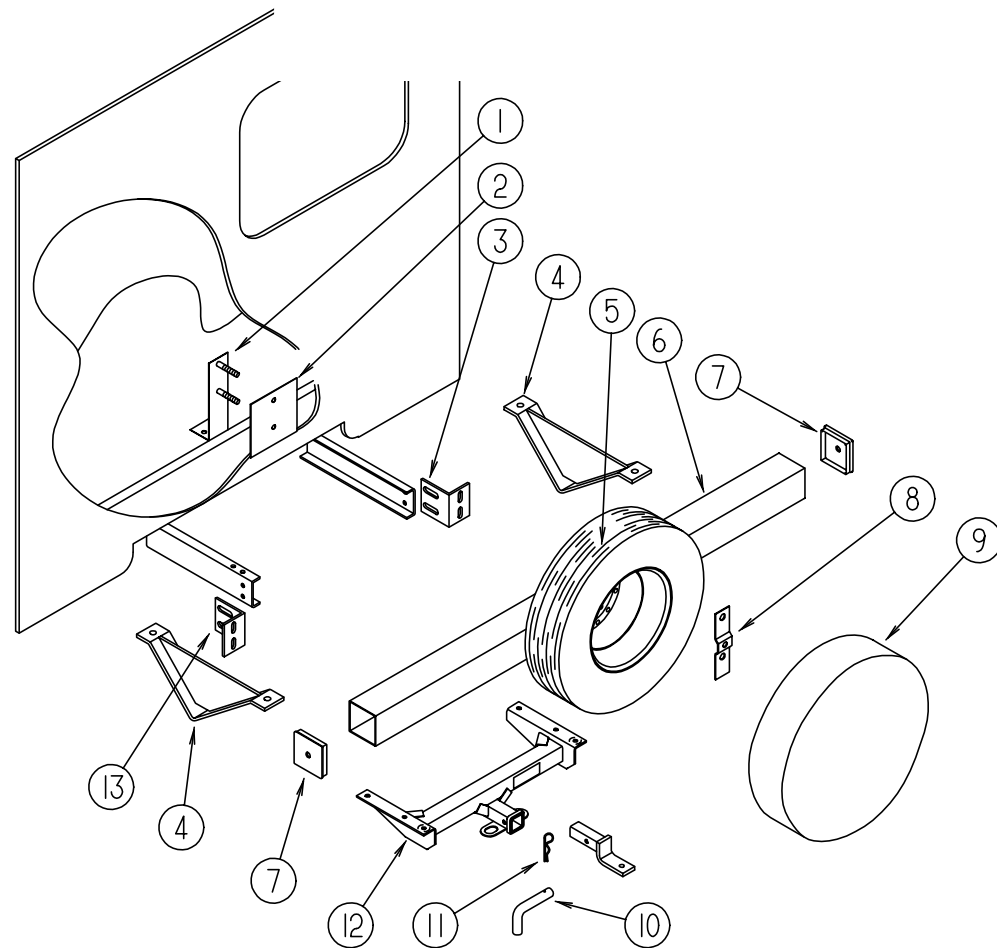
WHEEL - CHEVY

KEY	PART NUMBER	U/M DESCRIPTION
	089359-03-000	EA WHEEL - STEEL - 16" X 6" L - 8 HOLE - PRIMED

LUG WRENCH

KEY	PART NUMBER	U/M DESCRIPTION
	080208-02-000	EA BAR - LEVERAGE - LUG WRENCH
	080208-06-000	EA LUG WRENCH - 1" X 1.06" W/DEEP SOCKET ENDS
	112358-01-000	EA WRENCH - LUG - 7/8" - L-SHAPE

CHASSIS GROUP (CONTINUED)

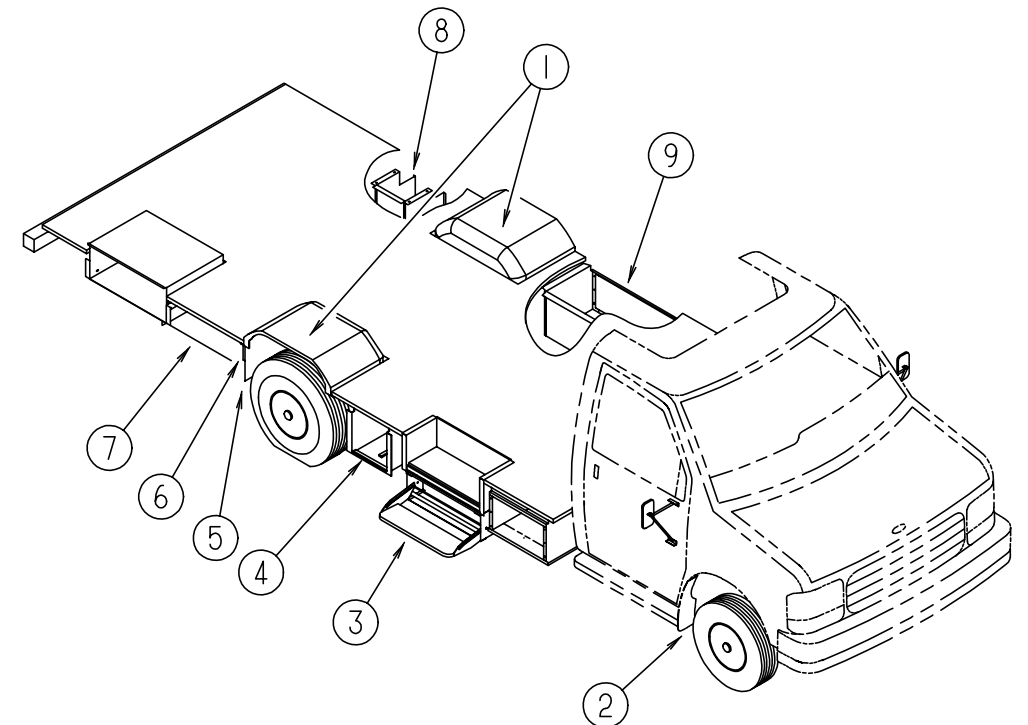


REAR BUMPER, HITCH & SPARE TIRE CARRIER

KEY	PART NUMBER	U/M	DESCRIPTION
1	105209-06-C52	EA	BRACKET - SPARE TIRE - FORD
1	105209-04-C52	EA	BRACKET - SPARE TIRE - CHEVY
1	105209-09-H10	EA	BRACKET - SPARE TIRE - EXPORT
2	105208-01-000	EA	PLATE - SPARE TIRE
3	104420-01-000	EA	SUPPORT/ANGLE - REAR BUMPER
4	083376-01-000	EA	PLATE/SKID - 13.2" X 6" X 2" STEEL
5	070917-05-000	EA	TIRE - LT225/75R16D - R4S M/S - FORD
5	106715-01-000	EA	TIRE - LT 225/75 R16 - LRD 550 AS - GM
6	103422-02-02A	EA	BUMPER - SQUARE - ALUMINUM
6	103099-02-04A	EA	BUMPER-REAR, BRT WHT - JAPAN EXPORT
6	103099-08-02A	EA	BUMPER - REAR - BRIGHT WHITE - W.I.E. EXPORT
7	039779-01-000	EA	CAP - BUMPER - RUBBER - 4" X 4" - BLACK
7	106147-01-02A	EA	END CAP - BUMPER - BLACK - EXPORT
8	105208-01-000	EA	PLATE - SPARE TIRE
9	073322-09-J01	EA	COVER - TIRE - 30"
9	079799-02-000	EA	COVER - TIRE - JAPAN EXPORT
9	M02047-01-F15	EA	PANEL - DOOR - TIRE COVER - JAPAN EXPORT
	064082-02-000	EA	NUT - RETAINING - WHEEL COVER
	077408-02-000	EA	LOCK - KEY TYPE
10	034512-01-000	EA	PIN - LOCKING - DRAWBAR
11	034513-01-000	EA	PIN - HITCH - 3/16" WIRE
12	107707-08-000	EA	HITCH RECEIVER - BOLT-ON CLASS II
13	104420-02-000	EA	SUPPORT/ANGLE - REAR BUMPER
	097744-02-000	EA	HOUSING - TRAILER PIN - 48"
	097745-02-000	EA	HOUSING - RECEPTACLE - TRAILER - 48' WIRE LENGTH
	113589-01-000	EA	CONNECTOR - PLUG - TRAILER
	113589-02-000	EA	CONNECTOR - SOCKET - TRAILER
	113588-02-01B	EA	BRACKET - CONNECTOR - TRAILER W/O LIP
	113634-01-000	EA	WIRE ASSEMBLY - TRAILER ADAPTER

FROM: 00-00-00 THRU: 08-20-97

CHASSIS GROUP (CONTINUED)



MISCELLANEOUS CHASSIS COMPONENTS

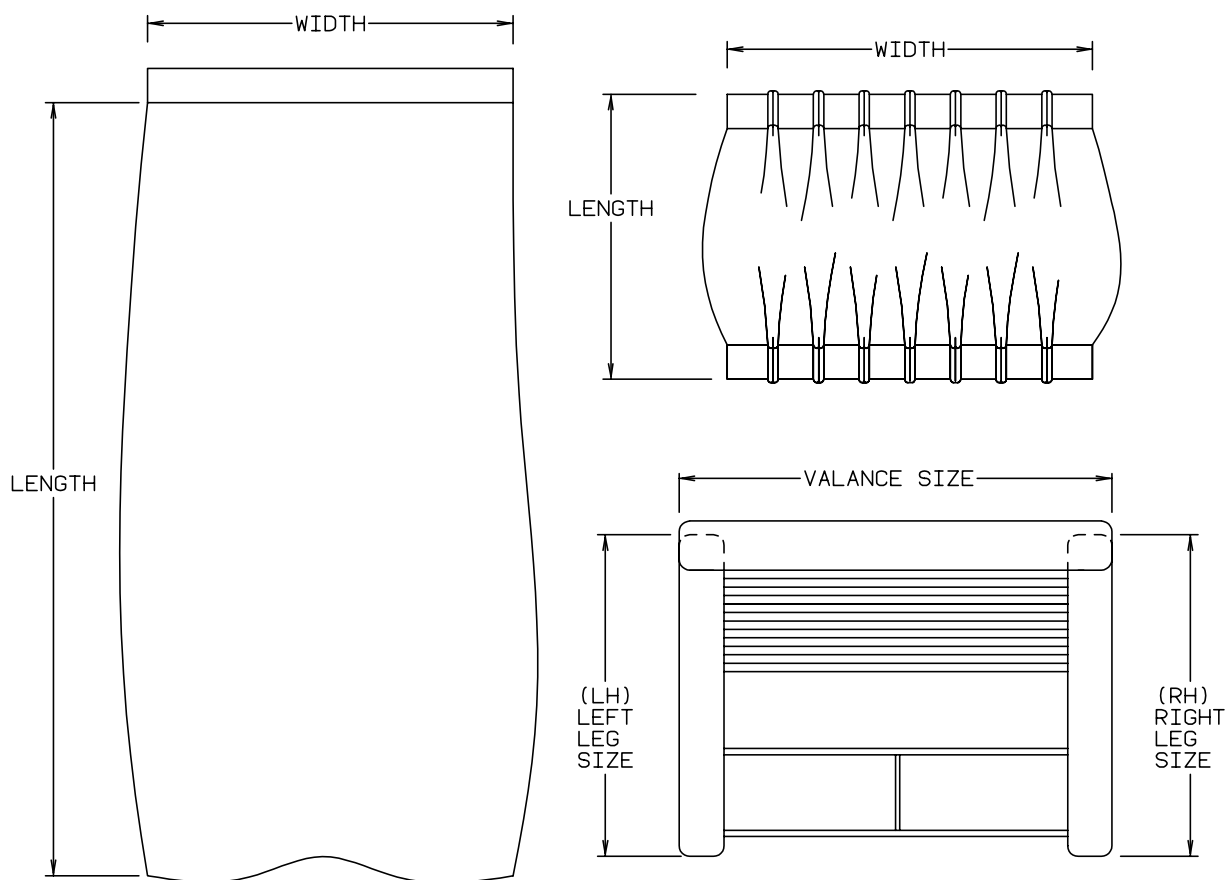
KEY	PART NUMBER	U/M	DESCRIPTION
1	096322-01-000	EA	WHEELWELL - REAR - DRIVER/PASSENGER - PLASTIC
2	072884-27-703	EA	MUD FLAP W/HOLES, 1EA=PAIR 99171 - FORD
2	072884-28-701	EA	FRONT FLAP - PAIR 99153 - CHEVY
3	077848-02-000	EA	STEP - PULLOUT
	P00796-03-000	EA	LINER - STEP - W/ANTI-SLIP TAPE - W.I.E. EXPORT
			FROM: 00-00-00 THRU: 02-12-98
	P29778-02-01A	EA	LINER - STEP - W/ANTI-SLIP TAPE - W.I.E. EXPORT
			FROM: 02-13-98 THRU: 99-99-99
	102569-04-000	EA	MAT - ANTI SLIP
	076241-14-000	EA	SUPPORT - STEP
	091176-01-000	EA	SUPPORT - BASE - ENTRANCE STEP
4	105203-04-000	EA	COMPARTMENT - BATTERY
	084993-02-000	EA	STRAP - BATTERY - 55" LONG
	084993-01-000	EA	STRAP - BATTERY - 43.2" LONG
	065450-05-000	EA	TIEDOWN - BATTERY - 8.4" TUBE
5	017516-01-000	EA	MUD FLAP - 14" X 18" - BLACK
5	106141-01-000	EA	MUD FLAP - W/HOLES & WINNEBAGO LOGO - BLACK - EXPORT OPTION
6	045731-05-000	EA	GUARD - ROCK
7	101868-08-000	EA	COMPARTMENT - POWER CORD
	101667-03-000	EA	PROP - ROD
8	085967-01-000	EA	COMPARTMENT-SEWER HOSE 6" X 6.6" X 17.8" - PLASTIC
	101667-03-000	EA	PROP - ROD
9	114070-02-02B	EA	SUPPORT - GENERATOR - LEFT
9	114071-02-02B	EA	SUPPORT - GENERATOR - RIGHT
	061420-01-000	EA	PLUG/PLASTIC - 1.75" DIAMETER - BROWN
	061420-05-000	EA	PLUG/PLASTIC - 1.8" DIAMETER
	061420-10-000	EA	PLUG/PLASTIC - 1.50" DIAMETER - BLACK

CURTAIN & CUSHION GROUP

NOTICE

IN ORDER TO ASSIST OUR PARTS SALES DEPT. IN PROVIDING INTERIOR SOFTWARE ITEMS, PLEASE INCLUDE THE SERIAL NUMBER AND THE COLOR CODE NUMBER FROM THE VEHICLE CERTIFICATION LABEL WHEN ORDERING. THIS LABEL IS LOCATED ON THE LEFT SIDEWALL AT THE END OF THE DASH (A-BODY), OR ON THE DRIVER'S DOOR LATCH PLATE (C-BODY).

AN EXAMPLE OF A COLOR CODE NUMBER IS B07, WHICH DESIGNATES AN OVERALL COLOR SCHEME OF A PARTICULAR UNIT. THE COLOR LISTED AFTER THE ITEM DESCRIPTION ON THE MICROFICHE, INDICATES THE OVERALL UNIT COLOR. ORDER THE ITEM YOU DESIRE ACCORDING TO UNIT COLOR CODE.



NOTE: USE THIS ILLUSTRATION WHEN DETERMINING LENGTH AND WIDTH MEASUREMENTS FOR CURTAINS. YOU WILL NOTE THE WIDTH MEASUREMENT IS TAKEN ON THE TOP OF THE CURTAIN WITH THE CURTAIN FULLY EXTENDED. THE LENGTH MEASUREMENT IS TAKEN FROM TOP TO BOTTOM. LEFT AND RIGHT WINDOW LEGS ARE DETERMINED WHEN FACING THE WINDOW.

CURTAIN & CUSHION GROUP (CONTINUED)

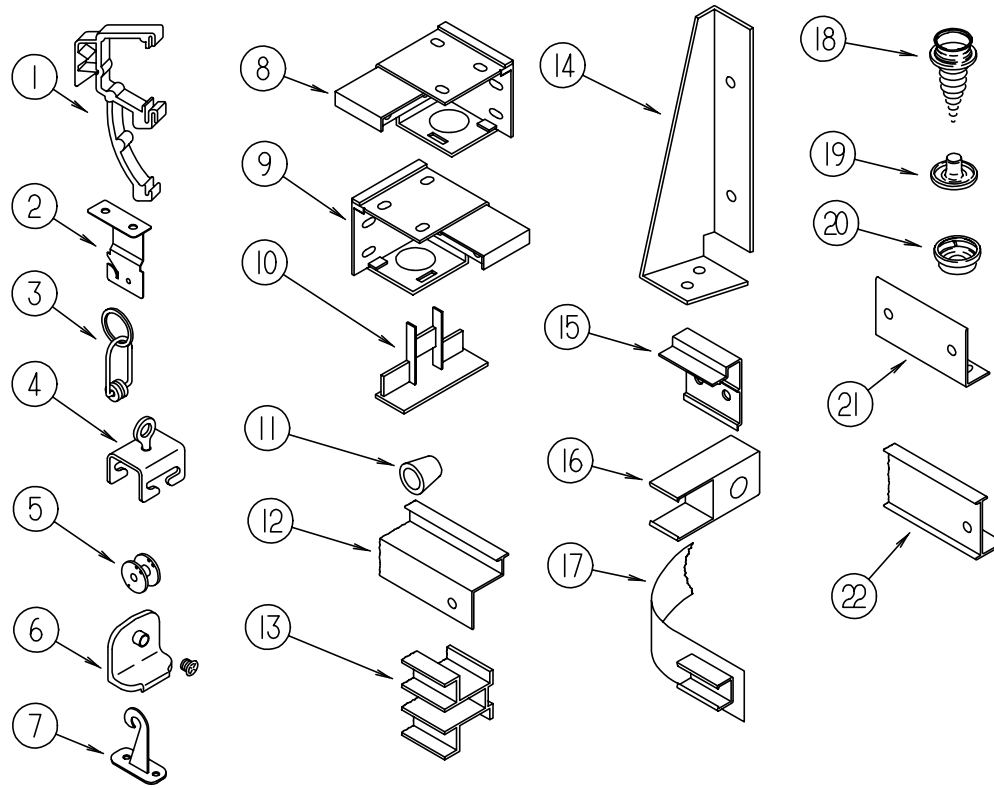
FABRICS

Color Codes	J01	J02	J10	J11
	GEMSTONE	SANDPIPER	CHAMELEON	MERCURY
BUCKET SEATS	108446-G0-000 108446-N3-000	108446-U1-000 108446-57-000	108446-G3-000	108446-77-000
DINETTE CUSHIONS	108446-N4-000	108446-R8-000	108446-M8-000	108446-R9-000
DINETTE PADS	108446-G0-000	108446-U1-000	108446-G3-000	108446-77-000
SOFA	108446-N4-000	108446-R8-000	108446-M8-000	108446-R9-000
SWIVEL CHAIR	108446-N3-000	108446-57-000	108446-G3-000	108446-S0-000
LOUNGE/DINETTE VALANCE/LEG	108446-N3-000	108446-57-000	108446-G3-000	108446-R9-000
LOUNGE OVERLAYS	108446-N4-000	108446-R8-000	108446-G3-000	108446-6S-000
BEDROOM VALANCE/LEG	105745-G1-000	105745-G2-000	105745-61-000	105745-S0-000
BEDROOM OVERLAYS	105745-E7-000	105745-A1-000	105745-E9-000	105745-G6-000
BEDSPREAD	105745-G1-000	105745-G2-000	105745-E9-000	105745-G6-000
PILLOW SHAMS	105745-G1-000 105745-E7-000	105745-G2-000 105745-A1-000	105745-E9-000	105745-G6-000
ENTRANCE DOOR VALANCE	108446-N3-000	108446-57-000	108446-G3-000	108446-R9-000
BUNK CUSHIONS	108446-N3-000	106569-03-02A	108446-G3-000	108446-S0-000
BUNK CURTAINS	105745-G1-000	105745-G2-000	072333-85-000	072333-85-000
FRONT PRIVACY CURTAINS	105745-G1-000	105745-G2-000	105745-E9-000	105745-G6-000
DRAPERY LINING	087272-03-000	087272-03-000	087272-03-000	087272-03-000
TIRE COVER	103907-01-06A	103907-01-06A	103907-01-06A	103907-01-06A
HEADLINER	103907-01-04A	103907-01-04A	103907-01-04A	103907-01-04A

NOTE: FABRIC LISTED FIRST IN A BLOCK, IS THE LARGEST QUANTITY OF FABRIC USED

CURTAIN & CUSHION GROUP (CONTINUED)

CURTAIN & BLIND HARDWARE



KEY	PART NUMBER	U/M	DESCRIPTION
	046867-03-000	EA	GROMMET - HANDY BUTTON #3
	048394-02-000	YD	VELCRO TAPE - HOOK - ADHESIVE BACK - .75" WIDE - BEIGE
	084433-05-000	EA	SHADE - ROLLER - 72.25"
	086276-01-000	EA	TAPE - DOUBLE SIDED - 1/2"
	088792-01-000	YD	VELCRO TAPE - HOOK - 5/8" - NON-ADHESIVE BACKED
	088792-02-000	YD	VELCRO TAPE - LOOP - .75" - ADHESIVE BACKED - BEIGE
	088792-05-000	YD	VELCRO TAPE - LOOP - 5/8" - NON-ADHESIVE BACKED - WHITE
	088792-06-000	YD	VELCRO TAPE - LOOP - .75" - NON-ADHESIVE BACKED - BUFF
	094896-02-000	EA	GROMMET - CORD/PLEATED BLIND - NYLON - GRAY
	094907-04-000	EA	HARDWARE - END CAP BOTTOM - PULL TYPE (RH & LH)
	096843-01-000	EA	SPRING - REWIND/ROLLER SHADE
	097591-01-000	EA	SPRING - EXTENSION/PLEATED BLIND
	097592-02-000	EA	BRACKET - HOLDDOWN ADJUSTER
	097593-02-000	FT	CORD - BLIND/PLEATED - GRAY
	097593-06-000	FT	CORD - BLIND - PLEATED - PEWTER
	109441-03-000	EA	HOLD DOWN - BLIND (CLOUDY)
	056003-01-000	EA	BRACKET - DRAPERY RETAINING - FRONT - METAL
	056003-02-000	EA	BRACKET - DRAPERY RETAINING - REAR - METAL
	075943-10-000	EA	BRACE - VALANCE - 20"
	084434-01-000	EA	BRACKET - MOUNTING - ROLLER SHADE - 1 3/8"
	094907-02-000	EA	END CAP - TOP/PLEATED BLIND - PLASTIC - GRAY
	084434-01-000	EA	BRACKET - MOUNTING - ROLLER SHADE - 1 3/8"
	089275-01-000	FT	STRIP - 3/4" X 96" - CLEAR POLYETHYLENE

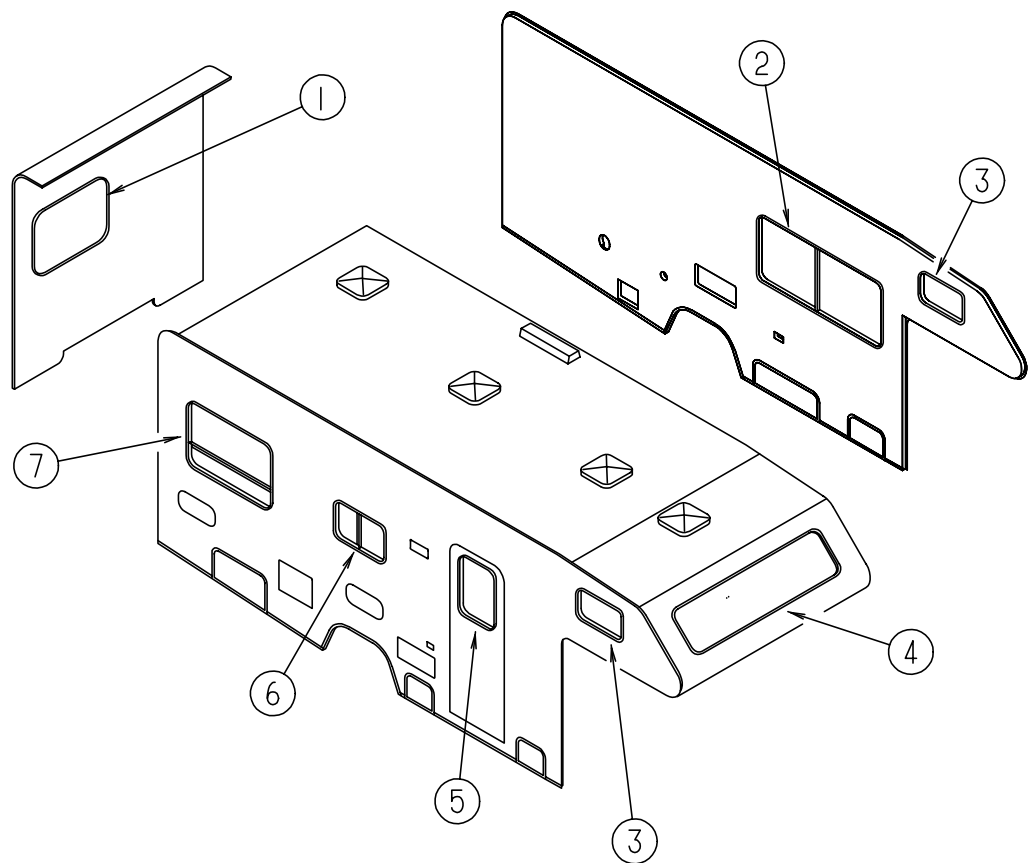
BUTTONS - TRIMS

KEY	PART NUMBER	U/M	DESCRIPTION
1	109353-04-000	EA	CLIP - VALANCE SLAT MOUNTING - CLEAR PLASTIC
2	084434-01-000	EA	BRACKET - MOUNTING - ROLLER SHADE - 1 3/8"
3	009701-01-000	EA	CARRIER - CURTAIN - L ROD
4	009702-01-000	EA	END STOP - CURTAIN CARRIER - L ROD
5	097592-01-000	EA	SPOOL - CORD - ELEVATED BLIND HOLDUP - CLEAR PLASTIC
6	106544-01-000	EA	PULL - SHADE/BRASS
	106544-01-001	EA	SCREW - SHADE/BRASS
7	109441-03-000	EA	HOLD DOWN - BLIND (CLOUDY)
8	083170-01-000	EA	BRACKET - BLIND - LEFT SIDE WHEN FACING WINDOW
9	083170-02-000	EA	BRACKET - BLIND - RIGHT SIDE WHEN FACING WINDOW
10	094907-02-000	EA	END CAP - TOP/PLEATED BLIND - PLASTIC - GRAY
11	097564-01-000	EA	HANDLE - KNOB - E-Z LIFT SHADE - SMOKED
11	097564-03-000	EA	HANDLE - KNOB - E-Z LIFT SHADE - TAN
11	097564-04-000	EA	HANDLE - KNOB - E-Z LIFT SHADE - NAVY
12	105450-03-01A	EA	TRACK - CURTAIN - 50" LONG
12	105450-14-01A	EA	TRACK - CURTAIN - 90"
13	101033-04-000	EA	TRACK - WALL - 3'
13	101033-06-000	EA	TRACK - WALL - 6.5'
13	101033-07-000	EA	TRACK - WALL - 2.5'
14	076827-02-000	EA	BRACKET - LEG - 2.9" X 1.8" - TRIANGLE
15	097565-01-000	EA	BRACKET - MOUNTING/PLEATED BLIND
16	101033-02-000	EA	END CAP - TRACK/CLEAR
17	101031-01-000	YD	TAPE - GLIDE/CURTAIN - 4.25" SPACING
18	029130-01-000	EA	SCREW - SNAP SOCKET - #8 PH X 5/8"
19	029155-01-000	EA	CAP - SNAP - 5/32" OUTSIDE DIAMETER OF PIN
20	029156-01-000	EA	SOCKET - SNAP - 9/16" O.D
21	083125-07-000	EA	BRACE - COUCH - 2.5"
22	009700-04-002	EA	TRACK - L-SHAPED 195.5" - OFF WHITE

KEY	PART NUMBER	U/M	DESCRIPTION
	070578-10-J01	EA	BUTTON - #30 - SCREW STUD (J01)
	070578-10-J02	EA	BUTTON - #30 - SCREW STUD (J02)
	070578-10-H10	EA	BUTTON - #30 - SCREW STUD (J10)
	070578-10-G22	EA	BUTTON - #30 - SCREW STUD (J11)
	079349-04-J10	YD	WELT - NARROW - ACCENT
	079349-04-J11	YD	WELT - NARROW - ACCENT
	084415-87-000	YD	TRIM - BRAID - AMBER (J10)
	084415-95-000	YD	TRIM - BRAID - MERCURY (J11)

CURTAIN & CUSHION GROUP (CONTINUED)

CURTAINS & WINDOW TREATMENT



KEY	PART NUMBER	U/M DESCRIPTION
1	119263-28-J45	EA VALANCE - STARBUCK II - 52" (J01)
1	119263-28-J02	EA VALANCE - STARBUCK II - 52" (J02)
1	119299-01-J10	EA VALANCE - WHITNEY - 53" (J10)
1	119299-01-J11	EA VALANCE - WHITNEY - 53" (J11)
1	084755-92-F15	EA SHADE - PULL - 50.25" (J01, J02)
1	111910-62-J11	EA BLIND - DAY/NIGHTER - 49" X 27" (J01, J02)
1	111910-62-J10	EA BLIND - DAY/NIGHTER - 49" X 27" (J10, J11)
1	112986-14-J01	EA CURTAIN - 27.5" X 6"
1	112986-14-J02	EA CURTAIN - 27.5" X 6"
1	127017-23-J10	EA LEG - RIGHT - 25"
1	127017-23-J11	EA LEG - RIGHT - 25"
1	127017-24-J10	EA LEG - LEFT - 25"
1	127017-24-J11	EA LEG - LEFT - 25"

KEY	PART NUMBER	U/M DESCRIPTION
2	119263-25-J45	EA VALANCE - STARBUCK II - 64.5" (J01)
2	119263-25-J02	EA VALANCE - STARBUCK II - 64.5" (J02)
2	113637-28-J10	EA VALANCE - ROSEANNE 64" (J10)
2	113637-28-J11	EA VALANCE - ROSEANNE 64" (J11)
2	127522-01-J01	EA SHADE - PULL - 61" (J01, J02)
2	111910-57-J20	EA BLIND - DAY/NIGHTER - 61" X 29.5" (J01, J02)
2	111910-57-J30	EA BLIND - DAY/NIGHTER - 61" X 28.5" (J10, J11)
2	127017-11-J01	EA LEG - RIGHT - 25"
2	127017-11-J02	EA LEG - RIGHT - 25"
2	127017-13-J10	EA LEG - RIGHT - 25"
2	127017-13-J11	EA LEG - RIGHT - 25"
2	127017-12-J01	EA LEG - LEFT - 25"
2	127017-12-J02	EA LEG - LEFT - 25"
2	127017-14-J10	EA LEG - LEFT - 25"
2	127017-14-J11	EA LEG - LEFT - 25"
3	101034-51-J01	EA CURTAIN - RIGHT HAND - 19" X 34" (J01)
3	101034-51-J02	EA CURTAIN - RIGHT HAND - 19" X 34" (J02)
3	101034-51-H10	EA CURTAIN - RIGHT HAND - 19" X 34" (J10)
3	101034-51-J11	EA CURTAIN - RIGHT HAND - 19" X 34" (J11)
3	101034-52-J01	EA CURTAIN - LEFT HAND - 19" X 34" (J01)
3	101034-52-J02	EA CURTAIN - LEFT HAND - 19" X 34" (J02)
3	101034-52-H10	EA CURTAIN - LEFT HAND - 19" X 34" (J10)
3	101034-52-J11	EA CURTAIN - LEFT HAND - 19" X 34" (J11)
4	101034-33-J01	EA CURTAIN - RIGHT HAND - 21" X 60" (J01)
4	101034-33-J02	EA CURTAIN - RIGHT HAND - 21" X 60" (J02)
4	101034-33-H10	EA CURTAIN - RIGHT HAND - 21" X 60" (J10)
4	101034-33-J11	EA CURTAIN - RIGHT HAND - 21" X 60" (J11)
4	101034-34-J01	EA CURTAIN - LEFT HAND - 21" X 60" (J01)
4	101034-34-J02	EA CURTAIN - LEFT HAND - 21" X 60" (J02)
4	101034-34-H10	EA CURTAIN - LEFT HAND - 21" X 60" (J10)
4	101034-34-J11	EA CURTAIN - LEFT HAND - 21" X 60" (J11)
5	119263-31-J01	EA VALANCE - STARBUCK II - 29" (J01)
5	119263-31-J02	EA VALANCE - STARBUCK II - 29" (J02)
5	113637-26-H10	EA VALANCE - ROSEANNE 29" (J10)
5	113637-26-J11	EA VALANCE - ROSEANNE 29" (J11)
5	084755-57-E07	EA SHADE - PULL - 27.25" (J01, J02)
6	109041-44-02A	EA BLIND - MINI - 30.5" X 18" (J01, J02)
6	109041-44-01A	EA BLIND - MINI - 30.5" X 18" (J10, J11)
	109353-04-000	EA CLIP - VALANCE SLAT MOUNTING - CLEAR PLASTIC
7	119263-28-J45	EA VALANCE - STARBUCK II - 52" (J01)
7	119263-28-J02	EA VALANCE - STARBUCK II - 52" (J02)
7	119299-01-J10	EA VALANCE - WHITNEY - 53" (J10)
7	119299-01-J11	EA VALANCE - WHITNEY - 53" (J11)
7	084755-92-F15	EA SHADE - PULL - 50.25" (J01, J02)
7	111910-62-J11	EA BLIND - DAY/NIGHTER - 49" X 27" (J01, J02)
7	111910-62-J10	EA BLIND - DAY/NIGHTER - 49" X 27" (J10, J11)
7	112986-14-J01	EA CURTAIN - 27.5" X 6"
7	112986-14-J02	EA CURTAIN - 27.5" X 6"
7	127017-23-J10	EA LEG - RIGHT - 25"
7	127017-23-J11	EA LEG - RIGHT - 25"
7	127017-24-J10	EA LEG - LEFT - 25"
7	127017-24-J11	EA LEG - LEFT - 25"

CURTAIN & CUSHION GROUP (CONTINUED)

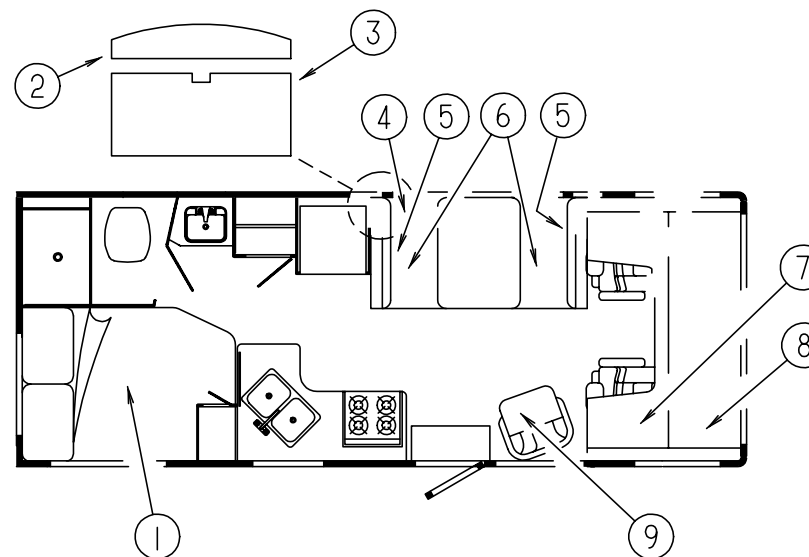
PRIVACY CURTAINS

KEY	PART NUMBER	U/M DESCRIPTION
	076892-23-J01	EA CURTAIN - 44" X 80" (J01, J02)
	076892-23-G07	EA CURTAIN - 44" X 80" (J10, J11)
	101668-39-J01	EA CURTAIN - RIGHT HAND - 35" X 50" (J01)
	101668-39-G01	EA CURTAIN - RIGHT HAND - 35" X 50" (J02)
	101668-39-D06	EA CURTAIN - RIGHT HAND - 35" X 50" (J10, J11)
	101668-40-J01	EA CURTAIN - LEFT HAND - 35" X 50" (J01)
	101668-40-G01	EA CURTAIN - LEFT HAND - 35" X 50" (J02)
	101668-40-D06	EA CURTAIN - LEFT HAND - 35" X 50" (J10, J11)
	101668-53-J01	EA CURTAIN - 70" X 60" - TAPE TOP (J01)
	101668-53-J02	EA CURTAIN - 70" X 60" - TAPE TOP (J02)
	101668-53-H10	EA CURTAIN - 70" X 60" - TAPE TOP (J10)
	101668-53-J11	EA CURTAIN - 70" X 60" - TAPE TOP (J11)
	093487-10-01A	EA CURTAIN - PLEATED 31" X 100" BUNK PRIVACY (J10, J11)

CURTAIN TIEBACKS

KEY	PART NUMBER	U/M DESCRIPTION
	073260-23-J01	EA TIEBACK - CURTAIN - 3" X 18" (J01)
	073260-23-J02	EA TIEBACK - CURTAIN - 3" X 18" (J02)
	073260-23-D06	EA TIEBACK - CURTAIN - 3" X 18" (J10, J11)
	073260-63-J01	EA TIEBACK - 4" X 15" (J01)
	073260-63-J02	EA TIEBACK - 4" X 15" (J02)
	073260-63-H10	EA TIEBACK - 4" X 15" (J10)
	073260-63-J11	EA TIEBACK - 4" X 15" (J11)
	057534-01-000	EA TIEBACK/TIEDOWN - 6" -CLEAR PLASTIC

CURTAIN & CUSHION GROUP (CONTINUED)



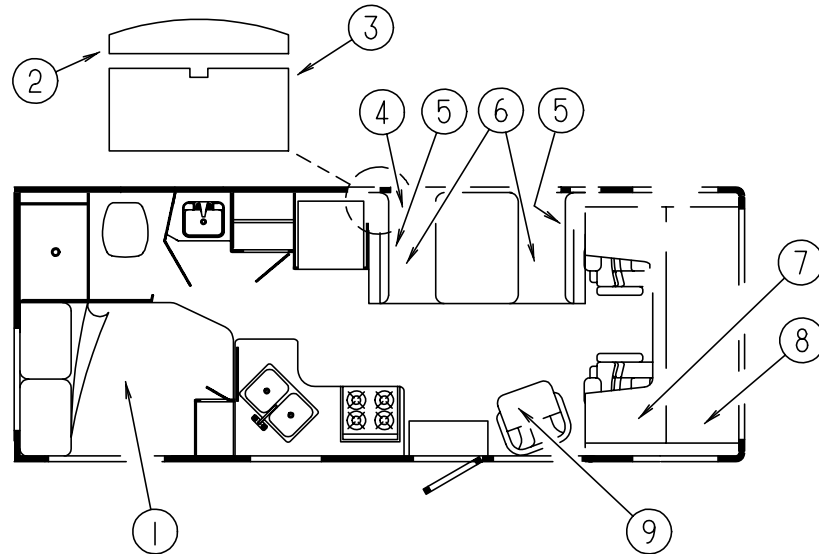
DOUBLE BEDSPREAD, PILLOW & MATTRESS

KEY	PART NUMBER	U/M DESCRIPTION
1	123471-22-J01	EA BEDSPREAD/THROW - 54" X 75" (J01)
1	123471-22-J02	EA BEDSPREAD/THROW - 54" X 75" (J02)
1	123471-03-H10	EA BEDSPREAD/THROW - 54" X 75" (J10)
1	123471-03-J11	EA BEDSPREAD/THROW - 54" X 75" (J11)
1	104176-02-J01	EA PILLOW SHAM (J01)
1	104176-02-J02	EA PILLOW SHAM (J02)
1	119555-02-H10	EA PILLOW SHAM - 20" X 30" (J10)
1	119555-02-J11	EA PILLOW SHAM - 20" X 30" (J11)
	101123-16-000	EA MATTRESS - FOAM - W/CUT CORNER - 54" X 74" X 5"
	P01123-16-000	EA COVER - MATTRESS - 54" X 74" X 5" - W/CUT CORNER

DECORATOR PILLOWS

KEY	PART NUMBER	U/M DESCRIPTION
	103669-09-H10	EA PILLOW - 15" X 15" (J10)
	103669-09-J11	EA PILLOW - 15" X 15" (J11)

CURTAIN & CUSHION GROUP (CONTINUED)



DINETTE CUSHIONS - WIE EXPORT

KEY	PART NUMBER	U/M	DESCRIPTION
2	120968-03-J10	EA	CUSHION - BACK/TOP
2	120968-03-J11	EA	CUSHION - BACK/TOP
	P20968-03-J10	EA	COVER - BACK/TOP
	P20968-03-J11	EA	COVER - BACK/TOP
3	120968-01-J10	EA	CUSHION - BACK - 23" X 41" X 5"
3	120968-01-J11	EA	CUSHION - BACK - 23" X 41" X 5"
	P20968-01-J10	EA	COVER - BACK - 23" X 41" X 5"
	P20968-01-J11	EA	COVER - BACK - 23" X 41" X 5"
4	120968-02-J10	EA	CUSHION - SEAT - 23" X 41" X 5"
4	120968-02-J11	EA	CUSHION - SEAT - 23" X 41" X 5"
	P20968-02-J10	EA	COVER - SEAT - 23" X 41" X 5"
	P20968-02-J11	EA	COVER - SEAT - 23" X 41" X 5"
5	120968-05-J10	EA	CUSHION - SEAT - 23" X 41" X 5"
5	120968-05-J11	EA	CUSHION - SEAT - 23" X 41" X 5"
	P20968-05-J10	EA	COVER - SEAT - 23" X 41" X 5"
	P20968-05-J11	EA	COVER - SEAT - 23" X 41" X 5"
6	120968-04-J10	EA	CUSHION - BACK - 13" X 41" X 5"
6	120968-04-J11	EA	CUSHION - BACK - 13" X 41" X 5"
	P20968-04-J10	EA	COVER - BACK - 13" X 41" X 5"
	P20968-04-J11	EA	COVER - BACK - 13" X 41" X 5"

CURTAIN & CUSHION GROUP (CONTINUED)

DINETTE CUSHIONS

KEY	PART NUMBER	U/M	DESCRIPTION
5	111897-17-J01	EA	CUSHION - BACK - 13.5" X 38" X 5"
5	111897-17-J02	EA	CUSHION - BACK - 13.5" X 38" X 5"
5	111897-17-J10	EA	CUSHION - BACK - 13.5" X 38" X 5"
5	111897-17-J11	EA	CUSHION - BACK - 13.5" X 38" X 5"
	P11897-17-J01	EA	COVER - BACK - 13.5" X 38" X 5"
	P11897-17-J02	EA	COVER - BACK - 13.5" X 38" X 5"
	P11897-17-J10	EA	COVER - BACK - 13.5" X 38" X 5"
	P11897-17-J11	EA	COVER - BACK - 13.5" X 38" X 5"
6	088927-87-J01	EA	CUSHION - SEAT - 23" X 38" X 5" (J01)
6	088927-87-J02	EA	CUSHION - SEAT - 23" X 38" X 5" (J02)
6	088927-87-H10	EA	CUSHION - SEAT - 23" X 38" X 5" (J10)
6	088927-87-J11	EA	CUSHION - SEAT - 23" X 38" X 5" (J11)
	M88927-87-J01	EA	COVER - SEAT - 23" X 38" X 5" (J01)
	M88927-87-J02	EA	COVER - SEAT - 23" X 38" X 5" (J02)
	M88927-87-H10	EA	COVER - SEAT - 23" X 38" X 5" (J10)
	M88927-87-J11	EA	COVER - SEAT - 23" X 38" X 5" (J11)

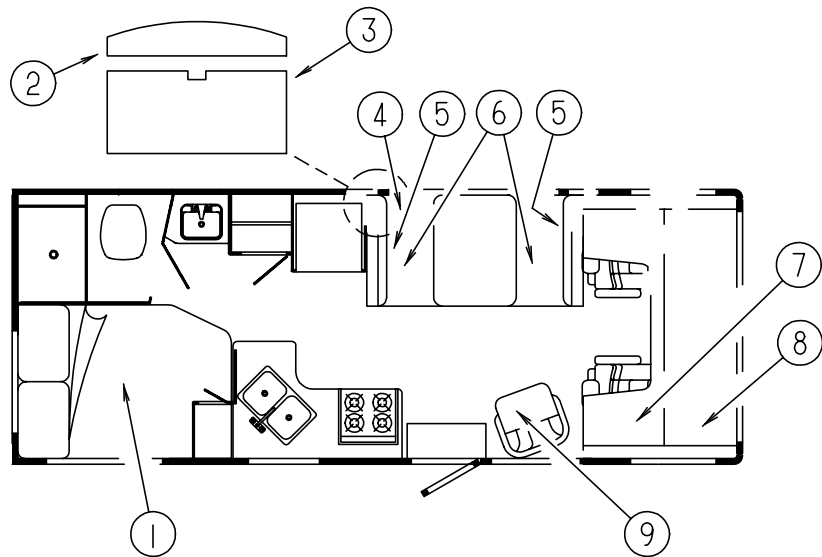
BUNK CUSHIONS

KEY	PART NUMBER	U/M	DESCRIPTION
7	105573-10-J01	EA	CUSHION - OVERHEAD BUNK/REAR - 27" X 23" X 5"
7	105573-10-J02	EA	CUSHION - OVERHEAD BUNK/REAR - 27" X 23" X 5"
7	105573-10-J10	EA	CUSHION - OVERHEAD BUNK/REAR - 27" X 23" X 80" X 5"
7	105573-10-J11	EA	CUSHION - OVERHEAD BUNK/REAR - 27" X 23" X 80" X 5"
	P05573-10-J01	EA	COVER - CUSHION/OVERHEAD BUNK/REAR - 27" X 23" X 80" X 5"
	P05573-10-J02	EA	COVER - CUSHION/OVERHEAD BUNK/REAR - 27" X 23" X 80" X 5"
	P05573-10-J10	EA	COVER - CUSHION/OVERHEAD BUNK/REAR - 27" X 23" X 80" X 5"
	P05573-10-J11	EA	COVER - CUSHION/OVERHEAD BUNK/REAR - 27" X 23" X 80" X 5"
8	105573-09-H30	EA	CUSHION - OVERHEAD BUNK/FRONT - 32.5" X 80" X 5" (J01)
8	105573-09-E22	EA	CUSHION - OVERHEAD BUNK/FRONT - 32.5" X 80" X 5" (J02)
8	105573-09-H10	EA	CUSHION - OVERHEAD BUNK/FRONT - 32.5" X 80" X 5" (J10)
8	105573-09-J11	EA	CUSHION - OVERHEAD BUNK/FRONT - 32.5" X 80" X 5" (J11)
	P05573-09-H30	EA	COVER - CUSHION/OVERHEAD BUNK/FRONT - 32.5" X 80" X 5" (J01)
	P05573-09-E22	EA	COVER - CUSHION/OVERHEAD BUNK/FRONT - 32.5" X 80" X 5" (J02)
	P05573-09-H10	EA	COVER - CUSHION/OVERHEAD BUNK/FRONT - 32.5" X 80" X 5" (J10)
	P05573-09-J11	EA	COVER - CUSHION/OVERHEAD BUNK/FRONT - 32.5" X 80" X 5" (J11)

BUNK CUSHIONS-OVERHEAD ENTERTAINMENT CENTER

KEY	PART NUMBER	U/M	DESCRIPTION
	079145-08-000	EA	CUSHION - BUNK - 25" X 74" X 3.5"
	M79145-08-000	EA	COVER - CUSHION/BUNK - 25" X 74" X 3.5"

CURTAIN & CUSHION GROUP (CONTINUED)



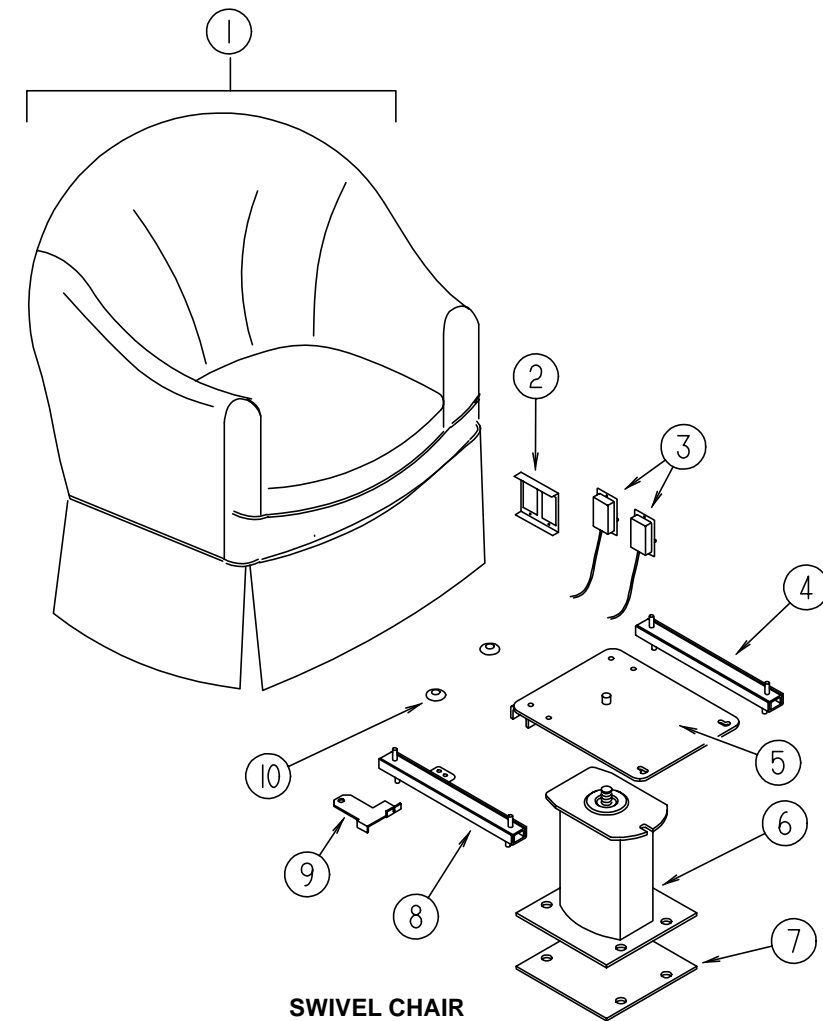
SWIVEL CHAIR

KEY	PART NUMBER	U/M DESCRIPTION
9	115470-01-H30	EA CHAIR - SWIVEL (J01)
9	115470-01-F01	EA CHAIR - SWIVEL (J02)
9	115470-01-H10	EA CHAIR - SWIVEL (J10)
9	115470-01-J11	EA CHAIR - SWIVEL (J11)

ASSIST HANDLE & SEAT BELTS

KEY	PART NUMBER	U/M DESCRIPTION
	007021-01-000	EA SEAT BELT - 2" X 90" - BLACK
	057759-01-000	EA WASHER BRACKET - SEAT BELT - 4" DIAMETER
	069178-02-000	EA BRACKET - MOUNTING/ASSIST HANDLE - GRAY
	000C16-07-16B	EA BOLT - CARRIAGE - ASSIST HANDLE - 7/16" - 14 X 1"
	000D20-07-00B	EA NUT - ACORN - ASSIST HANDLE - 7/16 - 14
	053552-01-J05	EA HANDLE - ASSIST - INTERIOR
	057534-06-000	EA TIEBACK/TIEDOWN - VINYL - 6" BEIGE
	057534-01-000	EA TIEBACK/TIEDOWN - 6" CLEAR PLASTIC

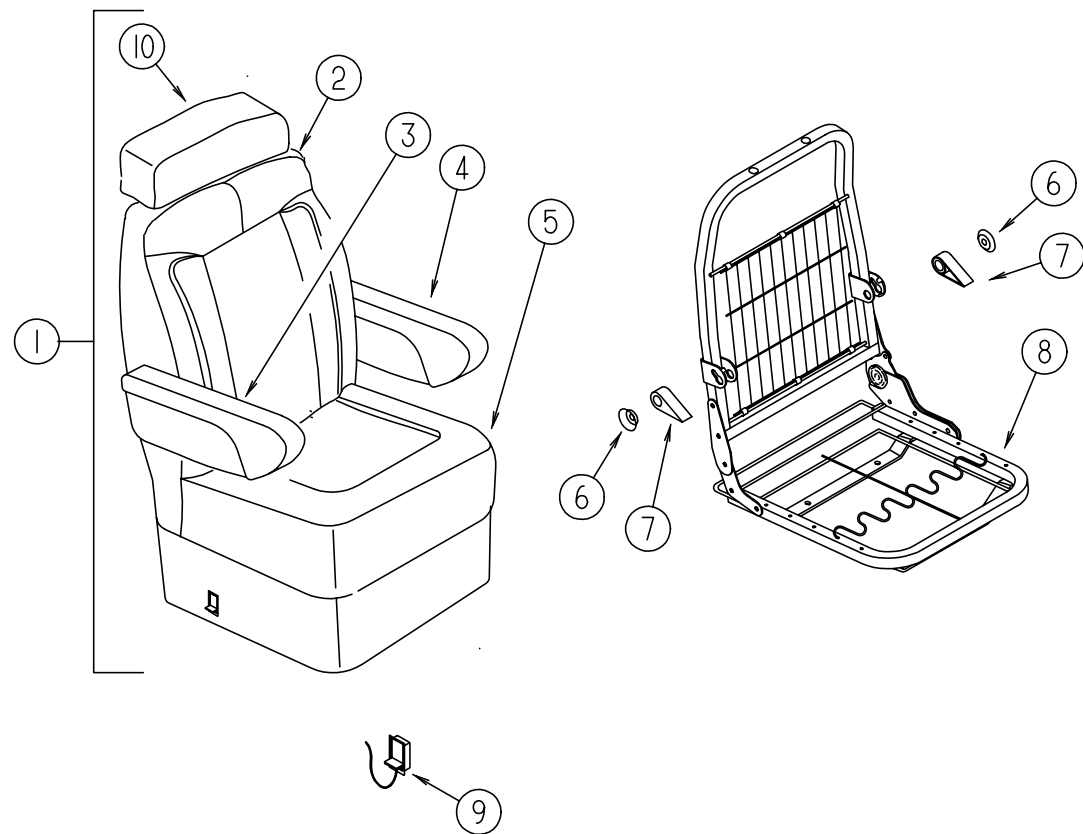
CURTAIN & CUSHION GROUP (CONTINUED)



SWIVEL CHAIR

KEY	PART NUMBER	U/M DESCRIPTION
1	115470-01-H30	EA CHAIR - SWIVEL (J01)
1	115470-01-F01	EA CHAIR - SWIVEL (J02)
1	115470-01-H10	EA CHAIR - SWIVEL (J10)
1	115470-01-J11	EA CHAIR - SWIVEL (J11)
	P15470-01-H30	EA COVER - CHAIR (J01)
	P15470-01-F01	EA COVER - CHAIR (J02)
	P15470-01-H10	EA COVER - CHAIR (J10)
	P15470-01-J11	EA COVER - CHAIR (J11)
	P07977-01-J36	EA COVER - SKIRT (J01)
	P07977-01-F01	EA COVER - SKIRT (J02)
	P07977-01-H10	EA COVER - SKIRT (J10)
	P07977-01-J11	EA COVER - SKIRT (J11)
2	097683-02-000	EA BRACKET - REMOTE/SIDE MOUNT - DOUBLE
3	108049-03-000	EA CABLE - W/SWITCHES - 25.5" SHEATH/28.5" CABLE W/DOG LEG
	108049-02-000	EA CLIP - CABLE/PEDESTAL
4	119952-01-000	EA SLIDE - SEAT - NONLOCKING HD
5	107921-08-000	EA TOP PLATE - PEDESTAL- WO SEAT BELT BAR
	107921-06-000	EA BEARING KIT - PEDESTAL
6	107921-01-000	EA PEDESTAL/FLOOR MOUNTED - W/9.75" EXTENSION
7	108445-02-000	EA PLATE/FLOOR MOUNTED - PEDESTAL SEAT
8	119952-03-000	EA SLIDE - SEAT/ HEAVY DUTY/LOCKING W/2 STUDS
9	117125-01-02B	EA BRACKET - CABLE MOUNT - ADJUSTER W/LOCK
10	007221-01-000	EA SPACER - SEAT ADJUSTER

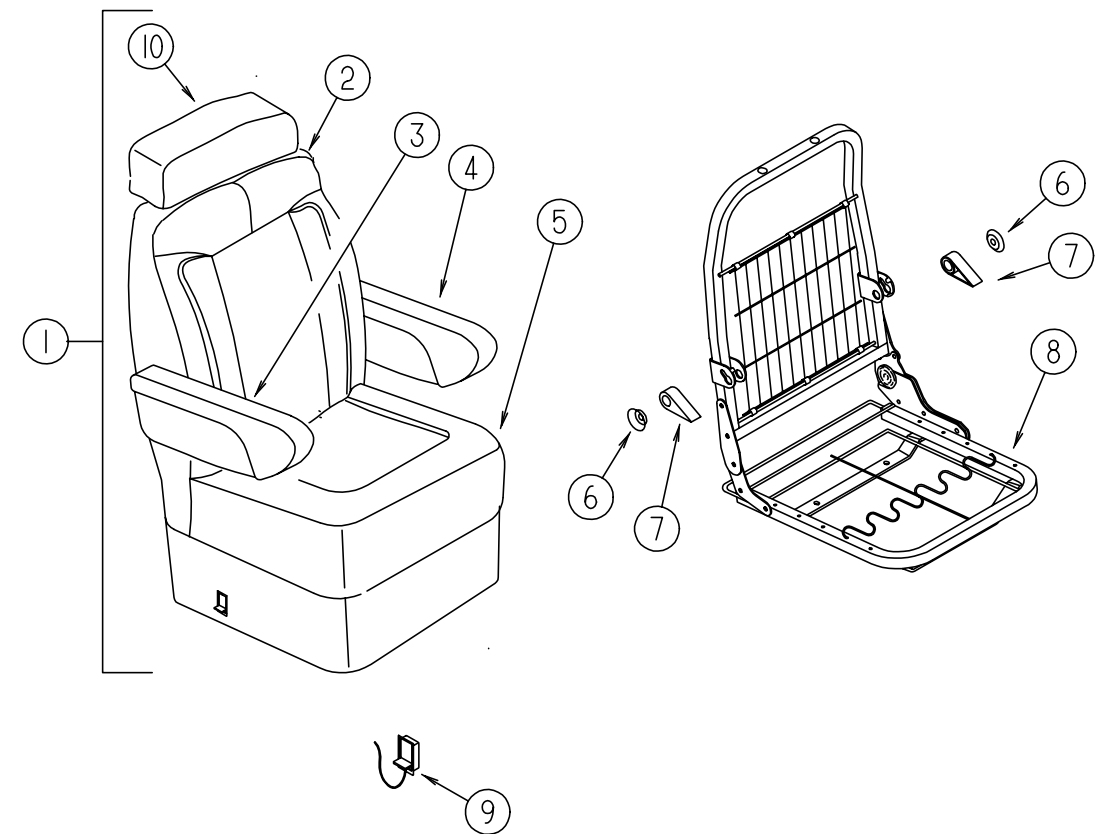
CURTAIN & CUSHION GROUP (CONTINUED)



BUCKET SEAT - FORD - FROM: 00-00-00 THRU: 02-28-98

KEY	PART NUMBER	U/M	DESCRIPTION
1	110148-10-J01	EA	SEAT - BUCKET - W/RIGHT ARMREST/HEADREST - DRIVER
1	110148-10-J02	EA	SEAT - BUCKET - W/RIGHT ARMREST/HEADREST - DRIVER
1	110148-11-J01	EA	SEAT - BUCKET - W/LEFT ARMREST/HEADREST - PASSENGER
1	110148-11-J02	EA	SEAT - BUCKET - W/LEFT ARMREST/HEADREST - PASSENGER
2	M05962-55-J01	EA	COVER - BACK
2	M05962-55-J02	EA	COVER - BACK
3	122780-01-J01	EA	ARMREST - RIGHT HAND
3	122780-01-J02	EA	ARMREST - RIGHT HAND
	P22780-01-J01	EA	COVER - ARMREST - RIGHT HAND
	P22780-01-J02	EA	COVER - ARMREST - RIGHT HAND
	115617-03-000	EA	ARMREST - W/O COVER - RIGHT HAND
4	122780-02-J26	EA	ARMREST - LEFT HAND (J01)
4	122780-02-J02	EA	ARMREST - LEFT HAND (J02)
	P22780-02-J26	EA	COVER - ARMREST - LEFT HAND (J01)
	P22780-02-J02	EA	COVER - ARMREST - LEFT HAND (J02)
	115617-04-000	EA	ARMREST - W/O COVER - LEFT HAND
5	M05962-56-J01	EA	COVER - SEAT
5	M05962-56-J02	EA	COVER - SEAT
6	125229-05-000	EA	PAL NUT
7	125229-03-000	EA	LEVER - RECLINING
8	125229-02-000	EA	FRAME - SEAT - PASSENGER - W/LEFT ARMREST BRACKET
8	125229-01-000	EA	FRAME - SEAT - DRIVER - W/RIGHT ARMREST BRACKET
9	117125-01-02B	EA	BRACKET - CABLE MOUNT - ADJUSTER W/LOCK
10	119509-01-J26	EA	HEADREST - BUCKET SEAT (J01)
10	119509-01-J02	EA	HEADREST - BUCKET SEAT (J02)
	P19509-01-J26	EA	COVER - HEADREST (J01)
	P19509-01-J02	EA	COVER - HEADREST (J02)
	113977-12-000	EA	HEADREST INSERT - W/O LOCK
	113977-13-000	EA	HEADREST INSERT - W/LOCK
	007221-01-000	EA	SPACER - SEAT/ADJUSTER

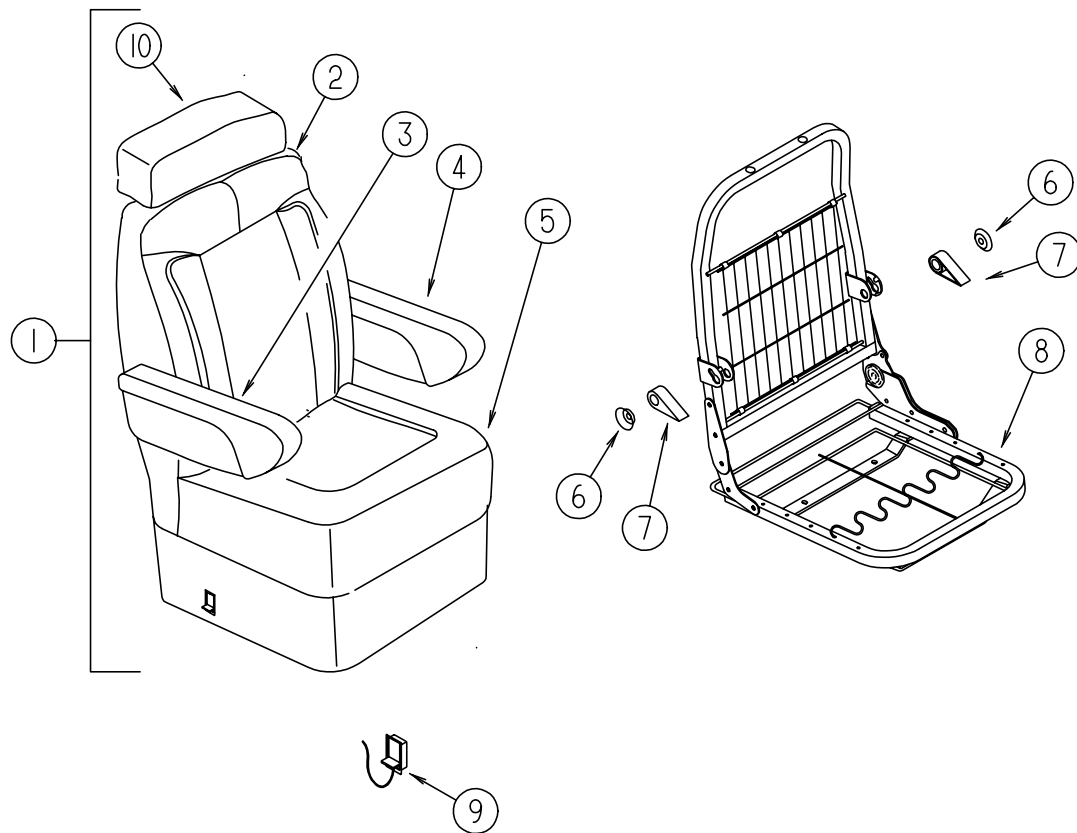
CURTAIN & CUSHION GROUP (CONTINUED)



BUCKET SEAT - FORD - FROM: 03-01-98 THRU: 99-99-99

KEY	PART NUMBER	U/M	DESCRIPTION
1	110148-16-J01	EA	SEAT - BUCKET - W/RIGHT ARMREST/HEADREST - DRIVER
1	110148-16-J02	EA	SEAT - BUCKET - W/RIGHT ARMREST/HEADREST - DRIVER
1	110148-17-J01	EA	SEAT - BUCKET - W/LEFT ARMREST/HEADREST - PASSENGER
1	110148-17-J02	EA	SEAT - BUCKET - W/LEFT ARMREST/HEADREST - PASSENGER
2	M05962-55-J01	EA	COVER - BACK
2	M05962-55-J02	EA	COVER - BACK
3	122780-01-J01	EA	ARMREST - RIGHT HAND
3	122780-01-J02	EA	ARMREST - RIGHT HAND
	P22780-01-J01	EA	COVER - ARMREST - RIGHT HAND
	P22780-01-J02	EA	COVER - ARMREST - RIGHT HAND
	115617-03-000	EA	ARMREST - W/O COVER - RIGHT HAND
4	122780-02-J26	EA	ARMREST - LEFT HAND (J01)
4	122780-02-J02	EA	ARMREST - LEFT HAND (J02)
	P22780-02-J26	EA	COVER - ARMREST - LEFT HAND (J01)
	P22780-02-J02	EA	COVER - ARMREST - LEFT HAND (J02)
	115617-04-000	EA	ARMREST - W/O COVER - LEFT HAND
5	M05962-56-J01	EA	COVER - SEAT
5	M05962-56-J02	EA	COVER - SEAT
6	125229-05-000	EA	PAL NUT
7	125229-03-000	EA	LEVER - RECLINING
8	125229-07-001	EA	FRAME - SEAT - PASSENGER W/RIGHT ARMREST BRACKET
8	125229-07-000	EA	FRAME - SEAT - PASSENGER - W/LEFT ARMREST BRACKET
8	125229-06-001	EA	FRAME - SEAT - DRIVER W/RIGHT ARMREST BRACKET
8	125229-06-000	EA	FRAME - SEAT - DRIVER - W/RIGHT ARMREST BRACKET
9	117125-01-02B	EA	BRACKET - CABLE MOUNT - ADJUSTER W/LOCK
10	119509-01-J26	EA	HEADREST - BUCKET SEAT (J01)
10	119509-01-J02	EA	HEADREST - BUCKET SEAT (J02)
	P19509-01-J26	EA	COVER - HEADREST (J01)
	P19509-01-J02	EA	COVER - HEADREST (J02)
	113977-12-000	EA	HEADREST INSERT - W/O LOCK
	113977-13-000	EA	HEADREST INSERT - W/LOCK
	007221-01-000	EA	SPACER - SEAT/ADJUSTER

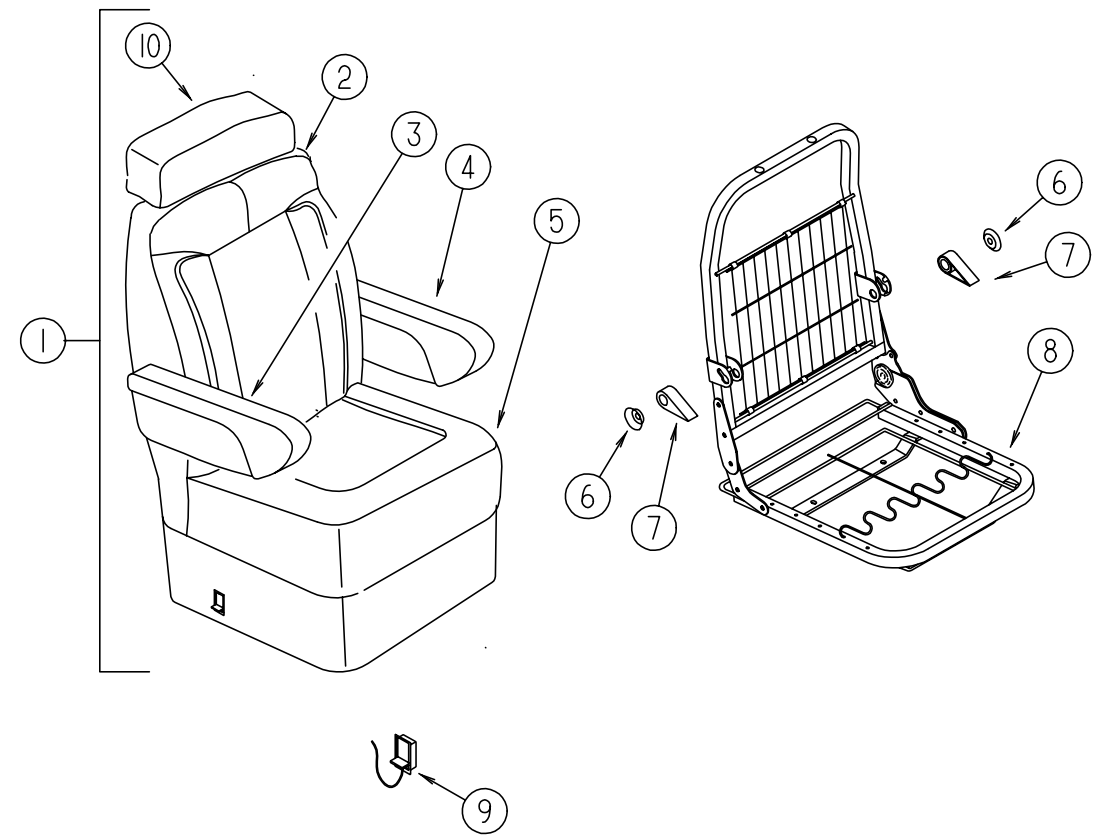
CURTAIN & CUSHION GROUP (CONTINUED)



BUCKET SEAT - FORD - EXPORT

KEY	PART NUMBER	U/M DESCRIPTION
1	127581-01-J10	EA SEAT - BUCKET - W/RIGHT ARMREST/HEADREST - DRIVER
1	127581-01-J11	EA SEAT - BUCKET - W/RIGHT ARMREST/HEADREST - DRIVER
1	127581-02-J10	EA SEAT - BUCKET - W/LEFT ARMREST/HEADREST - PASSENGER
1	127581-02-J11	EA SEAT - BUCKET - W/LEFT ARMREST/HEADREST - PASSENGER
2	M05962-72-J10	EA COVER - BACK
2	M05962-72-J11	EA COVER - BACK
3	122780-01-H10	EA ARMREST - RIGHT HAND (J10)
3	122780-01-J11	EA ARMREST - RIGHT HAND (J11)
	P22780-01-H10	EA COVER - ARMREST - RIGHT HAND (J10)
	P22780-01-J11	EA COVER - ARMREST - RIGHT HAND (J11)
	115617-03-000	EA ARMREST - W/O COVER - RIGHT HAND
4	122780-02-H10	EA ARMREST - LEFT HAND (J10)
4	122780-02-J11	EA ARMREST - LEFT HAND (J11)
	P22780-02-H10	EA COVER - ARMREST - LEFT HAND (J10)
	P22780-02-J11	EA COVER - ARMREST - LEFT HAND (J11)
	115617-04-000	EA ARMREST - W/O COVER - LEFT HAND
5	M05962-60-J10	EA COVER - SEAT
5	M05962-60-J11	EA COVER - SEAT
6	125229-05-000	EA PAL NUT
7	125229-03-000	EA LEVER - RECLINING
8	125229-02-000	EA FRAME - SEAT - PASSENGER - W/LEFT ARMREST BRACKET
8	125229-01-000	EA FRAME - SEAT - DRIVER - W/RIGHT ARMREST BRACKET
9	117125-01-02B	EA BRACKET - CABLE MOUNT - ADJUSTER W/LOCK
10	119509-01-H10	EA HEADREST - BUCKET SEAT (J10)
10	119509-01-J11	EA HEADREST - BUCKET SEAT (J11)
	P19509-01-H10	EA COVER - HEADREST (J10)
	P19509-01-J11	EA COVER - HEADREST (J11)
	113977-12-000	EA HEADREST INSERT - W/O LOCK
	113977-13-000	EA HEADREST INSERT - W/LOCK
	007221-01-000	EA SPACER - SEAT/ADJUSTER

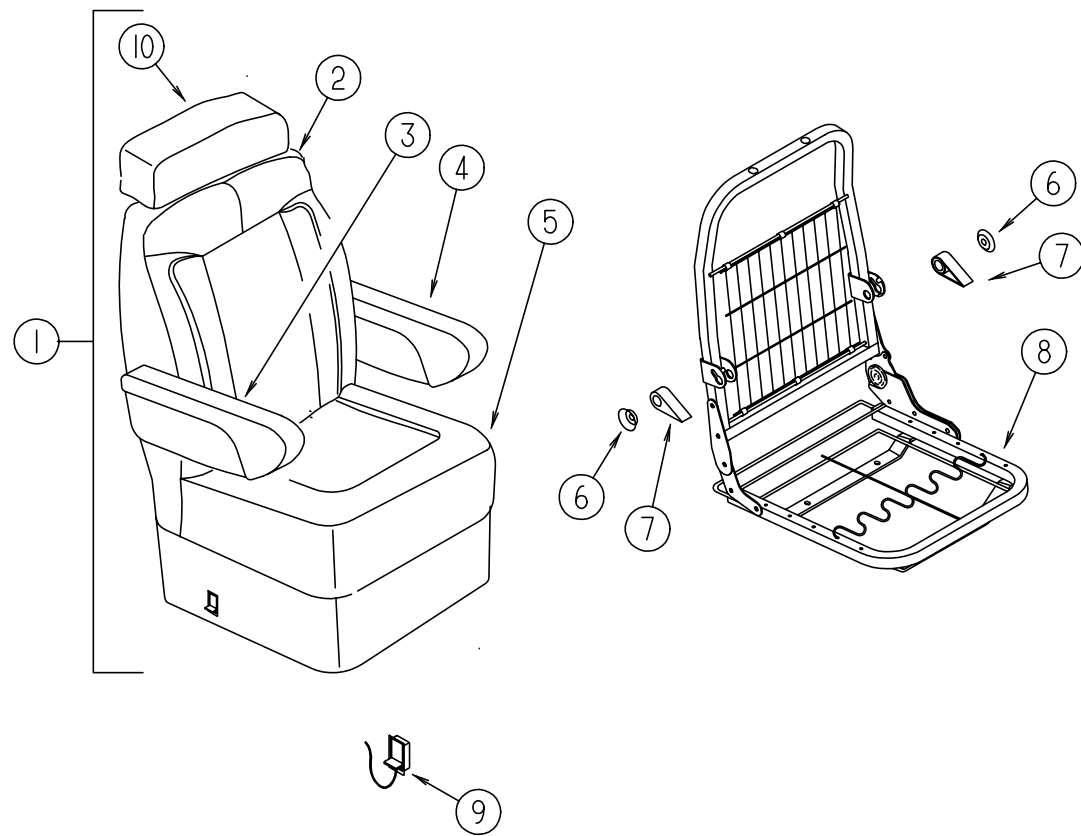
CURTAIN & CUSHION GROUP (CONTINUED)



BUCKET SEAT - CHEVY- FROM: 00-00-00 THRU: 02-28-98

KEY	PART NUMBER	U/M DESCRIPTION
1	110148-14-J01	EA SEAT - BUCKET - W/RIGHT ARMREST/HEADREST - DRIVER
1	110148-14-J02	EA SEAT - BUCKET - W/RIGHT ARMREST/HEADREST - DRIVER
1	110148-15-J01	EA SEAT - BUCKET - W/LEFT ARMREST/HEADREST - PASSENGER
1	110148-15-J02	EA SEAT - BUCKET - W/LEFT ARMREST/HEADREST - PASSENGER
2	M05962-55-J01	EA COVER - BACK
2	M05962-55-J02	EA COVER - BACK
3	122780-01-J01	EA ARMREST - RIGHT HAND
3	122780-01-J02	EA ARMREST - RIGHT HAND
	P22780-01-J01	EA COVER - ARMREST - RIGHT HAND
	P22780-01-J02	EA COVER - ARMREST - RIGHT HAND
	115617-03-000	EA ARMREST - W/O COVER - RIGHT HAND
4	122780-02-J26	EA ARMREST - LEFT HAND (J01)
4	122780-02-J02	EA ARMREST - LEFT HAND (J02)
	P22780-02-J26	EA COVER - ARMREST - LEFT HAND (J01)
	P22780-02-J02	EA COVER - ARMREST - LEFT HAND (J02)
	115617-04-000	EA ARMREST - W/O COVER - LEFT HAND
5	M05962-69-J01	EA COVER - SEAT
5	M05962-69-J02	EA COVER - SEAT
6	125229-05-000	EA PAL NUT
7	125229-03-000	EA LEVER - RECLINING
8	125229-01-000	EA FRAME - SEAT - DRIVER - W/RIGHT ARMREST BRACKET
8	125229-02-000	EA FRAME - SEAT - PASSENGER - W/LEFT ARMREST BRACKET
9	117125-01-02B	EA BRACKET - CABLE MOUNT - ADJUSTER W/LOCK
10	119509-01-J26	EA HEADREST - BUCKET SEAT (J01)
10	119509-01-J02	EA HEADREST - BUCKET SEAT (J02)
	P19509-01-J26	EA COVER - HEADREST (J01)
	P19509-01-J02	EA COVER - HEADREST (J02)
	113977-12-000	EA HEADREST INSERT - W/O LOCK
	113977-13-000	EA HEADREST INSERT - W/LOCK
	007221-01-000	EA SPACER - SEAT/ADJUSTER

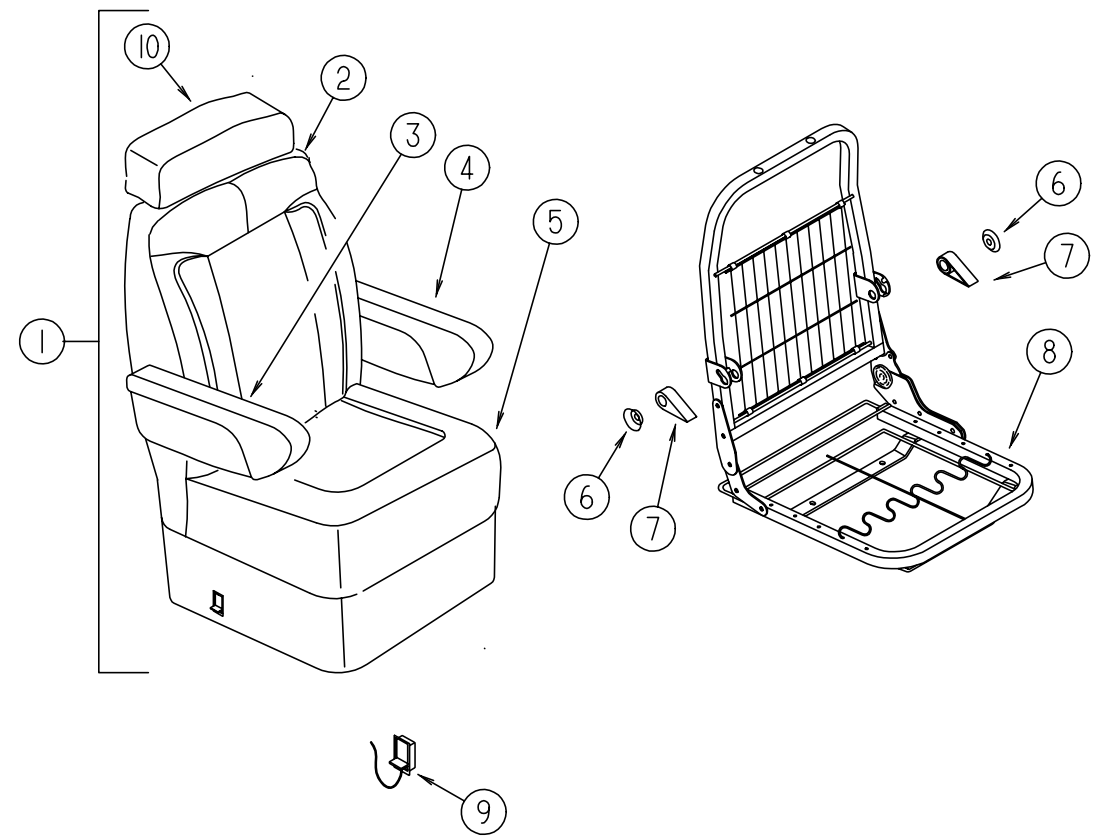
CURTAIN & CUSHION GROUP (CONTINUED)



BUCKET SEAT - CHEVY - FROM: 03-01-98 THRU: 99-99-99

KEY	PART NUMBER	U/M	DESCRIPTION
1	110148-16-J01	EA	SEAT - BUCKET - W/HEADREST/RIGHT ARMREST - DRIVER
1	110148-16-J02	EA	SEAT - BUCKET - W/HEADREST/RIGHT ARMREST - DRIVER
1	110148-17-J01	EA	SEAT - BUCKET - W/HEADREST/LEFT ARMREST - PASSENGER
1	110148-17-J02	EA	SEAT - BUCKET - W/HEADREST/LEFT ARMREST - PASSENGER
2	M05962-55-J01	EA	COVER - BACK
2	M05962-55-J02	EA	COVER - BACK
3	122780-01-J26	EA	ARMREST - RIGHT HAND (J01)
3	122780-01-J02	EA	ARMREST - RIGHT HAND (J02)
	P22780-01-J26	EA	COVER - ARMREST - RIGHT HAND (J01)
	P22780-01-J02	EA	COVER - ARMREST - RIGHT HAND (J02)
	115617-03-000	EA	ARMREST - W/O COVER - RIGHT HAND
4	122780-02-J26	EA	ARMREST - LEFT HAND (J01)
4	122780-02-J02	EA	ARMREST - LEFT HAND (J02)
	P22780-02-J26	EA	COVER - ARMREST - LEFT HAND (J01)
	P22780-02-J02	EA	COVER - ARMREST - LEFT HAND (J02)
	115617-04-000	EA	ARMREST - W/O COVER - LEFT HAND
5	M05962-56-J01	EA	COVER - SEAT
5	M05962-56-J02	EA	COVER - SEAT
6	125229-05-000	EA	PAL NUT
7	125229-03-000	EA	LEVER - RECLINING
8	125229-07-001	EA	FRAME - SEAT - PASSENGER - W/LEFT ARMREST BRACKET
8	125229-07-000	EA	FRAME - SEAT - PASSENGER - W/LEFT ARMREST BRACKET
8	125229-06-001	EA	FRAME - SEAT - DRIVER - W/RIGHT ARMREST BRACKET
8	125229-06-000	EA	FRAME - SEAT - DRIVER - W/RIGHT ARMREST BRACKET
9	117125-01-02B	EA	BRACKET - CABLE MOUNT - ADJUSTER W/LOCK
10	119509-01-J26	EA	HEADREST - BUCKET SEAT (J01)
10	119509-01-J02	EA	HEADREST - BUCKET SEAT (J02)
	P19509-01-J26	EA	COVER - HEADREST (J01)
	P19509-01-J02	EA	COVER - HEADREST (J02)
	113977-12-000	EA	HEADREST INSERT - W/O LOCK
	113977-13-000	EA	HEADREST INSERT - W/LOCK
	007221-01-000	EA	SPACER - SEAT/ADJUSTER

CURTAIN & CUSHION GROUP (CONTINUED)

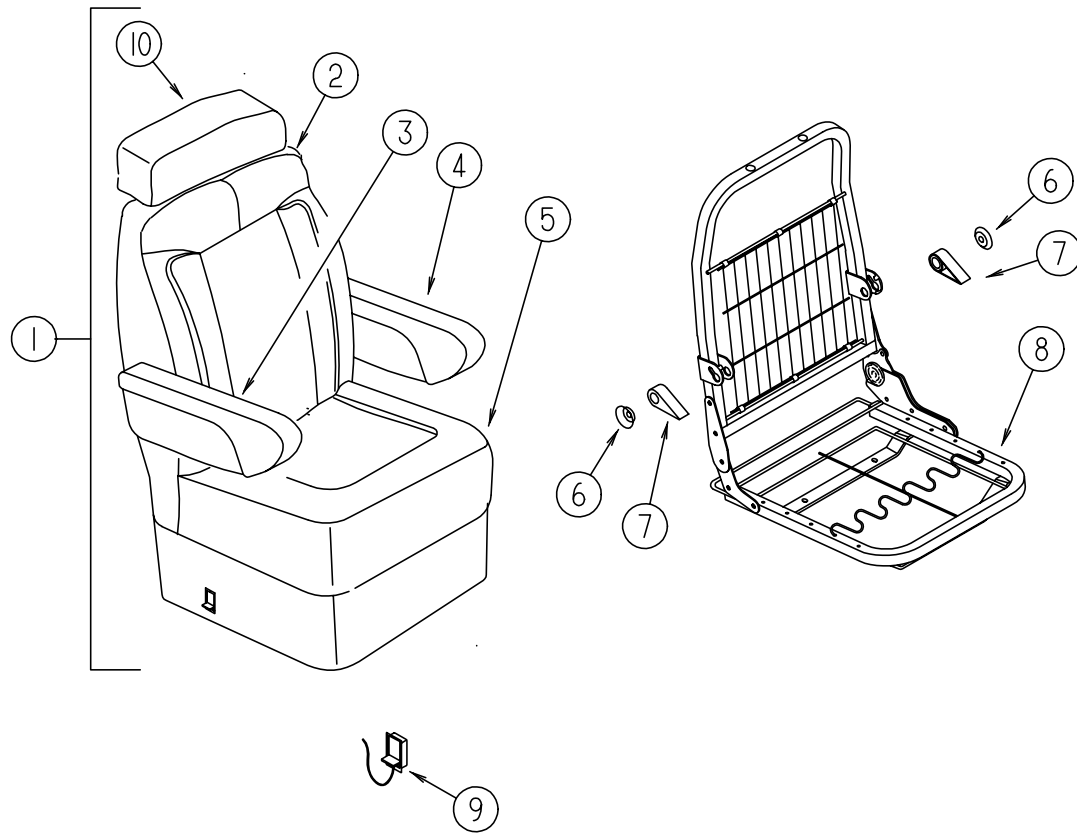


BUCKET SEAT - CHEVY EXPORT

KEY	PART NUMBER	U/M	DESCRIPTION
1	110148-10-J10	EA	SEAT - BUCKET - W/RIGHT ARMREST/HEADREST - DRIVER
1	110148-10-J11	EA	SEAT - BUCKET - W/RIGHT ARMREST/HEADREST - DRIVER
1	110148-11-J10	EA	SEAT - BUCKET - W/LEFT ARMREST/HEADREST - PASSENGER
1	110148-11-J11	EA	SEAT - BUCKET - W/LEFT ARMREST/HEADREST - PASSENGER
2	M05962-55-J10	EA	COVER - BACK
2	M05962-55-J11	EA	COVER - BACK
3	122780-01-H10	EA	ARMREST - RIGHT HAND (J10)
3	122780-01-J11	EA	ARMREST - RIGHT HAND (J11)
	P22780-01-H10	EA	COVER - ARMREST - RIGHT HAND (J10)
	P22780-01-J11	EA	COVER - ARMREST - RIGHT HAND (J11)
	115617-03-000	EA	ARMREST - W/O COVER - RIGHT HAND
4	122780-02-H10	EA	ARMREST - LEFT HAND (J10)
4	122780-02-J11	EA	ARMREST - LEFT HAND (J11)
	P22780-02-H10	EA	COVER - ARMREST - LEFT HAND (J10)
	P22780-02-J11	EA	COVER - ARMREST - LEFT HAND (J11)
	115617-04-000	EA	ARMREST - W/O COVER - LEFT HAND
5	M05962-56-J10	EA	COVER - SEAT
5	M05962-56-J11	EA	COVER - SEAT
6	125229-05-000	EA	PAL NUT
7	125229-03-000	EA	LEVER - RECLINING
8	125229-02-000	EA	FRAME - SEAT - PASSENGER - W/LEFT ARMREST BRACKET
8	125229-01-000	EA	FRAME - SEAT - DRIVER - W/RIGHT ARMREST BRACKET
9	117125-01-02B	EA	BRACKET - CABLE MOUNT - ADJUSTER W/LOCK
10	119509-01-H10	EA	HEADREST - BUCKET SEAT (J10)
10	119509-01-J11	EA	HEADREST - BUCKET SEAT (J11)
	P19509-01-H10	EA	COVER - HEADREST (J10)
	P19509-01-J11	EA	COVER - HEADREST (J11)
	113977-12-000	EA	HEADREST INSERT - W/O LOCK
	113977-13-000	EA	HEADREST INSERT - W/LOCK
	007221-01-000	EA	SPACER - SEAT/ADJUSTER

CURTAIN & CUSHION GROUP (CONTINUED)

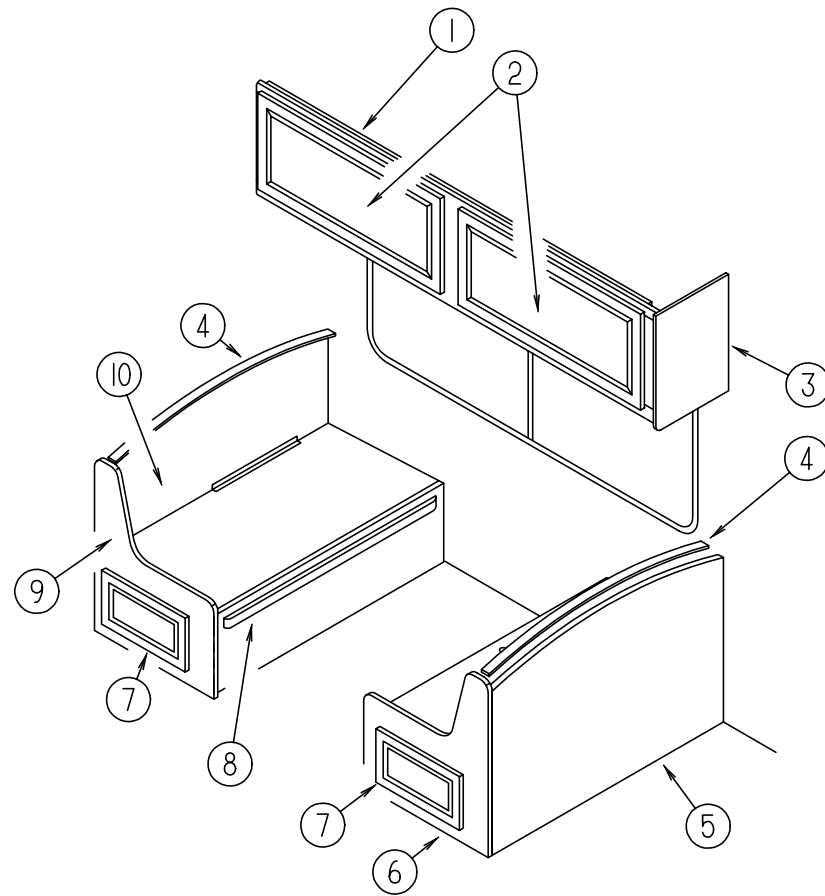
BUCKET SEAT - CHEVY DIESEL EXPORT



KEY	PART NUMBER	U/M	DESCRIPTION
1	127540-06-J10	EA	SEAT - BUCKET - W/RIGHT ARMREST/HEADREST - DRIVER
1	127540-06-J11	EA	SEAT - BUCKET - W/RIGHT ARMREST/HEADREST - DRIVER
1	127540-07-J10	EA	SEAT - BUCKET - W/LEFT ARMREST/HEADREST - PASSENGER
1	127540-07-J11	EA	SEAT - BUCKET - W/LEFT ARMREST/HEADREST - PASSENGER
2	M05962-74-J10	EA	COVER - BACK
2	M05962-74-J11	EA	COVER - BACK
3	122780-01-H10	EA	ARMREST - RIGHT HAND (J10)
3	122780-01-J11	EA	ARMREST - RIGHT HAND (J11)
	P22780-01-H10	EA	COVER - ARMREST - RIGHT HAND (J10)
	P22780-01-J11	EA	COVER - ARMREST - RIGHT HAND (J11)
	115617-03-000	EA	ARMREST - W/O COVER - RIGHT HAND
4	122780-02-H10	EA	ARMREST - LEFT HAND (J10)
4	122780-02-J11	EA	ARMREST - LEFT HAND (J11)
	P22780-02-H10	EA	COVER - ARMREST - LEFT HAND (J10)
	P22780-02-J11	EA	COVER - ARMREST - LEFT HAND (J11)
	115617-04-000	EA	ARMREST - W/O COVER - LEFT HAND
5	M05962-58-J10	EA	COVER - SEAT
5	M05962-58-J11	EA	COVER - SEAT
6	125229-05-000	EA	PAL NUT
7	125229-03-000	EA	LEVER - RECLINING
8	125229-02-000	EA	FRAME - SEAT - PASSENGER - W/LEFT ARMREST BRACKET
8	125229-01-000	EA	FRAME - SEAT - DRIVER - W/RIGHT ARMREST BRACKET
9	117125-01-02B	EA	BRACKET - CABLE MOUNT - ADJUSTER W/LOCK
10	119509-01-H10	EA	HEADREST - BUCKET SEAT (J10)
10	119509-01-J11	EA	HEADREST - BUCKET SEAT (J11)
	P19509-01-H10	EA	COVER - HEADREST (J10)
	P19509-01-J11	EA	COVER - HEADREST (J11)
	113977-12-000	EA	HEADREST INSERT - W/O LOCK
	113977-13-000	EA	HEADREST INSERT - W/LOCK
	007221-01-000	EA	SPACER - SEAT/ADJUSTER

DINETTE GROUP

DINETTE CABINETS & PADS



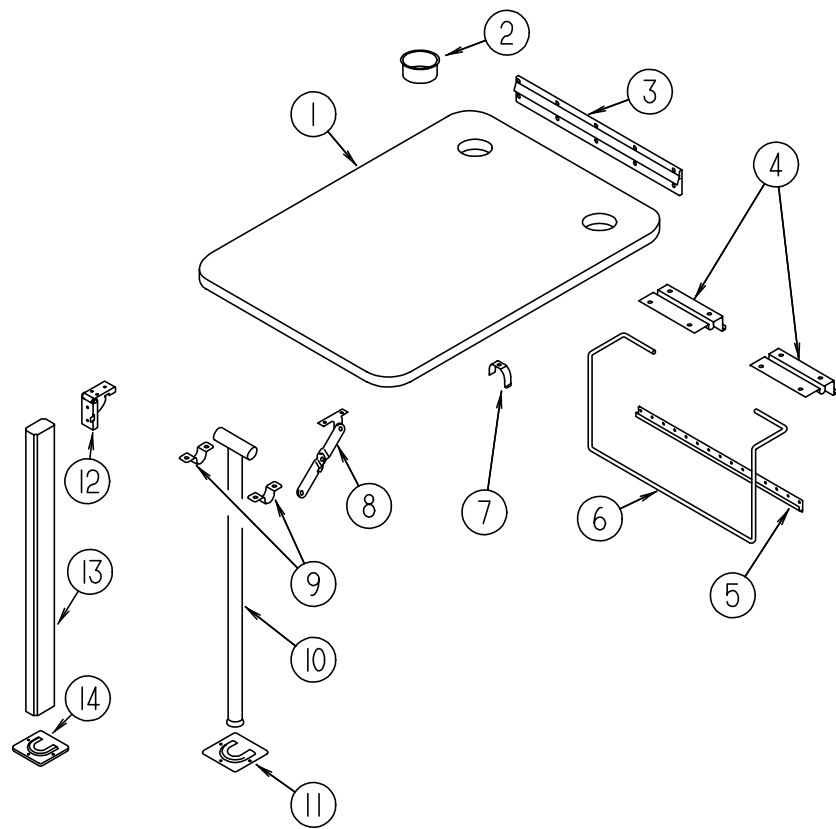
KEY	PART NUMBER	U/M	DESCRIPTION
7	M08758-44-J15	EA	DOOR - MITERED CRNR/OGEE EDGE - 10" X 19.1" - W/O HDW - WATERFORD OAK
7	M05992-M7-J10	EA	DOOR - STRAIGHT CRNR/OGEE EDGE-10" X 19.1" - W/O HDW - SALEM CHERRY
8	081295-01-G01	EA	SUPPORT - BED/DINETTE - 28" LONG - WATERFORD OAK
8	081295-04-G04	EA	SUPPORT - BED/DINETTE - 40" LONG - SALEM CHERRY
9	M08122-11-H04	EA	CABINET - SEATBASE - LEFT HAND - W/O DOOR/DRAWER/HDW - WATERFORD OAK
9	M08122-11-H10	EA	CABINET - SEATBASE - LEFT HAND - W/O DOOR/DRAWER/HDW - SALEM CHERRY JAPAN/W.I.E. EXPORT
9	M04175-82-H10	EA	CABINET - SEATBASE - LEFT HAND - W/O DOOR/DRAWER/HDW - SALEM CHERRY GERMAN EXPORT
10	M08123-08-H04	EA	CABINET - SEATBACK - LEFT HAND - W/O HDW - WATERFORD OAK
10	M08123-08-H10	EA	CABINET - SEATBACK - LEFT HAND - W/O HDW - SALEM CHERRY - JAPAN/W.I.E. EXPORT
10	M04174-83-G07	EA	CABINET - SEATBACK - LEFT HAND - W/O HDW - SALEM CHERRY - GERMAN EXPORT

KEY	PART NUMBER	U/M	DESCRIPTION
1	122610-01-J03	EA	CABINET - OVERHEAD/DINETTE - WATERFORD OAK
1	122610-02-J10	EA	CABINET - OVERHEAD/DINETTE - SALEM CHERRY
2	M08758-43-J15	EA	DOOR - MTRD CRNR/OGEE EDGE - 15.7" X 27.9"-W/O HDW - WATERFORD OAK
2	M08758-01-J05	EA	DOOR - MTRD CRNR/OGEE-EDGE - 15.7" X 27.9" - W/O HDW - WATERFORD UPGRADE
2	M05992-48-J10	EA	DOOR - STRAIGHT CRNR/OGEE EDGE-15.7" X 27.9"-W/O HDW - SALEM CHERRY
3	104335-22-H04	EA	END CAP - OVERHEAD - WATERFORD OAK
3	104335-22-H10	EA	END CAP - OVERHEAD - SALEM CHERRY
4	111338-09-J01	EA	PAD - DINETTE SEATBACK (J01)
4	111338-09-J02	EA	PAD - DINETTE SEATBACK (J02)
4	111338-09-H10	EA	PAD - DINETTE SEATBACK (J10)
4	111338-09-G22	EA	PAD - DINETTE SEATBACK (J11)
4	104787-09-H10	EA	PAD - DINETTE SEATBACK (J10) - JAPAN EXPORT
4	104787-09-G08	EA	PAD - DINETTE SEATBACK (J11) - JAPAN EXPORT
4	104787-10-G38	EA	PAD - DINETTE SEATBACK (J10) - WIE EXPORT
4	104787-10-J11	EA	PAD - DINETTE SEATBACK (J11) - WIE EXPORT
5	M08123-01-H04	EA	CABINET - SEATBACK - RIGHT HAND - WATERFORD OAK
5	M08123-01-H10	EA	CABINET - SEATBACK - RIGHT HAND - SALEM CHERRY - JAPAN/W.I.E. EXPORT
5	M04174-95-H10	EA	CABINET - SEATBACK - RIGHT HAND - SALEM CHERRY - GERMAN EXPORT
6	M08122-01-H04	EA	CABINET - SEATBASE - RIGHT HAND - W/O DOOR/DRAWER/HDW - WATERFORD OAK
6	M08122-19-H10	EA	CABINET - SEATBASE - RIGHT HAND - W/O DOOR/DRAWER/HDW - SALEM CHERRY JAPAN EXPORT
6	M08122-01-H10	EA	CABINET - SEATBASE - RIGHT HAND - W/O DOOR/DRAWER/HDW - SALEMCHERRY WIE EXPORT
6	M04175-95-H10	EA	CABINET - SEATBASE - RIGHT HAND - W/O DOOR/DRAWER/HDW - SALEM CHERRY - GERMAN EXPORT

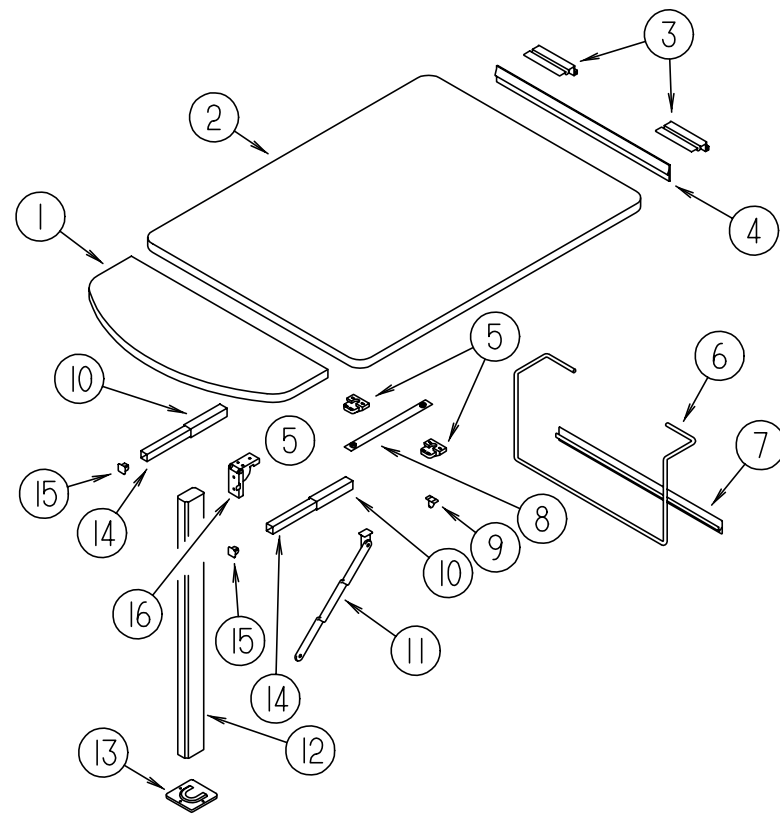
DINETTE GROUP (CONTINUED)

DINETTE TABLE & HARDWARE

KEY	PART NUMBER	U/M	DESCRIPTION
1	081322-01-G10	EA	TABLE TOP ONLY (J01)
1	081322-01-G09	EA	TABLE TOP ONLY (J02)
2	064781-06-000	EA	HOLDER - CUP - TWO STEP - OFF WHITE
3	053200-12-000	EA	BRACKET - TABLE SUPPORT - UPPER WALL MOUNTED - 23.50"
4	088410-02-000	EA	BRACKET - LIFT - TABLE MOUNTED
5	024281-14-000	EA	BRACKET - LIFT ROD/LOWER WALL MOUNTED - 22.12"
6	024275-12-000	EA	ROD - TABLE LIFT
7	024283-01-000	EA	CLIP - LEG - 1" - 1.125" OD - BLACK
8	024282-01-000	EA	BRACE - TABLE LEG - HINGED
9	064050-05-000	EA	HINGE - TABLE LEG - OFF WHITE
10	024276-22-000	EA	LEG - TABLE - W/O HARDWARE - OFF WHITE
			FROM: 00-00-00 THRU: 09-23-97
11	049493-12-000	EA	CATCH - TABLE LEG/FLOOR MOUNTED - OFF WHITE
	049493-11-700	EA	CATCH - TABLE LEG/FLOOR MOUNTED - E COATED
12	093550-01-000	EA	BRACKET - HINGE - MOUNTS TO LEG & TABLE TOP - 1.7" X 2.6"
13	092707-04-05A	EA	LEG - TABLE - W/O HARDWARE - 27" - WATERFORD OAK
			FROM: 09-24-97 THRU: 99-99-99
14	092593-01-05A	EA	CATCH - TABLE LEG - OFF/WHITE



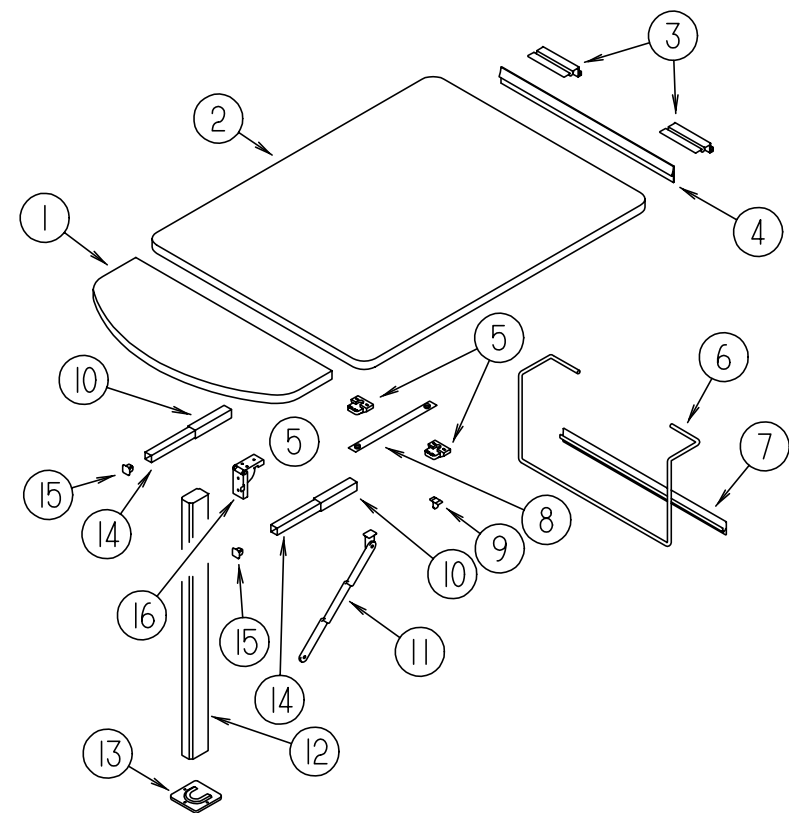
DINETTE GROUP (CONTINUED)



DINETTE TABLE & HARDWARE - JAPAN EXPORT - FROM: 00-00-00 THRU: 01-04-98

KEY	PART NUMBER	U/M	DESCRIPTION
1	119963-12-J10	EA	EXTENSION-TABLE
1	119963-12-J11	EA	EXTENSION-TABLE
2	119963-11-J10	EA	TABLE TOP - W/O EXTENSION
2	119963-11-J11	EA	TABLE TOP - W/O EXTENSION
3	088410-02-000	EA	BRACKET - LIFT - TABLE MOUNTED
4	053200-12-000	EA	BRACKET - TABLE SUPPORT - UPPER/WALL MOUNTED - 23.50"
5	009050-02-000	EA	LEVELER - TABLE TOP - MALE END W/4 SCREWS - PLASTIC
	009050-03-000	EA	LEVELER - TABLE TOP - FEMALE END W/2 SCREWS - PLASTIC
6	024275-12-000	EA	ROD - TABLE LIFT
7	024281-14-000	EA	BRACKET - LIFT ROD/LOWER WALL MOUNTED - 22.12"
8	057534-01-000	EA	TIEBACK/TIEDOWN - BED/CURTAIN/DOOR 6" - PLASTIC/CLEAR
9	024283-01-000	EA	CLIP - LEG - 1" - 1.125" OD - BLACK
10	113729-01-02A	EA	TUBE - SUPPORT/TABLE
11	024282-01-000	EA	BRACE - TABLE LEG - HINGED
12	092707-04-04A	EA	MOLDING - TABLE LEG - 27" - CHERRY/CHERRY
13	049493-12-000	EA	CATCH - TABLE LEG/FLOOR MOUNTED - OFF WHITE
	049493-11-700	EA	CATCH-TABLE LEG,E-COAT *90 ALL UNITS
14	113728-01-02A	EA	TUBE - SUPPORT/TABLE
	114117-01-02A	EA	PLATE - SPACER
15	110550-01-000	EA	CAP - TUBE .9" SQUARE
16	093550-01-000	EA	BRACKET - HINGE - MOUNTS TO LEG & TABLE TOP - 1.7" X 2.6"

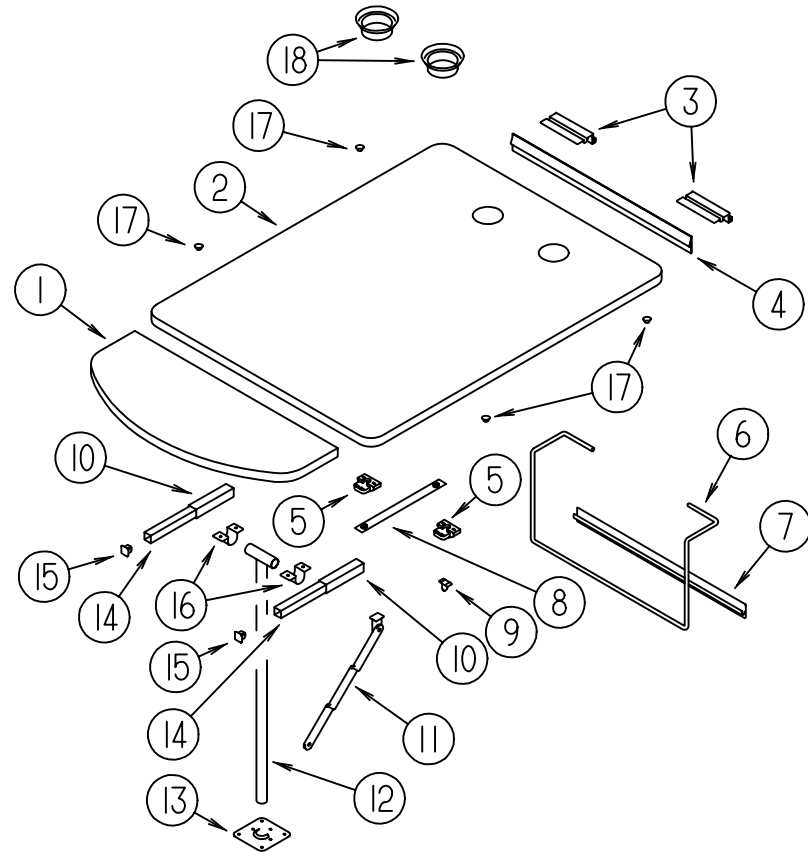
DINETTE GROUP (CONTINUED)



DINETTE TABLE & HARDWARE - JAPAN EXPORT - FROM: 01-05-98 THRU: 99-99-99

KEY	PART NUMBER	U/M	DESCRIPTION
1	120940-12-G45	EA	EXTENSION - TABLE (J10)
1	120940-12-G35	EA	EXTENSION - TABLE (J11)
2	120940-11-G45	EA	TABLE TOP - W/O EXTENSION (J10)
2	120940-11-G35	EA	TABLE TOP - W/O EXTENSION (J11)
3	088410-02-000	EA	BRACKET - LIFT - TABLE MOUNTED
4	053200-12-000	EA	BRACKET - TABLE SUPPORT - UPPER/WALL MOUNTED - 23.50"
5	009050-02-000	EA	LEVELER - TABLE TOP - MALE END W/4 SCREWS - PLASTIC
	009050-03-000	EA	LEVELER - TABLE TOP - FEMALE END W/2 SCREWS - PLASTIC
6	024275-12-000	EA	ROD - TABLE LIFT
7	024281-14-000	EA	BRACKET - LIFT ROD/LOWER WALL MOUNTED - 22.12"
8	057534-01-000	EA	TIEBACK/TIEDOWN - BED/CURTAIN/DOOR 6" - PLASTIC/CLEAR
9	024283-01-000	EA	CLIP - LEG - 1" - 1.125" OD - BLACK
10	113729-01-02A	EA	TUBE - SUPPORT/TABLE
11	024282-01-000	EA	BRACE - TABLE LEG - HINGED
12	092707-04-04A	EA	MOLDING - TABLE LEG - 27" - CHERRY/CHERRY
13	049493-12-000	EA	CATCH - TABLE LEG/FLOOR MOUNTED - OFF WHITE
	049493-11-700	EA	CATCH - TABLE LEG/FLOOR MOUNTED - E COATED
14	113728-01-02A	EA	TUBE - SUPPORT/TABLE
	114117-01-02A	EA	PLATE - SPACER
15	110550-01-000	EA	CAP - TUBE .9" SQUARE
16	093550-01-000	EA	BRACKET - HINGE - MOUNTS TO LEG & TABLE TOP - 1.7" X 2.6"

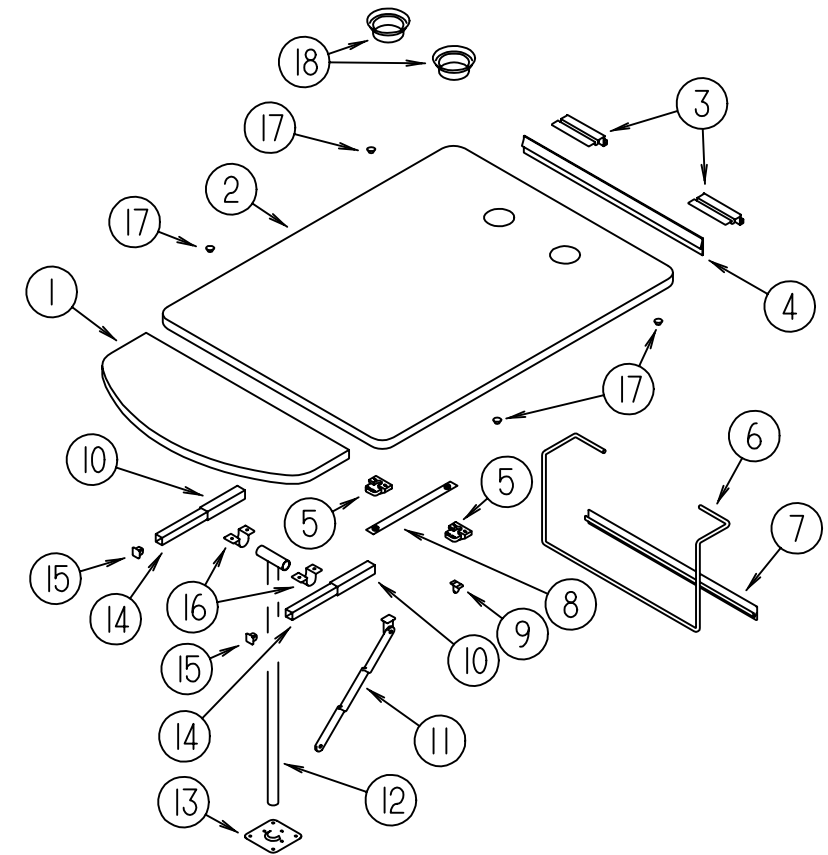
DINETTE GROUP (CONTINUED)



DINETTE TABLE & HARDWARE - WIE EXPORT

KEY	PART NUMBER	U/M	DESCRIPTION
1	127539-12-J10	EA	EXTENSION - TABLE (J10)
1	120940-12-J18	EA	EXTENSION - TABLE (J11)
2	127539-13-J10	EA	TABLE - TOP (J10)
2	127539-13-J18	EA	TABLE - TOP (J11)
3	088410-02-000	EA	BRACKET - LIFT - TABLE MOUNTED
4	053200-12-000	EA	BRACKET - TABLE SUPPORT - UPPER/WALL MOUNTED - 23.50"
5	009050-02-000	EA	LEVELER - TABLE TOP - MALE END W/4 SCREWS - PLASTIC
5	009050-03-000	EA	LEVELER - TABLE TOP - FEMALE END W/2 SCREWS - PLASTIC
6	024275-12-000	EA	ROD - TABLE LIFT
7	024281-14-000	EA	BRACKET - LIFT ROD/LOWER WALL MOUNTED - 22.12"
8	057534-01-000	EA	TIEBACK/TIEDOWN - BED/CURTAIN/DOOR 6" - PLASTIC/CLEAR
9	024283-01-000	EA	CLIP - LEG - 1" - 1.125" OD - BLACK
10	113729-01-02A	EA	TUBE - SUPPORT/TABLE
11	024282-01-000	EA	BRACE - TABLE LEG - HINGED
12	024276-22-000	EA	LEG - TABLE - W/O HARDWARE - OFF WHITE
13	049493-12-000	EA	CATCH - TABLE LEG/FLOOR MOUNTED - OFF WHITE
13	049493-11-700	EA	CATCH - TABLE LEG/FLOOR MOUNTED - E COATED
14	113728-01-02A	EA	TUBE - SUPPORT/TABLE
14	114117-01-02A	EA	PLATE - SPACER
15	110550-01-000	EA	CAP - TUBE .9" SQUARE
16	064050-05-000	EA	HINGE - TABLE LEG - OFF WHITE
17	004354-01-000	EA	BUMPER - RUBBER - .5" DIA - BROWN
18	064781-06-000	EA	HOLDER - CUP - TWO STEP - OFF WHITE

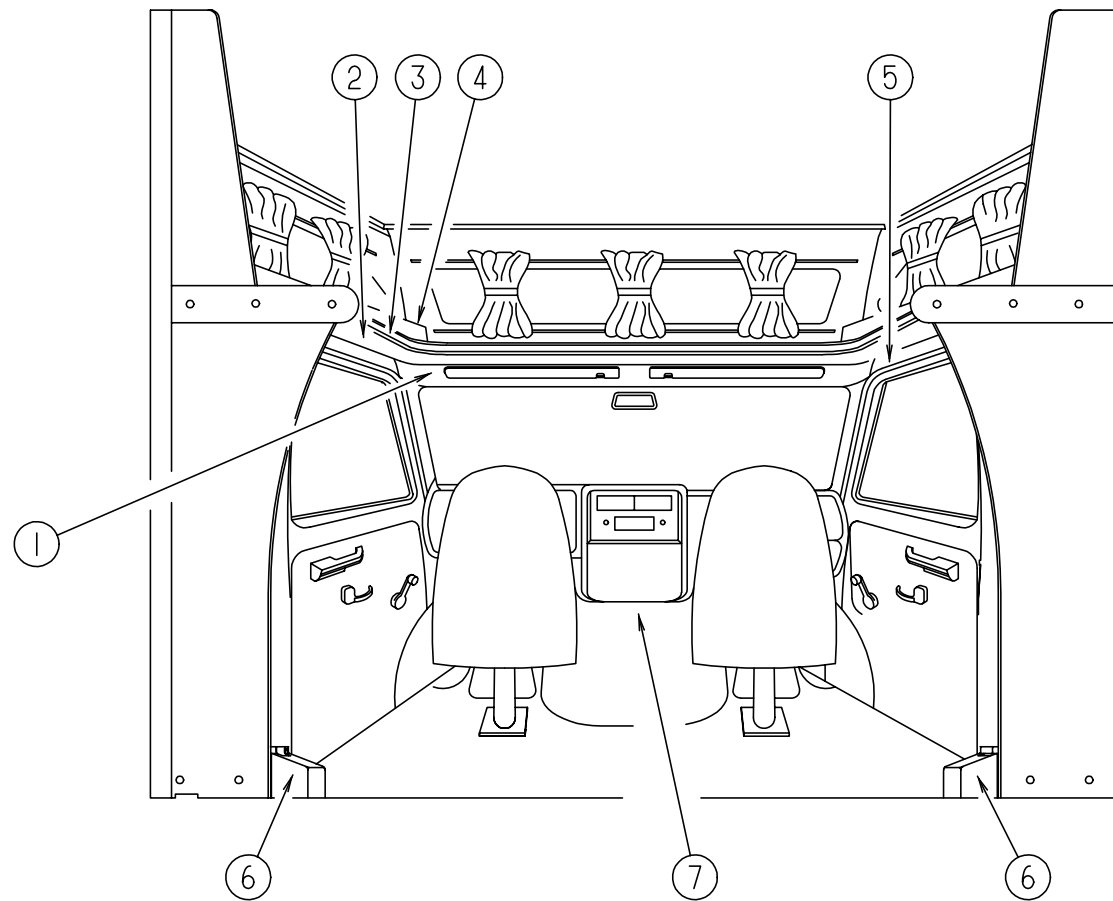
DINETTE GROUP (CONTINUED)



DINETTE TABLE & HARDWARE - GERMANY EXPORT

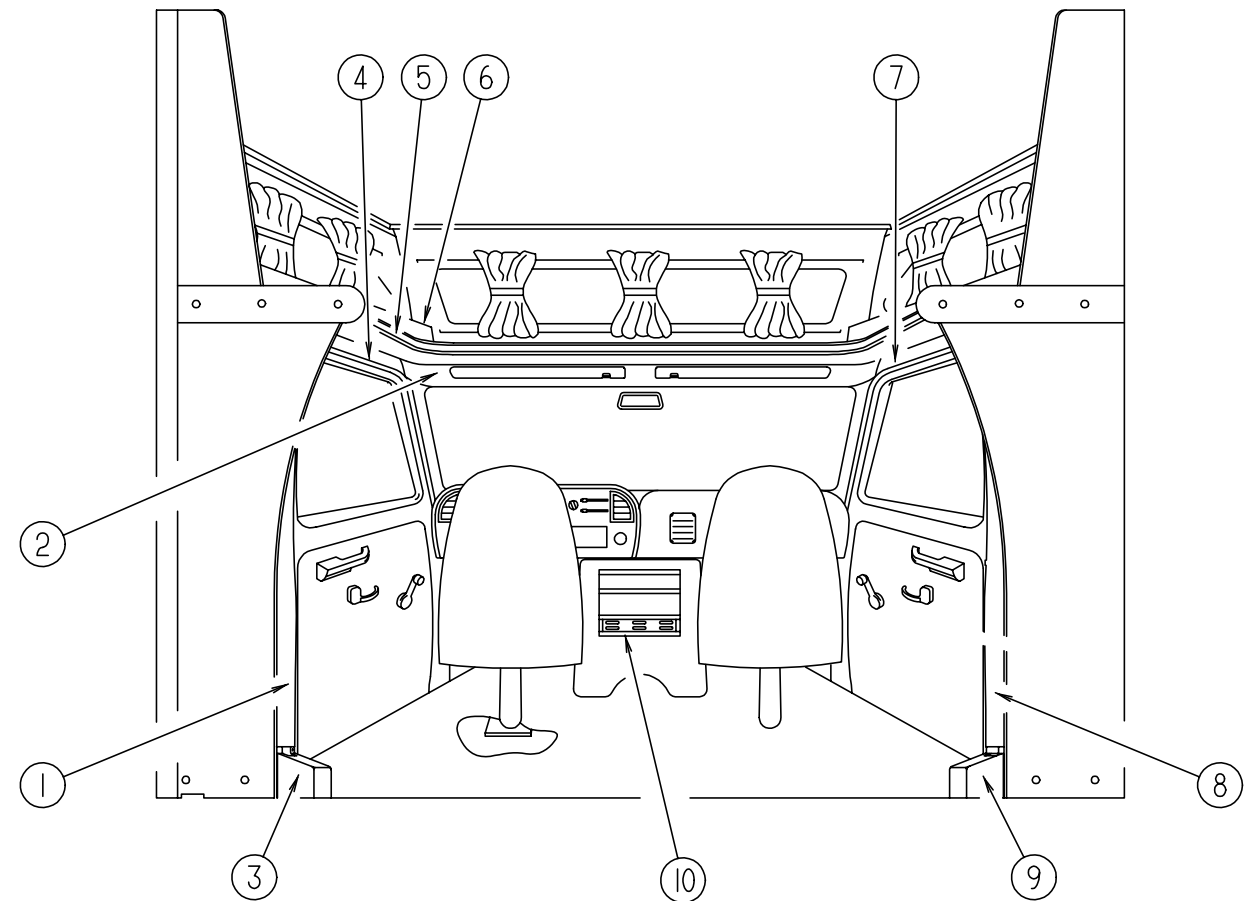
KEY	PART NUMBER	U/M	DESCRIPTION
1	127539-12-J10	EA	EXTENSION - TABLE
1	120940-12-J11	EA	EXTENSION - TABLE
2	127539-11-J10	EA	TABLE - TOP
2	127539-11-J11	EA	TABLE - TOP
3	088410-02-000	EA	BRACKET - LIFT - TABLE MOUNTED
4	053200-12-000	EA	BRACKET - TABLE SUPPORT - UPPER/WALL MOUNTED - 23.50"
5	009050-02-000	EA	LEVELER - TABLE TOP - MALE END W/4 SCREWS - PLASTIC
5	009050-03-000	EA	LEVELER - TABLE TOP - FEMALE END W/2 SCREWS - PLASTIC
6	024275-12-000	EA	ROD - TABLE LIFT
7	024281-14-000	EA	BRACKET - LIFT ROD/LOWER WALL MOUNTED - 22.12"
8	057534-01-000	EA	TIEBACK/TIEDOWN - BED/CURTAIN/DOOR 6" - PLASTIC/CLEAR
9	024283-01-000	EA	CLIP - LEG - 1" - 1.125" OD - BLACK
10	113729-01-02A	EA	TUBE - SUPPORT/TABLE
11	024282-01-000	EA	BRACE - TABLE LEG - HINGED
12	024276-22-000	EA	LEG - TABLE - W/O HARDWARE - OFF WHITE
13	049493-12-000	EA	CATCH - TABLE LEG/FLOOR MOUNTED - OFF WHITE
13	049493-11-700	EA	CATCH - TABLE LEG/FLOOR MOUNTED - E COATED
14	113728-01-02A	EA	TUBE - SUPPORT/TABLE
14	114117-01-02A	EA	PLATE - SPACER
15	110550-01-000	EA	CAP - TUBE .9" SQUARE
16	064050-05-000	EA	HINGE - TABLE LEG - OFF WHITE
17	004354-01-000	EA	BUMPER - RUBBER - .5" DIA - BROWN
18	064781-06-000	EA	HOLDER - CUP - TWO STEP - OFF WHITE

DRIVERS COMPARTMENT GROUP



CHEVY DRIVERS COMPARTMENT

DRIVERS COMPARTMENT GROUP (CONTINUED)



FORD DRIVERS COMPARTMENT

KEY	PART NUMBER	U/M DESCRIPTION	VENDOR NO.
1	124818-01-H04	EA HEADLINER - W/VINYL	
2	124819-01-H04	EA TRIM - CAB DOOR - UPPER/LEFT HAND	
3	119520-01-01A	FT T-MOLDING - 1" W/EDGE LIPS (OFF/WHITE-CREAM)	
4	109894-01-H30	EA CABINET - HAMPER - DRIVER/FRONT (J01)	
4	109894-01-J02	EA CABINET - HAMPER - DRIVER/FRONT (J02)	
4	109894-01-H10	EA CABINET - HAMPER - DRIVER/FRONT (J10)	
4	109894-01-K06	EA CABINET - HAMPER - DRIVER/FRONT (J11)	
5	124817-01-H04	EA TRIM - CAB DOOR - UPPER RIGHT HAND	
6	076302-03-000	EA SEAT BELT - DRIVER/PASSENGER	
	087932-03-000	EA BRACKET - SHOULDER HARNESS - LEFT HAND	
	087932-04-000	EA BRACKET - SHOULDER HARNESS - RIGHT HAND	
7	M04194-01-G01	EA TRAY - BEVERAGE - UNSTAINED - WATERFORD OAK	
7	M04194-01-H10	EA TRAY - BEVERAGE - UNSTAINED - SALEM CHERRY	
	122717-04-01A	EA PAD - NON SKID - 3" DIA. ROUND	
	106025-01-01A	EA LADDER - BUNK - (4.7')	
	106025-01-700	EA BRACKET SET-F/BUNK LADDER	08-0030-00

INSTRUMENT CLUSTERS - CHEVY

KEY	PART NUMBER	U/M DESCRIPTION
	094797-09-000	EA CLUSTER - INSTRUMENT PANEL- METRIC/KILOMETERS - GAS FROM: 00-00-00 THRU: 02-17-98
	094797-13-000	EA CLUSTER - INSTRUMENT PANEL - KILOMETERS/MILES - GAS FROM: 02-18-98 THRU: 99-99-99
	100138-01-000	EA MODULE - DAYTIME/RUNNING LIGHT
	094797-07-000	EA CLUSTER - INSTRUMENT PANEL - GAS
	108357-09-000	EA SWITCH - ROCKER SPDT - ON/NONE/MOM - 3 TERMINAL
	111414-01-000	EA RECEPTACLE - 12V - W/O BIMETAL

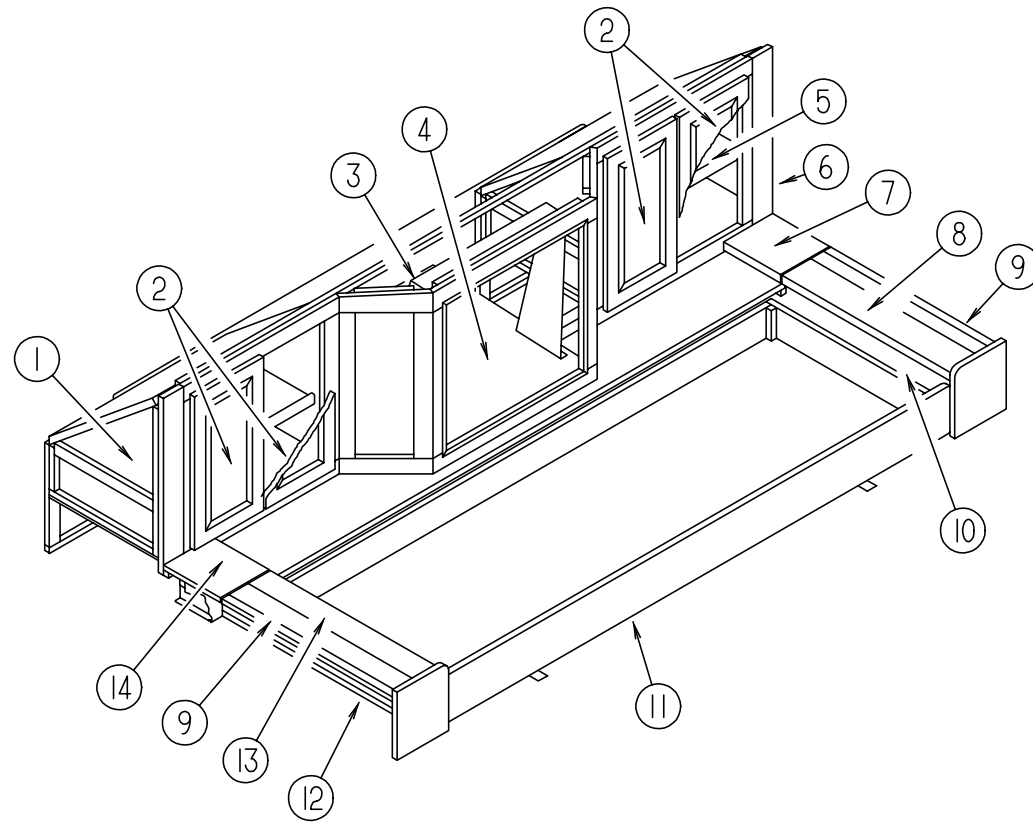
KEY	PART NUMBER	U/M DESCRIPTION	VENDOR NO.
1	125031-02-H04	EA TRIM - CAB - B-PILLAR	
2	106448-01-H04	EA HEADLINER - W/VINYL	
3	106431-02-02A	EA COVER - SEATBELT RECOIL - DRIVER SIDE - VW GREY	
4	106447-04-H04	EA TRIM - CAB DOOR - UPPER/LEFT HAND	
5	119520-01-01A	FT T-MOLDING - 1" W/EDGE LIPS (OFF/WHITE-CREAM)	
6	109894-01-H30	EA CABINET - HAMPER - DRIVER/FRONT (J01)	
6	109894-01-J02	EA CABINET - HAMPER - DRIVER/FRONT (J02)	
6	109894-01-H10	EA CABINET - HAMPER - DRIVER/FRONT (J10)	
6	109894-01-K06	EA CABINET - HAMPER - DRIVER/FRONT (J11)	
7	106447-03-H04	EA TRIM - CAB DOOR - UPPER/RIGHT HAND	
8	125031-01-H04	EA TRIM - CAB - B-PILLAR	
9	106431-01-02A	EA COVER - SEATBELT RECOIL - PASSENGER SIDE - VW GREY	
10	125291-01-01A	EA TRAY - BEVERAGE - F/DELUXE MOTOR COVER - JAPAN	
	046886-03-000	EA ASHTRAY - CHROME W/COVER	
	106025-01-01A	EA LADDER - BUNK - (4.7')	
	106025-01-700	EA BRACKET SET-F/BUNK LADDER	08-0030-00

INSTRUMENT CLUSTERS - FORD

KEY	PART NUMBER	U/M DESCRIPTION
	094795-09-000	EA CLUSTER - INSTRUMENT PANEL - KILOMETERS - GAS/DIESEL-FORD
	100138-01-000	EA MODULE - DAYTIME/RUNNING LIGHT
	108357-09-000	EA SWITCH - ROCKER SPDT - ON/NONE/MOM - 3 TERMINAL
	108357-06-000	EA SWITCH - ROCKER DPDT - MOM/OFF/MOM - 6 TERMINAL
	108356-07-01A	EA COVER/ACTUATOR SWITCH - 2 ROWS DIMPLES - AUX START - BLACK

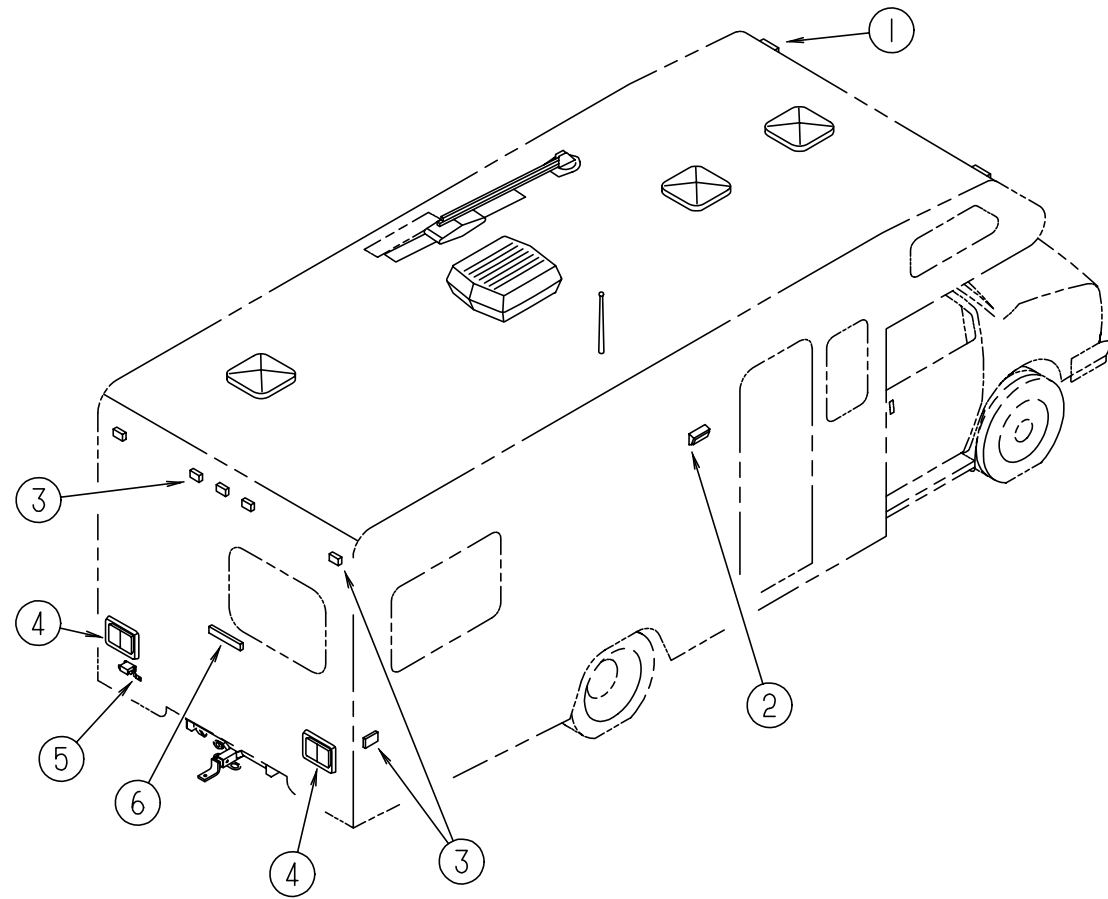
DRIVERS COMPARTMENT GROUP (CONTINUED)

FRONT ENTERTAINMENT CENTER



KEY	PART NUMBER	U/M	DESCRIPTION
1	110796-02-G01	EA	CABINET - ENTERTAINMENT CENTER W/SHELVES - W/O DRS/HDW WATERFORD OAK
1	110796-02-F08	EA	CABINET - ENTERTAINMENT CENTER W/SHELVES - W/O DRS/HDW SALEM CHERRY
	110796-12-G01	EA	SHELF - W/EDGE MOLDING - WATERFORD OAK
	110796-12-F08	EA	SHELF - W/EDGE MOLDING - SALEM CHERRY
2	M08758-54-J03	EA	DOOR - MITERED CORNER/OGEE EDGE - 10.6" X 19.9" - W/O HDW WATERFORD OAK
2	M08758-51-J03	EA	DOOR - MITERED CORNER/OGEE EDGE - 10.6" X 19.9" - W/O HDW RAISED PANEL - WATERFORD OAK
2	M05992-67-J10	EA	DOOR - STRAIGHT CORNER/OGEE EDGE - 10.6" X 19.9" - W/O HDW SALEM CHERRY
3	110790-03-000	EA	BRACKET - TIEDOWN/TV
	106699-01-01A	EA	BRACKET - OVERHEAD CABINET/TV
	088856-52-007	EA	EXTRUDED - ANGLE - 161"
	122790-01-02B	EA	BRACKET - VCP - E-COATED
4	111356-01-G01	EA	SHELF - TV - W/TIEDOWN BRACKET - WATERFORD OAK
4	111356-01-G07	EA	SHELF - TV - W/TIEDOWN BRACKET - SALEM CHERRY
5	110796-01-G01	EA	CABINET - ENTERTAINMENT CENTER W/SHELVES - W/O DRS/HDW WATERFORD OAK
5	110796-01-F08	EA	CABINET - ENTERTAINMENT CENTER W/SHELVES - W/O DRS/HDW SALEM CHERRY
	110796-12-G01	EA	SHELF - W/EDGE MOLDING - WATERFORD OAK
	110796-12-F08	EA	SHELF - W/EDGE MOLDING - SALEM CHERRY
6	110795-01-G01	EA	CABINET - ENTERTAINMENT CENTER - W/SHELF - W/O DRS/HDW WATERFORD OAK
6	110795-01-G07	EA	CABINET - ENTERTAINMENT CENTER - W/SHELF - W/O DRS/HDW SALEM CHERRY
7	110797-11-F09	EA	COUNTERTOP - ENTERTAINMENT CENTER (J01, J11)
7	110797-11-H24	EA	COUNTERTOP - ENTERTAINMENT CENTER (J02)
7	110797-11-E04	EA	COUNTERTOP - ENTERTAINMENT CENTER (J10)
8	110797-12-H11	EA	COUNTERTOP - ENTERTAINMENT CENTER (J01, J11)
8	110797-12-H24	EA	COUNTERTOP - ENTERTAINMENT CENTER (J02)
8	110797-12-E04	EA	COUNTERTOP - ENTERTAINMENT CENTER (J10)
9	110797-26-J01	EA	COUNTERTOP - ENTERTAINMENT CENTER (J01, J11)
9	110797-26-J02	EA	COUNTERTOP - ENTERTAINMENT CENTER (J02)
9	110797-26-J10	EA	COUNTERTOP - ENTERTAINMENT CENTER (J10)
10	110797-01-G22	EA	CABINET - ENTERTAINMENT CENTER/STORAGE-W/CTRTP-W/O DRS/HDW (J01)
10	110797-01-H24	EA	CABINET - ENTERTAINMENT CENTER/STORAGE-W/CTRTP-W/O DRS/HDW (J02)
10	110797-01-H10	EA	CABINET - ENTERTAINMENT CENTER/STORAGE-W/CTRTP-W/O DRS/HDW (J10)
10	110797-01-F09	EA	CABINET - ENTERTAINMENT CENTER/STORAGE-W/CTRTP-W/O DRS/HDW (J11)
11	100847-01-J01	EA	DRAWER - ENTERTAINMENT CENTER - W/O HARDWARE
11	100847-01-J02	EA	DRAWER - ENTERTAINMENT CENTER - W/O HARDWARE
11	100847-01-J10	EA	DRAWER - ENTERTAINMENT CENTER - W/O HARDWARE
11	100847-01-J11	EA	DRAWER - ENTERTAINMENT CENTER - W/O HARDWARE
12	110797-02-J01	EA	CABINET - ENTERTAINMENT CENTER/STORAGE-W/CTRTP-W/O DRS/HDW (J01)
12	110797-02-J02	EA	CABINET - ENTERTAINMENT CENTER/STORAGE-W/CTRTP-W/O DRS/HDW (J02)
12	110797-02-H10	EA	CABINET - ENTERTAINMENT CENTER/STORAGE-W/CTRTP-W/O DRS/HDW (J10)

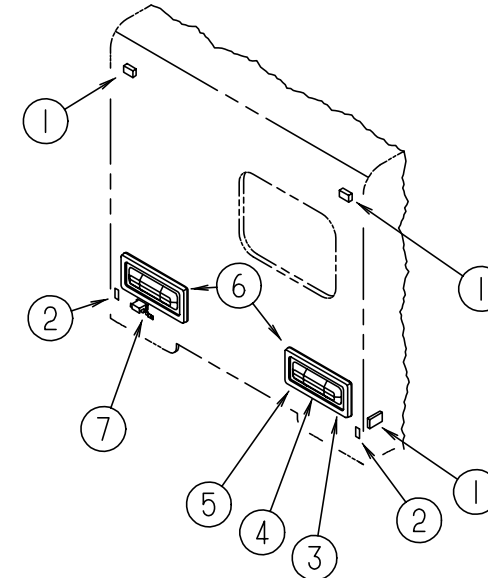
ELECTRICAL GROUP



EXTERIOR LIGHTS

KEY	PART NUMBER	U/M	DESCRIPTION	VENDOR NO.
1	111102-02-000	EA	LENS - AMBER - MARKER LAMP	
	111102-01-000	EA	BASE - LAMP MARKER	
	036196-01-000	EA	BULB - 12 VOLT - #194 - .27 AMP - BAYONETTE	
	091983-01-000	EA	GASKET - CLEARANCE/SIDEMARKER LIGHT	
2	112823-01-000	EA	SPLICE - REDUCER - 16-14 TO 18-22	
	097917-01-06A	EA	LIGHT - PORCH - BRIGHT WHITE	
	008215-01-000	EA	BULB - 12 VOLT - #1003 - .94 AMP	
	097917-01-700	EA	LENS-LIGHT, CLEAR	30-78-021
3	111102-03-000	EA	LENS - RED - MARKER LAMP	
	111102-01-000	EA	BASE - LAMP MARKER	
	036196-01-000	EA	BULB - 12 VOLT - #194 - .27 AMP - BAYONETTE	
	091983-01-000	EA	GASKET - CLEARANCE/SIDEMARKER LIGHT	
	112823-01-000	EA	SPLICE - REDUCER - 16-14 TO 18-22	
	103355-01-05A	EA	POD - TAIL LIGHT	
4	081638-01-000	EA	TAILLIGHT/DOUBLE W/BLACK TRIM - DRIVER/PASSENGER SIDE	
	037934-01-000	EA	BULB - 12V - #1156 - 2.1 AMP CLEAR GLASS	
	037935-01-000	EA	BULB - 12V - #1157 OR #2057 - 2.1 AMP - CLEAR GLASS	
	081638-01-700	EA	LENS-TAILLIGHT, RED	30-84-010
	081638-01-701	EA	LENS-TAILLIGHT, W/BACKUP	30-84-700
5	066432-02-000	EA	LIGHT - LICENSE - BLACK	
	066432-03-000	EA	BRACKET - LICENSE PLATE	
6	121950-01-000	EA	LIGHT - BRAKE - CENTER MOUNT	

ELECTRICAL GROUP (CONTINUED)

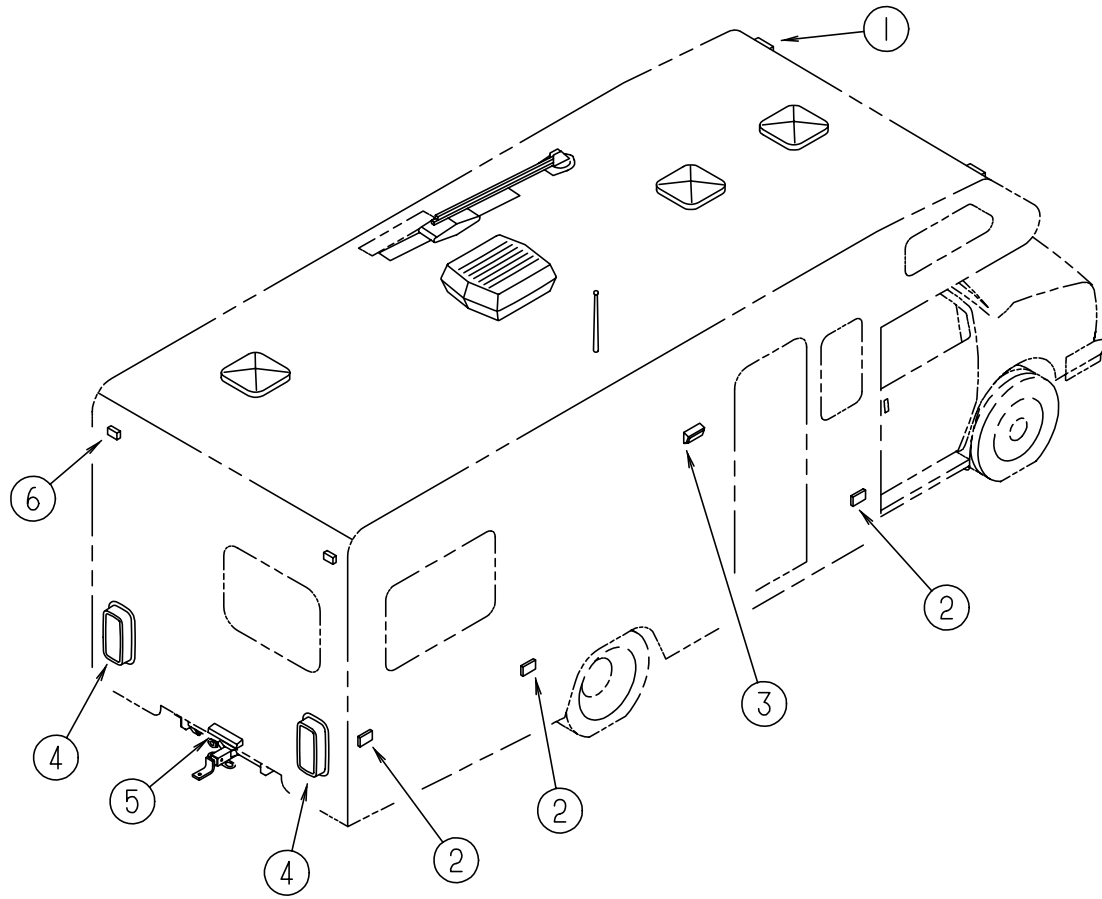


EXTERIOR LIGHTS - JAPAN EXPORT

KEY	PART NUMBER	U/M	DESCRIPTION	VENDOR NO.
1	111102-01-000	EA	BASE - LAMP MARKER	
	036196-01-000	EA	BULB - 12V - #194 - .27 AMP - BAYONETTE	
	111102-02-000	EA	LENS - AMBER - MARKER LAMP	
2	112823-01-000	EA	SPLICE - REDUCER - 16-14 TO 18-22	
	106646-02-000	EA	REFLECTOR - STICK ON - RED - JAPAN EXPORT	
3	081638-01-700	EA	LENS-TAILLIGHT, RED	30-84-010
4	081638-02-700	EA	LENS-TAILLIGHT, AMBER	30-84-016
5	081638-06-700	EA	LENS-TAILLIGHT, CLEAR BACKUP	30-84-050
6	103545-02-01A	EA	TAIL LIGHT - TRIPLE/AMBER	
	037934-01-000	EA	BULB - 12V - #1156 - 2.1 AMP CLEAR GLASS	
	037935-01-000	EA	BULB - 12V - #1157 OR #2057 - 2.1 AMP - CLEAR GLASS	
	103545-01-700	EA	LENS-BACKUP	30-84-711
	105846-01-04A	EA	TRIM - TAIL LIGHT - REAR	
7	066432-02-000	EA	LIGHT - LICENSE - BLACK	
	103247-01-000	EA	BRACKET - LICENSE PLATE - REAR	
	066432-03-000	EA	BRACKET - LICENSE PLATE	

ELECTRICAL GROUP (CONTINUED)

EXTERIOR LIGHTS - WIE EXPORT

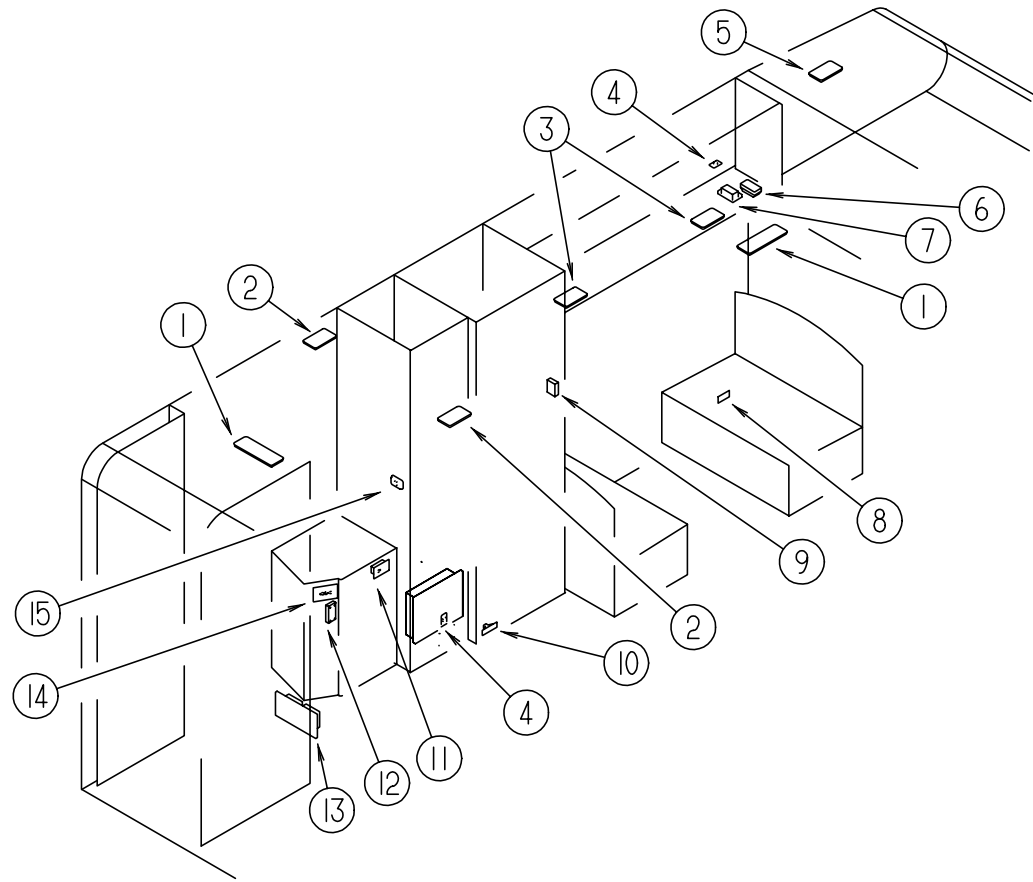


KEY	PART NUMBER	U/M	DESCRIPTION	VENDOR NO.
1	121685-01-000	EA	LAMP - CLEARANCE - CLEAR	
	121685-01-700	EA	LENS	
	124221-01-000	EA	BULB - 12 VOLT/.4 AMP/5 WATT	#2825
2	111102-01-000	EA	BASE - LAMP MARKER	
	121685-03-000	EA	LAMP - SIDEMARKER - AMBER	
	121685-03-700	EA	LENS	
3	124221-01-000	EA	BULB - 12 VOLT/.4 AMP/5 WATT	2825
	097917-01-06A	EA	LIGHT - PORCH - BRIGHT WHITE	
	008215-01-000	EA	BULB - 12 VOLT - #1003 - .94 AMP	
4	097917-01-700	EA	LENS-LIGHT, CLEAR	30-78-021
	123154-02-01A	EA	TRIM - TAIL LIGHT	
	123154-01-01A	EA	TRIM - TAIL LIGHT	
5	121679-01-000	EA	LIGHT - STOP/TAIL/BUMPER/TURN	
	121679-01-700	EA	LIGHT - LENS	
	124219-01-000	EA	BULB - 12 VOLT/.83 AMP/10 WATT	#5008
	124220-01-000	EA	BULB - 12 VOLT/1.75 AMP/21 WATT	#7506
	121680-01-000	EA	LAMP - LICENSE PLATE	
6	124218-01-000	EA	BULB - 12VOLT/.4 AMP/5 WATT	#6418
	121685-02-000	EA	LAMP - CLEARANCE - RED	
	121685-02-700	EA	LENS	
	124221-01-000	EA	BULB - 12 VOLT/.4 AMP/5 WATT	#2825

9EL 141 135-001

ELECTRICAL GROUP (CONTINUED)

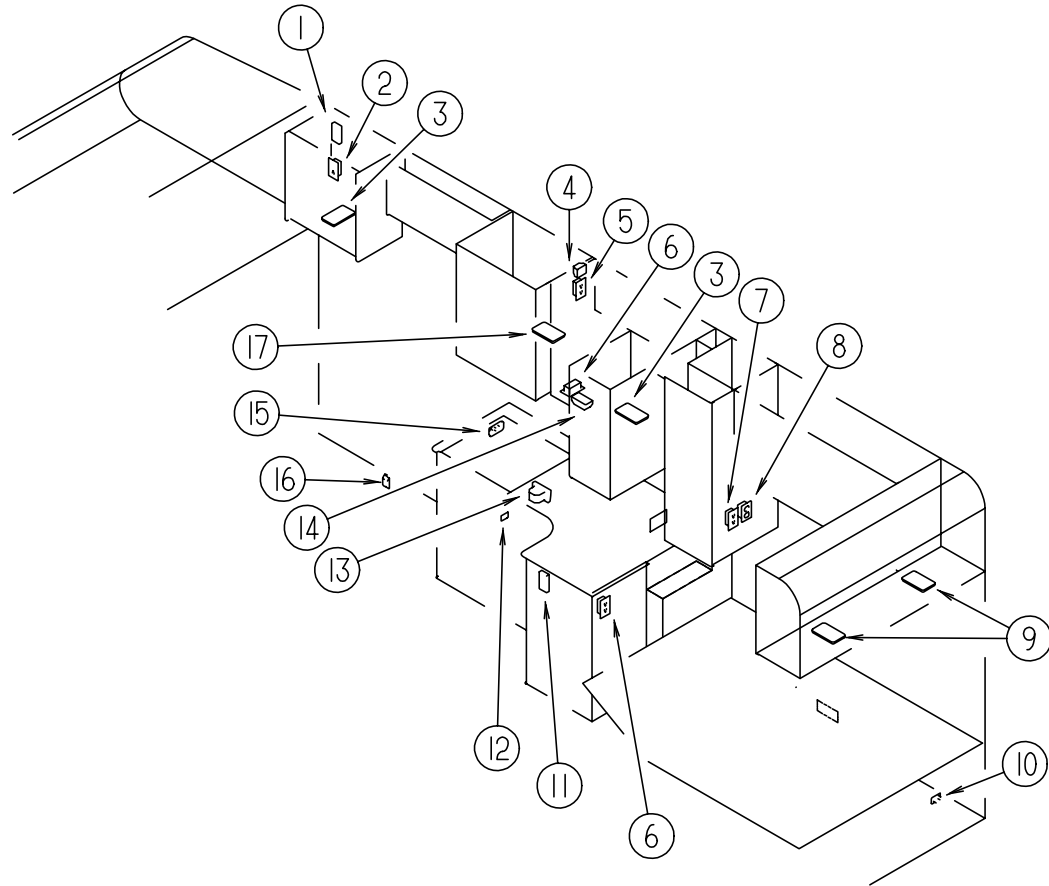
LIGHTS, SWITCHES & RECEPTACLES - DRIVER SIDE



KEY	PART NUMBER	U/M	DESCRIPTION	VENDOR NO.
1	098024-03-02A	EA	LIGHT - DOME - 2 BULB - WHITE	807877
	008218-01-000	EA	BULB - DOME LIGHT - 12 VOLT - NO. 1141	
	098024-01-700	EA	LENS-LIGHT	
2	098024-01-03A	EA	LIGHT - DOME - 1 BULB - WHITE	807877
	008218-01-000	EA	BULB - DOME LIGHT - 12 VOLT - NO. 1141	
	098024-01-700	EA	LENS-LIGHT	
3	098024-05-02A	EA	LIGHT - DOME - 1 BULB - SKYLITE - WHITE	809902
	008218-01-000	EA	BULB - DOME LIGHT - 12 VOLT - NO. 1141	
	098024-01-701	EA	LENS - OPTI CLEAR - SKYLITE	
4	079364-03-000	EA	SWITCH - ON/OFF ROCKER - 3 TERMINAL - BROWN	809902
4	098351-01-01A	EA	PLATE - SWITCH - 1 GANG POLISHED BRASS	
5	098024-05-02A	EA	LIGHT - DOME - 1 BULB - SKYLITE - WHITE	
5	008218-01-000	EA	BULB - DOME LIGHT - 12 VOLT - NO. 1141	809902
	098024-01-701	EA	LENS - OPTI CLEAR - SKYLITE	
	104173-01-01A	EA	LIGHT - DESIGNER - BRASS - UL	
6	086777-02-000	EA	WALLPLATE - TV CABLE - W/ANTENNA SWITCH	809902
6	086777-06-000	EA	WALLPLATE - TV CABLE - ANTENNA/1 OUTPUT - BROWN	
7	058708-01-000	EA	RECEPTACLE - ELECTRIC - DOUBLE - BROWN	809902
7	123657-01-01A	EA	RECEPTACLE - DUPLEX - 16 AMP - EUROPEAN	
8	084077-03-000	EA	COVER/BLANK - ROOF A/C 5.2" X 3.5" - IVORY	809902
9	058707-01-000	EA	RECEPTACLE - ELECTRIC - SINGLE - BROWN	
9	112590-01-000	EA	RECEPTACLE - 16 AMP - 240 VOLT - 2 POLE W/GROUND - EUROPEAN	809902
10	061424-01-000	EA	LIGHT - AISLE - 12 VOLT - RECTANGULAR	
	008103-01-000	EA	BULB - DASH/AISLE LIGHT - #53 - 12 VOLT - .12 AMP	809902
11	058707-02-000	EA	RECEPTACLE - BLANK - JUNCTION BOX	
12	098351-01-01A	EA	PLATE - SWITCH - 1 GANG POLISHED BRASS	809902
12	079364-01-000	EA	SWITCH - ON/OFF ROCKER - 2 TERMINAL - BROWN	
12	095188-01-01A	EA	SPACER - SWITCH - 2.3" X 3.4" - PLASTIC - DARK BROWN	809902
13	024924-02-000	EA	RECEPTACLE - POWER CORD - W/PARTIAL PLATE	
14	084076-02-000	EA	RECEPTACLE - GFI - 15 AMP/125 VOLT - BROWN	809902
14	084077-02-000	EA	PLATE - COVER - RECEPTACLE - GFI - BROWN	
15	079364-01-000	EA	SWITCH - ON/OFF ROCKER - 2 TERMINAL - BROWN	809902
15	079364-03-000	EA	SWITCH - ON/OFF ROCKER - 3 TERMINAL - BROWN	
15	098351-02-01A	EA	PLATE - SWITCH - 2 GANG POLISHED BRASS	809902
15	095188-01-01A	EA	SPACER - SWITCH - 2.3" X 3.4" - PLASTIC - DARK BROWN	

ELECTRICAL GROUP (CONTINUED)

LIGHTS, SWITCHES & RECEPTACLES - PASSENGER SIDE



KEY	PART NUMBER	U/M	DESCRIPTION	VENDOR NO.
1	111414-01-000	EA	RECEPTACLE - 12V - W/O BIMETAL	
2	058708-01-000	EA	RECEPTACLE - ELECTRIC - DOUBLE - BROWN	
2	112590-01-000	EA	RECEPTACLE - 16 AMP - 240 VOLT - 2 POLE W/GROUND - EUROPEAN	
3	098024-05-02A	EA	LIGHT - DOME - 1 BULB - SKYLITE - WHITE	
	008218-01-000	EA	BULB - DOME LIGHT - 12 VOLT - NO. 1141	
	098024-01-701	EA	LENS - OPTI CLEAR - SKYLITE	809902
4	112590-01-000	EA	RECEPTACLE - 16 AMP - 240 VOLT - 2 POLE W/GROUND - EUROPEAN	
5	058708-05-000	EA	RECEPTACLE - ELECTRIC - SINGLE - BROWN	
6	058708-01-000	EA	RECEPTACLE - ELECTRIC - DOUBLE - BROWN	
7	076319-09-000	EA	WALLPLATE - CABLE RECEPTACLE - TV - SINGLE - BROWN	
8	123656-01-01A	EA	RECEPTACLE - DUPLEX - 16 AMP - EUROPEAN	
9	098024-05-02A	EA	LIGHT - DOME - 1 BULB - SKYLITE - WHITE	
	008218-01-000	EA	BULB - DOME LIGHT - 12 VOLT - NO. 1141	
	098024-01-701	EA	LENS - OPTI CLEAR - SKYLITE	809902
9	104173-01-01A	EA	LIGHT - DESIGNER - BRASS - UL	
10	081994-02-000	EA	PLATE - SWITCH - EXTERIOR SHOWER	
10	108357-08-000	EA	SWITCH - ROCKER DPDT - ON/NONE/ON - 6 TERMINAL	
10	108356-02-01A	EA	COVER/ACTUATOR SWITCH - 2 ROWS DIMPLES- CONTURA II - BLACK	
11	123660-01-01A	EA	RECEPTACLE - SINGLE - WC - EUROPEAN	
11	123661-01-01A	EA	FRAME - TRIM - SINGLE OUTLET - EXPORT	
12	098351-07-01A	EA	PLATE - SWITCH - GENERATOR - POLISHED BRASS	
12	108357-06-000	EA	SWITCH - ROCKER SPDT - MON/OFF/MOM - 6 TERMINAL	
12	108356-11-01A	EA	ACTUATOR/COVER - SWITCH - 3 GROOVES	
13	112822-01-01A	EA	RECEPTACLE - DUPLEX - IVORY	
13	112824-01-03A	EA	COVER - RECEPTACLE - EXTERIOR DUPLEX	
14	123657-01-01A	EA	RECEPTACLE - DUPLEX - 16 AMP - EUROPEAN	
15	079364-01-000	EA	SWITCH - ON/OFF ROCKER - 2 TERMINAL - BROWN	
15	098351-02-01A	EA	PLATE - SWITCH - 2 GANG POLISHED BRASS	
15	098351-05-01A	EA	PLATE - SWITCH - 3 GANG POLISHED BRASS	
16	116995-01-000	EA	SWITCH/MAGNET - ELECTRIC STEP	
17	098024-01-03A	EA	LIGHT - DOME - 1 BULB - WHITE	
	008218-01-000	EA	BULB - DOME LIGHT - 12 VOLT - NO. 1141	
	098024-01-700	EA	LENS-LIGHT	807877

ELECTRICAL GROUP (CONTINUED)

FUSES & CIRCUIT BREAKERS

KEY	PART NUMBER	U/M	DESCRIPTION
	008235-01-000	EA	FUSE - 15 AMP/12VOLT - AUTOMOTIVE
	062901-02-000	EA	FUSE - 05 AMPS - AUTOMOTIVE
	062901-05-000	EA	FUSE - 15 AMPS - AUTOMOTIVE
	062901-06-000	EA	FUSE - 20 AMPS - AUTOMOTIVE
	083209-02-000	EA	CIRCUIT BREAKER - 15/15 AMP - 120 VOLT
	083209-03-000	EA	CIRCUIT BREAKER - 15/20 AMP - 120 VOLT
	083209-06-000	EA	CIRCUIT BREAKER - 30/15 AMP - 120 VOLT
	083209-08-000	EA	CIRCUIT BREAKER - BLANK
	093654-01-000	EA	CIRCUIT BREAKER - 6 AMP - 12 VOLT
	093654-03-000	EA	CIRCUIT BREAKER - 20 AMP - 12 VOLT
	093655-01-000	EA	CIRCUIT BREAKER - 25 AMP - 12 VOLT
	093655-02-000	EA	CIRCUIT BREAKER - 30 AMP - 12 VOLT
	100341-01-000	EA	FUSE HOLDER - IN LINE TYPE
	108669-01-000	EA	HOUSING - AUTO FUSE HOLDER
	112591-01-000	EA	CIRCUIT BREAKER - 16 AMP - 240 VOLT
	112592-01-000	EA	CIRCUIT BREAKER - 25 AMP - 240 VOLT - GFI

ELECTRIC BOXES, COVERS & POWER CORDS

KEY	PART NUMBER	U/M	DESCRIPTION
	008052-01-000	EA	CORD - POWER - 10/3 WIRE - 30 AMP - 25' - CANADIAN
	008054-01-000	EA	CORD - POWER - 10/3 WIRE - 30 AMP - 25'
	008289-01-000	EA	BOX - ELECTRIC/STEEL - 1/2" & 3/4" KNOCKOUTS - 4" X 4"
	008289-02-000	EA	BOX - ELECTRIC/STEEL - 1/2" & 3/4" KNOCKOUTS - 4" X 4"-CAN
	008294-01-000	EA	COVER - ELECTRICAL BOX - BLANK/STEEL - 4" X 4" - GRAY
	008294-02-000	EA	COVER - ELECTRICAL BOX - BLANK STEEL - 4" X 4" - CANADIAN
	069238-01-000	EA	COVER - ELECTRICAL BOX - W/HOLE - 4" X 4" - GRAY USED WITH 30 AMP RECEPTACLE
	091910-01-000	EA	BOX - ELECTRIC - 3.8" X 3.5" X 1.8" - PLASTIC
	091910-02-000	EA	BOX - ELECTRIC - 2.2" X 3.5" X 1.8" - PLASTIC
	093603-01-000	EA	BOX - ELECTRIC - 4" X 2 1/8" X 2 1/8"
	107165-01-01A	EA	BOX - CIRCUIT BREAKER - 14.6" X 4" - PLASTIC
	093257-02-000	EA	BOX - ELECTRIC - CIRCUIT BREAKER
	123659-01-000	EA	BOX - ELECTRIC - RECEPTACLE - EUROPEAN

ELECTRICAL GROUP (CONTINUED)

CONDUIT

KEY	PART NUMBER	U/M	DESCRIPTION
	041953-01-000	FT	CONDUIT - CONVOLUTE SLIT - .5" ID
	041953-03-000	FT	CONDUIT - CONVOLUTE SLIT - 1" ID (CLOTHES ROD COVER)
	041953-05-000	FT	CONDUIT - CONVOLUTE SOLID - .62" ID
	041953-06-000	FT	CONDUIT - CONVOLUTE SLIT - .375" ID
	041953-07-000	FT	CONDUIT - CONVOLUTE SLIT - .25" ID
	041953-08-000	FT	CONDUIT - CONVOLUTE SLIT - 1.50" ID
	041953-09-000	FT	CONDUIT - CONVOLUTE SLIT - .50" ID
	041953-10-000	FT	CONDUIT - CONVOLUTE SLIT - .75" ID
	041953-11-000	FT	CONDUIT - CONVOLUTE SLIT - 1.06" ID
	008394-01-000	FT	CONDUIT - FLEXIBLE - 1/2"

WIRING ASSEMBLIES

KEY	PART NUMBER	U/M	DESCRIPTION
	073328-B4-000	EA	CABLE ASSEMBLY - BATTERY - W/TERMINALS
	090986-01-000	EA	WIRE ASSEMBLY - ELECTRIC STEP
	096449-01-000	EA	WIRE ASSEMBLY - WATER TANK TO MONITOR PANEL
	097618-01-000	EA	WIRE ASSEMBLY - MONITOR PANEL- W/3 WIRES & ORANGE RESISTOR ORANGE RESISTOR W/3 (ORANGE-GREEN-BLUE) WIRES
	106851-01-000	EA	WIRE ASSEMBLY - RUNNING LIGHTS - FUSE
	112593-01-000	FT	CABLE - 3 WIRE - 16A - FLEX RUBBER - EUROPEAN
	105306-01-000	EA	WIRE ASSEMBLY - MONITOR PANEL ADAPTER
	112593-02-000	FT	CABLE - 3 WIRE - 25A - FLEX RUBBER - EUROPEAN

POWER CONVERTER & INVERTER

KEY	PART NUMBER	U/M	DESCRIPTION
	083208-01-000	EA	CONTROL CENTER - 32A AMP - 120V/12V
	083208-05-000	EA	CONTROL CENTER - 45 AMP - 100/12V
	099048-03-000	EA	INVERTER - 130 WATT
	113493-01-000	EA	LOAD CENTER - 12 MDL - FLUSH MOUNT
	114511-01-000	EA	CONVERTER - 40 AMP - W/CHARGER
	125570-01-000	EA	TRANSFORMER - 220 TO 110 VAC

ELECTRICAL GROUP (CONTINUED)**CONNECTORS, HOUSINGS, TERMINALS & ELECTRICAL MISCELLANEOUS**

KEY	PART NUMBER	U/M	DESCRIPTION
	007956-05-000	EA	INSULATOR - SHRINK - .25 ID X 1.50
	008311-01-000	EA	CONNECTOR - WIRE NUT - INSULATED - RED
	008312-01-000	EA	CONNECTOR - WIRE NUT - INSULATED - BLUE
	008313-01-000	EA	CONNECTOR - WIRE NUT - INSULATED - YELLOW
	008314-01-000	EA	CONNECTOR - WIRE NUT - INSULATED - GRAY
	008326-01-000	EA	TERMINAL - RING - 16/14 WIRE - 3/8" STUD
	008328-01-000	EA	TERMINAL - RING - 12/10 WIRE - #10 STUD FIT
	008331-01-000	EA	TERMINAL - RING - TONGUE - #4 WIRE - 3/8" STUD - COPPER
	008348-01-000	EA	TERMINAL - RING - 3/8" STUD 2 GA. WIRE
	008355-01-000	EA	CONNECTOR - CABLE CLAMPING - 3/4"
	008356-01-000	EA	CONNECTOR - PLASTIC - 3/8" AVG
	035416-04-000	EA	TERMINAL - RING - #10 STUD FIT - INSULATED BARREL #16/14
	041480-01-000	EA	CONNECTOR - STRAIGHT - 1/2" FLEX CONDUIT
	047443-01-000	EA	TERMINAL - .250 RECEPTACLE FIT - INSULATED - 16/14 AWG
	047443-02-000	EA	TERMINAL - .250 RECEPTACLE FIT - INSULATED - 12/10 AWG
	058028-01-000	EA	CONNECTOR - ELECTRICAL PIGTAIL - NYLON - CLEAR
	077479-01-000	EA	BOOT - BATTERY TERMINAL - DOUBLE CABLE
	077479-02-000	EA	BOOT - BATTERY TERMINAL - SINGLE CABLE
	080015-02-000	EA	RECEPTACLE - FLAG - .185 - 16/14 GAUGE
	080015-03-000	EA	RECEPTACLE - FLAG - .250 - 14/16 GAUGE
	087225-01-000	FT	SLEEVING - 1/2" - TYPE H
	087225-02-000	FT	SLEEVING - 5/8" - TYPE H
	087949-01-000	EA	BUSS BAR - 2 POSITION - .6" X 1.5"
	088473-03-000	EA	HOUSING - PIN - 9 CAVITY (3 ROWS OF 3)
	088473-05-000	EA	HOUSING - PIN - 6 CAVITY IN-LINE
	088473-06-000	EA	HOUSING - PIN - 6 CAVITY (2 ROWS OF 3)
	088474-02-000	EA	HOUSING - SOCKET - 15 CAVITY
	088473-08-000	EA	HOUSING - PIN - 4 CAVITY - IN-LINE
	088473-09-000	EA	HOUSING - PIN - 3 CAVITY IN-LINE
	088473-10-000	EA	HOUSING - PIN - 2 CAVITY - IN LINE
	088474-03-000	EA	HOUSING - SOCKET - 9 CAVITY
	088474-06-000	EA	HOUSING - SOCKET - 6 CAVITY
	088474-07-000	EA	HOUSING - SOCKET - 5 CAVITY
	088474-08-000	EA	HOUSING - SOCKET - 4 CAVITY
	088474-09-000	EA	HOUSING - ELECTRICAL - 3 TERMINAL
	088474-10-000	EA	HOUSING - SOCKET - 2 CAVITY

ELECTRICAL GROUP (CONTINUED)**CONNECTORS, HOUSINGS, TERMINALS & ELECTRICAL MISCELLANEOUS (CONTINUED)**

KEY	PART NUMBER	U/M	DESCRIPTION
	088475-01-000	EA	PIN - CONNECTOR - 14-20 AWG
	088475-02-000	EA	PIN - CONNECTOR - 10 - 12 AWG
	088476-01-000	EA	TERMINAL - ELECTRICAL
	088476-02-000	EA	SOCKET - CONNECTOR - 12-10 GA - PRE-TIN
	098261-02-000	EA	SOCKET - CONNECTOR - WEATHERPACK
	098262-01-000	EA	SEAL - CONNECTOR - WEATHERPACK
	098265-02-000	EA	PIN - CONNECTOR - WEATHERPACK
	101751-02-000	EA	HOUSING - 1 PIN - WEATHER PACK
	102777-02-000	EA	TERMINAL - RING - #6 STUD - 10 AWG
	106655-01-000	EA	TERMINAL - FUSE BLOCK - 14-16 AWG
	106655-02-000	EA	TERMINAL - FUSE BLOCK - 10-12 AWG
	112590-01-000	EA	RECEPTACLE - 16 AMP - 240 VOLT - 2 POLE W/GROUND
	119223-01-000	EA	HOUSING - 6 POSITION - MALE - WEATHERPACK
	125323-02-000	EA	HOUSING - 8 POSITION - MALE
	125324-01-000	EA	TERMINAL - MALE - METRI-PACK - 150
	125325-01-000	EA	SEAL - CAVITY
	101751-01-000	EA	HOUSING - 1 PIN - WEATHER PACK
	112594-01-000	EA	INLET - 16 AMP 240 VOLT - 2 POLE W/GROUND - EUROPEAN
	119223-01-000	EA	HOUSING - 6 POSITION - MALE - WEATHERPACK
	101751-01-000	EA	HOUSING - 1 PIN - WEATHER PACK
	008188-01-000	EA	SOLENOID - 3 POST - BATTERY CHANGE OVER
	063910-01-000	EA	HOUSING - RELAY
	086273-01-000	EA	RELAY - BATTERY DISCONNECT
	113494-01-000	EA	CONTACTOR - 25 AMP - 230 VOLT - 50 HZ

EXTERIOR BODY GROUP

FIBERGLASS, ALUMINUM, STYROFOAM, PLYWOOD & CHANNEL

KEY	PART NUMBER	U/M	DESCRIPTION
	076054-P9-000	EA	FIBERGLASS SHEET - 37.4" X 99.3" - BRIGHT WHITE
	076054-W5-000	EA	FIBERGLASS SHEET - 101.4" X 108.7" - BRIGHT WHITE
	076054-Y2-000	EA	FIBERGLASS SHEET - 102" X 320"
	076054-Z5-000	EA	FIBERGLASS SHEET - 27.4" X 66" - BRIGHT WHITE
	077517-62-000	EA	FIBERGLASS - SHEET/SIDEWALL - 4' X 8' - BRIGHT WHITE
	077517-64-000	EA	FIBERGLASS - SHEET/SIDEWALL - 4' X 8' - GRAY
	000870-08-000	SF	STYROFOAM - .75" X 48" X 96" PLANED EXPANDED BEAD BOARD
	083574-06-000	SF	STYROFOAM - .75 X 48" X 108" - INCREMENTS OF 14 SF
	100619-01-000	BF	FOAM - EXPANDED POLYSTYRENE - 1.34" X 48" X 96"
	100619-04-000	BF	FOAM - EXPANDED POLYSTYRENE - .5" X 48" X 96"
	100619-05-000	BF	FOAM - EXPANDED POLYSTYRENE - .75" X 48" X 96"
	100619-16-000	BF	FOAM - EXPANDED POLYSTYRENE - .75" X 48" X 96"
	089297-01-000	SF	PLYWOOD - LUAN - OVERLAY GRADE - 48" X 96"
	002726-01-001	EA	GARNISH - U-CHANNEL - 1.38" X 19' - SERRATED
	002766-01-001	EA	ANGLE - EXTRUDED - 1" X 1.5" X 17'
	068716-01-001	EA	BRACE - 90 DEGREE L-ANGLE - 16'

AWNING

KEY	PART NUMBER	U/M	DESCRIPTION
	113874-03-03A	EA	AWNING - W/O HARDWARE - 11.5' (P BLUE) VINYL
	113874-10-01A	EA	SPACER - AWNING - LOWER BRACKET
	127647-01-01A	EA	ROD/AWNING GUARD - ENTRANCE DOOR
	130320-01-02A	EA	BRACKET - AWNING - F/A&E INSTALLATION - BRIGHT WHITE
	111038-01-01A	EA	SPACER - AWNING - LOWER
*	113874-01-02A	EA	HARDWARE KIT - AWNING - W/O STANDOFF BRACKET-BRIGHT WHITE

* COMPONENT PARTS FOUND IN SERVICE PARTS LIBRARY

EXTERIOR BODY GROUP (CONTINUED)

ALUMINUM RUNNING BOARDS - CHEVY

KEY	PART NUMBER	U/M	DESCRIPTION	VENDOR NO.
	072884-28-000	EA	RUNNING BOARD - ALUMINUM - CHEVY CHASSIS	
	072884-27-704	EA	CAP-ENDS, 1EA=PAIR	99148
	072884-28-700	EA	RUNNING BOARDS ONLY- RT & LT	15543
	072884-28-701	EA	FRONT FLAP - PAIR	99153
	072884-28-702	EA	BRACKET SET - COMPLETE	206771

FIBERGLASS RUNNING BOARDS - CHEVY

KEY	PART NUMBER	U/M	DESCRIPTION
	125727-01-01A	EA	RUNNING BOARD - FIBERGLASS - PASSENGER - CHEVY - BRT WHITE
	125727-02-01A	EA	RUNNING BOARD - FIBERGLASS - DRIVER - CHEVY - BRIGHT WHITE
	125727-03-000	EA	HARDWARE KIT - RUNNING BOARD

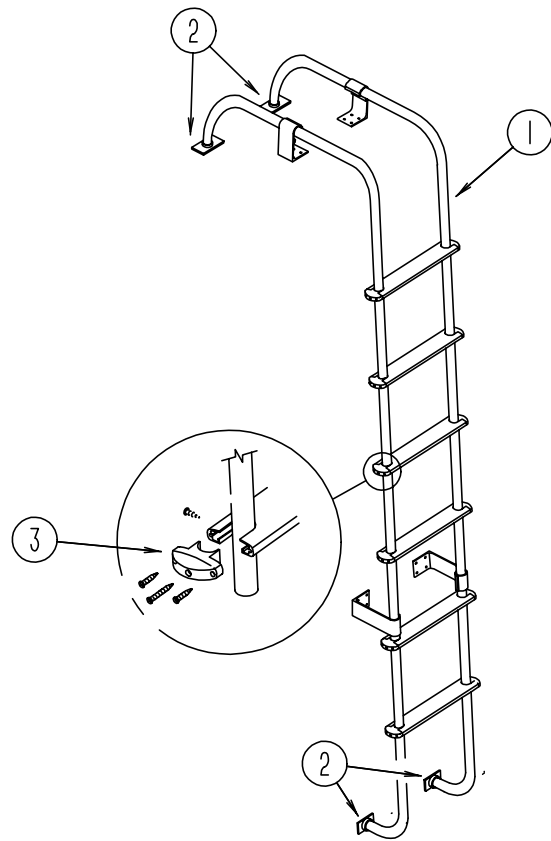
ALUMINUM RUNNING BOARDS - FORD

KEY	PART NUMBER	U/M	DESCRIPTION	VENDOR NO.
	072884-27-000	EA	RUNNING BOARD SET - 39" - FORD - ALUMINUM	
	072884-27-700	EA	BRACKET SET 12" 92	RB2BRK/M
	072884-27-701	EA	RUNNING BOARD-FORD 39",RT<	
	072884-27-702	FT	TREAD TAPE	RB9202
	072884-27-703	EA	MUD FLAP W/HOLES, 1EA=PAIR	99171
	072884-27-704	EA	CAP-ENDS, 1EA=PAIR	99148

FIBERGLASS RUNNING BOARDS - FORD

KEY	PART NUMBER	U/M	DESCRIPTION
	106461-06-01A	EA	RUNNING BOARD - FIBERGLASS - PASSENGER - FORD - BRT WHITE
	106461-07-01A	EA	RUNNING BOARD - FIBERGLASS - DRIVER - FORD - BRT WHITE
	106461-03-000	EA	HARDWARE KIT - RUNNING BOARD
	106461-04-000	EA	TRIM - RUNNING BOARD/FORD
	106461-05-000	EA	NON SKID STRIP - RUNNING BOARD

EXTERIOR BODY GROUP (CONTINUED)



LADDER

KEY	PART NUMBER	U/M DESCRIPTION
1	102953-10-F15	EA LADDER
		FROM: 00-00-00 THRU: 02-01-98
1	129639-01-01A	EA LADDER - BRUSHED ALUMINUM
		FROM: 02-02-98 THRU: 99-99-99
2	067165-01-000	EA BRACKET - MOUNTING - LOWER LADDER
3	076980-02-000	EA END CAP - STEP - BLACK
	000G39-06-10T	EA SCREW - SF/DR - 6-20 X 5/8 PPH - BLACK
	000G68-10-36T	EA SCREW - 10-12 X 2.25 POH BLACK
	038327-01-000	EA TAPE - ANTI SLIP - 2" X 60'

EXTERIOR BODY GROUP (CONTINUED)

EXTERIOR MIRRORS - FORD

KEY	PART NUMBER	U/M DESCRIPTION	VENDOR NO.
	120269-01-01A	EA MIRROR - EXTERIOR - PASSENGER	
	120269-02-01A	EA MIRROR - EXTERIOR - DRIVER	
	120269-01-700	EA GLASS KIT W/BEZEL RH/LH	709407-8

EXTERIOR MIRRORS - CHEVY

KEY	PART NUMBER	U/M DESCRIPTION	VENDOR NO.
	106860-05-01A	EA MIRROR - REGULAR HEAD/LOW MOUNT - BRIGHT WHITE	
	106860-01-707	EA MIRROR HEAD (BRT WHITE)	7092760

EXTERIOR MIRRORS - JAPAN EXPORT

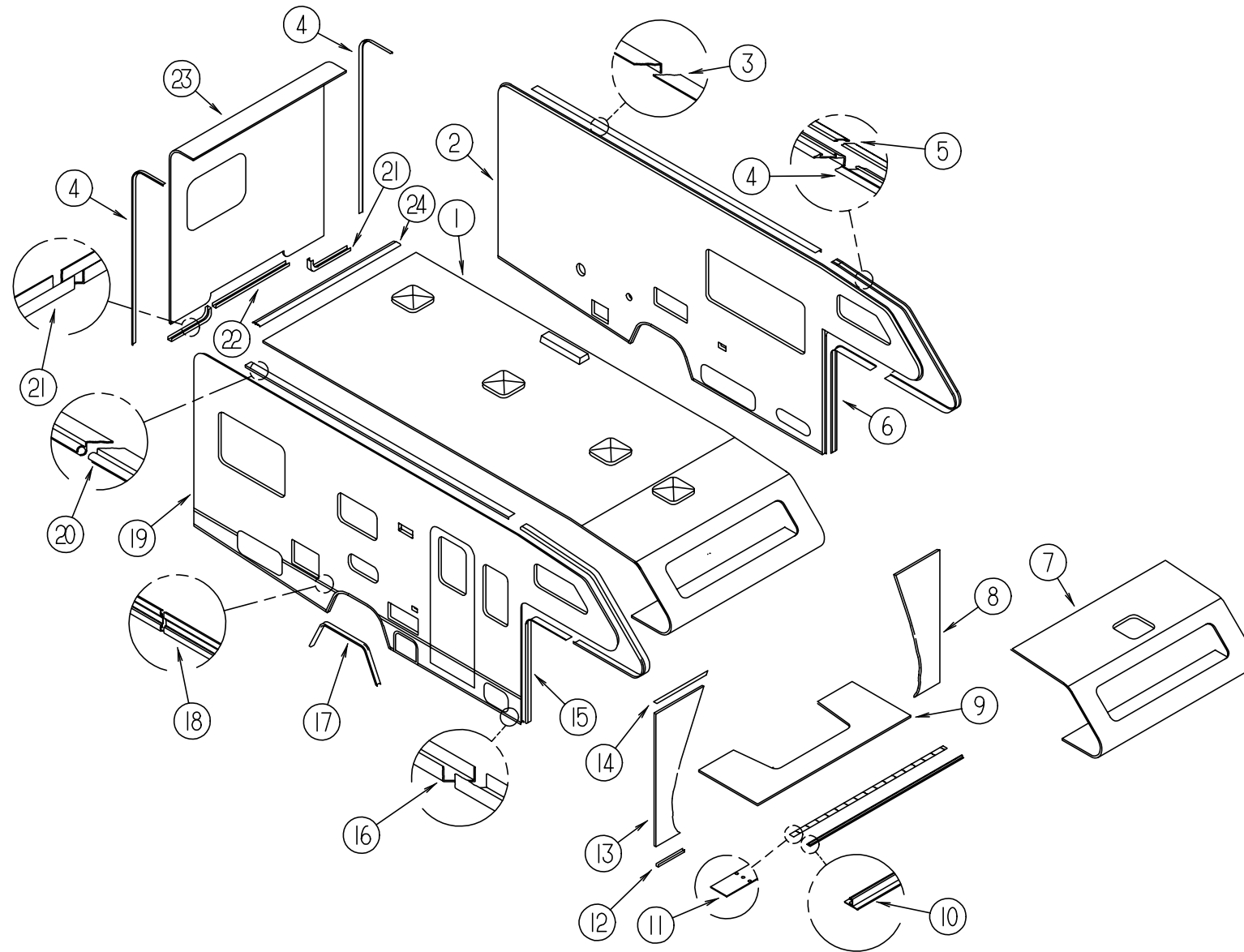
KEY	PART NUMBER	U/M DESCRIPTION	VENDOR NO.
	120269-09-01A	EA MIRROR - PASSENGER - 96" - W/HEAT/REMOTE	
	120269-10-01A	EA MIRROR - DRIVER - 96" - W/HEAT/REMOTE	
	120269-05-701	EA GLASS ONLY REPLACEMENT RH/LH	709411-8
	120269-08-000	EA HARNESS - ELECTRIC MIRROR	
	120269-07-01A	EA PANEL - DRIVERS DOOR MIRROR CONTROL W/SWITCH & PIGTAIL	

EXTERIOR MIRRORS - EXPORT

KEY	PART NUMBER	U/M DESCRIPTION	VENDOR NO.
	120269-08-000	EA HARNESS - ELECTRIC MIRROR	
	120269-01-02A	EA MIRROR-PASSENGER DOOR - BRIGHT WHITE	
	120269-02-02A	EA MIRROR - EXTERIOR - DRIVER	
	120269-01-700	EA GLASS KIT W/BEZEL RH/LH	709407-8

EXTERIOR BODY GROUP (CONTINUED)

EXTERIOR BODY PANELS

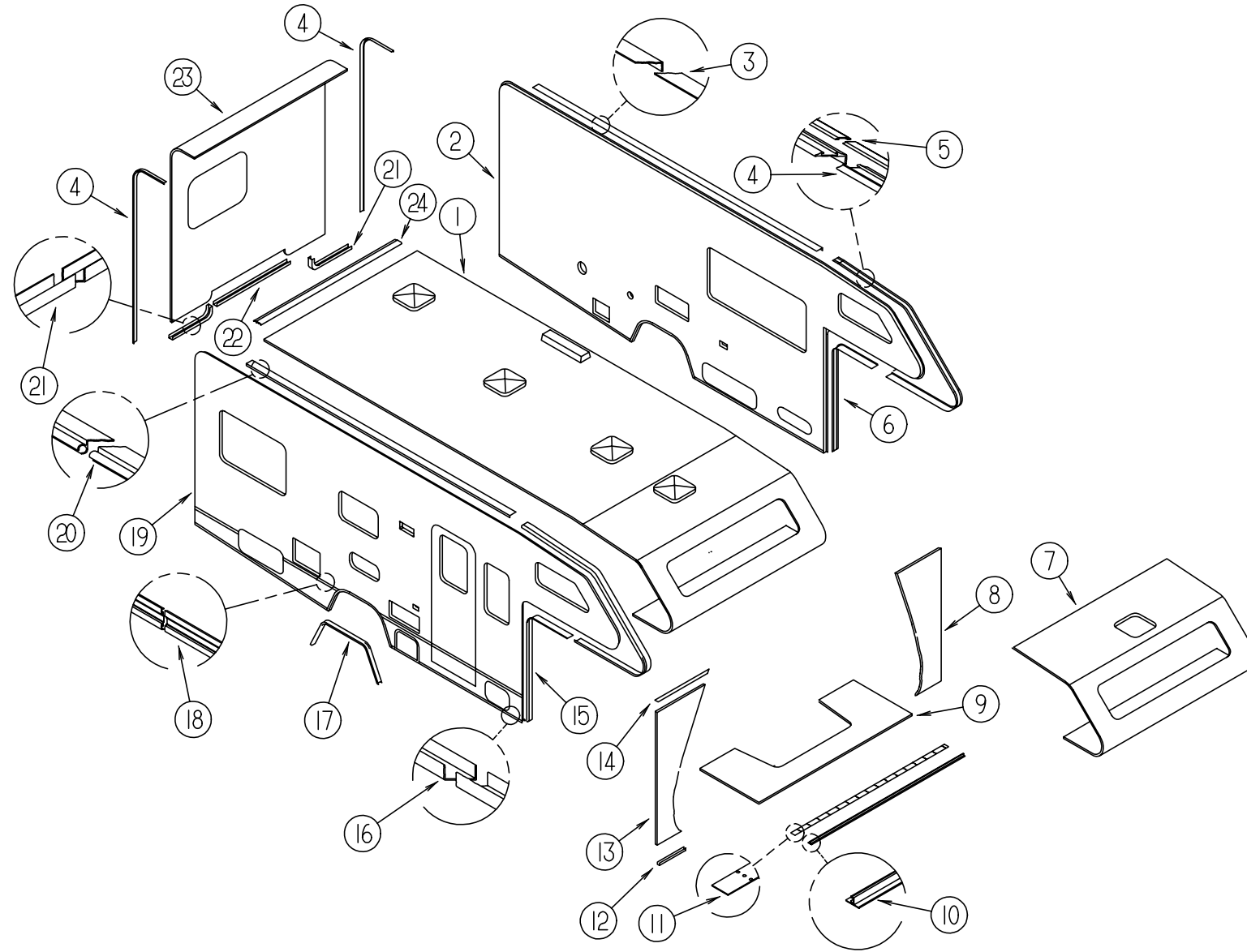


KEY	PART NUMBER	U/M	DESCRIPTION
1	M07431-05-J01	EA	ROOF - W/O LIGHTS/VENTS - W/WIRING
1	M07431-06-H10	EA	ROOF - W/O LIGHTS/VENTS - W/WIRING - JAPAN
1	M07431-07-J10	EA	ROOF - W/O LIGHTS/VENTS - W/WIRING - EUROPE
2	M08184-06-J01	EA	SIDEWALL - DRIVER - W/O WINDOWS/TRIMS
2	M08184-06-J02	EA	SIDEWALL - DRIVER - W/O WINDOWS/TRIMS
2	M08184-08-J10	EA	SIDEWALL - DRIVER - W/O WINDOWS/TRIMS - EUROPE
2	M08184-08-J11	EA	SIDEWALL - DRIVER - W/O WINDOWS/TRIMS - EUROPE
2	M08184-07-J10	EA	SIDEWALL - DRIVER - W/O WINDOWS/TRIMS - JAPAN
2	M08184-07-J11	EA	SIDEWALL - DRIVER - W/O WINDOWS/TRIMS - JAPAN
3	096864-01-02A	EA	TRIM - CONTOUR - ROOF TO SIDEWALL - 120"
4	096854-05-02A	EA	TRIM - CONTOUR - BRIGHT WHITE - 114"
4	096854-06-02A	EA	TRIM - CONTOUR - BRIGHT WHITE - 130"
5	105312-01-07A	FT	INSERT - VINYL FEATURE STRIP - BRIGHT WHITE
6	104479-06-02A	EA	TRIM - FRONT CONTOUR - BRIGHT WHITE
6	105015-02-02A	EA	TRIM - WINGWALL/SIDEWALL INNER SUPPORT BRACKET - EXPORT
7	M76177-01-700	EA	ROOF SECTION, FRONT 8' X 8'
8	125065-02-H04	EA	WINGWALL
8	125487-02-H10	EA	WINGWALL - EXPORT

KEY	PART NUMBER	U/M	DESCRIPTION
	104444-02-02A	EA	COVER - WINGWALL TRIM - UPPER DRIVER - BRIGHT WHITE - EXPORT
	106144-02-F08	EA	COVER - WINGWALL - LEFT HAND - FORD - EXPORT
	106145-02-02A	EA	COVER - WINGWALL TRIM - DRIVER - EXPORT
	108037-02-02A	EA	COVER - WINGWALL OUTER-CURVED BRIGHT WHITE ALUMINUM - EXPORT
	105015-02-02A	EA	TRIM - WINGWALL/SIDEWALL INNER SUPPORT BRACKET - EXPORT
9	P25064-01-J01	EA	SLEEPERBOARD
9	P25064-01-H85	EA	SLEEPERBOARD - EXPORT
10	100086-04-01A	EA	TRIM - SLEEPER BOARD/ROOF - 2" X 96.6"
11	100085-03-01A	EA	TRIM - SLEEPERBOARD - FLAT - 2.5" X 87.5"
12	002365-03-006	EA	U-CHANNEL - EXTRUDED - 1" X 192" - BRIGHT WHITE
13	125065-01-H04	EA	WINGWALL
13	125487-01-H10	EA	WINGWALL - EXPORT
	104444-01-02A	EA	COVER - WINGWALL TRIM - UPPER PASSENGER - BRIGHT WHITE - EXPORT
	106144-01-F08	EA	COVER - WINGWALL - RIGHT HAND - FORD - EXPORT
	106145-01-02A	EA	COVER - WINGWALL TRIM - PASSENGER - EXPORT
	108037-02-02A	EA	COVER - WINGWALL OUTER-CURVED BRIGHT WHITE ALUMINUM - EXPORT
	105015-02-02A	EA	TRIM - WINGWALL/SIDEWALL INNER SUPPORT BRACKET - EXPORT

EXTERIOR BODY GROUP (CONTINUED)

EXTERIOR BODY PANELS (CONTINUED)

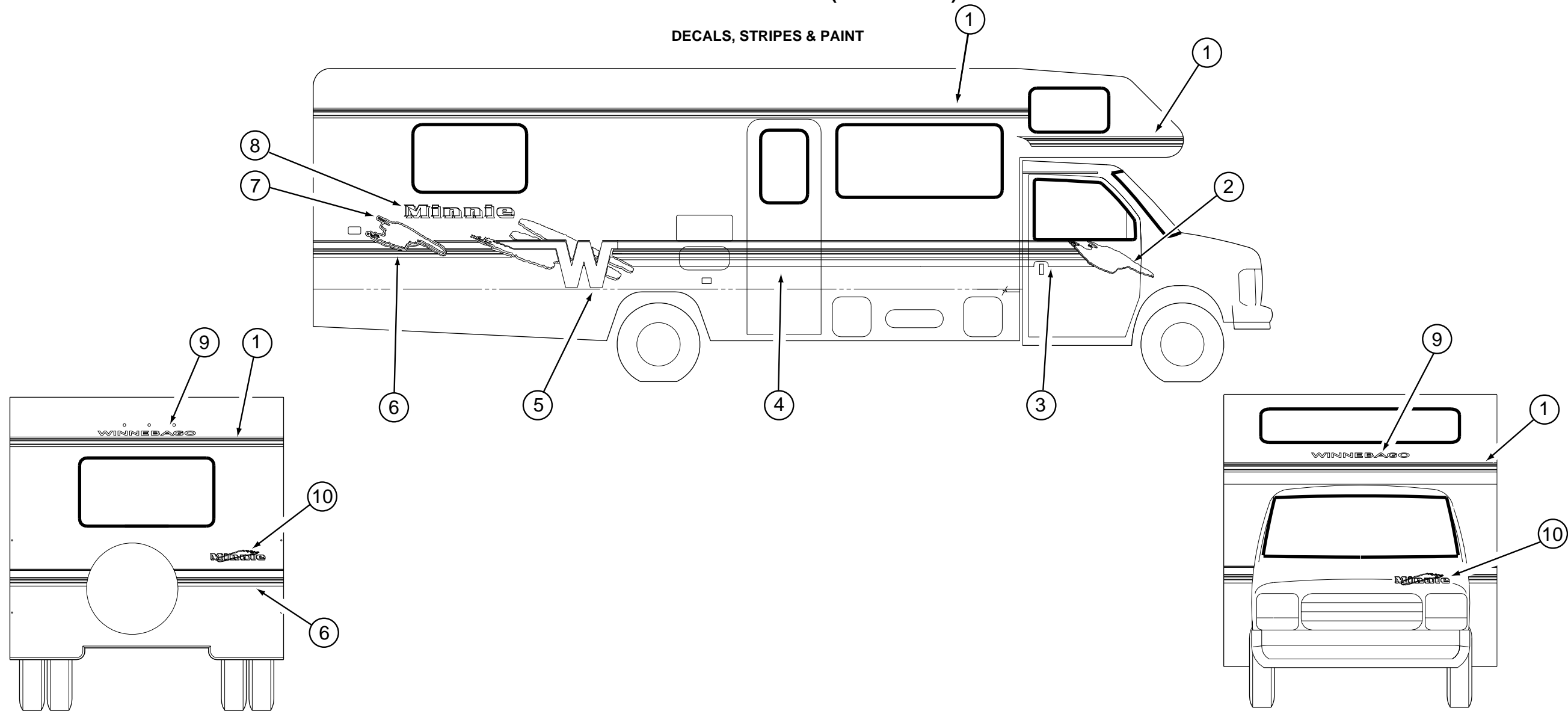


KEY	PART NUMBER	U/M	DESCRIPTION
14	022992-14-000	FT	MOLDING - REVERSE COVE
15	104479-05-02A	EA	TRIM - FRONT CONTOUR - BRIGHT WHITE
16	098072-55-003	EA	U-CHANNEL - OFF SET - 1.65" WIDE X 192"
16	115517-55-002	EA	EXTRUDED - ROCKER PAN - EXPORT
	118383-04-04A	EA	CAP - RETAINER/SCREW - EXPORT
	106106-01-02A	EA	END CAP - ROCKER PANEL - RIGHT HAND - EXPORT
	106106-02-02A	EA	END CAP-ROCKER PANEL (LH) - EXPORT
17	105100-02-02A	EA	TRIM - WHEELWELL
			FROM: 00-00-00 THRU: 01-11-98
17	124517-04-01A	EA	TRIM - WHEELWELL/REAR - BRIGHT WHITE
			FROM: 01-12-98 THRU: 99-99-99
17	105220-01-02A	EA	TRIM-WHEELWELL,REAR BLACK - EXPORT
18	108688-01-03A	EA	STRIP - FEATURE - 15'
	105312-01-07A	FT	INSERT - VINYL FEATURE STRIP - BRIGHT WHITE
	108651-01-01A	EA	END CAP - FEATURE STRIP

KEY	PART NUMBER	U/M	DESCRIPTION
19	M08184-09-J01	EA	SIDEWALL - PASSENGER - W/O WINDOWS/TRIMS
19	M08184-09-J02	EA	SIDEWALL - PASSENGER - W/O WINDOWS/TRIMS
19	M08184-10-J10	EA	SIDEWALL - PASSENGER - W/O WINDOWS/TRIMS - JAPAN
19	M08184-10-J11	EA	SIDEWALL - PASSENGER - W/O WINDOWS/TRIMS - JAPAN
19	M08184-11-J10	EA	SIDEWALL - PASSENGER - W/O WINDOWS/TRIMS - EUROPE
19	M08184-11-J11	EA	SIDEWALL - PASSENGER - W/O WINDOWS/TRIMS - EUROPE
20	099583-55-003	EA	RAIL - AWNING - 120"
21	103334-02-02A	EA	TRIM - BACKWALL/LOWER
22	103335-02-02A	EA	TRIM - BACKWALL/LOWER
23	M07432-05-J01	EA	BACKWALL - W/O WINDOW/TRIM
23	M07432-05-J02	EA	BACKWALL - W/O WINDOW/TRIM
23	M07432-06-J10	EA	BACKWALL - W/O WINDOW/TRIM - JAPAN
23	M07432-06-J11	EA	BACKWALL - W/O WINDOW/TRIM - JAPAN
23	M07432-07-J10	EA	BACKWALL - W/O WINDOW/TRIM - EUROPE
23	M07432-07-J11	EA	BACKWALL - W/O WINDOW/TRIM - EUROPE
24	078580-02-000	EA	TRIM - ROOF/FRONT/REAR CAP

EXTERIOR BODY GROUP (CONTINUED)

DECALS, STRIPES & PAINT



KEY	PART NUMBER	U/M	DESCRIPTION
1	118710-03-01A	FT	FILM - MULTISTRIPE - 4"
2	124449-01-01A	EA	DECAL - SPLASH - FRONT/RIGHT HAND
2	124449-02-01A	EA	DECAL - SPLASH - FRONT/LEFT HAND
3	124451-01-01A	EA	DECAL - CAB - RIGHT HAND - FORD
3	124451-02-01A	EA	DECAL - CAB - LEFT HAND - FORD
4	094446-02-01A	FT	FILM - MULTISTRIPE - 9.5"
5	124448-01-01A	EA	DECAL - "W" W/SPLASH - RIGHT HAND
5	124448-02-01A	EA	DECAL - "W" W/SPLASH - LEFT HAND
6	094445-06-01A	FT	FILM - MULTISTRIPE - 6.1"
7	124450-01-01A	EA	DECAL - SPLASH - REAR/RIGHT HAND
7	124450-02-01A	EA	DECAL - SPLASH - REAR/LEFT HAND
8	116849-01-03A	EA	DECAL - LOGO/MINNIE - LARGE
9	120702-03-05A	EA	DECAL - LOGO WINNEBAGO
10	124447-01-01A	EA	DECAL - MINNIE W/SPLASH
	122886-02-01A	EA	DECAL - MOBILIE - SMALL - JAPAN
	122885-01-01A	EA	DECAL - WORLD CLASS - EXPORT
	041561-03-000	EA	PAINT - 16 OUNCE SPRAY - OFF WHITE
	099399-23-700	EA	PAINT-SPRAY-BRT WHITE ENAMEL
	099399-23-701	EA	PAINT - BRT/WHT .3 OZ PEN RAABE

DUPONT PAINT COLOR CODES

BRIGHT WHITE

B8951U

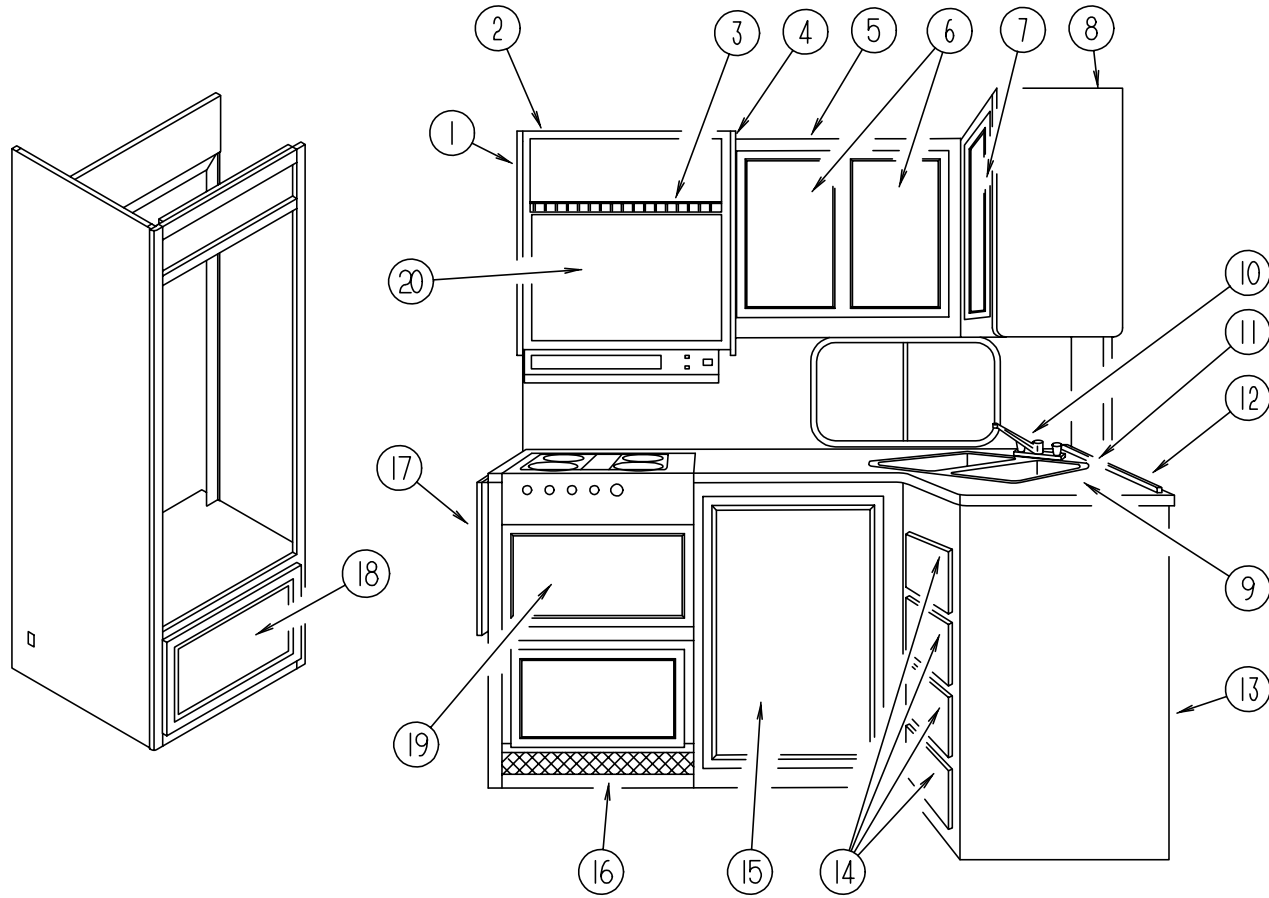
DUPONT GRAPHICS COLOR CODES

MARLIN BLUE METALLIC
 BLAZER BLUE METALLIC
 LIGHT MARINE BLUE METALLIC
 FUSCHIA ICE METALLIC

FILM #561	BM500
FILM #525	BM090
FILM #418	K9457
FILM #162	RM011

GALLEY GROUP

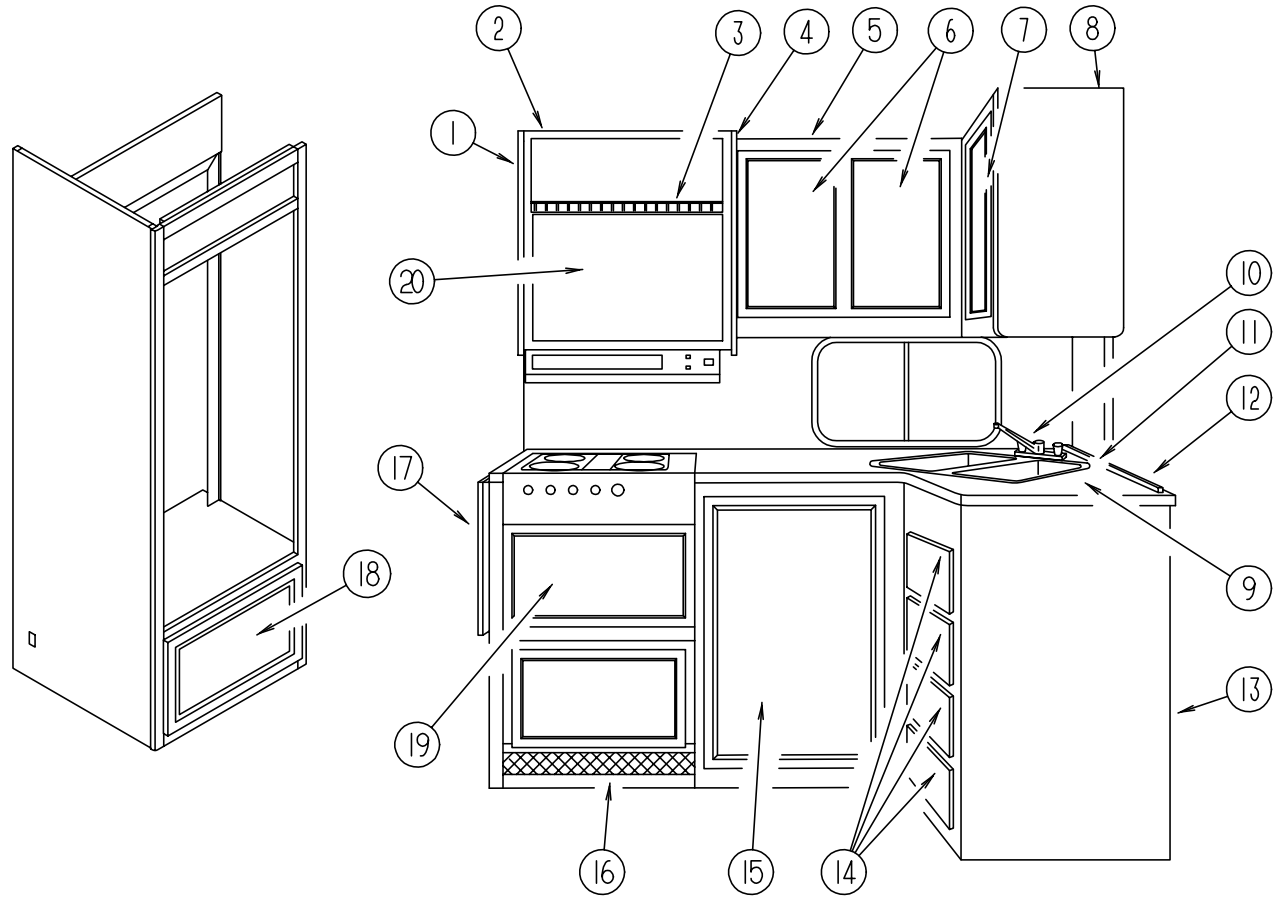
GALLEY CABINETS & FIXTURES



KEY	PART NUMBER	U/M	DESCRIPTION
1	109908-24-G01	EA	END CAP - OVERHEAD CABINET - WATERFORD OAK
1	109908-24-H10	EA	END CAP - OVERHEAD CABINET - SALEM CHERRY
2	M08196-01-H04	EA	CABINET - OVERHEAD/MICROWAVE - W/O DOORS/HARDWARE WATERFORD OAK FROM: 00-00-00 THRU: 11-09-97
2	M08196-03-J01	EA	CABINET - OVERHEAD/MICROWAVE - W/O DOORS/HARDWARE WATERFORD OAK FROM: 11-10-97 THRU: 99-99-99
2	M08196-02-J10	EA	CABINET - OVERHEAD/MICROWAVE - W/O DOORS/HARDWARE SALEM CHERRY - JAPAN EXPORT FROM: 00-00-00 THRU: 11-09-97
2	M08196-04-J10	EA	CABINET - OVERHEAD/MICROWAVE - W/O DOORS/HARDWARE SALEM CHERRY - JAPAN EXPORT FROM: 11-10-97 THRU: 99-99-99
2	121971-03-H10	EA	CABINET - OVERHEAD/MICROWAVE - W/O DOORS/HARDWARE SALEM CHERRY- WIE EXPORT FROM: 00-00-00 THRU: 11-09-97
2	128617-04-J10	EA	CABINET - OVERHEAD/MICROWAVE - W/O DOORS/HARDWARE SALEM CHERRY- WIE EXPORT FROM: 11-10-97 THRU: 99-99-99
3	075249-01-000	EA	RAILING - OAK - 72" - UNFINISHED - WATERFORD OAK
3	075249-02-000	EA	RAILING - OAK - 72" - UNFINISHED - SALEM CHERRY - WIE EXPORT
4	109908-19-G01	EA	END CAP - OVERHEAD CABINET - WATERFORD OAK
4	109908-19-H10	EA	END CAP - OVERHEAD CABINET - SALEM CHERRY
5	122976-01-J01	EA	CABINET - GALLEY OVERHEAD - W/O DOORS/HARDWARE - WATERFORD OAK
5	122976-02-J10	EA	CABINET - GALLEY OVERHEAD - W/O DOORS/HARDWARE - SALEM CHERRY
6	M08758-45-J15	EA	DOOR - MITERED CORNER/OGEE EDGE - 10" X 25.2" - W/O HDW-WATERFORD OAK
6	M08758-02-J01	EA	DOOR - MITERED CORNER/OGEE EDGE - 10" X 25.2" - W/O HDW WATERFORD UPGRADE
6	M05992-77-J10	EA	DOOR - STRAIGHT CORNER/OGEE EDGE - 10" X 25.2" - W/O HDW - SALEM CHERRY
7	M08758-86-J01	EA	DOOR - MITERED CORNER/OGEE EDGE - 15.3" X 25.6" - W/O HDW - WATERFORD
7	M08758-50-J01	EA	DOOR - MITERED CORNER/OGEE EDGE - 15.3" X 25.6" - W/O HDW WATERFORD OAK UPGRADE
7	M05992-80-J10	EA	DOOR - STRAIGHT CORNER/OGEE EDGE - 15.3 X 25.6" - W/O HDW SALEM CHERRY
8	124165-01-H04	EA	CABINET - OVERHEAD GALLEY CENTER - W/O DOORS/HARDWARE WATERFORD OAK
8	124165-01-J10	EA	CABINET - OVERHEAD GALLEY CENTER - W/O DOORS/HARDWARE SALEM CHERRY
9	122683-13-J01	EA	COUNTERTOP - GALLEY (J01)
9	122683-13-H24	EA	COUNTERTOP - GALLEY (J02)
9	122683-13-H04	EA	COUNTERTOP - GALLEY (J10) - JAPAN EXPORT
9	122683-13-J01	EA	COUNTERTOP - GALLEY (J11) - JAPAN EXPORT
9	122683-17-J10	EA	COUNTERTOP - GALLEY (J10) - WIE EXPORT
9	122683-17-J11	EA	COUNTERTOP - GALLEY (J11) - WIE EXPORT
10	103243-01-000	EA	FAUCET - DUAL CONTROL
10	104114-02-01A	EA	FAUCET - GALLEY - SINGLE CONTROL

GALLEY GROUP (CONTINUED)

GALLEY CABINETS & FIXTURES (CONTINUED)



KEY	PART NUMBER	U/M	DESCRIPTION
11	104113-01-000	EA	SINK - DOUBLE - STAINLESS STEEL
	092303-01-000	EA	STRAINER - SINK
	103610-03-H07	EA	COVER - SINK - 15.2" X 11" (J01)
	103610-03-H24	EA	COVER - SINK - 15.2" X 11" (J02)
	103610-03-H04	EA	COVER - SINK - 15.2" X 11" (J10)
	103610-03-H07	EA	COVER - SINK - 15.2" X 11" (J11)
12	098335-11-H11	EA	RAIL - GALLEY - 12" (J01, J11)
12	098335-11-H24	EA	RAIL - GALLEY - 12" (J02)
12	098335-11-H04	EA	RAIL - GALLEY - 12" (J10)
13	P22683-01-J01	EA	CABINET - GALLEY - W/CTRTP - W/O DOORS/DWRS/HDW (J01)
13	P22683-01-H24	EA	CABINET - GALLEY - W/CTRTP - W/O DOORS/DWRS/HDW (J02)
13	P22683-01-J10	EA	CABINET - GALLEY - W/CTRTP - W/O DOORS/DWRS/HDW (J10)
13	P22683-01-J11	EA	CABINET - GALLEY - W/CTRTP - W/O DOORS/DWRS/HDW (J11)
13	P22683-05-J10	EA	CABINET - GALLEY - W/O DOORS/DRAWERS/HARDWARE - JAPAN EXPORT
13	P22683-05-J11	EA	CABINET - GALLEY - W/O DOORS/DRAWERS/HARDWARE - JAPAN EXPORT
13	P22683-04-J10	EA	CABINET - GALLEY - W/O DOORS/DRAWERS/HARDWARE - WIE EXPORT
13	P22683-04-J11	EA	CABINET - GALLEY - W/O DOORS/DRAWERS/HARDWARE - WIE EXPORT
14	M05971-K9-J01	EA	DRAWER - OGEE EDGE - 9"W X 15.7"D - W/O SLIDES/HARDWARE WATERFORD OAK
14	M05971-B0-J10	EA	DRAWER - OGEE EDGE - 9"W X 15.7"D - W/O SLIDES/HARDWARE SALEM CHERRY
15	M08758-43-J15	EA	DOOR - MITERED CORNER/OGEE EDGE - 15.7" X 27.9" - W/O HDW WATERFORD OAK
15	M05992-E1-J10	EA	DOOR - STRAIGHT CORNER/OGEE EDGE - 15.7" X 27.9" - W/O HDW SALEM CHERRY
16	072369-51-000	EA	MESH - EXPANDED - ALUMINUM - 5.7" X 20.6"
17	080812-04-G10	EA	EXTENSION - GALLEY COUNTERTOP (J01, J11) FROM: 03-08-98 THRU: 99-99-99
17	080812-04-G29	EA	EXTENSION - GALLEY COUNTERTOP (J02) FROM: 03-08-98 THRU: 99-99-99
17	080812-04-G31	EA	EXTENSION - GALLEY COUNTERTOP (J10) FROM: 03-08-98 THRU: 99-99-99
17	127523-01-J10	EA	EXTENSION - GALLEY (J10) - WIE EXPORT
17	127523-01-J11	EA	EXTENSION - GALLEY (J11) - WIE EXPORT
18	M08758-45-J15	EA	DOOR - MITERED CORNER/OGEE EDGE - 10" X 25.2" - W/O HDW WATERFORD OAK
18	M05992-81-J10	EA	DOOR - STRAIGHT CORNER/OGEE EDGE - 10" X 25.2" - W/O HDW SALEM CHERRY
	090329-01-000	FT	SEAL/T - REFRIGERATOR CABINET
19	M05992-D8-J10	EA	DOOR-STRAIGHT CRNR/OGEE EDGE-11" X 21.8"-W/O HDW SALEM CHERRY - JAPAN EXPORT
20	M05992-T5-J10	EA	DOOR-STRAIGHT CRNR/OGEE EDGE-10.8" X 21.8" - W/O HDW SALEM CHERRY - WIE EXPORT

GALLEY GROUP (CONTINUED)

RANGE HOOD W/O MONITOR PANEL - U.S. - MODEL TPS-5009-SADLG

KEY	PART NUMBER	U/M	DESCRIPTION
*	100258-18-02A	EA	HOOD - RANGE - W/O MONITOR PANEL - US
	100258-10-01A	EA	GAUGE - HOUR METER W/SWITCH - SCREW ON STYLE

* COMPONENT PARTS FOUND IN SERVICE PARTS LIBRARY

RANGE HOOD W/O MONITOR PANEL - U.S. - MODEL TCS-5008-NADL

KEY	PART NUMBER	U/M	DESCRIPTION
*	100258-16-03A	EA	HOOD - RANGE - W/O MONITOR PANEL - W/O HOUR METER & SWITCH

* COMPONENT PARTS FOUND IN SERVICE PARTS LIBRARY

RANGE HOOD W/O MONITOR PANEL - CANADIAN - MODEL TCS-5008-NACL

KEY	PART NUMBER	U/M	DESCRIPTION
*	100258-17-03A	EA	HOOD - RANGE - W/O MONITOR PANEL

* COMPONENT PARTS FOUND IN SERVICE PARTS LIBRARY

RANGE HOOD W/O MONITOR PANEL - EXPORT - MODEL TMS-5012-SBDL

KEY	PART NUMBER	U/M	DESCRIPTION
*	100258-22-03A	EA	HOOD - RANGE - 22" - W/MONITOR PANEL

* COMPONENT PARTS FOUND IN SERVICE PARTS LIBRARY

NORCOLD REFRIGERATOR SMALL DOUBLE DOOR - MODEL 9162 L

KEY	PART NUMBER	U/M	DESCRIPTION
*	121568-02-01A	EA	REFRIGERATOR - SMALL DOUBLE DOOR - LEFT HAND - 2-WAY
	093646-01-000	EA	BRACKET - TIEDOWN/REFRIGERATOR - RIGHT HAND
	093646-02-000	EA	BRACKET - TIEDOWN/REFRIGERATOR - LEFT HAND
	065225-02-000	EA	PLATE - TIEDOWN - REFRIGERATOR
	116751-01-01A	EA	TRAY - REFRIGERATOR
	054450-01-000	EA	LEVEL - REFRIGERATOR

* COMPONENT PARTS FOUND IN SERVICE PARTS LIBRARY

MONITOR PANEL - LVS

KEY	PART NUMBER	U/M	DESCRIPTION
*	102765-04-01A	EA	PANEL - MONITOR - 2 HOLDING TANKS - ADJUSTABLE

* COMPONENT PARTS FOUND IN SERVICE PARTS LIBRARY

GALLEY GROUP (CONTINUED)

NORCOLD REFRIGERATOR LARGE DOUBLE DOOR - MODEL 983 LH - EXPORT

KEY	PART NUMBER	U/M	DESCRIPTION
*	120075-06-01A	EA	REFRIGERATOR - DOUBLE DOOR - BLACK
	123674-01-000	EA	HEATER - ELEMENT, REFRIGERATOR
	065225-02-000	EA	PLATE - TIEDOWN - REFRIGERATOR
	093646-01-000	EA	BRACKET - TIEDOWN/REFRIGERATOR - RIGHT HAND
	093646-02-000	EA	BRACKET - TIEDOWN/REFRIGERATOR - LEFT HAND
	116751-01-01A	EA	TRAY - REFRIGERATOR
	054450-01-000	EA	LEVEL - REFRIGERATOR
	103251-07-01A	EA	INSERT - ACRYLIC/BLACK - 21.60" X 14.53"
	103251-08-01A	EA	INSERT - ACRYLIC/BLACK - 21.6" X 31.6"

* COMPONENT PARTS FOUND IN SERVICE PARTS LIBRARY

3 BURNER RANGE - ATWOOD - MODEL C-36 - JAPAN EXPORT

KEY	PART NUMBER	U/M	DESCRIPTION
*	114030-02-01A	EA	RANGE - 3 BURNER TOP - W/O OVEN - BLACK
	105458-03-000	EA	BRACKET - STOVE TIEDOWN - RIGHT HAND
	105458-04-000	EA	BRACKET - STOVE TIEDOWN - LEFT HAND

* COMPONENT PARTS FOUND IN SERVICE PARTS LIBRARY

RANGE W/OVEN - MAGIC CHEF - MODEL 16RA-3B49

KEY	PART NUMBER	U/M	DESCRIPTION
*	112881-02-02A	EA	RANGE - 16" - 3 BURNER
	105458-03-000	EA	BRACKET - STOVE TIEDOWN - RIGHT HAND
	105458-04-000	EA	BRACKET - STOVE TIEDOWN - LEFT HAND

* COMPONENT PARTS FOUND IN SERVICE PARTS LIBRARY

MICROWAVE OVEN - FROM: 00-00-00 THRU: 11-09-97

KEY	PART NUMBER	U/M	DESCRIPTION
	115303-01-000	EA	MICROWAVE OVEN - 14 1/8"H X 21 7/8"W X 13 1/4" - D.8 CU FT./700 WATT
	094750-07-000	EA	BRACKET - MICROWAVE - 89 DEGREE
	094750-10-000	EA	BRACKET - MICROWAVE - 89 DEGREE
	115401-01-01A	EA	TRIM - MICROWAVE
	098916-12-01A	EA	BRACE - MICROWAVE CABINET
	098916-13-01A	EA	BRACE - MICROWAVE CABINET

MICROWAVE OVEN - FROM: 11-10-97 THRU: 99-99-99

KEY	PART NUMBER	U/M	DESCRIPTION
	128527-01-000	EA	OVEN - MICROWAVE - .9 CU FT - NON CONVECTION
	094750-10-000	EA	BRACKET - MICROWAVE - 89 DEGREE
	128527-01-700	EA	TRIM RING - F.9 CU.FT. SAMSUNG MICROWAVE
	128642-01-000	EA	TRIM KIT W/VENT - MICROWAVE - .9 CU FT SAMSUNG
	098916-26-02B	EA	BRACE - MICROWAVE CABINET - LEFT HAND
	098916-27-02B	EA	BRACE - MICROWAVE CABINET - RIGHT HAND

GENERATOR GROUP

4.0 KW ONAN GENERATOR

KEY	PART NUMBER	U/M	DESCRIPTION
	109982-03-000	EA	GENERATOR - 4.0 MICROLITE
	007125-04-000	EA	CLAMP - MUFFLER - 1.12" DIAMETER
	007131-01-000	EA	HANGER - TAILPIPE - 6 SLOTS
	105958-08-000	EA	PIPE - GENERATOR EXHAUST - 1.5" OD X 3.1" X 19.7"
	007067-01-000	SF	INSULATION - FIBERGLASS - 1" THICK X 4'-INCREMENTS 4 SF

4.0 KW ONAN GENERATOR - EXPORT

KEY	PART NUMBER	U/M	DESCRIPTION
	109982-06-000	EA	GENERATOR - 4.0 MICROLITE
	115716-02-000	EA	PIPE - EXHAUST - GENERATOR - LEFT HAND
	007125-03-000	EA	CLAMP - MUFFLER - 1.5" DIAMETER
	007125-04-000	EA	CLAMP - MUFFLER - 1.12" DIAMETER
	007131-01-000	EA	HANGER - TAILPIPE - 6 SLOTS
	007067-01-000	SF	INSULATION - FIBERGLASS - 1" THICK X 4'-INCREMENTS 4 SF

NOTE: ADDITIONAL GENERATOR COMPONENTS ARE FOUND IN THE CHASSIS GROUP

HEATING & AIR CONDITIONING GROUP

ROOF AIR CONDITIONER - COLEMAN - MODEL TSR HO

KEY	PART NUMBER	U/M	DESCRIPTION
*	108889-01-05A	EA	A/C - ROOF - 13,500 TSR
	102289-01-000	EA	SPRING - SCREW - ROOF A/C GASKET

* COMPONENT PARTS FOUND IN SERVICE PARTS LIBRARY

A/C-13,500 BTU - EXPORT - COLEMAN - MODEL TSR 220

KEY	PART NUMBER	U/M	DESCRIPTION
*	108889-02-03A	EA	AIR CONDITIONER - 13,500 BTU/220 VOLT - BRIGHT WHITE - EXP
	102289-01-000	EA	SPRING - SCREW - ROOF A/C GASKET

* COMPONENT PARTS FOUND IN SERVICE PARTS LIBRARY

CEILING A/C - COLEMAN - U.S. & EXPORT

KEY	PART NUMBER	U/M	DESCRIPTION
*	108891-01-02A	EA	CEILING ASSEMBLY - A/C COOL
	084077-03-000	EA	COVER/BLANK - ROOF A/C 5.2" X 3.5" - IVORY

* COMPONENT PARTS FOUND IN SERVICE PARTS LIBRARY

FURNACE - 25,000 BTU - SUBURBAN - MODEL SF-25

KEY	PART NUMBER	U/M	DESCRIPTION
*	098668-19-000	EA	FURNACE - 25000 BTU
	115764-01-01A	EA	THERMOSTAT - FURNACE
	009200-01-000	EA	TAPE - FURNACE - 1 1/2"
	094600-05-01A	EA	REGISTER W/O DAMPER-3.6" X 11.3" FACE/2.1" X 9.9" RO-BEIGE
	056464-10-000	EA	REGISTER - 4" DIAMETER - PLASTIC - W/DAMPER - BEIGE
	040731-01-000	EA	NIPPLE - INLET MANIFOLD - GM 3838094
	098668-23-000	EA	DOOR - ACCESS - FURNACE - BRIGHT WHITE
	009198-01-000	FT	DUCT - HEAT - FLEXIBLE - 4" ID X 25'
	069636-02-000	EA	CONNECTOR - DUCT - 4" ID

* COMPONENT PARTS FOUND IN SERVICE PARTS LIBRARY

HEATING & AIR CONDITIONING GROUP (CONTINUED)

FURNACE - 30,000 BTU SUBURBAN - MODEL SF-30 - JAPAN EXPORT

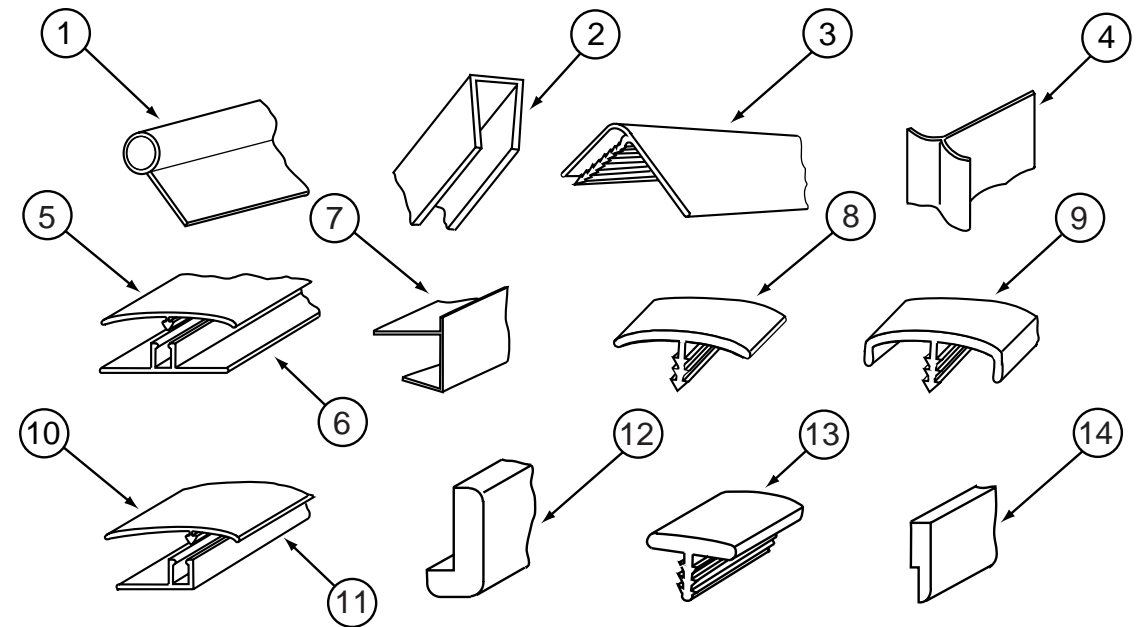
KEY	PART NUMBER	U/M	DESCRIPTION
*	098668-20-000	EA	FURNACE - 30,000 BTU
	115764-01-01A	EA	THERMOSTAT - FURNACE
	098668-23-000	EA	DOOR - ACCESS - FURNACE - BRIGHT WHITE
	009198-01-000	FT	DUCT - HEAT - FLEXIBLE - 4" ID X 25'
	009200-01-000	EA	TAPE - FURNACE - 1 1/2"
	069636-02-000	EA	CONNECTOR - DUCT - 4" ID
	056464-10-000	EA	REGISTER - 4" DIAMETER - PLASTIC - W/DAMPER - BEIGE

* COMPONENT PARTS FOUND IN SERVICE PARTS LIBRARY

REAR HEATER SYSTEM

KEY	PART NUMBER	U/M	DESCRIPTION	VENDOR NO.
	084405-01-000	EA	HEATER - REAR/DUCTED - W/MOTOR AID	
	084405-01-700	EA	CORE-HEATER	FT200229
	084405-01-701	EA	FAN BLADES	HV029931
	084405-01-702	EA	MOTOR ASSEMBLY, 12 VOLT	RV010348
	061673-01-000	EA	BRACKET - MOTOR AID TUBES - 4" X 1.5" - STEEL	
	069636-02-000	EA	CONNECTOR - DUCT - 4" ID	
	056464-10-000	EA	REGISTER - 4" DIAMETER - PLASTIC - W/O DAMPER - BEIGE	
	009198-01-000	FT	DUCT - HEAT - FLEXIBLE - 4" ID X 25'	
	069636-02-000	EA	CONNECTOR - DUCT - 4" ID	
	079059-01-000	EA	HOSE - 90 DEGREE - 5/8" ID X 4" X 36"	
	079059-03-000	EA	HOSE - 90 DEGREE - .61" ID X 4" X 18"	
	007108-01-000	FT	HOSE - HEATER - 5/8" ID - HI-TEMP - FORD	
	076776-01-000	EA	TEE - BEADED - 5/8" X 5/8" X 5/8"	
	087202-01-000	EA	SWITCH - 4 POSITION - W/KNOB/BEZEL - 5 TERMINAL	
	087202-01-701	EA	KNOB-SWITCH, ROTARY	062-0104
	087202-01-702	EA	PLATE F/ROTARY SWITCH	062-0105

INTERIOR FINISH GROUP



MOLDINGS & TRIMS

KEY	PART NUMBER	U/M	DESCRIPTION
1	009767-12-000	FT	WELTING - SIDEWALL/CEILING/CABINET - OFF/WHT
1	009767-15-000	FT	WELTING - WATERFORD OAK
1	009767-14-000	FT	WELTING - CHERRY
2	009778-21-000	FT	U-CHANNEL - 1" - WATERFORD OAK
			FROM: 00-00-00 THRU: 11-09-97
2	009778-30-000	FT	U-CHANNEL - 1" - VILLAGE OAK
			FROM: 11-10-97 THRU: 99-99-99
2	009778-18-000	FT	U-CHANNEL - 1" - CHERRY-CHERRY
2	009778-22-000	FT	U-CHANNEL - 1 1/4" - WATERFORD OAK
2	009778-11-000	FT	U-CHANNEL - 1" - IVORY
2	070504-36-000	FT	U-CHANNEL - PLASTIC - .13" X 72" - WATERFORD OAK
2	070504-30-000	FT	U-CHANNEL - PLASTIC - .13" X 84" - CHERRY
2	070504-37-000	FT	U-CHANNEL - PLASTIC - .9" X 84" - WATERFORD OAK
2	070504-31-000	FT	U-CHANNEL - PLASTIC - .9" X 84" - CHERRY
2	070504-18-000	FT	U-CHANNEL - PLASTIC - .13" X 84" - IVORY
3	009809-23-000	EA	MOLDING - CORNER - OUTSIDE - 1" X 84" - MODERN IVORY
3	009809-28-000	EA	MOLDING - CORNER - OUTSIDE - 1" X 84" - WATERFORD OAK
3	009809-27-000	EA	MOLDING - CORNER - OUTSIDE - 1" X 84" - CHERRY
3	009809-24-000	EA	MOLDING - PLASTIC - 1/2" O/S CORNER - IVORY
3	009812-29-000	EA	MOLDING - PLASTIC - 1/2" O/S CORNER - WATERFORD OAK
3	009812-26-000	EA	MOLDING - CORNER - 1/2" W/1/4" CHAN X 84" - CHERRY
4	022992-11-000	EA	MOLDING - REVERSE COVE - T-SHAPED VINYL - IVORY
5	086229-13-000	EA	BATTEN - 1" X 96" - IVORY
5	086229-20-000	EA	BATTEN - 1" X 96" - BEIGE
6	086229-01-000	EA	RETAINER - BATTEN - .75" X 92.3" - ANY COLOR
7	103186-01-05A	FT	MOLDING - PLASTIC 3/8" U-CHANNEL 3/4" FACE - WATERFORD OAK
7	103186-01-04A	FT	MOLDING - PLASTIC 3/8" U-CHANNEL W/3/4" FACE - CHERRY
8	009815-09-000	FT	MOLDING-T - .75" IVORY
8	105709-01-000	FT	MOLDING-T - 1" IVORY
9	083620-09-000	FT	MOLDING-T - END CAP EDGE - W/EDGE LIPS - .75"-MODERN IVORY
9	083620-12-000	FT	MOLDING-T - END CAP EDGE - W/EDGE LIP - .75"-WATERFORD OAK
9	083620-11-000	FT	MOLDING-T - END CAP EDGE - W/EDGE LIP - .75" - CHERRY
9	119520-01-01A	FT	MOLDING-T - 1" - W/EDGE LIPS (OFF/WHITE-CREAM)
9	104676-02-04A	FT	MOLDING-T - 1/2" - WATERFORD OAK
9	104676-02-03A	FT	MOLDING-T - 1/2" - CHERRY
10	086229-12-000	EA	BATTEN - 1.5" OFFSET X 97.01" IVORY
10	086229-20-000	EA	BATTEN - 1" X 96" - BEIGE
11	086229-11-000	EA	RETAINER - OFFSET - 97.01"
12	077840-01-G01	EA	MOLDING - CAP/WALL - 8' WATERFORD OAK
12	077840-01-E41	EA	MOLDING - CAP/WALL - 8' SALEM CHERRY
13	104676-01-01A	FT	MOLDING-T - 5/16" - RIGID GOLD
14	105004-01-05A	EA	MOLDING - VINYL WRAPPED - 1" X 8' WATERFORD OAK

INTERIOR FINISH GROUP (CONTINUED)

MOLDINGS & TRIMS (CONTINUED)

KEY	PART NUMBER	U/M DESCRIPTION
	117268-D2-134	EA MOLDING - VINYL WRAPPED - .7" X 1.6" X 84" - WATERFORD OAK
	111136-D2-134	EA MOLDING - VINYL WRAPPED - .7" X 1.6" X 7' - CHERRY
	100818-01-05A	EA MOLDING - VINYL WRAPPED - 1.65" X .4" X 84"-WATERFORD OAK
	100818-01-04A	EA MOLDING - VINYL WRAPPED - 1.65" X .4" X 84" - CHERRY
	100819-01-05A	EA MOLDING - VINYL WRAPPED - L-SHAPED-1.5" X 1.5" X 7' - WATERFORD OAK
	100819-01-04A	EA MOLDING - VINYL WRAP - L-SHAPED - 1.5" X 1.5" X 7' -CHERRY
	117268-F2-134	EA MOLDING - VINYL WRAPPED - .7" X 2.7" X 84" - WATERFORD OAK
	111136-F2-134	EA MOLDING - VINYL WRAPPED - .7" X 2.6" X 84" - CHERRY
	117267-D2-438	EA LUMBER - VINYL WRAPPED - .7" X 1.5" X 96" - WATERFORD OAK
	111134-D2-438	EA LUMBER - VINYL WRAPPED - .7" X 1.5" X 96" - CHERRY
	117267-E2-438	EA LUMBER - VINYL WRAPPED - .7" X 2" X 96" - WATERFORD OAK
	111134-E2-438	EA LUMBER - VINYL WRAPPED - .7" X 2" X 96" - CHERRY
	117267-G2-438	EA LUMBER - VINYL WRAPPED - .7" X 3" X 96" - WATERFORD OAK
	111134-G2-438	EA LUMBER - VINYL WRAPPED - .7" X 3" X 96" - CHERRY
	117267-J2-438	EA LUMBER - VINYL WRAPPED - .7" X 5.5" X 96"- WATERFORD OAK
	111134-J2-438	EA LUMBER - VINYL WRAPPED - .7" X 5.5" X 96" - CHERRY
	111136-D2-134	EA MOLDING - VINYL WRAPPED - .7" X 1.6" X 7' - CHERRY
	075249-01-000	EA RAILING - OAK - 72" UNFINISHED - WATERFORD OAK
	075249-02-000	EA RAILING - OAK - 72" UNFINISHED - SALEM CHERRY
	100659-01-G09	EA MOLDING/TRIM - VINYL FLOOR WATERFORD OAK
	100659-01-E74	EA MOLDING/TRIM - VINYL FLOOR - CHERRY
	120492-01-04A	FT STRIP - TRIM - WATERFORD OAK-
	085746-04-000	FT TRIM-J - CARPET 1.2" X .5" ANGLE - 12' LONG - OFF WHITE
	093873-01-01A	EA TRIM - CARPET - L-ANGLE 1.1" X 1.3" X 12' - GRAY VINYL

EDGE BAND MOLDING

KEY	PART NUMBER	U/M DESCRIPTION
	076325-39-000	FT MOLDING - EDGE BAND - 1 5/16" X .030" (J01, J11)
	076325-47-000	FT MOLDING - EDGE BAND - 1 5/16" X .030" (J02)
	076325-46-000	FT MOLDING - EDGE BAND - 1 5/16" X .030" - CLOUD (J10)
	076325-40-000	FT MOLDING - EDGE BAND - .875" X .024" (J01)
	076325-44-000	FT MOLDING - EDGE BAND - .876" X .024" (J02)
	076325-73-000	FT MOLDING - EDGE BAND - .93" X .024"
	076325-37-000	FT MOLDING - EDGE BAND - 1 5/16" X .030"
	076325-67-000	FT MOLDING - EDGE BAND - .93" X .024" - WATERFORD OAK
	076325-68-000	FT MOLDING - EDGE BAND - 1 5/16" X .038 - WATERFORD OAK
	076325-50-000	FT MOLDING - EDGE BAND - 1 5/16" X .030" - CHERRY

INTERIOR FINISH GROUP (CONTINUED)

BATT STRIPS

KEY	PART NUMBER	U/M DESCRIPTION
	079653-28-000	EA BATT STRIP - KERFED - WOODGRAINED/WATERFORD OAK - 8'
	069733-83-000	EA BATT STRIP - WOODGRAINED/WATERFORD OAK - 8'
	069733-82-000	EA BATT STRIP - WOODGRAINED/SALEM CHERRY - 8'
	085284-B5-000	FT BATT TAPE - ADHESIVE BACKED - WOODGRAINED - WATERFORD OAK
	085284-97-000	FT BATT TAPE - ADHESIVE BACKED - WOODGRAINED/SALEM CHERRY
	088263-E7-000	EA BATT STRIP - DECORATIVE - GAZEBO STRIPE/SAGE - 8' LONG (J01)
	088263-C4-000	EA BATT STRIP - DECORATIVE - CORBIN/TOBACCO - 8' LONG (J02)
	088263-E6-000	EA BATT STRIP - DECORATIVE - MONTANNA/FROST - 8' (J10)
	088263-F4-000	EA BATT STRIP - DECORATIVE - TRAVIS/ MERCURY - 8' (J11)
	085284-E1-000	FT BATT TAPE - ADHESIVE BACKED - DECORATIVE-GAZEBO/STRIPE/SAGE (J01)
	085284-B7-000	FT BATT TAPE - ADHESIVE BACKED - DECORATIVE - CORBIN/TOBACCO (J02)
	085284-E0-000	FT BATT TAPE - ADHESIVE BACKED - DECORATIVE - MONTANA FROST (J10)
	085284-E9-000	FT BATT TAPE - ADHESIVE BACKED - DECORATIVE - TRAVIS/ MERCURY (J11)
	088263-F7-000	EA BATT STRIP - DECORATIVE - IMPACT PEARL TEXTR - INC OF 8' FROM: 00-00-00 THRU: 10-05-97
	088263-F9-000	EA BATT STRIP - CEILING - IMPACT PEARL - INC OF 9' FROM: 10-06-97 THRU: 99-99-99
	085284-F3-000	FT BATT TAPE - ADHESIVE BACKED - IMPACT PEARL TEXTURE FROM: 00-00-00 THRU: 10-05-97
	085284-F6-000	FT BATT TAPE - ADHESIVE BACKET - IMPACT PEARL FROM: 10-06-97 THRU: 99-99-99
	088263-E3-000	EA BATT STRIP - DECORATIVE - PEBBLE EMBOSSED/ANTIQUE - 8'
	085284-D6-000	FT BATT TAPE - ADHESIVE BACKED -DECORATIVE - EMBOSSED ANTIQUE

INTERIOR FINISH GROUP (CONTINUED)

PANELING, LAMINATES & PLASTIC

KEY	PART NUMBER	U/M DESCRIPTION
	074497-28-000	SF PANELING - WATERFORD OAK - 48" X 96"
	074497-23-000	SF PANELING - CHERRY - 1/8" X 48" X 96"
	074497-40-000	SF PANELING - CEILING - IMPACT PEARL - 4' X 8'
	080215-10-000	SF PANELING - 2 SIDED - WATERFORD - .2" X 48" X 96"
	088272-G1-000	SF PANELING - PEBBLE EMBOSSED - ANTIQUE WHITE - 4' X 7'
	088272-G5-000	SF PANELING - GAZEBO STRIPE - 4' X 7' (J01)
	088272-E5-000	SF PANELING - CORBIN/TOBACCO - 4' X 7' (J02)
	088272-G4-000	SF PANELING - MONTANA FROST - 4' X 8' (J10)
	088272-G2-000	SF PANELING - LA JOLLA/SEAMIST - 4' X 8' (J11)
	074498-40-000	SF LAMINATE - PLASTIC - OFF WHITE - 5' X 8' - INC OF 40 SF
	074498-71-000	SF LAMINATE - PLASTIC - NEUTRAL SANTOS - 5'X8' - INC OF 40SF (J01, J11)
	074498-54-000	SF LAMINATE - PLASTIC - SAND SPEKTRUM - 5' X 8' - INC OF 40SF (J02)
	074498-62-000	SF LAMINATE - PLASTIC - GREY FINESSE - 5' X 8' (J10)
	000885-67-000	SF LAMINATE - PLASTIC - ORCHID MIST - 5' X 8' - INC OF 40SF
	000885-77-000	SF LAMINATE - PLASTIC - ART CABIN - 4' X 8' - INC OF 32 SF
	000885-76-000	SF PARTICLE BOARD-3/8" X 48" X 96"-WATERFORD OAK/VINYL 1 SIDE
	000885-71-000	SF PARTICLE BOARD - 3/8" X 48" X 96" - CHERRY/VINYL 1 SIDED
	000885-77-000	SF PARTICLE BOARD-3/8" X 48" X 96"-WATERFORD OAK/VINYL 2 SIDE
	000885-74-000	SF PARTICLE BOARD - 3/8" X 48" X 98" - CHERRY/VINYL 2 SIDED
	000885-78-000	SF PARTICLE BOARD-1/2" X 48" X 96"-WATERFORD OAK/VINYL 2 SIDE
	000885-72-000	SF PARTICLE BOARD - 1/2" X 48" X 96" - CHERRY/VINYL 2 SIDED
	000885-79-000	SF PARTICLE BOARD-3/4" X 48" X 96"-WATERFORD OAK/VINYL 2 SIDE
	000885-73-000	SF PARTICLE BOARD - 3/4" X 48" X 96" - CHERRY/VINYL 2 SIDED
	057882-04-700	EA DOOR-TAMBOUR 4'X4' PC WINONA PART SALES
	000846-01-000	SF PLYWOOD - 5/16" X 48" X 96" - CD GRADE
	000846-02-000	SF PLYWOOD/UNDERLAYMENT - 5/16" X 48" X 96"
	126339-01-000	SF BOARD - WHEAT - 60" X 72"
	093743-05-01A	SF PLASTIC - ABS COIL - BRIGHT WHITE - 20" X 108"

INTERIOR FINISH GROUP (CONTINUED)

CARPETING & FLOOR MATS

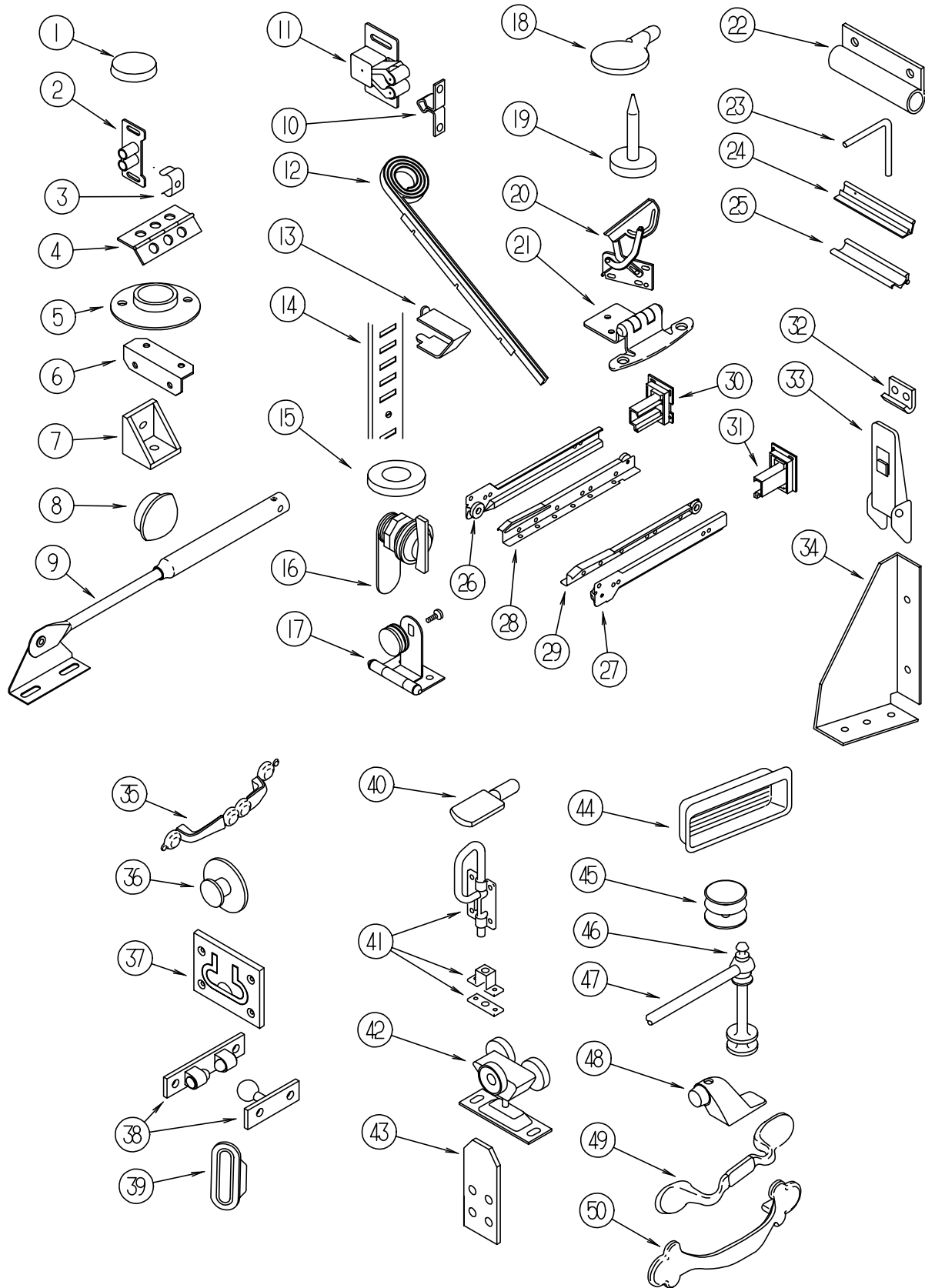
KEY	PART NUMBER	U/M DESCRIPTION
	096060-98-000	SY CARPET - SILVER ASPEN - INCREMENTS OF 4 SQ YD (J01)
	096060-95-000	SY CARPET - DOE SKIN - INCREMENTS OF 4 SQ YD (J02)
	096060-B5-000	SY CARPET - NIGHT NAVY - INCREMENTS OF 4 SQ YD (J10) FROM: 00-00-00 THRU: 08-31-97
	096060-C4-000	SY CARPET - NIGHT NAVY - INCREMENTS OF 4 SQ. YARDS (J10) FROM: 09-01-97 THRU: 99-99-99
	096060-A1-000	SY CARPET - ARCTIC GRAY - INCREMENTS OF 4 SQ YD (J11)
	093486-01-000	SY CARPET - COMPARTMENT - 72" WIDE - DARK GRAY
	122755-01-01A	EA TILE - RUBBER/ENTRANCE DOOR - 18.5" X 27.2"
	122755-03-01A	EA TILE - RUBBER/ENTRANCE DOOR - 17.7" X 26.4"
	122755-05-01A	EA TILE - RUBBER/ENTRANCE DOOR - 11.2" X 26.9"
	042720-20-000	SY VINYL - FLOOR COVERING - 7.5' WIDE - CALAY
	125780-01-000	EA MAT - FLOOR - FRONT/PASSENGER - "W" - FORD
	125780-02-000	EA MAT - FLOOR - FRONT/DRIVER - "W" - FORD
	124182-01-01A	EA MAT - PASSENGER FLOOR - CHEVY
	124182-02-01A	EA MAT - DRIVER FRONT FLOOR - CHEVY
	102569-04-000	EA MAT - ANTI SLIP

FIRE EXTINGUISHER & DETECTORS

KEY	PART NUMBER	U/M DESCRIPTION	VENDOR NO.
	072852-02-000	EA DETECTOR - SMOKE - W/9 VOLT BATTERY - CANADIAN	
	094499-02-000	EA EXTINGUISHER/FIRE - DRY - 1A10BC - CANADIAN	
	094499-01-700	EA BRACKET MTG. W/PLAS. STRAP	294039
	072852-01-000	EA DETECTOR - SMOKE - W/9 VOLT BATTERY - US	
	094499-01-000	EA EXTINGUISHER/FIRE - DRY W/MOUNTING BRACKET	
	094499-01-700	EA BRACKET MTG. W/PLAS. STRAP	294039
	094499-01-701	EA STRAP ONLY (METAL)	320351
	125136-01-000	EA CO DETECTOR - GAS - ROUND W/2 SCREWS - 9 VOLT	

INTERIOR FINISH GROUP (CONTINUED)

CABINET & TABLE HARDWARE

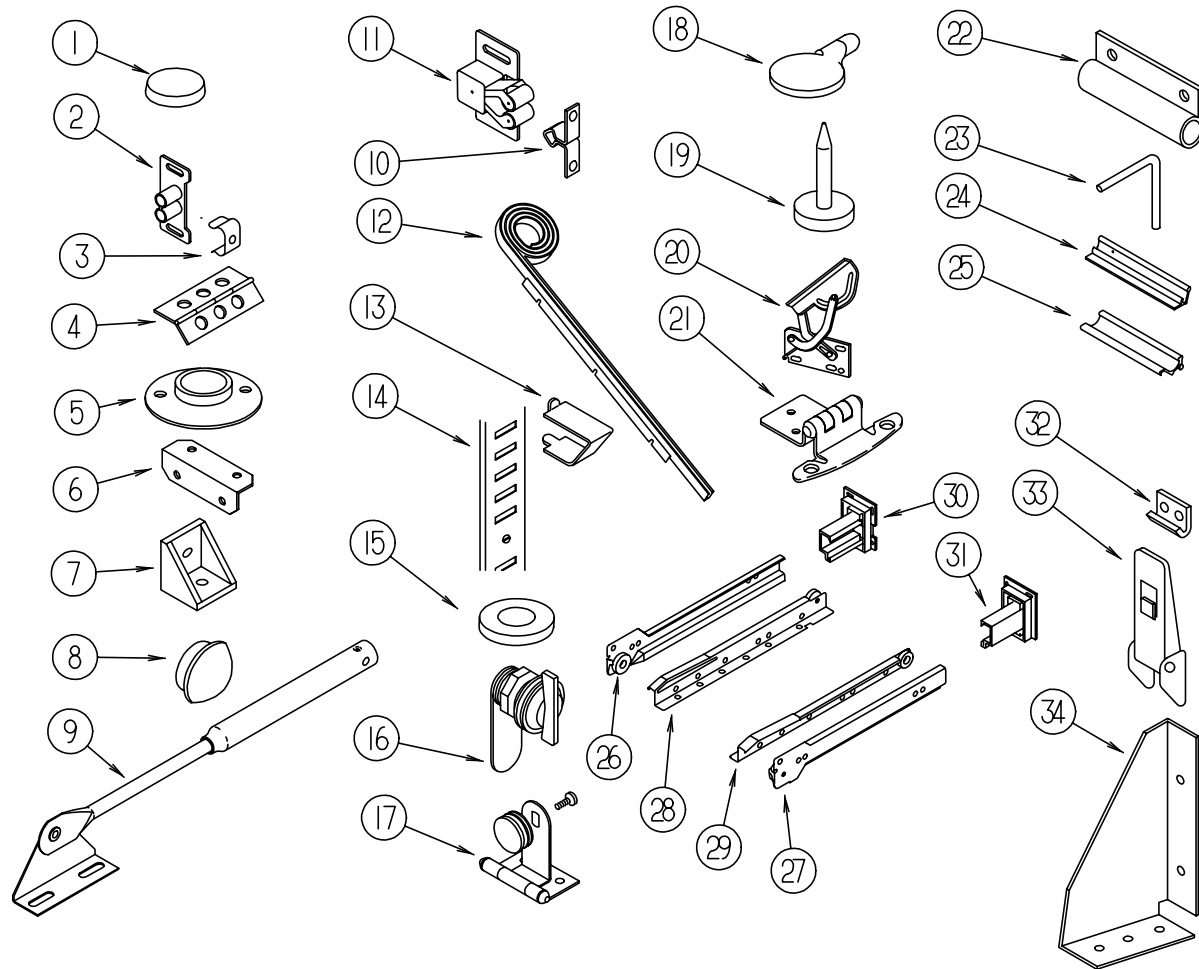


KEY	PART NUMBER	U/M	DESCRIPTION
1	004354-01-000	EA	BUMPER - RUBBER - .5" DIA - BROWN
2	009021-01-000	EA	CATCH - GRILLE - NYLON
3	009021-02-000	EA	STRIKE - SPRING STEEL
4	009059-01-000	EA	HINGE - DOOR - 2" X 1.4" - BRASS
4	009059-02-000	EA	HINGE - DOOR - 2" X 2.7" - BRASS
4	041389-35-000	EA	HINGE - PIANO - OFF WHITE - 31"
5	009112-01-000	EA	FLANGE - PLASTIC - 1" CLOTHES ROD - OFF WHITE
6	016604-01-000	EA	BRACE - CABINET - ANGLE - 2.5" - UNPAINTED METAL
6	016604-05-000	EA	BRACE - CABINET - ANGLE - 2.5" - OFF WHITE METAL
7	065740-01-000	EA	BRACE - CABINET/CORNER - PLASTIC
8	074045-01-000	EA	PLUG - OAK - 1/2" DIAMETER
9	074493-02-000	EA	SUPPORT - PISTON SPRING - CABINET DOOR
10	093586-05-000	EA	STRIKE - SPRING STEEL
11	093586-06-000	EA	CATCH - SPRING - ROLLER
12	097141-02-700	EA	KIT - TRACK - TAMBOUR DOOR - W/ONE RT & ONE LEFT TRACK
13	098979-01-000	EA	CLIP - ADJUSTABLE SHELF
14	098980-06-000	EA	PILASTER - ADJUSTABLE SHELF - 24"
15	100707-01-000	EA	SPACER - GLASS DOOR - .8" DIA - .3" HOLE - PLASTIC
16	100710-01-01A	EA	LOCK - GLASS DOOR/TWIST TYPE - BRASS
17	100711-01-01A	EA	HINGE - GLASS DOOR
18	101766-01-000	EA	PIN - SUPPORT/GLASS DOOR
19	102194-01-000	EA	GUIDE - PLASTIC
20	108126-01-000	EA	TRAY HINGE SET (QTY. 2 PER SET)
21	108138-01-000	EA	HINGE - CABINET DOOR - BURNISHED BRASS
	000G13-06-08G	EA	SCREW - 6-20 X .50 PFH - ANTIQUE BRASS
22	108486-01-01A	EA	BRACKET - PROP ROD/OVERHEAD - BLACK
23	108487-02-01A	EA	SUPPORT - PROP ROD/OVERHEAD - BLACK
24	110107-01-04A	EA	PULL - DOOR - TERRATONE
25	110108-01-04A	EA	LATCH - DOOR - TERRATONE

INTERIOR FINISH GROUP (CONTINUED)

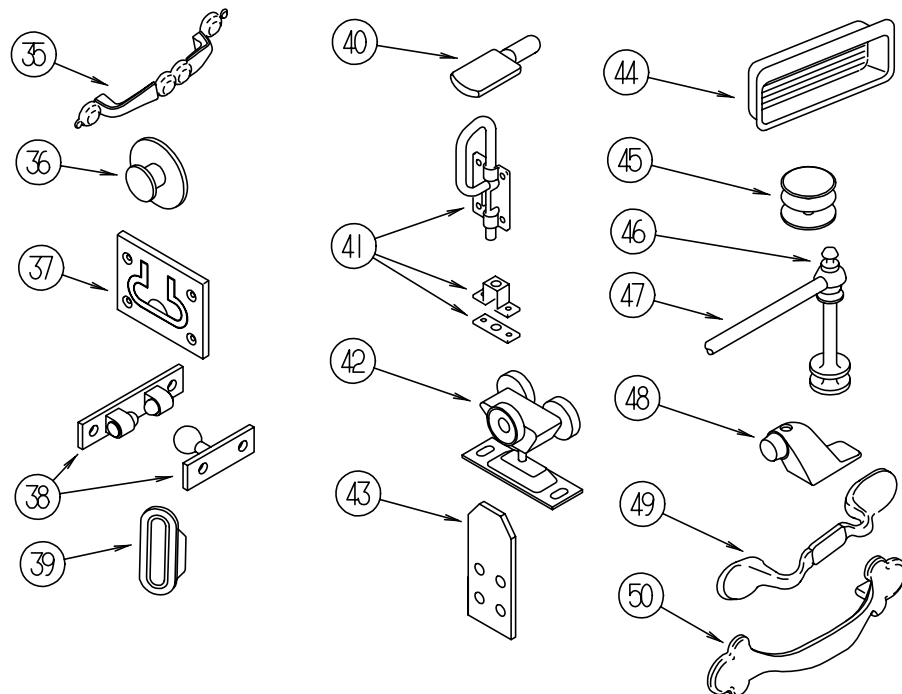
CABINET & TABLE HARDWARE (CONTINUED)

CABINET DOOR SLIDES & BACKSOCKETS - FROM: 00-00-00 THRU: 02-22-98



KEY	PART NUMBER	U/M	DESCRIPTION
26	114031-01-000	EA	SLIDE - 12" - LEFT SIDE/CABINET
26	114031-05-000	EA	SLIDE - 14" - LEFT SIDE/CABINET
26	114031-09-000	EA	SLIDE - 16" - LEFT SIDE/CABINET
26	114031-13-000	EA	SLIDE - 18" - LEFT SIDE/CABINET
26	114031-17-000	EA	SLIDE - 20" - LEFT SIDE/CABINET
26	114031-25-000	EA	SLIDE - 24" - LEFT SIDE/CABINET
27	114031-02-000	EA	SLIDE - 12" - RIGHT SIDE/CABINET
27	114031-06-000	EA	SLIDE - 14" - RIGHT SIDE/CABINET
27	114031-10-000	EA	SLIDE - 16" - RIGHT SIDE/CABINET
27	114031-14-000	EA	SLIDE - 18" - RIGHT SIDE/CABINET
27	114031-18-000	EA	SLIDE - 20" - RIGHT SIDE/CABINET
27	114031-26-000	EA	SLIDE - 24" - RIGHT SIDE/CABINET
28	114031-03-000	EA	SLIDE - 12" - LEFT SIDE/DRAWER
28	114031-07-000	EA	SLIDE - 14" - LEFT SIDE/DRAWER
28	114031-11-000	EA	SLIDE - 16" - LEFT SIDE/DRAWER
28	114031-15-000	EA	SLIDE - 18" - LEFT SIDE/DRAWER
28	114031-19-000	EA	SLIDE - 20" - LEFT SIDE/DRAWER
28	114031-27-000	EA	SLIDE - 24" - LEFT SIDE/DRAWER
29	114031-04-000	EA	SLIDE - 12" - RIGHT SIDE/DRAWER
29	114031-08-000	EA	SLIDE - 14" - RIGHT SIDE/DRAWER
29	114031-12-000	EA	SLIDE - 16" - RIGHT SIDE/DRAWER
29	114031-16-000	EA	SLIDE - 18" - RIGHT SIDE/DRAWER
29	114031-20-000	EA	SLIDE - 20" - RIGHT SIDE/DRAWER
29	114031-28-000	EA	SLIDE - 24" - RIGHT SIDE/DRAWER
30	114045-01-000	EA	BACKSOCKET - ADJUSTABLE LEFT
31	114045-02-000	EA	BACKSOCKET - ADJUSTABLE RIGHT

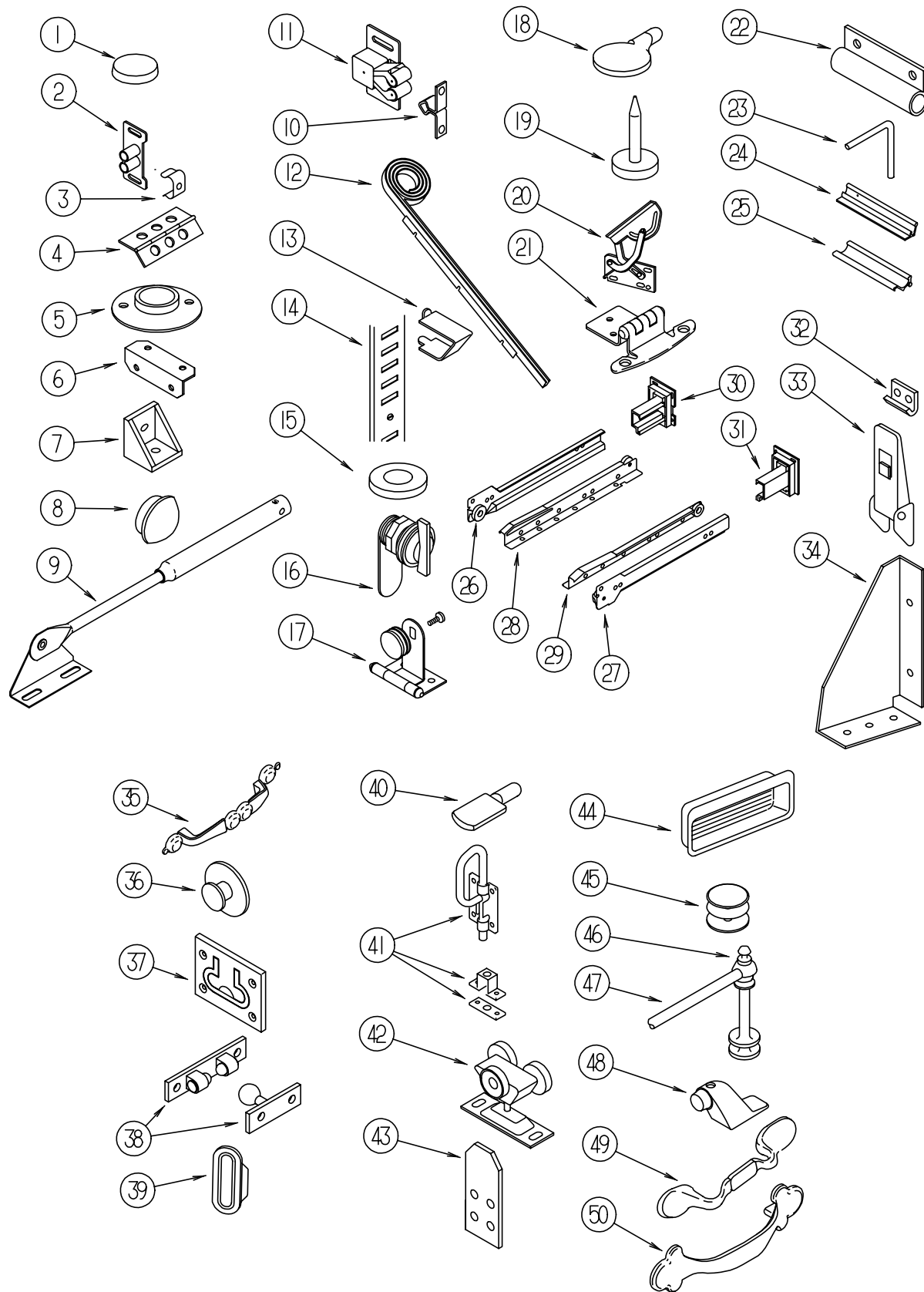
CABINET DOOR SLIDES & BACKSOCKETS - FROM: 02-23-98 THRU: 99-99-99



KEY	PART NUMBER	U/M	DESCRIPTION
26	128810-01-01A	EA	SLIDE - DRAWER - 12" - LEFT CABINET
26	128810-05-01A	EA	SLIDE - DRAWER - 14" - LEFT CABINET
26	128810-09-01A	EA	SLIDE - DRAWER - 16" - LEFT CABINET
26	128810-13-01A	EA	SLIDE - DRAWER - 18" - LEFT CABINET
26	128810-17-01A	EA	SLIDE - DRAWER - 20" - LEFT CABINET
26	128810-25-01A	EA	SLIDE - DRAWER - 24" - LEFT CABINET
27	128810-02-01A	EA	SLIDE - DRAWER - 12" - RIGHT CABINET
27	128810-06-01A	EA	SLIDE - DRAWER - 14" - RIGHT CABINET
27	128810-10-01A	EA	SLIDE - DRAWER - 16" - RIGHT CABINET
27	128810-14-01A	EA	SLIDE - DRAWER - 18" - RIGHT CABINET
27	128810-18-01A	EA	SLIDE - DRAWER - 20" - RIGHT CABINET
27	128810-26-01A	EA	SLIDE - DRAWER - 24" - RIGHT CABINET
28	128810-03-01A	EA	SLIDE - DRAWER - 12" - LEFT DRAWER
28	128810-07-01A	EA	SLIDE - DRAWER - 14" - LEFT DRAWER
28	128810-11-01A	EA	SLIDE - DRAWER - 16" - LEFT DRAWER
28	128810-15-01A	EA	SLIDE - DRAWER - 18" - LEFT DRAWER
28	128810-19-01A	EA	SLIDE - DRAWER - 20" - LEFT DRAWER
28	128810-27-01A	EA	SLIDE - DRAWER - 24" - LEFT DRAWER
29	128810-04-01A	EA	SLIDE - DRAWER - 12" - RIGHT DRAWER
29	128810-08-01A	EA	SLIDE - DRAWER - 14" - RIGHT DRAWER
29	128810-12-01A	EA	SLIDE - DRAWER - 16" - RIGHT DRAWER
29	128810-16-01A	EA	SLIDE - DRAWER - 18" - RIGHT DRAWER
29	128810-20-01A	EA	SLIDE - DRAWER - 20" - RIGHT DRAWER
29	128810-28-01A	EA	SLIDE - DRAWER - 24" - RIGHT DRAWER
30	128811-01-01A	EA	BACKSOCKET - ADJUSTABLE - LEFT
31	128811-02-01A	EA	BACKSOCKET - ADJUSTABLE RIGHT

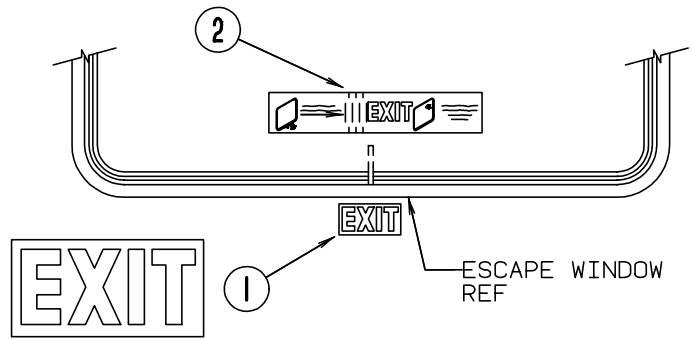
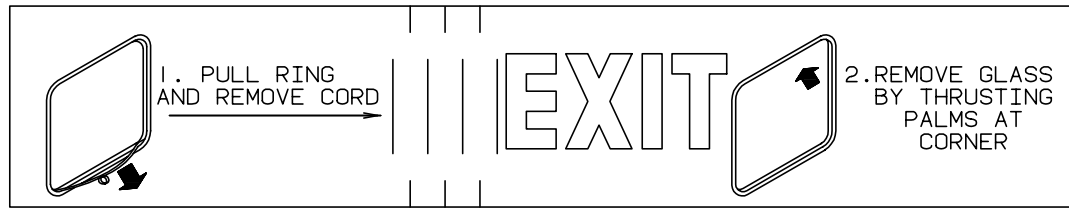
INTERIOR FINISH GROUP (CONTINUED)

CABINET & TABLE HARDWARE (CONTINUED)

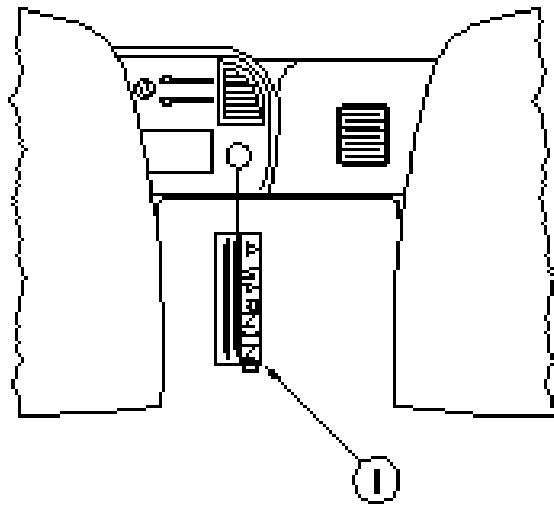


KEY	PART NUMBER	U/M	DESCRIPTION
32	116975-02-01A	EA	KEEPER/STRIKE - BLACK - NEW STYLE
33	116975-01-01A	EA	LATCH - W/O STRIKE - BLACK - NEW STYLE
34	116978-01-03B	EA	GUSSET - SLIDEOUT ROOM - OFF/WHITE
35	121891-01-01A	EA	PULL - CABINET - BRASS
36	125221-01-01A	EA	PULL - MIRROR - W/ROUND HANDLE
37	072871-01-000	EA	PULL - FLUSH - CHROME
38	084451-01-000	EA	CATCH - BRASS
39	098410-01-01A	EA	PULL - FINGER - OVAL - BRASS
40	101766-01-000	EA	PIN - SUPPORT/GLASS DOOR
41	103256-01-000	EA	LATCH - SLIDE
42	103874-01-000	EA	HANGER - SLIDING DOOR
43	112053-01-01A	EA	STOP - DRAWER - BLACK
44	124311-01-01A	EA	HANDLE - RECESSED - BRASS
45	081114-02-000	EA	CAP - INSERT - ROUND 1" DIAMETER - WHITE
46	084070-03-000	EA	POST - END - 2.4" - BRASS
47	084071-12-000	EA	ROD - BRASS - 4.08" LONG
47	084071-19-000	EA	ROD - BRASS - 7.09" LONG
47	084071-23-000	EA	ROD - BRASS - 13.12" LONG
48	103257-01-000	EA	STOP - DOOR
49	117800-01-01A	EA	PULL - CABINET - BRASS
50	125165-01-01A	EA	PULL - CABINET - BRASS - EXPORT
	079921-01-000	EA	ROLLER - NYLON - W/STEEL SHAFT - BARBED
	113236-01-01A	EA	BRACKET - CLOTHES - ROD
	023320-01-000	EA	PAD - FELT 3/8" DIAMETER
	042438-01-000	EA	DOWEL - WOOD - CLOTHES ROD - 1" DIAMETER X 4'
	042438-02-000	EA	DOWEL - WOOD - 2" X 2"

LABELS GROUP



KEY	PART NUMBER	U/M DESCRIPTION
1	039290-01-000	EA LABEL - WARNING - EXIT
2	107571-01-000	EA LABEL - EXIT/ESCAPE WINDOW



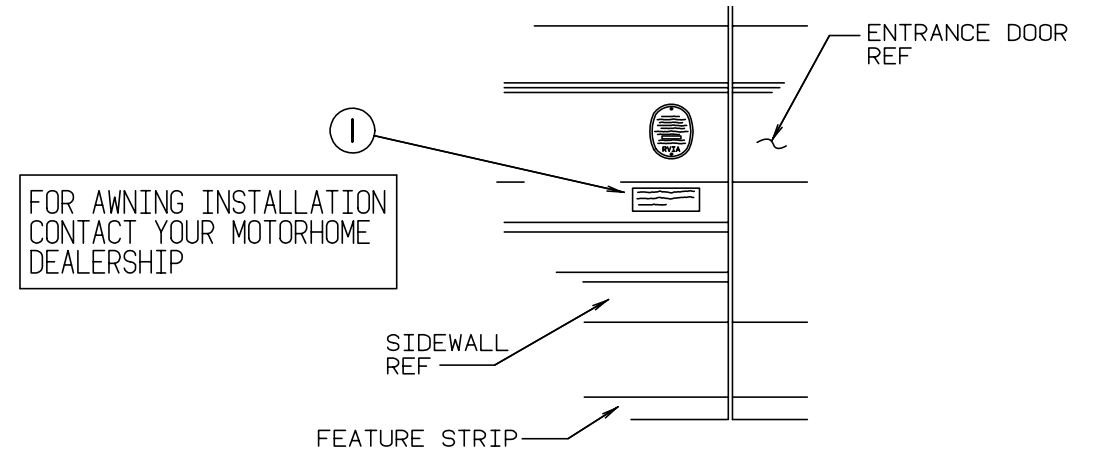
WARNING

⚠ Children Can be **KILLED** or **INJURED** by Passenger Air Bag

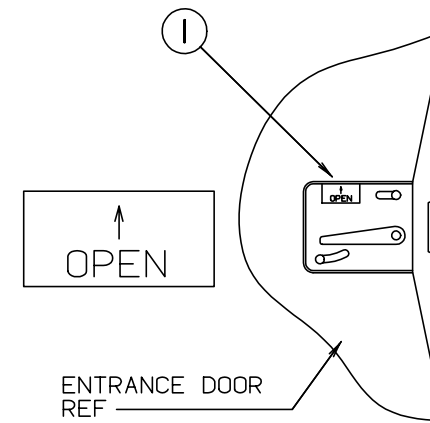
The back seat is the safest place for children 12 and under. Never allow children to sit behind or beside driver.

KEY	PART NUMBER	U/M DESCRIPTION
1	126612-01-000	EA LABEL - HANG TAG - AIR BAG - DASH

LABELS GROUP (CONTINUED)



KEY	PART NUMBER	U/M DESCRIPTION
1	099509-01-000	EA LABEL - AWNING INSTALLATION

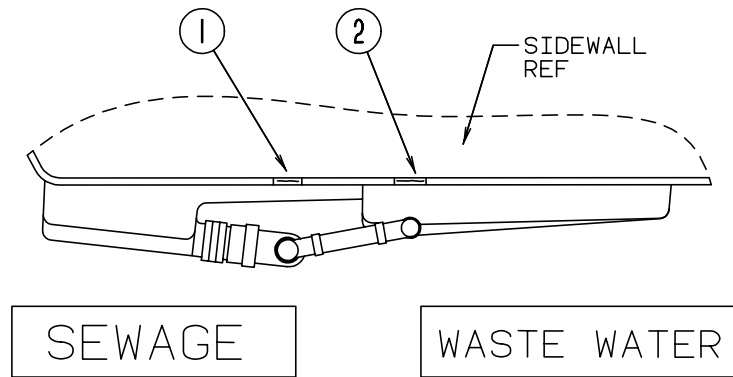


KEY	PART NUMBER	U/M DESCRIPTION
1	040944-01-000	EA LABEL - ENTRANCE DOOR - "OPEN"

LABELS GROUP (CONTINUED)

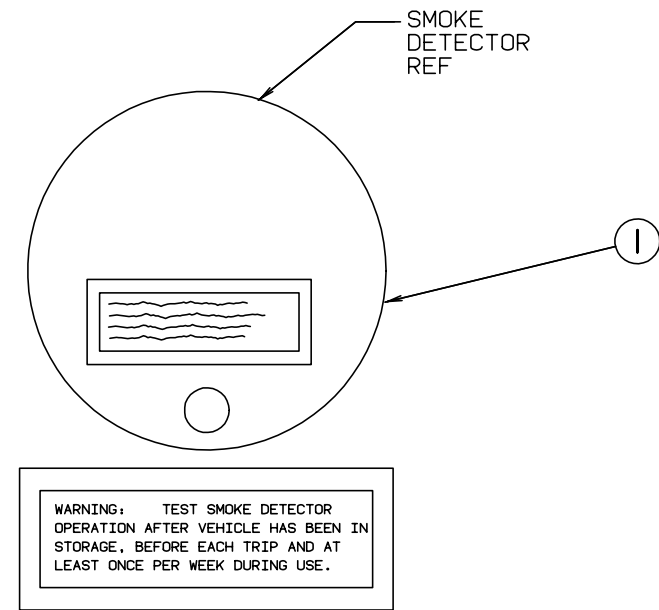
MISCELLANEOUS LABELS

KEY	PART NUMBER	U/M DESCRIPTION
	006064-01-000	EA LABEL - SEAT W/O SEATBELT NOT INTENDED FOR USE WHILE COACH IN MOTION
	061417-01-000	EA LABEL - FUEL - ON FUEL FILL DOOR
	073998-01-000	EA LABEL - LPG ODOR WARNING
	087236-01-000	EA LABEL - CABLE - INPUT
	091243-01-000	EA LABEL - A/C COVER "AIR CONDITIONING CIRCUIT ETC."
	093236-08-000	EA LABEL - CIRCUIT BREAKER
	111104-01-000	EA LABEL - HITCH - READ MANUAL - WHITE
	111104-02-000	EA LABEL - HITCH - READ MANUAL - BLACK
	128218-01-01A	EA LABEL - WARNING - SLIPPERY ROOF
	128658-01-000	EA LABEL - PROP ROD - ENTRY DOOR

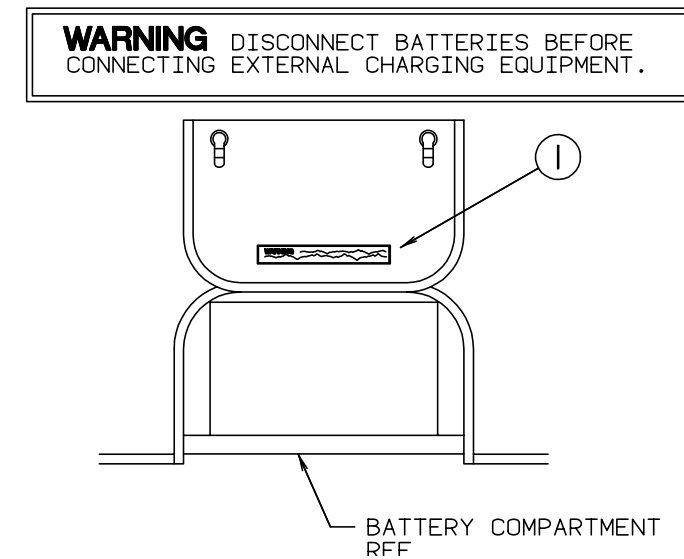


KEY	PART NUMBER	U/M DESCRIPTION
1	006187-01-000	EA LABEL - SEWAGE
2	006188-01-000	EA LABEL - WASTE WATER

LABELS GROUP (CONTINUED)

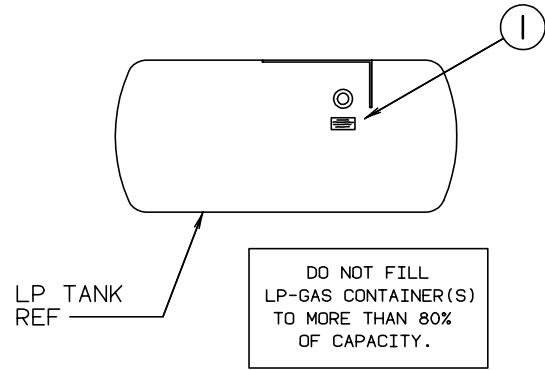


KEY	PART NUMBER	U/M DESCRIPTION
1	077956-01-000	EA LABEL - WARNING - SMOKE DETECTOR



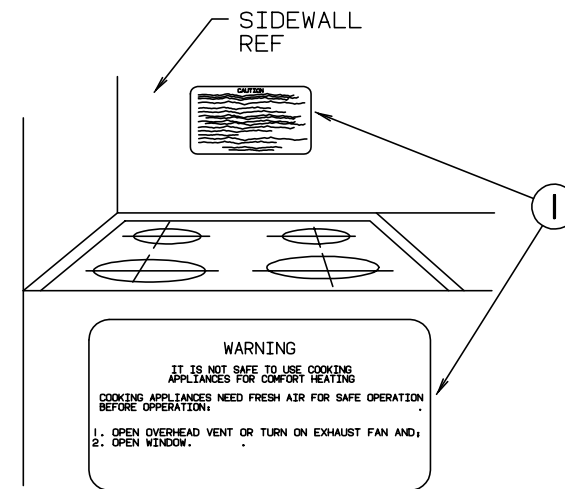
KEY	PART NUMBER	U/M DESCRIPTION
1	065748-01-000	EA LABEL - CAUTION - BATTERY CHARGING

LABELS GROUP (CONTINUED)

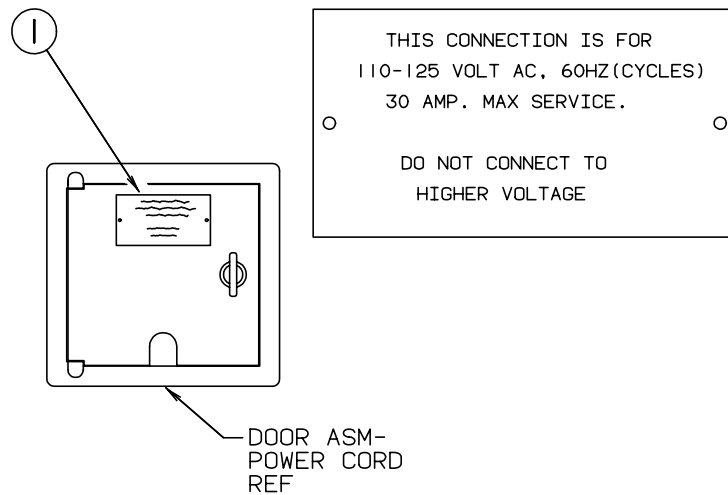


KEY	PART NUMBER	U/M DESCRIPTION
1	079965-01-000	EA LABEL - LPG - 80% CAPACITY

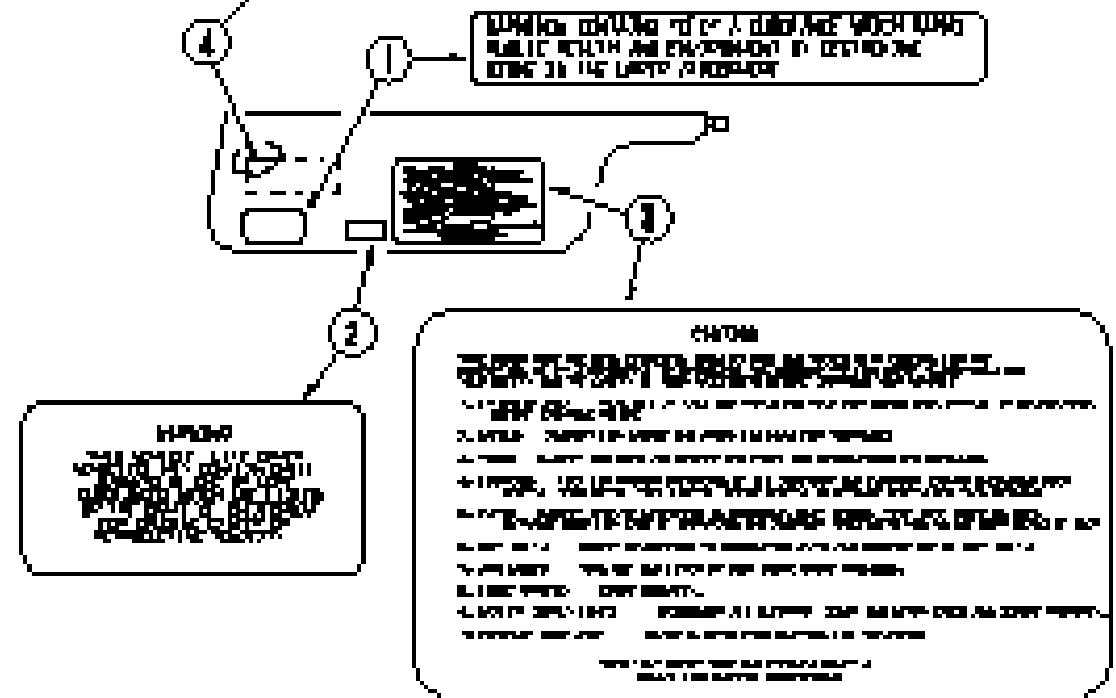
LABELS GROUP (CONTINUED)



KEY	PART NUMBER	U/M DESCRIPTION
1	050222-01-000	EA LABEL - STOVE VENT - CANADIAN
1	050225-01-000	EA LABEL - STOVE VENT - US



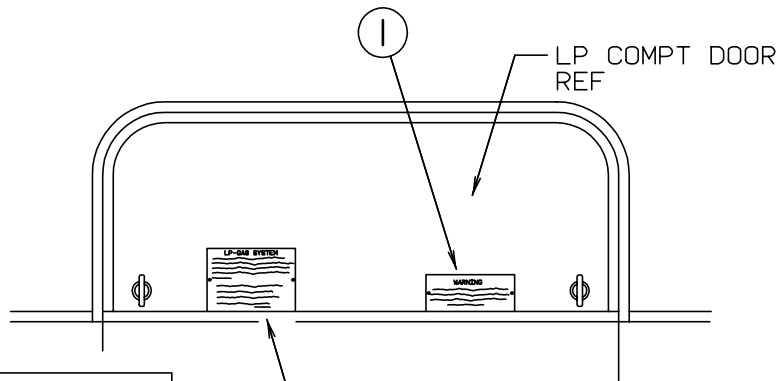
KEY	PART NUMBER	U/M DESCRIPTION
1	125306-01-01A	EA LABEL - ELECTRICAL ENTRANCE - 110VOLT 30AMP



KEY	PART NUMBER	U/M DESCRIPTION
1	111802-01-000	EA LABEL - CFC WARNING
2	099689-01-000	EA LABEL - WARNING - CANCER/TOXICITY
3	056259-01-000	EA LABEL - SAFETY CHECK LIST
4	126611-01-000	EA LABEL - AIR BAG - VISOR

LABELS GROUP (CONTINUED)

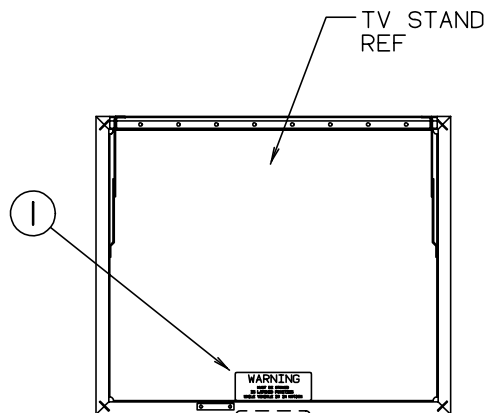
WARNING
ALL PILOT LIGHTS AND APPLIANCES SHALL BE TURNED OFF DURING REFUELING OF MOTOR FUEL TANKS AND/OR PERMANENTLY MOUNTED LP-GAS CONTAINERS.



LP-GAS SYSTEM
THIS GAS PIPING SYSTEM IS DESIGNED FOR USE OF LIQUEFIED PETROLEUM GAS ONLY. DO NOT CONNECT NATURAL GAS TO THIS SYSTEM.

SECURELY CAP INLET(S) WHEN NOT CONNECTED FOR USE. AFTER TURNING ON GAS, EXCEPT AFTER NORMAL CONTAINER REPLACEMENT, TEST GAS PIPING AND CONNECTIONS TO APPLIANCE FOR LEAKAGE WITH SOAPY WATER OR BUBBLE SOLUTION. DO NOT USE PRODUCTS THAT CONTAIN AMMONIA OR CHLORINE.
P.N. 54531

KEY	PART NUMBER	U/M DESCRIPTION
1	124519-01-01A	EA LABEL - WARNING/REFUELING - BLACK ON CLEAR
1	124519-02-01A	EA LABEL - WARNING/REFUELING - CSA
2	023769-01-000	EA LABEL - WARNING - LPG - CANADIAN
2	124520-01-01A	EA LABEL - LP GAS ONLY - BLACK ON CLEAR



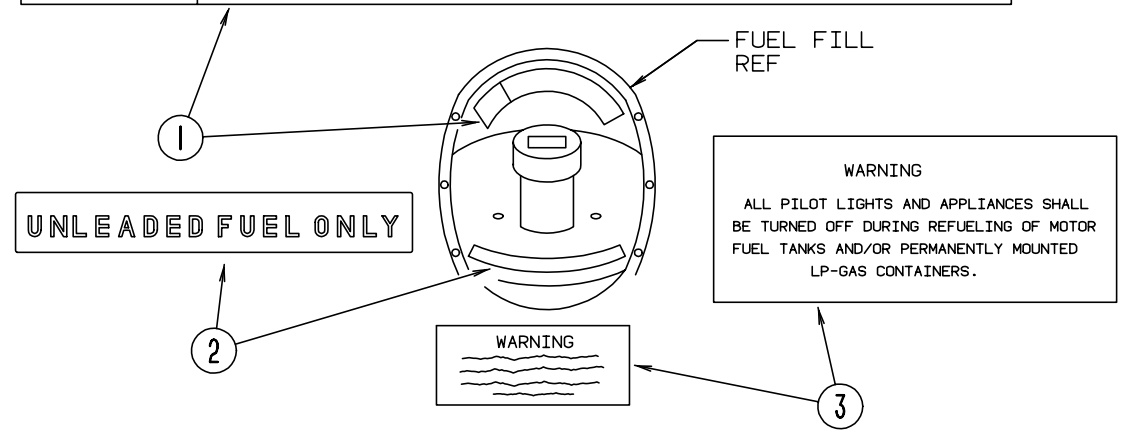
WARNING
MUST BE STOWED IN LATCHED POSITION WHILE VEHICLE IS IN MOTION

KEY	PART NUMBER	U/M DESCRIPTION
1	079966-01-000	EA LABEL - WARNING - STOWED - MOTION

LABELS GROUP (CONTINUED)

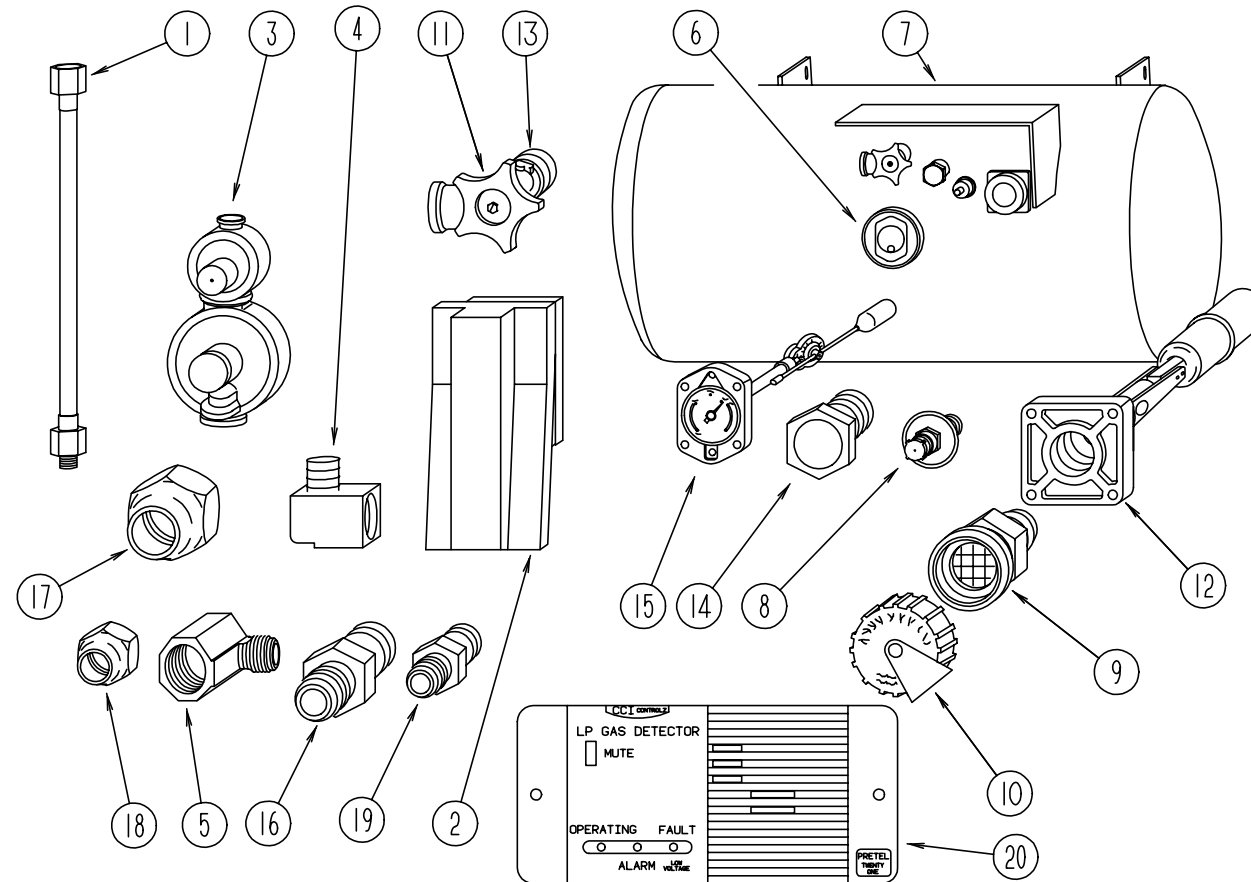
CAUTION
TO HELP AVOID PERSONAL INJURY DURING REMOVAL OF FUEL FILLER CAP, SLOWLY LOOSEN CAP 1/2 TURN TO ALLOW ANY FUEL PRESSURE TO BE RELIEVED BEFORE TURNING CAP FURTHER.

FUEL SPRAY MAY CAUSE PERSONAL INJURY
STOP ADDING FUEL AFTER FIRST SHUTOFF BY AUTOMATIC NOZZLE WHEN TANK IS NEARLY FULL. DO NOT OVERFILL FUEL TANK.
SEE OWNERS MANUAL FOR ADDITIONAL INFORMATION.
PRINTED IN U.S.A. MLC PT NO 15611763



KEY	PART NUMBER	U/M DESCRIPTION
1	087207-05-000	EA LABEL - FUEL CAP REMOVAL
2	062043-01-000	EA LABEL - FUEL - UNLEADED
3	124519-01-01A	EA LABEL - WARNING/REFUELING - BLACK ON CLEAR
3	124519-02-01A	EA LABEL - WARNING/REFUELING - CSA

LP GROUP



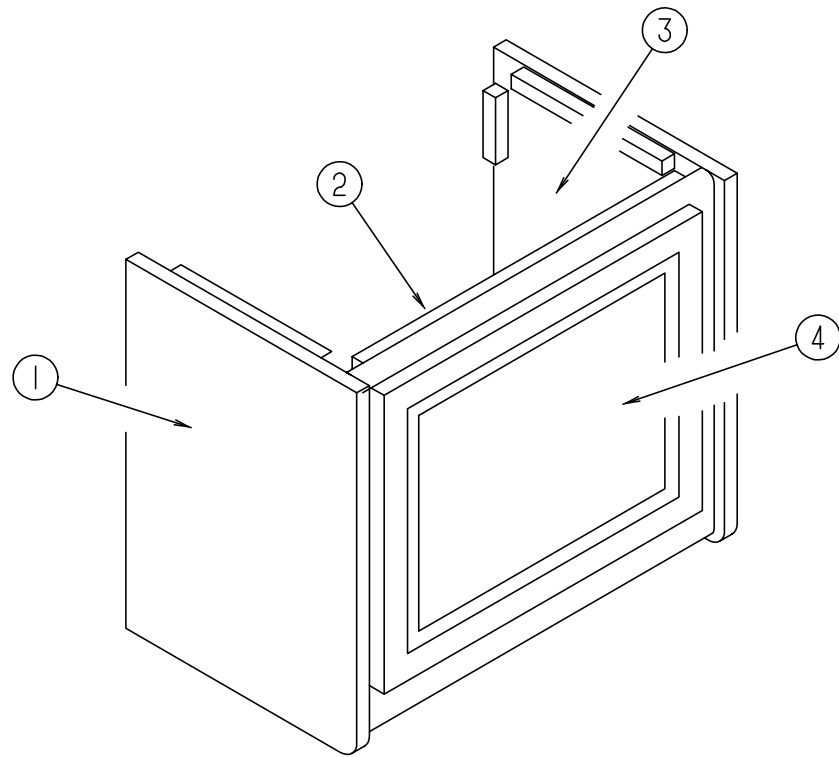
LP TANK & COMPONENTS

LP INSTALLATION COMPONENTS - JAPAN EXPORT

KEY	PART NUMBER	U/M	DESCRIPTION	VENDOR NO.
1	045703-01-000	EA	HOSE - LP - 3/8"ID X 24" - 3/8"MPT X 1/2"F SWIVEL - U.S.	
1	045703-02-000	EA	HOSE - LP - 3/8"ID X 24" - 3/8"MPT X 1/2"F SWIVEL - CANADA	
2	105658-01-000	EA	COMPARTMENT - LP REGULATOR	
3	106150-01-000	EA	REGULATOR - TWO STAGE -W/90 DEGREE ELBOW & 3/8" FPT OUTLET	
4	010252-01-000	EA	ELBOW - BRASS - 90 DEGREE - 3/8"F X 1/2"MPT	
5	010265-01-000	EA	ELBOW - BRASS - 90 DEGREE - 3/8"F X 1/2"FPT	
6	040440-02-000	EA	TRANSMITTER - DIAL - 0-90 OHM -2 TERMINAL (POWER & GROUND)	
7	080450-01-000	EA	TANK-LP - 42 LB - 13" DIAMETER X 24" LONG	
8	040421-01-700	EA	VALVE-LIQUID LEVEL, 20%	G-1013
9	040421-01-701	EA	VALVE-FILL-SHORT, LP	7547B
10	040421-01-702	EA	CAP-FILL VALVE, PLASTIC	G-1014-A
11	040421-01-708	EA	HANDWHEEL-SERVICE VALVE	G-1015-A
12	040421-01-711	EA	VALVE-80% FILL W/AUTO STOP	LLL/TL3
13	040421-01-712	EA	VALVE,SERV. W/O VAPOR RELIEF	29000853
14	040421-01-713	EA	VALVE-RELIEF 1" W/SPRING 7"	29000587
15	074142-01-700	EA	FLOAT ASM.SCREW ON F/13"TANK	13C-SCR
	074142-01-701	EA	FLOAT ASM.(SIGHT GAUGE) BOLT	13C-BLT
16	010329-01-000	EA	ADAPTER - BRASS - 1/2"F X 1/2"MPT	
17	010377-02-000	EA	NUT - BRASS - 3/8" FLARE - FORGED	
18	010380-02-000	EA	NUT - BRASS - 1/2" FLARE - FORGED	
19	010326-01-000	EA	ADAPTER - FLARE - W/CONE GASKET - 3/8"F X 1/2"F	
20	103613-03-000	EA	DETECTOR - LP GAS - W/O SHUT-OFF VALVE	
	010323-01-000	EA	ADAPTER - BRASS - 3/8"F X 1/2"MPT	
	057042-01-000	EA	ADAPTER - CROSS 1/2"PIPE	

KEY	PART NUMBER	U/M	DESCRIPTION
	107433-01-C82	EA	DOOR - HINGED - LP BOX - RIGHT HAND
	107433-02-C82	EA	DOOR - HINGED - LP BOX - LEFT HAND
	097207-02-02A	EA	HINGE - CONTINUOUS - LP DOOR - BLACK
	097207-02-02A	EA	HINGE - CONTINUOUS - LP DOOR
	084993-02-000	EA	STRAP - BATTERY - 55" LONG
	098408-01-000	FT	SEAL - SPONGE RUBBER - CLOSED CELL
	107393-01-000	EA	BOLT - SHOULDER - SOCKET HEAD - BLACK
	107394-01-000	EA	SPRING - COMPRESSION - DOOR - LP
	107395-01-02A	EA	LATCH - BOLT - FINGER - LP DOOR
	107394-01-000	EA	SPRING - COMPRESSION - DOOR - LP
	107421-01-000	EA	PLATE - STRIKE - LP COMPARTMENT
	107378-01-000	EA	PLATE - MOUNTING - LP REGULATOR

LOUNGE GROUP



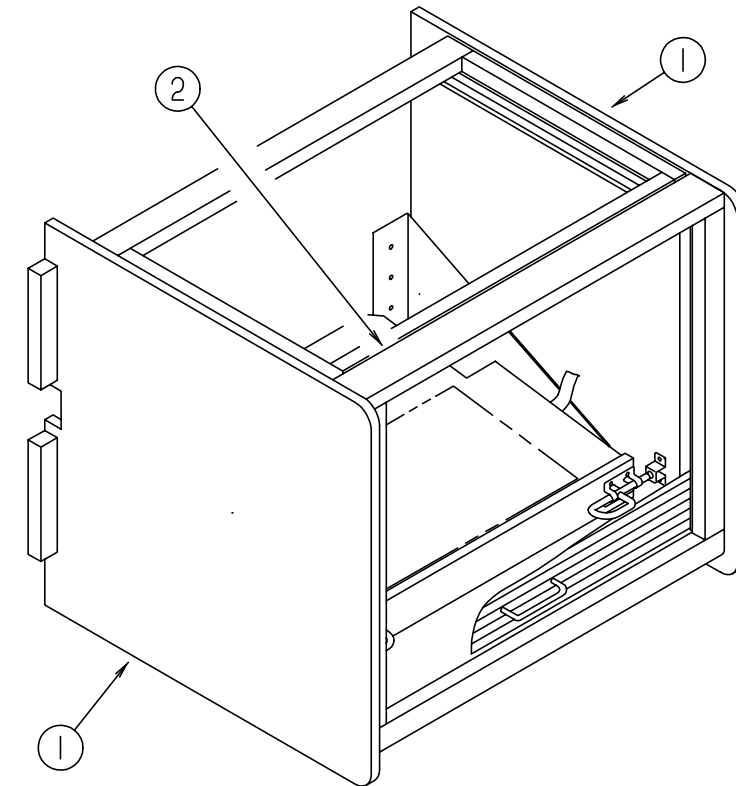
CABINET - OVERHEAD

KEY	PART NUMBER	U/M	DESCRIPTION
1	104335-23-H04	EA	END CAP - OVERHEAD - WATERFORD OAK
1	109908-23-H10	EA	END CAP - OVERHEAD CABINET - SALEM CHERRY
2	124390-01-H04	EA	CABINET - OVERHEAD FRONT/RH - W/O DOORS/HARDWARE - WATERFORD OAK
2	124390-01-J10	EA	CABINET - OVERHEAD FRONT/RH - W/O DOORS/HARDWARE - SALEM CHERRY
3	104335-22-H04	EA	END CAP - OVERHEAD - WATERFORD OAK
3	109908-22-H10	EA	END CAP - OVERHEAD CABINET - SALEM CHERRY
4	M08758-19-J03	EA	DOOR - MITERED CRNR/OGEE EDGE - 15.7" X 19.6" - W/O HDW - WATERFORD OAK
4	M08758-20-J03	EA	DOOR - MITERED CRNR/OGEE EDGE - 15.7" X 19.6" - WATERFORD UPGRADE
4	M05992-V3-J10	EA	DOOR - STRAIGHT CRNR/OGEE EDGE - 15.7" X 19.6" - W/O HDW - SALEM CHERRY

ENTRANCE DOOR STEP COVER

KEY	PART NUMBER	U/M	DESCRIPTION
	122755-05-01A	EA	TILE - RUBBER/ENTRANCE DOOR - 11.2" X 26.9"

LOUNGE GROUP (CONTINUED)



CABINET - W/O TV/VCR OPTION

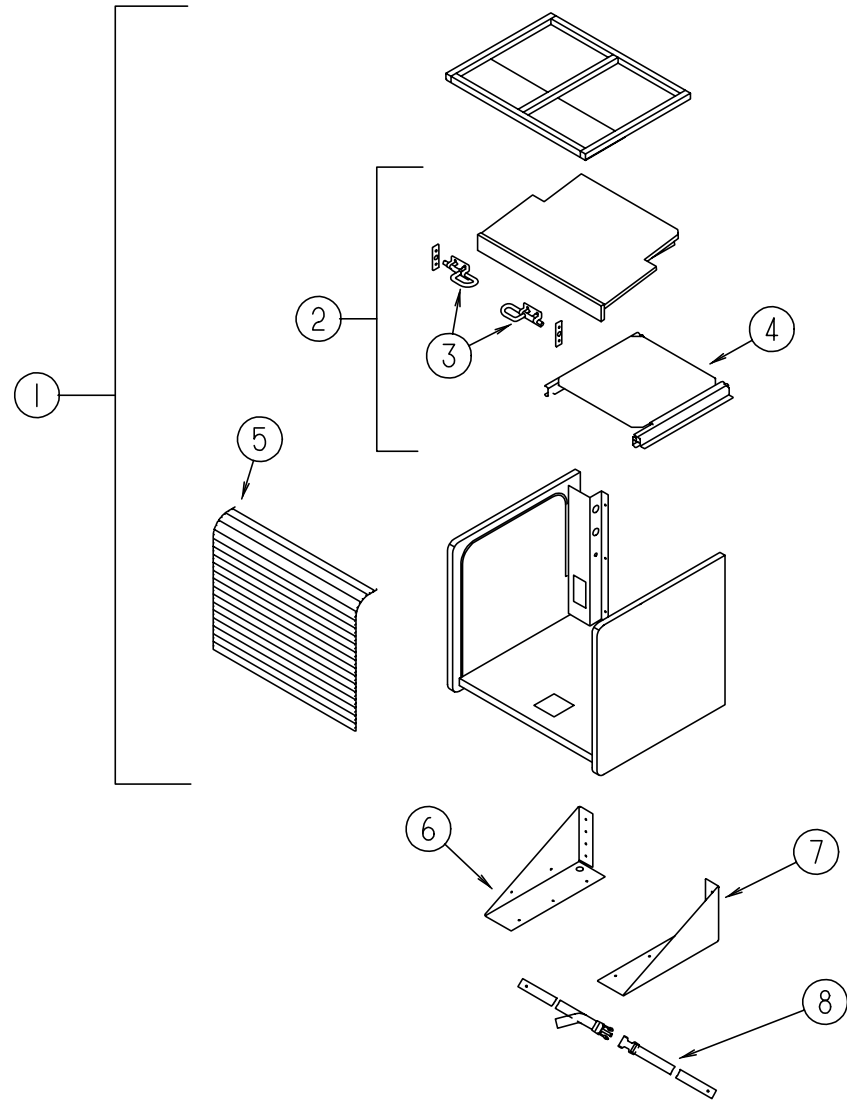
KEY	PART NUMBER	U/M	DESCRIPTION
1	109908-58-J01	EA	END CAP - OVERHEAD CABINET
1	109908-58-J10	EA	END CAP - OVERHEAD CABINET - SALEM CHERRY
2	M08163-06-J01	EA	CABINET - TV/VCP - W/SHELF-SLIDES/SWIVEL/TAMBOUR DOOR WATERFORD OAK
2	M08163-06-J10	EA	CABINET - TV/VCP - W/SHELF-SLIDES/SWIVEL/TAMBOUR DOOR SALEM CHERRY

CABINET - W/TV/VCR OPTION

KEY	PART NUMBER	U/M	DESCRIPTION
1	109908-58-J01	EA	END CAP - OVERHEAD CABINET - WATERFORD OAK
1	109908-58-J10	EA	END CAP - OVERHEAD CABINET - SALEM CHERRY
2	M08163-05-J01	EA	CABINET-TV/VCP/W/O SHELF/SLIDES/SWIVEL/W/TAMBOUR DOOR WATERFORD OAK
2	M08163-05-J10	EA	CABINET-TV/VCP/W/O SHELF/SLIDES/SWIVEL/W/TAMBOUR DOOR SALEM CHERRY

LOUNGE GROUP (CONTINUED)

TV/VCR CABINETS



KEY	PART NUMBER	U/M	DESCRIPTION
1	M08163-06-J01	EA	CABINET - TV/VCP - W/SHELF-SLIDES/SWIVEL/TAMBOUR DOOR WATERFORD OAK
1	M08163-06-J10	EA	CABINET - TV/VCP - W/SHELF/SLIDES/SWIVEL/TAMBOUR DOOR SALEM CHERRY
1	M08163-05-J01	EA	CABINET-TV/VCP/W/O SHELF/SLIDES/SWIVEL/W/TAMBOUR DOOR WATERFORD OAK
1	M08163-05-J10	EA	CABINET-TV/VCP/W/O SHELF/SLIDES/SWIVEL/W/TAMBOUR DOOR SALEM CHERRY
2	125722-13-J01	EA	SHELF - W/SLIDE & SWIVEL - WATERFORD OAK
2	125722-13-J10	EA	SHELF - W/SLIDE & SWIVEL - SALEM CHERRY
3	103256-01-000	EA	LATCH - SLIDE
4	116773-02-000	EA	SWIVEL/SLIDES - F/TV SHELF
5	057882-04-700	EA	TAMBOUR - 48" X 48" SHEET - UNFINISHED
6	122298-03-02B	EA	BRACKET - TV/VCR - RIGHT HAND
7	122298-02-02B	EA	BRACKET - TV/VCR - LEFT HAND
8	099717-04-000	EA	STRAP - TIE DOWN W/21.3" FEMALE STRAP & 27.2" MALE STRAP
	122469-02-02B	EA	BRACKET - ZEE

SEALANTS & FASTENERS GROUP

ADHESIVES AND SEALERS

KEY	PART NUMBER	U/M DESCRIPTION
	002707-02-000	FT TAPE-SEALER - 5/16" X 1/2" - INCREMENTS OF 50 FT
	004006-05-700	EA ADHESIVE-NAT. STARCH (5 GAL) 0802
	004020-01-000	QT ADHESIVE - ABS CEMENT - QUART
	034552-02-000	EA SILICONE - TUBE - 300 ML - W/O NOZZLE - CLEAR
	034552-15-000	EA SILICONE - TUBE - 300 ML - W/O NOZZLE - BRIGHT WHITE
	039518-01-000	EA SILICONE - TUBE - 300 ML - BLACK - W/O NOZZLE
	053766-02-000	EA BEDDING COMPOUND - TUBE - WHITE
	053766-06-000	EA BEDDING COMPOUND - TUBE - CLEAR
	053766-08-000	EA BEDDING COMPOUND - TUBE - GRAY
	069640-01-000	FT SEALER - RIBBON - 1/4" DIAMETER X 30' - BLACK
	069640-02-000	FT SEALER - TAPE - .13"THICK X .5"WIDE X 60' - GRAY
	069640-03-000	FT SEALER - TAPE - .13"THICK X .75"WIDE X 60' - BLACK
	069640-10-000	FT SEALER - TAPE - .03"THICK X 1.50"WIDE X 90' - GRAY
	069640-11-000	FT SEALER - TAPE - .19"THICK X .38"WIDE X 40' - BLACK
	069640-17-000	FT SEALER - TAPE - .03"THICK X 1"WIDE X 90' - GRAY
	069640-18-000	FT SEALER - TAPE - .50"THICK X 1/8"WIDE X 60' - BRIGHT WHITE
	069640-19-000	FT SEALER - TAPE - .75"THICK X 1/8"WIDE X 60' - BRIGHT WHITE
	069640-22-000	FT SEALER - TAPE - .25" X 1/32" - BRIGHT WHITE
	072889-09-000	EA SEALANT - URETHANE - BLACK (TUBE)
	072889-10-000	EA SEALANT - URETHANE (HV) - BRIGHT WHITE
	072889-12-000	EA SEALANT - URETHANE (LV) BRIGHT WHITE
	076322-01-000	FT TAPE - DOUBLE COATED/ADHESIVE BACK - .025"THK X .75"W X18'
	076322-02-000	FT TAPE - DOUBLE COATED/ADHESIVE BACK - .045"THK X 1"W X 108'
	076322-03-000	FT TAPE - DOUBLE COATED/ADHESIVE BACK - .045"THK X .50"W X 9'
	076322-05-000	FT TAPE - DOUBLE COATED/ADHESIVE BACK - .045"THK X .75"W X 9'
	087211-01-000	GL PROMOTER - ADHESIVE
	091255-02-000	FT SEAL - ADHESIVE BACKED/FOAM - .18" THICK X 1.5" WIDE
	102352-01-000	EA SEALER - PUMPABLE - BLACK
	102352-02-000	EA SEALER - PUMPABLE - CLEAR
	106206-01-000	EA SEALER - PUMPABLE - MANUS 30A - BLACK
	108716-03-000	EA SILICONE - TUBE - BRIGHT WHITE/SELF LEVELING - W/O NOZZLE
	112901-02-000	EA ADHESIVE - PLEXUS - 50ML
	120074-02-01A	EA SEALANT - SILICONE - OFF WHITE
	120534-01-01A	EA TAPE - SCOTCH - 3M - 1/2" FINE LINE
	123816-01-000	FT TAPE - DOUBLE SIDED - 1"
	123816-03-000	FT TAPE - DOUBLE SIDED - 1/2" X 3/4" - THICK
	900390-01-000	EA TIP - 2 1/2" X 1/8" ORIFICE
	900390-03-000	EA NOZZLE - SILICONE TUBE

BOLTS

KEY	PART NUMBER	U/M DESCRIPTION
	000C12-05-16B	EA BOLT - HEX - 5/16-18 X 1 - ZINC 5
	000C12-06-16B	EA BOLT - HEX - 3/8-16 X 1 LG - ZINC 5
	000C12-08-24B	EA BOLT - HEX - 1/2-13 X 1.50 - ZINC 5
	000C13-07-48B	EA BOLT - HEX - 7/16-20 X 3 - ZINC 5
	000C18-05-40A	EA BOLT - ELEVATOR - 5/16-18 X 2.50 - PL
	000C18-06-48B	EA BOLT - ELEVATOR - 3/8-16 X 3 - ZINC - GRADE 5
	000C26-04-14B	EA BOLT - HEX - SERRATED FLANGE - 1/4-20 X 7/8 - ZINC
	000C26-04-10B	EA BOLT - HEX - SERRATED FLANGE - 1/4-20 X 5/8 - ZINC
	000C26-05-16B	EA BOLT - HEX - SERRATED FLANGE - 5/16-18 X 1 - ZINC
	000C26-05-12B	EA BOLT - HEX - SERRATED FLANGE - 5/16-18 X 3/4 - ZINC
	000C26-06-12B	EA BOLT - HEX - SERRATED FLANGE - 3/8-16 X 3/4 - ZINC
	000C26-08-24B	EA BOLT - HEX - SERRATED FLANGE - 1/2-13 X 1 1/2 ZINC
	051387-06-000	EA BOLT - CARRIAGE W/O HOLE - 5/16-18 X 9.5 - ZINC
	102333-01-06A	EA BOLT - CARRIAGE - 7/16-14 STAINLESS STEEL CAP

SEALANTS & FASTENERS GROUP (CONTINUED)

NUTS AND RIVETS

KEY	PART NUMBER	U/M DESCRIPTION
	000D29-09-00B	EA NUT - HEX - SELF LOCKING - 9/16-12 - ZINC
	000D34-06-00B	EA NUT - HEX - LOCKING - 3/8-16 GRADE C - ZINC-PREVAILING
	000D39-04-00B	EA NUT - HEX - LOCKING W/SERRATED FLANGE - 1/4-20 - ZINC
	000D39-05-00B	EA NUT - HEX - LOCKING W/SERRATED FLANGE - 5/16-18 - ZINC
	000D39-06-00B	EA NUT - HEX - LOCKING W/SERRATED FLANGE - 3/8-18 - ZINC
	000D39-07-00B	EA NUT - HEX - LOCKING W/SERRATED FLANGE - 7/16-14 - ZINC
	000D39-08-00B	EA NUT - HEX - LOCKING W/SERRATED FLANGE - 1/2-13 - ZINC
	000D44-07-00B	EA NUT - HEX - LOCKING W/SERRATED FLANGE - 7/16-20 - ZINC
	000D46-04-00A	EA NUT - HEX - WELD - 1/4-20 - PLAIN
	000D58-06-00A	EA NUT - HEX - WELD 3/8-16 - PLAIN
	000D60-05-00A	EA NUT - HEX - WELD/LOCK 5/16 - 18 UNCUT
	000D65-08-00B	EA NUT - HEX/SERRATED FLANGE - 8-32 ZINC
	040921-01-000	EA NUT - SPEED - U TYPE - 10-24 BLACK
	044364-02-000	EA NUT - SPEED - FLAT - ROUND
	104369-01-000	EA NUT - HEX - HEAVY - 5/8-11 UNC
	069592-02-000	EA RIVET-T - POP - 1/4 X .093 - .156
	000H16-04-06R	EA RIVET - POP ALUMINUM - 1/8 X .313 - .375

CLAMPS, TIES AND FASTENERS

KEY	PART NUMBER	U/M DESCRIPTION
	007161-01-000	EA CLAMP - HOSE - SPRING TYPE - 1/2"
	010495-01-000	EA CLAMP - CABLE - 9/16"
	010495-02-000	EA CLAMP - CABLE - 3/8
	010497-01-000	EA CLAMP - CLOSED - 5/8" ID
	010497-03-000	EA CLAMP - CLOSED - 1" ID - CUSHIONED
	010497-07-000	EA CLAMP - CLOSED - 3/8" ID
	010497-08-000	EA CLAMP - CLOSED - .125"
	010499-01-000	EA CLAMP - CLOSED - 3/8 ID
	056134-02-000	EA HOLDER - RING - 1.8" DIAMETER - METAL
	062401-01-000	EA CLAMP - HOSE - WORMGEAR - .25" - 1"
	062401-02-000	EA CLAMP - HOSE - WORMGEAR - 1.56" - 2.5"
	062401-03-000	EA CLAMP - HOSE - WORMGEAR - .22" - 1"
	062401-04-000	EA CLAMP - HOSE - WORMGEAR - .69" - 1.25"
	062401-06-000	EA CLAMP - HOSE - WORMGEAR - .22" - .62" ID
	062401-11-000	EA CLAMP - HOSE - WORMGEAR - 3.50" - 4.50"
	075148-02-000	EA CLAMP - GROUNDING - BRONZE SCREWS
	080734-02-000	EA CLIP - WIRE NYLON
	083609-01-000	EA CLAMP - WIRE - DUAL - EQUAL DIAMETERS - 5/8"
	083610-01-000	EA CLAMP - WIRE - DUAL - UNEQUAL DIAMETERS - 3/4" & 1 1/4"
	091952-02-000	EA CLIP - GRIPPER - 3/4"
	008343-01-000	EA TIE - WIRE - 6"
	008343-02-000	EA TIE - WIRE - 14"
	085774-01-000	FT FASTENER - DUAL HOOK - 1" WIDE - ADHESIVE BACK - BLACK
	085774-02-000	FT FASTENER - DUAL HOOK - 1" WIDE - ADHESIVE BACK - BLACK
	088792-01-000	YD VELCRO TAPE - HOOK - 5/8" - NON-ADHESIVE BACKED
	088792-02-000	YD VELCRO TAPE - LOOP - 3/4" - ADHESIVE BACKED - BEIGE
	088792-05-000	YD VELCRO TAPE - LOOP - 5/8" - NON-ADHESIVE BACKED - WHITE
	088792-06-000	YD VELCRO TAPE - LOOP - 3/4" - NON-ADHESIVE BACKED - BUFF
	108046-02-000	EA CABLE TIE - SCREW MOUNT 15"
	110943-02-000	FT FELTSTRIP - 3/8" - ADHESIVE BACK - WHITE
	115361-01-01A	EA PLUG - PLASTIC

SEALANTS & FASTENERS GROUP (CONTINUED)

SCREWS

KEY	PART NUMBER	U/M	DESCRIPTION
	0G1108-12-170	EA	SCREW - 8-18 X .75 PPH - BRIGHT WHITE
	0G3908-08-170	EA	SCREW - SF/DR - 8-18 X .50 PPH - BRIGHT WHITE
	0G3908-20-170	EA	SCREW - SF/DR - 8-18 X 1.25 PPH - BRIGHT WHITE
	0G3908-24-170	EA	SCREW - SF/DR - 8-18 X 1.50 PPH - BRIGHT WHITE
	0G3910-12-170	EA	SCREW - SF/DR - 10-16 X .75 PPH - BRIGHT WHITE
	0G5508-16-250	EA	SCREW - SF/DR - 8-18 X 1.00 PWH
	0G6008-16-170	EA	SCREW - SF/DR - 8-18 X 1.00 POH
	0G6710-08-170	EA	SCREW - 10-12 X 1/2 PPH - BRIGHT WHITE
	000G11-05-08B	EA	SCREW - 5-20 X .50 PPH - ZINC
	000G11-06-10J	EA	SCREW - 6-20 X 5/8 PPH - BRASS
	000G11-06-10B	EA	SCREW - 6-20 X 5/8 PPH - ZINC
	000G11-06-08B	EA	SCREW - 6-20 X 1/2 PPH - ZINC
	000G11-06-06B	EA	SCREW - 6-20 X 3/8 PPH - ZINC
	000G11-07-08B	EA	SCREW - 7-19 X 1/2 PPH - ZINC
	000G11-08-12D	EA	SCREW - 8-18 X 3/4 PPH - BLACK
	000G11-08-12B	EA	SCREW - 8-18 X 3/4 PPH - ZINC
	000G11-08-08B	EA	SCREW - 8-18 X 1/2 PPH - ZINC
	000G11-08-20B	EA	SCREW - 8-18 X 1 1/4 PPH - ZINC
	000G11-08-16S	EA	SCREW - 8-18 X 1 PPH - OFF WHITE
	000G11-08-12T	EA	SCREW - 8-18 X 3/4 PPH - BLACK
	000G11-08-12P	EA	SCREW - 8-18 X 3/4 PPH - DARK BROWN
	000G11-08-12P	EA	SCREW - 8-18 X 3/4 PPH - DARK BROWN
	000G11-10-24P	EA	SCREW - 10-16 X 1 1/2 PPH - DARK BROWN
	000G11-10-16B	EA	SCREW - 10-16 X 1 PPH - ZINC
	000G11-10-12D	EA	SCREW - 10-16 X 3/4 PPH - BLACK
	000G11-10-12S	EA	SCREW - 10-16 X 3/4 PPH - OFF WHITE
	000G12-06-08T	EA	SCREW - 6-20 X 1/2 POH - BLACK
	000G12-08-12S	EA	SCREW - 8-18 X .75 POH - OFF WHITE
	000G13-06-08G	EA	SCREW - 6-20 X .50 PFH - ANTIQUE BRASS
	000G13-06-08B	EA	SCREW - 6-20 X 1/2 PFH - ZINC
	000G13-06-10G	EA	SCREW - 6-20 X 5/8 PFH - ANTIQUE BRASS
	000G13-07-12B	EA	SCREW - 7-19 X 3/4 PFH - ZINC
	000G13-07-10H	EA	SCREW - 7-19 X 5/8 PFH - BLACK
	000G13-08-10S	EA	SCREW - 8-18 X 5/8 PFH - OFF WHITE
	000G18-08-22B	EA	SCREW - MACHINE - 8-32 X 1 3/8 PPH - ZINC
	000G19-10-12F	EA	SCREW - MACHINE - 10-32 X 3/4 PPH - STAINLESS STEEL
	000G32-10-06B	EA	SCREW - 10-32 X 3/8 PPH - ZINC
	000G39-06-10T	EA	SCREW - SF/DR - 6-20 X 5/8 PPH - BLACK
	000G39-06-10T	EA	SCREW - SF/DR - 6-20 X 5/8 PPH - BLACK
	000G39-08-08S	EA	SCREW - SF/DR - 8-18 X 1/2 PPH - OFF WHITE
	000G39-08-08B	EA	SCREW - SF/DR - 8-18 X 1/2 PPH - ZINC
	000G39-08-24B	EA	SCREW - SF/DR - 8-18 X 1 1/2 PPH - ZINC
	000G39-08-16R	EA	SCREW - SF/DR - 8-18 X 1 PPH - BEIGE
	000G39-08-12T	EA	SCREW - SF/DR - 8-18 X 3/4 PPH - BLACK
	000G39-08-12B	EA	SCREW - SF/DR - 8-18 X 3/4 PPH - ZINC
	000G39-08-16B	EA	SCREW - SF/DR - 8-18 X 1 PPH - ZINC
	000G39-10-209	EA	SCREW - SF/DR - 10-16 X 1 1/4 PPH - FLUOROCARBON SILVER
	000G39-10-20B	EA	SCREW - SF/DR - 10-16 X 1 1/4 PPH - ZINC
	000G39-10-129	EA	SCREW - SF/DR - 10-16 X 3/4 PPH - FLUOROCARBON SILVER
	000G39-10-12D	EA	SCREW - SF/DR - 10-16 X 3/4 PPH - BLACK
	000G39-10-12B	EA	SCREW - SF/DR - 10-16 X 3/4 PPH - ZINC
	000G39-10-08B	EA	SCREW - SF/DR - 10-16 X 1/2 PPH - ZINC
	000G42-04-16B	EA	SCREW - SF/DR - 1/4-14 X 1 HWH - ZINC
	000G42-04-12B	EA	SCREW - SF/DR - 1/4-14 X 3/4 HWH - ZINC
	000G46-08-24T	EA	SCREW - MACHINE - 8-32 X 1 1/2 PFH - BLACK
	000G52-08-18B	EA	SCREW - MACHINE - 8-32 X 1 1/8 PTH - ZINC
	000G54-04-20B	EA	SCREW - 1/4-20 X 1.25 PTH - TYPE 23 - ZINC PLATED
	000G55-08-12S	EA	SCREW - SF/DR - 8-18 X 3/4 PWH - OFF WHITE
	000G56-12-48B	EA	SCREW - WOOD - 12-11 X 3 POH - SPECIAL HARDENED
	000G60-10-28T	EA	SCREW - SF/DR - 10-16 X 1 3/4 - BLACK
	000G60-10-20B	EA	SCREW - SF/DR - 10-16 X 1 1/4 POH - ZINC
	000G67-10-12R	EA	SCREW - 10-12 X .75 PPH - BEIGE
	000G67-10-12P	EA	SCREW - 10-12 X 3/4 PPH - DARK BROWN

SEALANTS & FASTENERS GROUP (CONTINUED)

SCREWS (CONTINUED)

KEY	PART NUMBER	U/M	DESCRIPTION
	000G67-10-12B	EA	SCREW - 10-12 X 3/4 PPH - ZINC
	000G67-10-10S	EA	SCREW - 10-12 X 5/8 PPH - OFF WHITE
	000G67-10-10D	EA	SCREW - 10-12 X 5/8 PPH - BLACK - TYPE A
	000G67-10-10B	EA	SCREW - 10-12 X 5/8 PPH - ZINC - TYPE A
	000G67-10-08R	EA	SCREW - 10-12 X 1/2 PPH - BEIGE - TYPE A
	000G67-10-08B	EA	SCREW - 10-12 X 1/2 PPH - ZINC
	000G67-10-36T	EA	SCREW - 10-12 X 2 1/4 - PPH - BLACK
	000G67-10-32B	EA	SCREW - 10-12 X 2 PPH - ZINC
	000G67-10-24B	EA	SCREW - 10-12 X 1 1/2 PPH - ZINC
	000G67-10-16B	EA	SCREW - 10-12 X 1 PPH - ZINC
	000G67-10-120	EA	SCREW - 10-12 X 3/4 PPH - TAN
	000G67-10-120	EA	SCREW - 10-12 X 3/4 PPH - TAN
	000G68-06-10G	EA	SCREW - 6-18 X 5/8 POH - ANTIQUE BRASS
	049465-03-000	EA	SCREW - 10-16 X 1 POH W/WASHER - OFF WHITE
	049465-04-000	EA	SCREW - 10-16 X 1 PTH W/WASHER - BEIGE
	054434-02-000	EA	SCREW - SF/DR - 10-16 X 2 - ZINC
	057671-01-000	EA	COVER - SCREW - #8 - PLASTIC - OFF WHITE
	075908-01-000	EA	SCREW - MACHINE - 10-32 X .56 PTH - EXTERNAL TOOTH - ZINC
	076790-01-000	EA	SCREW - 6-20 X 1 1/4 PPH - BLACK
	083554-01-000	EA	SCREW - DRYWALL - 8 X 1.25
	083554-04-000	EA	SCREW - DRYWALL - 8 X 2.50
	087721-01-000	EA	SCREW - FLAT HEAD - TAPPING - 1/4" X 1 1/4" LONG - ZINC
	101618-01-000	EA	SCREW - 1/4-20 X 3/4 HEX - TAPPING - STALGARD TYPE F
	105126-01-000	EA	SCREW - MACH - 8-32 X 1 PPH TAPIT
	115430-01-01A	EA	SCREW - 8-18 X 1/2 POH - W/WASHER
	115430-01-01B	EA	SCREW - 18 X 1/2 POH W/WASHER - ZINC

GROMMETS

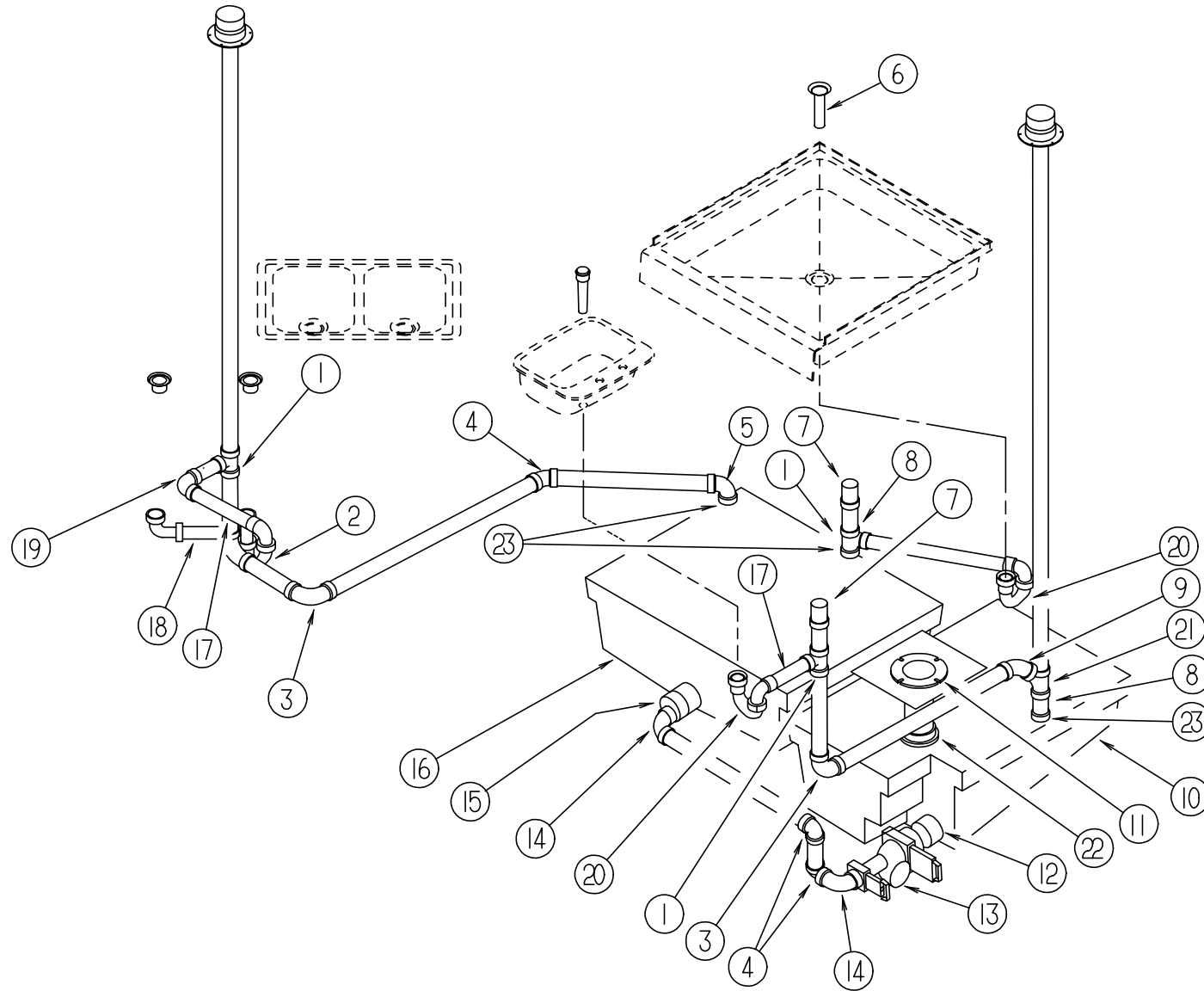
KEY	PART NUMBER	U/M	DESCRIPTION
	016188-03-000	EA	GROMMET - L/P LINE - 3/8" HOLE X 2 1/2" LONG - RUBBER
	016188-05-000	EA	GROMMET - L/P LINE - 3/8" HOLE X 1 1/4" LONG - RUBBER
	023942-01-000	EA	GROMMET - RUBBER - 2" OD
	071015-11-000	EA	GROMMET - 1.00 ID - FITS .12 MATERIAL
	071015-26-000	EA	GROMMET - RUBBER - 1.5" ID X 2.12" OD W/.06" GROOVE - BLK
	114208-02-000	EA	GROMMET - EDGE LINER - FITS .625

WASHERS

KEY	PART NUMBER	U/M	DESCRIPTION
	000E11-07-00B	EA	WASHER - LOCKING - 7/16 MED SPLIT - ZINC
	000E11-08-00B	EA	WASHER - LOCKING - 1/2 MED SPLIT - ZINC
	000E13-14-00B	EA	WASHER - FLAT - 1/4 WIDE - ZINC
	000E13-18-00B	EA	WASHER - FLAT - 3/8 WIDE - ZINC
	000E13-20-00B	EA	WASHER - FLAT - 7/16 WIDE - ZINC
	000E13-21-00B	EA	WASHER - FLAT - 1/2 NARROW - ZINC
	044533-01-000	EA	WASHER - PLASTIC - 1 3/8" OD - FOR BUTTONS
	077071-01-000	EA	WASHER - FENDER - 3/16"ID X 1" OD

WATER & SEWAGE GROUP

DRAINAGE SYSTEM



KEY	PART NUMBER	U/M	DESCRIPTION
1	010071-01-000	EA	TEE - SANITARY - 1 1/2" HUB X HUB X HUB - PLASTIC
2	107538-01-000	EA	P TRAP - PLASTIC - 1 1/4" W/EXTENSION ARM
2	011071-01-000	EA	P-TRAP - PLASTIC - 1 1/2" - CSA
3	010008-01-000	EA	ELBOW - 90 DEGREE - 1 1/2" HUB X HUB - PLASTIC
4	010006-01-000	EA	ELBOW - 45 DEGREE - 1 1/2" HUB X HUB - PLASTIC
5	034250-01-000	EA	ELBOW - 90 DEGREE - LONG TURN - 1 1/2" HUB X HUB - ABS
6	011069-02-000	EA	TAILPIECE - TUB/SHOWER - 1 1/2" X 1 1/4" X 4" - BRASS
	066440-01-000	EA	STRAINER - SHOWER DRAIN - W/RUBBER WASHER
	130403-01-000	EA	NUT - SLIP - W/WINGS 1 1/2"
	066436-01-000	EA	NUT - SLIP - TAILPIECE 1.5"
	069735-01-000	EA	WASHER - STRAINER TO TAILPIECE - PLASTIC - 1.5"
			FROM: 00-00-00 THRU: 10-21-97
	127440-02-01A	EA	WASHER - RUBBER - 1.8" X .1"
			FROM: 10-22-97 THRU: 99-99-99
7	079968-01-000	EA	VENT - MECHANICAL/TRAP ARM - ANTI-SIPHON-2" X 7.3" PLASTIC
8	010005-01-000	EA	ELBOW - 22.5 DEGREE - 1 1/2" HUB X HUB - PLASTIC
9	010051-01-000	EA	ELBOW - 45 DEGREE - 1 1/2" SPIGOT & HUB - PLASTIC
10	074870-01-000	EA	TANK - HOLDING - W/O GROMMETS - 30 GALLON-36.5"X13.3"X23"
11	116644-01-000	EA	FLANGE - CLOSET - 4" X 3"

KEY	PART NUMBER	U/M	DESCRIPTION	VENDOR NO.
12	078406-01-000	EA	COUPLER - RUBBER - W/CLAMPS - 3" X 3"	
13	070916-01-000	EA	VALVE - DUAL DUMP - W/CAP - 3" X 1 1/2"	
	070916-01-700	EA	VALVE ONLY (WASTE) 3"	T1003BU
	070916-01-701	EA	VALVE ONLY (WASTE) 1 1/2"	T1001BU
	010201-01-000	EA	HOSE - SEWER - 3" ID X 8'	
	062416-01-000	EA	ADAPTER - SEWER HOSE TO 3" PIPE	
14	033761-01-000	EA	ELBOW - TURN - 90 DEGREE 1 1/2" HUB X 1 1/2" SPIGOT	
15	062422-01-000	EA	ADAPTER - OFFSET REDUCER - 3" X 1 1/2" - PLASTIC	
16	074861-01-000	EA	TANK - HOLDING - W/O GROMMETS - 35 GALLON - 35"X 11"X 27"	
17	109571-01-000	EA	ADAPTER - P TRAP - 1 1/2" P X 1 1/4" MPT	
18	011091-02-000	EA	WASTE - CONTINUOUS - DOUBLE SINK	
19	010008-01-000	EA	ELBOW - 90 DEGREE - 1 1/2" HUB X HUB - PLASTIC	
20	107538-01-000	EA	P TRAP - PLASTIC - 1 1/4" W/EXTENSION ARM	
20	011071-01-000	EA	P-TRAP - PLASTIC - 1 1/2" - CSA	
21	010071-01-000	EA	TEE - SANITARY - 1 1/2" HUB X HUB X HUB - PLASTIC	
22	061607-02-000	EA	GROMMET - HOLDING TANK - 3" NPS	
23	061607-01-000	EA	GROMMET - HOLDING TANK - 1 1/2" NPS	

WATER & SEWAGE GROUP (CONTINUED)

FRESH WATER TANK

KEY	PART NUMBER	U/M DESCRIPTION
	122865-02-000	EA TANK - WATER - 50 GALLON - W/FITTINGS - RAISED BED OPTION
	122865-01-000	EA TANK - WATER - 50 GALLON - W/O FITTINGS - RAISED BED OPTION
	122778-02-000	EA TANK - WATER - 40 GALLON - W/FITTINGS
	122778-01-000	EA TANK - WATER - 40 GALLON - W/O FITTINGS
	039861-01-000	EA SENDING UNIT - W/SCREW - WASHER - WELL NUT/TERMINAL RING
	042989-03-000	EA FITTING - SPINWELD - 1 1/4"NPT - PLASTIC
	042989-04-000	EA FITTING - SPINWELD - 3/8"FPT - WHITE PLASTIC
	042989-05-000	EA FITTING - SPINWELD - 1/2"FPT - PLASTIC
	049032-01-000	EA PATCH - SPINWELD - 3/8" - PLASTIC
	077954-02-000	EA FILTER - WATER TANK - W/SCREEN IN TANK

WATER SYSTEM

KEY	PART NUMBER	U/M DESCRIPTION
	039808-03-000	EA ELBOW - 1/2" MPT X 1/2" MPT - PLASTIC
	114429-01-000	EA ELBOW - 1/2"P X 1/2"P
	114429-02-000	EA ELBOW - 1/2"P X 1/2"MPT
	114429-03-000	EA ELBOW - SWIVEL - 1/2"P X 1/2"FPT
	123150-01-000	EA ELBOW - 1/2 FPT X 1/2 BARB - SWIVEL
	110438-02-000	EA VALVE - CHECK - BRASS - 1/2 MPT X 1/2 MPT
	114431-01-000	EA VALVE - 180 DEGREE/CENTER DRAIN - 1/2"P - THREE WAY
	114431-02-000	EA VALVE - WATER BYPASS - 1/2"P - THREE WAY (WATER HEATER)
	114431-03-000	EA VALVE - 90 DEGREE DRAIN - 1/2"P
	114428-01-000	EA TEE - 1/2"P X 1/2"P X 1/2"P
	114428-02-000	EA TEE - SWIVEL - 1/2"P X 1/2"P X 1/2"FPT
	010224-01-000	EA ADAPTER - HOSE TO PIPE - 3/8 MPT X 3/8 BARB - PLASTIC
	044927-01-000	EA ADAPTER - HOSE TO PIPE-1 1/4 MPTX1 1/4 BARB-BLACK PLASTIC
	114430-02-000	EA ADAPTER - SWIVEL - 1/2"P X 1/2"FPT
	114430-03-000	EA ADAPTER - 1/2"P X 1/2"MPT
	114430-06-000	EA ADAPTER - 1/2"P X 3/8"FPT
	123152-01-000	EA ADAPTER - 1/2 FPT X 1/2 BARB - SWIVEL
	074462-02-000	FT TUBING - VINYL - 3/8 ID X 20' - CLEAR
	079381-01-000	FT TUBING - SMOOTH FLEXIBLE - 1 3/8"ID X 10'
	112176-01-000	FT TUBING - VINYL - REINFORCED - 1/2" ID
	124188-01-000	FT TUBING - PEX - 1/2" ID X 20' - BLUE
	124188-02-000	FT TUBING - PEX - 1/2" ID X 20' - RED
	112176-01-000	FT TUBING - VINYL - REINFORCED - 1/2" ID
	110915-01-01A	EA FILL - CITY WATER - CHROME
	113697-01-000	EA CAP - 3/8 FTG
	115029-01-000	FT HOSE - WATER - 3/8 ID

EXTERIOR SHOWER

KEY	PART NUMBER	U/M DESCRIPTION	VENDOR NO.
	075241-05-000	EA FAUCET/SHOWER - BONE 3/4" MPT X 1.4" LONG INLET PIPES	
	103092-02-000	EA SHOWER HEAD - W/60" HOSE - CSA	
	103092-01-000	EA SHOWER HEAD - W/60" HOSE - WHITE	
	103092-01-700	EA BRACKET-F/SHOWER HEAD, CLEAR	2328028
	011048-03-700	EA BRACKET - F/SHOWER HEAD	2328029-I
	103092-01-702	EA SEALS-SPRAY HEAD	24466
	091952-02-000	EA CLIP - GRIPPER - 3/4"	
	114428-01-000	EA TEE - 1/2"P X 1/2"P X 1/2"P	
	114429-03-000	EA ELBOW - SWIVEL - 1/2"P X 1/2"FPT	
	081994-02-000	EA PLATE - SWITCH - EXTERIOR SHOWER	
	108356-02-01A	EA COVER/ACTUATOR SWITCH - 2 ROWS DIMPLES- CONTURA II - BLACK	
	108357-08-000	EA SWITCH - ROCKER DPDT - ON/NONE/ON - 6 TERMINAL	

WATER & SEWAGE GROUP (CONTINUED)

WATER HEATER W/O MOTOR AID - ATWOOD G6A-8E

KEY	PART NUMBER	U/M DESCRIPTION
*	051391-03-000	EA WATER HEATER G6A-8E ELECTRONIC IGNITION
	097967-01-000	EA SWITCH - WATER HEATER - REMOTE W/LIGHT

* COMPONENT PARTS FOUND IN SERVICE PARTS LIBRARY

WATER HEATER W/O MOTOR AID - ATWOOD GH6-8E - EXPORT

KEY	PART NUMBER	U/M DESCRIPTION
*	051393-01-000	EA WATER HEATER - GH6-8E - ELECTRONIC IGNITION W/MOTOR AID
	097967-01-000	EA SWITCH - WATER HEATER - REMOTE W/LIGHT

* COMPONENT PARTS FOUND IN SERVICE PARTS LIBRARY

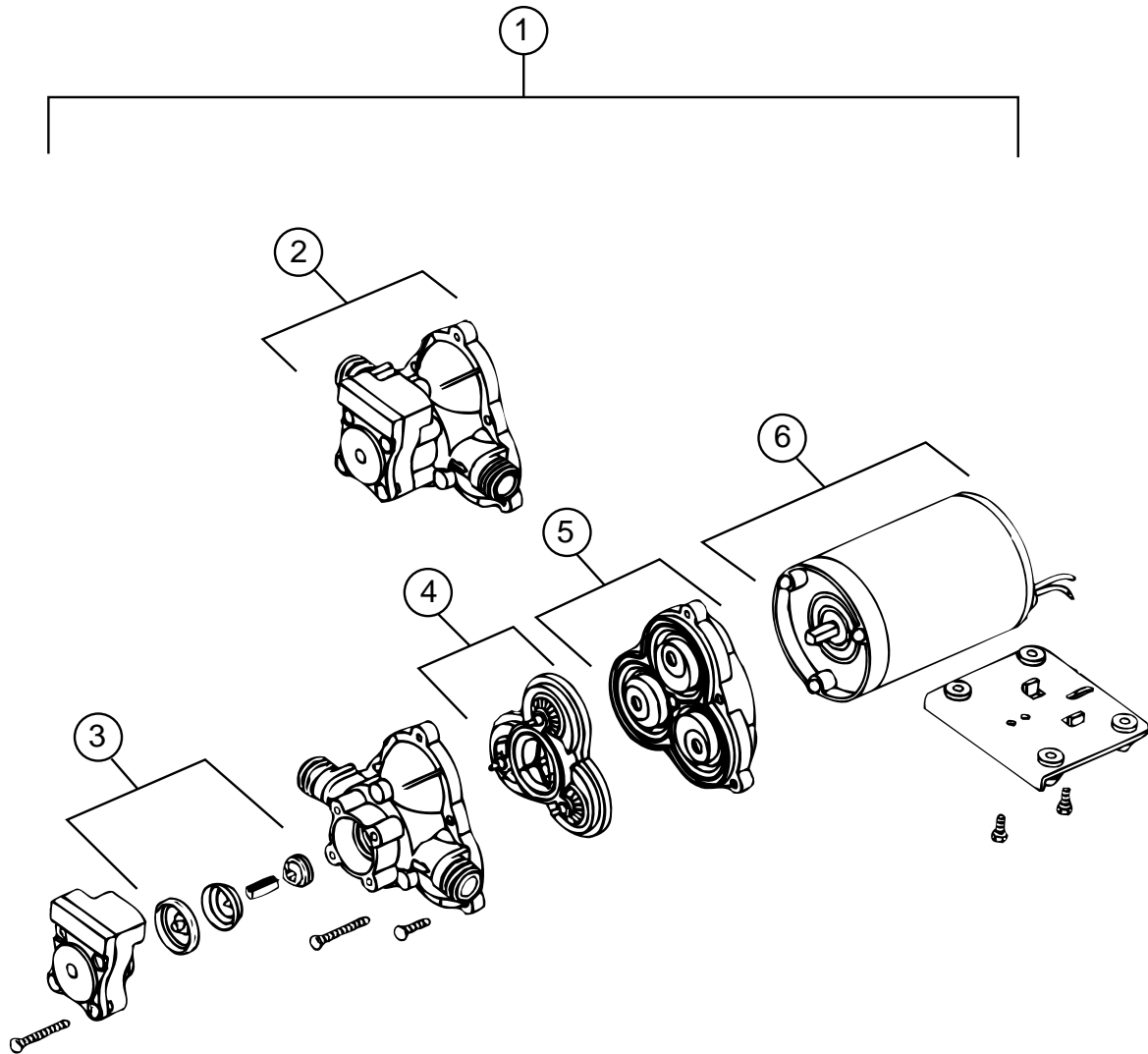
WATER HEATER W/ELECTRIC IGNITION - ATWOOD 94720 ICH66 - WIE EXPORT

KEY	PART NUMBER	U/M DESCRIPTION
*	111129-01-000	EA WATER HEATER - ELECTRIC IGNITION - 220 VOLTS

* COMPONENT PARTS FOUND IN SERVICE PARTS LIBRARY

WATER & SEWAGE GROUP (CONTINUED)

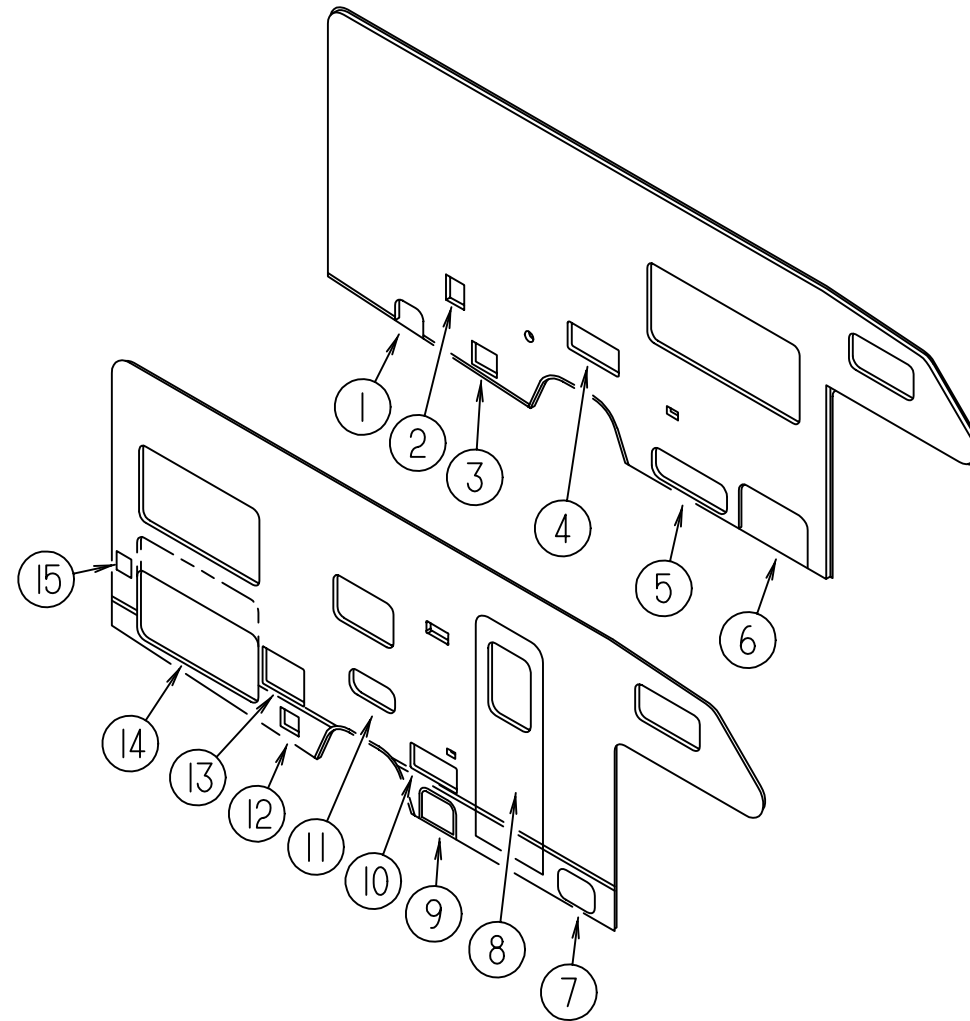
WATER PUMP-SHURFLOW



KEY	PART NUMBER	U/M	DESCRIPTION	VENDOR NO.
1	098607-01-000	EA	PUMP - WATER - W/.5" MPT FITTING - FLOW 2.8 GPM	
2	098607-01-706	EA	HOUSING, W/SWITCH ONLY	94-231-20
3	098607-01-705	EA	VALVE-CHECK, KIT	94-237-00
4	098607-01-703	EA	VALVE KIT	94-232-00
5	098607-01-702	EA	DIAPHRAGM/DRIVE ASSEMBLY KIT	94-238-04
6	098607-01-707	EA	MOTOR W/BASEPLATE	11-148-04

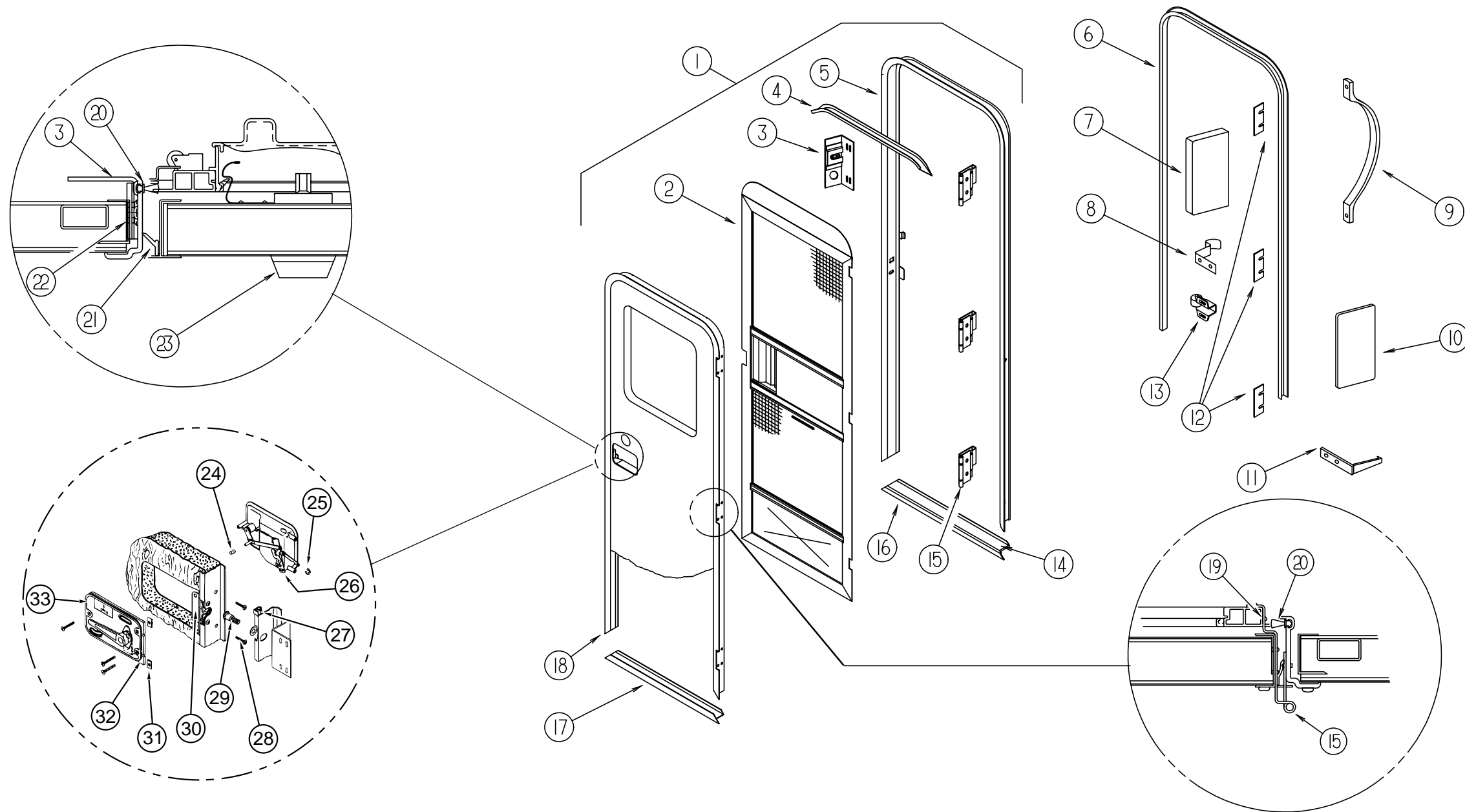
WINDOW, VENT & EXTERIOR DOOR GROUP

EXTERIOR DOORS



KEY	PART NUMBER	U/M DESCRIPTION	VENDOR NO.	KEY	PART NUMBER	U/M DESCRIPTION
1	127278-01-J01	EA VALANCE/DOOR - W/O HARDWARE - 7.4" X 13.1" X 6.3"		9	127405-01-J01	EA VALANCE/DOOR - W/O HARDWARE - 14.6" X 11.8"
1	127278-02-J10	EA VALANCE/DOOR - W/O HARDWARE - 7.4" X 13.1" X 6.3"		9	127278-03-J10	EA VALANCE/DOOR - W/O HARDWARE - 14.5" X 11.8"
2	078010-15-000	EA DOOR - FUEL FILL - W/O LOCK			121264-01-01A	EA BRACKET - F/PROP ROD - BRIGHT WHITE
3	088794-06-000	EA DOOR - POWER CORD W/HATCH - BRIGHT WHITE - 9.2" X 11"			089329-02-000	EA CLIP - SPRING
4	084103-08-000	EA DOOR - VENT/REFRIGERATOR - W/O JAMB - BRIGHT WHITE			101667-05-000	EA PROP ROD
	084104-08-000	EA JAMB - VENT DOOR/REFRIGERATOR - BRIGHT WHITE		10	098668-23-000	EA DOOR - ACCESS - FURNACE - BRIGHT WHITE
	084104-01-700	EA LOCK-MALE, FASTENER	201-721-010	11	126945-01-J22	EA DOOR/STORAGE - W/O HARDWARE - 18" X 8.3"
	084104-01-701	EA LOCK-FEMALE, FASTENER	201-802-010	11	126945-01-J10	EA DOOR/STORAGE - W/O HARDWARE - 18" X 8.3"
5	126946-05-J01	EA DOOR/STORAGE - W/O HARDWARE - 27.5" X 9.3"		12	052423-07-000	EA DOOR - ACCESS - 6.6" X 6.3" - SEWER HOSE DOOR
5	126946-05-J10	EA DOOR/STORAGE - W/O HARDWARE - 27.5" X 9.3"		13	052009-06-000	EA DOOR - WATER HEATER - BRIGHT WHITE - 18" X 14.6"
6	126945-02-J01	EA DOOR - LP/STORAGE - W/O HARDWARE - 18" X 8.3"			116424-01-000	EA PROTECTOR - LATCH - WATER HEATER
6	126945-02-J10	EA DOOR/STORAGE - W/O HARDWARE - 18" X 8.3"		14	126946-07-J01	EA DOOR/STORAGE - W/O HARDWARE - 47.5" X 23.3"
6	127278-04-J10	EA VALANCE/DOOR - W/O HARDWARE - 27.2" X 16.3" - JAPAN EXPORT		14	115772-03-H04	EA DOOR/STORAGE - W/O PADDLE LATCH - RAISED BED OPTION
6	111009-01-F24	EA DOOR - LP 6.5" X 20.8" - EXPORT			108998-04-000	EA SPRING/GAS - 12" COMPRESSED/20" EXTENDED - 60LB
7	126945-07-J01	EA DOOR/STORAGE - W/O HARDWARE - 14.4" X 10"			121126-01-01A	EA PULL - LOCK
7	126945-07-J10	EA DOOR/STORAGE - W/O HARDWARE - 14.4" X 10"			120620-02-01A	EA CLIP - RETAINER - BLACK
8	115108-01-J01	EA DOOR - ENTRY - W/SCREEN DOOR - W/O WINDOW		15	081240-16-000	EA DOOR - WATER FILL - LOCKABLE W/O LOCK - 4" X 4 5/8"
8	115108-01-J02	EA DOOR - ENTRY - W/SCREEN DOOR - W/O WINDOW				
8	115108-05-J47	EA DOOR - ENTRY - W/SCREEN DOOR - W/O WINDOW				
8	115108-05-J11	EA DOOR - ENTRY - W/SCREEN DOOR - W/O WINDOW				

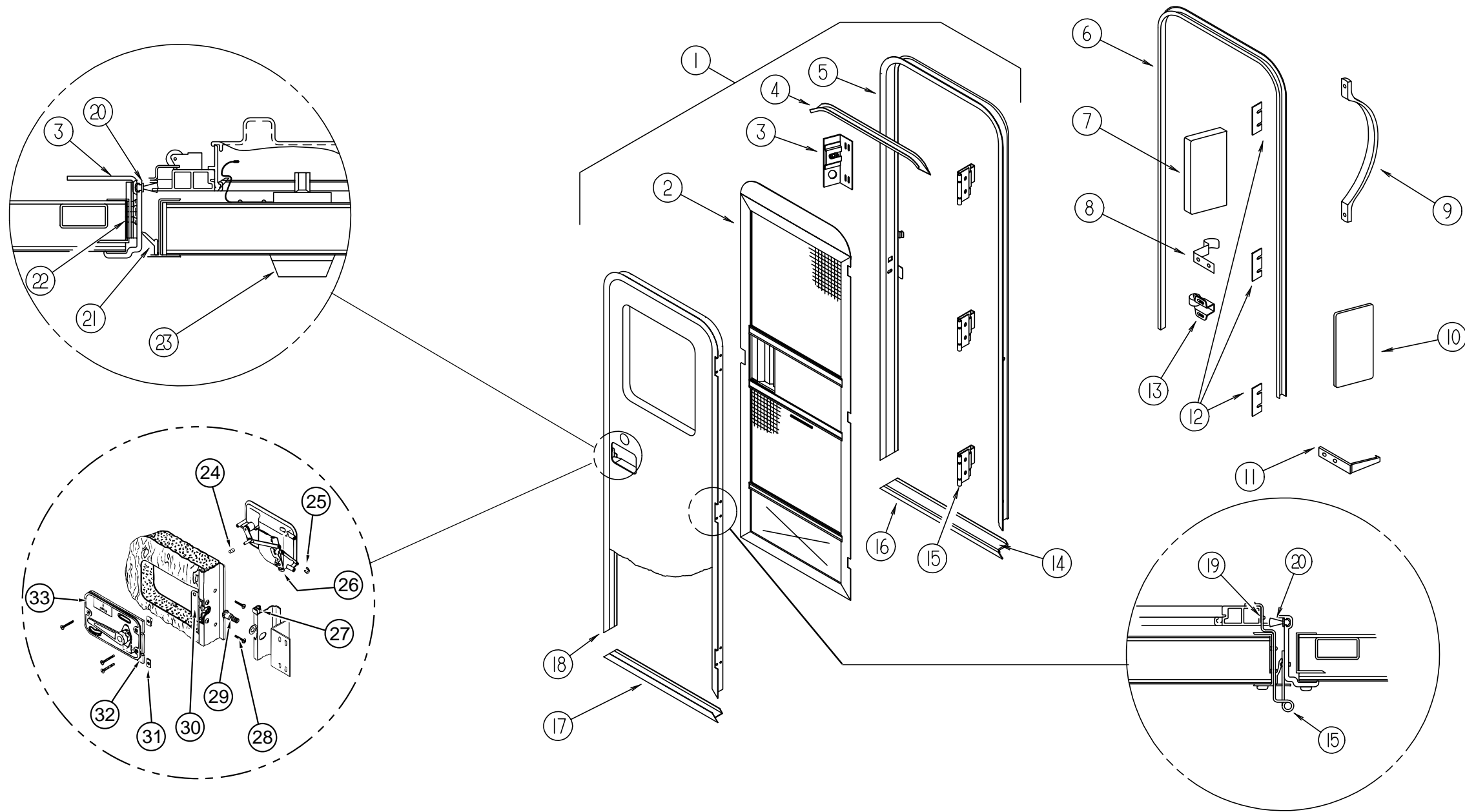
WINDOW, VENT & EXTERIOR DOOR GROUP (CONTINUED)
ENTRANCE DOOR



KEY	PART NUMBER	U/M	DESCRIPTION
1	115108-01-J01	EA	DOOR - ENTRY - W/SCREEN DOOR - W/O WINDOW
1	115108-01-J02	EA	DOOR - ENTRY - W/SCREEN DOOR - W/O WINDOW
1	115108-05-J47	EA	DOOR - ENTRY - W/SCREEN DOOR - W/O WINDOW
1	115108-05-J11	EA	DOOR - ENTRY - W/SCREEN DOOR - W/O WINDOW
2	121899-03-GB1	EA	DOOR - SCREEN - W/O HARDWARE
3	041546-07-000	EA	BRACKET - DOOR ANGLE - OFF WHITE
4	044582-44-000	EA	CAP - DRIP - BRIGHT WHITE
5	121898-03-01A	EA	JAMB - DOOR/ENTRANCE
5	121898-04-01A	EA	JAMB - ENTRANCE DOOR - BRIGHT WHITE - EXPORT
6	115222-04-01A	EA	GARNISH - ENTRY DOOR - RADIUS
7	077461-03-000	EA	COVER - STRIKE - ENTRY DOOR - 6.5" X 2.5" - WHITE PLASTIC
8	100412-01-000	EA	CATCH - SCREEN DOOR
9	009126-03-000	EA	HANDLE - ASSIST - BLACK TEXTURED

KEY	PART NUMBER	U/M	DESCRIPTION
10	076725-02-000	EA	COVER - HINGE - ENTRY DOOR - 6" X 3.2" - OFF WHITE
11	102768-01-000	EA	HOLDER - COMPARTMENT/ENTRY DOOR - METAL - MILL FINISH
12	102248-01-000	EA	SHIM - DOOR
13	079087-03-000	EA	STRIKE - SLIDER - SCREEN DOOR - BRIGHT WHITE
14	038327-01-000	EA	TAPE - ANTI SLIP - 2" X 60'
15	106719-01-05A	EA	HINGE - ENTRANCE DOOR - BRIGHT WHITE
	106719-01-01A	EA	HINGE - ENTRANCE DOOR - MILL
	039715-01-000	EA	NUT-SERT - 1/4" DIAMETER - 20 THREADS
	116111-02-01A	EA	SCREW - TAPTITE - 1/4-20 X 3/8 PPH - ZINC
16	051049-01-000	EA	JAMB - BOTTOM - ENTRY DOOR - 25.9" - UNPAINTED
	036618-02-000	EA	E RING - EXTERNAL - 3/16" SHAFT DIAMETER - LYNOR DOOR LOCK
17	121893-01-01A	EA	FRAME - ENTRY DOOR/BOTTOM - BRIGHT WHITE
18	121894-07-01A	EA	FRAME - ENTRY DOOR - BRIGHT WHITE

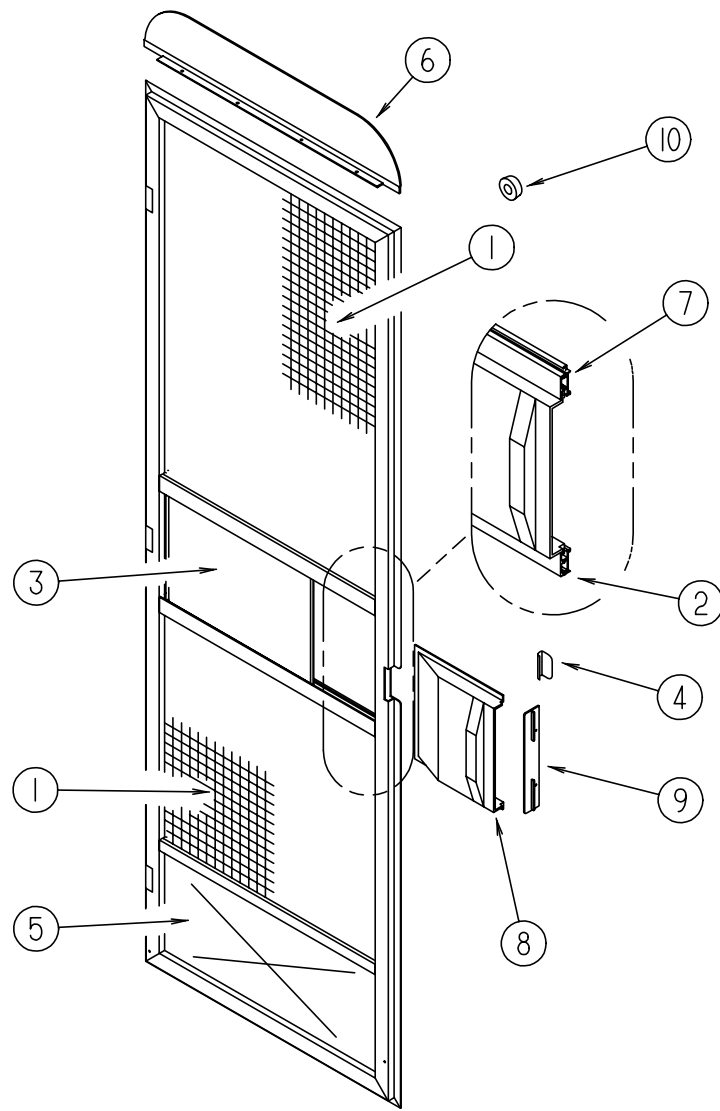
WINDOW, VENT & EXTERIOR DOOR GROUP (CONTINUED)
ENTRANCE DOOR



KEY	PART NUMBER	U/M DESCRIPTION	VENDOR NO.
	098173-01-04A	EA STIFFENER - ENTRY DOOR - SUPPORTS LATCH/STRIKE - UNPAINTED	
	122241-01-01A	EA BUMPER - FOAM RUBBER W/ADH BACK - .5" X .5" X .25" - BLACK	
19	100128-02-000	EA SEAL - FOAM - ADHESIVE BACK - .37" WIDE X .37" THICK	
20	118929-01-01A	FT SEAL - PILE - PUSH ON	
21	075671-04-000	FT SEAL - SPONGE - LAZY T - W/ADHESIVE STRIP - .5" WIDE	
22	104692-01-000	FT SEAL - FOAM/ADHESIVE BACK - .75"THICK X .75"WIDE X 25'	
23	101145-01-06A	EA DEADBOLT - ENTRY DOOR W/O SECURITY BOLT W/2 KEYS - BLACK	
	095229-01-700	EA KEY-BLANK, DEADBOLT	81205-03
	101145-01-701	EA CYLINDER-LOCK ASM., W/KEY	81306-03
	101147-01-000	EA BOLT - SECURITY - 4.12"	
24	039984-01-000	EA CAP - ROUND - VINYL - .28" ID X .62" - BLACK	
25	036618-02-000	EA E RING - EXTERNAL - 3/16" SHAFT DIAMETER - LYNOR DOOR LOCK	

KEY	PART NUMBER	U/M DESCRIPTION	VENDOR NO.
26	045017-13-000	EA LATCH - ENTRY DOOR - BLACK TEXTURED	
	045017-11-701	EA KEY-BLANK, F1 SERIES	81312-02
	045017-11-703	EA CYLINDER-LOCK ASM. W/KEYS	81266-09
27	064075-07-000	FT SEAL - BULB - W/WIRED U CHANNEL - .3" X .5" CHANNEL - BLK	
28	000G54-04-20B	EA SCREW - 1/4-20 X 1 1/4 PTH TYP 23	
29	039539-01-000	EA STRIKE - LOCK - ENTRY DOOR - ROUND W/THREADED WASHER	
	039715-01-000	EA NUT-SERT - 1/4" DIAMETER - 20 THREADS	
30	039540-01-000	EA LATCH MECHANISM - HOOK - ENTRY DOOR - INTERIOR	
31	040921-01-000	EA NUT-SPEED-U TYPE 10-24 BLACK	
32	096810-01-01A	EA PLATE - LATCH - ENTRY DOOR - BLACK	
33	039979-06-000	EA COVER - LATCH PLATE - RIGHT HAND - BLACK TEXTURED	
	086285-05-000	EA SPACER - NYLON - .7" X .56"	
	104099-01-04A	EA CATCH - DOOR HOLDER - STRIKE - BRIGHT WHITE	

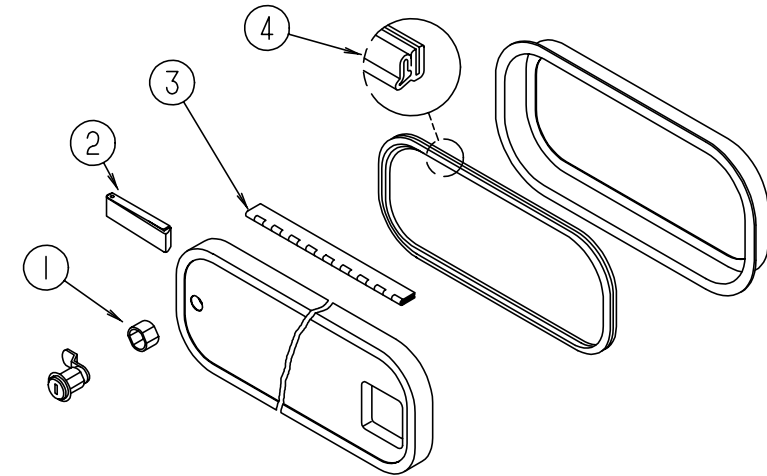
WINDOW, VENT & EXTERIOR DOOR GROUP (CONTINUED)



SCREEN DOOR COMPONENTS

KEY	PART NUMBER	U/M	DESCRIPTION
	121899-03-GB1	EA	DOOR - SCREEN - W/O HARDWARE
1	002293-02-000	SF	SCREENING - WINDOW/DOOR - 26" - CHARCOAL
2	002294-01-000	FT	SPLINE - SCREENING - .135" X .138"
3	016454-01-000	EA	INSERT - CENTER - LEATHER GRAIN ALUMINUM - UNPAINTED
	001014-01-013	EA	INSERT - CENTER - 10.25" X 16.31" - UNPAINTED
4	050712-06-000	EA	HANDLE - SCREEN DOOR - BRIGHT WHITE
5	078552-03-000	EA	KICK PANEL - SCREEN DOOR - LOWER INSERT - UNPAINTED
6	078595-01-000	EA	TOP PLATE - SCREEN DOOR - CURVED TOP - 4.7" X 25.35"
7	078777-01-000	EA	CHANNEL - SLIDE - SCREEN DOOR CENTER SLIDER COVER
			FROM: 00-00-00 THRU: 02-22-98
7	078777-08-000	FT	CHANNEL SLIDER
			FROM: 02-23-98 THRU: 99-99-99
8	079086-03-000	EA	SLIDER - SCREEN DOOR - BRIGHT WHITE
9	079087-03-000	EA	STRIKE - SLIDER - SCREEN DOOR - BRIGHT WHITE
10	120863-05-000	EA	BUMPER - RUBBER - 3/4" X 3/8"
			FROM: 00-00-00 THRU: 10-27-97
10	120863-06-000	EA	BUMPER - RUBBER - 3/4" X 3/8"
			FROM: 10-28-97 THRU: 99-99-99

VENT & EXTERIOR DOOR GROUP (CONTINUED)

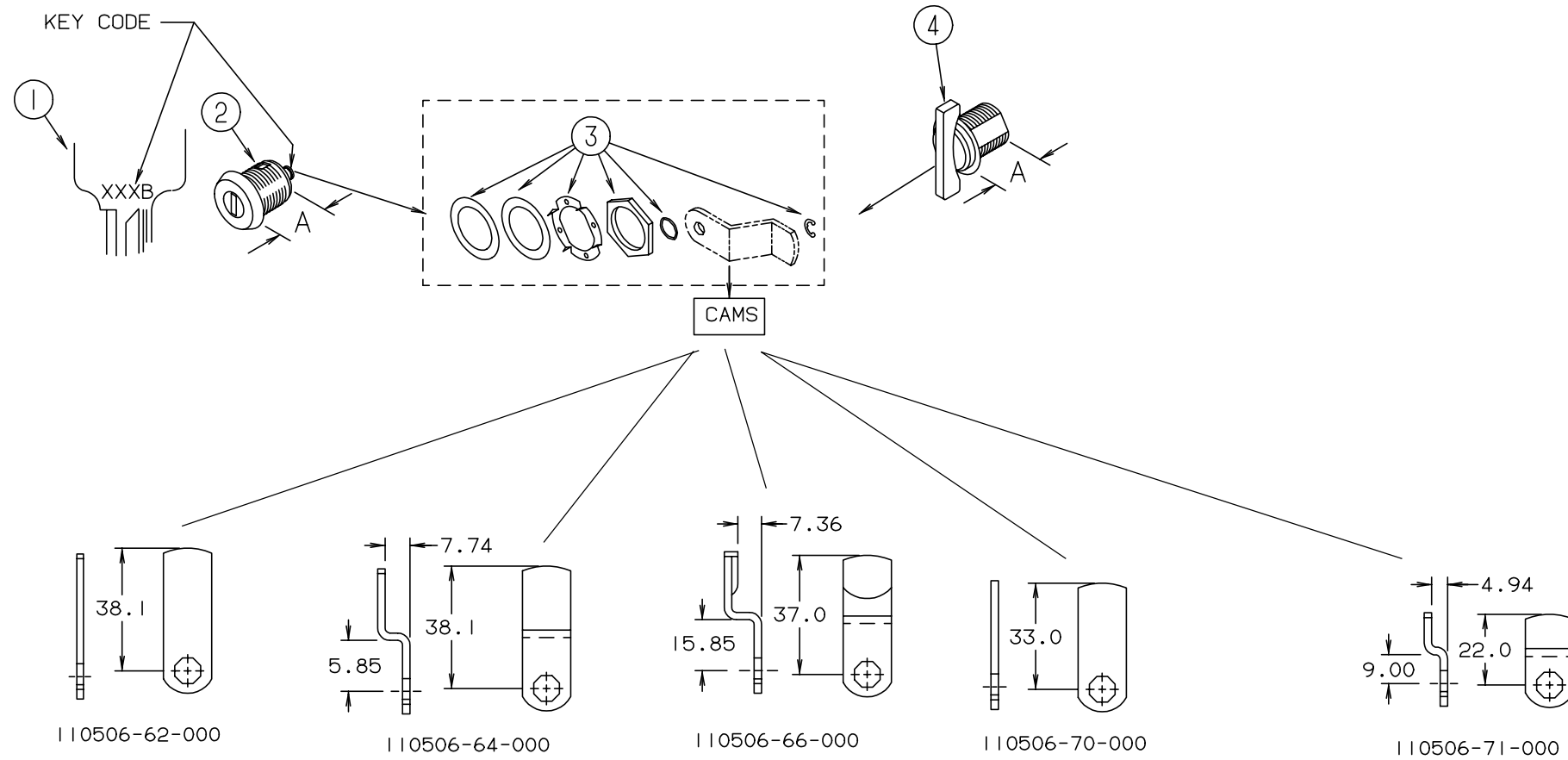


EXTERIOR COMPARTMENT DOOR COMPONENTS

KEY	PART NUMBER	U/M	DESCRIPTION
1	107997-51-001	EA	SPACER - DOOR LOCK - .6" DEEP
	107997-51-002	EA	EXTRUDED - SPACER - 16'
2	102768-01-000	EA	HOLDER - COMPARTMENT/ENTRY DOOR - METAL - MILL FINISH
3	081801-V3-000	EA	HINGE - ALUMINUM - 2" X 96" - BRIGHT WHITE
	081801-02-000	EA	HINGE - DOOR - PIANO - 2" X 8'
3	034007-B3-000	EA	HINGE - CONTINUOUS - 1.5" X 96"
3	081801-T3-000	EA	HINGE - ALUMINUM - 2" X 20.5" - BRIGHT WHITE
	096217-55-006	EA	U CHANNEL - 210"
4	064075-07-000	FT	SEAL - BULB - W/WIRED U CHANNEL - .3" X .5" CHANNEL - BLK
	091876-01-000	EA	RETAINER - DOOR - 1.9" X .8" - METAL
	102768-01-000	EA	HOLDER - COMPARTMENT/ENTRY DOOR - METAL - MILL FINISH
	104692-01-000	FT	SEAL - FOAM/ADHESIVE BACK - .75"THICK X .75"WIDE X 25'
	098408-01-000	FT	SEAL - SPONGE RUBBER - CLOSED CELL
	106850-02-000	FT	SEAL-E - SPONGE RUBBER - .43" X .75"
	009065-01-000	EA	HINGE - ALUMINUM - 1 1/2" X 96" - UNPAINTED

WINDOW, VENT & EXTERIOR DOOR GROUP (CONTINUED)
BRIGGS & STRATTON LOCKS & COMPONENTS

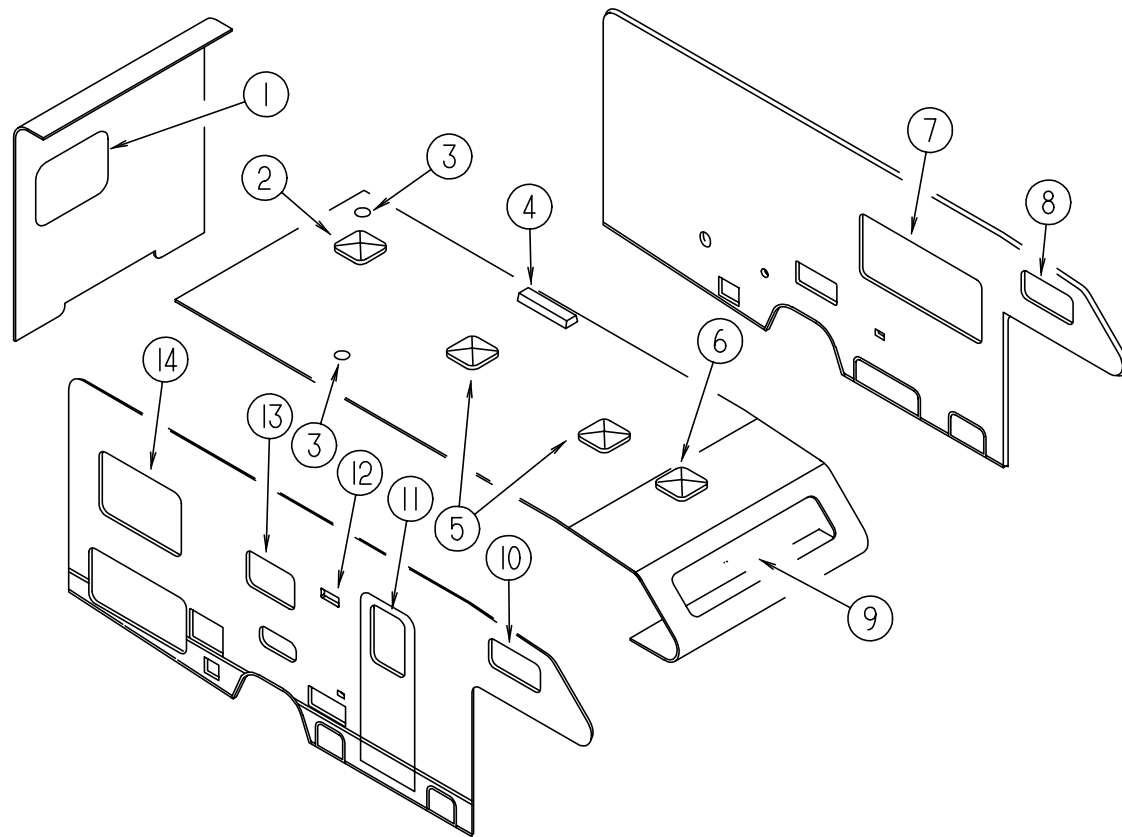
NOTE:
 WHEN ORDERING THE LOCK CASE, THE KEY CODE MUST
 MATCH THE LAST DIGIT OF THE VEHICLE'S SERIAL NUMBER
 AND PART NUMBER; WHEN ORDERING THE KEYS, THE THIRD
 DIGIT OF THE KEY CODE MUST MATCH THE LAST DIGIT OF
 THE VEHICLE'S SERIAL NUMBER AND PART NUMBER



KEY	PART NUMBER	U/M	DESCRIPTION	VENDOR NO.	KEY	PART NUMBER	U/M	DESCRIPTION	VENDOR NO.
1	110506-59-000	EA	KEYS - SET OF TWO	596720	1	110506-59-006	EA	KEYS - SET OF TWO	596726
2	110506-52-000	EA	CASE/CYLINDER - LOCKING W/O CAM - .65"	702370	2	110506-52-006	EA	CASE/CYLINDER - LOCKING W/O CAM - .65"	702370
2	110506-54-000	EA	CASE/CYLINDER - LOCKING W/O CAM OR KEY - 1 1/4"	703170	2	110506-54-006	EA	CASE/CYLINDER - LOCKING W/O CAM OR KEY - 1 1/4"	703170
1	110506-59-001	EA	KEYS - SET OF TWO	596721	1	110506-59-007	EA	KEYS - SET OF TWO	596727
2	110506-52-001	EA	CASE/CYLINDER - LOCKING W/O CAM - .65"	702370	2	110506-52-007	EA	CASE/CYLINDER - LOCKING W/O CAM - .65"	702370
2	110506-54-001	EA	CASE/CYLINDER - LOCKING W/O CAM OR KEY - 1 1/4"	703170	2	110506-54-007	EA	CASE/CYLINDER - LOCKING W/O CAM OR KEY - 1 1/4"	703170
1	110506-59-002	EA	KEYS - SET OF TWO	596722	1	110506-59-008	EA	KEYS - SET OF TWO	596728
2	110506-52-002	EA	CASE/CYLINDER - LOCKING W/O CAM - .65"	702370	2	110506-52-008	EA	CASE/CYLINDER - LOCKING W/O CAM - .65"	702370
2	110506-54-002	EA	CASE/CYLINDER - LOCKING W/O CAM OR KEY - 1 1/4"	703170	2	110506-54-008	EA	CASE/CYLINDER - LOCKING W/O CAM OR KEY - 1 1/4"	703170
1	110506-59-003	EA	KEYS - SET OF TWO	596723	1	110506-59-009	EA	KEYS - SET OF TWO	596729
2	110506-52-003	EA	CASE/CYLINDER - LOCKING W/O CAM - .65"	702370	2	110506-52-009	EA	CASE/CYLINDER - LOCKING W/O CAM - .65"	702370
2	110506-54-003	EA	CASE/CYLINDER - LOCKING W/O CAM OR KEY - 1 1/4"	703170	2	110506-54-009	EA	CASE/CYLINDER - LOCKING W/O CAM OR KEY - 1 1/4"	703170
1	110506-59-004	EA	KEYS - SET OF TWO	596724	3	110506-40-700	EA	HARDWARE KIT	
2	110506-52-004	EA	CASE/CYLINDER - LOCKING W/O CAM - .65"	702370	4	110506-55-000	EA	CASE/CYLINDER - TWIST LOCK W/O CAM - 1 1/4"	
2	110506-54-004	EA	CASE/CYLINDER - LOCKING W/O CAM OR KEY - 1 1/4"	703170		110506-62-000	EA	CAM - LATCHING - STRAIGHT 1/5"	
1	110506-59-005	EA	KEYS - SET OF TWO	596725		110506-64-000	EA	CAM - LATCHING - DOG LEGGED 1.8" LONG	
2	110506-52-005	EA	CASE/CYLINDER - LOCKING W/O CAM - .65"	702370		110506-66-000	EA	CAM - LATCHING - DOG LEGGED 1.5" LONG	
2	110506-54-005	EA	CASE/CYLINDER - LOCKING W/O CAM OR KEY - 1 1/4"	703170		110506-70-000	EA	CAM - LATCHING - STRAIGHT 1.3" LONG	
						110506-71-000	EA	CAM - LATCHING - DOG LEGGED .86" LONG	
						110506-59-701	EA	KEY BLANK (GOLD)	

WINDOW, VENT & EXTERIOR DOOR GROUP (CONTINUED)

WINDOWS & VENTS



KEY	PART NUMBER	U/M	DESCRIPTION
1*	078528-07-F15	EA	WINDOW - ESCAPE W/O INSIDE TRIM - CLEAR - 24.5" X 48.5"
	074816-11-000	EA	RETAINER - TRIM - ESCAPE WINDOW - OFF WHITE
1*	113502-01-01A	EA	WINDOW - REAR/CENTER ESCAPE - THERMO - 24.8" X 48.7"
1*	113502-06-01A	EA	WINDOW - REAR/CENTER ESCAPE - THERMO/EURO - 24.8" X 38.7"
2*	122882-02-01A	EA	VENT - ROOF - W/FAN - W/O INSIDE GARNISH - UL
2*	122882-03-01A	EA	VENT - ROOF - W/FAN - W/O INSIDE GARNISH - CSA
3	083558-03-000	EA	VENT - PLUMBING - ROOF PIPE COVERED - OFF WHITE
4	084073-04-000	EA	BASE - ROOF VENT/REFRIGERATOR - BLACK - NORCOLD
4	084073-07-000	EA	VENT - ROOF/REFRIGERATOR - BRIGHT WHITE - NORCOLD
5*	122882-01-01A	EA	VENT - ROOF - NONPOWERED - W/O INSIDE GARNISH
6*	123780-01-01A	EA	VENTILATOR - ROOF/1" - W/O THERMOSTAT/POWER LIFT
6*	122882-01-01A	EA	VENT - ROOF - NONPOWERED - W/O INSIDE GARNISH
7*	098647-28-01A	EA	WINDOW - DRVR HORIZ SLIDER W/TRIM - CLEAR - 26.1" X 59.7"
7*	112795-15-01A	EA	WINDOW - DRIVER HORIZONTAL SLIDER - THERMO - 26.4" X 60"
7*	112795-40-01A	EA	WINDOW - DRVR HORIZONTAL SLDR - THERMO/EURO - 26.1" X 59.8"
8*	098647-32-01A	EA	WINDOW - DRVR HORIZ SLIDER W/TRIM - CLEAR - 15.7" X 28.5"
8*	112795-20-01A	EA	WINDOW - DRIVER HORIZONTAL SLIDER - THERMO - 16" X 28.7"
8*	112795-42-01A	EA	WINDOW - DRVR - HORIZONTAL SLIDER - THERMO/EURO - 15.7" X 28.5"
9*	103313-03-F15	EA	WINDOW - PICTURE - 16.7" X 71.3"
	117054-01-01A	EA	RETAINER - TRIM - WHITE
9*	115630-01-01A	EA	WINDOW - STATIONARY/THERMOPANE - 17.2" X 72"
9*	115630-02-01A	EA	WINDOW - STATIONARY/E-GLASS - 17.2" X 72" - EXPORT
10*	098647-31-01A	EA	WINDOW - PASS HORIZ SLIDER W/TRIM - CLEAR - 15.7" X 28.5"
10*	112795-19-01A	EA	WINDOW - PASSENGER HORIZ SLIDER - THERMO - 16" X 28.7"
10*	112795-41-01A	EA	WINDOW - PASSENGER HORIZONTAL SLIDER/THERMO/EURO - 16" X 28 3/4"
11*	117053-04-FB1	EA	WINDOW - PICTURE - CLEAR - 17" X 26.4"
	117054-02-02A	EA	RETAINER - TRIM - BRIGHT WHITE
11*	113733-01-01A	EA	WINDOW - STATIONARY THERMOPANE - 17" X 26.4"
11*	113733-03-01A	EA	WINDOW - STATIONARY THERMOPANE/EUROPEAN - 26.4" X 17"
12	084616-07-000	EA	SHROUD - EXHAUST VENT/RANGE HOOD - BRIGHT WHITE
12	084878-09-000	EA	VENT - EXHAUST/RANGE HOOD - OFF WHITE
13*	098647-31-01A	EA	WINDOW - PASS HORIZ SLIDER W/TRIM - CLEAR - 15.7" X 28.5"
13*	112795-19-01A	EA	WINDOW - PASSENGER HORIZ SLIDER - THERMO - 16" X 28.7"
13*	112795-41-01A	EA	WINDOW - PASSENGER HORIZONTAL SLIDER/THERMO/EURO - 16" X 28 3/4"
14*	112795-22-01A	EA	WINDOW - PASSENGER HORIZ SLIDER - THERMO - 26.4" X 48"
14*	098647-38-01A	EA	WINDOW - PASS HORIZ SLIDER W/TRIM - CLEAR - 30.5" X 57.5"
14*	112795-46-01A	EA	WINDOW-PASSENGER HORIZONTAL SLIDER THERMO/EURO - 26 3/8" X 48"
	115028-01-000	EA	FILM-PROTECTIVE 24"X328'ROLL - DUPONTKANSEI VY1676

* COMPONENT PARTS FOUND IN SERVICE PARTS LIBRARY