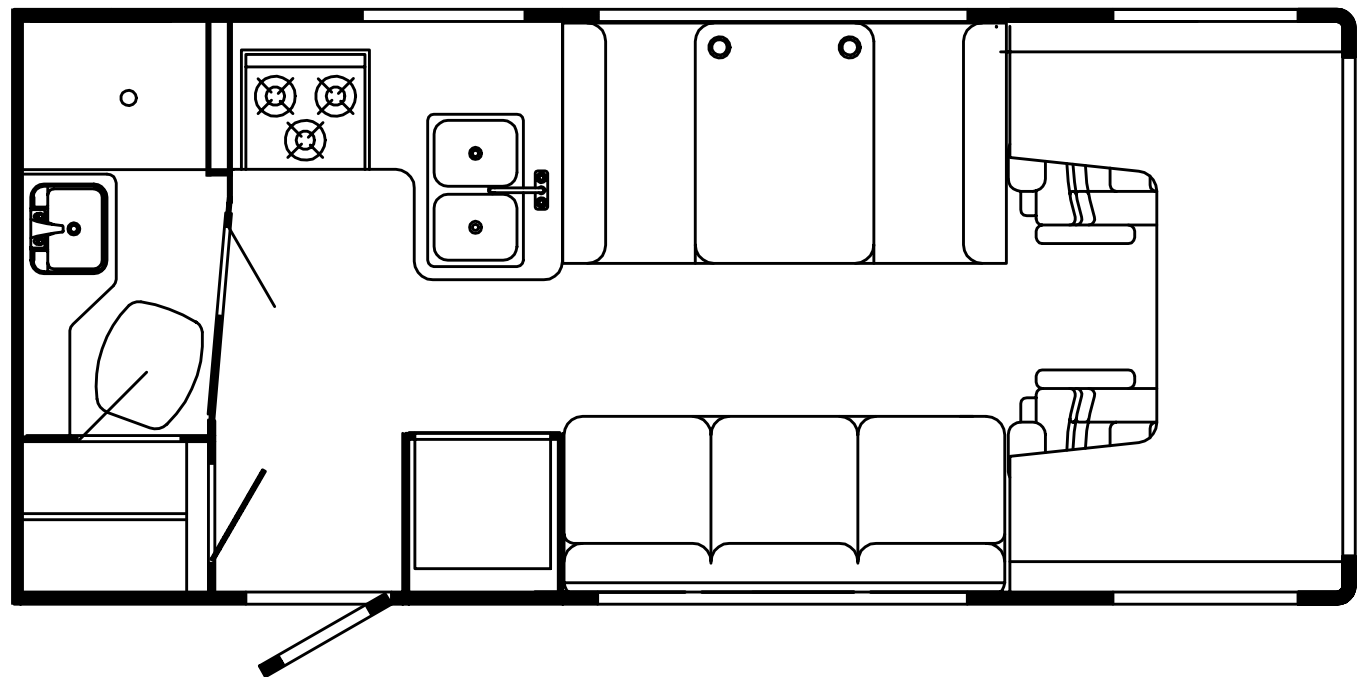
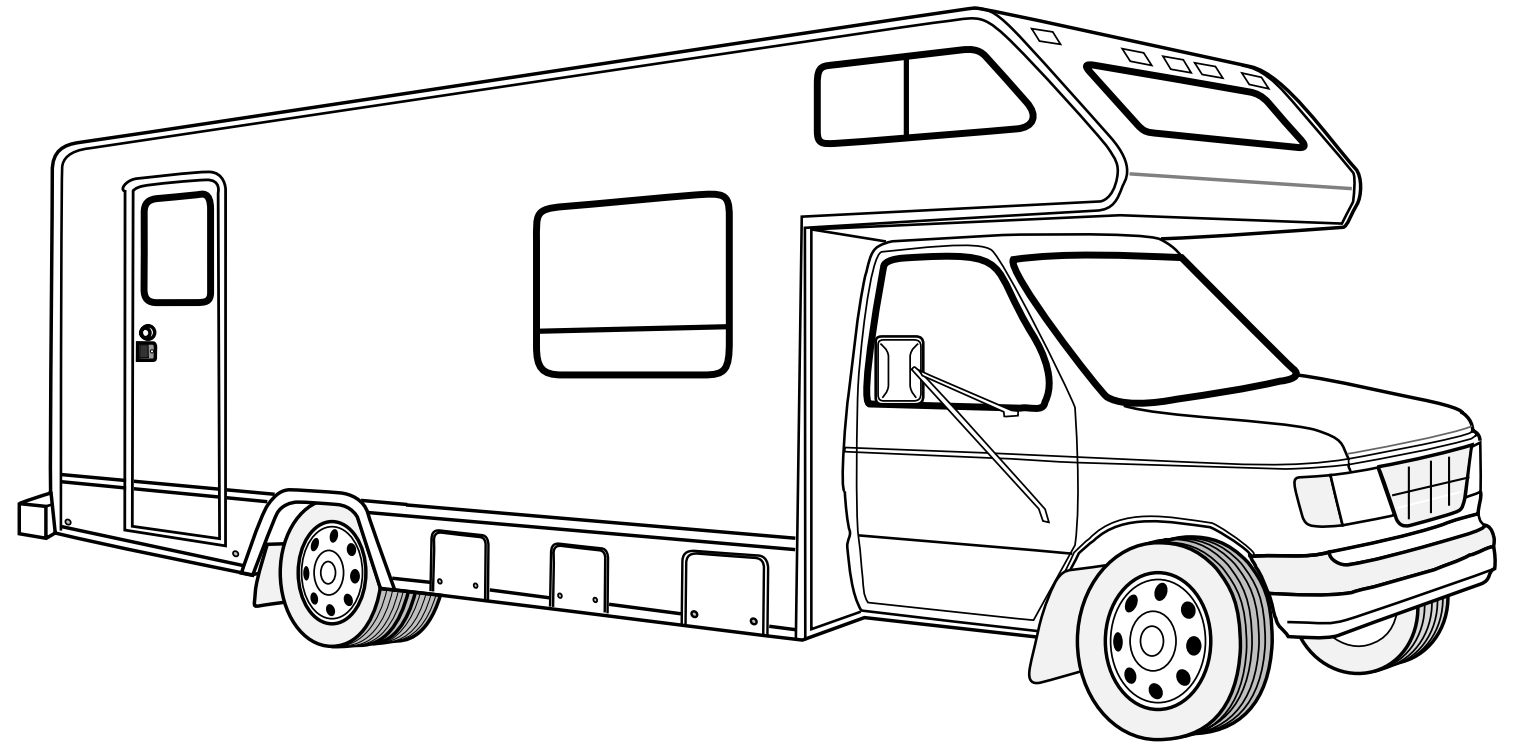


1998
WF322RR

J03
NEWPORT (BLUE)

J04
DUNE (BROWN)



ACCESSORIES GROUP

OPERATORS MANUAL

KEY	PART NUMBER	U/M	DESCRIPTION
	054185-G8-000	EA	MANUAL - OPERATOR 98 MINNIE - 300 SERIES
	092318-01-000	EA	BINDER - 3 RING - MOTOR HOME MANUAL
	092319-01-000	EA	POCKET PAGE - 3 RING BINDER - PLASTIC - (50 PER PKG)
	129079-01-01A	EA	CASE - VINYL/BLACK-EXPANDABLE ACCORDION SIDES-7"WX9"HX14"L
	125441-01-000	DW	TOP LEVEL DRAWING - 1998 C BODY

AUDIO VIDEO GROUP

RADIO SPEAKER

KEY	PART NUMBER	U/M	DESCRIPTION
	125322-02-000	EA	RADIO - AM-FM STEREO - CASSETTE - AUDIOVOX
	090944-01-000	EA	ANTENNA - RADIO - 16" RUBBER
	108847-01-000	EA	BRACKET - ANTENNA GROUND
	109889-01-000	EA	EXTENDER - SHAFT - ANTENNA 1"
	110469-01-000	EA	SPEAKER - 4" X 6" OVAL - COAXIAL
	110470-01-01A	EA	GRILLE - 4" X 6" OVAL - BLACK
	108137-01-000	EA	PLUG - ANTENNA
	111177-01-01A	EA	GRILLE - SPEAKER - 6.6" X 8.9" - HOUSING 5" X 7" SPEAKER

RADIO-PATIO ENTERTAINMENT CENTER

KEY	PART NUMBER	U/M	DESCRIPTION
	125322-02-000	EA	RADIO - AM-FM STEREO - CASSETTE - AUDIOVOX
	090944-01-000	EA	ANTENNA - RADIO - 16" RUBBER
	077069-02-000	EA	CABLE - ANTENNA/EXTENSION - RADIO - 96"
	108847-01-000	EA	BRACKET - ANTENNA GROUND
	082134-01-000	EA	ADAPTER - TV - CABLE TO CABLE
	086756-01-000	EA	SPLITTER - TV - 2 WAY
	076319-09-000	EA	WALLPLATE - CABLE RECEPTACLE - TV - SINGLE - BROWN
	058708-02-000	EA	RECEPTACLE - ELECTRIC - DOUBLE - IVORY
	109889-01-000	EA	EXTENDER - SHAFT - ANTENNA 1"
	110469-01-000	EA	SPEAKER - 4" X 6" OVAL - COAXIAL
	110470-01-01A	EA	GRILLE - 4" X 6" OVAL - BLACK

TV - VCR SYSTEMS

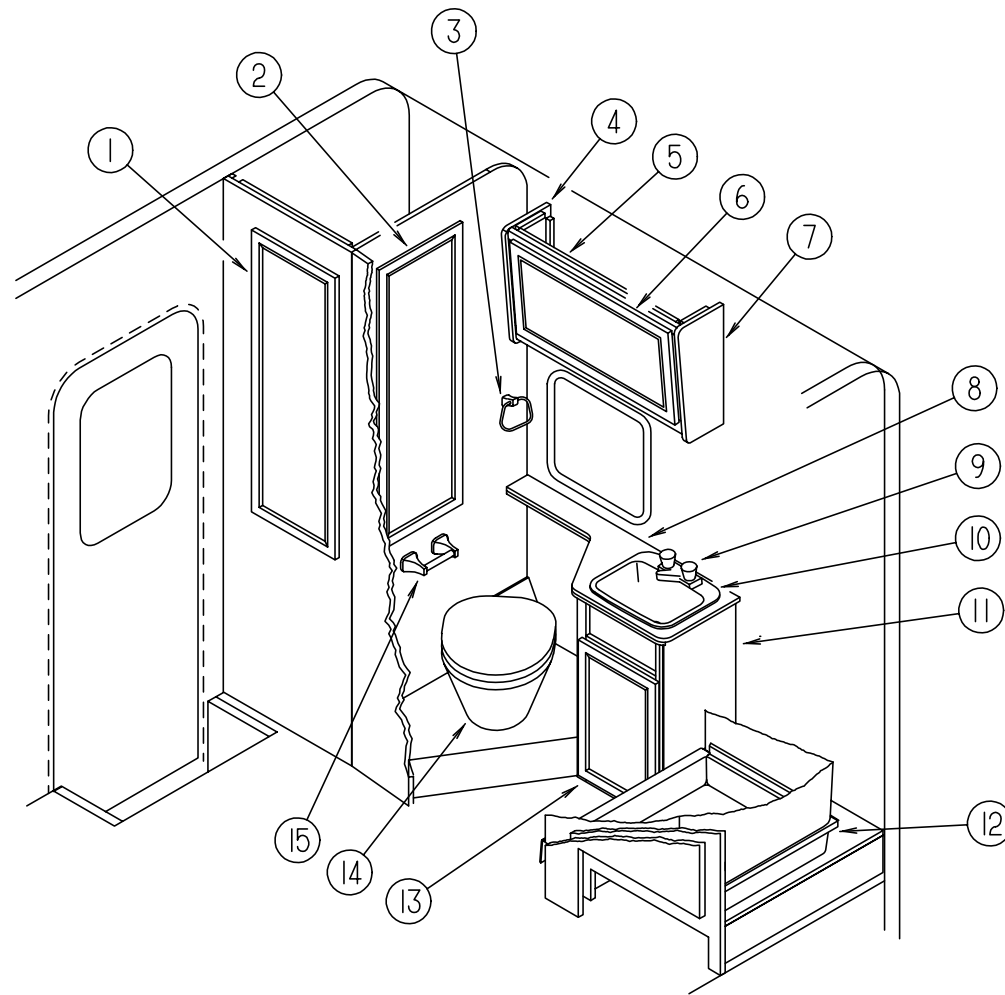
KEY	PART NUMBER	U/M	DESCRIPTION	VENDOR NO.
	086231-08-000	EA	TV - 13" COLOR - DC - AUDIOVOX	
	086231-08-700	EA	REMOTE-UNIVERSAL	8822325
	086231-08-701	EA	ADAPTER - WIRE	0891436
	094487-03-000	EA	VIDEO CASSETTE PLAYER W/O REMOTE - AUDIOVOX	
	086231-08-700	EA	REMOTE-UNIVERSAL	8822325
	082134-01-000	EA	ADAPTER - TV - CABLE TO CABLE	
	086756-01-000	EA	SPLITTER - TV - 2 WAY	
	094487-03-700	EA	WIRE - ADAPTER	0891436
	082136-01-000	EA	NUT - HEX JAM - 3/8 - 32	
	086777-02-000	EA	WALLPLATE - TV CABLE - W/ANTENNA SWITCH	
	076319-09-000	EA	WALLPLATE - CABLE RECEPTACLE - TV - SINGLE - BROWN	
	076319-03-000	FT	CABLE - COAXIAL - 75 OHM	
	076319-12-000	EA	CONNECTOR - COAXIAL - ONE PIECE	
	076319-06-000	EA	ADAPTER - CABLE ROOF PLATE	

TV ANTENNA - WINEGARD

KEY	PART NUMBER	U/M	DESCRIPTION
*	076319-23-000	EA	ANTENNA-TV - ROOF MOUNT - 44.5" MAST

* COMPONENT PARTS FOUND IN SERVICE PARTS LIBRARY

BATH GROUP



BATHROOM CABINETS & FIXTURES

KEY	PART NUMBER	U/M	DESCRIPTION
1	M08758-47-J15	EA	DOOR - MIRROR/MTRD CRNR/OGEE EDGE - 16.7" X 48" - W/O HDW
2	M08758-98-J01	EA	DOOR - MITERED CORNER/OGEE EDGE - 15.5" X 45.4" - W/O HDW
3	075454-02-000	EA	RING - TOWEL - W/MOUNTING HARDWARE - BRASS
4	109908-12-G01	EA	END CAP - OVERHEAD CABINET
5	M08764-27-J01	EA	CABINET - OVERHEAD MEDICINE - W/O DOORS/HARDWARE
	110948-11-G01	EA	SHELF - W/PLASTIC EDGE MOLDING
6	M08758-48-J01	EA	DOOR - MITERED CORNER/OGEE EDGE - 15.5" X 29.5" - W/O HDW
7	109908-13-G01	EA	END CAP - OVERHEAD CABINET
8	110942-11-H04	EA	COUNTERTOP - LAVATORY (J03)
8	110942-11-H05	EA	COUNTERTOP - LAVATORY (J04)
9	075240-06-000	EA	FAUCET - LAVATORY/BONE
9	104114-02-01A	EA	FAUCET - GALLEY - SINGLE CONTROL
	091253-01-000	EA	GASKET - FAUCET - LAVATORY/GALLEY
10	096927-01-01A	EA	SINK - LAVATORY - RECTANGULAR - PLASTIC/BONE
	096927-01-700	EA	SINK STOPPER M9801
	096927-01-701	EA	TAILPIECE-DRAIN-LAVATORY M9802
11	P10942-01-H04	EA	CABINET - LAVATORY - W/O DOORS/DRAWERS/HARDWARE (J03)
11	P10942-01-H05	EA	CABINET - LAVATORY - W/O DOORS/DRAWERS/HARDWARE (J04)
	114701-12-G01	EA	SHELF - W/PLASTIC EDGE TRIM

BATH GROUP (CONTINUED)

BATHROOM CABINETS & FIXTURES (CONTINUED)

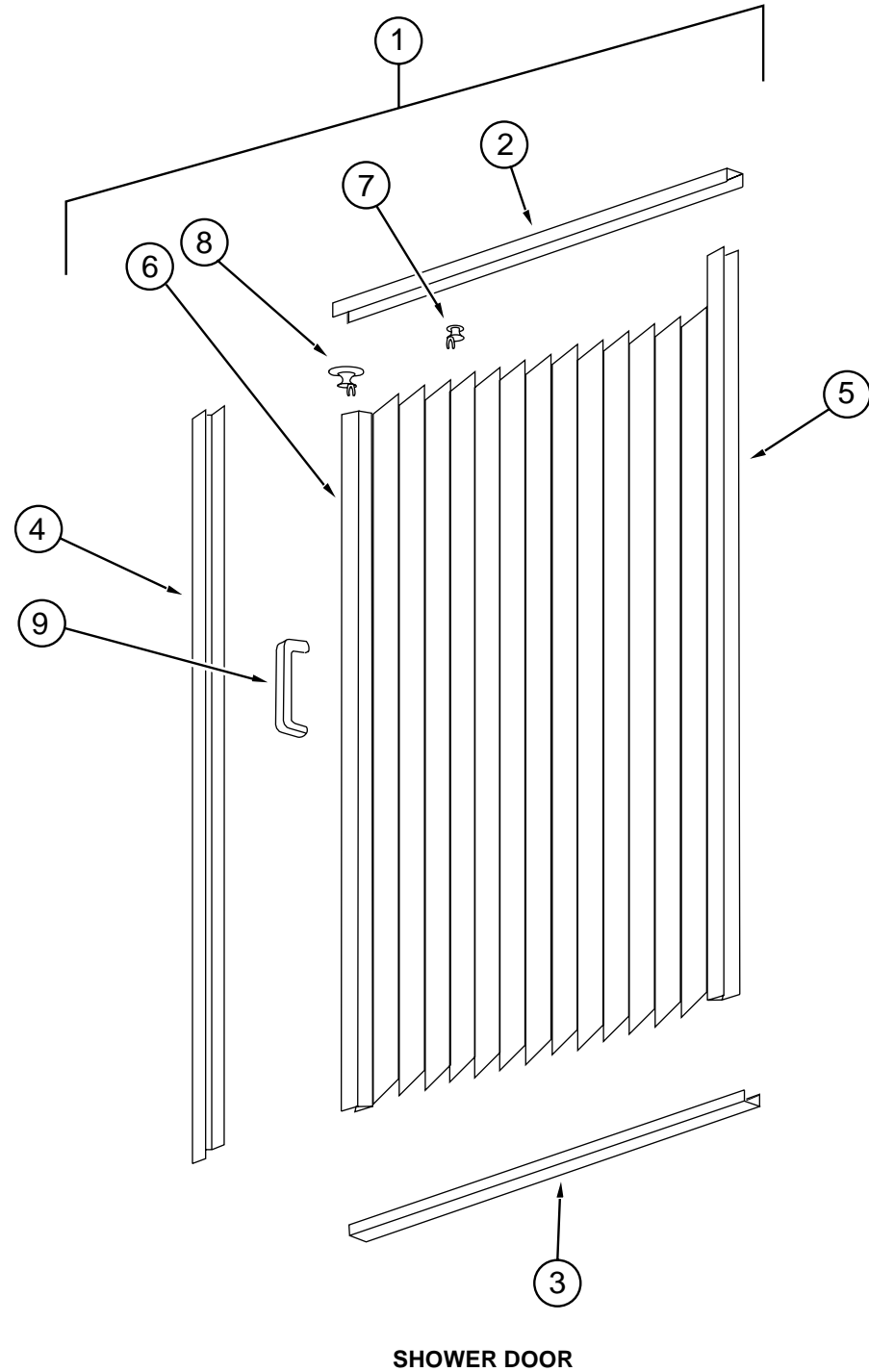
KEY	PART NUMBER	U/M	DESCRIPTION	VENDOR NO,
12	M02429-07-000	EA	PAN - SHOWER	
	011069-02-000	EA	TAILPIECE - TUB/SHOWER - 1 1/2" X 1 1/4" X 4" - BRASS	
	066436-01-000	EA	NUT - SLIP - TAILPIECE 1.5"	
	066440-01-000	EA	STRAINER - SHOWER DRAIN - W/RUBBER WASHER	
	057671-01-000	EA	COVER - SCREW - #8 - PLASTIC - OFF WHITE	
	075241-05-000	EA	FAUCET/SHOWER - BONE 3/4" MPT X 1.4" LONG INLET PIPES	
	075606-01-000	EA	PANEL - PLASTIC - FAUCET BACK - 5" X 9"	
	103092-01-000	EA	SHOWER HEAD - W/60" HOSE - WHITE	
	103092-02-000	EA	SHOWER HEAD - W/60" HOSE - CSA	
	103092-01-700	EA	BRACKET-F/SHOWER HEAD, CLEAR	2328028
	011048-03-700	EA	BRACKET - F/SHOWER HEAD	2328029-I
13	M08758-78-J15	EA	DOOR - MITERED CORNER/OGEE EDGE - 14.1" X 21.8" - W/O HDW	
14*	067487-01-000	EA	TOILET - 12.37" - IVORY - HAND FLUSH	
15	075452-02-000	EA	HOLDER - TOILET TISSUE - BRASS	
	075453-02-000	EA	BAR - TOWEL - 18" BRASS	

* COMPONENT PARTS FOUND IN SERVICE PARTS LIBRARY

BATH DOOR

KEY	PART NUMBER	U/M	DESCRIPTION
	121449-31-H17	EA	DOOR - BATH
	102920-01-01A	EA	HINGE - SPRING LOADED/BRASS
	110496-01-01A	EA	HINGE - BRASS
	111155-01-01A	EA	LOCK - PRIVACY - POLISHED BRASS
	121449-12-G04	EA	RACK - TOWEL - BATH DOOR
	100357-01-000	EA	ROD - F/TOWEL BAR - BRASS

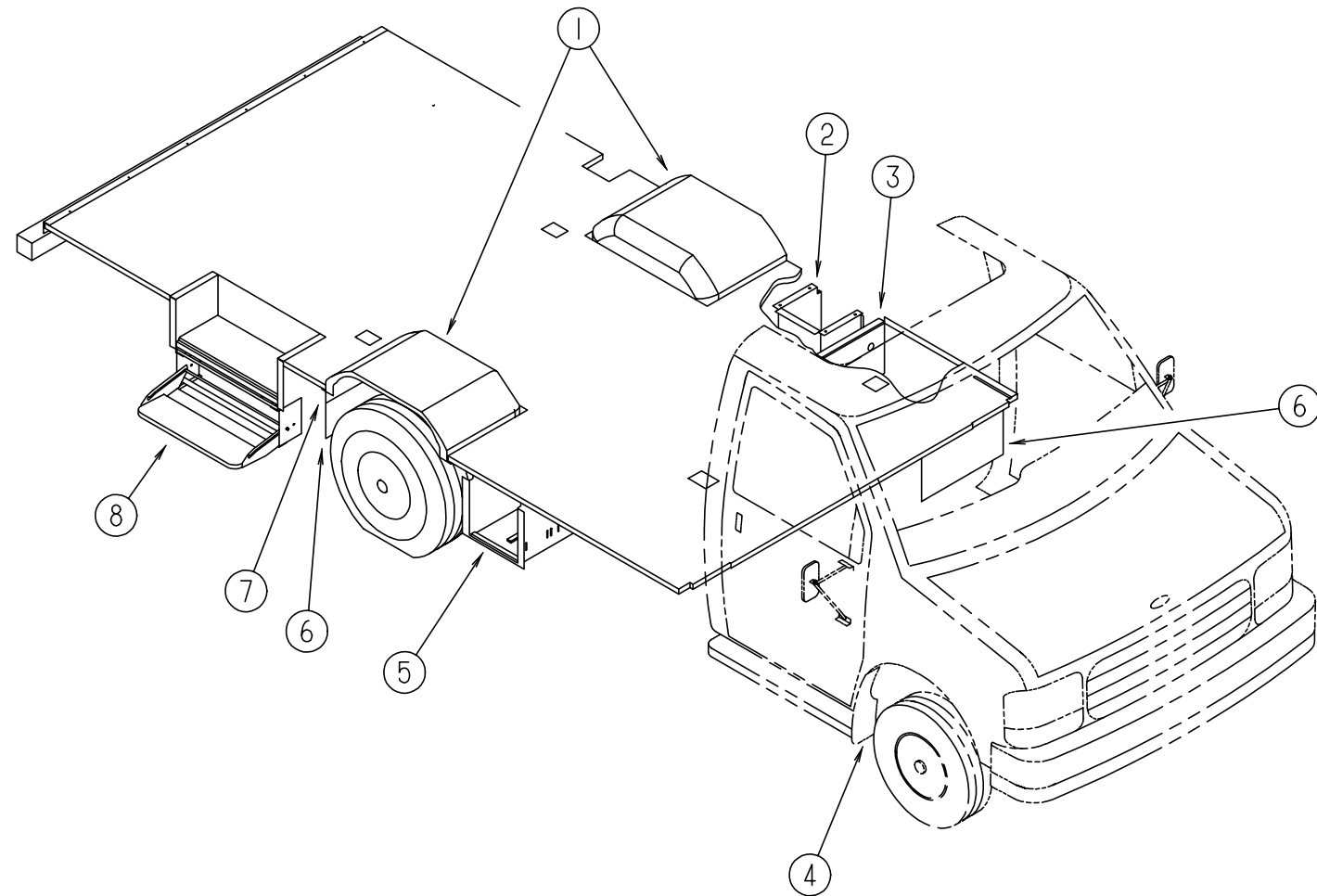
BATH GROUP (CONTINUED)



SHOWER DOOR

KEY	PART NUMBER	U/M	DESCRIPTION
1	117431-06-01A	EA	DOOR - SHOWER - FABRIC PLEATED - 31" X 63"
2	117431-01-700	EA	TRACK-TOP, ALUM.IVORY INSERT 48"
3	117431-01-701	EA	TRACK-BOTTOM, 48"
4	117431-01-702	EA	RAIL-SIDE, 67"
5	117431-01-703	EA	RAIL-STATIONARY, 67"
6	117431-01-704	EA	RAIL-LEAD, 67"
7	117431-01-705	EA	GLIDE-IVORY, TRAVELER
8	117431-01-706	EA	GLIDE-IVORY LEAD, TRAVELER
9	117431-01-708	EA	HANDLES & SCREWS
	117431-01-707	EA	LATCH
	117431-06-700	EA	STRAP-VINYL SHOWER
	105394-01-05A	EA	EXTRUDED PLASTIC - DOOR JAMB - WATERFORD OAK - 7'

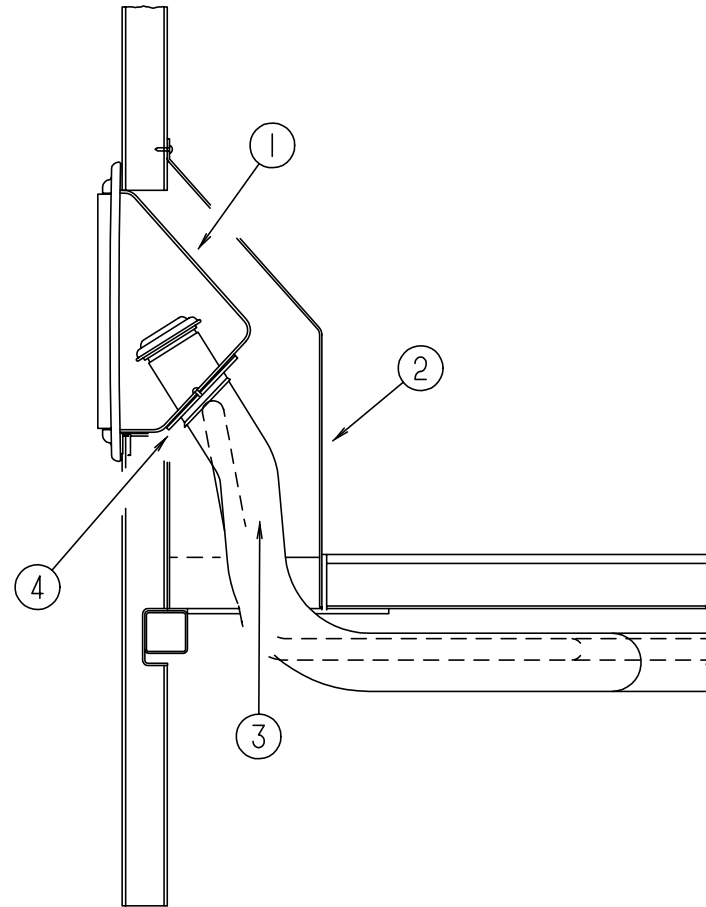
CHASSIS GROUP



COMPARTMENTS & ENTRANCE STEP

KEY	PART NUMBER	U/M	DESCRIPTION
1	096322-01-000	EA	WHEELWELL - REAR - DRIVER/PASSENGER - PLASTIC
2	101868-05-000	EA	COMPARTMENT - POWER CORD
3	114394-01-02B	EA	COMPARTMENT - GENERATOR
	114070-02-02B	EA	SUPPORT - GENERATOR - LEFT
	114071-02-02B	EA	SUPPORT - GENERATOR - RIGHT
4	072884-27-703	EA	MUD FLAPS-W/HOLES, PAIR - 99171 - FORD
4	072884-28-701	EA	FRONT FLAP - PAIR - 99153 - CHEVY
5	105203-04-000	EA	COMPARTMENT - BATTERY
	084993-01-000	EA	STRAP - BATTERY
	084993-02-000	EA	STRAP - BATTERY
	065450-05-000	EA	TIEDOWN - BATTERY - 8.4" TUBE
6	017516-01-000	EA	MUD FLAP - 14" X 18" - BLACK
7	045731-05-000	EA	GUARD - ROCK
8	077848-02-000	EA	STEP - PULLOUT
	076241-14-000	EA	SUPPORT - STEP
	091176-01-000	EA	SUPPORT - BASE - ENTRANCE STEP
	061420-01-000	EA	PLUG/PLASTIC - 1.75" DIAMETER - BROWN

CHASSIS GROUP (CONTINUED)



FUEL SYSTEM COMPONENTS

KEY	PART NUMBER	U/M	DESCRIPTION
1	095854-01-04A	EA	SHROUD - FUEL FILL - BRIGHT WHITE - FORD
1	127291-01-01A	EA	SHROUD - FUEL FILL - BRIGHT WHITE - CHEVY
2	078040-05-000	EA	SHROUD - FUEL FILL - UPPER
3	124993-01-000	EA	NECK - FILLER - FUEL FILL - FORD
3	128311-01-000	EA	NECK - FUEL FILL - CHEVY UNLEADED
3	128311-02-000	EA	NECK - FUEL FILL - CHEVY DIESEL
4	078200-01-000	EA	GASKET - FUEL FILL - 3.5" OD X 2" ID
	007063-01-000	FT	HOSE - FUEL - 1/4"ID X 1/2"OD
	084884-01-000	EA	PLUG - BRASS - 3/8"

CHASSIS GROUP (CONTINUED)

WHEEL LINERS - FORD

KEY	PART NUMBER	U/M	DESCRIPTION	VENDOR NO.
	110435-13-000	EA	LINER - WHEEL - SET OF 4	
	110435-10-705	EA	TOOL - INSTALLATION	V195P7-TOL
	110435-13-700	EA	WHEEL COVER - FRONT	V160F7-FWC
	110435-13-701	EA	WHEEL COVER - REAR	V160F7-RWC
	110435-13-702	EA	JAM NUT/ENCLOSED - 9/16"	V160F7-EJN
	095012-05-000	EA	EXTENSION - VALVE STEM - LIVE 5"	
	095012-06-000	EA	STABILIZER - VALVE - EXTENSION - L	

WHEEL - FORD

KEY	PART NUMBER	U/M	DESCRIPTION
	083617-03-000	EA	WHEEL-STEEL, 16.0 X 6 - ACCURIDE 28618 - FORD

WHEEL LINERS - CHEVY

KEY	PART NUMBER	U/M	DESCRIPTION	VENDOR NO.
	091209-05-000	EA	LINER - WHEEL - SET OF 4 - 16" - STAINLESS STEEL	
	091209-03-702	EA	COVER-AXLE, FRONT, 8 LUG	64UE
	091209-03-703	EA	COVER-AXLE, REAR, 8 LUG	65UE
	091209-03-704	EA	RING-SNAP	
	091209-05-700	EA	LINER-WHEEL, FRONT	57-88 KAPER
	091209-05-701	EA	LINER-WHEEL, REAR	58-88
	077030-02-000	EA	EXTENSION - VALVE STEM - 1.25"	
	051377-03-000	EA	VALVE STEM - CHEVY	

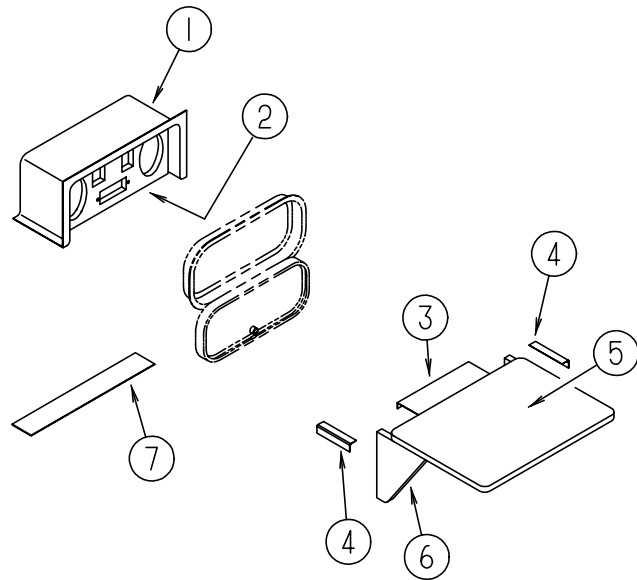
WHEEL COVERS - DICOR

KEY	PART NUMBER	U/M	DESCRIPTION	VENDOR NO.
	109443-05-000	EA	WHEEL COVER - 4/SET - 16" STAINLESS STEEL	
	098532-01-700	EA	COVER-LUG NUT (CHROME)	SHAU-LNC
	109443-05-700	EA	COVER-WHEEL, 16" SS EA=1	SHFM16-CVR
	077030-02-000	EA	EXTENSION - VALVE STEM - 1.25"	

LUG WRENCH

KEY	PART NUMBER	U/M	DESCRIPTION
	080208-02-000	EA	BAR - LEVERAGE - LUG WRENCH - CHEVY
	080208-06-000	EA	LUG WRENCH - 1" X 1.06" W/DEEP SOCKET ENDS - CHEVY
	112358-01-000	EA	WRENCH - LUG - 7/8" - L-SHAPE - FORD

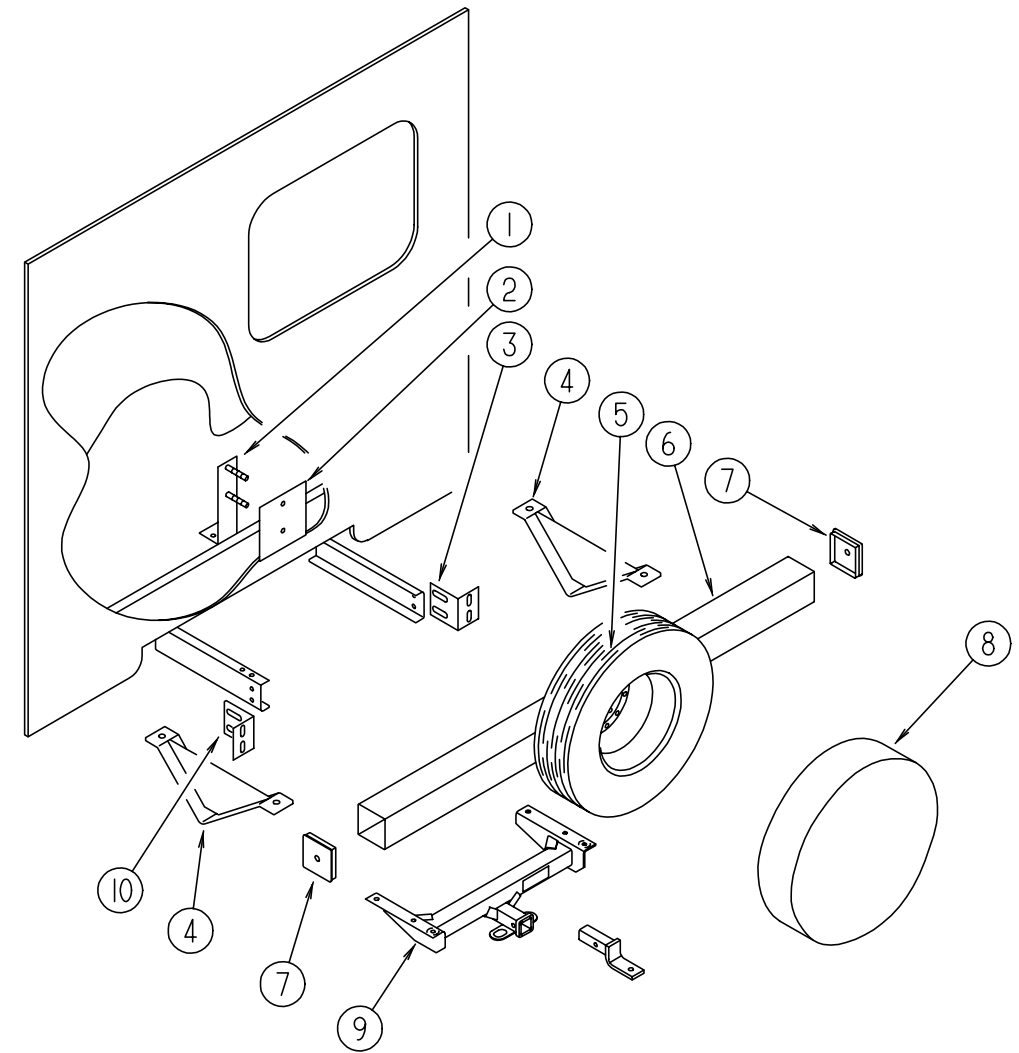
CHASSIS GROUP (CONTINUED)



EXTERIOR ENTERTAINMENT CENTER

KEY	PART NUMBER	U/M	DESCRIPTION
1	124696-01-01A	EA	BOX - ENTERTAINMENT CENTER/EXTERIOR
2	104898-02-02A	EA	PLATE - PLASTIC BACK - BRIGHT WHITE
3	105377-01-04A	EA	BRACKET - TABLE HANGER - BRIGHT WHITE
4	105376-01-03A	EA	HINGE - CONTINUOUS - 2" X 5.5" - BRIGHT WHITE
5	105230-11-J01	EA	SHELF - EXTERIOR ENTERTAINMENT CENTER - W/O HARDWARE
6	105230-12-J01	EA	SUPPORT - EXTERIOR SHELF
7	104898-02-02A	EA	PLATE - PLASTIC BACK - BRIGHT WHITE

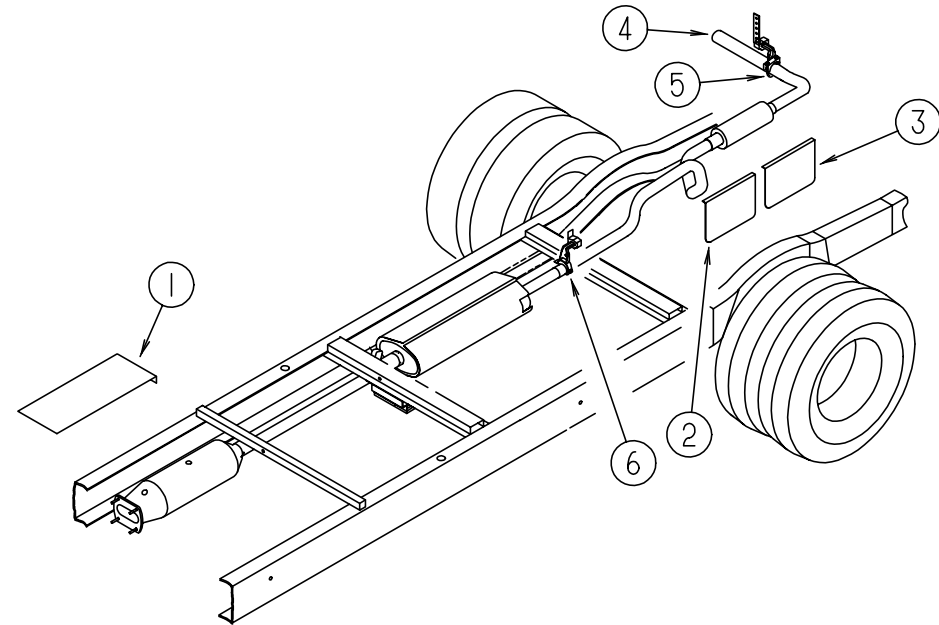
CHASSIS GROUP (CONTINUED)



REAR BUMPER, HITCH & SPARE TIRE CARRIER

KEY	PART NUMBER	U/M	DESCRIPTION
1	105209-06-C52	EA	BRACKET - SPARE TIRE - FORD
1	105209-04-C52	EA	BRACKET - SPARE TIRE - CHEVY
2	105208-01-000	EA	PLATE - SPARE TIRE
3	104420-01-000	EA	SUPPORT/ANGLE - REAR BUMPER
4	083376-01-000	EA	PLATE/SKID - 13.2" X 6" X 2" STEEL
5	070917-05-000	EA	TIRE - LT225/75R16D - R4S M/S - FORD
5	106715-01-000	EA	TIRE - LT 225/75 R16 - LRD 550 AS - CHEVY
6	103422-02-02A	EA	BUMPER - SQUARE - ALUMINUM
7	039779-01-000	EA	CAP - BUMPER - RUBBER - 4" X 4" - BLACK
8	073322-09-J01	EA	COVER - TIRE - 30"
9	107707-08-000	EA	HITCH RECEIVER - BOLT-ON CLASS II
10	104420-02-000	EA	SUPPORT/ANGLE - REAR BUMPER
	113588-02-01B	EA	BRACKET - CONNECTOR - TRAILER W/O LIP
	097744-02-000	EA	HOUSING - TRAILER PIN - 48"
	113589-01-000	EA	CONNECTOR - PLUG - TRAILER
	113589-02-000	EA	CONNECTOR - SOCKET - TRAILER
	113634-01-000	EA	WIRE ASSEMBLY - TRAILER ADAPTER

CHASSIS GROUP (CONTINUED)



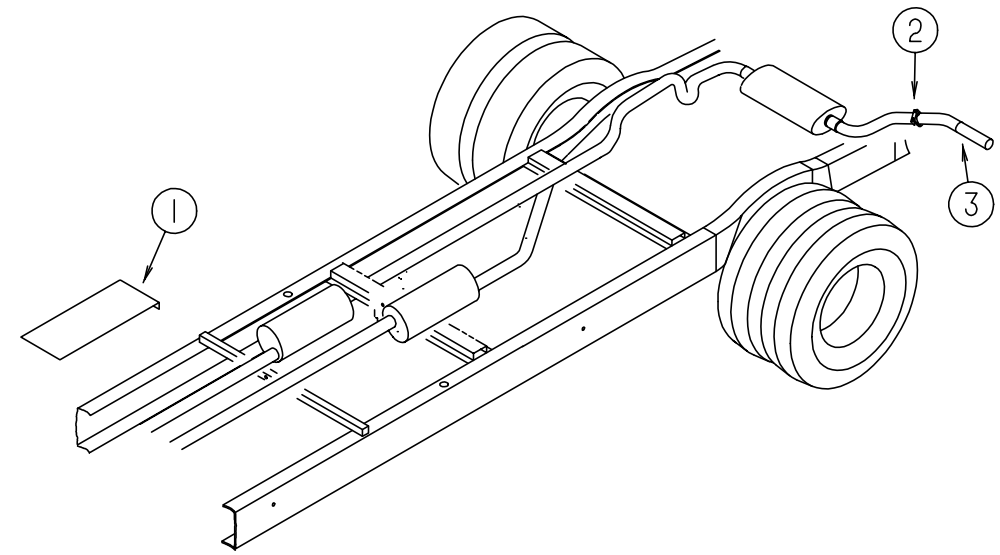
EXHAUST SYSTEM COMPONENTS - FORD

KEY	PART NUMBER	U/M	DESCRIPTION
1	127971-02-02B	EA	SHIELD - HEAT
2	111848-01-02B	EA	SHIELD - HEAT - EXHAUST
3	111848-02-02B	EA	SHIELD - HEAT - EXHAUST
4	111836-05-000	EA	PIPE - EXHAUST/TAIL - FORD
5	007131-01-000	EA	HANGER - TAILPIPE - 6 SLOTS
5	007125-08-000	EA	CLAMP - MUFFLER - 3"
6	007125-08-000	EA	CLAMP - MUFFLER - 3"

REAR AIR SPRING

KEY	PART NUMBER	U/M	DESCRIPTION
	106067-03-000	EA	AIRSPRING - 4" DIAMETER TWIN - FORD
	106067-04-000	EA	AIRSPRING - 4" DIAMETER TWIN - CHEVY
	106067-03-700	EA	AIR BAG REPL. KIT (2 BAGS) - FORD
	106067-04-700	EA	AIR BAG REPL. KIT (2 BAGS) - CHEVY
	109236-01-000	EA	PLATE - VALVE - AIR SPRING

CHASSIS GROUP (CONTINUED)



EXHAUST SYSTEM COMPONENTS - CHEVY

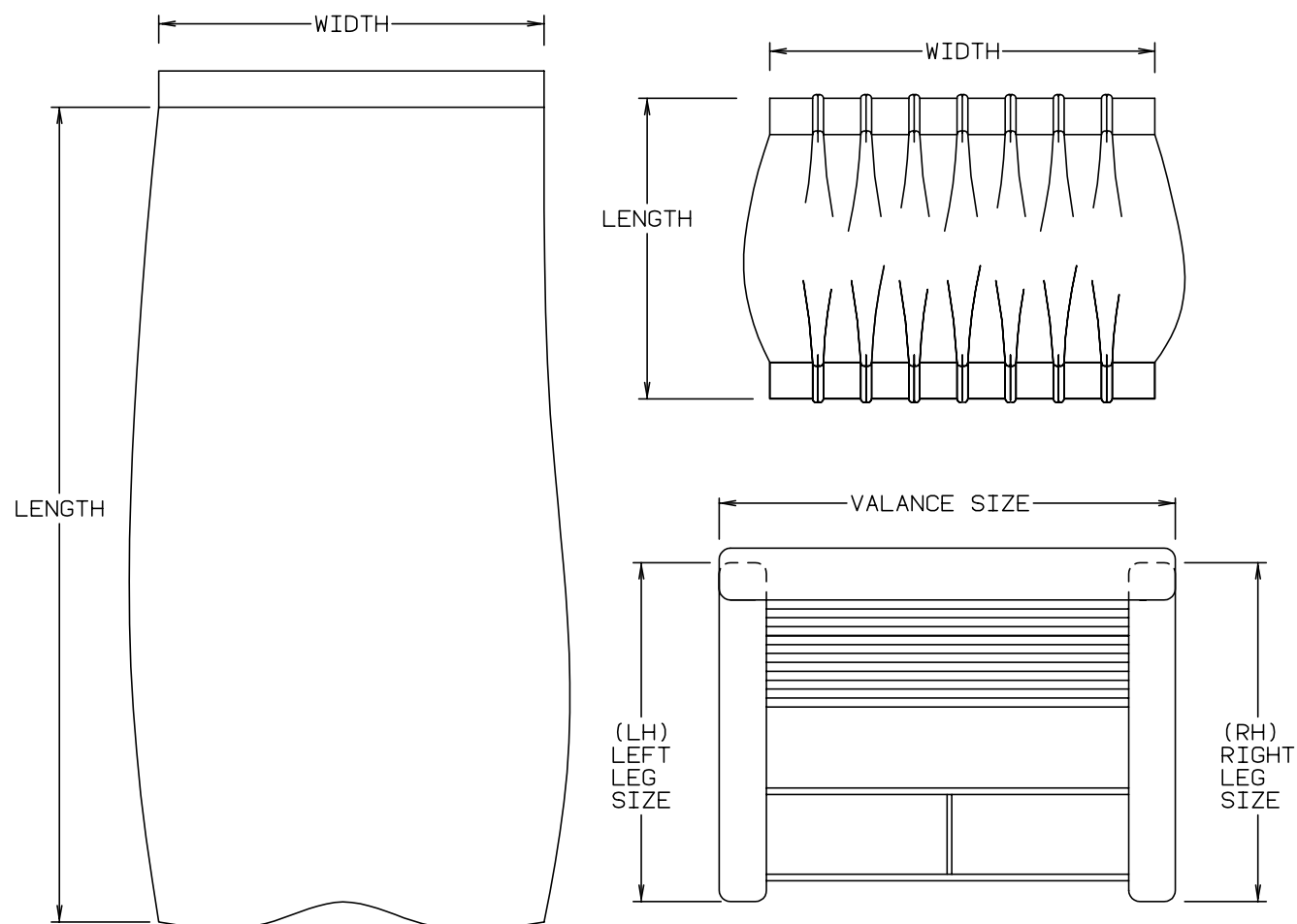
KEY	PART NUMBER	U/M	DESCRIPTION
1	127971-03-02B	EA	SHIELD - HEAT - CHEV
2	007125-08-000	EA	CLAMP - MUFFLER - 3"
3	124571-01-000	EA	PIPE - EXHAUST - TAIL - CHEV

CURTAIN & CUSHION GROUP

NOTICE

IN ORDER TO ASSIST OUR PARTS SALES DEPT. IN PROVIDING INTERIOR SOFTWARE ITEMS, PLEASE INCLUDE THE SERIAL NUMBER AND THE COLOR CODE NUMBER FROM THE VEHICLE CERTIFICATION LABEL WHEN ORDERING. THIS LABEL IS LOCATED ON THE LEFT SIDEWALL AT THE END OF THE DASH (A-BODY), OR ON THE DRIVER'S DOOR LATCH PLATE (C-BODY).

AN EXAMPLE OF A COLOR CODE NUMBER IS B07, WHICH DESIGNATES AN OVERALL COLOR SCHEME OF A PARTICULAR UNIT. THE COLOR LISTED AFTER THE ITEM DESCRIPTION ON THE MICROFICHE, INDICATES THE OVERALL UNIT COLOR. ORDER THE ITEM YOU DESIRE ACCORDING TO UNIT COLOR CODE.



CURTAIN & CUSHION GROUP (CONTINUED)

FABRICS

Color Codes	J03	J04
	NEWPORT	DUNE
BUCKET SEATS	108446-F7-000 108446-F4-000	108446-R2-000
DINETTE CUSHIONS	108446-R3-000	108446-R7-000
DINETTE PADS	108446-F7-000	108446-R2-000
SOFA	108446-R3-000	108446-R7-000
SWIVEL CHAIR	108446-F4-000	108446-R2-000
LOUNGE/DINETTE VALANCE	108446-F7-000	108446-R2-000
LOUNGE/DINETTE OVERLAYS	108446-F4-000	108446-R7-000
LOUNGE/DINETTE LEG	108446-F4-000	108446-R2-000
BEDROOM VALANCE/LEG	105745-65-000	105745-G0-000
BEDROOM OVERLAYS	105745-64-000	105745-B5-000
BEDSPREAD	105745-65-000	105745-G0-000
PILLOW SHAMS	105745-65-000 105745-64-000	105745-G0-000 105745-B5-000
ENTRANCE DOOR VALANCE	108446-F7-000	108446-R2-000
BUNK CUSHIONS	108446-F4-000	108446-R2-000
BUNK/PRIVACY CURTAINS	105745-65-000	105745-G0-000
DRAPERY LINING	087272-03-000	087272-03-000
TIRE COVER	103907-01-06A	103907-01-06A
HEADLINER	103907-01-04A	103907-01-04A

NOTE: FABRIC LISTED FIRST, IN A BLOCK, IS THE LARGEST QUANTITY OF FABRIC USED

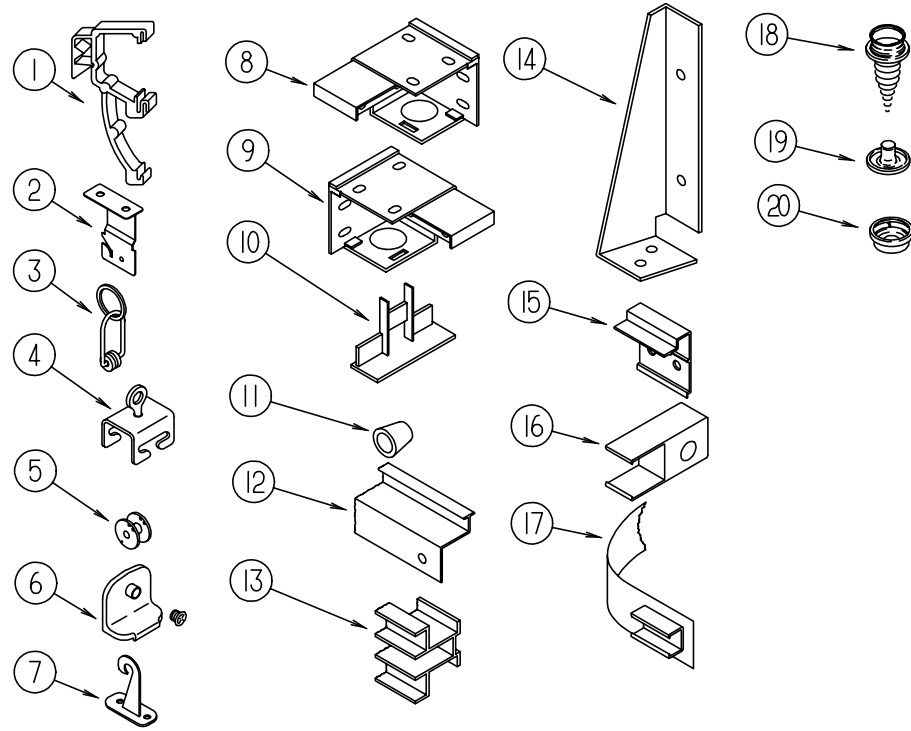
BUTTONS

NOTE: USE THIS ILLUSTRATION WHEN DETERMINING LENGTH AND WIDTH MEASUREMENTS FOR CURTAINS. YOU WILL NOTE THE WIDTH MEASUREMENT IS TAKEN ON THE TOP OF THE CURTAIN WITH THE CURTAIN FULLY EXTENDED. THE LENGTH MEASUREMENT IS TAKEN FROM TOP TO BOTTOM. LEFT AND RIGHT WINDOW LEGS ARE DETERMINED WHEN FACING THE WINDOW.

KEY	PART NUMBER	U/M	DESCRIPTION
	070578-10-J03	EA	BUTTON - #30 - SCREW STUD
	070578-10-J04	EA	BUTTON - #30 - SCREW STUD

CURTAIN & CUSHION GROUP (CONTINUED)

CURTAIN & BLIND HARDWARE

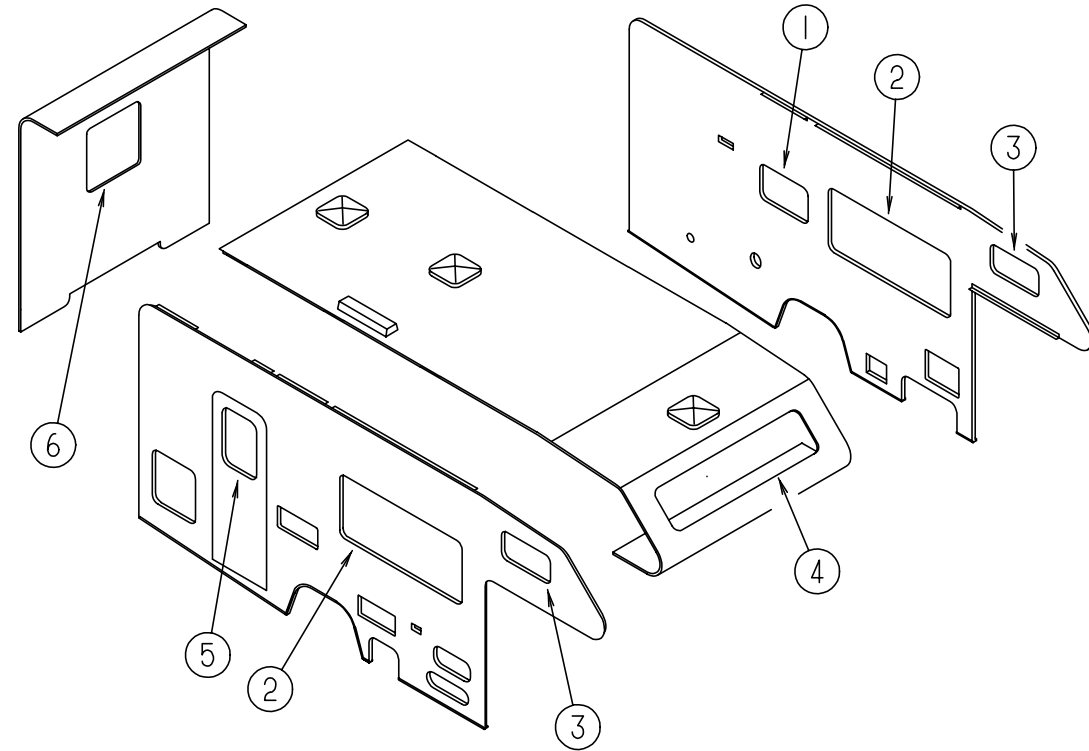


KEY	PART NUMBER	U/M	DESCRIPTION
1	109353-04-000	EA	CLIP - VALANCE SLAT MOUNTING - CLEAR PLASTIC
2	084434-01-000	EA	BRACKET - MOUNTING - ROLLER SHADE - 1 3/8"
3	009701-01-000	EA	CARRIER - CURTAIN - L ROD
4	009702-01-000	EA	END STOP - CURTAIN CARRIER - L ROD
5	097592-01-000	EA	SPOOL - CORD - ELEVATED BLIND HOLDUP - CLEAR PLASTIC
6	106544-01-000	EA	PULL - SHADE/BRASS
	106544-01-001	EA	SCREW - SHADE/BRASS
7	109441-03-000	EA	HOLD DOWN - BLIND (CLOUDY)
8	083170-01-000	EA	BRACKET - BLIND - LEFT SIDE WHEN FACING WINDOW
9	083170-02-000	EA	BRACKET - BLIND - RIGHT SIDE WHEN FACING WINDOW
10	094907-02-000	EA	END CAP - TOP/PLEATED BLIND - PLASTIC - GRAY
11	097564-01-000	EA	HANDLE - KNOB - E-Z LIFT SHADE - SMOKED
11	097564-03-000	EA	HANDLE - KNOB - E-Z LIFT SHADE - TAN
12	105450-03-01A	EA	TRACK - CURTAIN - 50" LONG
12	105450-14-01A	EA	TRACK - CURTAIN - 90"
13	101033-04-000	EA	TRACK - WALL - 3'
13	101033-06-000	EA	TRACK - WALL - 6.5'
14	076827-02-000	EA	BRACKET - LEG - 2.9" X 1.8" - TRIANGLE
15	097565-01-000	EA	BRACKET - MOUNTING/PLEATED BLIND
16	101033-02-000	EA	END CAP - TRACK/CLEAR
17	101031-01-000	YD	TAPE - GLIDE/CURTAIN - 4.25" SPACING
18	029130-01-000	EA	SCREW - SNAP SOCKET - #8 PH X 5/8"
19	029155-01-000	EA	CAP - SNAP - 5/32" OUTSIDE DIAMETER OF PIN
20	029156-01-000	EA	SOCKET - SNAP - 9/16" O.D.
	046867-03-000	EA	GROMMET - HANDY BUTTON #3
	048394-02-000	YD	VELCRO TAPE - HOOK - ADHESIVE BACK - .75" WIDE - BEIGE
	084433-05-000	EA	SHADE - ROLLER - 72.25"
	086276-01-000	EA	TAPE - DOUBLE SIDED - 1/2"
	088792-01-000	YD	VELCRO TAPE - HOOK - 5/8" - NON-ADHESIVE BACKED
	088792-02-000	YD	VELCRO TAPE - LOOP - .75" - ADHESIVE BACKED - BEIGE
	088792-05-000	YD	VELCRO TAPE - LOOP - 5/8" - NON-ADHESIVE BACKED - WHITE
	088792-06-000	YD	VELCRO TAPE - LOOP - .75" - NON-ADHESIVE BACKED - BUFF
	094896-02-000	EA	GROMMET - CORD/PLEATED BLIND - NYLON - GRAY
	094907-04-000	EA	HARDWARE - END CAP BOTTOM - PULL TYPE (RH & LH)
	096843-01-000	EA	SPRING - REWIND/ROLLER SHADE
	097591-01-000	EA	SPRING - EXTENSION/PLEATED BLIND
	097592-02-000	EA	BRACKET - HOLDDOWN ADJUSTER
	097593-02-000	FT	CORD - BLIND/PLEATED - GRAY
	084434-01-000	EA	BRACKET - MOUNTING - ROLLER SHADE - 1 3/8"
	093475-01-701	EA	CAP-END, WITH INVERTED STUD PAR
	093475-01-700	EA	WAND-BLIND W/METAL CLIP, 8" NONE

CURTAIN & CUSHION GROUP (CONTINUED)

CURTAIN & CUSHION GROUP (CONTINUED)

PRIVACY CURTAINS



KEY	PART NUMBER	U/M	DESCRIPTION
	076892-23-J03	EA	CURTAIN - 44" X 80"
	076892-23-J04	EA	CURTAIN - 44" X 80"
	101668-39-J03	EA	CURTAIN - RIGHT HAND - 35" X 50"
	101668-39-J04	EA	CURTAIN - RIGHT HAND - 35" X 50"
	101668-40-J03	EA	CURTAIN - LEFT HAND - 35" X 50"
	101668-40-J04	EA	CURTAIN - LEFT HAND - 35" X 50"

CURTAIN TIEBACKS

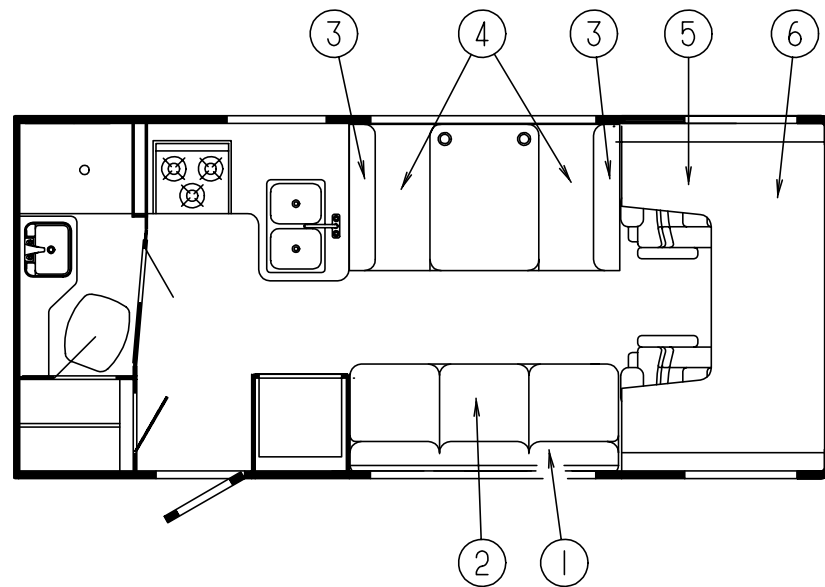
KEY	PART NUMBER	U/M	DESCRIPTION
	073260-23-F15	EA	TIEBACK - CURTAIN - 3" X 18" (J03)
	073260-23-J04	EA	TIEBACK - CURTAIN - 3" X 18" (J04)

CURTAINS & WINDOW TREATMENT

KEY	PART NUMBER	U/M	DESCRIPTION
1	109041-36-01A	EA	BLIND - MINI - 31" X 18" (J03)
1	109041-36-02A	EA	BLIND - MINI - 31" X 18" (J04)
2	118071-05-J03	EA	VALANCE - SUNDANCE - 64.5"
2	118071-05-J04	EA	VALANCE - SUNDANCE - 64.5"
2	109041-53-01A	EA	BLIND - MINI - 61" X 28.5" (J03)
2	109041-53-02A	EA	BLIND - MINI - 61" X 28.5" (J04)
2	127017-11-J03	EA	LEG - RIGHT - 25"
2	127017-11-J04	EA	LEG - RIGHT - 25"
2	127017-12-J03	EA	LEG - LEFT - 25"
2	127017-12-J04	EA	LEG - LEFT - 25"
3	101034-51-J03	EA	CURTAIN - RIGHT HAND - 19" X 34"
3	101034-51-J04	EA	CURTAIN - RIGHT HAND - 19" X 34"
3	101034-52-J03	EA	CURTAIN - LEFT HAND - 19" X 34"
3	101034-52-J04	EA	CURTAIN - LEFT HAND - 19" X 34"
4	101034-33-E21	EA	CURTAIN - RIGHT HAND - 21" X 60" (J03)
4	101034-33-J04	EA	CURTAIN - RIGHT HAND - 21" X 60" (J04)
4	101034-34-E21	EA	CURTAIN - LEFT HAND - 21" X 60" (J03)
4	101034-34-J04	EA	CURTAIN - LEFT HAND - 21" X 60" (J04)
5	118071-02-J03	EA	VALANCE - SUNDANCE - 29"
5	118071-02-J03	EA	VALANCE - SUNDANCE - 29"
5	084755-57-E07	EA	SHADE - PULL - 27.25"
6	093475-85-07A	EA	BLIND - MINI - 28" X 22.5" (J03)
6	093475-85-09A	EA	BLIND - MINI - 28" X 22.5" (J04)

CURTAIN & CUSHION GROUP (CONTINUED)

DINETTE CUSHIONS



COUCH

KEY	PART NUMBER	U/M	DESCRIPTION
1	111319-01-J03	EA	BACK - SOFA/BED - W/FRAME - 74"
1	111319-01-J04	EA	BACK - SOFA/BED - W/FRAME - 74"
	P11319-01-J03	EA	COVER - BACK - SOFA/BED - 74"
	P11319-01-J04	EA	COVER - BACK - SOFA/BED - 74"
	101085-10-000	EA	FRAME - BACK - SOFA/BED - 74.75" X 16"
2	100032-43-H16	EA	SEAT - SOFA/BED - W/FRAME - 74" - W/O ARMS (J03)
2	100032-43-J04	EA	SEAT - SOFA/BED W/FRAME - 74" - W/O ARMS (J04)
	P00032-43-H16	EA	COVER - SEAT - SOFA/BED - 74" - NO ARMS (J03)
	P00032-43-J04	EA	COVER - SEAT - SOFA/BED - 74" - NO ARMS (J04)
	101085-04-000	EA	FRAME - SEAT - SOFA/BED - 74.75"
	101085-06-000	EA	FRAME - BASE - SOFA/BED - 74.75"
	113990-09-000	EA	LOCK - BRACKET - MALE FLEXSTEEL - CSA
	122556-04-01A	EA	LOCK - JACK KNIFE SEAT - CSA
	105947-01-000	EA	BRACKET-HOLD DOWN, COUCH - CSA UNITS

NOTE: COUCH FRONT AND SIDE PANELS ARE FOUND IN LOUNGE GROUP

KEY	PART NUMBER	U/M	DESCRIPTION
3	111897-17-J03	EA	CUSHION - BACK - 13.5" X 38" X 5"
3	111897-17-J04	EA	CUSHION - BACK - 13.5" X 38" X 5"
	P11897-17-J03	EA	COVER - BACK - 13.5" X 38" X 5"
	P11897-17-J04	EA	COVER - BACK - 13.5" X 38" X 5"
4	088927-87-J03	EA	CUSHION - SEAT - 23" X 38" X 5"
4	088927-87-J04	EA	CUSHION - SEAT - 23" X 38" X 5"
	M88927-87-J03	EA	COVER - SEAT CUSHION - 23" X 38" X 5"
	M88927-87-J04	EA	COVER - SEAT CUSHION - 23" X 38" X 5"

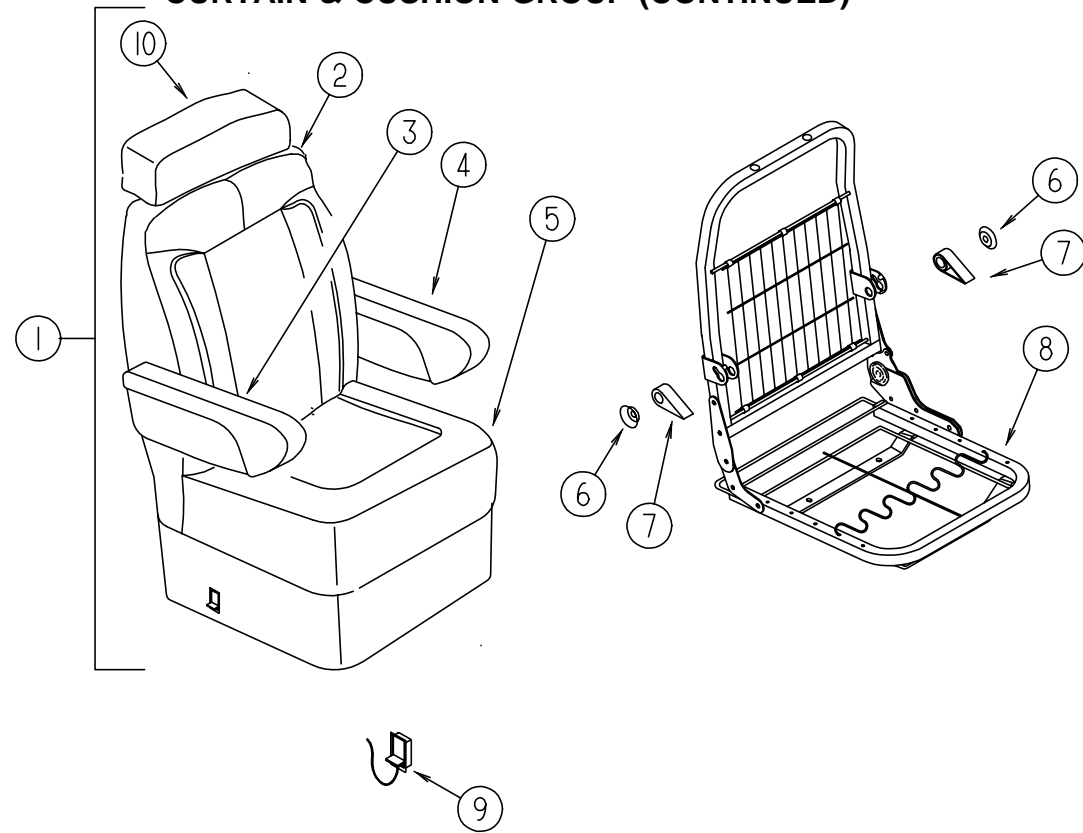
BUNK CUSHIONS

KEY	PART NUMBER	U/M	DESCRIPTION
5	105573-10-J03	EA	CUSHION - OVERHEAD BUNK/REAR - 27" X 23" X 5"
5	105573-10-J04	EA	CUSHION - OVERHEAD BUNK/REAR - 27" X 23" X 5"
	P05573-10-J03	EA	COVER - CUSHION/OVERHEAD BUNK/REAR - 27"X 23"X 80"X 5"
	P05573-10-J04	EA	COVER - CUSHION/OVERHEAD BUNK/REAR - 27"X 23"X 80"X 5"
6	105573-09-J03	EA	CUSHION - OVERHEAD BUNK/FRONT - 32.5" X 80" X 5"
6	105573-09-J04	EA	CUSHION - OVERHEAD BUNK/FRONT - 32.5" X 80" X 5"
	P05573-09-J03	EA	COVER - CUSHION/OVERHEAD BUNK/FRONT - 32.5" X 80" X 5"
	P05573-09-J04	EA	COVER - CUSHION/OVERHEAD BUNK/FRONT - 32.5" X 80" X 5"

ASSIST HANDLE & SEATBELTS

KEY	PART NUMBER	U/M	DESCRIPTION
	053552-02-AA8	EA	HANDLE - ASSIST - INTERIOR/ENTRY DOOR - VINYL/OFF WHITE
	069178-02-000	EA	BRACKET - MOUNTING/ASSIST HANDLE - GRAY
	007021-01-000	EA	SEAT BELT - 2" X 90" - BLACK
	057759-01-000	EA	WASHER BRACKET - SEAT BELT - 4" DIAMETER
	000C16-07-16B	EA	BOLT - CARRIAGE - ASSIST HANDLE - 7/16" - 14 X 1"
	000D20-07-00B	EA	NUT - ACORN - ASSIST HANDLE - 7/16 - 14

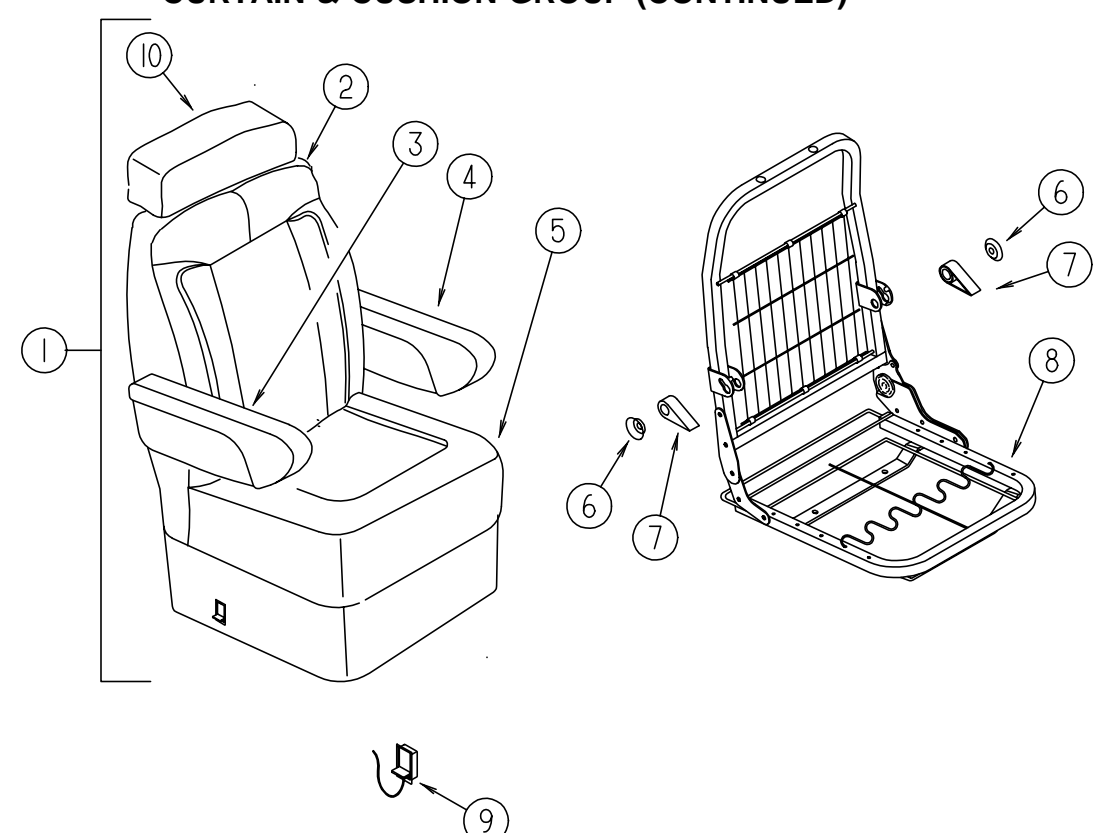
CURTAIN & CUSHION GROUP (CONTINUED)



BUCKET SEAT

KEY	PART NUMBER	U/M	DESCRIPTION
1	110148-16-J03	EA	SEAT - BUCKET - W/RIGHT ARMREST
1	110148-16-J04	EA	SEAT - BUCKET - W/RIGHT ARMREST
1	110148-17-J03	EA	SEAT - BUCKET - W/LEFT ARMREST
1	110148-17-J04	EA	SEAT - BUCKET - W/LEFT ARMREST
2	M05962-55-J03	EA	COVER - BACK
2	M05962-55-J04	EA	COVER - BACK
3	122780-01-H16	EA	ARMREST - RIGHT HAND (J03)
3	122780-01-H54	EA	ARMREST - RIGHT HAND (J043)
	P22780-01-H16	EA	COVER - ARMREST - RIGHT HAND (J03)
	P22780-01-H54	EA	COVER - ARMREST - RIGHT HAND (J04)
	115617-03-000	EA	ARMREST - W/O COVER - RIGHT HAND
4	122780-02-H16	EA	ARMREST - LEFT HAND (J03)
4	122780-02-H54	EA	ARMREST - LEFT HAND (J04)
	P22780-02-H16	EA	COVER - ARMREST - LEFT HAND (J03)
	P22780-02-H54	EA	COVER - ARMREST - LEFT HAND (J04)
	115617-04-000	EA	ARMREST - W/O COVER - LEFT HAND
5	M05962-56-J03	EA	COVER - SEAT
5	M05962-56-J04	EA	COVER - SEAT
6	125229-05-000	EA	PAL NUT
7	125229-03-000	EA	LEVER - RECLINING
8	125229-07-001	EA	FRAME - SEAT - PASSENGER W/RIGHT ARMREST BRACKET
8	125229-07-000	EA	FRAME - SEAT - PASSENGER - W/LEFT ARMREST BRACKET
8	125229-06-001	EA	FRAME - SEAT - DRIVER W/RIGHT ARMREST BRACKET
8	125229-06-000	EA	FRAME - SEAT - DRIVER - W/RIGHT ARMREST BRACKET
9	117125-01-02B	EA	BRACKET - CABLE MOUNT - ADJUSTER W/LOCK
10	119509-01-H01	EA	HEADREST - BUCKET SEAT (J03)
10	119509-01-H23	EA	HEADREST - BUCKET SEAT (J04)
	P19509-01-H01	EA	COVER - HEADREST (J03)
	P19509-01-H23	EA	COVER - HEADREST (J04)
	113977-12-000	EA	HEADREST INSERT - W/O LOCK
	007221-01-000	EA	SPACER - SEAT/ADJUSTER

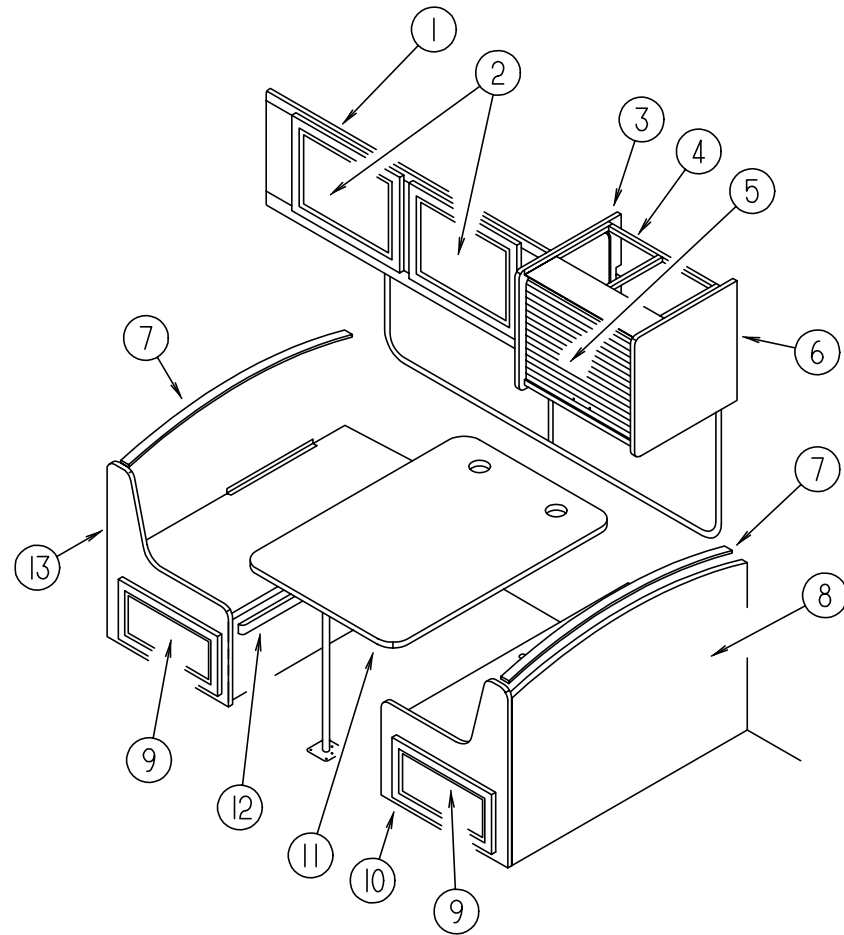
CURTAIN & CUSHION GROUP (CONTINUED)



BUCKET SEAT - CHEVY

KEY	PART NUMBER	U/M	DESCRIPTION
1	110148-18-J03	EA	SEAT - BUCKET - W/RIGHT ARMREST
1	110148-18-J04	EA	SEAT - BUCKET - W/RIGHT ARMREST
1	110148-19-J03	EA	SEAT - BUCKET - W/LEFT ARMREST
1	110148-19-J04	EA	SEAT - BUCKET - W/LEFT ARMREST
2	M05962-55-J03	EA	COVER - BACK
2	M05962-55-J04	EA	COVER - BACK
3	122780-01-H16	EA	ARMREST - RIGHT HAND (J03)
3	122780-01-H54	EA	ARMREST - RIGHT HAND (J04)
	P22780-01-H16	EA	COVER - ARMREST - RIGHT HAND (J03)
	P22780-01-H54	EA	COVER - ARMREST - RIGHT HAND (J04)
	115617-03-000	EA	ARMREST - W/O COVER - RIGHT HAND
4	122780-02-H16	EA	ARMREST - LEFT HAND (J03)
4	122780-02-H54	EA	ARMREST - LEFT HAND (J04)
	P22780-02-H16	EA	COVER - ARMREST - LEFT HAND (J03)
	P22780-02-H54	EA	COVER - ARMREST - LEFT HAND (J04)
	115617-04-000	EA	ARMREST - W/O COVER - LEFT HAND
5	M05962-56-J03	EA	COVER - SEAT
5	M05962-56-J04	EA	COVER - SEAT
6	125229-05-000	EA	PAL NUT
7	125229-03-000	EA	LEVER - RECLINING
8	125229-07-001	EA	FRAME - SEAT - PASSENGER W/RIGHT ARMREST BRACKET
8	125229-07-000	EA	FRAME - SEAT - PASSENGER - W/LEFT ARMREST BRACKET
8	125229-06-001	EA	FRAME - SEAT - DRIVER W/RIGHT ARMREST BRACKET
8	125229-06-000	EA	FRAME - SEAT - DRIVER - W/RIGHT ARMREST BRACKET
9	117125-01-02B	EA	BRACKET - CABLE MOUNT - ADJUSTER W/LOCK
10	119509-01-H01	EA	HEADREST - BUCKET SEAT (J03)
10	119509-01-H23	EA	HEADREST - BUCKET SEAT (J04)
	P19509-01-H01	EA	COVER - HEADREST (J03)
	P19509-01-H23	EA	COVER - HEADREST (J04)
	113977-12-000	EA	HEADREST INSERT - W/O LOCK
	113977-13-000	EA	HEADREST INSERT - W/LOCK
	007221-01-000	EA	SPACER - SEAT/ADJUSTER

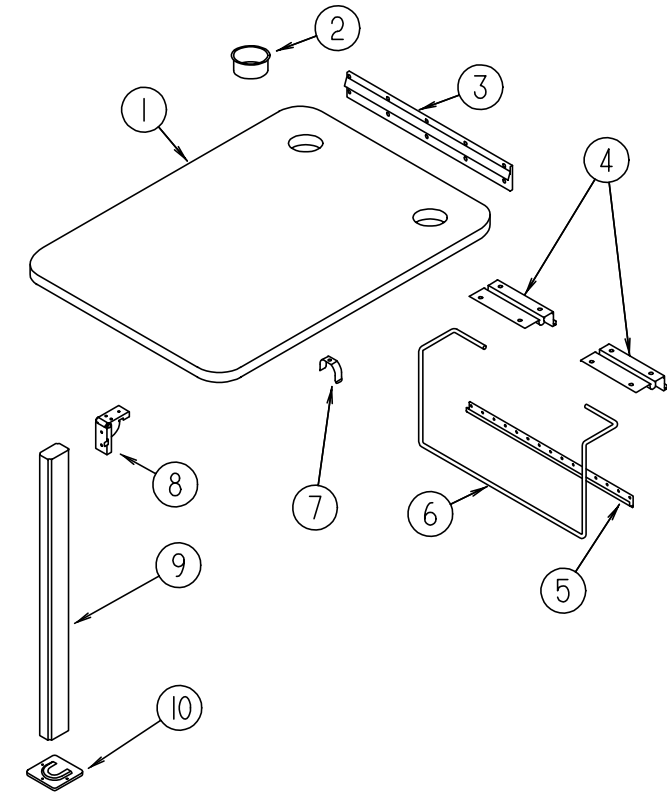
DINETTE GROUP



DINETTE CABINETS

KEY	PART NUMBER	U/M	DESCRIPTION
1	121840-01-H04	EA	CABINET - OVERHEAD - W/O DOORS/HARDWARE
2	M08758-82-J15	EA	DOOR - MITERED CORNER/OGEE EDGE - 15.7" X 20.4" - W/O HDW
3	109908-20-G01	EA	END CAP - OVERHEAD CABINET
4	M08163-07-J01	EA	CABINET - TV/VCR - W/O TV/VCR - W/O DOORS/HDW
	122298-03-02B	EA	BRACKET - TV/VCR - RIGHT HAND
	122298-02-02B	EA	BRACKET - TV/VCR - LEFT HAND
	122469-02-02B	EA	BRACKET - ZEE
4	M08163-08-J01	EA	CABINET - TV/VCR - W/SHELF/SIDES/SWIVEL/TAMBOUR DOOR
	122298-03-02B	EA	BRACKET - TV/VCR - RIGHT HAND
	122298-02-02B	EA	BRACKET - TV/VCR - LEFT HAND
	122469-02-02B	EA	BRACKET - ZEE
	116773-02-000	EA	SWIVEL/SLIDES - F/TV SHELF
	099717-04-000	EA	STRAP - TIE DOWN W/21.3" FEMALE STRAP & 27.2" MALE STRAP
	103256-01-000	EA	LATCH - SLIDE
5	057882-04-700	EA	TAMBOUR - 4' X 4' SHEET - UNFINISHED
	093622-01-000	EA	TRACK - DOOR - TAMBOUR - PLASTIC - 8' LENGTHS
	093623-01-000	EA	CORNER - TRACK - TAMBOUR DOOR
6	109908-58-J01	EA	END CAP - OVERHEAD CABINET
7	111338-09-H01	EA	PAD - SEATBACK (J03)
7	111338-09-J04	EA	PAD - SEATBACK (J04)
	083125-07-000	EA	BRACE - COUCH - 2.5"
8	M08123-05-J01	EA	CABINET - SEATBACK - RIGHT HAND
9	M08758-44-J15	EA	DOOR - MITERED CORNER/OGEE EDGE - 10" X 19.1" - W/O HDW
10	M08122-05-H04	EA	CABINET - SEATBASE - RIGHT HAND - W/O DOORS/DRAWERS/HDW
11	081322-01-G31	EA	TABLE TOP ONLY (J03)
11	081322-01-G14	EA	TABLE TOP ONLY (J04)
12	081295-01-G01	EA	SUPPORT - BED/DINETTE - 28" LONG
13	M08122-07-H04	EA	CABINET - SEATBASE - LEFT HAND - W/O DOORS/DRAWERS/HDW

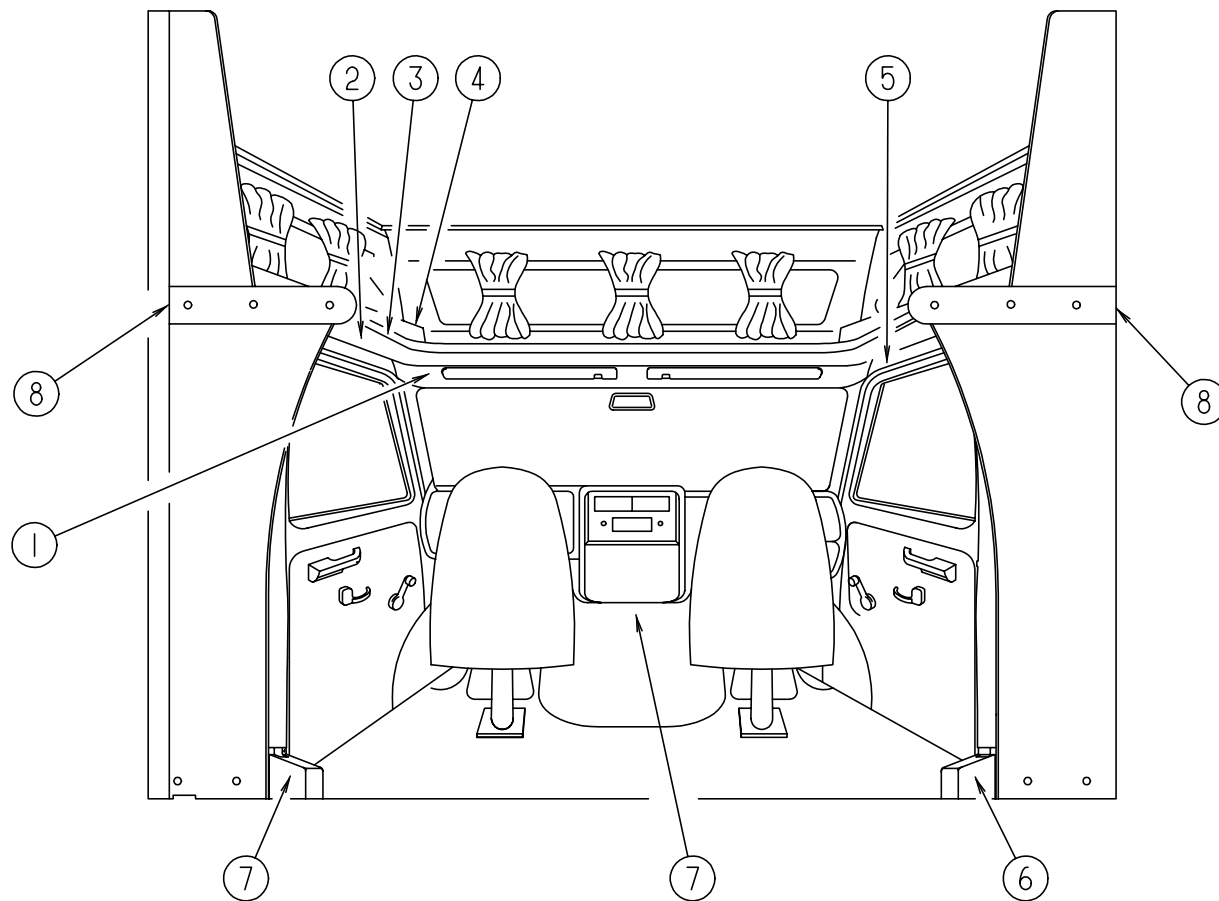
DINETTE GROUP (CONTINUED)



DINETTE TABLE & HARDWARE

KEY	PART NUMBER	U/M	DESCRIPTION
1	081322-01-G31	EA	TABLE TOP ONLY (J03)
1	081322-01-G14	EA	TABLE TOP ONLY (J04)
2	064781-06-000	EA	HOLDER - CUP - TWO STEP - OFF WHITE
3	053200-12-000	EA	BRACKET - TABLE SUPPORT - UPPER WALL MOUNTED - 23.50"
4	088410-02-000	EA	BRACKET - LIFT - TABLE MOUNTED
5	024281-14-000	EA	BRACKET - LIFT ROD/LOWER WALL MOUNTED - 22.12"
6	024275-12-000	EA	ROD - TABLE LIFT
7	024283-01-000	EA	CLIP - LEG - 1" - 1.125" OD _ BLACK
8	093550-01-000	EA	BRACKET - HINGE - MOUNTS TO LEG & TABLE TOP - 1.7" X 2.6"
9	092707-04-05A	EA	MOLDING - TABLE LEG - 27" - WATERFORD OAK
10	092593-01-05A	EA	CATCH - TABLE LEG - OFF/WHITE

DRIVERS COMPARTMENT GROUP



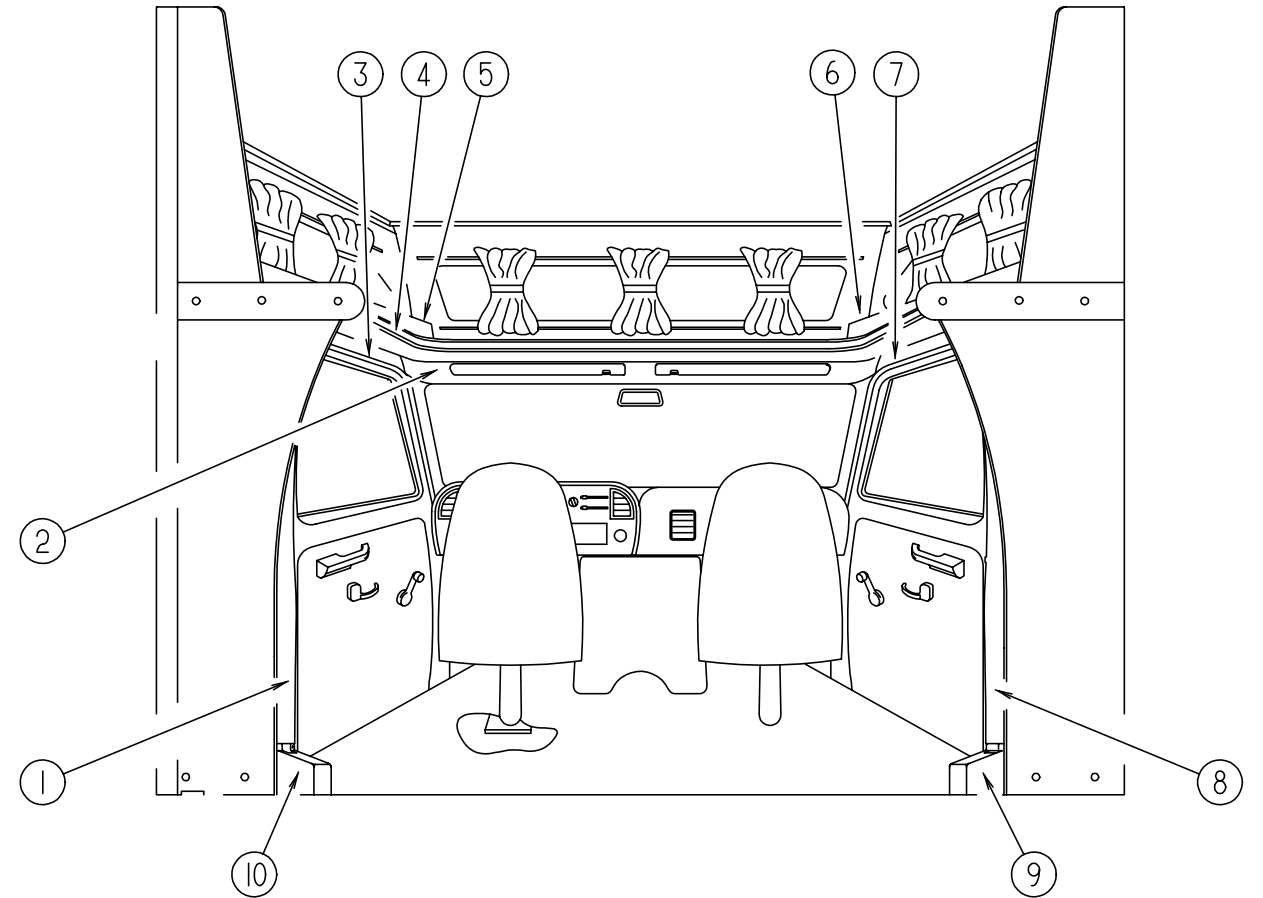
CHEVY DRIVERS COMPARTMENT

KEY	PART NUMBER	U/M	DESCRIPTION
1	124818-01-H04	EA	HEADLINER - W/VINYL
2	124819-01-H04	EA	TRIM - CAB DOOR - UPPER/LEFT HAND
3	119520-01-01A	FT	MOLDING-T - 1" - W/EDGE LIPS (OFF/WHITE-CREAM)
4	109894-01-H27	EA	CABINET - HAMPER - FRONT - DRIVER & PASSENGER (J03)
4	109894-01-H07	EA	CABINET - HAMPER - FRONT - DRIVER & PASSENGER (J04)
5	124817-01-H04	EA	TRIM - CAB DOOR - UPPER RIGHT HAND
6	076302-03-000	EA	SEAT BELT - DRIVER/PASSENGER
	087932-03-000	EA	BRACKET - SHOULDER HARNES - LEFT HAND
	087932-04-000	EA	BRACKET - SHOULDER HARNES - RIGHT HAND
7	100516-01-G01	EA	TRAY - BEVERAGE - W/O CUPHOLDERS
	M04194-01-G01	EA	TRAY - BEVERAGE - UNSTAINED
	122717-04-01A	EA	PAD - NON SKID - 3" DIA. ROUND
8	109804-01-J01	EA	CAP - SLEEPERBOARD

INSTRUMENT CLUSTERS - CHEVY

KEY	PART NUMBER	U/M	DESCRIPTION
	094797-07-000	EA	CLUSTER - INSTRUMENT PANEL - GAS
	094797-13-000	EA	CLUSTER - INSTRUMENT PANEL - KILOMETERS/MILES
	100138-01-000	EA	MODULE - DAYTIME/RUNNING LIGHT
	108357-09-000	EA	SWITCH - ROCKER SPDT - ON/NONE/MOM - 3 TERMINAL
	108357-08-000	EA	SWITCH - ROCKER DPDT - ON/NONE/ON - 6 TERMINAL
	111414-01-000	EA	RECEPTACLE - 12V - W/O BIMETAL

DRIVERS COMPARTMENT GROUP (CONTINUED)



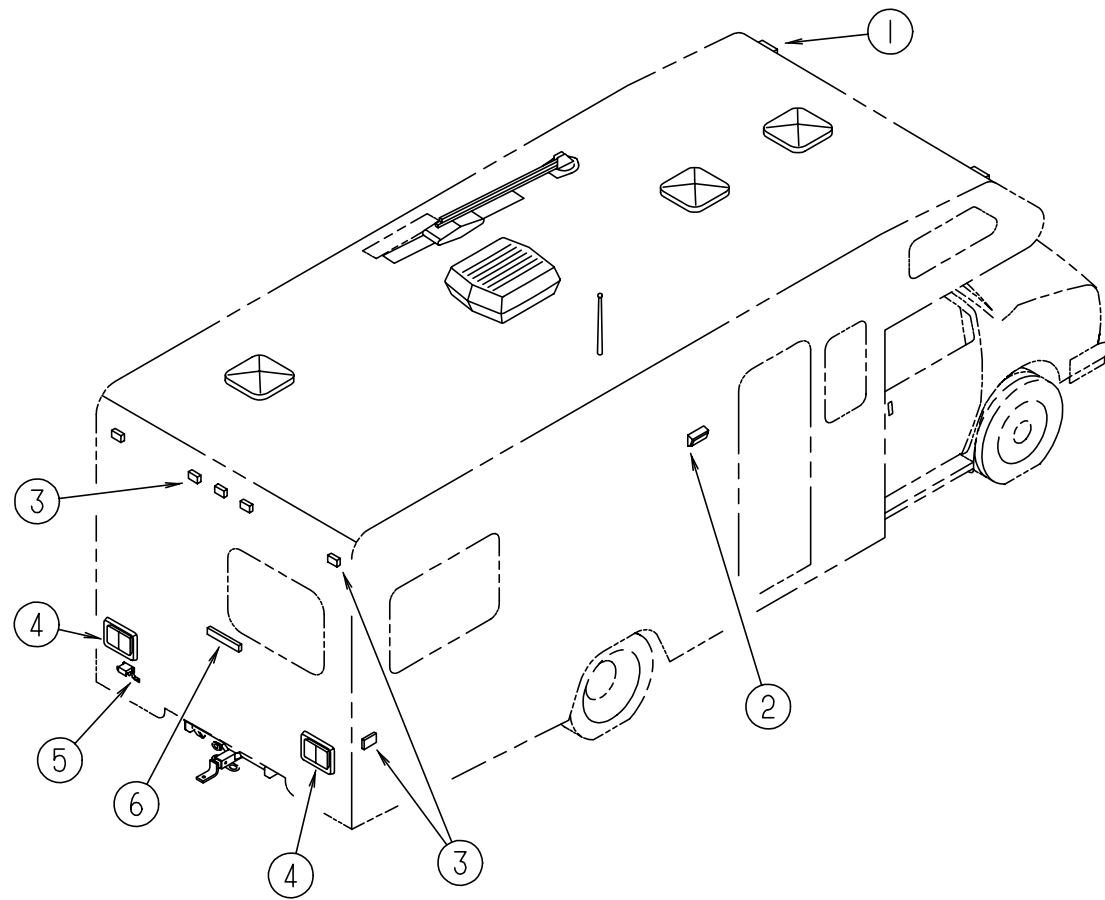
FORD DRIVERS COMPARTMENT

KEY	PART NUMBER	U/M	DESCRIPTION
1	125031-02-H04	EA	TRIM - CAB - B-PILLAR
2	109804-01-J01	EA	CAP - SLEEPERBOARD
	057671-13-000	EA	COVER - SCREW - DARK GRAY #8
3	106448-01-H04	EA	HEADLINER - W/VINYL
4	106447-04-H04	EA	TRIM - CAB DOOR - UPPER/LEFT HAND
5	119520-01-01A	FT	MOLDING-T - 1" - W/EDGE LIPS (OFF/WHITE-CREAM)
6	109894-01-H27	EA	CABINET - HAMPER - FRONT - DRIVER (J03)
6	109894-01-H07	EA	CABINET - HAMPER - FRONT - DRIVER (J04)
7	106447-03-H04	EA	TRIM - CAB DOOR - UPPER/RIGHT HAND
8	125031-01-H04	EA	TRIM - CAB - B-PILLAR
9	106431-01-02A	EA	COVER - SEATBELT RECOIL - PASSENGER SIDE - VW GREY
10	106431-02-02A	EA	COVER - SEATBELT RECOIL - DRIVER SIDE - VW GRAY

INSTRUMENT CLUSTERS - FORD

KEY	PART NUMBER	U/M	DESCRIPTION
	094797-09-000	EA	CLUSTER - INSTRUMENT PANEL- METRIC/KILOMETERS - GAS
	100138-01-000	EA	MODULE - DAYTIME/RUNNING LIGHT
	108357-09-000	EA	SWITCH - ROCKER SPDT - ON/NONE/MOM - 3 TERMINAL
	108357-06-000	EA	SWITCH - ROCKER DPDT - MOM/OFF/MOM - 6 TERMINAL

ELECTRICAL GROUP



EXTERIOR LIGHTS

KEY	PART NUMBER	U/M	DESCRIPTION	VENDOR NO.
1	111102-02-000	EA	LENS - AMBER - MARKER LAMP	30-78-021
	111102-01-000	EA	BASE - LAMP MARKER	
	036196-01-000	EA	BULB - 12 VOLT - #194 - .27 AMP - BAYONETTE	
	091983-01-000	EA	GASKET - CLEARANCE/SIDEMARKER LIGHT	
	112823-01-000	EA	SPLICE - REDUCER - 16-14 TO 18-22	
	097917-01-06A	EA	LIGHT - PORCH - BRIGHT WHITE	
2	008215-01-000	EA	BULB - 12 VOLT - #1003 - .94 AMP	30-78-021
	097917-01-700	EA	LENS-LIGHT, CLEAR	
	111102-03-000	EA	LENS - RED - MARKER LAMP	
	111102-01-000	EA	BASE - LAMP MARKER	
	091983-01-000	EA	GASKET - CLEARANCE/SIDEMARKER LIGHT	
	036196-01-000	EA	BULB - 12 VOLT - #194 - .27 AMP - BAYONETTE	
3	112823-01-000	EA	SPLICE - REDUCER - 16-14 TO 18-22	30-84-010 30-84-700
	103355-01-05A	EA	POD - TAIL LIGHT	
	081638-01-000	EA	TAILLIGHT/DOUBLE W/BLACK TRIM - DRIVER/PASSENGER SIDE	
	037934-01-000	EA	BULB - 12V - #1156 - 2.1 AMP CLEAR GLASS	
	037935-01-000	EA	BULB - 12V - #1157 OR #2057 - 2.1 AMP - CLEAR GLASS	
	081638-01-700	EA	LENS-TAILLIGHT, RED	
4	081638-01-701	EA	LENS-TAILLIGHT, W/BACKUP	30-84-010 30-84-700
	066432-03-000	EA	BRACKET - LICENSE PLATE	
	066432-02-000	EA	LIGHT - LICENSE - BLACK	
5	066432-03-000	EA	BRACKET - LICENSE PLATE	30-84-010 30-84-700
	066432-02-000	EA	LIGHT - LICENSE - BLACK	
6	121950-01-000	EA	LIGHT - BRAKE - CENTER MOUNT	

ELECTRICAL GROUP (CONTINUED)

CONNECTORS, HOUSINGS, & TERMINALS

KEY	PART NUMBER	U/M	DESCRIPTION
	007942-01-000	EA	TAB - WIRE 10 TO 14 AWG
	007956-05-000	EA	INSULATOR - SHRINK - .25 ID X 1.50
	008311-01-000	EA	CONNECTOR - WIRE NUT - INSULATED - RED
	008313-01-000	EA	CONNECTOR - WIRE NUT - INSULATED - YELLOW
	008314-01-000	EA	CONNECTOR - WIRE NUT - INSULATED - GRAY
	008326-01-000	EA	TERMINAL - RING - 16/14 WIRE - 3/8" STUD
	008328-01-000	EA	TERMINAL - RING - 12/10 WIRE - #10 STUD FIT
	008331-01-000	EA	TERMINAL - RING - TONGUE - #4 WIRE - 3/8" STUD - COPPER
	008348-01-000	EA	TERMINAL - RING - 3/8" STUD 2 GA. WIRE
	008355-01-000	EA	CONNECTOR - CABLE CLAMPING - 3/4"
	008356-01-000	EA	CONNECTOR - PLASTIC - 3/8" AVG
	035416-04-000	EA	TERMINAL - RING - #10 STUD FIT - INSULATED BARREL #16/14
	041480-01-000	EA	CONNECTOR - STRAIGHT - 1/2" FLEX CONDUIT
	047443-01-000	EA	TERMINAL - .250 RECEPTACLE FIT - INSULATED - 16/14 AWG
	047443-02-000	EA	TERMINAL - .250 RECEPTACLE FIT - INSULATED - 12/10 AWG
	058028-01-000	EA	CONNECTOR - ELECTRICAL PIGTAIL - NYLON - CLEAR
	062036-02-000	EA	TERMINAL - PACK - CON - 16/14 AWG
	077479-01-000	EA	BOOT - BATTERY TERMINAL - DOUBLE CABLE
	077479-02-000	EA	BOOT - BATTERY TERMINAL - SINGLE CABLE
	080015-02-000	EA	RECEPTACLE - FLAG - .185 - 16/14 GAUGE
	080015-03-000	EA	RECEPTACLE - FLAG - .250 - 14/16 GAUGE
	087949-01-000	EA	BUSS BAR - 2 POSITION - .6" X 1.5"
	088473-03-000	EA	HOUSING - PIN - 9 CAVITY
	088473-05-000	EA	HOUSING - PIN - 6 CAVITY
	088473-06-000	EA	HOUSING - PIN - 6 CAVITY
	088473-08-000	EA	HOUSING - PIN - 4 CAVITY
	088473-09-000	EA	HOUSING - PIN - 3 CAVITY
	088473-10-000	EA	HOUSING - PIN - 2 CAVITY
	088474-03-000	EA	HOUSING - SOCKET - 9 CAVITY
	088474-06-000	EA	HOUSING - SOCKET - 6 CAVITY
	088474-07-000	EA	HOUSING - SOCKET - 5 CAVITY
	088474-08-000	EA	HOUSING - SOCKET - 4 CAVITY
	088474-09-000	EA	HOUSING - ELECTRICAL - 3 TERMINAL
	088474-10-000	EA	HOUSING - SOCKET - 2 CAVITY
	088475-01-000	EA	PIN - CONNECTOR - 14 - 20 AWG
	088475-02-000	EA	PIN - CONNECTOR - 10-12 AWG
	088476-01-000	EA	TERMINAL - ELECTRICAL
	088476-02-000	EA	SOCKET - CONNECTOR - 12-10 GA - PRE-TIN
	098261-02-000	EA	SOCKET - CONNECTOR - WEATHERPACK
	098262-01-000	EA	SEAL - CONNECTOR - WEATHERPACK
	098265-02-000	EA	PIN - CONNECTOR - WEATHERPACK
	101751-02-000	EA	HOUSING - 1 PIN - WEATHER PACK
	112823-01-000	EA	SPLICE - REDUCER - 16-14 TO 18-22
	119223-01-000	EA	HOUSING - 6 POSITION - MALE - WEATHERPAK
	125323-02-000	EA	HOUSING - 8 POSITION - MALE
	125324-01-000	EA	TERMINAL - MALE - METRI-PACK - 150
	125325-01-000	EA	SEAL - CAVITY

CONDUIT

KEY	PART NUMBER	U/M	DESCRIPTION
	041953-01-000	FT	CONDUIT - CONVOLUTE SLIT - .5" ID
	041953-03-000	FT	CONDUIT - CONVOLUTE SLIT - 1" ID (CLOTHES ROD COVER)
	041953-05-000	FT	CONDUIT - CONVOLUTE SOLID - .62" ID
	041953-06-000	FT	CONDUIT - CONVOLUTE SLIT - .375" ID
	041953-07-000	FT	CONDUIT - CONVOLUTE SLIT - .25" ID
	041953-08-000	FT	CONDUIT - CONVOLUTE SLIT - 1.50" ID
	041953-09-000	FT	CONDUIT - CONVOLUTE SLIT - .50" ID
	041953-10-000	FT	CONDUIT - CONVOLUTE SLIT - .75" ID
	041953-11-000	FT	CONDUIT - CONVOLUTE SLIT - 1.06" ID
	008394-01-000	FT	CONDUIT - FLEXIBLE - 1/2"

ELECTRICAL GROUP (CONTINUED)**POWER CONVERTER/CONTROL CENTER/INVERTER**

KEY	PART NUMBER	U/M	DESCRIPTION
	083208-01-000	EA	CONVERTER - POWER - 32A AMP - 120V/12V
	083208-05-000	EA	CONTROL CENTER - 45 AMP - 100V/12V

FUSES & CIRCUIT BREAKERS

KEY	PART NUMBER	U/M	DESCRIPTION
	062037-01-000	EA	HOUSING - AUTO FUSE - NATURAL
	062901-02-000	EA	FUSE - 05 AMPS - AUTOMOTIVE
	062901-05-000	EA	FUSE - 15 AMPS - AUTOMOTIVE
	062901-06-000	EA	FUSE - 20 AMPS - AUTOMOTIVE
	083209-02-000	EA	CIRCUIT BREAKER - 15/15 AMP - 120 VOLT
	083209-03-000	EA	CIRCUIT BREAKER - 15/20 AMP - 120 VOLT
	083209-06-000	EA	CIRCUIT BREAKER - 30/15 AMP - 120 VOLT
	083209-07-000	EA	CIRCUIT BREAKER - 20/20 AMP - 120 VOLT
	093654-01-000	EA	CIRCUIT BREAKER - 6 AMP - 12 VOLT
	093655-02-000	EA	CIRCUIT BREAKER - 30 AMP - 12 VOLT

ELECTRIC BOXES, COVERS & POWER CORDS

KEY	PART NUMBER	U/M	DESCRIPTION
	008052-01-000	EA	CORD - POWER - 10/3 - 30 AMP - 25' - CANADIAN
	008054-01-000	EA	CORD - POWER - 10/3 - 30 AMP - 25'
	008289-01-000	EA	BOX - ELECTRIC/STEEL - 1/2" & 3/4" KNOCKOUTS - 4" X 4"
	008294-01-000	EA	COVER - ELECTRICAL BOX - BLANK/STEEL - 4" X 4" - GRAY
	069238-01-000	EA	COVER - ELECTRICAL BOX - W/HOLE - 4" X 4" - GRAY USED WITH 30 AMP RECEPTACLE
	091910-01-000	EA	BOX - ELECTRIC - 3.8" X 3.5" X 1.8" - PLASTIC
	091910-02-000	EA	BOX - ELECTRIC - 2.2" X 3.5" X 1.7" - PLASTIC
	093603-01-000	EA	BOX - ELECTRIC - 4" X 2 1/8" X 2 1/8"
	107165-01-01A	EA	BOX - CIRCUIT BREAKER - 14.6" X 4" - PLASTIC

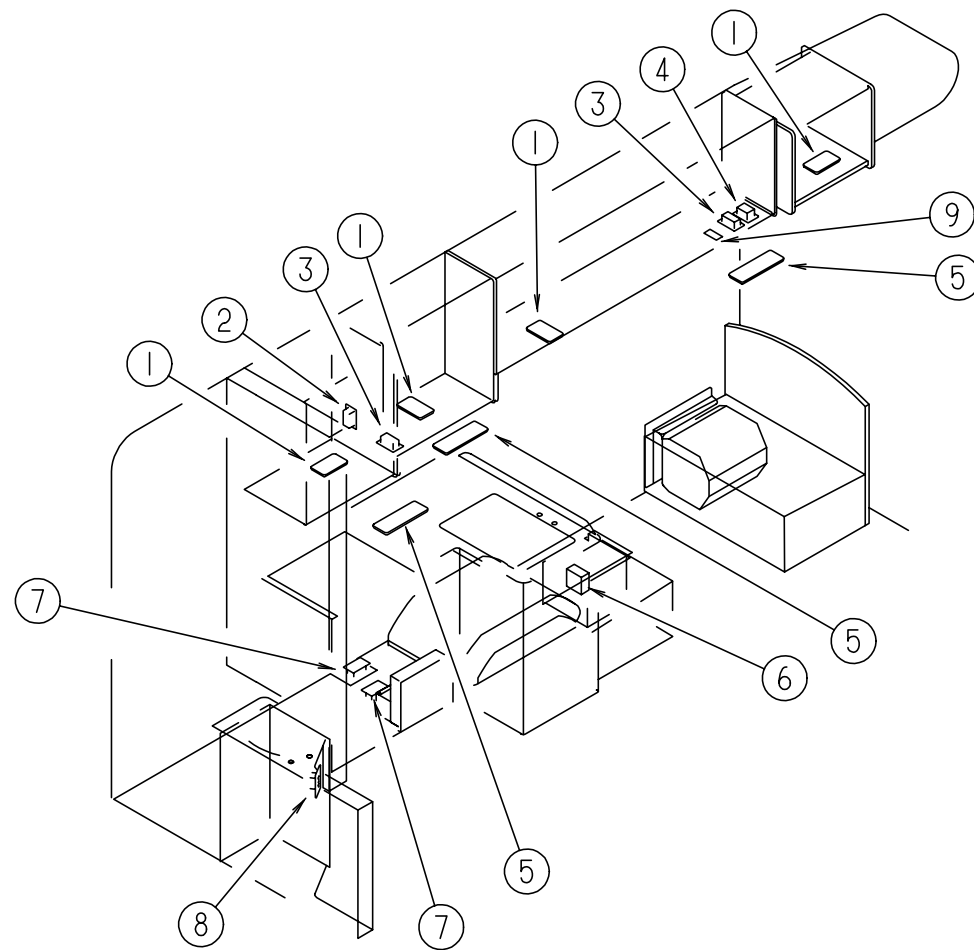
ELECTRICAL GROUP (CONTINUED)**WIRING ASSEMBLIES**

KEY	PART NUMBER	U/M	DESCRIPTION
	096449-01-000	EA	WIRE ASSEMBLY - WATER TANK TO MONITOR PANEL
	097618-01-000	EA	WIRE ASSEMBLY - MONITOR PANEL- W/3 WIRES & ORANGE RESISTOR ORANGE RESISTOR W/3 (ORANGE-GREEN-BLUE) WIRES

ELECTRICAL MISCELLANEOUS

KEY	PART NUMBER	U/M	DESCRIPTION	VENDOR NO.
	008188-01-000	EA	SOLENOID - 3 POST - BATTERY CHANGE OVER	
	086273-01-000	EA	RELAY - BATTERY DISCONNECT	
	063910-01-000	EA	HOUSING - RELAY	
	087202-01-000	EA	SWITCH - 4 POSITION - W/KNOB/BEZEL - 5 TERMINAL	
	087202-01-701	EA	KNOB-SWITCH, ROTARY	062-0104
	087202-01-702	EA	PLATE F/ROTARY SWITCH	062-0105
	086280-01-000	EA	LIGHT - SURFACE MOUNT - 12 VOLT	
	086280-01-700	EA	BULB,12V	ARP1089
	073626-04-000	EA	COVER - ELECTRIC - 10.4" X 7.8"	
	081994-06-000	EA	PLATE - SWITCH - AUXILIARY START	
	117806-01-000	EA	BULB - 12 VOLT #912 - 1.0 AMPS	
	058708-02-000	EA	RECEPTACLE - ELECTRIC - DOUBLE - IVORY	
	108355-01-000	EA	HOUSING - SWITCH	

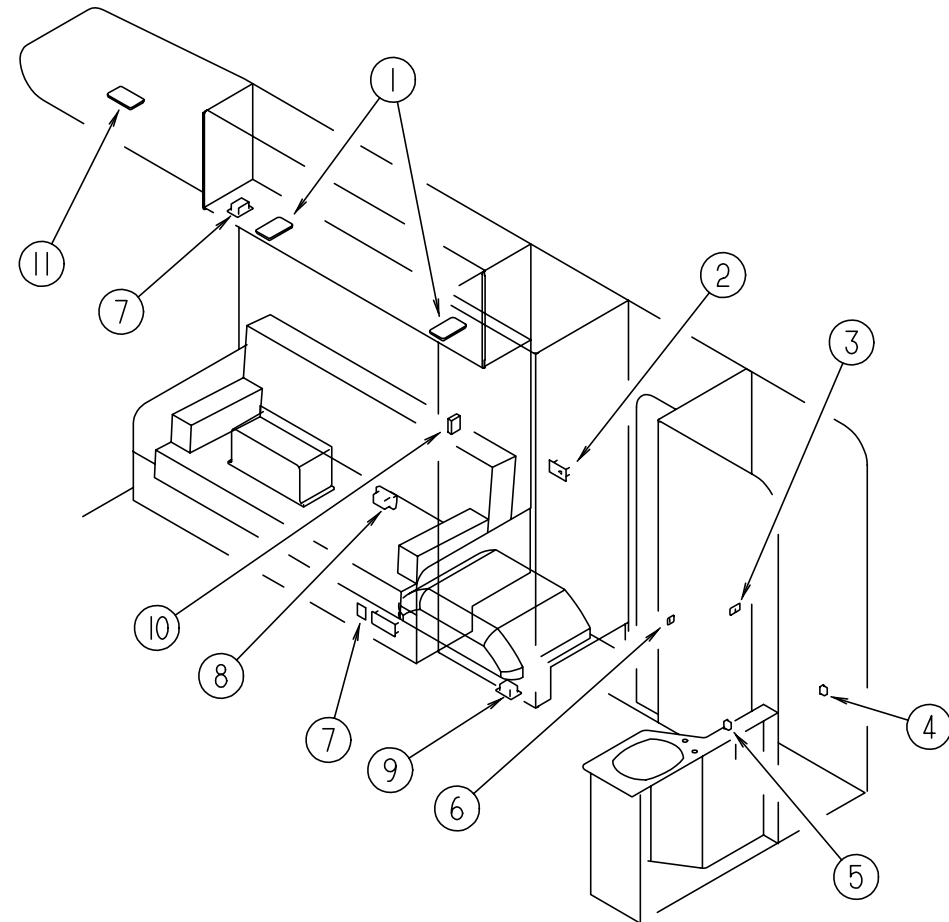
ELECTRICAL GROUP (CONTINUED)



LIGHTS, SWITCHES & RECEPTACLES - DRIVER SIDE

KEY	PART NUMBER	U/M	DESCRIPTION	VENDOR NO.
1	098024-05-02A	EA	LIGHT - DOME - 1 BULB - SKYLITE - WHITE	
	008218-01-000	EA	BULB - DOME LIGHT - 12 VOLT - NO. 1141	
	098024-01-701	EA	LENS - OPTI CLEAR - SKYLITE	809902
2	058708-05-000	EA	RECEPTACLE - SINGLE - BROWN	
3	058708-01-000	EA	RECEPTACLE - ELECTRIC - DOUBLE - BROWN	
4	086777-02-000	EA	WALLPLATE - TV CABLE - W/ANTENNA SWITCH	
5	098024-03-02A	EA	LIGHT - DOME - 2 BULB - WHITE	
	008218-01-000	EA	BULB - DOME LIGHT - 12 VOLT - NO. 1141	
	098024-01-700	EA	LENS-LIGHT	807877
6	024924-02-000	EA	RECEPTACLE - POWER CORD - W/PARTIAL PLATE	
7	058707-02-000	EA	RECEPTACLE - BLANK JUNCTION BOX	
8	084076-02-000	EA	RECEPTACLE - GFI - 15 AMP - 125 VOLT - BROWN	
	097734-01-01A	EA	EXTENSION/RECEPTACLE - .7" 3.2" X 5" - IVORY	
9	098351-14-01A	EA	PLATE - SWITCH - 1 GANG W/LABEL	
	079364-01-000	EA	SWITCH - ON/OFF ROCKER - 2 TERMINAL - BROWN	

ELECTRICAL GROUP (CONTINUED)

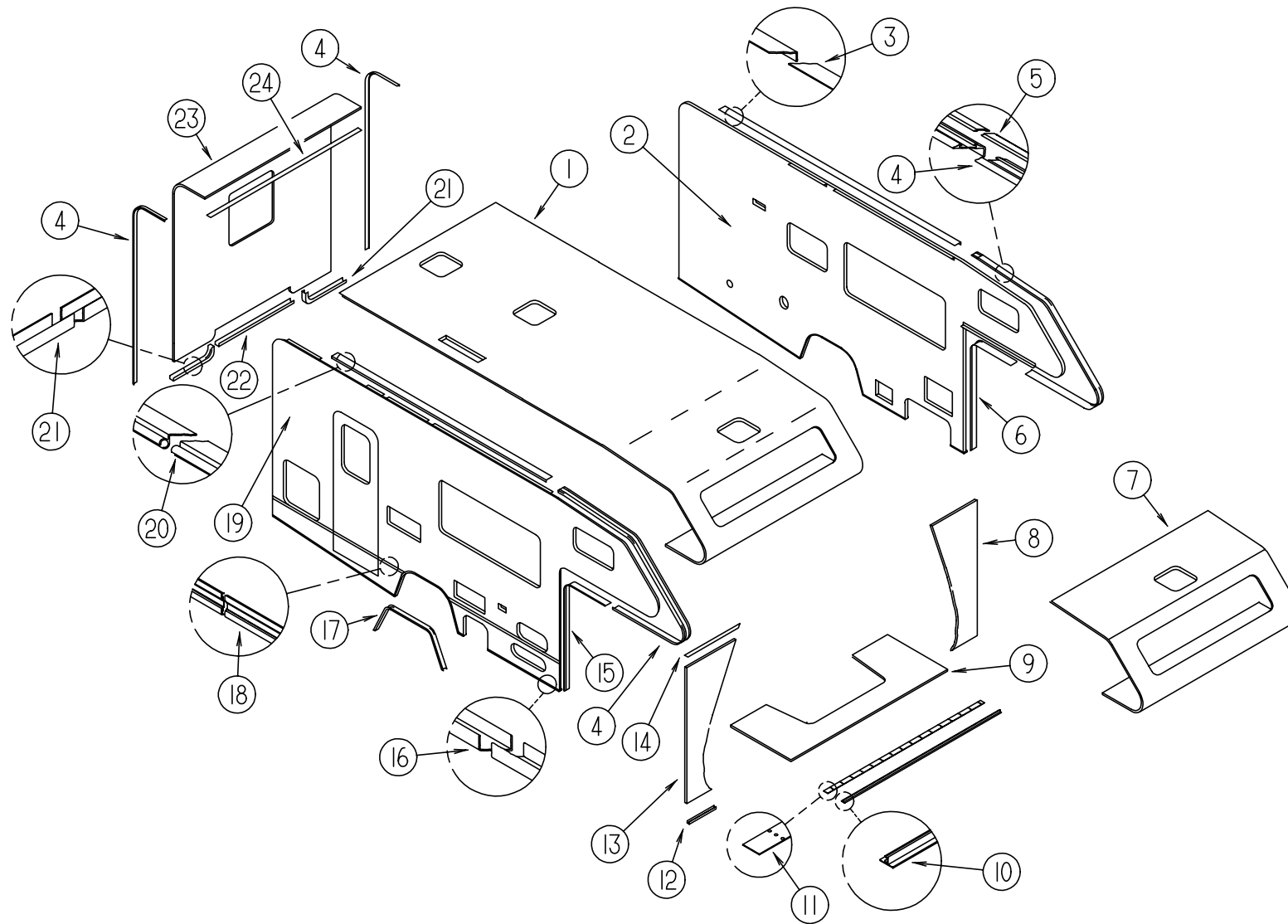


LIGHTS, SWITCHES & RECEPTACLES - PASSENGER SIDE

KEY	PART NUMBER	U/M	DESCRIPTION	VENDOR NO.
1	098024-05-02A	EA	LIGHT - DOME - 1 BULB - SKYLITE - WHITE	
	008218-01-000	EA	BULB - DOME LIGHT - 12 VOLT - NO. 1141	
	098024-01-701	EA	LENS - OPTI CLEAR - SKYLITE	809902
2	058707-01-000	EA	RECEPTACLE - ELECTRIC - SINGLE - BROWN	
3	098351-06-01A	EA	PLATE - SWITCH - 2 GANG POLISHED BRASS	
	079364-01-000	EA	SWITCH - ON/OFF ROCKER - 2 TERMINAL - BROWN	
4	081994-02-000	EA	PLATE - SWITCH - EXTERIOR SHOWER	
	108357-08-000	EA	SWITCH - ROCKER DPDT - ON/NONE/ON - 6 TERMINAL	
	108356-02-01A	EA	COVER/ACTUATOR SWITCH - 2 ROWS DIMPLES- CONTURA II - BLACK	
5	022756-03-000	EA	COVER - A/C - PLASTIC	
5	108356-07-01A	EA	COVER/ACTUATOR SWITCH - 2 ROWS DIMPLES - AUX START - BLACK	
	108356-11-01A	EA	COVER-ACTUATOR SWITCH - 3 GROOVES - AUX BATT - BLACK	
	098351-07-01A	EA	PLATE - SWITCH - GENERATOR - POLISHED BRASS	
	108357-06-000	EA	SWITCH - ROCKER DPDT - MOM/OFF/MOM - 6 TERMINAL	
6	098351-01-01A	EA	PLATE - SWITCH - 1 GANG POLISHED BRASS	
	079364-01-000	EA	SWITCH - ON/OFF ROCKER - 2 TERMINAL - BROWN	
	095188-01-01A	EA	SPACER - SWITCH - 2.3" X 3.4" - PLASTIC - DARK BROWN	
7	098351-01-01A	EA	PLATE - SWITCH - 1 GANG POLISHED BRASS	
	079364-01-000	EA	SWITCH - ON/OFF ROCKER - 2 TERMINAL - BROWN	
8	112822-01-01A	EA	RECEPTACLE - DUPLEX - IVORY	
	112824-01-03A	EA	COVER - RECEPTACLE - EXTERIOR DUPLEX	
9	061424-01-000	EA	LIGHT - AISLE - 12 VOLT - RECTANGULAR	
	008103-01-000	EA	BULB - DASH/AISLE LIGHT - #53 - 12 VOLT - .12 AMP	
10	081087-01-000	EA	LIGHT - INDICATOR - JAPAN	
11	098024-01-03A	EA	LIGHT - DOME - 1 BULB - WHITE	
	008218-01-000	EA	BULB - DOME LIGHT - 12 VOLT - NO. 1141	
	098024-01-700	EA	LENS-LIGHT	807877

EXTERIOR BODY GROUP

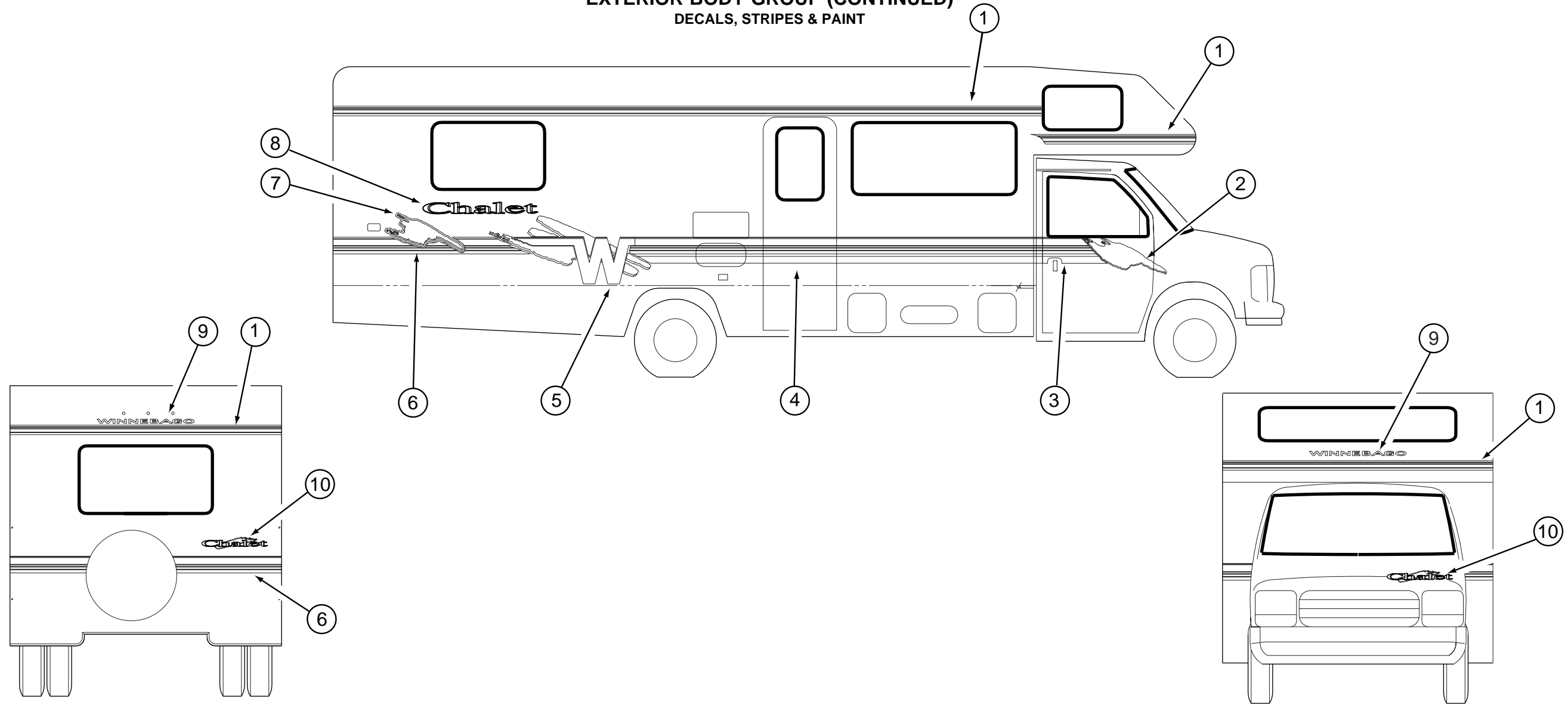
EXTERIOR BODY PANELS



KEY	PART NUMBER	U/M	DESCRIPTION
1	M06976-08-J01	EA	ROOF - W/O LIGHTS/WIRING - W/VENTS
2	P27559-01-J03	EA	SIDEWALL - DRIVER - W/O WINDOWS/TRIMS
2	P27559-01-J04	EA	SIDEWALL - DRIVER - W/O WINDOWS/TRIMS
	064675-54-003	EA	STEEL - ANGLE ROOF JOINT - 4' - OFF/WHITE
	064675-54-004	EA	STEEL - ANGLE ROOF JOINT - 1.7' - OFF/WHITE
3	096864-01-02A	EA	TRIM - CONTOUR - ROOF TO SIDEWALL - 120"
4	096854-05-02A	EA	TRIM - CONTOUR - BRIGHT WHITE - 114"
5	105312-01-07A	FT	INSERT - VINYL FEATURE STRIP - BRIGHT WHITE
6	104479-06-02A	EA	TRIM - FRONT CONTOUR - BRIGHT WHITE
7	M76177-01-700	EA	ROOF SECTION, FRONT, 8' X 8'
8	125065-02-H04	EA	WINGWALL
9	P25064-01-H85	EA	SLEEPERBOARD
10	100086-04-01A	EA	TRIM - SLEEPER BOARD/ROOF - 2" X 96.6"
11	100085-03-01A	EA	TRIM - SLEEPERBOARD - FLAT - 2.5" X 87.5"
12	002365-03-006	EA	U-CHANNEL - EXTRUDED - 1" X 192" - BRIGHT WHITE
13	125065-01-H04	EA	WINGWALL
14	022992-14-000	FT	MOLDING - REVERSE COVE
15	104479-05-02A	EA	TRIM - FRONT CONTOUR - BRIGHT WHITE
16	098072-55-003	EA	U-CHANNEL - OFF SET - 1.65" WIDE X 192"

KEY	PART NUMBER	U/M	DESCRIPTION
17	124517-04-01A	EA	TRIM - WHEELWELL/REAR - BRIGHT WHITE
18	108688-01-03A	EA	STRIP - FEATURE - 15'
	105312-01-07A	FT	INSERT - VINYL FEATURE STRIP - BRIGHT WHITE
	108651-01-01A	EA	END CAP - FEATURE STRIP
19	P27558-01-J03	EA	SIDEWALL - PASSENGER - W/O WINDOWS/TRIMS
19	P27558-01-J04	EA	SIDEWALL - PASSENGER - W/O WINDOWS/TRIMS
20	099583-55-003	EA	RAIL - AWNING - 120"
	098072-55-004	EA	EXTRUSION - CHANNEL - BRIGHT WHITE - 114.2"
21	103334-02-02A	EA	TRIM - BACKWALL/LOWER
22	103335-02-02A	EA	TRIM - BACKWALL/LOWER
23	P27225-01-J03	EA	BACKWALL - W/O WINDOW/TRIM
23	P27225-01-J04	EA	BACKWALL - W/O WINDOW/TRIM
24	078580-02-000	EA	TRIM - ROOF/FRONT/REAR CAP

EXTERIOR BODY GROUP (CONTINUED)
DECALS, STRIPES & PAINT



KEY	PART NUMBER	U/M	DESCRIPTION
1	118710-03-01A	FT	FILM - MULTISTRIPE - 4"
2	124449-01-01A	EA	DECAL - SPLASH - FRONT/RIGHT HAND
2	124449-02-01A	EA	DECAL - SPLASH - FRONT/LEFT HAND
3	124451-01-01A	EA	DECAL - CAB - RIGHT HAND - FORD
3	124451-02-01A	EA	DECAL - CAB - LEFT HAND - FORD
4	094446-02-01A	FT	FILM - MULTISTRIPE - 9.5"
5	124448-01-01A	EA	DECAL - "W" W/SPLASH - RIGHT HAND
5	124448-02-01A	EA	DECAL - "W" W/SPLASH - LEFT HAND
6	094445-06-01A	FT	FILM - MULTISTRIPE - 6.1"
7	124450-01-01A	EA	DECAL - SPLASH - REAR/RIGHT HAND
7	124450-02-01A	EA	DECAL - SPLASH - REAR/LEFT HAND
8	129744-01-01A	EA	DECAL - LOGO - CHALET - LARGE
9	120702-03-05A	EA	DECAL - LOGO WINNEBAGO
10	129744-02-01A	EA	DECAL - LOGO - CHALET - SMALL
	041561-03-000	EA	PAINT - 16 OUNCE SPRAY - OFF WHITE

BRIGHT WHITE

DUPONT PAINT COLOR CODES

DUPONT B8951U

MARLIN BLUE METALLIC
BLAZER BLUE METALLIC
LIGHT MARINE BLUE METALLIC
FUSCHIA ICE METALLIC

DUPONT GRAPHICS COLOR CODES

FILM #561	DUPONT BM500
FILM #525	DUPONT BM090
FILM #418	DUPONT K9457
FILM #162	DUPONT RM011

EXTERIOR BODY GROUP (CONTINUED)

FIBERGLASS, ALUMINUM, STYROFOAM, PLYWOOD & CHANNEL

KEY	PART NUMBER	U/M	DESCRIPTION	
	076054-M8-000	EA	FIBERGLASS SHEET - 96" X 96" BRIGHT WHITE	
	076054-N3-000	EA	FIBERGLASS SHEET - 102" X 233.8" BRIGHT WHITE	
	076054-N9-000	EA	FIBERGLASS SHEET - 96" X 102" BRIGHT WHITE	
	076054-P9-000	EA	FIBERGLASS SHEET - 37.4" X 99.3" - BRIGHT WHITE	
	076054-Z5-000	EA	FIBERGLASS SHEET - 27.4" X 66" - BRIGHT WHITE	
	077517-62-000	EA	FIBERGLASS - SHEET/SIDEWALL - 4' X 8' - BRIGHT WHITE	
	108535-04-705	EA	FIBERGLASS SHEET - 6" X 34' BRIGHT WHITE	
	108535-05-702	EA	FIBERGLASS SHEET - FLAT - 110" X 396" BRIGHT WHITE - ROOF	
	083574-06-000	SF	STYROFOAM - .75 X 48" X 108" - INCREMENTS OF 14 SF	
	100619-01-000	BF	FOAM - EXPANDED POLYSTYRENE - 1.34" X 48" X 96"	
	100619-04-000	BF	FOAM - EXPANDED POLYSTYRENE - .5" X 48" X 96"	
	100619-05-000	BF	FOAM - EXPANDED POLYSTYRENE - .75" X 48" X 96"	
	100619-16-000	BF	FOAM - EXPANDED POLYSTYRENE - .75" X 48" X 96"	
	092321-01-000	FT	INSULATION-FIBERGLASS W/FOIL BACKING	
	000870-08-000	SF	STYROFOAM - .75" X 48" X 96" PLANED EXPANDED BEAD BOARD	
	089297-01-000	SF	PLYWOOD - LUAN - OVERLAY GRADE - 48" X 96"	
	002726-01-001	EA	GARNISH - U-CHANNEL - 1.38" X 19' - SERRATED	
	002754-01-001	EA	ANGLE- EXTRUDED - .75" X .75" X 18' - MILL ALUMINUM	
	058267-01-000	FT	CHANNEL - STEEL - W/HOLES - SIDEWALL STIFFENER - 2" X 20'	

EXTERIOR MIRRORS - FORD

KEY	PART NUMBER	U/M	DESCRIPTION	VENDOR NO.
	120269-01-01A	EA	MIRROR - EXTERIOR - PASSENGER	
	120269-02-01A	EA	MIRROR - EXTERIOR - DRIVER	
	120269-01-700	EA	GLASS KIT W/BEZEL RH/LH	709407-8

EXTERIOR MIRRORS - CHEVY

KEY	PART NUMBER	U/M	DESCRIPTION	VENDOR NO.
	106860-05-01A	EA	MIRROR - REGULAR HEAD/LOW MOUNT - BRIGHT WHITE	
	106860-01-707	EA	MIRROR HEAD (BRT WHITE)	7092760

EXTERIOR BODY GROUP (CONTINUED)

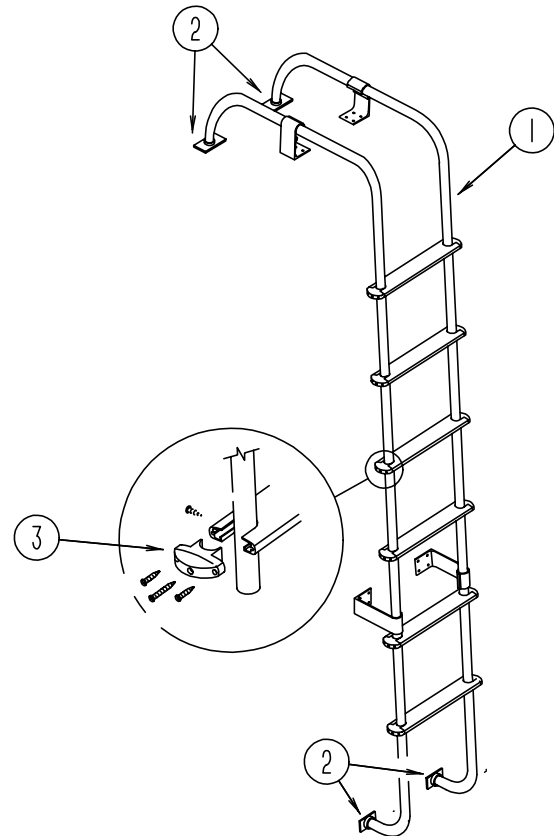
RUNNING BOARDS - FORD

KEY	PART NUMBER	U/M	DESCRIPTION	VENDOR NO.
	072884-27-000	EA	RUNNING BOARD SET - 39" - FORD - ALUMINUM	
	072884-27-700	EA	BRACKET SET 12" 92	RB2BRK/M
	072884-27-701	EA	RUNNING BOARD-FORD 39",RT<	
	072884-27-702	FT	TREAD TAPE	RB9202
	072884-27-703	EA	MUD FLAP W/HOLES, 1EA=PAIR	99171
	072884-27-704	EA	CAP-ENDS, 1EA=PAIR	99148

RUNNING BOARDS - CHEVY

KEY	PART NUMBER	U/M	DESCRIPTION	VENDOR NO.
	072884-28-000	EA	RUNNING BOARD - ALUMINUM - CHEVY CHASSIS	
	072884-27-704	EA	CAP-ENDS, 1EA=PAIR	99148
	072884-28-700	EA	RUNNING BOARDS ONLY- RT & LT	15543
	072884-28-701	EA	FRONT FLAP - PAIR	99153
	072884-28-702	EA	BRACKET SET - COMPLETE	206771

EXTERIOR BODY GROUP (CONTINUED)



LADDER

KEY	PART NUMBER	U/M	DESCRIPTION
1	102953-10-F15	EA	LADDER
			FROM: 00-00-00 THRU: 02-01-98
1	129639-01-01A	EA	LADDER - BRUSHED ALUMINUM
			FROM: 02-02-98 THRU: 99-99-99
2	067165-01-000	EA	BRACKET - MOUNTING - LOWER LADDER
3	076980-02-000	EA	END CAP - STEP - BLACK
	000G39-06-10T	EA	SCREW - SF/DR - 6-20 X 5/8 PPH - BLACK
	000G68-10-36T	EA	SCREW - 10-12 X 2.25 POH BLACK
	038327-01-000	EA	TAPE - ANTI-SLIP - 2" X 60'

AWNING - FAULKNER

KEY	PART NUMBER	U/M	DESCRIPTION
*	113874-01-02A	EA	AWNING - HARDWARE

* COMPONENT PARTS FOUND IN SERVICE PARTS LIBRARY

GALLEY GROUP

MICROWAVE OVEN

KEY	PART NUMBER	U/M	DESCRIPTION
	128527-01-000	EA	OVEN - MICROWAVE - .9 CU FT - NON CONVECTION
	094750-10-000	EA	BRACKET - MICROWAVE - 89 DEGREE
	128527-01-700	EA	TRIM RING - F/.9 CU.FT. SAMSUNG MICROWAVE
	128642-01-000	EA	TRIM KIT W/VENT - MICROWAVE - .9 CU FT SAMSUNG
	098916-26-02B	EA	BRACE - MICROWAVE CABINET - LEFT HAND
	098916-27-02B	EA	BRACE - MICROWAVE CABINET - RIGHT HAND

RANGE HOOD W/O MONITOR PANEL - MODEL TCS-5008-NADL

KEY	PART NUMBER	U/M	DESCRIPTION
*	100258-16-03A	EA	HOOD - RANGE - W/O MONITOR PANEL - W/O HOUR METER & SWITCH

* COMPONENT PARTS FOUND IN SERVICE PARTS LIBRARY

RANGE HOOD W/O MONITOR PANEL - MODEL TCS-5008-NACL

KEY	PART NUMBER	U/M	DESCRIPTION
*	100258-17-03A	EA	HOOD - RANGE - W/O MONITOR PANEL

* COMPONENT PARTS FOUND IN SERVICE PARTS LIBRARY

RANGE HOOD W/O MONITOR PANEL - CANADIAN - MODEL TPS-5009-SADL

KEY	PART NUMBER	U/M	DESCRIPTION
*	100258-18-02A	EA	HOOD - RANGE - W/O MONITOR PANEL

* COMPONENT PARTS FOUND IN SERVICE PARTS LIBRARY

MONITOR PANEL - LVS

KEY	PART NUMBER	U/M	DESCRIPTION
*	102765-04-01A	EA	PANEL - MONITOR - 2 HOLDING TANKS - ADJUSTABLE

* COMPONENT PARTS FOUND IN SERVICE PARTS LIBRARY

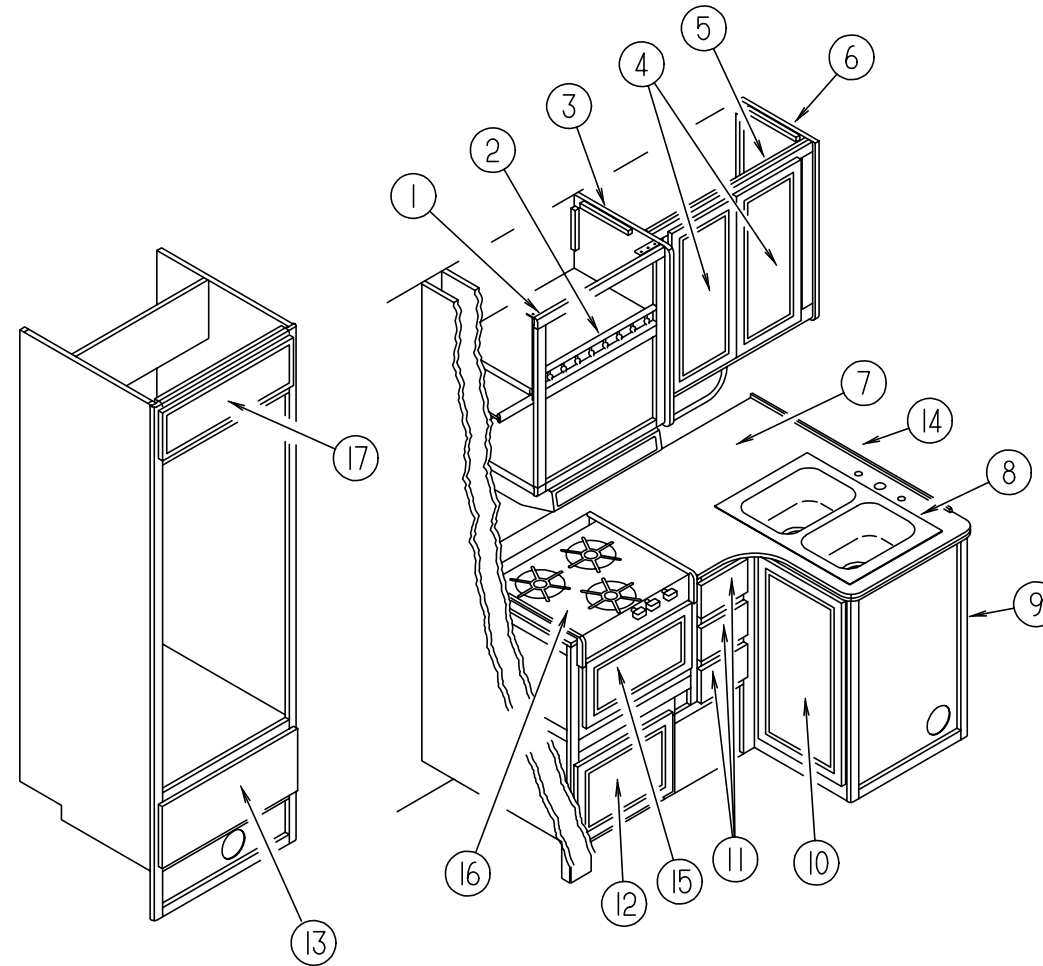
REFRIGERATORS & COMPONENTS

KEY	PART NUMBER	U/M	DESCRIPTION
*	102621-04-01A	EA	REFRIGERATOR - LARGE SINGLE DOOR - 2-WAY - RIGHT HAND
*	121568-02-01A	EA	REFRIGERATOR - SMALL DOUBLE DOOR - LEFT HAND - 2-WAY
	103251-07-01A	EA	INSERT - ACRYLIC/BLACK - 21.60" X 14.53"
	103251-08-01A	EA	INSERT - ACRYLIC/BLACK - 21.6" X 31.6"
	116751-01-01A	EA	TRAY - REFRIGERATOR
	054450-01-000	EA	LEVEL - REFRIGERATOR
	065225-02-000	EA	PLATE - TIEDOWN - REFRIGERATOR
	093646-05-000	EA	BRACKET - TIEDOWN/REFRIGERATOR

* COMPONENT PARTS FOUND IN SERVICE PARTS LIBRARY

GALLEY GROUP (CONTINUED)

GALLEY CABINETS & FIXTURES



KEY	PART NUMBER	U/M	DESCRIPTION
1	128617-01-J01	EA	CABINET - MICROWAVE - W/O DOORS/HARDWARE
2	098335-13-G22	EA	RAIL - GALLEY - 39.4"
3	109908-19-G01	EA	END CAP - OVERHEAD CABINET
4	M08758-62-J15	EA	DOOR - MITERED CORNER/OGEE EDGE - 12" X 25.9" - W/O HDW
5	128616-01-J01	EA	CABINET - OVERHEAD/GALLEY - W/O DOORS/HARDWARE
	128616-12-J01	EA	SHELF - W/PLASTIC EDGE TRIM
6	121968-15-J01	EA	END CAP - OVERHEAD
	104114-02-01A	EA	FAUCET - GALLEY - SINGLE CONTROL
7	122022-11-H04	EA	COUNTERTOP - GALLEY (J03)
7	122022-11-H05	EA	COUNTERTOP - GALLEY (J04)

KEY	PART NUMBER	U/M	DESCRIPTION
8	104113-01-000	EA	SINK - DOUBLE - STAINLESS STEEL
	092303-01-000	EA	STRAINER - SINK
	103243-01-000	EA	FAUCET - DUAL CONTROL
	104114-02-01A	EA	FAUCET - GALLEY - SINGLE CONTROL
	103610-03-H04	EA	COVER - SINK - 15.2" X 11" (J03)
	103610-03-H05	EA	COVER - SINK - 15.2" X 11" (J04)
9	122022-01-H04	EA	CABINET - GALLEY - W/O DOORS/DRAWERS/HARDWARE (J03)
9	122022-01-H05	EA	CABINET - GALLEY - W/O DOORS/DRAWERS/HARDWARE (J04)
10	M08758-A1-J01	EA	DOOR - MITERED CORNER/OGEE EDGE - 15.5" X 29.5" - W/O HDW
11	M05971-H6-J01	EA	DRAWER - OGEE EDGE - 6.8"W X 13.8"D - W/O SLIDES/HARDWARE
12	M08758-99-J01	EA	DOOR - MITERED CORNER/OGEE EDGE - 12.8" X 17.7" - W/O HDW
13	M08758-45-J15	EA	DOOR - MITERED CORNER/OGEE EDGE - 10" X 25.2" - W/O HDW
14	098335-13-H04	EA	RAIL - GALLEY - 39.4" (J03)
14	098335-13-H05	EA	RAIL - GALLEY - 39.4" (J04)
15	M08758-93-J01	EA	DOOR - MITERED CORNER/OGEE EDGE - 11" X 21.8" - W/O HDW
16*	112881-02-02A	EA	RANGE - 16" - 3 BURNER
	081587-03-000	EA	BRACKET - TIEDOWN - RANGE - RIGHT
	081587-04-000	EA	BRACKET - TIEDOWN - RANGE - LEFT
17	M08758-45-J15	EA	DOOR - MITERED CORNER/OGEE EDGE - 10" X 25.2" - W/O HDW
	P13147-01-000	EA	SHELF-REFR/WARDROBE
	090329-01-000	FT	SEAL/T - REFRIGERATOR CABINET

* COMPONENT PARTS FOUND IN SERVICE PARTS LIBRARY

GENERATOR GROUP

4.0 KW MICROLITE GENERATOR - US & CANADA

KEY	PART NUMBER	U/M	DESCRIPTION
	109982-03-000	EA	GENERATOR - 4.0 MICROLITE
	007125-03-000	EA	CLAMP - MUFFLER - 1.5" DIAMETER
	007125-04-000	EA	CLAMP - MUFFLER - 1.12" DIAMETER
	105958-08-000	EA	PIPE/EXHAUST - GENERATOR
	007131-01-000	EA	HANGER - TAILPIPE - 6 SLOTS
	007067-01-000	SF	INSULATION - FIBERGLASS - 1" THICK X 4' - INCREMENTS/4 SF

NOTE: ADDITIONAL GENERATOR COMPONENTS ARE FOUND IN THE CHASSIS GROUP

HEATING & AIR CONDITIONING GROUP

ROOF A/C - 13,500 BTU - COLEMAN - MODEL - TSR HO

KEY	PART NUMBER	U/M	DESCRIPTION
*	108889-01-05A	EA	A/C - ROOF - 13,500 TSR
	102289-01-000	EA	SPRING - SCREW - ROOF A/C GASKET

* COMPONENT PARTS FOUND IN SERVICE PARTS LIBRARY

CEILING A/C - COLEMAN

KEY	PART NUMBER	U/M	DESCRIPTION
*	108891-01-02A	EA	CEILING ASSEMBLY - A/C COOL
	022756-03-000	EA	COVER - A/C - OFF WHITE PLASTIC
	084077-03-000	EA	COVER/BLANK - ROOF A/C 5.2" X 3.5" - IVORY

* COMPONENT PARTS FOUND IN SERVICE PARTS LIBRARY

FURNACE - 25,000 BTU - SUBURBAN - MODEL SF-25 227

KEY	PART NUMBER	U/M	DESCRIPTION
*	098668-19-000	EA	FURNACE - 25000 BTU

* COMPONENT PARTS FOUND IN SERVICE PARTS LIBRARY

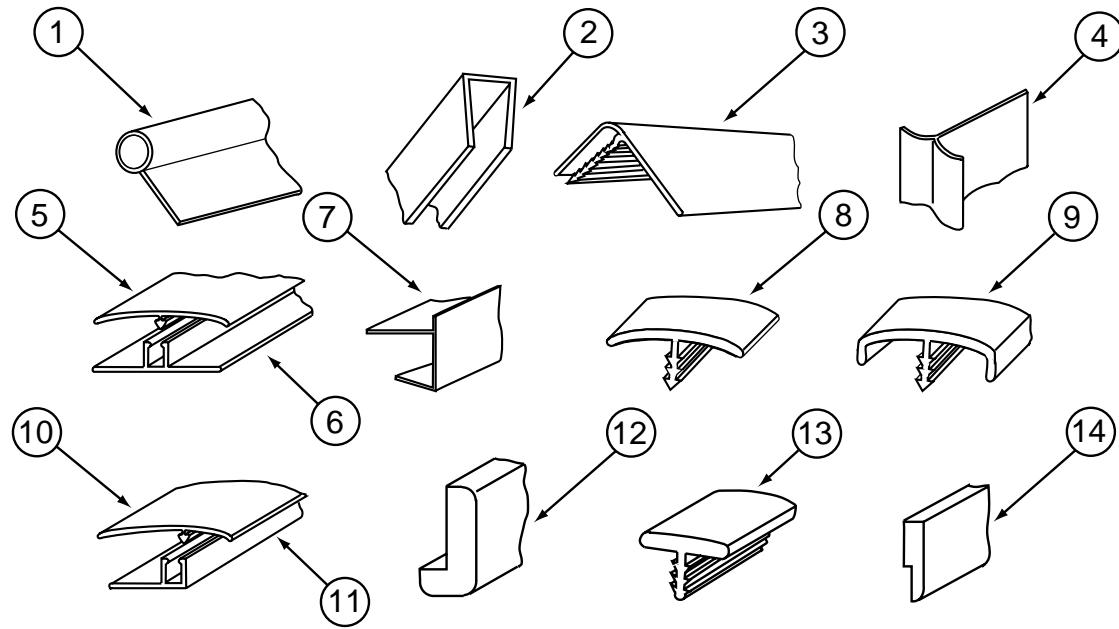
HEATING/AC COMPONENTS

KEY	PART NUMBER	U/M	DESCRIPTION
	056464-09-000	EA	REGISTER - 4" DIAMETER - PLASTIC - W/DAMPER - BEIGE
	093614-01-02A	EA	GRILLE - RETURN AIR - 15.6" X 7.6" - BEIGE
	040731-01-000	EA	NIPPLE - INLET MANIFOLD - GM —3838094
	009200-01-000	EA	TAPE - FURNACE - 1 1/2"
	115764-01-01A	EA	THERMOSTAT - FURNACE
	098668-23-000	EA	DOOR - ACCESS - FURNACE - BRIGHT WHITE
	076776-01-000	EA	TEE - BEADED - 5/8" X 5/8" X 5/8"
	007108-01-000	FT	HOSE - HEATER - 5/8" ID - HI-TEMP - FORD

REAR HEATER SYSTEM

KEY	PART NUMBER	U/M	DESCRIPTION	VENDOR NO.
	084405-01-000	EA	HEATER - REAR/DUCTED - W/MOTOR AID	
	084405-01-700	EA	CORE-HEATER	FT200229
	084405-01-701	EA	FAN BLADES	HV029931
	084405-01-702	EA	MOTOR ASSEMBLY, 12 VOLT	RV010348
	061673-01-000	EA	BRACKET - MOTOR AID TUBES - 4" X 1.5" - STEEL	
	009198-01-000	FT	DUCT - HEAT - FLEXIBLE - 4" ID X 25'	
	069636-02-000	EA	CONNECTOR - DUCT - 4" ID	
	079059-01-000	EA	HOSE - 90 DEGREE - 5/8" ID X 4" X 36"	
	079059-13-000	EA	HOSE - 90 DEGREE - .61" X 4" X 48"	
	056464-10-000	EA	REGISTER - 4" DIAMETER - PLASTIC - W/O DAMPER - BEIGE	

INTERIOR FINISH GROUP



MOLDINGS & TRIMS

KEY	PART NUMBER	U/M	DESCRIPTION
1	009767-12-000	FT	WELTING - SIDEWALL/CEILING/CABINET - OFF/WHT
1	009767-15-000	FT	WELTING - WATERFORD OAK
2	009778-30-000	FT	U-CHANNEL - 1" - VILLAGE OAK
2	009778-22-000	FT	U-CHANNEL - 1 1/4" - WATERFORD OAK
2	009778-11-000	FT	U-CHANNEL - 1" - IVORY
2	070504-36-000	FT	U-CHANNEL - PLASTIC - .13" X 72" - WATERFORD OAK
2	070504-37-000	FT	U-CHANNEL - PLASTIC - .87" X 84" - WATERFORD OAK
2	070504-18-000	FT	U-CHANNEL - PLASTIC - .13" X 84" - IVORY
3	009809-23-000	EA	MOLDING - CORNER - OUTSIDE - 1" X 84" - MODERN IVORY
3	009809-28-000	EA	MOLDING - CORNER - OUTSIDE - 1" X 84" - WATERFORD OAK
3	009809-24-000	EA	MOLDING - PLASTIC - 1/2" O/S CORNER - IVORY
3	009812-29-000	EA	MOLDING - PLASTIC - 1/2" O/S CORNER - WATERFORD OAK
4	022992-11-000	EA	MOLDING - REVERSE COVE - T-SHAPED VINYL - IVORY
5	086229-13-000	EA	BATTEN - 1" X 96" - IVORY
5	086229-20-000	EA	BATTEN - 1" X 96" - BEIGE
6	086229-01-000	EA	RETAINER - BATTEN - .75" X 92.3" - ANY COLOR
7	103186-01-05A	FT	MOLDING - PLASTIC 3/8" U-CHANNEL 3/4" FACE - WATERFORD OAK
8	009815-09-000	FT	MOLDING-T - .75" IVORY
9	083620-09-000	FT	MOLDING-T - END CAP EDGE - W/EDGE LIPS - .75"-MODERN IVORY
9	083620-12-000	FT	MOLDING-T - END CAP EDGE - W/EDGE LIP - .75"-WATERFORD OAK
9	119520-01-01A	FT	MOLDING-T - 1" - W/EDGE LIPS (OFF/WHITE-CREAM)
9	104676-02-04A	FT	MOLDING-T - 1/2" - WATERFORD OAK
10	086229-12-000	EA	BATTEN - 1.5" OFFSET X 97.01" IVORY
11	086229-11-000	EA	RETAINER - OFFSET - 97.01"
12	077840-01-G01	EA	MOLDING - CAP/WALL - 8' WATERFORD OAK
13	104676-01-01A	FT	T-MOLDING - 5/16" - RIGID GOLD
14	105004-01-05A	EA	MOLDING - VINYL WRAPPED - 1" X 8' WATERFORD OAK

INTERIOR FINISH GROUP (CONTINUED)

MOLDINGS & TRIMS (CONTINUED)

KEY	PART NUMBER	U/M	DESCRIPTION
	117268-D2-134	EA	MOLDING - VINYL WRAPPED - .7" X 1.6" X 84" - WATERFORD OAK
	100818-01-05A	EA	MOLDING - VINYL WRAPPED - 1.65" X .4" X 7'
	100819-01-05A	EA	MOLDING - VINYL WRAPPED - L-SHAPED-1.5" X 1.5" X 7' - WATERFORD OAK
	117268-F2-134	EA	MOLDING - VINYL WRAPPED - .7" X 2.7" X 84" - WATERFORD OAK
	117267-E2-438	EA	LUMBER - VINYL WRAPPED - .7" X 2" X 8'
	117267-G2-438	EA	LUMBER - VINYL WRAPPED - .7" X 3" X 8'
	117267-D2-438	EA	LUMBER - VINYL WRAPPED - .7" X 1.5" X 96" - WATERFORD OAK
	117267-E2-438	EA	LUMBER - VINYL WRAPPED - .7" X 2" X 96" - WATERFORD OAK
	117267-G2-438	EA	LUMBER - VINYL WRAPPED - .7" X 3" X 96" - WATERFORD OAK
	117267-J2-438	EA	LUMBER - VINYL WRAPPED - .7" X 5.5" X 96" - WATERFORD OAK
	075249-01-000	EA	RAILING - OAK - 72" UNFINISHED
	100659-01-G09	EA	MOLDING/TRIM - VINYL FLOOR
	120492-01-04A	FT	STRIP - TRIM - WATERFORD OAK
	085746-04-000	FT	TRIM-J - CARPET 1.2" X .5" ANGLE - 12' LONG - OFF WHITE

INTERIOR FINISH GROUP (CONTINUED)

EDGE BAND MOLDING

KEY	PART NUMBER	U/M	DESCRIPTION
	076325-46-000	FT	MOLDING - EDGE BAND - 1 5/16" X .001" - CLOUD (J03)
	076325-37-000	FT	MOLDING - EDGE BAND - 1 5/16" X .001" - NEUTRAL (J04)
	076325-43-000	FT	MOLDING - EDGE BAND .876" X .024" - CLOUD (J03)
	076325-38-000	FT	MOLDING - EDGE BAND .876" X .024" - NEUTRAL (J04)
	076325-73-000	FT	MOLDING - EDGE BAND - .93" X .024"
	076325-67-000	FT	MOLDING - EDGE BAND - .93" X .024" - WATERFORD OAK
	076325-68-000	FT	MOLDING - EDGE BAND - 1 5/16" X .038 - WATERFORD OAK

BATT STRIPS

KEY	PART NUMBER	U/M	DESCRIPTION
	079653-28-000	EA	BATT STRIP - KERFED - WOODGRAINED/WATERFORD OAK - 8'
	069733-83-000	EA	BATT STRIP - WOODGRAINED/WATERFORD OAK - 8'
	085284-B5-000	FT	BATT TAPE - ADHESIVE BACKED - WOODGRAINED - WATERFORD OAK
	088263-E1-000	EA	BATT STRIP - DECORATIVE - BOLERO/AQUA FROST - 8' LONG (J03)
	088263-D2-000	EA	BATT STRIP - DECORATIVE - WASH/VANILLA - 8' LONG (J04)
	085284-D4-000	FT	BATT TAPE - ADHESIVE BACKED - DECORATIVE-BOLERO/AQUA FROST (J03)
	085284-C5-000	FT	BATT TAPE - ADHESIVE BACKED - DECORATIVE - WASH/VANILLA (J04)
	088263-F9-000	EA	BATT STRIP - CEILING - IMPACT PEARL - INC OF 9'
	085284-F6-000	FT	BATT TAPE - ADHESIVE BACKET - IMPACT PEARL
	088263-E3-000	EA	BATT STRIP - DECORATIVE - PEBBLE EMBOSSSED/ANTIQUE-8' LONG
	085284-D6-000	FT	BATT TAPE - ADHESIVE BACKED -DECORATIVE - EMBOSSSED ANTIQUE

INTERIOR FINISH GROUP (CONTINUED)

PANELING, LAMINATES & PLASTIC

KEY	PART NUMBER	U/M	DESCRIPTION
	074497-28-000	SF	PANELING - WATERFORD OAK - 48" X 96"
	074497-40-000	SF	PANELING - CEILING - IMPACT PEARL - 4' X 8'
	080215-10-000	SF	PANELING - 2 SIDED - WATERFORD - .2" X 48" X 96"
	088272-G1-000	SF	PANELING - PEBBLE EMBOSSSED - ANTIQUE WHITE - 4' X 7'
	088272-F8-000	SF	PANELING - BOLERO - AQUA FROST (J03)
	088272-F3-000	SF	PANELING - WASH/VANILLA (J04)
	074498-40-000	SF	LAMINATE - PLASTIC - OFF WHITE - 5' X 8' - INC OF 40 SF
	074498-62-000	SF	LAMINATE - PLASTIC - GREY FINESSE - 5' X 8' - INC OF 40SF (J03)
	074498-72-000	SF	LAMINATE - PLASTIC - PEBBLE SANTOS - 5' X 8' INC OF 40 SF (J04)
	000885-67-000	SF	LAMINATE - PLASTIC - ORCHID MIST - 5' X 8' - INC OF 40SF
	000885-77-000	SF	LAMINATE - PLASTIC - ART CABIN - 4' X 8' - INC OF 32 SF
	000885-76-000	SF	PARTICLE BOARD-3/8" X 48" X 96"-WATERFORD OAK/VINYL 1 SIDE
	000885-77-000	SF	PARTICLE BOARD-3/8" X 48" X 96"-WATERFORD OAK/VINYL 2 SIDE
	000885-78-000	SF	PARTICLE BOARD-1/2" X 48" X 96"-WATERFORD OAK/VINYL 2 SIDE
	000885-79-000	SF	PARTICLE BOARD-3/4" X 48" X 96"-WATERFORD OAK/VINYL 2 SIDE
	057882-04-700	EA	DOOR-TAMBOUR 4'X4' PC WINONA PART SALES
	000846-01-000	SF	PLYWOOD - 5/16" X 48" X 96" - CD GRADE
	000846-02-000	SF	PLYWOOD/UNDERLAYMENT - 5/16" X 48" X 96"
	126339-01-000	SF	BOARD - WHEAT - 60" X 72"
	093743-05-01A	SF	PLASTIC - ABS COIL - BRIGHT WHITE - 20" X 108"

CARPETING & FLOOR MATS

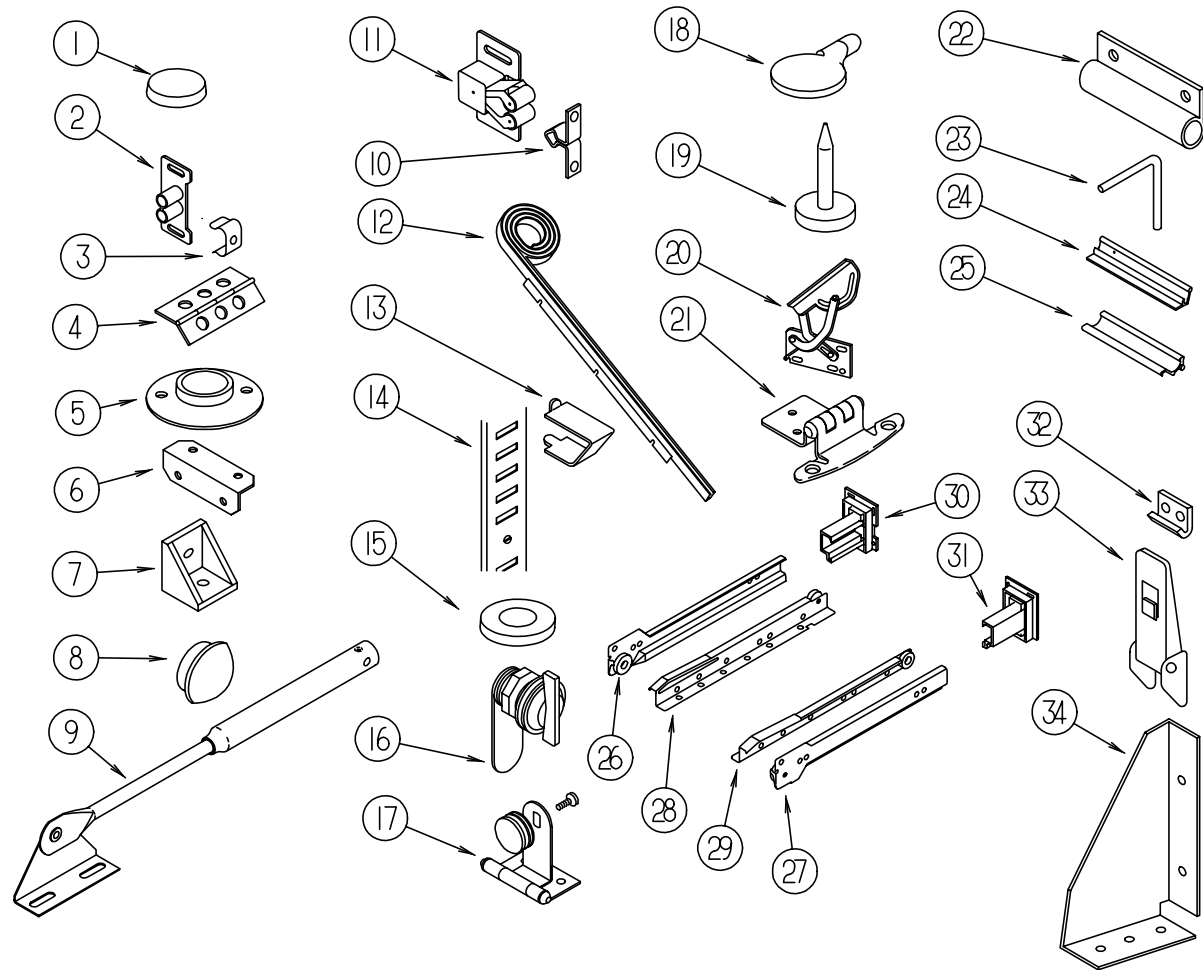
KEY	PART NUMBER	U/M	DESCRIPTION
	042720-20-000	SY	VINYL - FLOOR COVERING - 7.5' WIDE - CALAY
	042720-24-000	SY	VINYL - FLOOR COVERING - 12' WIDE - SOL TRA
	096060-96-000	SY	CARPET - JUBILATION - INCREMENTS OF 4 SQ YD (J03)
	096060-98-000	SY	CARPET - SILVER ASPEN - INCREMENTS OF 4 SQ YD (J04)
	093486-01-000	SY	CARPET - COMPARTMENT - 72" WIDE - DARK GRAY
	122755-01-01A	EA	TILE - RUBBER/ENTRANCE DOOR - 18.5" X 27.2"
	122755-03-01A	EA	TILE - RUBBER/ENTRANCE DOOR - 17.7" X 26.4"
	122755-05-01A	EA	TILE - RUBBER/ENTRANCE DOOR - 11.2" X 26.9"
	125780-01-000	EA	MAT - FLOOR - FRONT/PASSENGER - "W" - FORD
	125780-02-000	EA	MAT - FLOOR - FRONT/DRIVER - "W" - FORD
	124182-01-01A	EA	MAT - PASSENGER FLOOR - CHEVY
	124182-02-01A	EA	MAT - DRIVER FRONT FLOOR - CHEVY
	102569-04-000	EA	MAT - ANTI SLIP

FIRE EXTINGUISHER & DETECTORS

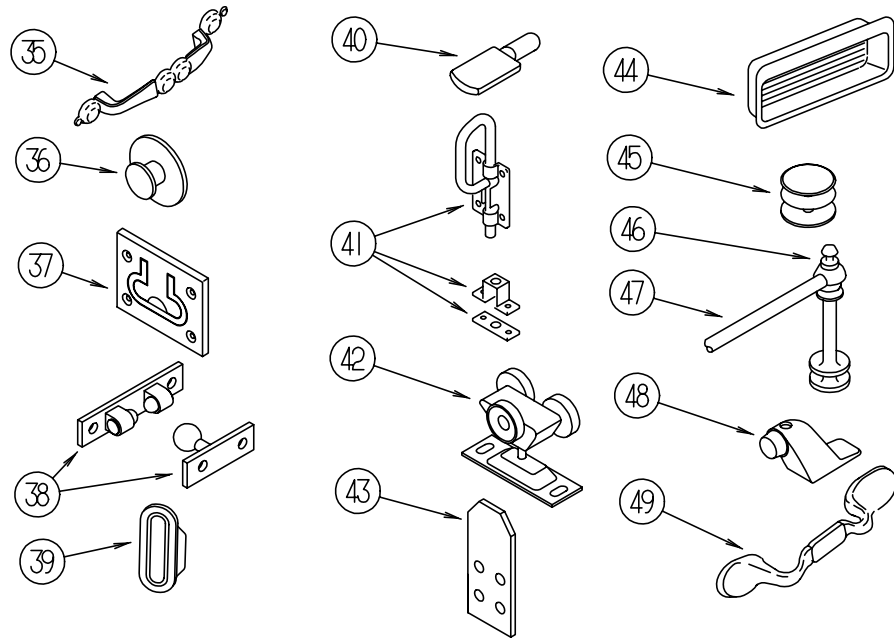
KEY	PART NUMBER	U/M	DESCRIPTION	VENDOR NO.
	072852-02-000	EA	DETECTOR - SMOKE - W/9 VOLT BATTERY - CANADIAN	
	094499-02-000	EA	EXTINGUISHER/FIRE - DRY - 1A10BC - CANADIAN	
	094499-01-700	EA	BRACKET MTG. W/PLAS. STRAP	294039
	072852-01-000	EA	DETECTOR - SMOKE - W/9 VOLT BATTERY - US	
	094499-01-000	EA	EXTINGUISHER/FIRE - DRY W/MOUNTING BRACKET	
	094499-01-700	EA	BRACKET MTG. W/PLAS. STRAP	294039
	094499-01-701	EA	STRAP ONLY (METAL)	320351
	125136-01-000	EA	CO DETECTOR - GAS - ROUND W/2 SCREWS - 9 VOLT	

INTERIOR FINISH GROUP (CONTINUED)

CABINET & TABLE HARDWARE

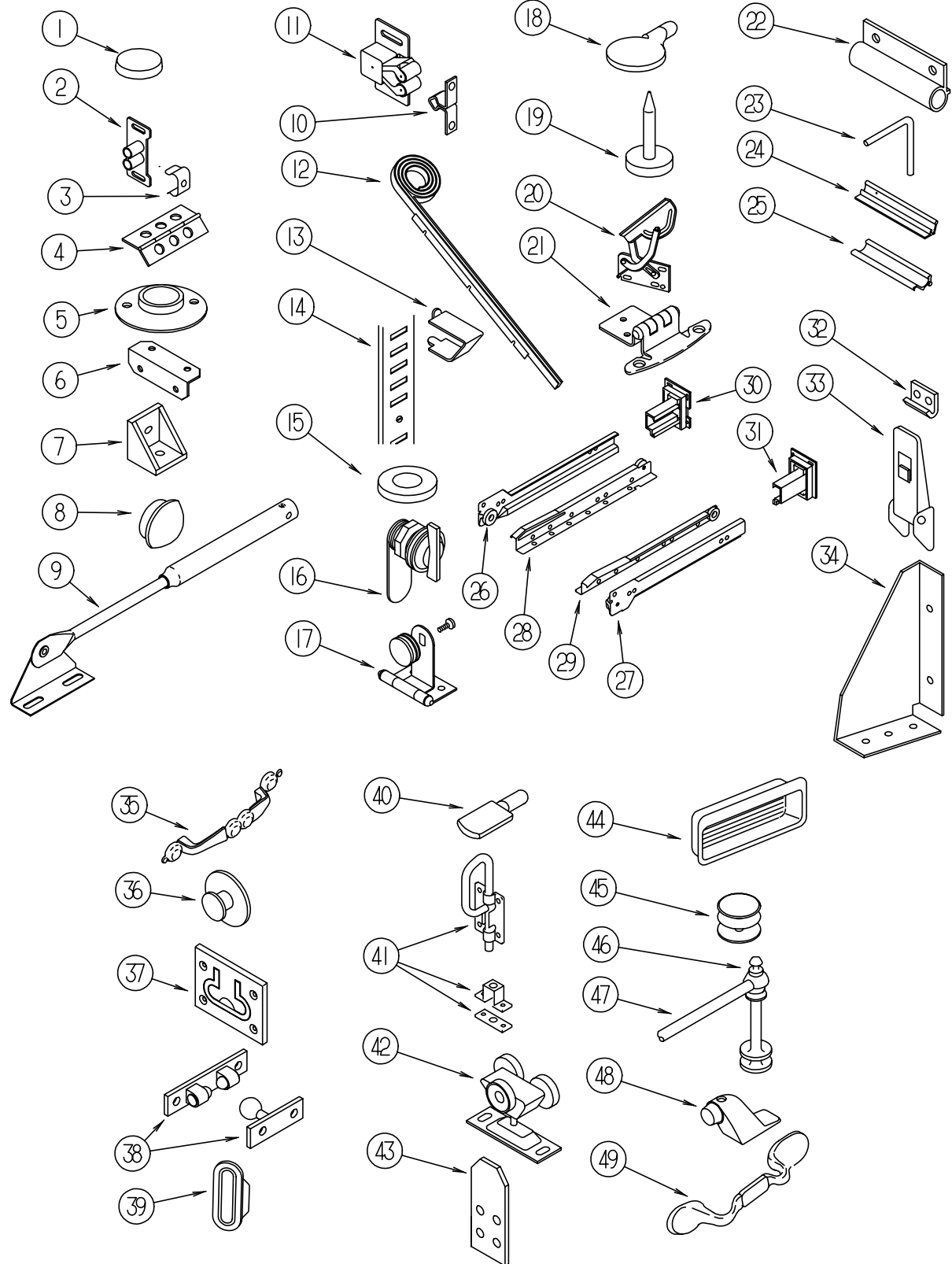


KEY	PART NUMBER	U/M	DESCRIPTION
1	004354-01-000	EA	BUMPER - RUBBER - .5" DIA - BROWN
2	009021-01-000	EA	CATCH - GRILLE - NYLON
3	009021-02-000	EA	STRIKE - SPRING STEEL
4	009059-01-000	EA	HINGE - DOOR - 2" X 1.4" - BRASS
4	009059-02-000	EA	HINGE - DOOR - 2" X 2.7" - BRASS
4	041389-35-000	EA	HINGE - PIANO - OFF WHITE - 31"
5	009112-01-000	EA	FLANGE - PLASTIC - 1" CLOTHES ROD - OFF WHITE
6	016604-01-000	EA	BRACE - CABINET - ANGLE - 2.5" - UNPAINTED METAL
6	016604-05-000	EA	BRACE - CABINET - ANGLE - 2.5" - OFF WHITE METAL
7	065740-01-000	EA	BRACE - CABINET/CORNER - PLASTIC
8	074045-01-000	EA	PLUG - OAK - 1/2" DIAMETER
9	074493-02-000	EA	SUPPORT - PISTON SPRING - CABINET DOOR
10	093586-05-000	EA	STRIKE - SPRING STEEL
11	093586-06-000	EA	CATCH - SPRING - ROLLER
12	097141-02-700	EA	KIT - TRACK - TAMBOUR DOOR - W/ONE RT & ONE LEFT TRACK
13	098979-01-000	EA	CLIP - ADJUSTABLE SHELF
14	098980-06-000	EA	PILASTER - ADJUSTABLE SHELF - 24"
15	100707-01-000	EA	SPACER - GLASS DOOR - .8" DIA - .3" HOLE - PLASTIC
16	100710-01-01A	EA	LOCK - GLASS DOOR/TWIST TYPE - BRASS
17	100711-01-01A	EA	HINGE - GLASS DOOR
18	101766-01-000	EA	PIN - SUPPORT/GLASS DOOR
19	102194-01-000	EA	GUIDE - PLASTIC
20	108126-01-000	EA	TRAY HINGE SET (QTY. 2 PER SET)
21	108138-01-000	EA	HINGE - CABINET DOOR - BURNISHED BRASS
	000G13-06-08G	EA	SCREW - 6-20 X .50 PFH - ANTIQUE BRASS
22	108486-01-01A	EA	BRACKET - PROP ROD/OVERHEAD - BLACK
23	108487-02-01A	EA	SUPPORT - PROP ROD/OVERHEAD - BLACK
24	110107-01-04A	EA	PULL - DOOR - TERRATONE
25	110108-01-04A	EA	LATCH - DOOR - TERRATONE



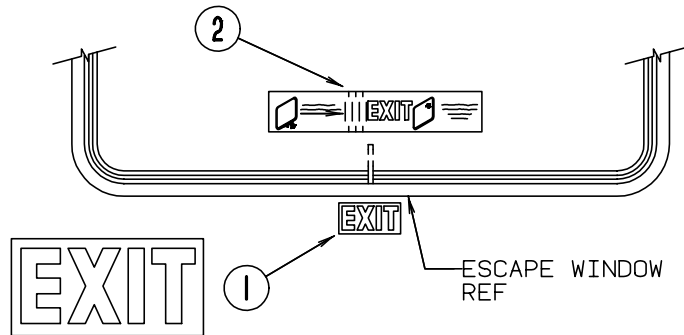
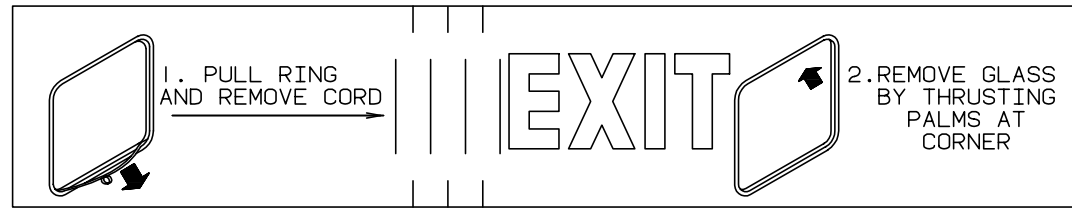
INTERIOR FINISH GROUP (CONTINUED)

CABINET & TABLE HARDWARE (CONTINUED)

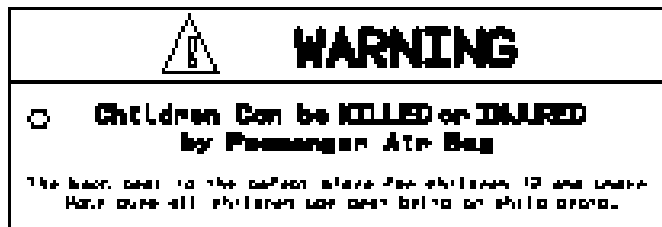
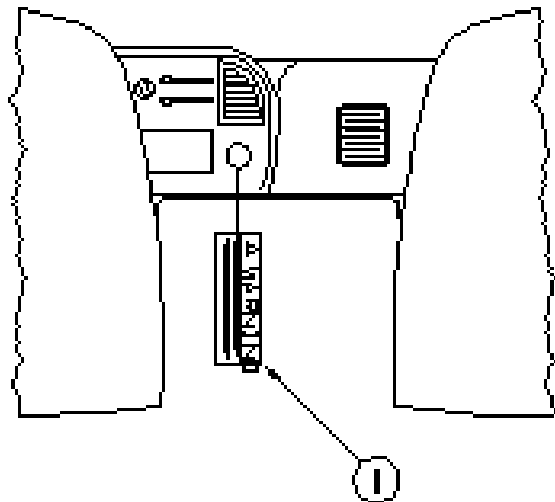


KEY	PART NUMBER	U/M	DESCRIPTION
26	128810-01-01A	EA	SLIDE - DRAWER - 12" - LEFT CABINET
26	128810-05-01A	EA	SLIDE - DRAWER - 14" - LEFT CABINET
26	128810-09-01A	EA	SLIDE - DRAWER - 16" - LEFT CABINET
26	128810-13-01A	EA	SLIDE - DRAWER - 18" - LEFT CABINET
26	128810-17-01A	EA	SLIDE - DRAWER - 20" - LEFT CABINET
27	128810-02-01A	EA	SLIDE - DRAWER - 12" - RIGHT CABINET
27	128810-06-01A	EA	SLIDE - DRAWER - 14" - RIGHT CABINET
27	128810-10-01A	EA	SLIDE - DRAWER - 16" - RIGHT CABINET
27	128810-14-01A	EA	SLIDE - DRAWER - 18" - RIGHT CABINET
27	128810-18-01A	EA	SLIDE - DRAWER - 20" - RIGHT CABINET
28	128810-03-01A	EA	SLIDE - DRAWER - 12" - LEFT DRAWER
28	128810-07-01A	EA	SLIDE - DRAWER - 14" - LEFT DRAWER
28	128810-11-01A	EA	SLIDE - DRAWER - 16" - LEFT DRAWER
28	128810-15-01A	EA	SLIDE - DRAWER - 18" - LEFT DRAWER
28	128810-19-01A	EA	SLIDE - DRAWER - 20" - LEFT DRAWER
29	128810-04-01A	EA	SLIDE - DRAWER - 12" - RIGHT DRAWER
29	128810-08-01A	EA	SLIDE - DRAWER - 14" - RIGHT DRAWER
29	128810-12-01A	EA	SLIDE - DRAWER - 16" - RIGHT DRAWER
29	128810-16-01A	EA	SLIDE - DRAWER - 18" - RIGHT DRAWER
29	128810-20-01A	EA	SLIDE - DRAWER - 20" - RIGHT DRAWER
30	128811-01-01A	EA	BACKSOCKET - ADJUSTABLE - LEFT
31	128811-02-01A	EA	BACKSOCKET - ADJUSTABLE RIGHT
32	116975-02-01A	EA	KEEPER/STRIKE - BLACK - NEW STYLE
33	116975-01-01A	EA	LATCH - W/O STRIKE - BLACK - NEW STYLE
34	116978-01-03B	EA	GUSSET - SLIDEOUT ROOM - OFF/WHITE
35	121891-01-01A	EA	PULL - CABINET - BRASS
36	125221-01-01A	EA	PULL - MIRROR - W/ROUND HANDLE
37	072871-01-000	EA	PULL - FLUSH - CHROME
38	084451-01-000	EA	CATCH - BRASS
39	098410-01-01A	EA	PULL - FINGER - OVAL - BRASS
40	101766-01-000	EA	PIN - SUPPORT/GLASS DOOR
41	103256-01-000	EA	LATCH - SLIDE
42	103874-01-000	EA	HANGER - SLIDING DOOR
43	112053-01-01A	EA	STOP - DRAWER - BLACK
44	124311-01-01A	EA	HANDLE - RECESSED - BRASS
45	081114-02-000	EA	CAP - INSERT - ROUND 1" DIAMETER - WHITE
46	084070-03-000	EA	POST - END - 2.4" - BRASS
47	084071-12-000	EA	ROD - BRASS - 4.08" LONG
47	084071-19-000	EA	ROD - BRASS - 7.09" LONG
48	103257-01-000	EA	STOP - DOOR
49	117800-01-01A	EA	PULL - CABINET - BRASS
079921-01-000		EA	ROLLER - NYLON - W/STEEL SHAFT - BARBED
113236-01-01A		EA	BRACKET - CLOTHES - ROD
023320-01-000		EA	PAD - FELT 3/8" DIAMETER
042438-01-000		EA	DOWEL - WOOD - CLOTHES ROD - 1" DIAMETER X 4'
042438-02-000		EA	DOWEL - WOOD - 2" X 2"
039984-01-000		EA	CAP - ROUND - VINYL - .28" ID X .62" - BLACK

LABELS GROUP



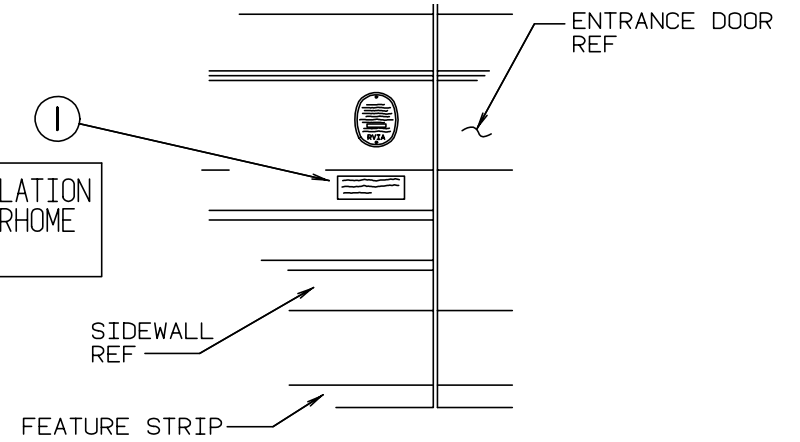
KEY	PART NUMBER	U/M	DESCRIPTION
1	039290-01-000	EA	LABEL - WARNING - EXIT
2	107571-01-000	EA	LABEL - EXIT/ESCAPE WINDOW



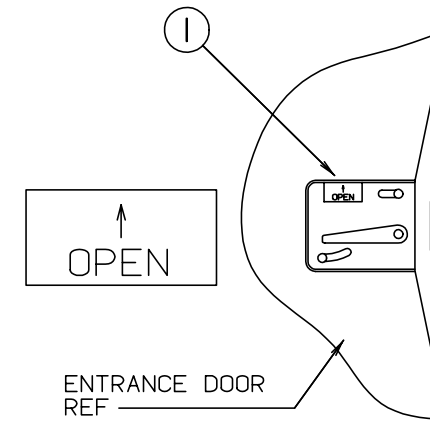
KEY	PART NUMBER	U/M	DESCRIPTION
1	126612-01-000	EA	LABEL - HANG TAG - AIR BAG - DASH

LABELS GROUP (CONTINUED)

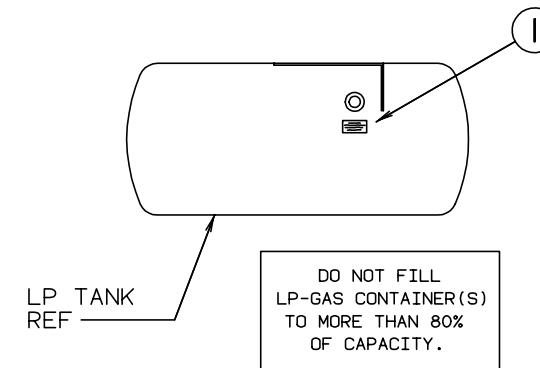
FOR AWNING INSTALLATION CONTACT YOUR MOTORHOME DEALERSHIP



KEY	PART NUMBER	U/M	DESCRIPTION
1	099509-01-000	EA	LABEL - AWNING INSTALLATION



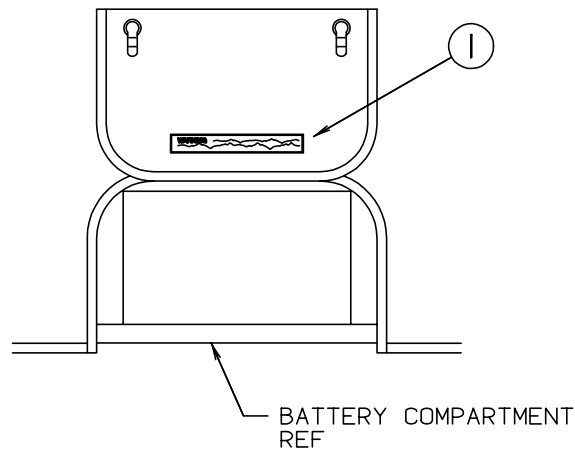
KEY	PART NUMBER	U/M	DESCRIPTION
1	040944-01-000	EA	LABEL - ENTRANCE DOOR - "OPEN"



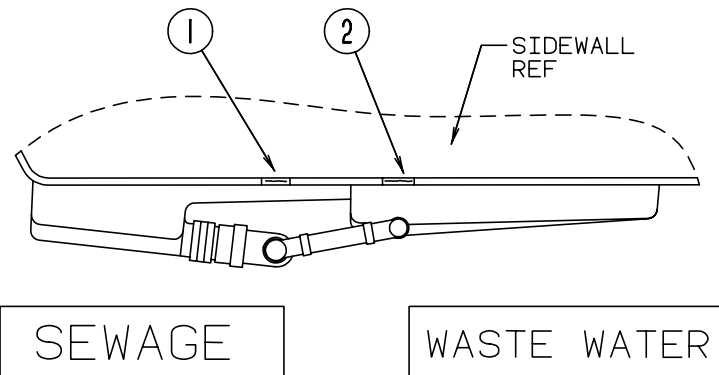
KEY	PART NUMBER	U/M	DESCRIPTION
1	079965-01-000	EA	LABEL - LPG - 80% CAPACITY

LABELS GROUP (CONTINUED)

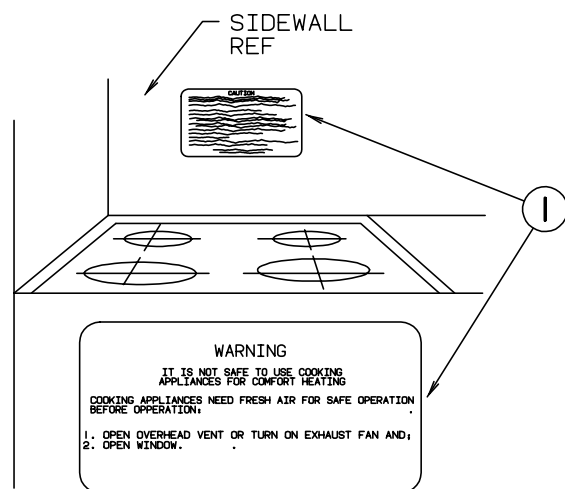
WARNING DISCONNECT BATTERIES BEFORE CONNECTING EXTERNAL CHARGING EQUIPMENT.



KEY	PART NUMBER	U/M	DESCRIPTION
1	065748-01-000	EA	LABEL - CAUTION - BATTERY CHARGING

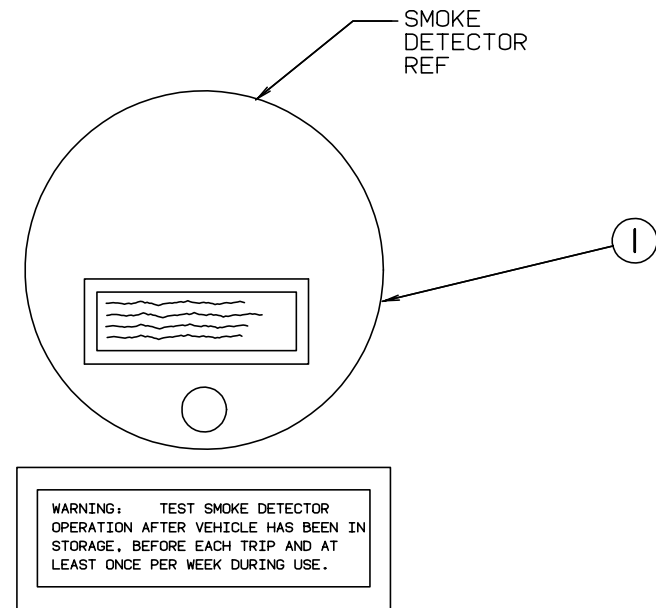


KEY	PART NUMBER	U/M	DESCRIPTION
1	006187-01-000	EA	LABEL - SEWAGE
2	006188-01-000	EA	LABEL - WASTE WATER



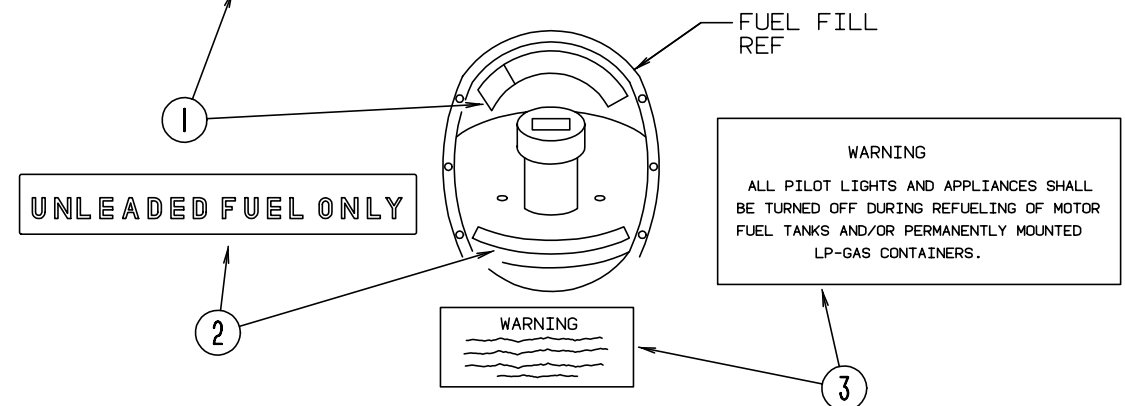
KEY	PART NUMBER	U/M	DESCRIPTION
1	050225-01-000	EA	LABEL - WARNING - STOVE VENT - US
1	050222-01-000	EA	LABEL - STOVE VENT - CANADIAN

LABELS GROUP (CONTINUED)



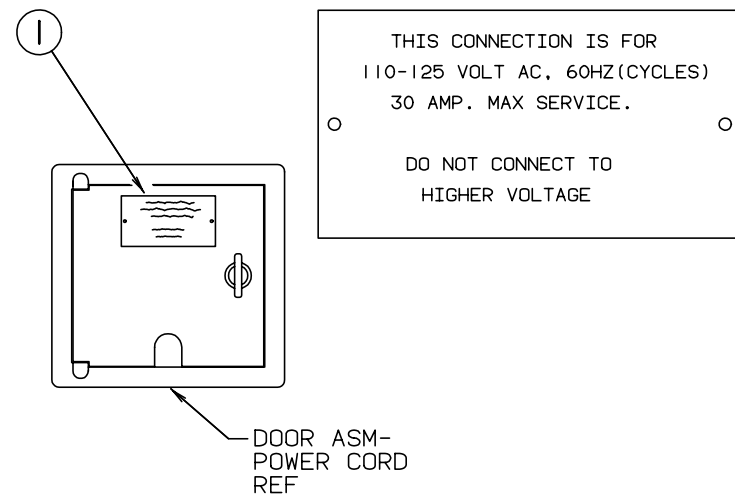
KEY	PART NUMBER	U/M	DESCRIPTION
1	077956-01-000	EA	LABEL - WARNING - SMOKE DETECTOR

CAUTION	TO HELP AVOID PERSONAL INJURY DURING REMOVAL OF FUEL FILLER CAP, SLOWLY LOOSEN CAP 1/2 TURN TO ALLOW ANY FUEL PRESSURE TO BE RELIEVED BEFORE TURNING CAP FURTHER.
FUEL SPRAY MAY CAUSE PERSONAL INJURY	STOP ADDING FUEL AFTER FIRST SHUTOFF BY AUTOMATIC NOZZLE WHEN TANK IS NEARLY FULL. DO NOT OVERFILL FUEL TANK. SEE OWNERS MANUAL FOR ADDITIONAL INFORMATION.
	PRINTED IN U.S.A. MLC PT NO 15611763



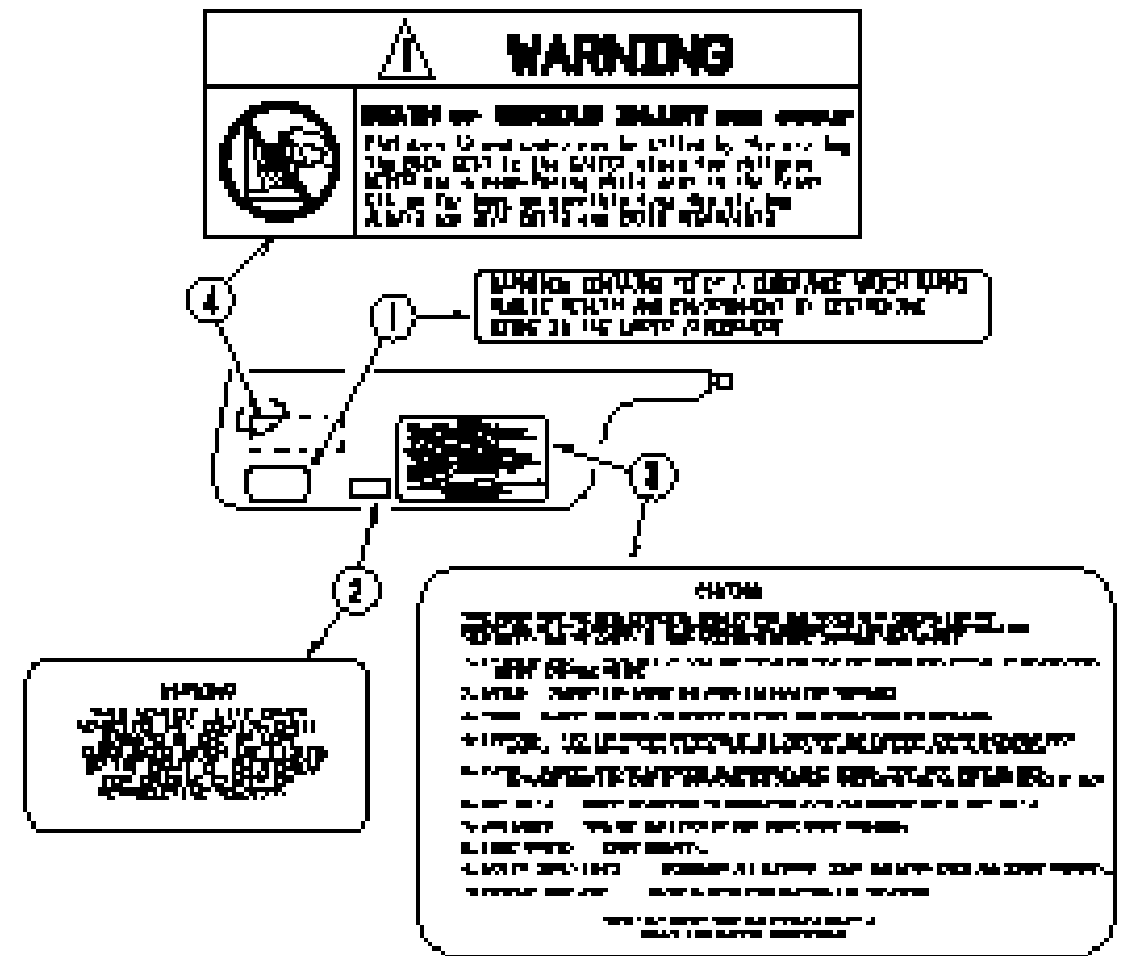
KEY	PART NUMBER	U/M	DESCRIPTION
1	087207-05-000	EA	LABEL - FUEL CAP REMOVAL
2	062043-01-000	EA	LABEL - FUEL - UNLEADED
3	124519-01-01A	EA	LABEL - WARNING/REFUELING - BLACK ON CLEAR
3	124519-02-01A	EA	LABEL - WARNING/REFUELING - CSA

LABELS GROUP (CONTINUED)



KEY	PART NUMBER	U/M	DESCRIPTION
1	125306-01-01A	EA	LABEL - ELECTRICAL ENTRANCE - 110VOLT 30AMP
1	125306-03-01A	EA	LABEL - ELECTRICAL ENTRANCE - 110VOLT 30AMP - JAPAN

LABELS GROUP (CONTINUED)



KEY	PART NUMBER	U/M	DESCRIPTION
1	111802-01-000	EA	LABEL - CFC WARNING
2	099689-01-000	EA	LABEL - WARNING - CANCER/TOXICITY
3	056259-01-000	EA	LABEL - SAFETY CHECK LIST
4	126611-01-000	EA	LABEL - AIR BAG - VISOR

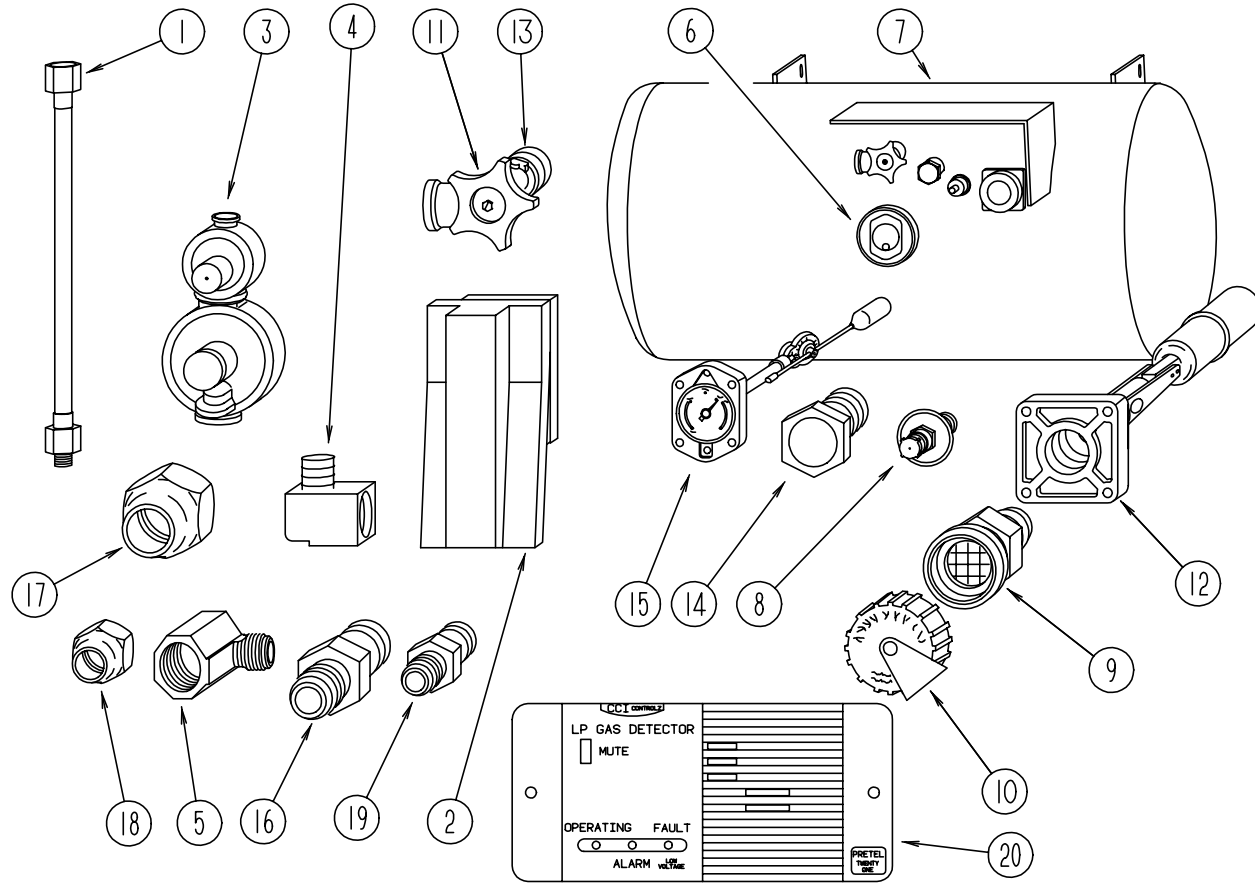
MISCELLANEOUS LABELS

KEY	PART NUMBER	U/M	DESCRIPTION
	006064-01-000	EA	LABEL - SEAT W/O SEATBELT
	061417-01-000	EA	LABEL - FUEL - ON FUEL FILL DOOR
	073998-01-000	EA	LABEL - LPG ODOR WARNING
	079966-01-000	EA	LABEL - WARNING - STOWED - MOTION
	087236-01-000	EA	LABEL - CABLE - INPUT
	091243-01-000	EA	LABEL - A/C COVER "AIR CONDITIONING CIRCUIT ETC."
	093236-08-000	EA	LABEL - CIRCUIT BREAKER
	104236-01-000	EA	LABEL - GENERATOR CIRCUIT
	111104-01-000	EA	LABEL - HITCH - READ MANUAL - WHITE
	111104-02-000	EA	LABEL - HITCH - READ MANUAL - BLACK
	128218-01-01A	EA	LABEL - WARNING - ROOF SLIPPERY

KEY	PART NUMBER	U/M	DESCRIPTION
1	023769-01-000	EA	LABEL - WARNING - LPG - CANADIAN
2	124520-01-01A	EA	LABEL - LP GAS ONLY
3	124519-01-01A	EA	LABEL - WARNING/REFUELING - BLACK ON CLEAR
3	124519-02-01A	EA	LABEL - WARNING/REFUELING - CSA

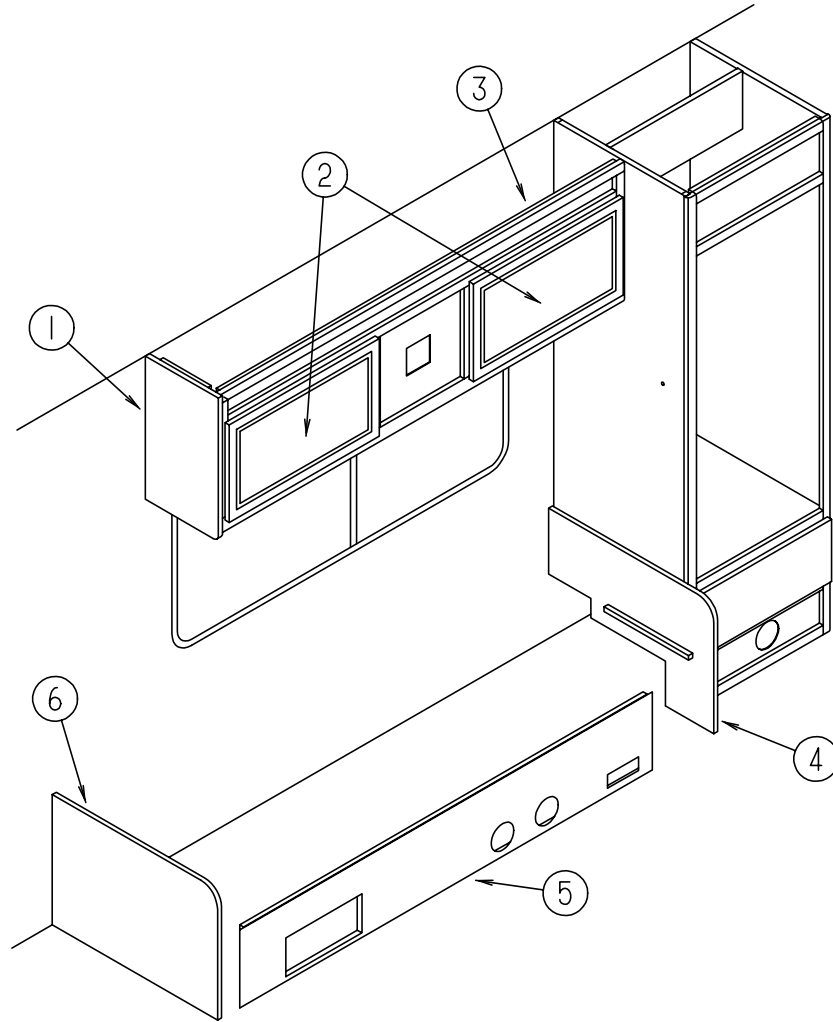
LP GROUP

LP TANK & COMPONENTS



KEY	PART NUMBER	U/M	DESCRIPTION	VENDOR NO.
1	045703-01-000	EA	HOSE - LP - 3/8"ID X 24" - 3/8"MPT X 1/2"F SWIVEL - U.S.	
1	045703-02-000	EA	HOSE - LP - 3/8"ID X 24" - 3/8"MPT X 1/2"F SWIVEL - CANADA	
2	105658-01-000	EA	COMPARTMENT - LP REGULATOR	
3	106150-01-000	EA	REGULATOR - TWO STAGE -W/90 DEGREE ELBOW & 3/8" FPT OUTLET	
4	010252-01-000	EA	ELBOW - BRASS - 90 DEGREE - 3/8"F X 1/2"MPT	
5	010265-01-000	EA	ELBOW - BRASS - 90 DEGREE - 3/8"F X 1/2"FPT	
6	040440-02-000	EA	TRANSMITTER - DIAL - 0-90 OHM -2 TERMINAL (POWER & GROUND)	
7	080450-01-000	EA	TANK-LP - 42 LB - 13" DIAMETER X 24" LONG	
8	040421-01-700	EA	VALVE-LIQUID LEVEL, 20%	G-1013
9	040421-01-701	EA	VALVE-FILL-SHORT, LP	7547B
10	040421-01-702	EA	CAP-FILL VALVE, PLASTIC	G-1014-A
11	040421-01-708	EA	HANDWHEEL-SERVICE VALVE	G-1015-A
12	040421-01-711	EA	VALVE-80% FILL W/AUTO STOP	LLL/TL3
13	040421-01-712	EA	VALVE,SERV. W/O VAPOR RELIEF	29000853
14	040421-01-713	EA	VALVE-RELIEF 1" W/SPRING 7"	29000587
15	074142-01-700	EA	FLOAT ASM.SCREW ON F/13"TANK	13C-SCR
16	074142-01-701	EA	FLOAT ASM.(SIGHT GAUGE) BOLT	13C-BLT
17	010329-01-000	EA	ADAPTER - BRASS - 1/2" F X 1/2" MPT	
18	010377-02-000	EA	NUT - BRASS - 3/8" FLARE - FORGED	
19	010380-02-000	EA	NUT - BRASS - 1/2" FLARE - FORGED	
20	010326-01-000	EA	ADAPTER - FLARE - W/CONE GASKET - 3/8"FEMALE X 1/2"MALE	
20	103613-03-000	EA	DETECTOR - LP GAS - W/O SHUT-OFF VALVE	
	010323-01-000	EA	ADAPTER - BRASS - 3/8"F X 1/2"MPT	
	024250-01-000	EA	ADAPTER - BRASS - 3/8"F X 1/2"FPT	
	057042-01-000	EA	ADAPTER - CROSS 1/2"PIPE	

LOUNGE GROUP



PASSENGER SIDE LOUNGE CABINETS

KEY	PART NUMBER	U/M	DESCRIPTION
1	109908-08-G04	EA	END CAP - OVERHEAD CABINET
2	M08758-43-J15	EA	DOOR - MITERED CORNER/OGEE EDGE - 15.7" X 27.9" - W/O HDW
3	121972-01-H04	EA	CABINET - OVERHEAD/FRONT - W/O DOORS/HARDWARE
4	M05968-05-J03	EA	PANEL - LEFT END - SOFA/BED - FABRIC COVERED
4	M05968-05-J04	EA	PANEL - LEFT END - SOFA/BED - FABRIC COVERED
5	M05968-06-J03	EA	PANEL - FRONT KICK PANEL - SOFA/BED - FABRIC COVERED
5	M05968-06-J04	EA	PANEL - FRONT KICK PANEL - SOFA/BED - FABRIC COVERED
6	M05968-04-J03	EA	PANEL - RIGHT END - SOFA/BED - FABRIC COVERED
6	M05968-04-J04	EA	PANEL - RIGHT END - SOFA/BED - FABRIC COVERED
	105947-01-000	EA	BRACKET - HOLD DOWN - COUCH - CANADIAN
	082525-01-000	EA	BRACE - COUCH - FLOOR MOUNT - ANGLE 3" LONG

SEALANTS & FASTENERS GROUP

ADHESIVES AND SEALERS

KEY	PART NUMBER	U/M	DESCRIPTION
	004006-05-700	EA	ADHESIVE-NAT. STARCH (5 GAL)
	004020-01-000	QT	ADHESIVE - ABS CEMENT - QUART
	034552-02-000	EA	SILICONE - TUBE - 300 ML - W/O NOZZLE - CLEAR
	034552-15-000	EA	SILICONE - TUBE - 300 ML - W/O NOZZLE - BRIGHT WHITE
	039518-01-000	EA	SILICONE - TUBE - 300 ML - BLACK - W/O NOZZLE
	053766-02-000	EA	BEDDING COMPOUND - TUBE - WHITE
	053766-06-000	EA	BEDDING COMPOUND - TUBE - CLEAR
	053766-08-000	EA	BEDDING COMPOUND - TUBE/GRAY
	063642-01-000	FT	TAPE - ADHESIVE - .4" X 1.5" X 180"
	069640-02-000	FT	SEALER - TAPE - 1/8"THICK X .50"WIDE X 60'
	069640-03-000	FT	SEALER - TAPE - 1/8"THICK X .75"WIDE X 60' - BLACK
	069640-07-000	FT	SEALER - TAPE - 3/32"THICK X 2"WIDE X 45'
	069640-10-000	FT	SEALER - TAPE - 1/32"THICK X 1.50"WIDE X 90'
	069640-11-000	FT	SEALER - TAPE - 3/16"THICK X 3/8"WIDE X 40'
	069640-17-000	FT	SEALER - TAPE - 1/32" THICK X 1"WIDE X 90'
	069640-18-000	FT	SEALER - TAPE - 1/2"THICK X 1/8"WIDE X 60' - BRT/WHITE
	069640-19-000	FT	SEALER - TAPE - 3/4" X 1/8" X 60' - BRIGHT WHITE
	069640-21-000	FT	SEALER - TAPE - 1/2" X 1/16" X 100' - BRIGHT WHITE
	069640-22-000	FT	SEALER - TAPE - 1/4" X 1/32" - BRIGHT WHITE
	072889-09-000	EA	SEALANT - URETHANE - BLACK (TUBE)
	072889-10-000	EA	SEALANT - URETHANE (HV) - BRIGHT WHITE
	072889-12-000	EA	SEALANT - URETHANE (LV) BRIGHT WHITE
	076314-02-000	FT	TAPE - CARPET SEAM - HEAT-BOND - 4" WIDE
	076322-01-000	FT	TAPE - DOUBLE COATED/ADHESIVE BACK - .025"THK X .75"W X 18'
	076322-05-000	FT	TAPE - DOUBLE COATED/ADHESIVE BACK - .045"THK X .75"W X 9'
	102352-01-000	EA	SEALER - PUMPABLE - BLACK
	102352-02-000	EA	SEALER - PUMPABLE - CLEAR
	106206-01-000	EA	SEALER - PUMPABLE - MANUS 30A - BLACK
	108716-03-000	EA	SILICONE - TUBE - BRIGHT WHITE/SELF LEVELING - W/O NOZZLE
	120074-02-01A	EA	SEALANT - SILICONE - OFF WHITE
	120534-01-01A	EA	TAPE - SCOTCH - 3M - 1/2" FINE LINE
	123816-01-000	FT	TAPE - DOUBLE SIDED - 1"
	123816-03-000	FT	TAPE - DOUBLE SIDED - 1/2" X 20 MIL THICK
	900390-01-000	EA	TIP - 2 1/2" X 1/8" ORIFICE
	900390-03-000	EA	NOZZLE - SILICONE TUBE

WASHERS

KEY	PART NUMBER	U/M	DESCRIPTION
	000E11-07-00B	EA	WASHER - LOCKING - 7/16 MED SPLIT - ZINC
	000E11-08-00B	EA	WASHER - LOCKING - 1/2 MED SPLIT - ZINC
	000E13-14-00B	EA	WASHER - FLAT - 1/4 WIDE - ZINC
	000E13-18-00B	EA	WASHER - FLAT - 3/8 WIDE - ZINC
	000E13-20-00B	EA	WASHER - FLAT - 7/16 WIDE - ZINC
	000E13-21-00B	EA	WASHER - FLAT - W/2 NAR - ZINC
	044533-01-000	EA	WASHER - PLASTIC - 1 3/8" OD - FOR BUTTONS
	077071-01-000	EA	WASHER - FENDER - 3/16"ID X 1" OD

GROMMETS

KEY	PART NUMBER	U/M	DESCRIPTION
	016188-03-000	EA	GROMMET - L/P LINE - 3/8" HOLE X 2 1/2" LONG - RUBBER
	016188-05-000	EA	GROMMET - L/P LINE - 3/8" HOLE X 1 1/4" LONG - RUBBER
	023942-01-000	EA	GROMMET - RUBBER - 2" OD
	071015-26-000	EA	GROMMET - RUBBER - 1.5" ID X 2.12" OD W/.06" GROOVE - BLK
	114208-02-000	EA	GROMMET - EDGE LINER - FITS .625

SEALANTS & FASTENERS GROUP (CONTINUED)

NUTS AND RIVETS

KEY	PART NUMBER	U/M	DESCRIPTION
	040921-01-000	EA	NUT - SPEED - U TYPE - 10-24 BLACK
	000D24-10-00B	EA	NUT - HEX - SELF LOCKING - 10-32 ZINC
	000D29-09-00B	EA	NUT - HEX - SELF LOCKING - 9/16-12 - ZINC
	000D34-06-00B	EA	NUT - HEX - LOCKING - 3/8 - 16 GRADE C - ZINC-PREVAILING T
	000D39-04-00B	EA	NUT - HEX - SERRATED FLANGE/LOCKING - 1/4 - 20 - ZINC
	000D39-05-00B	EA	NUT - HEX - SERRATED FLANGE/LOCKING - 5/16 - 18 - ZINC
	000D39-06-00B	EA	NUT - HEX - SERRATED FLANGE/LOCKING - 3/8 - 18 - ZINC
	000D39-07-00B	EA	NUT - HEX - SERRATED FLANGE/LOCKING - 7/16 - 14 - ZINC
	000D39-08-00B	EA	NUT - HEX - SERRATED FLANGE/LOCKING - 1/2 - 13 - ZINC
	000D44-07-00B	EA	NUT - HEX - SERRATED FLANGE/LOCKING - 7/16-20 - ZINC
	000D46-04-00A	EA	NUT - HEX - WELD - 1/4 - 20 - PLAIN
	000D58-06-00A	EA	NUT - HEX - WELD 3/8-16 - PLAIN
	000D60-05-00A	EA	NUT - HEX - WELD/LOCK 5/16 - 18 UNCUT
	104369-01-000	EA	NUT - HEX - HEAVY - 5/8-11 UNC
	000H16-04-06R	EA	RIVET - POP ALUMINUM - 1/8" X .313 - .375
	069592-02-000	EA	RIVET-T - POP - 1/4 X .093 - .156

CLAMPS AND TIES

KEY	PART NUMBER	U/M	DESCRIPTION
	007161-01-000	EA	CLAMP - HOSE - SPRING TYPE - 1/2"
	010495-01-000	EA	CLAMP - CABLE - 9/16"
	010497-01-000	EA	CLAMP - CLOSED - 5/8" ID
	010497-03-000	EA	CLAMP - CLOSED - 1" ID - CUSHIONED
	010497-04-000	EA	CLAMP - CLOSED - 1.62" ID
	010497-07-000	EA	CLAMP - CLOSED - 3/8" ID
	010497-08-000	EA	CLAMP - CLOSED - .125"
	010499-01-000	EA	CLAMP - CLOSED - 3/8" ID
	056134-01-000	EA	HOLDER - RING - 3.6" DIAMETER - METAL
	062401-01-000	EA	CLAMP - HOSE - WORMGEAR - .25" - 1"
	062401-02-000	EA	CLAMP - HOSE - WORMGEAR - 1.56" - 2.5"
	062401-03-000	EA	CLAMP - HOSE - WORMGEAR - .22" - 1"
	062401-04-000	EA	CLAMP - HOSE - WORMGEAR - .69" - 1.25"
	062401-06-000	EA	CLAMP - HOSE - WORMGEAR - .22" - .62" ID
	062401-11-000	EA	CLAMP - HOSE - WORMGEAR - 3.50" - 4.50"
	075148-02-000	EA	CLAMP - GROUNDING - BRONZE SCREWS
	080734-02-000	EA	CLIP - WIRE NYLON
	083609-01-000	EA	CLAMP - WIRE - DUAL - EQUAL DIAMETERS - 5/8"
	083610-01-000	EA	CLAMP - WIRE - DUAL - UNEQUAL DIAMETERS - 3/4" & 1 1/4"
	091952-02-000	EA	CLIP - GRIPPER - 3/4"
	008343-01-000	EA	TIE - WIRE - 6"
	085774-01-000	FT	FASTENER - DUAL HOOK - 1" WIDE - ADHESIVE BACK - BLACK
	085774-02-000	FT	FASTENER - DUAL HOOK - 1" WIDE - ADHESIVE BACK - BLACK
	108046-02-000	EA	CABLE TIE - SCREW MOUNT 15"
	110943-02-000	FT	FELTSTRIP - 3/8" - ADHESIVE BACK - WHITE
	115361-01-01A	EA	PLUG - PLASTIC

SEALANTS & FASTENERS GROUP (CONTINUED)

SCREWS

KEY	PART NUMBER	U/M	DESCRIPTION
	0G3908-08-170	EA	SCREW - SF/DR - 8-18 X .50 PPH - BRIGHT WHITE
	0G3908-20-170	EA	SCREW - SF/DR - 8-18 X 1.25 PPH - BRIGHT WHITE
	0G3910-12-170	EA	SCREW - SF/DR - 10-16 X .75 PPH - BRIGHT WHITE
	0G5508-16-250	EA	SCREW - SF/DR - 8-18 X 1.00 PWH
	0G6008-16-170	EA	SCREW - SF/DR - 8-18 X 1.00 POH
	0G6710-08-170	EA	SCREW - 10-12 X 1/2 PPH - BRIGHT WHITE
	000G11-05-08B	EA	SCREW - 5-20 X .50 PPH - ZINC
	000G11-06-10J	EA	SCREW - 6-20 X 5/8 PPH - BRASS
	000G11-06-06B	EA	SCREW - 6-20 X 3/8 PPH - ZINC
	000G11-07-08B	EA	SCREW - 7-19 X .50 PPH - ZINC
	000G11-08-12B	EA	SCREW - 8-18 X .75 PPH - ZINC
	000G11-08-08B	EA	SCREW - 8-18 X .50 PPH - ZINC
	000G11-08-06B	EA	SCREW - 8-18 X 3/8 PPH - ZINC
	000G11-08-16S	EA	SCREW - 8-18 X 1 PPH - OFF WHITE
	000G11-08-12T	EA	SCREW - 8-18 X .75 PPH - BLACK
	000G11-08-12P	EA	SCREW - 8-18 X .75 PPH - DARK BROWN
	000G11-08-12D	EA	SCREW - 8-18 X .75 PPH - BLACK
	000G11-08-20B	EA	SCREW - 8-18 X 1.25 PPH - ZINC
	000G11-10-16B	EA	SCREW - 10-16 X 1 PPH - ZINC
	000G11-10-12S	EA	SCREW - 10-16 X .75 PPH - OFF WHITE
	000G12-08-12S	EA	SCREW - 8-18 X .75 POH - OFF WHITE
	000G13-06-24J	EA	SCREW - 6-20 X 1.50 PFH - BRASS
	000G13-06-16J	EA	SCREW - 6-20 X 1 PFH - BRASS
	000G13-06-10G	EA	SCREW - 6-20 X 5/8 PFH - ANTIQUE BRASS
	000G13-07-10H	EA	SCREW - 7-19 X 5/8 PFH - BLACK
	000G13-07-12B	EA	SCREW - 7-19 X .75 PFH - ZINC
	000G19-10-12F	EA	SCREW - MACHINE - 10-32 X .75 - PPH - STAINLESS STEEL
	000G32-10-06B	EA	SCREW - 10-32 X 3/8 PPH - ZINC
	000G39-06-10T	EA	SCREW - SF/DR - 6-20 X 5/8 PPH - BLACK
	000G39-08-16R	EA	SCREW - SF/DR - 8-18 X 1 PPH - BEIGE
	000G39-08-12B	EA	SCREW - SF/DR - 8-18 X .75 PPH - ZINC
	000G39-08-08S	EA	SCREW - SF/DR - 8-18 X .50 PPH - OFF WHITE
	000G39-08-08B	EA	SCREW - SF/DR - 8-18 X 1.50 PPH - ZINC
	000G39-08-24S	EA	SCREW - SF/DR - 8-18 X 1.50 - OFF WHITE
	000G39-08-24B	EA	SCREW - SF/DR - 8-18 X 1 1/2 PPH - ZINC
	000G39-10-12B	EA	SCREW - SF/DR - 10-16 X .75 PPH - ZINC
	000G39-10-08B	EA	SCREW - SF/DR - 10-16 X .50 PPH - ZINC
	000G39-10-209	EA	SCREW - SF/DR - 10-16 X 1 1/4 PPH - FLUOROCARBON SILVER
	000G39-10-20B	EA	SCREW - SF/DR - 10-16 X 1.25 PPH - ZINC
	000G39-10-12D	EA	SCREW - SF/DR - 10-16 X .75 PPH - BLACK
	000G42-04-12B	EA	SCREW - SF/DR - 1/4-14 X .75 HWH - ZINC
	000G42-04-16B	EA	SCREW - SF/DR - 1/4-14 X 1 HWH - ZINC
	000G46-08-24T	EA	SCREW - MACHINE - 8-32 X 1.50 PFH - BLACK
	000G52-08-18B	EA	SCREW - MACHINE - 8-32 X 1 1/8 PTH - ZINC
	000G54-04-20B	EA	SCREW - 1/4-20 X 1.25 PTH - TYPE 23 - ZINC PLATED
	000G55-08-12S	EA	SCREW - SF/DR - 8-18 X .75 PWH - OFF WHITE
	000G56-12-48B	EA	SCREW - WOOD - 12-11 X 3 POH - SPECIAL HARDENED
	000G60-10-28T	EA	SCREW - SF/DR - 10-16 X 1.75 - BLACK
	000G67-10-36T	EA	SCREW - 10-12 X 2.25 PPH - BLACK
	000G67-10-32B	EA	SCREW - 10-12 X 2 PPH - ZINC
	000G67-10-24B	EA	SCREW - 10-12 X 1.25 PPH - ZINC
	000G67-10-20D	EA	SCREW - 10-12 X 1.25 PPH - BLACK
	000G67-10-16B	EA	SCREW - 10-12 X 1 PPH - ZINC
	000G67-10-120	EA	SCREW - 10-12 X .75 PPH - TAN
	000G67-10-120	EA	SCREW - 10-12 X .75 PPH - TAN

SEALANTS & FASTENERS GROUP (CONTINUED)

SCREWS (CONTINUED)

KEY	PART NUMBER	U/M	DESCRIPTION
	000G67-10-12P	EA	SCREW - 10-12 X .75 - PPH - DARK BROWN
	000G67-10-12B	EA	SCREW - 10-12 X .75 PPH - ZINC
	000G67-10-10S	EA	SCREW - 10-12 X 5/8 PPH - OFF WHITE
	000G67-10-10D	EA	SCREW - 10-12 X 5/8 PPH - BLACK - TYPE A
	000G67-10-10B	EA	SCREW - 10-12 X 5/8 PPH - ZINC - TYPE A
	000G67-10-08R	EA	SCREW - 10-12 X 1/2 PPH - BEIGE - TYPE A
	000G67-10-08B	EA	SCREW - 10-12 X .50 PPH - ZINC
	000G68-06-10G	EA	SCREW - 6-18 X 5/8 POH - ANTIQUE BRASS
	000G68-10-36T	EA	SCREW - 10-12 X 2.25 POH BLACK
	049465-03-000	EA	SCREW - 10-16 X 1 POH W/WASHER - OFF WHITE
	049465-04-000	EA	SCREW - 10-16 X 1 PTH W/WASHER - BEIGE
	054434-02-000	EA	SCREW - SF/DR - 10-16 X 2 - ZINC
	057671-01-000	EA	COVER - SCREW - #8 - PLASTIC - OFF WHITE
	076790-01-000	EA	SCREW - 6-20 X 1 1/4 PPH - BLACK
	076790-05-000	EA	SCREW - 6-20 X 1/2 PPH BLACK - THREADCUTTING - WOOD
	083554-01-000	EA	SCREW - DRYWALL - 8 X 1.25
	083554-04-000	EA	SCREW - DRYWALL - 8 X 2.50
	087721-01-000	EA	SCREW - FLAT HEAD - TAPPING - 1/4" X 1 1/4" LONG - ZINC
	101618-01-000	EA	SCREW - 1/4-20 X 3/4 HEX - TAPPING - STALGARD TYPE F
	105126-01-000	EA	SCREW - MACH - 8-32 X 1 PPH TAPIT

BOLTS

KEY	PART NUMBER	U/M	DESCRIPTION
	0MC31K-08-020	EA	BOLT - HEX - SERRATED FLANGE - M8 X 020
	000C12-05-16B	EA	BOLT - HEX - 5/16-18 X 1 - ZINC 5
	000C12-06-16B	EA	BOLT - HEX - 3/8-16 X 1 LG - ZINC 5
	000C12-08-24B	EA	BOLT - HEX - 1/2-13 X 1.50 - ZINC 5
	000C13-07-48B	EA	BOLT - HEX - 7/16-20 X 3 - ZINC 5
	000C18-05-40A	EA	BOLT - ELEVATOR - 5/16-18 X 2.50 - PL
	000C18-06-48B	EA	BOLT - ELEVATOR - 3/8-16 X 3 - ZINC - GRADE 5
	000C26-04-14B	EA	BOLT - HEX - SERRATED FLANGE - 1/4-20 X 7/8 - ZINC
	000C26-04-10B	EA	BOLT - HEX - SERRATED FLANGE - 1/4-20 X 5/8 - ZINC
	000C26-05-16B	EA	BOLT - HEX - SERRATED FLANGE - 5/16-18 X 1 - ZINC
	000C26-05-12B	EA	BOLT - HEX - SERRATED FLANGE - 5/16-18 X 3/4 - ZINC
	000C26-06-12B	EA	BOLT - HEX - SERRATED FLANGE - 3/8-16 X 3/4 - ZINC
	000C26-08-24B	EA	BOLT - HEX - SERRATED FLANGE - 1/2-13 X 1.5 ZINC
	000G45-05-16B	EA	BOLT - LAG - 5/16-9 X 1 - ZINC

WATER & SEWAGE GROUP

FRESH WATER TANK

KEY	PART NUMBER	U/M	DESCRIPTION
	045195-04-000	EA	TANK - WATER - 30 GALLON - W/FITTINGS - 34.5" X 18" X 12"
	045195-01-000	EA	TANK - WATER - 30 GALLON - W/O FITTINGS-34.5" X 18" X 12"
	042989-03-000	EA	FITTING - WATER TANK - SPINWELD - 1 1/4"NPT - PLASTIC
	042989-04-000	EA	FITTING - WATER TANK - SPINWELD - 3/8 FPT - WHITE PLASTIC
	042989-05-000	EA	FITTING - WATER TANK - SPINWELD - 1/2"FPT - PLASTIC
	049032-01-000	EA	PATCH - SPINWELD - 3/8" - PLASTIC
	077954-02-000	EA	FILTER - WATER TANK - W/SCREEN IN TANK
	039861-01-000	EA	SENDING UNIT - W/SCREW - WASHER - WELL NUT/TERMINAL RING

WATER SYSTEM COMPONENTS

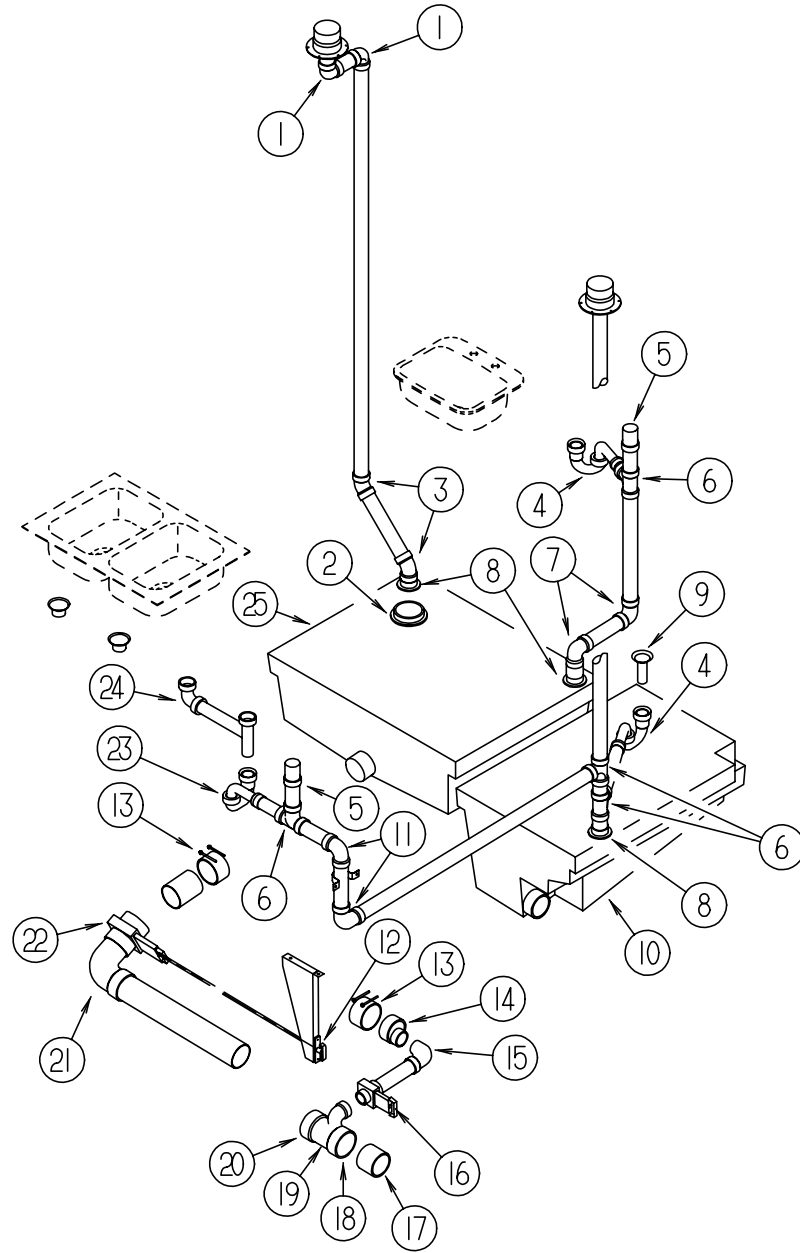
KEY	PART NUMBER	U/M	DESCRIPTION
	010224-01-000	EA	ADAPTER - HOSE TO PIPE - 3/8 MPT X 3/8 BARB - PLASTIC
	044927-01-000	EA	ADAPTER - HOSE TO PIPE - 1 1/4 MPT X 1 1/4 BARB - BLK PLS
	123152-01-000	EA	ADAPTER - 1/2 FPT X 1/2 BARB - SWIVEL
	114430-02-000	EA	ADAPTER - SWIVEL - 1/2"P X 1/2"FPT
	114430-03-000	EA	ADAPTER - 1/2"P X 1/2"MPT
	114430-06-000	EA	ADAPTER - 1/2"P X 3/8"FPT
	124188-01-000	FT	TUBING - PEX - 1/2" ID X 20' - BLUE
	124188-02-000	FT	TUBING - PEX - 1/2" ID X 20' - RED
	074462-02-000	FT	TUBING - VINYL - 3/8 ID X 20' - CLEAR
	079381-01-000	FT	TUBING - SMOOTH FLEXIBLE - 1 3/8 ID X 20'
	112176-01-000	FT	TUBING - VINYL - REINFORCED - 1/2" ID
	114429-01-000	EA	ELBOW - 1/2"P X 1/2"P
	114429-02-000	EA	ELBOW - 1/2"P X 1/2"MPT
	114429-03-000	EA	ELBOW - FLAIR-IT SWIVEL - 1/2"P X 1/2"FPT
	114429-06-000	EA	ELBOW - SWIVEL - 1/2"P X 3/4"FPT
	123150-01-000	EA	ELBOW - 1/2 FPT X 1/2 BARB - SWIVEL
	110438-02-000	EA	VALVE - CHECK - BRASS - 1/2 MPT X 1/2 MPT
	110915-01-01A	EA	FILL - CITY WATER - CHROME
	113697-01-000	EA	CAP - 3/8 FTG
	114428-01-000	EA	TEE - 1/2"P X 1/2"P X 1/2"P
	114431-01-000	EA	VALVE - 180 DEGREE/CENTER DRAIN - 1/2P - THREE WAY
	114431-02-000	EA	VALVE - WATER BYPASS - 1/2"P - THREE WAY (WATER HEATER)
	114431-04-000	EA	VALVE - "INLINE SHUT-OFF" - 1/2"P
	117089-01-000	FT	HOSE - 1/2 ID - GARDEN

EXTERIOR SHOWER

KEY	PART NUMBER	U/M	DESCRIPTION	VENDOR NO.
	075241-05-000	EA	FAUCET/SHOWER - BONE 3/4" MPT X 1.4" LONG INLET PIPES	
	103092-01-000	EA	SHOWER HEAD - W/60" HOSE - WHITE	
	103092-02-000	EA	SHOWER HEAD - W/60" HOSE - CSA	
	103092-01-700	EA	BRACKET-F/SHOWER HEAD, CLEAR	2328028
	011048-03-700	EA	BRACKET - F/SHOWER HEAD	2328029-I
	091952-02-000	EA	CLIP - GRIPPER - 3/4"	
	081994-02-000	EA	PLATE - SWITCH - EXTERIOR SHOWER	
	114429-06-000	EA	ELBOW - SWIVEL - 1/2"P X 3/4"FPT	
	114429-01-000	EA	ELBOW - 1/2"P X 1/2"P	
	114428-01-000	EA	TEE - 1/2"P X 1/2"P X 1/2"P	

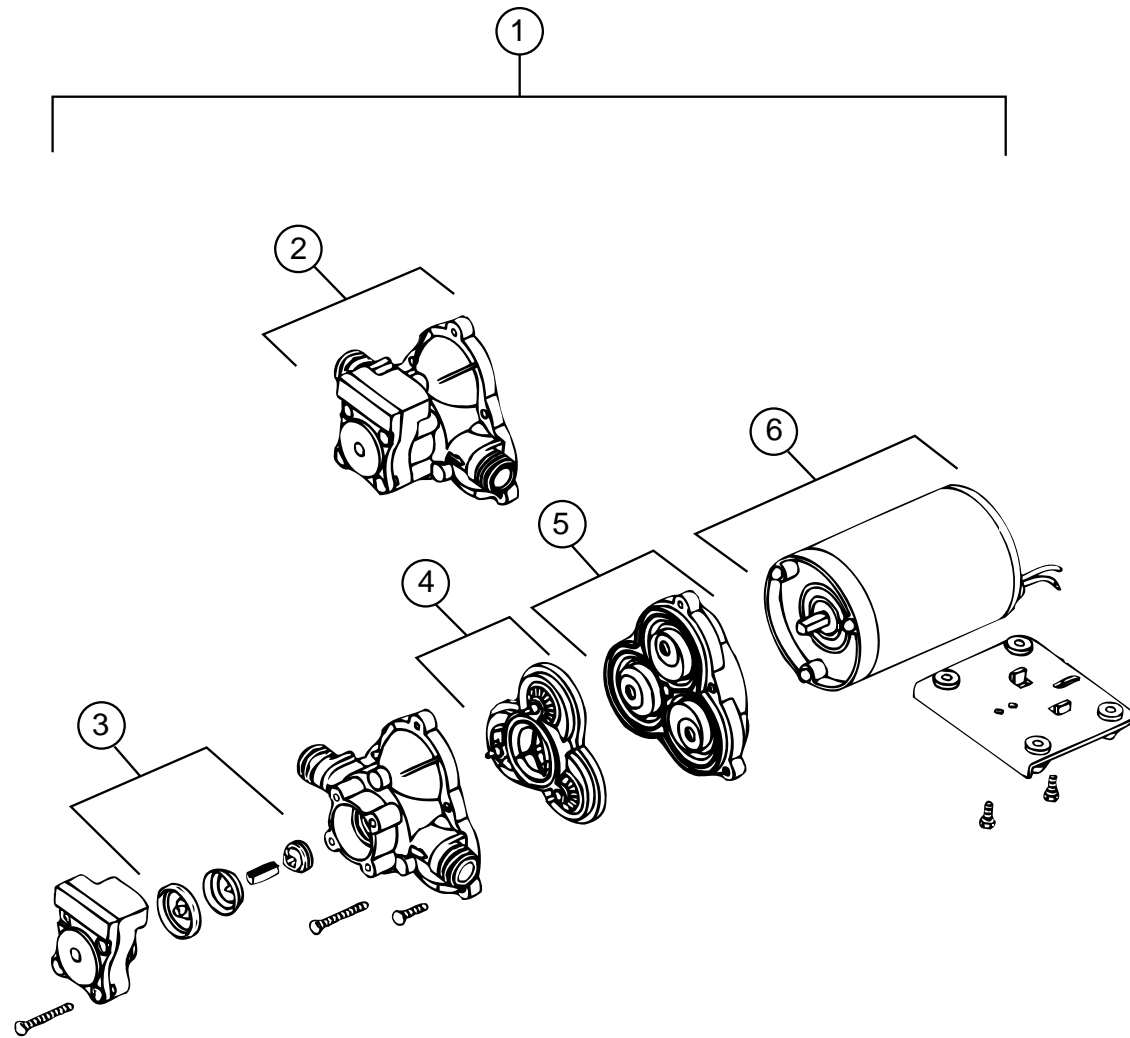
WATER & SEWAGE GROUP (CONTINUED)

DRAINAGE SYSTEM



KEY	PART NUMBER	U/M	DESCRIPTION
1	034250-01-000	EA	ELBOW - 90 DEGREE - LONG TURN - 1 1/2" HUB X HUB - ABS
2	061607-02-000	EA	GROMMET - HOLDING TANK - 3" NPS
	116644-01-000	EA	FLANGE - CLOSET - 4" X 3"
3	010006-01-000	EA	ELBOW - 45 DEGREE - 1 1/2" HUB X HUB - PLASTIC
4	107538-01-000	EA	P TRAP - PLASTIC - 1 1/4" W/EXTENSION ARM
	109571-01-000	EA	ADAPTER - P TRAP - 1 1/2" P X 1 1/4" MPT
4	011071-01-000	EA	P TRAP - PLASTIC - 1 1/2"
5	079968-01-000	EA	VENT - MECHANICAL/TRAP ARM - ANTI-SIPHON-2" X 7.3" PLASTIC
6	010071-01-000	EA	TEE - SANITARY - 1 1/2" HUB X HUB X HUB - PLASTIC
7	010008-01-000	EA	ELBOW - 90 DEGREE - 1 1/2" HUB X HUB - PLASTIC
8	061607-01-000	EA	GROMMET - HOLDING TANK - 1 1/2" NPS
9	011069-02-000	EA	TAILPIECE - TUB/SHOWER - 1 1/2" X 1 1/4" X 4" - BRASS
	066436-01-000	EA	NUT - SLIP - TAILPIECE 1.5"
	069735-01-000	EA	WASHER - STRAINER TO TAILPIECE - PLASTIC - 1.5"
	066440-01-000	EA	STRAINER - SHOWER DRAIN - W/RUBBER WASHER
	127440-02-01A	EA	WASHER - RUBBER - 1.8" X .1"
10	071271-01-000	EA	TANK - HOLDING - 31 GALLON - W/O FITTINGS
11	010008-01-000	EA	ELBOW - 90 DEGREE - 1 1/2" HUB X HUB - PLASTIC
12	062419-07-000	EA	HANDLE-EXTENSION, W/TAPPENEND - KEVCO
	062419-06-000	EA	HANDLE-T
	062419-05-000	EA	BRACKET - VALVE - LOCKING
13	078406-01-000	EA	COUPLER - RUBBER - W/CLAMPS - 3" X 3"
14	062422-01-000	EA	ADAPTER - OFFSET REDUCER - 3" X 1 1/2" - PLASTIC
15	033761-01-000	EA	ELBOW - TURN - 90 DEGREE 1 1/2" HUB X 1 1/2" SPIGOT
16	062421-01-000	EA	VALVE - DUMP - W/HANDLE - 1 1/2" - BLACK PLASTIC
17	062415-01-000	EA	CAP - SEWER - 3" DIAMETER
	062415-01-700	EA	STRING-SEWER CAP
18	062416-01-000	EA	ADAPTER - SEWER HOSE TO 3" PIPE
	010201-01-000	EA	HOSE - SEWER - 3" ID X 8'
	109450-01-000	EA	ADAPTER - PLASTIC HOSE/SEWER
19	031365-01-000	EA	TEE - PLASTIC - 3" X 3" X 1 1/2" EXTENSION LG TUR
20	109450-01-000	EA	ADAPTER - PLASTIC HOSE/SEWER
21	031126-01-000	EA	ELBOW - 1/4 BEND - 3" X 90" XLT - BLACK PLASTIC
22	062418-01-000	EA	VALVE - DUMP - W/HANDLE - 3" - PLASTIC/BLACK
23	107538-01-000	EA	P TRAP - PLASTIC - 1 1/4" W/EXTENSION ARM
	109571-01-000	EA	ADAPTER - P TRAP - 1 1/2" P X 1 1/4" MPT
23	011071-01-000	EA	P TRAP - PLASTIC - 1 1/2"
24	011091-02-000	EA	WASTE - CONTINUOUS - DOUBLE SINK
25	074861-01-000	EA	TANK - HOLDING - W/O GROMMETS - 35 GALLON - 35" X 11" X 27"

WATER & SEWAGE GROUP (CONTINUED)



WATER PUMP-SHURFLO

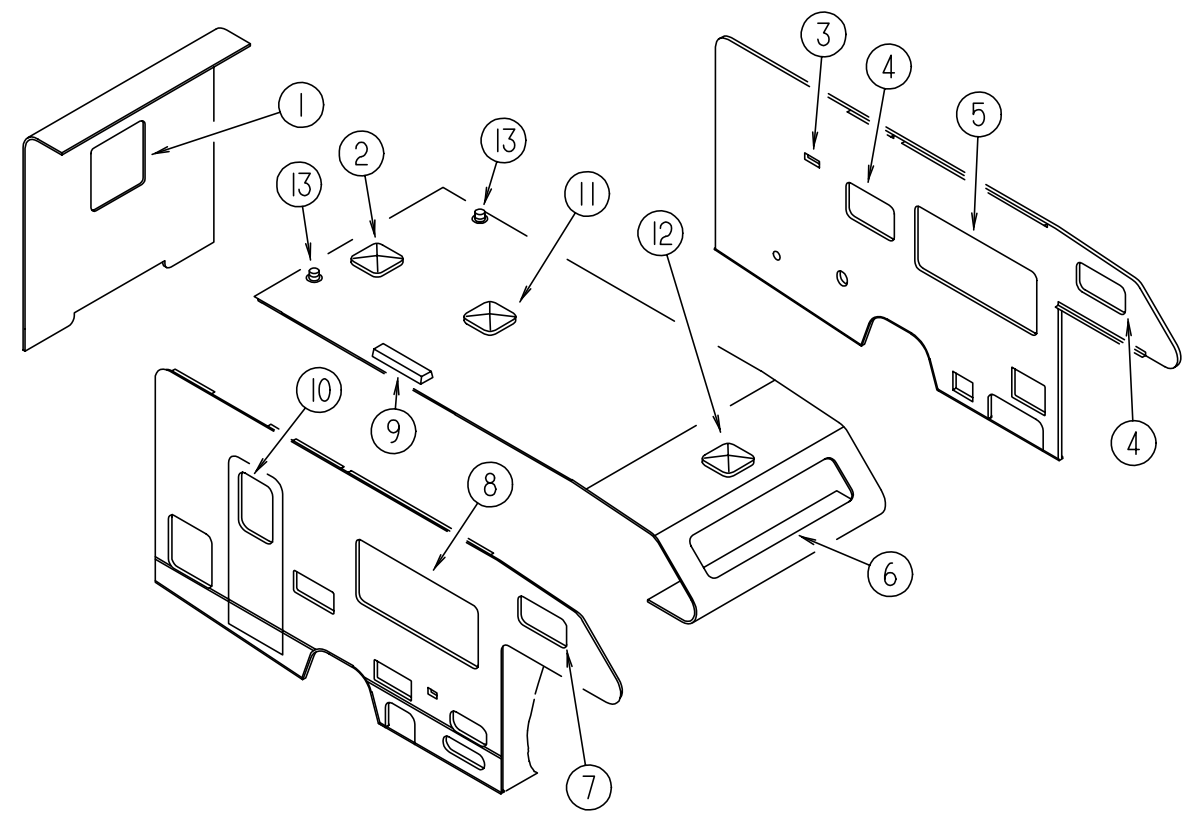
KEY	PART NUMBER	U/M	DESCRIPTION	VENDOR NO.
1	098607-01-000	EA	PUMP - WATER - W/.5" MPT FITTING - FLOW 2.8 GPM	
2	098607-01-706	EA	HOUSING, W/SWITCH ONLY	94-231-20
3	098607-01-705	EA	VALVE-CHECK, KIT	94-237-00
4	098607-01-703	EA	VALVE KIT	94-232-00
5	098607-01-702	EA	DIAPHRAGM/DRIVE ASSEMBLY KIT	94-238-04
6	098607-01-707	EA	MOTOR W/BASEPLATE	11-148-04

WATER HEATER

KEY	PART NUMBER	U/M	DESCRIPTION
*	051391-03-000	EA	WATER HEATER G6A-8E ELECTRONIC IGNITION
	097967-01-000	EA	SWITCH - WATER HEATER - REMOTE W/LIGHT

* COMPONENT PARTS FOUND IN SERVICE PARTS LIBRARY

WINDOW, VENT & EXTERIOR DOOR GROUP



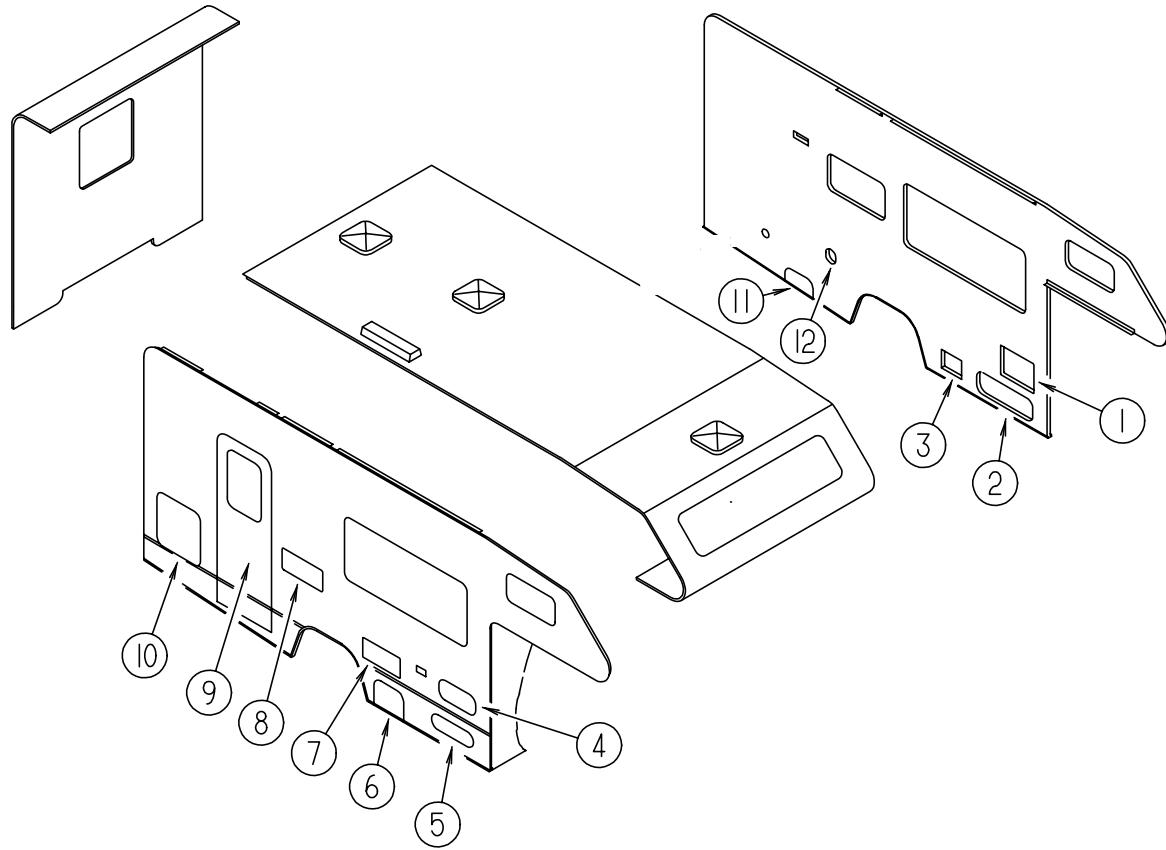
WINDOWS & VENTS

KEY	PART NUMBER	U/M	DESCRIPTION
1*	117053-04-FB1	EA	WINDOW - PICTURE - CLEAR - 17" X 26.4"
	117054-02-02A	EA	RETAINER - TRIM - BRIGHT WHITE
1*	113733-05-01A	EA	WINDOW - STATIONARY - THERMOPANE - 17" X 26.4"
2*	122882-02-01A	EA	VENT - ROOF - W/FAN - W/O INSIDE GARNISH - UL
2*	122882-03-01A	EA	VENT - ROOF - W/FAN - W/O INSIDE GARNISH - CSA
3	084878-09-000	EA	VENT - EXHAUST/RANGE HOOD - OFF WHITE
	084616-07-000	EA	SHROUD - EXHAUST VENT/RANGE HOOD - BRIGHT WHITE
4*	098647-32-01A	EA	WINDOW - DR HORIZ SLIDER W/TRIM - CLEAR - 15.7" X 28.5"
4*	112795-20-01A	EA	WINDOW - DRIVER HORIZONTAL SLIDER - THERMO - 16" X 28.7"
5*	098647-28-01A	EA	WINDOW - DR HORIZ SLIDER W/TRIM - CLEAR - 26.1" X 59.7"
5*	112795-15-01A	EA	WINDOW - DRIVER HORIZONTAL SLIDER - THERMO - 26.4" X 60"
6*	103313-03-F15	EA	WINDOW - PICTURE - 23.3" X 71.3"
	117054-01-01A	EA	RETAINER - TRIM
6*	115630-01-01A	EA	WINDOW - STATIONARY/THERMOPANE - 17.2" X 72"
7*	098647-31-01A	EA	WINDOW - PASS HORIZ SLIDER W/TRIM - CLEAR - 15.7" X 28.5"
7*	112795-19-01A	EA	WINDOW - PASSENGER HORIZ SLIDER - THERMO - 16" X 28.7"
8*	098647-27-01A	EA	WINDOW - PASS HORIZ SLIDER W/TRIM - CLEAR - 26.1" X 59.7"
8*	112795-16-01A	EA	WINDOW - PASSENGER HORIZ SLIDER - THERMO - 26.4" X 60"
9	084073-07-000	EA	VENT - ROOF/REFRIGERATOR - BRIGHT WHITE - NORCOLD
	084073-04-000	EA	BASE - ROOF VENT/REFRIGERATOR - BLACK - NORCOLD
10*	117053-04-FB1	EA	WINDOW - PICTURE - CLEAR - 17" X 26.4"
	117054-02-01A	EA	RETAINER - TRIM - ENTRY DOOR WINDOW
10*	113733-01-01A	EA	WINDOW - STATIONARY - THERMOPANE - 17" X 26.4"
	115028-01-000	EA	FILM-PROTECTIVE 24"X328"ROLL - DUPONTKANSEI VY1676
11*	122882-01-01A	EA	VENT - ROOF - NONPOWERED - W/O INSIDE GARNISH
11*	123780-01-01A	EA	VENTILATOR - ROOF/1" - W/O THERMOSTAT/POWER LIFT
12*	123780-01-01A	EA	VENTILATOR - ROOF/1" - W/O THERMOSTAT/POWER LIFT
12*	122882-01-01A	EA	VENT - ROOF - NONPOWERED - W/O INSIDE GARNISH
13	083558-03-000	EA	VENT - PLUMBING - PIPE ROOF - W/COVER - OFF WHITE

* COMPONENT PARTS FOUND IN SERVICE PARTS LIBRARY

WINDOW, VENT & EXTERIOR DOOR GROUP (CONTINUED)

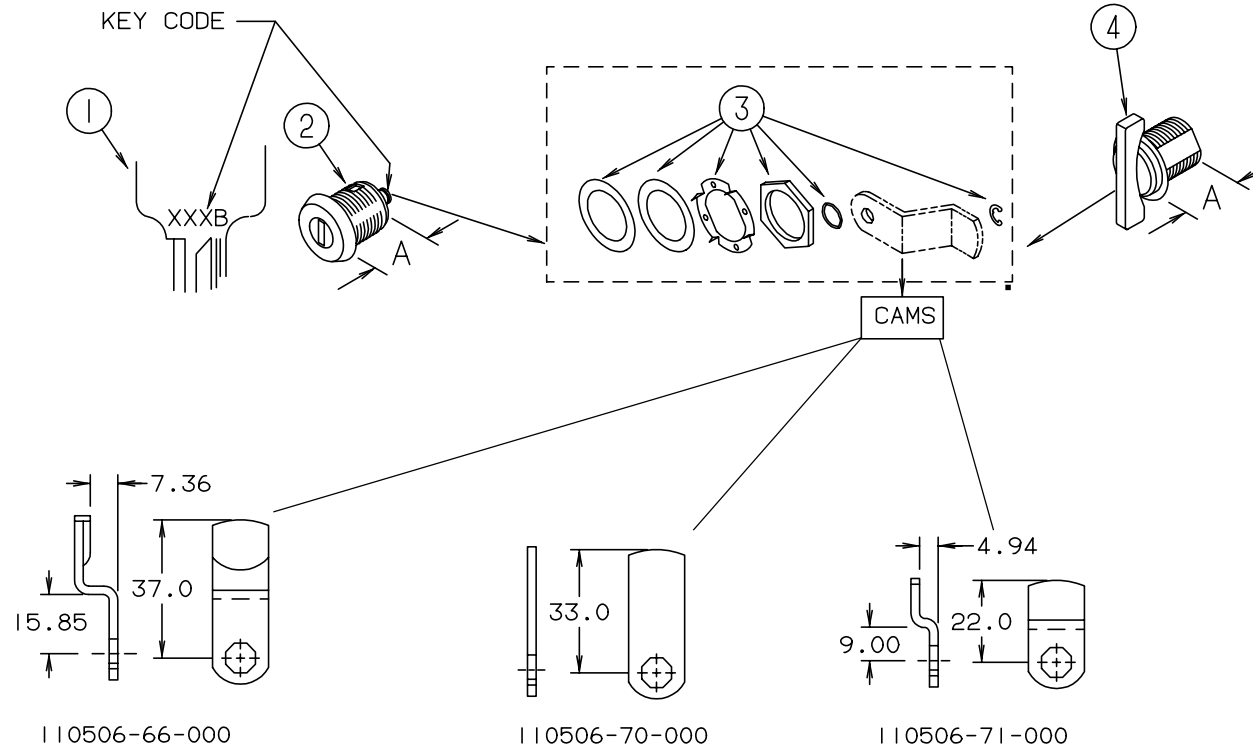
EXTERIOR DOORS



KEY	PART NUMBER	U/M	DESCRIPTION	VENDOR NO.
1	052009-06-000	EA	DOOR - WATER HEATER - BRIGHT WHITE - 18" X 14.6"	
	116424-01-000	EA	PROTECTOR - LATCH - WATER HEATER	
2	126946-05-J01	EA	DOOR - STORAGE - W/O HARDWARE - 9.2" X 27.5"	
3	088794-06-000	EA	DOOR - POWER CORD W/HATCH - BRIGHT WHITE - 9.2" X 11"	
4	126945-01-J22	EA	DOOR - STORAGE - W/O HARDWARE - 8.3" X 18"	
5	126945-02-J01	EA	DOOR - LP/STORAGE - W/O HARDWARE - 8.3" X 18"	
6	127405-01-J01	EA	DOOR - STORAGE - W/O HARDWARE	
	101667-03-000	EA	PROP- ROD	
	089329-02-000	EA	CLIP - SPRING	
	076322-05-000	EA	TAPE - DOUBLE COATED/ADHESIVE BACK - .045"THK X .75"W X 9'	
	076767-04-000	EA	CABLE - SUPPORT - 5.9" STAINLESS STEEL	
	010497-07-000	EA	CLAMP - CLOSED - 3/8" ID	
7	098668-23-000	EA	DOOR - ACCESS - FURNACE - BRIGHT WHITE	
8	084103-08-000	EA	DOOR - REFRIGERATOR - VENTED - W/O JAMB	
	084104-08-000	EA	JAMB - REFRIGERATOR DOOR	
	084104-01-700	EA	LOCK-MALE, FASTENER	201-721-010
	084104-01-701	EA	LOCK-FEMALE, FASTENER	201-802-010
9	115108-01-J03	EA	DOOR - ENTRY - W/SCREEN DOOR - W/O WINDOW	
9	115108-01-J04	EA	DOOR - ENTRY - W/SCREEN DOOR - W/O WINDOW	
10	126946-15-J01	EA	DOOR - STORAGE - W/O HARDWARE	
11	127278-01-J01	EA	DOOR - STORAGE - W/O HARDWARE	
	098338-01-000	EA	GASKET - LOCK POCKET	
	096217-55-006	EA	U CHANNEL - 210"	
12	081240-16-000	EA	DOOR - WATER FILL - LOCKABLE W/O LOCK - 4" X 4 5/8"	

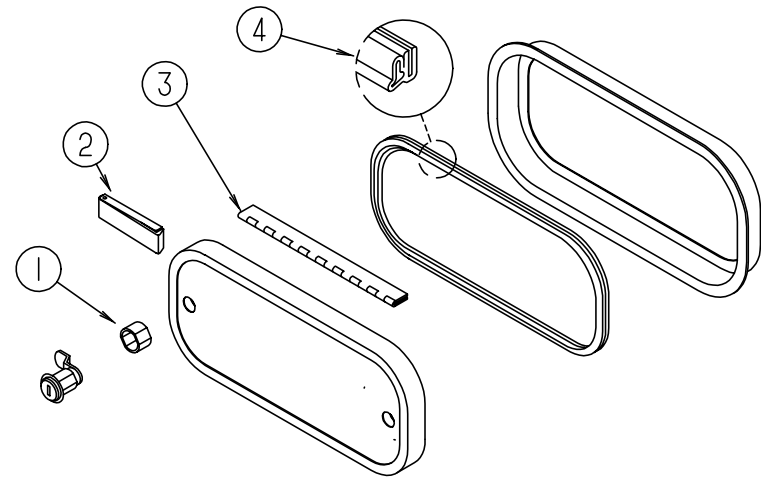
WINDOW, VENT & EXTERIOR DOOR GROUP (CONTINUED)
BRIGGS & STRATTON LOCKS & COMPONENTS

NOTE:
 WHEN ORDERING THE LOCK CASE, THE KEY CODE MUST MATCH THE LAST DIGIT OF THE VEHICLE'S SERIAL NUMBER AND PART NUMBER; WHEN ORDERING THE KEYS, THE THIRD DIGIT OF THE KEY CODE MUST MATCH THE LAST DIGIT OF THE VEHICLE'S SERIAL NUMBER AND PART NUMBER



KEY	PART NUMBER	U/M	DESCRIPTION	VENDOR NO.	KEY	PART NUMBER	U/M	DESCRIPTION	VENDOR NO.
1	110506-59-000	EA	KEYS - SET OF TWO	596720	1	110506-59-007	EA	KEYS - SET OF TWO	596727
2	110506-52-000	EA	CASE/CYLINDER - LOCKING W/O CAM - .65"	702370	2	110506-52-007	EA	CASE/CYLINDER - LOCKING W/O CAM - .65"	702370
2	110506-54-000	EA	CASE/CYLINDER - LOCKING W/O CAM OR KEY - 1 1/4"	703170	2	110506-54-007	EA	CASE/CYLINDER - LOCKING W/O CAM OR KEY - 1 1/4"	703170
1	110506-59-001	EA	KEYS - SET OF TWO	596721	1	110506-59-008	EA	KEYS - SET OF TWO	596728
2	110506-52-001	EA	CASE/CYLINDER - LOCKING W/O CAM - .65"	702370	2	110506-52-008	EA	CASE/CYLINDER - LOCKING W/O CAM - .65"	702370
2	110506-54-001	EA	CASE/CYLINDER - LOCKING W/O CAM OR KEY - 1 1/4"	703170	2	110506-54-008	EA	CASE/CYLINDER - LOCKING W/O CAM OR KEY - 1 1/4"	703170
1	110506-59-002	EA	KEYS - SET OF TWO	596722	1	110506-59-009	EA	KEYS - SET OF TWO	596729
2	110506-52-002	EA	CASE/CYLINDER - LOCKING W/O CAM - .65"	702370	2	110506-52-009	EA	CASE/CYLINDER - LOCKING W/O CAM - .65"	702370
2	110506-54-002	EA	CASE/CYLINDER - LOCKING W/O CAM OR KEY - 1 1/4"	703170	2	110506-54-009	EA	CASE/CYLINDER - LOCKING W/O CAM OR KEY - 1 1/4"	703170
1	110506-59-003	EA	KEYS - SET OF TWO	596723	3	110506-40-700	EA	HARDWARE KIT	
2	110506-52-003	EA	CASE/CYLINDER - LOCKING W/O CAM - .65"	702370	4	110506-55-000	EA	CASE/CYLINDER - TWIST LOCK W/O CAM - 1 1/4"	
2	110506-54-003	EA	CASE/CYLINDER - LOCKING W/O CAM OR KEY - 1 1/4"	703170		110506-70-000	EA	CAM - LATCHING - STRAIGHT 1.3" LONG	
1	110506-59-004	EA	KEYS - SET OF TWO	596724		110506-66-000	EA	CAM - LATCHING - DOG LEGGED 1.5" LONG	
2	110506-52-004	EA	CASE/CYLINDER - LOCKING W/O CAM - .65"	702370		110506-71-000	EA	CAM - LATCHING - DOG LEGGED .86" LONG	
2	110506-54-004	EA	CASE/CYLINDER - LOCKING W/O CAM OR KEY - 1 1/4"	703170		110506-59-701	EA	KEY - BLANK - GOLD	
1	110506-59-005	EA	KEYS - SET OF TWO	596725					
2	110506-52-005	EA	CASE/CYLINDER - LOCKING W/O CAM - .65"	702370					
2	110506-54-005	EA	CASE/CYLINDER - LOCKING W/O CAM OR KEY - 1 1/4"	703170					
1	110506-59-006	EA	KEYS - SET OF TWO	596726					
2	110506-52-006	EA	CASE/CYLINDER - LOCKING W/O CAM - .65"	702370					
2	110506-54-006	EA	CASE/CYLINDER - LOCKING W/O CAM OR KEY - 1 1/4"	703170					

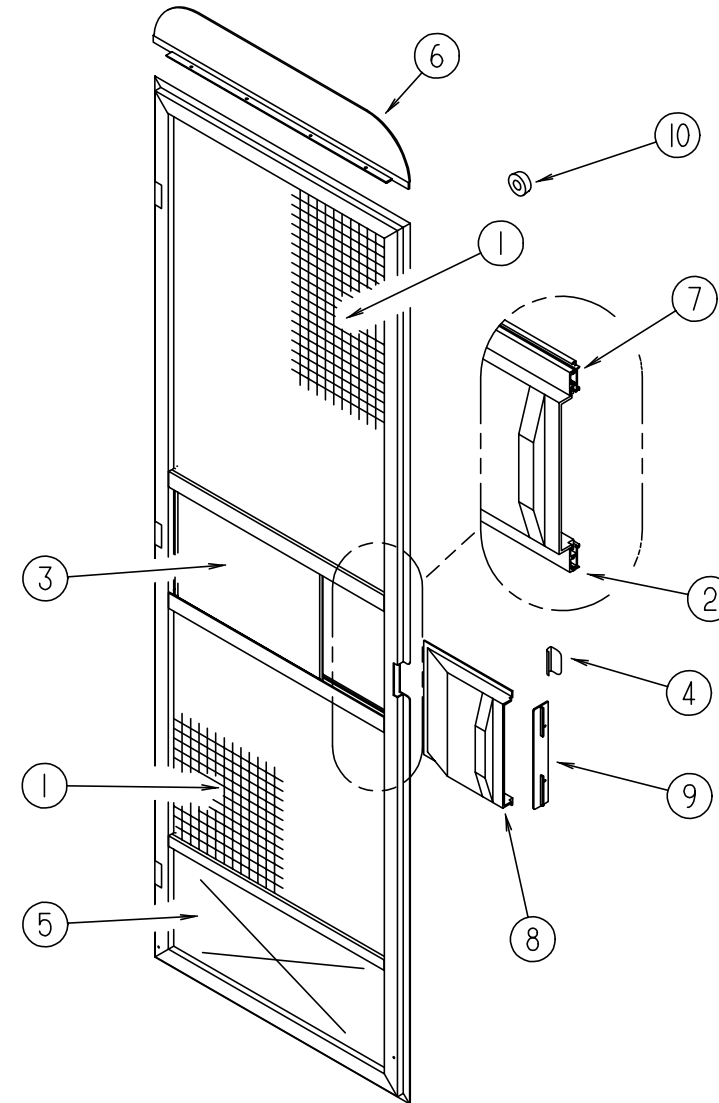
WINDOW, VENT & EXTERIOR DOOR GROUP (CONTINUED)



EXTERIOR COMPARTMENT DOOR COMPONENTS

KEY	PART NUMBER	U/M	DESCRIPTION
1	107997-51-001	EA	SPACER - DOOR LOCK - .6" DEEP
	107997-51-002	EA	EXTRUDED - SPACER - 16'
2	102768-01-000	EA	HOLDER - COMPARTMENT/ENTRY DOOR - METAL - MILL FINISH
3	081801-V3-000	EA	HINGE - ALUMINUM - 2" X 96" - BRIGHT WHITE
4	064075-07-000	FT	SEAL - BULB - W/WIRED U CHANNEL - .3" X .5" CHANNEL - BLK
4	106850-02-000	FT	SEAL-E - SPONGE RUBBER - .43" X .75"
	098408-01-000	FT	SEAL - SPONGE RUBBER - CLOSED CELL
	104692-01-000	FT	SEAL - FOAM/ADHESIVE BACK - .75"THICK X .75"WIDE X 25'

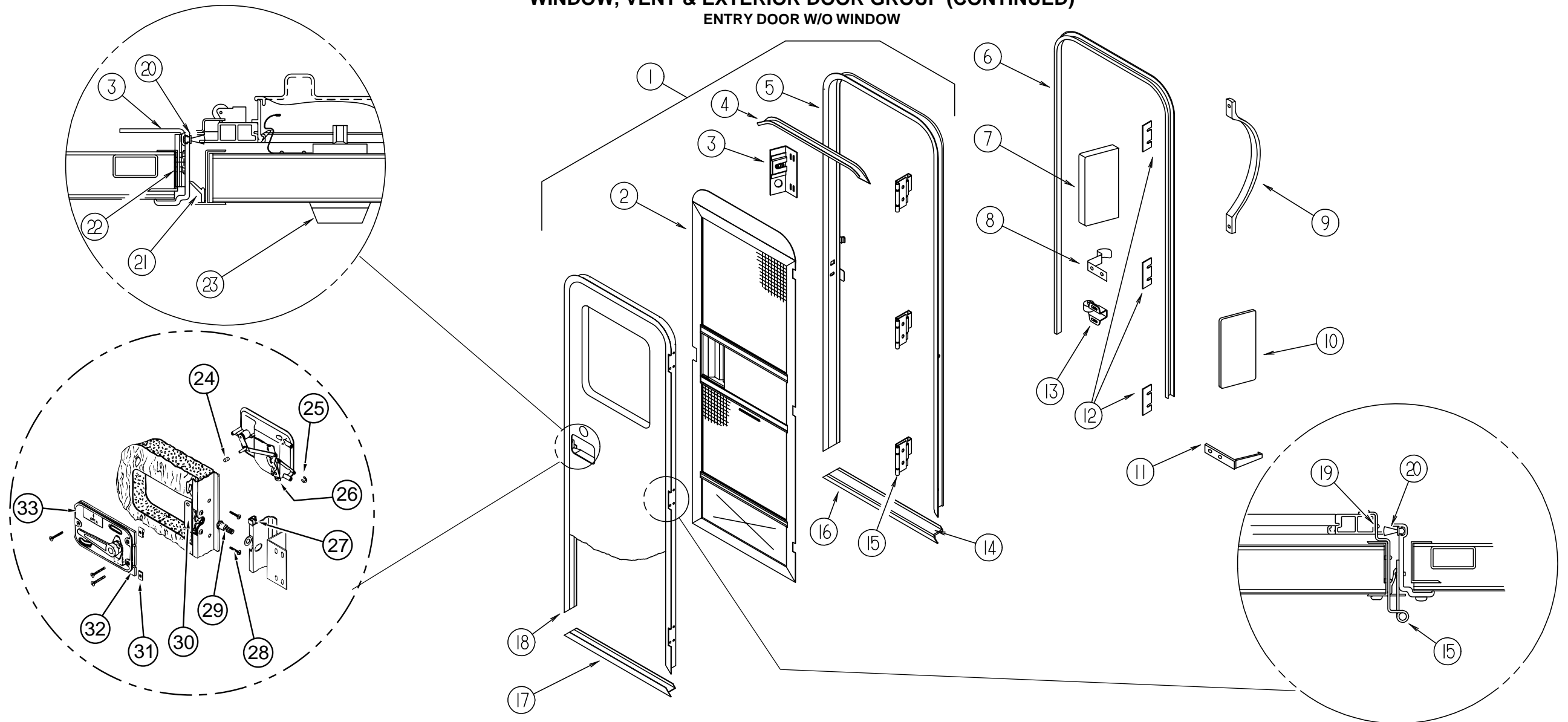
WINDOW, VENT & EXTERIOR DOOR GROUP (CONTINUED)



SCREEN DOOR COMPONENTS

KEY	PART NUMBER	U/M	DESCRIPTION
	121899-03-GB1	EA	DOOR - SCREEN - W/O HARDWARE
1	002293-02-000	SF	SCREENING - WINDOW/DOOR - 26" - CHARCOAL
2	002294-01-000	FT	SPLINE - SCREENING - .135" X .138"
3	016454-01-000	EA	INSERT - CENTER - LEATHER GRAIN ALUMINUM - UNPAINTED
	001014-01-013	EA	INSERT - CENTER - 10.25" X 16.31" - UNPAINTED
4	050712-06-000	EA	HANDLE - SCREEN DOOR - BRIGHT WHITE
5	078552-03-000	EA	KICK PANEL - SCREEN DOOR - LOWER INSERT - UNPAINTED
6	078595-01-000	EA	TOP PLATE - SCREEN DOOR - CURVED TOP - 4.7" X 25.35"
7	078777-08-000	FT	CHANNEL SLIDER
8	079086-03-000	EA	SLIDER - SCREEN DOOR - BRIGHT WHITE
9	079087-03-000	EA	STRIKE - SLIDER - SCREEN DOOR - BRIGHT WHITE
10	120863-06-000	EA	BUMPER - RUBBER - 3/4" X 3/8"

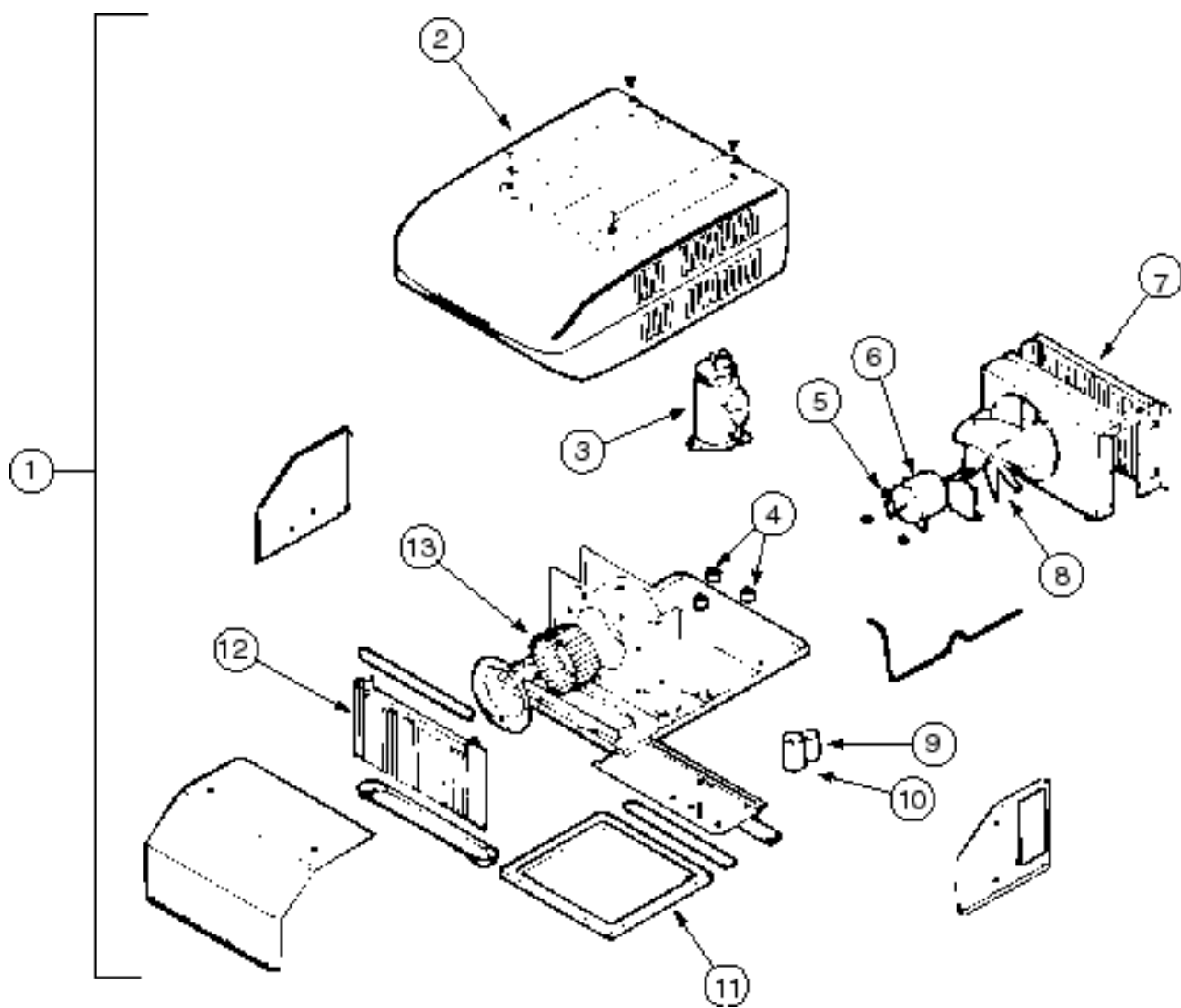
WINDOW, VENT & EXTERIOR DOOR GROUP (CONTINUED)
ENTRY DOOR W/O WINDOW



KEY	PART NUMBER	U/M	DESCRIPTION
1	115108-01-J03	EA	DOOR - ENTRY - W/SCREEN DOOR - W/O WINDOW
1	115108-01-J04	EA	DOOR - ENTRY - W/SCREEN DOOR - W/O WINDOW
2	121899-03-GB1	EA	DOOR - SCREEN - W/O HARDWARE
3	041546-07-000	EA	BRACKET - DOOR ANGLE - OFF WHITE
4	044582-44-000	EA	CAP - DRIP - BRIGHT WHITE
5	121898-03-01A	EA	JAMB - DOOR/ENTRANCE
6	115222-04-01A	EA	GARNISH - ENTRY DOOR - RADIUS
7	077461-03-000	EA	COVER - STRIKE - ENTRY DOOR - 6.5" X 2.5" - WHITE PLASTIC
8	100412-01-000	EA	CATCH - SCREEN DOOR
9	009126-03-000	EA	HANDLE - ASSIST - BLACK TEXTURED
10	076725-02-000	EA	COVER - HINGE - ENTRY DOOR - 6" X 3.2" - OFF WHITE
11	102768-01-000	EA	HOLDER - COMPARTMENT/ENTRY DOOR - METAL - MILL FINISH
12	102248-01-000	EA	SHIM - DOOR
13	079087-03-000	EA	STRIKE - SLIDER - SCREEN DOOR - BRIGHT WHITE
14	038327-01-000	EA	TAPE - ANTI SLIP - 2" X 60'
15	106719-01-05A	EA	HINGE - ENTRANCE DOOR - BRIGHT WHITE
	106719-01-01A	EA	HINGE - ENTRANCE DOOR - MILL
	039715-01-000	EA	NUT-SERT - 1/4" DIAMETER - 20 THREADS
	116111-02-01A	EA	SCREW - TAPTITE - 1/4-20 X 3/8 PPH - ZINC
16	051049-01-000	EA	JAMB - BOTTOM - ENTRY DOOR - 25.9" - UNPAINTED
	036618-02-000	EA	E RING - EXTERNAL - 3/16" SHAFT DIAMETER - LYNOR DOOR LOCK
17	121893-01-01A	EA	FRAME - ENTRY DOOR/BOTTOM - BRIGHT WHITE
18	121894-07-01A	EA	FRAME - ENTRY DOOR/BOTTOM - BRIGHT WHITE
	098173-01-04A	EA	STIFFENER - ENTRY DOOR - SUPPORTS LATCH/STRIKE - UNPAINTED
	122241-01-01A	EA	BUMPER - FOAM RUBBER W/ADH BACK - .5" X .5" X .25" - BLACK

KEY	PART NUMBER	U/M	DESCRIPTION
19	100128-02-000	EA	SEAL - FOAM - ADHESIVE BACK - .37" WIDE X .37" THICK
20	118929-01-01A	FT	SEAL - PILE - PUSH ON
21	075671-04-000	FT	SEAL - SPONGE - LAZY T - W/ADHESIVE STRIP - .5" WIDE
22	104692-01-000	FT	SEAL - FOAM/ADHESIVE BACK - .75"THICK X .75"WIDE X 25'
23	101145-01-06A	EA	DEADBOLT - ENTRY DOOR W/O SECURITY BOLT W/2 KEYS - BLACK
	095229-01-700	EA	KEY-BLANK, DEADBOLT 81205-03
	101145-01-701	EA	CYLINDER-LOCK ASM., W/KEY 81306-03
	101147-01-000	EA	BOLT - SECURITY - 4.12"
24	039984-01-000	EA	CAP - ROUND - VINYL - .28" ID X .62" - BLACK
25	036618-02-000	EA	E RING - EXTERNAL - 3/16" SHAFT DIAMETER - LYNOR DOOR LOCK
26	045017-13-000	EA	LATCH - ENTRY DOOR - BLACK TEXTURED
	045017-11-701	EA	KEY-BLANK, F1 SERIES 81312-02
	045017-11-703	EA	CYLINDER-LOCK ASM. W/KEYS 81266-09
27	064075-07-000	FT	SEAL - BULB - W/WIRED U CHANNEL - .3" X .5" CHANNEL - BLK
28	000G54-04-20B	EA	SCREW - 1/4-20 X 1 1/4 PTH TYP 23
29	039539-01-000	EA	STRIKE - LOCK - ENTRY DOOR - ROUND W/THREADED WASHER
	039715-01-000	EA	NUT-SERT - 1/4" DIAMETER - 20 THREADS
30	039540-01-000	EA	LATCH MECHANISM - HOOK - ENTRY DOOR - INTERIOR
31	040921-01-000	EA	NUT-SPEED-U TYPE 10-24 BLACK
32	096810-01-01A	EA	PLATE - LATCH - ENTRY DOOR - BLACK
33	039979-06-000	EA	COVER - LATCH PLATE - RIGHT HAND - BLACK TEXTURED
	086285-05-000	EA	SPACER - NYLON - .7" X .56"
	104099-01-04A	EA	CATCH - DOOR HOLDER - STRIKE - BRIGHT WHITE
	104099-02-04A	EA	CATCH - DOOR HOLDER - RETAINER - BRIGHT WHITE

**COLEMAN
MODEL 7333A886**



KEY	PART NUMBER	U/M	DESCRIPTION	VENDOR NO.
1	108889-01-05A	EA	A/C - ROOF - 13,500 TSR	
2	108889-05-700	EA	SHROUD-BRIGHT/WHT. W/O LOGO	7333-4601
3	108889-01-722	EA	COMPRESSOR TSR3 C & D ONLY	1450-2099
4	105620-01-706	EA	MOUNTING PKG.,COMP., 3 PER	6759-3081
5	108889-01-715	EA	MOTOR MOUNT & SHAFT SEAL KIT	6792A3361
6	108889-01-705	EA	MOTOR (115, 60HZ)	1468-3049
7	108889-01-703	EA	COIL-CONDENSER	1452A1301
8	093763-01-712	EA	BLADE-FAN-CONDENSER	6733-3221
9	093763-01-704	EA	CAPACITOR-FAN	1499-5461
10	108889-01-707	EA	CAPACITOR-RUN,COMP-25MFD/370	1499-5661
11	108889-01-711	EA	GASKET PKG	6792A3301
12	108889-01-709	EA	COIL-EVAPORATOR	1452A1311
13	108889-01-706	EA	IMPELLOR	1472-1041
	091225-01-709	EA	RELAY-START	1497-4131
	091225-01-710	EA	CAPACITOR-START	1497-0881
	093306-01-701	EA	DECAL PACKAGE, LEFT & RIGH	6798B3591
	108889-01-704	EA	OVERLOAD (MRA#98693)	6749-3541
	108889-01-710	EA	PAD-FILLER, CONDENSER SEAL	6759B3971
	108889-01-712	EA	LINE-SUCTION,REDUCER 3/8X1/2	1215-2161
	108889-01-713	EA	LINE-SUCTION, 3/8ODX032 WALL	6792-130
	108889-01-714	EA	LINE ASSEMBLY-DISCHARGE	6792-531
	108889-01-720	EA	TUBE-CAP	6792-1351
	108889-01-721	EA	COMPRESSOR TSR3'S A & B'S	1450-2079