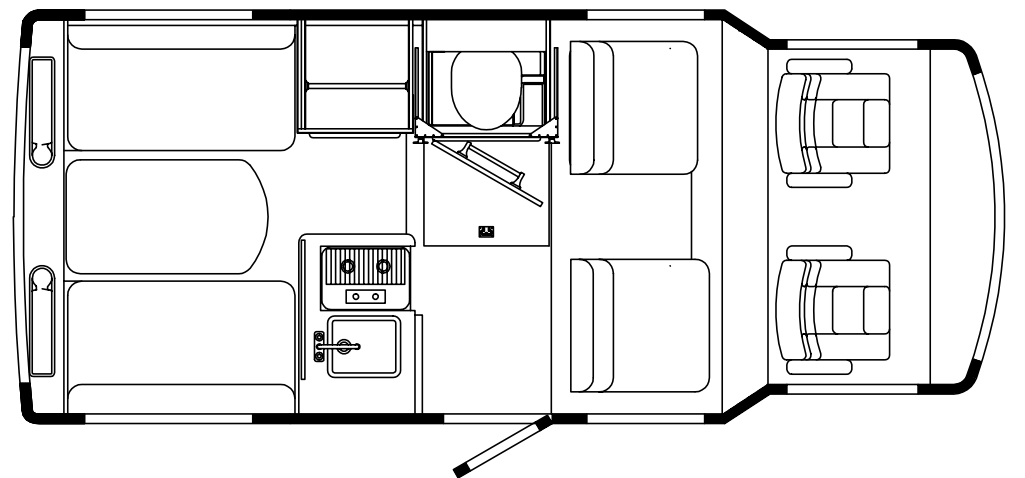
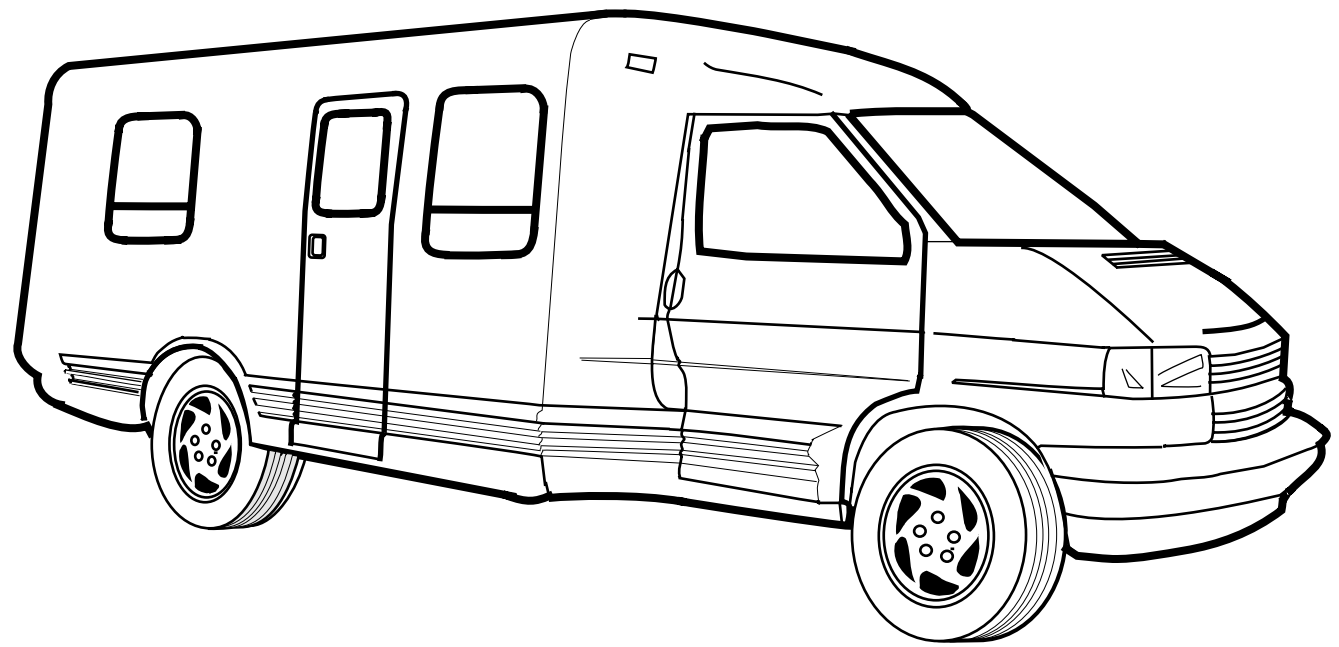


**1998**  
**WV222RD**

**J80**  
LAKEWOOD

**J81**  
DUSK



**ACCESSORIES GROUP  
OPERATORS MANUAL & BINDER**

KEY	PART NUMBER	U/M DESCRIPTION
	054185-G7-000	EA MANUAL - OPERATOR - 1998 RIALTA 200 SERIES
	092318-01-000	EA BINDER - 3 RING - MOTOR HOME MANUAL
		FROM: 00-00-00 THRU: 02-15-98
	092319-01-000	EA POCKET PAGE - 3 RING BINDER - PLASTIC - (50 PER PKG)
		FROM: 00-00-00 THRU: 02-15-98
	129079-01-01A	EA CASE - VINYL/BLACK - EXPANDABLE ACCORDION SIDES - 7"W X 9"H X14"L
		FROM: 02-16-98 THRU: 99-99-99

**AUDIO VIDEO GROUP  
RADIO SYSTEM COMPONENTS**

KEY	PART NUMBER	U/M DESCRIPTION	VENDOR NO.
	074014-01-000	EA GRILLE - SPEAKER - ROUND	
	074979-01-000	EA SHIELD - SPEAKER - BACK - MOLDED PLASTIC - 8" X 9"	
	074979-18-000	EA COVER - SPEAKER - VW DARK GRAY	
	094097-01-000	EA SPEAKER - RADIO/TV - W/O GRILLE - 5.25" DIAMETER	
	114365-01-000	EA ADAPTER - RADIO - POWER - SPEAKERS	
	114366-01-000	EA ADAPTER - RADIO - ANTENNA	
	088473-01-000	EA HOUSING - PIN - 12 CAVITY (3 ROWS OF 4)	
	088475-01-000	EA PIN - CONNECTOR - 14 - 20 AWG	
	127264-01-000	EA RADIO - AM/FM STEREO - CASSETTE	
	127264-01-700	EA TRIM RING	YFC054C044ZB
	127264-01-701	EA KNOB - VOLUME	YFE074C045ZA
	127264-01-702	EA KNOB - FADER	YEFE074C026
	127264-01-703	EA FACTORY HARNESS	YAJ024C048ZB
	127516-01-000	EA RADIO - AM/FM STEREO - CD PLAYER	
	127516-01-700	EA FACE - REMOVEABLE	YEP0FX3114
	127516-01-701	EA TRIM RING	YGFC025263
	127516-01-702	EA FACTORY HARNESS	YGAJ02719
	127516-01-703	EA CARRIER F/REMOVEABLE FACE	YEFA131290

**AUDIOVOX TELEVISION W/REMOTE CONTROL**

KEY	PART NUMBER	U/M DESCRIPTION	VENDOR NO.
	086231-07-000	EA TV - COLOR - 9" DC - AUDIOVOX AVT-975	
	086231-07-700	EA REMOTE	
	086231-08-700	EA REMOTE - UNIVERSAL	8822325
	086231-08-701	EA ADAPTER - WIRE	0891436

**AUDIOVOX VIDEO CASSETTE PLAYER, COVER, & SWITCH**

KEY	PART NUMBER	U/M DESCRIPTION	VENDOR NO.
	094487-03-000	EA VIDEO CASSETTE PLAYER W/O REMOTE - AUDIOVOX AVP-6750	
	094487-03-700	EA WIRE - ADAPTER	0891436
	120551-01-02A	EA COVER - VIDEO CASSETTE PLAYER	
	120564-01-02B	EA STRAP - VIDEO PLAYER	
	120663-01-000	EA SWITCH - VIDEO A/B - WINNEGARD TV-0051	

**TV CABLE, CONNECTORS, & WALLPLATES**

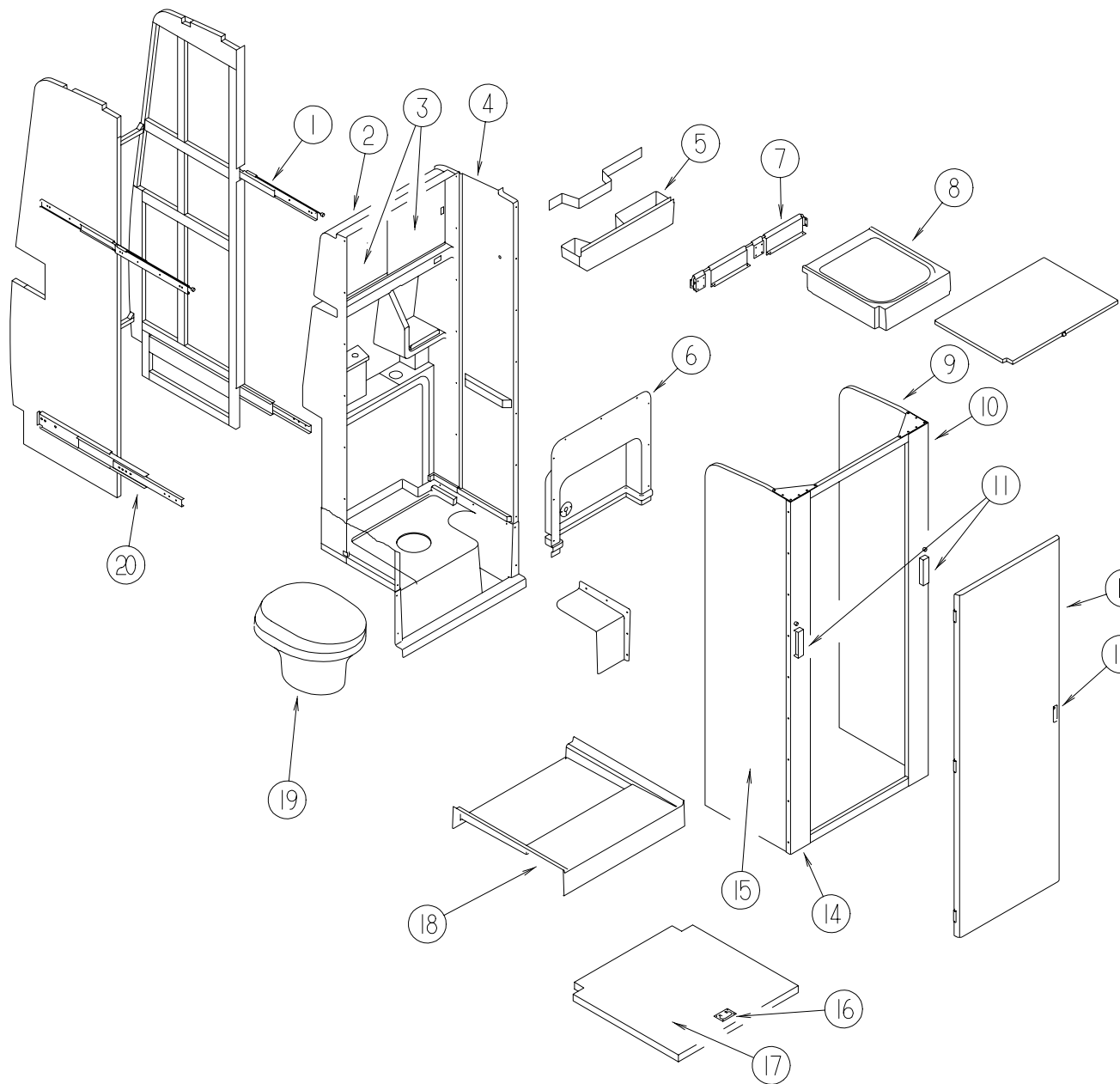
KEY	PART NUMBER	U/M DESCRIPTION
	082134-01-000	EA ADAPTER - TV - CABLE TO CABLE
	082136-01-000	EA NUT - HEX JAM - 3/8 - 32
	093901-03-000	EA PLATE - TV COAX - EXTERIOR - 1.8" X 2.5"
	076319-03-000	FT CABLE - COAXIAL - 75 OHM
	076319-06-000	EA ADAPTER - CABLE ROOF PLATE
	076319-12-000	EA CONNECTOR - COAXIAL - ONE PIECE
	086777-01-000	EA WALLPLATE - TV CABLE - W/ANTENNA SWITCH - IVORY
	086777-02-000	EA WALLPLATE - TV CABLE - W/ANTENNA SWITCH
	120721-02-02B	EA PLATE - ELECTRIC - CABLE
	121323-01-02B	EA BRACKET - Z

**WINEGARD TV ANTENNA**

KEY	PART NUMBER	U/M DESCRIPTION
*	076319-24-000	EA ANTENNA-TV - ROOF MOUNT - 25.5" MAST

\* COMPONENT PARTS FOUND IN SERVICE PARTS LIBRARY

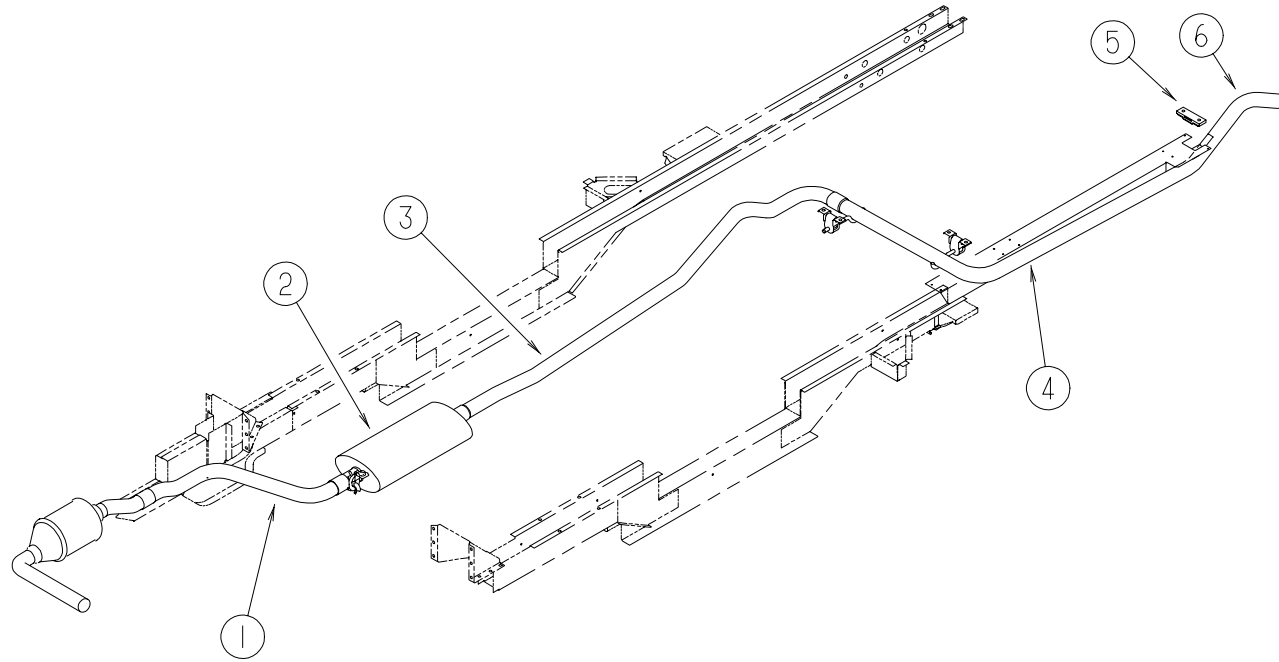
**BATH GROUP  
BATH & SHOWER CABINETS**



KEY	PART NUMBER	U/M DESCRIPTION	VENDOR NO.
1	116173-01-000	EA SLIDE - LOCKING - RIGHT HAND	
1	116173-02-000	EA SLIDE - LOCKING - LEFT HAND	
2	111950-01-01A	EA SURROUND - SHOWER - BACK	
3	058331-B0-000	EA MIRROR - SAFETY GLASS - 12.6" X 12.6	
	023320-01-000	EA PAD - FELT 3/8" DIAMETER	
	074383-09-000	EA TRACK - SLIDING DOOR - 24.5"	
	002324-02-000	FT CHANNEL - WEATHERSTRIP - GLASS RUN - U-SHAPED	
4	111986-01-01A	EA SURROUND - SHOWER - RIGHT HAND SIDE	
	111986-02-01A	EA SURROUND - SHOWER - LEFT HAND SIDE	
5	P12114-01-01A	EA BASIN - CATCH - W/STRAINER	
	106116-01-01A	EA STRAINER - SINK - W/STOPPER,/TAILPIECE,/GASKET, & NUT - PLASTIC	
	112114-01-01A	EA BASIN - CATCH - LAVATORY	
6	112151-01-01A	EA COVER - ACCESS - DRAINAGE	
	120591-01-01A	EA COVER - ACCESS - DRAINAGE - JAPAN EXPORT	
	057671-01-000	EA COVER - SCREW - #8 - PLASTIC - OFF WHITE	
7	113982-01-F45	EA HINGE - FOLD UP SINK W/DOOR PANEL	
	086235-03-000	EA BEARING - SNAPIN - 5/16ID X 5/16	
8	M06944-02-H70	EA BATH SINK/FOLD UP - W/DOOR ATTACHED	
8	112244-01-F45	EA SINK - FOLD UP	
	057534-02-000	EA TIEBACK - CLEAR PLASTIC - 3"	
	074453-01-000	EA LATCH - PADDLE - SINK/MEDICINE CABINET - METAL	
	057898-01-000	EA LATCH - HIDDEN - BLACK PLASTIC	
9	113929-01-H70	EA CABINET - WALL - BATH SLIDER - W/O HARDWARE - RIGHT HAND	
10	116246-01-02A	EA CORNER/EXTRUDED - BATH/RIGHT HAND - VW DARK GRAY	
11	074762-01-000	EA PULL - CABINET - 4.8" X .9" - BLACK PLASTIC	
	074317-01-700	EA KNOB - F/SLIDE ASSEMBLY	A-033-01-0004-40-0
12	113756-01-H70	EA DOOR - BATH	
13	058335-03-000	EA LATCH - W/O LOCK - BATHROOM DOOR BLACK	
	075453-02-000	EA BAR - TOWEL - 18" BRASS	
	075452-02-000	EA HOLDER - TOILET TISSUE - BRASS	
14	116246-02-02A	EA CORNER/EXTRUDED - BATH - LEFT HAND - VW DARK GRAY	
15	113929-02-H70	EA CABINET - WALL - BATH SLIDER - W/O HARDWARE - LEFT HAND	
	116044-01-000	EA BUMPER - MOLDED	
16	072871-01-000	EA PULL - FLUSH - CHROME	
17	113092-02-H70	EA COVER - SHOWER PAN	
17	113092-03-H70	EA COVER - SHOWER PAN	
18	118605-01-01A	EA SHOWER PAN - OFF WHITE	
18	120590-01-01A	EA SHOWER PAN - OFF WHITE - JAPAN EXPORT	
	114974-01-000	EA CONNECTOR - HULL - W/STRAINER	
	066436-01-000	EA NUT - SLIP - TAILPIECE 1.5"	
19*	064076-01-000	EA TOILET - 11.25" TALL - IVORY - WATERSAVER	
19*	121003-01-01A	EA TOILET - JAPAN EXPORT	2328028
20	116174-01-000	EA SLIDE - FULL EXTENDED	24466
	103092-01-000	EA SHOWER HEAD - W/60" HOSE - WHITE	2328029-1
	103092-02-000	EA SHOWER HEAD - W/60" HOSE - CSA	
	103092-01-700	EA BRACKET - F/SHOW HEAD - CLEAR	
	103092-01-702	EA SEALS - SPRAY HEAD	
	011048-03-700	EA BRACKET - F/SHOWER HEAD	
	109800-01-01A	EA FAUCET - LAVATORY	
	115000-01-01A	EA FAUCET - LAVATORY/SHOWER - PARCHMENT	
	119282-01-01A	EA RAIL - OVERHEAD - UPPER	

\* COMPONENT PARTS FOUND IN SERVICE PARTS LIBRARY

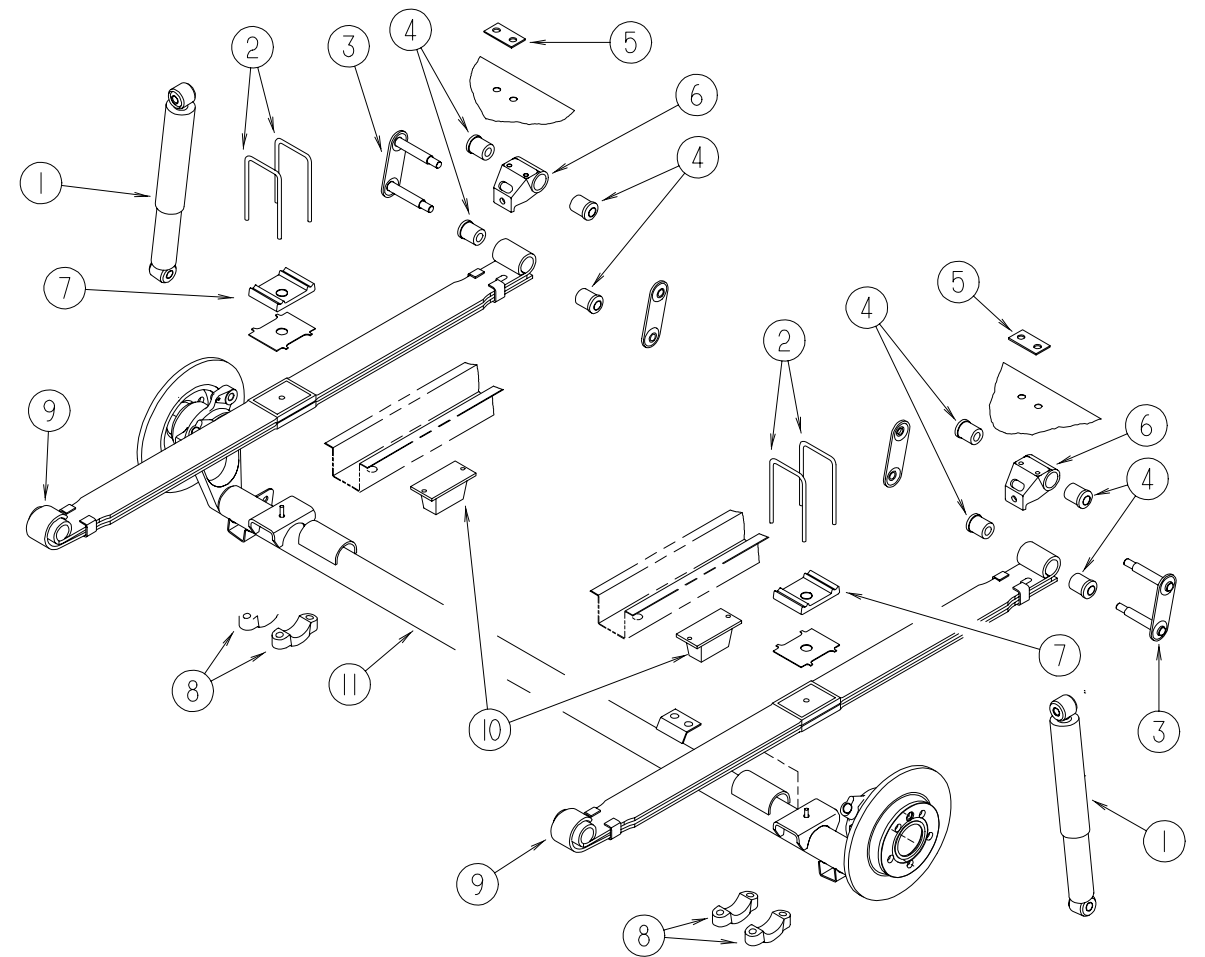
## CHASSIS GROUP



### EXHAUST SYSTEM COMPONENTS

KEY	PART NUMBER	U/M	DESCRIPTION
1	113098-02-000	EA	PIPE - EXHAUST/FRONT
2	121261-01-000	EA	MUFFLER - FRONT
3	113099-01-000	EA	PIPE - EXHAUST/ MIDDLE
4	115396-01-09B	EA	SHIELD - EXHAUST - TAIL PIPE - GALVANIZED
5	095190-01-000	EA	HANGER - EXHAUST - 4" X 1.4"
6	113097-02-000	EA	PIPE - EXHAUST/TAIL
	082716-01-000	EA	CLAMP - EXHAUST - 2"
	082716-02-000	EA	CLAMP - EXHAUST - 2.24"

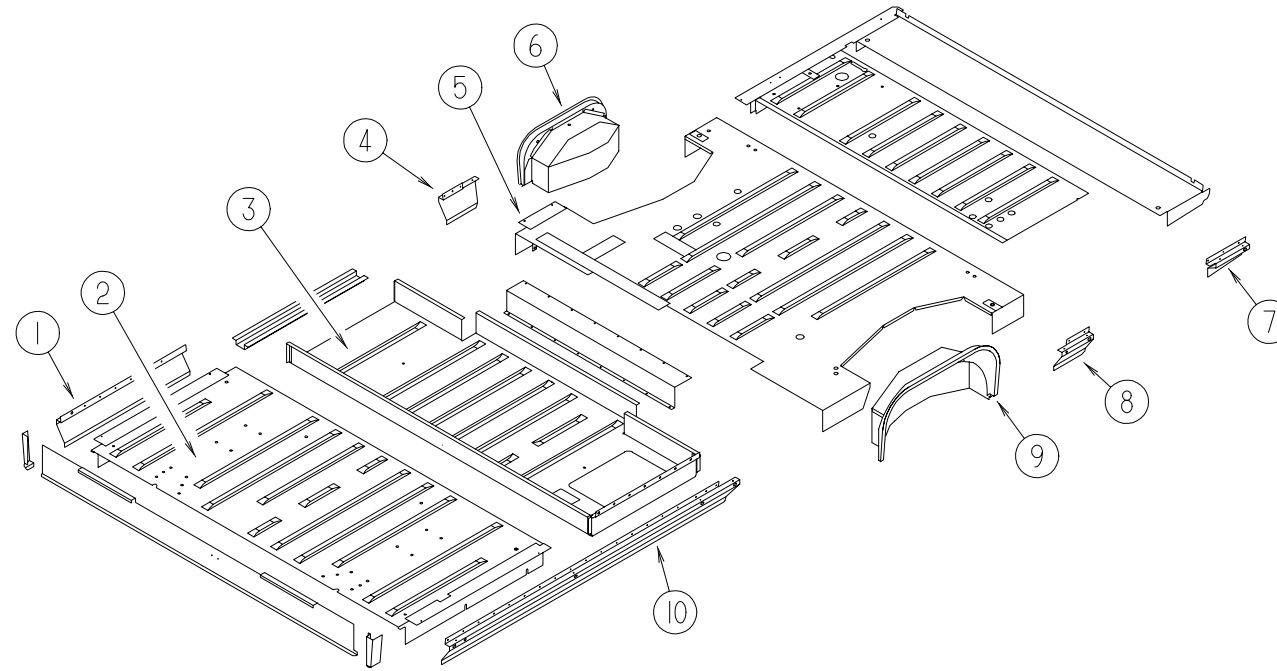
## CHASSIS GROUP (CONTINUED)



### SUSPENSION COMPONENTS

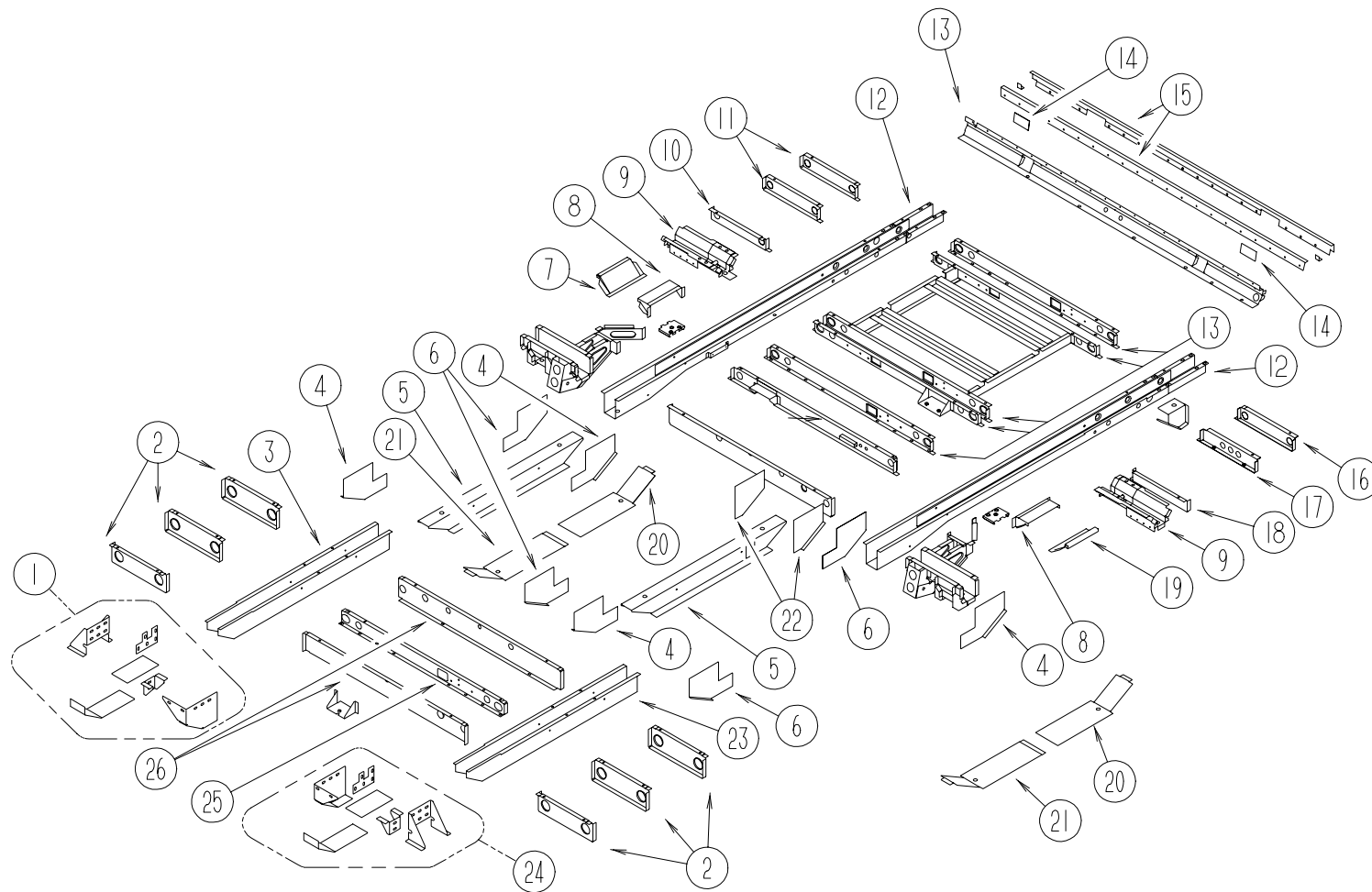
KEY	PART NUMBER	U/M	DESCRIPTION
1	112033-02-000	EA	SHOCK ABSORBER - REAR VW H-BODY - NEW DESIGN
2	112410-01-000	EA	BOLT-U - REAR SPRING
3	112560-01-000	EA	SHACKLE - SPRING - REAR
4	112503-01-000	EA	BUSHING - SPRING - REAR
5	071231-01-000	EA	PLATE - FLOOR DOUBLER
6	112415-01-000	EA	SUPPORT - SHACKLE - REAR
7	112414-01-000	EA	PLATE - SPRING CLAMP
8	112413-01-000	EA	BRACKET - U BOLT - REAR SUSPENSION
9	112032-01-000	EA	SPRING - REAR LEAF W/O BUSHINGS
	116712-01-000	EA	BUSHING - SPRING - FRONT
10	113876-01-000	EA	PAD - JOUNCE - REAR SPRING
11	120493-01-000	EA	AXLE - REAR - DISC BRAKE

**CHASSIS GROUP (CONTINUED)**  
**FLOOR COMPONENTS**



KEY	PART NUMBER	U/M	DESCRIPTION
1	113600-01-01B	EA	ROCKER ASM - FRONT - RIGHT HAND - MILL
2	110695-01-000	EA	PANEL - FLOOR - FRONT
3	112883-01-01B	EA	PANEL - FLOOR - LOWER - MILL
4	113601-01-01B	EA	ROCKER ASM - CENTER - RIGHT HAND - MILL
5	112222-01-000	EA	PANEL - FLOOR - REAR
6	112345-01-000	EA	WHEELHOUSE W/SHOCK MOUNT - REAR DRIVER SIDE - STEEL
7	112808-01-02B	EA	ROCKER - REAR - LEFT HAND
8	113005-01-01B	EA	ROCKER - REAR - LEFT HAND
9	112345-02-000	EA	WHEELHOUSE W/SHOCK MOUNT - REAR PASSENGER SIDE - STEEL
10	071366-01-000	EA	ROCKER ASM - FRONT - LEFT HAND
	112818-01-02B	EA	COMPARTMENT - REAR - LEFT HAND
	072877-03-000	EA	INSULATION - SOUND BARRIER - 1" X 36" X 57"

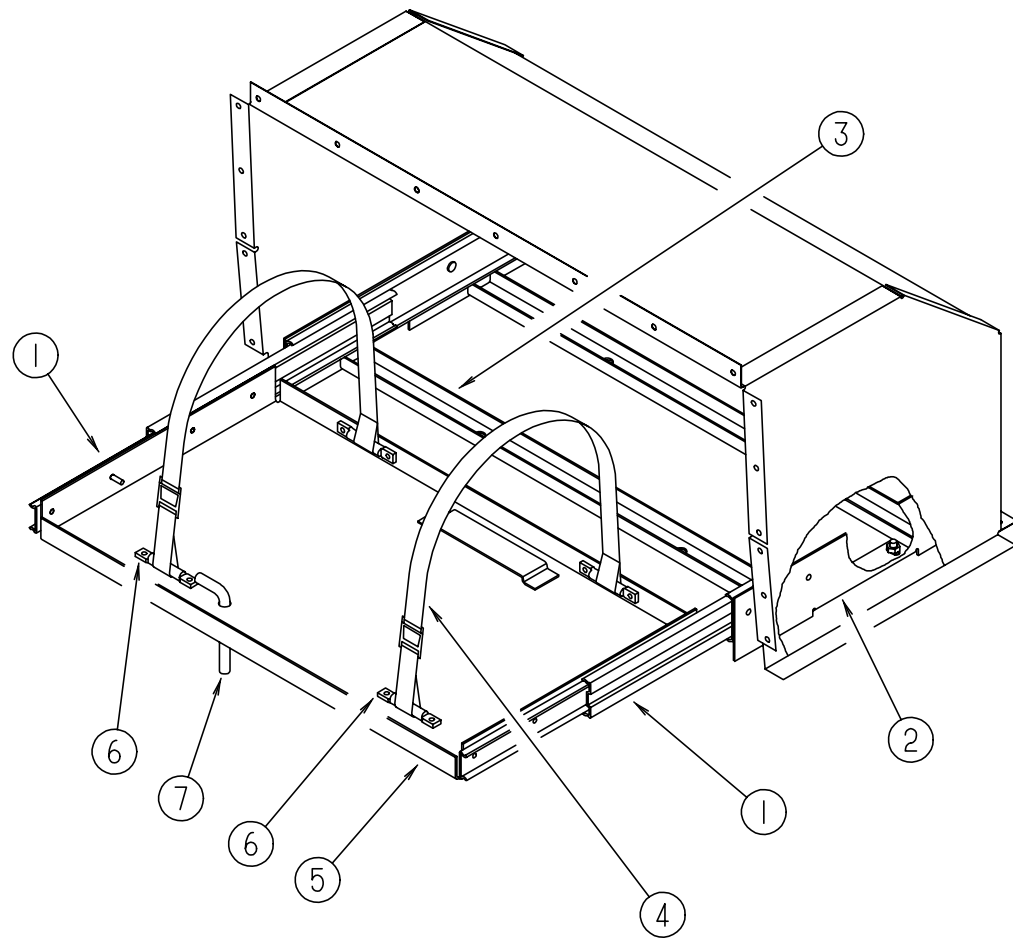
**CHASSIS GROUP (CONTINUED)**  
**FLOOR FRAME ASM**



KEY	PART NUMBER	U/M	DESCRIPTION
1	117866-01-01B	EA	BRACKET - FRAME - FLOOR - MILL - RIGHT HAND
2	071225-01-000	EA	OUTRIGGER - FRONT
3	117865-03-01B	EA	RAIL ASM - FRAME - FRONT - RIGHT HAND - MILL
4	071223-01-000	EA	GUSSET - FRAME - LOWER RIGHT HAND
5	071200-01-000	EA	RAIL - FRAME - LOWER
6	071223-02-000	EA	GUSSET - FRAME - LOWER - LEFT HAND
7	071188-01-000	EA	BRACKET - SPRING MOUNT - FRONT - PASSENGER SIDE
8	112314-01-000	EA	REINFORCEMENT - WHEELHOUSE
9	071162-01-000	EA	STRUT - SPRING MTG
10	071232-02-000	EA	OUTRIGGER - REAR - PASSENGER - 15.5" - STEEL
11	071232-01-000	EA	OUTRIGGER - REAR - RIGHT HAND
12	071220-01-000	EA	RAIL - FRAME - REAR
13	071229-01-000	EA	CROSSMEMBER - REAR - CENTER - 45" LONG - STEEL
14	070579-13-000	EA	PLATE - ANCHOR - W/1/5" WELD NUT - 2.5" X 3.3"
15	072382-01-000	EA	CROSSMEMBER ASM - REAR
16	112726-01-01B	EA	OUTRIGGER - GENERATOR - MILL
17	112726-03-01B	EA	OUTRIGGER ASM - GENERATOR - RIGHT HAND - MILL
18	112726-04-01B	EA	OUTRIGGER ASM - GENERATOR - LEFT HAND - MILL
19	071188-02-000	EA	BRACKET - SPRING MOUNT - FRONT - DRIVER SIDE
20	071729-01-000	EA	PLATE - RAIL - LOWER RIGHT

KEY	PART NUMBER	U/M	DESCRIPTION
21	071212-01-000	EA	PLATE - RAIL - LOWER
22	112315-01-000	EA	OUTRIGGER - WHEELHOUSE - REAR
23	117865-04-01B	EA	RAIL ASM - FRAME - FRONT - LEFT HAND - MILL
24	117866-02-01B	EA	BRACKET - FRAME - FLOOR - MILL - LEFT HAND
25	071774-01-000	EA	CROSSMEMBER - FRONT
26	071226-01-000	EA	CROSSMEMBER - STEPBOX
	061420-04-000	EA	PLUG -CAP - 1.25" DIAMETER
	061420-05-000	EA	PLUG-CAP, 1.8" DIAMETER
	061420-07-000	EA	PLUG - PLASTIC - 1.8" DIAMETER
	061420-08-000	EA	PLUG - PLASTIC - 2.5" DIAMETER
	073913-01-000	EA	RETAINER - MUDFLAP - METAL
	112248-01-000	EA	BRACKET - MOUNT - SHOCK - LOWER
	112248-02-000	EA	BRACKET - MOUNT - SHOCK - LOWER
	112249-01-000	EA	BRACKET-MOUNT - SHOCK - UPPER
	112250-01-000	EA	PLATE - BACKING - MOUNT - SHOCK
	112312-01-000	EA	MOUNT - UPPER REAR PASSENGER SHOCK - STEEL
	112312-02-000	EA	MOUNT - UPPER REAR DRIVER SHOCK - STEEL
	112314-01-000	EA	REINFORCEMENT - WHEELHOUSE
	112724-01-01B	EA	PANEL - ROCKER - OUT REAR RIGHT HAND - MILL
	112725-01-01A	EA	PANEL - ROCKER - INNER - REAR - RIGHT HAND - MILL

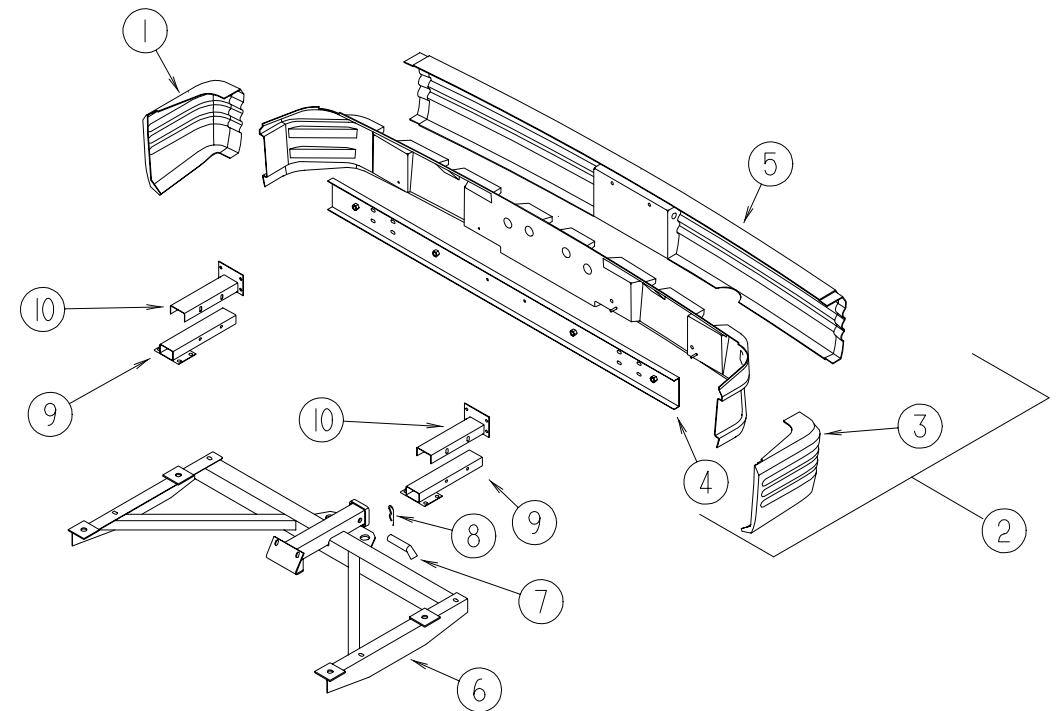
## CHASSIS GROUP (CONTINUED)



### LP COMPARTMENT COMPONENTS - JAPAN

KEY	PART NUMBER	U/M	DESCRIPTION
1	116985-01-000	EA	SLIDE - 3 SECTION - JOHNATHAN 310-12
2	116937-01-02B	EA	BRACKET - SUPPORT - LP TRAY
3	116935-01-04B	EA	SUPPORT - LP TRAY
4	099717-08-000	EA	STRAP - TV TIE DOWN W/7.9" FEMALE STRAP & 26" MALE STRAP
5	116955-01-02B	EA	TRAY - LP
6	064219-01-000	EA	RETAINER - 2.75" LONG, ALUMINUM - 2 PER TIEDOWN
7	015365-01-000	EA	PIN - TIRE CARRIER - CADMIUM PLATED

## CHASSIS GROUP (CONTINUED)



### REAR BUMPER, TRAILER HITCH & COMPONENTS

KEY	PART NUMBER	U/M	DESCRIPTION
1	113481-03-01A	EA	BUMPER - CORNER - PASSENGER REAR
2	113477-03-H70	EA	BUMPER - REAR
2	113477-05-H70	EA	BUMPER - REAR - JAPAN
3	113481-04-01A	EA	BUMPER - CORNER - REAR/OUTER/LEFT HAND
4	087108-01-000	EA	SUPPORT - BUMPER - REAR
5	124246-01-01A	EA	BUMPER - REAR - CENTER OUTER
5	124246-02-01A	EA	BUMPER - REAR - CENTER OUTER - JAPAN ONLY
6	112600-02-04B	EA	DRAWBAR - CLASS I HITCH
7	034512-01-000	EA	PIN - LOCKING - DRAWBAR
8	034513-01-000	EA	PIN - HITCH - 3/16" WIRE
9	115947-01-02B	EA	SUPPORT - LOWER - BUMPER/REAR
10	115944-01-02B	EA	SUPPORT - UPPER - BUMPER/REAR
	113589-01-000	EA	CONNECTOR - PLUG - TRAILER
	113589-02-000	EA	CONNECTOR - SOCKET - TRAILER
	113588-02-01B	EA	BRACKET - CONNECTOR - TRAILER W/O LIP

**CHASSIS GROUP (CONTINUED)**  
**FUEL SYSTEM COMPONENTS**

KEY	PART NUMBER	U/M	DESCRIPTION
	007063-01-000	FT	HOSE - FUEL - 1/4"ID X 1/2"OD
	084884-01-000	EA	PLUG - BRASS - 3/8"
	113378-01-000	EA	FUEL LINE - GENERATOR - FRONT
	113378-02-000	EA	FUEL LINE - GENERATOR - REAR
	113378-03-000	EA	FUEL LINE - GENERATOR - MIDDLE
	114253-01-000	EA	ELBOW - 1/4" SINGLE BARB X 1/8" MPT - WEATHERHEAD 1582
	114254-01-000	EA	ADAPTER - 1/4" BARB X 1/8" MPT

**DICOR 15" WHEEL COVERS**

KEY	PART NUMBER	U/M	DESCRIPTION	VENDOR NO.
	114193-01-000	EA	COVER - WHEEL - 15" - SET OF 4 - DICOR PC9054-15	
	114193-01-700	EA	COVER-WHEEL, 15" - 1 ONLY - DICOR	PC9054-15-COV
	077030-02-000	EA	EXTENSION - VALVE STEM - 1.25"	

**FRONT & REAR MUDFLAP & RETAINER BRACKET**

KEY	PART NUMBER	U/M	DESCRIPTION
	073905-01-000	EA	MUDFLAP - REAR - 10.1" X 19.3"
	073905-03-000	EA	MUDFLAP - REAR - 10.1" X 9.3"
	073913-01-000	EA	RETAINER - MUDFLAP - METAL

**LUG WRENCH , TIRE JACK & HANDLE**

KEY	PART NUMBER	U/M	DESCRIPTION
	116209-01-000	EA	WRENCH - LUG - .75"
	114387-01-000	EA	JACK - SCREW - 4000 LB - AUSCO 95-55900
	114387-02-000	EA	HANDLE - SCREW JACK - 1 PIECE - AUSCO 1-55872

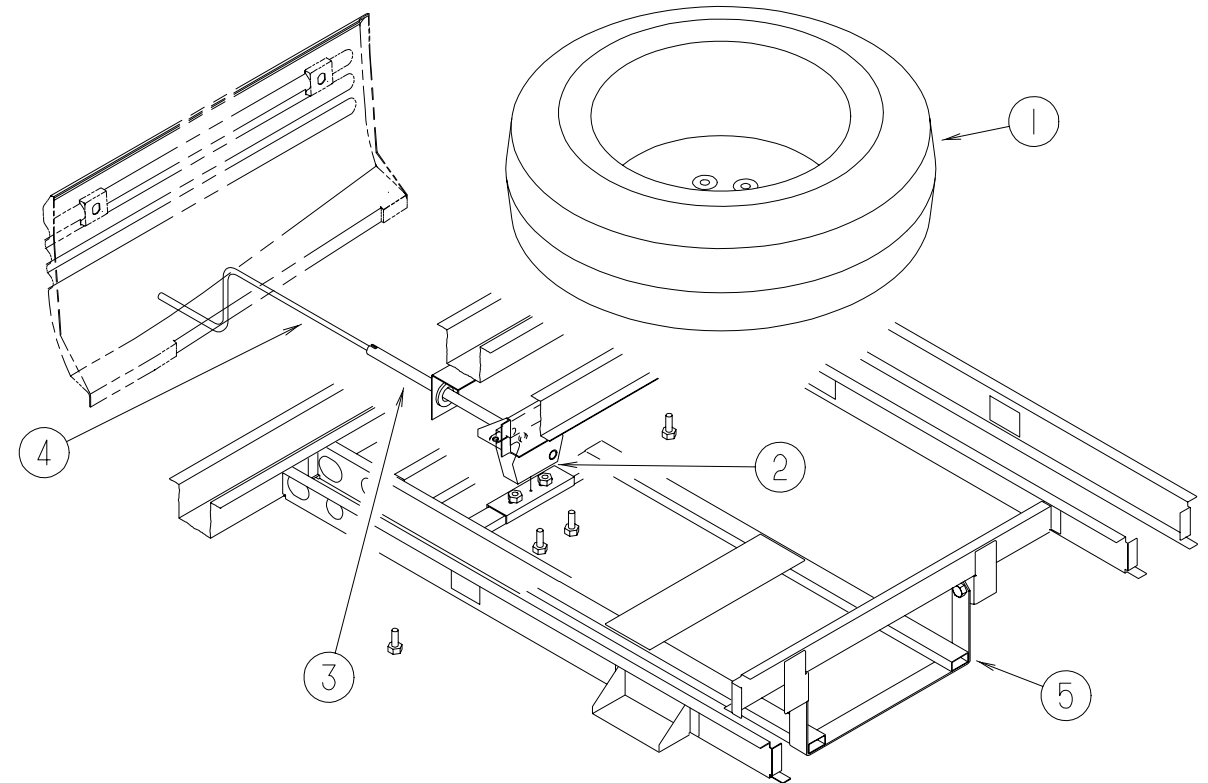
**REAR AIR BAGS**

KEY	PART NUMBER	U/M	DESCRIPTION
	701390-04-700	EA	AIR BAG SYSTEM - COMPLETE INSTALLATION - REAR VW H-BODY
	100293-03-700	EA	AIR BAG REPAIR KIT - VW H-BODY, LEFT HAND KIT CONTAINS: (1) AIR BAG, (1) ELBOW FITTING, (1) ELBOW FILL VALVE, (1) 3' 1/4" AIR LINE, (1) INSTRUCTIONS
	100293-03-701	EA	AIR BAG REPAIR KIT - VW H-BODY, RIGHT HAND KIT CONTAINS: (1) AIR BAG, (1) ELBOW FITTING, (1) ELBOW FILL VALVE, (1) 3' 1/4" AIR LINE, (1) INSTRUCTIONS

**MISCELLANEOUS CHASSIS COMPONENTS**

KEY	PART NUMBER	U/M	DESCRIPTION
	112638-01-000	EA	HOSE - BRAKE LINE/REAR - CONTINENTAL HOSE# 4106
	112638-02-000	EA	CLIP - SPRING - BRAKE HOSE - CONTINENTAL HOSE# 20A790
	100424-01-000	EA	ANGLE - BRAKE CABLE - MC-90
	121406-01-01A	EA	BUSHING - THREADED - 2 PIECE NYLON
	111420-07-000	EA	PLATE - SUPPORT - CAB ROOF - 30 MM X 30 MM - STEEL
	112081-02-000	EA	ANGLE - ROOF SUPPORT - CENTER
	112538-01-000	EA	PILLAR ASM - B - RIGHT HAND - STEEL
	112538-02-000	EA	PILLAR ASM - B - LEFT HAND - STEEL
	114254-01-000	EA	ADAPTER - 1/4" SINGLE BARB X 1/8" MPT - WEATHERHEAD 1537
	114255-01-000	EA	COUPLING - 5/8" THD X 1/8" FPT - PARKER 207ACBH-2
	076776-02-000	EA	TEE - BEADED - 3/4 X 3/4 X 3/4
	075243-01-000	EA	UNION - M10 X 1 - FLARE/FLARE - WHITEHEAD 112-06187
	010281-01-000	EA	TEE - BRASS - 3/8 F
	103491-02-000	EA	BRACKET - LICENSE PLATE - FRONT - JAPAN OPTION

**CHASSIS GROUP (CONTINUED)**

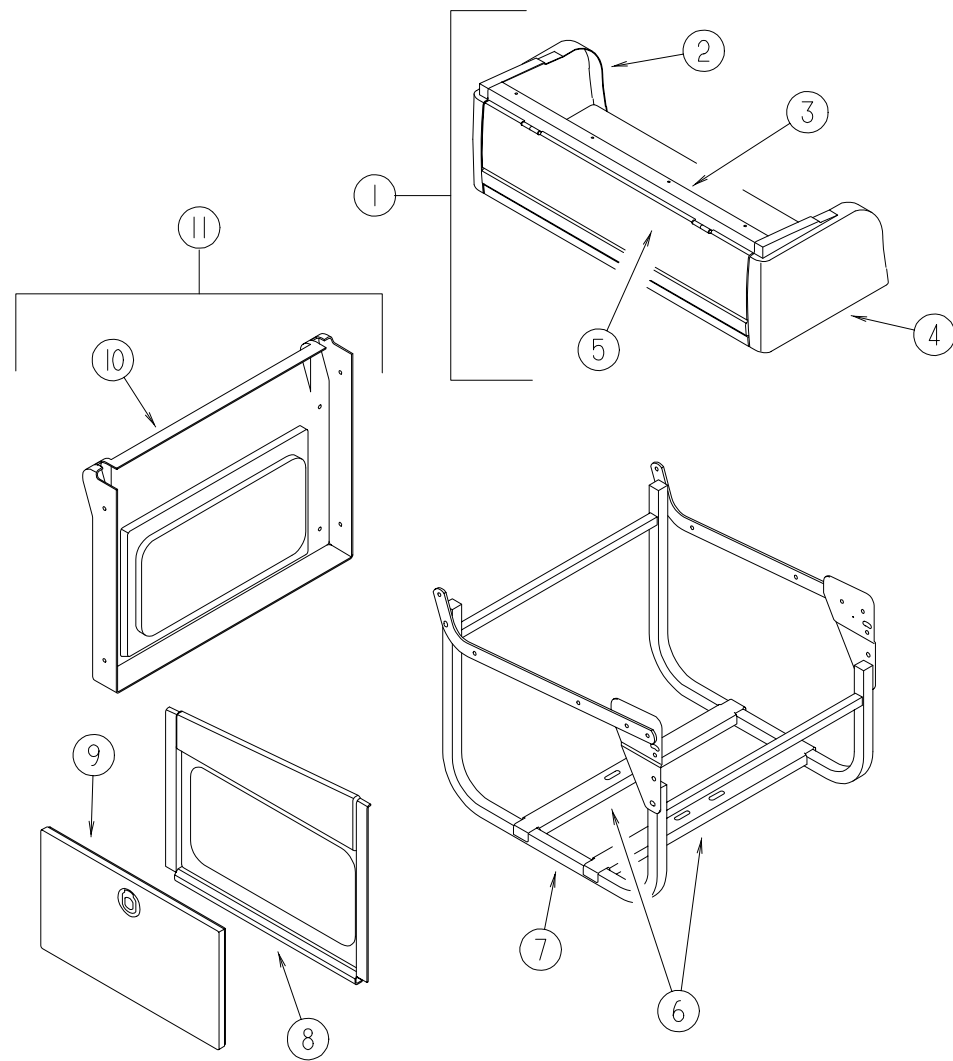


**SPARE TIRE/MOUNT & HOIST**

KEY	PART NUMBER	U/M	DESCRIPTION
1	116271-01-000	EA	TIRE - LT 195/70T 15C 104/102P
2	093267-03-000	EA	HOIST - SPARE TIRE - #100 LB
3	093375-15-000	EA	EXTENSION - TIRE HOIST
4	093376-02-000	EA	HANDLE - CRANK - TIRE HOIST
	114376-01-000	EA	PIN - DRIVE - .156 X .750 - TYPE E - TIRE HOIST
5	124645-01-02B	EA	CRADLE - SPARE TIRE
	113007-04-000	EA	PIN - SPRING - .007" X 1.25"



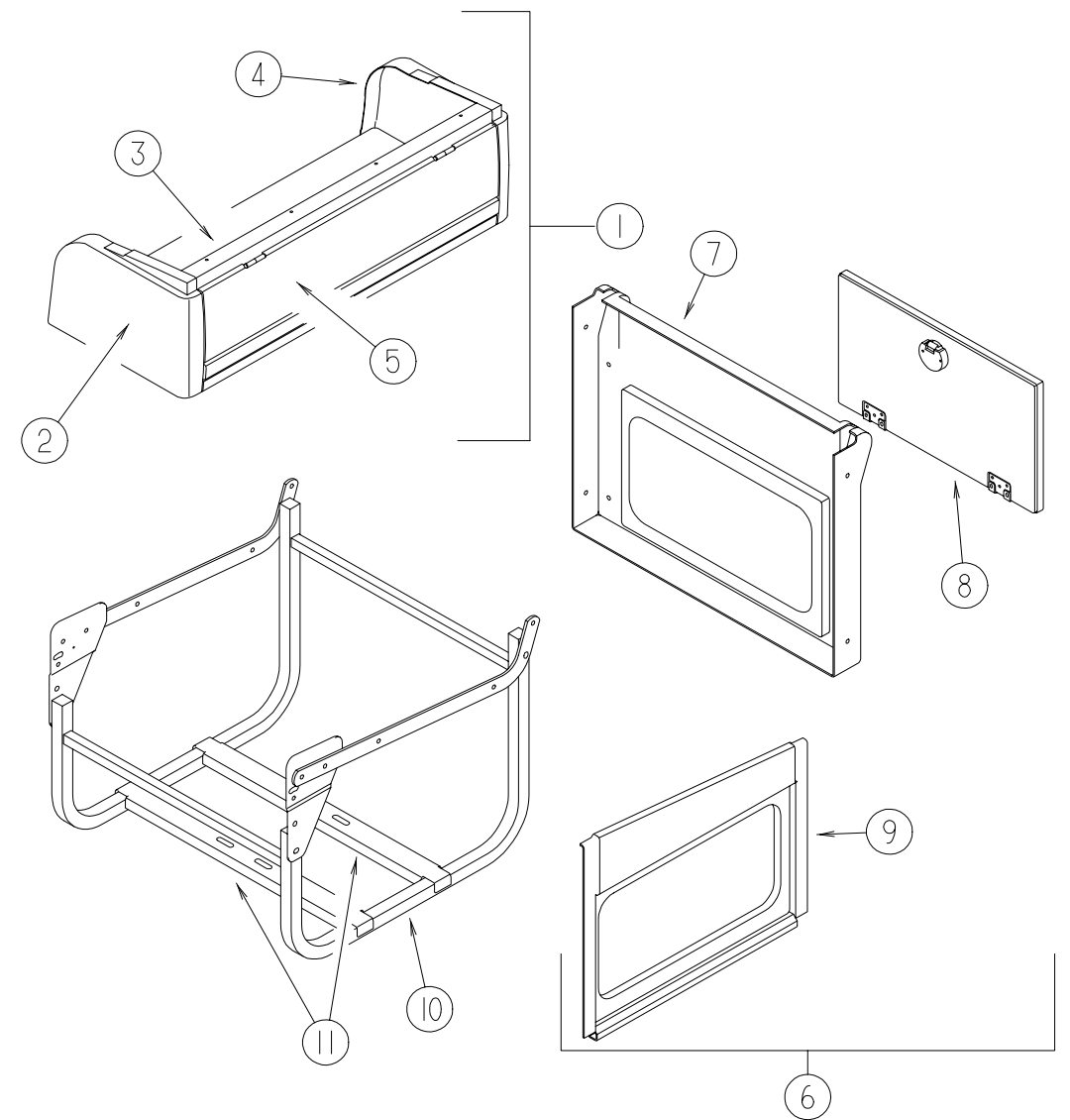
## COMPANION SEAT GROUP



DRIVER SIDE

KEY	PART NUMBER	U/M	DESCRIPTION
1	116853-03-J80	EA	CABINET - OVERHEAD - W/O DOORS/HARDWARE
2	112374-02-02A	EA	CAP - END - OVERHEAD CABINET - REAR - VW TAUPE
3	112706-04-02A	EA	PANEL - OVERHEAD/BOTTOM
4	112374-01-02A	EA	CAP - END - OVERHEAD CABINET - FRONT - VW TAUPE
5	116832-01-H70	EA	PANEL - DOOR/CABINET - W/O HARDWARE
6	113283-01-02B	EA	BRACKET - SEAT/COMPANION
7	113991-02-000	EA	FRAME - BASE - COMPANION/DRIVER - FLEXSTEEL# XP1631-DR
8	117949-01-02A	EA	PANEL - TRIM/COMPANION SEAT - RIGHT HAND
9	116854-01-H70	EA	DOOR - COMPANION SEAT - W/O HARDWARE
10	113441-01-02A	EA	PANEL - COMPANION SEAT - REAR - DK GRAY
11	M07459-07-H70	EA	PANEL - DRIVER SEAT/LEFT HAND
	116071-01-01A	EA	PLUG - PLASTIC/CAP
	114280-01-02A	EA	COVER - BRACKET D LOOP RIGHT HAND
	114280-02-02A	EA	COVER - BRACKET D LOOP LEFT HAND
	114279-03-02B	EA	BRACKET-SEAT BELT - E-COATED
	109146-01-000	EA	BOLT - SHOULDER - SEAT BELT
	113375-05-01A	EA	LATCH - SLAM - BACK - .8" THICK
	113676-01-01A	EA	HINGE - OVERLAY - VARIABLE

## COMPANION SEAT GROUP (CONTINUED)



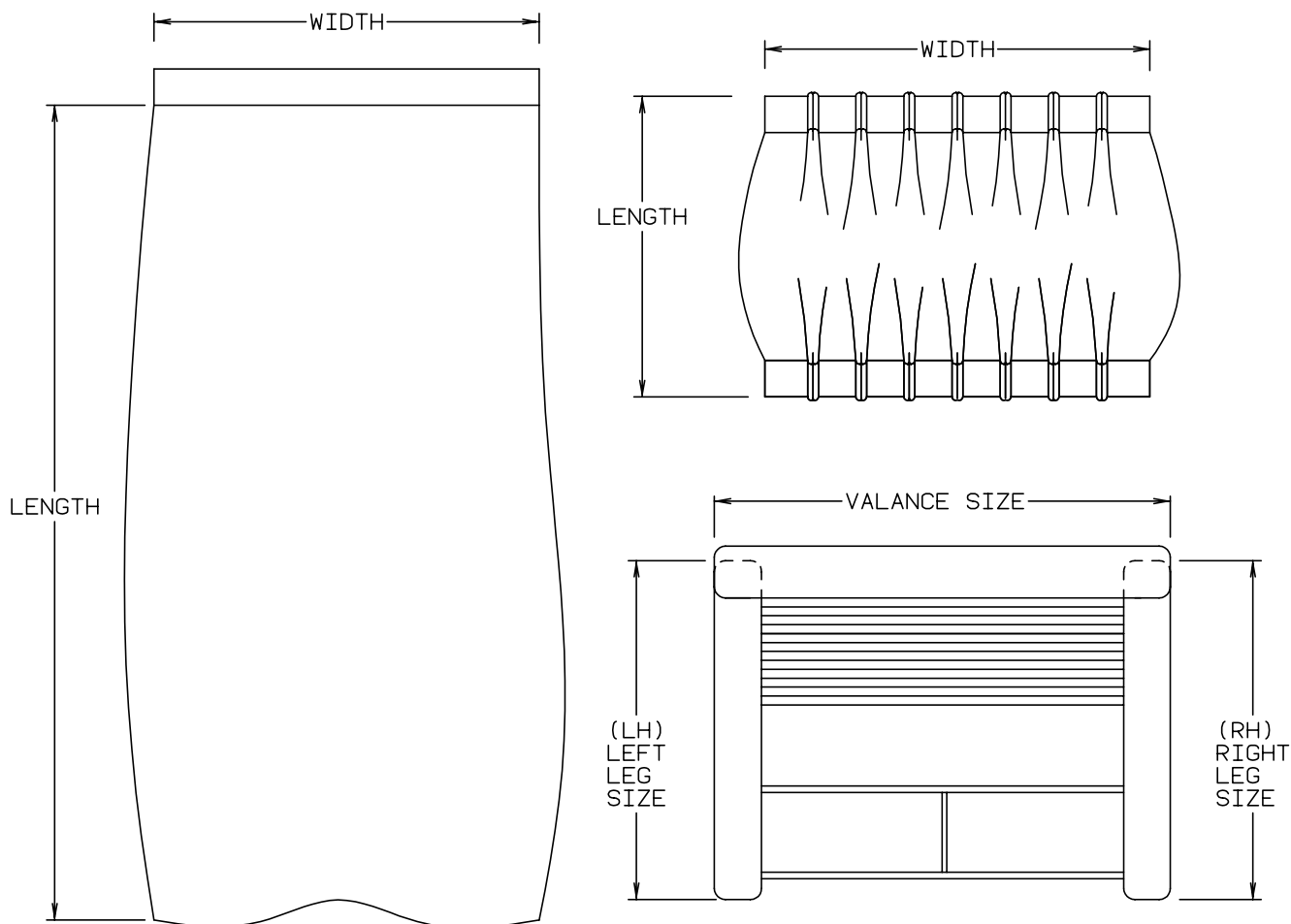
PASSENGER SIDE

KEY	PART NUMBER	U/M	DESCRIPTION
1	116853-03-H70	EA	CABINET - OVERHEAD - W/O DOORS/HARDWARE
2	112374-02-02A	EA	CAP - END - OVERHEAD CABINET - REAR - VW TAUPE
3	112706-04-02A	EA	PANEL - OVERHEAD/BOTTOM
4	112374-01-02A	EA	CAP - END - OVERHEAD CABINET - FRONT - VW TAUPE
5	116832-01-H70	EA	PANEL - DOOR/CABINET - W/O HARDWARE
6	M07459-06-H70	EA	SEAT - COMPANION - RIGHT HAND PANELS
7	113441-02-02A	EA	PANEL - TRIM - COMPANION SEAT - REAR
8	116854-01-H70	EA	DOOR - COMPANION SEAT - W/O HARDWARE
9	117949-02-02A	EA	PANEL - TRIM COMPANION SEAT - LEFT HAND
10	113991-01-000	EA	FRAME - BASE - COMPANION/PASSENGER - FLEXSTEEL# XP1631-PA
11	113283-01-02B	EA	BRACKET - SEAT/COMPANION
	116071-01-01A	EA	PLUG - PLASTIC/CAP
	114280-01-02A	EA	COVER - BRACKET D LOOP RIGHT HAND
	114280-02-02A	EA	COVER - BRACKET D LOOP LEFT HAND
	114279-03-02B	EA	BRACKET-SEAT BELT - E-COATED
	109146-01-000	EA	BOLT - SHOULDER - SEAT BELT
	113375-06-01A	EA	LATCH - SLAM - FACE - .7" THICK
	113676-01-01A	EA	HINGE - OVERLAY - VARIABLE

**CURTAIN & CUSHION GROUP  
NOTICE**

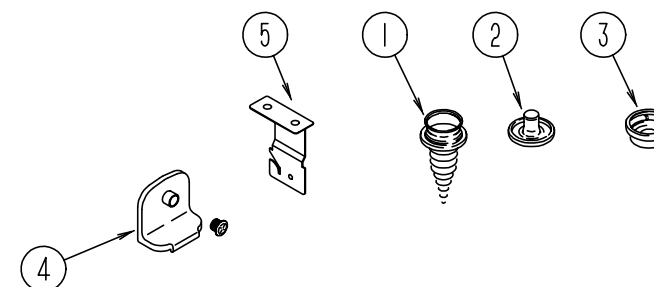
IN ORDER TO ASSIST OUR PARTS SALES DEPT. IN PROVIDING INTERIOR SOFTGOODS ITEMS, PLEASE INCLUDE THE SERIAL NUMBER AND THE COLOR CODE NUMBER FROM THE VEHICLE CERTIFICATION LABEL WHEN ORDERING. THIS LABEL IS LOCATED ON THE LEFT SIDEWALL AT THE END OF THE DASH (A-BODY), OR ON THE DRIVER'S DOOR LATCH PLATE (C-BODY).

AN EXAMPLE OF A COLOR CODE NUMBER IS B07, WHICH DESIGNATES AN OVERALL COLOR SCHEME OF A PARTICULAR UNIT. THE COLOR LISTED AFTER THE ITEM DESCRIPTION ON THE MICROFICHE, INDICATES THE OVERALL UNIT COLOR. ORDER THE ITEM YOU DESIRE ACCORDING TO UNIT COLOR CODE.



NOTE: USE THIS ILLUSTRATION WHEN DETERMINING LENGTH AND WIDTH MEASUREMENTS FOR CURTAINS. YOU WILL NOTE THE WIDTH MEASUREMENT IS TAKEN ON THE TOP OF THE CURTAIN WITH THE CURTAIN FULLY EXTENDED. THE LENGTH MEASUREMENT IS TAKEN FROM TOP TO BOTTOM. LEFT AND RIGHT WINDOW LEGS ARE DETERMINED WHEN FACING THE WINDOW.

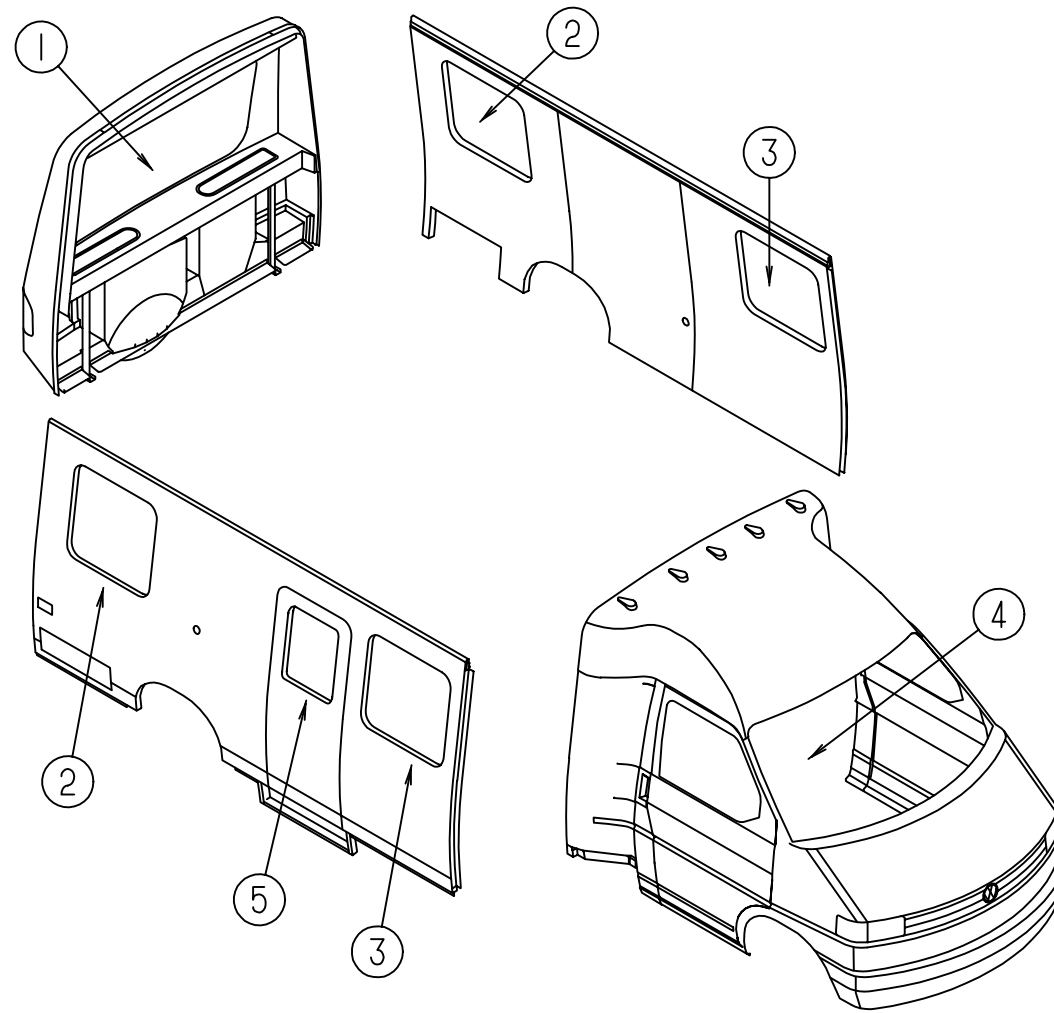
**CURTAIN & CUSHION GROUP (CONTINUED)**



**CURTAIN, BLIND & SHADE HARDWARE**

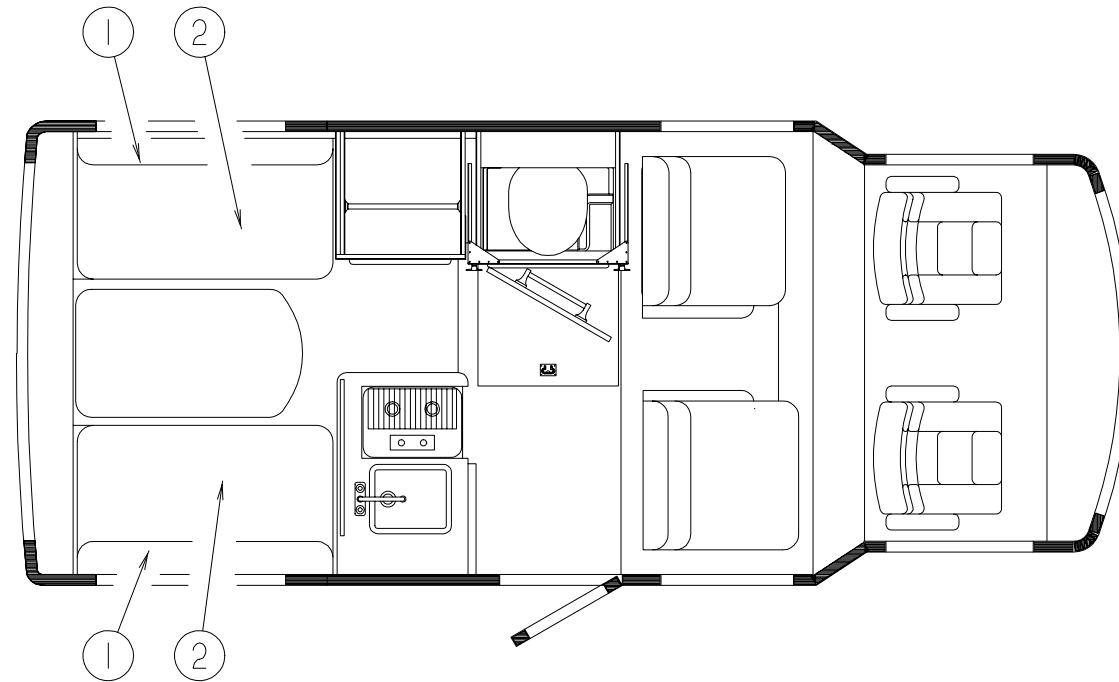
KEY	PART NUMBER	U/M DESCRIPTION
1	029130-01-000	EA SCREW - SNAP SOCKET - #8 PH X 5/8"
1	029130-03-000	EA SCREW - SNAP SOCKET - #8 PH X 1"
2	029155-01-000	EA CAP - SNAP - 5/32" O.D. OF PIN
3	029156-01-000	EA SOCKET - SNAP - 9/16" O.D.
3	029156-02-000	EA SOCKET - SNAP - 27/64" OD
4	106544-01-000	EA PULL - SHADE/BRASS
4	106544-01-001	EA SCREW - SHADE/BRASS
5	084434-01-000	EA BRACKET - MOUNTING - ROLLER SHADE - 1 3/8"
	048394-02-000	YD VELCRO TAPE - HOOK - ADHESIVE BACK - .75" WIDE - BEIGE
	088792-02-000	YD VELCRO TAPE - LOOP - .75" - ADHESIVE BACKED - BEIGE
	088792-04-000	YD VELCRO TAPE - LOOP - 5/8" - NON-ADHESIVE BACK - WHITE
	088792-05-000	YD VELCRO TAPE - HOOK - 5/8" - NON-ADHESIVE BACK - WHITE
	088792-06-000	YD VELCRO TAPE - LOOP - .75" - NON-ADHESIVE BACKED - BUFF
	103242-01-000	EA VELCRO HOOK - BEIGE 7/8"
	086276-01-000	EA TAPE - DOUBLE SIDED - 1/2"
	094896-02-000	EA GROMMET - CORD/PLEATED BLIND - NYLON - GRAY
	094907-05-000	EA HARDWARE - END CAP - BOTTOM - PULL TYPE
	094907-05-700	EA END CAP - RIGHT HAND BOTTOM BLIND
	094907-05-701	EA END CAP - LEFT HAND BOTTOM BLIND
	094907-06-000	EA HARDWARE - END CAP - E-Z LIFT - TOP
	094908-03-000	FT HARDWARE - SEMI-RIDGED PVC - EZ LIFT
	097565-01-000	EA BRACKET - MOUNTING/PLEATED BLIND
	097591-01-000	EA SPRING - EXTENSION/PLEATED BLIND
	097592-01-000	EA SPOOL - CORD - ELEVATED BLIND HOLDUP - CLEAR PLASTIC
	097593-06-000	FT CORD - BLIND - PLEATED - PEWTER
	089275-01-000	FT STRIP - 3/4" X 96" - CLEAR POLYETHYLENE
	096843-01-000	EA SPRING - REWIND/ROLLER SHADE

**CURTAIN & CUSHION GROUP (CONTINUED)**  
**WINDOW TREATMENT & SHOWER CURTAIN**



KEY	PART NUMBER	U/M	DESCRIPTION
1	119405-06-H70	EA	BLIND - MICRO PLEAT - 61" X 32"
2	119405-04-J80	EA	BLIND - MICRO PLEAT - 29" X 28"
2	113637-23-H70	EA	VALANCE - ROSEANNE - 30" (J80)
2	113637-23-J81	EA	VALANCE - ROSEANNE - 30" (J81)
3	113637-27-H70	EA	VALANCE - ROSEANNE - 40" (J80)
3	113637-27-J81	EA	VALANCE - ROSEANNE - 40" (J81)
3	119405-13-H70	EA	BLIND - MICRO/PLEAT - 39" X 28.5"
4	077591-12-H70	EA	CURTAIN - 26" X 144"
5	113637-24-H70	EA	VALANCE - ROSEANNE - 27.5" (J80)
5	113637-24-J81	EA	VALANCE - ROSEANNE - 27.5" (J81)
5	084755-39-E01	EA	SHADE - PULL - 26.25"
	117640-01-G46	EA	CURTAIN - SHOWER - RIGHT HAND
	117640-02-G46	EA	CURTAIN - SHOWER - LEFT HAND
	057534-01-000	EA	TIEBACK/TIEDOWN - 6" CLEAR PLASTIC
	057534-02-000	EA	TIEBACK/TIEDOWN - 3" CLEAR PLASTIC
	089275-01-000	FT	STRIP - 3/4" X 96" - CLEAR POLYETHYLENE

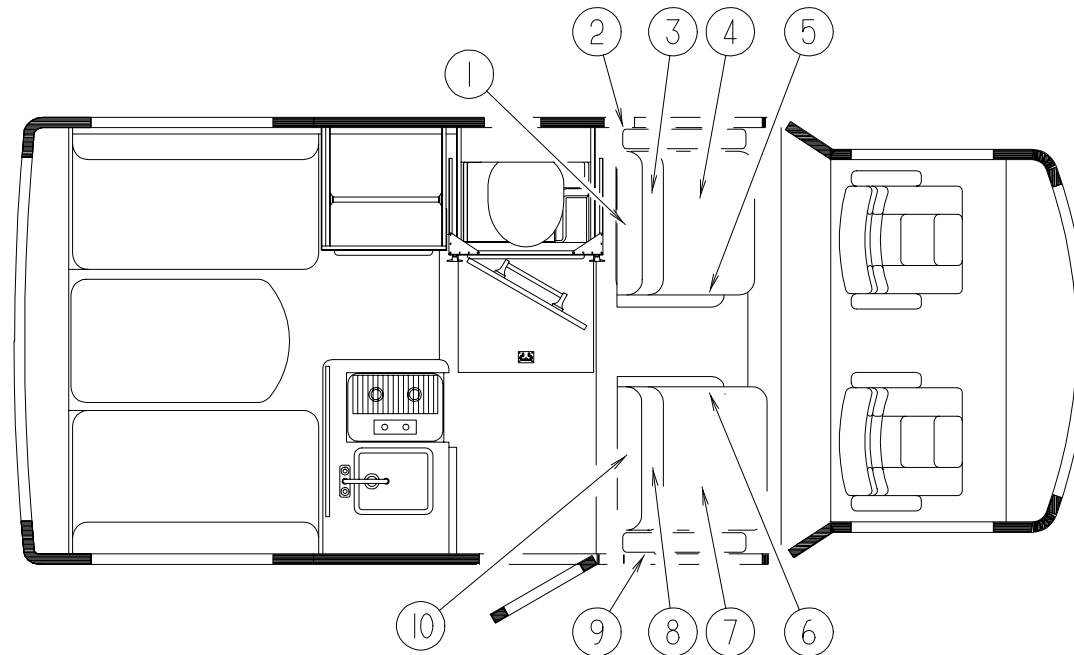
**CURTAIN & CUSHION GROUP (CONTINUED)**  
**DINETTE CUSHIONS**



KEY	PART NUMBER	U/M	DESCRIPTION
1	114942-06-H70	EA	BACK - DINETTE SEAT (J80)
1	114942-06-H71	EA	BACK - DINETTE SEAT (J81)
1	P14942-06-H70	EA	COVER - BACK - DINETTE (J80)
1	P14942-06-H71	EA	COVER - BACK - DINETTE (J81)
1	127861-01-J80	EA	BACK - DINETTE CUSHION - LEATHER OPTION
1	P27861-01-J80	EA	COVER - DINETTE BACK - LEATHER OPTION
2	114942-05-H70	EA	SEAT - BOTTOM - DINETTE (J80)
2	114942-05-H71	EA	SEAT - BOTTOM - DINETTE (J81)
2	P14942-05-H70	EA	COVER - BOTTOM - DINETTE (J80)
2	P14942-05-H71	EA	COVER - BOTTOM - DINETTE (J81)

KEY	PART NUMBER	U/M	DESCRIPTION
2	127861-02-J80	EA	SEAT - DINETTE CUSHION - LEATHER OPTION
2	P27861-02-J80	EA	COVER - DINETTE SEAT - LEATHER OPTION
2	123241-01-000	EA	FRAME - DINETTE BASE
	124309-01-H70	EA	PANEL - COVER - DINETTE/RIGHT HAND
	124309-02-H70	EA	PANEL - COVER - DINETTE/LEFT HAND
	124309-03-H70	EA	PANEL - COVER - DINETTE/LEFT HAND - JAPAN
	124309-04-H70	EA	PANEL - COVER - DINETTE/LEFT HAND - EUROPEAN
	M85358-07-H70	EA	COVER - REMOVEABLE ARM - 5" X 5.5" X 16" - JAPAN (J80)
	M85358-07-J81	EA	COVER - REMOVEABLE ARM - 5" X 5.5" X 16" - JAPAN (J81)

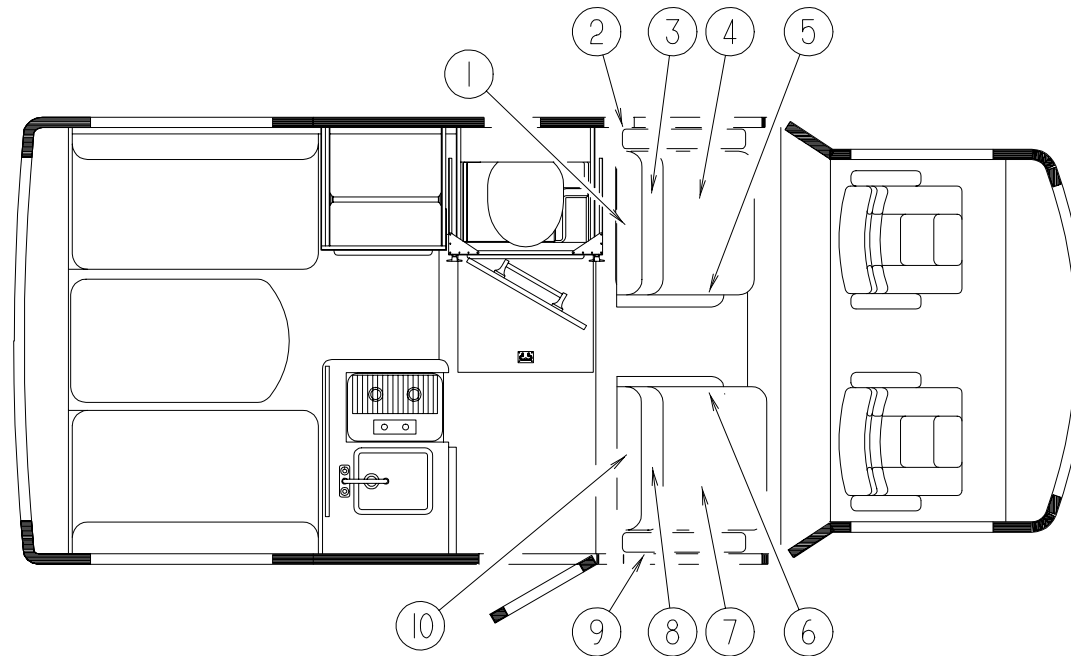
**CURTAIN & CUSHION GROUP (CONTINUED)**  
**COMPANION SEAT CUSHIONS**



KEY	PART NUMBER	U/M	DESCRIPTION
1	121021-02-J80	EA	HEADREST - COMPANION SEAT
1	121021-02-J81	EA	HEADREST - COMPANION SEAT
1	P21021-02-J80	EA	COVER - HEADREST
1	P21021-02-J81	EA	COVER - HEADREST
1	121021-04-J80	EA	HEADREST - DRIVER COMPANION - LEATHER OPTION
1	P21021-04-J80	EA	COVER - HEADREST - LEFT COMPANION - LEATHER OPTION
2	114939-05-H70	EA	SEAT/CENTER - DRIVER COMPANION (J80,J81)
2	P14939-05-H70	EA	COVER - CENTER - COMPANION/DRIVER (J80,J81)
2	127860-01-J80	EA	SEAT - CENTER - DRIVER COMPANION - LEATHER OPTION
2	P27860-01-J80	EA	COVER - CENTER - DRIVER COMPANION - LEATHER OPTION
3	114937-06-J80	EA	SEAT/BACK - DRIVER COMPANION
3	114937-06-J81	EA	SEAT/BACK - DRIVER COMPANION
3	127858-02-J80	EA	SEAT/BACK - DRIVER COMPANION - LEATHER OPTION
3	P14937-06-J80	EA	COVER - BACK - DRIVER COMPANION
3	P14937-06-J81	EA	COVER - BACK - DRIVER COMPANION
3	P27858-02-J80	EA	COVER - BACK - DRIVER COMPANION - LEATHER OPTION

KEY	PART NUMBER	U/M	DESCRIPTION
4	114938-06-H70	EA	SEAT/BOTTOM - DRIVER COMPANION (J80)
4	114938-06-J81	EA	SEAT/BOTTOM - DRIVER COMPANION (J81)
4	127859-02-J80	EA	SEAT/BOTTOM - DRIVER COMPANION - LEATHER OPTION
4	P14938-06-H70	EA	COVER - SEAT - DRIVER COMPANION(J80)
4	P14938-06-J81	EA	COVER - SEAT - DRIVER COMPANION (J81)
4	P27859-02-J80	EA	COVER - SEAT - DRIVER COMPANION - LEATHER OPTION
5	114940-05-J80	EA	ARMREST - COMPANION - RIGHT HAND (J80,J81)
5	114940-05-H70	EA	ARMREST - COMPANION - RIGHT HAND - LEATHER OPTION
5	P14940-05-J80	EA	COVER - ARMREST - COMPANION/DRIVER (J80,J81)
5	P14940-05-H70	EA	COVER - ARMREST - COMPANION/DRIVER - LEATHER OPTION

**CURTAIN & CUSHION GROUP (CONTINUED)**  
**COMPANION SEAT CUSHIONS**



KEY	PART NUMBER	U/M	DESCRIPTION
6	114940-06-J80	EA	ARMREST - COMPANION/LEFT (J80,J81)
6	114940-06-H70	EA	ARMREST - COMPANION - LEFT HAND - LEATHER OPTION
6	P14940-06-J80	EA	COVER - ARMREST - COMPANION/PASSENGER (J80,J81)
6	P14940-06-H70	EA	COVER - ARMREST - COMPANION/PASSENGER - LEATHER OPTION
7	114938-05-H70	EA	SEAT - BOTTOM - PASSENGER COMPANION (J80)
7	114938-05-J81	EA	SEAT - BOTTOM - PASSENGER COMPANION (J81)
7	127859-01-J80	EA	SEAT - BOTTOM - PASSENGER COMPANION - LEATHER OPTION
7	P14938-05-H70	EA	COVER - SEAT - COMPANION/PASSENGER (J80)
7	P14938-05-J81	EA	COVER - SEAT - COMPANION/PASSENGER (J81)
7	P27859-01-J80	EA	COVER - SEAT - COMPANION/PASSENGER - LEATHER OPTION
8	114937-05-J80	EA	SEAT/BACK - PASSENGER COMPANION
8	114937-05-J81	EA	SEAT/BACK - PASSENGER COMPANION
8	127858-01-J80	EA	SEAT/BACK - PASSENGER COMPANION - LEATHER OPTION
8	P14937-05-J80	EA	COVER - BACK - COMPANION/PASSENGER
8	P14937-05-J81	EA	COVER - BACK - COMPANION/PASSENGER
8	P27858-01-J80	EA	COVER - BACK - COMPANION/PASSENGER - LEATHER OPTION

KEY	PART NUMBER	U/M	DESCRIPTION
9	114939-06-H70	EA	SEAT/CENTER - PASSENGER COMPANION (J80,J81)
9	P14939-06-H70	EA	COVER - CENTER - COMPANION/PASSENGER (J80,J81)
9	127860-02-J80	EA	SEAT - COMPANION CENTER - PASSENGER - LEATHER OPTION
9	P27860-02-J80	EA	COVER - COMPANION - CENTER/PASSENGER - LEATHER OPTION
10	121021-02-J80	EA	HEADREST - COMPANION SEAT
10	121021-02-J81	EA	HEADREST - COMPANION SEAT
10	121021-03-J80	EA	HEADREST - COMPANION - RIGHT - LEATHER OPTION
10	P21021-02-J80	EA	COVER - HEADREST
10	P21021-02-J81	EA	COVER - HEADREST
10	P21021-03-J80	EA	COVER - HEADREST - RIGHT COMPANION - LEATHER OPTION

**CURTAIN & CUSHION GROUP (CONTINUED)**  
**COMPANION AISLE FILLER SEAT**

KEY	PART NUMBER	U/M	DESCRIPTION
	113991-06-000	EA	FRAME - FILLER - COMPANION
	113991-14-000	EA	AISLE FILLER SUPPORT GUIDE
	113991-15-000	EA	AISLE FILLER CUSHION SUPPORT
	113991-16-000	EA	AISLE FILLER LOCATOR - DRIVER SIDE
	113991-17-000	EA	AISLE FILLER LOCATOR - PASSENGER SIDE

**SEATBELTS & WELTING**

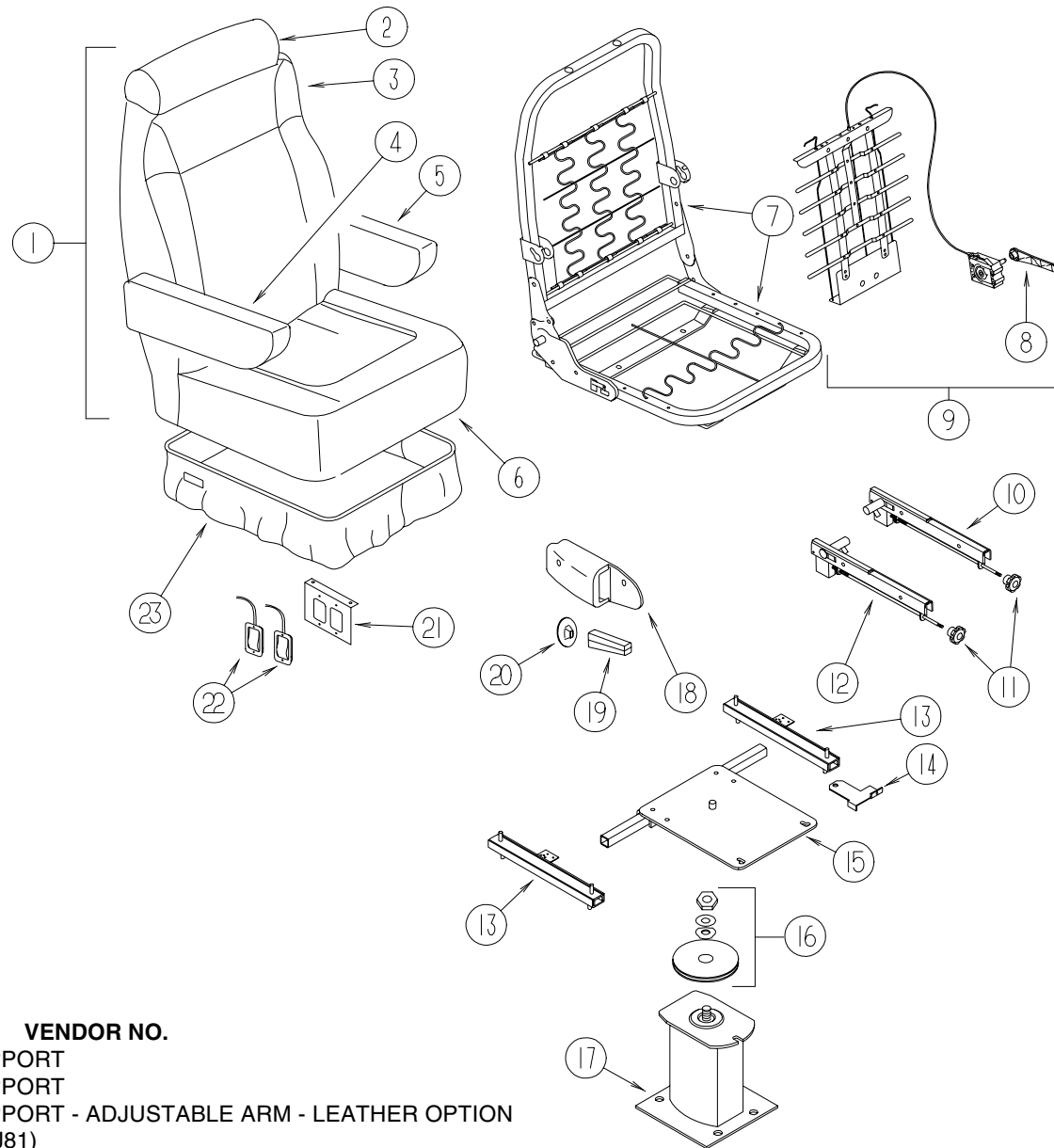
KEY	PART NUMBER	U/M	DESCRIPTION
	114258-01-01A	EA	SEAT BELT - 2" X 90" - BLACK
	114259-01-01A	EA	SEAT BELT - PASSENGERS 3 POINT
	114259-02-01A	EA	SEAT BELT - DRIVERS 3 POINT
	079349-04-H70	YD	WELT - NARROW

**CURTAIN & CUSHION GROUP (CONTINUED)**

<b>RIALTA FABRICS</b>		
COLOR CODES	J80	J81
	LAKWOOD	DUSK
<b>CEILING VINYL</b>	113979-02-02A 113979-03-02A	113979-02-02A 113979-03-02A
<b>VINYL</b>	079680-25-000	079680-25-000
<b>SHOWER CURTAIN VINYL</b>	075244-10-000	075244-10-000
<b>DRAPERY LINING</b>	087272-03-000	087272-03-000
<b>BUCKET SEATS LEATHER DRIVER LEATHER PASSENGER</b>	108446-R6-000 125728-01-000 125728-02-000	108446-T6-000 125728-01-000 125728-02-000
<b>DINETTE LEATHER</b>	108446-R6-000 125730-01-000	108446-T6-000 125730-01-000
<b>DINETTE WINDOWS</b>	108446-R6-000	108446-T6-000
<b>COMPANION SEATS LEATHER DRIVER LEATHER PASSENGER</b>	108446-R6-000 125729-01-000 125729-02-000	108446-T6-000 125729-01-000 125729-02-000
<b>COMPANION SEAT WINDOWS</b>	108446-R6-000	108446-T6-000
<b>SWIVEL CHAIR</b>	108446-R6-000	108446-T6-000
<b>SWIVEL CHAIR WINDOWS</b>	108446-R6-000	108446-T6-000
<b>ENTRY DOOR WINDOW</b>	084416-29-000	084416-29-000
<b>FITTED SHEET</b>	108446-R6-000	108446-T6-000
<b>PILLOW SHAMS</b>	108446-R6-000	108446-T6-000
<b>FRONT WRAP AROUND</b>	072333-88-000	072333-88-000

**NOTE:** FABRIC LISTED FIRST, IN A BLOCK, IS THE LARGEST QUANTITY OF FABRIC USED.

**CURTAIN & CUSHION GROUP (CONTINUED)**  
**BUCKET SEAT - DRIVER SIDE**



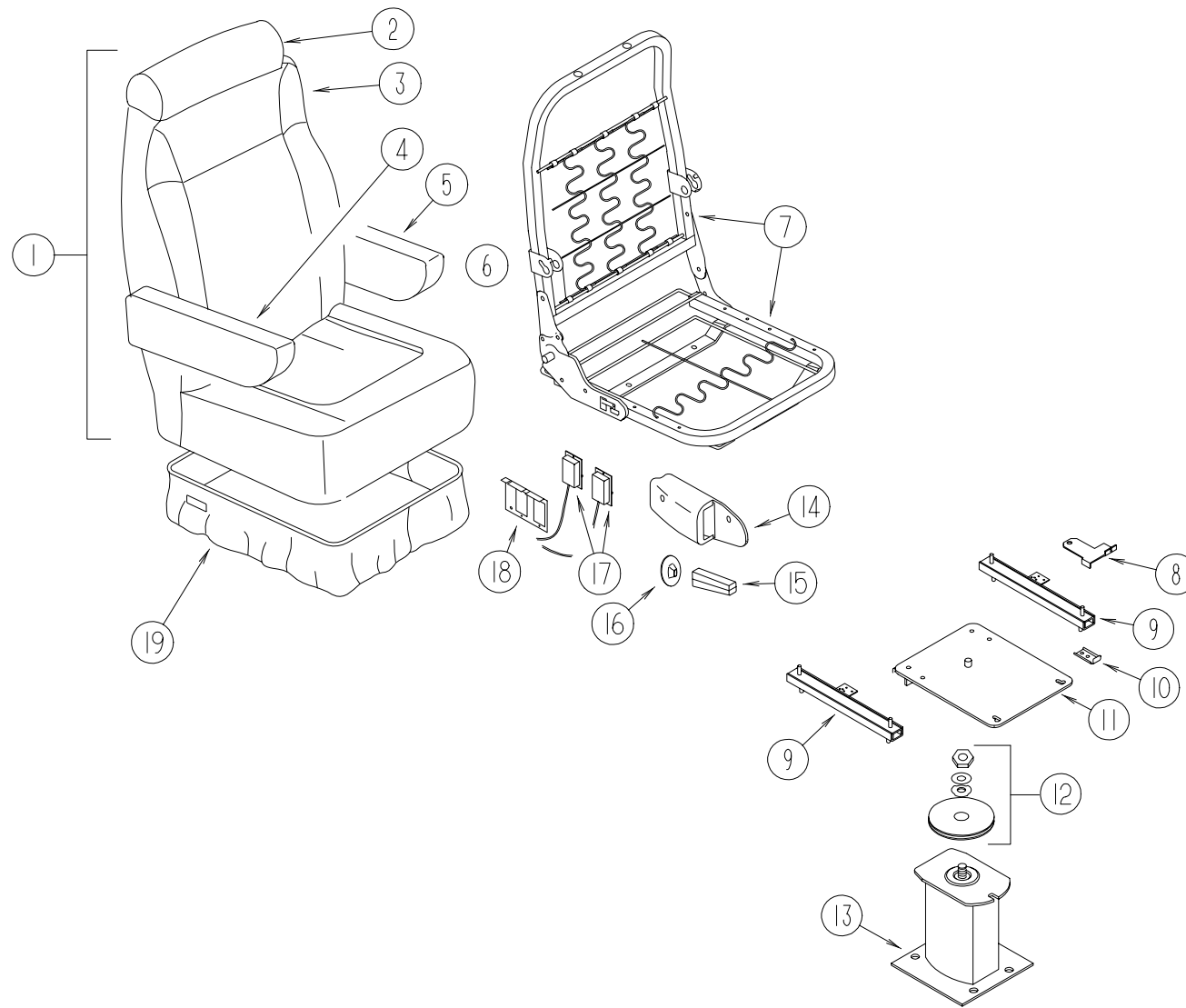
KEY	PART NUMBER	U/M DESCRIPTION	VENDOR NO.
1	127540-08-J80	EA SEAT - BUCKET - W/LUMBAR SUPPORT	
1	127540-08-J81	EA SEAT - BUCKET - W/LUMBAR SUPPORT	
1	127851-01-J80	EA SEAT - BUCKET - W/LUMBAR SUPPORT - ADJUSTABLE ARM - LEATHER OPTION	
2	119509-01-H70	EA HEADREST - BUCKET SEAT (J80,J81)	
2	P19509-01-H70	EA COVER - HEADREST (J80,J81)	
2	119509-03-H70	EA HEADREST - BUCKET SEAT - LEATHER OPTION	
2	P19509-03-H70	EA COVER - HEADREST - LEATHER OPTION	
3	M05962-75-J80	EA COVER - BACK	
3	M05962-75-J81	EA COVER - BACK	
3	M05962-76-J80	EA COVER - BACK - LEATHER OPTION	
4	123962-01-H70	EA ARMREST - ADJUSTABLE/RIGHT HAND (J80,J81)	
4	123962-05-H70	EA ARMREST - ADJUSTABLE/RIGHT HAND - LEATHER OPTION	
4	P23962-01-H70	EA COVER - ARMREST - RIGHT HAN D (J80,J81)	
4	P23962-05-H70	EA COVER - ARMREST - RIGHT HAND - LEATHER OPTION	
5	123962-02-H70	EA ARMREST - ADJUSTABLE/LEFT HAND (J80,J81)	
5	123962-06-H70	EA ARMREST - ADJUSTABLE/LEFT HAND - LEATHER OPTION	
5	P23962-02-H70	EA COVER - ARMREST - LEFT HAND (J80,J81)	
5	P23962-06-H70	EA COVER - ARMREST - LEFT HAND - LEATHER OPTION	
6	M05962-52-H71	EA COVER - SEAT (J80)	
6	M05962-52-J81	EA COVER - SEAT (J81)	
6	M05962-77-J80	EA COVER - SEAT - LEATHER OPTION	
7	122695-02-01B	EA FRAME - SEAT/BACK	
8	122611-02-701	EA LUMBAR - LEVER	412
9	122611-02-000	EA LUMBAR - W/LEVER	

KEY	PART NUMBER	U/M DESCRIPTION
10	122622-05-000	EA BRACKET - ADJUSTABLE/ARMREST - LEFT HAND
11	122622-06-000	EA BRACKET - ADJUSTABLE KNOB - 3/8"
12	122622-04-000	EA BRACKET - ADJUSTABLE/ARMREST - RIGHT HAND
13	119952-06-000	EA SLIDE/SEAT - HEAVY DUTY LOCKING - 4 STUDS
	119952-07-000	EA WIRE - LATCH RELEASE/ROTARY
14	117125-01-02B	EA BRACKET - CABLE MOUNT - ADJUSTER W/LOCK
15	107921-08-000	EA TOP PLATE - PEDESTAL - W/O SEAT BELT BAR
16	107921-06-000	EA BEARING KIT - PEDESTAL
17	107921-12-000	EA PEDESTAL - SEAT - 6"- DRIVER
18	080730-09-000	EA SHIELD - RECLINER HANDLE
19	080730-08-000	EA HANDLE - RECLINER
20	080730-11-000	EA SHIELD - RUBBER BOOT
21	117125-01-02B	EA BRACKET - CABLE MOUNT - ADJUSTER W/LOCK
22	108049-03-000	EA CABLE/CONTROL 25.5" SHEATH/28.5" CABLE W/DOG LEG
23	071126-41-H70	EA SKIRT - SINGLE - 7" W/SLOT (J80,J81)
23	071126-64-H70	EA SKIRT ASM - 7", NO SLIT - LEATHER OPTION
23	M71126-64-H70	EA COVER - LEATHER OPTION
	113977-12-000	EA HEADREST INSERT - W/O LOCK
	113977-13-000	EA HEADREST INSERT - W/ LOCK



## CURTAIN & CUSHION GROUP (CONTINUED)

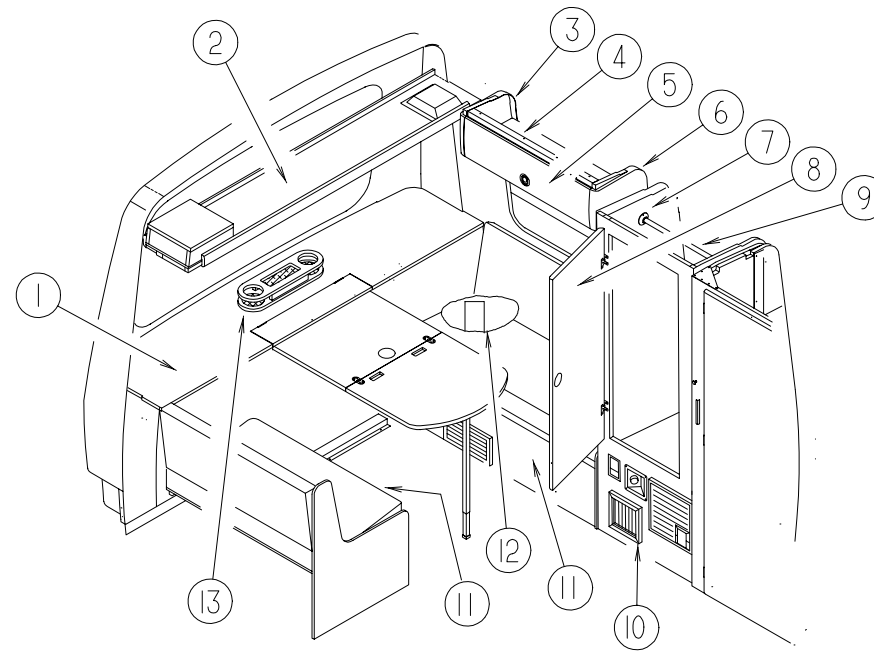
### BUCKET SEAT - PASSENGER SIDE



KEY	PART NUMBER	U/M	DESCRIPTION
1	127540-09-J80	EA	SEAT - BUCKET
1	127540-09-J81	EA	SEAT - BUCKET
1	127851-02-J80	EA	SEAT - BUCKET - LEATHER OPTION
2	119509-01-H70	EA	HEADREST - BUCKET SEAT (J80,J81)
2	P19509-01-H70	EA	COVER - HEADREST (J80,J81)
2	119509-03-H70	EA	HEADREST - BUCKET SEAT - LEATHER OPTION
2	P19509-03-H70	EA	COVER - HEADREST - LEATHER OPTION
3	M05962-75-J80	EA	COVER - BACK
3	M05962-75-J81	EA	COVER - BACK
3	M05962-76-J80	EA	COVER - BACK - LEATHER OPTION
4	123962-01-H70	EA	ARMREST - ADJUSTABLE/RIGHT HAND (J80,J81)
4	123962-05-H70	EA	ARMREST - ADJUSTABLE/RIGHT HAND - LEATHER OPTION
4	P23962-01-H70	EA	COVER - ARMREST - RIGHT HAND (J80,J81)
4	P23962-05-H70	EA	COVER - ARMREST - RIGHT HAND - LEATHER OPTION
5	123962-02-H70	EA	ARMREST - ADJUSTABLE/LEFT HAND (J80,J81)
5	123962-06-H70	EA	ARMREST - ADJUSTABLE/LEFT HAND - LEATHER OPTION
5	P23962-02-H70	EA	COVER - ARMREST - LEFT HAND (J80,J81)
5	P23962-06-H70	EA	COVER - ARMREST - LEFT HAND - LEATHER OPTION

KEY	PART NUMBER	U/M	DESCRIPTION
6	M05962-52-H71	EA	COVER - SEAT (J80)
6	M05962-52-J81	EA	COVER - SEAT (J81)
6	M05962-77-J80	EA	COVER - SEAT - LEATHER OPTION
7	122695-02-01B	EA	FRAME - SEAT/BACK
8	117125-01-02B	EA	BRACKET - CABLE MOUNT - ADJUSTER W/LOCK
9	119952-03-000	EA	SLIDE/SEAT - HEAVY DUTY LOCKING - 2 STUDS
	119952-07-000	EA	WIRE - LATCH RELEASE/ROTARY
10	114889-01-000	EA	STOP BAR - UNIVERSAL
11	107921-08-000	EA	TOP PLATE - PEDESTAL - W/O SEAT BELT BAR
12	107921-06-000	EA	BEARING KIT
13	107921-13-000	EA	PEDESTAL - SEAT - 6" - PASSENGER
14	080730-09-000	EA	SHIELD - RECLINER HANDLE
15	080730-08-000	EA	HANDLE - RECLINER
16	080730-11-000	EA	SHIELD - RUBBER BOOT
17	108049-03-000	EA	CABLE/CONTROL 25.5" SHEATH/28.5" CABLE W/DOG LEG
18	117125-01-02B	EA	BRACKET - CABLE MOUNT - ADJUSTER W/LOCK
19	071126-41-H70	EA	SKIRT - SINGLE - 7" W/SLOT (J80,J81)
19	071126-64-H70	EA	SKIRT ASM - 7", NO SLIT - LEATHER OPTION
19	M71126-64-H70	EA	COVER - LEATHER OPTION

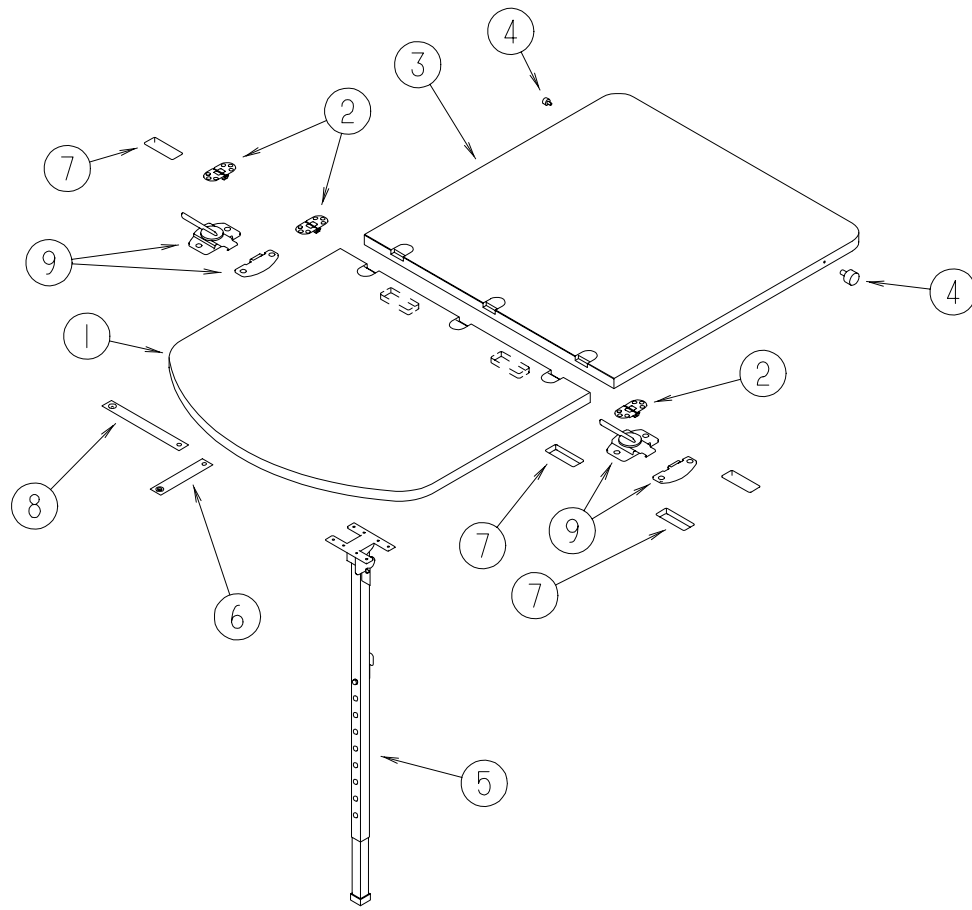
**DINETTE GROUP**  
**DINETTE CABINETY**



KEY	PART NUMBER	U/M	DESCRIPTION
1	124468-01-J80	EA	CABINET - REAR/SHELF - W/O HARDWARE
2	113526-02-J80	EA	CABINET - SHELF OVERHEAD - W/O HARDWARE
2	113526-02-J81	EA	CABINET - SHELF OVERHEAD - W/O HARDWARE
3	112374-04-02A	EA	CAP - END - OVERHEAD CABINET - REAR DRIVER SIDE
	112374-01-02A	EA	CAP - END - OVERHEAD CABINET - REAR PASSENGER SIDE
4	116853-06-H70	EA	CABINET - OVERHEAD - W/O DOORS/HARDWARE - DRIVER SIDE
	116853-05-H70	EA	CABINET - OVERHEAD - W/O DOORS/HARDWARE - PASSENGER SIDE
5	116832-01-H70	EA	PANEL - DOOR/CABINET - W/O HARDWARE
6	112374-05-02A	EA	CAP - END - OVERHEAD CABINET - FRONT DRIVER SIDE
	112374-02-02A	EA	CAP - END - OVERHEAD CABINET - FRONT PASSENGER SIDE

KEY	PART NUMBER	U/M	DESCRIPTION
7	009112-01-000	EA	FLANGE - PLASTIC - 1" CLOTHES ROD - OFF WHITE
8	117437-01-H70	EA	PANEL - DOOR - WARDROBE
9	041953-03-000	FT	CONDUIT - CONVOLUTE SLIT - 1" ID (CLOTHES ROD COVER)
9	042438-01-000	EA	DOWEL - WOOD - CLOTHES ROD - 1" DIAMETER X 4'
10	119860-15-J80	EA	GRILL - WARDROBE CABINET
11	124309-02-H70	EA	PANEL - COVER - DINETTE/LEFT HAND
11	124309-03-H70	EA	PANEL - COVER - DINETTE/LEFT HAND - JAPAN OPTION
11	124309-01-H70	EA	PANEL - COVER - DINETTE/RIGHT HAND
	024283-01-000	EA	CLIP - LEG - 1" - 1.125" OD - BLACK
12	113844-04-H70	EA	PANEL - TRIM - LOWER LEFT HAND
13	127567-01-J80	EA	TRAY - BEVERAGE

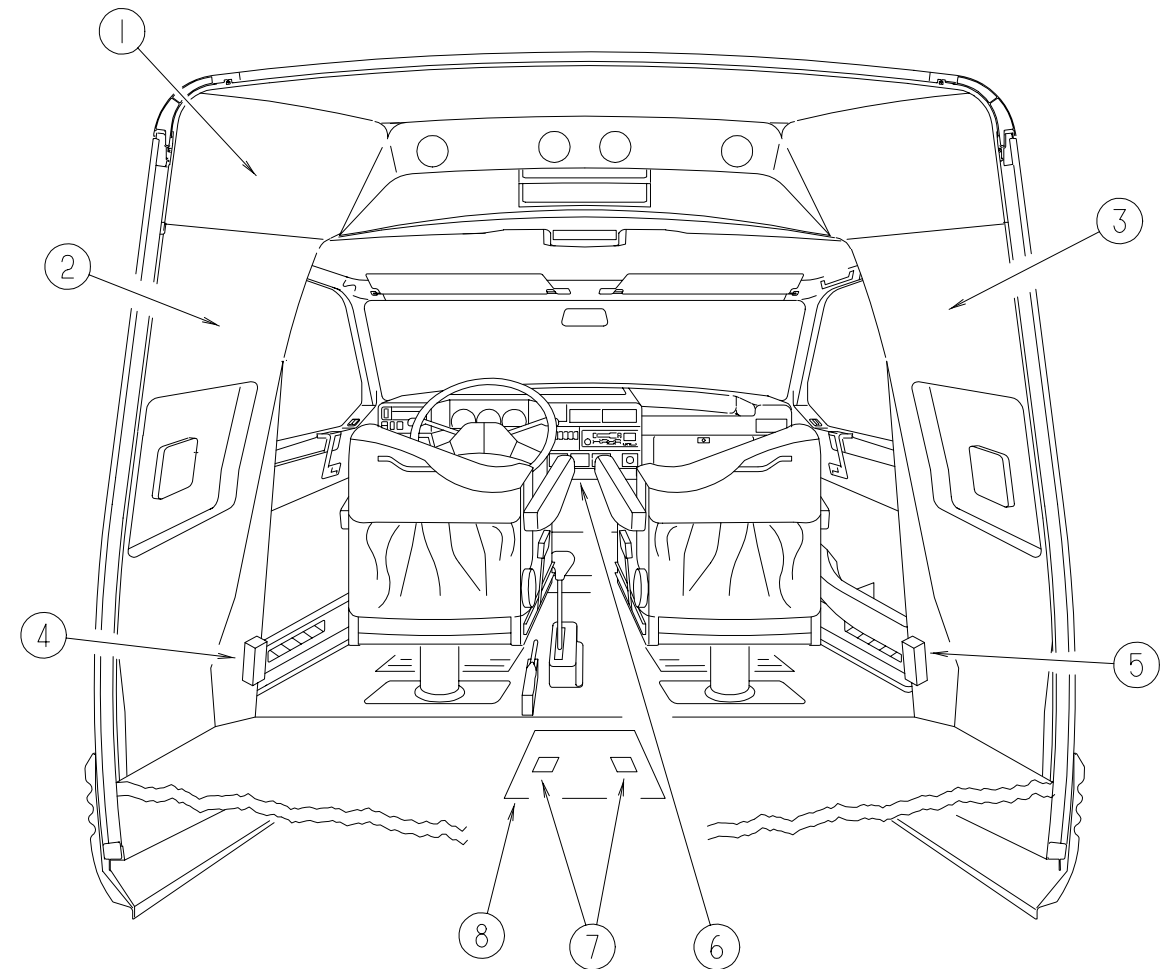
## DINETTE GROUP (CONTINUED)



**DINETTE TABLE**

KEY	PART NUMBER	U/M	DESCRIPTION
1	124485-13-J80	EA	TABLE - DINETTE
2	111535-01-000	EA	HINGE - TABLE/FOLDING
3	124485-12-J80	EA	TABLE - DINETTE - FRONT FOLDDOWN - W/O HARDWARE
4	079921-01-000	EA	ROLLER - NYLON - W/STEEL SHAFT - BARBED
5	108483-02-000	EA	LEG - TABLE - ADJUSTABLE 18.47" - 30.5"
6	057534-02-000	EA	TIEBACK - CLEAR PLASTIC - 3"
7	124311-01-01A	EA	HANDLE - RECESSED - BRASS
8	057534-01-000	EA	TIEBACK/TIEDOWN - 6" CLEAR PLASTIC
	029155-01-000	EA	CAP - SNAP - 5/32" OUTSIDE DIAMETER OF PIN
	029156-01-000	EA	SOCKET - SNAP - 9/16" O.D.
	029130-01-000	EA	SCREW - SNAP SOCKET - #8 PH X 5/8"
9	124753-01-000	EA	LOCK - SASH - TIGHT SEAL

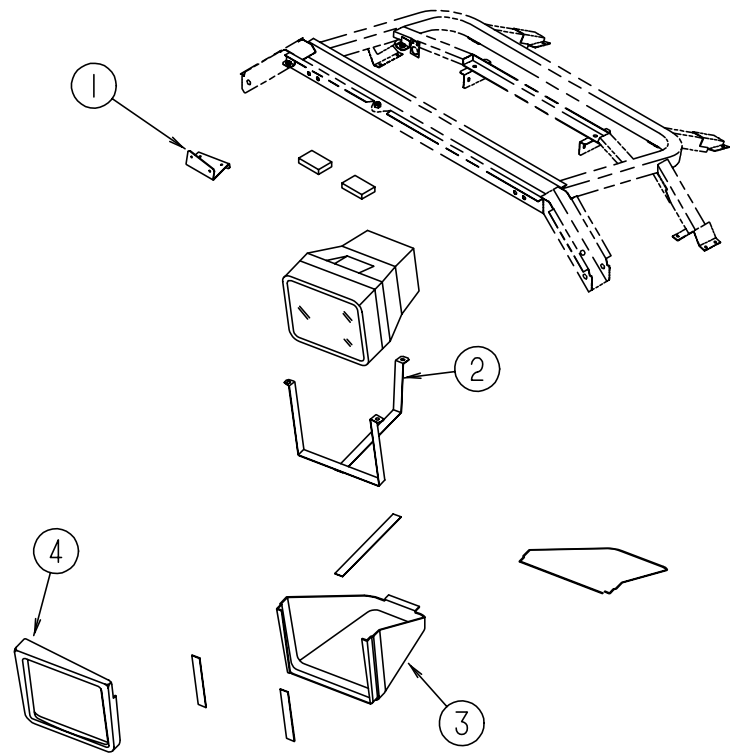
## DRIVERS COMPARTMENT GROUP



**DRIVERS COMPARTMENT**

KEY	PART NUMBER	U/M	DESCRIPTION
1	117256-03-02A	EA	HEADLINER - CAB - ABS PLASTIC
2	116454-08-01A	EA	PANEL - TRANSITION - INNER/LEFT HAND
			FROM: 00-00-00 THRU: 07-03-97
	116454-07-02A	EA	PANEL - TRANSITION - INNER/LEFT HAND - TV OPTION
			FROM: 00-00-00 THRU: 07-03-97
2	127844-02-01A	EA	PANEL - TRANSITION/INNER - VW DARK GRAY
			FROM: 07-04-97 THRU: 99-99-99
3	116454-02-02A	EA	PANEL - TRANSITION - INNER/LEFT HAND
			FROM: 00-00-00 THRU: 07-03-97
	127844-01-01A	EA	PANEL - TRANSITION/INNER - VW DARK GRAY
			FROM: 07-04-97 THRU: 99-99-99
4	128914-01-01A	EA	COVER - RETRACTOR - DRIVER SIDE - BLACK
5	128914-02-01A	EA	COVER - RETRACTOR - PASSENGER SIDE - BLACK
6	126959-02-J80	EA	TRAY - FLIP-DOWN BEVERAGE W/CUP HOLDERS - MODIFIED/VW
	125807-01-01A	EA	COVER - BEVERAGE TRAY - VW BLACK
	125955-01-02B	EA	BRACKET - BEVERAGE TRAY - E-COATED
7	097111-02-04A	EA	POCKET - LOCK - REAR DOOR
	102330-01-000	EA	LATCH - VISE ACTION/KEY OPERATED
	102328-01-000	EA	KEY - BARREL - NICKEL PLATED
	064075-07-000	EA	SEAL - BULB - W/WIRED U CHANNEL - .3" X .5" CHANNEL - BLK
8	P18892-01-H70	EA	LID - COMPARTMENT/BATTERY - W/CARPET
	065450-08-000	EA	TIEDOWN - BATTERY

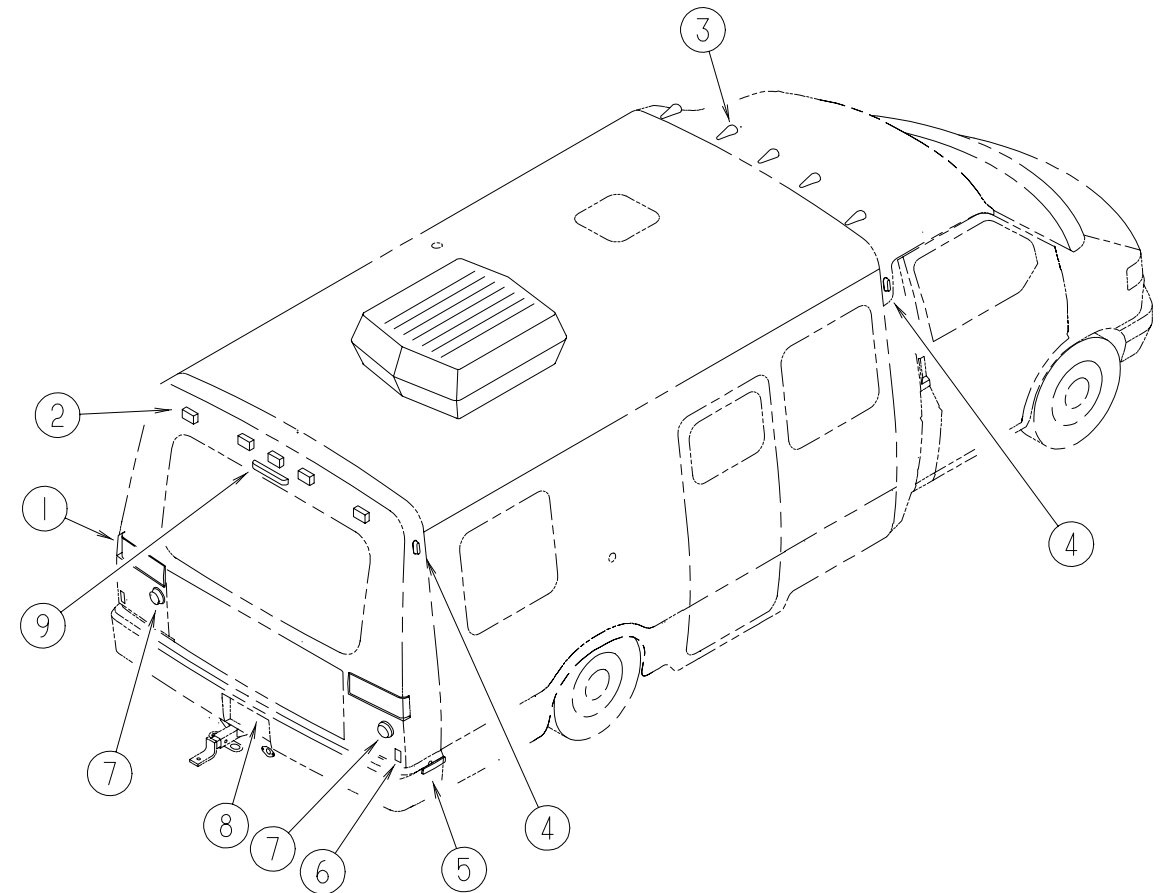
## DRIVERS COMPARTMENT GROUP (CONTINUED)



**TV COVERS & BRACKETS**

KEY	PART NUMBER	U/M DESCRIPTION
1	114325-01-02B	EA BRACKET - TV - OVERHEAD
2	114705-01-02B	EA STRAP - TV - OVERHEAD
3	114315-01-02A	EA COVER - TV - OVERHEAD FRONT - W/O HARDWARE
4	114314-01-02A	EA COVER - TV - OVERHEAD FRONT - W/O HARDWARE

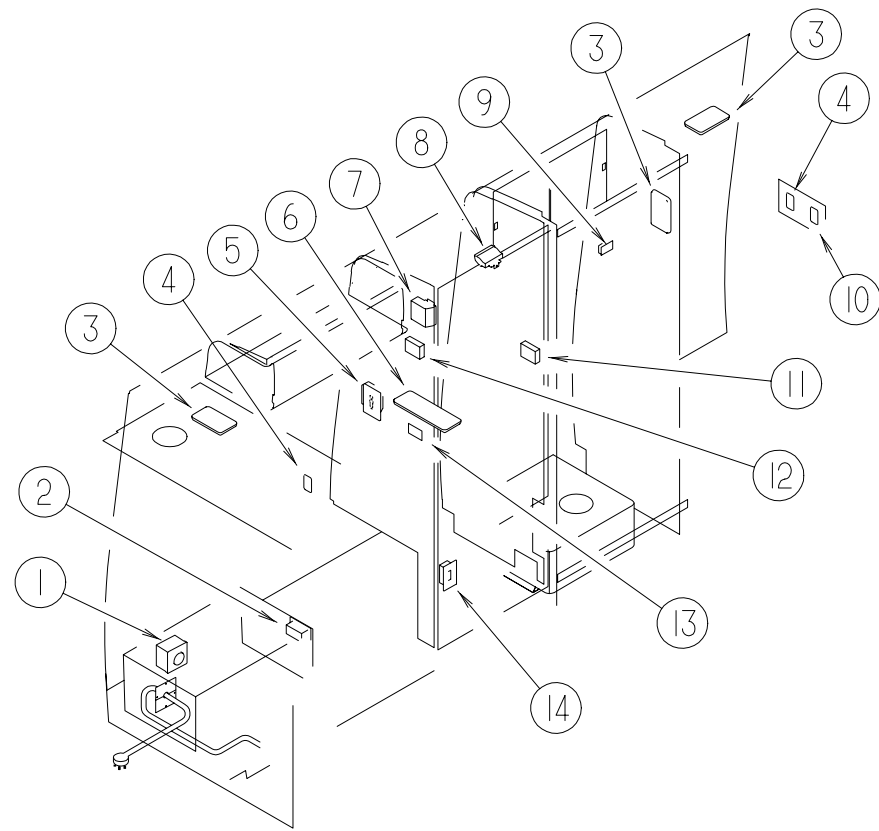
## ELECTRICAL GROUP



**EXTERIOR LIGHTS**

KEY	PART NUMBER	U/M DESCRIPTION
1	120742-02-000	EA LIGHT - STOP/TURN/TAIL
1	120742-01-000	EA LIGHT - STOP/TAIL/BACK UP/TURN - JAPAN
2	102520-02-000	EA LIGHT - CLEARANCE - W/O SOCKET/HOUSING - RED
	088474-09-000	EA HOUSING - ELECTRICAL - 3 TERMINAL
	088476-01-000	EA TERMINAL - ELECTRICAL
	036196-01-000	EA BULB - 12 VOLT - #194 - .27 AMP - BAYONETTE
	067789-02-000	EA SOCKET - LAMP
	102540-01-000	EA SEAL - SCREW - ROUND - RUBBER
	102541-01-000	EA GASKET - CLEARANCE LIGHT
3	113709-01-000	EA LAMP - CLEARANCE - AMBER
4	113709-02-000	EA LAMP - CLEARANCE - RED
	121683-01-000	EA LAMP - CLEARANCE - CLEAR
	124219-01-000	EA BULB - 12 V - .83 AMP 10 WATT #5008
5	117826-01-000	EA SIDE MARKER LAMP ASM - RED
	117826-02-000	EA SIDE MARKER LAMP ASM - AMBER
	117826-03-000	EA GASKET - MARKER LIGHT
6	106646-02-000	EA REFLECTOR - STICK ON - RED - JAPAN
7	124968-01-01A	EA LIGHT - BACKUP - WHITE
8	121681-01-000	EA LAMP - LICENCE PLATE
8	087201-01-000	EA LIGHT - HALF ROUND - PLASTIC - BLACK
9	121950-01-000	EA LIGHT - BRAKE - CENTER MOUNT

## ELECTRICAL GROUP (CONTINUED)

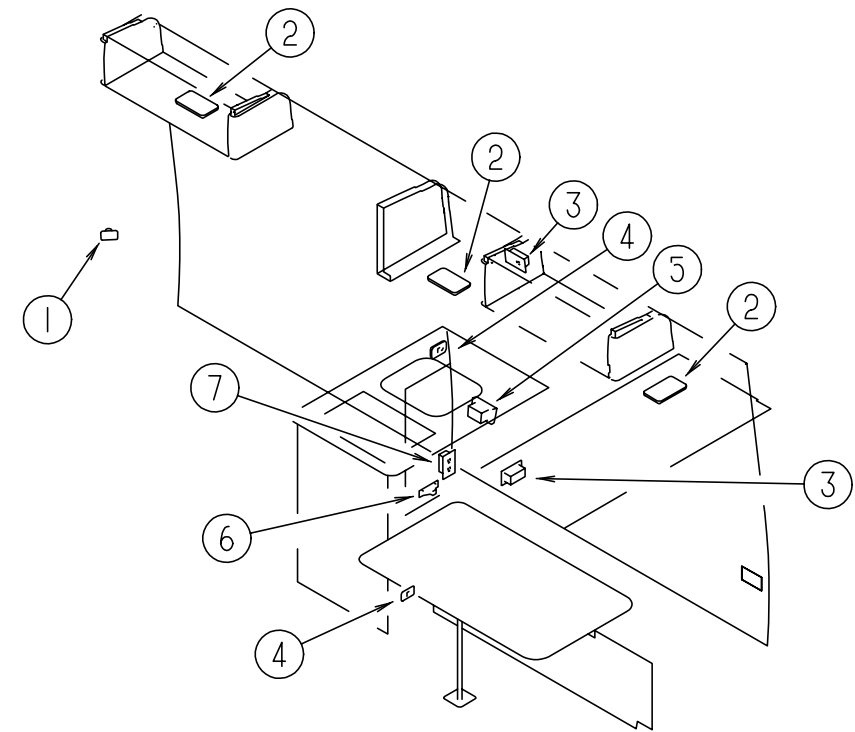


**LIGHTS, RECEPTACLES & SWITCHES - DRIVER SIDE**

KEY	PART NUMBER	U/M	DESCRIPTION
1	008289-01-000	EA	BOX - ELECTRIC/STEEL - 1/2" & 3/4" KNOCKOUTS - 4" X 4"
	024924-02-000	EA	RECEPTACLE - POWER CORD - W/PARTIAL PLATE
2	058707-01-000	EA	RECEPTACLE - ELECTRIC - SINGLE - BROWN
3	098024-05-02A	EA	LIGHT - DOME - 1 BULB - SKYLITE - WHITE
3	098024-01-701	EA	LENS - OPTI CLEAR - SKYLITE
3	008218-01-000	EA	BULB - DOME LIGHT - 12 VOLT - NO. 1141
4	111414-01-000	EA	RECEPTACLE - 12V - W/O BIMETAL
	111386-01-04B	EA	PLATE - RECEPTACLE - 12 VOLT - BLACK
5	084076-01-000	EA	RECEPTACLE - GFI - 15 AMP/125 VOLT - IVORY
6	098024-03-02A	EA	LIGHT-DOME - 2 BULB - WHITE
6	098024-01-700	EA	LENS - DOME LIGHT
6	008218-01-000	EA	BULB - DOME LIGHT - 12V - NO. 1141
7	091910-02-000	EA	BOX - ELECTRIC - 2.2" X 3.5" X 1.7" - PLASTIC
	091927-01-000	EA	COVER - RECEPTACLE - DOUBLE - IVORY
	091923-01-000	EA	LABEL - A/C COVER "AIR CONDITIONING CIRCUIT ETC."
8	087694-01-000	EA	LIGHT - WARDROBE/CLOSET - W/SWITCH
8	087694-01-700	EA	BULB - WARDROBE/CLOSET LIGHT - GE 561
9	108356-10-01A	EA	COVER/ACTUATOR SWITCH-2 ROWS DIMPLES W/LIGHT-SHOWER DRAIN
9	108357-14-000	EA	SWITCH - ROCKER SPDT W/LIGHT - ON/NONE/OFF - 4 TERMINAL
10	098024-01-02A	EA	LIGHT - DOME - 1 BULB - IVORY
11	079364-01-000	EA	SWITCH - ON/OFF ROCKER - 2 TERMINAL - BROWN
11	079364-04-000	EA	SWITCH - ON/OFF ROCKER - 2 TERMINAL - BLACK
12	108356-02-01A	EA	COVER/ACTUATOR SWITCH - 2 ROWS DIMPLES- CONTURA II - BLACK
12	108357-08-000	EA	SWITCH - ROCKER DPDT - ON/NONE/ON - 6 TERMINAL
13*	114014-02-02A	EA	PANEL - MONITOR 2 TANK W/REMOTE
14	084420-01-000	EA	SWITCH - TOGGLE - 15 AMP - 120 VOLT - BROWN
14	083588-01-000	EA	LABEL - ON/OFF - WATER HEATER
	108355-01-000	EA	HOUSING - SWITCH - CARLING VCH
	097734-01-02A	EA	EXTENSION - RECEPTACLE - 3.2" X 5" X .7" - BROWN PLASTIC
	098024-01-03A	EA	LIGHT - DOME - 1 BULB - WHITE

\* COMPONENT PARTS FOUND IN SERVICE PARTS LIBRARY

## ELECTRICAL GROUP (CONTINUED)



**LIGHTS, RECEPTACLES & SWITCHES - PASSENGER SIDE**

KEY	PART NUMBER	U/M	DESCRIPTION
1	111414-01-000	EA	RECEPTACLE - 12V - W/O BIMETAL
	111386-01-04B	EA	PLATE - RECEPTACLE - 12 VOLT - BLACK
2	098024-05-02A	EA	LIGHT - DOME - 1 BULB - SKYLITE - WHITE
2	098024-01-701	EA	LENS - OPTI CLEAR - SKYLITE
2	008218-01-000	EA	BULB - DOME LIGHT - 12V - #1141
3	058707-01-000	EA	RECEPTACLE - ELECTRIC - SINGLE - BROWN
4	079364-01-000	EA	SWITCH - ON/OFF ROCKER - 2 TERMINAL - BROWN
4	079364-04-000	EA	SWITCH - ON/OFF ROCKER - 2 TERMINAL - BLACK
4	098351-01-01A	EA	PLATE - SWITCH - 1 GANG POLISHED BRASS
5	112822-01-01A	EA	RECEPTACLE - DUPLEX - IVORY
5	112824-01-03A	EA	COVER - RECEPTACLE - EXTERIOR DUPLEX
6	061424-01-000	EA	LIGHT - AISLE - 12 VOLT - RECTANGULAR
6	008103-01-000	EA	BULB - DASH/AISLE LIGHT - #53 - 12 VOLT - .12 AMP
7	058708-01-000	EA	RECEPTACLE - ELECTRIC - DOUBLE - BROWN
7	058708-02-000	EA	RECEPTACLE - ELECTRIC - DOUBLE - IVORY
	097734-01-02A	EA	EXTENSION - RECEPTACLE - 3.2" X 5" X .7" - BROWN PLASTIC
	108355-01-000	EA	HOUSING - SWITCH - CARLING VCH
	123657-01-01A	EA	RECEPTACLE - DUPLEX - 16 AMP - EUROPEAN
	123659-01-000	EA	BOX - ELECTRIC - RECEPTACLE - EUROPEAN
	123660-01-01A	EA	RECEPTACLE - SINGLE - WC - EUROPEAN - IVORY
	123660-01-02A	EA	RECEPTACLE - SINGLE - WC - EUROPEAN - BROWN
	123661-01-01A	EA	FRAME - TRIM - SINGLE OUTLET - EXPORT - IVORY
	123661-01-02A	EA	FRAME - TRIM - SINGLE OUTLET - EXPORT - BROWN

**ELECTRICAL GROUP (CONTINUED)****ELECTRICAL CONNECTORS**

KEY	PART NUMBER	U/M	DESCRIPTION
	080015-02-000	EA	RECEPTACLE - FLAG - .185 - 16/14 GAUGE
	008313-01-000	EA	CONNECTOR - WIRE NUT - INSULATED - YELLOW
	008314-01-000	EA	CONNECTOR - WIRE NUT - INSULATED - GRAY
	008355-01-000	EA	CONNECTOR - CABLE CLAMPING - 3/4"
	008356-01-000	EA	CONNECTOR - PLASTIC - 3/8" AVG
	112721-01-000	EA	CONNECTOR - 3 PIN W/12" LEADS COLE-HERSEE 11173-0
	058028-01-000	EA	CONNECTOR - ELECTRICAL PIGTAIL - NYLON - CLEAR
	007942-01-000	EA	TAB - WIRE - 18 TO 14 AWG
	008326-01-000	EA	TERMINAL - RING - 16/14 WIRE - 3/8" STUD
	008328-01-000	EA	TERMINAL - RING - 12/10 WIRE - #10 STUD FIT
	008331-01-000	EA	TERMINAL - RING,TONGUE - #4 WIRE - 3/8" STUD - COPPER
	008348-01-000	EA	TERMINAL - RING - 3/8" STUD - #2 WIRE CONNECTS CABLE TO DISCONNECT RELAY AND BATTERY
	035416-04-000	EA	TERMINAL - RING #10 STUD FIT - INSULATED BARREL #16/14
	047443-01-000	EA	TERMINAL - .250 RECEPTACLE FIT - INSULATED - 16/14 AWG
	047443-02-000	EA	TERMINAL - .250 RECEPTACLE FIT - INSULATED - 12/10 AWG
	088267-01-000	EA	TERMINAL - FEMALE - 1/4
	102777-02-000	EA	TERMINAL - RING - #6 STUD - 10 AWG
	106655-01-000	EA	TERMINAL - FUSE BLOCK - 14-16AWG - PACKARD 12020321
	106655-02-000	EA	TERMINAL - FUSE BLOCK - 10-12AWG - PACKARD 12020400
	098262-01-000	EA	SEAL - CONNECTOR - WEATHER PACK - PACKARD 12010293
	088473-01-000	EA	HOUSING - PIN - 12 CAVITY - AMP 1-480708-0
	088473-03-000	EA	HOUSING - PIN - 9 CAVITY - AMP 1-480706-0
	088473-06-000	EA	HOUSING - PIN - 6 CAVITY - AMP 1-480704-0
	088473-08-000	EA	HOUSING - PIN - 4 CAVITY - AMP 1-480702-0
	088473-09-000	EA	HOUSING - PIN - 3 CAVITY - AMP 1-480700-0
	088473-10-000	EA	HOUSING - PIN - 2 CAVITY - AMP 1-480698-0
	088474-01-000	EA	HOUSING - SOCKET - 12 CAVITY - AMP 1-480709-0
	088474-02-000	EA	HOUSING - SOCKET - 12 CAVITY - AMP 1-480711-0
	088474-03-000	EA	HOUSING - SOCKET - 9 CAVITY - AMP 1-480707-0
	088474-06-000	EA	HOUSING - SOCKET - 6 CAVITY - AMP 1-480705-0
	088474-08-000	EA	HOUSING - SOCKET - 4 CAVITY - AMP 1-480703-0
	088474-09-000	EA	HOUSING - SOCKET - 3 CAVITY - AMP 1-480701-0
	088474-10-000	EA	HOUSING - SOCKET - 2 CAVITY - AMP 1-480699-0
	098264-01-000	EA	HOUSING - 2 PIN - WEATHER PACK M - PACKARD 12015792
	098264-02-000	EA	HOUSING - 2 PIN - WEATHER PACK F - PACKARD-12010973
	110178-01-000	EA	HOUSING - WIPER MOTOR - UT6237440-EC25WJ
	113468-01-000	EA	HOUSING - 2 POSITION - FEMALE USED ON WIPER/WASHER WIRE ASM
	119222-01-000	EA	HOUSING - 3 POSITION - FEMALE
	088475-01-000	EA	PIN - CONNECTOR - 14 TO 20 AWG
	088475-02-000	EA	PIN - CONNECTOR - 10 TO 12 AWG
	098265-02-000	EA	PIN - CONNECTOR - WEATHER PACK - PACKARD 12089305
	088476-01-000	EA	SOCKET - CONNECTOR - BRASS - PRE-TIN
	088476-02-000	EA	SOCKET - CONNECTOR - 12-10 GA - PHOS. BRZ - PRE-TIN
	098261-02-000	EA	SOCKET - CONNECTOR - WEATHERPACK - PACKARD 12124580

**SOLENOID, RELAYS, POWER CONVERTER, POWER CORDS & CABLE**

KEY	PART NUMBER	U/M	DESCRIPTION
	008188-01-000	EA	SOLENOID - 3 POST - BATTERY CHANGE OVER
	063912-02-000	EA	RELAY - CANISTER - SPDT
	114965-01-000	EA	RELAY 12 VOLT - 2 AMP - DELAY OFF 10 MIN
	123058-02-000	EA	CONVERTER - 45 AMP - ELECTRONIC - 4 1/8"H X 7"W X 12 3/8"L
	083208-05-000	EA	CONTROL CENTER - 45 AMP - 100V/12V
	008052-01-000	EA	CORD - POWER - 10/3 - 30 AMP - 25' - CANADIAN
	008054-02-000	EA	CORD - POWER - 10-3 - 30 AMP - 35'
	112593-01-000	FT	CABLE - 3 WIRE - 16A - FLEX RUBBER - EUROPEAN
	112593-02-000	FT	CABLE - 3 WIRE - 25A - FLEX RUBBER - EUROPEAN

**ELECTRICAL GROUP (CONTINUED)****BOXES, CONDUIT & COVERS**

KEY	PART NUMBER	U/M	DESCRIPTION
	008289-01-000	EA	BOX - ELECTRIC/STEEL - 1/2" & 3/4" KNOCKOUTS - 4" X 4"
	091910-01-000	EA	BOX - ELECTRIC - 3.8" X 3.5" X 1.8" - PLASTIC
	091910-02-000	EA	BOX - ELECTRIC - 2.2" X 3.5" X 1.7" - PLASTIC
	093257-02-000	EA	BOX - ELECTRIC - CIRCUIT BREAKER
	041953-01-000	FT	CONDUIT - CONVOLUTE SLIT - .5" ID
	041953-03-000	FT	CONDUIT - CONVOLUTE SLIT - 1" ID
	041953-06-000	FT	CONDUIT - CONVOLUTE SLIT - .375"
	041953-07-000	FT	CONDUIT - CONVOLUTE SLIT - .25" ID
	041953-08-000	FT	CONDUIT - CONVOLUTE SLIT - 1.50" ID
	041953-09-000	FT	CONDUIT - CONVOLUTE SLIT - .50" ID - NYLON - BLACK W/GRAY STRIPE
	008294-01-000	EA	COVER - ELECTRICAL BOX - BLANK/STEEL - 4" X 4" - GRAY
	069238-01-000	EA	COVER - ELECTRICAL BOX - W/HOLE - 4" X 4" - GRAY

**WIRE ASSEMBLIES**

KEY	PART NUMBER	U/M	DESCRIPTION
	093057-04-000	EA	WIRE ASM - POWER LOCK ENTRANCE
	096449-01-000	EA	WIRE ASSEMBLY - WATER TANK TO MONITOR PANEL
	097618-01-000	EA	WIRE ASSEMBLY - MONITOR PANEL- W/3 WIRES & ORANGE RESISTOR

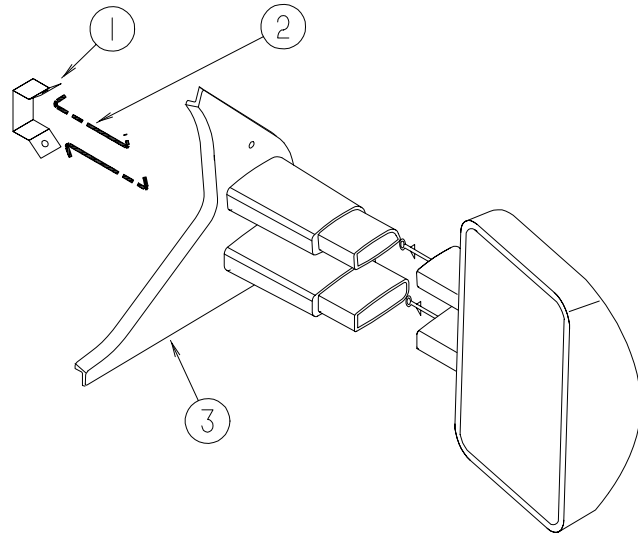
**CIRCUIT BREAKERS & FUSES**

KEY	PART NUMBER	U/M	DESCRIPTION
	062901-02-000	EA	FUSE - 5 AMPS, AUTOMOTIVE
	062901-05-000	EA	FUSE - 15 AMPS, AUTOMOTIVE
	062901-06-000	EA	FUSE - 20 AMPS, AUTOMOTIVE
	062901-07-000	EA	FUSE - 25 AMPS, AUTOMOTIVE
	106656-01-000	EA	FUSE BLOCK - 4 CAVITY AUTOFUSE - PACKARD 12004943
	108669-01-000	EA	HOUSING - AUTO FUSE HOLDER - PACKARD 12010105
	083209-02-000	EA	CIRCUIT BREAKER - 15/15 AMP - 120 V
	083209-03-000	EA	CIRCUIT BREAKER - 15/20 AMP - 120 V
	083209-05-000	EA	CIRCUIT BREAKER - 20 AMP - 120V
	083209-06-000	EA	CIRCUIT BREAKER - 30/15 AMP - 120
	083209-07-000	EA	CIRCUIT BREAKER - 20/20 AMP - 120 V
	092786-02-000	EA	BUSS BAR - 3.3"
	092786-03-000	EA	BUSS BAR - 6.9"
	093654-01-000	EA	CIRCUIT BREAKER - 6 AMP - 12 V
	093654-02-000	EA	CIRCUIT BREAKER - 15 AMP - 12 V
	093654-03-000	EA	CIRCUIT BREAKER - 20 AMP - 12 V
	097611-01-000	EA	CIRCUIT BREAKER - 10 AMP - 12 V
	108567-01-000	EA	CIRCUIT BREAKER - 40 AMP - 12 V
	112591-01-000	EA	CIRCUIT BREAKER - 16 AMP - 240 V - EUROPEAN
	112592-01-000	EA	CIRCUIT BREAKER - 25 AMP - 240 V - GFI - EUROPEAN

**ELECTRICAL MISCELLANEOUS**

KEY	PART NUMBER	U/M	DESCRIPTION
	112594-01-000	FT	INLET - 16 AMP 240 VOLT - 2 POLE W/GROUND - EUROPEAN
	007956-05-000	EA	INSULATOR - SHRINK - .25 ID X 1.50
	087225-01-000	FT	SLEEVING - 1/2" - TYPE H
	113494-01-000	EA	CONTACTOR - 25 AMP - 230V - 50 HZ

## EXTERIOR BODY GROUP



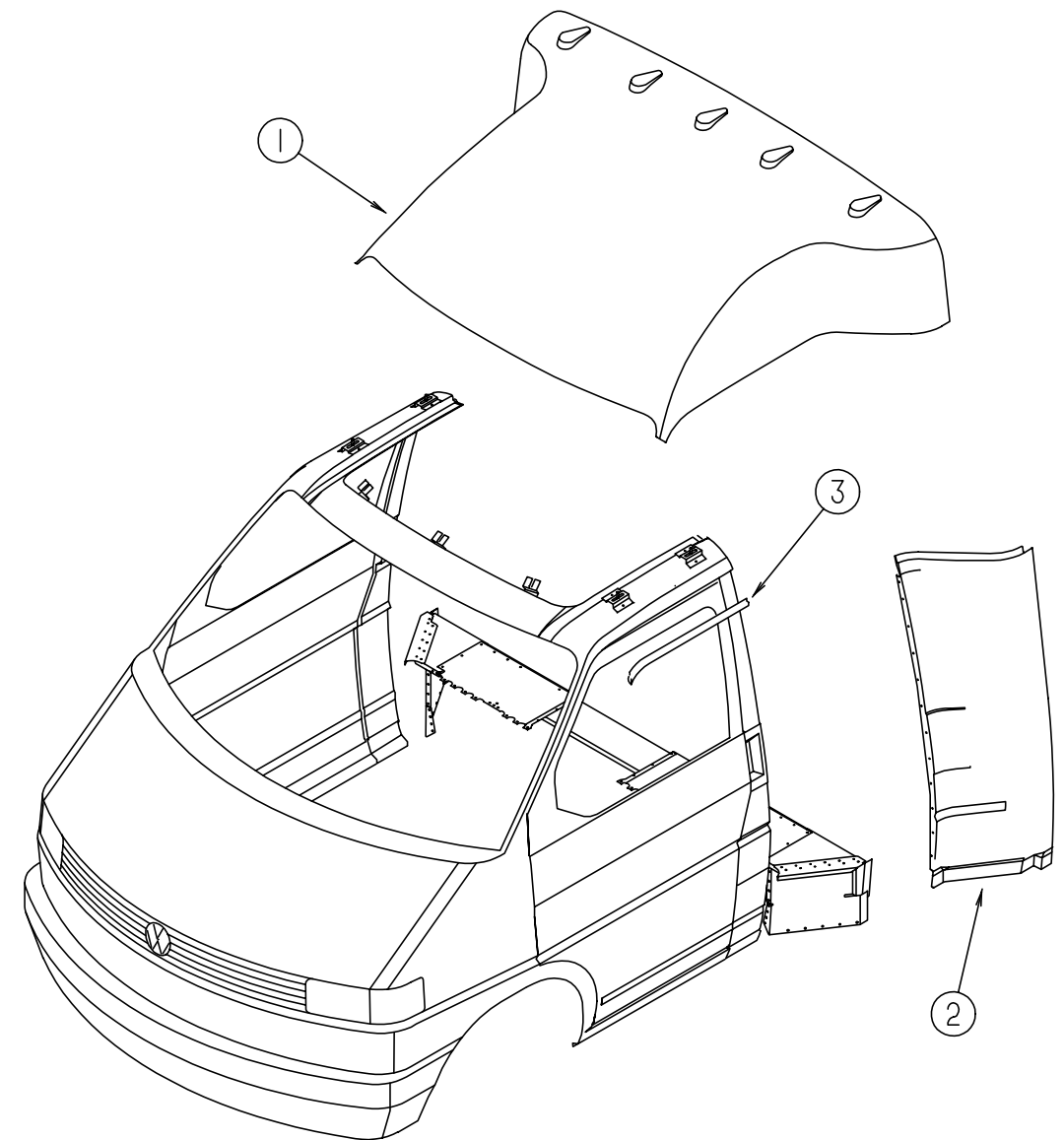
### MIRROR BRACKETS FOR VW EXTERIOR MIRRORS

KEY	PART NUMBER	U/M	DESCRIPTION
1	115334-01-02B	EA	HOOK - BRACKET - MIRROR
2	115752-02-01A	EA	MIRROR ROD - 3.3" LONG
3	114494-01-03A	EA	BRACKET - MIRROR - PASSENGER
	114494-02-01A	EA	BRACKET - MIRROR - DRIVER
	R77030-74-150	EA	PLUG - MIRROR - EXTERIOR
	074487-02-000	EA	PLUG - HOLE - .375 - .093 - .171 THICK

### ALUMINUM & STYROFOAM

KEY	PART NUMBER	U/M	DESCRIPTION
	000870-08-000	SF	STYROFOAM - .75" X 48" X 96" PLANED EXPANDED BEAD BOARD
	100619-01-000	BF	FOAM - EXPANDED POLYSTYRENE - 1.34" X 48" X 96"
	100619-04-000	BF	FOAM - EXPANDED POLYSTYRENE - .5" X 48" X 96"
	100619-06-000	EA	FOAM - EXPANDED POLYSTYRENE - .875" X 20.35" X 63.35"
	100619-07-000	EA	FOAM - EXPANDED POLYSTYRENE - .630" X 48" X 96"
	100619-10-000	BF	FOAM - EXPANDED POLYSTYRENE - 1.5" X 48" X 96"

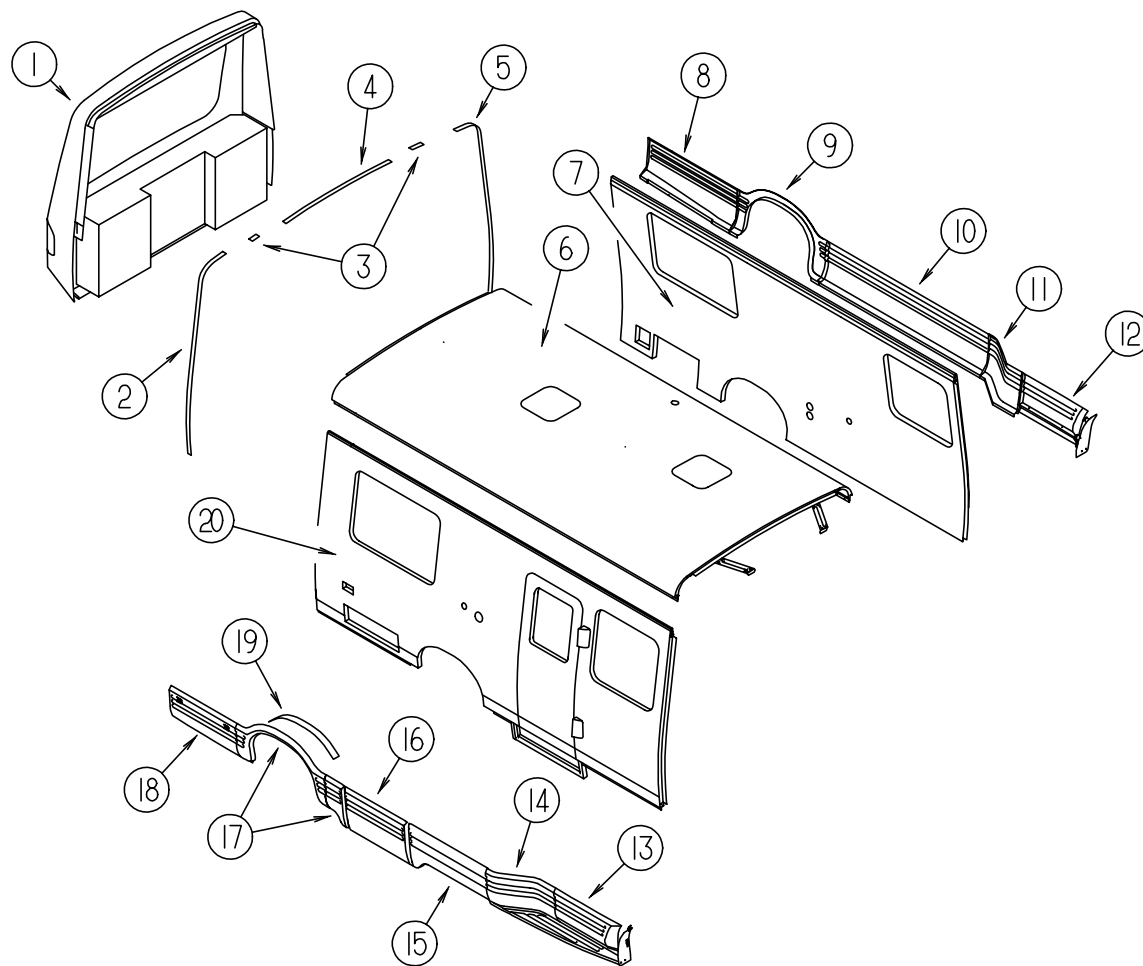
## EXTERIOR BODY GROUP (CONTINUED)



### FRONT CAP & TRANSITION PANELS

KEY	PART NUMBER	U/M	DESCRIPTION
1	111207-02-H70	EA	CAP - ROOF
1	111207-03-H70	EA	CAP - ROOF - EUROPEAN
1	111207-04-H70	EA	CAP - ROOF - JAPAN
1	111207-05-H70	EA	CAP - ROOF - CANADA
	070579-06-000	EA	PLATE - ANCHOR - W/7/16 WELD NUT - 1.5" X 3.3"
	070579-07-000	EA	PLATE - ANCHOR - W/O WELD NUT - 1.5" X 3.3"
	070579-10-000	EA	PLATE - ANCHOR - W/O WELD NUT - 1.5" X 8.9"
	070579-11-000	EA	PLATE - ANCHOR - W/7/16" WELD NUT - 1.5" X 8.9"
	070579-12-000	EA	PLATE - ANCHOR - W/1/5" WELD NUT - 2.5" X 3.3"
	070579-13-000	EA	PLATE - ANCHOR - W/O WELD NUT - 2.5" X 3.3"
	070579-14-000	EA	PLATE - ANCHOR - W/O WELD NUT - 2.5" X 3.9"
	070579-15-000	EA	PLATE - ANCHOR - W/7/16 WELD NUT - 2.5" X 3.9"
	112127-01-000	FT	MOLDING - REVEAL - FRONT CAP TO WINDSHIELD
2	111276-04-F45	EA	PANEL - TRANSITION - LEFT - STEEL/FIBERGLASS - VW WHITE
	111276-03-F45	EA	PANEL - TRANSITION - RIGHT - STEEL/FIBERGLASS - VW WHITE
3	115022-02-01A	EA	RAIL - DRIP - LEFT HAND
	115022-01-01A	EA	RAIL - DRIP - RIGHT HAND

**EXTERIOR BODY GROUP (CONTINUED)**  
**EXTERIOR BODY PANELS & TRIM**

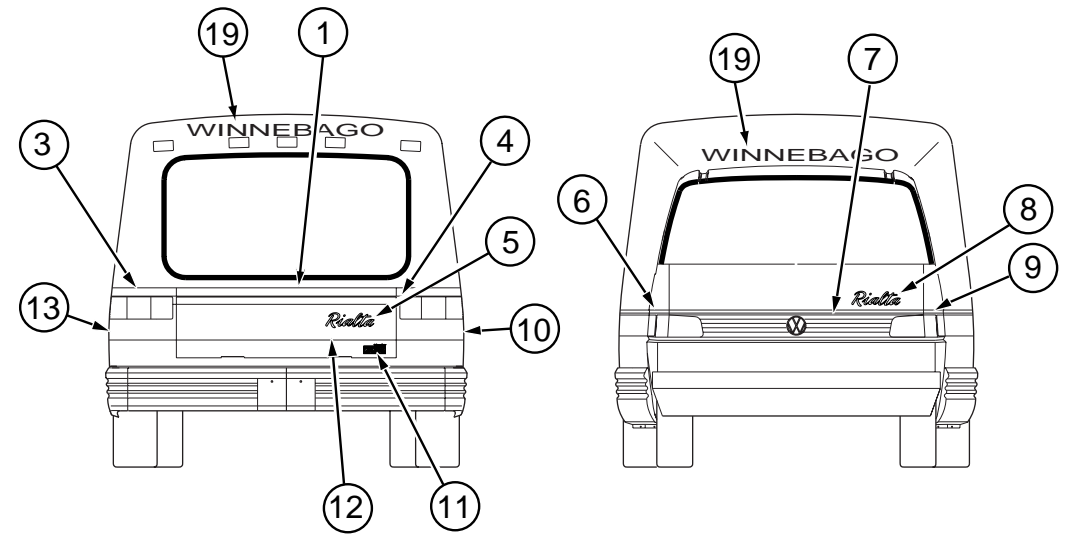
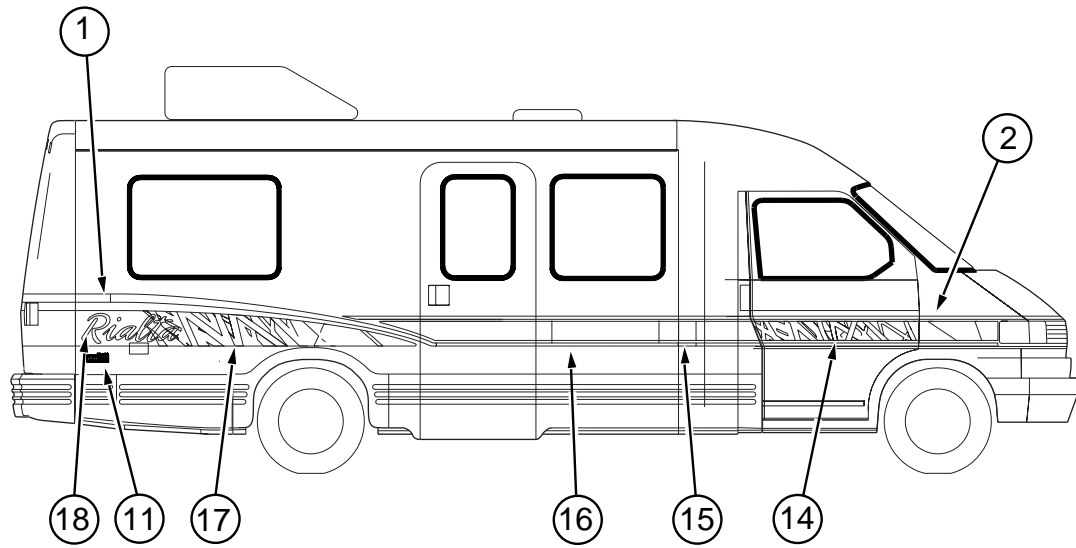


KEY	PART NUMBER	U/M	DESCRIPTION
1	P24434-01-H70	EA	CAP - REAR
1	P24434-02-H70	EA	CAP - REAR - JAPAN
1	P24434-04-H70	EA	CAP - REAR - CANADA
2	112544-01-01A	EA	TRIM - SIDEWALL TO REAR CAP - RIGHT HAND
3	086754-10-000	EA	CAP-TRIM
4	112548-01-01A	EA	TRIM - ROOF TO REAR CAP
5	112544-02-01A	EA	TRIM - SIDEWALL TO REAR CAP - LEFT HAND
6	P24227-01-H70	EA	ROOF - W/O LIGHTS/VENTS - W/WIRING
7	P24106-01-H70	EA	SIDEWALL - DRIVER - W/O WINDOWS/TRIMS
7	P24106-02-H70	EA	SIDEWALL - DRIVER - W/O WINDOWS/TRIMS - JAPAN
8	112027-08-H70	EA	PANEL - VALANCE - REAR DRIVER - W/O LOCKS
8	112027-09-H70	EA	PANEL - VALANCE - REAR DRIVER - W/O LOCKS - JAPAN
8	112027-10-H70	EA	PANEL - VALANCE - REAR DRIVER - W/O LOCKS - W/O GENERATOR
9	112024-03-F45	EA	PANEL - WHEEL LIP VALANCE - DRIVER
10	112022-02-F45	EA	PANEL - VALANCE - FRONT/DRIVER
10	120613-02-G46	EA	PANEL - VALANCE - FRONT/LEFT HAND
11	112020-03-F45	EA	PANEL - VALANCE - TRANSITION/DRIVER
12	112019-03-F45	EA	PANEL - VALANCE - CAB DOOR/LEFT HAND

KEY	PART NUMBER	U/M	DESCRIPTION
13	112019-04-F45	EA	PANEL - VALANCE - CAB DOOR/RIGHT HAND
14	112020-04-F45	EA	PANEL - VALANCE - TRANSITION/PASSENGER
15	112021-02-F45	EA	PANEL - VALANCE - FRONT/PASSENGER
16	112026-02-F45	EA	PANEL - VALANCE - ENTRY DOOR
17	M08029-01-F45	EA	PANEL - VALANCE WHEEL LIP/CENTER - PASSENGER
18	112027-07-H70	EA	PANEL - VALANCE - REAR PASSENGER - W/O LOCKS
18	112027-09-H70	EA	PANEL - VALANCE - REAR PASSENGER - W/O LOCKS - JAPAN
19	113012-01-01A	EA	TRIM - WHEELWELL/REAR
20	P24107-01-H70	EA	SIDEWALL - PASSENGER - W/O WINDOWS/TRIMS
20	P24107-02-H70	EA	SIDEWALL - PASSENGER - W/O WINDOWS/TRIMS - JAPAN
	073050-04-000	EA	MOUNTING CLIP - VALANCE PANEL
	081914-01-000	FT	BUMPER - RUBBER - ROUND - .43" DIAMETER
	113753-01-01A	EA	JAMB - TRIM - LP - VW WHITE
	113752-02-01A	EA	JAMB - TRIM



**EXTERIOR BODY GROUP (CONTINUED)**  
DECALS, STRIPES & PAINT



KEY	PART NUMBER	U/M	DESCRIPTION
1	093681-40-08A	EA	FILM - 1.9" - GOLD
2	093681-42-05A	EA	FILM - .75" - MED. SMOKE
3	122791-01-02A	EA	DECAL - CORNER - REAR/DRIVER - GOLD
4	122791-02-02A	EA	DECAL - CORNER - REAR/PASSENGER - GOLD
5	122792-02-01A	EA	DECAL - LOGO - RIALTA - SMALL
6	122797-01-01A	EA	DECAL - CORNER/FRONT/RIGHT HAND - MED. SMOKE
7	122798-01-01A	EA	DECAL - HOOD - MED. SMOKE
8	122792-02-03A	EA	DECAL - LOGO - RIALTA - SMALL - PINE GREEN
9	122797-02-01A	EA	DECAL - CORNER/FRONT/LEFT HAND - MED. SMOKE
10	124446-01-02A	EA	DECAL - CORNER - REAR LOWER/PASSENGER - PINE GREEN
11	122770-02-10A	EA	DECAL - "BUILT PROUDLY BY WINNEBAGO INDUSTRIES"
12	093681-53-02A	EA	FILM - 8.6" - PINE GREEN

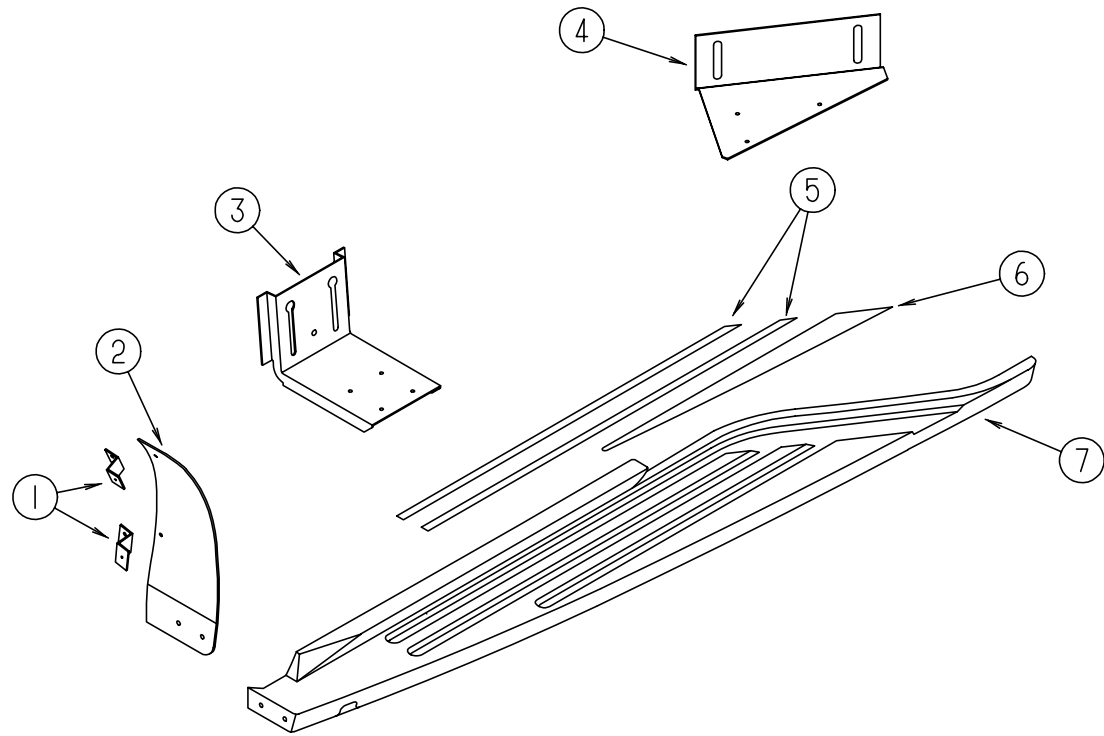
KEY	PART NUMBER	U/M	DESCRIPTION
13	124446-02-02A	EA	DECAL - CORNER - REAR LOWER/DRIVER - PINE GREEN
14	122796-01-02A	EA	DECAL - CAB - PASSENGER
14	122796-02-02A	EA	DECAL - CAB - DRIVER
15	105781-59-02A	EA	FILM - MULTISTRIPE - 6" - PINE GREEN/GOLD
16	122795-01-02A	EA	DECAL - FADE - RIGHT HAND
16	122795-02-02A	EA	DECAL - FADE - LEFT HAND
17	122793-01-02A	EA	DECAL - SWEEP - RIGHT HAND
17	122793-02-02A	EA	DECAL - SWEEP - LEFT HAND
18	122792-01-01A	EA	DECAL - LOGO - RIALTA - LARGE
19	120702-03-07A	EA	DECAL - LOGO - WINNEBAGO
	122886-02-01A	EA	DECAL - MOBILIE - SMALL - JAPAN

**DUPONT COLOR CODES**

VW WHITE

W9670

## EXTERIOR BODY GROUP (CONTINUED)



### RUNNING BOARDS

KEY	PART NUMBER	U/M DESCRIPTION
1	112507-01-02B	EA BRACKET - MUD FLAP - FRONT
2	112242-01-02A	EA SUPPORT - MUD FLAP - FRONT/DRIVER
	112242-02-01A	EA SUPPORT - MUD FLAP - FRONT/PASSENGER
	112242-02-02A	EA SUPPORT - MUD FLAP - FRONT/PASSENGER
3	112230-02-02B	EA BRACKET - RUNNING BOARD - DRIVER
	112230-04-02B	EA BRACKET - RUNNING BOARD - PASSENGER
4	112231-01-000	EA BRACKET - RUNNING BOARD - REAR - DRIVER
	112231-02-000	EA BRACKET - RUNNING BOARD - REAR - PASSENGER
5	038327-03-000	EA TAPE - ANTI SLIP - 1/2" X 60'
6	102570-04-000	EA MAT - ANTI SLIP - UPPER/LEFT HAND
	102570-03-000	EA MAT - ANTI SLIP - UPPER/RIGHT HAND
7	112233-03-F45	EA RUNNING BOARD - FIBERGLASS - DRIVER
	112233-04-F45	EA RUNNING BOARD - FIBERGLASS - PASSENGER
	115003-01-01A	EA MOLDING - REVERSE COVE - VW WHITE

## EXTERIOR BODY GROUP (CONTINUED)

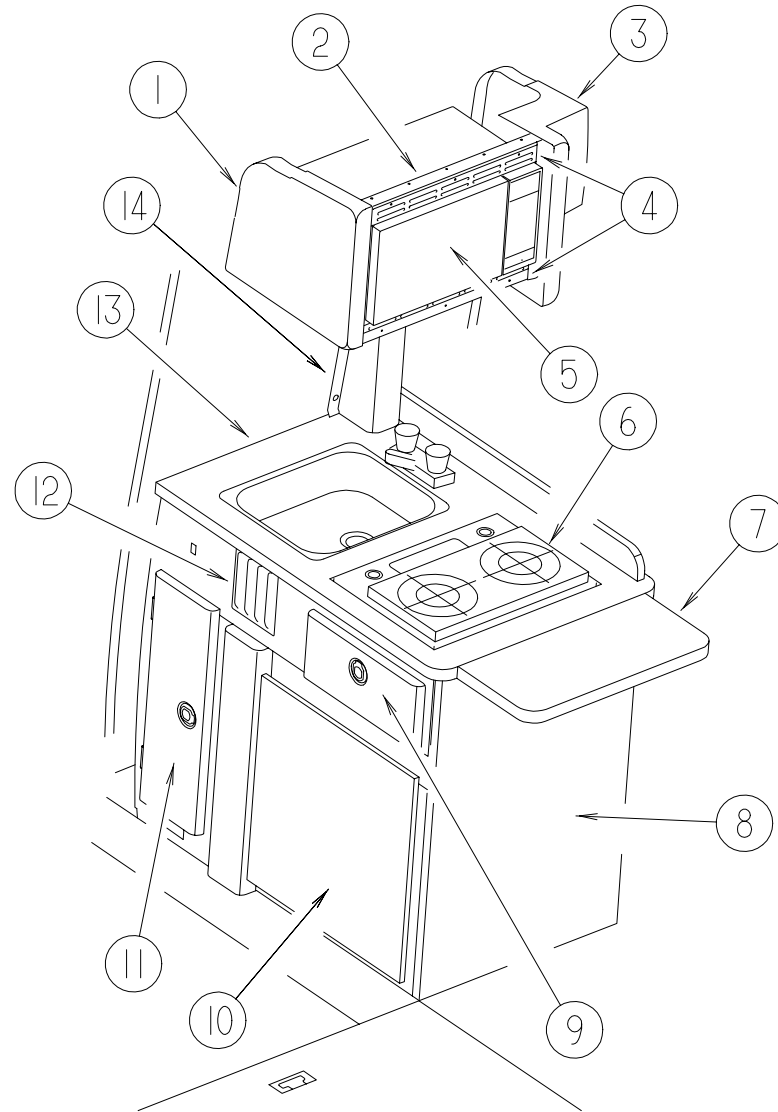
### ALUMINUM, STYROFOAM, & MISC.

KEY	PART NUMBER	U/M DESCRIPTION
	000870-08-000	SF STYROFOAM - .75" X 48" X 96" PLANED EXPANDED BEAD BOARD
	100619-01-000	BF FOAM - EXPANDED POLYSTYRENE - 1.34" X 48" X 96"
	100619-04-000	BF FOAM - EXPANDED POLYSTYRENE - .5" X 48" X 96"
	100619-06-000	EA FOAM - EXPANDED POLYSTYRENE - .875" X 20.35" X 63.35"
	100619-07-000	EA FOAM - EXPANDED POLYSTYRENE - .630" X 48" X 96"
	100619-10-000	BF FOAM - EXPANDED POLYSTYRENE - 1.5" X 48" X 96"

### EXTERIOR SHOWER

KEY	PART NUMBER	U/M DESCRIPTION
	120592-01-01A	EA COMPARTMENT - SHOWER - EXTERIOR - OFF WHITE - JAPAN
	121473-01-01A	EA COMPARTMENT - SHOWER - EXTERIOR

**GALLEY GROUP**  
**GALLEY CABINETS & COMPONENTS**



KEY	PART NUMBER	U/M	DESCRIPTION
1	112805-04-02A	EA	END PANEL - MICROWAVE
2	M07494-24-J80	EA	CABINET - OVERHEAD - F/MICROWAVE - W/O DOOR/HARDWARE
	116856-01-H70	EA	CABINET - OVERHEAD - W/O DOOR/HARDWARE
	112943-04-02B	EA	FRAME - MICROWAVE/OVERHEAD
	116899-01-02A	EA	TRIM - OVERHEAD CABINET - JAPAN
	116857-01-H70	EA	PANEL - CABINET DOOR - W/O HARDWARE - JAPAN
	112809-03-02A	EA	BOTTOM PANEL - JAPAN
	112809-04-02A	EA	BOTTOM PANEL - MICROWAVE
3	112805-05-02A	EA	END PANEL - MICROWAVE - RIGHT HAND
4	128642-01-000	EA	TRIM KIT W/VENT - MICROWAVE - .9 CU FT SAMSUNG
5	128527-01-000	EA	OVEN - MICROWAVE - .9 CU FT - NON CONVECTION
6*	113947-02-02A	EA	RANGE - 2 BURNER W/COVER
7	080812-07-H70	EA	EXTENSION - GALLEY
8	126543-01-J80	EA	CABINET - GALLEY - W/O DOORS/DRAWERS/HARDWARE
	126545-01-H70	EA	COVER - SINK
	011029-03-000	EA	SINK - STAINLESS STEEL - SINGLE W/RAILS
	066437-01-000	EA	STRAINER/SINK - W/BASKET
			FROM: 00-00-00 THRU: 02-22-98
	066437-02-000	EA	STRAINER - W/BASKET - SINK
			FROM: 02-23-98 THRU: 99-99-99
	011069-03-000	EA	TAILPIECE - TUB/SHOWER - 1 1/2" X 1 3/4" - PLASTIC
	066436-01-000	EA	NUT - SLIP - TAILPIECE 1.5"
	069735-01-000	EA	WASHER - STRAINER TO TAILPIECE - PLASTIC - 1.5"
	113798-01-01A	EA	FAUCET - GALLEY - SINGLE CONTROL
9	P10163-L0-H70	EA	DRAWER - CABINET
10*	113737-01-03A	EA	REFRIGERATOR - SMALL SINGLE DOOR - 3 WAY
11	116855-01-H70	EA	DOOR - CABINET - W/O HARDWARE
12	109918-02-03A	EA	VENT - RETURN AIR
13	126543-11-H70	EA	COUNTERTOP - GALLEY
14	121445-01-02A	EA	COVER - PIPE

\* COMPONENT PARTS FOUND IN SERVICE PARTS LIBRARY

## GENERATOR GROUP

### 3,000 WATT GENERAC GENERATOR

KEY	PART NUMBER	U/M	DESCRIPTION
	113458-01-000	EA	GENERATOR - 3.0 KW GENERAC W/HOUR METER
	100258-10-01A	EA	GAUGE - HOUR METER W/SWITCH - SCREW ON STYLE
	100258-10-701	EA	GAUGE - HOUR METER - CLIP ON STYLE
	007067-01-000	SF	INSULATION - FIBERGLASS - 1" THICK X 4' - INCREMENTS/4 SF
	007125-03-000	EA	CLAMP - MUFFLER - 1.5" DIA
	007125-04-000	EA	CLAMP - MUFFLER - 1.1" DIA
	007131-01-000	EA	HANGER - TAILPIPE - 6 SLOTS
	113841-02-000	EA	PIPE - EXHAUST - GENERATOR
	115112-01-02B	EA	BRACKET - MOUNT - GENERATOR - RIGHT
	115112-02-02B	EA	BRACKET - MOUNT - GENERATOR - LEFT
	113378-04-000	EA	FUEL LINE - GENERATOR - MIDDLE
	114276-01-000	EA	FUEL LINE - GENERATOR - IN TANK

### 3,000 WATT GENERAC GENERATOR - JAPAN GENERATOR OPTION

KEY	PART NUMBER	U/M	DESCRIPTION
	113458-02-000	EA	GENERATOR - 3.0 KW GENERAC W/HOUR METER - GENERAC NP30G, 9890
	007067-01-000	SF	INSULATION - FIBERGLASS - 1" THICK X 4' - INCREMENTS/4 SF
	007125-03-000	EA	CLAMP - MUFFLER - 1.5" DIA
	007125-04-000	EA	CLAMP - MUFFLER - 1.1" DIA
	007131-01-000	EA	HANGER - TAILPIPE - 6 SLOTS
	113841-02-000	EA	PIPE - EXHAUST - GENERATOR
	115112-01-02B	EA	BRACKET - MOUNT - GENERATOR - RIGHT
	115112-02-02B	EA	BRACKET - MOUNT - GENERATOR - LEFT
	113378-04-000	EA	FUEL LINE - GENERATOR - MIDDLE
	114276-01-000	EA	FUEL LINE - GENERATOR - IN TANK

NOTE: ADDITIONAL GENERATOR COMPONENTS ARE FOUND IN THE CHASSIS GROUP

## HEATING & AIR CONDITIONING GROUP

### SUBURBAN FURNACE CABINET ASM & COMPONENTS - MODEL NT-20SG

KEY	PART NUMBER	U/M	DESCRIPTION
*	075697-07-000	EA	FURNACE - FORCED AIR - 20000 BTU

\* COMPONENT PARTS FOUND IN SERVICE PARTS LIBRARY

### 7,100 BTU ROOF A/C

KEY	PART NUMBER	U/M	DESCRIPTION
*	093306-01-02A	EA	A/C - ROOF - 7,100 BTU - ROTARY
*	093307-03-000	EA	CEILING ASSEMBLY - COOL ONLY - WHITE - JAPAN

\* COMPONENT PARTS FOUND IN SERVICE PARTS LIBRARY

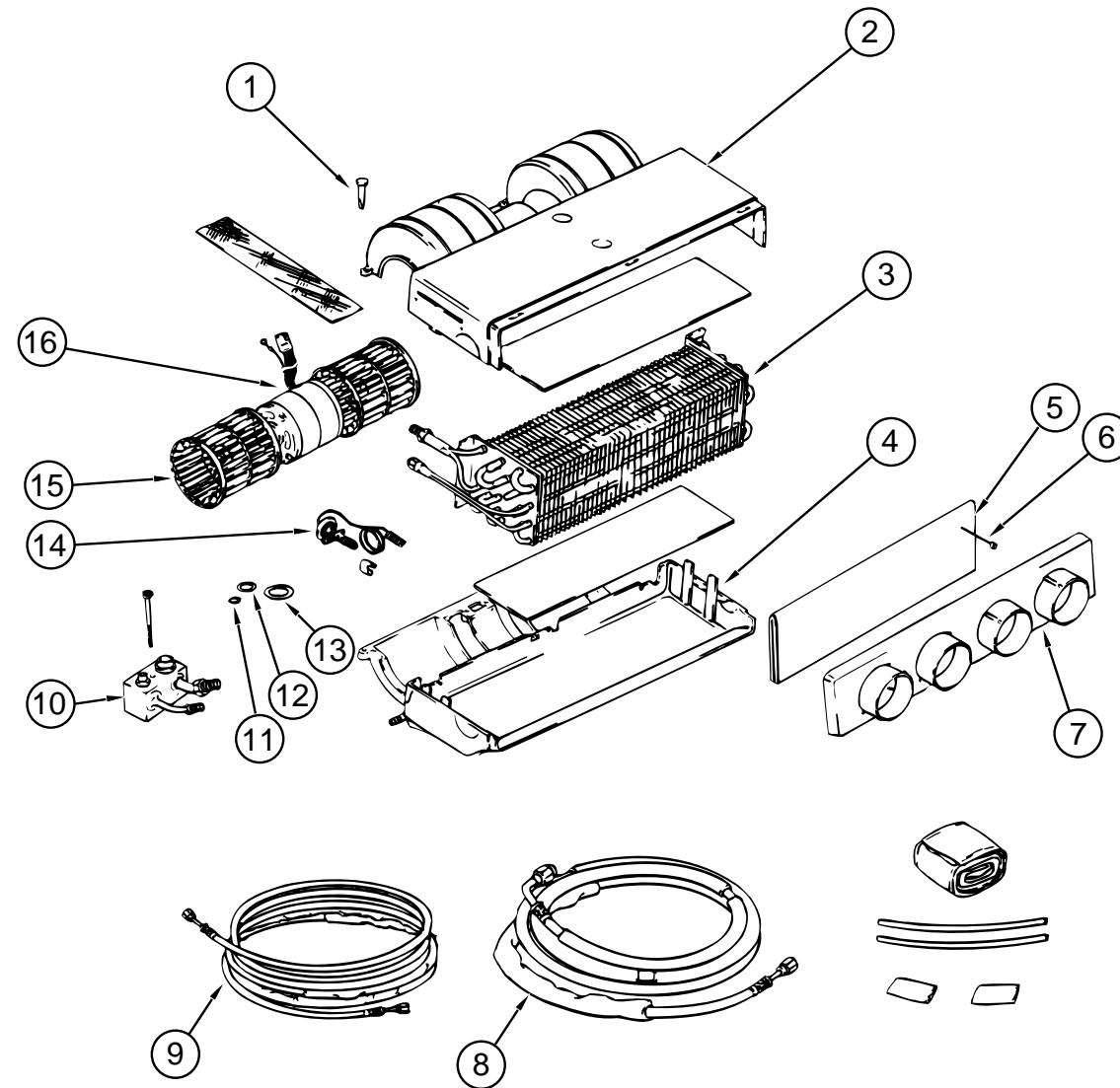
### EVANS REAR HEATER

KEY	PART NUMBER	U/M	DESCRIPTION	VENDOR NO.
	049401-04-000	EA	HEATER - REAR - W/O SWITCH	
	049401-01-705	EA	VALVE - 3 PORT 2-WAY	HV032126
	049401-03-700	EA	HEATER CORE	FT200027
	049401-03-701	EA	FAN - CCW	HV029931
	049401-03-702	EA	RESISTOR	HV027838
	049401-04-700	EA	CABLE - CONTROL	HV033639
	049401-04-701	EA	MOTOR - 12V SS/PM	HV033107
	058906-07-000	EA	PANEL - CONTROL - AUXILIARY HEATER	

### MOTOR AID COMPONENTS

KEY	PART NUMBER	U/M	DESCRIPTION
	083081-01-000	EA	HOSE - FORMED - 90 DEGREES - 5/8" ID
	007108-01-000	FT	HOSE - HEATER - 5/8" ID - HI-TEMP - FORD ESE-M2D192-A
	007108-02-000	FT	HOSE - HEATER - 3/4" ID - HI-TEMP - FORD ESE-M2D192-A
	058893-01-000	EA	BRACKET - L-ANGLE - .75" X .75" X 2.25" - ALUMINUM
	083088-01-000	EA	PIPE - COOLANT RETURN - AUXILIARY REAR HEATER
	084190-01-000	EA	GUARD - MOTOR AID - 5.9" X 5.7" X 5.3" - ANGLED GALVANIZED STEEL

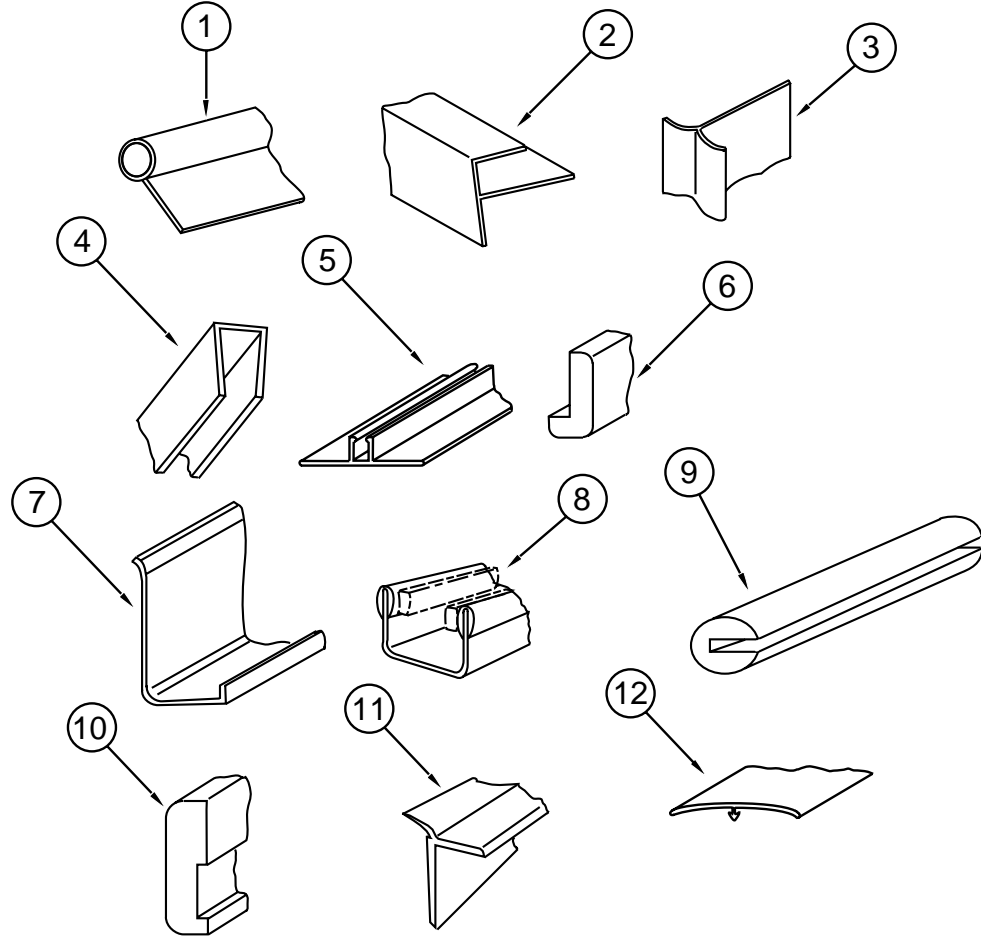
**HEATING & AIR CONDITIONING GROUP (CONTINUED)**  
SCS AUTO A/C & COMPONENTS



KEY	PART NUMBER	U/M	DESCRIPTION	VENDOR NO.
	113245-01-000	EA	EVAPORATOR/AC - OVERHEAD - R134A - SCS - 090-00075	
1	113245-01-701	EA	PIN - PLASTIC	062-0027
	113245-01-702	EA	COVER - SLOT	062-0141
2	113245-01-717	EA	CASE - TOP ONLY	062-0139
3	113245-01-705	EA	COIL - EVAPORATOR	041-0034
4	113245-01-716	EA	CASE - BOTTOM ONLY	062-0140
5	113245-01-713	EA	SCREEN - CONDENSATION	045-0173
6	113245-01-714	EA	PIN - SCREEN RETAINER	062-0164
7	113245-01-703	EA	BEZEL - W/4 OUTLETS	062-0142
8	113245-01-709	EA	HOSE ASSEMBLY - #10	085-0116
9	113245-01-708	EA	HOSE ASSEMBLY - #6 - EVAP-DRIER	085-0115
10	113245-01-712	EA	FITTING BLOCK	050-0129
11	113245-01-711	EA	O'RING - #6	045-0129
12	103930-17-702	EA	O'RING - #10	045-0127

KEY	PART NUMBER	U/M	DESCRIPTION	VENDOR NO.
13	113245-01-710	EA	GASKET - #12	045-0128
14	113245-01-706	EA	VALVE - EXPANSION - 134 A   5 TON	034-0026
15	113245-01-700	EA	WHEEL - BLOWER W/CLIP	062-0028
16	113245-01-704	EA	MOTOR - BLOWER, 12V3SP, DBL	030-0028
	113245-01-707	EA	O'RING - #8	045-0126
	007108-01-000	EA	HOSE - HEATER - 5/8" ID - HI-TEMP - FORD	
	007281-01-000	EA	HOSE - FLEXIBLE - PVC - 2.5"ID X 50' - ATCOFLEX A-182-355	
	049401-01-705	EA	VALVE - 3 PORT - 2WAY	HV032126
	049401-03-700	EA	HEATER CORE	FT200027
	049401-03-702	EA	RESISTOR	RV212103
	109918-01-05A	EA	VENT - RETURN AIR - 12.3" X 5.5" - BLACK	
	109918-03-01A	EA	VENT - RETURN AIR - 12.3" X 2.75"	
	113244-01-01A	EA	LOUVER - BALL - 3" - BLACK	
	113245-02-000	EA	BLOWER - OVERHEAD	

## INTERIOR FINISH GROUP



### MOLDINGS & TRIMS

KEY	PART NUMBER	U/M DESCRIPTION
1	009767-12-000	FT WELTING - SIDEWALL/CEILING/CABINET - OFF/WHT
2	009812-30-000	EA MOLDING - PLASTIC - 1/2" O/S CORNER - 84" - SOLAR MAPLE
	009812-33-000	EA MOLDING - PLASTIC - 1/2" O/S CORNER - 84" - WASHED MAPLE
3	022992-11-000	FT MOLDING - REVERSE COVE - T-SHAPED VINYL - IVORY
	022992-15-000	FT MOLDING - REVERSE COVE - VW GRAY
4	070504-50-000	FT U-CHANNEL - PLASTIC - .13" X 84" - WASHED MAPLE
	070504-51-000	FT U-CHANNEL - PLASTIC - .87" X 84" - WASHED MAPLE
5	086229-11-000	EA RETAINER - OFFSET - 97.01"
	086229-16-000	EA RETAINER - 3/4" X 97.68" - IVORY
6	077840-01-J70	EA MOLDING - CAP/WALL - 8' WASHED MAPLE
7	099571-03-01A	EA TRIM - ROOF COVE - 146.2" - SMOKEY WHITE
8	002324-02-000	FT CHANNEL - WEATHERSTRIP - GLASS RUN - U-SHAPED
9	085746-04-000	FT TRIM-J - CARPET 1.2" X .5" ANGLE - 12' LONG - OFF WHITE
10	080561-02-J80	EA TRIM - SHELF FRONT
11	115003-01-01A	FT MOLDING - REVERSE COVE - VW WHITE
12	086229-13-000	EA BATTEN - 1" X 96" - IVORY
	086229-20-000	EA BATTEN - 1" X 96" - BEIGE

## INTERIOR FINISH GROUP (CONTINUED)

### FIRE EXTINGUISHER, SMOKE DETECTOR & CO DETECTOR

KEY	PART NUMBER	U/M DESCRIPTION
	094499-01-000	EA EXTINGUISHER/FIRE - DRY W/MOUNTING BRACKET
	094499-02-000	EA EXTINGUISHER/FIRE - DRY - 1A10BC - CANADIAN
	094499-01-700	EA BRACKET - MOUNTING, W/PLASTIC STRAP - FIRE EXTINGUISHER
	094499-01-701	EA STRAP ONLY (METAL)
	072852-01-000	EA DETECTOR - SMOKE - W/9 VOLT BATTERY
	072852-02-000	EA DETECTOR - SMOKE - W/9 VOLT BATTERY - CANADIAN
	125136-01-000	EA DETECTOR - CO GAS - MODEL 9L-I - COSTAR

### PANELING & LAMINATES

KEY	PART NUMBER	U/M DESCRIPTION
	000846-01-000	SF PLYWOOD - 5/16" X 48" X 96" - CD GRADE
	000846-02-000	SF PLYWOOD - 5/16" X 48" X 96" - SOLID CORE
	052372-02-000	BF LUMBER - CLASS II - 1" X 48" X 108"
	074498-65-000	SF LAMINATE - PLASTIC - MEDIUM GRAY
	076325-71-000	FT MOLDING - EDGE BAND - 1 5/16" X .038"
	076325-72-000	FT MOLDING - EDGE BAND - .93" X .024" X 600'
	088272-F8-000	SF PANELING - BOLERO - AQUA FROST
	088272-G1-000	SF PANELING - PEBBLE EMBOSS - ANTIQUE WHITE - 4' X 7'
	088272-H1-000	SF PANELING - GRAY - BURLAP - 4' X 7'
	089297-01-000	SF PLYWOOD - LUAN - OVERLAY GRADE - 4' X 8'
	126339-01-000	SF BOARD - WHEAT - 60" X 72"

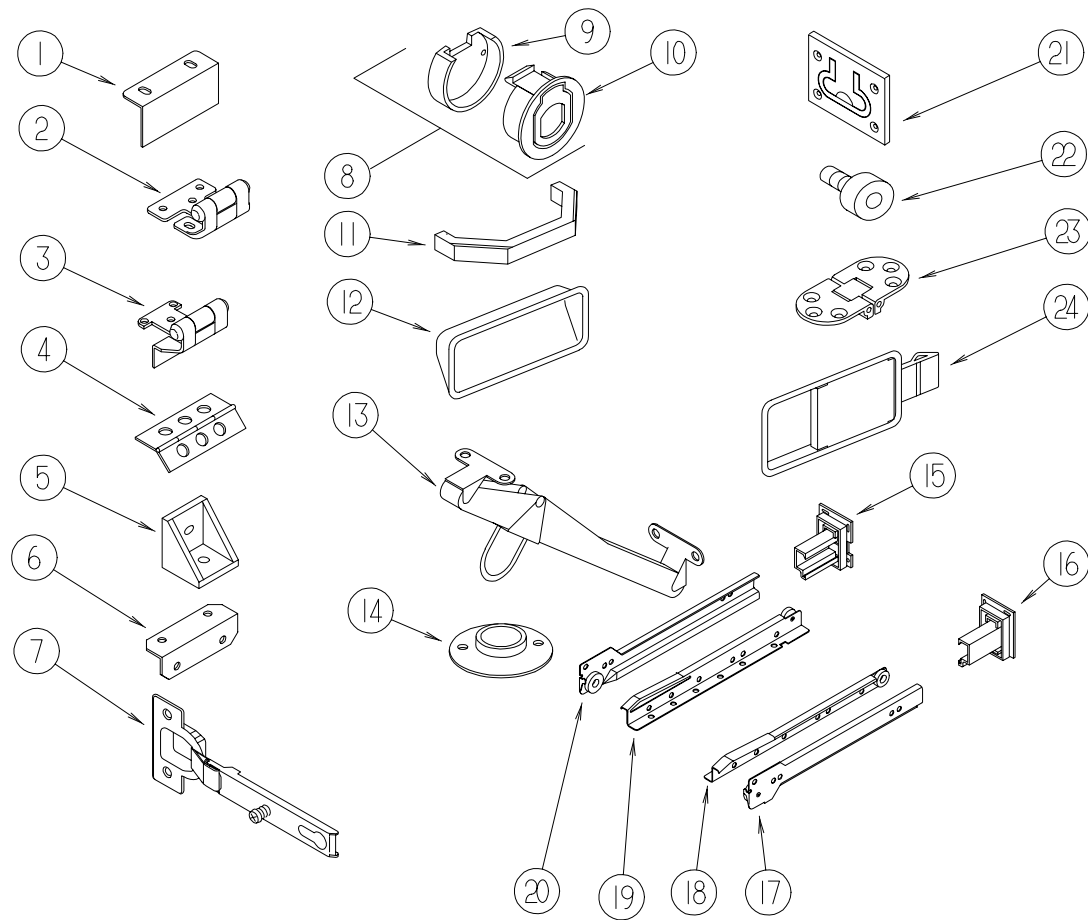
### BATT STRIPS

KEY	PART NUMBER	U/M DESCRIPTION
	085284-D4-000	FT BATT TAPE - ADHESIVE BACKED - DECORATIVE-BOLERO/AQUA FROST
	086229-13-000	EA BATTEN - 1" X 96" - IVORY
	086229-20-000	EA BATTEN - 1" X 96" - BEIGE
	088263-E1-000	EA BATT STRIP - DECORATIVE - BOLERO/AQUA FROST - 8' LONG
	088263-D4-000	EA BATT - STRIP - CARLS BAD

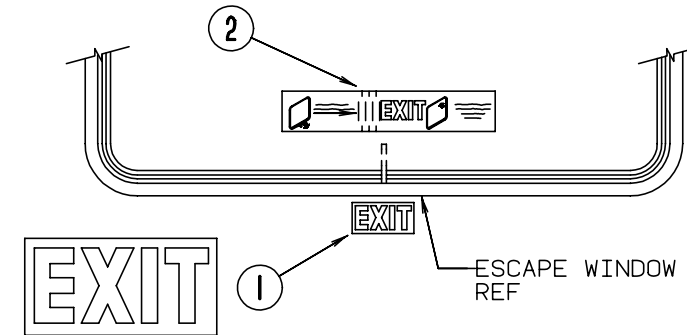
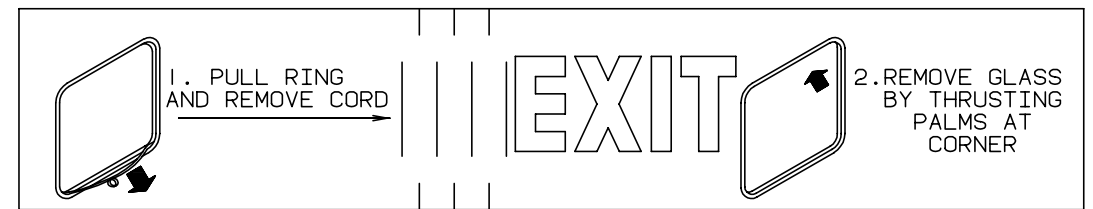
### CARPETING & FLOOR MATS

KEY	PART NUMBER	U/M DESCRIPTION
	096060-D1-000	SY CARPET - JUBILATION - SEAL GRAY
	105924-02-J80	EA MAT - FLOOR - 18" X 25"
	091261-01-000	FT SLIPNOT - ANTISLIP - 1' WIDE (100' ROLL)
	117477-01-J80	EA CARPET - RIALTA CAB
	115381-01-01A	EA MAT - FLOOR - DRIVER - BROWN/BLACK
	115381-02-01A	EA MAT - FLOOR - PASSENGER - BROWN/BLACK

## INTERIOR FINISH GROUP (CONTINUED)



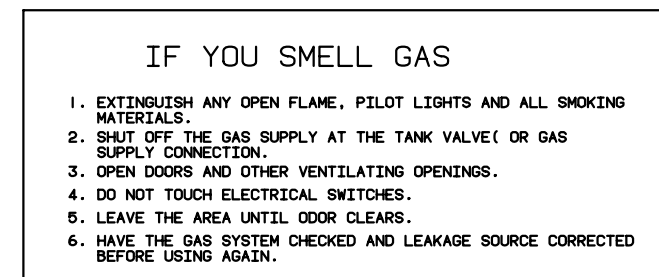
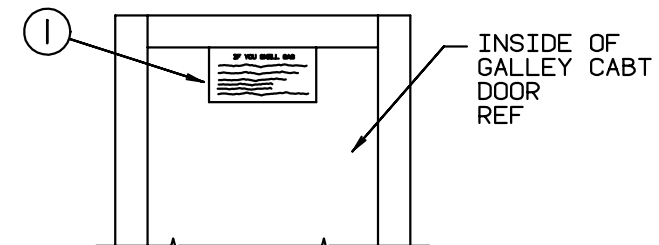
## LABELS GROUP



KEY	PART NUMBER	U/M DESCRIPTION
1	039290-01-000	EA LABEL - WARNING - EXIT
2	107571-01-000	EA LABEL - ESCAPE/EXIT WINDOW


## CABINET DOOR & DRAWER HARDWARE

KEY	PART NUMBER	U/M DESCRIPTION
1	113375-02-01A	EA STRIKE - DOOR - CHROME
2	113676-01-01A	EA HINGE - OVERLAY - VARIABLE
3	113677-01-01A	EA HINGE - SELF CLOSING
4	009059-01-000	EA HINGE - DOOR - 2" X 1.4" - BRASS
5	065740-01-000	EA BRACE - CABINET/CORNER - PLASTIC
6	016604-01-000	EA BRACE - CABINET - ANGLE - 2.5" - UNPAINTED METAL
6	016604-05-000	EA BRACE - CABINET - ANGLE - 2.5" - OFF WHITE METAL
7	114443-01-01A	EA HINGE - CABINET DOOR
8	113375-01-01A	EA LATCH - SLAM - CABINET DOOR (INCLUDES #8 AND #9)
9	113375-03-01A	EA LATCH - SLAM - BACK - BLACK
9	113375-05-01A	EA LATCH - SLAM - BACK - .8" THICK
10	113375-04-01A	EA LATCH - SLAM - FACE - BLACK
10	113375-06-01A	EA LATCH - SLAM - FACE - .7" THICK
11	117801-01-01A	EA PULL - CABINET - BRASS
12	115994-01-01A	EA HANDLE - POCKET
12	124311-01-01A	EA HANDLE - RECESSED - BRASS
13	104181-01-01A	EA SUPPORT - LEAF 5.3" EXTENDS TO 7.5" - SAFETY RING - METAL
14	009112-01-000	EA FLANGE - PLASTIC - 1" CLOTHES ROD - OFF WHITE
15	114045-01-000	EA BACKSOCKET - ADJUSTABLE LEFT
16	114045-02-000	EA BACKSOCKET - ADJUSTABLE RIGHT
17	114031-18-000	EA SLIDE - 20" - RIGHT SIDE/CABINET
18	114031-20-000	EA SLIDE - 20" - RIGHT SIDE/DRAWER
19	114031-19-000	EA SLIDE - 20" - LEFT SIDE/DRAWER
20	114031-17-000	EA SLIDE - 20" - LEFT SIDE/CABINET



KEY	PART NUMBER	U/M DESCRIPTION
1	073998-01-000	EA LABEL - LPG ODOR WARNING

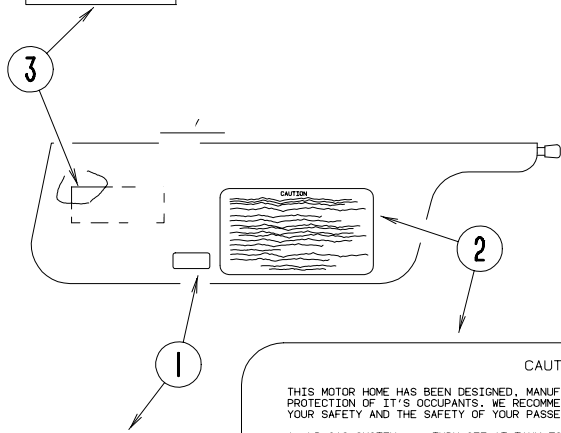
**LABELS GROUP (CONTINUED)**



**WARNING**

**DEATH or SERIOUS INJURY can occur**

Children 12 and under can be killed by the air bag  
 The BACK SEAT is the SAFEST place for children  
 NEVER put a rear-facing child seat in the front  
 Sit as far back as possible from the air bag  
 ALWAYS use SEAT BELTS and CHILD RESTRAINTS



**WARNING**  
 THIS VEHICLE, LIKE OTHER VEHICLES, MAY CONTAIN SMALL AMOUNTS OF ONE OR MORE SUBSTANCES WHICH ARE LISTED BY THE STATE OF CALIFORNIA FOR CAUSING CANCER OR REPRODUCTIVE TOXICITY.

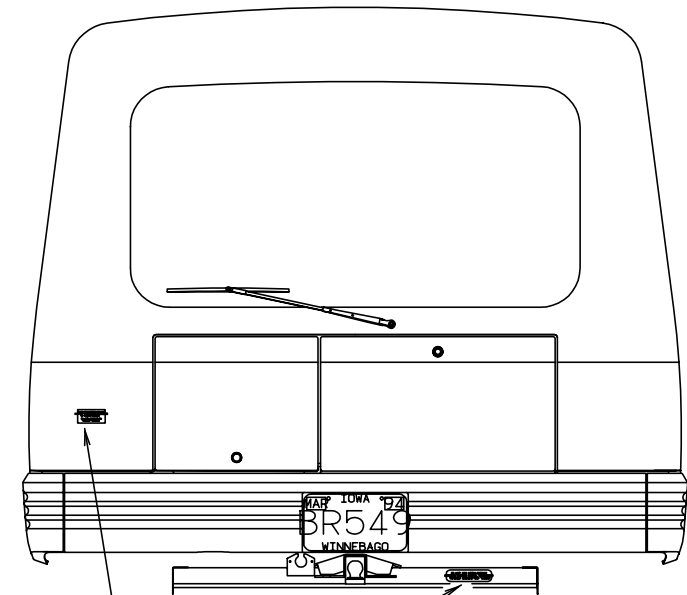
**CAUTION**

THIS MOTOR HOME HAS BEEN DESIGNED, MANUFACTURED AND TESTED WITH CONCERN FOR THE PROTECTION OF IT'S OCCUPANTS. WE RECOMMEND YOU PERFORM THE FOLLOWING INSPECTIONS FOR YOUR SAFETY AND THE SAFETY OF YOUR PASSENGERS BEFORE STARTING YOUR VEHICLE.

1. LP GAS SYSTEM- TURN OFF AT TANK FOR TRAVELING. TEST FOR LEAKS UPON ARRIVAL AT DESTINATION. BEFORE LIGHTING PILOTS.
2. WHEELS- INSPECT FOR DAMAGE AND CHECK LUG NUTS FOR TIGHTNESS.
3. TIRES- INSPECT FOR WEAR AND DAMAGE AND CHECK FOR RECOMMENDED AIR PRESSURE.
4. LIGHTING- TEST FOR PROPER OPERATION OF ALL INTERIOR AND EXTERIOR LIGHTS INCLUDING DASH LIGHTS, HEADLIGHTS, TAIL LIGHTS, BRAKE LIGHTS, CLEARANCE LIGHTS AND TURN SIGNALS.
5. EXITS- INSPECT RELEASE MECHANISM ON EMERGENCY EXIT WINDOW. TEST BOTH LOCKS ON MAIN ENTRANCE DOOR FOR EASE OF OPERATION AND INSTRUCT PASSENGERS HOW TO USE BOTH MEANS OF EXIT.
6. SEAT BELTS- DIRECT PASSENGERS TO DESIGNATED SEATS AND REQUIRE USE OF SEAT BELTS.
7. APPLIANCES- TURN OFF AND LATCH OR LOCK DOORS WHERE PROVIDED.
8. LOOSE PARCELS- STORE SECURELY.
9. UTILITY SUPPLY LINES- DISCONNECT ALL ELECTRIC, SEWER AND WATER LINES AND SECURE PROPERLY.
10. ENTRANCE DOOR STEP- PLACE IN RETRACTED POSITION FOR TRAVELING.

READ YOUR MOTOR HOME AND CHASSIS OWNER'S MANUAL FOR FURTHER PRECAUTIONS

**LABELS GROUP (CONTINUED)**



THIS CONNECTION IS FOR  
 (B) VOLT AC, 3-POLE, 4 WIRE  
 60 HZ(CYCLES), (A) AMPERE SUPPLY

DO NOT CONNECT TO  
 HIGHER VOLTAGE

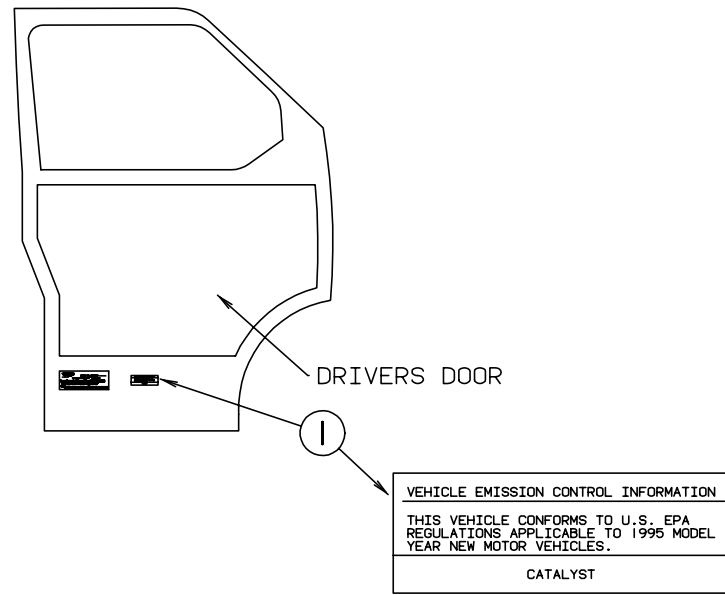
DO NOT USE HITCH BEFORE  
 READING OWNERS MANUAL REGARDING  
 VEHICLE LOADING AND TOWING

KEY	PART NUMBER	U/M DESCRIPTION
1	111802-01-000	EA LABEL - CFC WARNING
2	056259-01-000	EA LABEL - SAFETY CHECK LIST
3	126611-01-000	EA LABEL - AIR BAG - VISOR

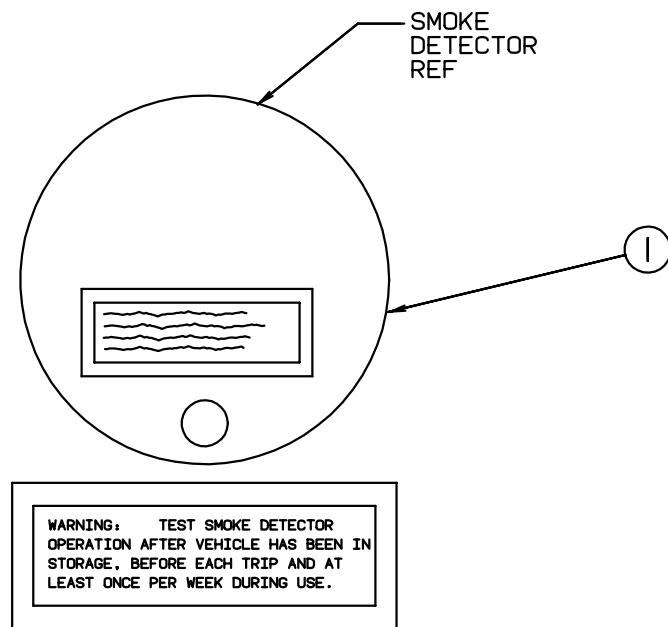
KEY	PART NUMBER	U/M DESCRIPTION
1	006062-01-000	EA LABEL - ELECTRIC - 110 V CONNECTION
1	006062-03-000	EA LABEL - ELECTRIC - 110 V CONNECTION - JAPAN OPTION FROM: 00-00-00 THRU: 07-13-97
1	125306-03-01A	EA LABEL - ELECTRICAL ENTRANCE - 100 VOLT 30 AMP FROM: 07-14-97 THRU: 99-99-99
2	111104-01-000	EA LABEL - HITCH - READ MANUAL - WHITE



**LABELS GROUP (CONTINUED)**

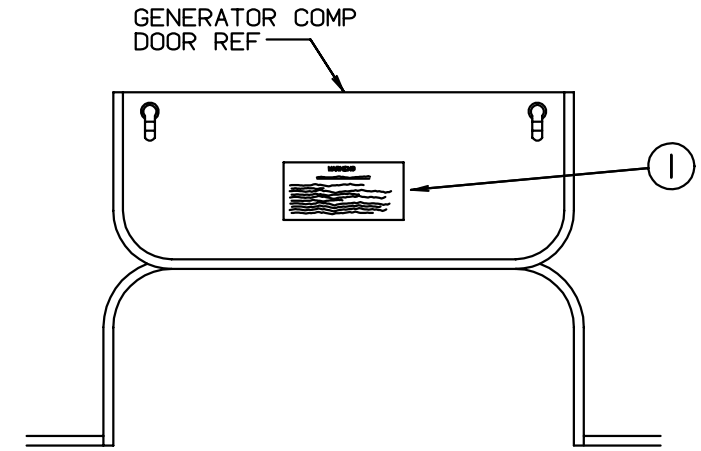


KEY	PART NUMBER	U/M	DESCRIPTION
1	072887-08-000	EA	LABEL - EPA - 1997 MODEL YEAR FROM: 00-00-00 THRU: 05-31-97
1	072887-09-000	EA	LABEL - EPA - 1998 MODEL YEAR FROM: 06-01-97 THRU: 99-99-99

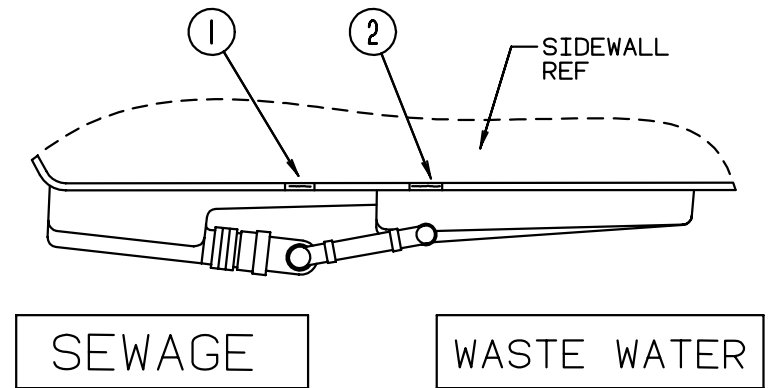


KEY	PART NUMBER	U/M	DESCRIPTION
1	077956-01-000	EA	LABEL - WARNING - SMOKE DETECTOR

**LABELS GROUP (CONTINUED)**

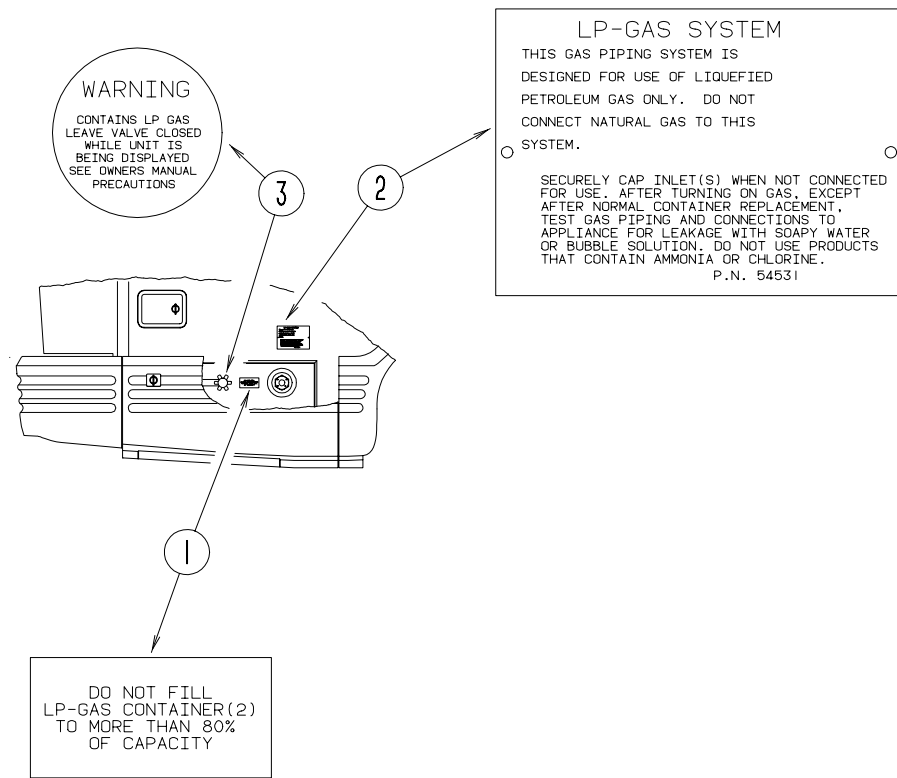


KEY	PART NUMBER	U/M	DESCRIPTION
1	077510-01-000	EA	LABEL - GENERATOR PREP

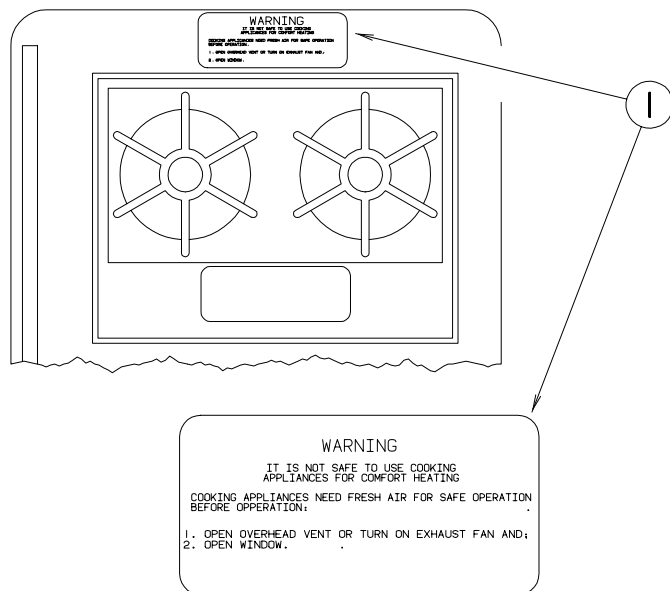


KEY	PART NUMBER	U/M	DESCRIPTION
1	006187-01-000	EA	LABEL - SEWAGE
2	006188-01-000	EA	LABEL - WASTE WATER

**LABELS GROUP (CONTINUED)**

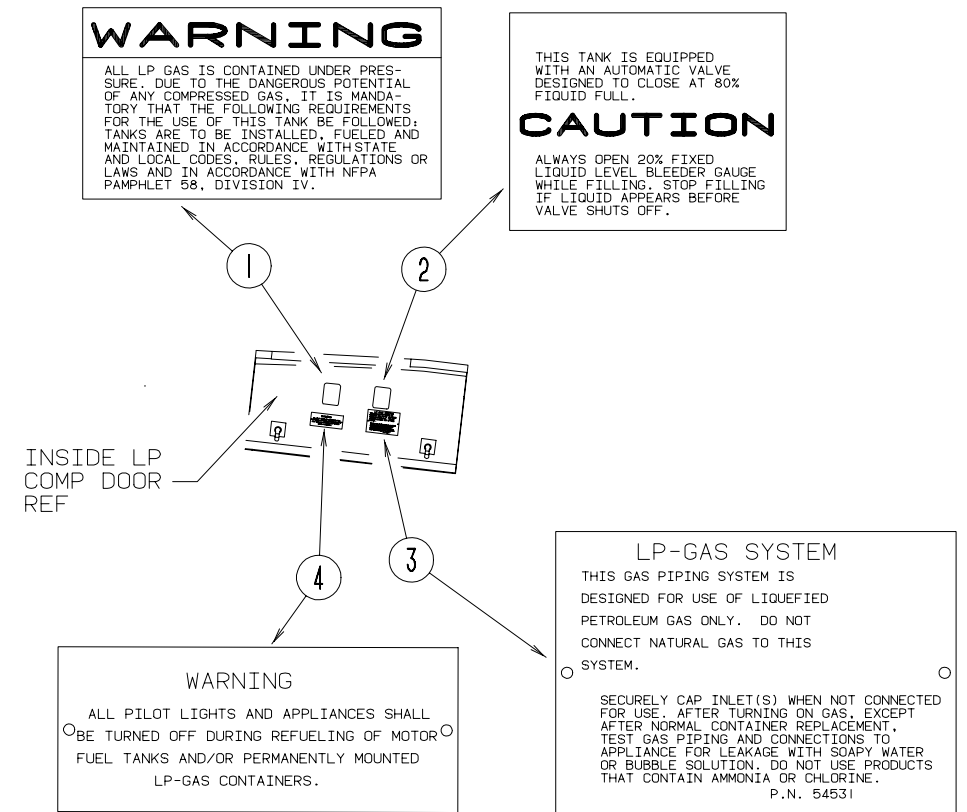


KEY	PART NUMBER	U/M	DESCRIPTION
1	079965-01-000	EA	LABEL - LPG 80% CAPACITY
2	124520-01-02A	EA	LABEL - LP GAS ONLY
3	115600-01-000	EA	LABEL - WARNING LPG VALVE

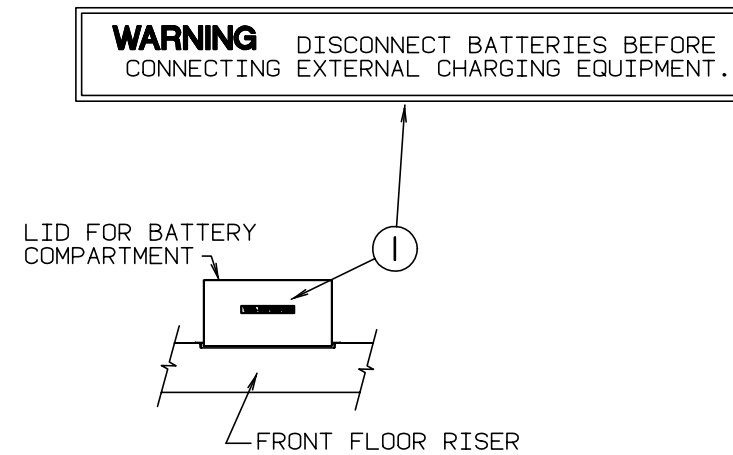


KEY	PART NUMBER	U/M	DESCRIPTION
1	050225-01-000	EA	LABEL - WARNING - STOVE VENT - US
1	050222-01-000	EA	LABEL - WARNING - STOVE VENT - CANADIAN

**LABELS GROUP (CONTINUED)**

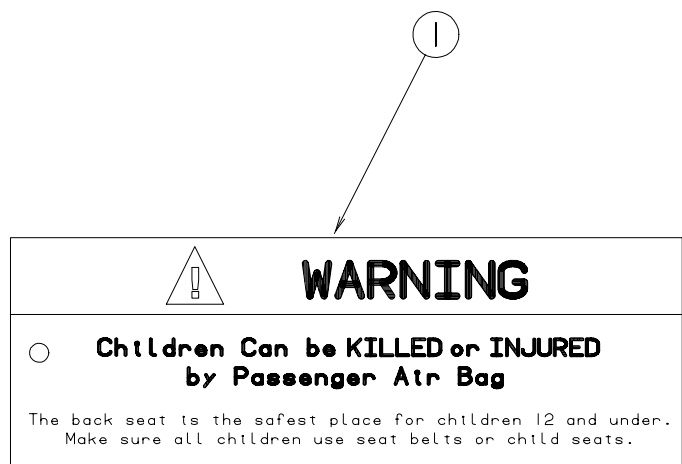


KEY	PART NUMBER	U/M	DESCRIPTION
1	116112-01-000	EA	LABEL - WARNING - LP
2	116113-01-000	EA	LABEL - CAUTION - LP
3	023769-01-000	EA	LABEL - WARNING - LPG ONLY - CANADIAN
4	124519-01-01A	EA	TAG - WARNING - GAS REFUELING
	124519-02-01A	EA	TAG - WARNING - GAS REFUELING - CANADIAN



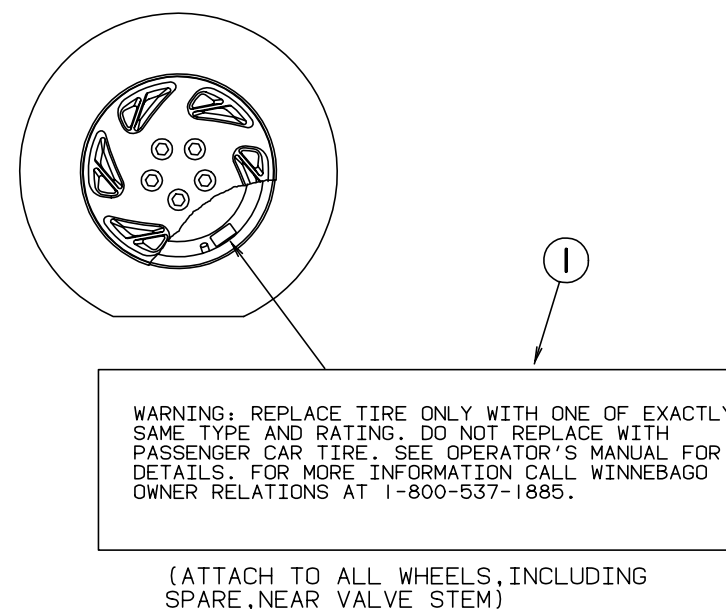
KEY	PART NUMBER	U/M	DESCRIPTION
1	065748-01-000	EA	LABEL - CAUTION - BATTERY CHARGING

**LABELS GROUP (CONTINUED)**

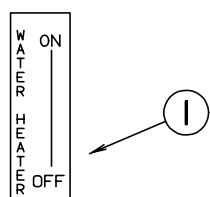


KEY	PART NUMBER	U/M DESCRIPTION
1	126612-01-000	EA LABEL - HANG TAG - AIR BAG - DASH

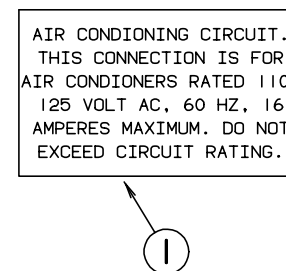
**LABELS GROUP (CONTINUED)**



KEY	PART NUMBER	U/M DESCRIPTION
1	115869-01-000	EA LABEL - WARNING - TIRE



KEY	PART NUMBER	U/M DESCRIPTION
1	083588-01-000	EA LABEL - ON/OFF - WATER HEATER



KEY	PART NUMBER	U/M DESCRIPTION
1	091243-01-000	EA LABEL - A/C COVER

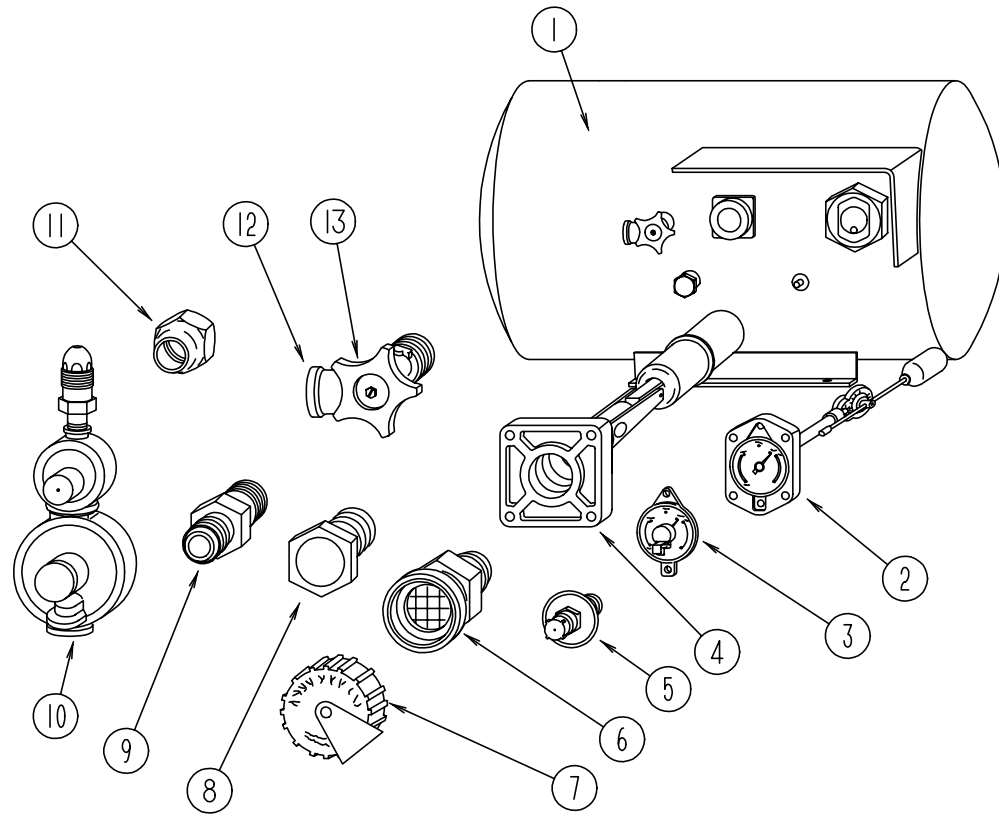
**MISCELLANEOUS LABELS**

KEY	PART NUMBER	U/M DESCRIPTION
	120677-01-000	EA LABEL - TV
	087236-01-000	EA LABEL - CABLE - INPUT
	124709-01-000	EA LABEL - EMISSION CONTROL - DUAL
		FROM: 00-00-00 THRU: 01-04-98
	124709-02-000	EA LABEL - EMISSION CONTROL - DUAL
		FROM: 01-05-98 THRU: 99-99-99
	126024-01-000	EA LABEL - TIRE HANGER REMOVAL
		FROM: 01-20-97 THRU: 99-99-99
	124572-01-000	EA LABEL - SWITCHES
	124572-02-000	EA LABEL - SWITCHES W/O A/C
	129684-01-000	EA LABEL - TIRE ROTATION
		FROM: 03-02-98 THRU: 99-99-99

**LP GROUP**

**SEALANTS & FASTENERS GROUP**

**NUTS, BOLTS AND WASHERS**



**BRUNNER LP TANK & COMPONENTS**

KEY	PART NUMBER	U/M DESCRIPTION	VENDOR NO.
1	074039-04-000	EA TANK - LP - 28 LB - BOTTOM MOUNT - 10" DIAMETER X 23" LONG	
2	074039-01-700	EA FLOAT ASM. (SIGHT GAUGE) BOLT	10C
3	040440-02-000	EA TRANSMITTER - DIAL - 0-90 OHM -2 TERMINAL (POWER & GROUND)	
4	074039-04-700	EA VALVE - 80% FILL W/AUTO STOP	LVTL290C9010
5	040421-01-700	EA VALVE - LIQUID LEVEL, 20%	G-1013
6	040421-01-701	EA VALVE - FILL - SHORT - LP	75478
7	040421-01-702	EA CAP - FILL VALVE - PLASTIC	G-1014-A
8	040421-01-713	EA VALVE - VAPOR ONLY	29000587
9	010323-01-000	EA ADAPTER - BRASS - 3/8"F X 1/2" MPT	
10	106150-03-000	EA REGULATOR -TWO STAGE-7/8-14 UNS2A LH INLET/3/8" FPT OUTLET	
11	010377-02-000	EA NUT-BRASS - 3/8" FEMALE - FORGED	
12	040421-01-712	EA VALVE - SERVICE - W/O VAPOR RELIEF	29000853
13	040421-01-708	EA HANDWHEEL - SERVICE VALVE	G-1015-A
	074458-01-000	EA ELBOW - 3/8 MALE FL TO 3/8 FEMALE FL SWIVEL	
	010252-01-000	EA ELBOW - BRASS - 90 DEGREE - 3/8" F X 1/2" MPT	
	010265-01-000	EA ELBOW - BRASS - 90 DEGREE - 3/8" F X 1/2" FPT	
	033759-01-000	EA ELBOW - BRASS - 90 DEGREE - 3/8" F X 3/8" F	
	024250-01-000	EA ADAPTER - BRASS - 3/8"F X 1/2" FPT	
	010329-01-000	FT ADAPTER - BRASS - 1/2" F X 1/2" MPT	
	010281-01-000	EA TEE - BRASS - 3/8F	

KEY	PART NUMBER	U/M DESCRIPTION
	044364-02-000	EA NUT - SPEED - FLAT - ROUND
	087234-01-000	EA NUT - JACK - 1/4 X 20 THD - MOLLY MOUNTS LICENSE PLATES
	0MD16K-10-000	EA NUT - HEX PREV TORQUE M10 X 1.50 CLASS 8
	0MD39K-12-000	EA NUT - HEX W/NYLON LOCK - M12 X 1.75
	0MD40K-14-000	EA NUT - HEX W/NYLON LOCK - M14 X 2.00
	000D24-10-00B	EA NUT - HEX - SELF LOCKING - 10-32 - ZN
	000D34-04-00B	EA NUT - HEX - LK 1/4 - 20 - ZN
	000D34-06-00B	EA NUT - HEX - LK 3/8 - 16 - GRADE C - ZN
	000D39-04-00B	EA NUT - HEX - SER FLG LK - 1/4 - 20 - ZN
	000D39-05-00B	EA NUT - HEX - SER FLG LK - 5/16 - 18 - ZN
	000D39-06-00B	EA NUT - HEX - SER FLG LK - 3/8 - 16 - ZN
	000D39-07-00B	EA NUT - HEX - SER FLG LK - 7/16 - 14 - ZN
	000D39-08-00B	EA NUT - HEX - SER FLG LK - 1/2 - 13 - ZN
	000D44-07-00B	EA NUT - HEX - SER FLG LK - 7/16 - 20 - ZN
	000D46-04-00A	EA NUT - HEX - WELD - 1/4 - 20 - PLAIN - SHORT PILOT
	084406-01-000	EA NUT - CAPPED - CROSS RECESS - BLACK - 1/4 - 20 THD
	0MC04K-06-016	EA BOLT - HEX - M06 X 1.00 X 016
	0MC13K-14-070	EA BOLT - HEX - M14 X 2.00 X 070
	0MC31K-08-020	EA BOLT - HEX - SERRATED FLANGE - M8 X 020
	0MC32K-10-030	EA BOLT - HEX - SERRATED FLANGE - M10 X 1,50 9
	000C12-04-12A	EA BOLT - HEX - 1/4-20 X .75 - PLAIN 5
	000C12-05-16B	EA BOLT - HEX - 5/16-18 X 1 - ZINC 5
	000C12-05-64B	EA BOLT - HEX - 5/16-18 X 4
	000C12-06-16B	EA BOLT - HEX - 3/8-16 X 1LG - ZINC 5
	000C12-08-24B	EA BOLT - HEX - 1/2-13 X 1 1/2 - ZINC 5
	000C26-04-14B	EA BOLT - HEX - 1/4-20 X 7/8 - SERRATED FLANGE - ZINC
	000C26-04-10B	EA BOLT - HEX - 1/4-20 X 5/8 - SERRATED FLANGE - ZINC
	000C26-05-12B	EA BOLT - HEX - 5/16-18 X 3/4 - SERRATED FLANGE - ZINC
	000C26-05-16B	EA BOLT - HEX - 5/16-18 X 1.0 - SERRATED FLANGE - ZINC
	000C26-06-12B	EA BOLT - HEX - 3/8-16 X 3/4 - SERRATED FLANGE - ZINC
	000C27-05-16B	EA BOLT - CARRIAGE - 5/16-18 X 1.0 - ZN
	000C27-06-16B	EA BOLT - CARRIAGE - 3/8-16 X 1.0 - ZN
	051387-06-000	EA BOLT - CARRIAGE - W/O HOLE - 5/16-18 X 9.5 - ZINC
	087718-01-000	EA MONOBOLT - 3/16" DIAMETER - STEEL
	113985-01-000	EA BOLT - FLANGE - M10-1.5 X 40CL10.9 - ZINC & CL
	113985-02-000	EA BOLT - FLANGE - M10-1.5 X 30CL10.9 - ZINC & CL
	0ME06K-14-280	EA WASHER - FLAT - 14 ID X 28,0 OD
	000E11-08-00B	EA WASHER - LK - 1/2 MED SPLIT - ZINC
	000E13-14-00B	EA WASHER - FL - 1/4 WIDE - ZINC
	000E13-17-00B	EA WASHER - FL - 3/8" AR - ZINC
	000E13-18-00B	EA WASHER - FL - 3/8" WIDE - ZINC
	000E13-18-00K	EA WASHER - FL - 3/8" WIDE - YELLOW CHROMATE
	000E13-20-00B	EA WASHER - FL - 7/16" WIDE - ZINC
	000E13-26-00B	EA WASHER - FL - 5/8" WIDE - ZINC
	000E14-10-00B	EA WASHER - LOCKING - #10 EXTERNAL TOOTH - ZINC
	041322-01-000	EA WASHER - FL - 15/32" ID X 2 3/8" OD
	108067-03-000	EA STUD - WELD - 1/4 - 20 X 1/2 CD

## SEALANTS & FASTENERS GROUP (CONTINUED)

### SCREWS

KEY	PART NUMBER	U/M	DESCRIPTION	KEY	PART NUMBER	U/M	DESCRIPTION
	000G11-08-12D	EA	SCREW - 8-18 X 3/4 PPH - BLACK		000G39-08-24B	EA	SCREW - SF/DR, 8-18 X 1 1/2 PPH - ZINC
	000G11-08-10B	EA	SCREW - 8-18 X 5/8 PPH - ZINC		000G39-10-088	EA	SCREW - SF/DR, 10-16 X 1/2 P&H - FLEX FLUOROCARBON
	000G11-10-12D	EA	SCREW - 10-16 X 3/4 PPH - BLACK		000G39-10-08B	EA	SCREW - SF/DR, 10-16 X 1/2 P&H - ZINC
	000G11-10-12S	EA	SCREW - 10-16 X .75 PPH - OFF WHITE		000G39-10-10B	EA	SCREW - SF/DR, 10-16 X .625 - ZINC
	000G11-06-08B	EA	SCREW - 6-20 X 1/2 PPH - ZINC		000G39-10-12B	EA	SCREW - SF/DR, 10-16 X .75 PPH - ZINC
	000G11-06-10J	EA	SCREW - 7-19 X 1/2 PPH - ZINC		000G39-10-129	EA	SCREW - SF/DR, 10-16 X .75 PPH - FLUOROCARBON SILVER
	000G11-06-24B	EA	SCREW - 6-20 X 1.5 PPH - ZINC		000G39-10-20B	EA	SCREW - SF/DR, 10-16 X 1 1/4 PPH - ZINC
	000G11-07-08B	EA	SCREW - 7-19 X 1/2 PPH - ZINC		000G39-10-32B	EA	SCREW - SF/DR, 10-16 X 2.00 PPH - ZINC
	000G11-08-08B	EA	SCREW - 8-18 X 1/2 PPH - ZINC		000G39-10-32I	EA	SCREW - SF/DR, 10-16 X 2.00 PPH - ZINC
	000G11-08-08T	EA	SCREW - 8-18 X 1/2 PPH - FLUROCARBON COATING		000G39-10-48B	EA	SCREW - SF/DR, 10-16 X 3.00 PPH - ZINC
	000G11-08-12B	EA	SCREW - 8-18 X 3/4 PPH - ZINC		000G42-04-12B	EA	SCREW - SF/DR, 1/4-14 X 3/4 HWH - ZINC
	000G11-08-12D	EA	SCREW - 8-18 X 3/4 PPH - BLACK		000G42-04-16B	EA	SCREW - SF/DR, 1/4-14 X 1 HWH - ZINC
	000G11-08-12P	EA	SCREW - 8-18 X 3/4 PPH - DARK BROWN		000G50-04-12B	EA	SCREW - MACH, 1/4-20 X 3/4 PPH - ZINC
	000G11-08-12T	EA	SCREW - 8-18 X .75 PPH - BLACK		000G55-08-16S	EA	SCREW - SF/DR, 8-18 X 1.00 PWH - OFF WHITE
	000G11-08-20B	EA	SCREW - 8-18 X 1 1/4 PPH - ZINC		000G57-05-16J	EA	SCREW - 5-20 X 1 PFH - BRASS
	000G12-06-08T	EA	SCREW - 6-20 X .50 POH - BLACK		000G67-10-08B	EA	SCREW - 10-12 X 1/2 PPH - ZINC
	000G13-06-08B	EA	SCREW - 6-20 X 1/2 PFH - ZINC		000G67-10-10B	EA	SCREW - 10-12 X 5/8 PPH - ZINC - TYPE A
	000G13-06-08G	EA	SCREW - 6-20 X 1/2 PPH - ANTIQUE BRASS		000G67-10-10D	EA	SCREW - 10-12 X 5/8 PPH - BLACK - TYPE A
	000G13-06-16E	EA	SCREW - 6-20 X 1.00 PFH - CHROME		000G67-10-12B	EA	SCREW - 10-12 X 3/4 PPH - ZINC
	000G13-07-10H	EA	SCREW - 7-19 X 5/8 PFH - BLACK		000G68-06-10G	EA	SCREW - 6-18 X 5/8 POH - ANTIQUE BRASS
	000G13-07-12B	EA	SCREW - 7-19 X 3/4 PFH - ZINC		0G1108-08-250	EA	SCREW - 8-18 X 1/2 PPH
	000G13-08-10S	EA	SCREW - 8-18 X 5/8 PFH - OFF WHITE		0G1110-12-250	EA	SCREW - 10-16 X .75 PPH
	000G13-08-16B	EA	SCREW - 8-18 X 1 PFH - ZINC		0G3908-08-250	EA	SCREW - SF/DR, 8-18 X .5 PWH
	000G16-04-24B	EA	SCREW - MACH - 1/4-20 X 1.5" PPH - ZINC		0G3908-12-250	EA	SCREW - SF/DR, 8-18 X .75 PWH
	000G19-10-12F	EA	SCREW - MACH - 10-32 X 3/4" PPH - STAINLESS		0G3908-16-250	EA	SCREW - SF/DR, 8-18 X 1.00 PPH
	000G38-04-229	EA	SCREW - MACH - 1/4-20 X 1.38 PFH - STALGARD		0G3910-10-250	EA	SCREW - SF/DR, 10-16 X .62 PPH
	000G39-06-08B	EA	SCREW - DR - 6-18 X 1/2 - ZINC		0G6710-08-250	EA	SCREW - 10-12 X 1/2 PPH
	000G39-06-10T	EA	SCREW - SF/DR - 6-20 X 5/8 PPH - BLACK		0G6710-08-150	EA	SCREW - 10-12 X 1/2 PPH - VW DK GRAY
	000G39-08-08B	EA	SCREW - SF/DR - 8-18 X 1/2 PPH - ZINC		049465-03-000	EA	SCREW - 10-16 X 1 POH W/WASHER - OFF WHITE
	000G39-08-08S	EA	SCREW - SF/DR - 8-18 X .50 PPH - OFF WHITE		101618-01-000	EA	SCREW - 1/4-20 X 3/4 HEX/TAPPING - STALGARD TYPE F
	000G39-08-08T	EA	SCREW - SF/DR - 8-18 X .50 PPH - BLACK		113563-01-01A	EA	SCREW - 8 X .62 LG SHOULDER/WASHER HD
	000G39-08-12B	EA	SCREW - SF/DR - 8-18 X 3/4 PPH - ZINC		086256-01-000	EA	SCREW ASM - SF/DR 8 X .75 HWH LG - PL BODY PNL MT
	000G39-08-12T	EA	SCREW - SF/DR - 8-18 X 3/4 PPH - BLACK		117478-01-02A	EA	SCREW - 8-18 X .75" PPH W/WASHER
	000G39-08-16B	EA	SCREW - SF/DR - 8-18 X 1.00 PPH - ZINC		117478-01-03A	EA	SCREW - 18 X .75" PPH W/WASHER
	000G39-08-16R	EA	SCREW - SF/DR - 8-18 X 1.00 PPH - BEIGE		057671-01-000	EA	COVER-SCREW - #8 - PLASTIC - OFF WHITE
	000G39-08-16T	EA	SCREW - SF/DR - 8-18 X 1.00 PPH - BLACK		057671-13-000	EA	COVER-SCREW - #8 - PLASTIC - DK GRAY
					061420-04-000	EA	PLUG-PLASTIC - 1.25 DIA

## SEALANTS & FASTENERS GROUP (CONTINUED)

### ADHESIVE AND SEALANTS

KEY	PART NUMBER	U/M	DESCRIPTION
	004001-05-000	EA	EPOXY ADHESIVE - CLEAR - DP-100
	004006-05-700	EA	ADHESIVE - NAT. STARCH (5 GAL)
	004020-01-000	QT	ADHESIVE - ABS CEMENT - QUART
	112902-01-000	EA	NOZZLE - ELEMENT - 3/8 X 24
	900390-01-000	EA	TIP - 2 1/2" X 1/8" ORIFICE - ELLSWORTH #TS216
	900390-03-000	EA	NOZZLES - SILICONE TUBE - CSL# D10
	034552-02-000	EA	SILICONE - TUBE - 300 ML - W/O NOZZLE - CLEAR
	034552-06-000	EA	SILICONE - TUBE - 300 ML - W/O NOZZLE - OFF WHITE
	039518-01-000	EA	SILICONE - TUBE - 300 ML - W/O NOZZLE - BLACK
	063642-01-000	FT	TAPE - ADHESIVE - 10 MM X 15" WIDE
	069640-02-000	FT	SEALER - RIBBON - 1/2" X 1/8" - INCREMENTS OF 60'
	069640-03-000	FT	SEALER - RIBBON - 3/4" X 1/8" - INCREMENTS OF 60'
	072889-09-000	EA	SEALANT - URETHANE - BLACK (TUBE)
	072889-13-000	EA	SEALANT - URETHANE - (LV) VW WHITE
	072889-14-000	EA	SEALANT - URETHANE - SABLE (TUBE)
	076322-01-000	FT	TAPE - FOAM - DOUBLE COATED - ADHESIVE BACKED - .75" X 216'
	076322-02-000	FT	TAPE - FOAM - DOUBLE COATED - ADHESIVE BACKED - 1" X 108'
	076322-03-000	FT	TAPE - FOAM - DOUBLE COATED - ADHESIVE BACKED - .5" X 108'
	076322-05-000	FT	TAPE - FOAM - DOUBLE COATED - .025" X 1.5"
	076322-07-000	FT	TAPE - FOAM - DOUBLE COATED - .045" X .50" - NORT V2000
	087211-01-000	GL	PROMOTER - ADHESIVE
	102352-01-000	EA	SEALER - PUMPABLE - BLACK
	108716-04-000	EA	SILICONE - TUBE - SABLE/SELF LEVELING
	107828-01-000	EA	SEALANT - SB 190 - EVERSEAL - SURE BOND INC
	112901-01-000	EA	ADHESIVE - PLEXUS MA 330 - 400 ML - P33000
	112901-02-000	EA	ADHESIVE - PLEXUS MA 330 - 50 ML - P33500
	120534-01-01A	EA	TAPE - SCOTCH - 3M - 1/2" FINE LINE
	123816-03-000	FT	TAPE - DOUBLE SIDED - 1/2"

## SEALANTS & FASTENERS GROUP (CONTINUED)

### MISCELLANEOUS FASTENERS

KEY	PART NUMBER	U/M	DESCRIPTION
	000H14-04-08R	EA	RIVET - MANDREL BLIND - 4/32 AL - CHERRY
	000H16-04-06R	EA	RIVET - POP - AL 1/8" X .313 - .375
	000H16-06-10R	EA	RIVET - POP - AL 3/16 X .501-.625
	069592-02-000	EA	RIVET - T - POP - 1/4 X .093 - .156
	008384-01-000	EA	GROMMET - SNAP - 3/4" DIAMETER - NYLON
	008386-01-000	EA	GROMMET - SNAP, 3/8"
	016188-03-000	EA	GROMMET - L/P LINE, 3/8" HOLE X 2 1/2" LONG - RUBBER
	023942-01-000	EA	GROMMET - RUBBER - 2" OD
	071015-11-000	EA	GROMMET - RUBBER - 1.00" ID FITS .12 MATL - MINOR RUBBER Z-3065
	071015-13-000	EA	GROMMET - RUBBER - .62" ID X 1" OD W/.09" GROOVE - BLACK
	077953-01-000	EA	GROMMET - EDGE LINER - FITS 1"
	088756-01-000	EA	GROMMET - WEB - 1 1/8" I.D.
	114208-01-000	EA	GROMMET - EDGE LINER - FITS 1.75" - HEYCO 2300
	114208-03-000	EA	GROMMET - EDGE LINER - FITS 2.50" - HEYCO 2420
	007161-01-000	EA	CLAMP - HOSE - SPRING TYPE - 1/2"
	010495-01-000	EA	CLAMP - CABLE- 9/16"
	010495-02-000	EA	CLAMP - CABLE - 3/8"
	010497-01-000	EA	CLAMP - CLOSED - 5/8" ID
	010497-04-000	EA	CLAMP - CLOSED - 1.62 ID - ADEL,945-2717
	010497-05-000	EA	CLAMP - CLOSED - 1/2" ID
	010497-07-000	EA	CLAMP - CLOSED - 3/8" ID
	062401-01-000	EA	CLAMP - HOSE - WORMGEAR .25" - 1"
	062401-02-000	EA	CLAMP - HOSE - WORMGEAR 1.56" - 2.5"
	062401-03-000	EA	CLAMP - HOSE - WORMGEAR .22" - 1"
	062401-04-000	EA	CLAMP - HOSE - WORMGEAR .69" - 1.25"
	062401-06-000	EA	CLAMP - HOSE - WORMGEAR .22" - .62"
	062401-12-000	EA	CLAMP - HOSE - WORMGEAR .79" - 1.26"
	083610-01-000	EA	CLAMP - WIRE - DUAL - UNEQUAL DIAMETERS - .75" & 1.25"
	077955-01-000	EA	CLIP - J - VINYL COATED - 3/8"
	080211-03-000	EA	CLIP - MOUNTING - (CHRISTMAS TREE)
	080734-02-000	EA	CLIP - WIRE - NYLON
	091952-02-000	EA	CLIP - GRIPPER - 3/4"
	008343-01-000	EA	TIE - WIRE - 6"
	108046-01-000	EA	CABLE TIE - SCREW MOUNT - 8"
	034141-02-000	EA	PLUG - HOLE - 3/8" - NYLON - BLACK
	061420-07-000	EA	PLUG - 1.8" DIAMETER - PLASTIC - CAPLUG BP-1.8
	085774-01-000	FT	FASTENER - DUAL HOOK - 1" WIDE - ADHESIVE BACK - BLACK
	085774-02-000	FT	FASTENER - DUAL LOOP - 1" WIDE - ADHESIVE BACK - BLACK
	085774-03-000	FT	FASTENER - DUAL LOCK - 1/2" WIDE - 3M-3541
	085774-04-000	FT	FASTENER - DUAL LOCK - 1/2" WIDE - 3M-3541
	110943-02-000	FT	FELTSTRIP - 3/8" - ADHESIVE BACK - WHITE

**WATER & SEWAGE GROUP****FRESH WATER TANK**

KEY	PART NUMBER	U/M	DESCRIPTION
	074510-07-000	EA	TANK - WATER - 16 GALLON - W/FITTINGS - 33.4"X11.4" X 10"
	074510-01-000	EA	TANK - WATER - 16 GALLON - W/O FITTINGS - 33.4"X 11.4"X10"
	077954-02-000	EA	FILTER - WATER TANK - W/SCREEN IN TANK
	079381-01-000	FT	TUBING - SMOOTH - FLEXIBLE - 1 1/4" ID
	042989-03-000	EA	FITTING - WATER TANK - SPINWELD - 1 1/4"NPT - PLASTIC
	042989-04-000	EA	FITTING - WATER TANK - SPINWELD - 3/8" FPT - PLASTIC
	042989-05-000	EA	FITTING - WATER TANK - SPINWELD - 1/2" FPT - PLASTIC
	049032-01-000	EA	PATCH - SPINWELD - 3/8" - PLASTIC
	039861-01-000	EA	SENDING UNIT W/SCREW - WASHER - WELL NUT AND TERMINAL RING
	035539-01-000	EA	ELBOW - PLASTIC - 3/8" MPT X 3/8" BARB
	039798-01-000	EA	TEE - 1/2" MPT X 1/2" MPT X 1/2" MPT - PLASTIC
	044927-01-000	EA	ADAPTER - HOSE TO PIPE - 1 1/4" MPT X 1 1/4" BARB - BLACK PLASTIC
	074462-02-000	FT	TUBING - VINYL - 3/8" ID - CLEAR

**WATER SYSTEM**

KEY	PART NUMBER	U/M	DESCRIPTION
	110915-01-01A	EA	FILL - WATER - CITY - CHROME - KEVCO 64713
	090338-03-000	EA	FITTING - HOSE - 3/4" ID - 2" LENGTH - BRASS
	111223-04-000	EA	ELBOW - 1/2" MPT X 1/2" BARB - PLASTIC
	114428-01-000	EA	TEE - 1/2"P X 1/2"P X 1/2"P
	114428-02-000	EA	TEE - SWIVEL - 1/2"P X 1/2"P X 1/2"FPT
	114428-03-000	EA	TEE - 1/2" P X 1/2" P X 1/2" MPT
	114429-01-000	EA	ELBOW - 1/2" P X 1/2" P
	114429-02-000	EA	ELBOW - 1/2" P X 1/2" MPT
	114429-03-000	EA	ELBOW - 1/2" P X 1/2" FPT - FLAIR-IT 02816
	114429-05-000	EA	ELBOW - 1/2" P X 3/4" MPT - FLAIR-IT 02812
	114429-06-000	EA	ELBOW - SWIVEL - 1/2 P X 3/4 FPT
	114430-01-000	EA	ADAPTER - 1/2" P X 1/2" P - FLAIR-IT 02840
	114430-02-000	EA	ADAPTER - SWIVEL - 1/2" P X 1/2" FPT - FLAIR-IT 02873
	114431-01-000	EA	VALVE - LINE DRAIN - 1/2" P - FLAIR-IT 02914
	114431-03-000	EA	VALVE - 1/2" P X 1/2" P - FLAIR-IT 02884
	114431-04-000	EA	VALVE - WATER - STRAIGHT THRU - "SHUT OFF VALVE"
	123150-01-000	EA	ELBOW - 1/2 FPT X 1/2 BARB - SWIVEL
	126589-01-000	EA	ELBOW - 1 1/2" 90 DEGREE SLIP X FEMALE
	039800-02-000	FT	TUBING - POLYBUTY - 5/8OD X 20 FT - TM3L10S (BLUE) FROM: 00-00-00 THRU: 09-21-97
	124188-01-000	FT	TUBING - PEX - 1/2" ID X 20' - BLUE FROM: 09-22-97 THRU: 99-99-99
	039800-05-000	FT	TUBING - POLYBUTY - 5/8OD X 20 FT - TR3L10S(RED STRIPE) FROM: 00-00-00 THRU: 06-30-97
	124188-02-000	FT	TUBING - PEX - 1/2" ID X 20' - RED FROM: 07-01-97 THRU: 99-99-99
	062421-03-000	EA	VALVE - 1.5 HUB X HUB - REMOTE
	062421-05-000	EA	CABLE - VALVE - REMOTE W/HANDLE - 48"

**EXTERIOR SHOWER**

KEY	PART NUMBER	U/M	DESCRIPTION	VENDOR NO.
	079563-04-01A	EA	FAUCET - SHOWER - P442SVB	
	075241-05-000	EA	FAUCET/SHOWER - BONE 3/4" MPT X 1.4" LONG INLET PIPES	
	103092-01-000	EA	SHOWER HEAD - W/60" HOSE	
	103092-02-000	EA	SHOWER HEAD - W/60" HOSE - CSA	
	103092-01-700	EA	BRACKET ONLY - CLEAR - F/SHOW HEAD	2328028
	103092-01-702	EA	SEALS - SPRAY HEAD	24466
	011048-03-700	EA	BRACKET - F/SHOWER HEAD	2328029-3
	054250-04-000	EA	COVER/ANGLED - W/O HOLE 3.6" X 4.5" - PLASTIC	
	108356-02-01A	EA	COVER/ACTUATOR SWITCH - 2 ROWS DIMPLES- CONTURA II - BLACK	
	108357-08-000	EA	SWITCH - ROCKER DPDT - ON/NONE/ON - 6 TERMINAL	
	121473-01-01A	EA	COMPARTMENT - SHOWER - EXTERIOR - OFF WHITE	
	120592-01-01A	EA	COMPARTMENT - SHOWER - EXTERIOR - OFF WHITE - JAPAN	

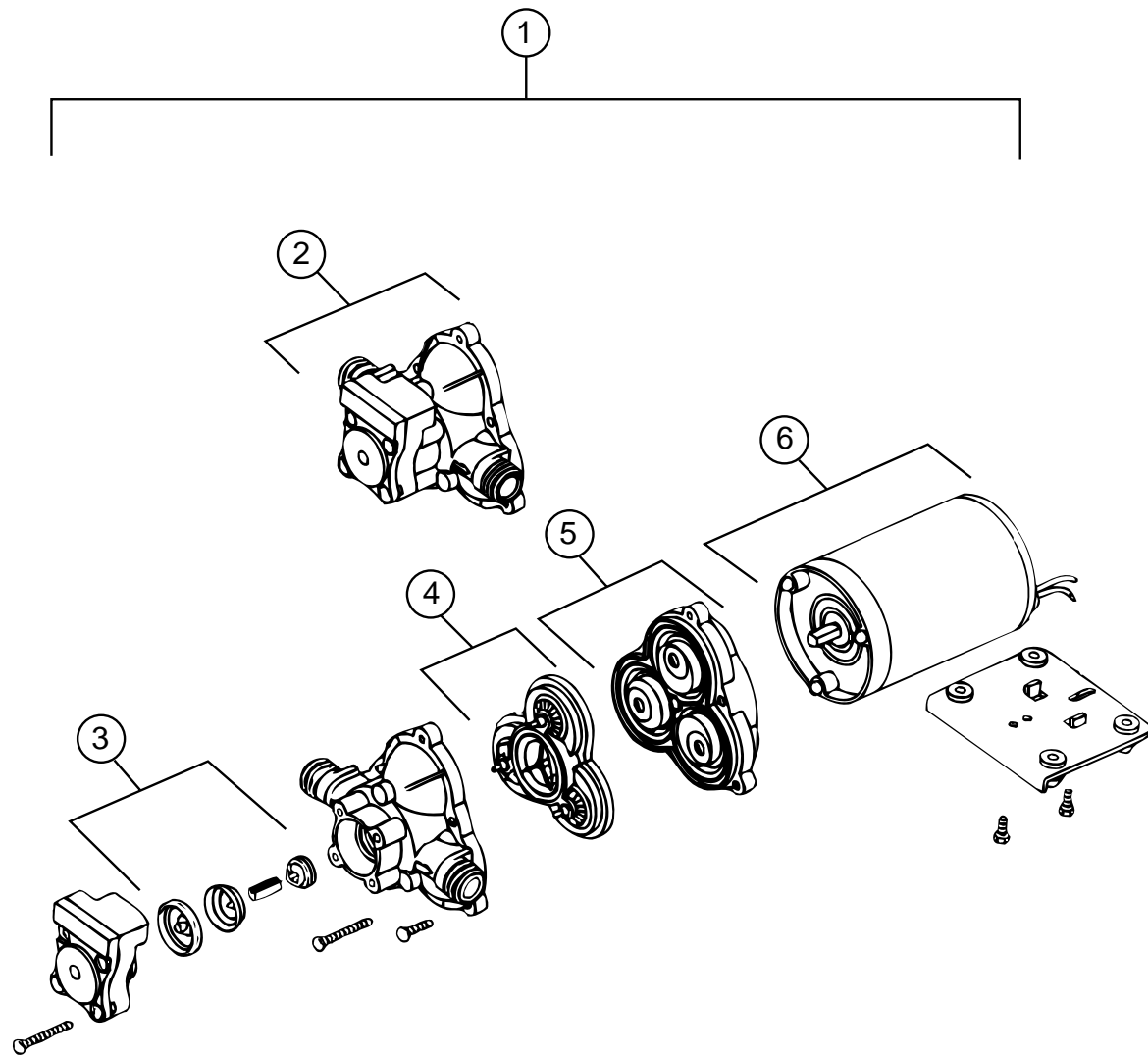
**WATER & SEWAGE GROUP (CONTINUED)****ATWOOD ELECTRIC WATER HEATER**

KEY	PART NUMBER	U/M	DESCRIPTION
*	113122-01-000	EA	WATER HEATER - ELECTRIC - 4 GALLON
*	113122-02-000	EA	WATER HEATER - 4 GALLON - EUROPEAN

\* COMPONENT PARTS FOUND IN SERVICE PARTS LIBRARY

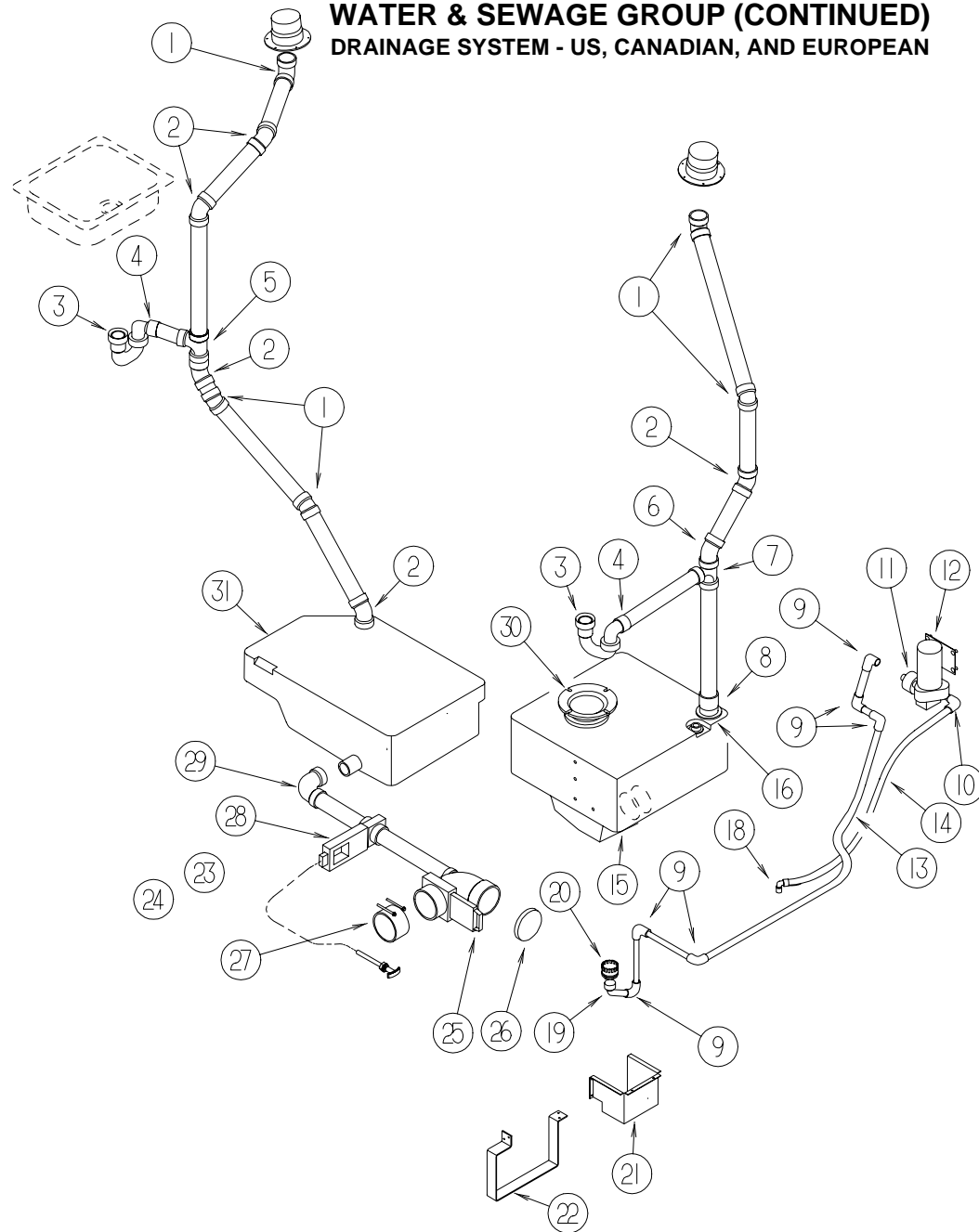
**WATER & SEWAGE GROUP (CONTINUED)**  
**SHURFLO WATER PUMP OR SUMP PUMP & COMPONENTS**

KEY	PART NUMBER	U/M	DESCRIPTION	VENDOR NO.
1	098607-01-000	EA	PUMP - WATER - W/.5" MPT FITTING - FLOW 2.8 GPM	
2	098607-01-706	EA	HOUSING - W/SWITCH ONLY	94-231-20
3	098607-01-705	EA	VALVE - CHECK, KIT	94-237-00
4	098607-01-703	EA	VALVE KIT	94-232-00
5	098607-01-702	EA	DIAPHRAM/DRIVE ASSEMBLY KIT	94-238-04
6	098607-01-707	EA	MOTOR W/BASEPLATE	94-234-03
	112176-01-000	FT	TUBING - VINYL - REINFORCED - 1/2" ID	





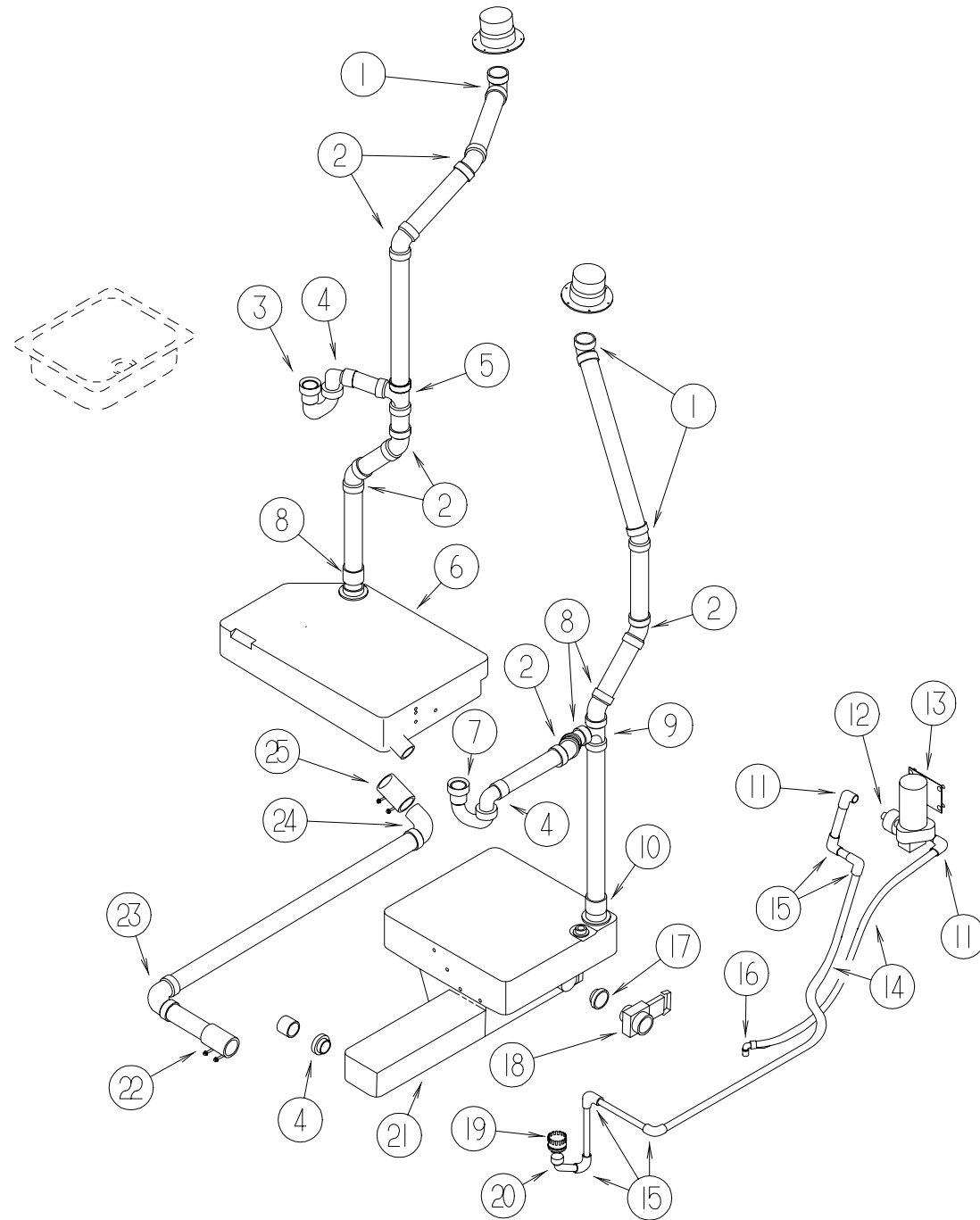
**WATER & SEWAGE GROUP (CONTINUED)**  
**DRAINAGE SYSTEM - US, CANADIAN, AND EUROPEAN**



KEY	PART NUMBER	U/M	DESCRIPTION
1	010005-01-000	EA	ELBOW - 22.5 DEGREE - 1 1/2" HUB X HUB - PLASTIC
2	010006-01-000	EA	ELBOW - 45 DEGREE - 1/8 BEND - 1 1/2" HUB X HUB - PLASTIC
3	107538-01-000	EA	P - TRAP - PLASTIC - 1 1/4" W/EXT ARM - US
3	011071-01-000	EA	P TRAP - PLASTIC - 1 1/2" OR 1.25" - CANADIAN
4	109571-01-000	EA	ADAPTER - P TRAP - 1 1/2" P X 1 1/4" MPT - US
5	010071-02-000	EA	TEE - SANITARY W/BAFFLE - 1 1/2" HUB X HUB X HUB - PLASTIC
6	010051-01-000	EA	ELBOW - 45 DEGREE - 1 1/2" SPIGOT AND HUB - PLASTIC
7	010071-01-000	EA	TEE - SANITARY - 1 1/2" HUB X HUB X HUB - PLASTIC
8	010115-01-000	EA	COUPLING - 1 1/2" HUB X HUB - PLASTIC
9	114429-01-000	EA	ELBOW - 1/2"P X 1/2"P - W/SHOWER OPTION
10	123150-01-000	EA	ELBOW - SWIVEL - 1/2" FPT X 1/2" BARB - W/SHOWER OPTION
11	114966-01-000	EA	FILTER - IN LINE - TWIST ON - 1/2" - W/SHOWER OPTION
12	098607-01-000	EA	PUMP - SUMP - W/.5" MPT FITTING - FLOW 2.8 GPM - UL - W/SHOWER OPTION
13	039800-02-000	FT	TUBING - POLYBUTY - 5/8OD X 20 FT TM3L10S (BLUE)
14	112176-01-000	FT	TUBING - VINYL - REINFORCED - 1/2ID CAST PROD HP135
15	111884-02-000	EA	TANK - HOLDING - 13 GAL - 486 MM X 466 MM X 330 MM
	039861-01-000	EA	SENDING UNIT - W/SCREW - WASHER - WELL NUT/TERMINAL RING
16	061607-01-000	EA	GROMMET - HOLDING TANK - 1 1/2" NPS
17	061607-02-000	EA	GROMMET - HOLDING TANK - 3" NPS
18	111223-02-000	EA	ELBOW - 3/8 BARB X 1/2" MPT

KEY	PART NUMBER	U/M	DESCRIPTION
19	114429-06-000	EA	ELBOW - SWIVEL - 1/2" P X 3/4" FPT - FLAIR-IT 02811
20	114974-01-000	EA	CONNECTOR - HULL - W/STRAINER - W/SHOWER OPTION
	069735-01-000	EA	WASHER - STRAINER TO TAILPIECE - 1.5" - PLASTIC
20	114427-02-000	EA	PLUG - 1/2P
21	114987-01-09B	EA	PANEL - COVER - SUMP - BOTTOM - GALVANIZED
21	114988-01-09B	EA	PANEL - COVER - SUMP - GALVANIZED
	092321-01-000	FT	INSULATION - FIBERGLASS W/FOIL BACKING
22	117271-01-02B	EA	SHROUD - DRAINAGE
23	078406-01-000	EA	COUPLER - RUBBER - W/CLAMPS - 3" X 3"
24	072346-01-000	EA	VALVE ASM - 3" SLIP X 3" BAYONET W/CAP X 2" SOCKET-ABS
25	062416-01-000	EA	ADAPTER - SEWER HOSE TO 3" PIPE
26	062415-01-000	EA	CAP - SEWER - 3" DIAMETER
	062415-01-700	EA	STRING - SEWER CAP
	010201-01-000	EA	HOSE - SEWER - 3" ID X 8'
27	010008-01-000	EA	ELBOW - 90 DEGREE - 1 1/2" HUB X HUB - PLASTIC
28	033761-01-000	EA	ELBOW - 90 DEGREE - 1 1/2" HUB X SPIGOT - PLASTIC
29	089355-01-000	EA	COUPLER - RUBBER - 1 1/2" X 1 1/2"
30	063641-01-000	EA	FLANGE - CLOSET - 4" X 3"
31	111881-02-000	EA	TANK - HOLDING - 6 GALLON - W/FITTINGS

**WATER & SEWAGE GROUP (CONTINUED)**  
DRAINAGE SYSTEM - JAPAN

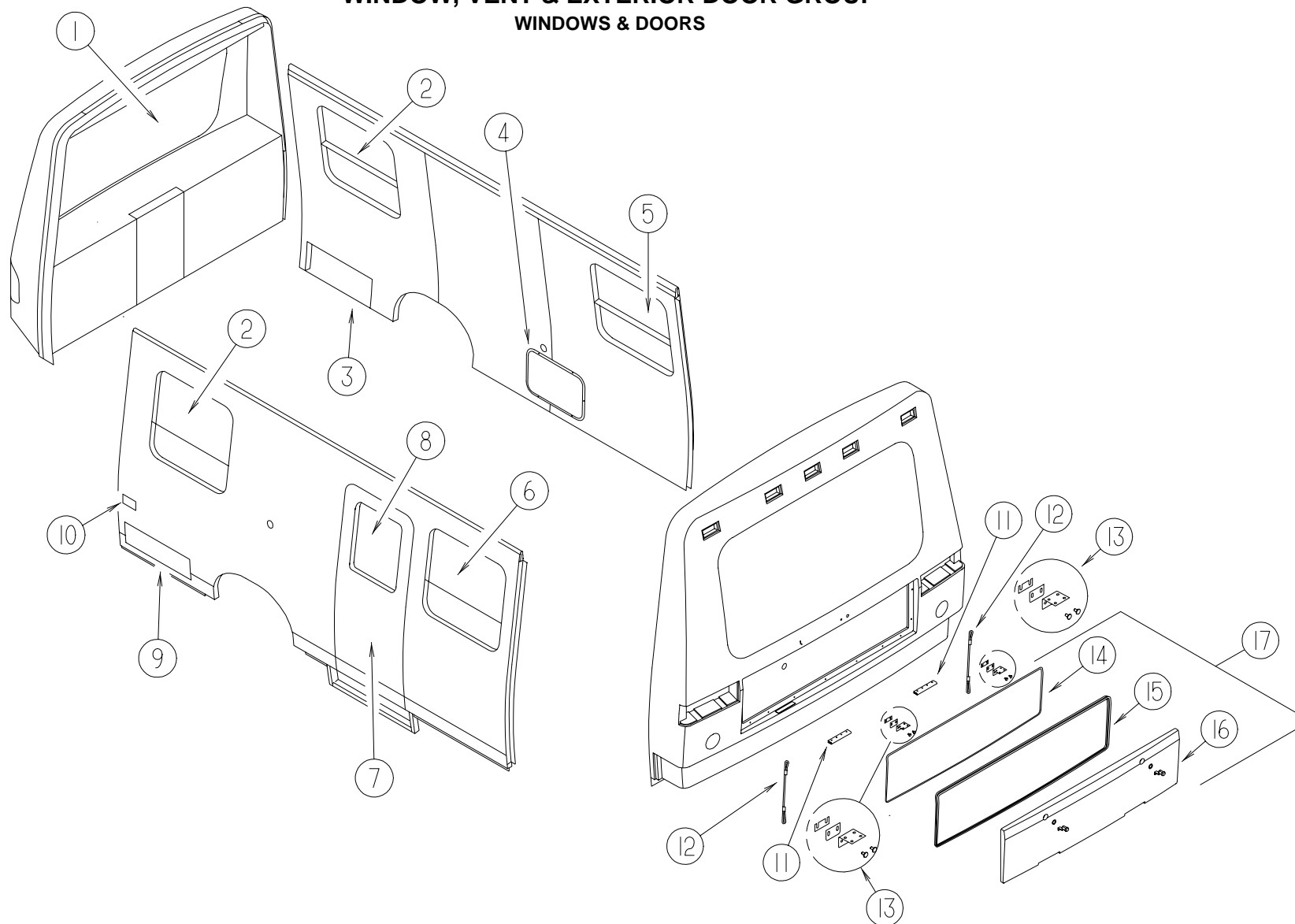


KEY	PART NUMBER	U/M	DESCRIPTION
1	010005-01-000	EA	ELBOW - 22.5 DEGREE - 1 1/2" HUB X HUB - PLASTIC
2	010006-01-000	EA	ELBOW - 45 DEGREE - 1 1/2" HUB X HUB - PLASTIC
3	107538-01-000	EA	P TRAP - PLASTIC - 1 1/4" W/EXTENSION ARM
4	109571-01-000	EA	ADAPTER - P-TRAP - 1 1/2" P X 1 1/4" MPT
5	010071-02-000	EA	TEE - SANITARY - W/BAFFLE - 1 1/2" HUB X HUB X HUB - PLASTIC
6	111881-02-000	EA	TANK - HOLDING - 6 GALLON - W/FITTINGS
	061607-01-000	EA	GROMMET - HOLDING TANK - 1 1/2" NPS
	039861-01-000	EA	SENDING UNIT - W/SCREW - WASHER - WELL NUT/TERMINAL RING
7	010051-01-000	EA	ELBOW - 45 DEGREE - 1 1/2" SPIGOT & HUB - PLASTIC
8	010071-01-000	EA	TEE-SANITARY - 1 1/2" HUB X HUB X HUB - PLASTIC
9	010115-01-000	EA	COUPLING - 1 1/2" HUB X HUB - PLASTIC
10	123150-01-000	EA	ELBOW - SWIVEL - 1/2" BARB X 1/2" FPT - W/SHOWER OPTION
11	114966-01-000	EA	FILTER - IN LINE - TWIST ON - 1/2" - W/SHOWER OPTION
12	098607-01-000	EA	PUMP - WATER - W/.5" MPT FITTING - FLOW 2.8 GPM- W/SHOWER OPTION
13	112176-01-000	FT	TUBING - VINYL - REINFORCED - 1/2 ID
14	039800-02-000	FT	TUBING - POLYBUTY - 5/8OD X 20 FT TM3L10S (BLUE)

KEY	PART NUMBER	U/M	DESCRIPTION
15	114429-01-000	EA	ELBOW - 1/2" P X 1/2" P - FLAIR-IT 02800
16	111223-02-000	EA	ELBOW - PLAS - 1/2MPT X 3/8BARB
17	109571-02-000	EA	ADAPTER - 1 1/2" HUB X 1 1/2" MPT - NIBCO 5801-7
18	114112-01-000	EA	VALVE ASM - WASTE - 1.5" - VALTERRA T1001E
	114112-01-700	EA	CAP - VALVE
	114111-01-000	EA	HOSE - SEWER - 1.5' - VALTERRA D04-0059
19	114974-01-000	EA	CONNECTOR - HULL - W/STRAINER - W/SHOWER OPTION
	114427-02-000	EA	PLUG - 1/2P
20	114429-06-000	EA	ELBOW - SWIVEL - 1/2P X 3/4FPT
21	120589-02-000	EA	TANK - HOLDING - 8 GALLON - W/FITTINGS
22	089355-01-000	EA	COUPLER - RUBBER - 1 1/2" X 1 1/2"
23	010008-01-000	EA	ELBOW - 90 DEGREE - 1 1/2" HUB X HUB - PLASTIC
24	033761-01-000	EA	ELBOW - 90 DEGREE - 1 1/2" HUB X SPIGOT - PLASTIC
25	062416-01-000	EA	ADAPTER - SEWER HOSE TO 3" PIPE
	092321-01-000	FT	INSULATION - FIBERGLASS - W/FOIL BACKING
	114427-02-000	EA	PLUG - 1/2" P - FLAIR-IT 02863

## WINDOW, VENT & EXTERIOR DOOR GROUP

### WINDOWS & DOORS



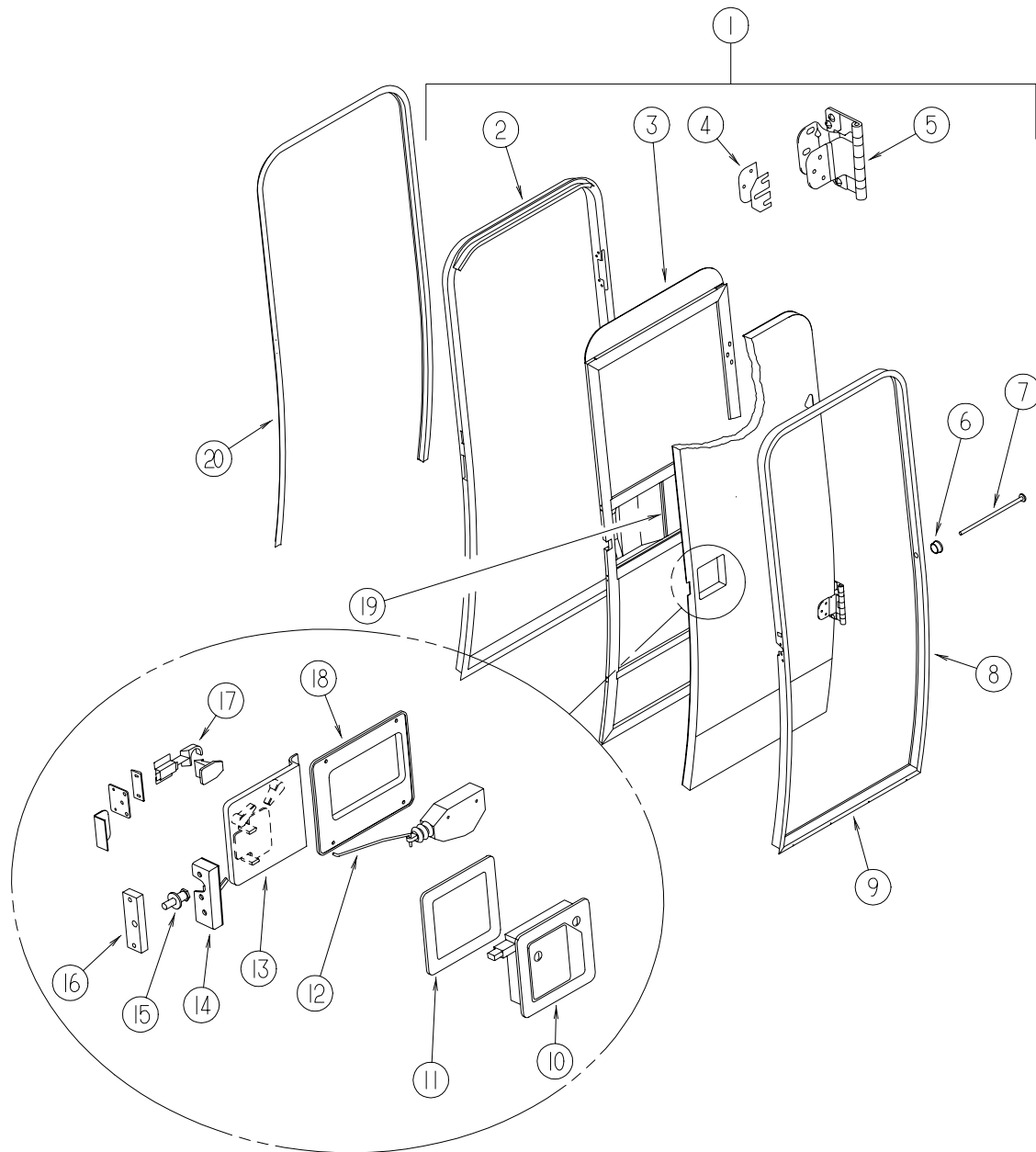
KEY	PART NUMBER	U/M	DESCRIPTION
1	084886-04-000	EA	WINDOW - REAR ESCAPE - 58.6" X 29"
1	084886-05-000	EA	WINDOW - REAR ESCAPE W/DEFROSTER - 58.6" X 29"
	002285-01-000	FT	FILLER - WEATHERSTRIP - RUBBER - BLACK
	084423-03-000	EA	WEATHERSTRIP - VULCANIZED - 1/2" W/LIP X 14'- BLACK RUBBER
	077066-01-702	EA	TAPE - RED - ESCAPE WINDOW
2*	104691-17-01A	EA	WINDOW - TIPOUT - 24.3" X 26"
2*	112795-58-01A	EA	WINDOW-PASSENGER HORIZONTAL SLIDER THERMO 24.4" X 36.2" - EUROPEAN
	112795-58-700	EA	GLASS - SLIDING - W/SASH & LATCH
	112795-58-701	EA	GLASS - STATIONARY
	112795-58-702	EA	RETAINER - TRIM
	112795-58-703	EA	SCREEN ASM. W/SEALS & CLIPS
2*	112795-59-01A	EA	WINDOW - DRIVERS HORIZONTAL SLIDER THERMO - 24.4" X 36.2"
3	112027-08-H70	EA	PANEL - VALANCE - REAR DRIVER - W/O LOCKS
4	120593-01-H70	EA	DOOR - COMPARTMENT - W/O HARDWARE
5*	104691-07-01A	EA	WINDOW - TIPOUT W/WHITE TRIM RING - 24 3/4" X 26 3/4"
5*	112898-12-01A	EA	WINDOW - VERTICAL SLIDER THERMO - 25" X 27" - EUROPEAN
6*	098644-10-01A	EA	WINDOW - VERTICAL SLIDER 25" X 27"
	098644-10-700	EA	SCREEN ASM - W/SEALS & CLIPS
	098644-10-701	EA	GLASS - SLIDING - W/SASH & LATCH
	098644-10-702	EA	GLASS - STATIONARY
	098644-10-703	EA	RETAINER - TRIM

KEY	PART NUMBER	U/M	DESCRIPTION
6*	112898-12-01A	EA	WINDOW - VERTICAL SLIDER THERMO - 25" X 27" - EUROPEAN
6	112898-12-700	EA	GLASS - SLIDING W/SASH & LATCH
6	112898-12-701	EA	GLASS - STATIONARY - EUROPEAN
7	113594-01-J80	EA	DOOR - ENTRANCE - W/SCREEN DOOR - W/O WINDOW
8*	117053-01-F45	EA	WINDOW - PICTURE - 60% TINTING - 17.1" X 24.8"
	114507-02-01A	EA	FRAME - WINDOW/INSIDE
8*	113733-04-01A	EA	WINDOW-STATIONARY THERMOPANE/EUROPEAN - 24.8" X 17.1"
	113733-04-700	EA	RETAINER - TRIM
	113733-04-701	EA	GLASS - STATIONARY
	002181-28-000	EA	GLASS - PICTURE - 23.9" X 16.19"
9	112027-07-H70	EA	PANEL - VALANCE - REAR PASSENGER - W/O LOCKS
9	112027-09-H70	EA	PANEL - VALANCE - REAR PASSENGER - W/O LOCKS - JAPAN
10	081240-14-000	EA	FILL - WATER - LOCKABLE
11	124242-01-02A	EA	HINGE - TRUNK DOOR
12	076767-05-000	EA	CABLE - STORAGE DOOR SUPPORT - 1/16" X 15.5"-STAINLESS STL
13	120494-02-01B	EA	SHIM - STRIKER - MILL
13	124793-02-02B	EA	PLATE - STUD
13	124794-01-02B	EA	PLATE - STRIKE
14	124388-01-02B	EA	PANEL - DOOR - COMPT - REAR - INNER
15	112160-01-000	FT	SEAL - D SECTION - .2 X .3" - FOAM RUBBER
16	124180-01-01A	EA	PANEL-DOOR - COMPT - REAR - OUTER
17	124392-01-H70	EA	DOOR - COMPARTMENT/REAR - W/O LOCK/HARDWARE
	009426-01-000	EA	HATCH - POWER CORD - WHITE

\* COMPONENT PARTS FOUND IN SERVICE PARTS LIBRARY

# WINDOW, VENT & EXTERIOR DOOR GROUP (CONTINUED)

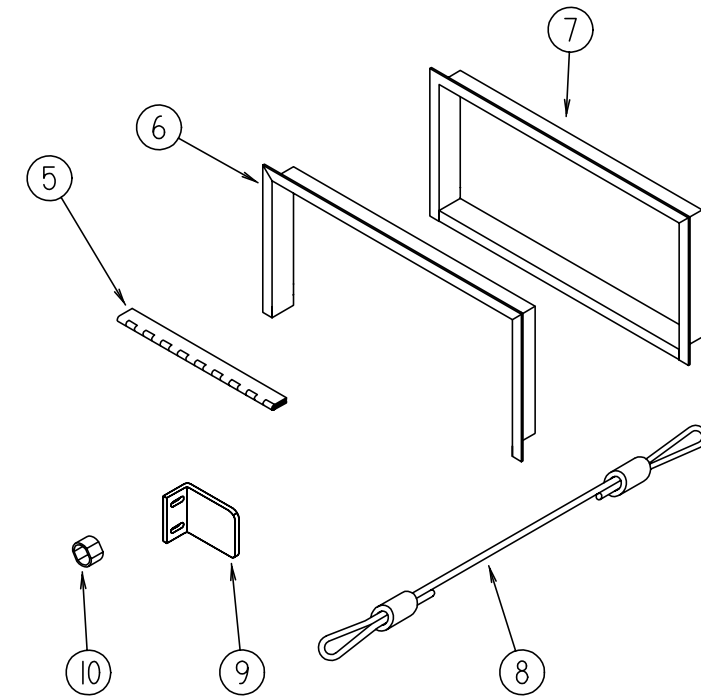
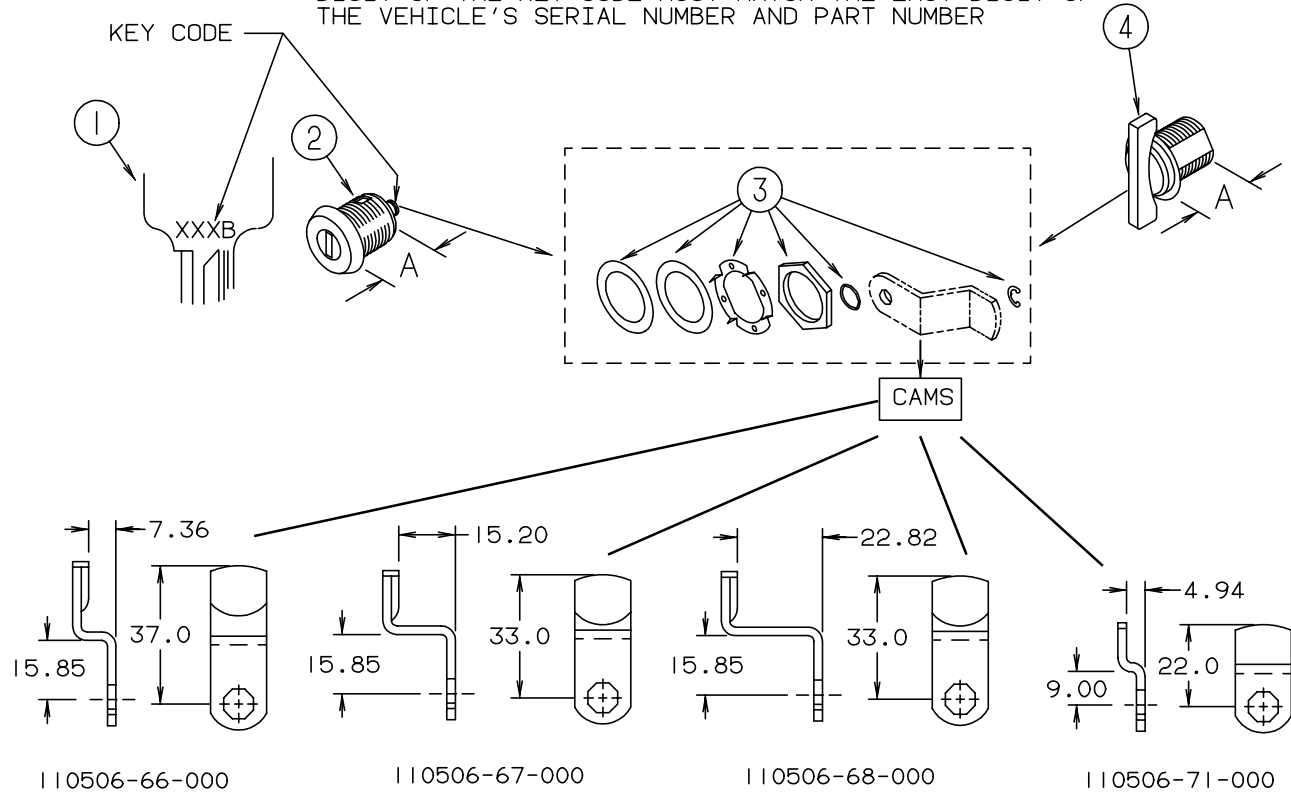
## ENTRANCE DOOR



KEY	PART NUMBER	U/M	DESCRIPTION
1	113594-01-J80	EA	DOOR - ENTRANCE - W/SCREEN DOOR - W/O WINDOW
2	113642-01-F45	EA	JAMB - DOOR/ENTRY
	111536-03-000	FT	SEAL - ENTRANCE DOOR - SIDES AND TOP ONLY
3	113621-01-01A	EA	DOOR - SCREEN
	002293-02-000	SF	SCREENING - WINDOW/DOOR - 26"
	002294-01-000	FT	SPLINE - SCREENING - .135" X .138"
	075673-01-000	FT	SEAL - PILE - ADHESIVE BACK - GRAY
	075673-04-000	FT	SEAL - PILE - ADHESIVE BACK
	113616-01-01A	FT	EXTRUDED - VINYL - SEAL TRACK - 7'
	116485-01-03B	EA	BRACKET - SCREEN DOOR - OFF WHITE
4	113668-01-01A	EA	GASKET - HINGE - DOOR
5	113460-01-01A	EA	HINGE - ENTRANCE DOOR/UPPER
	113460-01-02A	EA	HINGE - ENTRANCE DOOR/UPPER - WHITE
	113461-01-01A	EA	HINGE - ENTRANCE DOOR/LOWER
	113461-01-02A	EA	HINGE - ENTRANCE DOOR/LOWER - WHITE
	113680-01-01A	EA	COVER - ACCESS - DOOR HINGE
	117196-01-01A	EA	COVER - HINGE - ENTRY DOOR - UPPER
	117196-02-01A	EA	COVER - HINGE - ENTRY DOOR - LOWER
	073050-03-000	EA	MOUNTING CLIP - VALANCE PANEL - JAPAN
6	008384-01-000	EA	GROMMET - SNAP - 3/4 DIAMETER - NYLON
7	077222-01-000	EA	SPRING - WIRE GUARD - ENTRY DOOR
8	113376-01-01A	EA	TRIM - DOOR - ENTRY
9	113395-01-01A	EA	TRIM - DOOR/ENTRY - BOTTOM
	112160-02-000	FT	SEAL - D SECTION - .2 X .3" - FOAM RUBBER - BOTTOM OF DOOR ONLY
10	113636-01-01A	EA	ROTARY LATCH ASM. - OFF/WHITE - TRIMARK - W/KEYS
	045017-11-701	EA	KEY - BLANK (F1 SERIES) "K-104" - DOOR LOCK
	045017-11-702	EA	KEY - MASTER - F SERIES - TO BE SOLD TO F/DEALER USE ONLY - NO RETAIL !!
	113636-01-700	EA	KEY - BLANK - DEADBOLT
11	113669-01-01A	EA	GASKET - LATCH - DOOR
	113638-02-000	EA	CONNECTOR - ACTUATOR
12	113834-01-01A	EA	ROD - DOOR LATCH - POWER
	114209-01-01A	EA	PUSHNUT - CAP - 1/8" - WHITE
13	113636-02-01A	EA	PLATE - INSIDE - W/DEADBOLT
	113636-06-01A	EA	SCREWS - MOUNTING - INSIDE PLATE
14	113636-03-01A	EA	LATCH - SINGLE ROTOR
15	092927-03-000	EA	STRIKER - ROUND - JAMB MOUNTED
16	113636-05-01A	EA	NUT - CAGED
17	110529-01-000	EA	LATCH - BULLET - SCREEN DOOR
18	113960-01-01A	EA	COVER - ACTUATOR - POWER LOCK
19	079086-02-000	EA	SLIDER - SCREEN DOOR
	079087-02-000	EA	STRIKE - SLIDER - W/LIP FOR ELBOW CATCH - 1.5" X 8.6"
20	113658-01-01A	EA	TRIM - JAMB/UPPER
	113750-01-04B	EA	PLATE - LATCH STRIKER
	115750-01-02B	EA	BRACKET - LATCH - DOOR
	016454-12-000	EA	INSERT - DOOR/SCREEN - CENTER
	110529-01-000	EA	LATCH - BULLET - SCREEN DOOR
	117046-01-000	EA	BUMPER - RUBBER/ROUND END
	116111-02-01A	EA	SCREW - TAPTITE - 1/4-20 X 3/8 PPH - ZINC

**WINDOW, VENT & EXTERIOR DOOR GROUP (CONTINUED)**  
**BRIGGS & STRATTON LOCKS & EXTERIOR DOOR COMPONENTS**

NOTE:  
 WHEN ORDERING THE LOCK CASE, THE KEY CODE MUST MATCH THE LAST DIGIT OF THE VEHICLE'S SERIAL NUMBER AND PART NUMBER; WHEN ORDERING THE KEYS, THE THIRD DIGIT OF THE KEY CODE MUST MATCH THE LAST DIGIT OF THE VEHICLE'S SERIAL NUMBER AND PART NUMBER



KEY	PART NUMBER	U/M DESCRIPTION	VENDOR NO.
1	110506-59-000	EA KEYS - SET OF 2	596720
2	110506-52-000	EA CASE/CYLINDER - LOCKING W/O CAM - .65"	702370
2	110506-53-000	EA CASE/CYLINDER - LOCKING W/O CAM - 1"	702380
1	110506-59-001	EA KEYS - SET OF 2	596721
2	110506-52-001	EA CASE/CYLINDER - LOCKING W/O CAM - .65"	702371
2	110506-53-001	EA CASE/CYLINDER - LOCKING W/O CAM - 1"	702381
1	110506-59-002	EA KEYS - SET OF 2	596722
2	110506-52-002	EA CASE/CYLINDER - LOCKING W/O CAM - .65"	702372
2	110506-53-002	EA CASE/CYLINDER - LOCKING W/O CAM - 1"	702382
1	110506-59-003	EA KEYS - SET OF 2	596723
2	110506-52-003	EA CASE/CYLINDER - LOCKING W/O CAM - .65"	702373
2	110506-53-003	EA CASE/CYLINDER - LOCKING W/O CAM - 1"	702383
1	110506-59-004	EA KEYS - SET OF 2	596724
2	110506-52-004	EA CASE/CYLINDER - LOCKING W/O CAM - .65"	702374
2	110506-53-004	EA CASE/CYLINDER - LOCKING W/O CAM - 1"	702384
1	110506-59-005	EA KEYS - SET OF 2	596725
2	110506-52-005	EA CASE/CYLINDER - LOCKING W/O CAM - .65"	702375
2	110506-53-005	EA CASE/CYLINDER - LOCKING W/O CAM - 1"	702385
1	110506-59-006	EA KEYS - SET OF 2	596726
2	110506-52-006	EA CASE/CYLINDER - LOCKING W/O CAM - .65"	702376
2	110506-53-006	EA CASE/CYLINDER - LOCKING W/O CAM - 1"	702386
1	110506-59-007	EA KEYS - SET OF 2	596727
2	110506-52-007	EA CASE/CYLINDER - LOCKING W/O CAM - .65"	702377
2	110506-53-007	EA CASE/CYLINDER - LOCKING W/O CAM - 1"	702387

KEY	PART NUMBER	U/M DESCRIPTION	VENDOR NO.
1	110506-59-008	EA KEYS - SET OF 2	596728
2	110506-52-008	EA CASE/CYLINDER - LOCKING W/O CAM - .65"	702378
2	110506-53-008	EA CASE/CYLINDER - LOCKING W/O CAM - 1"	702388
1	110506-59-009	EA KEYS - SET OF 2	596729
2	110506-52-009	EA CASE/CYLINDER - LOCKING W/O CAM - .65"	702379
2	110506-53-009	EA CASE/CYLINDER - LOCKING W/O CAM - 1"	702389
	110506-02-000	EA LOCK - KEYED - 13.64MM - BRIGGS AND STRATTON	
	110506-10-000	EA LOCK ASM - KEYED 33.81MM	
	110506-12-000	EA LOCK ASM - KEYED 1.93MM	
	110506-14-000	EA LOCK ASM - KEYED 54.34MM	
3	110506-40-700	EA HARDWARE PACKAGE-CYLINDER/CASE	
	110506-59-700	EA KEY SET - COMPLETE #0 THRU #9 - (FOR DEALER USE ONLY. DO NOT RETAIL.)	
	110506-59-701	EA KEY BLANK (GOLD)	
4	110506-51-000	EA CASE/CYLINDER - TWIST LATCH W/O CAM - 1"	596669
	110506-66-000	EA CAM - LATCHING - DOG LEGGED 1.5" LONG	
	110506-67-000	EA CAM - LATCHING - DOG LEGGED 1.3" LONG	
	110506-68-000	EA CAM - LATCHING - DOG LEGGED 1.3" LONG	
	110506-71-000	EA CAM - LATCHING - DOG LEGGED .86" LONG	
5	112246-02-01A	EA HINGE - VALANCE DOOR - VW WHITE	
5	009065-01-000	EA HINGE - ALUMINUM - 1 1/2" X 96" - UNPAINTED	
6	113752-01-01A	EA JAMB - TRIM - GENERATOR	
6	113752-02-01A	EA JAMB - TRIM - JAPAN	
7	113752-03-01A	EA JAMB - TRIM - LUGGAGE DOOR	
7	113753-01-01A	EA JAMB - TRIM - LP - VW WHITE	
8	076767-05-000	EA CABLE - STORAGE DOOR SUPPORT - 1/16" X 15.5"-STAINLESS STL	
9	112245-01-000	EA BRACKET - CATCH - LOCK	
10	107997-51-001	EA SPACER - DOOR LOCK - .6" DEEP	
10	107997-51-002	EA EXTRUDED - SPACER - 16'	
	115359-01-000	FT SEAL - D SECTION - 10 X 12 SPONGE RUBBER	
	104692-01-000	FT SEAL - FOAM/ADHESIVE BACK - .75"THICK X .75"WIDE X 25'	

**WINDOW, VENT & EXTERIOR DOOR GROUP (CONTINUED)**

**ELIXIR POWERED ROOF VENT**

**KEY PART NUMBER U/M DESCRIPTION**  
 \* 122882-02-01A EA VENT - ROOF - W/FAN - POWERED - W/O INSIDE GARNISH

**ELIXIR NONPOWERED ROOF VENT**

**KEY PART NUMBER U/M DESCRIPTION**  
 \* 122882-01-01A EA VENT - ROOF - NONPOWERED - W/O INSIDE GARNISH

**FANTASTIC VENT - 1000B - US**

**KEY PART NUMBER U/M DESCRIPTION**  
 \* 084079-01-000 EA VENT - CEILING - EXHAUST - POWER - 1000B

**FANTASTIC VENT - 1000B - CANADIAN**

**KEY PART NUMBER U/M DESCRIPTION**  
 \* 084079-08-000 EA VENT - CEILING - POWERED EXHAUST - OFF WHITE

**FANTASTIC VENT - 4000-1**

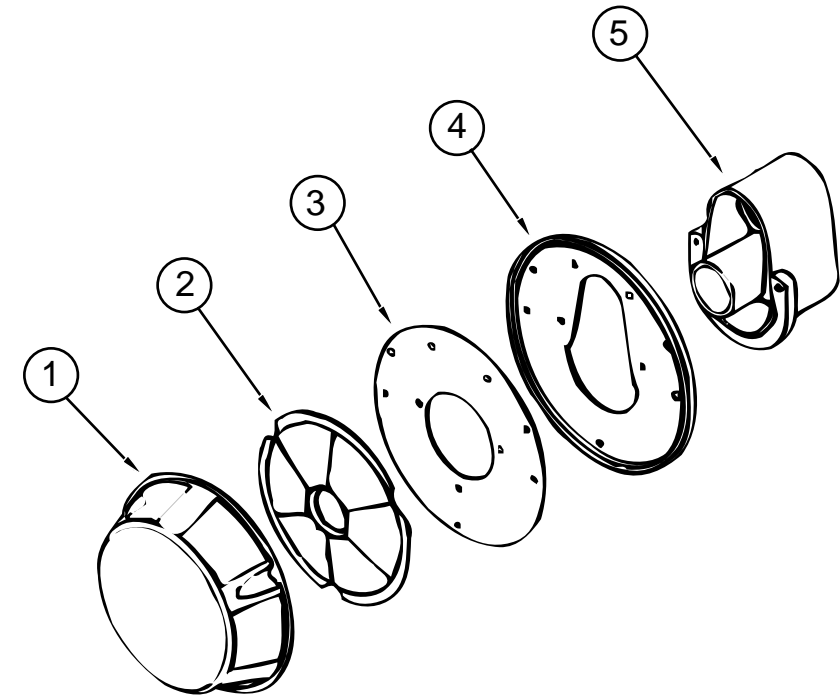
**KEY PART NUMBER U/M DESCRIPTION**  
 \* 123780-01-01A EA VENT - EXHAUST - 1" ROOF - 4000-1-WDW

**PLUMBING VENTS**

**KEY PART NUMBER U/M DESCRIPTION**  
 083558-06-000 EA VENT - ROOF PLUMBING PIPE - COVERED

\* COMPONENT PARTS FOUND IN SERVICE PARTS LIBRARY

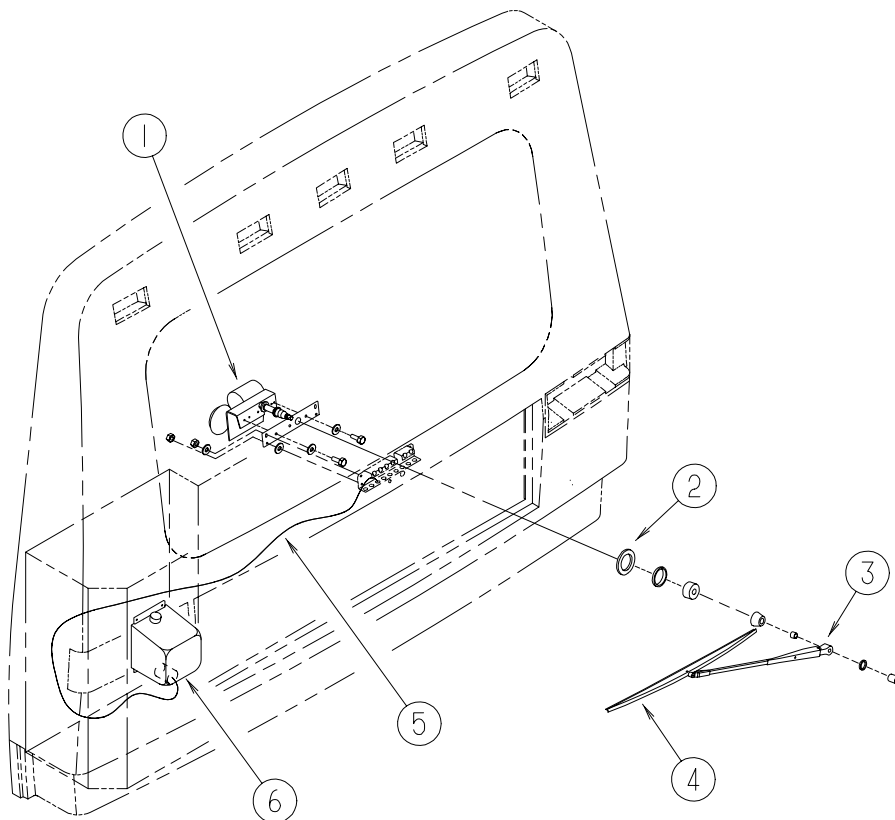
**WINDOW, VENT & EXTERIOR DOOR GROUP (CONTINUED)**



**NORCOLD REFRIGERATOR VENT**

KEY	PART NUMBER	U/M DESCRIPTION	VENDOR NO.
	113736-01-01A	EA VENT KIT - REFRIGERATOR	
1	113736-01-700	EA COVER - VENT	617920
2	113736-01-701	EA DISK - EXHAUST	617921
3	113736-01-702	EA PLATE - BACKING	617922
4	113736-01-703	EA GASKET - VENT TERMINAL	617924
5	113736-01-704	EA HOUSING - VENT TERMINAL	617923

## WIPER & WASHER (REAR) GROUP



### REAR WIPER & WASHER

KEY	PART NUMBER	U/M	DESCRIPTION	VENDOR NO.
1	104346-01-000	EA	WIPER MOTOR - "CHEV CHASSIS" - COAST TO PARK	
1	085721-03-000	EA	MOTOR - WIPER - 108 DEGREE - REAR WINDOW	
	085721-02-700	EA	ARM - REAR WIPER MOTOR DRIVE - 3"	6211140LE25WJ
	085721-03-700	EA	PIVOT	62714-40-SH25WJ
	085721-03-701	EA	LINK - CONNECTING	LK721014
	085721-03-702	EA	BRACKET	620570-40-BK25WJ
	085721-03-703	EA	CLIP-SPRING	17815
2	061603-01-000	EA	GROMMET - SNAP - 3/16"ID - 3/8" HOLE - PLASTIC BLACK	
3	096931-01-000	EA	ARM - WIPER - 20"	
	096931-01-700	FT	HOSE - WASHER - 1/8" ID	
	096931-01-701	EA	NOZZLE - HARDWARE KIT	
	096931-01-702	EA	NUT - 52695-40-NT27WC	
	096931-01-703	EA	SHORT SCREW - 52696-40-SC27WC	
	096931-01-704	EA	LONG SCREW - 52697-40-SC27WC	
	096931-01-705	EA	PLASTIC CAP - 52699-40-CP27WC	
	096931-01-706	EA	SPRAY NOZZLE - 52698-40-NZ27WC	
4	097978-01-000	EA	BLADE - WIPER - FLEX 22 INCH	
5	045794-01-000	FT	HOSE - WASHER - WINDSHIELD - 5/32" ID - BLACK	