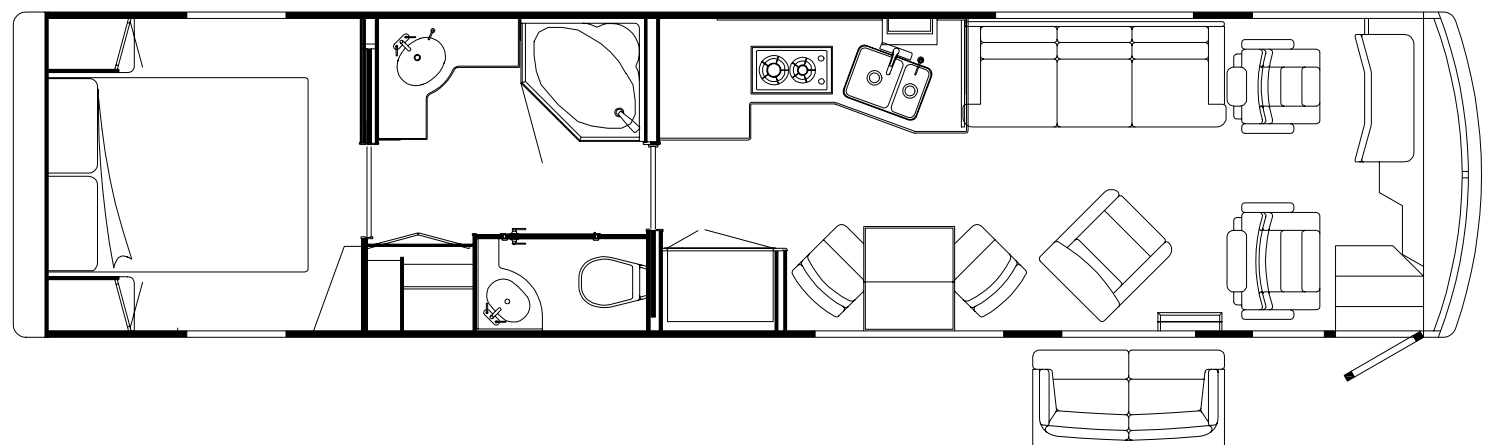


# 1998 WKQ37WP

CODE	COLOR	WOOD
JQ0	KENSINGTON	MAPLE
JQ1	KENSINGTON	CHERRY
JQ2	AUBERGINE	MAPLE
JQ3	AUBERGINE	CHERRY
JQ4	GULF MIST	MAPLE
JQ5	GULF MIST	CHERRY
JQ6	BUCKINGHAM	MAPLE
JQ7	BUCKINGHAM	CHERRY



**ACCESSORIES GROUP  
OPERATORS MANUAL**

KEY	PART NUMBER	U/M DESCRIPTION
	054185-H5-000	EA MANUAL - OPERATOR 98 LUXOR - Q SERIES
	092319-01-000	EA POCKET PAGE - 3 RING BINDER - PLASTIC - (50 PER PKG)
	116270-01-01A	EA BINDER - TURNED EDGE
	116270-02-01A	EA SLIPCASE - BINDER
	126463-01-000	TOP LEVEL-Q,1998

**VACUUM CLEANER**

KEY	PART NUMBER	U/M DESCRIPTION	VENDOR NO.
	108186-03-000	EA VACUUM CLEANER - BUILT IN	
	092304-01-700	EA BAG - VACUUM - REPLACEMENT - PKG5	4908
	108186-03-700	EA PAPER BAG - 3-PKG	7767
	092304-02-700	EA BRUSH-POWER, VACUUM (RUGRAT)	6970
	108186-03-701	EA MOTOR F/RV2000	7756
	108186-03-702	EA REDUCER	5531
	108186-02-000	EA TOOL SET - VACUUM - W/O POWER BRUSH W/30' HOSE	
	092304-02-704	EA MOTOR W/RELAY	5098
	092304-02-703	EA TOOL-CREVICE	1141
	092304-02-710	EA SECONDARY FILTER	4929
	092304-02-701	EA TOOL - DUSTING	1142
	092304-02-702	EA TOOL - RUG	4982
	092304-02-707	EA TOOL - UPHOLSTERY	7029
	092304-02-708	EA WAND - PLASTIC	4978
	092304-02-709	EA HOSE ASM. - 30" COMPLETE	4988-30
	099064-01-000	EA STRAP - SUPPORT	

**AUDIO VIDEO GROUP**

**DELUXE SOUND SYSTEM**

KEY	PART NUMBER	U/M DESCRIPTION	VENDOR NO.
	117422-01-000	EA SPEAKER KIT - (2 CUBE SPKRS, 1 WOOFER & WIRING)	
	117423-01-000	EA EQUALIZER - STEREO 9 BAND - SONY	
	117424-02-000	EA REMOTE - RADIO - SONY	
	126387-01-000	EA BRACKET - SPEAKER MOUNTING	
	128074-01-000	EA FILTER - NOISE - 12VOLT D.C.	
	102080-01-700	EA HOLDER-MAGAZINE,COMPACT DISC	XA-10B AUTO.CHANGER
	102080-06-000	EA CHANGER - COMPACT DISC - SONY	
	128074-01-000	EA FILTER - NOISE - 12VOLT D.C.	
		FROM: 06-19-97 THRU: 99-99-99	
	121868-17-000	EA CLUSTER - INSTRUMENT - METRIC	
		FROM: 00-00-00 THRU: 08-13-97	
	110469-01-000	EA SPEAKER - 4" X 6" OVAL - COAXIAL	
	073741-03-000		
	110470-01-01A	EA GRILLE - 4" X 6" OVAL - BLACK	
	073741-04-000		
	077069-02-000	EA CABLE - ANTENNA/EXTENSION - RADIO - 96"	
	097460-10-000	EA RADIO - AM/FM CASSETTE/CD CONTROLLER/REMOTE - SONY	
		FROM: 05-13-97 THRU: 99-99-99	
	090944-01-000	EA ANTENNA - RADIO - 16" RUBBER	
	104498-02-000	EA BRACKET - ANTENNA MOUNT	
	108847-01-000	EA BRACKET - ANTENNA GROUND	
	109889-03-000	EA EXTENDER - SHAFT - ANTENNA - 4"	
	123256-01-000	EA ANTENNA - CB - W/O CABLE	
	123256-02-000	EA CABLE - CB - COAX	
	077069-02-000	EA CABLE - ANTENNA/EXTENSION - RADIO - 96"	
	089340-02-000	EA GRILLE - SPEAKER - 6.5" SQUARE	
	094097-01-000	EA SPEAKER - RADIO/TV - W/O GRILLE - 5.25" DIAMETER	
	109053-02-000	EA RADIO - AM/FM CASSETTE - WALL MOUNT	
	110469-01-000	EA SPEAKER - 4" X 6" OVAL - COAXIAL	
	073741-03-000	EA SPEAKER-RADIO, OVAL - AUDIOVOX 110-2074 - 4" X 6"	
	110470-01-01A	EA GRILLE - 4" X 6" OVAL - BLACK	
	073741-04-000	EA GRILLE-SPEAKER, OVAL - 4" X 6" - BLACK	
	123324-01-000	EA FILTER - GROUND LOOP	
	126755-01-000	EA AMPLIFIER - STEREO - 2 CHANNEL	
	127264-01-000	EA RADIO - AM/FM STEREO - CASSETTE - PANASONIC	
	127264-01-700	EA TRIM RING	YFC054C044ZB
	127264-01-701	EA KNOB - VOLUME	YFE074C045ZA
	127264-01-702	EA KNOB - FADER	YEFE074C026
	127264-01-703	EA FACTORY HARNESS	YAJ024C048ZB

**TELEPHONE SYSTEM**

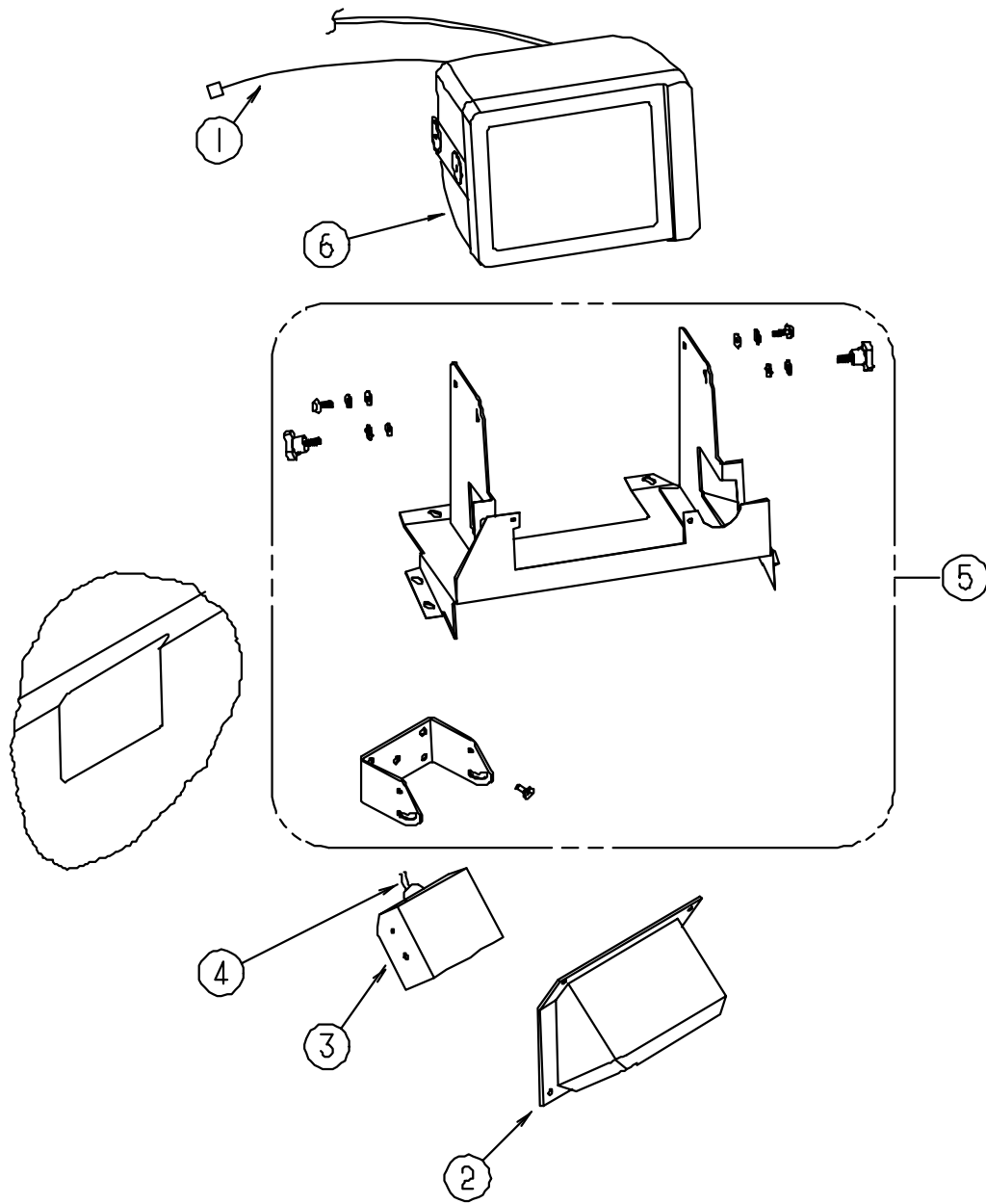
KEY	PART NUMBER	U/M DESCRIPTION
	093254-01-000	EA HOUSING - TELEPHONE
	093253-01-02A	EA PLATE - WALL - TELEPHONE - BROWN
	093254-01-000	EA HOUSING - TELEPHONE

**SATELLITE SYSTEM - EXTERIOR COMPONENTS**

KEY	PART NUMBER	U/M DESCRIPTION
*	120233-01-000	EA ANTENNA - SATELLITE (DISH & HDW) W/O RECEIVER - MANUAL
	128138-02-000	EA ANTENNA - SATELLITE - AUTOMATIC

\* COMPONENT PARTS FOUND IN SERVICE PARTS LIBRARY

**AUDIO VIDEO GROUP (CONTINUED)**



**REAR MONITOR SYSTEM**

KEY	PART NUMBER	U/M DESCRIPTION
1	093040-06-000	EA WIRE ASM-MONITOR- F/NON-PREWIRED AFTER MARKET INSTALLATION
1	096717-03-000	EA WIRE ASSEMBLY - REAR MONITOR - AFTER MARKET INSTALLATION
1	093041-02-000	EA CABLE - MONITOR/CAMERA - EXTERNAL USE - 59.1'
2	123281-01-01A	EA SHROUD - CAMERA/OUTER - BRIGHT WHITE
	P23280-01-01A	EA SHROUD - CAMERA - INNER
3	093040-09-000	EA CAMERA - REAR VIEW - W/BRACKET - SONY
4	093041-01-000	EA CABLE - MONITOR/CAMERA - INTERNAL USE - 65.6'
5	N/A	PARTS ARE INCLUDED W/TELEVISION SYSTEM - SONY
6	093040-10-000	EA MONITOR - 7" REAR VIEW - W/BRACKET - SONY

**AUDIO VIDEO GROUP (CONTINUED)**

**TV ANTENNA**

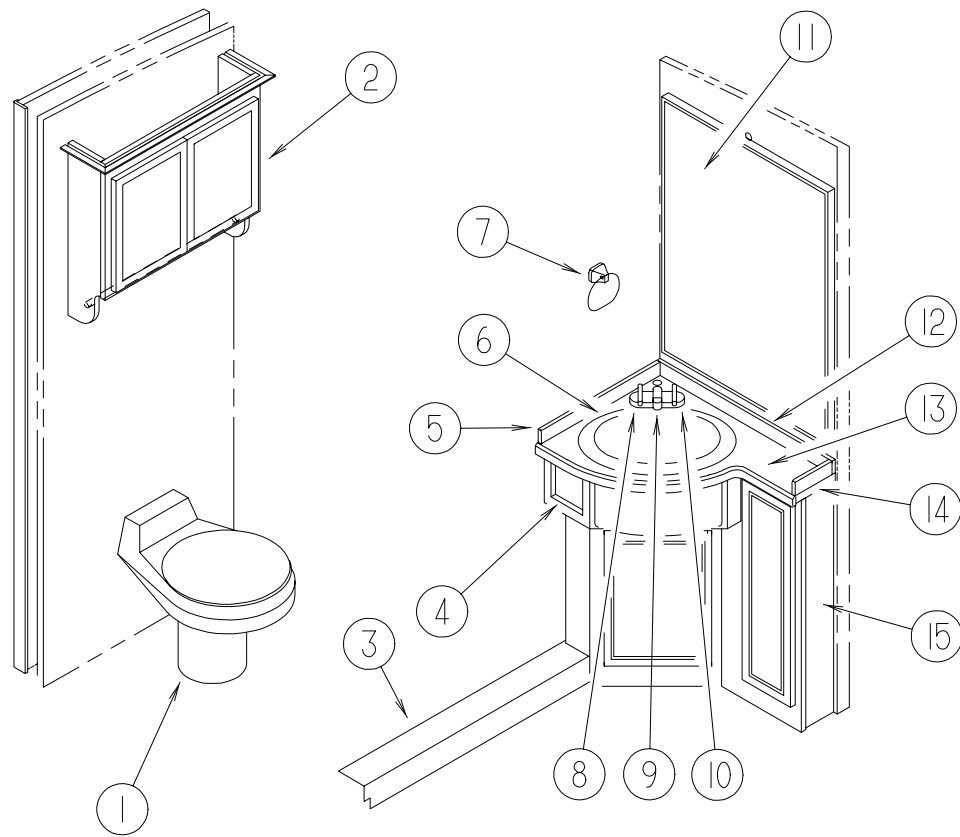
KEY	PART NUMBER	U/M DESCRIPTION	VENDOR NO.
*	076319-21-000	EA ANTENNA - TV ROOF MOUNT - 3" ROOF	WINEGARD WI-0294
			FROM: 00-00-00 THRU: 08-07-97
*	076319-23-000	EA ANTENNA - TV ROOF MOUNT - 44.5" MAST	WINEGARD RV-7004
			FROM: 08-08-97 THRU: 99-99-99
*	076319-25-000	EA KIT - HARDWARE INTERIOR	WINEGARD CP-3634

\* COMPONENT PARTS FOUND IN SERVICE PARTS LIBRARY

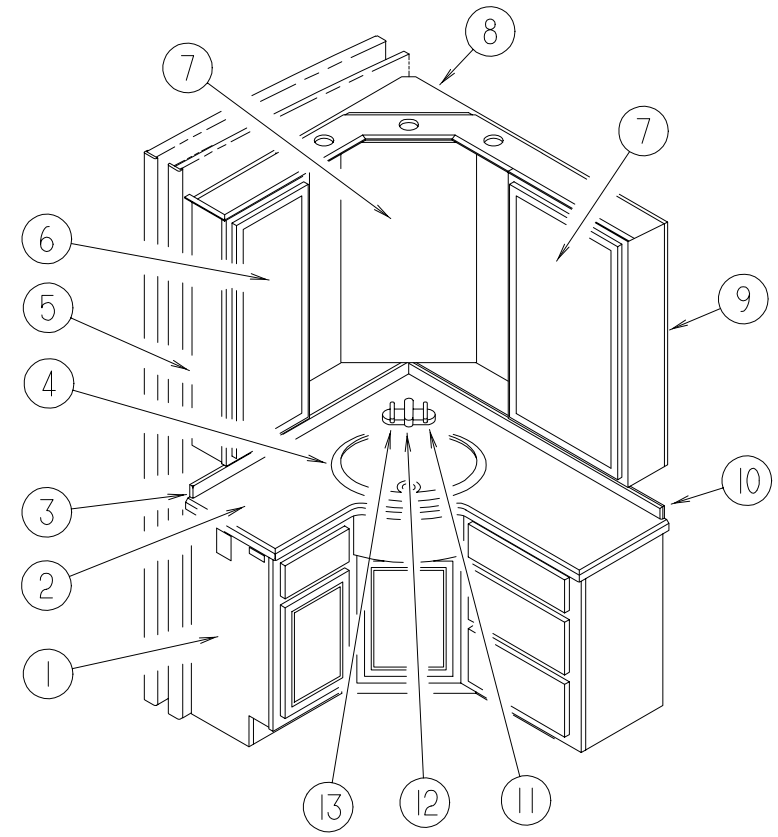
**TV & VCR SYSTEMS**

KEY	PART NUMBER	U/M DESCRIPTION	VENDOR NO.
	115539-01-000	EA RELAY - RADIO/TV SPEAKER - SWITCH	
	114870-01-000	EA PLUG - 3.5MM AUDIO W/LEADS	
	082134-01-000	EA ADAPTER - TV - CABLE TO CABLE	
	082136-01-000	EA NUT - HEX JAM - 3/8-32	
	114870-02-000	EA PLUG - .14" AUDIO W/LEADS	
	082134-01-000	EA ADAPTER - TV - CABLE TO CABLE	
	082136-01-000	EA NUT - HEX JAM - 3/8-32	
	086756-01-000	EA SPLITTER - TV - 2 WAY	
	086757-03-000	EA CONTROL CENTER - SWITCH - VCR/TV	
	086777-06-000	EA WALLPLATE - TV CABLE - ANTENNA/1 OUTPUT - BROWN	
	093214-01-02A	EA GRILLE - SPEAKER - 4" BROWN	
	098819-01-000	EA SPEAKER - 4" - 2 WATT - 8 OHM	
	124073-04-000	EA VCR-VHS - HI-FI STEREO - RCA	237698
	124073-03-700	EA REMOTE	
	124075-02-000	EA TV - 19" COLOR/STEREO W/JACKS - FRONT - RCA	
	124075-02-700	EA REMOTE	221133
	124075-03-000	EA TV - 19" COLOR W/1/8" JACK - UL/CSA - RCA	
	115466-08-02B	EA STRAP - TV TIEDOWN	

## BATH GROUP



## BATH GROUP (CONTINUED)



### PASSENGER SIDE BATH CABINETS & FIXTURES

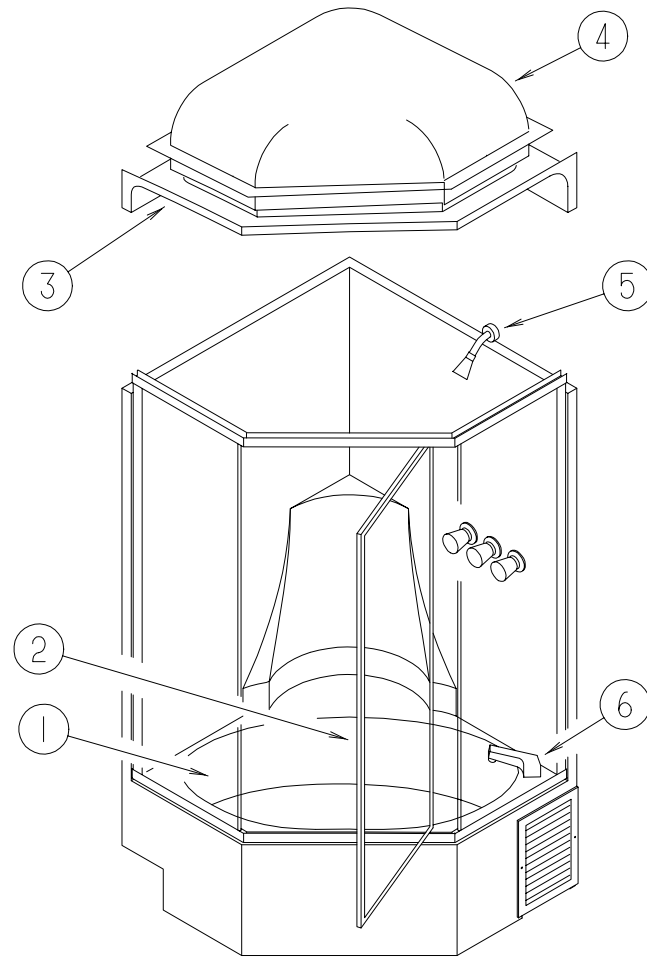
KEY	PART NUMBER	U/M DESCRIPTION
1*	085330-02-000	EA TOILET - STANDARD BONE CHINA
2	124698-01-01A	EA CABINET - BATH OVERHEAD - RIGHT HAND
3	124697-01-01A	EA CABINET - PIPE COVER
4	085278-01-000	EA HOLDER - TOILET PAPER - RECESSED - BRASS
5	088090-58-JQ0	EA BACKSPLASH - COUNTERTOP (JQ0, JQ1, JQ2, JQ3, JQ4, JQ5)
5	088090-58-JQ6	EA BACKSPLASH - COUNTERTOP (JQ6, JQ7)
6	113539-02-01A	EA SINK - LAVATORY
7	106160-01-000	EA RING - TOWEL - ALMOND/BRASS
8	113373-03-01A	EA HANDLE - FAUCET - HOT
9	113373-01-01A	EA FAUCET - SINK - W/STOP
9	103548-01-01A	EA FAUCET - LAVATORY - JAMECO - POLISHED BRASS - CANADIAN
10	113373-02-01A	EA HANDLE - FAUCET - COLD
11	113195-04-01A	EA MIRROR - BEVELED/SAFETY GLASS - 28" X 35.9"
12	088090-59-HQ2	EA BACKSPLASH - COUNTERTOP (JQ0, JQ1, JQ2, JQ3, JQ4, JQ5)
12	088090-59-JQ6	EA BACKSPLASH - COUNTERTOP (JQ6, JQ7)
13	124700-02-HQ2	EA COUNTERTOP - LAVATORY (JQ0, JQ1, JQ2, JQ3, JQ4, JQ5)
13	124700-02-JQ6	EA COUNTERTOP - LAVATORY (JQ6, JQ7)
14	088090-60-HQ2	EA BACKSPLASH - COUNTERTOP (JQ0, JQ1, JQ2, JQ3, JQ4, JQ5)
14	088090-60-JQ6	EA BACKSPLASH - COUNTERTOP (JQ6, JQ7)
15	124700-01-01A	EA CABINET - LAVATORY - RIGHT HAND
	P23769-02-HQ0	EA DOOR - HINGED - W/O HARDWARE (JQ0, JQ2, JQ4, JQ6)
	P23769-02-HQ1	EA DOOR - HINGED - W/O HARDWARE (JQ1, JQ3, JQ5, JQ7)
	124236-01-000	EA DISPENSER - SOAP/HAND LOTION - POLISHED BRASS

\* COMPONENT PARTS FOUND IN SERVICE PARTS LIBRARY

### PASSENGER SIDE BATH CABINETS & FIXTURES

KEY	PART NUMBER	U/M DESCRIPTION
1	124699-01-01A	EA CABINET - LAVATORY - LEFT HAND
2	124699-02-HQ2	EA COUNTERTOP - LAVATORY (JQ0, JQ1, JQ2, JQ3, JQ4, JQ5)
2	124699-02-JQ6	EA COUNTERTOP - LAVATORY (JQ6, JQ7)
3	088090-56-HQ2	EA BACKSPLASH - COUNTERTOP (JQ0, JQ1, JQ2, JQ3, JQ4, JQ5)
3	088090-56-JQ6	EA BACKSPLASH - COUNTERTOP (JQ6, JQ7)
4	113539-02-01A	EA SINK - LAVATORY
5	124708-02-01A	EA CABINET - MEDICINE - W/O DOORS/HARDWARE
6	113195-23-01A	EA MIRROR - BEVELED/SAFETY GLASS - 11.2" X 36"
7	113195-24-01A	EA MIRROR - BEVELED/SAFETY GLASS - 15.9" X 36"
8	124708-03-01A	EA CABINET - OVERHEAD MEDICINE/RIGHT SIDE-W/O DOORS/HARDWARE
9	124708-01-01A	EA CABINET/TOP - OVERHEAD MEDICINE - W/O DOORS/HARDWARE
	124236-01-000	EA DISPENSER - SOAP/HAND LOTION - POLISHED BRASS
10	088090-57-HQ2	EA BACKSPLASH - COUNTERTOP (JQ0, JQ1, JQ2, JQ3, JQ4, JQ5)
10	088090-57-JQ6	EA BACKSPLASH - COUNTERTOP (JQ6, JQ7)
11	113373-02-01A	EA HANDLE - FAUCET - COLD
12	113373-01-01A	EA FAUCET - SINK - W/O HANDLES W/STOP
12	103548-01-01A	EA FAUCET - LAVATORY - JAMECO - POLISHED BRASS - CANADIAN
13	113373-03-01A	EA HANDLE - FAUCET - HOT

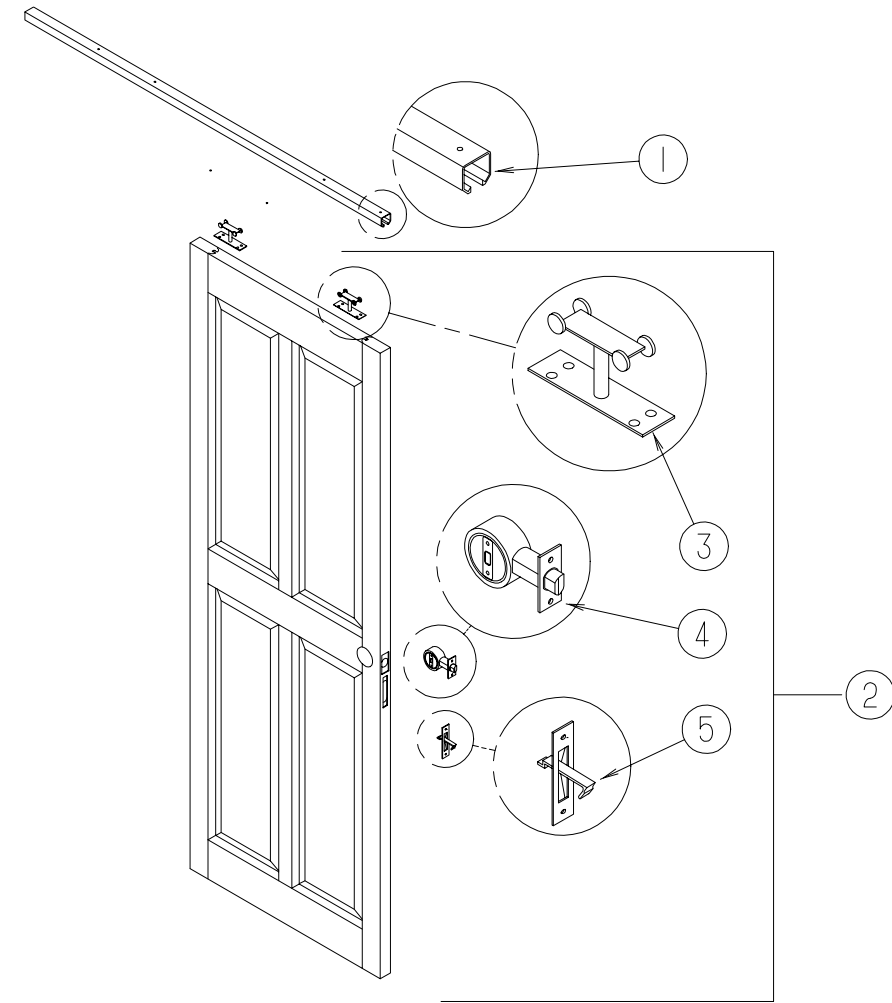
**BATH GROUP (CONTINUED)**



**TUB AND SHOWER STALL**

KEY	PART NUMBER	U/M	DESCRIPTION
	066729-01-000	EA	STRAINER - TUB/SHOWER - W/PLUG
1	123151-03-01A	EA	TUB/SHOWER - FIBERGLASS
3	123151-04-01A	EA	CAP - TUB/SHOWER - FIBERGLASS
2	123242-01-01A	EA	DOOR - TUB/SHOWER
4	123245-02-01A	EA	SKYLITE
5	119677-01-701	EA	SHOWERHEAD ONLY 1/2"
	119677-01-706	EA	ARM - SHOWER HEAD
	119677-01-01A	EA	SHOWER - 3 PIECES - HEAD/FAUCET/SPOUT
	119677-01-700	EA	HANDLE - SHOWER/BATH - CLEAR
6	119677-01-702	EA	SPOUT - BATH
	119677-01-703	EA	DIVERTER KIT
	119677-01-704	EA	STEM & BONNET
	119677-01-705	EA	PLATE - STRAINER (SHOWER HEAD)
	119677-01-707	EA	BUTTON
	119677-01-708	EA	BUTTON - C
	119677-01-709	EA	BUTTON - H
	119677-01-710	EA	FLANGE - SHOWERHEAD
	119677-01-711	EA	FLANGE - AROUND TURN HANDLE
	089318-01-704	EA	BOLT - PIVOT - TOP OR BOTTOM
	092574-01-701	EA	BRACKET - STUD - TOWEL BAR - GOLD
	092574-01-704	EA	SCREW - GOLD #6 3/8
	092574-01-708	EA	CAP - DRIP - W/VINYL SWEEP
	107878-01-704	EA	HEADER OR SILL
	116814-01-700	EA	BAR - TOWEL 17 5/16"

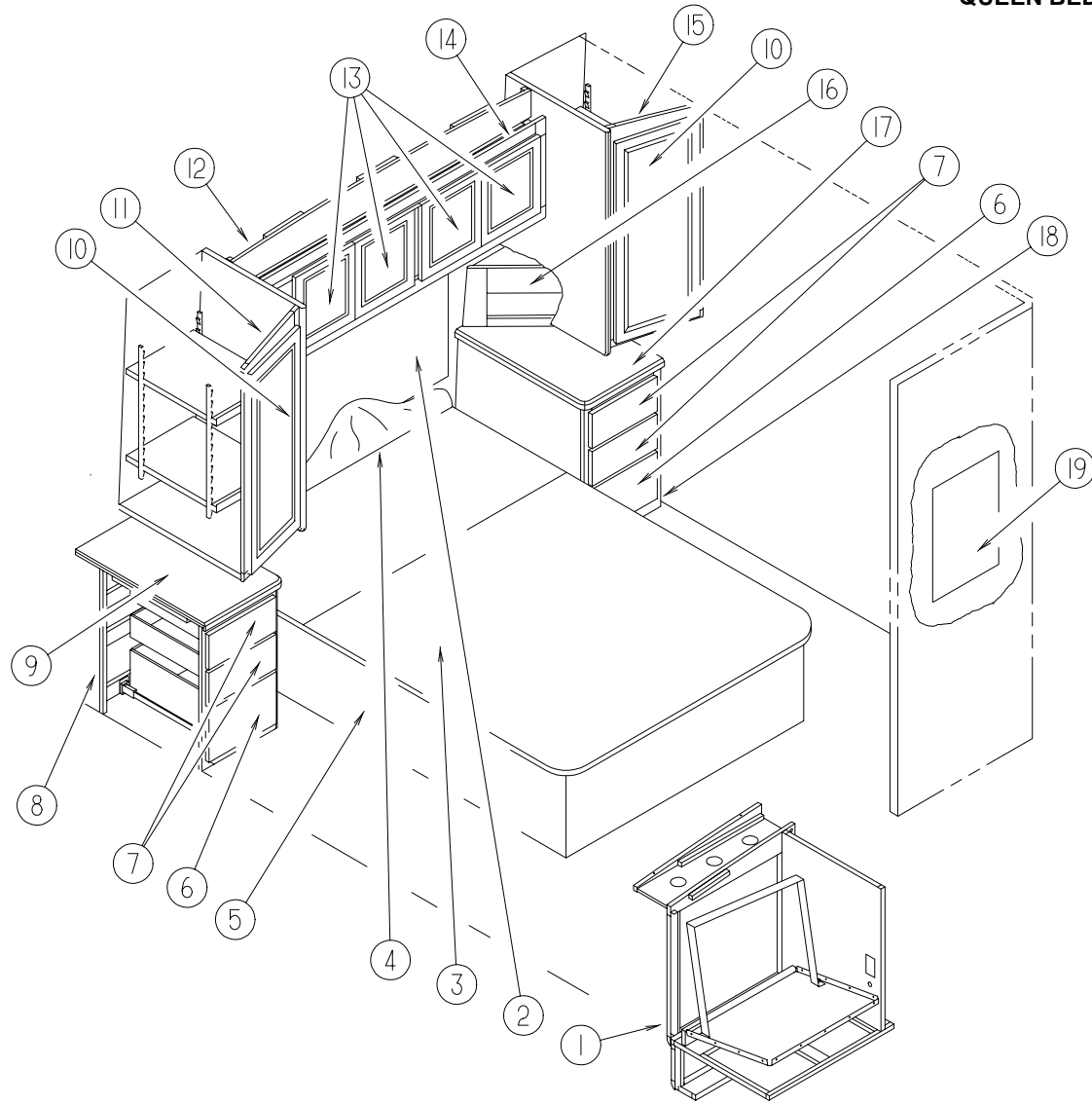
**BATH GROUP (CONTINUED)**



**SLIDING WALL POCKET PRIVACY DOORS**

KEY	PART NUMBER	U/M	DESCRIPTION
1	103868-09-01A	EA	TRACK - SLIDING DOOR - 64.3" - OFF WHITE
2	P20756-03-HQ0	EA	DOOR - SLIDING - W/O HARDWARE (JQ0, JQ2, JQ4, JQ6)
2	P20756-03-HQ1	EA	DOOR - SLIDING - W/O HARDWARE (JQ1, JQ3, JQ5, JQ7)
2	P20756-04-HQ0	EA	DOOR - SLIDING - W/O HARDWARE (JQ0, JQ2, JQ4, JQ6)
2	P20756-04-HQ1	EA	DOOR - SLIDING - W/O HARDWARE (JQ1, JQ3, JQ5, JQ7)
3	103874-01-000	EA	HANGER - DOOR, SLIDING
4	112845-01-000	EA	LATCH-DOOR, POCKET
5	113130-01-01A	EA	PULL-EDGE, DOOR - POCKET
	098410-01-01A	EA	PULL-FINGER, OVAL, BRASS
	107756-03-000	EA	BRACKET - GAS SPRING - SMALL
	107756-05-000	EA	BRACKET - SUPPORT - GAS SPRING TO BED - FLAT (LOWER)
	107796-15-000	EA	SPRING - GAS - 40" LENGTH - 15 LB
	107390-01-000	EA	CORNER HANGER (SINGLE ROLLER W/BRACKET) (SOLD AS A PAIR)
	120974-01-000	EA	SLIDE - POCKET DOOR - RIGHT HAND
	120974-02-000	EA	SLIDE - POCKET DOOR - LEFT HAND
	123655-01-000	FT	SEAL CLOSED CELL/FOAM

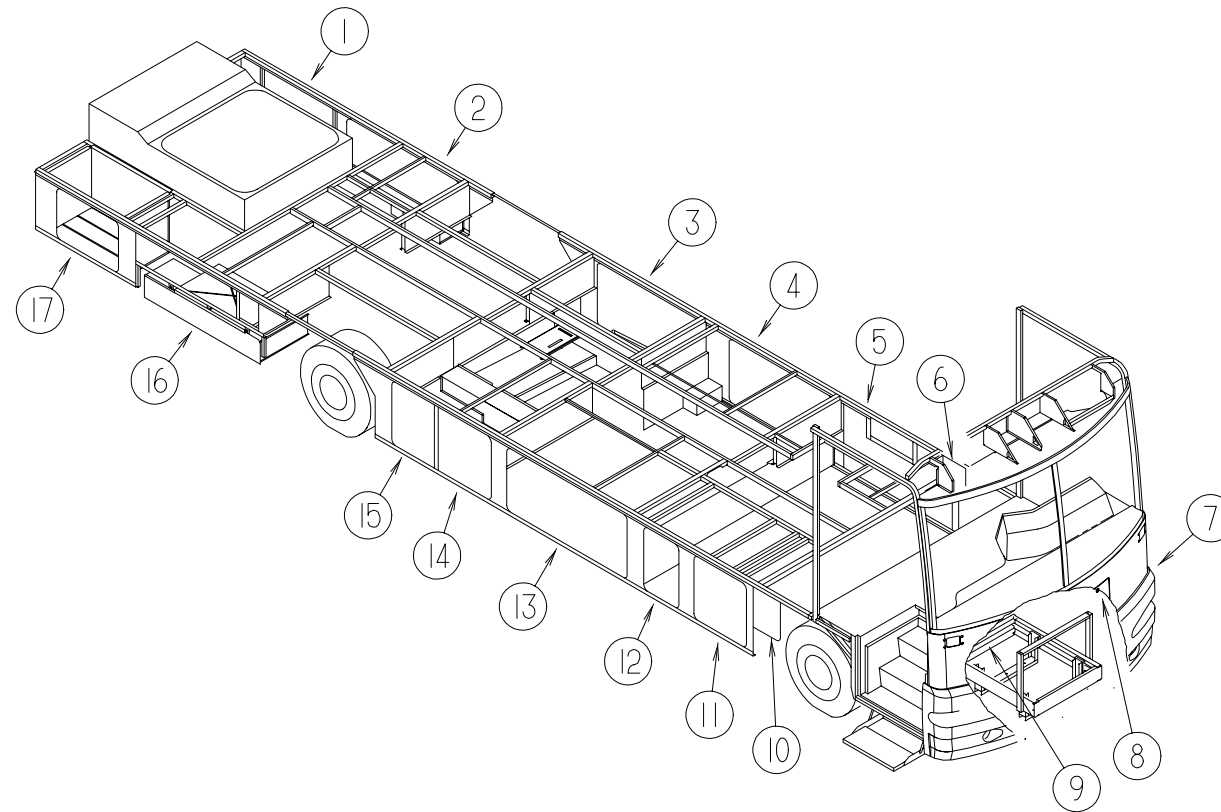
**BEDROOM GROUP**  
**QUEEN BEDROOM CABINETS & FIXTURES**



KEY	PART NUMBER	U/M	DESCRIPTION
5	P23064-01-JQ0	EA	CABINET ASM - BED - QUEEN (JQ0, JQ2, JQ4, JQ6)
5	P23064-01-HQ1	EA	CABINET ASM - BED - QUEEN (JQ1, JQ3, JQ5, JQ7)
6	P24108-04-JQ0	EA	DRAWER - OGEE EDGE - 2"W X 17.7"D - W/O SLIDES/HARDWARE(JQ0, JQ2, JQ4, JQ6)
6	P24108-04-HQ1	EA	DRAWER - OGEE EDGE - 2"W X 17.7"D - W/O SLIDES/HARDWARE(JQ1, JQ3, JQ5, JQ7)
7	P24108-03-JQ0	EA	DRAWER - OGEE EDGE - 12"W X 17.7"D - W/O SLIDES/HARDWARE(JQ0, JQ2, JQ4, JQ6)
7	P24108-03-HQ1	EA	DRAWER - OGEE EDGE - 12"W X 17.7"D - W/O SLIDES/HARDWARE(JQ1, JQ3, JQ5, JQ7)
8	123080-01-JQ0	EA	CABINET - NIGHTSTAND/RIGHT HAND-W/CTRTP-W/O DRS/DWRS/HDW (JQ0, JQ2, JQ4)
8	123080-01-JQ1	EA	CABINET - NIGHTSTAND/RIGHT HAND-W/CTRTP-W/O DRS/DWRS/HDW (JQ1, JQ3, JQ5)
8	123080-01-JQ6	EA	CABINET - NIGHTSTAND/RIGHT HAND-W/CTRTP-W/O DRS/DWRS/HDW (JQ6)
8	123080-01-JQ7	EA	CABINET - NIGHTSTAND/RIGHT HAND-W/CTRTP-W/O DRS/DWRS/HDW (JQ7)
9	123080-12-HQ4	EA	COUNTERTOP - NIGHTSTAND (JQ0, JQ1, JQ2, JQ3, JQ4, JQ5)
9	123080-12-JQ6	EA	COUNTERTOP - NIGHTSTAND (JQ6, JQ7)
10	M08610-03-JQ0	EA	DOOR - STRAIGHT CORNER/OGEE EDGE - 14.3" X 36.4" - W/O HDW(JQ0, JQ2, JQ4, HQ6)
10	M08610-03-HQ1	EA	DOOR - STRAIGHT CORNER/OGEE EDGE - 14.3" X 36.4" - W/O HDW(JQ1, JQ3, JQ5, HQ7)
11	P23134-01-JQ0	EA	CABINET - SHIRT CLOSET RIGHT HAND-W/O DOORS/DRWS/HARDWARE (JQ0, JQ2, JQ4, JQ6)
11	P23134-01-HQ1	EA	CABINET - SHIRT CLOSET RIGHT HAND-W/O DOORS/DRWS/HARDWARE (JQ1, JQ3, JQ5, JQ7)
12	103986-01-000	FT	TRIM - U-CHANNEL - 3/4" - BRASS
12	112911-01-000	EA	MIRROR - SAFETY GLASS - 6" X 62.8"
13	M08610-04-JQ0	EA	DOOR - STRAIGHT CORNER/OGEE EDGE - 14" X 14" - W/O HDW (JQ0, JQ2, JQ4, JQ6)
13	M08610-04-HQ1	EA	DOOR - STRAIGHT CORNER/OGEE EDGE - 14" X 14" - W/O HDW (JQ1, JQ3, JQ5, JQ7)
14	123189-01-JQ0	EA	CABINET - OVERHEAD/REAR - W/O DOORS/HARDWARE (JQ0, JQ2, JQ4, JQ6)
14	123189-01-HQ1	EA	CABINET - OVERHEAD/REAR - W/O DOORS/HARDWARE (JQ1, JQ3, JQ5, JQ7)
15	P23135-01-JQ0	EA	CABINET - SHIRT CLOSET LEFT HAND-W/O DOORS/DRWS/HARDWARE (JQ0, JQ2, JQ4, JQ6)
15	P23135-01-HQ1	EA	CABINET - SHIRT CLOSET LEFT HAND-W/O DOORS/DRWS/HARDWARE (JQ1, JQ3, JQ5, JQ7)
16	123194-01-JQ0	EA	CABINET - RADIO - W/O DOORS/HARDWARE (JQ0, JQ2, JQ4, JQ6)
16	123194-01-HQ1	EA	CABINET - RADIO - W/O DOORS/HARDWARE (JQ1, JQ3, JQ5, JQ7)
	113906-01-JQ0	EA	SPACER - RECEPTACLE - W/REMOTE CONTROL(JQ0, JQ2, JQ4, JQ6)
	113906-01-FQ1	EA	SPACER - RECEPTACLE - W/REMOTE CONTROL (JQ1, JQ3, JQ5, JQ7)
17	123109-12-HQ4	EA	COUNTERTOP - NIGHTSTAND (JQ0, JQ1, JQ2, JQ3, JQ4, JQ5)
17	123109-12-JQ6	EA	COUNTERTOP - NIGHTSTAND (JQ6, JQ7)
18	123109-01-JQ0	EA	CABINET - NIGHTSTAND/LEFT HAND - W/CTRTP-W/O DRS/DWRS/HD (JQ0, JQ2, JQ4)
18	123109-01-HQ1	EA	CABINET - NIGHTSTAND/LEFT HAND - W/CTRTP-W/O DRS/DWRS/HD (JQ1, JQ3, JQ5)
18	123109-01-JQ6	EA	CABINET - NIGHTSTAND/LEFT HAND - W/CTRTP-W/O DRS/DWRS/HD (JQ6)
18	123109-01-JQ7	EA	CABINET - NIGHTSTAND/LEFT HAND - W/CTRTP-W/O DRS/DWRS/HD (JQ7)
19	112515-02-01A	EA	PICTURE - DECOR - MAGNOLIA - 16" X 20"
	114785-01-FQ0	EA	MIRROR - GLASS - DECORATIVE
	009112-01-000	EA	FLANGE - PLASTIC - 1" CLOTHES ROD - OFF WHITE
	042438-01-000	EA	DOWEL - WOOD - CLOTHES ROD - 1" DIAMETER X 4'

KEY	PART NUMBER	U/M	DESCRIPTION
1	P24760-02-JQ0	EA	CABINET - OVERHEAD/TV - W/O DOORS/SHELF/HARDWARE (JQ0, JQ2, JQ4, JQ6)
1	P24760-02-JQ1	EA	CABINET - OVERHEAD/TV - W/O DOORS/SHELF/HARDWARE (JQ1, JQ3, JQ5, JQ7)
	124796-01-02B	EA	SHELF - TV/REAR
2	109332-02-03A	EA	TRIM-J - W/O ADHESIVE - SALEM CHERRY
2	109332-02-05A	EA	TRIM-J - W/O ADHESIVE - WASHED MAPLE
3	M05706-19-HQ0	EA	TOP ASM - BED - QUEEN
3	041389-34-000	EA	HINGE - PIANO - QUEEN BED - OFF WHITE
3	057460-04-000	EA	SPRING - GAS
3	057460-02-000	EA	STUD - BALL - GAS SPRING
3	089025-01-000	EA	SUPPORT - SPRING - MOUNTS TO BED TOP
3	109645-04-000	EA	BRACKET - SUPPORT - SPRING - MOUNTS TO FLOOR & CABINET
3	091261-01-000	FT	BACKING-NON-SKID, 12" X 100'
3	091952-01-000	EA	CLIP-GRIPPER, 1 - BED TOP HOLD DOWN
3	097872-04-000	EA	DOWEL - WOOD - DRILLED - BED TOP HOLD DOWN
4	127571-01-JQ0	EA	HEADBOARD - QUEEN BED (JQ0, JQ1)
4	127571-01-JQ2	EA	HEADBOARD - QUEEN BED (JQ2, JQ3)
4	127571-01-JQ4	EA	HEADBOARD - QUEEN BED (JQ4, JQ5)

**CHASSIS GROUP**  
**COMPARTMENTS COMPONENTS & MUD FLAPS**

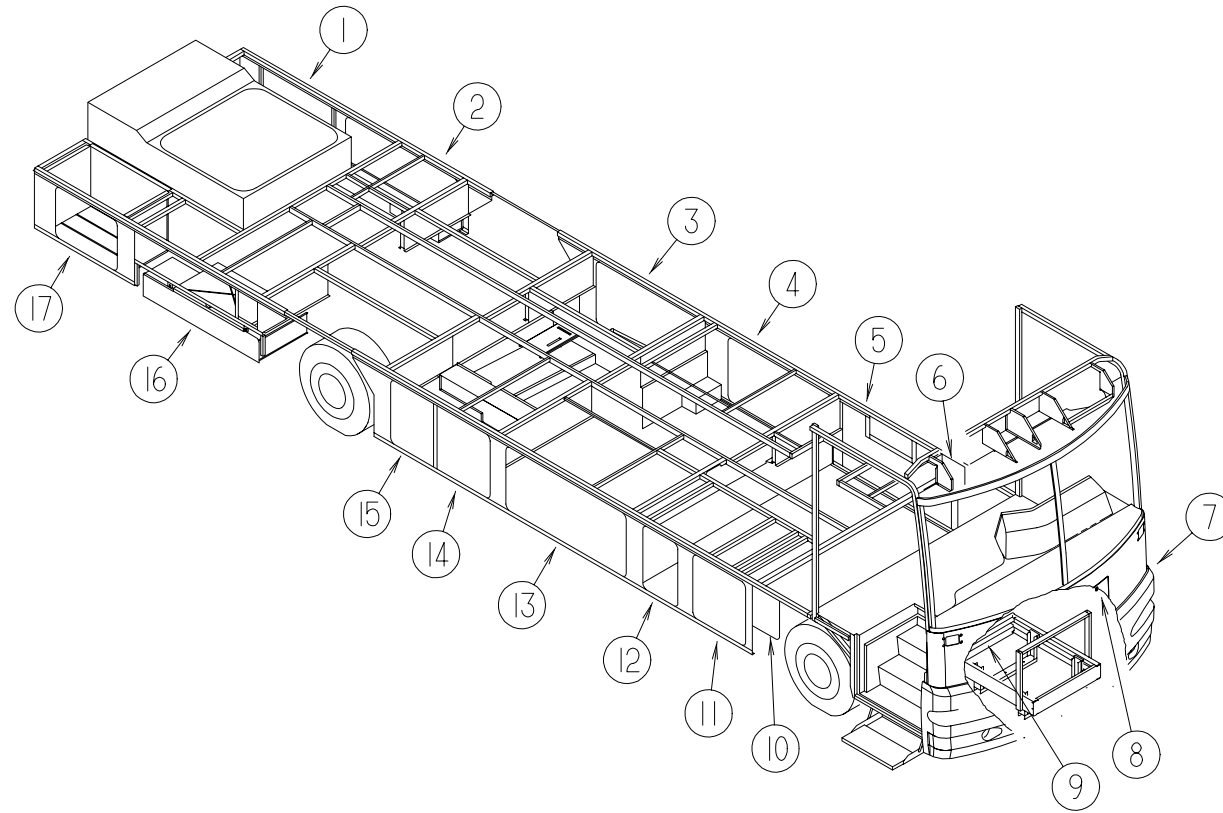


KEY	PART NUMBER	U/M	DESCRIPTION
1	107796-01-000	EA	SPRING/GAS - 11" COMPRESSED/17" EXTENDED - 40LB.
1	107796-01-700	EA	END FITTING - SCREW ON SPD-EF-PS130
1	114268-03-02B	EA	BRACKET - GAS SPRING - 14 GAUGE
1	107796-05-000	EA	BRACKET-FLAT, W/BALL STUD - MOUNTS TO BACKWALL
1	107721-08-000	FT	SEAL - ACCESS DOOR
1	107719-01-01A	EA	STRIKE - VALANCE DOOR
1	039623-01-000	FT	SEAL-MOTOR COVER, RUBBER BULB TYPE - BLACK
1	110176-06-000	EA	BAFFLE-RADIATER, L SHAPED - 572 X 282MM
1	076310-04-000	EA	SHEET-RUBBER, RADIATOR BAFFLE - .12" X 23" X 50" - BLACK
1	072877-03-000	EA	INSULATION-SOUND BARRIER PAD
1	110277-02-000	EA	STRAP-W/HOLES, INSULATION
1	123671-01-HQ0	EA	DOOR - VALANCE - CONDENSOR W/FINS - 49.4" X 26.7" X 28.5"
1	119443-01-01A	EA	COVER - LATCH - VALANCE DOOR
1	112949-01-01A	EA	LATCH - PADDLE W/LOCK W/O KEY - TITANIUM
1	107719-01-01A	EA	STRIKE - VALANCE DOOR
2	123699-02-HQ0	EA	DOOR - VALANCE - DRIVERS W/LOCKING LATCH-30.9"X28.5"X26.6"
2	107796-01-000	EA	SPRING/GAS - 11" COMPRESSED/17" EXTENDED - 40LB.
2	126263-02-02B	EA	BRACKET - GAS SPRING - SMALL
2	107721-08-000	FT	SEAL - ACCESS DOOR
2	119443-01-01A	EA	COVER - LATCH - VALANCE DOOR
2	112949-01-01A	EA	LATCH - PADDLE W/LOCK W/O KEY - TITANIUM
2	112949-01-01A	EA	LATCH - PADDLE W/LOCK W/O KEY - TITANIUM
2	107719-01-01A	EA	STRIKE - VALANCE DOOR

KEY	PART NUMBER	U/M	DESCRIPTION
3	123669-06-HQ0	EA	DOOR - VALANCE - W/LOCKING PADDLE LATCH - 66.2" X 29.6"
3	112949-01-01A	EA	LATCH - PADDLE W/LOCK W/O KEY - TITANIUM
3	107796-24-000	EA	SPRING - GAS - 18.5" LONG - 60 LB
3	107721-08-000	FT	SEAL - ACCESS DOOR
3	126263-05-02B	EA	BRACKET - GAS SPRING
3	119443-01-01A	EA	COVER - LATCH - VALANCE DOOR
3	107719-01-01A	EA	STRIKE - VALANCE DOOR
3	114677-01-01A	EA	RETAINER - HATCH
3	119633-01-01A	EA	COMPARTMENT - SEWER - REAR
3	119826-01-01A	EA	COMPARTMENT - SEWER - FRONT
3	114374-01-01A	EA	COMPARTMENT - SEWER - GRAY
3	115006-01-01A	EA	HATCH - COMPARTMENT - POWER CORD
4	123669-05-HQ0	EA	DOOR - VALANCE - W/LOCKING PADDLE LATCH - 52.3" X 29.6"
4	112949-01-01A	EA	LATCH - PADDLE W/LOCK W/O KEY - TITANIUM
4	126263-05-02B	EA	BRACKET - GAS SPRING
4	126259-01-000	EA	STUD - BALL
4	100128-02-000	FT	SEAL - FOAM - ADHESIVE BACK - .37" WIDE X .37" THICK
4	107796-08-000	EA	SPRING/GAS - 11" COMPRESSED/17" EXTENDED - 60 LB
4	120380-03-000	EA	SLIDE - TRAY - LUGGAGE - (NARROW)
5	123670-01-HQ0	EA	DOOR - VALANCE - A/C W/FINS - 55.1" X 29.6"
5	104692-03-000	EA	SEAL - FOAM/ADHESIVE BACK - 1"THICK X 1.25"WIDE X 15'
6	123457-02-01A	EA	DOOR - FUEL FILL
*	094708-01-01A	EA	STEP - ENTRY DOOR - ELECTRIC - SINGLE - W/O DOOR SWITCH

\* COMPONENT PARTS FOUND IN SERVICE PARTS LIBRARY

**CHASSIS GROUP (CONTINUED)**  
**COMPARTMENTS COMPONENTS & MUD FLAPS(CONTINUED)**



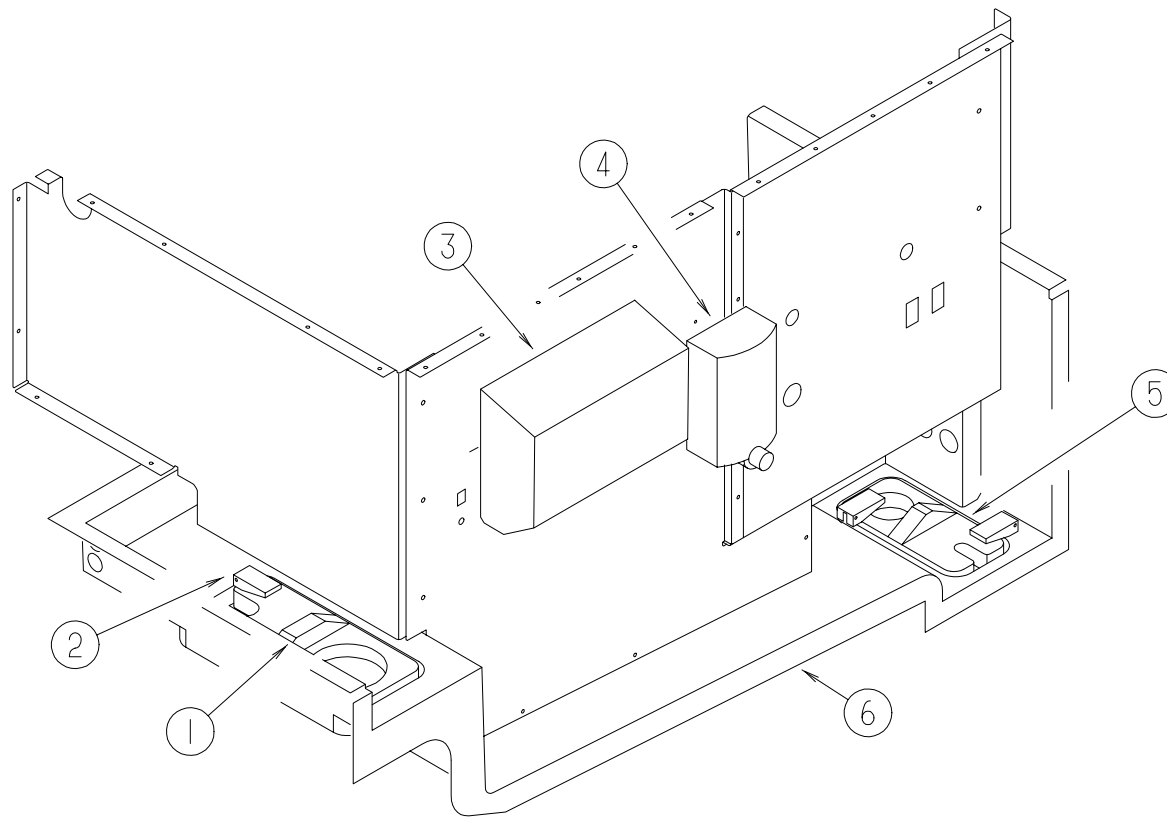
KEY	PART NUMBER	U/M	DESCRIPTION
7	123699-03-HQ0	EA	DOOR - VALANCE - DRVR - W/LOCKING LATCH 33"X 27.8" X 29.6"
7	100128-02-000	FT	SEAL - FOAM - ADHESIVE BACK - .37" WIDE X .37" THICK
7	119443-01-01A	EA	COVER - LATCH - VALANCE DOOR
7	112949-01-01A	EA	LATCH - PADDLE W/LOCK W/O KEY - TITANIUM
7	107796-01-000	EA	SPRING/GAS - 11" COMPRESSED/17" EXTENDED - 40LB.
8	123108-01-HQ0	EA	HOOD - FRONT
8	102330-01-000	EA	LATCH - VISE ACTION/KEY OPERATED
8	106730-10-000	EA	PLATE - STUD
9	117376-02-01A	EA	SLIDE - GENERATOR
10	123496-01-HQ0	EA	DOOR - FUEL FILL
11	123669-01-HQ0	EA	DOOR - VALANCE - W/LOCKING PADDLE LATCH - 31" X 29.6"
11	100128-02-01-000	EA	STUD - BALL
11	107796-01-000	EA	SPRING/GAS - 11" COMPRESSED/17" EXTENDED - 40LB.
11	119443-01-01A	EA	COVER - LATCH - VALANCE DOOR
11	112949-01-01A	EA	LATCH - PADDLE W/LOCK W/O KEY - TITANIUM
12	123669-02-HQ0	EA	DOOR - VALANCE - W/NON LOCKING PADDLE LATCH - 20.1"X 29.6"
12	100128-02-000	EA	SEAL - FOAM - ADHESIVE BACK - .37" WIDE X .37" THICK
12	126263-05-02B	EA	BRACKET - GAS SPRING
12	126259-01-000	EA	STUD - BALL
12	107796-01-000	EA	SPRING/GAS - 11" COMPRESSED/17" EXTENDED - 40LB.
12	119443-01-01A	EA	COVER - LATCH - VALANCE DOOR
12	112949-01-01A	EA	LATCH - PADDLE W/LOCK W/O KEY - TITANIUM
13	123669-03-HQ0	EA	DOOR - VALANCE - W/LOCKING PADDLE LATCH - 66.2" X 29.6"
13	100128-02-000	EA	SEAL - FOAM - ADHESIVE BACK - .37" WIDE X .37" THICK
13	126263-05-02B	EA	BRACKET - GAS SPRING

KEY	PART NUMBER	U/M	DESCRIPTION
13	126259-01-000	EA	STUD - BALL
13	107796-11-000	EA	SPRING/GAS - 11" COMPRESSED/17" EXTENDED - 90 LB
13	119443-01-01A	EA	COVER - LATCH - VALANCE DOOR
13	112949-01-01A	EA	LATCH - PADDLE W/LOCK W/O KEY - TITANIUM
13	120380-02-000	EA	SLIDE - TRAY - LUGGAGE - (WIDE)
13	125287-01-02B	EA	COMPARTMENT - LUGGAGE
14	123669-07-HQ0	EA	DOOR - VALANCE - W/LOCKING PADDLE LATCH - 27.1" X 29.6"
14	100128-02-000	EA	SEAL - FOAM - ADHESIVE BACK - .37" WIDE X .37" THICK
14	126263-05-02B	EA	BRACKET - GAS SPRING
14	126259-01-000	EA	STUD - BALL
14	107796-01-000	EA	SPRING/GAS - 11" COMPRESSED/17" EXTENDED - 40LB.
14	119443-01-01A	EA	COVER - LATCH - VALANCE DOOR
14	112949-01-01A	EA	LATCH - PADDLE W/LOCK W/O KEY - TITANIUM
15	119296-01-01A	EA	FREEZER - PORTABLE
15	120320-01-000	EA	TRAY - REFRIGERATOR/FREEZER
15	108508-02-000	EA	BRACKET - ENTERTAINMENT CENTER
16	113832-02-01A	EA	SLIDE - BATTERY TRAY - HEAVY DUTY
16	113832-03-01A	EA	SLIDE - BATTERY TRAY
17	123699-01-HQ0	EA	DOOR-VALANCE-PASSENGER REAR W/LOCK LATCH-80.7"X29.6"X26.7"
17	100128-02-000	EA	SEAL - FOAM - ADHESIVE BACK - .37" WIDE X .37" THICK
17	126263-05-02B	EA	BRACKET - GAS SPRING
17	126259-01-000	EA	STUD - BALL
17	107796-11-000	EA	SPRING/GAS - 11" COMPRESSED/17" EXTENDED - 90 LB
17	119443-01-01A	EA	COVER - LATCH - VALANCE DOOR
17	112949-01-01A	EA	LATCH - PADDLE W/LOCK W/O KEY - TITANIUM
17	112879-10-02B	EA	COMPARTMENT LUGGAGE
	017516-04-000	EA	MUD FLAP - BLACK



## CHASSIS GROUP (CONTINUED)

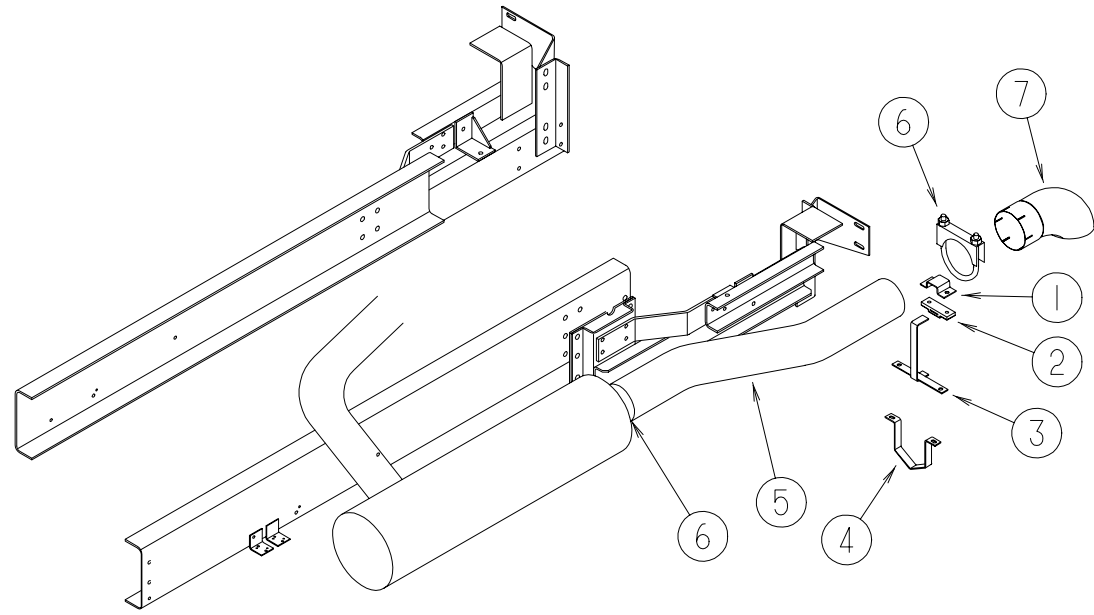
### EXTERIOR WATER SERVICE COMPARTMENT



KEY	PART NUMBER	U/M	DESCRIPTION
1	M06991-02-FQ0	EA	HATCH - W/FOAM INSULATION
2	121175-01-01A	EA	LATCH - SWELL - BLACK
3	115004-01-000	EA	DISPENSER - PAPER TOWEL
4	114899-01-000	EA	DISPENSER - SOAP - LIQUID
5	M06991-01-FQ0	EA	HATCH - W/FOAM INSULATION - POWER CORD
5	115006-01-01A	EA	HATCH - COMPARTMENT - POWER CORD
6	119826-01-01A	EA	COMPARTMENT - SEWER - FRONT
	119633-01-01A	EA	COMPARTMENT - SEWER - REAR

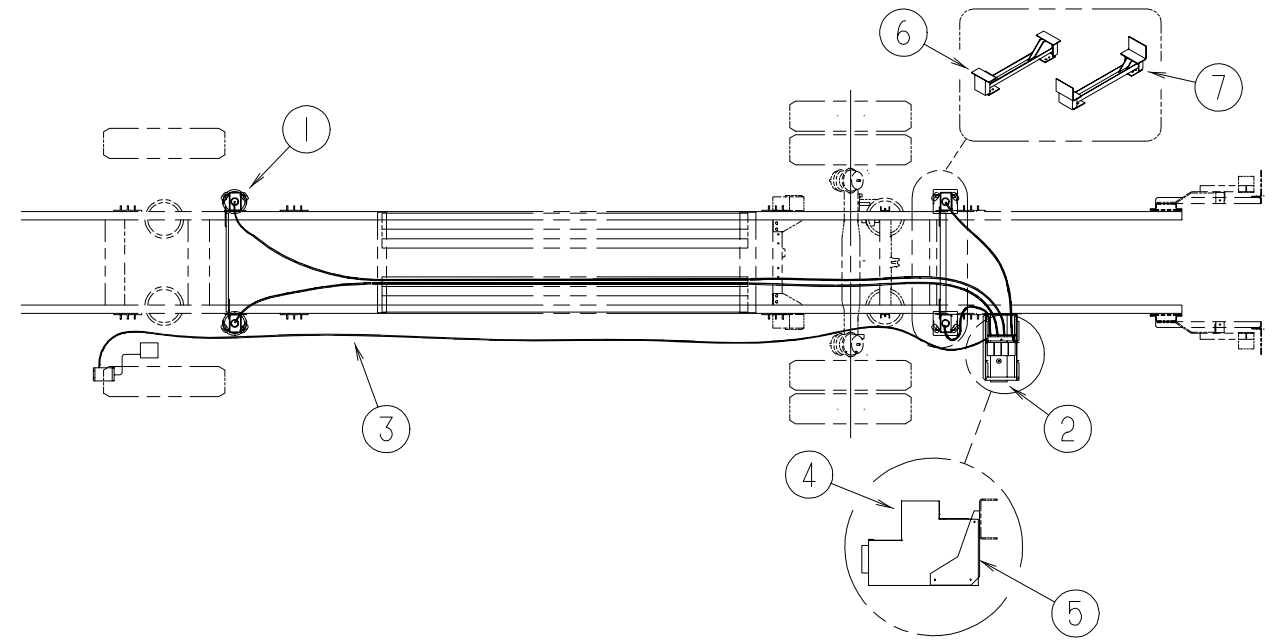
**NOTE:SEE WATER & SEWAGE GROUP TO FIND FAUCET, FILL & VALVES**

**CHASSIS GROUP (CONTINUED)**  
EXHAUST SYSTEM



KEY	PART NUMBER	U/M	DESCRIPTION
1	P02116-02-000	EA	BRACKET - EXHAUST - UPPER
2	095190-01-000	EA	HANGER - EXHAUST - 4" X 1.4"
3	110173-03-000	EA	HANGER - EXHAUST
4	095223-05-000	EA	BRACKET - EXHAUST - LOWER
5	114869-01-000	EA	PIPE - EXHAUST
6	094918-08-000	EA	CLAMP - EXHAUST - 5"
7	116425-02-000	EA	EXTENSION - EXHAUST - CHROMED - 5"

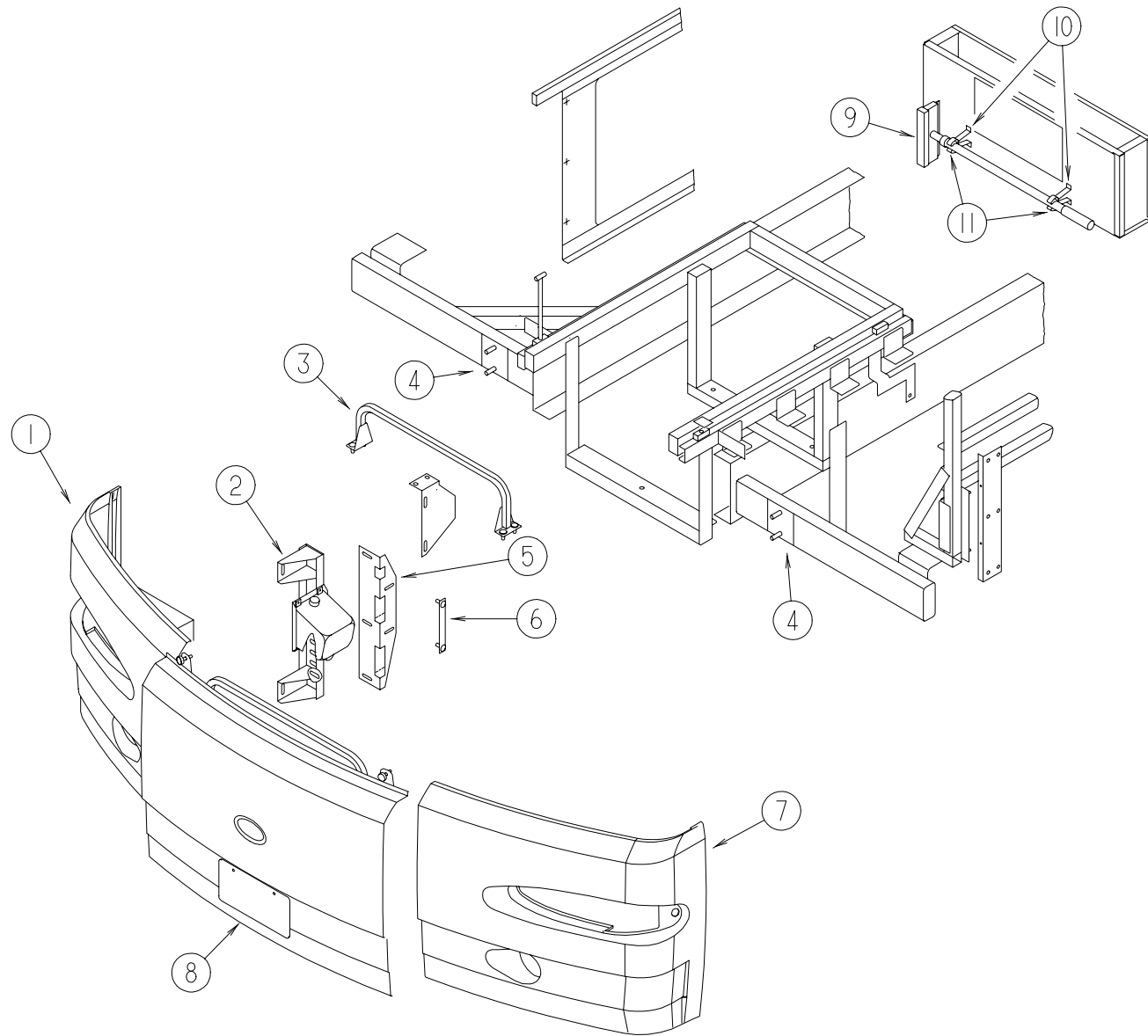
**CHASSIS GROUP (CONTINUED)**



**HWH HYDRAULIC LEVELING SYSTEM**

KEY	PART NUMBER	U/M	DESCRIPTION	VENDOR NO.
	100532-30-000	EA	LEVELING SYSTEM - HYDRAULIC	
1	100532-12-703	EA	SENSING UNIT - BI-AXIS - 27'	RAP6800
	117183-01-02B	EA	COVER - SENSOR - LEVELING	
2	100532-03-715	EA	CAP - BREATHER W/DIPSTICK	RAP7876
3	100532-03-716	EA	SOLENOID - CONTINUOUS DUTY	RAP7505
4	100532-03-717	EA	VALVE - PRESS - RETURN SHUTTLE	RAP7964
5	100532-03-721	EA	VALVE - CHECK KIT (SGL)	RAP7944
6	100532-03-723	EA	O-RING/SEAL KIT	
7	100532-03-726	EA	SWITCH - PRESSURE	RAP8003

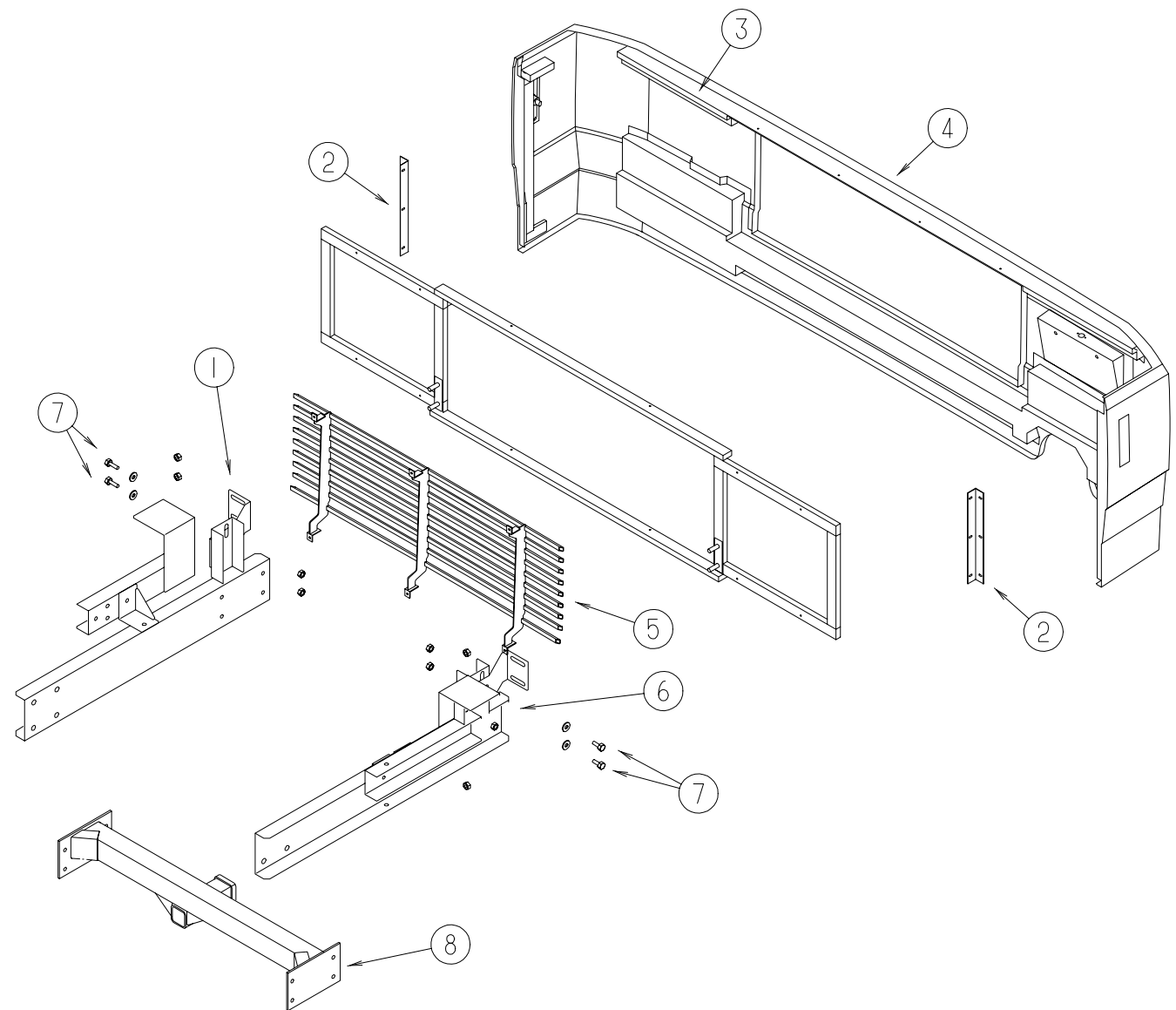
## CHASSIS GROUP (CONTINUED)



**FRONT BUMPER**

KEY	PART NUMBER	U/M	DESCRIPTION
1	P23332-01-HQ0	EA	BUMPER - FRONT OUTER/PASSENGER - W/SUPPORTS
	123352-01-01A	EA	PANEL - FRONT BUMPER - OUTER/PASSENGER
	123451-01-01A	EA	CAP - BUMPER END
	113407-01-02B	EA	ANGLE - OUTER BUMPER/PASSENGER - E-COATED
2	113474-03-02B	EA	CHANNEL - OUTER BUMPER/PASSENGER - E-COATED
	113474-04-02B	EA	CHANNEL - OUTER BUMPER/DRIVER - E-COATED
3	114169-02-02B	EA	HANDLE - BUMPER MOUNT - E-COATED
4	116617-01-02B	EA	SPACER - BUMPER
5	114396-03-02B	EA	ANGLE - BUMPER MOUNT/PASSENGER - E-COATED
	114396-04-02B	EA	ANGLE - BUMPER MOUNT/DRIVER - E-COATED
6	106730-04-000	EA	PLATE-STUD
7	P23332-02-HQ0	EA	BUMPER - FRONT OUTER/DRIVER - W/SUPPORTS
8	123333-01-HQ0	EA	BUMPER - CENTER - FRONT
9	091955-02-000	EA	SQUEEGEE - EXTENDED HANDLE
10	110429-03-D18	EA	BRACKET - SQUEEGEE
11	091952-02-000	EA	CLIP - GRIPPER - 3/4"
	113904-02-02B	EA	ANGLE - ATTACHEMENT - WHEEL LIP
	118650-03-02B	EA	SUPPORT - FOG LAMP - PASSENGER - E-COATED
	118650-04-02B	EA	SUPPORT - FOG LAMP - DRIVER SIDE - E-COATED

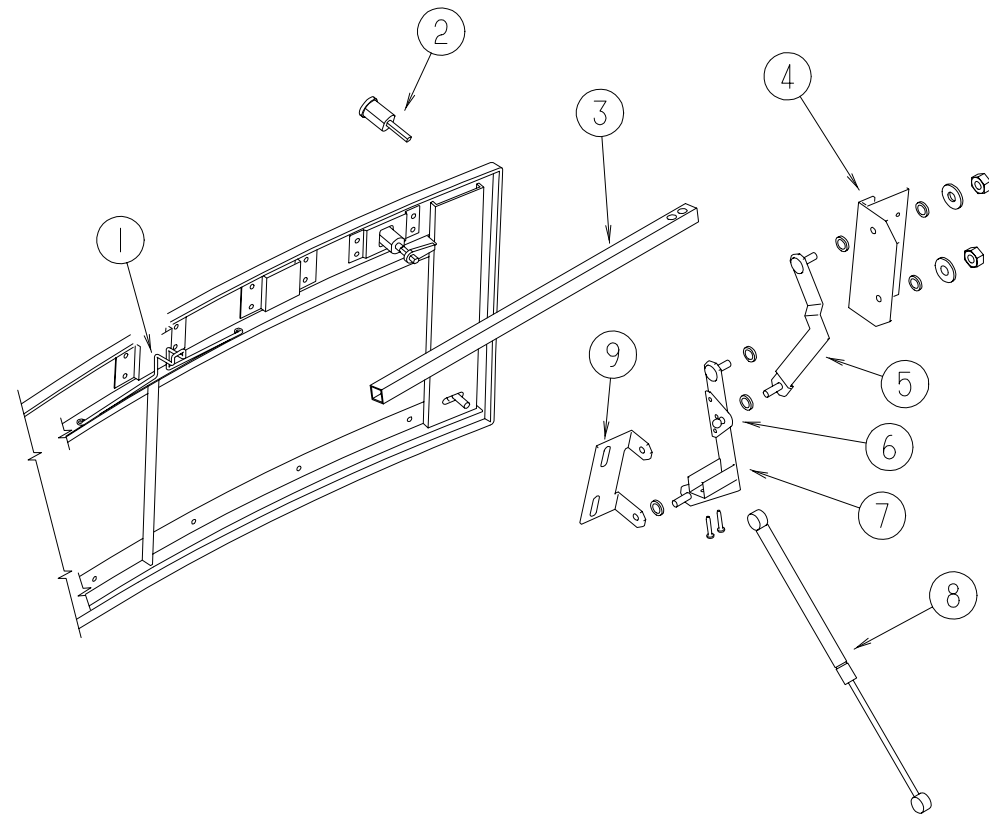
## CHASSIS GROUP (CONTINUED)



**REAR BUMPER & TRAILER HITCH**

KEY	PART NUMBER	U/M	DESCRIPTION
1	113568-03-02B	EA	ANGLE - MOUNT - BUMPER/RIGHT HAND
2	113041-07-02B	EA	ANGLE - BUMPER MOUNT
3	124861-01-02A	EA	SUPPORT - BUMPER - UPPER
4	M08020-03-HQ0	EA	BUMPER - REAR - W/SUPPORTS
5	126415-01-HQ0	EA	GRILLE - REAR BUMPER
	104319-51-007	EA	EXTRUDED - FRAME - GRILLE - 4"
6	113568-04-02B	EA	ANGLE - MOUNT - BUMPER/LEFT HAND
	087234-01-000	EA	NUT - JACK - 1/4 X 20 THD - MOLLY
7	000C12-08-24B	EA	BOLT - HEX - 1/2-13 X 1.50 - ZINC 5
8	117313-01-02B	EA	DRAWBAR - HITCH - CLASS III
	034513-01-000	EA	PIN - HITCH - 3/16" WIRE
	113589-01-000	EA	CONNECTOR - PLUG - TRAILER
	113589-02-000	EA	CONNECTOR - SOCKET - TRAILER

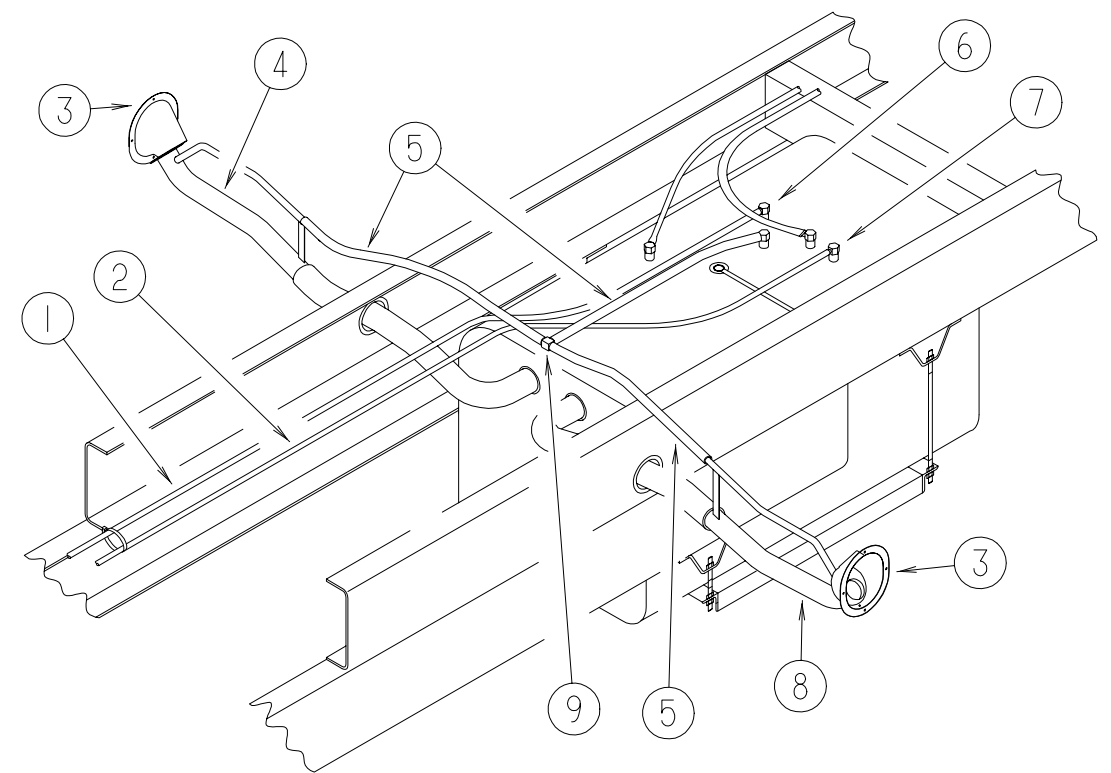
## CHASSIS GROUP (CONTINUED)



### HOOD ASSEMBLY

KEY	PART NUMBER	U/M	DESCRIPTION
1	114455-04-000	EA	SPRING - HOOD
2	102330-01-000	EA	LATCH - VISE ACTION/KEY OPERATED
3	105096-08-000	EA	TUBE - HOOD HINGE TIMING W/WELDNUTS
4	113495-05-02B	EA	SUPPORT - HINGE
5	113499-03-02B	EA	LINK - HINGE - UPPER - RIGHT HAND
5	113499-04-02B	EA	LINK - HINGE - UPPER - LEFT HAND
6	107796-05-000	EA	BRACKET - SUPPORT - GAS SPRING TO BED - FLAT (LOWER)
7	113556-01-02B	EA	LINK - HINGE - HOOD - LOWER/RIGHT HAND
7	113556-02-02B	EA	LINK - HINGE - HOOD - LOWER/LEFT HAND
8	114249-01-000	EA	SPRING - GAS
9	113505-01-02B	EA	ANGLE - LINK - HOOD - RIGHT HAND
9	113505-02-02B	EA	ANGLE - HOOD LINK - DRIVERS - E-COATED

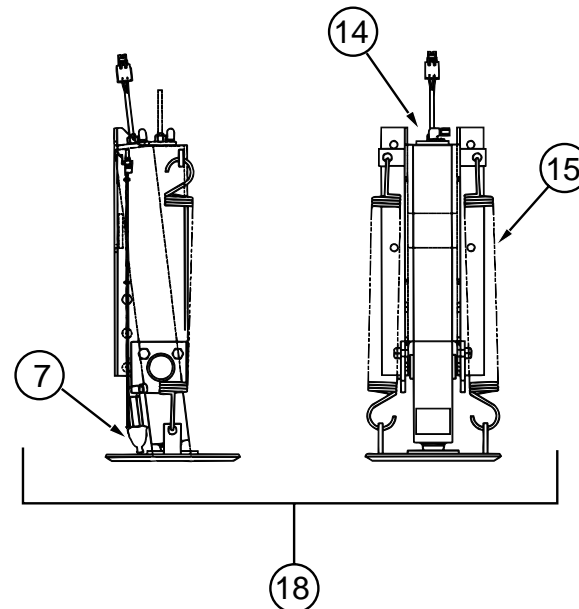
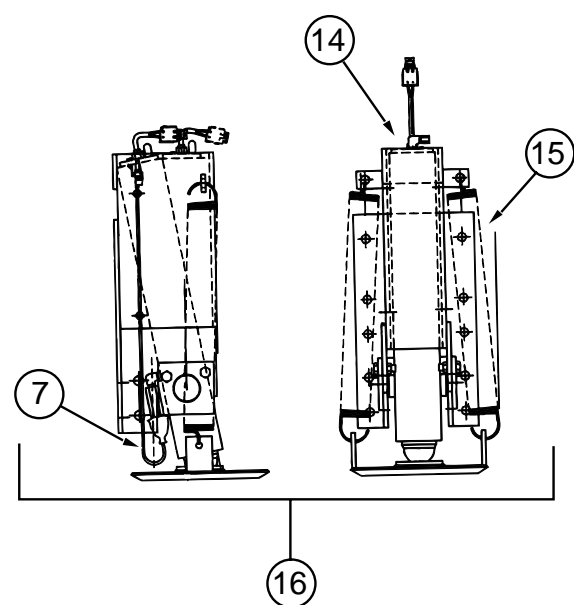
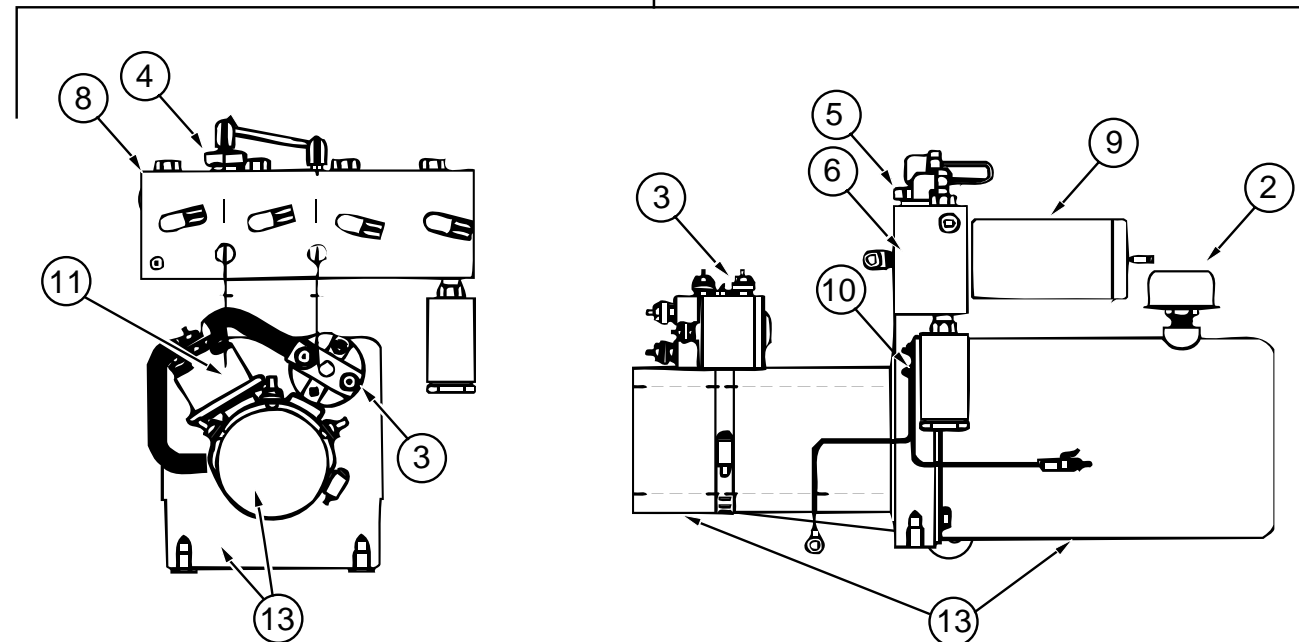
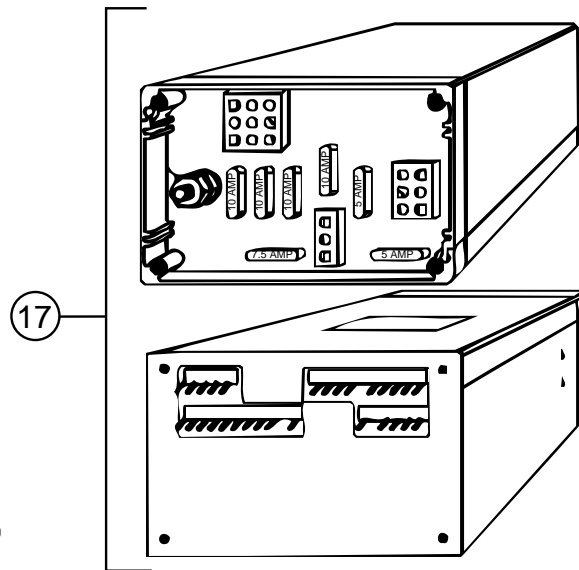
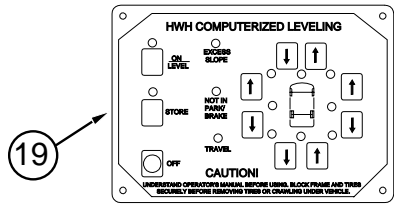
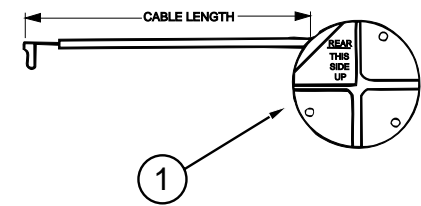
## CHASSIS GROUP (CONTINUED)



### FUEL SYSTEM

KEY	PART NUMBER	U/M	DESCRIPTION
1	007063-01-000	FT	HOSE - FUEL - 1/4"ID X 1/2"OD
2	024138-01-000	FT	HOSE - FUEL - 5/16" ID
3	102951-01-01A	EA	SHROUD - FUEL FILL - UNFINISHED
3	102951-01-08A	EA	SHROUD - FUEL FILL - BLACK
4	117336-02-000	EA	NECK ASSEMBLY - FUEL FILL
5	073220-03-000	EA	CAP - FUEL FILL - NON LOCK - DIESEL
5	066732-01-000	FT	HOSE - FUEL - .62"ID
6	068382-05-000	EA	BUSHING - BRASS - 1/2 MPT X 1/8 FPT - DIESEL GENERATOR OPTION
6	114253-01-000	EA	ELBOW - 1/4 SINGLE BARB X 1/8 MPT - DIESEL GENERATOR OPTION
7	068382-02-000	EA	BUSHING - BRASS - 3/8 MPT X 1/4 FPT - DIESEL GENERATOR OPTION
7	114253-02-000	EA	ELBOW - 5/16 SINGLE BARB X 1/4 MPT - DIESEL GENERATOR OPTION
8	117336-02-000	EA	NECK ASSEMBLY - FUEL FILL
9	076776-01-000	EA	TEE - BEADED - 5/8" X 5/8" X 5/8"

## CHASSIS GROUP (CONTINUED)



## HWH HYDRAULIC LEVELING SYSTEM

KEY	PART NUMBER	U/M DESCRIPTION	VENDOR NO.
	100532-30-000	EA LEVELING SYSTEM - HYDRAULIC	
1	100532-12-703	EA SENSING UNIT - BI-AXIS - 27'	RAP6800
	117183-01-02B	EA COVER - LEVELING	
2	100532-03-715	EA CAP - BREATHER W/DIPSTICK	RAP7876
3	100532-03-716	EA SOLENOID - CONTINUOUS DUTY	RAP7505
4	100532-03-717	EA VALVE - PRESS - RETURN SHUTTLE	RAP7964
5	100532-03-721	EA VALVE - CHECK KIT (SGL)	RAP7944
6	100532-03-723	EA O-RING/SEAL KIT	
7	100532-03-726	EA SWITCH - PRESSURE	RAP8003
8	100532-09-703	EA MANIFOLD - COMPLETE	RAP0959
9	100532-09-704	EA VALVE - PRESSURE SOLENOID	RAP0642
10	100532-09-705	EA SWITCH - PRESS - W/HEAD - 3000#	RAP0993
11	100532-09-710	EA SOLENOID - INTERMITTENT DUTY	RAP0533
12	100532-19-701	EA POWER UNIT W/MANIFOLD	RAP1287
13	100532-19-700	EA PUMP & MOTOR - W/TANK - 3.5GL - 4.5"	RAP8388
14	100532-12-706	EA SWITCH - WARNING MAGNETIC	RAP1008
15	100532-12-707	EA SPRING KIT	R3847
16	100532-25-700	EA JACK - 9000 LBS - FRONT - W/SWITCHES	RAP11712
17	100532-34-700	EA CONTROL BOX - 610 W/AIR DMP	RAP90304
18	100532-25-701	EA JACK-12000 LBS - REAR - W/SWITCHES	RAP90174
19	107889-03-000	EA PANEL - CONTROL - TOUCH - AIR DUMP	
19	107889-03-700	EA PANEL-TOUCH	RAP1088
	100532-09-702	EA CABLE - MODULAR 5'	RAP1020
	100532-01-714	EA SCREW KIT (LEVELING JACKS)	R1280
	063912-02-000	EA RELAY - CANISTER - SPDT	
	121036-01-000	EA BUZZER KIT - WARNING - HWH JACK/LEVELING SYSTEM	

## CHASSIS MISCELLANEOUS

KEY	PART NUMBER	U/M DESCRIPTION
	080208-03-000	EA LUG - WRENCH - 1.5" X .8" SQUARE
	080208-02-000	EA BAR - LEVERAGE - LUG WRENCH
	114254-02-000	EA ADAPTER - 5/16 SINGLE BARB X 1/8 MPT
	125083-01-01A	EA CLAMP - T BOLT
	076310-04-000	EA SHEET - RUBBER - 23" X 50"
	085763-02-000	EA TEE - MALE RUN - BRAKE TUBE - 1/4" X 1/4"
	086241-02-000	EA VALVE - AIR - 1/8" MPT - TANK

## CHASSIS COMPONENTS

KEY	PART NUMBER	U/M DESCRIPTION
	108986-01-000	EA TUBE - SUPPORT - LADDER/LOWER
	113452-01-000	FT SEAL/TRIM - FRONT - VINYL W/WIRE CARRIER
	102967-01-000	FT SEAL - BULB - W/RIGID WIRE U CHANNEL - .6" - BLACK RUBBER
	072877-03-000	EA INSULATION - SOUND BARRIER - 1" X 36" X 57"
	061420-10-000	EA PLUG/PLASTIC - 1.5" DIAMETER - BLACK
	061420-05-000	EA PLUG/PLASTIC - 1.8" DIAMETER
	110277-02-000	EA STRAP
	115392-01-01A	EA STRAP - VELCRO (LUG WRENCH HOLDER)
	120016-01-02A	EA MOLDING - FLOOR - SLIDING
	020167-06-000	EA DIRT GUARD
	110176-06-000	EA BAFFLE - RADIATOR
	113832-02-01A	EA SLIDE - BATTERY TRAY - HEAVY DUTY

## ENTERTAINMENT COMPARTMENT

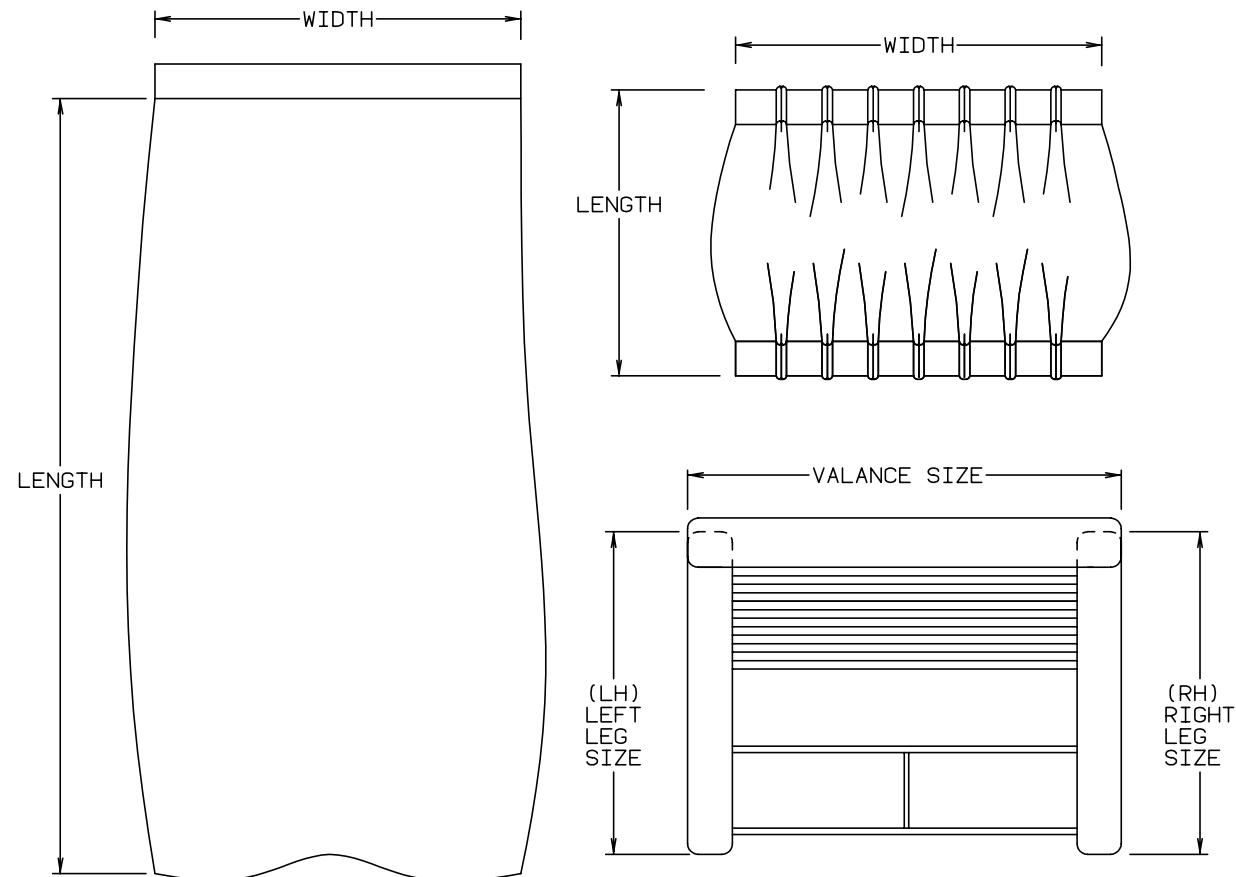
KEY	PART NUMBER	U/M DESCRIPTION
	069726-02-000	EA BUMPER - .88" OD X .40" THICK - BLACK
	110381-01-D18	EA LEG - TABLE - EXTERIOR
	P10549-01-JQ0	EA TABLE - ENTERTAINMENT CENTER - W/O HARDWARE
	110287-01-000	EA BRACKET - LEG - EXTERIOR TABLE
	074630-03-000	EA FASTENER - PUSH ON
	110439-01-000	EA FASTENER - SNAP - BUTTON
	110550-01-000	EA CAP - TUBE - TABLE LEG

## CURTAIN & CUSHION GROUP

### NOTICE

IN ORDER TO ASSIST OUR PARTS SALES DEPT. IN PROVIDING INTERIOR SOFTWARE ITEMS, PLEASE INCLUDE THE SERIAL NUMBER AND THE COLOR CODE NUMBER FROM THE VEHICLE CERTIFICATION LABEL WHEN ORDERING. THIS LABEL IS LOCATED ON THE LEFT SIDEWALL AT THE END OF THE DASH (A-BODY), OR ON THE DRIVER'S DOOR LATCH PLATE (C-BODY).

AN EXAMPLE OF A COLOR CODE NUMBER IS B07, WHICH DESIGNATES AN OVERALL COLOR SCHEME OF A PARTICULAR UNIT. THE COLOR LISTED AFTER THE ITEM DESCRIPTION ON THE MICROFICHE, INDICATES THE OVERALL UNIT COLOR. ORDER THE ITEM YOU DESIRE ACCORDING TO UNIT COLOR CODE.



NOTE: USE THIS ILLUSTRATION WHEN DETERMINING LENGTH AND WIDTH MEASUREMENTS FOR CURTAINS. YOU WILL NOTE THE WIDTH MEASUREMENT IS TAKEN ON THE TOP OF THE CURTAIN WITH THE CURTAIN FULLY EXTENDED. THE LENGTH MEASUREMENT IS TAKEN FROM TOP TO BOTTOM. LEFT AND RIGHT WINDOW LEGS ARE DETERMINED WHEN FACING THE WINDOW.

## CURTAIN & CUSHION GROUP (CONTINUED)

### HEADBOARDS

KEY	PART NUMBER	U/M DESCRIPTION
	127571-01-JQ0	EA HEADBOARD - QUEEN BED (JQ0, JQ1)
	127571-01-JQ2	EA HEADBOARD - QUEEN BED (JQ2, JQ3)
	127571-01-JQ4	EA HEADBOARD - QUEEN BED (JQ4, JQ5)
	114215-11-JQ6	EA HEADBOARD - EMPRESS - QUEEN - FABRIC COVERED (JQ6, JQ7)

### MAIN FABRICS

KEY	PART NUMBER	U/M DESCRIPTION
	108446-P4-000	YD FABRIC - UPHOLSTERY - MULTI (JQ0, JQ1)
	108446-P3-000	YD FABRIC - UPHOLSTERY - ORSAY (JQ2, JQ3)
	108446-W9-000	YD FABRIC/UPHOLSTERY - LUXOR MARINE (JQ4, JQ5)
	108446-X0-000	YD FABRIC/UPHOLSTERY - MULTI (JQ6, JQ7)

### PATTERN ACCENT FABRICS

KEY	PART NUMBER	U/M DESCRIPTION
	108446-R1-000	YD FABRIC - CREATION - DOBLIN (JQ0, JQ1)
	108446-R4-000	YD FABRIC - UPHOLSTERY - BURGAND (JQ2, JQ3)
	108446-X2-000	YD FABRIC/UPHOLSTERY - WAFFLE 2 (JQ4, JQ5)
	108446-X1-000	YD FABRIC/UPHOLSTERY - HIGHFIVE (JQ6, JQ7)

### MAIN BEDSPREAD FABRICS

KEY	PART NUMBER	U/M DESCRIPTION
	105745-F8-000	YD FABRIC/BEDSPREAD - NEW LA SCALA (JQ0, JQ1)
	105745-A5-000	YD FABRIC-BEDSP,PTP354,COLOR 8 (JQ2, JQ3)
	105745-J1-000	YD FABRIC/BEDSPREAD - MERSELO (JQ4, JQ5)
	105745-J3-000	YD FABRIC/BEDSPREAD - OAKLAWN (JQ6, JQ7)

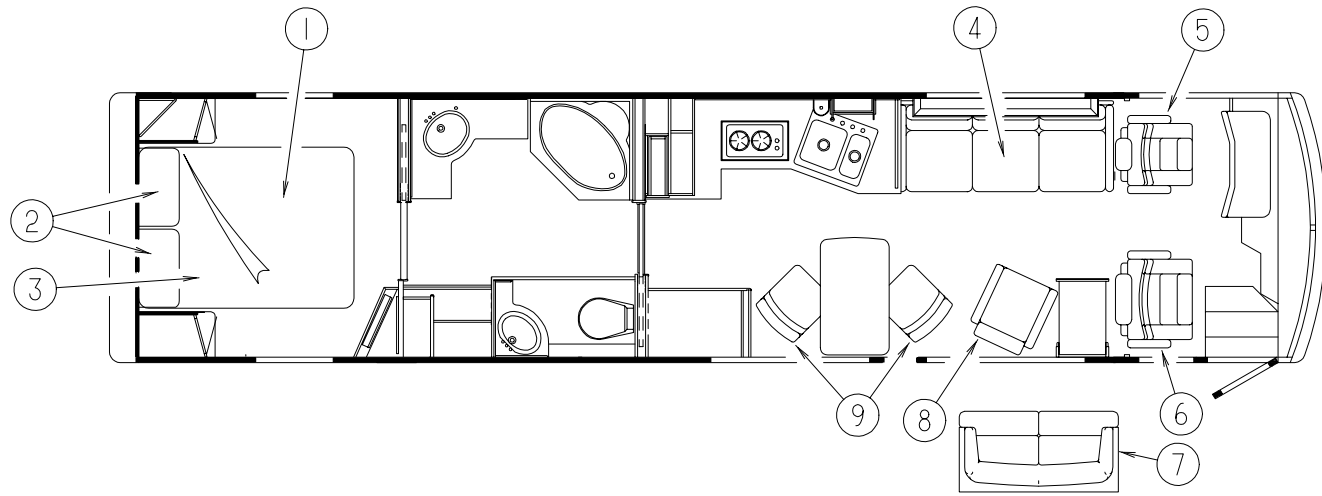
### ACCENT BEDSPREAD FABRICS

KEY	PART NUMBER	U/M DESCRIPTION
	105745-F9-000	YD FABRIC/BEDSPREAD - TABOULI (JQ0, JQ1)
	108446-R4-000	YD FABRIC - UPHOLSTERY - BURGAND (JQ2, JQ3)
	105745-J1-000	YD FABRIC/BEDSPREAD - MERSELO (JQ4, JQ5)
	108446-X1-000	EA FABRIC/UPHOLSTERY - HIGHFIVE (JQ6, JQ7)

### FABRICS

KEY	PART NUMBER	U/M DESCRIPTION
	072333-99-000	YD FABRIC-DRAP,HEAVENLY SHEER I
	084416-28-000	YD FABRIC-LAMINATE,PULLSHADE
	087272-03-000	YD DRAPERY LINING-54" IVORY
	094911-26-000	YD FABRIC-SHEER,ALABASTER
	094911-36-000	YD FABRIC-PLTD,DK.ROSWD.SATIN
	103907-01-04A	YD VINYL-EXPAND MADRID HAMP.TAN
	113979-01-01A	SY CEILING MATERIAL-102" WIDE PEARL CREAM (PATTERNED) W/O FOAM BACKING

## CURTAIN & CUSHION GROUP (CONTINUED)



### MATTRESS, PILLOWS & BEDSPREAD

KEY	PART NUMBER	U/M	DESCRIPTION
1	123013-01-000	EA	MATTRESS - SERTA INNER SPRING 60" X 80"
2	124575-03-000	EA	SHAM - 3" FLANGED W/CORD TRIM (JQ0, JQ1)
2	124575-05-000	EA	SHAM - 3" FLANGED W/CORD TRIM (JQ2, JQ3)
2	124575-06-000	EA	SHAM - 3" FLANGED W/CORD TRIM (JQ4, JQ5)
2	124575-07-000	EA	SHAM - 3" FLANGED W/CORD TRIM (JQ6, JQ7)
	119249-02-000	EA	PILLOW/CASE - 22" X 37"
3	124574-03-000	EA	BEDSPREAD - BOX QUILT - 60" X 80" (JQ0, JQ1)
3	124574-05-000	EA	BEDSPREAD - BOX QUILT - 60" X 80" (JQ2, JQ3)
3	124574-06-000	EA	BEDSPREAD - BOX QUILT - 60" X 80" (JQ4, JQ5)
3	124574-07-000	EA	BEDSPREAD - BOX QUILT - 60" X 80" (JQ6, JQ7)
	109149-18-HQ4	EA	SKIRT - BED/QUEEN - 15.5" X 169.5" (HQ0, HQ1)
	109149-18-HQ2	EA	SKIRT - BED/QUEEN - 15.5" X 169.5" (HQ2, HQ3)
	109149-18-JQ4	EA	SKIRT - BED/QUEEN - 15.5" X 169.5" (JQ4, JQ5)
	109149-18-JQ6	EA	SKIRT - BED/QUEEN - 15.5" X 169.5" (JQ6, JQ7)
	103669-21-HQ5	EA	PILLOW - 17" X 17" (JQ0, JQ1)
	124773-04-JQ0	EA	PILLOW - 14" X 16" (JQ0, JQ1)
	111637-10-JQ2	EA	PILLOW - 22" X 22" (JQ2, JQ3)
	103669-23-JQ2	EA	PILLOW - 14" X 17" (JQ2, JQ3)
	103669-21-JQ4	EA	PILLOW - 17" X 17" (JQ4, JQ5)
	124773-04-JQ4	EA	PILLOW - 14" X 16" (JQ4, JQ5)
	103669-21-JQ6	EA	PILLOW - 17" X 17" (JQ6, JQ7)
	124773-04-JQ6	EA	PILLOW - 14" X 16" (JQ6, JQ7)

### SOFA

KEY	PART NUMBER	U/M	DESCRIPTION
4	119727-02-000	EA	SOFA - VILLA 80" - W/FLAIR ARMRESTS/KICKBOARD(JQ0, JQ1)
4	119728-05-000	EA	SOFA - VILLA - W/ARMRESTS/KICKBOARD(JQ2, JQ3)
	119728-01-700	EA	LATCH - SWIVEL
	119728-01-701	EA	HANDLE LATCH/SWIVEL
4	119728-08-000	EA	SOFA - W/ARMS AND KICKBOARD (JQ4, JQ5)
4	119727-05-000	EA	SOFA - VILLA 80" - W/FLAIR ARMRESTS/KICKBOARD (JQ6, JQ7)
	116104-03-02B	EA	BRACKET - ZEE W/HOLES

### BUCKET SEATS

KEY	PART NUMBER	U/M	DESCRIPTION
5	113983-27-000	EA	BUCKET - DRIVER W/LUMBAR SUPPORT CHANEL, VILLA, 2" (JQ0, JQ1)
5	113983-26-000	EA	BUCKET - DRIVER W/LUMBAR SUPPORT HUNTER, VILLA (JQ2, JQ3)
5	113983-28-000	EA	BUCKET - DRIVER W/LUMBAR SUPPORT CHANEL, VILLA, 2" (JQ4, JQ5)
5	113983-29-000	EA	BUCKET - DRIVER W/LUMBAR SUPPORT ROYAL BLUE-VILLA (JQ6, JQ7)
6	113983-23-000	EA	BUCKET - QUEEN - CHANEL CHANEL, VILLA (JQ0, JQ1)
6	113983-22-000	EA	BUCKET - QUEEN HUNTER HUNTER, VILLA (JQ2, JQ3)
6	113983-24-000	EA	BUCKET - QUEEN - ITALIA CHANEL, VILLA (JQ4, JQ5)
6	113983-30-000	EA	BUCKET - QUEEN - ITALIA ROYAL BLUE-VILLA (JQ6, JQ7)
	107921-06-000	EA	BEARING KIT - PEDESTAL
	113983-94-000	EA	BEARING KIT - VILLA SEAT PEDESTAL
	119730-90-000	EA	TOP PLATE- F/VILLA BUCKET SEAT
	119730-97-000	EA	TOP PLATE - VILLA

### SOFA

KEY	PART NUMBER	U/M	DESCRIPTION
7	124150-07-000	EA	SOFA - BANQUETTE - 2 CUSHION (JQ0, JQ1)
7	124150-06-000	EA	SOFA - BANQUETTE - 2 CUSHION (JQ2, JQ3)
7	124150-08-000	EA	SOFA - BANQUETTE - 2 CUSHION (JQ4, JQ5)
7	124150-09-000	EA	SOFA - BANQUETTE - 2 CUSHION (JQ6, JQ7)

### SWIVEL CHAIR

KEY	PART NUMBER	U/M	DESCRIPTION
8	124148-04-000	EA	CHAIR - VILLA - GLIDER/7000 - CHANEL CHANEL, VILLA
8	124148-05-000	EA	CHAIR - VILLA - GLIDER/7000 - ROYAL BLUE VILLA
8	124148-06-000	EA	CHAIR - VILLA - GLIDER/7000 - ANTELOPE VILLA
	113984-90-000	EA	TOP PLATE-14", TT CHAIR
	113983-94-000	EA	SWIVEL KIT-VILLA
	107921-06-000	EA	BEARING KIT-PEDESTAL, FLEXSTEEL
	113984-91-000	EA	SUB PLATE - BUCKET/TT CHAIR - W/PEDESTAL - VILLA
	113983-94-000	EA	BEARING KIT - VILLA SEAT PEDESTAL

### DINETTE CHAIRS

KEY	PART NUMBER	U/M	DESCRIPTION
9	124149-03-000	EA	CHAIR - DINETTE (JQ0, JQ1)
9	124149-02-000	EA	CHAIR - DINETTE (JQ2, JQ3)
9	124149-06-000	EA	CHAIR - DINETTE (JQ4, JQ5)
9	124149-07-000	EA	CHAIR - DINETTE (JQ6, JQ7)

### LAWN CHAIR

KEY	PART NUMBER	U/M	DESCRIPTION
	114218-01-000	EA	CHAIR - LAWN
	114375-01-01A	EA	FRAME - CHAIR - FOLDING - W/HARDWARE

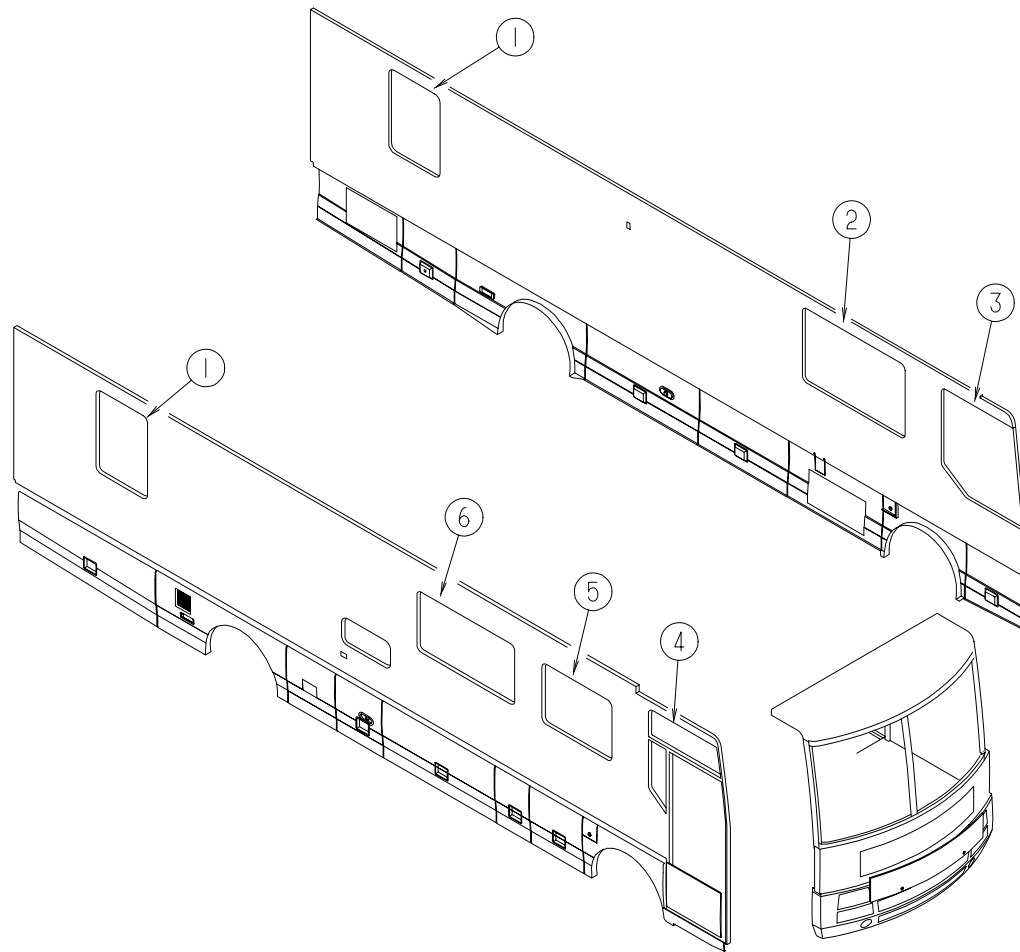
### LOUNGE THROW PILLOWS

KEY	PART NUMBER	U/M	DESCRIPTION
	111637-11-HQ5	EA	PILLOW - 16" X 16" (JQ0, JQ1)
	106728-03-HQ5	EA	PILLOW - 9" X 20" (JQ0, JQ1)
	124773-03-JQ2	EA	PILLOW - 20" X 16" (JQ2, JQ3)
	103669-19-JQ2	EA	PILLOW - 14" X 17" (JQ2, JQ3)
	103669-23-JQ2	EA	PILLOW - 14" X 17" (JQ2, JQ3)
	106728-03-JQ4	EA	PILLOW - 9" X 20" (JQ4, JQ5)
	111637-11-JQ4	EA	PILLOW - 16" X 16" (JQ4, JQ5)
	106728-03-JQ4	EA	PILLOW - 9" X 20" (JQ4, JQ5)
	111637-10-JQ6	EA	PILLOW - 22" X 22" (JQ6, JQ7)
	103669-23-JQ6	EA	PILLOW - 14" X 17" (JQ6, JQ7)

## CURTAIN & CUSHION GROUP (CONTINUED)

### CURTAINS & WINDOW TREATMENT

KEY	PART NUMBER	U/M	DESCRIPTION
2	127428-01-JQ0	EA	VALANCE - HILLARY - 64.5" (JQ0, JQ1)
2	127428-01-JQ2	EA	VALANCE - HILLARY - 64.5" (JQ2, JQ3)
2	127428-01-JQ4	EA	VALANCE - HILLARY - 64.5" (JQ4, JQ5)
2	114213-34-JQ6	EA	VALANCE - WINDSONG II - 64.5" (JQ6, JQ7)
2	123964-11-HQ4	EA	BLIND - MICRO - DAY/NIGHTER - 62.5" X 41" (JQ0, J'Q1, JQ6)
2	123964-11-HQ2	EA	BLIND - MICRO - DAY/NIGHTER - 62.5" X 41" (JQ2, J'Q3, JQ7)
2	123964-11-HQ4	EA	BLIND - MICRO - DAY/NIGHTER - 62.5" X 41" (JQ4, J'Q5)
2	114214-01-01A	EA	BLIND - WOOD - 2" SLATS - 61.5" X 41" (JQ0, JQ2, JQ4, JQ6)
2	114214-01-02A	EA	BLIND - WOOD - 2" SLATS - 61.5" X 41" (JQ1, JQ3, JQ5, JQ7)
3	093487-12-01A	EA	CURTAIN - WRAPAROUND/PRIVACY/PLEATED - DRVR - 51" X 108"
4	093487-15-01A	EA	CURTAIN - WRAPAROUND/PRIVACY/PLEATED - PASS - 51" X 108"
5	127428-03-JQ0	EA	VALANCE - HILLARY - 45.5" (JQ0, JQ1)
5	127428-03-JQ2	EA	VALANCE - HILLARY - 45.5" (JQ2, JQ3)
5	127428-03-JQ4	EA	VALANCE - HILLARY - 45.5" (JQ4, JQ5)
5	114213-36-JQ6	EA	LAMBREQUIN-WINDSONG, 45" (JQ6, JQ7)
5	123964-07-HB6	EA	BLIND - MICRO - DAY/NIGHTER - 42.5" X 32" (JQ0, JQ1, JQ6)
5	123964-07-HD6	EA	BLIND - MICRO - DAY/NIGHTER - 42.5" X 32" (JQ2, JQ3, JQ7)
5	123964-07-HB6	EA	BLIND - MICRO - DAY/NIGHTER - 42.5" X 32" (JQ4, JQ5)
5	114214-07-03A	EA	BLIND - WOOD/2" SLATS - 42" X 31.5" (JQ0, JQ2, JQ4, JQ6)
5	114214-07-01A	EA	BLIND - WOOD/2" SLATS - 42" X 31.5" (JQ1, JQ3, JQ5, JQ7)
6	127428-02-JQ0	EA	VALANCE - HILLARY - 61.5" (JQ0, JQ1)
6	127428-02-JQ2	EA	VALANCE - HILLARY - 61.5" (JQ2, JQ3)
6	127428-02-JQ4	EA	VALANCE - HILLARY - 61.5" (JQ4, JQ5)
6	114213-35-JQ6	EA	VALANCE - WINDSONG II - 61.5" (JQ6, JQ7)
6	123964-12-HQ4	EA	BLIND - MICRO - DAY/NIGHTER - 58" X 33" (JQ0, JQ1, JQ6)
6	123964-12-HQ2	EA	BLIND - MICRO - DAY/NIGHTER - 58" X 33" (JQ2, JQ3, JQ7)
6	123964-12-HQ4	EA	BLIND - MICRO - DAY/NIGHTER - 58" X 33" (JQ4, JQ5)
6	114214-03-01A	EA	BLIND - WOOD - 2" SLATS - 58" X 31.5" (JQ0, JQ2, JQ4, JQ6)
6	114214-03-02A	EA	BLIND - WOOD - 2" SLATS - 58" X 31.5" (JQ1, JQ3, JQ5, JQ7)



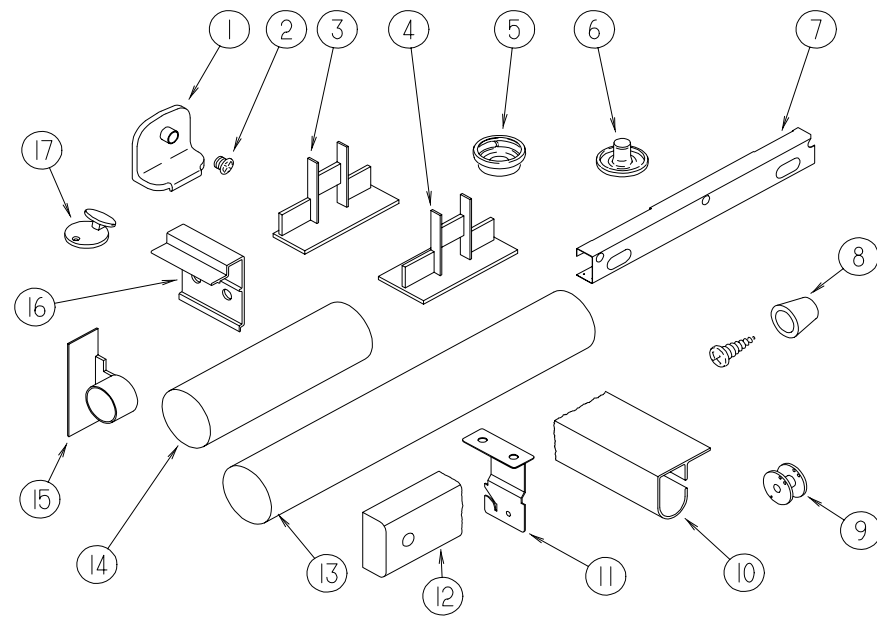
KEY	PART NUMBER	U/M	DESCRIPTION
1	124516-01-HQ5	EA	VALANCE - CAPRI - 33.25" (JQ0, JQ1)
1	124164-02-JQ2	EA	VALANCE - CYPRUS - 33.25" (JQ2, JQ3)
1	124516-01-JQ4	EA	VALANCE - CAPRI - 33.25" (JQ4, JQ5)
1	124516-01-JQ6	EA	VALANCE - CAPRI - 33.25" (JQ6, JQ7)
1	114217-01-HQ5	EA	VALANCE - SHADOWBOX - 47" X 33" (JQ0, JQ1)
1	114217-03-HQ2	EA	VALANCE - SHADOWBOX - 47" X 33" (JQ2, JQ3)
1	114217-01-JQ4	EA	VALANCE - SHADOWBOX - 47" X 33" (JQ4, JQ5)
1	114217-01-JQ6	EA	VALANCE - SHADOWBOX - 47" X 33" (JQ6, JQ7)
1	123964-13-HQ4	EA	BLIND - MICRO - DAY/NIGHTER - 30" X 46" (JQ0, JQ1, JQ4, JQ5, JQ6, JQ7)
1	123964-13-HQ2	EA	BLIND - MICRO - DAY/NIGHTER - 30" X 46" (JQ2, JQ3)
1	114214-05-01A	EA	BLIND - WOOD - 2" SLATS - 30" X 46" (JQ0, JQ2, JQ4, JQ6)
1	114214-05-02A	EA	BLIND - WOOD - 2" SLATS - 30" X 46" (JQ1, JQ3, JQ5, JQ7)

FABRICS				
COLOR CODES	JQ0 / JQ1	JQ2 / JQ3	JQ4 / JQ5	JQ6 / JQ7
MARKETING COLORS	KENSINGTON	AUBERGINE	GULF MIST	BUCKINGHAM
LOUNGE WINDOWS	108446-R1-000 108446-P4-000	108446-R4-000 108446-P3-000	108446-X2-000 108446-W9-000	108446-X1-000 108446-X0-000
BEDROOM WINDOWS	105745-F8-000 105745-F9-000	105745-A5-000	105745-J1-000	105745-J3-000 108446-X1-000
BEDSPREAD	105745-F8-000 105745-F9-000	105745-A5-000	105745-J1-000	105745-J3-000
SHAMS	105745-F8-000	105745-A5-000	105745-J1-000	105745-J3-000

NOTE: FABRIC LISTED FIRST IN A BLOCK, IS THE LARGEST QUANTITY OF FABRIC LISTED.



## CURTAIN & CUSHION GROUP (CONTINUED)



### CURTAIN HARDWARE

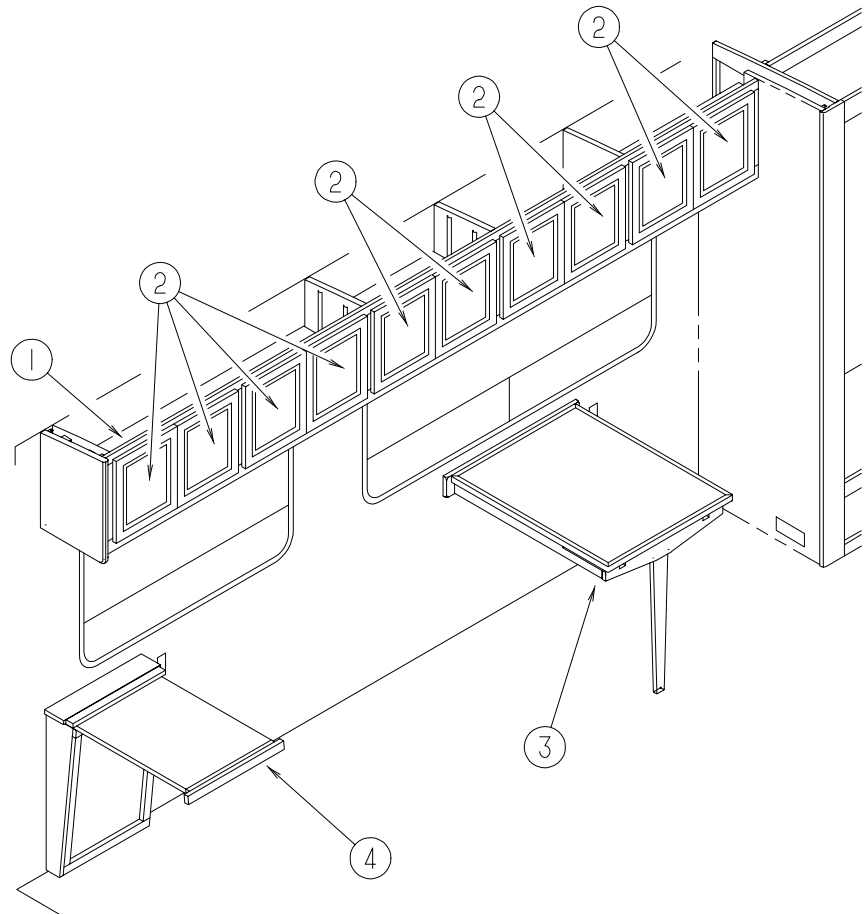
KEY	PART NUMBER	U/M	DESCRIPTION
1	106544-01-000	EA	PULL-SHADE, BRASS - EDI
2	106544-01-001	EA	SCREW-BRASS, SHADE - EDI
3	094907-02-000	EA	END CAP-TOP, PLEATED BLIND - PLASTIC - GRAY
4	094907-04-000	EA	END CAP - BOTTOM/PLEATED BLIND (RH & LH)
5	029155-01-000	EA	CAP-SNAP, 5/32" O.D. OF PIN
6	029156-01-000	EA	SOCKET-SNAP, 9/16" O.D.
7	110597-01-000	EA	BRACKET-SHADE, CAB - RIGHT SIDE
7	110597-02-000	EA	BRACKET-SHADE, CAB - LEFT SIDE
8	097564-01-000	EA	HANDLE-T, PLEATED BLIND
	097591-01-000	EA	SPRING-EXTENSION, PLEATED BLIND
9	097592-01-000	EA	SPOOL-CORD, ELEVATED BLIND HOLDUP - CLEAR PLASTIC
	097593-10-000	FT	CORD-.9MM, BLIND - VANILLA
	094896-02-000	EA	GROMMET-CORD, PLEATED BLIND - NYLON - GRAY
10	115010-01-01A	EA	TRACK-CURTAIN,FRONT,OFF WHT
11	084434-01-000	EA	BRACKET-MOUNTING, ROLLER SHADE - 1 3/8"
	084432-06-000	FT	SLAT-ROLLER SHADE, WOOD
	096843-01-000	EA	SPRING-REWIND, ROLLER SHADE
12	107033-04-FQ0	EA	MOLDING-CURTAIN ROD, 19 X 330MM - PICKLED ASH
12	107033-04-FQ1	EA	MOLDING-CURTAIN ROD, 19 X 330MM - SALEM CHERRY
13	114753-01-002	EA	ROD-STEEL, 13" - BRASS
14	114753-01-001	EA	ROD-STEEL, 8" - BRASS
15	114753-02-000	EA	BRACKET-BARREL,1",BRASS - KIRSCH 0732 (PAIR)
	075943-01-000	EA	BRACE-WINDOW VALANCE, 1" X 1.5" X 20" - ALUMINUM - BEIGE
	075943-10-000	EA	BRACE-WINDOW VALANCE, 1" X 1.5" X 20" - ALUMINUM - OFF WHITE
16	097565-01-000	EA	BRACKET-MOUNTING, PLEATED BLIND
17	102555-02-000	EA	BLIND-CORD CLEAT, METAL
	048394-02-000	YD	VELCRO TAPE-HOOK, ADHESIVE BACK - .75" WIDE - BEIGE
	088792-02-000	YD	VELCRO TAPE-LOOP, ADHESIVE BACKED - .75" WIDE - BEIGE
	097625-01-000	EA	HOOK-DRAPERY, #1012K - KIRSH
	105648-01-02A	EA	BRACE-VALANCE OFF/WHT
	086276-01-000	EA	TAPE-DOUBLE SIDED, 1/2" WIDE
	110943-01-000	FT	FELTSTRIP, 3/8" - ADHESIVE BACKED
	111988-11-000	YD	TAPE-PROVANE PLUS #5.4272 - IRON ON
	083125-07-000	EA	BRACE-COUCH,O/W

## CURTAIN & CUSHION GROUP (CONTINUED)

### FABRIC TRIMS, BUTTONS, SEATBELTS & ASSIST HANDLE

KEY	PART NUMBER	U/M	DESCRIPTION
	084415-78-000	YD	TRIM - BRAID - CORD (JQ0, JQ1)
	084415-89-000	YD	TRIM - BRAID (JQ2, JQ3)
	084415-90-000	YD	TRIM - BRAID (JQ2, JQ3)
	084415-99-000	YD	TRIM - BRAID (JQ4, JQ5)
	084415-A1-000	YD	TRIM - BRAID (JQ4, JQ5)
	084415-A2-000	YD	TRIM - BRAID (JQ6, JQ7)
	084415-A3-000	YD	TRIM - BRAID (JQ6, JQ7)
	099717-04-001	EA	TIEDOWN ASM-STRAP W/BUCKLE, COMPARTMENT LAWN CHAIR STORAGE
	056271-02-000	EA	BELT-SEAT, 2" X 72" - BLACK
	057759-01-000	EA	WASHER BRACKET-SEAT BELT, 4" DIAMETER
	007021-01-000	EA	BELT-SEAT, 2" X 90" - BLACK
	069178-02-000	EA	BRACKET-MOUNTING, ASSIST HANDLE - L ANGLE - W/HOLES - ST
	070578-02-FQ0	EA	BUTTON SCREW-STUD,#30 VINYL
	000C16-07-16B	EA	BOLT-CARRIAGE, ASSIST HANDLE - 7/16" - 14 X 1" ZN
	000D20-07-00B	EA	NUT-ACORN,ASSIST HANDLE - 7/16" X 14 ZN
	057534-03-000	EA	TIEBACK-PLASTIC, 7.5" - CLEAR

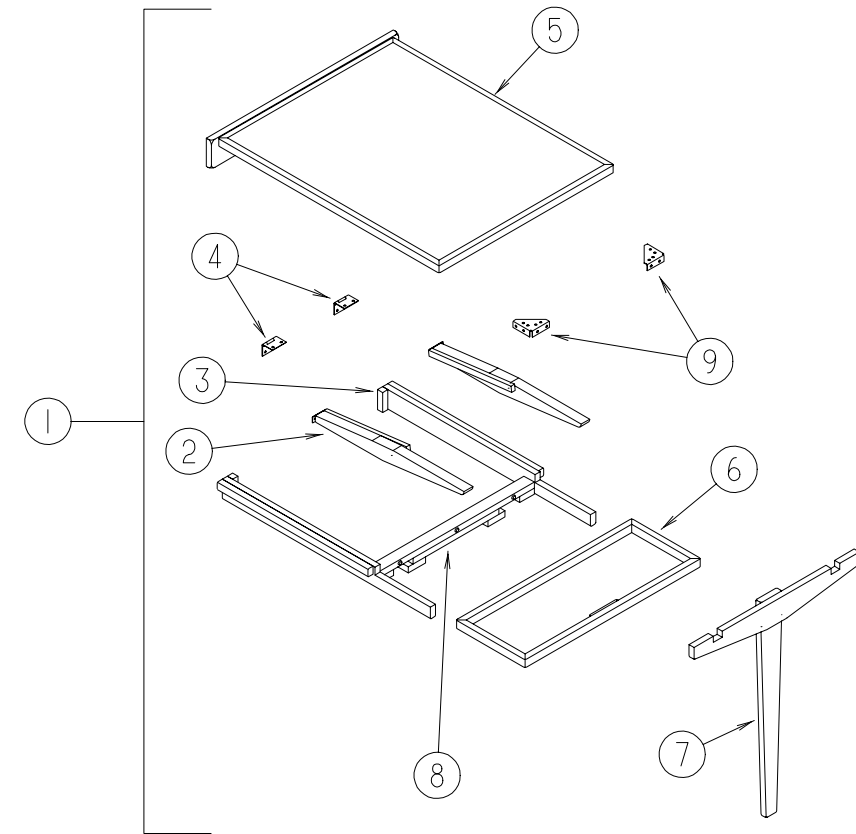
## DINETTE GROUP



### DINETTE CABINETS

KEY	PART NUMBER	U/M	DESCRIPTION
1	P24694-01-JQ0	EA	CABINET - OVERHEAD - FRONT/RIGHT HAND - W/O DOORS/HARDWARE (JQ0, JQ2, JQ4, JQ6)
1	P24694-01-HQ1	EA	CABINET - OVERHEAD - FRONT/RIGHT HAND - W/O DOORS/HARDWARE (JQ1, JQ3, JQ5, JQ7)
2	M08610-01-JQ0	EA	DOOR - STRAIGHT CORNER/OGEE EDGE - 12.4" X 14.3" - W/O HDW (JQ0, JQ2, JQ4, JQ6)
2	M08610-01-HQ1	EA	DOOR - STRAIGHT CORNER/OGEE EDGE - 12.4" X 14.3" - W/O HDW (JQ1, JQ3, JQ5, JQ7)
3	112982-01-JQ0	EA	TABLE - SELF STORING PULLOUT (JQ0, JQ2, JQ4)
3	112982-01-HQ3	EA	TABLE - SELF STORING PULLOUT (JQ1, JQ3, JQ5)
4	114134-01-JQ0	EA	TABLE - PULLOUT - W/O HARDWARE (JQ0, JQ2, JQ4, JQ6)
4	114134-01-FQ1	EA	TABLE - PULLOUT - W/O HARDWARE (JQ1, JQ3, JQ5, JQ7)
	079921-01-000	EA	ROLLER - NYLON - W/STEEL SHAFT - BARBED

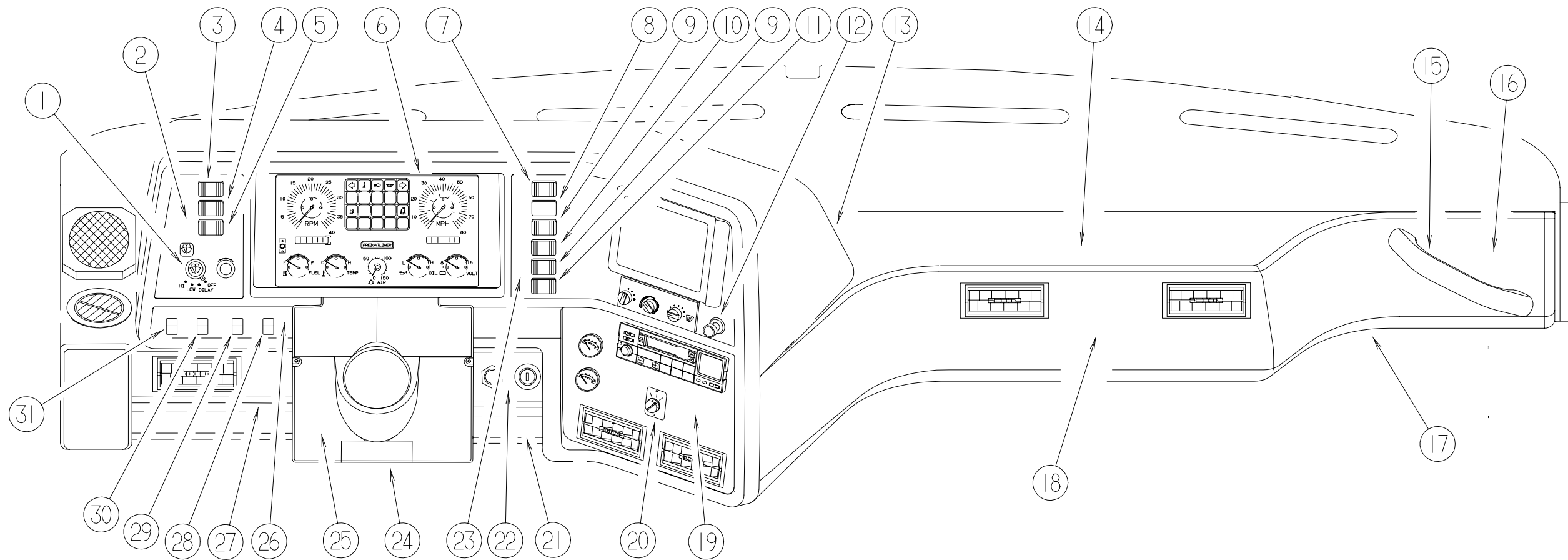
## DINETTE GROUP (CONTINUED)



### DINETTE PULLOUT TABLE

KEY	PART NUMBER	U/M	DESCRIPTION
1	112982-01-JQ0	EA	TABLE - SELF STORING PULLOUT (JQ0, JQ2, JQ4)
1	112982-01-HQ3	EA	TABLE - SELF STORING PULLOUT (JQ1, JQ3, JQ5)
1	112982-01-JQ6	EA	TABLE - SELF STORING PULLOUT (JQ6)
1	112982-01-JQ7	EA	TABLE - SELF STORING PULLOUT (JQ7)
2	N/A	EA	SLIDE - SELF STORING PULLOUT TABLE
3	N/A	EA	SLIDE - SELF STORING PULLOUT TABLE
4	114278-01-000	EA	HINGE - CONTINOUS - 3" WIDE
5	112982-12-JQ0	EA	TABLE TOP - W/O FLIP-UP EXTENSION (JQ0, JQ2, JQ4)
5	112982-12-GQ5	EA	TABLE TOP - W/O FLIP-UP EXTENSION (JQ1, JQ3, JQ5)
5	112982-12-JQ6	EA	TABLE TOP - W/O FLIP-UP EXTENSION (JQ6)
5	112982-12-JQ7	EA	TABLE TOP - W/O FLIP-UP EXTENSION (JQ7)
6	112982-13-JQ0	EA	EXTENSION - FLIP-UP/TABLE (JQ0, JQ2, JQ4)
6	112982-13-GQ7	EA	EXTENSION - FLIP-UP/TABLE (JQ1, JQ3, JQ5)
6	112982-13-JQ6	EA	EXTENSION - FLIP-UP (JQ6)
6	112982-13-JQ7	EA	EXTENSION - FLIP-UP/TABLE (JQ7)
7	112982-16-JQ0	EA	LEG - PULLOUT TABLE (JQ0, JQ2, JQ4, JQ6)
7	112982-16-FQ1	EA	LEG - PULLOUT TABLE (JQ1, JQ3, JQ5, JQ7)
8	N/A	EA	STOP - SELF STORING PULLOUT TABLE
9	102810-01-04A	EA	BRACE - TABLE LEG - BLACK

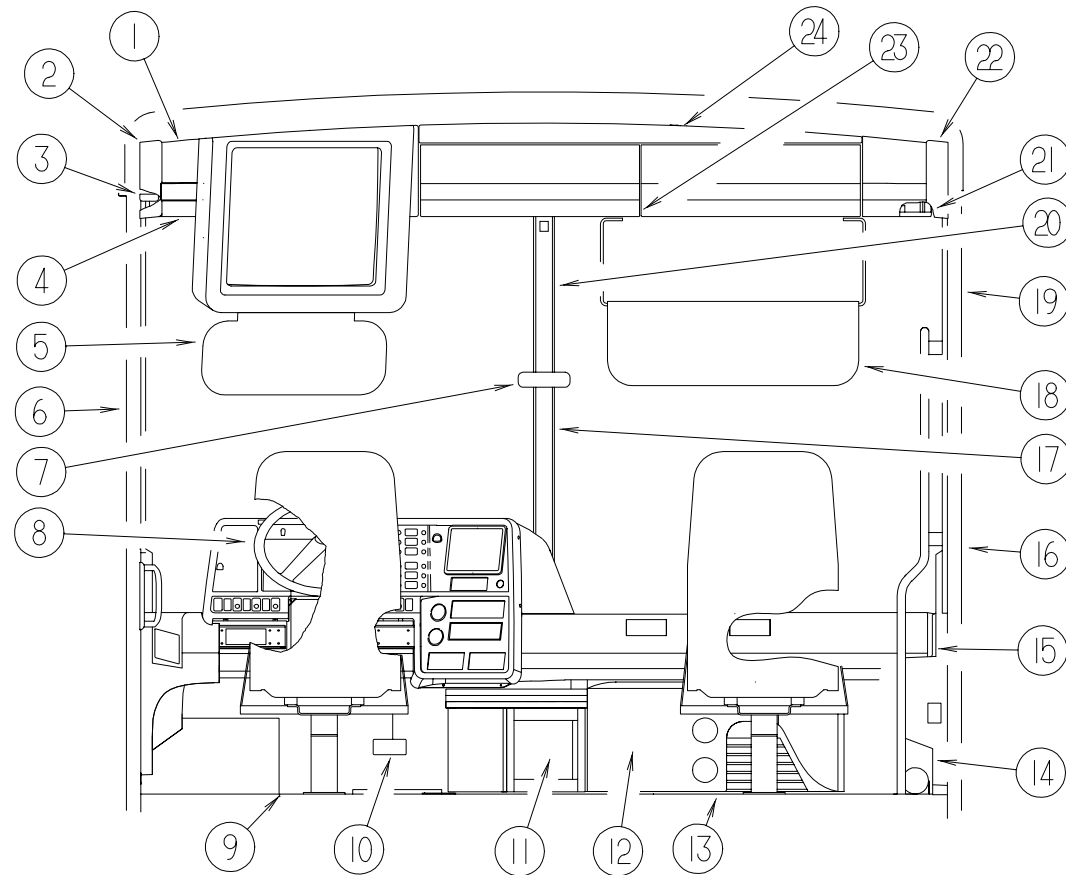
**DRIVERS COMPARTMENT GROUP  
DASH COMPONENTS**



KEY	PART NUMBER	U/M	DESCRIPTION
1	091206-04-000	EA	SWITCH - ROCKER SPST - ON/OFF - 2 TERMINAL
	106569-09-01A	EA	VINYL - LAMINATE - MADRID - HAMPTON TAN-1/4" X 25" X 100"
2	104056-26-02A	EA	APPLIQUE - BEZEL - LEFT
	077031-04-000	EA	FILM - 1" X 1.74" - INSTRUMENT PANEL
	077031-03-000	EA	FILM - WHITE - .75" X 1"
	103603-01-000	EA	BULB - 12 VOLT - #74 - .12A WEDGE - GE 22-25 USED IN DASH
	077539-01-000	EA	BRACKET - MOUNTING/DASH PANEL - L/SHPED - 2.5"X1"X1.5"
3	108356-02-01A	EA	COVER/ACTUATOR SWITCH - 2 ROWS DIMPLES- CONTURA II - BLACK
3	108357-08-000	EA	SWITCH - ROCKER DPDT - ON/NONE/ON - 6 TERMINAL
4	108356-02-01A	EA	COVER/ACTUATOR SWITCH - 2 ROWS DIMPLES- CONTURA II - BLACK
4	108357-09-000	EA	SWITCH - ROCKER SPDT - ON/NONE/MOM - 3 TERMINAL
5	108356-02-01A	EA	COVER/ACTUATOR SWITCH - 2 ROWS DIMPLES- CONTURA II - BLACK
5	108357-06-000	EA	SWITCH - ROCKER DPDT - MOM/OFF/MOM - 6 TERMINAL
6	121868-09-000	EA	CLUSTER - INSTRUMENT - METRIC
			FROM: 00-00-00 THRU: 02-18-97
6	121868-17-000	EA	CLUSTER - INSTRUMENT - METRIC
			FROM: 02-19-97 THRU: 00-00-00
	100138-01-000	EA	MODULE - DAYTIME/RUNNING LIGHT
7	108356-02-01A	EA	COVER/ACTUATOR SWITCH - 2 ROWS DIMPLES- CONTURA II - BLACK
7	108357-03-000	EA	SWITCH - ROCKER SPDT - ON/OFF/ON - 3 TERMINAL
8	096241-03-000	EA	SWITCH - BLANK - BLACK
8	108356-02-01A	EA	COVER/ACTUATOR SWITCH - 2 ROWS DIMPLES- CONTURA II - BLACK
8	108357-03-000	EA	SWITCH - ROCKER SPDT - ON/OFF/ON - 3 TERMINAL
9	096241-03-000	EA	SWITCH - BLANK - BLACK
9	108356-02-01A	EA	COVER/ACTUATOR SWITCH - 2 ROWS DIMPLES- CONTURA II - BLACK
9	108357-01-000	EA	SWITCH - ROCKER SPST - ON/OFF - 2 TERMINAL
10	108356-02-01A	EA	COVER/ACTUATOR SWITCH - 2 ROWS DIMPLES- CONTURA II - BLACK
10	108357-01-000	EA	SWITCH - ROCKER SPST - ON/OFF - 2 TERMINAL

KEY	PART NUMBER	U/M	DESCRIPTION
11	108356-02-01A	EA	COVER/ACTUATOR SWITCH - 2 ROWS DIMPLES- CONTURA II - BLACK
11	108357-10-000	EA	SWITCH - ROCKER SPDT W/LIGHT - MOM/NONE/MOM - 5 TERMINAL
12	104056-20-02A	EA	APPLIQUE - BEZEL - UPPER/RIGHT HAND - 6 SWITCH
12	089294-01-000	EA	LIGHTER - CIGARETTE - W/SOCKET & WIRE
13	107263-02-02A	EA	POD - INSTRUMENT PANEL - W/CUTOUT
14	122853-01-01A	EA	PANEL - TRIM - PASSENGER DASH
15	123246-01-01A	EA	HANDLE - GRAB
16	104056-31-02A	EA	APPLIQUE - BEZEL - LOWER RIGHT WING
17	123274-01-01B	EA	PANEL-DASH, BOTTOM RIGHT - METAL
18	104056-11-02A	EA	APPLIQUE - BEZEL - LOWER/RIGHT HAND
19	104056-14-01A	EA	APPLIQUE - BEZEL - LOWER RIGHT WING
20	119494-01-000	EA	SWITCH - AUDIO - RADIO - W/TV
20	115539-01-000	EA	RELAY - RADIO/TV SPEAKER - SWITCH
21	118024-06-01A	EA	TRIM - DASH - DRIVER - LOWER/RIGHT HAND
22	104056-28-02A	EA	APPLIQUE - BEZEL - LOWER/RIGHT HAND - PARK AND LEVEL (W/JACKS)
22	104056-11-02A	EA	APPLIQUE - BEZEL - LOWER/RIGHT HAND (W/O JACKS)
23	104056-20-02A	EA	APPLIQUE - BEZEL - UPPER/RIGHT HAND - 6 SWITCH
24	103498-01-000	EA	BOOT - STEERING COLUMN - LOWER
25	109832-03-01A	EA	COVER - STEERING COLUMN
26	104056-09-02A	EA	APPLIQUE - BEZEL - LOWER/RIGHT HAND (W/O EXHAUST BRAKE)
26	104056-32-02A	EA	APPLIQUE - BEZEL - LOWER/RIGHT HAND (W/EXHAUST BRAKE)
27	118024-05-01A	EA	TRIM - DASH - DRIVER - LOWER/LEFT HAND
28	108357-06-000	EA	SWITCH - ROCKER DPDT - MOM/OFF/MOM - 6 TERMINAL
28	108356-01-01A	EA	COVER/ACTUATOR SWITCH - 3 GROOVES - CONTURA III - BLACK
29	108357-09-000	EA	SWITCH - ROCKER SPDT - ON/NONE/MOM - 3 TERMINAL
29	108356-01-01A	EA	COVER/ACTUATOR SWITCH - 3 GROOVES - CONTURA III - BLACK
30	108357-08-000	EA	SWITCH - ROCKER DPDT - ON/NONE/ON - 6 TERMINAL
30	108356-01-01A	EA	COVER/ACTUATOR SWITCH - 3 GROOVES - CONTURA III - BLACK
31	108357-01-000	EA	SWITCH - ROCKER SPST - ON/OFF - 2 TERMINAL
31	108356-01-01A	EA	COVER/ACTUATOR SWITCH - 3 GROOVES - CONTURA III - BLACK
	108357-14-000	EA	SWITCH - ROCKER SPDT W/LIGHT - ON/NONE/OFF - 4 TERMINAL
	111414-01-000	EA	RECEPTACLE - 12V - W/O BIMETAL

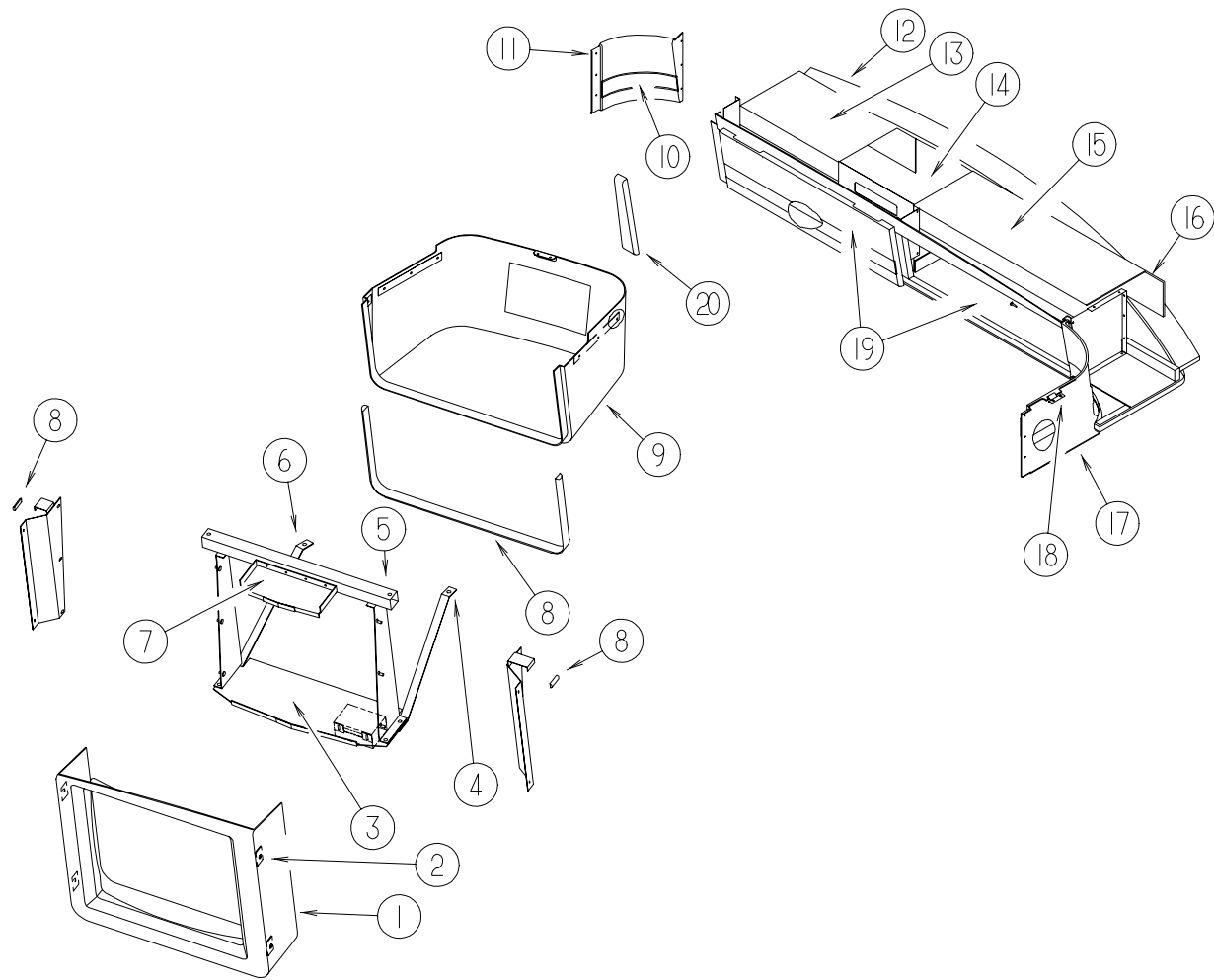
**DRIVERS COMPARTMENT GROUP (CONTINUED)**  
**LOWER DRIVERS COMPARTMENT**



KEY	PART NUMBER	U/M	DESCRIPTION
1	118465-01-01A	EA	PANEL - TRIM - UPPER CORNER
2	118466-02-01A	EA	PANEL - TRIM UPPER SIDE
	073050-03-000	EA	MOUNTING CLIP - VALANCE PANEL
3	118693-01-HQ0	EA	PANEL - HEADLINER - LEFT HAND
4	118453-02-01A	EA	TRIM - WINDSHIELD - INTERIOR - TOP - DRIVER
5	123450-02-01A	EA	SUNVISOR - W/PULLOUTS
	103961-01-01A	EA	COVER - BRACKET - SEATBELT/OFF WHITE
	103961-03-01A	EA	COVER - BRACKET - SEATBELT/OFF WHITE - F/DRVRS DOOR OPTION
	091990-04-01A	EA	SEAT BELT/SHOULDER HARNESS - DRIVERS/PASSENGER - BLACK
	091990-01-701	EA	EXTENDER 9" FOR A8408 3 PT
	127598-01-01A	EA	ADJUSTER - SEATBELT - D-LOOP - ADJUSTER
6	120352-01-02A	EA	TRIM - WINDSHIELD - A-PILLAR - DRIVER SIDE
7	040714-01-000	EA	MIRROR - REAR VIEW/ARM MOUNT & SET SCREW - GM # 911722
	067490-01-000	EA	BUTTON - MIRROR/REAR VIEW
	120367-03-02B	EA	SUPPORT - MIRROR
	120367-04-02B	EA	SUPPORT - MIRROR
8	114388-02-02A	EA	WHEEL - STEERING - 18" DIAMETER
	114388-04-01A	EA	EMBLEM - HORN BUTTON - LUXOR
9	108152-02-000	EA	MAT - FLOOR - DRIVER
10	116993-01-01A	EA	COVER - PEDALS - BLACK
11	127059-01-JQ0	EA	CABINET - BEVERAGE TRAY - W/O DRAWER (JQ0, JQ2, JQ4, JQ6)
11	127059-01-JQ1	EA	CABINET - BEVERAGE TRAY - W/O DRAWER (JQ1, JQ3, JQ5, JQ7)
11	116149-01-000	EA	SLIDE - DRAWER - WOOD 21" LONG
11	127059-16-JQ0	EA	TRAY - BEVERAGE COMPARTMENT - W/O HARDWARE (JQ0, JQ2, JQ4, JQ6)
11	127059-16-JQ1	EA	TRAY - BEVERAGE COMPARTMENT - W/O HARDWARE (JQ1, JQ3, JQ5, JQ7)
	079921-01-000	EA	ROLLER - NYLON - W/STEEL SHAFT - BARBED
	113800-01-000	EA	KNOB - CABINET - BRASS
11	127059-21-JQ0	EA	DRAWER - BEVERAGE/TRAY - W/O HARDWARE (JQ0, JQ2, JQ4, JQ6)
11	127059-21-JQ1	EA	DRAWER - BEVERAGE/TRAY - W/O HARDWARE (JQ1, JQ3, JQ5, JQ7)
11	093586-03-000	EA	CATCH - SPRING ROLLER
11	093586-04-000	EA	STRIKE - SPRING STEEL

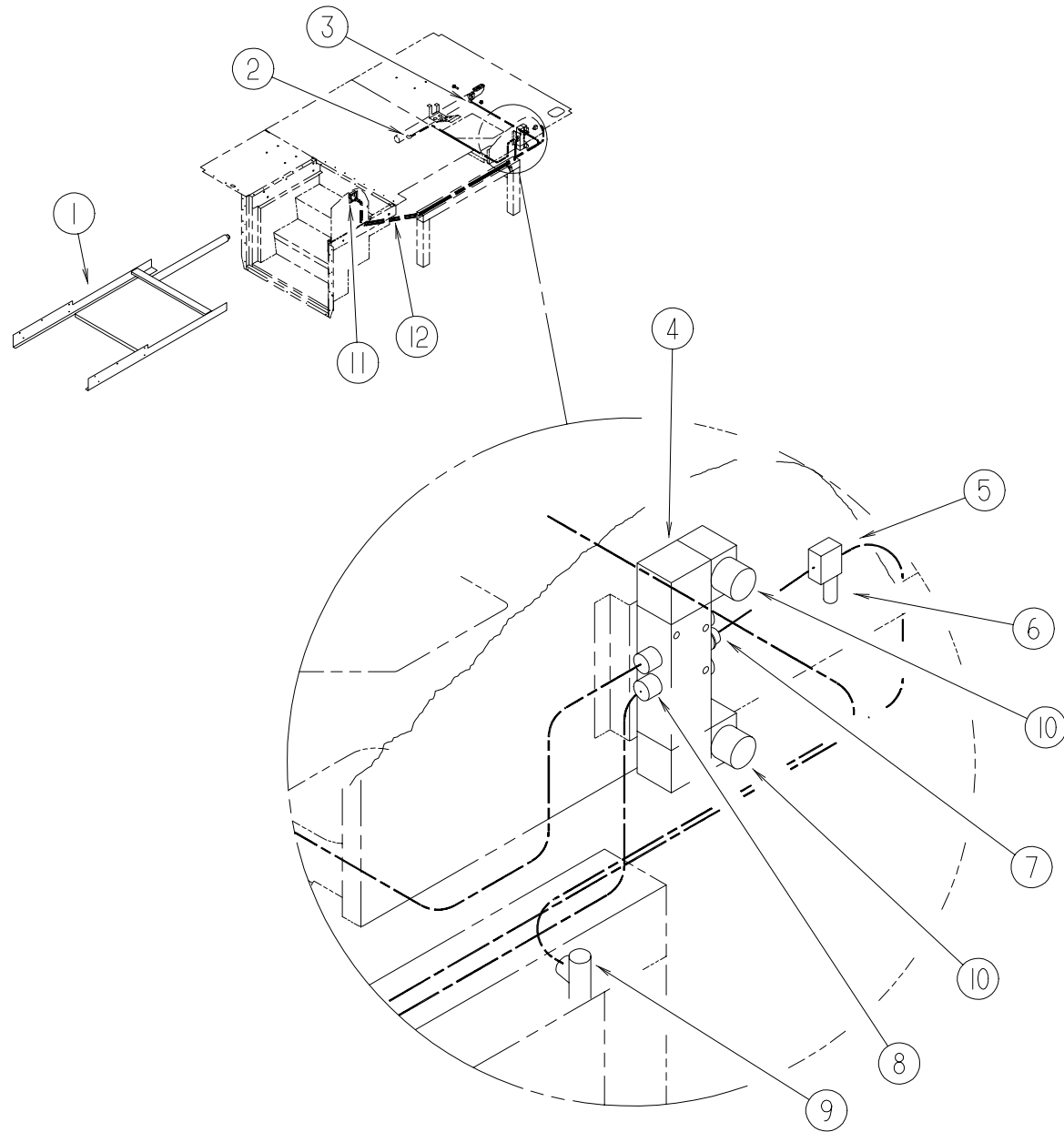
KEY	PART NUMBER	U/M	DESCRIPTION
12	095757-05-JQ0	EA	COVER - HEATER (JQ0, JQ1)
12	095757-05-JQ2	EA	COVER - HEATER (JQ2, JQ3)
12	095757-05-JQ4	EA	COVER - HEATER (JQ4, JQ5)
12	095757-05-JQ6	EA	COVER - HEATER (JQ6, JQ7)
13	108152-01-000	EA	MAT - FLOOR - PASSENGER
14	094499-01-000	EA	EXTINGUISHER/FIRE - DRY W/MOUNTING BRACKET
	094499-02-000	EA	EXTINGUISHER/FIRE - DRY W/MOUNTING BRACKET - CANADA
15	123577-01-01A	EA	HANDRAIL - ASSIST - ENTRANCE
16	120352-02-01A	EA	TRIM - WINDSHIELD - A-PILLAR - PASSENGER - MILL FINISH
16	120352-02-02A	EA	TRIM - WINDSHIELD - A-PILLAR - PASSENGER - BLACK
17	123045-01-01A	EA	TRIM - A-PILLAR - INTERIOR
	085774-01-000	EA	FASTENER - DUAL HOOK - 1" WIDE - ADHESIVE BACK - BLACK
	085774-02-000	EA	FASTENER - DUAL LOOP - 1" WIDE - ADHESIVE BACK - BLACK
18	123298-02-03A	EA	SUNVISOR - PASSENGER - 10.5" X 28.5"
19	103961-01-01A	EA	COVER - BRACKET - SEATBELT/OFF WHITE
19	091990-04-01A	EA	SEAT BELT/SHOULDER HARNESS - DRIVERS/PASSENGER - BLACK
	091990-01-701	EA	EXTENDER 9" FOR A8408 3 PT
19	127598-01-01A	EA	ADJUSTER - SEATBELT - D-LOOP - ADJUSTER
20	118452-01-01A	EA	TRIM - CENTER - WINDSHIELD
21	118138-01-HQ0	EA	PANEL - HEADLINER/RIGHT HAND
22	118466-01-01A	EA	PANEL - TRIM UPPER SIDE
23	118453-01-01A	EA	TRIM - WINDSHIELD - INTERIOR - TOP/PASSENGER
24	118309-01-01A	EA	PANEL - TRIM - TOP
	024700-38-000	EA	COVER - ROLL BAR - U-CHANNEL - 15.25" PLASTIC
	024700-54-000	EA	COVER - ROLL BAR - SIDEWALL - 52.50" - OFF WHITE
	024700-55-000	EA	COVER - ROLL BAR - SIDEWALL - 15" OFF WHITE
	106105-02-000	EA	CLIP - VALANCE/RETAINING
	109146-01-000	EA	BOLT - SHOULDER/SEAT BELT
	110002-02-000	EA	PATCH - Q - SERIES - COLUMN - 4.25" X 7.5"
	122856-01-01A	EA	FAN - DEFROSTER - 2 SPEED W/SWIVEL - NON OSCILATING FAN

**DRIVERS COMPARTMENT GROUP (CONTINUED)**  
**UPPER DRIVERS COMPARTMENT**



KEY	PART NUMBER	U/M	DESCRIPTION
1	M06860-07-HQ0	EA	COVER - TV OVERHEAD LEFT SIDE
	116734-06-01A	EA	COVER - TV OVERHEAD FRONT LEFT HAND
2	057671-11-000	EA	COVER - SCREW - HAMPTON TAN - #8
3	116747-04-02XB	EA	SHELF - TV - W/O HARDWARE
4	124090-03-02B	EA	SUPPORT - SHELF - TV
5	107319-05-000	EA	MOUNT - TV - FRONT
6	124090-02-02B	EA	SUPPORT - SHELF - TV
7	116745-04-02B	EA	MOUNT - TV PANEL - TOP
8	112160-02-000	FT	SEAL - D SECTION - .2 X .3" - FOAM RUBBER
9	118566-01-01A	EA	COVER - TV - OVERHEAD/LOWER/LEFT HAND
10	N/A	EA	PANEL - TRIM - INSERT/DRIVER
	076322-11-000	EA	TAPE - DOUBLE COATED/ADHESIVE BACK - .020"THK X 1"W X 9'
11	P18562-01-GV0	EA	PANEL - TRIM - UPPER CORNER/DRIVER
	118562-01-01A	EA	PANEL - TRIM - CORNER/UPPER/LEFT HAND
	118309-01-01A	EA	PANEL - TRIM - TOP
12	118305-01-JQ0	EA	CABINET - OVERHEAD/FRONT - W/O DOORS/HARDWARE (JQ0, JQ2, JQ4, JQ6)
12	118305-01-GV1	EA	CABINET - OVERHEAD FRONT - W/O DOORS/HARDWARE (JQ1, JQ3, JQ5, JQ7)
13	118215-05-H56	EA	PANEL - TOP - VINYL COVERED
14	118208-07-HQ0	EA	PANEL - VINYL COVERED - TOP - W/VCR
15	118215-02-H56	EA	PANEL - TOP - VINYL COVERED
15	118215-03-H56	EA	PANEL - TOP - VINYL COVERED - W/TV DISH AND CONTROLLER
16	118836-02-H56	EA	PANEL - BACK - VINYL COVERED
	118835-01-H56	EA	PANEL - RIGHT HAND - VINYL COVERED
17	118465-01-01A	EA	PANEL - TRIM - UPPER CORNER
	P18465-01-GV0	EA	PANEL - TRIM - UPPER/CORNER RIGHT HAND W/INSERT
	118851-01-01A	EA	PANEL-TRIM,INSERT,RH
18	073050-03-000	EA	MOUNTING CLIP - VALANCE PANEL
19	118898-01-GV0	FT	DOOR - PANEL - OVERHEAD CABINET - W/O HARDWARE
20	120485-01-01A	EA	PANEL - TRIM - TRANSITION/TV
	070578-02-FQ0	EA	BUTTON - #30 - VINYL
	070578-02-E37	EA	BUTTON - #30 - VINYL - W/SATELLITE DISH
	125035-01-01A	EA	TRIM - CABINET - OVERHEAD
	085774-01-000	EA	FASTENER - DUAL HOOK - 1" WIDE - ADHESIVE BACK - BLACK
	085774-02-000	EA	FASTENER - DUAL HOOK - 1" WIDE - ADHESIVE BACK - BLACK
	085774-03-000	EA	FASTENER - DUAL HOOK - 1/2" WIDE - ADHESIVE BACK - BLACK
	085774-04-000	EA	FASTENER - DUAL HOOK - 1/2" WIDE - ADHESIVE BACK - BLACK

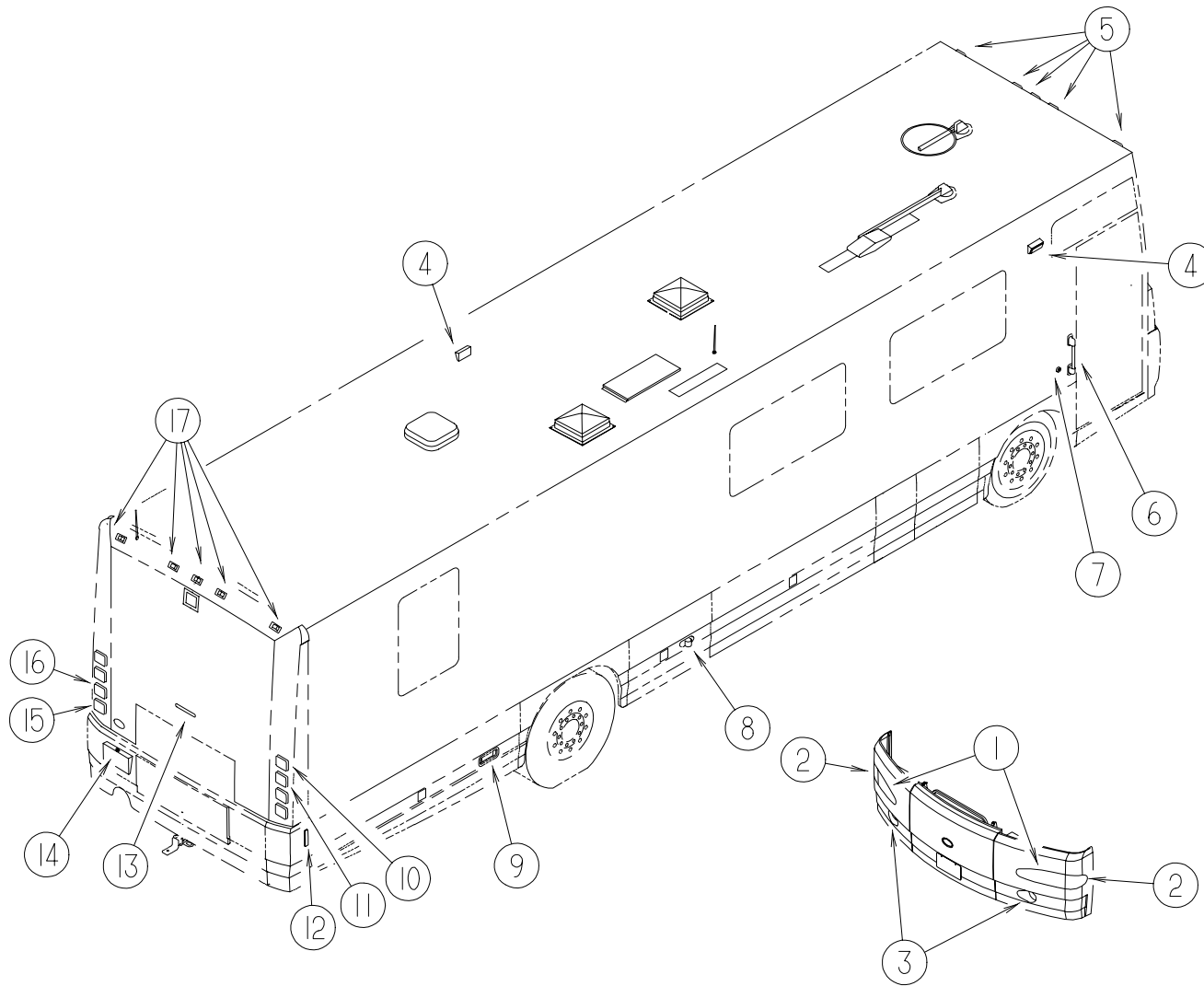
**DRIVERS COMPARTMENT GROUP (CONTINUED)**  
**STEP WELL COVER**



KEY	PART NUMBER	U/M	DESCRIPTION
1	123666-01-000	EA	STEP COVER - SLIDING
2	071387-05-000	EA	ELBOW - MALE - BRAKE TUBE - 1/4 X 1/4
3	071386-06-000	EA	CONNECTOR - MALE - 1/4 TUBE X 1/4
4	124625-01-000	EA	VALVE - AIR - DOUBLE SOLENOID
5	124382-01-000	EA	REGULATOR - AIR/MINIATURE
6	086241-02-000	EA	VALVE - AIR - 1/8" MPT - TANK
7	124625-04-000	EA	FITTING - STRAIGHT REDUCER
8	124625-05-000	EA	FITTING - ELBOW REDUCER
9	085763-02-000	EA	TEE - MALE RUN - BRAKE TUBE - 1/4" X 1/4"
10	124625-03-000	EA	SILENCERS - AIR VALVE
11	124628-01-000	EA	VALVE - AIR - OVERRIDE - 3-WAY
11	124628-02-000	EA	KNOB - F/MANUAL OVERRIDE VALVE
11	124039-01-01A	EA	APPLIQUE - MANUAL VALVE
12	071390-04-000	EA	TUBING - AIR BRAKE - 1/4" OD-BLK WEATHERHEAD

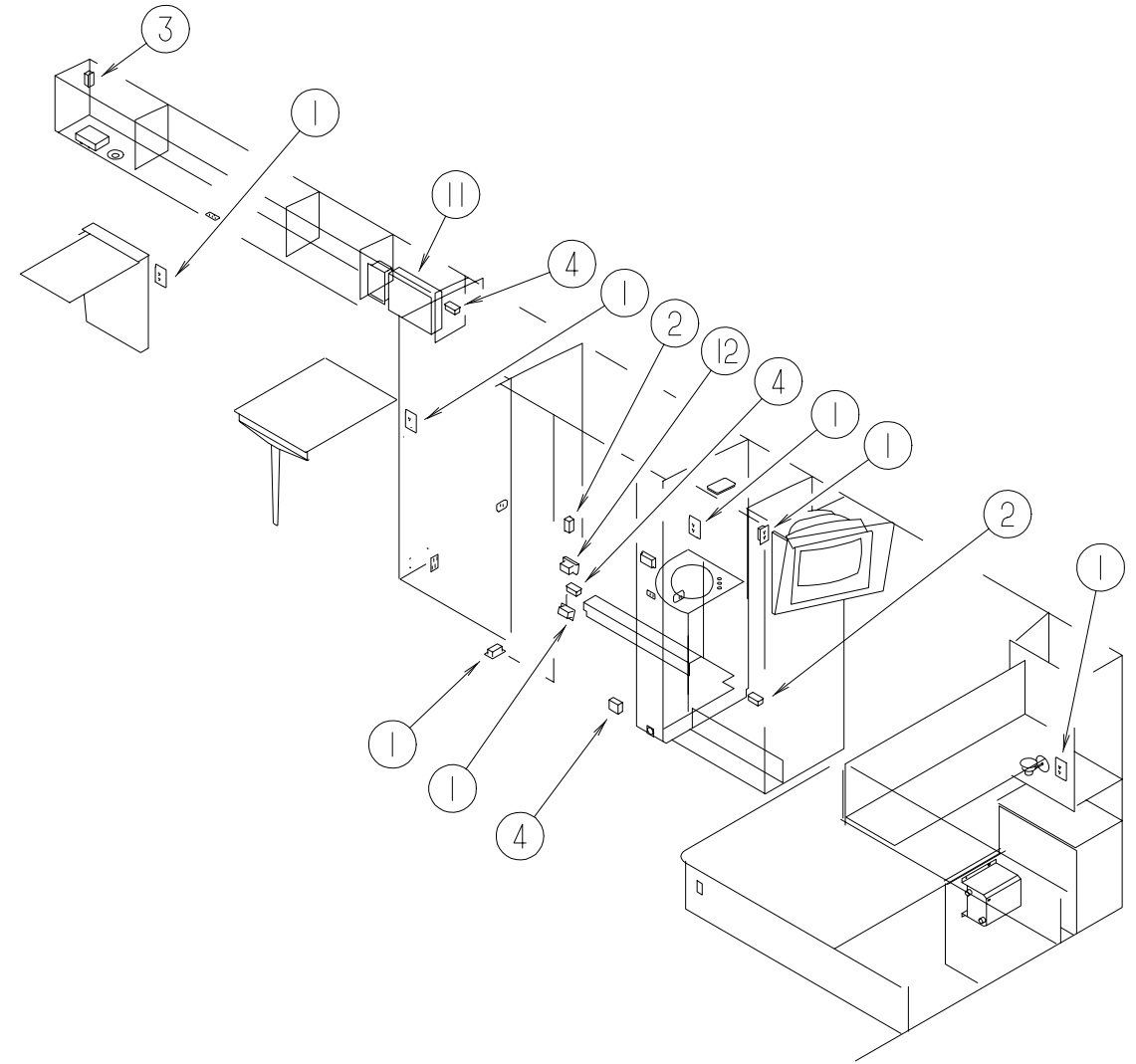
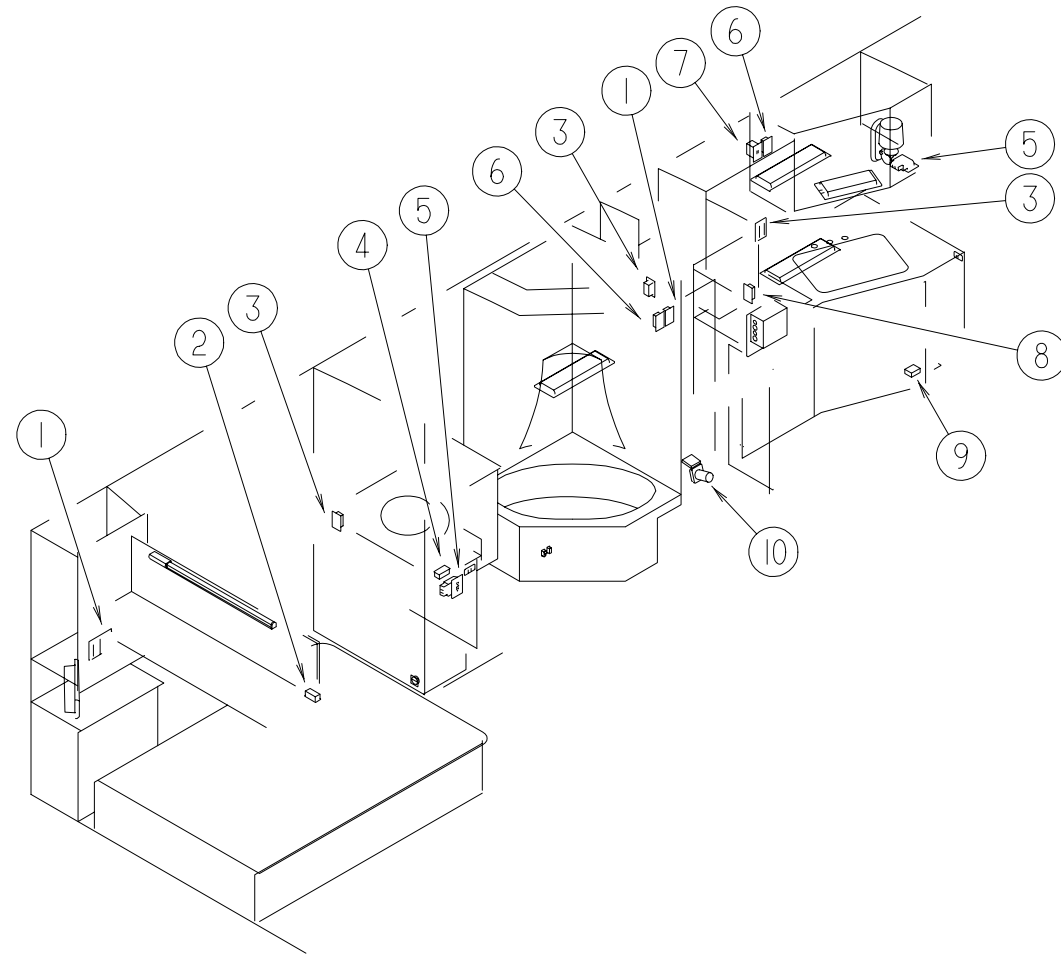
# ELECTRICAL GROUP

## EXTERIOR LIGHTS & DOOR BELL



KEY	PART NUMBER	U/M	DESCRIPTION
1	124162-02-000	EA	HEADLAMP - DRIVER W/HALOGEN BULB
1	124162-01-000	EA	HEADLAMP - PASSENGER W/HALOGEN BULB
	124163-01-000	EA	CLIP
2	124161-02-000	EA	LAMP - DRIVER PARK/TURN
2	124161-01-000	EA	LAMP - PASSENGER PARK/TURN
	098842-51-003	EA	EXTRUSION - SPACER/DOOR .5"
	037936-01-000	EA	BULB - 12V NUMBER 1157A - 2.10 AMP - AMBER GLASS
3	117827-01-000	EA	LAMP - FOG - CLEAR LENS - RED
	117503-02-01A	EA	HOUSING - FOG LAMP
4	097917-01-06A	EA	LIGHT - PORCH - BRIGHT WHITE
	008215-01-000	EA	BULB - 12 VOLT - #1003 - .94 AMP
	097917-01-700	EA	LENS - LIGHT - CLEAR
	058028-01-000	EA	CONNECTOR - ELECTRICAL PIGTAIL - NYLON - CLEAR
4	008089-02-000	EA	LIGHT - PORCH - RECESSED - CANADIAN
	008089-01-700	EA	LENS - LIGHT - RECESSED - PORCH - CANADIAN
	008214-01-000	EA	BULB - 12 VOLT NO 67 - 0.59 AMP - CANADIAN
5	102520-01-000	EA	LIGHT - CLEARANCE - W/O SOCKET/HOUSING - AMBER
	067789-02-000	EA	SOCKET - LAMP
	088474-09-000	EA	HOUSING - ELECTRICAL - 3 TERMINAL
	088476-01-000	EA	TERMINAL - ELECTRICAL
	036196-01-000	EA	BULB - 12 VOLT - #194 - .27 AMP - BAYONETTE
	102541-01-000	EA	GASKET - CLEARANCE LIGHT
	102540-01-000	EA	SEAL - SCREW - ROUND - RUBBER
6	115102-01-000	EA	ASSIST HANDLE - LIGHTED - "LUXOR" IMPRINTED
7	095187-02-000	EA	SWITCH - DOOR BELL
8	113293-01-000	EA	LAMP - SIDEMARKER/TURN
	037935-01-000	EA	BULB - 12V - #1157 OR #2057 - 2.1 AMP - CLEAR GLASS
	106687-02-000	EA	SOCKET - LIGHT - 3-WIRE
9	106688-04-000	EA	LIGHT - CLEAR AUXILIARY (LENS/BACK PAN)
	037934-01-000	EA	BULB - 12V - #1156 - 2.1 AMP CLEAR GLASS
	106687-01-000	EA	SOCKET - LIGHT - 2-WIRE
10	124186-03-000	EA	LIGHT - STOP/TAIL - RED
	124234-01-000	EA	BULB - 12 VOLT/1.7-.42AMP #7528
11	124186-02-000	EA	LIGHT - TURN/AMBER
	124220-01-000	EA	BULB - 12 VOLT/1.75 AMP/21 WATT - #7506
12	117826-01-000	EA	SIDE MARKER LAMP ASSEMBLY - RED
	036196-01-000	EA	BULB - 12 VOLT - #194 - .27 AMP - BAYONETTE
	117826-03-000	EA	GASKET - MARKER LIGHT
	121950-01-000	EA	LIGHT - BRAKE - CENTER MOUNT
13	087201-01-000	EA	LIGHT - HALF ROUND - 1" X 1.7" - PLASTIC - BLACK
14	124186-01-000	EA	LIGHT - BACKUP (WHITE/CLEAR)
	124220-01-000	EA	BULB - 12 VOLT/1.75 AMP/21 WATT - #7506
15	124186-04-000	EA	REFLECTOR - RED
16	124186-04-000	EA	REFLECTOR - RED
17	102520-02-000	EA	LIGHT - CLEARANCE - W/O SOCKET/HOUSING - RED
	067789-02-000	EA	SOCKET - LAMP
	088474-09-000	EA	HOUSING - ELECTRICAL - 3 TERMINAL
	088476-01-000	EA	TERMINAL - ELECTRICAL
	036196-01-000	EA	BULB - 12 VOLT - #194 - .27 AMP - BAYONETTE
	102541-01-000	EA	GASKET - CLEARANCE LIGHT
	102540-01-000	EA	SEAL - SCREW - ROUND - RUBBER

**ELECTRICAL GROUP (CONTINUED)**  
**LIGHTS, BULBS, RECEPTACLES & SWITCHES (110V)**

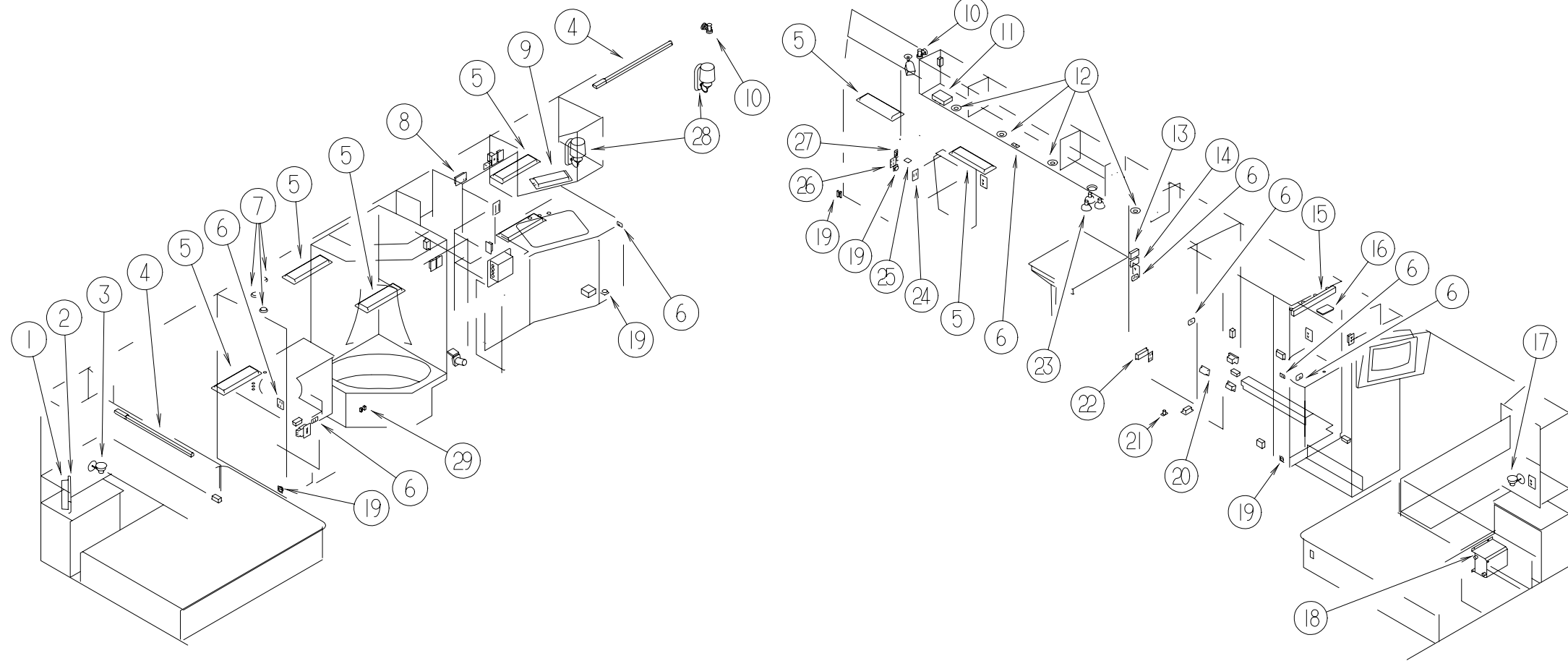


KEY	PART NUMBER	U/M	DESCRIPTION
1	058708-01-000	EA	RECEPTACLE - ELECTRIC - DOUBLE - BROWN
1	058708-02-000	EA	RECEPTACLE - ELECTRIC - DOUBLE - IVORY
1	113906-01-HQ0	EA	SPACER - RECEPTACLE - W/REMOTE CONTROL
2	058707-01-000	EA	RECEPTACLE - ELECTRIC - SINGLE - BROWN
3	084420-01-000	EA	SWITCH - TOGGLE - 15 AMP - 120 VOLT - BROWN
4	058707-02-000	EA	RECEPTACLE - BLANK JUNCTION BOX
5	084076-01-000	EA	RECEPTACLE - GFI - 15AMP - 125 VOLT - IVORY
5	084076-02-000	EA	RECEPTACLE - GFI - 15AMP - 125 VOLT - BROWN
6	091910-02-000	EA	BOX - ELECTRIC - 2.2" X 3.5" X 1.7" - PLASTIC
7	058708-05-000	EA	RECEPTACLE - SINGLE - BROWN
7	101894-02-01A	EA	SWITCH - TOGGLE - 20 AMP SINGLE POLE - BROWN
7	101911-01-01A	EA	WALL PLATE - SWITCH (1 GANG)

KEY	PART NUMBER	U/M	DESCRIPTION
7	113088-01-000	EA	BOX - ELECTRIC - 3" X 2" X 2.75"
7	008294-01-000	EA	COVER - ELECTRICAL BOX - BLANK/STEEL - 4" X 4" - GRAY
8	058707-01-000	EA	RECEPTACLE - ELECTRIC - SINGLE - BROWN - W/O DISHWASHER
8	058708-01-000	EA	RECEPTACLE - ELECTRIC - DOUBLE - BROWN
8	058708-02-000	EA	RECEPTACLE - ELECTRIC - DOUBLE - IVORY
9	008289-01-000	EA	BOX - ELECTRIC/STEEL - 1/2" & 3/4" KNOCKOUTS - 4" X 4"
9	008289-02-000	EA	BOX - ELECTRIC/STEEL - 1/2" & 3/4" KNOCKOUTS - 4" X 4" - CANADIAN
9	008294-01-000	EA	COVER - ELECTRICAL BOX - BLANK/STEEL - 4" X 4" - GRAY
9	008294-02-000	EA	COVER - ELECTRICAL BOX - BLANK/STEEL - 4" X 4" - GRAY - CANADIAN
10	115930-02-000	EA	INLET - 50 AMP - 240 VOLT - EXTERIOR
11	108915-02-000	EA	LOAD CENTER - 120/240 VOLT - 100 AMP
12	112822-01-01A	EA	RECEPTACLE - DUPLEX - IVORY
12	112824-01-03A	EA	COVER - RECEPTACLE - EXTERIOR DUPLEX



**ELECTRICAL GROUP (CONTINUED)**  
**LIGHTS, BULBS, RECEPTACLES & SWITCHES (12V)**



KEY	PART NUMBER	U/M	DESCRIPTION	VENDOR NO.
1	109053-02-000	EA	RADIO - AM/FM CASSETTE - WALL MOUNT	
2	108357-10-000	EA	SWITCH - ROCKER SPDT W/LIGHT - MOM/NONE/MOM - 5 TERMINAL	
	108356-05-01A	EA	COVER/ACTUATOR SWITCH-3 GROOVES W/LENS-GEN SET-CONTURA III	
	098351-07-01A	EA	PLATE - SWITCH - GENERATOR - POLISHED BRASS	
3	119258-04-01A	EA	LAMP - WALL	
	117805-01-000	EA	BULB - 12 VOLT - NUMBER 921F - 1/4 AMPS	
4	113371-03-000	EA	LIGHT - FLUORESCENT 42" - STRIP - THIN-LITE	
5	091937-04-000	EA	LIGHT - FLUORESCENT - 12V/30 WATT - 20.8" LONG - THIN LITE	
	091937-03-000	EA	BULB - FLOURESCENT LIGHT - 12 VOLT	
	091937-02-000	EA	LENS-LIGHT, FLUORESCENT - THIN LITE 736	
6	079364-01-000	EA	SWITCH - ON/OFF ROCKER - 2 TERMINAL - BROWN	
6	079364-04-000	EA	SWITCH - ON/OFF ROCKER - 2 TERMINAL - BLACK	
6	079364-03-000	EA	SWITCH - ON/OFF ROCKER - 3 TERMINAL - BROWN	
6	079364-02-000	EA	SWITCH - ON/OFF ROCKER - 3 TERMINAL - BLACK	
	098351-13-01A	EA	PLATE - SWITCH - 4 GANG	
7	123775-01-01A	EA	LIGHT - HALOGEN - ROUND	
	123775-01-700	EA	BULB - 10 WATT - HALOGEN	71-JC10
8	113685-03-000	EA	REMOTE PANEL - INVERTER/CHARGER	
9	091937-05-000	EA	LIGHT - FLUORESCENT - 12V/16 WATT - 15" LONG - THIN LITE	
	091937-05-701	EA	LENS-LIGHT, FLUORESCENT	
10	123916-01-01A	EA	LIGHT - READING - SWIVEL - BRASS	
	123917-01-000	EA	BULB - 12V - HALOGEN SPOT	
11	095186-02-000	EA	BELL - DOOR	
12	123775-01-01A	EA	LIGHT - HALOGEN - ROUND	
	123775-01-700	EA	BULB - 10 WATT - HALOGEN	
13	105620-09-000	EA	THERMOSTAT - A/C & FURNACE - HORIZONTAL MOUNT 4.25" X 2.5"	
14	115505-01-000	EA	LIGHT - MONITOR/SOLAR PANEL - RED LED INDICATOR	

KEY	PART NUMBER	U/M	DESCRIPTION	VENDOR NO.
15	123774-01-01A	EA	LIGHT - MAKE UP - 4 BULB	
16	098024-01-01A	EA	LIGHT - DOME - 1 BULB	
	098024-01-700	EA	LENS - LIGHT	
	098024-01-701	EA	LENS - OPTI CLEAR - SKYLITE	
	098024-01-702	EA	LENS	
17	119258-04-01A	EA	LAMP - WALL	
	117805-01-000	EA	BULB - 12 VOLT - NUMBER 921F - 1/4 AMPS	
18	113685-01-000	EA	INVERTER - CHARGER - 2000W AC	
19	108354-01-01A	EA	LIGHT - COURTESY	
20	076319-09-000	EA	WALLPLATE - CABLE RECEPTACLE - TV - SINGLE - BROWN	
21	111414-01-000	EA	RECEPTACLE - 12V - W/O BIMETAL	
	111386-01-04B	EA	PLATE - RECEPTACLE - 12 VOLT - BLACK	
22	103613-03-000	EA	DETECTOR - LP GAS - W/O SHUT-OFF VALVE	
23	093575-10-01A	EA	LIGHT - CEILING - TRIPLE - UL/CSA	
24	093253-01-01A	EA	PLATE - WALL - TELEPHONE - BEIGE	
	093253-01-02A	EA	PLATE - WALL - TELEPHONE - BROWN	
25	079364-07-000	EA	SWITCH - MOM/OFF/MOM ROCKER - BLACK	
26	098351-08-01A	EA	PLATE - SWITCH - 4 GANG W/LABEL	
	079364-04-000	EA	SWITCH - ON/OFF ROCKER - 2 TERMINAL - BLACK	
27	093132-02-000	EA	SWITCH - ROCKER - 5 TERM - KEY LOCK/ARROW F/POWER DOOR LOCK	
	094086-01-01A	EA	PLATE - SWITCH - SINGLE GANG - 1.8" X 3" - BLACK PLASTIC	
28	119258-01-01A	EA	LAMP - WALL - BRASS	
	119258-01-02A	EA	LAMP - WALL - FRENCH GOLD	
	119258-01-700	EA	FINIAL	
29	108357-01-000	EA	SWITCH - ROCKER SPST - ON/OFF - 2 TERMINAL	
	108356-01-01A	EA	COVER/ACTUATOR SWITCH - 3 GROOVES - CONTURA III - BLACK	

**ELECTRICAL GROUP (CONTINUED)****CIRCUIT BREAKERS & FUSES**

KEY	PART NUMBER	U/M	DESCRIPTION
	008235-01-000	EA	FUSE - 15 AMP/12VOLT - AUTOMOTIVE
	062037-01-000	EA	HOUSING - AUTO FUSE - NATURAL
	062037-03-000	EA	HOUSING - AUTO FUSE - BLACK
	062037-04-000	EA	HOUSING - AUTO FUSE - BLUE
	062037-05-000	EA	HOUSING - AUTO FUSE - GRAY
	062037-06-000	EA	HOUSING - AUTO FUSE - BROWN
	062901-02-000	EA	FUSE - 05 AMPS - AUTOMOTIVE
	062901-04-000	EA	FUSE - 10 AMPS - AUTOMOTIVE
	062901-05-000	EA	FUSE - 15 AMPS - AUTOMOTIVE
	062901-06-000	EA	FUSE - 20 AMPS - AUTOMOTIVE
	062901-07-000	EA	FUSE - 25 AMPS - AUTOMOTIVE
	062901-08-000	EA	FUSE - 30 AMPS - AUTOMOTIVE
	083209-01-000	EA	CIRCUIT BREAKER - 15 AMP - 120 VOLT - CANADIAN
	083209-02-000	EA	CIRCUIT BREAKER - 15/15 AMP - 120 VOLT
	083209-03-000	EA	CIRCUIT BREAKER - 15/20 AMP - 120 VOLT
	083209-04-000	EA	CIRCUIT BREAKER - 30 AMP - 120 VOLT
	083209-05-000	EA	CIRCUIT BREAKER - 20A - 120 VOLT
	083209-06-000	EA	CIRCUIT BREAKER - 30/15 AMP - 120 VOLT
	083209-07-000	EA	CIRCUIT BREAKER - 20/20 AMP - 120 VOLT
	093654-01-000	EA	CIRCUIT BREAKER - 6 AMP - 12 VOLT
	093654-02-000	EA	CIRCUIT BREAKER - 15 AMP - 12 VOLT
	093655-01-000	EA	CIRCUIT BREAKER - 25 AMP - 12 VOLT
	093674-01-000	EA	PLATE - CIRCUIT BREAKER - HOUSE - 8.4" X 4.1" - STEEL
	097611-01-000	EA	CIRCUIT BREAKER - 10 AMP - 12 VOLT
	100341-01-000	EA	FUSE HOLDER - IN LINE TYPE
	108669-01-000	EA	HOUSING - AUTO FUSE HOLDER
	108916-01-000	EA	CIRCUIT BREAKER - 50 AMP - 12 VOLT - 2 POLE
	113482-01-000	EA	CIRCUIT BREAKER - 55AMP
	115187-01-000	EA	FUSE - 300 AMP - NON-DELAY
	115187-02-000	EA	FUSE HOLDER
	122811-01-000	EA	CIRCUIT BREAKER - 20/50/50/20

**CONVERTERS, INVERTER & LOAD CENTERS**

KEY	PART NUMBER	U/M	DESCRIPTION
	108915-01-000	EA	LOAD CENTER - 120/240 VOLT - 125 AMP
	108915-02-000	EA	LOAD CENTER - 120/240 VOLT - 100 AMP
	109677-01-000	EA	LOAD CENTER - 120 VOLT - 40 AMP
	113132-01-000	EA	LOAD CENTER - 120/240 VOLT - 60 AMP
	113685-01-000	EA	INVERTER - CHARGER - 2000W AC
	113685-03-000	EA	REMOTE PANEL - INVERTER/CHARGER
	123058-01-000	EA	CONVERTER - 55 AMP - ELECTRONIC - 4 1/8"H X 7"W X 12 3/8"L

**WIRE ASSEMBLIES**

KEY	PART NUMBER	U/M	DESCRIPTION
	090986-01-000	EA	WIRE ASSEMBLY - ELECTRIC STEP
	096449-01-000	EA	WIRE ASSEMBLY - WATER TANK TO MONITOR PANEL
	096717-03-000	EA	WIRE - REAR MONITOR - AFTER MARKET INSTALLATION
	097618-01-000	EA	WIRE ASSEMBLY - MONITOR PANEL- W/3 WIRES & ORANGE RESISTOR ORANGE RESISTOR W/3 (ORANGE-GREEN-BLUE) WIRES
	102636-03-000	EA	WIRE ASSEMBLY - CLEARANCE LAMPS
	104271-01-000	EA	WIRE ASSEMBLY - SPEAKER - TV
	107306-01-000	EA	WIRE ASSEMBLY - INSTRUMENT PANEL - DOCKING LAMPS
	107597-02-000	EA	WIRE ASSEMBLY - INSTRUMENT PANEL - FOG LAMPS
	108029-01-000	EA	WIRE ASSEMBLY - POWER DRIVER SEAT
	108303-01-000	EA	WIRE ASSEMBLY - REAR AUTO HEATER
	108304-01-000	EA	WIRE ASSEMBLY - INSTRUMENT PANEL - AUXILIARY FANS
	111581-01-000	EA	WIRE ASSEMBLY - AIR HORN
	113639-01-000	FT	CABLE - 3/0 AWG STRANDED - RED
	113639-02-000	FT	CABLE - 3/9 AWG STRANDED
	116687-02-000	FT	WIRE - 6 AWG
	124336-01-000	EA	WIRE - REAR STEREO - 12 PIN

**ELECTRICAL GROUP (CONTINUED)****RECEPTACLES**

KEY	PART NUMBER	U/M	DESCRIPTION
	058707-01-000	EA	RECEPTACLE - ELECTRIC - SINGLE - BROWN
	058707-02-000	EA	RECEPTACLE - BLANK JUNCTION BOX
	058708-01-000	EA	RECEPTACLE - ELECTRIC - DOUBLE - BROWN
	058708-02-000	EA	RECEPTACLE - ELECTRIC - DOUBLE - IVORY
	058708-05-000	EA	RECEPTACLE - SINGLE - BROWN
	084076-01-000	EA	RECEPTACLE - GFI - 15AMP - 125 VOLT - IVORY
	084076-02-000	EA	RECEPTACLE - GFI - 15 AMP - 125 VOLT - BROWN
	084077-02-000	EA	RECEPTACLE COVER
	102568-01-E41	EA	SPACER - RECEPTACLE - BETWEEN SIDEWALL & PLATE - WOOD
	111386-01-04B	EA	PLATE - RECEPTACLE - 12 VOLT - BLACK
	112822-01-01A	EA	RECEPTACLE - DUPLEX - IVORY
	112824-01-03A	EA	COVER - RECEPTACLE - EXTERIOR DUPLEX
	115930-02-000	EA	INLET - 50 AMP - 240 VOLT - EXTERIOR

**SWITCHES**

KEY	PART NUMBER	U/M	DESCRIPTION
	073626-04-000	EA	COVER - ELECTRIC - 10.4' X 7.8"
	079364-02-000	EA	SWITCH - ON/OFF ROCKER - 3 TERMINAL - BLACK
	079364-04-000	EA	SWITCH - ON/OFF ROCKER - 2 TERMINAL - BLACK
	079364-07-000	EA	SWITCH - MOM/OFF/MOM ROCKER - BLACK
	084420-01-000	EA	SWITCH - TOGGLE - 15 AMP - 120 VOLT - BROWN
	087695-02-000	EA	SWITCH - HEATER - EXTERIOR MIRROR
	093132-01-000	EA	SWITCH - ROCKER - 5 TERMINAL - W/ARROWS F/POWER WINDOWS
	093132-02-000	EA	SWITCH - ROCKER - 5 TERM - KEY LOCK/ARROW F/POWER DOOR LOCK
	094086-01-01A	EA	PLATE - SWITCH - SINGLE GANG - 1.8" X 3" - BLACK PLASTIC
	095188-01-01A	EA	SPACER - SWITCH - 2.3" X 3.4" - PLASTIC - DARK BROWN
	095188-03-01A	EA	SPACER - SWITCH - DARK BROWN
	096241-03-000	EA	SWITCH - BLANK
	098351-01-01A	EA	PLATE - SWITCH - 1 GANG POLISHED BRASS
	098351-02-01A	EA	PLATE - SWITCH - 2 GANG POLISHED BRASS
	098351-03-01A	EA	PLATE - SWITCH - 3 GANG POLISHED BRASS
	098351-07-01A	EA	PLATE - SWITCH - GENERATOR - POLISHED BRASS
	098351-08-01A	EA	PLATE - SWITCH - 4 GANG W/LABEL
	098351-09-01A	EA	PLATE - SWITCH - SPEAKER SELECT - POLISHED BRASS
	098351-12-01A	EA	PLATE - SWITCH - 2 GANG W/LABEL
	098351-13-01A	EA	PLATE - SWITCH - 4 GANG
	099982-01-02A	EA	PLATE - SWITCH
	099982-02-01A	EA	PLATE - SWITCH - BLACK
	101894-02-01A	EA	SWITCH - TOGGLE - 20 AMP SINGLE POLE - BROWN
	101911-01-01A	EA	WALL PLATE - SWITCH (1 GANG)
	103473-12-01A	EA	PLATE - SWITCH - WINDOW - LEFT HAND
	108355-01-000	EA	HOUSING - SWITCH
	108356-01-02A	EA	COVER/ACTUATOR SWITCH - 3 GROOVES - CONTURA III - TAN
	108356-03-02A	EA	COVER/ACTUATOR SWITCH-3 GROOVES W/LIGHT-CONTURA III-BLACK
	108356-05-01A	EA	COVER/ACTUATOR SWITCH-3 GROOVES W/LENS-GEN SET-CONTURA III
	108357-01-000	EA	SWITCH - ROCKER SPST - ON/OFF - 2 TERMINAL
	108357-03-000	EA	SWITCH - ROCKER SPDT - ON/OFF/ON - 3 TERMINAL
	108357-06-000	EA	SWITCH - ROCKER DPDT - MOM/OFF/MOM - 6 TERMINAL
	108357-08-000	EA	SWITCH - ROCKER DPDT - ON/NONE/ON - 6 TERMINAL
	108357-09-000	EA	SWITCH - ROCKER SPDT - ON/NONE/MOM - 3 TERMINAL
	108357-10-000	EA	SWITCH - ROCKER SPDT W/LIGHT - MOM/NONE/MOM - 5 TERMINAL
	108357-14-000	EA	SWITCH - ROCKER SPDT W/LIGHT - ON/NONE/OFF - 4 TERMINAL
	109294-01-01A	EA	SWITCH PANEL - W/SWITCHES - VENT FAN
	118662-04-02B	EA	PLATE - SWITCH - WINDOW/MIRROR
	119494-01-000	EA	SWITCH - AUDIO - RADIO/W/TV
	120192-01-01A	EA	SWITCH - ROCKER - DPST

**ELECTRICAL GROUP (CONTINUED)**  
**INTERIOR LIGHTS**

KEY	PART NUMBER	U/M	DESCRIPTION	VENDOR NO.
	008103-01-000	EA	BULB - DASH/AISLE LIGHT - #53 - 12 VOLT - .12 AMP	
	008213-01-000	EA	BULB-12 V, NO. 57 - .24 AMP	
	087694-01-000	EA	LIGHT - WARDROBE/CLOSET - W/SWITCH	
	087694-01-700	EA	BULB	GE561
	103603-01-000	EA	BULB - 12 VOLT - #74 - .12A WEDGE - GE 22-25 USED IN DASH	
	086280-01-000	EA	LIGHT - SURFACE MOUNT - 12 VOLT	
	086280-01-700	EA	BULB - 12V	ARP1089
	098024-01-03A	EA	LIGHT - DOME - 1 BULB - WHITE	
	008218-01-000	EA	BULB - DOME LIGHT - 12 VOLT - NO. 1141	
	098024-01-700	EA	LENS - LIGHT	807877
	065201-17-000	EA	SHADE - LAMP - SAHARA SUNRISE	
	067479-01-000	EA	BULB - 12 VOLT - #1076 - 1.80 AMP	
	091937-04-000	EA	LIGHT - FLUORESCENT - 12V/30 WATT - 20.8" LONG - THIN LITE	
	091937-05-000	EA	LIGHT - FLUORESCENT - 12V/16 WATT - 15" LONG - THIN LITE	
	091937-05-701	EA	LENS - LIGHT - FLUORESCENT	D-732
	093575-10-01A	EA	LIGHT - CEILING - TRIPLE UL/CSA	
	104173-01-01A	EA	LIGHT - DESIGNER - BRASS	
	104173-01-700	EA	BULB	81900
	108354-01-01A	EA	LIGHT - COURTESY	
	108354-01-700	EA	BULB - COURTESY LIGHT	395-B
	113371-03-000	EA	LIGHT - FLUORESCENT 42" - STRIP - THIN-LITE	
	117805-01-000	EA	BULB - 12 VOLT - NUMBER 921F - 1/4 AMPS	
	123774-01-01A	EA	LIGHT - MAKE UP - 4 BULB	
	123775-01-01A	EA	LIGHT - HALOGEN - ROUND	
	123775-01-700	EA	BULB - 10 WATT - HALOGEN	71-JC10
	123916-01-01A	EA	LIGHT - READING - SWIVEL - BRASS	
	123917-01-000	EA	BULB - 12V - HALOGEN SPOT	
	123918-01-000	EA	BULB - 12V - MAKEUP WHITE	
	124186-04-000	EA	REFLECTOR - RED	

**ELECTRIC BOXES & CORDS**

KEY	PART NUMBER	U/M	DESCRIPTION
	091910-01-000	EA	BOX - ELECTRIC - 3.8" X 3.5" X 1.8" - PLASTIC
	091910-02-000	EA	BOX - ELECTRIC - 2.2" X 3.5" X 1.7" - PLASTIC
	091910-03-000	EA	BOX - ELECTRICAL - PLASTIC .50
	092492-08-000	EA	SEAL - ELECTRIC BOX
	098196-01-000	EA	LATCH - 1/4 TURN - T-BAR
	108934-01-000	EA	CORD - POWER - 50 AMP - 4 WIRE - 36'
	109925-01-000	EA	DOOR - ELECTRICAL BOX
	109925-03-000	EA	DOOR - ELECTRICAL BOX
	113088-01-000	EA	BOX - ELECTRIC - 3" X 2" X 2.75"
	113096-01-000	EA	CORD - POWER - 50 AMP - 4 WIRE - 36' - CSA
	121470-01-000	EA	CORD/EXTENSION - 6 FOOT - 16-2 WIRE

**ELECTRICAL GROUP (CONTINUED)**  
**CONNECTORS & CONDUIT**

KEY	PART NUMBER	U/M	DESCRIPTION
	007942-01-000	EA	TAB - WIRE 10 TO 14 AWG
	007954-01-000	EA	RECEPTACLE - HOUSING - 6 POSITION
	007956-05-000	EA	INSULATOR - SHRINK - .25ID X 1.50 - BLACK
	008311-01-000	EA	CONNECTOR - WIRE NUT - INSULATED - RED
	008312-01-000	EA	CONNECTOR - WIRE NUT - INSULATED - BLUE
	008313-01-000	EA	CONNECTOR - WIRE NUT - INSULATED - YELLOW
	008314-01-000	EA	CONNECTOR - WIRE NUT - INSULATED - GRAY
	008326-01-000	EA	TERMINAL - RING - 16/14 WIRE - 3/8" STUD
	008331-01-000	EA	TERMINAL - RING - TONGUE - #4 WIRE - 3/8" STUD - COPPER
	008348-01-000	EA	TERMINAL - RING - 3/8" STUD 2 GA. WIRE
	008355-01-000	EA	CONNECTOR - CABLE CLAMPING - 3/4"
	008356-01-000	EA	CONNECTOR - PLASTIC - 3/8" AVG
	035416-04-000	EA	TERMINAL - RING - #10 STUD FIT - INSULATED BARREL #16/14
	041953-01-000	FT	CONDUIT - CONVOLUTE SLIT - .5" ID
	041953-03-000	FT	CONDUIT - CONVOLUTE SLIT - 1" ID (CLOTHES ROD COVER)
	041953-05-000	FT	CONDUIT - CONVOLUTE SOLID - .62" ID
	041953-06-000	FT	CONDUIT - CONVOLUTE SOLID - .375" ID
	041953-07-000	FT	CONDUIT - CONVOLUTE SOLID - .25" ID
	041953-08-000	FT	CONDUIT - CONVOLUTE SOLID - 1.50" ID
	041953-09-000	FT	CONDUIT - CONVOLUTE SOLID - .50" ID
	041953-10-000	FT	CONDUIT - CONVOLUTE SOLID - .75" ID
	041953-11-000	FT	CONDUIT - CONVOLUTE SOLID - 1.10" ID
	047443-01-000	EA	TERMINAL - .250 RECEPTACLE FIT - INSULATED - 16/14 AWG
	047443-02-000	EA	TERMINAL - .250 RECEPTACLE FIT - INSULATED - 12/10 AWG
	058028-01-000	EA	CONNECTOR - ELECTRICAL PIGTAIL - NYLON - CLEAR
	062036-01-000	EA	TERMINAL - PACK - CON - 12/10 AWG
	062036-02-000	EA	TERMINAL - PACK - CON - 16/14 AWG
	077479-01-000	EA	BOOT - BATTERY TERMINAL - DOUBLE CABLE
	077479-02-000	EA	BOOT - BATTERY TERMINAL - SINGLE CABLE
	080015-02-000	EA	RECEPTACLE - FLAG - .185 - 16/14 GAUGE
	082109-01-000	EA	HOUSING - CONNECTOR - PACKARD
	082741-01-000	EA	CONNECTOR BODY - 2 CONNECTOR MALE
	085724-01-000	EA	SOCKET - DOUBLE CONTACT - TAILLIGHT
	087949-03-000	EA	BUSS BAR - 4 POSITION
	088267-01-000	EA	TERMINAL - FEMALE - 1/4
	088473-01-000	EA	HOUSING - PIN - 12 CAVITY
	088473-02-000	EA	HOUSING - PIN - 15 CAVITY
	088473-03-000	EA	HOUSING - PIN - 9 CAVITY
	088473-06-000	EA	HOUSING - PIN - 6 CAVITY
	088473-07-000	EA	HOUSING - PIN - 5 CAVITY
	088473-08-000	EA	HOUSING - PIN - 4 CAVITY
	088473-09-000	EA	HOUSING - PIN - 3 CAVITY
	088473-10-000	EA	HOUSING - PIN - 2 CAVITY
	088474-01-000	EA	HOUSING - SOCKET - 12 CAVITY
	088474-02-000	EA	HOUSING - SOCKET - 15 CAVITY
	088474-03-000	EA	HOUSING - SOCKET - 9 CAVITY
	088474-06-000	EA	HOUSING - SOCKET - 6 CAVITY
	088474-07-000	EA	HOUSING - SOCKET - 5 CAVITY
	088474-08-000	EA	HOUSING - SOCKET - 4 CAVITY
	088474-09-000	EA	HOUSING - SOCKET - 3 CAVITY
	088474-10-000	EA	HOUSING - SOCKET - 2 CAVITY
	088475-01-000	EA	PIN - CONNECTOR - 14 - 20 AWG
	088475-02-000	EA	PIN - CONNECTOR - 10 - 12 AWG
	088476-01-000	EA	TERMINAL - ELECTRICAL
	088476-02-000	EA	SOCKET - CONNECTOR - 12-10 GA - PRE-TIN
	092786-03-000	EA	BUSS BAR - 6.9" LONG
	098260-01-000	EA	TERMINAL - MALE - 56 SERIES
	098261-02-000	EA	SOCKET - CONNECTOR - WEATHERPACK
	098262-01-000	EA	SEAL - CONNECTOR - WEATHERPACK

**ELECTRICAL GROUP (CONTINUED)**  
**CONNECTORS & CONDUIT (CONTINUED)**

KEY	PART NUMBER	U/M	DESCRIPTION
	098264-01-000	EA	HOUSING - 2 PIN - WEATHERPACK
	098265-02-000	EA	HOUSING - 2 PIN - WEATHERPACK
	101571-01-000	EA	HOUSING - 2 POSITION - MALE
	102777-02-000	EA	TERMINAL - RING - #6 STUD - 10 AWG
	103608-01-000	EA	SOCKET - WEDGE BASE W/LEADS
	104100-01-000	EA	HOUSING - 1 POSITION - 75 AMPS
	104100-02-000	EA	TERMINAL - 75 AMP
	104100-03-000	EA	TERMINAL - 75 AMP
	106655-02-000	EA	TERMINAL - FUSE BLOCK - 10-12 AWG
	110178-01-000	EA	HOUSING - WIPER MOTOR
	112823-01-000	EA	SPLICE - REDUCER - 16-14 TO 18-22
	113308-01-000	EA	TERMINAL - FEMALE - M/P - 14-16 - 280
	113468-01-000	EA	HOUSING - USED ON WIPER/WASHER WIRE ASM
	114442-01-000	EA	HOUSING - 1 POSITION - FEMALE
	115931-02-000	EA	COVER - CONNECTOR
	115932-02-000	EA	CONNECTOR - FEMALE - 50 AMP - 240 VOLT
	117700-01-000	EA	HOUSING - 2 POSITION - METRI-PACK - FEMALE
	118820-01-000	EA	INSULATOR - TERMINAL
	119223-01-000	EA	HOUSING - 6 POSITION - MALE - WEATHERPAK
	125323-02-000	EA	HOUSING - 8 POSITION - MALE
	125324-01-000	EA	TERMINAL - MALE - METRI-PACK - 150
	125325-01-000	EA	SEAL - CAVITY

**FLASHER, SOLENOID, DIODE & RELAYS**

KEY	PART NUMBER	U/M	DESCRIPTION
	007093-01-000	EA	SIGNAL FLASHER
	008188-01-000	EA	SOLENOID - 3 POST - BATTERY CHANGE OVER
	063910-01-000	EA	HOUSING - RELAY
	063912-02-000	EA	RELAY - CANISTER - SPDT
	086273-01-000	EA	RELAY - BATTERY DISCONNECT
	102966-01-000	EA	RELAY-LATCHING, 15 AMP - SPTD

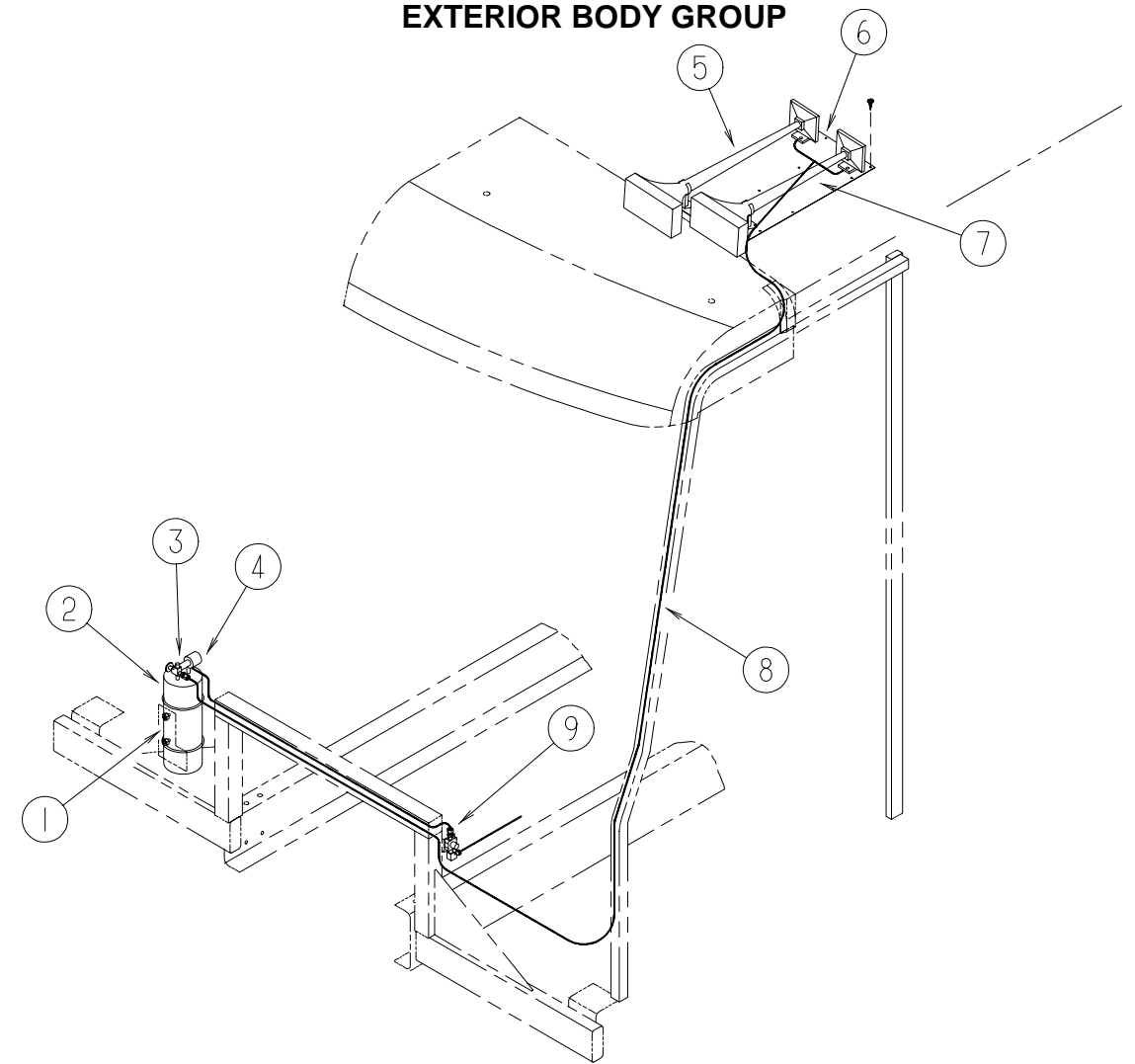
**SOLAR PANEL**

KEY	PART NUMBER	U/M	DESCRIPTION	VENDOR NO.
	115504-01-000	EA	PANEL - SOLAR 10 WATT	
	115504-01-700	EA	PLUG & CABLE - 10WATT PANEL	600-016
	115505-01-000	EA	MONITOR - SOLAR CHARGER	

**ELECTRICAL MISCELLANEOUS**

KEY	PART NUMBER	U/M	DESCRIPTION
	086233-01-000	EA	STUD - ISOLATED - 3/8" X 7/8" LONG - BATTERY
	095186-02-000	EA	BELL - DOOR
	095187-02-000	EA	SWITCH - DOOR BELL
	119930-01-000	EA	CAPACITOR - ELECTROLYTIC

**EXTERIOR BODY GROUP**



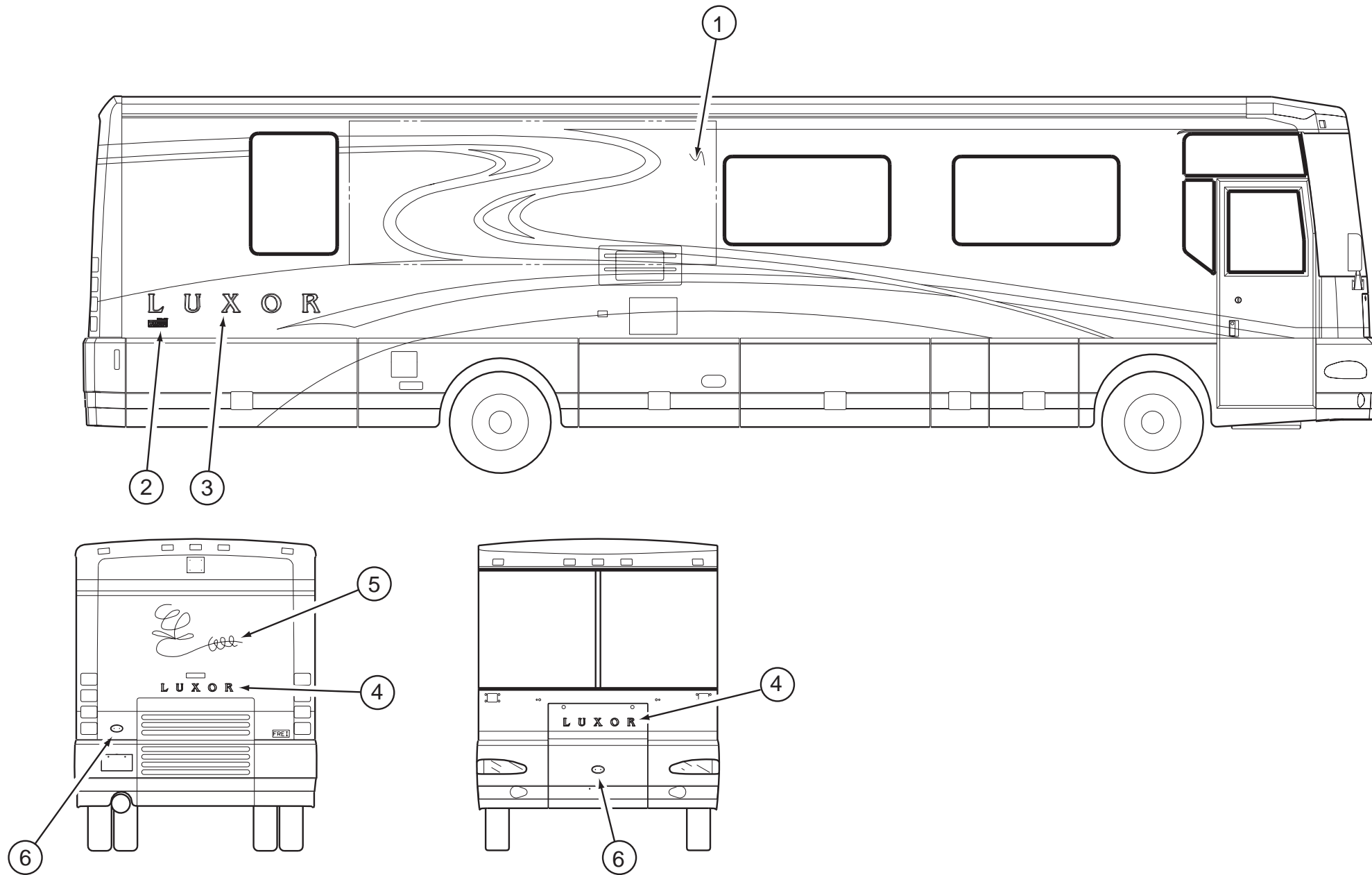
**AIR HORNS**

KEY	PART NUMBER	U/M	DESCRIPTION	VENDOR NO.
1	115024-01-01B	EA	BRACKET - TANK - AIR HORN	
2	077497-09-000	EA	TANK - AIR - SOLENOID KIT - AUXILIARY HORN	
2	077497-01-700	EA	SOLENOID - AIR TANK	550B
2	077497-01-703	EA	TANK - AIR	751-N
3	071387-07-000	EA	ELBOW - MALE - BRAKE TUBE - 1/4" X 1/8"	
4	077497-03-000	EA	FITTING KIT - HOSE/HOSE FITTING/AIR GAUGE - F/AUX HORN	
4	077497-01-710	EA	GAUGE - AIR PRESSURE	14212S
5	077497-06-000	EA	HORN - AIR - CHROME - TWIN - HADLEY 977AW	
5	077497-01-701	EA	SWITCH - COMPRESSOR	13940-S
5	077497-01-702	EA	SWITCH - TOGGLE - W/WIRE	12949-S
6	077497-02-000	EA	HOSE - AUXILIARY AIR HORN	
7	125123-01-12B	EA	PLATE - MOUNTING - AIR HORN - BRIGHT WHITE	
8	071390-04-000	FT	TUBING - AIR BRAKE - 1/4" OD-BLK WEATHERHEAD(BRKS & HORN)	
9	071386-06-000	EA	CONNECTOR - MALE - 1/4 TUBE X 1/4	
	077497-05-000	EA	COMPRESSOR/TANK/SOLENOID KIT	
	077497-01-704	EA	COMPRESSOR W/SWITCH	852EC
	077497-01-706	EA	VALVE & HEAD REPAIR F/COMP.	H00852HV
	077497-01-707	EA	BELT & SCREW COVER F/COMP.	H00852BR
	077497-01-708	EA	FILTER & MTG HDWE F/COMP.	H00852FM

**SQUEEGEE**

KEY	PART NUMBER	U/M	DESCRIPTION
	091955-02-000	EA	SQUEEGEE-EXTEND HANDLE
	110429-03-D18	EA	BRACKET ASM-SQUEEGEE
	110429-01-01A	EA	BRACKET-SQUEEGEE MILL

**EXTERIOR BODY GROUP (CONTINUED)**  
DECALS, STRIPES & CUSTOM PAINT

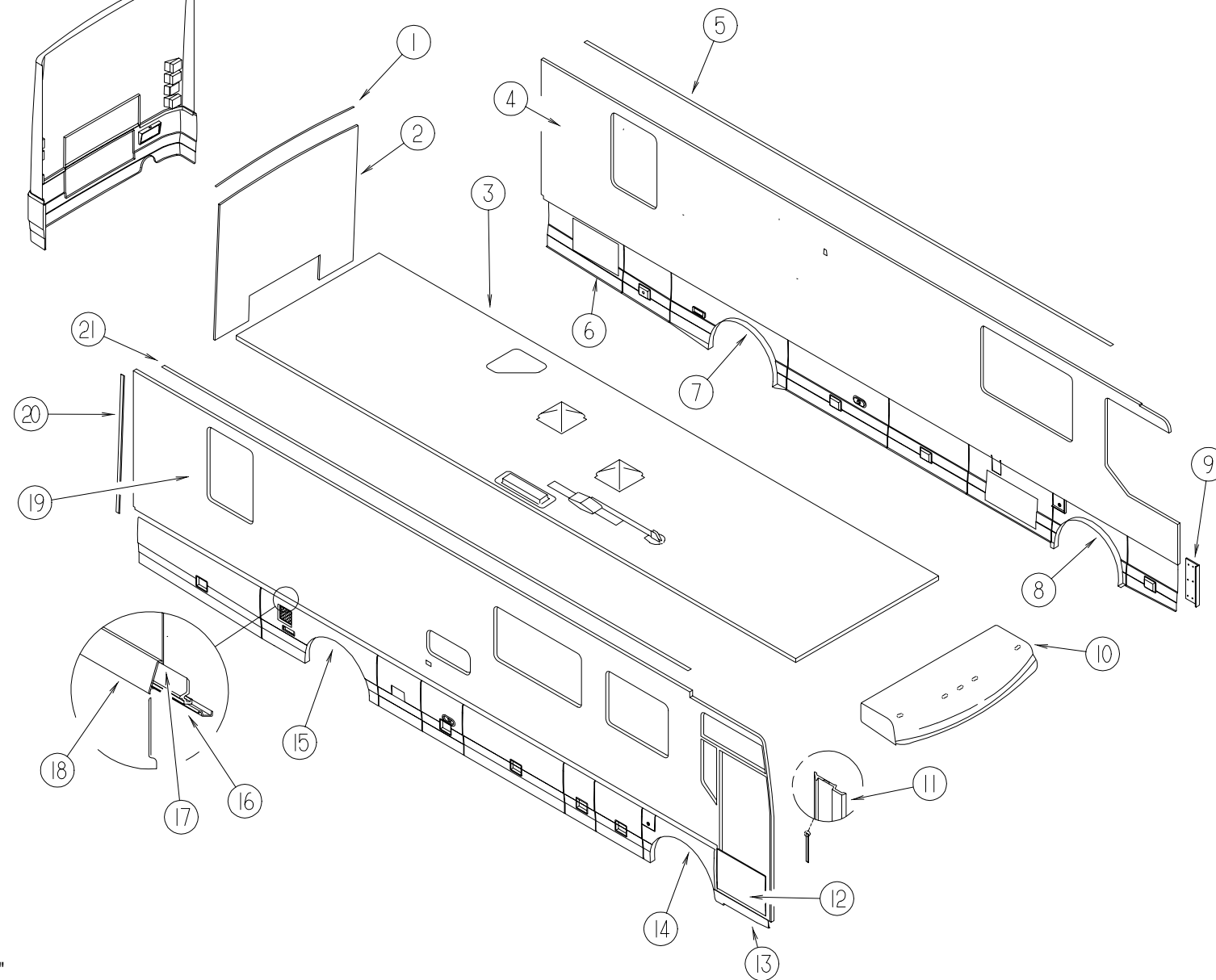


KEY	PART NUMBER	U/M	DESCRIPTION
1	128245-01-01A	EA	DECAL - PAINT MASK - S - RIGHT HAND
1	128245-02-01A	EA	DECAL - PAINT MASK - S - LEFT HAND
2	122770-01-03A	EA	DECAL - "BUILT PROUDLY BY WINNEBAGO INDUSTRIES" (JQ0, JQ2, JQ4, JQ6)
2	122770-01-09A	EA	DECAL - "BUILT PROUDLY BY WINNEBAGO INDUSTRIES" (JQ1, JQ3, JQ5, JQ7)
3	127165-01-01A	EA	DECAL - LOGO - LUXOR - DOMED/LARGE (JQ0, JQ2, JQ4, JQ6)
3	127165-01-02A	EA	DECAL - LOGO - LUXOR - DOMED/LARGE (JQ1, JQ3, JQ5, JQ7)
4	127165-02-01A	EA	DECAL - LOGO - LUXOR - DOMED/SMALL (JQ0, JQ2, JQ4, JQ6)
4	127165-02-02A	EA	DECAL - LOGO - LUXOR - DOMED/SMALL (JQ1, JQ3, JQ5, JQ7)
5	N/A	EA	DECAL, REVERSE WEED 31 X 68 PAINT MASK
6	120875-01-01A	EA	DECAL - LOGO - GRILLE/DOMED
6	120994-01-01A	EA	BEZEL - DOMED GRILLE LOGO

**DUPONT COLOR CODES**

CANYON RED	RM414
LT ROSE	LM001
SEPIA MET.	MMO98
LT. TAUPE	LM183

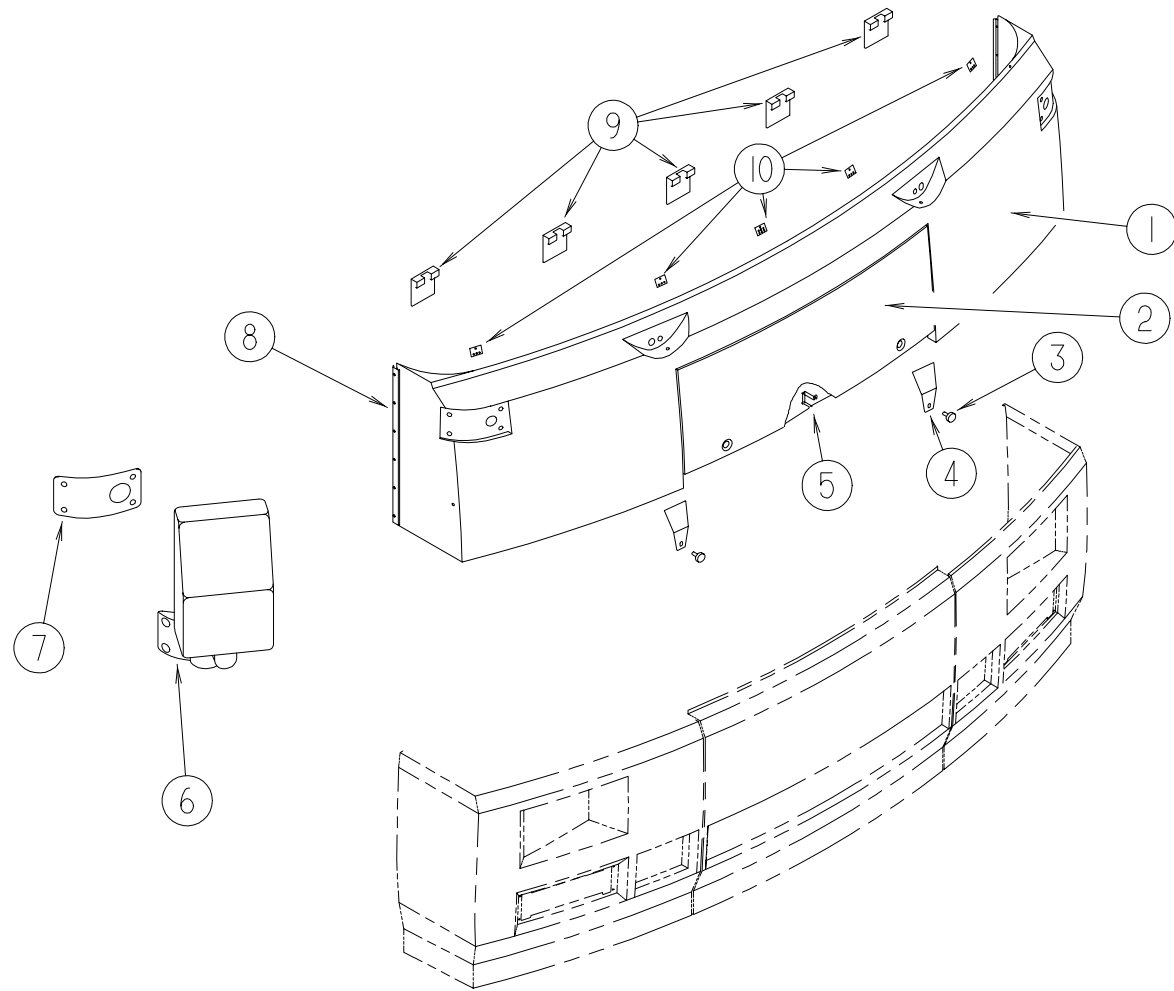
**EXTERIOR BODY GROUP (CONTINUED)**  
**BODY PANELS & TRIM**



KEY	PART NUMBER	U/M DESCRIPTION
1	083805-23-000	EA TRIM - CAP - ROOF - 92"
2	P23507-01-HQ4	EA BACKWALL - W/O WINDOW/TRIM (JQ0, JQ1, JQ2)
2	P23507-01-HQ2	EA BACKWALL - W/O WINDOW/TRIM (JQ3)
2	P23507-01-JQ4	EA BACKWALL - W/O WINDOW/TRIM (JQ4, JQ5)
2	P23507-01-JQ6	EA BACKWALL - W/O WINDOW/TRIM (JQ6, JQ7)
3	P24844-01-HQ0	EA ROOF - W/O LIGHTS/VENTS - W/WIRING
4	P24846-01-JQ0	EA SIDEWALL - DRIVER - W/O WINDOWS/TRIM (JQ0)
4	P24846-01-HQ5	EA SIDEWALL - DRIVER - W/O WINDOWS/TRIM (JQ1)
4	P24846-01-JQ2	EA SIDEWALL - DRIVER - W/O WINDOWS/TRIM (JQ2)
4	P24846-01-HQ3	EA SIDEWALL - DRIVER - W/O WINDOWS/TRIM (JQ3)
4	P24846-01-JQ4	EA SIDEWALL - DRIVER - W/O WINDOWS/TRIM (JQ4)
4	P24846-01-JQ5	EA SIDEWALL - DRIVER - W/O WINDOWS/TRIM (JQ5)
4	P24846-01-JQ6	EA SIDEWALL - DRIVER - W/O WINDOWS/TRIM (JQ6)
4	P24846-01-JQ7	EA SIDEWALL - DRIVER - W/O WINDOWS/TRIM (JQ7)
5	120091-02-02A	EA TRIM - ROOF
6	123671-01-HQ0	EA DOOR - VALANCE - CONDENSOR W/FINS - 49.4" X 26.7" X 28.5"
7	122879-01-HQ0	EA WHEEL LIP - REAR/DRIVER
8	123492-01-HQ0	EA WHEEL LIP - FRONT/DRIVER
8	113904-02-02B	EA ANGLE - ATTACHMENT - WHEEL LIP
9	113161-04-01A	EA TRIM - PANEL - VALANCE - LEFT HAND
10	122710-02-HQ0	EA CAP - ROOF
11	125818-02-01A	EA TRIM - PANEL - FIBERGLASS - BRIGHT WHITE
12	113161-03-01A	EA TRIM - PANEL - VALANCE - RIGHT HAND
13	122941-01-01A	EA PANEL - VALANCE - ENTRANCE DOOR - W/O HINGE

KEY	PART NUMBER	U/M DESCRIPTION
14	123493-01-HQ0	EA WHEEL LIP - FRONT PASSENGER
15	122878-01-HQ0	EA WHEEL LIP - REAR PASSENGER
16	123880-01-01A	EA TRIM - RETAINER - E-COATED
17	106105-06-000	EA CLIP - VALANCE/RETAINING
17	106105-14-000	EA CLIP - VALANCE/RETAINING
18	123993-01-03A	EA TRIM - COVER
19	P24847-01-JQ0	EA SIDEWALL - PASSENGER - W/O WINDOWS/TRIM (JQ0)
19	P24847-01-HQ5	EA SIDEWALL - PASSENGER - W/O WINDOWS/TRIM (JQ1)
19	P24847-01-JQ2	EA SIDEWALL - PASSENGER - W/O WINDOWS/TRIM (JQ2)
19	P24847-01-HQ3	EA SIDEWALL - PASSENGER - W/O WINDOWS/TRIM (JQ3)
19	P24847-01-JQ4	EA SIDEWALL - PASSENGER - W/O WINDOWS/TRIM (JQ4)
19	P24847-01-JQ5	EA SIDEWALL - PASSENGER - W/O WINDOWS/TRIM (JQ5)
19	P24847-01-JQ6	EA SIDEWALL - PASSENGER - W/O WINDOWS/TRIM (JQ6)
19	P24847-01-JQ7	EA SIDEWALL - PASSENGER - W/O WINDOWS/TRIM (JQ7)
20	092041-02-03A	EA TRIM - REAR - CAP TO SIDEWALL
20	091985-01-07A	EA MOLDING - TRIM - BRIGHT WHITE
21	120091-01-02A	EA TRIM - ROOF
	116933-01-01A	EA TRIM - SEAL
	093050-03-000	EA MOUNTING CLIP - VALANCE PANEL
	126775-01-01A	EA END CAP - VALANCE - RIGHT HAND/LOWER
	126775-02-01A	EA END CAP - VALANCE - LEFT HAND/LOWER
	114248-02-01A	FT ANGLE - PLASTIC - 96.6"
	123158-02-HQ0	EA PANEL - REAR CAP - W/O DOOR

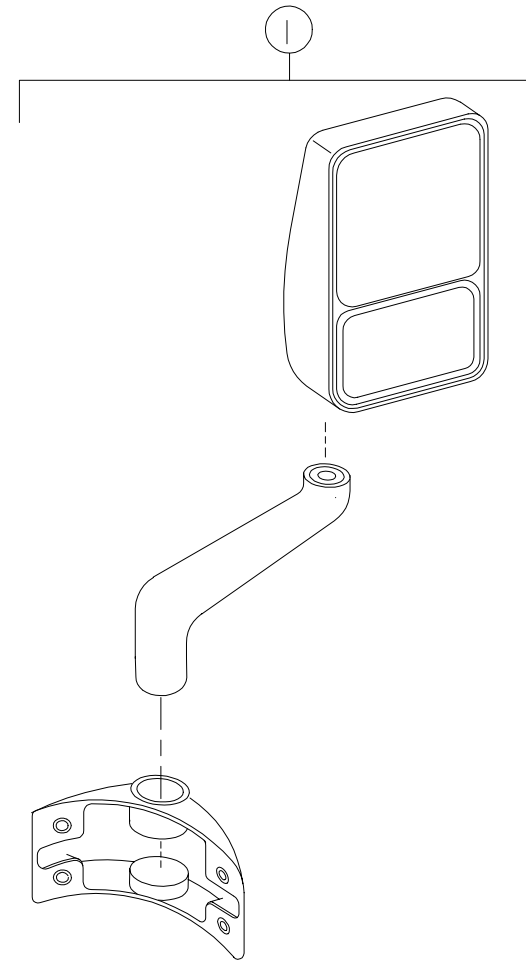
## EXTERIOR BODY GROUP (CONTINUED)



**FRONT END ASSEMBLY**

KEY	PART NUMBER	U/M	DESCRIPTION
1	123016-02-HQ0	EA	PANEL - FRONT UPPER
2	123108-01-HQ0	EA	HOOD - FRONT
3	058786-01-000	EA	BOLT - ADJUSTING HOOD - W/BLACK PAD
4	114342-02-02B	EA	BRACKET - HOOD - BUMPER
5	114455-04-000	EA	SPRING - HOOD
6	119774-05-01A	EA	MIRROR - EXTERIOR - REMOTE/HEAT - PASSENGER
6	119774-06-01A	EA	MIRROR - EXTERIOR - REMOTE/HEAT - DRIVER
7	108825-02-000	EA	GASKET - MIRROR
8	125818-02-01A	EA	TRIM - PANEL - FIBERGLASS - BRIGHT WHITE
8	091985-01-01A	EA	INSERT-TRIM, .65" WIDE - VINYL - OFF WHITE
9	002328-02-000	EA	BLOCK - WINDSHIELD - .062" X .5" X .98"
10	119445-01-02B	EA	PLATE - W/HOLES

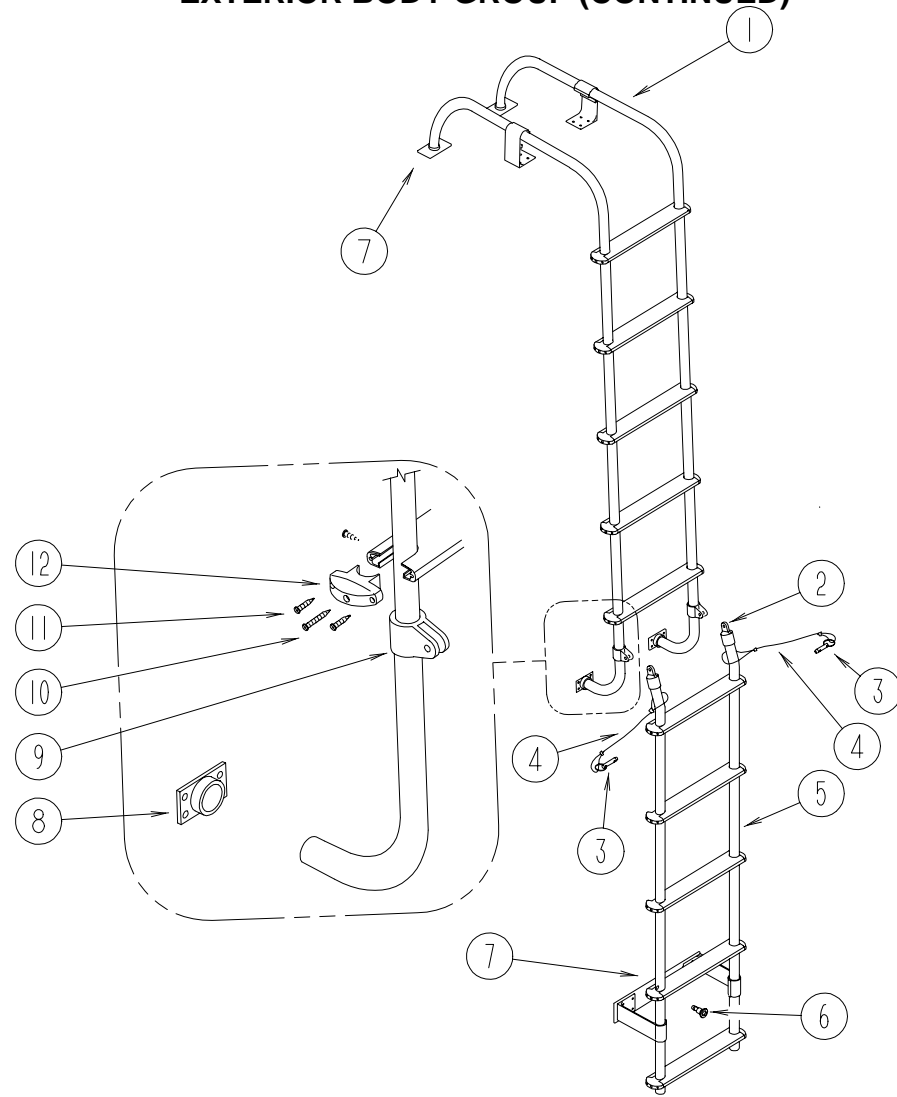
## EXTERIOR BODY GROUP (CONTINUED)



**EXTERIOR MIRRORS**

KEY	PART NUMBER	U/M	DESCRIPTION
1	119774-05-01A	EA	MIRROR - EXTERIOR - REMOTE/HEAT - PASSENGER
1	119774-06-01A	EA	MIRROR - EXTERIOR - REMOTE/HEAT - DRIVER
	088246-01-000	EA	SWITCH - REMOTE - EXTERIOR - SQUARE PUSH
	108825-01-000	EA	GASKET - MIRROR
	087695-02-000	EA	SWITCH - HEATER - EXTERIOR MIRROR
	099982-02-01A	EA	PLATE - SWITCH - BLACK
	087695-03-000	EA	CONNECTOR - ASSEMBLY

## EXTERIOR BODY GROUP (CONTINUED)



LADDER

KEY	PART NUMBER	U/M DESCRIPTION
1	123636-01-HQ0	EA LADDER - UPPER
2	081115-01-000	EA TOP CAP - RACK & LADDER - 1"
3	114834-01-000	EA PIN - QUICK RELEASE
4	076767-11-000	EA CABLE - 1/16" X 5.9"
5	123637-01-HQ0	EA LADDER - LOWER
6	114834-01-000	EA PIN - QUICK RELEASE
7	108423-01-02A	EA PLATE - BUMPER - LOWER LADDER
8	067165-01-000	EA BRACKET - MOUNTING - LOWER LADDER
9	081116-01-000	EA SLIDE - TOP - RACK & LADDER - 1"
10	000G67-10-36T	EA SCREW - 10-12 X 2.25 PPH - BLACK
11	000G39-06-10T	EA SCREW - SF/DR - 6-20 X 5/8 PPH - BLACK
12	076980-02-000	EA END CAP - STEP - BLACK
	081114-01-000	EA CAP - INSERT - ROUND - 1" DIAMETER - BLACK PLASTIC
	038327-01-000	EA TAPE - ANTI-SLIP - 2" X 60'
	081055-01-000	EA SPRING GRIP - INTERNAL TOOTH - LADDER
	128197-01-01A	EA WASHER - NEOPRENE - 1.1" X .62"

## EXTERIOR BODY GROUP (CONTINUED)

### FIBERGLASS, STYROFOAM & STEEL CHANNEL

KEY	PART NUMBER	U/M DESCRIPTION
	000870-08-000	SF STYROFOAM - .75" X 48" X 96" PLANED EXPANDED BEAD BOARD
	002726-01-001	EA GARNISH - U-CHANNEL - 1.38" X 19' - SERRATED
	002754-01-001	EA ANGLE- EXTRUDED - .75" X .75" X 18' - MILL ALUMINUM
	002766-01-001	EA ANGLE - EXTRUDED - 1" X 1.5" X 17'
	033381-17-001	FT STEEL - TUBE - 16 GAUGE 1.5" X 1.5" X 16'
	068716-01-001	EA BRACE - 90 DEGREE L-ANGLE - 16'
	076054-Z2-000	EA FIBERGLASS SHEET - 30" X 69.9"
	076054-Z3-000	EA FIBERGLASS SHEET - 4" X 86" - BRIGHT WHITE
	083574-06-000	SF STYROFOAM - .75 X 48" X 108" - INCREMENTS OF 14 SF
	089297-01-000	SF PLYWOOD - LUAN - OVERLAY GRADE - 48" X 96"
	100619-01-000	BF FOAM - EXPANDED POLYSTYRENE - 1.34" X 48" X 96"
	100619-04-000	BF FOAM - EXPANDED POLYSTYRENE - .5" X 48" X 96"
	100619-05-000	BF FOAM - EXPANDED POLYSTYRENE - .75" X 48" X 96"
	100619-11-000	BF FOAM - EXPANDED POLYSTYRENE - 2" X 48" X 96"
	100619-13-000	BF FOAM - EXPANDED POLYSTYRENE - .34" X 34.65" X 96"
	105077-03-000	EA FOAM - PLUG - SIDEWALL TUBE
	105077-08-000	EA FOAM - PLUG - ROOF CAP
	108535-05-702	EA FIBERGLASS SHEET - FLAT - 110" X 396" BRIGHT WHITE - ROOF
	113192-01-03A	EA FIBERGLASS SHEET - 79" X 421" - BRIGHT WHITE
	120107-01-000	EA FOAM - COVE - ROOF - 2.8" X 96" LONG
	120107-02-000	EA FOAM - PLUG - ROOF TUBE - 2.2" X 2.9" X 1.8" LONG
	120107-03-000	EA FOAM - PLUG - SIDEWALL TUBE - 1.2" X 2.1" X 1.8" LONG

### AWNING

KEY	PART NUMBER	U/M DESCRIPTION
*	120907-04-01A	EA AWNING - 21' - AQUA MARINE
	120907-04-02A	EA AWNING - W/O HARDWARE - 21' - VINYL(SAPPHIRE BLUE)

\* COMPONENT PARTS FOUND IN SERVICE PARTS LIBRARY



**GALLEY GROUP  
NORCOLD MRFT-340 FREEZER**

KEY	PART NUMBER	U/M DESCRIPTION	VENDOR NO.
	119296-01-01A	EA FREEZER - PORTABLE	
	119296-01-700	EA DOOR ASSEMBLY	1600 262 00
	119296-01-701	EA LATCH ASSEMBLY	6260 005 00
	119296-01-702	EA HANDLE - DOOR	4225 004 01
	119296-01-703	EA GASKET - DOOR	4148 016 00
	119296-01-704	EA COVER - F/CLG & TEMP CONT	1602 092 00
	119296-01-705	EA BASKET	5230 008 00
	119296-01-706	EA CASE - INNER	4332 011 40
	119296-01-707	EA HANDLE - CARRYING	3233 005 50
	119296-01-708	EA CABINET - EXTERIOR	1600 255 00
	119296-01-709	EA DIAL ASSEMBLY - THERMOSTAT	1602 067 00
	119296-01-710	EA PLATE-MARKING - THERMOSTAT	5450 261 05
	119296-01-711	EA COVER - REAR	1609 221 00
	119296-01-712	EA TRANSFORMER	1960 131 00
	119296-01-713	EA OSCILLATOR	1630 081 00
	119296-01-714	EA CUSHION - CORNER	4274 009 00
	119296-01-715	EA BLOCK - TERMINAL	1632 055 02
	119296-01-716	EA CORD ASSEMBLY - DC	1912 223 00
	119296-01-717	EA THERMISTOR - EVAPORATOR	6055 032 00
	119296-01-718	EA WIRE - CONDENSER - THERMISTOR	6055 033 01
	119296-01-719	EA CONTROL ASSEMBLY - TEMPERATURE	1601 072 50
	119296-01-720	EA COIL - COOLING	1610 077 10

**MICROWAVE OVENS**

KEY	PART NUMBER	U/M DESCRIPTION
	119267-04-01A	EA OVEN - MICROWAVE - W/HOOD - US - SHARP #R-1850B
	119267-02-01A	EA OVEN - MICROWAVE - W/HOOD - CSA - SHARP #R-1830BC
	119267-05-000	EA FILTER - HOOD - CHARCOAL - SHARP #RK220
	102482-08-GQ0	EA FRAME - MICROWAVE
	120347-01-01A	EA CATCH - DOOR - MICROWAVE

**RANGE HOODS & MONITOR PANELS**

KEY	PART NUMBER	U/M DESCRIPTION	VENDOR NO.
	119267-03-000	EA FILTER - HOOD - CHARCOAL - SHARP #RK210	
*	121148-03-01A	EA PANEL - MONITOR - 2 TANK PUMP	

**ATWOOD RANGE TOP - C-37BP**

KEY	PART NUMBER	U/M DESCRIPTION
*	121757-01-01A	EA RANGE TOP - 3 BURNER/BLACK

**\* COMPONENT PARTS FOUND IN SERVICE PARTS LIBRARY**

**REFRIGERATOR**

KEY	PART NUMBER	U/M DESCRIPTION
*	125242-01-01A	EA REFRIGERATOR - 4 DOOR W/ICE MAKER

**\* COMPONENT PARTS FOUND IN SERVICE PARTS LIBRARY**

**GALLEY GROUP (CONTINUED)**

**KITCHEN AID - KGCR025B 2 BURNER RANGE TOP**

KEY	PART NUMBER	U/M DESCRIPTION
	120453-01-01A	EA RANGE TOP-2 BURNER - 12"W X 21.75"L-BLACK-KITCHEN AID

**DISHWASHER**

KEY	PART NUMBER	U/M DESCRIPTION
	123881-01-01A	EA DISHWASHER - COMPACT - 17 1/4"W X 18 1/4"H X 20 1/4"D

**WASHER/DRYER**

	107753-01-01A	EA WASHER-DRYER,WHITE - KARIBA WD802
	107753-02-01A	EA WASHER - DRYER - WHITE - KARIBA WDS 1063 - CANADIAN

**COFFEEMAKER**

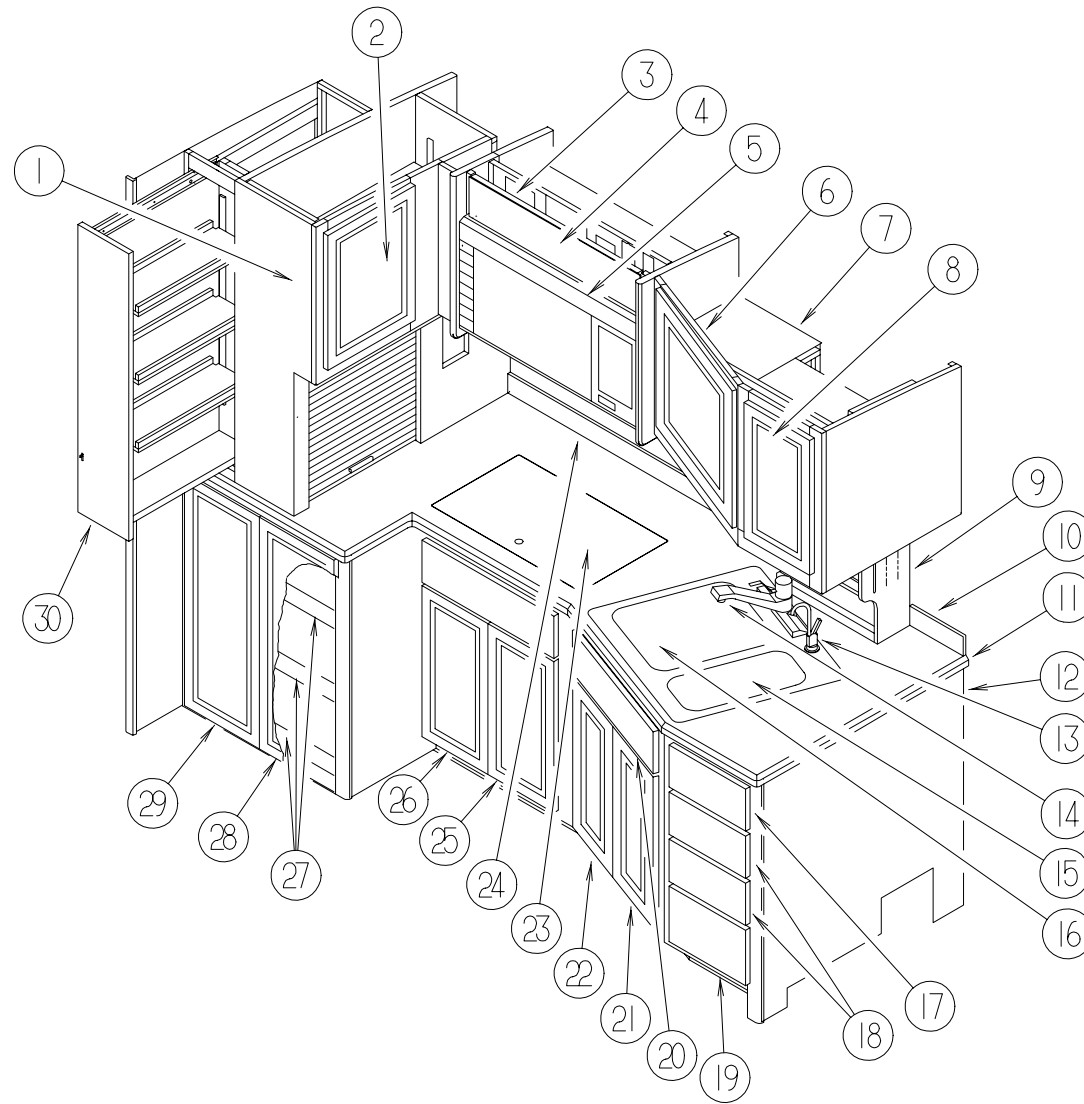
KEY	PART NUMBER	U/M DESCRIPTION
	124649-01-01A	EA COFFEEMAKER - BLACK - KRUPS

**SOAP DISPENSER**

KEY	PART NUMBER	U/M DESCRIPTION	VENDOR NO.
	124236-01-000	EA SOAP DISPENSER	
	124236-01-700	EA HEAD - DISPENSER	PR21905
	124236-01-701	EA PUMP - DISPENSER	PR21908
	124236-01-702	EA BODY - DISPENSER	PR21906
	124236-01-703	EA BASE & GASKET - DISPENSER	PR21907
	124236-01-704	EA NUT - DISPENSER	PR21945
	124236-01-705	EA BOTTLE - DISPENSER	PR21904

## GALLEY GROUP (CONTINUED)

### CABINETS AND FIXTURES W/RECESSED RANGE TOP

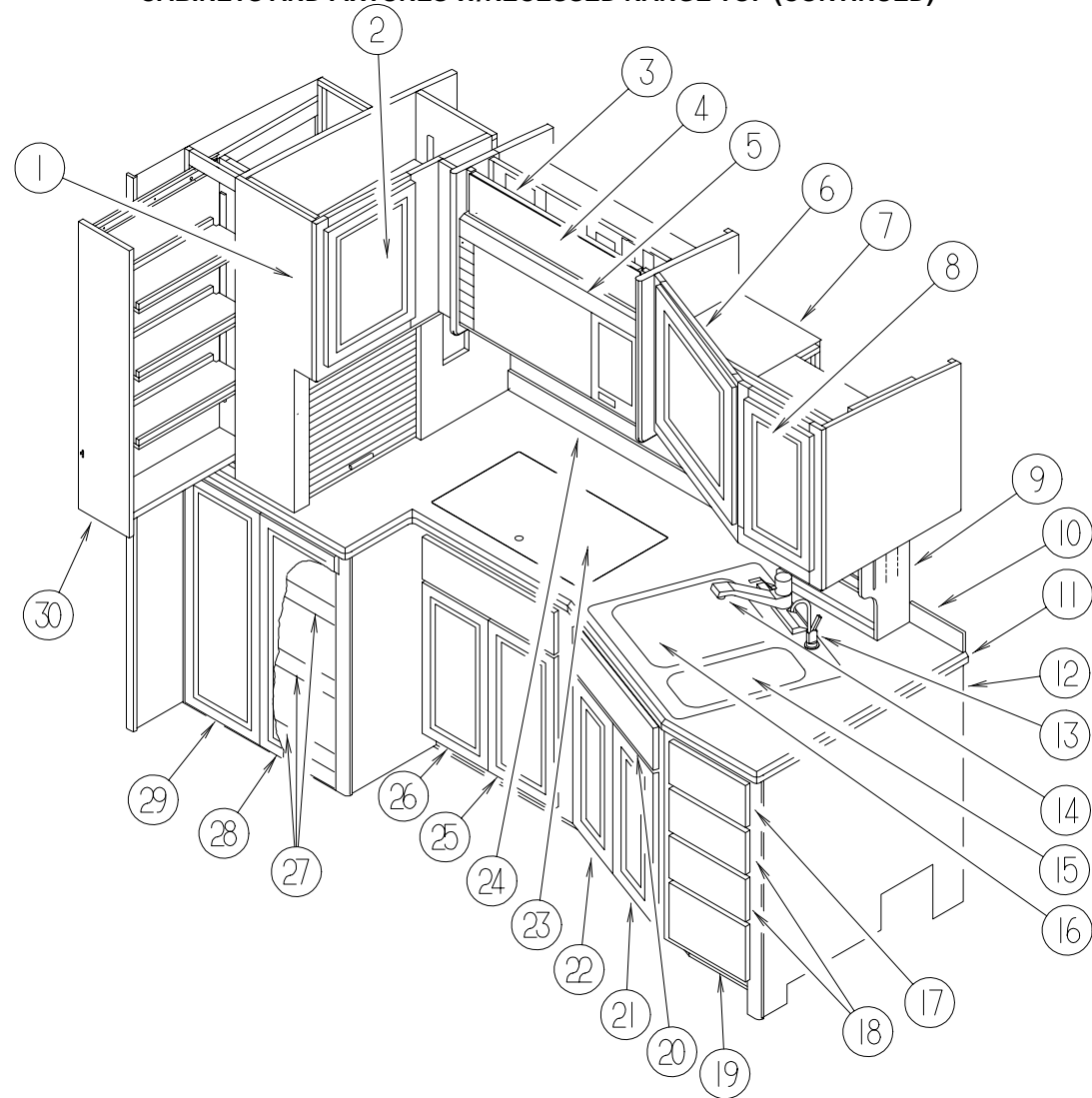


KEY	PART NUMBER	U/M	DESCRIPTION
1	123784-01-JQ0	EA	CABINET - PANTRY - W/O DOORS/HARDWARE (JQ0, JQ2, JQ4, JQ6)
1	123784-01-JQ1	EA	CABINET - PANTRY - W/O DOORS/HARDWARE (JQ1, JQ3, JQ5, JQ7)
2	M05992-K3-JQ0	EA	DOOR - STRAIGHT CORNER/OGEE EDGE - 8.5" X 41.9" - W/O HDW (JQ0, JQ2, JQ4, JQ6)
2	M05992-K3-HQ1	EA	DOOR - STRAIGHT CORNER/OGEE EDGE - 8.5" X 41.9" - W/O HDW (JQ1, JQ3, JQ5, JQ7)
3	100708-14-000	EA	DOOR - GLASS - TV CABINET - 5.7" X 28.5" - W/O HARDWARE
4	100710-04-02A	EA	LOCK - TWIST - BRASS
5	102482-08-GQ0	EA	FRAME - MICROWAVE
6	M08610-06-JQ0	EA	DOOR - STRAIGHT CORNER/OGEE EDGE - 11.2" X 19.6" - W/O HDW (JQ0, JQ2, JQ4, JQ6)
6	M08610-06-HQ1	EA	DOOR - STRAIGHT CORNER/OGEE EDGE - 11.2" X 19.6" - W/O HDW (JQ1, JQ3, JQ5, JQ7)
7	123771-01-JQ0	EA	CABINET - GALLEY OVERHEAD - W/O DOORS/HARDWARE (JQ0, JQ2, JQ4, JQ6)
7	123771-01-HQ1	EA	CABINET - GALLEY OVERHEAD - W/O DOORS/HARDWARE (JQ1, JQ3, JQ5, JQ7)
8	M08610-07-JQ0	EA	DOOR - STRAIGHT CORNER/OGEE EDGE - 11.2" X 19.6" - W/O HDW (JQ0, JQ2, JQ4, JQ6)
8	M08610-07-HQ1	EA	DOOR - STRAIGHT CORNER/OGEE EDGE - 11.2" X 19.6" - W/O HDW (JQ1, JQ3, JQ5, JQ7)
9	123704-01-JQ0	EA	CABINET - SPICE RACK - W/O DOORS/HARDWARE (JQ0, JQ2, JQ4, JQ6)
9	123704-01-HQ1	EA	CABINET - SPICE RACK - W/O DOORS/HARDWARE (JQ1, JQ3, JQ5, JQ7)

KEY	PART NUMBER	U/M	DESCRIPTION
10	120184-05-HQ4	EA	BACKSPLASH - COUNTERTOP - GALLEY (JQ0, JQ1, JQ2, JQ3, JQ4, JQ5)
10	120184-05-JQ6	EA	BACKSPLASH - COUNTERTOP - GALLEY (JQ6, JQ7)
11	123470-22-HQ4	EA	COUNTERTOP - GALLEY (JQ0, JQ1, JQ2, JQ3, JQ4, JQ5)
11	123470-22-JQ6	EA	COUNTERTOP - GALLEY (JQ6, JQ7)
12	123470-01-JQ0	EA	CABINET - GALLEY - W/CTRTP - W/O DOORS/DRAWERS/HDW (JQ0, JQ2, JQ4)
12	123470-01-JQ1	EA	CABINET - GALLEY - W/CTRTP - W/O DOORS/DRAWERS/HDW (JQ1, JQ3, JQ5)
12	123470-01-JQ6	EA	CABINET - GALLEY - W/CTRTP - W/O DOORS/DRAWERS/HDW (JQ6)
12	123470-01-JQ7	EA	CABINET - GALLEY - W/CTRTP - W/O DOORS/DRAWERS/HDW (JQ7)
12	123470-05-JQ0	EA	CABINET - GALLEY - W/CTRTP - W/O DOORS/DRAWERS/HDW (JQ0, JQ2, JQ4)
12	123470-05-JQ1	EA	CABINET - GALLEY - W/CTRTP - W/O DOORS/DRAWERS/HDW (JQ1, JQ3, JQ5)
12	123470-05-JQ6	EA	CABINET - GALLEY - W/CTRTP - W/O DOORS/DRAWERS/HDW (JQ6)
12	123470-05-JQ7	EA	CABINET - GALLEY - W/CTRTP - W/O DOORS/DRAWERS/HDW (JQ7)
13	103635-02-000	EA	FAUCET - WATER PURIFIER
14	110760-04-000	EA	POP-UP-FAUCET - POLISHED BRASS
15	091244-02-000	EA	SINK - DOUBLE BOWL - 25" X 22" - STAINLESS STEEL
	092303-01-000	EA	STRAINER - SINK
16	107044-03-FQ4	EA	COVER - RECESSED SINK - 8.4" X 15.4" (JQ0, JQ1, JQ2, JQ3, JQ4, JQ5)
16	107044-03-JQ6	EA	COVER - RECESSED SINK - 8.4" X 15.4" (JQ6, JQ7)

## GALLEY GROUP (CONTINUED)

### CABINETS AND FIXTURES W/RECESSED RANGE TOP (CONTINUED)

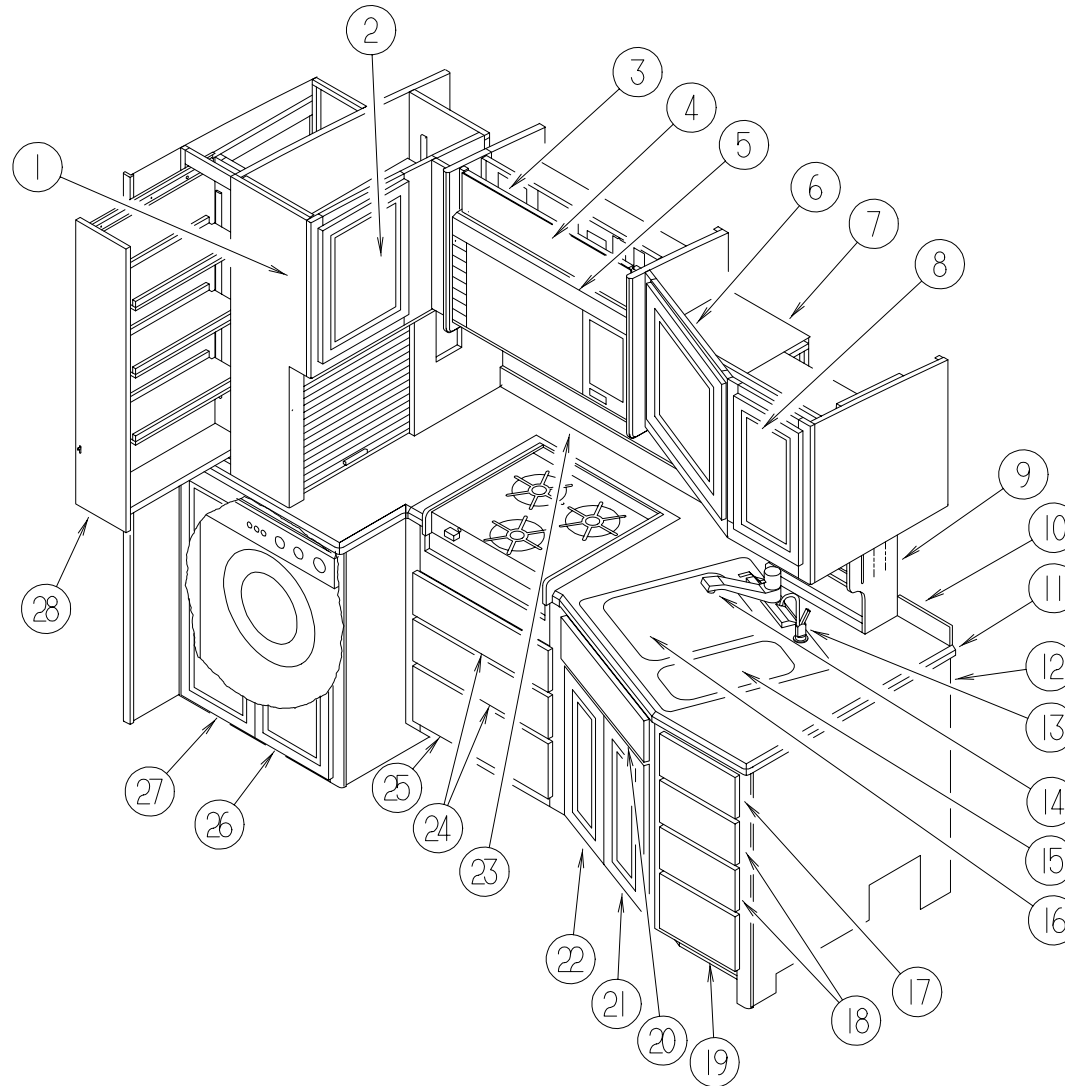


KEY	PART NUMBER	U/M	DESCRIPTION
17	P24108-07-JQ0	EA	DRAWER - OGEE EDGE - 10.8"W X 17.7"D - W/O SLIDES/HARDWARE (JQ0, JQ2, JQ4, JQ6)
17	P24108-07-HQ1	EA	DRAWER - OGEE EDGE - 10.8"W X 17.7"D - W/O SLIDES/HARDWARE (JQ1, JQ3, JQ5, JQ7)
17	100081-01-01A	EA	TRAY - SILVERWARE - 9" X 13.3" RUBBERMAID ALMOND PLASTIC
18	P24108-06-JQ0	EA	DRAWER - OGEE EDGE - 10.8"W X 17.7"D - W/O SLIDES/HARDWARE (JQ0, JQ2, JQ4, JQ6)
18	P24108-06-HQ1	EA	DRAWER - OGEE EDGE - 10.8"W X 17.7"D - W/O SLIDES/HARDWARE (JQ1, JQ3, JQ5, JQ7)
19	P24108-05-JQ0	EA	DRAWER - OGEE EDGE - 10.8"W X 17.7"D - W/O SLIDES/HARDWARE (JQ0, JQ2, JQ4, JQ6)
19	P24108-05-HQ1	EA	DRAWER - OGEE EDGE - 10.8"W X 17.7"D - W/O SLIDES/HARDWARE (JQ1, JQ3, JQ5, JQ7)
20	M06810-06-JQ0	EA	DRAWER - TIPOUT - W/O TRAY/HARDWARE
21	M08610-09-JQ0	EA	DOOR - STRAIGHT CORNER/OGEE EDGE - 11.4" X 21.8" - W/O HDW (JQ0, JQ2, JQ4, JQ6)
21	M08610-09-HQ1	EA	DOOR - STRAIGHT CORNER/OGEE EDGE - 11.4" X 21.8" - W/O HDW (JQ1, JQ3, JQ5, JQ7)
22	M08610-08-JQ0	EA	DOOR - STRAIGHT CORNER/OGEE EDGE - 11.4" X 21.8" - W/O HDW (JQ0, JQ2, JQ4, JQ6)
22	M08610-08-HQ1	EA	DOOR - STRAIGHT CORNER/OGEE EDGE - 11.4" X 21.8" - W/O HDW (JQ1, JQ3, JQ5, JQ7)
23	120445-01-GQ0	EA	COUNTERTOP - STOVE LID - 4.8" X 24.1" (JQ0, JQ1, JQ2, JQ3, JQ4, JQ5)
23	120445-01-JQ6	EA	COUNTERTOP - STOVE LID - 4.8" X 24.1" (JQ6, JQ7)

KEY	PART NUMBER	U/M	DESCRIPTION
24	120184-06-HQ4	EA	BACKSPLASH - COUNTERTOP - GALLEY (JQ0, JQ1, JQ2, JQ3, JQ4, JQ5)
24	120184-06-JQ6	EA	BACKSPLASH - COUNTERTOP - GALLEY (JQ6, JQ7)
25	M05992-K2-JQ0	EA	DOOR - OGEE EDGE - 12.4" X 33.4" - W/O HARDWARE (JQ0, JQ2, JQ4, JQ6)
25	M05992-K2-HQ1	EA	DOOR - OGEE EDGE - 12.4" X 33.4" - W/O HARDWARE (JQ1, JQ3, JQ5, JQ7)
26	M05992-K5-JQ0	EA	DOOR - OGEE EDGE - 12.4" X 33.4" - W/O HARDWARE (JQ0, JQ2, JQ4, JQ6)
26	M05992-K5-HQ1	EA	DOOR - OGEE EDGE - 12.4" X 33.4" - W/O HARDWARE (JQ1, JQ3, JQ5, JQ7)
27	P24108-10-JQ0	EA	DRAWER - OGEE EDGE - 23"W X 23.6"D - W/O SLIDES/HARDWARE (JQ0, JQ2, JQ4, JQ6)
27	P24108-10-HQ1	EA	DRAWER - OGEE EDGE - 23"W X 23.6"D - W/O SLIDES/HARDWARE (JQ1, JQ3, JQ5, JQ7)
28	M07411-17-JQ0	EA	DOOR - OGEE EDGE/LOUVERED - 32.2" X 12.2" - W/O HARDWARE (JQ0, JQ2, JQ4, JQ6)
28	M07411-17-HQ1	EA	DOOR - OGEE EDGE/LOUVERED - 32.2" X 12.2" - W/O HARDWARE (JQ1, JQ3, JQ5, JQ7)
29	M07411-18-JQ0	EA	DOOR - OGEE EDGE/LOUVERED - 32.2" X 12.2" - W/O HARDWARE (JQ0, JQ2, JQ4, JQ6)
29	M07411-18-HQ1	EA	DOOR - OGEE EDGE/LOUVERED - 32.2" X 12.2" - W/O HARDWARE (JQ1, JQ3, JQ5, JQ7)
30	122360-02-000	EA	SLIDE - PANTRY - W/O LOCK - RIGHT/LEFT HAND
30	122360-03-000	EA	SLIDE - PANTRY - W/LOCK - RIGHT HAND
30	M05992-K3-JQ0	EA	DOOR - STRAIGHT CORNER/OGEE EDGE - 8.5" X 41.9" - W/O HDW (JQ0, JQ2, JQ4, JQ6)
30	M05992-K3-HQ1	EA	DOOR - STRAIGHT CORNER/OGEE EDGE - 8.5" X 41.9" - W/O HDW (JQ1, JQ3, JQ5, JQ7)

## GALLEY GROUP (CONTINUED)

### CABINETS & FIXTURES - WASHER/DRYER

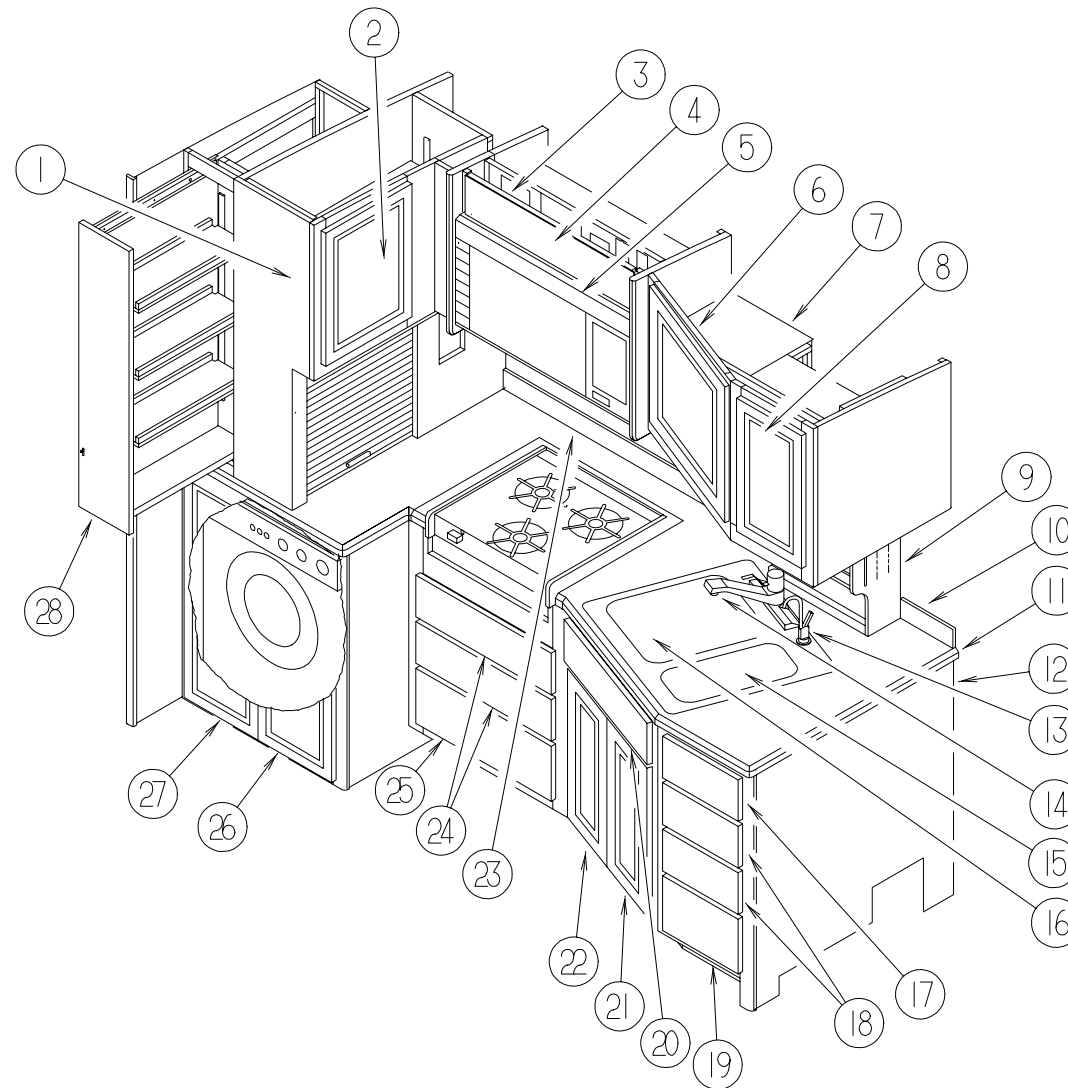


KEY	PART NUMBER	U/M	DESCRIPTION
1	123784-02-JQ0	EA	CABINET - PANTRY - W/O DOORS/HARDWARE (JQ0, JQ2, JQ4, JQ6)
1	123784-02-HQ1	EA	CABINET - PANTRY - W/O DOORS/HARDWARE (JQ1, JQ3, JQ5, JQ7)
2	M05992-K3-JQ0	EA	DOOR - STRAIGHT CORNER/OGEE EDGE - 8.5" X 41.9" - W/O HDW (JQ0, JQ2, JQ4, JQ6)
2	M05992-K3-HQ1	EA	DOOR - STRAIGHT CORNER/OGEE EDGE - 8.5" X 41.9" - W/O HDW (JQ1, JQ3, JQ5, JQ7)
3	100708-14-000	EA	DOOR - GLASS - TV CABINET - 5.7" X 28.5" - W/O HARDWARE
4	100710-04-02A	EA	LOCK - TWIST - BRASS
5	102482-08-GQ0	EA	FRAME - MICROWAVE
6	M08610-06-JQ0	EA	DOOR - STRAIGHT CORNER/OGEE EDGE - 11.2" X 19.6" - W/O HDW (JQ0, JQ2, JQ4, JQ6)
6	M08610-06-HQ1	EA	DOOR - STRAIGHT CORNER/OGEE EDGE - 11.2" X 19.6" - W/O HDW (JQ1, JQ3, JQ5, JQ7)
7	123771-01-JQ0	EA	CABINET - GALLEY OVERHEAD - W/O DOORS/HARDWARE (JQ0, JQ2, JQ4, JQ6)
7	123771-01-HQ1	EA	CABINET - GALLEY OVERHEAD - W/O DOORS/HARDWARE (JQ1, JQ3, JQ5, JQ7)
8	M08610-07-JQ0	EA	DOOR - STRAIGHT CORNER/OGEE EDGE - 11.2" X 19.6" - W/O HDW (JQ0, JQ2, JQ4, JQ6)
8	M08610-07-HQ1	EA	DOOR - STRAIGHT CORNER/OGEE EDGE - 11.2" X 19.6" - W/O HDW (JQ1, JQ3, JQ5, JQ7)

KEY	PART NUMBER	U/M	DESCRIPTION
9	123704-01-JQ0	EA	CABINET - SPICE RACK - W/O DOORS/HARDWARE (JQ0, JQ2, JQ4, JQ6)
9	123704-01-HQ1	EA	CABINET - SPICE RACK - W/O DOORS/HARDWARE (JQ1, JQ3, JQ5, JQ7)
10	120184-05-HQ4	EA	BACKSPLASH - COUNTERTOP - GALLEY (JQ0, JQ1, JQ2, JQ3, JQ4, JQ5)
10	120184-05-JQ6	EA	BACKSPLASH - COUNTERTOP - GALLEY (JQ6, JQ7)
11	123470-22-HQ4	EA	COUNTERTOP - GALLEY (JQ0, JQ1, JQ2, JQ3, JQ4, JQ5)
11	123470-22-JQ6	EA	COUNTERTOP - GALLEY (JQ6, JQ7)
12	123470-03-JQ0	EA	CABINET - GALLEY - W/COUNTERTOP - W/O DOORS/DRAWERS/HDW (JQ0, JQ2, JQ4)
12	123470-03-JQ1	EA	CABINET - GALLEY - W/COUNTERTOP - W/O DOORS/DRAWERS/HDW (JQ1, JQ3, JQ5)
12	123470-03-JQ6	EA	CABINET - GALLEY - W/COUNTERTOP - W/O DOORS/DRAWERS/HDW (JQ6)
12	123470-03-JQ7	EA	CABINET - GALLEY - W/COUNTERTOP - W/O DOORS/DRAWERS/HDW (JQ7)
12	123470-06-JQ0	EA	CABINET - GALLEY - W/COUNTERTOP - W/O DOORS/DRAWERS/HDW (JQ0, JQ2, JQ4)
12	123470-06-JQ1	EA	CABINET - GALLEY - W/COUNTERTOP - W/O DOORS/DRAWERS/HDW (JQ1, JQ3, JQ5)
12	123470-06-JQ6	EA	CABINET - GALLEY - W/COUNTERTOP - W/O DOORS/DRAWERS/HDW (JQ6)
12	123470-06-JQ7	EA	CABINET - GALLEY - W/COUNTERTOP - W/O DOORS/DRAWERS/HDW (JQ7)
13	103635-02-000	EA	FAUCET - WATER PURIFIER
14	110760-04-000	EA	POP-UP-FAUCET - POLISHED BRASS
15	091244-02-000	EA	SINK - DOUBLE BOWL - 25" X 22" - STAINLESS STEEL
	092303-01-000	EA	STRAINER - SINK

## GALLEY GROUP (CONTINUED)

### CABINETS & FIXTURES - WASHER/DRYER(CONTINUED)

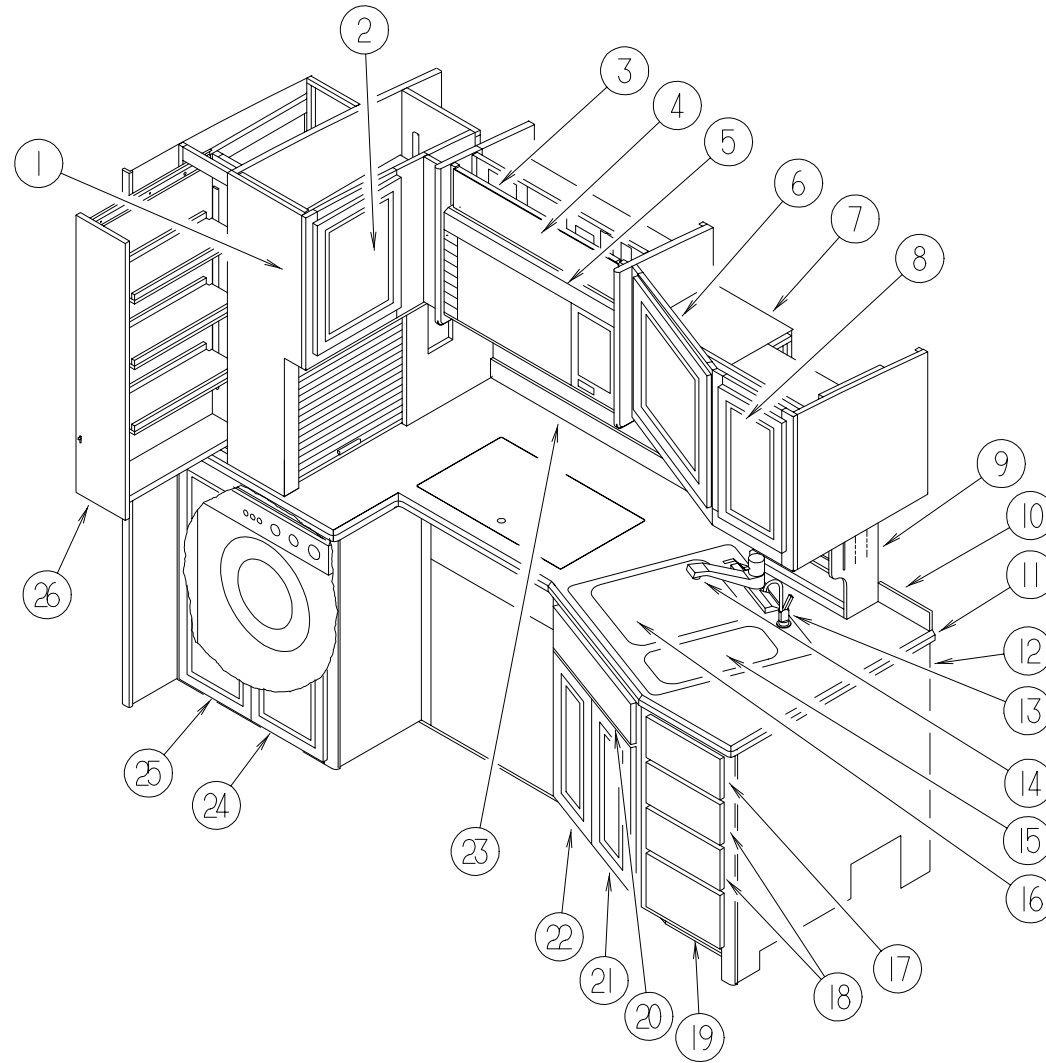


KEY	PART NUMBER	U/M	DESCRIPTION
16	107044-03-FQ4	EA	COVER - RECESSED SINK - 8.4" X 15.4" (JQ0,JQ1, JQ2, JQ3, JQ4, JQ5)
16	107044-03-JQ6	EA	COVER - RECESSED SINK - 8.4" X 15.4" (JQ6, JQ7)
17	P24108-07-JQ0	EA	DRAWER - OGEE EDGE - 10.8"W X 17.7"D - W/O SLIDES/HARDWARE (JQ0, JQ2, JQ4, JQ6)
17	P24108-07-HQ1	EA	DRAWER - OGEE EDGE - 10.8"W X 17.7"D - W/O SLIDES/HARDWARE (JQ1, JQ3, JQ5, JQ7)
17	100081-01-01A	EA	TRAY - SILVERWARE - 9" X 13.3" RUBBERMAID ALMOND PLASTIC
18	P24108-06-JQ0	EA	DRAWER - OGEE EDGE - 10.8"W X 17.7"D - W/O SLIDES/HARDWARE (JQ0, JQ2, JQ4, JQ6)
18	P24108-06-HQ1	EA	DRAWER - OGEE EDGE - 10.8"W X 17.7"D - W/O SLIDES/HARDWARE (JQ1, JQ3, JQ5, JQ7)
19	P24108-05-JQ0	EA	DRAWER - OGEE EDGE - 10.8"W X 17.7"D - W/O SLIDES/HARDWARE (JQ0, JQ2, JQ4, JQ6)
19	P24108-05-HQ1	EA	DRAWER - OGEE EDGE - 10.8"W X 17.7"D - W/O SLIDES/HARDWARE (JQ1, JQ3, JQ5, JQ7)
20	M06810-05-JQ0	EA	DRAWER - TIPOUT - W/O TRAY/HARDWARE (JQ0, JQ2, JQ4, JQ6)
20	M06810-05-HQ1	EA	DRAWER - TIPOUT - W/O TRAY/HARDWARE (JQ1, JQ3, JQ5, JQ7)
21	M08610-09-JQ0	EA	DOOR - STRAIGHT CORNER/OGEE EDGE - 11.4" X 21.8" - W/O HDW (JQ0, JQ2, JQ4, JQ6)
21	M08610-09-HQ1	EA	DOOR - STRAIGHT CORNER/OGEE EDGE - 11.4" X 21.8" - W/O HDW (JQ1, JQ3, JQ5, JQ7)
22	M08610-08-JQ0	EA	DOOR - STRAIGHT CORNER/OGEE EDGE - 11.4" X 21.8" - W/O HDW (JQ0, JQ2, JQ4, JQ6)
22	M08610-08-HQ1	EA	DOOR - STRAIGHT CORNER/OGEE EDGE - 11.4" X 21.8" - W/O HDW (JQ1, JQ3, JQ5, JQ7)

KEY	PART NUMBER	U/M	DESCRIPTION
23	120184-06-HQ4	EA	BACKSPLASH - COUNTERTOP - GALLEY (JQ0,JQ1, JQ2, JQ3, JQ4, JQ5)
23	120184-06-JQ6	EA	BACKSPLASH - COUNTERTOP - GALLEY (JQ6, JQ7)
24	P24108-09-JQ0	EA	DRAWER - OGEE EDGE - 20.8"W X 19.7"D - W/O SLIDES/HARDWARE (JQ0, JQ2, JQ4, JQ6)
24	P24108-09-HQ1	EA	DRAWER - OGEE EDGE - 20.8"W X 19.7"D - W/O SLIDES/HARDWARE (JQ1, JQ3, JQ5, JQ7)
25	P24108-08-JQ0	EA	DRAWER - OGEE EDGE - 20.8"W X 19.7"D - W/O SLIDES/HARDWARE (JQ0, JQ2, JQ4, JQ6)
25	P24108-08-HQ1	EA	DRAWER - OGEE EDGE - 20.8"W X 19.7"D - W/O SLIDES/HARDWARE (JQ1, JQ3, JQ5, JQ7)
26	M07411-17-JQ0	EA	DOOR - OGEE EDGE/LOUVERED - 32.2" X 12.2" - W/O HARDWARE (JQ0, JQ2, JQ4, JQ6)
26	M07411-17-HQ1	EA	DOOR - OGEE EDGE/LOUVERED - 32.2" X 12.2" - W/O HARDWARE (JQ1, JQ3, JQ5, JQ7)
27	M07411-18-JQ0	EA	DOOR - OGEE EDGE/LOUVERED - 32.2" X 12.2" - W/O HARDWARE (JQ0, JQ2, JQ4, JQ6)
27	M07411-18-HQ1	EA	DOOR - OGEE EDGE/LOUVERED - 32.2" X 12.2" - W/O HARDWARE (JQ1, JQ3, JQ5, JQ7)
28	122360-02-000	EA	SLIDE - PANTRY - W/O LOCK - RIGHT/LEFT HAND
28	122360-03-000	EA	SLIDE - PANTRY - W/LOCK - RIGHT HAND
28	M05992-K3-JQ0	EA	DOOR - STRAIGHT CORNER/OGEE EDGE - 8.5" X 41.9" - W/O HDW (JQ0, JQ2, JQ4, JQ6)
28	M05992-K3-HQ1	EA	DOOR - STRAIGHT CORNER/OGEE EDGE - 8.5" X 41.9" - W/O HDW (JQ1, JQ3, JQ5, JQ7)

## GALLEY GROUP (CONTINUED)

### CABINETS & FIXTURES - DISHWASHER

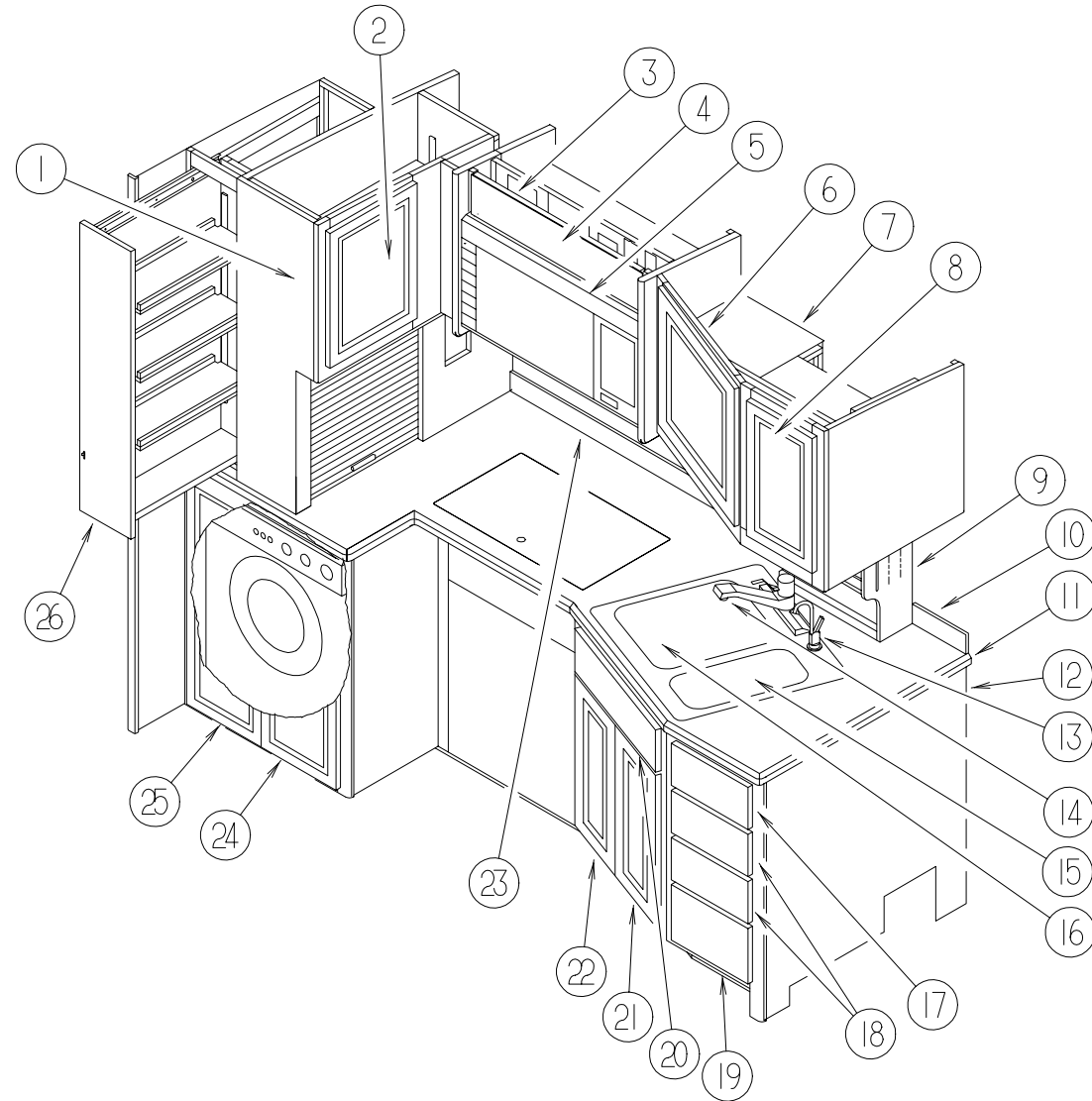


KEY	PART NUMBER	U/M	DESCRIPTION
1	123784-01-JQ0	EA	CABINET - PANTRY - W/O DOORS/DRAWERS/HARDWARE (JQ0, JQ2, JQ4, JQ6)
1	123784-01-HQ1	EA	CABINET - PANTRY - W/O DOORS/DRAWERS/HARDWARE (JQ1, JQ3, JQ5, JQ7)
2	M05992-K3-JQ0	EA	DOOR - STRAIGHT CORNER/OGEE EDGE - 8.5" X 41.9" - W/O HDW (JQ0, JQ2, JQ4, JQ6)
2	M05992-K3-HQ1	EA	DOOR - STRAIGHT CORNER/OGEE EDGE - 8.5" X 41.9" - W/O HDW (JQ1, JQ3, JQ5, JQ7)
3	100625-14-HQ0	EA	DOOR - OVERHEAD TV CABINET - W/O HARDWARE
3	100708-14-000	EA	DOOR - GLASS - TV CABINET - 5.7" X 28.5" - W/O HARDWARE
4	100710-04-02A	EA	LOCK - TWIST - BRASS
5	102482-08-GQ0	EA	FRAME - MICROWAVE
6	M08610-07-JQ0	EA	DOOR - STRAIGHT CORNER/OGEE EDGE - 11.2" X 19.6" - W/O HDW (JQ0, JQ2, JQ4, JQ6)
6	M08610-07-HQ1	EA	DOOR - STRAIGHT CORNER/OGEE EDGE - 11.2" X 19.6" - W/O HDW (JQ1, JQ3, JQ5, JQ7)
7	123771-01-JQ0	EA	CABINET - GALLEY OVERHEAD - W/O DOORS/HARDWARE (JQ0, JQ2, JQ4, JQ6)
7	123771-01-HQ1	EA	CABINET - GALLEY OVERHEAD - W/O DOORS/HARDWARE (JQ1, JQ3, JQ5, JQ7)
8	M08610-07-JQ0	EA	DOOR - STRAIGHT CORNER/OGEE EDGE - 11.2" X 19.6" - W/O HDW (JQ0, JQ2, JQ4, JQ6)
8	M08610-07-HQ1	EA	DOOR - STRAIGHT CORNER/OGEE EDGE - 11.2" X 19.6" - W/O HDW (JQ1, JQ3, JQ5, JQ7)

KEY	PART NUMBER	U/M	DESCRIPTION
9	123704-01-JQ0	EA	CABINET - SPICE RACK - W/O DOORS/HARDWARE (JQ0, JQ2, JQ4, JQ6)
9	123704-01-HQ1	EA	CABINET - SPICE RACK - W/O DOORS/HARDWARE (JQ1, JQ3, JQ5, JQ7)
10	120184-05-HQ4	EA	BACKSPLASH - COUNTERTOP - GALLEY (JQ0, JQ1, JQ2, JQ3, JQ4, JQ5)
10	120184-05-JQ6	EA	BACKSPLASH - COUNTERTOP - GALLEY (JQ6, JQ7)
11	123470-22-HQ4	EA	COUNTERTOP - GALLEY (JQ0, JQ1, JQ2, JQ3, JQ4, JQ5)
11	123470-22-JQ6	EA	COUNTERTOP - GALLEY (JQ6, JQ7)
12	123470-04-JQ0	EA	CABINET - GALLEY - W/COUNTERTOP - W/O DOORS/DRAWERS/HDW (JQ0, JQ2, JQ4, JQ6)
12	123470-04-JQ1	EA	CABINET - GALLEY - W/COUNTERTOP - W/O DOORS/DRAWERS/HDW (JQ1, JQ3, JQ5, JQ7)
13	103635-02-000	EA	FAUCET - WATER PURIFIER
14	110760-04-000	EA	POP-UP-FAUCET - POLISHED BRASS
15	091244-02-000	EA	SINK - DOUBLE BOWL - 25" X 22" - STAINLESS STEEL
	092303-01-000	EA	STRAINER - SINK
16	107044-03-FQ4	EA	COVER - RECESSED SINK - 8.4" X 15.4" (JQ0, JQ1, JQ2, JQ3, JQ4, JQ5)
16	107044-03-JQ6	EA	COVER - RECESSED SINK - 8.4" X 15.4" (JQ6, JQ7)
17	P24108-07-JQ0	EA	DRAWER - OGEE EDGE - 10.8"W X 17.7"D - W/O SLIDES/HARDWARE (JQ0, JQ2, JQ4, JQ6)
17	P24108-07-HQ1	EA	DRAWER - OGEE EDGE - 10.8"W X 17.7"D - W/O SLIDES/HARDWARE (JQ1, JQ3, JQ5, JQ7)
17	100081-01-01A	EA	TRAY - SILVERWARE - 9" X 13.3" RUBBERMAID ALMOND PLASTIC

## GALLEY GROUP (CONTINUED)

### CABINETS & FIXTURES - DISHWASHER (CONTINUED)



KEY	PART NUMBER	U/M	DESCRIPTION
18	P24108-06-JQ0	EA	DRAWER - OGEE EDGE - 10.8"W X 17.7"D - W/O SLIDES/HARDWARE (JQ0, JQ2, JQ4, JQ6)
18	P24108-06-HQ1	EA	DRAWER - OGEE EDGE - 10.8"W X 17.7"D - W/O SLIDES/HARDWARE (JQ1, JQ3, JQ5, JQ7)
19	P24108-05-JQ0	EA	DRAWER - OGEE EDGE - 10.8"W X 17.7"D - W/O SLIDES/HARDWARE (JQ0, JQ2, JQ4, JQ6)
19	P24108-05-HQ1	EA	DRAWER - OGEE EDGE - 10.8"W X 17.7"D - W/O SLIDES/HARDWARE (JQ1, JQ3, JQ5, JQ7)
20	M06810-06-JQ0	EA	DRAWER - TIPOUT - W/O TRAY/HARDWARE (JQ0, JQ2, JQ4, JQ6)
20	M06810-06-GV1	EA	DRAWER - OGEE EDGE - W/O TRAY/HARDWARE (JQ1, JQ3, JQ5, JQ7)
21	M08610-09-JQ0	EA	DOOR - STRAIGHT CORNER/OGEE EDGE - 11.4" X 21.8" - W/O HDW (JQ0, JQ2, JQ4, JQ6)
21	M08610-09-HQ1	EA	DOOR - STRAIGHT CORNER/OGEE EDGE - 11.4" X 21.8" - W/O HDW (JQ1, JQ3, JQ5, JQ7)
22	M08610-08-JQ0	EA	DOOR - STRAIGHT CORNER/OGEE EDGE - 11.4" X 21.8" - W/O HDW (JQ0, JQ2, JQ4, JQ6)
22	M08610-08-HQ1	EA	DOOR - STRAIGHT CORNER/OGEE EDGE - 11.4" X 21.8" - W/O HDW (JQ1, JQ3, JQ5, JQ7)

KEY	PART NUMBER	U/M	DESCRIPTION
23	120184-06-HQ4	EA	BACKSPLASH - COUNTERTOP - GALLEY (JQ0, JQ1, JQ2, JQ3, JQ4, JQ5)
23	120184-06-JQ6	EA	BACKSPLASH - COUNTERTOP - GALLEY (JQ6, JQ7)
24	M07411-17-JQ0	EA	DOOR - OGEE EDGE/LOUVERED - 32.2" X 12.2" - W/O HARDWARE (JQ0, JQ2, JQ4, JQ6)
24	M07411-17-HQ1	EA	DOOR - OGEE EDGE/LOUVERED - 32.2" X 12.2" - W/O HARDWARE (JQ1, JQ3, JQ5, JQ7)
25	M07411-18-JQ0	EA	DOOR - OGEE EDGE/LOUVERED - 32.2" X 12.2" - W/O HARDWARE (JQ0, JQ2, JQ4, JQ6)
25	M07411-18-HQ1	EA	DOOR - OGEE EDGE/LOUVERED - 32.2" X 12.2" - W/O HARDWARE (JQ1, JQ3, JQ5, JQ7)
26	122360-02-000	EA	SLIDE - PANTRY - W/O LOCK - RIGHT/LEFT HAND
26	122360-03-000	EA	SLIDE - PANTRY - W/LOCK - RIGHT HAND
26	M05992-K3-JQ0	EA	DOOR - STRAIGHT CORNER/OGEE EDGE - 8.5" X 41.9" - W/O HDW (JQ0, JQ2, JQ4, JQ6)
26	M05992-K3-HQ1	EA	DOOR - STRAIGHT CORNER/OGEE EDGE - 8.5" X 41.9" - W/O HDW (JQ1, JQ3, JQ5, JQ7)

## GENERATOR GROUP

### 7.5 KW ONAN MARQUIS GENERATOR

KEY	PART NUMBER	U/M	DESCRIPTION
	122425-01-000	EA	GENERATOR - DIESEL - 7.5
	117376-03-01A	EA	SLIDE - GENERATOR
	007125-03-000	EA	CLAMP - MUFFLER - 1.5" DIAMETER
	007131-01-000	EA	HANGER - TAILPIPE - 6 SLOTS
	106235-01-000	EA	ADAPTOR - GENERATOR EXHAUST
	116381-03-000	EA	PIPE - EXHAUST - GENERATOR
	115023-01-000	EA	ISOLATOR - RUBBER

NOTE: ADDITIONAL GENERATOR COMPONENTS ARE FOUND IN THE CHASSIS GROUP.

## HEATING & AIR CONDITIONING GROUP

### AUTO A/C & HEATER CONTROL PLENUM

KEY	PART NUMBER	U/M	DESCRIPTION	VENDOR NO.
	103930-36-000	EA	CONTROL/PLENUM - ROTARY CONTROL HEAD, SCS-093-00444	
	103930-02-707	EA	RELAY - BOSCH - W/RESISTER	031-0001
	103930-02-708	EA	MOTOR - VACUUM SERVO - A/C	030-0025
	103930-02-710	EA	CANISTER - VACUUM	054-0002
	103930-33-701	EA	MOTOR - VACUUM - 3 STAGE	030-0105
	103930-33-702	EA	CONTROL PANEL	083-0169
	103930-33-703	EA	VACUUM HARNESS	036-0466
	103930-33-705	EA	LIGHT BULBS	035-0030
	103930-33-707	EA	SWITCH - BLOWER	032-00066
	103930-33-708	EA	SWITCH - POTENTIOMETER	032-0184
	103930-33-709	EA	SWITCH - VACUUM	032-0183
	103930-33-710	EA	DECAL F/CONTROL HEAD	058-0102
	103930-33-711	EA	WIRE HARNESS - MAIN	036-0496
	103930-36-700	EA	ROD - DOOR - DEFROST	073-0061
	103930-36-701	EA	ROD - DOOR - AC	073-0062
	103930-37-000	EA	MANUAL - OWNERS - HEATER/A/C, SCS 057-00163	

### AUTO A/C & HEATER HOSE KIT

KEY	PART NUMBER	U/M	DESCRIPTION	VENDOR NO.
	103930-16-000	EA	HOSE KIT #12 389" R134A - SCS 093-00074	
	103930-07-704	EA	FITTING - QUICK CONNECT - #8	050-0081
	103930-13-702	EA	VALVE - SERVICE - W/O COMP.	050-0152
	103930-16-700	EA	HOSE ASM - #12 SPARTON	085-0120
	103930-17-702	EA	O'RING - #10	045-0127
	113245-01-710	EA	GASKET - #12	045-0128

### AUTO A/C CONDENSER

KEY	PART NUMBER	U/M	DESCRIPTION	VENDOR NO.
	072342-12-000	EA	CONDENSER - W/FAN SIDE	SCS 091-00024
	072342-08-703	EA	FAN BLADE/MOTOR & SHROUD 11"	062-0097
	072342-10-702	EA	FITTING - QUICK CONNECT#4 MALE	050-0148
	072342-10-704	EA	VALVE - SERVICE - #8X8	050-0134
	072342-12-700	EA	COIL - CONDENSER	040-0027
	072342-12-701	EA	HOSE ASM - #8 CONDENSER/COMP	085-0142
	072342-12-702	EA	HOSE ASM - #6 EVAPORATOR/DRIER	085-0143
	072342-12-703	EA	RECEIVER DRIER	054-0001
	113245-01-707	EA	O'RING - #8	045-0126
	113245-01-711	EA	O'RING - #6	045-0129

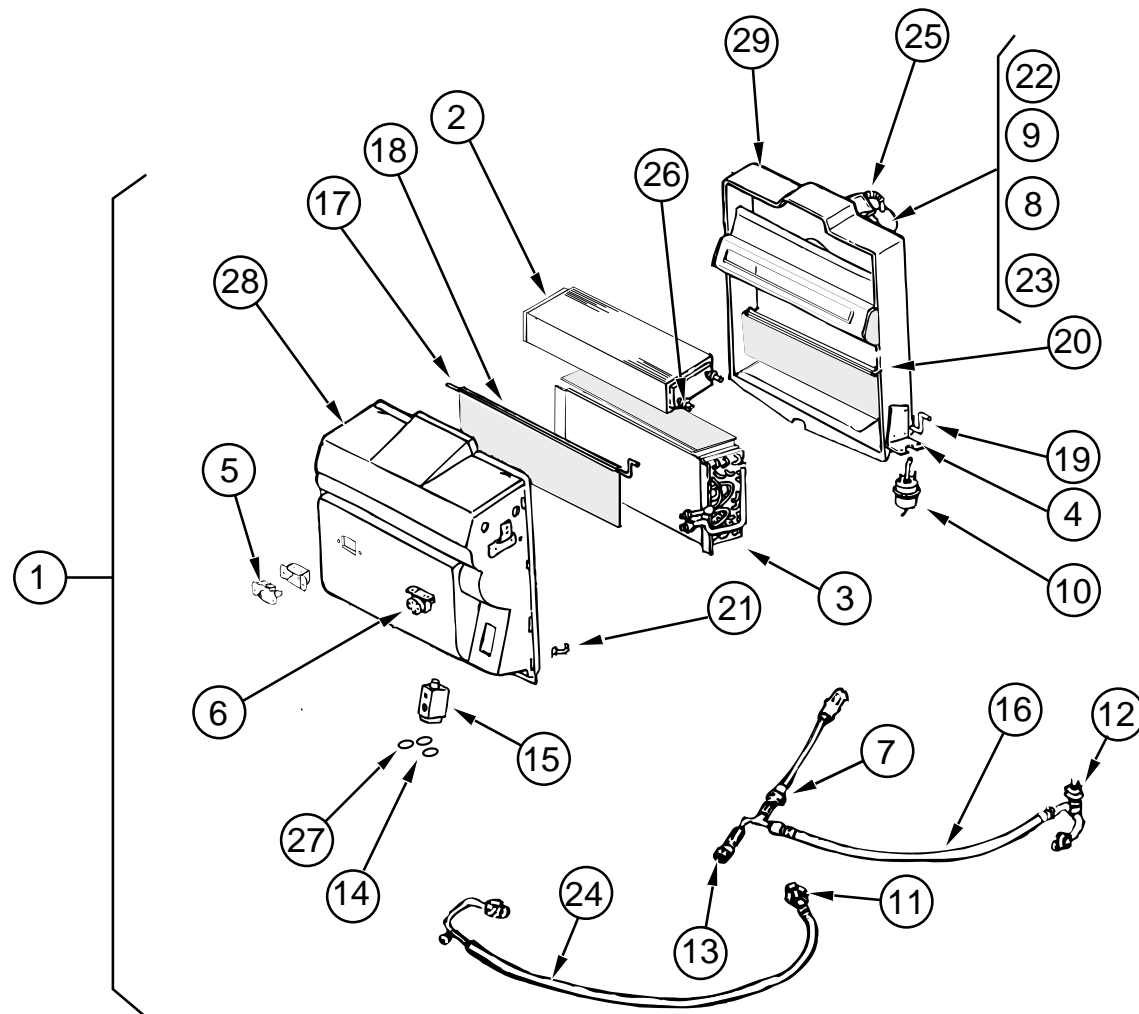
### AUTO A/C & HEATER VACUUM PUMP

KEY	PART NUMBER	U/M	DESCRIPTION
	114802-01-000	EA	PUMP - VACUUM - 12V 16"HG - EVANS RV212471



## HEATING & AIR CONDITIONING GROUP (CONTINUED)

### AUTO A/C & HEATER EVAPORATOR



KEY	PART NUMBER	U/M	DESCRIPTION	VENDOR NO.
1	103930-32-000	EA	EVAPORATOR/HEATER- FRTLINER/SPARTAN-SERVO MOTOR CONTROLLED	
2	103930-01-703	EA	CORE - HEATER	042-0010
3	103930-01-704	EA	COIL - EVAPORATOR	041-0017
4	103930-01-708	EA	BRACKET - VACUUM MOTOR	070-0113
5	103930-01-710	EA	RESISTOR - FUSED - A/C	035-0006
6	103930-01-711	EA	THERMOSTAT	033-0003
7	103930-01-716	EA	SWITCH - PRESSURE - FAN	032-0036
8	103930-01-717	EA	WHEEL - BLOWER - CLOCKWISE	062-0010
9	103930-30-706	EA	MOTOR - BLOWER W/PIGTAIL HARNESS	030-0109
10	103930-01-709	EA	MOTOR - VACUUM SERVO - A/C	030-0025
11	103930-06-700	EA	FITTING - QUICK CONNECT - #8	050-0082
12	103930-12-708	EA	SWITCH - BINARY - HI-LOW CUTOUT	032-0048
13	103930-12-709	EA	FITTING - QUICK CONNECT	050-0120
14	103930-17-702	EA	O'RING #10	045-0127
15	103930-20-700	EA	VALVE - EXPANSION - BLOCK - 2 TON	034-0032
16	103930-20-701	EA	HOSE ASM #6 EVAPORATOR/DRIER085-0138	
17	103930-20-702	EA	ROD - DOOR - BLEND AIR	073-0039
18	103930-20-703	EA	DOOR - BLEND AIR	071-0212
	103930-30-702	EA	BUSHING - BLEND AIR DOOR	062-0168
19	103930-20-704	EA	ROD - DOOR - RECIRCULATING	073-0018
20	103930-20-705	EA	PANEL - DOOR - RECIRCULATING	071-0213
21	103930-20-706	EA	CLIP - RETAINER	022-0057
22	103930-20-707	EA	HOUSING - BLOWER	062-0145
23	103930-20-708	EA	CLIP - MOTOR SHAFT	022-0001
24	103930-22-700	EA	HOSE ASM #10 EVAPORATOR/COMP	085-0141
25	110279-01-703	EA	HOSE-VENT F/BLOWER MOTOR	051-0034
26	110279-01-712	EA	FITTING - HEATER	050-0076
27	113245-01-707	EA	GASKET - #8	045-0126
28	103930-30-700	EA	CASE - FRONT	062-0542
29	103930-20-711	EA	CASE - BACK	062-0147
	103930-24-000	EA	VALVE - WATER CONTROL - 4 PORT VACUUM CONTROLLED	
	103930-30-701	EA	PLATE - MOTOR MOUNT	062-0544
	103930-30-703	EA	MOTOR - SERVO	030-0104
	103930-30-704	EA	COVER - SERVO	062-0545

### AUTO A/C & HEAT SYSTEM COMPONENTS

KEY	PART NUMBER	U/M	DESCRIPTION
	103930-37-000	EA	MANUAL - OWNERS - HEATER/A/C - SCS 057-00163
	007281-01-000	EA	HOSE - FLEXIBLE PVC - 2.5" ID X 50'
	024990-07-000	EA	OUTLET - DEFROSTER - W/SWIVEL - 2"
	024990-05-000	EA	OUTLET - DEFROSTER - 4" DIAMETER W/SWIVEL DEFLECTORS
	007076-01-000	EA	HOSE - FLEXIBLE PVC - 2" ID - INCREMENTS OF 50'
	056402-06-000	EA	BRACKET - HEATER/BLACK
	077075-01-000	EA	GASKET - INSTRUMENT PANEL TO DEFROSTER PLENUM
	007108-01-000	EA	HOSE - HEATER - 5/8" ID - HI-TEMP - FORD
	076776-01-000	EA	TEE - BEADED - 5/8" X 5/8" X 5/8"
	103017-01-000	EA	PLENUM - DEFROSTER
	103558-01-08A	EA	VENT - DEFROSTER - 2" X 14.4" X 1.4" - HAMPTON TAN
	103796-01-01A	EA	LOUVER - A/C
	077539-01-000	EA	BRACKET - MOUNTING/DASH PANEL - L/SHAPED - 2.5"X1"X1.5"

## HEATING & AIR CONDITIONING GROUP (CONTINUED)

### SUBURBAN MODEL SF-42 227 FURNACE

KEY	PART NUMBER	U/M	DESCRIPTION	VENDOR NO.
*	098668-22-000	EA	FURNACE - 40,000 BTU - SF-42 227	

\* **COMPONENT PARTS FOUND IN SERVICE PARTS LIBRARY**

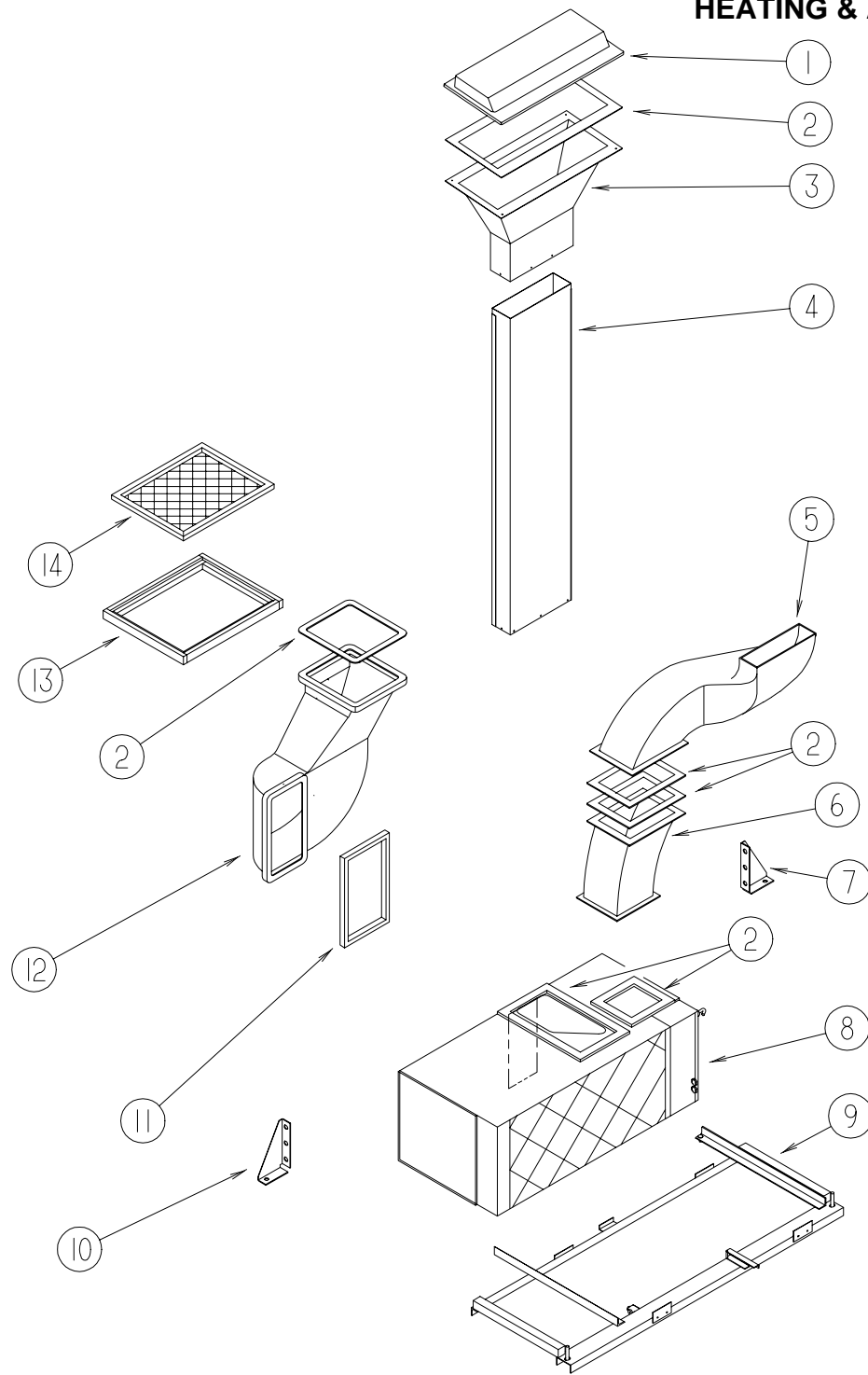
## HEATING & AIR CONDITIONING GROUP (CONTINUED)

### HEATING SYSTEM COMPONENTS

KEY	PART NUMBER	U/M	DESCRIPTION
	093614-02-02A	EA	GRILL - RETURN AIR - 19H-8X8BR-RAG
	093614-03-02A	EA	GRILLE - RETURN AIR - 19H-14X8BR-RA
	056464-12-000	EA	REGISTER - 4" DIAMETER - PLASTIC - W/O DAMPENER - OFF WHT
	093614-08-01A	EA	GRILL - RETURN AIR - 19V-8X12W
	094600-05-01A	EA	REGISTER - HEAT - W/O DAMPER - 11.3" - BEIGE
	098668-14-000	EA	GASKET - FIBERGLASS - .5" X 18" X 18"
	094600-06-01A	EA	REGISTER W/DAMPER-3.6" X 11.3" FACE/2.1" X 9.9" RO-BEIGE
	094600-08-01A	EA	REGISTER W/DAMPER-3.6" X 11.3" FACE/2.1" X 9.9" RO-BEIGE
	079059-02-000	EA	HOSE - 90 DEGREE - .61" ID X 4" X 6"

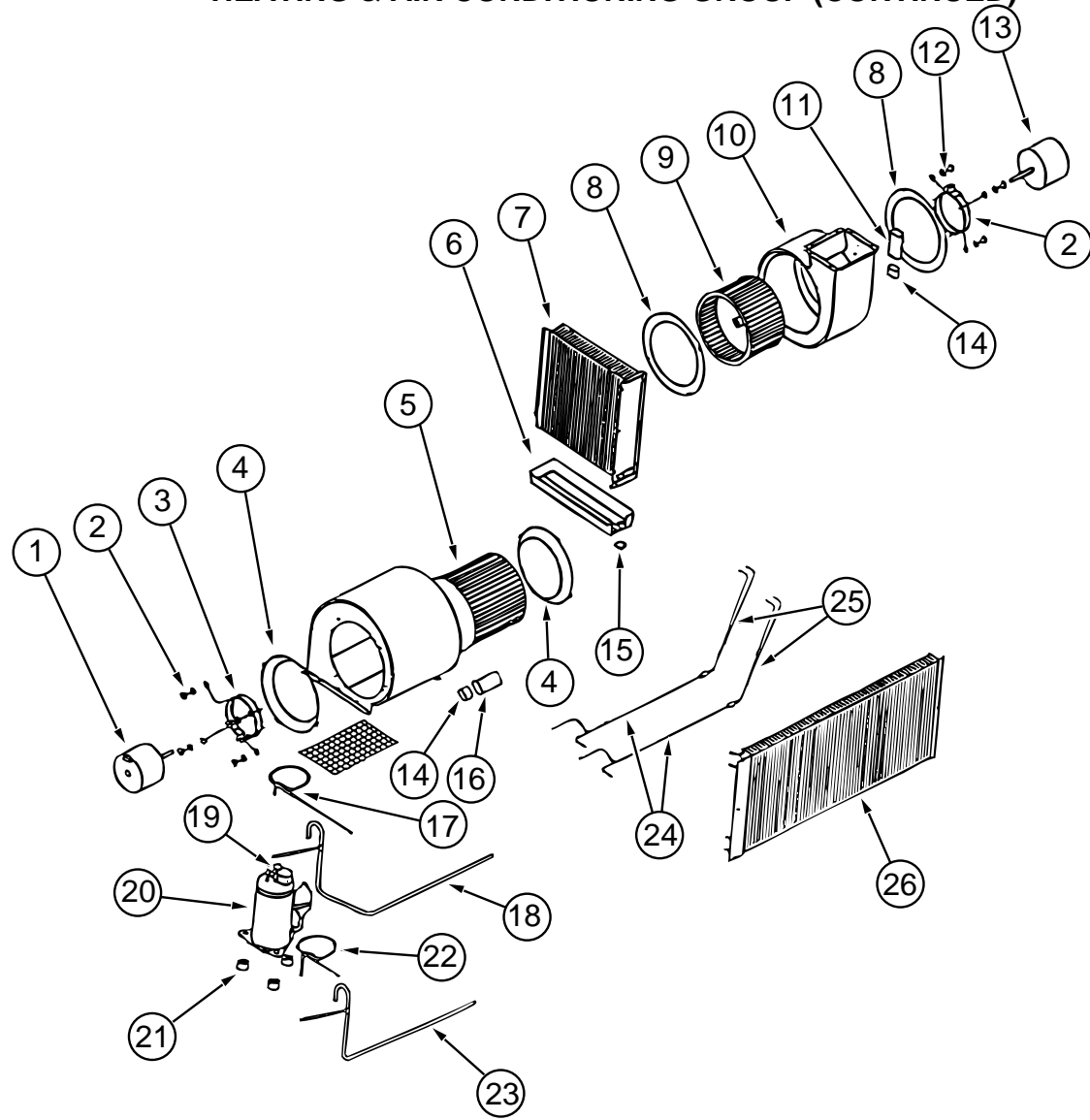
# HEATING & AIR CONDITIONING GROUP (CONTINUED)

## CENTRAL A/C SYSTEM



KEY	PART NUMBER	U/M	DESCRIPTION
1	109009-01-000	EA	DEFLECTOR - A/C - ROOF
2	105290-01-000	SF	INSULATION - AIR POCKET W/FOIL
3	P12759-01-FQ0	EA	PLENUM - A/C - SUPPORT - UPPER
4	109017-01-000	EA	PLENUM ASSEMBLY - A/C - SUPPLY
5	117326-01-000	EA	DUCT - CENTRAL AIR - FORCED/UPPER
6	117325-01-000	EA	DUCT - CENTRAL AIR - FORCED/LOWER
7	108975-01-000	EA	BRACKET - A/C SUPPORT - RIGHT HAND
8	105620-08-000	EA	A/C - CENTRAL PACKAGE UNIT - RIGHT HAND
9	117667-01-02B	EA	CRADLE - A/C
10	108975-02-000	EA	BRACKET - A/C SUPPORT - LEFT HAND
11	105290-01-000	FT	I103930-32-000INSULATION - AIR POCKET W/FOIL
12	117327-01-000	EA	DUCT - CENTRAL AIR - RETURN
13	109859-01-000	EA	FRAME ASSEMBLY - FILTER - A/C
14	109050-02-000	EA	FILTER - FIBERGLASS - 1" X 14" X 20"
	105620-09-000	EA	THERMOSTAT - A/C & FURNACE - HORIZONTAL MOUNT 4.25" X 2.5"
	105620-07-000	EA	WIRE ASSEMBLY - THERMOSTAT
	120134-01-02A	EA	REGISTER - 4" TO 5" IN DIAMETER W/DAMPER
	090340-01-000	FT	SEAL - FOAM - CLOSED CELL - 1/4" X 1/2" X 50'
	104692-01-000	FT	SEAL - FOAM/ADHESIVE BACK - .75"THICK X .75"WIDE X 25'

### HEATING & AIR CONDITIONING GROUP (CONTINUED)



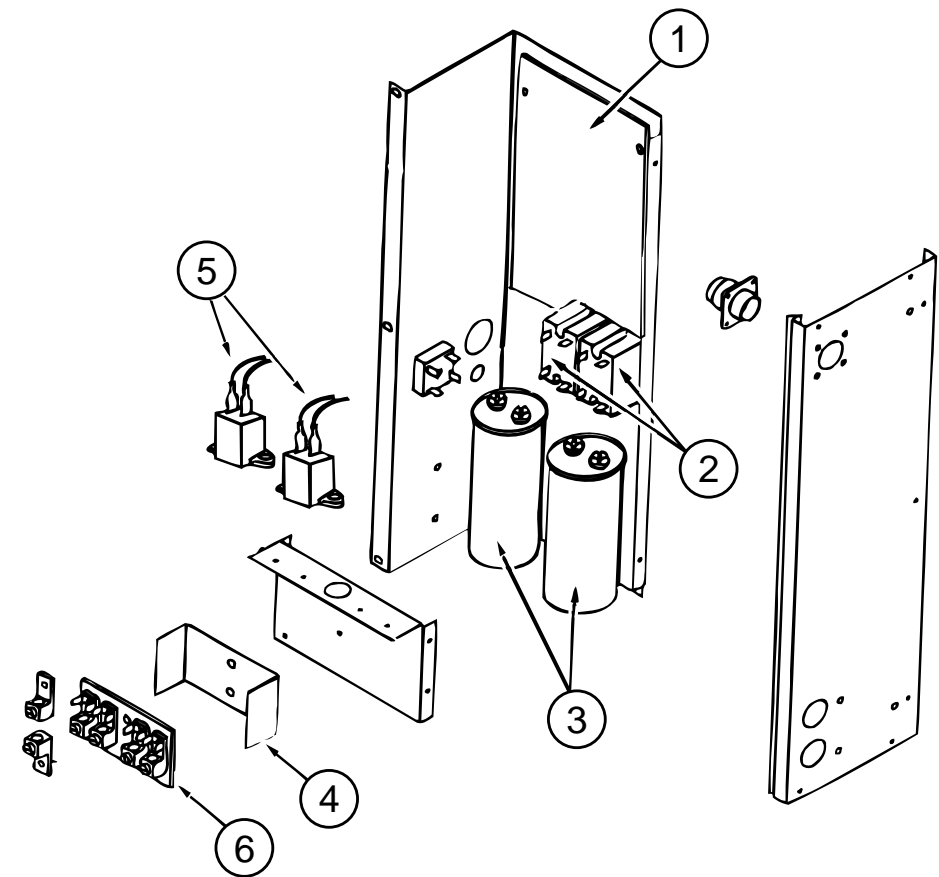
**CENTRAL A/C PACKAGE UNIT**

KEY	PART NUMBER	U/M DESCRIPTION	VENDOR NO.
1	105620-01-717	EA MOTOR - BLOWER - O.D	1468-3029
2	105620-01-716	EA SLEEVE & GROMMET, 4 PER PKG	6795-3031
3	105620-01-715	EA MOUNT - BLOWER - O.D.	6795-3011
4	105620-01-714	EA VENTURI - BLOWER - O.D.	6795-150
5	105620-01-713	EA WHEEL - BLOWER - O.D.	1472-101
6	105620-01-702	EA PAN - DRAIN - RH	6795-125
7	105620-01-701	EA COIL - EVAPORATOR - RH	1452-1411
8	105620-01-722	EA VENTURI-BLOWER, I.D.	6795-151
9	105620-01-713	EA WHEEL - BLOWER - I.D	1472-1011
10	105620-01-720	EA HOUSING - BLOWER - I.D.	6795-518
11	093763-01-704	EA CAPACITOR - FAN	1499-5461
12	105620-01-723	EA MOUNT - MOTOR - BLOWER - I.D.	6795-3021
13	105620-01-724	EA MOTOR - BLOWER - I.D. - REVERSIBLE	1468-312
14	105620-01-719	EA BOOT - CAPACITOR -RUBBER	1499-950
15	105620-01-703	EA VALVE - DRAIN - RH & LH	6795-300
16	105620-01-718	EA CAPACITOR - FAN - 12.5 MFD/370V	1499-5631
17	105620-01-708	EA LINE - DISCHARGE CKT.#2 (RH)	6795-133

### HEATING & AIR CONDITIONING GROUP (CONTINUED)

#### CENTRAL A/C PACKAGE UNIT (CONTINUED)

KEY	PART NUMBER	U/M DESCRIPTION	VENDOR NO.
18	105620-02-703	EA LINE ASSEMBLY - SUCTION - CKT#2 (LH)	6795-507
19	105620-01-705	EA PROTECTOR - OVERLOAD - RH & LH	6759-3791
20	105620-01-704	EA COMPRESSOR - TECUMSEH A/C - 2 TON & CENTRAL AIR	RK157 AT-010A4
21	105620-01-706	EA MOUNTING PACKAGE - COMPRESSOR - 3/PKG	6759-3081
22	105620-01-710	EA LINE ASM - SUCTION - CKT.#1 - (RH)	6795-134
23	105620-01-709	EA LINE ASSEMBLY - SUCTION #1 - RH	6795-506
24	105620-01-711	EA LINE ASSEMBLY - LIQUID - RH	6795-509
25	105620-01-712	EA CAP TUBE ASSEMBLY - DISTRIBUTOR - R&L	6795-5141
26	105620-01-700	EA COIL - CONDENSER - RH	1452-1401
	105620-01-721	EA WHEEL - BLOWER - I.D.	1472-1001
	105620-07-000	EA WIRE ASSEMBLY - THERMOSTAT	
	120134-01-02A	EA REGISTER - 4" TO 5" IN DIAMETER W/DAMPER	

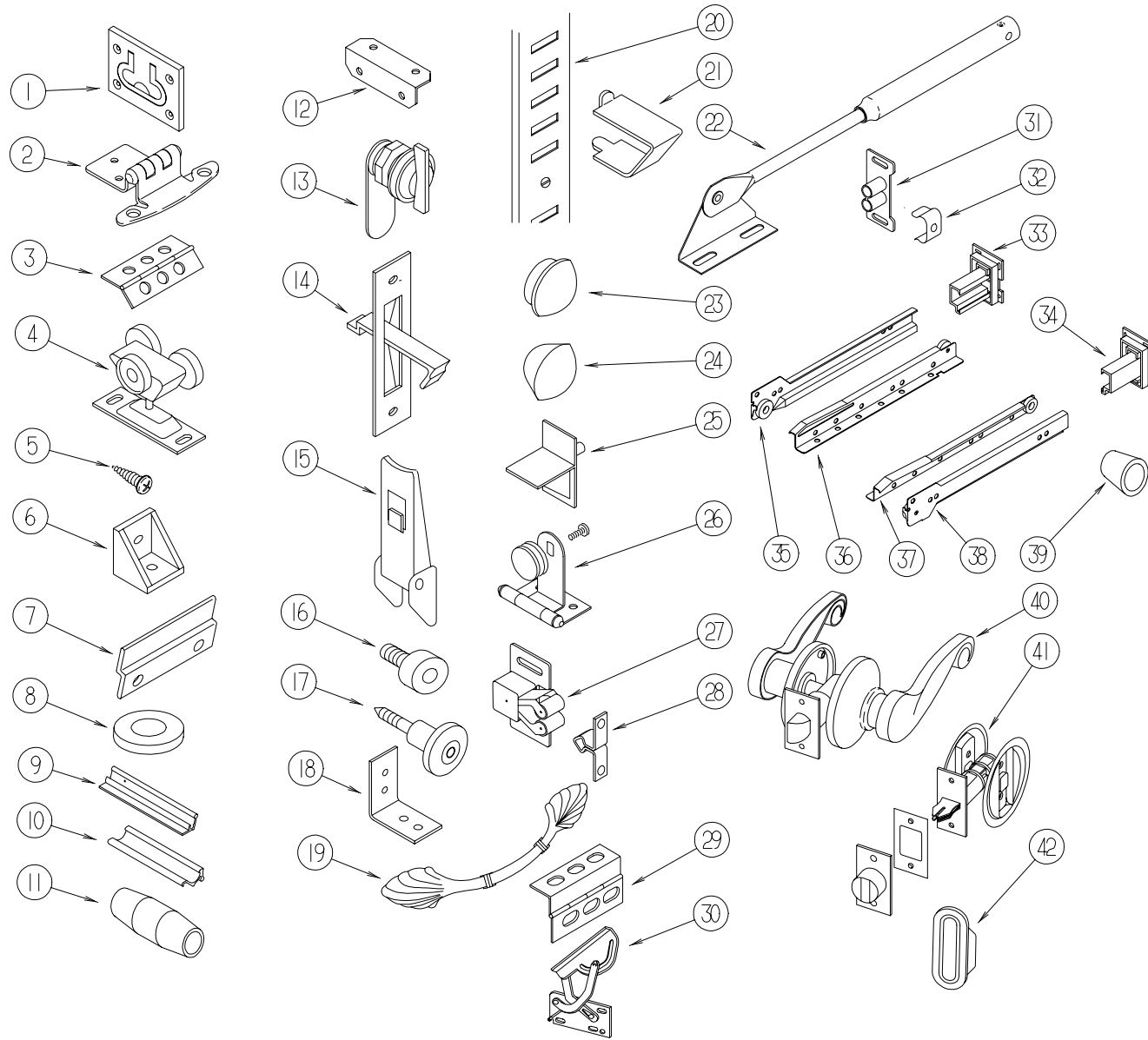


**WIRE BOX FOR CENTRAL A/C PACKAGE UNIT**

KEY	PART NUMBER	U/M DESCRIPTION	VENDOR NO.
1	105620-05-700	EA BOARD - PRINTED CIRCUIT - 2 TON	6795-3201
2	105620-01-729	EA RELAY - COMPRESSOR	1460-1011
3	108889-01-707	EA CAPACITOR - RUN - COMPRESSOR - 25MFD/370	1499-5661
4	105620-01-733	EA ISOLATOR - HIGH VOLTAGE	6795-117
5	105620-01-739	EA ASSIST-START	1497-9011
6	105620-01-738	EA BOARD-TERMINAL, HIGH VOLTAGE	6795-315

# INTERIOR FINISH GROUP

## CABINET HARDWARE



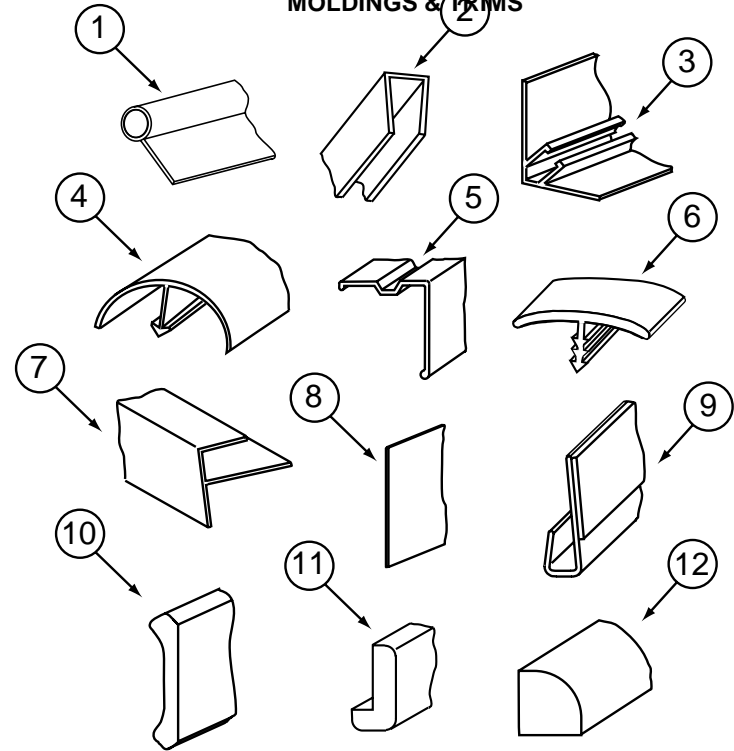
KEY	PART NUMBER	U/M	DESCRIPTION
12	016604-01-000	EA	BRACE - CABINET - ANGLE - 2.5" - UNPAINTED METAL
12	016604-05-000	EA	BRACE - CABINET - ANGLE - 2.5" - OFF WHITE METAL
13	100710-04-02A	EA	LOCK - TWIST - BRASS
14	113130-01-01A	EA	PULL - DOOR POCKET
15	116975-01-01A	EA	LATCH - W/O STRIKE - BLACK - NEW STYLE
16	079921-01-000	EA	ROLLER - NYLON - W/STEEL SHAFT - BARBED
17	113800-01-000	EA	KNOB - CABINET - BRASS
18	110643-01-000	EA	ANGLE - FORMED W/HOLES
19	117923-01-01A	EA	PULL - CABINET - BURNISHED BRASS
20	098980-02-000	EA	PILASTER - ADJUSTABLE SHELF - 12"
20	098980-05-000	EA	PILASTER - ADJUSTABLE SHELF - 15"
20	098980-06-000	EA	PILASTER - ADJUSTABLE SHELF - 24"
21	098979-01-000	EA	CLIP - ADJUSTABLE SHELF
22	074493-03-000	EA	SUPPORT - PISTON SPRING - CABINET DOOR
23	074045-08-000	EA	PLUG - OAK - 1/2" DIAMETER - SALEM CHERRY
24	042356-01-000	EA	PLUG - BUTTON - MAHOGANY - 3/8" DIAMETER - WOOD
25	092907-01-000	EA	SUPPORT - SHELF - PIN - 1/4" - CLEAR PLASTIC
26	100711-01-01A	EA	HINGE - GLASS DOOR
27	093586-06-000	EA	CATCH - SPRING - ROLLER
28	093586-05-000	EA	STRIKE - SPRING STEEL
29	118802-01-01A	EA	HINGE - DOOR/CABINET OVERHEAD
29	118802-01-02A	EA	HINGE - DOOR/CABINET OVERHEAD
30	108126-01-000	EA	TRAY HINGE SET (QTY. 2 PER SET)
31	009021-01-000	EA	CATCH - GRILLE - NYLON
32	009021-02-000	EA	STRIKE - SPRING STEEL
33	114045-01-000	EA	BACKSOCKET - ADJUSTABLE LEFT
34	114045-02-000	EA	BACKSOCKET - ADJUSTABLE RIGHT
35	114031-03-000	EA	SLIDE - 12" - LEFT SIDE/DRAWER
35	114031-05-000	EA	SLIDE - 14" - LEFT SIDE/CABINET
36	114031-13-000	EA	SLIDE - 18" - LEFT SIDE/CABINET
36	114031-15-000	EA	SLIDE - 18" - LEFT SIDE/DRAWER
36	114031-19-000	EA	SLIDE - 20" - LEFT SIDE/DRAWER
36	114031-27-000	EA	SLIDE - 24" - LEFT SIDE/DRAWER
37	114031-14-000	EA	SLIDE - 18" - RIGHT SIDE/CABINET
37	114031-16-000	EA	SLIDE - 18" - RIGHT SIDE/DRAWER
37	114031-20-000	EA	SLIDE - 20" - RIGHT SIDE/DRAWER
37	114031-28-000	EA	SLIDE - 24" - RIGHT SIDE/DRAWER
38	114031-04-000	EA	SLIDE - 12" - RIGHT SIDE/DRAWER
38	114031-06-000	EA	SLIDE - 14" - RIGHT SIDE/CABINET
39	004354-01-000	EA	BUMPER - RUBBER - .5" DIA - BROWN
40	124104-01-01A	EA	LOCKSET - PRIVACY
40	124104-05-01A	EA	LOCKSET - PRIVACY - RIGHT HAND - POLISHED BRASS
41	112845-01-000	EA	LATCH - DOOR POCKET
42	098410-01-01A	EA	PULL - FINGER - BRASS
	042438-01-000	EA	DOWEL - WOOD - CLOTHES ROD - 1" DIAMETER X 4'
	023320-01-000	EA	PAD - FELT 3/8" DIAMETER
	009112-01-000	EA	FLANGE - PLASTIC - 1" CLOTHES ROD - OFF WHITE
	124685-01-01A	EA	HINGE - DOOR
	M97191-01-E41	EA	HANDLE - TAMBOUR DOOR

KEY	PART NUMBER	U/M	DESCRIPTION
1	072871-01-000	EA	PULL - FLUSH - CHROME
2	108138-01-000	EA	HINGE - CABINET DOOR - BURNISHED BRASS
3	041389-25-000	EA	HINGE - PIANO - 1.50" X 55"
3	041389-18-000	EA	HINGE - PIANO - 1.50" X 19" - OFF WHITE
4	103874-01-000	EA	HANGER - SLIDING DOOR
5	000G13-06-08G	EA	SCREW - 6-20 X .50 PFH - ANTIQUE BRASS
6	065740-01-000	EA	BRACE - CABINET/CORNER - PLASTIC
7	101272-01-000	EA	CATCH - GLASS DOOR
8	100707-01-000	EA	SPACER - GLASS DOOR - .8" DIA - .3" HOLE - PLASTIC
9	110107-01-04A	EA	PULL - DOOR - TERRATONE
10	110108-01-04A	EA	LATCH - DOOR - TERRATONE
11	114130-02-000	EA	BALLS - SPACER - DOOR

FROM 00-00-00 THRU 05-31-98  
FROM 06-01-98 THRU 99-99-99

**INTERIOR FINISH GROUP (CONTINUED)**

**MOLDINGS & TRIMS**



KEY	PART NUMBER	U/M DESCRIPTION
1	009767-12-000	FT WELTING - SIDEWALL/CEILING/CABINET - OFF/WHT
2	070504-30-000	FT U-CHANNEL - PLASTIC - .13" X 84" - CHERRY
2	070504-50-000	FT U-CHANNEL - PLASTIC - .13" X 84" - WASHED MAPLE
3	081521-02-007	EA MOUNT - METAL MOLDING - F/RADIUS CORNER MOLDING - 12/5" EA
4	042357-19-000	EA MOLDING - CORNER - RADIUS/PLASTIC - CHERRY
4	042357-25-000	EA MOLDING - CORNER - RADIUS/PLASTIC - WASHED MAPLE
5	093873-01-01A	EA TRIM - CARPET - L-ANGLE 1.1" X 1.3" X 12' - GRAY VINYL
6	105709-01-000	FT MOLDING-T - 1" - MODERN IVORY
7	009812-26-000	EA MOLDING - PLASTIC - 1/2" O/S CORNER - CHERRY
7	042357-25-000	EA MOLDING - CORNER - RADIUS/PLASTIC - WASHED MAPLE
	009812-33-000	EA MOLDING - CORNER - 1/2" W/1/4" CHAN X 84" - WASHED MAPLE
8	101957-01-04A	EA EXTRUDED - PLASTIC - SALEM CHERRY
9	109332-02-01A	FT TRIM-J - W/O ADHESIVE - BRASS
9	109332-02-03A	FT TRIM-J - W/O ADHESIVE - SALEM CHERRY
9	109332-02-05A	FT TRIM-J - W/O ADHESIVE - WASHED MAPLE
10	113794-01-02A	FT MOLDING - CROWN - CHERRY
10	113794-02-02A	FT MOLDING - CROWN CHERRY
10	113794-02-03A	FT MOLDING - CROWN MAPLE
11	077840-01-J70	EA MOLDING - CAP/WALL - 8' WASHED MAPLE
11	077840-01-E41	EA MOLDING - CAP/WALL - 8' SALEM CHERRY
12	109410-16-FQ1	EA MOLDING - TRIM - SALEM CHERRY
12	109410-16-JQ0	EA MOLDING - TRIM - WASHED MAPLE
	076325-73-000	FT MOLDING - EDGE BAND - .93" X .024"
	080176-06-000	EA CAP - CORNER - RADIUS CORNER - PLASTIC - CHERRY
	080176-08-000	EA CAP - CORNER - RADIUS MOLDING - PLASTIC - WASHED MAPLE
	120492-01-02A	FT STRIP - TRIM - SALEM CHERRY
	085284-97-000	FT BATT TAPE - ADHESIVE BACKED - WOODGRAINED/SALEM CHERRY
	085284-F5-000	FT BATT TAPE - ADHESIVE BACKED - WASHED MAPLE
	085284-B2-000	FT BATT TAPE - ADHESIVE BACKED - DECORATIVE-SOLITUDE/PROVENCE
	085284-F5-000	FT BATT TAPE - ADHESIVE BACKED - WASHED MAPLE
	120492-01-06A	FT STRIP - TRIM - WASHED MAPLE
	100182-10-J70	EA TRIM - RAIL
	100182-10-E41	EA TRIM - RAIL - SALEM CHERRY
	104676-01-01A	EA MOLDING-T - 5/16" RIGID GOLD
	070504-50-000	FT U-CHANNEL - PLASTIC - .13" X 84" - WASHED MAPLE
	077840-01-J70	EA MOLDING - CAP/WALL - 8' WASHED MAPLE
	077840-01-E41	EA MOLDING - CAP/WALL - 8' SALEM CHERRY
	116280-02-J70	EA MOLDING - CAP - WASHED MAPLE
	116280-02-GV1	EA MOLDING - CAP - SALEM CHERRY

**INTERIOR FINISH GROUP (CONTINUED)**

**PANELING, LAMINATES, & PLASTIC**

KEY	PART NUMBER	U/M DESCRIPTION
	000846-01-000	SF PLYWOOD - 5/16" X 48" X 96" - CD GRADE
	000846-02-000	SF PLYWOOD/UNDERLAYMENT - 5/16" X 48" X 96"
	000885-71-000	SF PARTICLE BOARD - 3/8" X 48" X 96" - CHERRY/VINYL 1 SIDED
	000885-73-000	SF PARTICLE BOARD - 3/4" X 48" X 96" - CHERRY/VINYL 2 SIDED
	000885-74-000	SF PARTICLE BOARD - 3/8" X 48" X 98" - CHERRY/VINYL 2 SIDED
	000885-89-000	SF PARTICLE BOARD-3/8" X 48" X 96" - WASHED MAPLE - 2-SIDED
	000885-91-000	SF PARTICLE BOARD-3/4" X 48" X 96" - WASHED MAPLE - 2-SIDED
	074497-23-000	SF PANELING - CHERRY - 1/8" X 48" X 96"
	074497-39-000	SF PANELING - WASHED MAPLE - 4' X 8'
	074498-58-000	SF LAMINATE - PLASTIC - CHERRY - 5' X 8' - INC OF 40 SF
	074498-82-000	SF LAMINATE - PLASTIC - WASHED MAPLE - 5' X 8'
	074498-40-000	SF LAMINATE - PLASTIC - OFF WHITE - 5' X 8'
	079666-03-000	SF PANELING - CLOSET - CEDAR - .12" X 48" X 84"
	080215-09-000	SF PANELING - 2 SIDED - .2" X 48" X 96" - CHERRY
	083618-07-000	SF PLYWOOD - MAPLE - 1 SIDE 3/16"
	085217-16-003	EA COUNTERTOP - SIERRA BURNT AMBER
	088272-F1-000	SF PANELING - EMPIRE - BISQUE - 4' X 7'
	088272-E1-000	SF PANELING - SOLITUDE - PROVENCE - 4' X 7'
	126205-D2-438	EA LUMBER - VINYL WRAPPED - WASHED MAPLE - .7" X 1.5" X 96"
	126205-G2-438	EA LUMBER - VINYL WRAPPED - WASHED MAPLE - .7" X 3" X 96"
	057882-04-700	EA DOOR-TAMBOUR 4'X4' PC WINONA PART SALES
	085217-12-000	SF COUNTERTOP - SIERRA AURORA - 1/2"
	085217-16-003	EA COUNTERTOP - SIERRA BURNT AMBER
	085217-18-000	SF COUNTERTOP - SIERRA AURORA - 1/4"

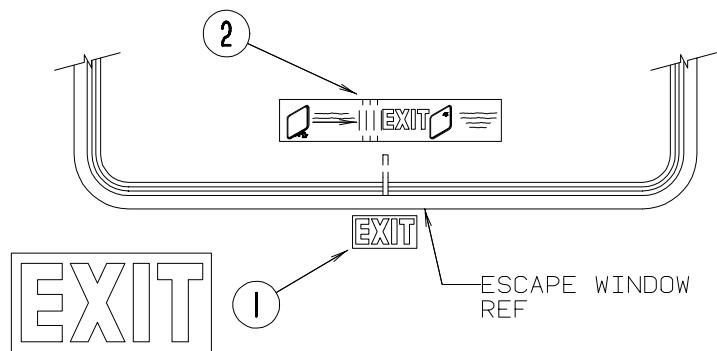
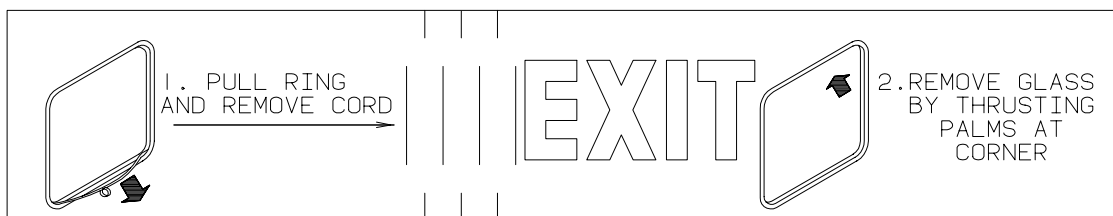
**FLOOR COVERINGS & MATS**

KEY	PART NUMBER	U/M DESCRIPTION
	093486-01-000	SY CARPET - COMPARTMENT - 72" WIDE - DARK GRAY
	096060-D3-000	SY CARPET - MEGATREND - DOVE GREY (JQ0,JQ1)
	096060-D4-000	SY CARPET - SEA ISLAND - WINTER MOSS (JQ2,JQ3)
	096060-D5-000	SY CARPET-SEA ISLAND,GULF MIST (JQ4,JQ5)
	096060-D6-000	SY CARPET - SEA ISLAND - BUCKINGHAM (JQ6,JQ7)
	108152-01-000	EA MAT - FLOOR - PASSENGER
	108152-02-000	EA MAT - FLOOR - DRIVER
	123994-01-05A	EA TILE - FLOOR - CERAMIC - 13" X 13" - CALCIT (JQ0,JQ1,JQ6, JQ7)
	123994-01-02A	EA TILE - FLOOR - CERAMIC - 13" X 13" - PRAIRIE (JQ2,JQ3)
	123994-01-04A	EA TILE - FLOOR - CERAMIC - 13" X 13" - CLIFF (JQ4,JQ5)
	123995-01-000	EA ADHESIVE - TILE - FLOOR
	123995-02-000	EA ADDITIVE - ADHESIVE - FLOOR TILE

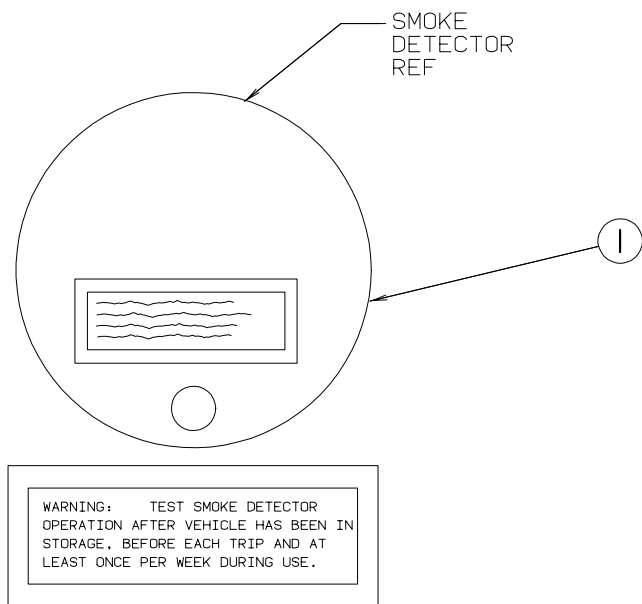
**FIRE EXTINGUISHER, DETECTORS, CLOCK & HANDRAIL**

KEY	PART NUMBER	U/M DESCRIPTION	VENDOR NO.
	094499-01-000	EA EXTINGUISHER/FIRE - DRY W/MOUNTING BRACKET	
	094499-02-000	EA EXTINGUISHER/FIRE - DRY - 1A10BC - CANADIAN	
	094499-01-700	EA BRACKET - MOUNTING - W/PLASTIC STRAP	294039
	094499-01-701	EA STRAP ONLY (METAL)	320351
	072852-01-000	EA DETECTOR - SMOKE - W/9 VOLT BATTERY - US	
	072852-02-000	EA DETECTOR - SMOKE - W/9/VOLT BATTERY - CANADIAN	
	103613-03-000	EA DETECTOR - LP GAS - W/O SHUT-OFF VALVE	
	090939-02-000	EA DETECTOR-LP GAS W/SOLENOID	
	125136-01-000	EA DETECTOR - CO - GAS - MODEL 9L-I	
	123577-01-01A	EA HANDRAIL - ASSIST - ENTRANCE	

**LABELS GROUP**



KEY	PART NUMBER	U/M DESCRIPTION
1	039290-01-000	EA LABEL - WARNING - EXIT
2	107571-01-000	EA LABEL - EXIT/ESCAPE WINDOW



KEY	PART NUMBER	U/M DESCRIPTION
1	077956-01-000	EA LABEL - WARNING - SMOKE DETECTOR

**LABELS GROUP (CONTINUED)**

MAIN	REFRIG/MICRO
	A/C CIRCUIT 1
MAIN	A/C CIRCUIT 2
	GENERAL RECPS
GFI # 1	WASHER/DRYER
GFI # 2	
CONVERTER/ GENERAL RECPS DISHWASHER	CONVERTER/ GENERAL RECPS

KEY	PART NUMBER	U/M DESCRIPTION
1	095721-09-000	EA LABEL-CONTROL CENTER (50A)

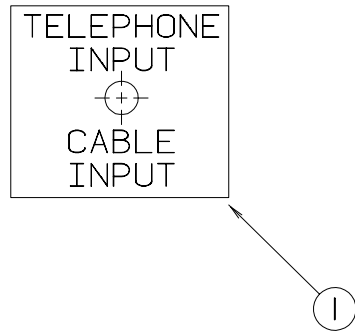
30	15	15	15	15	20
M A I N	I D C I E S H M W A A K S E H R E /	M I C R O W A V E	R E C E P T A C L E	R E C E P T A C L E	R E C E P T A C L E

KEY	PART NUMBER	U/M DESCRIPTION
1	095721-12-000	EA LABEL-CONTROL CENTER - 30A - W/INVERTER

**LABELS GROUP (CONTINUED)**

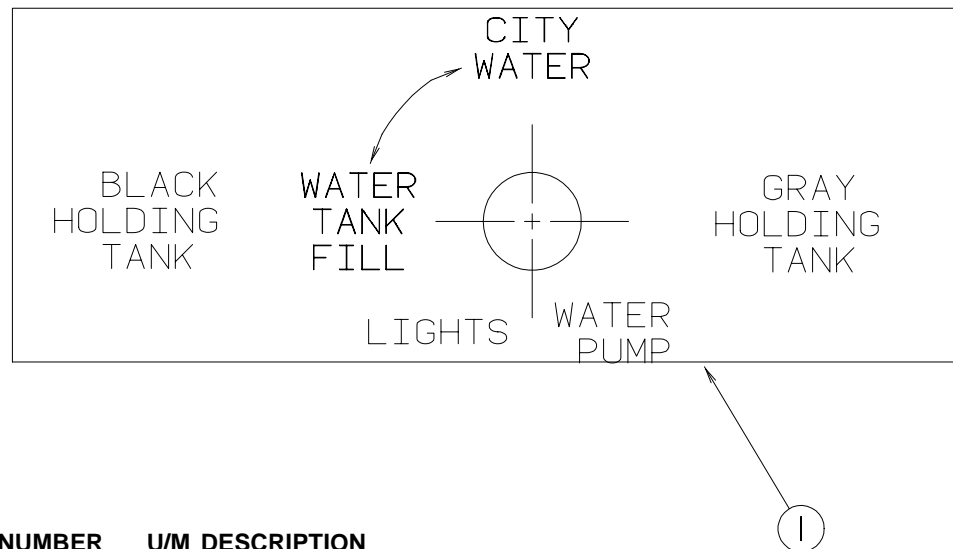


KEY	PART NUMBER	U/M DESCRIPTION
1	114867-01-000	EA LABEL-CITY WATER FILL



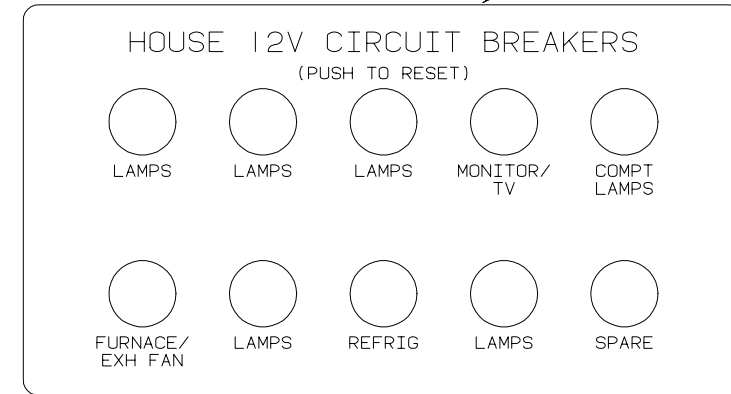
KEY	PART NUMBER	U/M DESCRIPTION
1	114866-01-000	EA LABEL - PHONE - 7 CABLE INPUT
1	126155-01-000	EA LABEL - PHONE - 7 CABLE INPUT

FROM: 00-00-00 THRU: 01-09-97  
FROM: 01-10-97 THRU: 99-99-99

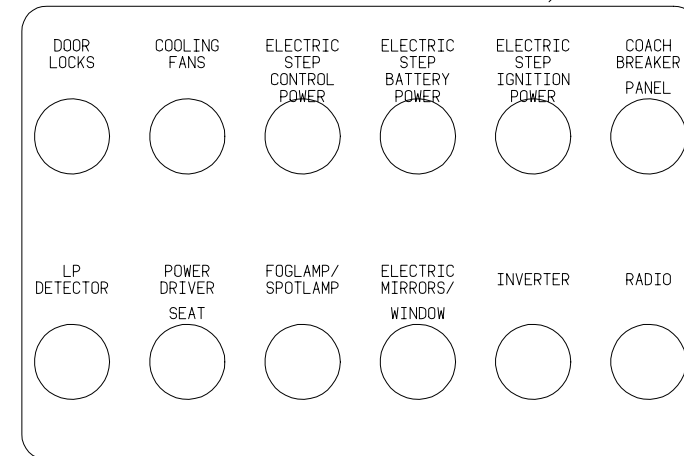


KEY	PART NUMBER	U/M DESCRIPTION
1	126157-01-000	EA LABEL-WATER PUMP/FILL

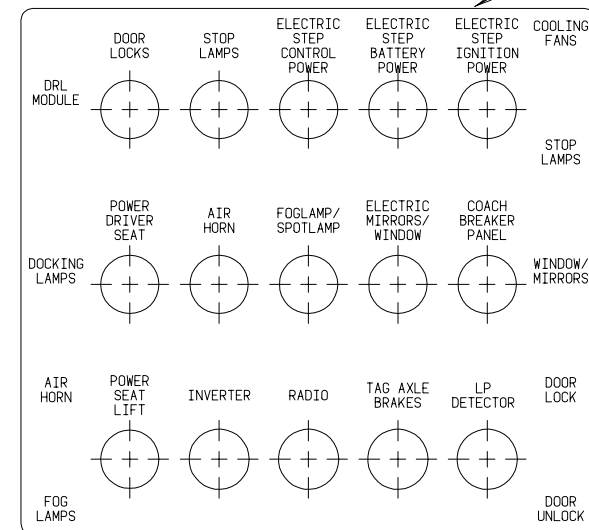
**LABELS GROUP (CONTINUED)**



KEY	PART NUMBER	U/M DESCRIPTION
1	092547-04-000	EA LABEL-CIRCUIT BREAKER



KEY	PART NUMBER	U/M DESCRIPTION
1	093236-11-000	EA LABEL-CIRCUIT BREAKER



KEY	PART NUMBER	U/M DESCRIPTION
1	093236-12-000	EA LABEL-CIRCUIT BREAKER



**LABELS GROUP (CONTINUED)**

(I)

NOTE: TUNE ANTENNA PER MANUFACTURER'S DIRECTIONS. FAILURE TO COMPLY COULD RESULT IN DAMAGE TO CB.	<b>CB POWER PROVISION</b> RED +12 V BLACK GROUND COAX ANTENNA (SEE REVERSE ALSO)
---	--

KEY	PART NUMBER	U/M DESCRIPTION
1	104678-01-000	EA LABEL - CB PREP

(I)

<b>WARNING</b> MUST BE STOWED IN LATCHED POSITION WHILE VEHICLE IS IN MOTION
---

KEY	PART NUMBER	U/M DESCRIPTION
1	079966-01-000	EA LABEL - WARNING - STOWED - MOTION

**LABELS GROUP (CONTINUED)**

(I)

**CAUTION**

THIS MOTOR HOME HAS BEEN DESIGNED, MANUFACTURED AND TESTED WITH CONCERN FOR THE PROTECTION OF IT'S OCCUPANTS. WE RECOMMEND YOU PERFORM THE FOLLOWING INSPECTIONS FOR YOUR SAFETY AND THE SAFETY OF YOUR PASSENGERS BEFORE STARTING YOUR VEHICLE.

1. LP GAS SYSTEM- TURN OFF AT TANK FOR TRAVELING. TEST FOR LEAKS UPON ARRIVAL AT DESTINATION. BEFORE LIGHTING PILOTS.
2. WHEELS- INSPECT FOR DAMAGE AND CHECK LUG NUTS FOR TIGHTNESS.
3. TIRES- INSPECT FOR WEAR AND DAMAGE AND CHECK FOR RECOMMENDED AIR PRESSURE.
4. LIGHTING- TEST FOR PROPER OPERATION OF ALL INTERIOR AND EXTERIOR LIGHTS INCLUDING DASH LIGHTS, HEADLIGHTS, TAIL LIGHTS, BRAKE LIGHTS, CLEARANCE LIGHTS AND TURN SIGNALS.
5. EXITS- INSPECT RELEASE MECHANISM ON EMERGENCY EXIT WINDOW. TEST BOTH LOCKS ON MAIN ENTRANCE DOOR FOR EASE OF OPERATION AND INSTRUCT PASSENGERS HOW TO USE BOTH MEANS OF EXIT.
6. SEAT BELTS- DIRECT PASSENGERS TO DESIGNATED SEATS AND REQUIRE USE OF SEAT BELTS.
7. APPLIANCES- TURN OFF AND LATCH OR LOCK DOORS WHERE PROVIDED.
8. LOOSE PARCELS- STORE SECURELY.
9. UTILITY SUPPLY LINES- DISCONNECT ALL ELECTRIC, SEWER AND WATER LINES AND SECURE PROPERLY.
10. ENTRANCE DOOR STEP- PLACE IN RETRACTED POSITION FOR TRAVELING.

READ YOUR MOTOR HOME AND CHASSIS OWNER'S MANUAL FOR FURTHER PRECAUTIONS

KEY	PART NUMBER	U/M DESCRIPTION
1	056259-01-000	EA LABEL - SAFETY CHECK LIST

(I)

<b>WARNING: CONTAINS "CFC" A SUBSTANCE WHICH HARMS PUBLIC HEALTH AND ENVIRONMENT BY DESTROYING OZONE IN THE UPPER ATMOSPHERE.</b>
---

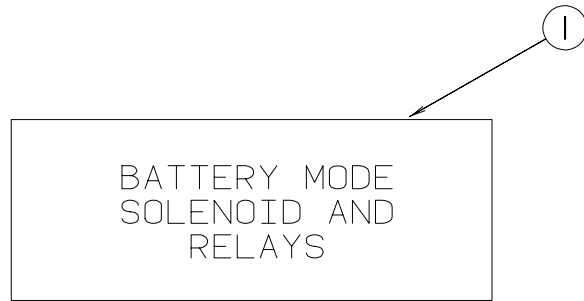
KEY	PART NUMBER	U/M DESCRIPTION
1	111802-01-000	EA LABEL - CFC WARNING

(I)

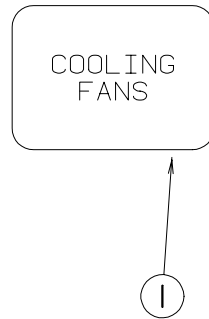
<b>WARNING</b> THIS VEHICLE, LIKE OTHER VEHICLES, MAY CONTAIN SMALL AMOUNTS OF ONE OR MORE SUBSTANCES WHICH ARE LISTED BY THE STATE OF CALIFORNIA FOR CAUSING CANCER OR REPRODUCTIVE TOXICITY.
---

KEY	PART NUMBER	U/M DESCRIPTION
1	099689-01-000	EA LABEL-WARNING, CANCER/TOXICITY

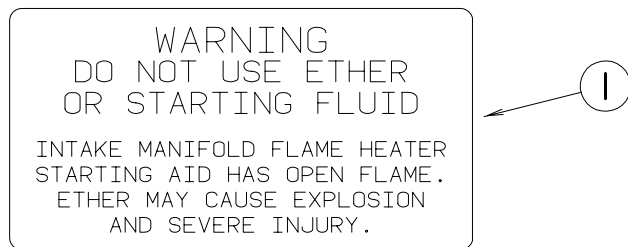
**LABELS GROUP (CONTINUED)**



**KEY PART NUMBER U/M DESCRIPTION**  
 1 098379-04-000 EA LABEL - ELECTRICAL BOX - SIDE

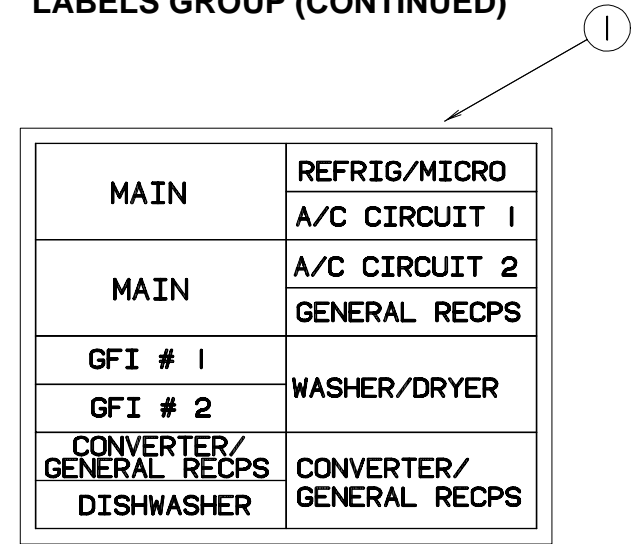


**KEY PART NUMBER U/M DESCRIPTION**  
 1 093237-10-000 EA LABEL - CIRCUIT BREAKER - FRONT - COOLING FANS

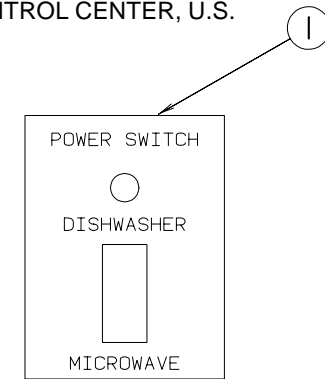


**KEY PART NUMBER U/M DESCRIPTION**  
 1 116756-01-000 EA LABEL - WARNING - ETHER/STARTING

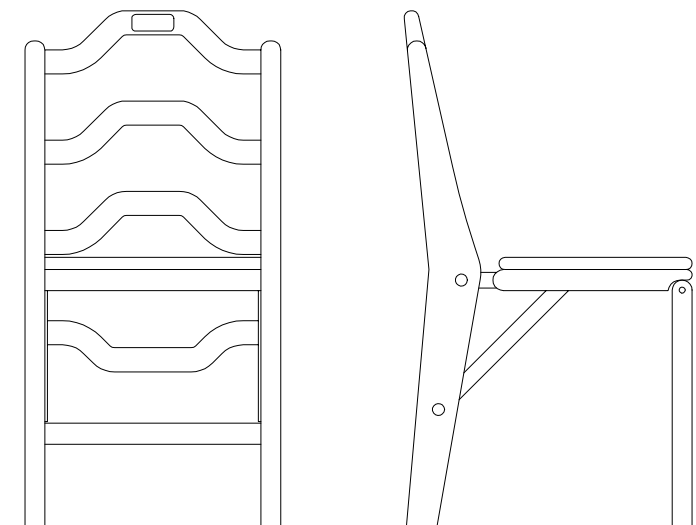
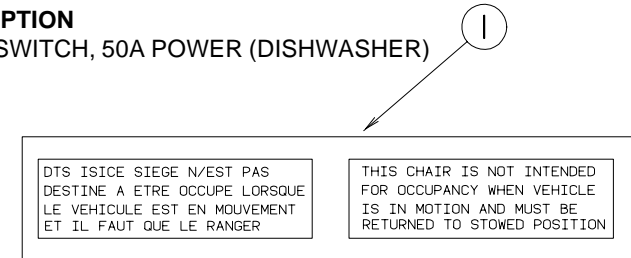
**LABELS GROUP (CONTINUED)**



**KEY PART NUMBER U/M DESCRIPTION**  
 1 095721-07-000 EA LABEL-CONTROL CENTER, U.S.

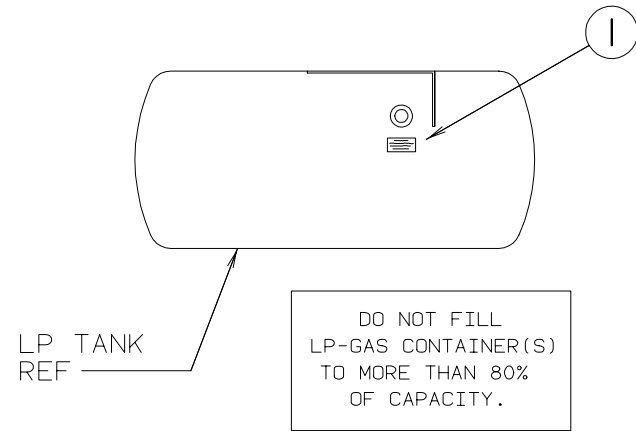


**KEY PART NUMBER U/M DESCRIPTION**  
 1 109051-02-000 EA LABEL-SWITCH, 50A POWER (DISHWASHER)



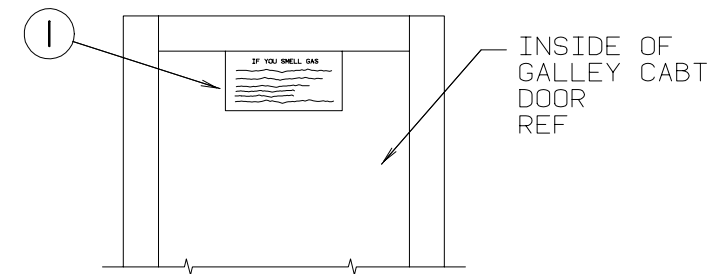
**KEY PART NUMBER U/M DESCRIPTION**  
 1 102267-01-000 EA LABEL - NO OCCUPANCY - UL  
 2 102267-02-000 EA LABEL - NO OCCUPANCY - CSA

**LABELS GROUP (CONTINUED)**



KEY	PART NUMBER	U/M DESCRIPTION
1	079965-01-000	EA LABEL - LPG - 80% CAPACITY

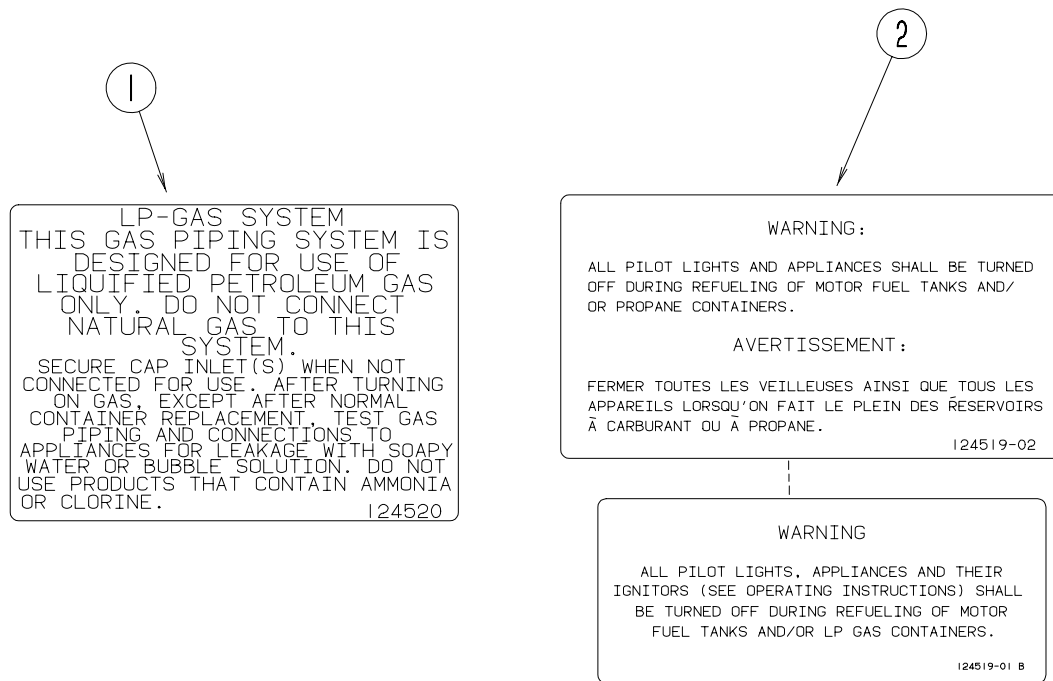
**LABELS GROUP (CONTINUED)**



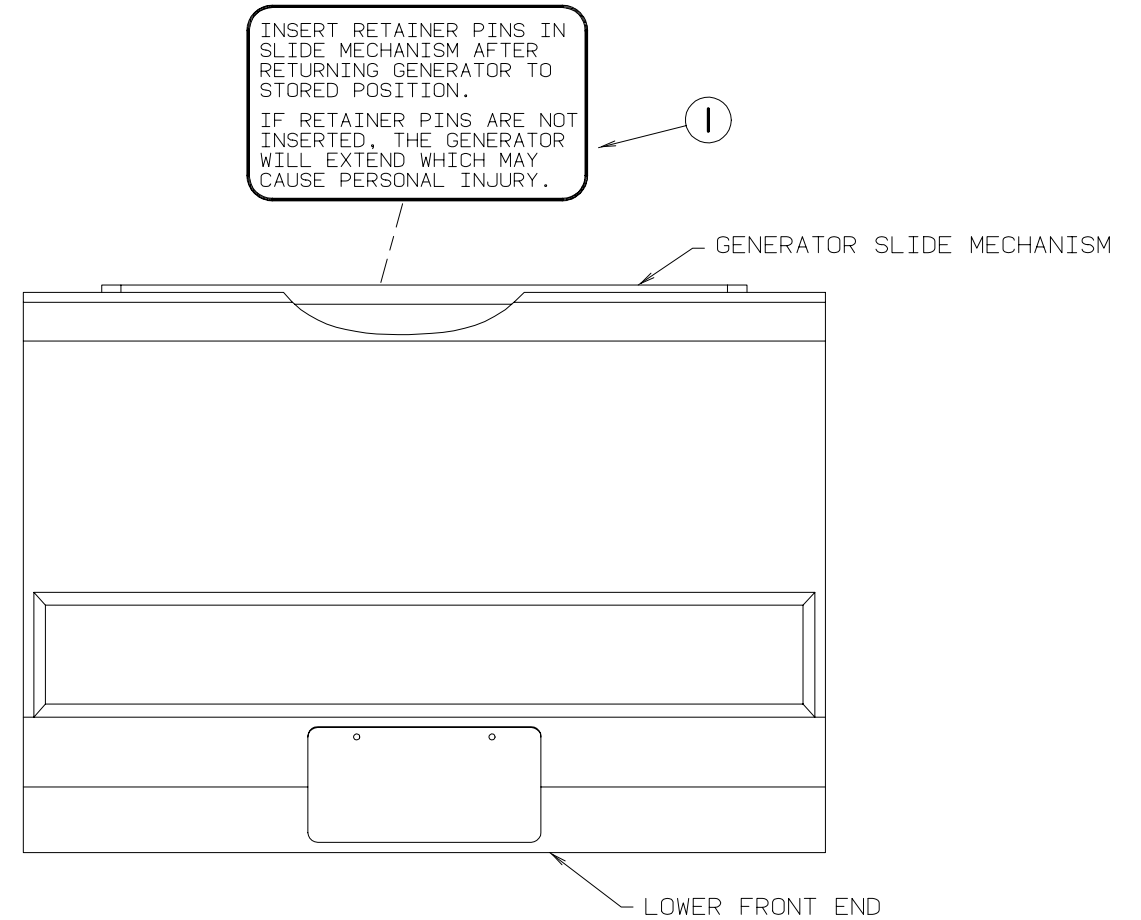
**IF YOU SMELL GAS**

1. EXTINGUISH ANY OPEN FLAME, PILOT LIGHTS AND ALL SMOKING MATERIALS.
2. SHUT OFF THE GAS SUPPLY AT THE TANK VALVE( OR GAS SUPPLY CONNECTION.
3. OPEN DOORS AND OTHER VENTILATING OPENINGS.
4. DO NOT TOUCH ELECTRICAL SWITCHES.
5. LEAVE THE AREA UNTIL ODOR CLEARS.
6. HAVE THE GAS SYSTEM CHECKED AND LEAKAGE SOURCE CORRECTED BEFORE USING AGAIN.

KEY	PART NUMBER	U/M DESCRIPTION
1	073998-01-000	EA LABEL-GENERATOR PRELABEL - LPG ODOR WARNING

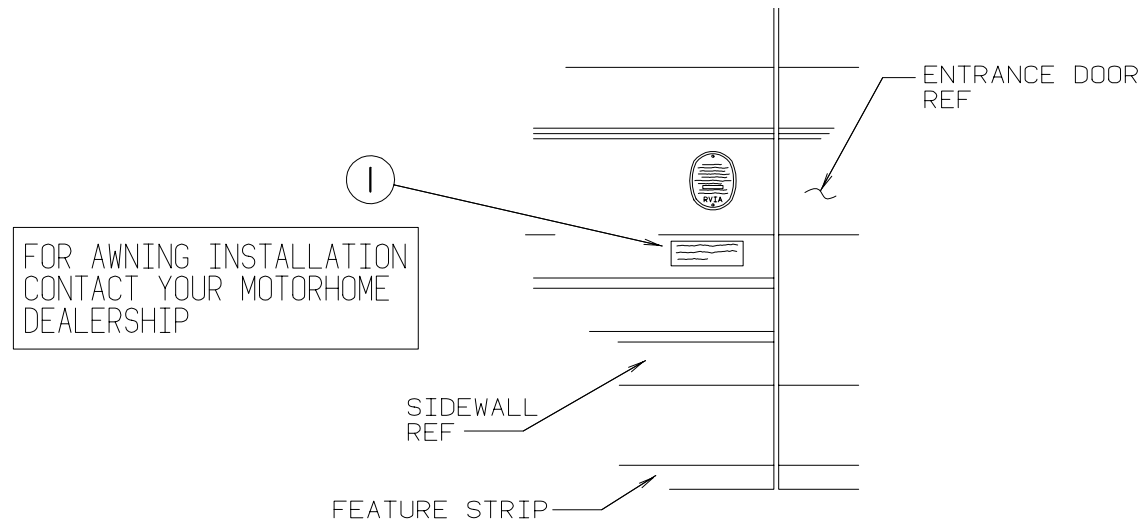


KEY	PART NUMBER	U/M DESCRIPTION
1	124520-01-000	EA LABEL-GENERATOR PREP
2	124519-02-02A	EA LABEL - WARNING/REFUELING - CSA - WHITE ON CLEAR
2	124519-01-01A	EA LABEL - WARNING/REFUELING - BLACK ON CLEAR



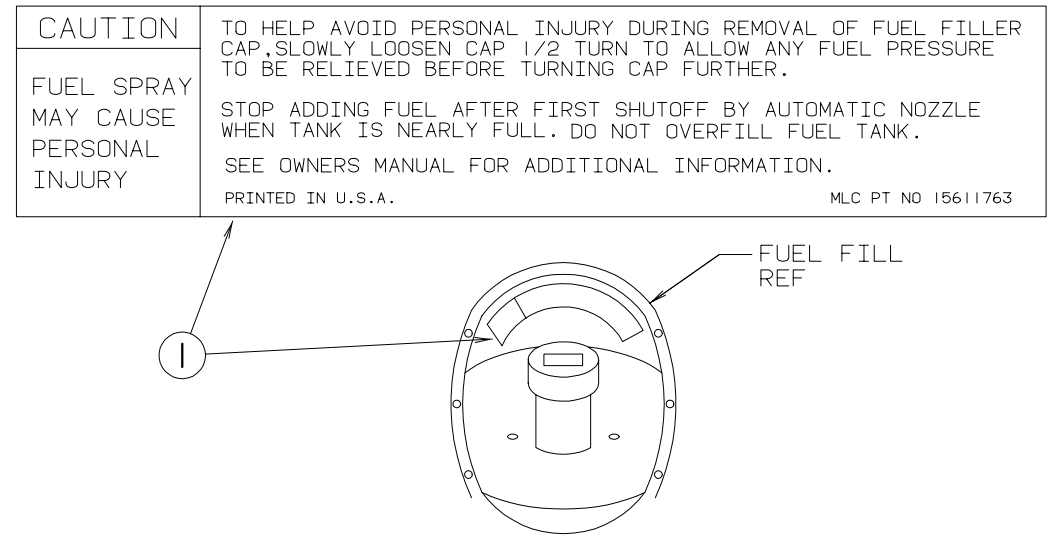
KEY	PART NUMBER	U/M DESCRIPTION
1	116273-01-000	EA LABEL - WARNING - GENERATOR

**LABELS GROUP (CONTINUED)**

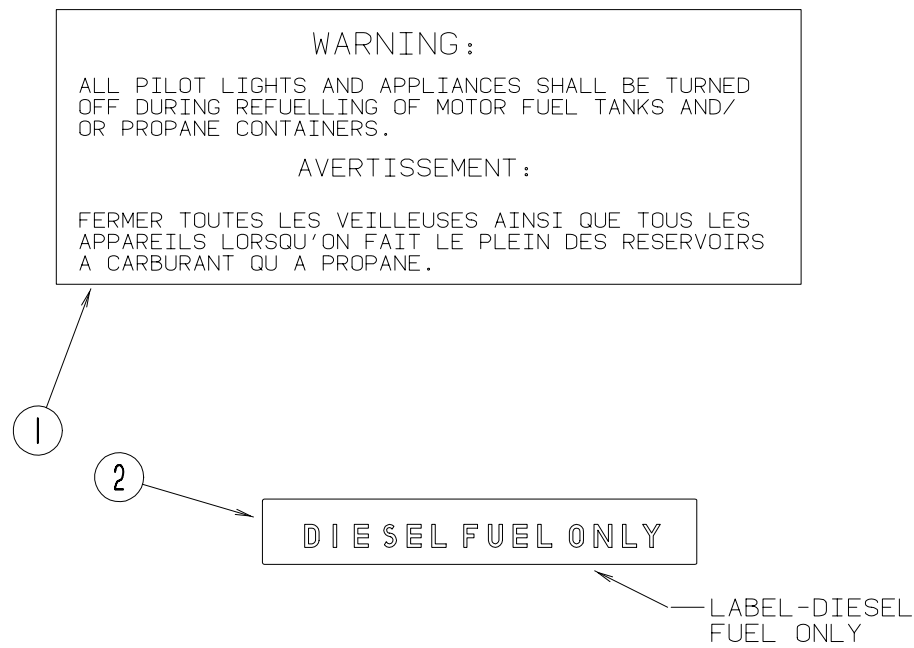


KEY	PART NUMBER	U/M DESCRIPTION
1	099509-01-000	EA LABEL - AWNING INSTALLATION

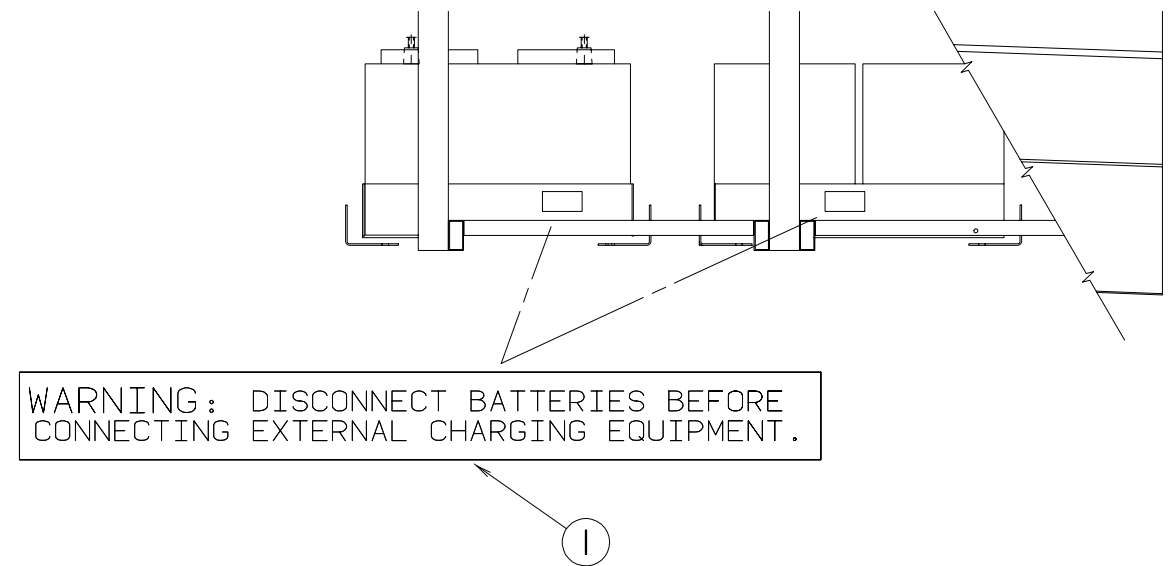
**LABELS GROUP (CONTINUED)**



KEY	PART NUMBER	U/M DESCRIPTION
1	087207-05-000	EA LABEL - FUEL CAP REMOVAL

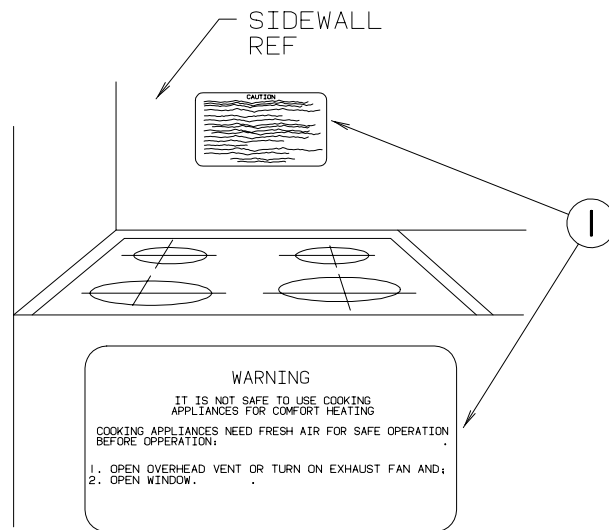


KEY	PART NUMBER	U/M DESCRIPTION
1	124519-01-02A	EA LABEL - WARNING/REFUELING
1	124519-02-02A	EA LABEL - WARNING/REFUELING - CSA
2	068383-01-000	EA LABEL - DIESEL FUEL



KEY	PART NUMBER	U/M DESCRIPTION
1	065748-01-000	EA LABEL - CAUTION - BATTERY CHARGING

## LABELS GROUP (CONTINUED)



KEY	PART NUMBER	U/M DESCRIPTION
1	050225-01-000	EA LABEL - WARNING - STOVE VENT - US
	050222-01-000	EA LABEL - STOVE VENT - CANADIAN

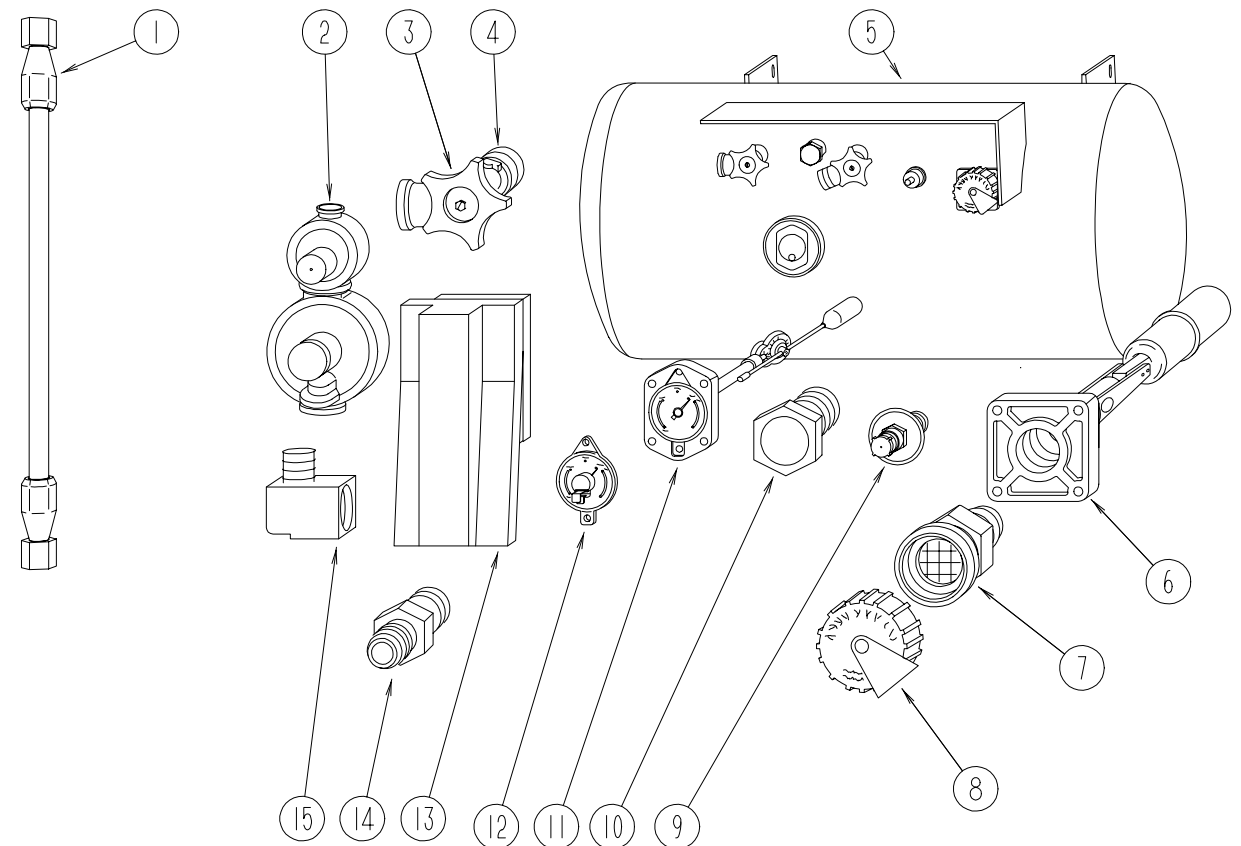


KEY	PART NUMBER	U/M DESCRIPTION
1	087236-01-000	EA LABEL - CABLE - INPUT

### MISCELLANEOUS LABELS

KEY	PART NUMBER	U/M DESCRIPTION
	006062-04-000	EA LABEL-ELECTRIC, 120/240 VOLT SERVICE
	006187-01-000	EA LABEL-"SEWAGE"
	068383-01-000	EA LABEL-DIESEL FUEL, GM-557005
	079966-01-000	EA LABEL-WARNING,STOWED,MOTION
	092547-06-000	EA LABEL-CIRCUIT BREAKER
	116273-01-000	EA LABEL-WARNING,GENERATOR
	117627-01-000	EA LABEL-CITY WATER FILL/HO
	117628-01-000	EA LABEL-SWITCH,WATER PUMP/LTS
	117629-01-000	EA LABEL-WATER PUMP/FILL

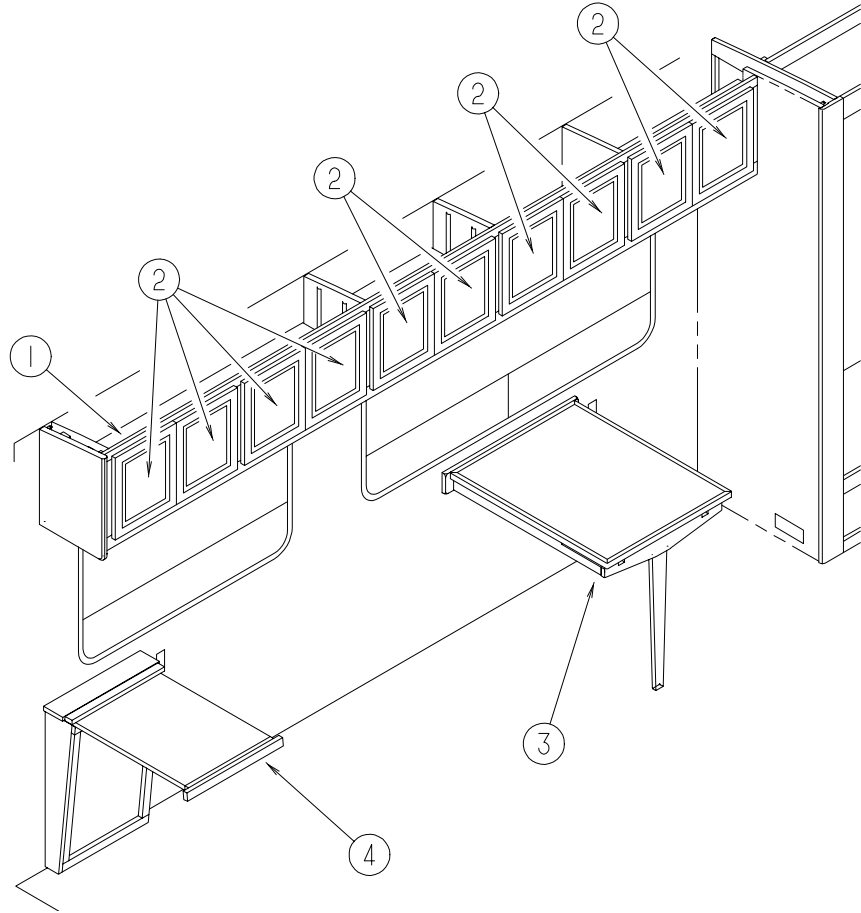
## LP GROUP



### LP TANK & COMPONENTS

KEY	PART NUMBER	U/M DESCRIPTION	VENDOR NO.
1	045703-01-000	EA HOSE - LP - 3/8"ID X 24" - 3/8"MPT X 1/2"F SWIVEL - U.S.	
1	045703-02-000	EA HOSE - LP - 3/8"ID X 24" - 3/8"MPT X 1/2"F SWIVEL - CANADIAN	
2	106150-04-000	EA REGULATOR - TWO STAGE	
3	040421-01-708	EA HANDWHEEL-SERVICE VALVE	G-1015-A
4	040421-01-712	EA VALVE - SERVICE - W/O VAPOR RELIEF	29000853
5	118822-01-000	EA TANK - LP - 22" DIAMETER X 22 3/4"LONG	
6	040421-01-711	EA VALVE - 80% FILL - W/AUTO STOP	LLL/TL3
7	040421-01-701	EA VALVE - FILL - SHORT - LP	7547B
8	040421-01-702	EA CAP - FILL VALVE - PLASTIC	G-1014-A
9	040421-01-700	EA GAUGE - LIQUID LEVEL - 20%	G-1013
10	040421-01-713	EA VALVE - RELIEF - 1" - W/7" SPRING	29000587
11	118822-01-700	EA SIGHT GAUGE	SG22C0000806
12	040440-02-000	EA TRANSMITTER - DIAL - 0-90 OHM -2 TERMINAL (POWER & GROUND)	
13	105658-01-000	EA COMPARTMENT - LP REGULATOR	
14	118822-01-701	EA ADAPTER - STRAIGHT-PIPEAWAY	L99930000075
15	010265-01-000	EA ELBOW - BRASS - 90 DEGREE - 3/8"F X 1/2"FPT	
	010377-02-000	EA NUT - BRASS - 3/8" FLARE - FORGED	
	010380-02-000	EA NUT - BRASS - 1/2" FLARE - FORGED	
	024250-01-000	EA ADAPTER - BRASS - 3/8"F X 1/2"FPT	
	010326-01-000	EA ADAPTER - FLARE - W/CONE GASKET - 3/8"FEMALE X 1/2"MALE	
	010329-01-000	EA ADAPTER - BRASS - 1/2" F X 1/2" MPT	
	103613-03-000	EA DETECTOR - LP GAS - W/O SHUT-OFF VALVE	
	090939-02-000	EA DETECTOR - LP GAS - W/SOLENOID	7752.4
	057042-01-000	EA ADAPTER - CROSS 1/2"PIPE	

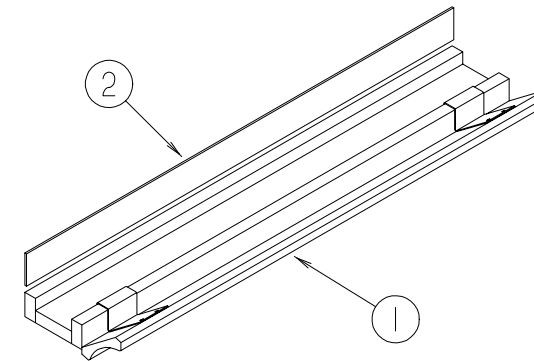
## LOUNGE GROUP



### PASSENGER SIDE CABINETS & TABLE

KEY	PART NUMBER	U/M	DESCRIPTION
1	P24694-01-JQ0	EA	CABINET - OVERHEAD - FRONT/RIGHT HAND - W/O DOORS/HARDWARE (JQ0, JQ2, JQ4, JQ6)
1	P24694-01-HQ1	EA	CABINET - OVERHEAD - FRONT/RIGHT HAND - W/O DOORS/HARDWARE (JQ1, JQ3, JQ5, JQ7)
2	M08610-01-JQ0	EA	DOOR - STRAIGHT CORNER/OGEE EDGE - 12.4" X 14.3" - W/O HDW (JQ0, JQ2, JQ4, JQ6)
2	M08610-01-HQ1	EA	DOOR - STRAIGHT CORNER/OGEE EDGE - 12.4" X 14.3" - W/O HDW (JQ1, JQ3, JQ5, JQ7)
3	112982-01-JQ0	EA	TABLE - W/PULLOUT SELF STORING LEAF (JQ0, JQ2, JQ4)
3	112982-01-HQ3	EA	TABLE - W/PULLOUT SELF STORING LEAF (JQ1, JQ3, JQ5)
3	112982-01-JQ6	EA	TABLE - W/PULLOUT SELF STORING LEAF (JQ6)
3	112982-01-JQ7	EA	TABLE - W/PULLOUT SELF STORING LEAF (JQ7)
4	114134-01-JQ0	EA	TABLE - PULLOUT - W/O HARDWARE (JQ0, JQ2, JQ4, JQ6)
4	114134-01-FQ1	EA	TABLE - PULLOUT - W/O HARDWARE (JQ1, JQ3, JQ5, JQ7)
	079921-01-000	EA	ROLLER - NYLON - W/STEEL SHAFT - BARBED

## LOUNGE GROUP (CONTINUED)



### DRIVER SIDE CABINETS

KEY	PART NUMBER	U/M	DESCRIPTION
1	113317-01-JQ0	EA	CABINET - VALANCE - W/O HARDWARE (JQ0, JQ2, JQ4, JQ6)
1	113317-01-HQ1	EA	CABINET - VALANCE - W/O HARDWARE (JQ1, JQ3, JQ5, JQ7)
2	058331-B8-000	EA	MIRROR - SAFETY GLASS - 2" X 68.5"
	083125-07-000	EA	BRACE - COUCH - 2.5"

**SEALANTS & FASTENERS GROUP**  
**SEALANTS & ADHESIVES**

KEY	PART NUMBER	U/M	DESCRIPTION	VENDOR NO.
	004006-05-700	EA	ADHESIVE - NATURAL STARCH - (5 GAL)	0802
	063642-01-000	EA	TAPE - ADHESIVE - .4" X 1.5" X 180"	
	067788-01-000	EA	ADHESIVE - SPRAY - 3M - 19.5 AEROSOL CAN	
	069640-02-000	FT	SEALER - TAPE - 1/8"THICK X .50"WIDE X 60'	
	069640-03-000	FT	SEALER - TAPE - 1/8"THICK X .75"WIDE X 60' - BLACK	
	069640-07-000	FT	SEALER - TAPE - 3/32"THICK X 2"WIDE X 45'	
	069640-09-000	FT	SEALER - TAPE - 1/32"THICK X 2.50"WIDE X 80' - GREY	
	069640-14-000	FT	SEALER - TAPE - 1/16"THICK X 1"WIDE X 100'	
	069640-18-000	FT	SEALER - TAPE - 1/2"THICK X 1/8"WIDE X 60' - BRT/WHITE	
	069640-19-000	FT	SEALER - TAPE - 3/4" X 1/8" X 60' - BRIGHT WHITE	
	072889-01-000	EA	SEALANT - URETHANE - BLACK - 1/10	
	076322-01-000	FT	TAPE - DOUBLE COATED/ADHESIVE BACK - .025"THK X .75"W X 18'	
	076322-02-000	FT	TAPE - DOUBLE COATED/ADHESIVE BACK - .045"THK X 1"W X 9'	
	076322-03-000	FT	TAPE - DOUBLE COATED/ADHESIVE BACK - .045"THK X .50"W X 9'	
	076322-05-000	FT	TAPE - DOUBLE COATED/ADHESIVE BACK - .045"THK X .75"W X 9'	
	076322-07-000	FT	TAPE - DOUBLE COATED/ADHESIVE BACK - .045"THK X .50"W X 9'	
	076322-11-000	FT	TAPE - DOUBLE COATED/ADHESIVE BACK - .020"THK X 1"W X 9'	
	087211-01-000	GL	PROMOTER - ADHESIVE	
	088479-01-000	EA	TAPE - ALUMINUM - 3"	
	099952-01-000	FT	CORE - SEAL - BULB SUPPORT	
			FROM: 00-00-00 THRU: 06-29-97	
	106206-01-000	EA	SEALER - PUMPABLE - MANUS 30A - BLACK	
	107828-01-000	EA	SEALANT - SB - 190 EVERSEAL	
	112901-02-000	FT	ADHESIVE - PLEXUS - 50ML	
	120534-01-01A	FT	TAPE - SCOTCH - 3M - 1/2" FINE LINE	
	123816-01-000	EA	TAPE - DOUBLE SIDED - 1"	
	123816-02-000	EA	TAPE - DOUBLE SIDED - 1/2"	
	123995-01-000	EA	ADHESIVE - TILE - FLOOR	
	123995-02-000	EA	ADDITIVE - ADHESIVE - FLOOR TILE	

**BOLTS, NUTS & WASHERS**

KEY	PART NUMBER	U/M	DESCRIPTION
	000C12-05-12B	EA	BOLT - HEX - 5/16-18 X 3/4 ZINC 5
	000C12-06-16B	EA	BOLT - HEX - 3/8-16 X 1 LG - ZINC 5
	000C12-08-16B	EA	BOLT-HEX, 1/2 - 13 X 1 - GD5 - ZINC 5
	000C12-08-24B	EA	BOLT - HEX - 1/2-13 X 1.50 - ZINC 5
	000C12-08-28B	EA	BOLT - HEX - 1/2-13 X 1 3/4 - ZINC 5
	000C12-10-24B	EA	BOLT - HEX - 5/8-11 X 1.50 - ZINC 5
	000C13-07-48B	EA	BOLT - HEX - 7/16-20 X 3 - ZINC 5
	000C26-04-10B	EA	BOLT - HEX - SERRATED FLANGE - 1/4-20 X 5/8 - ZINC
	000C26-04-14B	EA	BOLT - HEX - SERRATED FLANGE - 1/4-20 X 7/8 - ZINC
	000C26-05-12B	EA	BOLT - HEX - SERRATED FLANGE - 5/16-18 X 3/4 - ZINC
	000C26-05-16B	EA	BOLT - HEX - SERRATED FLANGE - 5/16-18 X 1 - ZINC
	000C26-05-20B	EA	BOLT - HEX - SERRATED FLANGE - 5/16-18 X 1 1/4 - ZINC
	000C26-06-12B	EA	BOLT - HEX - SERRATED FLANGE - 3/8-16 X 3/4 - ZINC
	000C26-06-16B	EA	BOLT - HEX - SERRATED FLANGE - 3/8-16 X 1 - ZINC
	000C26-06-28B	EA	BOLT - HEX - SERRATED FLANGE - 3/8-16 X 1 3/4 - ZINC
	000D29-05-00B	EA	NUT - 5/16 - 18 UNC - SF/LOCKING - NYLON WASHER INSERT
	000D34-06-00B	EA	NUT - HEX - LOCKING - 3/8 - 16 GRADE C - ZINC - PREVAILING TORQUE
	000D39-04-00B	EA	NUT - HEX - SERRATED FLANGE/LOCKING - 1/4 - 20 - ZINC
	000D39-05-00B	EA	NUT - HEX - SERRATED FLANGE/LOCKING - 5/16 - 18 - ZINC
	000D39-06-00B	EA	NUT - HEX - SERRATED FLANGE/LOCKING - 3/8 - 18 - ZINC
	000D39-07-00B	EA	NUT - HEX - SERRATED FLANGE/LOCKING - 7/16 - 14 - ZINC
	000D39-08-00B	EA	NUT - HEX - SERRATED FLANGE/LOCKING - 1/2 - 13 - ZINC
	000D44-07-00B	EA	NUT - HEX - SERRATED FLANGE/LOCKING - 7/16-20 - ZINC
	000D46-04-00A	EA	NUT - HEX - WELD - 1/4 - 20 - PLAIN
	000E11-07-00B	EA	WASHER - LOCKING - 7/16 MED SPLIT - ZINC
	000E11-08-00B	EA	WASHER - LOCKING - 1/2 MED SPLIT - ZINC
	000E13-14-00B	EA	WASHER - FLAT - 1/4 WIDE - ZINC
	000E13-17-00B	EA	WASHER - FLAT - 3/8" AR - ZINC
	000E13-18-00B	EA	WASHER - FLAT - 3/8 WIDE - ZINC

**SEALANTS & FASTENERS GROUP (CONTINUED)**

**BOLTS, NUTS & WASHERS (CONTINUED)**

KEY	PART NUMBER	U/M	DESCRIPTION
	000E13-22-00B	EA	WASHER - FLAT - 1/2 WIDE - ZINC
	000E13-26-00B	EA	WASHER - FLAT - 5/8 WIDE - ZINC
	000E14-10-00B	EA	WASHER - LOCKING - #10 EXTERNAL TOOTH - ZINC
	000G45-04-24B	EA	BOLT - LAG - 1/4-9 X 1.50 ZINC
	040921-05-000	EA	NUT - SPEED - U-TYPE #8 - .67" X .44" WIDE
	044364-02-000	EA	NUT - SPEED - FLAT - ROUND
	058716-02-000	EA	WASHER - FLAT NYLON
	063253-07-000	EA	NUT - J - #8A - .120 - .130 PNL THK
	087234-01-000	EA	NUT - JACK - 1/4 X 20 THD - MOLLY
	088787-12-000	EA	STUD - WELD - 1/4 - 20 X 1.0 LG - MN
	091274-03-000	EA	BOLT-J - 3/8-16 X 12.0
	091274-04-000	EA	BOLT-J - 3/8" X 10"
	106648-01-000	EA	CAP - STUD - .120 TO .130 DIAMETER
	107397-01-000	EA	WASHER - FENDER - .25" ID X 1" OD
	108067-03-000	EA	STUD - WELD - 1/4 - 20 X 1/2 CD
	110794-01-000	EA	WASHER - FLAT - 1" ID X 1 3/4' OD

**SCREWS**

KEY	PART NUMBER	U/M	DESCRIPTION
	000G11-05-08B	EA	SCREW - 5-20 X .50 PPH - ZINC
	000G11-06-06B	EA	SCREW - 6-20 X 3/8 PPH - ZINC
	000G11-06-08B	EA	SCREW - 6-20 X .50 PPH - ZINC
	000G11-07-08B	EA	SCREW - 7-19 X .50 PPH - ZINC
	000G11-08-06B	EA	SCREW - 8-18 X 3/8 PPH - ZINC
	000G11-08-08B	EA	SCREW - 8-18 X .50 PPH - ZINC
	000G11-08-12B	EA	SCREW - 8-18 X .75 PPH - ZINC
	000G11-08-12D	EA	SCREW - 8-18 X .75 PPH - BLACK
	000G11-08-12P	EA	SCREW - 8-18 X .75 PPH - DARK BROWN
	000G11-08-20B	EA	SCREW - 8-18 X 1.25 PPH - ZINC
	000G11-10-12D	EA	SCREW - 10-16 X .75 PPH - BLACK
	000G11-10-16B	EA	SCREW - 10-16 X 1 PPH - ZINC
	000G11-10-40B	EA	SCREW - 10-16 X 2 1/2 PPH CAD - 34927-01-000
	000G12-06-08T	EA	SCREW - 6-20 X 1/2 POH - BLACK
	000G12-06-10G	EA	SCREW - 6-20 X 5/8 PFH - ANTIQUE BRASS
	000G13-06-16J	EA	SCREW - 6-20 X 1 PFH - BRASS
	000G13-07-12B	EA	SCREW - 7-19 X .75 PFH - ZINC
	000G13-08-10S	EA	SCREW - 8-18 X 5/8 PFH - OFF WHITE
	000G13-08-16B	EA	SCREW - 8-18 X 1 PFH - ZINC
	000G18-08-12B	EA	SCREW - MACHINE - 8-32 X 3/4 PPH - ZINC
	000G18-08-22B	EA	SCREW - MACHINE - 8-32 X 1 3/8 PPH - ZINC
	000G19-10-08B	EA	SCREW - MACHINE - 10-32 X .50 - PPH - ZINC
	000G19-10-10B	EA	SCREW - MACHINE - 10-32 X 5/8 - PPH - ZINC
	000G19-10-12F	EA	SCREW - MACHINE - 10-32 X .75 - PPH - STAINLESS STEEL
	000G19-10-20B	EA	SCREW - MACHINE - 10-32 X 1.25 PPH - ZINC
	000G39-06-10T	EA	SCREW - SF/DR - 6-20 X 5/8 PPH - BLACK
	000G39-08-083	EA	SCREW - SF/DR - 8-18 X 1/2 PAH - BUFF
	000G39-08-08B	EA	SCREW - SF/DR - 8-18 X 1.50 PPH - ZINC
	000G39-08-08T	EA	SCREW - SF/DR - 8-18 X 1/2 PPH - BLACK
	000G39-08-12B	EA	SCREW - SF/DR - 8-18 X .75 PPH - ZINC
	000G39-08-12T	EA	SCREW - SF/DR - 8-18 X .75 PPH - BLACK
	000G39-08-16B	EA	SCREW - SF/DR - 8-18 X 1 PPH - ZINC
	000G39-08-16T	EA	SCREW - SF/DR - 6-20 X 1 PPH - BLACK
	000G39-08-24B	EA	SCREW - SF/DR - 8-18 X 1 1/2 PPH - ZINC
	000G39-08-32B	EA	SCREW - SF/DR - 8-18 X 2 PPH - ZINC
	000G39-10-088	EA	SCREW - SF/DR - 10-16 X 1/2 PPH - FLEX FLUOROCARBON
	000G39-10-129	EA	SCREW - SF/DR - 10-16 X .75 PPH - FLUOROCARBON SILVER
	000G39-10-209	EA	SCREW - SF/DR - 10-16 X 1 1/4 PPH - FLUOROCARBON SILVER
	000G39-10-08B	EA	SCREW - SF/DR - 10-16 X .50 PPH - ZINC
	000G39-10-10B	EA	SCREW - SF/DR - 10-16 X .625 - ZINC
	000G39-10-12B	EA	SCREW - SF/DR - 10-16 X .75 PPH - ZINC
	000G39-10-12D	EA	SCREW - SF/DR - 10-16 X .75 PPH - BLACK
	000G39-10-20B	EA	SCREW - SF/DR - 10-16 X 1.25 PPH - ZINC

**SEALANTS & FASTENERS GROUP (CONTINUED)**

**SCREWS (CONTINUED)**

KEY	PART NUMBER	U/M	DESCRIPTION
	000G42-04-12B	EA	SCREW - SF/DR - 1/4-14 X .75 HWH - ZINC
	000G42-04-16B	EA	SCREW - SF/DR - 1/4-14 X 1 HWH - ZINC
	000G50-04-12B	EA	SCREW - MACHINE - 1/4-20 X .75 PPH - ZINC
	000G51-08-08B	EA	SCREW - 8-18 X 1/2 PTH - ZINC
	000G52-08-06B	EA	SCREW - MACHINE - 8-32 X 3/8 PTH - ZINC
	000G55-08-125	EA	SCREW - SF/DR - 8-18 X 3/4 PWH - WILLOW
	000G56-10-24J	EA	SCREW - WOOD - 10-13 X 1 1/2 POH - BRIGHT BRASS
	000G56-12-48B	EA	SCREW - WOOD - 12-11 X 3 POH - SPECIAL HARDENED
	000G57-05-16J	EA	SCREW - 5-20 X 1 PFH - BRASS
	000G60-10-16J	EA	SCREW - SF/DR - 10-16 X 1 POH - BRIGHT BRASS
	000G60-10-20B	EA	SCREW - SF/DR - 10-16 X 1.25 POH - ZINC
	000G60-10-20I	EA	SCREW - SF/DR - 10-16 X 1.25 POH - BLACK
	000G62-10-24I	EA	SCREW - SF/DR - 10-16 X 1/5 PFH - BLACK ZINC
	000G67-08-32B	EA	SCREW - 8-15 X 2 PPH - ZINC
	000G67-10-08B	EA	SCREW - 10-12 X .50 PPH - ZINC
	000G67-10-08R	EA	SCREW - 10-12 X 1/2 PPH - BEIGE - TYPE A
	000G67-10-10B	EA	SCREW - 10-12 X 5/8 PPH - ZINC - TYPE A
	000G67-10-10D	EA	SCREW - 10-12 X 5/8 PPH - BLACK - TYPE A
	000G67-10-10S	EA	SCREW - 10-12 X 5/8 PPH - OFF WHITE
	000G67-10-12B	EA	SCREW - 10-12 X .75 PPH - ZINC
	000G67-10-16B	EA	SCREW - 10-12 X 1 PPH - ZINC
	000G67-10-20D	EA	SCREW - 10-12 X 1.25 PPH - BLACK
	000G67-10-24B	EA	SCREW - 10-12 X 1.25 PPH - ZINC
	000G67-10-36T	EA	SCREW - 10-12 X 2.25 PPH - BLACK
	000G67-10-48B	EA	SCREW - 10-12 X 3 PPH - ZINC
	000G68-06-10G	EA	SCREW - 6-18 X 5/8 POH - ANTIQUE BRASS
	000G68-06-12S	EA	SCREW - 6-18 X 3/4 POH
	049465-04-000	EA	SCREW - 10-16 X 1 PTH W/WASHER - BEIGE
	049465-17-000	EA	SCREW - 10-16 X 1 POH W/WASHER
	076790-01-000	EA	SCREW - 6-20 X 1 1/4 PPH - BLACK
	079382-01-000	EA	SCREW - SOCKET - 8-18 X 1 - BLACK
	109152-03-000	EA	SCREW - 3/8-16 X 2 - FLAT SOC - STAINLESS STEEL - BLACK

**RIVETS, CLAMPS, GROMMETS, PLUGS & CLIPS**

KEY	PART NUMBER	U/M	DESCRIPTION
	000H14-04-04A	EA	RIVET - MANDREL BLIND - 1/8 X .400
	000H14-06-03R	EA	RIVET - MANDREL BLIND - 3/16 ALUMINUM
	000H16-04-06R	EA	RIVET - POP ALUMINUM - 1/8" X .313 - .375
	000H16-06-10R	EA	RIVET - POP ALUMINUM - 3/16 X .501-.625
	007161-01-000	EA	CLAMP - HOSE - SPRING TYPE - 1/2"
	010495-01-000	EA	CLAMP - CABLE - 9/16"
	010497-01-000	EA	CLAMP - CLOSED - 5/8" ID
	010497-03-000	EA	CLAMP - CLOSED - 1" ID - CUSHIONED
	010497-04-000	EA	CLAMP - CLOSED - 1.62" ID
	010497-07-000	EA	CLAMP - CLOSED - 3/8" ID
	016188-05-000	EA	GROMMET - L/P LINE - 3/8" HOLE X 1 1/4" LONG - RUBBER
	023942-01-000	EA	GROMMET - RUBBER - 2" OD
	062401-01-000	EA	CLAMP - HOSE - WORMGEAR - .25" - 1"
	062401-02-000	EA	CLAMP - HOSE - WORMGEAR - 1.56" - 2.5"
	062401-03-000	EA	CLAMP - HOSE - WORMGEAR - .22" - 1"
	062401-04-000	EA	CLAMP - HOSE - WORMGEAR - .69" - 1.25"
	062401-06-000	EA	CLAMP - HOSE - WORMGEAR - .22" - .62" ID
	062401-09-000	EA	CLAMP - HOSE - WORMGEAR - 2.8" - 3.75"
	062401-11-000	EA	CLAMP - HOSE - WORMGEAR - 3.50" - 4.50"
	071015-19-000	EA	GROMMET - .38 ID - FITS .06 MATERIAL
	071015-26-000	EA	GROMMET - RUBBER - 1.5" ID X 2.12" OD W/.06" GROOVE - BLACK
	071015-29-000	EA	GROMMET - RUBBER - 1/4 ID X 1 1/4 OD W .12 GROOVE - BLACK
	075148-02-000	EA	CLAMP - GROUNDING - BRONZE SCREWS
	075312-02-000	EA	CLIP-U - .75 LONG X .50 WIDE- F/1/8"-3/16" THICK MATERIAL
	080734-02-000	EA	CLIP - WIRE NYLON
	083610-01-000	EA	CLAMP - WIRE - DUAL - UNEQUAL DIAMETERS - 3/4" & 1 1/4"

**SEALANTS & FASTENERS GROUP (CONTINUED)**

**RIVETS, CLAMPS, GROMMETS, PLUGS & CLIPS (CONTINUED)**

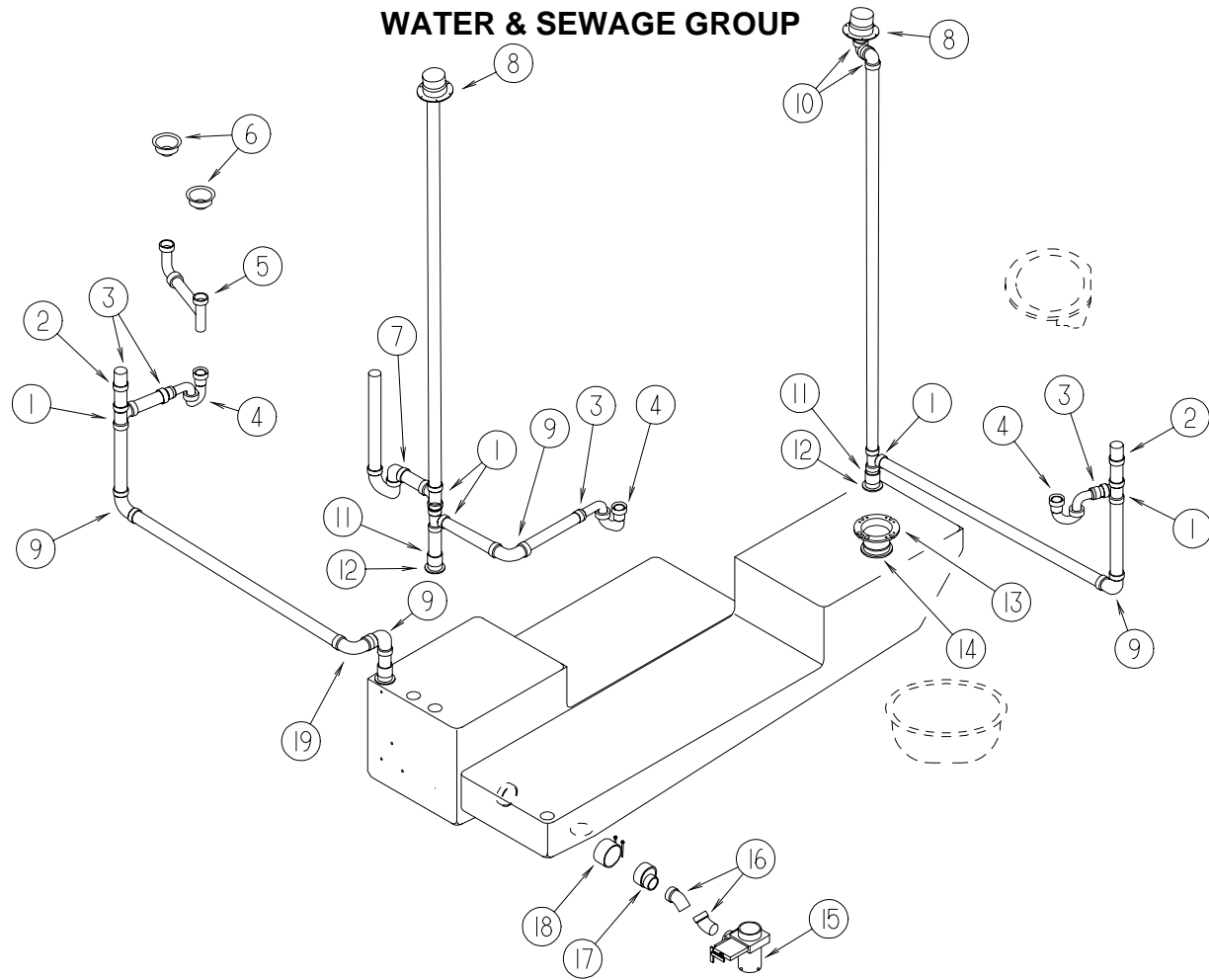
KEY	PART NUMBER	U/M	DESCRIPTION
	083610-02-000	EA	CLAMP - WIRE - DUAL - UNEQUAL DIAMETERS
	088756-01-000	EA	GROMMET - WEB - 1 1/8 " I.D.
	091952-01-000	EA	CLIP - GRIPPER - 1"
	091952-02-000	EA	CLIP - GRIPPER - 3/4"
	099637-01-000	EA	GROMMET - RUBBER - .37" X .94" DIAMETER - BLACK
	101447-01-000	EA	CLIP - U TYPE
	114208-02-000	EA	GROMMET - EDGE LINER - FITS .625
			FROM: 00-00-00 THRU: 08-19-97
	120506-01-01A	EA	RIVET - PLASTIC - 3/16 DIAMETER

**MISCELLANEOUS**

KEY	PART NUMBER	U/M	DESCRIPTION
	008343-01-000	EA	TIE - WIRE - 6"
	008343-02-000	EA	TIE - WIRE -14"
	008343-03-000	EA	TIE - WIRE - 7 1/2" - BLACK
	029094-06-000	YD	VELCRO TAPE - LOOP - 2" WIDE - BLACK
	057671-11-000	EA	COVER - SCREW - HAMPTON TAN - #8
	081211-04-000	EA	PLUG - PLASTIC - .46" DIAMETER - BLACK
	085774-01-000	FT	FASTENER - DUAL HOOK - 1" WIDE - ADHESIVE BACK - BLACK
	085774-02-000	FT	FASTENER - DUAL LOOP - 1" WIDE - ADHESIVE BACK - BLACK
	085774-03-000	FT	FASTENER - DUAL HOOK - 1/2" WIDE
	085774-04-000	FT	FASTENER - DUAL LOOP - 1/2" WIDE
	086285-01-000	EA	SPACER - NYLON - .5" OD X .257" ID
	102540-02-000	EA	SEAL - SCREW
	106648-01-000	EA	CAP - STUD - .120 TO .130 DIAMETER
	110943-02-000	FT	FELTSTRIP - 3/8" - ADHESIVE BACK - WHITE
	115361-01-01A	EA	PLUG - PLASTIC



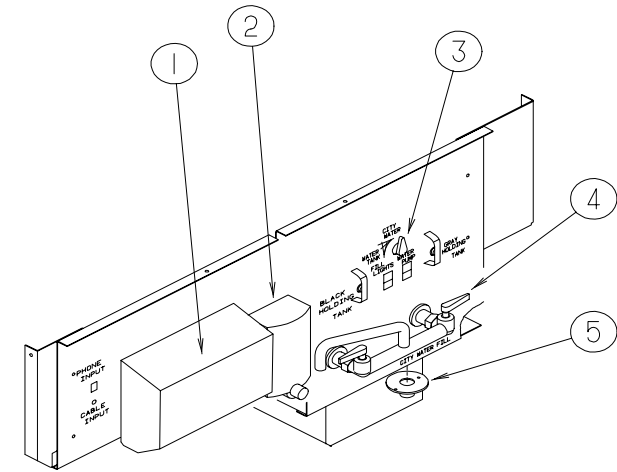
### WATER & SEWAGE GROUP



### DRAINAGE SYSTEM

KEY	PART NUMBER	U/M	DESCRIPTION
	117289-01-000	EA	TANK - HOLDING - 62 GALLON - W/O FITTINGS
	124172-01-000	EA	TANK - HOLDING - 58 GALLON W/O FITTINGS
1	010071-01-000	EA	TEE - SANITARY - 1 1/2" HUB X HUB X HUB - PLASTIC
2	079968-01-000	EA	VENT - MECHANICAL/TRAP ARM - ANTI-SIPHON-2" X 7.3" PLASTIC
3	109571-01-000	EA	ADAPTER - P TRAP - 1 1/2" P X 1 1/4" MPT
4	107538-01-000	EA	P TRAP - PLASTIC - 1 1/4" W/EXTENSION ARM
4	011071-01-000	EA	P TRAP - PLASTIC - 1 1/2"
5	091980-01-000	EA	WASTE - CONTINUOUS
5	091980-02-000	EA	WASTE - CONTINUOUS - W/TAIPIECE - USE W/DISHWASHER
6	092303-01-000	EA	STRAINER - SINK
7	037763-01-000	EA	P TRAP - PLASTIC - 1 1/2 HUBXHUB - W/UNION
8	083558-03-000	EA	VENT - PLUMBING - PIPE ROOF - W/COVER - OFF WHITE
9	010008-01-000	EA	ELBOW - 90 DEGREE - 1 1/2" HUB X HUB - PLASTIC
10	010006-01-000	EA	ELBOW - 45 DEGREE - 1 1/2" HUB X HUB - PLASTIC
11	010115-01-000	EA	COUPLING - 1 1/2" HUB X HUB - PLASTIC
12	061607-01-000	EA	GROMMET - HOLDING TANK - 1 1/2" NPS
13	116644-01-000	EA	FLANGE - CLOSET - 4" X 3"
14	061607-02-000	EA	GROMMET - HOLDING TANK - 3" NPS
15	062421-03-000	EA	VALVE - 1.5 HUB X HUB - REMOTE
	062421-05-000	EA	CABLE - VALVE - REMOTE W/HANDLE - 48"
16	010051-01-000	EA	ELBOW - 45 DEGREE - 1 1/2" SPIGOT & HUB - PLASTIC
17	062422-01-000	EA	ADAPTER - OFFSET REDUCER - 3" X 1 1/2" - PLASTIC
18	078406-01-000	EA	COUPLER - RUBBER - W/CLAMPS - 3" X 3"
19	033761-01-000	EA	ELBOW - TURN - 90 DEGREE 1 1/2" HUB X 1 1/2" SPIGOT
	010232-01-000	EA	FITTING - SPINWELD - PLAS 3" FPT - FOR PLASTIC TANKS
	010166-01-000	EA	PLUG - THREADED - 1 1/4" DIAMETER - PLASTIC - BLACK
	010122-01-000	EA	BUSHING - REDUCER - 1 1/2 SMTH X 1 1/4 THD - BLACK PLASTIC
	066435-01-000	EA	NUT - STRAINER
	066729-01-000	EA	STRAINER - TUB/SHOWER W/PLUG - CHROME
	120981-01-01A	EA	DRAIN - BATH/SHOWER W/SPRING LOADED PLUNGER - BRASS

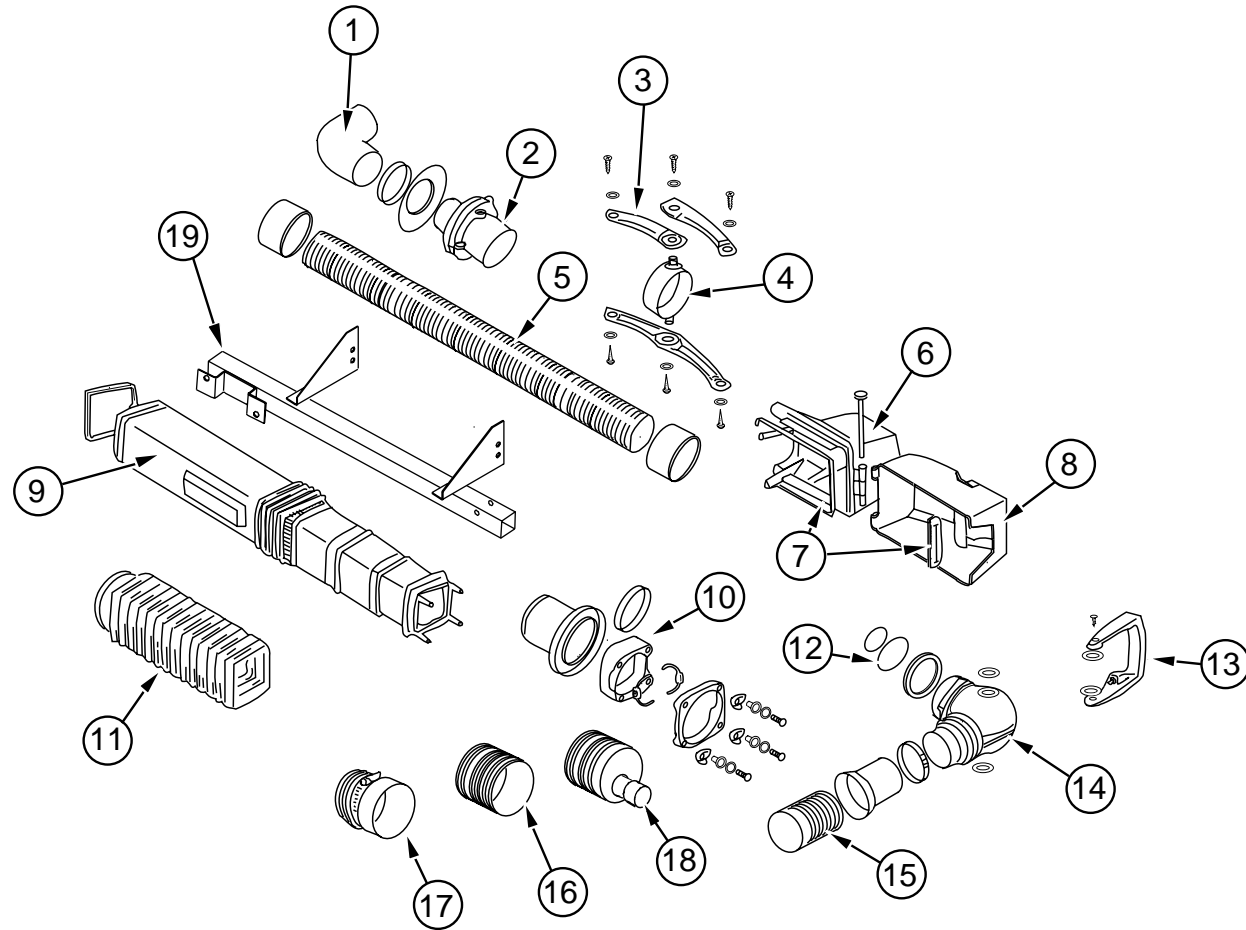
### WATER & SEWAGE GROUP (CONTINUED)



### EXTERIOR WATER SERVICE COMPARTMENT

KEY	PART NUMBER	U/M	DESCRIPTION	VENDOR
1	115004-01-000	EA	DISPENSER - PAPER TOWEL	
2	114899-01-000	EA	DISPENSER - SOAP - LIQUID	
	701069-03-700	EA	CARTRIDGE RELACEMENT	9592-06
3	114431-02-000	EA	VALVE - WATER BYPASS - 1/2" P - THREE WAY (WATER HEATER)	
4	114331-01-000	EA	FAUCET - WALLMOUNT	
5	010230-05-000	EA	FILL - CITY WATER - W/CHECK VALVE	

**WATER & SEWAGE GROUP (CONTINUED)**



**TELESCOPING DRAIN**

KEY	PART NUMBER	U/M	DESCRIPTION	VENDOR NO.
	114191-01-000	EA	DRAIN - TELESCOPING	
	114191-01-700	EA	FASTENER - HARDWARE PACKAGE	17006
1	114191-01-701	EA	HOSE KIT - INLET	17244
2	114191-01-702	EA	MOUNT ASSEMBLY - SWIVEL	1713327
3	114191-01-703	EA	TIE BAR KIT (HOOPNOT INC)	1713427
4	114191-01-704	EA	HOOP	1714427
5	114191-01-705	EA	FLEX HOSE KIT (LEFT HAND)	17146
6	114191-01-706	EA	CABINET REPLACEMENT	1713927
7	114191-01-707	EA	CABINET - SEAL KIT	17140
8	114191-01-708	EA	DOOR REPLACEMENT PACKAGE	1713827
9	114191-01-709	EA	TUBE SET	1713227
10	114191-01-710	EA	QUICK DISCONNECT MECHANISM AND SEAL	1714127
11	114191-01-711	EA	BELLOWS PACKAGE	1703027
12	114191-01-712	EA	SPOUT - SEAL PACKAGE	1713027
13	114191-01-713	EA	HANDLE - BAIL ASSEMBLY	1713164
14	114191-01-714	EA	VALVE-SPOUT ASSEMBLY	1700427
15	114191-01-715	EA	OUTLET HOSE KIT	17151
16	114191-01-716	EA	ADAPTER - HOSE - THREADED	1714527
17	114191-01-717	EA	ADAPTER - HOSE - STRAIGHT	1714227
18	114191-01-718	EA	ADAPTER - HOSE - GARDEN	1714327
19	115124-01-02B	EA	SUPPORT ASM - DRAIN - E-COAT	
	114191-03-000	EA	HOSE - DRAIN	

**WATER & SEWAGE GROUP (CONTINUED)**

**FRESH WATER TANK & WATER SYSTEM**

KEY	PART NUMBER	U/M	DESCRIPTION
	039800-04-000	FT	TUBING - POLYBUTYL - 1/4"OD
	039808-03-000	FT	TUBING-POLYBUTYLENE, 3/8" OD
	114431-01-000	EA	VALVE - 180 DEGREE/CENTER DRAIN - 1/2P - THREE WAY
	118423-01-000	EA	FITTING - BRASS-TEE - 1/4C X 1/4C X 1/4C
	039800-02-000	FT	TUBING - POLYBUTYL - 5/8"OD X 20' - INC OF 20'
	114428-01-000	EA	TEE - 1/2"P X 1/2"P X 1/2"P
	114429-04-000	EA	ELBOW - 1/2"P X 3/8"MPT
	124188-01-000	EA	TUBING - PEX - 1/2" ID X 20' - BLUE
	124188-02-000	EA	TUBING - PEX - 1/2" ID X 20' - RED
	124184-01-000	EA	SUPPORT - WATER LINE - BEND
	114430-08-000	EA	ADAPTER - 1/2P X 3/4MPT
	123150-01-000	FT	ELBOW - 1/2 FPT X 1/2 BARB - SWIVEL
	123152-01-000	EA	ADAPTER - 1/2 FPT X 1/2 BARB - SWIVEL
	071387-07-000	EA	ELBOW - MALE - BRAKE TUBE - 1/4" X 1/8"
	114431-03-000	EA	VALVE - 90 DEGREE DRAIN - 1/2"P
	111888-01-000	EA	FERRULE - PLASTIC - .250 ID X .375 OD
	114430-02-000	EA	ADAPTER - SWIVEL - 1/2"P X 1/2"FPT
	114429-01-000	EA	ELBOW - 1/2"P X 1/2"P
	114429-05-000	EA	ELBOW - 1/2"P X 3/4"MPT
	039861-01-000	EA	SENDING UNIT - W/SCREW - WASHER - WELL NUT/TERMINAL RING
	010219-01-000	EA	ELBOW - 1 1/4 MPT X 1 1/4 BARB - WATER FILL - PLASTIC
	010224-01-000	EA	ADAPTER - HOSE TO PIPE - 3/8 MPT X 3/8 BARB - PLASTIC
	114430-03-000	EA	ADAPTER - 1/2"P X 1/2"MPT
	117331-01-000	EA	TANK - WATER - 50 GALLON - W/O FITTINGS
	117331-04-000	EA	TANK - WATER - 50 GALLON - W/FITTINGS
	042989-03-000	EA	FITTING - WATER TANK - SPINWELD - 1 1/4"NPT - PLASTIC
	042989-04-000	EA	FITTING - WATER TANK - SPINWELD - 3/8 FPT - WHITE PLASTIC
	042989-05-000	EA	FITTING - WATER TANK - SPINWELD - 1/2"FPT - PLASTIC
	049032-01-000	EA	PATCH - SPINWELD - 3/8" - PLASTIC
	124172-01-000	EA	TANK - HOLDING - 58 GALLON W/O FITTINGS
	123317-01-000	EA	TANK - ACCUMULATOR - 2 GALLON
	035539-01-000	EA	ELBOW - PLASTIC - 3/8 MPT X 3/8 BARB
	074462-02-000	FT	TUBING - VINYL - 3/8 ID X 20' - CLEAR
	079381-01-000	FT	TUBING - SMOOTH FLEXIBLE - 1 3/8 ID X 20'
	010230-06-000	EA	FILL - CITY WATER - W/CHECK VALVE - MPT
	077954-02-000	EA	FILTER - WATER TANK - W/SCREEN IN TANK
	110915-01-01A	EA	FILL - CITY WATER - CHROME
	114429-03-000	EA	ELBOW - FLAIR-IT SWIVEL - 1/2"P X 1/2"FPT
	114431-02-000	EA	VALVE - WATER BYPASS - 1/2"P - THREE WAY (WATER HEATER)
	114431-04-000	EA	VALVE - "INLINE SHUT-OFF" - 1/2"P
	115009-01-000	EA	NIPPLE - PIPE - GALVANIZED - 1/2 X 1 1/2
	120868-01-000	EA	VALVE - NEEDLE - 1/4" COMPRESSION X 1/4" COMPRESSION
	114431-05-000	EA	VALVE - NEEDLE - 1/8" MPT X 1/4" COMPRESSION (ICE MAKER)
	114427-01-000	EA	CAP - 1/2 P
	111888-02-000	EA	INSERT - BRASS - 1/4 COMP
	113697-01-000	EA	CAP - 3/8 FTG
	010328-01-000	EA	ADAPTER-BRASS,1/2F X 3/8MPT
	110438-02-000	EA	VALVE - CHECK - BRASS - 1/2 MPT X 1/2 MPT

**WATER & SEWAGE GROUP (CONTINUED)**

**WASHER/DRYER**

KEY	PART NUMBER	U/M	DESCRIPTION
	107753-02-01A	EA	WASHER - DRYER - WHITE
	111913-01-01A	EA	BRACKET - WASHER - TIE DOWN - BLACK
	111913-01-02A	EA	BRACKET - WASHER - TIE DOWN - MILL
	113795-01-02B	EA	BRACKET - WASHER
	113795-02-02B	EA	BRACKET - WASHER
	110438-01-000	EA	VALVE - CHECK - BRASS - 1/2 MPT X 1/2 FPT
	114331-01-000	EA	FAUCET - WALLMOUNT
	114331-02-000	EA	FAUCET - WALLMOUNT (CANADA)
	009198-01-000	FT	DUCT - HEAT - FLEXIBLE - 4" ID X 25'
	116653-01-000	FT	DUCT - FLEXIBLE - METAL - 4" ID X 8'
	098419-01-000	EA	FAUCET - WASHER - 90 DEGREE
	103798-01-000	EA	CONNECTOR - 1/4 OD X 3/8 MPT
	112176-01-000	FT	TUBING - VINYL - REINFORCED - 1/2" ID

**WATER HEATERS**

KEY	PART NUMBER	U/M	DESCRIPTION
*	051393-01-000	EA	WATER HEATER GH6-8E ELECTRONIC IGNITION
*	051391-03-000	EA	WATER HEATER G6A-8E ELECTRONIC IGNITION
*	051391-05-000	EA	WATER HEATER - ELECTRONIC IGNITION - GCH10A-3E

\* COMPONENT PARTS FOUND IN SERVICE PARTS LIBRARY

**WATER & SEWAGE GROUP (CONTINUED)**

**WATER PUMP**

KEY	PART NUMBER	U/M	DESCRIPTION	VENDOR NO.
	121887-01-000	EA	PUMP - WATER - FLOW 2.0 W/ 1/2 MPT	
	098607-01-702	EA	DIAPHRAGM/DRIVE ASSEMBLY KIT	94-238-04
	098607-01-703	EA	VALVE KIT	94-232-00
	098607-01-705	EA	VALVE - CHECK - KIT	94-237-00
	098607-01-706	EA	HOUSING - W/SWITCH - KIT	94-231-20
	121887-01-700	EA	MOTOR W/BASEPLATE	11-192-00
	121887-01-701	EA	PUMP HEAD - COMPLETE	94-236-46

**WATER PURIFICATION**

KEY	PART NUMBER	U/M	DESCRIPTION	VENDOR NO.
	701069-01-000	EA	WATER PURIFICATION SYSTEM	
	701069-03-700	EA	CARTRIDGE RELACEMENT	9592-06
	103798-01-000	EA	CONNECTOR - 1/4 OD X 3/8 MPT	

**GARDEN HOSE**

KEY	PART NUMBER	U/M	DESCRIPTION
	117089-01-000	FT	HOSE - 1/2" ID - GARDEN

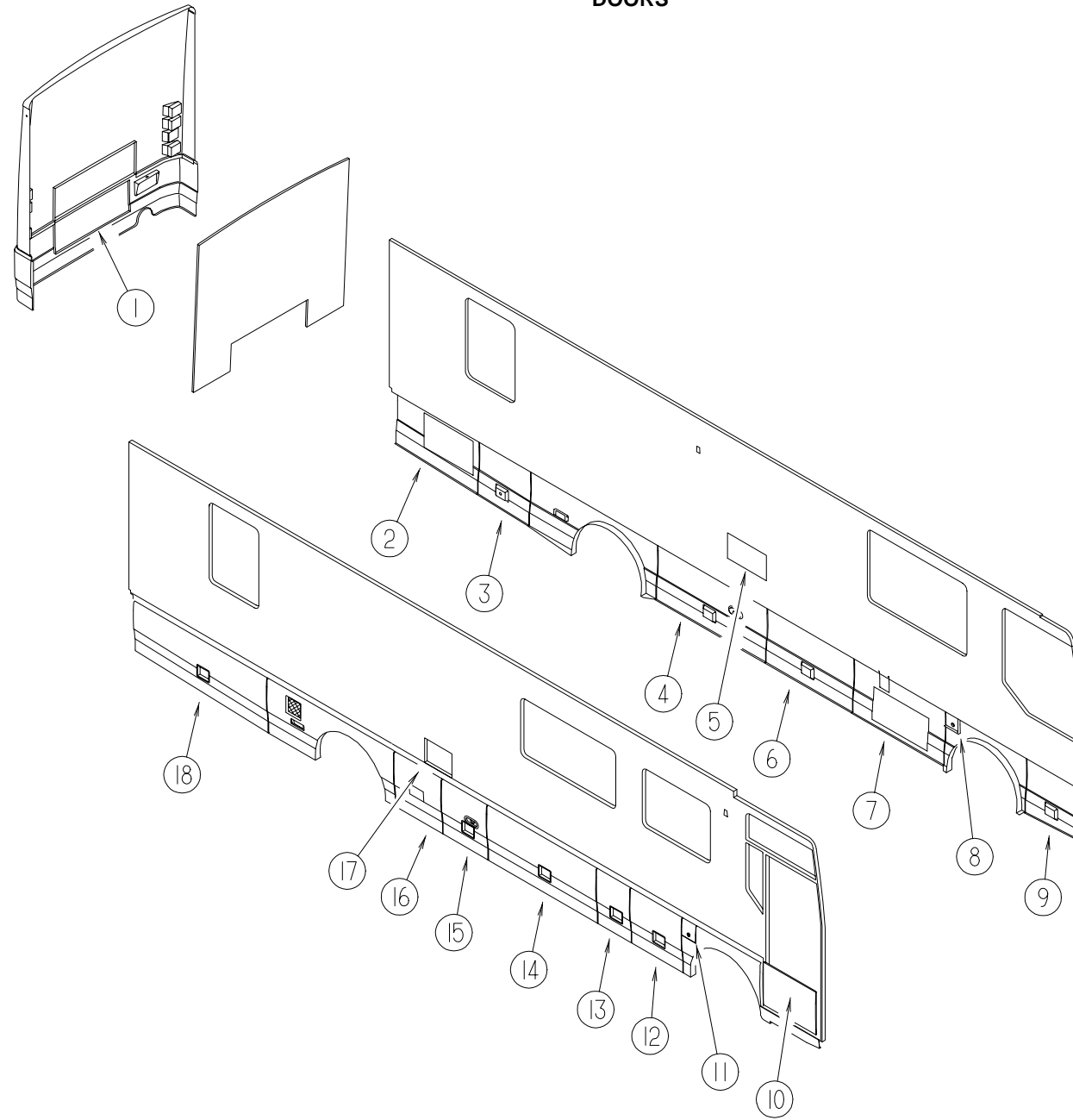
FROM: 00-00-00 THRU: 03-02-97

**WINTERIZATION SYSTEM**

KEY	PART NUMBER	U/M	DESCRIPTION	VENDOR
	114429-02-000	EA	ELBOW - 1/2"P X 1/2"MPT	
	114428-01-000	EA	TEE - 1/2"P X 1/2"P X 1/2"P	
	114428-03-000	EA	TEE - 1/2"P X 1/2"P X 1/2"MPT	
	114429-01-000	EA	ELBOW - 1/2"P X 1/2"P	
	118569-01-700	EA	VALVE/SOLENOID-ELECT CONTROL	
	118569-01-701	EA	SWITCH - ELECTRIC	NO VDR#
	118569-01-702	EA	PLATE - SWITCH	NO VDR#
	118569-01-704	EA	PLUG - 3/4 MPT	NO VDR#
	118569-01-705	EA	PLUG - 1/2 MPT	NO VDR#
	118569-01-706	EA	SCREEN - WHITE	NO VDR#
	118569-02-700	EA	TANK - 2 GAL	NO VDR#
	124188-01-000	EA	TUBING - PEX - 1/2" ID X 20' - BLUE	

# WINDOW, VENT & EXTERIOR DOOR GROUP

## DOORS

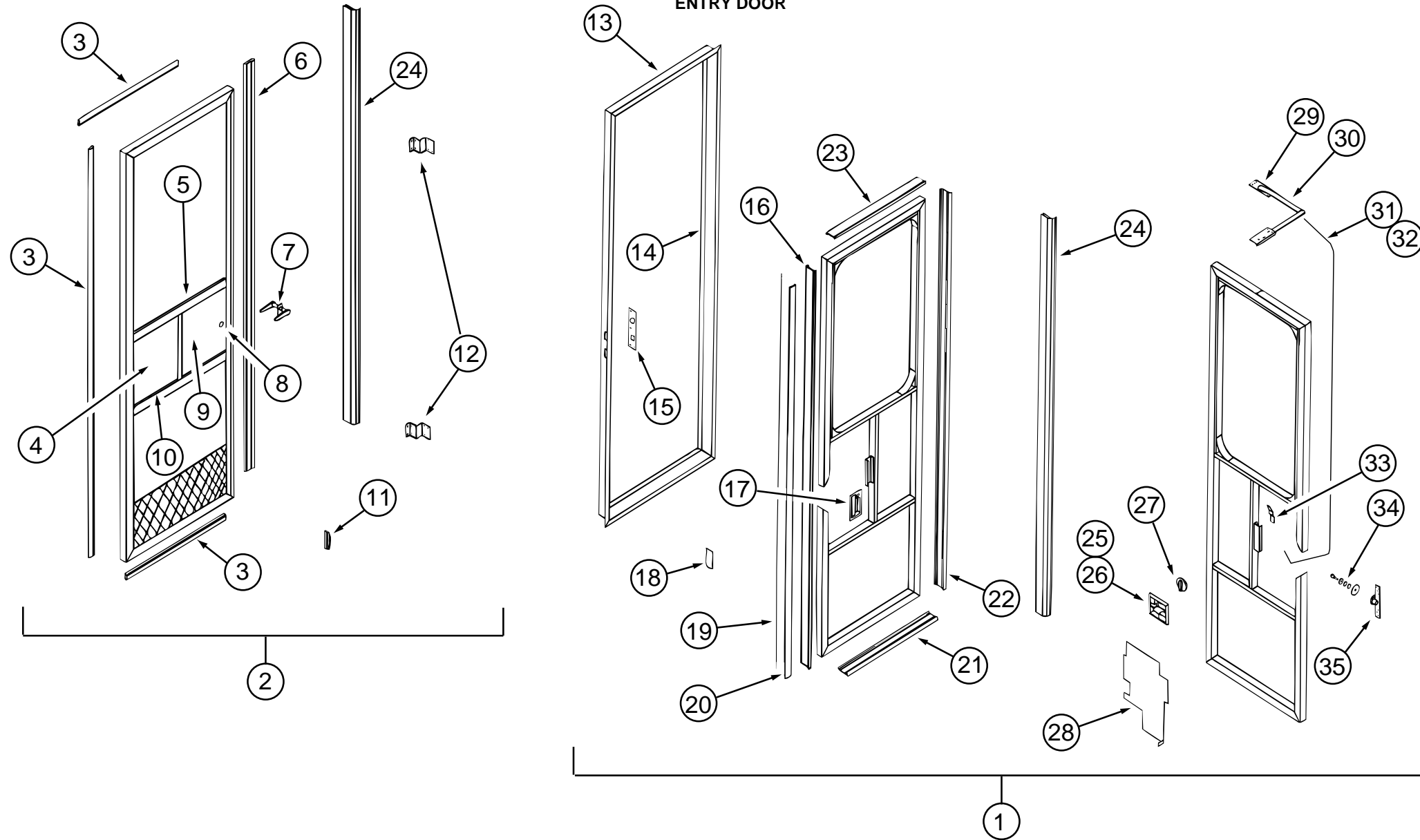


KEY	PART NUMBER	U/M	DESCRIPTION
1	117507-03-HQ0	EA	PANEL - REAR ENGINE DOOR - W/O LATCHES
2	123671-01-HQ0	EA	DOOR - VALANCE - CONDENSOR W/FINS - 49.4" X 26.7" X 28.5"
3	123699-02-HQ0	EA	VALANCE/DOOR - W/O PADDLE LATCH - 20.1" X 29.5"
4	123669-06-HQ0	EA	VALANCE/DOOR-W/O PADDLE LATCH W/LIGHT POCKET 66.2" X 29.5"
5	081240-16-000	EA	DOOR - WATER FILL - LOCKABLE W/O LOCK - 4" X 4 5/8"
6	123669-05-HQ0	EA	VALANCE/DOOR - W/O PADDLE LATCH - 52.3" X 29.5"
7	123670-01-HQ0	EA	DOOR - VALANCE - A/C W/FINS - 55.1" X 29.6"
8	123457-02-01A	EA	DOOR - FUEL FILL - LEFT HAND
9	123699-03-HQ0	EA	VALANCE/DOOR - PASS REAR W/LOCKING LATCH-29.5"X33"X 27.7"
10	122759-01-01A	EA	DOOR - ENTRY - FRONT/RIGHT HAND - W/O SCREEN DOOR
11	123457-01-01A	EA	DOOR - FUEL FILL - RIGHT HAND
12	123669-01-HQ0	EA	VALANCE/DOOR - W/O PADDLE LATCH W/LIGHT POCKET 31" X 29.5"

KEY	PART NUMBER	U/M	DESCRIPTION
13	123669-02-HQ0	EA	VALANCE/DOOR - W/O PADDLE LATCH - 20.1" X 29.5"
14	123669-03-HQ0	EA	VALANCE/DOOR - W/O PADDLE LATCH - 66.2" X 29.5"
15	123669-07-HQ0	EA	VALANCE/DOOR-W/O PADDLE LATCH W/LIGHT POCKET 27.2" X 29.5"
16	125452-01-HQ0	EA	VALANCE/DOOR - W/O HARDWARE - 28.4" X 29.5"
16	125452-02-HQ0	EA	VALANCE/DOOR - W/O HARDWARE - 28.4" X 29.5"
17	125481-01-02A	EA	DOOR - REFRIGERATOR VENT
18	123699-01-HQ0	EA	DOOR-VALANCE-PASSENGER REAR W/LOCK LATCH-80.7"X29.6"X26.7"
	125420-01-01A	EA	DOOR - WATER HEATER

## WINDOW, VENT & EXTERIOR DOOR GROUP (CONTINUED)

### ENTRY DOOR

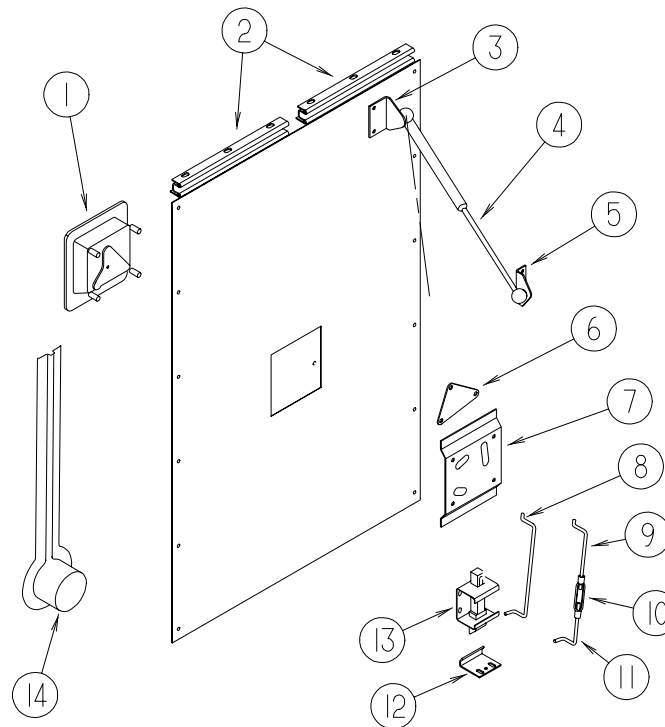


KEY	PART NUMBER	U/M	DESCRIPTION	VENDOR NO.
1	122759-01-01A	EA	DOOR - ENTRY - FRONT/RIGHT HAND - W/O SCREEN DOOR	
2	122759-01-728	EA	DOOR-SCREEN COMPLETE	WIN-005
3	122759-01-739	FT	SEAL-BULB (HINGE SIDE)	007-002
4	122759-01-729	EA	GLASS-STATIONARY TEMPERED	023-038
5	122759-01-736	EA	CHANNEL-PLAS. SLIDER LOWER	035-011
6	122759-01-738	FT	SEAL-BULB (LATCH SIDE)	007-004
7	122759-01-733	EA	HANDLE ASM.-SCREEN DOOR	019-004
8	122759-01-734	EA	KNOB-BLACK W/SCREW	019-018
9	122759-01-730	EA	GLASS-SLIDER W/HOLE TEMPERED	023-039
10	122759-01-735	EA	GLIDE-FELT UPPER 3/4 X 13	007-025
11	122759-01-732	EA	CATCH-INSIDE PLASTIC	019-030
12	122759-01-731	EA	HINGE-SCREEN DOOR	005-030
	122759-01-737	EA	CATCH-DOOR (METAL)	019-010
13	122759-01-700	EA	JAMB-ALUMINUM	003-517
14	122759-01-701	FT	SEAL-EDGE CLIP	007-006
15	122759-01-714	EA	DEAD BOLT BOX & PLATE	009-007
16	122759-01-704	EA	TRIM-ALUM. LATCH SIDE	003-522
17	122759-01-709	EA	HANDLE-LOWER O/S W/KEYS	009-032
	122759-01-710	EA	KEY & CYLINDER O/S HANDLE	009-054
18	122759-01-711	EA	LABEL	033-050
19	122759-01-708	EA	SPLINE F/PVC SEAL	023-002

KEY	PART NUMBER	U/M	DESCRIPTION	VENDOR NO.
20	122759-01-707	EA	SEAL-PVC WELDED	007-155
21	122759-01-703	EA	TRIM-ALUM. BOTTOM	003-520
22	122759-01-705	EA	TRIM-ALUM. HINGE SIDE	003-521
23	122759-01-702	EA	TRIM-ALUM. TOP	003-524
24	122759-01-706	EA	HINGE-PIANO	005-100
25	122759-01-715	EA	HANDLE-UPPER COMPLETE	009-033
26	122759-01-716	EA	BEZEL-UPPER COVER	009-152
27	122759-01-712	EA	DEAD BOLT	009-003
	122759-01-713	EA	KEY BLANK-DEAD BOLT	009-052
28	122759-01-717	EA	LOCK MODULE SUPPORT & LATCH	009-013
29	122759-01-724	EA	POS-A-LOC SPRING	013-001
	122759-01-725	EA	ACTUATOR-POWER LOCK	027-017
	122759-01-726	EA	ROD & CLIP - POWER LOCK	009-160
	122759-01-727	EA	CONNECTOR 4-PRONG POW. LOCK	027-021
30	122759-01-722	EA	POS-A-LOC ARMS ONLY	001-507
31	122759-01-723	EA	POS-A-LOC CABLE W/ENDS	015-001
32	122759-01-721	EA	POS-A-LOC COMPLETE	001-501
33	122759-01-720	EA	LATCH PLATE-SCREEN DOOR	019-010
34	122759-01-719	EA	BOLT-STRIKER ASM	009-031
35	122759-01-718	EA	MOV-A-BOLT	009-040

## WINDOW, VENT & EXTERIOR DOOR GROUP (CONTINUED)

### PASSENGER SIDE FRONT TWO COMPARTMENT DOORS

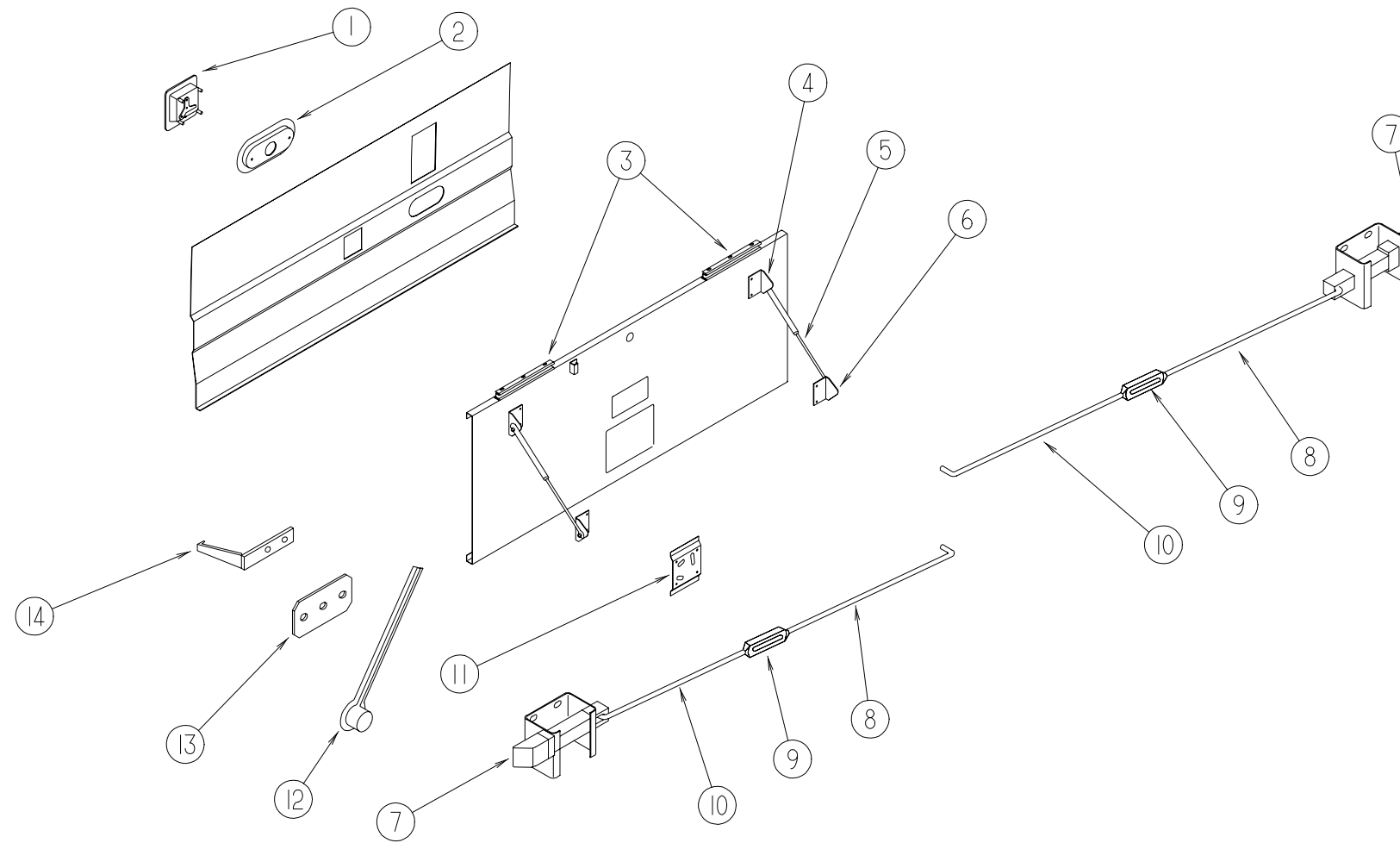


KEY	PART NUMBER	U/M DESCRIPTION
1	112949-01-01A	EA LATCH ASM - PADDLE W/LOCK W/O KEY
2	107895-08-000	EA HINGE-DOUBLE PIVOT, W/U-CHANNEL
3	107796-02-000	EA BRACKET-GAS SPRING, MOUNTS TO DOOR - SPDI SPD-1060
4	107796-01-000	EA SPRING-GAS, 40 POUND - SPDI SPD-5200-40
5	107796-03-000	EA BRACKET-GAS SPRING, MOUNTS TO COMPARTMENT - SPDI SPD-1015
6	113445-01-02B	EA PLATE-ADAPTER,LATCH,E-COAT
7	112866-02-02B	EA BRACKET-LATCH PADDLE, E-COAT
8	101356-19-000	EA ROD-LINKAGE
9	108562-41-000	EA ROD-LATCH, THREADED, RIGHT - 3.3" LONG
9	108562-29-000	EA ROD-LATCH, THREADED, RIGHT - 9.2" LONG
9	108562-33-000	EA ROD-LATCH, THREADED, RIGHT - 8.4" LONG
9	108562-16-000	EA ROD-LATCH, RIGHT THREADED - 288MM LONG
9	108562-12-000	EA ROD-LATCH, RIGHT THREADED - 150MM LONG
9	108562-22-000	EA ROD-LATCH, THREADED, RIGHT - 18.7" LONG
9	108562-25-000	EA ROD-LATCH, THREADED, RIGHT - 9.4" LONG
10	108561-01-000	EA TURNBUCKLE, 10-24 THREAD

KEY	PART NUMBER	U/M DESCRIPTION
11	108562-20-000	EA ROD-LATCH, LEFT THREADED - 61MM LONG
11	108562-35-000	EA ROD-LATCH, THREADED, LEFT - 3.8" LONG
11	108562-06-000	EA ROD-LATCH, LEFT THREADED - 288MM LONG
11	108562-11-000	EA ROD-LATCH, LEFT THREADED - 278MM LONG
11	108562-13-000	EA ROD-LATCH, LEFT THREADED - 171MM LONG
11	108562-28-000	EA ROD-LATCH, THREADED, LEFT - 9.6" LONG
11	108562-09-000	EA ROD-LATCH, LEFT THREADED - 384MM LONG
12	113679-01-01A	EA STRIKE-VALANCE DOOR MILL
13	101348-01-000	EA BOLT-SLIDE, LATCH - NYLON - W/SPRING & BRKT
14	115792-02-01A	EA COVER - WIRE - BLACK
	115792-01-01A	EA COVER - WIRE - BLACK
	091876-01-000	EA RETAINER-DOOR, 1/9" X .8" - METAL
	088270-01-000	FT SEAL-BULB,EPDM RUBBER
	107721-01-000	FT "D" SHAPED BULB SEAL W/ADHESIVE ON FLAT SIDE
	104692-01-000	FT SEAL-3/4" X 3/4", ADHESIVE BACK FOAM SEAL
	098408-01-000	FT SEAL-SPONGE RUBBER, CLOSED CELL
	107721-01-000	FT SEAL-ACCESS DOOR

## WINDOW, VENT & EXTERIOR DOOR GROUP (CONTINUED)

### EXTERIOR COMPARTMENT DOORS (CONTINUED)



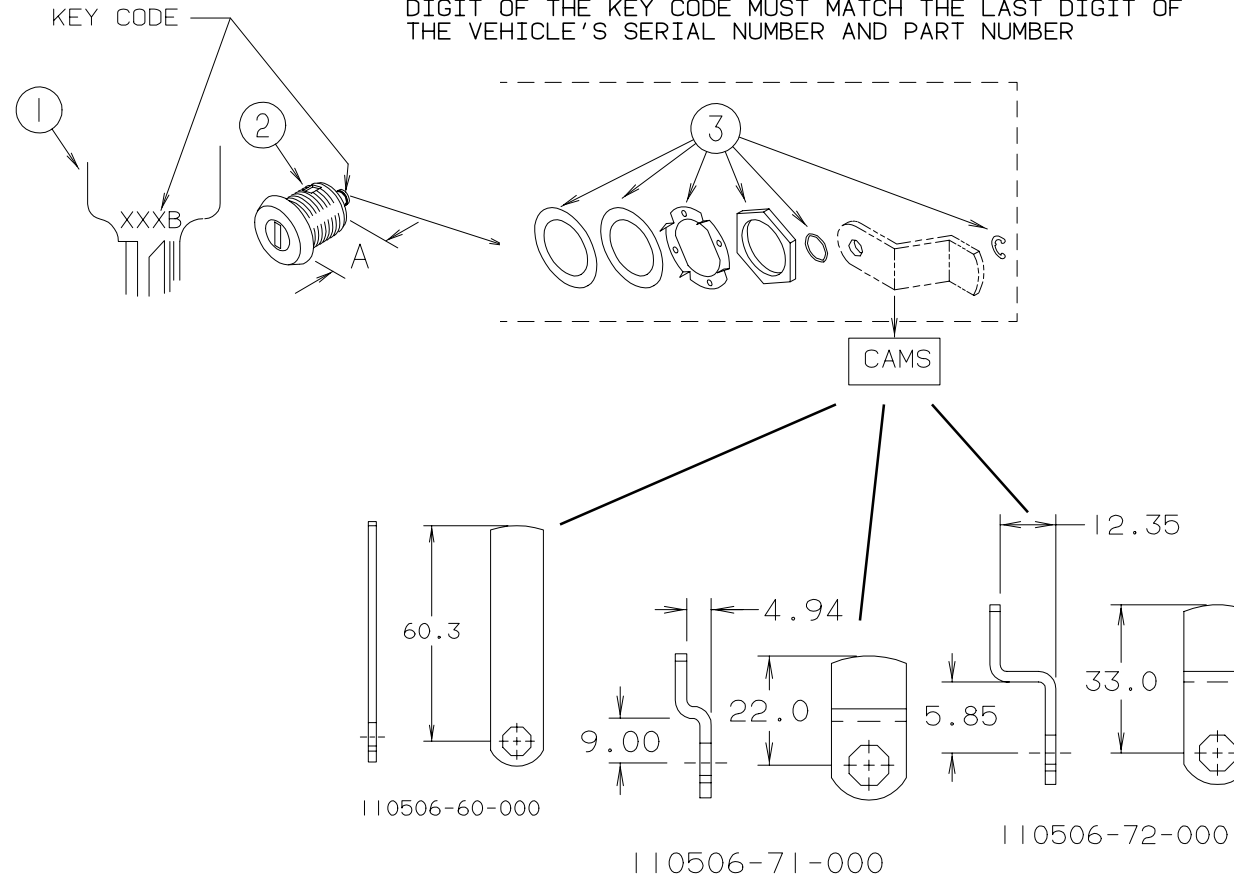
KEY	PART NUMBER	U/M	DESCRIPTION
1	112949-02-01A	EA	LATCH-PADDLE, W/O KEY LOCK
1	112949-01-01A	EA	LATCH-PADDLE, W/KEY LOCK
	112949-03-000	EA	KEY - TRI-MARK #TM500 TRI-MARK 81030-03
2	113598-01-01A	EA	POCKET-LIGHT, SIDE MARKER BLK
3	107895-08-000	EA	HINGE-DOUBLE PIVOT, W/U-CHANNEL
4	107796-02-000	EA	BRACKET-GAS SPRING, MOUNTS TO DOOR - SPDI SPD-1060
5	107796-01-000	EA	SPRING-GAS, 40 POUND - SPDI SPD-5200-40
5	107796-08-000	EA	SPRING-GAS, 60 POUND - SPDI SPD-5200-60
5	107796-11-000	EA	SPRING-GAS, 90 POUND - SPDI SPD-5200-90
5	107796-12-000	EA	SPRING-GAS, 120 POUND - SPDI SPD-5200-120
5	108998-04-000	EA	SPRING-GAS, 60 POUND - SPD-5300-60
6	107796-03-000	EA	BRACKET - GAS SPRING - SMALL - SPDI SPD-1015
	107796-05-000	EA	BRACKET-GAS SPRING, FLAT - SPDI SPD-1020
	057460-02-000	EA	BALL STUD-10MM BALL, 5/16-18 - SPARE TIRE COMPARTMENT ONLY
7	101348-01-000	EA	BOLT-SLIDE, LATCH - NYLON - W/SPRING & BRACKET
8	108562-20-000	EA	ROD-LATCH, LEFT THREADED - 61MM LONG
8	108562-35-000	EA	ROD-LATCH, THREADED, LEFT - 3.8" LONG
8	108562-06-000	EA	ROD-LATCH, LEFT THREADED - 288MM LONG
8	108562-11-000	EA	ROD-LATCH, LEFT THREADED - 278MM LONG
8	108562-13-000	EA	ROD-LATCH, LEFT THREADED - 171MM LONG
8	108562-28-000	EA	ROD-LATCH, THREADED, LEFT - 9.6" LONG
8	108562-09-000	EA	ROD-LATCH, LEFT THREADED - 384MM LONG

KEY	PART NUMBER	U/M	DESCRIPTION
9	108561-01-000	EA	TURNBUCKLE, 10-24 THREAD
10	108562-29-000	EA	ROD-LATCH, THREADED, RIGHT - 9.2" LONG
10	108562-33-000	EA	ROD-LATCH, THREADED, RIGHT - 8.4" LONG
10	108562-16-000	EA	ROD-LATCH, RIGHT THREADED - 288MM LONG
10	108562-40-000	EA	ROD-LATCH, THREADED, RIGHT - 15.4" LONG
10	108562-12-000	EA	ROD-LATCH, RIGHT THREADED - 150MM LONG
10	108562-25-000	EA	ROD-LATCH, THREADED, RIGHT - 9.4" LONG
11	112866-02-02B	EA	BRACKET-LATCH PADDLE, E-COAT
12	115792-01-01A	EA	COVER-WIRE, PLASTIC - BLACK
13	091876-01-000	EA	RETAINER-DOOR, 1/9" X .8" - METAL
14	102768-01-000	EA	HOLDER-COMPARTMENT/ENTRY DOOR, METAL - MILL FINISH
	113679-01-01A	EA	STRIKE-COMPARTMENT DOOR
	107719-01-01A	EA	STRIKE-DOOR, COMPARTMENT DOOR
	088270-01-000	FT	SEAL-BULB, W/ WIRED U-CHANNEL - RUBBER - BLACK (TOP EDGE OF DOOR)
	107721-01-000	FT	SEAL-D BULB, W/RIDGES - W/ADHESIVE ON FLAT SIDE, BLACK
	104692-01-000	FT	SEAL-3/4" X 3/4", ADHESIVE BACK FOAM SEAL

## WINDOW, VENT & EXTERIOR DOOR GROUP (CONTINUED)

### BRIGGS & STRATTON LOCKS & COMPONENTS

NOTE:  
WHEN ORDERING THE LOCK CASE, THE KEY CODE MUST MATCH THE LAST DIGIT OF THE VEHICLE'S SERIAL NUMBER AND PART NUMBER; WHEN ORDERING THE KEYS, THE THIRD DIGIT OF THE KEY CODE MUST MATCH THE LAST DIGIT OF THE VEHICLE'S SERIAL NUMBER AND PART NUMBER



KEY	PART NUMBER	U/M	DESCRIPTION	VENDOR NO.	KEY	PART NUMBER	U/M	DESCRIPTION	VENDOR NO.
	<b>FUEL FILL, WATER FILL &amp; EARLY A/C DOOR LOCKS</b>								
1	110506-59-000	EA	KEYS-SET OF 2 (SERIAL # ENDS IN 0)	596720	1	110506-59-006	EA	KEYS-SET OF 2 (SERIAL # ENDS IN 6)	596726
2	110506-52-000	EA	CASE-LOCK, A=17MM (KEY CODE #0) (WATER FILL)	702370	2	110506-52-006	EA	CASE-LOCK, A=17MM (KEY CODE #6) (WATER FILL)	702376
2	110506-53-000	EA	CASE-LOCK, A=25MM (KEY CODE #0) (A/C, FUEL FILL)	702380	2	110506-53-006	EA	CASE-LOCK, A=25MM7 (KEY CODE #6) (A/C, FUEL FILL)	02386
1	110506-59-001	EA	KEYS-SET OF 2 (SERIAL # ENDS IN 1)	596721	1	110506-59-007	EA	KEYS-SET OF 2 (SERIAL # ENDS IN 7)	596727
2	110506-52-001	EA	CASE-LOCK, A=17MM (KEY CODE #1) (WATER FILL)	702371	2	110506-52-007	EA	CASE-LOCK, A=17MM (KEY CODE #7) (WATER FILL)	702377
2	110506-53-001	EA	CASE-LOCK, A=25MM (KEY CODE #1) (A/C, FUEL FILL)	702381	2	110506-53-007	EA	CASE-LOCK, A=25MM (KEY CODE #7) (A/C, FUEL FILL)	702387
1	110506-59-002	EA	KEYS-SET OF 2 (SERIAL # ENDS IN 2)	596722	1	110506-59-008	EA	KEYS-SET OF 2 (SERIAL # ENDS IN 8)	596728
2	110506-52-002	EA	CASE-LOCK, A=17MM (KEY CODE #2) (WATER FILL)	702372	2	110506-52-008	EA	CASE-LOCK, A=17MM (KEY CODE #8) (WATER FILL)	702378
2	110506-53-002	EA	CASE-LOCK, A=25MM (KEY CODE #2) (A/C, FUEL FILL)	702382	2	110506-53-008	EA	CASE-LOCK, A=25MM (KEY CODE #8) (A/C, FUEL FILL)	702388
1	110506-59-003	EA	KEYS-SET OF 2 (SERIAL # ENDS IN 3)	596723	1	110506-59-009	EA	KEYS-SET OF 2 (SERIAL # ENDS IN 9)	596729
2	110506-52-003	EA	CASE-LOCK, A=17MM (KEY CODE #3) (WATER FILL)	702373	2	110506-52-009	EA	CASE-LOCK, A=17MM (KEY CODE #9) (WATER FILL)	702379
2	110506-53-003	EA	CASE-LOCK, A=25MM (KEY CODE #3) (A/C, FUEL FILL)	702383	2	110506-53-009	EA	CASE-LOCK, A=25MM (KEY CODE #9) (A/C, FUEL FILL)	702389
1	110506-59-004	EA	KEYS-SET OF 2 (SERIAL # ENDS IN 4)	596724	3	110506-40-700	EA	HARDWARE KIT, INCLUDES GASKET, WASHERS, NUT & CLIP	
2	110506-52-004	EA	CASE-LOCK, A=17MM (KEY CODE #4) (WATER FILL)	702374		110506-60-000	EA	CAM-LOCK, BRIGGS & STRATTON (FUEL FILL)	322276
2	110506-53-004	EA	CASE-LOCK, A=25MM (KEY CODE #4) (A/C, FUEL FILL)	702384		110506-71-000	EA	CAM-LOCK, BRIGGS & STRATTON (WATER FILL)	322287
						110506-72-000	EA	CAM-LOCK, BRIGGS & STRATTON 322354 (A/C)	
1	110506-59-005	EA	KEYS-SET OF 2 (SERIAL # ENDS IN 5)	596725		110506-59-701	EA	KEY BLANK (GOLD)	
2	110506-52-005	EA	CASE-LOCK, A=17MM (KEY CODE #5) (WATER FILL)	702375					
2	110506-53-005	EA	CASE-LOCK, A=25MM (KEY CODE #5) (A/C, FUEL FILL)	702385					



**WINDOW, VENT & EXTERIOR DOOR GROUP (CONTINUED)**  
**COMPARTMENT DOORS COMPONENTS**

KEY	PART NUMBER	U/M	DESCRIPTION	VENDOR
	107796-01-000	EA	SPRING/GAS - 11" COMPRESSED/17" EXTENDED - 40LB.	
	107796-08-000	EA	SPRING/GAS - 11" COMPRESSED/17" EXTENDED - 60 LB	
	107796-11-000	EA	SPRING/GAS - 11" COMPRESSED/17" EXTENDED - 90 LB	
	107796-24-000	EA	SPRING - GAS - 18.5" LONG - 60 LB	
	107796-01-700	EA	END FITTING - SCREW ON	SPD-EF-PS130
	114268-03-02B	EA	BRACKET - GAS SPRING - 14 GAUGE	
	107796-05-000	EA	BRACKET - SUPPORT - GAS SPRING TO BED - FLAT (LOWER)	
	107721-01-000	FT	BULB SEAL - "D" SHAPED W/ADHESIVE ON FLAT SIDE	
			FROM: 00-00-00 THRU: 07-13-97	
	107721-08-000	FT	SEAL - ACCESS DOOR	
			FROM: 07-14-97 THRU: 99-99-99	
	107719-01-01A	EA	STRIKE - VALANCE DOOR	
	039623-01-000	FT	SEAL-MOTOR COVER, RUBBER BULB TYPE - BLACK	
	076310-04-000	EA	SHEET - RUBBER - 23" X 50"	
	072877-03-000	EA	INSULATION - SOUND BARRIER - 1" X 36" X 57"	
	110277-02-000	EA	STRAP - W/HOLES	
	119443-01-01A	EA	COVER - LATCH - VALANCE DOOR	
	112949-01-01A	EA	LATCH - PADDLE W/LOCK W/O KEY - TITANIUM	
	126263-02-02B	EA	BRACKET - GAS SPRING - SMALL	
	126263-05-02B	EA	BRACKET - GAS SPRING	
	126259-01-000	EA	STUD - BALL	
	100128-02-000	FT	SEAL - FOAM/ADHESIVE BACK - .37" WIDE X .37" THICK	
	104692-03-000	EA	SEAL - FOAM/ADHESIVE BACK - 1"THICK X 1.25"WIDE X 15'	

**WINDOW, VENT & EXTERIOR DOOR GROUP (CONTINUED)**  
**JENSEN ROOF VENT W/POWER LIFT**

KEY	PART NUMBER	U/M	DESCRIPTION	VENDOR NO.
	110051-08-01A	EA	VENT-ROOF, W/POWER LIFT FOR 4" ROOF - JENSEN 7727 (U.S.)	
	110051-10-01A	EA	VENT-ROOF, W/POWER LIFT FOR 4" ROOF - JENSEN CX7258 (CSA)	
	048648-01-000	EA	MOTOR, 12V NONVENTED 1/8 SFT	
	048649-01-000	EA	FAN-PLASTIC, 6" - 6 BLADED	
	064469-03-707	EA	MOTOR-LIFT	RP-1023
	064469-03-708	EA	GEAR - DRIVE	RP-1024
	064469-03-709	EA	GEAR-MOTOR PINION	RP-1025
	064470-01-700	EA	COVER ROOF VENT	7291
	110051-01-705	EA	SCREEN-FRAME, GARNISH	29-689-04A

**WINDOW, VENT & EXTERIOR DOOR GROUP (CONTINUED)**

**PLUMBING & REFRIGERATOR ROOF VENTS**

KEY	PART NUMBER	U/M	DESCRIPTION
	118369-02-02A	EA	BASE-ROOF VENT, REFRIGERATOR - BLACK - NORCOLD
	118369-01-02A	EA	VENT-ROOF, REFRIGERATOR, SABLE NORCOLD

**SKYLIGHT**

KEY	PART NUMBER	U/M	DESCRIPTION
	123245-02-01A	EA	SKYLIGHT

**ELIXIR  
MODEL V971202 WHT**

KEY	PART NUMBER	U/M	DESCRIPTION	VENDOR NO.
*	122882-03-01A	EA	VENT - ROOF - W/FAN - POWERED - W/O INSIDE GARNISH	
	110051-03-700	EA	SWITCH - BLACK/PUSH BUTTON	27-0164

\* COMPONENT PARTS FOUND IN SERVICE PARTS LIBRARY

**FANTASTIC MODEL FANT.4000-3-WDW-C**

KEY	PART NUMBER	U/M	DESCRIPTION	VENDOR NO.
*	123780-04-01A	EA	VENT - EXHAUST - F/3" TO 4" ROOF - CSA	

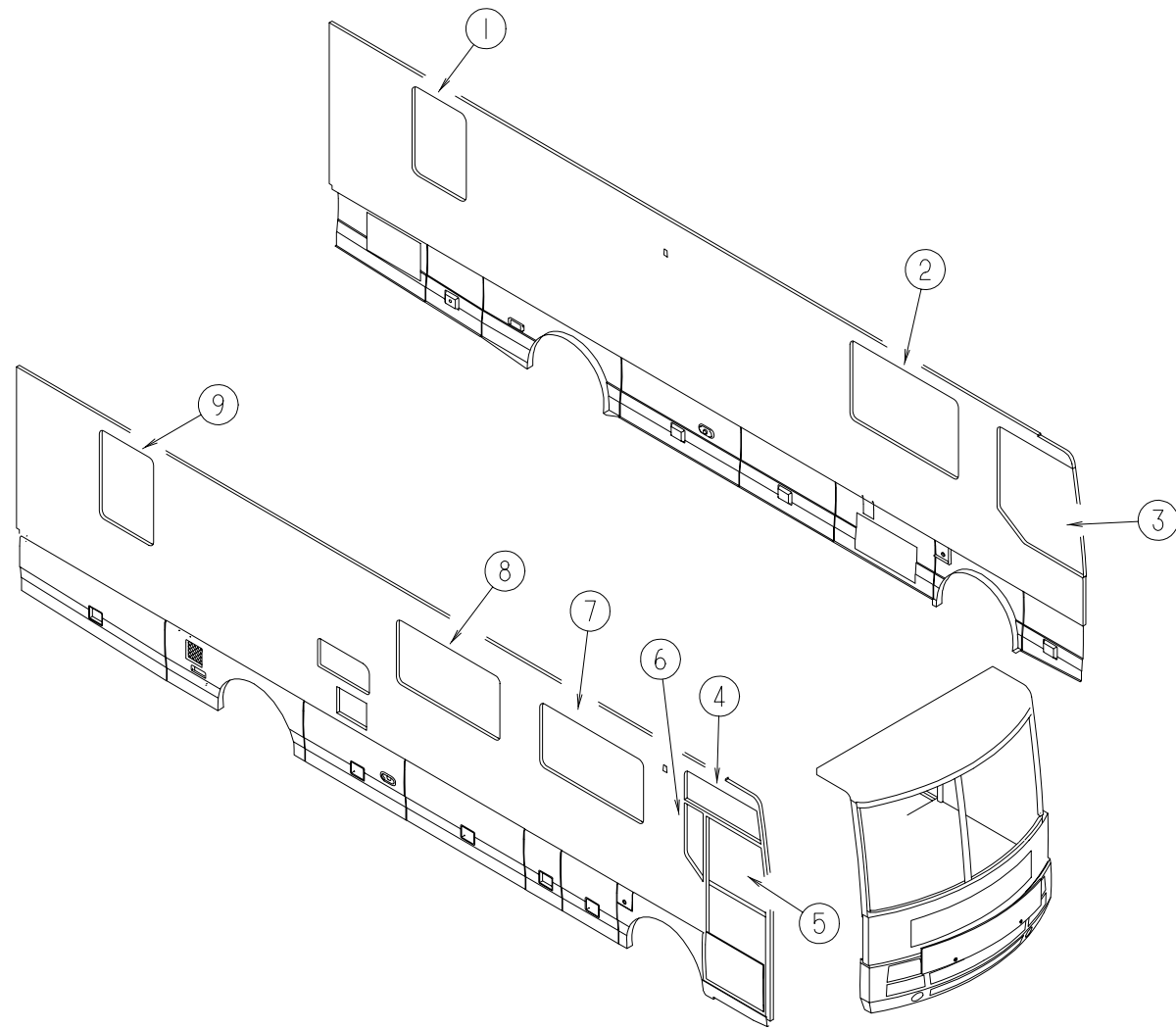
\* COMPONENT PARTS FOUND IN SERVICE PARTS LIBRARY

**WINDOW, VENT & EXTERIOR DOOR GROUP (CONTINUED)**

**REMOTE KEYLESS ENTRY**

KEY	PART NUMBER	U/M	DESCRIPTION	VENDOR NO.
	102756-02-000	EA	REMOTE KEYLESS ENTRY SYSTEM, SCS	101-2287
	102756-01-704	EA	HARNESS-MAIN	203-6638
	102756-02-700	EA	REMOTE(TRANSMITTER) KEYLESS	412-1036
	102756-02-701	EA	BOARD-MODULE, NEW SYSTEM	202-3153
	102756-01-701	EA	BATTERY-12 V F/TRANSMITTER	

## WINDOW, VENT & EXTERIOR DOOR GROUP (CONTINUED)

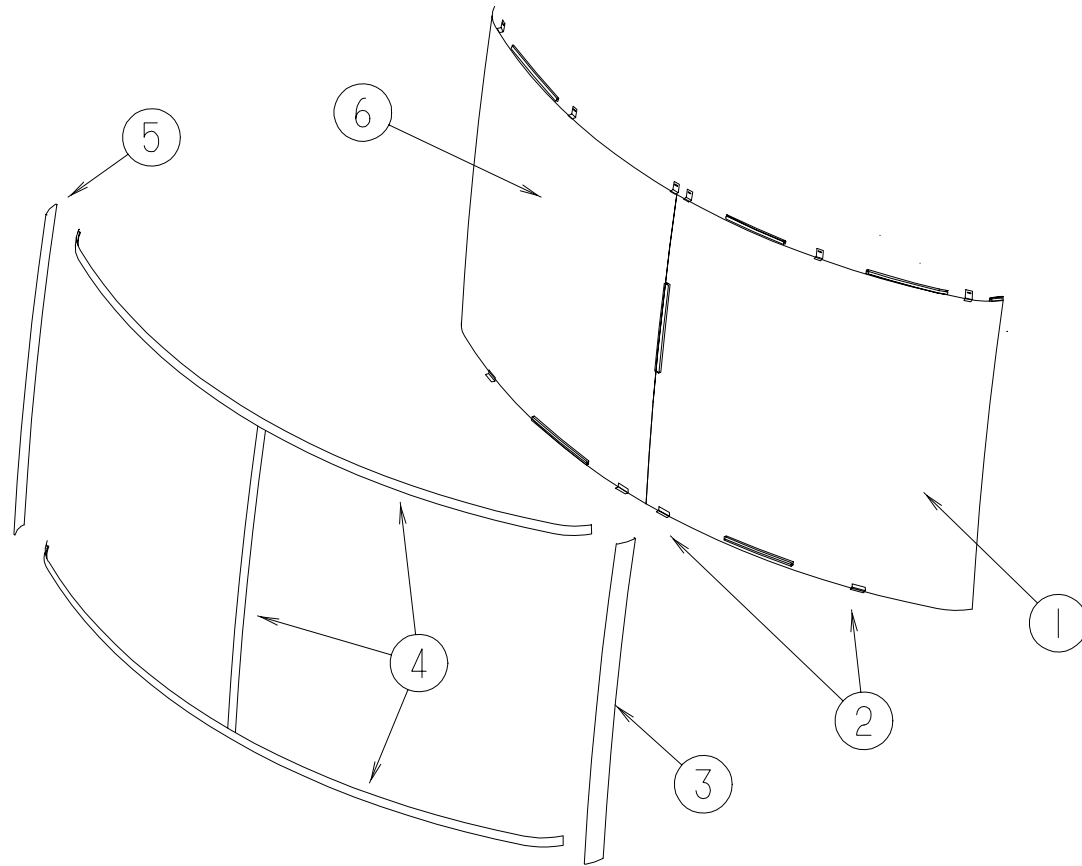


### WINDOWS

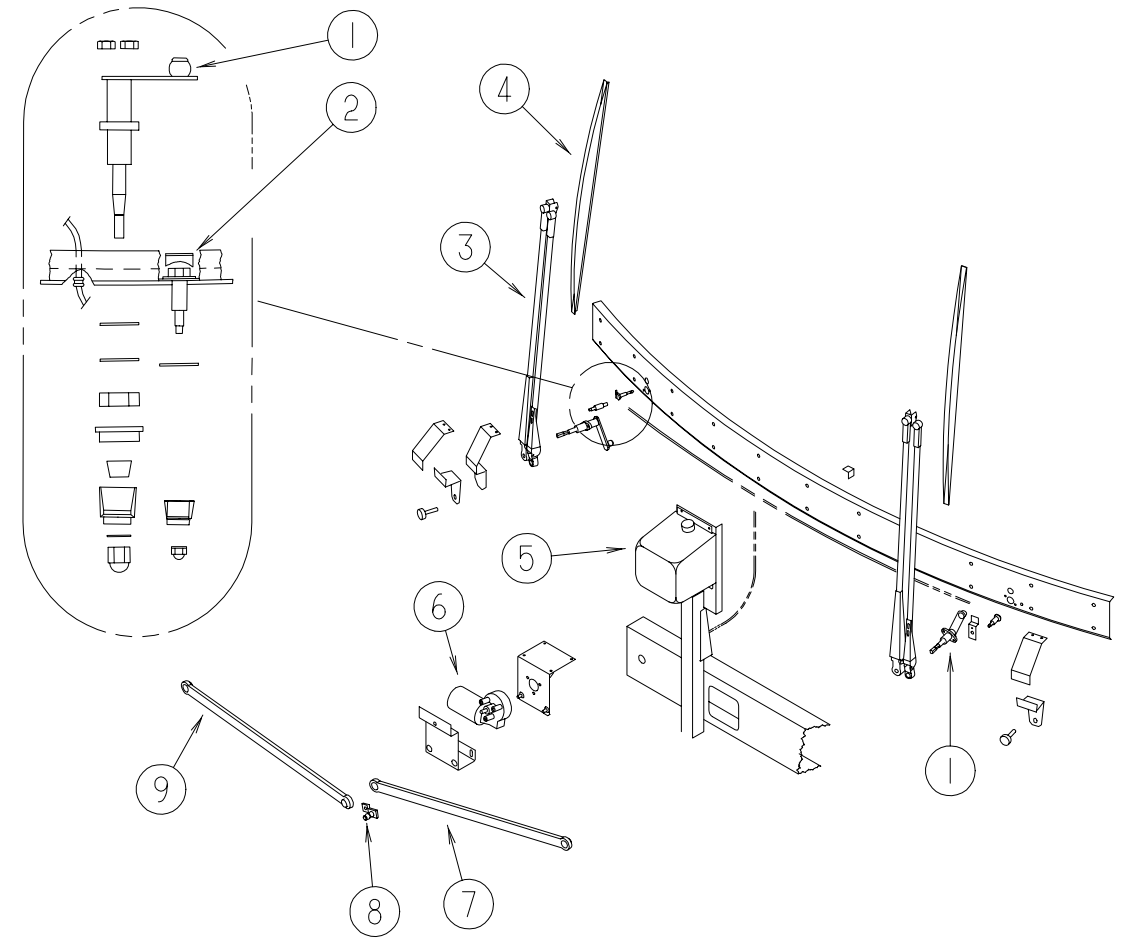
KEY	PART NUMBER	U/M	DESCRIPTION	VENDOR NO.
1*	112898-06-01A	EA	WINDOW - SLIDER/VERTICAL - THERMO - ESCAPE - 42.2" X 30.2"	
2*	112795-37-01A	EA	WINDOW - SLIDER - HORIZONTAL - THERMO - 37.7" X 59.7"	
3*	106466-09-01A	EA	WINDOW - DRIVER CAB - THERMO - 42.1"TW X 48.3"CW X 50.3"H	
4*	106467-08-01A	EA	WINDOW - DRIVER - VISTA THERMO - 41.7"T X 44.2"B X 15.6"H	
5*	122758-02-01A	EA	WINDOW - ENTRANCE DOOR - THERMO 31.2"H X 27"TW X 29.2"BW	
6*	122757-02-01A	EA	WINDOW - REAR SLANT THERMO - PASSENGER	
7*	112795-60-01A	EA	WINDOW - SLIDER - HORIZONTAL THERMO - 30.5" X 41.2"	
8*	112795-33-01A	EA	WINDOW - PASSENGER/HORIZONTAL SLIDER - THERMO 30.5" X 57.4"	
9*	112898-05-01A	EA	WINDOW - SLIDER/VERTICAL - THERMO - 42.2" X 30.2"	

\* COMPONENT PARTS FOUND IN SERVICE PARTS LIBRARY

## WINDSHIELD & WIPER GROUP



## WINDSHIELD & WIPER GROUP (CONTINUED)



### WINDSHIELD & VENT WINDOWS

KEY	PART NUMBER	U/M DESCRIPTION
1	116996-04-000	EA WINDSHIELD - DRIVERS - CURVED - 52"W X 49"H
2	002328-02-000	EA BLOCK - WINDSHIELD - .062" X .5" X .98"
3	120352-01-02A	EA TRIM - WINDSHIELD - A-PILLAR - DRIVER
4	120533-01-000	FT MOLDING - REVEAL - WINDSHIELD
5	120352-02-02A	EA TRIM - WINDSHIELD - A-PILLAR - PASSENGER
6	116996-03-000	EA WINDSHIELD - PASSENGER - CURVED - 52"W X 49"H
	127862-01-000	EA CARRIER - REVEAL - WINDSHIELD - 47.2"
	098788-06-000	EA CHANNEL - 49" PVC
	117203-01-01B	EA FRAME - WINDSHIELD - A PILLAR - RIGHT HAND
	117203-02-01B	EA FRAME - WINDSHIELD - A PILLAR - LEFT HAND

### WIPER & WASHER

KEY	PART NUMBER	U/M DESCRIPTION	VENDOR NO.
	091206-04-000	EA MODULE/WIPER CONTROL KIT - DYNAMIC PARK	
	091206-04-700	EA SWITCH - WIPER CONTROL (66C-00070 OR 250-6623)	250-6623
1	096505-05-000	EA SHAFT/PIVOT - WINDSHIELD WIPER 62871-20-SH25WJ	
	096505-02-700	EA DRIVER-KNURLED,(HD) BRL .687	NT721017
	096505-02-701	EA NUT-HEX (HD) W/.687 BARREL	NT721021
	096505-02-702	EA CAP-RUBBER (HD) BARREL .687	CP721084
	096505-02-703	EA CAP-NUT(ACORN) HD W/.687 BRL	51065-40-NT27WC
	077049-02-000	EA NUT - ACORN - 10-32 BLACK/ANODIZED	
2	117768-01-000	EA SHAFT - ADAPTER - PANTOGRAPH ARM	
3	117769-01-000	EA ARM - WIPER - PANTOGRAPH - 28" - UT 6701620LE25WJ	
	110742-01-000	EA GASKET - NEOPRENE - WIPER ADAPTER SHAFT - 1 3/4"OD X 1"ID	
4	095964-01-000	EA BLADE - WINDSHIELD WIPER - 24"	
5	117766-02-000	EA RESERVOIR/PUMP - WINDSHIELD WASHER	
5	110605-01-000	EA TEE - PLASTIC - BARBED - 1/8" X 1/8" X 3/16" - BAYLOCK 3799721	
5	117765-03-000	EA CONNECTOR - 5/32" - WINDSHIELD WASHER	
6	104346-05-000	EA MOTOR - WIPER W/INTERNAL BREAKER - DYNAMIC PARK	
7	117770-02-000	EA LINK - CONNECTING - DRIVER - 24"	
8	067188-01-000	EA STUD - CRANK - WIPER MOTOR	
9	117770-01-000	EA LINK - CONNECTING - PASSENGER - 24"	