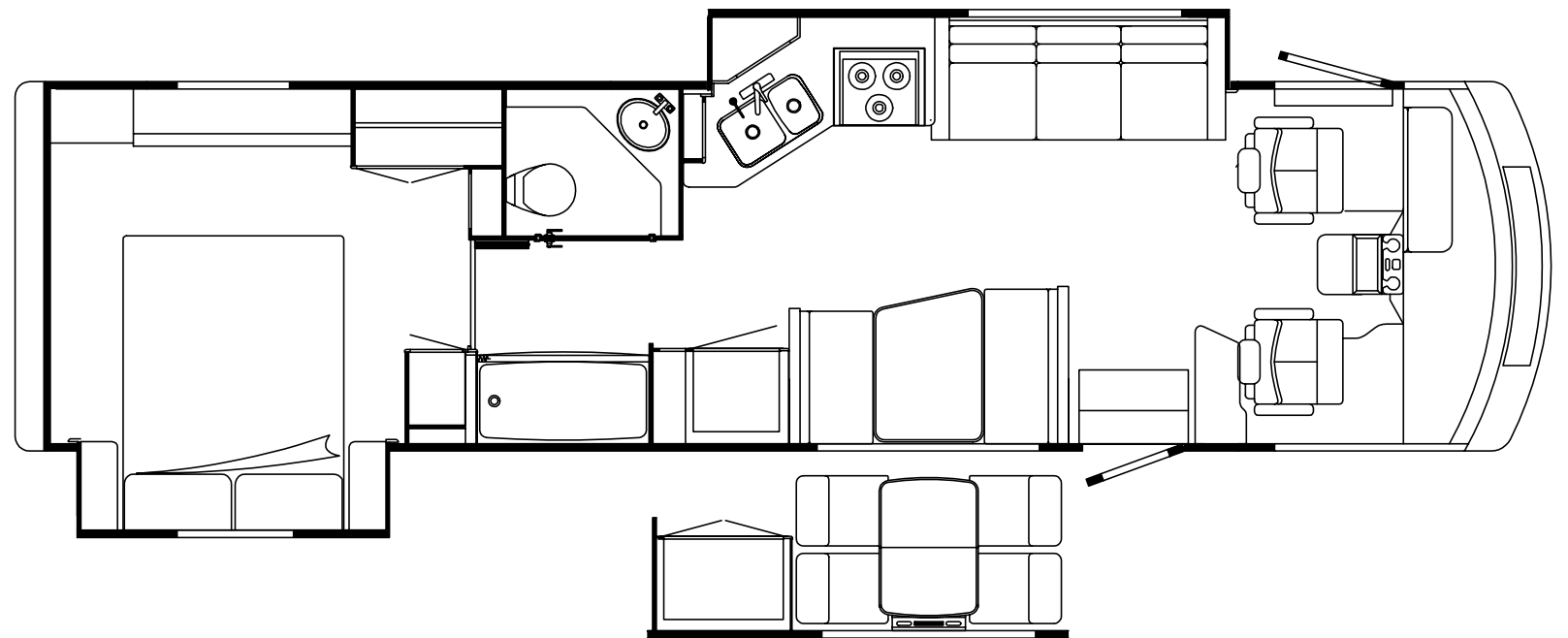
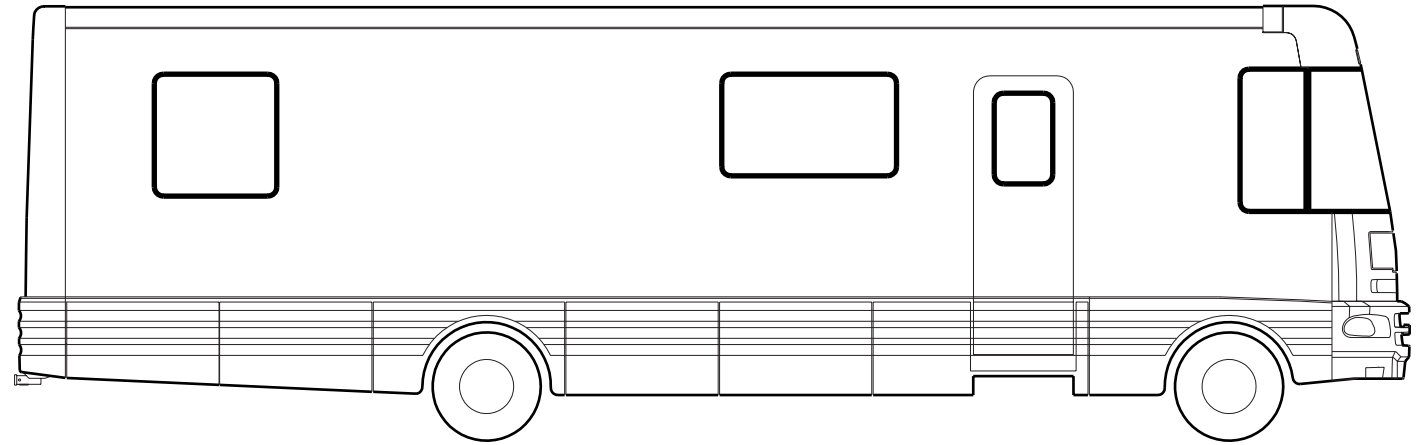


**1998  
IFL34WY**

**WATERFORD OAK  
J94 WILLOW  
J95 VILLAGE GREEN  
J96 OAKLEAF**

**WASHED MAPLE  
J60 WILLOW  
J61 VILLAGE GREEN**

**WHITE GRANITE  
J62 OAKLEAF**



## ACCESSORIES GROUP

### OPERATORS MANUAL

KEY	PART NUMBER	U/M	DESCRIPTION
	054185-11-000	EA	MANUAL - OPERATOR 98 SUNFLYER - L SERIES
	092318-01-000	EA	BINDER - 3 RING - MOTOR HOME MANUAL
	092319-01-000	EA	POCKET PAGE - 3 RING BINDER - PLASTIC - (50 PER PKG)
	125976-01-000	DW	TOP LEVEL-L,1998
	129079-01-01A	EA	CASE - VINYL/BLACK-EXPANDABLE ACCORDION SIDES-7"WX9"HX14"L
	077960-01-000	EA	BAG-PLASTIC,10X12,W/ZIPPER

## AUDIO VIDEO GROUP

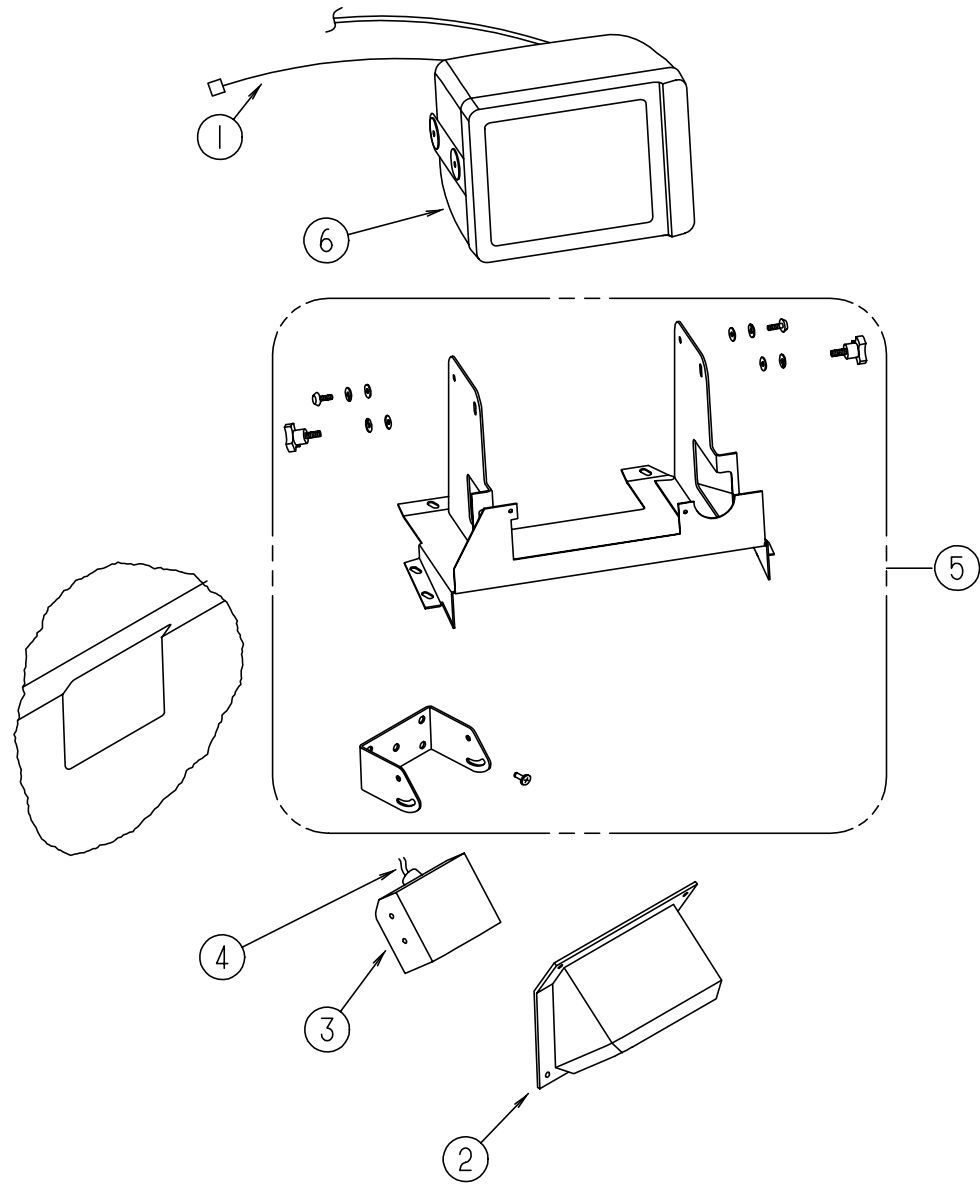
### RADIO SYSTEM COMPONENTS

KEY	PART NUMBER	U/M	DESCRIPTION	VENDOR NO.
	077069-02-000	EA	CABLE - ANTENNA/EXTENSION - RADIO - 96"	
	089340-02-000	EA	GRILLE - SPEAKER - 6.5" SQUARE	
	090944-01-000	EA	ANTENNA - RADIO - 16" RUBBER	
	094097-01-000	EA	SPEAKER - RADIO/TV - W/O GRILLE - 5.25" DIAMETER	
	108847-01-000	EA	BRACKET - ANTENNA GROUND	
	109889-04-000	EA	EXTENDER - ANTENNA SHAFT - 3"	
	110469-01-000	EA	SPEAKER - 4" X 6" OVAL - COAXIAL	
	110470-01-01A	EA	GRILLE - 4" X 6" OVAL - BLACK	
	115916-01-01B	EA	BRACKET - ANTENNA MOUNT	
	123256-01-000	EA	ANTENNA - CB - W/O CABLE	
	123256-02-000	EA	CABLE - CB - COAX	
	124881-01-000	EA	AMPLIFIER - AUDIO	
	124882-01-000	EA	WIRE ASSEMBLY - AMPLIFIER	
	124883-02-000	EA	SPEAKER - CUBE - W/BRACKET	
	124884-01-000	EA	SPEAKER - 6" X 9" - SUB-WOOFER	
	124885-01-000	EA	GRILLE - SPEAKER - 6" X 9" - SUB-WOOFER	
	125322-02-000	EA	RADIO - AM-FM STEREO - CASSETTE - AUDIOVOX	
	126958-01-000	EA	RADIO - WALL MOUNT - AM/FM CASSETTE - AUDIOVOX	
	127516-01-000	EA	RADIO - AM/FM STEREO - CD PLAYER - PANASONIC	
	127516-01-700	EA	FACE - REMOVEABLE	YEPOFX3114
	127516-01-701	EA	TRIM RING	YGFC025263
	127516-01-702	EA	FACTORY HARNESS	YGAJ02719
	127516-01-703	EA	CARRIER F/REMOVEABLE FACE	YEFA131290
	127264-01-000	EA	RADIO - AM/FM STEREO/CASSETTE - PANASONIC	
	127264-01-700	EA	TRIM RING	YFC054C044ZB
	127264-01-701	EA	KNOB - VOLUME	YFE074C045ZA
	127264-01-702	EA	KNOB - FADER	YEFE074C026
	127264-01-703	EA	FACTORY HARNESS	YAJ024C048ZB
	127515-01-000	EA	CHANGER - COMPACT DISC	
	127515-02-000	EA	CHANGER - COMPACT DISC	FROM: 00-00-00 THRU: 10-23-97
	127515-02-700	EA	POWER CABLE	FROM: 10-24-97 THRU: 99-99-99
	127515-02-701	EA	OWNERS MANUAL	YEAJ071117
	127515-03-000	EA	CHANGER - CONTROL/FM MODULATOR	OM-CXDP601
	127515-03-700	EA	REMOTE CONTROL	FROM: 10-24-97 THRU: 99-99-99
	127515-03-701	EA	OWNERS MANUAL	YFX994C047D
				OM-CYRM600

### TELEPHONE SYSTEM

KEY	PART NUMBER	U/M	DESCRIPTION
	093253-01-01A	EA	PLATE - WALL - TELEPHONE - BEIGE
	093253-01-02A	EA	PLATE - WALL - TELEPHONE - BROWN
	093254-01-000	EA	HOUSING - TELEPHONE

**AUDIO VIDEO GROUP (CONTINUED)**



**REAR VIEW MONITOR & SHROUDS**

KEY	PART NUMBER	U/M DESCRIPTION	VENDOR NO.
1	096717-03-000	EA WIRE - REAR MONITOR - AFTER MARKET INSTALLATION	
2	125258-01-01A	EA SHROUD - CAMERA - OUTER	
	125259-01-01A	EA SHROUD - CAMERA - INNER	
3	093040-09-000	EA CAMERA - REAR VIEW - W/BRACKET	
4	093041-01-000	EA CABLE - MONITOR/CAMERA - INTERNAL USE - 65.6'	
5	N/A	EA PARTS ARE INCLUDED W/TELEVISION SYSTEM	
6	093040-10-000	EA MONITOR - 7" REAR VIEW - W/BRACKET	
	093040-10-700	EA LENS-MONITOR, REAR VIEW F/7"	3-708-537-01

**AUDIO VIDEO GROUP (CONTINUED)**

**TV ANTENNA**

KEY	PART NUMBER	U/M DESCRIPTION
*	076319-21-000	EA ANTENNA - TV ROOF MOUNT 3" ROOF FROM: 00-00-00 THRU: 12-07-97
*	076319-23-000	EA ANTENNA-TV - ROOF MOUNT - 44.5" MAST FROM: 12-08-97 THRU: 99-99-99
*	076319-25-000	EA KIT-HARDWARE INTERIOR

\* COMPONENT PARTS FOUND IN SERVICE PARTS LIBRARY

**SATELLITE DISH**

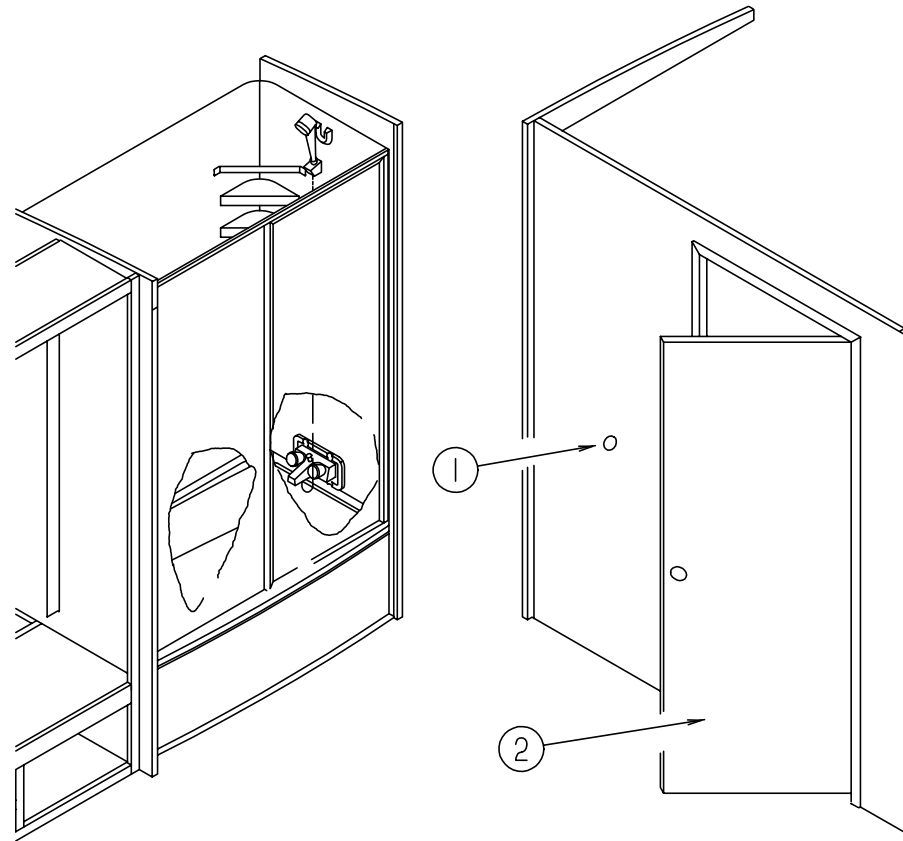
KEY	PART NUMBER	U/M DESCRIPTION
*	120233-01-000	EA ANTENNA - SATELLITE (DISH & HDW) W/O RECEIVER - MANUAL

\* COMPONENT PARTS FOUND IN SERVICE PARTS LIBRARY

**TV & VCR SYSTEMS**

KEY	PART NUMBER	U/M DESCRIPTION	VENDOR NO.
	076319-03-000	FT CABLE - COAXIAL - 75 OHM	
	076319-08-000	EA WALLPLATE - CABLE RECEPTACLE - TV - SINGLE/IVORY	
	076319-09-000	EA WALLPLATE - CABLE RECEPTACLE - TV - SINGLE - BROWN	
	076319-12-000	EA CONNECTOR - COAXIAL - ONE PIECE	
	082134-01-000	EA ADAPTER - TV - CABLE TO CABLE	
	082136-01-000	EA NUT - HEX JAM - 3/8 - 32	
	086231-08-000	EA TV - 13" COLOR - DC - AUDIOVOX	
	086231-08-700	EA REMOTE-UNIVERSAL	8822325
	086231-08-701	EA ADAPTER - WIRE	0891436
	086756-01-000	EA SPLITTER - TV - 2 WAY	
	086757-03-000	EA CONTROL CENTER - SWITCH - VCR/TV	
	086777-01-000	EA WALLPLATE - TV CABLE - W/ANTENNA SWITCH - IVORY	
	086777-02-000	EA WALLPLATE - TV CABLE - W/ANTENNA SWITCH - BROWN	
	086777-05-000	EA WALLPLATE - ANTENNA 1 OUTPUT - IVORY	
	086777-06-000	EA WALLPLATE - ANTENNA 1 OUTPUT - BROWN	
	089340-02-000	EA GRILLE - SPEAKER - 6.5" SQUARE	
	093901-06-000	EA PLATE - TV	
	094097-01-000	EA SPEAKER - RADIO/TV - W/O GRILLE - 5.25" DIAMETER	
	114870-02-000	EA PLUG - .14" AUDIO W/LEADS	
	115539-01-000	EA RELAY - RADIO/TV SPEAKER - SWITCH	
	115540-01-000	EA AMPLIFIER - TV SPEAKERS	
	126696-01-000	EA TV - 19" COLOR W/1/8" JACK - UL/CSA - GE FROM: 00-00-00 THRU: 04-12-98	
	126696-01-700	EA REMOTE	
	126696-02-000	EA TV - 19" COLOR W/1/8" JACK - UL/CSA FROM: 04-13-98 THRU: 99-99-99	
	126697-01-000	EA VCR - VHS - CABLE READY - W/REMOTE - GE FROM: 00-00-00 THRU: 04-12-98	
	126697-01-700	EA REMOTE - F/VCR	2040R
	126697-02-000	EA VCR - VHS/CABLE READY - W/REMOTE FROM: 04-13-98 THRU: 99-99-99	
	126697-02-700	EA REMOTE	238513
	099717-01-000	EA STRAP - TV TIE DOWN W/24" FEMALE STRAP & 14.2" MALE STRIP	
	099717-02-000	EA STRAP - TV TIE DOWN W/29.9" FEMALE STRAP & 14.2" MALE STRP	

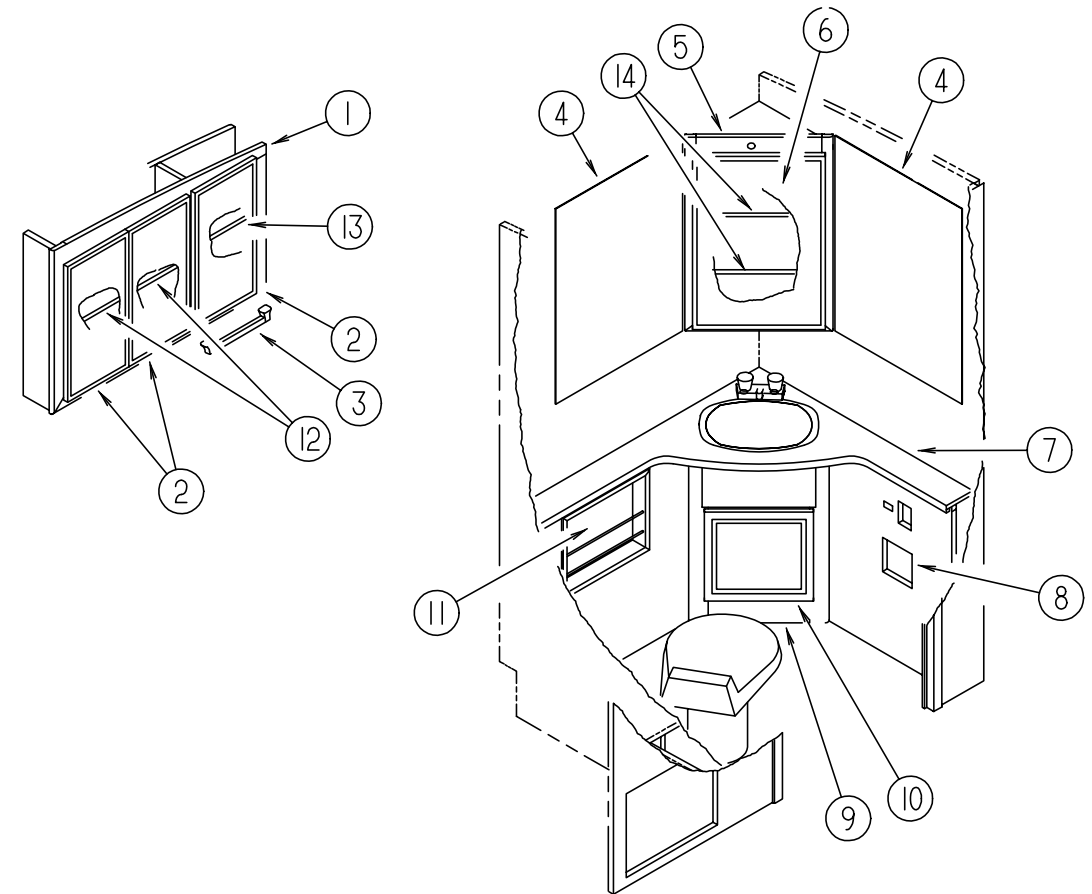
## BATH GROUP



### BATH CABINET

KEY	PART NUMBER	U/M	DESCRIPTION
1	120760-01-000	EA	BUMPER - RUBBER - CLEAR
2	121449-31-H17	EA	DOOR - BATH - W/O HARDWARE - WATERFORD OAK
2	121449-31-J60	EA	DOOR - BATH - W/O HARDWARE - WASHED MAPLE
2	121449-31-H40	EA	DOOR - BATH - W/O HARDWARE - WHITE GRANITE
	102920-01-01A	EA	HINGE - SPRING LOADED/BRASS
	110496-01-01A	EA	HINGE - BRASS
	111155-01-01A	EA	LOCK - PRIVACY - POLISHED BRASS
	121449-12-G04	EA	RACK - TOWEL - BATH DOOR - WATERFORD OAK
	121449-12-J70	EA	RACK - TOWEL - BATH DOOR - WASHED MAPLE
	121449-12-H23	EA	RACK - TOWEL - BATH DOOR - WHITE GRANITE
	100357-01-000	EA	ROD - F/TOWEL BAR - BRASS

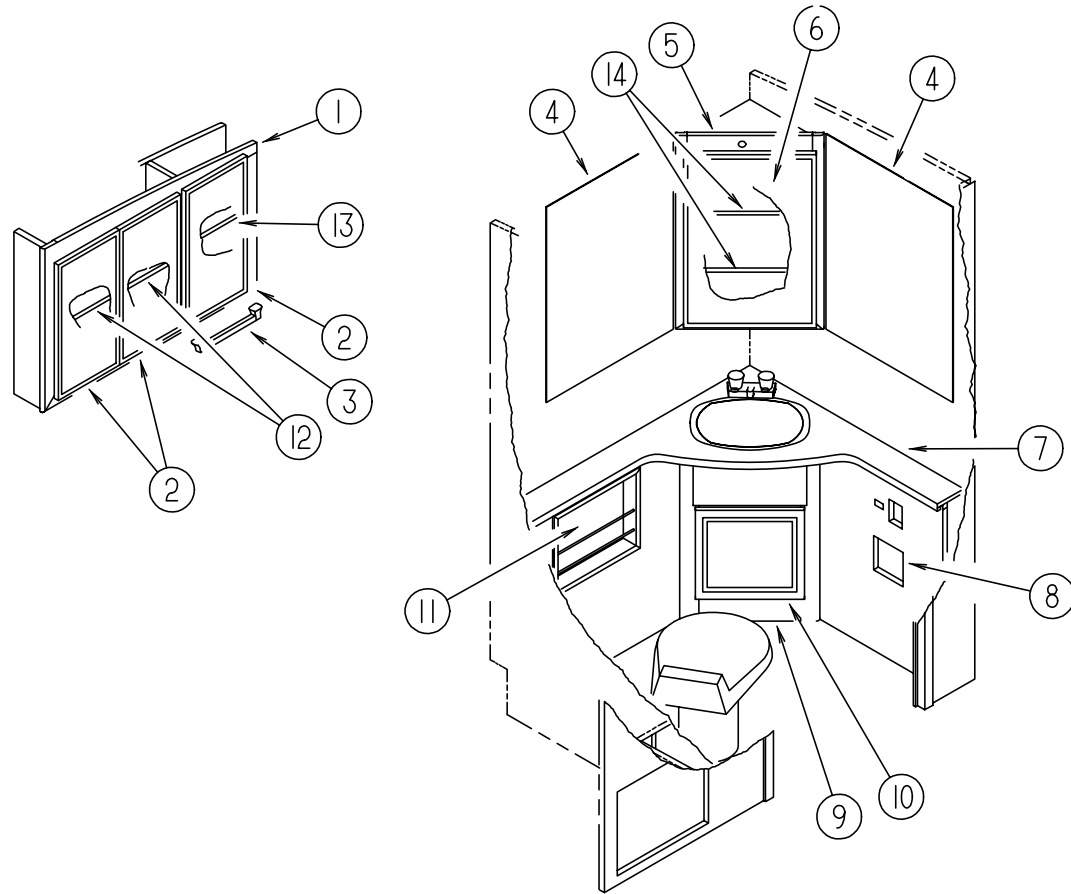
## BATH GROUP (CONTINUED)



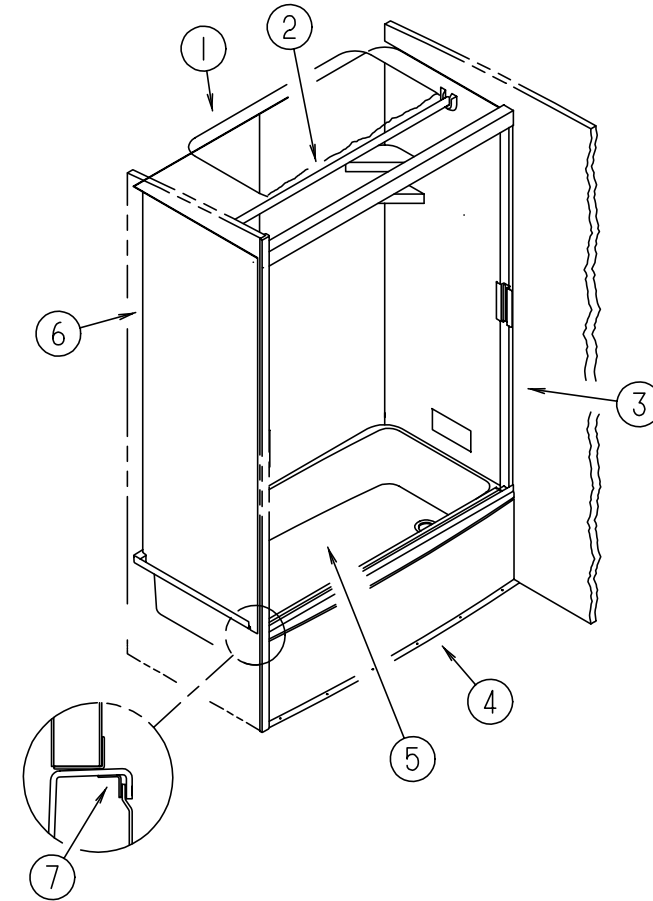
### LAVATORY CABINETS

KEY	PART NUMBER	U/M	DESCRIPTION
1	126980-01-J94	EA	CABINET - OVERHEAD/BATH - W/O DOORS/HARDWARE - WATERFORD OAK
1	126980-01-J60	EA	CABINET - OVERHEAD/BATH - W/O DOORS/HARDWARE - WASHED MAPLE
1	126980-01-J62	EA	CABINET - OVERHEAD/BATH - W/O DOORS/HARDWARE - WHITE GRANITE
2	M05992-E0-J94	EA	DOOR - STRAIGHT CORNER/OGEE EDGE - 11.4" X 21.8" - W/O HDW WATERFORD OAK
2	M05992-E0-J60	EA	DOOR - STRAIGHT CORNER/OGEE EDGE - 11.4" X 21.8" - W/O HDW WASHED MAPLE
2	122715-88-01A	EA	DOOR - MOLDED/VINYL - 11.4" X 21.8" - WHITE GRANITE
2	076767-04-000	EA	CABLE - SUPPORT - 5.9" STAINLESS STEEL
3	075453-02-000	EA	BAR - TOWEL - 18" BRASS
4	093606-29-000	EA	MIRROR - BEVELED PANEL - 1/8" - 23.6" X 31.4"
5	126981-01-J94	EA	CABINET - OVERHEAD/MEDICINE - W/O DOORS/HARDWARE - WATERFORD OAK
5	126981-01-J60	EA	CABINET - OVERHEAD/MEDICINE - W/O DOORS/HARDWARE - WASHED MAPLE
5	126981-01-J62	EA	CABINET - OVERHEAD/MEDICINE - W/O DOORS/HARDWARE - WHITE GRANITE
6	115237-06-J94	EA	DOOR - MIRRORED/MEDICINE CABINET - W/O HARDWARE - WATERFORD OAK
6	115237-06-J60	EA	DOOR - MIRRORED/MEDICINE CABINET - W/O HARDWARE - WASHED MAPLE
6	115237-06-J62	EA	DOOR - MIRRORED/MEDICINE CABINET - W/O HARDWARE - WHITE GRANITE
6	093606-28-000	EA	MIRROR - BEVELED PANEL - 1/8" - 17.5" X 27.9"
7	125380-15-J60	EA	COUNTERTOP - LAVATORY (J94, J60)
7	125380-15-J61	EA	COUNTERTOP - LAVATORY (J95, J61)
7	125380-15-J62	EA	COUNTERTOP - LAVATORY (J96, J62)
8	085278-01-000	EA	HOLDER - TOILET PAPER - RECESSED - BRASS
9	125380-01-J94	EA	CABINET - LAVATORY - W/O DOORS/DRAWERS/HARDWARE
9	125380-01-J95	EA	CABINET - LAVATORY - W/O DOORS/DRAWERS/HARDWARE
9	125380-01-J96	EA	CABINET - LAVATORY - W/O DOORS/DRAWERS/HARDWARE
9	125380-01-J60	EA	CABINET - LAVATORY - W/O DOORS/DRAWERS/HARDWARE
9	125380-01-J61	EA	CABINET - LAVATORY - W/O DOORS/DRAWERS/HARDWARE
9	125380-01-J62	EA	CABINET - LAVATORY - W/O DOORS/DRAWERS/HARDWARE

**BATH GROUP (CONTINUED)**



**BATH GROUP (CONTINUED)**



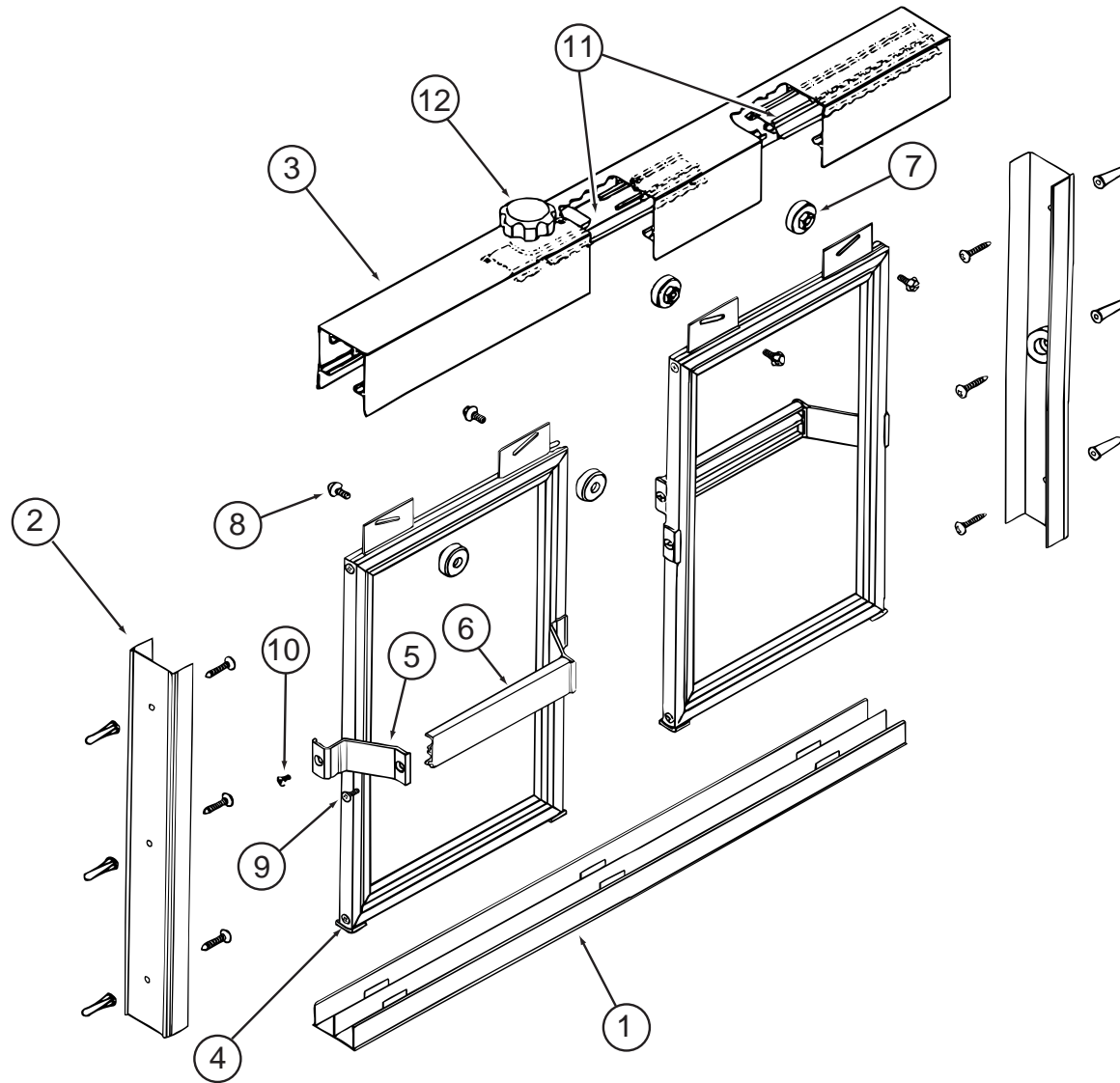
**LAVATORY CABINETS (CONTINUED)**

KEY	PART NUMBER	U/M	DESCRIPTION
10	M05992-X2-J94	EA	DOOR - STRAIGHT CORNER/OGEE EDGE - 12.8" X 17.7" - W/O HDW WATERFORD OAK
10	M05992-X2-J60	EA	DOOR - STRAIGHT CORNER/OGEE EDGE - 12.8" X 17.7" - W/O HDW WASHED MAPLE
10	122715-B9-01A	EA	DOOR - MOLDED VINYL - 12.8" X 17.7" - W/O HARDWARE - WHITE GRANITE
11	097208-06-J94	EA	RACK - MAGAZINE - WATERFORD OAK
11	097208-06-J70	EA	RACK - MAGAZINE - WASHED MAPLE
11	097208-08-J62	EA	RACK - MAGAZINE - WHITE GRANITE
12	126980-11-J94	EA	SHELF - W/PLASTIC EDGE MOLDING - WATERFORD OAK
12	126980-11-J60	EA	SHELF - W/PLASTIC EDGE MOLDING - WASHED MAPLE
12	126980-11-J62	EA	SHELF - W/PLASTIC EDGE MOLDING - WHITE GRANITE
13	126980-12-J94	EA	SHELF - W/PLASTIC EDGE MOLDING - WATERFORD OAK
13	126980-12-J60	EA	SHELF - W/PLASTIC EDGE MOLDING - WASHED MAPLE
13	126980-12-J62	EA	SHELF - W/PLASTIC EDGE MOLDING - WHITE GRANITE
14	126981-13-J94	EA	SHELF - W/PLASTIC EDGE MOLDING - WATERFORD OAK
14	126981-13-J60	EA	SHELF - W/PLASTIC EDGE MOLDING - WASHED MAPLE
14	126981-13-J62	EA	SHELF - W/PLASTIC EDGE MOLDING - WHITE GRANITE

**SHOWER CABINET**

KEY	PART NUMBER	U/M	DESCRIPTION
1	114496-01-02A	EA	PANEL - OUTER SKYLIGHT - 22" X 37"
1	122191-01-02A	EA	PANEL - SKYLITE - INNER W/LIGHT CUTOUT - 20.7" X 35.4"
2	102075-10-01A	EA	ROD - CURTAIN/SHOWER
FROM: 00-00-00 THRU: 10-17-97			
3	115011-01-01A	EA	SHOWER DOOR - BYPASS W/50" LOWER TRACK
4	111035-01-01A	EA	PANEL - FILLER - TUB/SHOWER
5	M02630-33-GV0	EA	SHOWER PAN - U.S.
5	M02630-25-E37	EA	SHOWER PAN - CSA
	066729-01-000	EA	STRAINER - TUB/SHOWER - W/PLUG
6	110541-01-01A	EA	SURROUND - SHOWER/TUB W/MOLDED ROD BRACKETS
7	115793-01-01A	EA	ANGLE - PLASTIC

## BATH GROUP (CONTINUED)



### SHOWER DOOR

KEY	PART NUMBER	U/M DESCRIPTION	VENDOR NO.
	115011-01-01A	EA SHOWER DOOR - BYPASS W/50" LOWER TRACK	
1	115011-01-709	EA TRACK - BOTTOM - 50"	90
2	115011-01-713	EA JAMB - WALL SHOWER DOOR	126
3	115011-01-700	EA HEADER - W/O ANTI JUMP GUARD	120G
4	115011-01-701	EA GUIDE - NYLON (W-TRACK)	1104
5	115011-01-702	EA BRACKET - TOWEL BAR	135
6	115011-01-703	EA BAR - TOWEL	136
7	115011-01-704	EA ROLLERS	PN193
8	115011-01-705	EA SCREW - ROLLER (HEX HEAD)	832HEX
	115011-01-706	EA GLAZING VINYL	C 169
9	115011-01-707	EA SCREW F/TOWEL BAR	612F
10	115011-01-708	EA SCREW F/TOWEL BAR BRKTS	638F
11	115011-01-710	EA GUARD - ANTI JUMP	130
12	115011-01-711	EA KNOB - TENSION (HEADER W/BOLT)	1420K-1420S
	115011-01-712	EA BOLT - TENSION (HEADER)	1420S

## BATH GROUP (CONTINUED)

### BATH DRAINAGE

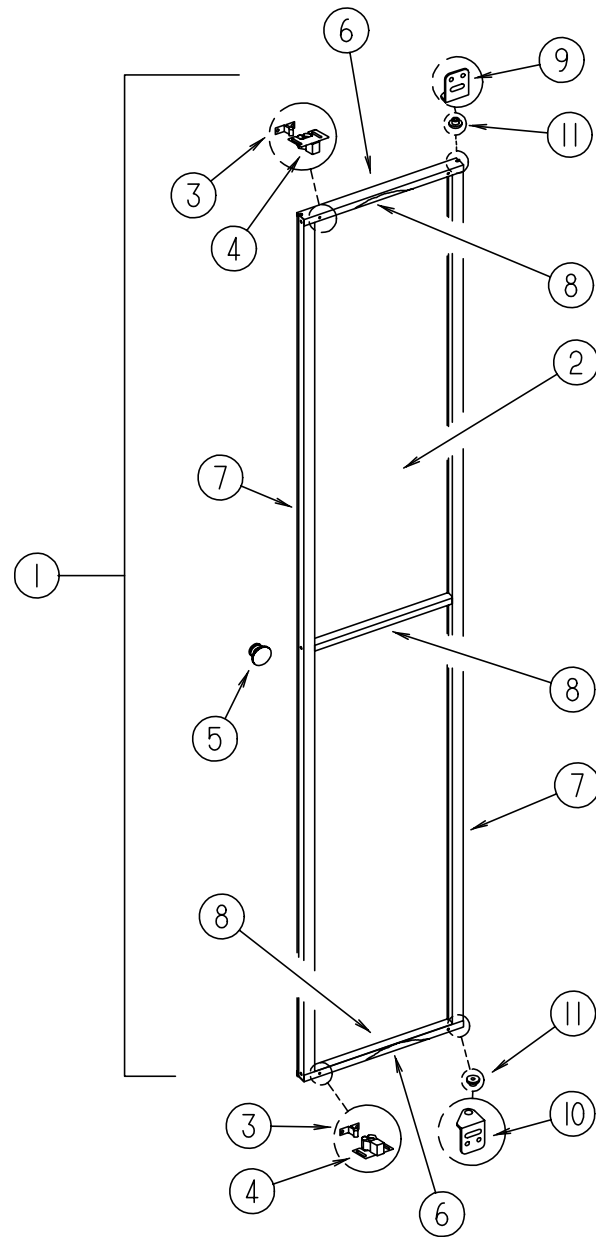
KEY	PART NUMBER	U/M DESCRIPTION
	105921-01-01A	EA SINK - LAVATORY - LARGE/OVAL - 17" X 20" PLASTIC/OFF WHITE
	105218-01-01A	EA SPACER - FAUCET/LAVATORY SINK - 2" X 5.9" - ABS PLASTIC
*	085330-06-000	EA TOILET - STANDARD CHINA W/SPRAYER - BONE
	106116-01-01A	EA STRAINER - SINK-W/STOPPER/TAILPIECE/GASKET & NUT - PLASTIC

\* COMPONENT PARTS FOUND IN SERVICE PARTS LIBRARY

### BATH WATER SYSTEM

KEY	PART NUMBER	U/M DESCRIPTION	VENDOR NO.
	075242-03-000	EA FAUCET - TUB/SHOWER - BRASS	
	075606-01-000	EA PANEL - PLASTIC - FAUCET BACK - 5" X 9"	
	103092-01-000	EA SHOWER HEAD - W/60" HOSE - WHITE	
	103092-02-000	EA SHOWER HEAD - W/60" HOSE - CSA	
	103092-01-700	EA BRACKET - F/SHOWER HEAD - CLEAR	2328028
	103092-01-702	EA SEALS-SPRAY HEAD	24466
	011048-03-700	EA BRACKET - F/SHOWER HEAD	2328029-3
	075240-05-000	EA FAUCET - LAVATORY - BRASS	

## BEDROOM GROUP



**WARDROBE DOOR**

KEY	PART NUMBER	U/M DESCRIPTION
1	127466-03-J60	EA DOOR COMPLETE - MIRRORED - RIGHT HAND
	127466-04-J60	EA DOOR COMPLETE - MIRRORED - LEFT HAND
2	058331-H5-000	EA MIRROR - SAFETY GLASS - 13.2" X 69.7"
3	093586-03-000	EA CATCH - SPRING - ROLLER
4	093586-04-000	EA STRIKE - SPRING STEEL
5	125221-01-01A	EA PULL - MIRROR - W/ROUND HANDLE
6	127463-01-01A	EA RAIL - DOOR - TERRATONE
7	127464-02-01A	EA STILE - DOOR - W/PULL - TERRATONE
8	127465-01-01A	EA RAIL - DOOR - TERRATONE
9	128695-01-04B	EA BRACKET - MIRRORED DOOR - BLACK
10	128695-02-04B	EA BRACKET - DOOR - MIRRORED/BLACK
11	128832-01-000	EA WASHER - SHOULDER - NYLON
	076767-04-000	EA CABLE - SUPPORT - 5.9" STAINLESS STEEL

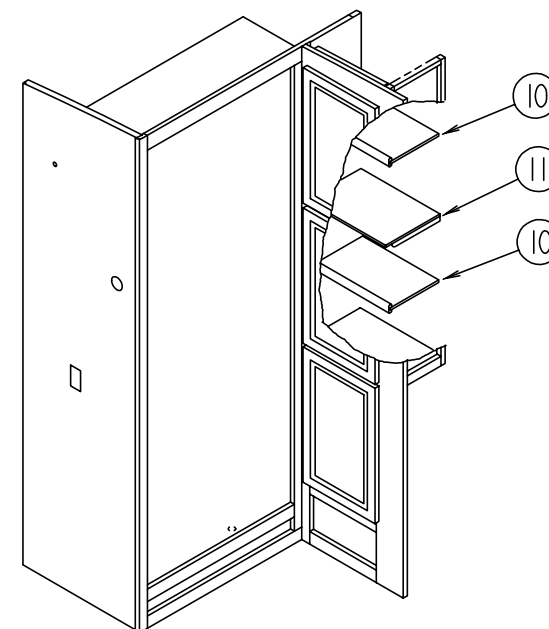
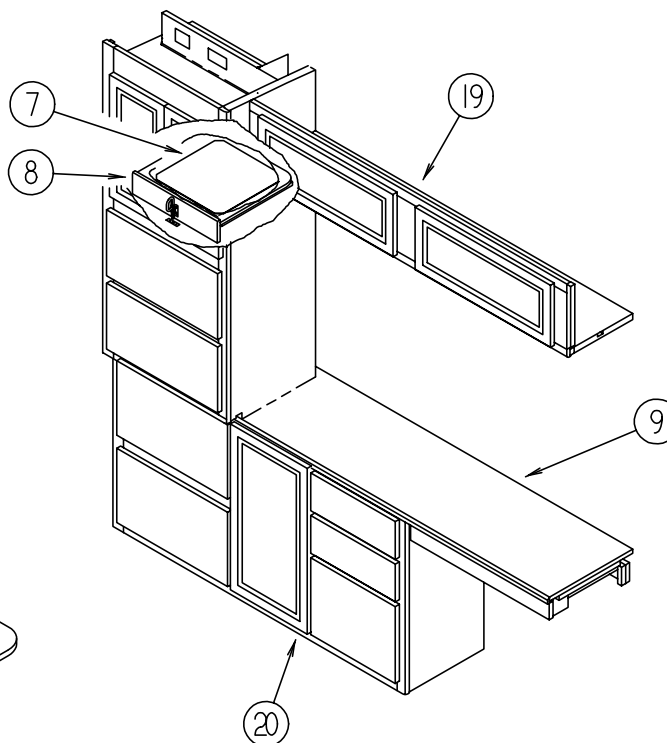
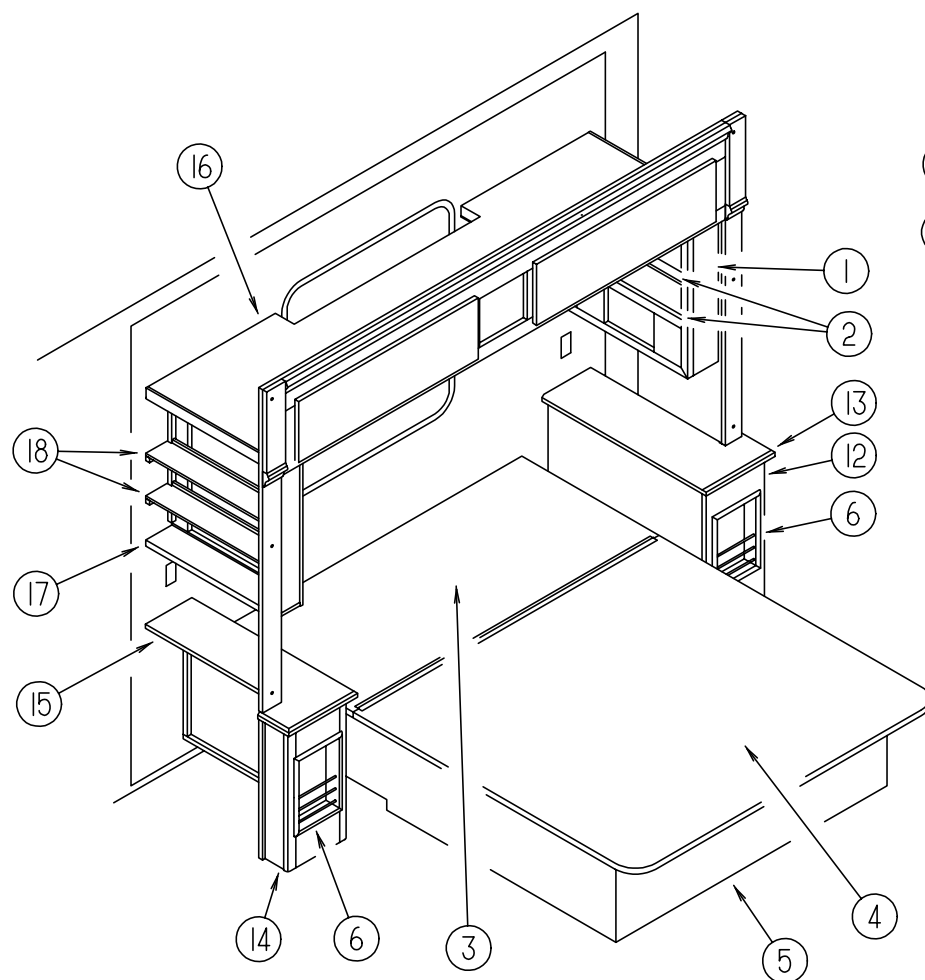
## BEDROOM GROUP (CONTINUED)

### BEDROOM PRIVACY BI-FOLD DOOR

KEY	PART NUMBER	U/M DESCRIPTION
	M03866-06-J94	EA DOOR - BI-FOLD - W/O HARDWARE - WATERFORD OAK
	M03866-06-J60	EA DOOR - BI-FOLD - W/O HARDWARE - WASHED MAPLE
	M03866-06-J62	EA DOOR - BI-FOLD - W/O HARDWARE - WHITE GRANITE
	009059-01-000	EA HINGE - DOOR - 2" X 1.4" - BRASS
	084451-02-000	EA CATCH - BRASS
	092652-01-000	EA GUIDE WHEEL - DOOR TOP MOUNT
	102920-01-01A	EA HINGE - SPRING LOADED/BRASS
	124311-01-01A	EA HANDLE - RECESSED - BRASS
	093250-08-J94	EA HEADER - BATH DOOR - WATERFORD OAK
	093250-08-J60	EA HEADER - BATH DOOR - WASHED MAPLE
	093250-08-J62	EA HEADER - BATH DOOR - WHITE GRANITE

## BEDROOM GROUP (CONTINUED)

### BEDROOM CABINETS



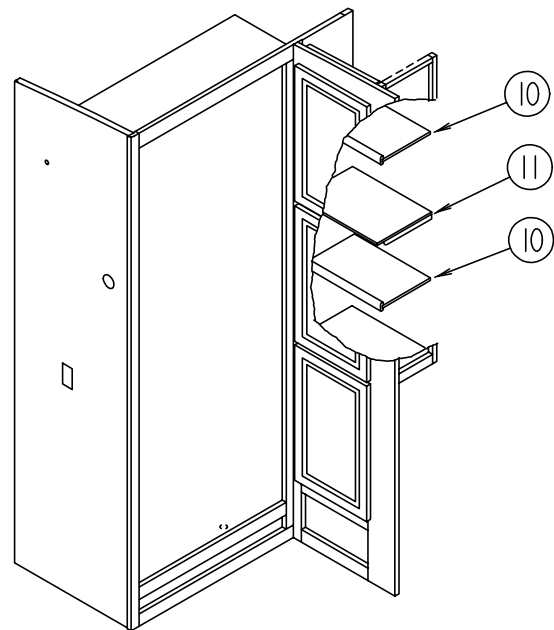
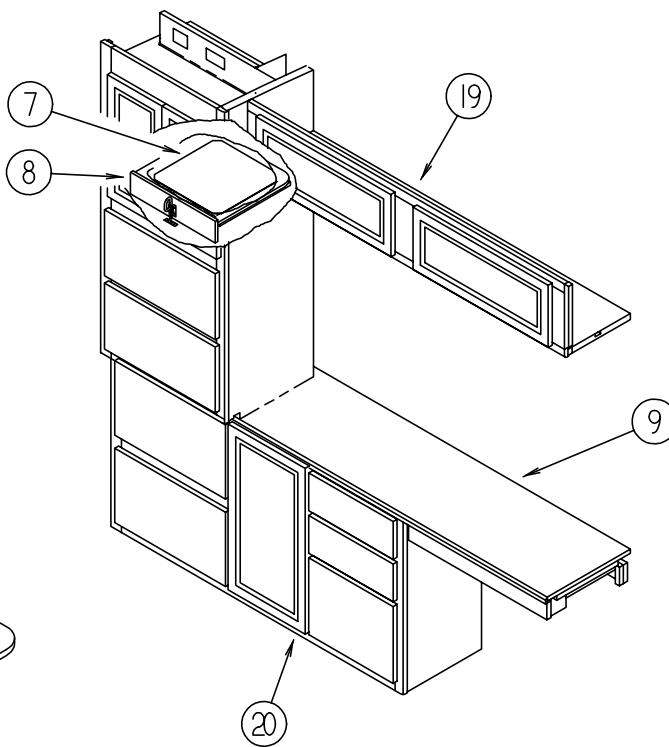
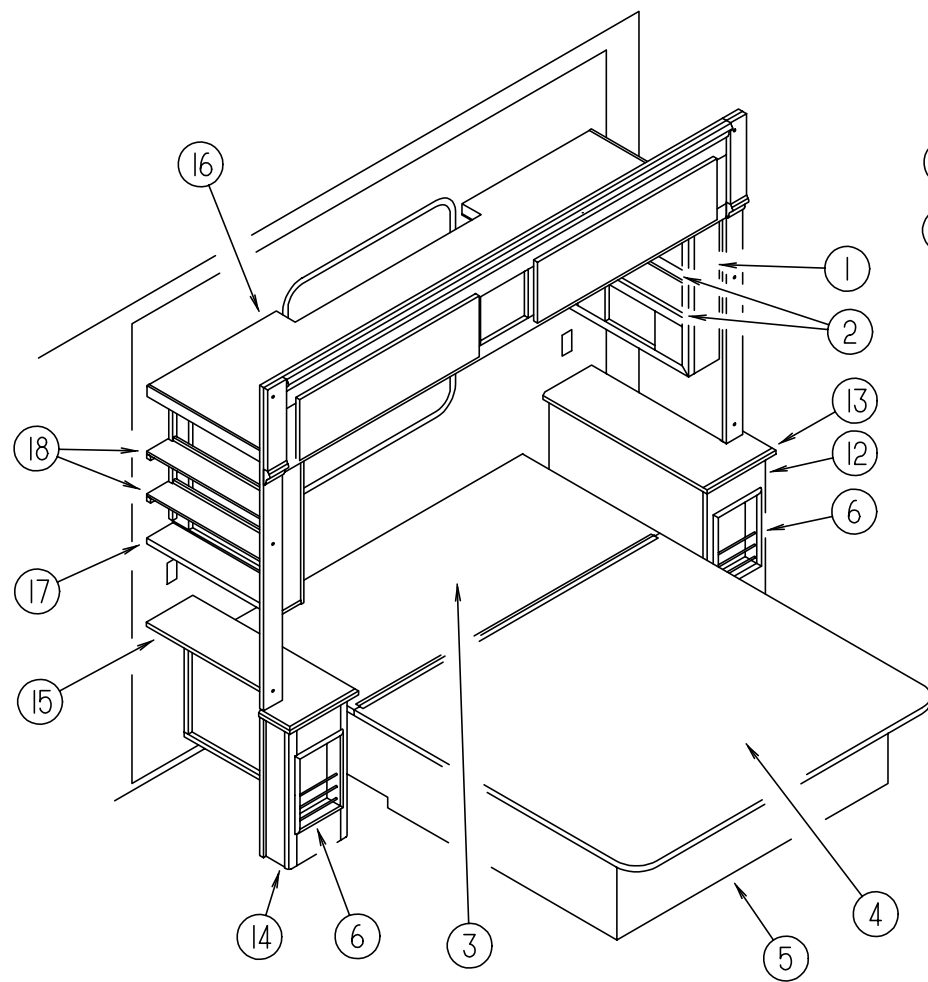
KEY	PART NUMBER	U/M	DESCRIPTION
1	128123-01-J94	EA	CABINET - OVERHEAD/RIGHT HAND - W/O DOORS/HARDWARE - WATERFORD OAK
1	128123-01-J60	EA	CABINET - OVERHEAD/RIGHT HAND - W/O DOORS/HARDWARE - WASHED MAPLE
1	128123-01-J62	EA	CABINET - OVERHEAD/RIGHT HAND - W/O DOORS/HARDWARE - WHITE GRANITE
2	128123-11-J94	EA	SHELF - W/PLASTIC EDGE TRIM - WATERFORD OAK
2	128123-11-J60	EA	SHELF - W/PLASTIC EDGE TRIM - WASHED MAPLE
2	128123-11-J62	EA	SHELF - W/PLASTIC EDGE TRIM - WHITE GRANITE
1	128124-01-J94	EA	CABINET - OVERHEAD/RIGHT HAND F/RADIO - W/O DOORS/HDW WATERFORD OAK
1	128124-01-J60	EA	CABINET - OVERHEAD/RIGHT HAND F/RADIO - W/O DOORS/HDW WASHED MAPLE
1	128124-01-J62	EA	CABINET - OVERHEAD/RIGHT HAND F/RADIO - W/O DOORS/HDW WHITE GRANITE
2	128124-12-J94	EA	SHELF - W/PLASTIC EDGE TRIM - WATERFORD OAK
2	128124-12-J60	EA	SHELF - W/PLASTIC EDGE TRIM - WASHED MAPLE
2	128124-12-J62	EA	SHELF - W/PLASTIC EDGE TRIM - WHITE GRANITE
3	M05087-33-000	EA	CABINET ASM - QN BED TOP - DTL H
4	M05087-34-000	EA	CABINET ASM - QN BED TOP - DTL G
4	107796-06-000	EA	SPRING/GAS - 12" COMPRESSED/20" EXTENDED - 120 LB.
4	126263-06-02B	EA	BRACKET - GAS SPRING - E-COATED
4	126263-08-02B	EA	BRACKET - GAS SPRING - LOWER - E-COATED
4	126259-01-000	EA	STUD - BALL
5	P28120-01-J94	EA	CABINET - BASE/QUEEN BED - W/O DOORS/DRAWERS/HARDWARE WATERFORD OAK
5	P28120-01-J60	EA	CABINET - BASE/QUEEN BED - W/O DOORS/DRAWERS/HARDWARE WASHED MAPLE
5	P28120-01-J62	EA	CABINET - BASE/QUEEN BED - W/O DOORS/DRAWERS/HARDWARE WHITE GRANITE
6	097208-09-J94	EA	RACK - MAGAZINE - WATERFORD OAK
6	097208-09-J60	EA	RACK - MAGAZINE - WASHED MAPLE
6	097208-09-J62	EA	RACK - MAGAZINE - WHITE GRANITE

KEY	PART NUMBER	U/M	DESCRIPTION
7	116773-02-000	EA	SWIVEL/SLIDES - F/TV SHELF
8	128067-14-J94	EA	SHELF - W/PLASTIC EDGE TRIM & TV TIEDOWN - WATERFORD OAK
8	128067-14-J60	EA	SHELF - W/PLASTIC EDGE TRIM & TV TIEDOWN - WASHED MAPLE
8	128067-14-J62	EA	SHELF - W/PLASTIC EDGE TRIM & TV TIEDOWN - WHITE GRANITE
9	128067-20-J94	EA	COUNTERTOP - WARDROBE (J94)
9	128067-20-J91	EA	COUNTERTOP - WARDROBE (J95)
9	128067-20-J32	EA	COUNTERTOP - WARDROBE (J96)
9	128067-20-J60	EA	COUNTERTOP - WARDROBE (J60)
9	128067-20-J61	EA	COUNTERTOP - WARDROBE (J61)
9	128067-20-J62	EA	COUNTERTOP - WARDROBE (J62)
10	128068-16-J94	EA	SHELF - W/PLASTIC EDGE TRIM - WATERFORD OAK
10	128068-16-J60	EA	SHELF - W/PLASTIC EDGE TRIM - WASHED MAPLE
10	128068-16-J62	EA	SHELF - W/PLASTIC EDGE TRIM - WHITE GRANITE
11	128068-17-J94	EA	SHELF - W/PLASTIC EDGE TRIM - WATERFORD OAK
11	128068-17-J60	EA	SHELF - W/PLASTIC EDGE TRIM - WASHED MAPLE
11	128068-17-J62	EA	SHELF - W/PLASTIC EDGE TRIM - WHITE GRANITE
12	128118-01-J94	EA	CABINET/NIGHTSTAND/RH - W/COUNTERTOP - W/O DRS/DWRS/HDW
12	128118-01-J95	EA	CABINET/NIGHTSTAND/RH - W/COUNTERTOP - W/O DRS/DWRS/HDW
12	128118-01-J96	EA	CABINET/NIGHTSTAND/RH - W/COUNTERTOP - W/O DRS/DWRS/HDW
12	128118-01-J60	EA	CABINET/NIGHTSTAND/RH - W/COUNTERTOP - W/O DRS/DWRS/HDW
12	128118-01-J61	EA	CABINET/NIGHTSTAND/RH - W/COUNTERTOP - W/O DRS/DWRS/HDW
12	128118-01-J62	EA	CABINET/NIGHTSTAND/RH - W/COUNTERTOP - W/O DRS/DWRS/HDW
13	128118-11-J94	EA	COUNTERTOP - NIGHTSTAND/RIGHT HAND
13	128118-11-J95	EA	COUNTERTOP - NIGHTSTAND/RIGHT HAND
13	128118-11-J96	EA	COUNTERTOP - NIGHTSTAND/RIGHT HAND
13	128118-11-J60	EA	COUNTERTOP - NIGHTSTAND/RIGHT HAND
13	128118-11-J61	EA	COUNTERTOP - NIGHTSTAND/RIGHT HAND
13	128118-11-J62	EA	COUNTERTOP - NIGHTSTAND/RIGHT HAND



## BEDROOM GROUP (CONTINUED)

### BEDROOM CABINETS (CONTINUED)

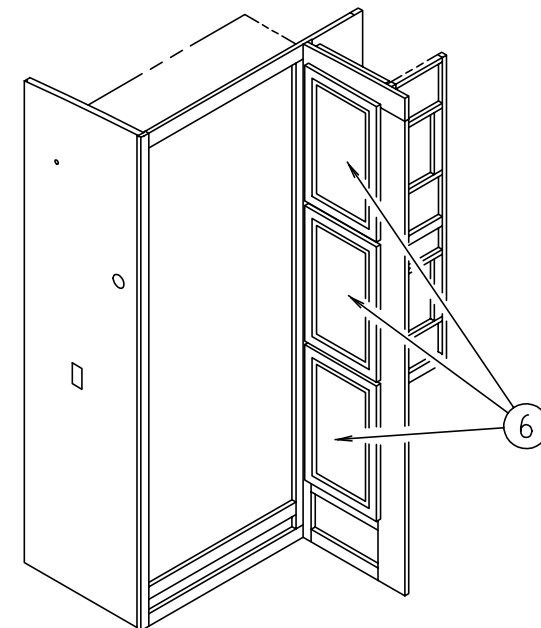
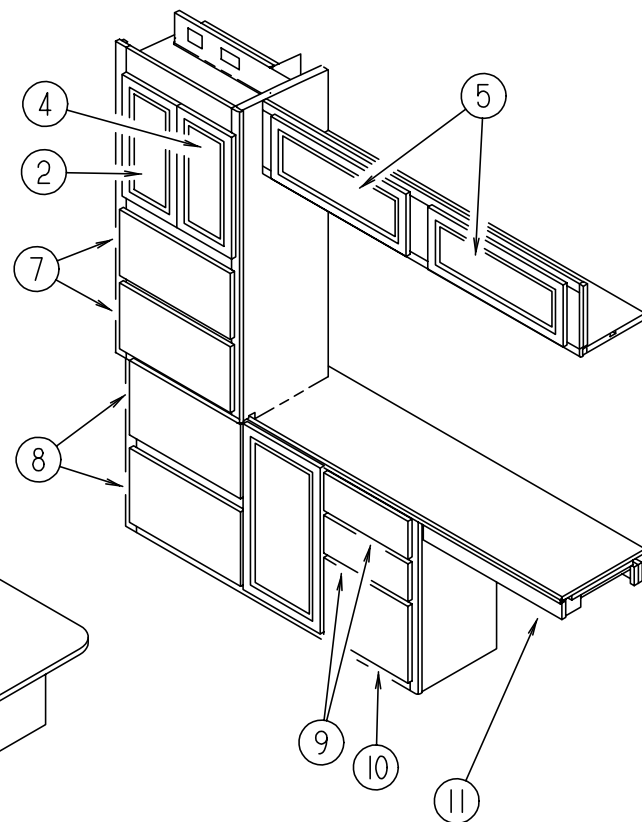
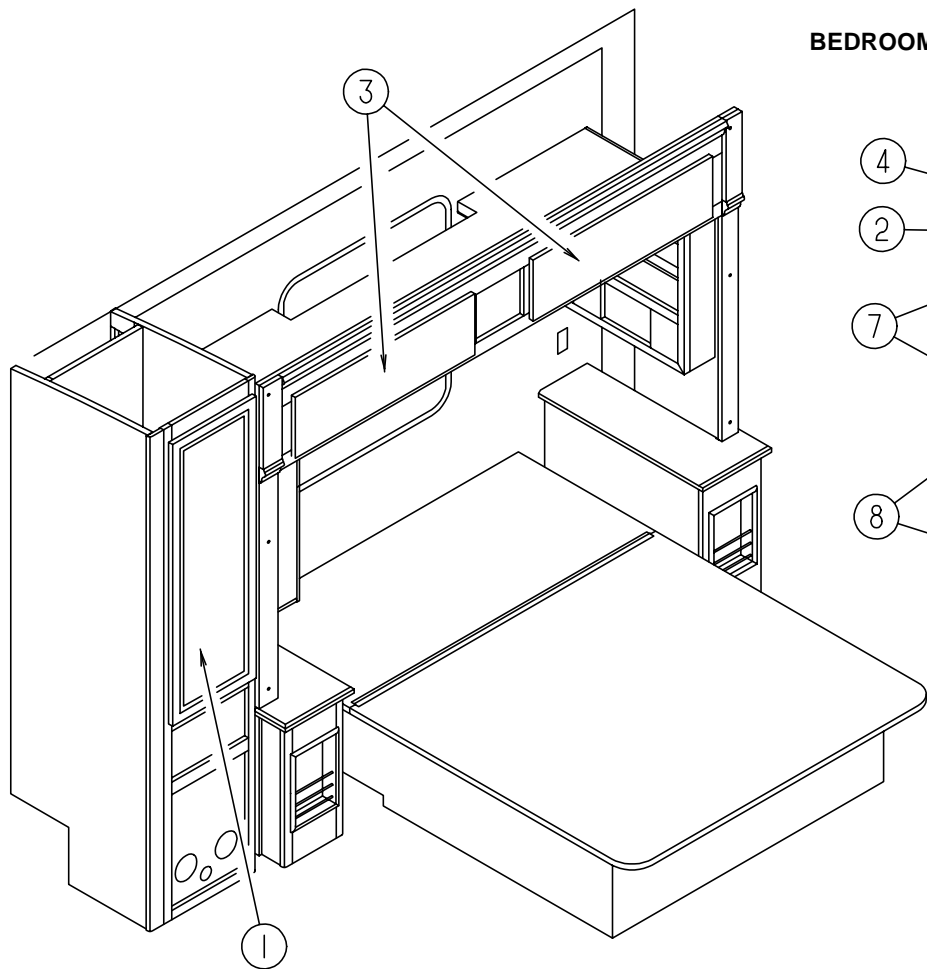


KEY	PART NUMBER	U/M	DESCRIPTION
14	128119-01-J94	EA	CABINET/NIGHTSTAND/LH - W/COUNTERTOP - W/O DRS/DWRS/HDW
14	128119-01-J95	EA	CABINET/NIGHTSTAND/LH - W/COUNTERTOP - W/O DRS/DWRS/HDW
14	128119-01-J96	EA	CABINET/NIGHTSTAND/LH - W/COUNTERTOP - W/O DRS/DWRS/HDW
14	128119-01-J60	EA	CABINET/NIGHTSTAND/LH - W/COUNTERTOP - W/O DRS/DWRS/HDW
14	128119-01-J61	EA	CABINET/NIGHTSTAND/LH - W/COUNTERTOP - W/O DRS/DWRS/HDW
14	128119-01-J62	EA	CABINET/NIGHTSTAND/LH - W/COUNTERTOP - W/O DRS/DWRS/HDW
15	128119-11-J94	EA	COUNTERTOP - NIGHTSTAND/LEFT HAND
15	128119-11-J95	EA	COUNTERTOP - NIGHTSTAND/LEFT HAND
15	128119-11-J96	EA	COUNTERTOP - NIGHTSTAND/LEFT HAND
15	128119-11-J60	EA	COUNTERTOP - NIGHTSTAND/LEFT HAND
15	128119-11-J61	EA	COUNTERTOP - NIGHTSTAND/LEFT HAND
15	128119-11-J62	EA	COUNTERTOP - NIGHTSTAND/LEFT HAND
16	128121-01-J94	EA	CABINET - OVERHEAD/REAR/RIGHT HAND - W/O DOORS/HDW
16	128121-01-J95	EA	CABINET - OVERHEAD/REAR/RIGHT HAND - W/O DOORS/HDW
16	128121-01-J96	EA	CABINET - OVERHEAD/REAR/RIGHT HAND - W/O DOORS/HDW
16	128121-01-J60	EA	CABINET - OVERHEAD/REAR/RIGHT HAND - W/O DOORS/HDW
16	128121-01-J61	EA	CABINET - OVERHEAD/REAR/RIGHT HAND - W/O DOORS/HDW
16	128121-01-J62	EA	CABINET - OVERHEAD/REAR/RIGHT HAND - W/O DOORS/HDW

KEY	PART NUMBER	U/M	DESCRIPTION
17	128122-01-J94	EA	CABINET - OVERHEAD/LEFT HAND - W/O DOORS/HARDWARE - WATERFORD OAK
17	128122-01-J60	EA	CABINET - OVERHEAD/LEFT HAND - W/O DOORS/HARDWARE - WASHED MAPLE
17	128122-01-J62	EA	CABINET - OVERHEAD/LEFT HAND - W/O DOORS/HARDWARE - WHITE GRANITE
18	128122-11-J94	EA	SHELF - W/PLASTIC EDGE TRIM - WATERFORD OAK
18	128122-11-J60	EA	SHELF - W/PLASTIC EDGE TRIM - WASHED MAPLE
18	128122-11-J62	EA	SHELF - W/PLASTIC EDGE TRIM - WHITE GRANITE
19	128125-01-J94	EA	CABINET - OVERHEAD/LEFT HAND/REAR - W/O DOORS/HARDWARE WATERFORD OAK
19	128125-01-J60	EA	CABINET - OVERHEAD/LEFT HAND/REAR - W/O DOORS/HARDWARE WASHED MAPLE
19	128125-01-J62	EA	CABINET - OVERHEAD/LEFT HAND/REAR - W/O DOORS/HARDWARE WHITE GRANITE
20	128198-01-J94	EA	CABINET - HAMPER - W/O DOORS/HARDWARE - WATERFORD OAK
20	128198-01-J60	EA	CABINET - HAMPER - W/O DOORS/HARDWARE - WASHED MAPLE
20	128198-02-J62	EA	CABINET - HAMPER - W/O DOORS/HARDWARE - WHITE GRANITE
20	M05992-Y3-J94	EA	DOOR - STRAIGHT CORNER/OGEE EDGE - 14.3" X 26.8" - W/O HDW WATERFORD OAK
20	M05992-Y3-J60	EA	DOOR - STRAIGHT CORNER/OGEE EDGE - 14.3" X 26.8" - W/O HDW WASHED MAPLE
20	122715-56-01A	EA	DOOR - MOLDED VINYL - 14.3" X 26.7" - W/O HDW-WHT GRANITE

## BEDROOM GROUP (CONTINUED)

### BEDROOM DOORS & DRAWERS



KEY	PART NUMBER	U/M	DESCRIPTION
1	M05992-Y2-J94	EA	DOOR - STRAIGHT CORNER/OGEE EDGE - 15.5" X 45.5" - W/O HDW WATERFORD OAK
1	M05992-Y2-J60	EA	DOOR - STRAIGHT CORNER/OGEE EDGE - 15.5" X 45.5" - W/O HDW WASHED MAPLE
1	122715-B4-01A	EA	DOOR - MOLDED VINYL - 15.5" X 45.5" - W/O HDW-WHT GRANITE
2	M05992-Y5-J94	EA	DOOR - STRAIGHT CORNER/OGEE EDGE - 10" X 19.1" - W/O HDW WATERFORD OAK
2	M05992-Y5-J60	EA	DOOR - STRAIGHT CORNER/OGEE EDGE - 10" X 19.1" - W/O HDW WASHED MAPLE
2	122715-03-01A	EA	DOOR - MOLDED VINYL - 10" X 19.1" - W/O HARDWARE - WHITE GRANITE
3	M05992-01-J94	EA	DOOR - STRAIGHT CORNER/OGEE EDGE - 9.8" X 33.4" - W/O HDW WATERFORD OAK
3	M05992-01-J60	EA	DOOR - STRAIGHT CORNER/OGEE EDGE - 9.8" X 33.4" - W/O HDW WASHED MAPLE
3	122715-99-01A	EA	DOOR - MOLDED VINYL - 9.8" X 33.4" - W/O HARDWARE - WHITE GRANITE
4	M05992-13-J94	EA	DOOR - STRAIGHT CORNER/OGEE EDGE - 10" X 19.1" - W/O HDW WATERFORD OAK
4	M05992-13-J60	EA	DOOR - STRAIGHT CORNER/OGEE EDGE - 10" X 19.1" - W/O HDW WASHED MAPLE
4	122715-03-01A	EA	DOOR - MOLDED VINYL - 10" X 19" - W/O HARDWARE - WHITE GRANITE
5	M05992-77-J94	EA	DOOR - STRAIGHT CORNER/OGEE EDGE - 10" X 25.2" - W/O HDW WATERFORD OAK
5	M05992-77-J60	EA	DOOR - STRAIGHT CORNER/OGEE EDGE - 10" X 25.2" - W/O HDW WASHED MAPLE
5	122715-44-01A	EA	DOOR - MOLDED VINYL - 10" X 25.2" - W/O HDW - WHT GRANITE
6	M05992-97-J94	EA	DOOR - STRAIGHT CORNER/OGEE EDGE - 13.4" X 21.8" - W/O HDW WATERFORD OAK
6	M05992-97-J60	EA	DOOR - STRAIGHT CORNER/OGEE EDGE - 13.4" X 21.8" - W/O HDW WASHED MAPLE
6	122715-75-01A	EA	DOOR - MOLDED VINYL - 13.4" X 21.8" - W/O HDW-WHT GRANITE

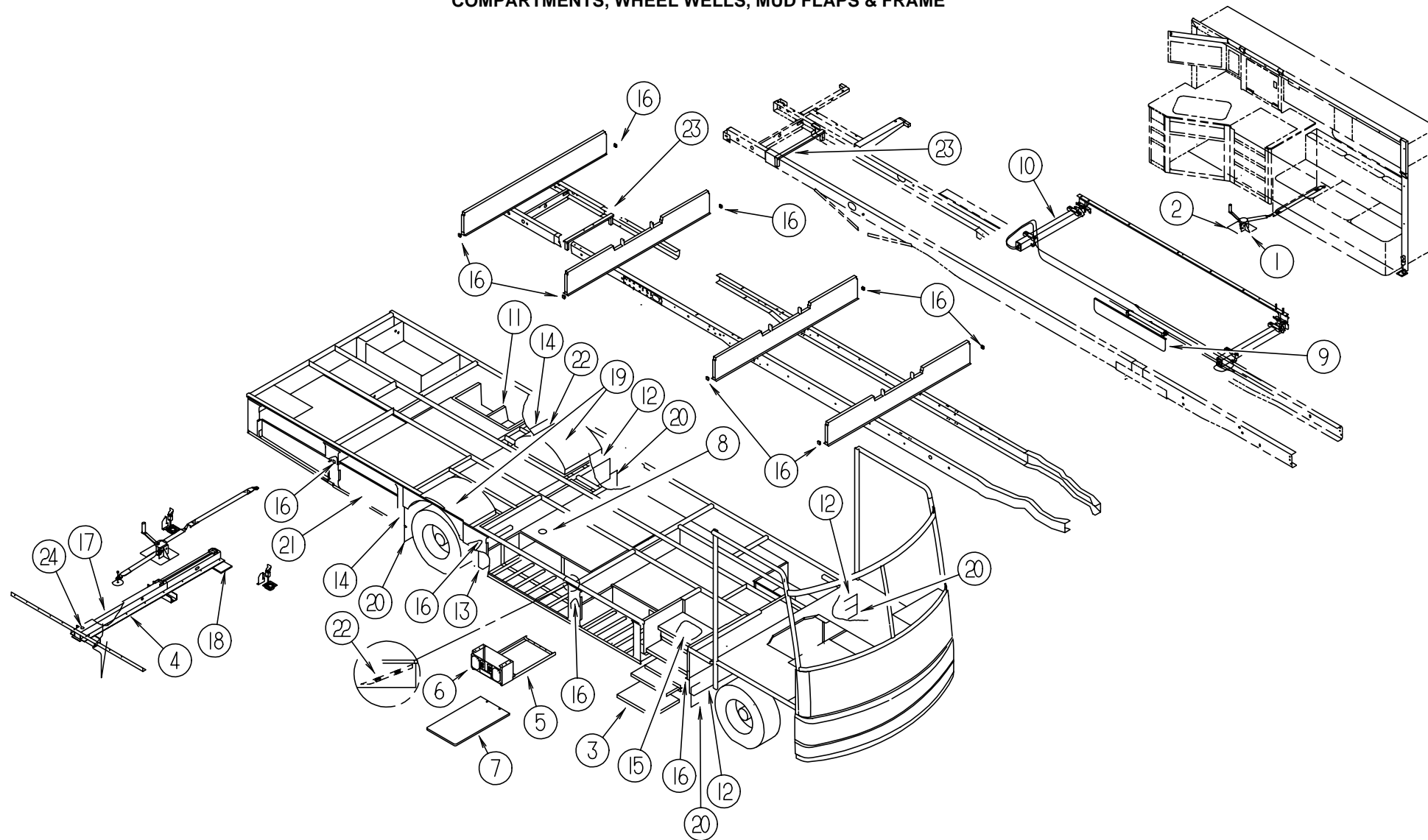
KEY	PART NUMBER	U/M	DESCRIPTION
7	M05971-JE-J94	EA	DRAWER - OGEE EDGE - 18.9"W X 11.8"D - W/O SLIDES/HARDWARE WATERFORD OAK
7	M05971-JE-J60	EA	DRAWER - OGEE EDGE - 18.9"W X 11.8"D - W/O SLIDES/HARDWARE WASHED MAPLE
7	P10163-JG-J62	EA	DRAWER - SQUARE EDGE - 18.9"W X 11.8"D - W/O SLIDES/HDW - WHITE GRANITE
8	M05971-JF-J94	EA	DRAWER - OGEE EDGE - 18.9"W X 11.8"D - W/O SLIDES/HARDWARE WATERFORD OAK
8	M05971-JF-J60	EA	DRAWER - OGEE EDGE - 18.9"W X 11.8"D - W/O SLIDES/HARDWARE WASHED MAPLE
8	P10163-JH-J62	EA	DRAWER - SQUARE EDGE - 18.9"W X 11.8"D - W/O SLIDES/HDW - WHITE GRANITE
9	M05971-JJ-J94	EA	DRAWER - OGEE EDGE - 13.9"W X 11.8"D - W/O SLIDES/HARDWARE WATERFORD OAK
9	M05971-JJ-J60	EA	DRAWER - OGEE EDGE - 13.9"W X 11.8"D - W/O SLIDES/HARDWARE WASHED MAPLE
9	P10163-JL-J62	EA	DRAWER - SQUARE EDGE - 13.9"W X 11.8"D - W/O SLIDES/HDW - WHITE GRANITE
10	M05971-JK-J94	EA	DRAWER - OGEE EDGE - 13.9"W X 11.8"D - W/O SLIDES/HARDWARE WATERFORD OAK
10	M05971-JK-J60	EA	DRAWER - OGEE EDGE - 13.9"W X 11.8"D - W/O SLIDES/HARDWARE WASHED MAPLE
10	P10163-JM-J62	EA	DRAWER - SQUARE EDGE - 13.9"W X 11.8"D - W/O SLIDES/HDW - WHITE GRANITE
11	M05971-JN-J94	EA	DRAWER - OGEE EDGE - 22.8"W X 11.8"D - W/O SLIDES/HARDWARE WATERFORD OAK
11	M05971-JN-J60	EA	DRAWER - OGEE EDGE - 22.8"W X 11.8"D - W/O SLIDES/HARDWARE WASHED MAPLE
11	P10163-JP-J62	EA	DRAWER - SQUARE EDGE - 22.8"W X 11.8"D - W/O SLIDES/HDW - WHITE GRANITE

### BACKWALL BEDROOM MIRROR

KEY	PART NUMBER	U/M	DESCRIPTION
	058331-H4-000	EA	MIRROR - SAFETY GLASS - 25.6" X 31.5"

# CHASSIS GROUP

## COMPARTMENTS, WHEEL WELLS, MUD FLAPS & FRAME



KEY	PART NUMBER	U/M	DESCRIPTION
1	115767-02-000	EA	WINCH - SLIDEOUT
2	116082-03-02B	EA	BRACKET - WINCH
3*	094707-01-01A	EA	STEP - DOUBLE - ELECTRIC - KWIKEE
3	116995-01-000	EA	SWITCH/MAGNET - ELECTRIC STEP
4	128599-02-000	EA	CHANNEL - SLIDEOUT - HYDRAULIC
5	126119-02-02B	EA	FRAME ASM-ENTERTAIN CTR,E-CT - FORD
5	126119-03-02B	EA	FRAME ASM-ENTERTAIN CTR,E-CT - GM
6	126123-01-J60	EA	PLATE-RADIO MOUNTING
7	126125-01-J60	EA	TABLE - ENTERTAINMENT CENTER
8	061420-10-000	EA	PLUG/PLASTIC - 1.50" DIAMETER - BLACK
9	053322-10-000	EA	SHIELD - HEAT - EXHAUST - 48" X 7.5" - STEEL
10	125687-01-000	EA	SLIDEOUT - HYDRAULIC
10	125687-01-700	EA	CYLINDER - HRDRAULIC
10	125687-01-701	EA	HOSE - HYDRAULIC - 120"
10	125687-01-702	EA	CYLINDER - SYCRONIZING
11	126419-02-J60	EA	COMPARTMENT - DRAINAGE
11	M08628-01-H17	EA	HATCH W/FOAM INSERT
11	121175-02-01A	EA	LATCH - SWELL
12	020167-02-000	EA	DIRT GUARD - STEEL - 11" LONG

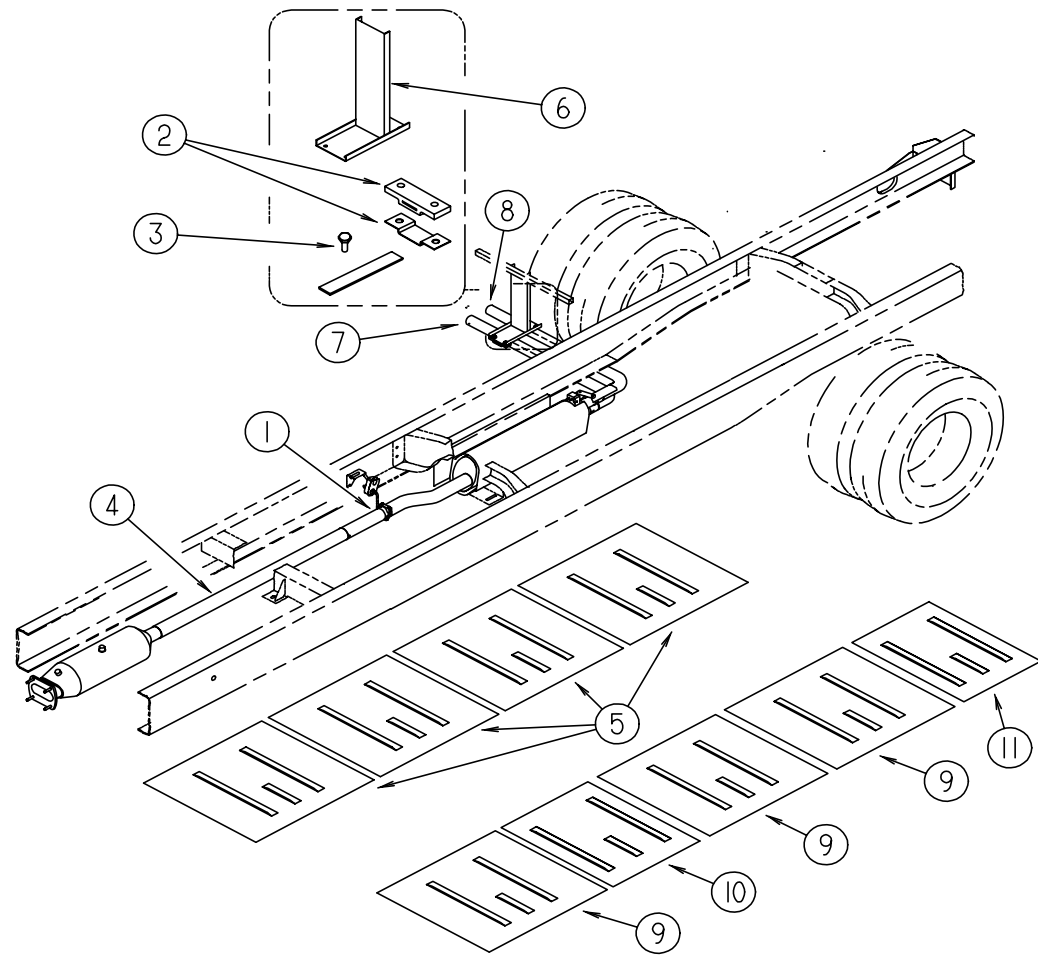
### VENDOR NO.

RAP13713  
RAP13772  
AP13607

KEY	PART NUMBER	U/M	DESCRIPTION
13	020167-03-000	EA	DIRT GUARD - STEEL - 11" LONG
14	020167-08-000	EA	DIRT GUARD - STEEL - 13.6" LONG
15	061420-09-000	EA	PLUG/PLASTIC - 1.00" - DIAMETER
15	065450-05-000	EA	TIEDOWN - BATTERY - 8.4" TUBE
16	119845-01-01A	EA	PLUG - PLASTIC - BLACK
17	128599-01-000	EA	SLIDEOUT - HYDRAULIC - BEDROOM
			FROM: 00-00-00 THRU: 11-25-97
17	128599-04-000	EA	CYLINDER - SLIDEOUT - HYDRAULIC
			FROM: 11-26-97 THRU: 99-99-99
18	128599-03-000	EA	PAD - SLIDEOUT - HYDRAULIC
19	055374-01-000	EA	WHEELWELL - PLASTIC
20	017516-01-000	EA	MUD FLAP - 14" X 18" - BLACK
21	P13380-01-01A	EA	PANEL - COVER SEAL
22	115392-01-01A	EA	STRAP - VELCRO (LUG WRENCH HOLDER)
23	093362-06-000	EA	CHANNEL - TIRE HOIST
24	061420-05-000	EA	PLUG/PLASTIC - 1.8" DIAMETER

\* COMPONENT PARTS FOUND IN SERVICE PARTS LIBRARY

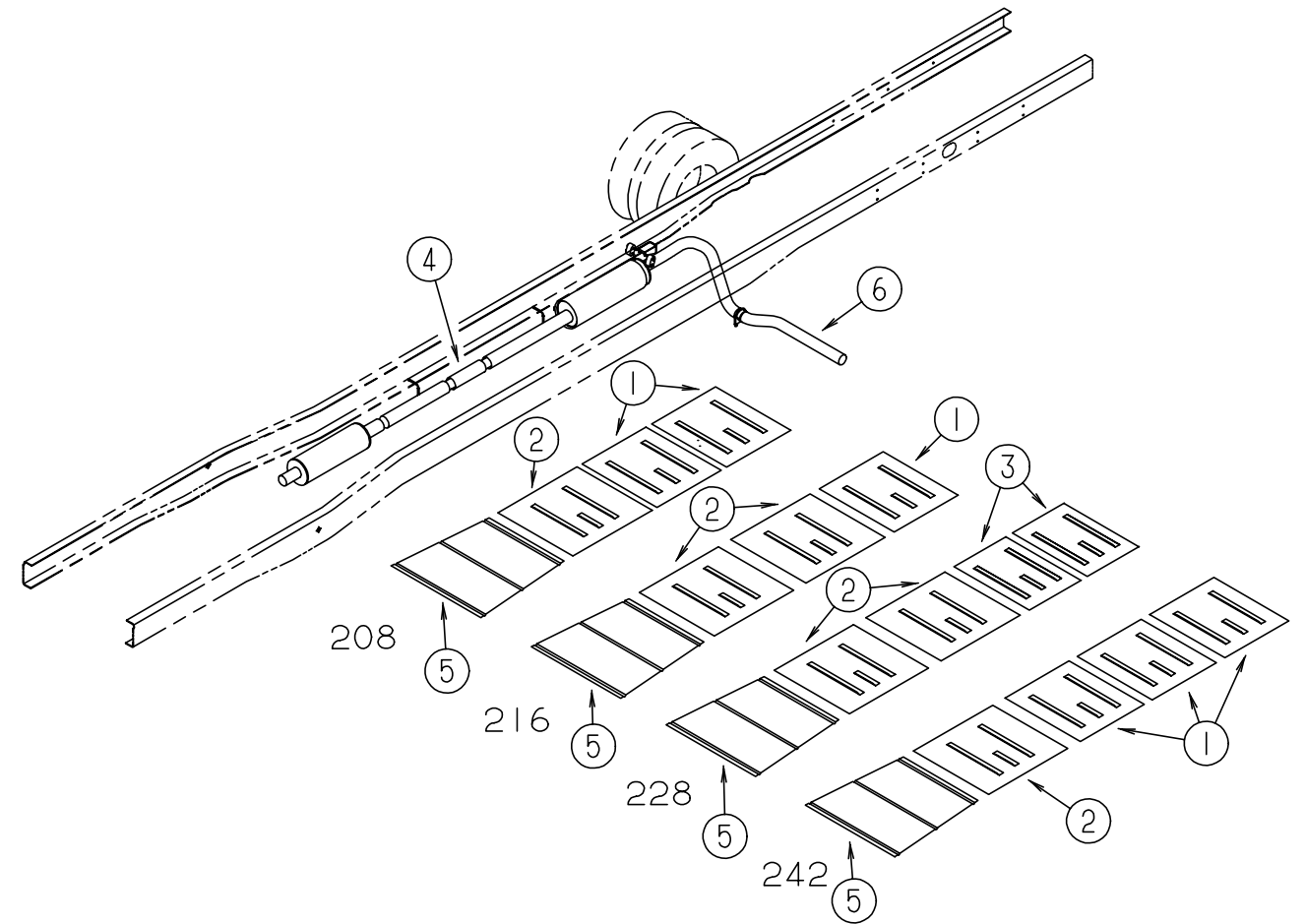
### CHASSIS GROUP (CONTINUED)



**1998 FORD CHASSIS EXHAUST SYSTEM**

KEY	PART NUMBER	U/M	DESCRIPTION
1	094918-06-000	EA	CLAMP - EXHAUST - 3" - HEAVY DUTY
2	095190-01-000	EA	HANGER - EXHAUST - 4" X 1.4"
3	096055-06-000	EA	SUPPORT - EXHAUST PIPE
4	098762-16-000	EA	PIPE - EXHAUST - STRAIGHT - 3" ( 208"-216"WHEELBASE 33' )
5	101544-06-000	EA	SHIELD - HEAT/EXHAUST - 33.9" X 29.1" ( 208"-216" WHEELBASE 33' )
6	118000-02-02B	EA	HANGER - TAILPIPE
6	118000-04-02B	EA	HANGER - TAILPIPE - E-COATED
7	122242-02-000	EA	PIPE - EXHAUST/TAIL - FRONT
			FROM: 00-00-00 THRU: 01-26-98
7	129206-02-000	EA	PIPE/TAIL - EXHAUST - FORD
			FROM: 01-27-98 THRU: 99-99-99
8	122243-02-000	EA	PIPE - EXHAUST/TAIL - REAR
			FROM: 00-00-00 THRU: 01-26-98
7	129206-01 -000	EA	PIPE/TAIL - EXHAUST - FORD
			FROM: 01-27-98 THRU: 99-99-99
9	101544-06-000	EA	SHIELD - HEAT/EXHAUST - 33.9" X 29.1" (228" WHEELBASE 34'/35'/36')
10	101544-02-000	EA	SHIELD - HEAT/EXHAUST - 30" X 29.1" (228" WHEELBASE 34'/35'/36' )
11	101544-01-000	EA	SHIELD - HEAT/EXHAUST - 19.7" X 29.1" (228" WHEELBASE 34'/35'/36' )
	007125-05-000	EA	CLAMP - MUFFLER - 2" DIAMETER

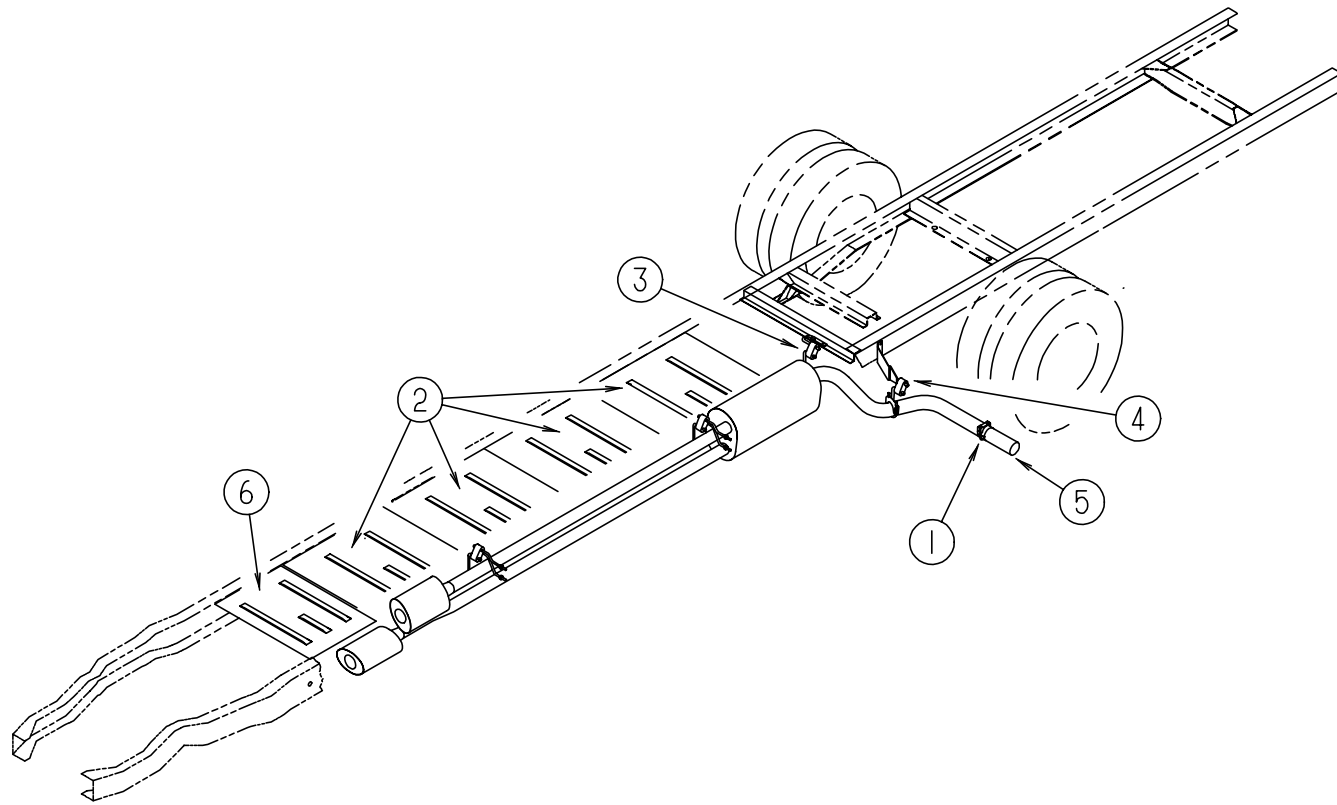
### CHASSIS GROUP (CONTINUED)



**1999 FORD CHASSIS EXHAUST SYSTEM**

KEY	PART NUMBER	U/M	DESCRIPTION
1	101544-02-000	EA	SHIELD - HEAT/EXHAUST - 30" X 29.1" ( 208"-216"WHEELBASE 33' )
2	101544-06-000	EA	SHIELD - HEAT/EXHAUST - 33.9" X 29.1"
3	101544-10-000	EA	SHIELD - HEAT/EXHAUST (228" WHEELBASE 34' CHASSIS)
4	098762-08-000	EA	PIPE - EXHAUST - STRAIGHT ( 208"-216"WHEELBASE 33' )
			FROM: 00-00-00 THRU: 05-31-98
4	112012-04-000	EA	PIPE - EXHAUST - 76.2" DIAMETER ( 208"-216"WHEELBASE 33' CHASSIS)
			FROM: 06-01-98 THRU: 99-99-99
4	NA	EA	PIPE - EXHAUST - CHASSIS PROVIDED ( 228" WHEELBASE 34' CHASSIS)
4	112012-05-000	EA	PIPE - EXHAUST - 76.2" DIAMETER ( 228"-242"WHEELBASE 36' CHASSIS)
5	128756-01-02B	EA	SHIELD - HEAT EXHAUST - E-COATED
6	NA	EA	PIPE - EXHAUST - CHASSIS PROVIDED ( 216'-228" WHEELBASE 33'/34' CHASSIS)
6	129726-01-000	EA	PIPE - EXHAUST - FORD ( 228"-242"WHEELBASE 36' CHASSIS)

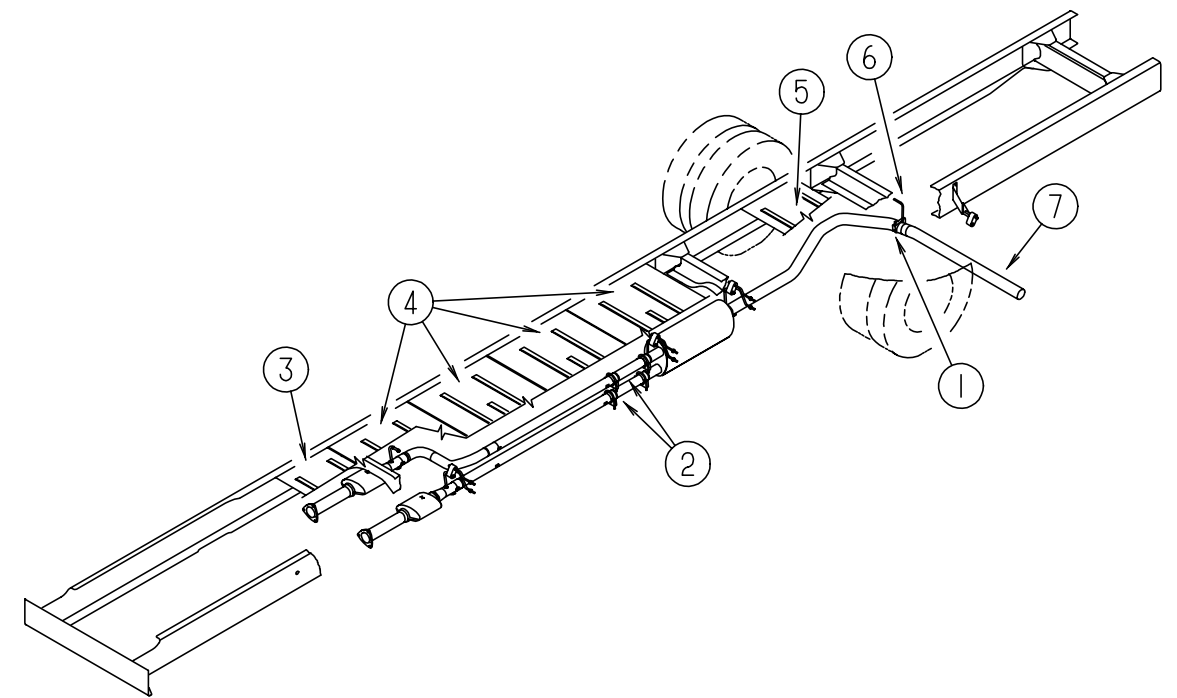
**CHASSIS GROUP (CONTINUED)**



**CHEVY EXHAUST SYSTEM**

KEY	PART NUMBER	U/M	DESCRIPTION
1	094918-01-000	EA	CLAMP - EXHAUST - 3" - GUILLOTINE STYLE
2	101544-02-000	EA	SHIELD - HEAT/EXHAUST - 30" X 29.1"
3	122392-01-02B	EA	HANGER - TAILPIPE
4	122392-03-02B	EA	HANGER - TAILPIPE - REAR
5	122529-02-000	EA	PIPE - EXHAUST
6	101544-01-000	EA	SHIELD - HEAT/EXHAUST - 19.7" X 29.1" (ALL BUT 216 WHEELBASE ON 33')

**CHASSIS GROUP (CONTINUED)**



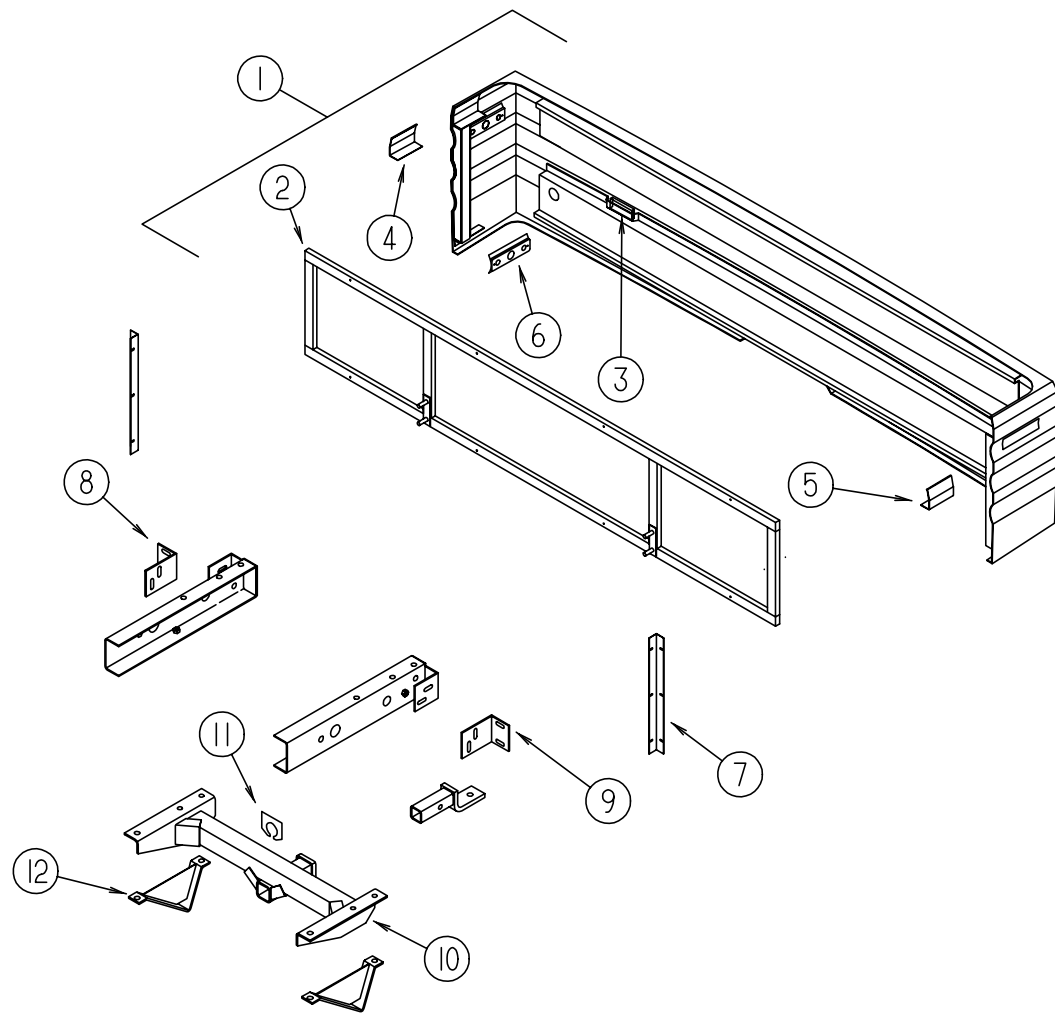
**HDGM CHEVY P12 EXHAUST SYSTEM**

KEY	PART NUMBER	U/M	DESCRIPTION
	007125-07-000	EA	CLAMP - MUFFLER - 2.5" DIAMETER
1	094918-01-000	EA	CLAMP - EXHAUST - 3" - GUILLOTINE STYLE
2	098762-21-000	EA	PIPE - EXHAUST - STRAIGHT - 2.5" - 219" WHEELBASE (L34/L35)
2	098762-22-000	EA	PIPE - EXHAUST - STRAIGHT - 2.5" - 233" WHEELBASE (L36)
3	101544-01-000	EA	SHIELD - HEAT/EXHAUST - 19.7" X 29.1"
4	101544-02-000	EA	SHIELD - HEAT/EXHAUST - 30" X 29.1"
5	101544-01-000	EA	SHIELD - HEAT/EXHAUST - 19.7" X 29.1"
6	122392-05-02B	EA	HANGER - TAILPIPE - FRONT
6	122392-06-02B	EA	HANGER - TAILPIPE - E-COATED
7	128754-01-000	EA	PIPE - EXHAUST - TAIL

FROM: 05-20-98 THRU: 99-99-99

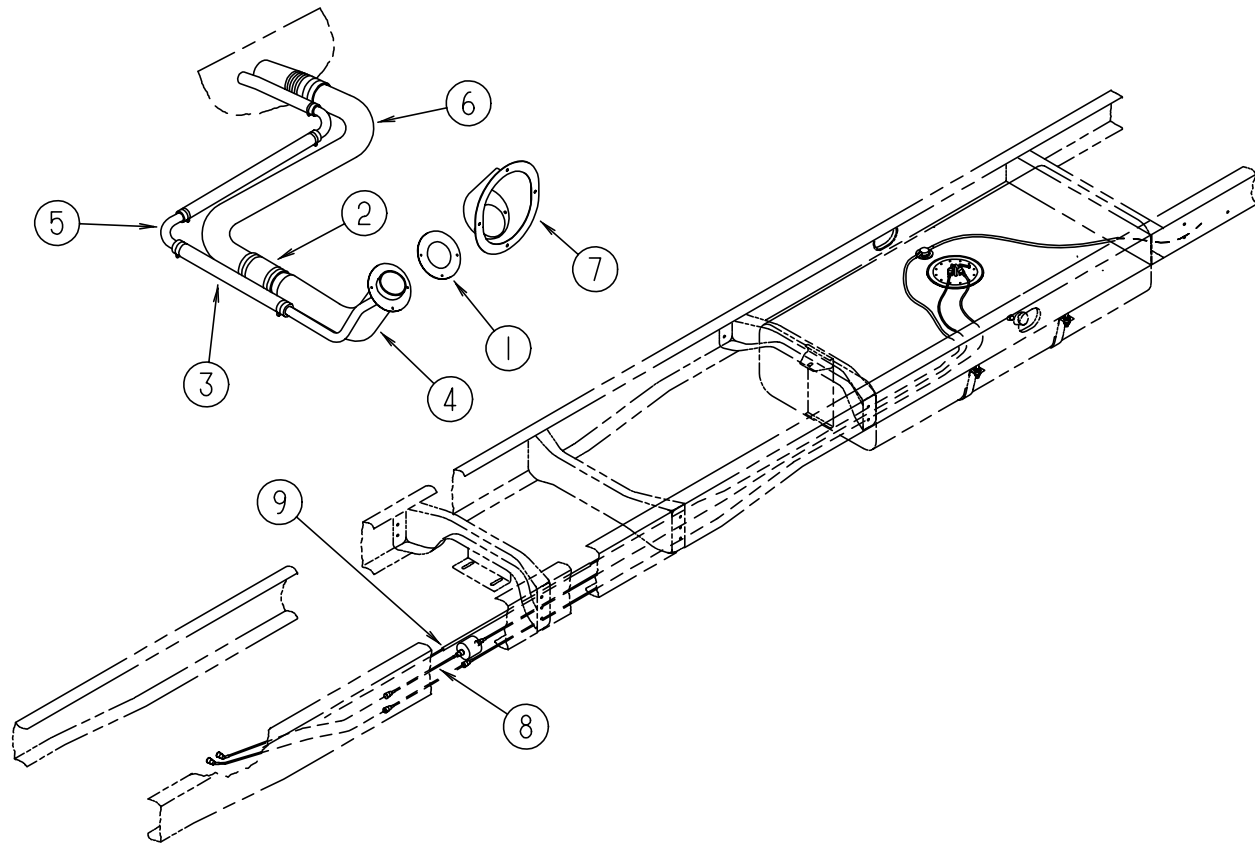
## CHASSIS GROUP (CONTINUED)

### REAR BUMPER & TRAILER HITCH



KEY	PART NUMBER	U/M	DESCRIPTION
1	M08673-03-J60	EA	BUMPER - REAR
	M08673-04-J60	EA	BUMPER - REAR - F/HEAVY DUTY GM CHASSIS
2	118833-01-02B	EA	FRAME - BUMPER/REAR
2	118833-02-02B	EA	FRAME - BUMPER/REAR - HEAVY DUTY GM CHASSIS
3	104319-51-007	EA	EXTRUDED - FRAME - GRILLE - 4"
4	124837-01-01A	EA	SUPPORT - BUMPER - REAR/PASS
4	124837-03-01A	EA	SUPPORT - BUMPER - REAR/PASS - HEAVY DUTY GM CHASSIS
5	124837-02-01A	EA	SUPPORT - BUMPER - REAR/DRIVER
5	124837-04-01A	EA	SUPPORT - BUMPER - REAR/DRIVER - HEAVY DUTY GM CHASSIS
6	125541-01-01A	EA	POCKET - LIGHT - SIDE MARKER
7	113041-08-02B	EA	ANGLE - MOUNT/BUMPER - FORD
			FROM: 00-00-00 THRU: 10-18-97
7	113041-07-02B	EA	ANGLE - MOUNT/BUMPER - FORD
			FROM: 10-19-98 THRU: 12-04-98
7	113041-03-02B	EA	ANGLE - MOUNT/BUMPER - FORD
			FROM: 12-05-97 THRU: 99-99-99
7	113041-08-02B	EA	ANGLE - MOUNT/BUMPER - GM
			FROM: 00-00-00 THRU: 12-04-97
7	113041-03-02B	EA	ANGLE - MOUNT/BUMPER - GM
			FROM: 12-05-97 THRU: 99-99-99
8	107524-01-000	EA	ANGLE - BUMPER - INNER/RIGHT HAND
9	107524-02-000	EA	ANGLE - BUMPER - INNER/LEFT HAND
10	107707-01-000	EA	HITCH RECEIVER - BOLT-ON CLASS II - FORD
			FROM: 00-00-00 THRU: 05-10-98
10	130339-01-000	EA	HITCH RECEIVER - BOLT-ON CLASS II - FORD
			FROM: 05-11-98 THRU: 99-99-99
10	117313-03-04B	EA	HITCH RECEIVER - BOLT ON CLASS III - HD GM
			FROM: 00-00-00 THRU: 06-14-98
10	130339-02-000	EA	HITCH RECEIVER - BOLT ON CLASS III - HD GM
			FROM: 06-15-98 THRU: 99-99-99
11	113588-02-01B	EA	BRACKET - CONNECTOR - TRAILER W/O LIP
11	113588-01-01B	EA	BRACKET - CONNECTOR - TRAILER W/LIP - HEAVY DUTY GM CHASSIS
12	111742-01-000	EA	PLATE - SKID
	113589-01-000	EA	CONNECTOR - PLUG - TRAILER
	113589-02-000	EA	CONNECTOR - SOCKET - TRAILER

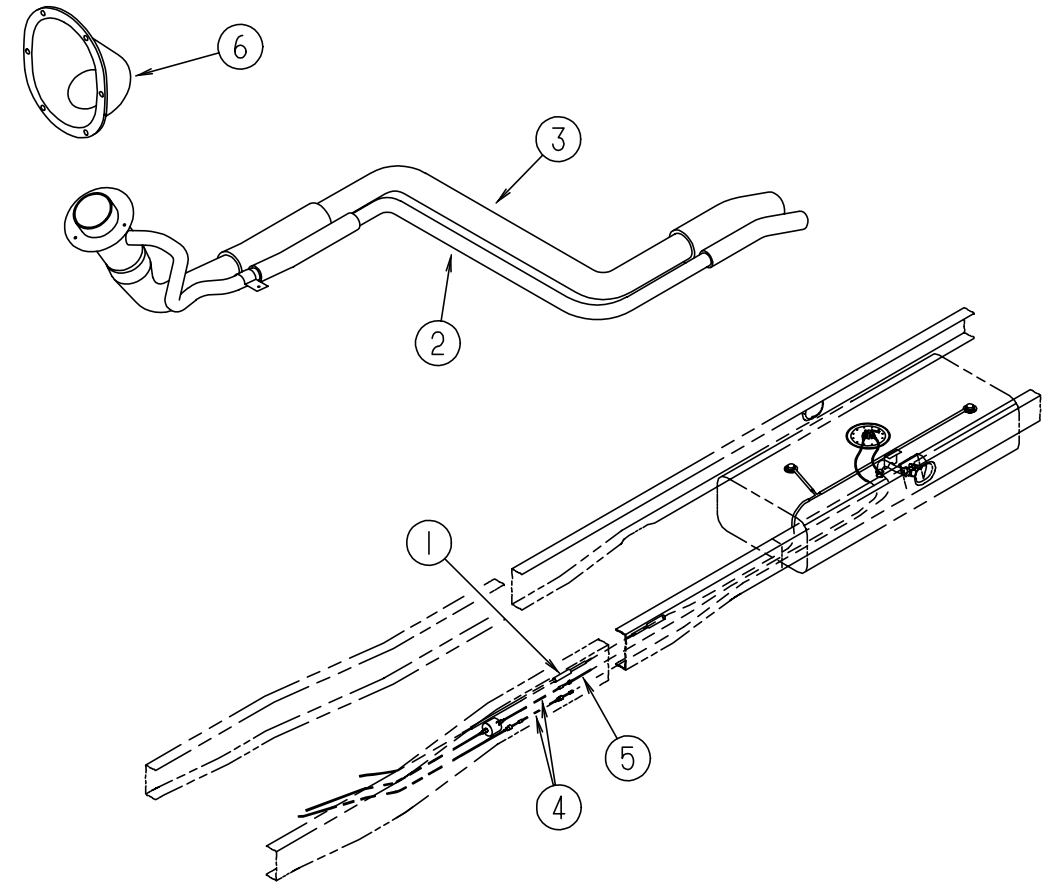
### CHASSIS GROUP (CONTINUED)



1998 FORD FUEL SYSTEM

KEY	PART NUMBER	U/M	DESCRIPTION
1	078200-01-000	EA	GASKET - FUEL FILL - 3.5" OD X 2" ID
2	007111-02-000	EA	HOSE - FUEL FILL - 2" ID
	044317-01-000	FT	HOSE - FUEL - 3/8" ID
3	066732-01-000	FT	HOSE - FUEL .62" ID
4	087256-07-000	EA	NECK - FUEL FILL
5	098806-01-000	EA	PIPE - FILL VENT - 90 DEGREE BEND - .635 OD - STEEL
6	100140-03-000	EA	TUBE - FUEL INLET
7	102951-01-01A	EA	SHROUD - FUEL FILL - UNFINISHED
			FROM: 00-00-00 THRU: 01-05-98
7	095854-01-01A	EA	SHROUD - FUEL FILL - UNFINISHED
			FROM: 01-06-98 THRU: 99-99-99
8	106389-09-000	EA	FUEL LINE - FORD - 3/8 HP
9	007063-01-000	FT	HOSE - FUEL - 1/4"ID X 1/2"OD
	084884-01-000	EA	PLUG - BRASS - 3/8"
	092889-17-000	EA	FUEL LINE - SUPPLY - GENERATOR - 1/4" X 85.4" - STEEL

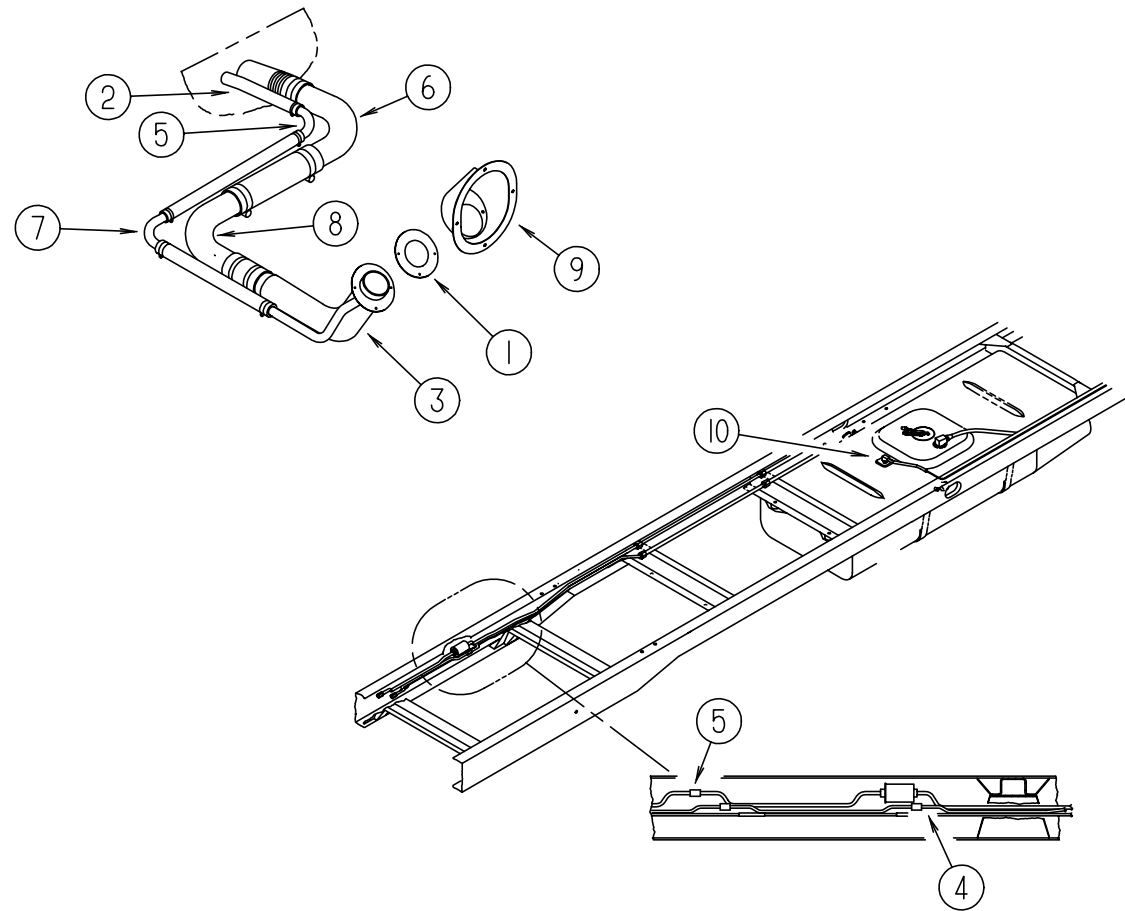
### CHASSIS GROUP (CONTINUED)



1999 FORD FUEL SYSTEM

KEY	PART NUMBER	U/M	DESCRIPTION
	044317-01-000	FT	HOSE - FUEL - 3/8" ID
1	128139-02-000	FT	HOSE - FUEL - LOW PERMEABILITY - 5/8" DIAMETER
2	129320-03-000	EA	PIPE - VENT - FILL (L36WL)
2	129320-05-000	EA	PIPE - VENT - FILL (L33WB, L34WY, L35WH)
2	129320-09-000	EA	PIPE - VENT - FILL (L35U, L35C)
3	129321-03-000	EA	TUBE - FUEL INLET (L36WL)
3	129321-05-000	EA	TUBE - FUEL INLET (L35U, L35C)
3	129321-09-000	EA	TUBE - FUEL INLET (L33WB, L34WY, L35WH)
4	129494-01-000	EA	FUEL LINE - 5/16" X 9.3" - FORD CHASSIS
4	129494-02-000	EA	FUEL LINE - 5/15" X 34.9" - FORD CHASSIS
4	129494-03-000	EA	FUEL LINE - 5/16" X 21.2" - FORD CHASSIS
5	129505-01-000	EA	TUBE - STEEL - 5/8" X 7.5"
5	129505-02-000	EA	TUBE - STEEL - 5/8" X 13.5"
5	129505-03-000	EA	TUBE - STEEL - 5/8" X 19.5"
6	127291-02-01A	EA	SHROUD - FUEL FILL
	007063-01-000	FT	HOSE - FUEL - 1/4"ID X 1/2"OD
	092889-17-000	EA	FUEL LINE - SUPPLY - GENERATOR - 1/4" X 85.4" - STEEL

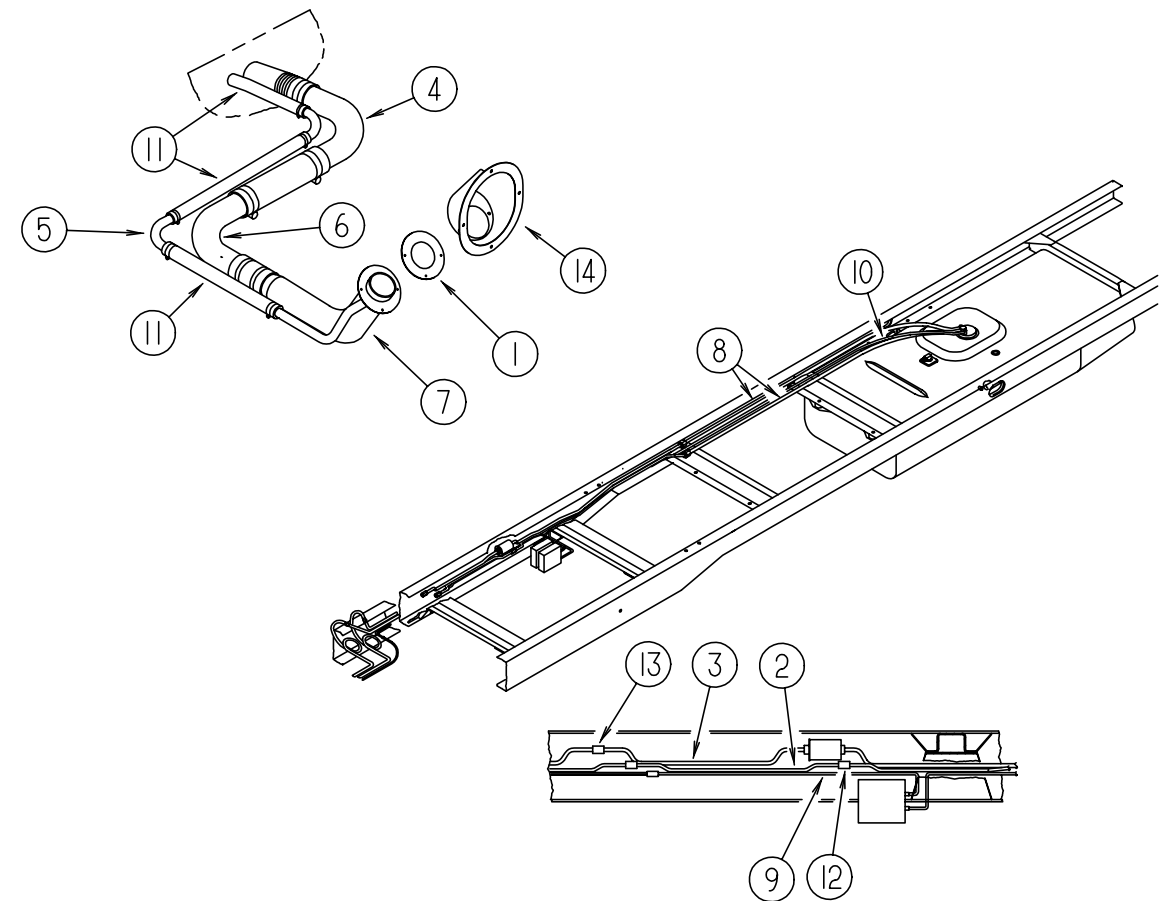
## CHASSIS GROUP (CONTINUED)



**CHEVY FUEL SYSTEM**

KEY	PART NUMBER	U/M	DESCRIPTION
1	078200-01-000	EA	GASKET - FUEL FILL - 3.5" OD X 2" ID
	044317-01-000	FT	HOSE - FUEL - 3/8" ID
	084884-01-000	EA	PLUG - BRASS - 3/8"
	007063-01-000	FT	HOSE - FUEL - 1/4"ID X 1/2"OD
2	066732-01-000	FT	HOSE - FUEL .62" ID
3	087256-10-000	EA	NECK - FUEL FILL
4	098779-01-000	EA	COUPLER - FUEL LINE (STRETCHED 208"-216" WHEELBASE CHASSIS ONLY)
5	098779-02-000	EA	COUPLER - FUEL LINE (STRETCHED 208"-216" WHEELBASE CHASSIS ONLY)
6	098803-01-000	EA	PIPE - FUEL FILL - 90 DEGREE BEND - 13.2" - 1 3/4" OD
7	098806-01-000	EA	PIPE - FILL VENT - 90 DEGREE BEND - .635 OD - STEEL
8	098807-01-000	EA	PIPE - FUEL FILL - 90 DEGREE BEND - 6.6" - 1 3/4" OD
9	102951-01-01A	EA	SHROUD - FUEL FILL - UNFINISHED
10	068382-06-000	EA	BUSHING - BRASS - 3/8 MPT X 1/8 FPT
10	114254-01-000	EA	ADAPTER - 1/4 BARB X 1/8 MPT
	092889-30-000	EA	FUEL LINE - SUPPLY - GENERATOR - 1/4" X 69.7" - STEEL

## CHASSIS GROUP (CONTINUED)

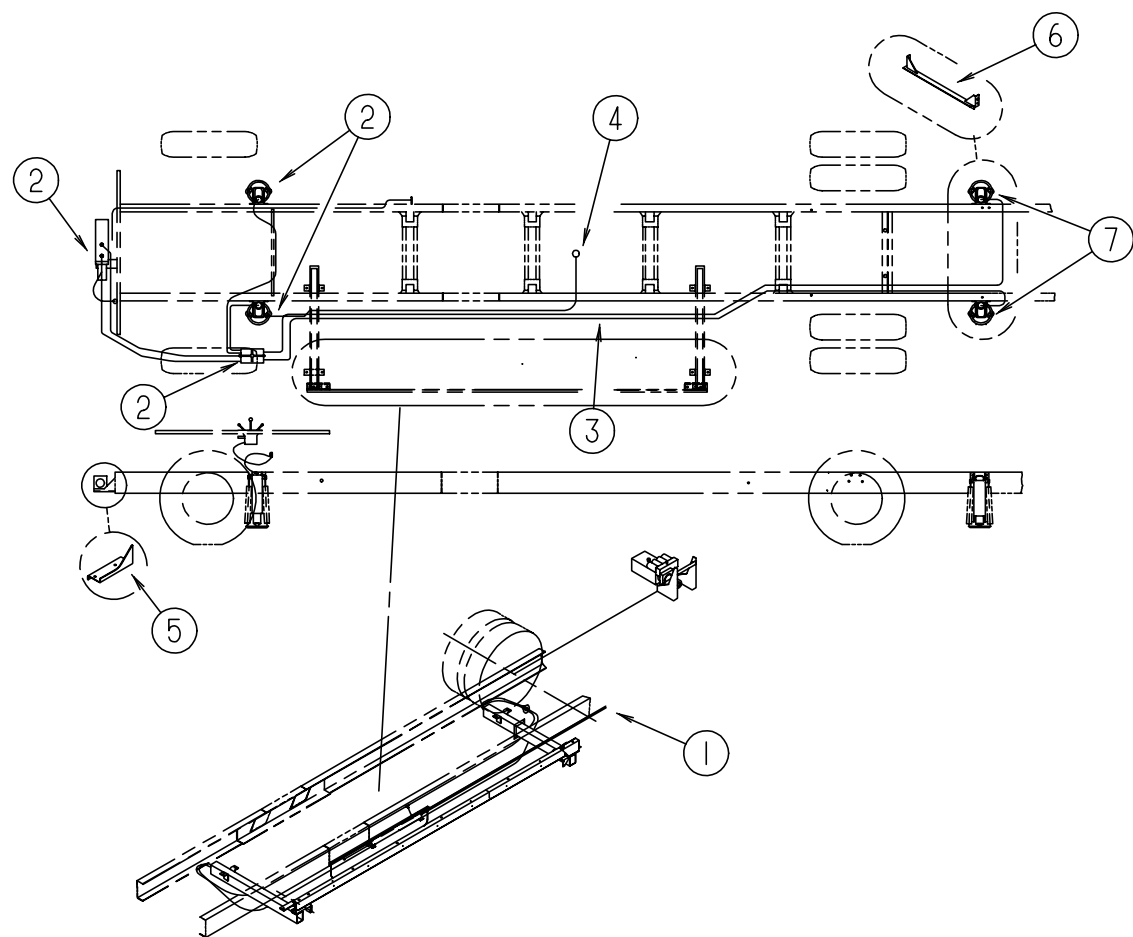


**HDGM CHEVY FUEL SYSTEM**

KEY	PART NUMBER	U/M	DESCRIPTION
1	078200-01-000	EA	GASKET - FUEL FILL - 3.5" OD X 2" ID
	044317-01-000	FT	HOSE - FUEL - 3/8" ID
2	098758-01-000	EA	FUEL LINE - RETURN - 5/16" STEEL X 14" LONG W/14MM NUTS
2	098758-07-000	EA	FUEL LINE - RETURN - 5/16" STEEL X 10" LONG W/14MM NUTS
3	098759-01-000	EA	FUEL LINE - SUPPLY - 3/8" STEEL X 14" LONG W/16MM NUTS
3	098759-07-000	EA	FUEL LINE - SUPPLY - 3/8" STEEL X 10" LONG W/16MM NUTS
4	098803-01-000	EA	PIPE - FUEL FILL - 90 DEGREE BEND - 13.2" - 1 3/4" OD
5	098806-01-000	EA	PIPE - FILL VENT - 90 DEGREE BEND - .635 OD - STEEL
6	098807-01-000	EA	PIPE - FUEL FILL - 90 DEGREE BEND - 6.6" - 1 3/4" OD
7	127301-03-000	EA	NECK - FUEL FILL - GASS
7	127301-04-000	EA	NECK - FUEL FILL - DIESEL
8	127391-01-000	EA	FUEL LINE - DOUBLE (3/8" FEED/5/16" RETURN) 70" - GM CHASS
9	127392-01-000	EA	HOSE - VAPOR/EMMISSION - 5/16" X 32.5" W/ENDS - GM CHASSIS
9	127392-02-000	EA	HOSE - EVAPORATOR TO EMISSIONS CANISTER
10	127393-01-000	EA	HOSE - FUEL VAPOR/EMISSION - 64" - GM CHASSIS
	128139-01-000	FT	HOSE - FUEL - LOW PERMEABILITY
11	128139-02-000	FT	HOSE - FUEL - LOW PERMEABILITY - 5/8" DIAMETER
	128139-03-000	FT	HOSE - FUEL - LOW PERMEABILITY - 1/4" DIAMETER
12	098779-01-000	EA	COUPLER - FUEL LINE (STRETCHED 208"-216" WHEELBASE CHASSIS ONLY)
13	098779-02-000	EA	COUPLER - FUEL LINE (STRETCHED 208"-216" WHEELBASE CHASSIS ONLY)
14	128299-01-01A	EA	SHROUD - FUEL FILL - UNFINISHED (CHASSIS SUPPLIED)
	068382-06-000	EA	BUSHING - BRASS - 3/8 MPT X 1/8 FPT
	114254-01-000	EA	ADAPTER - 1/4 BARB X 1/8 MPT
	092889-30-000	EA	FUEL LINE - SUPPLY - GENERATOR - 1/4" X 69.7" - STEEL



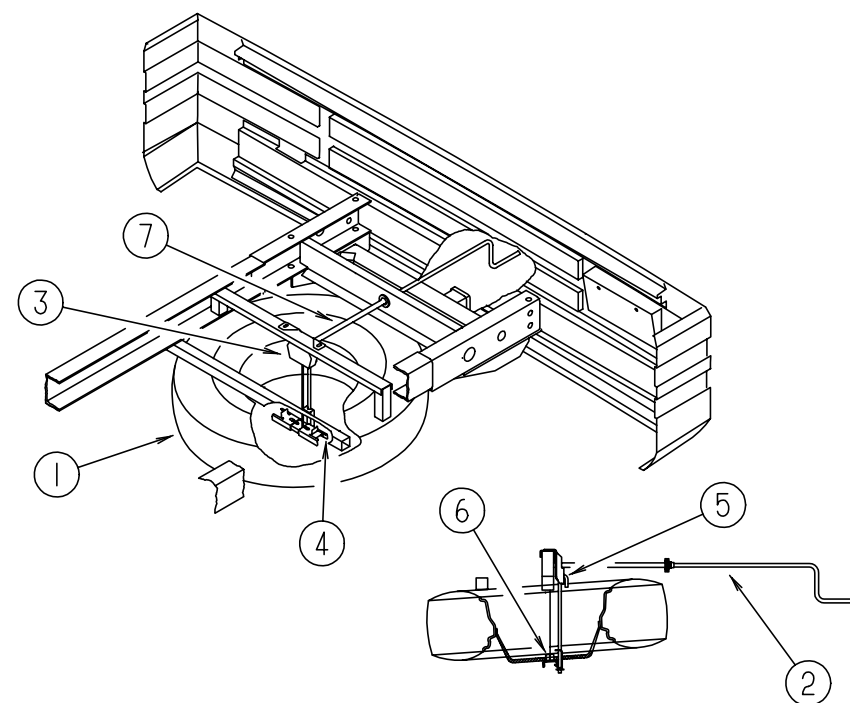
## CHASSIS GROUP (CONTINUED)



### HWH HYDRAULIC LEVELING SYSTEMS

KEY	PART NUMBER	U/M	DESCRIPTION	VENDOR NO.
1	100536-40-000	EA	HOSE KIT - SLIDEOUT/DOUBLE	
	100536-09-701	EA	HOSE - HYDRAULIC - 60"	RAP4073
	100536-14-700	EA	HOSE - HYDRAULIC - 288"	RAP4063
	100536-14-702	EA	HOSE - HYDRAULIC - 264"	RAP6216
	100536-30-700	EA	HOSE - HYDRAULIC - 72"	RAP4159
	123264-01-000	EA	TEE - UNION - 1/4" X 1/4" X 1/4"	
2	100532-48-000	EA	LEVELING SYSTEM - HYDRAULIC W/O REAR JACKS -F/2 ROOM SLIDE GM)	
2	100532-53-000	EA	LEVELING SYSTEM - HYDRAULIC F/2 SLIDEOUT SYSTEM (FORD)	
	100532-09-704	EA	VALVE-PRESSURE SOLENOID	RAP0642
	107890-01-000	EA	ELBOW - STEEL - 90 D - 1/4 X 37 D - FLARE	
	108629-01-000	EA	SHIELD - PUMP	
3	100536-28-000	EA	HOSE KIT - LEVELING JACKS	
3	100536-09-701	EA	HOSE - HYDRAULIC - 60"	RAP4073
3	100536-25-700	EA	HOSE - HYDRAULIC - 306"	RAP4904
3	100536-25-701	EA	HOSE - HYDRAULIC - 312"	RAP5216
3	100536-28-700	EA	HOSE - HYDRAULIC - 372"	RAP4391
4	117183-01-02B	EA	COVER - SENSOR - LEVELING	
5	120916-01-02B	EA	BRACKET - PUMP - LEVELING SYSTEM - GM	
6	121651-01-02B	EA	CROSSMEMBER - REAR JACK MOUNTING	
	107938-03-000	EA	BRACKET - PUMP - GM	
	107938-01-000	EA	BRACKET - PUMP - '98 FORD	
7	128571-01-000	EA	JACK ASSEMBLY - REAR LEVELING - W/CROSSMEMBER - MANUAL - GM	
7	128571-03-000	EA	JACK ASSEMBLY - REAR LEVELING - W/CROSSMEMBER - MANUAL - '98 FORD	

## CHASSIS GROUP (CONTINUED)

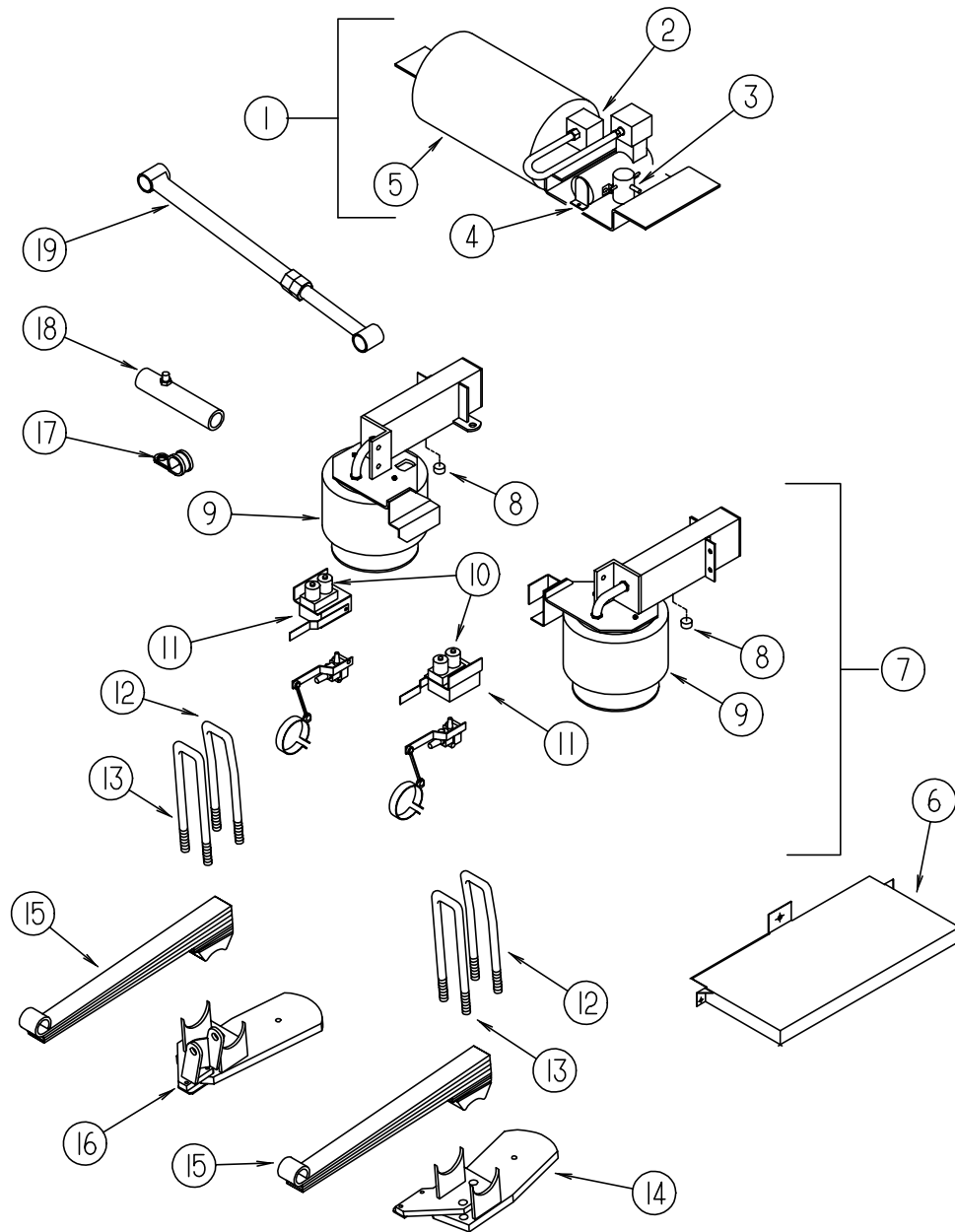


### TIRE, MOUNT & HOIST

KEY	PART NUMBER	U/M	DESCRIPTION
1	051377-01-000	EA	VALVE STEM - CHEVY
1	051377-05-000	EA	VALVE STEM - 1998 FORD
1	091673-01-000	EA	TIRE - 225.70 R19.5 LRF - XZA - CHEVY
1	083425-05-000	EA	TIRE - MICHELIN - LT 235/85R16 - LOAD RANGE E - 1998 FORD
1	102340-04-000	EA	TIRE - 245/70R - 19.5F - GOODYEAR - 1999 FORD
1	064963-01-000	EA	WHEEL - STEEL - 19.5" X 6" - GM 14005758 - CHEVY
1	095853-02-000	EA	WHEEL - STEEL - 16" X 6K - F2TA-1015-NA - 1998 FORD 1999 FORD IS CHASSIS SUPPLIED
1	077030-02-000	EA	EXTENSION - VALVE STEM - 1.25"
2	093376-02-000	EA	HANDLE - CRANK - TIRE HOIST
	114376-01-000	EA	PIN - DRIVE - .156 X .750 - TYPE E - TIRE HOIST
3	093267-03-000	EA	HOIST - SPARE TIRE - #100 LB
4	105499-01-000	EA	BRACKET - TIRE HOIST
5	124751-01-02B	EA	HANGER - SPARE TIRE - E-COATED
6	124754-01-02B	EA	CATCH - SPARE TIRE
7	093375-01-000	EA	EXTENSION - TIRE HOIST - 33.3' LONG
7	093375-06-000	EA	EXTENSION - TIRE HOIST - 25.2" LONG
	095012-07-000	EA	STABILIZER-VALVE EXTENSION,L
	080208-02-000	EA	BAR - LEVERAGE - LUG WRENCH - GM FORD IS CHASSIS SUPPLIED
	080208-05-000	EA	BAR - LEVERAGE - LUG WRENCH 3/4D - HDGM/FREIGHTLINER
	080208-06-000	EA	LUG WRENCH - 1" X 1.06" W/DEEP SOCKET ENDS - GM FORD IS CHASSIS SUPPLIED
	080208-04-000	EA	WRENCH - LUG - 30MM (1 3/16") - HDGM/FREIGHTLINER

# CHASSIS GROUP (CONTINUED)

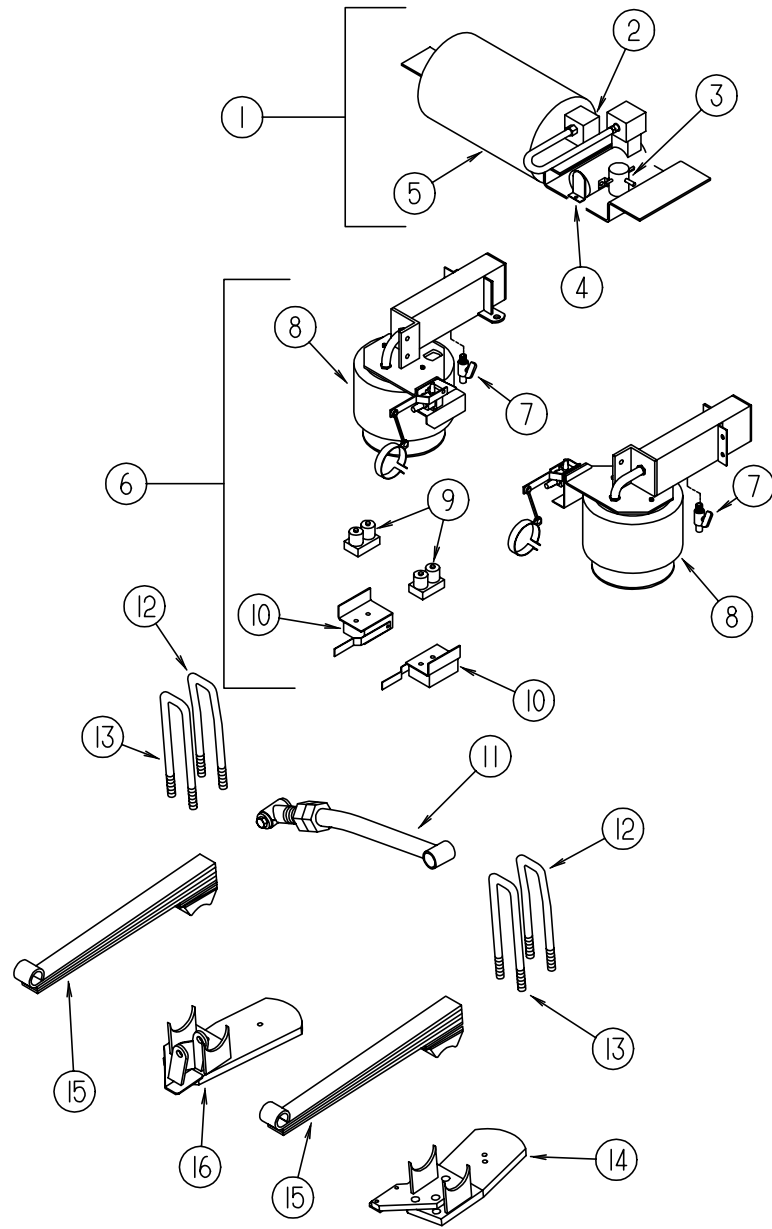
## FORD SUSPENSION SYSTEM



KEY	PART NUMBER	U/M DESCRIPTION	VENDOR NO.
1	090436-35-000	EA COMPRESSOR - TANK - W/O WIRING	
2	090436-07-701	EA SWITCH - AIR PRESSURE	50732
3	090436-07-704	EA SOLENOID-ELECTRONIC	50702 JET
	090436-40-000	EA FILTER - AIR INTAKE - COMPRESSOR	
	090436-67-000	EA WIRING HARNESS - F/JET AIR SYSTEM W/WARNING LIGHT	
4	090436-07-700	EA COMPRESSOR ONLY	50701 JET
5	090436-07-702	EA TANK - AIR - ALL MODELS	50703 JET
6	090436-28-000	EA SHIELD - HEAT - FUEL TANK	
7	090436-71-000	EA MOUNT - SPRING - W/LIGHT TAG - LEFT HAND/UPPER	
7	090436-72-000	EA MOUNT - SPRING - W/LIGHT TAG - RIGHT HAND/UPPER	
8	090436-36-700	EA PET COCK - AIR TANK F/SPRING	50720 JET
9	090436-15-704	EA BAG -AIR - BELLOWS - 1EA=1 ONLY	50752
10	090436-15-710	EA VALVE - ELECTRONIC - RH	50786 JET
10	090436-15-709	EA VALVE - ELECTRONIC - LH	50785 JET
11	090436-15-712	EA BOX - HEIGHT CONT. - RH W/LIGHT	50872
11	090436-15-711	EA BOX - HEIGHT CONT. - LH W/LIGHT	50871
	090436-15-713	EA LOOM - WIRE - F/AXLE POS. LIGHT	50875
	090436-15-714	EA LOCK OUT KIT	
	090436-79-000	EA STABILIZER BUSHING KIT F/FRONT AND REAR BARS	
12	090436-25-000	EA U-BOLT - 1-14 X 4 X 15 - W/NUTS	
13	090436-22-000	EA U-BOLT - 1-14 X 4 X 14 - W/NUTS	
14	090436-20-000	EA MOUNT - SPRING/AXLE - LOWER DRIVER	
15	090436-81-000	EA SPRING - LEAF	
16	090436-21-000	EA MOUNT - SPRING/AXLE - LOWER PASSENGER	
17	090436-29-000	EA BRACKET - BRAKE HOSE/FRAME	
18	090436-82-000	EA BRACKET - BRAKE HOSE/CALIPERS	
19	090436-31-000	EA BAR - TRACK - W/BOLTS & BRACKETS	
	090436-85-000	EA BOLT - HEX - 1/4-20 X 1/2 LONG	
	090436-86-000	EA NUT - HEX LK - 1/4-20	
	090436-87-000	EA CLAMP - BRAKE HOSE POSITION	

# CHASSIS GROUP (CONTINUED)

## CHEVY SUSPENSION SYSTEM



KEY	PART NUMBER	U/M DESCRIPTION	VENDOR NO.
1	090436-35-000	EA COMPRESSOR - TANK - W/O WIRING	
2	090436-07-701	EA SWITCH - AIR PRESSURE	50732
3	090436-07-704	EA SOLENOID-ELECTRONIC	50702 JET
	090436-40-000	EA FILTER - AIR INTAKE - COMPRESSOR	
4	090436-07-700	EA COMPRESSOR ONLY	50701 JET
5	090436-07-702	EA TANK - AIR - ALL MODELS	50703 JET
6	090436-69-000	EA MOUNT - SPRING - W/LIGHT TAG - LEFT HAND/UPPER	
6	090436-70-000	EA MOUNT - SPRING - W/LIGHT TAG - RIGHT HAND/UPPER	
7	090436-36-700	EA PET COCK - AIR TANK F/SPRING	50720 JET
8	090436-15-704	EA BAG - AIR - BELLOWS - 1EA=1 ONLY	50752
9	090436-15-709	EA VALVE - ELECTRONIC - LH	50785 JET
9	090436-15-710	EA VALVE - ELECTRONIC - RH	50786 JET
10	090436-15-711	EA BOX - HEIGHT CONT. - LH W/LIGHT	50871
10	090436-15-712	EA BOX - HEIGHT CONT. - RH W/LIGHT	50872
	090436-15-713	EA LOOM - WIRE - F/AXLE POS. LIGHT	50875
11	090436-47-000	EA BAR - TRACK - W/PIVOT BOLTS	
12	090436-12-000	EA U-BOLT - FORWARD - STRAIGHT - 7/8"	
13	090436-13-000	EA U-BOLT - REARWARD - BENT - 7/8"	
14	090436-10-000	EA MOUNT - SPRING/AXLE - LOWER DRIVER	
	090436-52-000	EA BRACKET - TRACK BAR - STANDARD - 3.25	
	090436-67-000	EA WIRING HARNESS - F/JET AIR SYSTEM W/WARNING LIGHT	
15	090436-80-000	EA SPRING - 95 - P30 - 14/16500	
16	090436-46-000	EA MOUNT - SPRING - CHEVY - RIGHT HAND/LOWER	
	091250-03-000	EA BUSHING - SWAY BAR - 1.75" CUT	

## CHASSIS GROUP (CONTINUED)

### CHEVY SHOCKS

KEY	PART NUMBER	U/M DESCRIPTION	VENDOR NO.
	122756-02-000	EA SHOCK AND STABILIZER (BLUE BOOT) KIT - FRONT END P30 CHASS	
	122756-02-700	EA BRACKET ASM - DRIVERS SIDE	T818L
	122756-02-701	EA BRACKET ASM - PASSENGER SIDE	T818R
	122756-02-702	EA BRACKET ONLY - DRIVERS SIDE	T818L
	122756-02-703	EA BRACKET ONLY -PASSENGER SIDE	T818R
	122756-02-704	EA BOLT PACKAGE -BOLTS/NUTS ETC	T818R
	122756-02-705	EA SHOCK	T818SH
	122756-02-706	EA STUD - SHOCK MOUNTING	T818S
	122756-02-707	EA DAMPNER - STEERING	T818SD
	122756-02-708	EA BOOT - STEERING DAMPNER	T818SDB
	122756-02-709	EA BUSHING PKG - STEERING DAMPNER	T818SDBSH
	122756-02-710	EA BOLT PKG - STEERING DAMPNER T818S	

### WHEEL LINERS

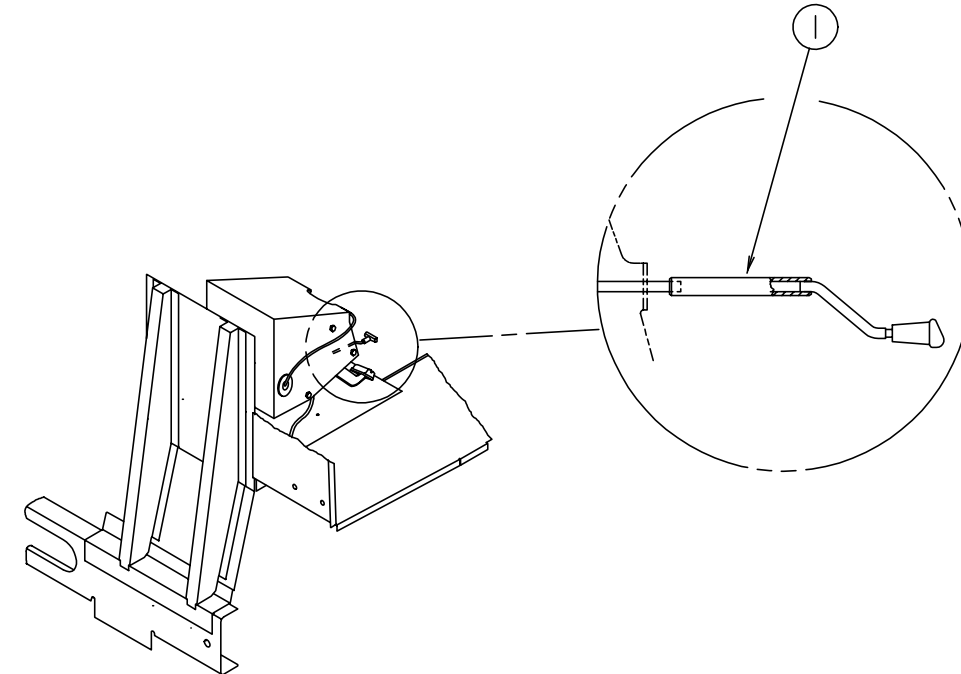
KEY	PART NUMBER	U/M DESCRIPTION	VENDOR NO.
	110435-08-000	EA LINER - WHEEL SET (SET=4) 16" - '98 FORD	
	110435-01-711	EA DECAL - CENTER CAP - 2" - '98 FORD	2" DECAL
	110435-02-702	EA STUD EXTENDER - '98 FORD	V160SD-STX
	110435-02-703	EA NUT (JAMB) - '98 FORD	V160SD-JNT
	110435-02-704	EA COVER -LUG NUT - '98 FORD	V160F0-LNC
	110435-02-705	EA TOOL F/ JAMB NUT - INSTALL - '98 FORD.	V160FO-TOL
	110435-08-700	EA LINER - WHEEL - FRONT - '98 FORD	V160SD-FWC
	110435-08-701	EA LINER - WHEEL - REAR - '98 FORD	V160SD-RWC
	110435-15-000	EA LINER - WHEEL SET/4 - 19.5" - '99 FORD	
	110435-10-000	EA LINER - WHEEL - SET 4 - 19.5" - '97 CHEVY	
	110435-10-700	EA LINER - WHEEL - FRONT - 1 PC - '97 CHEVY	V195P7-FWC
	110435-10-701	EA LINER - WHEEL - REAR - 1 PC - '97 CHEVY	V195P7-RWC
	110435-10-702	EA JAMB NUT - ENCLOSED/LNC - '97 CHEVY	V195P7-EJN
	110435-10-703	EA STUD - PLASTIC - '97 CHEVY	V195P7-PST
	110435-10-704	EA JAMB NUT - PLASTIC/LNC - '97 CHEVY	V195P7-PJN
	110435-10-705	EA TOOL - INSTALLATION - '97 CHEVY	V195P7-TOL
	110435-12-000	EA LINER - WHEEL - SET/4 - 19.5" - '98 HD CHEVY	
	110435-05-700	EA CAP-CENTER, POP-OUT - '98 HD CHEVY	V22510-POC
	110435-05-711	EA COVER - LUG NUT - '98 HD CHEVY	V22506-LNC
	110435-05-712	EA TOOL INSTALLATION - '98 HD CHEVY	V22506-TOL
	110435-12-700	EA WHEEL LINER - FRONT WHEEL - '98 HD CHEVY	V19580-FWC
	110435-12-701	EA WHEEL LINER - REAR WHEEL - '98 HD CHEVY	V19580-RWC
	110435-12-702	EA JAM NUT - 20MM - '98 HD CHEVY	V19580-JNT

### DRIVETRAIN

KEY	PART NUMBER	U/M DESCRIPTION
	128531-02-000	EA DRIVESHAFT ASM-3 BALANCED - HD GM

## CHASSIS GROUP (CONTINUED)

### FORD BRAKE HANDLE PIN



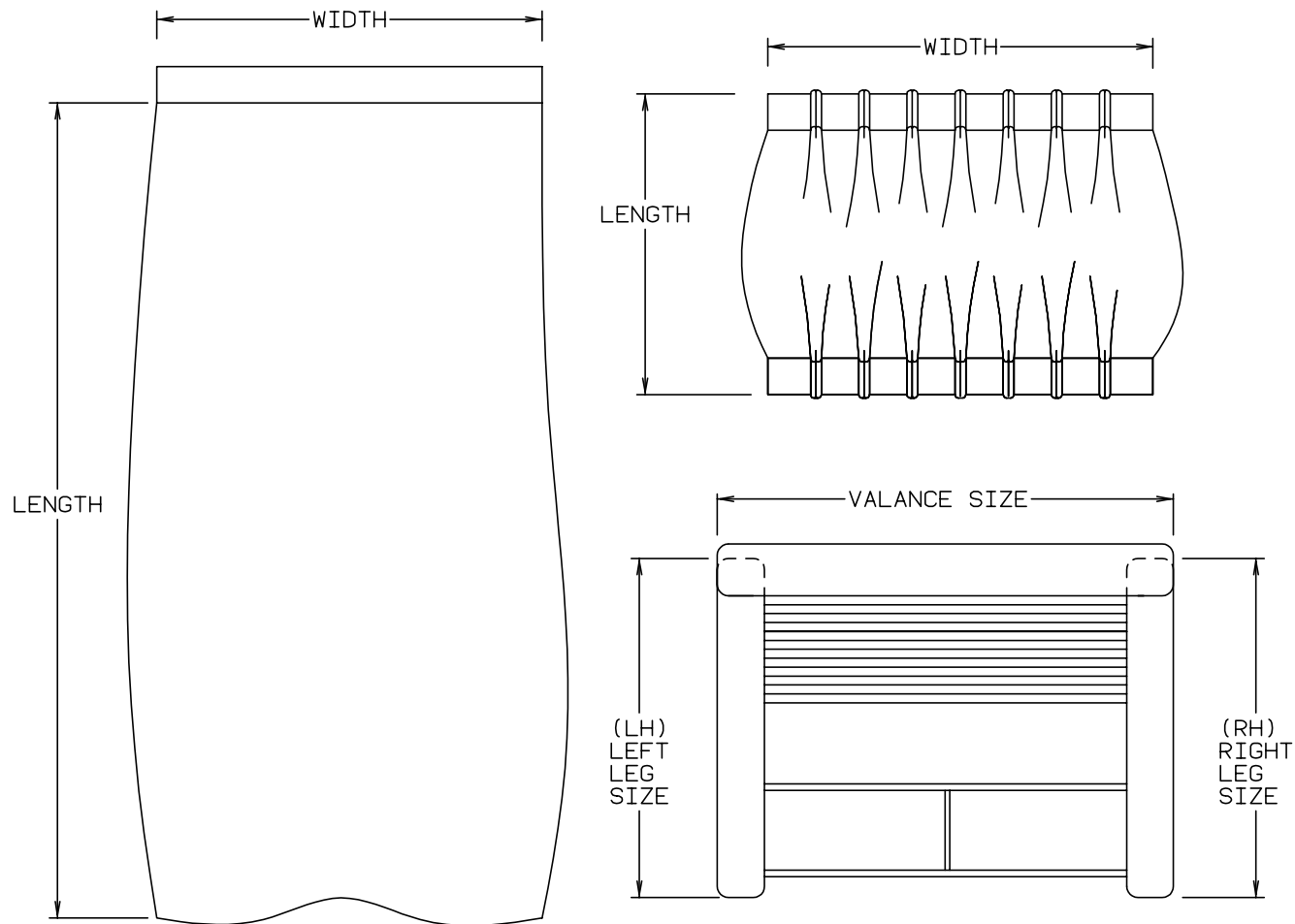
KEY	PART NUMBER	U/M DESCRIPTION
1	113007-01-000	EA PIN - SPRING - .375 X 3"

## CURTAIN & CUSHION GROUP

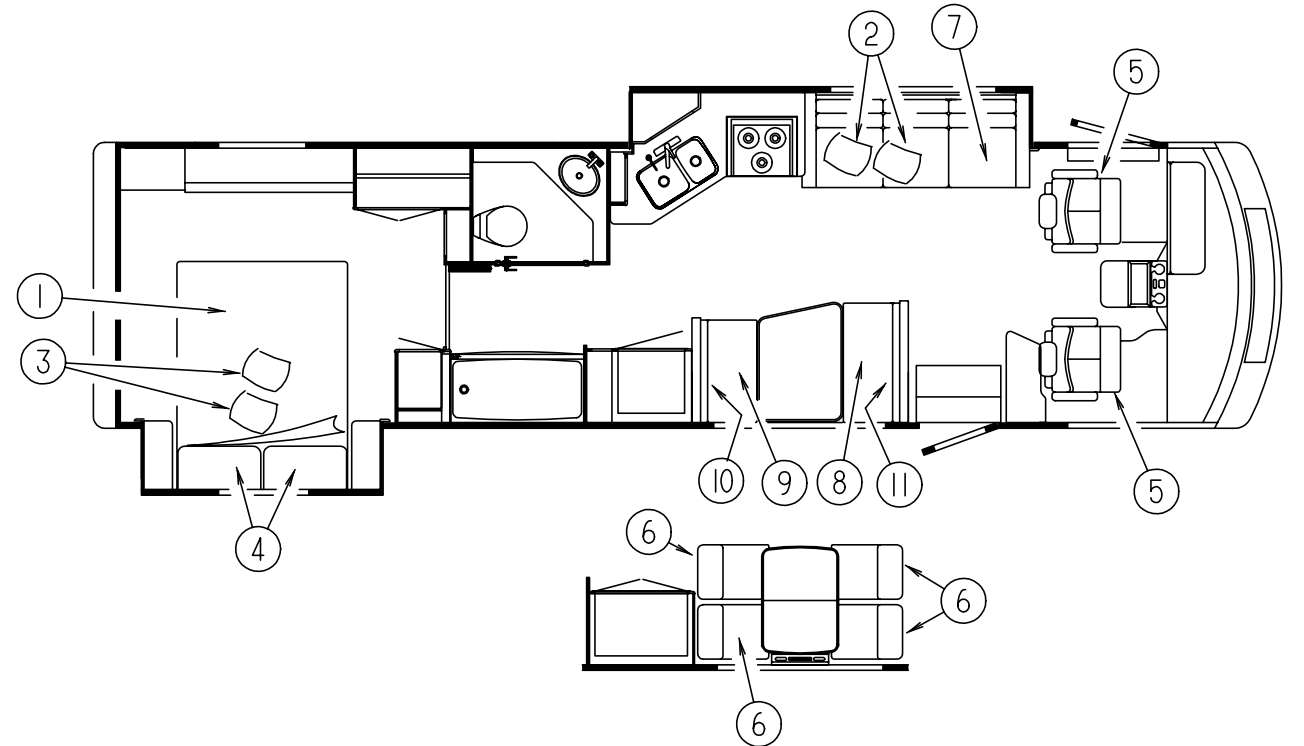
### NOTICE

IN ORDER TO ASSIST OUR PARTS SALES DEPT. IN PROVIDING INTERIOR SOFTWARE ITEMS, PLEASE INCLUDE THE SERIAL NUMBER AND THE COLOR CODE NUMBER FROM THE VEHICLE CERTIFICATION LABEL WHEN ORDERING. THIS LABEL IS LOCATED ON THE LEFT SIDEWALL AT THE END OF THE DASH (A-BODY), OR ON THE DRIVER'S DOOR LATCH PLATE (C-BODY).

AN EXAMPLE OF A COLOR CODE NUMBER IS B07, WHICH DESIGNATES AN OVERALL COLOR SCHEME OF A PARTICULAR UNIT. THE COLOR LISTED AFTER THE ITEM DESCRIPTION ON THE MICROFICHE, INDICATES THE OVERALL UNIT COLOR. ORDER THE ITEM YOU DESIRE ACCORDING TO UNIT COLOR CODE. IF ALL COLORS USE THE SAME ITEM NO COLOR CODE WILL BE NOTED.



## CURTAIN & CUSHION GROUP (CONTINUED)

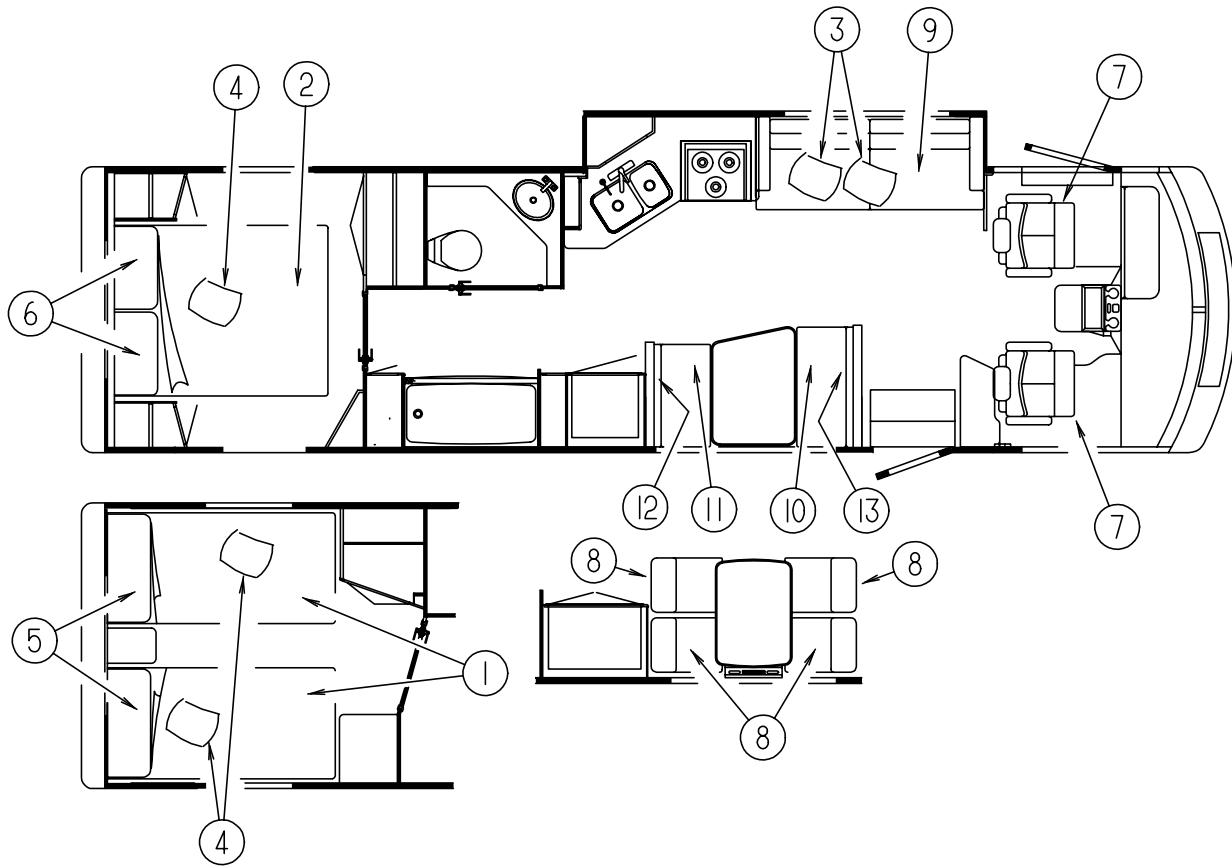


### MATTRESSES, PILLOWS & BEDSPREADS

KEY	PART NUMBER	U/M	DESCRIPTION
1	123015-07-000	EA	MATTRESS - INNERSPRING - 60" X 79.5"
1	119141-18-J60	EA	BEDSPREAD/THROW - 60" X 80" (J94, J60)
1	119141-17-J61	EA	BEDSPREAD/THROW - 60" X 80" (J95, J61)
1	119141-17-J62	EA	BEDSPREAD/THROW - 60" X 80" (J96, J62)
2	111637-11-J60	EA	PILLOW - 17" X 17" (J94, J60)
2	111637-20-J61	EA	PILLOW - 17" X 17" (J95, J61)
2	111637-11-J62	EA	PILLOW - 17" X 17" (J96, J62)
3	111637-12-J60	EA	PILLOW - 17" X 17" (J94, J60)
3	111637-12-J61	EA	PILLOW - 17" X 17" (J95, J61)
3	111637-12-J62	EA	PILLOW - 14" X 14" (J96, J62)
4	119249-01-000	EA	PILLOW/CASE - 20" X 33"

NOTE: USE THIS ILLUSTRATION WHEN DETERMINING LENGTH AND WIDTH MEASUREMENTS FOR CURTAINS. YOU WILL NOTE THE WIDTH MEASUREMENT IS TAKEN ON THE TOP OF THE CURTAIN WITH THE CURTAIN FULLY EXTENDED. THE LENGTH MEASUREMENT IS TAKEN FROM TOP TO BOTTOM. LEFT AND RIGHT WINDOW LEGS ARE DETERMINED WHEN FACING THE WINDOW.

## CURTAIN & CUSHION GROUP (CONTINUED)



### DINETTE CHAIRS

KEY	PART NUMBER	U/M DESCRIPTION
6	126637-04-000	EA CHAIR - DINETTE (J94, J60)
6	126637-05-000	EA CHAIR - DINETTE (J95, J61)
6	126637-06-000	EA CHAIR - DINETTE (J96, J62)
	127156-02-01A	EA RETAINER-STRAP,CHAIR
	127832-01-01A	EA BELT ASM-RETAINER,CHAIRS

### COUCH

KEY	PART NUMBER	U/M DESCRIPTION
7	125676-04-000	EA SOFA (J94, J60)
7	125676-05-000	EA SOFA (J95, J61)
7	125676-06-000	EA SOFA (J96, J62)
	116104-03-02B	EA BRACKET - ZEE W/HOLES
	124656-96-000	EA LOCK - CANADIAN - #3380EZLK
	124656-97-000	EA LOCK - NON-SLIDE
	124656-98-000	EA LOCK - SLIDE

### DINETTE CUSHIONS

KEY	PART NUMBER	U/M DESCRIPTION
8	105603-22-J60	EA CUSHION - DINETTE SEAT - 23" X 42" X 4" (J94, J60)
8	105603-22-J61	EA CUSHION - DINETTE SEAT - 23" X 42" X 4" (J95, J61)
8	105603-22-H23	EA CUSHION - DINETTE SEAT - 23" X 42" X 4" (J96, J62)
	P05603-22-J60	EA COVER - SEAT - 23" X 42" X 4" (J94, J60)
	P05603-22-J61	EA COVER - SEAT - 23" X 42" X 4" (J95, J61)
	P05603-22-H23	EA COVER - SEAT - 23" X 42" X 4" (J96, J62)
9	105603-25-J60	EA CUSHION - SEAT - 23" X 36" X 4" (J94, J60)
9	105603-25-J61	EA CUSHION - SEAT - 23" X 36" X 4" (J95, J61)
9	105603-25-J62	EA CUSHION - SEAT - 23" X 36" X 4" (J96, J62)
	P05603-25-J60	EA COVER - SEAT - 23" X 36" X 5" (J94, J60)
	P05603-25-J61	EA COVER - SEAT - 23" X 36" X 5" (J95, J61)
	P05603-25-J62	EA COVER - SEAT - 23" X 36" X 5" (J96, J62)
10	111897-15-J60	EA CUSHION - BACK - 13.5" X 36" X 4" (J94, J60)
10	111897-15-J61	EA CUSHION - BACK - 13.5" X 36" X 4" (J95, J61)
10	111897-15-J62	EA CUSHION - BACK - 13.5" X 36" X 4" (J96, J62)
	P11897-15-J60	EA COVER - BACK - 13.5" X 36" X 5" (J94, J60)
	P11897-15-J61	EA COVER - BACK - 13.5" X 36" X 5" (J95, J61)
	P11897-15-J62	EA COVER - BACK - 13.5" X 36" X 5" (J96, J62)
11	111897-16-J60	EA CUSHION - BACK - 13.5" X 42" X 4" (J94, J60)
11	111897-16-J61	EA CUSHION - BACK - 13.5" X 42" X 4" (J95, J61)
11	111897-16-J62	EA CUSHION - BACK - 13.5" X 42" X 4" (J96, J62)
	P11897-16-J60	EA COVER - BACK - 13.5" X 42" X 4" (J94, J60)
	P11897-16-J61	EA COVER - BACK - 13.5" X 42" X 4" (J95, J61)
	P11897-16-J62	EA COVER - BACK - 13.5" X 42" X 4" (J96, J62)

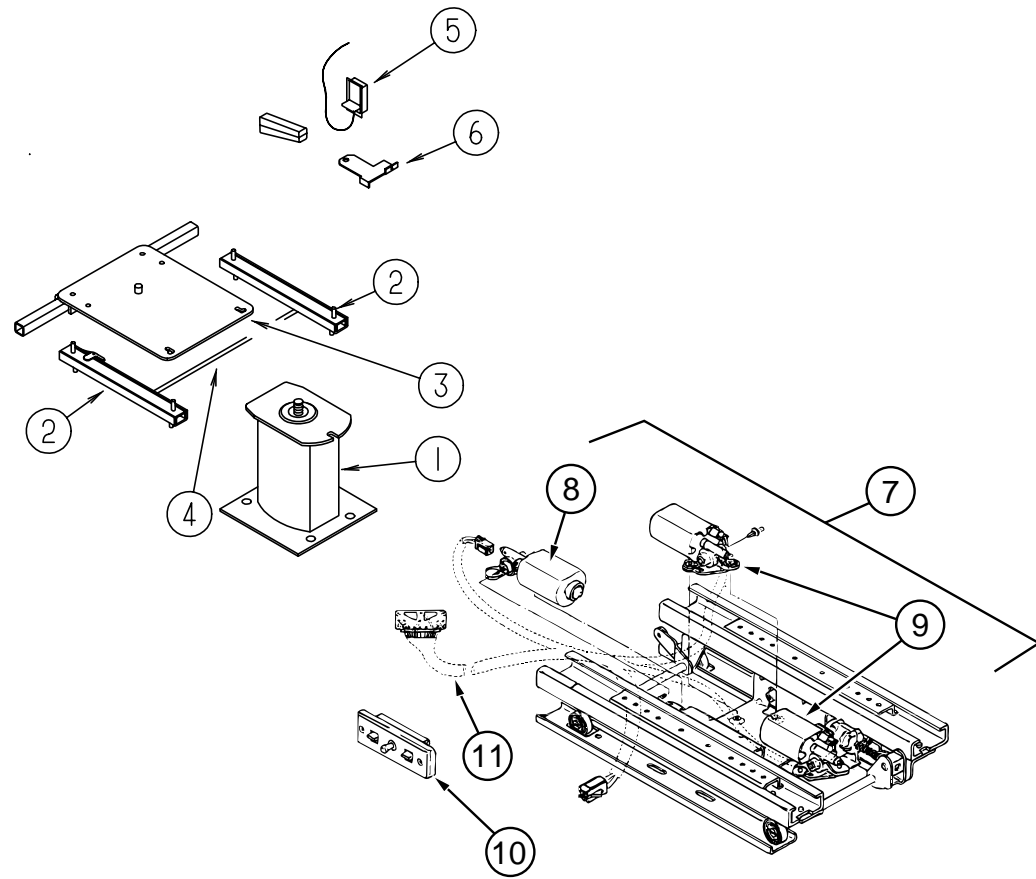
### BUCKET SEATS

KEY	PART NUMBER	U/M DESCRIPTION	
5	125682-04-000	EA BUCKET SEAT (J94, J60)	FROM: 00-00-00 THRU: 01-18-98
5	129492-04-000	EA BUCKET SEAT (J94, J60)	FROM: 01-19-98 THRU: 99-99-99
5	125682-05-000	EA BUCKET SEAT (J95, J61)	FROM: 00-00-00 THRU: 01-18-98
5	129492-05-000	EA BUCKET SEAT (J95, J61)	FROM: 01-19-98 THRU: 99-99-99
5	125682-06-000	EA BUCKET SEAT (J96, J62)	FROM: 00-00-00 THRU: 01-18-98
5	129492-06-000	EA BUCKET SEAT (J96, J62)	FROM: 01-19-98 THRU: 99-99-99
5	125682-09-000	EA BUCKET SEAT - LEATHER	FROM: 00-00-00 THRU: 01-18-98
5	129492-09-000	EA BUCKET SEAT - LEATHER	FROM: 01-19-98 THRU: 99-99-99

### FOLDING CHAIRS

KEY	PART NUMBER	U/M DESCRIPTION
	101604-01-03A	EA CHAIR - FOLDING/DINETTE - W/O FABRIC - WATERFORD OAK
	101604-01-04A	EA CHAIR - FOLDING/DINETTE - W/O FABRIC - SOLAR MAPLE - WASHED MAPLE
	101604-01-05A	EA CHAIR - FOLDING/DINETTE - W/O FABRIC - WHITE GRANITE

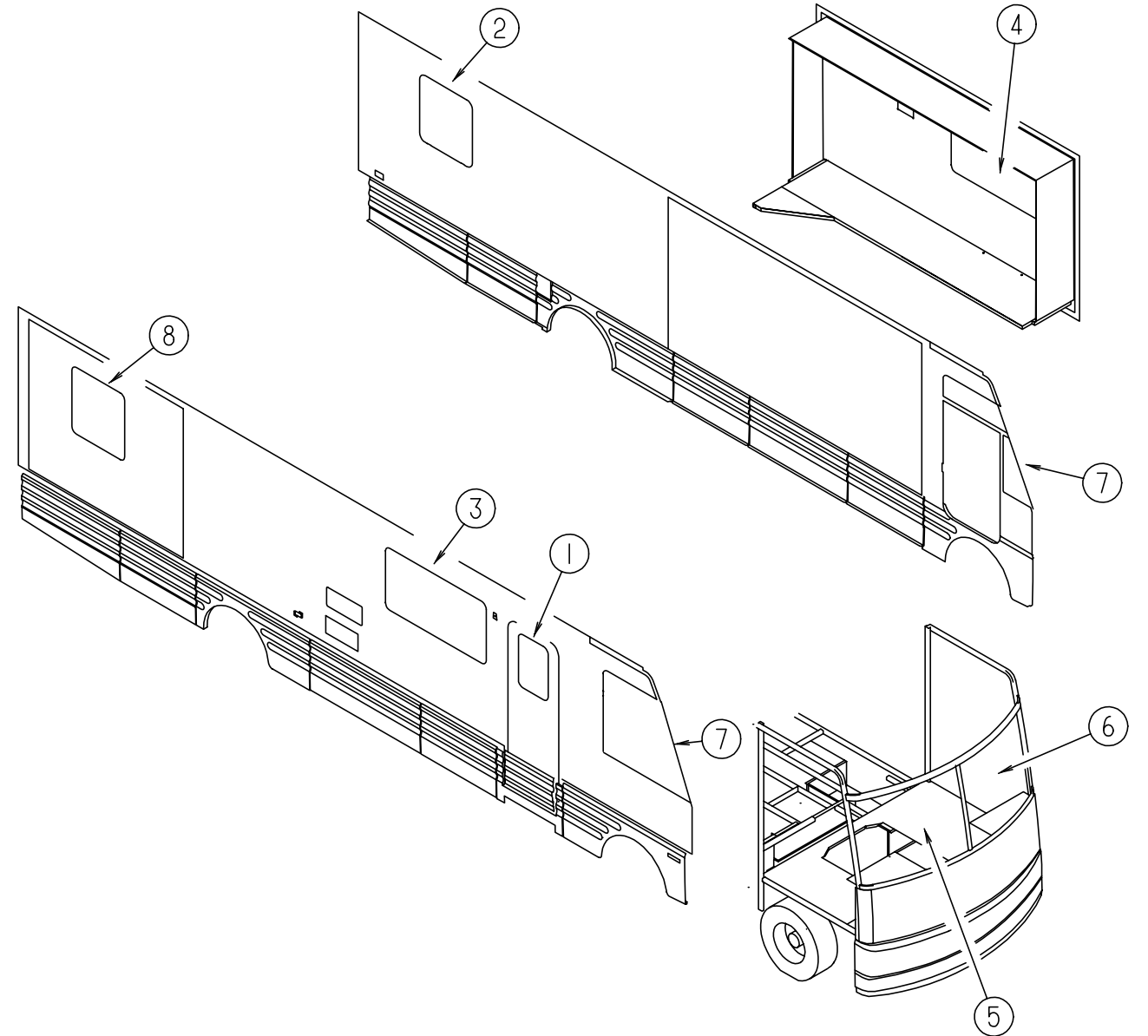
**CURTAIN & CUSHION GROUP (CONTINUED)**



**BUCKET SEAT PEDESTALS**

KEY	PART NUMBER	U/M DESCRIPTION	VENDOR NO.
1	107921-01-000	EA PEDESTAL/FLOOR MOUNTED - W/9.75" EXTENSION	
1	107921-14-000	EA PEDESTAL - SEAT W/5.75" EXTENSION - F/MANUAL SEAT	
2	119952-06-000	EA SLIDE/SEAT - HEAVY DUTY LOCKING - 4 STUDS	
		FROM: 00-00-00 THRU: 11-02-97	
2	119952-04-000	EA SLIDE/SEAT - HEAVY DUTY LOCKING - 4 STUDS	
		FROM: 11-03-97 THRU: 99-99-99	
3	107921-05-000	EA PLATE - TOP - W/SEAT BELT BAR	
	107921-06-000	EA BEARING KIT - PEDESTAL	
4	119952-07-000	EA WIRE - LATCH RELEASE/ROTARY	
5	108049-04-000	EA CABLE/CONTROL - 26" W/MINI LEVER ACTION	
	108049-02-000	EA CLIP - CABLE/PEDESTAL	
6	117125-01-02B	EA BRACKET - CABLE MOUNT - ADJUSTER W/LOCK	
7	081373-03-000	EA SEAT - POWER 6 WAY	
	081373-01-700	EA BRACKET-L - CONTROL SWITCH	H-171
8	081373-02-703	EA MOTOR PKG. ADJ. HORIZONTAL	22063237 & H-195
9	081373-02-704	EA MOTOR PKG. ADJ. VERTICAL	22063238 & H-196
10	081373-03-700	EA SWITCH ASM F/BRN-GRAY (FLAT)	22138182 & H-441
11	081373-03-701	EA WIRE HARNESS ASM. - LT. SIDE	6000
11	081373-03-702	EA WIRE HARNESS ASM. - RT. SIDE	6001
	127159-02-02B	EA BRACKET - SEAT RELEASE - DUAL REMOTE	
	130184-01-01A	EA PROTECTOR - SEAT - CLEAR	
	130184-01-02A	EA PROTECTOR - SEAT - TITANIUM	

**CURTAIN & CUSHION GROUP (CONTINUED)**

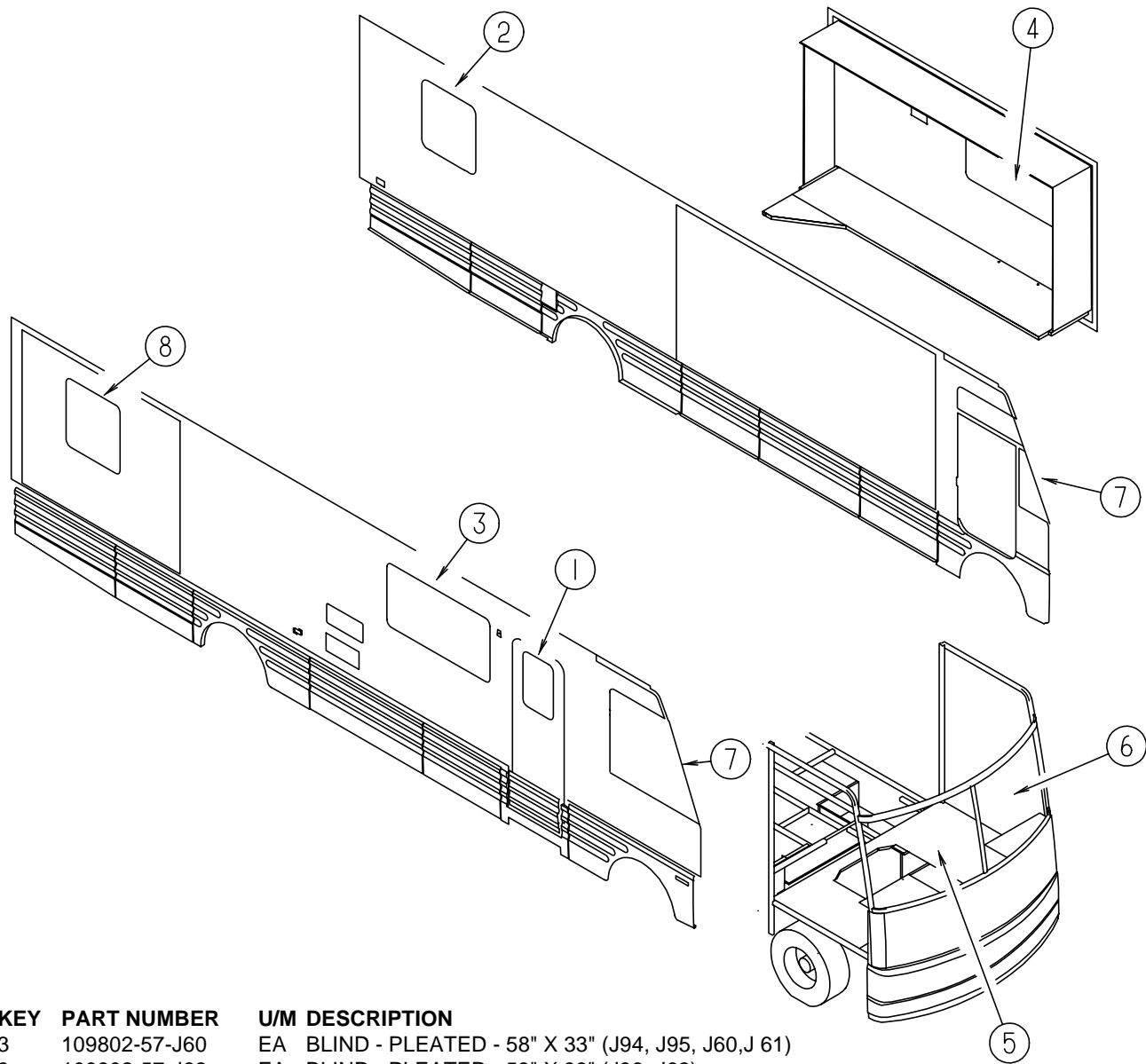


**WINDOW TREATMENT**

KEY	PART NUMBER	U/M DESCRIPTION
1	084755-60-F01	EA SHADE - PULL - 29.25"
1	120820-28-J60	EA VALANCE - 15" X 36" - W/CLOCK & LIGHT COUTOUT (J94, J60)
1	120820-28-J61	EA VALANCE - 15" X 36" - W/CLOCK & LIGHT COUTOUT (J95, J61)
1	120820-28-J62	EA VALANCE - 15" X 36" - W/CLOCK & LIGHT COUTOUT (J96, J62)
2	111910-64-J16	EA BLIND - DAY/NIGHTER - 31"
2	127019-03-J60	EA VALANCE - SARAH - 34" (J94, J60)
2	126609-09-J61	EA VALANCE - MONA - 34" (J95, J61)
2	119299-27-J62	EA VALANCE - WHITNEY - 34" (J96, J62)
2	123910-15-J60	EA LEG - RIGHT - 34" (J94, J60)
2	123910-15-J61	EA LEG - RIGHT - 34" (J95, J61)
2	123910-15-J62	EA LEG - RIGHT - 34" (J96, J62)
2	123910-16-J60	EA LEG - LEFT - 34" (J94, J60)
2	123910-16-J61	EA LEG - LEFT - 34" (J95, J61)
2	123910-16-J62	EA LEG - LEFT - 34" (J96, J62)

# CURTAIN & CUSHION GROUP (CONTINUED)

## WINDOW TREATMENT (CONTINUED)

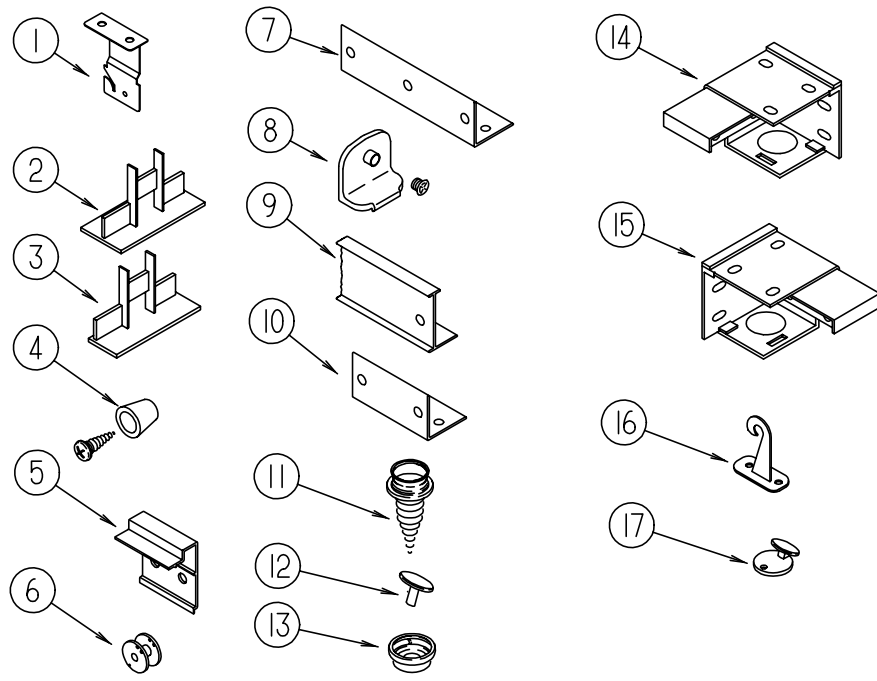


KEY	PART NUMBER	U/M DESCRIPTION
3	109802-57-J60	EA BLIND - PLEATED - 58" X 33" (J94, J95, J60, J61)
3	109802-57-J62	EA BLIND - PLEATED - 58" X 33" (J96, J62)
3	111910-40-J33	EA BLIND - DAY/NIGHTER - 59" X 33" - UPGRADE
3	127014-03-J60	EA LAMBREQUIN - LESLEY - 61" X 31" (J94, J60)
3	127014-02-J61	EA LAMBREQUIN - LESLEY - 61" X 32" (J95, J61)
3	127014-03-J62	EA LAMBREQUIN - LESLEY - 61" X 31" (J96, J62)
4	109802-58-J20	EA BLIND - PLEATED - 61" X 28.5"
4	111910-57-J20	EA BLIND - DAY/NIGHTER - 61" X 28.5"
4	127014-05-J60	EA LAMBREQUIN - LESLEY - 63" X 27" (J94, J60)
4	127014-06-J61	EA LAMBREQUIN - LESLEY - 63" X 27" (J95, J61)
4	127014-05-J62	EA LAMBREQUIN - LESLEY - 63" X 27" (J96, J62)
5	093487-13-01A	EA WRAP AROUND - FRONT - RIGHT HAND/PLEATED - 37.25" X 108" FROM: 00-00-00 THRU: 01-04-98
5	093487-16-01A	EA WRAP AROUND - FRONT - RIGHT HAND/PLEATED - 38.25" X 108" FROM: 01-05-98 THRU: 99-99-99

KEY	PART NUMBER	U/M DESCRIPTION
6	093487-14-01A	EA WRAPAROUND - FRONT - LEFT HAND/PLEATED - 37.25" X 108" FROM: 00-00-00 THRU: 01-04-98
6	093487-17-01A	EA WRAPAROUND - FRONT - LEFT HAND/PLEATED - 38.25" X 108" FROM: 01-05-98 THRU: 99-99-99
7	126841-03-000	EA SHADE - PULL - CHARCOAL MESH - 40.3" X 60"
8	111910-64-J16	EA BLIND - DAY/NIGHTER - 31" X 35"
8	127019-11-J60	EA VALANCE - SARAH - 34" (J94, J60) FROM: 00-00-00 THRU: 04-12-98
8	126609-20-J61	EA VALANCE - MONA - 34" (J95, J61) FROM: 04-13-98 THRU: 99-99-99
8	119299-23-J62	EA VALANCE - WHITNEY - 34" (J96, J62) FROM: 00-00-00 THRU: 04-12-98
8	127019-16-J60	EA VALANCE - SARAH - 34" (J94, J60) FROM: 04-13-98 THRU: 99-99-99
8	126609-24-J61	EA VALANCE - MONA - 34" (J95, J61) FROM: 00-00-00 THRU: 04-12-98
8	119299-30-J62	EA VALANCE - WHITNEY - 34" (J96, J62) FROM: 04-13-98 THRU: 99-99-99
8	123910-31-J60	EA LEG - RIGHT - 27" (J94, J60) FROM: 00-00-00 THRU: 04-12-98
8	127017-21-J60	EA LEG - RIGHT - 27" (J94, J60) FROM: 04-13-98 THRU: 99-99-99
8	123910-31-J61	EA LEG - RIGHT - 27" (J95, J61) FROM: 00-00-00 THRU: 04-12-98
8	127017-21-J61	EA LEG - RIGHT - 27" (J95, J61) FROM: 04-13-98 THRU: 99-99-99
8	123910-31-J62	EA LEG - RIGHT - 27" (J96, J62) FROM: 00-00-00 THRU: 04-12-98
8	127017-21-J62	EA LEG - RIGHT - 27" (J96, J62) FROM: 04-13-98 THRU: 99-99-99
8	123910-32-J30	EA LEG - LEFT - 27" (J94, J60) FROM: 00-00-00 THRU: 04-12-98
8	127017-22-J30	EA LEG - LEFT - 27" (J94, J60) FROM: 04-13-98 THRU: 99-99-99
8	123910-32-J31	EA LEG - LEFT - 27" (J95, J61) FROM: 00-00-00 THRU: 04-12-98
8	127017-22-J31	EA LEG - LEFT - 27" (J95, J61) FROM: 04-13-98 THRU: 99-99-99
8	123910-32-J32	EA LEG - LEFT - 27" (J96, J62) FROM: 00-00-00 THRU: 04-12-98
8	127017-22-J32	EA LEG - LEFT - 27" (J96, J62) FROM: 04-13-98 THRU: 99-99-99



**CURTAIN & CUSHION GROUP (CONTINUED)**



**CURTAIN HARDWARE**

KEY	PART NUMBER	U/M DESCRIPTION
	046867-02-000	EA WASHER - HANDY BUTTON #3
	046867-03-000	EA GROMMET - HANDY BUTTON #3
	048394-02-000	YD VELCRO TAPE - HOOK - ADHESIVE BACK - .75" WIDE - BEIGE
1	084434-01-000	EA BRACKET - MOUNTING - ROLLER SHADE - 1 3/8"
	086276-01-000	EA TAPE - DOUBLE SIDED - 1/2"
	094896-02-000	EA GROMMET - CORD/PLEATED BLIND - NYLON - GRAY
2	094907-02-000	EA END CAP - TOP/PLEATED BLIND - PLASTIC - GRAY
3	094907-04-000	EA HARDWARE - END CAP BOTTOM - PULL TYPE (RH & LH)
	096843-01-000	EA SPRING - REWIND/ROLLER SHADE
4	097564-01-000	EA HANDLE-T - EZ LIFT SHADE
4	097564-03-000	EA HANDLE - KNOB - TAN
		FROM: 00-00-00 THRU: 10-19-97
4	097564-04-000	EA HANDLE - KNOB - NAVY
		FROM: 10-20-97 THRU: 99-99-99
4	097564-05-000	EA HANDLE - KNOB - TEAL
		FROM: 10-20-97 THRU: 99-99-99
5	097565-01-000	EA BRACKET - MOUNTING/PLEATED BLIND
	097591-01-000	EA SPRING - EXTENSION/PLEATED BLIND
6	097592-01-000	EA SPOOL - CORD - ELEVATED BLIND HOLDUP - CLEAR PLASTIC
	097593-06-000	FT CORD - BLIND - PLEATED - PEWTER (J94, J60)
	097593-02-000	FT CORD - BLIND - PLEATED - GRAY (J91, J93, J95, J31, J33, J61)
	097593-07-000	FT CORD - BLIND - PLEATED - PALE JADE (J96, J62)
7	105648-01-02A	EA BRACE - VALANCE - OFF/WHITE - 14"
8	106544-01-001	EA SCREW - SHADE/BRASS
8	106544-01-000	EA PULL - SHADE/BRASS
9	126456-01-01A	EA TRACK - CURTAIN - RIGHT HAND - 24 DEGREE FRONT SUNFLYER
9	126456-02-01A	EA TRACK - CURTAIN - LEFT HAND - 24 DEGREE FRONT SUNFLYER
9	126456-03-01A	EA TRACK - CURTAIN - RIGHT HAND - 10 DEGREE FRONT CHIEFTAIN
9	126456-04-01A	EA TRACK - CURTAIN - LEFT HAND - 10 DEGREE FRONT CHIEFTAIN
10	083125-07-000	EA BRACE - COUCH - 2.5"

**CURTAIN & CUSHION GROUP (CONTINUED)**

**CURTAIN HARDWARE (CONTINUED)**

KEY	PART NUMBER	U/M DESCRIPTION
11	029130-01-000	EA SCREW - SNAP SOCKET - #8 PH X 5/8"
12	029155-01-000	EA CAP - SNAP - 5/32" O.D. OF PIN
13	029156-01-000	EA SOCKET - SNAP - 9/16" O.D.
14	083170-01-000	EA BRACKET - BLIND - LEFT SIDE WHEN FACING WINDOW
15	083170-02-000	EA BRACKET - BLIND - RIGHT SIDE WHEN FACING WINDOW
16	109441-03-000	EA HOLD DOWN - BLIND (CLOUDY)
17	102555-03-000	EA CLEAT - BLIND CORD - MILKY WHITE PLASTIC

**SEATBELTS, ASSIST HANDLES, TIEDOWNS, BUTTONS & TRIMS**

KEY	PART NUMBER	U/M DESCRIPTION
	007021-01-000	EA SEAT BELT - 2" X 90" - BLACK
	057759-01-000	EA WASHER BRACKET - SEAT BELT - 4" DIAMETER
	000D20-07-00B	EA NUT - ACORN - ASSIST HANDLE - 7/16 - 14
	084415-95-000	YD TRIM-BRAID,FR-15338,BR FRING (J95, J61)
	084415-80-000	YD TRIM-BRAID,FR13295 FRINGE (J96, J62)
	084415-91-000	YD TRIM-BRAID,FR-15343 BR FRING (J96, J62)
	084415-70-000	YD TRIM - BRAID - CORD (J95, J61)
	084415-78-000	YD TRIM-BRAID, 68208-1809, CORD (J95, J61)
	084415-83-000	YD TRIM-BRAID, .5" CORD W/LIP (J96, J62)
	057534-01-000	EA TIEBACK/TIEDOWN - 6" CLEAR PLASTIC
	127038-01-01A	EA TIEDOWN STRAP - W/VELCRO ENDS
	000C16-07-16B	EA BOLT - CARRIAGE - ASSIST HANDLE - 7/16" - 14 X 1"
	000D20-07-00B	EA NUT - ACORN - ASSIST HANDLE - 7/16 - 14
	053552-02-AA8	EA HANDLE - ASSIST - INTERIOR/ENTRY DOOR - VINYL/OFF WHITE
	057534-01-000	EA TIEBACK/TIEDOWN - 6" CLEAR PLASTIC
	069178-02-000	EA BRACKET - MOUNTING/ASSIST HANDLE
	069178-03-000	EA BRACKET - MOUNTING/ASSIST HANDLE
	099717-01-000	EA STRAP - TV TIE DOWN W/24" FEMALE STRAP & 14.2" MALE STRIP
	099717-02-000	EA STRAP - TV TIE DOWN W/29.9" FEMALE STRAP & 14.2" MALE STRIP
	099717-09-000	EA STRAP - TV TIE DOWN W/3.9" FEMALE STRIP & 5.1" MALE STRIP
	108808-03-01A	EA HANDRAIL - ENTRANCE STEP
	P02786-03-J94	EA HANDRAIL ONLY - W/O BRACKETS - WATERFORD OAK
	P02786-03-J70	EA HANDRAIL ONLY - W/O BRACKETS - WASHED MAPLE
	P02786-03-J62	EA HANDRAIL ONLY - W/O BRACKETS - WHITE GRANITE
	099682-01-01A	EA BRACKET - MOUNTING/HAND RAIL - ROUND BASE
	127156-02-01A	EA RETAINER-STRAP,CHAIR
	127832-01-01A	EA BELT ASM-RETAINER,CHAIRS

**CURTAIN & CUSHION GROUP (CONTINUED)**

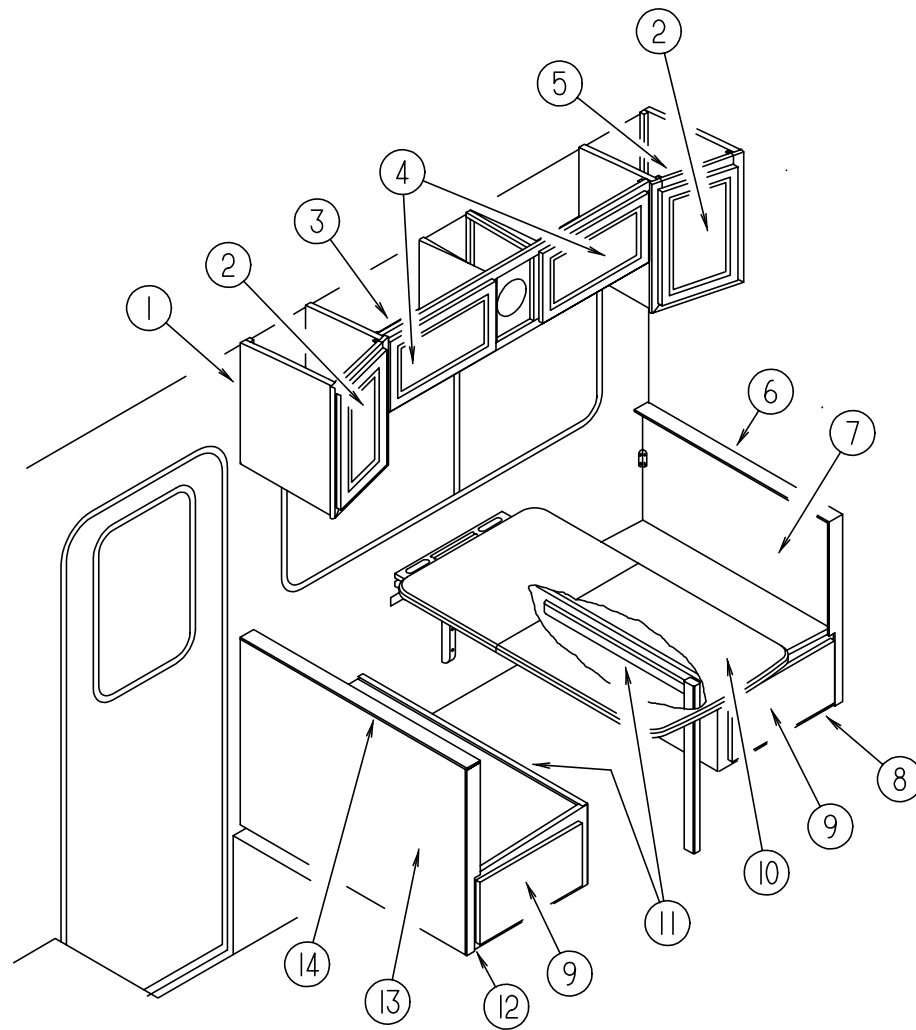
**FABRICS**

<b>Sunflyer Colors</b>	<b>J94 - J60</b>	<b>J95 - J61</b>	<b>J96 - J62</b>
<b>Bucket Seats</b>	108446-55-000	108446-G0-000	108446-R2-000
<b>Lounge Overhead</b>	108446-S1-000	108446-T3-000	108446-R2-000
<b>Slide-Out Overhead</b>	108446-S4-000	108446-T2-000	108446-P0-000
<b>Bedroom Overhead</b>	105745-F5-000	105745-E7-000	105745-E7-000
<b>Map Pockets</b>	108446-S1-000	108446-T3-000	108446-R2-000
<b>Dinette</b>	108446-S4-000	108446-T2-000	108446-P0-000
<b>Dinette Pads</b>	108446-S1-000	108446-T3-000	108446-R2-000
<b>Dinette Chairs</b>	108446-S1-000	108446-T2-000	108446-P0-000
<b>Sofa</b>	108446-S4-000	108446-T2-000	108446-P0-000
<b>Lounge Pillows (2)</b>	108446-S1-000 084415-96-000	108446-G0-000 084415-70-000	108446-R2-000 084415-83-000
<b>TT</b>	108446-S1-000	108446-T3-000	108446-R2-000
<b>Lounge Blinds</b>	094911-30-000	094911-30-000	094911-30-000
<b>Lounge Windows</b>	108446-S4-000 108446-S1-000	108446-T2-000 108446-G0-000	108446-P0-000 108446-R2-000
<b>Bedroom Valance</b>	105745-G3-000 105745-F5-000	105745-H0-000 084415-70-000	105745-F0-000 105745-E7-000
<b>Day/Nighter Opt.</b>	094911-30-000 094911-50-000	094911-30-000 094911-50-000	094911-30-000 094911-50-000
<b>Bedsread</b>	105745-G3-000 084415-96-000	105745-H0-000 084415-70-000	105745-F0-000 084415-83-000
<b>Headboard</b>	105745-G3-000 105745-F5-000	105745-H0-000 105745-E7-000	105745-F5-000 105745-E7-000
<b>Bedroom Pillow</b>	105745-F5-000 084415-96-000	105745-E7-000 084415-70-000	105745-E7-000 084415-83-000
<b>Gathered Legs</b>	105745-G3-000	105745-H0-000	105745-F0-000
<b>Floor Mats</b>	096060-95-000 102695-14-000	096060-98-000 102695-20-000	096060-C8-000 102695-14-000

**NOTE: FABRIC LISTED FIRST IN A BLOCK IS THE LARGEST QUANTITY OF FABRIC USED.**

## DINETTE GROUP

### DINETTE CABINETS & PADS

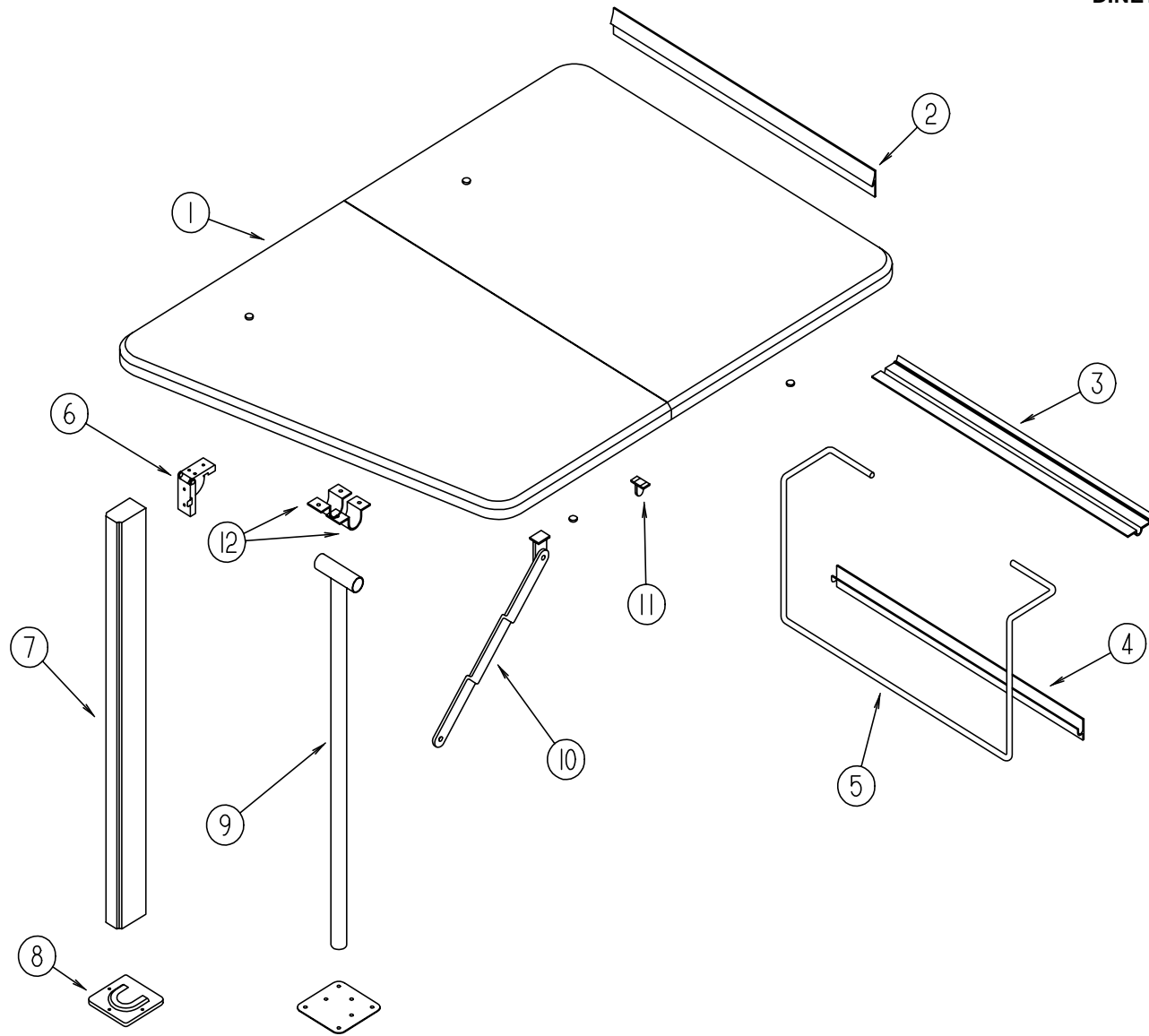


KEY	PART NUMBER	U/M	DESCRIPTION
1	126820-01-J94	EA	CABINET - OVERHEAD/DINETTE/RIGHT HAND - W/O DOORS/HDW WATERFORD OAK
1	126820-01-J60	EA	CABINET - OVERHEAD/DINETTE/RIGHT HAND - W/O DOORS/HDW WASHED MAPLE
1	126820-01-J62	EA	CABINET - OVERHEAD/DINETTE/RIGHT HAND - W/O DOORS/HDW WHITE GRANITE
	126820-12-J94	EA	SHELF - W/PLASTIC EDGE MOLDING - WATERFORD OAK
	126820-12-J60	EA	SHELF - W/PLASTIC EDGE MOLDING - WASHED MAPLE
	126820-12-J62	EA	SHELF - W/PLASTIC EDGE MOLDING - WHITE GRANITE
2	M05992-38-J94	EA	DOOR - STRAIGHT CORNER/OGEE EDGE - 12" X 18.7" - W/O HDW WATERFORD OAK
2	M05992-38-J60	EA	DOOR - STRAIGHT CORNER/OGEE EDGE - 12" X 18.7" - W/O HDW WASHED MAPLE
2	122715-32-01A	EA	DOOR - MOLDED VINYL - 12" X 18.7" - W/O HDW - WHT GRANITE
3	126481-01-J94	EA	CABINET - OVERHEAD/DINETTE - W/O DOORS/HARDWARE
3	126481-01-J95	EA	CABINET - OVERHEAD/DINETTE - W/O DOORS/HARDWARE
3	126481-01-J96	EA	CABINET - OVERHEAD/DINETTE - W/O DOORS/HARDWARE
3	126481-01-J60	EA	CABINET - OVERHEAD/DINETTE - W/O DOORS/HARDWARE
3	126481-01-J61	EA	CABINET - OVERHEAD/DINETTE - W/O DOORS/HARDWARE
3	126481-01-J62	EA	CABINET - OVERHEAD/DINETTE - W/O DOORS/HARDWARE

KEY	PART NUMBER	U/M	DESCRIPTION
4	M05992-G1-J94	EA	DOOR - STRAIGHT CORNER/OGEE EDGE - 11.2" X 19.7" - W/O HDW WATERFORD OAK
4	M05992-G1-J60	EA	DOOR - STRAIGHT CORNER/OGEE EDGE - 11.2" X 19.7" - W/O HDW WASHED MAPLE
4	122715-09-01A	EA	DOOR - MOLDED VINYL - 11.2" X 19.6" - W/O HDW-WHT GRANITE
5	126820-02-J94	EA	CABINET - OVERHEAD/DINETTE/LEFT HAND - W/O DOORS/HARDWARE WATERFORD OAK
5	126820-02-J60	EA	CABINET - OVERHEAD/DINETTE/LEFT HAND - W/O DOORS/HARDWARE WASHED MAPLE
5	126820-02-J62	EA	CABINET - OVERHEAD/DINETTE/LEFT HAND - W/O DOORS/HARDWARE WHITE GRANITE
	126820-17-J94	EA	SHELF - W/PLASTIC EDGE MOLDING - WATERFORD OAK
	126820-17-J60	EA	SHELF - W/PLASTIC EDGE MOLDING - WASHED MAPLE
	126820-17-J62	EA	SHELF - W/PLASTIC EDGE MOLDING - WHITE GRANITE
6	104787-13-J60	EA	PAD - DINETTE (J94, J60)
6	104787-13-J61	EA	PAD - DINETTE (J95, J61)
6	104787-13-J96	EA	PAD - DINETTE (J96)
7	M07514-11-J94	EA	CABINET - SEATBACK - RIGHT HAND - W/O HARDWARE - WATERFORD OAK
7	M07514-11-J60	EA	CABINET - SEATBACK - RIGHT HAND - W/O HARDWARE - WASHED MAPLE
7	M08602-03-J62	EA	CABINET - SEATBACK/RIGHT HAND - W/O HARDWARE - WHITE GRANITE
8	M07515-11-J94	EA	CABINET - SEATBOTTOM - RIGHT HAND - W/O DOORS/DRAWERS/HDW WATERFORD OAK
8	M07515-11-J60	EA	CABINET - SEATBOTTOM - RIGHT HAND - W/O DOORS/DRAWERS/HDW WASHED MAPLE
8	M08601-03-J62	EA	CABINET - SEAT BOTTOM/RIGHT HAND - W/O DOORS/DRAWERS/HDW WHITE GRANITE
9	P27054-01-J94	EA	DRAWER - OGEE EDGE - W/O SLIDES/HARDWARE - WATERFORD OAK
9	P27054-01-J60	EA	DRAWER - OGEE EDGE - W/O SLIDES/HARDWARE - WASHED MAPLE
9	P27054-02-J62	EA	DRAWER - OGEE EDGE - W/O SLIDES/HARDWARE - WHITE GRANITE
	127051-01-J94	EA	CATCH - WOOD - DRAWERS - WATERFORD OAK
	127051-01-J60	EA	CATCH - WOOD - DRAWERS - WASHED MAPLE
	127051-01-J62	EA	CATCH - WOOD - DRAWERS - WHITE GRANITE
10	127121-11-J94	EA	COUNTERTOP - DINETTE TABLE (J94)
10	127121-11-J91	EA	COUNTERTOP - DINETTE TABLE (J95)
10	127121-11-J92	EA	COUNTERTOP - DINETTE TABLE (J96)
10	127121-11-J60	EA	COUNTERTOP - DINETTE TABLE (J60)
10	127121-11-J61	EA	COUNTERTOP - DINETTE TABLE (J61)
10	127121-11-J62	EA	COUNTERTOP - DINETTE TABLE (J62)
11	081295-01-G01	EA	SUPPORT - BED/DINETTE - 28" LONG - WATERFORD OAK
11	081295-01-H37	EA	SUPPORT - BED/DINETTE - 28" LONG - WASHED MAPLE
11	M81295-01-J62	EA	SUPPORT - BED/DINETTE - 28" LONG - WHITE GRANITE
12	M07515-12-J94	EA	CABINET - SEATBOTTOM - LEFT HAND - W/O DOORS/DRAWERS/HDW WATERFORD OAK
12	M07515-12-J60	EA	CABINET - SEATBOTTOM - LEFT HAND - W/O DOORS/DRAWERS/HDW WASHED MAPLE
12	M08601-04-J62	EA	CABINET - SEAT BOTTOM/LEFT HAND - W/O DOORS/DRAWERS/HDW WHITE GRANITE
13	M07514-12-J94	EA	CABINET - SEATBACK - LEFT HAND - W/O HARDWARE - WATERFORD OAK
13	M07514-12-J60	EA	CABINET - SEATBACK - LEFT HAND - W/O HARDWARE - WASHED MAPLE
13	M08602-04-J62	EA	CABINET - SEATBACK/LEFT HAND - W/O HARDWARE - WHITE GRANITE
	P02786-03-J94	EA	HANDRAIL ONLY - W/O BRACKETS - WATERFORD OAK
	P02786-03-J70	EA	HANDRAIL ONLY - W/O BRACKETS - WASHED MAPLE
	P02786-03-J62	EA	HANDRAIL ONLY - W/O BRACKETS - WHITE GRANITE
	099682-01-01A	EA	BRACKET - MOUNTING/HAND RAIL - ROUND BASE
14	104787-14-J60	EA	PAD - DINETTE (J94, J60)
14	104787-14-J61	EA	PAD - DINETTE (J95, J61)
14	104787-14-J96	EA	PAD - DINETTE (J96)

# DINETTE GROUP (CONTINUED)

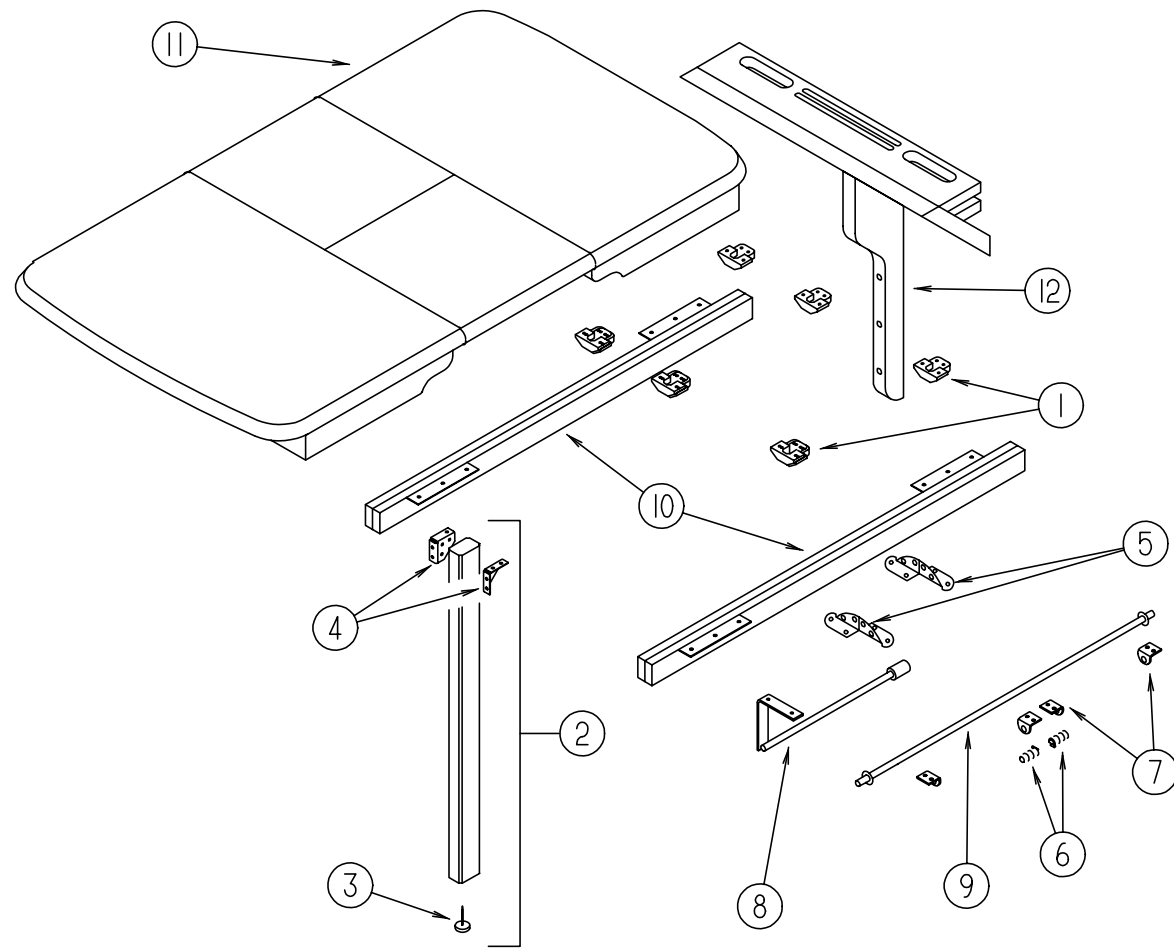
## DINETTE TABLE



KEY	PART NUMBER	U/M DESCRIPTION
1	127121-11-J94	EA COUNTERTOP - DINETTE TABLE (J94)
1	127121-11-J91	EA COUNTERTOP - DINETTE TABLE (J95)
1	127121-11-J92	EA COUNTERTOP - DINETTE TABLE (J96)
1	127121-11-J60	EA COUNTERTOP - DINETTE TABLE (J60)
1	127121-11-J61	EA COUNTERTOP - DINETTE TABLE (J61)
1	127121-11-J62	EA COUNTERTOP - DINETTE TABLE (J62)
2	053200-12-000	EA BRACKET - TABLE SUPPORT - UPPER WALL MOUNTED - 23.50"
3	088410-02-000	EA BRACKET - LIFT - TABLE MOUNTED
4	024281-14-000	EA BRACKET - LIFT ROD/LOWER WALL MOUNTED - 22.12"
5	024275-12-000	EA ROD - TABLE LIFT
6	093550-01-000	EA BRACKET - HINGE - MOUNTS TO LEG & TABLE TOP - 1.7" X 2.6"
		FROM: 09-21-97 THRU: 99-99-99
	092593-01-05A	EA CATCH-TABLE LEG,OW
		FROM: 09-21-97 THRU: 99-99-99
7	092707-04-05A	EA MOLDING - TABLE LEG - 27" - WATERFORD OAK
		FROM: 09-21-97 THRU: 99-99-99
7	092707-04-08A	EA MOLDING - TABLE LEG - 27" - WASHED MAPLE
		FROM: 09-21-97 THRU: 99-99-99
7	092707-04-07A	EA MOLDING - TABLE LEG - 27" - WHITE GRANITE
		FROM: 09-21-97 THRU: 99-99-99
8	049493-12-000	EA CATCH - TABLE LEG/FLOOR MOUNTED - OFF WHITE
		FROM: 00-00-00 THRU: 09-20-97
8	049493-11-700	EA CATCH-TABLE LEG, E-COAT
		FROM: 00-00-00 THRU: 09-20-97
9	024276-23-000	EA LEG - TABLE - METAL - OFF WHITE
		FROM: 00-00-00 THRU: 09-20-97
10	024282-01-000	EA BRACE - TABLE LEG - HINGED
		FROM: 00-00-00 THRU: 09-20-97
11	024283-01-000	EA CLIP - LEG - 1" - 1.125" OD - BLACK
		FROM: 00-00-00 THRU: 09-20-97
12	064050-05-000	EA HINGE - TABLE LEG - OFF WHITE
		FROM: 00-00-00 THRU: 09-20-97

# DINETTE GROUP (CONTINUED)

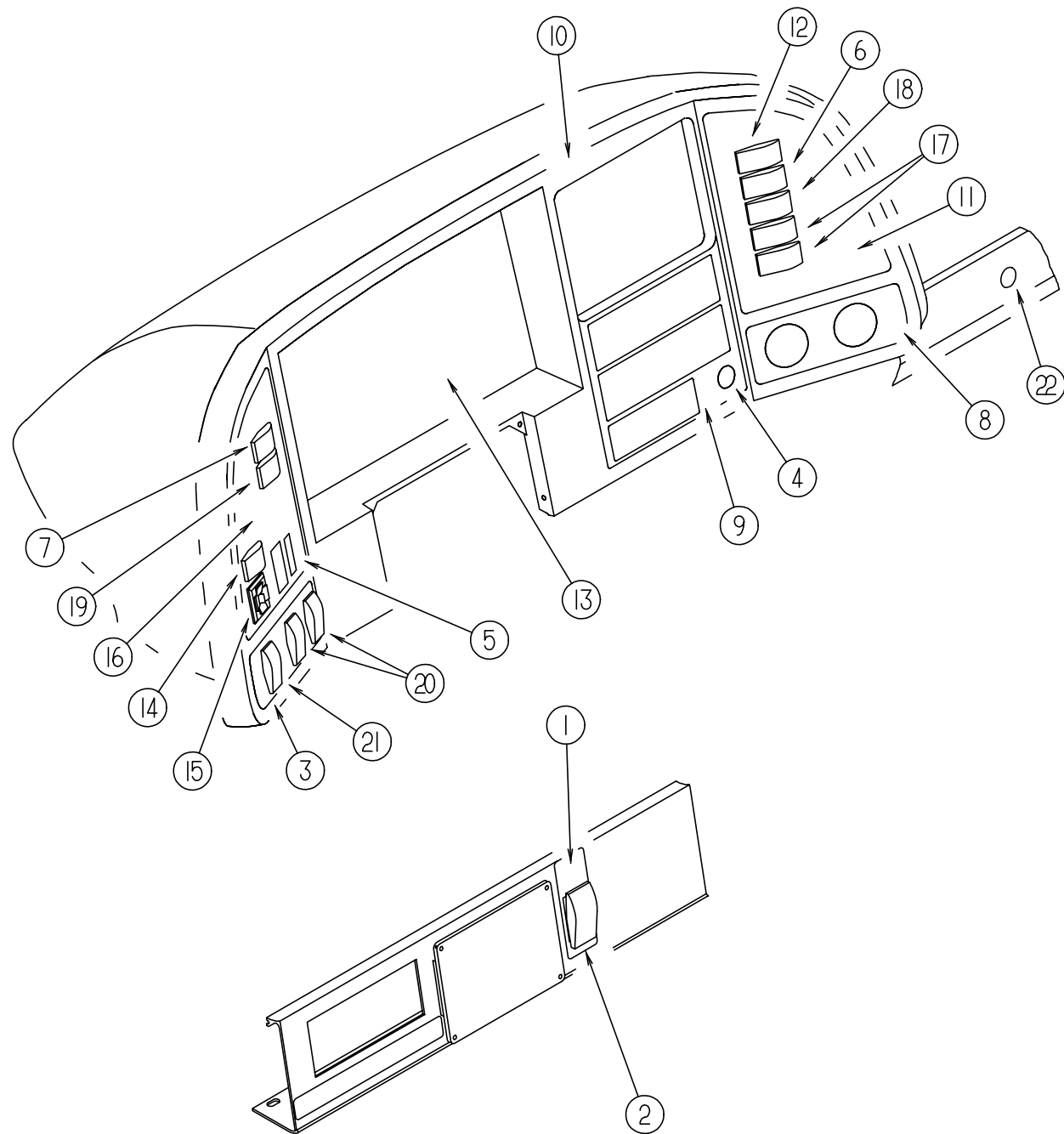
## PULL OUT TABLE



KEY	PART NUMBER	U/M	DESCRIPTION
	P18322-02-J94	EA	TABLE - PULLOUT/SELF STORING - W/O HARDWARE - WATERFORD OAK
	P18322-02-J95	EA	TABLE - PULLOUT/SELF STORING - W/O HARDWARE - WATERFORD OAK
	P18322-02-J96	EA	TABLE - PULLOUT/SELF STORING - W/O HARDWARE - WATERFORD OAK
	P18322-02-J60	EA	TABLE - PULLOUT/SELF STORING - W/O HARDWARE - WASHED MAPLE
	P18322-02-J61	EA	TABLE - PULLOUT/SELF STORING - W/O HARDWARE - WASHED MAPLE
	P18322-02-J62	EA	TABLE - PULLOUT/SELF STORING - W/O HARDWARE - WHITE GRANITE
1	009050-02-000	EA	LEVELER - TABLE TOP - MALE END W/4 SCREWS - PLASTIC
1	009050-03-000	EA	LEVELER - TABLE TOP - FEMALE END W/2 SCREWS - PLASTIC
2	092708-12-G35	EA	LEG - TABLE - WATERFORD OAK
2	092708-12-J70	EA	LEG - TABLE - WASHED MAPLE
2	092708-12-J23	EA	LEG - TABLE - WHITE GRANITE
3	092593-01-05A	EA	CATCH-TABLE LEG,O/W
	092707-07-05A	EA	MOLDING - TABLE LEG - 27.8" - WATERFORD OAK
	092707-07-08A	EA	MOLDING - TABLE LEG - 27.8" - WASHED MAPLE
	092707-07-07A	EA	MOLDING - TABLE LEG - 27.8" - WHITE GRANITE
4	102810-01-04A	EA	BRACE - LEG - TABLE
4	102810-01-03A	EA	BRACE - LEG - TABLE
5	108663-01-000	EA	HINGE - LEAF - FOLDING
6	108664-01-000	EA	SPRING - COMPRESSION - .51" X 1.96"
7	108874-01-000	EA	BRACKET - HINGE - TABLE LEAF
8	108905-01-000	EA	SUPPORT - TABLE LEAF
9	108932-01-000	EA	ROD - PIVOT
10	110749-01-000	EA	SLIDE - TABLE - 19 3/4" LONG
11	118322-20-J94	EA	TABLE TOP ONLY - PULLOUT - WATERFORD OAK
11	118322-20-J95	EA	TABLE TOP ONLY - PULLOUT - WATERFORD OAK
11	118322-20-J96	EA	TABLE TOP ONLY - PULLOUT - WATERFORD OAK
11	118322-20-J60	EA	TABLE TOP ONLY - PULLOUT - WASHED MAPLE
11	118322-20-J61	EA	TABLE TOP ONLY - PULLOUT - WASHED MAPLE
11	118322-20-J62	EA	TABLE TOP ONLY - PULLOUT - WHITE GRANITE
12	118322-16-J94	EA	MOUNT-WALL - WATERFORD OAK
12	118322-16-J60	EA	MOUNT-WALL - WASHED MAPLE
12	118322-16-J62	EA	MOUNT-WALL - WHITE GRANITE
	108808-03-01A	EA	HANDRAIL - ENTRANCE STEP

# DRIVERS COMPARTMENT GROUP

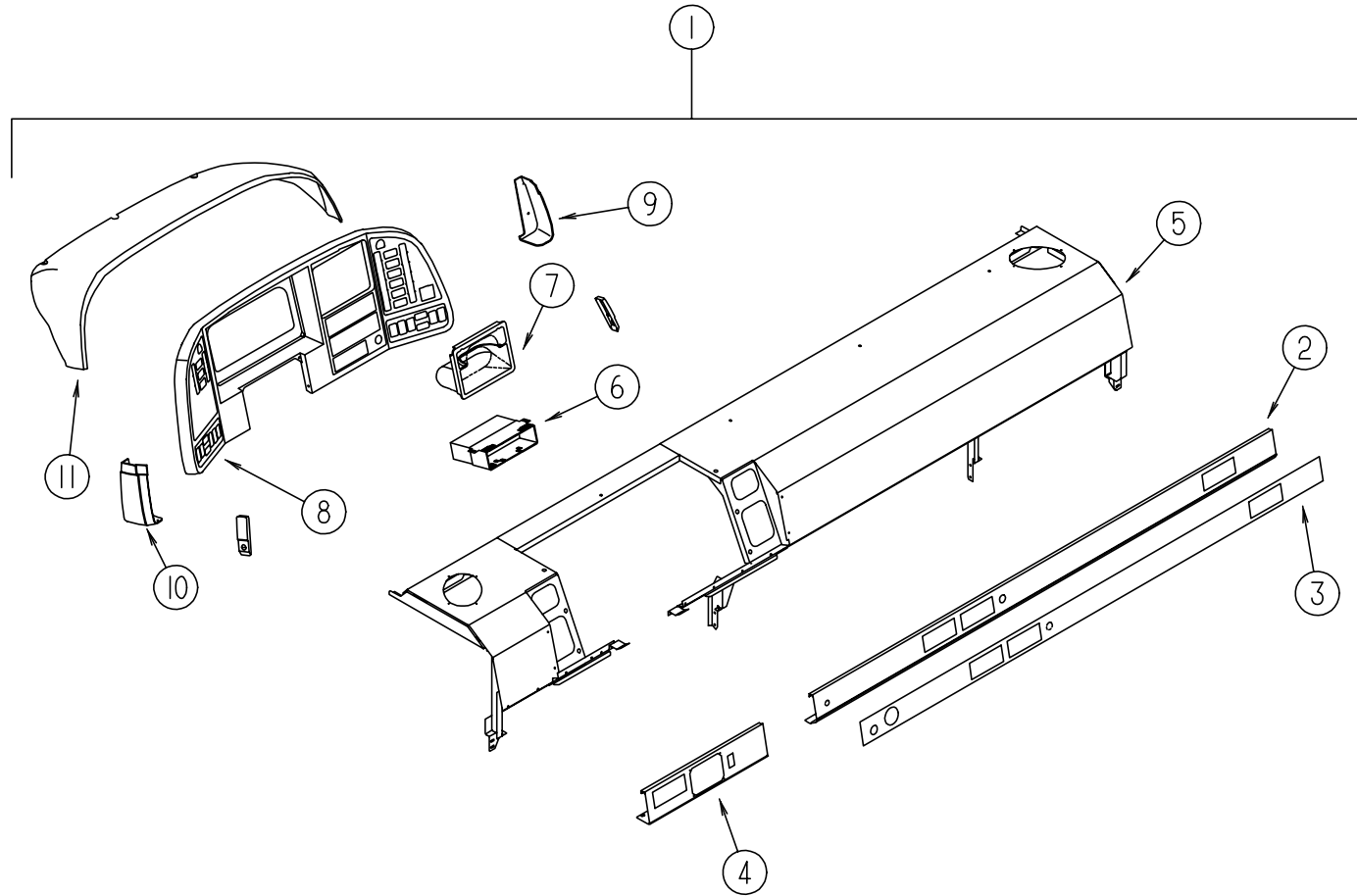
## DASH WIRING



KEY	PART NUMBER	U/M DESCRIPTION
1	116220-01-000	EA APPLIQUE - SWITCH/SLIDEOUT
2	108357-07-000	EA SWITCH - ROCKER SPDT - MOM/OFF/MOM - 3 TERMINAL
2	108356-02-01A	EA COVER/ACTUATOR SWITCH - 2 ROWS DIMPLES- CONTURA II - BLACK
3	110420-04-01A	EA APPLIQUE - BEZEL - LOWER/LEFT - WITHOUT PARK AND LEVEL - GM/FORD
3	110420-05-01A	EA APPLIQUE - BEZEL - LOWER/LEFT - PARK & LEVEL - GM/FORD
3	100420-24-01A	EA APPLIQUE - BEZEL - LOWER/LEFT - FREIGHTLINER
4	089294-01-000	EA LIGHTER - CIGARETTE - W/O WIRES
5	096674-01-000	EA NUT - HEADLAMP KNOB - BLACK - 98 FORD ONLY
5	096675-01-000	EA KNOB - HEADLAMP - W/SHAFT - 98 FORD ONLY
6	108357-06-000	EA SWITCH - ROCKER DPDT - MOM/OFF/MOM - 6 TERMINAL
6	108356-01-01A	EA COVER/ACTUATOR SWITCH - 3 GROOVES - CONTURA III - BLACK
7	108357-09-000	EA SWITCH - ROCKER SPDT - ON/NONE/MOM - 3 TERMINAL
7	108356-01-01A	EA COVER/ACTUATOR SWITCH - 3 GROOVES - CONTURA III - BLACK
8	110420-06-01A	EA APPLIQUE - BEZEL - LOWER/RIGHT
8	110420-30-01A	EA APPLIQUE - BEZEL - LOWER/RIGHT
		FROM: 00-00-00 THRU: 05-29-98
		FROM: 05-30-98 THRU: 99-99-99
9	110420-07-01A	EA APPLIQUE - BEZEL - CENTER
10	110420-08-01A	EA APPLIQUE - BEZEL - UPPER CENTER
11	110420-23-01A	EA APPLIQUE - BEZEL - RIGHT HAND
11	110420-26-01A	EA APPLIQUE - BEZEL - RIGHT POWER MIRROR - BLACK
12	108357-08-000	EA SWITCH - ROCKER DPDT - ON/NONE/ON - 6 TERMINAL
12	108356-01-01A	EA COVER/ACTUATOR SWITCH - 3 GROOVES - CONTURA III - BLACK
13	094794-04-000	EA CLUSTER - INSTRUMENT PANEL - KILOMETERS - FORD
		FROM: 00-00-00 THRU: 10-15-97
13	094794-06-000	EA CLUSTER - INSTRUMENT PANEL - KILLOMETERS - FORD
		FROM: 10-16-97 THRU: 99-99-99
	100138-01-000	EA MODULE - DAYTIME/RUNNING LIGHT
13	125001-02-000	EA CLUSTER-INSTRUMENT-KILO REGISTERED/MPH READING-GAS CSA - GM
		FROM: 00-00-00 THRU: 10-15-97
13	127244-02-000	EA CLUSTER - INSTRUMENT PANEL - K/M - GAS - CANADIAN - GM
		FROM: 10-16-97 THRU: 99-99-99
13	127244-06-000	EA CLUSTER - INSTRUMENT PANEL - K/M - GAS - CANADIAN - HDGM
13	127244-08-000	EA CLUSTER - INSTRUMENT PANEL-KILOMETERS/MILES-GAS-CANADIAN - HDGM
14	108357-14-000	EA SWITCH - ROCKER SPDT W/LIGHT - ON/NONE/OFF - 4 TERMINAL
14	108356-03-01A	EA COVER/ACTUATOR SWITCH -3 GROOVES W/LIGHT-CONTURA III-BLACK
15	088246-01-000	EA SWITCH - REMOTE - EXTERIOR - SQUARE PUSH
16	110420-19-01A	EA APPLIQUE - BEZEL - LEFT HAND - GM
16	110420-17-01A	EA APPLIQUE - BEZEL - LEFT HAND - 98 FORD
16	110420-18-01A	EA APPLIQUE - BEZEL - LEFT HAND - POWER MIRROR - FORD
16	110420-20-01A	EA APPLIQUE - BEZEL - LEFT HAND - POWER MIRROR - GM
16	110420-21-01A	EA APPLIQUE - BEZEL - LEFT HAND - FREIGHTLINER
16	110420-22-01A	EA APPLIQUE - BEZEL - LEFT HAND - POWER MIRROR - FREIGHTLINER
16	110420-25-01A	EA APPLIQUE - BEZEL - LEFT - BLACK - 99 FORD
17	108357-03-000	EA SWITCH - ROCKER SPDT - ON/OFF/ON - 3 TERMINAL
17	108356-01-01A	EA COVER/ACTUATOR SWITCH - 3 GROOVES - CONTURA III - BLACK
17	096241-08-000	EA SWITCH-BLANK
18	108357-10-000	EA SWITCH - ROCKER SPDT W/LIGHT - MOM/NONE/MOM - 5 TERMINAL
18	108356-03-01A	EA COVER/ACTUATOR SWITCH -3 GROOVES W/LIGHT-CONTURA III-BLACK
19	108357-01-000	EA SWITCH - ROCKER SPST - ON/OFF - 2 TERMINAL
19	108356-01-01A	EA COVER/ACTUATOR SWITCH - 3 GROOVES - CONTURA III - BLACK
20	108357-07-000	EA SWITCH - ROCKER SPDT - MOM/OFF/MOM - 3 TERMINAL - FORD/GM
20	108356-01-02A	EA COVER/ACTUATOR SWITCH - 3 GROOVES - CONTURA III - BLACK - FORD/GM
21	108357-05-000	EA SWITCH - ROCKER SPDT - ON/NONE/ON - 3 TERMINAL - FORD/GM
21	108356-01-01A	EA COVER/ACTUATOR SWITCH - 3 GROOVES - CONTURA III - BLACK - FORD/GM
21	108357-01-000	EA SWITCH - ROCKER SPST - ON/OFF - 2 TERMINAL - FREIGHTLINER
21	108356-01-01A	EA COVER/ACTUATOR SWITCH - 3 GROOVES - CONTURA III - BLACK - FREIGHTLINER
22	111414-01-000	EA RECEPTACLE - 12V - W/O BIMETAL
	077031-03-000	EA FILM - WHITE - .75" X 1"
	103603-01-000	EA BULB - 12V - #74 - .12A WEDGE - GE 22-25 - USED IN DASH

# DRIVERS COMPARTMENT GROUP (CONTINUED)

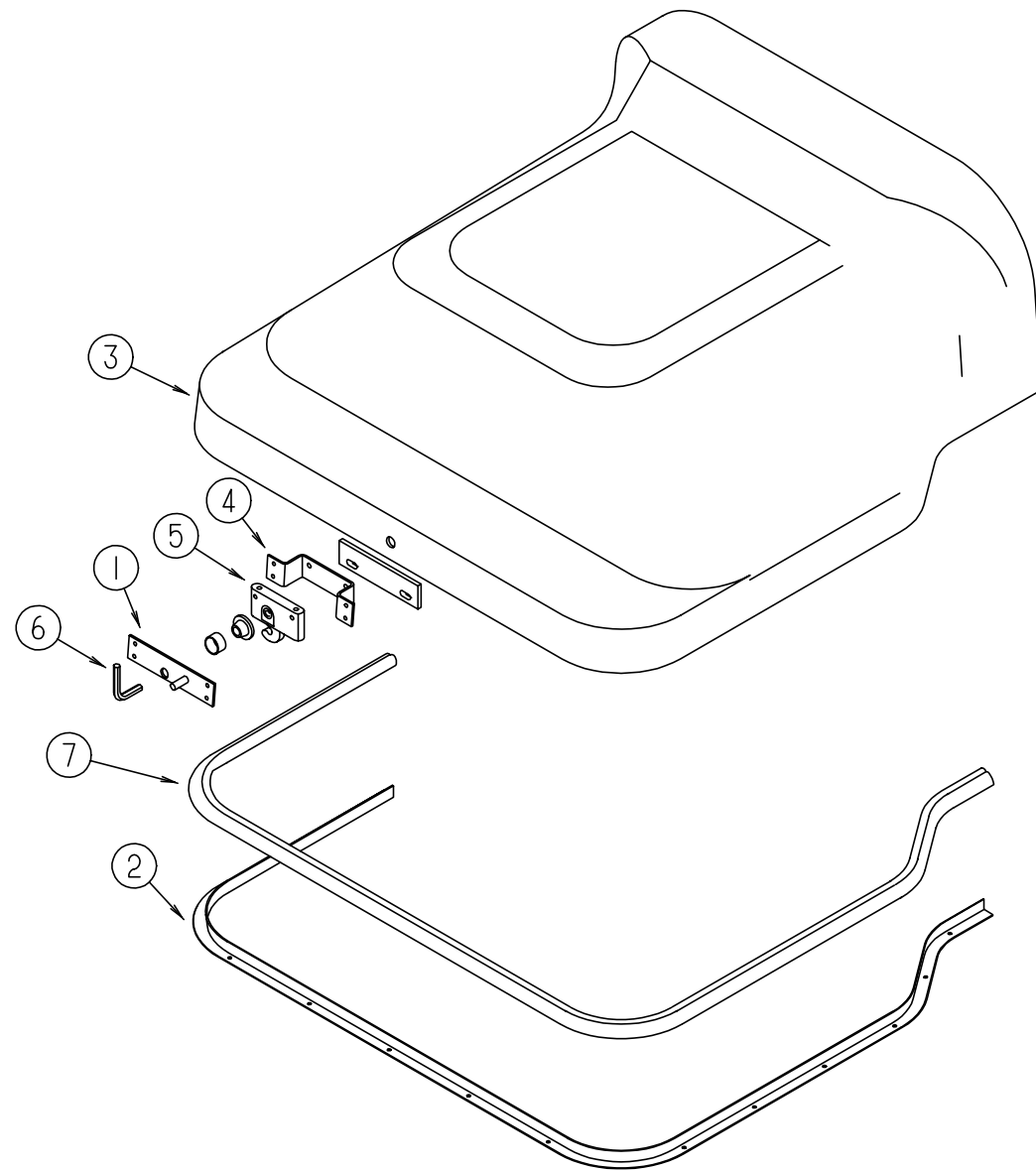
## DASH



KEY	PART NUMBER	U/M	DESCRIPTION
1	126154-02-J60	EA	DASH - W/VINYL - 97 FORD
1	126154-21-J60	EA	DASH - W/VINYL - 99 FORD
1	126154-01-J60	EA	DASH - W/VINYL - 97 GM
1	126154-17-J60	EA	DASH - W/VINYL - 98 GM
1	126154-06-J60	EA	DASH - W/VINYL - F/LEVELING JACKS - 97 FORD
1	126154-22-J60	EA	DASH - W/VINYL - F/LEVELING JACKS - 99 FORD
1	126154-05-J60	EA	DASH - W/VINYL - F/LEVELING JACKS - 97 GM
1	126154-18-J60	EA	DASH - W/VINYL - F/LEVELING JACKS - 98 GM
1	126154-14-J60	EA	DASH - W/VINYL - F/LEVELING JACKS/SLIDEOUT - 97 FORD
1	126154-24-J60	EA	DASH - W/VINYL - F/LEVELING JACKS/SLIDEOUT - 99 FORD
1	126154-13-J60	EA	DASH - W/VINYL - F/LEVELING JACKS/SLIDEOUT - 97 GM
1	126154-20-J60	EA	DASH - W/VINYL - F/LEVELING JACKS/SLIDEOUT - 98 GM
1	126154-16-J60	EA	DASH - W/VINYL - F/LEVELING JACKS/SLIDEOUT - HDGM
1	126154-15-J60	EA	DASH - W/VINYL - F/LEVELING JACKS/SLIDEOUT - FREIGHTLINER
	106569-11-02A	EA	VINYL - LAMINATE - TITANIUM - 1/4" X 21" X 100"
2	126044-02-02A	EA	TRIM - DASH - LOWER/PASSENGER - TITANIUM - FORD
2	126044-01-02A	EA	TRIM - DASH - LOWER/PASSENGER - TITANIUM - GM
2	126044-04-02A	EA	TRIM - DASH - LOWER/PASSENGER - TITANIUM - HDGM
3	126044-03-02A	EA	TRIM - DASH - LOWER/PASSENGER - TITANIUM - FREIGHTLINER
4	126045-11-02A	EA	TRIM - DASH - LOWER/DRIVER - TITANIUM - FORD (SLIDEOUT)
4	126045-10-02A	EA	TRIM - DASH - LOWER/DRIVER - TITANIUM - GM/FREIGHTLINER (SLIDEOUT)
4	126045-02-02A	EA	TRIM - DASH - LOWER/DRIVER - TITANIUM - FORD (W/O HWH LEVELING)
4	126045-05-02A	EA	TRIM - DASH - LOWER/DRIVER - TITANIUM - FORD (W/HWH LEVELING)
4	126045-01-02A	EA	TRIM - DASH - LOWER/DRIVER - TITANIUM - GM (W/O HWH LEVELING)
4	126045-04-02A	EA	TRIM - DASH - LOWER/DRIVER - TITANIUM - GM (W/HWH LEVELING)
4	126045-12-02A	EA	TRIM - DASH - LOWER/DRIVER - TITANIUM - HDGM (W/HWH LEVELING)

KEY	PART NUMBER	U/M	DESCRIPTION
5	126053-01-02B	EA	DASH - E/COATED - 97 GM/FORD
5	126053-04-02B	EA	DASH - E/COATED - 98 GM/99 FORD
5	126053-03-02B	EA	DASH - E/COATED - HDGM
5	126053-02-02B	EA	DASH - E/COATED - FREIGHTLINER
6	096776-02-000	EA	BOX - CASSETTE - 4 TAPE HOLDER
7	111350-01-01A	EA	POCKET - INSTRUMENT PANEL - UPPER - BLACK
8	108954-01-01A	EA	BEZEL - INSTRUMENT PANEL - GM - '97
8	108954-06-01A	EA	BEZEL - INSTRUMENT PANEL - GM - '98
8	108954-04-01A	EA	BEZEL - INSTRUMENT PANEL - HDGM
8	108954-02-01A	EA	BEZEL - INSTRUMENT PANEL - FORD - 97 FORD
8	108954-07-01A	EA	BEZEL - INSTRUMENT PANEL - FORD - 99 FORD
8	108954-05-01A	EA	BEZEL - INSTRUMENT PANEL - FREIGHTLINER
9	125467-03-J60	EA	POD - INSTRUMENT PANEL - LOWER/PASSENGER - GM/98 FORD/FREIGHTLINER
9	126483-03-J60	EA	POD - INSTRUMENT PANEL - LOWER/PASSENGER - HDGM
9	126483-01-02A	EA	POD - INSTRUMENT PANEL - LOWER/PASSENGER
9	129924-02-J60	EA	POD - INSTRUMENT PANEL/LOWER - TITANIUM - 99 FORD
10	125467-04-J60	EA	POD - INSTRUMENT PANEL - LOWER/DRIVER - 97 GM/97 FORD/FREIGHTLINER
10	125467-06-J60	EA	POD - INSTRUMENT PANEL - LOWER/DRIVER - 98 GM/98 FORD
10	126483-04-J60	EA	POD - INSTRUMENT PANEL - LOWER/DRIVER - HDGM
10	126483-02-02A	EA	POD - INSTRUMENT PANEL - LOWER/DRIVER
10	129924-04-J60	EA	POD - INSTRUMENT PANEL - LOWER/DRIVER - 99 FORD
11	125445-02-J60	EA	POD - INSTRUMENT PANEL - GM/FORD/FREIGHTLINER
11	126485-02-J60	EA	POD - INSTRUMENT PANEL - HDGM - W/O DELUXE SOUND
11	126485-03-J60	EA	POD - INSTRUMENT PANEL - HDGM - W/DELUXE SOUND
	110530-01-000	FT	SEAL - SPONGE - .31" X .62"

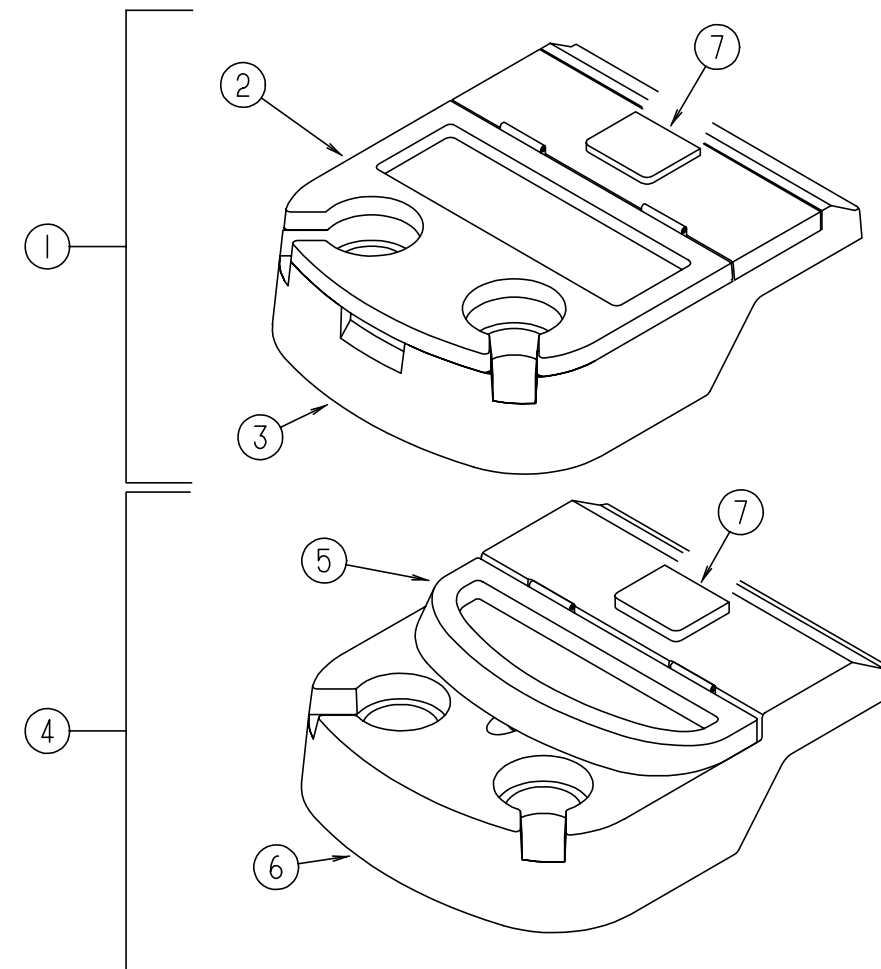
**DRIVERS COMPARTMENT GROUP (CONTINUED)**



**MOTOR COVER**

KEY	PART NUMBER	U/M DESCRIPTION
1	115852-01-02B	EA STRIKE ASM - MOTOR COVER - E-CT
2	115860-01-01A	EA TRIM - MOTOR COVER MILL
2	115860-02-01A	EA TRIM - MOTOR COVER MILL - HDGM
3	115840-02-01A	EA COVER - MOTOR - W/O CARPET - GM
3	115840-01-01A	EA COVER - MOTOR - W/O CARPET - 98 FORD
3	115840-03-01A	EA COVER - MOTOR - W/O CARPET - 99 HD FORD
4	115850-01-02B	EA RETAINER - LATCH - MOTOR COVER - RIGHT HAND - E-COAT FROM: 00-00-00 THRU: 05-17-98
4	115850-03-02B	EA RETAINER - LATCH - MOTOR COVER - RIGHT HAND - E-COAT FROM: 05-18-98 THRU: 99-99-99
5	116581-01-000	EA LATCH - MOTOR COVER
6	116833-01-02B	EA WRENCH - HEX MOTOR COVER - E-COATED
7	039623-01-000	FT SEAL - MOTOR COVER - RUBBER BULB TYPE

**DRIVERS COMPARTMENT GROUP (CONTINUED)**

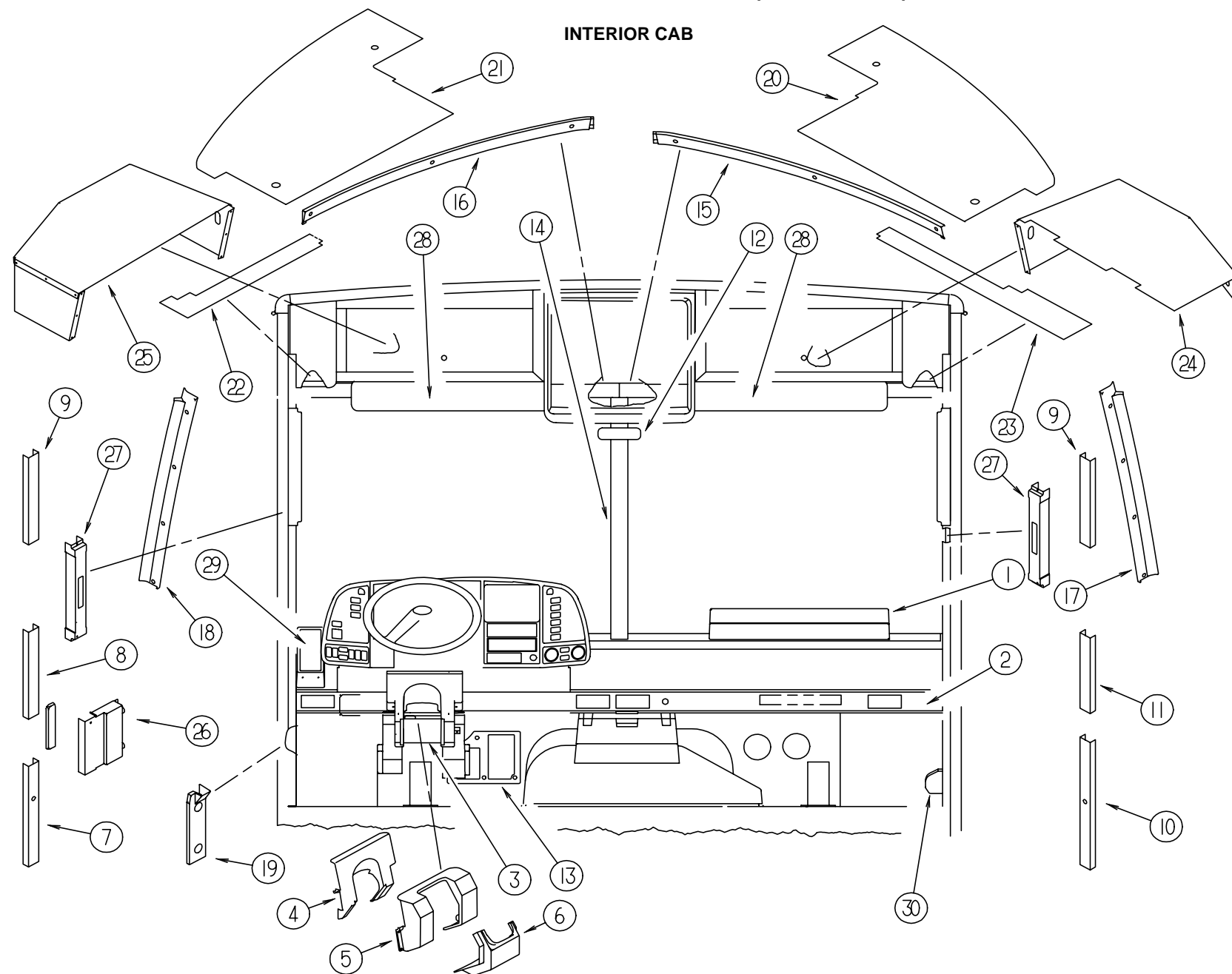


**BEVERAGE TRAY**

KEY	PART NUMBER	U/M DESCRIPTION
1	126008-01-J94	EA TRAY - BEVERAGE - W/DOOR - WATERFORD OAK (J94, J95, J96, J93) FROM: 00-00-00 THRU: 09-01-97
1	126008-01-J60	EA TRAY - BEVERAGE - W/DOOR - WASHED MAPLE (J60, J61)
1	126008-01-J62	EA TRAY - BEVERAGE - W/DOOR - WHITE GRANITE (J62, J33) FROM: 00-00-00 THRU: 09-01-97
2	126011-01-J94	EA LID - BEVERAGE TRAY - WATERFORD OAK (J94, J95, J96, J93) FROM: 00-00-00 THRU: 09-01-97
2	126011-01-J60	EA LID - BEVERAGE TRAY - WASHED MAPLE (J60, J61)
2	126011-01-J62	EA LID - BEVERAGE TRAY - WHITE GRANITE (J62, J33) FROM: 00-00-00 THRU: 09-01-97
3	126009-01-02A	EA TRAY-BEVERAGE
4	126008-02-J60	EA TRAY - BEVERAGE - W/DOOR FROM: 09-02-97 THRU: 99-99-99
5	128113-01-J60	EA LID ASM-TRAYBEVERAGE
6	128114-01-02A	EA TRAY-BEVERAGE TITANIUM FROM: 09-02-97 THRU: 99-99-99
7	118718-01-02A	EA ASHTRAY - TOP MOUNT - BLACK PLASTIC
	126010-01-02A	EA SPACER - BEVERAGE TRAY - GM



## DRIVERS COMPARTMENT GROUP (CONTINUED)

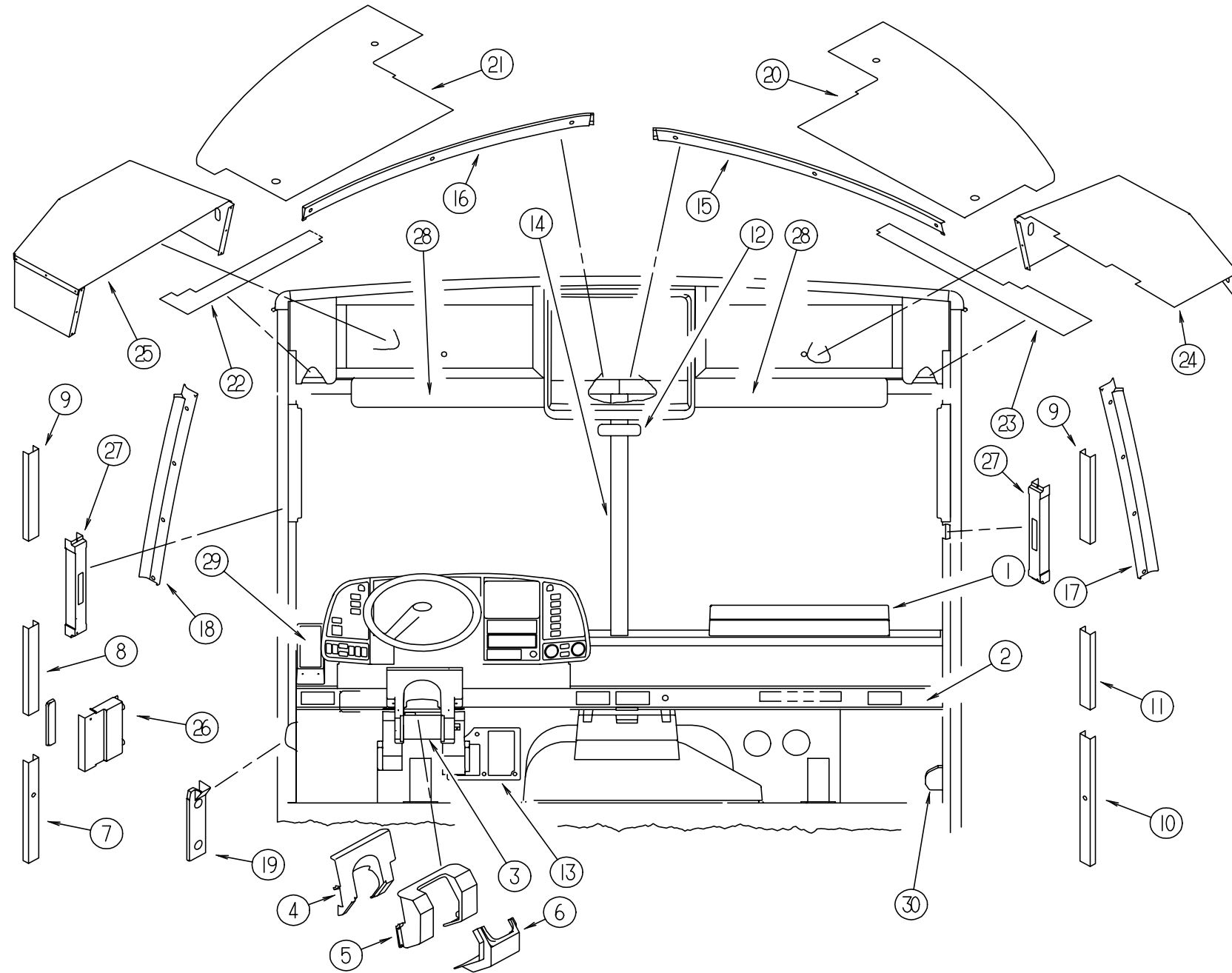


KEY	PART NUMBER	U/M DESCRIPTION
1	127495-01-J60	EA TABLE - DASH - COMPLETE
1	127147-01-02B	EA BRACKET-SLIDE,MOUNTING,E-CT
1	127597-01-000	EA SLIDE - WORK STATION - DASH
1	127696-01-02B	EA SUPPORT - TABLE/DASH - E-COATED
2	127488-01-02A	EA APPLIQUE - DASH - LOWER - SUNFLYER
3	103498-09-000	EA BOOT - STEERING COLUMN - W/1/2 CIRCLE - GM
3	110002-04-000	EA PATCH - COLUMN - L-SERIES - 9" X 10" - HDGM
3	110002-01-000	EA PATCH - COLUMN - L-SERIES - 9" X 10" - FREIGHTLINER
4	125796-02-J60	EA COVER - STEERING COLUMN - GM/FREIGHTLINER
4	127362-02-J60	EA COVER - STEERING COLUMN - HDGM
5	125794-02-J60	EA COVER - STEERING COLUMN - 98 FORD
5	130259-02-J60	EA COVER - STEERING COLUMN - 99 FORD
5	125794-01-02A	EA COVER - STEERING COLUMN - UPPER - TITANIUM
6	125795-01-01A	EA COVER - STEERING COLUMN - LOWER - FORD
7	024700-56-000	EA COVER - ROLL BAR - SIDEWALL - OFF WHITE - 19.1" W/HOLE
8	024700-48-000	EA COVER - ROLL BAR - 25"
		FROM: 00-00-00 THRU: 07-22-97
8	024700-58-000	EA COVER - ROLL BAR - SIDEWALL - 16.54" - OFF WHITE
		FROM: 07-23-97 THRU: 99-99-99

KEY	PART NUMBER	U/M DESCRIPTION
9	024700-46-000	EA COVER - ROLL BAR - 21.20" - UPPER - DRIVER/PASSENGER
		FROM: 00-00-00 THRU: 07-22-97
9	024700-58-000	EA COVER - ROLL BAR - SIDEWALL - 16.54" - OFF WHITE
		FROM: 07-23-97 THRU: 99-99-99
10	024700-44-000	EA COVER - ROLL BAR - 53" - LOWER - DRIVER/PASSENGER
		FROM: 00-00-00 THRU: 07-22-97
10	024700-59-000	EA COVER - ROLL BAR - SIDEWALL - 44.09" - OFF WHITE
		FROM: 07-23-97 THRU: 11-02-97
10	024700-60-000	EA COVER - SIDEWALL ROLL BAR - 11.30" - OFF WHITE
		FROM: 11-03-97 THRU: 12-14-97
10	024700-63-000	EA COVER - SIDEWALL ROLL BAR - 10.5" - OFF WHITE
		FROM: 12-15-97 THRU: 99-99-99
11	024700-61-000	EA COVER - SIDEWALL ROLL BAR - 30.4" - OFF WHITE
12	040714-01-000	EA MIRROR - REAR VIEW/ARM MOUNT & SET SCREW - GM # 911722
12	067490-01-000	EA BUTTON - MIRROR/REAR VIEW
13	116993-01-01A	EA COVER - PEDALS - BLACK - FREIGHTLINER
14	118452-03-02A	EA TRIM - WINDSHIELD - CENTER
15	118453-05-02A	EA TRIM - WINDSHIELD - INNER/TOP/PASSENGER

# DRIVERS COMPARTMENT GROUP (CONTINUED)

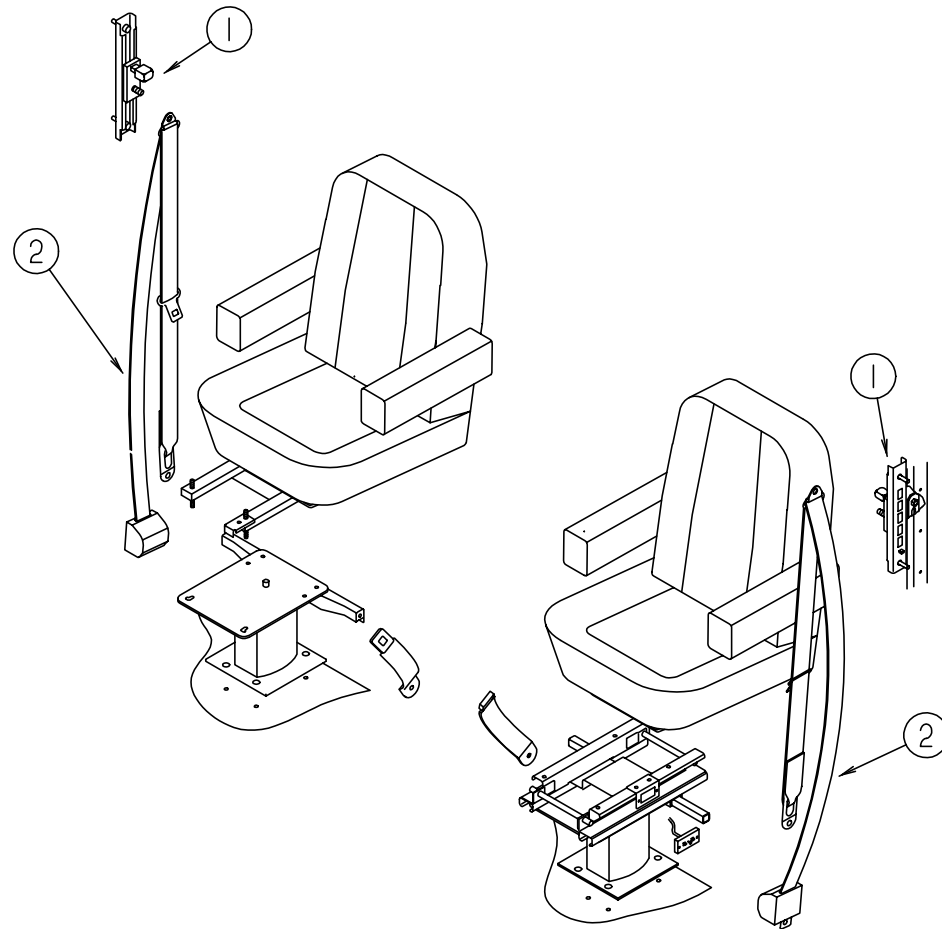
## INTERIOR CAB (CONTINUED)



KEY	PART NUMBER	U/M	DESCRIPTION
16	118453-06-02A	EA	TRIM - WINDSHIELD - INNER/TOP/DRIVER
17	125444-01-02A	EA	TRIM - A-PILLAR - INTERIOR - TITANIUM
17	123045-11-03A	EA	BACKING - SCREW - TITANIUM
18	125444-02-02A	EA	TRIM - A-PILLAR - INTERIOR - TITANIUM
18	123045-11-03A	EA	BACKING - SCREW - TITANIUM
19	125900-01-02A	EA	PANEL - TOE KICK - LEFT HAND - TITANIUM
20	126440-01-J52	EA	PANEL - OVERHEAD - FRONT/BOTTOM/RIGHT HAND
21	126440-02-J52	EA	PANEL - OVERHEAD - FRONT/BOTTOM/LEFT HAND
22	126443-02-J52	EA	PANEL - OVERHEAD - FRONT/LEFT HAND - 5.8" X 38.4"
23	126443-01-J60	EA	PANEL - OVERHEAD - FRONT/RIGHT HAND - 5.8" X 50.6"
24	126457-01-J20	EA	PANEL - CLOSEOUT - OVERHEAD FRONT
25	126457-02-J20	EA	PANEL - CLOSEOUT - OVERHEAD FRONT
26	126701-01-03A	EA	COVER - ASSIST HANDLE - OFF WHITE

KEY	PART NUMBER	U/M	DESCRIPTION
27	103961-02-01A	EA	COVER - BRACKET - OFF WHITE SEATBELT - F/DRVRS DOOR OPTION FROM: 00-00-00 THRU: 07-22-97
27	127721-01-01A	EA	COVER - SLIDE - OFF WHITE FROM: 07-23-97 THRU: 99-99-99
27	127798-01-01A	EA	COVER - SLIDE - INNER - BLACK - 1.5" X 11.4" FROM: 07-23-97 THRU: 99-99-99
28	123298-02-05A	EA	SUNVISOR - 10.5" X 28.5"
29	126237-01-02A	EA	POD - CONTROL - SHIFTER
30	103961-03-01A	EA	COVER - BRACKET - SEATBELT/OFF WHITE
	086120-01-J60	EA	PAD - MAP POCKET - 12" X 16" (J94, J60)
	086120-01-J61	EA	PAD - MAP POCKET - 12" X 16" (J95, J61)
	086120-01-J62	EA	PAD - MAP POCKET - 12" X 16" (J96, J62)

**DRIVERS COMPARTMENT GROUP (CONTINUED)**



**CAB SEAT BELT**

KEY	PART NUMBER	U/M DESCRIPTION	VENDOR NO.
1	109146-01-000	EA BOLT - SHOULDER/SEAT BELT	
1	127598-01-01A	EA ADJUSTER - SEATBELT - D-LOOP - ADJUSTER	FROM: 00-00-00 THRU: 07-16-97
	127598-02-000	EA NUT - HEX FLANGE- M10 X 1.5 CLASS 10	FROM: 07-17-97 THRU: 99-99-99
	128444-01-000	EA WASHER - SPRING - CONICAL	
2	091990-04-01A	EA SEAT BELT/SHOULDER HARNESS - DRIVERS/PASSENGER - BLACK	FROM: 00-00-00 THRU: 07-22-97
2	091990-01-701	EA EXTENDER 9" FOR A8408 3 PT	I-1331-02
2	091990-05-01A	EA SEAT BELT - 3 POINT	FROM: 07-23-97 THRU: 99-99-99

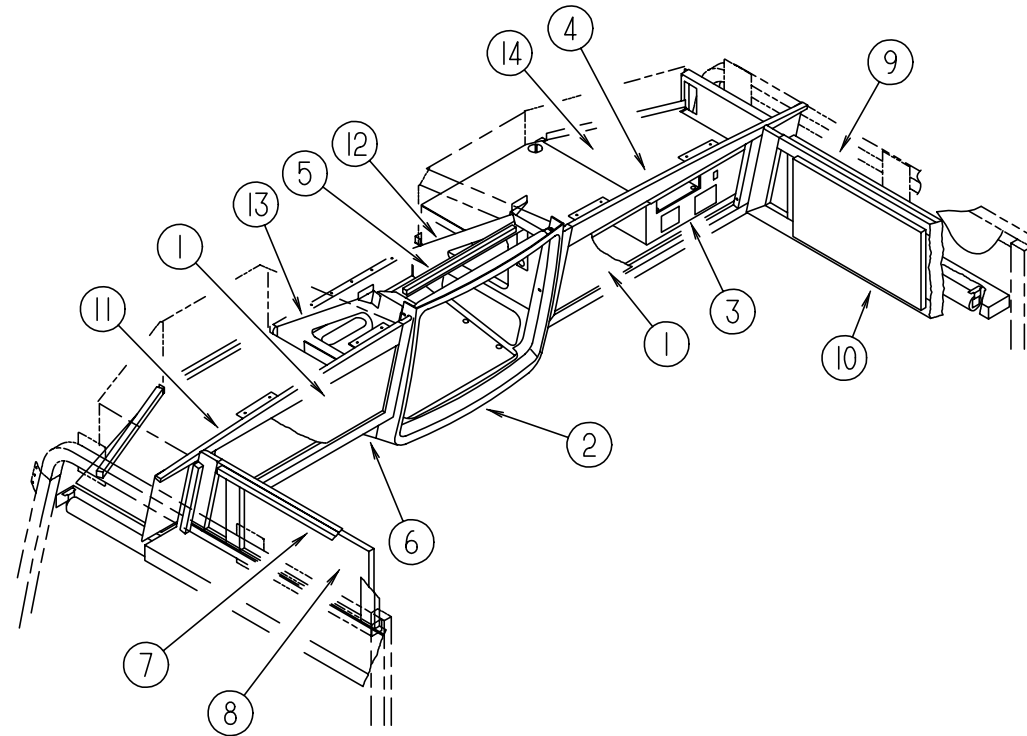
**DRIVERS COMPARTMENT GROUP (CONTINUED)**

**DEFROSTER FAN & MAP POCKETS**

KEY	PART NUMBER	U/M DESCRIPTION
	122856-01-01A	EA FAN - DEFROSTER - 2 SPEED W/SWIVEL BASE - CHROME
	086120-01-J60	EA PAD - MAP POCKET - 12" X 16" (J94, J60)
	086120-01-J61	EA PAD - MAP POCKET - 12" X 16" (J95, J61)
	086120-01-J62	EA PAD - MAP POCKET - 12" X 16" (J96, J62)

## DRIVERS COMPARTMENT GROUP (CONTINUED)

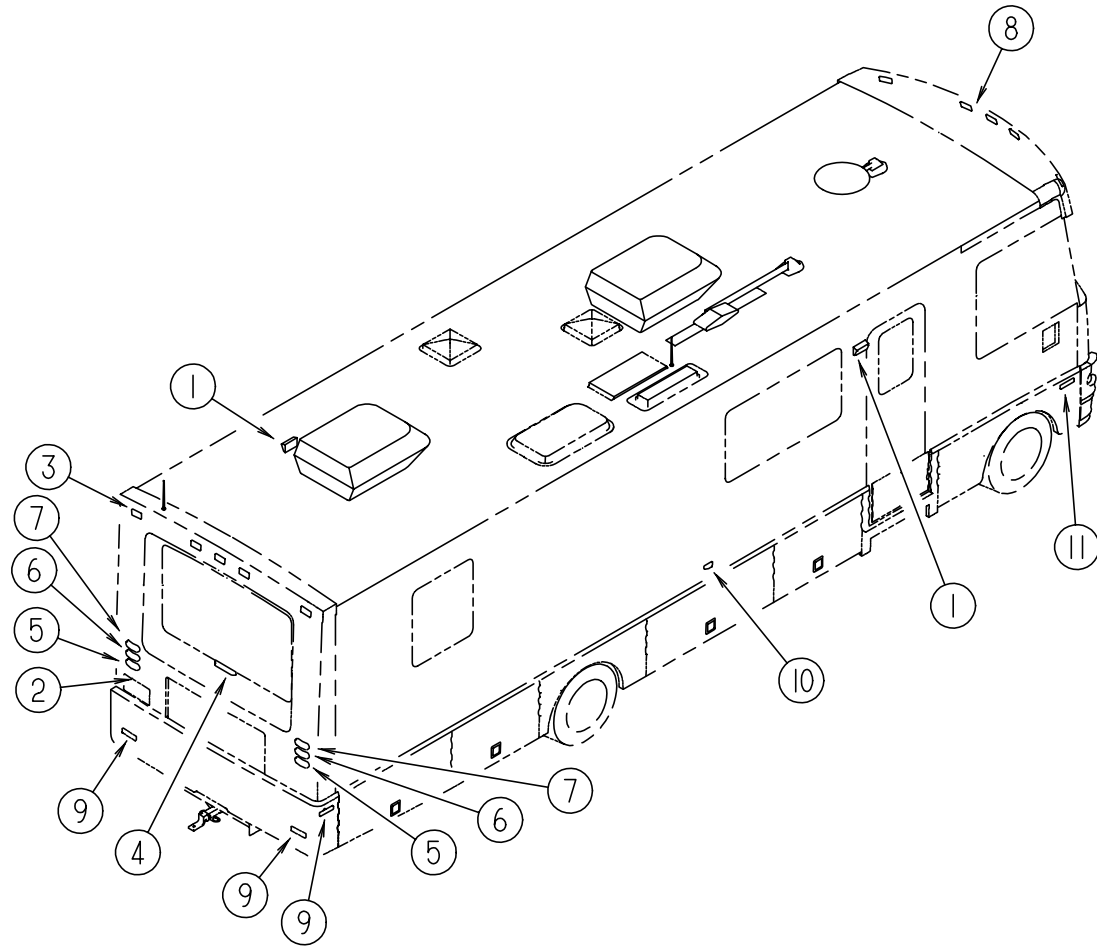
### OVERHEAD STORAGE & TV CABINETS



KEY	PART NUMBER	U/M	DESCRIPTION	KEY	PART NUMBER	U/M	DESCRIPTION
1	100708-08-000	EA	DOOR - GLASS - TV CABINET - 9.7" X 27" - W/O HARDWARE	9	126530-01-J94	EA	CABINET - OVERHEAD/FRONT/RIGHT HAND - W/O DOORS/HARDWARE WATERFORD OAK
2	125977-01-01A	EA	COVER - TV - OVERHEAD/FRONT - TITANIUM		103128-17-J20	EA	END CAP - OVERHEAD/RIGHT HAND - WATERFORD OAK
3	126601-03-J60	EA	PANEL - SHELF - VINYL COVERED - W/O INVERTOR CUTOUT	9	126530-01-J60	EA	CABINET - OVERHEAD/FRONT/RIGHT HAND - W/O DOORS/HARDWARE WASHED MAPLE
3	126601-07-J60	EA	PANEL - SHELF - VINYL COVERED - W/INVERTOR CUTOUT		103128-17-J52	EA	END CAP - OVERHEAD/RIGHT HAND - WASHED MAPLE
4	126876-01-J20	EA	CABINET - OVERHEAD - FRONT/RIGHT HAND - W/O DOORS/HARDWARE WATERFORD OAK	9	126530-01-J62	EA	CABINET - OVERHEAD/FRONT/RIGHT HAND - W/O DOORS/HARDWARE WHITE GRANITE
4	126876-01-J60	EA	CABINET - OVERHEAD - FRONT/RIGHT HAND - W/O DOORS/HARDWARE WASHED MAPLE		103128-17-J23	EA	END CAP - OVERHEAD/RIGHT HAND - WHITE GRANITE
4	126876-01-J23	EA	CABINET - OVERHEAD - FRONT/RIGHT HAND - W/O DOORS/HARDWARE WHITE GRANITE	10	M05992-L9-J94	EA	DOOR - STRAIGHT CORNER/OGEE EDGE - 10" X 19.1" - W/O HDW WATERFORD OAK
	106699-01-01A	EA	BRACKET - OVERHEAD CABINET/TV	10	M05992-L9-J60	EA	DOOR - STRAIGHT CORNER/OGEE EDGE - 10" X 19.1" - W/O HDW WASHED MAPLE
5	114706-04-02B	EA	SUPPORT - SHELF/TV	10	122715-87-01A	EA	DOOR - MOLDED VINYL - 10.3" X 19.1" - W/O HDW-WHT GRANITE
6	126006-02-J60	EA	COVER - TV - OVERHEAD/BOTTOM	11	126876-02-J20	EA	CABINET - OVERHEAD - FRONT/LEFT HAND - W/O DOORS/HARDWARE WATERFORD OAK
7	126301-01-J53	EA	CABINET - OVERHEAD/FRONT LEFT HAND - W/O DOORS/HARDWARE WATERFORD OAK	11	126876-02-J60	EA	CABINET - OVERHEAD - FRONT/LEFT HAND - W/O DOORS/HARDWARE WASHED MAPLE
	103128-18-J20	EA	END CAP - OVERHEAD/LEFT HAND - WATERFORD OAK	11	126876-02-J23	EA	CABINET - OVERHEAD - FRONT/LEFT HAND - W/O DOORS/HARDWARE WHITE GRANITE
7	126301-01-J60	EA	CABINET - OVERHEAD/FRONT LEFT HAND - W/O DOORS/HARDWARE WASHED MAPLE		106699-01-01A	EA	BRACKET - OVERHEAD CABINET/TV
	103128-18-J60	EA	END CAP - OVERHEAD/LEFT HAND - WASHED MAPLE	12	126081-01-02B	EA	BRACKET ASM-SUPT,TV,24DEG,EC
7	126301-01-J62	EA	CABINET - OVERHEAD/FRONT LEFT HAND - W/O DOORS/HARDWARE WHITE GRANITE	13	126081-02-02B	EA	BRACKET ASM-SUPT,TV,24DEG,EC
	103128-18-J23	EA	END CAP - OVERHEAD/LEFT HAND - WHITE GRANITE	14	126275-01-02B	EA	SHELF ASM-OVERHEAD,FRT,E-C
8	M05992-13-J94	EA	DOOR - STRAIGHT CORNER/OGEE EDGE - 10" X 19.0" - W/O HDW WATERFORD OAK				
8	M05992-13-J60	EA	DOOR - STRAIGHT CORNER/OGEE EDGE - 10" X 19.0" - W/O HDW WASHED MAPLE				
8	122715-03-01A	EA	DOOR - MOLDED VINYL - 10" X 19" - W/O HDW - WHT GRANITE				

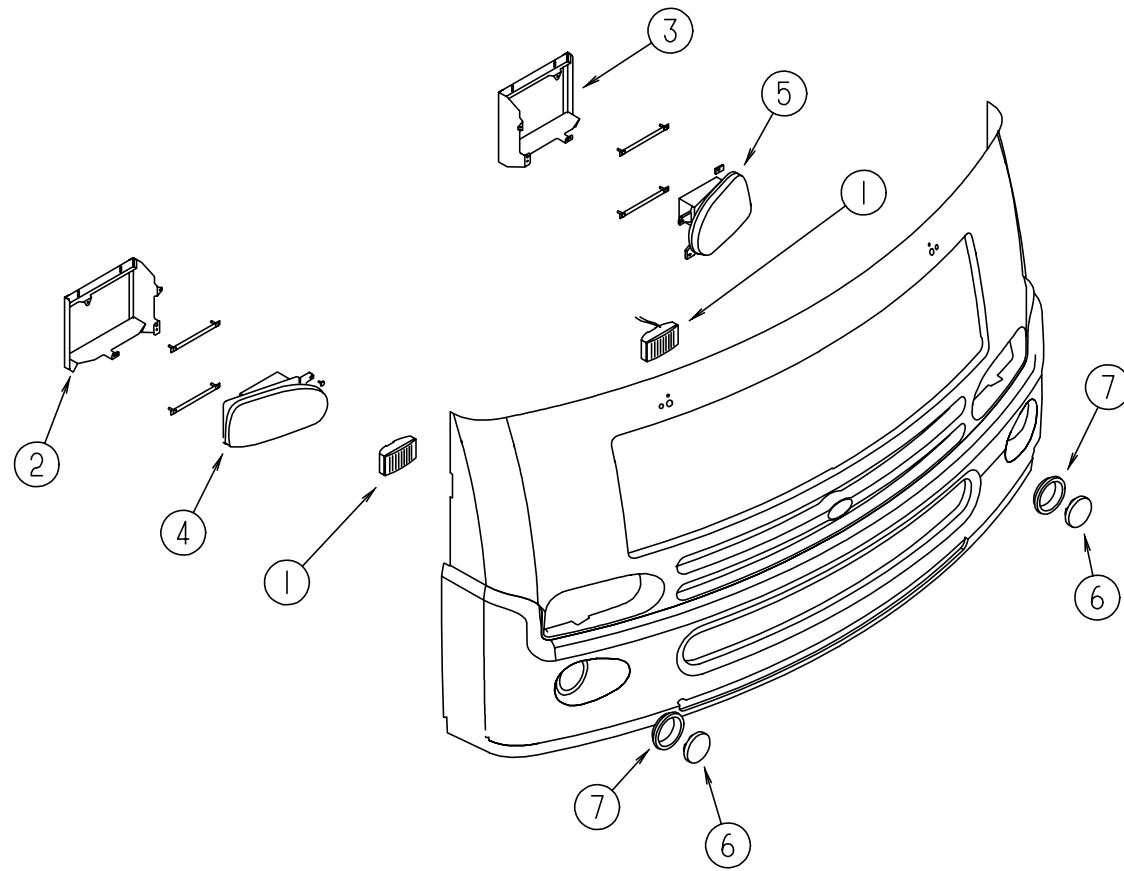
# ELECTRICAL GROUP

## EXTERIOR BODY LIGHTS



KEY	PART NUMBER	U/M	DESCRIPTION	VENDOR NO.
1	097917-01-06A	EA	LIGHT - PORCH - BRIGHT WHITE	
1	008215-01-000	EA	BULB - 12 VOLT - #1003 - .94 AMP	
1	097917-01-700	EA	LENS-LIGHT, CLEAR	30-78-021
1	008089-02-000	EA	LIGHT - PORCH - RECESSED - CANADIAN	
1	008089-01-700	EA	LENS-LIGHT, RECESSED, PORCH	DECO
1	008214-01-000	EA	BULB - 12 VOLT NO 67 - 0.59 AMP	
2	087201-01-000	EA	LIGHT - HALF ROUND - 1" X 1.7" - PLASTIC - BLACK	
3	102520-02-000	EA	LIGHT - CLEARANCE - W/O SOCKET/HOUSING - RED	
3	067789-02-000	EA	SOCKET - LAMP	
3	036196-01-000	EA	BULB - 12 VOLT - #194 - .27 AMP - BAYONETTE	
3	102540-01-000	EA	SEAL - SCREW - ROUND - RUBBER	
3	102541-01-000	EA	GASKET - CLEARANCE LIGHT	
3	102582-01-000	EA	BRACKET - LIGHT - CLEARANCE - L-SHAPED METAL - 2.2" X 4.7"	
4	121950-01-000	EA	LIGHT - BRAKE - CENTER MOUNT	
4	067789-02-000	EA	SOCKET - LAMP	
4	036196-01-000	EA	BULB - 12 VOLT - #194 - .27 AMP - BAYONETTE	
5	126203-01-000	EA	LAMP - WHITE/CLEAR BACK-UP	
5	126203-04-000	EA	GROMMET - MOUNT - LIGHT OVAL	
6	126203-02-000	EA	LAMP - AMBER TURN	
6	126203-04-000	EA	GROMMET - MOUNT - LIGHT OVAL	
7	126203-03-000	EA	LAMP - RED STOP/TAIL	
7	126203-04-000	EA	GROMMET - MOUNT - LIGHT OVAL	
8	036196-01-000	EA	BULB - 12 VOLT - #194 - .27 AMP - BAYONETTE	
8	102520-01-000	EA	LIGHT - CLEARANCE - W/O SOCKET/HOUSING - AMBER	
8	102540-01-000	EA	SEAL - SCREW - ROUND - RUBBER	
8	102541-01-000	EA	GASKET - CLEARANCE LIGHT	
8	067789-02-000	EA	SOCKET - LAMP	
9	036196-01-000	EA	BULB - 12 VOLT - #194 - .27 AMP - BAYONETTE	
9	067789-02-000	EA	SOCKET - LAMP	
9	117826-01-000	EA	SIDE MARKER LAMP ASSEMBLY - RED	
9	117826-03-000	EA	GASKET - MARKER LIGHT	
10	111102-01-000	EA	BASE - LAMP MARKER	
10	111102-02-000	EA	LENS - AMBER - LAMP MARKER	
10	036196-01-000	EA	BULB - 12 VOLT - #194 - .27 AMP - BAYONETTE	
11	036196-01-000	EA	BULB - 12 VOLT - #194 - .27 AMP - BAYONETTE	
11	067789-02-000	EA	SOCKET - LAMP	
11	117826-02-000	EA	SIDE MARKER LAMP ASSEMBLY - YELLOW	
11	117826-03-000	EA	GASKET - MARKER LIGHT	

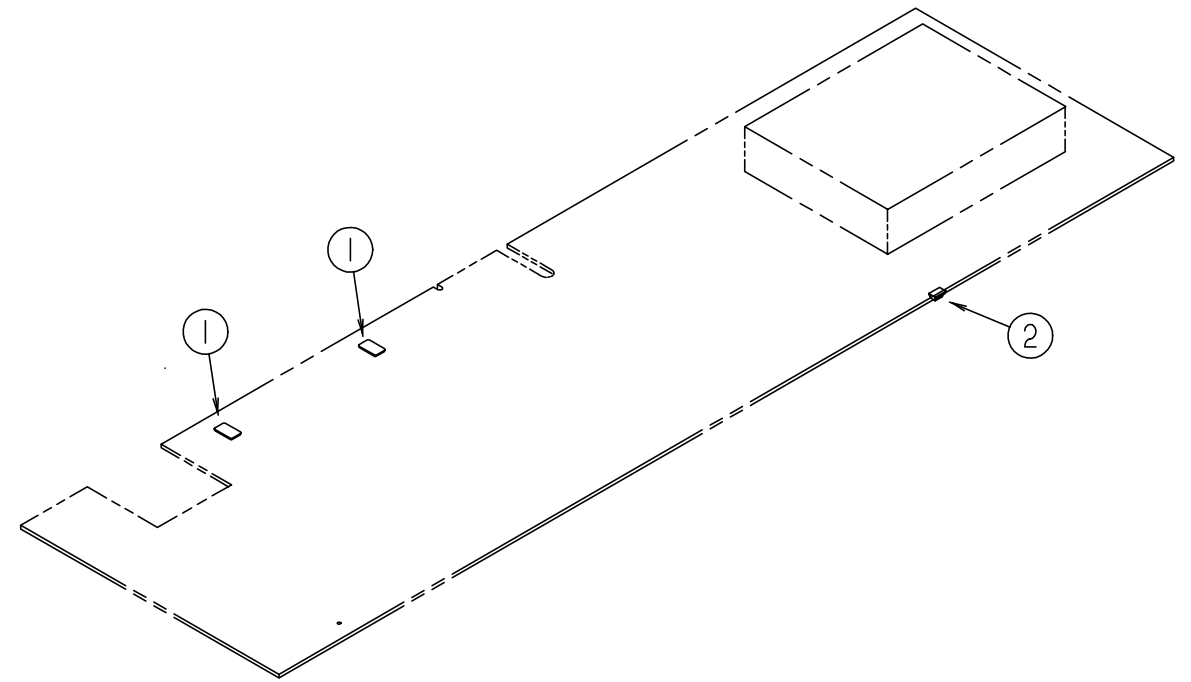
**ELECTRICAL GROUP (CONTINUED)**



**EXTERIOR FRONT END LIGHTS**

KEY	PART NUMBER	U/M	DESCRIPTION
1	124215-01-000	EA	FOG LIGHT - RECTANGULAR/CLEAR LENS
2	125704-01-02B	EA	FRAME - HEADLAMP - RIGHT HAND - E-COATED
3	125704-02-02B	EA	FRAME - HEADLAMP - LEFT HAND - E-COATED
4	126199-01-000	EA	HEADLAMP CAPSULE - PASSENGER W/O BULB
4	118054-01-000	EA	BULB-HEADLAMP REPLACEMENT-#9004 G.E.,SYLVANIA,WESTINGHOUSE
4	088758-01-000	EA	HOUSING - HEADLAMP - CONNECTOR TERMINAL W/3 WIRES
5	126199-02-000	EA	HEADLAMP CAPSULE - DRIVERS W/O BULB
5	118054-01-000	EA	BULB-HEADLAMP REPLACEMENT-#9004 G.E.,SYLVANIA,WESTINGHOUSE
5	088758-01-000	EA	HOUSING - HEADLAMP - CONNECTOR TERMINAL W/3 WIRES
6	126198-01-000	EA	LAMP ASSEMBLY - PARK/TURN - AMBER
7	126198-02-000	EA	GROMMET - MOUNTING - LIGHT/4" RED
	072368-02-000	EA	TRIM - VINYL - EDGE - BLACK

**ELECTRICAL GROUP (CONTINUED)**

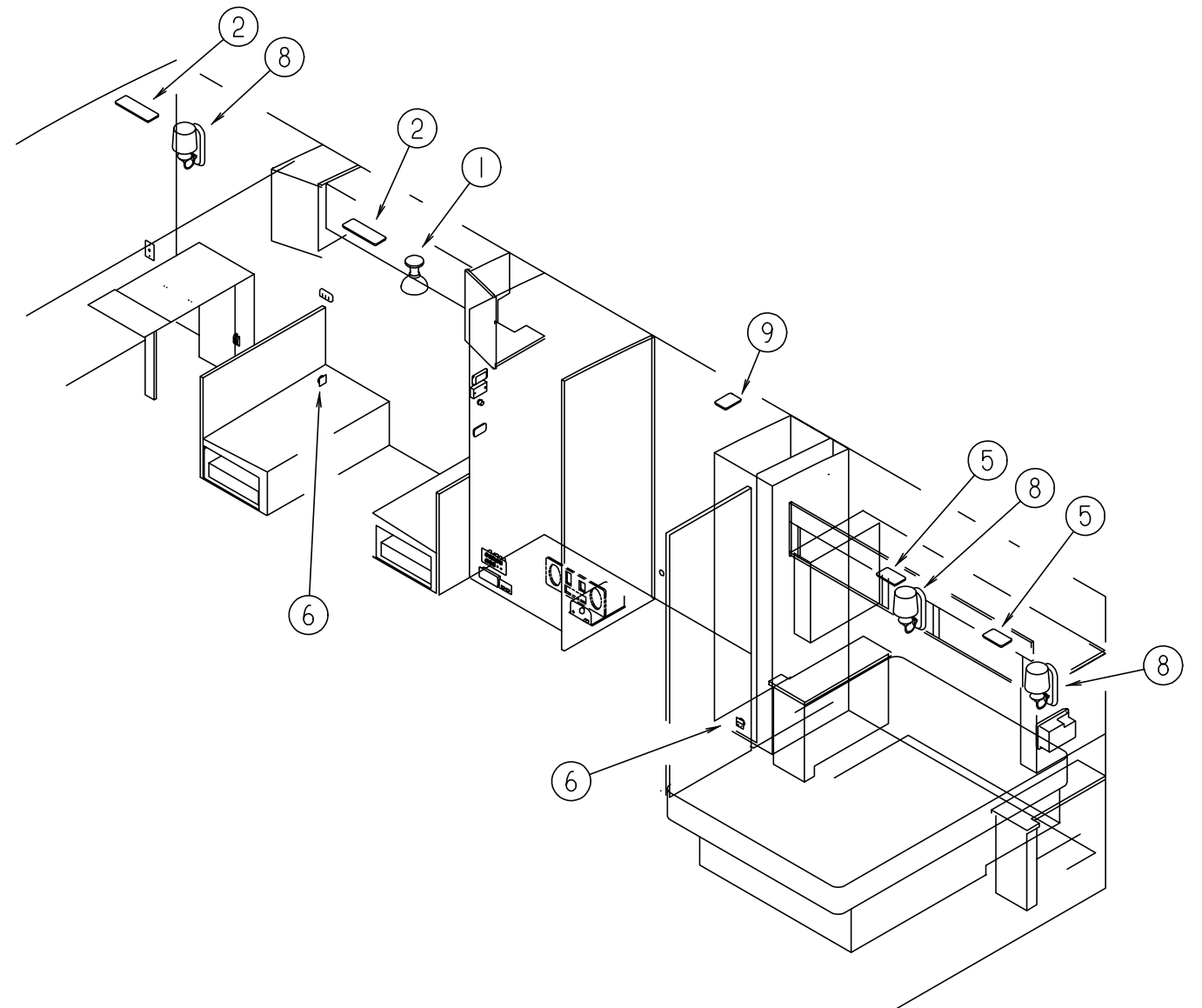
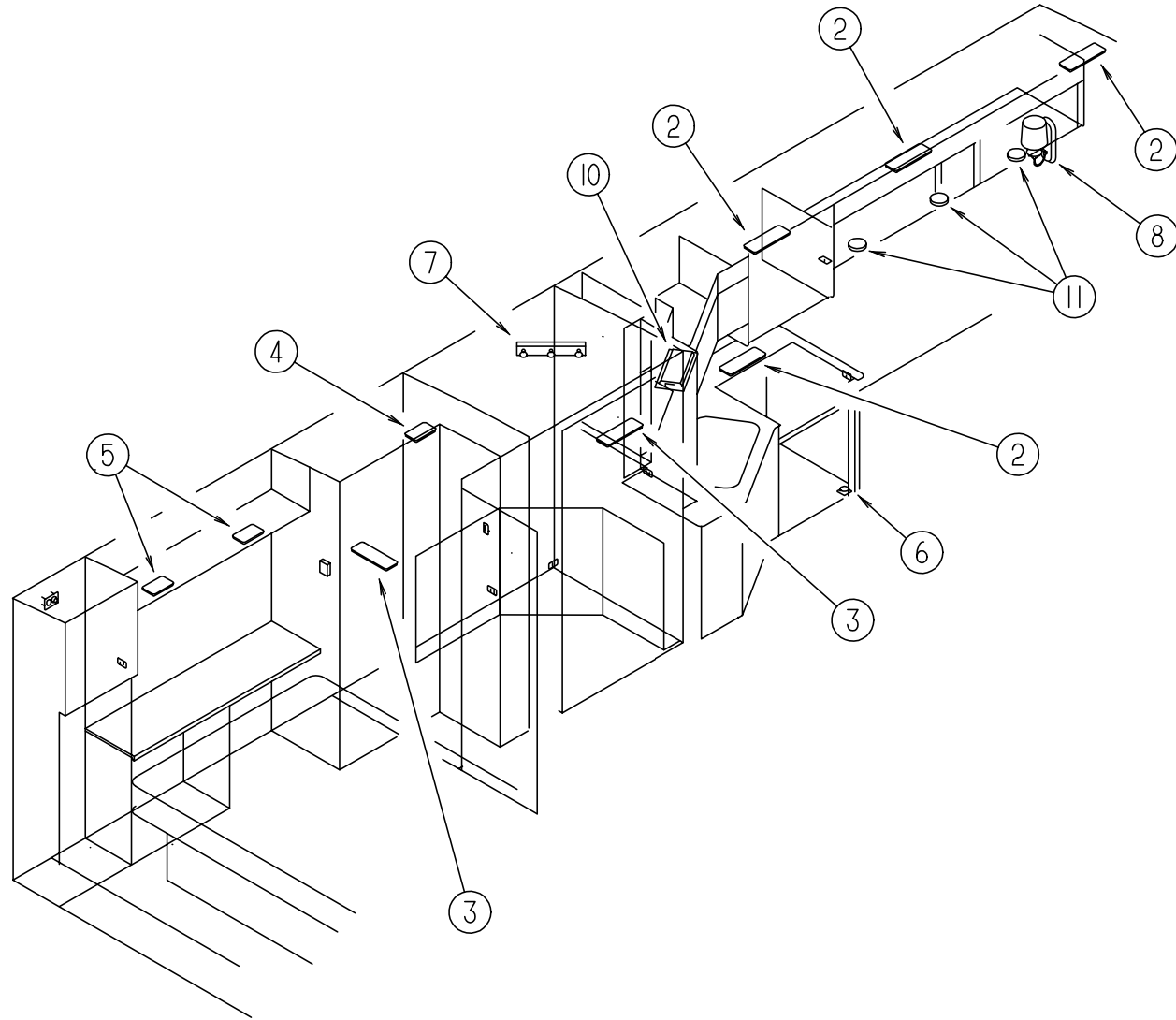


**COMPARTMENT INTERIOR LIGHTS**

KEY	PART NUMBER	U/M	DESCRIPTION	VENDOR NO.
1	098024-01-03A	EA	LIGHT - DOME - 1 BULB - WHITE	
1	008218-01-000	EA	BULB - DOME LIGHT - 12 VOLT - NO. 1141	807877
1	098024-01-700	EA	LENS - LIGHT	
2	086280-01-000	EA	LIGHT - SURFACE MOUNT - 12 VOLT	
2	086280-01-700	EA	BULB - 12V	ARP1089

# ELECTRICAL GROUP (CONTINUED)

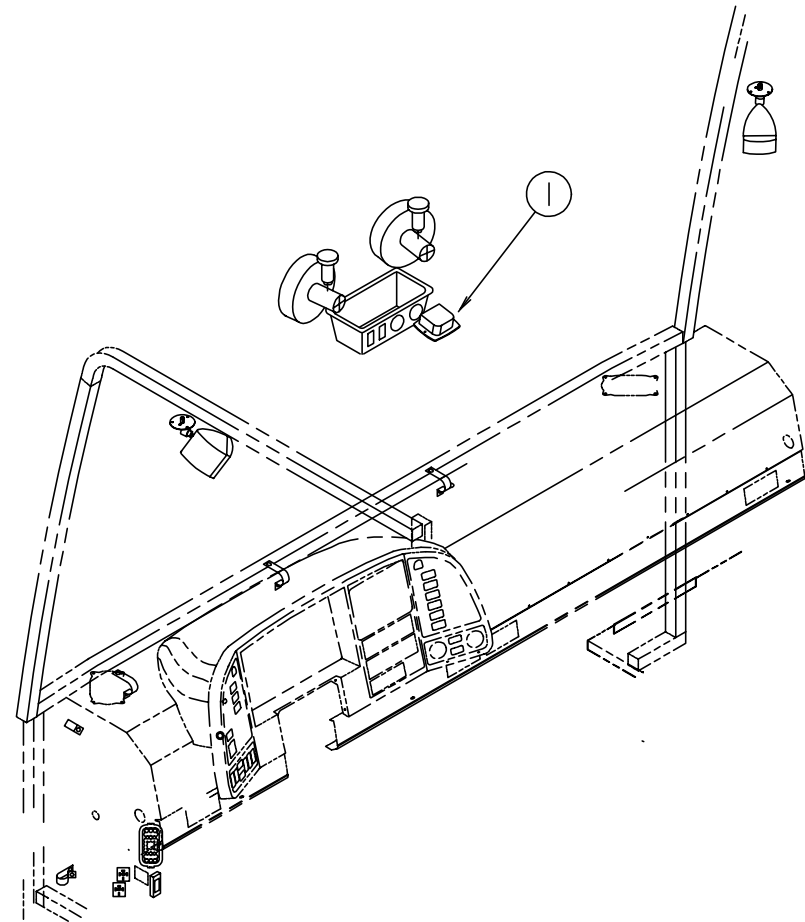
## COACH INTERIOR LIGHTS



KEY	PART NUMBER	U/M	DESCRIPTION	VENDOR NO.
1	119252-01-01A	EA	SHADE - LAMP - GLASS SWIRL	
1	127050-01-01A	EA	LIGHT - CEILING - SINGLE	
2	098024-03-02A	EA	LIGHT - DOME - 2 BULB - WHITE	
2	008218-01-000	EA	BULB - DOME LIGHT - 12 VOLT - NO. 1141	
2	098024-01-700	EA	LENS - LIGHT	807877
2	091937-04-000	EA	LIGHT - FLUORESCENT - 12V/30 WATT - 20.8" LONG - THIN LITE	
3	098024-03-02A	EA	LIGHT - DOME - 2 BULB - WHITE	
3	008218-01-000	EA	BULB - DOME LIGHT - 12 VOLT - NO. 1141	
3	098024-01-700	EA	LENS -LIGHT	807877
3	091937-05-000	EA	LIGHT - FLUORESCENT - 12V/16 WATT - 15" LONG - THIN LITE	
3	091937-05-701	EA	LENS - LIGHT - FLUORESCENT	D-732
4	098024-01-03A	EA	LIGHT - DOME - 1 BULB - WHITE	
4	008218-01-000	EA	BULB - DOME LIGHT - 12 VOLT - NO. 1141	
4	098024-01-700	EA	LENS - LIGHT	807877

KEY	PART NUMBER	U/M	DESCRIPTION	VENDOR NO.
5	098024-05-02A	EA	LIGHT - DOME - 1 BULB - SKYLITE - WHITE	
5	008218-01-000	EA	BULB - DOME LIGHT - 12 VOLT - NO. 1141	
5	098024-01-701	EA	LENS - OPTI CLEAR - SKYLITE	809902
6	108354-01-01A	EA	LIGHT - COURTESY	
6	108354-01-700	EA	BULB - COURTESY LIGHT	395-B
7	110235-01-01A	EA	LIGHT - MAKE UP - 3 BULB	
7	081633-01-700	EA	BULB - LIGHT - MAKE-UP	RP1041
8	065202-38-000	EA	LAMP - WALL	
9	121935-01-01A	EA	LIGHT - DOME - SHOWER	
10	091937-05-000	EA	LIGHT - FLUORESCENT - 12V/16 WATT - 15" LONG - THIN LITE	
10	091937-05-701	EA	LENS - LIGHT - FLUORESCENT	D-732
11	123775-01-01A	EA	LIGHT - HALOGEN - ROUND	
11	123775-01-700	EA	BULB - 10 WATT - HALOGEN	
11	123775-02-01A	EA	COLLAR - BRASS F/LIGHT	

**ELECTRICAL GROUP (CONTINUED)**



**CAB INTERIOR LIGHT**

KEY	PART NUMBER	U/M DESCRIPTION
1	112643-01-000	EA LIGHT - SINGLE - SWIVEL
1	112642-01-06A	EA TRIM RING-SINGLE LIGHT - BLACK

**ELECTRICAL GROUP (CONTINUED)**

**CIRCUIT BREAKERS & FUSES**

KEY	PART NUMBER	U/M DESCRIPTION
	062037-01-000	EA HOUSING - AUTO FUSE - NATURAL
	062037-02-000	EA HOUSING - AUTO FUSE - GREEN
	062037-03-000	EA HOUSING - AUTO FUSE - BLACK
	062037-04-000	EA HOUSING - AUTO FUSE - BLUE
	062037-05-000	EA HOUSING - AUTO FUSE - GRAY
	062037-06-000	EA HOUSING - AUTO FUSE - BROWN
	062037-07-000	EA HOUSING - AUTO FUSE - RED
	062901-02-000	EA FUSE - 05 AMPS - AUTOMOTIVE
	062901-05-000	EA FUSE - 15 AMPS - AUTOMOTIVE
	083209-01-000	EA CIRCUIT BREAKER - 15 AMP - 120 VOLT - CANADIAN
	083209-02-000	EA CIRCUIT BREAKER - 15/15 AMP - 120 VOLT
	083209-03-000	EA CIRCUIT BREAKER - 15/20 AMP - 120 VOLT
	083209-04-000	EA CIRCUIT BREAKER - 30 AMP - 120 VOLT
	083209-05-000	EA CIRCUIT BREAKER - 20AMP - 120VOLT
	083209-06-000	EA CIRCUIT BREAKER - 30/15 AMP - 120VOLT
	083209-07-000	EA CIRCUIT BREAKER - 20/20AMP - 120VOLT
	083209-10-000	EA CIRCUIT BREAKER - 20/30 AMP - 120 VOLT
	093654-01-000	EA CIRCUIT BREAKER - 6 AMP - 12 VOLT
	093654-02-000	EA CIRCUIT BREAKER - 15 AMP - 12 VOLT
	093654-03-000	EA CIRCUIT BREAKER - 20AMP - 12 VOLT
	093655-01-000	EA CIRCUIT BREAKER - 25 AMP - 12 VOLT
	093655-02-000	EA CIRCUIT BREAKER - 30 AMP - 12 VOLT
	093655-03-000	EA CIRCUIT BREAKER - 40 AMP - 12 VOLT
	093674-01-000	EA PLATE - CIRCUIT BREAKER - HOUSE - 8.4" X 4.1" - STEEL
	097611-01-000	EA CIRCUIT BREAKER - 10 AMP - 12 VOLT
	108669-01-000	EA HOUSING - AUTO FUSE HOLDER
	108916-01-000	EA CIRCUIT BREAKER - 50 AMP - 12 VOLT - 2 POLE
	113482-01-000	EA CIRCUIT BREAKER - 55AMP
	122811-01-000	EA CIRCUIT BREAKER - 20/50/50/20
	125986-04-000	EA FUSE - 10 ANO - AUTO - MINI BLADE

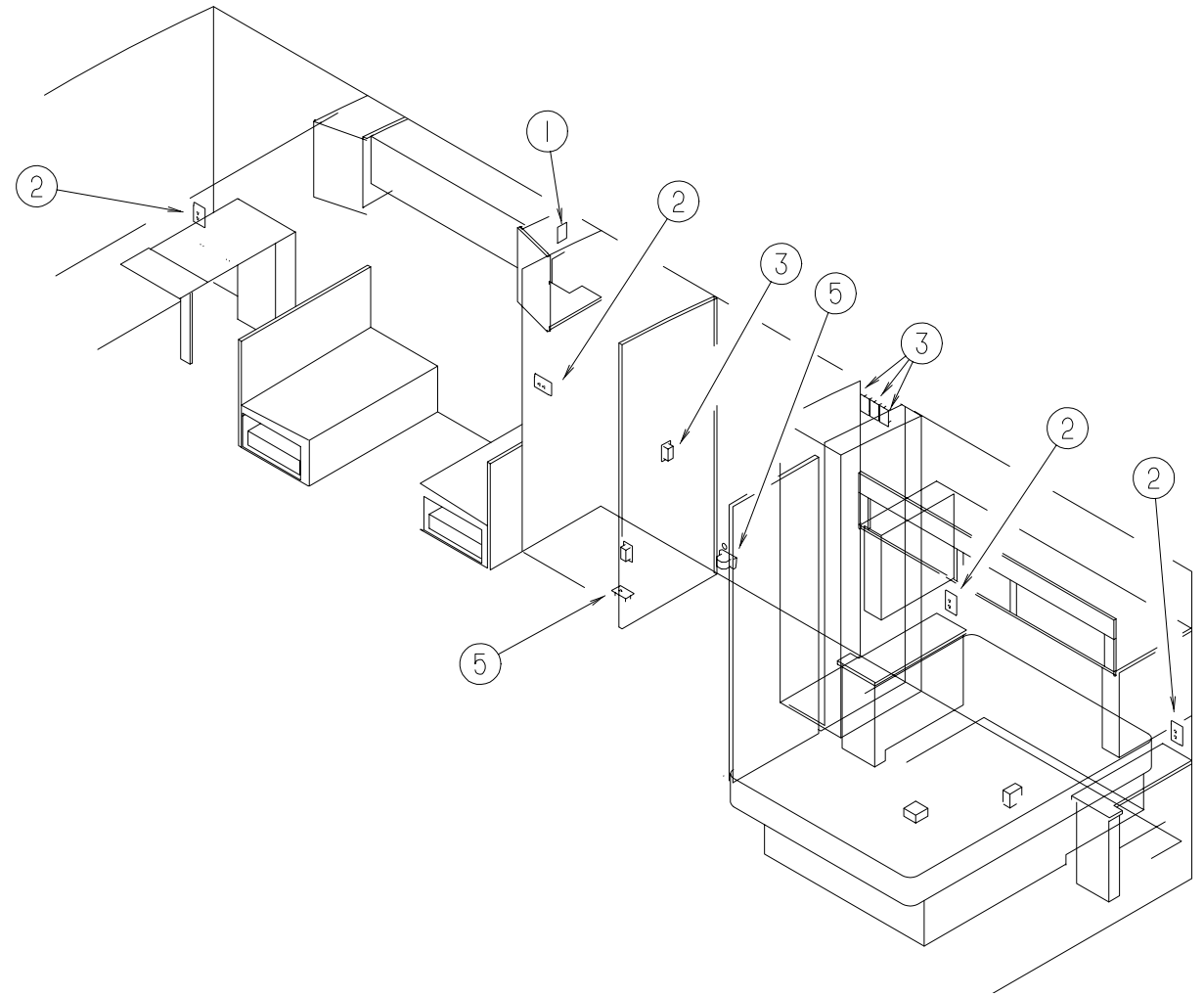
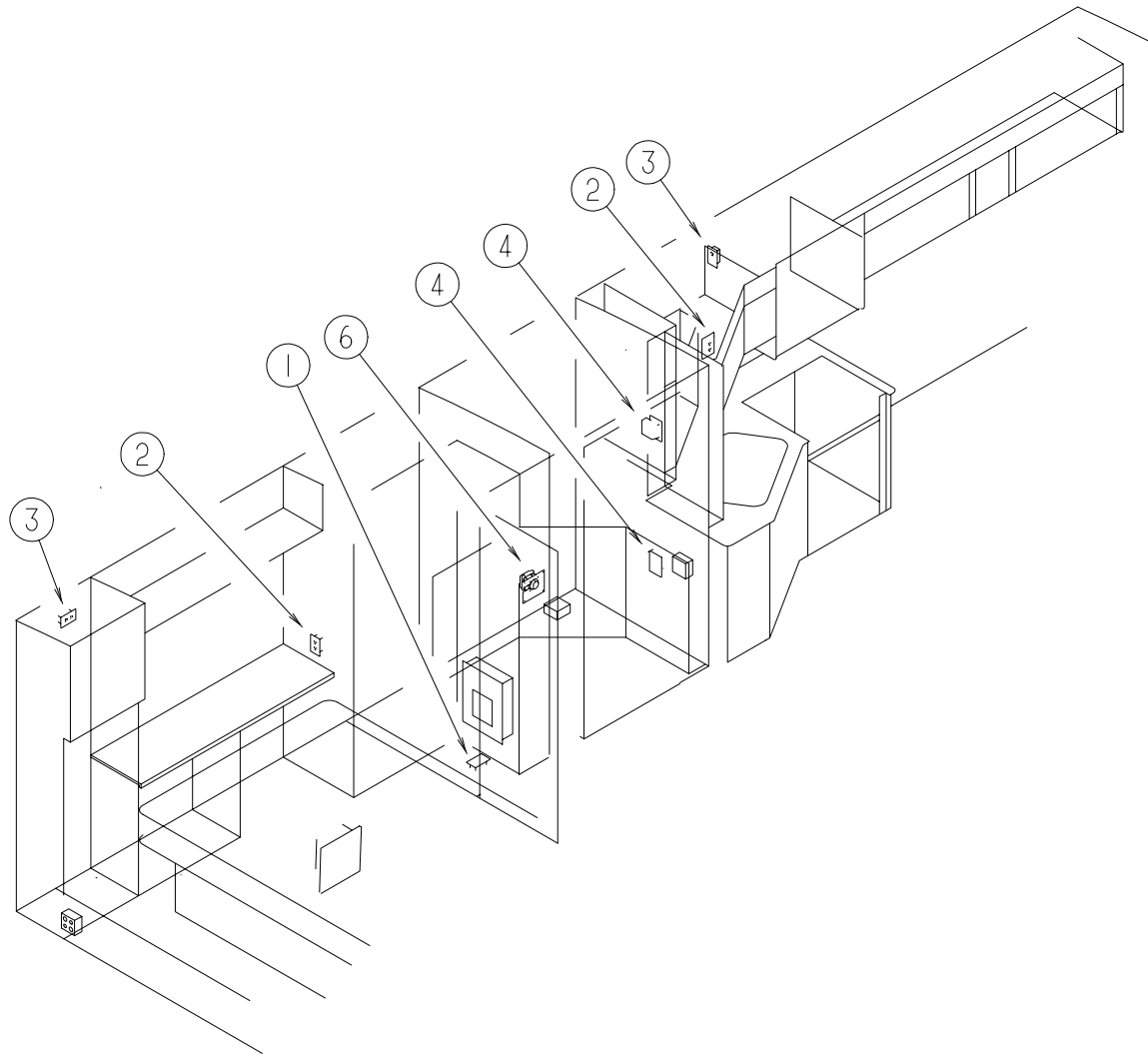
**CONVERTERS, LOAD CENTER & INVERTER**

KEY	PART NUMBER	U/M DESCRIPTION
	099048-03-000	EA INVERTER - 130 WATT
	106071-03-000	EA SWITCH - AUTOMATIC TRANSFER - 50 AMP - TOD
	108915-02-000	EA LOAD CENTER - 120/240 VOLT - 100 AMP
	113132-01-000	EA LOAD CENTER - 120/240 VOLT - 60 AMP
	123058-01-000	EA CONVERTER - 55 AMP - ELECTRONIC - 4 1/8"H X 7"W X 12 3/8"L
	123058-02-000	EA CONVERTER - 45 AMP - ELECTRONIC - 4 1/8"H X 7"W X 12 3/8"L
	127002-01-000	EA MODULE - CONTROL - ENERGY MANAGEMENT SYSTEM
	127002-02-000	EA PANEL - MONITOR - ENERGY MANAGEMENT SYSTEM
	127002-03-000	EA WIRE ASSEMBLY - ENERGY MANAGEMENT SYSTEM



# ELECTRICAL GROUP (CONTINUED)

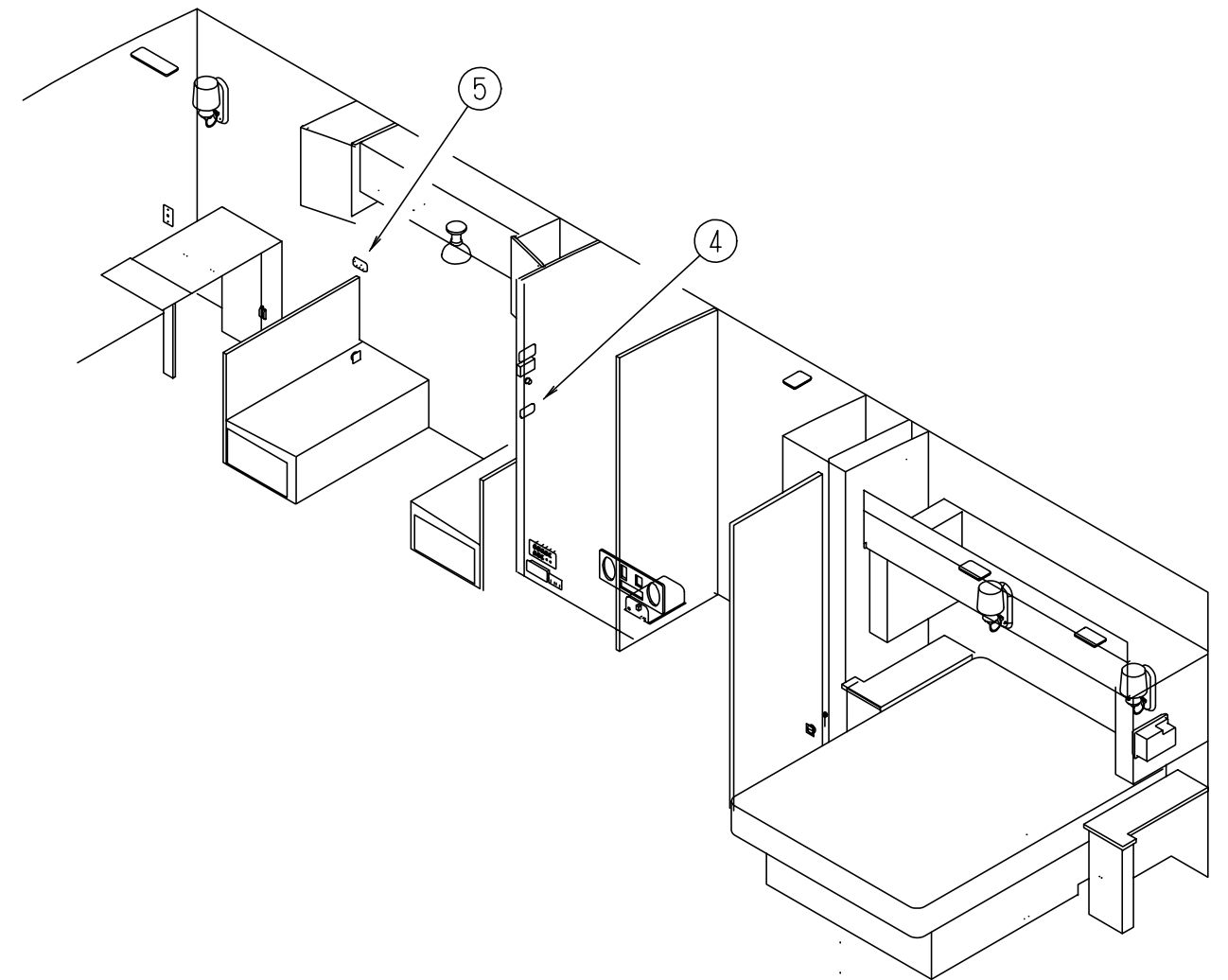
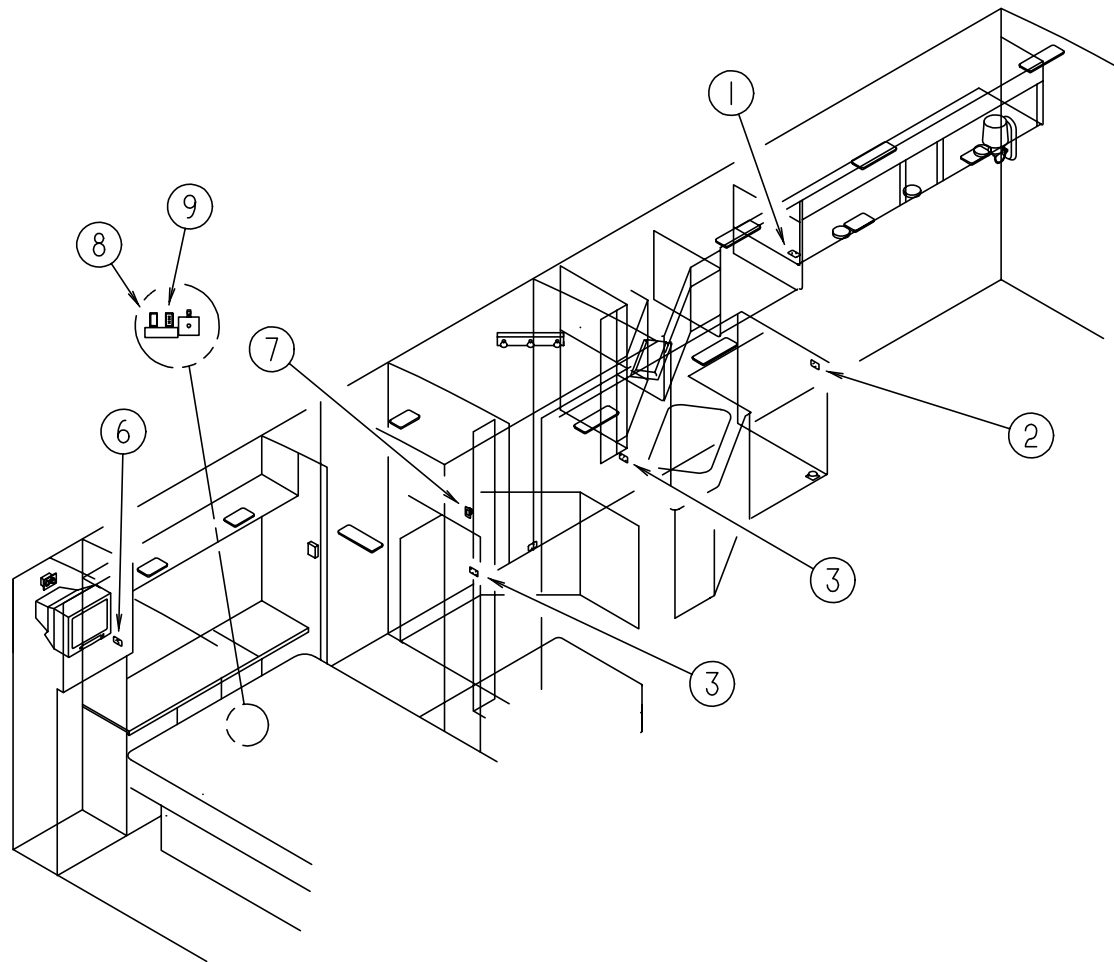
## RECEPTACLES



KEY	PART NUMBER	U/M	DESCRIPTION
1	058707-02-000	EA	RECEPTACLE - BLANK JUNCTION BOX
2	058708-01-000	EA	RECEPTACLE - ELECTRIC - DOUBLE - BROWN
2	058708-02-000	EA	RECEPTACLE - ELECTRIC - DOUBLE - IVORY
2	102568-01-GB1	EA	SPACER - RECEPTACLE - SIDEWALL - WATERFORD OAK
2	102568-01-J70	EA	SPACER - RECEPTACLE - SIDEWALL - WASHED MAPLE
2	102568-01-H23	EA	SPACER - RECEPTACLE - SIDEWALL - WHITE GRANITE
3	058708-05-000	EA	RECEPTACLE - SINGLE - BROWN
4	084076-01-000	EA	RECEPTACLE - GFI - 15 AMP - 125 VOLT - IVORY
4	084076-02-000	EA	RECEPTACLE - GFI - 15 AMP - 125 VOLT - BROWN
5	112822-01-01A	EA	RECEPTACLE - DUPLEX - IVORY
5	112824-01-03A	EA	COVER - RECEPTACLE - EXTERIOR DUPLEX
6	115930-01-000	EA	INLET - 30 AMP - 120 VOLT - EXTERIOR
6	115930-02-000	EA	INLET - 50 AMP - 240 VOLT - EXTERIOR

## ELECTRICAL GROUP (CONTINUED)

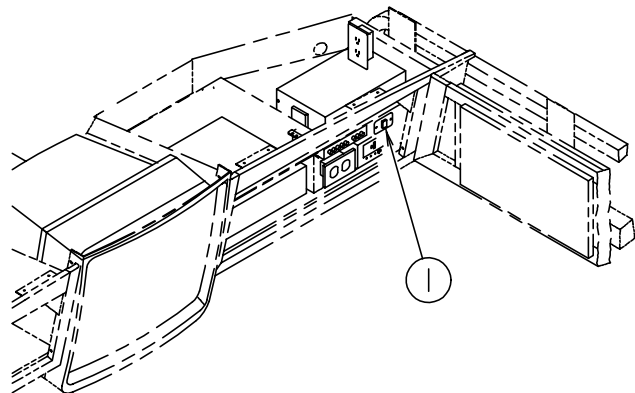
### COACH SWITCHES



KEY	PART NUMBER	U/M	DESCRIPTION
1	098351-01-01A	EA	PLATE - SWITCH - 1 GANG POLISHED BRASS
1	079364-01-000	EA	SWITCH - ON/OFF ROCKER - 2 TERMINAL - BROWN
2	098351-01-01A	EA	PLATE - SWITCH - 1 GANG POLISHED BRASS
2	079364-01-000	EA	SWITCH - ON/OFF ROCKER - 2 TERMINAL - BROWN
2	095188-01-01A	EA	SPACER - SWITCH - 2.3" X 3.4" - PLASTIC - DARK BROWN
3	098351-02-01A	EA	PLATE - SWITCH - 2 GANG POLISHED BRASS
3	079364-01-000	EA	SWITCH - ON/OFF ROCKER - 2 TERMINAL - BROWN
3	079364-03-000	EA	SWITCH - ON/OFF ROCKER - 3 TERMINAL - BROWN
3	095188-01-01A	EA	SPACER - SWITCH - 2.3" X 3.4" - PLASTIC - DARK BROWN
4	098351-03-01A	EA	PLATE - SWITCH - 3 GANG POLISHED BRASS
4	079364-01-000	EA	SWITCH - ON/OFF ROCKER - 2 TERMINAL - BROWN

KEY	PART NUMBER	U/M	DESCRIPTION
5	098351-05-01A	EA	PLATE - SWITCH - 3 GANG POLISHED BRASS
5	079364-01-000	EA	SWITCH - ON/OFF ROCKER - 2 TERMINAL - BROWN
5	095188-02-01A	EA	SPACER - SWITCH - 2.3" X 4.1" - PLASTIC - DARK BROWN
6	098351-14-01A	EA	PLATE - SWITCH - 1 GANG W/LABEL
6	079364-01-000	EA	SWITCH - ON/OFF ROCKER - 2 TERMINAL - BROWN
7	108357-01-000	EA	SWITCH - ROCKER SPST - ON/OFF - 2 TERMINAL
7	108356-02-01A	EA	COVER/ACTUATOR SWITCH - 2 ROWS DIMPLES- CONTURA II - BLACK
8	108357-08-000	EA	SWITCH - ROCKER DPDT - ON/NONE/ON - 6 TERMINAL
8	108356-02-01A	EA	COVER/ACTUATOR SWITCH - 2 ROWS DIMPLES- CONTURA II - BLACK
9	108357-06-000	EA	SWITCH - ROCKER DPDT - MOM/OFF/MOM - 6 TERMINAL
9	108356-02-01A	EA	COVER/ACTUATOR SWITCH - 2 ROWS DIMPLES- CONTURA II - BLACK

## ELECTRICAL GROUP (CONTINUED)



### FRONT END SWITCHES

KEY	PART NUMBER	U/M DESCRIPTION
1	098351-09-01A	EA PLATE - SWITCH - SPEAKER SELECT - POLISHED BRASS
1	079364-01-000	EA SWITCH - ON/OFF ROCKER - 2 TERMINAL - BROWN

### DASH SWITCHES

KEY	PART NUMBER	U/M DESCRIPTION
	108355-01-000	EA HOUSING - SWITCH
	108356-01-01A	EA COVER/ACTUATOR SWITCH - 3 GROOVES - CONTURA III - BLACK
	108356-02-01A	EA COVER/ACTUATOR SWITCH - 2 ROWS DIMPLES - CONTURA II - BLACK
	108356-03-01A	EA COVER/ACTUATOR SWITCH - 3 GROOVES W/LIGHT - CONTURA III - BLACK
	108356-04-01A	EA COVER/ACTUATOR SWITCH - 2 ROWS DIMPLES W/LENS-CONTURAIL - BLK
	108356-05-01A	EA COVER/ACTUATOR SWITCH - 3 GROOVES W/LENS - GEN SET - CONTURA III
	108356-06-01A	EA COVER/ACTUATOR SWITCH - 3 GROOVES - AUX START - CONTURA III - BLK
	108356-07-01A	EA COVER/ACTUATOR SWITCH - 2 ROWS DIMPLES - AUX START - BLACK
	108356-08-01A	EA COVER/ACTUATOR SWITCH - 2 ROW DIMPLES W/LENS - REAR - BLACK
	108356-09-01A	EA COVER/ACTUATOR SWITCH - 2 ROWS DIMPLES W/LENS - WASH/BLACK
	108356-10-01A	EA COVER/ACTUATOR SWITCH - 2 ROWS DIMPLES W/LENS-SHOWER DRAIN
	108356-11-01A	EA COVER/ACTUATOR SWITCH - 3 GROOVES - AUX BATT - BLACK
	108357-01-000	EA SWITCH - ROCKER SPST - ON/OFF - 2 TERMINAL
	108357-02-000	EA SWITCH - ROCKER SPST - ON/MOM - 2 TERMINAL
	108357-03-000	EA SWITCH - ROCKER SPDT - ON/OFF/ON - 3 TERMINAL
	108357-04-000	EA SWITCH - ROCKER SPDT - MOM/OFF/ON - 3 TERMINAL
	108357-05-000	EA SWITCH - ROCKER SPDT - ON/NONE/ON - 3 TERMINAL
	108357-06-000	EA SWITCH - ROCKER DPDT - MOM/OFF/MOM - 6 TERMINAL
	108357-07-000	EA SWITCH - ROCKER SPDT - MOM/OFF/MOM - 3 TERMINAL
	108357-08-000	EA SWITCH - ROCKER DPDT - ON/NONE/ON - 6 TERMINAL
	108357-09-000	EA SWITCH - ROCKER SPDT - ON/NONE/MOM - 3 TERMINAL
	108357-10-000	EA SWITCH - ROCKER SPDT W/LIGHT - MOM/NONE/MOM - 5 TERMINAL
	108357-12-000	EA SWITCH - ROCKER DPST W/LIGHT - MOM/NONE/OFF - 7 TERMINAL
	108357-13-000	EA SWITCH - ROCKER DPDT W/LIGHT - MOM/ON-OFF/OFF - 7 TERMINAL
	108357-14-000	EA SWITCH - ROCKER SPDT W/LIGHT - ON/NONE/OFF - 4 TERMINAL
	096241-03-000	EA SWITCH - BLANK
	096241-08-000	EA SWITCH - BLANK

### ELECTRIC BOXES & CORDS

KEY	PART NUMBER	U/M DESCRIPTION
	008052-01-000	EA CORD - POWER - 10/3 - 30 AMP - 25' - CANADIAN
	008054-01-000	EA CORD - POWER - 10/3 - 30 AMP - 25'
	008054-02-000	EA CORD - POWER - 10/3 WIRE - 30 AMP 33'
	008289-01-000	EA BOX - ELECTRIC/STEEL - 1/2" & 3/4" KNOCKOUTS - 4" X 4"
	008289-02-000	EA BOX - ELECTRIC/STEEL - 1/2" & 3/4" KNOCKOUTS - 4" X 4"-CAN
	008294-01-000	EA COVER - ELECTRICAL BOX - BLANK/STEEL - 4" X 4" - GRAY
	008294-02-000	EA COVER - ELECTRICAL BOX - BLANK STEEL - 4" X 4" - CANADIAN
	091910-01-000	EA BOX - ELECTRIC - 3.8" X 3.5" X 1.8" - PLASTIC
	091910-02-000	EA BOX - ELECTRIC - 2.2" X 3.5" X 1.7" - PLASTIC

## ELECTRICAL GROUP (CONTINUED)

### ELECTRIC BOXES & CORDS (CONTINUED)

KEY	PART NUMBER	U/M DESCRIPTION
	092492-08-000	EA SEAL - ELECTRIC BOX
	092492-11-000	EA SEAL - ELECTRICAL BOX
	098196-01-000	EA LATCH - 1/4 TURN - T-BAR
	108934-01-000	EA CORD - POWER - 50 AMP - 4 WIRE - 36'
	109925-03-000	EA DOOR - ELECTRIC BOX - FREIGHTLINER
	109925-04-000	EA DOOR - ELECTRICAL BOX - GM/FORD
	113096-01-000	EA CORD - POWER - 50 AMP - 4 WIRE - 36' - CSA
	118905-02-02B	EA DOOR - ELECTRIC - CHEVY & FORD

### WIRE ASSEMBLIES

KEY	PART NUMBER	U/M DESCRIPTION
	P27264-02-000	EA WIRE ASSEMBLY - RADIO AM/FM CASSETTE
	127264-02-000	EA WIRE ASSEMBLY - RADIO AM/FM CASSETTE
	P27516-02-000	EA WIRE ASSEMBLY - RADIO AM/FM CD
	127516-02-000	EA WIRE ASSEMBLY - RADIO AM/FM CD
	073328-B4-000	EA CABLE ASSEMBLY - BATTERY - W/TERMINALS
	090986-01-000	EA WIRE ASSEMBLY - ELECTRIC STEP
	096449-01-000	EA WIRE ASSEMBLY - WATER TANK TO MONITOR PANEL (GM/FORD)
	096449-02-000	EA WIRE ASSEMBLY - WATER TANK TO MONITOR PANEL (FREIGHTLINER)
	096717-03-000	EA WIRE - REAR MONITOR - AFTER MARKET INSTALLATION
	097618-01-000	EA WIRE ASSEMBLY - MONITOR PANEL - W/3 WIRES & ORANGE RESISTOR
	108029-01-000	EA WIRE ASSEMBLY - POWER DRIVER SEAT
	108303-01-000	EA WIRE ASSEMBLY - REAR AUTO HEATER
	111915-01-000	EA WIRE ASSEMBLY - DAYTIME RUNNING LAMPS - FUSED - GM
	111915-03-000	EA WIRE ASSEMBLY - DAYTIME RUNNING LAMPS - FUSED - FORD
	113134-03-000	EA WIRE ASSEMBLY - WIPER/WASHER
	113639-01-000	FT CABLE - 3/0 AWG STRANDED - RED
	113639-02-000	FT CABLE - 3/9 AWG STRANDED
	120233-05-000	EA WIRE - 30" W/DIGITAL SENSOR CONNECTOR/STRIPED LEAD
	123452-01-000	EA WIRE - PUMP - SLIDEOUT
	124336-01-000	EA WIRE - REAR STEREO - 12 PIN
	127002-03-000	EA WIRE ASSEMBLY - ENERGY MANAGEMENT SYSTEM

### CONNECTORS & CONDUIT

KEY	PART NUMBER	U/M DESCRIPTION
	007942-01-000	EA TAB - WIRE 10 TO 14 AWG
	007954-01-000	EA RECEPTACLE - HOUSING - 6 POSITION
	007956-05-000	EA INSULATOR - SHRINK - .25 ID X 1.50
	008311-01-000	EA CONNECTOR - WIRE NUT - INSULATED - RED
	008312-01-000	EA CONNECTOR - WIRE NUT - INSULATED - BLUE
	008313-01-000	EA CONNECTOR - WIRE NUT - INSULATED - YELLOW
	008314-01-000	EA CONNECTOR - WIRE NUT - INSULATED - GRAY
	008326-01-000	EA TERMINAL - RING - 16/14 WIRE - 3/8" STUD
	008328-01-000	EA TERMINAL - RING - 12/10 WIRE - #10 STUD FIT
	008331-01-000	EA TERMINAL - RING - TONGUE - #4 WIRE - 3/8" STUD - COPPER
	008348-01-000	EA TERMINAL - RING - 3/8" STUD 2 GA. WIRE
	008355-01-000	EA CONNECTOR - CABLE CLAMPING - 3/4"
	008356-01-000	EA CONNECTOR - PLASTIC - 3/8" AVG
	008356-02-000	EA CONNECTOR - PLASTIC - 21/32
	008394-01-000	FT CONDUIT - FLEXIBLE - 1/2"
	035416-04-000	EA TERMINAL - RING - #10 STUD FIT - INSULATED BARREL #16/14
	041480-01-000	EA CONNECTOR - STRAIGHT - 1/2' FLEX CONDUIT
	041953-01-000	FT CONDUIT - CONVOLUTE SLIT - .5" ID
	041953-03-000	FT CONDUIT - CONVOLUTE SLIT - 1" ID (CLOTHES ROD COVER)
	041953-05-000	FT CONDUIT - CONVOLUTE SOLID - .62" ID
	041953-06-000	FT CONDUIT - CONVOLUTE SLIT - .375" ID
	041953-07-000	FT CONDUIT - CONVOLUTE SLIT - .25" ID
	041953-08-000	FT CONDUIT - CONVOLUTE SLIT - 1.50" ID
	041953-09-000	FT CONDUIT - CONVOLUTE SLIT - .50" ID

**ELECTRICAL GROUP (CONTINUED)****CONNECTORS & CONDUIT (CONTINUED)**

KEY	PART NUMBER	U/M	DESCRIPTION
	041953-10-000	FT	CONDUIT - CONVOLUTE SLIT - .75" ID
	041953-11-000	FT	CONDUIT - CONVOLUTE SLIT - 1.06" ID
	041953-12-000	FT	CONDUIT - CONVOLUTE NON SLIT - 1.1" ID
	047443-01-000	EA	TERMINAL - .250 RECEPTACLE FIT - INSULATED - 16/14 AWG
	047443-02-000	EA	TERMINAL - .250 RECEPTACLE FIT - INSULATED - 12/10 AWG
	058028-01-000	EA	CONNECTOR - ELECTRICAL PIGTAIL - NYLON - CLEAR
	062036-01-000	EA	TERMINAL - PACK - CON - 12/10 AWG
	062036-02-000	EA	TERMINAL - PACK - CON - 16/14 AWG
	074017-02-000	EA	HOUSING - 5 POSITION - RIGHT ANGLED
	077479-01-000	EA	BOOT - BATTERY TERMINAL - DOUBLE CABLE
	077479-02-000	EA	BOOT - BATTERY TERMINAL - SINGLE CABLE
	080015-02-000	EA	RECEPTACLE - FLAG - .185 - 16/14 GAUGE
	080015-03-000	EA	RECEPTACLE - FLAG - .250 - 14/16 GA
	082109-01-000	EA	HOUSING - CONNECTOR - PACKARD
	082741-01-000	EA	CONNECTOR BODY - 2 CNCT MALE - SERV ELEC 2P-FYL
	087225-01-000	FT	SLEEVING - 1/2" - TYPE H
	087225-02-000	FT	SLEEVING - 5/8" - TYPE H
	087949-01-000	EA	BUSS BAR - 2 POSITION - .6" X 1.5"
	087949-02-000	EA	BUSS BAR - 3 POSITION - .6" X 2.4"
	087949-03-000	EA	BUSS BAR - 4 POSITION
	088267-01-000	EA	TERMINAL - FEMALE - 1/4
	088473-01-000	EA	HOUSING - PIN - 12 CAVITY
	088473-02-000	EA	HOUSING - PIN - 15 CAVITY
	088473-03-000	EA	HOUSING - PIN - 9 CAVITY
	088473-04-000	EA	HOUSING - PIN - 8 CAVITY IN-LINE
	088473-05-000	EA	HOUSING - PIN - 6 CAVITY
	088473-06-000	EA	HOUSING - PIN - 6 CAVITY
	088473-07-000	EA	HOUSING - PIN - 5 CAVITY
	088473-08-000	EA	HOUSING - PIN - 4 CAVITY
	088473-09-000	EA	HOUSING - PIN - 3 CAVITY
	088473-10-000	EA	HOUSING - PIN - 2 CAVITY
	088474-01-000	EA	HOUSING - SOCKET - 12 CAVITY
	088474-02-000	EA	HOUSING - SOCKET - 15 CAVITY
	088474-03-000	EA	HOUSING - SOCKET - 9 CAVITY
	088474-06-000	EA	HOUSING - SOCKET - 6 CAVITY
	088474-07-000	EA	HOUSING - SOCKET - 5 CAVITY
	088474-08-000	EA	HOUSING - SOCKET - 4 CAVITY
	088474-09-000	EA	HOUSING - ELECTRICAL - 3 TERMINAL
	088474-10-000	EA	HOUSING - SOCKET - 2 CAVITY
	088475-01-000	EA	PIN - CONNECTOR - 14 - 20 AWG
	088475-02-000	EA	PIN - CONNECTOR - 10-12 AWG
	088476-01-000	EA	TERMINAL - ELECTRICAL
	088476-02-000	EA	SOCKET - CONNECTOR - 12-10 GA - PRE-TIN
	092786-02-000	EA	BUSS BAR - 3.3" LONG
	092786-03-000	EA	BUSS BAR - 6.9" LONG
	098260-01-000	EA	TERMINAL - MALE - 56 SERIES
	098261-02-000	EA	SOCKET - CONNECTOR - WEATHERPACK
	098262-01-000	EA	SEAL - CONNECTOR - WEATHERPACK
	098262-05-000	EA	SEAL - CAVITY
	098262-06-000	EA	SEAL - CONNECTOR - M/P - 10 GAUGE
	098264-01-000	EA	HOUSING - 2 PIN - WEATHERPACK
	098264-02-000	EA	HOUSING - 2 PIN - WEATHER PACK
	098265-02-000	EA	PIN - CONNECTOR - WEATHERPACK
	101571-01-000	EA	HOUSING - 2 POSITION - MALE
	102777-02-000	EA	TERMINAL - RING - #6 STUD - 10 AWG
	103608-01-000	EA	SOCKET - WEDGE BASE W/LEADS
	104100-01-000	EA	HOUSING - 1 POSITION - 75 AMPS
	104100-02-000	EA	TERMINAL - 75 AMP
	104100-02-000	EA	TERMINAL - 75 AMP
	104100-03-000	EA	TERMINAL - 75 AMP
	106006-01-000	EA	HOUSING - 1 POSITION - FEMALE
	106007-01-000	EA	TERMINAL - FEMALE - 14-16 AWG
	106655-01-000	EA	TERMINAL - FUSE BLOCK - 14-16 AWG

**ELECTRICAL GROUP (CONTINUED)****CONNECTORS & CONDUIT (CONTINUED)**

KEY	PART NUMBER	U/M	DESCRIPTION
	110178-01-000	EA	HOUSING - WIPER MOTOR
	112823-01-000	EA	SPLICE - REDUCER - 16-4 TO 18-22
	113131-01-000	EA	HOUSING - 3 PIN
	113135-01-000	EA	TERMINAL - FEMALE- M/P - 14-16
	113135-02-000	EA	TERMINAL - FEMALE- M/P - 280 - 10-12
	113306-01-000	EA	TERMINAL - FEMALE - M/P - 14-16
	113306-02-000	EA	TERMINAL - FEMALE - M/P - 10-12 - 480
	113307-01-000	EA	TERMINAL - FEMALE - M/P - 16-20
	113308-01-000	EA	TERMINAL - FEMALE - M/P - 14-16 - 280
	113468-01-000	EA	HOUSING - 2 POSITION - FEMALE
	115931-01-000	EA	COVER - CONNECTOR - W/LOCK RING
	115931-02-000	EA	COVER - CONNECTOR
	115932-01-000	EA	CONNECTOR - FEMALE - 30 AMP - 120 VOLT
	115932-02-000	EA	CONNECTOR - FEMALE - 50 AMP - 240 VOLT
	116811-01-000	EA	TERMINAL - .110 RECEPTACLE - 16-14 AWG
	118571-01-000	EA	CONNECTOR - 3-WAY - MALE/SEALED
	118571-02-000	EA	CONNECTOR - 3-WAY - FEMALE/SEALED
	118571-03-000	EA	BRACKET - MOUNTING
	118571-04-000	EA	GASKET - MACK120MF2136M
	118571-05-000	EA	LOCK - SECONDARY - FEMALE
	118571-06-000	EA	LOCK - SECONDARY - MALE
	118597-01-000	EA	TERMINAL - MALE - M/P - 480 - 14-16
	118597-02-000	EA	TERMINAL - MALE - M/P - 480 - 10-12
	118599-01-000	EA	TERMINAL - MALE - M/P - 280 - 14-16
	119248-02-000	EA	HOUSING - 7 POSITION - FEMALE
	125323-01-000	EA	HOUSING - 10 POSITION - MALE
	125323-02-000	EA	HOUSING - 8 POSITION - MALE
	125323-03-000	EA	LOCK - SECONDARY 8 POSITION
	125323-04-000	EA	LOCK - SECONDARY 10 POSITION
	125324-01-000	EA	TERMINAL - MALE
	125325-01-000	EA	SEAL - CAVITY
	126403-01-000	EA	CONNECTOR - 2 CIRCUIT
	126403-02-000	EA	CONNECTOR - 3 CIRCUIT
	129233-01-000	EA	HOUSING - 2-POSITION/FEMALE - 280-SERIES
	129234-02-000	EA	HOUSING - 6-POSITION/FEMALE - 280-SERIES
	129234-03-000	EA	LOCK - SECONDARY - 6-POSITION
	129235-01-000	EA	HOUSING - 2-POSITION/FEMALE - 630-SERIES
	129236-01-000	EA	TERMINAL - FEMALE - M/P - 630 - 10-12

**SOLAR PANEL**

KEY	PART NUMBER	U/M	DESCRIPTION	VENDOR NO.
	115504-01-000	EA	PANEL - SOLAR 10 WATT	
	115504-01-700	EA	PLUG & CABLE - 10 WATT PANEL	600-016
	115505-01-000	EA	LIGHT - MONITOR/SOLAR PANEL - RED LED INDICATOR	

**BATTERY BOOT & STUD**

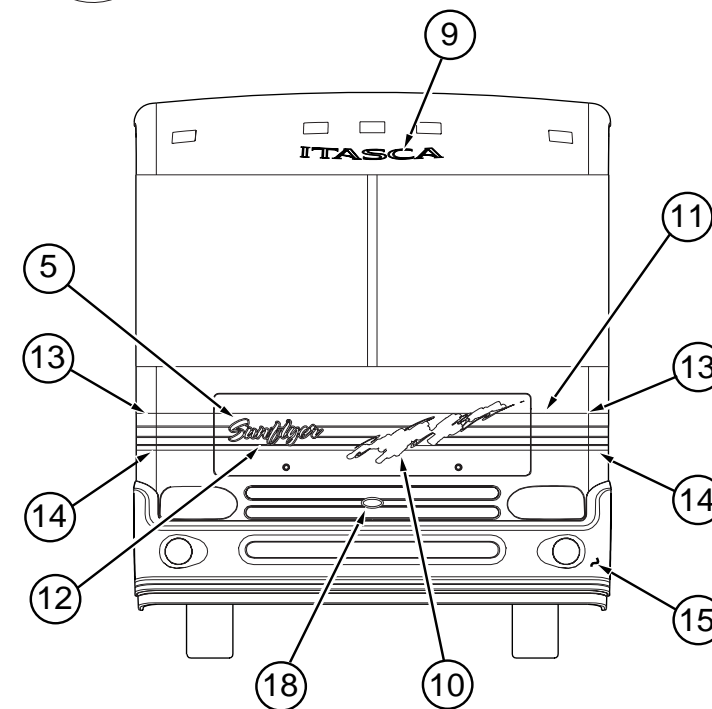
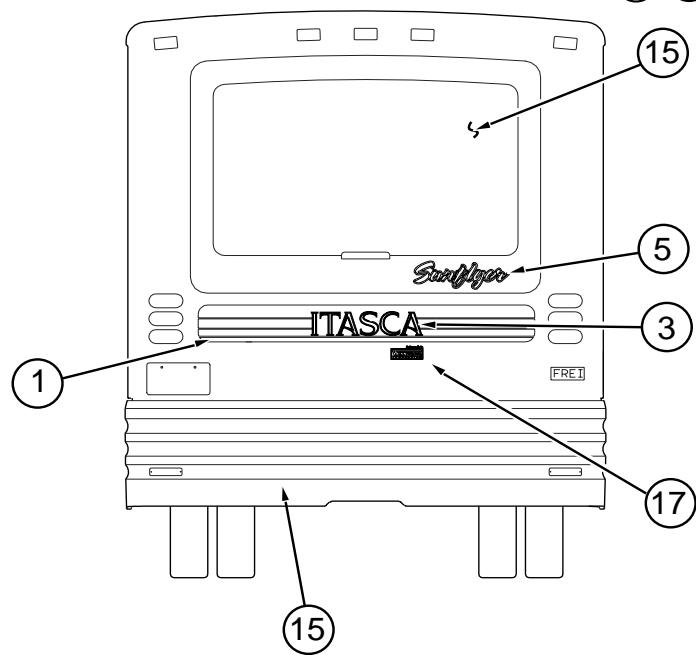
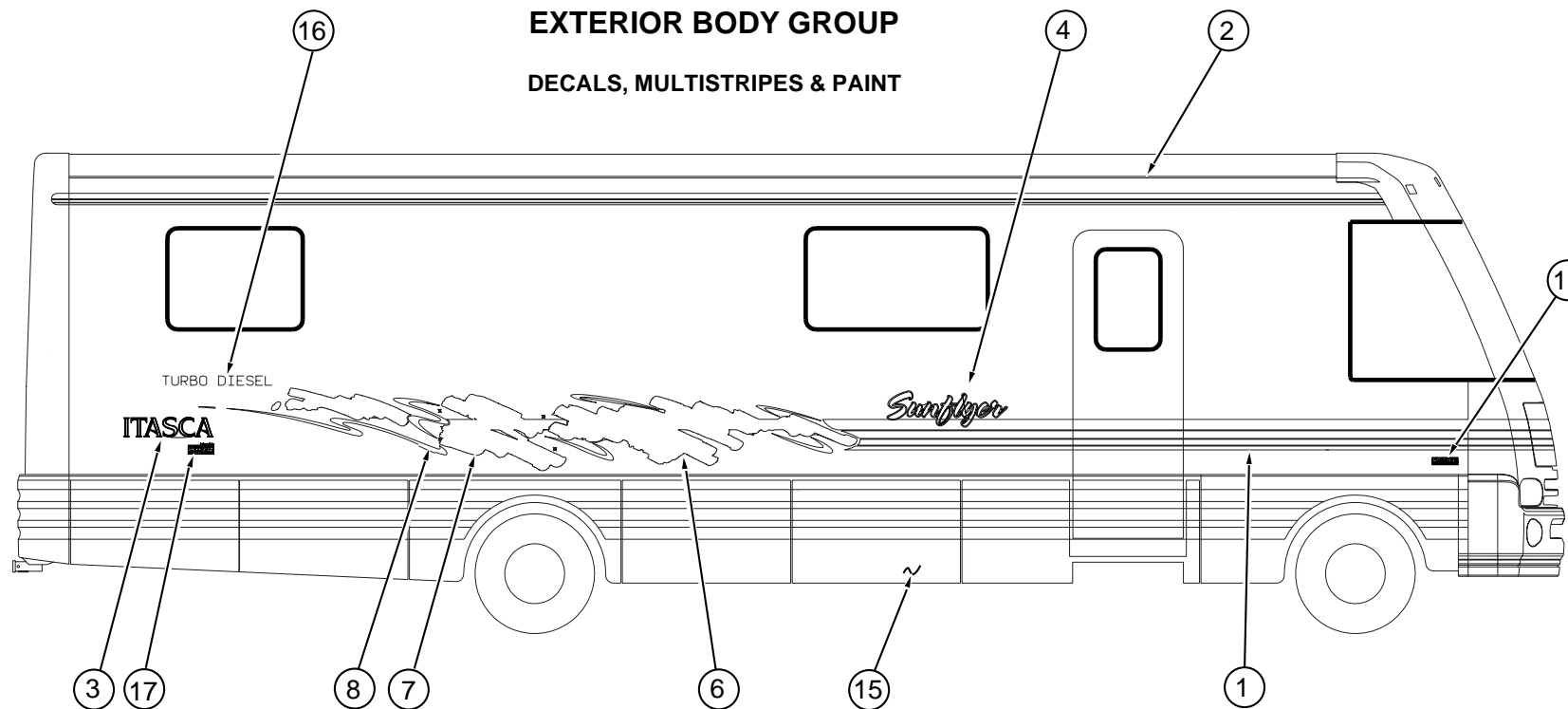
KEY	PART NUMBER	U/M	DESCRIPTION
	077479-01-000	EA	BOOT - BATTERY TERMINAL - DOUBLE CABLE
	077479-02-000	EA	BOOT - BATTERY TERMINAL - SINGLE CABLE
	086233-01-000	EA	STUD - ISOLATED - 3/8" X 7/8" LONG

**SOLENOID & RELAYS**

KEY	PART NUMBER	U/M	DESCRIPTION
	008188-01-000	EA	SOLENOID - 3 POST - BATTERY CHANGE OVER
	063910-01-000	EA	HOUSING - RELAY
	063912-02-000	EA	RELAY - CANISTER - SPDT
	086273-01-000	EA	RELAY - BATTERY DISCONNECT

# EXTERIOR BODY GROUP

## DECALS, MULTISTRIPES & PAINT

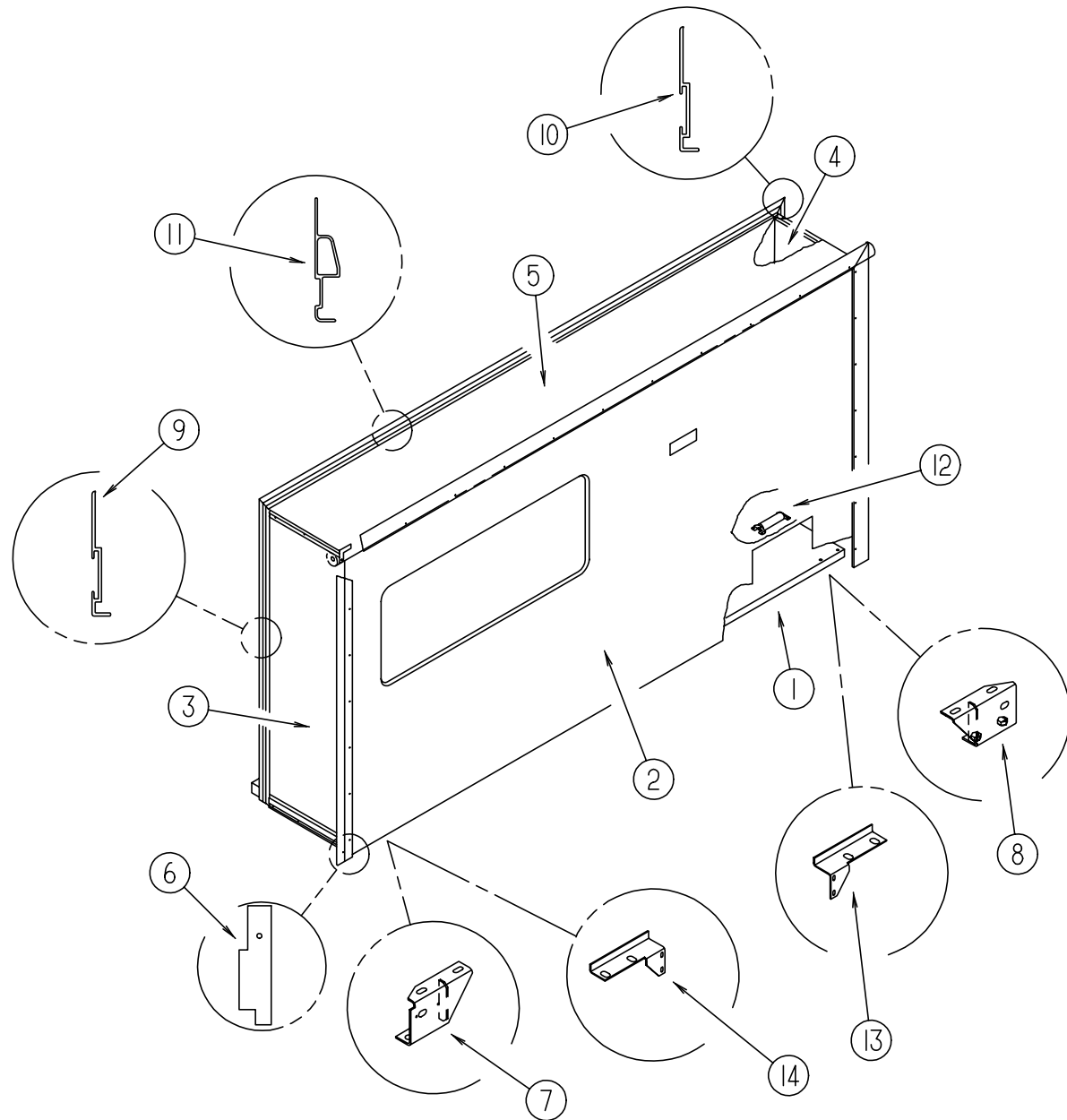


KEY	PART NUMBER	U/M DESCRIPTION	VENDOR NO.
1	093689-20-01A	FT FILM - MULTISTRIFE - 8" - *S-SMT/DKTL/ORCH/LTG	
2	094443-41-01A	FT FILM - MULTISTRIFE - 3"	
3	124811-01-04A	EA DECAL - LOGO - ITASCA	
4	120712-01-01A	EA DECAL - LOGO - SUNFLYER/LARGE	
5	120712-02-01A	EA DECAL - LOGO - SUNFLYER/SMALL	
6	120713-01-01A	EA DECAL - BRUSHSTROKE - #1 - RIGHT HAND	
6	120713-02-01A	EA DECAL - BRUSHSTROKE - #1 - LEFT HAND	
7	120714-01-01A	EA DECAL - BRUSHSTROKE - #2 - RIGHT HAND	
7	120714-02-01A	EA DECAL - BRUSHSTROKE - #2 - LEFT HAND	
8	120715-01-01A	EA DECAL - BRUSHSTROKE - #3 - RIGHT HAND	
8	120715-02-01A	EA DECAL - BRUSHSTROKE - #3 - LEFT HAND	
9	124989-01-02A	EA DECAL - LOGO - ITASCA/SWEEP #15	
10	120716-01-01A	EA DECAL - BRUSHSTROKE - SMALL	
11	120717-01-01A	EA DECAL - HOOD - UPPER	
12	120718-01-01A	EA DECAL - HOOD - LOWER	

KEY	PART NUMBER	U/M DESCRIPTION	VENDOR NO.
13	120719-01-01A	EA DECAL - CORNER - UPPER/RIGHT HAND	
13	120719-02-01A	EA DECAL - CORNER - UPPER/LEFT HAND	
14	120720-01-01A	EA DECAL - CORNER - LOWER/RIGHT HAND	
14	120720-02-01A	EA DECAL - CORNER - LOWER/LEFT HAND	
15	NA	GL PAINT-SEAMIST	DUPONT F1977U
15	NA	GL PAINT-CHAMPAGNE METALLIC	DUPONT F2997U
16	111318-03-11A	EA DECAL - TURBO - DIESEL	
17	122770-01-06A	EA DECAL - BUILT PROUDLY BY WINNEBAGO INDUSTRIES	
18	120875-01-01A	EA DECAL - LOGO - GRILLE - DOMED	
18	120994-01-01A	EA BEZEL - DOMED GRILLE LOGO	
19	122312-01-01A	EA DECAL - VORTEC 7400	
			FROM: 00-00-00 THRU: 09-14-97
19	122312-02-01A	EA DECAL - VORTEC 7400	
			FROM: 09-15-97 THRU: 99-99-99
	093681-40-01A	FT FILM - 2"	
	041561-03-000	EA PAINT - 16 OUNCE SPRAY - OFF WHITE	
	099399-23-700	EA PAINT-SPRAY-BRT WHITE ENAMEL	DUPONT # B8951U

## EXTERIOR BODY GROUP (CONTINUED)

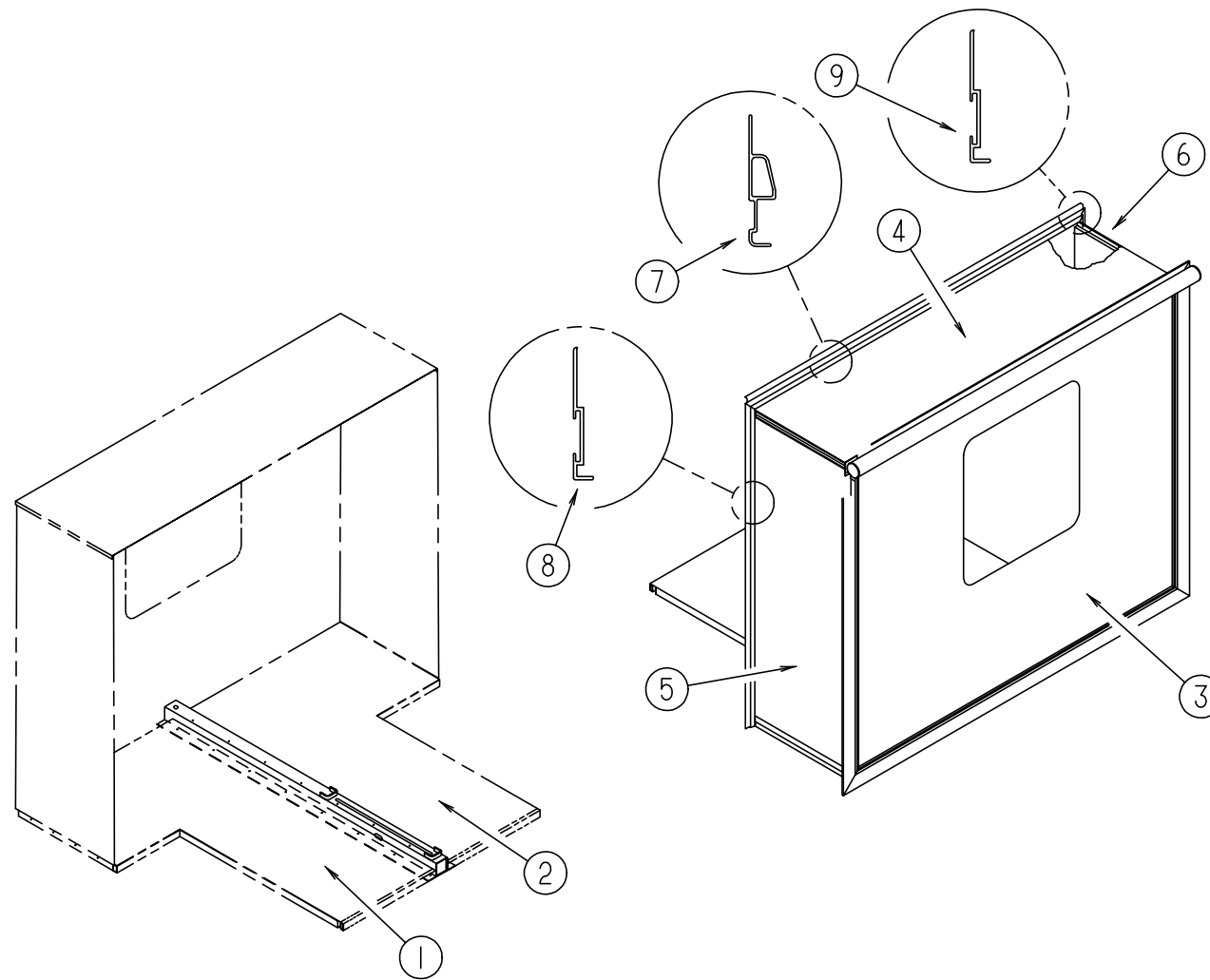
### GALLEY SLIDEOUT PANELS & INNER TRIM SEAL



KEY	PART NUMBER	U/M	DESCRIPTION
1	P26222-01-J60	EA	FLOOR ASM-SLIDEOUT
	117058-01-01A	FT	TAPE - LOOP - 3/4" WIDE - ADHESIVE BACKED
2	119783-11-J60	EA	PANEL - SLIDEOUT/OUTER (J94, J60)
2	119783-11-J61	EA	PANEL - SLIDEOUT/OUTER (J95, J61)
2	119783-11-J62	EA	PANEL - SLIDEOUT/OUTER (J96, J62)
3	121401-02-J60	EA	PANEL - SLIDEOUT/FRONT (J94, J60)
3	121401-02-J61	EA	PANEL - SLIDEOUT/FRONT (J95, J61)
3	121401-02-J62	EA	PANEL - SLIDEOUT/FRONT (J96, J62)
4	121402-03-J60	EA	PANEL - SLIDEOUT/REAR (J94, J60)
4	121402-03-J61	EA	PANEL - SLIDEOUT/REAR (J95, J61)
4	121402-03-J62	EA	PANEL - SLIDEOUT/REAR (J96, J62)
5	126221-01-J22	EA	ROOF - SLIDEOUT - W/O LIGHTS/VENTS - W/WIRING
6	126546-01-02A	EA	COVER - SIDEWALL - END - BRT/WHT
7	127030-01-02B	EA	BRACKET - SLIDEOUT MOUNT
8	127030-02-02B	EA	BRACKET - SLIDEOUT MOUNT
9	117004-01-01A	EA	TRIM - SEAL - INNER - OFF WHITE
10	117004-02-01A	EA	TRIM - SEAL - INNER - OFF WHITE
11	117004-03-03A	EA	TRIM - SEAL - INNER - OFF WHITE
12	127033-01-01A	EA	ROLLER - GUIDE
			FROM: 00-00-00 THRU: 07-20-97
13	125888-01-02B	EA	BRACKET - SLIDEOUT COMPT - RH EC
14	125888-02-02B	EA	BRACKET - SLIDEOUT COMPT - LH EC

## EXTERIOR BODY GROUP (CONTINUED)

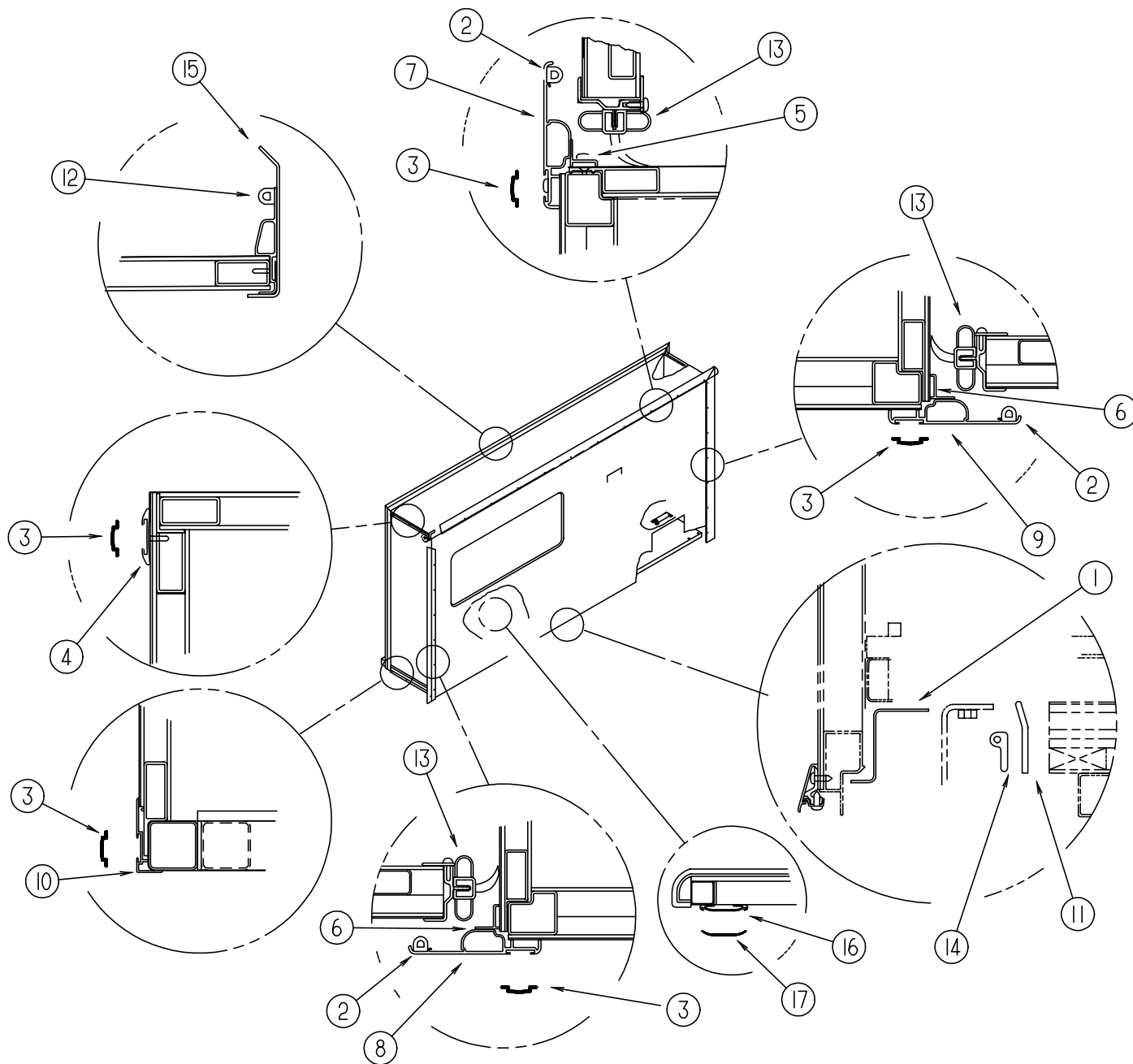
### BEDROOM SLIDEOUT PANELS & INNER TRIM SEAL



KEY	PART NUMBER	U/M DESCRIPTION
1	P27704-01-J60	EA FLOOR ASM - SLIDEOUT
2	P27704-02-J60	EA FLOOR ASM - SLIDEOUT
	117058-01-01A	FT TAPE - LOOP - 3/4" WIDE - ADHESIVE BACKED
3	121403-03-J60	EA PANEL - SLIDEOUT/OUTER (J94, J60)
3	121403-03-J61	EA PANEL - SLIDEOUT/OUTER (J95, J61)
3	121403-03-J62	EA PANEL - SLIDEOUT/OUTER (J96, J62)
4	127705-01-J60	EA ROOF - SLIDEOUT - W/O LIGHTS/VENTS - W/WIRING
5	127706-01-J60	EA PANEL - SLIDEOUT/REAR (J94, J60)
5	127706-01-J61	EA PANEL - SLIDEOUT/REAR (J95, J61)
5	127706-01-J62	EA PANEL - SLIDEOUT/REAR (J96, J62)
6	127707-01-J60	EA PANEL - SLIDEOUT/FRONT (J94, J60)
6	127707-01-J61	EA PANEL - SLIDEOUT/FRONT (J95, J61)
6	127707-01-J62	EA PANEL - SLIDEOUT/FRONT (J96, J62)
7	117004-04-01A	EA TRIM - SEAL - INNER - OFF WHITE
8	117004-06-01A	EA TRIM - SEAL - INNER - OFF WHITE
9	117004-07-01A	EA TRIM - SEAL - INNER - OFF WHITE

# EXTERIOR BODY GROUP (CONTINUED)

## GALLEY SLIDEOUT SUPPORTS, SEALS & TRIMS



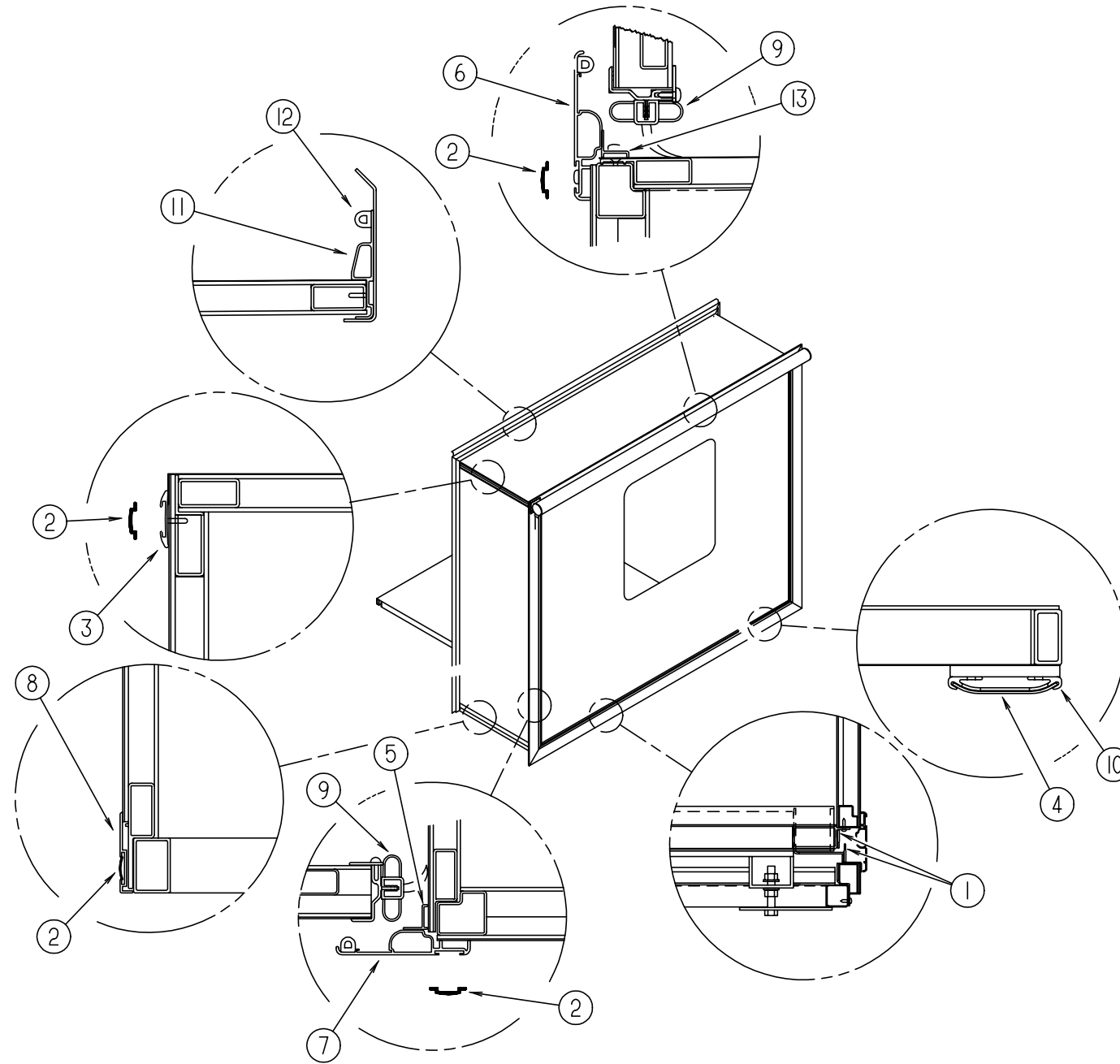
KEY	PART NUMBER	U/M	DESCRIPTION
1	128621-01-01A	EA	ZEE-SLIDEOUT - W/HOLES - MILL
2	099418-01-000	FT	SEAL - D-SECTION/ADHESIVE BACK - .44" X .44"- BLK RUBBER
3	105312-01-07A	FT	INSERT - VINYL FEATURE STRIP - BRIGHT WHITE
4	108688-01-03A	EA	STRIP - FEATURE - 15'
5	116933-07-01A	EA	TRIM - SEAL - B/W
6	116933-09-01A	EA	TRIM - SEAL
7	119992-07-02A	EA	TRIM - SEAL/ROOF EDGE W/MITERED ENDS - 147" - BRIGHT WHITE
8	119992-09-01A	EA	TRIM - SEAL W/MITERED ENDS - 75.7" - BRIGHT WHITE
9	119992-10-01A	EA	TRIM - SEAL W/MITERED ENDS - 75.7" - BRIGHT WHITE
10	125051-01-01A	EA	STRIP - FEATURE - LOWER - B/W

KEY	PART NUMBER	U/M	DESCRIPTION
11	089275-02-000	FT	STRIP - 3/4" X 84" BLACK POLYETHELENE
11	115075-02-000	FT	SEAL - WIPE - .25" X 3.15"
12	112091-01-000	FT	SEAL-D - NEOPRENE - TRUNK
13	115076-01-000	FT	SEAL - SLIDEOUT
14	121283-01-000	FT	SEAL - P SHAPED
15	125466-02-01A	EA	SUPPORT - ROOF - INTERIOR - OFF/WHITE
16	115325-04-02A	EA	RAIL - FLOOR - SLIDEOUT ROOM
17	115661-01-000	FT	POLYETHYLENE - HIGH DENSITY - 1/16" X 3'



## EXTERIOR BODY GROUP (CONTINUED)

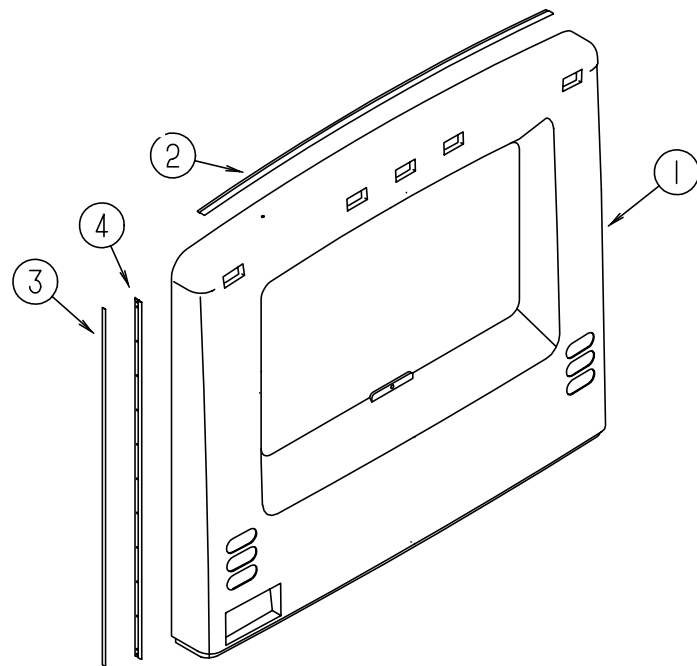
### BEDROOM SLIDEOUT SUPPORTS, SEALS & TRIMS



KEY	PART NUMBER	U/M	DESCRIPTION
1	123012-01-000	FT	SEAL - SLIDEOUT
2	105312-01-07A	FT	INSERT - VINYL FEATURE STRIP - BRIGHT WHITE
3	108688-01-03A	EA	STRIP - FEATURE - 15'
4	115661-01-000	FT	POLYETHYLENE - HIGH DENSITY - 1/16" X 3'
5	116933-05-02A	EA	TRIM - SEAL - BRIGHT WHITE
5	117058-01-01A	FT	TAPE - LOOP - 3/4" WIDE - ADHESIVE BACKED
6	119992-04-02A	EA	TRIM - SEAL - W/MITERED ENDS

KEY	PART NUMBER	U/M	DESCRIPTION
7	119992-05-02A	EA	TRIM - SEAL - W/MITERED ENDS
8	125051-02-01A	EA	TRIM - FEATURE - LOWER - B/W
9	115076-01-000	FT	SEAL - SLIDEOUT
10	115325-08-01A	EA	RAIL - FLOOR - SLIDEOUT ROOM
11	125468-05-03B	EA	SUPPORT - INTERIOR ROOF - OFF WHITE
12	112091-01-000	FT	SEAL-D - NEOPRENE - TRUNK
13	116933-04-02A	EA	TRIM - SEAL - BRIGHT WHITE

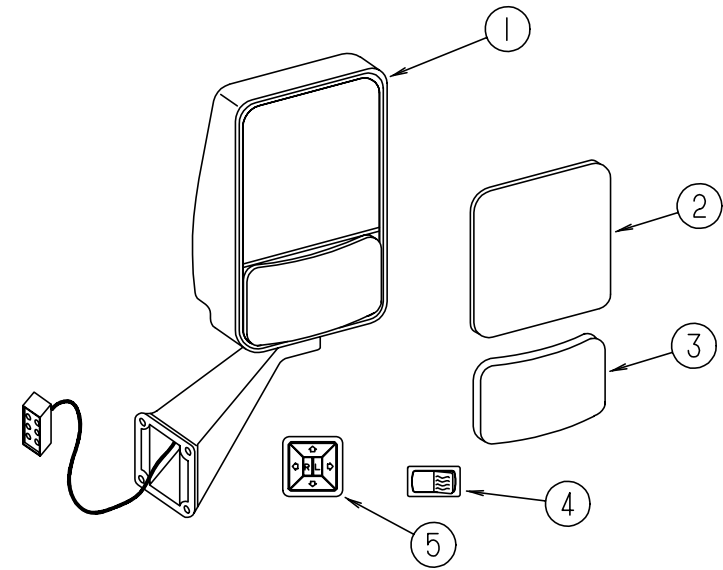
**EXTERIOR BODY GROUP (CONTINUED)**



**REAR PANELS & TRIMS**

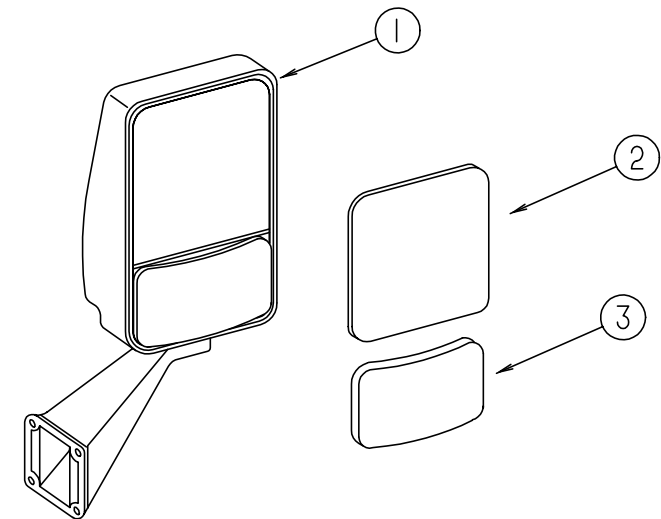
KEY	PART NUMBER	U/M DESCRIPTION
1	124720-02-J60	EA PANEL - REAR CAP
2	083805-23-000	EA TRIM - CAP - ROOF - 92"
3	091985-01-07A	FT MOLDING - TRIM - BRIGHT WHITE
4	092041-04-01A	EA TRIM - REAR - CAP TO SIDEWALL
	104692-03-000	FT SEAL - FOAM/ADHESIVE BACK - 1"THICK X 1.25"WIDE X 15'

**EXTERIOR BODY GROUP (CONTINUED)**



**EXTERIOR MIRROR OPTION (REMOTE & HEAT)**

KEY	PART NUMBER	U/M DESCRIPTION
1	106015-12-01A	EA MIRROR - EXTERIOR REMOTE/HEAT - PASSENGER
1	106015-13-01A	EA MIRROR - EXTERIOR REMOTE/HEAT - DRIVER
2	106015-12-700	EA MIRROR - FLAT HEATED W/CLIP
3	106015-12-701	EA MIRROR - CONVEX HEATED W/CLIP
4	087695-02-000	EA SWITCH - HEATER - EXTERIOR MIRROR
5	088246-01-000	EA SWITCH - REMOTE - EXTERIOR - SQUARE PUSH
	087695-03-000	EA CONNECTOR - ASSEMBLY

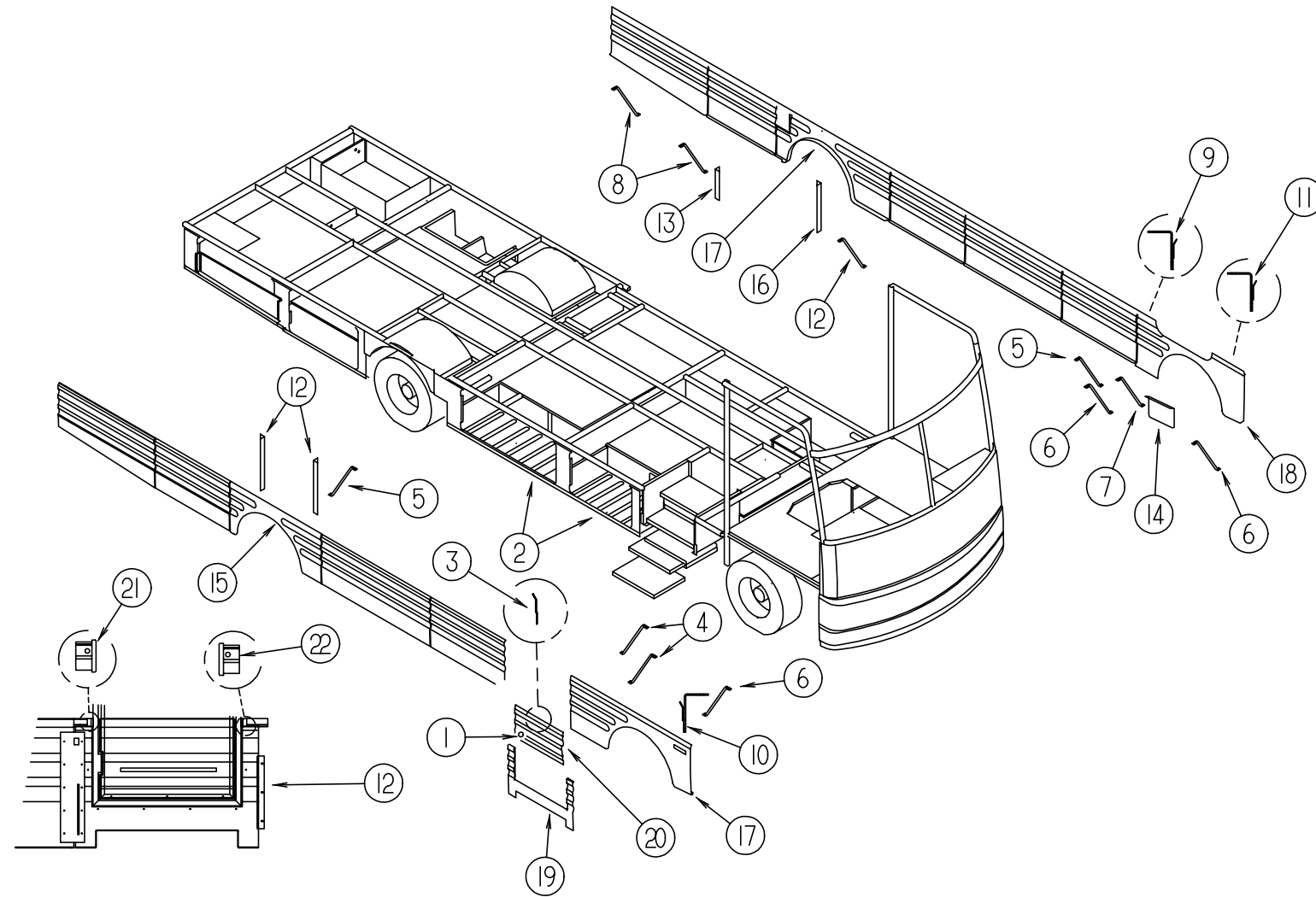


**EXTERIOR MIRROR (ADJUSTABLE)**

KEY	PART NUMBER	U/M DESCRIPTION
1	106015-14-01A	EA MIRROR - EXTERIOR ADJUSTABLE GLASS - PASSENGER
1	106015-15-01A	EA MIRROR - EXTERIOR ADJUSTABLE GLASS - DRIVER
2	106015-14-700	EA MIRROR - FLAT
3	106015-14-701	EA MIRROR - CONVEX

## EXTERIOR BODY GROUP (CONTINUED)

### VALANCE PANELS & TRIM

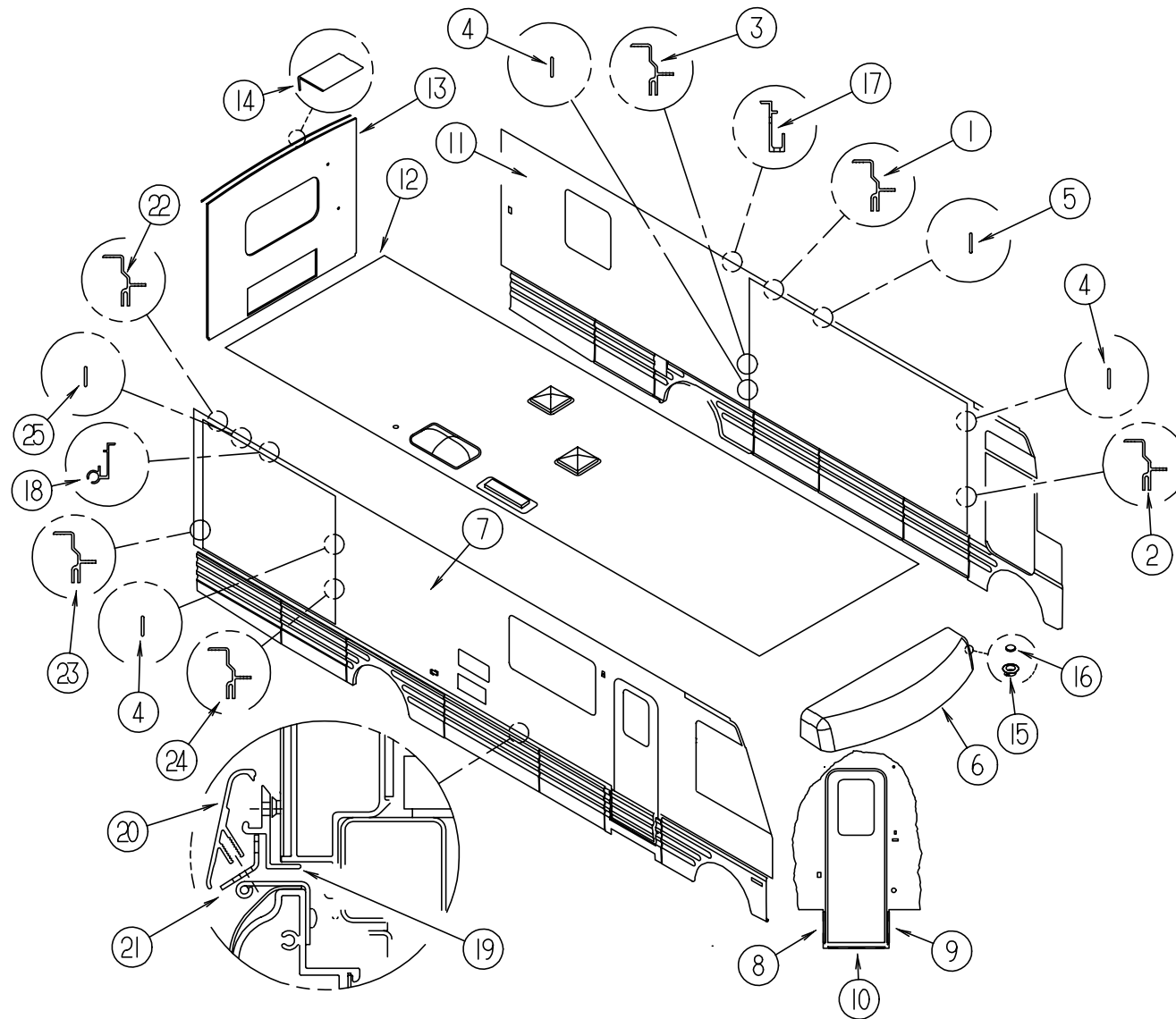


KEY	PART NUMBER	U/M DESCRIPTION
1	069726-02-000	EA BUMPER - .88" OD X .40" THICK - BLACK
2	099069-01-000	FT SEAL - RUBBER - CLOSED SPONGE - .5" WIDE X .12" THICK -BLK
3	106105-03-000	EA CLIP - VALANCE/RETAINING
4	107865-02-000	EA ROD - SUPPORT - VALANCE PANEL - 13.2"
5	107865-05-000	EA ROD - SUPPORT - VALANCE PANEL - 9"
6	107865-22-000	EA ROD - SUPPORT - VALANCE PANEL - 23"
7	107865-02-000	EA ROD - SUPPORT - VALANCE PANEL - 13.2"
8	107865-06-000	EA ROD - SUPPORT - VALANCE PANEL - 15.1"
9	108455-05-000	EA ANGLE ASM - VALANCE - TRIM
9	106105-05-000	EA CLIP - VALANCE/RETAINING
10	108455-13-000	EA ANGLE ASM - VALANCE - TRIM
10	106105-16-000	EA CLIP-TRIM,BACKWALL
11	108455-05-000	EA ANGLE ASM - VALANCE - TRIM
11	106105-05-000	EA CLIP - VALANCE/RETAINING

KEY	PART NUMBER	U/M DESCRIPTION
12	113041-03-02B	EA ANGLE - BUMPER MOUNT
13	113041-07-02B	EA ANGLE - BUMPER MOUNT
14	121117-01-02B	EA ANGLE - W/HOLES
15	126061-08-J60	EA PANEL - WHEEL LIP - REAR/PASSENGER - FORD
15	126061-10-J60	EA PANEL - WHEEL LIP - REAR/PASSENGER - CHEVY
16	126061-09-J60	EA PANEL - WHEEL LIP - REAR/DRIVER - FORD
16	126061-11-J60	EA PANEL - WHEEL LIP - REAR/DRIVER - CHEVY
17	126062-03-J60	EA PANEL - WHEEL LIP - FRONT/PASSENGER - FORD
17	125553-03-J60	EA PANEL - WHEEL LIP - FRONT/PASSENGER - CHEVY
18	126062-04-J60	EA PANEL - WHEEL LIP - FRONT/DRIVER - FORD
18	125553-04-J60	EA PANEL - WHEEL LIP - FRONT/DRIVER - CHEVY
19	126063-03-J60	EA PANEL - VALANCE - HORSEHOE - FORD
19	126063-04-J60	EA PANEL - VALANCE - HORSEHOE - CHEVY
20	126159-01-J60	EA PANEL - VALANCE - ENTRY DOOR
21	126775-01-01A	EA END CAP - VALANCE - RIGHT HAND/LOWER
22	126775-02-01A	EA END CAP - VALANCE - LEFT HAND/LOWER

## EXTERIOR BODY GROUP (CONTINUED)

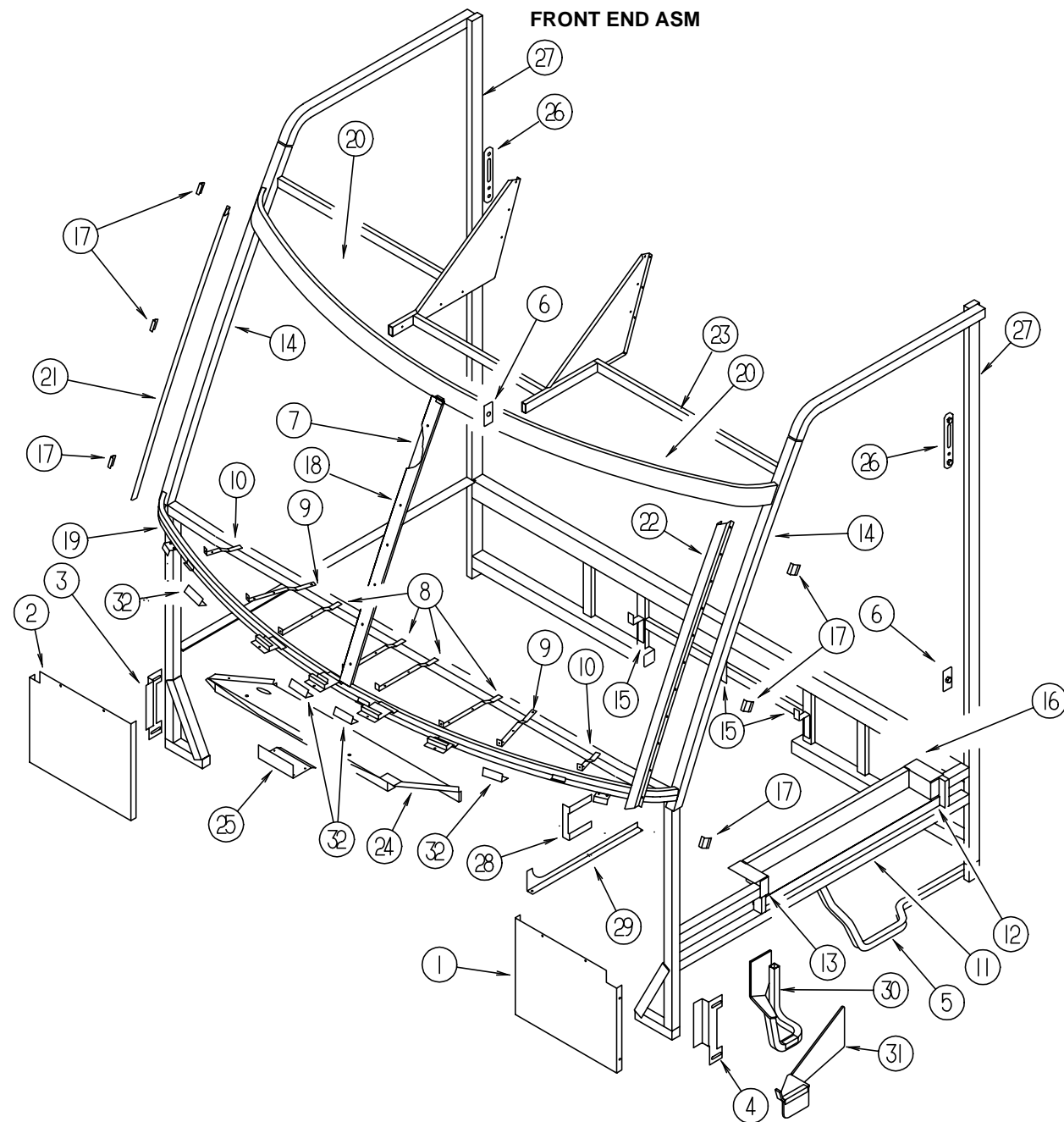
### BODY PANELS & TRIMS



KEY	PART NUMBER	U/M DESCRIPTION
1	115863-12-01A	EA TRIM - SIDEWALL
2	115863-13-01A	EA TRIM - SIDEWALL
3	115863-14-01A	EA TRIM - SIDEWALL
4	115886-02-03A	EA RETAINER - SIDEWALL - BRT/WT
5	115886-05-01A	EA RETAINER - SIDEWALL - BRT/WT
6	125304-02-J60	EA CAP - ROOF
7	127676-02-J60	EA SIDEWALL - PASSENGER - W/O WINDOWS/TRIMS (J94, J60)
7	127676-02-J61	EA SIDEWALL - PASSENGER - W/O WINDOWS/TRIMS (J95, J61)
7	127676-02-J62	EA SIDEWALL - PASSENGER - W/O WINDOWS/TRIMS (J96, J62)
8	121091-01-02A	EA ANGLE - ENTRANCE DOOR - BRIGHT WHITE
9	121091-02-03A	EA ANGLE - ENTRANCE DOOR - BRIGHT WHITE
10	121091-13-01A	EA ANGLE - ENTRANCE DOOR - BRIGHT WHITE
11	127675-02-J94	EA SIDEWALL - DRIVERS - W/O WINDOWS/TRIMS (J94)
11	127675-02-J95	EA SIDEWALL - DRIVERS - W/O WINDOWS/TRIMS (J95)
11	127675-02-J62	EA SIDEWALL - DRIVERS - W/O WINDOWS/TRIMS (J96, J62)
11	127675-02-J60	EA SIDEWALL - DRIVERS - W/O WINDOWS/TRIMS (J60)
11	127675-02-J61	EA SIDEWALL - DRIVERS - W/O WINDOWS/TRIMS (J61)
12	127674-02-J60	EA ROOF - W/O LIGHTS/VENTS - W/WIRING
		FROM: 00-00-00 THRU: 03-22-98
12	130092-02-J60	EA ROOF - W/O LIGHTS/VENTS - W/WIRING
		FROM: 03-23-98 THRU: 99-99-99

KEY	PART NUMBER	U/M DESCRIPTION
13	127673-01-J60	EA BACKWALL - W/O WINDOW/TRIM (J94, J60)
13	127673-01-J61	EA BACKWALL - W/O WINDOW/TRIM (J95, J61)
13	127673-01-J62	EA BACKWALL - W/O WINDOW/TRIM (J96, J62)
14	114248-02-01A	EA ANGLE - PLASTIC - 96.6"
15	118383-01-04A	EA RETAINER - SCREW
16	118383-04-04A	EA CAP - RETAINER/SCREW
17	120091-02-02A	EA TRIM - ROOF
18	120092-01-02A	EA RAIL - AWNING
19	123880-01-01A	EA TRIM - RETAINER - MILL
19	123880-02-01A	EA TRIM - RETAINER - MILL (ENTRANCE DOOR)
19	125285-51-001	EA EXTRUDED - LOWER SIDEWALL - 12'
20	123993-01-03A	EA TRIM - COVER
21	124046-02-02B	EA BRACKET - ANCHOR - TRIM - E-COAT
22	115863-08-02A	EA TRIM - SIDEWALL BRT/WHT
23	115863-22-02A	EA TRIM - SIDEWALL BRT/WHT
24	115863-23-02A	EA TRIM - SIDEWALL BRT/WHT
25	115886-03-02A	EA RETAINER - SIDEWALL - BRT/WT
	090340-02-000	FT SEAL - FOAM - CLOSED CELL - 3/8" X 1/2" X 50'

## EXTERIOR BODY GROUP (CONTINUED)



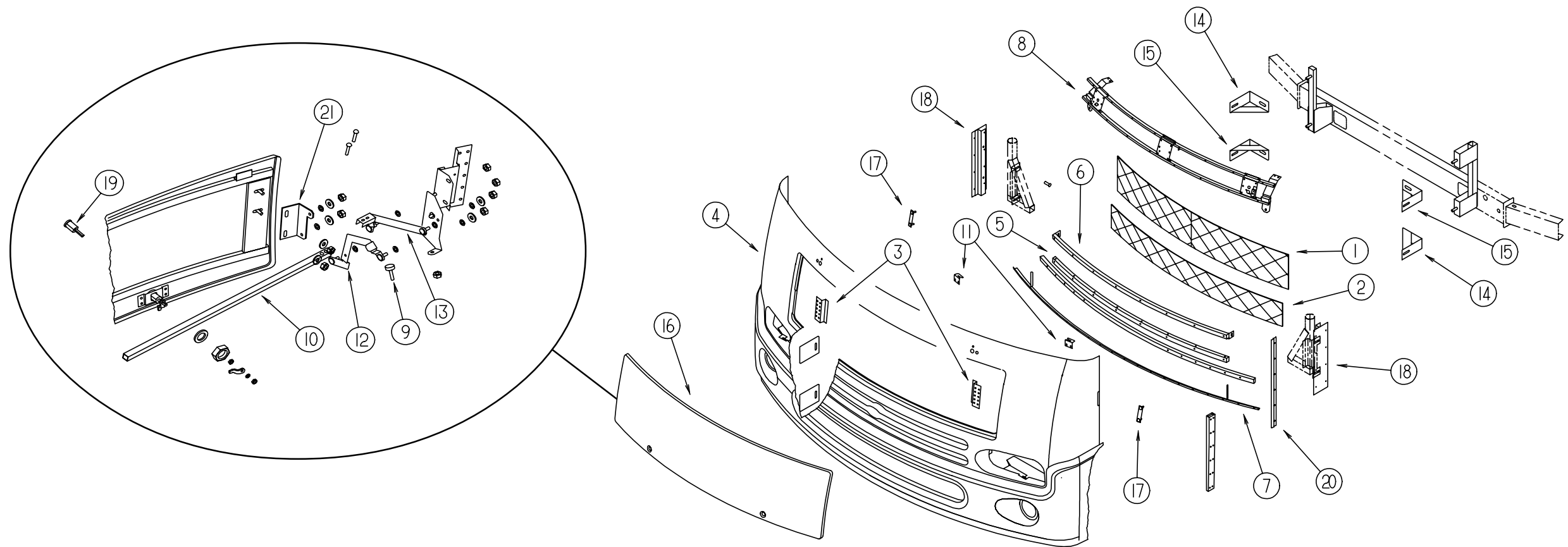
KEY	PART NUMBER	U/M	DESCRIPTION
1	104147-14-000	EA	SHIELD ASM-SPLASH,HEADLIGHT - FORD/FREIGHTLINER
2	121962-02-02B	EA	SHIELD ASM-SPLASH,HDLGT,E-CT - GM
3	128019-01-02B	EA	SUPPORT - FRONT END/REAR
4	128019-02-02B	EA	SUPPORT - FRONT END/REAR
5	063977-14-000	EA	STEP - DRIVER DOOR - LEFT HAND
6	070579-06-000	EA	PLATE - ANCHOR - W/7/16 WELD NUT - 1.5" X 3.3"
6	070579-07-000	EA	PLATE - ANCHOR - W/O WELD NUT - 1.5" X 3.3"
7	078249-16-000	EA	TUBE-SWEPT,FRAME,CAB
8	104797-03-000	EA	BRACKET-DEFROSTER
9	104797-04-000	EA	BRACKET-DEFROSTER
10	104797-05-000	EA	BRACKET-DEFROSTER
11	106746-02-000	EA	PANEL - STEPWELL
12	106747-03-000	EA	PANEL - STEPWELL - RIGHT HAND END
13	106747-04-000	EA	PANEL - STEPWELL - LEFT HAND END
14	117273-01-01A	EA	TUBE - SUPPORT - A-PILLAR
15	117287-01-01B	EA	BRACKET-MOUNT,CABLE

KEY	PART NUMBER	U/M	DESCRIPTION
16	118592-01-01B	EA	SHIELD-SPLASH,RH,MILL
17	120363-01-01B	EA	BRACKET - WINDSHIELD
18	120840-06-01B	EA	STRAP-W/HOLES,MILL
19	121267-01-01B	EA	SUPPORT-WINDSHIELD,LOWER,MLL
20	121268-01-01B	EA	SUPPORT-WINDSHIELD,UPPER,MLL
21	121269-07-01B	EA	FRAME-W/S,A PILLAR,MILL
22	121269-08-01B	EA	FRAME-W/S,A PILLAR,MILL
23	124763-51-01B	EA	HEADER ASM
24	125836-02-01B	EA	ZEE-WIPER MOTOR,MILL
25	125837-02-01B	EA	BRACE-WIPER MOTOR,MILL
26	127461-02-01B	EA	PLATE-ANCHOR,SEAT BELT,MILL
27	127874-01-01B	EA	TUBE-B PILLAR,MILL
27	127874-02-01B	EA	TUBE-B PILLAR,MILL (LEFT SIDE ON FREIGHTLINER ONLY)
28	097123-01-000	EA	MOUNT-AIR INTAKE, 98 FORD
29	099102-01-000	EA	BRACKET-LINKAGE,THROTTLE - 98 FORD
30	128075-01-04B	EA	STEP - UPPER - DRIVER DOOR - BLACK - HDGM
31	128255-01-04B	EA	STEP - UPPER - DRIVER DOOR - BLACK - 99 FORD
32	076364-57-000	EA	ANGLE - FORMED

FROM: 06-15-98 THRU: 99-99-99

# EXTERIOR BODY GROUP (CONTINUED)

## FRONT BODY PANELS & TRIM



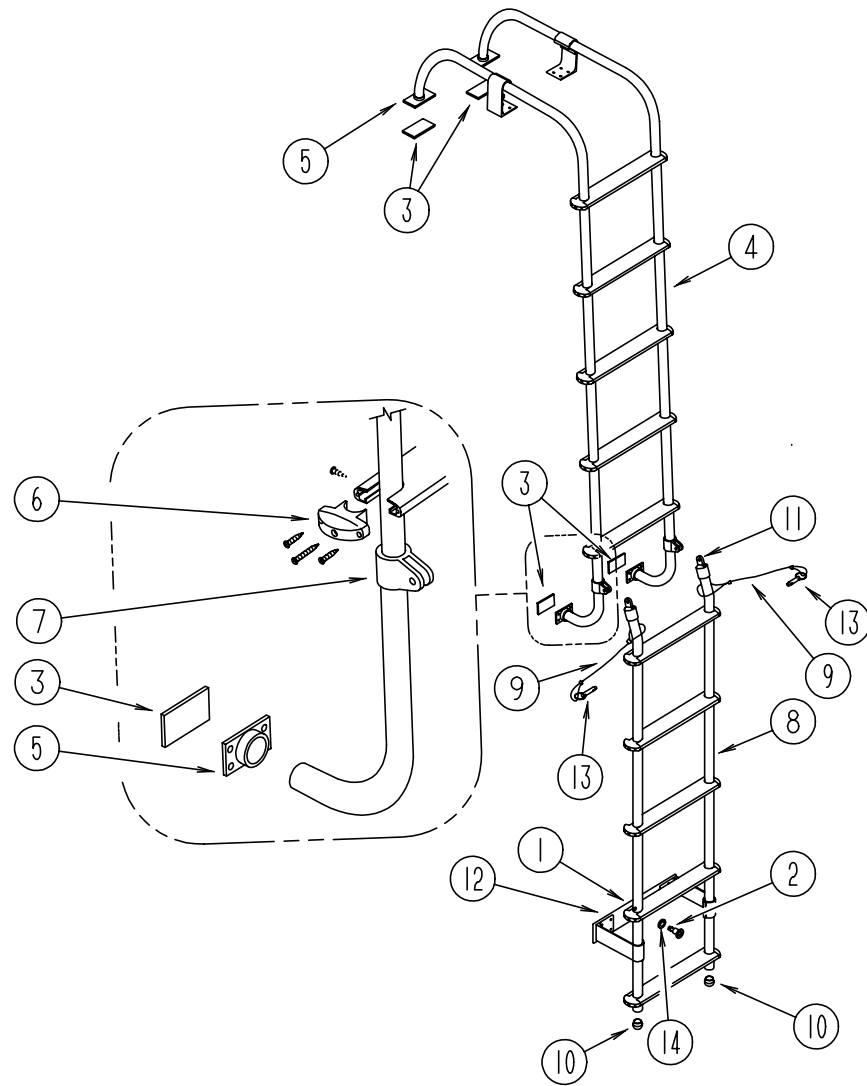
KEY	PART NUMBER	U/M	DESCRIPTION
1	115924-12-02A	EA	WIRE MESH - F/GRILLE - FLAT BLACK - FORD/GM
1	115924-12-01A	EA	GRILLE - WOVEN WIRE - FORD/GM
2	115924-13-02A	EA	WIRE MESH - F/GRILLE - FLAT BLACK - FORD/GM
2	115924-13-01A	EA	GRILLE - WOVEN WIRE - FORD/GM
3	113495-03-02B	EA	SUPPORT - HINGE - FORD/GM
4	125302-02-J60	EA	PANEL - FRONT/LOWER - FORD/GM
4	125302-04-J60	EA	PANEL - FRONT/LOWER - HDGM
4	125302-04-J60	EA	PANEL - FRONT/LOWER - FREIGHTLINER
			FROM: 00-00-00 THRU: 01-13-98
4	128945-02-J60	EA	PANEL - FRONT/LOWER - FREIGHTLINER
			FROM: 01-14-98 THRU: 99-99-99
5	125709-08-J60	EA	TUBE ASM-GRILLE,LOWER - FORD/GM/HDGM
5	125709-07-01A	EA	TUBE-GRILLE,LOWER,MILL - FORD/GM/HDGM
5	125709-08-J60	EA	TUBE ASM-GRILLE,LOWER - FREIGHTLINER
			FROM: 00-00-00 THRU: 01-13-98
5	125709-07-01A	EA	TUBE-GRILLE,LOWER,MILL - FREIGHTLINER
			FROM: 00-00-00 THRU: 01-13-98
6	125786-01-J60	EA	TUBE ASM-GRILLE,LOWER
6	125709-01-01A	EA	TUBE-GRILLE,LOWER MILL
7	125788-01-J60	EA	FRAME ASM-GRILLE/FOG LIGHT
7	125709-02-01A	EA	TUBE-GRILLE,LOWER MILL
8	125846-01-J60	EA	SUPPORT ASM-WIPER
9	058786-01-000	EA	BOLT - ADJUSTING HOOD - W/BLACK PAD -

KEY	PART NUMBER	U/M	DESCRIPTION
10	105096-10-000	EA	TUBE - HOOD HINGE TIMING W/WELDNUTS
11	106748-03-000	EA	LATCH - HOOD - FRONT END
12	125778-03-02B	EA	LINK - HOOD HINGE - LOWER/RIGHT HAND
12	125778-04-02B	EA	LINK - HOOD HINGE - LOWER/LEFT HAND
13	125798-01-02B	EA	LINK - HOOD HINGE - UPPER/RIGHT HAND
13	125798-02-02B	EA	LINK - HOOD HINGE - UPPER/LEFT HAND
14	125824-01-02B	EA	BRACKET - BUMPER
			FROM: 00-00-00 THRU: 12-16-97
14	128455-03-02B	EA	BRACKET-BUMPER
			FROM: 12-17-97 THRU: 99-99-99
15	125824-02-02B	EA	BRACKET - BUMPER
			FROM: 00-00-00 THRU: 12-16-97
15	128455-04-02B	EA	BRACKET - BUMER - E-COAT
			FROM: 12-17-97 THRU: 99-99-99
16	125303-02-J60	EA	PANEL - HOOD - OUTER
17	106730-10-000	EA	PLATE - STUD
18	128018-01-02B	EA	BRACKET - FRONT
19	102330-02-000	EA	LATCH - VISE ACTION/KEY OPERATED
19	102328-01-000	EA	KEY - BARREL - NICKEL PLATED
20	125818-01-01A	EA	TRIM - PANEL - FIBERGLASS
20	091985-01-07A	FT	MOLDING - TRIM - BRIGHT WHITE
21	109927-07-000	EA	ANGLE - LINK - HOOD/RIGHT HAND
21	109927-08-000	EA	ANGLE - LINK - HOOD/LEFT HAND

**EXTERIOR BODY GROUP (CONTINUED)**

**EXTERIOR BODY GROUP (CONTINUED)**

**EXTERIOR SKIN, STYROFOAM & PLYWOOD**



**LADDER**

KEY	PART NUMBER	U/M DESCRIPTION
1	081055-01-000	EA SPRING GRIP - INTERNAL TOOTH - LADDER
2	081056-01-000	EA PIN - QUICK RELEASE - SINGLE ACTION - LADDER
3	112384-01-000	EA SPONGE - BRACKET - RACK & LADDER
4	125261-01-J60	EA LADDER - UPPER
		FROM: 00-00-00 THRU: 06-14-98
4	130164-02-01A	EA LADDER - UPPER
		FROM: 06-15-98 THRU: 99-99-99
5	067165-01-000	EA BRACKET - MOUNTING - LOWER LADDER
6	076980-02-000	EA END CAP - STEP - BLACK
7	081116-01-000	EA SLIDE - TOP - RACK & LADDER - 1"
8	125262-01-J60	EA LADDER - LOWER
		FROM: 00-00-00 THRU: 06-14-98
8	130163-02-01A	EA LADDER - LOWER
		FROM: 06-15-98 THRU: 99-99-99
9	076767-11-000	EA CABLE - 1/16" X 5.9"
10	081114-01-000	EA CAP - INSERT - ROUND - 1" DIAMETER - BLACK PLASTIC
11	081115-01-000	EA TOP CAP - RACK & LADDER - 1"
12	108423-01-02A	EA PLATE - BUMPER - LOWER LADDER
13	114834-01-000	EA PIN - QUICK RELEASE
14	128197-01-01A	EA WASHER - NEOPRENE - 1.1" X .62"

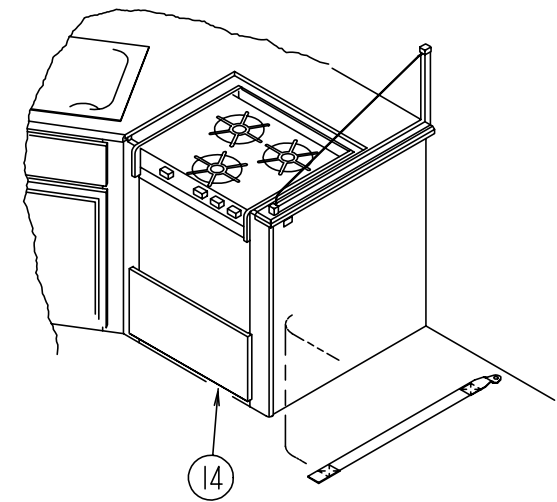
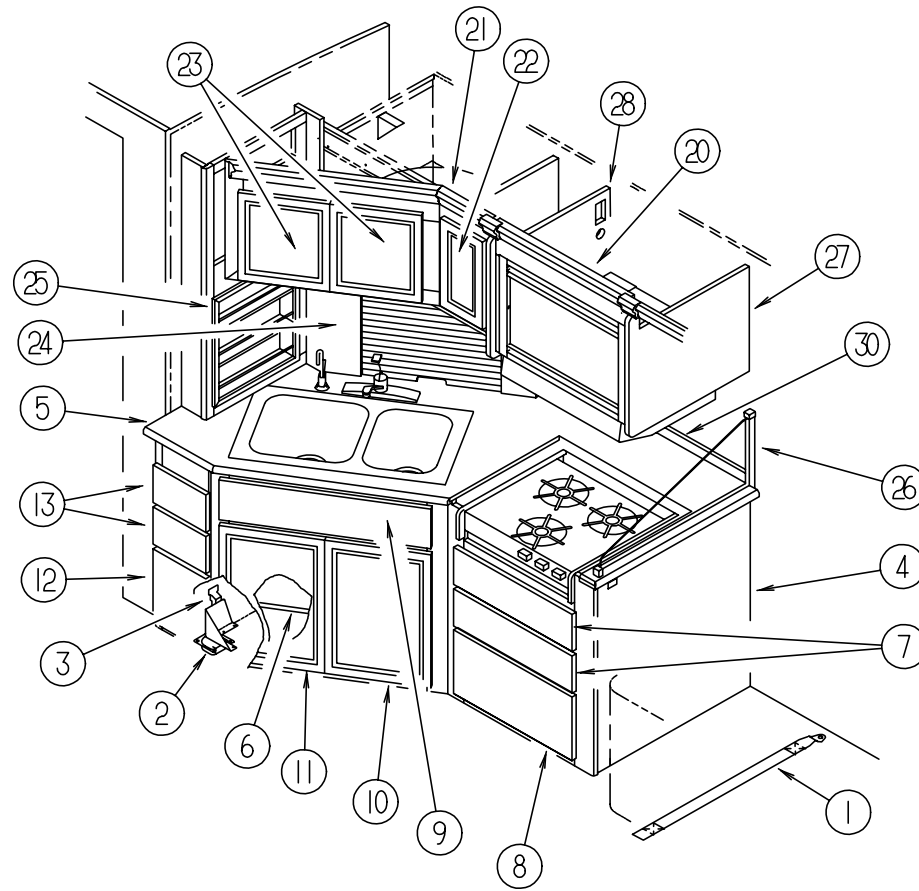
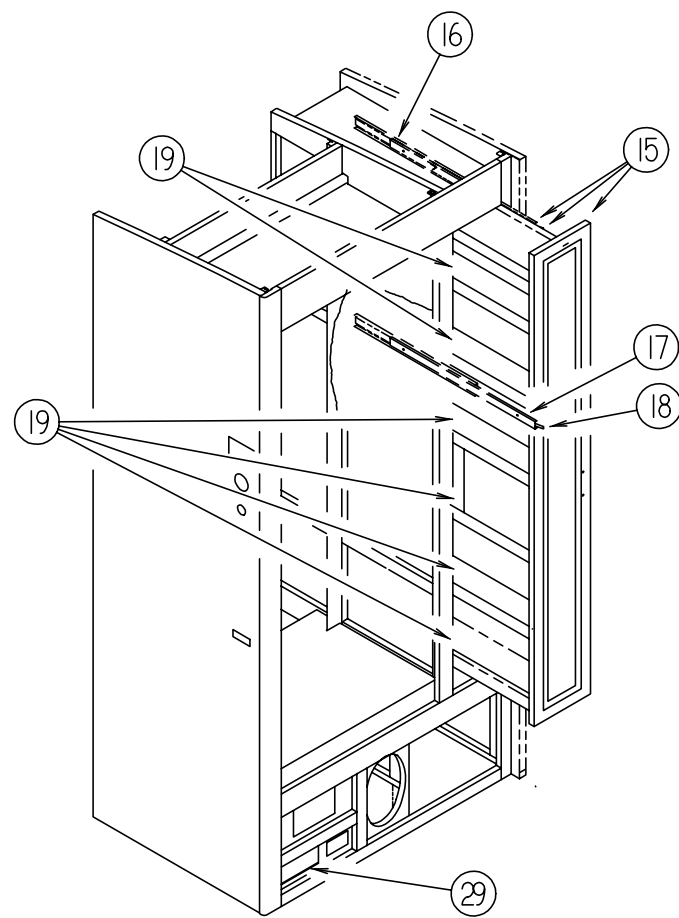
KEY	PART NUMBER	U/M DESCRIPTION
	002726-01-001	EA GARNISH - U-CHANNEL - 1.38" X 19' - SERRATED
	002766-01-001	EA ANGLE - EXTRUDED - 1" X 1.5" X 17'
	068716-01-001	EA BRACE - 90 DEGREE L-ANGLE - 16'
	076054-U4-000	EA FIBERGLASS SHEET - 101" X 104" - BRIGHT WHITE
	076054-X6-000	EA FIBERGLASS SHEET - 23" X 33" - BRIGHT WHITE
	076054-X9-000	EA FIBERGLASS SHEET - 22.1" X 70.6" - BRIGHT WHITE
	076054-Y3-000	EA FIBERGLASS SHEET - 78" X 797" - BRIGHT WHITE
	076054-Z3-000	EA FIBERGLASS SHEET - 4" X 86" - BRIGHT WHITE
	083574-06-000	SF STYROFOAM - .75 X 48" X 108" - INCREMENTS OF 14 SF
	089297-01-000	SF PLYWOOD - LUAN - OVERLAY GRADE - 48" X 96"
	100619-01-000	BF FOAM - EXPANDED POLYSTYRENE - 1.34" X 48" X 96"
	100619-02-000	BF FOAM - EXPANDED POLYSTYRENE - 1.5" X 48" X 96"
	100619-05-000	BF FOAM - EXPANDED POLYSTYRENE - .75" X 48" X 96"
	100619-10-000	BF FOAM - EXPANDED POLYSTYRENE - 1.5" X 48" X 96"
	100619-11-000	BF FOAM - EXPANDED POLYSTYRENE - 2" X 48" X 96"
	100619-13-000	BF FOAM - EXPANDED POLYSTYRENE - .34" X 34.65" X 96"
	100619-16-000	BF FOAM - EXPANDED POLYSTYRENE - .75" X 48" X 96"
	105077-08-000	EA FOAM - PLUG - ROOF CAP
	108535-05-702	EA FIBERGLASS SHEET - FLAT - 110" X 396" BRIGHT WHITE - ROOF
	108535-06-700	EA FIBERGLASS SHEET - FLAT - 102" X 102" BRIGHT WHITE
	116942-03-01A	EA ALUMINUM - .7" X 40" X 158"
	117754-02-01A	EA FIBERGLASS SHEET - 12.6" X 86" - ANY COLOR
	120107-01-000	EA FOAM - COVE - ROOF
	120107-02-000	EA FOAM - PLUG - ROOF TUBE
	120107-03-000	EA FOAM - PLUG - SIDEWALL TUBE
	120107-04-000	EA FOAM - ROOF COVE
	120107-05-000	EA FOAM PLUG - ROOF TUBE
	126404-01-000	LB ALUMINUM - .063" X 48" X 96"
	128782-01-01A	EA FIBERGLASS SHEET - 79" X 417" - BRIGHT WHITE
	128782-02-01A	EA FIBERGLASS SHEET - 79" X 456" - BRIGHT WHITE
	128782-03-01A	EA FIBERGLASS SHEET - 27.4" X 70.8" - BRIGHT WHITE

**AWNINGS**

KEY	PART NUMBER	U/M DESCRIPTION
	122977-07-01A	EA AWNING - SLIDEOUT COVER - 147" - BRIGHT WHITE
	122977-05-01A	EA AWING - SLIDEOUT COVER - 90" - BRIGHT WHITE
	117058-01-01A	FT TAPE - LOOP - 3/4" WIDE - ADHESIVE BACKED
	129375-01-000	EA SEAL/FOAM - LADDER BRACKET
	111037-01-01A	EA SPACER - AWNING - UPPER - BLACK
		FROM: 00-00-00 THRU: 04-12-98
	130320-01-02A	EA BRACKET - AWNING - F/A&E INSTALLATION - BRIGHT WHITE
		FROM: 04-13-98 THRU: 99-99-99
*	113874-01-02A	EA HARDWARE KIT - AWNING- W/O STANDOFF BRACKET - BRIGHT WHITE
	113874-06-08A	EA AWNING - W/O HARDWARE - 16' (POLAR PERIWINKLE) VINYL - L33
	113874-07-08A	EA AWNING - W/O HARDWARE - 18' (POLAR BURGUNDY) VINYL - L34 & L35
	113874-08-08A	EA AWNING - W/O HARDWARE - 19' (POLAR PERIWINKLE) VINYL - L36 & KL36
	119496-01-02A	EA SPACER/ZEE - AWNING
	127960-01-01A	EA RETAINER - 3/8" PROP ROD - STAINLESS STEEL
	127647-01-01A	EA ROD - ENTRY DOOR

**\* COMPONENT PARTS FOUND IN SERVICE PARTS LIBRARY**

## GALLEY GROUP

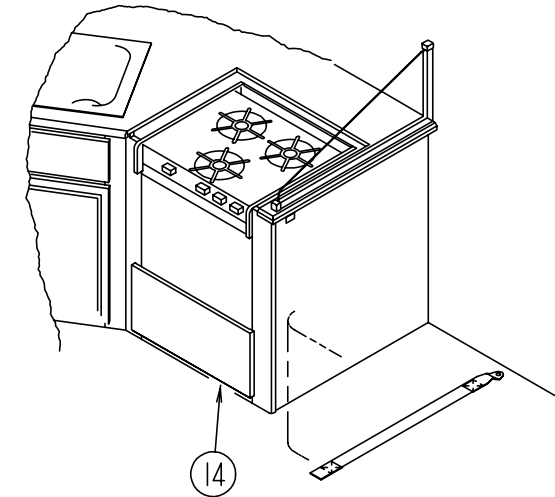
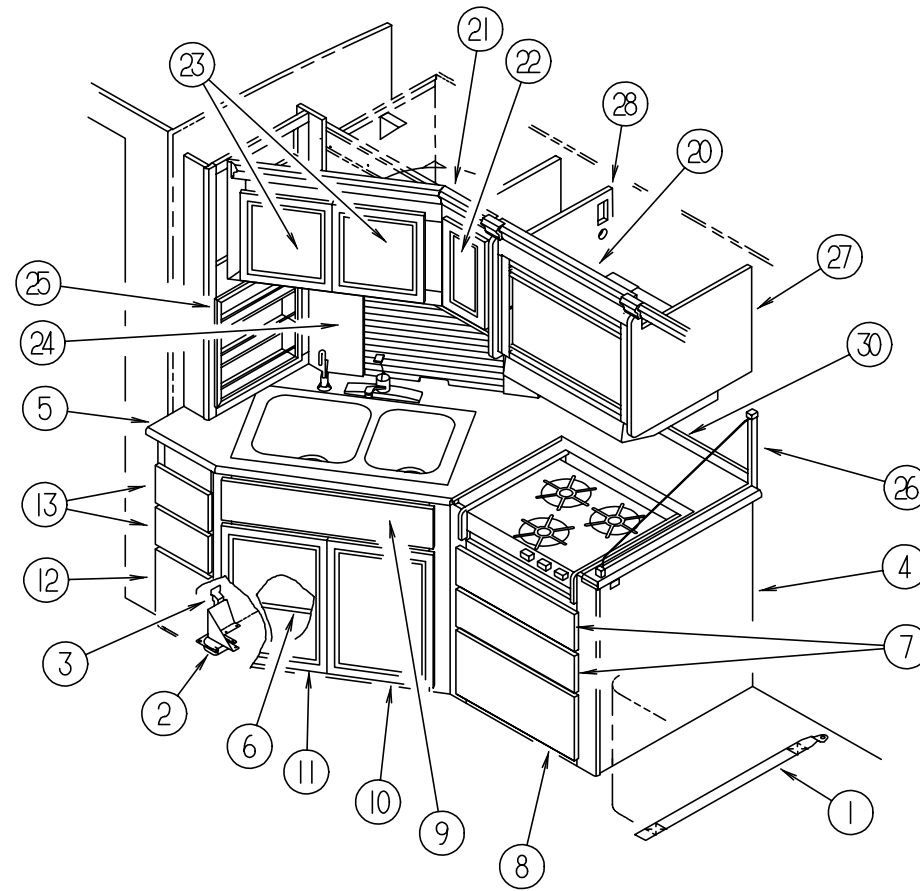
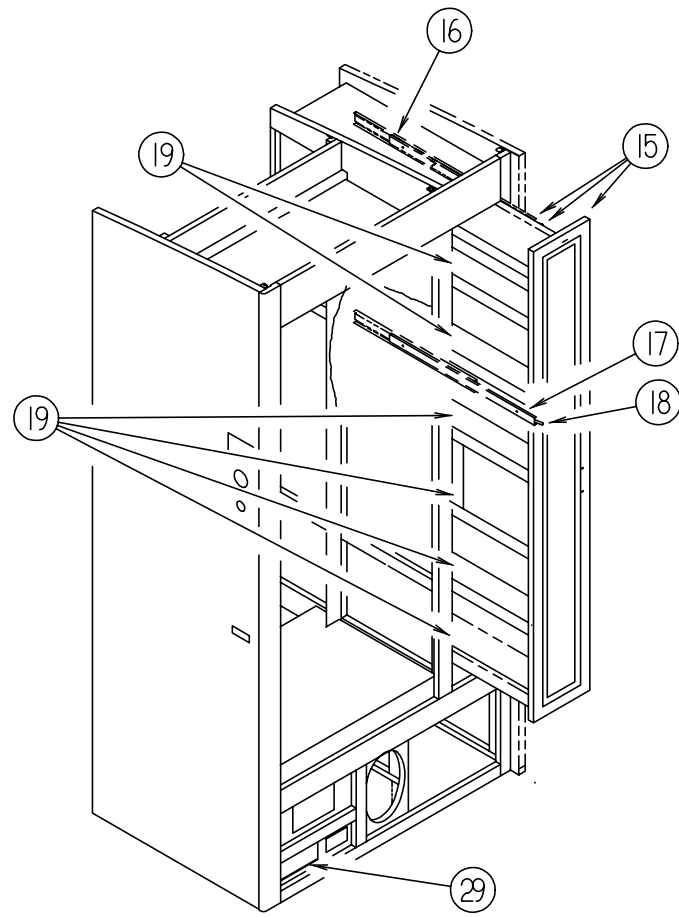


### CABINETS, DOORS & DRAWERS

KEY	PART NUMBER	U/M	DESCRIPTION
1	116101-02-F31	EA	STRAP - WINCH
2	116736-01-01A	EA	TIEDOWN - DROP/D - ZINC
3	126526-01-02B	EA	BRACKET-TIEDOWN,SLIDEOUT,E-C
4	125379-01-J94	EA	CABINET - GALLEY - W/O DOORS/DRAWERS/HARDWARE - W/OVEN (J94)
4	125379-01-J95	EA	CABINET - GALLEY - W/O DOORS/DRAWERS/HARDWARE - W/OVEN (J95)
4	125379-01-J96	EA	CABINET - GALLEY - W/O DOORS/DRAWERS/HARDWARE - W/OVEN (J96)
4	125379-01-J60	EA	CABINET - GALLEY - W/O DOORS/DRAWERS/HARDWARE - W/OVEN (J60)
4	125379-01-J61	EA	CABINET - GALLEY - W/O DOORS/DRAWERS/HARDWARE - W/OVEN (J61)
4	125379-01-J62	EA	CABINET - GALLEY - W/O DOORS/DRAWERS/HARDWARE - W/OVEN (J62)
4	125379-03-J94	EA	CABINET - GALLEY - W/O DOORS/DRAWERS/HARDWARE - W/O OVEN (J94) UPGRADE
4	125379-03-J95	EA	CABINET - GALLEY - W/O DOORS/DRAWERS/HARDWARE - W/O OVEN (J95) UPGRADE
4	125379-03-J96	EA	CABINET - GALLEY - W/O DOORS/DRAWERS/HARDWARE - W/O OVEN (J96) UPGRADE
4	125379-03-J60	EA	CABINET - GALLEY - W/O DOORS/DRAWERS/HARDWARE - W/O OVEN (J60) UPGRADE
4	125379-03-J61	EA	CABINET - GALLEY - W/O DOORS/DRAWERS/HARDWARE - W/O OVEN (J61) UPGRADE
4	125379-03-J62	EA	CABINET - GALLEY - W/O DOORS/DRAWERS/HARDWARE - W/O OVEN (J62) UPGRADE
4	125379-02-J94	EA	CABINET - GALLEY - W/O DOORS/DRAWERS/HARDWARE (J94)
4	125379-02-J95	EA	CABINET - GALLEY - W/O DOORS/DRAWERS/HARDWARE (J95)
4	125379-02-J96	EA	CABINET - GALLEY - W/O DOORS/DRAWERS/HARDWARE (J96)
4	125379-02-J60	EA	CABINET - GALLEY - W/O DOORS/DRAWERS/HARDWARE (J60)
4	125379-02-J61	EA	CABINET - GALLEY - W/O DOORS/DRAWERS/HARDWARE (J61)
4	125379-02-J62	EA	CABINET - GALLEY - W/O DOORS/DRAWERS/HARDWARE (J62)
4	125379-02-J62	EA	CABINET - GALLEY - W/O DOORS/DRAWERS/HARDWARE (J62)
4	125379-04-J94	EA	CABINET - GALLEY - W/O DOORS/DRAWERS/HARDWARE - W/OVEN (J94) UPGRADE
4	125379-04-J95	EA	CABINET - GALLEY - W/O DOORS/DRAWERS/HARDWARE - W/OVEN (J95) UPGRADE
4	125379-04-J96	EA	CABINET - GALLEY - W/O DOORS/DRAWERS/HARDWARE - W/OVEN (J96) UPGRADE
4	125379-04-J60	EA	CABINET - GALLEY - W/O DOORS/DRAWERS/HARDWARE - W/OVEN (J60) UPGRADE
4	125379-04-J61	EA	CABINET - GALLEY - W/O DOORS/DRAWERS/HARDWARE - W/OVEN (J61) UPGRADE
4	125379-04-J62	EA	CABINET - GALLEY - W/O DOORS/DRAWERS/HARDWARE - W/OVEN (J62) UPGRADE
5	125379-17-J94	EA	COUNTERTOP - GALLEY (J94)
5	125379-23-K66	EA	BACKSPLASH - GALLEY (J94)
5	125379-17-J95	EA	COUNTERTOP - GALLEY (J95)
5	125379-23-K36	EA	BACKSPLASH - GALLEY (J95)
5	125379-17-J96	EA	COUNTERTOP - GALLEY (J96)
5	125379-23-K38	EA	BACKSPLASH - GALLEY (J96)
5	125379-17-J60	EA	COUNTERTOP - GALLEY (J60)
5	125379-23-K67	EA	BACKSPLASH - GALLEY (J60)
5	125379-17-J61	EA	COUNTERTOP - GALLEY (J61)
5	125379-23-K69	EA	BACKSPLASH - GALLEY (J61)
5	125379-17-J62	EA	COUNTERTOP - GALLEY (J62)
5	125379-23-K38	EA	BACKSPLASH - GALLEY (J62)
5	125379-25-000	EA	COUNTERTOP - GALLEY - UPGRADE
5	125379-26-J94	EA	COUNTERTOP - GALLEY - UPGRADE



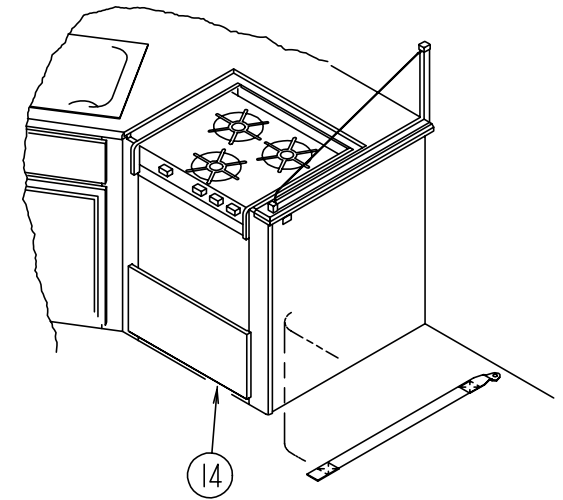
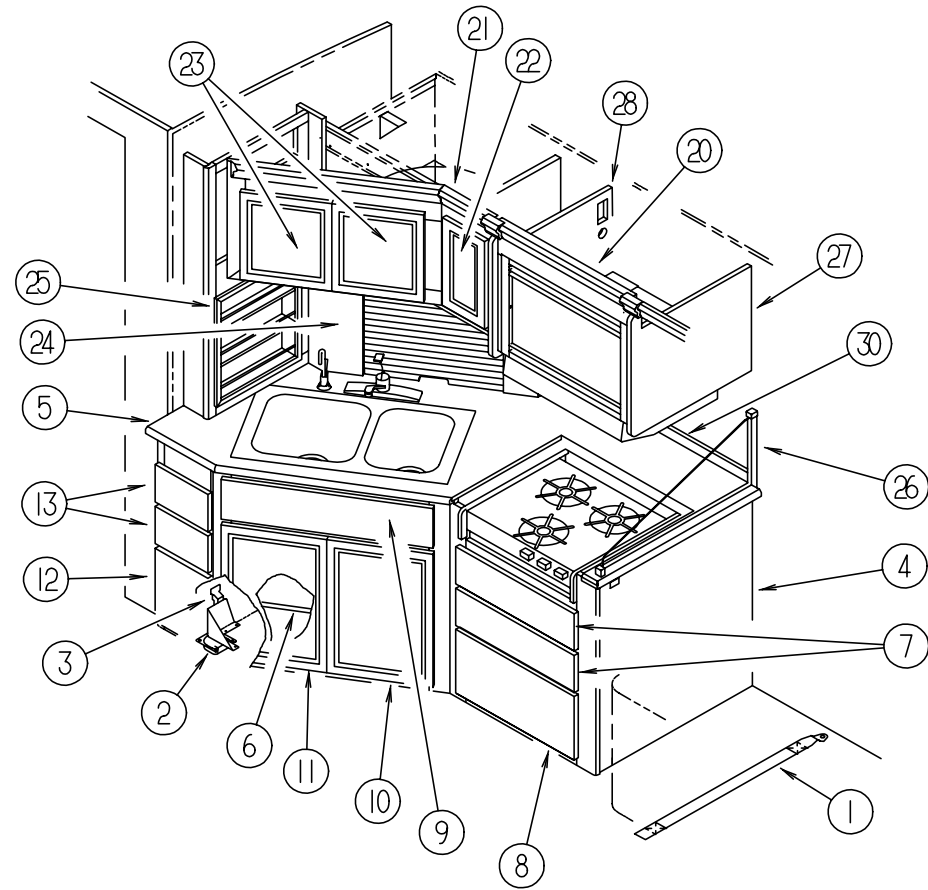
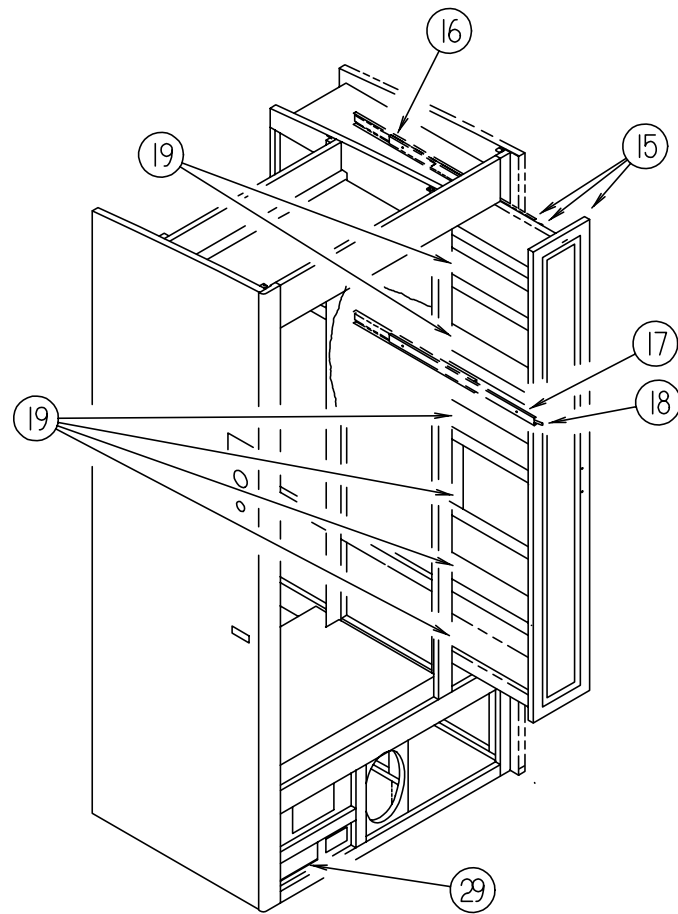
## GALLEY GROUP (CONTINUED)



### CABINETS, DOORS & DRAWERS (CONTINUED)

KEY	PART NUMBER	U/M	DESCRIPTION
6	125379-14-J94	EA	SHELF - W/PLASTIC EDGE TRIM - WATERFORD OAK
6	125379-14-J60	EA	SHELF - W/PLASTIC EDGE TRIM - WASHED MAPLE
6	125379-14-J62	EA	SHELF - W/PLASTIC EDGE TRIM - WHITE GRANITE
7	M05971-FM-J94	EA	DRAWER - OGEE EDGE - 19.5"W X 23.6"D - W/O SLIDES/HARDWARE WATERFORD OAK
7	M05971-FM-J60	EA	DRAWER - OGEE EDGE - 19.5"W X 23.6"D - W/O SLIDES/HARDWARE WASHED MAPLE
7	P10163-FP-J62	EA	DRAWER - SQUARE EDGE - 19.5"W X 23.6"D - W/O SLIDES/HDW - WHITE GRANITE
8	M05971-FN-J94	EA	DRAWER - OGEE EDGE - 19.5"W X 23.6"D - W/O SLIDES/HARDWARE WATERFORD OAK
8	M05971-FN-J60	EA	DRAWER - OGEE EDGE - 19.5"W X 23.6"D - W/O SLIDES/HARDWARE WASHED MAPLE
8	P10163-FR-J62	EA	DRAWER - SQUARE EDGE - 19.5" X 23.6"D - W/O SLIDES/HDW - WHITE GRANITE
9	M06810-13-J94	EA	DRAWER - TIPOUT - W/HIDDEN TRAY - WATERFORD OAK
9	M06810-13-J60	EA	DRAWER - TIPOUT - W/HIDDEN TRAY - WASHED MAPLE
9	110941-14-J62	EA	DRAWER - TIPOUT - W/O HARDWARE - WHITE GRANITE
9	108127-01-01A	EA	CAP - TRAY
9	108128-01-01A	EA	TRAY - HIDDEN
10	M05992-39-J94	EA	DOOR - STRAIGHT CORNER/OGEE EDGE - 14.3" X 21.8" - W/O HDW WATERFORD OAK
10	M05992-39-J60	EA	DOOR - STRAIGHT CORNER/OGEE EDGE - 14.3" X 21.8" - W/O HDW WASHED MAPLE
10	122715-07-01A	EA	DOOR - MOLDED VINYL - 14.4" X 21.8" - W/O HDW-WHT GRANITE
11	M05992-37-J94	EA	DOOR - STRAIGHT CORNER/OGEE EDGE - 14.3" X 21.8" - W/O HDW WATERFORD OAK
11	M05992-37-J60	EA	DOOR - STRAIGHT CORNER/OGEE EDGE - 14.3" X 21.8" - W/O HDW WASHED MAPLE
11	122715-07-01A	EA	DOOR - MOLDED VINYL - 14.4" X 21.8" - W/O HDW-WHT GRANITE
12	M05992-N0-J94	EA	DOOR - STRAIGHT CORNER/OGEE EDGE - 9.8" X 12" - W/O HDW WATERFORD OAK
12	M05992-N0-J60	EA	DOOR - STRAIGHT CORNER/OGEE EDGE - 9.8" X 12" - W/O HDW WASHED MAPLE
12	122715-93-01A	EA	DOOR - MOLDED VINYL - 9.8" X 12" - W/O HDW - WHT GRANITE
13	M05971-FS-J94	EA	DRAWER - OGEE EDGE - 7.5"W X 21.6"D - W/O SLIDES/HARDWARE WATERFORD OAK
13	M05971-FS-J60	EA	DRAWER - OGEE EDGE - 7.5"W X 21.6"D - W/O SLIDES/HARDWARE WASHED MAPLE
13	P10163-FL-J62	EA	DRAWER - SQUARE EDGE - 7.5"W X 21.6"D - W/O SLIDES/HDW - WHITE GRANITE
14	M05971-FM-J94	EA	DRAWER - OGEE EDGE - 19.5"W X 23.6"D - W/O SLIDES/HARDWARE WATERFORD OAK
14	M05971-FM-J60	EA	DRAWER - OGEE EDGE - 19.5"W X 23.6"D - W/O SLIDES/HARDWARE WASHED MAPLE
14	P10163-FP-J62	EA	DRAWER - SQUARE EDGE - 19.5"W X 23.6"D - W/O SLIDES/HDW - WHITE GRANITE
15	122325-01-J94	EA	CABINET - PANTRY - SLIDING/RIGHT HAND - W/O SLIDES/HDW WATERFORD OAK
15	122325-01-J60	EA	CABINET - PANTRY - SLIDING/RIGHT HAND - W/O SLIDES/HDW - WASHED MAPLE
15	122325-01-J23	EA	CABINET - PANTRY - SLIDING/RIGHT HAND - W/O SLIDES/HDW - WHITE GRANITE
	M05992-Z2-J94	EA	DOOR - STRAIGHT CORNER/OGEE EDGE - 8.5" X 60.7" - W/O HDW WATERFORD OAK
	M05992-Z2-J60	EA	DOOR - STRAIGHT CORNER/OGEE EDGE - 8.5" X 60.7" - W/O HDW WASHED MAPLE
	122715-24-01A	EA	DOOR - MOLDED VINYL - 8.5" X 60.7" - W/O HDW - WHT GRANITE
16	122360-02-000	EA	SLIDE - PANTRY - W/O LOCK - RIGHT/LEFT HAND
17	122360-03-000	EA	SLIDE - PANTRY - W/LOCK - RIGHT HAND
18	123673-01-01A	EA	KNOB - PANTRY
19	122325-11-H17	EA	SHELF - W/PLASTIC EDGE MOLDING - WATERFORD OAK
19	122325-11-J70	EA	SHELF - W/PLASTIC EDGE MOLDING - WASHED MAPLE
19	122325-11-H40	EA	SHELF - W/PLASTIC EDGE MOLDING - WHITE GRANITE

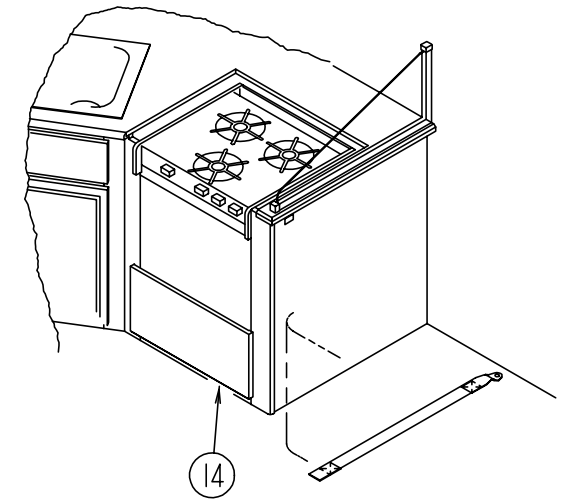
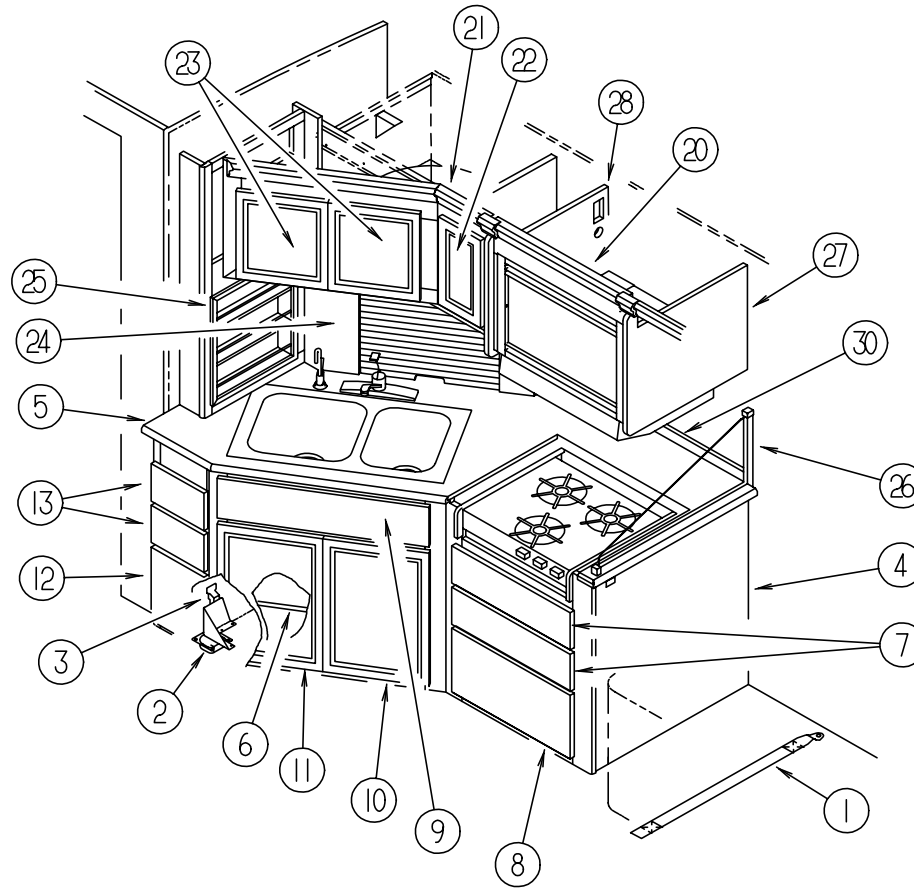
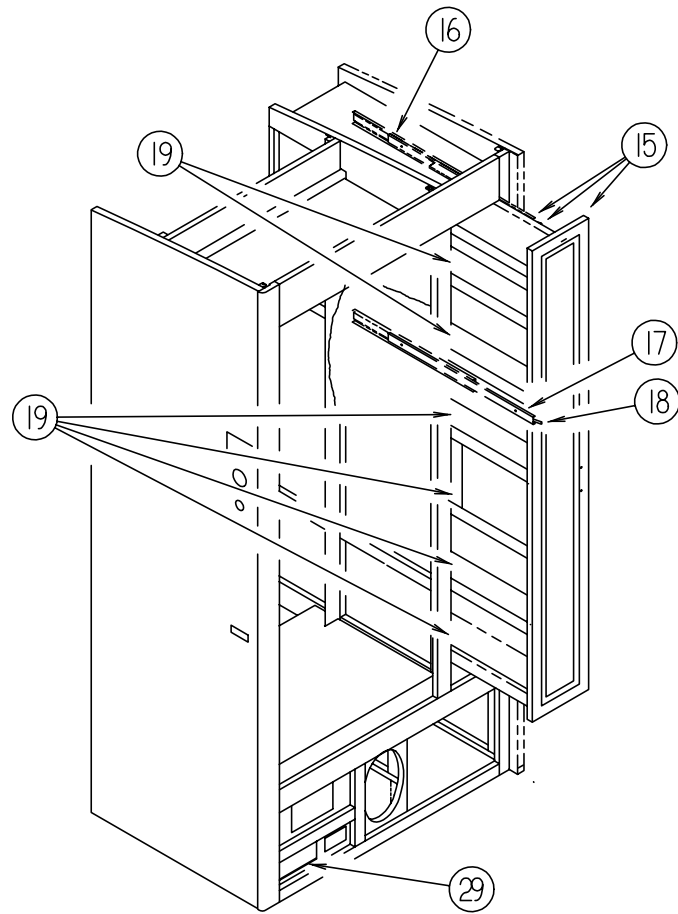
## GALLEY GROUP (CONTINUED)



### CABINETS, DOORS & DRAWERS (CONTINUED)

KEY	PART NUMBER	U/M	DESCRIPTION
20	P26479-01-J94	EA	CABINET - OVERHEAD/MICROWAVE - W/O DOORS/HARDWARE - WATERFORD OAK
20	P26479-01-J60	EA	CABINET - OVERHEAD/MICROWAVE - W/O DOORS/HARDWARE - WASHED MAPLE
20	P26479-01-J62	EA	CABINET - OVERHEAD/MICROWAVE - W/O DOORS/HARDWARE - WHITE GRANITE
20	P28830-01-J94	EA	CABINET - OVERHEAD/MICROWAVE - W/O DOORS/HARDWARE - PANASONIC WATERFORD OAK
20	P28830-01-J60	EA	CABINET - OVERHEAD/MICROWAVE - W/O DOORS/HARDWARE - PANASONIC WASHED MAPLE
20	P28830-01-J62	EA	CABINET - OVERHEAD/MICROWAVE - W/O DOORS/HARDWARE - PANASONIC WHITE GRANITE
21	126480-01-J94	EA	CABINET - OVERHEAD/GALLEY - W/O DOORS/HARDWARE - WATERFORD OAK
21	126480-01-J60	EA	CABINET - OVERHEAD/GALLEY - W/O DOORS/HARDWARE - WASHED MAPLE
21	126480-01-J62	EA	CABINET - OVERHEAD/GALLEY - W/O DOORS/HARDWARE - WHITE GRANITE
22	M05992-P0-J94	EA	DOOR - STRAIGHT CORNER/OGEE EDGE - 7.7" X 14.3" - W/O HDW - WATERFORD OAK
22	M05992-P0-J60	EA	DOOR - STRAIGHT CORNER/OGEE EDGE - 7.7" X 14.3" - W/O HDW - WASHED MAPLE
22	122715-92-01A	EA	DOOR - MOLDED VINYL - 7.9" X 14.3" - W/O HDW - WHT GRANITE
23	M05992-Q1-J94	EA	DOOR - STRAIGHT CORNER/OGEE EDGE - 12.4" X 14.3" - W/O HDW - WATERFORD OAK
23	M05992-Q1-J60	EA	DOOR - STRAIGHT CORNER/OGEE EDGE - 12.4" X 14.3" - W/O HDW - WASHED MAPLE
23	122715-91-01A	EA	DOOR - MOLDED VINYL - 12.4" X 14.3" - W/O HDW - WHT GRANITE
24	126811-01-J94	EA	CABINET - STORAGE/APPLIANCE - W/O DOORS/HARDWARE - WATERFORD OAK
24	126811-01-J60	EA	CABINET - STORAGE/APPLIANCE - W/O DOORS/HARDWARE - WASHED MAPLE
24	126811-01-J62	EA	CABINET - STORAGE/APPLIANCE - W/O DOORS/HARDWARE - WHITE GRANITE
24	128763-01-J94	EA	CABINET - STORAGE - W/O DOORS/HARDWARE - WATERFORD OAK - UPGRADE
24	128763-01-J60	EA	CABINET - STORAGE - W/O DOORS/HARDWARE - WASHED MAPLE - UPGRADE
24	128763-01-J62	EA	CABINET - STORAGE - W/O DOORS/HARDWARE - WHITE GRANITE - UPGRADE
24	126866-01-J94	EA	HANDLE - DOOR - TAMBOUR - WATERFORD OAK
24	126866-01-J60	EA	HANDLE - DOOR - TAMBOUR - WASHED MAPLE
24	126866-01-J62	EA	HANDLE - DOOR - TAMBOUR - WHITE GRANITE
25	126812-01-J94	EA	CABINET - SPICE RACK - W/O DOORS/HARDWARE - WATERFORD OAK
25	126812-01-J60	EA	CABINET - SPICE RACK - W/O DOORS/HARDWARE - WASHED MAPLE
25	126812-01-J62	EA	CABINET - SPICE RACK - W/O DOORS/HARDWARE - WHITE GRANITE
25	128762-01-J94	EA	CABINET - SPICE RACK - W/O DOORS/HARDWARE - WATERFORD OAK UPGRADE
25	128762-01-J60	EA	CABINET - SPICE RACK - W/O DOORS/HARDWARE - WASHED MAPLE - UPGRADE
25	128762-01-J62	EA	CABINET - SPICE RACK - W/O DOORS/HARDWARE - WHITE GRANITE - UPGRADE
	126847-01-J94	EA	SPICE RACK - WATERFORD OAK
	126847-01-J60	EA	SPICE RACK - WASHED MAPLE
	126847-01-J62	EA	SPICE RACK - WHITE GRANITE
26	126875-01-J94	EA	CABINET - SPLASHGUARD - W/O DOORS/HARDWARE - WATERFORD OAK
26	126875-01-J60	EA	CABINET - SPLASHGUARD - W/O DOORS/HARDWARE - WASHED MAPLE
26	126875-01-J62	EA	CABINET - SPLASHGUARD - W/O DOORS/HARDWARE - WHITE GRANITE
26	127117-01-01A	EA	GLASS - STATIONARY - SPLASHGUARD

## GALLEY GROUP (CONTINUED)



### CABINETS, DOORS & DRAWERS (CONTINUED)

KEY	PART NUMBER	U/M	DESCRIPTION	FROM: 00-00-00 THRU: 11-01-97
27	103128-21-J94	EA	END CAP - OVERHEAD - WATERFORD OAK	FROM: 00-00-00 THRU: 11-01-97
27	103128-21-J60	EA	END CAP - OVERHEAD - WASHED MAPLE	FROM: 00-00-00 THRU: 11-01-97
27	103128-21-J62	EA	END CAP - OVERHEAD - WHITE GRANITE	FROM: 00-00-00 THRU: 11-01-97
27	103128-40-J94	EA	END CAP - OVERHEAD - WATERFORD OAK	FROM: 11-02-97 THRU: 99-99-99
27	103128-40-J60	EA	END CAP - OVERHEAD - WASHED MAPLE	FROM: 11-02-97 THRU: 99-99-99
27	103128-40-J62	EA	END CAP - OVERHEAD - WHITE GRANITE	FROM: 11-02-97 THRU: 99-99-99
28	103128-24-J94	EA	END CAP - OVERHEAD/LEFT HAND - WATERFORD OAK	FROM: 00-00-00 THRU: 11-01-97
28	103128-24-J60	EA	END CAP - OVERHEAD/LEFT HAND - WASHED MAPLE	FROM: 00-00-00 THRU: 11-01-97
28	103128-41-J94	EA	END CAP - OVERHEAD - WATERFORD OAK	FROM: 00-00-00 THRU: 11-01-97
28	103128-41-J60	EA	END CAP - OVERHEAD - WASHED MAPLE	FROM: 11-02-97 THRU: 99-99-99
28	103128-41-J62	EA	END CAP - OVERHEAD - WHITE GRANITE	FROM: 11-02-97 THRU: 99-99-99
29	M05992-Y0-J94	EA	DOOR - STRAIGHT CORNER/OGEE EDGE - 12.6"X 6.1" - W/O HDW WATERFORD OAK	
29	M05992-Y0-J60	EA	DOOR - STRAIGHT CORNER/OGEE EDGE - 12.6"X 6.1" - W/O HDW WASHED MAPLE	
29	122715-83-01A	EA	DOOR - MOLDED VINYL - 6.1" X 12.6" - W/O HDW - WHT GRANITE	
30	125379-27-J60	EA	BACKSPLASH - GALLEY - UPGRADE	

## GALLEY GROUP (CONTINUED)

### APPLIANCES & TIEDOWNS

KEY	PART NUMBER	U/M	DESCRIPTION
*	100258-40-01A	EA	HOOD - RANGE - 22" - W/MONITOR PANEL - BLACK TEXTURED - U.S.
*	100258-41-01A	EA	HOOD - RANGE - 22" - W/MONITOR PANEL - BLACK TEXTURED - C.S.A.
*	100258-34-01A	EA	HOOD - RANGE 22 W/MONITOR PANEL - DIESEL GENERATOR OPTION - U.S.
*	100258-35-01A	EA	HOOD - RANGE 22 W/MONITOR PANEL - DIESEL GENERATOR OPTION - C.S.A.
	127426-01-01A	EA	SPACER - HOOD - 3.9" DEEP X 21.9" WIDE X 4.9"
	122753-02-000	EA	OVEN - MICROWAVE - .9 CU. FT - CONVECTION - SHARP - UL
	102479-01-000	EA	OVEN - MICROWAVE - CONVECTION - PANASONIC NN8501VA
	122753-04-000	EA	OVEN - MICROWAVE - .9 CU FT - CONVECTION - SHARP - CSA
	102482-11-J60	EA	FRAME - MICROWAVE - SHARP
	102482-12-J60	EA	FRAME - MICROWAVE - PANSONIC
	122799-07-02B	EA	SUPPORT ASM - MICROWAVE - E-COAT - SHARP
	122799-08-02B	EA	SUPPORT ASM - MICROWAVE - E-COAT - SHARP
	128845-01-02B	EA	BAFFLE - MICROWAVE - PANASONIC
	128845-02-02B	EA	BAFFLE - MICROWAVE - E-COATED - PANASONIC
	107109-21-04B	EA	BRACKET - TIEDOWN (RANGE W/OVEN)
	107109-22-04B	EA	BRACKET - TIEDOWN (RANGE W/OVEN)
	107109-31-04B	EA	BRACKET - TIEDOWN - INTERIOR UPGRADE PACKAGE (RANGE W/OVEN)
	107109-32-04B	EA	BRACKET - TIEDOWN - INTERIOR UPGRADE PACKAGE (RANGE W/OVEN)
*	126023-01-01A	EA	RANGE - W/OVEN - 22" - 3 BURNER/BLACK GLASS DOOR
*	126023-02-01A	EA	RANGE - W/OVEN - 22" - 3 BURNER/TEXTURED TOP - BLACK
	106936-21-04B	EA	BRACKET - STOVE TIEDOWN (RANGE TOP)
	106936-22-04B	EA	BRACKET - STOVE TIEDOWN (RANGE TOP)
*	114030-02-01A	EA	RANGE - 3 BURNER TOP - W/O OVEN - BLACK
*	114030-03-01A	EA	RANGE - 3 BURNER W/O OVEN
	065225-02-000	EA	PLATE - TIEDOWN - REFRIGERATOR
	065225-01-000	EA	PLATE - TIEDOWN - REFRIGERATOR (4 DOOR REFRIGERATOR)
	090195-08-000	EA	BAFFLE - REFRIGERATOR - LOWER
	093369-03-000	EA	STRAP - REFRIGERATOR
	093646-01-000	EA	BRACKET - TIEDOWN/REFRIGERATOR - RIGHT HAND
	093646-02-000	EA	BRACKET - TIEDOWN/REFRIGERATOR - LEFT HAND
	103251-07-01A	EA	INSERT - ACRYLIC/BLACK - 21.60" X 14.53"
	103251-09-01A	EA	INSERT - ACRYLIC/BLACK - 21.60" X 38.62"
	103251-10-01A	EA	INSERT - ACRYLIC/BLACK - 16.2" X 18.4" (4 DOOR REFRIGERATOR)
	103251-11-01A	EA	INSERT - ACRYLIC/BLACK - 16.2" X 41.2" (4 DOOR REFRIGERATOR)
	116751-02-01A	EA	TRAY - REFRIGERATOR - BLACK
	118871-04-01A	EA	TRAY - REFRIGERATOR - SIDE/SIDE - BLACK (4 DOOR REFRIGERATOR) FROM: 00-00-00 THRU: 11-10-97
	118871-05-01A	EA	TRAY - REFRIGERATOR - SIDE/SIDE (4 DOOR REFRIGERATOR) FROM: 11-11-97 THRU: 99-99-99
*	120075-01-01A	EA	REFRIGERATOR - LARGE DOUBLE DOOR/RIGHT HAND - 2-WAY
*	120075-03-01A	EA	REFRIGERATOR - LARGE DOUBLE DOOR/RIGHT HAND - 2-WAY W/ICE
*	125242-01-01A	EA	REFRIGERATOR - 4 DOOR W/ICE MAKER
	054450-01-000	EA	LEVEL - REFRIGERATOR
	124649-02-01A	EA	COFFEEMAKER - COUNTERTOP - BLACK
	124649-02-02A	EA	COFFEEMAKER - COUNTERTOP WHITE
	124649-03-01A	EA	COFFEEMAKER - COUNTERTOP - BLACK - CSA
	124649-03-02A	EA	COFFEEMAKER - COUNTERTOP WHITE - CSA
	M05904-03-J60	EA	COVER - STOVE - W/SOLID COUNTERTOP (J94, J60)
	M05904-03-J61	EA	COVER - STOVE - W/SOLID COUNTERTOP (J95, J61)
	M05904-03-J62	EA	COVER - STOVE - W/SOLID COUNTERTOP (J96, J62)
	M05904-05-J72	EA	COVER - STOVE - W/SOLID COUNTERTOP - UPGRADE PACKAGE
	126022-01-01A	EA	COVER - RANGE - BIFOLD - 22" BLACK TEXTURED

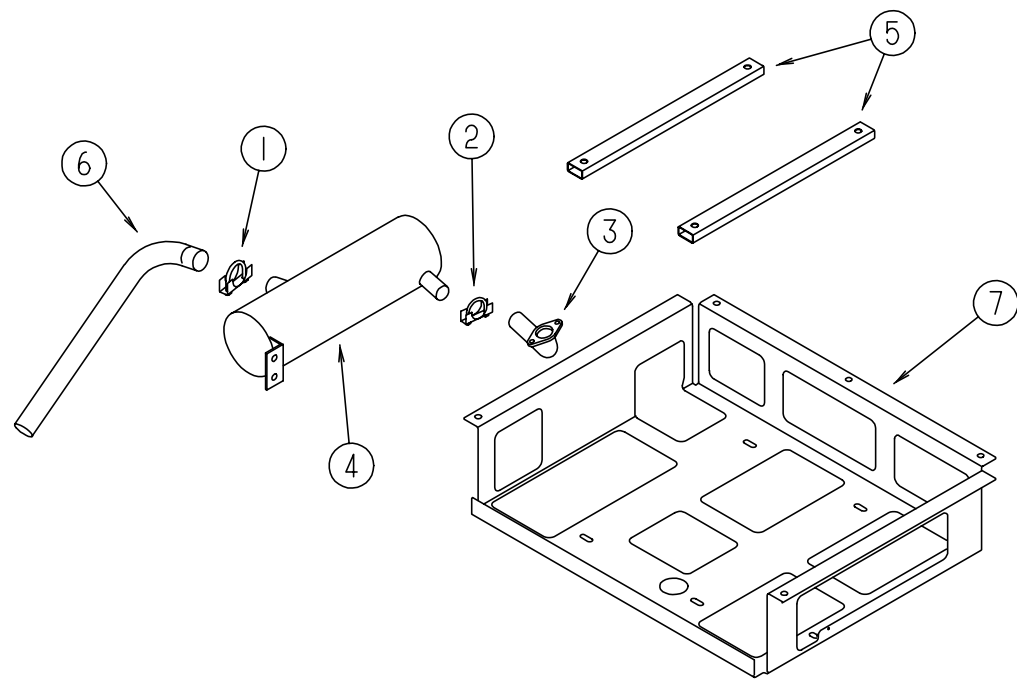
\* COMPONENT PARTS FOUND IN SERVICE PARTS LIBRARY

## GALLEY GROUP (CONTINUED)

### GALLEY FIXTURES & SINK COVERS

KEY	PART NUMBER	U/M	DESCRIPTION	VENDOR NO.
	090329-01-000	FT	SEAL/T - REFRIGERATOR CABINET	
	100128-02-000	FT	SEAL - FOAM - ADHESIVE BACK - .37" WIDE X .37" THICK	
	103635-01-000	EA	FAUCET - SINGLE CONTROL - EVERPURE WATER FILTER	
	103635-01-700	EA	FITTING KIT - FAUCET REPAIR	3071-70
	103635-01-701	EA	TUBING - PLASTIC	3019-20
	103635-01-702	EA	FAUCET REPAIR KIT	3026-46
	108464-03-GV4	EA	COVER - SINK - SMALL - 15" X 11" (J94, J60)	
	108464-03-J61	EA	COVER - SINK - SMALL - 15" X 11" (J95, J61)	
	108464-03-J74	EA	COVER - SINK - SMALL - 15" X 11" (J96, J62)	
	108464-04-F32	EA	COVER - SINK - LARGE - 15" X 15" (J94, J60)	
	108464-04-J61	EA	COVER - SINK - LARGE - 15" X 15" (J95, J61)	
	108464-04-J23	EA	COVER - SINK - LARGE - 15" X 15" (J96, J62)	
	107044-05-J72	EA	COVER - RECESSED SINK - 14.9" X 11.1" - UPGRADE	
	107044-06-J72	EA	COVER - RECESSED SINK - 14.9" X 15" - UPGRADE	
	116382-01-01A	EA	SHELF - ROUND - PLASTIC	
	116590-01-02B	EA	BASE - SHELF	
	116591-01-01A	EA	SPACER - NYLON	
	092303-01-000	EA	STRAINER - SINK	
	110654-01-000	EA	SINK - STAINLESS STEEL/DOUBLE BASIN (1 LG-1 SM BASIN)	
	104114-01-01A	EA	FAUCET - GALLEY - SINGLE CONTROL W/SEPARATE WATER PIPES FROM: 00-00-00 THRU: 09-21-97	
	104114-02-01A	EA	FAUCET - GALLEY - SINGLE CONTROL FROM: 09-22-97 THRU: 99-99-99	

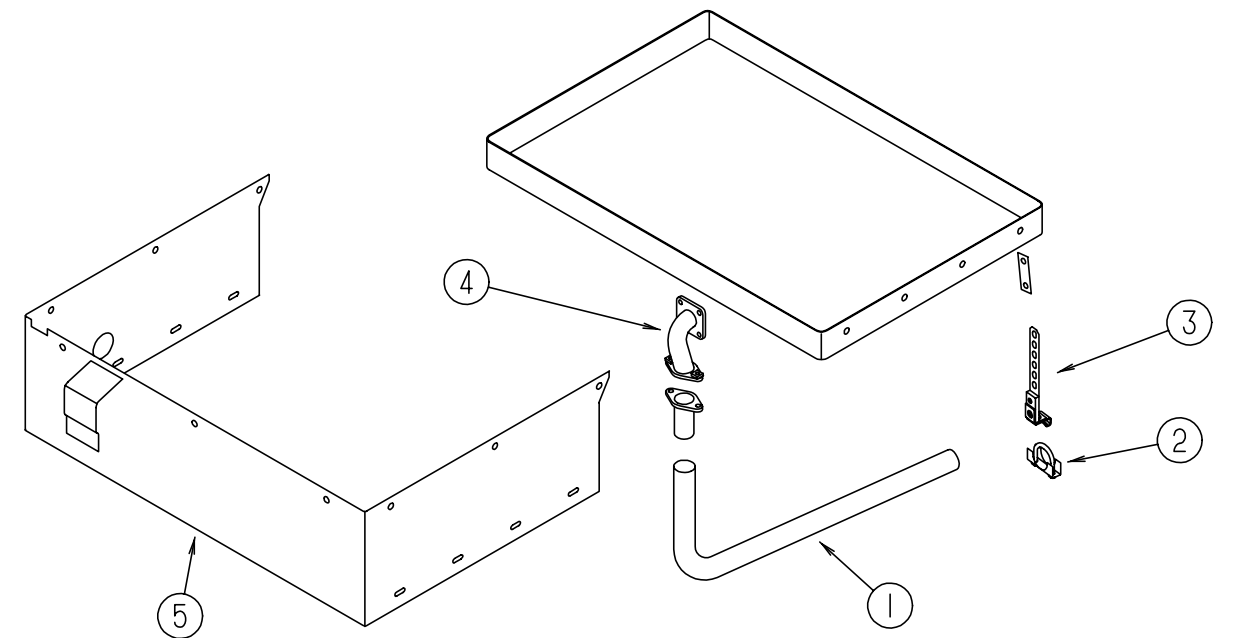
## GENERATOR GROUP



### EMERALD GENERATOR

KEY	PART NUMBER	U/M	DESCRIPTION
	112365-04-000	EA	BREAKER - 20 AMP
1	007125-03-000	EA	CLAMP - MUFFLER - 1.5" DIAMETER
2	007125-04-000	EA	CLAMP - MUFFLER - 1.12" DIAMETER
3	079654-05-000	EA	PIPE - EXHAUST - ANGLED W/FLANGE - 2" ID
4	082272-01-000	EA	MUFFLER - GENERATOR
5	094059-01-000	EA	SPACER - GENERATOR - ONAN
	100975-01-000	EA	GENERATOR - 6.5 KW EMERALD PLUS (OPTIONAL 39G)
	109303-01-000	EA	GENERATOR - 5 KW - EMERALD PLUS (STANDARD 40T)
6	105958-14-000	EA	PIPE - EXHAUST - 1.4" INLET X 1.5" O.D. - 4.9" X 18.1"
7	127008-02-02B	EA	TRAY - GENERATOR
	112365-03-000	EA	BREAKER - 30 AMP GENERATOR

## GENERATOR GROUP

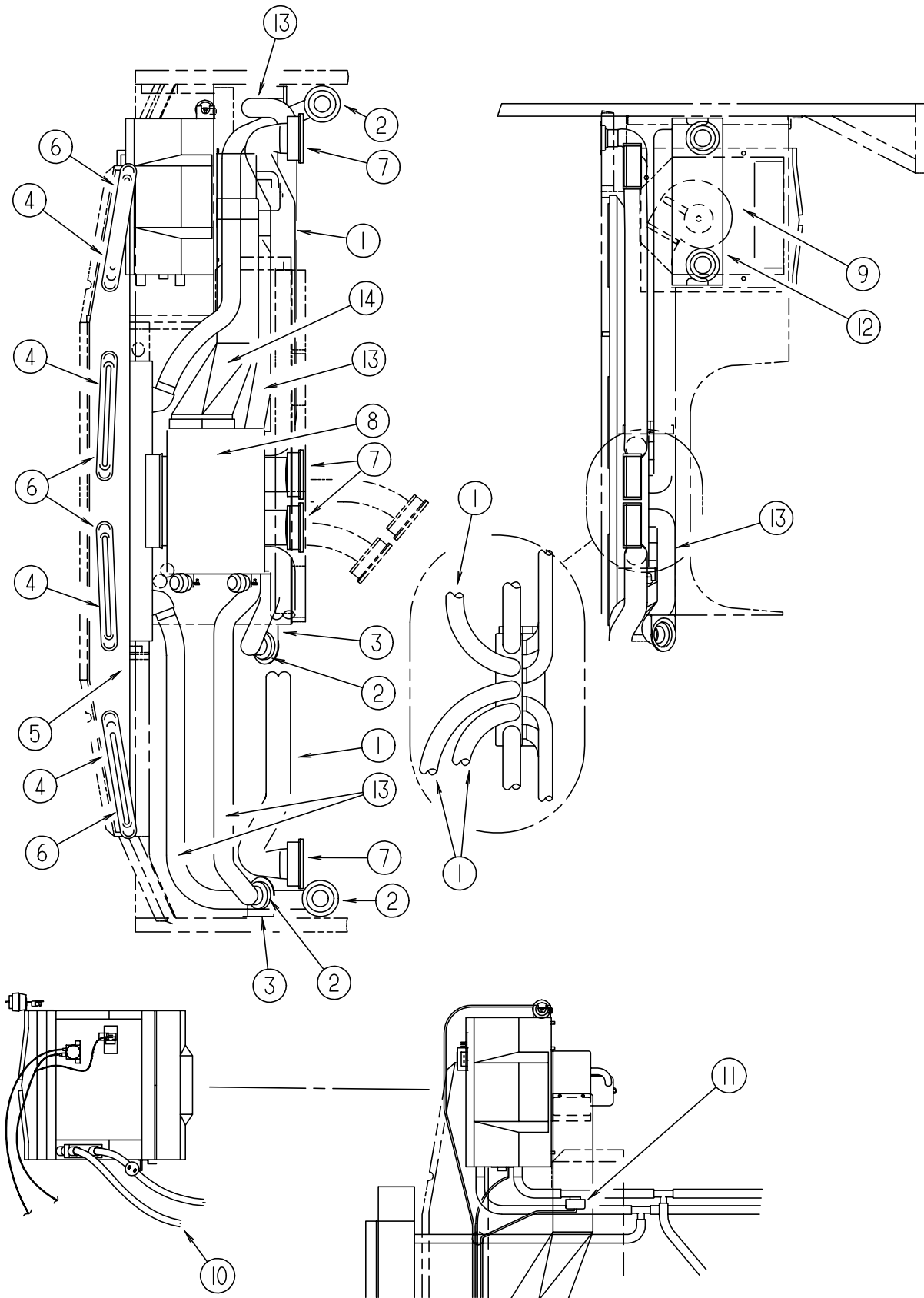


### MARQUIS GENERATOR

KEY	PART NUMBER	U/M	DESCRIPTION
1	105958-15-000	EA	PIPE - EXHAUST - GENERATOR - HDGM
1	105958-17-000	EA	PIPE - EXHAUST - GENERATOR - FORD
	112365-04-000	EA	BREAKER - 20 AMP
2	007125-03-000	EA	CLAMP - MUFFLER - 1.5" DIAMETER
3	007131-01-000	EA	HANGER - TAILPIPE - 6 SLOTS
	105559-03-000	EA	GENERATOR - 7 KW MARQUIS 30/30
4	106235-01-000	EA	ADAPTOR - GENERATOR EXHAUST
	112365-03-000	EA	BREAKER - 30 AMP GENERATOR
	065820-09-000	EA	HOSE - HIGH PRESSURE - 28" (OPTIONAL 39R)
5	116358-02-02B	EA	PANEL - GENERATOR - E-COAT
5	128084-01-02B	EA	PANEL - GENERATOR - E-COAT

# HEATING & AIR CONDITIONING GROUP

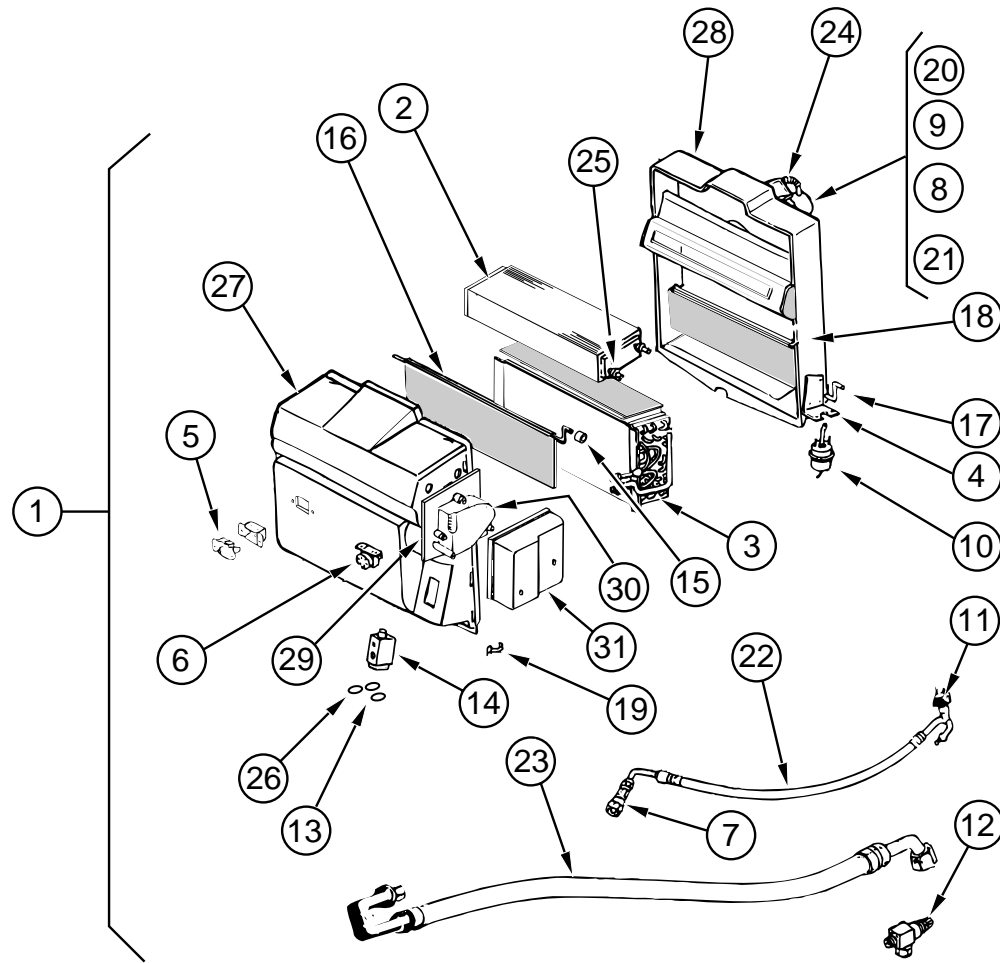
## AUTOMOTIVE HEATER & A/C



KEY	PART NUMBER	U/M	DESCRIPTION	VENDOR NO.
	007108-01-000	FT	HOSE - HEATER - 5/8" ID - HI-TEMP - FORD	
1	007281-01-000	EA	HOSE - FLEXIBLE PVC - 2.5" ID X 50'	
2	024990-05-000	EA	OUTLET - DEFROSTER - 4" DIAMETER W/SWIVEL DEFLECTORS	
3	056402-05-000	EA	BRACKET - HEATER VENT - ROUND W/BEND - BLACK	
4	077075-01-000	EA	GASKET - INSTRUMENT PANEL TO DEFROSTER PLENUM	
5	103017-03-000	EA	PLENUM - DEFROSTER	
6	103558-01-11A	EA	VENT - DEFROSTER - 2" X 14.4" X 1.4" - TITANIUM	
7	103796-01-01A	EA	LOUVER - A/C	
8	103930-39-000	EA	CONTROL/PLENUM - ROTARY	
9	103930-30-000	EA	EVAPORATOR/HEATER - CHEVY - SERVO MOTOR CONTROLLED - R134A CHEVY	
9	103930-31-000	EA	EVAPORATOR/HEATER - FORD - SERVO MOTOR CONTROLLED - R134A FORD	
9	103930-43-000	EA	EVAPORATOR/HEATER ASSEMBLY - NON-CHARGED - 99 FORD	
9	103930-32-000	EA	EVAPORATOR/HEATER- FRTLINER/SPARTAN-SERVO MOTOR CONTROLLED R34A DIESEL PUSHER	
10	103930-44-000	EA	HOSE - EVAPORATOR/DRIYER - #6 - 99 FORD	
10	103930-45-000	EA	HOSE ASM EVAP/COMP - 99 FORD	
	103930-42-000	EA	DRYER/HOSE KIT - PRECHARGED R13 - HDGM CHEVY P12 CHASSIS	
10	103930-29-000	EA	HOSE KIT - #10 F/GM L-29 & L-65 CHASSIS CHEVY L-29 VORTEC/L-65 DIESEL	
10	103930-17-702	EA	O'RING #10 - CHEVY L-29 VORTEC/L-65 DIESEL	045-0127
10	103930-29-701	EA	O'RING F/LOW PRESSURE SWITCH - #10 CHEVY L-29 VORTEC/L-65 DIESEL	045-0483
10	103930-15-000	EA	HOSE KIT #12 PRECHARGED R134 - FREIGHTLINER	
	103930-42-000	EA	DRYER/HOSE KIT - PRECHARGED R13 - HDGM CHEVY P12 CHASSIS	
	076776-01-000	EA	TEE - BEADED - 5/8" X 5/8" X 5/8" - GM/FORD	
11	103930-23-000	EA	VALVE - WATER - 2 PORT	
	077539-01-000	EA	BRACKET - MOUNTING/DASH PANEL - L/SHAPED - 2.5"X1"X1.5"	
12	095757-05-J60	EA	COVER - HEATER (J94, J60)	
12	095757-05-G15	EA	COVER - HEATER (J95, J61)	
12	095757-05-H40	EA	COVER - HEATER (J96, J62)	
13	007076-01-000	EA	HOSE - FLEXIBLE PVC - 2" ID - INCREMENTS OF 50'	
14	103016-03-000	EA	PLENUM - TRANSITION	
	103930-37-000	EA	MANUAL - OWNERS - HEATER/A/C	

# HEATING & AIR CONDITIONING GROUP (CONTINUED)

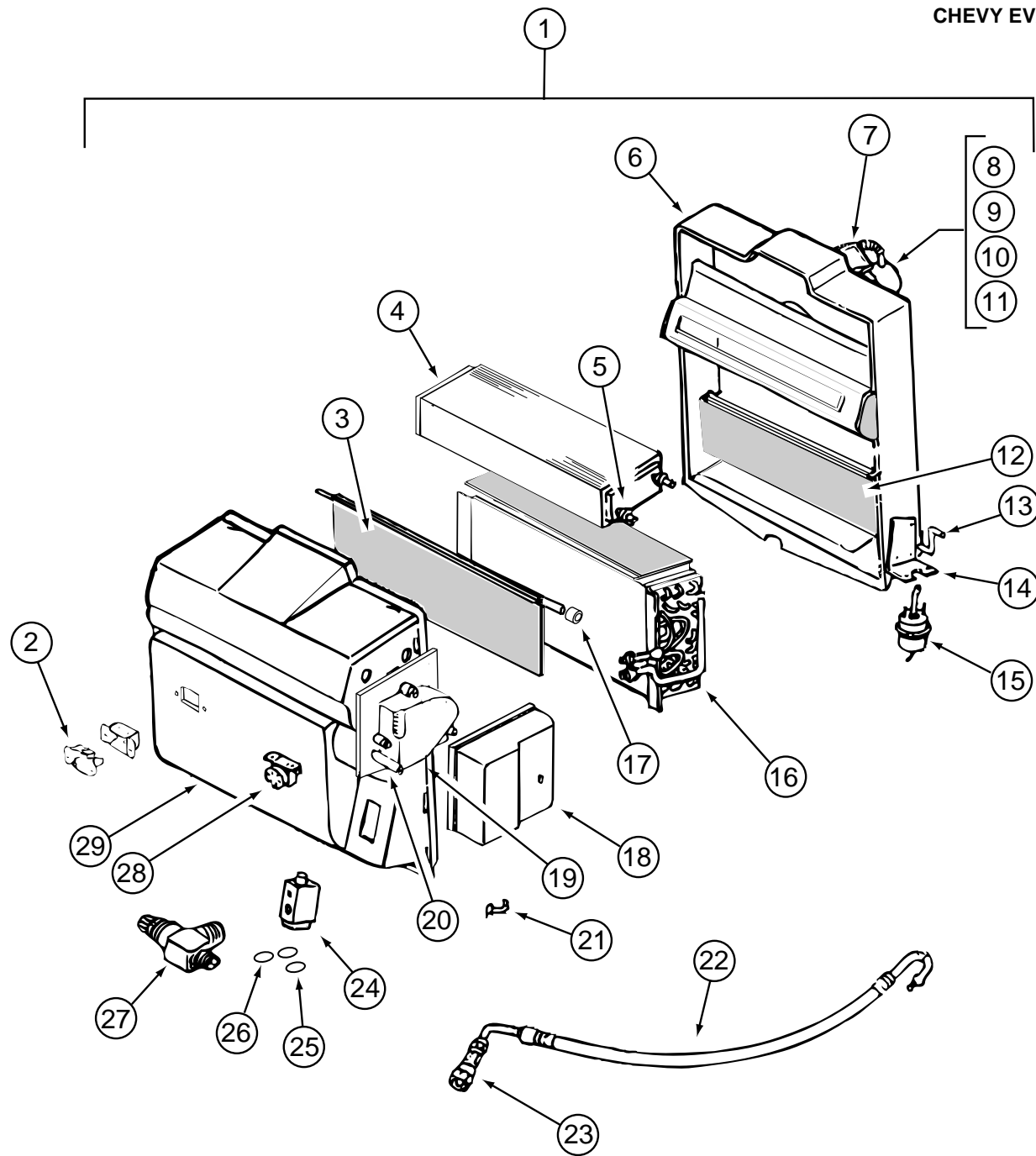
## FORD EVAPORATOR & HEATER



KEY	PART NUMBER	U/M DESCRIPTION	VENDOR NO.
1	103930-31-000	EA EVAPORATOR/HEATER - 98FORD - SERVO MOTOR CONTROLLED	
1	103930-43-000	EA EVAPORATOR/HEATER ASSEMBLY - NON-CHARGED - 99 FORD	
2	103930-01-703	EA CORE - HEATER	042-0010
3	103930-01-704	EA COIL - EVAPORATOR	041-0017
4	103930-01-708	EA BRACKET - VACUUM MOTOR - 98 FORD	070-0113
5	103930-01-710	EA RESISTOR - FUSED - A/C	035-0006
6	103930-01-711	EA THERMOSTAT	033-0003
7	103930-01-713	EA FITTING - QUICK CONNECT - #4 - 98 FORD	050-0030
8	103930-01-717	EA WHEEL - BLOWER - CLOCKWISE	062-0010
9	103930-30-706	EA MOTOR - BLOWER W/PIGTAIL HARNESS	030-0109
10	103930-02-708	EA MOTOR - VACUUM SERVO - A/C	030-0025
11	103930-12-708	EA SWITCH - BINARY - HI-LOW CUTOUT - 98 FORD	032-0048
12	103930-13-702	EA VALVE - SERVICE - W/O COMP. - 98 FORD	050-0152
13	103930-17-702	EA O'RING #10	045-0127
14	103930-20-700	EA VALVE - EXPANSION - BLOCK - 2 TON	034-0032
15	103930-30-702	EA BUSHING - BLEND AIR DOOR	062-0168
16	103930-30-705	EA DOOR - BLEND AIR - 98 FORD	071-0568
16	103930-43-700	EA DOOR - AIR BLEND - 99 FORD	071-0568
17	103930-20-704	EA ROD - DOOR - RECIRCULATING	073-0018
18	103930-20-705	EA PANEL - DOOR - RECIRCULATING	071-0213
19	103930-20-706	EA CLIP - RETAINER	022-0057
20	103930-20-707	EA HOUSING - BLOWER	062-0145
21	103930-20-708	EA CLIP - MOTOR SHAFT	022-0001
22	103930-21-700	EA HOSE ASM. #6 EXP. VALVE-DRIER - 98 FORD	085-0139
23	103930-21-701	EA HOSE ASM #10, EXP. VALVE-COMP - 98 FORD	085-0149
24	110279-01-703	EA HOSE - VENT - BLOWER MOTOR - 98 FORD	051-0034
25	110279-01-712	EA FITTING - HEATER	050-0076
26	113245-01-707	EA O'RING #8 - 98 FORD	045-0126
27	103930-30-700	EA CASE - FRONT	062-0542
28	103930-20-711	EA CASE - BACK - SUB-ASSEMBLY	062-0147
29	103930-30-701	EA PLATE - MOTOR MOUNT	062-0544
30	103930-30-703	EA MOTOR - SERVO	030-0104
31	103930-30-704	EA COVER - SERVO	062-0545
	103930-02-714	EA CLAMP - CLUTCH - BARREL 99 FORD	022-0006
	103930-30-707	EA DIVIDER ASM. - 99 FORD	086-0061

# HEATING & AIR CONDITIONING GROUP (CONTINUED)

## CHEVY EVAPORATOR & HEATER



KEY	PART NUMBER	U/M	DESCRIPTION	VENDOR NO.
1	103930-30-000	EA	EVAPORATOR/HEATER - CHEVY - SERVO MOTOR CONTROLLED	
2	103930-01-710	EA	RESISTOR - FUSED - A/C	035-0006
3	103930-30-705	EA	DOOR - BLEND AIR	071-0568
4	103930-01-703	EA	CORE - HEATER	042-0010
5	110279-01-712	EA	FITTING - HEATER	050-0076
6	103930-20-711	EA	CASE - BACK - SUB-ASSEMBLY	062-0147
7	110279-01-703	EA	HOSE - VENT - BLOWER MOTOR	051-0034
8	103930-20-707	EA	HOUSING - BLOWER	062-0145
9	103930-30-706	EA	MOTOR - BLOWER W/PIGTAIL HARNESS	030-0109
10	103930-01-717	EA	WHEEL - BLOWER - CLOCKWISE	062-0010
11	103930-20-708	EA	CLIP - MOTOR SHAFT	022-0001
12	103930-20-705	EA	PANEL - DOOR - RECIRCULATING	071-0213
13	103930-20-704	EA	ROD - DOOR - RECIRCULATING	073-0018
14	103930-01-708	EA	BRACKET - VACUUM MOTOR	070-0113
15	103930-02-708	EA	MOTOR - VACUUM SERVO - A/C	030-0025
16	103930-01-704	EA	COIL - EVAPORATOR	041-0017
17	103930-30-702	EA	BUSHING - BLEND AIR DOOR	062-0168
18	103930-30-704	EA	COVER - SERVO	062-0545
19	103930-30-703	EA	MOTOR - SERVO	030-0104
20	103930-30-701	EA	PLATE - MOTOR MOUNT	062-0544
21	103930-20-706	EA	CLIP - RETAINER	022-0057
22	103930-25-700	EA	HOSE ASM. - #6 EVAP TO DRIER	085-0350
23	103930-12-709	EA	FITTING - QUICK CONNECT	050-0120
24	103930-20-700	EA	VALVE - EXPANSION-BLOCK - 2 TON	034-0032
25	103930-17-702	EA	O'RING #10	045-0127
26	113245-01-707	EA	O'RING #8	045-0126
27	103930-20-709	EA	VALVE - SERVICE	050-0159
28	103930-01-711	EA	THERMOSTAT	033-0003
29	103930-30-700	EA	CASE - FRONT	062-0542

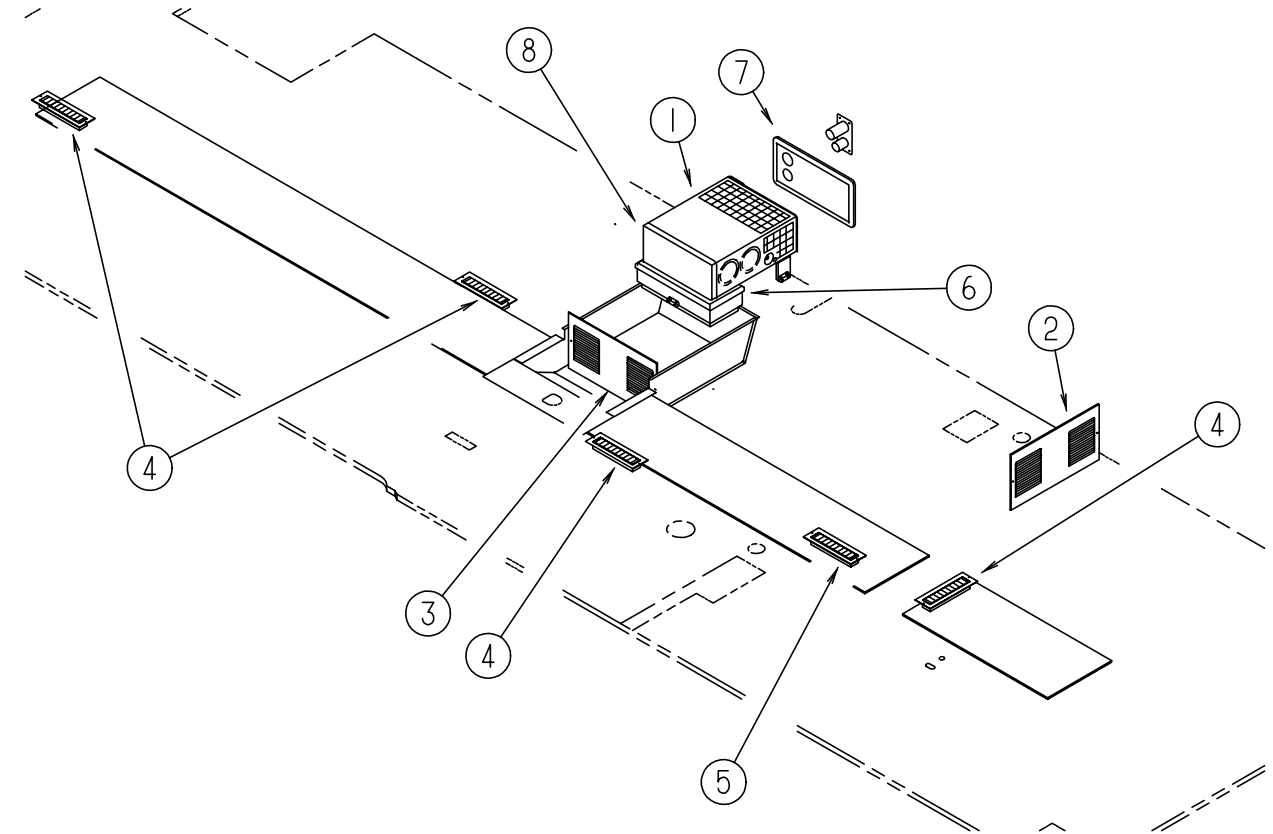


## HEATING & AIR CONDITIONING GROUP (CONTINUED)

### CONTROL & PLENUM

KEY	PART NUMBER	U/M	DESCRIPTION	VENDOR NO.
	103930-39-000	EA	CONTROL/PLENUM - ROTARY	
	103930-02-707	EA	RELAY - BOSCH W/RESISTER	031-0001
	103930-02-708	EA	MOTOR - VACUUM SERVO - A/C	030-0025
	103930-02-710	EA	CANISTER - VACUUM	054-0002
	103930-33-701	EA	MOTOR - VACUUM - 3 STAGE	030-0105
	103930-33-702	EA	CONTROL PANEL	083-0169
	103930-33-703	EA	VACUUM HARNESS	036-0466
	103930-33-705	EA	LIGHT BULBS	035-0030
	103930-33-707	EA	SWITCH - BLOWER	032-00066
	103930-33-708	EA	SWITCH - POTENTIOMETER	032-0184
	103930-33-709	EA	SWITCH - VACUUM	032-0183
	103930-33-710	EA	DECAL F/CONTROL HEAD	058-0102
	103930-33-711	EA	WIRE HARNESS - MAIN	036-0496
	103930-39-700	EA	ROD - DOOR - AC/HEAT	073-067
	103930-39-701	EA	ROD - DOOR - AC/DEFROST	073-0069
	103930-39-702	EA	KNOB - BLOWER	062-0539
	103930-39-703	EA	KNOB - TEMPERATURE	062-0540
	103930-39-704	EA	SPRING	022-0119

## HEATING & AIR CONDITIONING GROUP (CONTINUED)



### FURNACE SYSTEM

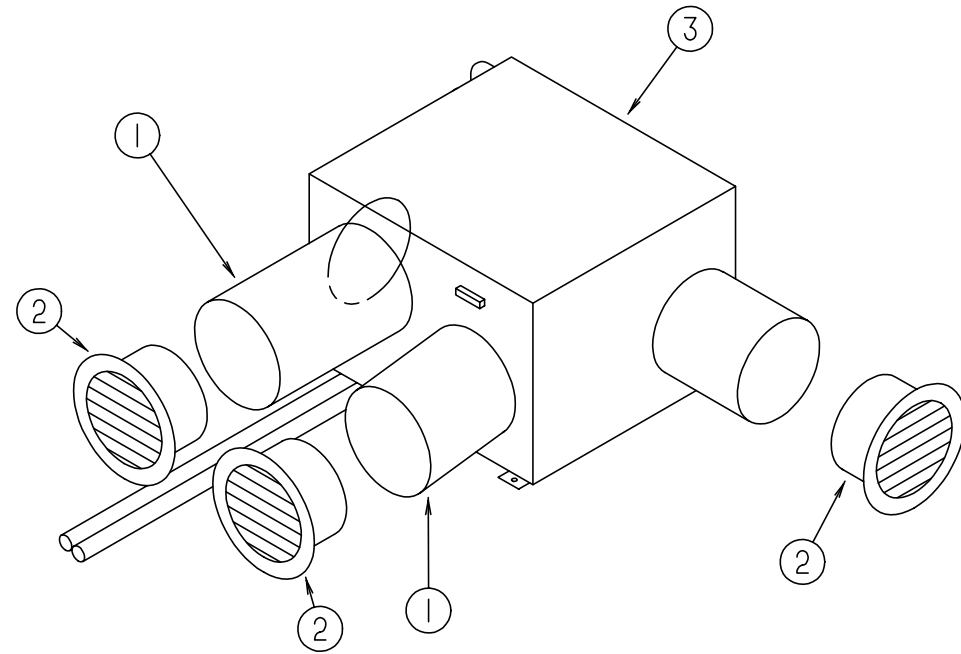
KEY	PART NUMBER	U/M	DESCRIPTION
1*	098668-22-000	EA	FURNACE - 49.000 BTU
	115764-01-01A	EA	THERMOSTAT - FURNACE
2	093614-02-02A	EA	GRILL - RETURN AIR
3	093614-09-01A	EA	GRILL - RETURN AIR
4	094600-05-01A	EA	REGISTER - HEAT - W/O DAMPER - 11.3" - BEIGE
5	094600-06-01A	EA	REGISTER - HEAT - W/DAMPER
6	098668-14-000	EA	GASKET - FIBERGLASS - .5" X 18" X 18"
7	098668-23-000	EA	DOOR - ACCESS - FURNACE
8	098668-26-000	EA	BOTTOM DUCT KIT - 40.000 BTU

\* COMPONENT PARTS FOUND IN SERVICE PARTS LIBRARY

**HEATING & AIR CONDITIONING GROUP (CONTINUED)**

**HEATING & AIR CONDITIONING GROUP (CONTINUED)**

**ROOF A/C SYSTEM**



KEY	PART NUMBER	U/M	DESCRIPTION	
	102289-01-000	EA	SPRING - SCREW - ROOF A/C GASKET	
				FROM: 00-00-00 THRU: 07-05-98
*	108892-01-01A	EA	CEILING ASSEMBLY - A/C DUCTED	
				FROM: 00-00-00 THRU: 07-05-98
*	131184-01-01A	EA	CEILING ASSEMBLY - A/C DUCTED - WHITE	
				FROM: 07-06-98 THRU: 99-99-99
	117238-01-01A	EA	THERMOSTAT - A/C - FURNACE	
	117238-02-01A	EA	THERMOSTAT - A/C ONLY	
	120134-01-02A	EA	REGISTER - 4" TO 5" IN DIAMETER W/DAMPER	
*	126859-01-01A	EA	A/C - ROOF MACH 1 POWERSAVER	
				FROM: 00-00-00 THRU: 07-05-98
*	131186-01-01A	EA	A/C - ROOF - MACH 1 POWER SAVER - WHITE	
				FROM: 07-06-98 THRU: 99-99-99
*	126860-01-01A	EA	A/C - ROOF MACH 3 POWERSAVER	
				FROM: 00-00-00 THRU: 07-05-98
*	131187-01-01A	EA	A/C - ROOF MACH 3 POWER SAVER - WHITE	
				FROM: 07-06-98 THRU: 99-99-99
	131184-02-01A	EA	BOARD - DIVIDER - SILVER	
				FROM: 07-06-98 THRU: 99-99-99

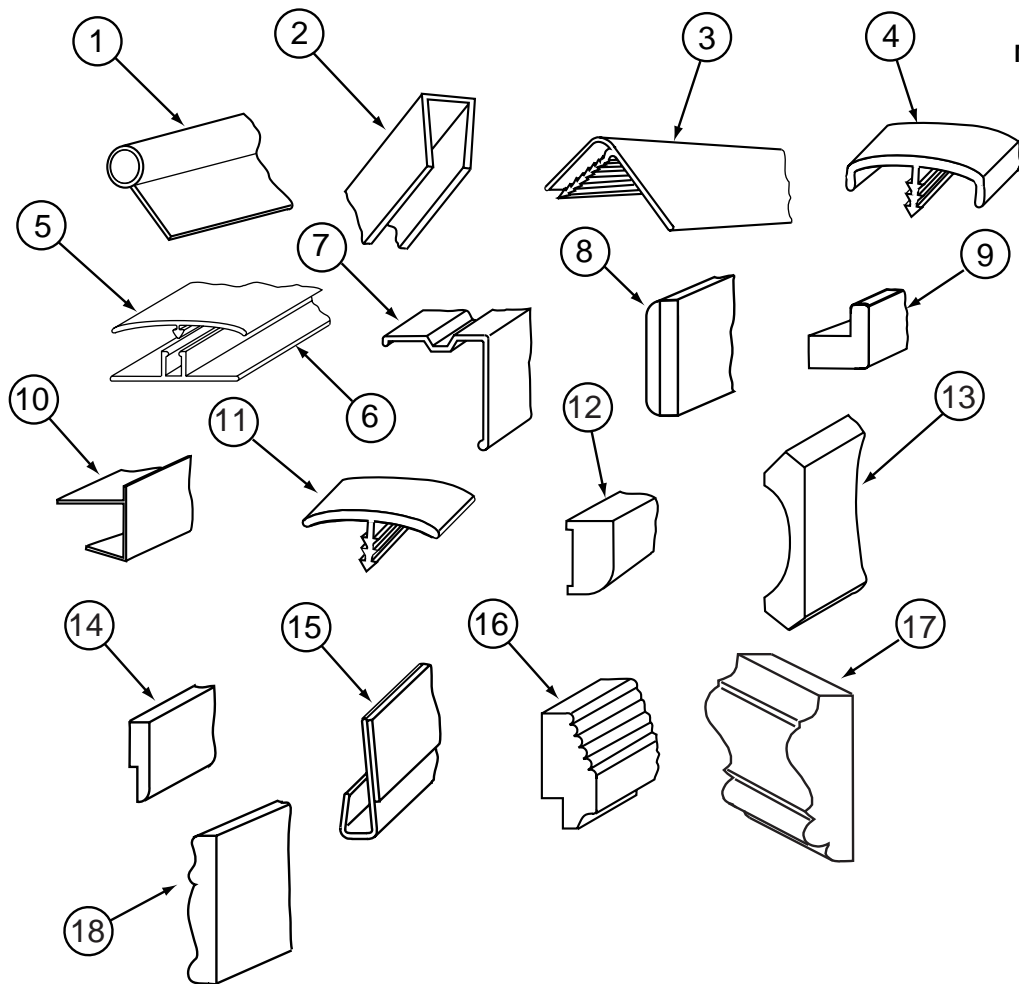
\* COMPONENT PARTS FOUND IN SERVICE PARTS LIBRARY

**REAR HEATER SYSTEM**

KEY	PART NUMBER	U/M	DESCRIPTION	VENDOR NO.
1	009198-01-000	FT	DUCT - HEAT - FLEXIBLE - 4" ID X 25'	
2	056464-10-000	EA	REGISTER - 4" DIAMETER - PLASTIC - W/O DAMPENER - BEIGE	
3	084405-01-000	EA	HEATER - REAR/DUCTED - W/MOTOR AID	
	084405-01-700	EA	CORE - HEATER	FT200229
	084405-01-701	EA	FAN BLADES	HV029931
	084405-01-702	EA	MOTOR ASSEMBLY - 12 VOLT	R0200180

# INTERIOR FINISH GROUP

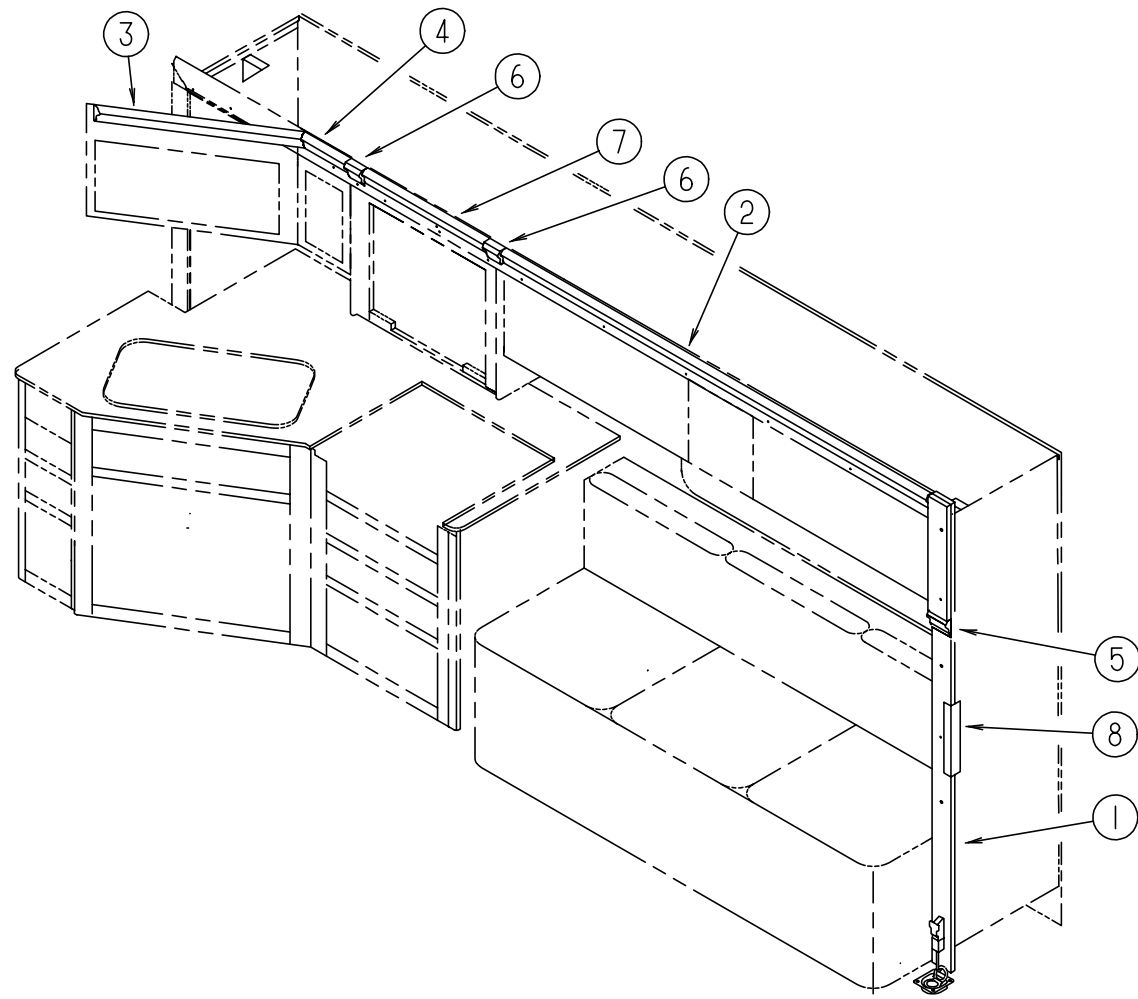
## MOLDINGS, BATT STRIPS & TRIMS



KEY	PART NUMBER	U/M	DESCRIPTION
1	009767-12-000	FT	WELTING - SIDEWALL/CEILING/CABINET - OFF/WHT - WHITE GRANITE
1	009767-13-000	FT	WELTING - WATERFORD OAK - WATERFORD OAK
1	009767-16-000	FT	WELTING - REBER BIRCH - WASHED MAPLE
2	009778-21-000	FT	U-CHANNEL - 1" - WATERFORD OAK
2	009778-27-000	FT	U-CHANNEL - 1" - WASHED MAPLE
2	009778-25-000	FT	U-CHANNEL - 1" - BEIGE ILLUSION - WHITE GRANITE
2	070504-18-000	FT	U-CHANNEL - PLASTIC - .65" X 84" - IVORY
2	070504-36-000	FT	U-CHANNEL - PLASTIC - .13" X 84" - WATERFORD OAK
2	070504-50-000	FT	U-CHANNEL - PLASTIC - .13" X 84" - WASHED MAPLE
2	070504-42-000	FT	U-CHANNEL - PLASTIC - .65" X 84" - BEIGE ILLUSION - WHITE GRANITE
2	070504-29-000	FT	U-CHANNEL - PLASTIC - .81" X 84" - WATERFORD OAK
2	070504-51-000	FT	U-CHANNEL - PLASTIC - .81" X 84" - WASHED MAPLE
2	070504-43-000	FT	U-CHANNEL - PLASTIC - .81" X 96" - BEIGE ILLUSION - WHITE GRANITE
2	070504-37-000	FT	U-CHANNEL - PLASTIC - .87" X 72" - WATERFORD OAK
2	070504-51-000	FT	U-CHANNEL - PLASTIC - .87" X 84" - WASHED MAPLE
3	009809-28-000	EA	MOLDING - CORNER - OUTSIDE - 1" X 84" - WATERFORD OAK
3	009809-31-000	EA	MOLDING - CORNER - OUTSIDE - 1" X 84" - WASHED MAPLE
3	009809-30-000	EA	MOLDING - CORNER - OUTSIDE - 1" X 84" - BEIGE ILLUSION - WHITE GRANITE
3	009812-29-000	EA	MOLDING - PLASTIC - 1/2" O/S CORNER - WATERFORD OAK
3	009812-33-000	EA	MOLDING - PLASTIC - 1/2" O/S CORNER - WASHED MAPLE
3	009812-31-000	EA	MOLDING - PLASTIC - 1/2" O/S CORNER - BEIGE ILLUS - WHITE GRANITE
	076325-38-000	FT	MOLDING - EDGE BAND - .876" X .024" (J94, J60)
	076325-40-000	FT	MOLDING - EDGE BAND - .875" X .024" (J95, J96, J61, J62)
	076325-37-000	FT	MOLDING - EDGE BAND - 1 5/16" X .030" (J94, J60)
	076325-39-000	FT	MOLDING - EDGE BAND - 1 5/16" X .030" (J95, J96, J61, J62,)
	076325-67-000	FT	MOLDING - EDGE BAND - .93" X .024" - WATERFORD OAK
	076325-68-000	FT	MOLDING - EDGE BAND - 1 5/16" X .038" - WATERFORD OAK
	076325-75-000	FT	MOLDING - EDGE BAND - .93" X .024" - WASHED MAPLE
	076325-47-000	FT	MOLDING - EDGE BAND - 1 5/16" WIDE - SAND (J95, J61)
	076325-53-000	FT	MOLDING - EDGE BAND - 1 5/16" X .030" - NEUTRAL (J96, J62)
	076325-73-000	FT	MOLDING - EDGE BAND - .93" X .024" - ST-3470 (EXTERIOR ENTERTAINMENT)

KEY	PART NUMBER	U/M	DESCRIPTION
	079653-28-000	EA	BATT STRIP - WOODGRAINED/WATERFORD OAK - 8'
	079653-45-000	EA	BATT STRIP - BARCELONA WHEAT - 8' (J94, J60)
	079653-40-000	EA	BATT STRIP - ARTISIA SPRING - 8' (J95, J61)
	079653-46-000	EA	BATT STRIP - TUSCAN MINK - 8' (J96, J62)
	079653-39-000	EA	BATT STRIP - WASHED MAPLE - 8'
	079653-38-000	EA	BATT STRIP - WHITE GRANITE - 8'
4	083620-12-000	FT	MOLDING-T - END CAP EDGE - W/EDGE LIPS - .75"-WATERFORD OAK
4	083620-19-000	FT	MOLDING-T - END CAP EDGE - W/EDGE LIPS - .75" - WASHED MAPLE
4	083620-15-000	FT	MOLDING-T - END CAP EDGE - W/EDGE LIPS - .75" - WHITE GRANITE
	085284-E8-000	FT	BATT TAPE - ADHESIVE BACKED - DECORATIVE - BARCELONA LINEN (J94, J60)
	085284-E7-000	FT	BATT TAPE - ADHESIVE BACKED - DECORATIVE - TUSCAN MINK (J96, J62)
	085284-F2-000	FT	BATT TAPE - ADHESIVE BACKED - DECORATIVE ARTESIA/SPRING (J95, J61)
	085284-B5-000	FT	BATT TAPE - ADHESIVE BACKED - WOODGRAINED/WATERFORD OAK
	085284-F5-000	FT	BATT TAPE - ADHESIVE BACKED - WOODGRAINED/WASHED MAPLE
	085284-E6-000	FT	BATT TAPE - ADHESIVE BACKED - DECORATIVE/WHITE GRANITE
5	086229-01-000	EA	RETAINER-BATTEN, CEILING - .75" WIDE - 7.6' LING
6	086229-13-000	EA	BATTEN - 1" X 96" - IVORY
6	086229-20-000	EA	BATTEN - 1" X 96" - BEIGE
7	093873-01-01A	EA	TRIM - CARPET - L-ANGLE 1.1" X 1.3" X 12' - GRAY VINYL
8	100818-01-05A	EA	MOLDING - VINYL WRAPPED - 1.65" X .4" X 7' - WATERFORD OAK
8	100818-01-08A	EA	MOLDING - VINYL WRAPPED - 1.65" X .4" X 7' - WASHED MAPLE
8	100818-01-07A	EA	MOLDING - VINYL WRAPPED - 1.65" X .4" X 7' - WHITE GRANITE
9	100819-01-05A	EA	MOLDING - VINYL WRAPPED - L-SHAPED - 1.5" X 1.5" X 7' - WATERFORD OAK
9	100819-01-08A	EA	MOLDING - VINYL WRAPPED - L-SHAPED - 1.5" X 1.5" X 7' - WASHED MAPLE
9	100819-01-07A	EA	MOLDING - VINYL WRAPPED - L-SHAPED - 1.5" X 1.5" X 7' - WHITE GRANITE
10	103186-01-05A	FT	MOLDING - PLASTIC/3/8" U-CHANNEL W/3/4" FACE - WATERFORD OAK
10	103186-01-08A	FT	MOLDING - PLASTIC/3/8" U-CHANNEL W/3/4" FACE - WASHED MAPLE
10	103186-01-07A	FT	MOLDING - PLASTIC/3/8" U-CHANNEL W/3/4" FACE - WHITE GRANITE
10	103186-02-05A	FT	MOLDING - PLASTIC/1" U-CHANNEL W/1 3/8" FACE - WATERFORD OAK
10	103186-02-08A	FT	MOLDING - PLASTIC/1" U-CHANNEL W/1 3/8" FACE - WASHED MAPLE
10	103186-02-07A	FT	MOLDING - PLASTIC/1" U-CHANNEL W/1 3/8" FACE - WHITE GRANITE
11	104676-02-04A	FT	MOLDING-T - 1/2" - WATERFORD OAK - WATERFORD OAK
11	104676-02-06A	FT	MOLDING-T - 1/2" - WASHED MAPLE
11	104676-02-07A	FT	MOLDING-T - 1/2" - DESIGNER BEIGE - WHITE GRANITE
11	105709-01-000	FT	T-MOLDING - 1" - MODERN IVORY
	022992-11-000	FT	MOLDING - REVERSE COVE - T-SHAPED VINYL - IVORY
12	117268-D2-134	EA	MOLDING - VINYL WRAPPED - .7" X 1.6" X 7' - WATERFORD OAK
12	126204-D2-134	EA	MOLDING - VINYL WRAPPED - .7" X 1.6" X 7' - WASHED MAPLE
12	122668-D2-134	EA	MOLDING - VINYL WRAPPED - .7" X 1.6" X 7' - WHITE GRANITE
12	117268-F2-134	EA	MOLDING - VINYL WRAPPED - .7" X 2.5" X 7' - WATERFORD OAK
12	126204-F2-134	EA	MOLDING - VINYL WRAPPED - .7" X 2.5" X 7' - WASHED MAPLE
12	122668-F2-134	EA	MOLDING - VINYL WRAPPED - .7" X 2.5" X 7' - WHITE GRANITE
12	117268-F2-438	EA	MOLDING - VINYL WRAPPED - .7" X 2.5" X 8' - WATERFORD OAK
12	126204-F2-438	EA	MOLDING - VINYL WRAPPED - .7" X 2.5" X 8' - WASHED MAPLE
12	122668-F2-438	EA	MOLDING - VINYL WRAPPED - .7" X 2.5" X 8' - WHITE GRANITE
13	113794-01-03A	FT	MOLDING - CROWN - WATERFORD OAK/WHITE GRANITE
13	113794-01-02A	FT	MOLDING - CROWN - WASHED MAPLE
14	105004-01-05A	EA	MOLDING - VINYL WRAPPED - 1" X 96" - PICKLED ASH - WATERFORD OAK
14	105004-01-08A	EA	MOLDING - VINYL WRAPPED - 1" X 96" - PICKLED ASH - WASHED MAPLE
15	109332-02-05A	FT	TRIM-J - W/O ADHESIVE - WASHED MAPLE
16	126902-01-01A	EA	MOLDING-PLASTIC WRAP - CRACKLE GOLD - WHITE GRANITE
17	125547-13-J94	EA	MOLDING - CROWN - 35.8" - WATERFORD OAK
17	125547-13-J60	EA	MOLDING - CROWN - 35.8" - WASHED MAPLE
17	125547-13-J62	EA	MOLDING - CROWN - 35.8" - WHITE GRANITE
17	125547-14-J94	EA	MOLDING - CROWN - 35.8" - WATERFORD OAK
17	125547-14-J60	EA	MOLDING - CROWN - 35.8" - WASHED MAPLE
17	125547-14-J62	EA	MOLDING - CROWN - 35.8" - WHITE GRANITE
17	125547-15-J94	EA	MOLDING - CROWN - 82.6" - WATERFORD OAK
17	125547-15-J60	EA	MOLDING - CROWN - 82.6" - WASHED MAPLE
17	125547-15-J62	EA	MOLDING - CROWN - 82.6" - WHITE GRANITE
18	100182-01-G15	EA	TRIM - RAIL - WATERFORD OAK
18	100182-01-J60	EA	TRIM - RAIL - WASHED MAPLE
18	100182-01-H40	EA	TRIM - RAIL - WHITE GRANITE

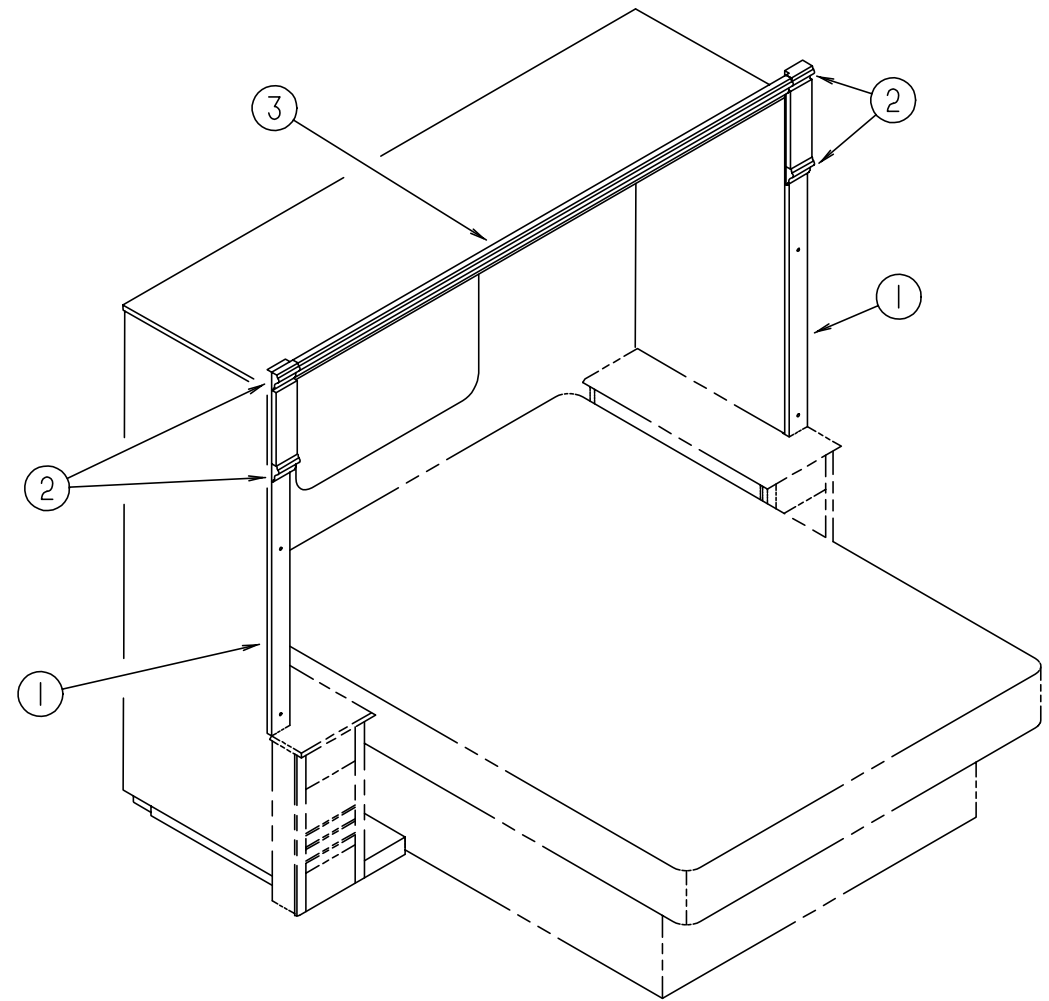
**INTERIOR FINISH GROUP (CONTINUED)**



**SLIDEOUT ROOM MOLDINGS**

KEY	PART NUMBER	U/M	DESCRIPTION
1	116951-05-J94	EA	MOLDING - WOOD - 3.5" X 75.7" - WATERFORD OAK
1	116951-05-J60	EA	MOLDING - WOOD - 3.5" X 75.7" - WASHED MAPLE
1	116951-05-J62	EA	MOLDING - WOOD - 3.5" X 75.7" - WHITE GRANITE
2	125547-01-J94	EA	MOLDING - CROWN - WATERFORD OAK
2	125547-01-J60	EA	MOLDING - CROWN - WASHED MAPLE
2	125547-01-J62	EA	MOLDING - CROWN - WHITE GRANITE
3	125547-02-J94	EA	MOLDING - CROWN - WATERFORD OAK
3	125547-02-J60	EA	MOLDING - CROWN - WASHED MAPLE
3	125547-02-J62	EA	MOLDING - CROWN - WHITE GRANITE
4	125547-03-J94	EA	MOLDING - CROWN - WATERFORD OAK
4	125547-03-J60	EA	MOLDING - CROWN - WASHED MAPLE
4	125547-03-J62	EA	MOLDING - CROWN - WHITE GRANITE
5	125547-04-J94	EA	MOLDING - CROWN - WATERFORD OAK
5	125547-04-J60	EA	MOLDING - CROWN - WASHED MAPLE
5	125547-04-J62	EA	MOLDING - CROWN - WHITE GRANITE
6	125547-07-J94	EA	MOLDING - CROWN - WATERFORD OAK
6	125547-07-J60	EA	MOLDING - CROWN - WASHED MAPLE
6	125547-07-J62	EA	MOLDING - CROWN - WHITE GRANITE
7	125547-08-J94	EA	MOLDING - CROWN - WATERFORD OAK
7	125547-08-J60	EA	MOLDING - CROWN - WASHED MAPLE
7	125547-08-J62	EA	MOLDING - CROWN - WHITE GRANITE
8	130262-01-000	EA	PROTECTOR - CORNER SAVER - .7" X .7"

**INTERIOR FINISH GROUP (CONTINUED)**



**REAR SLIDEOUT ROOM MOLDINGS**

KEY	PART NUMBER	U/M	DESCRIPTION
1	116951-06-J94	EA	MOLDING - WATERFORD OAK
1	116951-10-J94	EA	MOLDING - WATERFORD OAK
1	116951-06-J60	EA	MOLDING - WASHED MAPLE
1	116951-10-J60	EA	MOLDING - WASHED MAPLE
1	116951-06-J62	EA	MOLDING - WHITE GRANITE
1	116951-10-J62	EA	MOLDING - WHITE GRANITE
2	125547-04-J94	EA	MOLDING - CROWN - WATERFORD OAK
2	125547-04-J60	EA	MOLDING - CROWN - WASHED MAPLE
2	125547-04-J62	EA	MOLDING - CROWN - WHITE GRANITE
3	125547-15-J94	EA	MOLDING - CROWN - 82.6" LONG - WATERFORD OAK
3	125547-15-J60	EA	MOLDING - CROWN - 82.6" LONG - WASHED MAPLE
3	125547-15-J62	EA	MOLDING - CROWN - 82.6" LONG - WHITE GRANITE

FROM: 00-00-00 THRU: 05-10-98  
 FROM: 05-11-98 THRU: 99-99-99  
 FROM: 00-00-00 THRU: 05-10-98  
 FROM: 05-11-98 THRU: 99-99-99  
 FROM: 00-00-00 THRU: 05-10-98  
 FROM: 05-11-98 THRU: 99-99-99

**INTERIOR FINISH GROUP (CONTINUED)**

**PANELING, LAMINATES & PLASTICS**

KEY	PART NUMBER	U/M DESCRIPTION
	000846-01-000	SF PLYWOOD - 5/16" X 48" X 96" - CD GRADE
	000846-02-000	SF PLYWOOD/UNDERLAYMENT - 5/16" X 48" X 96"
	000885-76-000	SF PARTICLE BOARD-3/8" X 48" X 96"-WATERFORD OAK-1 SIDED VINYL
	000885-78-000	SF PARTICLE BOARD-1/2" X 60" X 96"-WATERFORD OAK-2 SIDED VINYL
	000885-79-000	SF PARTICLE BOARD - 3/4" X 60" X 96"-WATERFORD OAK-2 SIDE VINYL
	000885-77-000	SF PARTICLE BOARD - 3/8" X 48" X 96"-WATERFORD OAK-2 SIDE VINYL
	000885-90-000	SF PARTICLE BOARD - 1/2" X 48" X 96" - WASHED MAPLE/VINYL 2 SIDED
	000885-91-000	SF PARTICLE BOARD - 3/4" X 48" X 96" - WASHED MAPLE/VINYL 2 SIDED
	000885-89-000	SF PARTICLE BOARD - 3/8"X 48"X 96" - WASHED MAPLE/VINYL 2 SIDED
	000885-84-000	SF PARTICLE BOARD - 3/8" X 48" X 96" - WHITE GRANITE/1 SIDED
	000885-85-000	SF PARTICLE BOARD - 3/8" X 48" X 96" - WHITE GRANITE/2 SIDED
	000885-86-000	SF PARTICLE BOARD - 1/2" X 48" X 96" - WHITE GRANITE/2 SIDED
	000885-87-000	SF PARTICLE BOARD - 3/4" X 48" X 96" - WHITE GRANITE/2 SIDED
	057882-04-700	SF TAMBOUR - 48" X 48" SHEET - UNFINISHED
	074497-28-000	SF PANELING-WATERFORD OAK 3MM X 48" X 96"
	074497-39-000	SF PANELING - .1" X 48" X 96" - WASHED MAPLE
	074497-36-000	SF PANELING - WHITE GRANITE - 4' X 8' - WHITE GRANITE
	074498-40-000	SF LAMINATE - PLASTIC - OFF WHITE - 5' X 8' - INC OF 40 SF (EXT ENTERTAINMENT)
	074498-77-000	SF LAMINATE-PLASTIC,WATERFORD OAK
	074498-82-000	SF LAMINATE - PLASTIC - 5' X 8' - INC OF 40 SF - WASHED MAPLE
	074498-81-000	SF LAMINATE - PLASTIC - ALMOND JAGUARD - 5' X 8' INCR OF 40SF WHITE GRANITE
	074498-72-000	SF LAMINATE - PLASTIC - PEBBLE SANTOS - 5' X 8' - INC OF 40SF (J94, J60)
	074498-71-000	SF LAMINATE - PLASTIC - NEUTRAL SANTOS - 5'X8' - INC OF 40SF (J95, J61)
	074498-81-000	SF LAMINATE - PLASTIC - ALMOND JAGUARD - 5' X 8' INCR OF 40SF (J96, J62)
	074498-77-000	SF LAMINATE - PLASTIC - ART CABIN - 5' X 8' - INC OF 40SF- MYSTIC OAK
	074498-82-000	SF LAMINATE - PLASTIC - WASHED MAPLE - 5' X 8' - INC OF 40SF
	074498-61-000	SF LAMINATE - PLASTIC - NEUTRAL MATRIX - 5' X 8' - INC OF 40SF - WHITE GRANITE
	083618-07-000	SF PLYWOOD - MAPLE - 1 SIDE 3/16" - WASHED MAPLE
	080215-10-000	SF PANELING - 2 SIDED - .2" X 48" X 96" - WATERFORD OAK
	080215-13-000	SF PANELING - 2 SIDED - .2" X 48" X 96" - WASHED MAPLE
	080215-12-000	SF PANELING - 2 SIDED - .2" X 48" X 96" - WHITE GRANITE
	085217-18-000	SF COUNTERTOP - SIERRA AURORA - 1/2"
	085217-18-000	SF COUNTERTOP - SIERRA AURORA - 1/4"
	088272-H3-000	SF PANELING - BARCELONA - 4' X 7' (J94, J60)
	088272-H6-000	SF PANELING - ARTESIA SPRING - 4' X 8' (J95, J61)
	088272-H2-000	SF PANELING - TUSCAN MINK - 4' X 7' (J96, J62)
	114129-01-02A	SF LINER - CABUBET - .02" X 48" X 96"
	117267-D2-438	EA LUMBER-.7" X 1.49" X 96" VINYL WRAPPED - WATERFORD OAK
	117267-E2-438	EA LUMBER-.7" X 2" X 96" VINYL WRAPPED WATERFORD OAK
	117267-G2-438	EA LUMBER - .7" X 3" X 96" - VINYL WRAPPED WATERFORD OAK
	117267-H2-134	EA LUMBER - VINYL WRAPPED - .7" X 3.5" X 84" - WATERFORD OAK
	117267-J2-040	EA LUMBER-018X140X2040 MM VINYL - WATERFORD OAK
	117267-J2-036	EA LUMBER-018X140X2036 MM VINYL - WATERFORD OAK
	117267-J2-438	EA LUMBER-018X140X2438 MM VINYL - WATERFORD OAK
	126205-D2-438	EA LUMBER-.7" X 1.49" X 96" VINYL WRAPPED - WASHED MAPLE
	126205-E2-438	EA LUMBER-.7" X 2" X 96" VINYL WRAPPED WASHED MAPLE
	126205-G2-438	EA LUMBER - .7" X 3" X 96" - VINYL WRAPPED WASHED MAPLE
	126205-H2-134	EA LUMBER - VINYL WRAPPED - .7" X 3.5" X 84" - WASHED MAPLE
	126205-J2-040	EA LUMBER-018X140X2040 MM VINYL - WASHED MAPLE
	126205-J2-036	EA LUMBER-018X140X2036 MM VINYL - WASHED MAPLE
	126205-J2-438	EA LUMBER-018X140X2438 MM VINYL - WASHED MAPLE
	126339-01-000	SF BOARD - WHEAT - 60" X 72"

**INTERIOR FINISH GROUP (CONTINUED)**

**CLOCK, FIRE EXTINGUISHER, DETECTOR & HANDRAIL**

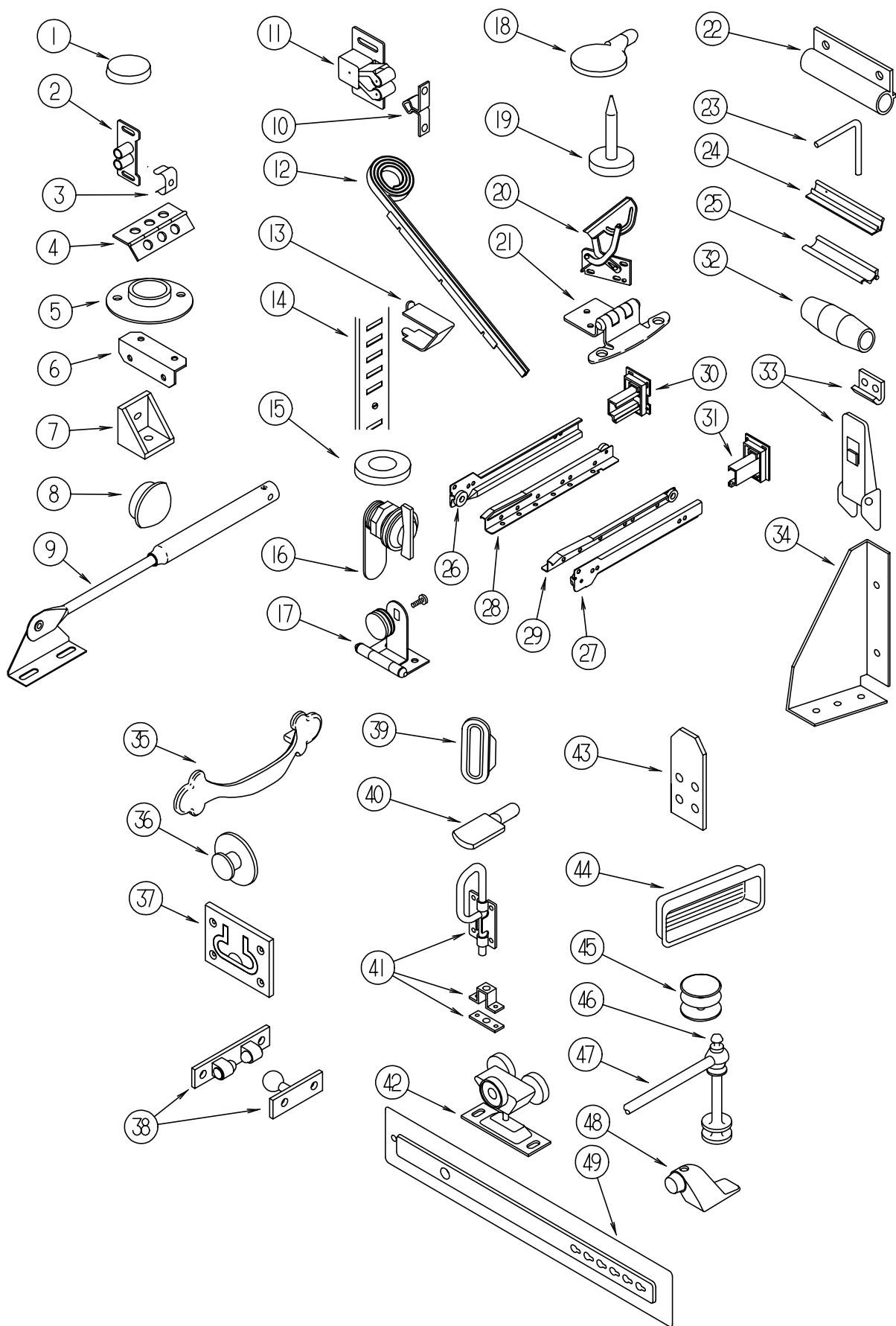
KEY	PART NUMBER	U/M DESCRIPTION	VENDOR NO.
	072852-01-000	EA DETECTOR - SMOKE - W/9 VOLT BATTERY - US	
	072852-02-000	EA DETECTOR - SMOKE - W/9/VOLT BATTERY - CANADIAN	
	094499-01-000	EA EXTINGUISHER/FIRE - DRY W/MOUNTING BRACKET	
		FROM: 00-00-00 THRU: 02-24-98	
	094499-03-000	EA EXTINGUISHER/FIRE - DRY - 10B:C - W/O BRACKET	
		FROM: 02-25-98 THRU: 99-99-99	
	094499-04-000	EA BRACKET - FIRE EXTINGUISHER	
		FROM: 02-25-98 THRU: 99-99-99	
	094499-02-000	EA EXTINGUISHER/FIRE - DRY - 1A10BC - CANADIAN	
	094499-01-700	EA BRACKET MTG. W/PLAS. STRAP	294039
	094499-01-701	EA STRAP ONLY (METAL)	320351
	100793-02-01A	EA CLOCK - WALL - QUARTZ/11" - BRASS	
	118081-02-01A	EA CLOCK - WALL - ROUND 8" - BRASS	
	125136-01-000	EA DETECTOR - CO - GAS - MODEL 9L-I	
	108808-03-01A	EA HANDRAIL - ENTRANCE STEP	

**FLOOR COVERINGS & MATS**

KEY	PART NUMBER	U/M DESCRIPTION
	042720-24-000	SY VINYL - FLOOR COVERING
	093486-01-000	SY CARPET - COMPARTMENT - 72" WIDE - DARK GRAY
	091261-01-000	FT SLIPNOT - ANTISLIP - 1" WIDE (100' ROLL)
	096060-95-000	SY CARPET - DOESKIN (J94, J60)
	096060-98-000	SY CARPET - SILVER ASPEN - INCREMENTS OF 4 SQ YD (J95, J61)
	096060-C8-000	SY CARPET - MOLLUSK - INCREMENTS OF 4 SQ YD (J96, J62)
	108152-01-000	EA MAT - FLOOR - PASSENGER
	096764-02-000	FT SLIPNOT - ANTISLIP - 1" WIDE )100' ROLLS)
	108152-02-000	EA MAT - FLOOR - DRIVER - GM/FD
	108152-03-000	EA MAT - FLOOR - DRIVER - HDGM/FREIGHTLINER
	122755-02-01A	EA TILE - RUBBER/ENTRANCE DOOR - 18.5" X 29.3"
	122755-04-01A	EA TILE - RUBBER/ENTRANCE DOOR - 17.7" X 28.5"
	124253-01-02A	EA VINYL - FLOOR PLANK - 3" X 12" - MAPLE (J90, J91, J92, J93, J32, J33, J94, J95, J96, J60, J61, J62)
	124253-01-01A	EA VINYL - FLOOR PLANK - 3" X 12" - CHERRY (J30, J31 ONLY)
	042720-24-000	SY VINYL - FLOOR COVERING - 12' WIDE - TRADITIONS SOLARIAN

# INTERIOR FINISH GROUP (CONTINUED)

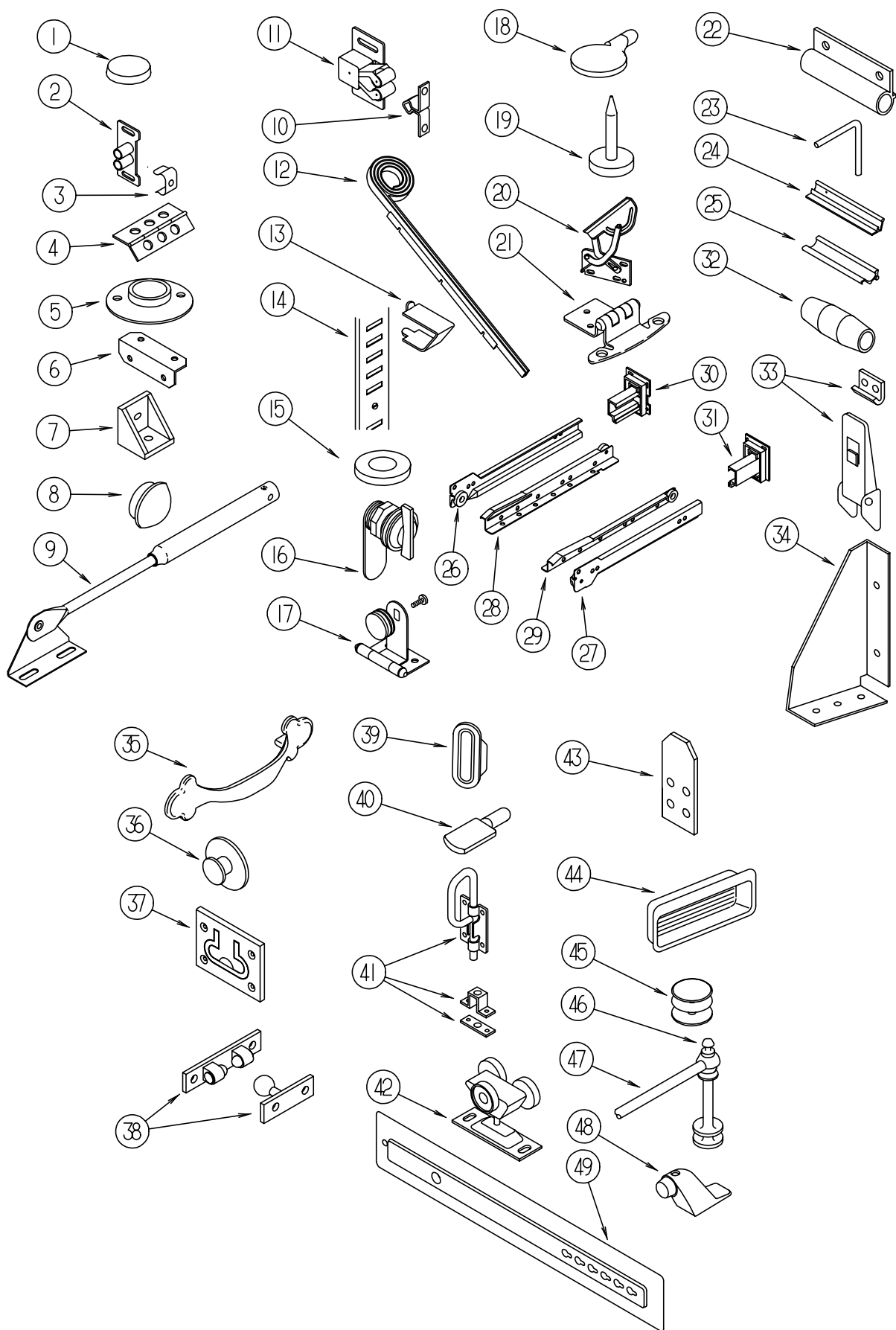
## CABINET HARDWARE



KEY	PART NUMBER	U/M DESCRIPTION
1	004354-01-000	EA BUMPER - RUBBER - .5" DIA - BROWN
2	009021-01-000	EA CATCH - GRILLE - NYLON
3	009021-02-000	EA STRIKE - SPRING STEEL
4	009059-01-000	EA HINGE - DOOR - 2" X 1.4" - BRASS
4	009059-02-000	EA HINGE - DOOR - 2" X 2.7" - BRASS
4	041389-18-000	EA HINGE - PIANO - 1.50" X 19" - OFF WHITE
4	041389-25-000	EA HINGE - PIANO - 1.50" X 55"
4	073151-02-000	EA HINGE-CONTINUOUS, 22.3" LONG - METAL - OFF WHITE
4	110496-03-01A	EA HINGE - BRASS
5	009112-01-000	EA FLANGE - PLASTIC - 1" CLOTHES ROD - OFF WHITE
6	016604-01-000	EA BRACE - CABINET - ANGLE - 2.5" - UNPAINTED METAL
6	016604-05-000	EA BRACE - CABINET - ANGLE - 2.5" - OFF WHITE METAL
	023320-01-000	EA PAD - FELT 3/8" DIAMETER
	042438-01-000	EA DOWEL - WOOD - CLOTHES ROD - 1" DIAMETER X 4'
	042438-06-000	EA DOWEL - WOOD - 1.5" X 26" - OAK
7	065740-01-000	EA BRACE - CABINET/CORNER - PLASTIC
8	074045-01-000	EA PLUG - OAK - 1/2" DIAMETER - WATERFORD OAK
8	074045-08-000	EA PLUG - OAK - 1/2" DIAMETER - SALEM CHERRY
8	074045-11-000	EA PLUG - OAK - 1/2" DIAMETER - WHITE GRANITE
8	074045-12-000	EA PLUG - OAK - 1/2" DIAMETER - MYSTIC OAK & WASHED MAPLE
8	083166-01-03A	EA PLUG - 3/8" DIAMETER - WATERFORD OAK
9	074493-02-000	EA SUPPORT - PISTON SPRING - CABINET DOOR
10	093586-05-000	EA STRIKE - SPRING STEEL
10	093586-04-000	EA STRIKE - SPRING STEEL
11	093586-06-000	EA CATCH - SPRING - ROLLER
11	093586-03-000	EA CATCH - SPRING - ROLLER
12	097141-02-700	EA KIT - TRACK - TAMBOUR DOOR - W/ONE RT & ONE LEFT TRACK
12	130787-02-000	EA TRACK - TAMBOUR DOOR/SPRING
		FROM: 06-1-98 THRU: 99-99-99
	097872-04-000	EA DOWEL - WOOD - 1" DIAMETER X 1.38" LONG
13	098979-01-000	EA CLIP - ADJUSTABLE SHELF
14	098980-02-000	EA PILASTER - ADJUSTABLE SHELF - 12"
14	098980-03-000	EA PILASTER - ADJUSTABLE SHELF - 9"
14	098980-04-000	EA PILASTER - ADJUSTABLE SHELF - 48"
14	098980-06-000	EA PILASTER - ADJUSTABLE SHELF - 24"
15	100707-01-000	EA SPACER - GLASS DOOR - .8" DIA - .3" HOLE - PLASTIC
16	100710-01-01A	EA LOCK - GLASS DOOR/TWIST TYPE - BRASS
17	100711-01-01A	EA HINGE - GLASS DOOR
18	101766-01-000	EA PIN - SUPPORT/GLASS DOOR
19	102194-01-000	EA GUIDE - PLASTIC
20	108126-01-000	EA TRAY HINGE SET (QTY. 2 PER SET)
21	108138-01-000	EA HINGE - CABINET DOOR - BURNISHED BRASS
21	108138-02-000	EA HINGE - CABINET DOOR - BRIGHT BRASS - WHITE GRANITE
22	108486-01-01A	EA BRACKET - PROP ROD/OVERHEAD - BLACK
23	108487-02-01A	EA SUPPORT - PROP ROD/OVERHEAD - BLACK
24	110107-01-04A	EA PULL - DOOR - TERRATONE
25	110108-01-04A	EA LATCH - DOOR - TERRATONE
26	114031-01-000	EA SLIDE - 12" - LEFT SIDE/CABINET
27	114031-02-000	EA SLIDE - 12" - RIGHT SIDE/CABINET
28	114031-03-000	EA SLIDE - 12" - LEFT SIDE/DRAWER
29	114031-04-000	EA SLIDE - 12" - RIGHT SIDE/DRAWER
26	114031-05-000	EA SLIDE - 14" - LEFT SIDE/CABINET
27	114031-06-000	EA SLIDE - 14" - RIGHT SIDE/CABINET
28	114031-07-000	EA SLIDE - 14" - LEFT SIDE/DRAWER
29	114031-08-000	EA SLIDE - 14" - RIGHT SIDE/DRAWER
26	114031-09-000	EA SLIDE - 16" - LEFT SIDE/CABINET
27	114031-10-000	EA SLIDE - 16" - RIGHT SIDE/CABINET
28	114031-11-000	EA SLIDE - 16" - LEFT SIDE/DRAWER
29	114031-12-000	EA SLIDE - 16" - RIGHT SIDE/DRAWER
26	114031-13-000	EA SLIDE - 18" - LEFT SIDE/CABINET
27	114031-14-000	EA SLIDE - 18" - RIGHT SIDE/CABINET
28	114031-15-000	EA SLIDE - 18" - LEFT SIDE/DRAWER
29	114031-16-000	EA SLIDE - 18" - RIGHT SIDE/DRAWER

# INTERIOR FINISH GROUP (CONTINUED)

## CABINET HARDWARE (CONTINUED)



KEY	PART NUMBER	U/M	DESCRIPTION
26	114031-17-000	EA	SLIDE - 20" - LEFT SIDE/CABINET
27	114031-18-000	EA	SLIDE - 20" - RIGHT SIDE/CABINET
28	114031-19-000	EA	SLIDE - 20" - LEFT SIDE/DRAWER
29	114031-20-000	EA	SLIDE - 20" - RIGHT SIDE/DRAWER
26	114031-21-000	EA	SLIDE - 22" - LEFT SIDE/CABINET
27	114031-22-000	EA	SLIDE - 22" - RIGHT SIDE/CABINET
28	114031-23-000	EA	SLIDE - 22" - LEFT SIDE/DRAWER
29	114031-24-000	EA	SLIDE - 22" - RIGHT SIDE/DRAWER
26	114031-25-000	EA	SLIDE - 24" - LEFT SIDE/CABINET
27	114031-26-000	EA	SLIDE - 24" - RIGHT SIDE/CABINET
28	114031-27-000	EA	SLIDE - 24" - LEFT SIDE/DRAWER
29	114031-28-000	EA	SLIDE - 24" - RIGHT SIDE/DRAWER
30	114045-01-000	EA	BACKSOCKET - ADJUSTABLE LEFT
31	114045-02-000	EA	BACKSOCKET - ADJUSTABLE RIGHT
32	114130-02-000	EA	BALLS - SPACER - DOOR
33	116975-01-01A	EA	LATCH - W/O STRIKE - BLACK - NEW STYLE
34	116978-01-03B	EA	GUSSET - SLIDEOUT ROOM - OFF/WHITE
35	125165-01-01A	EA	PULL - CABINET - BRIGHT BRASS
35	121891-01-01A	EA	PULL - CABINET - BRASS - WHITE GRANITE
36	125221-01-01A	EA	PULL - MIRROR - W/ROUND HANDLE
37	072871-01-000	EA	PULL-FLUSH, CHROME
38	084451-02-000	EA	CATCH - TV SHELF - BRASS
39	098410-01-01A	EA	PULL-FINGER, OVAL - BRASS
40	101766-01-000	EA	PIN-SUPPORT, GLASS DOOR
41	103256-01-000	EA	LATCH-SLIDE
42	103874-01-000	EA	HANGER-SLIDING DOOR
43	112053-01-01A	EA	STOP - DRAWER - BLACK
44	124311-01-01A	EA	HANDLE - RECESSED - BRASS
45	081114-02-000	EA	CAP - INSERT - ROUND 1" DIAMETER - WHITE
46	084070-03-000	EA	POST - END - 2.4" - BRASS
47	084071-05-000	EA	ROD - BRASS - 15"
47	084071-19-000	EA	ROD - BRASS - 7.09" LONG
47	084071-20-000	EA	ROD - BRASS, 250MM LONG
47	084071-23-000	EA	ROD - BRASS - 13.12" LONG
48	103257-01-000	EA	STOP - DOOR
49	120974-01-000	EA	SLIDE - POCKET DOOR - RIGHT HAND
	091261-01-000	FT	SLIPNOT - ANTISLIP - 1" WIDE (100' ROLL)

## LABELS GROUP

**WARNING :**  
 ALL PILOT LIGHTS AND APPLIANCES SHALL BE TURNED OFF DURING REFUELLING OF MOTOR FUEL TANKS AND/OR PROPANE CONTAINERS.

**AVERTISSEMENT :**  
 FERMER TOUTES LES VEILLEUSES AINSI QUE TOUS LES APPAREILS LORSQU'ON FAIT LE PLEIN DES RESERVOIRS A CARBURANT QU A PROPANE.

1

2

DIESEL FUEL ONLY

LABEL-DIESEL FUEL ONLY

KEY	PART NUMBER	U/M DESCRIPTION
1	006040-01-000	EA TAG - GAS REFUELING WARNING
1	006040-02-000	EA TAG - GAS REFUEL WARNING - CSA
2	068383-01-000	EA LABEL-DIESEL FUEL ONLY

1

THIS CONNECTION IS FOR  
 110-125 VOLT AC, 60HZ(CYCLES)  
 30 AMP. MAX SERVICE.

DO NOT CONNECT TO  
 HIGHER VOLTAGE

KEY	PART NUMBER	U/M DESCRIPTION
1	006062-01-000	EA LABEL - ELECTRIC - 110 VOLT CONNECTION FROM: 00-00-00 THRU: 07-13-97

1

SEWAGE

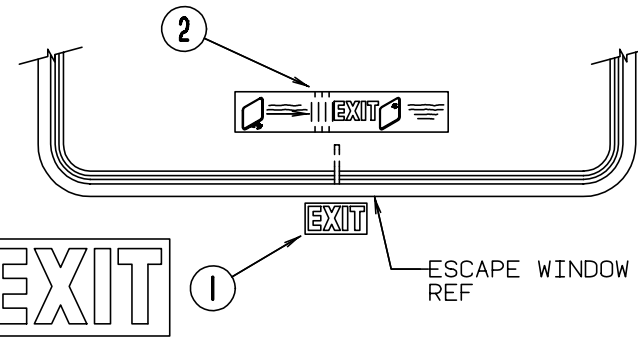
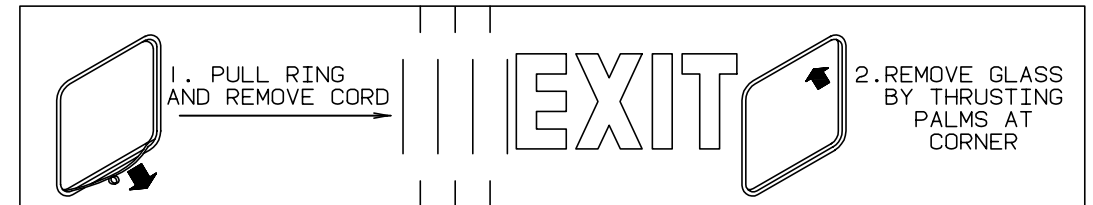
KEY	PART NUMBER	U/M DESCRIPTION
1	006187-01-000	EA LABEL - SEWAGE

1

WASTE WATER

KEY	PART NUMBER	U/M DESCRIPTION
1	006188-01-000	EA LABEL - WASTE WATER

## LABELS GROUP (CONTINUED)



KEY	PART NUMBER	U/M DESCRIPTION
1	039290-01-000	EA LABEL - WARNING - EXIT
2	107571-01-000	EA LABEL - EXIT/ESCAPE WINDOW

CITY WATER FILL

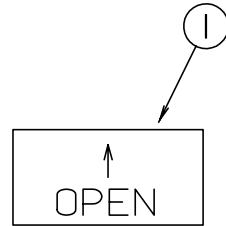
KEY	PART NUMBER	U/M DESCRIPTION
1	126249-01-000	EA LABEL-CITY WATER FILL

**WARNING**  
 POTABLE WATER ONLY  
 SANITIZE, FLUSH, AND  
 DRAIN BEFORE USING.  
 SEE INSTRUCTION MANUAL

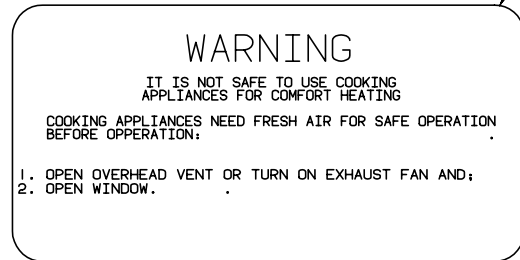
KEY	PART NUMBER	U/M DESCRIPTION
1	128725-01-02A	EA LABEL - POTABLE WATER ONLY



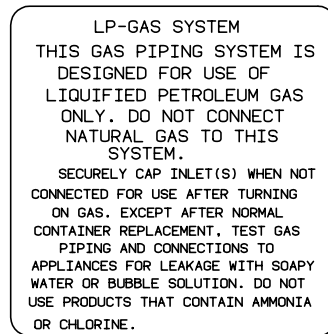
**LABELS GROUP (CONTINUED)**



**KEY PART NUMBER U/M DESCRIPTION**  
 1 040944-01-000 EA LABEL - ENTRANCE DOOR - "OPEN"



**KEY PART NUMBER U/M DESCRIPTION**  
 1 050222-01-000 EA LABEL - STOVE VENT - CANADIAN  
 1 050225-01-000 EA LABEL - WARNING - STOVE VENT - US



**KEY PART NUMBER U/M DESCRIPTION**  
 1 054531-01-000 EA LABEL - LP GAS ONLY  
 023769-01-000 EA LABEL - WARNING - LPG - CANADIAN

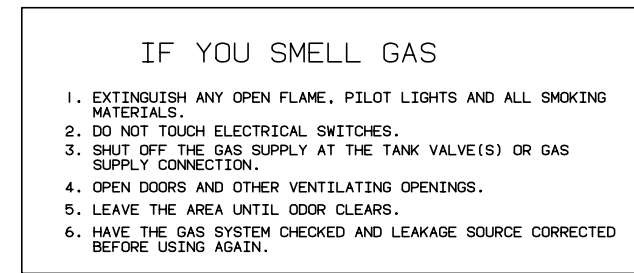


**KEY PART NUMBER U/M DESCRIPTION**  
 1 065748-01-000 EA LABEL - CAUTION - BATTERY CHARGING

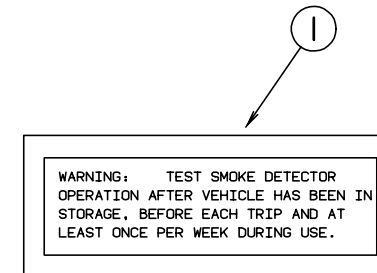


**KEY PART NUMBER U/M DESCRIPTION**  
 1 065748-02-000 EA LABEL - WARNING - BATTERY/FRENCH

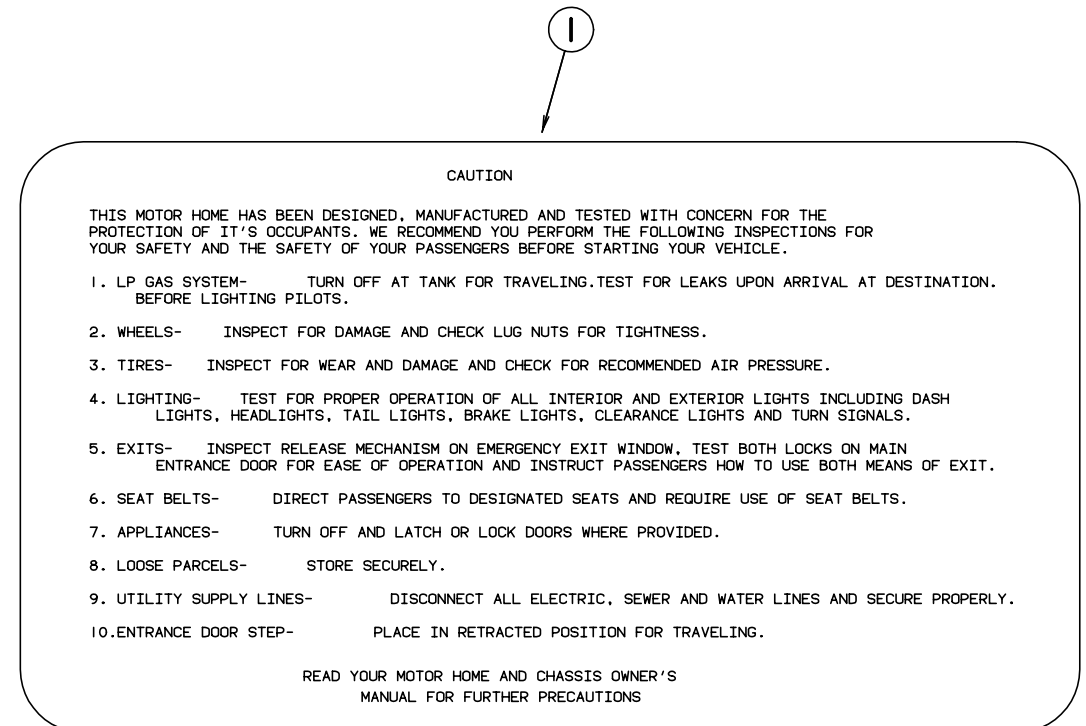
**LABELS GROUP (CONTINUED)**



**KEY PART NUMBER U/M DESCRIPTION**  
 1 073998-01-000 EA LABEL - LPG ODOR WARNING

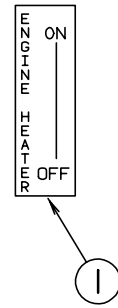


**KEY PART NUMBER U/M DESCRIPTION**  
 1 077956-01-000 EA LABEL - WARNING - SMOKE DETECTOR

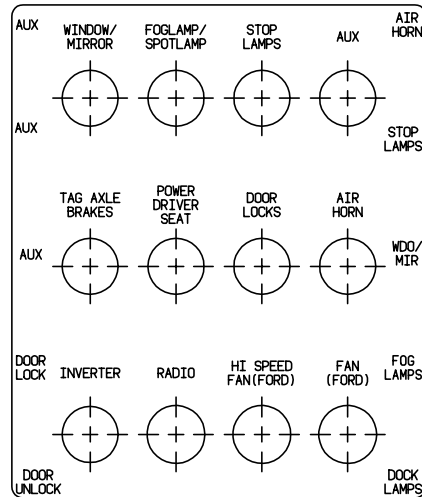


**KEY PART NUMBER U/M DESCRIPTION**  
 1 056259-01-000 EA LABEL - SAFETY CHECK LIST

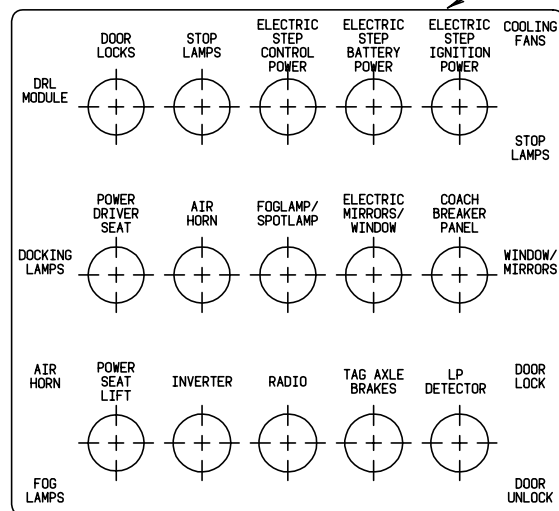
**LABELS GROUP (CONTINUED)**



**KEY PART NUMBER U/M DESCRIPTION**  
 1 083588-01-000 EA LABEL - ON/OFF - WATER HEATER

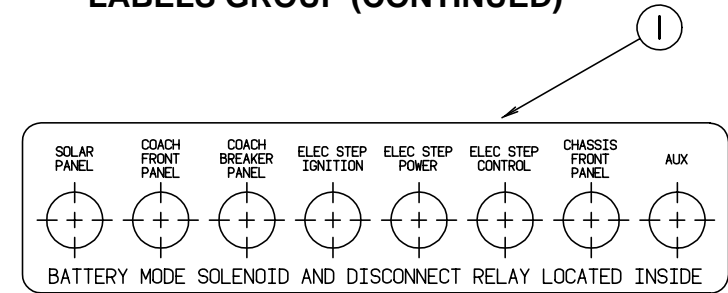


**KEY PART NUMBER U/M DESCRIPTION**  
 1 092547-06-000 EA LABEL - CIRCUIT BREAKER

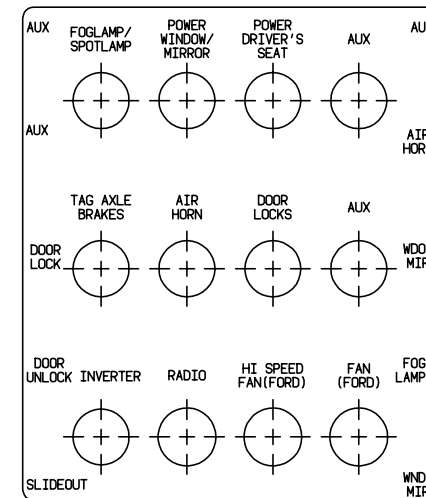


**KEY PART NUMBER U/M DESCRIPTION**  
 1 093236-12-000 EA LABEL - CIRCUIT BREAKER

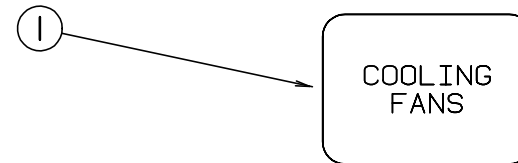
**LABELS GROUP (CONTINUED)**



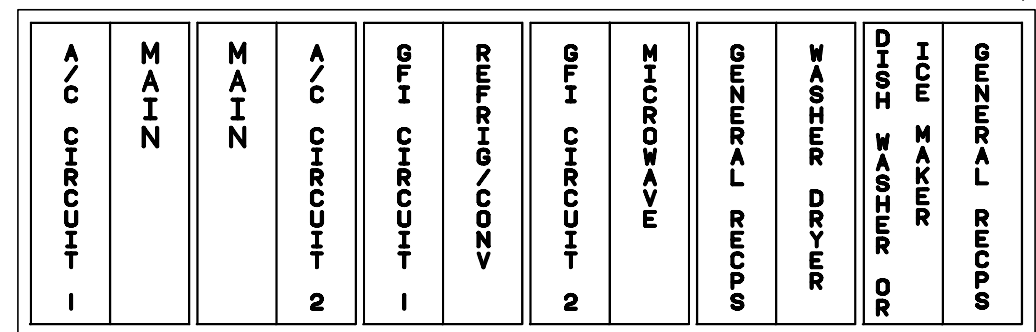
**KEY PART NUMBER U/M DESCRIPTION**  
 1 093236-13-000 EA LABEL - CIRCUIT BREAKER



**KEY PART NUMBER U/M DESCRIPTION**  
 1 093236-16-000 EA LABEL - CIRCUIT BREAKER



**KEY PART NUMBER U/M DESCRIPTION**  
 1 093237-10-000 EA LABEL - CIRCUIT BREAKER - FRONT - COOLING FANS



**KEY PART NUMBER U/M DESCRIPTION**  
 1 095721-17-000 EA LABEL - CONTROL CENTER - 50 AMP

**LABELS GROUP (CONTINUED)**

A/C CIRCUIT 1	MAIN	MAIN	A/C CIRCUIT 2	GLI CIRCUIT 1	REFRIG/CONV	GLI CIRCUIT 2	MICROWAVE	APPLIANCE 1	APPLIANCE 2	GENERATOR SPEEDS	WASHER DRYER
------------------	------	------	------------------	------------------	-------------	------------------	-----------	----------------	----------------	---------------------	-----------------

**KEY PART NUMBER U/M DESCRIPTION**  
1 095721-18-000 EA LABEL - CONTROL CENTER - 50 AMP - CSA

A/C CIRCUIT 1	MAIN	GENERATOR SPEEDS	A/C CIRCUIT 2	GLI CIRCUIT 1	REFRIG/CONV	GLI CIRCUIT 2	MICROWAVE		
------------------	------	---------------------	------------------	------------------	-------------	------------------	-----------	--	--

**KEY PART NUMBER U/M DESCRIPTION**  
1 095721-23-000 EA LABEL - CONTROL CENTER - 30 AMP

A/C CIRCUIT 1	MAIN	GENERATOR SPEEDS	A/C CIRCUIT 2	GLI CIRCUIT 1	REFRIG/CONV	APPLIANCE	MICROWAVE		
------------------	------	---------------------	------------------	------------------	-------------	-----------	-----------	--	--

**KEY PART NUMBER U/M DESCRIPTION**  
1 095721-24-000 EA LABEL - CONTROL CENTER - 30 AMP - CSA

**LABELS GROUP (CONTINUED)**

AUTOMOTIVE AND COACH  
CIRCUIT BREAKERS

**KEY PART NUMBER U/M DESCRIPTION**  
1 098379-01-000 EA LABEL - FRONT BOX - CIRCUIT BREAKER

CIRCUIT BREAKERS  
AND AUTOMOTIVE  
FUSE PANEL

**KEY PART NUMBER U/M DESCRIPTION**  
1 098379-03-000 EA LABEL - ELECTRICAL BOX - FRONT

CIRCUIT BREAKERS  
AND AUTOMOTIVE  
FUSE PANEL

**KEY PART NUMBER U/M DESCRIPTION**  
1 098379-04-000 EA LABEL - ELECTRICAL BOX - SIDE

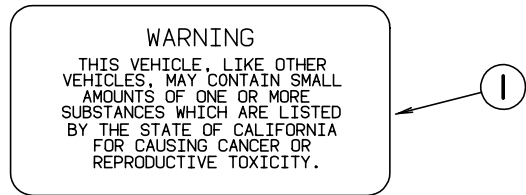
UNLEADED FUEL ONLY

**KEY PART NUMBER U/M DESCRIPTION**  
1 098641-01-000 EA LABEL - FUEL - UNLEADED - DASH

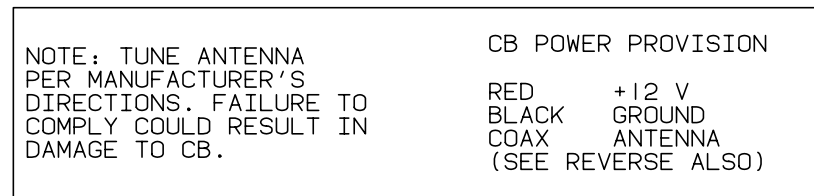
FOR AWNING INSTALLATION  
CONTACT YOUR MOTORHOME  
DEALERSHIP

**KEY PART NUMBER U/M DESCRIPTION**  
1 099509-01-000 EA LABEL - AWNING INSTALLATION

**LABELS GROUP (CONTINUED)**



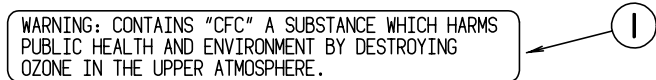
**KEY PART NUMBER U/M DESCRIPTION**  
 1 099689-01-000 EA LABEL - WARNING - CANCER/TOXICITY



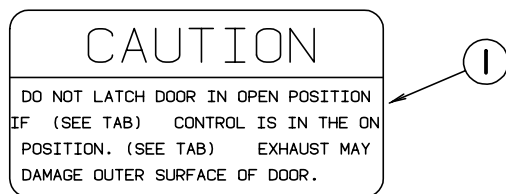
**KEY PART NUMBER U/M DESCRIPTION**  
 1 104678-01-000 EA LABEL - CB PREP



**KEY PART NUMBER U/M DESCRIPTION**  
 1 111104-01-000 EA LABEL - HITCH - READ MANUAL - WHITE

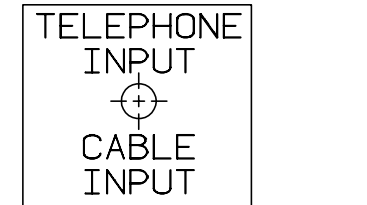


**KEY PART NUMBER U/M DESCRIPTION**  
 1 111802-01-000 EA LABEL - CFC WARNING

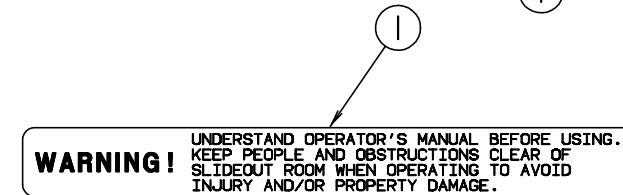


**KEY PART NUMBER U/M DESCRIPTION**  
 1 113402-02-000 EA LABEL - CAUTION - FURNACE EXHAUST

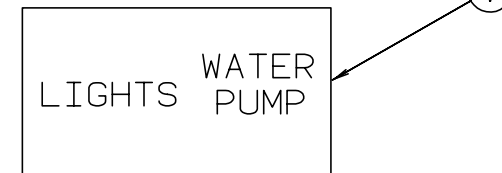
**LABELS GROUP (CONTINUED)**



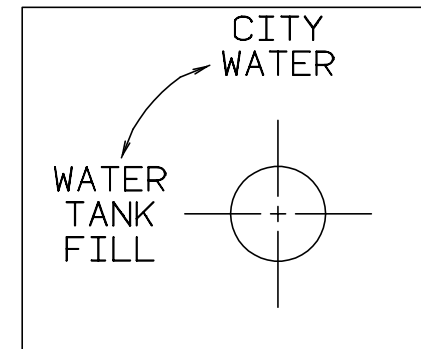
**KEY PART NUMBER U/M DESCRIPTION**  
 1 114866-02-000 EA LABEL - PHONE & CABLE INPUT



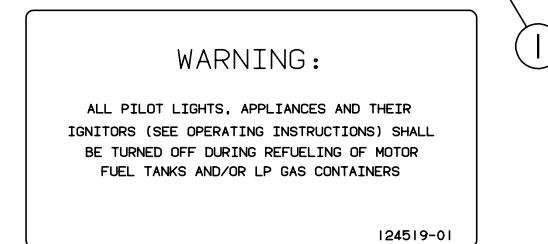
**KEY PART NUMBER U/M DESCRIPTION**  
 1 116549-01-000 EA LABEL - WARNING - SLIDEOUT



**KEY PART NUMBER U/M DESCRIPTION**  
 1 117628-02-000 EA LABEL - SWITCH - WATER PUMP/LIGHTS

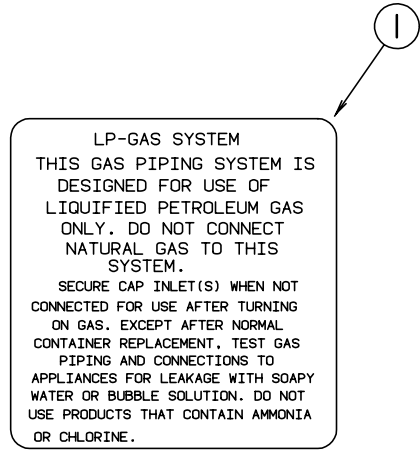


**KEY PART NUMBER U/M DESCRIPTION**  
 1 117629-02-000 EA LABEL - WATER PUMP/FILL

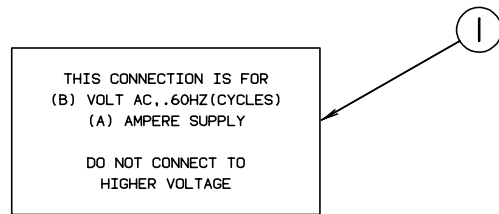


**KEY PART NUMBER U/M DESCRIPTION**  
 1 124519-01-01A EA LABEL - WARNING/REFUELING  
 1 124519-01-02A EA LABEL - WARNING/REFUELING  
 1 124519-02-01A EA LABEL - WARNING/REFUELING - CSA  
 1 124519-02-02A EA LABEL - WARNING/REFUELING - CSA

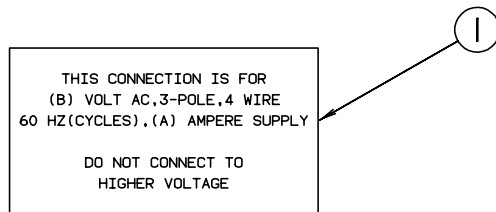
**LABELS GROUP (CONTINUED)**



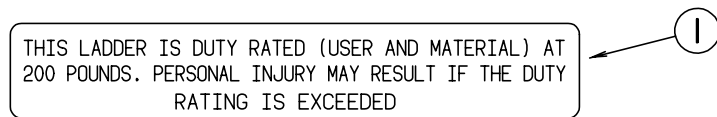
**KEY PART NUMBER U/M DESCRIPTION**  
 1 124520-01-02A EA LABEL - LP GAS ONLY



**KEY PART NUMBER U/M DESCRIPTION**  
 1 125306-01-01A EA LABEL - ELECTRICAL ENTRANCE - 110VOLT 30AMP  
 FROM: 07-14-97 THRU: 99-99-99

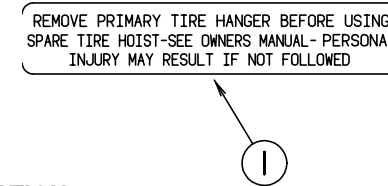


**KEY PART NUMBER U/M DESCRIPTION**  
 1 125306-04-01A EA LABEL - ELECTRICAL ENTRANCE - 120 VOLT 240 AMP  
 FROM: 07-14-97 THRU: 99-99-99



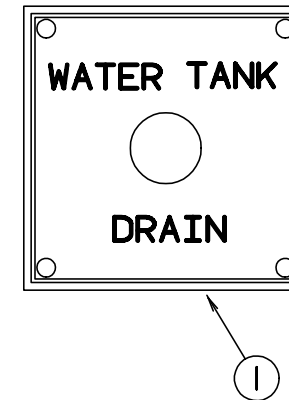
**KEY PART NUMBER U/M DESCRIPTION**  
 1 125841-01-000 EA LABEL-LADDER DUTY RATING - BLACK ON CLEAR

**LABELS GROUP (CONTINUED)**

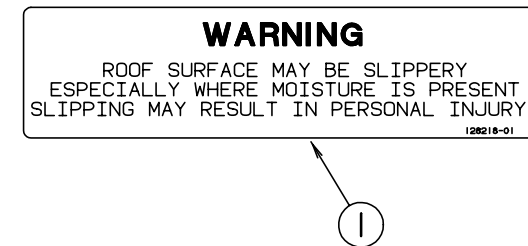


**KEY PART NUMBER U/M DESCRIPTION**  
 1 126024-01-01A EA LABEL - TIRE HANGER REMOVAL

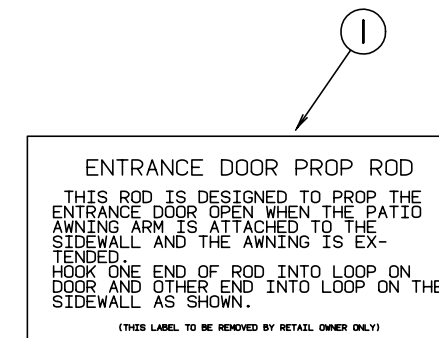
FROM: 01-20-97 THRU: 99-99-99



**KEY PART NUMBER U/M DESCRIPTION**  
 1 127170-01-000 EA LABEL - WATER TANK DRAIN

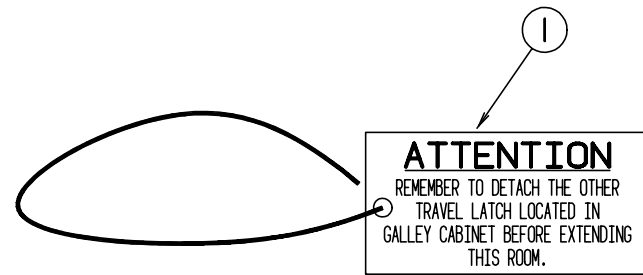


**KEY PART NUMBER U/M DESCRIPTION**  
 1 128218-01-01A EA LABEL - WARNING - SLIPPERY ROOF



**KEY PART NUMBER U/M DESCRIPTION**  
 1 128658-01-000 EA LABEL - PROP ROD - ENTRY DOOR

## LABELS GROUP (CONTINUED)



KEY	PART NUMBER	U/M DESCRIPTION
1	129033-01-000	EA LABEL - HANG TAG - TRAVEL LATCH - 1.5" X 3"

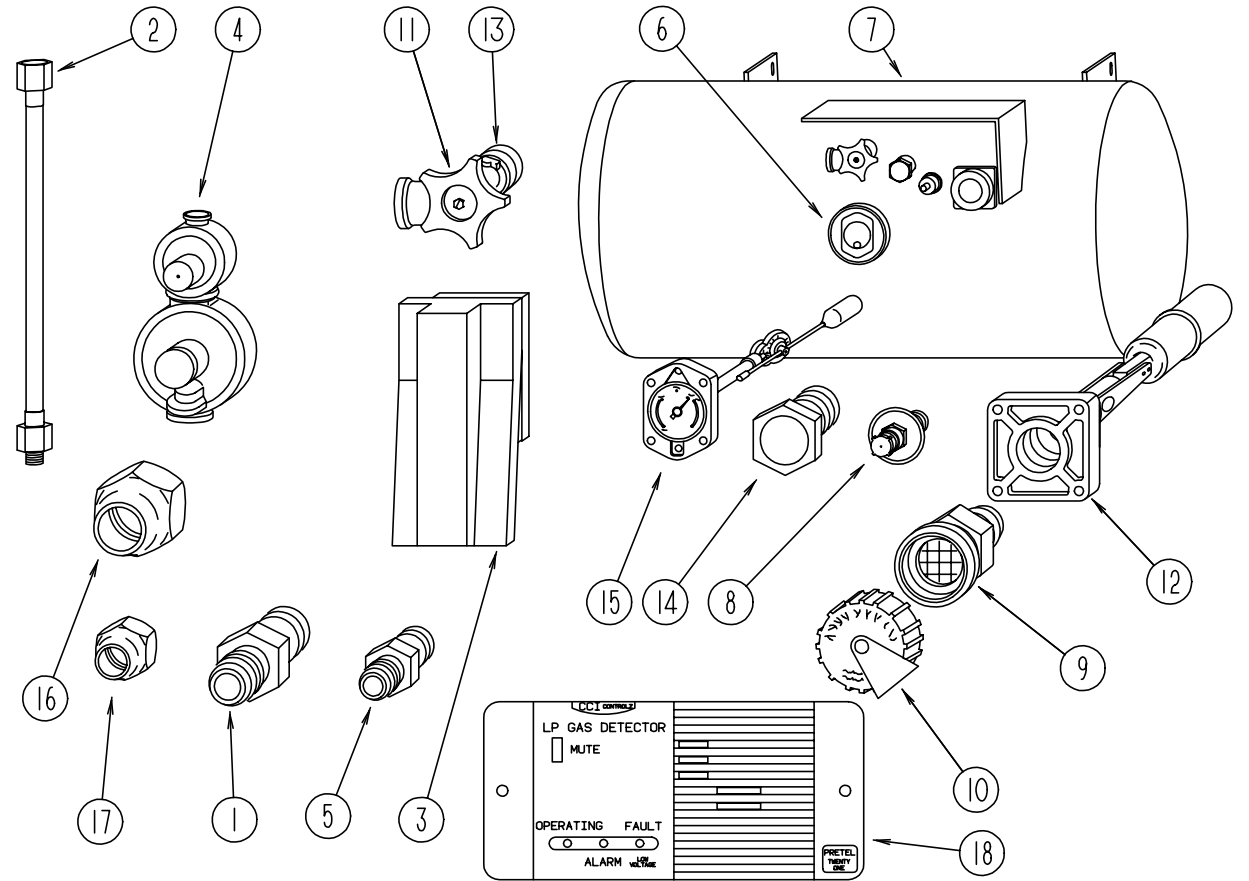


KEY	PART NUMBER	U/M DESCRIPTION
1	126247-01-000	EA LABEL - GRAY HOLDING TANK



KEY	PART NUMBER	U/M DESCRIPTION
1	126247-02-000	EA LABEL - BLACK HOLDING TANK

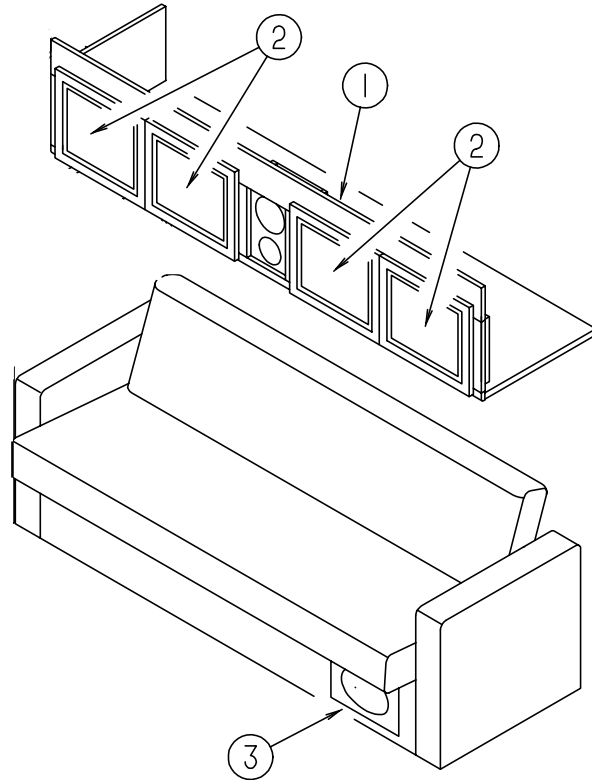
## LP GROUP



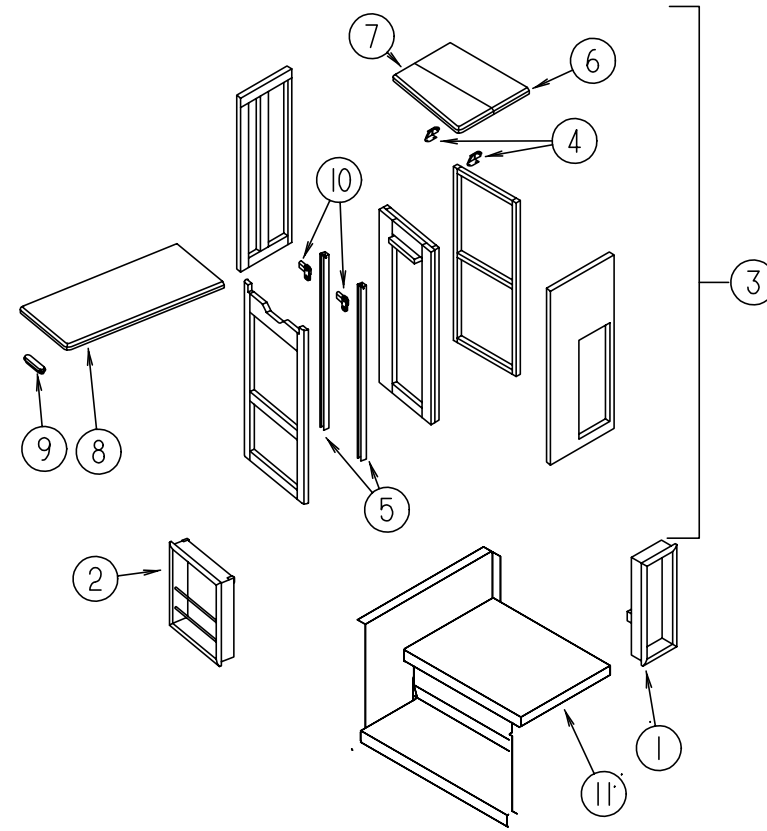
## LP TANK & COMPONENTS

KEY	PART NUMBER	U/M DESCRIPTION	VENDOR NO.
1	010329-01-000	EA ADAPTER - BRASS - 1/2" F X 1/2" MPT	
2	045703-01-000	EA HOSE - LP - 3/8"ID X 24" - 3/8"MPT X 1/2"F SWIVEL - U.S.	
2	045703-14-000	EA HOSE - LP - 3/8"ID X 157.5" - 1/2"F SWIVEL X 1/2"F SWIVEL	FROM: 00-00-00 THRU: 01-03-98
2	045703-15-000	EA HOSE - LP - 3/8"ID X 142" - 1/2F SWIVEL X 3/8F	FROM: 01-04-98 THRU: 99-99-99
2	045703-02-000	EA HOSE - LP - 3/8"ID X 24" - 3/8"MPT X 1/2"F SWIVEL - CANADA	
2	045703-13-000	EA HOSE - LP - 3/8"ID X 120" - 3/8"F SWIVEL X 1/2"F SWIVEL US	
3	105658-01-000	EA COMPARTMENT - LP REGULATOR	
4	106150-01-000	EA REGULATOR - TWO STAGE -W/90 DEGREE ELBOW & 3/8" FPT OUTLET	
5	010323-01-000	EA ADAPTER - BRASS - 3/8"F X 1/2"MPT	
6	040440-02-000	EA TRANSMITTER - DIAL - 0-90 OHM -2 TERMINAL (POWER & GROUND)	
7	088253-03-000	EA TANK - LP - 100 LB - 16"DIAMETER X 36" LONG - SPL	
8	040421-01-700	EA VALVE - LIQUID LEVEL - 20%	G-1013
9	040421-01-701	EA VALVE - FILL - SHORT - LP	7547B
10	040421-01-702	EA CAP - FILL VALVE - PLASTIC	G-1014-A
11	040421-01-708	EA HANDWHEEL - SERVICE VALVE	G-1015-A
12	040421-01-711	EA VALVE - 80% FILL W/AUTO STOP	LLL/TL3
13	040421-01-712	EA VALVE - SERV. W/O VAPOR RELIEF	29000853
14	040421-01-713	EA VALVE - RELIEF 1" W/SPRING 7"	29000587
15	088253-01-700	EA GAUGE - FLOAT ASSEMBLY - L.P.	16C
16	010377-02-000	EA NUT - BRASS - 3/8" FLARE - FORGED	
17	010380-02-000	EA NUT - BRASS - 1/2" FLARE - FORGED	
18	103613-03-000	EA DETECTOR - LP GAS - W/O SHUT-OFF VALVE	

## LOUNGE GROUP



## LOUNGE GROUP (CONTINUED)



### LOUNGE CABINETS

KEY	PART NUMBER	U/M	DESCRIPTION
1	126478-01-J94	EA	CABINET - OVERHEAD - FRONT/LEFT HAND - W/O DOORS/HARDWARE WATERFORD OAK
1	126478-01-J60	EA	CABINET - OVERHEAD - FRONT/LEFT HAND - W/O DOORS/HARDWARE WASHED MAPLE
1	126478-01-J62	EA	CABINET - OVERHEAD - FRONT/LEFT HAND - W/O DOORS/HARDWARE WHITE GRANITE
2	M05992-A3-J94	EA	DOOR - STRAIGHT CORNER/OGEE EDGE - 14.3" X 14.3" - W/O HDW WATERFORD OAK
2	M05992-A3-J60	EA	DOOR - STRAIGHT CORNER/OGEE EDGE - 14.3" X 14.3" - W/O HDW WASHED MAPLE
2	122715-57-01A	EA	DOOR - MOLDED VINYL - 14.3" X 14.3" - W/O HDW-WHT GRANITE
3	126989-01-000	EA	CABINET - F/SPEAKER - W/O DOORS/HARDWARE FROM: 00-00-00 THRU: 01-21-98
3	129642-01-000	EA	CABINET - SPEAKER - W/O DOORS/HARDWARE FROM: 01-22-98 THRU: 99-99-99

### LOUNGE TABLE AND STEP LID

KEY	PART NUMBER	U/M	DESCRIPTION
1	097208-10-J94	EA	MAGAZINE RACK - WATERFORD OAK
1	097208-10-J60	EA	MAGAZINE RACK - WASHED MAPLE
1	097208-10-J62	EA	MAGAZINE RACK - WHITE GRANITE
2	097208-11-J94	EA	MAGAZINE RACK - WATERFORD OAK
2	097208-11-J60	EA	MAGAZINE RACK - WASHED MAPLE
2	097208-11-J62	EA	MAGAZINE RACK - WHITE GRANITE
3	128884-01-J94	EA	CABINET - W/PULLOUT TABLE/MAGAZINE RACK - WATERFORD OAK
3	128884-01-J60	EA	CABINET - W/PULLOUT TABLE/MAGAZINE RACK - WASHED MAPLE
3	128884-01-J62	EA	CABINET - W/PULLOUT TABLE/MAGAZINE RACK - WHITE GRANITE
4	108663-01-000	EA	HINGE - LEAF - FOLDING
5	128846-01-000	EA	TRACK - TABLE - 28"
6	128884-13-J94	EA	TOP/REAR PORTION - F/PULLOUT TABLE CABINET - WATERFORD OAK
6	128884-13-J60	EA	TOP/REAR PORTION - F/PULLOUT TABLE CABINET - WASHED MAPLE
6	128884-13-J62	EA	TOP/REAR PORTION - F/PULLOUT TABLE CABINET - WHITE GRANITE
7	128884-14-J94	EA	TOP/FRONT HINGED PORTION - F/PULLOUT TABLE CABINET-W/O HDW WATERFORD OAK
7	128884-14-J60	EA	TOP/FRONT HINGED PORTION - F/PULLOUT TABLE CABINET-W/O HDW WASHED MAPLE
7	128884-14-J62	EA	TOP/FRONT HINGED PORTION - F/PULLOUT TABLE CABINET-W/O HDW WHITE GRANITE
8	128884-15-J94	EA	TABLE - PULLOUT TOP ONLY - WATERFORD OAK
8	128884-15-J60	EA	TABLE - PULLOUT TOP ONLY - WASHED MAPLE
8	128884-15-J62	EA	TABLE - PULLOUT TOP ONLY - WHITE GRANITE
9	080736-01-000	EA	PULL - RECESSED - 1.25 X 4" - OAK
10	128847-01-000	EA	GLIDE - TABLE/LIFT

## SEALANTS & FASTENERS GROUP

### SEALANTS & ADHESIVES

KEY	PART NUMBER	U/M	DESCRIPTION
	004006-05-700	EA	ADHESIVE-NAT. STARCH (5 GAL) 0802
	004020-01-000	QT	ADHESIVE-ABS CEMENT - QUART
	004363-01-000	FT	TAPE - ADHESIVE FOAM/1 SIDE - 3/16" X 1/2" X 50' - GRAY
	034552-02-000	EA	SILICONE - TUBE - 300 ML - W/O NOZZLE - CLEAR
	034552-06-000	EA	SILICONE - TUBE - 300 ML - W/O NOZZLE - OFF WHITE
	039518-01-000	EA	SILICONE - TUBE - 300 ML - BLACK - W/O NOZZLE
	053766-02-000	EA	BEDDING COMPOUND - TUBE - WHITE
	053766-08-000	EA	BEDDING COMPOUND - TUBE/GRAY
	062917-03-000	EA	ADHESIVE - LOCTITE 242
	067788-01-000	EA	ADHESIVE - SPRAY - 3M - 19.5 AEROSOL CAN
	069640-01-000	FT	SEALER - RIBBON - 1/4"DIAMETER X 30'
	069640-03-000	FT	SEALER - TAPE - 1/8"THICK X .75"WIDE X 60'
	069640-07-000	FT	SEALER - TAPE - 3/32"THICK X 2"WIDE X 45'
	069640-09-000	FT	SEALER - TAPE - 1/32"THICK X 2.50"WIDE X 80'
	069640-11-000	FT	SEALER - TAPE - 3/16"THICK X 3/8"WIDE X 40'
	069640-14-000	FT	SEALER - TAPE - 1/16"THICK X 1"WIDE X 100'
	069640-15-000	FT	SEALER - TAPE - 1/16" THICK X 3/8" WIDE X 80' - GRAY
	069640-18-000	FT	SEALER - TAPE - 1/2" THICK X 1/8" X 60'
	069640-19-000	FT	SEALER - TAPE - 3/4" X 1/8" X 60' - BRIGHT WHITE
	069640-21-000	FT	SEALER - TAPE - 1/2" X 1/16" X 100' - BRIGHT WHITE
	069640-23-000	FT	SEALER - TAPE - 3/4" X 1/16" X 100' - BRIGHT WHITE
	072889-01-000	EA	SEALANT - URETHANE - BLACK - 1/10
	072889-09-000	EA	SEALANT - URETHANE - BLACK (TUBE)
	072889-10-000	EA	SEALANT - URETHANE (HV) - BRIGHT WHITE
	072889-11-000	EA	SEALANT - URETHANE - (TUBE) - GRAY
	072889-12-000	EA	SEALANT - URETHANE (LV) BRIGHT WHITE
	072889-17-000	EA	SEALANT - URETHANE
	076322-01-000	FT	TAPE - DOUBLE COATED/ADHESIVE BACK- .025"THK X .75"W X 18'
	076322-02-000	FT	TAPE - DOUBLE COATED/ADHESIVE BACK - .045"THK X 1"W X 9'
	076322-03-000	FT	TAPE - DOUBLE COATED/ADHESIVE BACK - .045THK X .50"W X 9'
	076322-05-000	FT	TAPE - DOUBLE COATED/ADHESIVE BACK - .045"THK X .75"W X 9'
	076322-07-000	FT	TAPE - DOUBLE COATED/ADHESIVE BACK - .045"THK X .50"W X 9'
	076322-12-000	FT	TAPE - DOUBLE COATED/ADHESIVE BACK - .45"THK X .25"W X 9'
	087211-01-000	GL	PROMOTER - ADHESIVE
	088479-01-000	EA	TAPE - ALUMINUM - 3"
	091255-02-000	EA	SEAL - ADHESIVE BACKED/FOAM - .18" THICK X 1.5" WIDE
	102352-01-000	EA	SEALER - PUMPABLE - BLACK
	102352-02-000	EA	SEALER - PUMPABLE - CLEAR
	106206-01-000	EA	SEALER - PUMPABLE - MANUS 30A - BLACK
	107828-01-000	EA	SEALANT - SB - 190 EVERSEAL
	108716-03-000	EA	SILICONE - TUBE - BRIGHT WHITE/SELF LEVELING - W/O NOZZLE
	110274-01-000	FT	TAPE - DOUBLE SIDED FOAM - .45" X 1"
	112864-01-000	FT	SEAL - FOAM/BUTYL COVERED - 3/8"
	112901-02-000	EA	ADHESIVE - PLEXUS - 50ML
	118085-02-01A	FT	TAPE - FOIL - 1"
	120074-01-01A	EA	SILICONE TUBE - OFF WHITE W/O NOZZLE - LOW ODOR
	120074-02-01A	EA	SEALANT - SILICONE - OFF WHITE
	120534-01-01A	EA	TAPE - SCOTCH - 3M - 1/2" FINE LINE
	123244-01-000	FT	TAPE - DOUBLE COATED FOAM .8" THICK X .75" WIDE
	123816-01-000	FT	TAPE - DOUBLE SIDED - 1"
	123816-02-000	FT	TAPE - DOUBLE SIDED - 1/2"
	123816-03-000	FT	TAPE - DOUBLE SIDED - 1/2"
	900390-01-000	EA	TIP - 2 1/2" X 1/8" ORIFICE
	900390-03-000	EA	NOZZLE - SILICONE TUBE

## SEALANTS & FASTENERS GROUP (CONTINUED)

### BOLTS, NUTS & WASHERS

KEY	PART NUMBER	U/M	DESCRIPTION
	000C12-04-24B	EA	BOLT - HEX - 1/4 - 20 X 1 1/2 - ZINC 5
	000C12-05-12B	EA	BOLT - HEX - 5/16 - 18 X 3/4 - ZINC 5
	000C12-05-16B	EA	BOLT - HEX - 5/16 - 18 X 1 - ZINC 5
	000C12-05-40B	EA	BOLT - HEX - 5/16 - 18 X 2.5 - ZINC 5
	000C12-06-16B	EA	BOLT - HEX - 3/8 - 16 X 1 LG - ZINC 5
	000C12-06-20B	EA	BOLT - HEX - 3/8 - 16 X 1 1/4 - ZINC 5
	000C12-06-32B	EA	BOLT - HEX - 3/8 - 16 X 2LG - ZINC 5
	000C12-06-44B	EA	BOLT - HEX - 3/8 - 16 X 2 3/4 - ZINC 5
	000C12-07-20B	EA	BOLT - HEX - 7/16 - 14 X 1 1/4 - ZINC 5
	000C12-08-16B	EA	BOLT - HEX - 1/2-13 X 1.00 - GD5 - ZINC
	000C12-08-24B	EA	BOLT - HEX - 1/2-13 X 1.50 - ZINC 5
	000C12-08-28B	EA	BOLT - HEX - 1/2-13 X 1 3/4 - ZINC 5
	000C12-10-24B	EA	BOLT - HEX - 5/8-11 X 1.50 - ZINC 5
	000C13-07-48B	EA	BOLT - HEX - 7/16-20 X 3 - ZINC 5
	000C14-06-32B	EA	BOLT - HEX - 3/8-16 X 2.00 - GRADE 8 - ZINC
	000C26-04-10B	EA	BOLT - HEX - SERRATED FLANGE - 1/4-20 X 5/8 - ZINC
	000C26-04-14B	EA	BOLT - HEX - SERRATED FLANGE - 1/4-20 X 7/8 - ZINC
	000C26-04-18B	EA	BOLT - HEX - SERRATED FLANGE - 1/4-20 X 1 1/8 - ZINC
	000C26-05-12B	EA	BOLT - HEX - SERRATED FLANGE - 5/16-18 X 3/4 - ZINC
	000C26-05-20B	EA	BOLT - HEX - SERRATED FLANGE - 5/16-18 X 1 1/4 - ZINC
	000C26-05-16B	EA	BOLT - HEX - SERRATED FLANGE - 5/16-18 X 3/4 - ZINC
	000C26-06-16B	EA	BOLT - HEX - SERRATED FLANGE - 3/8-16 X 1 - ZINC
	000C26-06-12B	EA	BOLT - HEX - SERRATED FLANGE - 3/8-16 X 3/4 - ZINC
	000C26-06-28B	EA	BOLT - HEX - SERRATED FLANGE - 3/8-16 X 1 3/4 - ZINC
	000C26-06-40B	EA	BOLT - HEX - SERRATED FLANGE - 3/8-16 X 1 3/4 - ZINC
	000C26-08-24B	EA	BOLT - HEX - SERRATED FLANGE - 1/2-134 X 1.5 ZINC
	000D24-10-00B	EA	NUT - HEX - SELF LOCKING - 10-32 ZINC
	000D29-05-00B	EA	NUT - 5/16 - 18 UNC - SF/LOCKING - NYLON WASHER INSERT
	000D34-04-00B	EA	NUT - HEX - LOCKING - 1/4-20 ZINC
	000D34-06-00B	EA	NUT - HEX - LOCKING - 3/8 - 16 GRADE C - ZINC-PREVAILING T
	000D39-04-00B	EA	NUT - HEX - SERRATED FLANGE - LOCKING - 1/4 - 20 - ZINC
	000D39-05-00B	EA	NUT - HEX - SERRATED FLANGE - LOCKING - 5/16 - 18 - ZINC
	000D39-06-00B	EA	NUT - HEX - SERRATED FLANGE - LOCKING - 3/8 - 18 - ZINC
	000D39-07-00B	EA	NUT - HEX - SERRATED FLANGE - LOCKING - 7/16 - 14 - ZINC
	000D39-08-00B	EA	NUT - HEX - SERRATED FLANGE - LOCKING - 1/2 - 13 - ZINC
	000D44-07-00B	EA	NUT - HEX - SERRATED FLANGE - LOCKING - 7/16-20 - ZINC
	000D46-04-00A	EA	NUT - HEX - WELD - 1/4 - 20 - PLAIN
	000D65-08-00B	EA	NUT - HEX/SERRATED FLANGE - 8-32 ZINC
	000D73-07-00C	EA	NUT - HEX FLANGE - 7/16 - 14 - GRADE G
	000D73-08-00C	EA	NUT - HEX FLANGE - 1/2-13
	000D76-06-00B	EA	NUT - HEX FLANGE - 3/8-16
	000E11-05-00B	EA	WASHER-LK - 5/16" MED - SPLIT - ZN
	000E11-07-00B	EA	WASHER - LOCKING - 7/16 MED SPLIT - ZINC
	000E11-08-00B	EA	WASHER - LOCKING - 1/2 MED SPLIT - ZINC
	000E13-14-00B	EA	WASHER - FLAT - 1/4 WIDE - ZINC
	000E13-17-00B	EA	WASHER - FLAT - 3/8" AR - ZINC
	000E13-18-00B	EA	WASHER - FLAT - 3/8 WIDE - ZINC
	000E13-20-00B	EA	WASHER - FLAT - 7/16 WIDE - ZINC
	000E13-21-00B	EA	WASHER - FLAT - W/2 NAR - ZINC
	000E13-22-00B	EA	WASHER - FLAT - 1/2 WIDE - ZINC
	000E13-26-00B	EA	WASHER - FLAT - 5/8 WIDE - ZINC
	000E14-10-00B	EA	WASHER - LOCKING - #10 EXTERNAL TOOTH - ZINC
	000G45-04-24B	EA	BOLT - LAG - 1/4-9 X 1.50 ZINC
	000G45-04-24F	EA	BOLT - LAG - 1/4 #9 X 1 1/2SS
	005081-01-000	EA	NUT - SPEED - C-TYPE - #8 SCREW
	040921-01-000	EA	NUT - SPEED - U TYPE - 10-24 BLACK
	040921-03-000	EA	NUT - SPEED - U TYPE - #10
	040921-04-000	EA	NUT - SPEED - U-TYPE #8 - .59" LENGTH X .44" WIDTH
	040921-05-000	EA	NUT - SPEED - U-TYPE #8 - .67" X .44" WIDE
	040921-09-000	EA	NUT - SPEED - U TYPE - # 8
	044364-02-000	EA	NUT - SPEED - FLAT - ROUND
	051387-05-000	EA	BOLT - CARRIAGE W/O HOLE - 5/16-18 X 9.5 - ZINC



**SEALANTS & FASTENERS GROUP (CONTINUED)**

**BOLTS, NUTS & WASHERS (CONTINUED)**

KEY	PART NUMBER	U/M	DESCRIPTION
	051387-06-000	EA	BOLT - CARRIAGE W/O HOLE - 5/16-18 X 9.5 - ZINC
	058716-02-000	EA	WASHER - FLAT NYLON
	063253-07-000	EA	NUT - J - #8A - .120 - .130 PNL THK
	077049-01-000	EA	NUT-ACORN - 10 - 32 ALUMINUM
	077049-02-000	EA	NUT - ACORN - 10-32 BLACK/ANODIZED
	077071-01-000	EA	WASHER - FENDER - 3/16"ID X 1"OD
	083163-06-000	EA	PUSHNUT - FLAT TYPE 3/8 STUD - FORD ONLY
	087234-01-000	EA	NUT - JACK - 1/4 X 20 THD - MOLLY
	088787-12-000	EA	STUD - WELD - 1/4 - 20 X 1.0 LG - MN
	091274-03-000	EA	BOLT-J - 3/8-16 X 12.0
	102378-01-02A	EA	WASHER - BLACK
	102540-01-000	EA	SEAL - SCREW - ROUND - RUBBER
	106166-01-000	EA	BOLT/COLLARED HANGER - 8-32 X 1"
	106648-01-000	EA	CAP - STUD - .120 TO .130 DIAMETER
	106956-03-000	EA	BOLT - HEX TAP - 1/2-12NC X 3 - GRADE 5 - FULL THREAD/ZINC
	106956-08-000	EA	BOLT - HEX TAP 1/2-13 NC X 4 GRADE 5
	107397-01-000	EA	WASHER - FENDER - .25" ID X 1" OD
	108067-03-000	EA	STUD - WELD - 1/4 - 20 X 1/2 CD
	110794-01-000	EA	WASHER - FLAT - 1" ID X 1 3/4' OD
	120506-01-01A	EA	RIVET - PLASTIC - 3/16 DIAMETER

**SCREWS**

KEY	PART NUMBER	U/M	DESCRIPTION
	0G1108-12-170	EA	SCREW - 8-18 X .75 PPH - BRIGHT WHITE
	0G1208-12-170	EA	SCREW - 8-18 X .75 POH - BRIGHT WHITE
	0G3908-08-170	EA	SCREW - SF/DR - 8-18 X .50 PPH - BRIGHT WHITE
	0G3908-20-170	EA	SCREW - SF/DR - 8-18 X 1.25 PPH - BRIGHT WHITE
	0G3908-24-170	EA	SCREW - SF/DR - 8-18 X 1.50 PPH - BRIGHT WHITE
	0G3910-12-260	EA	SCREW - SF/DR - 10-16 X .75 PPH - ALLANTE ANTELOPE
	0G3910-12-270	EA	SCREW - SF/DR - 10-16 X .75 PPH - TITANIUM
	0G3910-12-170	EA	SCREW - SF/DR - 10-16 X .75 PPH - BRIGHT WHITE
	0G5508-12-170	EA	SCREW - SF/DR - 8-18 X .75 PWH - BRIGHT WHITE
	0G5508-12-270	EA	SCREW - SF/DR - 8-18 X .75 PWH - TITANIUM
	0G5508-12-260	EA	SCREW - SF/DR - 8-18 X .75 PWH - ALLANTE ANTELOPE
	0G5508-16-260	EA	SCREW - SF/DR - 8-18 X 1.00 PWH ZINC - INTERIOR ANTELOPE
	0G5508-16-270	EA	SCREW - SF/DR - 8-18 X 1.00 PWH ZINC - INTERIOR TITANIUM
	0G6710-12-170	EA	SCREW - 10-12X.75 PPH - BRIGHT WHITE
	0G6710-16-230	EA	SCREW - 10-12X1 PPH - DURA-BEIGE
	000C20-06-20T	EA	SCREW - 3/8-16 X 1 1/4,FLAT SOC
	000G11-05-08B	EA	SCREW - 5-20 X .50 PPH - ZINC
	000G11-06-12B	EA	SCREW - 6-20 X 3/4" PPH - ZINC
	000G11-06-10J	EA	SCREW - 6-20 X 5/8 PPH - BRASS
	000G11-06-08B	EA	SCREW - 6-20 X .50 PPH - ZINC
	000G11-06-06B	EA	SCREW - 6-20 X 3/8 PPH - ZINC
	000G11-06-18B	EA	SCREW - 6-20 X 1 1/8 PPH - ZINC
	000G11-06-10B	EA	SCREW - 6-20 X 5/8 PPH - ZINC
	000G11-06-06B	EA	SCREW - 6-20 X 3/8 PPH - ZINC
	000G11-06-18B	EA	SCREW - 6-20 X 1 1/8 PPH - ZINC
	000G11-07-08B	EA	SCREW - 7-19 X .50 PPH - ZINC
	000G11-08-08T	EA	SCREW - 8-18 X 1/5 PPH - FLUORO CARBON COATING
	000G11-08-08B	EA	SCREW - 8-18 X .50 PPH - ZINC
	000G11-08-06B	EA	SCREW - 8-18 X 3/8 PPH - ZINC
	000G11-08-06J	EA	SCREW - 8-18X3/8 PPH BRASS
	000G11-08-20B	EA	SCREW - 8-18 X 1.25 PPH - ZINC
	000G11-08-16S	EA	SCREW - 8-18 X 1 PPH - OFF WHITE
	000G11-08-12T	EA	SCREW - 8-18 X .75 PPH - BLACK
	000G11-08-12P	EA	SCREW - 8-18 X .75 PPH - DARK BROWN
	000G11-08-12D	EA	SCREW - 8-18 X .75 PPH - BLACK
	000G11-08-12B	EA	SCREW - 8-18 X .75 PPH - ZINC
	000G11-08-10B	EA	SCREW - 8-18 X .50 PPH - ZINC

**SEALANTS & FASTENERS GROUP (CONTINUED)**

**SCREWS (CONTINUED)**

KEY	PART NUMBER	U/M	DESCRIPTION
	000G11-08-12R	EA	SCREW - 8-18 X 3/4 PPH - BEIGE
	000G11-08-12S	EA	SCREW - 8-18 X 3/4 PPH - OFF WHITE
	000G11-10-16B	EA	SCREW - 10-16 X 1 PPH - ZINC
	000G11-10-12S	EA	SCREW - 10-16 X .75 PPH - OFF WHITE
	000G11-10-12D	EA	SCREW - 10-16 X .75 PPH - BLACK
	000G11-10-40B	EA	SCREW - 10-16 X 2 1/2 PPH CAD
	000G12-06-08T	EA	SCREW - 6-20 X 1/2 POH - BLACK
	000G12-06-14A	EA	SCREW - 6-20 X .87 POH PLAIN
	000G12-06-20B	EA	SCREW - 6-20 X 1.25 POH ZINC
	000G13-05-16S	EA	SCREW - 5-20 X 1 PFH - OFF WHITE
	000G13-06-06B	EA	SCREW - 6-20 X 3/8 PFH ZINC
	000G13-06-16E	EA	SCREW - 6-20 X 1.00 PFH CHROME
	000G13-06-24J	EA	SCREW - 6-20 X 1.50 PFH - BRASS
	000G13-06-16J	EA	SCREW - 6-20 X 1 PFH - BRASS
	000G13-06-10G	EA	SCREW - 6-20 X 5/8 PFH - ANTIQUE BRASS
	000G13-06-08G	EA	SCREW - 6-20 X .50 PFH - ANTIQUE BRASS
	000G13-06-08B	EA	SCREW - 6-20 X .50 PFH - ZINC
	000G13-07-12B	EA	SCREW - 7-19 X .75 PFH - ZINC
	000G13-07-089	EA	SCREW - 7-19 X 1.2 PPH - SILVER
	000G13-08-10B	EA	SCREW - 8-18 X 5/8 PFH - ZINC
	000G13-08-16B	EA	SCREW - 8-18 X 1 PFH - ZINC
	000G13-08-109	EA	SCREW - 8-18 X 5/8 PFH
	000G16-04-24B	EA	SCREW - MACHINE - 1/4 - 20 X 1-1/2 PPH
	000G18-08-12B	EA	SCREW - MACHINE - 8-32 X 3/4" PPH ZN
	000G18-08-16B	EA	SCREW - MACHINE - 8 X 32 X 1 - PPH ZINC
	000G18-08-22B	EA	SCREW - MACHINE - 8-32 X 1 3/8 PPH - ZINC
	000G19-10-10B	EA	SCREW - MACHINE - 10-32 X 5/8 - PPH - ZINC
	000G19-10-24B	EA	SCREW - MACHINE - 10-32 X 1.5 PPH ZINK
	000G19-10-20B	EA	SCREW - MACHINE - 10-32 X 1.25 PPH - ZINC
	000G19-10-12F	EA	SCREW - MACHINE - 10-32 X .75 - PPH - STAINLESS STEEL
	000G19-10-08B	EA	SCREW - MACHINE - 10-32 X .50 - PPH - ZINC
	000G32-10-06B	EA	SCREW - 10-32 X 3/8" - PPH - ZINC
	000G32-10-06D	EA	SCREW - 10 - 32 X 3/8 PPH TYPE1 BLACK
	000G34-05-12B	EA	SCREW - HEX HEAD TAPPING - 5/16 X 3/4 LONG
	000G37-08-12B	EA	SCREW - 8-18 X 3/4 PPH
	000G38-04-16D	EA	SCREW - MACHINE - 1/4-20 X 1 PFN - BLACK
	000G39-06-10T	EA	SCREW - SF/DR - 6-20 X 5/8 PPH - BLACK
	000G39-06-08B	EA	SCREW - SF/DR - 6-18 X .50 - ZINC
	000G39-06-16T	EA	SCREW - SF/DR - 6-20 X 1 PPH - BLACK
	000G39-08-06B	EA	SCREW - SF/DR - 8-18 X 3/8 PPH - ZINC
	000G39-08-24B	EA	SCREW - SF/DR - 8-18 X 1 1/2 PPH - ZINC
	000G39-08-16T	EA	SCREW - SF/DR - 6-20 X 1 PPH - BLACK
	000G39-08-16R	EA	SCREW - SF/DR - 8-18 X 1 PPH - BEIGE
	000G39-08-16B	EA	SCREW - SF/DR - 8-18 X 1 PPH - ZINC
	000G39-08-12T	EA	SCREW - SF/DR - 8-18 X .75 PPH - BLACK
	000G39-08-12B	EA	SCREW - SF/DR - 8-18 X .75 PPH - ZINC
	000G39-08-08T	EA	SCREW - SF/DR - 8-18 X 1/2 PPH - BLACK
	000G39-08-08S	EA	SCREW - SF/DR - 8-18 X .50 PPH - OFF WHITE
	000G39-08-08B	EA	SCREW - SF/DR - 8-18 X 1.50 PPH - ZINC
	000G39-08-08R	EA	SCREW - SF/DR - 8-18 X 1/2 PPH - BEIGE
	000G39-08-083	EA	SCREW - SF/DR - 8-18 X 1/2 PAH - BUFF
	000G39-08-16S	EA	SCREW - SF/DR - 8-18 X 1 PPH OFF WHITE
	000G39-08-24S	EA	SCREW - SF/DR - 8-18 X 1.50 PPH OFF WHITE
	000G39-08-24T	EA	SCREW - SF/DR - 8-18 X 1.50 PPH
	000G39-08-32B	EA	SCREW - SF/DR - 8-18 X 2 PPH - ZINC
	000G39-10-12B	EA	SCREW - SF/DR - 10-16 X .75 PPH - ZINC
	000G39-10-10B	EA	SCREW - SF/DR - 10-16 X .625 - ZINC
	000G39-10-08B	EA	SCREW - SF/DR - 10-16 X .50 PPH - ZINC
	000G39-10-209	EA	SCREW - SF/DR - 10-16 X 1 1/4 PPH - FLUOROCARBON SILVER
	000G39-10-20B	EA	SCREW - SF/DR - 10-16 X 1.25 PPH - ZINC
	000G39-10-129	EA	SCREW - SF/DR - 10-16 X .75 PPH - FLUOROCARBON SILVER
	000G39-10-12D	EA	SCREW - SF/DR - 10-16 X .75 PPH - BLACK

## SEALANTS & FASTENERS GROUP (CONTINUED)

### SCREWS (CONTINUED)

KEY	PART NUMBER	U/M	DESCRIPTION
	000G39-10-088	EA	SCREW - SF/DR - 10-16 X .50 P&H - DRILL-FLEX F'CARBON
	000G39-10-32B	EA	SCREW - SF/DR - 10- 6 X 2.00 PPH - ZINC
	000G39-10-40D	EA	SCREW - SF/DR - 10-16X2.50 PPH
	000G39-10-48B	EA	SCREW - SF/DR - 10-16 X 3.00 PPH - ZINC
	000G39-10-48T	EA	SCREW - SF/DR - 10-16X3.00 PPH - BLACK-FLUROCARBON
	000G42-04-16B	EA	SCREW - SF/DR - 1/4-14 X 1 HWH - ZINC
	000G42-04-12B	EA	SCREW - SF/DR - 1/4-14 X .75 HWH - ZINC
	000G46-08-24T	EA	SCREW - MACHINE - 8-32 X 1.50 PFH - BLACK
	000G50-04-12B	EA	SCREW - MACHINE - 1/4-20 X .75 PPH - ZINC
	000G50-04-08B	EA	SCREW - MACHINE - 1/4-20 X 1/2 PTH
	000G51-08-08B	EA	SCREW - 8-18 X 1/2 PTH - ZINC
	000G52-08-06B	EA	SCREW - MACHINE - 8-32 X 3/8 PTH ZINC
	000G52-08-18B	EA	SCREW - MACHINE - 8-32 X 11/8 PTH ZN
	000G53-04-06B	EA	SCREW - MACHINE - 1/4-20 X 3/8 PPH ZINC - UNDERCUT HEAD
	000G54-04-20B	EA	SCREW - 1/4-20 X 1.25 PTH - TYPE 23 - ZINC PLATED
	000G55-08-12S	EA	SCREW - SF/DR - 8-18 X .75 PWH - OFF WHITE
	000G55-08-12M	EA	SCREW - SF/DR - 8-18 X .75 PWH - GRAY
	000G55-08-162	EA	SCREW - SF/DR - 8-18 X 1.00 - BEIGE
	000G56-10-24J	EA	SCREW - WOOD - 10-13X1.5 POH - BRIGHT BRASS
	000G56-12-48B	EA	SCREW - WOOD - 12 - 11 X 3 POH - SPECIAL HARDENED
	000G57-05-16J	EA	SCREW - 5-20 X 1 PFH - BRASS
	000G57-10-16B	EA	SCREW - 10-13X1 PFH BLACK
	000G60-08-163	EA	SCREW - SF/DR - 8-18 X 1.00 POH - BUFF
	000G60-10-16J	EA	SCREW - SF/DR - 10-16 X 1 POH - BRIGHT BRASS
	000G60-10-20I	EA	SCREW - SF/DR - 10-16 X 1.25 POH - BLACK
	000G60-10-20B	EA	SCREW - SF/DR - 10-16 X 1.25 POH - ZINC
	000G67-08-32B	EA	SCREW - 8-15 X 2 PPH - ZINC
	000G67-10-08B	EA	SCREW - 10-12 X .50 PPH - ZINC
	000G67-10-10B	EA	SCREW - 10-12 X 5/8 PPH - ZINC - TYPE A
	000G67-10-36T	EA	SCREW - 10-12 X 2.25 - PPH - BLACK
	000G67-10-24B	EA	SCREW - 10-12 X 1.25 PPH - ZINC
	000G67-10-20D	EA	SCREW - 10-12 X 1.25 PPH - BLACK
	000G67-10-16B	EA	SCREW - 10-12 X 1 PPH - ZINC
	000G67-10-120	EA	SCREW - 10-12 X .75 PPH - TAN
	000G67-10-12P	EA	SCREW - 10-12 X .75 - PPH - DARK BROWN
	000G67-10-12B	EA	SCREW - 10-12 X .75 PPH - ZINC
	000G67-10-10D	EA	SCREW - 10-12 X 5/8 PPH - BLACK - TYPE A
	000G67-10-08R	EA	SCREW - 10-12 X 1/2 PPH - BEIGE - TYPE A
	000G67-10-10P	EA	SCREW - 10-12X.62 PPH - DARK BROWN
	000G67-10-10R	EA	SCREW - 10-12 X 5/8 PPH - TYPE A - BEIGE
	000G67-10-10S	EA	SCREW - 10-12 X 5/8 PPH - OFF WHITE
	000G67-10-12D	EA	SCREW - 10-12 X 3/4" PPH - BLACK
	000G67-10-16P	EA	SCREW - 10-12 X 1 PPH - DARK BROWN
	000G67-10-32B	EA	SCREW - 10-12 X 2 PPH - ZINC
	000G67-10-20D	EA	SCREW - 10-12 X 1 1/4 PPH - ZINC
	000G67-10-48B	EA	SCREW - 10-12 X 3 PPH ZINC
	000G67-10-489	EA	SCREW - 10-12 X 3 PPH SILVER
	000G68-06-10G	EA	SCREW - 6-18 X 5/8 POH - ANTIQUE BRASS
	000G68-10-20I	EA	SCREW - 10-12 X 1 1/4 POH - BLACK
	000G68-06-12S	EA	SCREW - 6-18X.75 POH
	049465-01-000	EA	SCREW - 10-16 W/WASHER PTH - DARK BROWN
	049465-04-000	EA	SCREW - 10-16 W/WASHER PTH - BEIGE
	049465-17-000	EA	SCREW - 10-16 X 1 POH W/WASHER
	049465-22-000	EA	SCREW - 10-16 X 1 1/2POH W/WASHER - SABLE
	054434-02-000	EA	SCREW - SF/DR-10-16X2 ZN
	054434-03-000	EA	SCREW - SF/DR-10-16X2 PWH ZN
	057671-01-000	EA	COVER - SCREW - #8 - PLASTIC - OFF WHITE
	057671-03-000	EA	COVER - SCREW - #8 - PLASTIC - WILLOW
	057671-15-000	EA	COVER - SCREW
	075908-01-000	EA	SCREW - MACHINE - 10-32 X .56 PTH - EXTERNAL TOOTH - ZINC
	076790-01-000	EA	SCREW - 6-20 X 1 1/4 PPH - BLACK
	076790-05-000	EA	SCREW - 6-20 X 1/2 PPH BLACK - THREADCUTTING - WOOD

## SEALANTS & FASTENERS GROUP (CONTINUED)

### SCREWS (CONTINUED)

KEY	PART NUMBER	U/M	DESCRIPTION
	083554-01-000	EA	SCREW - DRYWALL - 8 X 1.25
	086256-01-000	EA	SCREW - SF/DR - 8 X 3/4 HWH LONG
	087721-01-000	EA	SCREW - FLAT HEAD - TAPPING - 1/4" X 1 1/4" LG ZINC
	091230-03-000	EA	SCREW - MACHINE - 8-32 X 3/4 POH SS - BUFF
	101289-01-01A	EA	SCREW - MACHINE - 8-32 X 4 - POH - BRASS - FOR EXTENDED KNOB
	101289-02-01A	EA	SCREW - MACHINE - 8-32 X 4.5 - POH - BRASS - FOR EXTENDED KNOB
	101618-01-000	EA	SCREW - 1/4-20 X 3/4 HEX - TAPPING - STALGARD TYPE F
	109152-01-000	EA	SCREW - 3/8-16 X 1 1/4 - FLAT SOC - DORRLEMATE COATED
	110460-03-01A	EA	SCREW - MACHINE - 10-24 X 3 3/4 PFH - ALMOND
	115430-01-01B	EA	SCREW - 18X1/2 POH W/WASHER
	116111-01-01A	EA	SCREW - TAPTITE - 1/4-20 X 1/2 PPH - ZINC
	116111-02-01A	EA	SCREW - TAPTITE - 1/4-20 X 3/8 PPH - ZINC
	117322-01-000	EA	SCREW - 1/4-28 UNF-2A - TORX - U.T. 6270020 SC25WJ

### CLAMPS, CLIPS & GROMMETS

KEY	PART NUMBER	U/M	DESCRIPTION
	000F10-04-16B	EA	PIN - COTTER - 1/8" X 1" - ZINC
	000F10-06-32B	EA	PIN - COTTER - 3/16" X 2" - ZINC
	000H14-04-04A	EA	RIVET - MANDREL BLIND - 1/8 X .400
	000H14-06-14R	EA	RIVET-MANDREL BLIND - 3/16"
	000H16-04-06R	EA	RIVET - POP ALUMINUM - 1/8" X .313 - .375
	000H16-06-10R	EA	RIVET - POP ALUMINUM - 3/16 X .501-.625
	007161-01-000	EA	CLAMP - HOSE - SPRING TYPE - 1/2"
	008380-01-000	EA	GROMMET-RUBBER - 5/8" HOLE X 1 1/2" DIAMETER - BLACK
	008386-01-000	EA	GROMMET-SNAP - 3/8"
	010495-01-000	EA	CLAMP - CABLE - 9/16"
	010495-02-000	EA	CLAMP - CABLE - 3/8
	010497-01-000	EA	CLAMP - CLOSED - 5/8" ID
	010497-03-000	EA	CLAMP - CLOSED - 1" ID - CUSHIONED
	010497-04-000	EA	CLAMP - CLOSED - 1.62" ID
	010497-05-000	EA	CLAMP - CLOSED - 1/2 ID
	010497-07-000	EA	CLAMP - CLOSED - 3/8" ID
	010497-08-000	EA	CLAMP - CLOSED - .125" ID
	010499-01-000	EA	CLAMP - CLOSED - 3/8" ID
	016188-03-000	EA	GROMMET - L/P LINE - 3/8" HOLE X 2 1/2" LONG - RUBBER
	016188-05-000	EA	GROMMET - L/P LINE - 3/8" HOLE X 1 1/4" LONG - RUBBER
	023146-01-000	EA	CLAMP - SCREW TYPE - 4"
	023942-01-000	EA	GROMMET - RUBBER - 2" OD
	062401-01-000	EA	CLAMP - HOSE - WORMGEAR - .25" - 1"
	062401-02-000	EA	CLAMP - HOSE - WORMGEAR - 1.56" - 2.5"
	062401-03-000	EA	CLAMP - HOSE - WORMGEAR - .22" - 1"
	062401-04-000	EA	CLAMP - HOSE - WORMGEAR - .69" - 1.25"
	062401-05-000	EA	CLAMP - HOSE - WORMGEAR 2" - 3"
	062401-06-000	EA	CLAMP - HOSE - WORMGEAR - .22" - .62" ID
	062401-11-000	EA	CLAMP - HOSE - WORMGEAR - 3.50" - 4.50"
	071015-11-000	EA	GROMMET - 1.00 ID - FITS .12 MATERIAL
	071015-13-000	EA	GROMMET - RUBBER - .62" ID X 1" OD W/.09" GROOVE - BLACK
	071015-19-000	EA	GROMMET - .38 ID - FITS .06 MATERIAL
	071015-21-000	EA	GROMMET - RUBBER - .5" ID X 1.06" OD W/.19" GROOVE - BLACK
	071015-26-000	EA	GROMMET - RUBBER - 1.5" ID X 2.12" OD W/.06" GROOVE - BLACK
	071015-29-000	EA	GROMMET - RUBBER - 1/4 ID X 1 1/4 OD W .12 GROOVE - BLK
	071015-30-000	EA	GROMMET - RUBBER - .31" ID X .81" OD W/.12" GROOVE - BLACK
	071015-39-000	EA	GROMMET - .75 ID FITS .06 MTL
	075148-02-000	EA	CLAMP - GROUNDING - BRONZE SCREWS
	077953-01-000	EA	GROMMET - EDGE LINER - FITS 1"
	077955-01-000	EA	CLIP - J - VINYL COATED - 3/8" - USED TO SUPPORT WIRING TO LIGHTS
	080211-03-000	EA	CLIP - MOUNTING - XMAS TREE - DECORATIVE WALL PADS
	080734-02-000	EA	CLIP - WIRE - NYLON
	083609-01-000	EA	CLAMP - WIRE - DUAL - EQUAL DIAMETERS - 5/8"
	083610-01-000	EA	CLAMP - WIRE - DUAL - UNEQUAL DIAMETERS - 3/4" & 1 1/4"

**SEALANTS & FASTENERS GROUP (CONTINUED)****CLAMPS, CLIPS & GROMMETS (CONTINUED)**

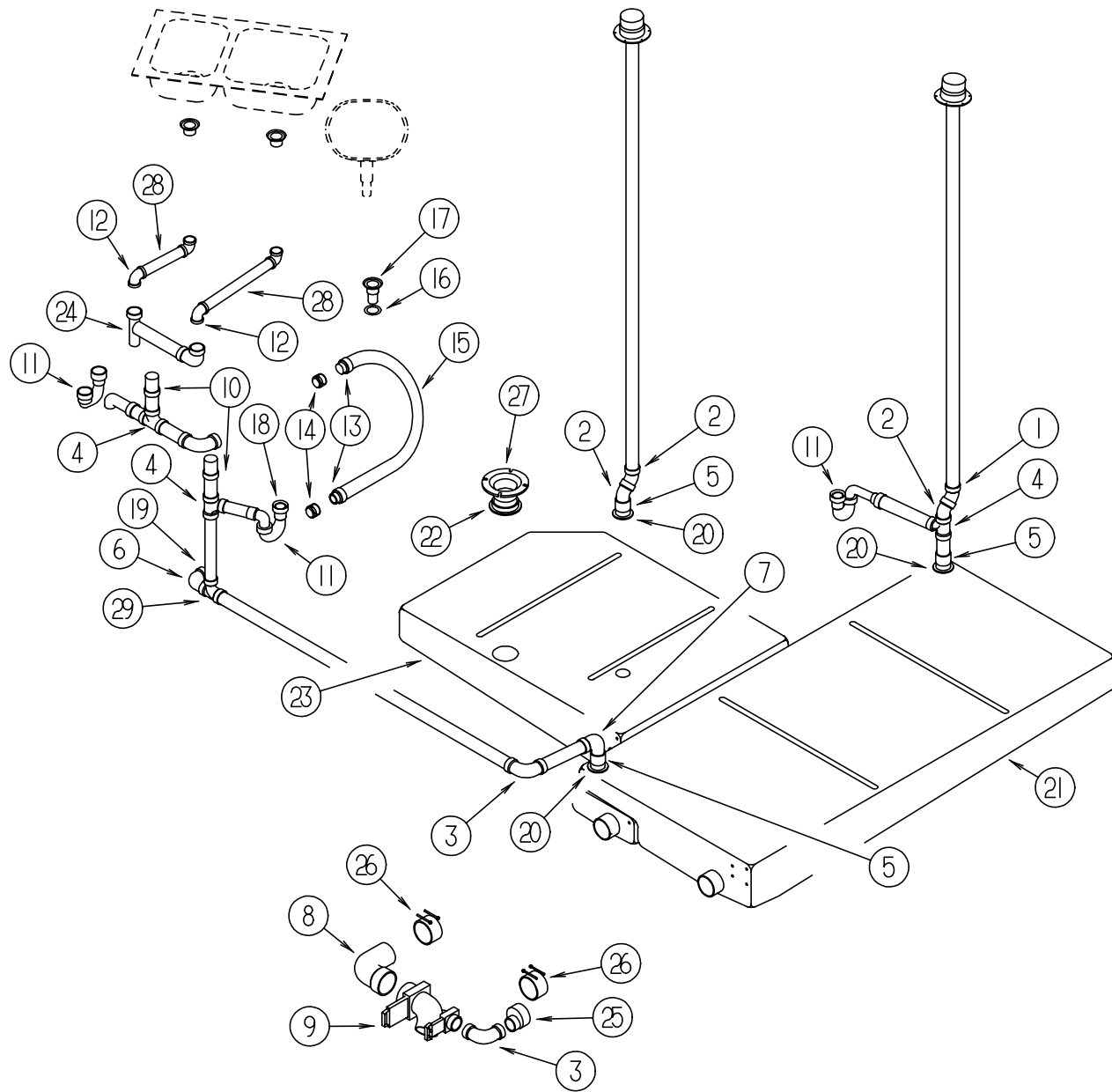
KEY	PART NUMBER	U/M	DESCRIPTION
	083610-02-000	EA	CLAMP - WIRE - DUAL UNEQUAL DIA
	083610-03-000	EA	CLAMP - DUAL WIRE
	088756-01-000	EA	GROMMET - WEB - 1 1/8 I.D.
	091952-01-000	EA	CLIP - GRIPPER - 1"
	091952-02-000	EA	CLIP - GRIPPER - 3/4"
	094362-02-000	EA	CLIP - CHRISTMAS TREE - FLAT HEAD - .5" X .95"
	101447-01-000	EA	CLIP - U TYPE
	106648-01-000	EA	CAP - STUD .120 TO.130 STUD DIA - T'MN C30017-014-27
	114208-01-000	EA	GROMMET - EDGE LINER - FITS 1.75 - HEYCO 2300
	114208-02-000	EA	GROMMET - EDGE LINER - FITS .625
	114208-05-000	EA	GROMMET - EDGE LINER - FITS 2"
	125083-01-01A	EA	CLAMP - T BOLT
	129962-01-01A	EA	CLIP - U-TYPE - BLACK

**SEALANTS & FASTENERS GROUP (CONTINUED)****MISCELLANEOUS FASTENERS**

KEY	PART NUMBER	U/M	DESCRIPTION
	008343-01-000	EA	TIE - WIRE - 6"
	008343-02-000	EA	TIE - WIRE - 14"
	008343-03-000	EA	TIE - WIRE - 7 1/5" - BLACK
	029094-04-000	YD	VELCRO TAPE - LOOP - 1" WIDE - BLACK
	029094-06-000	YD	VELCRO TAPE - LOOP - 2" WIDE - BLACK
	029096-03-000	YD	VELCRO TAPE - HOOK - 1" WIDE - BLACK
	029096-04-000	YD	TAPE - HOOK - VELCRO - 1" WIDE - BLACK
	061420-11-000	EA	PLUG - PLASTIC - .50" DIAMETER
	081211-03-000	EA	PLUG - PLASTIC - .50 DIAMETER - BLACK
	081211-04-000	EA	PLUG - PLASTIC - .46" DIAMETER - BLACK
	085774-01-000	FT	FASTENER - DUAL HOOK - 1" WIDE - ADHESIVE BACK - BLACK
	085774-02-000	FT	FASTENER - DUAL LOOP - 1" WIDE - ADHESIVE BACK - BLACK
	085774-03-000	FT	FASTENER - DUAL LOOP - 1/2" WIDE
	086285-01-000	EA	SPACER - NYLON - .5" OD X .257" ID
	088792-02-000	YD	VELCRO TAPE - LOOP - .75" - ADHESIVE BACKED - BEIGE
	088792-05-000	YD	VELCRO TAPE - LOOP - 5/8" - NON-ADGESUVE BACJED - WHITE
	108046-01-000	EA	CABLE TIE - SCREW MOUNT 8"
	110943-02-000	FT	FELTSTRIP - 3/8" - ADHESIVE BACK - WHITE
	115361-01-01A	EA	PLUG - PLASTIC

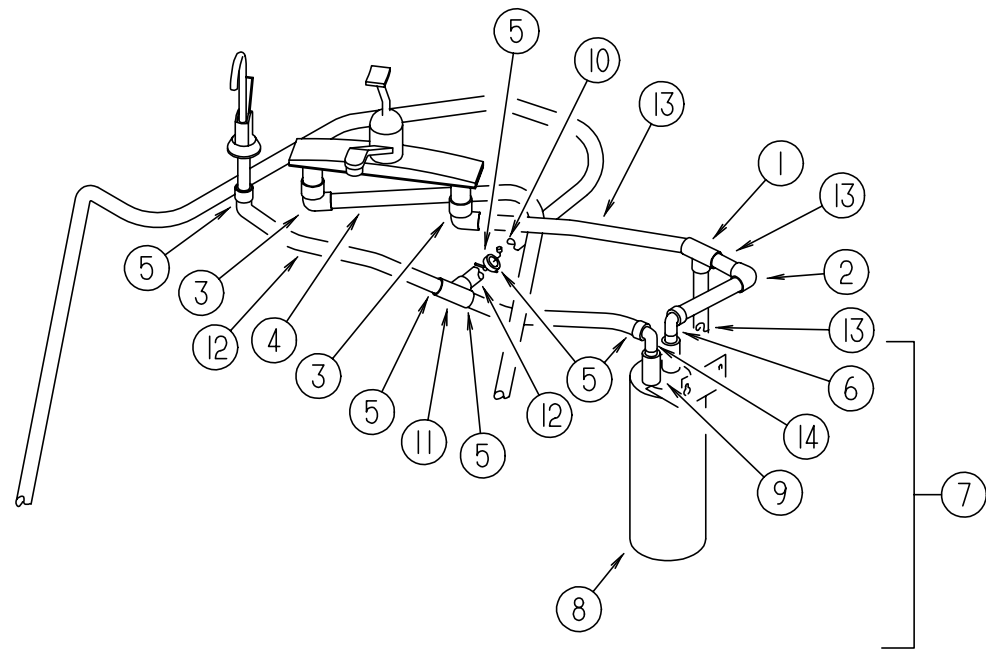
# WATER & SEWAGE GROUP

## DRAINAGE SYSTEM



KEY	PART NUMBER	U/M DESCRIPTION	VENDOR NO.
1	010006-01-000	EA ELBOW - 45 DEGREE - 1 1/2" HUB X HUB - PLASTIC	
2	010051-01-000	EA ELBOW - 45 DEGREE - 1 1/2" SPIGOT & HUB - PLASTIC	
3	010008-01-000	EA ELBOW - 90 DEGREE - 1 1/2" HUB X HUB - PLASTIC	
4	010071-01-000	EA TEE - SANITARY - 1 1/2" HUB X HUB X HUB - PLASTIC	
5	010115-01-000	EA COUPLING - 1 1/2" HUB X HUB - PLASTIC	
6	033761-01-000	EA ELBOW - TURN - 90 DEGREE 1 1/2" HUB X 1 1/2" SPIGOT	
7	034250-01-000	EA ELBOW - 90 DEGREE - LONG TURN - 1 1/2" HUB X HUB - ABS	
8	041956-01-000	EA ELBOW - STREET - 1/4" BARB X 90 DEGREE X 3 XLT	
9	070916-01-000	EA VALVE - DUAL DUMP - W/CAP - 3" X 1 1/2"	
	070916-01-700	EA VALVE ONLY (WASTE) 3"	T1003BU
	070916-01-701	EA VALVE ONLY (WASTE) 1 1/2"	T1001BU
10	079968-01-000	EA VENT - MECHANICAL/TRAP ARM - ANTI-SIPHON-2" X 7.3" PLASTIC	
11	107538-01-000	EA P TRAP - PLASTIC - 1 1/4" W/EXTENSION ARM	
11	011071-01-000	EA P TRAP - PLASTIC - 1 1/2" - CSA	
11	109571-01-000	EA ADAPTER - P TRAP - 1 1/2" P X 1 1/4" MPT	
12	125569-01-000	EA ELBOW - 1 1/2" X 90 DEGREE - DOUBLE SLIP	
13	126424-01-000	EA ADAPTER - 1 1/2" MPT X 1 1/2" HUB	
14	126425-01-000	EA ADAPTER - SWIVEL - 1 1/2" FPT X 1 1/2" HUB	
		FROM: 00-00-00 THRU: 12-14-97	
14	126425-02-000	EA ADAPTER - SWIVEL - 1 1/2" FPT X SPIGOT	
		FROM: 12-15-97 THRU: 99-99-99	
15	126426-01-000	FT PIPE - 1 1/2" FLEXIBLE	
	126427-01-000	EA ADHESIVE - ALL PURPOSE - ABS/PVC	
	126427-02-000	EA PRIMER - CLEANER - FLEX PIPING	
16	069735-01-000	EA WASHER - STRAINER TO TAILPIECE - PLASTIC - 1.5"	
17	120981-01-01A	EA DRAIN - TIP TOE - BRASS	
17	066436-01-000	EA NUT - SLIP - TAILPIECE 1.5"	
		FROM: 00-00-00 THRU: 01-25-98	
17	130403-01-000	EA NUT - SLIP - TAILPIECE 1.5"	
		FROM: 01-26-98 THRU: 99-99-99	
17	066729-01-000	EA STAINER - TUB/SHOWER W/PLUG - CHROME - CANADIAN	
17	011069-02-000	EA TAILPIECE - TUB/SHOWER - 1 1/2" X 1 1/4" X 4" BRASS	
18	127440-02-01A	EA WASHER - RUBBER - 1.8" X .1"	
19	130685-01-000	EA ADAPTER - SWIVEL - 1 1/2" ACME X SOC	
19	130685-03-000	EA ADAPTER - SWIVEL - 1 1/2" ACME X SPG	
20	061607-01-000	EA GROMMET - HOLDING TANK - 1 1/2" NPS	
21	125948-01-000	EA TANK - HOLDING - W/O FITTINGS	
	094756-02-01A	EA BRACKET - L - 6.1" LONG X 3.9" WIDE - STEEL	
22	061607-02-000	EA GROMMET - HOLDING TANK - 3" NPS	
23	125947-01-000	EA TANK - HOLDING - W/O FITTINGS	
24	011091-02-000	EA WASTE - CONTINUOUS - DOUBLE SINK	
25	062422-01-000	EA ADAPTER - OFFSET REDUCER - 3" X 1 1/2" - PLASTIC	
26	078406-01-000	EA COUPLER - RUBBER - W/CLAMPS - 3" X 3"	
27	116644-01-000	EA FLANGE - CLOSET - 4" X 3"	
28	126588-02-000	EA ARM - WASTE - 1 1/2" X 20 - FEMALE	
29	031365-02-000	EA TEE - PLASTIC - 1 1/2" EXT LG TURN	
	010201-01-000	EA HOS - SEWER - 3" ID X 8'	
	062416-01-000	EA ADAPTER - SEWER HOSE TO 3" PIPE	
	010166-01-000	EA PLUG - THREADED - 1 1/4" DIAMETER - PLASTIC - BLACK	

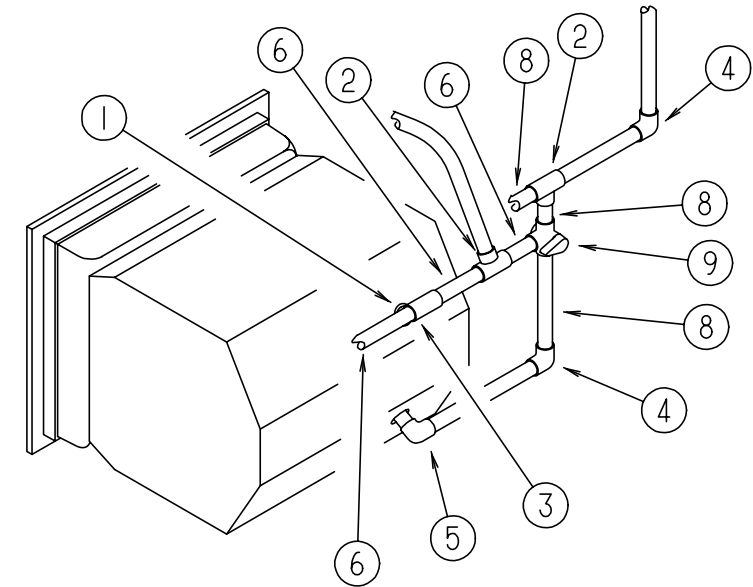
**WATER & SEWAGE GROUP (CONTINUED)**



**WATER PURIFICATION**

KEY	PART NUMBER	U/M	DESCRIPTION	VENDOR NO.
1	114428-01-000	EA	TEE - 1/2"P X 1/2"P X 1/2"P	
2	114429-01-000	EA	ELBOW - 1/2"P X 1/2"P	
3	114429-03-000	EA	ELBOW - FLAIR-IT SWIVEL - 1/2"P X 1/2"FPT	
	124184-01-000	EA	SUPPORT - WATER LINE - BEND	
4	124188-02-000	FT	TUBING - PEX 1/2" ID X 20' RED	
5	111888-01-000	EA	FERRULE - PLASTIC - .250 ID X .375 OD	
5	111888-02-000	EA	INSERT - BRASS - 1/4 COMP	
6	114429-04-000	EA	ELBOW - 1/2"P X 3/8"MPT	
7	701069-01-000	EA	WATER PURIFICATION SYSTEM	
8	701069-03-700	EA	CARTRIDGE RELACEMENT	9592-06
9	103798-01-000	EA	CONNECTOR - 1/4 OD X 3/8 MPT	
10	120868-01-000	EA	VALVE - NEEDLE - 1/4" COMPRESSION X 1/4" COMPRESSION	
11	118423-01-000	EA	FITTING - BRASS-TEE - 1/4C X 1/4C X 1/4C	
12	039800-04-000	FT	TUBING - POLYBUTYL - 1/4"OD	
13	124188-01-000	FT	TUBING - PEX - 1/2" ID X 20' BLUE	
14	065318-02-000	EA	ELBOW - 90 DEGREE - 3/8" MPT TO 3/8" FPT	

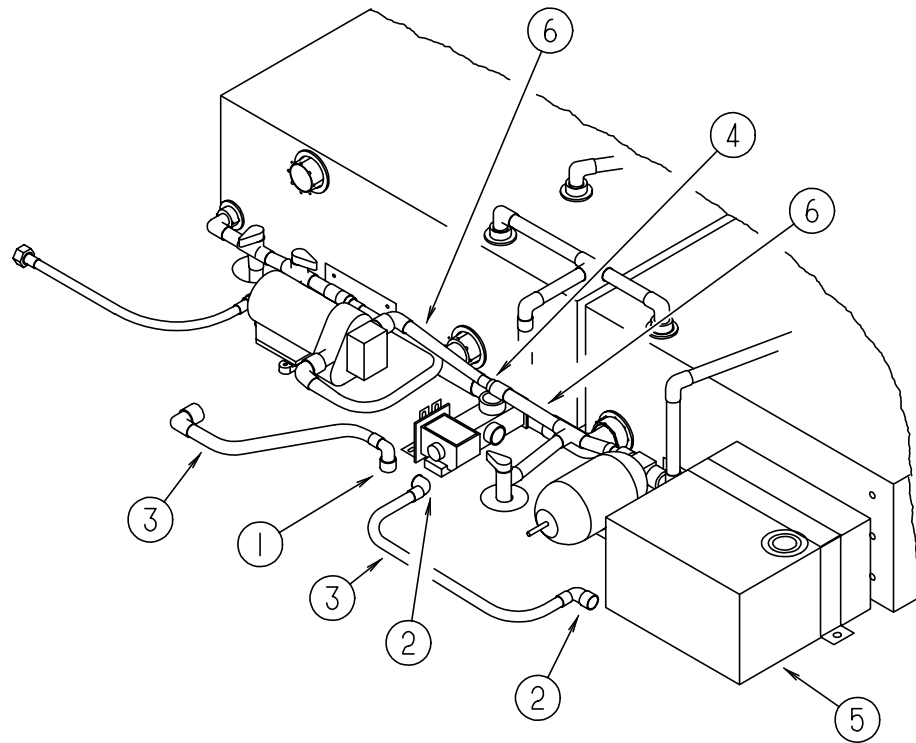
**WATER & SEWAGE GROUP (CONTINUED)**



**WATER HEATER BY-PASS VALVE**

KEY	PART NUMBER	U/M	DESCRIPTION
1	110438-02-000	EA	VALVE - CHECK - BRASS - 1/2 MPT X 1/2 MPT
2	114428-01-000	EA	TEE - 1/2"P X 1/2"P X 1/2"P
3	114428-02-000	EA	TEE - SWIVEL - 1/2"P X 1/2"P X 1/2"FPT
4	114429-01-000	EA	ELBOW - 1/2"P X 1/2"P
5	114429-02-000	EA	ELBOW - 1/2"P X 1/2"MPT
6	124188-02-000	FT	TUBING - PEX 1/2" ID X 20' RED
	124184-01-000	EA	SUPPORT - WATER LINE - BEND
	112176-01-000	FT	TUBING - VINYL - REINFORCED - 1/2" ID
8	124188-01-000	FT	TUBING - PEX - 1/2" ID X 20' BLUE
9	114431-02-000	EA	VALVE - WATER BYPASS - 1/2"P - THREE WAY (WATER HEATER)
	074462-02-000	FT	TUBING - VINYL - 3/8 ID X 20' - CLEAR

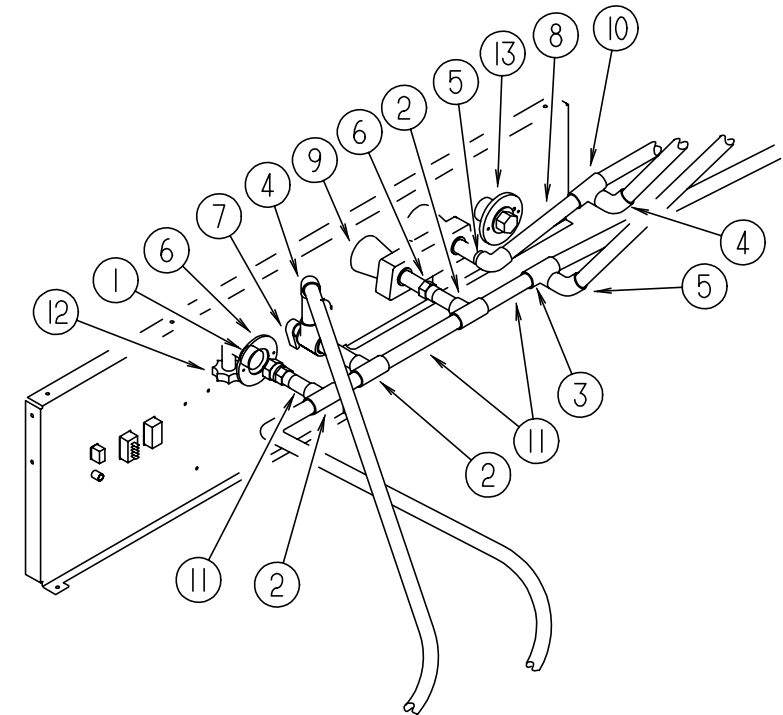
**WATER & SEWAGE GROUP (CONTINUED)**



**WATER HEATER WINTERIZING KIT**

KEY	PART NUMBER	U/M	DESCRIPTION	
1	111223-03-000	EA	ELBOW - 3/4" MPT X 1/2" BARB - PLASTIC	
2	111223-04-000	EA	ELBOW - 1/2" MPT X 1/2" BARB - PLASTIC	
3	112176-01-000	FT	TUBING - VINYL - REINFORCED - 1/2" ID	
4	114430-03-000	EA	ADAPTER - 1/2" P X 1/2" MPT	
5	118569-01-000	EA	WINTERIZATION SYSTEM	
	118569-01-700	EA	VALVE/SOLENOID-ELECT CONTROL	NO VDR#
	118569-01-701	EA	SWITCH - ELECTRIC	NO VDR#
	118569-01-702	EA	PLATE - SWITCH	NO VDR#
	118569-01-703	EA	TANK - 2 GALLON	NO VDR#
	118569-01-704	EA	PLUG - 3/4 MPT	NO VDR#
	118569-01-705	EA	PLUG - 1/2 MPT	NO VDR#
	118569-01-706	EA	SCREEN - WHITE	NO VDR#
6	124188-01-000	FT	TUBING - PEX - 1/2" ID X 20' - BLUE	

**WATER & SEWAGE GROUP (CONTINUED)**



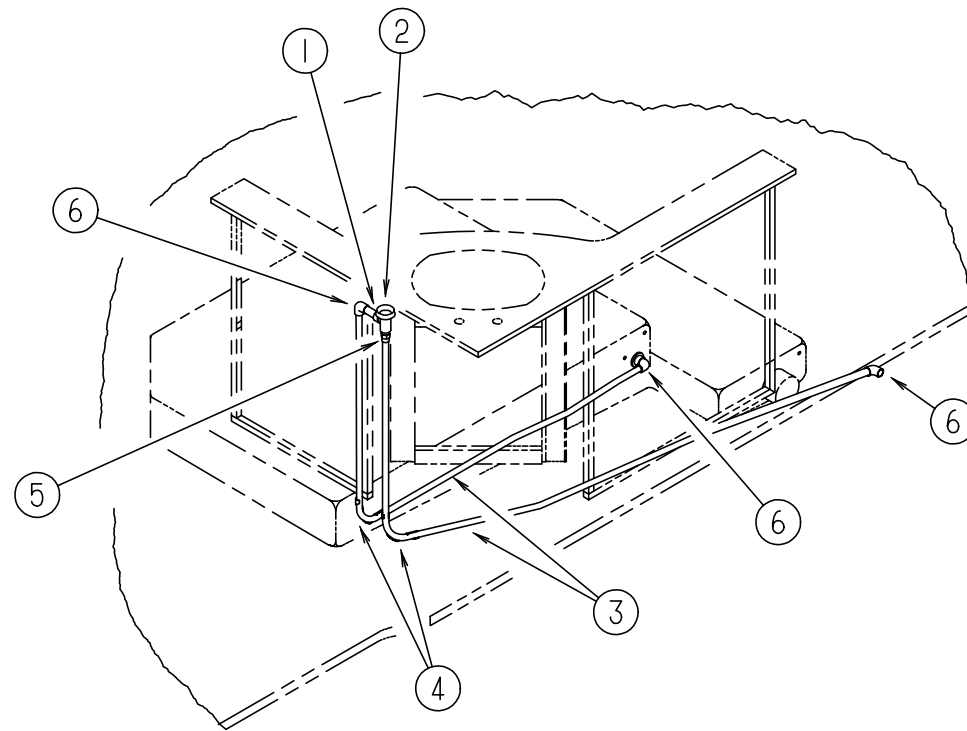
**EXTERIOR WASH STATION**

KEY	PART NUMBER	U/M	DESCRIPTION
1	010230-06-000	EA	FILL - CITY WATER - W/CHECK VALVE - MPT
2	114428-01-000	EA	TEE - 1/2" P X 1/2" P X 1/2" P
3	114428-03-000	EA	TEE - 1/2" P X 1/2" P X 1/2" MPT
4	114429-01-000	EA	ELBOW - 1/2" P X 1/2" P
5	114429-03-000	EA	ELBOW - FLAIR-IT SWIVEL - 1/2" P X 1/2" FPT
6	114430-02-000	EA	ADAPTER - SWIVEL - 1/2" P X 1/2" FPT
7	114431-03-000	EA	VALVE - 90 DEGREE DRAIN - 1/2" P
8	124188-02-000	FT	TUBING - PEX 1/2" ID X 20' RED
9	075241-05-000	EA	FAUCET/SHOWER - BONE 3/4" MPT X 1.4" LONG INLET PIPES
10	114428-03-000	EA	TEE - 1/2" P X 1/2" P X 1/2" MPT
11	124188-01-000	FT	TUBING - PEX - 1/2" ID X 20' BLUE
12	126398-01-000	EA	ELBOW - ENTRY - HOSE 90 DEGREE
13	125697-05-000	EA	INLET - WATER - FLUSHING SYSTEM

**WATER & SEWAGE GROUP (CONTINUED)**

**WATER & SEWAGE GROUP (CONTINUED)**

**WATER SYSTEM**

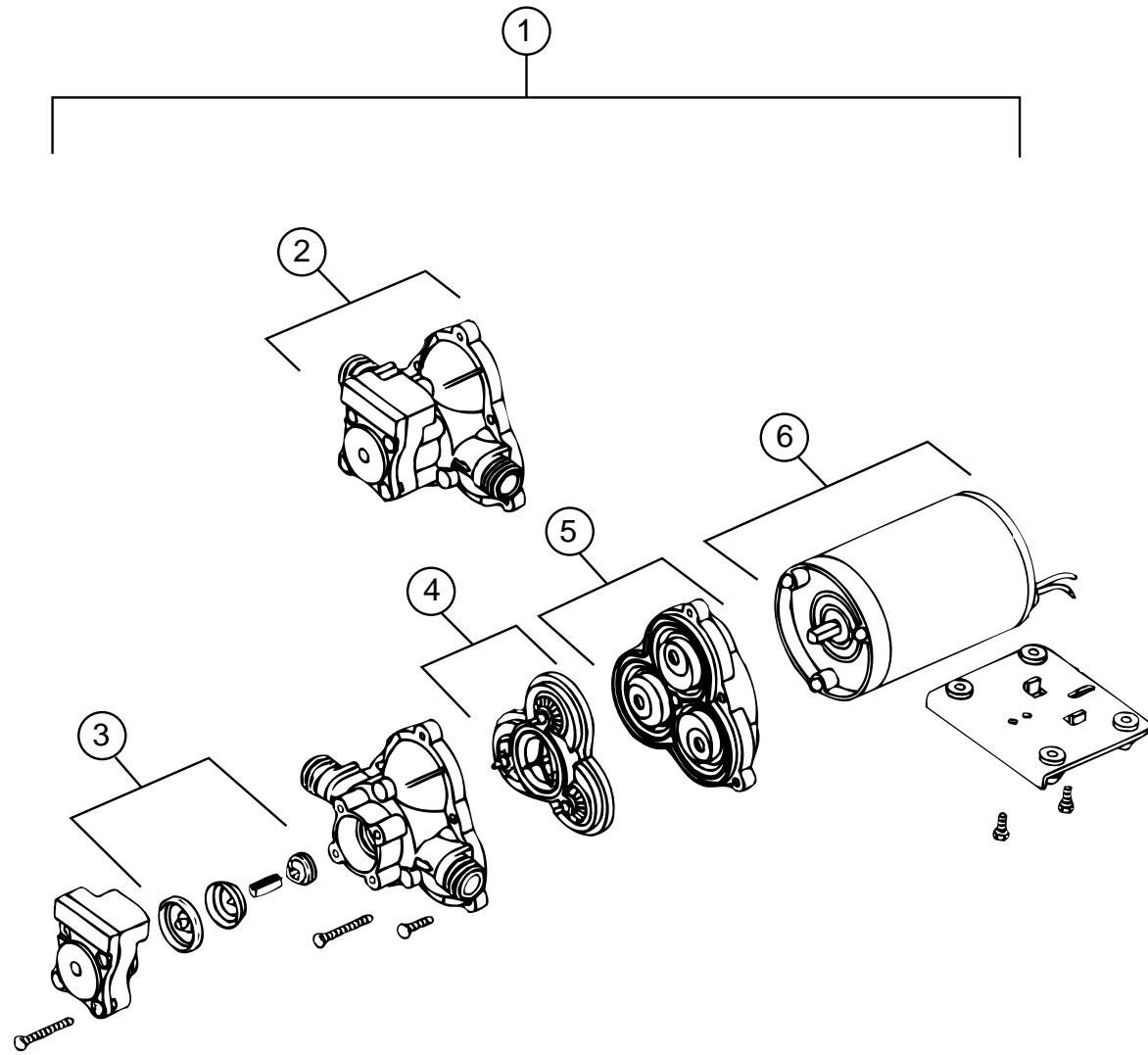


KEY	PART NUMBER	U/M DESCRIPTION
	117005-03-000	EA TANK - WATER - 50 GALLON - W/FITTINGS
	117005-01-000	EA FRESH WATER TANK - 50 GALLON - W/O FITTINGS
	128015-02-000	EA TANK - WATER - 45 GALLON - W/FITTINGS
	128015-01-000	EA TANK - WATER - 45 GALLON - W/O FITTINGS
	042989-03-000	EA FITTING - WATER TANK - SPINWELD - 1 1/4"NPT - PLASTIC
	042989-05-000	EA FITTING - WATER TANK - SPINWELD - 1/2"FPT - PLASTIC
	049032-01-000	EA PATCH - SPINWELD - 3/8" - PLASTIC
	039861-01-000	EA SENDING UNIT - W/SCREW - WASHER - WELL NUT/TERMINAL RING
	010219-01-000	EA ELBOW - 1 1/4 MPT X 1 1/4 BARB - WATER FILL - PLASTIC
	044927-01-000	EA ADAPTER - HOSE TO PIPE - 1 1/4 MPT X 1 1/4 BARB - BLK PLS
	077954-02-000	EA FILTER - WATER TANK - W/SCREEN IN TANK
	112176-01-000	FT TUBING - VINYL - REINFORCED - 1/2" ID
	079381-01-000	FT TUBING - SMOOTH FLEXIBLE - 1 3/8 ID X 20'
	111223-04-000	EA ELBOW - 1/2" MPT X 1/2" BARB - PLASTIC
	039800-04-000	FT TUBING - POLYBUTYL - 1/4"OD
	010224-01-000	EA ADAPTER - HOSE TO PIPE - 3/8MPT X 3/8BARB - PLASTIC
	081240-16-000	EA DOOR - WATER FILL - LOCKABLE W/O LOCK - 4" X 4 5/8"
	111888-01-000	EA FERRULE - PLASTIC - .250 ID X .375 OD
	111888-02-000	EA INSERT - BRASS - 1/4 COMP
	113697-01-000	EA CAP - 3/8 FTG
	114428-01-000	EA TEE - 1/2"P X 1/2"P X 1/2"P
	114428-03-000	EA TEE - 1/2"P X 1/2"P X 1/2"MPT
	114429-01-000	EA ELBOW - 1/2"P X 1/2"P
	114429-02-000	EA ELBOW - 1/2"P X 1/2"MPT
	114429-03-000	EA ELBOW - FLAIR-IT SWIVEL - 1/2"P X 1/2"FPT
	114429-05-000	EA ELBOW - 1/2"P X 3/4"MPT
	114430-02-000	EA ADAPTER - SWIVEL - 1/2"P X 1/2"FPT
	114430-03-000	EA ADAPTER - 1/2"P X 1/2"MPT
	114430-06-000	EA ADAPTER - 1/2"P X 3/8"FPT
	114431-01-000	EA VALVE - 180 DEGREE/CENTER DRAIN - 1/2P - THREE WAY
	114431-02-000	EA VALVE - WATER BYPASS - 1/2"P - THREE WAY (WATER HEATER)
	114431-03-000	EA VALVE - 90 DEGREE DRAIN - 1/2"P
	115029-01-000	FT HOSE - WATER - 3/8 ID
	118423-01-000	EA FITTING - BRASS-TEE - 1/4C X 1/4C X 1/4C
	120868-01-000	EA VALVE - NEDDLE - 1/4" COMPRESSION X 1/4" COMPRESSION
	123150-01-000	EA ELBOW - 1/2 FPT X 1/2 BARB - SWIVEL
	123152-01-000	EA ADAPTER - 1/2 FPT X 1/2 BARB - SWIVEL
	123243-01-000	EA TANK - ACCUMULATOR - 24 OZ
	124188-01-000	FT TUBING - PEX - 1/2" ID X 20' BLUE
	124188-02-000	FT TUBING - PEX 1/2" ID X 20' RED
	124184-01-000	EA SUPPORT - WATER LINE - BEND

**FLUSHING SYSTEM**

KEY	PART NUMBER	U/M DESCRIPTION
	125697-02-000	EA NOZZLE - WELD-A-FLUSH
1	125697-03-000	EA CHECK VALVE - FLUSHING SYSTEM
2	125697-04-000	EA BREAKER - VACUUM - FLUSHING SYSTEM
	125697-05-000	EA INLET - WATER - FLUSHING SYSTEM
	125697-06-000	EA INSTRUCTIONS - USER - FLUSHING SYSTEM
3	124188-01-000	FT TUBING - PEX - 1/2" ID X 20' BLUE
4	124184-01-000	EA SUPPORT - WATER LINE - BEND
5	114430-03-000	EA ADAPTER - 1/2"P X 1/2"MPT
6	114429-02-000	EA ELBOW - 1/2"P X 1/2"MPT

**WATER & SEWAGE GROUP (CONTINUED)**



**SHURFLO WATER PUMP**

KEY	PART NUMBER	U/M DESCRIPTION	VENDOR NO.
1	098607-01-000	EA PUMP - WATER - W/.5"MPT FITTING - FLOW 2.8 GPM - UL	
2	098607-01-706	EA UPPER HOUSING/ SWITCH KIT	94-231-20
3	098607-01-705	EA CHECK VALVE - KIT	94-237-00
4	098607-01-703	EA VALVE ASM	94-232-00
5	098607-01-702	EA DRIVE/ DIAPHRAGM - KIT	94-238-04
6	098607-01-707	EA MOTOR/ BASEPLATE REPLACEMENT	94-235-03

**WATER & SEWAGE GROUP (CONTINUED)**

**GARDEN HOSE**

KEY	PART NUMBER	U/M DESCRIPTION
	117089-01-000	FT HOSE - 1/2" ID - GARDEN

**WATER HEATER**

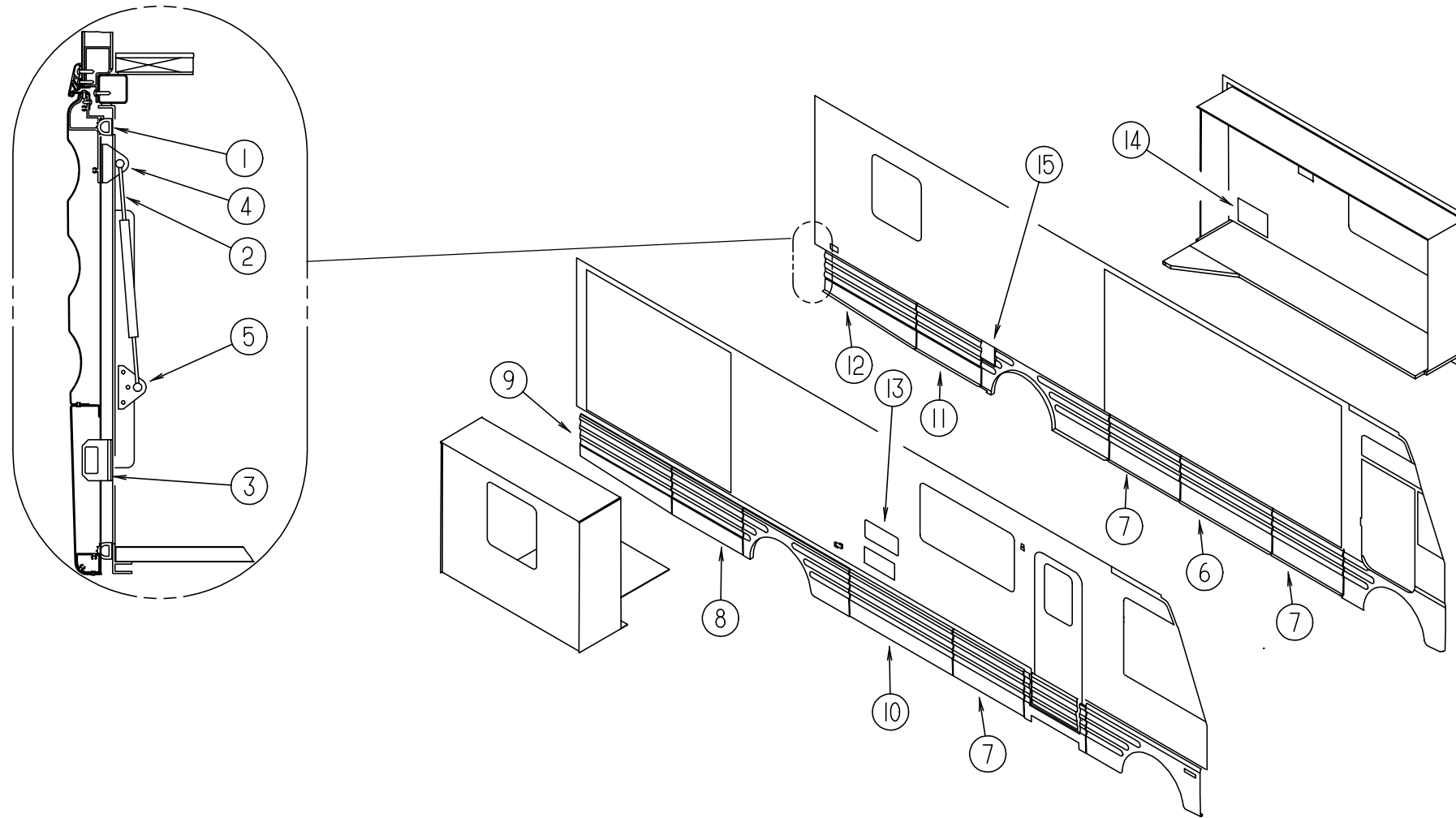
KEY	PART NUMBER	U/M DESCRIPTION
*	051391-03-000	EA WATER HEATER G6A-8E ELECTRONIC IGNITION

\* COMPONENT PARTS FOUND IN SERVICE PARTS LIBRARY



# WINDOW, VENT & EXTERIOR DOOR GROUP

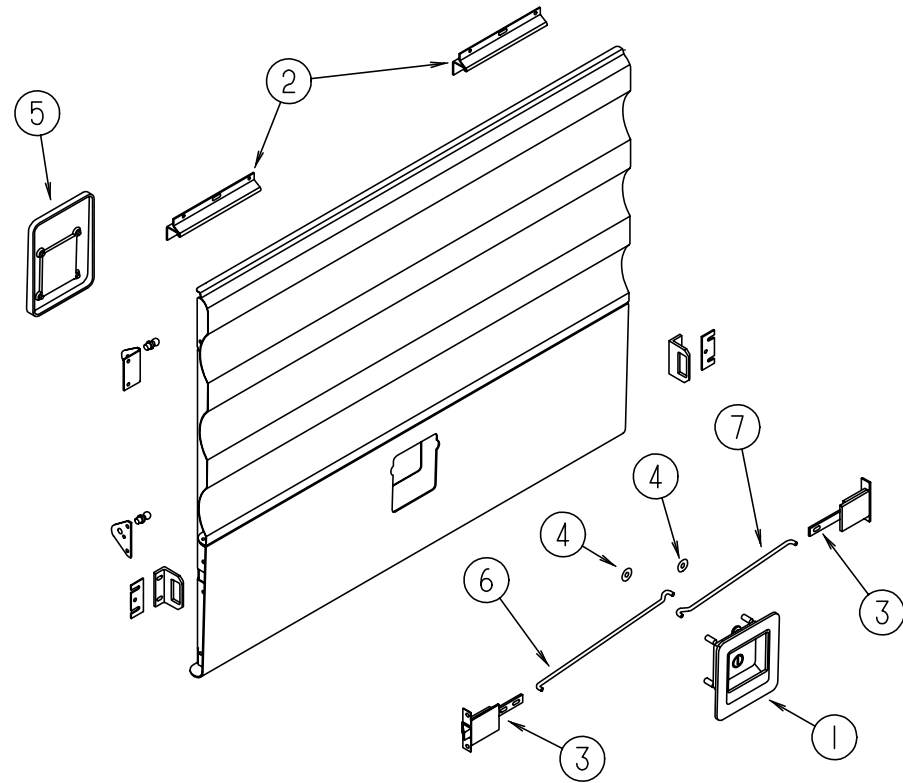
## COMPARTMENT DOORS, SEALS & STRIKES



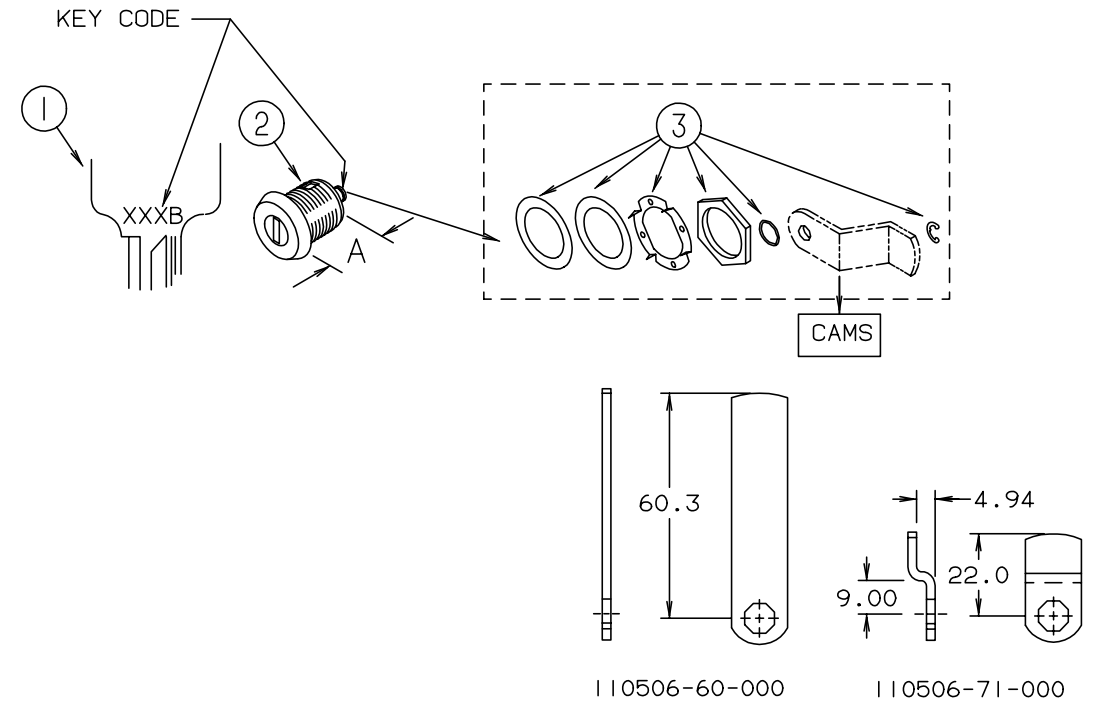
KEY	PART NUMBER	U/M	DESCRIPTION
1	107721-08-000	FT	SEAL - ACCESS DOOR
2	107796-23-000	EA	SPRING - GAS - 18.5" - 45 LB
2	107796-24-000	EA	SPRING - GAS - 18.5" - 60 LB
3	123783-01-01A	EA	STRIKER - DOOR - MILL
4	126263-05-02B	EA	BRACKET - GAS SPRING - UPPER - E-COATED
4	126259-01-000	EA	STUD - BALL
5	126263-08-02B	EA	BRACKET - GAS SPRING - LOWER - E-COATED
5	126259-01-000	EA	STUD - BALL
6	126065-10-J60	EA	VALANCE/DOOR - W/O LOCK/HINGE - 29.5" X 55.8" - GM
6	126065-01-J60	EA	VALANCE/DOOR - W/O LOCK/HINGE - 25" X 55.8" - FORD
6	125517-01-000	EA	ROD - LATCH - 23.89"
6	125517-02-000	EA	ROD - LATCH - 22.08"
7	126065-18-J60	EA	VALANCE/DOOR - W/O LOCK/HINGE - 29.5" X 43" - GM
7	126065-02-J60	EA	VALANCE/DOOR - W/O LOCK/HINGE - 25" X 43" - FORD
7	125517-03-000	EA	ROD - LATCH - 17.50"
7	125517-04-000	EA	ROD - LATCH - 15.69"
8	126065-19-J60	EA	VALANCE/DOOR - W/O LOCK/HINGE - 29.5" X 43" - GM
8	126065-16-J60	EA	VALANCE/DOOR - W/O LOCK/HINGE - 25" X 43" - FORD
8	125517-03-000	EA	ROD - LATCH - 17.50"
8	125517-04-000	EA	ROD - LATCH - 15.69"
9	126065-22-J60	EA	VALANCE/DOOR - PASS-W/O LOCK/HINGE-29.5"F X 55.8" X 26.5"R - GM
9	126065-08-J60	EA	VALANCE/DOOR - PASS - W/O LOCK/HINGE - 25"F X 55.8" X 22"R - FORD
9	125517-01-000	EA	ROD - LATCH - 23.89"
9	125517-02-000	EA	ROD - LATCH - 22.08"

KEY	PART NUMBER	U/M	DESCRIPTION	VENDOR NO.
10	126065-09-J60	EA	VALANCE/DOOR - W/O LOCK HINGE - 29.5" X 62.9" - GM	
10	126065-05-J60	EA	VALANCE/DOOR - W/O LOCK/HINGE - 25" X 62.9" - FORD	
10	125517-09-000	EA	ROD - LATCH - 27.43"	
10	125517-10-000	EA	ROD - LATCH - 25.61"	
11	126065-20-J60	EA	VALANCE/DOOR - W/O LOCK/HINGE - 29.5" X 39.3" - GM	
11	126065-04-J60	EA	VALANCE/DOOR - W/O LOCK/HINGE - 25" X 39.3" - FORD	
11	125517-07-000	EA	ROD - LATCH - 15.63"	
11	125517-08-000	EA	ROD - LATCH - 13.82"	
12	126065-21-J60	EA	VALANCE/DOOR - DRVR-W/O LOCK/HINGE-29.5"F X 55.8" X 29.5"R - GM	
12	126065-07-J60	EA	VALANCE/DOOR - DRIVER - W/O LOCK/HINGE-25"F X 55.8" X 22"R - FORD	
12	125517-01-000	EA	ROD - LATCH - 23.89"	
12	125517-02-000	EA	ROD - LATCH - 22.08"	
13	084103-08-000	EA	DOOR - REFRIGERATOR - VENTED - W/O JAMB	
13	084104-01-700	EA	LOCK-MALE, FASTENER	201-721-010
13	084104-01-701	EA	LOCK-FEMALE, FASTENER	201-802-010
13	084104-08-000	EA	JAMB - REFRIGERATOR DOOR	
13	125481-01-02A	EA	DOOR - REFRIGERATOR VENT	
14	052009-06-000	EA	DOOR - WATER HEATER - BRIGHT WHITE - 18" X 14.6"	
14	116424-01-000	EA	PROCTOR - LATCH - WATER HEATER	
15	126060-01-J60	EA	DOOR - FUEL FILL	
15	125419-01-01A	EA	HINGE - SINGLE PIVOT	
15	125640-01-01A	EA	DOOR - FUEL FILL	

WINDOW, VENT & EXTERIOR DOOR GROUP (CONTINUED)



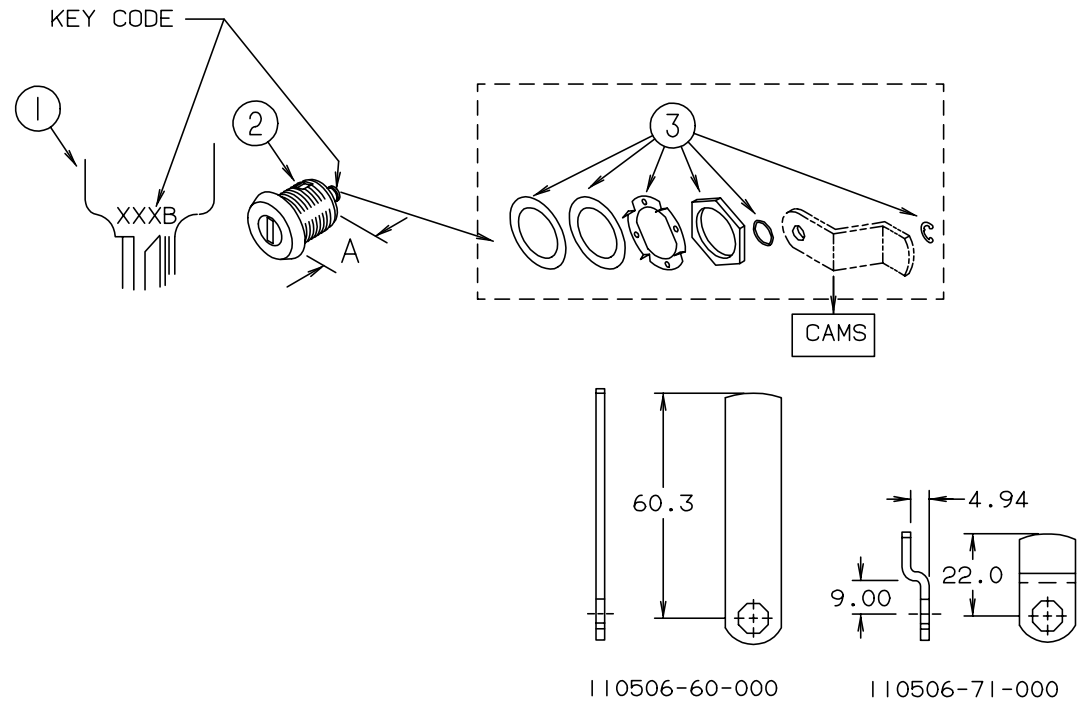
WINDOW, VENT & EXTERIOR DOOR GROUP (CONTINUED)



COMPARTMENT DOORS		
KEY	PART NUMBER	U/M DESCRIPTION
1	112949-01-04A	EA LATCH - PADDLE W/LOCK - W/O KEY - BLACK
1	112949-02-05A	EA LATCH - PADDLE NON-LOCKING - BLACK
1	112949-03-000	EA KEY - TRI-MARK #TM500
2	121677-01-01A	EA HINGE - SINGLE PIVOT
3	121947-01-01A	EA BOLT - SLIDE - LATCH - STEEL
4	124304-01-000	EA CLIP - ROUND PUSH ON
5	125257-01-01A	EA COVER - LATCH/VALANCE DOOR
6	125517-02-000	EA ROD - LATCH - 22.08"
6	125517-03-000	EA ROD - LATCH - 17.50"
6	125517-04-000	EA ROD - LATCH - 15.69"
6	125517-06-000	EA ROD - LATCH - 7.14"
6	125517-10-000	EA ROD - LATCH - 25.61"
7	125517-01-000	EA ROD - LATCH - 23.89"
7	125517-03-000	EA ROD - LATCH - 17.50"
7	125517-04-000	EA ROD - LATCH - 15.69"
7	125517-05-000	EA ROD - LATCH - 8.95"
7	125517-09-000	EA ROD - LATCH - 27.43"

BRIGGS & STRATTON LOCKS			
KEY	PART NUMBER	U/M DESCRIPTION	VENDOR NO.
1	110506-59-000	EA KEY SET (SOLD AS PAIR)	596720
2	110506-52-000	EA CASE ASM-LOCK 17 MM	702370
2	110506-53-000	EA CASE ASM-LOCK 25 MM	702380
1	110506-59-001	EA KEY SET (SOLD AS PAIR)	596721
2	110506-52-001	EA CASE ASM-LOCK 17 MM	702371
2	110506-53-001	EA CASE ASM-LOCK 25 MM	702381
1	110506-59-002	EA KEY SET (SOLD AS PAIR)	596722
2	110506-52-002	EA CASE ASM-LOCK 17 MM	702372
2	110506-53-002	EA CASE ASM-LOCK 25 MM	702382
1	110506-59-003	EA KEY SET (SOLD AS PAIR)	596723
2	110506-52-003	EA CASE ASM-LOCK 17 MM	702373
2	110506-53-003	EA CASE ASM-LOCK 25 MM	702383
1	110506-59-004	EA KEY SET (SOLD AS PAIR)	596724
2	110506-52-004	EA CASE ASM-LOCK 17 MM	702374
2	110506-53-004	EA CASE ASM-LOCK 25 MM	702384
1	110506-59-005	EA KEY SET (SOLD AS PAIR)	596725
2	110506-52-005	EA CASE ASM-LOCK 17 MM	702375
2	110506-53-005	EA CASE ASM-LOCK 25 MM	702385
1	110506-59-006	EA KEY SET (SOLD AS PAIR)	596726
2	110506-52-006	EA CASE ASM-LOCK 17 MM	702376
2	110506-53-006	EA CASE ASM-LOCK 25 MM	702386

WINDOW, VENT & EXTERIOR DOOR GROUP (CONTINUED)



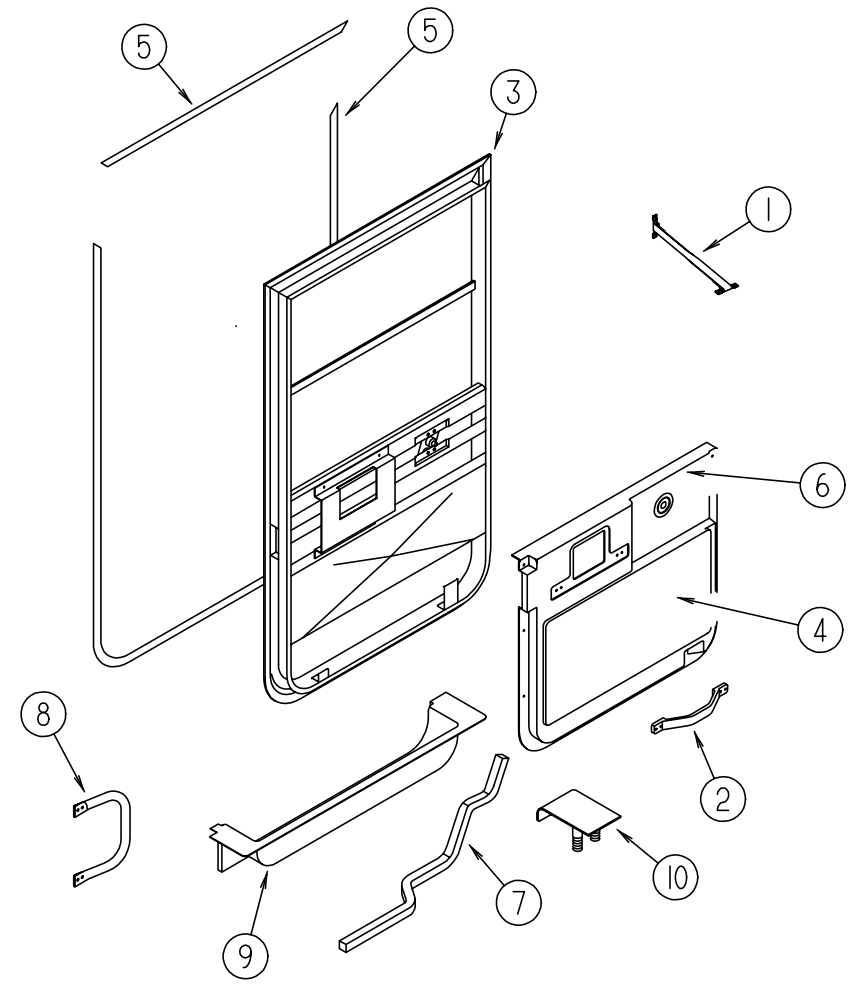
110506-60-000

110506-71-000

**BRIGGS & STRATTON LOCKS (CONTINUED)**

KEY	PART NUMBER	U/M	DESCRIPTION	VENDOR NO.
1	110506-59-007	EA	KEY SET (SOLD AS PAIR)	596727
2	110506-52-007	EA	CASE ASM-LOCK 17 MM	702377
2	110506-53-007	EA	CASE ASM-LOCK 25 MM	702387
1	110506-59-008	EA	KEY SET (SOLD AS PAIR)	596728
2	110506-52-008	EA	CASE ASM-LOCK 17 MM	702378
2	110506-53-008	EA	CASE ASM-LOCK 25 MM	702388
1	110506-59-009	EA	KEY SET (SOLD AS PAIR)	596729
2	110506-52-009	EA	CASE-LOCK - A = 17 MM	702379
2	110506-53-009	EA	CASE-LOCK - A = 25 MM	702389
3	110506-40-700	EA	HDW KIT (CONTAINS:NUT, FLAT WASHER, E-RING, SPRING WASHER GASKET, AND SPUR WASHER)	
	110506-60-000	EA	CAM-LOCK	322276
	110506-71-000	EA	CAM-LOCK	322287
	110506-59-701	EA	KEY BLANK (GOLD)	

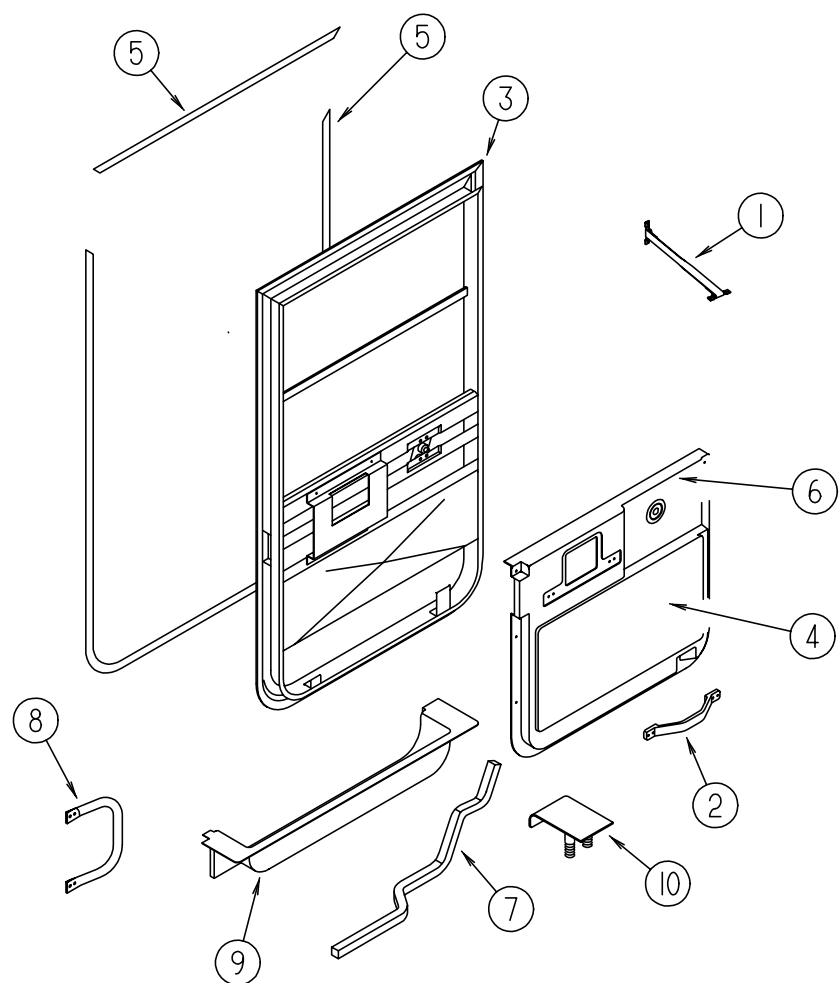
WINDOW, VENT & EXTERIOR DOOR GROUP (CONTINUED)



**DRIVERS DOOR**

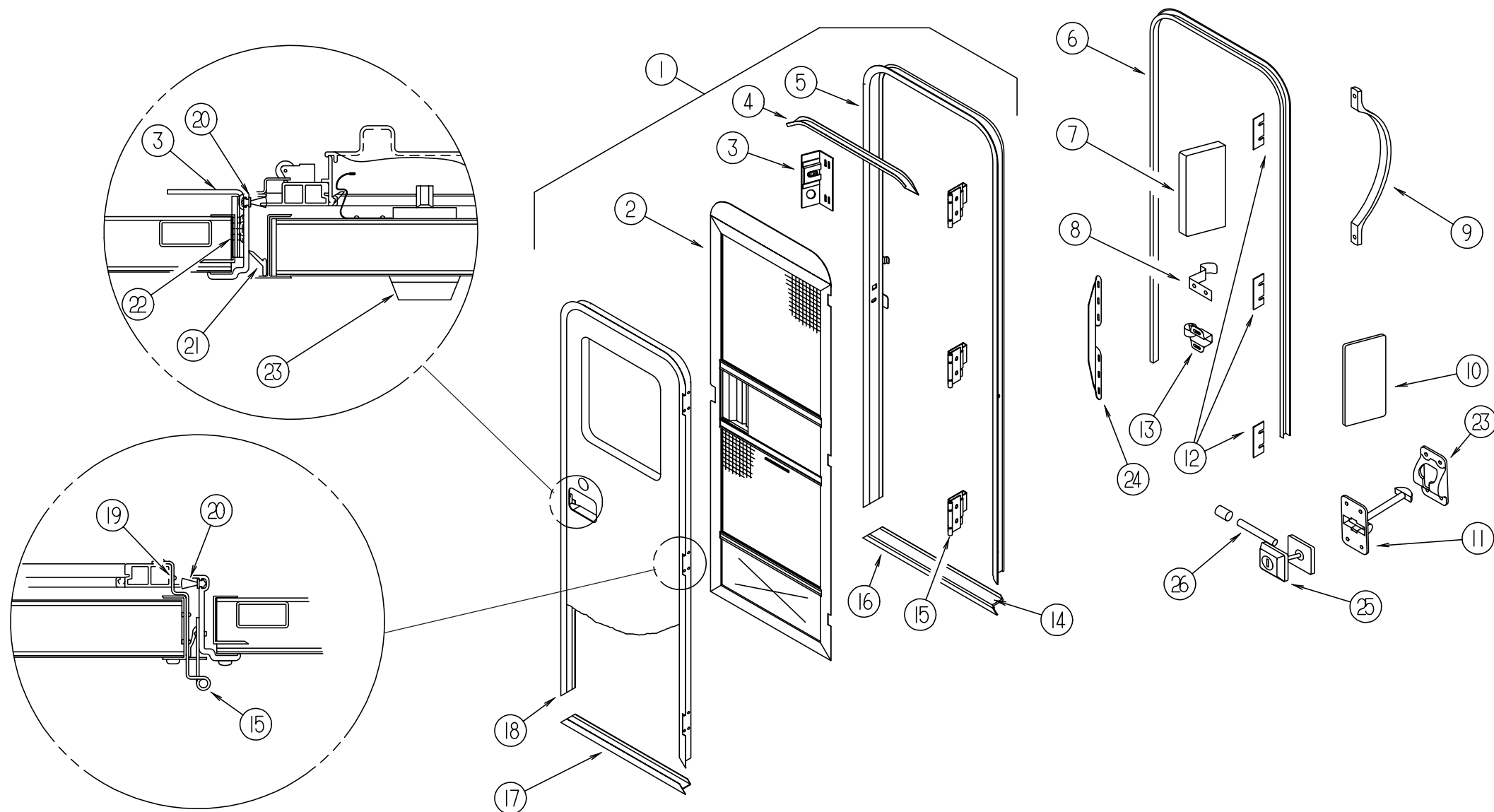
KEY	PART NUMBER	U/M	DESCRIPTION	
1	109378-01-000	EA	STRAP - CHECK - DRIVER DOOR - 12.8"	
2	110604-01-01A	EA	HANDLE - ASSIST - DRIVER DOOR	
3	125581-01-01A	EA	DOOR - DRIVER - NON POWER	FROM: 00-00-00 THRU: 09-14-97
3	125581-04-01A	EA	DOOR - DRIVER - NON-POWER	FROM: 09-15-97 THRU: 99-99-99

**WINDOW, VENT & EXTERIOR DOOR GROUP (CONTINUED)**  
**DRIVERS DOOR (CONTINUED)**



KEY	PART NUMBER	U/M DESCRIPTION	VENDOR NO.
	106469-01-702	EA SEAL-DOOR, (FRAME) EA=1	122-040984
	106469-01-705	FT CHANNEL-RUN, SLIDING	122-010850
	106469-01-709	FT WEATHERSTRIP FUZZY	171-040630
	106469-01-723	EA SEAL-BULB ASM. (JAMB)	171-040985
	106469-04-701	EA TUMBLE & KEYS, TRI-MARK	248-041179
	106469-04-703	EA BOLT-STRIKER, W/WASHER	248-041152
	106469-04-704	EA NUT ASSEMBLY-CAGED W/STRIKER	248-041151
	106469-04-705	EA ROD-LATCH, HORIZONTAL	203-041139
	106469-04-711	EA ROD-LOCK, HORIZONTAL	203-041137
	106469-04-712	EA HARDWARE-INNER HANDLE, LH	248-041402
	106469-04-713	EA ROD-CLIP, LH	248-041154
	106469-04-714	EA ROD-CLIP, RH	248-041153
	106469-05-702	EA HINGE - 42"	211-041194
	106469-05-706	EA LATCH-ROTARY, W/LINKAGE	248-041150
	125581-04-700	EA ROD - LATCH/VERTICAL ADJUST.	
	125581-04-701	EA ROD - LOCK/VERTICAL ADJUST.	203-041768
	125581-04-702	EA PADDLE RH-W/COLLAR BLACK TEX	248-041403
	125581-04-703	EA FRAME - MOUNTING - BLACK	V180-35L
	125581-04-704	EA GLASS - ROLL-UP	106-041821
	125581-04-705	EA GLASS - STATIONARY	106-041547
	125581-04-706	EA FRAME - DOOR - SUB-ASSEMBLY	V180-94L
	125581-04-707	EA CHANNEL - ROLL UP GLASS	V156-60
	125581-04-708	EA CHANNEL - STATIONARY GLASS	V156-61
	125581-04-709	EA REGULATOR - MANUAL	410-08389
	125581-04-710	EA VINYL - GLAZING	132-041484
	125581-04-711	EA CHANNEL- GLASS	N135-66
	125581-04-712	EA HANDLE - REGULATOR	182-041785
4	125899-01-01A	EA PANEL - CAB DOOR - INNER/DRIVER	
			FROM: 00-00-00 THRU: 09-10-97
4	125899-03-01A	EA PANEL - CAB DOOR - INNER/DRIVER	
			FROM: 09-11-97 THRU: 99-99-99
5	109235-01-01A	FT COVER - SCREW - MAT BLACK	
5	109235-01-05A	FT COVER - SCREW - BRIGHT WHITE	
6	109644-01-000	FT TRIM - EDGE - RUBBER	
7	063977-13-000	EA STEP - DRIVER DOOR/LEFT HAND - GM/FORD	
	109506-01-000	EA FILM - URETHANE - PROTECTANT - 4.25" X 26.75"	
8	108832-02-01A	EA HANDLE - ASSIST - DOOR/DRIVER	
9	126069-02-03A	EA TRIM - STEP - DRIVER	
9	102569-02-000	EA MAT - ANTI SLIP - LOWER	
9	107818-03-04A	EA TRIM - STEP/DRIVERS DOOR	
10	110063-01-000	EA PLATE- STEP	
10	102569-03-000	EA MAT - ANTI SLIP - 3.93" X 5.90"	

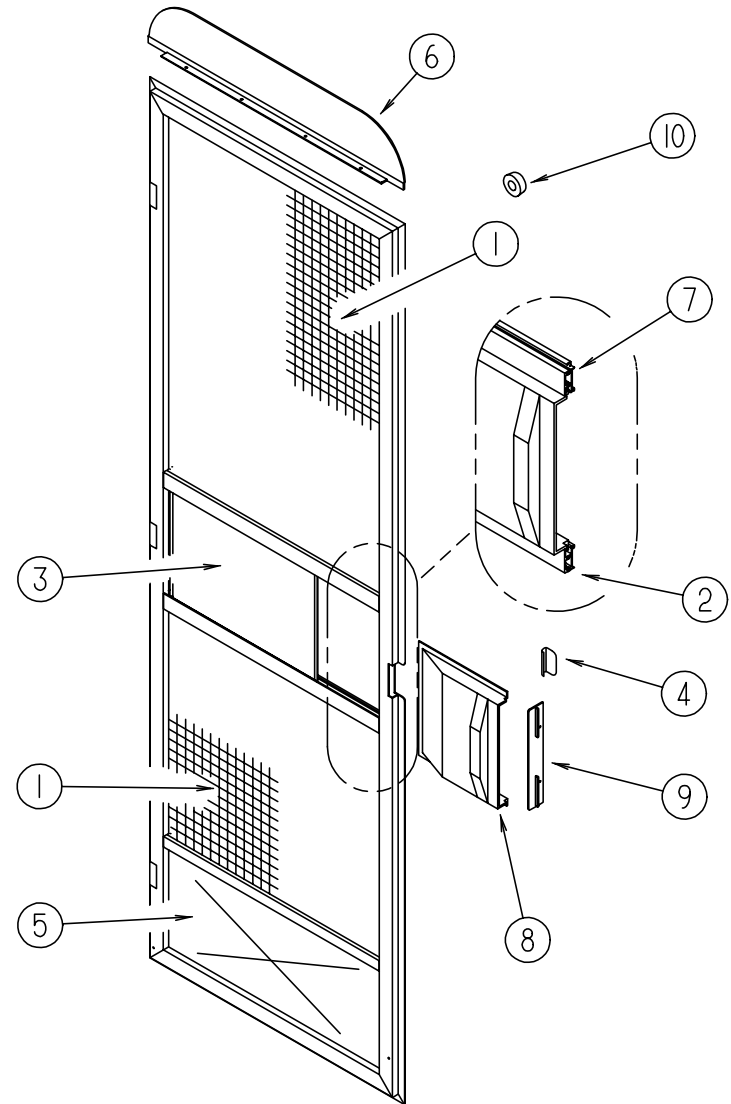
**WINDOW, VENT & EXTERIOR DOOR GROUP (CONTINUED)**  
ENTRY DOOR



KEY	PART NUMBER	U/M	DESCRIPTION
	090430-01-000	FT	SEAL - FOAM - CLOSED CELL - 1/4" X 1/2" X 50'
1	115108-10-J60	EA	DOOR - ENTRY W/SCREEN DOOR - W/O WINDOW (J94, J60)
1	115108-10-J61	EA	DOOR - ENTRY W/SCREEN DOOR - W/O WINDOW (J95, J61)
1	115108-10-J62	EA	DOOR - ENTRY W/SCREEN DOOR - W/O WINDOW (J96, J62)
2	121899-05-H17	EA	DOOR - SCREEN - W/O HARDWARE
3	041546-07-000	EA	BRACKET - DOOR ANGLE
4	044582-50-000	EA	CAP - DRIP JAMB MITERED
5	121898-09-01A	EA	JAMB - ENTRANCE DOOR
6	115222-12-02A	EA	GARNISH - RADIUS - ENTRY DOOR
7	077461-03-000	EA	COVER - STRIKE - ENTRY DOOR - 6.5" X 2.5" - WHITE PLASTIC
8	100412-01-000	EA	CATCH - SCREEN DOOR
9	115102-02-000	EA	HANDLE - ASSIST
10	076725-02-000	EA	COVER - ACCESS - HINGE - ENTRY DOOR - 6" X 3.2"
11	104099-01-04A	EA	CATCH - DOOR HOLDER - STRIKE
12	102248-01-000	EA	SHIM-DOOR
13	109403-01-000	EA	CATCH-SINGLE ROLLER, SCREEN DOOR
14	038327-01-000	EA	TAPE - ANTI-SLIP - 2" X 60'
	075673-05-000	FT	SEAL - PILE - ADHESIVE BACK - BLACK

KEY	PART NUMBER	U/M	DESCRIPTION	VENDOR NO.
15	106719-01-05A	EA	HINGE - ENTRANCE DOOR	
15	106719-01-01A	EA	HINGE - ENTRANCE DOOR - MILL	
	116111-02-01A	EA	SCREW - TAPTITE - 1/4-20 X 3/8 PPH - ZINC	
	039715-01-000	EA	NUT-SERT - 1/4" DIAMETER - 20 THREADS	
16	051049-05-000	EA	JAMB - DOOR - BOTTOM/ENTRY	
17	121893-03-02A	EA	FRAME - ENTRY DOOR - BRIGHT WHITE	
18	121894-11-01A	EA	FRAME - ENTRY DOOR	
19	100128-02-000	FT	SEAL - FOAM - ADHESIVE BACK - .37" WIDE X .37" THICK	
20	118929-01-01A	FT	SEAL - PILE - PUSH ON	
21	075671-04-000	FT	SEAL - SPONGE - LAZY T - W/ADHESIVE STRIP - .5" WIDE	
22	104692-01-000	FT	SEAL - FOAM/ADHESIVE BACK - .75"THICK X .75"WIDE X 25'	
23	104099-02-04A	EA	CATCH - DOOR HOLDER - RETAINER	
24	098173-01-07A	EA	STIFFENER - ENTRY DOOR - SUPPORTS LATCH/STRIKE AREA	
24	098173-01-04A	EA	STIFFENER - ENTRY DOOR - SUPPORTS LATCH/STRIKE AREA - UNPAINTED	
25	101145-01-06A	EA	DEADBOLT - ENTRY DOOR W/O SECURITY BOLT W/2 KEYS - BLACK	
25	095229-01-700	EA	KEY-BLANK, DEADBOLT	81205-03
25	101145-01-701	EA	CYLINDER-LOCK ASM., W/KEY	81306-03
26	101147-01-000	EA	BOLT - SECURITY - 4.12"	

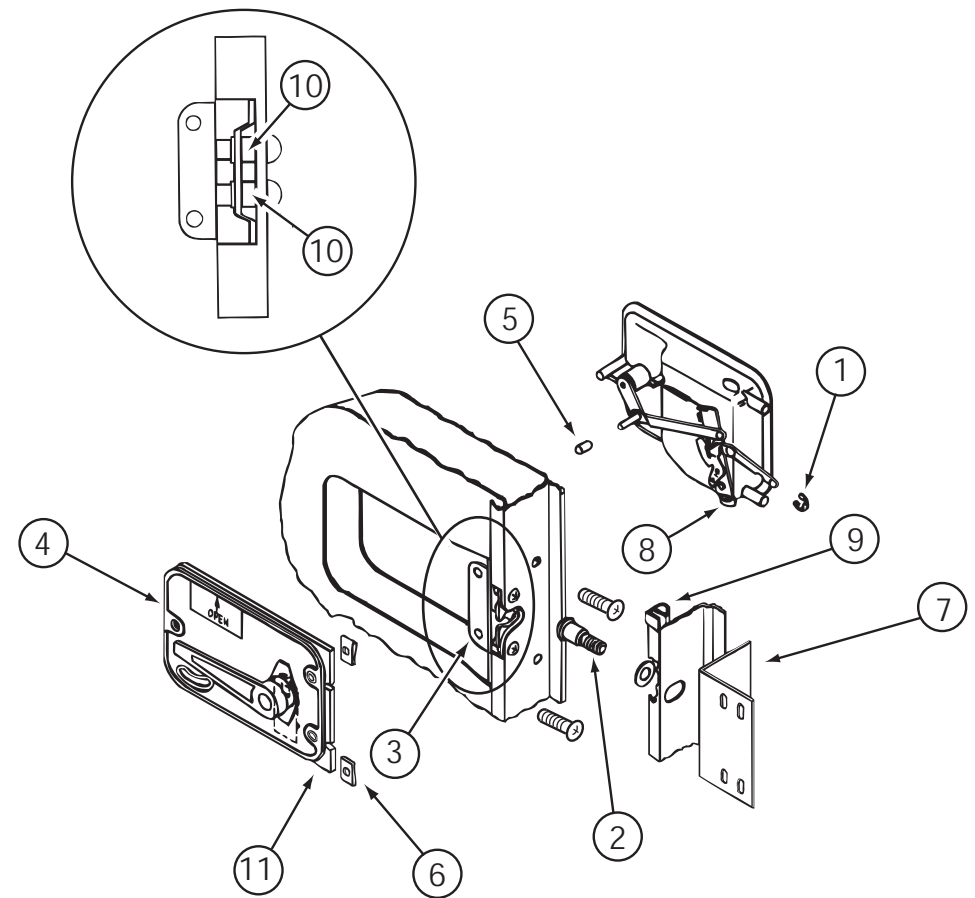
WINDOW, VENT & EXTERIOR DOOR GROUP (CONTINUED)



SCREEN DOOR COMPONENTS

KEY	PART NUMBER	U/M DESCRIPTION	
1	002293-02-000	SF SCREENING - WINDOW/DOOR - 26"	
2	002294-01-000	FT SPLINE - SCREENING - .135" X .138"	
3	016454-15-000	EA INSERT-SCREEN DOOR,CTR,MILL - *97 F33RQ	
4	050712-06-000	EA HANDLE - SCREEN DOOR - BRIGHT WHITE	
5	078552-09-000	EA INSERT - SCREEN DOOR - LOWER	
6	078595-03-000	EA PLATE - SCREEN DOOR	
7	078777-06-000	EA CHANNEL - SLIDER - 24"	
			FROM: 00-00-00 THRU: 01-25-98
7	078777-08-000	EA CHANNEL SLIDER	
			FROM: 01-26-98 THRU: 99-99-99
8	079086-03-000	EA SLIDER - SCREEN DOOR - BRIGHT WHITE	
9	079087-03-000	EA STRIKE - SLIDER - SCREEN DOOR - BRIGHT WHITE	
10	120863-06-000	EA BUMPER - RUBBER	

WINDOW, VENT & EXTERIOR DOOR GROUP (CONTINUED)



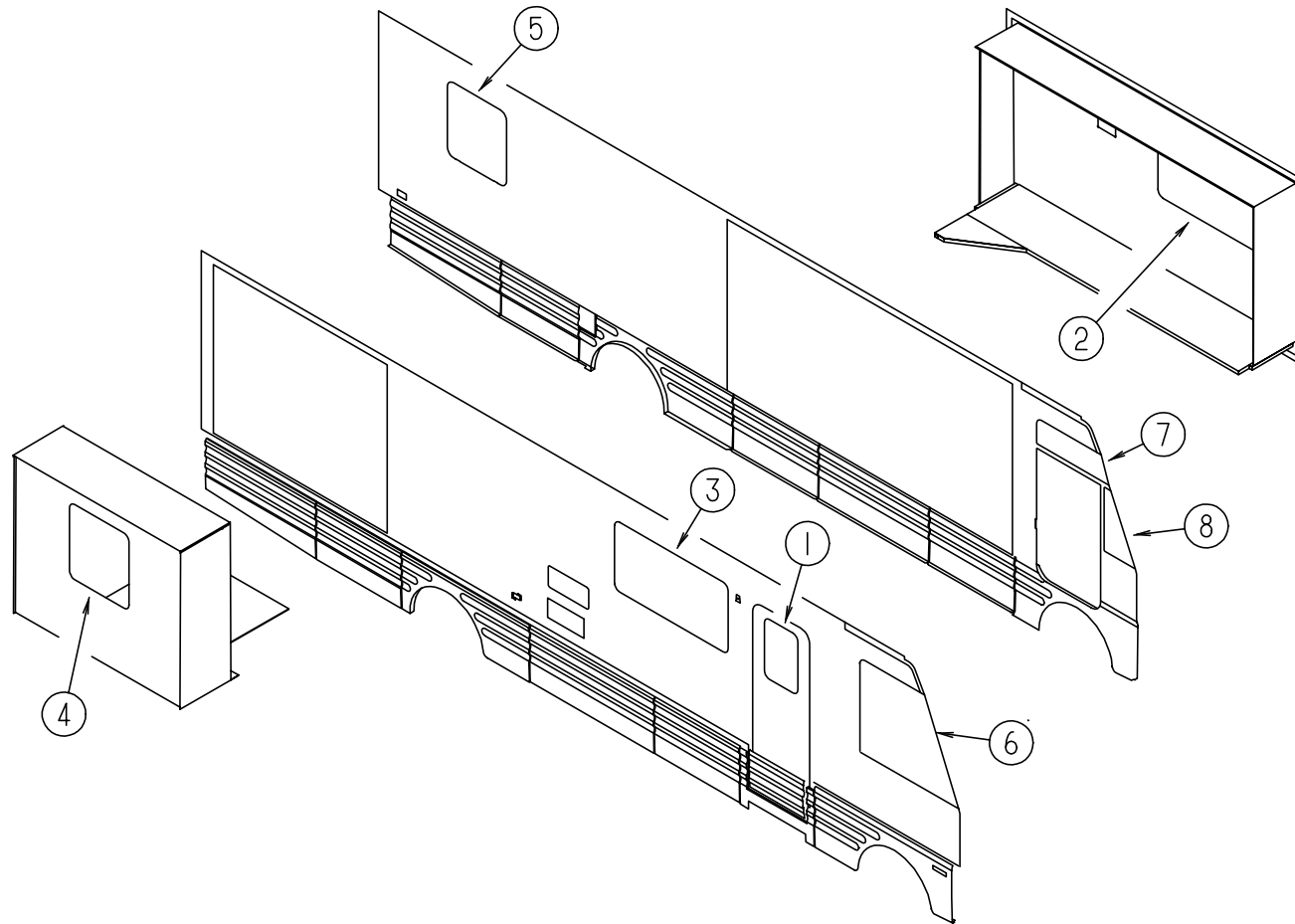
ENTRY DOOR LOCK INSTALLATION

KEY	PART NUMBER	U/M DESCRIPTION	VENDOR NO.
1	036618-02-000	EA E RING - EXTERNAL - 3/16" SHAFT DIAMETER - LYNOR DOOR LOCK	
2	039539-01-000	EA STRIKE - LOCK - ENTRY DOOR - ROUND W/THREADED WASHER	
3	039540-01-000	EA LATCH MECHANISM - HOOK - ENTRY DOOR - INTERIOR	
4	039979-06-000	EA COVER - LATCH PLATE - RIGHT HAND - BLACK TEXTURED	
5	039984-01-000	EA CAP - ROUND - VINYL - .28" ID X .62" - BLACK	
6	040921-01-000	EA NUT - SPEED - U TYPE - 10-24 BLACK	
7	041546-07-000	EA BRACKET - DOOR ANGLE	
8	045017-13-000	EA LATCH - ENTRY DOOR - BLACK TEXTURED	
8	045017-11-701	EA KEY-BLANK, F1 SERIES	81312-02
8	045017-11-702	EA KEY-MASTER, F SERIES	81313-02
8	045017-11-703	EA CYLINDER-LOCK ASM. W/KEYS	81266-09
9	064075-07-000	FT SEAL - BULB - W/WIRED U CHANNEL - .3" X .5" CHANNEL - BLK	
10	086285-05-000	EA SPACER - NYLON - .7" X .56"	
11	096810-01-01A	EA PLATE - LATCH - ENTRY DOOR	



## WINDOW, VENT & EXTERIOR DOOR GROUP (CONTINUED)

### WINDOWS



KEY	PART NUMBER	U/M	DESCRIPTION	VENDOR NO.
1*	113733-01-01A	EA	WINDOW - STATIONARY - THERMOPANE - 17" X 26.4"	
1*	117053-02-F36	EA	WINDOW - PICTURE - ENTRANCE DOOR - 17" X 26.4"	
2*	112795-15-01A	EA	WINDOW - DRIVER - HORIZONTAL SLIDER-THERMO - 26 3/8" X 60"	
2*	098647-22-01A	EA	WINDOW - DRIVER/HORIZONTAL SLIDER - 26.1" X 59.7"	
3*	112795-33-01A	EA	WINDOW - PASSENGER/HORIZONTAL SLIDER - THERMO 30.5" X 57.4	
3*	098647-01-02A	EA	WINDOW - PASSENGER HORIZONTAL SLIDER - 30.5" X 57.5"	
4*	112898-16-01A	EA	WINDOW - SLIDER/VERTICAL - THERMOPANE - 33.2" X 30.2"	
4*	112463-03-01A	EA	WINDOW - TIPOUT W/RETAINER TRIM - 33.3" X 30.2"	
5*	112898-18-01A	EA	WINDOW - VERTICAL SLIDER - THERMO - ESCAPE - 33.2" X 30.2"	
5*	112463-05-01A	EA	WINDOW - TIPOUT/ESCAPE W/RETAINER TRIM - 33.3" X 30.2"	
6*	125583-03-01A	EA	WINDOW - CAB - PASSENGER - THERMO	
6*	125582-03-01A	EA	WINDOW - CAB - PASSENGER	
7*	125600-02-01A	EA	WINDOW - VISTA - THERMOPANE	
7*	125586-02-01A	EA	WINDOW - VISTA	
8*	125585-02-01A	EA	WINDOW - FRONT SLANT - THERMO	
8*	125584-02-01A	EA	WINDOW - FRONT SLANT - LEFT HAND	

\* COMPONENT PARTS FOUND IN SERVICE PARTS LIBRARY

## WINDOW, VENT & EXTERIOR DOOR GROUP (CONTINUED)

### NON POWERED ROOF VENTS

KEY	PART NUMBER	U/M	DESCRIPTION
*	122882-01-01A	EA	VENT - ROOF - NONPOWERED - W/O INSIDE GARNISH
	122882-07-01A	EA	GARNISH - ROOF VENT - 2.50" TO 4.12"

\* COMPONENT PARTS FOUND IN SERVICE PARTS LIBRARY

### POWERED VENT

KEY	PART NUMBER	U/M	DESCRIPTION
*	122882-02-01A	EA	VENT - ROOF - W/FAN - POWERED - W/O INSIDE GARNISH
*	122882-03-01A	EA	VENT - ROOF - W/FAN - CSA - W/O INSIDE GARNISH
	122882-07-01A	EA	GARNISH - ROOF VENT - 2.50" TO 4.12"

\* COMPONENT PARTS FOUND IN SERVICE PARTS LIBRARY

### EXHAUST VENT

KEY	PART NUMBER	U/M	DESCRIPTION
*	123780-03-01A	EA	VENT - EXHAUST - F/3" TO 4" ROOF - UL
*	123780-04-01A	EA	VENT - EXHAUST - F/3" TO 4" ROOF - CSA
			FROM: 00-00-00 THRU: 10-05-97
*	123780-03-01A	EA	VENT - EXHAUST - F/3" TO 4" ROOF - UL
			FROM: 10-06-97 THRU: 99-99-99

\* COMPONENT PARTS FOUND IN SERVICE PARTS LIBRARY

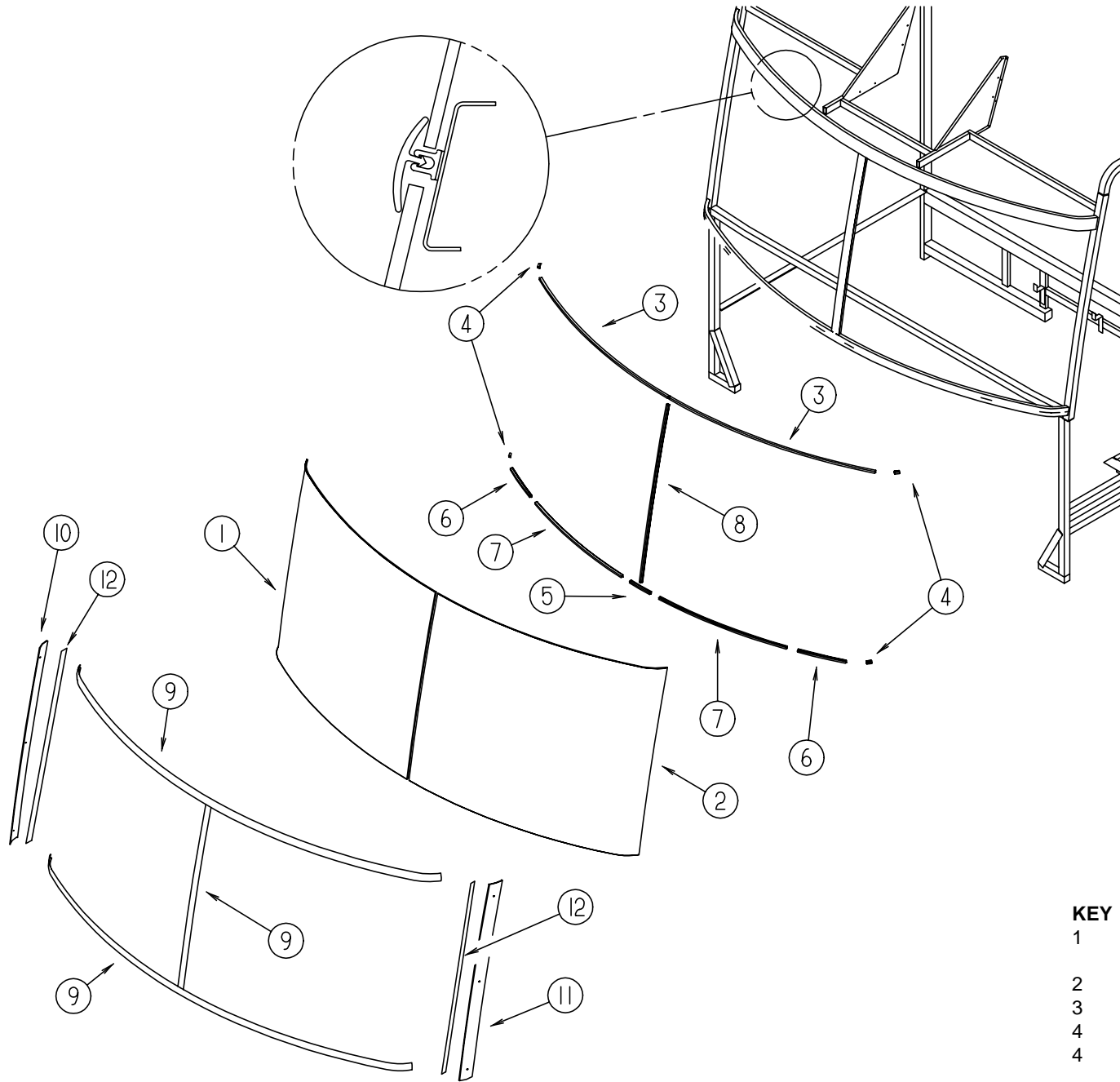
### PLUMBING & REFRIGERATOR ROOF VENTS

KEY	PART NUMBER	U/M	DESCRIPTION
	084073-04-000	EA	BASE - ROOF VENT - REFRIGERATOR
	084073-07-000	EA	VENT - ROOF - REFRIGERATOR - BRIGHT WHITE
	083558-06-000	EA	VENT - ROOF PLUMBING PIPE - COVERED

### RANGE HOOD VENT

KEY	PART NUMBER	U/M	DESCRIPTION	VENDOR NO.
	092698-02-05A	EA	VENT - W/DOOR - BRIGHT WHITE	
	092698-02-700	EA	FASTENER - PUSH	VB430
	092698-02-701	EA	CLAMP-CONDUIT	VB334
	092698-03-06A	EA	VENT - W/DOOR AND SOLENOID - W/QUIET DIESEL GENERATOR ONLY	
	092698-03-706	EA	SOLENOID	
	092731-02-000	EA	DUCT - EXTENSION	

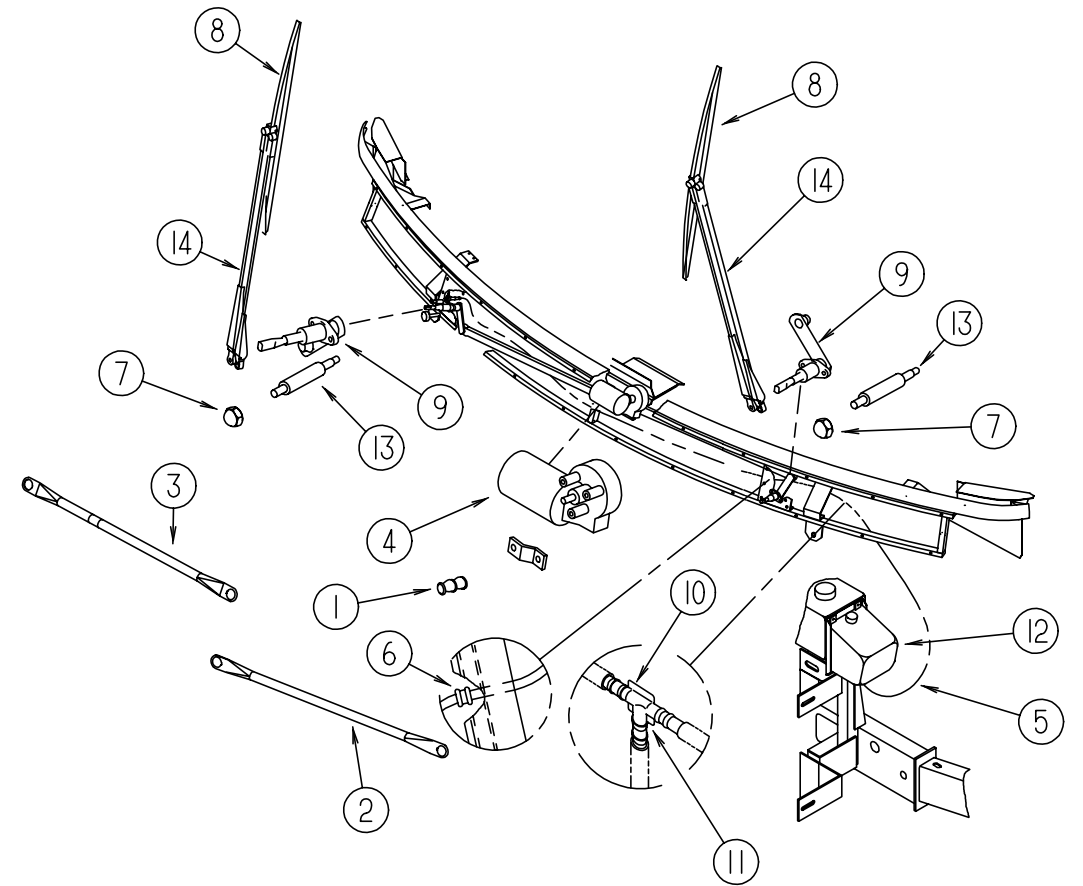
### WINDSHIELD & WIPER



### WINDSHIELD, TRIM & MOLDINGS

KEY	PART NUMBER	U/M	DESCRIPTION
1	124329-01-000	EA	GLASS - WINDSHIELD RIGHT HAND
2	124329-02-000	EA	GLASS - WINDSHIELD LEFT HAND
3	127862-01-000	EA	CARRIER - REVEAL - WINDSHIELD - 47.2"
4	127862-02-000	EA	CARRIER - REVEAL - WINDSHIELD - 1"
5	127862-03-000	EA	CARRIER - REVEAL - WINDSHIELD - 5.5"
6	127862-04-000	EA	CARRIER - REVEAL - WINDSHIELD - 10"
7	127862-05-000	EA	CARRIER - REVEAL - WINDSHIELD - 30"
8	127862-06-000	EA	CARRIER - REVEAL - WINDSHIELD - 41.9"
9	120533-01-000	FT	MOLDING - REVEAL - WINDSHIELD
10	125384-03-02A	EA	TRIM - WINDSHIELD - A-PILLAR - PASSENGER
10	125384-03-01A	EA	TRIM - WINDSHIELD - A-PILLAR - PASSENGER
11	125384-04-02A	EA	TRIM - WINDSHIELD - A-PILLAR - DRIVER
11	125384-04-01A	EA	TRIM - WINDSHIELD - A-PILLAR - DRIVER
12	099418-01-000	FT	SEAL - D-SECTION/ADHESIVE BACK - .44" X .44" - BLK RUBBER
	002328-02-0000	EA	BLOCK - WINDSHIELD - .062" X .5" X .98"

### WINDSHIELD & WIPER (CONTINUED)



### WIPER & WASHER

KEY	PART NUMBER	U/M	DESCRIPTION	VENDOR NO.
1	067188-01-000	EA	STUD - CRANK - WIPER MOTOR	
	117322-01-000	EA	SCREW - 1/4-28 UNFINISHED - 2A - TORX	
2	117770-01-000	EA	LINK - CONNECTING - DRIVERS - 24"	
3	117770-02-000	EA	LINK - CONNECTING - PASSENGER - 24"	
4	104346-04-000	EA	MOTOR - WIPER W/INTERNAL BREAKER - GM ONLY	
4	104346-05-000	EA	MOTOR - WIPER W/INTERNAL BREAKER - DYNAMIC PARK - FORD/FREIGHTLINER	
	091206-04-000	EA	MODULE/WIPER CONTROL KIT - DYNAMIC PARK - FREIGHTLINER	
	091206-02-700	EA	KNOB - INNER - FREIGHTLINER	66C-00019
	091206-02-701	EA	KNOB - OUTER - FREIGHTLINER	66C-00020
	091206-04-700	EA	SWITCH ASSEM. ONLY - FREIGHTLINER	250-6623
	102362-03-700	EA	MODULE-WIPER CONT., DYNAMIC - FREIGHTLINER	66D-00093
	104347-04-000	EA	ARM - DRIVE - WIPER MOTOR	
5	045794-01-000	FT	HOSE - WASHER - WINDSHIELD - 5/32" ID - BLACK	
6	061603-01-000	EA	GROMMET - SNAP - 3/16" ID - 3/8" HOLE - PLASTIC BLACK	
7	077049-02-000	EA	NUT - ACORN - 10-32 BLACK/ANODIZED	
8	095964-01-000	EA	BLADE - WINDSHIELD WIPER - 24"	
	095964-01-700	EA	BLADE-REFILL 24" EA = 1 PAIR	12360
9	096505-09-000	EA	SHAFT/PIVOT - WINDSHIELD WIPER	
	096505-02-700	EA	DRIVER-KNURLED, (HD) BRL .687	NT721017
	096505-02-701	EA	NUT-HEX (HD) W/.687 BARREL	NT721021
	096505-02-702	EA	CAP-RUBBER (HD) BARREL .687	CP721084
	096505-02-703	EA	CAP-NUT(ACORN) HD W/.687 BRL	51065-40-NT27WC
10	110605-01-000	EA	TEE - PLASTIC - BARBED - 1/8" X 1/8" X 3/16"	
11	117765-03-000	EA	CONNECTOR - 5/32" - WINDSHIELD WASHER	
12	117766-02-000	EA	RESERVOIR/PUMP - WINDSHIELD WASHER	
13	117768-01-000	EA	SHAFT - ADAPTER - PANTOGRAPH ARM	
14	117769-01-000	EA	ARM - WIPER - PANTOGRAPH - 28"	