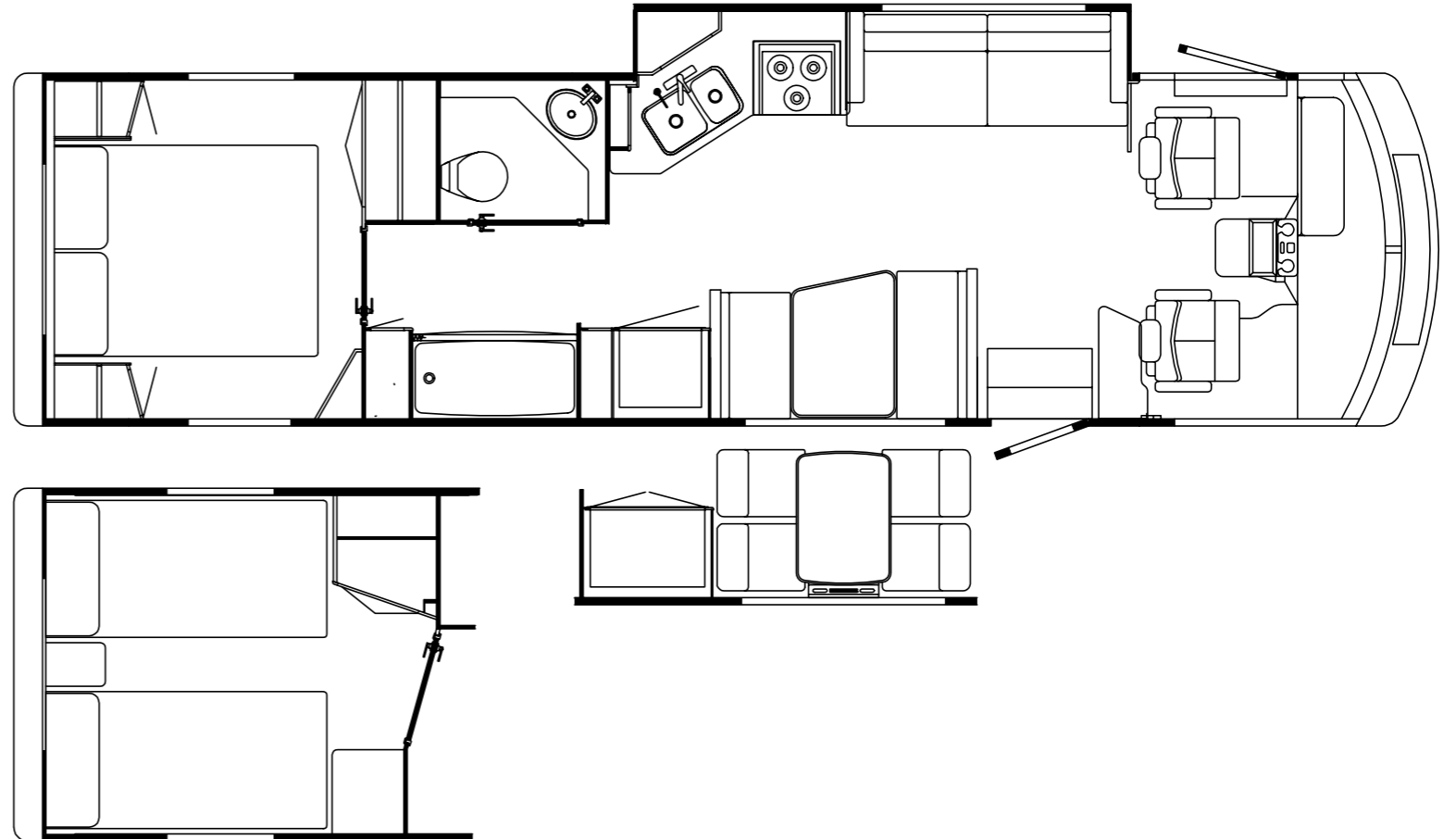
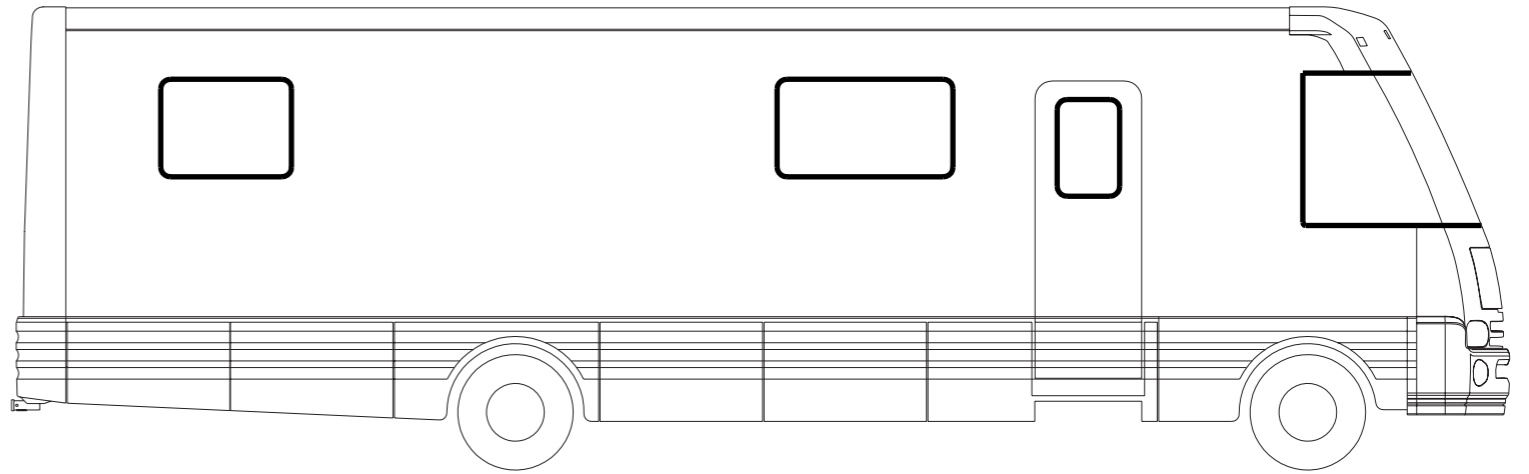


**1998
IFL33WB**

**WATERFORD OAK
J94 WILLOW
J95 VILLAGE GREEN
J96 OAKLEAF**

**WASHED MAPLE
J60 WILLOW
J61 VILLAGE GREEN**

**WHITE GRANITE
J62 OAKLEAF**



ACCESSORIES GROUP

OPERATORS MANUAL

KEY	PART NUMBER	U/M	DESCRIPTION
	054185-11-000	EA	MANUAL - OPERATOR 98 SUNFLYER - L SERIES
	092318-01-000	EA	BINDER - 3 RING - MOTOR HOME MANUAL
	092319-01-000	EA	POCKET PAGE - 3 RING BINDER - PLASTIC - (50 PER PKG)
	125976-01-000	DW	TOP LEVEL-L,1998
	129079-01-01A	EA	CASE - VINYL/BLACK-EXPANDABLE ACCORDION SIDES-7"WX9"HX14"L
	077960-01-000	EA	BAG-PLASTIC,10X12,W/ZIPPER

AUDIO VIDEO GROUP

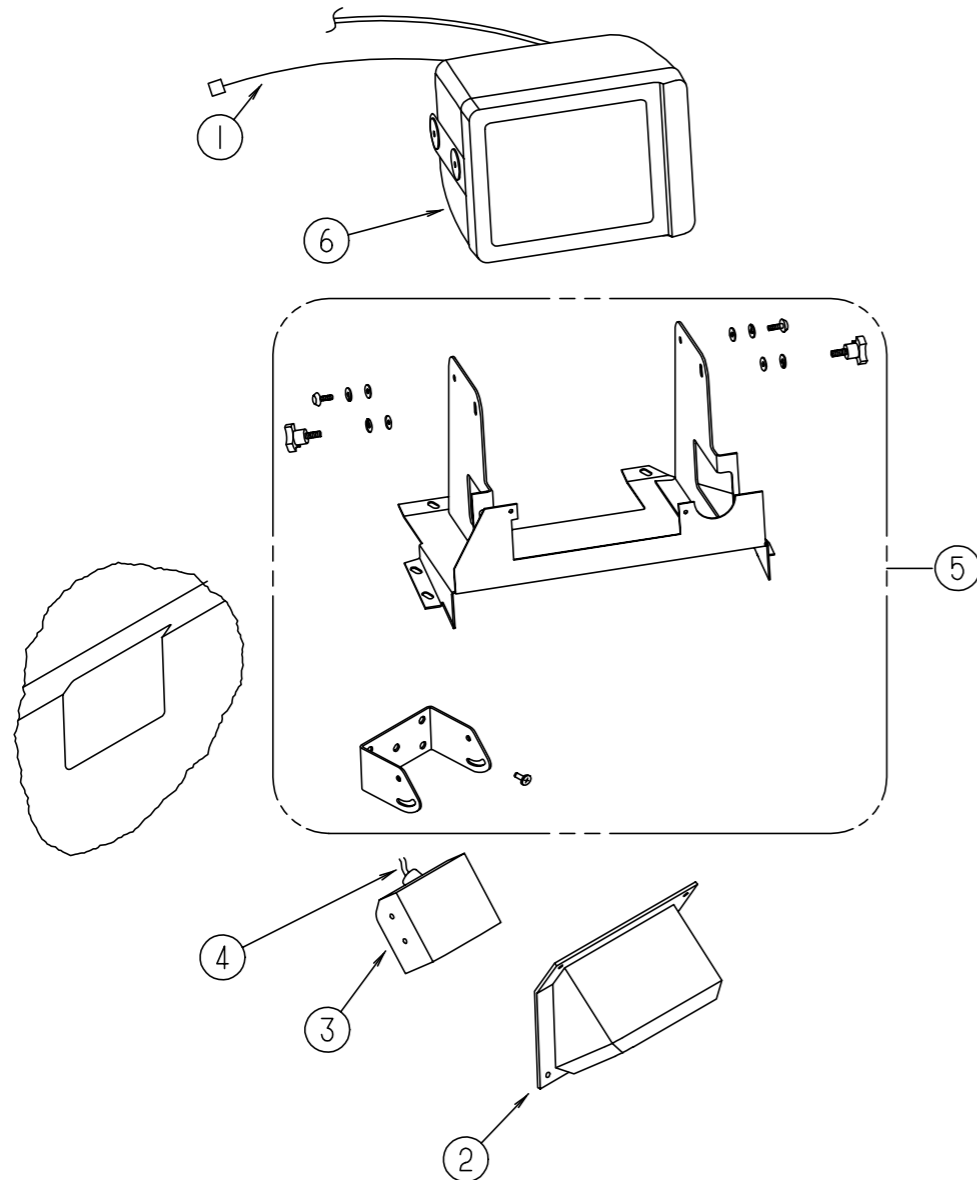
RADIO SYSTEM COMPONENTS

KEY	PART NUMBER	U/M	DESCRIPTION	VENDOR NO.
	077069-02-000	EA	CABLE - ANTENNA/EXTENSION - RADIO - 96"	
	089340-02-000	EA	GRILLE - SPEAKER - 6.5" SQUARE	
	090944-01-000	EA	ANTENNA - RADIO - 16" RUBBER	
	094097-01-000	EA	SPEAKER - RADIO/TV - W/O GRILLE - 5.25" DIAMETER	
	108847-01-000	EA	BRACKET - ANTENNA GROUND	
	109889-04-000	EA	EXTENDER - ANTENNA SHAFT - 3"	
	110469-01-000	EA	SPEAKER - 4" X 6" OVAL - COAXIAL	
	110470-01-01A	EA	GRILLE - 4" X 6" OVAL - BLACK	
	115916-01-01B	EA	BRACKET - ANTENNA MOUNT	
	123256-01-000	EA	ANTENNA - CB - W/O CABLE	
	123256-02-000	EA	CABLE - CB - COAX	
	124881-01-000	EA	AMPLIFIER - AUDIO	
	124882-01-000	EA	WIRE ASSEMBLY - AMPLIFIER	
	124883-02-000	EA	SPEAKER - CUBE - W/BRACKET	
	124884-01-000	EA	SPEAKER - 6" X 9" - SUB-WOOFER	
	124885-01-000	EA	GRILLE - SPEAKER - 6" X 9" - SUB-WOOFER	
	125322-02-000	EA	RADIO - AM-FM STEREO - CASSETTE - AUDIOVOX	
	126958-01-000	EA	RADIO - WALL MOUNT - AM/FM CASSETTE - AUDIOVOX	
	127516-01-000	EA	RADIO - AM/FM STEREO - CD PLAYER - PANASONIC	
	127516-01-700	EA	FACE - REMOVEABLE	YEPOFX3114
	127516-01-701	EA	TRIM RING	YGFC025263
	127516-01-702	EA	FACTORY HARNESS	YGAJ02719
	127516-01-703	EA	CARRIER F/REMOVEABLE FACE	YEFA131290
	127264-01-000	EA	RADIO - AM/FM STEREO/CASSETTE - PANASONIC	
	127264-01-700	EA	TRIM RING	YFC054C044ZB
	127264-01-701	EA	KNOB - VOLUME	YFE074C045ZA
	127264-01-702	EA	KNOB - FADER	YEFE074C026
	127264-01-703	EA	FACTORY HARNESS	YAJ024C048ZB
	127515-01-000	EA	CHANGER - COMPACT DISC	
	127515-02-000	EA	CHANGER - COMPACT DISC	FROM: 00-00-00 THRU: 10-23-97
	127515-02-700	EA	POWER CABLE	FROM: 10-24-97 THRU: 99-99-99 YEAJ071117
	127515-02-701	EA	OWNERS MANUAL	OM-CXDP601
	127515-03-000	EA	CHANGER - CONTROL/FM MODULATOR	FROM: 10-24-97 THRU: 99-99-99
	127515-03-700	EA	REMOTE CONTROL	YFX994C047D
	127515-03-701	EA	OWNERS MANUAL	OM-CYRM600

TELEPHONE SYSTEM

KEY	PART NUMBER	U/M	DESCRIPTION
	093253-01-01A	EA	PLATE - WALL - TELEPHONE - BEIGE
	093253-01-02A	EA	PLATE - WALL - TELEPHONE - BROWN
	093254-01-000	EA	HOUSING - TELEPHONE

AUDIO VIDEO GROUP (CONTINUED)



REAR VIEW MONITOR & SHROUDS

KEY	PART NUMBER	U/M	DESCRIPTION	VENDOR NO.
1	096717-03-000	EA	WIRE - REAR MONITOR - AFTER MARKET INSTALLATION	
2	125258-01-01A	EA	SHROUD - CAMERA - OUTER	
	125259-01-01A	EA	SHROUD - CAMERA - INNER	
3	093040-09-000	EA	CAMERA - REAR VIEW - W/BRACKET	
4	093041-01-000	EA	CABLE - MONITOR/CAMERA - INTERNAL USE - 65.6'	
5	N/A		PARTS ARE INCLUDED W/TELEVISION SYSTEM	
6	093040-10-000	EA	MONITOR - 7" REAR VIEW - W/BRACKET	
	093040-10-700	EA	LENS-MONITOR, REAR VIEW F/7"	3-708-537-01

AUDIO VIDEO GROUP (CONTINUED)

TV ANTENNA

KEY	PART NUMBER	U/M	DESCRIPTION
*	076319-21-000	EA	ANTENNA - TV ROOF MOUNT 3" ROOF FROM: 00-00-00 THRU: 12-07-97
*	076319-23-000	EA	ANTENNA-TV - ROOF MOUNT - 44.5" MAST FROM: 12-08-97 THRU: 99-99-99
*	076319-25-000	EA	KIT-HARDWARE INTERIOR

* COMPONENT PARTS FOUND IN SERVICE PARTS LIBRARY

SATELLITE DISH

KEY	PART NUMBER	U/M	DESCRIPTION
*	120233-01-000	EA	ANTENNA - SATELLITE (DISH & HDW) W/O RECEIVER - MANUAL

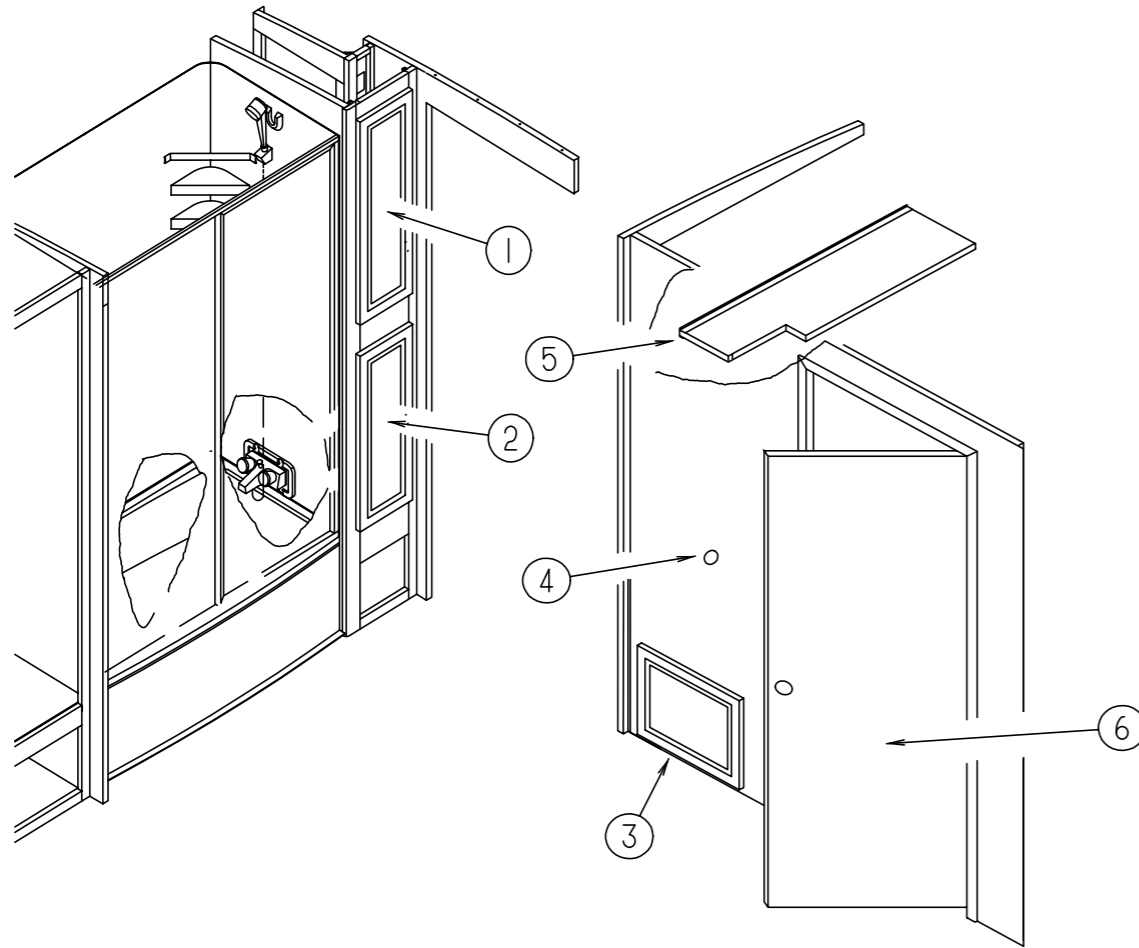
* COMPONENT PARTS FOUND IN SERVICE PARTS LIBRARY

TV & VCR SYSTEMS

KEY	PART NUMBER	U/M	DESCRIPTION	VENDOR NO.
	076319-03-000	FT	CABLE - COAXIAL - 75 OHM	
	076319-08-000	EA	WALLPLATE - CABLE RECEPTACLE - TV - SINGLE/IVORY	
	076319-09-000	EA	WALLPLATE - CABLE RECEPTACLE - TV - SINGLE - BROWN	
	076319-12-000	EA	CONNECTOR - COAXIAL - ONE PIECE	
	082134-01-000	EA	ADAPTER - TV - CABLE TO CABLE	
	082136-01-000	EA	NUT - HEX JAM - 3/8 - 32	
	086231-08-000	EA	TV - 13" COLOR - DC - AUDIOVOX	
	086231-08-700	EA	REMOTE-UNIVERSAL	8822325
	086231-08-701	EA	ADAPTER - WIRE	0891436
	086756-01-000	EA	SPLITTER - TV - 2 WAY	
	086757-03-000	EA	CONTROL CENTER - SWITCH - VCR/TV	
	086777-01-000	EA	WALLPLATE - TV CABLE - W/ANTENNA SWITCH - IVORY	
	086777-02-000	EA	WALLPLATE - TV CABLE - W/ANTENNA SWITCH - BROWN	
	086777-05-000	EA	WALLPLATE - ANTENNA 1 OUTPUT - IVORY	
	086777-06-000	EA	WALLPLATE - ANTENNA 1 OUTPUT - BROWN	
	089340-02-000	EA	GRILLE - SPEAKER - 6.5" SQUARE	
	093901-06-000	EA	PLATE - TV	
	094097-01-000	EA	SPEAKER - RADIO/TV - W/O GRILLE - 5.25" DIAMETER	
	114870-02-000	EA	PLUG - .14" AUDIO W/LEADS	
	115539-01-000	EA	RELAY - RADIO/TV SPEAKER - SWITCH	
	115540-01-000	EA	AMPLIFIER - TV SPEAKERS	
	126696-01-000	EA	TV - 19" COLOR W/1/8" JACK - UL/CSA - GE FROM: 00-00-00 THRU: 04-12-98	
	126696-01-700	EA	REMOTE	
	126696-02-000	EA	TV - 19" COLOR W/1/8" JACK - UL/CSA FROM: 04-13-98 THRU: 99-99-99	
	126696-01-700	EA	REMOTE	
	126697-01-000	EA	VCR - VHS - CABLE READY - W/REMOTE - GE FROM: 00-00-00 THRU: 04-12-98	
	126697-01-700	EA	REMOTE - F/VCR	2040R
	126697-02-000	EA	VCR - VHS/CABLE READY - W/REMOTE FROM: 04-13-98 THRU: 99-99-99	
	126697-02-700	EA	REMOTE	238513
	099717-01-000	EA	STRAP - TV TIE DOWN W/24" FEMALE STRAP & 14.2" MALE STRIP	
	099717-02-000	EA	STRAP - TV TIE DOWN W/29.9" FEMALE STRAP & 14.2" MALE STRIP	

BATH GROUP

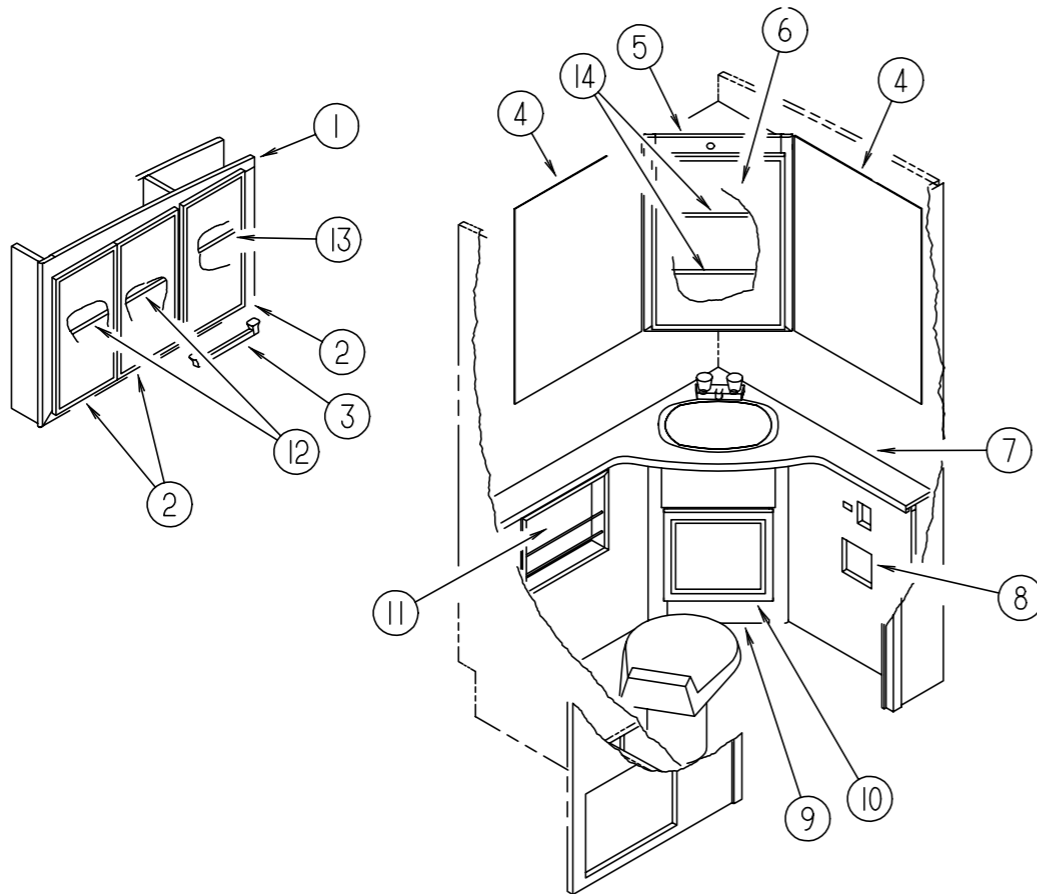
LINEN & BATH CABINET



KEY	PART NUMBER	U/M	DESCRIPTION
1	M05992-M2-J94	EA	DOOR - STRAIGHT CORNER/OGEE EDGE - 10" X 25.2" - W/O HDW WATERFORD OAK
1	M05992-M2-J60	EA	DOOR - STRAIGHT CORNER/OGEE EDGE - 10" X 25.2" - W/O HDW WASHED MAPLE
1	122715-44-01A	EA	DOOR - MOLDED VINYL - 10" X 25" - W/O HARDWARE - WHITE GRANITE
2	M05992-05-J94	EA	DOOR - STRAIGHT CORNER/OGEE EDGE - 10.0" X 19.1" - W/O HDW WATERFORD OAK
2	M05992-05-J60	EA	DOOR - STRAIGHT CORNER/OGEE EDGE - 10.0" X 19.1" - W/O HDW WASHED MAPLE
2	122715-03-01A	EA	DOOR - MOLDED VINYL - 10" X 19" - W/O HARDWARE - WHITE GRANITE
3	M05992-Q0-J94	EA	DOOR - STRAIGHT CORNER/OGEE EDGE - 14.3" X 17.9" - W/O HDW WATERFORD OAK
3	M05992-Q0-J60	EA	DOOR - STRAIGHT CORNER/OGEE EDGE - 14.3" X 17.9" - W/O HDW WASHED MAPLE
3	122715-77-01A	EA	DOOR - MOLDED VINYL - 14.3" X 17.9" - W/O HARDWARE - WHITE GRANITE
4	120760-01-000	EA	BUMPER - RUBBER - CLEAR
5	125378-12-J94	EA	SHELF - W/PLASTIC EDGE TRIM
5	125378-12-J95	EA	SHELF - W/PLASTIC EDGE TRIM
5	125378-12-J96	EA	SHELF - W/PLASTIC EDGE TRIM
5	125378-12-J60	EA	SHELF - W/PLASTIC EDGE TRIM
5	125378-12-J61	EA	SHELF - W/PLASTIC EDGE TRIM
5	125378-12-J62	EA	SHELF - W/PLASTIC EDGE TRIM
6	121449-31-H17	EA	DOOR - BATH - W/O HARDWARE - WATERFORD OAK
6	121449-31-J60	EA	DOOR - BATH - W/O HARDWARE - WASHED MAPLE
6	121449-31-H40	EA	DOOR - BATH - W/O HARDWARE - WHITE GRANITE
	102920-01-01A	EA	HINGE - SPRING LOADED/BRASS
	110496-01-01A	EA	HINGE - BRASS
	111155-01-01A	EA	LOCK - PRIVACY - POLISHED BRASS
	121449-12-G27	EA	RACK - TOWEL - BATH DOOR - WATERFORD OAK
	121449-12-G07	EA	RACK - TOWEL - BATH DOOR - WASHED MAPLE
	121449-12-H23	EA	RACK - TOWEL - BATH DOOR - WHITE GRANITE
	100357-01-000	EA	ROD - F/TOWEL BAR - BRASS

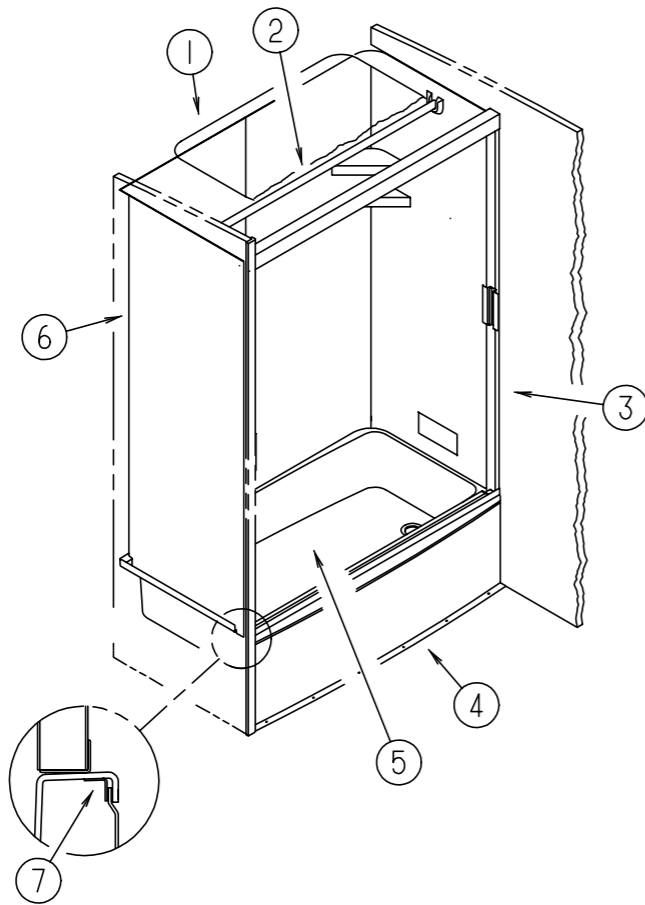
BATH GROUP (CONTINUED)

LAVATORY CABINETS



KEY	PART NUMBER	U/M	DESCRIPTION
7	125380-15-J60	EA	COUNTERTOP - LAVATORY (J94, J60) FROM: 07-21-97 THRU: 99-99-99
7	125380-15-J61	EA	COUNTERTOP - LAVATORY (J95, J61) FROM: 07-21-97 THRU: 99-99-99
7	125380-15-J62	EA	COUNTERTOP - LAVATORY (J96, J62) FROM: 07-21-97 THRU: 99-99-99
8	085278-01-000	EA	HOLDER - TOILET PAPER - RECESSED - BRASS
9	P25380-01-J94	EA	CABINET - LAVATORY - W/O DOORS/DRAWERS/HARDWARE FROM: 00-00-00 THRU: 07-20-97
9	P25380-01-J95	EA	CABINET - LAVATORY - W/O DOORS/DRAWERS/HARDWARE FROM: 00-00-00 THRU: 07-20-97
9	P25380-01-J96	EA	CABINET - LAVATORY - W/O DOORS/DRAWERS/HARDWARE FROM: 00-00-00 THRU: 07-20-97
9	P25380-01-J60	EA	CABINET - LAVATORY - W/O DOORS/DRAWERS/HARDWARE FROM: 00-00-00 THRU: 07-20-97
9	P25380-01-J61	EA	CABINET - LAVATORY - W/O DOORS/DRAWERS/HARDWARE FROM: 00-00-00 THRU: 07-20-97
9	P25380-01-J62	EA	CABINET - LAVATORY - W/O DOORS/DRAWERS/HARDWARE FROM: 00-00-00 THRU: 07-20-97
9	125380-01-J94	EA	CABINET - LAVATORY - W/O DOORS/DRAWERS/HARDWARE FROM: 07-21-97 THRU: 99-99-99
9	125380-01-J95	EA	CABINET - LAVATORY - W/O DOORS/DRAWERS/HARDWARE FROM: 07-21-97 THRU: 99-99-99
9	125380-01-J96	EA	CABINET - LAVATORY - W/O DOORS/DRAWERS/HARDWARE FROM: 07-21-97 THRU: 99-99-99
9	125380-01-J60	EA	CABINET - LAVATORY - W/O DOORS/DRAWERS/HARDWARE FROM: 07-21-97 THRU: 99-99-99
9	125380-01-J61	EA	CABINET - LAVATORY - W/O DOORS/DRAWERS/HARDWARE FROM: 07-21-97 THRU: 99-99-99
9	125380-01-J62	EA	CABINET - LAVATORY - W/O DOORS/DRAWERS/HARDWARE FROM: 07-21-97 THRU: 99-99-99
10	M05992-X2-J94	EA	DOOR - STRAIGHT CORNER/OGEE EDGE - 12.8" X 17.7" - W/O HDW WATERFORD OAK
10	M05992-X2-J60	EA	DOOR - STRAIGHT CORNER/OGEE EDGE - 12.8" X 17.7" - W/O HDW WASHED MAPLE
10	122715-B9-01A	EA	DOOR - MOLDED VINYL - 12.8" X 17.7" - W/O HARDWARE - WHITE GRANITE
11	097208-06-J94	EA	RACK - MAGAZINE - WATERFORD OAK
11	097208-06-J70	EA	RACK - MAGAZINE - WASHED MAPLE
11	097208-08-J62	EA	RACK - MAGAZINE - WHITE GRANITE
12	126980-11-J94	EA	SHELF - W/PLASTIC EDGE MOLDING - WATERFORD OAK
12	126980-11-J60	EA	SHELF - W/PLASTIC EDGE MOLDING - WASHED MAPLE
12	126980-11-J62	EA	SHELF - W/PLASTIC EDGE MOLDING - WHITE GRANITE
13	126980-12-J94	EA	SHELF - W/PLASTIC EDGE MOLDING - WATERFORD OAK
13	126980-12-J60	EA	SHELF - W/PLASTIC EDGE MOLDING - WASHED MAPLE
13	126980-12-J62	EA	SHELF - W/PLASTIC EDGE MOLDING - WHITE GRANITE
14	126981-13-J94	EA	SHELF - W/PLASTIC EDGE MOLDING - WATERFORD OAK
14	126981-13-J60	EA	SHELF - W/PLASTIC EDGE MOLDING - WASHED MAPLE
14	126981-13-J62	EA	SHELF - W/PLASTIC EDGE MOLDING - WHITE GRANITE
1	126980-01-J94	EA	CABINET - OVERHEAD/BATH - W/O DOORS/HARDWARE - WATERFORD OAK
1	126980-01-J60	EA	CABINET - OVERHEAD/BATH - W/O DOORS/HARDWARE - WASHED MAPLE
1	126980-01-J62	EA	CABINET - OVERHEAD/BATH - W/O DOORS/HARDWARE - WHITE GRANITE
2	M05992-E0-J94	EA	DOOR - STRAIGHT CORNER/OGEE EDGE - 11.2" X 21.8" - W/O HDW WATERFORD OAK
2	M05992-E0-J60	EA	DOOR - STRAIGHT CORNER/OGEE EDGE - 11.2" X 21.8" - W/O HDW WASHED MAPLE
2	122715-88-01A	EA	DOOR - MOLDED/VINYL - 11.2" X 21.8" - WHITE GRANITE
3	075453-02-000	EA	BAR - TOWEL - 18" BRASS
4	093606-29-000	EA	MIRROR - BEVELED PANEL - 1/8"
5	126981-01-J94	EA	CABINET - OVERHEAD/MEDICINE - W/O DOORS/HARDWARE - WATERFORD OAK
5	126981-01-J60	EA	CABINET - OVERHEAD/MEDICINE - W/O DOORS/HARDWARE - WASHED MAPLE
5	126981-01-J62	EA	CABINET - OVERHEAD/MEDICINE - W/O DOORS/HARDWARE - WHITE GRANITE
6	115237-06-J94	EA	DOOR - MIRRORED/MEDICINE CABINET - W/O HARDWARE - WATERFORD OAK
6	115237-06-J60	EA	DOOR - MIRRORED/MEDICINE CABINET - W/O HARDWARE - WASHED MAPLE
6	115237-06-J62	EA	DOOR - MIRRORED/MEDICINE CABINET - W/O HARDWARE - WHITE GRANITE
6	093606-28-000	EA	MIRROR - BEVELED PANEL - 1/8"
7	P25380-15-J60	EA	COUNTERTOP - LAVATORY (J94, J60) FROM: 00-00-00 THRU: 07-20-97
7	P25380-15-J61	EA	COUNTERTOP - LAVATORY (J95, J61) FROM: 00-00-00 THRU: 07-20-97
7	P25380-15-J62	EA	COUNTERTOP - LAVATORY (J96, J62) FROM: 00-00-00 THRU: 07-20-97

BATH GROUP (CONTINUED)



SHOWER CABINET

KEY	PART NUMBER	U/M	DESCRIPTION
1	114496-01-02A	EA	PANEL - OUTER SKYLIGHT - 22" X 37"
1	122191-01-02A	EA	PANEL - SKYLITE - INNER W/LIGHT CUTOUT - 20.7" X 35.4"
2	102075-10-01A	EA	ROD - CURTAIN/SHOWER
3	117431-05-01A	EA	DOOR - SHOWER - PLEATED FABRIC
	117431-01-700	EA	TRACK-TOP, ALUM.IVORY INSERT 48"
	117431-01-701	EA	TRACK-BOTTOM, 40"
	117431-01-702	EA	RAIL-SIDE, 67"
	117431-01-703	EA	RAIL-STATIONARY, 67"
	117431-01-704	EA	RAIL-LEAD, 67"
	117431-01-705	EA	GLIDE-IVORY, TRAVELER
	117431-01-706	EA	GLIDE-IVORY LEAD, TRAVELER
	117431-01-707	EA	LATCH
	117431-01-708	EA	HANDLES & SCREWS
	117431-05-700	EA	STRAP-VINYL SHOWER
4	111035-01-01A	EA	PANEL - FILLER - TUB/SHOWER
5	M02630-33-GV0	EA	SHOWER PAN
5	M02630-25-E37	EA	SHOWER PAN
	066729-01-000	EA	STRAINER - TUB/SHOWER - W/PLUG
6	110541-01-01A	EA	SURROUND - SHOWER/TUB W/MOLDED ROD BRACKETS
7	115793-01-01A	EA	ANGLE - PLASTIC

BATH GROUP (CONTINUED)

BATH DRAINAGE

KEY	PART NUMBER	U/M	DESCRIPTION
	089366-01-000	EA	SINK - OVAL - PLASTIC - IVORY
	105921-01-01A	EA	SINK - LAVATORY - LARGE/OVAL - 17" X 20" PLASTIC/OFF WHITE
	105218-01-01A	EA	SPACER - FAUCET/LAVATORY SINK - 2" X 5.9" - ABS PLASTIC
*	085330-06-000	EA	TOILET - STANDARD CHINA W/SPRAYER - BONE
	106116-01-01A	EA	STRAINER - SINK-W/STOPPER/TAILPIECE/GASKET & NUT - PLASTIC

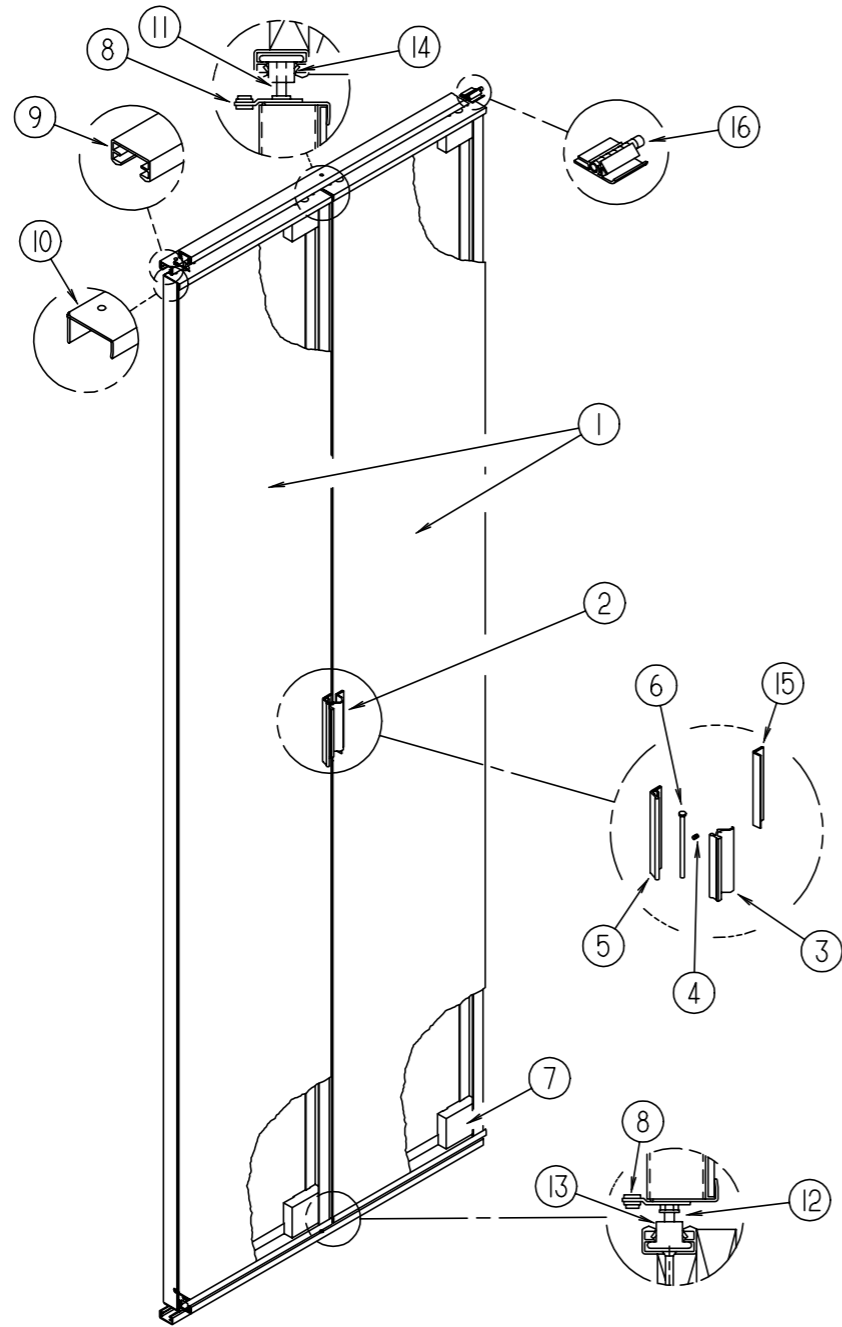
* COMPONENT PARTS FOUND IN SERVICE PARTS LIBRARY

BATH WATER SYSTEM

KEY	PART NUMBER	U/M	DESCRIPTION	VENDOR NO.
	075242-03-000	EA	FAUCET - TUB/SHOWER - BRASS	
	075606-01-000	EA	PANEL - PLASTIC - FAUCET BACK - 5" X 9"	
	103092-01-000	EA	SHOWER HEAD - W/60" HOSE - WHITE	
	103092-02-000	EA	SHOWER HEAD - W/60" HOSE - CSA	
	103092-01-700	EA	BRACKET-F/SHOWER HEAD, CLEAR	2328028
	011048-03-700	EA	BRACKET - F/SHOWER HEAD	2328029-3
	075240-05-000	EA	FAUCET - LAVATORY - BRASS	

BEDROOM GROUP

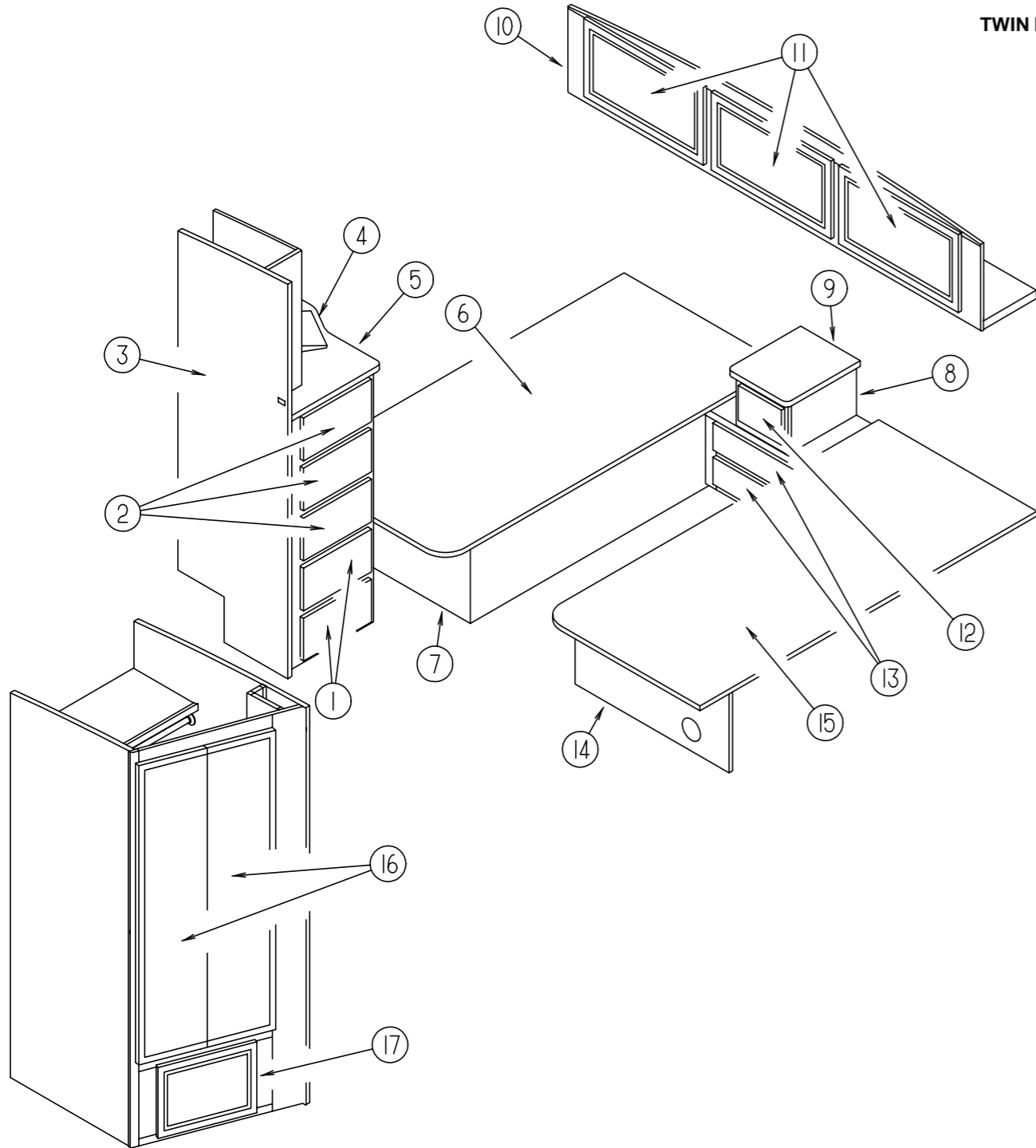
TWIN BED WARDROBE DOOR



KEY	PART NUMBER	U/M	DESCRIPTION
	113970-07-J62	EA	DOOR - BIFOLD/MIRRORED - W/O HARDWARE
1	058331-H2-000	EA	MIRROR - SAFETY GLASS - 11.6" X 57.9"
2	110106-01-HQ0	EA	LATCH ASSEMBLY COMPLETE
3	NA	EA	LATCH-DOOR BLACK
4	111564-01-000	EA	SPRING - LATCH - FLAT
5	NA	EA	PULL-DOOR BLACK
6	113007-03-000	EA	PIN - SPRING - .188" X .50"
7	110245-01-01A	EA	CORNER - BIFOLD DOOR
8	110246-01-01A	EA	HINGE - DOOR
9	113974-08-01A	EA	TRACK-DOOR,BIFOLD,TERRATONE
10	113975-07-01A	EA	RAIL-DOOR,BIFOLD,TERRATONE
11	114135-01-000	EA	PIVOT - TOP
12	114135-02-000	EA	PIVOT - BOTTOM
13	114136-01-000	EA	BRACKET - PIVOT - TRACK
14	114137-01-000	EA	WHEEL - GUIDE
15	110346-01-04A	EA	ANGLE-CATCH,TERRATONE
16	114783-01-000	EA	SPRING - DOOR - SNUGGER

BEDROOM GROUP (CONTINUED)

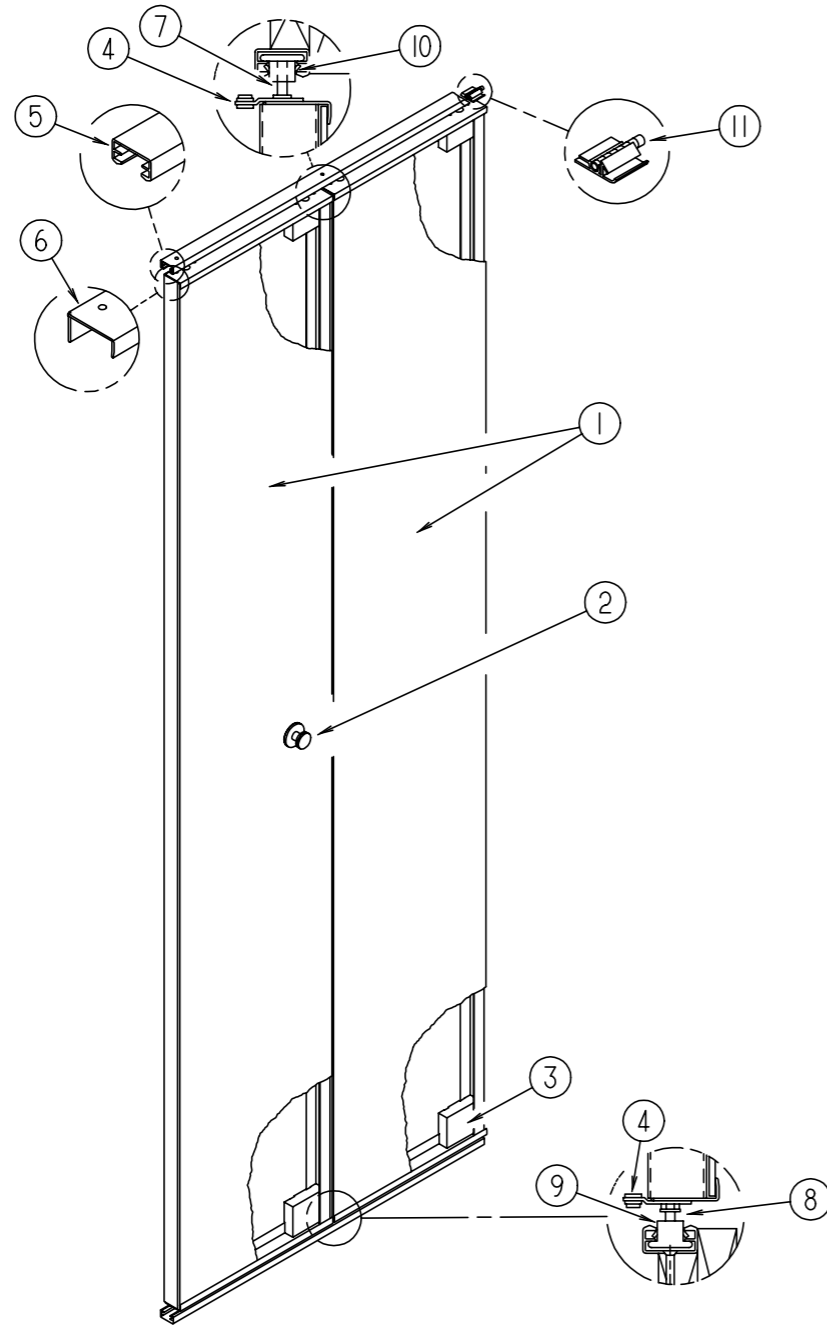
TWIN BEDROOM



KEY	PART NUMBER	U/M	DESCRIPTION
3	127631-01-J94	EA	CABINET - CHEST DRAWERS - TWIN RIGHT HAND - W/O DRAWERS
3	127631-01-J95	EA	CABINET - CHEST DRAWERS - TWIN RIGHT HAND - W/O DRAWERS
3	127631-01-J96	EA	CABINET - CHEST DRAWERS - TWIN RIGHT HAND - W/O DRAWERS
3	127631-01-J60	EA	CABINET - CHEST DRAWERS - TWIN RIGHT HAND - W/O DRAWERS
3	127631-01-J61	EA	CABINET - CHEST DRAWERS - TWIN RIGHT HAND - W/O DRAWERS
3	127631-01-J62	EA	CABINET - CHEST DRAWERS - TWIN RIGHT HAND - W/O DRAWERS
4	127631-12-J94	EA	SHELF - W/WEDGE - WATERFORD OAK
4	127631-12-J60	EA	SHELF - W/WEDGE - WASHED MAPLE
4	127631-12-J62	EA	SHELF - W/WEDGE - WHITE GRANITE
5	127631-15-J60	EA	COUNTERTOP - CHEST DRAWERS - TWIN - RIGHT HAND (J94, J60)
5	127631-15-J61	EA	COUNTERTOP - CHEST DRAWERS - TWIN - RIGHT HAND (J95, J61)
5	127631-15-J62	EA	COUNTERTOP - CHEST DRAWERS - TWIN - RIGHT HAND (J96, J62)
6	M08754-03-000	EA	TOP - BED - TWIN RIGHT HAND - W/O HARDWARE
7	P27623-01-J94	EA	CABINET - BASE - BED - TWIN/RIGHT HAND - W/O DRS/DWRS/HDW WATERFORD OAK
7	P27623-01-J60	EA	CABINET - BASE - BED - TWIN/RIGHT HAND - W/O DRS/DWRS/HDW WASHED MAPLE
7	P27623-01-J62	EA	CABINET - BASE - BED - TWIN/RIGHT HAND - W/O DRS/DWRS/HDW WHITE GRANITE
8	127655-01-J94	EA	CABINET - NIGHTSTAND - W/O DOORS/DRAWERS/HARDWARE
8	127655-01-J95	EA	CABINET - NIGHTSTAND - W/O DOORS/DRAWERS/HARDWARE
8	127655-01-J96	EA	CABINET - NIGHTSTAND - W/O DOORS/DRAWERS/HARDWARE
8	127655-01-J60	EA	CABINET - NIGHTSTAND - W/O DOORS/DRAWERS/HARDWARE
8	127655-01-J61	EA	CABINET - NIGHTSTAND - W/O DOORS/DRAWERS/HARDWARE
8	127655-01-J62	EA	CABINET - NIGHTSTAND - W/O DOORS/DRAWERS/HARDWARE
9	127655-11-J60	EA	COUNTERTOP - NIGHTSTAND (J94, J60)
9	127655-11-J61	EA	COUNTERTOP - NIGHTSTAND (J95, J61)
9	127655-11-J62	EA	COUNTERTOP - NIGHTSTAND (J96, J62)
10	116187-02-J94	EA	CABINET - OVERHEAD - REAR - F/TWIN BED - W/O DOORS/HDW WATERFORD OAK
10	116187-02-J60	EA	CABINET - OVERHEAD - REAR - F/TWIN BED - W/O DOORS/HDW WASHED MAPLE
10	116187-02-J62	EA	CABINET - OVERHEAD - REAR - F/TWIN BED - W/O DOORS/HDW - WHITE GRANITE
11	M05992-48-J94	EA	DOOR - STRAIGHT CORNER/OGEE EDGE - 15.7" X 27.9" - W/O HDW WATERFORD OAK
11	M05992-48-J60	EA	DOOR - STRAIGHT CORNER/OGEE EDGE - 15.7" X 27.9" - W/O HDW WASHED MAPLE
11	122715-08-01A	EA	DOOR - MOLDED VINYL - 15.7" X 27.9" - W/O HDW - WHITE GRANITE
12	M05971-HW-J94	EA	DRAWER - OGEE EDGE - 8.2"W X 13.8"D - W/O SLIDES/HARDWARE WATERFORD OAK
12	M05971-HW-J60	EA	DRAWER - OGEE EDGE - 8.2"W X 13.8"D - W/O SLIDES/HARDWARE WASHED MAPLE
12	P10163-HX-J62	EA	DRAWER - SQUARE EDGE - 8.2"W X 13.8"D - W/O SLIDES/HDW - WHITE GRANITE
13	M05971-HR-J94	EA	DRAWER - OGEE EDGE - 20.1"W X 13.8"D - W/O SLIDES/HARDWARE WATERFORD OAK
13	M05971-HR-J60	EA	DRAWER - OGEE EDGE - 20.1"W X 13.8"D - W/O SLIDES/HARDWARE WASHED MAPLE
13	P10163-HS-J62	EA	DRAWER - SQUARE EDGE - 20.1"W X 13.8"D - W/O SLIDES/HDW - WHITE GRANITE
14	P27624-01-J94	EA	CABINET - BASE/TWIN BED - LEFT HAND-W/O DOORS/DRAWERS/HDW WATERFORD OAK
14	P27624-01-J60	EA	CABINET - BASE/TWIN BED - LEFT HAND-W/O DOORS/DRAWERS/HDW WASHED MAPLE
14	P27624-01-J62	EA	CABINET - BASE/TWIN BED - LEFT HAND-W/O DOORS/DRAWERS/HDW WHITE GRANITE
15	M08754-04-000	EA	TOP - BED - TWIN LEFT HAND - W/O HARDWARE
16	113970-07-J62	EA	DOOR - BIFOLD/MIRRORED - W/O HARDWARE
17	M05992-L2-J94	EA	DOOR - STRAIGHT CORNER/OGEE EDGE - 14.3" X 17.9" - W/O HDW WATERFORD OAK
17	M05992-L2-J60	EA	DOOR - STRAIGHT CORNER/OGEE EDGE - 14.3" X 17.9" - W/O HDW WASHED MAPLE
17	122715-77-01A	EA	DOOR - MOLDED VINYL - 14.3" X 17.9" - W/O HDW-WHITE GRANITE

KEY	PART NUMBER	U/M	DESCRIPTION
1	M05971-HJ-J94	EA	DRAWER - OGEE EDGE - 14.8"W X 13.8"D - W/O SLIDES/HARDWARE WATERFORD OAK
1	M05971-HJ-J60	EA	DRAWER - OGEE EDGE - 14.8"W X 13.8"D - W/O SLIDES/HARDWARE WASHED MAPLE
1	P10163-HL-J62	EA	DRAWER - W/O SLIDES/HARDWARE - WHITE GRANITE
2	M05971-HK-J94	EA	DRAWER - OGEE EDGE - 14.8"W X 15.7"D - W/O SLIDES/HARDWARE WATERFORD OAK
2	M05971-HK-J60	EA	DRAWER - OGEE EDGE - 14.8"W X 15.7"D - W/O SLIDES/HARDWARE WASHED MAPLE
2	P10163-HM-J62	EA	DRAWER - W/O SLIDES/HARDWARE - WHITE GRANITE

BEDROOM GROUP (CONTINUED)



QUEEN BED WARDROBE DOOR FROM: 00-00-00 THRU: 01-11-98

KEY	PART NUMBER	U/M DESCRIPTION
	127931-01-J60	EA DOOR - MIRRORED
1	058331-H0-000	EA MIRROR - SAFETY GLASS - 17.8" X 73.4"
2	125221-01-01A	EA PULL - MIRROR - W/ROUND HANDLE
3	110245-01-01A	EA CORNER - BIFOLD DOOR
4	110246-01-01A	EA HINGE - DOOR
5	113974-07-01A	EA TRACK-DOOR,BIFOLD,TERRATONE
6	113975-06-01A	EA RAIL-DOOR,BIFOLD,TERRATONE
7	114135-01-000	EA PIVOT - TOP
8	114135-02-000	EA PIVOT - BOTTOM
9	114136-01-000	EA BRACKET - PIVOT - TRACK
10	114137-01-000	EA WHEEL - GUIDE
11	114783-01-000	EA SPRING - DOOR - SNUGGER

BEDROOM GROUP (CONTINUED)

QUEEN BED WARDROBE DOOR FROM: 01-12-98 THRU: 99-99-99

KEY	PART NUMBER	U/M DESCRIPTION
	114149-17-J22	EA DOOR - MIRRORED
	058331-H6-000	EA MIRROR-GLASS,SAFETY
	107390-01-000	EA HANGER-CORNER CONNECTION
	107391-01-000	EA GUIDE-BOTTOM, BY-PASS
	111575-01-01A	FT CHANNEL-GLAZING,S WING DOOR
	114104-11-01A	EA STILE-DOOR, SLIDING, TERRATONE
	114104-12-01A	EA STILE-DOOR, SLIDING, TERRATONE
	114105-16-01A	EA TRACK-DOOR, SLDG, LWR, TERRATON
	114107-12-01A	EA RAIL-DOOR, SLIDING TERRATONE
	115538-03-01A	EA JAMB-DOOR, WARDROBE, MIRRORED
	115541-01-000	EA SPRING-DOOR, SLIDING
	123655-01-000	FT SEAL-FOAM, CLOSED CELL
	128587-01-01A	EA LATCH-DR, WRDROBE, MIRR, TERRA

TWIN BEDROOM PRIVACY DOOR

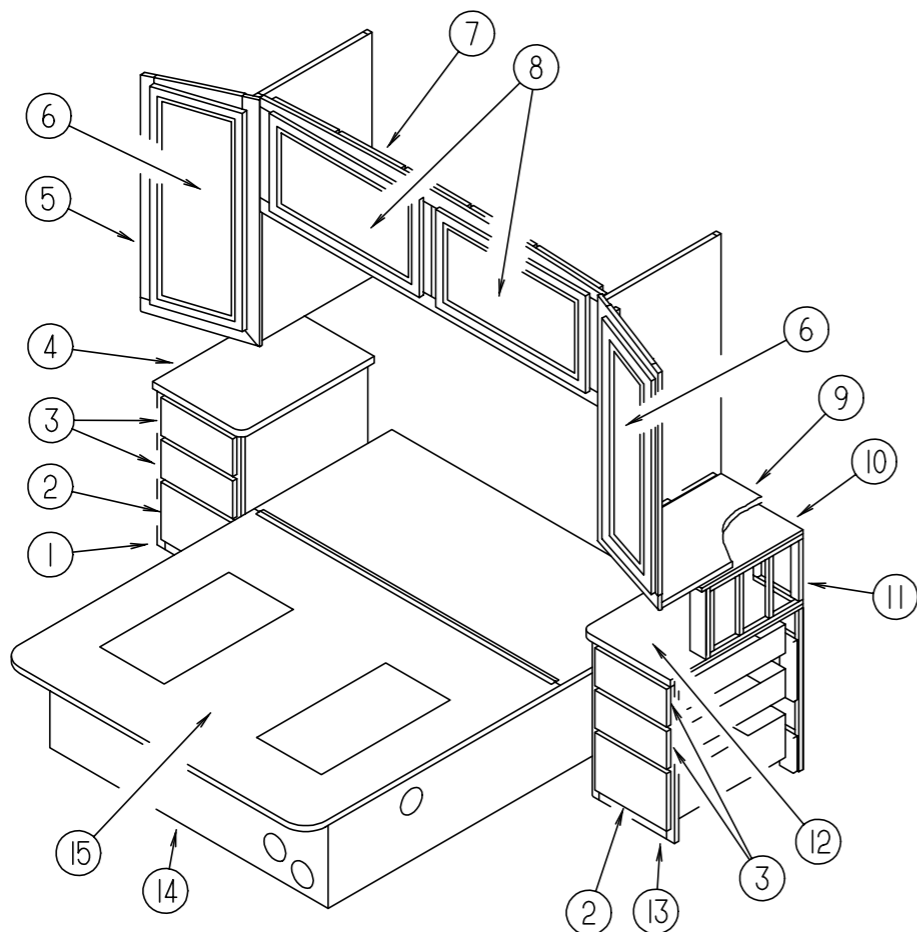
KEY	PART NUMBER	U/M DESCRIPTION
	M87868-30-J94	EA DOOR - BATH - 24.8" X 73.1" - W/O HARDWARE - WATERFORD OAK
	M87868-30-J60	EA DOOR - BATH - 24.8" X 73.1" - W/O HARDWARE - WASHED MAPLE
	M87868-30-J62	EA DOOR - BATH - 24.8" X 73.1" - W/O HARDWARE - WHITE GRANITE
	102920-01-01A	EA HINGE - SPRING LOADED/BRASS
	111155-02-01A	EA LOCK - PASSAGE - NON-LOCKING - POLISHED BRASS

QUEEN BEDROOM PRIVACY DOOR

KEY	PART NUMBER	U/M DESCRIPTION
	M87868-36-J94	EA DOOR - BATH - W/O HARDWARE - WATERFORD OAK
	M87868-36-J60	EA DOOR - BATH - W/O HARDWARE - WASHED MAPLE
	M87868-36-J62	EA DOOR - BATH - W/O HARDWARE - WHITE GRANITE
	102920-01-01A	EA HINGE - SPRING LOADED/BRASS
	111155-02-01A	EA LOCK - PASSAGE - NON-LOCKING - POLISHED BRASS

BEDROOM GROUP (CONTINUED)

QUEEN BEDROOM



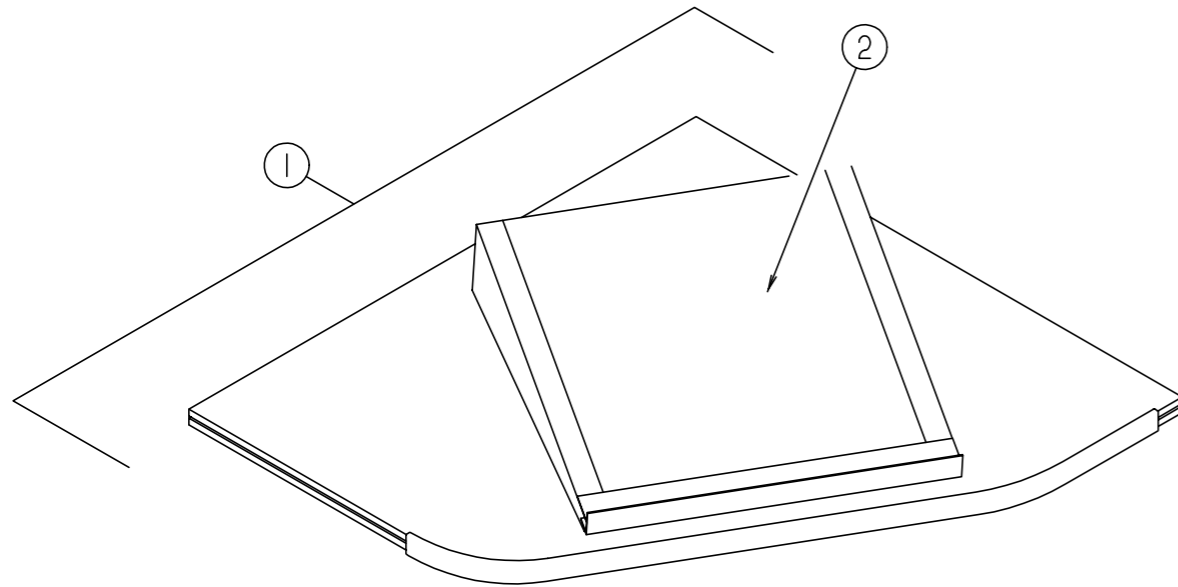
KEY	PART NUMBER	U/M	DESCRIPTION
1	116193-01-J94	EA	CABINET - NIGHTSTAND/RIGHT HAND - W/O DOORS/DRAWERS/HDW (J94)
1	116193-01-G15	EA	CABINET - NIGHTSTAND/RIGHT HAND - W/O DOORS/DRAWERS/HDW (J95)
1	116193-01-J96	EA	CABINET - NIGHTSTAND/RIGHT HAND - W/O DOORS/DRAWERS/HDW (J96)
1	116193-01-J60	EA	CABINET - NIGHTSTAND/RIGHT HAND - W/O DOORS/DRAWERS/HDW (J60)
1	116193-01-J61	EA	CABINET - NIGHTSTAND/RIGHT HAND - W/O DOORS/DRAWERS/HDW (J61)
1	116193-01-J62	EA	CABINET - NIGHTSTAND/RIGHT HAND - W/O DOORS/DRAWERS/HDW (J62)
2	M05971-W3-J94	EA	DRAWER - OGEE EDGE - 11.5"W X 21.6"D - W/O SLIDES/HARDWARE WATERFORD OAK
2	M05971-W3-J60	EA	DRAWER - OGEE EDGE - 11.5"W X 21.6"D - W/O SLIDES/HARDWARE WASHED MAPLE
2	P10163-CW-H40	EA	DRAWER - SQUARE EDGE - 11.5"W X 21.6"D - W/O SLIDES/HDW - WHITE GRANITE
3	M05971-L5-J94	EA	DRAWER - OGEE EDGE - 11.5"W X 21.6"D - W/O SLIDES/HDW - WATERFORD OAK
3	M05971-L5-J60	EA	DRAWER - OGEE EDGE - 11.5"W X 21.6"D - W/O SLIDES/HDW - WASHED MAPLE
3	P10163-CV-H40	EA	DRAWER - OGEE EDGE - 11.5"W X 21.6"D - W/O SLIDES/HDW - WHITE GRANITE
4	116193-11-G36	EA	COUNTERTOP - NIGHTSTAND (J94, J60)
4	116193-11-F12	EA	COUNTERTOP - NIGHTSTAND (J95, J61)
4	116193-11-J62	EA	COUNTERTOP - NIGHTSTAND (J96, J62)

KEY	PART NUMBER	U/M	DESCRIPTION
5	116142-01-J22	EA	CABINET - SHIRT CLOSET/RIGHT HAND - W/O DOORS/HARDWARE WATERFORD OAK
5	116142-01-J60	EA	CABINET - SHIRT CLOSET/RIGHT HAND - W/O DOORS/HARDWARE WASHED MAPLE
5	116142-01-J62	EA	CABINET - SHIRT CLOSET/RIGHT HAND - W/O DOORS/HARDWARE WHITE GRANITE
6	M05992-91-J94	EA	DOOR - STRAIGHT CORNER/OGEE EDGE - 14.3" X 36.4" - W/O HDW WATERFORD OAK
6	M05992-91-J60	EA	DOOR - STRAIGHT CORNER/OGEE EDGE - 14.3" X 36.4" - W/O HDW WASHED MAPLE
6	122715-34-01A	EA	DOOR - MOLDED VINYL - 14.3" X 36.4" - W/O HDW-WHT GRANITE WHITE GRANITE
7	106523-01-G09	EA	CABINET - OVERHEAD/REAR - W/O DOORS/HARDWARE - WATERFORD OAK
7	106523-01-J60	EA	CABINET - OVERHEAD/REAR - W/O DOORS/HARDWARE - WASHED MAPLE
7	106523-01-H23	EA	CABINET - OVERHEAD/REAR - W/O DOORS/HARDWARE - WHITE GRANITE
8	M05992-48-J94	EA	DOOR - STRAIGHT CORNER/OGEE EDGE - 15.7" X 27.9" - W/O HDW WATERFORD OAK
8	M05992-48-J60	EA	DOOR - STRAIGHT CORNER/OGEE EDGE - 15.7" X 27.9" - W/O HDW WASHED MAPLE
8	122715-08-01A	EA	DOOR - MOLDED VINYL - 15.7" X 27.9" - W/O HDW - WHITE GRANITE
9	116142-02-J22	EA	CABINET - SHIRT CLOSET/LEFT HAND - W/O DOORS/HARDWARE WATERFORD OAK
9	116142-02-J60	EA	CABINET - SHIRT CLOSET/LEFT HAND - W/O DOORS/HARDWARE WASHED MAPLE
9	116142-02-J62	EA	CABINET - SHIRT CLOSET/LEFT HAND - W/O DOORS/HARDWARE WHITE GRANITE
10	126941-15-J60	EA	COUNTERTOP - RADIO CABINET (J94, J60)
10	126941-15-J61	EA	COUNTERTOP - RADIO CABINET (J95, J61)
10	126941-15-J62	EA	COUNTERTOP - RADIO CABINET (J96, J62)
11	126941-01-J94	EA	CABINET - F/RADIO - W/O DOORS/HARDWARE
11	126941-01-J95	EA	CABINET - F/RADIO - W/O DOORS/HARDWARE
11	126941-01-J96	EA	CABINET - F/RADIO - W/O DOORS/HARDWARE
11	126941-01-J60	EA	CABINET - F/RADIO - W/O DOORS/HARDWARE
11	126941-01-J61	EA	CABINET - F/RADIO - W/O DOORS/HARDWARE
11	126941-01-J62	EA	CABINET - F/RADIO - W/O DOORS/HARDWARE
12	116193-12-G36	EA	COUNTERTOP - NIGHTSTAND (J94, J60)
12	116193-12-F12	EA	COUNTERTOP - NIGHTSTAND (J95, J61)
12	116193-12-J62	EA	COUNTERTOP - NIGHTSTAND (J96, J62)
13	116193-02-J94	EA	CABINET - NIGHTSTAND/LEFT HAND - W/O DOORS/DRAWERS/HDW (J94)
13	116193-02-G15	EA	CABINET - NIGHTSTAND/LEFT HAND - W/O DOORS/DRAWERS/HDW (J95)
13	116193-02-J96	EA	CABINET - NIGHTSTAND/LEFT HAND - W/O DOORS/DRAWERS/HDW (J96)
13	116193-02-J60	EA	CABINET - NIGHTSTAND/LEFT HAND - W/O DOORS/DRAWERS/HDW (J60)
13	116193-02-J61	EA	CABINET - NIGHTSTAND/LEFT HAND - W/O DOORS/DRAWERS/HDW (J61)
13	116193-02-J62	EA	CABINET - NIGHTSTAND/LEFT HAND - W/O DOORS/DRAWERS/HDW (J62)
14	P26750-01-J94	EA	CABINET - BASE - QUEEN BED - W/O DOORS/DRAWERS/HARDWARE WATERFORD OAK
14	P26750-01-J60	EA	CABINET - BASE - QUEEN BED - W/O DOORS/DRAWERS/HARDWARE WASHED MAPLE
14	P26750-01-J62	EA	CABINET - BASE - QUEEN BED - W/O DOORS/DRAWERS/HARDWARE WHITE GRANITE
15	M05087-31-000	EA	CABINET ASM-QN BED TOP,DTL E
	107796-06-000	EA	SPRING/GAS - 12" COMPRESSED/20" EXTENDED - 120 LB.
	126263-06-01B	EA	BRACKET - GAS SPRING
	126263-08-01B	EA	BRACKET - GAS SPRING
	126259-01-000	EA	STUD - BALL

BEDROOM GROUP (CONTINUED)

TV CABINET FOR REAR TV OPTION IN QUEEN BEDROOM

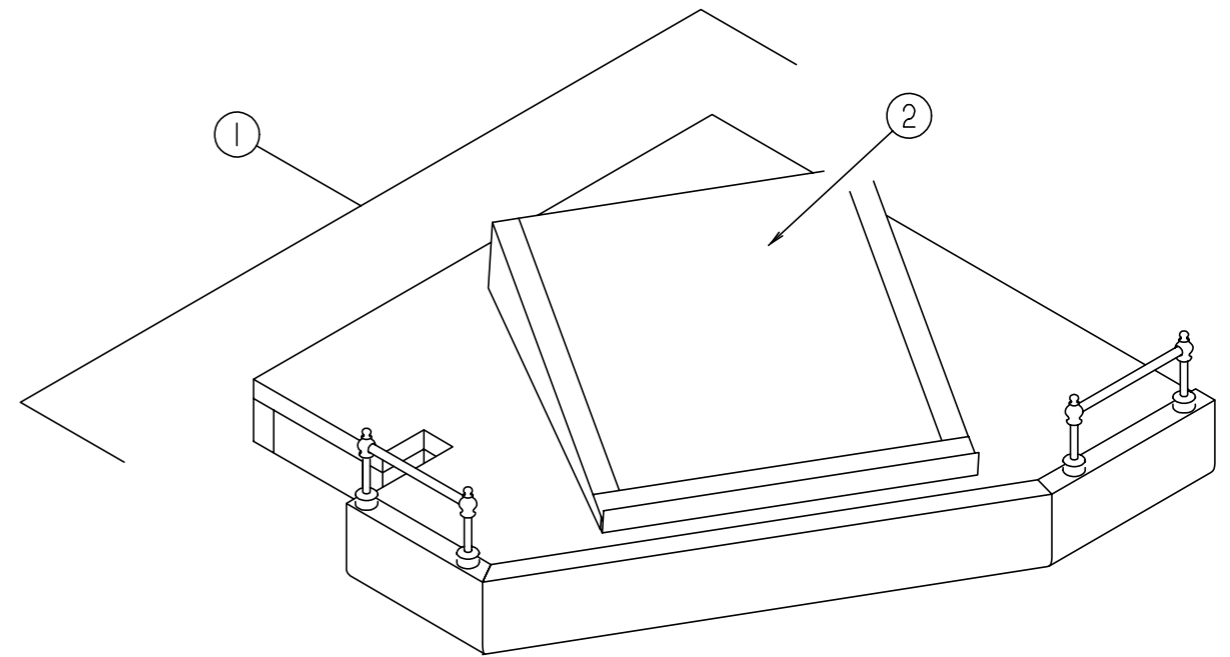
KEY	PART NUMBER	U/M	DESCRIPTION
	127286-01-J20	EA	CABINET - OVERHEAD/TV/REAR - W/O DOORS/HARDWARE - WATERFORD OAK
	127286-01-J60	EA	CABINET - OVERHEAD/TV/REAR - W/O DOORS/HARDWARE - WASHED MAPLE
	127286-01-J62	EA	CABINET - OVERHEAD/TV/REAR - W/O DOORS/HARDWARE - WHITE GRANITE
	127286-11-J20	EA	TRIM - OVERHEAD/REAR - TV CABINET - WATERFORD OAK
	127286-11-J60	EA	TRIM - OVERHEAD/REAR - TV CABINET - WASHED MAPLE
	127286-11-J62	EA	TRIM - OVERHEAD/REAR - TV CABINET - WHITE GRANITE



TV SHELF W/O REAR TV OPTION IN QUEEN BEDROOM FROM: 00-00-00 THRU: 09-28-97

KEY	PART NUMBER	U/M	DESCRIPTION
1	P23534-01-J20	EA	SHELF - TV - W/O TIEDOWN - F/QUEEN BED - WATERFORD OAK FROM: 00-00-00 THRU: 08-07-97
1	P23534-01-J60	EA	SHELF - TV - W/O TIEDOWN - F/QUEEN BED - WASHED MAPLE FROM: 00-00-00 THRU: 08-07-97
1	P23534-01-J62	EA	SHELF - TV - W/O TIEDOWN - F/QUEEN BED - WHITE GRANITE FROM: 00-00-00 THRU: 08-07-97
1	P23534-03-J94	EA	SHELF - TV - W/O TIEDOWN - QUEEN BED - WATERFORD OAK FROM: 08-08-97 THRU: 09-28-97
1	P23534-03-J60	EA	SHELF - TV - W/O TIEDOWN - QUEEN BED - WASHED MAPLE FROM: 08-08-97 THRU: 09-28-97
1	P23534-03-J62	EA	SHELF - TV - W/O TIEDOWN - QUEEN BED - WHITE GRANITE FROM: 08-08-97 THRU: 09-28-97
2	123534-12-H13	EA	WEDGE - TV SHELF - WATERFORD OAK
2	123534-12-J60	EA	WEDGE - TV SHELF - WASHED MAPLE
2	123534-12-J62	EA	WEDGE - TV SHELF - WHITE GRANITE

BEDROOM GROUP (CONTINUED)



TV SHELF W/O REAR TV OPTION IN QUEEN BEDROOM FROM: 09-29-97 THRU: 99-99-99

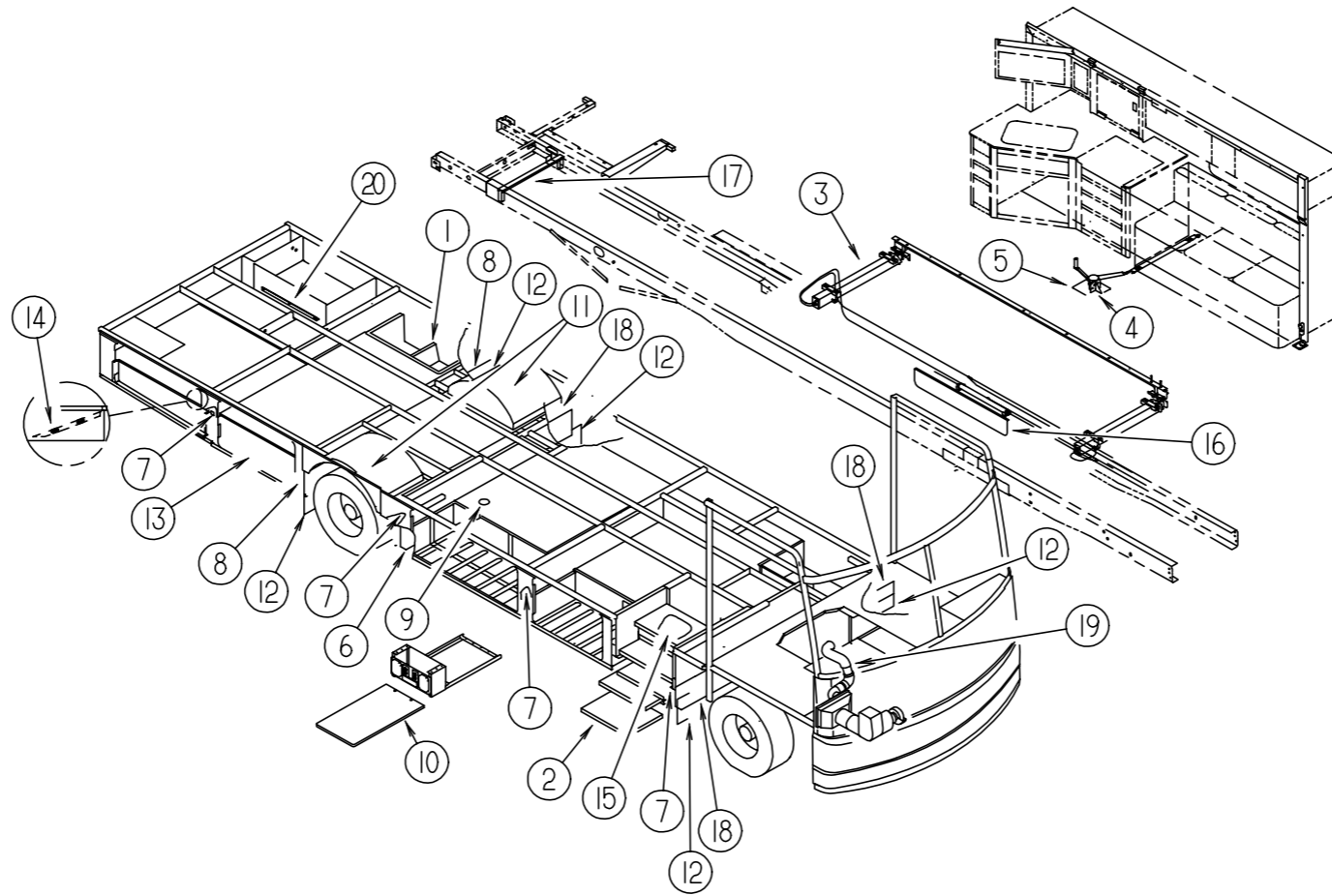
KEY	PART NUMBER	U/M	DESCRIPTION
1	127486-02-J94	EA	SHELF ASM-TV,QUEEN - WATERFORD OAK FROM: 09-29-97 THRU: 99-99-99
1	127486-02-J60	EA	SHELF ASM-TV,QUEEN - WASHED MAPLE FROM: 09-29-97 THRU: 99-99-99
1	127486-02-J62	EA	SHELF ASM-TV,QUEEN - WHITE GRANITE FROM: 09-29-97 THRU: 99-99-99
2	127486-22-J94	EA	WEDGE - TV SHELF - WATERFORD OAK
2	127486-22-J60	EA	WEDGE - TV SHELF - WASHED MAPLE
2	127486-22-J62	EA	WEDGE - TV SHELF - WHITE GRANITE

RADIO CABINET FOR QUEEN BEDROOM

KEY	PART NUMBER	U/M	DESCRIPTION
	126941-01-J94	EA	CABINET - F/RADIO - W/O DOORS/HARDWARE
	126941-01-J95	EA	CABINET - F/RADIO - W/O DOORS/HARDWARE
	126941-01-J96	EA	CABINET - F/RADIO - W/O DOORS/HARDWARE
	126941-01-J60	EA	CABINET - F/RADIO - W/O DOORS/HARDWARE
	126941-01-J61	EA	CABINET - F/RADIO - W/O DOORS/HARDWARE
	126941-01-J62	EA	CABINET - F/RADIO - W/O DOORS/HARDWARE
	126941-15-J60	EA	COUNTERTOP - RADIO CABINET (J94, J60)
	126941-15-J61	EA	COUNTERTOP - RADIO CABINET (J95, J61)
	126941-15-J62	EA	COUNTERTOP - RADIO CABINET (J96, J62)

CHASSIS GROUP

COMPARTMENTS, WHEEL WELLS, MUD FLAPS & FRAME



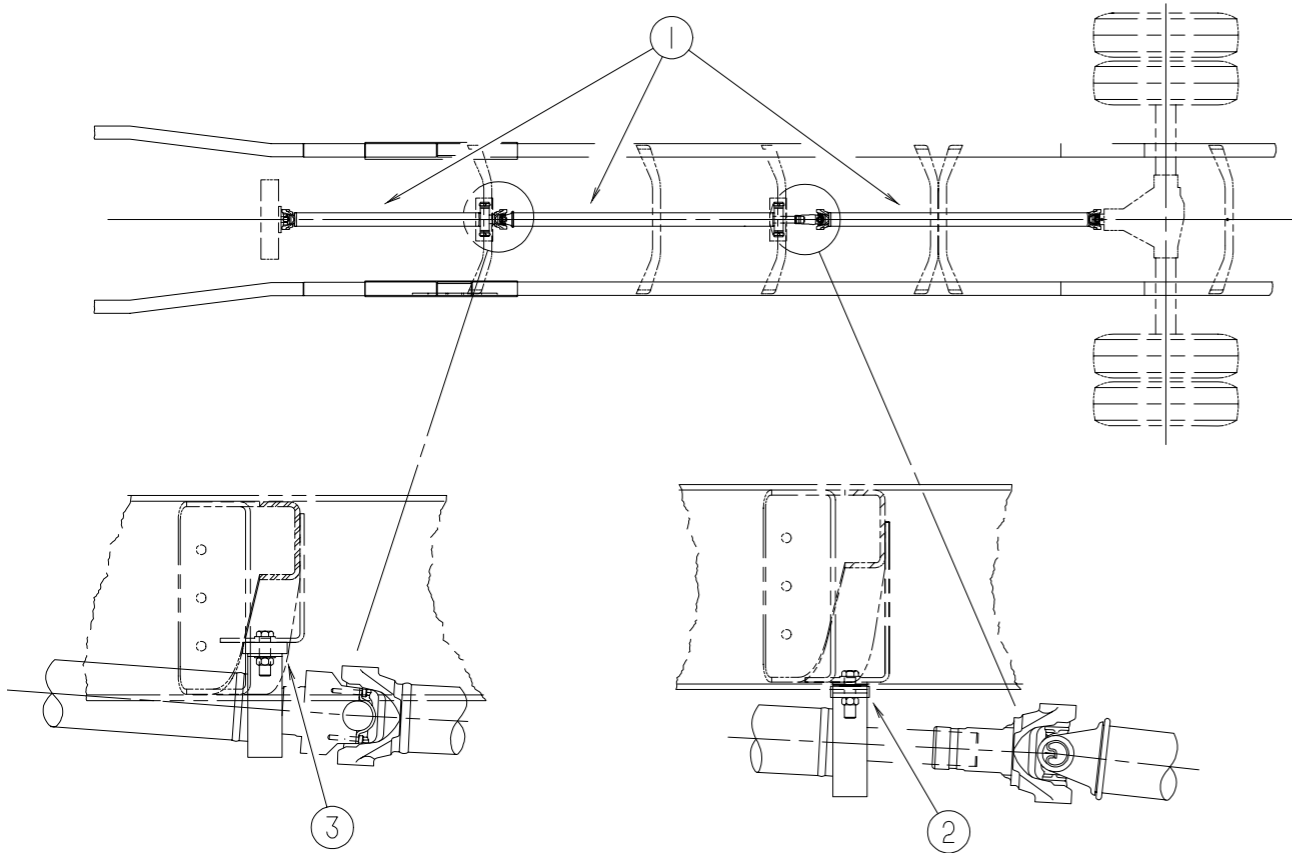
KEY	PART NUMBER	U/M	DESCRIPTION
1	126419-01-J60	EA	COMPARTMENT - DRAINAGE
	084852-51-003	EA	EXTRUDED - ANGLE - 1.25" X .75" X 15'
1	M08628-01-H17	EA	HATCH W/FOAM INSERT
1	121175-02-01A	EA	LATCH-SWELL
2*	094707-01-01A	EA	STEP - DOUBLE - ELECTRIC - KWIKEE
2	116995-01-000	EA	SWITCH/MAGNET - ELECTRIC STEP
3	125687-01-000	EA	SLIDEOUT - HYDRAULIC
	125687-01-700	EA	CYLINDER - HRDRAULIC
	125687-01-701	EA	HOSE - HYDRAULIC - 120"
4	115767-02-000	EA	WINCH - SLIDEOUT
5	116082-03-02B	EA	BRACKET - WINCH
6	020167-03-000	EA	DIRT GUARD - STEEL - 11" LONG
7	119845-01-01A	EA	PLUG - PLASTIC - BLACK
8	020167-08-000	EA	DIRT GUARD

VENDOR NO.
RAP13713
RAP13772

KEY	PART NUMBER	U/M	DESCRIPTION
9	061420-10-000	EA	PLUG/PLASTIC - 1.50" DIAMETER - BLACK
10	126125-01-J60	EA	TABLE - ENTERTAINMENT CENTER
11	055374-01-000	EA	WHEELWELL - PLASTIC
12	017516-01-000	EA	MUD FLAP - 14" X 18" - BLACK
13	P13380-01-01A	EA	PANEL - COVER SEAL
14	115392-01-01A	EA	STRAP - VELCRO (LUG WRENCH HOLDER)
	064219-01-000	EA	RETAINER - CHECK STRAP - DRIVER DOOR
15	065450-05-000	EA	TIEDOWN - BATTERY - 8.4" TUBE
15	064075-07-000	FT	SEAL - BULB - W/WIRED U CHANNEL - .3" X .5" CHANNEL - BLK
16	053322-10-000	EA	SHIELD - HEAT - EXHAUST - 48" X 7.5" - STEEL
17	093362-06-000	EA	CHANNEL - TIRE HOIST
18	020167-02-000	EA	DIRT GUARD
19	123361-01-000	EA	DUCT - AIR INTAKE
20	104803-01-000	EA	ANGLE - FORMED W/SLOTS

* COMPONENT PARTS FOUND IN SERVICE PARTS LIBRARY

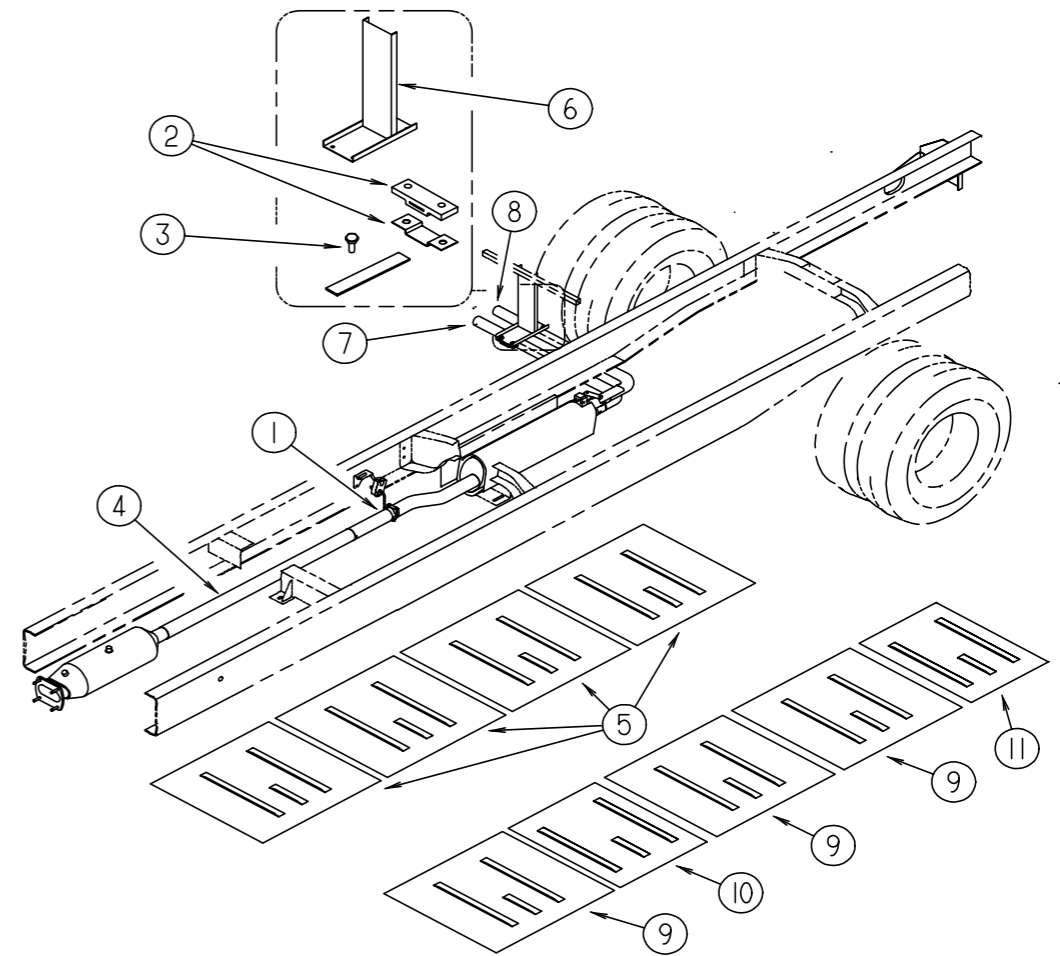
CHASSIS GROUP (CONTINUED)



FORD DRIVETRAIN

KEY	PART NUMBER	U/M	DESCRIPTION
1	075302-37-000	EA	DRIVESHAFT - BALANCED - 216 WHEELBASE - 97/98 FORD 7.5L, 17000 CHASSIS
1	129580-02-000	EA	DRIVESHAFT ASSEMBLY - 3 BALANCED - 99 FORD 6.8L, 20500 CHASSIS
2	074833 01 000	EA	SPACER - BEARING - DRIVESHAFT - 2" X 8" X - 99 FORD
3	074833 04 000	EA	SPACER - BEARING - DRIVESHAFT - 8" X 2" ST - 99 FORD

CHASSIS GROUP (CONTINUED)



1997/1998 FORD 7.5L, 17000 CHASSIS EXHAUST SYSTEM

KEY	PART NUMBER	U/M	DESCRIPTION
1	094918-06-000	EA	CLAMP - EXHAUST - 3" - HEAVY DUTY
2	095190-01-000	EA	HANGER - EXHAUST - 4" X 1.4"
3	096055-06-000	EA	SUPPORT - EXHAUST PIPE
4	098762-16-000	EA	PIPE - EXHAUST - STRAIGHT - 3" (208"-216"WHEELBASE 33')
5	101544-06-000	EA	SHIELD - HEAT/EXHAUST - 33.9" X 29.1" (208"-216" WHEELBASE 33')
6	118000-02-02B	EA	HANGER - TAILPIPE
6	118000-04-02B	EA	HANGER - TAILPIPE - E-COATED
7	122242-02-000	EA	PIPE - EXHAUST/TAIL - FRONT
7	129206-02-000	EA	PIPE/TAIL - EXHAUST - FORD
8	122243-02-000	EA	PIPE - EXHAUST/TAIL - REAR
8	129206-01 -000	EA	PIPE/TAIL - EXHAUST - FORD
9	101544-06-000	EA	SHIELD - HEAT/EXHAUST - 33.9" X 29.1" (228" WHEELBASE 34'/35'/36')
10	101544-02-000	EA	SHIELD - HEAT/EXHAUST - 30" X 29.1" (228" WHEELBASE 34'/35'/36')
11	101544-01-000	EA	SHIELD - HEAT/EXHAUST - 19.7" X 29.1" (228" WHEELBASE 34'/35'/36')
	007125-05-000	EA	CLAMP - MUFFLER - 2" DIAMETER

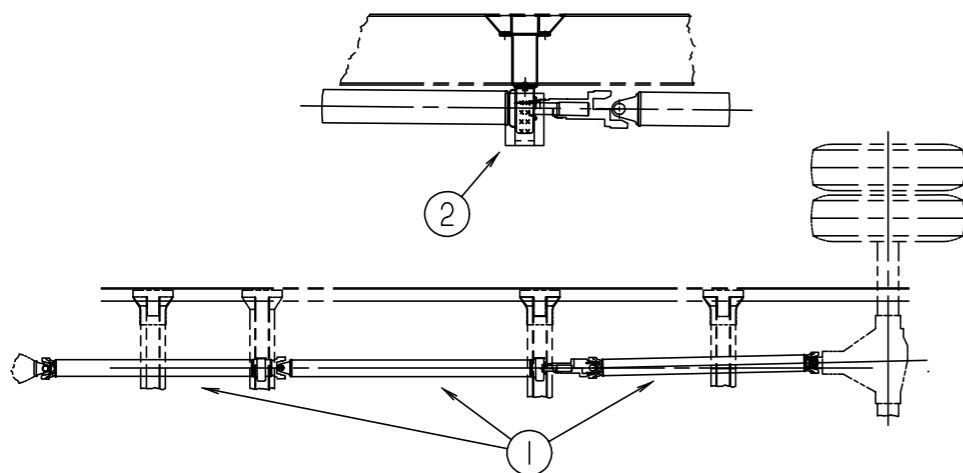
FROM: 00-00-00 THRU: 01-26-98

FROM: 01-27-98 THRU: 99-99-99

FROM: 00-00-00 THRU: 01-26-98

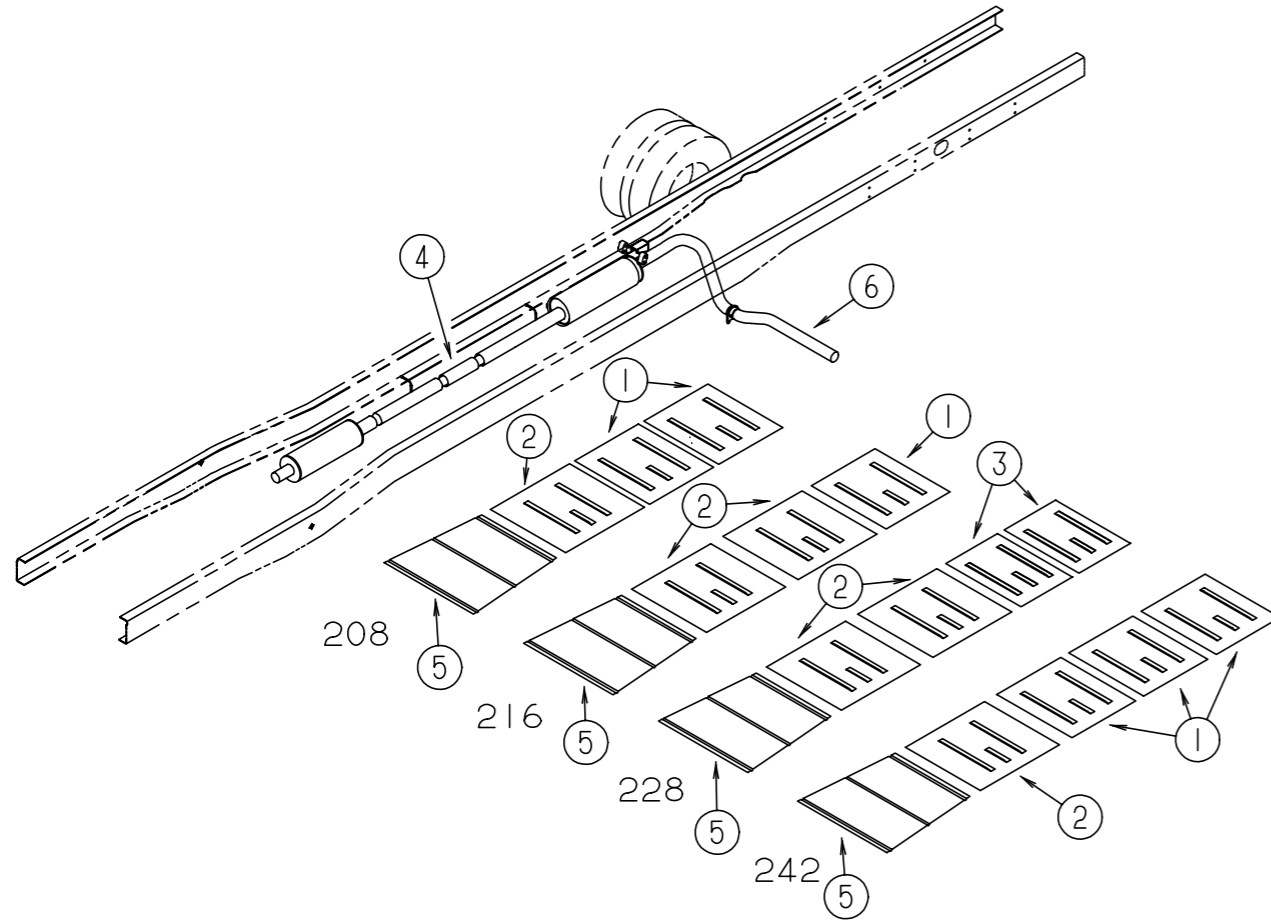
FROM: 01-27-98 THRU: 99-99-99

CHEVY DRIVETRAIN



KEY	PART NUMBER	U/M	DESCRIPTION
1	075302-29-000	EA	DRIVESHAFT ASSEMBLY - 3 PIECES BALANCED - CHEVY 216"
2	083415-01-000	EA	SHIELD - HEAT - DRIVESHAFT BEARING - 4" X 5.5" - STEEL - CHEVY

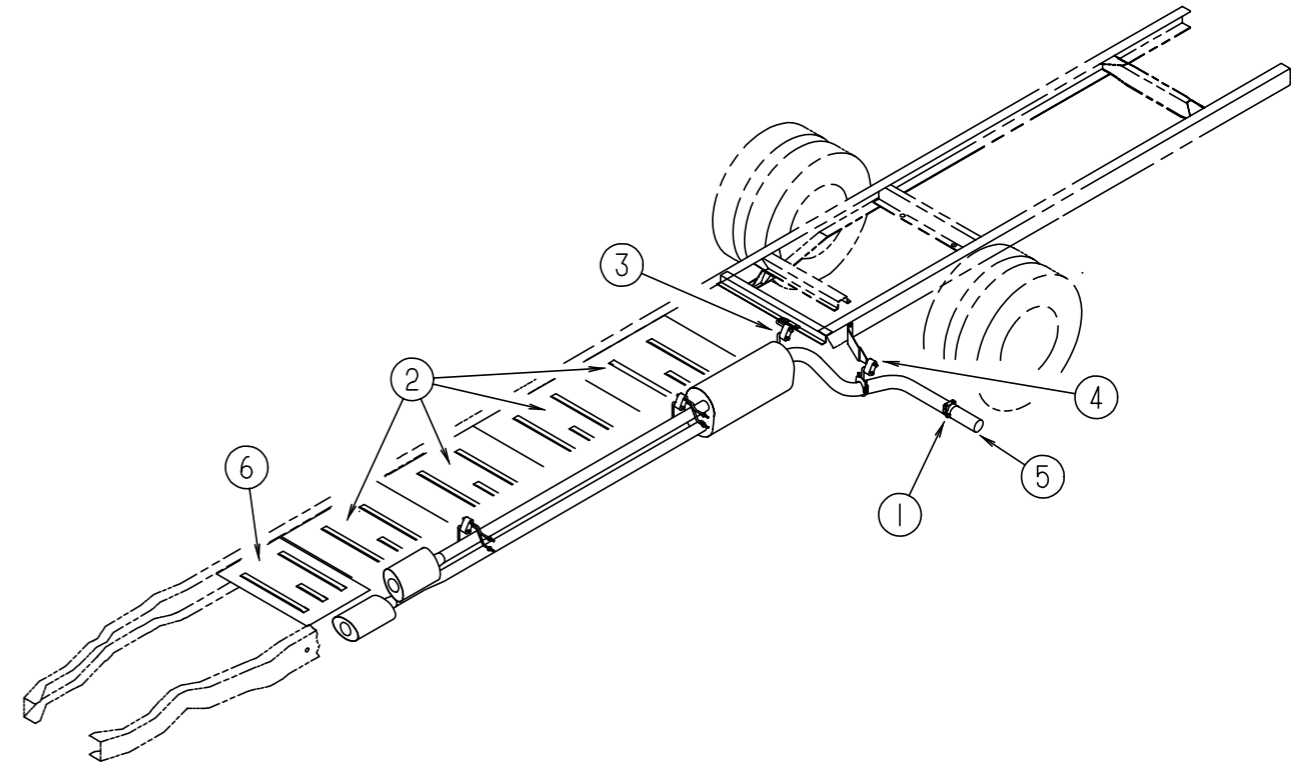
CHASSIS GROUP (CONTINUED)



1999 FORD 6.8L, 20500 CHASSIS EXHAUST SYSTEM

KEY	PART NUMBER	U/M	DESCRIPTION
1	101544-02-000	EA	SHIELD - HEAT/EXHAUST - 30" X 29.1" (208"-216"WHEELBASE 33')
2	101544-06-000	EA	SHIELD - HEAT/EXHAUST - 33.9" X 29.1"
3	101544-10-000	EA	SHIELD - HEAT/EXHAUST (228" WHEELBASE 34' CHASSIS)
4	098762-08-000	EA	PIPE - EXHAUST - STRAIGHT (208"-216"WHEELBASE 33')
4	112012-04-000	EA	PIPE - EXHAUST - 76.2" DIAMETER (208"-216"WHEELBASE 33' CHASSIS) FROM: 00-00-00 THRU: 05-31-98
4	NA	EA	PIPE - EXHAUST - CHASSIS PROVIDED (228" WHEELBASE 34' CHASSIS) FROM: 06-01-98 THRU: 99-99-99
4	112012-05-000	EA	PIPE - EXHAUST - 76.2" DIAMETER (228"-242"WHEELBASE 36' CHASSIS)
5	128756-01-02B	EA	SHIELD - HEAT EXHAUST - E-COATED
6	NA	EA	PIPE - EXHAUST - CHASSIS PROVIDED (216'-228" WHEELBASE 33'/34' CHASSIS)
6	129726-01-000	EA	PIPE - EXHAUST - FORD (228"-242"WHEELBASE 36' CHASSIS)

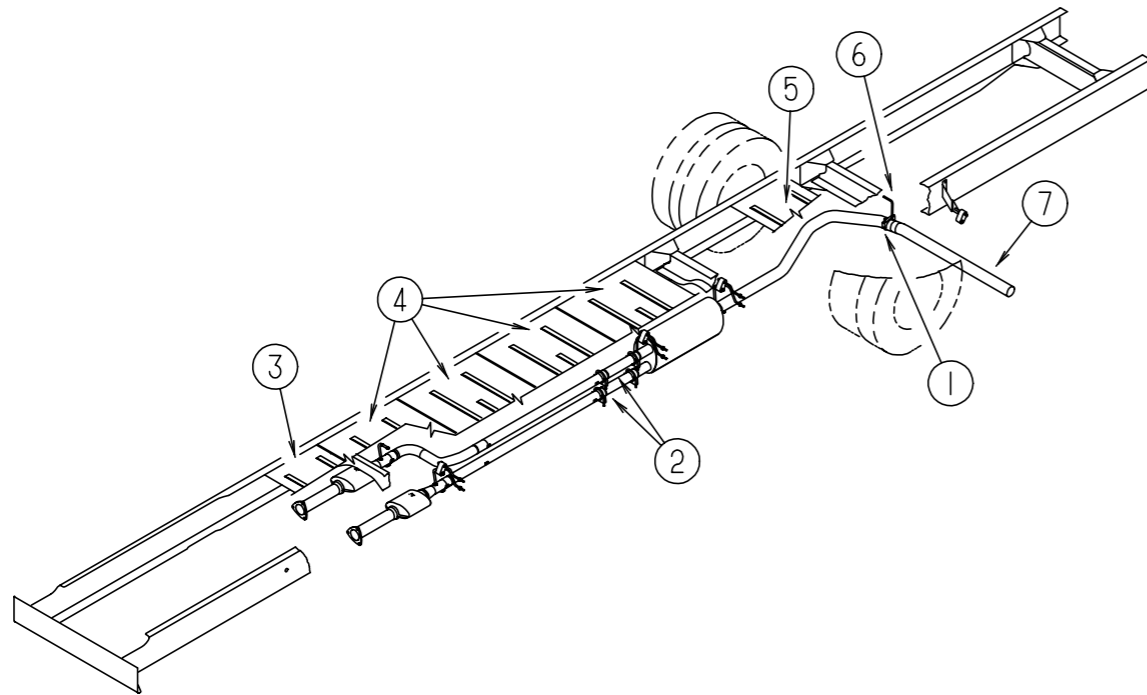
CHASSIS GROUP (CONTINUED)



CHEVY L29, 7.4L, 16500 CHASSIS EXHAUST SYSTEM

KEY	PART NUMBER	U/M	DESCRIPTION
1	094918-01-000	EA	CLAMP - EXHAUST - 3" - GUILLOTINE STYLE
2	101544-02-000	EA	SHIELD - HEAT/EXHAUST - 30" X 29.1"
3	122392-01-02B	EA	HANGER - TAILPIPE
4	122392-03-02B	EA	HANGER - TAILPIPE - REAR
5	122529-02-000	EA	PIPE - EXHAUST
6	101544-01-000	EA	SHIELD - HEAT/EXHAUST - 19.7" X 29.1" (ALL BUT 216 WHEELBASE ON 33')

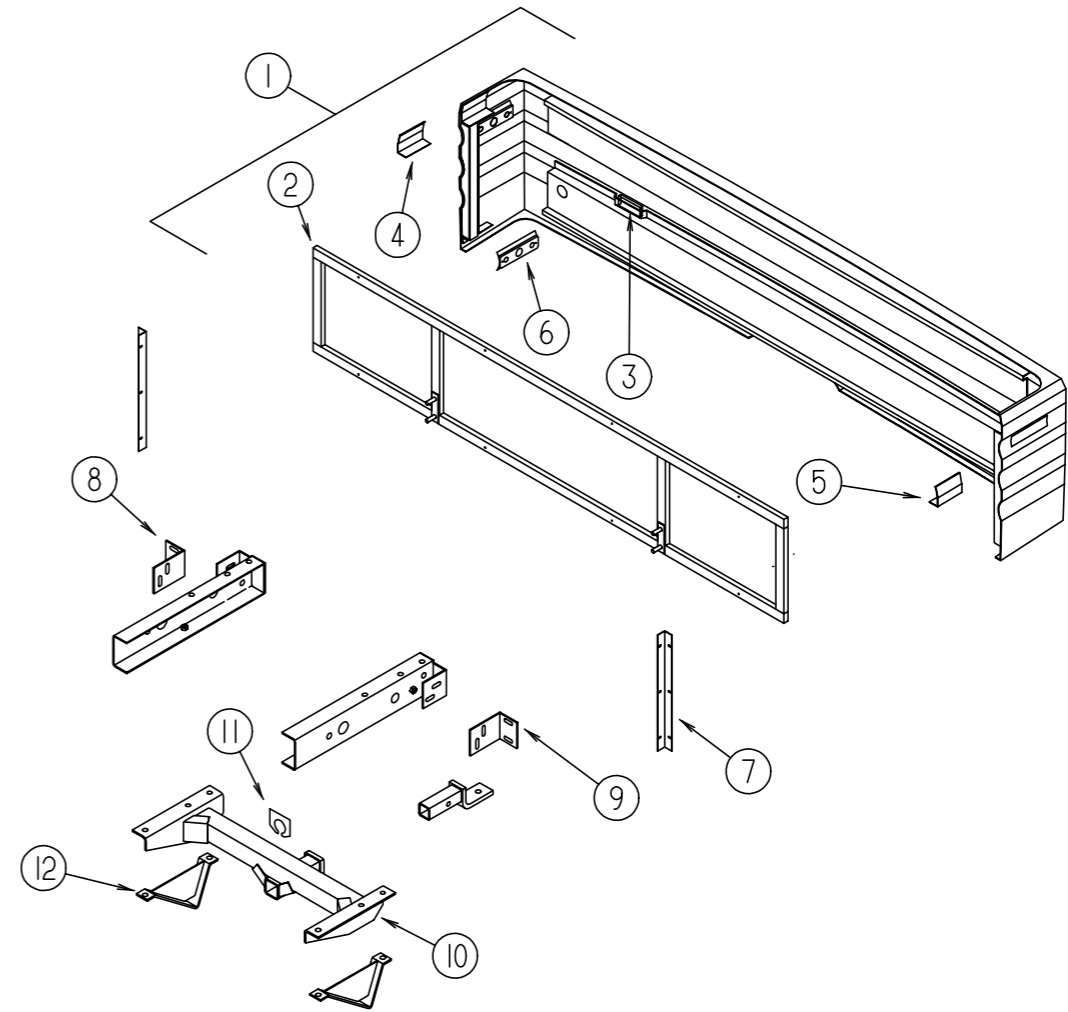
CHASSIS GROUP (CONTINUED)



HDGM CHEVY P12, 7.4L, 21000 CHASSIS EXHAUST SYSTEM

KEY	PART NUMBER	U/M	DESCRIPTION
	007125-07-000	EA	CLAMP - MUFFLER - 2.5" DIAMETER
1	094918-01-000	EA	CLAMP - EXHAUST - 3" - GUILLOTINE STYLE
2	098762-21-000	EA	PIPE - EXHAUST - STRAIGHT - 2.5" - 219" WHEELBASE (L34/L35)
2	098762-22-000	EA	PIPE - EXHAUST - STRAIGHT - 2.5" - 233" WHEELBASE (L36)
3	101544-01-000	EA	SHIELD - HEAT/EXHAUST - 19.7" X 29.1"
4	101544-02-000	EA	SHIELD - HEAT/EXHAUST - 30" X 29.1"
5	101544-01-000	EA	SHIELD - HEAT/EXHAUST - 19.7" X 29.1"
6	122392-05-02B	EA	HANGER - TAILPIPE - FRONT
6	122392-06-02B	EA	HANGER - TAILPIPE - E-COATED
			FROM: 05-20-98 THRU: 99-99-99
7	128754-01-000	EA	PIPE - EXHAUST - TAIL

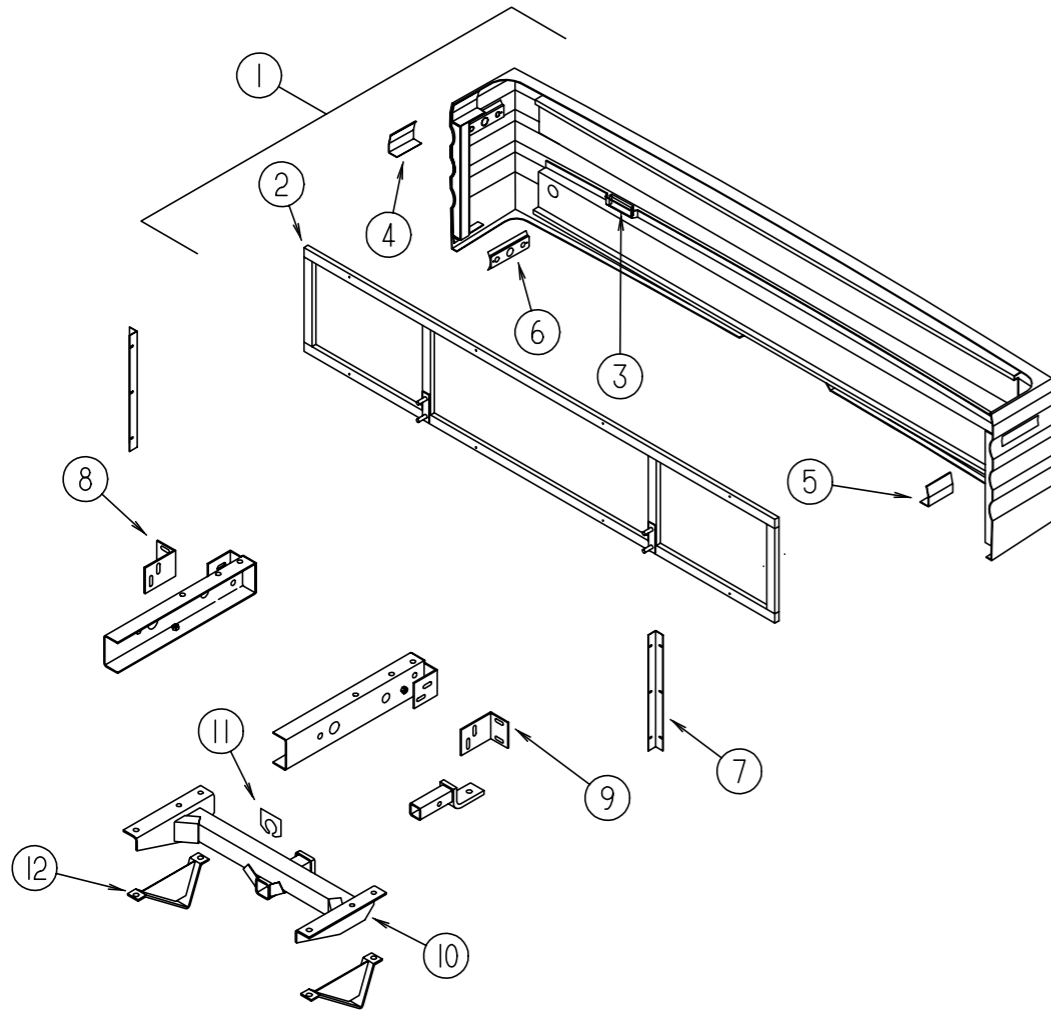
CHASSIS GROUP (CONTINUED)



REAR BUMPER & TRAILER HITCH

KEY	PART NUMBER	U/M	DESCRIPTION
1	M08673-03-J60	EA	BUMPER - REAR
	M08673-04-J60	EA	BUMPER - REAR - F/HEAVY DUTY GM CHASSIS
2	118833-01-02B	EA	FRAME - BUMPER/REAR
2	118833-02-02B	EA	FRAME - BUMPER/REAR - HEAVY DUTY GM CHASSIS
3	104319-51-007	EA	EXTRUDED - FRAME - GRILLE - 4"
4	124837-01-01A	EA	SUPPORT - BUMPER - REAR/PASS
4	124837-03-01A	EA	SUPPORT - BUMPER - REAR/PASS - HEAVEY DUTY GM CHASSIS
5	124837-02-01A	EA	SUPPORT - BUMPER - REAR/DRIVER
5	124837-04-01A	EA	SUPPORT - BUMPER - REAR/DRIVER - HEAVY DUTY GM CHASSIS
6	125541-01-01A	EA	POCKET - LIGHT - SIDE MARKER
7	113041-08-02B	EA	ANGLE - MOUNT/BUMPER - FORD
			FROM: 00-00-00 THRU: 10-18-97
7	113041-07-02B	EA	ANGLE - MOUNT/BUMPER - FORD
			FROM: 10-19-98 THRU: 12-04-98
7	113041-03-02B	EA	ANGLE - MOUNT/BUMPER - FORD
			FROM: 12-05-97 THRU: 99-99-99
7	113041-08-02B	EA	ANGLE - MOUNT/BUMPER - GM
			FROM: 00-00-00 THRU: 12-04-97
7	113041-03-02B	EA	ANGLE - MOUNT/BUMPER - GM
			FROM: 12-05-97 THRU: 99-99-99

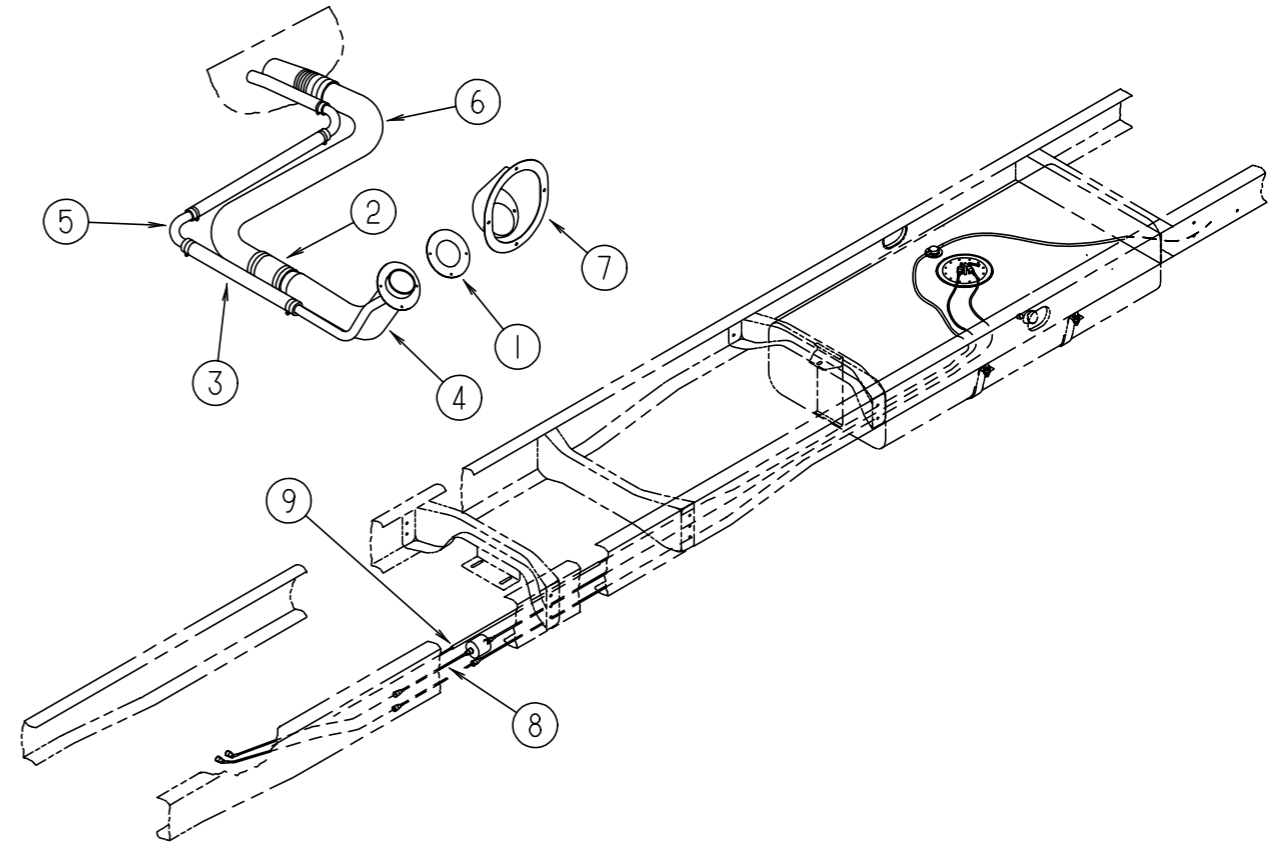
CHASSIS GROUP (CONTINUED)



REAR BUMPER & TRAILER HITCH (CONTINUED)

KEY	PART NUMBER	U/M	DESCRIPTION
8	107524-01-000	EA	ANGLE - BUMPER - INNER/RIGHT HAND
9	107524-02-000	EA	ANGLE - BUMPER - INNER/LEFT HAND
10	107707-01-000	EA	HITCH RECEIVER - BOLT-ON CLASS II - FORD FROM: 00-00-00 THRU: 05-10-98
10	130339-01-000	EA	HITCH RECEIVER - BOLT-ON CLASS II - FORD FROM: 05-11-98 THRU: 99-99-99
10	117313-03-04B	EA	HITCH RECEIVER - BOLT ON CLASS III - HD GM FROM: 00-00-00 THRU: 06-14-98
10	130339-02-000	EA	HITCH RECEIVER - BOLT ON CLASS III - HD GM FROM: 06-15-98 THRU: 99-99-99
11	113588-02-01B	EA	BRACKET - CONNECTOR - TRAILER W/O LIP
11	113588-01-01B	EA	BRACKET - CONNECTOR - TRAILER W/LIP - HEAVY DUTY GM CHASSIS
12	111742-01-000	EA	PLATE - SKID
	113589-01-000	EA	CONNECTOR - PLUG - TRAILER
	113589-02-000	EA	CONNECTOR - SOCKET - TRAILER

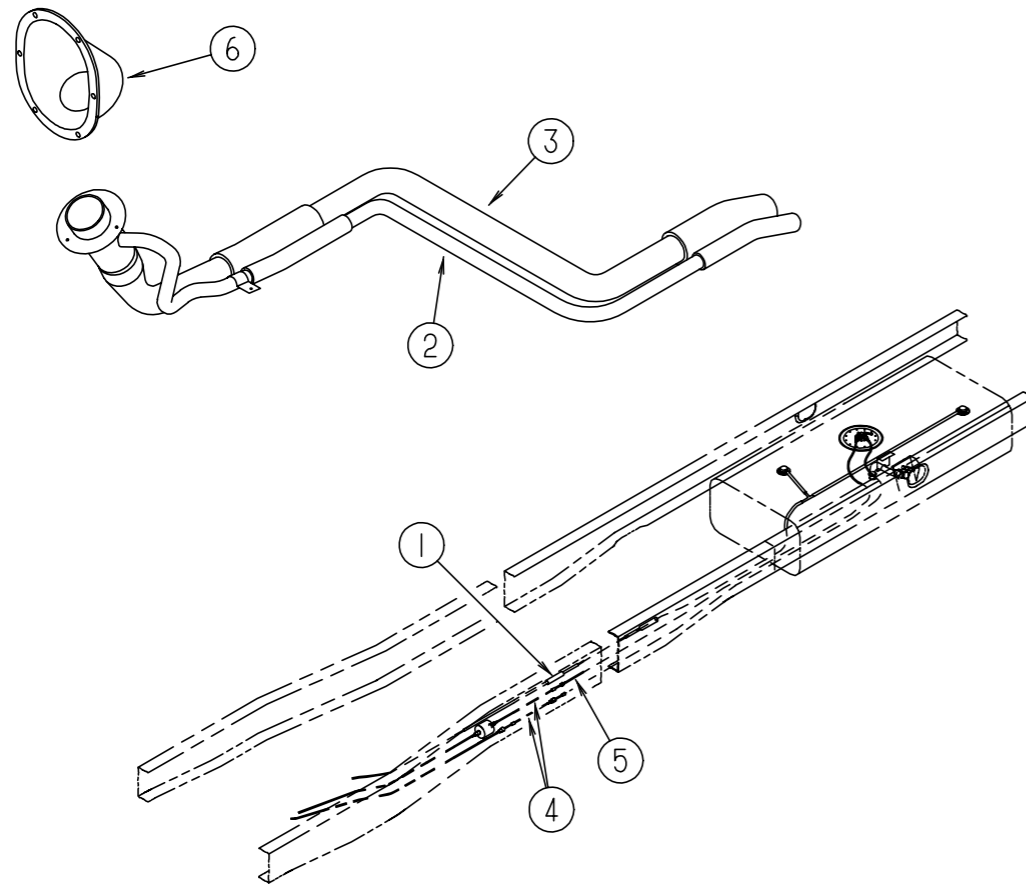
CHASSIS GROUP (CONTINUED)



1997/1998 FORD 7.5L, 17000 CHASSIS FUEL SYSTEM

KEY	PART NUMBER	U/M	DESCRIPTION
1	078200-01-000	EA	GASKET - FUEL FILL - 3.5" OD X 2" ID
2	007111-02-000	EA	HOSE - FUEL FILL - 2" ID
	044317-01-000	FT	HOSE - FUEL - 3/8" ID
3	066732-01-000	FT	HOSE - FUEL .62" ID
4	087256-07-000	EA	NECK - FUEL FILL
5	098806-01-000	EA	PIPE - FILL VENT - 90 DEGREE BEND - .635 OD - STEEL
6	100140-03-000	EA	TUBE - FUEL INLET
7	102951-01-01A	EA	SHROUD - FUEL FILL - UNFINISHED FROM: 00-00-00 THRU: 01-05-98
7	095854-01-01A	EA	SHROUD - FUEL FILL - UNFINISHED FROM: 01-06-98 THRU: 99-99-99
8	106389-09-000	EA	FUEL LINE - FORD - 3/8 HP
9	007063-01-000	FT	HOSE - FUEL - 1/4" ID X 1/2" OD
	084884-01-000	EA	PLUG - BRASS - 3/8"
	092889-17-000	EA	FUEL LINE - SUPPLY - GENERATOR - 1/4" X 85.4" - STEEL

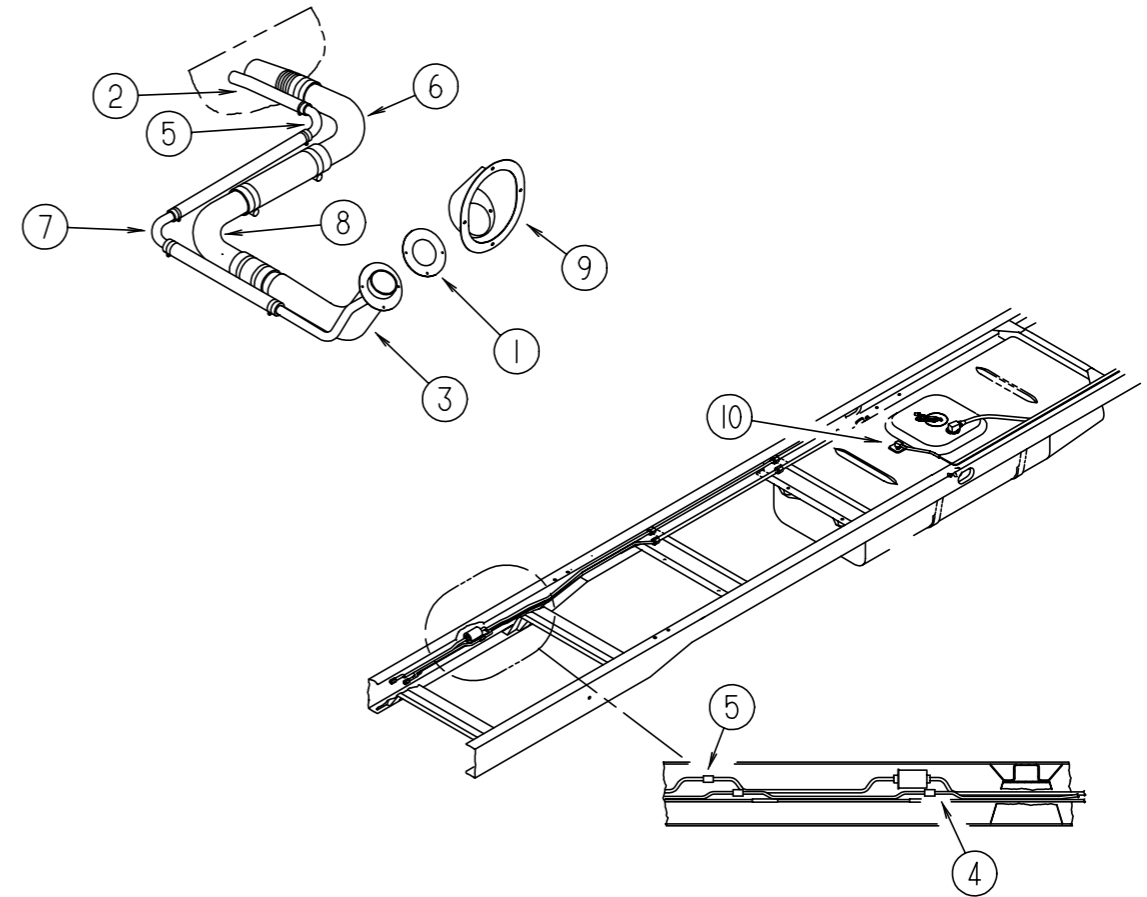
CHASSIS GROUP (CONTINUED)



1999 FORD 6.8L, 20500 CHASSIS FUEL SYSTEM

KEY	PART NUMBER	U/M	DESCRIPTION
	044317-01-000	FT	HOSE - FUEL - 3/8" ID
1	128139-02-000	FT	HOSE - FUEL - LOW PERMEABILITY - 5/8" DIAMETER
2	129320-03-000	EA	PIPE - VENT - FILL (L36WL)
2	129320-05-000	EA	PIPE - VENT - FILL (L33WB, L34WY, L35WH)
2	129320-09-000	EA	PIPE - VENT - FILL (L35U, L35C)
3	129321-03-000	EA	TUBE - FUEL INLET (L36WL)
3	129321-05-000	EA	TUBE - FUEL INLET (L35U, L35C)
3	129321-09-000	EA	TUBE - FUEL INLET (L33WB, L34WY, L35WH)
4	129494-01-000	EA	FUEL LINE - 5/16" X 9.3" - FORD CHASSIS
4	129494-02-000	EA	FUEL LINE - 5/15" X 34.9" - FORD CHASSIS
4	129494-03-000	EA	FUEL LINE - 5/16" X 21.2" - FORD CHASSIS
5	129505-01-000	EA	TUBE - STEEL - 5/8" X 7.5"
5	129505-02-000	EA	TUBE - STEEL - 5/8" X 13.5"
5	129505-03-000	EA	TUBE - STEEL - 5/8" X 19.5"
6	127291-02-01A	EA	SHROUD - FUEL FILL
	007063-01-000	FT	HOSE - FUEL - 1/4" ID X 1/2" OD
	092889-17-000	EA	FUEL LINE - SUPPLY - GENERATOR - 1/4" X 85.4" - STEEL

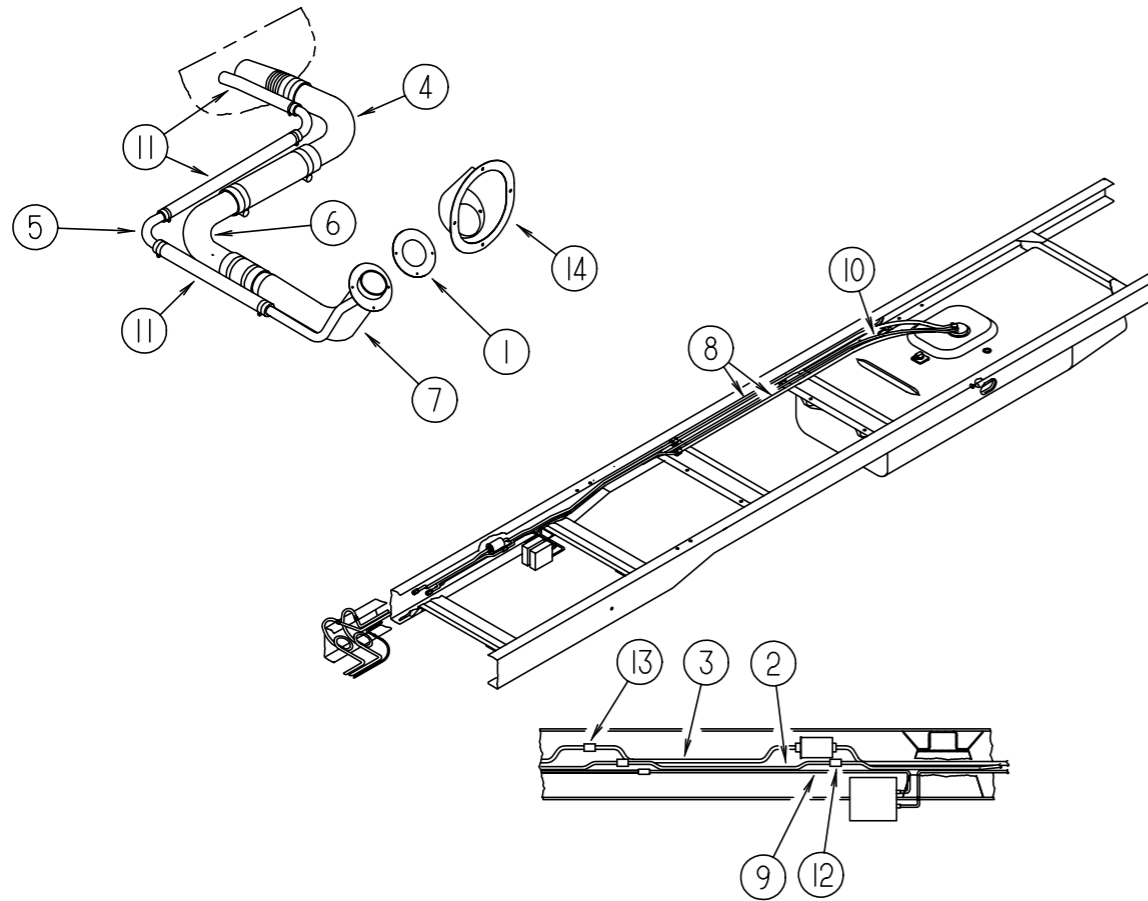
CHASSIS GROUP (CONTINUED)



CHEVY L29, 7.4L, 16500 CHASSIS FUEL SYSTEM

KEY	PART NUMBER	U/M	DESCRIPTION
1	078200-01-000	EA	GASKET - FUEL FILL - 3.5" OD X 2" ID
	044317-01-000	FT	HOSE - FUEL - 3/8" ID
	084884-01-000	EA	PLUG - BRASS - 3/8"
	007063-01-000	FT	HOSE - FUEL - 1/4" ID X 1/2" OD
2	066732-01-000	FT	HOSE - FUEL .62" ID
3	087256-10-000	EA	NECK - FUEL FILL
4	098779-01-000	EA	COUPLER - FUEL LINE (STRETCHED 208"-216" WHEELBASE CHASSIS ONLY)
5	098779-02-000	EA	COUPLER - FUEL LINE (STRETCHED 208"-216" WHEELBASE CHASSIS ONLY)
6	098803-01-000	EA	PIPE - FUEL FILL - 90 DEGREE BEND - 13.2" - 1 3/4" OD
7	098806-01-000	EA	PIPE - FILL VENT - 90 DEGREE BEND - .635 OD - STEEL
8	098807-01-000	EA	PIPE - FUEL FILL - 90 DEGREE BEND - 6.6" - 1 3/4" OD
9	102951-01-01A	EA	SHROUD - FUEL FILL - UNFINISHED
10	068382-06-000	EA	BUSHING - BRASS - 3/8 MPT X 1/8 FPT
10	114254-01-000	EA	ADAPTER - 1/4 BARB X 1/8 MPT
	092889-30-000	EA	FUEL LINE - SUPPLY - GENERATOR - 1/4" X 69.7" - STEEL

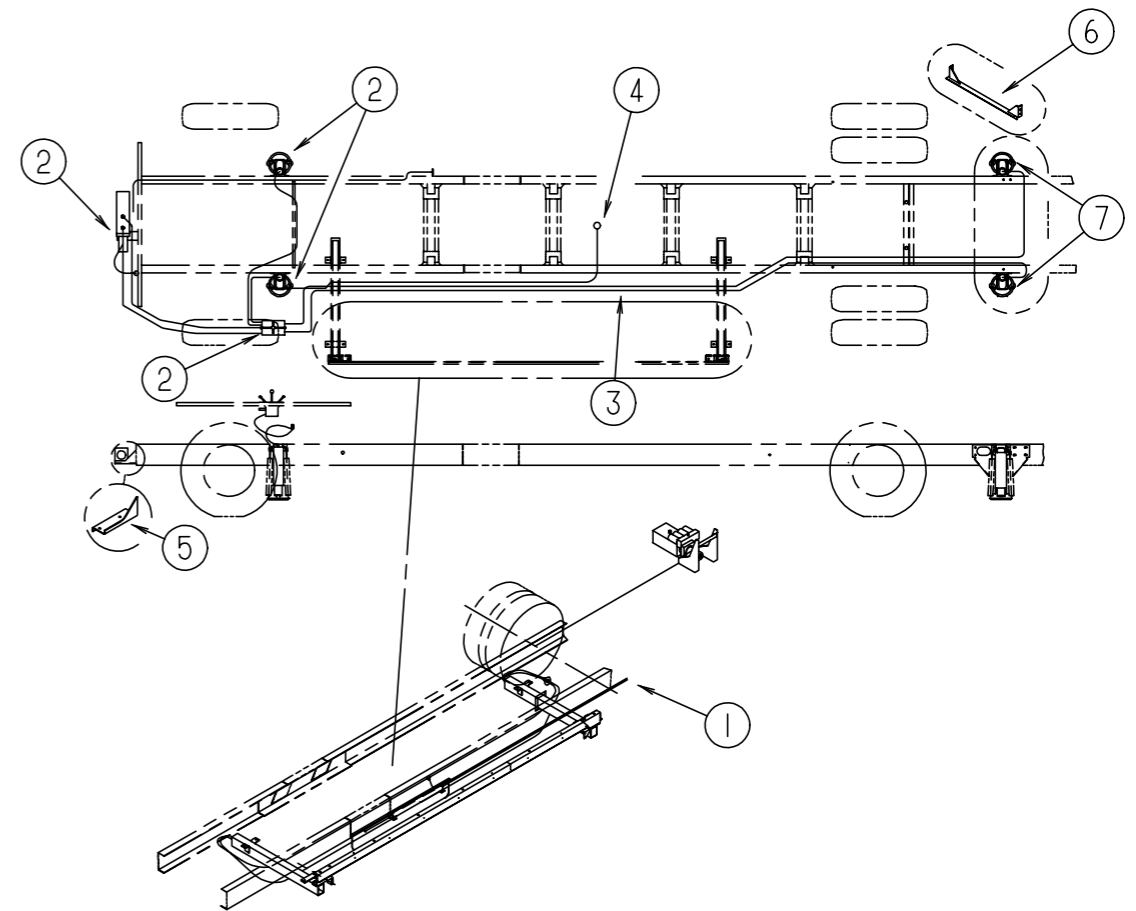
CHASSIS GROUP (CONTINUED)



HDGM CHEVY P12, 7.4L, 21000 CHASSIS FUEL SYSTEM

KEY	PART NUMBER	U/M	DESCRIPTION
1	078200-01-000	EA	GASKET - FUEL FILL - 3.5" OD X 2" ID
	044317-01-000	FT	HOSE - FUEL - 3/8" ID
2	098758-01-000	EA	FUEL LINE - RETURN - 5/16" STEEL X 14" LONG W/14MM NUTS
2	098758-07-000	EA	FUEL LINE - RETURN - 5/16" STEEL X 10" LONG W/14MM NUTS
3	098759-01-000	EA	FUEL LINE - SUPPLY - 3/8" STEEL X 14" LONG W/16MM NUTS
3	098759-07-000	EA	FUEL LINE - SUPPLY - 3/8" STEEL X 10" LONG W/16MM NUTS
4	098803-01-000	EA	PIPE - FUEL FILL - 90 DEGREE BEND - 13.2" - 1 3/4" OD
5	098806-01-000	EA	PIPE - FILL VENT - 90 DEGREE BEND - .635 OD - STEEL
6	098807-01-000	EA	PIPE - FUEL FILL - 90 DEGREE BEND - 6.6" - 1 3/4" OD
7	127301-03-000	EA	NECK - FUEL FILL - GASS
7	127301-04-000	EA	NECK - FUEL FILL - DIESEL
8	127391-01-000	EA	FUEL LINE - DOUBLE (3/8" FEED/5/16" RETURN) 70" - GM CHASS
9	127392-01-000	EA	HOSE - VAPOR/EMMISSION - 5/16" X 32.5" W/ENDS - GM CHASSIS
9	127392-02-000	EA	HOSE - EVAPORATOR TO EMISSIONS CANISTER
10	127393-01-000	EA	HOSE - FUEL VAPOR/EMISSION - 64" - GM CHASSIS
	128139-01-000	FT	HOSE - FUEL - LOW PERMEABILITY
11	128139-02-000	FT	HOSE - FUEL - LOW PERMEABILITY - 5/8" DIAMETER
	128139-03-000	FT	HOSE - FUEL - LOW PERMEABILITY - 1/4" DIAMETER
12	098779-01-000	EA	COUPLER - FUEL LINE (STRETCHED 208"-216" WHEELBASE CHASSIS ONLY)
13	098779-02-000	EA	COUPLER - FUEL LINE (STRETCHED 208"-216" WHEELBASE CHASSIS ONLY)
14	128299-01-01A	EA	SHROUD - FUEL FILL - UNFINISHED (CHASSIS SUPPLIED)
	068382-06-000	EA	BUSHING - BRASS - 3/8 MPT X 1/8 FPT
	114254-01-000	EA	ADAPTER - 1/4 BARB X 1/8 MPT

CHASSIS GROUP (CONTINUED)

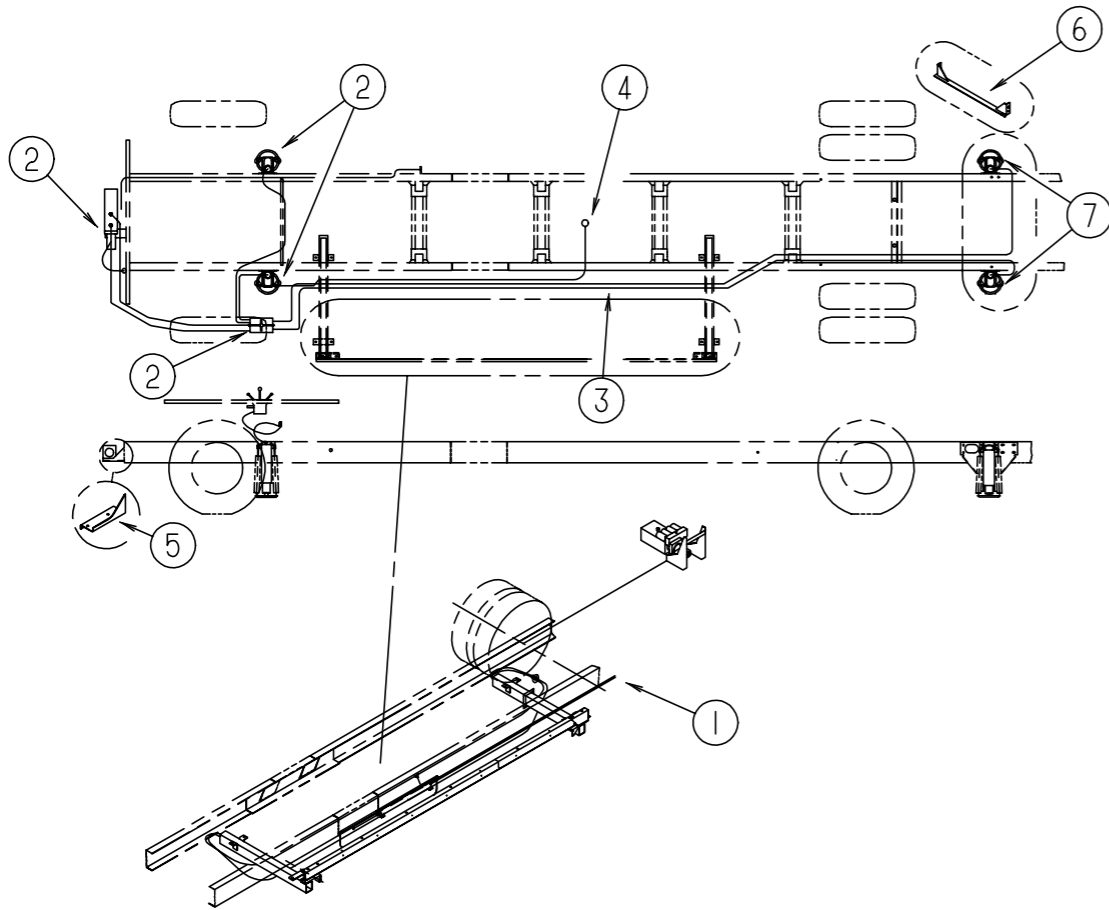


FORD HWH HYDRAULIC LEVELING SYSTEM

KEY	PART NUMBER	U/M	DESCRIPTION	VENDOR NO.
1	100536-29-000	EA	HOSE KIT - SLIDEOUT ROOM	
				FROM: 00-00-00 THRU: 08-19-97
	100536-14-700	EA	HOSE-HYDRAULIC-288"	RAP4063
	100536-29-700	EA	HOSE-HYDRAULIC-280"	RAP4729
1	100536-42-000	EA	HOSE KIT - SLIDEOUT	
				FROM: 08-20-97 THRU: 99-99-99
	100536-42-700	EA	HOSE - HYDRAULIC - 168"	RAP6115
	100536-42-701	EA	HOSE - HYDRAULIC - 175"	RAP90350
	123264-01-000	EA	TEE - UNION - 1/4" X 1/4" X 1/4"	
2	100532-40-000	EA	LEVELING SYSTEM - HYDRAULIC - FRONT & REAR JACKS	
				FROM: 00-00-00 THRU: 02-22-98
2	100532-52-000	EA	LEVELING SYSTEM - HYDRAULIC - F/SLIDEOUT SYSTEM - FRONT JACKS LNLLY	
				FROM: 02-23-98 THRU: 99-99-99
	100532-01-713	EA	PUMP-RESERVOIR ASM.-MONARCH	RAP90014
	100532-03-710	EA	SENSING UNIT 21' MTA	RAP6798
	100532-03-715	EA	CAP-BREATHER W/DIPSTICK	RAP7876
	100532-03-722	EA	O-RING KIT	R7430
				FROM: 02-23-98 THRU: 99-99-99
	100532-03-723	EA	MANIFOLD HDW MTG KIT	RAP9171
	100532-08-702	EA	VALVE, BI-AXIS	RAP9589
	100532-08-703	EA	PANEL ASM.-200 BI-AXIS SYS.	RAP9755
	100532-08-705	EA	KNOB-3/4" BLACK, SET OF FOUR	RAP1379
	100532-08-706	EA	KNOB-1 3/16" BLACK	RAP9734

CHASSIS GROUP (CONTINUED)

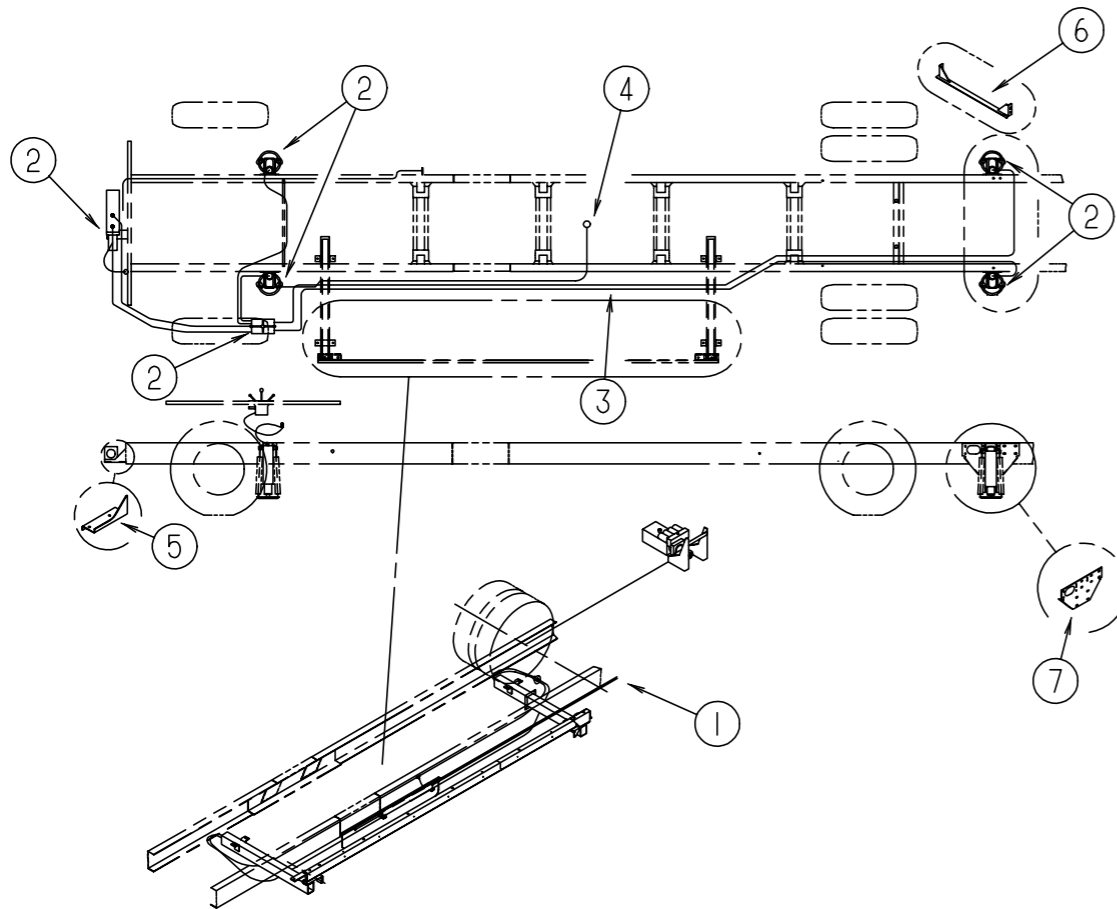
FORD HWH HYDRAULIC LEVELING SYSTEM (CONTINUED)



KEY	PART NUMBER	U/M DESCRIPTION	VENDOR NO.
	100532-08-707	EA BEZEL W/GASKET, F/SYSTEM 200	RAP9592
	100532-09-704	EA VALVE-PRESSURE SOLENOID	RAP0642
	100532-09-710	EA SOLENOID-INTERMITTENT DUTY	RAP0533
	100532-12-706	EA SWITCH - WARNING/MAGNETIC	RAP1008
	100532-12-707	EA SPRING KIT	R3847
	100532-16-700	EA JACK ASM. 6K, STATIONARY	RAP0468
	100532-16-701	EA MANIFOLD ASM. F/SLIDE OUT	FROM: 00-00-00 THRU: 02-22-98 RAP1716
	100532-18-700	EA JACK - 9K STRAIGHT ACTING	RAP90177
	100532-31-701	EA CHECK VALVE & KIT	FROM: 00-00-00 THRU: 02-22-98 RAP10021
	100532-31-702	EA O-RING/SEAL KIT - MANIFOLD	RAP90127
	100532-32-701	EA BUZZER - JACK DOWN WARNING	RAP0325
	100532-32-702	EA CYLINDER ONLY F/9000 LB JACK	FROM: 00-00-00 THRU: 02-22-98 RAP1927
	100532-32-703	EA BUZZER - JACK WARNING	FROM: 00-00-00 THRU: 02-22-98 RAP90403
	100532-37-701	EA PUMP/RESERVOIR/MANIFOLD ASM	FROM: 02-23-98 THRU: 99-99-99 RAP13232
	100532-45-700	EA CYLINDER W/O FOOT - 6K X 13"	RAP90490
	100532-47-701	EA VALVE - BI-AXIS - W/O LEVERS	FROM: 02-23-98 THRU: 99-99-99 RAP0367
	100532-51-700	EA JACK - 6K STAIGHT ACTING	FROM: 02-23-98 THRU: 99-99-99 RAP90502
	100532-53-700	EA CYLINDER ASM. - 9K	FROM: 02-23-98 THRU: 99-99-99 RAP90491
3	100536-10-000	EA HOSE KIT - HWH #AP0012	FROM: 02-23-98 THRU: 99-99-99
	100536-09-700	EA HOSE-HYDRAULIC-324"	AP2464
	100536-09-701	EA HOSE-HYDRAULIC-60"	RAP4073
	100536-09-702	EA HOSE-HYDRAULIC-354"	RAP4311
	100536-10-700	EA HOSE-HYDRAULIC-84"	RAP1412
	100536-10-701	EA HOSE-HYDRAULIC-116"	RAP5384
	107890-01-000	EA ELBOW - STEEL - 90 D - 1/4 X 37 D - FLARE	
4	117183-01-02B	EA COVER - SENSOR - LEVELING	
5	120916-01-02B	EA BRACKET - PUMP - LEVELING SYSTEM	FROM: 00-00-00 THRU: 02-22-98
6	121651-01-02B	EA CROSSMEMBER - REAR JACK MOUNTING	FROM: 00-00-00 THRU: 02-22-98
7	100532-40-000	EA LEVELING SYSTEM - HYDRAULIC - FRONT & REAR JACKS	FROM: 00-00-00 THRU: 02-22-98
7	100532-52-000	EA LEVELING SYSTEM - HYDRAULIC - F/SLIDEOUT SYSTEM - FRONT JACKS LNLLY	FROM: 00-00-00 THRU: 02-22-98
7	128571-03-000	EA JACK ASSEMBLY - REAR LEVELING - W/CROSSMEMBER - MANUAL - REAR ONLY	FROM: 02-23-98 THRU: 99-99-99
			FROM: 02-23-98 THRU: 99-99-99

CHASSIS GROUP (CONTINUED)

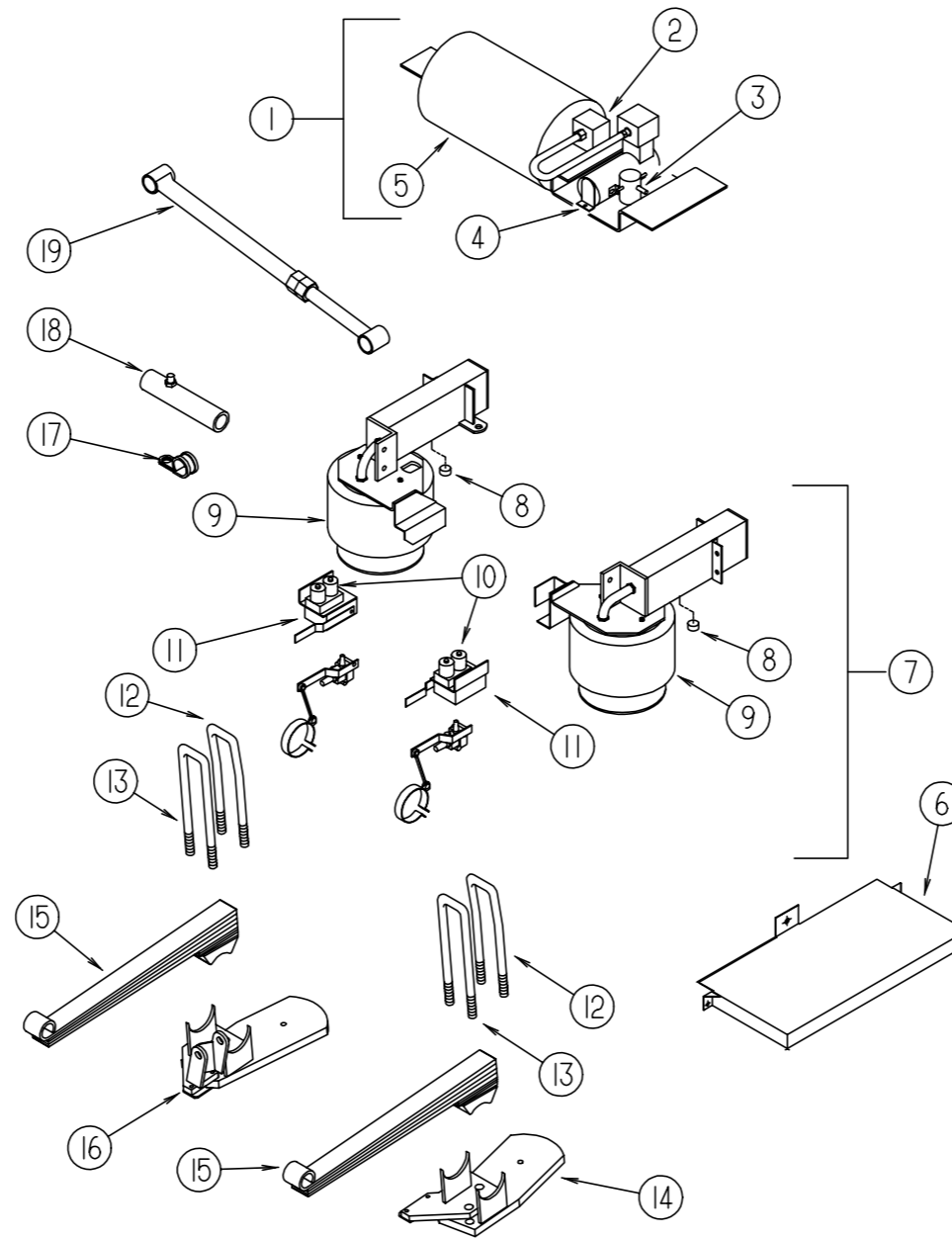
CHEVY HWH HYDRAULIC LEVELING SYSTEM



KEY	PART NUMBER	U/M DESCRIPTION	VENDOR NO.
1	100536-29-000	EA HOSE KIT - SLIDEOUT ROOM	
	100536-14-700	EA HOSE-HYDRAULIC-288"	FROM: 00-00-00 THRU: 08-19-97 RAP4063
	100536-29-700	EA HOSE-HYDRAULIC-280"	RAP4729
1	100536-42-000	EA HOSE KIT - SLIDEOUT	FROM: 08-20-97 THRU: 99-99-99
	100536-42-700	EA HOSE - HYDRAULIC - 168"	RAP6115
	100536-42-701	EA HOSE - HYDRAULIC - 175"	RAP90350
	123264-01-000	EA TEE - UNION - 1/4" X 1/4" X 1/4"	
2	100532-43-000	EA LEVELING SYSTEM - HYDRAULIC	
	100532-01-713	EA PUMP-RESERVOIR ASM.-MONARCHRAP90014	
	100532-03-710	EA SENSING UNIT 21' MTA	RAP6798
	100532-03-715	EA CAP-BREATHER W/DIPSTICK	RAP7876
	100532-03-723	EA MANIFOLD HDW MTG KIT	RAP9171
	100532-08-702	EA VALVE,BI-AXIS	RAP9589
	100532-08-703	EA PANEL ASM.-200 BI-AXIS SYS.	RAP9755
	100532-08-705	EA KNOB-3/4" BLACK, SET OF FOUR	RAP1379
	100532-08-706	EA KNOB-1 3/16" BLACK	RAP9734
	100532-08-707	EA BEZEL W/GASKET, F/SYSTEM 200	RAP9592
	100532-09-704	EA VALVE-PRESSURE SOLENOID	RAP0642
	100532-09-710	EA SOLENOID-INTERMITENT DUTY	RAP0533
	100532-12-706	EA SWITCH - WARNING/MAGNETIC	RAP1008
	100532-12-707	EA SPRING KIT	R3847
	100532-16-701	EA MANIFOLD ASM. F/SLIDE OUT	RAP1716
	100532-18-700	EA JACK - 9K STRAIGHT ACTING	RAP90177
	100532-31-701	EA CHECK VALVE & KIT	RAP10021
	100532-31-702	EA O-RING/SEAL KIT - MANIFOLD	RAP90127
	100532-32-701	EA BUZZER - JACK DOWN WARNING	RAP0325
	100532-32-702	EA CYLINDER ONLY F/9000 LB JACK	RAP1927
	100532-37-701	EA PUMP/RESERVOIR/MANIFOLD ASM	RAP13232
	100532-42-700	EA JACK - DRIVERS - 6K	RAP90245
	100532-42-701	EA JACK - PASSENGER - 6K	RAP90246
3	100536-10-000	EA HOSE KIT - HWH #AP0012	
	100536-09-700	EA HOSE-HYDRAULIC-324"	AP2464
	100536-09-701	EA HOSE-HYDRAULIC-60"	RAP4073
	100536-09-702	EA HOSE-HYDRAULIC-354"	RAP4311
	100536-10-700	EA HOSE-HYDRAULIC-84"	RAP1412
	100536-10-701	EA HOSE-HYDRAULIC-116"	RAP5384
	108629-01-000	EA SHIELD - PUMP	
	107890-01-000	EA ELBOW - STEEL - 90 D - 1/4 X 37 D - FLARE	
4	117183-01-02B	EA COVER - SENSOR - LEVELING	
5	120916-01-02B	EA BRACKET - PUMP - LEVELING SYSTEM	
6	121651-01-02B	EA CROSSMEMBER - REAR JACK MOUNTING	
7	121177-01-02B	EA BRACKET - PASS. REAR LEVEL JACK (STRAIGHT) - F/SLIDEOUT RM	
	121177-02-02B	EA BRACKET - DRIVER REAR LEVEL JACK (STRAIGHT)-F/SLIDEOUT RM	
7	126311-01-02B	EA BRACKET - LEVELING JACK	

CHASSIS GROUP (CONTINUED)

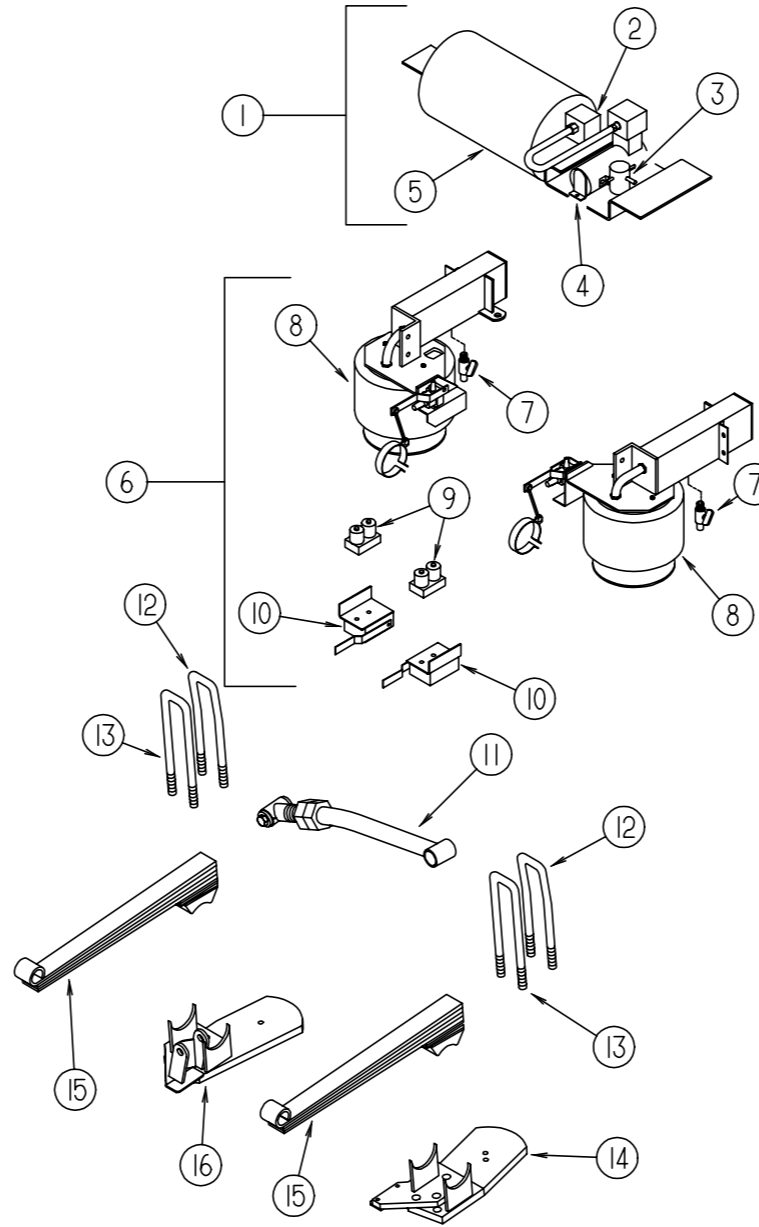
FORD SUSPENSION SYSTEM



KEY	PART NUMBER	U/M DESCRIPTION	VENDOR NO.	KEY	PART NUMBER	U/M DESCRIPTION	
1	090436-35-000	EA COMPRESSOR - TANK - W/O WIRING			090436-15-713	EA LOOM-WIRE, F/AXLE POS. LIGHT	50875
2	090436-07-701	EA SWITCH - AIR PRESSURE	50732		090436-15-714	EA LOCK OUT KIT	
3	090436-07-704	EA SOLENOID-ELECTRONIC	50702 JET		090436-79-000	EA STABILIZER BUSHING KIT F/FRONT AND REAR BARS 11/28/94 & UP	
	090436-40-000	EA FILTER - AIR INTAKE - COMPRESSOR		12	090436-25-000	EA U-BOLT - 1-14 X 4 X 15 - W/NUTS	
	090436-67-000	EA WIRING HARNESS - F/JET AIR SYSTEM W/WARNING LIGHT		13	090436-22-000	EA U-BOLT - 1-14 X 4 X 14 - W/NUTS	
4	090436-07-700	EA COMPRESSOR ONLY	50701 JET	14	090436-20-000	EA MOUNT - SPRING/AXLE - LOWER DRIVER	
5	090436-07-702	EA TANK-AIR, ALL MODELS	50703 JET	15	090436-81-000	EA SPRING - LEAF	
6	090436-28-000	EA SHIELD - HEAT - FUEL TANK		16	090436-21-000	EA MOUNT - SPRING/AXLE - LOWER PASSENGER	
7	090436-71-000	EA MOUNT - SPRING - W/LIGHT TAG - LEFT HAND/UPPER		17	090436-29-000	EA BRACKET - BRAKE HOSE/FRAME	
7	090436-72-000	EA MOUNT - SPRING - W/LIGHT TAG - RIGHT HAND/UPPER		18	090436-82-000	EA BRACKET - BRAKE HOSE/CALIPERS	
8	090436-36-700	EA PET COCK-AIR TANK F/SPRING	50720 JET	19	090436-31-000	EA BAR - TRACK - W/BOLTS & BRACKETS	
9	090436-15-704	EA BAG-AIR, BELLOWS, 1EA=1 ONLY	50752		090436-85-000	EA BOLT - HEX - 1/4-20 X 1/2 LONG	
10	090436-15-710	EA VALVE-ELECTRONIC, RH	50786 JET		090436-86-000	EA NUT - HEX LK - 1/4-20	
10	090436-15-709	EA VALVE-ELECTRONIC, LH	50785 JET		090436-87-000	EA CLAMP - BRAKE HOSE POSITION	
11	090436-15-712	EA BOX-HEIGHT CONT., RH W/LIGHT	50872				
11	090436-15-711	EA BOX-HEIGHT CONT., LH W/LIGHT	50871				

CHASSIS GROUP (CONTINUED)

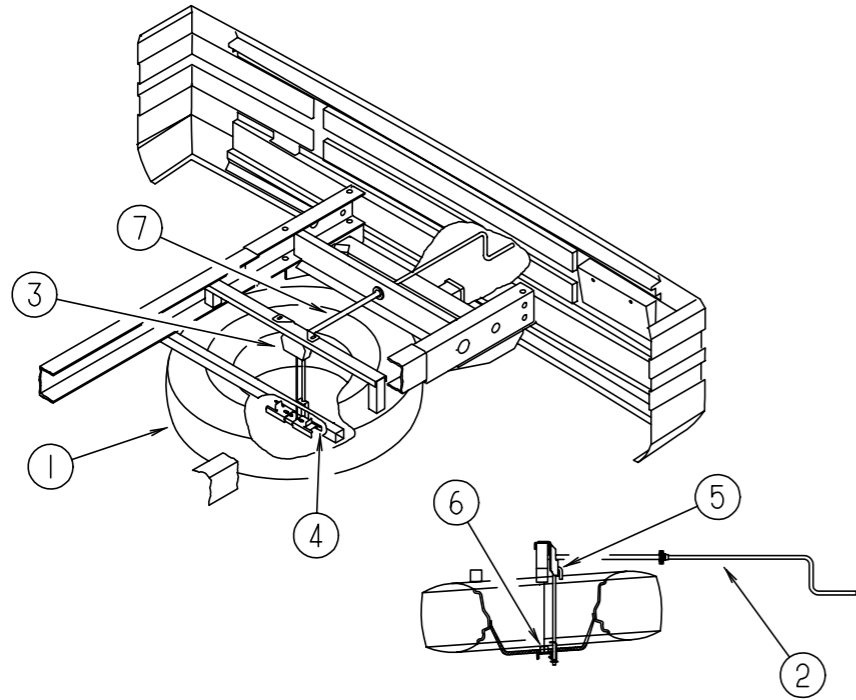
CHEVY SUSPENSION SYSTEM



KEY	PART NUMBER	U/M DESCRIPTION	VENDOR NO.
1	090436-35-000	EA COMPRESSOR - TANK - W/O WIRING	
2	090436-07-701	EA SWITCH - AIR PRESSURE	50732
3	090436-07-704	EA SOLENOID-ELECTRONIC	50702 JET
	090436-40-000	EA FILTER - AIR INTAKE - COMPRESSOR	
4	090436-07-700	EA COMPRESSOR ONLY	50701 JET
5	090436-07-702	EA TANK-AIR, ALL MODELS	50703 JET
6	090436-69-000	EA MOUNT - SPRING - W/LIGHT TAG - LEFT HAND/UPPER	
6	090436-70-000	EA MOUNT - SPRING - W/LIGHT TAG - RIGHT HAND/UPPER	
7	090436-36-700	EA PET COCK-AIR TANK F/SPRING	50720 JET
8	090436-15-704	EA BAG-AIR, BELLOWS, 1EA=1 ONLY	50752
9	090436-15-709	EA VALVE-ELECTRONIC, LH	50785 JET
9	090436-15-710	EA VALVE-ELECTRONIC, RH	50786 JET

KEY	PART NUMBER	U/M DESCRIPTION	VENDOR NO.
10	090436-15-711	EA BOX-HEIGHT CONT., LH W/LIGHT	50871
10	090436-15-712	EA BOX-HEIGHT CONT., RH W/LIGHT	50872
	090436-15-713	EA LOOM-WIRE, F/AXLE POS. LIGHT	50875
11	090436-47-000	EA BAR - TRACK - W/PIVOT BOLTS	
12	090436-12-000	EA U-BOLT - FORWARD - STRAIGHT - 7/8"	
13	090436-13-000	EA U-BOLT - REARWARD - BENT - 7/8"	
14	090436-10-000	EA MOUNT - SPRING/AXLE - LOWER DRIVER	
	090436-52-000	EA BRACKET - TRACK BAR - STANDARD - 3.25	
	090436-67-000	EA WIRING HARNESS - F/JET AIR SYSTEM W/WARNING LIGHT	
15	090436-80-000	EA SPRING - 95 - P30 - 14/16500	
16	090436-46-000	EA MOUNT - SPRING - CHEVY - RIGHT HAND/LOWER	
	091250-03-000	EA BUSHING - SWAY BAR - 1.75" CUT	

CHASSIS GROUP (CONTINUED)



TIRE, MOUNT & HOIST

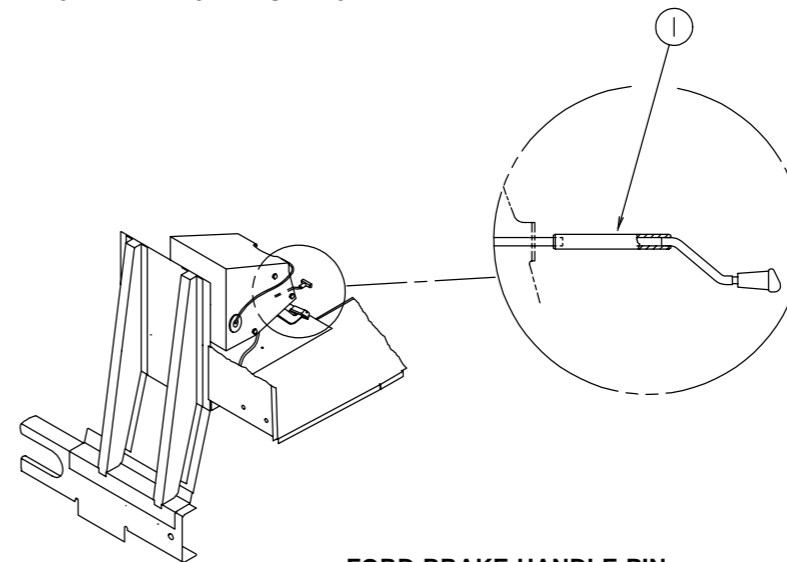
KEY	PART NUMBER	U/M DESCRIPTION
1	051377-01-000	EA VALVE STEM - CHEVY
1	051377-04-000	EA VALVE STEM - 1997/1998 FORD 7.5L, 17000 CHASSIS
1	051377-05-000	EA VALVE STEM - 1999 FORD 6.8L, 20500 CHASSIS
1	051377-07-000	EA VALVE STEM - CHEVY
1	091673-01-000	EA TIRE - 225.70 R19.5 LRF - XZA - CHEVY L29, 7.4L, 16500 CHASSIS
1	102340-05-000	EA TIRE - 245/70R - 19.5F - MICHELIN XZE - HDGM CHEVY P12, 7.4L, 21000 CHASSIS
1	083425-05-000	EA TIRE - MICHELIN - LT 235/85R16 - LOAD RANGE E 97/98 FORD 7.5L, 17000 CHASSIS
1	102340-04-000	EA TIRE - 245/70R - 19.5F - GOODYEAR - 1999 FORD 6.8L, 20500 CHASSIS
1	064963-01-000	EA WHEEL - STEEL - 19.5" X 6" - GM 14005758 - CHEVY L29, 7.4L, 16500 CHASSIS
1	118814-02-000	EA WHEEL - STEEL - 19.5" X 6.75" - GRAY - HDGM CHEVY P12, 7.4L, 21000 CHASSIS
1	095853-02-000	EA WHEEL - STEEL - 16" X 6K - F2TA-1015-NA - 97/98 FORD 7.5L, 17000 CHASSIS
1	118814-04-000	EA WHEEL/TAKE OFF (19.5X6.75RW 8BOLT ACCURIDE F53 99 FORD 6.8L, 20500 CHASSIS
1	077030-02-000	EA EXTENSION - VALVE STEM - 1.25"
2	093376-02-000	EA HANDLE - CRANK - TIRE HOIST
1	114376-01-000	EA PIN - DRIVE - .156 X .750 - TYPE E - TIRE HOIST
3	093267-03-000	EA HOIST - SPARE TIRE - #100 LB
4	105499-01-000	EA BRACKET - TIRE HOIST
5	124751-01-02B	EA HANGER - SPARE TIRE - E-COATED
6	124754-01-02B	EA CATCH - SPARE TIRE
7	093375-01-000	EA EXTENSION - TIRE HOIST - 33.3' LONG
7	093375-06-000	EA EXTENSION - TIRE HOIST - 25.2" LONG
	095012-07-000	EA STABILIZER-VALVE EXTENSION,L
	080208-02-000	EA BAR - LEVERAGE - LUG WRENCH - GM FORD IS CHASSIS SUPPLIED
	080208-05-000	EA BAR - LEVERAGE - LUG WRENCH 3/4D - HDGM/FREIGHTLINER
	080208-06-000	EA LUG WRENCH - 1" X 1.06" W/DEEP SOCKET ENDS - GM FORD IS CHASSIS SUPPLIED
	080208-04-000	EA WRENCH - LUG - 30MM (1 3/16") - HDGM/FREIGHTLINER

CHASSIS GROUP (CONTINUED) CHEVY SHOCKS

KEY	PART NUMBER	U/M DESCRIPTION	VENDOR NO.
	122756-02-000	EA SHOCK AND STABILIZER (BLUE BOOT) KIT - FRONT END P30 CHASS	
	122756-02-700	EA BRACKET ASM - DRIVERS SIDE	T818L
	122756-02-701	EA BRACKET ASM - PASSENGER SIDE	T818R
	122756-02-702	EA BRACKET ONLY - DRIVERS SIDE	T818L
	122756-02-703	EA BRACKET ONLY -PASSENGER SIDE	T818R
	122756-02-704	EA BOLT PACKAGE -BOLTS/NUTS ETC	T818R
	122756-02-705	EA SHOCK	T818SH
	122756-02-706	EA STUD - SHOCK MOUNTING	T818S
	122756-02-707	EA DAMPENER - STEERING	T818SD
	122756-02-708	EA BOOT - STEERING DAMPNER	T818SDB
	122756-02-709	EA BUSHING PKG - STEERING DAMPNER	T818SDBSH
	122756-02-710	EA BOLT PKG - STEERING DAMPENER T818S	

WHEEL LINERS

KEY	PART NUMBER	U/M DESCRIPTION	VENDOR NO.
	110435-08-000	EA LINER - WHEEL SET (SET=4) 16" - 1997/1998 FORD 7.5L, 17000 CHASSIS	
	110435-01-711	EA DECAL - CENTER CAP - 2"DECAL	
	110435-02-702	EA STUD EXTENDER	V160SD-STX
	110435-02-703	EA NUT (JAMB)	V160SD-JNT
	110435-02-704	EA COVER -LUG NUT	V160FO-LNC
	110435-02-705	EA TOOL F/ JAMB NUT - INSTALL	V160FO-TOL
	110435-08-700	EA LINER - WHEEL - FRONT	V160SD-FWC
	110435-08-701	EA LINER - WHEEL - REARD	V160SD-RWC
	110435-15-000	EA LINER - WHEEL SET/4 - 19.5" - 1999 FORD 6.8L, 20500 CHASSIS	
	110435-10-000	EA LINER - WHEEL - SET 4 - 19.5" - CHEVY L29, 7.4L, 16500 CHASSIS	
	110435-10-700	EA LINER - WHEEL - FRONT - 1 PC	V195P7-FWC
	110435-10-701	EA LINER - WHEEL - REAR - 1 PC	V195P7-RWC
	110435-10-702	EA JAMB NUT - ENCLOSED/LNC	V195P7-EJN
	110435-10-703	EA STUD - PLASTIC	V195P7-PST
	110435-10-704	EA JAMB NUT - PLASTIC/LNC	V195P7-PJN
	110435-10-705	EA TOOL - INSTALLATION	V195P7-TOL
	110435-12-000	EA LINER - WHEEL - SET/4 - 19.5" - HDGM CHEVY P12, 7.4L, 21000 CHASSIS	
	110435-05-700	EA CAP-CENTER, POP-OUT	V22510-POC
	110435-05-711	EA COVER - LUG NUT	V22506-LNC
	110435-05-712	EA TOOL INSTALLATION	V22506-TOL
	110435-12-700	EA WHEEL LINER - FRONT WHEEL	V19580-FWC
	110435-12-701	EA WHEEL LINER - REAR WHEEL	V19580-RWC
	110435-12-702	EA JAM NUT - 20MM	V19580-JNT



FORD BRAKE HANDLE PIN

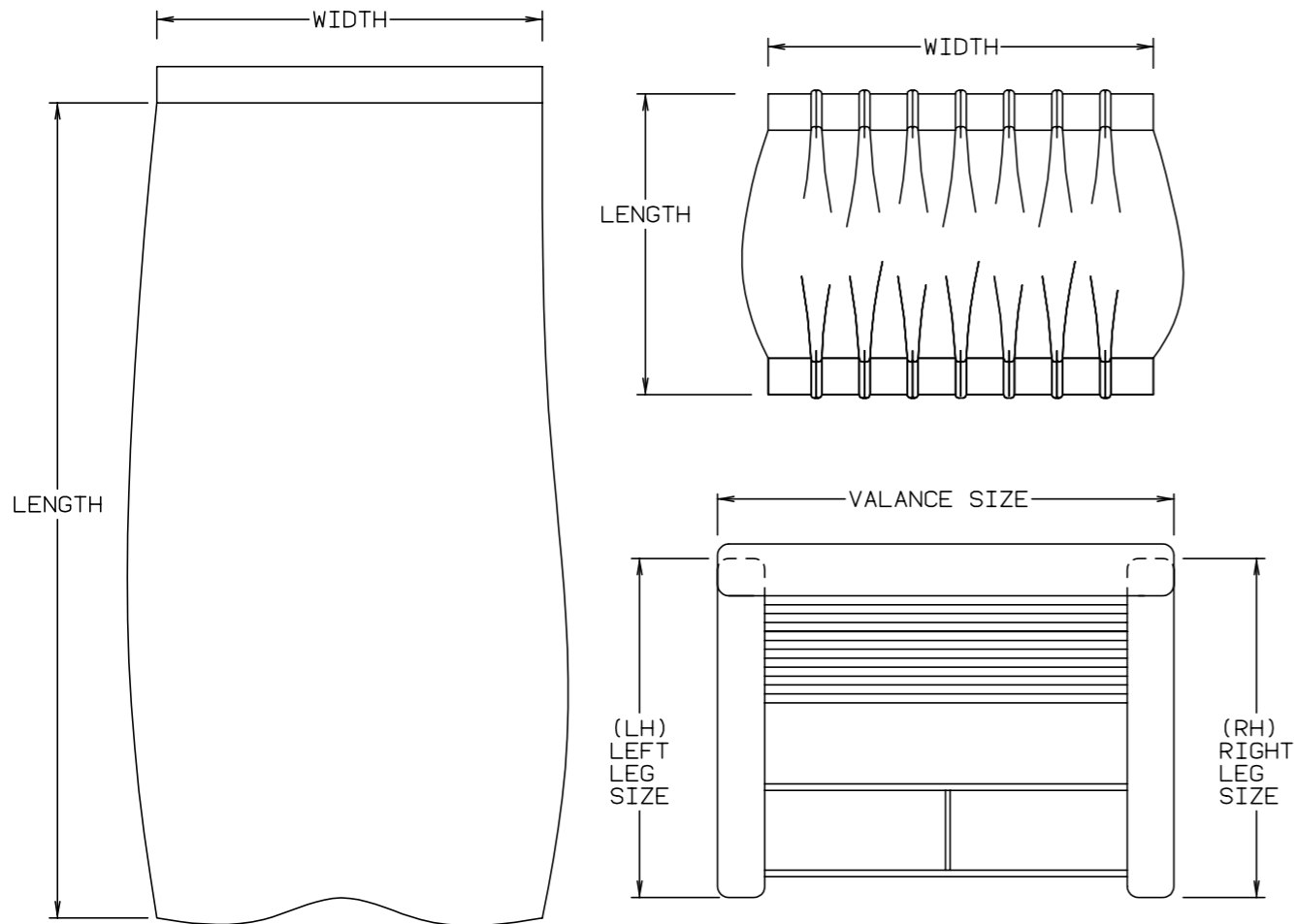
KEY	PART NUMBER	U/M DESCRIPTION
1	113007-01-000	EA PIN - SPRING - .375 X 3"
	075466-01-000	EA UNION - INVERTED FLAIR - BRASS - 3/16

CURTAIN & CUSHION GROUP

NOTICE

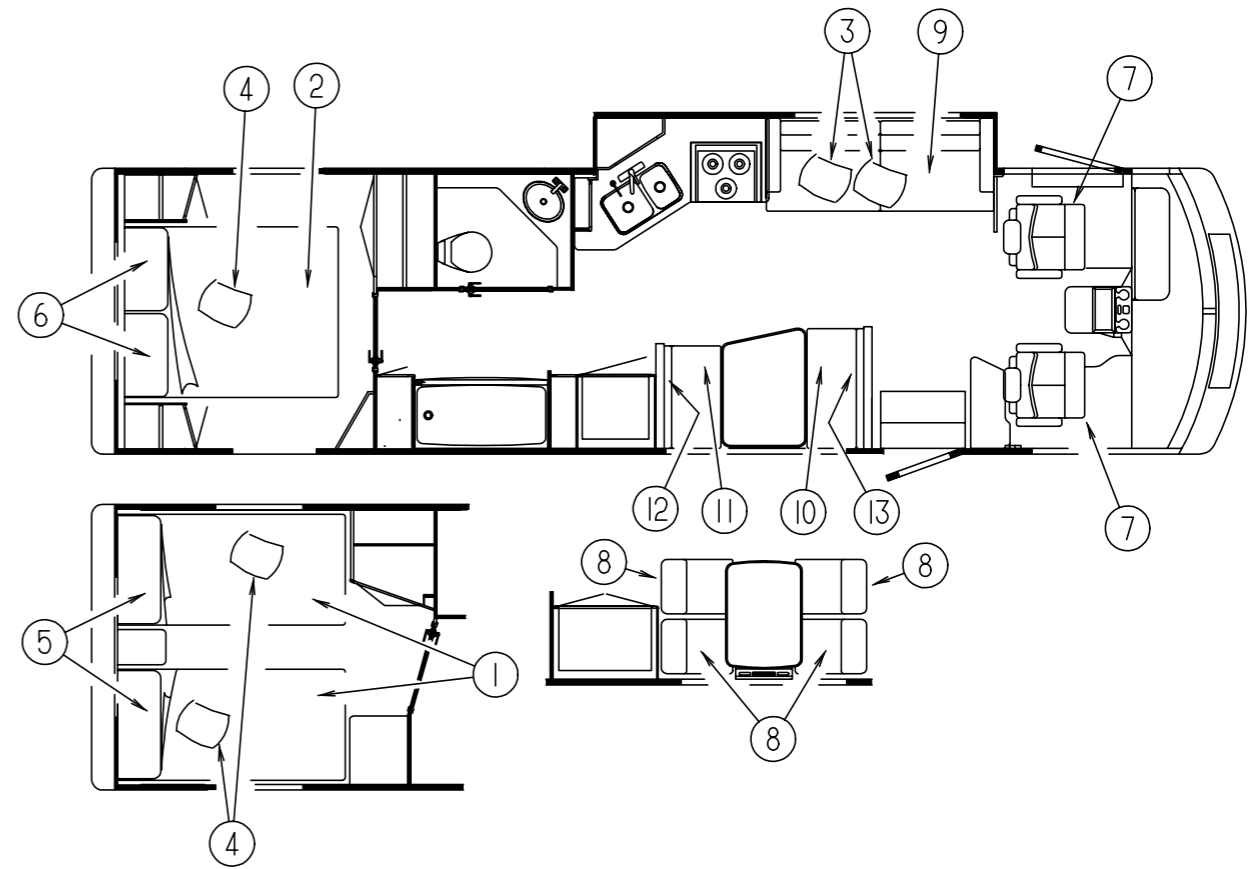
IN ORDER TO ASSIST OUR PARTS SALES DEPT. IN PROVIDING INTERIOR SOFTWARE ITEMS, PLEASE INCLUDE THE SERIAL NUMBER AND THE COLOR CODE NUMBER FROM THE VEHICLE CERTIFICATION LABEL WHEN ORDERING. THIS LABEL IS LOCATED ON THE LEFT SIDEWALL AT THE END OF THE DASH (A-BODY), OR ON THE DRIVER'S DOOR LATCH PLATE (C-BODY).

AN EXAMPLE OF A COLOR CODE NUMBER IS B07, WHICH DESIGNATES AN OVERALL COLOR SCHEME OF A PARTICULAR UNIT. THE COLOR LISTED AFTER THE ITEM DESCRIPTION ON THE MICROFICHE, INDICATES THE OVERALL UNIT COLOR. ORDER THE ITEM YOU DESIRE ACCORDING TO UNIT COLOR CODE. IF ALL COLORS USE THE SAME ITEM NO COLOR CODE WILL BE NOTED.



NOTE: USE THIS ILLUSTRATION WHEN DETERMINING LENGTH AND WIDTH MEASUREMENTS FOR CURTAINS. YOU WILL NOTE THE WIDTH MEASUREMENT IS TAKEN ON THE TOP OF THE CURTAIN WITH THE CURTAIN FULLY EXTENDED. THE LENGTH MEASUREMENT IS TAKEN FROM TOP TO BOTTOM. LEFT AND RIGHT WINDOW LEGS ARE DETERMINED WHEN FACING THE WINDOW.

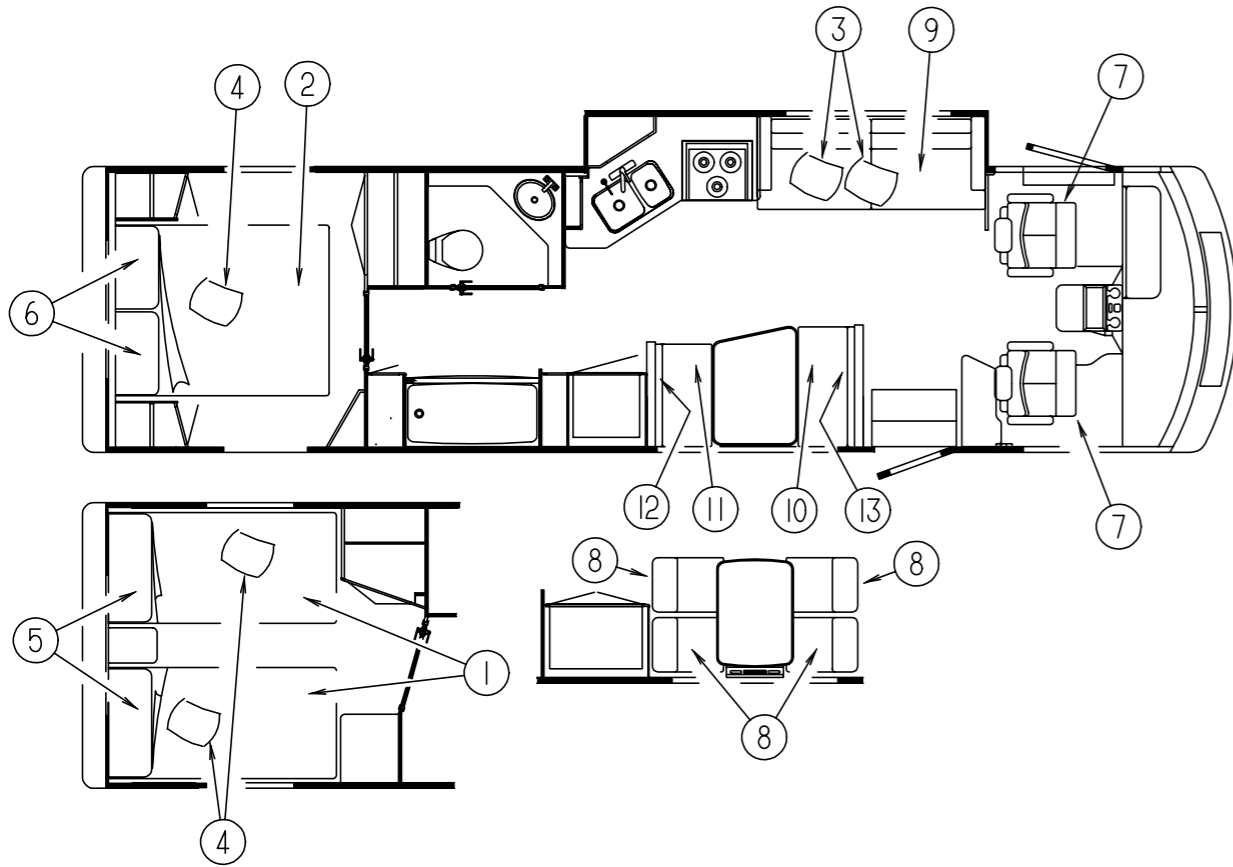
CURTAIN & CUSHION GROUP (CONTINUED)



MATTRESSES, PILLOWS & BEDSPREADS

KEY	PART NUMBER	U/M	DESCRIPTION
1	123015-11-000	EA	MATTRESS - INNERSPRING - 39" X 79.5"
1	119141-19-J60	EA	BEDSPREAD/THROW - 39" X 80" (J94, J60)
1	119141-20-J61	EA	BEDSPREAD/THROW - 39" X 80" (J95, J61)
1	119141-20-J62	EA	BEDSPREAD/THROW - 39" X 80" (J96, J62)
2	123015-06-000	EA	MATTRESS - INNERSPRING - 60" X 74.5"
2	119141-14-J60	EA	BEDSPREAD/THROW - 60" X 75" (J94, J60)
2	119141-13-J61	EA	BEDSPREAD/THROW - 60" X 75" (J95, J61)
2	119141-13-J62	EA	BEDSPREAD/THROW - 60" X 75" (J96, J62)
3	111637-11-J60	EA	PILLOW - 17" X 17" (J94, J60)
3	111637-20-J61	EA	PILLOW - 17" X 17" (J95, J61)
3	111637-11-J62	EA	PILLOW - 17" X 17" (J96, J62)
4	111637-12-J60	EA	PILLOW - 17" X 17" (J94, J60)
4	111637-12-J61	EA	PILLOW - 17" X 17" (J95, J61)
4	111637-12-J62	EA	PILLOW - 14" X 14" (J96, J62)
5	119249-02-000	EA	PILLOW/CASE - 22" X 37"
6	119249-01-000	EA	PILLOW/CASE - 20" X 33"

CURTAIN & CUSHION GROUP (CONTINUED)



BUCKET SEATS

KEY	PART NUMBER	U/M DESCRIPTION
7	125682-04-000	EA BUCKET SEAT (J94, J60)
		FROM: 00-00-00 THRU: 01-18-98
7	129492-04-000	EA BUCKET SEAT (J94, J60)
		FROM: 01-19-98 THRU: 99-99-99
7	125682-05-000	EA BUCKET SEAT (J95, J61)
		FROM: 00-00-00 THRU: 01-18-98
7	129492-05-000	EA BUCKET SEAT (J95, J61)
		FROM: 01-19-98 THRU: 99-99-99
7	125682-06-000	EA BUCKET SEAT (J96, J62)
		FROM: 00-00-00 THRU: 01-18-98
7	129492-06-000	EA BUCKET SEAT (J96, J62)
		FROM: 01-19-98 THRU: 99-99-99
7	125682-09-000	EA BUCKET SEAT
		FROM: 00-00-00 THRU: 01-18-98
7	129492-09-000	EA BUCKET SEAT - LEATHER
		FROM: 01-19-98 THRU: 99-99-99

FOLDING CHAIRS

KEY	PART NUMBER	U/M DESCRIPTION
	101604-01-03A	EA CHAIR - FOLDING/DINETTE - WATERFORD OAK - W/O FABRIC - WATERFORD OAK
	101604-01-04A	EA CHAIR - FOLDING/DINETTE - W/O FABRIC - SOLAR MAPLE - WASHED MAPLE
	101604-01-05A	EA CHAIR - FOLDING/DINETTE - W/O FABRIC - WHITE GRANITE

DINETTE CHAIRS

KEY	PART NUMBER	U/M DESCRIPTION
8	126637-04-000	EA CHAIR - DINETTE (J94, J60)
8	126637-05-000	EA CHAIR - DINETTE (J95, J61)
8	126637-06-000	EA CHAIR - DINETTE (J96, J62)
	127156-02-01A	EA RETAINER-STRAP,CHAIR
	127832-01-01A	EA BELT ASM-RETAINER,CHAIRS

COUCH

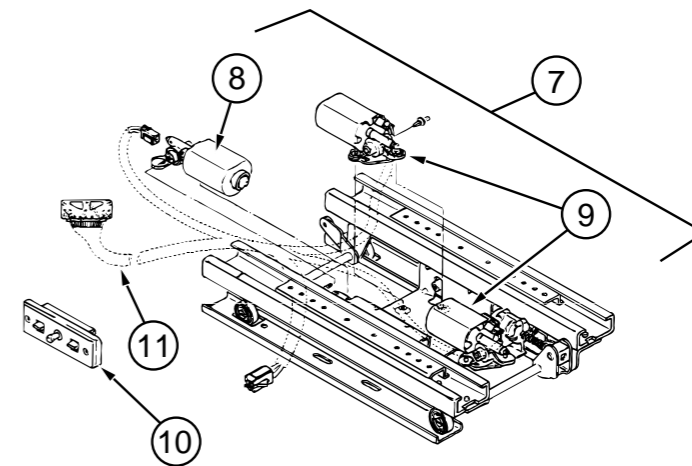
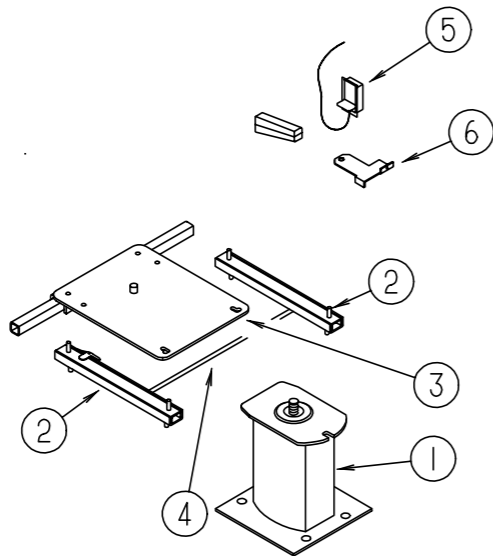
KEY	PART NUMBER	U/M DESCRIPTION
9	125676-04-000	EA SOFA (J94, J60)
9	125676-05-000	EA SOFA (J95, J61)
9	125676-06-000	EA SOFA (J96, J62)
	116104-03-02B	EA BRACKET - ZEE W/HOLES
	124656-96-000	EA LOCK - CANADIAN - #3380EZLK
	124656-97-000	EA LOCK - NON-SLIDE
	124656-98-000	EA LOCK - SLIDE

DINETTE CUSHIONS

KEY	PART NUMBER	U/M DESCRIPTION
10	105603-22-J60	EA CUSHION - DINETTE SEAT - 23" X 42" X 4" (J94, J60)
10	105603-22-J61	EA CUSHION - DINETTE SEAT - 23" X 42" X 4" (J95, J61)
10	105603-22-H23	EA CUSHION - DINETTE SEAT - 23" X 42" X 4" (J96, J62)
	P05603-22-J60	EA COVER - SEAT - 23" X 42" X 4" (J94, J60)
	P05603-22-J61	EA COVER - SEAT - 23" X 42" X 4" (J95, J61)
	P05603-22-H23	EA COVER - SEAT - 23" X 42" X 4" (J96, J62)
11	105603-25-J60	EA CUSHION - SEAT - 23" X 36" X 4" (J94, J60)
11	105603-25-J61	EA CUSHION - SEAT - 23" X 36" X 4" (J95, J61)
11	105603-25-J62	EA CUSHION - SEAT - 23" X 36" X 4" (J96, J62)
	P05603-25-J60	EA COVER - SEAT - 23" X 36" X 5" (J94, J60)
	P05603-25-J61	EA COVER - SEAT - 23" X 36" X 5" (J95, J61)
	P05603-25-J62	EA COVER - SEAT - 23" X 36" X 5" (J96, J62)
12	111897-15-J60	EA CUSHION - BACK - 13.5" X 36" X 4" (J94, J60)
12	111897-15-J61	EA CUSHION - BACK - 13.5" X 36" X 4" (J95, J61)
12	111897-15-J62	EA CUSHION - BACK - 13.5" X 36" X 4" (J96, J62)
	P11897-15-J60	EA COVER - BACK - 13.5" X 36" X 5" (J94, J60)
	P11897-15-J61	EA COVER - BACK - 13.5" X 36" X 5" (J95, J61)
	P11897-15-J62	EA COVER - BACK - 13.5" X 36" X 5" (J96, J62)
13	111897-16-J60	EA CUSHION - BACK - 13.5" X 42" X 4" (J94, J60)
13	111897-16-J61	EA CUSHION - BACK - 13.5" X 42" X 4" (J95, J61)
13	111897-16-J62	EA CUSHION - BACK - 13.5" X 42" X 4" (J96, J62)
	P11897-16-J60	EA COVER - BACK - 13.5" X 42" X 4" (J94, J60)
	P11897-16-J61	EA COVER - BACK - 13.5" X 42" X 4" (J95, J61)
	P11897-16-J62	EA COVER - BACK - 13.5" X 42" X 4" (J96, J62)

CURTAIN & CUSHION GROUP (CONTINUED)

BUCKET SEAT PEDESTALS

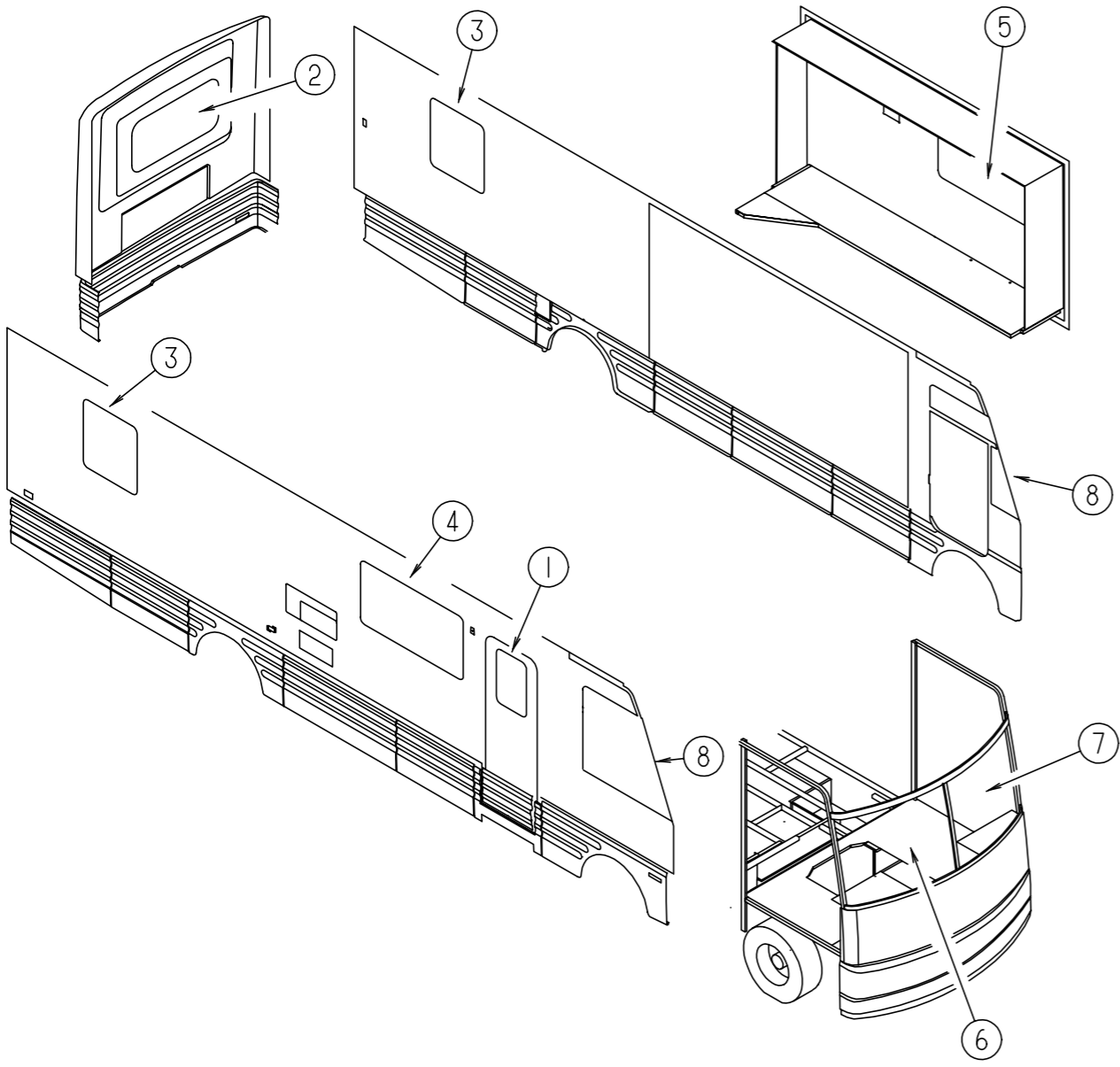


KEY	PART NUMBER	U/M DESCRIPTION	VENDOR NO.
1	107921-01-000	EA PEDESTAL/FLOOR MOUNTED - W/9.75" EXTENSION	
1	107921-14-000	EA PEDESTAL - SEAT W/5.75" EXTENSION - F/MANUAL SEAT	
2	119952-06-000	EA SLIDE/SEAT - HEAVY DUTY LOCKING - 4 STUDS	
		FROM: 00-00-00 THRU: 11-02-97	
2	119952-04-000	EA SLIDE/SEAT - HEAVY DUTY LOCKING - 4 STUDS	
		FROM: 11-03-97 THRU: 99-99-99	
3	107921-05-000	EA PLATE - TOP - W/SEAT BELT BAR	
	107921-06-000	EA BEARING KIT - PEDESTAL	
4	119952-07-000	EA WIRE - LATCH RELEASE/ROTARY	
5	108049-04-000	EA CABLE/CONTROL - 26" W/MINI LEVER ACTION	
	108049-02-000	EA CLIP - CABLE/PEDESTAL	
6	117125-01-02B	EA BRACKET - CABLE MOUNT - ADJUSTER W/LOCK	

KEY	PART NUMBER	U/M DESCRIPTION	VENDOR NO.
7	081373-03-000	EA SEAT - POWER 6 WAY	
	081373-01-700	EA BRACKET-L - CONTROL SWITCH	H-171
8	081373-02-703	EA MOTOR PKG. ADJ. HORIZONTAL	22063237 & H-195
9	081373-02-704	EA MOTOR PKG. ADJ. VERTICAL	22063238 & H-196
10	081373-03-700	EA SWITCH ASM F/BRN-GRAY (FLAT)	22138182 & H-441
11	081373-03-701	EA WIRE HARNESS ASM. - LT. SIDE	6000
11	081373-03-702	EA WIRE HARNESS ASM. - RT. SIDE	6001
	127159-02-02B	EA BRACKET - SEAT RELEASE - DUAL REMOTE	
	130184-01-01A	EA PROTECTOR - SEAT - CLEAR	
	130184-01-02A	EA PROTECTOR - SEAT - TITANIUM	

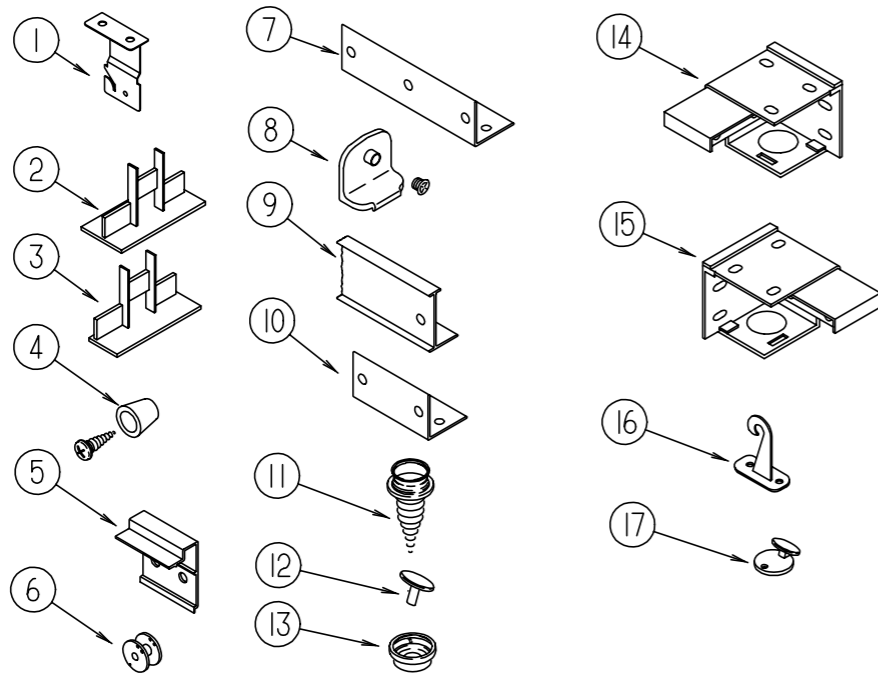
CURTAIN & CUSHION GROUP (CONTINUED)

WINDOW TREATMENT



KEY	PART NUMBER	U/M	DESCRIPTION
1	084755-60-F01	EA	SHADE - PULL - 29.25"
1	120820-18-J60	EA	VALANCE - 14.5" X 31.5" - W/CLOCK CUTOUT (J94, J60)
1	120820-18-J61	EA	VALANCE - 14.5" X 31.5" - W/CLOCK CUTOUT (J95, J61)
1	120820-18-J62	EA	VALANCE - 14.5" X 31.5" - W/CLOCK CUTOUT (J96, J62)
2	111910-62-J11	EA	BLIND - DAY/NIGHTER - 49" X 27"
2	127019-01-J60	EA	VALANCE - SARAH - 53" (J94, J60)
2	126609-04-J61	EA	VALANCE - MONA - 52" (J95, J61)
2	119299-01-J62	EA	VALANCE - WHITNEY - 53" (J96, J62)
2	127017-07-J60	EA	LEG - RIGHT - 25" (J94, J60)
2	127017-07-J61	EA	LEG - RIGHT - 25" (J95, J61)
2	127017-07-J62	EA	LEG - RIGHT - 25" (J96, J62)
2	127017-08-J60	EA	LEG - LEFT - 25" (J94, J60)
2	127017-08-J61	EA	LEG - LEFT - 25" (J95, J61)
2	127017-08-J62	EA	LEG - LEFT - 25" (J96, J62)
3	111910-58-J20	EA	BLIND - DAY/NIGHTER - 31" X 37"
3	127019-02-J60	EA	VALANCE - SARAH - 34" (J94, J60)
3	126609-05-J61	EA	VALANCE - MONA - 34" (J95, J61)
3	119299-18-J62	EA	VALANCE - WHITNEY - 34" (J96, J62)
3	127017-09-J60	EA	LEG - RIGHT - 34" (J94, J60)
3	127017-09-J61	EA	LEG - RIGHT - 34" (J95, J61)
3	127017-09-J62	EA	LEG - RIGHT - 34" (J96, J62)
3	127017-10-J60	EA	LEG - LEFT - 34" (J94, J60)
3	127017-10-J61	EA	LEG - LEFT - 34" (J95, J61)
3	127017-10-J62	EA	LEG - LEFT - 34" (J96, J62)
4	109802-57-J60	EA	BLIND - PLEATED - 58" X 33" (J94, J95, J60, J61)
4	109802-57-J62	EA	BLIND - PLEATED - 58" X 33" (J96, J62)
4	111910-40-J33	EA	BLIND - DAY/NIGHTER - 59" X 33" - UPGRADE
4	127014-03-J60	EA	LAMBREQUIN - LESLEY - 61" X 31" (J94, J60)
4	127014-04-J61	EA	LAMBREQUIN - LESLEY - 61" X 25" (J95, J61)
4	127014-03-J62	EA	LAMBREQUIN - LESLEY - 61" X 31" (J96, J62)
5	109802-58-J20	EA	BLIND - PLEATED - 61" X 28.5"
5	111910-57-J20	EA	BLIND - DAY/NIGHTER - 61" X 28.5"
5	127014-05-J60	EA	LAMBREQUIN - LESLEY - 63" X 27" (J94, J60)
5	127014-06-J61	EA	LAMBREQUIN - LESLEY - 63" X 27" (J95, J61)
5	127014-05-J62	EA	LAMBREQUIN - LESLEY - 63" X 27" (J96, J62)
6	093487-13-01A	EA	WRAP AROUND - FRONT - RIGHT HAND/PLEATED - 37.25" X 108"
7	093487-14-01A	EA	WRAP AROUND - FRONT - LEFT HAND/PLEATED - 37.25" X 108"
8	126841-04-000	EA	SHADE - PULL - CHARCOAL MESH - 30.25" X 60"

CURTAIN & CUSHION GROUP (CONTINUED)



CURTAIN HARDWARE

KEY	PART NUMBER	U/M	DESCRIPTION
	046867-02-000	EA	WASHER - HANDY BUTTON #3
	046867-03-000	EA	GROMMET - HANDY BUTTON #3
	048394-02-000	YD	VELCRO TAPE - HOOK - ADHESIVE BACK - .75" WIDE - BEIGE
1	084434-01-000	EA	BRACKET - MOUNTING - ROLLER SHADE - 1 3/8"
	086276-01-000	EA	TAPE - DOUBLE SIDED - 1/2"
	094896-02-000	EA	GROMMET - CORD/PLEATED BLIND - NYLON - GRAY
2	094907-02-000	EA	END CAP - TOP/PLEATED BLIND - PLASTIC - GRAY
3	094907-04-000	EA	HARDWARE - END CAP BOTTOM - PULL TYPE (RH & LH)
	096843-01-000	EA	SPRING - REWIND/ROLLER SHADE
4	097564-01-000	EA	HANDLE-T - EZ LIFT SHADE
4	097564-03-000	EA	HANDLE - KNOB - TAN
4	097564-04-000	EA	HANDLE - KNOB - NAVY
4	097564-05-000	EA	HANDLE - KNOB - TEAL
5	097565-01-000	EA	BRACKET - MOUNTING/PLEATED BLIND
	097591-01-000	EA	SPRING - EXTENSION/PLEATED BLIND
6	097592-01-000	EA	SPOOL - CORD - ELEVATED BLIND HOLDUP - CLEAR PLASTIC
	097593-06-000	FT	CORD - BLIND - PLEATED - PEWTER (J94, J60)
	097593-02-000	FT	CORD - BLIND - PLEATED - GRAY (J91, J93, J95, J31, J33, J61)
	097593-07-000	FT	CORD - BLIND - PLEATED - PALE JADE (J96, J62)
7	105648-01-02A	EA	BRACE - VALANCE - OFF/WHITE - 14"
8	106544-01-001	EA	SCREW - SHADE/BRASS
8	106544-01-000	EA	PULL - SHADE/BRASS
9	126456-01-01A	EA	TRACK - CURTAIN - RIGHT HAND - 24 DEGREE FRONT SUNFLYER
9	126456-02-01A	EA	TRACK - CURTAIN - LEFT HAND - 24 DEGREE FRONT SUNFLYER
9	126456-03-01A	EA	TRACK - CURTAIN - RIGHT HAND - 10 DEGREE FRONT CHIEFTAIN
9	126456-04-01A	EA	TRACK - CURTAIN - LEFT HAND - 10 DEGREE FRONT CHIEFTAIN
10	083125-07-000	EA	BRACE - COUCH - 2.5"

CURTAIN & CUSHION GROUP (CONTINUED)

CURTAIN HARDWARE (CONTINUED)

KEY	PART NUMBER	U/M	DESCRIPTION
11	029130-01-000	EA	SCREW - SNAP SOCKET - #8 PH X 5/8"
12	029155-01-000	EA	CAP - SNAP - 5/32" O.D. OF PIN
13	029156-01-000	EA	SOCKET - SNAP - 9/16" O.D.
14	083170-01-000	EA	BRACKET - BLIND - LEFT SIDE WHEN FACING WINDOW
15	083170-02-000	EA	BRACKET - BLIND - RIGHT SIDE WHEN FACING WINDOW
16	109441-03-000	EA	HOLD DOWN - BLIND (CLOUDY)
17	102555-03-000	EA	CLEAT - BLIND CORD - MILKY WHITE PLASTIC

SEATBELTS, ASSIST HANDLES, TIEDOWNS, BUTTONS & TRIMS

KEY	PART NUMBER	U/M	DESCRIPTION
	007021-01-000	EA	SEAT BELT - 2" X 90" - BLACK
	057759-01-000	EA	WASHER BRACKET - SEAT BELT - 4" DIAMETER
	000D20-07-00B	EA	NUT - ACORN - ASSIST HANDLE - 7/16 - 14
	084415-95-000	YD	TRIM-BRAID,FR-15338,BR FRING (J95, J61)
	084415-80-000	YD	TRIM-BRAID,FR13295 FRINGE (J96, J62)
	084415-91-000	YD	TRIM-BRAID,FR-15343 BR FRING (J96, J62)
	084415-70-000	YD	TRIM - BRAID - CORD (J95, J61)
	084415-78-000	YD	TRIM-BRAID, 68208-1809, CORD (J95, J61)
	084415-83-000	YD	TRIM-BRAID, .5" CORD W/LIP (J96, J62)
	057534-01-000	EA	TIEBACK/TIEDOWN - 6" CLEAR PLASTIC
	127038-01-01A	EA	TIEDOWN STRAP - W/VELCRO ENDS
	000C16-07-16B	EA	BOLT - CARRIAGE - ASSIST HANDLE - 7/16" - 14 X 1"
	000D20-07-00B	EA	NUT - ACORN - ASSIST HANDLE - 7/16 - 14
	053552-02-AA8	EA	HANDLE - ASSIST - INTERIOR/ENTRY DOOR - VINYL/OFF WHITE
	057534-01-000	EA	TIEBACK/TIEDOWN - 6" CLEAR PLASTIC
	069178-02-000	EA	BRACKET - MOUNTING/ASSIST HANDLE
	069178-03-000	EA	BRACKET - MOUNTING/ASSIST HANDLE
	099717-01-000	EA	STRAP - TV TIE DOWN W/24" FEMALE STRAP & 14.2" MALE STRIP
	099717-02-000	EA	STRAP - TV TIE DOWN W/29.9" FEMALE STRAP & 14.2" MALE STRIP
	099717-09-000	EA	TIEDOWN - STRAP W/BUCKLE
	108808-03-01A	EA	HANDRAIL - ENTRANCE STEP
	P02786-03-J94	EA	HANDRAIL ONLY - W/O BRACKETS - WATERFORD OAK
	P02786-03-J70	EA	HANDRAIL ONLY - W/O BRACKETS - WASHED MAPLE
	P02786-03-J62	EA	HANDRAIL ONLY - W/O BRACKETS - WHITE GRANITE
	099682-01-01A	EA	BRACKET - MOUNTING/HAND RAIL - ROUND BASE
	127156-02-01A	EA	RETAINER-STRAP,CHAIR
	127832-01-01A	EA	BELT ASM-RETAINER,CHAIRS

CURTAIN & CUSHION GROUP (CONTINUED)

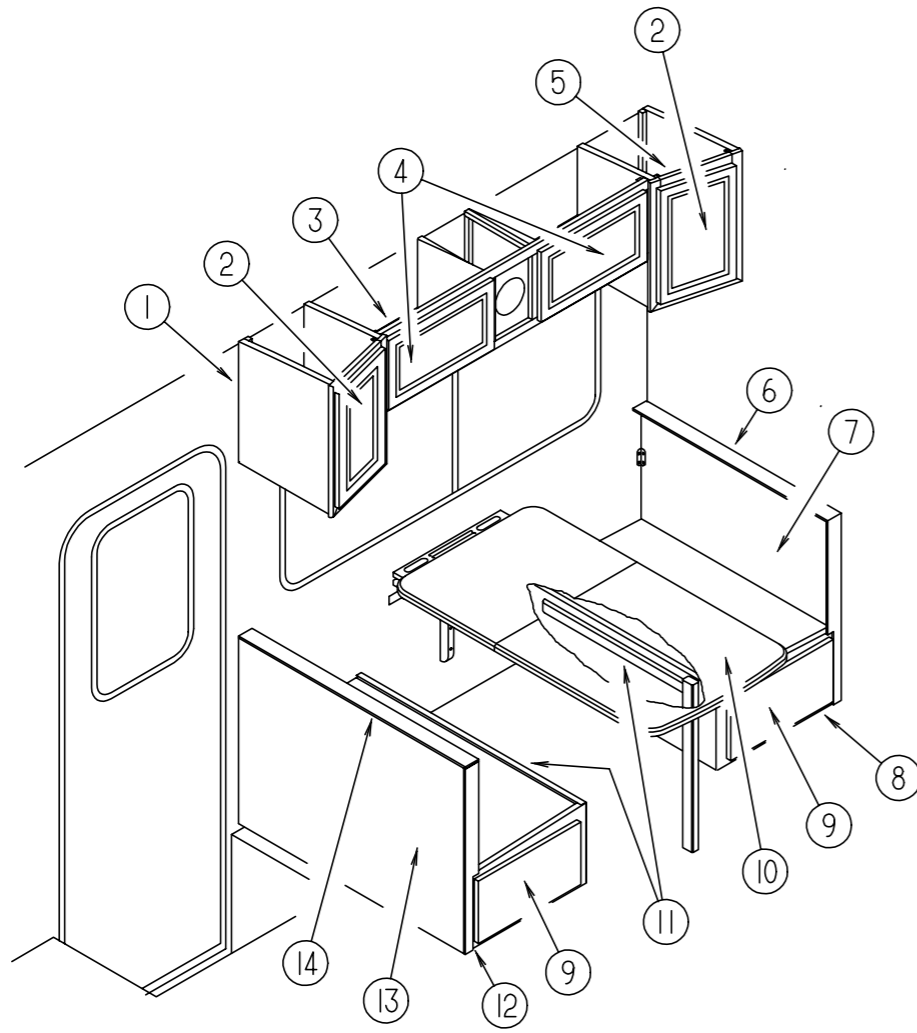
ITASCA SUNFLYER FABRICS

Sunflyer Colors	J94 - J60	J95 - J61	J96 - J62
Bucket Seats	108446-55-000	108446-G0-000	108446-R2-000
Lounge Overhead	108446-S1-000	108446-T3-000	108446-R2-000
Slide-Out Overhead	108446-S4-000	108446-T2-000	108446-P0-000
Bedroom Overhead	105745-F5-000	105745-E7-000	105745-E7-000
Map Pockets	108446-S1-000	108446-T3-000	108446-R2-000
Dinette	108446-S4-000	108446-T2-000	108446-P0-000
Dinette Pads	108446-S1-000	108446-T3-000	108446-R2-000
Dinette Chairs	108446-S1-000	108446-T2-000	108446-P0-000
Sofa	108446-S4-000	108446-T2-000	108446-P0-000
Lounge Pillows (2)	108446-S1-000 084415-96-000	108446-G0-000 084415-70-000	108446-R2-000 084415-83-000
TT	108446-S1-000	108446-T3-000	108446-R2-000
Lounge Blinds	094911-30-000	094911-30-000	094911-30-000
Lounge Windows	108446-S4-000 108446-S1-000	108446-T2-000 108446-G0-000	108446-P0-000 108446-R2-000
Bedroom Valance	105745-G3-000 105745-F5-000	105745-H0-000 084415-70-000	105745-F0-000 105745-E7-000
Day/Nighter Opt.	094911-30-000 094911-50-000	094911-30-000 094911-50-000	094911-30-000 094911-50-000
Bedsread	105745-G3-000 084415-96-000	105745-H0-000 084415-70-000	105745-F0-000 084415-83-000
Headboard	105745-G3-000 105745-F5-000	105745-H0-000 105745-E7-000	105745-F5-000 105745-E7-000
Bedroom Pillow	105745-F5-000 084415-96-000	105745-E7-000 084415-70-000	105745-E7-000 084415-83-000
Gathered Legs	105745-G3-000	105745-H0-000	105745-F0-000
Ceiling Fabric	113979-01-01A	113979-01-01A	113979-01-01A
Floor Mats	096060-95-000 102695-14-000	096060-98-000 102695-20-000	096060-C8-000 102695-14-000

NOTE: FABRIC LISTED FIRST IN A BLOCK IS THE LARGEST QUANTITY OF FABRIC USED.

DINETTE GROUP

DINETTE CABINETS & PADS

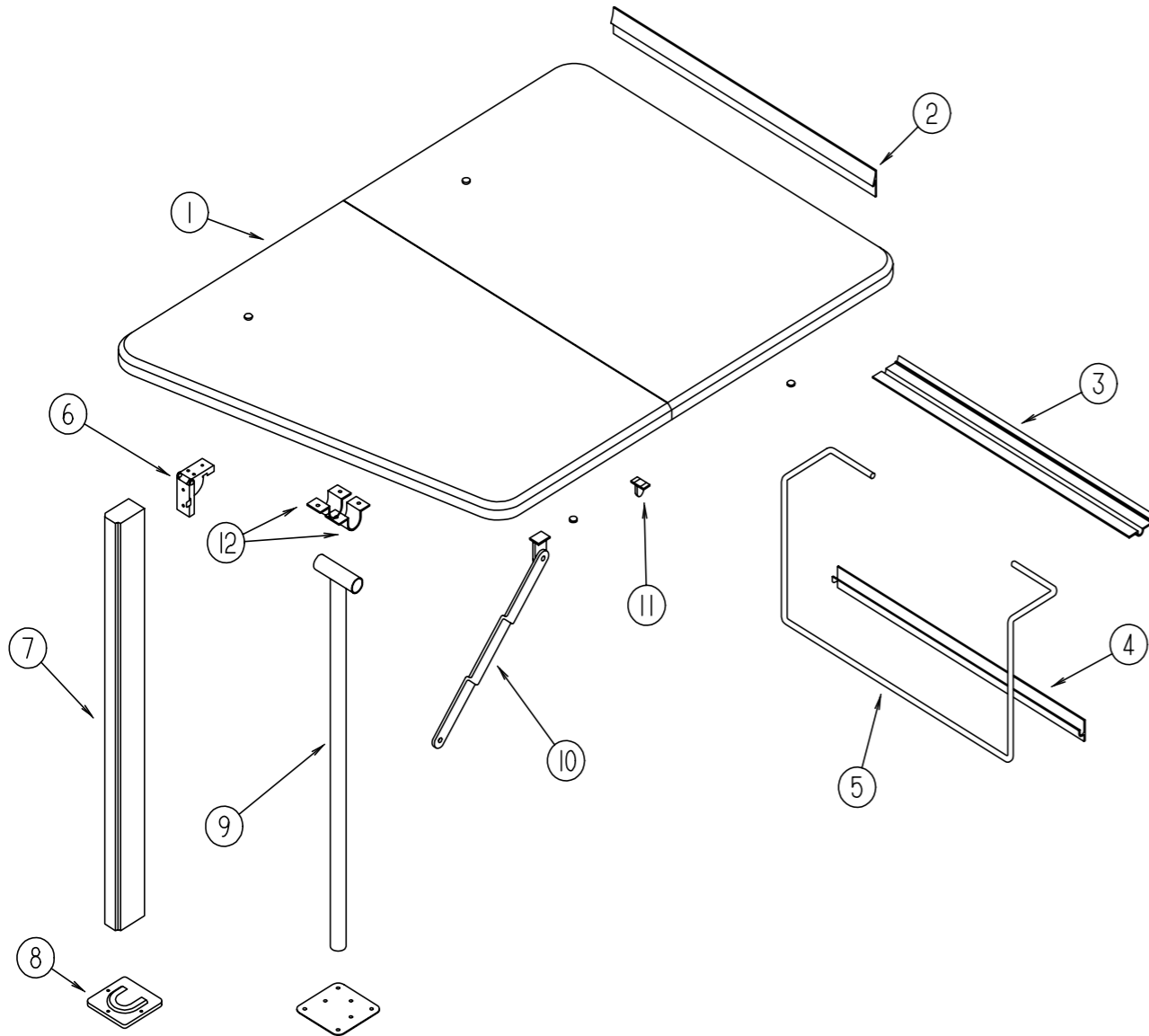


KEY	PART NUMBER	U/M	DESCRIPTION
1	126820-01-J94	EA	CABINET - OVERHEAD/DINETTE/RIGHT HAND - W/O DOORS/HDW WATERFORD OAK
1	126820-01-J60	EA	CABINET - OVERHEAD/DINETTE/RIGHT HAND - W/O DOORS/HDW WASHED MAPLE
1	126820-01-J62	EA	CABINET - OVERHEAD/DINETTE/RIGHT HAND - W/O DOORS/HDW WHITE GRANITE
	126820-12-J94	EA	SHELF - W/PLASTIC EDGE MOLDING - WATERFORD OAK
	126820-12-J60	EA	SHELF - W/PLASTIC EDGE MOLDING - WASHED MAPLE
	126820-12-J62	EA	SHELF - W/PLASTIC EDGE MOLDING - WHITE GRANITE
2	M05992-38-J94	EA	DOOR - STRAIGHT CORNER/OGEE EDGE - 12" X 18.7" - W/O HDW WATERFORD OAK
2	M05992-38-J60	EA	DOOR - STRAIGHT CORNER/OGEE EDGE - 12" X 18.7" - W/O HDW WASHED MAPLE
2	122715-32-01A	EA	DOOR - MOLDED VINYL - 12" X 18.7" - W/O HDW - WHT GRANITE
3	126481-01-J94	EA	CABINET - OVERHEAD/DINETTE - W/O DOORS/HARDWARE
3	126481-01-J95	EA	CABINET - OVERHEAD/DINETTE - W/O DOORS/HARDWARE
3	126481-01-J96	EA	CABINET - OVERHEAD/DINETTE - W/O DOORS/HARDWARE
3	126481-01-J60	EA	CABINET - OVERHEAD/DINETTE - W/O DOORS/HARDWARE
3	126481-01-J61	EA	CABINET - OVERHEAD/DINETTE - W/O DOORS/HARDWARE
3	126481-01-J62	EA	CABINET - OVERHEAD/DINETTE - W/O DOORS/HARDWARE

KEY	PART NUMBER	U/M	DESCRIPTION
4	M05992-G1-J94	EA	DOOR - STRAIGHT CORNER/OGEE EDGE - 11.2" X 19.7" - W/O HDW WATERFORD OAK
4	M05992-G1-J60	EA	DOOR - STRAIGHT CORNER/OGEE EDGE - 11.2" X 19.7" - W/O HDW WASHED MAPLE
4	122715-09-01A	EA	DOOR - MOLDED VINYL - 11.2" X 19.6" - W/O HDW-WHT GRANITE
5	126820-02-J94	EA	CABINET - OVERHEAD/DINETTE/LEFT HAND - W/O DOORS/HARDWARE WATERFORD OAK
5	126820-02-J60	EA	CABINET - OVERHEAD/DINETTE/LEFT HAND - W/O DOORS/HARDWARE WASHED MAPLE
5	126820-02-J62	EA	CABINET - OVERHEAD/DINETTE/LEFT HAND - W/O DOORS/HARDWARE WHITE GRANITE
	126820-17-J94	EA	SHELF - W/PLASTIC EDGE MOLDING - WATERFORD OAK
	126820-17-J60	EA	SHELF - W/PLASTIC EDGE MOLDING - WASHED MAPLE
	126820-17-J62	EA	SHELF - W/PLASTIC EDGE MOLDING - WHITE GRANITE
6	104787-13-J60	EA	PAD - DINETTE (J94, J60)
6	104787-13-J61	EA	PAD - DINETTE (J95, J61)
6	104787-13-J96	EA	PAD - DINETTE (J96)
7	M07514-11-J94	EA	CABINET - SEATBACK - RIGHT HAND - W/O HARDWARE - WATERFORD OAK
7	M07514-11-J60	EA	CABINET - SEATBACK - RIGHT HAND - W/O HARDWARE - WASHED MAPLE
7	M08602-03-J62	EA	CABINET - SEATBACK/RIGHT HAND - W/O HARDWARE - WHITE GRANITE
8	M07515-11-J94	EA	CABINET - SEATBOTTOM - RIGHT HAND - W/O DOORS/DRAWERS/HDW WATERFORD OAK
8	M07515-11-J60	EA	CABINET - SEATBOTTOM - RIGHT HAND - W/O DOORS/DRAWERS/HDW WASHED MAPLE
8	M08601-03-J62	EA	CABINET - SEAT BOTTOM/RIGHT HAND - W/O DOORS/DRAWERS/HDW WHITE GRANITE
9	P27054-01-J94	EA	DRAWER - OGEE EDGE - W/O SLIDES/HARDWARE - WATERFORD OAK
9	P27054-01-J60	EA	DRAWER - OGEE EDGE - W/O SLIDES/HARDWARE - WASHED MAPLE
9	P27054-02-J62	EA	DRAWER - OGEE EDGE - W/O SLIDES/HARDWARE - WHITE GRANITE
	127051-01-J94	EA	CATCH - WOOD - DRAWERS - WATERFORD OAK
	127051-01-J60	EA	CATCH - WOOD - DRAWERS - WASHED MAPLE
	127051-01-J62	EA	CATCH - WOOD - DRAWERS - WHITE GRANITE
10	127121-11-J94	EA	COUNTERTOP - DINETTE TABLE (J94)
10	127121-11-J91	EA	COUNTERTOP - DINETTE TABLE (J95)
10	127121-11-J92	EA	COUNTERTOP - DINETTE TABLE (J96)
10	127121-11-J60	EA	COUNTERTOP - DINETTE TABLE (J60)
10	127121-11-J61	EA	COUNTERTOP - DINETTE TABLE (J61)
10	127121-11-J62	EA	COUNTERTOP - DINETTE TABLE (J62)
11	081295-01-G01	EA	SUPPORT - BED/DINETTE - 28" LONG - WATERFORD OAK
11	081295-01-H37	EA	SUPPORT - BED/DINETTE - 28" LONG - WASHED MAPLE
11	M81295-01-J62	EA	SUPPORT - BED/DINETTE - 28" LONG - WHITE GRANITE
12	M07515-12-J94	EA	CABINET - SEATBOTTOM - LEFT HAND - W/O DOORS/DRAWERS/HDW WATERFORD OAK
12	M07515-12-J60	EA	CABINET - SEATBOTTOM - LEFT HAND - W/O DOORS/DRAWERS/HDW WASHED MAPLE
12	M08601-04-J62	EA	CABINET - SEAT BOTTOM/LEFT HAND - W/O DOORS/DRAWERS/HDW WHITE GRANITE
13	M07514-12-J94	EA	CABINET - SEATBACK - LEFT HAND - W/O HARDWARE - WATERFORD OAK
13	M07514-12-J60	EA	CABINET - SEATBACK - LEFT HAND - W/O HARDWARE - WASHED MAPLE
13	M08602-04-J62	EA	CABINET - SEATBACK/LEFT HAND - W/O HARDWARE - WHITE GRANITE
	P02786-03-J94	EA	HANDRAIL ONLY - W/O BRACKETS - WATERFORD OAK
	P02786-03-J70	EA	HANDRAIL ONLY - W/O BRACKETS - WASHED MAPLE
	P02786-03-J62	EA	HANDRAIL ONLY - W/O BRACKETS - WHITE GRANITE
	099682-01-01A	EA	BRACKET - MOUNTING/HAND RAIL - ROUND BASE
14	104787-14-J60	EA	PAD - DINETTE (J94, J60)
14	104787-14-J61	EA	PAD - DINETTE (J95, J61)
14	104787-14-J96	EA	PAD - DINETTE (J96)

DINETTE GROUP (CONTINUED)

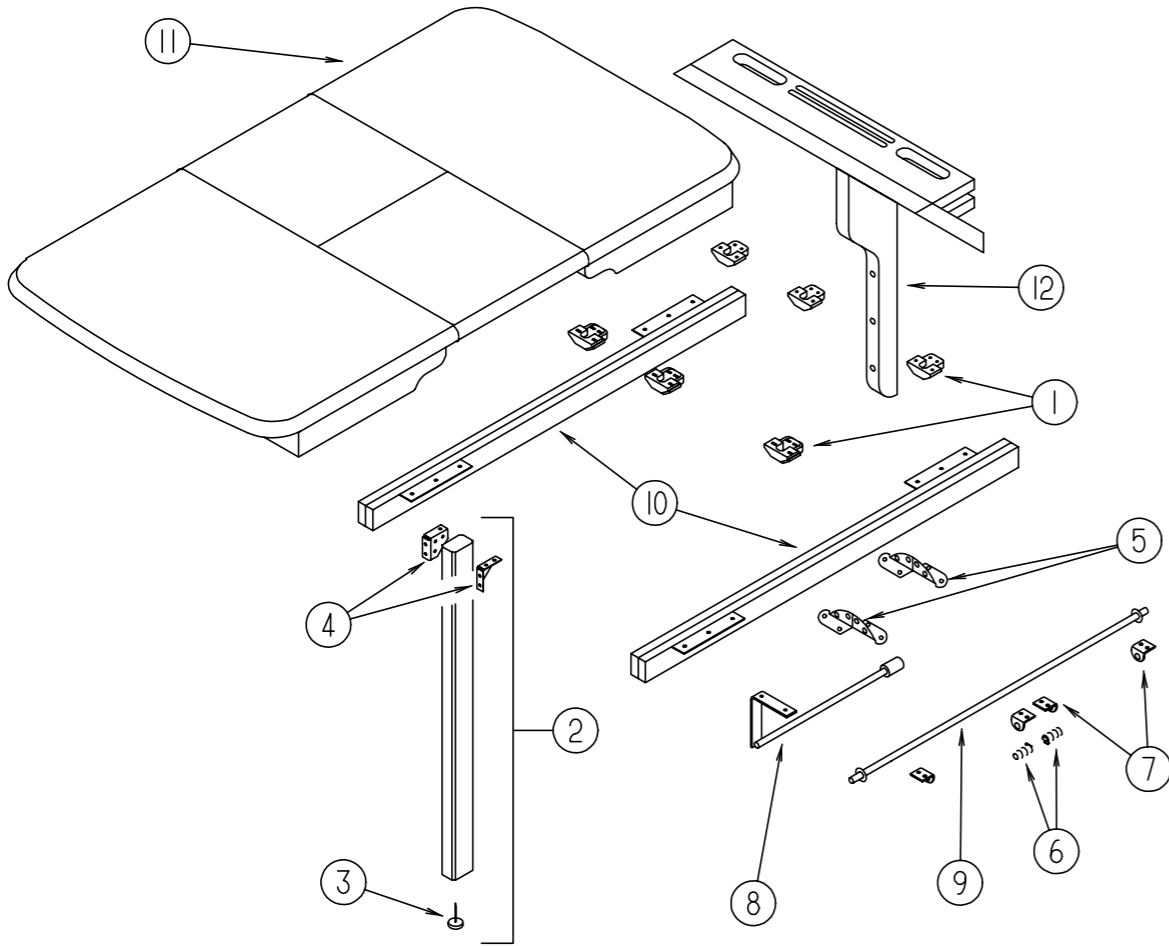
DINETTE TABLE



KEY	PART NUMBER	U/M DESCRIPTION
1	127121-11-J94	EA COUNTERTOP - DINETTE TABLE (J94)
1	127121-11-J91	EA COUNTERTOP - DINETTE TABLE (J95)
1	127121-11-J92	EA COUNTERTOP - DINETTE TABLE (J96)
1	127121-11-J60	EA COUNTERTOP - DINETTE TABLE (J60)
1	127121-11-J61	EA COUNTERTOP - DINETTE TABLE (J61)
1	127121-11-J62	EA COUNTERTOP - DINETTE TABLE (J62)
2	053200-12-000	EA BRACKET - TABLE SUPPORT - UPPER WALL MOUNTED - 23.50"
3	088410-02-000	EA BRACKET - LIFT - TABLE MOUNTED
4	024281-14-000	EA BRACKET - LIFT ROD/LOWER WALL MOUNTED - 22.12"
5	024275-12-000	EA ROD - TABLE LIFT
6	093550-01-000	EA BRACKET - HINGE - MOUNTS TO LEG & TABLE TOP - 1.7" X 2.6"
		FROM: 09-21-97 THRU: 99-99-99
	092593-01-05A	EA CATCH-TABLE LEG,O/W
		FROM: 09-21-97 THRU: 99-99-99
7	092707-04-05A	EA MOLDING - TABLE LEG - 27" - WATERFORD OAK
		FROM: 09-21-97 THRU: 99-99-99
7	092707-04-08A	EA MOLDING - TABLE LEG - 27" - WASHED MAPLE
		FROM: 09-21-97 THRU: 99-99-99
7	092707-04-07A	EA MOLDING - TABLE LEG - 27" - WHITE GRANITE
		FROM: 09-21-97 THRU: 99-99-99
8	049493-12-000	EA CATCH - TABLE LEG/FLOOR MOUNTED - OFF WHITE
		FROM: 00-00-00 THRU: 09-20-97
8	049493-11-700	EA CATCH-TABLE LEG, E-COAT
		FROM: 00-00-00 THRU: 09-20-97
9	024276-23-000	EA LEG - TABLE - METAL - OFF WHITE
		FROM: 00-00-00 THRU: 09-20-97
10	024282-01-000	EA BRACE - TABLE LEG - HINGED
		FROM: 00-00-00 THRU: 09-20-97
11	024283-01-000	EA CLIP - LEG - 1" - 1.125" OD - BLACK
		FROM: 00-00-00 THRU: 09-20-97
12	064050-05-000	EA HINGE - TABLE LEG - OFF WHITE
		FROM: 00-00-00 THRU: 09-20-97

DINETTE GROUP (CONTINUED)

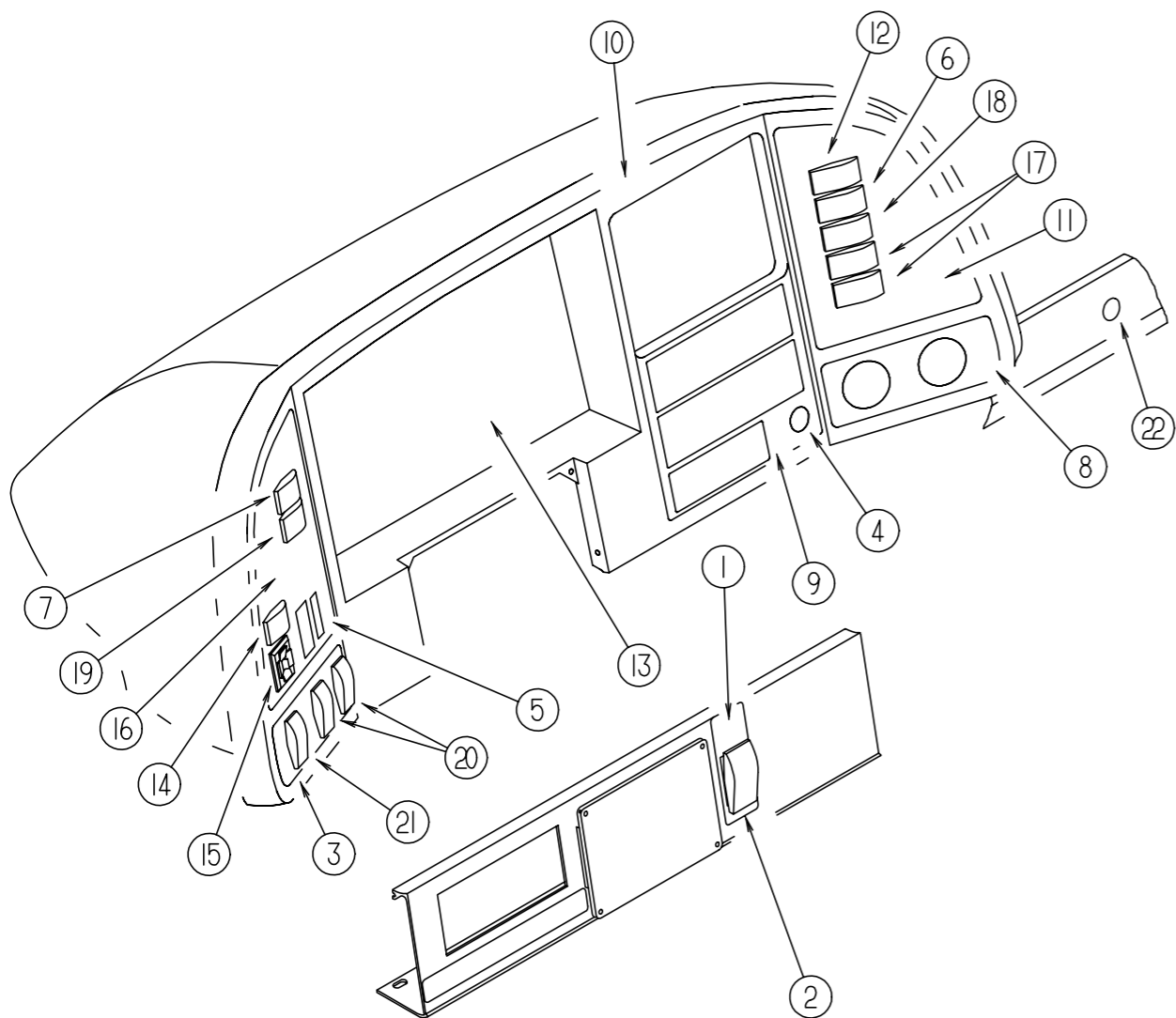
PULL OUT TABLE



KEY	PART NUMBER	U/M	DESCRIPTION
	P18322-02-J94	EA	TABLE - PULLOUT/SELF STORING - W/O HARDWARE - WATERFORD OAK
	P18322-02-J95	EA	TABLE - PULLOUT/SELF STORING - W/O HARDWARE - WATERFORD OAK
	P18322-02-J96	EA	TABLE - PULLOUT/SELF STORING - W/O HARDWARE - WATERFORD OAK
	P18322-02-J60	EA	TABLE - PULLOUT/SELF STORING - W/O HARDWARE - WASHED MAPLE
	P18322-02-J61	EA	TABLE - PULLOUT/SELF STORING - W/O HARDWARE - WASHED MAPLE
	P18322-02-J62	EA	TABLE - PULLOUT/SELF STORING - W/O HARDWARE - WHITE GRANITE
1	009050-02-000	EA	LEVELER - TABLE TOP - MALE END W/4 SCREWS - PLASTIC
1	009050-03-000	EA	LEVELER - TABLE TOP - FEMALE END W/2 SCREWS - PLASTIC
2	092708-12-G35	EA	LEG - TABLE - WATERFORD OAK
2	092708-12-J70	EA	LEG - TABLE - WASHED MAPLE
2	092708-12-J23	EA	LEG - TABLE - WHITE GRANITE
3	092593-01-05A	EA	CATCH-TABLE LEG,O/W
	092707-07-05A	EA	MOLDING - TABLE LEG - 27.8" - WATERFORD OAK
	092707-07-08A	EA	MOLDING - TABLE LEG - 27.8" - WASHED MAPLE
	092707-07-07A	EA	MOLDING - TABLE LEG - 27.8" - WHITE GRANITE
4	102810-01-04A	EA	BRACE - LEG - TABLE
4	102810-01-03A	EA	BRACE - LEG - TABLE
5	108663-01-000	EA	HINGE - LEAF - FOLDING
6	108664-01-000	EA	SPRING - COMPRESSION - .51" X 1.96"
7	108874-01-000	EA	BRACKET - HINGE - TABLE LEAF
8	108905-01-000	EA	SUPPORT - TABLE LEAF
9	108932-01-000	EA	ROD - PIVOT
10	110749-01-000	EA	SLIDE - TABLE - 19 3/4" LONG
11	118322-20-J94	EA	TABLE TOP ONLY - PULLOUT - WATERFORD OAK
11	118322-20-J95	EA	TABLE TOP ONLY - PULLOUT - WATERFORD OAK
11	118322-20-J96	EA	TABLE TOP ONLY - PULLOUT - WATERFORD OAK
11	118322-20-J60	EA	TABLE TOP ONLY - PULLOUT - WASHED MAPLE
11	118322-20-J61	EA	TABLE TOP ONLY - PULLOUT - WASHED MAPLE
11	118322-20-J62	EA	TABLE TOP ONLY - PULLOUT - WHITE GRANITE
12	118322-16-J94	EA	MOUNT-WALL - WATERFORD OAK
12	118322-16-J60	EA	MOUNT-WALL - WASHED MAPLE
12	118322-16-J62	EA	MOUNT-WALL - WHITE GRANITE
	108808-03-01A	EA	HANDRAIL - ENTRANCE STEP

DRIVERS COMPARTMENT GROUP

DASH WIRING

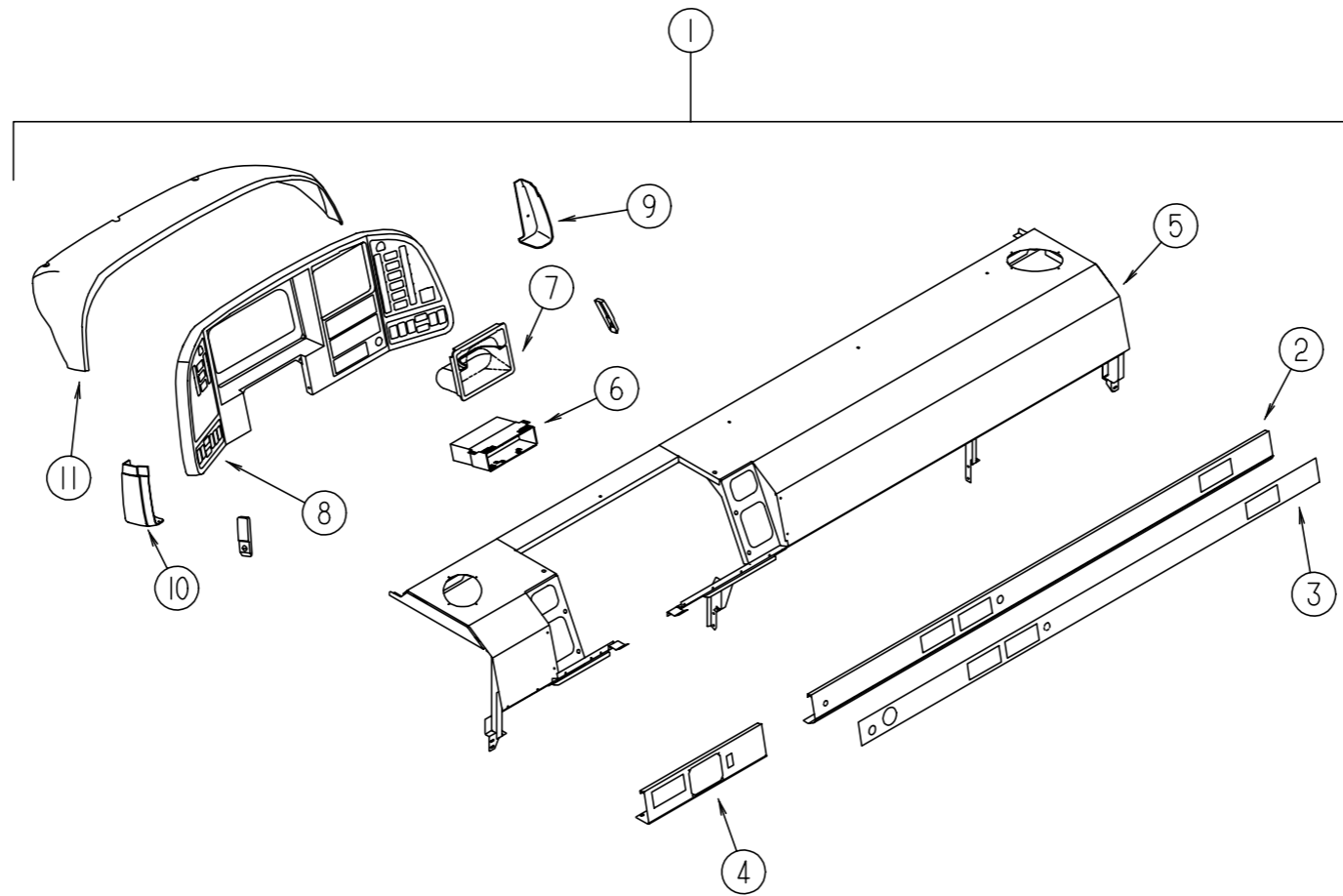


KEY	PART NUMBER	U/M DESCRIPTION
1	116220-01-000	EA APPLIQUE - SWITCH/SLIDEOUT
2	108357-07-000	EA SWITCH - ROCKER SPDT - MOM/OFF/MOM - 3 TERMINAL
2	108356-02-01A	EA COVER/ACTUATOR SWITCH - 2 ROWS DIMPLES- CONTURA II - BLACK
3	110420-04-01A	EA APPLIQUE - BEZEL - LOWER/LEFT - WITHOUT PARK AND LEVEL - GM/FORD
3	110420-05-01A	EA APPLIQUE - BEZEL - LOWER/LEFT - PARK & LEVEL - GM/FORD
3	100420-24-01A	EA APPLIQUE - BEZEL - LOWER/LEFT - FREIGHTLINER

KEY	PART NUMBER	U/M DESCRIPTION
4	089294-01-000	EA LIGHTER - CIGARETTE - W/O WIRES
5	096674-01-000	EA NUT - HEADLAMP KNOB - BLACK - 1997/1998 FORD 7.5L, 17000 CHASSIS
5	096675-01-000	EA KNOB - HEADLAMP - W/SHAFT - 1997/1998 FORD 7.5L, 17000 CHASSIS
6	108357-06-000	EA SWITCH - ROCKER DPDT - MOM/OFF/MOM - 6 TERMINAL
6	108356-01-01A	EA COVER/ACTUATOR SWITCH - 3 GROOVES - CONTURA III - BLACK
7	108357-09-000	EA SWITCH - ROCKER SPDT - ON/NONE/MOM - 3 TERMINAL
7	108356-01-01A	EA COVER/ACTUATOR SWITCH - 3 GROOVES - CONTURA III - BLACK
8	110420-06-01A	EA APPLIQUE - BEZEL - LOWER/RIGHT
8	110420-30-01A	EA APPLIQUE - BEZEL - LOWER/RIGHT
		FROM: 00-00-00 THRU: 05-29-98
		FROM: 05-30-98 THRU: 99-99-99
9	110420-07-01A	EA APPLIQUE - BEZEL - CENTER
10	110420-08-01A	EA APPLIQUE - BEZEL - UPPER CENTER
11	110420-23-01A	EA APPLIQUE - BEZEL - RIGHT HAND
11	110420-26-01A	EA APPLIQUE - BEZEL - RIGHT POWER MIRROR - BLACK
12	108357-08-000	EA SWITCH - ROCKER DPDT - ON/NONE/ON - 6 TERMINAL
12	108356-01-01A	EA COVER/ACTUATOR SWITCH - 3 GROOVES - CONTURA III - BLACK
13	094794-04-000	EA CLUSTER - INSTRUMENT PANEL - KILOMETERS - FORD
		FROM: 00-00-00 THRU: 10-15-97
13	094794-06-000	EA CLUSTER - INSTRUMENT PANEL - KILLOMETERS - FORD
		FROM: 10-16-97 THRU: 99-99-99
	100138-01-000	EA MODULE - DAYTIME/RUNNING LIGHT
13	125001-02-000	EA CLUSTER-INSTRUMENT-KILO REGISTERED/MPH READING-GAS CSA CHEVY L29, 7.4L, 16500 CHASSIS
		FROM: 00-00-00 THRU: 10-15-97
13	127244-02-000	EA CLUSTER - INSTRUMENT PANEL - K/M - GAS - CANADIAN CHEVY L29, 7.4L, 16500 CHASSIS
		FROM: 10-16-97 THRU: 99-99-99
13	127244-06-000	EA CLUSTER - INSTRUMENT PANEL - K/M - GAS - CANADIAN HDGM CHEVY P12, 7.4L, 21000 CHASSIS
13	127244-08-000	EA CLUSTER - INSTRUMENT PANEL-KILOMETERS/MILES-GAS-CANADIAN HDGM CHEVY P12, 7.4L, 21000 CHASSIS
14	108357-14-000	EA SWITCH - ROCKER SPDT W/LIGHT - ON/NONE/OFF - 4 TERMINAL
14	108356-03-01A	EA COVER/ACTUATOR SWITCH -3 GROOVES W/LIGHT-CONTURA III-BLACK
15	088246-01-000	EA SWITCH - REMOTE - EXTERIOR - SQUARE PUSH
16	110420-19-01A	EA APPLIQUE - BEZEL - LEFT HAND - GM
16	110420-17-01A	EA APPLIQUE - BEZEL - LEFT HAND - 1997/1998 FORD 7.5L, 17000 CHASSIS
16	110420-18-01A	EA APPLIQUE - BEZEL - LEFT HAND - POWER MIRROR - FORD
16	110420-20-01A	EA APPLIQUE - BEZEL - LEFT HAND - POWER MIRROR - GM
16	110420-21-01A	EA APPLIQUE - BEZEL - LEFT HAND - FREIGHTLINER
16	110420-22-01A	EA APPLIQUE - BEZEL - LEFT HAND - POWER MIRROR - FREIGHTLINER
16	110420-25-01A	EA APPLIQUE - BEZEL - LEFT - BLACK - 1999 FORD 6.8L, 20500 CHASSIS
17	108357-03-000	EA SWITCH - ROCKER SPDT - ON/OFF/ON - 3 TERMINAL
17	108356-01-01A	EA COVER/ACTUATOR SWITCH - 3 GROOVES - CONTURA III - BLACK
17	096241-08-000	EA SWITCH-BLANK
18	108357-10-000	EA SWITCH - ROCKER SPDT W/LIGHT - MOM/NONE/MOM - 5 TERMINAL
18	108356-03-01A	EA COVER/ACTUATOR SWITCH -3 GROOVES W/LIGHT-CONTURA III-BLACK
19	108357-01-000	EA SWITCH - ROCKER SPST - ON/OFF - 2 TERMINAL
19	108356-01-01A	EA COVER/ACTUATOR SWITCH - 3 GROOVES - CONTURA III - BLACK
20	108357-07-000	EA SWITCH - ROCKER SPDT - MOM/OFF/MOM - 3 TERMINAL - FORD/GM
20	108356-01-02A	EA COVER/ACTUATOR SWITCH - 3 GROOVES - CONTURA III - BLACK - FORD/GM
21	108357-05-000	EA SWITCH - ROCKER SPDT - ON/NONE/ON - 3 TERMINAL - FORD/GM
21	108356-01-01A	EA COVER/ACTUATOR SWITCH - 3 GROOVES - CONTURA III - BLACK - FORD/GM
21	108357-01-000	EA SWITCH - ROCKER SPST - ON/OFF - 2 TERMINAL - FREIGHTLINER
21	108356-01-01A	EA COVER/ACTUATOR SWITCH - 3 GROOVES - CONTURA III - BLACK - FREIGHTLINER
22	111414-01-000	EA RECEPTACLE - 12V - W/O BIMETAL
	077031-03-000	EA FILM - WHITE - .75" X 1"
	103603-01-000	EA BULB - 12V - #74 - .12A WEDGE - GE 22-25 - USED IN DASH

DRIVERS COMPARTMENT GROUP (CONTINUED)

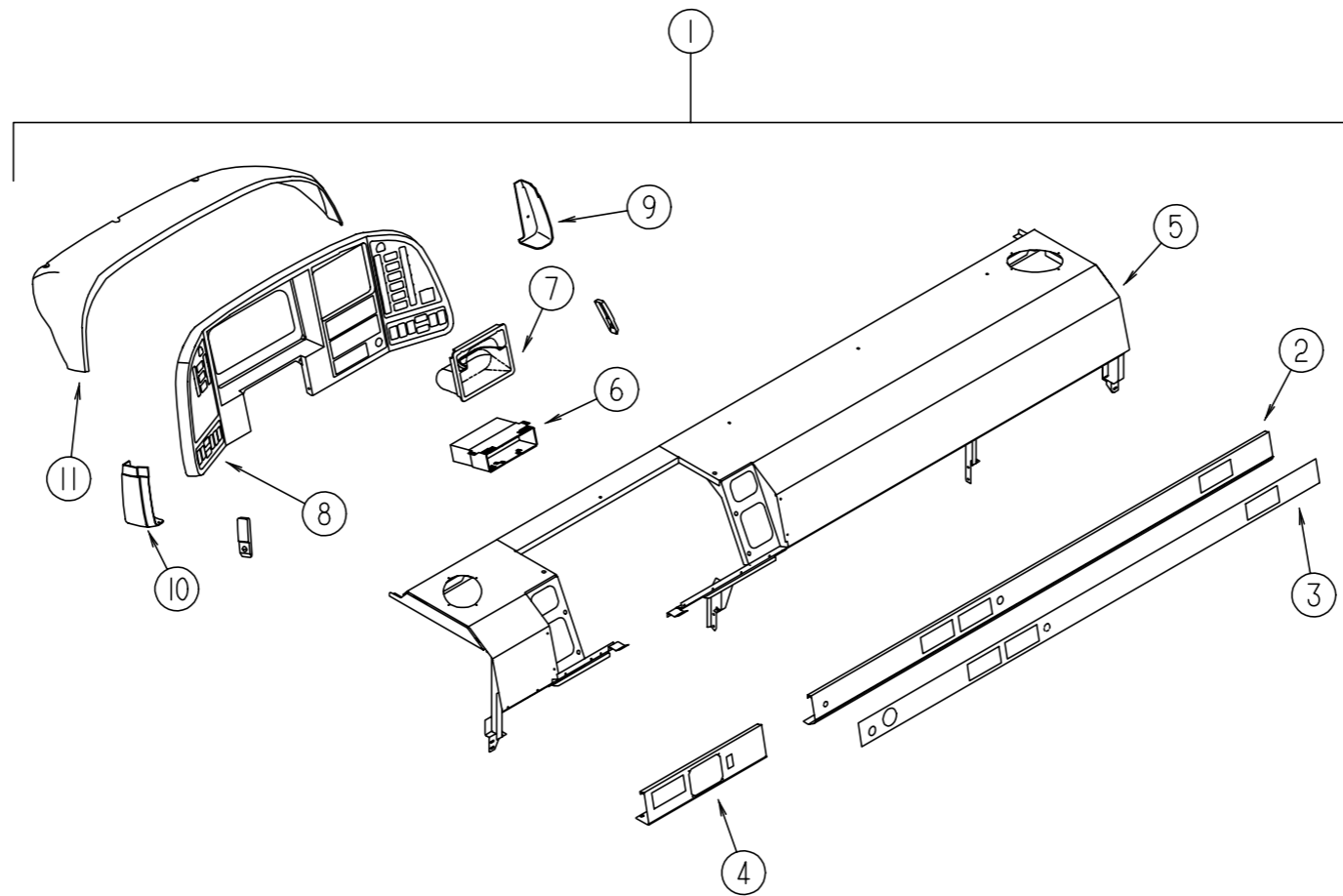
DASH



KEY	PART NUMBER	U/M	DESCRIPTION				
1	126154-02-J60	EA	DASH - W/VINYL - 97/98 FORD 7.5L, 17000 CHASSIS	2	126044-02-02A	EA	TRIM - DASH - LOWER/PASSENGER - TITANIUM - FORD
1	126154-21-J60	EA	DASH - W/VINYL - 99 FORD 6.8L, 20500 CHASSIS	2	126044-01-02A	EA	TRIM - DASH - LOWER/PASSENGER - TITANIUM 97/98 FORD 7.5L, 17000 CHASSIS
1	126154-01-J60	EA	DASH - W/VINYL - CHEVY L29, 7.4L, 16500 CHASSIS	2	126044-04-02A	EA	TRIM - DASH - LOWER/PASSENGER - TITANIUM HDGM CHEVY P12, 7.2L, 21000 CHASSIS
1	126154-17-J60	EA	DASH - W/VINYL - HDGM CHEVY P12, 7.2L, 21000 CHASSIS	3	126044-03-02A	EA	TRIM - DASH - LOWER/PASSENGER - TITANIUM - FREIGHTLINER
1	126154-06-J60	EA	DASH - W/VINYL - F/LEVELING JACKS - 97/98 FORD 7.5L, 17000 CHASSIS	4	126045-11-02A	EA	TRIM - DASH - LOWER/DRIVER - TITANIUM - FORD (SLIDEOUT)
1	126154-22-J60	EA	DASH - W/VINYL - F/LEVELING JACKS - 99 FORD 6.8L, 20500 CHASSIS	4	126045-10-02A	EA	TRIM - DASH - LOWER/DRIVER - TITANIUM - GM/FREIGHTLINER (SLIDEOUT)
1	126154-05-J60	EA	DASH - W/VINYL - F/LEVELING JACKS - CHEVY L29, 7.4L, 16500 CHASSIS	4	126045-02-02A	EA	TRIM - DASH - LOWER/DRIVER - TITANIUM - FORD (W/O HWH LEVELING)
1	126154-18-J60	EA	DASH - W/VINYL - F/LEVELING JACKS - HDGM CHEVY P12, 7.2L, 21000 CHASSIS	4	126045-05-02A	EA	TRIM - DASH - LOWER/DRIVER - TITANIUM - FORD (W/HWH LEVELING)
1	126154-14-J60	EA	DASH - W/VINYL - F/LEVELING JACKS/SLIDEOUT 97/98 FORD 7.5L, 17000 CHASSIS	4	126045-01-02A	EA	TRIM - DASH - LOWER/DRIVER - TITANIUM - GM (W/O HWH LEVELING)
1	126154-24-J60	EA	DASH - W/VINYL - F/LEVELING JACKS/SLIDEOUT - 99 FORD 6.8L, 20500 CHASSIS	4	126045-04-02A	EA	TRIM - DASH - LOWER/DRIVER - TITANIUM CHEVY L29, 7.4L, 16500 CHASSIS (W/HWH LEVELING)
1	126154-13-J60	EA	DASH - W/VINYL - F/LEVELING JACKS/SLIDEOUT 97 CHEVY L29, 7.4L, 16500 CHASSIS	4	126045-12-02A	EA	TRIM - DASH - LOWER/DRIVER - TITANIUM HDGM CHEVY P12, 7.2L, 21000 CHASSIS (W/HWH LEVELING)
1	126154-20-J60	EA	DASH - W/VINYL - F/LEVELING JACKS/SLIDEOUT 98 CHEVY L29, 7.4L, 16500 CHASSIS	5	126053-01-02B	EA	DASH - E/COATED - 97 CHEVY L29, 7.4L, 16500 CHASSIS/FORD
1	126154-16-J60	EA	DASH - W/VINYL - F/LEVELING JACKS/SLIDEOUT HDGM CHEVY P12, 7.2L, 21000 CHASSIS	5	126053-04-02B	EA	DASH - E/COATED 98 CHEVY L29, 7.4L, 16500 CHASSIS/99 FORD 6.8L, 20500 CHASSIS
1	126154-15-J60	EA	DASH - W/VINYL - F/LEVELING JACKS/SLIDEOUT - FREIGHTLINER	5	126053-03-02B	EA	DASH - E/COATED - HDGM CHEVY P12, 7.2L, 21000 CHASSIS
	106569-11-02A	EA	VINYL - LAMINATE - TITANIUM - 1/4" X 21" X 100"	5	126053-02-02B	EA	DASH - E/COATED - FREIGHTLINER
				6	096776-02-000	EA	BOX - CASSETTE - 4 TAPE HOLDER
				7	111350-01-01A	EA	POCKET - INSTRUMENT PANEL - UPPER - BLACK

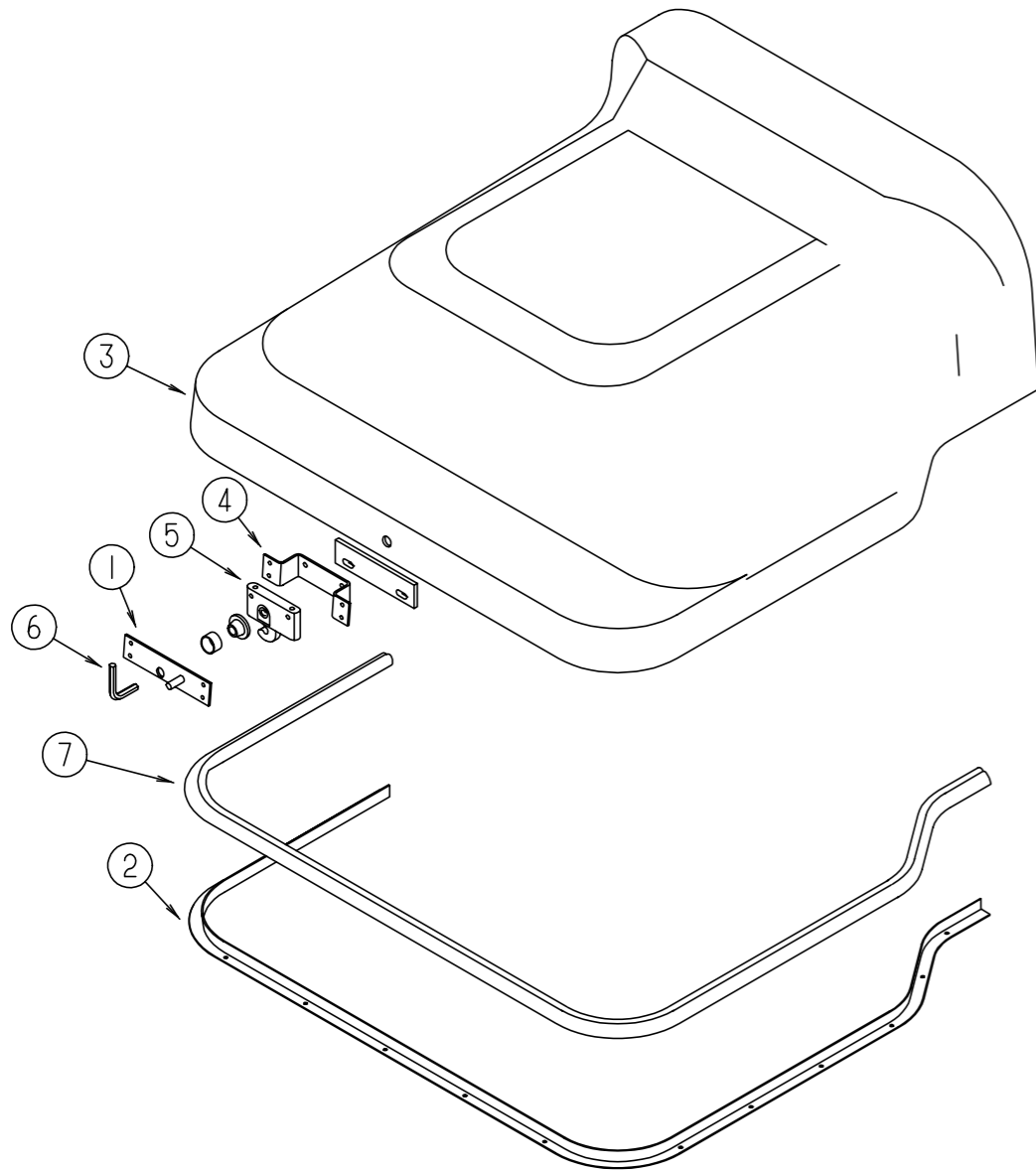
DRIVERS COMPARTMENT GROUP (CONTINUED)

DASH (CONTINUED)



KEY	PART NUMBER	U/M	DESCRIPTION	KEY	PART NUMBER	U/M	DESCRIPTION
8	108954-01-01A	EA	BEZEL - INSTRUMENT PANEL - '97 CHEVY L29, 7.4L, 16500 CHASSIS	10	125467-04-J60	EA	POD - INSTRUMENT PANEL - LOWER/DRIVER
8	108954-06-01A	EA	BEZEL - INSTRUMENT PANEL - '98 CHEVY L29, 7.4L, 16500 CHASSIS				97 CHEVY L29, 7.4L, 16500 CHASSIS/97 FORD 7.5L, 17000 CHASSIS/ FREIGHTLINER
8	108954-04-01A	EA	BEZEL - INSTRUMENT PANEL - HDGM CHEVY P12, 7.2L, 21000 CHASSIS	10	125467-06-J60	EA	POD - INSTRUMENT PANEL - LOWER/DRIVER
8	108954-02-01A	EA	BEZEL - INSTRUMENT PANEL - 97/98 FORD 7.5L, 17000 CHASSIS				98 CHEVY L29, 7.4L, 16500 CHASSIS/98 FORD 7.5L, 17000 CHASSIS
8	108954-07-01A	EA	BEZEL - INSTRUMENT PANEL - 99 FORD 6.8L, 20500 CHASSIS	10	126483-04-J60	EA	POD - INSTRUMENT PANEL - LOWER/DRIVER
8	108954-05-01A	EA	BEZEL - INSTRUMENT PANEL - FREIGHTLINER				HDGM CHEVY P12, 7.2L, 21000 CHASSIS
9	125467-03-J60	EA	POD - INSTRUMENT PANEL - LOWER/PASSENGER	10	126483-02-02A	EA	POD - INSTRUMENT PANEL - LOWER/DRIVER
			CHEVY L29, 7.4L, 16500 CHASSIS/97/98 FORD 7.5L, 17000 CHASSIS/FREIGHTLINER	10	129924-04-J60	EA	POD - INSTRUMENT PANEL - LOWER/DRIVER - 99 FORD 6.8L, 20500 CHASSIS
9	126483-03-J60	EA	POD - INSTRUMENT PANEL - LOWER/PASSENGER	11	125445-02-J60	EA	POD - INSTRUMENT PANEL
			HDGM CHEVY P12, 7.2L, 21000 CHASSIS				CHEVY L29, 7.4L, 16500 CHASSIS/FORD/FREIGHTLINER
9	126483-01-02A	EA	POD - INSTRUMENT PANEL - LOWER/PASSENGER	11	126485-02-J60	EA	POD - INSTRUMENT PANEL
9	129924-02-J60	EA	POD - INSTRUMENT PANEL/LOWER - TITANIUM				HDGM CHEVY P12, 7.2L, 21000 CHASSIS - W/O DELUXE SOUND
			99 FORD 6.8L, 20500 CHASSIS	11	126485-03-J60	EA	POD - INSTRUMENT PANEL
							HDGM CHEVY P12, 7.2L, 21000 CHASSIS - W/DELUXE SOUND
							110530-01-000 FT SEAL - SPONGE - .31" X .62"

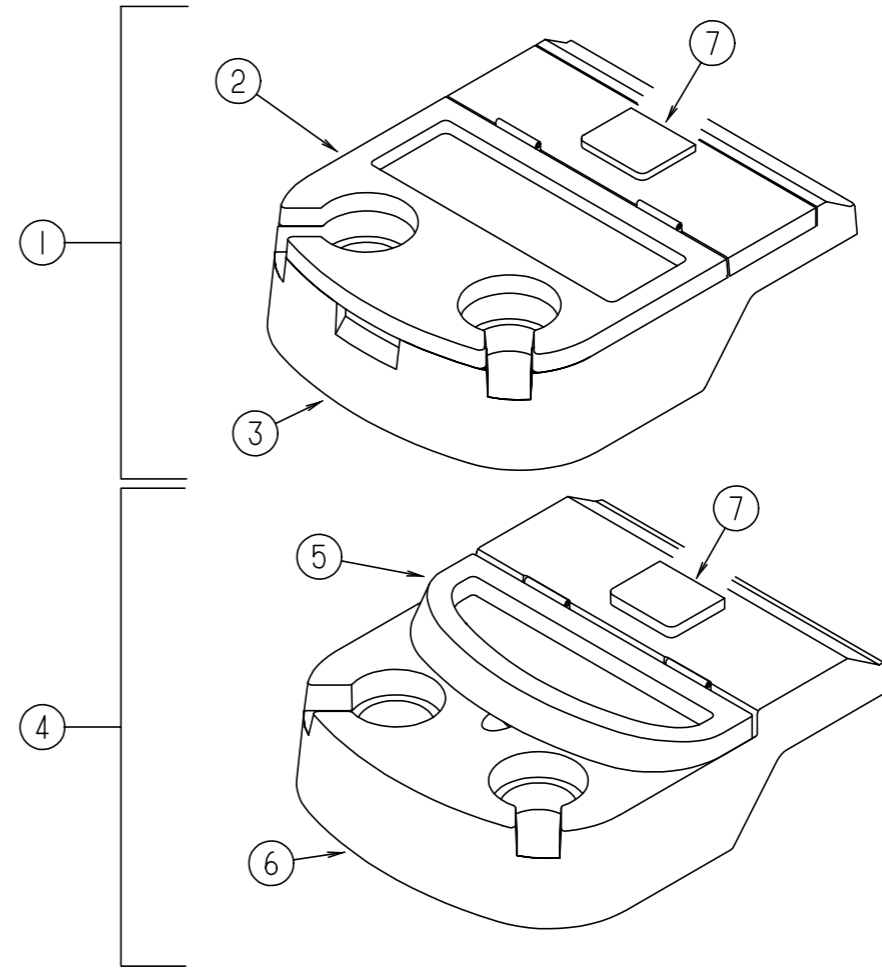
DRIVERS COMPARTMENT GROUP (CONTINUED)



MOTOR COVER

KEY	PART NUMBER	U/M	DESCRIPTION
1	115852-01-02B	EA	STRIKE ASM - MOTOR COVER - E-CT
2	115860-01-01A	EA	TRIM - MOTOR COVER MILL
2	115860-02-01A	EA	TRIM - MOTOR COVER MILL - HDGM
3	115840-02-01A	EA	COVER - MOTOR - W/O CARPET - GM
3	115840-01-01A	EA	COVER - MOTOR - W/O CARPET - 97/98 FORD 7.5L, 17000 CHASSIS
3	115840-03-01A	EA	COVER - MOTOR - W/O CARPET - 99 FORD 6.8L, 20500 CHASSIS
4	115850-01-02B	EA	RETAINER - LATCH - MOTOR COVER - RIGHT HAND - E-COAT FROM: 00-00-00 THRU: 05-17-98
4	115850-03-02B	EA	RETAINER - LATCH - MOTOR COVER - RIGHT HAND - E-COAT FROM: 05-18-98 THRU: 99-99-99
5	116581-01-000	EA	LATCH - MOTOR COVER
6	116833-01-02B	EA	WRENCH - HEX MOTOR COVER - E-COATED
7	039623-01-000	FT	SEAL - MOTOR COVER - RUBBER BULB TYPE

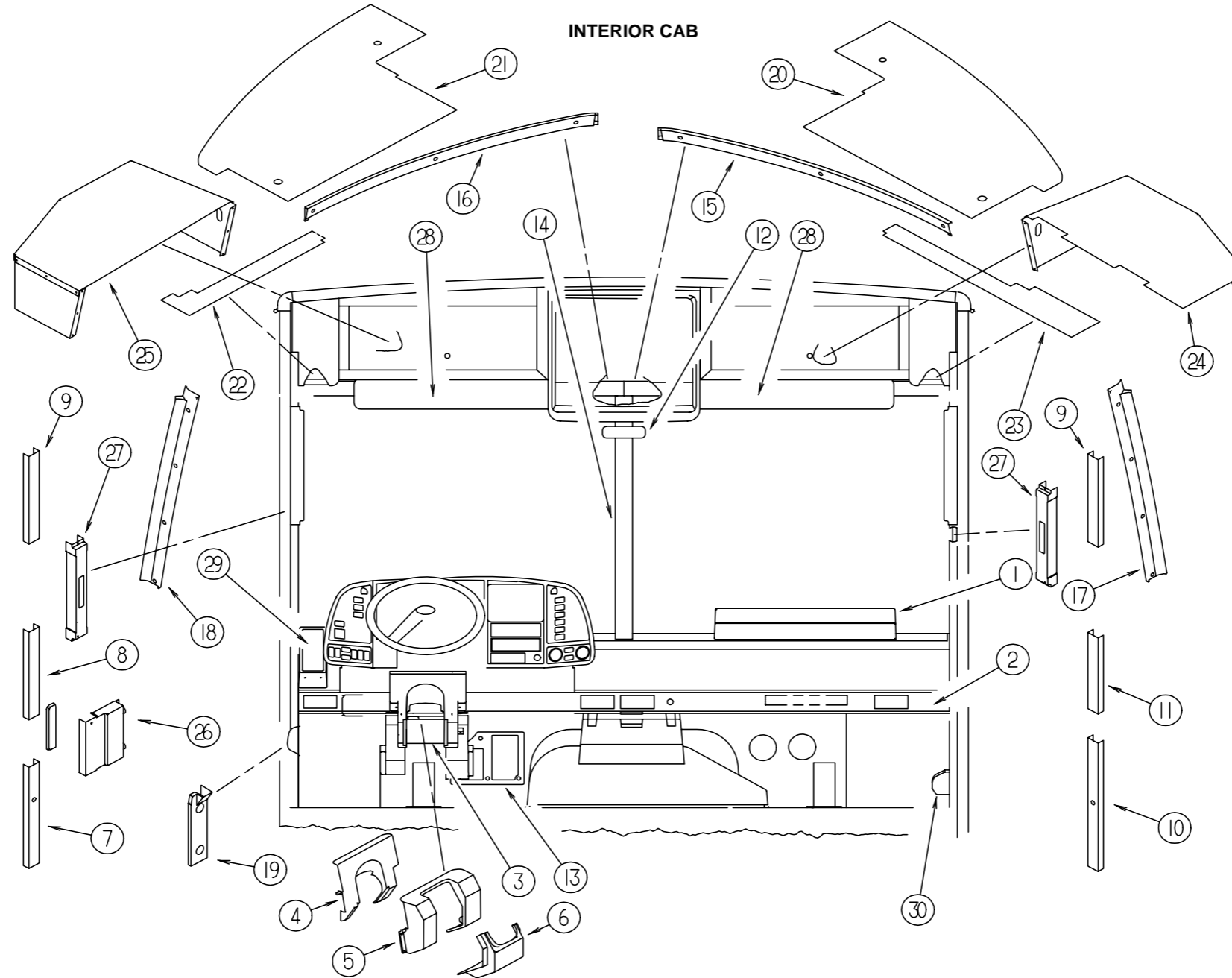
DRIVERS COMPARTMENT GROUP (CONTINUED)



BEVERAGE TRAY

KEY	PART NUMBER	U/M	DESCRIPTION
1	126008-01-J94	EA	TRAY - BEVERAGE - W/DOOR - WATERFORD OAK (J94, J95, J96, J93) FROM: 00-00-00 THRU: 09-01-97
1	126008-01-J60	EA	TRAY - BEVERAGE - W/DOOR - WASHED MAPLE (J60, J61)
1	126008-01-J62	EA	TRAY - BEVERAGE - W/DOOR - WHITE GRANITE (J62, J33) FROM: 00-00-00 THRU: 09-01-97
2	126011-01-J94	EA	LID - BEVERAGE TRAY - WATERFORD OAK (J94, J95, J96, J93) FROM: 00-00-00 THRU: 09-01-97
2	126011-01-J60	EA	LID - BEVERAGE TRAY - WASHED MAPLE (J60, J61)
2	126011-01-J62	EA	LID - BEVERAGE TRAY - WHITE GRANITE (J62, J33) FROM: 00-00-00 THRU: 09-01-97
3	126009-01-02A	EA	TRAY-BEVERAGE
4	126008-02-J60	EA	TRAY - BEVERAGE - W/DOOR FROM: 09-02-97 THRU: 99-99-99
5	128113-01-J60	EA	LID ASM-TRAYBEVERAGE
6	128114-01-02A	EA	TRAY-BEVERAGE TITANIUM FROM: 09-02-97 THRU: 99-99-99
7	118718-01-02A	EA	ASHTRAY - TOP MOUNT - BLACK PLASTIC
	126010-01-02A	EA	SPACER - BEVERAGE TRAY - GM

DRIVERS COMPARTMENT GROUP (CONTINUED)

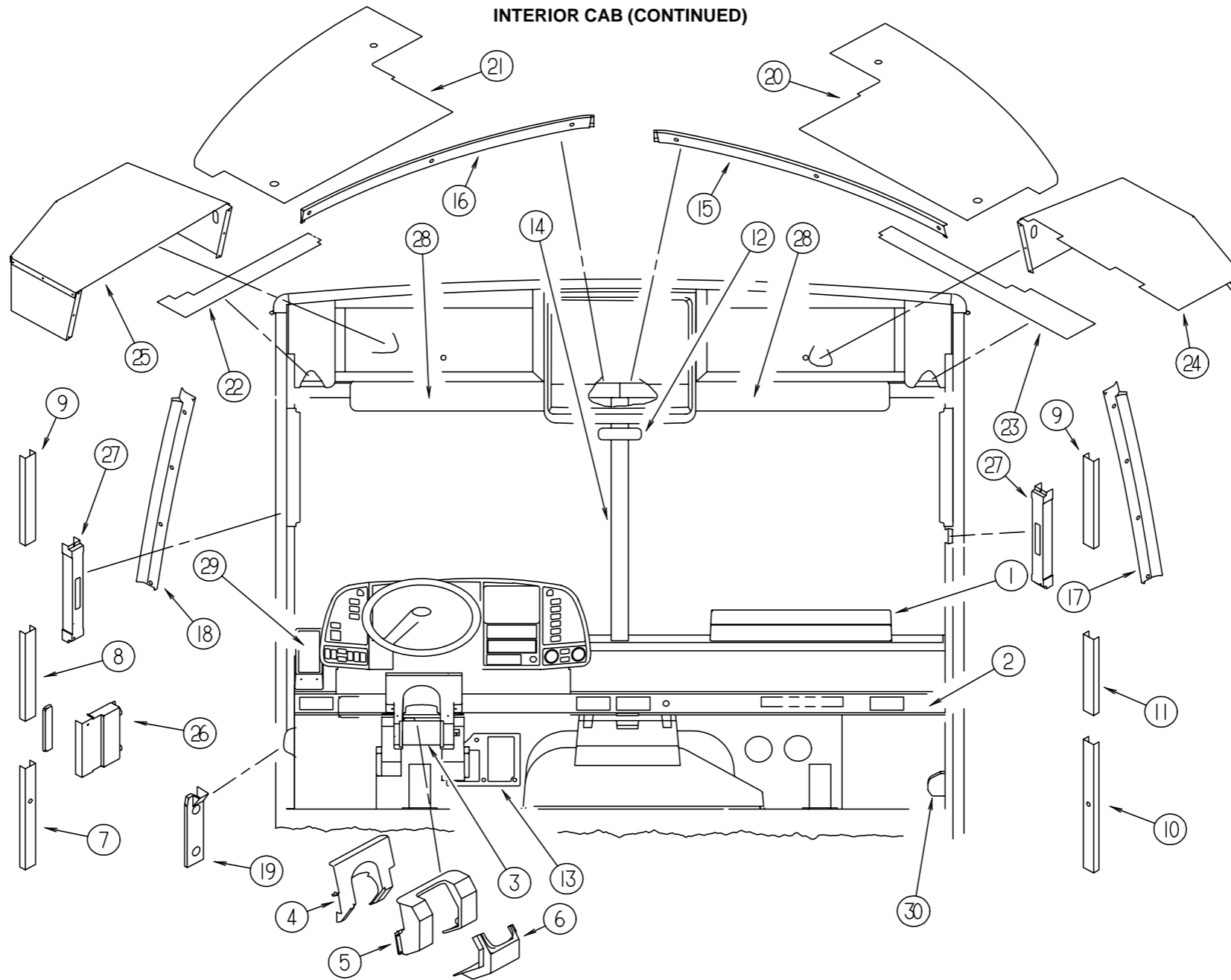


KEY	PART NUMBER	U/M	DESCRIPTION
1	127495-01-J60	EA	TABLE - DASH - COMPLETE
1	127147-01-02B	EA	BRACKET-SLIDE,MOUNTING,E-CT
1	127597-01-000	EA	SLIDE - WORK STATION - DASH
1	127696-01-02B	EA	SUPPORT - TABLE/DASH - E-COATED
2	127488-01-02A	EA	APPLIQUE - DASH - LOWER - SUNFLYER
3	103498-09-000	EA	BOOT - STEERING COLUMN - W/1/2 CIRCLE - CHEVY L29, 7.4L, 16500 CHASSIS
3	110002-04-000	EA	PATCH - COLUMN - L-SERIES - 9" X 10" - HDGM CHEVY P12, 7.4L, 21000 CHASSIS
3	110002-01-000	EA	PATCH - COLUMN - L-SERIES - 9" X 10" - FREIGHTLINER
4	125796-02-J60	EA	COVER - STEERING COLUMN - CHEVY L29, 7.4L, 16500 CHASSIS/FREIGHTLINER
4	127362-02-J60	EA	COVER - STEERING COLUMN - HDGM CHEVY P12, 7.4L, 21000 CHASSIS
5	125794-02-J60	EA	COVER - STEERING COLUMN - 97/98 FORD 7.5L, 17000 CHASSIS
5	130259-02-J60	EA	COVER - STEERING COLUMN - 99 FORD 6.8L, 20500 CHASSIS
5	125794-01-02A	EA	COVER - STEERING COLUMN - UPPER - TITANIUM
6	125795-01-01A	EA	COVER - STEERING COLUMN - LOWER - FORD
7	024700-56-000	EA	COVER - ROLL BAR - SIDEWALL - OFF WHITE - 19.1" W/HOLE

KEY	PART NUMBER	U/M	DESCRIPTION
8	024700-48-000	EA	COVER - ROLL BAR - 25" FROM: 00-00-00 THRU: 07-22-97
8	024700-58-000	EA	COVER - ROLL BAR - SIDEWALL - 16.54" - OFF WHITE FROM: 07-23-97 THRU: 99-99-99
9	024700-46-000	EA	COVER - ROLL BAR - 21.20" - UPPER - DRIVER/PASSENGER FROM: 00-00-00 THRU: 07-22-97
9	024700-58-000	EA	COVER - ROLL BAR - SIDEWALL - 16.54" - OFF WHITE FROM: 07-23-97 THRU: 99-99-99
10	024700-44-000	EA	COVER - ROLL BAR - 53" - LOWER - DRIVER/PASSENGER FROM: 00-00-00 THRU: 07-22-97
10	024700-59-000	EA	COVER - ROLL BAR - SIDEWALL - 44.09" - OFF WHITE FROM: 07-23-97 THRU: 11-02-97
10	024700-60-000	EA	COVER - SIDEWALL ROLL BAR - 11.30" - OFF WHITE FROM: 11-03-97 THRU: 12-14-97
10	024700-63-000	EA	COVER - SIDEWALL ROLL BAR - 10.5" - OFF WHITE FROM: 12-15-97 THRU: 99-99-99
11	024700-61-000	EA	COVER - SIDEWALL ROLL BAR - 30.4" - OFF WHITE

DRIVERS COMPARTMENT GROUP (CONTINUED)

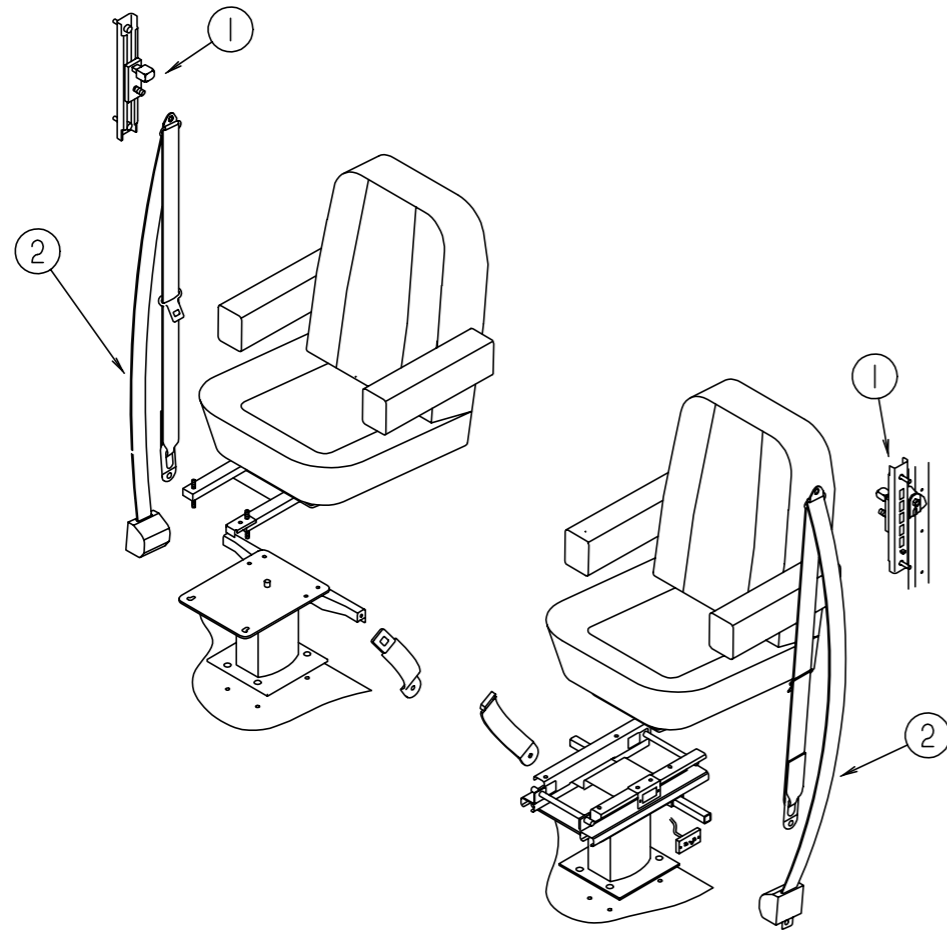
INTERIOR CAB (CONTINUED)



KEY	PART NUMBER	U/M	DESCRIPTION
12	040714-01-000	EA	MIRROR - REAR VIEW/ARM MOUNT & SET SCREW - GM # 911722
12	067490-01-000	EA	BUTTON - MIRROR/REAR VIEW
13	116993-01-01A	EA	COVER - PEDALS - BLACK - FREIGHTLINER
14	118452-03-02A	EA	TRIM - WINDSHIELD - CENTER
15	118453-05-02A	EA	TRIM - WINDSHIELD - INNER/TOP/PASSENGER
16	118453-06-02A	EA	TRIM - WINDSHIELD - INNER/TOP/DRIVER
17	125444-01-02A	EA	TRIM - A-PILLAR - INTERIOR - TITANIUM
17	123045-11-03A	EA	BACKING - SCREW - TITANIUM
18	125444-02-02A	EA	TRIM - A-PILLAR - INTERIOR - TITANIUM
18	123045-11-03A	EA	BACKING - SCREW - TITANIUM
19	125900-01-02A	EA	PANEL - TOE KICK - LEFT HAND - TITANIUM
20	126440-01-J52	EA	PANEL - OVERHEAD - FRONT/BOTTOM/RIGHT HAND
21	126440-02-J52	EA	PANEL - OVERHEAD - FRONT/BOTTOM/LEFT HAND
22	126443-02-J52	EA	PANEL - OVERHEAD - FRONT/LEFT HAND - 5.8" X 38.4"
23	126443-01-J60	EA	PANEL - OVERHEAD - FRONT/RIGHT HAND - 5.8" X 50.6"

KEY	PART NUMBER	U/M	DESCRIPTION
24	126457-01-J20	EA	PANEL - CLOSEOUT - OVERHEAD FRONT
25	126457-02-J20	EA	PANEL - CLOSEOUT - OVERHEAD FRONT
26	126701-01-03A	EA	COVER - ASSIST HANDLE - OFF WHITE
27	103961-02-01A	EA	COVER - BRACKET - OFF WHITE SEATBELT - F/DRVRS DOOR OPTION FROM: 00-00-00 THRU: 07-22-97
27	127721-01-01A	EA	COVER - SLIDE - OFF WHITE FROM: 07-23-97 THRU: 99-99-99
27	127798-01-01A	EA	COVER - SLIDE - INNER - BLACK - 1.5" X 11.4" FROM: 07-23-97 THRU: 99-99-99
28	123298-02-05A	EA	SUNVISOR - 10.5" X 28.5"
29	126237-01-02A	EA	POD - CONTROL - SHIFTER
30	103961-03-01A	EA	COVER - BRACKET - SEATBELT/OFF WHITE
	086120-01-J60	EA	PAD - MAP POCKET - 12" X 16" (J94, J60)
	086120-01-J61	EA	PAD - MAP POCKET - 12" X 16" (J95, J61)
	086120-01-J62	EA	PAD - MAP POCKET - 12" X 16" (J96, J62)

DRIVERS COMPARTMENT GROUP (CONTINUED)



DRIVERS COMPARTMENT GROUP (CONTINUED)

DEFROSTER FAN & MAP POCKETS

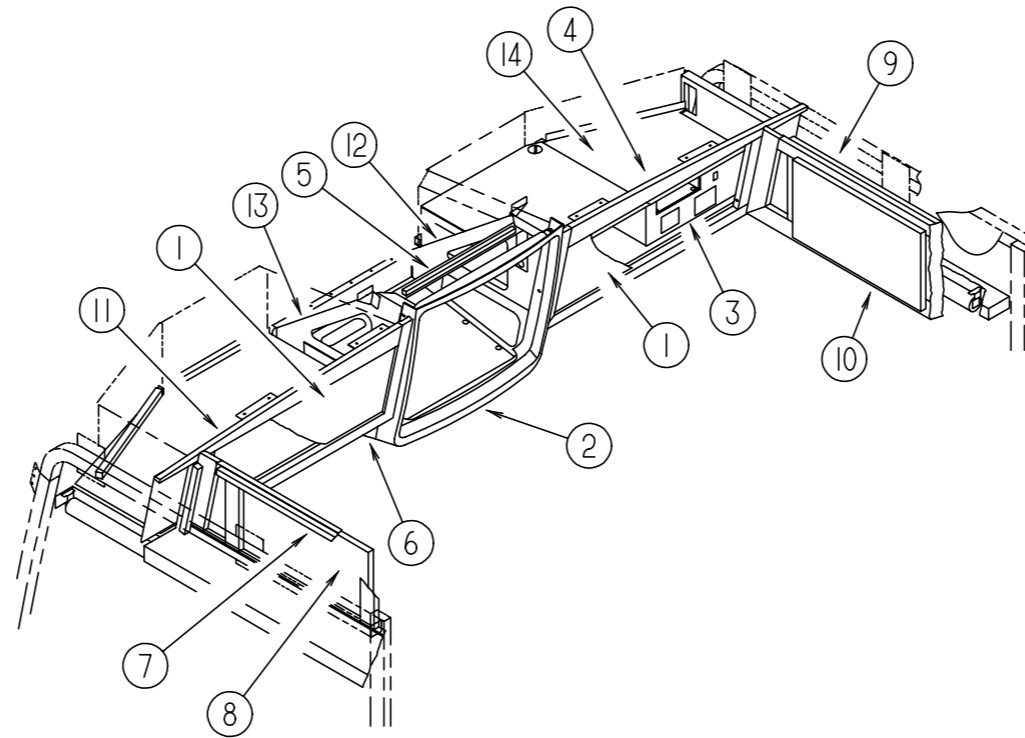
KEY	PART NUMBER	U/M	DESCRIPTION
	122856-01-01A	EA	FAN - DEFROSTER - 2 SPEED W/SWIVEL BASE - CHROME
	086120-01-J60	EA	PAD - MAP POCKET - 12" X 16" (J94, J60)
	086120-01-J61	EA	PAD - MAP POCKET - 12" X 16" (J95, J61)
	086120-01-J62	EA	PAD - MAP POCKET - 12" X 16" (J96, J62)

CAB SEAT BELT

KEY	PART NUMBER	U/M	DESCRIPTION	VENDOR NO.
1	109146-01-000	EA	BOLT - SHOULDER/SEAT BELT	
1	127598-01-01A	EA	ADJUSTER - SEATBELT - D-LOOP - ADJUSTER	FROM: 00-00-00 THRU: 07-16-97
	127598-02-000	EA	NUT - HEX FLANGE- M10 X 1.5 CLASS 10	FROM: 07-17-97 THRU: 99-99-99
	128444-01-000	EA	WASHER - SPRING - CONICAL	
2	091990-04-01A	EA	SEAT BELT/SHOULDER HARNESS - DRIVERS/PASSENGER - BLACK	FROM: 00-00-00 THRU: 07-22-97
2	091990-01-701	EA	EXTENDER 9" FOR A8408 3 PT	I-1331-02
2	091990-05-01A	EA	SEAT BELT - 3 POINT	FROM: 07-23-97 THRU: 99-99-99

DRIVERS COMPARTMENT GROUP (CONTINUED)

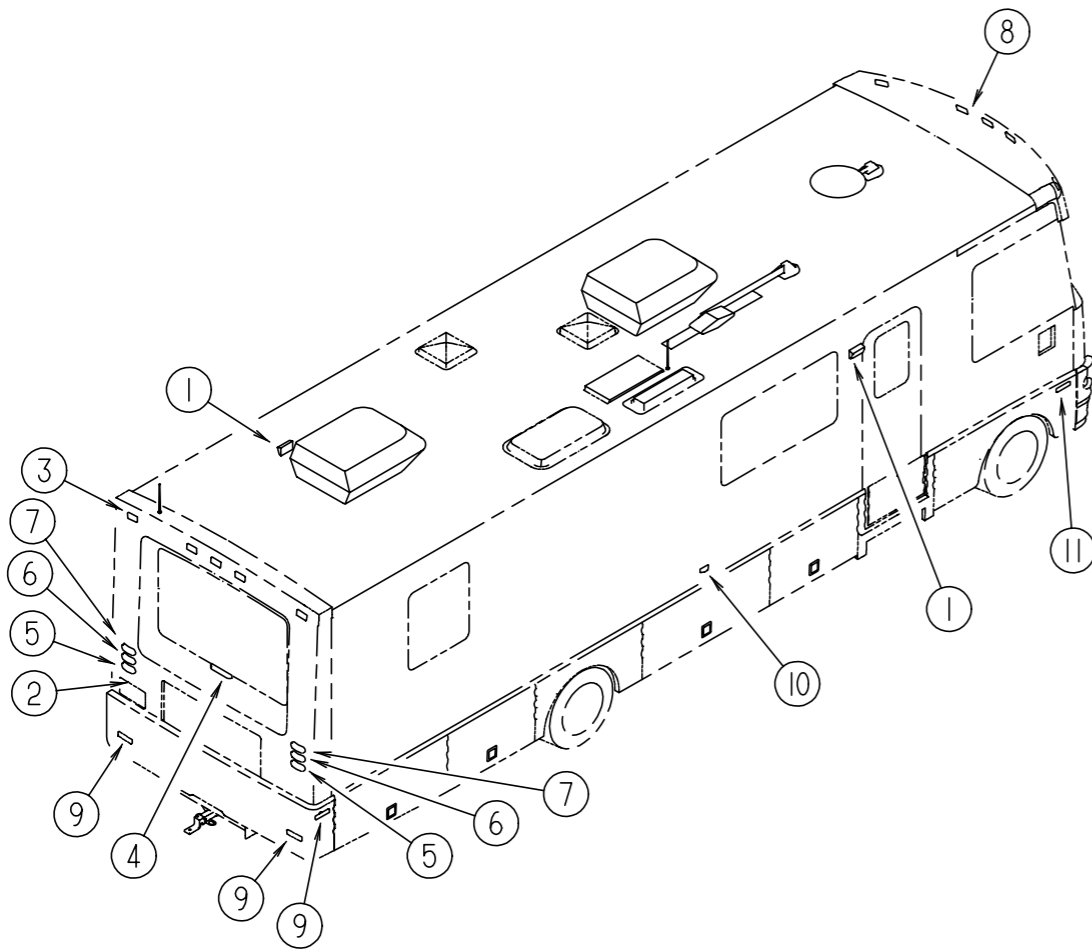
OVERHEAD STORAGE & TV CABINETS



KEY	PART NUMBER	U/M	DESCRIPTION	KEY	PART NUMBER	U/M	DESCRIPTION
1	100708-08-000	EA	DOOR - GLASS - TV CABINET - 9.7" X 27" - W/O HARDWARE	9	126530-01-J94	EA	CABINET - OVERHEAD/FRONT/RIGHT HAND - W/O DOORS/HARDWARE WATERFORD OAK
2	125977-01-01A	EA	COVER - TV - OVERHEAD/FRONT - TITANIUM		103128-17-J20	EA	END CAP - OVERHEAD/RIGHT HAND - WATERFORD OAK
3	126601-03-J60	EA	PANEL - SHELF - VINYL COVERED - W/O INVERTOR CUTOUT	9	126530-01-J60	EA	CABINET - OVERHEAD/FRONT/RIGHT HAND - W/O DOORS/HARDWARE WASHED MAPLE
3	126601-07-J60	EA	PANEL - SHELF - VINYL COVERED - W/INVERTOR CUTOUT		103128-17-J52	EA	END CAP - OVERHEAD/RIGHT HAND - WASHED MAPLE
4	126876-01-J20	EA	CABINET - OVERHEAD - FRONT/RIGHT HAND - W/O DOORS/HARDWARE WATERFORD OAK	9	126530-01-J62	EA	CABINET - OVERHEAD/FRONT/RIGHT HAND - W/O DOORS/HARDWARE WHITE GRANITE
4	126876-01-J60	EA	CABINET - OVERHEAD - FRONT/RIGHT HAND - W/O DOORS/HARDWARE WASHED MAPLE		103128-17-J23	EA	END CAP - OVERHEAD/RIGHT HAND - WHITE GRANITE
4	126876-01-J23	EA	CABINET - OVERHEAD - FRONT/RIGHT HAND - W/O DOORS/HARDWARE WHITE GRANITE	10	M05992-L9-J94	EA	DOOR - STRAIGHT CORNER/OGEE EDGE - 10" X 19.1" - W/O HDW WATERFORD OAK
	106699-01-01A	EA	BRACKET - OVERHEAD CABINET/TV	10	M05992-L9-J60	EA	DOOR - STRAIGHT CORNER/OGEE EDGE - 10" X 19.1" - W/O HDW WASHED MAPLE
5	114706-04-02B	EA	SUPPORT - SHELF/TV	10	122715-87-01A	EA	DOOR - MOLDED VINYL - 10.3" X 19.1" - W/O HDW-WHT GRANITE
6	126006-02-J60	EA	COVER - TV - OVERHEAD/BOTTOM	11	126876-02-J20	EA	CABINET - OVERHEAD - FRONT/LEFT HAND - W/O DOORS/HARDWARE WATERFORD OAK
7	126301-01-J53	EA	CABINET - OVERHEAD/FRONT LEFT HAND - W/O DOORS/HARDWARE WATERFORD OAK	11	126876-02-J60	EA	CABINET - OVERHEAD - FRONT/LEFT HAND - W/O DOORS/HARDWARE WASHED MAPLE
	103128-18-J20	EA	END CAP - OVERHEAD/LEFT HAND - WATERFORD OAK	11	126876-02-J23	EA	CABINET - OVERHEAD - FRONT/LEFT HAND - W/O DOORS/HARDWARE WHITE GRANITE
7	126301-01-J60	EA	CABINET - OVERHEAD/FRONT LEFT HAND - W/O DOORS/HARDWARE WASHED MAPLE		106699-01-01A	EA	BRACKET - OVERHEAD CABINET/TV
	103128-18-J60	EA	END CAP - OVERHEAD/LEFT HAND - WASHED MAPLE	12	126081-01-02B	EA	BRACKET ASM-SUPT,TV,24DEG,EC
7	126301-01-J62	EA	CABINET - OVERHEAD/FRONT LEFT HAND - W/O DOORS/HARDWARE WHITE GRANITE	13	126081-02-02B	EA	BRACKET ASM-SUPT,TV,24DEG,EC
	103128-18-J23	EA	END CAP - OVERHEAD/LEFT HAND - WHITE GRANITE	14	126275-01-02B	EA	SHELF ASM-OVERHEAD,FRT,E-C
8	M05992-13-J94	EA	DOOR - STRAIGHT CORNER/OGEE EDGE - 10" X 19.0" - W/O HDW WATERFORD OAK				
8	M05992-13-J60	EA	DOOR - STRAIGHT CORNER/OGEE EDGE - 10" X 19.0" - W/O HDW WASHED MAPLE				
8	122715-03-01A	EA	DOOR - MOLDED VINYL - 10" X 19" - W/O HDW - WHT GRANITE				

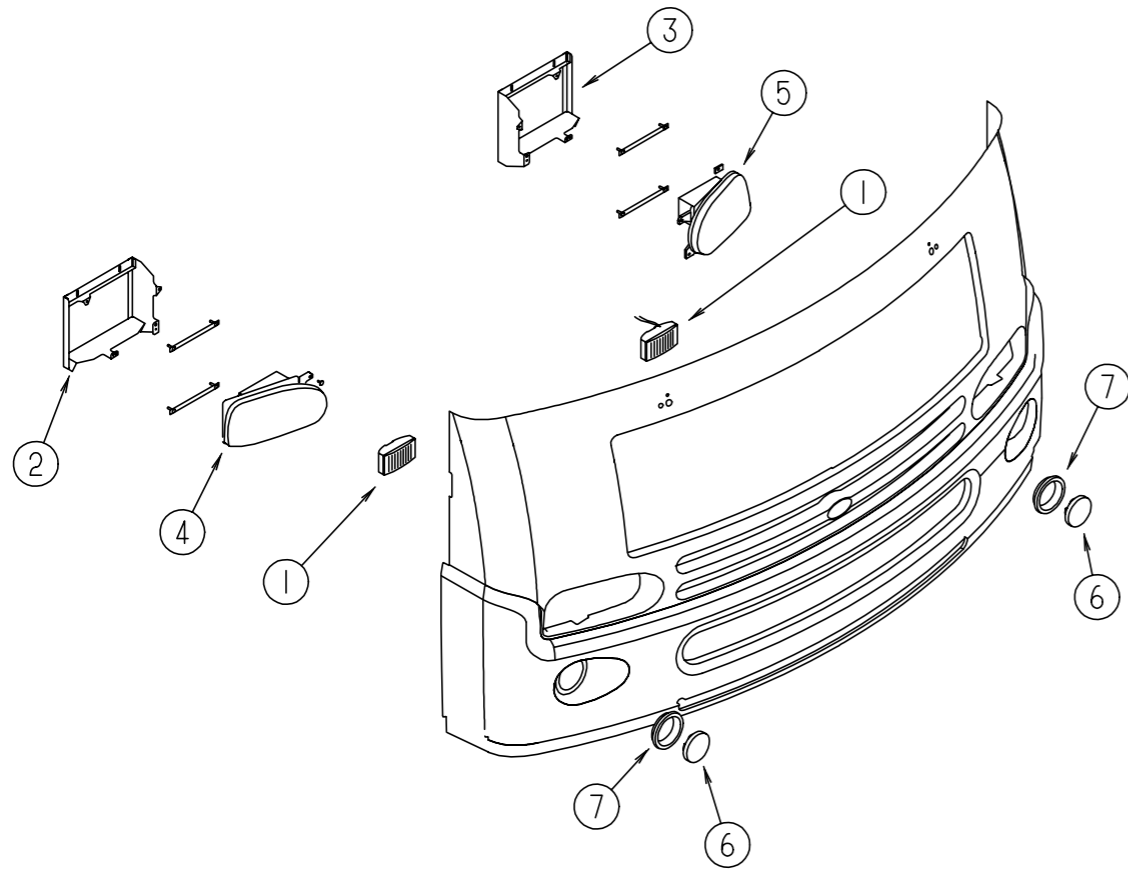
ELECTRICAL GROUP

EXTERIOR BODY LIGHTS



KEY	PART NUMBER	U/M	DESCRIPTION	VENDOR NO.
1	097917-01-06A	EA	LIGHT - PORCH - BRIGHT WHITE	
1	008215-01-000	EA	BULB - 12 VOLT - #1003 - .94 AMP	
1	097917-01-700	EA	LENS-LIGHT, CLEAR	30-78-021
1	008089-02-000	EA	LIGHT - PORCH - RECESSED - CANADIAN	
1	008089-01-700	EA	LENS-LIGHT, RECESSED, PORCH	DECO
1	008214-01-000	EA	BULB - 12 VOLT NO 67 - 0.59 AMP	
2	087201-01-000	EA	LIGHT - HALF ROUND - 1" X 1.7" - PLASTIC - BLACK	
3	102520-02-000	EA	LIGHT - CLEARANCE - W/O SOCKET/HOUSING - RED	
3	067789-02-000	EA	SOCKET - LAMP	
3	036196-01-000	EA	BULB - 12 VOLT - #194 - .27 AMP - BAYONETTE	
3	102540-01-000	EA	SEAL - SCREW - ROUND - RUBBER	
3	102541-01-000	EA	GASKET - CLEARANCE LIGHT	
3	102582-01-000	EA	BRACKET - LIGHT - CLEARANCE - L-SHAPED METAL - 2.2" X 4.7"	
4	121950-01-000	EA	LIGHT - BRAKE - CENTER MOUNT	
4	067789-02-000	EA	SOCKET - LAMP	
4	036196-01-000	EA	BULB - 12 VOLT - #194 - .27 AMP - BAYONETTE	
5	126203-01-000	EA	LAMP - WHITE/CLEAR BACK-UP	
5	126203-04-000	EA	GROMMET - MOUNT - LIGHT OVAL	
6	126203-02-000	EA	LAMP - AMBER TURN	
6	126203-04-000	EA	GROMMET - MOUNT - LIGHT OVAL	
7	126203-03-000	EA	LAMP - RED STOP/TAIL	
7	126203-04-000	EA	GROMMET - MOUNT - LIGHT OVAL	
8	036196-01-000	EA	BULB - 12 VOLT - #194 - .27 AMP - BAYONETTE	
8	102520-01-000	EA	LIGHT - CLEARANCE - W/O SOCKET/HOUSING - AMBER	
8	102540-01-000	EA	SEAL - SCREW - ROUND - RUBBER	
8	102541-01-000	EA	GASKET - CLEARANCE LIGHT	
8	067789-02-000	EA	SOCKET - LAMP	
9	036196-01-000	EA	BULB - 12 VOLT - #194 - .27 AMP - BAYONETTE	
9	067789-02-000	EA	SOCKET - LAMP	
9	117826-01-000	EA	SIDE MARKER LAMP ASSEMBLY - RED	
9	117826-03-000	EA	GASKET - MARKER LIGHT	
10	111102-01-000	EA	BASE - LAMP MARKER	
10	111102-02-000	EA	LENS - AMBER - LAMP MARKER	
10	036196-01-000	EA	BULB - 12 VOLT - #194 - .27 AMP - BAYONETTE	
11	036196-01-000	EA	BULB - 12 VOLT - #194 - .27 AMP - BAYONETTE	
11	067789-02-000	EA	SOCKET - LAMP	
11	117826-02-000	EA	SIDE MARKER LAMP ASSEMBLY - YELLOW	
11	117826-03-000	EA	GASKET - MARKER LIGHT	

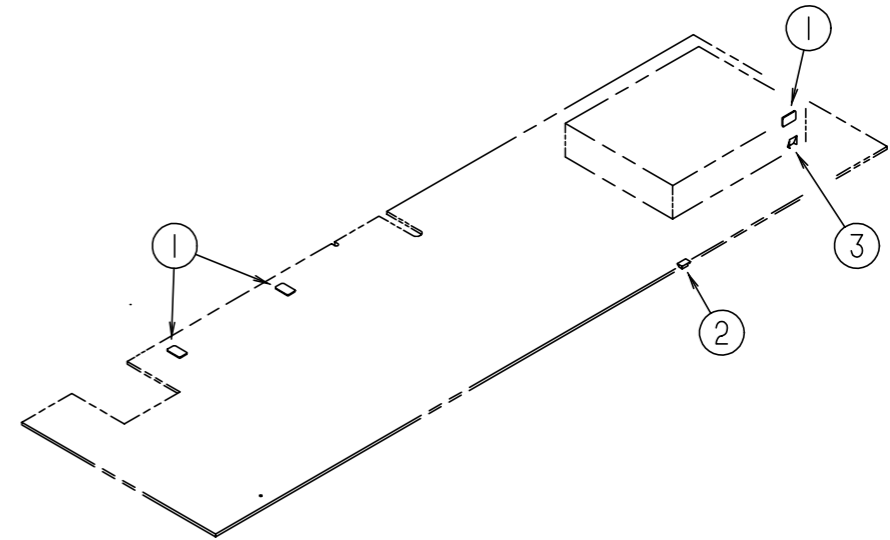
ELECTRICAL GROUP (CONTINUED)



EXTERIOR FRONT END LIGHTS

KEY	PART NUMBER	U/M	DESCRIPTION
1	124215-01-000	EA	FOG LIGHT - RECTANGULAR/CLEAR LENS
2	125704-01-02B	EA	FRAME - HEADLAMP - RIGHT HAND - E-COATED
3	125704-02-02B	EA	FRAME - HEADLAMP - LEFT HAND - E-COATED
4	126199-01-000	EA	HEADLAMP CAPSULE - PASSENGER W/O BULB
4	118054-01-000	EA	BULB-HEADLAMP REPLACEMENT-#9004 G.E.,SYLVANIA,WESTINGHOUSE
4	088758-01-000	EA	HOUSING - HEADLAMP - CONNECTOR TERMINAL W/3 WIRES
5	126199-02-000	EA	HEADLAMP CAPSULE - DRIVERS W/O BULB
5	118054-01-000	EA	BULB-HEADLAMP REPLACEMENT-#9004 G.E.,SYLVANIA,WESTINGHOUSE
5	088758-01-000	EA	HOUSING - HEADLAMP - CONNECTOR TERMINAL W/3 WIRES
6	126198-01-000	EA	LAMP ASSEMBLY - PARK/TURN - AMBER
7	126198-02-000	EA	GROMMET - MOUNTING - LIGHT/4" RED
	072368-02-000	EA	TRIM - VINYL - EDGE - BLACK

ELECTRICAL GROUP (CONTINUED)

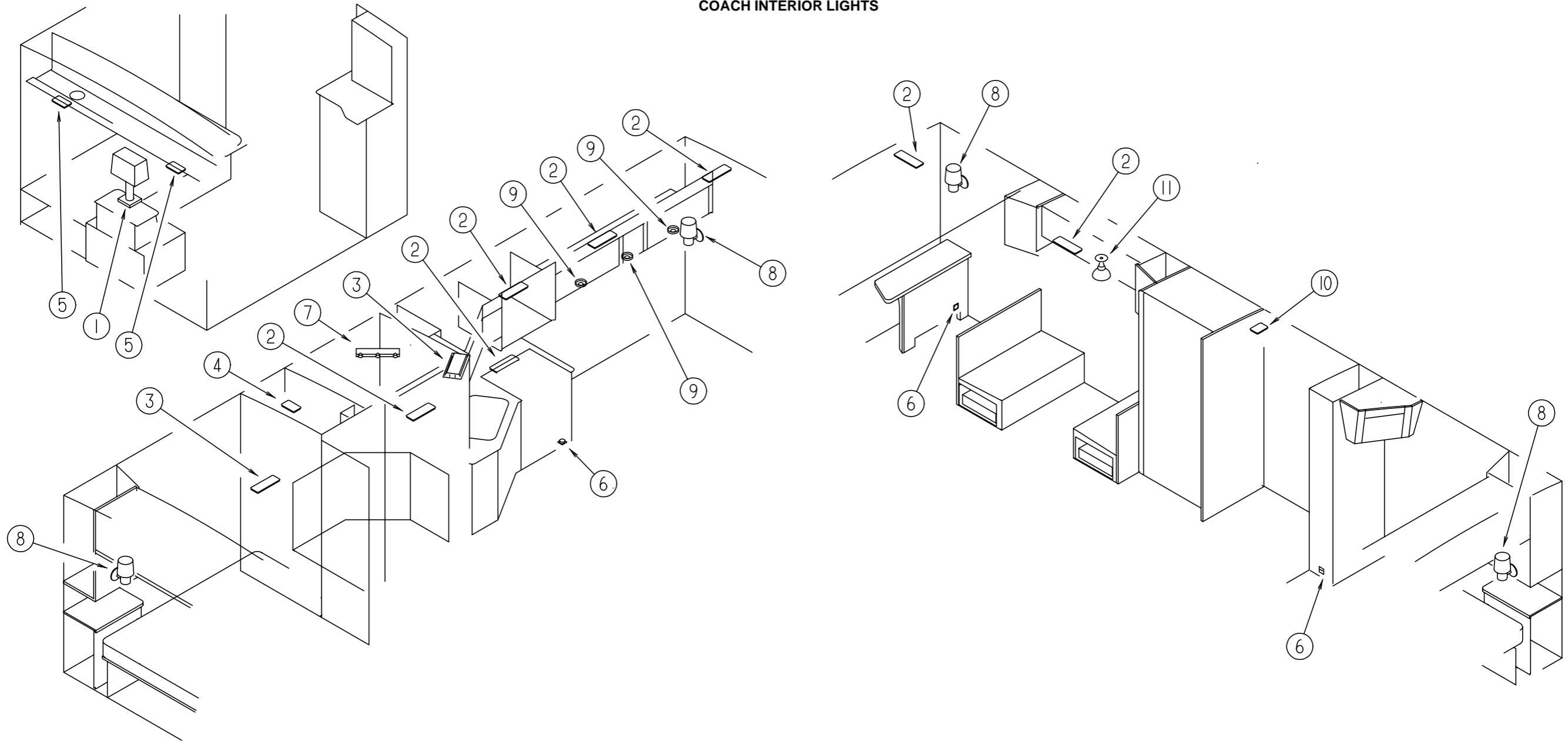


COMPARTMENT INTERIOR LIGHTS

KEY	PART NUMBER	U/M	DESCRIPTION	VENDOR NO.
1	098024-03-02A	EA	LIGHT - DOME - 2 BULB - WHITE	
1	008218-01-000	EA	BULB - DOME LIGHT - 12 VOLT - NO. 1141	
1	098024-01-700	EA	LENS-LIGHT	807877
2	086280-01-000	EA	LIGHT - SURFACE MOUNT - 12 VOLT	
2	086280-01-700	EA	BULB,12V	ARP1089
3	054250-04-000	EA	COVER/ANGLED - W/O HOLE 3.6" X 4.5" - PLASTIC	

ELECTRICAL GROUP (CONTINUED)

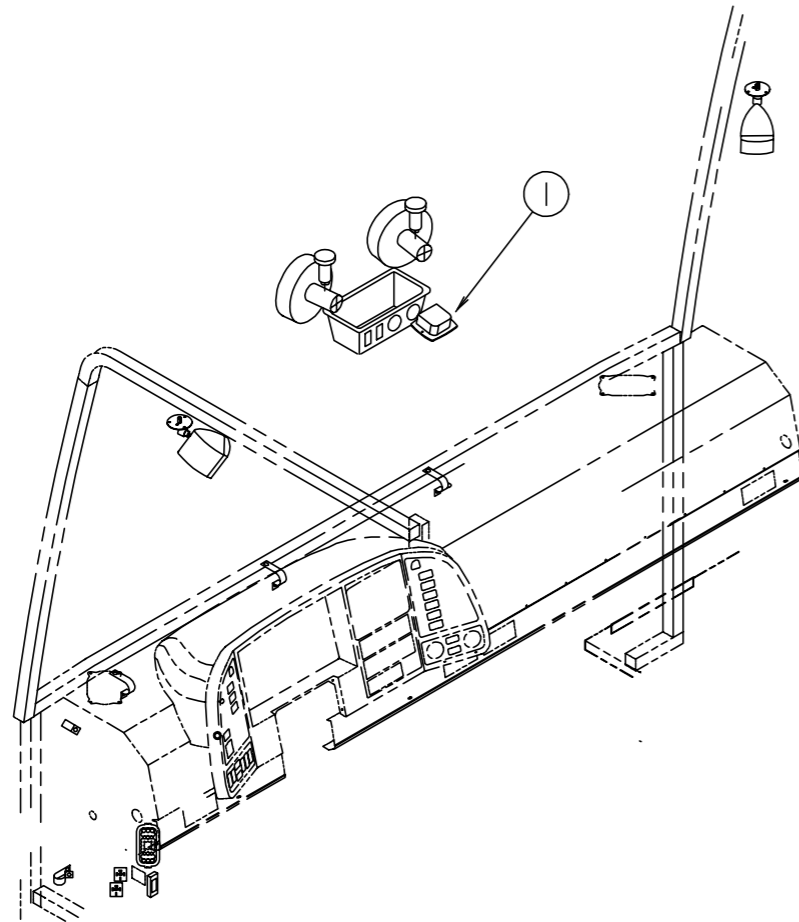
COACH INTERIOR LIGHTS



KEY	PART NUMBER	U/M	DESCRIPTION	VENDOR NO.
1	065201-11-000	EA	SHADE - LAMP - FABRIC - WHITE SWIRL	
			FROM: 00-00-00 THRU: 12-02-97	
1	082686-13-000	EA	LAMP - TABLE - BRASS PIANO	
			FROM: 00-00-00 THRU: 12-02-97	
2	091937-04-000	EA	LIGHT - FLUORESCENT - 12V/30 WATT - 20.8" LONG - THIN LITE	
3	091937-05-000	EA	LIGHT - FLUORESCENT - 12V/16 WATT - 15" LONG - THIN LITE	
3	091937-05-701	EA	LENS-LIGHT, FLUORESCENT	D-732
4	098024-01-03A	EA	LIGHT - DOME - 1 BULB - WHITE	
4	008218-01-000	EA	BULB - DOME LIGHT - 12 VOLT - NO. 1141	
4	098024-01-700	EA	LENS-LIGHT	807877
5	098024-05-02A	EA	LIGHT - DOME - 1 BULB - SKYLITE - WHITE	
5	008218-01-000	EA	BULB - DOME LIGHT - 12 VOLT - NO. 1141	
5	098024-01-701	EA	LENS - OPTI CLEAR - SKYLITE	809902

KEY	PART NUMBER	U/M	DESCRIPTION	VENDOR NO.
6	108354-01-01A	EA	LIGHT - COURTESY	
6	108354-01-700	EA	BULB-COURTESY LIGHT	395-B
7	110235-01-01A	EA	LIGHT - MAKE UP - 3 BULB	
7	081633-01-700	EA	BULB-LIGHT, MAKE-UP	RP1041
8	065202-38-000	EA	LAMP - WALL	
9	123775-01-01A	EA	LIGHT - HALOGEN - ROUND	
9	123775-01-700	EA	BULB - 10 WATT - HALOGEN	
9	123775-02-01A	EA	COLLAR - BRASS F/LIGHT	
10	121935-01-01A	EA	LIGHT - DOME - SHOWER	
11	119252-01-01A	EA	SHADE - LAMP - GLASS SWIRL	
11	127050-01-01A	EA	LIGHT - CEILING - SINGLE	

ELECTRICAL GROUP (CONTINUED)



CAB INTERIOR LIGHT

KEY	PART NUMBER	U/M	DESCRIPTION
1	112643-01-000	EA	LIGHT - SINGLE - SWIVEL
1	112642-01-06A	EA	TRIM RING-SINGLE LIGHT, BLACK

ELECTRICAL GROUP (CONTINUED)

CIRCUIT BREAKERS & FUSES

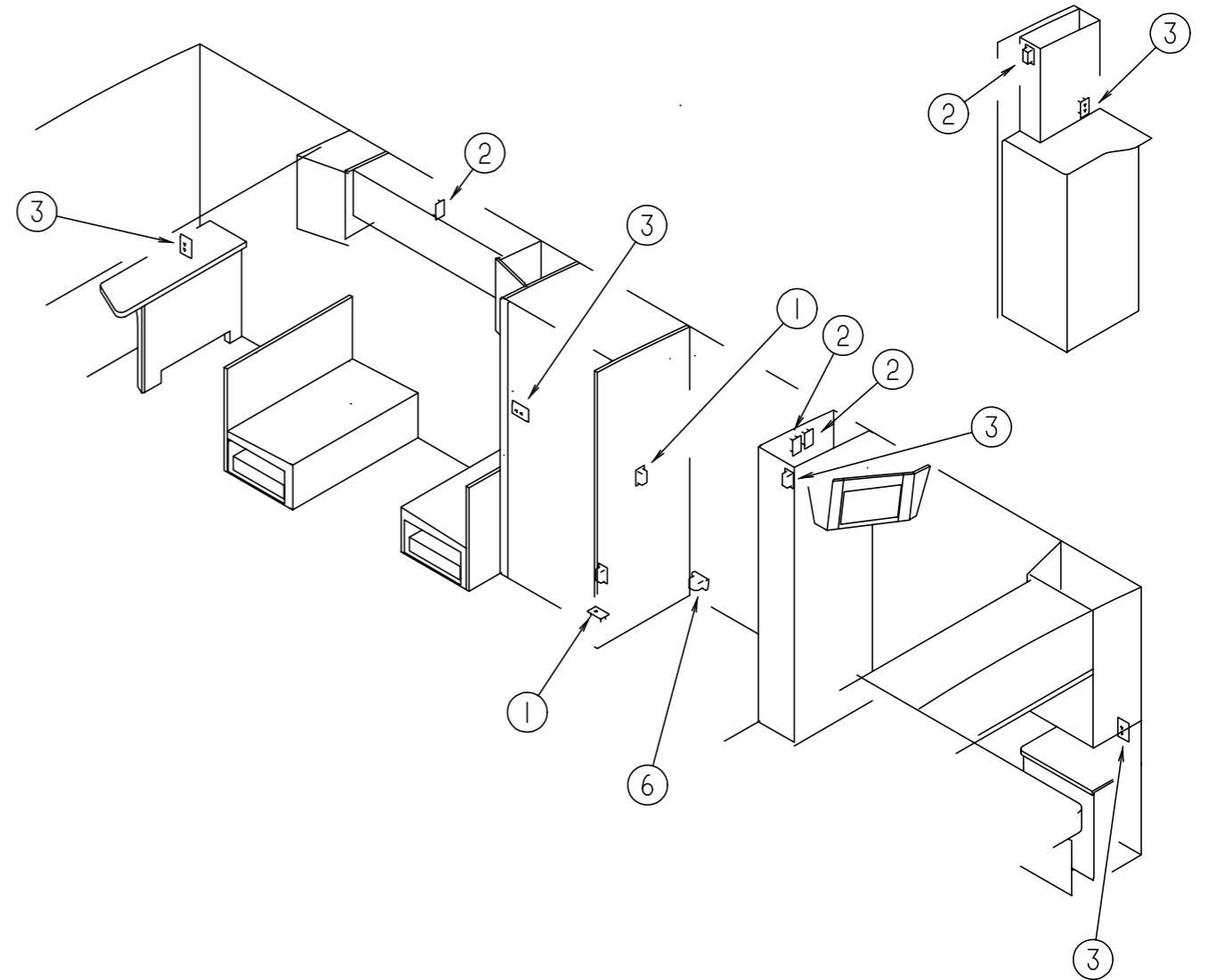
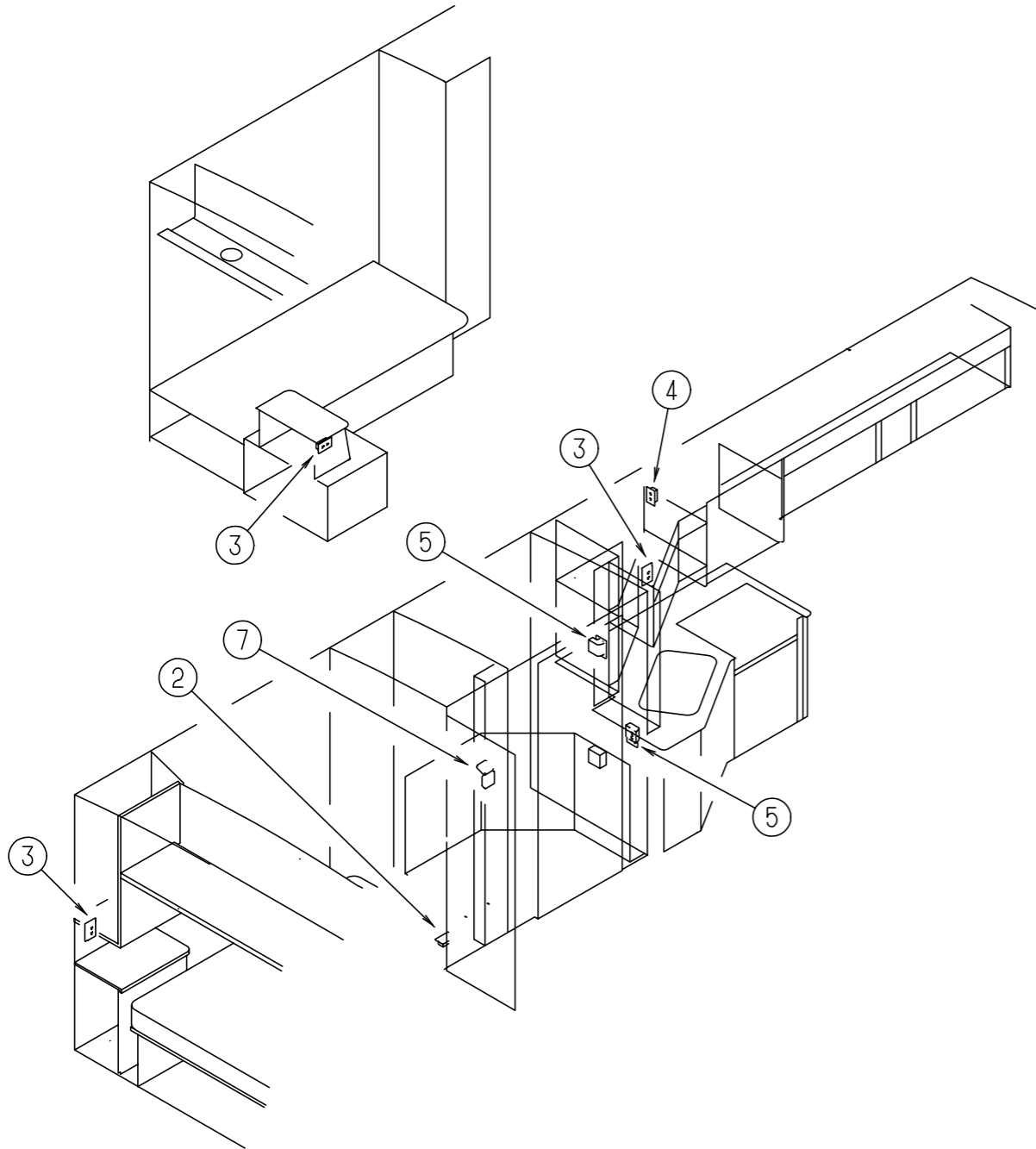
KEY	PART NUMBER	U/M	DESCRIPTION
	062037-01-000	EA	HOUSING - AUTO FUSE - NATURAL
	062037-02-000	EA	HOUSING - AUTO FUSE - GREEN
	062037-03-000	EA	HOUSING - AUTO FUSE - BLACK
	062037-04-000	EA	HOUSING - AUTO FUSE - BLUE
	062037-05-000	EA	HOUSING - AUTO FUSE - GRAY
	062037-06-000	EA	HOUSING - AUTO FUSE - BROWN
	062037-07-000	EA	HOUSING - AUTO FUSE - RED
	062901-02-000	EA	FUSE - 05 AMPS - AUTOMOTIVE
	062901-05-000	EA	FUSE - 15 AMPS - AUTOMOTIVE
	083209-01-000	EA	CIRCUIT BREAKER - 15 AMP - 120 VOLT - CANADIAN
	083209-02-000	EA	CIRCUIT BREAKER - 15/15 AMP - 120 VOLT
	083209-03-000	EA	CIRCUIT BREAKER - 15/20 AMP - 120 VOLT
	083209-04-000	EA	CIRCUIT BREAKER - 30 AMP - 120 VOLT
	083209-05-000	EA	CIRCUIT BREAKER - 20AMP - 120VOLT
	083209-06-000	EA	CIRCUIT BREAKER - 30/15 AMP - 120VOLT
	083209-07-000	EA	CIRCUIT BREAKER - 20/20AMP - 120VOLT
	083209-10-000	EA	CIRCUIT BREAKER - 20/30 AMP - 120 VOLT
	093654-01-000	EA	CIRCUIT BREAKER - 6 AMP - 12 VOLT
	093654-02-000	EA	CIRCUIT BREAKER - 15 AMP - 12 VOLT
	093654-03-000	EA	CIRCUIT BREAKER - 20AMP - 12 VOLT
	093655-01-000	EA	CIRCUIT BREAKER - 25 AMP - 12 VOLT
	093655-02-000	EA	CIRCUIT BREAKER - 30 AMP - 12 VOLT
	093655-03-000	EA	CIRCUIT BREAKER - 40 AMP - 12 VOLT
	093674-01-000	EA	PLATE - CIRCUIT BREAKER - HOUSE - 8.4" X 4.1" - STEEL
	097611-01-000	EA	CIRCUIT BREAKER - 10 AMP - 12 VOLT
	108669-01-000	EA	HOUSING - AUTO FUSE HOLDER
	108916-01-000	EA	CIRCUIT BREAKER - 50 AMP - 12 VOLT - 2 POLE
	113482-01-000	EA	CIRCUIT BREAKER - 55AMP
	122811-01-000	EA	CIRCUIT BREAKER - 20/50/50/20
	125986-04-000	EA	FUSE - 10 ANO - AUTO - MINI BLADE

CONVERTERS, LOAD CENTER & INVERTER

KEY	PART NUMBER	U/M	DESCRIPTION
	099048-03-000	EA	INVERTER - 130 WATT
	106071-03-000	EA	SWITCH - AUTOMATIC TRANSFER - 50 AMP - TOD
	108915-02-000	EA	LOAD CENTER - 120/240 VOLT - 100 AMP
	113132-01-000	EA	LOAD CENTER - 120/240 VOLT - 60 AMP
	123058-01-000	EA	CONVERTER - 55 AMP - ELECTRONIC - 4 1/8"H X 7"W X 12 3/8"L
	123058-02-000	EA	CONVERTER - 45 AMP - ELECTRONIC - 4 1/8"H X 7"W X 12 3/8"L
	127002-01-000	EA	MODULE - CONTROL - ENERGY MANAGEMENT SYSTEM
	127002-02-000	EA	PANEL - MONITOR - ENERGY MANAGEMENT SYSTEM
	127002-03-000	EA	WIRE ASSEMBLY - ENERGY MANAGEMENT SYSTEM

ELECTRICAL GROUP (CONTINUED)

RECEPTACLES

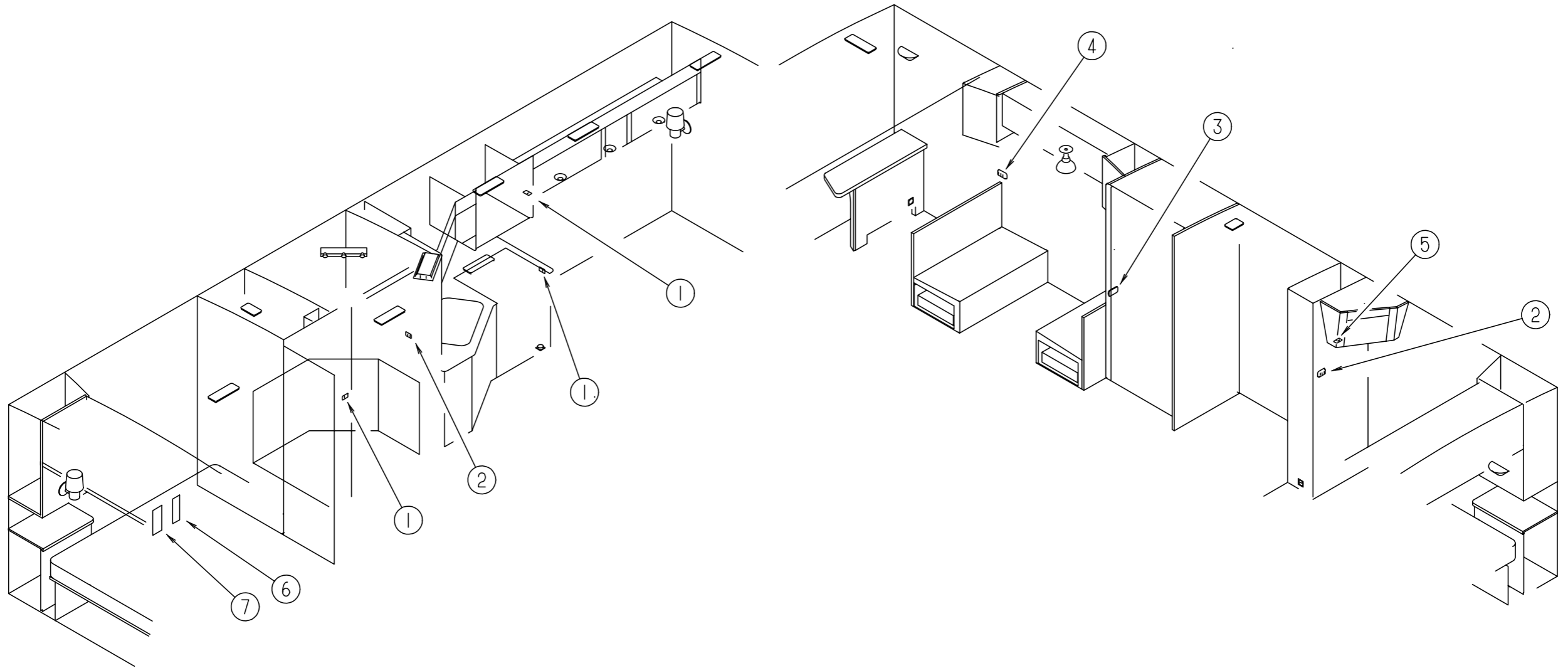


KEY	PART NUMBER	U/M	DESCRIPTION
1	058707-01-000	EA	RECEPTACLE - ELECTRIC - SINGLE - BROWN
2	058707-02-000	EA	RECEPTACLE - BLANK JUNCTION BOX
3	058708-01-000	EA	RECEPTACLE - ELECTRIC - DOUBLE - BROWN
3	058708-02-000	EA	RECEPTACLE - ELECTRIC - DOUBLE - IVORY
3	102568-01-GB1	EA	SPACER - RECEPTACLE - SIDEWALL - WATERFORD OAK
3	102568-01-J70	EA	SPACER - RECEPTACLE - SIDEWALL - WASHED MAPLE
3	102568-01-H23	EA	SPACER - RECEPTACLE - SIDEWALL - WHITE GRANITE
4	058708-05-000	EA	RECEPTACLE - SINGLE - BROWN

KEY	PART NUMBER	U/M	DESCRIPTION
5	084076-01-000	EA	RECEPTACLE - GFI - 15 AMP - 125 VOLT - IVORY
5	084076-02-000	EA	RECEPTACLE - GFI - 15 AMP - 125 VOLT - BROWN
6	112822-01-01A	EA	RECEPTACLE - DUPLEX - IVORY
6	112824-01-03A	EA	COVER - RECEPTACLE - EXTERIOR DUPLEX
7	115930-01-000	EA	INLET - 30 AMP - 120 VOLT - EXTERIOR
7	115930-02-000	EA	INLET - 50 AMP - 240 VOLT - EXTERIOR

ELECTRICAL GROUP (CONTINUED)

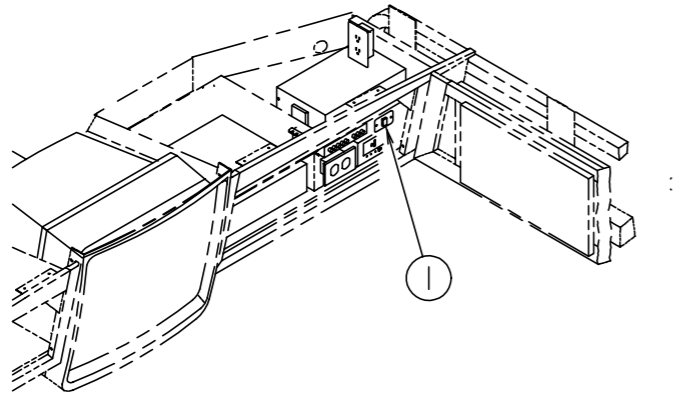
BODY SWITCHES



KEY	PART NUMBER	U/M	DESCRIPTION
1	098351-01-01A	EA	PLATE - SWITCH - 1 GANG POLISHED BRASS
1	079364-01-000	EA	SWITCH - ON/OFF ROCKER - 2 TERMINAL - BROWN
1	095188-01-01A	EA	SPACER - SWITCH - 2.3" X 3.4" - PLASTIC - DARK BROWN
2	098351-02-01A	EA	PLATE - SWITCH - 2 GANG POLISHED BRASS
2	079364-01-000	EA	SWITCH - ON/OFF ROCKER - 2 TERMINAL - BROWN
2	079364-03-000	EA	SWITCH - ON/OFF ROCKER - 3 TERMINAL - BROWN
2	095188-01-01A	EA	SPACER - SWITCH - 2.3" X 3.4" - PLASTIC - DARK BROWN
3	098351-03-01A	EA	PLATE - SWITCH - 3 GANG POLISHED BRASS
3	079364-01-000	EA	SWITCH - ON/OFF ROCKER - 2 TERMINAL - BROWN

KEY	PART NUMBER	U/M	DESCRIPTION
4	098351-05-01A	EA	PLATE - SWITCH - 3 GANG POLISHED BRASS
4	079364-01-000	EA	SWITCH - ON/OFF ROCKER - 2 TERMINAL - BROWN
4	095188-02-01A	EA	SPACER - SWITCH - 2.3" X 4.1" - PLASTIC - DARK BROWN
5	098351-14-01A	EA	PLATE - SWITCH - 1 GANG W/LABEL
5	079364-01-000	EA	SWITCH - ON/OFF ROCKER - 2 TERMINAL - BROWN
6	108357-01-000	EA	SWITCH - ROCKER SPST - ON/OFF - 2 TERMINAL
6	108356-02-01A	EA	COVER/ACTUATOR SWITCH - 2 ROWS DIMPLES- CONTURA II - BLACK
7	108357-08-000	EA	SWITCH - ROCKER DPDT - ON/NONE/ON - 6 TERMINAL
7	108356-02-01A	EA	COVER/ACTUATOR SWITCH - 2 ROWS DIMPLES- CONTURA II - BLACK

ELECTRICAL GROUP (CONTINUED)



FRONT END SWITCHES

KEY	PART NUMBER	U/M	DESCRIPTION
1	098351-09-01A	EA	PLATE - SWITCH - SPEAKER SELECT - POLISHED BRASS
1	079364-01-000	EA	SWITCH - ON/OFF ROCKER - 2 TERMINAL - BROWN

DASH SWITCHES

KEY	PART NUMBER	U/M	DESCRIPTION
	108355-01-000	EA	HOUSING - SWITCH
	108356-01-01A	EA	COVER/ACTUATOR SWITCH - 3 GROOVES - CONTURA III - BLACK
	108356-02-01A	EA	COVER/ACTUATOR SWITCH - 2 ROWS DIMPLES - CONTURA II - BLACK
	108356-03-01A	EA	COVER/ACTUATOR SWITCH - 3 GROOVES W/LIGHT - CONTURA III - BLACK
	108356-04-01A	EA	COVER/ACTUATOR SWITCH - 2 ROWS DIMPLES W/LENS-CONTURAI - BLK
	108356-05-01A	EA	COVER/ACTUATOR SWITCH - 3 GROOVES W/LENS - GEN SET - CONTURA III
	108356-06-01A	EA	COVER/ACTUATOR SWITCH - 3 GROOVES - AUX START - CONTURA III - BLK
	108356-07-01A	EA	COVER/ACTUATOR SWITCH - 2 ROWS DIMPLES - AUX START - BLACK
	108356-08-01A	EA	COVER/ACTUATOR SWITCH - 2 ROW DIMPLES W/LENS - REAR - BLACK
	108356-09-01A	EA	COVER/ACTUATOR SWITCH - 2 ROWS DIMPLES W/LENS - WASH/BLACK
	108356-10-01A	EA	COVER/ACTUATOR SWITCH - 2 ROWS DIMPLES W/LENS-SHOWER DRAIN
	108356-11-01A	EA	COVER/ACTUATOR SWITCH - 3 GROOVES - AUX BATT - BLACK
	108357-01-000	EA	SWITCH - ROCKER SPST - ON/OFF - 2 TERMINAL
	108357-02-000	EA	SWITCH - ROCKER SPST - ON/MOM - 2 TERMINAL
	108357-03-000	EA	SWITCH - ROCKER SPDT - ON/OFF/ON - 3 TERMINAL
	108357-04-000	EA	SWITCH - ROCKER SPDT - MOM/OFF/ON - 3 TERMINAL
	108357-05-000	EA	SWITCH - ROCKER SPDT - ON/NONE/ON - 3 TERMINAL
	108357-06-000	EA	SWITCH - ROCKER DPDT - MOM/OFF/MOM - 6 TERMINAL
	108357-07-000	EA	SWITCH - ROCKER SPDT - MOM/OFF/MOM - 3 TERMINAL
	108357-08-000	EA	SWITCH - ROCKER DPDT - ON/NONE/ON - 6 TERMINAL
	108357-09-000	EA	SWITCH - ROCKER SPDT - ON/NONE/MOM - 3 TERMINAL
	108357-10-000	EA	SWITCH - ROCKER SPDT W/LIGHT - MOM/NONE/MOM - 5 TERMINAL
	108357-12-000	EA	SWITCH - ROCKER DPST W/LIGHT - MOM/NONE/OFF - 7 TERMINAL
	108357-13-000	EA	SWITCH - ROCKER DPDT W/LIGHT - MOM/ON-OFF/OFF - 7 TERMINAL
	108357-14-000	EA	SWITCH - ROCKER SPDT W/LIGHT - ON/NONE/OFF - 4 TERMINAL
	096241-03-000	EA	SWITCH - BLANK
	096241-08-000	EA	SWITCH - BLANK

ELECTRIC BOXES & CORDS

KEY	PART NUMBER	U/M	DESCRIPTION
	008052-01-000	EA	CORD - POWER - 10/3 - 30 AMP - 25' - CANADIAN
	008054-01-000	EA	CORD - POWER - 10/3 - 30 AMP - 25'
	008054-02-000	EA	CORD - POWER - 10/3 WIRE - 30 AMP 33'
	008289-01-000	EA	BOX - ELECTRIC/STEEL - 1/2" & 3/4" KNOCKOUTS - 4" X 4"
	008289-02-000	EA	BOX - ELECTRIC/STEEL - 1/2" & 3/4" KNOCKOUTS - 4" X 4"-CAN
	008294-01-000	EA	COVER - ELECTRICAL BOX - BLANK/STEEL - 4" X 4" - GRAY
	008294-02-000	EA	COVER - ELECTRICAL BOX - BLANK STEEL - 4" X 4" - CANADIAN

ELECTRICAL GROUP (CONTINUED)

ELECTRIC BOXES & CORDS (CONTINUED)

KEY	PART NUMBER	U/M	DESCRIPTION
	091910-01-000	EA	BOX - ELECTRIC - 3.8" X 3.5" X 1.8" - PLASTIC
	091910-02-000	EA	BOX - ELECTRIC - 2.2" X 3.5" X 1.7" - PLASTIC
	092492-08-000	EA	SEAL - ELECTRIC BOX
	092492-11-000	EA	SEAL - ELECTRICAL BOX
	098196-01-000	EA	LATCH - 1/4 TURN - T-BAR
	108934-01-000	EA	CORD - POWER - 50 AMP - 4 WIRE - 36'
	109925-03-000	EA	DOOR - ELECTRIC BOX - FREIGHTLINER
	109925-04-000	EA	DOOR - ELECTRICAL BOX - GM/FORD
	113096-01-000	EA	CORD - POWER - 50 AMP - 4 WIRE - 36' - CSA
	118905-02-02B	EA	DOOR - ELECTRIC - CHEVY & FORD

WIRE ASSEMBLIES

KEY	PART NUMBER	U/M	DESCRIPTION
	P27264-02-000	EA	WIRE ASSEMBLY - RADIO AM/FM CASSETTE
	127264-02-000	EA	WIRE ASSEMBLY - RADIO AM/FM CASSETTE
	P27516-02-000	EA	WIRE ASSEMBLY - RADIO AM/FM CD
	127516-02-000	EA	WIRE ASSEMBLY - RADIO AM/FM CD
	073328-B4-000	EA	CABLE ASSEMBLY - BATTERY - W/TERMINALS
	090986-01-000	EA	WIRE ASSEMBLY - ELECTRIC STEP
	096449-01-000	EA	WIRE ASSEMBLY - WATER TANK TO MONITOR PANEL (GM/FORD)
	096449-02-000	EA	WIRE ASSEMBLY - WATER TANK TO MONITOR PANEL (FREIGHTLINER)
	096717-03-000	EA	WIRE - REAR MONITOR - AFTER MARKET INSTALLATION
	097618-01-000	EA	WIRE ASSEMBLY - MONITOR PANEL - W/3 WIRES & ORANGE RESISTOR
	108029-01-000	EA	WIRE ASSEMBLY - POWER DRIVER SEAT
	108303-01-000	EA	WIRE ASSEMBLY - REAR AUTO HEATER
	111915-01-000	EA	WIRE ASSEMBLY - DAYTIME RUNNING LAMPS - FUSED - GM
	111915-03-000	EA	WIRE ASSEMBLY - DAYTIME RUNNING LAMPS - FUSED - FORD
	113134-03-000	EA	WIRE ASSEMBLY - WIPER/WASHER
	113639-01-000	FT	CABLE - 3/0 AWG STRANDED - RED
	113639-02-000	FT	CABLE - 3/9 AWG STRANDED
	120233-05-000	EA	WIRE - 30" W/DIGITAL SENSOR CONNECTOR/STRIPED LEAD
	123452-01-000	EA	WIRE - PUMP - SLIDEOUT
	124336-01-000	EA	WIRE - REAR STEREO - 12 PIN
	127002-03-000	EA	WIRE ASSEMBLY - ENERGY MANAGEMENT SYSTEM

CONNECTORS & CONDUIT

KEY	PART NUMBER	U/M	DESCRIPTION
	007942-01-000	EA	TAB - WIRE 10 TO 14 AWG
	007954-01-000	EA	RECEPTACLE - HOUSING - 6 POSITION
	007956-05-000	EA	INSULATOR - SHRINK - .25 ID X 1.50
	008311-01-000	EA	CONNECTOR - WIRE NUT - INSULATED - RED
	008312-01-000	EA	CONNECTOR - WIRE NUT - INSULATED - BLUE
	008313-01-000	EA	CONNECTOR - WIRE NUT - INSULATED - YELLOW
	008314-01-000	EA	CONNECTOR - WIRE NUT - INSULATED - GRAY
	008326-01-000	EA	TERMINAL - RING - 16/14 WIRE - 3/8" STUD
	008328-01-000	EA	TERMINAL - RING - 12/10 WIRE - #10 STUD FIT
	008331-01-000	EA	TERMINAL - RING - TONGUE - #4 WIRE - 3/8" STUD - COPPER
	008348-01-000	EA	TERMINAL - RING - 3/8" STUD 2 GA. WIRE
	008355-01-000	EA	CONNECTOR - CABLE CLAMPING - 3/4"
	008356-01-000	EA	CONNECTOR - PLASTIC - 3/8" AVG
	008356-02-000	EA	CONNECTOR - PLASTIC - 21/32
	008394-01-000	FT	CONDUIT - FLEXIBLE - 1/2"
	035416-04-000	EA	TERMINAL - RING - #10 STUD FIT - INSULATED BARREL #16/14
	041480-01-000	EA	CONNECTOR - STRAIGHT - 1/2' FLEX CONDUIT
	041953-01-000	FT	CONDUIT - CONVOLUTE SLIT - .5" ID
	041953-05-000	FT	CONDUIT - CONVOLUTE SOLID - .62" ID
	041953-06-000	FT	CONDUIT - CONVOLUTE SLIT - .375" ID
	041953-07-000	FT	CONDUIT - CONVOLUTE SLIT - .25" ID
	041953-03-000	FT	CONDUIT - CONVOLUTE SLIT - 1" ID (CLOTHES ROD COVER)

ELECTRICAL GROUP (CONTINUED)

CONNECTORS & CONDUIT (CONTINUED)

KEY	PART NUMBER	U/M	DESCRIPTION
	041953-08-000	FT	CONDUIT - CONVOLUTE SLIT - 1.50" ID
	041953-09-000	FT	CONDUIT - CONVOLUTE SLIT - .50" ID
	041953-10-000	FT	CONDUIT - CONVOLUTE SLIT - .75" ID
	041953-11-000	FT	CONDUIT - CONVOLUTE SLIT - 1.06" ID
	041953-12-000	FT	CONDUIT - CONVOLUTE NON SLIT - 1.1" ID
	047443-01-000	EA	TERMINAL - .250 RECEPTACLE FIT - INSULATED - 16/14 AWG
	047443-02-000	EA	TERMINAL - .250 RECEPTACLE FIT - INSULATED - 12/10 AWG
	058028-01-000	EA	CONNECTOR - ELECTRICAL PIGTAIL - NYLON - CLEAR
	062036-01-000	EA	TERMINAL - PACK - CON - 12/10 AWG
	062036-02-000	EA	TERMINAL - PACK - CON - 16/14 AWG
	074017-02-000	EA	HOUSING - 5 POSITION - RIGHT ANGLED
	077479-01-000	EA	BOOT - BATTERY TERMINAL - DOUBLE CABLE
	077479-02-000	EA	BOOT - BATTERY TERMINAL - SINGLE CABLE
	080015-02-000	EA	RECEPTACLE - FLAG - .185 - 16/14 GAUGE
	080015-03-000	EA	RECEPTACLE - FLAG - .250 - 14/16 GA
	082109-01-000	EA	HOUSING - CONNECTOR - PACKARD
	082741-01-000	EA	CONNECTOR BODY - 2 CNCT MALE - SERV ELEC 2P-FYL
	087225-01-000	FT	SLEEVING - 1/2" - TYPE H
	087225-02-000	FT	SLEEVING - 5/8" - TYPE H
	087949-01-000	EA	BUSS BAR - 2 POSITION - .6" X 1.5"
	087949-02-000	EA	BUSS BAR - 3 POSITION - .6" X 2.4"
	087949-03-000	EA	BUSS BAR - 4 POSITION
	088267-01-000	EA	TERMINAL - FEMALE - 1/4
	088473-01-000	EA	HOUSING - PIN - 12 CAVITY
	088473-02-000	EA	HOUSING - PIN - 15 CAVITY
	088473-03-000	EA	HOUSING - PIN - 9 CAVITY
	088473-04-000	EA	HOUSING - PIN - 8 CAVITY IN-LINE
	088473-05-000	EA	HOUSING - PIN - 6 CAVITY
	088473-06-000	EA	HOUSING - PIN - 6 CAVITY
	088473-07-000	EA	HOUSING - PIN - 5 CAVITY
	088473-08-000	EA	HOUSING - PIN - 4 CAVITY
	088473-09-000	EA	HOUSING - PIN - 3 CAVITY
	088473-10-000	EA	HOUSING - PIN - 2 CAVITY
	088474-01-000	EA	HOUSING - SOCKET - 12 CAVITY
	088474-02-000	EA	HOUSING - SOCKET - 15 CAVITY
	088474-03-000	EA	HOUSING - SOCKET - 9 CAVITY
	088474-06-000	EA	HOUSING - SOCKET - 6 CAVITY
	088474-07-000	EA	HOUSING - SOCKET - 5 CAVITY
	088474-08-000	EA	HOUSING - SOCKET - 4 CAVITY
	088474-09-000	EA	HOUSING - ELECTRICAL - 3 TERMINAL
	088474-10-000	EA	HOUSING - SOCKET - 2 CAVITY
	088475-01-000	EA	PIN - CONNECTOR - 14 - 20 AWG
	088475-02-000	EA	PIN - CONNECTOR - 10-12 AWG
	088476-01-000	EA	TERMINAL - ELECTRICAL
	088476-02-000	EA	SOCKET - CONNECTOR - 12-10 GA - PRE-TIN
	092786-02-000	EA	BUSS BAR - 3.3" LONG
	092786-03-000	EA	BUSS BAR - 6.9" LONG
	098260-01-000	EA	TERMINAL - MALE - 56 SERIES
	098261-02-000	EA	SOCKET - CONNECTOR - WEATHERPACK
	098262-01-000	EA	SEAL - CONNECTOR - WEATHERPACK
	098262-05-000	EA	SEAL - CAVITY
	098262-06-000	EA	SEAL - CONNECTOR - M/P - 10 GAUGE
	098264-01-000	EA	HOUSING - 2 PIN - WEATHERPACK
	098264-02-000	EA	HOUSING - 2 PIN - WEATHER PACK
	098265-02-000	EA	PIN - CONNECTOR - WEATHERPACK
	101571-01-000	EA	HOUSING - 2 POSITION - MALE
	102777-02-000	EA	TERMINAL - RING - #6 STUD - 10 AWG
	103608-01-000	EA	SOCKET - WEDGE BASE W/LEADS
	104100-01-000	EA	HOUSING - 1 POSITION - 75 AMPS
	104100-02-000	EA	TERMINAL - 75 AMP
	104100-03-000	EA	TERMINAL - 75 AMP
	104100-02-000	EA	TERMINAL - 75 AMP

ELECTRICAL GROUP (CONTINUED)

CONNECTORS & CONDUIT (CONTINUED)

KEY	PART NUMBER	U/M	DESCRIPTION
	106006-01-000	EA	HOUSING - 1 POSITION - FEMALE
	106007-01-000	EA	TERMINAL - FEMALE - 14-16 AWG
	106655-01-000	EA	TERMINAL - FUSE BLOCK - 14-16 AWG
	110178-01-000	EA	HOUSING - WIPER MOTOR
	112823-01-000	EA	SPLICE - REDUCER - 16-4 TO 18-22
	113131-01-000	EA	HOUSING - 3 PIN
	113135-01-000	EA	TERMINAL - FEMALE- M/P - 14-16
	113135-02-000	EA	TERMINAL - FEMALE- M/P - 280 - 10-12
	113306-01-000	EA	TERMINAL - FEMALE - M/P - 14-16
	113306-02-000	EA	TERMINAL - FEMALE - M/P - 10-12 - 480
	113307-01-000	EA	TERMINAL - FEMALE - M/P - 16-20
	113308-01-000	EA	TERMINAL - FEMALE - M/P - 14-16 - 280
	113468-01-000	EA	HOUSING - 2 POSITION - FEMALE
	115931-01-000	EA	COVER - CONNECTOR - W/LOCK RING
	115931-02-000	EA	COVER - CONNECTOR
	115932-01-000	EA	CONNECTOR - FEMALE - 30 AMP - 120 VOLT
	115932-02-000	EA	CONNECTOR - FEMALE - 50 AMP - 240 VOLT
	116811-01-000	EA	TERMINAL - .110 RECEPTACLE - 16-14 AWG
	118571-01-000	EA	CONNECTOR - 3-WAY - MALE/SEALED
	118571-02-000	EA	CONNECTOR - 3-WAY - FEMALE/SEALED
	118571-03-000	EA	BRACKET - MOUNTING
	118571-04-000	EA	GASKET - MACK120MF2136M
	118571-05-000	EA	LOCK - SECONDARY - FEMALE
	118571-06-000	EA	LOCK - SECONDARY - MALE
	118597-01-000	EA	TERMINAL - MALE - M/P - 480 - 14-16
	118597-02-000	EA	TERMINAL - MALE - M/P - 480 - 10-12
	118599-01-000	EA	TERMINAL - MALE - M/P - 280 - 14-16
	119248-02-000	EA	HOUSING - 7 POSITION - FEMALE
	125323-01-000	EA	HOUSING - 10 POSITION - MALE
	125323-02-000	EA	HOUSING - 8 POSITION - MALE
	125323-03-000	EA	LOCK - SECONDARY 8 POSITION
	125323-04-000	EA	LOCK - SECONDARY 10 POSITION
	125324-01-000	EA	TERMINAL - MALE
	125325-01-000	EA	SEAL - CAVITY
	126403-01-000	EA	CONNECTOR - 2 CIRCUIT
	126403-02-000	EA	CONNECTOR - 3 CIRCUIT
	129233-01-000	EA	HOUSING - 2-POSITION/FEMALE - 280-SERIES
	129234-02-000	EA	HOUSING - 6-POSITION/FEMALE - 280-SERIES
	129234-03-000	EA	LOCK - SECONDARY - 6-POSITION
	129235-01-000	EA	HOUSING - 2-POSITION/FEMALE - 630-SERIES
	129236-01-000	EA	TERMINAL - FEMALE - M/P- 630 - 10-12

SOLAR PANEL

KEY	PART NUMBER	U/M	DESCRIPTION	VENDOR NO.
	115504-01-000	EA	PANEL - SOLAR 10 WATT	
	115504-01-700	EA	PLUG & CABLE - 10 WATT PANEL	600-016
	115505-01-000	EA	LIGHT - MONITOR/SOLAR PANEL - RED LED INDICATOR	

BATTERY BOOT & STUD

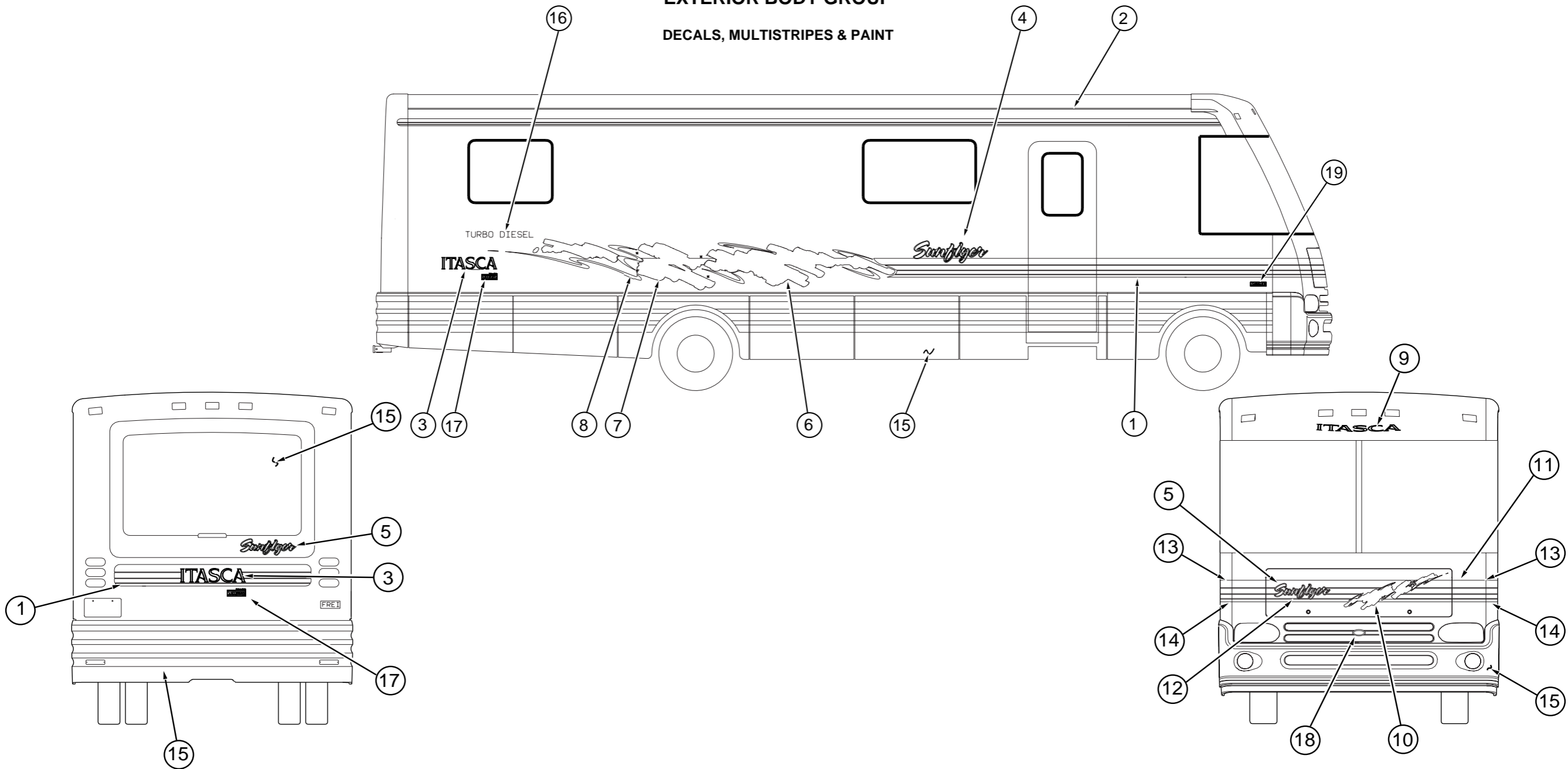
KEY	PART NUMBER	U/M	DESCRIPTION
	077479-01-000	EA	BOOT - BATTERY TERMINAL - DOUBLE CABLE
	077479-02-000	EA	BOOT - BATTERY TERMINAL - SINGLE CABLE
	086233-01-000	EA	STUD - ISOLATED - 3/8" X 7/8" LONG

SOLENOID & RELAYS

KEY	PART NUMBER	U/M	DESCRIPTION
	008188-01-000	EA	SOLENOID - 3 POST - BATTERY CHANGE OVER
	063910-01-000	EA	HOUSING - RELAY
	063912-02-000	EA	RELAY - CANISTER - SPDT
	086273-01-000	EA	RELAY - BATTERY DISCONNECT

EXTERIOR BODY GROUP

DECALS, MULTISTRIPES & PAINT

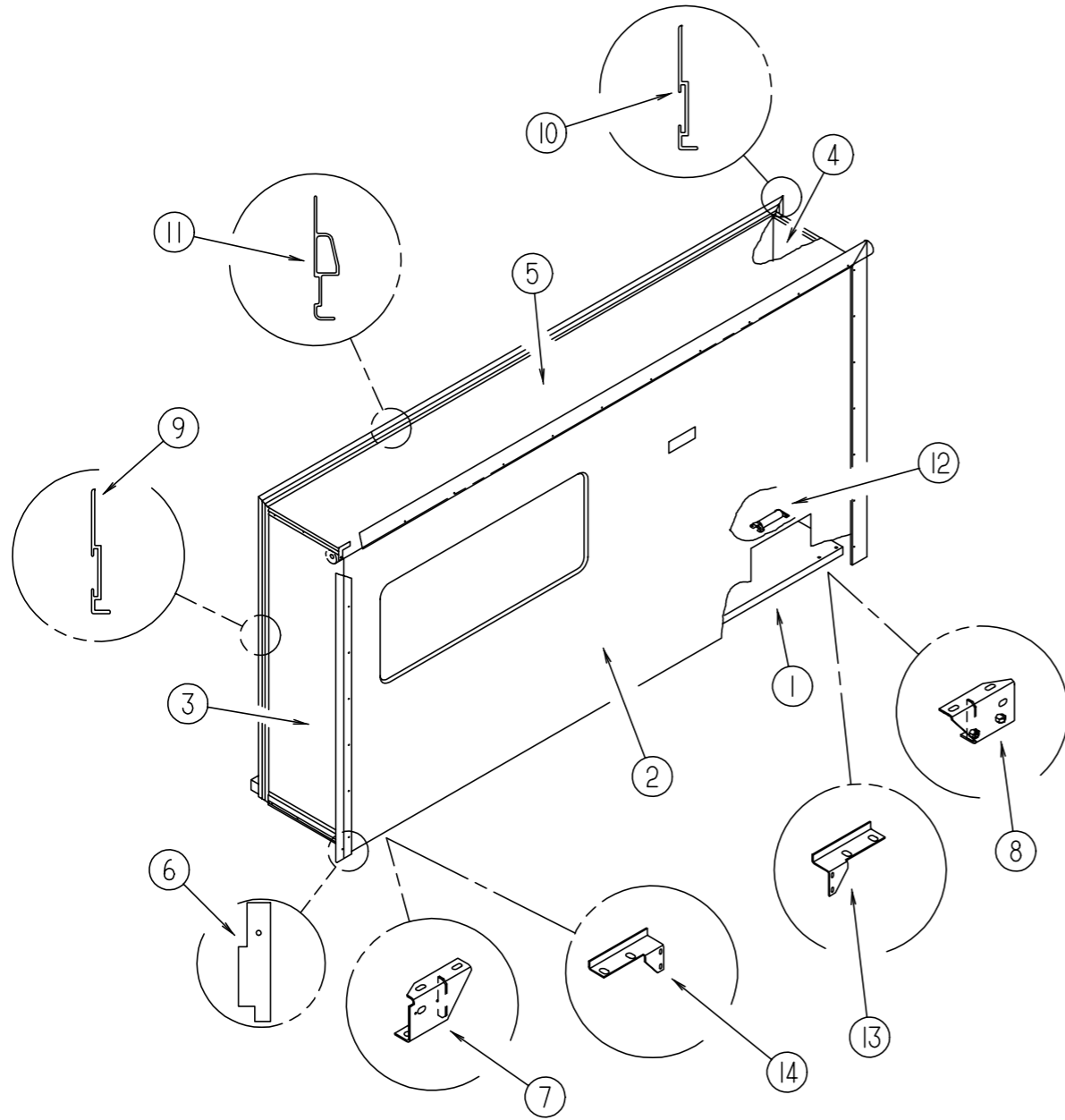


KEY	PART NUMBER	U/M	DESCRIPTION	VENDOR NO.
1	093689-20-01A	FT	FILM - MULTISTRIPE - 8" - *S-SMT/DKTL/ORCH/LTG	
2	094443-41-01A	FT	FILM - MULTISTRIPE - 3"	
3	124811-01-04A	EA	DECAL - LOGO - ITASCA	
4	120712-01-01A	EA	DECAL - LOGO - SUNFLYER/LARGE	
5	120712-02-01A	EA	DECAL - LOGO - SUNFLYER/SMALL	
6	120713-01-01A	EA	DECAL - BRUSHSTROKE - #1 - RIGHT HAND	
6	120713-02-01A	EA	DECAL - BRUSHSTROKE - #1 - LEFT HAND	
7	120714-01-01A	EA	DECAL - BRUSHSTROKE - #2 - RIGHT HAND	
7	120714-02-01A	EA	DECAL - BRUSHSTROKE - #2 - LEFT HAND	
8	120715-01-01A	EA	DECAL - BRUSHSTROKE - #3 - RIGHT HAND	
8	120715-02-01A	EA	DECAL - BRUSHSTROKE - #3 - LEFT HAND	
9	124989-01-02A	EA	DECAL - LOGO - ITASCA/SWEEP #15	
10	120716-01-01A	EA	DECAL - BRUSHSTROKE - SMALL	
11	120717-01-01A	EA	DECAL - HOOD - UPPER	
12	120718-01-01A	EA	DECAL - HOOD - LOWER	

KEY	PART NUMBER	U/M	DESCRIPTION	VENDOR NO.
13	120719-01-01A	EA	DECAL - CORNER - UPPER/RIGHT HAND	
13	120719-02-01A	EA	DECAL - CORNER - UPPER/LEFT HAND	
14	120720-01-01A	EA	DECAL - CORNER - LOWER/RIGHT HAND	
14	120720-02-01A	EA	DECAL - CORNER - LOWER/LEFT HAND	
15	NA	GL	PAINT-SEAMIST	DUPONT F1977U
15	NA	GL	PAINT-CHAMPAGNE METALLIC	DUPONT F2997U
16	111318-03-11A	EA	DECAL - TURBO - DIESEL	
17	122770-01-06A	EA	DECAL - BUILT PROUDLY BY WINNEBAGO INDUSTRIES	
18	120875-01-01A	EA	DECAL - LOGO - GRILLE - DOMED	
18	120994-01-01A	EA	BEZEL - DOMED GRILLE LOGO	
19	122312-01-01A	EA	DECAL - VORTEC 7400	
				FROM: 00-00-00 THRU: 09-14-97
19	122312-02-01A	EA	DECAL - VORTEC 7400	
				FROM: 09-15-97 THRU: 99-99-99
	093681-40-01A	FT	FILM - 2"	
	041561-03-000	EA	PAINT - 16 OUNCE SPRAY - OFF WHITE	
	099399-23-700	EA	PAINT-SPRAY-BRT WHITE ENAMEL	DUPONT # B8951U

EXTERIOR BODY GROUP (CONTINUED)

SLIDEOUT PANELS & INNER TRIM SEAL

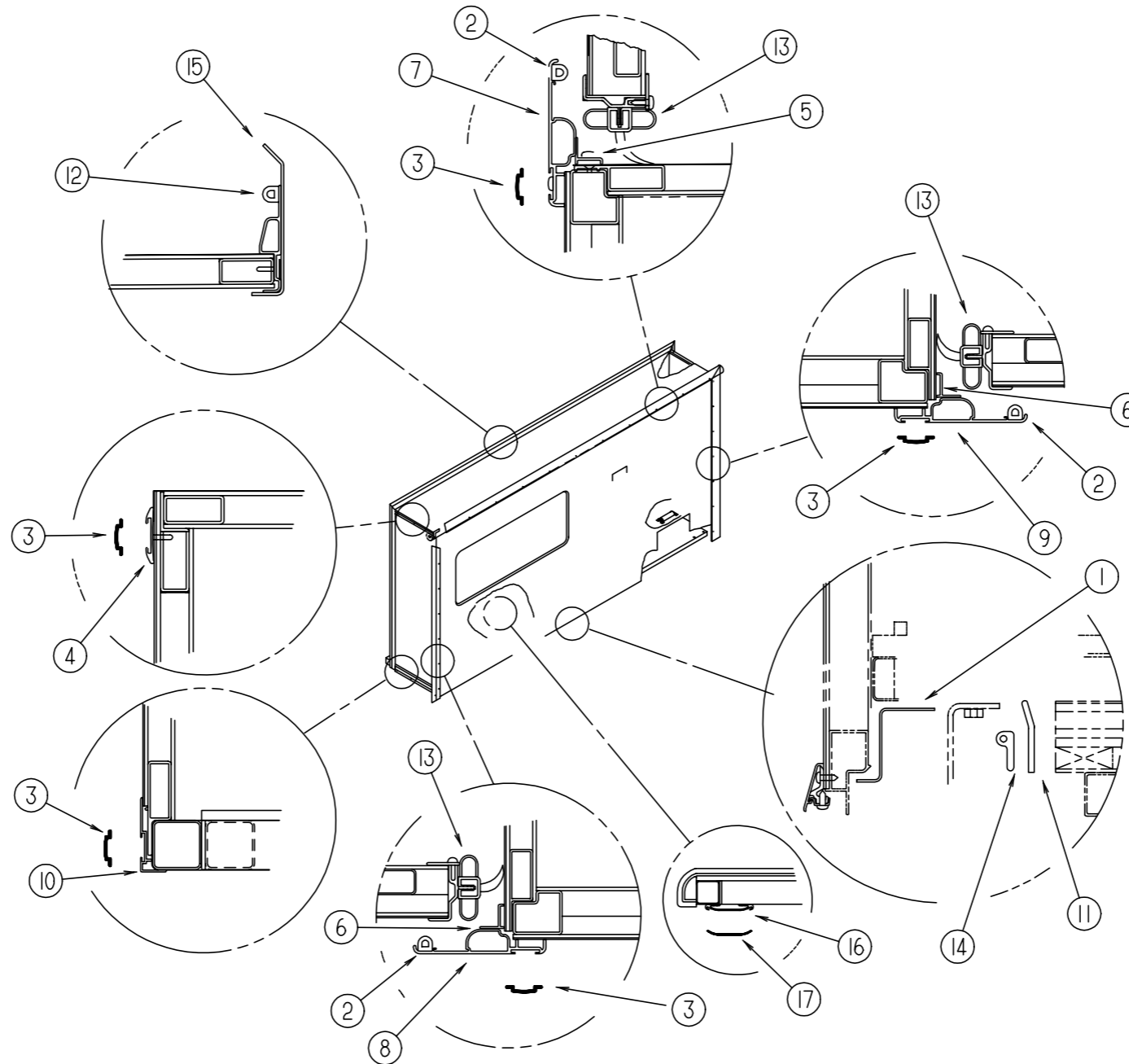


KEY	PART NUMBER	U/M	DESCRIPTION
1	P26222-01-J60	EA	FLOOR ASM-SLIDEOUT
	117058-01-01A	FT	TAPE - LOOP - 3/4" WIDE - ADHESIVE BACKED
2	119783-05-J60	EA	PANEL - SLIDEOUT/OUTER (J94, J60)
	119783-05-J61	EA	PANEL - SLIDEOUT/OUTER (J95, J61)
	119783-05-J62	EA	PANEL - SLIDEOUT/OUTER (J96, J62)
3	121401-01-J60	EA	PANEL - SLIDEOUT/FRONT (J94, J60)
	121401-01-J61	EA	PANEL - SLIDEOUT/FRONT (J95, J61)
	121401-01-J62	EA	PANEL - SLIDEOUT/FRONT (J96, J62)
4	121402-02-J60	EA	PANEL - SLIDEOUT/REAR (J94, J60)
	121402-02-J61	EA	PANEL - SLIDEOUT/REAR (J95, J61)
	121402-02-J62	EA	PANEL - SLIDEOUT/REAR (J96, J62)
5	126221-01-J22	EA	ROOF - SLIDEOUT - W/O LIGHTS/VENTS - W/WIRING
6	126546-01-02A	EA	COVER-SIDEWALL,END BRT/WHT
7	127030-01-02B	EA	BRACKET - SLIDEOUT MOUNT
8	127030-02-02B	EA	BRACKET - SLIDEOUT MOUNT
9	117004-01-01A	EA	TRIM - SEAL - INNER - OFF WHITE
10	117004-02-01A	EA	TRIM - SEAL - INNER - OFF WHITE
11	117004-08-01A	EA	TRIM - SEAL - INNER - OFF WHITE
12	127033-01-01A	EA	ROLLER - GUIDE
13	125888-01-02B	EA	BRACKET-SLIDEOUT COMPT,RH EC
14	125888-02-02B	EA	BRACKET-SLIDEOUT COMPT,LH EC

FROM: 00-00-00 THRU: 07-20-97

EXTERIOR BODY GROUP (CONTINUED)

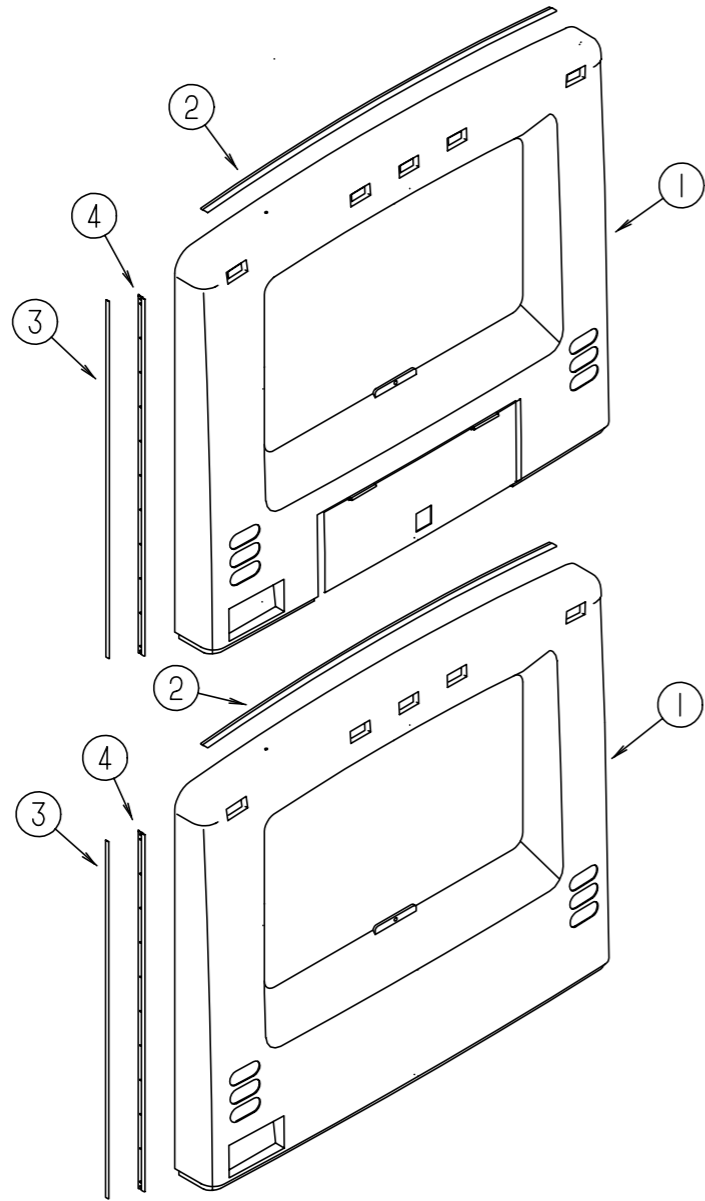
SLIDEOUT SUPPORTS, SEALS & TRIMS



KEY	PART NUMBER	U/M	DESCRIPTION
1	126017-01-02B	EA	SUPPORT ASM-FLOOR,E-COAT
2	099418-01-000	FT	SEAL - D-SECTION/ADHESIVE BACK - .44" X .44"- BLK RUBBER
3	105312-01-07A	FT	INSERT - VINYL FEATURE STRIP - BRIGHT WHITE
4	108688-01-03A	EA	STRIP - FEATURE - 15'
5	116933-07-01A	EA	TRIM-SEAL,B/W
6	116933-09-01A	EA	TRIM - SEAL
7	119992-07-02A	EA	TRIM-SEAL,W/MITRD ENDS,B/W
8	119992-09-01A	EA	TRIM-SEAL,W/MITRD ENDS,B/W
9	119992-10-01A	EA	TRIM-SEAL,W/MITRD ENDS,B/W

KEY	PART NUMBER	U/M	DESCRIPTION
10	125051-01-01A	EA	STRIP-FEATURE,LOWER,B/W
11	089275-02-000	FT	STRIP - 3/4" X 84" BLACK POLYETHELENE
11	115075-02-000	FT	SEAL - WIPE - .25" X 3.15"
12	112091-01-000	FT	SEAL-D - NEOPRENE - TRUNK
13	115076-01-000	FT	SEAL - SLIDEOUT
14	121283-01-000	FT	SEAL - P SHAPED
15	125466-02-01A	EA	SUPPORT - ROOF - INTERIOR - OFF/WHITE
16	115325-01-02A	EA	RAIL - FLOOR - SLIDEOUT ROOM
17	115661-01-000	FT	POLYETHYLENE - HIGH DENSITY - 1/16" X 3'

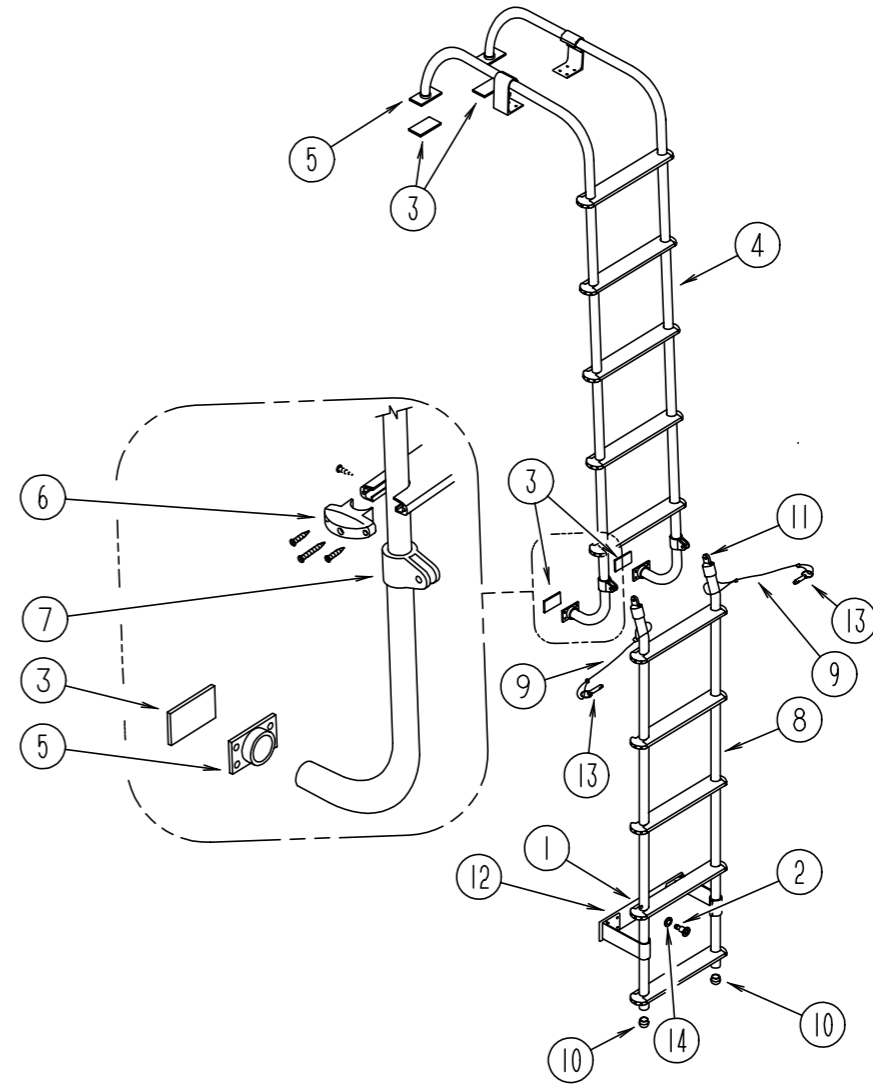
EXTERIOR BODY GROUP (CONTINUED)



REAR PANELS & TRIMS

KEY	PART NUMBER	U/M	DESCRIPTION
1	124720-04-J60	EA	PANEL - REAR CAP - W/DOOR - QUEEN BED
1	124720-02-J60	EA	PANEL - REAR CAP - W/O DOOR - TWIN BED
2	083805-23-000	EA	TRIM - CAP - ROOF - 92"
3	091985-01-07A	FT	MOLDING - TRIM - BRIGHT WHITE
4	092041-04-01A	EA	TRIM - REAR - CAP TO SIDEWALL
	104692-03-000	FT	SEAL - FOAM/ADHESIVE BACK - 1"THICK X 1.25"WIDE X 15'

EXTERIOR BODY GROUP (CONTINUED)

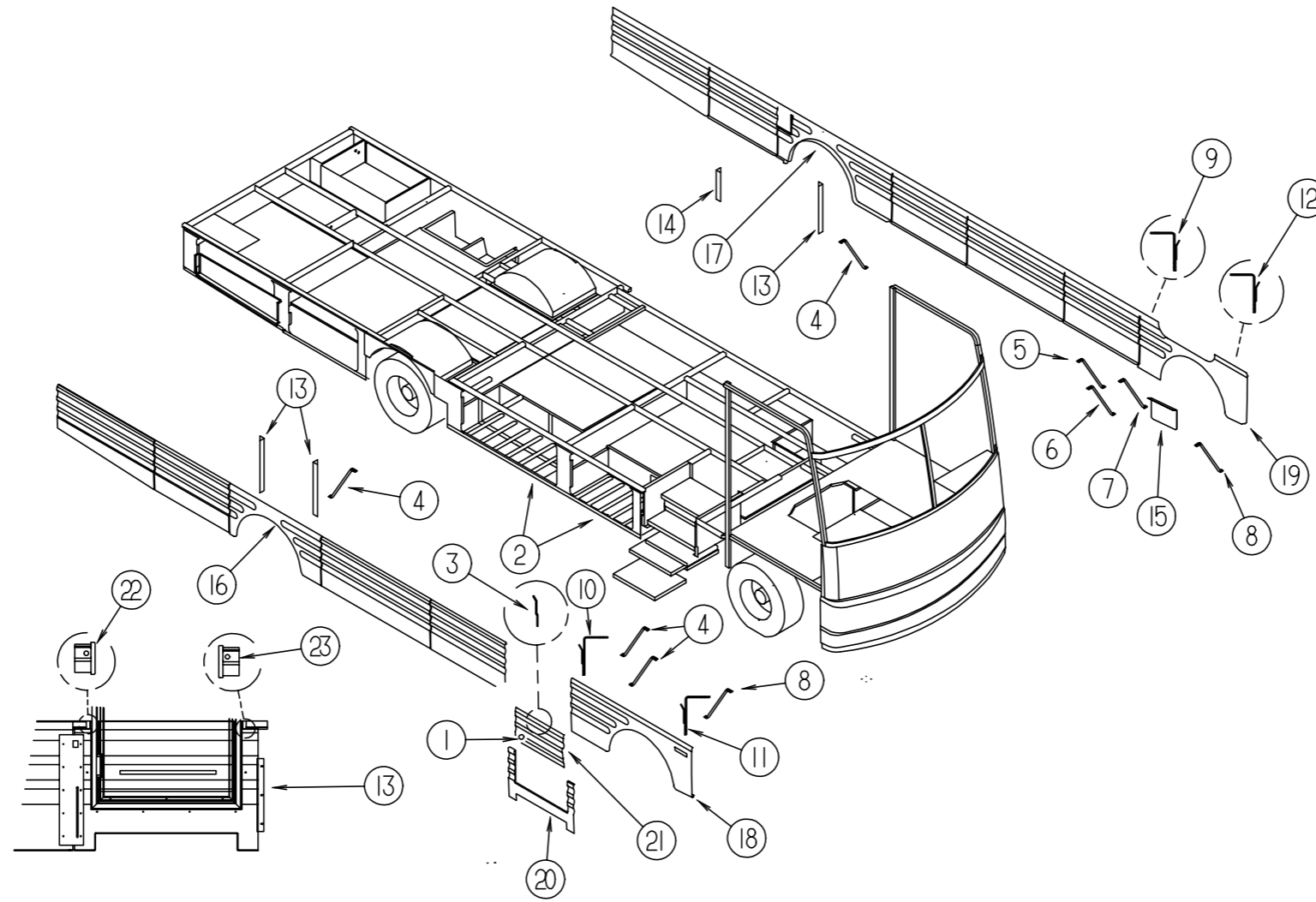


LADDER

KEY	PART NUMBER	U/M	DESCRIPTION
1	081055-01-000	EA	SPRING GRIP - INTERNAL TOOTH - LADDER
2	081056-01-000	EA	PIN - QUICK RELEASE - SINGLE ACTION - LADDER
3	112384-01-000	EA	SPONGE - BRACKET - RACK & LADDER
4	125261-01-J60	EA	LADDER - UPPER
			FROM: 00-00-00 THRU: 06-14-98
4	130164-02-01A	EA	LADDER - UPPER
			FROM: 06-15-98 THRU: 99-99-99
5	067165-01-000	EA	BRACKET - MOUNTING - LOWER LADDER
6	076980-02-000	EA	END CAP - STEP - BLACK
7	081116-01-000	EA	SLIDE - TOP - RACK & LADDER - 1"
8	125262-01-J60	EA	LADDER - LOWER
			FROM: 00-00-00 THRU: 06-14-98
8	130163-02-01A	EA	LADDER - LOWER
			FROM: 06-15-98 THRU: 99-99-99
9	076767-11-000	EA	CABLE - 1/16" X 5.9"
10	081114-01-000	EA	CAP - INSERT - ROUND - 1" DIAMETER - BLACK PLASTIC
11	081115-01-000	EA	TOP CAP - RACK & LADDER - 1"
12	108423-01-02A	EA	PLATE - BUMPER - LOWER LADDER
13	114834-01-000	EA	PIN - QUICK RELEASE
14	128197-01-01A	EA	WASHER - NEOPRENE - 1.1" X .62"

EXTERIOR BODY GROUP (CONTINUED)

VALANCE PANELS & TRIMS

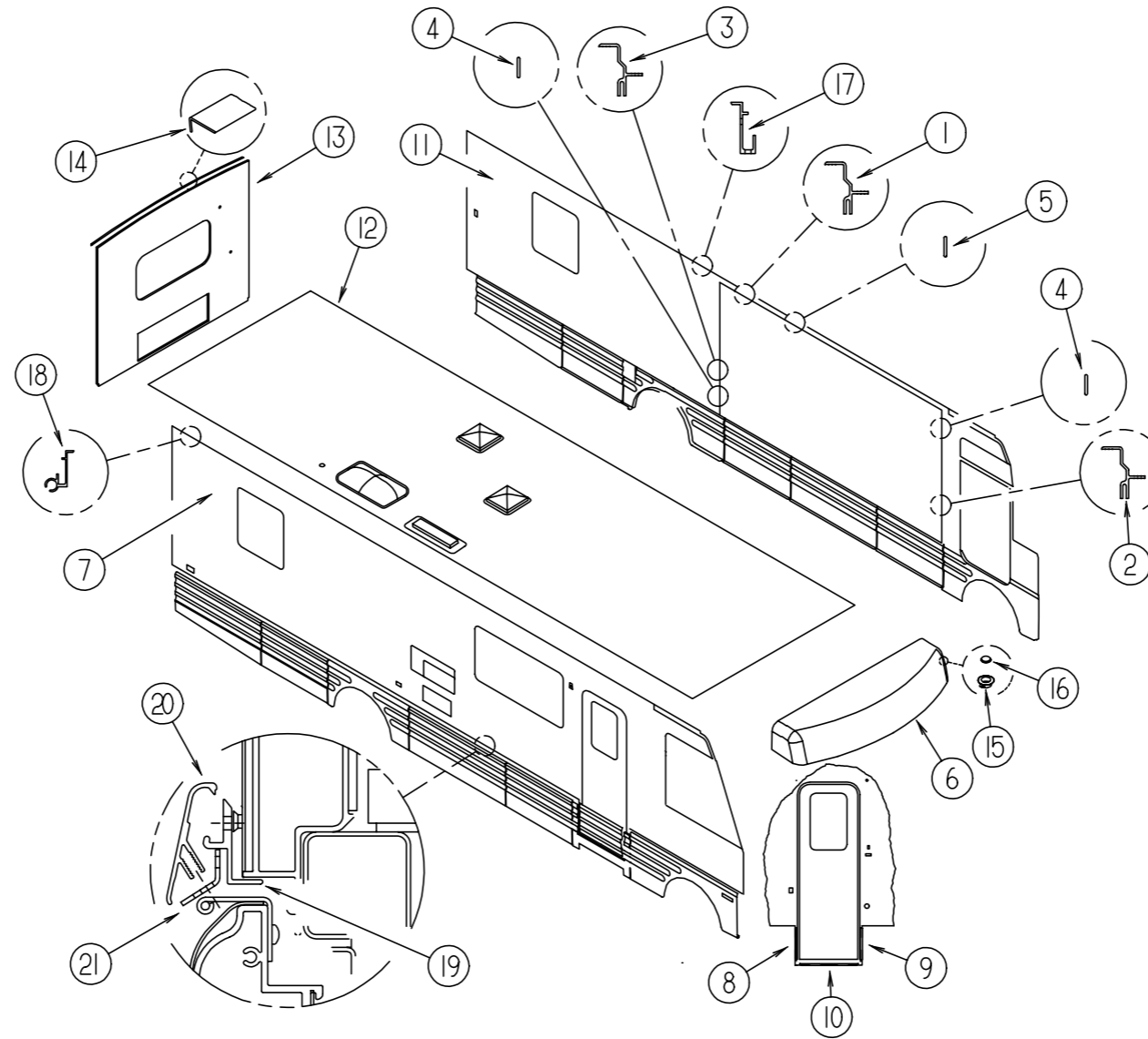


KEY	PART NUMBER	U/M	DESCRIPTION
1	069726-02-000	EA	BUMPER - .88" OD X .40" THICK - BLACK
2	099069-01-000	FT	SEAL - RUBBER - CLOSED SPONGE - .5" WIDE X .12" THICK -BLK
3	106105-03-000	EA	CLIP - VALANCE/RETAINING
4	107865-02-000	EA	ROD - SUPPORT - VALANCE PANEL - 13.2"
5	107865-05-000	EA	ROD - SUPPORT - VALANCE PANEL - 9"
6	107865-22-000	EA	ROD - SUPPORT - VALANCE PANEL
7	107865-02-000	EA	ROD - SUPPORT - VALANCE PANEL - 13.2"
8	107865-10-000	EA	ROD - SUPPORT - VALANCE PANEL - 15.1"
9	108455-05-000	EA	ANGLE ASM-VALANCE, TRIM
9	106105-05-000	EA	CLIP - VALANCE/RETAINING
10	108455-06-000	EA	ANGLE ASM-VALANCE, TRIM
10	106105-09-000	EA	CLIP - VALANCE/RETAINING
11	108455-15-000	EA	ANGLE ASM-VALANCE, TRIM
11	127373-01-01B	EA	CLIP - TRIM - BACKWALL
12	108455-16-000	EA	ANGLE ASM-VALANCE, TRIM
12	127373-02-01B	EA	CLIP - TRIM - BACKWALL

KEY	PART NUMBER	U/M	DESCRIPTION
13	113041-03-02B	EA	ANGLE - MOUNT/BUMPER
14	113041-07-02B	EA	ANGLE - BUMPER MOUNT
15	121117-01-02B	EA	ANGLE - W/HOLES
16	126061-01-J60	EA	PANEL - WHEEL LIP - REAR/PASSENGER
17	126061-02-J60	EA	PANEL - WHEEL LIP - REAR/DRIVER
18	126062-03-J60	EA	PANEL - WHEEL LIP - FRONT/PASSENGER
19	126062-04-J60	EA	PANEL - WHEEL LIP - FRONT/DRIVER
20	126063-03-J60	EA	PANEL - VALANCE - HORSEHOE
21	126159-01-J60	EA	PANEL - VALANCE - ENTRY DOOR
22	126775-01-01A	EA	END CAP - VALANCE - RIGHT HAND/LOWER
23	126775-02-01A	EA	END CAP - VALANCE - LEFT HAND/LOWER

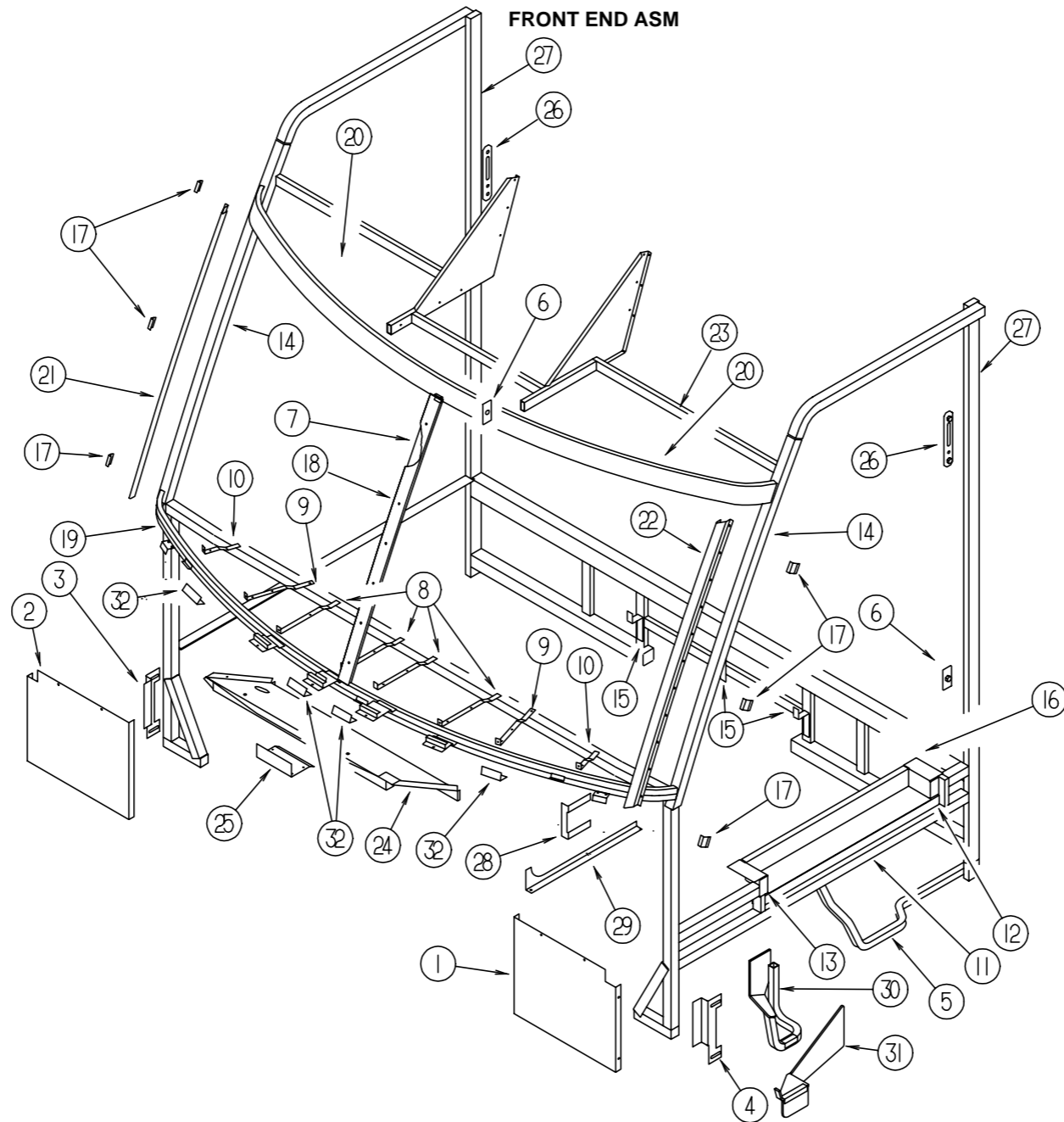
EXTERIOR BODY GROUP (CONTINUED)

BODY PANELS & TRIMS



KEY	PART NUMBER	U/M	DESCRIPTION
1	115863-12-01A	EA	TRIM - SIDEWALL
2	115863-13-01A	EA	TRIM - SIDEWALL
3	115863-14-01A	EA	TRIM - SIDEWALL
4	115886-02-03A	EA	RETAINER-SIDEWALL,BRT/WT
5	115886-05-01A	EA	RETAINER-SIDEWALL,BRT/WT
6	125304-02-J60	EA	CAP - ROOF
6	125304-01-01A	EA	CAP - ROOF
7	125375-02-J60	EA	SIDEWALL - PASSENGER - W/O WINDOWS/TRIMS (J94, J60)
7	125375-02-J61	EA	SIDEWALL - PASSENGER - W/O WINDOWS/TRIMS (J95, J61)
7	125375-02-J96	EA	SIDEWALL - PASSENGER - W/O WINDOWS/TRIMS (J96)
7	125375-02-J62	EA	SIDEWALL - PASSENGER - W/O WINDOWS/TRIMS (J62)
8	121091-01-02A	EA	ANGLE-ENTRANCE DOOR - BRIGHT WHITE
9	121091-02-03A	EA	ANGLE-ENTRANCE DOOR - BRIGHT WHITE
10	121091-13-01A	EA	ANGLE-ENTRANCE DOOR - BRIGHT WHITE
11	125376-02-J60	EA	SIDEWALL - DRIVERS - W/O WINDOWS/TRIMS (J94, J60)
11	125376-02-J61	EA	SIDEWALL - DRIVERS - W/O WINDOWS/TRIMS (J95, J61)
11	125376-02-J62	EA	SIDEWALL - DRIVERS - W/O WINDOWS/TRIMS (J96, J62)
12	125377-02-J60	EA	ROOF - W/O LIGHTS/VENTS - W/WIRING
13	125383-01-J60	EA	BACKWALL - W/O WINDOW/TRIM (J94, J60)
13	125383-01-J61	EA	BACKWALL - W/O WINDOW/TRIM (J95, J61)
13	125383-01-J62	EA	BACKWALL - W/O WINDOW/TRIM (J96, J62)
14	114248-02-01A	EA	ANGLE - PLASTIC - 96.6"
15	118383-01-04A	EA	RETAINER - SCREW
16	118383-04-04A	EA	CAP - RETAINER/SCREW
17	120091-02-02A	EA	TRIM - ROOF
18	120092-01-02A	EA	RAIL - AWNING
19	123880-01-01A	EA	TRIM-RETAINER,MILL
19	123880-02-01A	EA	TRIM-RETAINER,MILL (ENTRANCE DOOR)
20	123993-01-03A	EA	TRIM - COVER
21	124046-02-02B	EA	BRACKET-ANCHOR,TRIM,E-COAT
	090340-02-000	FT	SEAL - FOAM - CLOSED CELL - 3/8" X 1/2" X 50'

EXTERIOR BODY GROUP (CONTINUED)

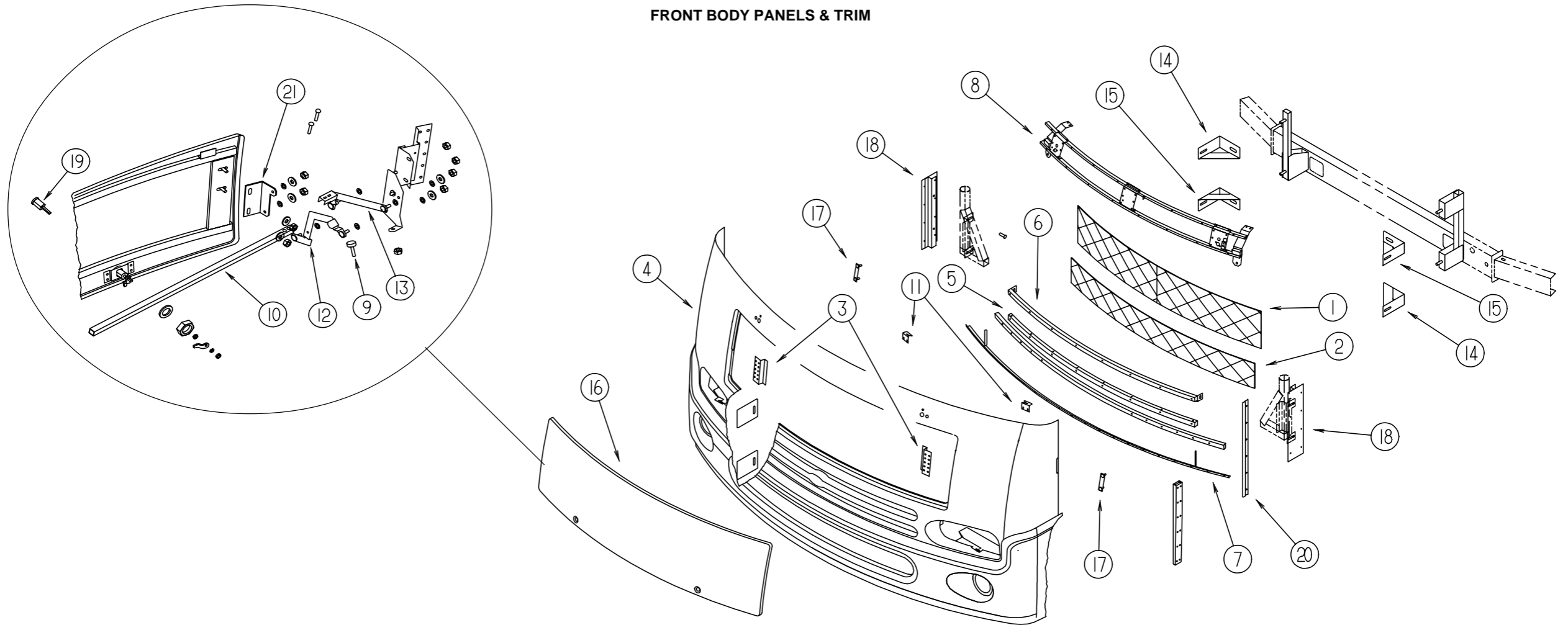


KEY	PART NUMBER	U/M	DESCRIPTION
1	104147-14-000	EA	SHIELD ASM-SPLASH,HEADLIGHT - FORD/FREIGHTLINER
2	121962-02-02B	EA	SHIELD ASM-SPLASH,HDLGT,E-CT - GM
3	128019-01-02B	EA	SUPPORT - FRONT END/REAR
4	128019-02-02B	EA	SUPPORT - FRONT END/REAR
5	063977-14-000	EA	STEP - DRIVER DOOR - LEFT HAND
6	070579-06-000	EA	PLATE - ANCHOR - W/7/16 WELD NUT - 1.5" X 3.3"
6	070579-07-000	EA	PLATE - ANCHOR - W/O WELD NUT - 1.5" X 3.3"
7	078249-16-000	EA	TUBE-SWEPT,FRAME,CAB
8	104797-03-000	EA	BRACKET-DEFROSTER
9	104797-04-000	EA	BRACKET-DEFROSTER
10	104797-05-000	EA	BRACKET-DEFROSTER
11	106746-02-000	EA	PANEL - STEPWELL
12	106747-03-000	EA	PANEL - STEPWELL - RIGHT HAND END
13	106747-04-000	EA	PANEL - STEPWELL - LEFT HAND END
14	117273-01-01A	EA	TUBE - SUPPORT - A-PILLAR
15	117287-01-01B	EA	BRACKET-MOUNT,CABLE
16	118592-01-01B	EA	SHIELD-SPLASH,RH,MILL
17	120363-01-01B	EA	BRACKET - WINDSHIELD

KEY	PART NUMBER	U/M	DESCRIPTION
18	120840-06-01B	EA	STRAP-W/HOLES,MILL
19	121267-01-01B	EA	SUPPORT-WINDSHIELD,LOWER,MLL
20	121268-01-01B	EA	SUPPORT-WINDSHIELD,UPPER,MLL
21	121269-07-01B	EA	FRAME-W/S,A PILLAR,MILL
22	121269-08-01B	EA	FRAME-W/S,A PILLAR,MILL
23	124763-51-01B	EA	HEADER ASM
24	125836-02-01B	EA	ZEE-WIPER MOTOR,MILL
25	125837-02-01B	EA	BRACE-WIPER MOTOR,MILL
26	127461-02-01B	EA	PLATE-ANCHOR,SEAT BELT,MILL
27	127874-01-01B	EA	TUBE-B PILLAR,MILL
27	127874-02-01B	EA	TUBE-B PILLAR,MILL (LEFT SIDE ON FREIGHTLINER ONLY)
28	097123-01-000	EA	MOUNT-AIR INTAKE, 97/98 FORD 7.5L, 17000 CHASSIS
29	099102-01-000	EA	BRACKET-LINKAGE,THROTTLE - 97/98 FORD 7.5L, 17000 CHASSIS
30	128075-01-04B	EA	STEP - UPPER - DRIVER DOOR - BLACK - HDGM CHEVY P12, 7.4L, 21000 CHASSIS
31	128255-01-04B	EA	STEP - UPPER - DRIVER DOOR - BLACK - 99 FORD 6.8L, 20500 CHASSIS
			FROM: 06-15-98 THRU: 99-99-99
32	076364-57-000	EA	ANGLE - FORMED

EXTERIOR BODY GROUP (CONTINUED)

FRONT BODY PANELS & TRIM



KEY	PART NUMBER	U/M	DESCRIPTION
1	115924-12-02A	EA	WIRE MESH - F/GRILLE - FLAT BLACK - FORD/GM
1	115924-12-01A	EA	GRILLE - WOVEN WIRE - FORD/GM
2	115924-13-02A	EA	WIRE MESH - F/GRILLE - FLAT BLACK - FORD/GM
2	115924-13-01A	EA	GRILLE - WOVEN WIRE - FORD/GM
3	113495-03-02B	EA	SUPPORT - HINGE - FORD/GM
4	125302-02-J60	EA	PANEL - FRONT/LOWER - FORD/GM
4	125302-04-J60	EA	PANEL - FRONT/LOWER - HDGM
4	125302-04-J60	EA	PANEL - FRONT/LOWER - FREIGHTLINER
			FROM: 00-00-00 THRU: 01-13-98
4	128945-02-J60	EA	PANEL - FRONT/LOWER - FREIGHTLINER
			FROM: 01-14-98 THRU: 99-99-99
5	125709-08-J60	EA	TUBE ASM-GRILLE,LOWER - FORD/GM/HDGM
5	125709-07-01A	EA	TUBE-GRILLE,LOWER,MILL - FORD/GM/HDGM
5	125709-08-J60	EA	TUBE ASM-GRILLE,LOWER - FREIGHTLINER
			FROM: 00-00-00 THRU: 01-13-98
5	125709-07-01A	EA	TUBE-GRILLE,LOWER,MILL - FREIGHTLINER
			FROM: 00-00-00 THRU: 01-13-98
6	125786-01-J60	EA	TUBE ASM-GRILLE,LOWER
6	125709-01-01A	EA	TUBE-GRILLE,LOWER MILL
7	125788-01-J60	EA	FRAME ASM-GRILLE/FOG LIGHT
7	125709-02-01A	EA	TUBE-GRILLE,LOWER MILL
8	125846-01-J60	EA	SUPPORT ASM-WIPER
9	058786-01-000	EA	BOLT - ADJUSTING HOOD - W/BLACK PAD -
10	105096-10-000	EA	TUBE - HOOD HINGE TIMING W/WELDNUTS
11	106748-03-000	EA	LATCH - HOOD - FRONT END

KEY	PART NUMBER	U/M	DESCRIPTION
12	125778-03-02B	EA	LINK - HOOD HINGE - LOWER/RIGHT HAND
12	125778-04-02B	EA	LINK - HOOD HINGE - LOWER/LEFT HAND
13	125798-01-02B	EA	LINK - HOOD HINGE - UPPER/RIGHT HAND
13	125798-02-02B	EA	LINK - HOOD HINGE - UPPER/LEFT HAND
14	125824-01-02B	EA	BRACKET - BUMPER
			FROM: 00-00-00 THRU: 12-16-97
14	128455-03-02B	EA	BRACKET-BUMPER
			FROM: 12-17-97 THRU: 99-99-99
15	125824-02-02B	EA	BRACKET - BUMPER
			FROM: 00-00-00 THRU: 12-16-97
15	128455-04-02B	EA	BRACKET - BUMER - E-COAT
			FROM: 12-17-97 THRU: 99-99-99
16	125303-02-J60	EA	PANEL - HOOD - OUTER
17	106730-10-000	EA	PLATE - STUD
18	128018-01-02B	EA	BRACKET - FRONT
19	102330-02-000	EA	LATCH - VISE ACTION/KEY OPERATED
19	102328-01-000	EA	KEY - BARREL - NICKEL PLATED
20	125818-01-01A	EA	TRIM - PANEL - FIBERGLASS
20	091985-01-07A	FT	MOLDING - TRIM - BRIGHT WHITE
21	109927-07-000	EA	ANGLE - LINK - HOOD/RIGHT HAND
21	109927-08-000	EA	ANGLE - LINK - HOOD/LEFT HAND

EXTERIOR BODY GROUP (CONTINUED)

EXTERIOR MIRRORS

KEY	PART NUMBER	U/M	DESCRIPTION	VENDOR NO.
	106015-14-01A	EA	MIRROR - EXTERIOR ADJUSTABLE GLASS - PASSENGER	
	106015-15-01A	EA	MIRROR - EXTERIOR ADJUSTABLE GLASS - DRIVER	
	106015-12-01A	EA	MIRROR - EXTERIOR REMOTE/HEAT - PASSENGER	
	106015-13-01A	EA	MIRROR - EXTERIOR REMOTE/HEAT - DRIVER	
	106015-12-700	EA	GLASS - FLAT W/HEAT & CLIP	709448
	106015-12-701	EA	GLASS - CONVEX W/HEAT & CLIP	709449
	106015-12-702	EA	SCREW CAP - (BAG OF 4)	748329
	088246-01-000	EA	SWITCH - REMOTE - EXTERIOR - SQUARE PUSH	

EXTERIOR SKIN, STYROFOAM & PLYWOOD

KEY	PART NUMBER	U/M	DESCRIPTION
	002726-01-001	EA	GARNISH - U-CHANNEL - 1.38" X 19' - SERRATED
	002766-01-001	EA	ANGLE - EXTRUDED - 1" X 1.5" X 17'
	068716-01-001	EA	BRACE - 90 DEGREE L-ANGLE - 16'
	076054-U4-000	EA	FIBERGLASS SHEET - 101" X 104" - BRIGHT WHITE
	076054-X6-000	EA	FIBERGLASS SHEET - 23" X 33" - BRIGHT WHITE
	076054-X9-000	EA	FIBERGLASS SHEET - 22.1" X 70.6" - BRIGHT WHITE
	076054-Y3-000	EA	FIBERGLASS SHEET - 78" X 797" - BRIGHT WHITE
	076054-Z3-000	EA	FIBERGLASS SHEET - 4" X 86" - BRIGHT WHITE
	083574-06-000	SF	STYROFOAM - .75 X 48" X 108" - INCREMENTS OF 14 SF
	089297-01-000	SF	PLYWOOD - LUAN - OVERLAY GRADE - 48" X 96"
	100619-01-000	BF	FOAM - EXPANDED POLYSTYRENE - 1.34" X 48" X 96"
	100619-02-000	BF	FOAM - EXPANDED POLYSTYRENE - 1.5" X 48" X 96"
	100619-05-000	BF	FOAM - EXPANDED POLYSTYRENE - .75" X 48" X 96"
	100619-10-000	BF	FOAM - EXPANDED POLYSTYRENE - 1.5" X 48" X 96"
	100619-11-000	BF	FOAM - EXPANDED POLYSTYRENE - 2" X 48" X 96"
	100619-13-000	BF	FOAM - EXPANDED POLYSTYRENE - .34" X 34.65" X 96"
	100619-16-000	BF	FOAM - EXPANDED POLYSTYRENE - .75" X 48" X 96"
	105077-08-000	EA	FOAM - PLUG - ROOF CAP
	108535-05-702	EA	FIBERGLASS SHEET - FLAT - 110" X 396" BRIGHT WHITE - ROOF
	108535-06-700	EA	FIBERGLASS SHEET - FLAT - 102" X 102" BRIGHT WHITE
	116942-03-01A	EA	ALUMINUM - .7" X 40" X 158"
	117754-02-01A	EA	FIBERGLASS SHEET - 12.6" X 86" - ANY COLOR
	120107-01-000	EA	FOAM - COVE - ROOF
	120107-02-000	EA	FOAM - PLUG - ROOF TUBE
	120107-03-000	EA	FOAM - PLUG - SIDEWALL TUBE
	120107-04-000	EA	FOAM - ROOF COVE
	120107-05-000	EA	FOAM PLUG - ROOF TUBE
	126404-01-000	LB	ALUMINUM - .063" X 48" X 96"
	128782-01-01A	EA	FIBERGLASS SHEET - 79" X 417" - BRIGHT WHITE
	128782-02-01A	EA	FIBERGLASS SHEET - 79" X 456" - BRIGHT WHITE
	128782-03-01A	EA	FIBERGLASS SHEET - 27.4" X 70.8" - BRIGHT WHITE

EXTERIOR BODY GROUP (CONTINUED)

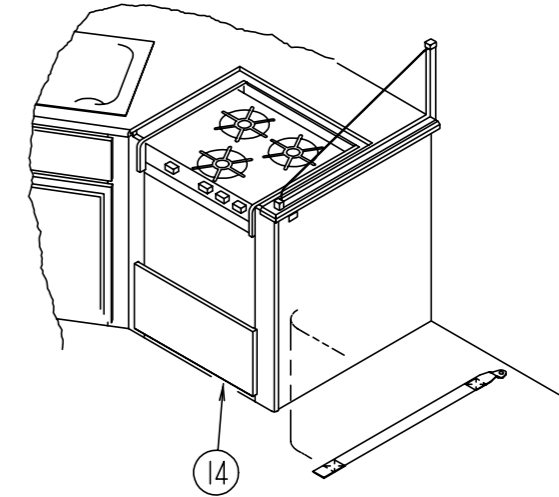
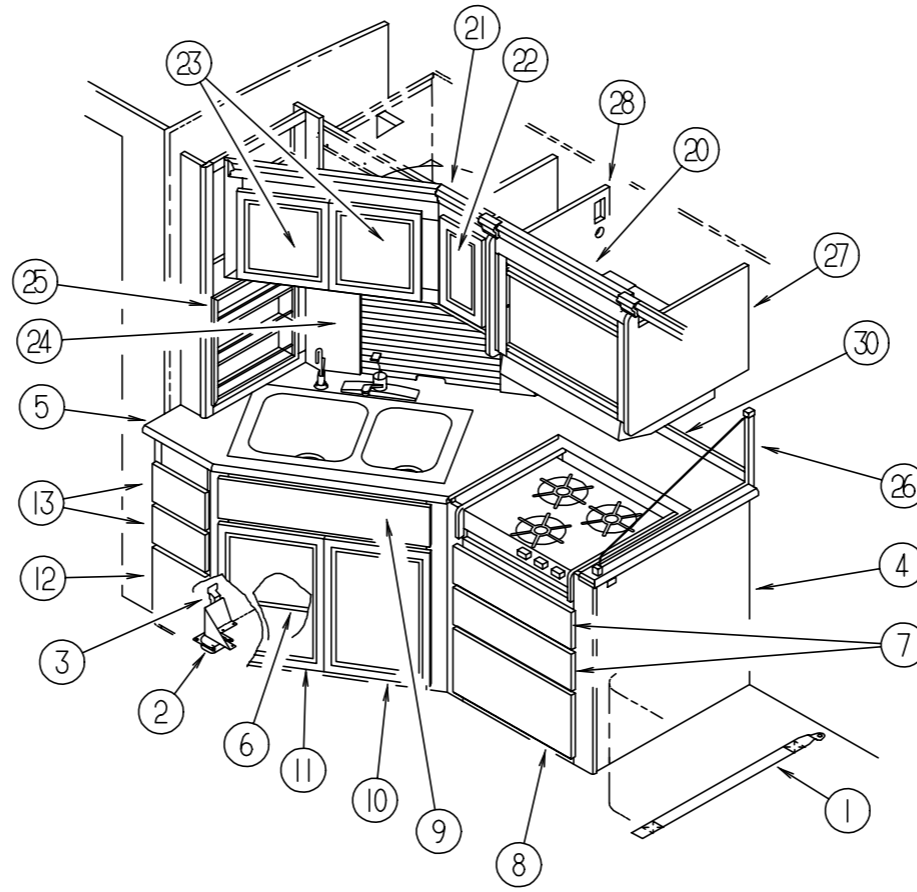
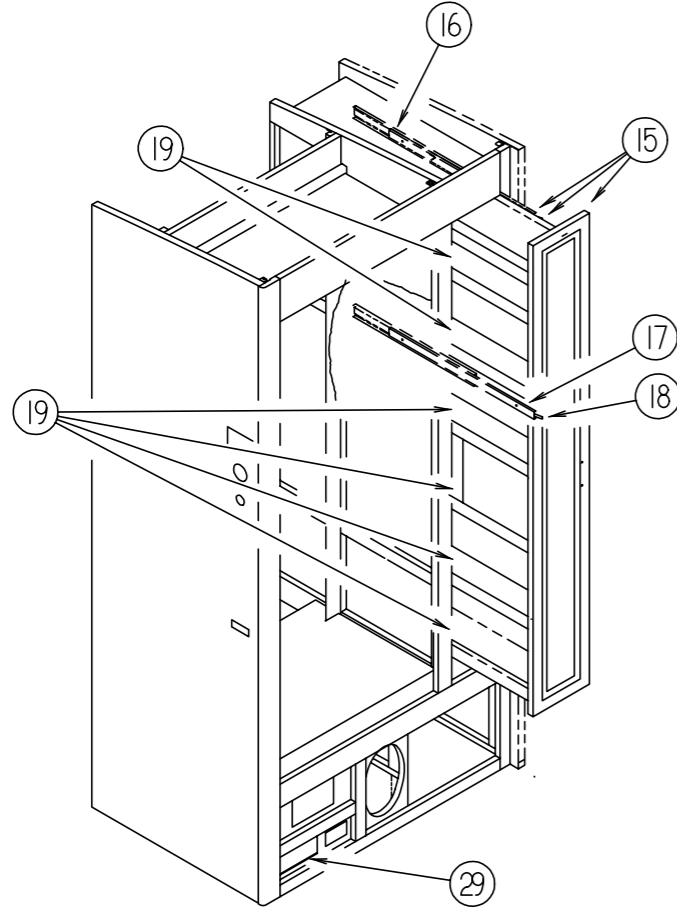
AWNINGS

KEY	PART NUMBER	U/M	DESCRIPTION
	122977-07-01A	EA	AWNING - SLIDEOUT COVER - 147" - BRIGHT WHITE
	122977-05-01A	EA	AWING - SLIDEOUT COVER - 90" - BRIGHT WHITE
	117058-01-01A	FT	TAPE - LOOP - 3/4" WIDE - ADHESIVE BACKED
	129375-01-000	EA	SEAL/FOAM - LADDER BRACKET
	111037-01-01A	EA	SPACER - AWNING - UPPER - BLACK
	130320-01-02A	EA	BRACKET - AWNING - F/A&E INSTALLATION - BRIGHT WHITE FROM: 00-00-00 THRU: 04-12-98 FROM: 04-13-98 THRU: 99-99-99
*	113874-01-02A	EA	HARDWARE KIT - AWNING- W/O STANDOFF BRACKET - BRIGHT WHITE
	113874-06-08A	EA	AWNING - W/O HARDWARE - 16' (POLAR PERIWINKLE) VINYL - L33
	113874-07-08A	EA	AWNING - W/O HARDWARE - 18' (POLAR BURGUNDY) VINYL - L34 & L35
	113874-08-08A	EA	AWNING - W/O HARDWARE - 19' (POLAR PERIWINKLE) VINYL - L36 & KL36
	119496-01-02A	EA	SPACER/ZEE - AWNING
	127960-01-01A	EA	RETAINER - 3/8" PROP ROD - STAINLESS STEEL
	127647-01-01A	EA	ROD - ENTRY DOOR

* COMPONENT PARTS FOUND IN SERVICE PARTS LIBRARY

GALLEY GROUP

CABINETS, DOORS & DRAWERS

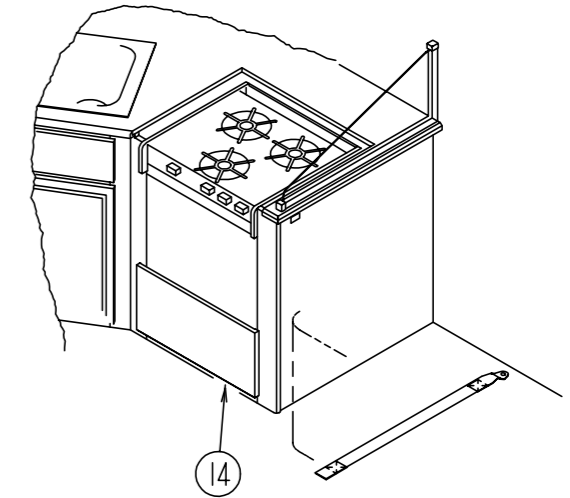
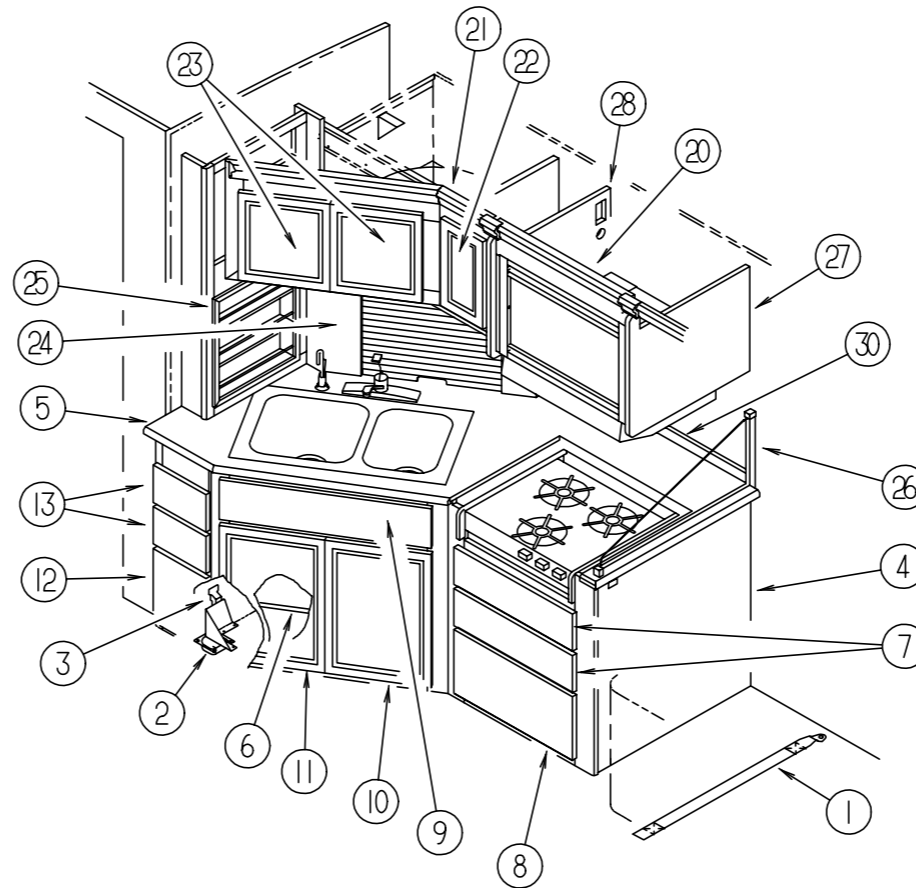
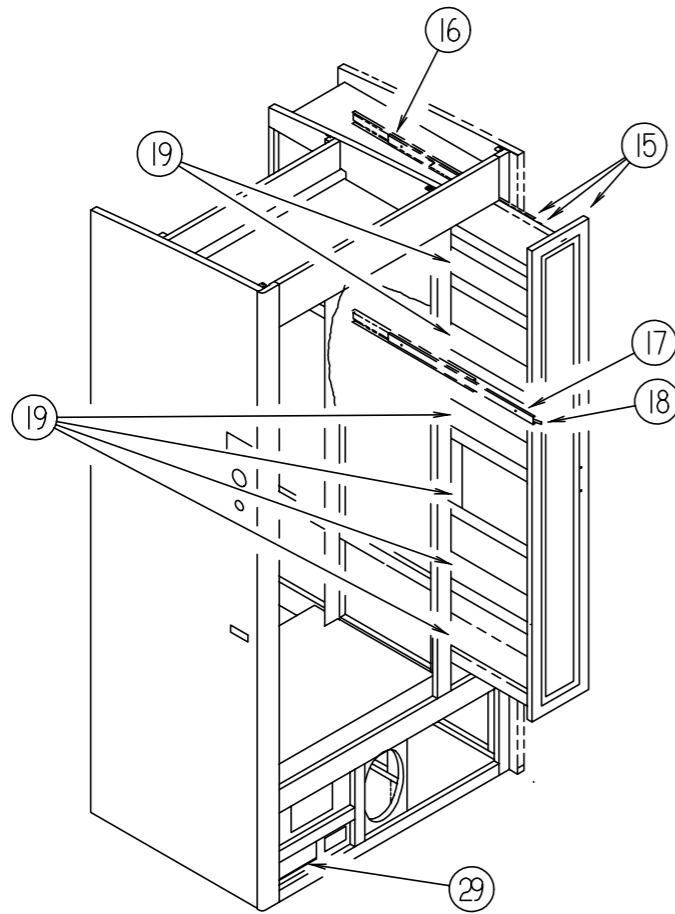


KEY	PART NUMBER	U/M	DESCRIPTION
1	116101-02-F31	EA	STRAP - WINCH
2	116736-01-01A	EA	TIEDOWN - DROP/D - ZINC
3	126526-01-02B	EA	BRACKET-TIEDOWN,SLIDEOUT,E-C
4	125379-01-J94	EA	CABINET - GALLEY - W/O DOORS/DRAWERS/HARDWARE - W/OVEN (J94)
4	125379-01-J95	EA	CABINET - GALLEY - W/O DOORS/DRAWERS/HARDWARE - W/OVEN (J95)
4	125379-01-J96	EA	CABINET - GALLEY - W/O DOORS/DRAWERS/HARDWARE - W/OVEN (J96)
4	125379-01-J60	EA	CABINET - GALLEY - W/O DOORS/DRAWERS/HARDWARE - W/OVEN (J60)
4	125379-01-J61	EA	CABINET - GALLEY - W/O DOORS/DRAWERS/HARDWARE - W/OVEN (J61)
4	125379-01-J62	EA	CABINET - GALLEY - W/O DOORS/DRAWERS/HARDWARE - W/OVEN (J62)
4	125379-03-J94	EA	CABINET - GALLEY - W/O DOORS/DRAWERS/HARDWARE - W/O OVEN (J94) UPGRADE
4	125379-03-J95	EA	CABINET - GALLEY - W/O DOORS/DRAWERS/HARDWARE - W/O OVEN (J95) UPGRADE
4	125379-03-J96	EA	CABINET - GALLEY - W/O DOORS/DRAWERS/HARDWARE - W/O OVEN (J96) UPGRADE
4	125379-03-J60	EA	CABINET - GALLEY - W/O DOORS/DRAWERS/HARDWARE - W/O OVEN (J60) UPGRADE
4	125379-03-J61	EA	CABINET - GALLEY - W/O DOORS/DRAWERS/HARDWARE - W/O OVEN (J61) UPGRADE
4	125379-03-J62	EA	CABINET - GALLEY - W/O DOORS/DRAWERS/HARDWARE - W/O OVEN (J62) UPGRADE
4	125379-02-J94	EA	CABINET - GALLEY - W/O DOORS/DRAWERS/HARDWARE (J94)
4	125379-02-J95	EA	CABINET - GALLEY - W/O DOORS/DRAWERS/HARDWARE (J95)
4	125379-02-J96	EA	CABINET - GALLEY - W/O DOORS/DRAWERS/HARDWARE (J96)
4	125379-02-J60	EA	CABINET - GALLEY - W/O DOORS/DRAWERS/HARDWARE (J60)
4	125379-02-J61	EA	CABINET - GALLEY - W/O DOORS/DRAWERS/HARDWARE (J61)
4	125379-02-J62	EA	CABINET - GALLEY - W/O DOORS/DRAWERS/HARDWARE (J62)

KEY	PART NUMBER	U/M	DESCRIPTION
4	125379-04-J94	EA	CABINET - GALLEY - W/O DOORS/DRAWERS/HARDWARE - W/OVEN (J94) UPGRADE
4	125379-04-J95	EA	CABINET - GALLEY - W/O DOORS/DRAWERS/HARDWARE - W/OVEN (J95) UPGRADE
4	125379-04-J96	EA	CABINET - GALLEY - W/O DOORS/DRAWERS/HARDWARE - W/OVEN (J96) UPGRADE
4	125379-04-J60	EA	CABINET - GALLEY - W/O DOORS/DRAWERS/HARDWARE - W/OVEN (J60) UPGRADE
4	125379-04-J61	EA	CABINET - GALLEY - W/O DOORS/DRAWERS/HARDWARE - W/OVEN (J61) UPGRADE
4	125379-04-J62	EA	CABINET - GALLEY - W/O DOORS/DRAWERS/HARDWARE - W/OVEN (J62) UPGRADE
5	125379-17-J94	EA	COUNTERTOP - GALLEY (J94)
5	125379-23-K66	EA	BACKSPLASH - GALLEY (J94)
5	125379-17-J95	EA	COUNTERTOP - GALLEY (J95)
5	125379-23-K36	EA	BACKSPLASH - GALLEY (J95)
5	125379-17-J96	EA	COUNTERTOP - GALLEY (J96)
5	125379-23-K38	EA	BACKSPLASH - GALLEY (J96)
5	125379-17-J60	EA	COUNTERTOP - GALLEY (J60)
5	125379-23-K67	EA	BACKSPLASH - GALLEY (J60)
5	125379-17-J61	EA	COUNTERTOP - GALLEY (J61)
5	125379-23-K69	EA	BACKSPLASH - GALLEY (J61)
5	125379-17-J62	EA	COUNTERTOP - GALLEY (J62)
5	125379-23-K38	EA	BACKSPLASH - GALLEY (J62)
5	125379-25-000	EA	COUNTERTOP - GALLEY - UPGRADE
5	125379-26-J94	EA	COUNTERTOP - GALLEY - UPGRADE

GALLEY GROUP (CONTINUED)

CABINETS, DOORS & DRAWERS (CONTINUED)

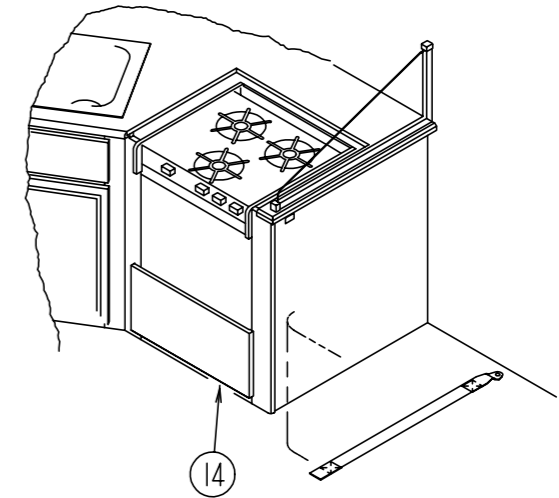
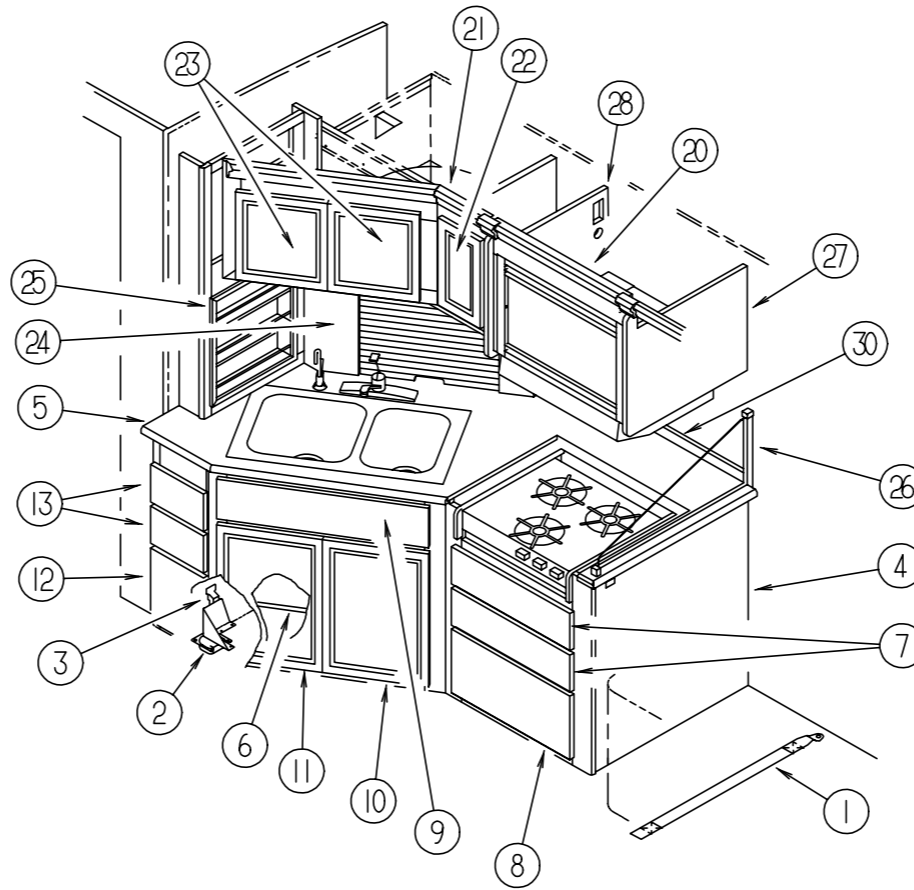
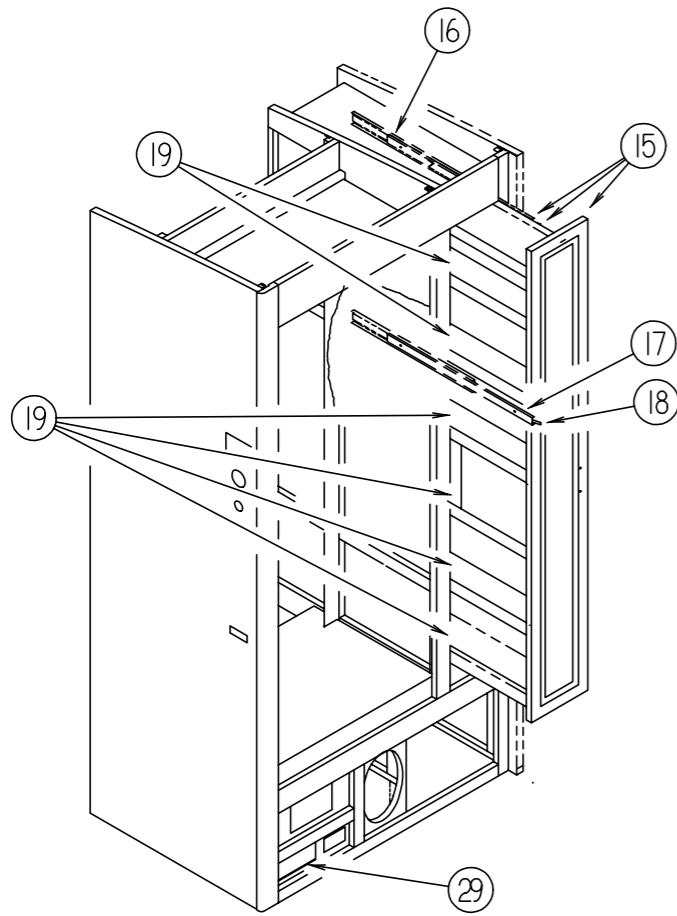


KEY	PART NUMBER	U/M	DESCRIPTION
6	125379-14-J94	EA	SHELF - W/PLASTIC EDGE TRIM - WATERFORD OAK
6	125379-14-J60	EA	SHELF - W/PLASTIC EDGE TRIM - WASHED MAPLE
6	125379-14-J62	EA	SHELF - W/PLASTIC EDGE TRIM - WHITE GRANITE
7	M05971-FM-J94	EA	DRAWER - OGEE EDGE - 19.5"W X 23.6"D - W/O SLIDES/HARDWARE WATERFORD OAK
7	M05971-FM-J60	EA	DRAWER - OGEE EDGE - 19.5"W X 23.6"D - W/O SLIDES/HARDWARE WASHED MAPLE
7	P10163-FP-J62	EA	DRAWER - SQUARE EDGE - 19.5"W X 23.6"D - W/O SLIDES/HDW - WHITE GRANITE
8	M05971-FN-J94	EA	DRAWER - OGEE EDGE - 19.5"W X 23.6"D - W/O SLIDES/HARDWARE WATERFORD OAK
8	M05971-FN-J60	EA	DRAWER - OGEE EDGE - 19.5"W X 23.6"D - W/O SLIDES/HARDWARE WASHED MAPLE
8	P10163-FR-J62	EA	DRAWER - SQUARE EDGE - 19.5" X 23.6"D - W/O SLIDES/HDW - WHITE GRANITE
9	M06810-13-J94	EA	DRAWER - TIPOUT - W/HIDDEN TRAY - WATERFORD OAK
9	M06810-13-J60	EA	DRAWER - TIPOUT - W/HIDDEN TRAY - WASHED MAPLE
9	110941-14-J62	EA	DRAWER - TIPOUT - W/O HARDWARE - WHITE GRANITE
9	108127-01-01A	EA	CAP - TRAY
9	108128-01-01A	EA	TRAY - HIDDEN
10	M05992-39-J94	EA	DOOR - STRAIGHT CORNER/OGEE EDGE - 14.3" X 21.8" - W/O HDW WATERFORD OAK
10	M05992-39-J60	EA	DOOR - STRAIGHT CORNER/OGEE EDGE - 14.3" X 21.8" - W/O HDW WASHED MAPLE
10	122715-07-01A	EA	DOOR - MOLDED VINYL - 14.4" X 21.8" - W/O HDW-WHT GRANITE
11	M05992-37-J94	EA	DOOR - STRAIGHT CORNER/OGEE EDGE - 14.3" X 21.8" - W/O HDW WATERFORD OAK
11	M05992-37-J60	EA	DOOR - STRAIGHT CORNER/OGEE EDGE - 14.3" X 21.8" - W/O HDW WASHED MAPLE
11	122715-07-01A	EA	DOOR - MOLDED VINYL - 14.4" X 21.8" - W/O HDW-WHT GRANITE

KEY	PART NUMBER	U/M	DESCRIPTION
12	M05992-N0-J94	EA	DOOR - STRAIGHT CORNER/OGEE EDGE - 9.8" X 12" - W/O HDW WATERFORD OAK
12	M05992-N0-J60	EA	DOOR - STRAIGHT CORNER/OGEE EDGE - 9.8" X 12" - W/O HDW WASHED MAPLE
12	122715-93-01A	EA	DOOR - MOLDED VINYL - 9.8" X 12" - W/O HDW - WHT GRANITE
13	M05971-FS-J94	EA	DRAWER - OGEE EDGE - 7.5"W X 21.6"D - W/O SLIDES/HARDWARE WATERFORD OAK
13	M05971-FS-J60	EA	DRAWER - OGEE EDGE - 7.5"W X 21.6"D - W/O SLIDES/HARDWARE WASHED MAPLE
13	P10163-FL-J62	EA	DRAWER - SQUARE EDGE - 7.5"W X 21.6"D - W/O SLIDES/HDW - WHITE GRANITE
14	M05971-FM-J94	EA	DRAWER - OGEE EDGE - 19.5"W X 23.6"D - W/O SLIDES/HARDWARE WATERFORD OAK
14	M05971-FM-J60	EA	DRAWER - OGEE EDGE - 19.5"W X 23.6"D - W/O SLIDES/HARDWARE WASHED MAPLE
14	P10163-FP-J62	EA	DRAWER - SQUARE EDGE - 19.5"W X 23.6"D - W/O SLIDES/HDW - WHITE GRANITE
15	122325-01-J94	EA	CABINET - PANTRY - SLIDING/RIGHT HAND - W/O SLIDES/HDW WATERFORD OAK
15	122325-01-J60	EA	CABINET - PANTRY - SLIDING/RIGHT HAND - W/O SLIDES/HDW - WASHED MAPLE
15	122325-01-J23	EA	CABINET - PANTRY - SLIDING/RIGHT HAND - W/O SLIDES/HDW - WHITE GRANITE
	M05992-Z2-J94	EA	DOOR - STRAIGHT CORNER/OGEE EDGE - 8.5" X 60.7" - W/O HDW WATERFORD OAK
	M05992-Z2-J60	EA	DOOR - STRAIGHT CORNER/OGEE EDGE - 8.5" X 60.7" - W/O HDW WASHED MAPLE
	122715-24-01A	EA	DOOR - MOLDED VINYL - 8.5" X 60.7" - W/O HDW - WHT GRANITE
16	122360-02-000	EA	SLIDE - PANTRY - W/O LOCK - RIGHT/LEFT HAND
17	122360-03-000	EA	SLIDE - PANTRY - W/LOCK - RIGHT HAND
18	123673-01-01A	EA	KNOB - PANTRY

GALLEY GROUP (CONTINUED)

CABINETS, DOORS & DRAWERS (CONTINUED)

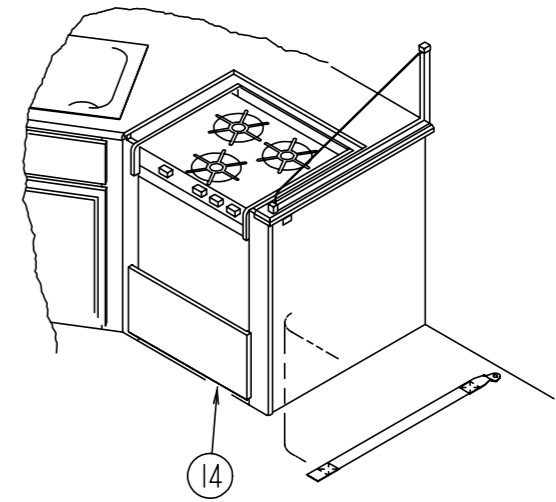
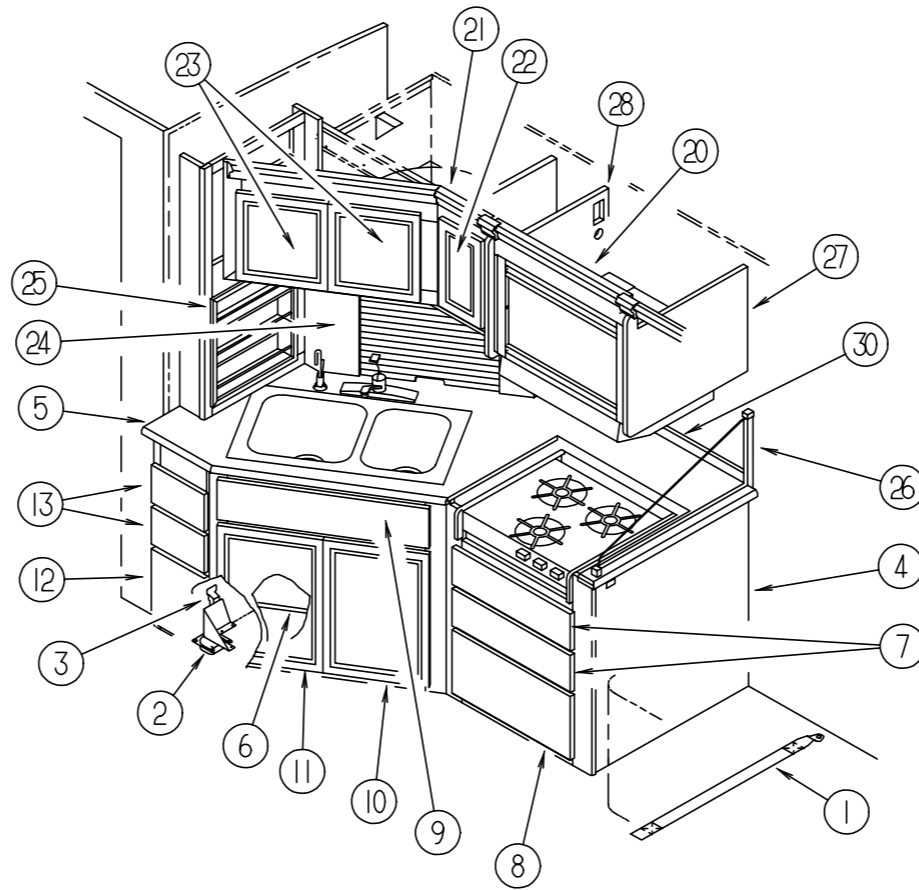
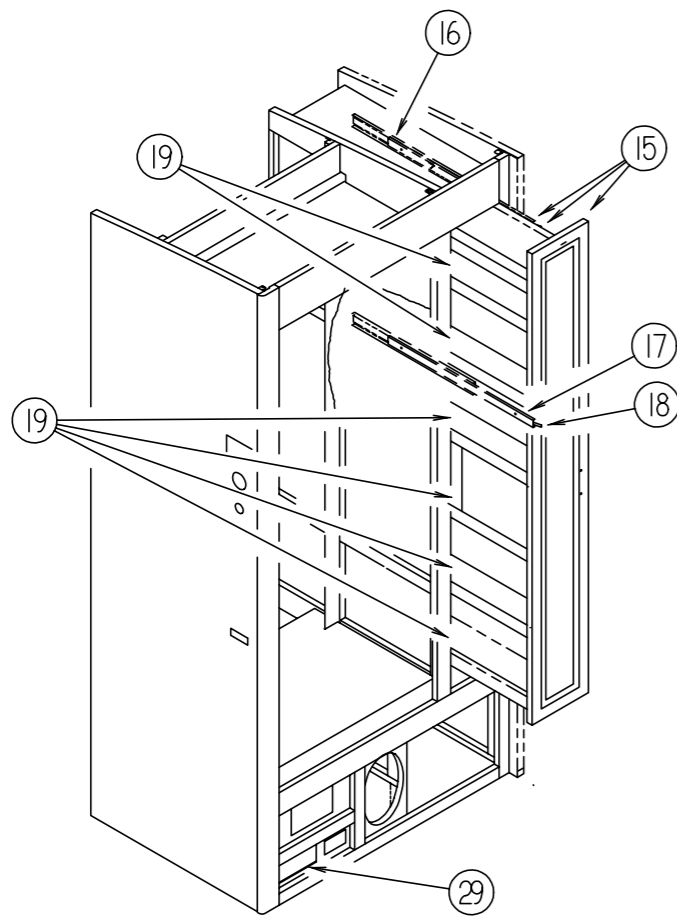


KEY	PART NUMBER	U/M	DESCRIPTION
19	122325-11-H17	EA	SHELF - W/PLASTIC EDGE MOLDING - WATERFORD OAK
19	122325-11-J70	EA	SHELF - W/PLASTIC EDGE MOLDING - WASHED MAPLE
19	122325-11-H40	EA	SHELF - W/PLASTIC EDGE MOLDING - WHITE GRANITE
20	P26479-01-J94	EA	CABINET - OVERHEAD/MICROWAVE - W/O DOORS/HARDWARE - WATERFORD OAK
20	P26479-01-J60	EA	CABINET - OVERHEAD/MICROWAVE - W/O DOORS/HARDWARE - WASHED MAPLE
20	P26479-01-J62	EA	CABINET - OVERHEAD/MICROWAVE - W/O DOORS/HARDWARE - WHITE GRANITE
20	P28830-01-J94	EA	CABINET - OVERHEAD/MICROWAVE - W/O DOORS/HARDWARE - PANASONIC WATERFORD OAK
20	P28830-01-J60	EA	CABINET - OVERHEAD/MICROWAVE - W/O DOORS/HARDWARE - PANASONIC WASHED MAPLE
20	P28830-01-J62	EA	CABINET - OVERHEAD/MICROWAVE - W/O DOORS/HARDWARE - PANASONIC WHITE GRANITE
21	126480-01-J94	EA	CABINET - OVERHEAD/GALLEY - W/O DOORS/HARDWARE - WATERFORD OAK
21	126480-01-J60	EA	CABINET - OVERHEAD/GALLEY - W/O DOORS/HARDWARE - WASHED MAPLE
21	126480-01-J62	EA	CABINET - OVERHEAD/GALLEY - W/O DOORS/HARDWARE - WHITE GRANITE
22	M05992-P0-J94	EA	DOOR - STRAIGHT CORNER/OGEE EDGE - 7.7" X 14.3" - W/O HDW - WATERFORD OAK
22	M05992-P0-J60	EA	DOOR - STRAIGHT CORNER/OGEE EDGE - 7.7" X 14.3" - W/O HDW - WASHED MAPLE
22	122715-92-01A	EA	DOOR - MOLDED VINYL - 7.9" X 14.3" - W/O HDW - WHT GRANITE
23	M05992-Q1-J94	EA	DOOR - STRAIGHT CORNER/OGEE EDGE - 12.4" X 14.3" - W/O HDW - WATERFORD OAK
23	M05992-Q1-J60	EA	DOOR - STRAIGHT CORNER/OGEE EDGE - 12.4" X 14.3" - W/O HDW - WASHED MAPLE
23	122715-91-01A	EA	DOOR - MOLDED VINYL - 12.4" X 14.3" - W/O HDW - WHT GRANITE

KEY	PART NUMBER	U/M	DESCRIPTION
24	126811-01-J94	EA	CABINET - STORAGE/APPLIANCE - W/O DOORS/HARDWARE - WATERFORD OAK
24	126811-01-J60	EA	CABINET - STORAGE/APPLIANCE - W/O DOORS/HARDWARE - WASHED MAPLE
24	126811-01-J62	EA	CABINET - STORAGE/APPLIANCE - W/O DOORS/HARDWARE - WHITE GRANITE
24	128763-01-J94	EA	CABINET - STORAGE - W/O DOORS/HARDWARE - WATERFORD OAK - UPGRADE
24	128763-01-J60	EA	CABINET - STORAGE - W/O DOORS/HARDWARE - WASHED MAPLE - UPGRADE
24	128763-01-J62	EA	CABINET - STORAGE - W/O DOORS/HARDWARE - WHITE GRANITE - UPGRADE
24	126866-01-J94	EA	HANDLE - DOOR - TAMBOUR - WATERFORD OAK
24	126866-01-J60	EA	HANDLE - DOOR - TAMBOUR - WASHED MAPLE
24	126866-01-J62	EA	HANDLE - DOOR - TAMBOUR - WHITE GRANITE
25	126812-01-J94	EA	CABINET - SPICE RACK - W/O DOORS/HARDWARE - WATERFORD OAK
25	126812-01-J60	EA	CABINET - SPICE RACK - W/O DOORS/HARDWARE - WASHED MAPLE
25	126812-01-J62	EA	CABINET - SPICE RACK - W/O DOORS/HARDWARE - WHITE GRANITE
25	128762-01-J94	EA	CABINET - SPICE RACK - W/O DOORS/HARDWARE - WATERFORD OAK UPGRADE
25	128762-01-J60	EA	CABINET - SPICE RACK - W/O DOORS/HARDWARE - WASHED MAPLE - UPGRADE
25	128762-01-J62	EA	CABINET - SPICE RACK - W/O DOORS/HARDWARE - WHITE GRANITE - UPGRADE
	126847-01-J94	EA	SPICE RACK - WATERFORD OAK
	126847-01-J60	EA	SPICE RACK - WASHED MAPLE
	126847-01-J62	EA	SPICE RACK - WHITE GRANITE
26	126875-01-J94	EA	CABINET - SPLASHGUARD - W/O DOORS/HARDWARE - WATERFORD OAK
26	126875-01-J60	EA	CABINET - SPLASHGUARD - W/O DOORS/HARDWARE - WASHED MAPLE
26	126875-01-J62	EA	CABINET - SPLASHGUARD - W/O DOORS/HARDWARE - WHITE GRANITE
26	127117-01-01A	EA	GLASS - STATIONARY - SPLASHGUARD

GALLEY GROUP (CONTINUED)

CABINETS, DOORS & DRAWERS (CONTINUED)



KEY	PART NUMBER	U/M	DESCRIPTION
27	103128-21-J94	EA	END CAP - OVERHEAD - WATERFORD OAK FROM: 00-00-00 THRU: 11-01-97
27	103128-21-J60	EA	END CAP - OVERHEAD - WASHED MAPLE FROM: 00-00-00 THRU: 11-01-97
27	103128-21-J62	EA	END CAP - OVERHEAD - WHITE GRANITE FROM: 00-00-00 THRU: 11-01-97
27	103128-40-J94	EA	END CAP - OVERHEAD - WATERFORD OAK FROM: 11-02-97 THRU: 99-99-99
27	103128-40-J60	EA	END CAP - OVERHEAD - WASHED MAPLE FROM: 11-02-97 THRU: 99-99-99
27	103128-40-J62	EA	END CAP - OVERHEAD - WHITE GRANITE FROM: 11-02-97 THRU: 99-99-99
28	103128-24-J94	EA	END CAP - OVERHEAD/LEFT HAND - WATERFORD OAK FROM: 00-00-00 THRU: 11-01-97
28	103128-24-J60	EA	END CAP - OVERHEAD/LEFT HAND - WASHED MAPLE FROM: 00-00-00 THRU: 11-01-97
28	103128-24-J62	EA	END CAP - OVERHEAD/LEFT HAND - WHITE GRANITE FROM: 00-00-00 THRU: 11-01-97

KEY	PART NUMBER	U/M	DESCRIPTION
28	103128-41-J94	EA	END CAP - OVERHEAD - WATERFORD OAK FROM: 11-02-97 THRU: 99-99-99
28	103128-41-J60	EA	END CAP - OVERHEAD - WASHED MAPLE FROM: 11-02-97 THRU: 99-99-99
28	103128-41-J62	EA	END CAP - OVERHEAD - WHITE GRANITE FROM: 11-02-97 THRU: 99-99-99
29	M05992-Y0-J94	EA	DOOR - STRAIGHT CORNER/OGEE EDGE - 12.6"X 6.1" - W/O HDW WATERFORD OAK
29	M05992-Y0-J60	EA	DOOR - STRAIGHT CORNER/OGEE EDGE - 12.6"X 6.1" - W/O HDW WASHED MAPLE
29	122715-83-01A	EA	DOOR - MOLDED VINYL - 6.1" X 12.6" - W/O HDW - WHT GRANITE
30	125379-27-J60	EA	BACKSPLASH - GALLEY - UPGRADE

GALLEY GROUP (CONTINUED)

GALLEY FIXTURES & SINK COVERS

KEY	PART NUMBER	U/M	DESCRIPTION	VENDOR NO.
	090329-01-000	FT	SEAL/T - REFRIGERATOR CABINET	
	100128-02-000	FT	SEAL - FOAM - ADHESIVE BACK - .37" WIDE X .37" THICK	
	103635-01-000	EA	FAUCET - SINGLE CONTROL - EVERPURE WATER FILTER	
	103635-01-700	EA	FITTING KIT - FAUCET REPAIR	3071-70
	103635-01-701	EA	TUBING - PLASTIC	3019-20
	103635-01-702	EA	FAUCET REPAIR KIT	3026-46
	108464-03-GV4	EA	COVER - SINK - SMALL - 15" X 11" (J94, J60)	
	108464-03-J61	EA	COVER - SINK - SMALL - 15" X 11" (J95, J61)	
	108464-03-J74	EA	COVER - SINK - SMALL - 15" X 11" (J96, J62)	
	108464-04-F32	EA	COVER - SINK - LARGE - 15" X 15" (J94, J60)	
	108464-04-J61	EA	COVER - SINK - LARGE - 15" X 15" (J95, J61)	
	108464-04-J23	EA	COVER - SINK - LARGE - 15" X 15" (J96, J62)	
	107044-05-J72	EA	COVER - RECESSED SINK - 14.9" X 11.1" - UPGRADE	
	107044-06-J72	EA	COVER - RECESSED SINK - 14.9" X 15" - UPGRADE	
	116382-01-01A	EA	SHELF - ROUND - PLASTIC	
	116590-01-02B	EA	BASE - SHELF	
	116591-01-01A	EA	SPACER - NYLON	
	092303-01-000	EA	STRAINER - SINK	
	110654-01-000	EA	SINK - STAINLESS STEEL/DOUBLE BASIN (1 LG-1 SM BASIN)	
	104114-01-01A	EA	FAUCET - GALLEY - SINGLE CONTROL W/SEPARATE WATER PIPES FROM: 00-00-00 THRU: 09-21-97	
	104114-02-01A	EA	FAUCET - GALLEY - SINGLE CONTROL FROM: 09-22-97 THRU: 99-99-99	

GALLEY GROUP (CONTINUED)

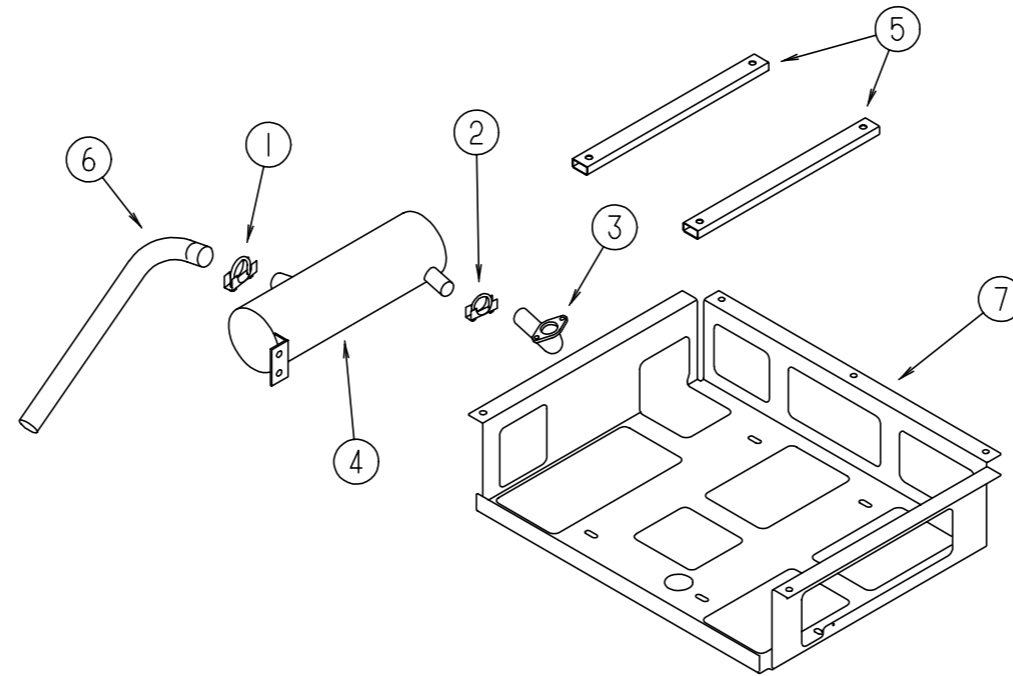
APPLIANCES & TIEDOWNS

KEY	PART NUMBER	U/M	DESCRIPTION
*	100258-40-01A	EA	HOOD - RANGE - 22" - W/MONITOR PANEL - BLACK TEXTURED - U.S.
*	100258-41-01A	EA	HOOD - RANGE - 22" - W/MONITOR PANEL - BLACK TEXTURED - C.S.A.
*	100258-34-01A	EA	HOOD - RANGE 22 W/MONITOR PANEL - DIESEL GENERATOR OPTION - U.S.
*	100258-35-01A	EA	HOOD - RANGE 22 W/MONITOR PANEL - DIESEL GENERATOR OPTION - C.S.A.
	127426-01-01A	EA	SPACER - HOOD - 3.9" DEEP X 21.9" WIDE X 4.9"
	122753-02-000	EA	OVEN - MICROWAVE - .9 CU. FT - CONVECTION - SHARP - UL
	102479-01-000	EA	OVEN - MICROWAVE - CONVECTION - PANASONIC NN8501VA
	122753-04-000	EA	OVEN - MICROWAVE - .9 CU FT - CONVECTION - SHARP - CSA
	102482-11-J60	EA	FRAME - MICROWAVE - SHARP
	102482-12-J60	EA	FRAME - MICROWAVE - PANSONIC
	122799-07-02B	EA	SUPPORT ASM - MICROWAVE - E-COAT - SHARP
	122799-08-02B	EA	SUPPORT ASM - MICROWAVE - E-COAT - SHARP
	128845-01-02B	EA	BAFFLE - MICROWAVE - PANASONIC
	128845-02-02B	EA	BAFFLE - MICROWAVE - E-COATED - PANASONIC
	107109-21-04B	EA	BRACKET - TIEDOWN (RANGE W/OVEN)
	107109-22-04B	EA	BRACKET - TIEDOWN (RANGE W/OVEN)
	107109-31-04B	EA	BRACKET - TIEDOWN - INTERIOR UPGRADE PACKAGE (RANGE W/OVEN)
	107109-32-04B	EA	BRACKET - TIEDOWN - INTERIOR UPGRADE PACKAGE (RANGE W/OVEN)
*	126023-01-01A	EA	RANGE - W/OVEN - 22" - 3 BURNER/BLACK GLASS DOOR
*	126023-02-01A	EA	RANGE - W/OVEN - 22" - 3 BURNER/TEXTURED TOP - BLACK
	106936-21-04B	EA	BRACKET - STOVE TIEDOWN (RANGE TOP)
	106936-22-04B	EA	BRACKET - STOVE TIEDOWN (RANGE TOP)
*	114030-02-01A	EA	RANGE - 3 BURNER TOP - W/O OVEN - BLACK
*	114030-03-01A	EA	RANGE - 3 BURNER W/O OVEN
	065225-02-000	EA	PLATE - TIEDOWN - REFRIGERATOR
	065225-01-000	EA	PLATE - TIEDOWN - REFRIGERATOR (4 DOOR REFRIGERATOR)
	090195-08-000	EA	BAFFLE - REFRIGERATOR - LOWER
	093369-03-000	EA	STRAP - REFRIGERATOR
	093646-01-000	EA	BRACKET - TIEDOWN/REFRIGERATOR - RIGHT HAND
	093646-02-000	EA	BRACKET - TIEDOWN/REFRIGERATOR - LEFT HAND
	103251-07-01A	EA	INSERT - ACRYLIC/BLACK - 21.60" X 14.53"
	103251-09-01A	EA	INSERT - ACRYLIC/BLACK - 21.60" X 38.62"
	103251-10-01A	EA	INSERT - ACRYLIC/BLACK - 16.2" X 18.4" (4 DOOR REFRIGERATOR)
	103251-11-01A	EA	INSERT - ACRYLIC/BLACK - 16.2" X 41.2" (4 DOOR REFRIGERATOR)
	116751-02-01A	EA	TRAY - REFRIGERATOR - BLACK
	118871-04-01A	EA	TRAY - REFRIGERATOR - SIDE/SIDE - BLACK (4 DOOR REFRIGERATOR) FROM: 00-00-00 THRU: 11-10-97
	118871-05-01A	EA	TRAY - REFRIGERATOR - SIDE/SIDE (4 DOOR REFRIGERATOR) FROM: 11-11-97 THRU: 99-99-99
*	120075-01-01A	EA	REFRIGERATOR - LARGE DOUBLE DOOR/RIGHT HAND - 2-WAY
*	120075-03-01A	EA	REFRIGERATOR - LARGE DOUBLE DOOR/RIGHT HAND - 2-WAY W/ICE
*	125242-01-01A	EA	REFRIGERATOR - 4 DOOR W/ICE MAKER
	054450-01-000	EA	LEVEL - REFRIGERATOR
	124649-02-01A	EA	COFFEEMAKER - COUNTERTOP - BLACK
	124649-02-02A	EA	COFFEEMAKER - COUNTERTOP WHITE
	124649-03-01A	EA	COFFEEMAKER - COUNTERTOP - BLACK - CSA
	124649-03-02A	EA	COFFEEMAKER - COUNTERTOP WHITE - CSA
	M05904-03-J60	EA	COVER - STOVE - W/SOLID COUNTERTOP (J94, J60)
	M05904-03-J61	EA	COVER - STOVE - W/SOLID COUNTERTOP (J95, J61)
	M05904-03-J62	EA	COVER - STOVE - W/SOLID COUNTERTOP (J96, J62)
	M05904-05-J72	EA	COVER - STOVE - W/SOLID COUNTERTOP - UPGRADE PACKAGE
	126022-01-01A	EA	COVER - RANGE - BIFOLD - 22" BLACK TEXTURED

* COMPONENT PARTS FOUND IN SERVICE PARTS LIBRARY

GENERATOR GROUP

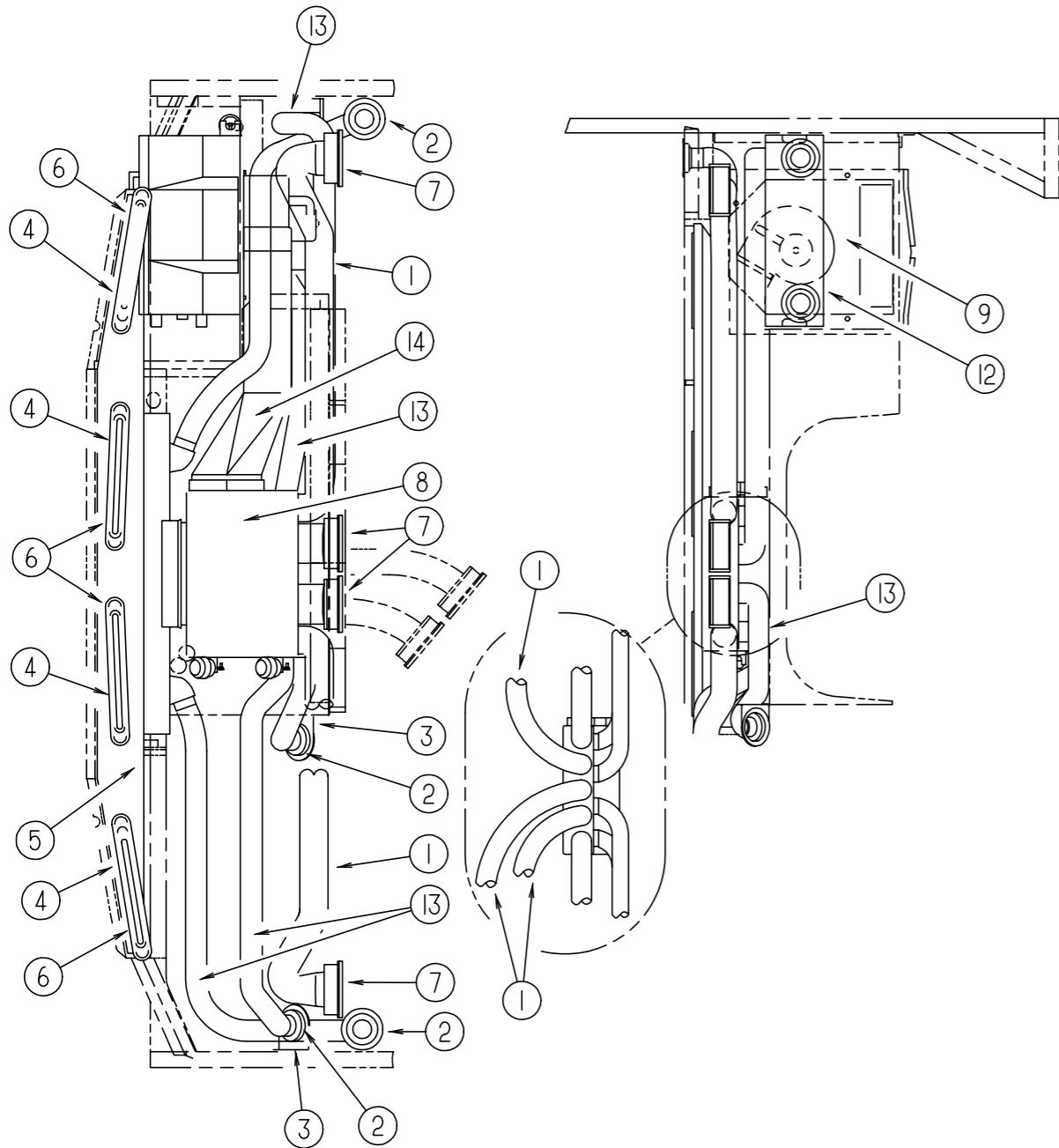
GENERATOR SYSTEM



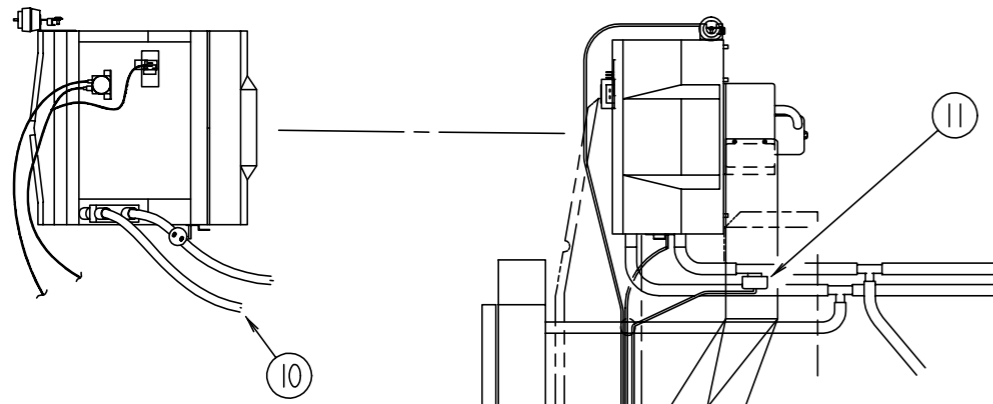
KEY	PART NUMBER	U/M	DESCRIPTION
	112365-04-000	EA	BREAKER - 20 AMP
1	007125-03-000	EA	CLAMP - MUFFLER - 1.5" DIAMETER
2	007125-04-000	EA	CLAMP - MUFFLER - 1.12" DIAMETER
3	079654-05-000	EA	PIPE - EXHAUST - ANGLED W/FLANGE - 2" ID
4	082272-01-000	EA	MUFFLER - GENERATOR
5	094059-01-000	EA	SPACER - GENERATOR - ONAN
	100975-01-000	EA	GENERATOR - 6.5 KW EMERALD PLUS (OPTIONAL)
	109303-01-000	EA	GENERATOR - 5 KW - EMERALD PLUS (STANDARD)
6	105958-14-000	EA	PIPE - EXHAUST - 1.4" INLET X 1.5" O.D. - 4.9" X 18.1"
7	127008-02-02B	EA	TRAY - GENERATOR
	112365-03-000	EA	BREAKER - 30 AMP GENERATOR

HEATING & AIR CONDITIONING GROUP

AUTOMOTIVE HEATER & A/C

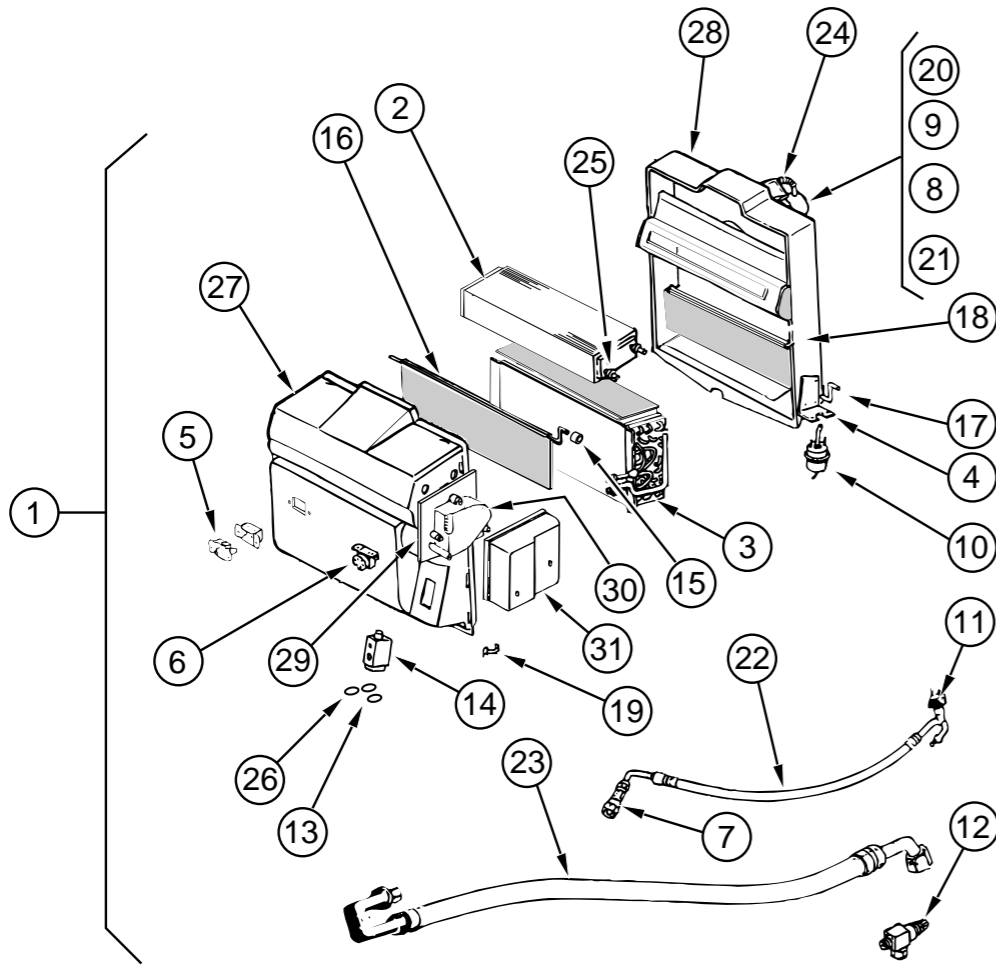


KEY	PART NUMBER	U/M	DESCRIPTION	VENDOR NO.
	007108-01-000	FT	HOSE - HEATER - 5/8" ID - HI-TEMP - FORD	
1	007281-01-000	EA	HOSE - FLEXIBLE PVC - 2.5" ID X 50'	
2	024990-05-000	EA	OUTLET - DEFROSTER - 4" DIAMETER W/SWIVEL DEFLECTORS	
3	056402-05-000	EA	BRACKET - HEATER VENT - ROUND W/BEND - BLACK	
4	077075-01-000	EA	GASKET - INSTRUMENT PANEL TO DEFROSTER PLENUM	
5	103017-03-000	EA	PLENUM - DEFROSTER	
6	103558-01-11A	EA	VENT - DEFROSTER - 2" X 14.4" X 1.4" - TITANIUM	
7	103796-01-01A	EA	LOUVER - A/C	
8	103930-39-000	EA	CONTROL/PLENUM - ROTARY	
9	103930-30-000	EA	EVAPORATOR/HEATER - CHEVY - SERVO MOTOR CONTROLLED - R134A CHEVY	
9	103930-31-000	EA	EVAPORATOR/HEATER - FORD - SERVO MOTOR CONTROLLED - R134A FORD	
9	103930-43-000	EA	EVAPORATOR/HEATER ASSEMBLY - NON-CHARGED - 99 FORD	
9	103930-32-000	EA	EVAPORATOR/HEATER- FRTLINER/SPARTAN-SERVO MOTOR CONTROLLED R34A DIESEL PUSHER	
10	103930-44-000	EA	HOSE - EVAPORATOR/DRIYER - #6 - 99 FORD	
10	103930-45-000	EA	HOSE ASM EVAP/COMP - 99 FORD	
	103930-42-000	EA	DRYER/HOSE KIT - PRECHARGED R13 - HDGM CHEVY P12 CHASSIS	
10	103930-29-000	EA	HOSE KIT - #10 F/GM L-29 & L-65 CHASSIS CHEVY L-29 VORTEC/L-65 DIESEL	
10	103930-17-702	EA	O'RING #10 - CHEVY L-29 VORTEC/L-65 DIESEL	045-0127
10	103930-29-701	EA	O'RING F/LOW PRESSURE SWITCH - #10 CHEVY L-29 VORTEC/L-65 DIESEL	045-0483
10	103930-15-000	EA	HOSE KIT #12 PRECHARGED R134 - FREIGHTLINER	
	103930-42-000	EA	DRYER/HOSE KIT - PRECHARGED R13 - HDGM CHEVY P12 CHASSIS	
	076776-01-000	EA	TEE - BEADED - 5/8" X 5/8" X 5/8" - GM/FORD	
11	103930-23-000	EA	VALVE - WATER - 2 PORT	
	077539-01-000	EA	BRACKET - MOUNTING/DASH PANEL - L/SHAPED - 2.5"X1"X1.5"	
12	095757-05-J60	EA	COVER - HEATER (J94, J60)	
12	095757-05-G15	EA	COVER - HEATER (J95, J61)	
12	095757-05-H40	EA	COVER - HEATER (J96, J62)	
13	007076-01-000	EA	HOSE - FLEXIBLE PVC - 2" ID - INCREMENTS OF 50'	
14	103016-03-000	EA	PLENUM - TRANSITION	
	103930-37-000	EA	MANUAL - OWNERS - HEATER/A/C	



HEATING & AIR CONDITIONING GROUP (CONTINUED)

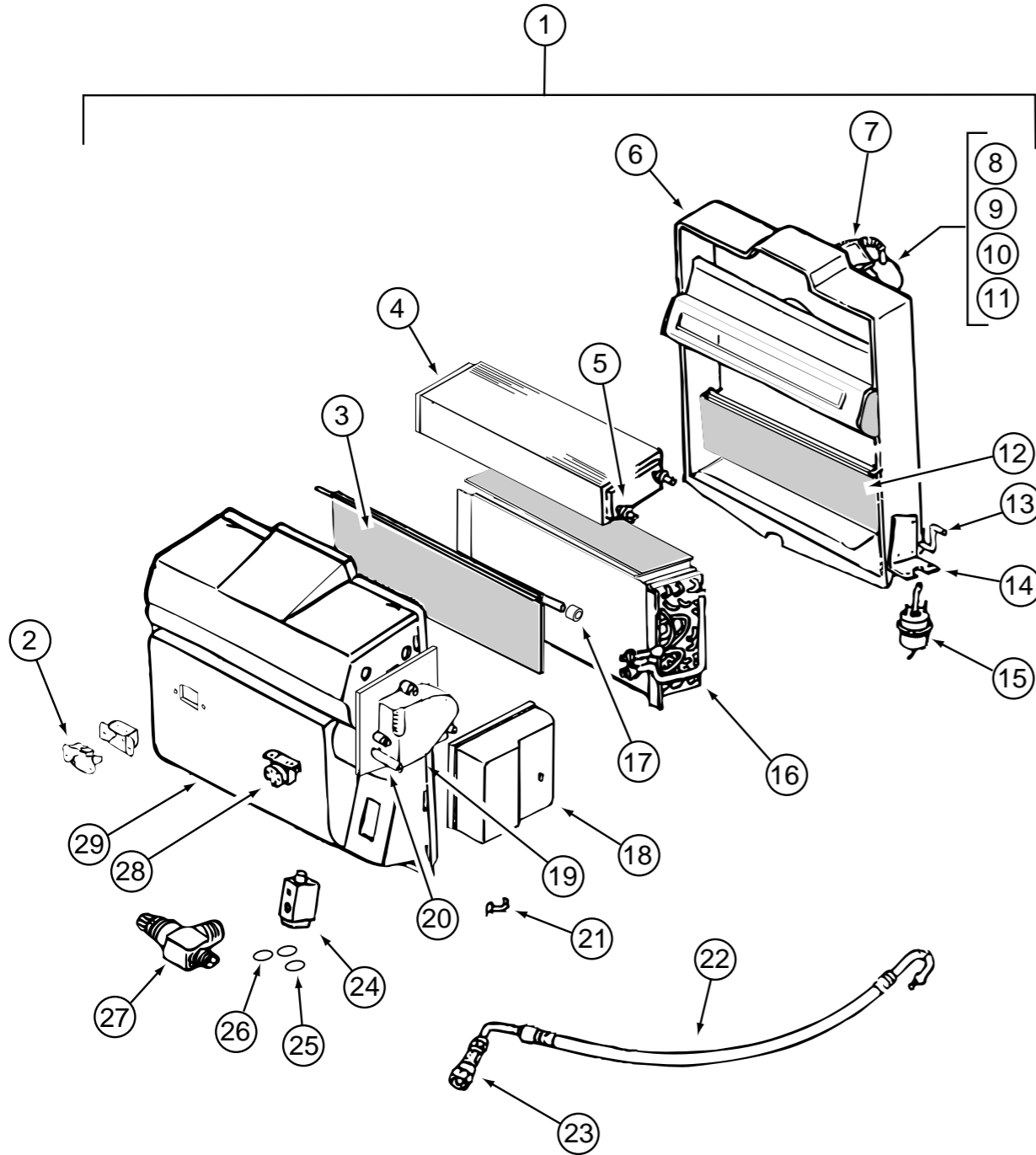
FORD EVAPORATOR & HEATER



KEY	PART NUMBER	U/M DESCRIPTION	VENDOR NO.
1	103930-31-000	EA EVAPORATOR/HEATER - 98FORD - SERVO MOTOR CONTROLLED	
1	103930-43-000	EA EVAPORATOR/HEATER ASSEMBLY - NON-CHARGED - 99 FORD	
2	103930-01-703	EA CORE - HEATER	042-0010
3	103930-01-704	EA COIL - EVAPORATOR	041-0017
4	103930-01-708	EA BRACKET - VACUUM MOTOR - 98 FORD	070-0113
5	103930-01-710	EA RESISTOR - FUSED - A/C	035-0006
6	103930-01-711	EA THERMOSTAT	033-0003
7	103930-01-713	EA FITTING - QUICK CONNECT - #4 - 98 FORD	050-0030
8	103930-01-717	EA WHEEL - BLOWER - CLOCKWISE	062-0010
9	103930-30-706	EA MOTOR - BLOWER W/PIGTAIL HARNESS	030-0109
10	103930-02-708	EA MOTOR - VACUUM SERVO - A/C	030-0025
11	103930-12-708	EA SWITCH - BINARY - HI-LOW CUTOFF - 98 FORD	032-0048
12	103930-13-702	EA VALVE - SERVICE - W/O COMP. - 98 FORD	050-0152
13	103930-17-702	EA O'RING #10	045-0127
14	103930-20-700	EA VALVE - EXPANSION - BLOCK - 2 TON	034-0032
15	103930-30-702	EA BUSHING - BLEND AIR DOOR	062-0168
16	103930-30-705	EA DOOR - BLEND AIR - 98 FORD	071-0568
16	103930-43-700	EA DOOR - AIR BLEND - 99 FORD	071-0568
17	103930-20-704	EA ROD - DOOR - RECIRCULATING	073-0018
18	103930-20-705	EA PANEL - DOOR - RECIRCULATING	071-0213
19	103930-20-706	EA CLIP - RETAINER	022-0057
20	103930-20-707	EA HOUSING - BLOWER	062-0145
21	103930-20-708	EA CLIP - MOTOR SHAFT	022-0001
22	103930-21-700	EA HOSE ASM. #6 EXP. VALVE-DRIER - 98 FORD	085-0139
23	103930-21-701	EA HOSE ASM #10, EXP. VALVE-COMP - 98 FORD	085-0149
24	110279-01-703	EA HOSE - VENT - BLOWER MOTOR - 98 FORD	051-0034
25	110279-01-712	EA FITTING - HEATER	050-0076
26	113245-01-707	EA O'RING #8 - 98 FORD	045-0126
27	103930-30-700	EA CASE - FRONT	062-0542
28	103930-20-711	EA CASE - BACK - SUB-ASSEMBLY	062-0147
29	103930-30-701	EA PLATE - MOTOR MOUNT	062-0544
30	103930-30-703	EA MOTOR - SERVO	030-0104
31	103930-30-704	EA COVER - SERVO	062-0545
	103930-02-714	EA CLAMP - CLUTCH - BARREL 99 FORD	022-0006
	103930-30-707	EA DIVIDER ASM. - 99 FORD	086-0061

HEATING & AIR CONDITIONING GROUP (CONTINUED)

CHEVY EVAPORATOR & HEATER



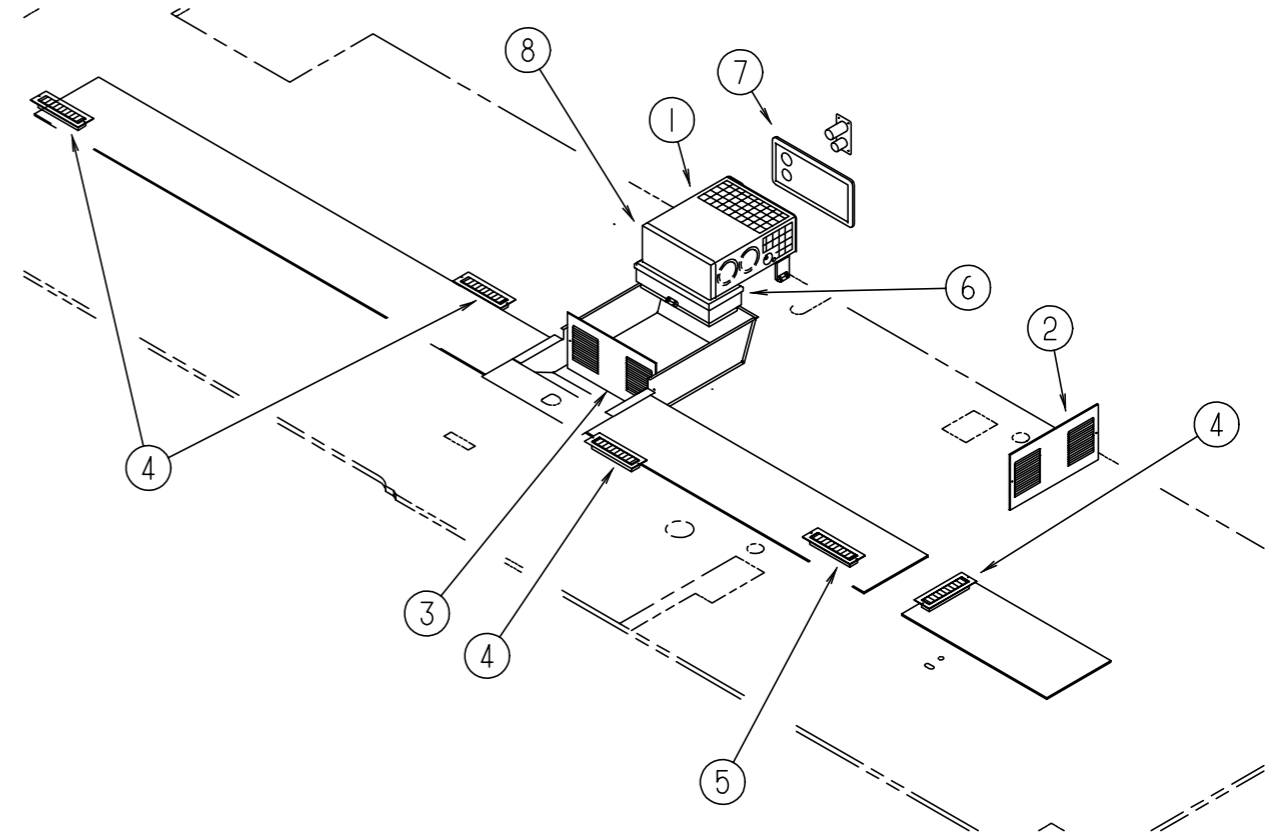
KEY	PART NUMBER	U/M	DESCRIPTION	VENDOR NO.
1	103930-30-000	EA	EVAPORATOR/HEATER - CHEVY - SERVO MOTOR CONTROLLED	
2	103930-01-710	EA	RESISTOR - FUSED - A/C	035-0006
3	103930-30-705	EA	DOOR - BLEND AIR	071-0568
4	103930-01-703	EA	CORE - HEATER	042-0010
5	110279-01-712	EA	FITTING - HEATER	050-0076
6	103930-20-711	EA	CASE - BACK - SUB-ASSEMBLY	062-0147
7	110279-01-703	EA	HOSE - VENT - BLOWER MOTOR	051-0034
8	103930-20-707	EA	HOUSING - BLOWER	062-0145
9	103930-30-706	EA	MOTOR - BLOWER W/PIGTAIL HARNESS	030-0109
10	103930-01-717	EA	WHEEL - BLOWER - CLOCKWISE	062-0010
11	103930-20-708	EA	CLIP - MOTOR SHAFT	022-0001
12	103930-20-705	EA	PANEL - DOOR - RECIRCULATING	071-0213
13	103930-20-704	EA	ROD - DOOR - RECIRCULATING	073-0018
14	103930-01-708	EA	BRACKET - VACUUM MOTOR	070-0113
15	103930-02-708	EA	MOTOR - VACUUM SERVO - A/C	030-0025
16	103930-01-704	EA	COIL - EVAPORATOR	041-0017
17	103930-30-702	EA	BUSHING - BLEND AIR DOOR	062-0168
18	103930-30-704	EA	COVER - SERVO	062-0545
19	103930-30-703	EA	MOTOR - SERVO	030-0104
20	103930-30-701	EA	PLATE - MOTOR MOUNT	062-0544
21	103930-20-706	EA	CLIP - RETAINER	022-0057
22	103930-25-700	EA	HOSE ASM. - #6 EVAP TO DRIER	085-0350
23	103930-12-709	EA	FITTING - QUICK CONNECT	050-0120
24	103930-20-700	EA	VALVE - EXPANSION-BLOCK - 2 TON	034-0032
25	103930-17-702	EA	O'RING #10	045-0127
26	113245-01-707	EA	O'RING #8	045-0126
27	103930-20-709	EA	VALVE - SERVICE	050-0159
28	103930-01-711	EA	THERMOSTAT	033-0003
29	103930-30-700	EA	CASE - FRONT	062-0542

HEATING & AIR CONDITIONING GROUP (CONTINUED)

CONTROL & PLENUM

KEY	PART NUMBER	U/M	DESCRIPTION	VENDOR NO.
	103930-39-000	EA	CONTROL/PLENUM - ROTARY	
	103930-02-707	EA	RELAY - BOSCH W/RESISTER	031-0001
	103930-02-708	EA	MOTOR - VACUUM SERVO - A/C	030-0025
	103930-02-710	EA	CANISTER - VACUUM	054-0002
	103930-33-701	EA	MOTOR - VACUUM - 3 STAGE	030-0105
	103930-33-702	EA	CONTROL PANEL	083-0169
	103930-33-703	EA	VACUUM HARNESS	036-0466
	103930-33-705	EA	LIGHT BULBS	035-0030
	103930-33-707	EA	SWITCH - BLOWER	032-00066
	103930-33-708	EA	SWITCH - POTENTIOMETER	032-0184
	103930-33-709	EA	SWITCH - VACUUM	032-0183
	103930-33-710	EA	DECAL F/CONTROL HEAD	058-0102
	103930-33-711	EA	WIRE HARNESS - MAIN	036-0496
	103930-39-700	EA	ROD - DOOR - AC/HEAT	073-067
	103930-39-701	EA	ROD - DOOR - AC/DEFROST	073-0069
	103930-39-702	EA	KNOB - BLOWER	062-0539
	103930-39-703	EA	KNOB - TEMPERATURE	062-0540
	103930-39-704	EA	SPRING	022-0119

HEATING & AIR CONDITIONING GROUP (CONTINUED)



FURNACE SYSTEM

KEY	PART NUMBER	U/M	DESCRIPTION
1*	098668-22-000	EA	FURNACE - 49.000 BTU
	115764-01-01A	EA	THERMOSTAT - FURNACE
2	093614-02-02A	EA	GRILL - RETURN AIR
3	093614-09-01A	EA	GRILL - RETURN AIR
4	094600-05-01A	EA	REGISTER - HEAT - W/O DAMPER - 11.3" - BEIGE
5	094600-06-01A	EA	REGISTER - HEAT - W/DAMPER
6	098668-14-000	EA	GASKET - FIBERGLASS - .5" X 18" X 18"
7	098668-23-000	EA	DOOR - ACCESS - FURNACE
8	098668-26-000	EA	BOTTOM DUCT KIT - 40.000 BTU

* COMPONENT PARTS FOUND IN SERVICE PARTS LIBRARY

HEATING & AIR CONDITIONING GROUP (CONTINUED)

HEATING & AIR CONDITIONING GROUP (CONTINUED)

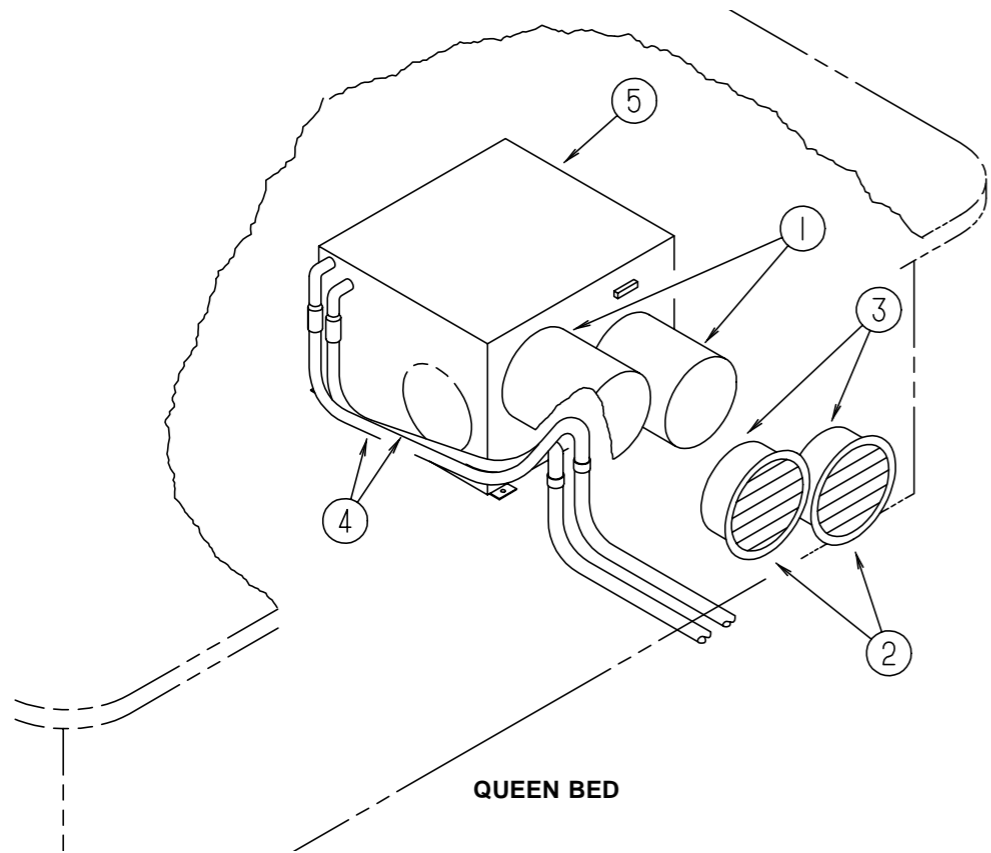
REAR HEATER SYSTEM

KEY	PART NUMBER	U/M	DESCRIPTION	VENDOR NO.
1	009198-01-000	FT	DUCT - HEAT - FLEXIBLE - 4" ID X 25'	
2	056464-10-000	EA	REGISTER - 4" DIAMETER - PLASTIC - W/O DAMPENER - BEIGE	
3	069636-02-000	EA	CONNECTOR - DUCT - 4" ID	
4	079059-03-000	EA	HOSE - 90 DEGREE - .61" ID X 4" X 18"	
4	079059-01-000	EA	HOSE - 90 DEGREE - 5/8" ID X 4" X 36"	
5	084405-01-000	EA	HEATER - REAR/DUCTED - W/MOTOR AID	
	084405-01-700	EA	CORE-HEATER	FT200229
	084405-01-701	EA	FAN BLADES	HV029931
	084405-01-702	EA	MOTOR ASSEMBLY, 12 VOLT	R0200180
6	093614-09-01A	EA	GRILL - RETURN AIR	

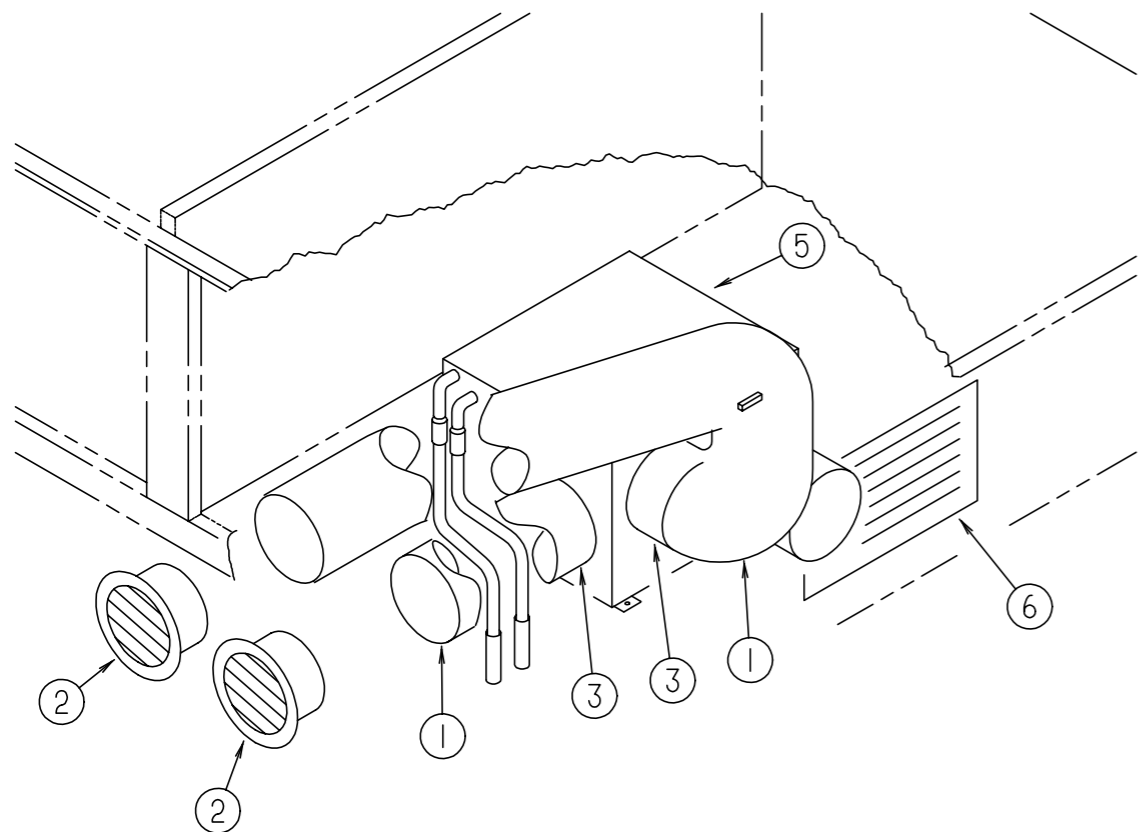
ROOF A/C SYSTEM

KEY	PART NUMBER	U/M	DESCRIPTION	
	102289-01-000	EA	SPRING - SCREW - ROOF A/C GASKET	
				FROM: 00-00-00 THRU: 07-05-98
*	108892-01-01A	EA	CEILING ASSEMBLY - A/C DUCTED	
				FROM: 00-00-00 THRU: 07-05-98
*	131184-01-01A	EA	CEILING ASSEMBLY - A/C DUCTED - WHITE	
				FROM: 07-06-98 THRU: 99-99-99
	117238-01-01A	EA	THERMOSTAT - A/C - FURNACE	
	117238-02-01A	EA	THERMOSTAT - A/C ONLY	
	120134-01-02A	EA	REGISTER - 4" TO 5" IN DIAMETER W/DAMPER	
*	126859-01-01A	EA	A/C - ROOF MACH 1 POWERSAVER	
				FROM: 00-00-00 THRU: 07-05-98
*	131186-01-01A	EA	A/C - ROOF - MACH 1 POWER SAVER - WHITE	
				FROM: 07-06-98 THRU: 99-99-99
*	126860-01-01A	EA	A/C - ROOF MACH 3 POWERSAVER	
				FROM: 00-00-00 THRU: 07-05-98
*	131187-01-01A	EA	A/C - ROOF MACH 3 POWER SAVER - WHITE	
				FROM: 07-06-98 THRU: 99-99-99
	131184-02-01A	EA	BOARD - DIVIDER - SILVER	
				FROM: 07-06-98 THRU: 99-99-99

* COMPONENT PARTS FOUND IN SERVICE PARTS LIBRARY



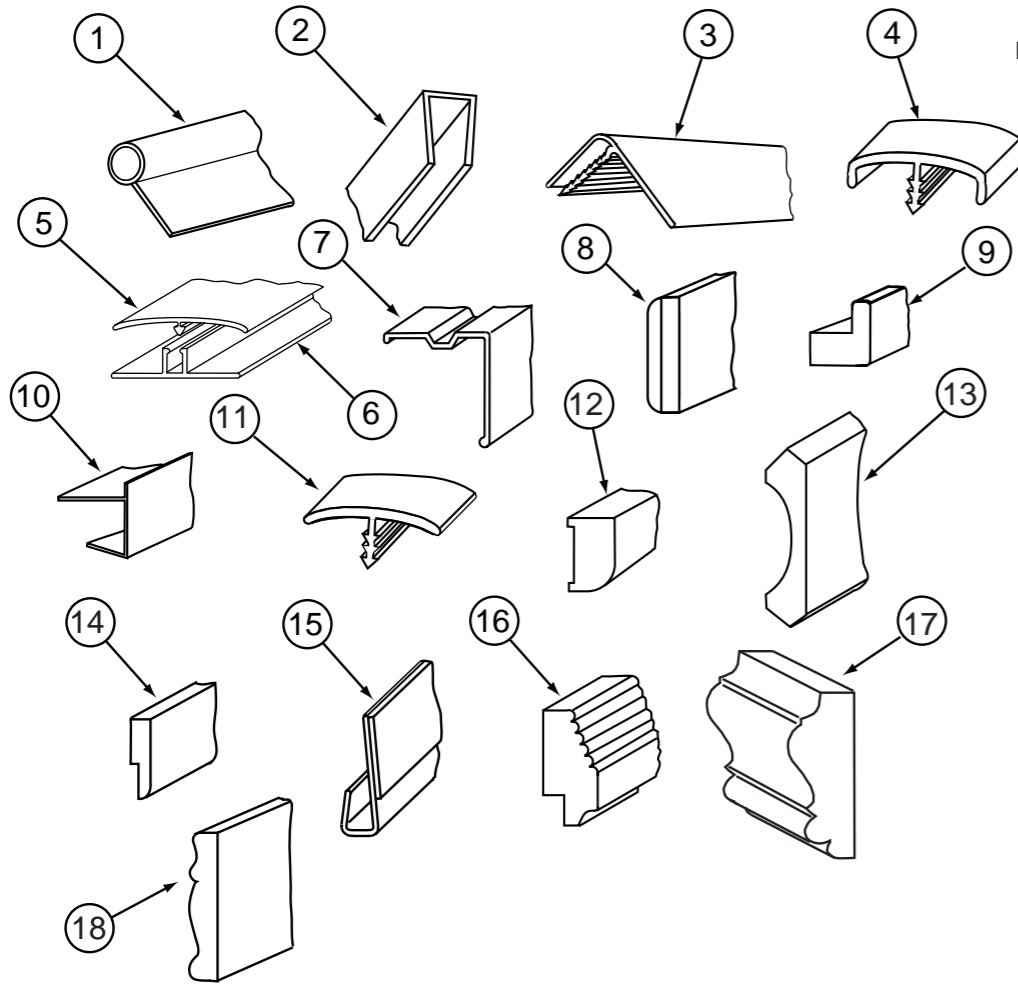
QUEEN BED



TWIN BED

INTERIOR FINISH GROUP

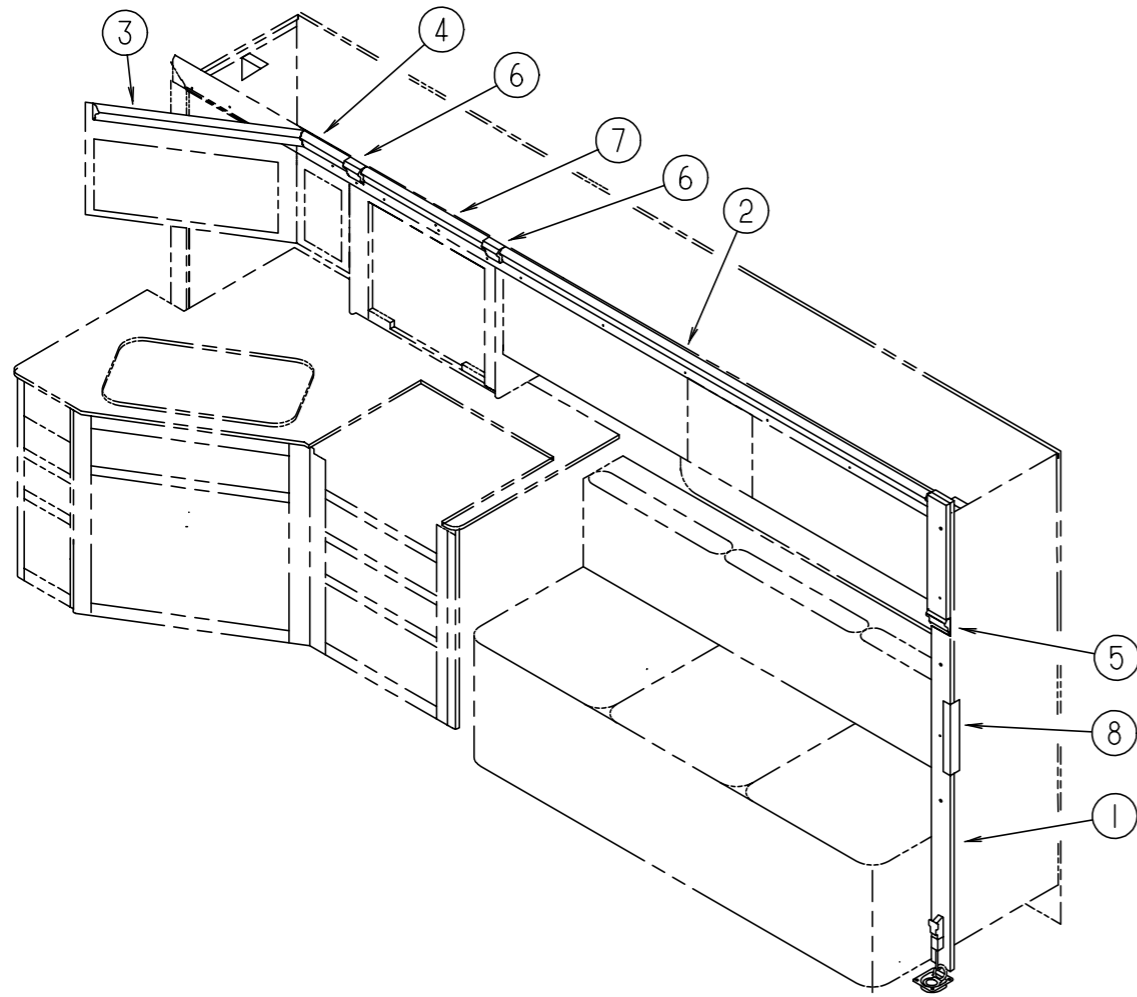
MOLDINGS, BATT STRIPS & TRIMS



KEY	PART NUMBER	U/M	DESCRIPTION
1	009767-12-000	FT	WELTING - SIDEWALL/CEILING/CABINET - OFF/WHT - WHITE GRANITE
1	009767-13-000	FT	WELTING - WATERFORD OAK - WATERFORD OAK
1	009767-16-000	FT	WELTING - REBER BIRCH - WASHED MAPLE
2	009778-21-000	FT	U-CHANNEL - 1" - WATERFORD OAK
2	009778-27-000	FT	U-CHANNEL - 1" - WASHED MAPLE
2	009778-25-000	FT	U-CHANNEL - 1" - BEIGE ILLUSION - WHITE GRANITE
2	070504-18-000	FT	U-CHANNEL - PLASTIC - .65" X 84" - IVORY
2	070504-36-000	FT	U-CHANNEL - PLASTIC - .13" X 84" - WATERFORD OAK
2	070504-50-000	FT	U-CHANNEL - PLASTIC - .13" X 84" - WASHED MAPLE
2	070504-42-000	FT	U-CHANNEL - PLASTIC - .65" X 84" - BEIGE ILLUSION - WHITE GRANITE
2	070504-29-000	FT	U-CHANNEL - PLASTIC - .81" X 84" - WATERFORD OAK
2	070504-51-000	FT	U-CHANNEL - PLASTIC - .81" X 84" - WASHED MAPLE
2	070504-43-000	FT	U-CHANNEL - PLASTIC - .81" X 96" - BEIGE ILLUSION - WHITE GRANITE
2	070504-37-000	FT	U-CHANNEL - PLASTIC - .87" X 72" - WATERFORD OAK
2	070504-51-000	FT	U-CHANNEL - PLASTIC - .87" X 84" - WASHED MAPLE
3	009809-28-000	EA	MOLDING - CORNER - OUTSIDE - 1" X 84" - WATERFORD OAK
3	009809-31-000	EA	MOLDING - CORNER - OUTSIDE - 1" X 84" - WASHED MAPLE
3	009809-30-000	EA	MOLDING - CORNER - OUTSIDE - 1" X 84" - BEIGE ILLUSION - WHITE GRANITE
3	009812-29-000	EA	MOLDING - PLASTIC - 1/2" O/S CORNER - WATERFORD OAK
3	009812-33-000	EA	MOLDING - PLASTIC - 1/2" O/S CORNER - WASHED MAPLE
3	009812-31-000	EA	MOLDING - PLASTIC - 1/2" O/S CORNER - BEIGE ILLUS - WHITE GRANITE
	076325-38-000	FT	MOLDING - EDGE BAND - .876" X .024" (J94, J60)
	076325-40-000	FT	MOLDING - EDGE BAND - .875" X .024" (J95, J96, J61, J62)
	076325-37-000	FT	MOLDING - EDGE BAND - 1 5/16" X .030" (J94, J60)
	076325-39-000	FT	MOLDING - EDGE BAND - 1 5/16" X .030" (J95, J96, J61, J62,)
	076325-67-000	FT	MOLDING - EDGE BAND - .93" X .024" - WATERFORD OAK
	076325-68-000	FT	MOLDING - EDGE BAND - 1 5/16" X .038" - WATERFORD OAK
	076325-75-000	FT	MOLDING - EDGE BAND - .93" X .024" - WASHED MAPLE
	076325-47-000	FT	MOLDING - EDGE BAND - 1 5/16" WIDE - SAND (J95, J61)
	076325-53-000	FT	MOLDING - EDGE BAND - 1 5/16" X .030" - NEUTRAL (J96, J62)
	076325-73-000	FT	MOLDING - EDGE BAND - .93" X .024" - ST-3470 (EXTERIOR ENTERTAINMENT)

KEY	PART NUMBER	U/M	DESCRIPTION
	079653-28-000	EA	BATT STRIP - WOODGRAINED/WATERFORD OAK - 8'
	079653-45-000	EA	BATT STRIP - BARCELONA WHEAT - 8' (J94, J60)
	079653-40-000	EA	BATT STRIP - ARTISIA SPRING - 8' (J95, J61)
	079653-46-000	EA	BATT STRIP - TUSCAN MINK - 8' (J96, J62)
	079653-39-000	EA	BATT STRIP - WASHED MAPLE - 8'
	079653-38-000	EA	BATT STRIP - WHITE GRANITE - 8'
4	083620-12-000	FT	MOLDING-T - END CAP EDGE - W/EDGE LIPS - .75"-WATERFORD OAK
4	083620-19-000	FT	MOLDING-T - END CAP EDGE - W/EDGE LIPS - .75" - WASHED MAPLE
4	083620-15-000	FT	MOLDING-T - END CAP EDGE - W/EDGE LIPS - .75" - WHITE GRANITE
	085284-E8-000	FT	BATT TAPE - ADHESIVE BACKED - DECORATIVE - BARCELONA LINEN (J94, J60)
	085284-E7-000	FT	BATT TAPE - ADHESIVE BACKED - TUSCAN MINK (J96, J62)
	085284-F2-000	FT	BATT TAPE - ADHESIVE BACKED - DECORATIVE ARTESIA/SPRING (J95, J61)
	085284-B5-000	FT	BATT TAPE - ADHESIVE BACKED - WOODGRAINED/WATERFORD OAK
	085284-F5-000	FT	BATT TAPE - ADHESIVE BACKED - WOODGRAINED/WASHED MAPLE
	085284-E6-000	FT	BATT TAPE - ADHESIVE BACKED - DECORATIVE/WHITE GRANITE
5	086229-01-000	EA	RETAINER-BATTEN, CEILING - .75" WIDE - 7.6' LING
6	086229-13-000	EA	BATTEN - 1" X 96" - IVORY
6	086229-20-000	EA	BATTEN - 1" X 96" - BEIGE
7	093873-01-01A	EA	TRIM - CARPET - L-ANGLE 1.1" X 1.3" X 12' - GRAY VINYL
8	100818-01-05A	EA	MOLDING - VINYL WRAPPED - 1.65" X .4" X 7' - WATERFORD OAK
8	100818-01-08A	EA	MOLDING - VINYL WRAPPED - 1.65" X .4" X 7' - WASHED MAPLE
8	100818-01-07A	EA	MOLDING - VINYL WRAPPED - 1.65" X .4" X 7' - WHITE GRANITE
9	100819-01-05A	EA	MOLDING - VINYL WRAPPED - L-SHAPED - 1.5" X 1.5" X 7' - WATERFORD OAK
9	100819-01-08A	EA	MOLDING - VINYL WRAPPED - L-SHAPED - 1.5" X 1.5" X 7' - WASHED MAPLE
9	100819-01-07A	EA	MOLDING - VINYL WRAPPED - L-SHAPED - 1.5" X 1.5" X 7' - WHITE GRANITE
10	103186-01-05A	FT	MOLDING - PLASTIC/3/8" U-CHANNEL W/3/4" FACE - WATERFORD OAK
10	103186-01-08A	FT	MOLDING - PLASTIC/3/8" U-CHANNEL W/3/4" FACE - WASHED MAPLE
10	103186-01-07A	FT	MOLDING - PLASTIC/3/8" U-CHANNEL W/3/4" FACE - WHITE GRANITE
10	103186-02-05A	FT	MOLDING - PLASTIC/1" U-CHANNEL W/1 3/8" FACE - WATERFORD OAK
10	103186-02-08A	FT	MOLDING - PLASTIC/1" U-CHANNEL W/1 3/8" FACE - WASHED MAPLE
10	103186-02-07A	FT	MOLDING - PLASTIC/1" U-CHANNEL W/1 3/8" FACE - WHITE GRANITE
11	104676-02-04A	FT	MOLDING-T - 1/2" - WATERFORD OAK - WATERFORD OAK
11	104676-02-06A	FT	MOLDING-T - 1/2" - WASHED MAPLE
11	104676-02-07A	FT	MOLDING-T - 1/2" - DESIGNER BEIGE - WHITE GRANITE
11	105709-01-000	FT	T-MOLDING - 1" - MODERN IVORY
	022992-11-000	FT	MOLDING - REVERSE COVE - T-SHAPED VINYL - IVORY
12	117268-D2-134	EA	MOLDING - VINYL WRAPPED - .7" X 1.6" X 7' - WATERFORD OAK
12	126204-D2-134	EA	MOLDING - VINYL WRAPPED - .7" X 1.6" X 7' - WASHED MAPLE
12	122668-D2-134	EA	MOLDING - VINYL WRAPPED - .7" X 1.6" X 7' - WHITE GRANITE
12	117268-F2-134	EA	MOLDING - VINYL WRAPPED - .7" X 2.5" X 7' - WATERFORD OAK
12	126204-F2-134	EA	MOLDING - VINYL WRAPPED - .7" X 2.5" X 7' - WASHED MAPLE
12	122668-F2-134	EA	MOLDING - VINYL WRAPPED - .7" X 2.5" X 7' - WHITE GRANITE
12	117268-F2-438	EA	MOLDING - VINYL WRAPPED - .7" X 2.5" X 8' - WATERFORD OAK
12	126204-F2-438	EA	MOLDING - VINYL WRAPPED - .7" X 2.5" X 8' - WASHED MAPLE
12	122668-F2-438	EA	MOLDING - VINYL WRAPPED - .7" X 2.5" X 8' - WHITE GRANITE
13	113794-01-03A	FT	MOLDING - CROWN - WATERFORD OAK/WHITE GRANITE
13	113794-01-02A	FT	MOLDING - CROWN - WASHED MAPLE
14	105004-01-05A	EA	MOLDING - VINYL WRAPPED - 1" X 96" - PICKLED ASH - WATERFORD OAK
14	105004-01-08A	EA	MOLDING - VINYL WRAPPED - 1" X 96" - PICKLED ASH - WASHED MAPLE
15	109332-02-05A	FT	TRIM-J - W/O ADHESIVE - WASHED MAPLE
16	126902-01-01A	EA	MOLDING-PLASTIC WRAP - CRACKLE GOLD - WHITE GRANITE
17	125547-13-J94	EA	MOLDING - CROWN - 35.8" - WATERFORD OAK
17	125547-13-J60	EA	MOLDING - CROWN - 35.8" - WASHED MAPLE
17	125547-13-J62	EA	MOLDING - CROWN - 35.8" - WHITE GRANITE
17	125547-14-J94	EA	MOLDING - CROWN - 35.8" - WATERFORD OAK
17	125547-14-J60	EA	MOLDING - CROWN - 35.8" - WASHED MAPLE
17	125547-14-J62	EA	MOLDING - CROWN - 35.8" - WHITE GRANITE
17	125547-15-J94	EA	MOLDING - CROWN - 82.6" - WATERFORD OAK
17	125547-15-J60	EA	MOLDING - CROWN - 82.6" - WASHED MAPLE
17	125547-15-J62	EA	MOLDING - CROWN - 82.6" - WHITE GRANITE
18	100182-01-G15	EA	TRIM - RAIL - WATERFORD OAK
18	100182-01-J60	EA	TRIM - RAIL - WASHED MAPLE
18	100182-01-H40	EA	TRIM - RAIL - WHITE GRANITE

INTERIOR FINISH GROUP (CONTINUED)



SLIDEOUT ROOM MOLDINGS

KEY	PART NUMBER	U/M	DESCRIPTION
1	116951-05-J94	EA	MOLDING - WOOD - 3.5" X 75.7" - WATERFORD OAK
1	116951-05-J60	EA	MOLDING - WOOD - 3.5" X 75.7" - WASHED MAPLE
1	116951-05-J62	EA	MOLDING - WOOD - 3.5" X 75.7" - WHITE GRANITE
2	125547-01-J94	EA	MOLDING - CROWN - WATERFORD OAK
2	125547-01-J60	EA	MOLDING - CROWN - WASHED MAPLE
2	125547-01-J62	EA	MOLDING - CROWN - WHITE GRANITE
3	125547-02-J94	EA	MOLDING - CROWN - WATERFORD OAK
3	125547-02-J60	EA	MOLDING - CROWN - WASHED MAPLE
3	125547-02-J62	EA	MOLDING - CROWN - WHITE GRANITE
4	125547-03-J94	EA	MOLDING - CROWN - WATERFORD OAK
4	125547-03-J60	EA	MOLDING - CROWN - WASHED MAPLE
4	125547-03-J62	EA	MOLDING - CROWN - WHITE GRANITE
5	125547-04-J94	EA	MOLDING - CROWN - WATERFORD OAK
5	125547-04-J60	EA	MOLDING - CROWN - WASHED MAPLE
5	125547-04-J62	EA	MOLDING - CROWN - WHITE GRANITE
6	125547-07-J94	EA	MOLDING - CROWN - WATERFORD OAK
6	125547-07-J60	EA	MOLDING - CROWN - WASHED MAPLE
6	125547-07-J62	EA	MOLDING - CROWN - WHITE GRANITE
7	125547-08-J94	EA	MOLDING - CROWN - WATERFORD OAK
7	125547-08-J60	EA	MOLDING - CROWN - WASHED MAPLE
7	125547-08-J62	EA	MOLDING - CROWN - WHITE GRANITE
8	130262-01-000	EA	PROTECTOR - CORNER SAVER - .7" X .7"

INTERIOR FINISH GROUP (CONTINUED)

PANELING, LAMINATES & PLASTICS

KEY	PART NUMBER	U/M	DESCRIPTION
	000846-01-000	SF	PLYWOOD - 5/16" X 48" X 96" - CD GRADE
	000846-02-000	SF	PLYWOOD/UNDERLAYMENT - 5/16" X 48" X 96"
	000885-76-000	SF	PARTICLE BOARD-3/8" X 48" X 96"-WATERFORD OAK-1 SIDED VINYL
	000885-78-000	SF	PARTICLE BOARD-1/2" X 60" X 96"-WATERFORD OAK-2 SIDED VINYL
	000885-79-000	SF	PARTICLE BOARD - 3/4" X 60" X 96"-WATERFORD OAK-2 SIDE VINYL
	000885-77-000	SF	PARTICLE BOARD - 3/8" X 48" X 96"-WATERFORD OAK-2 SIDE VINYL
	000885-90-000	SF	PARTICLE BOARD - 1/2" X 48" X 96" - WASHED MAPLE/VINYL 2 SIDED
	000885-91-000	SF	PARTICLE BOARD - 3/4" X 48" X 96" - WASHED MAPLE/VINYL 2 SIDED
	000885-89-000	SF	PARTICLE BOARD - 3/8" X 48" X 96" - WASHED MAPLE/VINYL 2 SIDED
	000885-84-000	SF	PARTICLE BOARD - 3/8" X 48" X 96" - WHITE GRANITE/1 SIDED
	000885-85-000	SF	PARTICLE BOARD - 3/8" X 48" X 96" - WHITE GRANITE/2 SIDED
	000885-86-000	SF	PARTICLE BOARD - 1/2" X 48" X 96" - WHITE GRANITE/2 SIDED
	000885-87-000	SF	PARTICLE BOARD - 3/4" X 48" X 96" - WHITE GRANITE/2 SIDED
	057882-04-700	SF	TAMBOUR - 48" X 48" SHEET - UNFINISHED
	074497-28-000	SF	PANELING-WATERFORD OAK 3MM X 48" X 96"
	074497-39-000	SF	PANELING - .1" X 48" X 96" - WASHED MAPLE
	074497-36-000	SF	PANELING - WHITE GRANITE - 4' X 8' - WHITE GRANITE
	074498-40-000	SF	LAMINATE - PLASTIC - OFF WHITE - 5' X 8' - INC OF 40 SF (EXT ENTERTAINMENT)
	074498-77-000	SF	LAMINATE-PLASTIC,WATERFORD OAK
	074498-82-000	SF	LAMINATE - PLASTIC - 5' X 8' - INC OF 40 SF - WASHED MAPLE
	074498-81-000	SF	LAMINATE - PLASTIC - ALMOND JAGUARD - 5' X 8' INCR OF 40SF
	074498-72-000	SF	LAMINATE - PLASTIC - PEBBLE SANTOS - 5' X 8' - INC OF 40SF (J94, J60)
	074498-71-000	SF	LAMINATE - PLASTIC - NEUTRAL SANTOS - 5'X8' - INC OF 40SF (J95, J61)
	074498-81-000	SF	LAMINATE - PLASTIC - ALMOND JAGUARD - 5' X 8' INCR OF 40SF (J96, J62)
	074498-77-000	SF	LAMINATE - PLASTIC - ART CABIN - 5' X 8' - INC OF 40SF- MYSTIC OAK
	074498-82-000	SF	LAMINATE - PLASTIC - WASHED MAPLE - 5' X 8' - INC OF 40SF
	074498-61-000	SF	LAMINATE - PLASTIC - NEUTRAL MATRIX - 5' X 8' - INC OF 40SF - WHITE GRANITE
	083618-07-000	SF	PLYWOOD - MAPLE - 1 SIDE 3/16" - WASHED MAPLE
	080215-10-000	SF	PANELING - 2 SIDED - .2" X 48" X 96" - WATERFORD OAK
	080215-13-000	SF	PANELING - 2 SIDED - .2" X 48" X 96" - WASHED MAPLE
	080215-12-000	SF	PANELING - 2 SIDED - .2" X 48" X 96" - WHITE GRANITE
	085217-12-000	SF	COUNTERTOP - SIERRA AURORA - 1/2"
	085217-18-000	SF	COUNTERTOP - SIERRA AURORA - 1/4"
	088272-H3-000	SF	PANELING - BARCELONA - 4' X 7' (J94, J60)
	088272-H6-000	SF	PANELING - ARTESIA SPRING - 4' X 8' (J95, J61)
	088272-H2-000	SF	PANELING - TUSCAN MINK - 4' X 7' (J96, J62)
	114129-01-02A	SF	LINER - CABUBET - .02" X 48" X 96"
	117267-D2-438	EA	LUMBER-.7" X 1.49" X 96" VINYL WRAPPED - WATERFORD OAK
	117267-E2-438	EA	LUMBER-.7" X 2" X 96" VINYL WRAPPED WATERFORD OAK
	117267-G2-438	EA	LUMBER - .7" X 3" X 96" - VINYL WRAPPED WATERFORD OAK
	117267-H2-134	EA	LUMBER - VINYL WRAPPED - .7" X 3.5" X 84" - WATERFORD OAK
	117267-J2-040	EA	LUMBER-018X140X2040 MM VINYL - WATERFORD OAK
	117267-J2-036	EA	LUMBER-018X140X2036 MM VINYL - WATERFORD OAK
	117267-J2-438	EA	LUMBER-018X140X2438 MM VINYL - WATERFORD OAK
	126205-D2-438	EA	LUMBER-.7" X 1.49" X 96" VINYL WRAPPED - WASHED MAPLE
	126205-E2-438	EA	LUMBER-.7" X 2" X 96" VINYL WRAPPED WASHED MAPLE
	126205-G2-438	EA	LUMBER - .7" X 3" X 96" - VINYL WRAPPED WASHED MAPLE
	126205-H2-134	EA	LUMBER - VINYL WRAPPED - .7" X 3.5" X 84" - WASHED MAPLE
	126205-J2-040	EA	LUMBER-018X140X2040 MM VINYL - WASHED MAPLE
	126205-J2-036	EA	LUMBER-018X140X2036 MM VINYL - WASHED MAPLE
	126205-J2-438	EA	LUMBER-018X140X2438 MM VINYL - WASHED MAPLE
	126339-01-000	SF	BOARD - WHEAT - 60" X 72"

INTERIOR FINISH GROUP (CONTINUED)

CLOCK, FIRE EXTINGUISHER, DETECTOR & HANDRAIL

KEY	PART NUMBER	U/M	DESCRIPTION	VENDOR NO.
	072852-01-000	EA	DETECTOR - SMOKE - W/9 VOLT BATTERY - US	
	072852-02-000	EA	DETECTOR - SMOKE - W/9/VOLT BATTERY - CANADIAN	
	094499-01-000	EA	EXTINGUISHER/FIRE - DRY W/MOUNTING BRACKET	
			FROM: 00-00-00 THRU: 02-24-98	
	094499-03-000	EA	EXTINGUISHER/FIRE - DRY - 10B:C - W/O BRACKET	
			FROM: 02-25-98 THRU: 99-99-99	
	094499-04-000	EA	BRACKET - FIRE EXTINGUISHER	
			FROM: 02-25-98 THRU: 99-99-99	
	094499-02-000	EA	EXTINGUISHER/FIRE - DRY - 1A10BC - CANADIAN	
	094499-01-700	EA	BRACKET MTG. W/PLAS. STRAP	294039
	094499-01-701	EA	STRAP ONLY (METAL)	320351
	100793-02-01A	EA	CLOCK - WALL - QUARTZ/11" - BRASS	
	118081-02-01A	EA	CLOCK - WALL - ROUND 8" - BRASS	
	125136-01-000	EA	DETECTOR - CO - GAS - MODEL 9L-I	
	108808-03-01A	EA	HANDRAIL - ENTRANCE STEP	

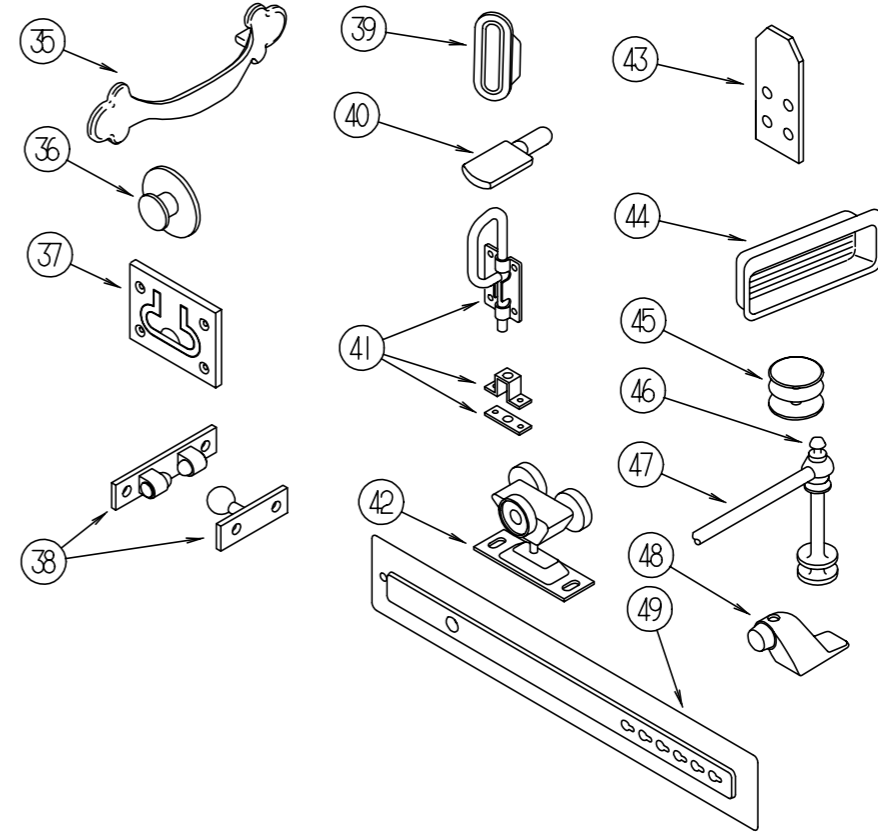
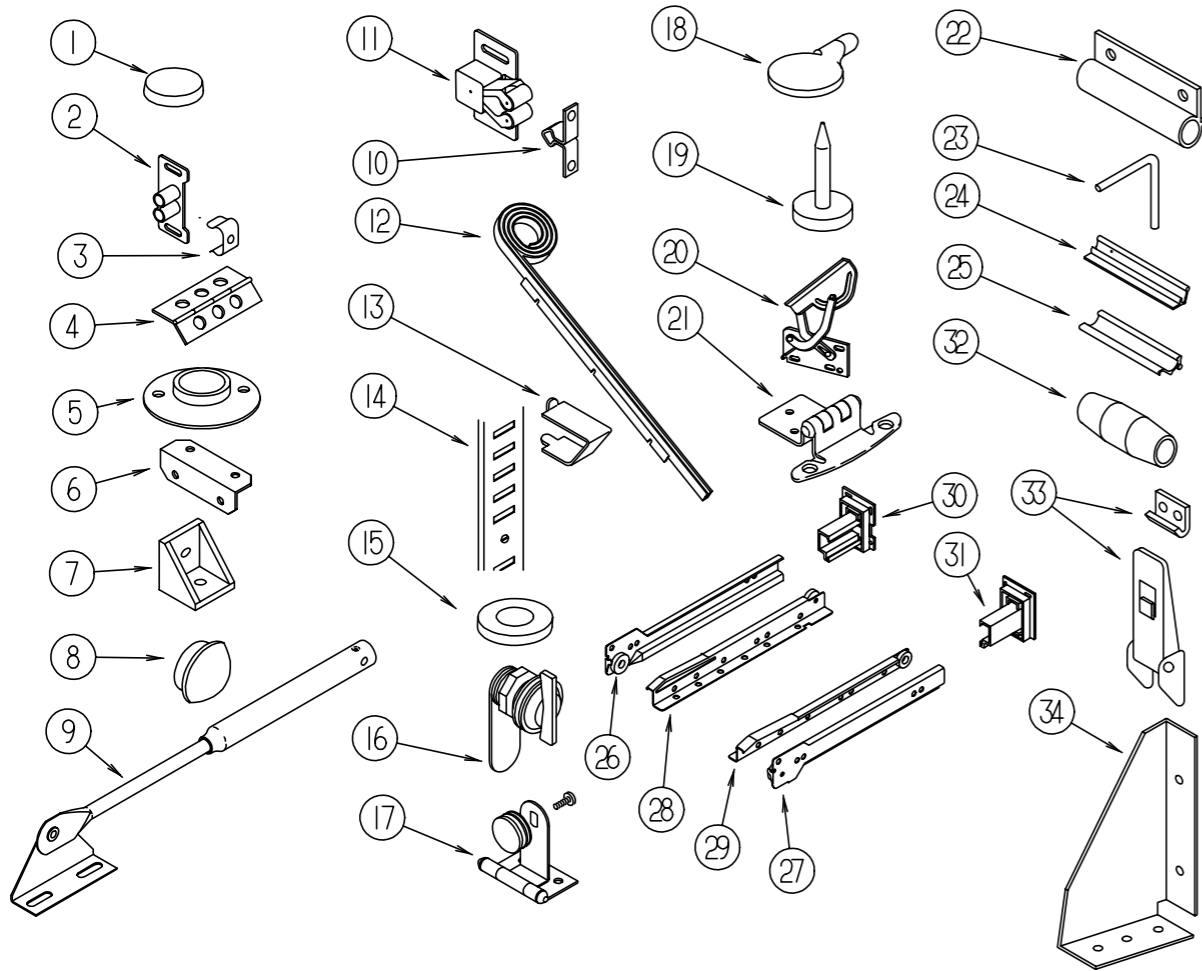
INTERIOR FINISH GROUP (CONTINUED)

FLOOR COVERINGS & MATS

KEY	PART NUMBER	U/M	DESCRIPTION
	042720-24-000	SY	VINYL - FLOOR COVERING
	093486-01-000	SY	CARPET - COMPARTMENT - 72" WIDE - DARK GRAY
	091261-01-000	FT	SLIPNOT - ANTISLIP - 1" WIDE (100' ROLL)
	096060-95-000	SY	CARPET - DOESKIN (J94, J60)
	096060-98-000	SY	CARPET - SILVER ASPEN - INCREMENTS OF 4 SQ YD (J95, J61)
	096060-C8-000	SY	CARPET - MOLLUSK - INCREMENTS OF 4 SQ YD (J96, J62)
	108152-01-000	EA	MAT - FLOOR - PASSENGER
	096764-02-000	FT	SLIPNOT - ANTISLIP - 1" WIDE)100' ROLLS)
	108152-02-000	EA	MAT - FLOOR - DRIVER - GM/FD
	108152-03-000	EA	MAT - FLOOR - DRIVER - HDGM/FREIGHTLINER
	122755-02-01A	EA	TILE - RUBBER/ENTRANCE DOOR - 18.5" X 29.3"
	122755-04-01A	EA	TILE - RUBBER/ENTRANCE DOOR - 17.7" X 28.5"
	124253-01-02A	EA	VINYL - FLOOR PLANK - 3" X 12" - MAPLE
			(J90, J91, J92, J93, J32, J33, J94, J95, J96, J60, J61, J62)
	124253-01-01A	EA	VINYL - FLOOR PLANK - 3" X 12" - CHERRY (J30, J31 ONLY)
	042720-24-000	SY	VINYL - FLOOR COVERING - 12' WIDE - TRADITIONS SOLARIAN

INTERIOR FINISH GROUP (CONTINUED)

CABINET HARDWARE



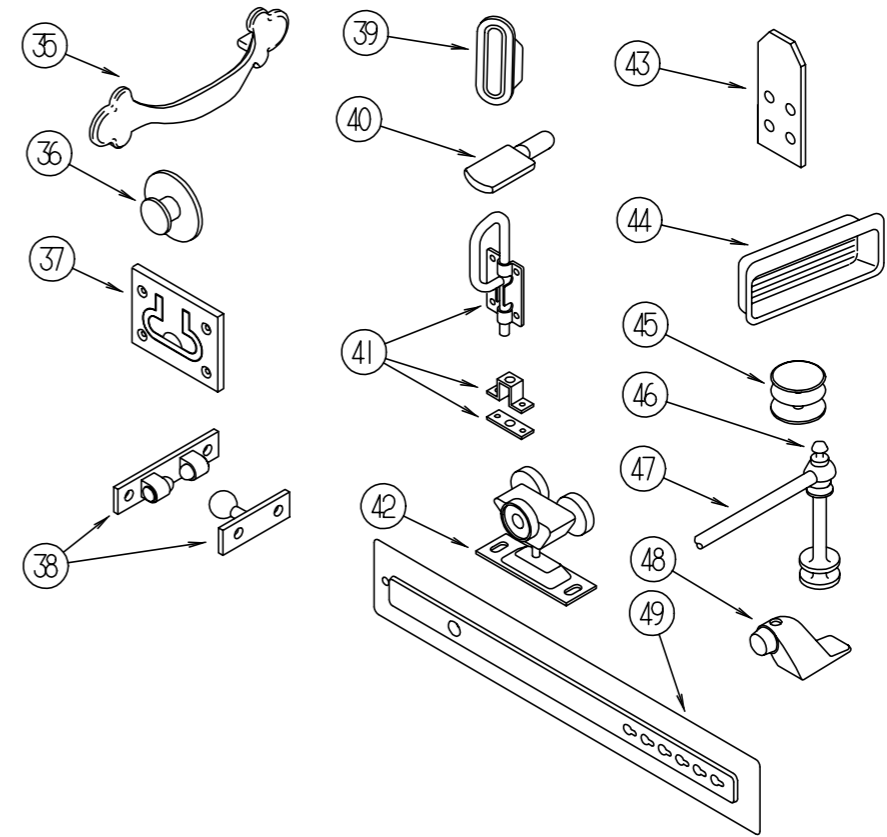
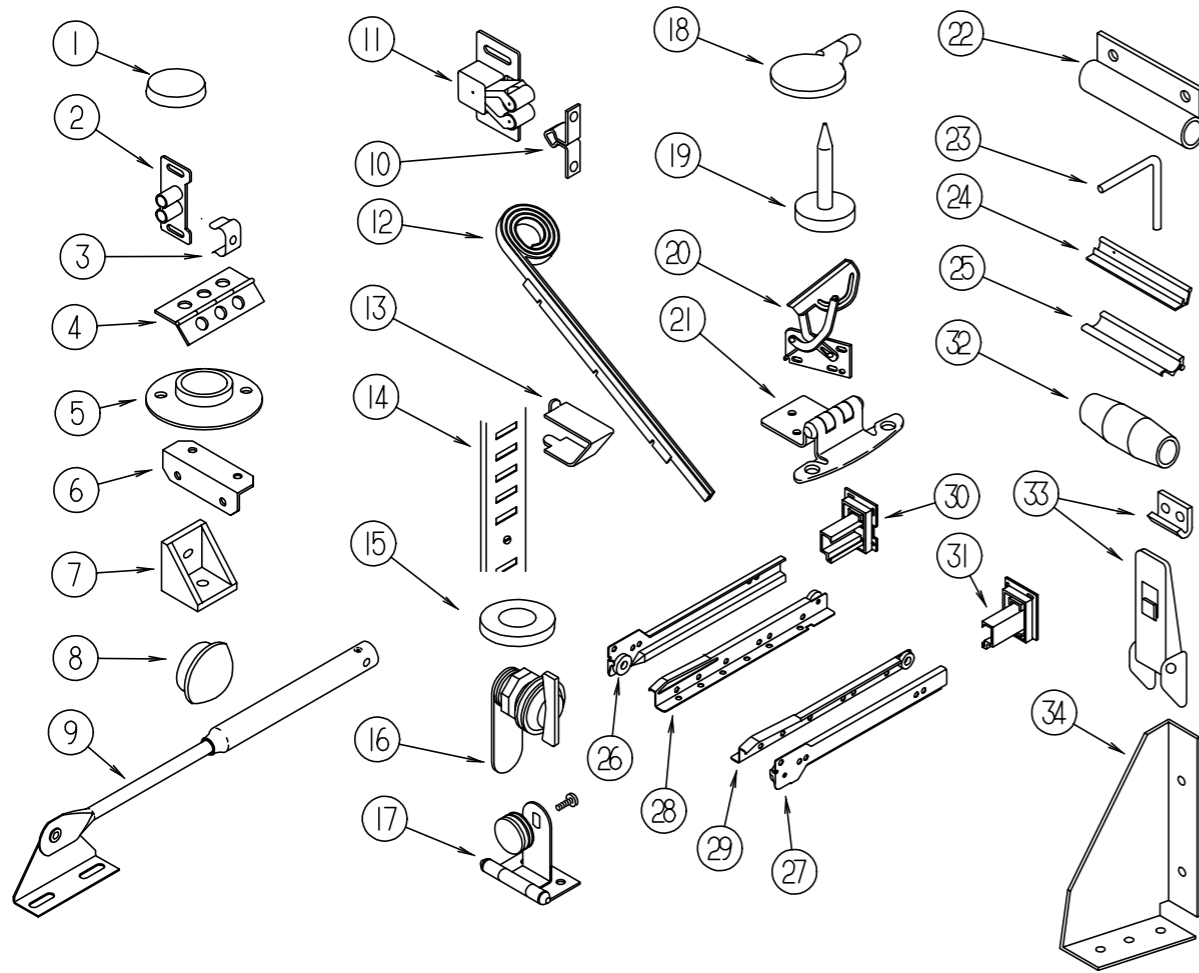
KEY	PART NUMBER	U/M	DESCRIPTION
1	004354-01-000	EA	BUMPER - RUBBER - .5" DIA - BROWN
2	009021-01-000	EA	CATCH - GRILLE - NYLON
3	009021-02-000	EA	STRIKE - SPRING STEEL
4	009059-01-000	EA	HINGE - DOOR - 2" X 1.4" - BRASS
4	009059-02-000	EA	HINGE - DOOR - 2" X 2.7" - BRASS
4	041389-18-000	EA	HINGE - PIANO - 1.50" X 19" - OFF WHITE
4	041389-25-000	EA	HINGE - PIANO - 1.50" X 55"
4	073151-02-000	EA	HINGE-CONTINUOUS, 22.3" LONG - METAL - OFF WHITE
4	110496-03-01A	EA	HINGE - BRASS
5	009112-01-000	EA	FLANGE - PLASTIC - 1" CLOTHES ROD - OFF WHITE
6	016604-01-000	EA	BRACE - CABINET - ANGLE - 2.5" - UNPAINTED METAL
6	016604-05-000	EA	BRACE - CABINET - ANGLE - 2.5" - OFF WHITE METAL
	023320-01-000	EA	PAD - FELT 3/8" DIAMETER
	042438-01-000	EA	DOWEL - WOOD - CLOTHES ROD - 1" DIAMETER X 4'
	042438-06-000	EA	DOWEL - WOOD - 1.5" X 26" - OAK
7	065740-01-000	EA	BRACE - CABINET/CORNER - PLASTIC
8	074045-01-000	EA	PLUG - OAK - 1/2" DIAMETER - WATERFORD OAK
8	074045-08-000	EA	PLUG - OAK - 1/2" DIAMETER - SALEM CHERRY
8	074045-11-000	EA	PLUG - OAK - 1/2" DIAMETER - WHITE GRANITE
8	074045-12-000	EA	PLUG - OAK - 1/2" DIAMETER - MYSTIC OAK & WASHED MAPLE
8	083166-01-03A	EA	PLUG - 3/8" DIAMETER - WATERFORD OAK
9	074493-02-000	EA	SUPPORT - PISTON SPRING - CABINET DOOR
10	093586-05-000	EA	STRIKE - SPRING STEEL
10	093586-04-000	EA	STRIKE - SPRING STEEL
11	093586-06-000	EA	CATCH - SPRING - ROLLER
11	093586-03-000	EA	CATCH - SPRING - ROLLER
12	097141-02-700	EA	KIT - TRACK - TAMBOUR DOOR - W/ONE RT & ONE LEFT TRACK

KEY	PART NUMBER	U/M	DESCRIPTION
12	130787-02-000	EA	TRACK - TAMBOUR DOOR/SPRING
	097872-04-000	EA	DOWEL - WOOD - 1" DIAMETER X 1.38" LONG
13	098979-01-000	EA	CLIP - ADJUSTABLE SHELF
14	098980-02-000	EA	PILASTER - ADJUSTABLE SHELF - 12"
14	098980-03-000	EA	PILASTER - ADJUSTABLE SHELF - 9"
14	098980-04-000	EA	PILASTER - ADJUSTABLE SHELF - 48"
14	098980-06-000	EA	PILASTER - ADJUSTABLE SHELF - 24"
15	100707-01-000	EA	SPACER - GLASS DOOR - .8" DIA - .3" HOLE - PLASTIC
16	100710-01-01A	EA	LOCK - GLASS DOOR/TWIST TYPE - BRASS
17	100711-01-01A	EA	HINGE - GLASS DOOR
18	101766-01-000	EA	PIN - SUPPORT/GLASS DOOR
19	102194-01-000	EA	GUIDE - PLASTIC
20	108126-01-000	EA	TRAY HINGE SET (QTY. 2 PER SET)
21	108138-01-000	EA	HINGE - CABINET DOOR - BURNISHED BRASS
21	108138-02-000	EA	HINGE - CABINET DOOR - BRIGHT BRASS - WHITE GRANITE
22	108486-01-01A	EA	BRACKET - PROP ROD/OVERHEAD - BLACK
23	108487-02-01A	EA	SUPPORT - PROP ROD/OVERHEAD - BLACK
24	110107-01-04A	EA	PULL - DOOR - TERRATONE
25	110108-01-04A	EA	LATCH - DOOR - TERRATONE

FROM: 06-1-98 THRU: 99-99-99

INTERIOR FINISH GROUP (CONTINUED)

CABINET HARDWARE (CONTINUED)



KEY	PART NUMBER	U/M	DESCRIPTION
26	114031-01-000	EA	SLIDE - 12" - LEFT SIDE/CABINET
27	114031-02-000	EA	SLIDE - 12" - RIGHT SIDE/CABINET
28	114031-03-000	EA	SLIDE - 12" - LEFT SIDE/DRAWER
29	114031-04-000	EA	SLIDE - 12" - RIGHT SIDE/DRAWER
26	114031-05-000	EA	SLIDE - 14" - LEFT SIDE/CABINET
27	114031-06-000	EA	SLIDE - 14" - RIGHT SIDE/CABINET
28	114031-07-000	EA	SLIDE - 14" - LEFT SIDE/DRAWER
29	114031-08-000	EA	SLIDE - 14" - RIGHT SIDE/DRAWER
26	114031-09-000	EA	SLIDE - 16" - LEFT SIDE/CABINET
27	114031-10-000	EA	SLIDE - 16" - RIGHT SIDE/CABINET
28	114031-11-000	EA	SLIDE - 16" - LEFT SIDE/DRAWER
29	114031-12-000	EA	SLIDE - 16" - RIGHT SIDE/DRAWER
26	114031-13-000	EA	SLIDE - 18" - LEFT SIDE/CABINET
27	114031-14-000	EA	SLIDE - 18" - RIGHT SIDE/CABINET
28	114031-15-000	EA	SLIDE - 18" - LEFT SIDE/DRAWER
29	114031-16-000	EA	SLIDE - 18" - RIGHT SIDE/DRAWER
26	114031-17-000	EA	SLIDE - 20" - LEFT SIDE/CABINET
27	114031-18-000	EA	SLIDE - 20" - RIGHT SIDE/CABINET
28	114031-19-000	EA	SLIDE - 20" - LEFT SIDE/DRAWER
29	114031-20-000	EA	SLIDE - 20" - RIGHT SIDE/DRAWER
26	114031-21-000	EA	SLIDE - 22" - LEFT SIDE/CABINET
27	114031-22-000	EA	SLIDE - 22" - RIGHT SIDE/CABINET
28	114031-23-000	EA	SLIDE - 22" - LEFT SIDE/DRAWER
29	114031-24-000	EA	SLIDE - 22" - RIGHT SIDE/DRAWER
26	114031-25-000	EA	SLIDE - 24" - LEFT SIDE/CABINET
27	114031-26-000	EA	SLIDE - 24" - RIGHT SIDE/CABINET
28	114031-27-000	EA	SLIDE - 24" - LEFT SIDE/DRAWER
29	114031-28-000	EA	SLIDE - 24" - RIGHT SIDE/DRAWER

KEY	PART NUMBER	U/M	DESCRIPTION
30	114045-01-000	EA	BACKSOCKET - ADJUSTABLE LEFT
31	114045-02-000	EA	BACKSOCKET - ADJUSTABLE RIGHT
32	114130-02-000	EA	BALLS - SPACER - DOOR
33	116975-01-01A	EA	LATCH - W/O STRIKE - BLACK - NEW STYLE
34	116978-01-03B	EA	GUSSET - SLIDEOUT ROOM - OFF/WHITE
35	125165-01-01A	EA	PULL - CABINET - BRIGHT BRASS
35	121891-01-01A	EA	PULL - CABINET - BRASS - WHITE GRANITE
36	125221-01-01A	EA	PULL - MIRROR - W/ROUND HANDLE
37	072871-01-000	EA	PULL-FLUSH, CHROME
38	084451-02-000	EA	CATCH - TV SHELF - BRASS
39	098410-01-01A	EA	PULL-FINGER, OVAL - BRASS
40	101766-01-000	EA	PIN-SUPPORT, GLASS DOOR
41	103256-01-000	EA	LATCH-SLIDE
42	103874-01-000	EA	HANGER-SLIDING DOOR
43	112053-01-01A	EA	STOP - DRAWER - BLACK
44	124311-01-01A	EA	HANDLE - RECESSED - BRASS
45	081114-02-000	EA	CAP - INSERT - ROUND 1" DIAMETER - WHITE
46	084070-03-000	EA	POST - END - 2.4" - BRASS
47	084071-05-000	EA	ROD - BRASS - 15"
47	084071-19-000	EA	ROD - BRASS - 7.09" LONG
47	084071-20-000	EA	ROD - BRASS, 250MM LONG
47	084071-23-000	EA	ROD - BRASS - 13.12" LONG
48	103257-01-000	EA	STOP - DOOR
49	120974-01-000	EA	SLIDE - POCKET DOOR - RIGHT HAND
	091261-01-000	FT	SLIPNOT - ANTISLIP - 1" WIDE (100' ROLL)

LABELS GROUP

WARNING:
 ALL PILOT LIGHTS AND APPLIANCES SHALL BE TURNED OFF DURING REFUELLING OF MOTOR FUEL TANKS AND/OR PROPANE CONTAINERS.
AVERTISSEMENT:
 FERMER TOUTES LES VEILLEUSES AINSI QUE TOUS LES APPAREILS LORSQU'ON FAIT LE PLEIN DES RESERVOIRS A CARBURANT QU A PROPANE.

1

2

DIESEL FUEL ONLY

LABEL-DIESEL FUEL ONLY

KEY	PART NUMBER	U/M DESCRIPTION
1	006040-01-000	EA TAG-GAS REFUELING WARNING
1	006040-02-000	EA TAG-GAS REFUEL WARNING, CANADIAN
2	068383-01-000	EA LABEL-DIESEL FUEL ONLY

1

THIS CONNECTION IS FOR
 110-125 VOLT AC, 60HZ(CYCLES)
 30 AMP. MAX SERVICE.
 DO NOT CONNECT TO
 HIGHER VOLTAGE

KEY	PART NUMBER	U/M DESCRIPTION
1	006062-01-000	EA LABEL - ELECTRIC - 110 VOLT CONNECTION FROM: 00-00-00 THRU: 07-13-97

1

SEWAGE

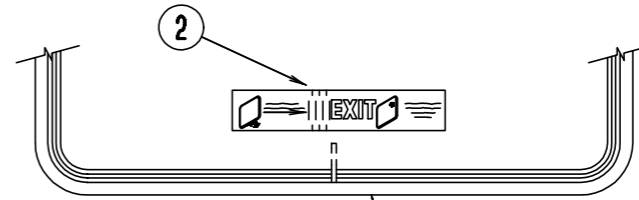
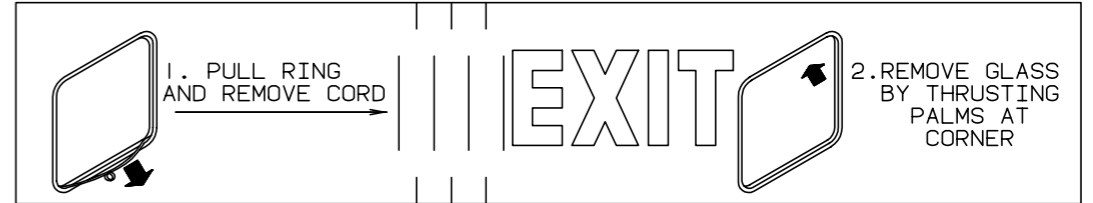
KEY	PART NUMBER	U/M DESCRIPTION
1	006187-01-000	EA LABEL - SEWAGE

1

WASTE WATER

KEY	PART NUMBER	U/M DESCRIPTION
1	006188-01-000	EA LABEL - WASTE WATER

LABELS GROUP (CONTINUED)



EXIT

1

ESCAPE WINDOW REF

KEY	PART NUMBER	U/M DESCRIPTION
1	039290-01-000	EA LABEL - WARNING - EXIT
2	107571-01-000	EA LABEL - EXIT/ESCAPE WINDOW

CITY WATER FILL

1

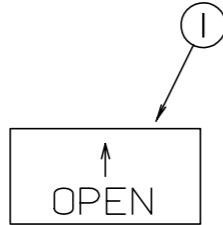
KEY	PART NUMBER	U/M DESCRIPTION
1	126249-01-000	EA LABEL-CITY WATER FILL

WARNING
 POTABLE WATER ONLY
 SANITIZE, FLUSH, AND
 DRAIN BEFORE USING.
 SEE INSTRUCTION MANUAL

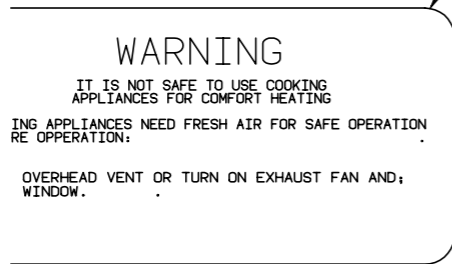
1

KEY	PART NUMBER	U/M DESCRIPTION
1	128725-01-02A	EA LABEL - POTABLE WATER ONLY

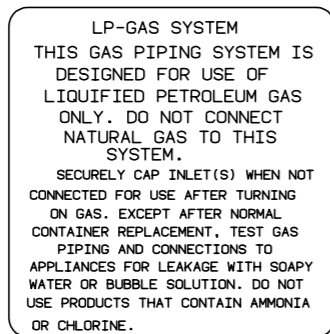
LABELS GROUP (CONTINUED)



KEY PART NUMBER U/M DESCRIPTION
 1 040944-01-000 EA LABEL - ENTRANCE DOOR - "OPEN"



KEY PART NUMBER U/M DESCRIPTION
 1 050222-01-000 EA LABEL - STOVE VENT - CANADIAN
 1 050225-01-000 EA LABEL - WARNING - STOVE VENT - US



KEY PART NUMBER U/M DESCRIPTION
 1 054531-01-000 EA LABEL - LP GAS ONLY
 023769-01-000 EA LABEL - WARNING - LPG - CANADIAN

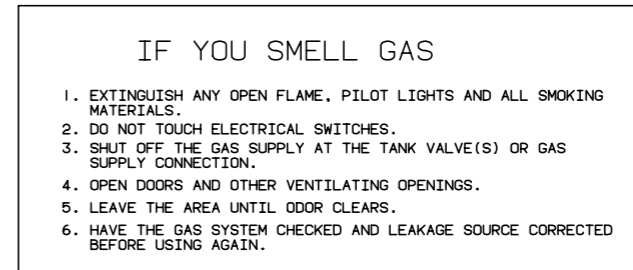


KEY PART NUMBER U/M DESCRIPTION
 1 065748-01-000 EA LABEL - CAUTION - BATTERY CHARGING

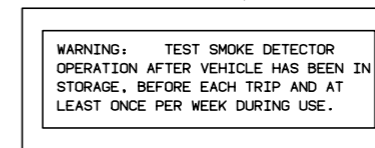
ERTISSLEMENT : DEBRANCHER LES BATTERIES AVA
 BRANCHER TOUT EQUIPEMENT DE CHARGE EXTERIEU

KEY PART NUMBER U/M DESCRIPTION
 1 065748-02-000 EA LABEL - WARNING - BATTERY/FRENCH

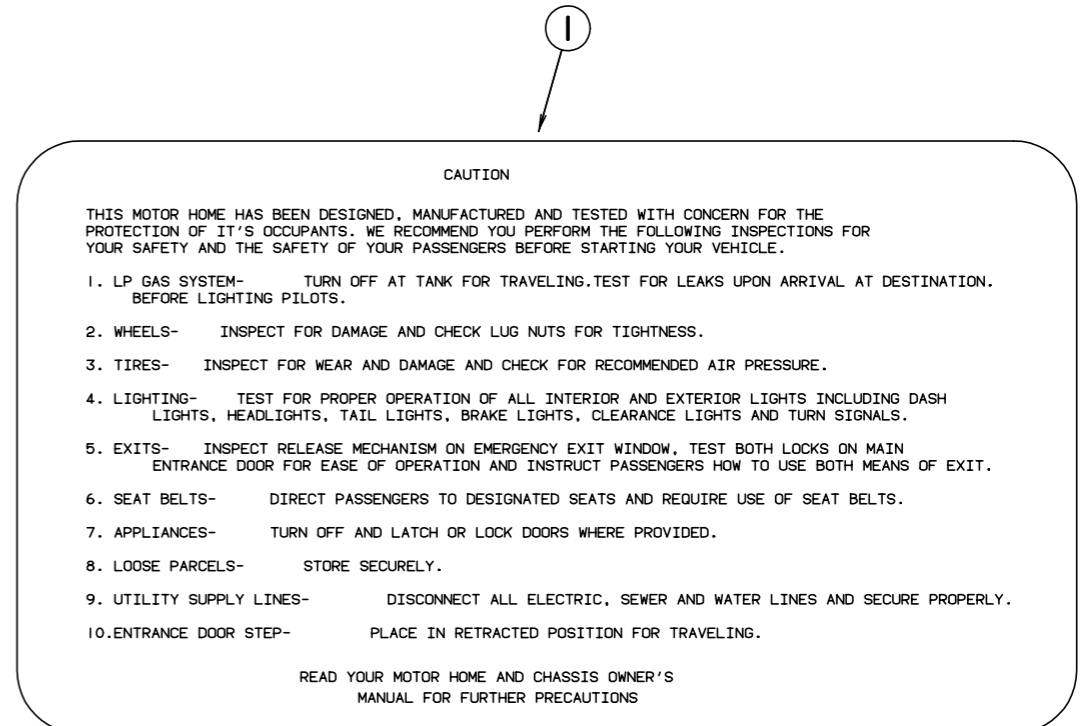
LABELS GROUP (CONTINUED)



KEY PART NUMBER U/M DESCRIPTION
 1 073998-01-000 EA LABEL - LPG ODOR WARNING

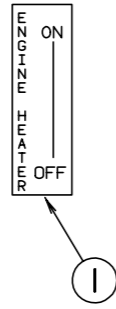


KEY PART NUMBER U/M DESCRIPTION
 1 077956-01-000 EA LABEL - WARNING - SMOKE DETECTOR

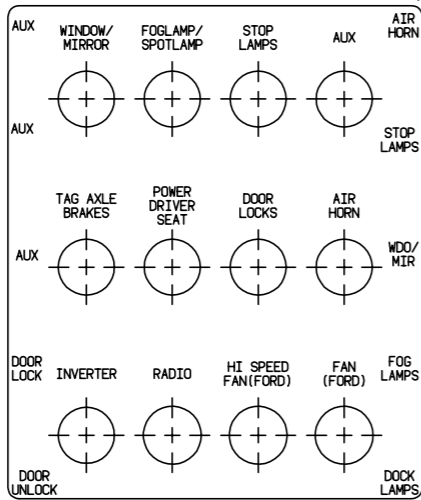


KEY PART NUMBER U/M DESCRIPTION
 1 056259-01-000 EA LABEL - SAFETY CHECK LIST

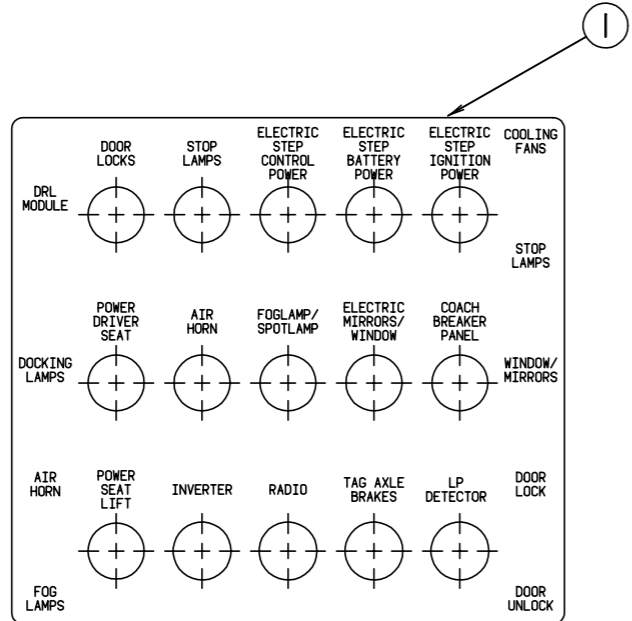
LABELS GROUP (CONTINUED)



KEY PART NUMBER U/M DESCRIPTION
 1 083588-01-000 EA LABEL - ON/OFF - WATER HEATER

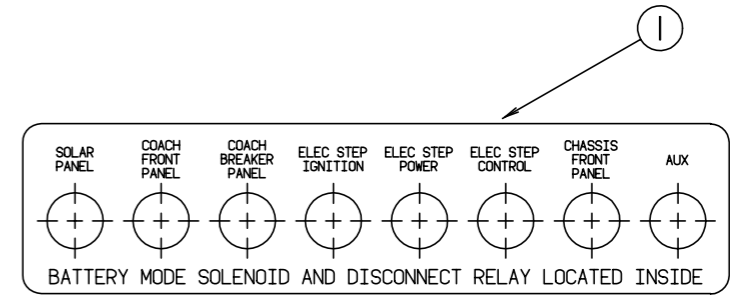


KEY PART NUMBER U/M DESCRIPTION
 1 092547-06-000 EA LABEL - CIRCUIT BREAKER

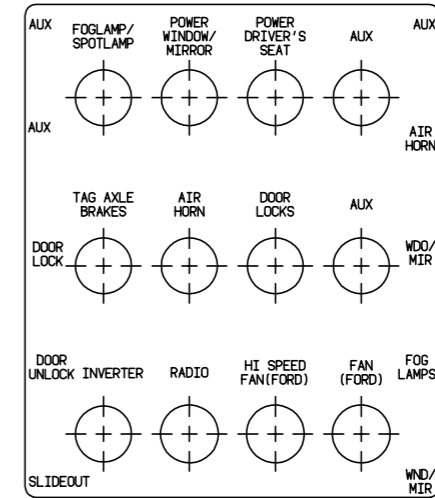


KEY PART NUMBER U/M DESCRIPTION
 1 093236-12-000 EA LABEL - CIRCUIT BREAKER

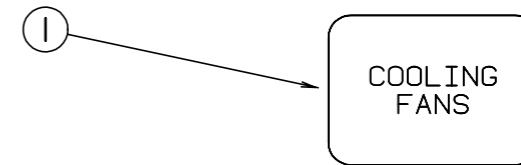
LABELS GROUP (CONTINUED)



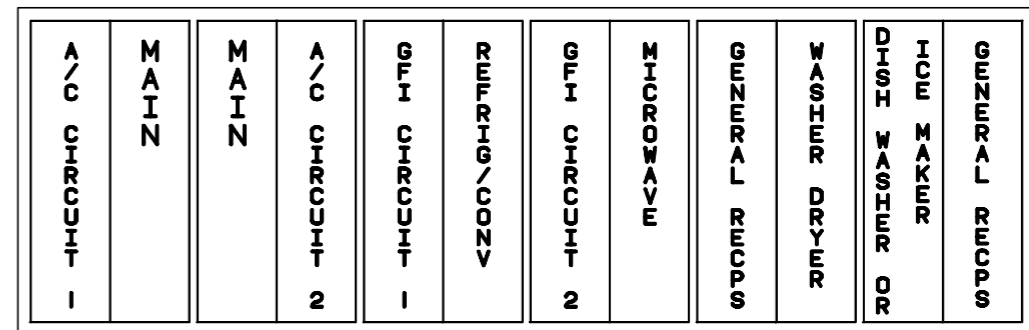
KEY PART NUMBER U/M DESCRIPTION
 1 093236-13-000 EA LABEL - CIRCUIT BREAKER



KEY PART NUMBER U/M DESCRIPTION
 1 093236-16-000 EA LABEL - CIRCUIT BREAKER



KEY PART NUMBER U/M DESCRIPTION
 1 093237-10-000 EA LABEL - CIRCUIT BREAKER - FRONT - COOLING FANS



KEY PART NUMBER U/M DESCRIPTION
 1 095721-17-000 EA LABEL - CONTROL CENTER - 50 AMP

LABELS GROUP (CONTINUED)

A/C CIRCUIT 1	MAIN	MAIN	A/C CIRCUIT 2	HTG HTG CIRCUIT 1	REFRIG/CONV	HTG HTG CIRCUIT 2	MICROWAVE	APPLIANCE 1	APPLIANCE 2	GENERAL REFRIG	WASHER DRYER
---------------	------	------	---------------	-------------------	-------------	-------------------	-----------	-------------	-------------	----------------	--------------

KEY PART NUMBER U/M DESCRIPTION
 1 095721-18-000 EA LABEL - CONTROL CENTER - 50 AMP - CSA

A/C CIRCUIT 1	MAIN	GENERAL REFRIG	A/C CIRCUIT 2	HTG HTG CIRCUIT 1	REFRIG/CONV	HTG HTG CIRCUIT 2	MICROWAVE		
---------------	------	----------------	---------------	-------------------	-------------	-------------------	-----------	--	--

KEY PART NUMBER U/M DESCRIPTION
 1 095721-23-000 EA LABEL - CONTROL CENTER - 30 AMP

A/C CIRCUIT 1	MAIN	GENERAL REFRIG	A/C CIRCUIT 2	HTG HTG CIRCUIT 1	REFRIG/CONV	APPLIANCE	MICROWAVE		
---------------	------	----------------	---------------	-------------------	-------------	-----------	-----------	--	--

KEY PART NUMBER U/M DESCRIPTION
 1 095721-24-000 EA LABEL - CONTROL CENTER - 30 AMP - CSA

LABELS GROUP (CONTINUED)

AUTOMOTIVE AND COACH
CIRCUIT BREAKERS

KEY PART NUMBER U/M DESCRIPTION
 1 098379-01-000 EA LABEL - FRONT BOX - CIRCUIT BREAKER

CIRCUIT BREAKERS
AND AUTOMOTIVE
FUSE PANEL

KEY PART NUMBER U/M DESCRIPTION
 1 098379-03-000 EA LABEL - ELECTRICAL BOX - FRONT

CIRCUIT BREAKERS
AND AUTOMOTIVE
FUSE PANEL

KEY PART NUMBER U/M DESCRIPTION
 1 098379-04-000 EA LABEL - ELECTRICAL BOX - SIDE

UNLEADED FUEL ONLY

KEY PART NUMBER U/M DESCRIPTION
 1 098641-01-000 EA LABEL - FUEL - UNLEADED - DASH

FOR AWNING INSTALLATION
CONTACT YOUR MOTORHOME
DEALERSHIP

KEY PART NUMBER U/M DESCRIPTION
 1 099509-01-000 EA LABEL - AWNING INSTALLATION

LABELS GROUP (CONTINUED)

WARNING
THIS VEHICLE, LIKE OTHER VEHICLES, MAY CONTAIN SMALL AMOUNTS OF ONE OR MORE SUBSTANCES WHICH ARE LISTED BY THE STATE OF CALIFORNIA FOR CAUSING CANCER OR REPRODUCTIVE TOXICITY.

KEY PART NUMBER
1 099689-01-000

U/M DESCRIPTION
EA LABEL - WARNING - CANCER/TOXICITY

NOTE: TUNE ANTENNA PER MANUFACTURER'S DIRECTIONS. FAILURE TO COMPLY COULD RESULT IN DAMAGE TO CB.	CB POWER PROVISION RED +12 V BLACK GROUND COAX ANTENNA (SEE REVERSE ALSO)
---	---

KEY PART NUMBER
1 104678-01-000

U/M DESCRIPTION
EA LABEL - CB PREP

DO NOT USE HITCH BEFORE READING OWNERS MANUAL REGARDING VEHICLE LOADING AND TOWING

KEY PART NUMBER
1 111104-01-000

U/M DESCRIPTION
EA LABEL - HITCH - READ MANUAL - WHITE

WARNING: CONTAINS "CFC" A SUBSTANCE WHICH HARMS PUBLIC HEALTH AND ENVIRONMENT BY DESTROYING OZONE IN THE UPPER ATMOSPHERE.

KEY PART NUMBER
1 111802-01-000

U/M DESCRIPTION
EA LABEL - CFC WARNING

CAUTION
DO NOT LATCH DOOR IN OPEN POSITION IF (SEE TAB) CONTROL IS IN THE ON POSITION. (SEE TAB) EXHAUST MAY DAMAGE OUTER SURFACE OF DOOR.

KEY PART NUMBER
1 113402-02-000

U/M DESCRIPTION
EA LABEL - CAUTION - FURNACE EXHAUST

WARNING! UNDERSTAND OPERATOR'S MANUAL BEFORE USING. KEEP PEOPLE AND OBSTRUCTIONS CLEAR OF SLIDEOUT ROOM WHEN OPERATING TO AVOID INJURY AND/OR PROPERTY DAMAGE.

KEY PART NUMBER
1 116549-01-000

U/M DESCRIPTION
EA LABEL - WARNING - SLIDEOUT

LABELS GROUP (CONTINUED)

TELEPHONE INPUT
CABLE INPUT

KEY PART NUMBER
1 114866-02-000

U/M DESCRIPTION
EA LABEL - PHONE & CABLE INPUT

LIGHTS WATER PUMP

KEY PART NUMBER
1 117628-02-000

U/M DESCRIPTION
EA LABEL - SWITCH - WATER PUMP/LIGHTS

CITY WATER
WATER TANK FILL

KEY PART NUMBER
1 117629-02-000

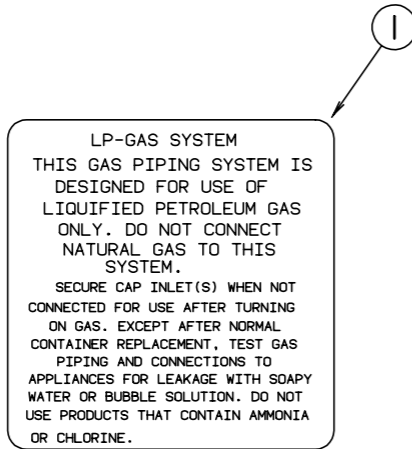
U/M DESCRIPTION
EA LABEL - WATER PUMP/FILL

WARNING:
ALL PILOT LIGHTS, APPLIANCES AND THEIR IGNITORS (SEE OPERATING INSTRUCTIONS) SHALL BE TURNED OFF DURING REFUELING OF MOTOR FUEL TANKS AND/OR LP GAS CONTAINERS
124519-01

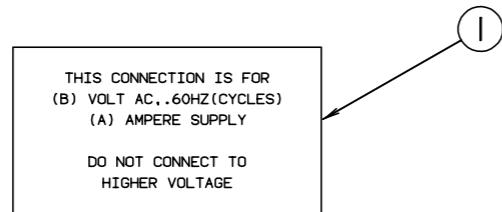
KEY PART NUMBER
1 124519-01-01A
1 124519-01-02A
1 124519-02-01A
1 124519-02-02A

U/M DESCRIPTION
EA LABEL - WARNING/REFUELING
EA LABEL - WARNING/REFUELING
EA LABEL - WARNING/REFUELING - CSA
EA LABEL - WARNING/REFUELING - CSA

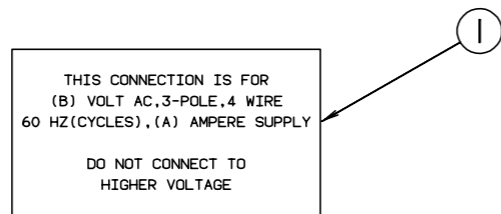
LABELS GROUP (CONTINUED)



KEY PART NUMBER U/M DESCRIPTION
 1 124520-01-02A EA LABEL - LP GAS ONLY

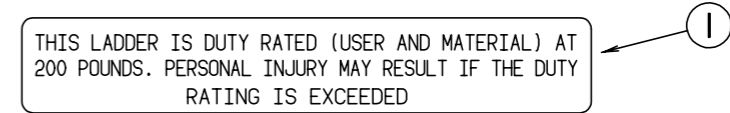


KEY PART NUMBER U/M DESCRIPTION
 1 125306-01-01A EA LABEL - ELECTRICAL ENTRANCE - 110VOLT 30AMP
 FROM: 07-14-97 THRU: 99-99-99

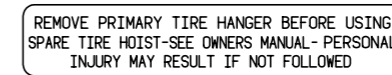


KEY PART NUMBER U/M DESCRIPTION
 1 125306-04-01A EA LABEL - ELECTRICAL ENTRANCE - 120 VOLT 240 AMP
 FROM: 07-14-97 THRU: 99-99-99

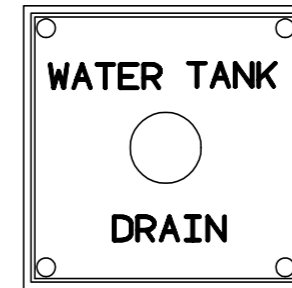
LABELS GROUP (CONTINUED)



KEY PART NUMBER U/M DESCRIPTION
 1 125841-01-000 EA LABEL-LADDER DUTY RATING - BLACK ON CLEAR

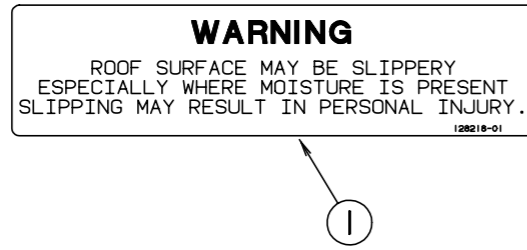


KEY PART NUMBER U/M DESCRIPTION
 1 126024-01-01A EA LABEL - TIRE HANGER REMOVAL
 FROM: 01-20-97 THRU: 99-99-99

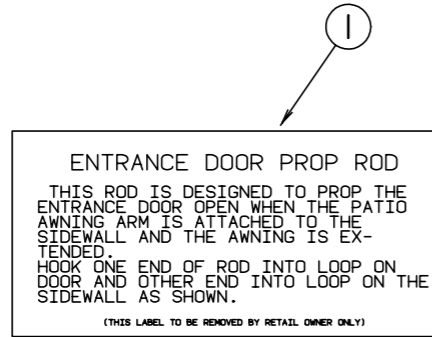


KEY PART NUMBER U/M DESCRIPTION
 1 127170-01-000 EA LABEL - WATER TANK DRAIN

LABELS GROUP (CONTINUED)

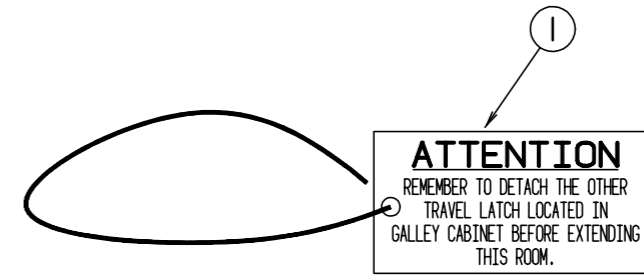


KEY	PART NUMBER	U/M DESCRIPTION
1	128218-01-01A	EA LABEL - WARNING - SLIPPERY ROOF



KEY	PART NUMBER	U/M DESCRIPTION
1	128658-01-000	EA LABEL - PROP ROD - ENTRY DOOR

LABELS GROUP (CONTINUED)



KEY	PART NUMBER	U/M DESCRIPTION
1	129033-01-000	EA LABEL - HANG TAG - TRAVEL LATCH - 1.5" X 3"

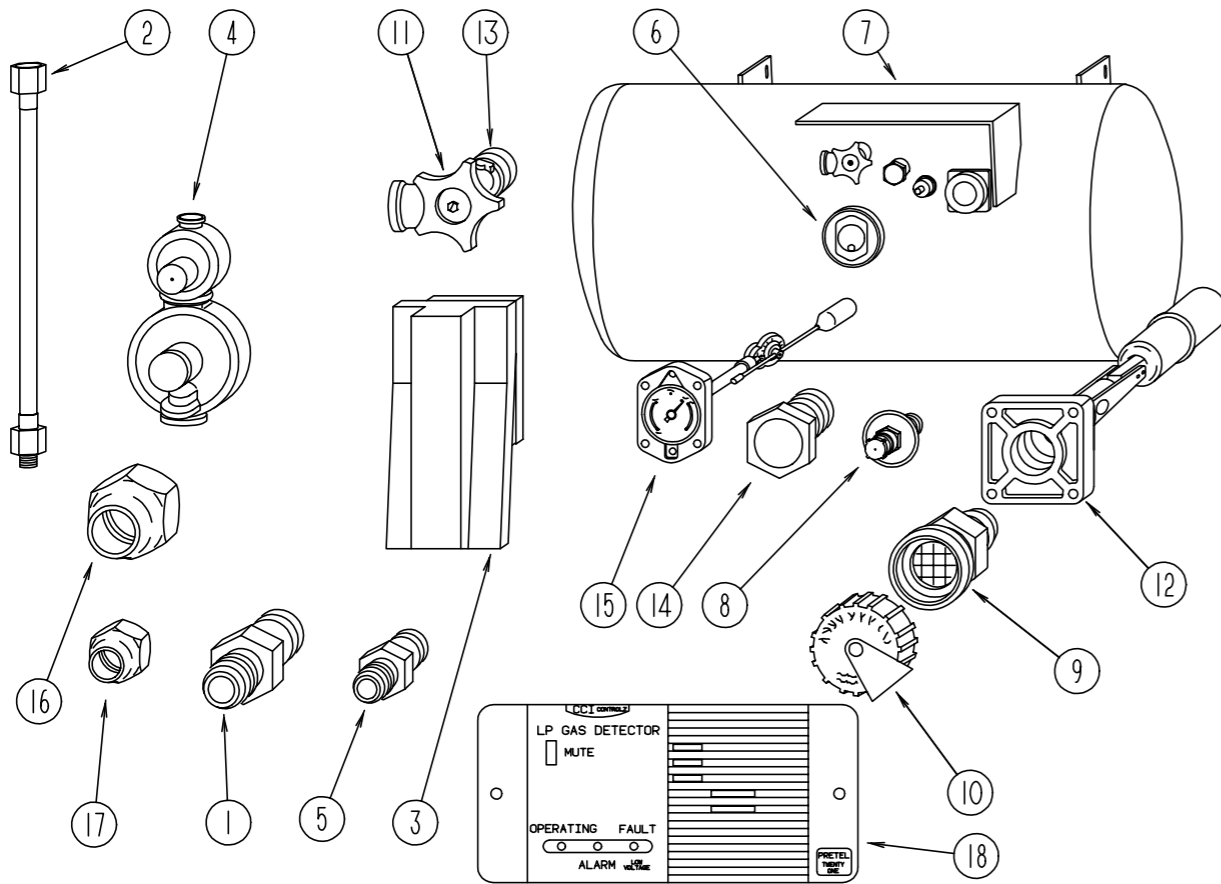


KEY	PART NUMBER	U/M DESCRIPTION
1	126247-01-000	EA LABEL - GRAY HOLDING TANK



KEY	PART NUMBER	U/M DESCRIPTION
1	126247-02-000	EA LABEL - BLACK HOLDING TANK

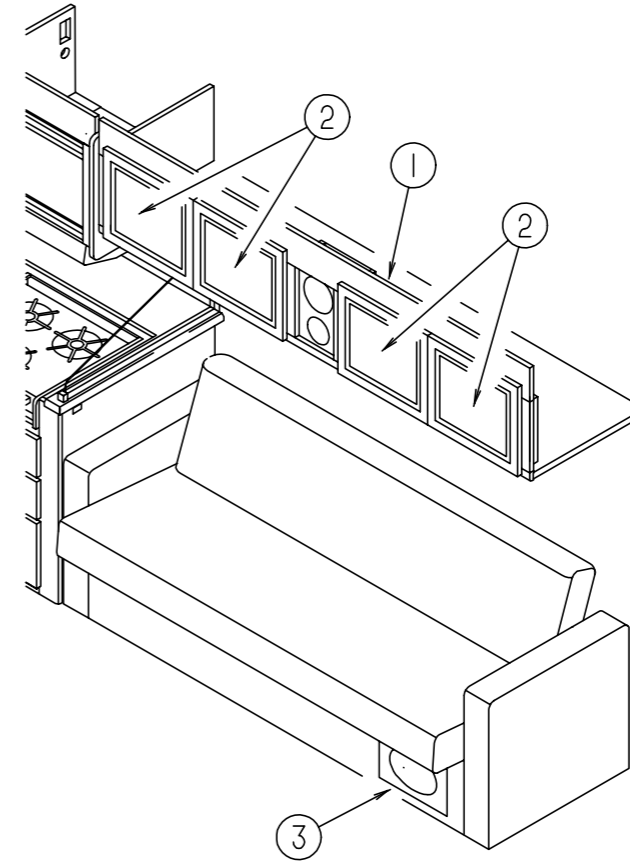
LP GROUP



LP TANK & COMPONENTS

KEY	PART NUMBER	U/M	DESCRIPTION	VENDOR NO.
1	010329-01-000	EA	ADAPTER - BRASS - 1/2" F X 1/2" MPT	
2	045703-01-000	EA	HOSE - LP - 3/8" ID X 24" - 3/8"MPT X 1/2"F SWIVEL - U.S.	
2	045703-02-000	EA	HOSE - LP - 3/8" ID X 24" - 3/8"MPT X 1/2"F SWIVEL - CAN	
2	045703-13-000	EA	HOSE - LP - 3/8"ID X 4.7" - 3/8 F SWIVEL X 3/8" F SWIVEL	
2	045703-14-000	EA	HOSE - LP - 3/8"ID X 6.2" - 3.8" F SWIVEL X 3/8" F SWIVEL	
3	105658-01-000	EA	COMPARTMENT - LP REGULATOR	
4	106150-01-000	EA	REGULATOR - TWO STAGE	
5	010323-01-000	EA	ADAPTER - BRASS - 3/8"F X 1/2"MPT	
6	040440-02-000	EA	TRANSMITTER - DIAL - 0-90 OHM -2 TERMINAL (POWER & GROUND)	
7	088253-03-000	EA	TANK - LP - 100 LB - 16"DIAMETER X 36" LONG - SPL	
8	040421-01-700	EA	VALVE-LIQUID LEVEL, 20%	G-1013
9	040421-01-701	EA	VALVE-FILL-SHORT, LP	7547B
10	040421-01-702	EA	CAP-FILL VALVE, PLASTIC	G-1014-A
11	040421-01-708	EA	HANDWHEEL-SERVICE VALVE	G-1015-A
12	040421-01-711	EA	VALVE-80% FILL W/AUTO STOP	LLL/TL3
13	040421-01-712	EA	VALVE,SERV. W/O VAPOR RELIEF	29000853
14	040421-01-713	EA	VALVE-RELIEF 1" W/SPRING 7"	29000587
15	088253-01-700	EA	GAUGE-FLOAT ASSEMBLY, L.P.	16C

LOUNGE GROUP

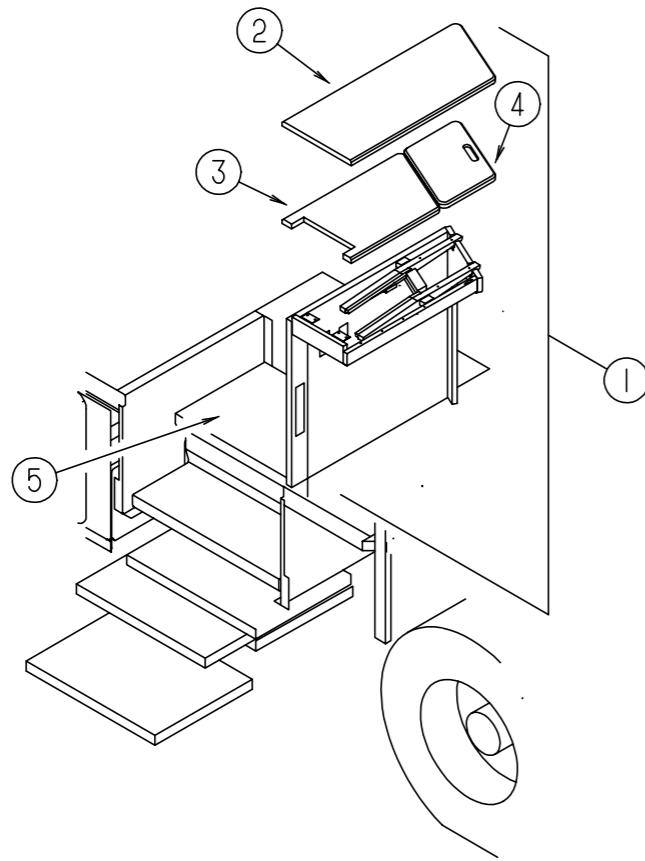


LOUNGE CABINETS

KEY	PART NUMBER	U/M	DESCRIPTION
1	126478-01-J94	EA	CABINET - OVERHEAD - FRONT/LEFT HAND - W/O DOORS/HARDWARE WATERFORD OAK
1	126478-01-J60	EA	CABINET - OVERHEAD - FRONT/LEFT HAND - W/O DOORS/HARDWARE WASHED MAPLE
1	126478-01-J62	EA	CABINET - OVERHEAD - FRONT/LEFT HAND - W/O DOORS/HARDWARE WHITE GRANITE
2	M05992-A3-J94	EA	DOOR - STRAIGHT CORNER/OGEE EDGE - 14.3" X 14.3" - W/O HDW WATERFORD OAK
2	M05992-A3-J60	EA	DOOR - STRAIGHT CORNER/OGEE EDGE - 14.3" X 14.3" - W/O HDW WASHED MAPLE
2	122715-57-01A	EA	DOOR - MOLDED VINYL - 14.3" X 14.3" - W/O HDW-WHT GRANITE
3	126989-01-000	EA	CABINET - F/SPEAKER - W/O DOORS/HARDWARE
3	129642-01-000	EA	CABINET - SPEAKER - W/O DOORS/HARDWARE

FROM: 00-00-00 THRU: 01-21-98
FROM: 01-22-98 THRU: 99-99-99

LOUNGE GROUP (CONTINUED)



LOUNGE TABLE

KEY	PART NUMBER	U/M	DESCRIPTION
1	127063-01-J94	EA	CABINET - LOUNGE TABLE/RIGHT HAND (J94)
1	127063-01-J95	EA	CABINET - LOUNGE TABLE/RIGHT HAND (J95)
1	127063-01-J96	EA	CABINET - LOUNGE TABLE/RIGHT HAND (J96)
1	127063-01-J60	EA	CABINET - LOUNGE TABLE/RIGHT HAND (J60)
1	127063-01-J61	EA	CABINET - LOUNGE TABLE/RIGHT HAND (J61)
1	127063-01-J62	EA	CABINET - LOUNGE TABLE/RIGHT HAND (J62)
2	127063-21-J60	EA	COUNTERTOP - LOUNGE TABLE (J94, J60)
2	127063-21-J61	EA	COUNTERTOP - LOUNGE TABLE (J95, J61)
2	127063-21-J62	EA	COUNTERTOP - LOUNGE TABLE (J96, J62)
3	127063-23-J60	EA	COUNTERTOP - LOUNGE TABLE (J94, J60)
3	127063-23-J61	EA	COUNTERTOP - LOUNGE TABLE (J95, J61)
3	127063-23-J62	EA	COUNTERTOP - LOUNGE TABLE (J96, J62)
4	127063-25-J60	EA	COUNTERTOP - LOUNGE TABLE (J94, J60)
4	127063-25-J61	EA	COUNTERTOP - LOUNGE TABLE (J95, J61)
4	127063-25-J62	EA	COUNTERTOP - LOUNGE TABLE (J96, J62)
5	120234-03-H17	EA	LID - ENTRY STEP
	101222-01-04A	EA	BRACKET - CATCH - LID
	064075-07-000	FT	SEAL - BULB - W/WIRED U CHANNEL - .3" X .5" CHANNEL - BLK

SEALANTS & FASTENERS GROUP

SEALANTS & ADHESIVES

KEY	PART NUMBER	U/M	DESCRIPTION
	004006-05-700	EA	ADHESIVE-NAT. STARCH (5 GAL) 0802
	004020-01-000	QT	ADHESIVE-ABS CEMENT - QUART
	004363-01-000	FT	TAPE - ADHESIVE FOAM/1 SIDE - 3/16" X 1/2" X 50' - GRAY
	034552-02-000	EA	SILICONE - TUBE - 300 ML - W/O NOZZLE - CLEAR
	034552-06-000	EA	SILICONE - TUBE - 300 ML - W/O NOZZLE - OFF WHITE
	039518-01-000	EA	SILICONE - TUBE - 300 ML - BLACK - W/O NOZZLE
	053766-02-000	EA	BEDDING COMPOUND - TUBE - WHITE
	053766-08-000	EA	BEDDING COMPOUND - TUBE/GRAY
	062917-03-000	EA	ADHESIVE - LOCTITE 242
	067788-01-000	EA	ADHESIVE - SPRAY - 3M - 19.5 AEROSOL CAN
	069640-01-000	FT	SEALER - RIBBON - 1/4"DIAMETER X 30'
	069640-03-000	FT	SEALER - TAPE - 1/8"THICK X .75"WIDE X 60'
	069640-07-000	FT	SEALER - TAPE - 3/32"THICK X 2"WIDE X 45'
	069640-09-000	FT	SEALER - TAPE - 1/32"THICK X 2.50"WIDE X 80'
	069640-11-000	FT	SEALER - TAPE - 3/16"THICK X 3/8"WIDE X 40'
	069640-14-000	FT	SEALER - TAPE - 1/16"THICK X 1"WIDE X 100'
	069640-15-000	FT	SEALER - TAPE - 1/16" THICK X 3/8" WIDE X 80' - GRAY
	069640-18-000	FT	SEALER - TAPE - 1/2" THICK X 1/8" X 60'
	069640-19-000	FT	SEALER - TAPE - 3/4" X 1/8" X 60' - BRIGHT WHITE
	069640-21-000	FT	SEALER - TAPE - 1/2" X 1/16" X 100' - BRIGHT WHITE
	069640-23-000	FT	SEALER - TAPE - 3/4" X 1/16" X 100' - BRIGHT WHITE
	072889-01-000	EA	SEALANT - URETHANE - BLACK - 1/10
	072889-09-000	EA	SEALANT - URETHANE - BLACK (TUBE)
	072889-10-000	EA	SEALANT - URETHANE (HV) - BRIGHT WHITE
	072889-11-000	EA	SEALANT - URETHANE - (TUBE) - GRAY
	072889-12-000	EA	SEALANT - URETHANE (LV) BRIGHT WHITE
	072889-17-000	EA	SEALANT - URETHANE
	076322-01-000	FT	TAPE - DOUBLE COATED/ADHESIVE BACK- .025"THK X .75"W X 18'
	076322-02-000	FT	TAPE - DOUBLE COATED/ADHESIVE BACK - .045"THK X 1"W X 9'
	076322-03-000	FT	TAPE - DOUBLE COATED/ADHESIVE BACK - .045THK X .50"W X 9'
	076322-05-000	FT	TAPE - DOUBLE COATED/ADHESIVE BACK - .045"THK X .75"W X 9'
	076322-07-000	FT	TAPE - DOUBLE COATED/ADHESIVE BACK - .045"THK X .50"W X 9'
	076322-12-000	FT	TAPE - DOUBLE COATED/ADHESIVE BACK - .45"THK X .25"W X 9'
	087211-01-000	GL	PROMOTER - ADHESIVE
	088479-01-000	EA	TAPE - ALUMINUM - 3"
	091255-02-000	EA	SEAL - ADHESIVE BACKED/FOAM - .18" THICK X 1.5" WIDE
	102352-01-000	EA	SEALER - PUMPABLE - BLACK
	102352-02-000	EA	SEALER - PUMPABLE - CLEAR
	106206-01-000	EA	SEALER - PUMPABLE - MANUS 30A - BLACK
	107828-01-000	EA	SEALANT - SB - 190 EVERSEAL
	108716-03-000	EA	SILICONE - TUBE - BRIGHT WHITE/SELF LEVELING - W/O NOZZLE
	110274-01-000	FT	TAPE - DOUBLE SIDED FOAM - .45" X 1"
	112864-01-000	FT	SEAL - FOAM/BUTYL COVERED - 3/8"
	112901-02-000	EA	ADHESIVE - PLEXUS - 50ML
	118085-02-01A	FT	TAPE - FOIL - 1"
	120074-01-01A	EA	SILICONE TUBE - OFF WHITE W/O NOZZLE - LOW ODOR
	120074-02-01A	EA	SEALANT - SILICONE - OFF WHITE
	120534-01-01A	EA	TAPE - SCOTCH - 3M - 1/2" FINE LINE
	123244-01-000	FT	TAPE - DOUBLE COATED FOAM .8" THICK X .75" WIDE
	123816-01-000	FT	TAPE - DOUBLE SIDED - 1"
	123816-02-000	FT	TAPE - DOUBLE SIDED - 1/2"
	123816-03-000	FT	TAPE - DOUBLE SIDED - 1/2"
	900390-01-000	EA	TIP - 2 1/2" X 1/8" ORIFICE
	900390-03-000	EA	NOZZLE - SILICONE TUBE

SEALANTS & FASTENERS GROUP (CONTINUED)

BOLTS, NUTS & WASHERS

KEY	PART NUMBER	U/M	DESCRIPTION
	000C12-04-24B	EA	BOLT - HEX - 1/4 - 20 X 1 1/2 - ZINC 5
	000C12-05-12B	EA	BOLT - HEX - 5/16 - 18 X 3/4 - ZINC 5
	000C12-05-16B	EA	BOLT - HEX - 5/16 - 18 X 1 - ZINC 5
	000C12-05-40B	EA	BOLT - HEX - 5/16 - 18 X 2.5 - ZINC 5
	000C12-06-16B	EA	BOLT - HEX - 3/8 - 16 X 1 LG - ZINC 5
	000C12-06-20B	EA	BOLT - HEX - 3/8 - 16 X 1 1/4 - ZINC 5
	000C12-06-32B	EA	BOLT - HEX - 3/8 - 16 X 2LG - ZINC 5
	000C12-06-44B	EA	BOLT - HEX - 3/8 - 16 X 2 3/4 - ZINC 5
	000C12-07-20B	EA	BOLT - HEX - 7/16 - 14 X 1 1/4 - ZINC 5
	000C12-08-16B	EA	BOLT - HEX - 1/2-13 X 1.00 - GD5 - ZINC
	000C12-08-24B	EA	BOLT - HEX - 1/2-13 X 1.50 - ZINC 5
	000C12-08-28B	EA	BOLT - HEX - 1/2-13 X 1 3/4 - ZINC 5
	000C12-10-24B	EA	BOLT - HEX - 5/8-11 X 1.50 - ZINC 5
	000C13-07-48B	EA	BOLT - HEX - 7/16-20 X 3 - ZINC 5
	000C14-06-32B	EA	BOLT - HEX - 3/8-16 X 2.00 - GRADE 8 - ZINC
	000C26-04-10B	EA	BOLT - HEX - SERRATED FLANGE - 1/4-20 X 5/8 - ZINC
	000C26-04-14B	EA	BOLT - HEX - SERRATED FLANGE - 1/4-20 X 7/8 - ZINC
	000C26-04-18B	EA	BOLT - HEX - SERRATED FLANGE - 1/4-20 X 1 1/8 - ZINC
	000C26-05-12B	EA	BOLT - HEX - SERRATED FLANGE - 5/16-18 X 3/4 - ZINC
	000C26-05-20B	EA	BOLT - HEX - SERRATED FLANGE - 5/16-18 X 1 1/4 - ZINC
	000C26-05-16B	EA	BOLT - HEX - SERRATED FLANGE - 5/16-18 X 3/4 - ZINC
	000C26-06-16B	EA	BOLT - HEX - SERRATED FLANGE - 3/8-16 X 1 - ZINC
	000C26-06-12B	EA	BOLT - HEX - SERRATED FLANGE - 3/8-16 X 3/4 - ZINC
	000C26-06-28B	EA	BOLT - HEX - SERRATED FLANGE - 3/8-16 X 1 3/4 - ZINC
	000C26-06-40B	EA	BOLT - HEX - SERRATED FLANGE - 3/8-16 X 1 3/4 - ZINC
	000C26-08-24B	EA	BOLT - HEX - SERRATED FLANGE - 1/2-13 X 1.5 ZINC
	000D24-10-00B	EA	NUT - HEX - SELF LOCKING - 10-32 ZINC
	000D29-05-00B	EA	NUT - 5/16 - 18 UNC - SF/LOCKING - NYLON WASHER INSERT
	000D34-04-00B	EA	NUT - HEX - LOCKING - 1/4-20 ZINC
	000D34-06-00B	EA	NUT - HEX - LOCKING - 3/8 - 16 GRADE C - ZINC-PREVAILING T
	000D39-04-00B	EA	NUT - HEX - SERRATED FLANGE - LOCKING - 1/4 - 20 - ZINC
	000D39-05-00B	EA	NUT - HEX - SERRATED FLANGE - LOCKING - 5/16 - 18 - ZINC
	000D39-06-00B	EA	NUT - HEX - SERRATED FLANGE - LOCKING - 3/8 - 18 - ZINC
	000D39-07-00B	EA	NUT - HEX - SERRATED FLANGE - LOCKING - 7/16 - 14 - ZINC
	000D39-08-00B	EA	NUT - HEX - SERRATED FLANGE - LOCKING - 1/2 - 13 - ZINC
	000D44-07-00B	EA	NUT - HEX - SERRATED FLANGE - LOCKING - 7/16-20 - ZINC
	000D46-04-00A	EA	NUT - HEX - WELD - 1/4 - 20 - PLAIN
	000D65-08-00B	EA	NUT - HEX/SERRATED FLANGE - 8-32 ZINC
	000D73-07-00C	EA	NUT - HEX FLANGE - 7/16 - 14 - GRADE G
	000D73-08-00C	EA	NUT - HEX FLANGE - 1/2-13
	000D76-06-00B	EA	NUT - HEX FLANGE - 3/8-16
	000E11-05-00B	EA	WASHER-LK - 5/16" MED - SPLIT - ZN
	000E11-07-00B	EA	WASHER - LOCKING - 7/16 MED SPLIT - ZINC
	000E11-08-00B	EA	WASHER - LOCKING - 1/2 MED SPLIT - ZINC
	000E13-14-00B	EA	WASHER - FLAT - 1/4 WIDE - ZINC
	000E13-17-00B	EA	WASHER - FLAT - 3/8" AR - ZINC
	000E13-18-00B	EA	WASHER - FLAT - 3/8 WIDE - ZINC
	000E13-20-00B	EA	WASHER - FLAT - 7/16 WIDE - ZINC
	000E13-21-00B	EA	WASHER - FLAT - W/2 NAR - ZINC
	000E13-22-00B	EA	WASHER - FLAT - 1/2 WIDE - ZINC
	000E13-26-00B	EA	WASHER - FLAT - 5/8 WIDE - ZINC
	000E14-10-00B	EA	WASHER - LOCKING - #10 EXTERNAL TOOTH - ZINC
	000G45-04-24B	EA	BOLT - LAG - 1/4-9 X 1.50 ZINC
	000G45-04-24F	EA	BOLT - LAG - 1/4 #9 X 1 1/2SS
	005081-01-000	EA	NUT - SPEED - C-TYPE - #8 SCREW
	040921-01-000	EA	NUT - SPEED - U TYPE - 10-24 BLACK
	040921-03-000	EA	NUT - SPEED - U TYPE - #10
	040921-04-000	EA	NUT - SPEED - U-TYPE #8 - .59" LENGTH X .44" WIDTH
	040921-05-000	EA	NUT - SPEED - U-TYPE #8 - .67" X .44" WIDE
	040921-09-000	EA	NUT - SPEED - U TYPE - # 8
	044364-02-000	EA	NUT - SPEED - FLAT - ROUND
	051387-05-000	EA	BOLT - CARRIAGE W/O HOLE - 5/16-18 X 9.5 - ZINC

SEALANTS & FASTENERS GROUP (CONTINUED)

BOLTS, NUTS & WASHERS (CONTINUED)

KEY	PART NUMBER	U/M	DESCRIPTION
	051387-06-000	EA	BOLT - CARRIAGE W/O HOLE - 5/16-18 X 9.5 - ZINC
	058716-02-000	EA	WASHER - FLAT NYLON
	063253-07-000	EA	NUT - J - #8A - .120 - .130 PNL THK
	077049-01-000	EA	NUT-ACORN - 10 - 32 ALUMINUM
	077049-02-000	EA	NUT - ACORN - 10-32 BLACK/ANODIZED
	077071-01-000	EA	WASHER - FENDER - 3/16"ID X 1"OD
	083163-06-000	EA	PUSHNUT - FLAT TYPE 3/8 STUD - FORD ONLY
	087234-01-000	EA	NUT - JACK - 1/4 X 20 THD - MOLLY
	088787-12-000	EA	STUD - WELD - 1/4 - 20 X 1.0 LG - MN
	091274-03-000	EA	BOLT-J - 3/8-16 X 12.0
	102378-01-02A	EA	WASHER - BLACK
	102540-01-000	EA	SEAL - SCREW - ROUND - RUBBER
	106166-01-000	EA	BOLT/COLLARED HANGER - 8-32 X 1"
	106648-01-000	EA	CAP - STUD - .120 TO .130 DIAMETER
	106956-03-000	EA	BOLT - HEX TAP - 1/2-12NC X 3 - GRADE 5 - FULL THREAD/ZINC
	106956-08-000	EA	BOLT - HEX TAP 1/2-13 NC X 4 GRADE 5
	107397-01-000	EA	WASHER - FENDER - .25" ID X 1" OD
	108067-03-000	EA	STUD - WELD - 1/4 - 20 X 1/2 CD
	110794-01-000	EA	WASHER - FLAT - 1" ID X 1 3/4' OD
	120506-01-01A	EA	RIVET - PLASTIC - 3/16 DIAMETER

SCREWS

KEY	PART NUMBER	U/M	DESCRIPTION
	0G1108-12-170	EA	SCREW - 8-18 X .75 PPH - BRIGHT WHITE
	0G1208-12-170	EA	SCREW - 8-18 X .75 POH - BRIGHT WHITE
	0G3908-08-170	EA	SCREW - SF/DR - 8-18 X .50 PPH - BRIGHT WHITE
	0G3908-20-170	EA	SCREW - SF/DR - 8-18 X 1.25 PPH - BRIGHT WHITE
	0G3908-24-170	EA	SCREW - SF/DR - 8-18 X 1.50 PPH - BRIGHT WHITE
	0G3910-12-260	EA	SCREW - SF/DR - 10-16 X .75 PPH - ALLANTE ANTELOPE
	0G3910-12-270	EA	SCREW - SF/DR - 10-16 X .75 PPH - TITANIUM
	0G3910-12-170	EA	SCREW - SF/DR - 10-16 X .75 PPH - BRIGHT WHITE
	0G5508-12-170	EA	SCREW - SF/DR - 8-18 X .75 PWH - BRIGHT WHITE
	0G5508-12-270	EA	SCREW - SF/DR - 8-18 X .75 PWH - TITANIUM
	0G5508-12-260	EA	SCREW - SF/DR - 8-18 X .75 PWH - ALLANTE ANTELOPE
	0G5508-16-260	EA	SCREW - SF/DR - 8-18 X 1.00 PWH ZINC - INTERIOR ANTELOPE
	0G5508-16-270	EA	SCREW - SF/DR - 8-18 X 1.00 PWH ZINC - INTERIOR TITANIUM
	0G6710-12-170	EA	SCREW - 10-12X.75 PPH - BRIGHT WHITE
	0G6710-16-230	EA	SCREW - 10-12X1 PPH - DURA-BEIGE
	000C20-06-20T	EA	SCREW - 3/8-16 X 1 1/4,FLAT SOC
	000G11-05-08B	EA	SCREW - 5-20 X .50 PPH - ZINC
	000G11-06-12B	EA	SCREW - 6-20 X 3/4" PPH - ZINC
	000G11-06-10J	EA	SCREW - 6-20 X 5/8 PPH - BRASS
	000G11-06-08B	EA	SCREW - 6-20 X .50 PPH - ZINC
	000G11-06-06B	EA	SCREW - 6-20 X 3/8 PPH - ZINC
	000G11-06-18B	EA	SCREW - 6-20 X 1 1/8 PPH - ZINC
	000G11-06-10B	EA	SCREW - 6-20 X 5/8 PPH - ZINC
	000G11-06-06B	EA	SCREW - 6-20 X 3/8 PPH - ZINC
	000G11-06-18B	EA	SCREW - 6-20 X 1 1/8 PPH - ZINC
	000G11-07-08B	EA	SCREW - 7-19 X .50 PPH - ZINC
	000G11-08-08T	EA	SCREW - 8-18 X 1/5 PPH - FLUORO CARBON COATING
	000G11-08-08B	EA	SCREW - 8-18 X .50 PPH - ZINC
	000G11-08-06B	EA	SCREW - 8-18 X 3/8 PPH - ZINC
	000G11-08-06J	EA	SCREW - 8-18X3/8 PPH BRASS
	000G11-08-20B	EA	SCREW - 8-18 X 1.25 PPH - ZINC
	000G11-08-16S	EA	SCREW - 8-18 X 1 PPH - OFF WHITE
	000G11-08-12T	EA	SCREW - 8-18 X .75 PPH - BLACK
	000G11-08-12P	EA	SCREW - 8-18 X .75 PPH - DARK BROWN
	000G11-08-12D	EA	SCREW - 8-18 X .75 PPH - BLACK
	000G11-08-12B	EA	SCREW - 8-18 X .75 PPH - ZINC
	000G11-08-10B	EA	SCREW - 8-18 X .50 PPH - ZINC

SEALANTS & FASTENERS GROUP (CONTINUED)

SCREWS (CONTINUED)

KEY	PART NUMBER	U/M	DESCRIPTION
	000G11-08-12R	EA	SCREW - 8-18 X 3/4 PPH - BEIGE
	000G11-08-12S	EA	SCREW - 8-18 X 3/4 PPH - OFF WHITE
	000G11-10-16B	EA	SCREW - 10-16 X 1 PPH - ZINC
	000G11-10-12S	EA	SCREW - 10-16 X .75 PPH - OFF WHITE
	000G11-10-12D	EA	SCREW - 10-16 X .75 PPH - BLACK
	000G11-10-40B	EA	SCREW - 10-16 X 2 1/2 PPH CAD
	000G12-06-08T	EA	SCREW - 6-20 X 1/2 POH - BLACK
	000G12-06-14A	EA	SCREW - 6-20 X .87 POH PLAIN
	000G12-06-20B	EA	SCREW - 6-20 X 1.25 POH ZINC
	000G13-05-16S	EA	SCREW - 5-20 X 1 PFH - OFF WHITE
	000G13-06-06B	EA	SCREW - 6-20 X 3/8 PFH ZINC
	000G13-06-16E	EA	SCREW - 6-20 X 1.00 PFH CHROME
	000G13-06-24J	EA	SCREW - 6-20 X 1.50 PFH - BRASS
	000G13-06-16J	EA	SCREW - 6-20 X 1 PFH - BRASS
	000G13-06-10G	EA	SCREW - 6-20 X 5/8 PFH - ANTIQUE BRASS
	000G13-06-08G	EA	SCREW - 6-20 X .50 PFH - ANTIQUE BRASS
	000G13-06-08B	EA	SCREW - 6-20 X .50 PFH - ZINC
	000G13-07-12B	EA	SCREW - 7-19 X .75 PFH - ZINC
	000G13-07-089	EA	SCREW - 7-19 X 1.2 PPH - SILVER
	000G13-08-10B	EA	SCREW - 8-18 X 5/8 PFH - ZINC
	000G13-08-16B	EA	SCREW - 8-18 X 1 PFH - ZINC
	000G13-08-109	EA	SCREW - 8-18 X 5/8 PFH
	000G16-04-24B	EA	SCREW - MACHINE - 1/4 - 20 X 1-1/2 PPH
	000G18-08-12B	EA	SCREW - MACHINE - 8-32 X 3/4" PPH ZN
	000G18-08-16B	EA	SCREW - MACHINE - 8 X 32 X 1 - PPH ZINC
	000G18-08-22B	EA	SCREW - MACHINE - 8-32 X 1 3/8 PPH - ZINC
	000G19-10-10B	EA	SCREW - MACHINE - 10-32 X 5/8 - PPH - ZINC
	000G19-10-24B	EA	SCREW - MACHINE - 10-32 X 1.5 PPH ZINK
	000G19-10-20B	EA	SCREW - MACHINE - 10-32 X 1.25 PPH - ZINC
	000G19-10-12F	EA	SCREW - MACHINE - 10-32 X .75 - PPH - STAINLESS STEEL
	000G19-10-08B	EA	SCREW - MACHINE - 10-32 X .50 - PPH - ZINC
	000G32-10-06B	EA	SCREW - 10-32 X 3/8" - PPH - ZINC
	000G32-10-06D	EA	SCREW - 10 - 32 X 3/8 PPH TYPE1 BLACK
	000G34-05-12B	EA	SCREW - HEX HEAD TAPPING - 5/16 X 3/4 LONG
	000G37-08-12B	EA	SCREW - 8-18 X 3/4 PPH
	000G38-04-16D	EA	SCREW - MACHINE - 1/4-20 X 1 PFN - BLACK
	000G39-06-10T	EA	SCREW - SF/DR - 6-20 X 5/8 PPH - BLACK
	000G39-06-08B	EA	SCREW - SF/DR - 6-18 X .50 - ZINC
	000G39-06-16T	EA	SCREW - SF/DR - 6-20 X 1 PPH - BLACK
	000G39-08-06B	EA	SCREW - SF/DR - 8-18 X 3/8 PPH - ZINC
	000G39-08-24B	EA	SCREW - SF/DR - 8-18 X 1 1/2 PPH - ZINC
	000G39-08-16T	EA	SCREW - SF/DR - 6-20 X 1 PPH - BLACK
	000G39-08-16R	EA	SCREW - SF/DR - 8-18 X 1 PPH - BEIGE
	000G39-08-16B	EA	SCREW - SF/DR - 8-18 X 1 PPH - ZINC
	000G39-08-12T	EA	SCREW - SF/DR - 8-18 X .75 PPH - BLACK
	000G39-08-12B	EA	SCREW - SF/DR - 8-18 X .75 PPH - ZINC
	000G39-08-08T	EA	SCREW - SF/DR - 8-18 X 1/2 PPH - BLACK
	000G39-08-08S	EA	SCREW - SF/DR - 8-18 X .50 PPH - OFF WHITE
	000G39-08-08B	EA	SCREW - SF/DR - 8-18 X 1.50 PPH - ZINC
	000G39-08-08R	EA	SCREW - SF/DR - 8-18 X 1/2 PPH - BEIGE
	000G39-08-083	EA	SCREW - SF/DR - 8-18 X 1/2 PAH - BUFF
	000G39-08-16S	EA	SCREW - SF/DR - 8-18 X 1 PPH OFF WHITE
	000G39-08-24S	EA	SCREW - SF/DR - 8-18 X 1.50 PPH OFF WHITE
	000G39-08-24T	EA	SCREW - SF/DR - 8-18 X 1.50 PPH
	000G39-08-32B	EA	SCREW - SF/DR - 8-18 X 2 PPH - ZINC
	000G39-10-12B	EA	SCREW - SF/DR - 10-16 X .75 PPH - ZINC
	000G39-10-10B	EA	SCREW - SF/DR - 10-16 X .625 - ZINC
	000G39-10-08B	EA	SCREW - SF/DR - 10-16 X .50 PPH - ZINC
	000G39-10-209	EA	SCREW - SF/DR - 10-16 X 1 1/4 PPH - FLUOROCARBON SILVER
	000G39-10-20B	EA	SCREW - SF/DR - 10-16 X 1.25 PPH - ZINC
	000G39-10-129	EA	SCREW - SF/DR - 10-16 X .75 PPH - FLUOROCARBON SILVER
	000G39-10-12D	EA	SCREW - SF/DR - 10-16 X .75 PPH - BLACK

SEALANTS & FASTENERS GROUP (CONTINUED)

SCREWS (CONTINUED)

KEY	PART NUMBER	U/M	DESCRIPTION
	000G39-10-088	EA	SCREW - SF/DR - 10-16 X .50 P&H - DRILL-FLEX F'CARBON
	000G39-10-32B	EA	SCREW - SF/DR - 10- 6 X 2.00 PPH - ZINC
	000G39-10-40D	EA	SCREW - SF/DR - 10-16X2.50 PPH
	000G39-10-48B	EA	SCREW - SF/DR - 10-16 X 3.00 PPH - ZINC
	000G39-10-48T	EA	SCREW - SF/DR - 10-16X3.00 PPH - BLACK-FLUROCARBON
	000G42-04-16B	EA	SCREW - SF/DR - 1/4-14 X 1 HWH - ZINC
	000G42-04-12B	EA	SCREW - SF/DR - 1/4-14 X .75 HWH - ZINC
	000G46-08-24T	EA	SCREW - MACHINE - 8-32 X 1.50 PFH - BLACK
	000G50-04-12B	EA	SCREW - MACHINE - 1/4-20 X .75 PPH - ZINC
	000G50-04-08B	EA	SCREW - MACHINE - 1/4-20 X 1/2 PTH
	000G51-08-08B	EA	SCREW - 8-18 X 1/2 PTH - ZINC
	000G52-08-06B	EA	SCREW - MACHINE - 8-32 X 3/8 PTH ZINC
	000G52-08-18B	EA	SCREW - MACHINE - 8-32 X 11/8 PTH ZN
	000G53-04-06B	EA	SCREW - MACHINE - 1/4-20 X 3/8 PPH ZINC - UNDERCUT HEAD
	000G54-04-20B	EA	SCREW - 1/4-20 X 1.25 PTH - TYPE 23 - ZINC PLATED
	000G55-08-12S	EA	SCREW - SF/DR - 8-18 X .75 PWH - OFF WHITE
	000G55-08-12M	EA	SCREW - SF/DR - 8-18 X .75 PWH - GRAY
	000G55-08-162	EA	SCREW - SF/DR - 8-18 X 1.00 - BEIGE
	000G56-10-24J	EA	SCREW - WOOD - 10-13X1.5 POH - BRIGHT BRASS
	000G56-12-48B	EA	SCREW - WOOD - 12 - 11 X 3 POH - SPECIAL HARDENED
	000G57-05-16J	EA	SCREW - 5-20 X 1 PFH - BRASS
	000G57-10-16B	EA	SCREW - 10-13X1 PFH BLACK
	000G60-08-163	EA	SCREW - SF/DR - 8-18 X 1.00 POH - BUFF
	000G60-10-16J	EA	SCREW - SF/DR - 10-16 X 1 POH - BRIGHT BRASS
	000G60-10-20I	EA	SCREW - SF/DR - 10-16 X 1.25 POH - BLACK
	000G60-10-20B	EA	SCREW - SF/DR - 10-16 X 1.25 POH - ZINC
	000G67-08-32B	EA	SCREW - 8-15 X 2 PPH - ZINC
	000G67-10-08B	EA	SCREW - 10-12 X .50 PPH - ZINC
	000G67-10-10B	EA	SCREW - 10-12 X 5/8 PPH - ZINC - TYPE A
	000G67-10-36T	EA	SCREW - 10-12 X 2.25 - PPH - BLACK
	000G67-10-24B	EA	SCREW - 10-12 X 1.25 PPH - ZINC
	000G67-10-20D	EA	SCREW - 10-12 X 1.25 PPH - BLACK
	000G67-10-16B	EA	SCREW - 10-12 X 1 PPH - ZINC
	000G67-10-120	EA	SCREW - 10-12 X .75 PPH - TAN
	000G67-10-12P	EA	SCREW - 10-12 X .75 - PPH - DARK BROWN
	000G67-10-12B	EA	SCREW - 10-12 X .75 PPH - ZINC
	000G67-10-10D	EA	SCREW - 10-12 X 5/8 PPH - BLACK - TYPE A
	000G67-10-08R	EA	SCREW - 10-12 X 1/2 PPH - BEIGE - TYPE A
	000G67-10-10P	EA	SCREW - 10-12X.62 PPH - DARK BROWN
	000G67-10-10R	EA	SCREW - 10-12 X 5/8 PPH - TYPE A - BEIGE
	000G67-10-10S	EA	SCREW - 10-12 X 5/8 PPH - OFF WHITE
	000G67-10-12D	EA	SCREW - 10-12 X 3/4" PPH - BLACK
	000G67-10-16P	EA	SCREW - 10-12 X 1 PPH - DARK BROWN
	000G67-10-32B	EA	SCREW - 10-12 X 2 PPH - ZINC
	000G67-10-20D	EA	SCREW - 10-12 X 1 1/4 PPH - ZINC
	000G67-10-48B	EA	SCREW - 10-12 X 3 PPH ZINC
	000G67-10-489	EA	SCREW - 10-12 X 3 PPH SILVER
	000G68-06-10G	EA	SCREW - 6-18 X 5/8 POH - ANTIQUE BRASS
	000G68-10-20I	EA	SCREW - 10-12 X 1 1/4 POH - BLACK
	000G68-06-12S	EA	SCREW - 6-18X.75 POH
	049465-01-000	EA	SCREW - 10-16 W/WASHER PTH - DARK BROWN
	049465-04-000	EA	SCREW - 10-16 W/WASHER PTH - BEIGE
	049465-17-000	EA	SCREW - 10-16 X 1 POH W/WASHER
	049465-22-000	EA	SCREW - 10-16 X 1 1/2POH W/WASHER - SABLE
	054434-02-000	EA	SCREW - SF/DR-10-16X2 ZN
	054434-03-000	EA	SCREW - SF/DR-10-16X2 PWH ZN
	057671-01-000	EA	COVER - SCREW - #8 - PLASTIC - OFF WHITE
	057671-03-000	EA	COVER - SCREW - #8 - PLASTIC - WILLOW
	057671-15-000	EA	COVER - SCREW
	075908-01-000	EA	SCREW - MACHINE - 10-32 X .56 PTH - EXTERNAL TOOTH - ZINC
	076790-01-000	EA	SCREW - 6-20 X 1 1/4 PPH - BLACK
	076790-05-000	EA	SCREW - 6-20 X 1/2 PPH BLACK - THREADCUTTING - WOOD

SEALANTS & FASTENERS GROUP (CONTINUED)

SCREWS (CONTINUED)

KEY	PART NUMBER	U/M	DESCRIPTION
	083554-01-000	EA	SCREW - DRYWALL - 8 X 1.25
	086256-01-000	EA	SCREW - SF/DR - 8 X 3/4 HWH LONG
	087721-01-000	EA	SCREW - FLAT HEAD - TAPPING - 1/4" X 1 1/4" LG ZINC
	091230-03-000	EA	SCREW - MACHINE - 8-32 X 3/4 POH SS - BUFF
	101289-01-01A	EA	SCREW - MACHINE - 8-32 X 4 - POH - BRASS - FOR EXTENDED KNOB
	101289-02-01A	EA	SCREW - MACHINE - 8-32 X 4.5 - POH - BRASS - FOR EXTENDED KNOB
	101618-01-000	EA	SCREW - 1/4-20 X 3/4 HEX - TAPPING - STALGARD TYPE F
	109152-01-000	EA	SCREW - 3/8-16 X 1 1/4 - FLAT SOC - DORRLEMATE COATED
	110460-03-01A	EA	SCREW - MACHINE - 10-24 X 3 3/4 PFH - ALMOND
	115430-01-01B	EA	SCREW - 18X1/2 POH W/WASHER
	116111-01-01A	EA	SCREW - TAPTITE - 1/4-20 X 1/2 PPH - ZINC
	116111-02-01A	EA	SCREW - TAPTITE - 1/4-20 X 3/8 PPH - ZINC
	117322-01-000	EA	SCREW - 1/4-28 UNF-2A - TORX - U.T. 6270020 SC25WJ

CLAMPS, CLIPS & GROMMETS

KEY	PART NUMBER	U/M	DESCRIPTION
	000F10-04-16B	EA	PIN - COTTER - 1/8" X 1" - ZINC
	000F10-06-32B	EA	PIN - COTTER - 3/16" X 2" - ZINC
	000H14-04-04A	EA	RIVET - MANDREL BLIND - 1/8 X .400
	000H14-06-14R	EA	RIVET-MANDREL BLIND - 3/16"
	000H16-04-06R	EA	RIVET - POP ALUMINUM - 1/8" X .313 - .375
	000H16-06-10R	EA	RIVET - POP ALUMINUM - 3/16 X .501-.625
	007161-01-000	EA	CLAMP - HOSE - SPRING TYPE - 1/2"
	008380-01-000	EA	GROMMET-RUBBER - 5/8" HOLE X 1 1/2" DIAMETER - BLACK
	008386-01-000	EA	GROMMET-SNAP - 3/8"
	010495-01-000	EA	CLAMP - CABLE - 9/16"
	010495-02-000	EA	CLAMP - CABLE - 3/8
	010497-01-000	EA	CLAMP - CLOSED - 5/8" ID
	010497-03-000	EA	CLAMP - CLOSED - 1" ID - CUSHIONED
	010497-04-000	EA	CLAMP - CLOSED - 1.62" ID
	010497-05-000	EA	CLAMP - CLOSED - 1/2 ID
	010497-07-000	EA	CLAMP - CLOSED - 3/8" ID
	010497-08-000	EA	CLAMP - CLOSED - .125" ID
	010499-01-000	EA	CLAMP - CLOSED - 3/8" ID
	016188-03-000	EA	GROMMET - L/P LINE - 3/8" HOLE X 2 1/2" LONG - RUBBER
	016188-05-000	EA	GROMMET - L/P LINE - 3/8" HOLE X 1 1/4" LONG - RUBBER
	023146-01-000	EA	CLAMP - SCREW TYPE - 4"
	023942-01-000	EA	GROMMET - RUBBER - 2" OD
	062401-01-000	EA	CLAMP - HOSE - WORMGEAR - .25" - 1"
	062401-02-000	EA	CLAMP - HOSE - WORMGEAR - 1.56" - 2.5"
	062401-03-000	EA	CLAMP - HOSE - WORMGEAR - .22" - 1"
	062401-04-000	EA	CLAMP - HOSE - WORMGEAR - .69" - 1.25"
	062401-05-000	EA	CLAMP - HOSE - WORMGEAR 2"- 3"
	062401-06-000	EA	CLAMP - HOSE - WORMGEAR - .22" - .62" ID
	062401-11-000	EA	CLAMP - HOSE - WORMGEAR - 3.50" - 4.50"
	071015-11-000	EA	GROMMET - 1.00 ID - FITS .12 MATERIAL
	071015-13-000	EA	GROMMET - RUBBER - .62" ID X 1" OD W/.09" GROOVE - BLACK
	071015-19-000	EA	GROMMET - .38 ID - FITS .06 MATERIAL
	071015-21-000	EA	GROMMET - RUBBER - .5" ID X 1.06" OD W/.19" GROOVE - BLACK
	071015-26-000	EA	GROMMET - RUBBER - 1.5" ID X 2.12" OD W/.06" GROOVE - BLACK
	071015-29-000	EA	GROMMET - RUBBER - 1/4 ID X 1 1/4 OD W .12 GROOVE - BLK
	071015-30-000	EA	GROMMET - RUBBER - .31" ID X .81" OD W/.12" GROOVE - BLACK
	071015-39-000	EA	GROMMET - .75 ID FITS .06 MTL
	075148-02-000	EA	CLAMP - GROUNDING - BRONZE SCREWS
	077953-01-000	EA	GROMMET - EDGE LINER - FITS 1"
	077955-01-000	EA	CLIP - J - VINYL COATED - 3/8" - USED TO SUPPORT WIRING TO LIGHTS
	080211-03-000	EA	CLIP - MOUNTING - XMAS TREE - DECORATIVE WALL PADS
	080734-02-000	EA	CLIP - WIRE - NYLON
	083609-01-000	EA	CLAMP - WIRE - DUAL - EQUAL DIAMETERS - 5/8"
	083610-01-000	EA	CLAMP - WIRE - DUAL - UNEQUAL DIAMETERS - 3/4" & 1 1/4"

SEALANTS & FASTENERS GROUP (CONTINUED)

CLAMPS, CLIPS & GROMMETS (CONTINUED)

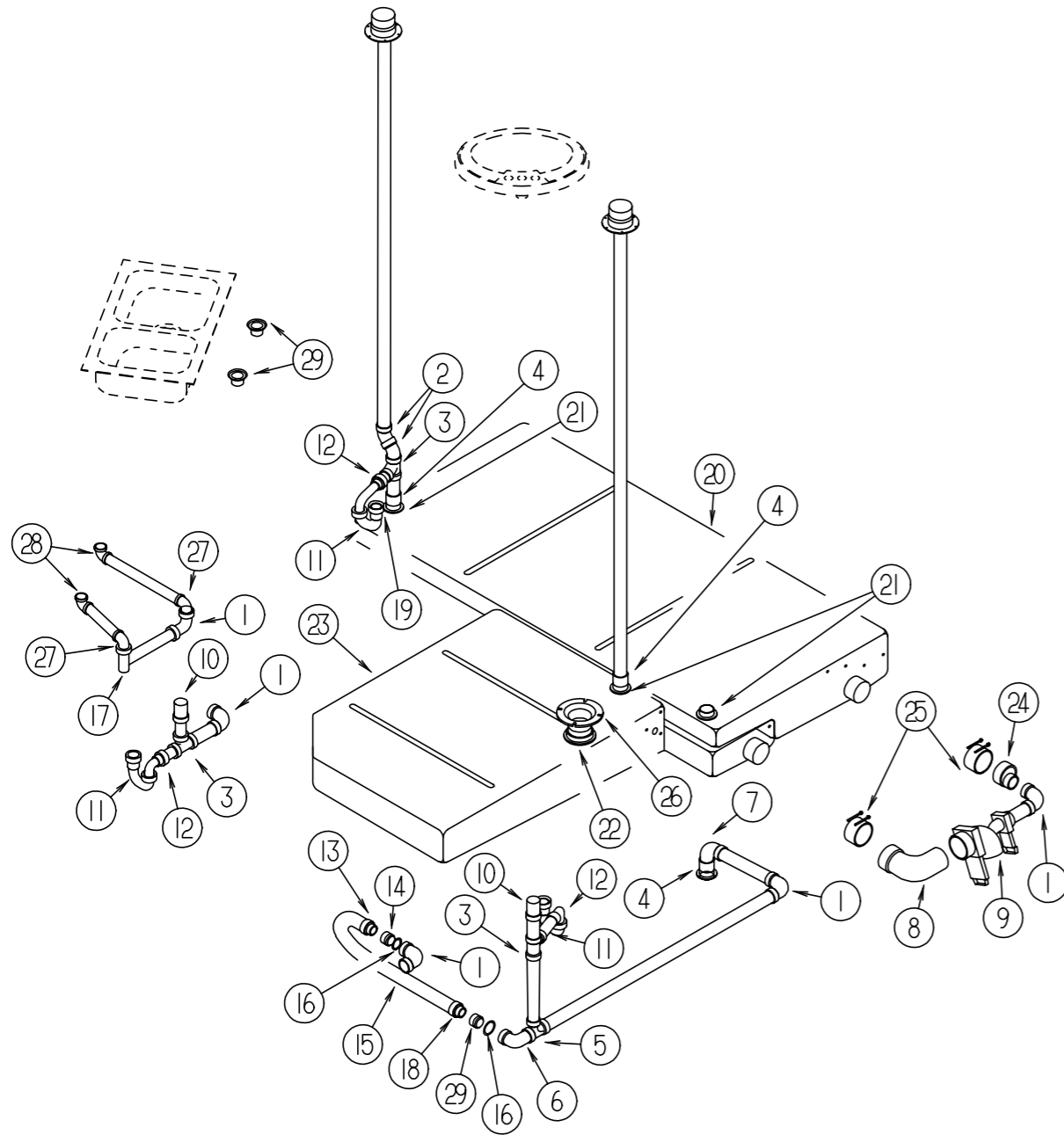
KEY	PART NUMBER	U/M	DESCRIPTION
	083610-02-000	EA	CLAMP - WIRE - DUAL UNEQUAL DIA
	083610-03-000	EA	CLAMP - DUAL WIRE
	088756-01-000	EA	GROMMET - WEB - 1 1/8 I.D.
	091952-01-000	EA	CLIP - GRIPPER - 1"
	091952-02-000	EA	CLIP - GRIPPER - 3/4"
	094362-02-000	EA	CLIP - CHRISTMAS TREE - FLAT HEAD - .5" X .95"
	101447-01-000	EA	CLIP - U TYPE
	106648-01-000	EA	CAP - STUD .120 TO.130 STUD DIA - T'MN C30017-014-27
	114208-01-000	EA	GROMMET - EDGE LINER - FITS 1.75 - HEYCO 2300
	114208-02-000	EA	GROMMET - EDGE LINER - FITS .625
	114208-05-000	EA	GROMMET - EDGE LINER - FITS 2"
	125083-01-01A	EA	CLAMP - T BOLT
	129962-01-01A	EA	CLIP - U-TYPE - BLACK

MISCELLANEOUS FASTENERS

KEY	PART NUMBER	U/M	DESCRIPTION
	008343-01-000	EA	TIE - WIRE - 6"
	008343-02-000	EA	TIE - WIRE - 14"
	008343-03-000	EA	TIE - WIRE - 7 1/5" - BLACK
	029094-04-000	YD	VELCRO TAPE - LOOP - 1" WIDE - BLACK
	029094-06-000	YD	VELCRO TAPE - LOOP - 2" WIDE - BLACK
	029096-03-000	YD	VELCRO TAPE - HOOK - 1" WIDE - BLACK
	029096-04-000	YD	TAPE - HOOK - VELCRO - 1" WIDE - BLACK
	061420-11-000	EA	PLUG - PLASTIC - .50" DIAMETER
	081211-03-000	EA	PLUG - PLASTIC - .50 DIAMETER - BLACK
	081211-04-000	EA	PLUG - PLASTIC - .46" DIAMETER - BLACK
	085774-01-000	FT	FASTENER - DUAL HOOK - 1" WIDE - ADHESIVE BACK - BLACK
	085774-02-000	FT	FASTENER - DUAL LOOP - 1" WIDE - ADHESIVE BACK - BLACK
	085774-03-000	FT	FASTENER - DUAL LOOP - 1/2" WIDE
	086285-01-000	EA	SPACER - NYLON - .5" OD X .257" ID
	088792-02-000	YD	VELCRO TAPE - LOOP - .75" - ADHESIVE BACKED - BEIGE
	088792-05-000	YD	VELCRO TAPE - LOOP - 5/8" - NON-ADGESUVE BACJED - WHITE
	108046-01-000	EA	CABLE TIE - SCREW MOUNT 8"
	110943-02-000	FT	FELTSTRIP - 3/8" - ADHESIVE BACK - WHITE
	115361-01-01A	EA	PLUG - PLASTIC

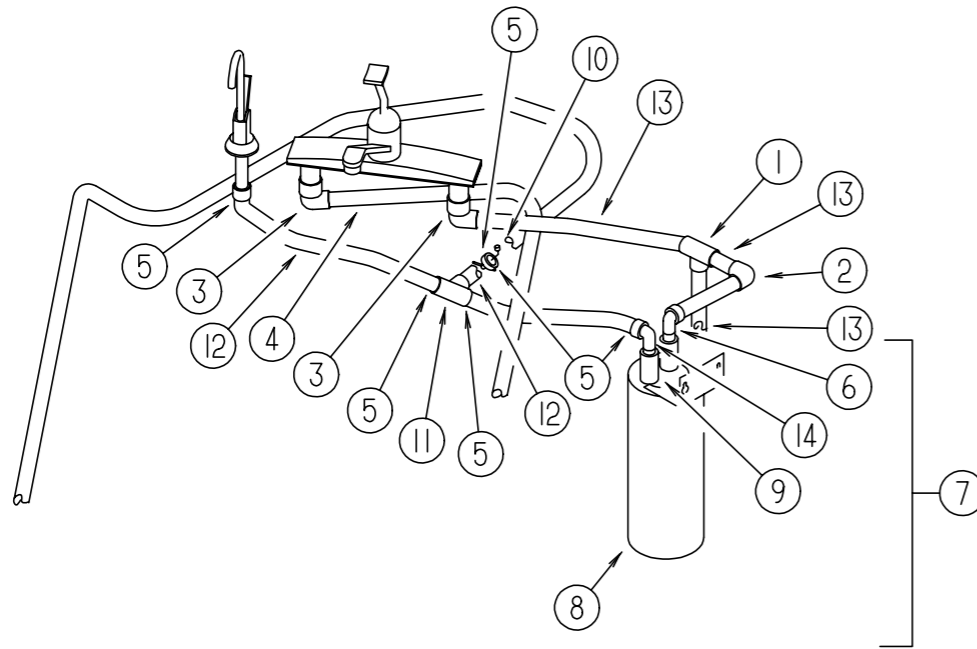
WATER & SEWAGE GROUP

DRAINAGE SYSTEM



KEY	PART NUMBER	U/M	DESCRIPTION
1	010008-01-000	EA	ELBOW - 90 DEGREE - 1 1/2" HUB X HUB - PLASTIC
2	010051-01-000	EA	ELBOW - 45 DEGREE - 1 1/2" SPIGOT & HUB - PLASTIC
3	010071-01-000	EA	TEE - SANITARY - 1 1/2 HUB X HUB X HUB - PLASTIC
4	010115-01-000	EA	COUPLING - 1 1/2" HUB X HUB - PLASTIC
5	031365-02-000	EA	TEE - PLASTIC - 1 1/2" EXT LG TURN
6	033761-01-000	EA	ELBOW - TURN - 90 DEGREE 1 1/2" HUB X 1 1/2" SPIGOT
7	034250-01-000	EA	ELBOW - 90 DEGREE - LONG TURN - 1 1/2" HUB X HUB - ABS
8	041956-01-000	EA	ELBOW - STREET - 1/4" BARB X 90 DEGREE X 3 XLT
9	070916-01-000	EA	VALVE - DUAL DUMP - W/CAP - 3" X 1 1/2"
9	070916-01-700	EA	VALVE ONLY (WASTE) 3" T1003BU
9	070916-01-701	EA	VALVE ONLY (WASTE) 1 1/2" T1001BU
10	079968-01-000	EA	VENT - MECHANICAL/TRAP ARM - ANTI-SIPHON-2" X 7.3" PLASTIC
11	107538-01-000	EA	P TRAP - PLASTIC - 1 1/4" W/EXTENSION ARM
11	011071-01-000	EA	P TRAP - PLASTIC - 1 1/2" (CSA)
12	109571-01-000	EA	ADAPTER - P TRAP - 1 1/2"P X 1 1/4"MPT
13	126424-01-000	EA	ADAPTER - 1 1/2" MPT X 1 1/2" HUB
14	126425-01-000	EA	ADAPTER - SWIVEL - 1 1/2 FPT X 1 1/2" HUB
14	126425-02-000	EA	ADAPTER - SWIVEL - 1 1/2 FPT X SPIGOT
			FROM: 00-00-00 THRU: 12-14-97
			FROM: 12-15-97 THRU: 99-99-99
15	126426-01-000	FT	PIPE - 1 1/2" FLEXABLE
	126427-01-000	EA	ADHESIVE - ALL PURPOSE - ABS/PVC
	126427-02-000	EA	PRIMER - CLEANER - FLEX PIPING
16	127440-02-01A	EA	WASHER - RUBBER - 1.8" X .1"
17	011091-02-000	EA	WASTE - CONTINUOUS - DOUBLE SINK
17	011091-03-000	EA	WASTE - CONTINUOUS - DOUBLE SINK - CSA
18	130685-01-000	EA	ADAPTER - SWIVEL - 1 1/2 ACME X SOC
19	066436-01-000	EA	NUT - SLIP - TAILPIECE 1.5"
19	127440-02-01A	EA	WASHER - RUBBER - 1.8" X .1"
19	130403-01-000	EA	NUT - SLIP - W/WINGS 1 1/2"
19	120981-01-01A	EA	DRAIN - BATH/SHOWER W/SPRING LOADED PLUNGER - BRASS
20	125948-01-000	EA	TANK - HOLDING - W/O FITTINGS
21	061607-01-000	EA	GROMMET - HOLDING TANK - 1 1/2" NPS
22	061607-02-000	EA	GROMMET - HOLDING TANK - 3" NPS
23	125947-01-000	EA	TANK - HOLDING - W/O FITTINGS
	010201-01-000	EA	HOSE - SEWER - 3" ID X 8'
	062416-01-000	EA	ADAPTER - SEWER HOSE TO 3" PIPE
24	062422-01-000	EA	ADAPTER - OFFSET REDUCER - 3" X 1 1/2" - PLASTIC
25	078406-01-000	EA	COUPLER - RUBBER - W/CLAMPS - 3" X 3"
26	116644-01-000	EA	FLANGE - CLOSET - 4" X 3"
27	125569-01-000	EA	ELBOW - 1 1/2" X 90 DEGREE - DOUBLE SLIP
28	126588-02-000	EA	ARM - WASTE - 1 1/2 X 20 - FEMALE
	094756-02-01A	EA	BRACKET - L - 6.1" LONG X 3.9" WIDE - STEEL
29	130685-02-000	EA	ADAPTER - SWIVEL - 1 1/2 ACME X SOC

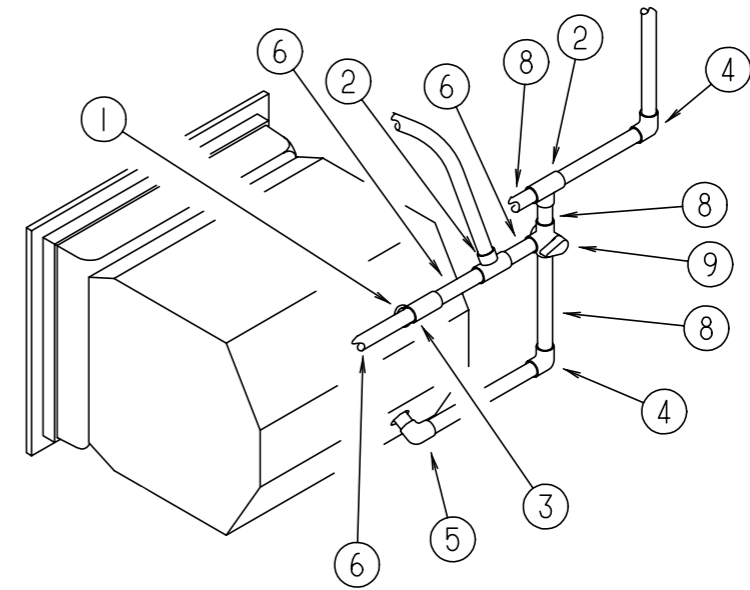
WATER & SEWAGE GROUP (CONTINUED)



WATER PURIFICATION

KEY	PART NUMBER	U/M	DESCRIPTION	VENDOR NO.
1	114428-01-000	EA	TEE - 1/2"P X 1/2"P X 1/2"P	
2	114429-01-000	EA	ELBOW - 1/2"P X 1/2"P	
3	114429-03-000	EA	ELBOW - FLAIR-IT SWIVEL - 1/2"P X 1/2"FPT	
	124184-01-000	EA	SUPPORT - WATER LINE - BEND	
4	124188-02-000	FT	TUBING - PEX 1/2" ID X 20' RED	
5	111888-01-000	EA	FERRULE - PLASTIC - .250 ID X .375 OD	
5	111888-02-000	EA	INSERT - BRASS - 1/4 COMP	
6	114429-04-000	EA	ELBOW - 1/2"P X 3/8"MPT	
7	701069-01-000	EA	WATER PURIFICATION SYSTEM	
8	701069-03-700	EA	CARTRIDGE RELACEMENT	9592-06
9	103798-01-000	EA	CONNECTOR - 1/4 OD X 3/8 MPT	
10	120868-01-000	EA	VALVE - NEEDLE - 1/4" COMPRESSION X 1/4" COMPRESSION	
11	118423-01-000	EA	FITTING - BRASS-TEE - 1/4C X 1/4C X 1/4C	
12	039800-04-000	FT	TUBING - POLYBUTYL - 1/4"OD	
13	124188-01-000	FT	TUBING - PEX - 1/2" ID X 20' BLUE	
14	065318-02-000	EA	ELBOW - 90 DEGREE - 3/8" MPT TO 3/8" FPT	

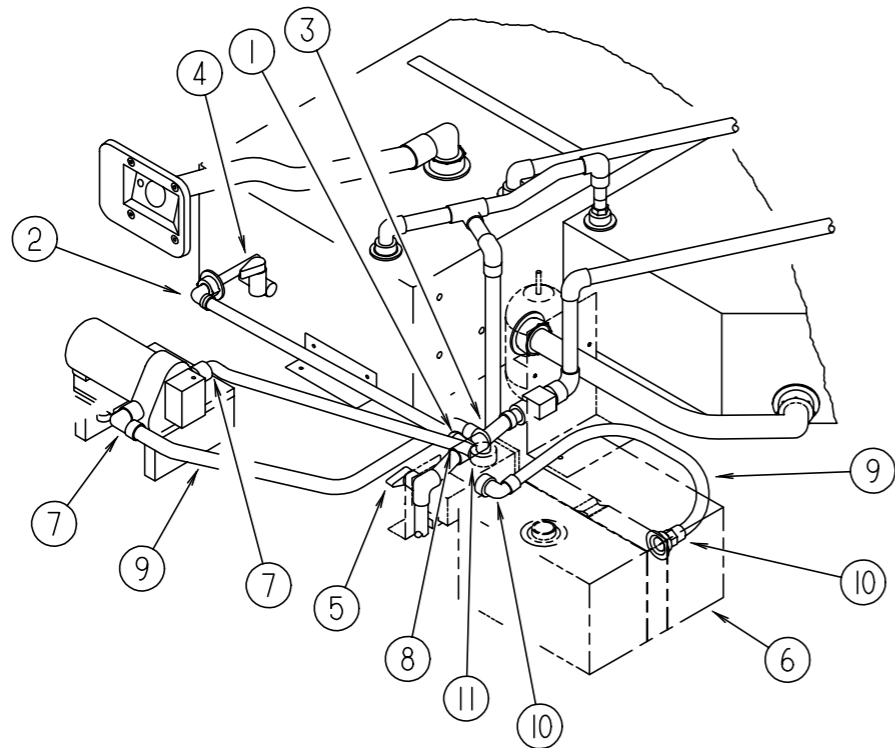
WATER & SEWAGE GROUP (CONTINUED)



WATER HEATER BY-PASS VALVE

KEY	PART NUMBER	U/M	DESCRIPTION
1	110438-02-000	EA	VALVE - CHECK - BRASS - 1/2 MPT X 1/2 MPT
2	114428-01-000	EA	TEE - 1/2"P X 1/2"P X 1/2"P
3	114428-02-000	EA	TEE - SWIVEL - 1/2"P X 1/2"P X 1/2"FPT
4	114429-01-000	EA	ELBOW - 1/2"P X 1/2"P
5	114429-02-000	EA	ELBOW - 1/2"P X 1/2"MPT
6	124188-02-000	FT	TUBING - PEX 1/2" ID X 20' RED
	124184-01-000	EA	SUPPORT - WATER LINE - BEND
	112176-01-000	FT	TUBING - VINYL - REINFORCED - 1/2" ID
8	124188-01-000	FT	TUBING - PEX - 1/2" ID X 20' BLUE
9	114431-02-000	EA	VALVE - WATER BYPASS - 1/2"P - THREE WAY (WATER HEATER)

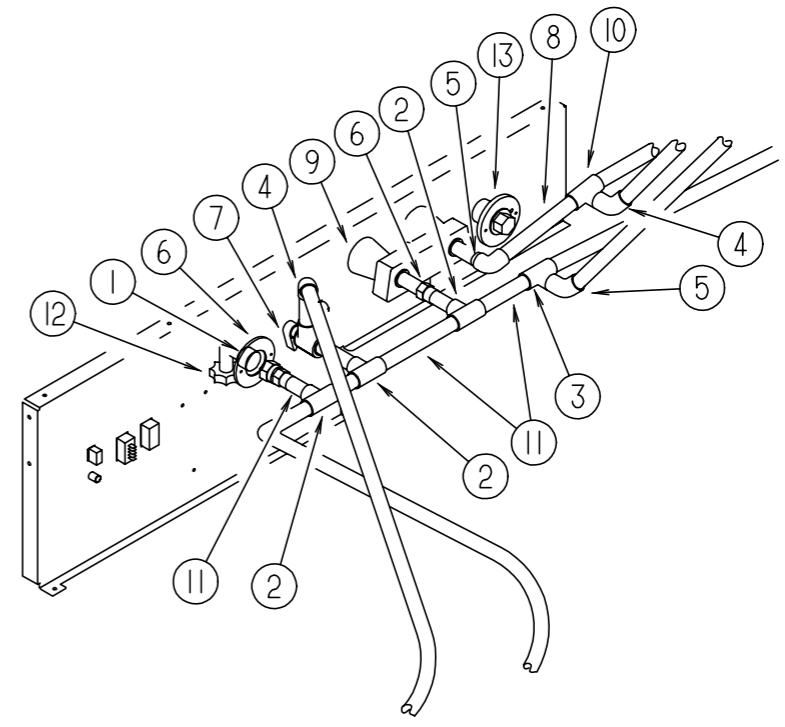
WATER & SEWAGE GROUP (CONTINUED)



WATER HEATER WINTERIZING KIT

KEY	PART NUMBER	U/M	DESCRIPTION
	091208-01-000	EA	WASHER - RUBBER - .06" X .75" X .5"
1	111223-03-000	EA	ELBOW - 3/4" MPT X 1/2" BARB - PLASTIC
	114428-03-000	EA	TEE - 1/2"P X 1/2"P X 1/2"MPT
2	114429-02-000	EA	ELBOW - 1/2"P X 1/2"MPT
3	114430-03-000	EA	ADAPTER - 1/2"P X 1/2"MPT
4	114431-01-000	EA	VALVE - 180 DEGREE/CENTER DRAIN - 1/2P - THREE WAY
5	114431-03-000	EA	VALVE - 90 DEGREE DRAIN - 1/2"P
6	118569-01-000	EA	WINTERIZATION SYSTEM - SWAN RFQ 314-W
6	118569-01-700	EA	VALVE/SOLENOID-ELECT CONTROL
6	118569-01-701	EA	SWITCH - ELECTRIC
6	118569-01-702	EA	PLATE - SWITCH
6	118569-01-703	EA	TANK - 2 GALLON
6	118569-01-704	EA	PLUG - 3/4 MPT
6	118569-01-705	EA	PLUG - 1/2 MPT
6	118569-01-706	EA	SCREEN - WHITE
	118809-02-000	EA	ADAPTER - 1/2" MPT X 1/2" BARB - PLASTIC
7	123150-01-000	EA	ELBOW - 1/2 FPT X 1/2 BARB - SWIVEL
8	123152-01-000	EA	ADAPTER - 1/2 FPT X 1/2 BARB - SWIVEL
9	112176-01-000	FT	TUBING - VINYL - REINFORCED - 1/2" ID
10	111223-04-000	EA	ELBOW - 1/2" MPT X 1/2" BARB - PLASTIC
11	114428-03-000	EA	TEE - 1/2"P X 1/2"P X 1/2"MPT
	099717-09-000	EA	TIEDOWN - STRAP W/BUCKLE

WATER & SEWAGE GROUP (CONTINUED)



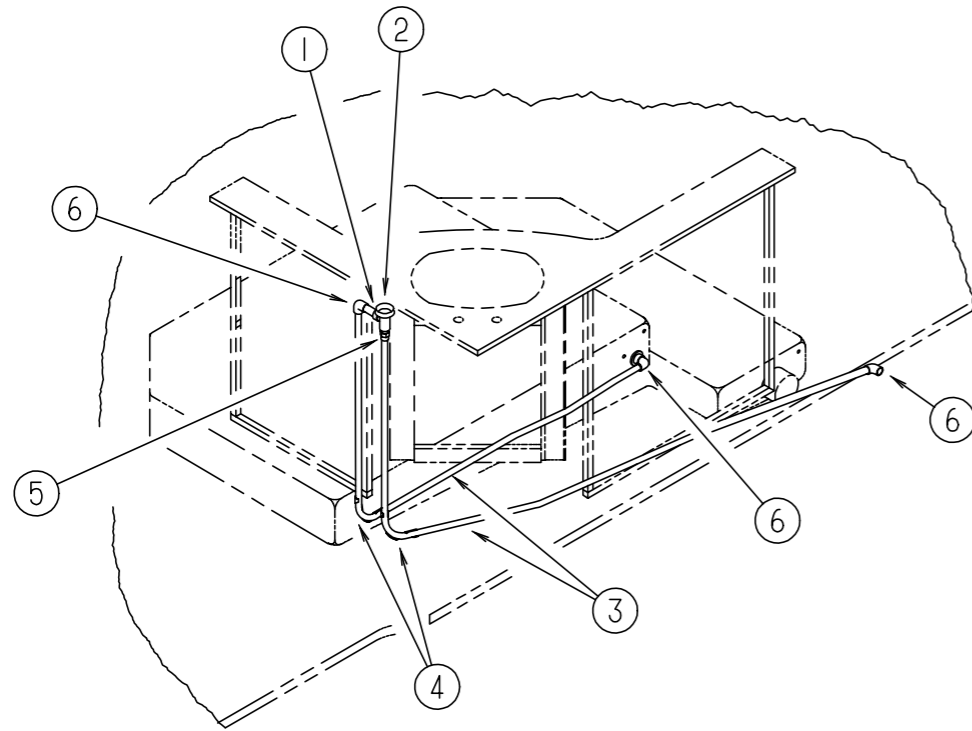
EXTERIOR WASH STATION

KEY	PART NUMBER	U/M	DESCRIPTION
1	010230-06-000	EA	FILL - CITY WATER - W/CHECK VALVE - MPT
2	114428-01-000	EA	TEE - 1/2"P X 1/2"P X 1/2"P
3	114428-03-000	EA	TEE - 1/2"P X 1/2"P X 1/2"MPT
4	114429-01-000	EA	ELBOW - 1/2"P X 1/2"P
5	114429-03-000	EA	ELBOW - FLAIR-IT SWIVEL - 1/2"P X 1/2"FPT
6	114430-02-000	EA	ADAPTER - SWIVEL - 1/2"P X 1/2"FPT
7	114431-03-000	EA	VALVE - 90 DEGREE DRAIN - 1/2"P
8	124188-02-000	FT	TUBING - PEX 1/2" ID X 20' RED
9	075241-05-000	EA	FAUCET/SHOWER - BONE 3/4" MPT X 1.4" LONG INLET PIPES
10	114428-03-000	EA	TEE - 1/2"P X 1/2"P X 1/2"MPT
11	124188-01-000	FT	TUBING - PEX - 1/2" ID X 20' BLUE
12	126398-01-000	EA	ELBOW-ENTRY, HOSE 90 DEGREE
13	125697-05-000	EA	INLET - WATER - FLUSHING SYSTEM

WATER & SEWAGE GROUP (CONTINUED)

WATER & SEWAGE GROUP (CONTINUED)

WATER SYSTEM



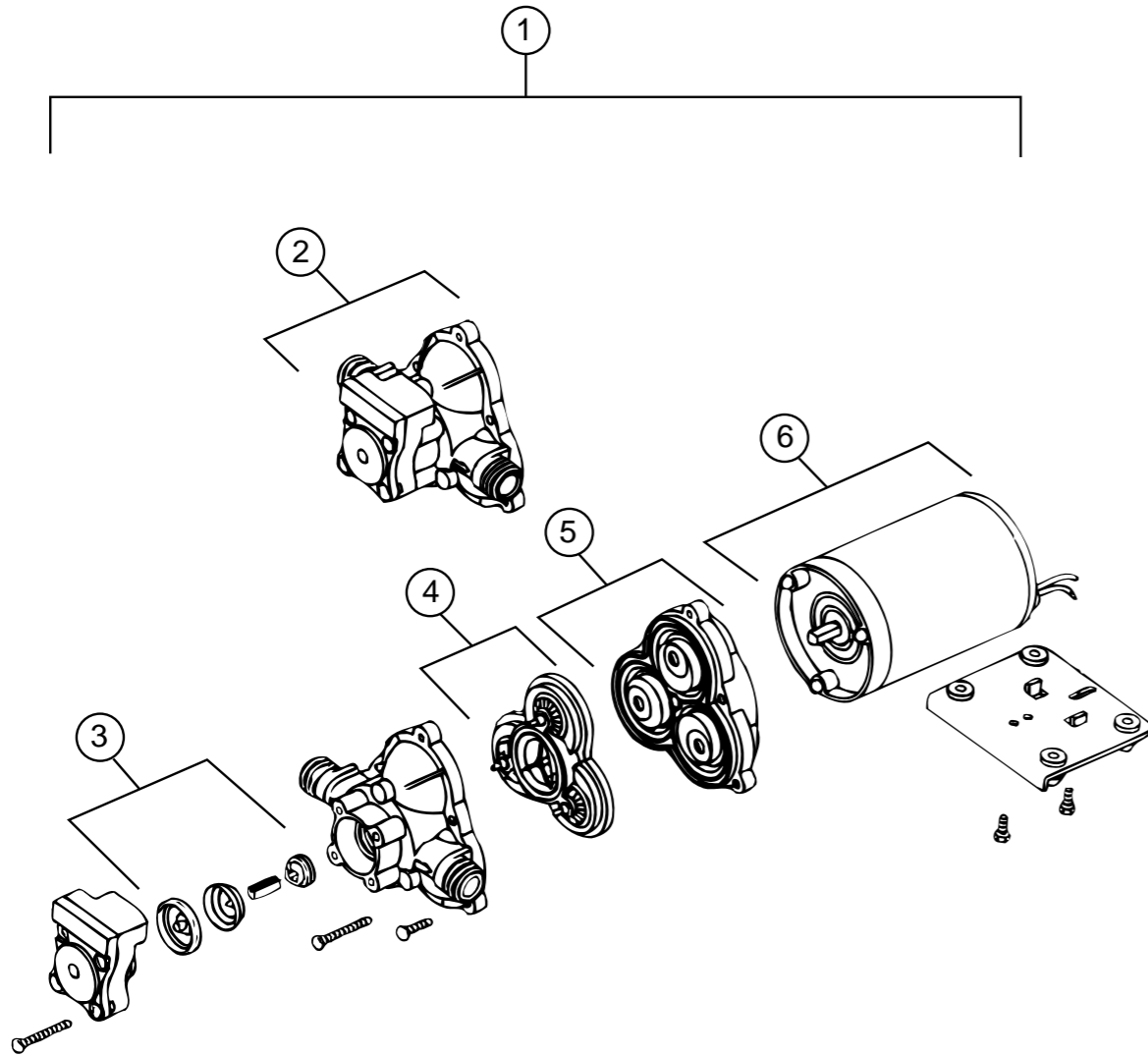
KEY	PART NUMBER	U/M	DESCRIPTION
	117217-01-000	EA	TANK - WATER - 30 GALLON - W/O FITTINGS
	117217-08-000	EA	TANK - WATER - 30 GALLON - W/FITTINGS
	119109-07-000	EA	TANK - WATER - 40 GALLON - W/FITTINGS
	119109-01-000	EA	TANK - WATER - 40 GALLON - W/O FITTINGS
	042989-03-000	EA	FITTING - WATER TANK - SPINWELD - 1 1/4"NPT - PLASTIC
	042989-05-000	EA	FITTING - WATER TANK - SPINWELD - 1/2"FPT - PLASTIC
	049032-01-000	EA	PATCH - SPINWELD - 3/8" - PLASTIC
	039861-01-000	EA	SENDING UNIT - W/SCREW - WASHER - WELL NUT/TERMINAL RING
	010219-01-000	EA	ELBOW - 1 1/4 MPT X 1 1/4 BARB - WATER FILL - PLASTIC
	044927-01-000	EA	ADAPTER - HOSE TO PIPE - 1 1/4 MPT X 1 1/4 BARB - BLK PLS
	077954-02-000	EA	FILTER - WATER TANK - W/SCREEN IN TANK
	112176-01-000	FT	TUBING - VINYL - REINFORCED - 1/2" ID
	079381-01-000	FT	TUBING - SMOOTH FLEXIBLE - 1 3/8 ID X 20'
	111223-04-000	EA	ELBOW - 1/2" MPT X 1/2" BARB - PLASTIC
	039800-04-000	FT	TUBING - POLYBUTYL - 1/4"OD
	010224-01-000	EA	ADAPTER - HOSE TO PIPE - 3/8MPT X 3/8BARB - PLASTIC
	081240-16-000	EA	DOOR - WATER FILL - LOCKABLE W/O LOCK - 4" X 4 5/8"
	111888-01-000	EA	FERRULE - PLASTIC - .250 ID X .375 OD
	111888-02-000	EA	INSERT - BRASS - 1/4 COMP
	113697-01-000	EA	CAP - 3/8 FTG
	114428-01-000	EA	TEE - 1/2"P X 1/2"P X 1/2"P
	114428-03-000	EA	TEE - 1/2"P X 1/2"P X 1/2"MPT
	114429-01-000	EA	ELBOW - 1/2"P X 1/2"P
	114429-02-000	EA	ELBOW - 1/2"P X 1/2"MPT
	114429-03-000	EA	ELBOW - FLAIR-IT SWIVEL - 1/2"P X 1/2"FPT
	114429-05-000	EA	ELBOW - 1/2"P X 3/4"MPT
	114430-02-000	EA	ADAPTER - SWIVEL - 1/2"P X 1/2"FPT
	114430-03-000	EA	ADAPTER - 1/2"P X 1/2"MPT
	114430-06-000	EA	ADAPTER - 1/2"P X 3/8"FPT
	114431-01-000	EA	VALVE - 180 DEGREE/CENTER DRAIN - 1/2P - THREE WAY
	114431-02-000	EA	VALVE - WATER BYPASS - 1/2"P - THREE WAY (WATER HEATER)
	114431-03-000	EA	VALVE - 90 DEGREE DRAIN - 1/2"P
	115029-01-000	FT	HOSE - WATER - 3/8 ID
	123150-01-000	EA	ELBOW - 1/2 FPT X 1/2 BARB - SWIVEL
	123152-01-000	EA	ADAPTER - 1/2 FPT X 1/2 BARB - SWIVEL
	123243-01-000	EA	TANK - ACCUMULATOR - 24 OZ
	124188-01-000	FT	TUBING - PEX - 1/2" ID X 20' BLUE
	124188-02-000	FT	TUBING - PEX 1/2" ID X 20' RED
	124184-01-000	EA	SUPPORT - WATER LINE - BEND

FLUSHING SYSTEM

KEY	PART NUMBER	U/M	DESCRIPTION
	125697-02-000	EA	NOZZLE - WELD-A-FLUSH
1	125697-03-000	EA	CHECK VALVE - FLUSHING SYSTEM
2	125697-04-000	EA	BREAKER - VACUUM - FLUSHING SYSTEM
	125697-05-000	EA	INLET - WATER - FLUSHING SYSTEM
	125697-06-000	EA	INSTRUCTIONS - USER - FLUSHING SYSTEM
3	124188-01-000	FT	TUBING - PEX - 1/2" ID X 20' BLUE
4	124184-01-000	EA	SUPPORT - WATER LINE - BEND
5	114430-03-000	EA	ADAPTER - 1/2"P X 1/2"MPT
6	114429-02-000	EA	ELBOW - 1/2"P X 1/2"MPT

WATER & SEWAGE GROUP (CONTINUED)

SHURFLO WATER PUMP



KEY	PART NUMBER	U/M	DESCRIPTION	VENDOR NO.
1	098607-01-000	EA	PUMP - WATER - W/.5"MPT FITTING - FLOW 2.8 GPM - UL	
2	098607-01-706	EA	UPPER HOUSING/ SWITCH KIT	94-231-20
3	098607-01-705	EA	CHECK VALVE - KIT	94-237-00
4	098607-01-703	EA	VALVE ASM	94-232-00
5	098607-01-702	EA	DRIVE/ DIAPHRAGM - KIT	94-238-04
6	098607-01-707	EA	MOTOR/ BASEPLATE REPLACEMENT	94-235-03

GARDEN HOSE

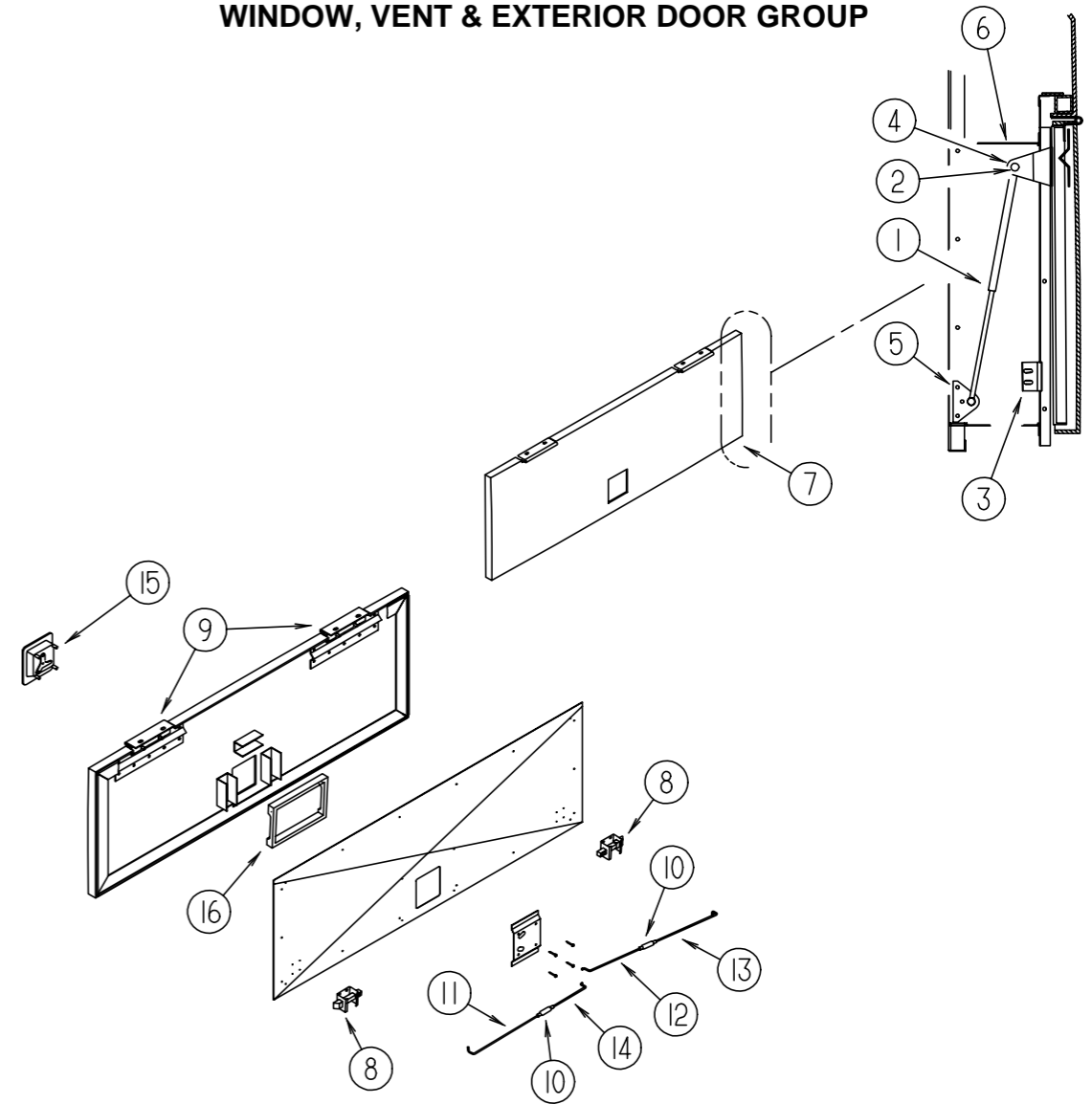
KEY	PART NUMBER	U/M	DESCRIPTION
	117089-01-000	FT	HOSE - 1/2" ID - GARDEN

WATER HEATER

KEY	PART NUMBER	U/M	DESCRIPTION
*	051391-03-000	EA	WATER HEATER G6A-8E ELECTRONIC IGNITION

* COMPONENT PARTS FOUND IN SERVICE PARTS LIBRARY

WINDOW, VENT & EXTERIOR DOOR GROUP

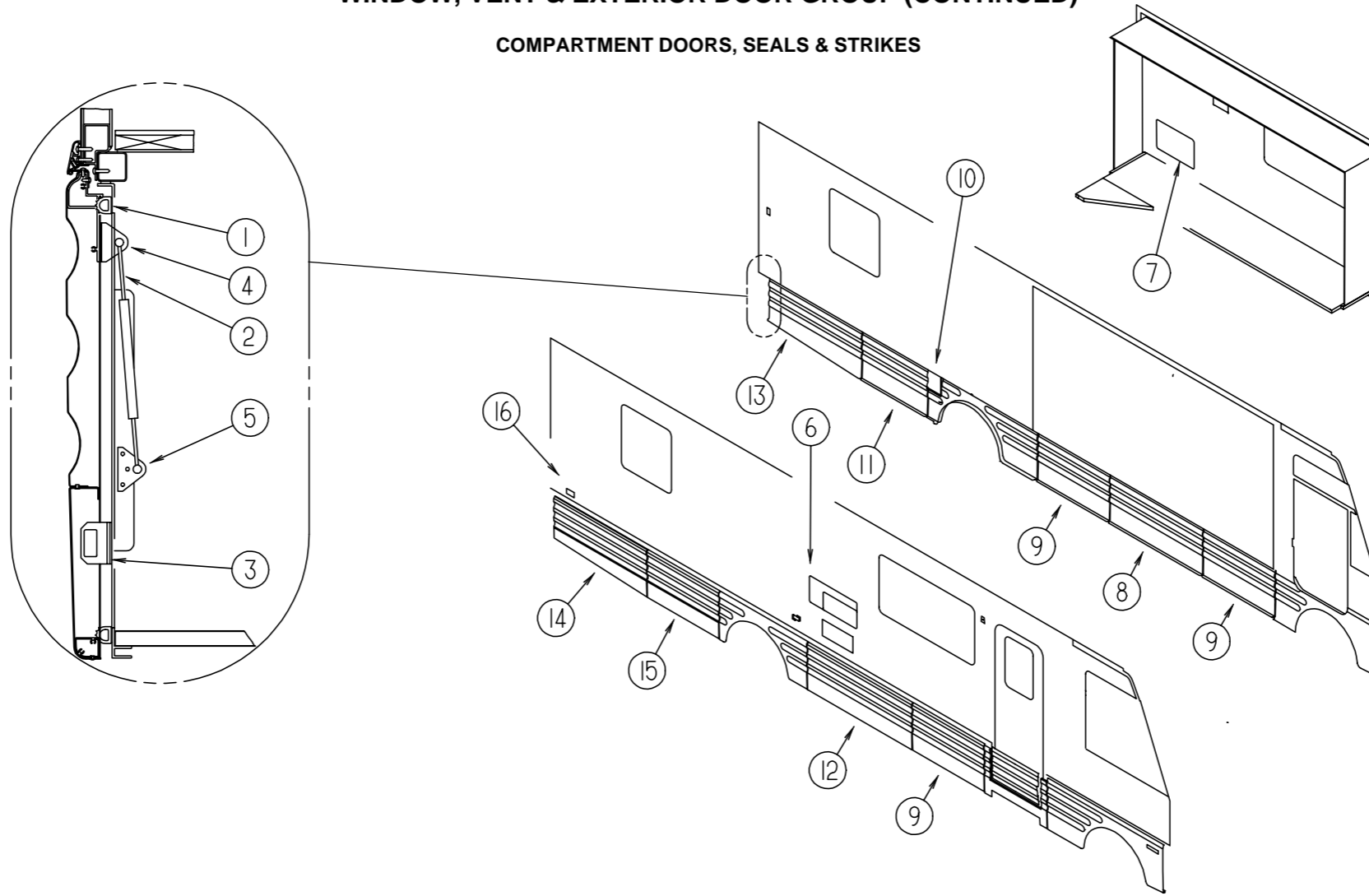


REAR CAP COMPARTMENT W/DOOR

KEY	PART NUMBER	U/M	DESCRIPTION
1	108998-01-000	EA	SPRING - GAS 12" COMPRESSED/20" EXTENDED - 30 LB
2	114268-03-02B	EA	BRACKET - GAS SPRING - 14 GAUGE
3	107719-01-01A	EA	STRIKE - VALANCE DOOR
4	057460-02-000	EA	STUD BALL - GAS SPRING - .39" - 5/16"-18
5	107796-05-000	EA	BRACKET - SUPPORT - GAS SPRING TO BED - FLAT (LOWER)
6	117697-02-02B	EA	COMPARTMENT - STORAGE
	107721-08-000	FT	SEAL - ACCESS DOOR
7	117593-01-J70	EA	DOOR - REAR CAP - W/O LATCHES/HINGE
8	101348-01-000	EA	BOLT/SLIDE - LATCH - NYLON - W SPRING & BRACKET
9	102325-02-07A	EA	HINGE - TRUNK DOOR
10	108561-01-000	EA	TURNBUCKLE - 10-24 THREAD
11	108562-14-000	EA	ROD - LATCH - LEFT THREADED - 8.1"
12	108562-28-000	EA	ROD - LATCH - LEFT THREADED - 9.6"
13	108562-29-000	EA	ROD - LATCH - RIGHT THREADED - 9.2"
14	108562-33-000	EA	ROD - LATCH - RIGHT THREADED - 8.4"
15	112949-01-03A	EA	LATCH - PADDLE W/LOCK - W/O KEY - BRIGHT WHITE
	112949-03-000	EA	KEY
16	120619-01-000	EA	SEAL - 20 X 41, PSA ONE SIDE

WINDOW, VENT & EXTERIOR DOOR GROUP (CONTINUED)

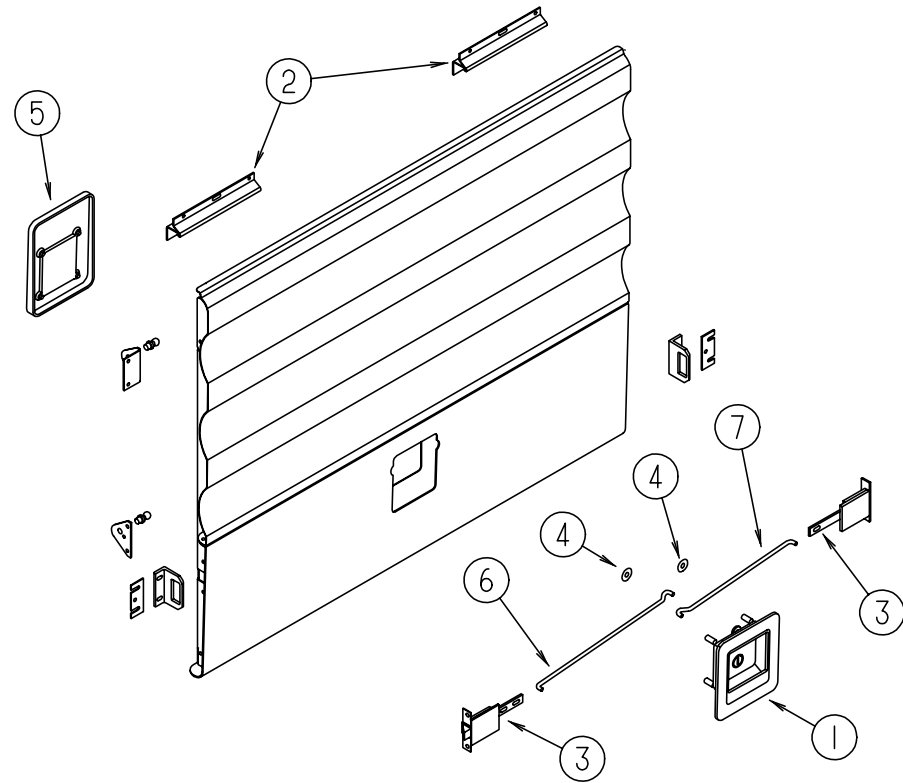
COMPARTMENT DOORS, SEALS & STRIKES



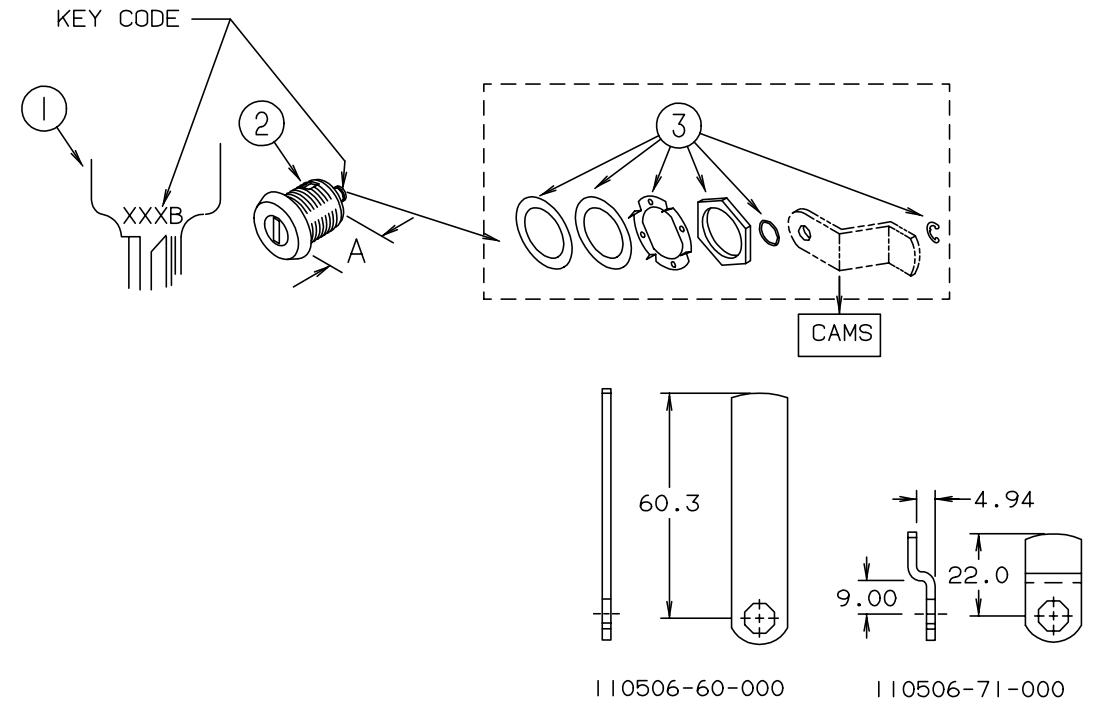
KEY	PART NUMBER	U/M	DESCRIPTION	VENDOR NO.
1	107721-08-000	FT	SEAL - ACCESS DOOR	
2	107796-23-000	EA	SPRING - GAS - 18.5" - 45 LB	
3	123783-01-01A	EA	STRIKER - DOOR - MILL	
4	126263-05-02B	EA	BRACKET ASM-GAS SPRING,E-COAT	
4	126259-01-000	EA	STUD - BALL	
5	126263-08-02B	EA	BRACKET ASM-GAS SPRING,E-COAT	
5	126259-01-000	EA	STUD - BALL	
6	084103-08-000	EA	DOOR - REFRIGERATOR - VENTED - W/O JAMB	
6	084104-01-700	EA	LOCK-MALE, FASTENER	201-721-010
6	084104-01-701	EA	LOCK-FEMALE, FASTENER	201-802-010
6	084104-08-000	EA	JAMB - REFRIGERATOR DOOR	
6	125481-01-02A	EA	DOOR - REFRIGERATOR VENT	
7	052009-06-000	EA	DOOR - WATER HEATER - BRIGHT WHITE - 18" X 14.6"	
8	126065-01-J60	EA	PANEL - VALANCE	
8	125517-01-000	EA	ROD - LATCH	
8	125517-02-000	EA	ROD - LATCH	
8	124479-07-01A	EA	PANEL - VALANCE - OUTER	
9	126065-02-J60	EA	PANEL - VALANCE	
9	125517-03-000	EA	ROD - LATCH	
9	125517-04-000	EA	ROD - LATCH	
9	124479-08-01A	EA	PANEL - VALANCE - OUTER	
10	126060-01-J60	EA	DOOR - FUEL FILL	
10	125419-01-01A	EA	HINGE - SINGLE PIVOT	
10	125640-01-01A	EA	DOOR - FUEL FILL	

KEY	PART NUMBER	U/M	DESCRIPTION
11	126065-04-J60	EA	PANEL - VALANCE
11	125517-07-000	EA	ROD - LATCH
11	125517-08-000	EA	ROD - LATCH
11	124479-08-01A	EA	PANEL - VALANCE - OUTER
12	126065-05-J60	EA	PANEL - VALANCE
12	125517-09-000	EA	ROD - LATCH
12	125517-10-000	EA	ROD - LATCH
12	124479-09-01A	EA	PANEL - VALANCE - OUTER
13	126065-07-J60	EA	PANEL - VALANCE
13	125517-01-000	EA	ROD - LATCH
13	125517-02-000	EA	ROD - LATCH
13	124479-07-01A	EA	PANEL - VALANCE - OUTER
14	126065-08-J60	EA	PANEL - VALANCE
14	125517-01-000	EA	ROD - LATCH
14	125517-02-000	EA	ROD - LATCH
14	124479-07-01A	EA	PANEL - VALANCE - OUTER
15	126065-16-J60	EA	PANEL - VALANCE
15	125517-03-000	EA	ROD - LATCH
15	125517-04-000	EA	ROD - LATCH
15	124479-08-01A	EA	PANEL - VALANCE - OUTER
16	081240-16-000	EA	DOOR - WATER FILL - LOCKABLE W/O LOCK - 4" X 4 5/8"

WINDOW, VENT & EXTERIOR DOOR GROUP (CONTINUED)



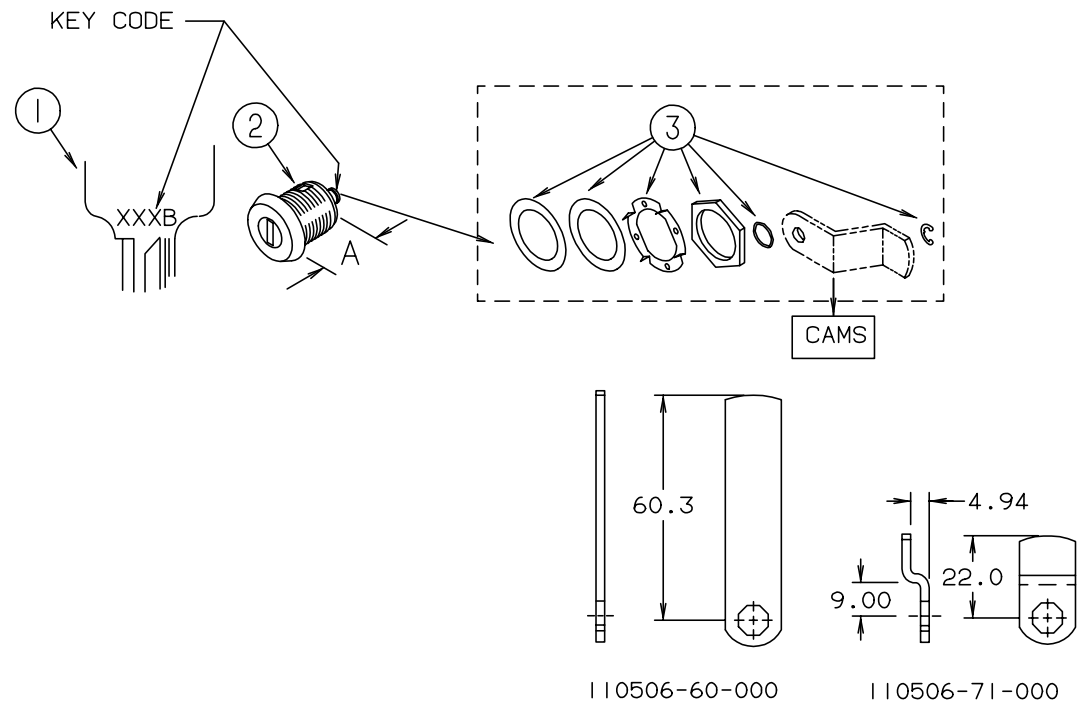
WINDOW, VENT & EXTERIOR DOOR GROUP (CONTINUED)



COMPARTMENT DOORS		
KEY	PART NUMBER	U/M DESCRIPTION
1	112949-01-04A	EA LATCH - PADDLE W/LOCK - W/O KEY - BLACK
1	112949-02-05A	EA LATCH - PADDLE NON-LOCKING - BLACK
1	112949-03-000	EA KEY - TRI-MARK #TM500
2	121677-01-01A	EA HINGE - SINGLE PIVOT
3	121947-01-01A	EA BOLT - SLIDE - LATCH - STEEL
4	124304-01-000	EA CLIP - ROUND PUSH ON
5	125257-01-01A	EA COVER - LATCH/VALANCE DOOR
6	125517-02-000	EA ROD - LATCH - 22.08"
6	125517-03-000	EA ROD - LATCH - 17.50"
6	125517-04-000	EA ROD - LATCH - 15.69"
6	125517-06-000	EA ROD - LATCH - 7.14"
6	125517-10-000	EA ROD - LATCH - 25.61"
7	125517-01-000	EA ROD - LATCH - 23.89"
7	125517-03-000	EA ROD - LATCH - 17.50"
7	125517-04-000	EA ROD - LATCH - 15.69"
7	125517-05-000	EA ROD - LATCH - 8.95"
7	125517-09-000	EA ROD - LATCH - 27.43"

BRIGGS & STRATTON LOCKS			
KEY	PART NUMBER	U/M DESCRIPTION	VENDOR NO.
1	110506-59-000	EA KEY SET (SOLD AS PAIR)	596720
2	110506-52-000	EA CASE ASM-LOCK 17 MM	702370
2	110506-53-000	EA CASE ASM-LOCK 25 MM	702380
1	110506-59-001	EA KEY SET (SOLD AS PAIR)	596721
2	110506-52-001	EA CASE ASM-LOCK 17 MM	702371
2	110506-53-001	EA CASE ASM-LOCK 25 MM	702381
1	110506-59-002	EA KEY SET (SOLD AS PAIR)	596722
2	110506-52-002	EA CASE ASM-LOCK 17 MM	702372
2	110506-53-002	EA CASE ASM-LOCK 25 MM	702382
1	110506-59-003	EA KEY SET (SOLD AS PAIR)	596723
2	110506-52-003	EA CASE ASM-LOCK 17 MM	702373
2	110506-53-003	EA CASE ASM-LOCK 25 MM	702383
1	110506-59-004	EA KEY SET (SOLD AS PAIR)	596724
2	110506-52-004	EA CASE ASM-LOCK 17 MM	702374
2	110506-53-004	EA CASE ASM-LOCK 25 MM	702384
1	110506-59-005	EA KEY SET (SOLD AS PAIR)	596725
2	110506-52-005	EA CASE ASM-LOCK 17 MM	702375
2	110506-53-005	EA CASE ASM-LOCK 25 MM	702385
1	110506-59-006	EA KEY SET (SOLD AS PAIR)	596726
2	110506-52-006	EA CASE ASM-LOCK 17 MM	702376
2	110506-53-006	EA CASE ASM-LOCK 25 MM	702386

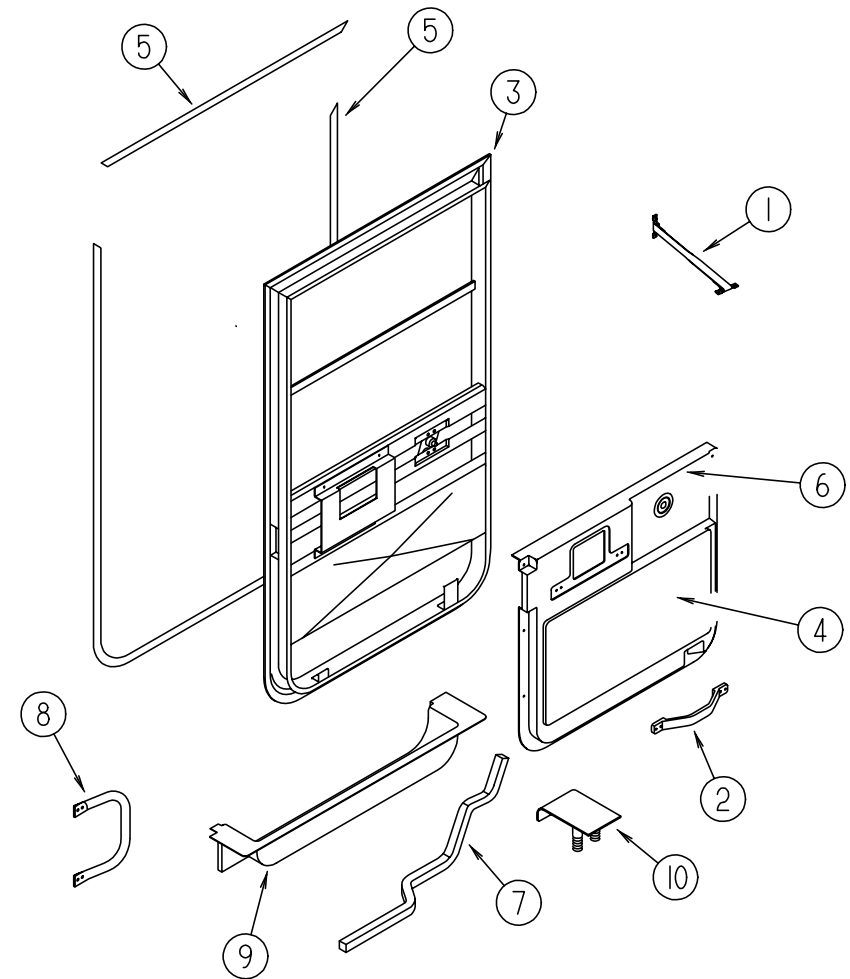
WINDOW, VENT & EXTERIOR DOOR GROUP (CONTINUED)



BRIGGS & STRATTON LOCKS (CONTINUED)

KEY	PART NUMBER	U/M	DESCRIPTION	VENDOR NO.
1	110506-59-007	EA	KEY SET (SOLD AS PAIR)	596727
2	110506-52-007	EA	CASE ASM-LOCK 17 MM	702377
2	110506-53-007	EA	CASE ASM-LOCK 25 MM	702387
1	110506-59-008	EA	KEY SET (SOLD AS PAIR)	596728
2	110506-52-008	EA	CASE ASM-LOCK 17 MM	702378
2	110506-53-008	EA	CASE ASM-LOCK 25 MM	702388
1	110506-59-009	EA	KEY SET (SOLD AS PAIR)	596729
2	110506-52-009	EA	CASE-LOCK - A = 17 MM	702379
2	110506-53-009	EA	CASE-LOCK - A = 25 MM	702389
3	110506-40-700	EA	HDW KIT (CONTAINS:NUT, FLAT WASHER, E-RING, SPRING WASHER GASKET, AND SPUR WASHER)	
	110506-60-000	EA	CAM-LOCK	322276
	110506-71-000	EA	CAM-LOCK	322287
	110506-59-701	EA	KEY BLANK (GOLD)	

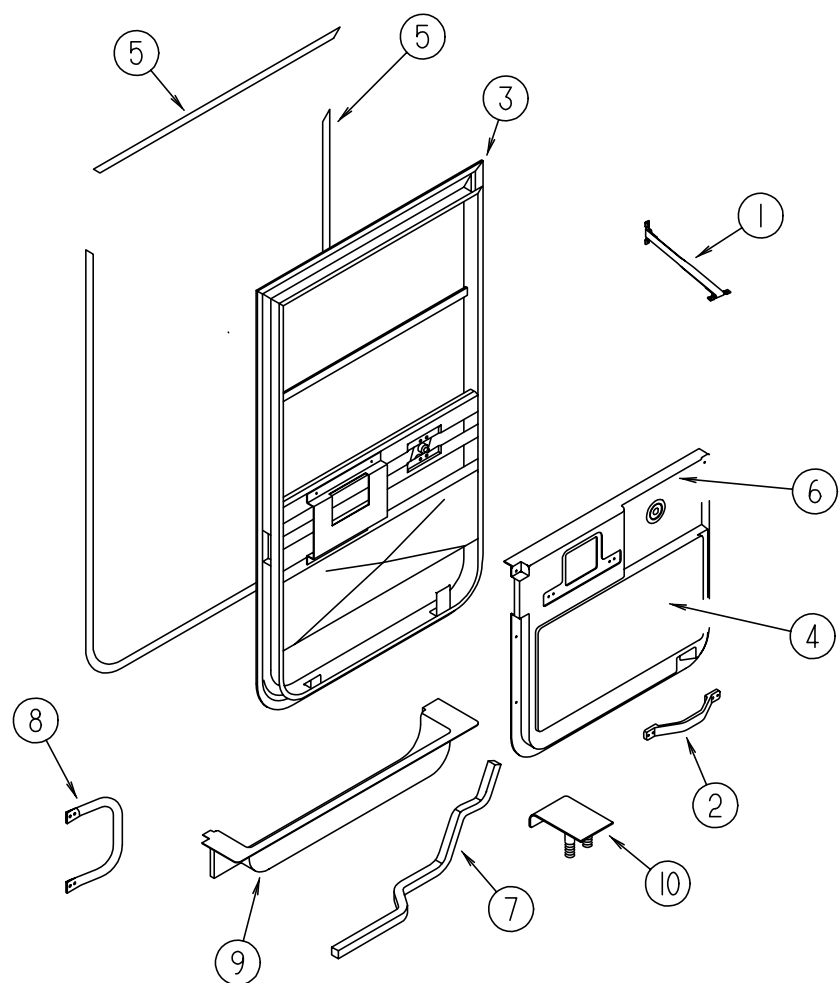
WINDOW, VENT & EXTERIOR DOOR GROUP (CONTINUED)



DRIVERS DOOR

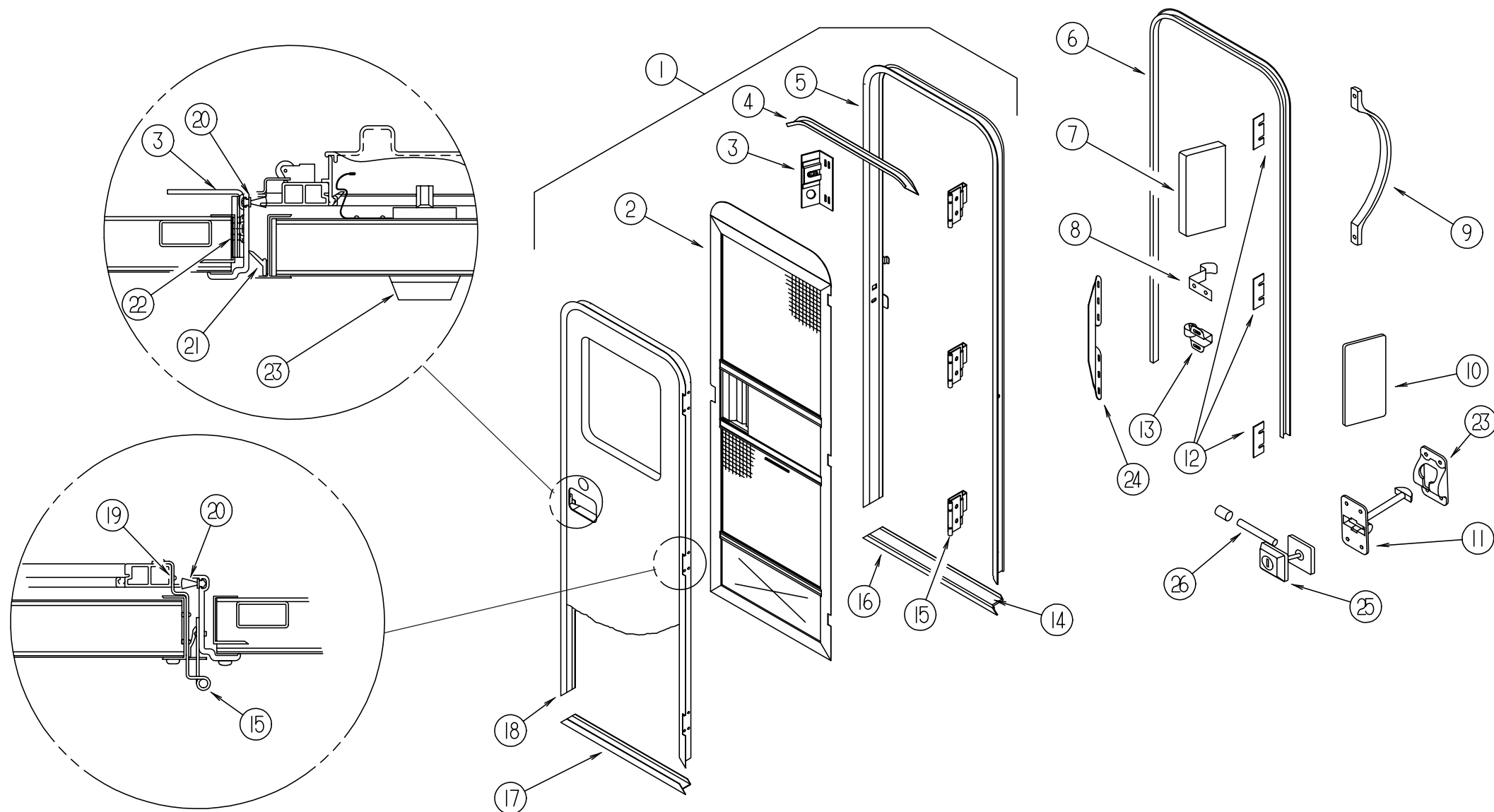
KEY	PART NUMBER	U/M	DESCRIPTION	
1	109378-01-000	EA	STRAP - CHECK - DRIVER DOOR - 12.8"	
2	110604-01-01A	EA	HANDLE - ASSIST - DRIVER DOOR	
3	125581-01-01A	EA	DOOR - DRIVER - NON POWER	FROM: 00-00-00 THRU: 09-14-97
3	125581-04-01A	EA	DOOR - DRIVER - NON-POWER	FROM: 09-15-97 THRU: 99-99-99

WINDOW, VENT & EXTERIOR DOOR GROUP (CONTINUED)
DRIVERS DOOR (CONTINUED)



KEY	PART NUMBER	U/M DESCRIPTION	VENDOR NO.
	106469-01-702	EA SEAL-DOOR, (FRAME) EA=1	122-040984
	106469-01-705	FT CHANNEL-RUN, SLIDING	122-010850
	106469-01-709	FT WEATHERSTRIP FUZZY	171-040630
	106469-01-723	EA SEAL-BULB ASM. (JAMB)	171-040985
	106469-04-701	EA TUMBLE & KEYS, TRI-MARK	248-041179
	106469-04-703	EA BOLT-STRIKER, W/WASHER	248-041152
	106469-04-704	EA NUT ASSEMBLY-CAGED W/STRIKER	248-041151
	106469-04-705	EA ROD-LATCH, HORIZONTAL	203-041139
	106469-04-711	EA ROD-LOCK, HORIZONTAL	203-041137
	106469-04-712	EA HARDWARE-INNER HANDLE, LH	248-041402
	106469-04-713	EA ROD-CLIP, LH	248-041154
	106469-04-714	EA ROD-CLIP, RH	248-041153
	106469-05-702	EA HINGE - 42"	211-041194
	106469-05-706	EA LATCH-ROTARY, W/LINKAGE	248-041150
	125581-04-700	EA ROD - LATCH/VERTICAL ADJUST.	
	125581-04-701	EA ROD - LOCK/VERTICAL ADJUST.	203-041768
	125581-04-702	EA PADDLE RH-W/COLLAR BLACK TEX	248-041403
	125581-04-703	EA FRAME - MOUNTING - BLACK	V180-35L
	125581-04-704	EA GLASS - ROLL-UP	106-041821
	125581-04-705	EA GLASS - STATIONARY	106-041547
	125581-04-706	EA FRAME - DOOR - SUB-ASSEMBLY	V180-94L
	125581-04-707	EA CHANNEL - ROLL UP GLASS	V156-60
	125581-04-708	EA CHANNEL - STATIONARY GLASS	V156-61
	125581-04-709	EA REGULATOR - MANUAL	410-08389
	125581-04-710	EA VINYL - GLAZING	132-041484
	125581-04-711	EA CHANNEL- GLASS	N135-66
	125581-04-712	EA HANDLE - REGULATOR	182-041785
4	125899-01-01A	EA PANEL - CAB DOOR - INNER/DRIVER	
			FROM: 00-00-00 THRU: 09-10-97
4	125899-03-01A	EA PANEL - CAB DOOR - INNER/DRIVER	
			FROM: 09-11-97 THRU: 99-99-99
5	109235-01-01A	FT COVER - SCREW - MAT BLACK	
5	109235-01-05A	FT COVER - SCREW - BRIGHT WHITE	
6	109644-01-000	FT TRIM - EDGE - RUBBER	
7	063977-13-000	EA STEP - DRIVER DOOR/LEFT HAND - GM/FORD	
	109506-01-000	EA FILM - URETHANE - PROTECTANT - 4.25" X 26.75"	
8	108832-02-01A	EA HANDLE - ASSIST - DOOR/DRIVER	
9	126069-02-03A	EA TRIM - STEP - DRIVER	
9	102569-02-000	EA MAT - ANTI SLIP - LOWER	
9	107818-03-04A	EA TRIM - STEP/DRIVERS DOOR	
10	110063-01-000	EA PLATE- STEP	
10	102569-03-000	EA MAT - ANTI SLIP - 3.93" X 5.90"	

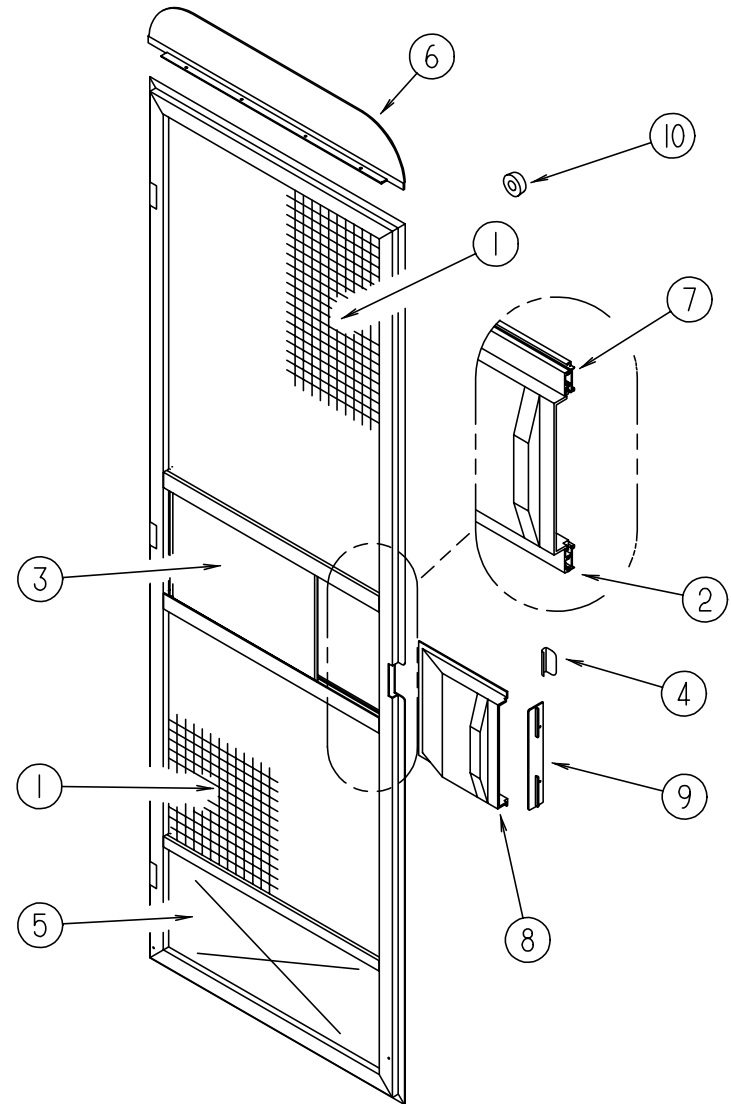
WINDOW, VENT & EXTERIOR DOOR GROUP (CONTINUED)
ENTRY DOOR



KEY	PART NUMBER	U/M	DESCRIPTION
	090430-01-000	FT	SEAL - FOAM - CLOSED CELL - 1/4" X 1/2" X 50'
1	115108-10-J60	EA	DOOR - ENTRY W/SCREEN DOOR - W/O WINDOW (J94, J60)
1	115108-10-J61	EA	DOOR - ENTRY W/SCREEN DOOR - W/O WINDOW (J95, J61)
1	115108-10-J62	EA	DOOR - ENTRY W/SCREEN DOOR - W/O WINDOW (J96, J62)
2	121899-05-H17	EA	DOOR - SCREEN - W/O HARDWARE
3	041546-07-000	EA	BRACKET - DOOR ANGLE
4	044582-50-000	EA	CAP - DRIP JAMB MITERED
5	121898-09-01A	EA	JAMB - ENTRANCE DOOR
6	115222-12-02A	EA	GARNISH - RADIUS - ENTRY DOOR
7	077461-03-000	EA	COVER - STRIKE - ENTRY DOOR - 6.5" X 2.5" - WHITE PLASTIC
8	100412-01-000	EA	CATCH - SCREEN DOOR
9	115102-02-000	EA	HANDLE - ASSIST
10	076725-02-000	EA	COVER - ACCESS - HINGE - ENTRY DOOR - 6" X 3.2"
11	104099-01-04A	EA	CATCH - DOOR HOLDER - STRIKE
12	102248-01-000	EA	SHIM-DOOR
13	109403-01-000	EA	CATCH-SINGLE ROLLER, SCREEN DOOR
14	038327-01-000	EA	TAPE - ANTI-SLIP - 2" X 60'
	075673-05-000	FT	SEAL - PILE - ADHESIVE BACK - BLACK

KEY	PART NUMBER	U/M	DESCRIPTION	VENDOR NO.
15	106719-01-05A	EA	HINGE - ENTRANCE DOOR	
15	106719-01-01A	EA	HINGE - ENTRANCE DOOR - MILL	
	116111-02-01A	EA	SCREW - TAPTITE - 1/4-20 X 3/8 PPH - ZINC	
	039715-01-000	EA	NUT-SERT - 1/4" DIAMETER - 20 THREADS	
16	051049-05-000	EA	JAMB - DOOR - BOTTOM/ENTRY	
17	121893-03-02A	EA	FRAME - ENTRY DOOR - BRIGHT WHITE	
18	121894-11-01A	EA	FRAME - ENTRY DOOR	
19	100128-02-000	FT	SEAL - FOAM - ADHESIVE BACK - .37" WIDE X .37" THICK	
20	118929-01-01A	FT	SEAL - PILE - PUSH ON	
21	075671-04-000	FT	SEAL - SPONGE - LAZY T - W/ADHESIVE STRIP - .5" WIDE	
22	104692-01-000	FT	SEAL - FOAM/ADHESIVE BACK - .75"THICK X .75"WIDE X 25'	
23	104099-02-04A	EA	CATCH - DOOR HOLDER - RETAINER	
24	098173-01-07A	EA	STIFFENER - ENTRY DOOR - SUPPORTS LATCH/STRIKE AREA	
24	098173-01-04A	EA	STIFFENER - ENTRY DOOR - SUPPORTS LATCH/STRIKE AREA - UNPAINTED	
25	101145-01-06A	EA	DEADBOLT - ENTRY DOOR W/O SECURITY BOLT W/2 KEYS - BLACK	
25	095229-01-700	EA	KEY-BLANK, DEADBOLT	81205-03
25	101145-01-701	EA	CYLINDER-LOCK ASM., W/KEY	81306-03
26	101147-01-000	EA	BOLT - SECURITY - 4.12"	

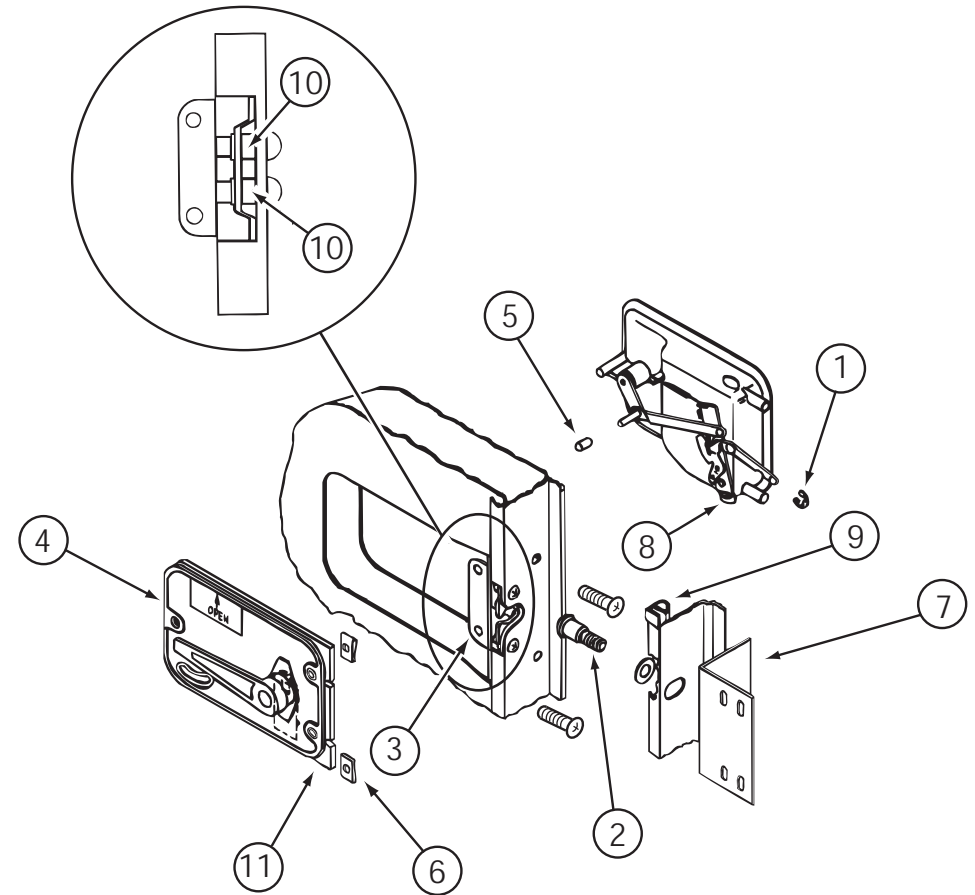
WINDOW, VENT & EXTERIOR DOOR GROUP (CONTINUED)



SCREEN DOOR COMPONENTS

KEY	PART NUMBER	U/M DESCRIPTION
1	002293-02-000	SF SCREENING - WINDOW/DOOR - 26"
2	002294-01-000	FT SPLINE - SCREENING - .135" X .138"
3	016454-15-000	EA INSERT-SCREEN DOOR,CTR,MILL - *97 F33RQ
4	050712-06-000	EA HANDLE - SCREEN DOOR - BRIGHT WHITE
5	078552-09-000	EA INSERT - SCREEN DOOR - LOWER
6	078595-03-000	EA PLATE - SCREEN DOOR
7	078777-06-000	EA CHANNEL - SLIDER - 24"
FROM: 00-00-00 THRU: 01-25-98		
7	078777-08-000	EA CHANNEL SLIDER
FROM: 01-26-98 THRU: 99-99-99		
8	079086-03-000	EA SLIDER - SCREEN DOOR - BRIGHT WHITE
9	079087-03-000	EA STRIKE - SLIDER - SCREEN DOOR - BRIGHT WHITE
10	120863-06-000	EA BUMPER - RUBBER

WINDOW, VENT & EXTERIOR DOOR GROUP (CONTINUED)



ENTRY DOOR LOCK INSTALLATION

KEY	PART NUMBER	U/M DESCRIPTION	VENDOR NO.
1	036618-02-000	EA E RING - EXTERNAL - 3/16" SHAFT DIAMETER - LYNOR DOOR LOCK	
2	039539-01-000	EA STRIKE - LOCK - ENTRY DOOR - ROUND W/THREADED WASHER	
3	039540-01-000	EA LATCH MECHANISM - HOOK - ENTRY DOOR - INTERIOR	
4	039979-06-000	EA COVER - LATCH PLATE - RIGHT HAND - BLACK TEXTURED	
5	039984-01-000	EA CAP - ROUND - VINYL - .28" ID X .62" - BLACK	
6	040921-01-000	EA NUT - SPEED - U TYPE - 10-24 BLACK	
7	041546-07-000	EA BRACKET - DOOR ANGLE	
8	045017-13-000	EA LATCH - ENTRY DOOR - BLACK TEXTURED	
8	045017-11-701	EA KEY-BLANK, F1 SERIES	81312-02
8	045017-11-702	EA KEY-MASTER, F SERIES	81313-02
8	045017-11-703	EA CYLINDER-LOCK ASM. W/KEYS	81266-09
9	064075-07-000	FT SEAL - BULB - W/WIRED U CHANNEL - .3" X .5" CHANNEL - BLK	
10	086285-05-000	EA SPACER - NYLON - .7" X .56"	
11	096810-01-01A	EA PLATE - LATCH - ENTRY DOOR	

WINDOW, VENT & EXTERIOR DOOR GROUP (CONTINUED)

NON POWERED ROOF VENTS

KEY	PART NUMBER	U/M	DESCRIPTION
*	122882-01-01A	EA	VENT - ROOF - NONPOWERED - W/O INSIDE GARNISH
	122882-07-01A	EA	GARNISH - ROOF VENT - 2.50" TO 4.12"

* COMPONENT PARTS FOUND IN SERVICE PARTS LIBRARY

POWERED VENT

KEY	PART NUMBER	U/M	DESCRIPTION
*	122882-02-01A	EA	VENT - ROOF - W/FAN - POWERED - W/O INSIDE GARNISH
*	122882-03-01A	EA	VENT - ROOF - W/FAN - CSA - W/O INSIDE GARNISH
	122882-07-01A	EA	GARNISH - ROOF VENT - 2.50" TO 4.12"

* COMPONENT PARTS FOUND IN SERVICE PARTS LIBRARY

EXHAUST VENT

KEY	PART NUMBER	U/M	DESCRIPTION
*	123780-03-01A	EA	VENT - EXHAUST - 3" ROOF
*	123780-04-01A	EA	VENT - EXHAUST - 3" CEILING - VDS
			FROM: 00-00-00 THRU: 10-05-97
*	123780-03-01A	EA	VENT - EXHAUST - 3" ROOF
			FROM: 10-06-97 THRU: 99-99-99

* COMPONENT PARTS FOUND IN SERVICE PARTS LIBRARY

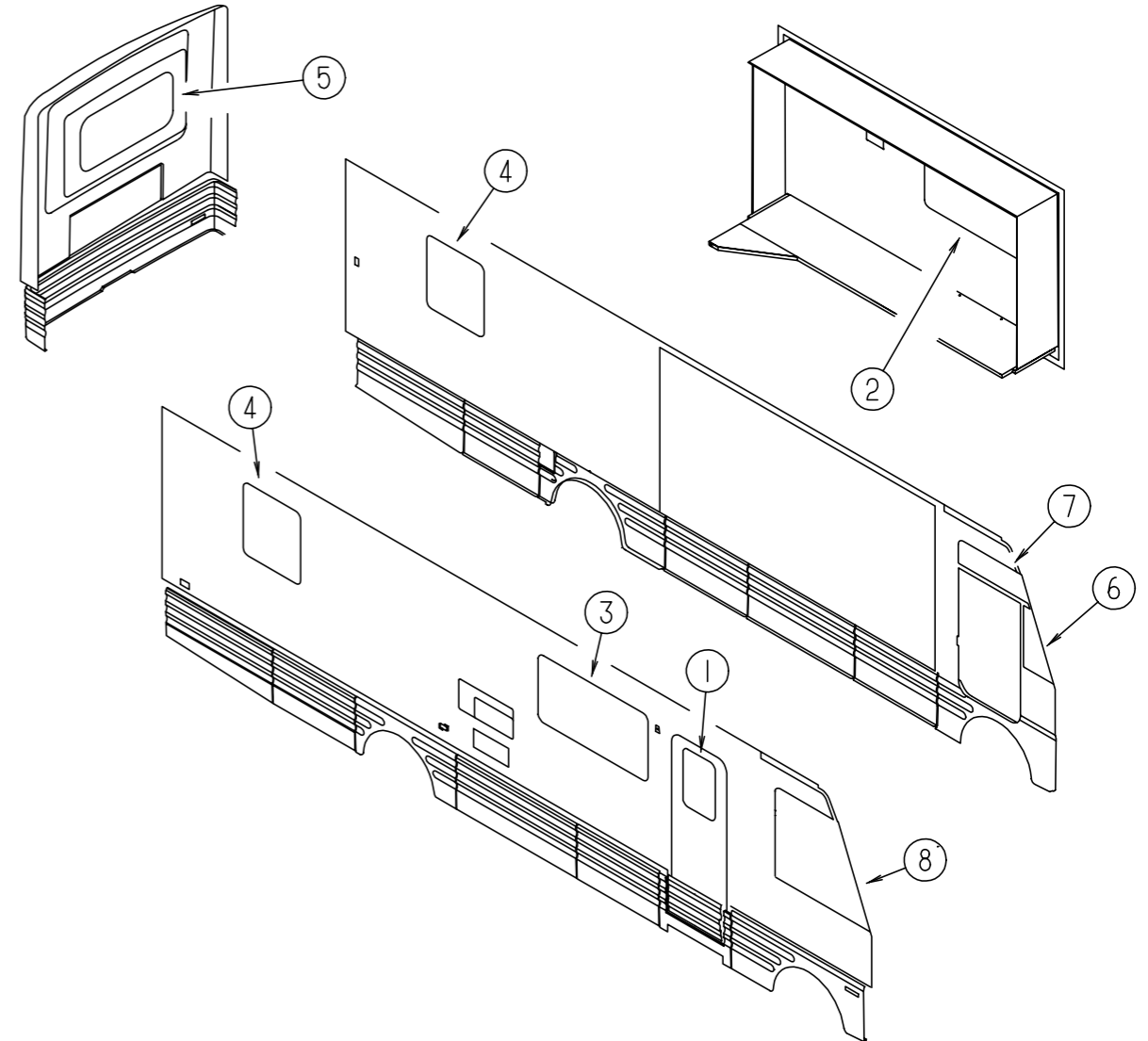
PLUMBING & REFRIGERATOR ROOF VENTS

KEY	PART NUMBER	U/M	DESCRIPTION
	084073-04-000	EA	BASE - ROOF VENT - REFRIGERATOR
	084073-07-000	EA	VENT - ROOF - REFRIGERATOR - BRIGHT WHITE
	083558-06-000	EA	VENT - ROOF PLUMBING PIPE - COVERED

RANGE HOOD VENT

KEY	PART NUMBER	U/M	DESCRIPTION	VENDOR NO.
	092698-02-05A	EA	VENT - W/DOOR - BRIGHT WHITE	
	092698-02-700	EA	FASTENER - PUSH	VB430
	092698-02-701	EA	CLAMP-CONDUIT	VB334
	092731-02-000	EA	DUCT - EXTENSION	

WINDOW, VENT & EXTERIOR DOOR GROUP (CONTINUED)

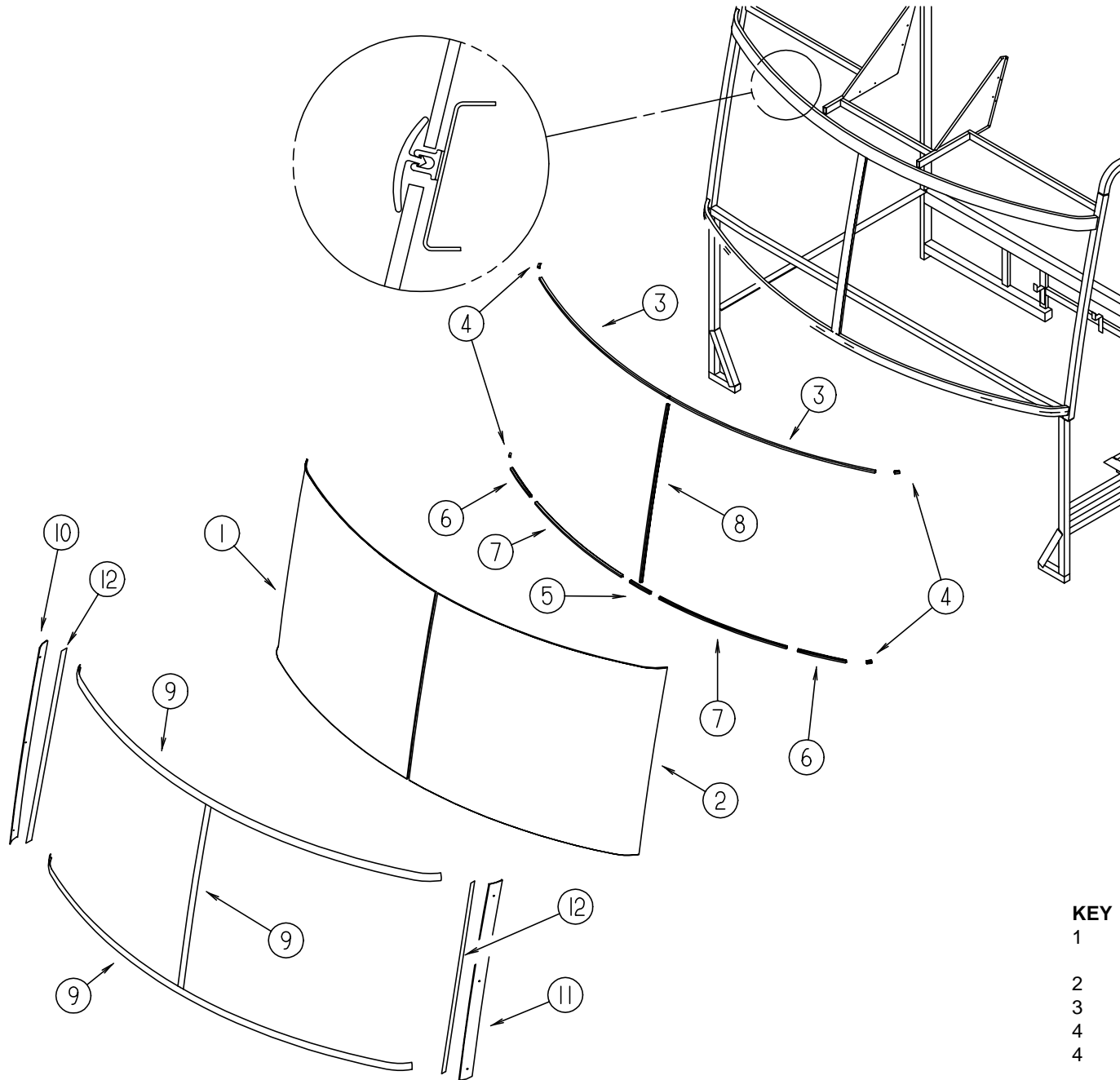


WINDOWS

KEY	PART NUMBER	U/M	DESCRIPTION	VENDOR NO.
1*	113733-01-01A	EA	WINDOW - STATIONARY - THERMOPANE - 17" X 26.4"	
1*	117053-02-F36	EA	WINDOW - PICTURE - ENTRANCE DOOR - 17" X 26.4"	
2*	112795-15-01A	EA	WINDOW - DRIVER - HORIZONTAL SLIDER-THERMO - 26 3/8" X 60"	
2*	098647-22-01A	EA	WINDOW - DRIVER/HORIZONTAL SLIDER - 26.1" X 59.7"	
3*	112795-33-01A	EA	WINDOW - PASSENGER/HORIZONTAL SLIDER - THERMO 30.5" X 57.4	
3*	098647-01-02A	EA	WINDOW - PASSENGER HORIZONTAL SLIDER - 30.5" X 57.5"	
4*	112898-16-01A	EA	WINDOW - SLIDER/VERTICAL - THERMOPANE - 33.2" X 30.2"	
4*	112463-03-01A	EA	WINDOW - TIPOUT W/RETAINER TRIM - 33.3" X 30.2"	
5*	113502-01-01A	EA	WINDOW - REAR/ESCAPE - THERMO - 24.8" X 48.7"	
5*	078528-06-E10	EA	WINDOW - ESCAPE - W/O RETAINER/TRIM - 48.5" X 24.5"	
6*	125585-02-01A	EA	WINDOW - FRONT SLANT - THERMO	
6*	125584-02-01A	EA	WINDOW - FRONT SLANT - LEFT HAND	
7*	125600-02-01A	EA	WINDOW - VISTA - THERMOPANE	
7*	125586-02-01A	EA	WINDOW - VISTA	
8*	125583-03-01A	EA	WINDOW - CAB - PASSENGER - THERMO	
8*	125582-03-01A	EA	WINDOW - CAB - PASSENGER	

* COMPONENT PARTS FOUND IN SERVICE PARTS LIBRARY

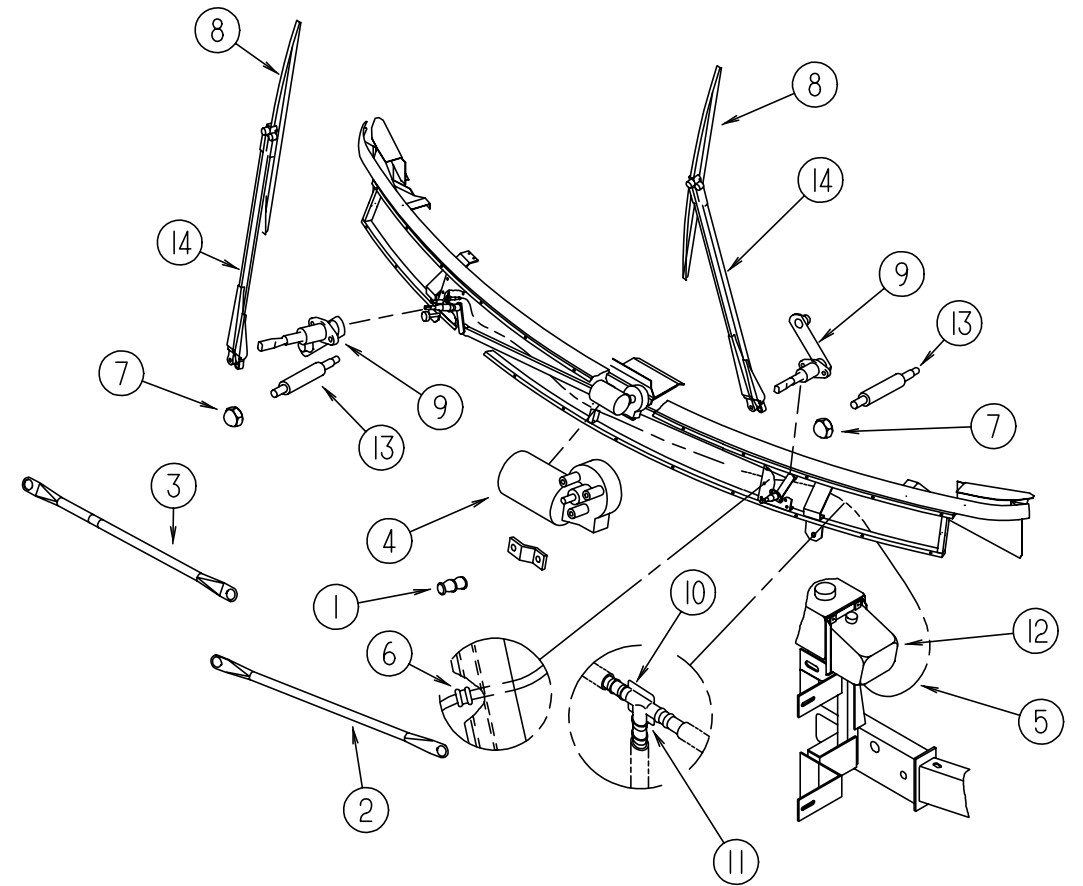
WINDSHIELD & WIPER



WINDSHIELD, TRIM & MOLDINGS

KEY	PART NUMBER	U/M	DESCRIPTION
1	124329-01-000	EA	GLASS - WINDSHIELD RIGHT HAND
2	124329-02-000	EA	GLASS - WINDSHIELD LEFT HAND
3	127862-01-000	EA	CARRIER - REVEAL - WINDSHIELD - 47.2"
4	127862-02-000	EA	CARRIER - REVEAL - WINDSHIELD - 1"
5	127862-03-000	EA	CARRIER - REVEAL - WINDSHIELD - 5.5"
6	127862-04-000	EA	CARRIER - REVEAL - WINDSHIELD - 10"
7	127862-05-000	EA	CARRIER - REVEAL - WINDSHIELD - 30"
8	127862-06-000	EA	CARRIER - REVEAL - WINDSHIELD - 41.9"
9	120533-01-000	FT	MOLDING - REVEAL - WINDSHIELD
10	125384-03-02A	EA	TRIM - WINDSHIELD - A-PILLAR - PASSENGER
10	125384-03-01A	EA	TRIM - WINDSHIELD - A-PILLAR - PASSENGER
11	125384-04-02A	EA	TRIM - WINDSHIELD - A-PILLAR - DRIVER
11	125384-04-01A	EA	TRIM - WINDSHIELD - A-PILLAR - DRIVER
12	099418-01-000	FT	SEAL - D-SECTION/ADHESIVE BACK - .44" X .44" - BLK RUBBER
	002328-02-0000	EA	BLOCK - WINDSHIELD - .062" X .5" X .98"

WINDSHIELD & WIPER (CONTINUED)



WIPER & WASHER

KEY	PART NUMBER	U/M	DESCRIPTION	VENDOR NO.
1	067188-01-000	EA	STUD - CRANK - WIPER MOTOR	
	117322-01-000	EA	SCREW - 1/4-28 UNFINISHED - 2A - TORX	
2	117770-01-000	EA	LINK - CONNECTING - DRIVERS - 24"	
3	117770-02-000	EA	LINK - CONNECTING - PASSENGER - 24"	
4	104346-04-000	EA	MOTOR - WIPER W/INTERNAL BREAKER - GM ONLY	
4	104346-05-000	EA	MOTOR - WIPER W/INTERNAL BREAKER - DYNAMIC PARK - FORD/FREIGHTLINER	
	091206-04-000	EA	MODULE/WIPER CONTROL KIT - DYNAMIC PARK - FREIGHTLINER	
	091206-02-700	EA	KNOB - INNER - FREIGHTLINER	66C-00019
	091206-02-701	EA	KNOB - OUTER - FREIGHTLINER	66C-00020
	091206-04-700	EA	SWITCH ASSEM. ONLY - FREIGHTLINER	250-6623
	102362-03-700	EA	MODULE-WIPER CONT., DYNAMIC - FREIGHTLINER	66D-00093
	104347-04-000	EA	ARM - DRIVE - WIPER MOTOR	
5	045794-01-000	FT	HOSE - WASHER - WINDSHIELD - 5/32" ID - BLACK	
6	061603-01-000	EA	GROMMET - SNAP - 3/16" ID - 3/8" HOLE - PLASTIC BLACK	
7	077049-02-000	EA	NUT - ACORN - 10-32 BLACK/ANODIZED	
8	095964-01-000	EA	BLADE - WINDSHIELD WIPER - 24"	
	095964-01-700	EA	BLADE-REFILL 24" EA = 1 PAIR	12360
9	096505-09-000	EA	SHAFT/PIVOT - WINDSHIELD WIPER	
	096505-02-700	EA	DRIVER-KNURLED, (HD) BRL .687	NT721017
	096505-02-701	EA	NUT-HEX (HD) W/.687 BARREL	NT721021
	096505-02-702	EA	CAP-RUBBER (HD) BARREL .687	CP721084
	096505-02-703	EA	CAP-NUT(ACORN) HD W/.687 BRL	51065-40-NT27WC
10	110605-01-000	EA	TEE - PLASTIC - BARBED - 1/8" X 1/8" X 3/16"	
11	117765-03-000	EA	CONNECTOR - 5/32" - WINDSHIELD WASHER	
12	117766-02-000	EA	RESERVOIR/PUMP - WINDSHIELD WASHER	
13	117768-01-000	EA	SHAFT - ADAPTER - PANTOGRAPH ARM	
14	117769-01-000	EA	ARM - WIPER - PANTOGRAPH - 28"	