

1998 IKG34WQ

J52 **KEEPSAKE (BLUE)**
(WASHED MAPLE)

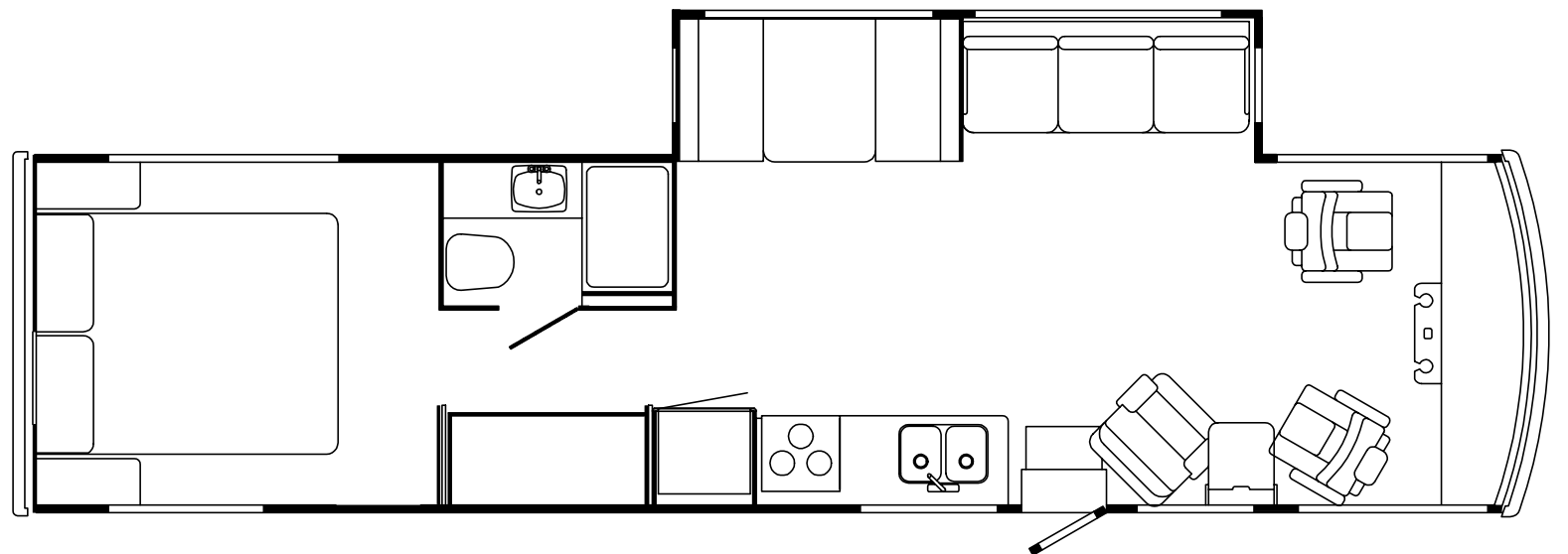
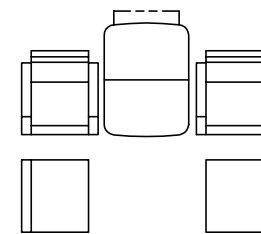
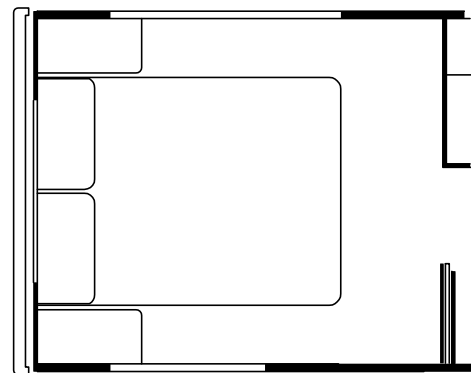
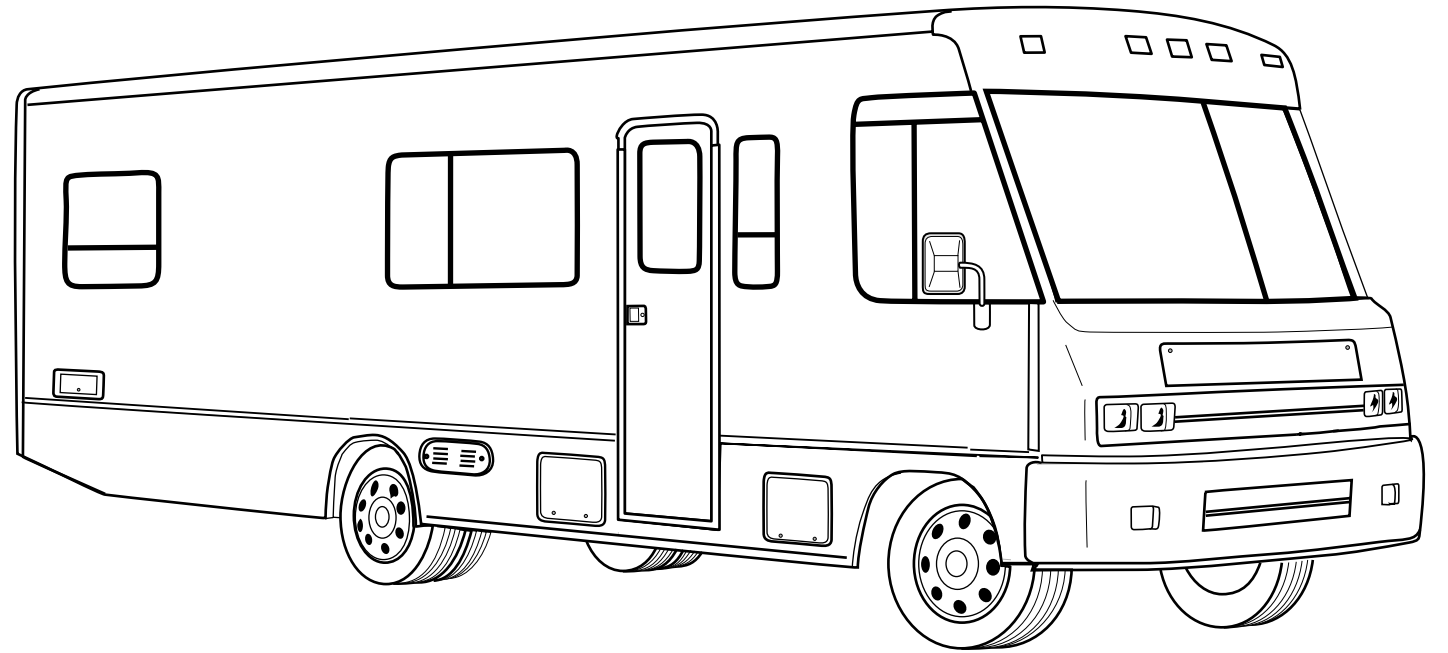
J53 **KEEPSAKE (BLUE)**
(WATERFORD OAK)

J54 **CLOUD (GRAY)**
(WASHED MAPLE)

J55 **CLOUD (GRAY)**
(WATERFORD OAK)

J56 **VINEYARD (GREEN)**
(WASHED MAPLE)

J57 **VINEYARD (GREEN)**
(WATERFORD OAK)



ACCESSORIES GROUP

OPERATOR MANUAL

KEY	PART NUMBER	U/M DESCRIPTION
	054185-H9-000	EA MANUAL - OPERATOR 98 SUNCRUISER - G SERIES
	092318-01-000	EA BINDER - 3 RING - MOTOR HOME MANUAL FROM: 00-00-00 THRU: 01-25-98
	129079-01-01A	EA CASE - VINYL/BLACK - EXPANDABLE ACCORDION SIDES - 7"W X 9"H X 14"L FROM: 01-26-98 THRU: 99-99-99
	092319-01-000	EA POCKET PAGE - 3 RING BINDER - PLASTIC - (50 PER PKG) FROM: 00-00-00 THRU: 02-15-98
	125247-01-000	EA TOP LEVEL - G - 1998

AUDIO VIDEO GROUP

RADIO SYSTEMS & ANTENNA

KEY	PART NUMBER	U/M DESCRIPTION	VENDOR NO.
	125322-02-000	EA RADIO - AM/FM STEREO - CASSETTE - AUDIOVOX	
	127516-01-000	EA RADIO - AM/FM STEREO - CD PLAYER	
	127516-01-700	EA FACE - REMOVABLE	YEPOFX3114
	127516-01-701	EA TRIM RING	YGFC025263
	127516-01-702	EA FACTORY HARNESS	YGAJ02719
	127516-01-703	EA CARRIER F/REMOVEABLE FACE	YEFA131290
	127264-01-000	EA RADIO - AM/FM STEREO - CASSETTE	
	127264-01-700	EA TRIM RING	YFC054C044ZB
	127264-01-701	EA KNOB - VOLUME	YFE074C045ZA
	127264-01-702	EA KNOB - FADER	YEFE074C026
	127264-01-703	EA FACTORY HARNESS	YAJ024C048ZB
	094097-01-000	EA SPEAKER - RADIO/TV - W/O GRILLE - 5.25" DIAMETER	
	124883-02-000	EA SPEAKER - CUBE - W/BRACKET (DELUXE SOUND)	
	124884-01-000	EA SPEAKER - 6" X 9" - SUB-WOOFER (DELUXE SOUND)	
	124885-01-000	EA GRILLE - SPEAKER - 6" X 9" - SUB-WOOFER (DELUXE SOUND)	
	124881-01-000	EA AMPLIFIER - AUDIO (DELUXE SOUND)	
	124882-02-000	EA WIRE ASSEMBLY - AMPLIFIER	
	125634-01-02B	EA COVER/PLATE - SPEAKER - E-COAT (DELUXE SOUND)	
	110469-01-000	EA SPEAKER - 4" X 6" OVAL - COAXIAL	
	110470-01-01A	EA GRILLE - 4" X 6" OVAL - BLACK	
	089340-02-000	EA GRILLE - SPEAKER - 6.5" SQUARE	
	089340-03-000	EA SPACER - SPEAKER GRILLE	

RADIO & CB ANTENNA

KEY	PART NUMBER	U/M DESCRIPTION
	123256-01-000	EA ANTENNA - CB - W/O CABLE
	123256-02-000	EA CABLE - CB COAX
	090944-01-000	EA ANTENNA - RADIO - 16" RUBBER
	108847-01-000	EA BRACKET - ANTENNA GROUND
	109889-04-000	EA EXTENDER - ANTENNA SHAFT - 3"
	077069-02-000	EA CABLE - ANTENNA/EXTENSION - RADIO - 96"
	115916-01-01B	EA BRACKET - ANTENNA MOUNT

REAR MONITOR SYSTEM

KEY	PART NUMBER	U/M DESCRIPTION	VENDOR NO.
	093040-09-000	EA CAMERA - REAR VIEW - W/BRACKET - SONY	
	093040-10-000	EA MONITOR - 7" REAR VIEW - W/BRACKET - SONY	
	093040-10-700	EA LENS - MONITOR - REAR VIEW F/7"	3-708-537-01
	093040-06-000	EA WIRE ASM - MONITOR - F/NON-PREWIRED AFTER MARKET INSTALLATION	
	096717-03-000	EA WIRE - REAR MONITOR - AFTER MARKET INSTALLATION	
	093041-01-000	EA CABLE - MONITOR/ CAMERA - INTERNAL USE - 65.6'	

AUDIO VIDEO GROUP (CONTINUED)

TV - VCR SYSTEMS

KEY	PART NUMBER	U/M	DESCRIPTION	VENDOR NO.
	086231-08-000	EA	TV - 13" COLOR - DC - AUDIOVOX	
	086231-08-700	EA	REMOTE - UNIVERSAL	8822325
	086231-08-701	EA	ADAPTER - WIRE	0891436
	119120-02-700	EA	REMOTE	0994569
	126696-01-000	EA	TV - 19" COLOR W/1/8" JACK - UL/CSA	
			FROM: 00-00-00 THRU: 04-12-98	
	126696-01-700	EA	REMOTE	226725
	126696-02-000	EA	TV - 19" COLOR W/1/8" JACK - UL/CSA	
			FROM: 04-13-98 THRU: 99-99-99	
	126697-01-000	EA	VCR - VHS/CABLE READY - W/REMOTE - GE	
			FROM: 00-00-00 THRU: 03-22-98	
	126697-01-700	EA	REMOTE - F/VCR	2040R
	126697-02-000	EA	VCR - VHS/CABLE READY - W/REMOTE	
			FROM: 03-23-98 THRU: 99-99-99	
	126697-02-700	EA	REMOTE	238513
	086757-03-000	EA	CONTROL CENTER - SWITCH - VCR/TV	
	076319-03-000	FT	CABLE - COAXIAL - 75 OHM	
	076319-09-000	EA	WALLPLATE - CABLE RECEPTACLE - TV - SINGLE - BROWN	
	086777-01-000	EA	WALLPLATE - TV CABLE - W/ANTENNA SWITCH - IVORY	
	086777-06-000	EA	WALLPLATE - TV CABLE - ANTENNA/1 OUTPUT - BROWN	
	086756-01-000	EA	SPLITTER - TV - 2 WAY	
	076319-12-000	EA	CONNECTOR - COAXIAL - ONE PIECE	
	093214-01-02A	EA	GRILLE - SPEAKER - 4" BROWN	
	098819-01-000	EA	SPEAKER - 4" - 2 WATT - 8 OHM	
	114870-02-000	EA	PLUG - .14" AUDIO W/LEADS	
	082136-01-000	EA	NUT - HEX JAM - 3/8 - 32	
	082134-01-000	EA	ADAPTER - TV - CABLE TO CABLE	

SATELLITE DISH

KEY	PART NUMBER	U/M	DESCRIPTION
*	120233-01-000	EA	ANTENNA - SATELLITE (DISH & HDW) W/O RECEIVER - MANUAL
	120233-03-000	EA	CERTIFICATE - SATELLITE RECEIVER DISH

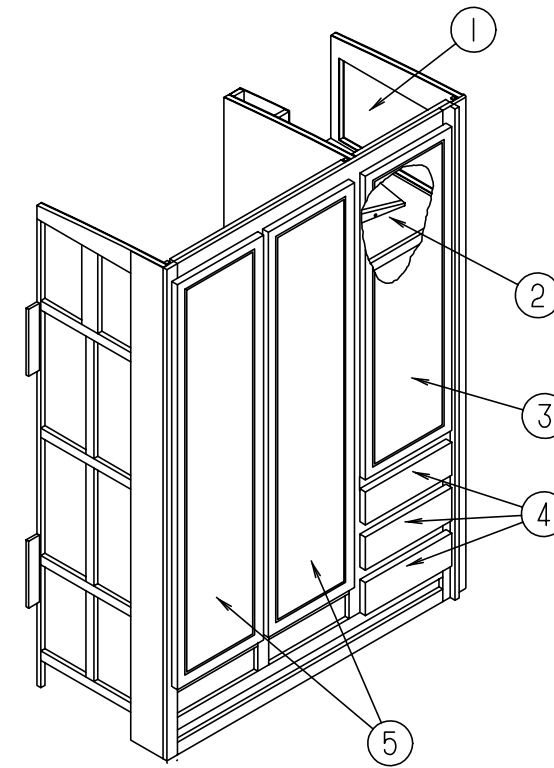
*COMPONENT PARTS FOUND IN SERVICE PARTS LIBRARY

TV ANTENNA

KEY	PART NUMBER	U/M	DESCRIPTION
*	076319-21-000	EA	ANTENNA-TV - ROOF MOUNT - 3" ROOF
			FROM: 00-00-00 THRU: 12-07-97
*	076319-23-000	EA	ANTENNA-TV - ROOF MOUNT - 44.5" MAST
			FROM: 12-08-97 THRU: 99-99-99
*	076319-25-000	EA	KIT - HARDWARE INTERIOR

*COMPONENT PARTS FOUND IN SERVICE PARTS LIBRARY

BATH GROUP

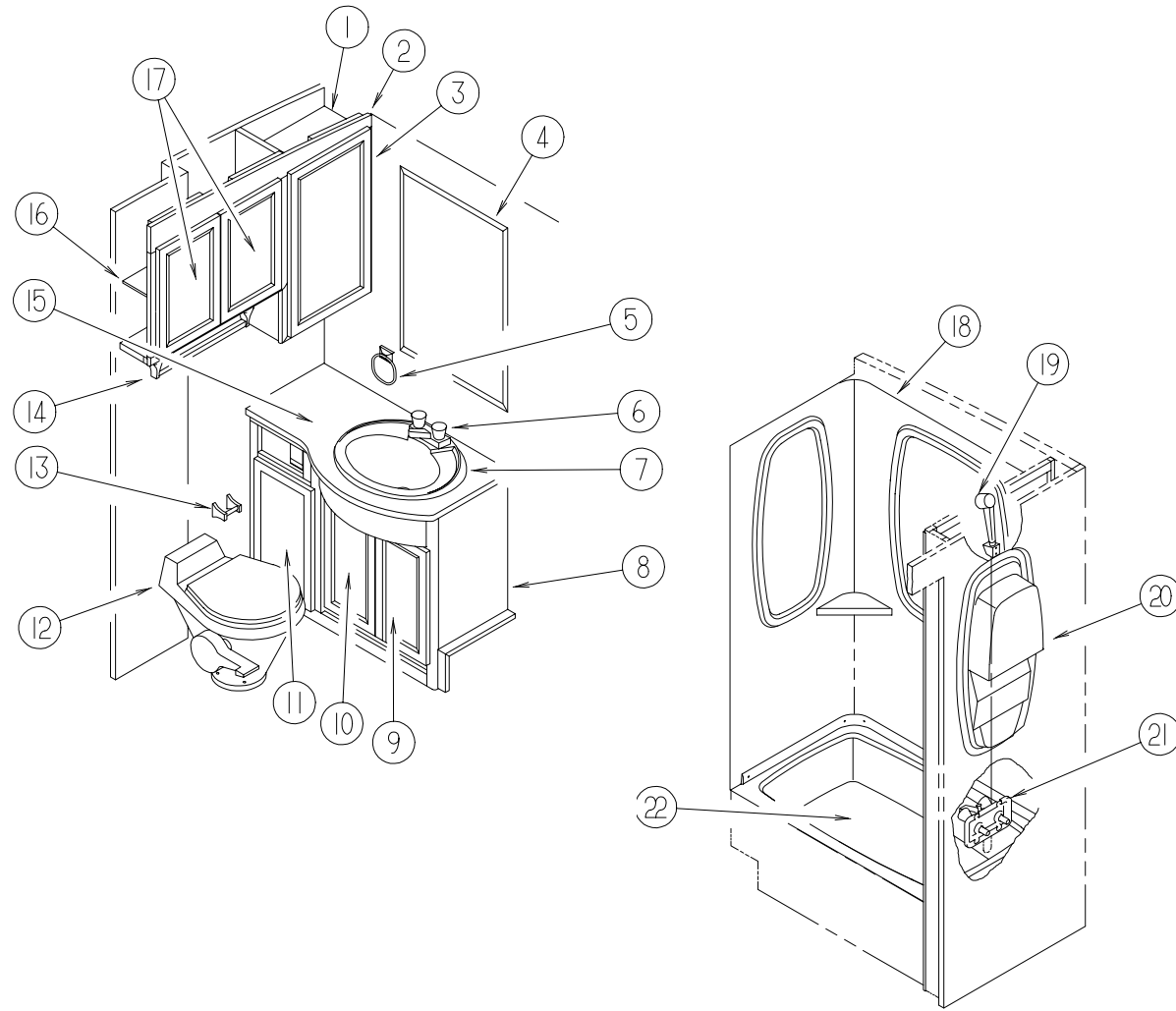


WARDROBE CABINET

KEY	PART NUMBER	U/M	DESCRIPTION
1	M05992-V6-J52	EA	DOOR - STRAIGHT CORNER/OGEE EDGE - 14.3" X 17.9" - W/O HDW (WASHED MAPLE)
1	M05992-V6-J22	EA	DOOR - STRAIGHT CORNER/OGEE EDGE - 14.3" X 17.9" - W/O HDW (WATERFORD OAK)
2	122643-12-J52	EA	WEDGE/SHELF - F/TV (WASHED MAPLE)
2	122643-12-H17	EA	WEDGE/SHELF - F/TV (WATERFORD OAK)
3	M05992-L3-J52	EA	DOOR - STRAIGHT CORNER/OGEE EDGE - 16.7" X 48" - W/O HDW (WASHED MAPLE)
3	M05992-L3-J22	EA	DOOR - STRAIGHT CORNER/OGEE EDGE - 16.7" X 48" - W/O HDW (WATERFORD OAK)
4	M05971-L3-J52	EA	DRAWER - OGEE EDGE - 14.4"W X 17.7"D - W/O SLIDES/HARDWARE (WASHED MAPLE)
4	M05971-L3-H17	EA	DRAWER - OGEE EDGE - 14.4"W X 17.7"D - W/O SLIDES/HARDWARE (WATERFORD OAK)
5	M06803-11-H17	EA	DOOR - MIRROR/MTRD CRNR/OGEE EDGE - 16" X 65.3" - W/O HDW (WASHED MAPLE)
5	M06803-11-H17	EA	DOOR - MIRROR/MTRD CRNR/OGEE EDGE - 16" X 65.3" - W/O HDW (WATERFORD OAK)
	042438-01-000	EA	DOWEL - WOOD - CLOTHES ROD - 1" DIAMETER X 4'
	009112-01-000	EA	FLANGE - 1" CLOTHES ROD - OFF WHITE PLASTIC

BATH GROUP (CONTINUED)

BATH CABINETS, PRIVACY DOOR & SHOWER COMPONENTS

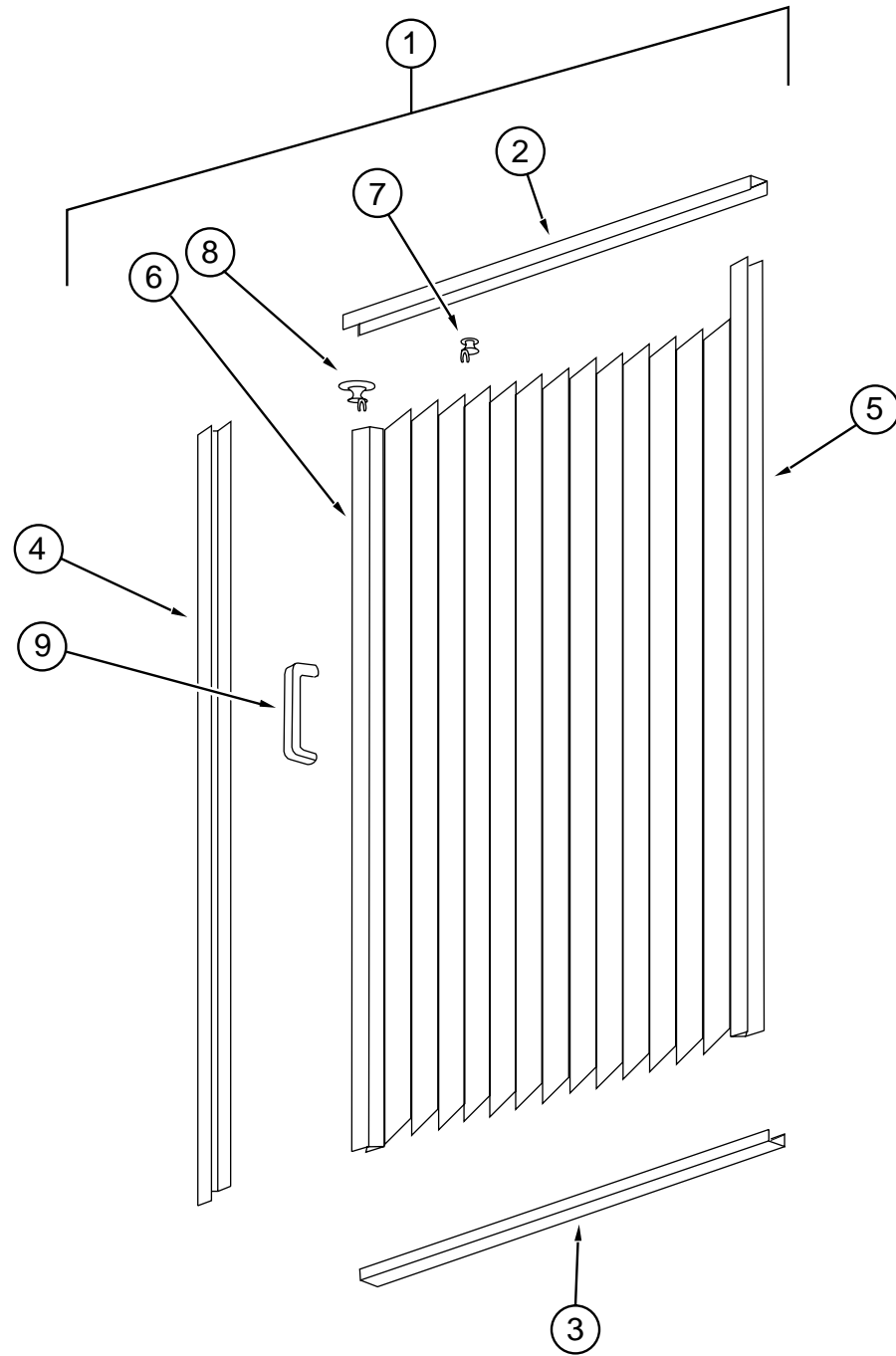


KEY	PART NUMBER	U/M	DESCRIPTION
1	116188-17-J52	EA	SHELF - W/PLASTIC EDGE TRIM (WASHED MAPLE)
1	116188-17-G35	EA	SHELF - W/PLASTIC EDGE TRIM (WATERFORD OAK)
2	P16188-01-J52	EA	CABINET - MEDICINE - W/O DOORS/HARDWARE (WASHED MAPLE)
2	P16188-01-G15	EA	CABINET - MEDICINE - W/O DOORS/HARDWARE (WATERFORD OAK)
3	M05992-48-J52	EA	DOOR - STRAIGHT CORNER/OGEE EDGE - 15.7" X 27.9" - W/O HDW (WASHED MAPLE)
3	M05992-48-J22	EA	DOOR - STRAIGHT CORNER/OGEE EDGE - 15.7" X 27.9" - W/O HDW (WATERFORD OAK)
4	058331-62-000	EA	MIRROR - SAFETY GLASS - 21.1" X 38.9"

KEY	PART NUMBER	U/M	DESCRIPTION	VENDOR NO.
5	075454-02-000	EA	RING - TOWEL - W/MOUNTING HARDWARE - BRASS	
6	075240-06-000	EA	FAUCET - LAVATORY/BONE	
	091253-01-000	EA	GASKET - FAUCET - LAVATORY/GALLEY	
7	105921-01-01A	EA	SINK - LAVATORY - LARGE/OVAL - 17" X 20" PLASTIC/OFF WHITE	
	106116-01-01A	EA	STRAINER - SINK - W/STOPPER/TAILPIECE/GASKET & NUT - PLASTIC	
	105218-01-01A	EA	SPACER - FAUCET/LAVATORY SINK - 2" X 5.9" - ABS PLASTIC	
8	125087-02-J52	EA	CABINET - LAVATORY - W/COUNTERTOP - W/O DOORS/DRAWERS/HDW (J52)	
8	125087-02-J22	EA	CABINET - LAVATORY - W/COUNTERTOP - W/O DOORS/DRAWERS/HDW (J53)	
8	125087-02-J54	EA	CABINET - LAVATORY - W/COUNTERTOP - W/O DOORS/DRAWERS/HDW (J54)	
8	125087-02-J26	EA	CABINET - LAVATORY - W/COUNTERTOP - W/O DOORS/DRAWERS/HDW (J55)	
8	125087-02-J56	EA	CABINET - LAVATORY - W/COUNTERTOP - W/O DOORS/DRAWERS/HDW (J56)	
8	125087-02-J57	EA	CABINET - LAVATORY - W/COUNTERTOP - W/O DOORS/DRAWERS/HDW (J57)	
	125087-11-J52	EA	SHELF - W/EDGE MOLDING (UPPER) (WASHED MAPLE)	
	125087-11-H17	EA	SHELF - W/EDGE MOLDING (UPPER) (WATERFORD OAK)	
	125087-12-J52	EA	SHELF - W/EDGE MOLDING (LOWER) (WASHED MAPLE)	
	125087-12-H17	EA	SHELF - W/EDGE MOLDING (LOWER) (WATERFORD OAK)	
9	M05992-V7-J52	EA	DOOR - STRAIGHT CORNER/OGEE EDGE - 11" X 21.8" - W/O HDW (WASHED MAPLE)	
9	M05992-V7-J22	EA	DOOR - STRAIGHT CORNER/OGEE EDGE - 11" X 21.8" - W/O HDW (WATERFORD OAK)	
10	M05992-V8-J52	EA	DOOR - STRAIGHT CORNER/OGEE EDGE - 11" X 21.8" - W/O HDW (WASHED MAPLE)	
10	M05992-V8-J22	EA	DOOR - STRAIGHT CORNER/OGEE EDGE - 11" X 21.8" - W/O HDW (WATERFORD OAK)	
11	125162-07-J52	EA	CABINET - HAMPER - W/O DOORS/HARDWARE (WASHED MAPLE)	
11	125162-07-J22	EA	CABINET - HAMPER - W/O DOORS/HARDWARE (WATERFORD OAK)	
12*	085330-06-000	EA	TOILET - STANDARD CHINA W/SPRAYER - BONE	
13	075452-02-000	EA	HOLDER - TOILET TISSUE - BRASS	
14	075453-02-000	EA	BAR - TOWEL - 18" BRASS	
15	125087-13-J22	EA	COUNTERTOP - LAVATORY (J52,J53)	
15	125087-13-J26	EA	COUNTERTOP - LAVATORY (J54,J55)	
15	125087-13-J56	EA	COUNTERTOP - LAVATORY (J56,J57)	
16	116188-12-J52	EA	SHELF - W/PLASTIC EDGE TRIM (WASHED MAPLE)	
16	116188-12-G35	EA	SHELF - W/PLASTIC EDGE TRIM (WATERFORD OAK)	
17	M05992-38-J52	EA	DOOR - STRAIGHT CORNER/OGEE EDGE - 12" X 18.7" - W/O HDW (WASHED MAPLE)	
17	M05992-38-J22	EA	DOOR - STRAIGHT CORNER/OGEE EDGE - 12" X 18.7" - W/O HDW (WATERFORD OAK)	
18	115612-01-01A	EA	SURROUND - SHOWER - OFF WHITE	
	115793-01-01A	EA	ANGLE - PLASTIC	
19	103092-01-000	EA	SHOWER HEAD - W/60" HOSE - WHITE	
19	103092-02-000	EA	SHOWER HEAD - W/60" HOSE - CSA	
	103092-01-700	EA	BRACKET - F/SHOWER HEAD - CLEAR	2328028
	011048-03-700	EA	BRACKET - F/SHOWER HEAD	2328029-1
20	104462-02-01A	EA	CADDY - SHOWER - OFF WHITE	
21	075242-04-000	EA	FAUCET - TUB/SHOWER - BONE	
	075606-01-000	EA	PANEL - FAUCET BACK - SHOWER - 5" X 9" - PLASTIC	
22	M02630-34-GV0	EA	SHOWER PAN - W/SPRING LOADED DRAIN PLUNGER	

*COMPONENT PARTS FOUND IN SERVICE PARTS LIBRARY

BATH GROUP (CONTINUED)



SHOWER DOOR

KEY	PART NUMBER	U/M DESCRIPTION
1	117431-03-01A	EA DOOR - SHOWER PLEATED FABRIC
2	117431-01-700	EA TRACK - TOP - ALUM. IVORY INSERT - 48"
3	117431-01-701	EA TRACK - BOTTOM - 40 "
4	117431-01-702	EA RAIL - SIDE - 67"
5	117431-01-703	EA RAIL - STATIONARY - 67"
6	117431-01-704	EA RAIL - LEAD - 67"
7	117431-01-705	EA GLIDE - IVORY - TRAVELER
8	117431-01-706	EA GLIDE - IVORY LEAD - TRAVELER
9	117431-01-708	EA HANDLES & SCREWS
	117431-01-707	EA LATCH
	117431-03-700	EA STRAP - VINYL SHOWER

BATH GROUP (CONTINUED)

BATH DOOR

KEY	PART NUMBER	U/M DESCRIPTION
	121449-09-J52	EA DOOR - BATH (WASHED MAPLE)
	121449-09-J22	EA DOOR - BATH (WATERFORD OAK)
	094485-03-01A	EA KNOB - BRASS
	121449-12-J70	EA RACK - TOWEL - BATH DOOR (WASHED MAPLE)
	121449-12-G04	EA RACK - TOWEL - BATH DOOR (WATERFORD OAK)
	102089-13-J70	EA RAIL END - RIGHT HAND/TOWEL RACK - 26" (WASHED MAPLE)
	102089-13-G09	EA RAIL END - RIGHT HAND/TOWEL RACK - 26" (WATERFORD OAK)
	102089-14-J70	EA RAIL END - LEFT HAND/TOWEL RACK - 26" (WASHED MAPLE)
	102089-14-G09	EA RAIL END - LEFT HAND/TOWEL RACK - 26" (WATERFORD OAK)
	100357-01-000	EA ROD - F/TOWEL BAR - BRASS

BATH/GALLEY SLIDING DOOR

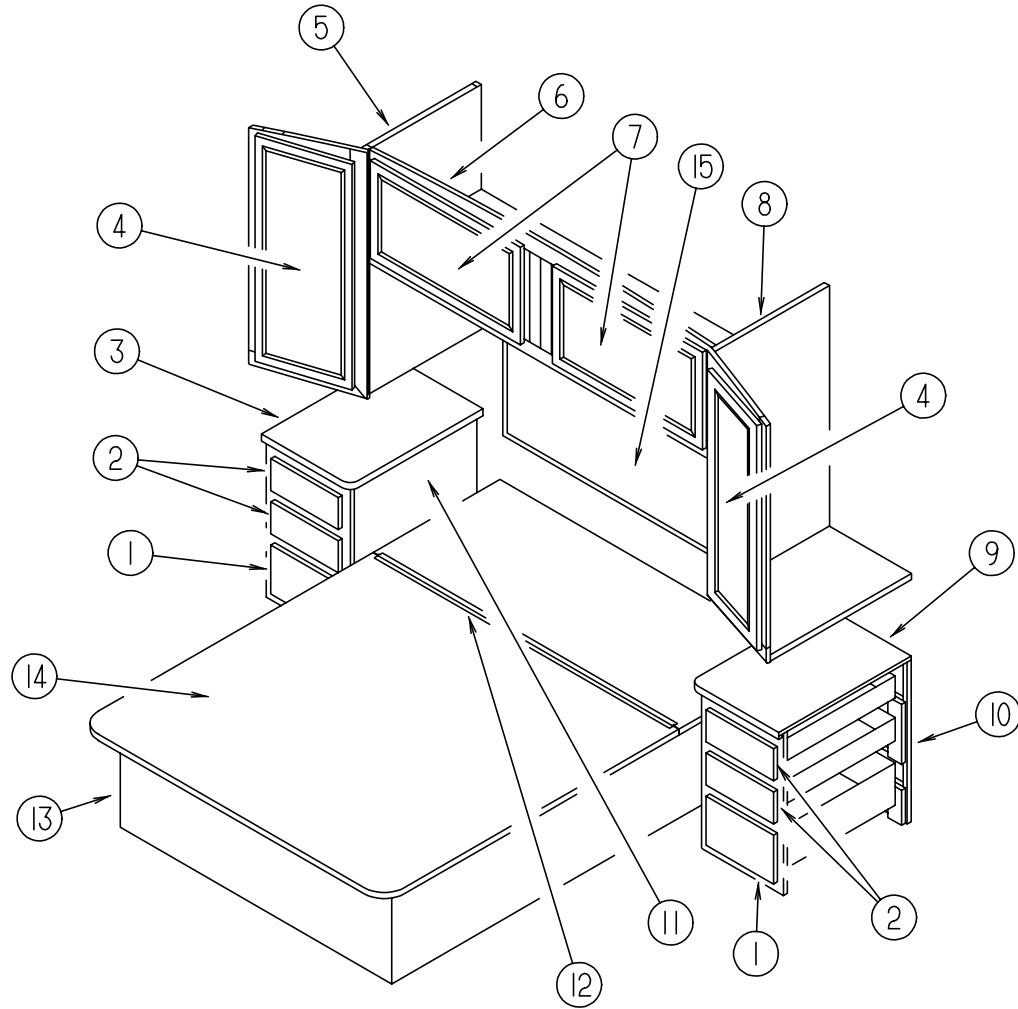
KEY	PART NUMBER	U/M DESCRIPTION
	104013-03-J70	EA DOOR - SLIDING - W/O HARDWARE (WASHED MAPLE)
	104013-03-G15	EA DOOR - SLIDING - W/O HARDWARE (WATERFORD OAK)
	103908-07-J52	EA HEADER - DOOR - BATH/GALLEY (WASHED MAPLE)
	103908-07-G15	EA HEADER - DOOR - BATH/GALLEY (WATERFORD OAK)
	103868-09-01A	EA TRACK - SLIDING DOOR - 64.3" - OFF WHITE
	103874-01-000	EA HANGER - SLIDING DOOR
	064467-01-000	EA GUIDE - POCKET - SLIDING DOOR - WALL MOUNTED
	098410-01-01A	EA PULL - FINGER - BRASS

BATH/BEDROOM PRIVACY DOOR

KEY	PART NUMBER	U/M DESCRIPTION
	M03866-04-J52	EA DOOR - BI-FOLD - W/O HARDWARE (WASHED MAPLE)
	M03866-04-G35	EA DOOR - BI-FOLD - W/O HARDWARE (WATERFORD OAK)
	084451-01-000	EA CATCH (BIFOLD DOOR) BRASS
	117978-01-01A	EA KNOB - DOOR - BRIGHT BRASS
	092652-01-000	EA GUIDE WHEEL - DOOR TOP MOUNT
	102920-01-01A	EA HINGE - SPRING LOADED/BRASS
	103908-08-J52	EA HEADER - DOOR (WASHED MAPLE)
	103908-08-G15	EA HEADER - DOOR (WATERFORD OAK)

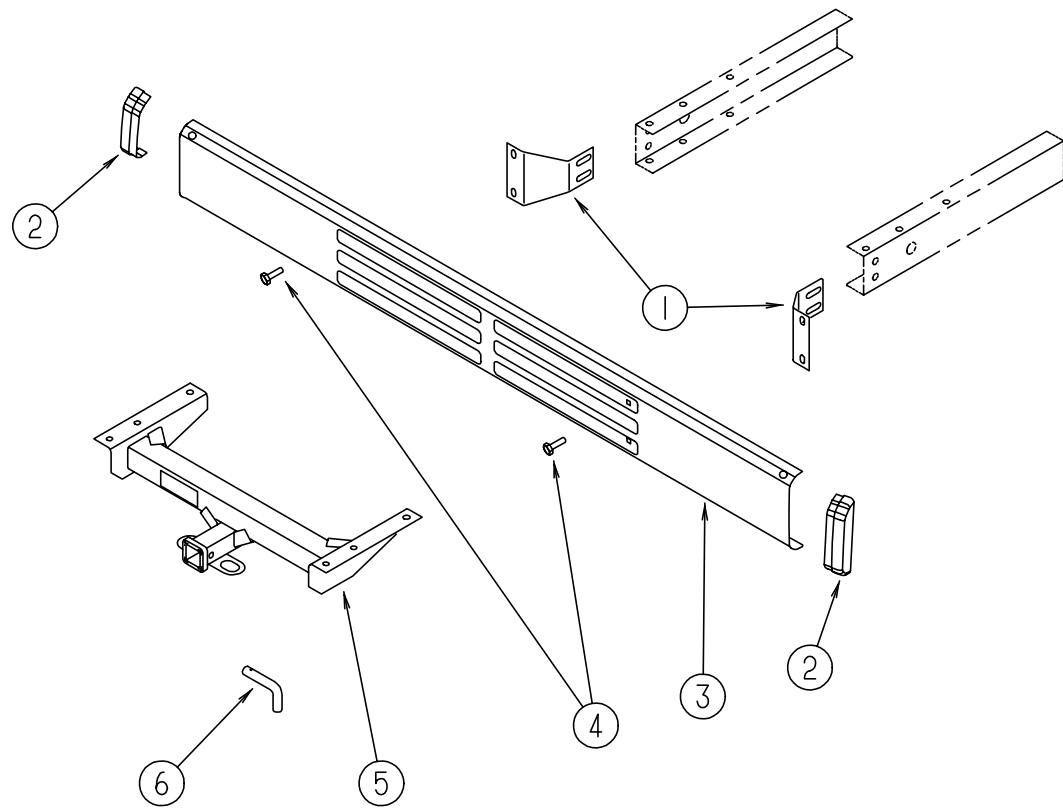
BEDROOM GROUP

QUEEN BEDROOM



KEY	PART NUMBER	U/M	DESCRIPTION
1	M05971-W3-J52	EA	DRAWER - OGEE EDGE - 11.5"W X 21.6"D - W/O SLIDES/HARDWARE (WASHED MAPLE)
1	M05971-W3-H17	EA	DRAWER - OGEE EDGE - 11.5"W X 21.6"D - W/O SLIDES/HARDWARE (WATERFORD OAK)
2	M05971-L5-J52	EA	DRAWER - OGEE EDGE - 11.5"W X 21.6"D - W/O SLIDES/HARDWARE (WASHED MAPLE)
2	M05971-L5-H17	EA	DRAWER - OGEE EDGE - 11.5"W X 21.6"D - W/O SLIDES/HARDWARE (WATERFORD OAK)
3	116193-11-H37	EA	COUNTERTOP - NIGHTSTAND (J52,J53)
3	116193-11-F12	EA	COUNTERTOP - NIGHTSTAND (J54,J55)
3	116193-11-G36	EA	COUNTERTOP - NIGHTSTAND (J56,J57)
4	M06803-G1-J52	EA	DOOR - MIRROR/MTRD CRNR/OGEE EDGE - 14.4" X 36.4" - W/O HARDWARE (WASHED MAPLE)
4	M06803-G1-H17	EA	DOOR - MIRROR/MTRD CRNR/OGEE EDGE - 14.4" X 36.4" - W/O HARDWARE (WATERFORD OAK)
5	116142-01-J60	EA	CABINET - SHIRT CLOSET/RIGHT HAND - W/O DOOR/HARDWARE (J52)
5	116142-01-J22	EA	CABINET - SHIRT CLOSET/RIGHT HAND - W/O DOOR/HARDWARE (J53)
5	116142-01-J54	EA	CABINET - SHIRT CLOSET/RIGHT HAND - W/O DOOR/HARDWARE (J54,J56)
5	116142-01-J55	EA	CABINET - SHIRT CLOSET/RIGHT HAND - W/O DOOR/HARDWARE (J55,J57)
6	106523-01-J60	EA	CABINET - OVERHEAD/REAR - W/O DOORS/HARDWARE (WASHED MAPLE)
6	106523-01-G09	EA	CABINET - OVERHEAD/REAR - W/O DOORS/HARDWARE (WATERFORD OAK)
7	M05992-48-J52	EA	DOOR - STRAIGHT CORNER/OGEE EDGE - 15.7" X 27.9" - W/O HDW (WASHED MAPLE)
7	M05992-48-J22	EA	DOOR - STRAIGHT CORNER/OGEE EDGE - 15.7" X 27.9" - W/O HDW (WATERFORD OAK)
8	116142-02-J60	EA	CABINET - SHIRT CLOSET/LEFT HAND - W/O DOOR/HARDWARE (WASHED MAPLE)
8	116142-02-J22	EA	CABINET - SHIRT CLOSET/LEFT HAND - W/O DOOR/HARDWARE (WATERFORD OAK)
9	116193-12-H37	EA	COUNTERTOP - NIGHTSTAND (J52,J53)
9	116193-12-F12	EA	COUNTERTOP - NIGHTSTAND (J54,J55)
9	116193-12-G36	EA	COUNTERTOP - NIGHTSTAND (J56,J57)
10	116193-01-J52	EA	CABINET/NIGHTSTAND/RH - W/COUNTERTOP - W/O DOORS/DWRS/HDW (J52)
10	116193-01-J97	EA	CABINET/NIGHTSTAND/RH - W/COUNTERTOP - W/O DOORS/DWRS/HDW (J53)
10	116193-01-J54	EA	CABINET/NIGHTSTAND/RH - W/COUNTERTOP - W/O DOORS/DWRS/HDW (J54)
10	116193-01-G15	EA	CABINET/NIGHTSTAND/RH - W/COUNTERTOP - W/O DOORS/DWRS/HDW (J55)
10	116193-01-J60	EA	CABINET/NIGHTSTAND/RH - W/COUNTERTOP - W/O DOORS/DWRS/HDW (J56)
10	116193-01-J94	EA	CABINET/NIGHTSTAND/RH - W/COUNTERTOP - W/O DOORS/DWRS/HDW (J57)
11	116193-02-J52	EA	CABINET/NIGHTSTAND/LH - W/COUNTERTOP - W/O DOORS/DWRS/HDW (J52)
11	116193-02-J97	EA	CABINET/NIGHTSTAND/LH - W/COUNTERTOP - W/O DOORS/DWRS/HDW (J53)
11	116193-02-J54	EA	CABINET/NIGHTSTAND/LH - W/COUNTERTOP - W/O DOORS/DWRS/HDW (J54)
11	116193-02-G15	EA	CABINET/NIGHTSTAND/LH - W/COUNTERTOP - W/O DOORS/DWRS/HDW (J55)
11	116193-02-J60	EA	CABINET/NIGHTSTAND/LH - W/COUNTERTOP - W/O DOORS/DWRS/HDW (J56)
11	116193-02-J94	EA	CABINET/NIGHTSTAND/LH - W/COUNTERTOP - W/O DOORS/DWRS/HDW (J57)
12	041389-25-000	EA	HINGE - PIANO - 1.50" X 55"
13	P16341-01-J52	EA	CABINET - BASE/QUEEN BED - W/O DOORS/DRAWERS/HARDWARE (WASHED MAPLE)
13	P16341-01-G15	EA	CABINET - BASE/QUEEN BED - W/O DOORS/DRAWERS/HARDWARE (WATERFORD OAK)
14	M07465-02-F11	EA	TOP - QUEEN BED - W/O HARDWARE
15	058331-93-000	EA	MIRROR - SAFETY GLASS - 27.6" X 63"
	127712-01-J52	EA	HEADBOARD - CHRISTINA (J52,J53)
	127712-01-J54	EA	HEADBOARD - CHRISTINA (J54,J55)
	127712-01-J56	EA	HEADBOARD - CHRISTINA (J56,J57)
	109645-02-000	EA	BRACKET - FLOOR SUPPORT
	057460-02-000	EA	STUD BALL - GAS SPRING - .39" - 5/16"-18
	057460-04-000	EA	SPRING - GAS - BALL STUD STYLE END
	089025-01-000	EA	SUPPORT-SPRING- TO BED - ANGLE 1.5" X 11.8" LONG - STEEL
	097872-04-000	EA	DOWEL - WOOD - 1" DIAMETER X 1.38" LONG
	107796-05-000	EA	BRACKET - GAS SPRING - FLAT
	091952-01-000	EA	CLIP - GRIPPER - 1"

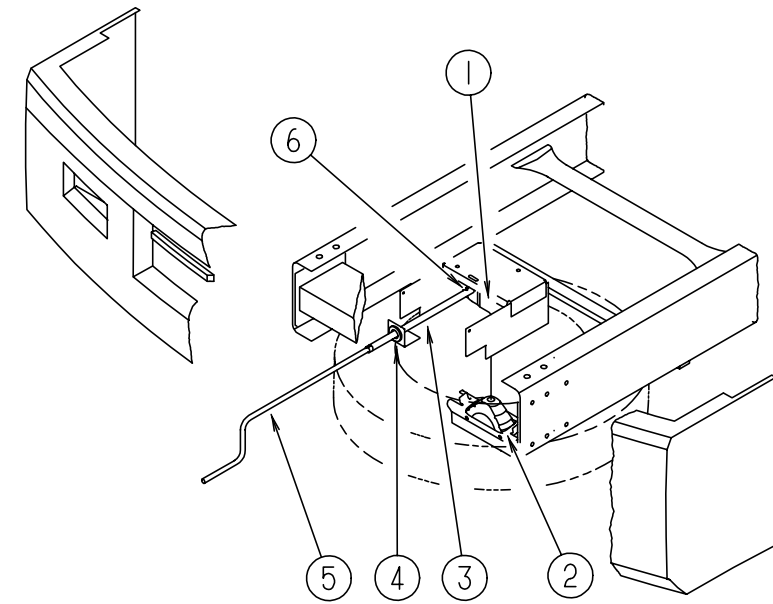
CHASSIS GROUP



REAR BUMPER & COMPONENTS

KEY	PART NUMBER	U/M	DESCRIPTION
1	116357-01-02B	EA	ANGLE - SUPPORT - REAR BUMPER
2	103228-01-05A	EA	END CAP - REAR BUMPER - DRIVER/PASSENGER SIDE
3	103099-12-02A	EA	BUMPER - REAR - BRIGHT WHITE
4	102333-01-05A	EA	BOLT - 7/16"
5	107707-04-000	EA	HITCH RECEIVER - BOLT-ON CLASS II
6	034512-01-000	EA	PIN - LOCKING - DRAWBAR
	113589-01-000	EA	CONNECTOR - PLUG - TRAILER
	113589-02-000	EA	CONNECTOR - SOCKET - TRAILER
	113588-02-01B	EA	BRACKET - CONNECTOR - TRAILER W/O LIP
	110277-02-000	EA	STRAP

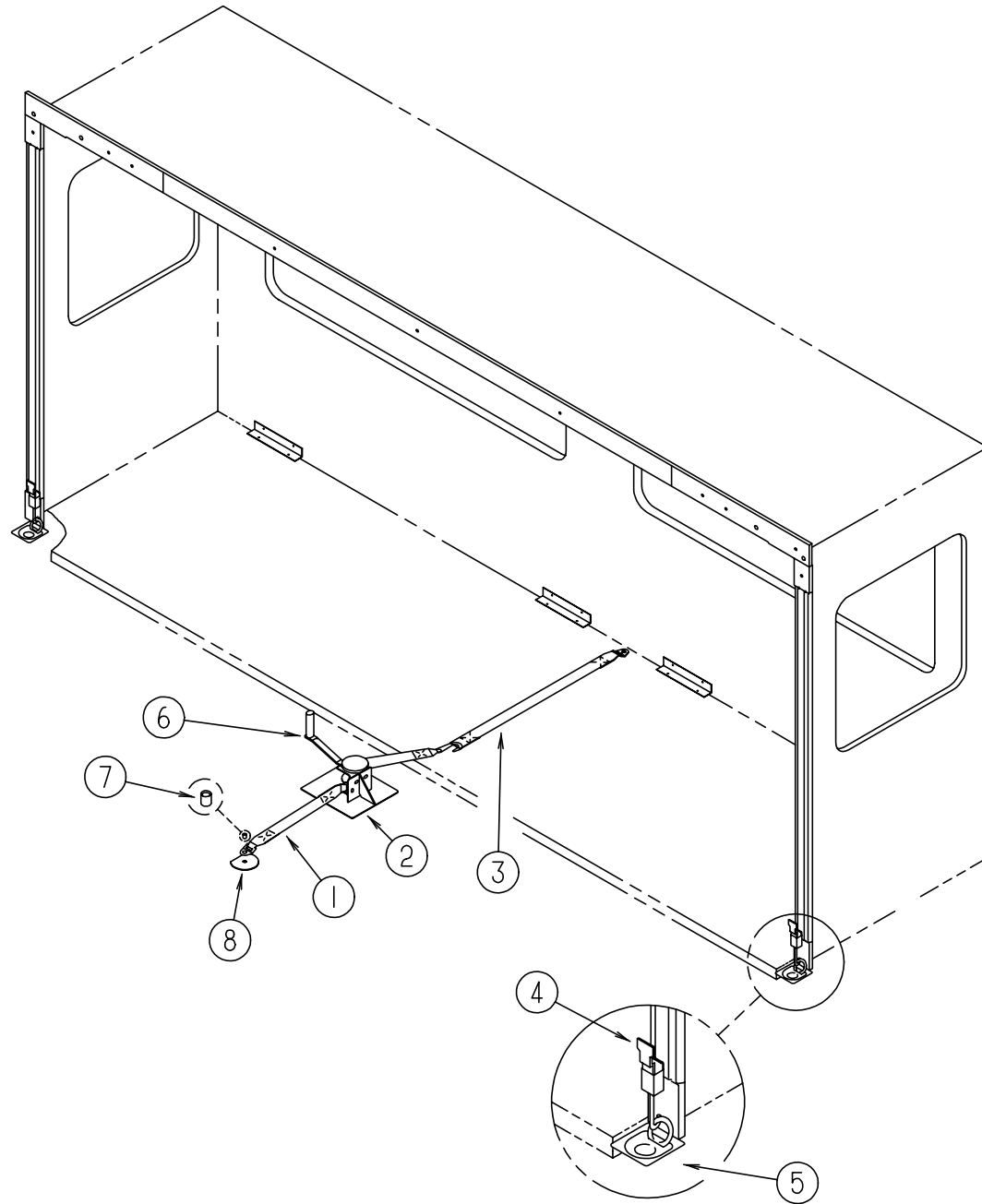
CHASSIS GROUP (CONTINUED)



SPARE TIRE & HOIST

KEY	PART NUMBER	U/M	DESCRIPTION
1	120877-01-000	EA	HOIST - SPARE TIRE - #400 LB
2	120752-01-02B	EA	SUPPORT - SPARE TIRE
3	093375-17-000	EA	EXTENSION - TIRE HOIST
4	071015-11-000	EA	GROMMET - 1.00 ID - FITS .12 MATERIAL
5	093376-04-000	EA	HANDLE - CRANK - TIRE HOIST
6	113007-04-000	EA	PIN - SPRING - .007 X 1.25"
	051377-01-000	EA	VALVE STEM
	091673-01-000	EA	TIRE - 225.70 R19.5 LRF - XZA
	064963-01-000	EA	WHEEL - STEEL - 19.5" X 6" - GM 14005758
	080208-04-000	EA	WRENCH - LUG - 30MM (1 3/16")
	080208-05-000	EA	BAR - LEVERAGE - LUG WRENCH 3/4D

CHASSIS GROUP (CONTINUED)



SLIDEOUT HARDWARE

KEY	PART NUMBER	U/M DESCRIPTION
1	116101-01-F31	EA STRAP - WINCH
2	116082-01-02B	EA BRACKET - WINCH
3	116101-02-F31	EA STRAP - WINCH
4	116737-01-01A	EA LATCH - DRAW - ADJUSTABLE - ZINC
5	116736-01-01A	EA TIEDOWN - DROP/D - ZINC
6	115767-02-000	EA WINCH - SLIDEOUT
7	116743-01-01A	EA CAP - LUG COVER - THREAD PROTECTOR - BLACK
8	057759-01-000	EA WASHER BRACKET - SEAT BELT - 4" DIAMETER
8	064081-03-000	EA NUT - WING 3/8-16 - W/WELD NUT
	077298-55-003	EA EXTRUSION - TUBE - .275"

CHASSIS GROUP (CONTINUED)

HYDRAULIC SLIDEOUT SYSTEM

KEY	PART NUMBER	U/M DESCRIPTION	VENDOR NO.
	115767-05-000	EA SLIDEOUT - HYDRAULIC	
	115767-01-701	EA CYLINDER-HYD. SLIDE OUT (RAM	RAP90007
	115767-01-702	EA HOSE-HYD., 17" F/SLIDE OUT	RAP90003
	115767-01-703	EA HOSE-HYD., 90" F/SLIDE OUT	RAP90001
	115767-01-704	EA HOSE-HYD., 146" F/SLIDE OUT	RAP90004
	115767-01-705	EA HOSE-HYD., 60" F/SLIDE OUT	RAP4073
	115767-01-706	EA VALVE-SENSOR, F/SLIDE OUT	RAP90012
	115767-01-707	EA GUIDE-OUTER HOSE	RAP90008
	115767-01-708	EA GUIDE-INNER HOSE	RAP90009
	121665-02-000	EA SHIM - 1/16 THICK - SLIDE OUT ROOM	
	121665-03-000	EA SHIM - 1/8 THICK	
	115105-05-01B	EA BRACKET - SLIDEOUT	
	115105-06-02B	EA BRACKET - SLIDEOUT	
	116735-02-01B	EA BRACKET - CONTROL VALVE - SLIDEOUT	

WHEEL LINERS - 19.5"

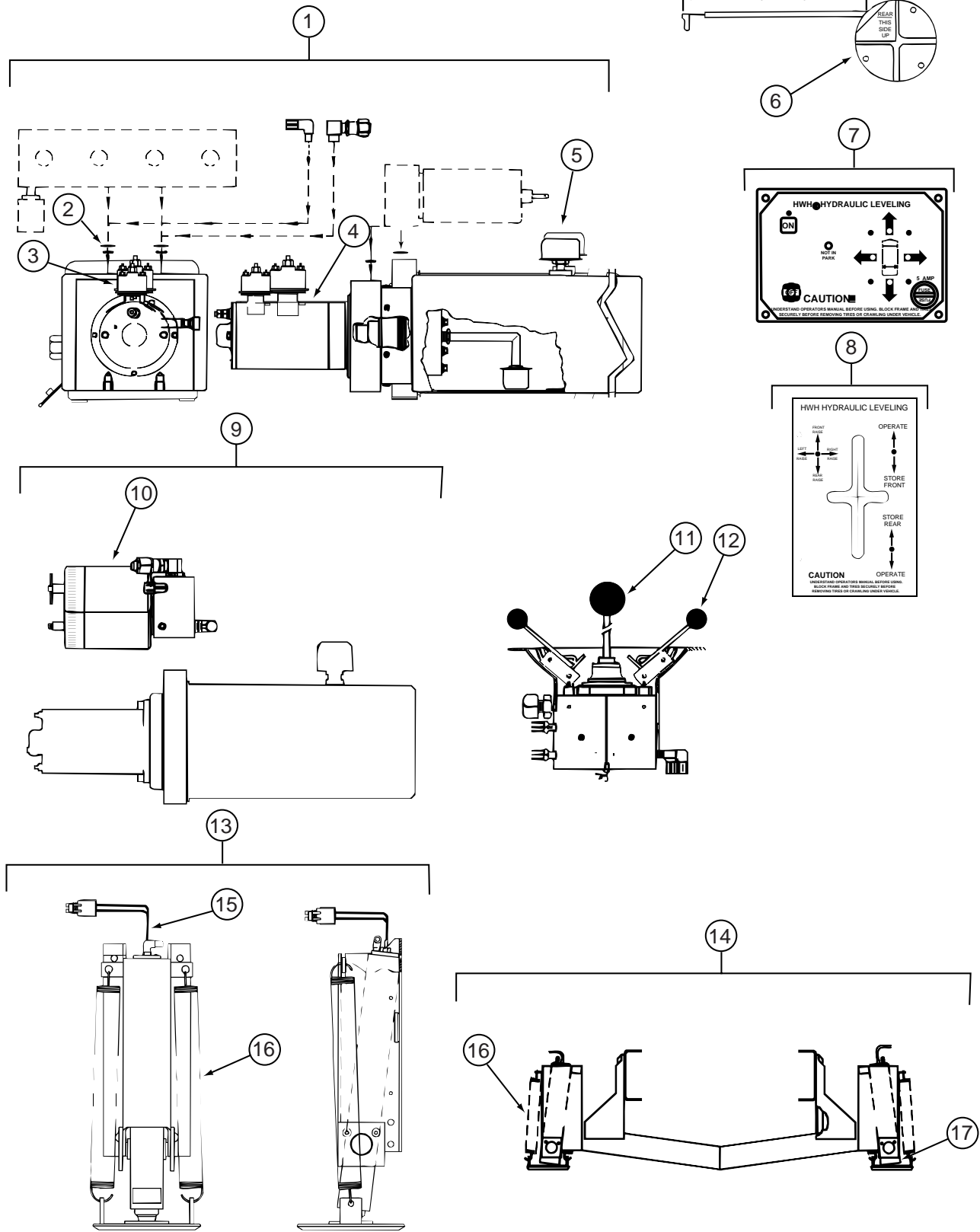
KEY	PART NUMBER	U/M DESCRIPTION	VENDOR NO.
	110435-12-000	EA LINER - WHEEL - SET/4 - 19.5"	
	110435-05-700	EA CAP - CENTER - POP - OUT	V22510-POC
	110435-05-711	EA COVER - LUG NUT	V22506-LNC
	110435-05-712	EA TOOL INSTALLATION	V22506-TOL
	110435-12-700	EA WHEEL LINER - FRONT WHEEL	V19580-FWC
	110435-12-701	EA WHEEL LINER - REAR WHEEL	V19580-RWC
	110435-12-702	EA JAM NUT - 20MM	V19580-JNT

EXHAUST SYSTEM PARTS

KEY	PART NUMBER	U/M DESCRIPTION
	053322-22-000	EA SHIELD - HEAT - EXHAUST

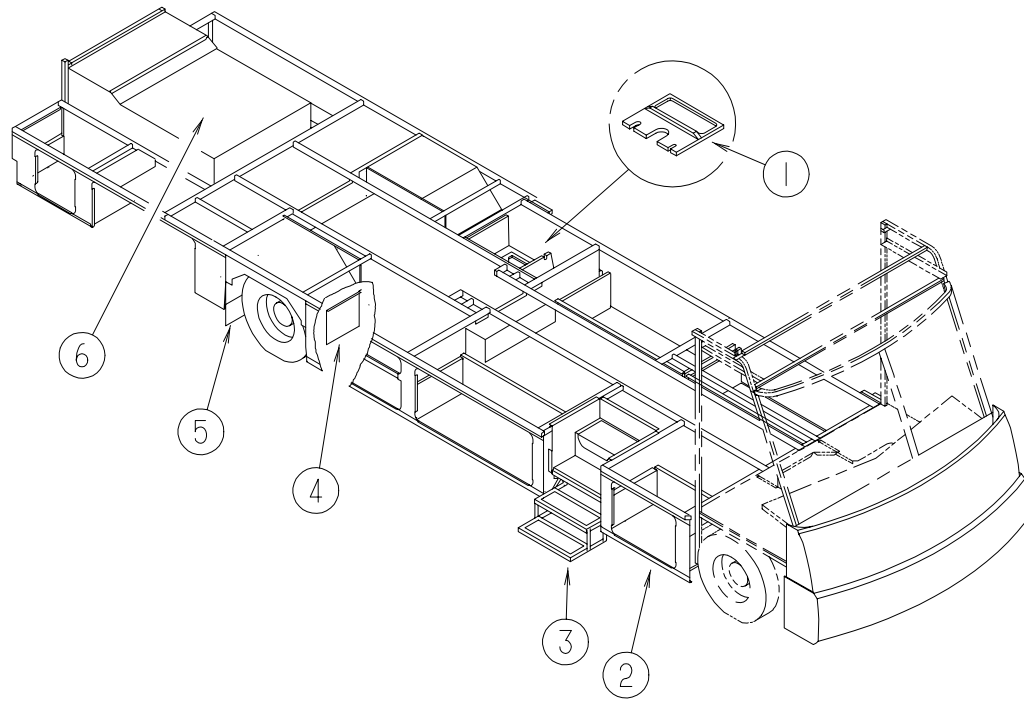
CHASSIS GROUP (CONTINUED)

HWH HYDRAULIC LEVELING SYSTEM



KEY	PART NUMBER	U/M DESCRIPTION	VENDOR NO.
	100532-16-000	EA LEVELING SYSTEM - HYDRAULIC - USED W/SLIDEOUT SYSTEM	
1	100532-12-701	EA PUMP & MOTOR W/TANK 1.7	RAP0588
2	100532-03-723	EA O-RING/SEAL KIT	RAP9171
3	100532-09-710	EA SOLENOID - INTERMITTENT DUTY	RAP0533
4	115767-01-700	EA MOTOR F/PUMP	RAP0640
5	100532-03-715	EA CAP - BREATHER W/DIPSTICK	RAP7876
6	100532-03-710	EA SENSING UNIT 21' MTA	RAP6798
7	100532-08-703	EA PANEL ASM. - 200 BI-AXIS SYS.	RAP9755
8	100532-08-707	EA BEZEL W/GASKET - F/SYSTEM 200	RAP9592
9	100532-16-701	EA MANIFOLD ASM. F/SLIDE OUT	RAP1716
10	100532-09-704	EA VALVE-PRESSURE SOLENOID	RAP0642
11	100532-08-706	EA KNOB-1 3/16" BLACK	RAP9734
12	100532-08-705	EA KNOB-3/4" BLACK - SET OF FOUR	RAP1379
13	100532-16-700	EA JACK ASM. 6K - STATIONARY	RAP0468
14	100532-16-702	EA JACK ASM. - 12K	RAP0453
15	100532-12-706	EA SWITCH - WARNING/MAGNETIC	RAP1008
16	100532-12-707	EA SPRING KIT	R3847
17	100532-16-703	EA CYLINDER ASSEMBLY - 12K	RAP0040
	100532-01-714	EA SCREW KIT (LEVELING JACKS)	R1280
	100532-08-702	EA VALVE - BI-AXIS	RAP9589
	100534-16-000	EA BRACKETS-REAR,LEVELING JACKS - HWH AP10858	
	100536-25-000	EA HOSE KIT - LEVELING JACKS	
	100536-09-701	EA HOSE-HYDRAULIC-60"	RAP4073
	100536-10-700	EA HOSE-HYDRAULIC-84"	RAP1412
	100536-25-700	EA HOSE-HYDRAULIC-306"	RAP4904
	100536-25-701	EA HOSE-HYDRAULIC-312"	RAP5216
	100536-27-000	EA HOSE KIT-SLIDEOUT - HWH AP2072	
	100536-09-700	EA HOSE-HYDRAULIC-324"	AP2464
	100536-27-700	EA HOSE-HYDRAULIC-332"	RAP8985
	107890-01-000	EA ELBOW - STEEL - 90 D - 1/4 X 37 D - FLARE	
	117183-01-02B	EA COVER - SENSOR - LEVELING	

CHASSIS GROUP (CONTINUED)

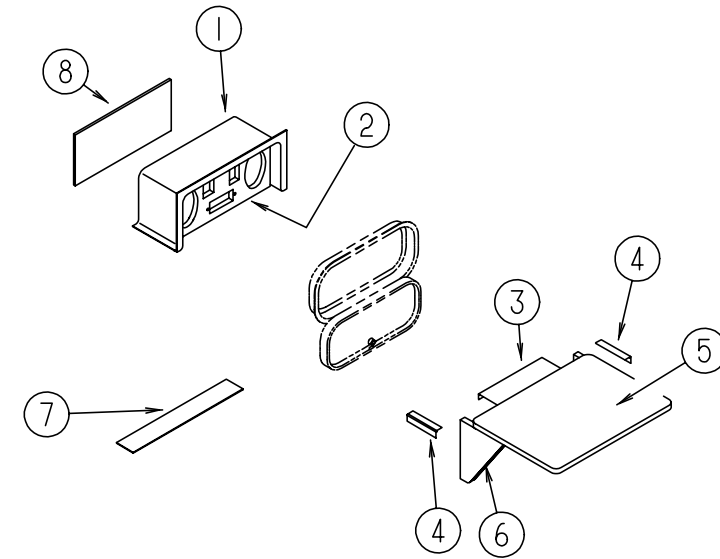


COMPARTMENTS & TRAYS

KEY	PART NUMBER	U/M	DESCRIPTION
1	M06991-05-G38	EA	HATCH - W/FOAM
	121175-01-01A	EA	LATCH - SWELL - BLACK
	105718-03-000	EA	SUPPORT
2	120867-01-02B	EA	MOUNT - LP TANK
3*	094707-01-01A	EA	STEP - DOUBLE - ELECTRIC - KWIKEE
	104452-03-000	EA	SUPPORT - STEP
4	020167-05-000	EA	DIRT GUARD - STEEL - 14.9" LONG
5	020167-08-000	EA	DIRT GUARD - STEEL - 13.6" LONG
	017516-05-000	EA	MUD FLAP
6	072877-03-000	EA	INSULATION - SOUND BARRIER - 1" X 36" X 57"
	065450-05-000	EA	TIEDOWN - BATTERY - 8.4" TUBE
	061420-10-000	EA	PLUG/PLASTIC - 1.50" DIAMETER - BLACK
	119845-01-01A	EA	PLUG - PLASTIC - BLACK

*COMPONENT PARTS FOUND IN SERVICE PARTS LIBRARY

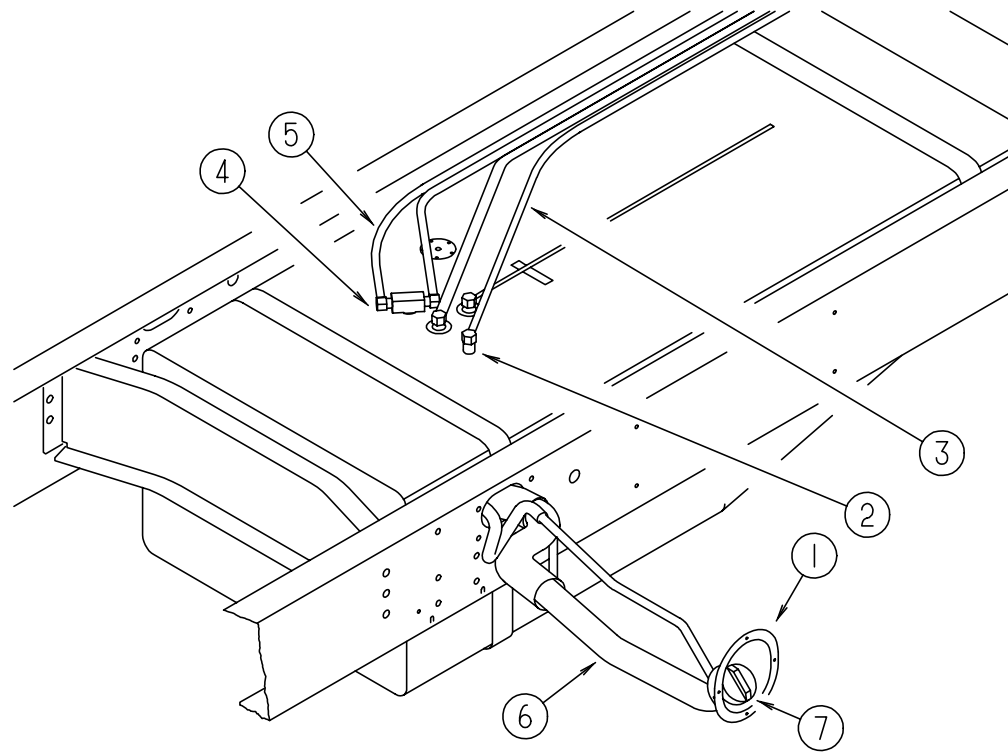
CHASSIS GROUP (CONTINUED)



COMPARTMENT (ENTERTAINMENT CENTER)

KEY	PART NUMBER	U/M	DESCRIPTION
1	124696-01-01A	EA	BOX - ENTERTAINMENT CENTER
2	104899-03-H17	EA	PLATE - RADIO MOUNTING
3	105377-01-04A	EA	BRACKET - TABLE HANGER - BRIGHT WHITE
4	105376-01-03A	EA	HINGE - CONTINUOUS - 2" X 5.5" - BRIGHT WHITE
5	105230-11-J01	EA	SHELF - EXTERIOR ENTERTAINMENT CENTER - W/O HARDWARE
6	105230-12-J01	EA	SUPPORT - EXTERIOR SHELF
7	104898-01-02A	EA	PLATE - PLASTIC BOTTOM - BRIGHT WHITE
8	104898-02-02A	EA	PLATE - PLASTIC BACK - BRIGHT WHITE

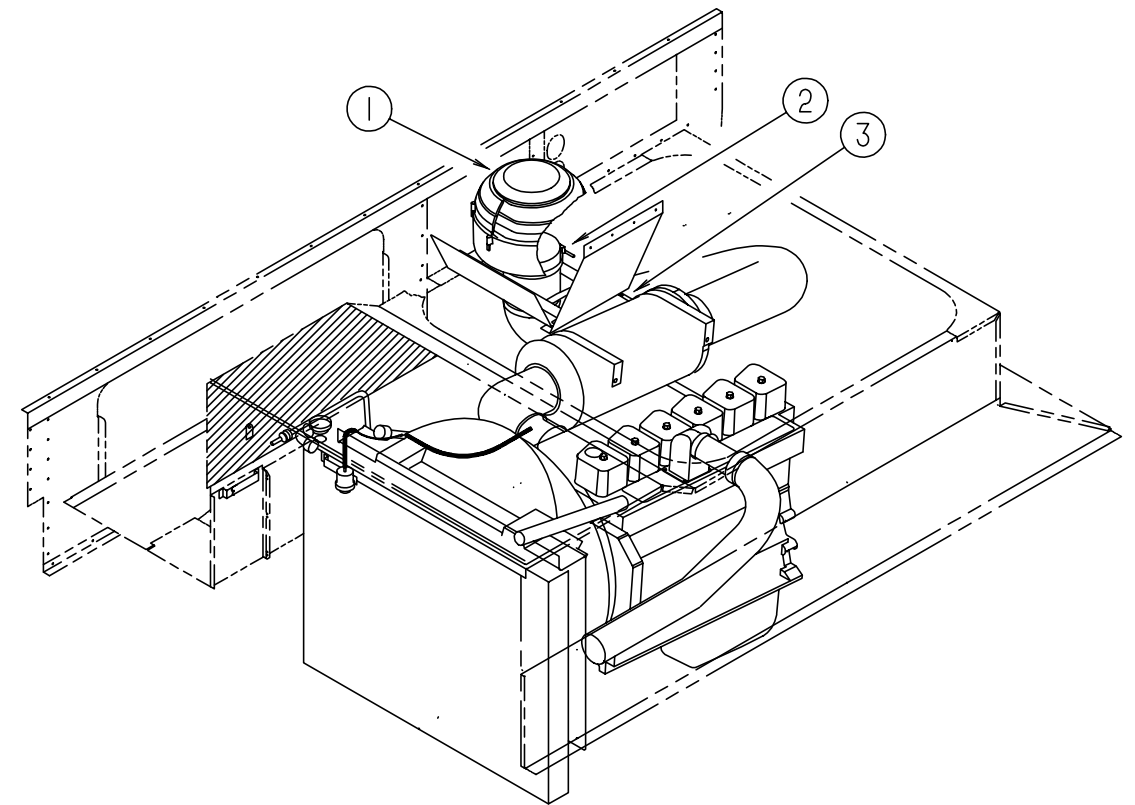
CHASSIS GROUP (CONTINUED)



FUEL SYSTEM

KEY	PART NUMBER	U/M	DESCRIPTION
1	095854-01-04A	EA	SHROUD - FUEL FILL - BRIGHT WHITE
	078200-01-000	EA	GASKET - FUEL FILL - 3.5"OD X 2"ID
2	114253-01-000	EA	ELBOW - 1/4 SINGLE BARB X 1/8 MPT
2	068382-06-000	EA	BUSHING - BRASS - 3/8 MPT X 1/8 FPT
3	007063-01-000	FT	HOSE - FUEL - 1/4"ID X 1/2"OD
4	114253-02-000	EA	ELBOW - 5/16 SINGLE BARB X 1/4 MPT
5	024138-01-000	FT	HOSE - FUEL - 5/16" ID
6	117336-01-000	EA	NECK ASSEMBLY - FUEL FILL
7	073220-03-000	EA	CAP - FUEL FILL - NON LOCK - DIESEL
	114254-02-000	EA	ADAPTER - 5/16 SINGLE BARB X 1/8 MPT
	114254-01-000	EA	ADAPTER - 1/4 BARB X 1/8 MPT
	084884-01-000	EA	PLUG - BRASS - 3/8"

CHASSIS GROUP (CONTINUED)



PRECLEANER & AIR FILTER

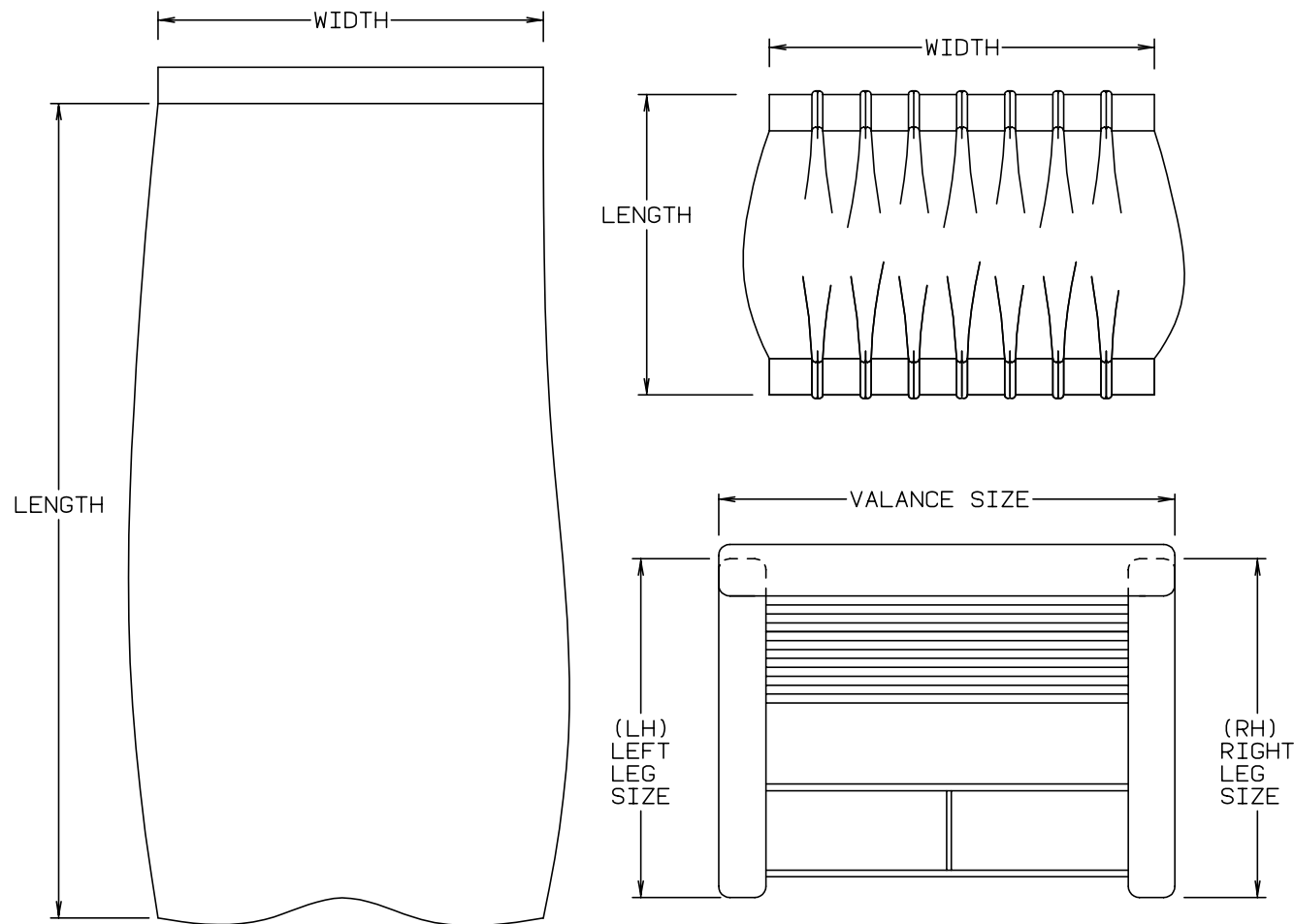
KEY	PART NUMBER	U/M	DESCRIPTION
1	124856-01-000	EA	PRE-CLEANER - ENGINE AIR INTAKE
2	125083-01-01A	EA	CLAMP - T BOLT
3	099856-09-000	EA	TIEDOWN - STRAP - 1" X 29.1" WEBBING W/3" OVERLAP - BLACK

CURTAIN & CUSHION GROUP

NOTICE

IN ORDER TO ASSIST OUR PARTS SALES DEPT. IN PROVIDING INTERIOR SOFTGOODS ITEMS, PLEASE INCLUDE THE SERIAL NUMBER AND THE COLOR CODE NUMBER FROM THE VEHICLE CERTIFICATION LABEL WHEN ORDERING. THIS LABEL IS LOCATED ON THE LEFT SIDEWALL AT THE END OF THE DASH (A-BODY), OR ON THE DRIVER'S DOOR LATCH PLATE (C-BODY).

AN EXAMPLE OF A COLOR CODE NUMBER IS B07, WHICH DESIGNATES AN OVERALL COLOR SCHEME OF A PARTICULAR UNIT. THE COLOR LISTED AFTER THE ITEM DESCRIPTION ON THE MICROFICHE, INDICATES THE OVERALL UNIT COLOR. ORDER THE ITEM YOU DESIRE ACCORDING TO UNIT COLOR CODE.



NOTE: USE THIS ILLUSTRATION WHEN DETERMINING LENGTH AND WIDTH MEASUREMENTS FOR CURTAINS. YOU WILL NOTE THE WIDTH MEASUREMENT IS TAKEN ON THE TOP OF THE CURTAIN WITH THE CURTAIN FULLY EXTENDED. THE LENGTH MEASUREMENT IS TAKEN FROM TOP TO BOTTOM. LEFT AND RIGHT WINDOW LEGS ARE DETERMINED WHEN FACING THE WINDOW.

CURTAIN & CUSHION GROUP (CONTINUED)

ASSIST HANDLE, SEAT BELTS & BUTTONS

KEY	PART NUMBER	U/M	DESCRIPTION
	069178-02-000	EA	BRACKET - MOUNTING/ASSIST HANDLE - GRAY
	000C16-07-16B	EA	BOLT - CARRIAGE - ASSIST HANDLE - 7/16" - 14 X 1"
	000D20-07-00B	EA	NUT - ACORN - ASSIST HANDLE - 7/16 - 14
	053552-02-AA8	EA	HANDLE - ASSIST - INTERIOR/ENTRY DOOR - VINYL/OFF WHITE
	070578-02-J52	EA	BUTTON - #30 - VINYL
	079349-08-J52	YD	WELT - VINYL
	084415-82-000	YD	TRIM - BRAID - .5 CORD - ZEPHYR (J52,J53)
	084415-93-000	YD	TRIM - BRAID - CD-15340 - .5"CORD (J54,J55)
	084415-94-000	YD	TRIM - BRAID - CD-15341 - .5"CORD (J56,J57)
	007021-01-000	EA	SEAT BELT - 2" X 90" - BLACK
	056271-01-000	EA	BELT - SEAT - 2" X 102" - BLACK
	057759-01-000	EA	WASHER BRACKET - SEAT BELT - 4" DIAMETER

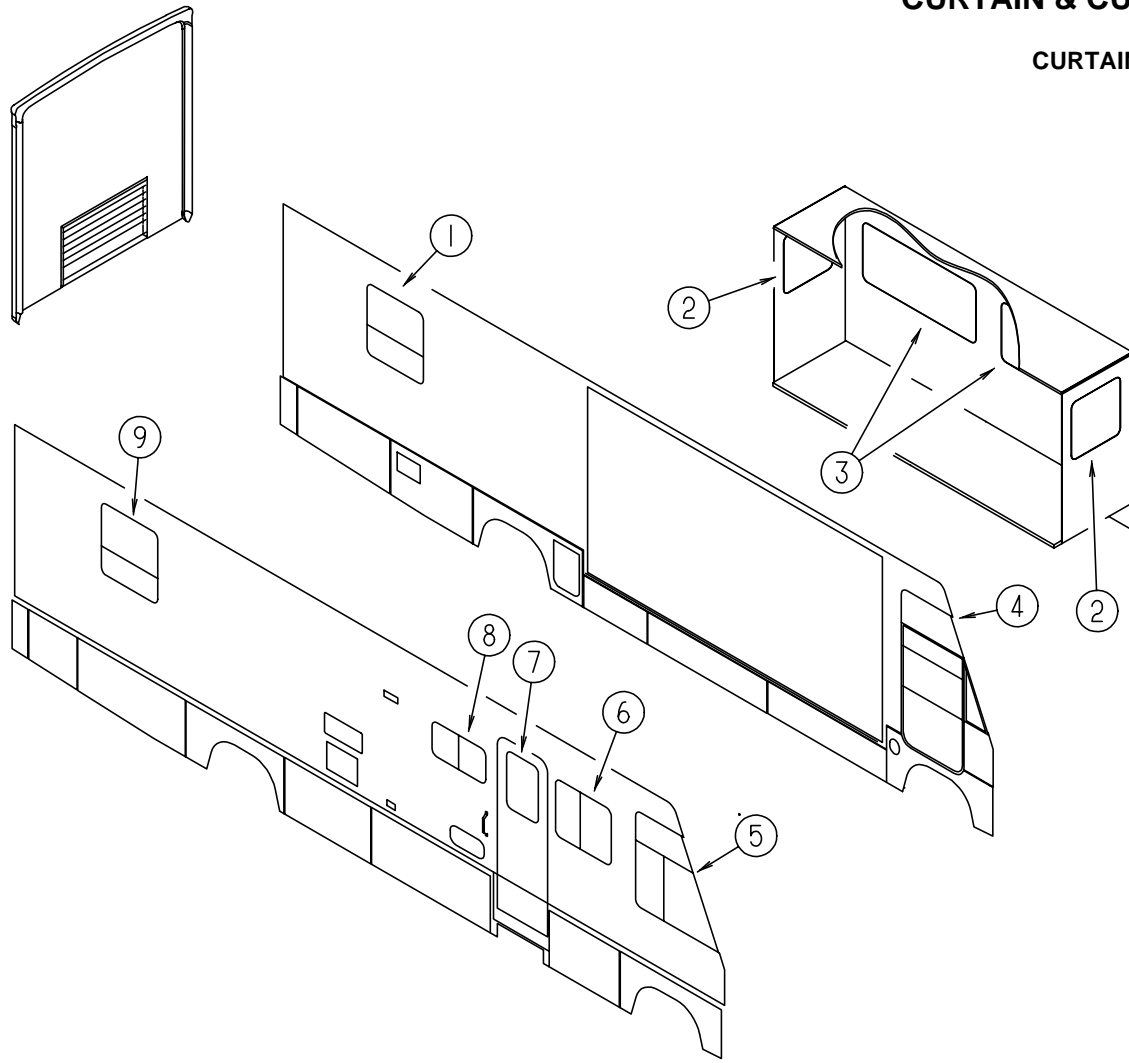
CURTAIN & CUSHION GROUP (CONTINUED)

SUNCRUISER FABRIC								
COLOR CODES	J52,J53	J54,J55	J56,J57		COLOR CODES	J52,J53	J54,J55	J56,J57
MARKETING COLORS	KEEPSAKE BLUE	CLOUD GRAY	VINEYARD GREEN		MARKETING COLORS	KEEPSAKE BLUE	CLOUD GRAY	VINEYARD GREEN
BUCKET SEAT	108446-M4-000 079680-24-000	108446-W2-000 103970-01-05A	108446-W2-000 103907-01-04A		DINETTE CHAIRS	108446-M4-000	108446-W3-000	108446-W0-000
DINETTE	108446-U5-000	108446-U6-000	108446-U7-000		LOUNGE PILLOWS	108446-M4-000 084415-82-000	108446-W3-000 084415-93-000	108446-W0-000 084415-94-000
SOFA	108446-U5-000	108446-U6-000	108446-U7-000		BEDROOM PILLOWS	105745-64-000 084415-82-000	105745-H8-000 084415-93-000	105745-J0-000 084415-94-000
TT CHAIR	108446-M4-000	108446-W3-000	108446-W0-000		BEDROOM WINDOWS	105745-H7-000 105745-64-000	105745-H4-000 105745-H8-000	105745-H1-000 105745-J0-000
LOUNGE WINDOW	108446-S5-000 084415-82-000	108446-U6-000 084415-93-000	108446-U7-000 084415-94-000		BEDROOM LEGS	105745-H7-000	105745-H4-000	105745-J0-000
LOUNGE LEGS	108446-M4-000	108446-U6-000	108446-U7-000		BEDSPREAD & SHAMS	105745-H7-000 084415-82-000	105745-H4-000 084415-93-000	105745-H1-000 084415-94-000
FRONT WRAP CURTAIN	072333-85-000	072333-88-000	072333-85-000		BEDROOM DAY-NITERS	094911-25-000 094911-38-000	094911-30-000 094911-50-000	094911-30-000 094911-50-000
LOUNGE PLEATEDS	094911-25-000	094911-30-000	094911-30-000		DINETTE PADS	108446-M4-000	108446-W2-000	108446-W1-000
MAP POCKETS	108446-M4-000	108446-W2-000	108446-W1-000		HEADBOARD	105745-H7-000	105745-H4-000	105745-H1-000
SLIDEOUT CABINET INSERTS	108446-U5-000	108446-U6-000	108446-U7-000		LOUNGE CABINET INSERTS	108446-M4-000	108446-W3-000	108446-W0-000
BEDROOM CABINET INSERTS	105745-64-000	105745-H8-000	105745-J0-000		CEILING MATERIAL	113979-01-01A	113979-01-01A	113979-01-01A

NOTE: THE FABRIC LISTED FIRST, IN A BLOCK, IS THE LARGEST QUANTITY OF FABRIC USED

CURTAIN & CUSHION GROUP (CONTINUED)

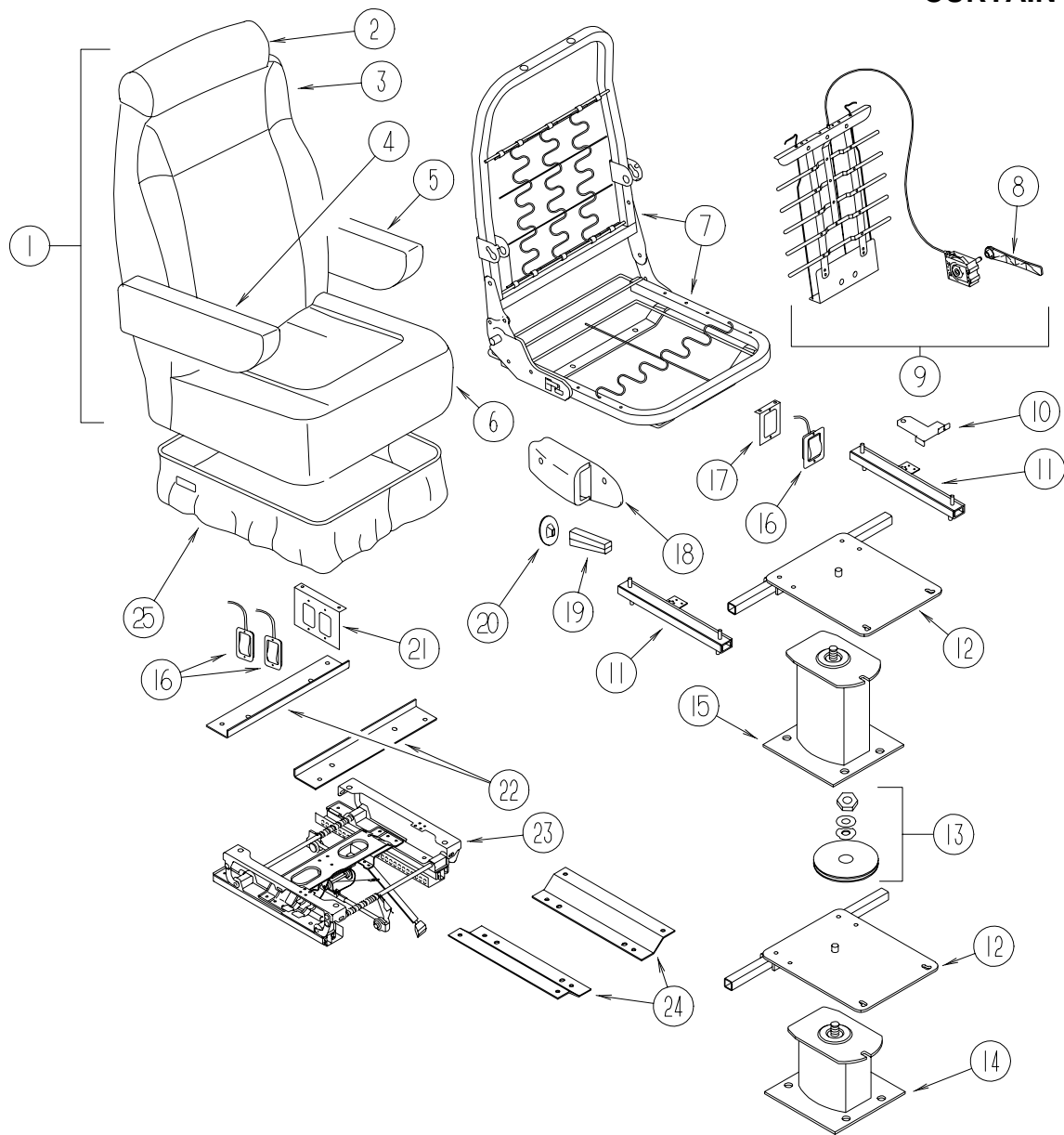
CURTAINS & WINDOW TREATMENT



KEY	PART NUMBER	U/M	DESCRIPTION
1	119299-19-J52	EA	VALANCE - WHITNEY - 34" (J52,J53)
1	119299-19-J54	EA	VALANCE - WHITNEY - 34" (J54,J55)
1	119299-19-J56	EA	VALANCE - WHITNEY - 34" (J56,J57)
1	123910-15-J52	EA	LEG - RIGHT - 34" (J52,J53)
1	123910-15-J54	EA	LEG - RIGHT - 34" (J54,J55)
1	123910-19-J56	EA	LEG - RIGHT - 34" (J56,J57)
1	123910-16-J52	EA	LEG - LEFT - 34" (J52,J53)
1	123910-16-J54	EA	LEG - LEFT - 34" (J54,J55)
1	123910-20-J56	EA	LEG - LEFT - 34" (J56,J57)
1	111910-58-J30	EA	BLIND - DAY/NIGHTER - 31" X 37" (J52,J53)
1	111910-58-J20	EA	BLIND - DAY/NIGHTER - 31" X 37" (J54,J55,J56,J57)
2	126609-19-J52	EA	VALANCE - MONA - 29" (J52,J53)
2	126609-19-J54	EA	VALANCE - MONA - 29" (J54,J55)
2	126609-19-J56	EA	VALANCE - MONA - 29" (J56,J57)
2	127017-43-J52	EA	LEG - RIGHT - 23.5" (J52,J53)
			FROM: 00-00-00 THRU: 11-16-97
2	127017-43-JA2	EA	LEG - RIGHT - 23.5" (J52,J53)
			FROM: 11-17-97 THRU: 99-99-99
2	127017-41-J54	EA	LEG - RIGHT - 23.5" (J54,J55)
2	127017-41-J56	EA	LEG - RIGHT - 23.5" (J56,J57)
2	127017-44-J52	EA	LEG - LEFT - 23.5" (J52,J53)
			FROM: 00-00-00 THRU: 11-16-97
2	127017-44-JA2	EA	LEG - LEFT - 23.5" (J52,J53)
			FROM: 11-17-97 THRU: 99-99-99
2	127017-42-J54	EA	LEG - LEFT - 23.5" (J54,J55)
2	127017-42-J56	EA	LEG - LEFT - 23.5" (J56,J57)
2	109802-49-G45	EA	BLIND - PLEATED - 26" X 27" (J52,J53)
2	109802-49-G35	EA	BLIND - PLEATED - 26" X 27" (J54,J55,J56,J57)
2	111910-63-J24	EA	BLIND - DAY/NIGHTER - 26" X 27"
3	126609-11-J52	EA	VALANCE - MONA - 62.5" (J52,J53)
3	126609-11-J54	EA	VALANCE - MONA - 62.5" (J54,J55)
3	126609-11-J56	EA	VALANCE - MONA - 62.5" (J56,J57)
3	127017-43-J52	EA	LEG - RIGHT - 23.5" (J52,J53)
			FROM: 00-00-00 THRU: 11-16-97
3	127017-43-JA2	EA	LEG - RIGHT - 23.5" (J52,J53)
			FROM: 11-17-97 THRU: 99-99-99
3	127017-41-J54	EA	LEG - RIGHT - 23.5" (J54,J55)
3	127017-41-J56	EA	LEG - RIGHT - 23.5" (J56,J57)
3	127017-44-J52	EA	LEG - LEFT - 23.5" (J52,J53)
			FROM: 00-00-00 THRU: 11-16-97
3	127017-44-JA2	EA	LEG - LEFT - 23.5" (J52,J53)
			FROM: 11-17-97 THRU: 99-99-99
3	127017-42-J54	EA	LEG - LEFT - 23.5" (J54,J55)
3	127017-42-J56	EA	LEG - LEFT - 23.5" (J56,J57)
3	109802-48-G45	EA	BLIND - PLEATED - 59" X 26.5" (J52,J53)
3	109802-48-G35	EA	BLIND - PLEATED - 59" X 26.5" (J54,J55,J56,J57)
3	111910-55-J30	EA	BLIND - DAY/NIGHTER - 59" X 26.5" (J52,J53)
3	111910-55-J60	EA	BLIND - DAY/NIGHTER - 59" X 26.5" (J54,J55,J56,J57)
4	101668-46-E91	EA	CURTAIN - LEFT HAND - 48" X 95" (J52)
4	101668-68-J22	EA	CURTAIN - LEFT HAND - 42" X 106" (J53,J56,J57)
4	101668-68-J54	EA	CURTAIN - LEFT HAND - 42" X 106" (J54,J55)
5	101668-45-E91	EA	CURTAIN - RIGHT HAND - 48" X 95" (J52)
5	101668-67-J22	EA	CURTAIN - RIGHT HAND - 42" X 106" (J53,J56,J57)
5	101668-67-J54	EA	CURTAIN - RIGHT HAND - 42" X 106" (J54,J55)
	073260-42-C18	EA	TIEBACK - 6" X 18"
	126841-02-000	EA	SHADE - PULL - CHARCOAL MESH - 34" X 60"
6	126609-06-J52	EA	VALANCE - MONA - 31.5" (J52,J53)
6	126609-06-J54	EA	VALANCE - MONA - 31.5" (J54,J55)
6	126609-06-J56	EA	VALANCE - MONA - 31.5" (J56,J57)
6	127017-11-J52	EA	LEG - RIGHT - 25" (J52,J53)
			FROM: 00-00-00 THRU: 11-16-97
6	127017-11-JA2	EA	LEG - RIGHT - 25" (J52,J53)
			FROM: 11-17-97 THRU: 99-99-99
6	127017-01-J54	EA	LEG - RIGHT - 25" (J54,J55)
6	127017-01-J56	EA	LEG - RIGHT - 25" (J56,J57)
6	127017-12-J52	EA	LEG - LEFT - 25" (J52,J53)
			FROM: 00-00-00 THRU: 11-16-97
6	127017-14-JA2	EA	LEG - LEFT - 25" (J52,J53)
			FROM: 11-17-97 THRU: 99-99-99
6	127017-02-J54	EA	LEG - LEFT - 25" (J54,J55)
6	127017-02-J56	EA	LEG - LEFT - 25" (J56,J57)
6	109802-54-J22	EA	BLIND - PLEATED - 28" X 28" (J52,J53)
6	109802-54-J24	EA	BLIND - PLEATED - 28" X 28" (J54,J55,J56,J57)
6	111910-20-J03	EA	BLIND - DAY/NIGHTER - 28" X 28" (J52,J53)
6	111910-20-J04	EA	BLIND - DAY/NIGHTER - 28" X 28" (J54,J55,J56,J57)
7	121410-91-J52	EA	VALANCE - MODERATE - 31.75" (J52,J53)
7	121410-91-J54	EA	VALANCE - MODERATE - 31.75" (J54,J55)
7	121410-92-J56	EA	VALANCE - MODERATE - 31.75" (J56,J57)
	084755-57-E07	EA	SHADE - PULL - 27.25"
8	109041-44-01A	EA	BLIND - MINI - 30.5" X 18" (J52,J53)
8	109041-44-02A	EA	BLIND - MINI - 30.5" X 18" (J54,J55,J56,J57)
	109353-04-000	EA	CLIP - VALANCE SLAT MOUNTING - CLEAR PLASTIC
9	119299-18-J52	EA	VALANCE - WHITNEY - 34" (J52,J53)
9	119299-18-J54	EA	VALANCE - WHITNEY - 34" (J54,J55)
9	119299-18-J56	EA	VALANCE - WHITNEY - 34" (J56,J57)
9	127017-09-J52	EA	LEG - RIGHT - 34" (J52,J53)
9	127017-09-J54	EA	LEG - RIGHT - 34" (J54,J55)
9	127017-17-J56	EA	LEG - RIGHT - 34" (J56,J57)
9	127017-10-J52	EA	LEG - LEFT - 34" (J52,J53)
9	127017-10-J54	EA	LEG - LEFT - 34" (J54,J55)
9	127017-18-J56	EA	LEG - LEFT - 34" (J56,J57)
9	111910-58-J30	EA	BLIND - DAY/NIGHTER - 31" X 37" (J52,J53)
9	111910-58-J20	EA	BLIND - DAY/NIGHTER - 31" X 37" (J54,J55,J56,J57)

CURTAIN & CUSHION GROUP (CONTINUED)

DRIVER BUCKET SEAT

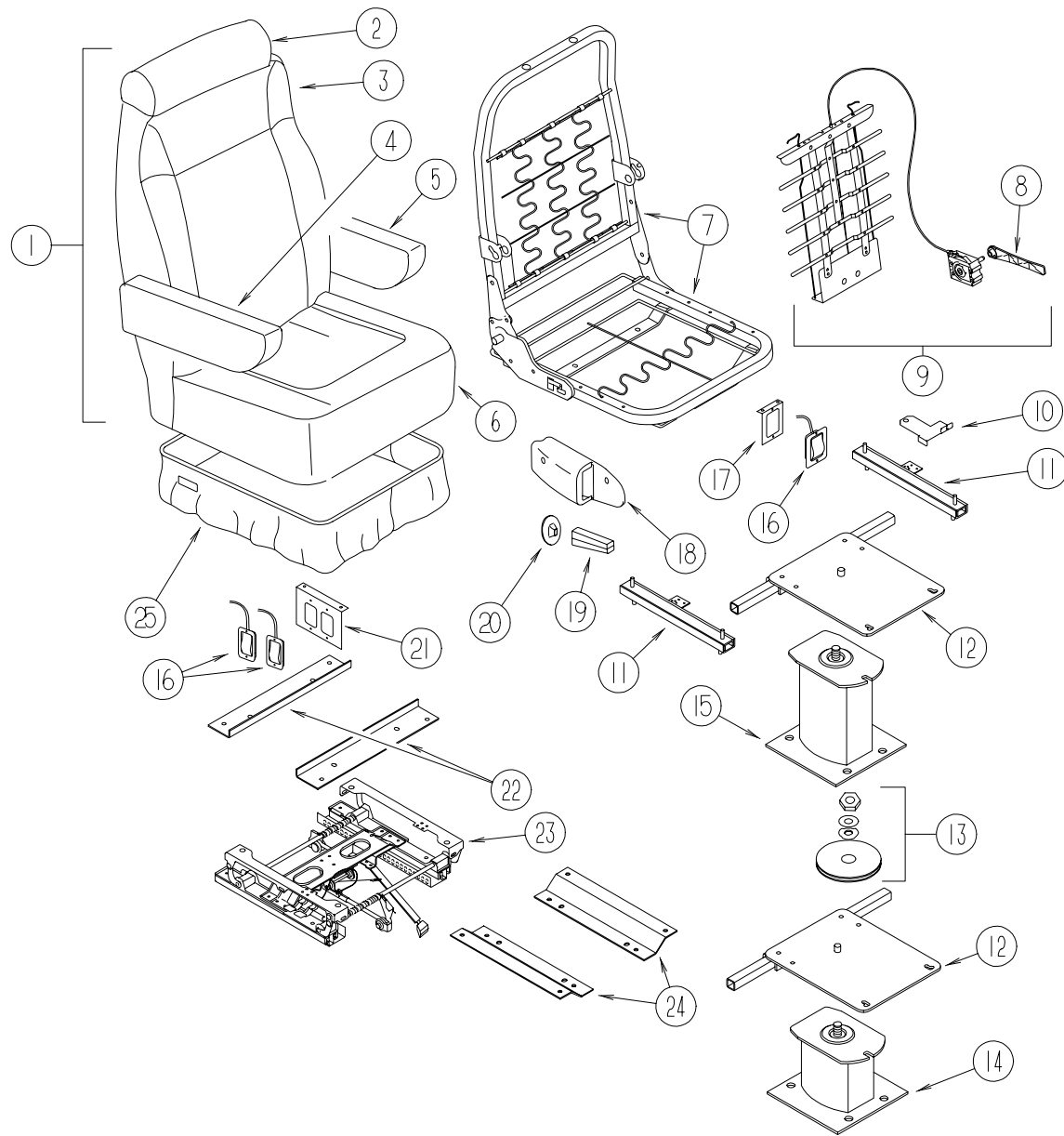


KEY	PART NUMBER	U/M	DESCRIPTION
1	127581-03-J52	EA	SEAT - WIDE BUCKET - W/ADJUSTABLE LUMBAR SUPPORT/ARMREST (J52,J53)
1	127581-03-J54	EA	SEAT - WIDE BUCKET - W/ADJUSTABLE LUMBAR SUPPORT/ARMREST (J54,J55)
1	127581-03-J56	EA	SEAT - WIDE BUCKET - W/ADJUSTABLE LUMBAR SUPPORT/ARMREST (J56,J57)
1	127540-10-J52	EA	SEAT - BUCKET - DRIVER - W/LUMBAR SUPPORT (LEATHER OPTION)
2	119509-01-H19	EA	HEADREST - BUCKET SEAT (J52,J53)
			FROM: 00-00-00 THRU: 11-16-97
2	119509-01-JA2	EA	HEADREST - BUCKET SEAT (J52,J53)
			FROM: 11-17-97 THRU: 99-99-99
2	119509-01-J54	EA	HEADREST - BUCKET SEAT (J54,J55)
2	119509-01-J56	EA	HEADREST - BUCKET SEAT (J56,J57)
2	119509-02-J52	EA	HEADREST - BUCKET SEAT (LEATHER OPTION)
2	P19509-01-H19	EA	COVER - HEADREST (J52,J53)
			FROM: 00-00-00 THRU: 11-16-97
2	P19509-01-JA2	EA	COVER - HEADREST (J52,J53)
			FROM: 11-17-97 THRU: 99-99-99
2	P19509-01-J54	EA	COVER - HEADREST (J54,J55)
2	P19509-01-J56	EA	COVER - HEADREST (J56,J57)
2	P19509-02-J52	EA	COVER - HEADREST (LEATHER OPTION)

KEY	PART NUMBER	U/M	DESCRIPTION	VENDOR NO.
	113977-12-000	EA	INSERT/HEADREST - W/O LOCK	
	113977-13-000	EA	INSERT/HEADREST - W/LOCK	
	114791-03-000	EA	FRAME - HEADREST	
3	M05962-73-J52	EA	COVER - BACK (J52,J53)	
				FROM: 00-00-00 THRU: 11-16-97
3	M05962-73-JA2	EA	COVER - BACK (J52,J53)	
				FROM: 11-17-97 THRU: 99-99-99
3	M05962-73-J54	EA	COVER - BACK (J54,J55)	
3	M05962-73-J56	EA	COVER - BACK (J56,J57)	
3	M05962-78-J52	EA	COVER - BACK (LEATHER OPTION)	
	089323-01-000	FT	STRIP - POLYETHYLENE - J-CHANNEL	
4	122780-01-J35	EA	ARMREST - RIGHT HAND (J52,J53)	
				FROM: 00-00-00 THRU: 11-16-97
4	122780-01-JA2	EA	ARMREST - RIGHT HAND (J52,J53)	
				FROM: 11-17-97 THRU: 99-99-99
4	122780-01-J54	EA	ARMREST - RIGHT HAND (J54,J55)	
4	122780-01-J56	EA	ARMREST - RIGHT HAND (J56,J57)	
4	122780-03-J52	EA	ARMREST - RIGHT HAND (LEATHER OPTION)	
4	P22780-01-J35	EA	COVER - ARMREST - RIGHT HAND (J52,J53)	
				FROM: 00-00-00 THRU: 11-16-97
4	P22780-01-JA2	EA	COVER - ARMREST - RIGHT HAND (J52,J53)	
				FROM: 11-17-97 THRU: 99-99-99
4	P22780-01-J54	EA	COVER - ARMREST - RIGHT HAND (J54,J55)	
4	P22780-01-J56	EA	COVER - ARMREST - RIGHT HAND (J56,J57)	
4	115617-03-000	EA	ARMREST - W/O COVER - RIGHT HAND	
5	122780-02-H08	EA	ARMREST - LEFT HAND (J52,J53)	
				FROM: 00-00-00 THRU: 11-16-97
5	122780-02-JA2	EA	ARMREST - LEFT HAND (J52,J53)	
				FROM: 11-17-97 THRU: 99-99-99
5	122780-02-J54	EA	ARMREST - LEFT HAND (J54,J55)	
5	122780-02-J56	EA	ARMREST - LEFT HAND (J56,J57)	
5	122780-04-J52	EA	ARMREST - LEFT HAND (LEATHER OPTION)	
5	P22780-02-H08	EA	COVER - ARMREST - LEFT HAND (J52,J53)	
				FROM: 00-00-00 THRU: 11-16-97
5	P22780-02-JA2	EA	COVER - ARMREST - LEFT HAND (J52,J53)	
				FROM: 11-17-97 THRU: 99-99-99
5	P22780-02-J54	EA	COVER - ARMREST - LEFT HAND (J54,J55)	
5	P22780-02-J56	EA	COVER - ARMREST - LEFT HAND (J56,J57)	
5	P22780-04-J52	EA	COVER - ARMREST - LEFT HAND (LEATHER OPTION)	
5	115617-04-000	EA	ARMREST - W/O COVER - LEFT HAND	
6	M05962-38-J52	EA	COVER - SEAT (J52,J53)	
				FROM: 00-00-00 THRU: 11-16-97
6	M05962-38-JA2	EA	COVER - SEAT (J52,J53)	
				FROM: 11-17-97 THRU: 99-99-99
6	M05962-38-J54	EA	COVER - SEAT (J54,J55)	
6	M05962-38-J56	EA	COVER - SEAT (J56,J57)	
6	M05962-79-J52	EA	COVER - SEAT (LEATHER OPTION)	
7	122695-01-01B	EA	FRAME - SEAT/BACK	
8	122611-02-701	EA	LUMBAR - LEVER	412
9	122611-02-000	EA	LUMBAR - W/LEVER	
10	117125-01-02B	EA	BRACKET - CABLE MOUNT - ADJUSTER W/LOCK	
11	119952-06-000	EA	SLIDE/SEAT - HEAVY DUTY LOCKING - 4 STUDS	
				FROM: 00-00-00 THRU: 11-02-97
11	119952-04-000	EA	SLIDE/SEAT - HEAVY DUTY LOCKING - 4 STUDS	
				FROM: 11-03-97 THRU: 99-99-99
	119952-07-000	EA	WIRE - LATCH RELEASE/ROTARY	
12	107921-05-000	EA	PLATE - TOP - W/SEAT BELT BAR	
13	107921-06-000	EA	BEARING KIT - PEDESTAL	
14	107921-07-000	EA	PEDESTAL BASE - POWER	
15	107921-01-000	EA	PEDESTAL/FLOOR MOUNTED - W/9.75" EXTENSION	
				FROM: 00-00-00 THRU: 01-04-98
15	107921-14-000	EA	PEDESTAL/FLOOR MOUNTED - W/5.75" EXTENSION - MANUAL SEAT	
				FROM: 01-05-98 THRU: 99-99-99

CURTAIN & CUSHION GROUP (CONTINUED)

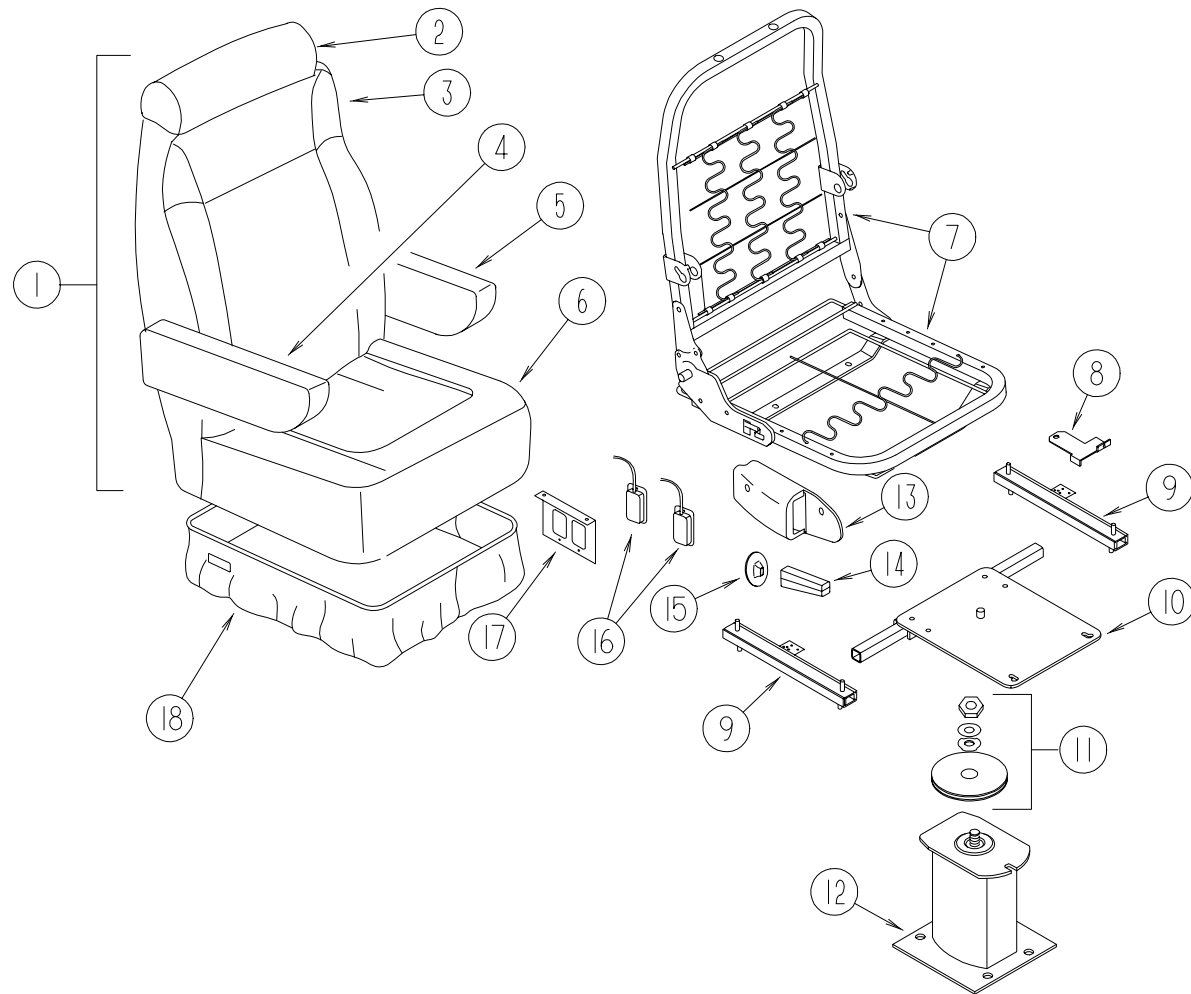
DRIVER BUCKET SEAT (CONTINUED)



KEY	PART NUMBER	U/M	DESCRIPTION
16	108049-03-000	EA	CABLE - W/SWITCHES - 25.5" SHEATH/28.5" CABLE W/DOG LEG
	108049-02-000	EA	CLIP - CABLE/PEDESTAL
17	127159-01-02B	EA	BRACKET - SEAT RELEASE - SINGLE REMOTE
18	080730-09-000	EA	SHIELD - RECLINER HANDLE
19	080730-08-000	EA	HANDLE - RECLINER
20	080730-11-000	EA	SHIELD - RUBBER BOOT
21	127159-02-02B	EA	BRACKET - SEAT RELEASE - DUAL REMOTE
22	116215-02-000	EA	PLATE - UPPER - 6-WAY MANUAL CONTROL
	007221-01-000	EA	SPACER - SEAT/ADJUSTER
23	116215-01-000	EA	PLATE - UPPER PEDESTAL - 6-WAY MANUAL - DRIVER
24	116215-03-000	EA	PLATE - LOWER - 6-WAY MANUAL CONTROL
25	071126-58-H19	EA	SKIRT - SINGLE 10.5" - W/SEAT BELT SLOT (J52,J53)
			FROM: 00-00-00 THRU: 11-16-97
25	071126-58-JA2	EA	SKIRT - SINGLE 10.5" - W/SEAT BELT SLOT (J52,J53)
			FROM: 11-17-97 THRU: 99-99-99
25	071126-58-J54	EA	SKIRT - SINGLE 10.5" - W/SEAT BELT SLOT (J54,J55)
25	071126-58-J56	EA	SKIRT - SINGLE 10.5" - W/SEAT BELT SLOT (J56,J57)
25	071126-62-J52	EA	SKIRT - SINGLE 10.5" - W/SEAT BELT SLOT (LEATHER OPTION)
25	071126-60-J52	EA	SKIRT - SINGLE 10.5" - 6-WAY MANUAL (J52,J53)
25	071126-60-J54	EA	SKIRT - SINGLE 10.5" - 6 WAY MANUAL (J54,J55)
25	071126-60-J56	EA	SKIRT - SINGLE 10.5" - 6 WAY MANUAL (J56,J57)

CURTAIN & CUSHION GROUP (CONTINUED)

PASSENGER BUCKET SEAT



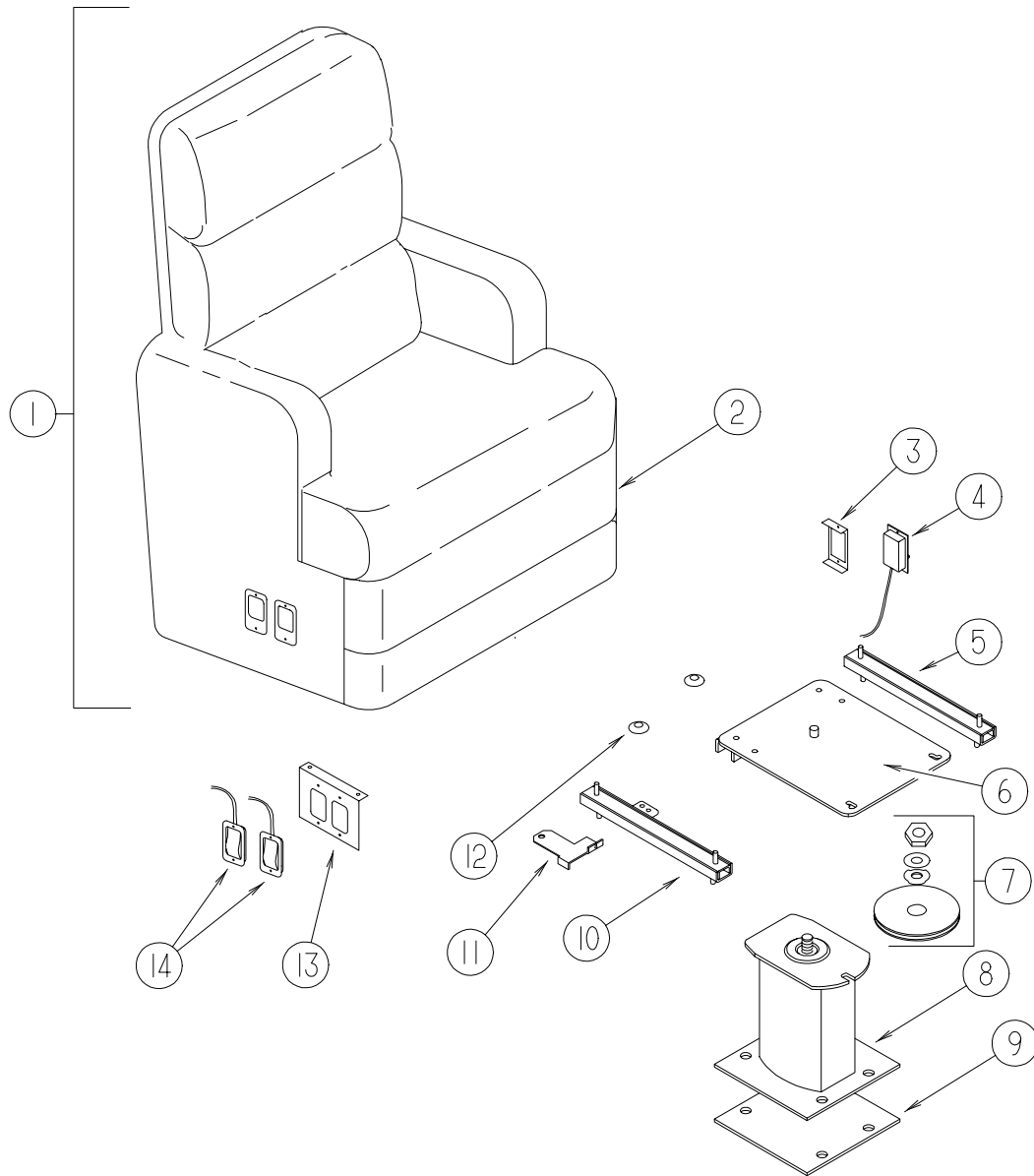
KEY	PART NUMBER	U/M	DESCRIPTION
1	127581-04-J52	EA	SEAT - WIDE BUCKET - W/FIXED LUMBAR SUPPORT/ARMREST (J52,J53)
1	127581-04-J54	EA	SEAT - WIDE BUCKET - W/FIXED LUMBAR SUPPORT/ARMREST (J54,J55)
1	127581-04-J56	EA	SEAT - WIDE BUCKET - W/FIXED LUMBAR SUPPORT/ARMREST (J56,J57)
1	127540-11-J52	EA	SEAT - BUCKET - PASSENGER (LEATHER OPTION)
2	119509-01-H19	EA	HEADREST - BUCKET SEAT (J52,J53)
			FROM: 00-00-00 THRU: 11-16-97
2	119509-01-JA2	EA	HEADREST - BUCKET SEAT (J52,J53)
			FROM: 11-17-97 THRU: 99-99-99
2	119509-01-J54	EA	HEADREST - BUCKET SEAT (J54,J55)
2	119509-01-J56	EA	HEADREST - BUCKET SEAT (J56,J57)
2	119509-02-J52	EA	HEADREST - BUCKET SEAT (LEATHER OPTION)
2	P19509-01-H19	EA	COVER - HEADREST (J52,J53)
			FROM: 00-00-00 THRU: 11-16-97
2	P19509-01-JA2	EA	COVER - HEADREST (J52,J53)
			FROM: 11-17-97 THRU: 99-99-99
2	P19509-01-J54	EA	COVER - HEADREST (J54,J55)
2	P19509-01-J56	EA	COVER - HEADREST (J56,J57)
2	P19509-02-J52	EA	COVER - HEADREST (LEATHER OPTION)
	113977-12-000	EA	INSERT/HEADREST - W/O LOCK
	113977-13-000	EA	INSERT/HEADREST - W/LOCK
	114791-03-000	EA	FRAME - HEADREST
3	M05962-73-J52	EA	COVER - BACK (J52,J53)
			FROM: 00-00-00 THRU: 11-16-97
3	M05962-73-JA2	EA	COVER - BACK (J52,J53)
			FROM: 11-17-97 THRU: 99-99-99
3	M05962-73-J54	EA	COVER - BACK (J54,J55)
3	M05962-73-J56	EA	COVER - BACK (J56,J57)
3	M05962-78-J52	EA	COVER - BACK (LEATHER OPTION)
	089323-01-000	FT	STRIP - POLYETHYLENE - J-CHANNEL

KEY	PART NUMBER	U/M	DESCRIPTION
4	122780-01-J35	EA	ARMREST - RIGHT HAND (J52,J53)
			FROM: 00-00-00 THRU: 11-16-97
4	122780-01-JA2	EA	ARMREST - RIGHT HAND (J52,J53)
			FROM: 11-17-97 THRU: 99-99-99
4	122780-01-J54	EA	ARMREST - RIGHT HAND (J54,J55)
4	122780-01-J56	EA	ARMREST - RIGHT HAND (J56,J57)
4	122780-03-J52	EA	ARMREST - RIGHT HAND (LEATHER OPTION)
4	P22780-01-J35	EA	COVER - ARMREST - RIGHT HAND (J52,J53)
			FROM: 00-00-00 THRU: 11-16-97
4	P22780-01-JA2	EA	COVER - ARMREST - RIGHT HAND (J52,J53)
			FROM: 11-17-97 THRU: 99-99-99
4	P22780-01-J54	EA	COVER - ARMREST - RIGHT HAND (J54,J55)
4	P22780-01-J56	EA	COVER - ARMREST - RIGHT HAND (J56,J57)
4	115617-03-000	EA	ARMREST - W/O COVER - RIGHT HAND
5	122780-02-H08	EA	ARMREST - LEFT HAND (J52,J53)
			FROM: 00-00-00 THRU: 11-16-97
5	122780-02-JA2	EA	ARMREST - LEFT HAND (J52,J53)
			FROM: 11-17-97 THRU: 99-99-99
5	122780-02-J54	EA	ARMREST - LEFT HAND (J54,J55)
5	122780-02-J56	EA	ARMREST - LEFT HAND (J56,J57)
5	122780-04-J52	EA	ARMREST - LEFT HAND (LEATHER OPTION)
5	P22780-02-H08	EA	COVER - ARMREST - LEFT HAND (J52,J53)
			FROM: 00-00-00 THRU: 11-16-97
5	P22780-02-JA2	EA	COVER - ARMREST - LEFT HAND (J52,J53)
			FROM: 11-17-97 THRU: 99-99-99
5	P22780-02-J54	EA	COVER - ARMREST - LEFT HAND (J54,J55)
5	P22780-02-J56	EA	COVER - ARMREST - LEFT HAND (J56,J57)
5	P22780-04-J52	EA	COVER - ARMREST - LEFT HAND (LEATHER OPTION)
5	115617-04-000	EA	ARMREST - W/O COVER - LEFT HAND
6	M05962-38-J52	EA	COVER - SEAT (J52,J53)
			FROM: 00-00-00 THRU: 11-16-97
6	M05962-38-JA2	EA	COVER - SEAT (J52,J53)
			FROM: 11-17-97 THRU: 99-99-99
6	M05962-38-J54	EA	COVER - SEAT (J54,J55)
6	M05962-38-J56	EA	COVER - SEAT (J56,J57)
6	M05962-79-J52	EA	COVER - SEAT (LEATHER OPTION)
7	122695-01-01B	EA	FRAME - SEAT/BACK
8	117125-01-02B	EA	BRACKET - CABLE MOUNT - ADJUSTER W/LOCK
9	119952-06-000	EA	SLIDE/SEAT - HEAVY DUTY LOCKING - 4 STUDS
			FROM: 00-00-00 THRU: 11-02-97
9	119952-04-000	EA	SLIDE/SEAT - HEAVY DUTY LOCKING - 4 STUDS
			FROM: 11-03-97 THRU: 99-99-99
	119952-07-000	EA	WIRE - LATCH RELEASE/ROTARY
10	107921-05-000	EA	PLATE - TOP - W/SEAT BELT BAR
11	107921-06-000	EA	BEARING KIT - PEDESTAL
12	107921-01-000	EA	PEDESTAL/FLOOR MOUNTED - W/9.75" EXTENSION
13	080730-09-000	EA	SHIELD - RECLINER HANDLE
14	080730-08-000	EA	HANDLE - RECLINER
15	080730-11-000	EA	SHIELD - RUBBER BOOT
16	108049-04-000	EA	CABLE - W/SWITCHES - W/26" MINI LEVER ACTION
	108049-02-000	EA	CLIP - CABLE/PEDESTAL
17	127159-02-02B	EA	BRACKET - SEAT RELEASE - DUAL REMOTE
18	071126-58-H19	EA	SKIRT - SINGLE 10.5" - W/SEAT BELT SLOT (J52,J53)
			FROM: 00-00-00 THRU: 11-16-97
18	071126-58-JA2	EA	SKIRT - SINGLE 10.5" - W/SEAT BELT SLOT (J52,J53)
			FROM: 11-17-97 THRU: 99-99-99
18	071126-58-J54	EA	SKIRT - SINGLE 10.5" - W/SEAT BELT SLOT (J54,J55)
18	071126-58-J56	EA	SKIRT - SINGLE 10.5" - W/SEAT BELT SLOT (J56,J57)
18	071126-62-J52	EA	SKIRT - SINGLE 10.5" - W/SEAT BELT SLOT (LEATHER OPTION)

CURTAIN & CUSHION GROUP (CONTINUED)

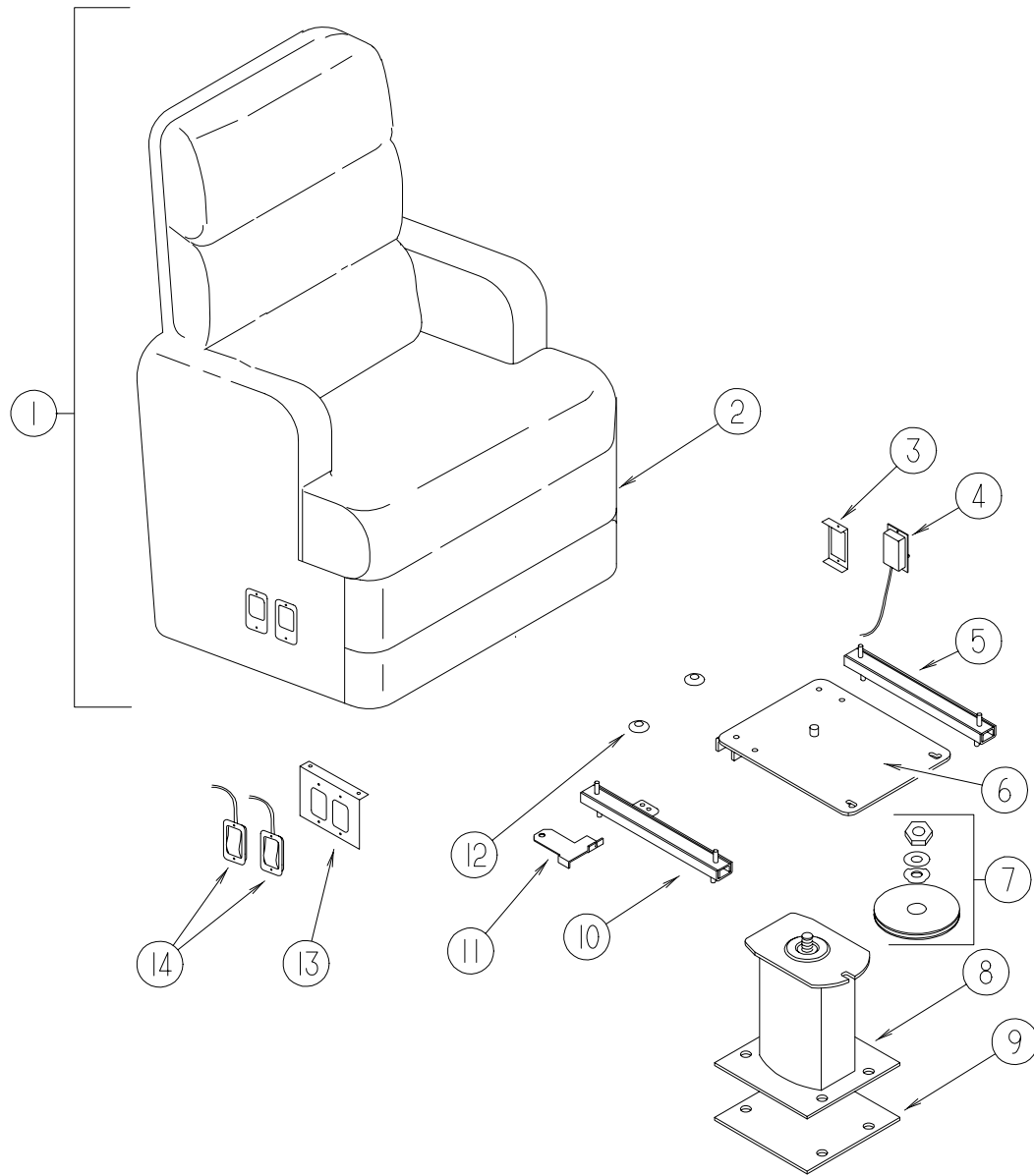
SWIVEL CHAIR (RECLINER) (FROM: 00-00-00 THRU: 11-02-97)

KEY	PART NUMBER	U/M	DESCRIPTION
1	118538-01-J52	EA	CHAIR - RECLINER (J52,J53)
1	118538-01-J54	EA	CHAIR - RECLINER (J54,J55)
1	118538-01-J56	EA	CHAIR - RECLINER (J56,J57)
1	P18538-01-J52	EA	COVER - RECLINER CHAIR (J52,J53)
1	P18538-01-J54	EA	COVER - RECLINER CHAIR (J54,J55)
1	P18538-01-J56	EA	COVER - RECLINER CHAIR (J56,J57)
2	118539-01-H19	EA	SKIRT - RECLINER CHAIR (J52,J53)
2	118539-01-J54	EA	SKIRT - RECLINER CHAIR (J54,J55)
2	118539-01-J56	EA	SKIRT - RECLINER CHAIR (J56,J57)
3	127159-01-02B	EA	BRACKET - SEAT RELEASE - SINGLE REMOTE
4	108049-05-000	EA	FRAME - CABLE - REMOTE RECLINE - W/MINI LEVER ACTION
5	119952-01-000	EA	SLIDE/SEAT - HEAVY DUTY NON LOCKING
6	107921-08-000	EA	TOP PLATE - PEDESTAL - W/O SEAT BELT BAR
7	107921-06-000	EA	BEARING KIT - PEDESTAL
8	107921-01-000	EA	PEDESTAL/FLOOR MOUNTED - W/9.75" EXTENSION
9	108445-02-000	EA	PLATE/FLOOR MOUNTED - PEDESTAL SEAT
10	119952-03-000	EA	SLIDE/SEAT - HEAVY DUTY LOCKING - 2 STUDS
11	117125-01-02B	EA	BRACKET - CABLE MOUNT - ADJUSTER W/LOCK
12	007221-01-000	EA	SPACER - SEAT/ADJUSTER
13	127159-02-02B	EA	BRACKET - SEAT RELEASE - DUAL REMOTE
14	108049-04-000	EA	CABLE - W/SWITCHES - W/26" MINI LEVER ACTION
	108049-02-000	EA	CLIP - CABLE/PEDESTAL
	057759-01-000	EA	WASHER BRACKET - SEAT BELT - 4" DIAMETER
	007021-01-000	EA	SEAT BELT - 2" X 90" - BLACK



CURTAIN & CUSHION GROUP (CONTINUED)

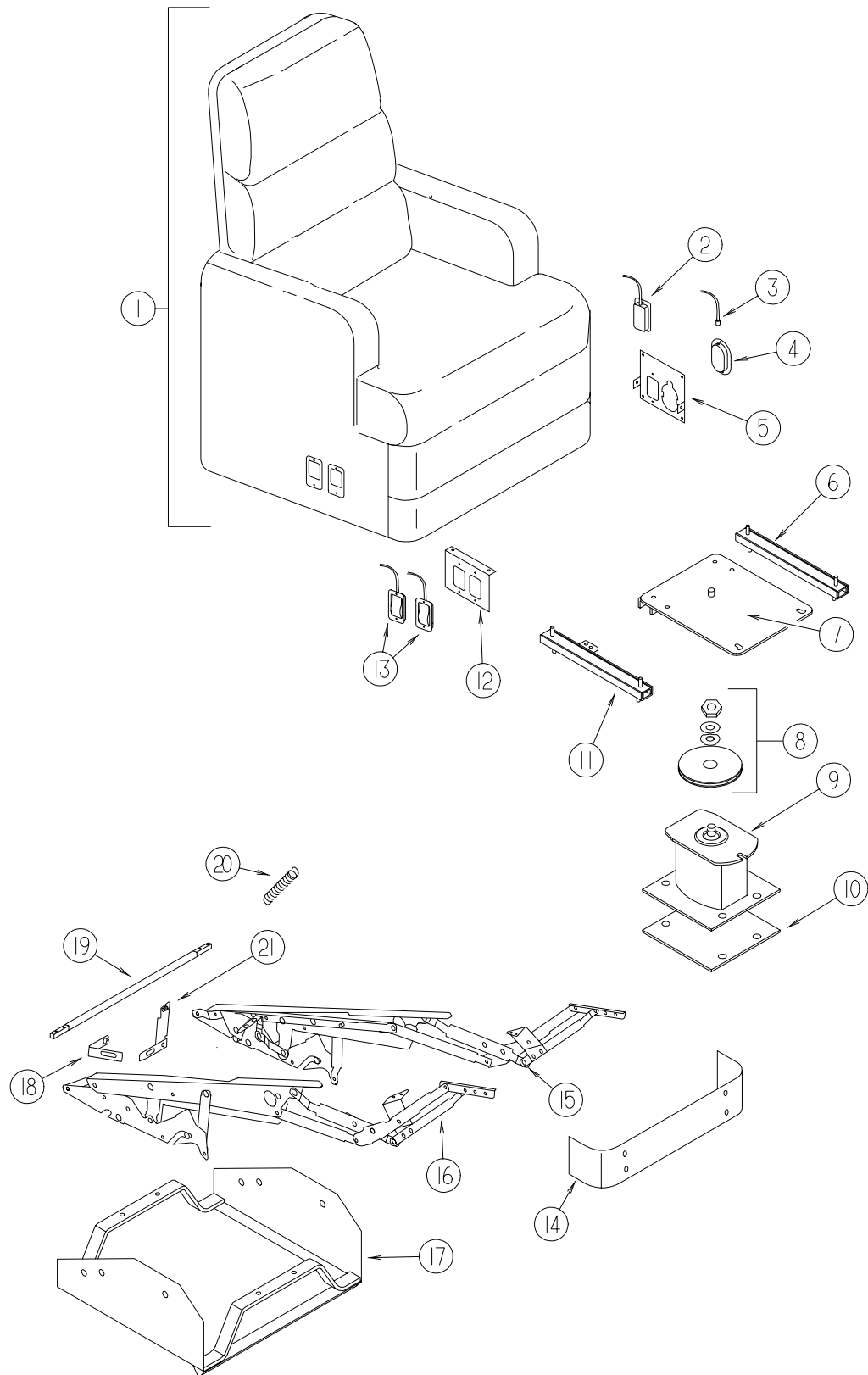
SWIVEL CHAIR (RECLINER) (FROM: 11-03-97 THRU: 01-04-98)



KEY	PART NUMBER	U/M	DESCRIPTION
1	118538-02-J52	EA	CHAIR - RECLINER/HIGHBACK (J52,J53) FROM: 11-03-97 THRU: 11-16-97
1	118538-02-JA2	EA	CHAIR - RECLINER/HIGHBACK (J52,J53) FROM: 11-17-97 THRU: 01-04-98
1	118538-02-J54	EA	CHAIR - RECLINER/HIGHBACK (J54,J55) FROM: 11-03-97 THRU: 01-04-98
1	118538-02-J56	EA	CHAIR - RECLINER/HIGHBACK (J56,J57) FROM: 11-03-97 THRU: 01-04-98
1	P18538-02-J52	EA	COVER - RECLINER/HIGHBACK (J52,J53) FROM: 11-03-97 THRU: 11-16-97
1	P18538-02-JA2	EA	COVER - RECLINER/HIGHBACK (J52,J53) FROM: 11-17-97 THRU: 01-04-98
1	P18538-02-J54	EA	COVER - RECLINER/HIGHBACK (J54,J55) FROM: 11-03-97 THRU: 01-04-98
1	P18538-02-J56	EA	COVER - RECLINER/HIGHBACK (J56,J57) FROM: 11-03-97 THRU: 01-04-98
2	118539-01-H19	EA	SKIRT - RECLINER CHAIR (J52,J53) FROM: 11-03-97 THRU: 11-16-97
2	118539-01-JA2	EA	SKIRT - RECLINER CHAIR (J52,J53) FROM: 11-17-97 THRU: 01-04-98
2	118539-01-J54	EA	SKIRT - RECLINER CHAIR (J54,J55) FROM: 11-03-97 THRU: 01-04-98
2	118539-01-J56	EA	SKIRT - RECLINER CHAIR (J56,J57) FROM: 11-03-97 THRU: 01-04-98
3	127159-01-02B	EA	BRACKET - SEAT RELEASE - SINGLE REMOTE
4	108049-05-000	EA	FRAME - CABLE - REMOTE RECLINE - W/MINI LEVER ACTION
5	119952-01-000	EA	SLIDE/SEAT - HEAVY DUTY NON LOCKING
6	107921-08-000	EA	TOP PLATE - PEDESTAL - W/O SEAT BELT BAR
7	107921-06-000	EA	BEARING KIT - PEDESTAL
8	107921-01-000	EA	PEDESTAL/FLOOR MOUNTED - W/9.75" EXTENSION
9	108445-02-000	EA	PLATE/FLOOR MOUNTED - PEDESTAL SEAT
10	119952-03-000	EA	SLIDE/SEAT - HEAVY DUTY LOCKING - 2 STUDS
11	117125-01-02B	EA	BRACKET - CABLE MOUNT - ADJUSTER W/LOCK
12	007221-01-000	EA	SPACER - SEAT/ADJUSTER
13	127159-02-02B	EA	BRACKET - SEAT RELEASE - DUAL REMOTE
14	108049-04-000	EA	CABLE - W/SWITCHES - W/26" MINI LEVER ACTION
	108049-02-000	EA	CLIP - CABLE/PEDESTAL
	057759-01-000	EA	WASHER BRACKET - SEAT BELT - 4" DIAMETER
	007021-01-000	EA	SEAT BELT - 2" X 90" - BLACK

CURTAIN & CUSHION GROUP (CONTINUED)

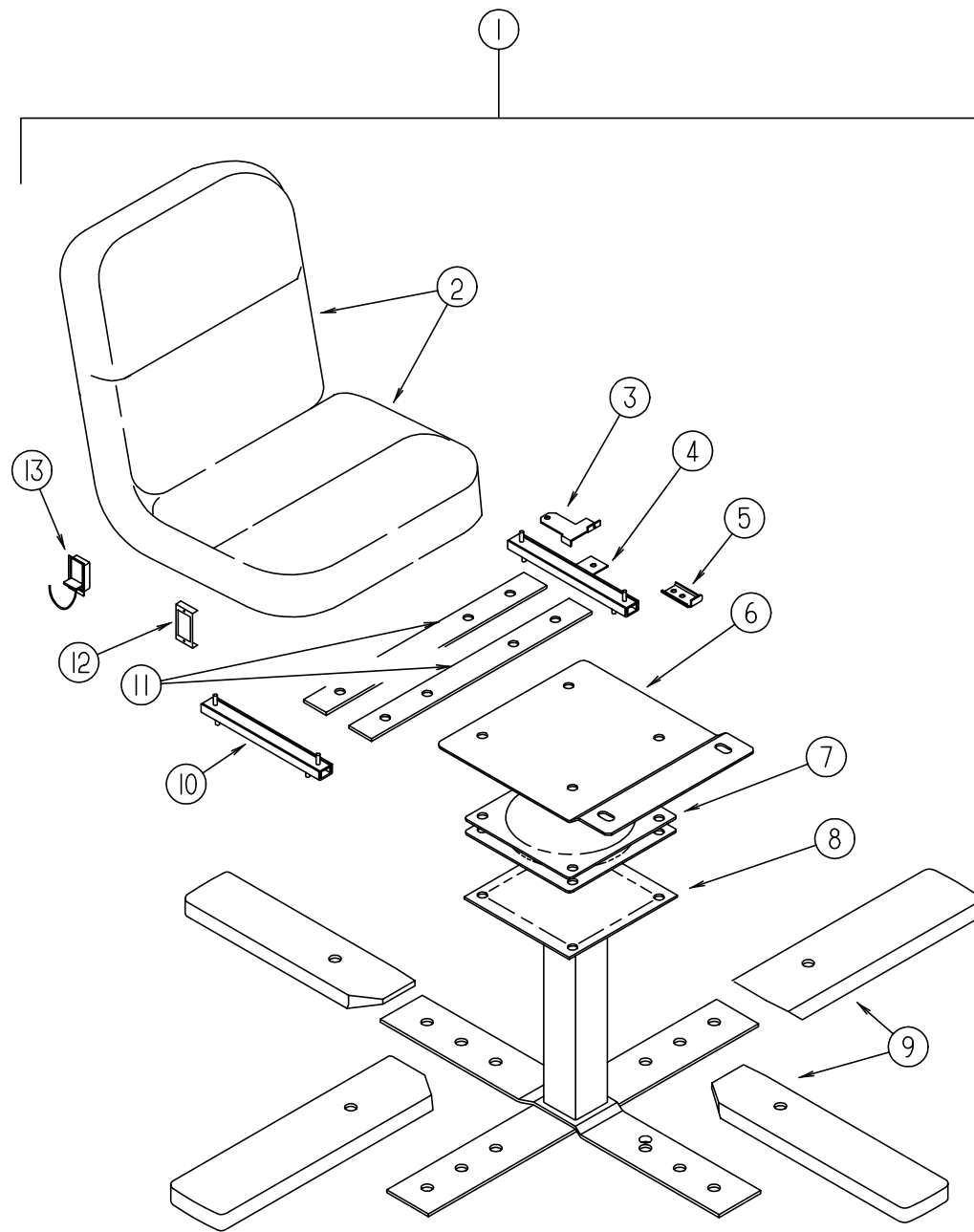
SWIVEL CHAIR (INCLINER) (FROM: 01-05-98 THRU: 99-99-99)



KEY	PART NUMBER	U/M DESCRIPTION
1	129327-01-J52	EA CHAIR - INCLINER W/FOOTREST (J52,J53)
1	129327-01-J54	EA CHAIR - INCLINER W/FOOTREST (J54,J55)
1	129327-01-J56	EA CHAIR - INCLINER W/FOOTREST (J56,J57)
1	P29327-01-J52	EA COVER - CHAIR - INCLINER W/FOOTREST (J52,J53)
1	P29327-01-J54	EA COVER - CHAIR - INCLINER W/FOOTREST (J54,J55)
1	P29327-01-J56	EA COVER - CHAIR - INCLINER W/FOOTREST (J56,J57)
2	108049-05-000	EA FRAME - CABLE - REMOTE RECLINE - W/MINI LEVER ACTION
3	129148-05-000	EA INCLINER - CABLE - 30"
4	129148-06-000	EA INCLINER - LEVER F/CABLE
5	129164-01-02B	EA BRACKET - SEAT RELEASE - REMOTE
6	119952-02-000	EA SLIDE/SEAT - HEAVY DUTY NON LOCKING
7	107921-08-000	EA TOP PLATE - PEDESTAL - W/O SEAT BELT BAR
8	107921-06-000	EA BEARING KIT - PEDESTAL
9	107921-14-000	EA PEDESTAL/FLOOR MOUNTED - W/5.75" EXTENSION - MANUAL SEAT
10	108445-02-000	EA PLATE/FLOOR MOUNTED - PEDESTAL SEAT
11	119952-04-000	EA SLIDE/SEAT - HEAVY DUTY LOCKING - 4 STUDS
12	129162-01-02B	EA BRACKET - SEAT RELEASE - REMOTE
13	108049-04-000	EA CABLE - W/SWITCHES - W/26" MINI LEVER ACTION
	108049-02-000	EA CLIP - CABLE/PEDESTAL
14	119901-04-000	EA FOOT REST - RECLINER - W/O FOAM/FABRIC
15	129148-01-000	EA INCLINER - LEFT
16	129148-02-000	EA INCLINER - RIGHT
17	129173-01-02B	EA FRAME - INCLINER - E-COATED
	129148-09-000	EA INCLINER - CLIP/HAIRPIN - 1 7/16 X .07
18	129148-08-000	EA INCLINER - CLIP F/CABLE
19	129148-10-000	EA INCLINER TUBE - MODIFIED
20	129148-03-000	EA SPRING - INCLINER
21	129148-07-000	EA INCLINER - CABLE F/BREAK RELEASE

CURTAIN & CUSHION GROUP (CONTINUED)

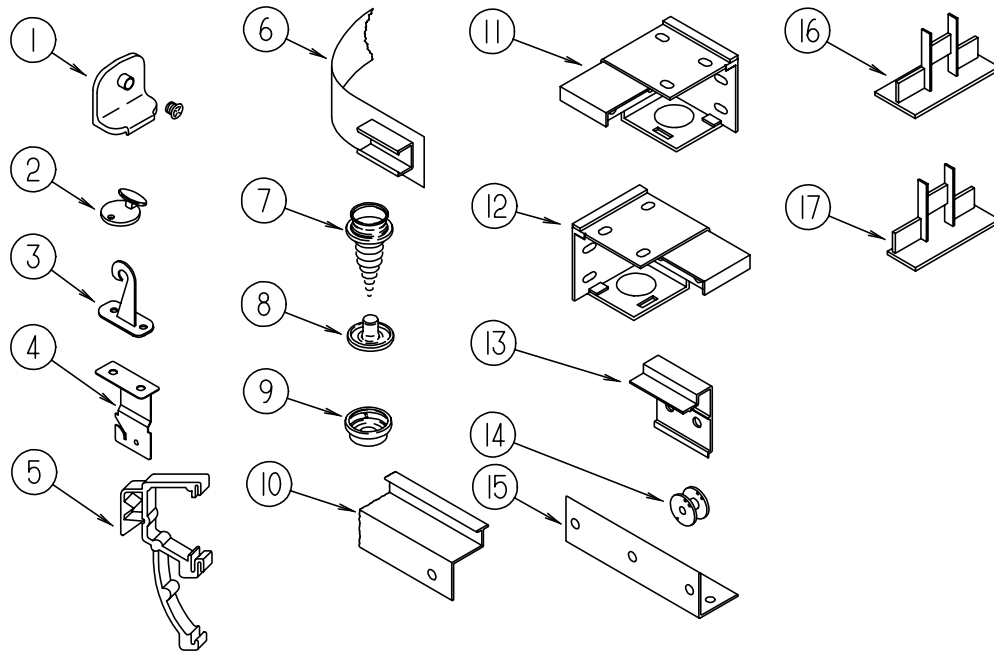
DINETTE SWIVEL CHAIR ASM



KEY	PART NUMBER	U/M	DESCRIPTION
1	122739-01-J52	EA	CHAIR - SWIVEL (J52,J53)
1	122739-01-J54	EA	CHAIR - SWIVEL (J54,J55)
1	122739-01-J56	EA	CHAIR - SWIVEL (J56,J57)
2	P22739-01-H19	EA	COVER - BACK/SEAT - SWIVEL CHAIR (J52,J53)
2	P22739-01-J54	EA	COVER - BACK/SEAT - SWIVEL CHAIR (J54,J55)
2	P22739-01-J56	EA	COVER - BACK/SEAT - SWIVEL CHAIR (J56,J57)
3	117125-01-02B	EA	BRACKET - CABLE MOUNT - ADJUSTER W/LOCK
4	119952-04-000	EA	SLIDE/SEAT - HEAVY DUTY LOCKING - 4 STUDS
5	114889-01-000	EA	STOP BAR - UNIVERSAL
6	119705-11-02B	EA	PLATE - SEAT
7	119105-01-000	EA	PLATE - SWIVEL - RETURN-O-MATIC
8	119705-02-03B	EA	PEDESTAL
9	116080-02-J40	EA	COVER - CHAIR LEG - 9.5" WASHED MAPLE
9	116080-02-G35	EA	COVER - CHAIR LEG - 9.5" WATERFORD OAK
10	119952-02-000	EA	SLIDE/SEAT - HEAVY DUTY NONLOCKING
11	120109-01-02B	EA	ADAPTER BRACKET - DINETTE SWIVEL CHAIR
12	097683-03-000	EA	BRACKET - REMOTE/SIDE MOUNT - SINGLE
13	108049-04-000	EA	CABLE/CONTROL 25.5" SHEATH/28.5" CABLE W/DOG LEG
	108049-02-000	EA	CLIP - CABLE/PEDESTAL

CURTAIN & CUSHION GROUP (CONTINUED)

CURTAIN & BLIND HARDWARE



KEY	PART NUMBER	U/M	DESCRIPTION
1	106544-01-000	EA	PULL - SHADE/BRASS
	106544-01-001	EA	SCREW - SHADE/BRASS
2	102555-03-000	EA	CLEAT - BLIND CORD - MILKY WHITE PLASTIC
3	109441-03-000	EA	HOLD DOWN - BLIND (CLOUDY)
4	084434-01-000	EA	BRACKET - MOUNTING - ROLLER SHADE - 1 3/8"
	096843-01-000	EA	SPRING - REWIND/ROLLER SHADE
5	109353-04-000	EA	CLIP - VALANCE SLAT MOUNTING - CLEAR PLASTIC
6	101031-01-000	YD	TAPE - GLIDE/CURTAIN - 4.25" SPACING
7	029130-01-000	EA	SCREW - SNAP SOCKET - #8 PH X 5/8"
8	029155-01-000	EA	CAP - SNAP - 5/32" O.D. OF PIN
	046867-03-000	EA	GROMMET - HANDY BUTTON #3
9	029156-01-000	EA	SOCKET - SNAP - 9/16" O.D.
10	127254-01-02A	EA	TRACK - CURTAIN/RIGHT HAND - TITANIUM
10	127254-02-02A	EA	TRACK - CURTAIN/LEFT HAND - TITANIUM
11	083170-02-000	EA	BRACKET - BLIND - RIGHT SIDE WHEN FACING WINDOW
12	083170-01-000	EA	BRACKET - BLIND - LEFT SIDE WHEN FACING WINDOW
13	097565-01-000	EA	BRACKET - MOUNTING/PLEATED BLIND
14	097592-01-000	EA	SPOOL - CORD - ELEVATED BLIND HOLDUP - CLEAR PLASTIC
15	105648-01-02A	EA	BRACE - VALANCE - OFF/WHITE
16	094907-02-000	EA	END CAP - TOP/PLEATED BLIND - PLASTIC - GRAY
17	094907-04-000	EA	HARDWARE - END CAP BOTTOM - PULL TYPE (RH & LH)
	094907-04-700	EA	END CAP-RH BOTTOM BLIND
	094907-04-701	EA	END CAP-LH BOTTOM BLIND
	088792-02-000	YD	VELCRO TAPE - LOOP - .75" - ADHESIVE BACKED - BEIGE
	048394-02-000	YD	VELCRO TAPE - HOOK - ADHESIVE BACK - .75" WIDE - BEIGE
	097591-01-000	EA	SPRING - EXTENSION/PLEATED BLIND
	097593-06-000	FT	CORD - BLIND - PLEATED - PEWTER (J52,J53)
	097593-02-000	FT	CORD - BLIND - PLEATED - GRAY (J54,J55,J56,J57)
	086276-01-000	EA	TAPE - DOUBLE SIDED - 1/2"
	094896-02-000	EA	GROMMET - CORD/PLEATED BLIND - NYLON - GRAY
	097564-04-000	EA	HANDLE - KNOB - E-Z LIFT SHADE - NAVY

CURTAIN & CUSHION GROUP (CONTINUED)

QUEEN BEDS

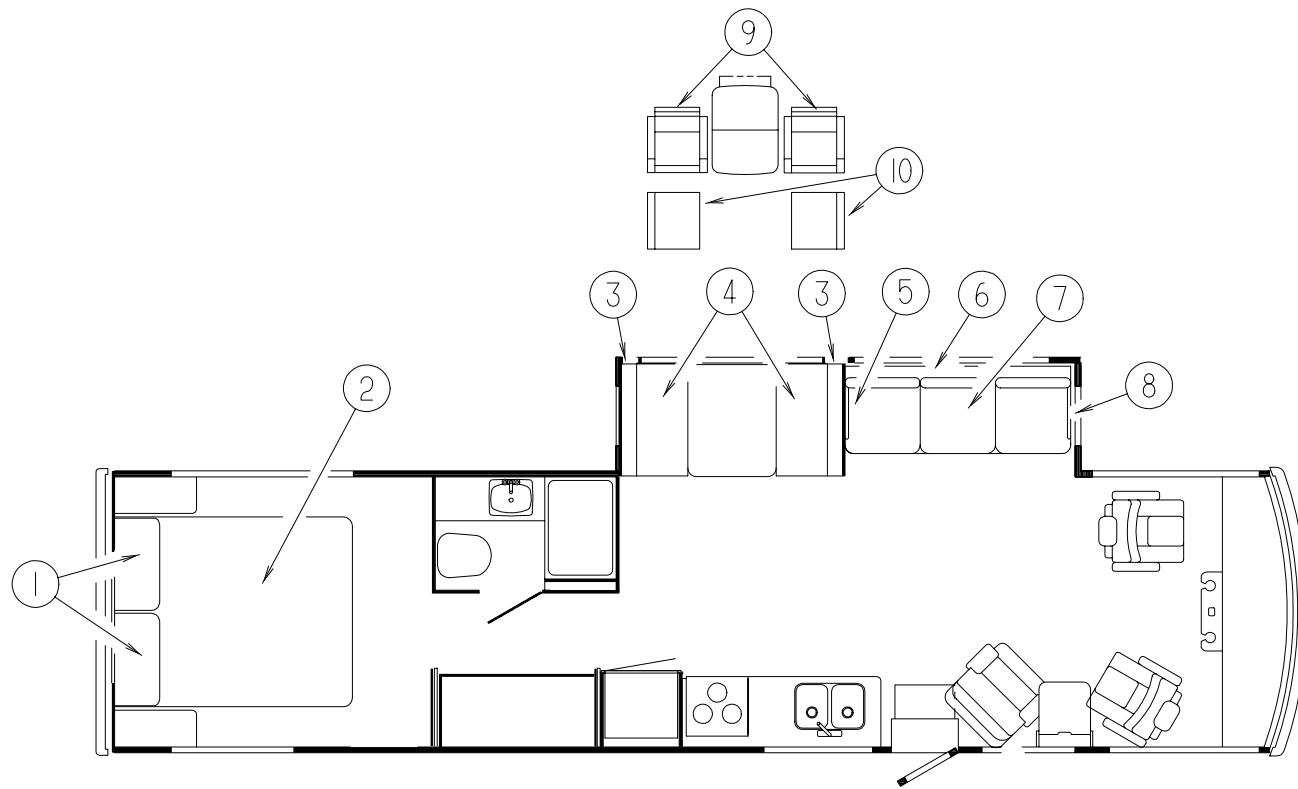
KEY	PART NUMBER	U/M DESCRIPTION
	127712-01-J52	EA HEADBOARD - CHRISTINA (J52,J53)
	127712-01-J54	EA HEADBOARD - CHRISTINA (J54,J55)
	127712-01-J56	EA HEADBOARD - CHRISTINA (J56,J57)
1	119249-01-000	EA PILLOW - 20" X 33" - QUEEN
2	119141-17-J52	EA BEDSPREAD/THROW - 60" X 80" (J52,J53)
2	119141-18-J54	EA BEDSPREAD/THROW - 60" X 80" (J54,J55)
2	119141-17-J56	EA BEDSPREAD/THROW - 60" X 80" (J56,J57)
2	123015-07-000	EA MATTRESS - INNERSPRING - 60" X 79.5" (QUEEN)

BEDROOM PILLOWS

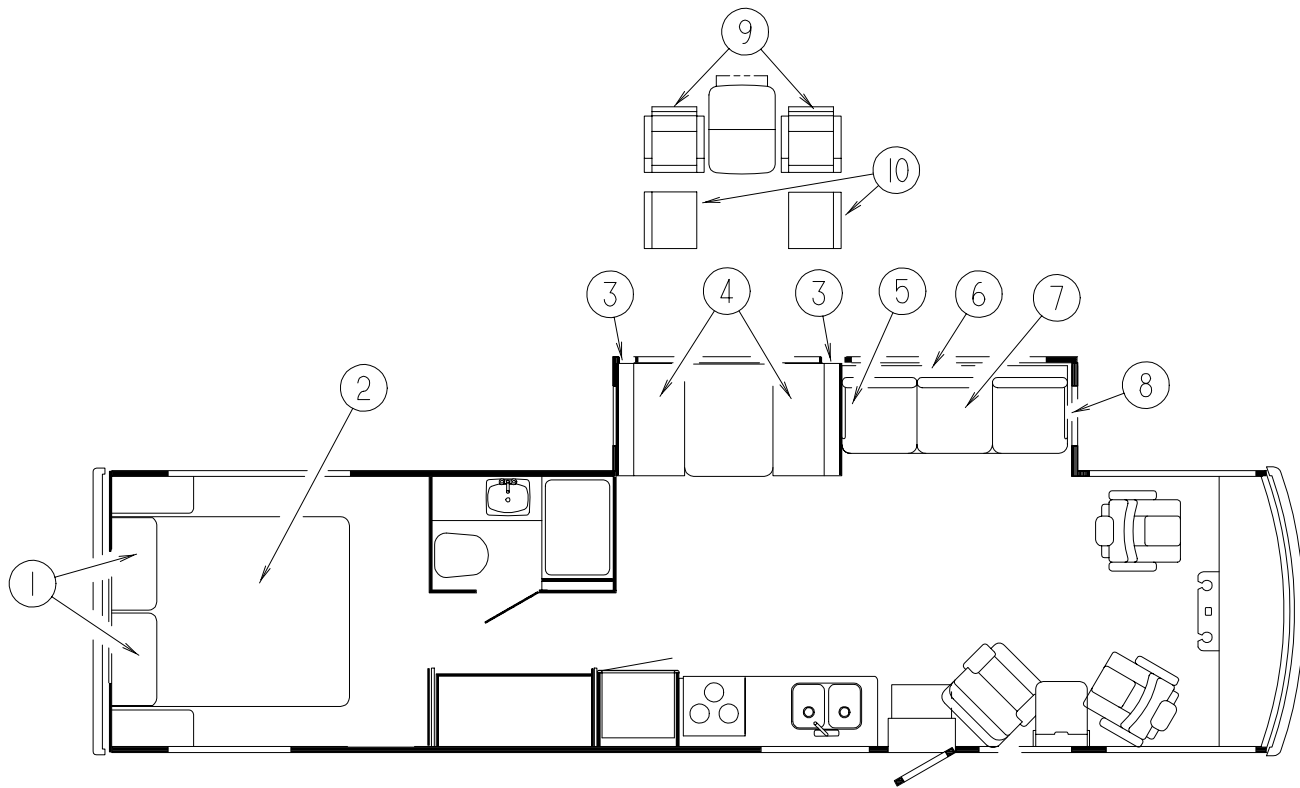
KEY	PART NUMBER	U/M DESCRIPTION
	103669-09-J52	EA PILLOW - 15" X 15" (J52)
	103669-09-J53	EA PILLOW - 15" X 15" (J53)
	103669-09-J54	EA PILLOW - 15" X 15" (J54,J55)
	103669-09-J56	EA PILLOW - 15" X 15" (J56,J57)
	111637-08-J28	EA PILLOW - 16" X 16"

DINETTE CUSHIONS

KEY	PART NUMBER	U/M DESCRIPTION
3	111897-05-J52	EA CUSHION - BACK - 13.5" X 42" X 5" (J52)
3	111897-05-J53	EA CUSHION - BACK - 13.5" X 42" X 5" (J53)
3	111897-05-J54	EA CUSHION - BACK - 13.5" X 42" X 5" (J54,J55)
3	111897-05-J56	EA CUSHION - BACK - 13.5" X 42" X 5" (J56,J57)
3	P11897-05-J52	EA COVER - BACK - 13.5" X 42" X 5" (J52)
3	P11897-05-J53	EA COVER - BACK - 13.5" X 42" X 5" (J53)
3	P11897-05-J54	EA COVER - BACK - 13.5" X 42" X 5" (J54,J55)
3	P11897-05-J56	EA COVER - BACK - 13.5" X 42" X 5" (J56,J57)
4	105603-15-J52	EA CUSHION - SEAT - 23" X 42" X 5" (J52)
4	105603-15-J53	EA CUSHION - SEAT - 23" X 42" X 5" (J53)
4	105603-15-J54	EA CUSHION - SEAT - 23" X 42" X 5" (J54,J55)
4	105603-15-J56	EA CUSHION - SEAT - 23" X 42" X 5" (J56,J57)
4	P05603-15-J52	EA COVER - SEAT - 23" X 42" X 5" (J52)
4	P05603-15-J53	EA COVER - SEAT - 23" X 42" X 5" (J53)
4	P05603-15-J54	EA COVER - SEAT - 23" X 42" X 5" (J54,J55)
4	P05603-15-J56	EA COVER - SEAT - 23" X 42" X 5" (J56,J57)
	078155-01-000	EA STRAP - SNAP - BACK CUSHION



CURTAIN & CUSHION GROUP (CONTINUED)



SOFA BED

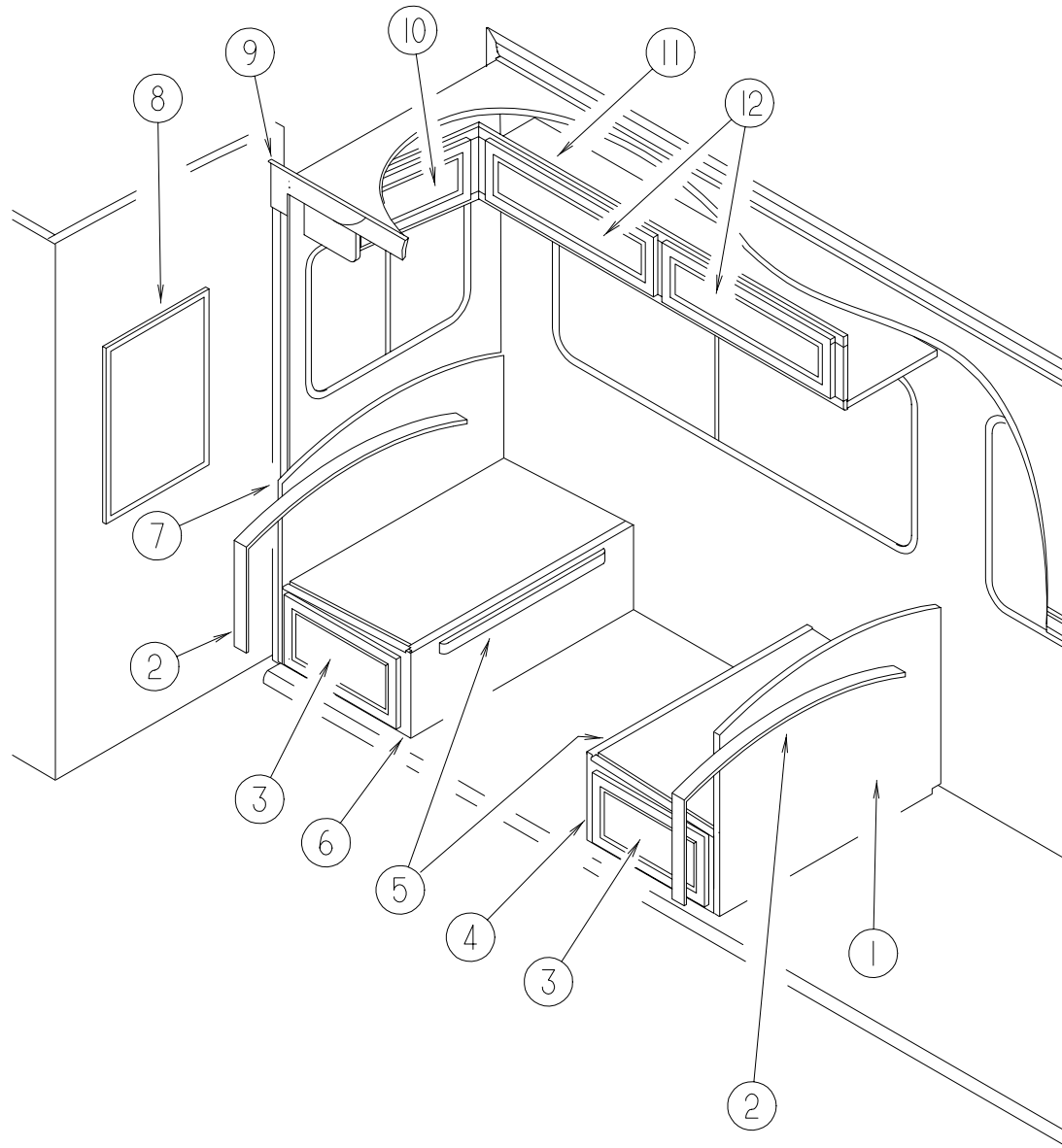
KEY	PART NUMBER	U/M	DESCRIPTION
5	127840-01-J52	EA	PANEL - RIGHT END - SOFA/BED - FABRIC COVERED (J52,J53)
5	127840-01-J54	EA	PANEL - RIGHT END - SOFA/BED - FABRIC COVERED (J54,J55)
5	127840-01-J56	EA	PANEL - RIGHT END - SOFA/BED - FABRIC COVERED (J56,J57)
5	127562-01-J52	EA	ARMREST/REMOVABLE - RIGHT HAND (J52,J53)
5	127562-01-J54	EA	ARMREST/REMOVABLE - RIGHT HAND (J54,J55)
5	127562-01-J56	EA	ARMREST/REMOVABLE - RIGHT HAND (J56,J57)
5	P27562-01-J52	EA	COVER - ARMREST - RIGHT (J52,J53)
5	P27562-01-J54	EA	COVER - ARMREST - RIGHT (J54,J55)
5	P27562-01-J56	EA	COVER - ARMREST - RIGHT (J56,J57)
6	127561-01-J52	EA	BACK - SOFA/BED - 74" (J52,J53)
6	127561-01-J54	EA	BACK - SOFA/BED - 74" (J54,J55)
6	127561-01-J56	EA	BACK - SOFA/BED - 74" (J56,J57)
6	P27561-01-J52	EA	COVER - BACK - SOFA/BED - 74" (J52,J53)
6	P27561-01-J54	EA	COVER - BACK - SOFA/BED - 74" (J54,J55)
6	P27561-01-J56	EA	COVER - BACK - SOFA/BED - 74" (J56,J57)
7	127561-02-J52	EA	SEAT - SOFA/BED - 74" (J52,J53)
7	127561-02-J54	EA	SEAT - SOFA/BED - 74" (J54,J55)
7	127561-02-J56	EA	SEAT - SOFA/BED - 74" (J56,J57)
7	P27561-02-J52	EA	COVER - SEAT - SOFA/BED - 74" (J52,J53)
7	P27561-02-J54	EA	COVER - SEAT - SOFA/BED - 74" (J54,J55)
7	P27561-02-J56	EA	COVER - SEAT - SOFA/BED - 74" (J56,J57)
8	127840-02-J52	EA	PANEL - LEFT END - SOFA/BED - FABRIC COVERED (J52,J53)
8	127840-02-J54	EA	PANEL - LEFT END - SOFA/BED - FABRIC COVERED (J54,J55)
8	127840-02-J56	EA	PANEL - LEFT END - SOFA/BED - FABRIC COVERED (J56,J57)
8	127562-02-J52	EA	ARMREST/REMOVABLE - LEFT HAND (J52,J53)
8	127562-02-J54	EA	ARMREST/REMOVABLE - LEFT HAND (J54,J55)
8	127562-02-J56	EA	ARMREST/REMOVABLE - LEFT HAND (J56,J57)
8	P27562-02-J52	EA	COVER - ARMREST - LEFT (J52,J53)
8	P27562-02-J54	EA	COVER - ARMREST - LEFT (J54,J55)
8	P27562-02-J56	EA	COVER - ARMREST - LEFT (J56,J57)
	127335-07-000	EA	FRAME - 8" LEG
	120992-14-J52	EA	PANEL - FRONT KICK - SOFA/BED - FABRIC COVERED (J52,J53)
	120992-14-J54	EA	PANEL - FRONT KICK - SOFA/BED - FABRIC COVERED (J54,J55)
	120992-14-J56	EA	PANEL - FRONT KICK - SOFA/BED - FABRIC COVERED (J56,J57)
	120992-15-J52	EA	PANEL - FRONT KICK - SOFA/BED - FABRIC COVERED (J52,J53)
	120992-15-J54	EA	PANEL - FRONT KICK - SOFA/BED - FABRIC COVERED (J54,J55)
	120992-15-J56	EA	PANEL - FRONT KICK - SOFA/BED - FABRIC COVERED (J56,J57)
	116104-03-02B	EA	BRACKET - ZEE W/HOLES
	121906-01-02B	EA	BRACKET - KICKBOARD - E-COATED
	127335-08-000	EA	BRACKET - REMOVABLE ARM/COUCH
	127335-09-000	EA	BRACKET - REMOVABLE ARM/CUSHION

DINETTE OPTION

KEY	PART NUMBER	U/M	DESCRIPTION
9	122739-01-J52	EA	CHAIR - SWIVEL (J52,J53)
9	122739-01-J54	EA	CHAIR - SWIVEL (J54,J55)
9	122739-01-J56	EA	CHAIR - SWIVEL (J56,J57)
	P22739-01-H19	EA	COVER - BACK/SEAT - SWIVEL CHAIR (J52,J53)
	P22739-01-J54	EA	COVER - BACK/SEAT - SWIVEL CHAIR (J54,J55)
	P22739-01-J56	EA	COVER - BACK/SEAT - SWIVEL CHAIR (J56,J57)
10	101604-01-04A	EA	CHAIR - FOLDING/DINETTE - W/O FABRIC - SOLAR MAPLE
10	101604-01-03A	EA	CHAIR - FOLDING/DINETTE - WATERFORD OAK - W/O FABRIC
	099717-04-000	EA	STRAP - TIE DOWN W/21.3" FEMALE STRAP & 27.2" MALE STRAP

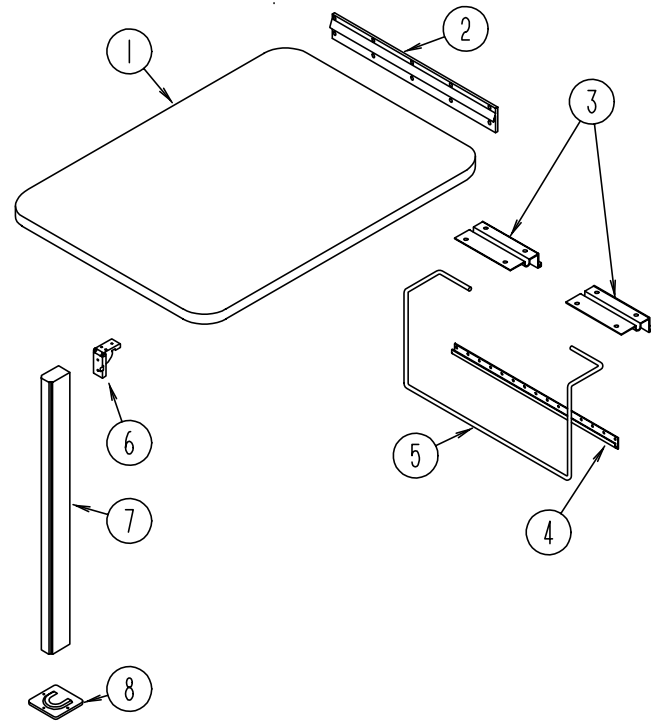
DINETTE GROUP

DINETTE WITH OVERHEAD CABINERY



KEY	PART NUMBER	U/M	DESCRIPTION
1	M07514-01-J52	EA	CABINET - SEATBACK/RIGHT HAND - W/O HARDWARE (WASHED MAPLE)
1	M07514-01-H17	EA	CABINET - SEATBACK/RIGHT HAND - W/O HARDWARE (WATERFORD OAK)
2	104787-08-H19	EA	PAD - DINETTE (J52,J53)
			FROM: 00-00-00 THRU: 11-16-97
2	104787-08-JA2	EA	PAD - DINETTE (J52,J53)
			FROM: 11-17-97 THRU: 99-99-99
2	104787-08-J54	EA	PAD - DINETTE (J54,J55)
2	104787-08-J56	EA	PAD - DINETTE (J56,J57)
3	M05971-35-J52	EA	DRAWER - OGEE EDGE - 17"W X 21.6"D - W/O SLIDES/HARDWARE (WASHED MAPLE)
3	M05971-35-J22	EA	DRAWER - OGEE EDGE - 17"W X 21.6"D - W/O SLIDES/HARDWARE (WATERFORD OAK)
4	M07515-01-J52	EA	CABINET - SEATBASE/RIGHT HAND - W/O DRAWER/HARDWARE (WASHED MAPLE)
4	M07515-01-G15	EA	CABINET - SEATBASE/RIGHT HAND - W/O DRAWER/HARDWARE (WATERFORD OAK)
5	081295-01-H37	EA	SUPPORT - BED/DINETTE - 28" LONG (WASHED MAPLE)
5	081295-01-G01	EA	SUPPORT - BED/DINETTE - 28" LONG (WATERFORD OAK)
6	M07515-08-J52	EA	CABINET - SEATBASE/LEFT HAND - W/O DRAWER/HARDWARE (WASHED MAPLE)
6	M07515-08-G35	EA	CABINET - SEATBASE/LEFT HAND - W/O DRAWER/HARDWARE (WATERFORD OAK)
7	M07514-08-J52	EA	CABINET - SEATBACK/LEFT HAND - W/O HARDWARE (WASHED MAPLE)
7	M07514-08-J22	EA	CABINET - SEATBACK/LEFT HAND - W/O HARDWARE (WATERFORD OAK)
8	058331-08-000	EA	MIRROR - SAFETY GLASS - 24" X 30"
9	115811-20-J52	EA	OVERLAY - NOVEAU - 7.5" X 23.75" - LEFT HAND (J52,J53)
			FROM: 00-00-00 THRU: 11-16-97
9	115811-20-JA2	EA	OVERLAY - NOVEAU - 7.5" X 23.75" - LEFT HAND (J52,J53)
			FROM: 11-17-97 THRU: 99-99-99
9	115811-20-J54	EA	OVERLAY - NOVEAU - 7.5" X 23.75" - LEFT HAND (J54,J55)
9	115811-20-J56	EA	OVERLAY - NOVEAU - 7.5" X 23.75" - LEFT HAND (J56,J57)
10	M05992-99-J52	EA	DOOR - MITERED CORNER/OGEE EDGE - 9.8" X 14.5" - W/O HDW (WASHED MAPLE)
10	M05992-99-J22	EA	DOOR - MITERED CORNER/OGEE EDGE - 9.8" X 14.5" - W/O HDW (WATERFORD OAK)
11	127822-01-J52	EA	CABINET - OVERHEAD/DINETTE - W/O DOORS/HARDWARE (WASHED MAPLE)
11	127822-01-J53	EA	CABINET - OVERHEAD/DINETTE - W/O DOORS/HARDWARE (WATERFORD OAK)
12	M05992-L9-J52	EA	DOOR - STRAIGHT CORNER/OGEE EDGE - 10" X 29.5" - W/O HDW (WASHED MAPLE)
12	M05992-L9-J22	EA	DOOR - STRAIGHT CORNER/OGEE EDGE - 10" X 29.5" - W/O HDW (WATERFORD OAK)

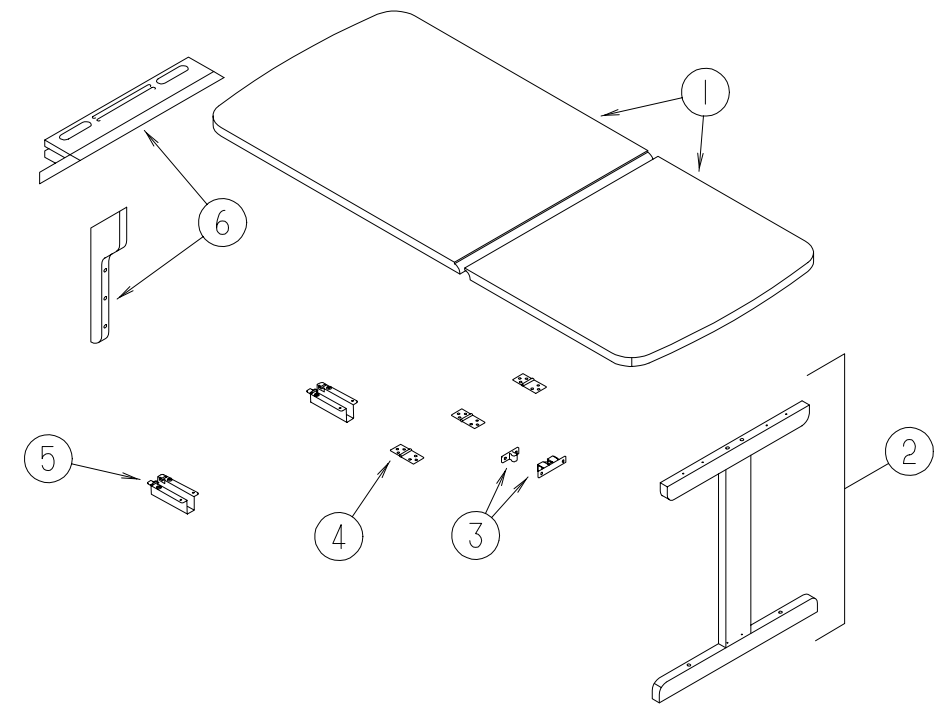
DINETTE GROUP (CONTINUED)



DINETTE TABLE

KEY	PART NUMBER	U/M	DESCRIPTION
1	127121-20-J52	EA	TOP - DINETTE TABLE (J52)
1	127121-20-J22	EA	TOP - DINETTE TABLE (J53)
1	127121-20-J54	EA	TOP - DINETTE TABLE (J54)
1	127121-20-J26	EA	TOP - DINETTE TABLE (J55)
1	127121-20-J56	EA	TOP - DINETTE TABLE (J56)
1	127121-20-J57	EA	TOP - DINETTE TABLE (J57)
2	053200-12-000	EA	BRACKET - TABLE SUPPORT - UPPER WALL MOUNTED - 23.50"
3	088410-02-000	EA	BRACKET - LIFT - TABLE MOUNTED
4	024281-14-000	EA	BRACKET - LIFT ROD/LOWER WALL MOUNTED - 22.12"
5	024275-12-000	EA	ROD - TABLE LIFT
6	093550-01-000	EA	BRACKET - HINGE - MOUNTS TO LEG & TABLE TOP - 1.7" X 2.6"
7	092707-04-08A	EA	LEG - TABLE - W/O HARDWARE - 27" (WASHED MAPLE)
7	092707-04-05A	EA	LEG - TABLE - W/O HARDWARE - 27" (WATERFORD OAK)
8	049493-12-000	EA	CATCH - TABLE LEG/FLOOR MOUNTED - OFF WHITE
	049493-11-700	EA	CATCH-LEG - FLOOR MOUNTED - 2.5" X 2.7" - METAL - E-COAT

DINETTE GROUP (CONTINUED)

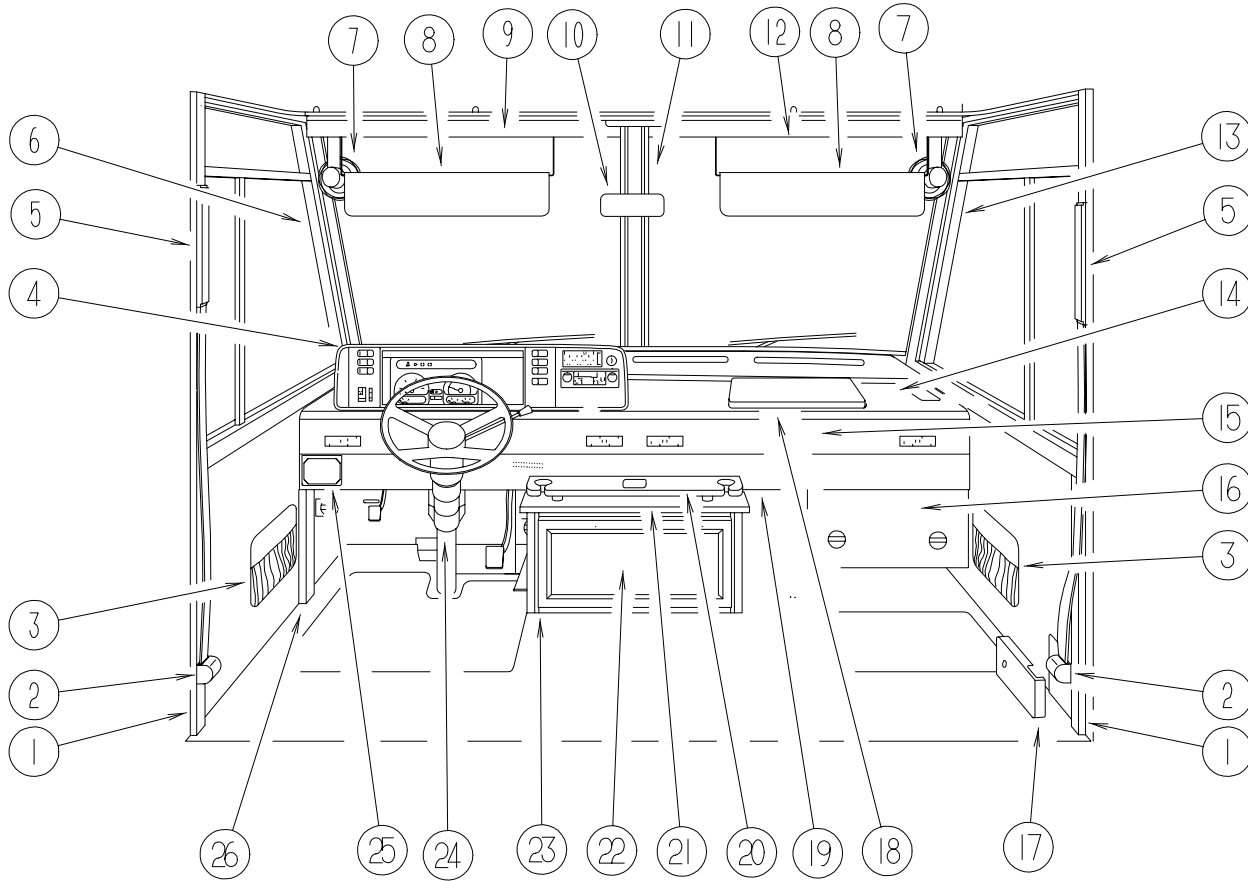


DINETTE TABLE ASM. W/ DROP LEAF

KEY	PART NUMBER	U/M	DESCRIPTION
1	120898-27-J52	EA	TABLE TOP ONLY (WASHED MAPLE)
1	120898-27-J55	EA	TABLE TOP ONLY (WATERFORD OAK)
2	120898-24-J52	EA	LEG - W/O HARDWARE (WASHED MAPLE)
2	120898-24-H17	EA	LEG - W/O HARDWARE (WATERFORD OAK)
3	084451-01-000	EA	CATCH - BRASS
4	120972-01-01A	EA	HINGE - TABLE/ DROP LEAF
5	120973-01-000	EA	SUPPORT - TABLE/ DROP LEAF - PAIR
6	120898-25-J40	EA	MOUNT - WALL - DROP LEAF TABLE (WASHED MAPLE)
6	120898-25-H07	EA	MOUNT - WALL - DROP LEAF TABLE (WATERFORD OAK)

DRIVERS COMPARTMENT GROUP

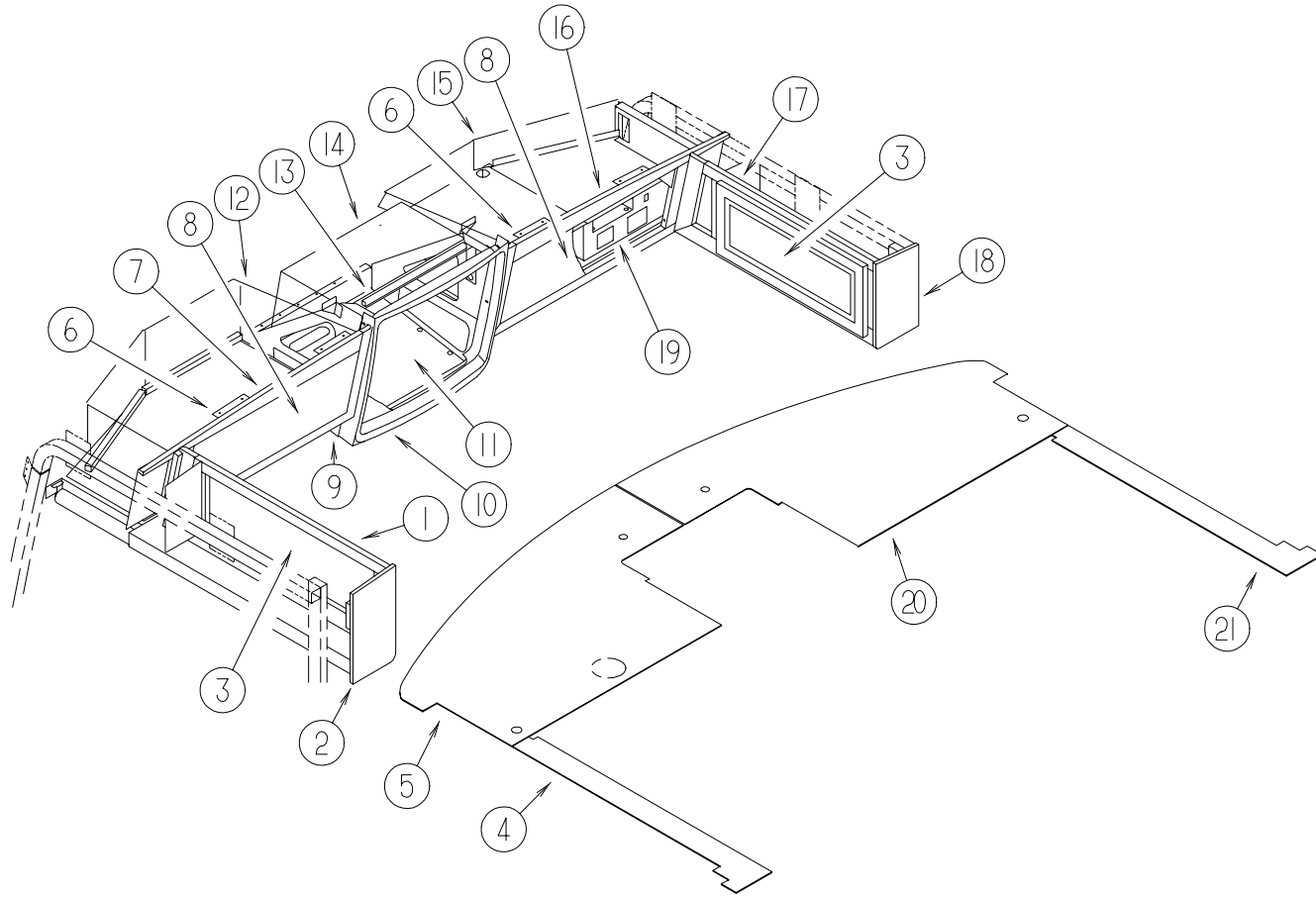
LOWER DRIVER COMPARTMENT



KEY	PART NUMBER	U/M DESCRIPTION
1	024700-51-000	EA COVER - ROLL BAR
2	091990-05-01A	EA SEAT BELT/SHOULDER HARNESS - DRIVER/PASSENGER - BLACK
	127598-01-01A	EA ADJUSTER - SEATBELT - D-LOOP - ADJUSTER
	091990-01-701	EA EXTENDER 9" FOR A8408 3 PT
	109146-01-000	EA BOLT - SHOULDER/SEAT BELT
	127598-02-000	EA NUT - HEX FLANGE - M10 X 1.5 - CLASS 10
	128444-01-000	EA WASHER - SPRING - CONICAL
3	086120-10-H19	EA PAD - MAP POCKET - 12" X 16" (J52,J53) FROM: 00-00-00 THRU: 11-16-97
3	086120-10-JA2	EA PAD - MAP POCKET - 12" X 16" (J52,J53) FROM: 11-17-97 THRU: 99-99-99
3	086120-10-J54	EA PAD - MAP POCKET - 12" X 16" (J54,J55)
3	086120-10-J56	EA PAD - MAP POCKET - 12" X 16" (J56,J57)
4	M05946-55-J52	EA DASH POD
5	127721-01-01A	EA COVER - SLIDE - OFF WHITE
5	127798-01-01A	EA COVER - SLIDE - INNER - BLACK - 1.5" X 11.4"
6	125444-02-02A	EA TRIM - A-PILLAR/DRIVER - INTERIOR - TITANIUM
	123045-11-03A	EA BACKING - SCREW - TITANIUM
7	122856-01-01A	EA FAN - DEFROSTER - 2 SPEED W/SWIVEL BASE/NON - OSCILATING - CHROME
8	123298-02-05A	EA SUNVISOR - 10.5" X 28.5"
9	118453-06-02A	EA TRIM - WINDSHIELD - INNER/TOP/DRIVER
10	040714-01-000	EA MIRROR - REAR VIEW/ARM MOUNT & SET SCREW
	067490-01-000	EA BUTTON - MIRROR/REAR VIEW
11	118452-03-02A	EA TRIM - WINDSHIELD - CENTER
12	118453-05-02A	EA TRIM - WINDSHIELD - INNER/TOP/PASSENGER
13	125444-01-02A	EA TRIM - A-PILLAR/PASSENGER - INTERIOR - TITANIUM
	123045-11-03A	EA BACKING - SCREW - TITANIUM
14	P26082-02-000	EA DASH - W/O VINYL - E-COATED
15	104354-09-05A	EA APPLIQUE - LOWER DASH - GM/FORD
16	095757-05-H19	EA COVER - HEATER (J52,J53)
16	095757-05-J54	EA COVER - HEATER (J54,J55)
16	095757-05-J56	EA COVER - HEATER (J56,J57)
17	103961-03-01A	EA COVER - BRACKET - SEATBELT/OFF WHITE
18	127692-01-J50	EA TABLE - DASH
18	127597-01-000	EA SLIDE - WORK STATION - DASH
19	104354-09-04A	EA APPLIQUE - LOWER DASH - GM/FORD
20	111759-14-J60	EA TRAY (WASHED MAPLE)
	111759-14-G15	EA TRAY (WATERFORD OAK)
21	111759-13-J60	EA TOP - BEVERAGE TRAY COMPARTMENT (WASHED MAPLE)
21	111759-13-G15	EA TOP - BEVERAGE TRAY COMPARTMENT (WATERFORD OAK)
22	M06881-02-J52	EA DRAWER - F/BEVERAGE TRAY (WASHED MAPLE)
22	M06881-02-J53	EA DRAWER - F/BEVERAGE TRAY (WATERFORD OAK)
23	M06880-02-J52	EA CABINET - F/BEVERAGE TRAY (WASHED MAPLE)
23	M06880-02-J53	EA CABINET - F/BEVERAGE TRAY (WATERFORD OAK)
	122717-01-01A	EA PAD - NON SKID - 4" DIAMETER ROUND
24	103498-09-000	EA BOOT - STEERING COLUMN - W/1/2 CIRCLE
	127687-01-03A	EA POD - SHIFTER - TITANIUM
25	112236-02-J22	EA BEZEL - F/SLIDEOUT ROOM CONTROL
26	127901-02-02A	EA PANEL - TOEKICK/LEFT HAND - TITANIUM (W/DRIVER DOOR)
26	127901-01-02A	EA PANEL - TOEKICK/LEFT HAND - TITANIUM (W/O DRIVER DOOR)

DRIVERS COMPARTMENT GROUP (CONTINUED)

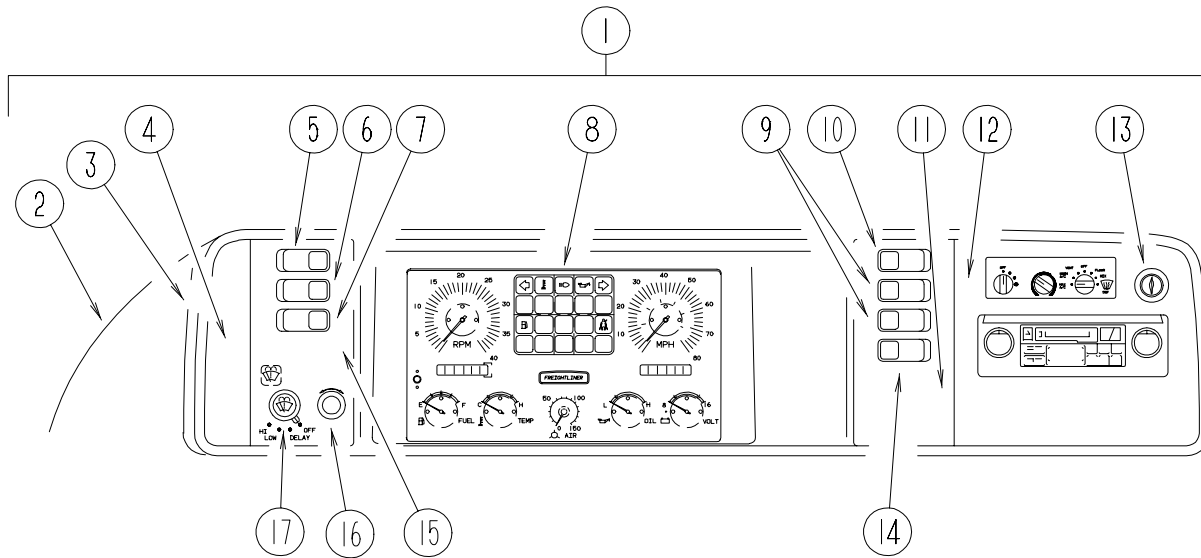
UPPER DRIVER COMPARTMENT



KEY	PART NUMBER	U/M	DESCRIPTION
1	126301-01-J52	EA	CABINET - OVERHEAD/FRONT/LEFT HAND - W/O DOORS/HARDWARE (WASHED MAPLE)
1	126301-01-J53	EA	CABINET - OVERHEAD/FRONT/LEFT HAND - W/O DOORS/HARDWARE (WATERFORD OAK)
2	103128-18-J60	EA	END CAP - OVERHEAD CABINET - LEFT HAND (WASHED MAPLE)
2	103128-18-J20	EA	END CAP - OVERHEAD CABINET - LEFT HAND (WATERFORD OAK)
3	M05992-L9-J52	EA	DOOR - STRAIGHT CORNER/OGEE EDGE - 10" X 29.5" - W/O HDW (WASHED MAPLE)
3	M05992-L9-J22	EA	DOOR - STRAIGHT CORNER/OGEE EDGE - 10" X 29.5" - W/O HDW (WATERFORD OAK)
4	126443-04-J52	EA	PANEL - OVERHEAD/FRONT - LEFT HAND - 5.8" X 27.6"
5	126440-02-J52	EA	PANEL - OVERHEAD/FRONT - BOTTOM/LEFT HAND
6	106699-01-01A	EA	BRACKET - OVERHEAD CABINET/TV
7	126876-02-J60	EA	CABINET - OVERHEAD/FRONT - LEFT HAND - W/O DOORS/HARDWARE (WASHED MAPLE)
7	126876-02-J20	EA	CABINET - OVERHEAD/FRONT - LEFT HAND - W/O DOORS/HARDWARE (WATERFORD OAK)
8	100708-08-000	EA	DOOR - GLASS - TV CABINET - 9.7" X 27" - W/O HARDWARE
	100707-01-000	EA	SPACER - GLASS DOOR - .8" DIA - .3" HOLE - PLASTIC
	100710-01-01A	EA	LOCK - GLASS DOOR/TWIST TYPE - BRASS
	100711-01-01A	EA	HINGE - GLASS DOOR
9	126006-02-J60	EA	COVER - TV - OVERHEAD/BOTTOM
10	125977-01-01A	EA	COVER - TV - OVERHEAD/FRONT - TITANIUM
10	126602-02-J52	EA	COVER - FRONT/OVERHEAD - W/O TV OPTION
11	091261-01-000	FT	SLIPNOT - ANTISLIP - 1" WIDE
12	126457-02-J20	EA	PANEL - CLOSEOUT - OVERHEAD FRONT - UPPER/LOWER LEFT HAND
13	114706-04-02B	EA	SUPPORT - SHELF/TV
14	126854-01-J20	EA	PANEL - HEADLINER/TV/TOP
15	126457-01-J20	EA	PANEL - CLOSEOUT - OVERHEAD FRONT - UPPER/LOWER RIGHT HAND
16	126876-01-J60	EA	CABINET - OVERHEAD/FRONT - RIGHT HAND - W/O DOORS/HARDWARE (WASHED MAPLE)
16	126876-01-J20	EA	CABINET - OVERHEAD/FRONT - RIGHT HAND - W/O DOORS/HARDWARE (WATERFORD OAK)
17	126358-01-J52	EA	CABINET - OVERHEAD/FRONT/RIGHT HAND - W/O DOORS/HARDWARE (WASHED MAPLE)
17	126358-01-J53	EA	CABINET - OVERHEAD/FRONT/RIGHT HAND - W/O DOORS/HARDWARE (WATERFORD OAK)
18	103128-17-J52	EA	END CAP - OVERHEAD CABINET - RIGHT HAND (WASHED MAPLE)
18	103128-17-J20	EA	END CAP - OVERHEAD CABINET - RIGHT HAND (WATERFORD OAK)
19	126601-03-J60	EA	PANEL - SHELF - VINYL COVERED - W/O INVERTOR CUTOUT
19	126601-07-J60	EA	PANEL - SHELF - VINYL COVERED - W/INVERTOR CUTOUT
20	126440-01-J52	EA	PANEL - OVERHEAD/FRONT - BOTTOM/RIGHT HAND
21	126443-05-J52	EA	PANEL - OVERHEAD/FRONT - RIGHT HAND - 5.8" X 28.5"

DRIVERS COMPARTMENT GROUP (CONTINUED)

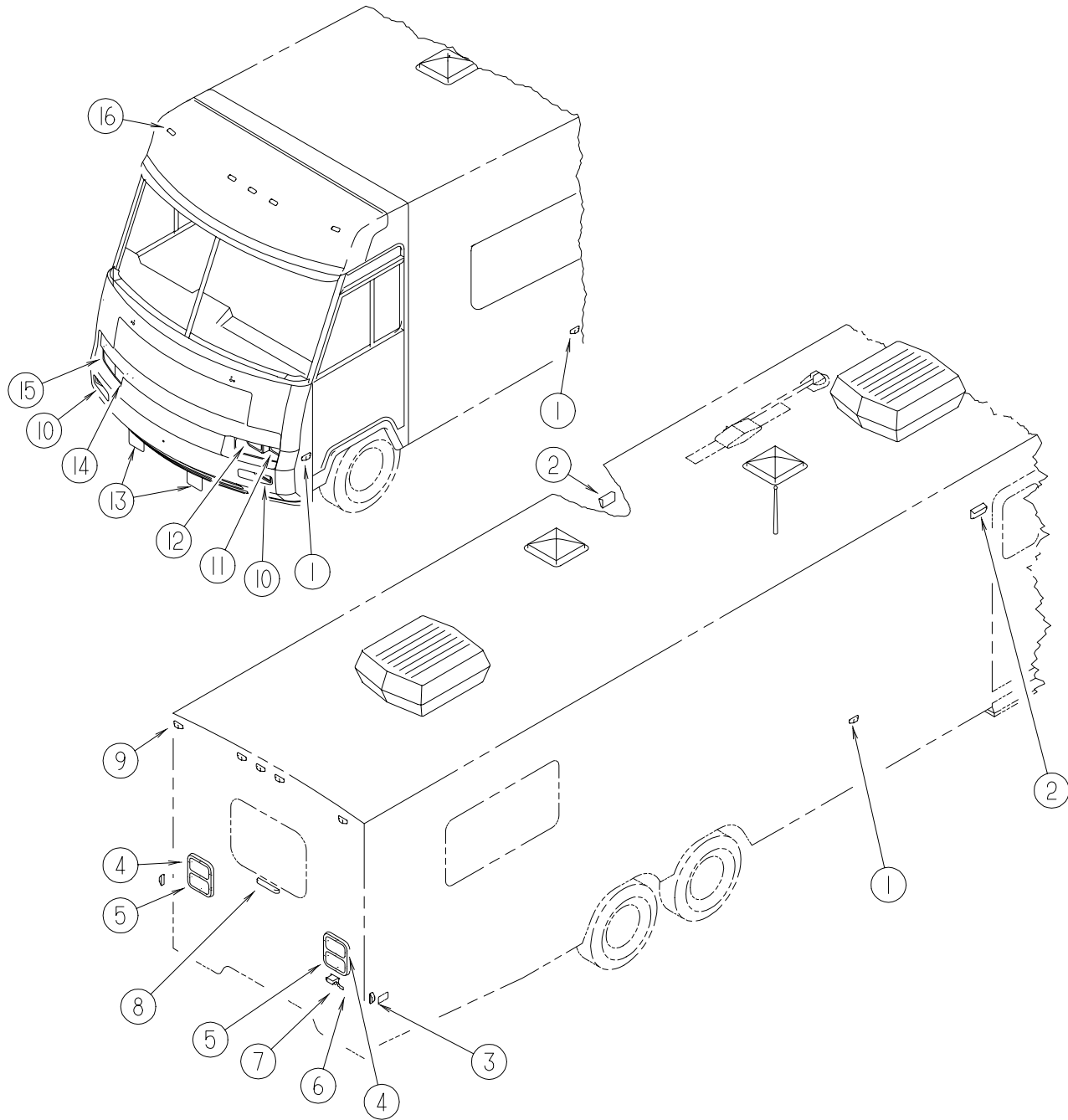
DASH, GAUGES & SWITCHES (FREIGHTLINER)



KEY	PART NUMBER	U/M	DESCRIPTION
1	M05946-55-J52	EA	DASH POD
2	125677-02-J50	EA	POD - INSTRUMENT PANEL - TITANIUM
3	103662-07-01A	EA	BEZEL - INSTRUMENT PANEL
4	104056-01-08A	EA	APPLIQUE - BEZEL - DRIVER DRESS UP
5	108357-08-000	EA	SWITCH - ROCKER DPDT - ON/NONE/ON - 6 TERMINAL
5	108356-02-01A	EA	COVER/ACTUATOR SWITCH - 2 ROWS DIMPLES- CONTURA II - BLACK
6	108357-09-000	EA	SWITCH - ROCKER SPDT - ON/NONE/MOM - 3 TERMINAL
6	108356-02-01A	EA	COVER/ACTUATOR SWITCH - 2 ROWS DIMPLES- CONTURA II - BLACK
7	108357-06-000	EA	SWITCH - ROCKER DPDT - MOM/OFF/MOM - 6 TERMINAL
7	108356-02-01A	EA	COVER/ACTUATOR SWITCH - 2 ROWS DIMPLES- CONTURA II - BLACK
8	121868-13-000	EA	CLUSTER - INSTRUMENT - METRIC
9	108357-03-000	EA	SWITCH - ROCKER SPDT - ON/OFF/ON - 3 TERMINAL
9	108356-02-01A	EA	COVER/ACTUATOR SWITCH - 2 ROWS DIMPLES- CONTURA II - BLACK
10	108357-10-000	EA	SWITCH - ROCKER SPDT - W/LIGHT - MOM/NONE/MOM - 5 TERMINAL
10	108356-04-01A	EA	COVER/ACTUATOR SWITCH - 2 ROWS DIMPLES W/LENS-CONTURAI-BLK
	096241-03-000	EA	SWITCH - BLANK
	077942-01-000	EA	SWITCH - DUMMY - BLACK
11	104056-08-01A	EA	APPLIQUE - BEZEL - PASSENGER - 6 SWITCH
11	104056-21-01A	EA	APPLIQUE - BEZEL - PASSENGER DRESS UP
12	104056-06-08A	EA	APPLIQUE - BEZEL - PASSENGER DRESS UP
13	089294-01-000	EA	LIGHTER - CIGARETTE - W/O WIRES
14	108357-01-000	EA	SWITCH - ROCKER SPST - ON/OFF - 2 TERMINAL
14	108356-02-01A	EA	COVER/ACTUATOR SWITCH - 2 ROWS DIMPLES- CONTURA II - BLACK
15	104056-23-01A	EA	APPLIQUE - BEZEL - SWEEP - LEFT
			FROM: 00-00-00 THRU: 05-08-98
15	104056-38-01A	EA	APPLIQUE - BEZEL - DRIVER
			FROM: 05-09-98 THRU: 99-99-99
16	096675-01-000	EA	KNOB - HEADLAMP - W/SHAFT
	096674-01-000	EA	NUT - HEADLAMP KNOB - BLACK
17	091206-04-000	EA	MODULE/WIPER CONTROL KIT - DYNAMIC PARK
	106569-11-02A	EA	VINYL - LAMINATE - TITANIUM - 1/4" X 21" X 100"
	103603-01-000	EA	BULB - 12 VOLT - #74 - .12A WEDGE - GE 22-25 USED IN DASH
	077031-01-000	EA	FILM - BLACK - 1" X 1.75"
	077031-03-000	EA	FILM - WHITE .75" X 1"

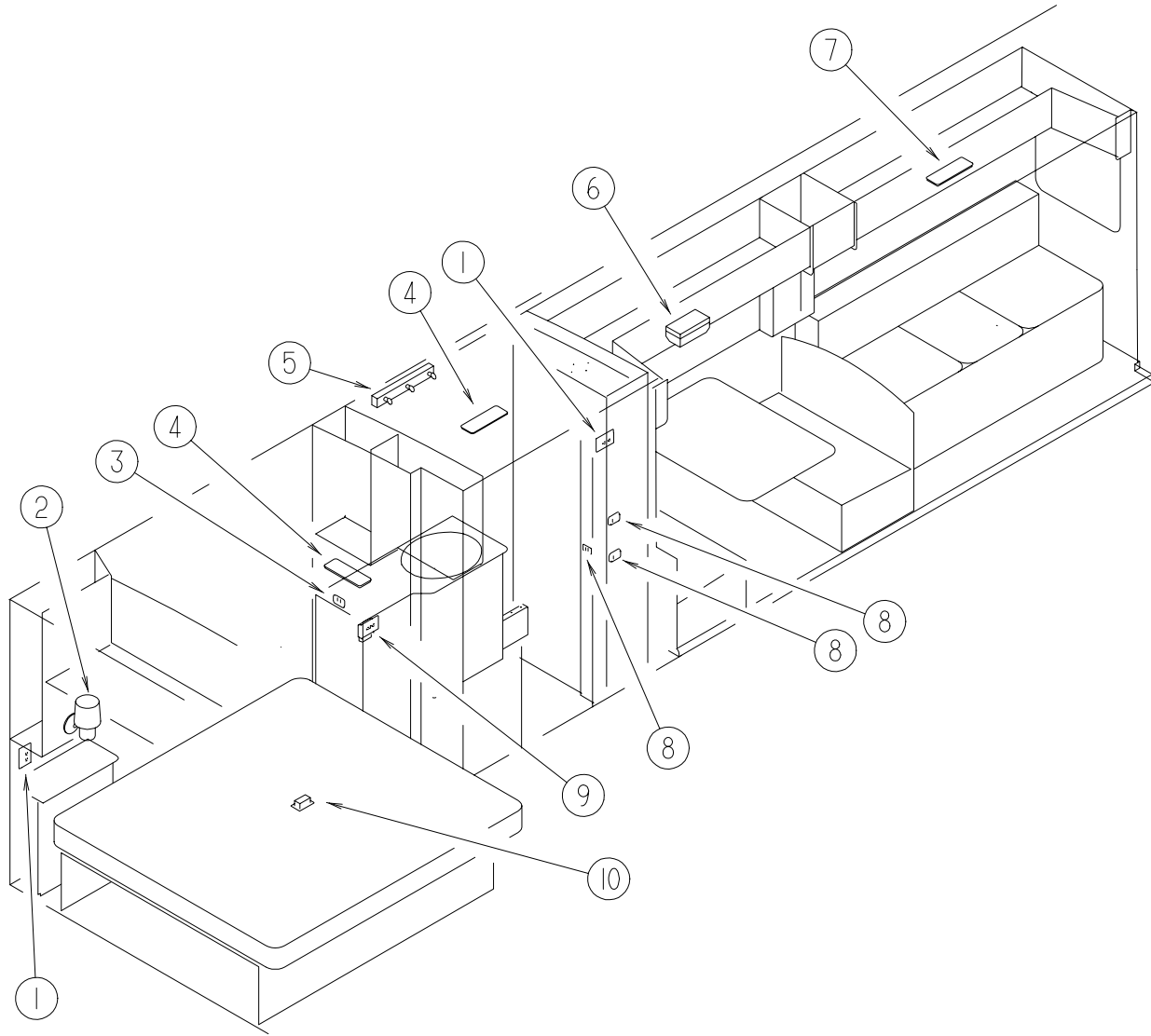
ELECTRICAL GROUP

EXTERIOR LIGHTS



KEY	PART NUMBER	U/M	DESCRIPTION
1	111102-02-000	EA	LENS - MARKER LAMP - AMBER
1	111102-01-000	EA	LAMP - MARKER - BASE
1	036196-01-000	EA	BULB - 12 VOLT - #194 - .27 AMP - BAYONETTE
2	097917-01-06A	EA	LIGHT - PORCH - BRIGHT WHITE
2	008215-01-000	EA	BULB - 12 VOLT - #1003 - .94 AMP
2	097917-01-700	EA	LENS - LIGHT - CLEAR
3	111102-03-000	EA	LENS - MARKER LAMP - RED
3	111102-01-000	EA	LAMP - MARKER - BASE
3	036196-01-000	EA	BULB - 12 VOLT - #194 - .27 AMP - BAYONETTE
4	115632-01-02A	EA	LIGHT - STOP/ TURN/ TAIL RED
5	115632-03-02A	EA	LIGHT - STOP/ TAIL/ BACKUP
6	066432-03-000	EA	BRACKET - LICENSE PLATE
7	066432-02-000	EA	LIGHT - LICENSE - BLACK
8	121950-01-000	EA	LIGHT - BRAKE - CENTER MOUNT
9	127536-01-000	EA	LIGHT - CLEARANCE - RED
9	127536-02-000	EA	SOCKET - LIGHT - 194 WEDGE
9	036196-01-000	EA	BULB - 12 VOLT - #194 - .27 AMP - BAYONETTE
10	106688-02-000	EA	LIGHT - AMBER TURN SIGNAL (LENS/BACK PAN)
11	049188-04-000	EA	HEADLAMP - DRIVER - HIGH BEAM - HALOGEN
12	049186-04-000	EA	HEADLAMP - DRIVER - HIGH/LOW - HALOGEN
13	124215-01-000	EA	FOG LIGHT - RECTANGULAR/ CLEAR LENS
14	049185-04-000	EA	HEADLAMP - PASSENGER - HIGH/LOW - HALOGEN
15	049187-04-000	EA	HEADLAMP - PASSENGER - HIGH BEAM - HALOGEN
	110750-01-000	EA	SCREW - HEADLAMP ADJUSTING
	049359-01-000	EA	SPRING - RETAINER - HEADLAMP - GM #496096
	119157-01-000	EA	SOCKET - SINGLE CONTACT
	119158-01-000	EA	SOCKET - DOUBLE CONTACT
16	102520-01-000	EA	LIGHT - CLEARANCE - W/O SOCKET CONNECTIONS - AMBER
16	036196-01-000	EA	BULB - 12 VOLT - #194 - .27 AMP - BAYONETTE
16	102540-01-000	EA	SEAL - SCREW - ROUND - RUBBER
16	102541-01-000	EA	GASKET - CLEARANCE LIGHT
16	067789-02-000	EA	SOCKET - LAMP

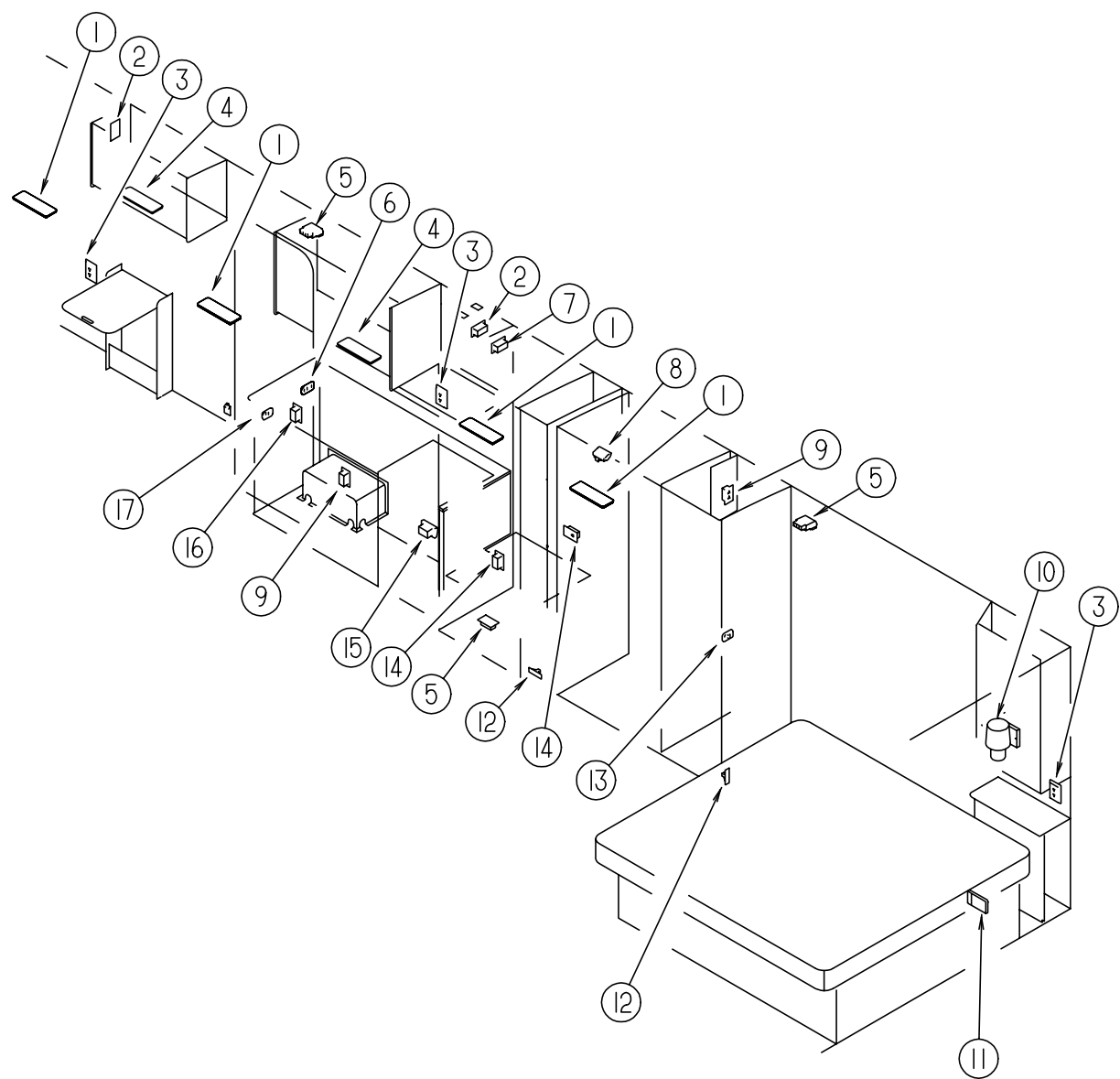
ELECTRICAL GROUP (CONTINUED)
LIGHTS, RECEPTACLES, & SWITCHES - DRIVER SIDE



KEY	PART NUMBER	U/M	DESCRIPTION	VENDOR NO.
1	058708-01-000	EA	RECEPTACLE - ELECTRIC - DOUBLE - BROWN	
1	058708-02-000	EA	RECEPTACLE - ELECTRIC - DOUBLE - IVORY	
1	102568-01-J70	EA	SPACER - RECEPTACLE - BETWEEN SIDEWALL & PLATE - WOOD (WASHED MAPLE)	
1	102568-01-GB1	EA	SPACER - RECEPTACLE - BETWEEN SIDEWALL & PLATE - WOOD (WATERFORD OAK)	
2	065202-38-000	EA	LAMP - WALL	
3	079364-01-000	EA	SWITCH - ON/OFF ROCKER - 2 PRONGS - BROWN - VANITY LAMP	
3	079364-03-000	EA	SWITCH - ON/OFF ROCKER - 3 PRONGS - BROWN - PUMP	
3	098351-02-01A	EA	PLATE - SWITCH - 2 GANG POLISHED BRASS	
3	095188-01-01A	EA	SPACER - SWITCH - 2.3" X 3.4" - PLASTIC - DARK BROWN	
4	098024-03-02A	EA	LIGHT - DOME - 2 BULB WHITE	
4	008218-01-000	EA	BULB - DOME LIGHT - 12 VOLT - NO. 1141	
4	098024-01-700	EA	LENS - LIGHT	807877
5	110235-01-01A	EA	LIGHT - MAKE UP - 3 BULB - 12 VOLT	
5	081633-01-700	EA	BULB - LIGHT - MAKE-UP	RP1041
6	093575-06-01A	EA	LIGHT - CEILING - FLUTED	
7	098024-06-02A	EA	LIGHT - DOME - 2 BULB - SKYLITE	
7	008218-01-000	EA	BULB - DOME LIGHT - 12 VOLT - NO. 1141	
7	098024-01-701	EA	LENS - OPTI CLEAR - SKYLIGHT	809902
8	079364-01-000	EA	SWITCH - ON/OFF ROCKER - 2 PRONGS - BROWN - VANITY LAMP	
8	079364-03-000	EA	SWITCH - ON/OFF ROCKER - 3 PRONGS - BROWN - PUMP	
8	098351-02-01A	EA	PLATE - SWITCH - 2 GANG POLISHED BRASS	
8	095188-02-01A	EA	SPACER - SWITCH - 2.3" X 4.1" - PLASTIC - DARK BROWN	
9	084076-02-000	EA	RECEPTACLE - GFI - 15 AMP - 125 VOLT - BROWN	
10	058707-02-000	EA	RECEPTACLE - BLANK - JUNCTION	
	086280-01-000	EA	LIGHT - SURFACE MOUNT - 12 VOLT	
	086280-01-700	EA	BULB - 12V	ARP1089
	087694-01-000	EA	LIGHT - WARDROBE/CLOSET - W/SWITCH	
	087694-01-700	EA	BULB	GE561

ELECTRICAL GROUP (CONTINUED)

LIGHTS, RECEPTACLES, & SWITCHES - PASSENGER SIDE



KEY	PART NUMBER	U/M	DESCRIPTION	VENDOR NO.
1	098024-03-02A	EA	LIGHT - DOME - 2 BULB WHITE	
1	008218-01-000	EA	BULB - DOME LIGHT - 12 VOLT - NO. 1141	
1	098024-01-700	EA	LENS-LIGHT	807877
2	058707-02-000	EA	RECEPTACLE - BLANK - JUNCTION	
3	058708-02-000	EA	RECEPTACLE - ELECTRIC - DOUBLE - IVORY	
3	102568-01-J70	EA	SPACER - RECEPTACLE - BETWEEN SIDEWALL & PLATE - WOOD (WASHED MAPLE)	
3	102568-01-GB1	EA	SPACER - RECEPTACLE - BETWEEN SIDEWALL & PLATE - WOOD (WATERFORD OAK)	
4	098024-06-02A	EA	LIGHT - DOME - 2 BULB - SKYLITE	
4	008218-01-000	EA	BULB - DOME LIGHT - 12 VOLT - NO. 1141	
4	098024-01-701	EA	LENS - OPTI CLEAR - SKYLIGHT	809902
5	091927-01-000	EA	COVER - RECEPTACLE - DOUBLE - IVORY - W/O ROOF A/C OPTION	
6	098351-05-01A	EA	PLATE - SWITCH - 3 GANG POLISHED BRASS	
6	079364-01-000	EA	SWITCH - ON/ OFF ROCKER - 2 PRONGS - BROWN - STEP/CEILING/PORCH	
7	058708-05-000	EA	RECEPTACLE - SINGLE - BROWN - MICROWAVE	
8	087694-01-000	EA	LIGHT - WARDROBE/CLOSET - W/SWITCH	
8	087694-01-700	EA	BULB	GE561
9	058708-01-000	EA	RECEPTACLE - ELECTRIC - DOUBLE - BROWN	
10	065202-38-000	EA	LAMP - WALL	
11	098024-01-03A	EA	LIGHT - DOME - 1 BULB - WHITE (COMPARTMENTS)	
11	008218-01-000	EA	BULB - DOME LIGHT - 12VOLT - NO. 1141	
11	098024-01-700	EA	LENS-LIGHT	807877
12	061424-01-000	EA	LIGHT - AISLE - 12 VOLT - RECTANGULAR	
12	008103-01-000	EA	BULB - DASH/AISLE LIGHT - #53 - 12 VOLT - .12 AMP	
13	079364-01-000	EA	SWITCH - ON/ OFF - ROCKER - 2 PRONGS - BROWN	
13	079364-03-000	EA	SWITCH - ON/OFF ROCKER - 3 PRONGS - BROWN	
13	098351-02-01A	EA	PLATE - SWITCH - 2 GANG POLISHED BRASS	
13	095188-01-01A	EA	SPACER - SWITCH - 2.3" X 3.4" - PLASTIC - DARK BROWN	
14	058707-01-000	EA	RECEPTACLE-ELECTRIC, SINGLE - BROWN - CONVERTER/REFRIGERATOR	
15	112822-01-01A	EA	RECEPTACLE - DUPLEX - IVORY	
15	112824-01-03A	EA	COVER - RECEPTACLE - EXTERIOR DUPLEX	
16	084076-02-000	EA	RECEPTACLE - GFI - 15 AMP - 125 VOLT - BROWN	
17	098351-01-01A	EA	PLATE - SWITCH - 1 GANG POLISHED BRASS	
17	079364-03-000	EA	SWITCH - ON/OFF ROCKER - 3 PRONGS - BROWN	
	086280-01-000	EA	LIGHT - SURFACE MOUNT - 12 VOLT	
	086280-01-700	EA	BULB - 12V	ARP1089

ELECTRICAL GROUP (CONTINUED)**CONVERTER & LOAD CENTER**

KEY	PART NUMBER	U/M	DESCRIPTION
	083208-02-000	EA	CONVERTER - POWER - 45A - 120/12V
	099048-03-000	EA	INVERTER - 130 WATT
	106071-01-000	EA	SWITCH - AUTOMATIC TRANSFER - 30 AMP - MAGNETEK
	106071-02-000	EA	SWITCH - AUTOMATIC TRANSFER - 50 AMP - MAGNETEK
	106071-03-000	EA	SWITCH - AUTOMATIC TRANSFER - 50 AMP - TODD
	108915-02-000	EA	LOAD CENTER - 120/240 VOLT - 100 AMP
	109677-01-000	EA	LOAD CENTER - 120 VOLT - 40 AMP
	113132-01-000	EA	LOAD CENTER - 120/240 VOLT - 60 AMP
	123058-02-000	EA	CONVERTER - 45 AMP - ELECTRONIC - 4 1/8"H X 7"W X 12 3/8"L

ELECTRICAL SWITCHES

KEY	PART NUMBER	U/M	DESCRIPTION
	073626-04-000	EA	COVER - ELECTRIC - 10.4' X 7.8"
	077942-01-000	EA	SWITCH - DUMMY - BLACK
	079364-01-000	EA	SWITCH - ON/OFF ROCKER - 2 TERMINAL - BROWN
	079364-02-000	EA	SWITCH - ON/OFF ROCKER - 3 TERMINAL - BLACK
	079364-03-000	EA	SWITCH - ON/OFF ROCKER - 3 TERMINAL - BROWN
	079364-04-000	EA	SWITCH - ON/OFF ROCKER - 2 TERMINAL - BLACK
	093132-01-000	EA	SWITCH - ROCKER - 5 TERMINAL - W/ARROWS F/POWER WINDOWS
	095188-01-01A	EA	SPACER - SWITCH - 2.3" X 3.4" - PLASTIC - DARK BROWN
	095188-02-01A	EA	SPACER - SWITCH - 2.3" X 4.1" - PLASTIC - DARK BROWN
	098351-01-01A	EA	PLATE - SWITCH - 1 GANG POLISHED BRASS
	098351-02-01A	EA	PLATE - SWITCH - 2 GANG POLISHED BRASS
	098351-05-01A	EA	PLATE - SWITCH - 3 GANG POLISHED BRASS
	098351-09-01A	EA	PLATE - SWITCH - SPEAKER SELECT - POLISHED BRASS
	103473-14-01A	EA	PLATE - SWITCH - WINDOW - LEFT HAND
	108355-01-000	EA	HOUSING - SWITCH
	108356-01-01A	EA	COVER/ACTUATOR SWITCH - 3 GROOVES - CONTURA III - BLACK
	108356-01-02A	EA	COVER/ACTUATOR SWITCH - 3 GROOVES - CONTURA III - TAN
	108356-02-01A	EA	COVER/ACTUATOR SWITCH - 2 ROWS DIMPLES- CONTURA II - BLACK

RECEPTACLES

KEY	PART NUMBER	U/M	DESCRIPTION
	058707-01-000	EA	RECEPTACLE - ELECTRIC - SINGLE - BROWN
	058707-02-000	EA	RECEPTACLE - BLANK JUNCTION BOX
	058708-01-000	EA	RECEPTACLE - ELECTRIC - DOUBLE - BROWN
	058708-02-000	EA	RECEPTACLE - ELECTRIC - DOUBLE - IVORY
	058708-05-000	EA	RECEPTACLE - SINGLE - BROWN
	084076-02-000	EA	RECEPTACLE - GFI - 15 AMP - 125 VOLT - BROWN
	091927-01-000	EA	COVER - RECEPTACLE - DOUBLE - IVORY
	102568-01-GB1	EA	SPACER - RECEPTACLE - BETWEEN SIDEWALL & PLATE - WOOD
	112822-01-01A	EA	RECEPTACLE - DUPLEX - IVORY
	112824-01-03A	EA	COVER - RECEPTACLE - EXTERIOR DUPLEX
	115930-02-000	EA	INLET - 50 AMP - 240 VOLT - EXTERIOR

ELECTRICAL GROUP (CONTINUED)**ELECTRICAL BOXES & CORDS**

KEY	PART NUMBER	U/M	DESCRIPTION
	008052-01-000	EA	CORD - POWER - 10/3 - 30 AMP - 25' - CANADIAN
	008054-01-000	EA	CORD - POWER - 10/3 - 30 AMP - 25'
	008289-01-000	EA	BOX - ELECTRIC/STEEL - 1/2" & 3/4" KNOCKOUTS - 4" X 4"
	008289-02-000	EA	BOX - ELECTRIC/STEEL - 1/2" & 3/4" KNOCKOUTS - 4" X 4"-CAN
	008294-01-000	EA	COVER - ELECTRICAL BOX - BLANK/STEEL - 4" X 4" - GRAY
	008294-02-000	EA	COVER - ELECTRICAL BOX - BLANK STEEL - 4" X 4" - CANADIAN
	074890-01-000	EA	BOX - EXTENSION/STEEL - OPEN SIDES - 4" X 4" X 1 1/2"
	074897-01-000	EA	COVER - ELECTRICAL BOX W/HOLES - 4" X 4"
	091910-01-000	EA	BOX - ELECTRIC - 3.8" X 3.5" X 1.8" - PLASTIC
	091910-02-000	EA	BOX - ELECTRIC - 2.2" X 3.5" X 1.7" - PLASTIC
	108934-01-000	EA	CORD - POWER - 50 AMP - 4 WIRE - 36'
	111509-01-000	EA	BOX - ELECTRICAL - E-COATED
	111510-01-000	EA	DOOR/ACCESS PANEL - ELECTRICAL BOX
	113096-01-000	EA	CORD - POWER - 50 AMP - 4 WIRE - 36' - CSA
	121470-01-000	EA	CORD/EXTENSION - 6 FOOT - 16-2 WIRE

WIRE ASSEMBLIES

KEY	PART NUMBER	U/M	DESCRIPTION
	073328-B4-000	EA	CABLE ASSEMBLY - BATTERY - W/TERMINALS
	090986-01-000	EA	WIRE ASSEMBLY - ELECTRIC STEP
	096449-02-000	EA	WIRE ASSEMBLY - WATER TANK TO MONITOR PANEL
	097618-01-000	EA	WIRE ASSEMBLY - MONITOR PANEL- W/3 WIRES & ORANGE RESISTOR
	102636-02-000	EA	WIRE ASSEMBLY - CLEARANCE LAMPS
	103330-02-000	EA	WIRE ASSEMBLY - OVERHEAD SPEAKERS
	108304-01-000	EA	WIRE ASSEMBLY - INSTRUMENT PANEL - AUXILIARY FANS
	110256-01-000	EA	WIRE ASSEMBLY - INSTRUMENT PANEL - GENERATOR
	113639-01-000	FT	CABLE - 3/0 AWG STRANDED - RED
	124096-01-000	EA	WIRE - INSTRUMENT PANEL - FOG LAMPS
	P27264-02-000	EA	WIRE ASSEMBLY - RADIO AM/FM CASSETTE
	096717-03-000	EA	WIRE ASSEMBLY - REAR MONITOR - AFTER MARKET INSTALLATION
	108303-01-000	EA	WIRE ASSEMBLY - REAR AUTO HEATER
	126392-01-000	EA	WIRE ASSEMBLY - REMOTE MIRRORS

CIRCUIT BREAKERS & FUSES

KEY	PART NUMBER	U/M	DESCRIPTION
	062037-01-000	EA	HOUSING - AUTO FUSE - NATURAL
	062037-02-000	EA	HOUSING - AUTO FUSE - GREEN
	062037-03-000	EA	HOUSING - AUTO FUSE - BLACK
	062037-04-000	EA	HOUSING - AUTO FUSE - BLUE
	062037-06-000	EA	HOUSING - AUTO FUSE - BROWN
	062037-05-000	EA	HOUSING - AUTO FUSE - GRAY
	062901-02-000	EA	FUSE - 05 AMPS - AUTOMOTIVE
	062901-05-000	EA	FUSE - 15 AMPS - AUTOMOTIVE
	062901-06-000	EA	FUSE - 20 AMPS - AUTOMOTIVE
	062901-07-000	EA	FUSE - 25 AMPS - AUTOMOTIVE
	083209-01-000	EA	CIRCUIT BREAKER - 15 AMP - 120 VOLT - CANADIAN
	083209-02-000	EA	CIRCUIT BREAKER - 15/15 AMP - 120 VOLT
	083209-03-000	EA	CIRCUIT BREAKER - 15/20 AMP - 120 VOLT
	083209-04-000	EA	CIRCUIT BREAKER - 30 AMP - 120 VOLT
	083209-06-000	EA	CIRCUIT BREAKER - 30/15 AMP - 120 VOLT
	093654-01-000	EA	CIRCUIT BREAKER - 6 AMP - 12 VOLT
	093654-02-000	EA	CIRCUIT BREAKER - 15 AMP - 12 VOLT
	093655-03-000	EA	CIRCUIT BREAKER - 40 AMP - 12 VOLT
	093674-01-000	EA	PLATE - CIRCUIT BREAKER - HOUSE - 8.4" X 4.1" - STEEL
	106656-01-000	EA	FUSE BLOCK - 4 CAVITY - AUTO FUSE
	108669-01-000	EA	HOUSING - AUTO FUSE HOLDER
	108916-01-000	EA	CIRCUIT BREAKER - 50 AMP - 12 VOLT - 2 POLE
	122811-01-000	EA	CIRCUIT BREAKER - 20/50/50/20

ELECTRICAL GROUP (CONTINUED)

ELECTRICAL CONNECTORS & CONDUIT

KEY	PART NUMBER	U/M	DESCRIPTION
	007954-01-000	EA	RECEPTACLE - HOUSING - 6 POSITION
	007956-05-000	EA	INSULATOR - SHRINK - .25 ID X 1.50
	008311-01-000	EA	CONNECTOR - WIRE NUT - INSULATED - RED
	008312-01-000	EA	CONNECTOR - WIRE NUT - INSULATED - BLUE
	008313-01-000	EA	CONNECTOR - WIRE NUT - INSULATED - YELLOW
	008314-01-000	EA	CONNECTOR - WIRE NUT - INSULATED - GRAY
	008326-01-000	EA	TERMINAL - RING - 16/14 WIRE - 3/8" STUD
	008328-01-000	EA	TERMINAL - RING - 12/10 WIRE - #10 STUD FIT
	008331-01-000	EA	TERMINAL - RING - TONGUE - #4 WIRE - 3/8" STUD - COPPER
	008348-01-000	EA	TERMINAL - RING - 3/8" STUD 2 GA. WIRE
	008355-01-000	EA	CONNECTOR - CABLE CLAMPING - 3/4"
	008356-01-000	EA	CONNECTOR - PLASTIC - 3/8" AVG
	008356-02-000	EA	CONNECTOR - PLASTIC - 21/32
	008394-01-000	FT	CONDUIT - FLEXIBLE - 1/2"
	035416-04-000	EA	TERMINAL - RING - #10 STUD FIT - INSULATED BARREL #16/14
	041480-01-000	EA	CONNECTOR - STRAIGHT - 1/2' FLEX CONDUIT
	041953-01-000	FT	CONDUIT - CONVOLUTE SLIT - .5" ID
	041953-03-000	FT	CONDUIT - CONVOLUTE SLIT - 1" ID (CLOTHES ROD COVER)
	041953-05-000	FT	CONDUIT - CONVOLUTE SOLID - .62" ID
	041953-06-000	FT	CONDUIT - CONVOLUTE SLIT - .375" ID
	041953-07-000	FT	CONDUIT - CONVOLUTE SLIT - .25" ID
	041953-08-000	FT	CONDUIT - CONVOLUTE SLIT - 1.50" ID
	041953-09-000	FT	CONDUIT - CONVOLUTE SLIT - .50" ID
	041953-10-000	FT	CONDUIT - CONVOLUTE SLIT - .75" ID
	041953-11-000	FT	CONDUIT - CONVOLUTE SLIT - 1.06" ID
	041953-12-000	FT	CONDUIT - CONVOLUTE NON SLIT - 1.1" ID
	047443-01-000	EA	TERMINAL - .250 RECEPTACLE FIT - INSULATED - 16/14 AWG
	058028-01-000	EA	CONNECTOR - ELECTRICAL PIGTAIL - NYLON - CLEAR
	062036-01-000	EA	TERMINAL - PACK - CON - 12/10 AWG
	062036-02-000	EA	TERMINAL - PACK - CON - 16/14 AWG
	077479-01-000	EA	BOOT - BATTERY TERMINAL - DOUBLE CABLE
	077479-02-000	EA	BOOT - BATTERY TERMINAL - SINGLE CABLE
	080015-02-000	EA	RECEPTACLE - FLAG - .185 - 16/14 GAUGE
	082741-01-000	EA	CONNECTOR BODY - 2 CONNECTOR MALE
	085724-01-000	EA	SOCKET - DOUBLE CONTACT - TAILLIGHT
	087949-01-000	EA	BUSS BAR - 2 POSITION - .6" X 1.5"
	087949-02-000	EA	BUSS BAR - 3 POSITION - .6" X 2.4"
	088267-01-000	EA	TERMINAL - FEMALE - 1/4
	088473-01-000	EA	HOUSING - PIN - 12 CAVITY (3 ROWS OF 4)
	088473-02-000	EA	HOUSING - PIN - 15 CAVITY (3 ROWS OF 5)
	088473-03-000	EA	HOUSING - PIN - 9 CAVITY (3 ROWS OF 3)
	088473-05-000	EA	HOUSING - PIN - 6 CAVITY IN-LINE
	088473-06-000	EA	HOUSING - PIN - 6 CAVITY (2 ROWS OF 3)
	088473-08-000	EA	HOUSING - PIN - 4 CAVITY - IN-LINE
	088473-09-000	EA	HOUSING - PIN - 3 CAVITY IN-LINE
	088473-10-000	EA	HOUSING - PIN - 2 CAVITY - IN LINE
	088474-01-000	EA	HOUSING - SOCKET - 12 CAVITY
	088474-02-000	EA	HOUSING - SOCKET - 15 CAVITY
	088474-03-000	EA	HOUSING - SOCKET - 9 CAVITY
	088474-06-000	EA	HOUSING - SOCKET - 6 CAVITY
	088474-07-000	EA	HOUSING - SOCKET - 5 CAVITY
	088474-08-000	EA	HOUSING - SOCKET - 4 CAVITY
	088474-09-000	EA	HOUSING - ELECTRICAL - 3 TERMINAL
	088474-10-000	EA	HOUSING - SOCKET - 2 CAVITY
	088475-01-000	EA	PIN - CONNECTOR - 14 - 20 AWG
	088475-02-000	EA	PIN - CONNECTOR - 10-12 AWG
	088476-01-000	EA	TERMINAL - ELECTRICAL
	088476-02-000	EA	SOCKET - CONNECTOR - 12-10 GA - PRE-TIN

ELECTRICAL GROUP (CONTINUED)

ELECTRICAL CONNECTORS & CONDUIT (CONTINUED)

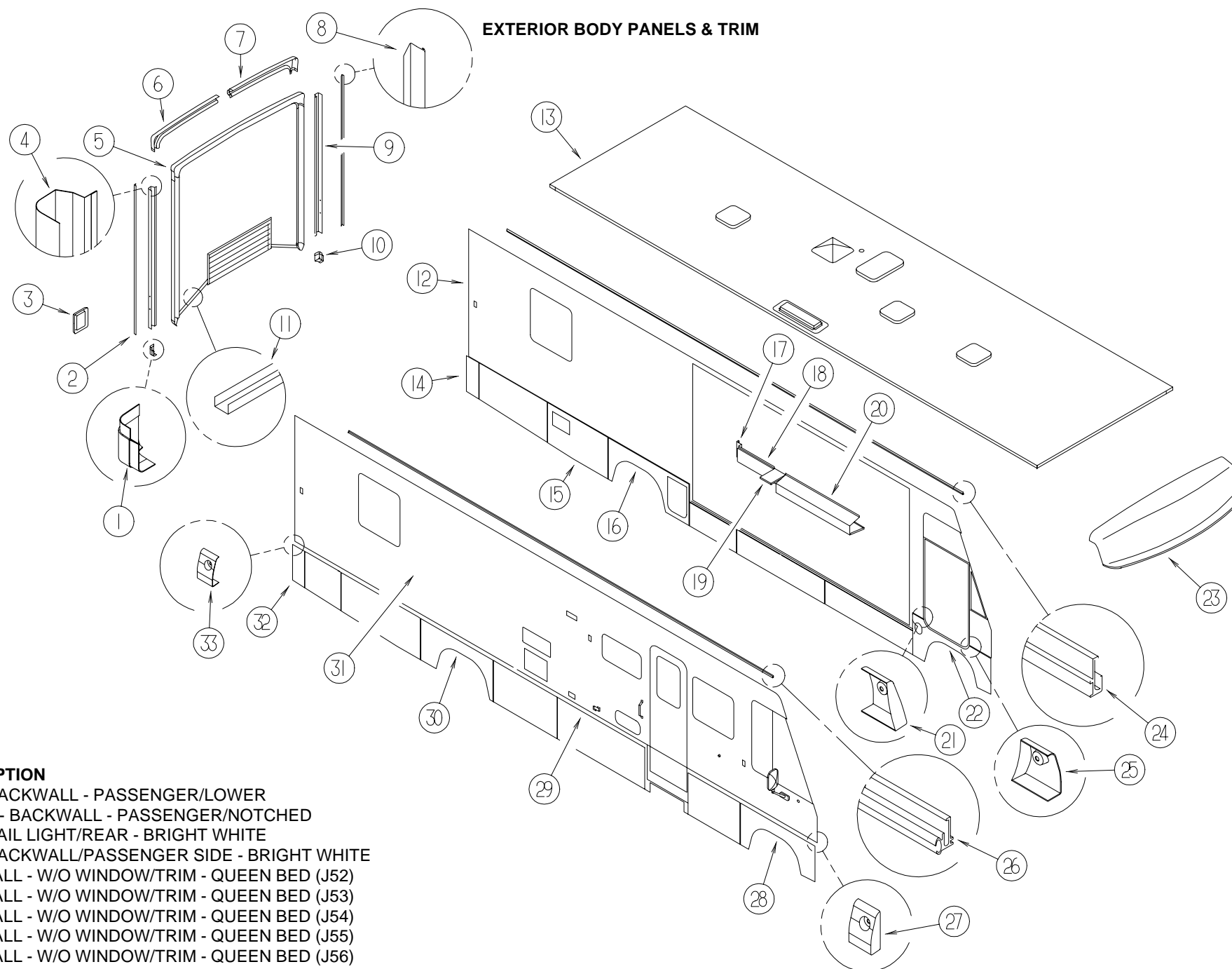
KEY	PART NUMBER	U/M	DESCRIPTION
	092786-03-000	EA	BUSS BAR - 6.9" LONG
	098260-01-000	EA	TERMINAL - MALE - 56 SERIES
	098261-02-000	EA	SOCKET - CONNECTOR - WEATHERPACK
	098262-01-000	EA	SEAL - CONNECTOR - WEATHERPACK
	098264-01-000	EA	HOUSING - 2 PIN - WEATHERPACK
	098265-02-000	EA	PIN - CONNECTOR - WEATHERPACK
	101571-01-000	EA	HOUSING - 2 POSITION - MALE
	103608-01-000	EA	SOCKET - WEDGE BASE W/LEADS
	103987-02-000	EA	SEAL - SOLENOID ACCESS
	104016-01-000	EA	WIRE ASSEMBLY - AUXILIARY FANS
	104100-01-000	EA	HOUSING - 1 POSITION - 75 AMPS
	104100-03-000	EA	TERMINAL - 75 AMP
	106006-01-000	EA	HOUSING - 1 POSITION - FEMALE
	116811-01-000	EA	TERMINAL - .110 RECEPTACLE - 16-14 AWG
	106655-01-000	EA	TERMINAL - FUSE BLOCK - 14-16 AWG
	106655-02-000	EA	TERMINAL - FUSE BLOCK - 10-12 AWG
	110178-01-000	EA	HOUSING - WIPER MOTOR
	112823-01-000	EA	SPLICE - REDUCER - 16-14 TO 18-22
	113468-01-000	EA	HOUSING - 2 POSITION - FEMALE USED ON WIPER/WASHER WIRE ASM
	115556-01-000	EA	HOUSING - 3 POSITION - FEMALE
	115556-02-000	EA	HOUSING - 2 POSITION - FEMALE
	115931-02-000	EA	COVER - CONNECTOR
	115932-02-000	EA	CONNECTOR - FEMALE - 50 AMP - 240 VOLT
	125323-01-000	EA	HOUSING - 10 POSITION - MALE
	125323-02-000	EA	HOUSING - 8 POSITION - MALE
	125323-04-000	EA	LOCK - SECONDARY 10 POSITION
	125324-01-000	EA	TERMINAL - MALE - METRI-PACK - 150
	125325-01-000	EA	SEAL - CAVITY

ELECTRICAL MISCELLANEOUS

KEY	PART NUMBER	U/M	DESCRIPTION	VENDOR NO.
	007093-01-000	EA	SIGNAL FLASHER	
	008188-01-000	EA	SOLENOID - 3 POST - BATTERY CHANGE OVER	
	063910-01-000	EA	HOUSING - RELAY	
	063912-02-000	EA	RELAY - CANISTER - SPDT	
	083172-02-000	EA	PANEL-DI-ELECTRIC 110 28X36 - COATED BOTH SIDES	
	086233-01-000	EA	STUD - ISOLATED - 3/8" X 7/8" LONG	
	086273-01-000	EA	RELAY - BATTERY DISCONNECT	
	115504-01-700	EA	PLUG & CABLE - 10 WATT PANEL	600-016
	115504-01-000	EA	PANEL - SOLAR 10 WATT	
	115505-01-000	EA	LIGHT - MONITOR/SOLAR PANEL - RED LED INDICATOR	

EXTERIOR BODY GROUP

EXTERIOR BODY PANELS & TRIM

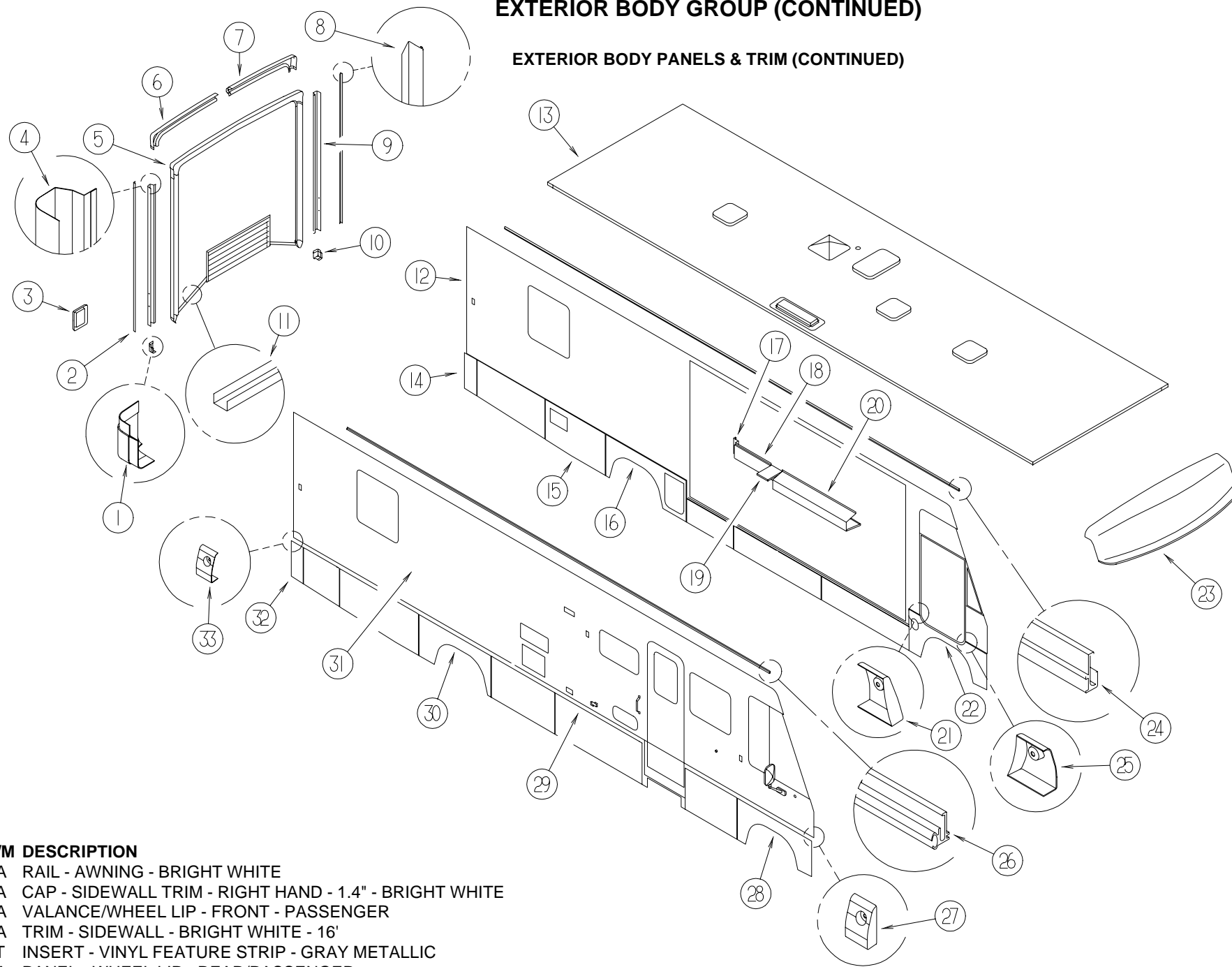


KEY	PART NUMBER	U/M	DESCRIPTION
1	125626-03-01A	EA	TRIM - BACKWALL - PASSENGER/LOWER
2	120548-01-02A	EA	TRIM - J - BACKWALL - PASSENGER/NOTCHED
3	125646-01-01A	EA	TRIM - TAIL LIGHT/REAR - BRIGHT WHITE
4	125649-01-12B	EA	TRIM - BACKWALL/PASSENGER SIDE - BRIGHT WHITE
5	127067-01-J23	EA	BACKWALL - W/O WINDOW/TRIM - QUEEN BED (J52)
5	127067-01-J22	EA	BACKWALL - W/O WINDOW/TRIM - QUEEN BED (J53)
5	127067-01-J27	EA	BACKWALL - W/O WINDOW/TRIM - QUEEN BED (J54)
5	127067-01-J26	EA	BACKWALL - W/O WINDOW/TRIM - QUEEN BED (J55)
5	127067-01-J56	EA	BACKWALL - W/O WINDOW/TRIM - QUEEN BED (J56)
5	127067-01-J57	EA	BACKWALL - W/O WINDOW/TRIM - QUEEN BED (J57)
6	125518-01-01A	EA	TRIM - BACKWALL - TOP/RIGHT HAND
7	125519-01-01A	EA	TRIM - BACKWALL - TOP/LEFT HAND
8	120548-02-02A	EA	TRIM - J - BACKWALL - DRIVER/NOTCHED
9	125649-02-12B	EA	TRIM - BACKWALL/DRIVER SIDE - BRIGHT WHITE
10	125626-04-01A	EA	TRIM - BACKWALL - LOWER/DRIVER
11	050406-25-000	EA	TRIM - BACKWALL - LOWER BRT/WHT
12	M08658-06-J52	EA	SIDEWALL - DRIVER - W/O WINDOWS/TRIMS - W/WAINSCOTING
12	M08658-06-J53	EA	SIDEWALL - DRIVER - W/O WINDOWS/TRIMS - W/WAINSCOTING
12	M08658-06-J54	EA	SIDEWALL - DRIVER - W/O WINDOWS/TRIMS - W/WAINSCOTING
12	M08658-06-J55	EA	SIDEWALL - DRIVER - W/O WINDOWS/TRIMS - W/WAINSCOTING
12	M08658-06-J56	EA	SIDEWALL - DRIVER - W/O WINDOWS/TRIMS - W/WAINSCOTING
12	M08658-06-J57	EA	SIDEWALL - DRIVER - W/O WINDOWS/TRIMS - W/WAINSCOTING
13	127066-02-J52	EA	ROOF - W/O LIGHTS/VENTS - W/WIRING

KEY	PART NUMBER	U/M	DESCRIPTION
14	122732-18-JA1	EA	VALANCE/PANEL - REAR DRIVER - W/O HARDWARE - 8.9"
15	122776-14-JA1	EA	VALANCE/PANEL - W/O HARDWARE - 43.9"
16	125185-01-JA1	EA	PANEL - WHEEL LIP - REAR/DRIVER
17	116096-01-02B	EA	PANEL - CLOSEOUT/SLIDEOUT
18	116098-01-02B	EA	PANEL - CLOSEOUT/SLIDEOUT
19	124126-01-02B	EA	PANEL - CLOSEOUT
20	116099-02-02B	EA	PANEL - CLOSEOUT/SLIDEOUT
21	124178-04-01A	EA	CAP - TRIM/ DRIVER DOOR (REAR)
22	125664-07-JA1	EA	VALANCE/WHEEL LIP - FRONT - DRIVER
23	125304-02-J60	EA	CAP - ROOF - W/O LIGHTS/WIRING
24	120091-02-02A	EA	TRIM - ROOF
25	124178-03-01A	EA	CAP - TRIM/ DRIVER DOOR (FRONT)

EXTERIOR BODY GROUP (CONTINUED)

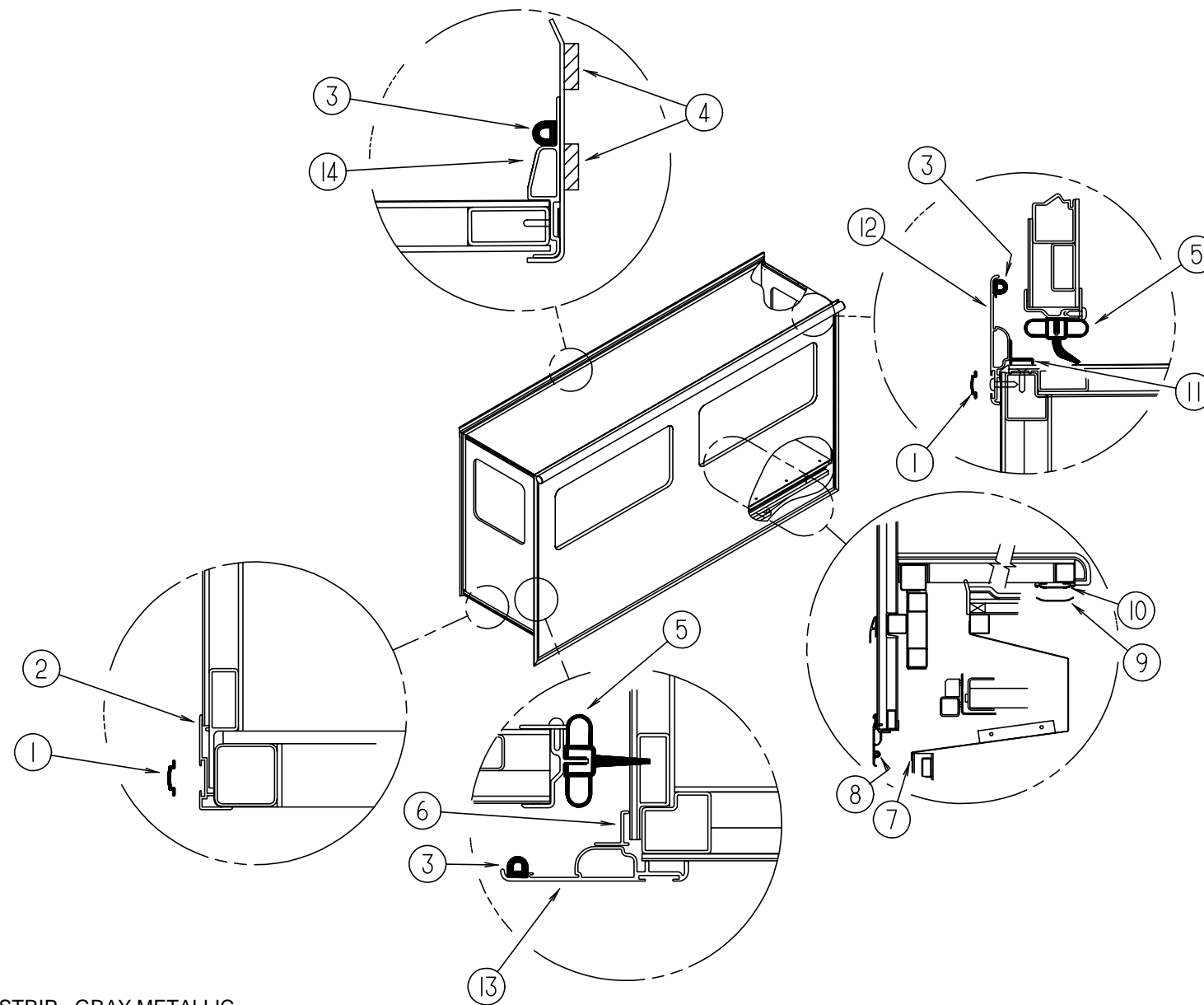
EXTERIOR BODY PANELS & TRIM (CONTINUED)



KEY	PART NUMBER	U/M	DESCRIPTION
26	120092-01-02A	EA	RAIL - AWNING - BRIGHT WHITE
27	124132-01-01A	EA	CAP - SIDEWALL TRIM - RIGHT HAND - 1.4" - BRIGHT WHITE
28	125648-05-JA1	EA	VALANCE/WHEEL LIP - FRONT - PASSENGER
29	124176-01-01A	EA	TRIM - SIDEWALL - BRIGHT WHITE - 16'
29	105312-01-03A	FT	INSERT - VINYL FEATURE STRIP - GRAY METALLIC
30	125183-01-JA1	EA	PANEL - WHEEL LIP - REAR/PASSENGER
31	M08657-04-J52	EA	SIDEWALL - PASSENGER - W/O WINDOWS/TRIMS - W/WAINSCOTING
31	M08657-04-J53	EA	SIDEWALL - PASSENGER - W/O WINDOWS/TRIMS - W/WAINSCOTING
31	M08657-04-J54	EA	SIDEWALL - PASSENGER - W/O WINDOWS/TRIMS - W/WAINSCOTING
31	M08657-04-J55	EA	SIDEWALL - PASSENGER - W/O WINDOWS/TRIMS - W/WAINSCOTING
31	M08657-04-J56	EA	SIDEWALL - PASSENGER - W/O WINDOWS/TRIMS - W/WAINSCOTING
31	M08657-04-J57	EA	SIDEWALL - PASSENGER - W/O WINDOWS/TRIMS - W/WAINSCOTING
32	122732-17-JA1	EA	VALANCE/PANEL - REAR PASSENGER - W/O HARDWARE - 10.1"
33	124132-02-01A	EA	CAP - SIDEWALL TRIM - LEFT HAND - 1.4" - BRIGHT WHITE

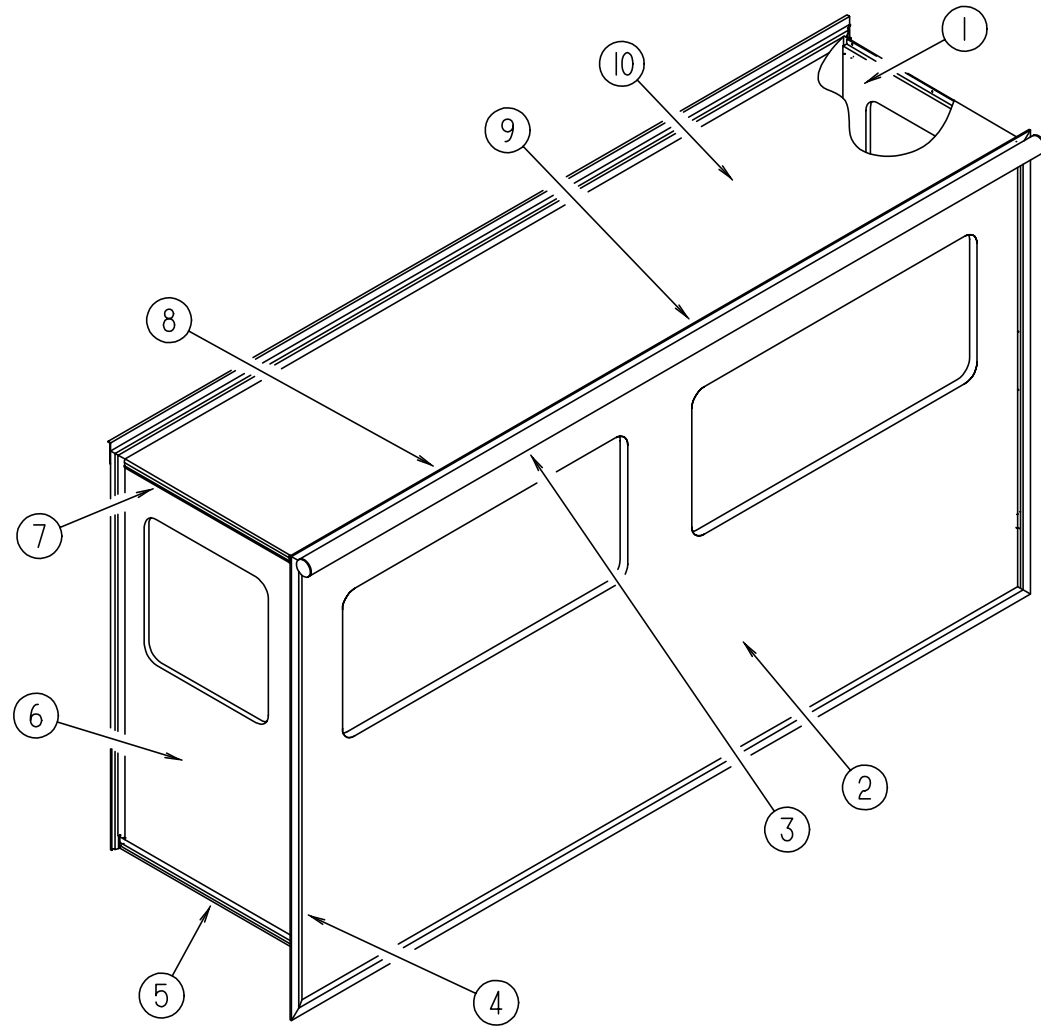
EXTERIOR BODY GROUP (CONTINUED)

EXTERIOR SLIDEOUT HARDWARE



KEY	PART NUMBER	U/M	DESCRIPTION
1	105312-01-03A	FT	INSERT - VINYL FEATURE STRIP - GRAY METALLIC
2	108688-01-03A	EA	STRIP - FEATURE - 15'
3	099418-01-000	FT	D - SECTION SEAL W/ADHESIVE BACK - .44" X .44" - BLK RUBBER
4	100128-02-000	FT	SEAL - FOAM - ADHESIVE BACK - .37" WIDE X .37" THICK
5	115076-01-000	FT	SEAL - SLIDEOUT
6	116933-01-02A	EA	TRIM/SEAL
7	115075-02-000	FT	SEAL - WIPE - .25" X 3.15"
8	089275-02-000	FT	STRIP - 3/4" X 84" BLACK POLYETHELENE
9	121283-01-000	FT	SEAL - P SHAPED - EPDM FOAM
10	115661-01-000	FT	POLYETHYLENE - HIGH DENSITY - 1/16" X 3'
11	115325-01-02A	EA	RAIL - FLOOR - SLIDEOUT ROOM
12	116933-02-02A	EA	TRIM/SEAL - BRIGHT WHITE
13	116934-01-02A	EA	TRIM - SEAL - W/MITERED ENDS B/W
14	116934-02-02A	EA	TRIM - SEAL - W/MITERED ENDS B/W
	117004-03-01A	EA	TRIM - SEAL - INNER (TOP)
	117004-01-01A	EA	TRIM - SEAL - INNER (FORWARD)
	117004-02-01A	EA	TRIM - SEAL - INNER (REARWARD)

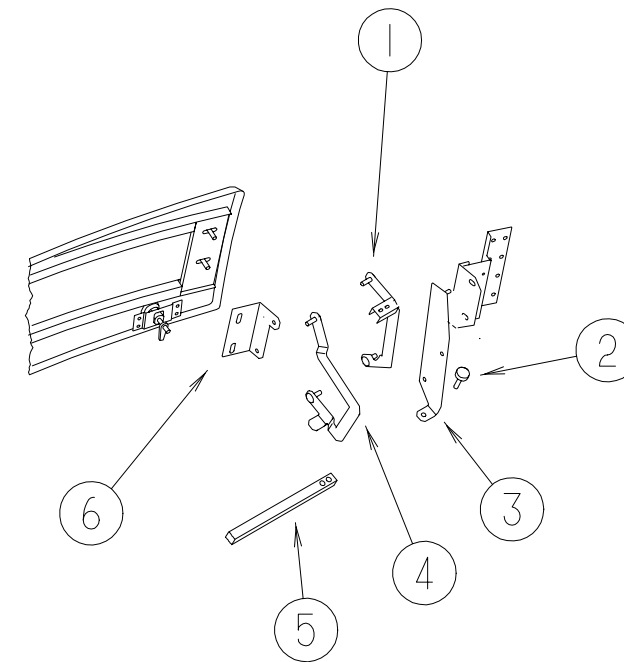
EXTERIOR BODY GROUP (CONTINUED)



EXTERIOR SLIDEOUT PANELS & TRIMS

KEY	PART NUMBER	U/M	DESCRIPTION
1	115263-04-H25	EA	PANEL - SLIDEOUT/REAR (J52,J53)
1	115263-04-J26	EA	PANEL - SLIDEOUT/REAR (J54,J55)
1	115263-04-H23	EA	PANEL - SLIDEOUT/REAR (J56,J57)
2	115264-06-J23	EA	PANEL - SLIDEOUT/OUTER (J52)
2	115264-06-J22	EA	PANEL - SLIDEOUT/OUTER (J53)
2	115264-06-J27	EA	PANEL - SLIDEOUT/OUTER (J54)
2	115264-06-J26	EA	PANEL - SLIDEOUT/OUTER (J55)
2	115264-06-J56	EA	PANEL - SLIDEOUT/OUTER (J56)
2	115264-06-J57	EA	PANEL - SLIDEOUT/OUTER (J57)
3	122977-06-01A	EA	AWNING - SLIDEOUT - W/COVER - 160.24"
4	116934-02-02A	EA	TRIM - SEAL - W/MITERED ENDS - BRIGHT WHITE
	105312-01-07A	EA	INSERT - FEATURE STRIP/VINYL - BRIGHT WHITE
	116933-01-02A	EA	TRIM/SEAL
5	105312-01-07A	EA	INSERT - FEATURE STRIP/VINYL - BRIGHT WHITE
6	115265-04-H25	EA	PANEL - SLIDEOUT/FRONT (J52,J53)
6	115265-04-J26	EA	PANEL - SLIDEOUT/FRONT (J54,J55)
6	115265-04-H25	EA	PANEL - SLIDEOUT/FRONT (J56,J57)
7	108688-01-03A	EA	STRIP - FEATURE - 15'
	105312-01-07A	EA	INSERT - FEATURE STRIP/VINYL - BRIGHT WHITE
8	117058-01-01A	EA	TAPE - LOOP - 3/4" WIDE - ADHESIVE BACKED
9	116934-01-02A	EA	TRIM - SEAL - W/MITERED ENDS - BRIGHT WHITE
	105312-01-07A	EA	INSERT - FEATURE STRIP/VINYL - BRIGHT WHITE
	116933-01-02A	EA	TRIM/SEAL
10	115266-02-H23	EA	ROOF - SLIDEOUT - W/O VENTS/LIGHTS - W/WIRING

EXTERIOR BODY GROUP (CONTINUED)

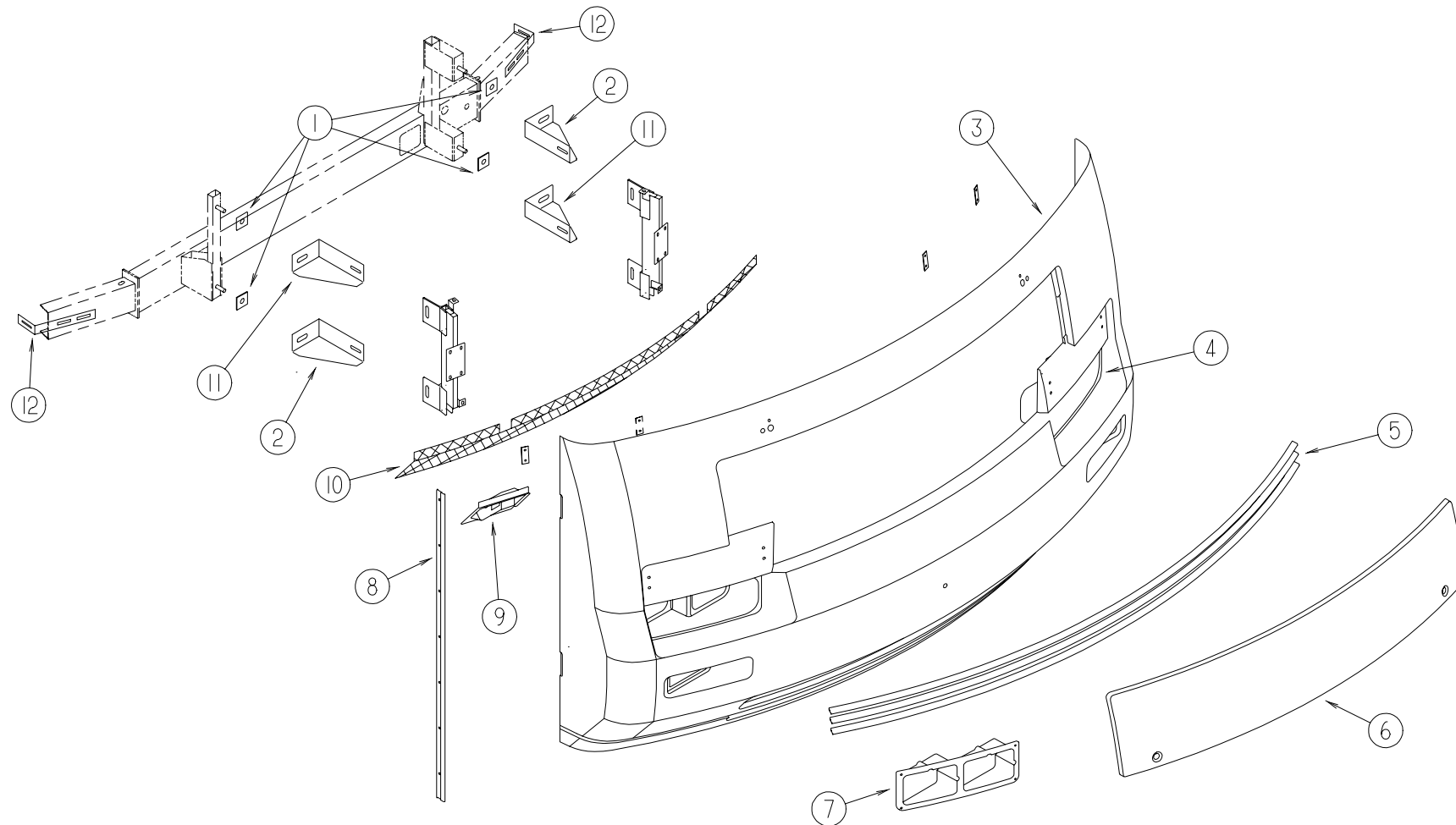


HOOD ASM

KEY	PART NUMBER	U/M	DESCRIPTION
1	126353-01-02B	EA	LINK - HINGE - UPPER/RIGHT HAND
1	126353-02-02B	EA	LINK - HINGE - UPPER/LEFT HAND
2	058786-01-000	EA	BOLT - ADJUSTING HOOD - W/BLACK PAD
3	126867-06-02B	EA	BRACKET - LINK - HOOD HINGE - PASSENGER - E-COATED
3	126867-08-02B	EA	BRACKET - LINK - HOOD HINGE - DRIVER - E-COATED
4	126356-02-02B	EA	LINK - HINGE - LOWER - HOOD/RIGHT HAND
4	126356-04-02B	EA	LINK - HINGE - LOWER - HOOD/LEFT HAND
5	105096-10-000	EA	TUBE - HOOD HINGE TIMING W/WELDNUTS
6	109927-05-000	EA	ANGLE - LINK - HOOD/RIGHT HAND
6	109927-06-000	EA	ANGLE - LINK - HOOD/LEFT HAND

EXTERIOR BODY GROUP (CONTINUED)

FRONT LOWER PANEL ASM AND COMPONENTS

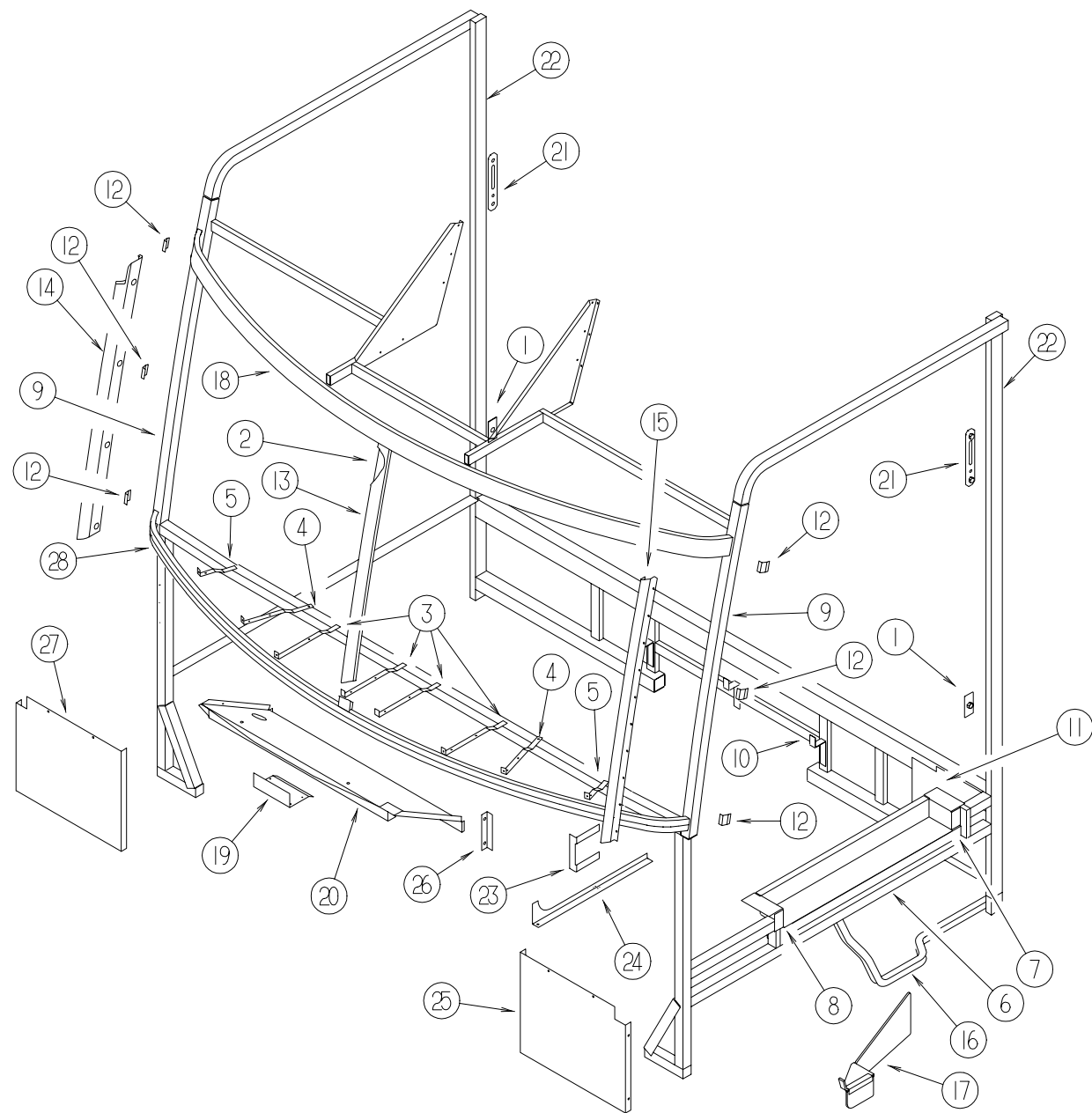


KEY	PART NUMBER	U/M	DESCRIPTION
1	116617-02-02B	EA	SPACER - BUMPER
2	117611-08-02B	EA	BRACKET - BUMPER - LEFT HAND UPPER/RIGHT HAND LOWER
3	125703-06-J52	EA	PANEL - FRONT/LOWER - W/O NOTCH
4	125713-02-01A	EA	BEZEL - HEADLAMP - LEFT HAND - BLACK
4	110690-02-D18	EA	PLATE - HEADLAMP - QUAD/LEFT HAND
5	126777-01-J52	EA	GRILLE - FRONT END
			FROM: 00-00-00 THRU: 12-06-97
5	126777-02-J52	EA	GRILLE - FRONT END/PASSENGER
			FROM: 00-00-00 THRU: 12-06-97
5	126777-03-J52	EA	GRILLE - FRONT END/DRIVER
			FROM: 00-00-00 THRU: 12-06-97
5	128741-01-J52	EA	GRILLE - FRONT END
			FROM: 12-07-97 THRU: 99-99-99
5	128740-01-01A	EA	RETAINER - GRILLE - BRIGHT WHITE
6	126862-01-J52	EA	HOOD - FRONT
7	125713-01-01A	EA	BEZEL - HEADLAMP - RIGHT HAND
7	110690-01-D18	EA	PLATE - HEADLAMP - QUAD/RIGHT HAND
8	123680-05-01A	EA	TRIM - FIBERGLASS PANEL - BRIGHT WHITE
9	127013-01-01A	EA	BEZEL - FOGLAMP - RIGHT HAND
9	127013-02-01A	EA	BEZEL - FOGLAMP - LEFT HAND

KEY	PART NUMBER	U/M	DESCRIPTION
10	115924-16-02A	EA	WIRE MESH - F/GRILLE - FLAT BLACK
11	117611-07-02B	EA	BRACKET - BUMPER - RIGHT HAND UPPER/LEFT HAND LOWER
12	128251-01-02B	EA	SUPPORT - VALANCE - E-COATED
	077001-01-000	EA	ANGLE - MOUNTING - ROOF PANEL - V ANGLE - 3" X 2.4" X 1.5"
	106746-02-000	EA	PANEL - STEPWELL
	106747-02-000	EA	PANEL - STEPWELL - END RH
	106747-03-000	EA	PANEL - STEPWELL - END LH

EXTERIOR BODY GROUP (CONTINUED)

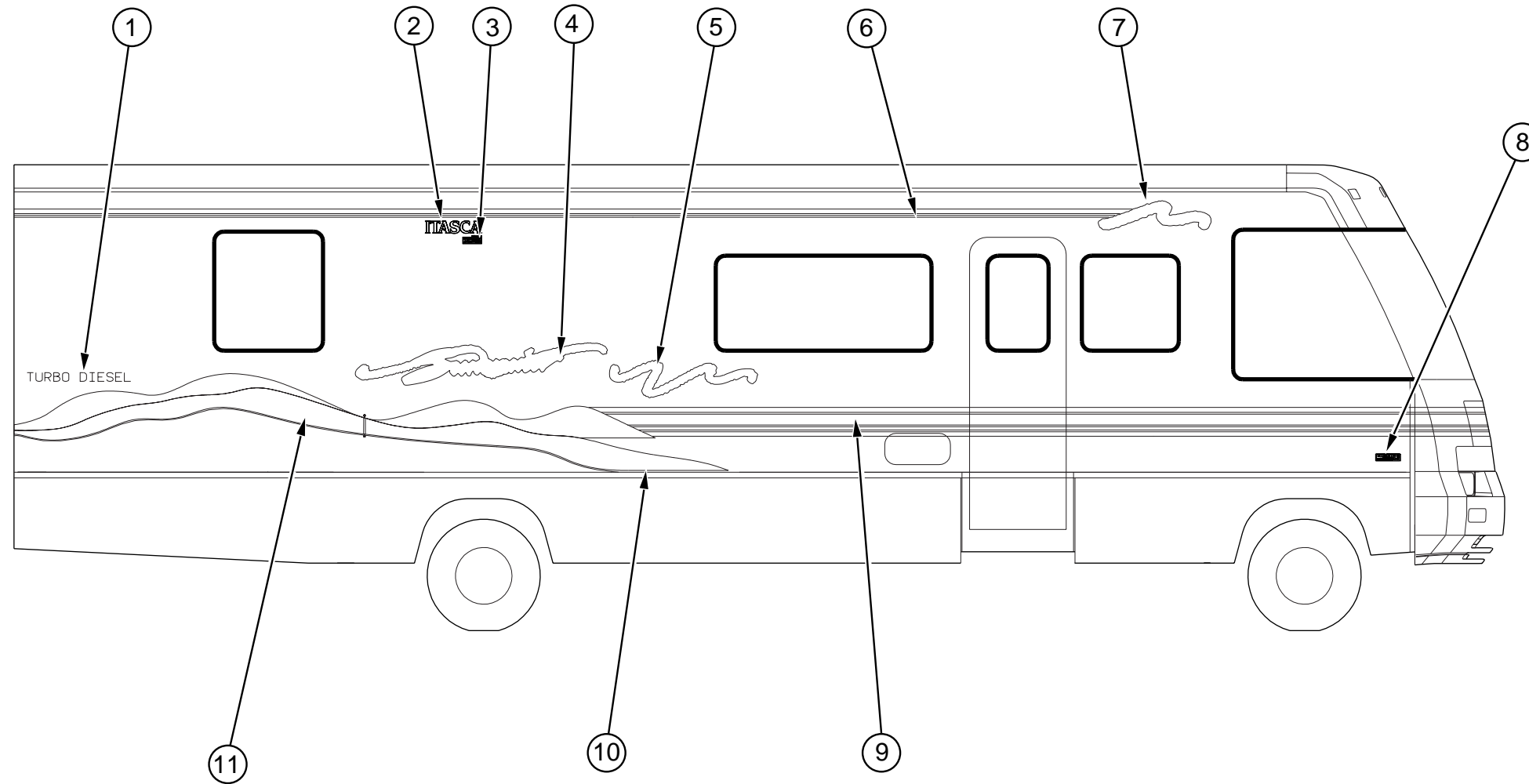
FRONT END ASM



KEY	PART NUMBER	U/M DESCRIPTION
1	070579-06-000	EA PLATE - ANCHOR - W/7/16" WELD NUT - 1.5" X 3.3"
1	070579-07-000	EA PLATE - ANCHOR - W/O WELD NUT - 1.5" X 3.3"
2	078249-16-000	EA TUBE - SWEEP - CAB FRAME
3	104797-03-000	EA BRACKET - DEFROSTER
4	104797-04-000	EA BRACKET - DEFROSTER
5	104797-05-000	EA BRACKET - DEFROSTER
6	106746-02-000	EA PANEL - STEPWELL
7	106747-03-000	EA PANEL - STEPWELL - RIGHT HAND END
8	106747-04-000	EA PANEL - STEPWELL - LEFT HAND END
9	117273-01-01A	EA TUBE - SUPPORT - A-PILLAR
10	117287-01-01B	EA BRACKET - MOUNT - CABLE
11	118592-01-01B	EA SHIELD - SPLASH - RIGHT HAND
12	120363-01-01B	EA BRACKET - WINDSHIELD
13	120840-06-01B	EA STRAP - W/HOLES - MILL
14	121269-07-01B	EA FRAME - WINDSHIELD - A-PILLAR - MILL
15	121269-08-01B	EA FRAME - WINDSHIELD - A-PILLAR - MILL
16	063977-14-000	EA STEP - DRIVER DOOR - LEFT HAND
17	128255-01-04B	EA STEP - DRIVER DOOR - BLACK
18	121268-01-01B	EA SUPPORT - WINDSHIELD - UPPER - MLL
19	125836-02-01B	EA ZEE - WIPER MOTOR - MILL
20	125837-02-01B	EA BRACE - WIPER MOTOR - MILL
21	127461-02-01B	EA PLATE - ANCHOR - SEAT BELT
22	127874-01-01B	EA TUBE - B-PILLAR - MILL
23	097123-01-000	EA MOUNT - AIR INTAKE - FORD
24	099102-01-000	EA BRACKET - LINKAGE - THROTTLE
25	104147-14-000	EA SHIELD/SPLASH - HEADLIGHT
26	123262-02-02B	EA BRACKET ASM - FUSE PANEL - E-CT
27	121962-02-02B	EA SHIELD/SPLASH - HEADLIGHT - E-COATED
28	121267-01-01B	EA SUPPORT - WINDSHIELD - LOWER - MLL

EXTERIOR BODY GROUP (CONTINUED)

DECALS, FILM STRIPES & PAINT



KEY	PART NUMBER	U/M	DESCRIPTION
1	111318-03-13A	EA	DECAL - TURBO - DIESEL
2	124811-01-05A	EA	DECAL - LOGO - ITASCA
3	122770-02-07A	EA	DECAL - "BUILT PROUDLY BY WINNEBAGO INDUSTRIES"
4	125492-01-01A	EA	DECAL - "SUNCRUISER" BRUSHSTROKE - LARGE - PASSENGER
4	125492-02-01A	EA	DECAL - "SUNCRUISER" BRUSHSTROKE - LARGE - DRIVER
5	125495-01-01A	EA	DECAL - BRUSHSTROKE - LARGE - PASSENGER
5	125495-02-01A	EA	DECAL - BRUSHSTROKE - LARGE- DRIVER
6	105781-64-01A	FT	FILM - MULTISTRIFE - 2.25"
7	125493-01-01A	EA	DECAL - BRUSHSTROKE - SMALL - PASSENGER
7	125493-02-01A	EA	DECAL - BRUSHSTROKE - SMALL - DRIVER
8	129922-01-01A	EA	EMBLEM - TRITON V10
9	093689-24-01A	FT	FILM - MULTISTRIFE - 8" WIDE
10	125499-01-01A	EA	DECAL - WAVES - #1 PASSENGER
10	125499-02-01A	EA	DECAL - WAVES - #1 DRIVER
11	125500-01-01A	EA	DECAL - WAVES - #2 PASSENGER
11	125500-02-01A	EA	DECAL - WAVES - #2 DRIVER

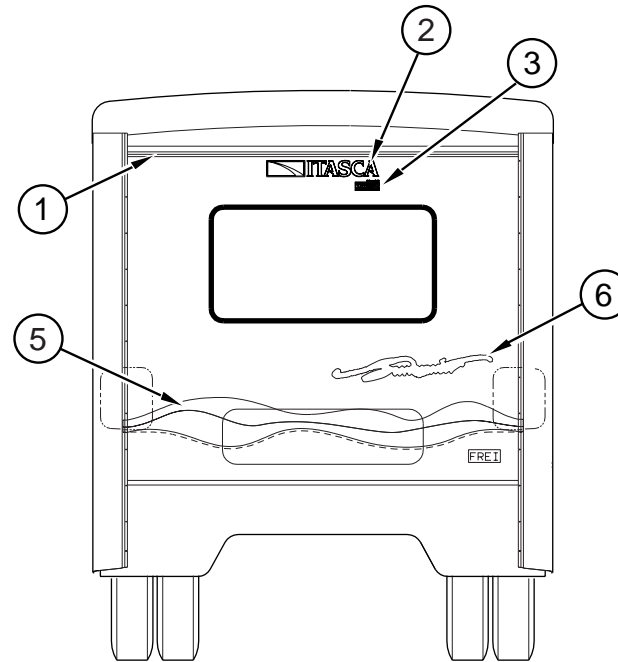
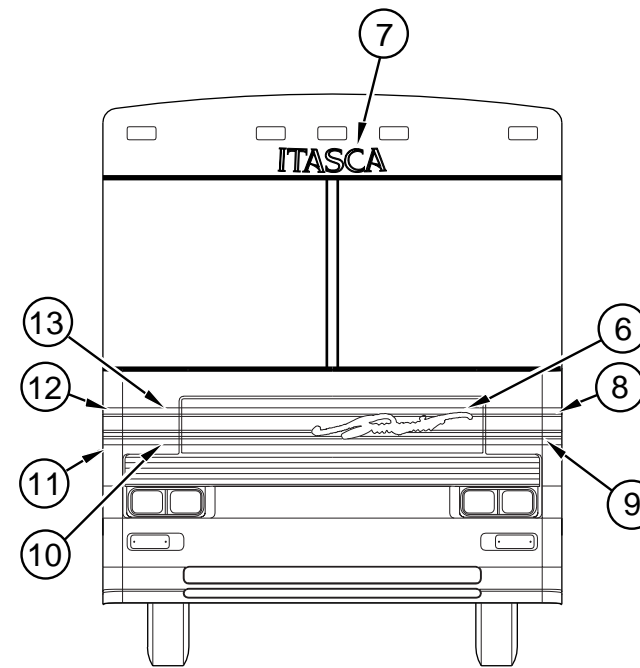
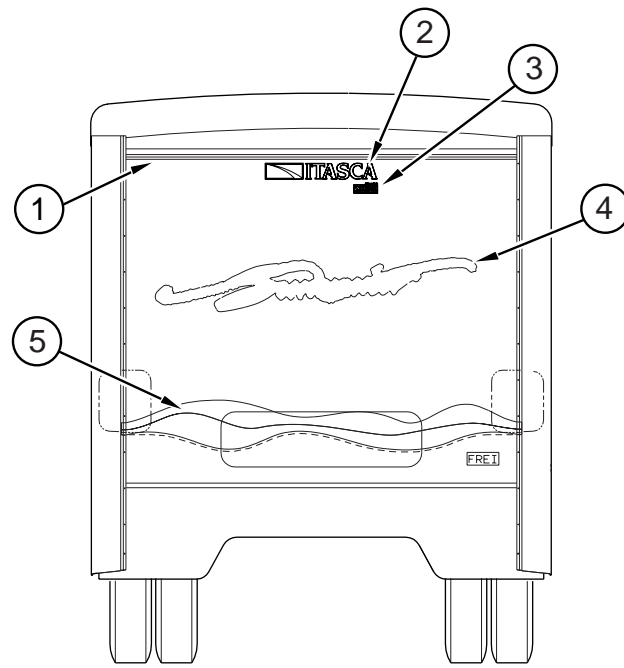
MANHATTAN MIST MET.
 LT. TURQUOISE MET.
 VIOLET FIREMIST MET.
 ORCHID MIST MET.

DUPONT PAINT COLOR CODES

DUPONT GM182
 DUPONT GM188
 DUPONT F4572
 DUPONT F1916K

EXTERIOR BODY GROUP (CONTINUED)

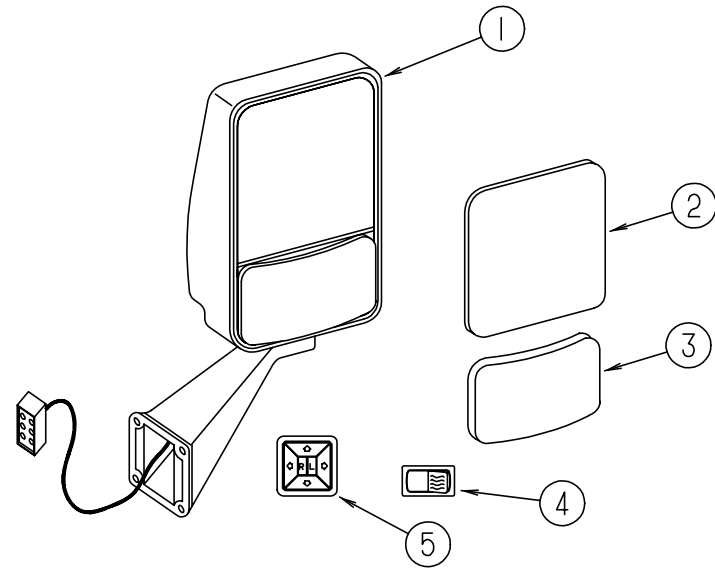
DECALS, FILM STRIPES & PAINT (CONTINUED)



KEY	PART NUMBER	U/M	DESCRIPTION
1	105781-64-01A	FT	FILM - MULTISTRIPE - 2.25"
2	124806-01-04A	EA	DECAL - LOGO - ITASCA W/ICON
3	122770-02-07A	EA	DECAL - "BUILT PROUDLY BY WINNEBAGO INDUSTRIES"
4	125492-01-01A	EA	DECAL - "SUNCRUISER" BRUSHSTROKE - LARGE - PASSENGER
5	125501-01-01A	EA	DECAL - WAVES - BACKWALL
6	125502-01-01A	EA	DECAL - "SUNCRUISER" - BRUSHSTROKE - SMALL
7	124989-01-03A	EA	DECAL - LOGO - ITASCA - SWEEP #15
8	125494-02-01A	EA	DECAL - CORNER - UPPER DRIVER
9	125498-02-01A	EA	DECAL - CORNER - LOWER DRIVER
10	125497-01-01A	EA	DECAL - HOOD - LOWER

KEY	PART NUMBER	U/M	DESCRIPTION
11	125498-01-01A	EA	DECAL - CORNER - LOWER PASSENGER
12	125494-01-01A	EA	DECAL - CORNER - UPPER PASSENGER
13	125496-01-01A	EA	DECAL - HOOD - UPPER
	041561-03-000	EA	PAINT - 16 OUNCE SPRAY - OFF WHITE
	004308-01-000	EA	PAINT - BLACK SPRAY

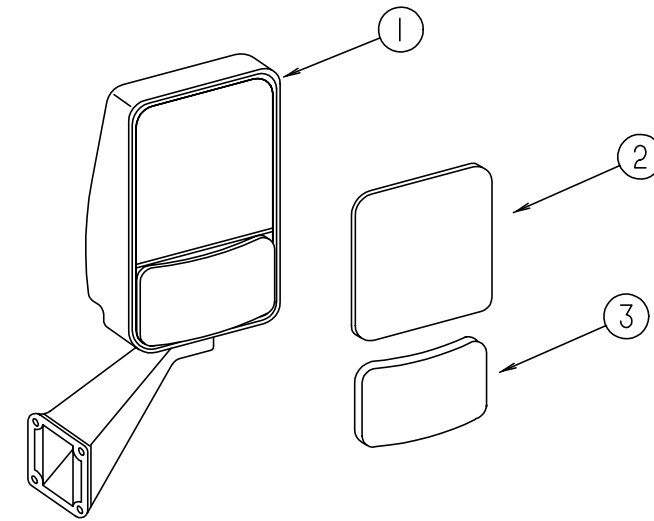
EXTERIOR BODY GROUP (CONTINUED)



EXTERIOR MIRROR OPTION (REMOTE & HEAT)

KEY	PART NUMBER	U/M	DESCRIPTION	VENDOR NO.
1	106015-12-01A	EA	MIRROR - EXTERIOR REMOTE/HEAT - PASSENGER	
1	106015-13-01A	EA	MIRROR - EXTERIOR REMOTE/HEAT - DRIVER	
2	106015-12-700	EA	MIRROR - FLAT - W/W/O HEAT	709448
3	106015-12-701	EA	MIRROR - CONVEX - W/W/O HEAT	709449
	106015-12-702	EA	SCREW CAP - (BAG OF 4)	748329
4	087695-02-000	EA	SWITCH - HEATER - EXTERIOR MIRROR	
5	088246-01-000	EA	SWITCH - REMOTE - EXTERIOR - SQUARE PUSH	
	087695-03-000	EA	CONNECTOR - ASSEMBLY	

EXTERIOR BODY GROUP (CONTINUED)



EXTERIOR MIRROR

KEY	PART NUMBER	U/M	DESCRIPTION	VENDOR NO.
1	106015-14-01A	EA	MIRROR - EXTERIOR ADJUSTABLE GLASS - PASSENGER	
1	106015-15-01A	EA	MIRROR - EXTERIOR ADJUSTABLE GLASS - DRIVER	
2	106015-12-700	EA	MIRROR - FLAT - W/W/O HEAT	709448
3	106015-12-701	EA	MIRROR - CONVEX - W/W/O HEAT	709449
	106015-12-702	EA	SCREW CAP - (BAG OF 4)	748329

EXTERIOR BODY GROUP (CONTINUED)

STYROFOAM & FIBERGLASS SHEETING

KEY	PART NUMBER	U/M	DESCRIPTION
	076054-U4-000	EA	FIBERGLASS SHEET - 101" X 104" - BRIGHT WHITE
	076054-W6-000	EA	FIBERGLASS SHEET - 79" X 367" - BRIGHT WHITE
	076054-R9-000	EA	FIBERGLASS SHEET - 38.1" X 70.6" - BRIGHT WHITE
	076054-V7-000	EA	FIBERGLASS SHEET - 79" X 385" - BRIGHT WHITE
	108535-05-702	EA	FIBERGLASS SHEET - FLAT - 110" X 396" BRIGHT WHITE - ROOF
	076054-U8-000	EA	FIBERGLASS SHEET - 100" X 105" - BRIGHT WHITE
	076054-Y6-000	EA	FIBERGLASS SHEET - 79" X 394" - BRIGHT WHITE
	077517-62-000	EA	FIBERGLASS - SHEET/SIDEWALL - 48" X 96" - BRIGHT WHITE
	089297-01-000	SF	PLYWOOD - LUAN - OVERLAY GRADE - 48" X 96"
	089297-02-000	SF	PLYWOOD - LUAN - OVERLAY GRADE - 48" X 108"
	092321-01-000	FT	INSULATION-FIBERGLASS W/FOIL BACKING
	100619-01-000	BF	FOAM - EXPANDED POLYSTYRENE - 1.34" X 48" X 96"
	100619-02-000	BF	FOAM - EXPANDED POLYSTYRENE - 1.5" X 48" X 96"
	100619-04-000	BF	FOAM - EXPANDED POLYSTYRENE - .5" X 48" X 96"
	100619-05-000	BF	FOAM - EXPANDED POLYSTYRENE - .75" X 48" X 96"-1.5 DENSITY
	100619-10-000	BF	FOAM - EXPANDED POLYSTYRENE - 1.5" X 48" X 96"
	100619-11-000	BF	FOAM - EXPANDED POLYSTYRENE - 2" X 48" X 96"
	100619-13-000	BF	FOAM - EXPANDED POLYSTYRENE - .34" X 34.65" X 96"
	100619-16-000	BF	FOAM - EXPANDED POLYSTYRENE - .75" X 48" X 96"-2.0 DENSITY
	105077-08-000	EA	FOAM - PLUG - ROOF CAP
	120107-01-000	EA	FOAM - COVE - ROOF - 2.8" X 96" LONG
	120107-02-000	EA	FOAM - PLUG - ROOF TUBE - 2.2" X 2.9" X 1.8" LONG
	120107-03-000	EA	FOAM - PLUG - SIDEWALL TUBE - 1.2" X 2.1" X 1.8" LONG
	125838-01-002	EA	ACRYLIC SHEET - .125 X 1.8" X 2"
			FROM: 00-00-00 THRU: 03-08-98
	000870-08-000	SF	STYROFOAM - 3/4" X 48" X 96" PLANED EXPANDED BEAD BOARD

EXTERIOR BODY HARDWARE

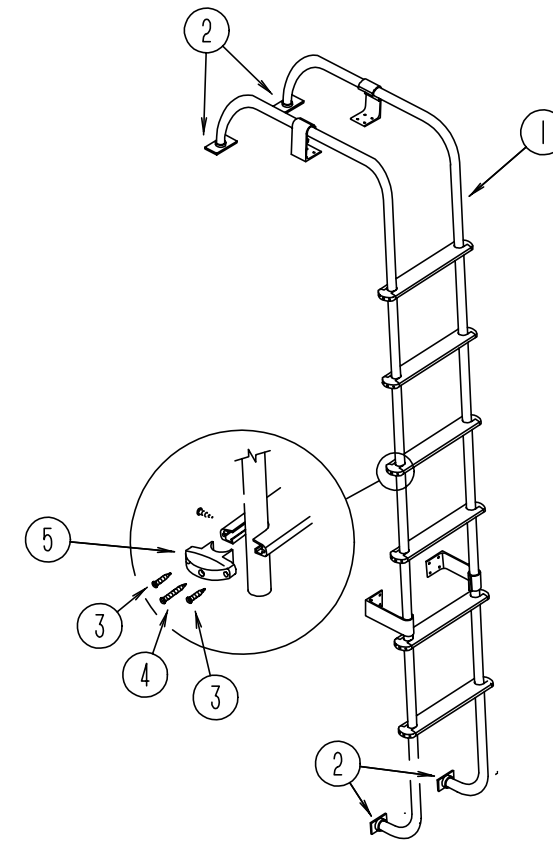
KEY	PART NUMBER	U/M	DESCRIPTION
	002726-01-001	EA	GARNISH - U-CHANNEL - 1.38" X 19' - SERRATED - MILL ALUMINUM
	002766-01-001	EA	ANGLE - EXTRUDED - 1" X 1.5" X 17'
	116942-03-01A	LB	ALUMINUM - .7" X 40" X 158"
			FROM: 00-00-00 THRU: 03-23-98
	055278-51-259	FT	TUBING - STEEL - .75" X 1.5" X 12.5' LONG
	058267-01-000	FT	CHANNEL - STEEL - W/ HOLES - SIDEWALL STIFFENER - 2" X 20'
	068716-01-001	EA	BRACE - 90 DEGREE L-ANGLE - 192" - EXTRUDED ALUMINUM

EXTERIOR AWNING (A & E)

KEY	PART NUMBER	U/M	DESCRIPTION
	113874-08-06A	EA	AWNING - W/O HARDWARE - 19' (POLAR MAUVE) VINYL
*	113874-01-02A	EA	HARDWARE KIT - AWNING - W/O STANDOFF BRACKET - BRIGHT WHT
	111037-01-01A	EA	SPACER - AWNING - UPPER - BLACK
	119496-01-02A	EA	SPACER/ZEE - AWNING
			FROM: 00-00-00 THRU: 04-12-98
	130320-01-02A	EA	BRACKET - AWNING - F/A&E INSTALLATION - BRIGHT WHITE
			FROM: 04-13-98 THRU: 99-99-99
	117058-01-01A	FT	TAPE - LOOP - 3/4" WIDE - ADHESIVE BACKED USED WITH CAREFREE AWNING ON SLIDEOUT ROOMS
	122977-06-01A	EA	AWNING - SLIDEOUT - W/COVER - 160.24"

*COMPONENT PARTS FOUND IN SERVICE PARTS LIBRARY

EXTERIOR BODY GROUP (CONTINUED)

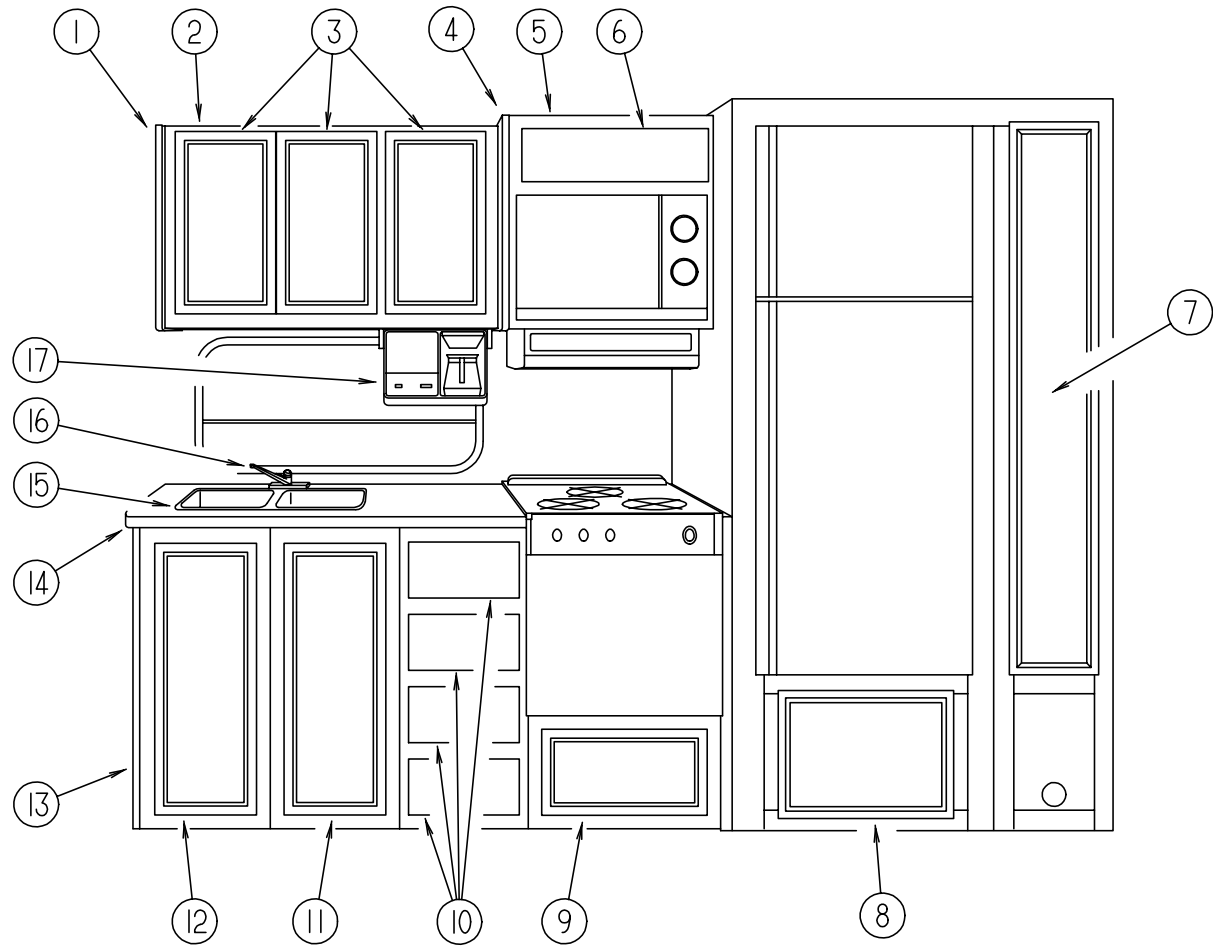


LADDER

KEY	PART NUMBER	U/M	DESCRIPTION
	1	102953-11-F31	EA LADDER
			FROM: 00-00-00 THRU: 05-18-98
	1	129639-02-01A	EA LADDER - BRUSHED ALUMINUM
			FROM: 05-19-98 THRU: 99-99-99
	2	067165-01-000	EA BRACKET - MOUNTING - RACK & LADDER
	3	000G39-06-10T	EA SCREW-SF/ DR - 6 - 20 X 5/8 PPH - BLACK
	4	000G68-10-36T	EA SCREW - 10 - 12 X 2.25 POH BLACK
	5	076980-02-000	EA END CAP - STEP - BLACK
		038327-01-000	FT TAPE - ANTI SLIP - 2" X 60FT
		038327-04-000	EA TAPE - ANTI SLIP - 12" X 60'
		112384-01-000	EA SPONGE - BRACKET - RACK & LADDER

GALLEY GROUP

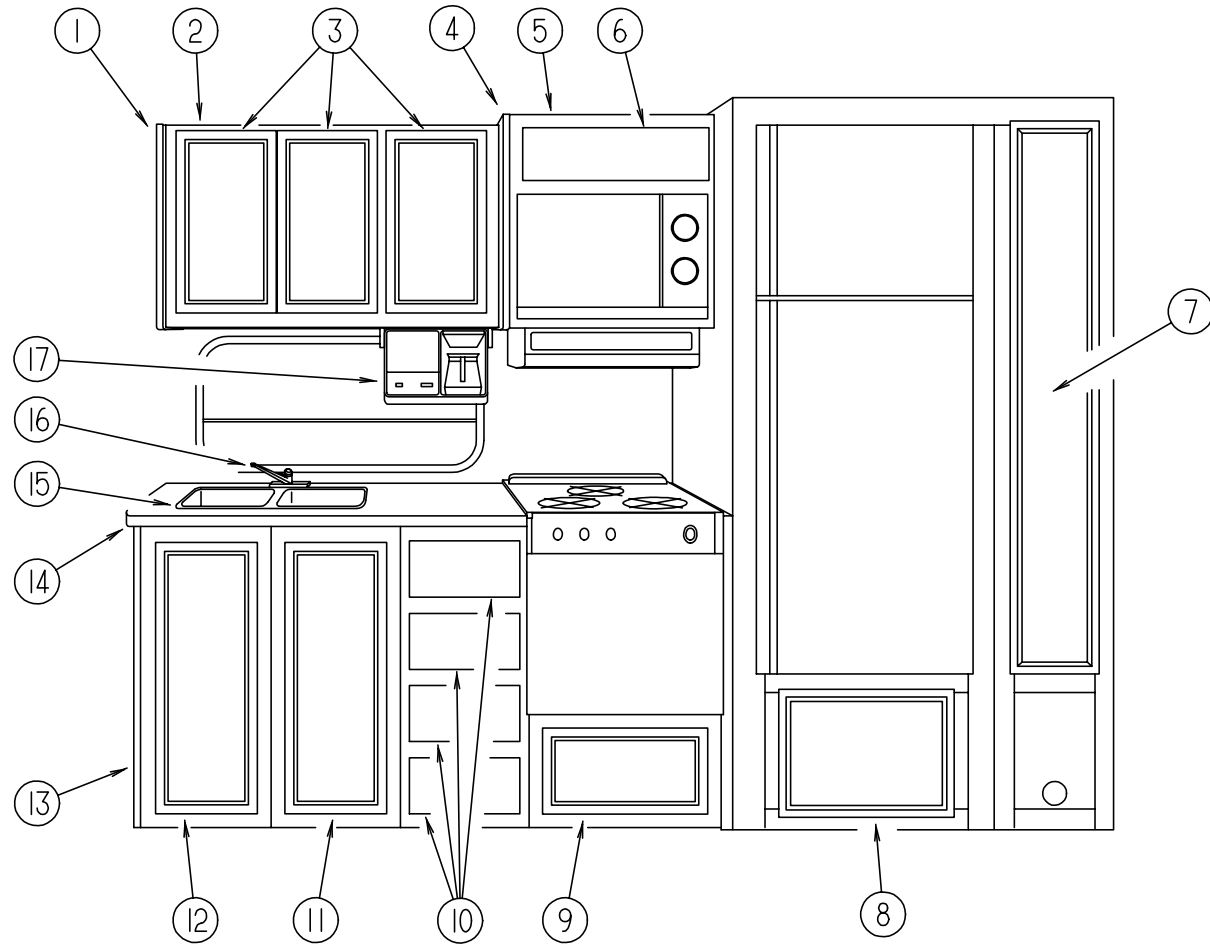
GALLEY CABINETRY & FIXTURES



KEY	PART NUMBER	U/M	DESCRIPTION
1	081319-20-J52	EA	END CAP - OVERHEAD CABINET (WASHED MAPLE)
1	081319-20-G15	EA	END CAP - OVERHEAD CABINET (WATERFORD OAK)
2	P22393-01-J52	EA	CABINET - OVERHEAD/GALLEY - W/O DOORS/HARDWARE (WASHED MAPLE)
2	P22393-01-H17	EA	CABINET - OVERHEAD/GALLEY - W/O DOORS/HARDWARE (WATERFORD OAK)
	122393-11-J52	EA	SHELF - W/PLASTIC EDGE MOLDING (WASHED MAPLE)
	122393-11-H17	EA	SHELF - W/PLASTIC EDGE MOLDING (WATERFORD OAK)
	122393-12-J52	EA	SHELF - W/PLASTIC EDGE MOLDING (WASHED MAPLE)
	122393-12-H17	EA	SHELF - W/PLASTIC EDGE MOLDING (WATERFORD OAK)
3	M05992-14-J52	EA	DOOR - STRAIGHT CORNER/OGEE EDGE - 12" X 21.9" - W/O HDW (WASHED MAPLE)
3	M05992-14-J22	EA	DOOR - STRAIGHT CORNER/OGEE EDGE - 12" X 21.9" - W/O HDW (WATERFORD OAK)
4	103128-34-J52	EA	END CAP - OVERHEAD CABINET (WASHED MAPLE)
4	103128-34-J22	EA	END CAP - OVERHEAD CABINET (WATERFORD OAK)
5	P26057-02-J52	EA	CABINET - OVERHEAD/MICROWAVE - W/O DOOR/HARDWARE (WASHED MAPLE)
5	P26057-02-J22	EA	CABINET - OVERHEAD/MICROWAVE - W/O DOOR/HARDWARE (WATERFORD OAK)
6	100708-05-000	EA	DOOR - GLASS - TV CABINET - 8.5" X 23.4" - W/O HARDWARE
	100710-01-01A	EA	LOCK - GLASS DOOR/TWIST TYPE - BRASS
	100711-01-01A	EA	HINGE - GLASS DOOR
	100707-01-000	EA	SPACER - GLASS DOOR - .8" DIA - .3" HOLE - PLASTIC
7	M05992-Z2-J60	EA	DOOR - STRAIGHT CORNER/OGEE EDGE - 8.5" X 60.7" - W/O HDW (WASHED MAPLE)
7	M05992-Z2-J22	EA	DOOR - STRAIGHT CORNER/OGEE EDGE - 8.5" X 60.7" - W/O HDW (WATERFORD OAK)
	122325-01-J60	EA	CABINET - PANTRY/RIGHT HAND SLIDING - W/O SLIDES/HDW (WASHED MAPLE)
	122325-01-J22	EA	CABINET - PANTRY/RIGHT HAND SLIDING - W/O SLIDES/HDW (WATERFORD OAK)
	122360-02-000	EA	SLIDE - PANTRY - W/O LOCK - RIGHT/LEFT HAND
	122360-03-000	EA	SLIDE - PANTRY - W/LOCK - RIGHT HAND
	123673-01-01A	EA	KNOB - PANTRY SLIDE
	122325-11-J70	EA	SHELF - W/PLASTIC EDGE TRIM (WASHED MAPLE)
	122325-11-H17	EA	SHELF - W/PLASTIC EDGE TRIM (WATERFORD OAK)
	118200-01-01A	SF	MESH - PLASTIC - 1/2 INCH
	090329-01-000	FT	SEAL/T - REFRIGERATOR CABINET
8	M05992-M1-J52	EA	DOOR - STRAIGHT CORNER/OGEE EDGE - 13.3" X 27" - W/O HDW (WASHED MAPLE)
8	M05992-M1-J22	EA	DOOR - STRAIGHT CORNER/OGEE EDGE - 13.3" X 27" - W/O HDW (WATERFORD OAK)
9	M05971-GW-J52	EA	DRAWER - OGEE EDGE - 19.7"W X 11.8"D - W/O SLIDES/HARDWARE (WASHED MAPLE)
9	M05971-GW-J22	EA	DRAWER - OGEE EDGE - 19.7"W X 11.8"D - W/O SLIDES/HARDWARE (WATERFORD OAK)
9	M05971-JS-J52	EA	DRAWER - OGEE EDGE - 19.7"W X 11.8"D - W/O SLIDES/HARDWARE (W/O OVEN QTY. 2) (WASHED MAPLE)
9	M05971-JS-J22	EA	DRAWER - OGEE EDGE - 19.7"W X 11.8"D - W/O SLIDES/HARDWARE (W/O OVEN QTY. 2) (WATERFORD OAK)
10	M05971-11-J52	EA	DRAWER - OGEE EDGE - 9.9"W X 17.7"D - W/O SLIDES/HARDWARE (WASHED MAPLE)
10	M05971-11-J22	EA	DRAWER - OGEE EDGE - 9.9"W X 17.7"D - W/O SLIDES/HARDWARE (WATERFORD OAK)
11	M05992-L5-J52	EA	DOOR - STRAIGHT CORNER/OGEE EDGE - 13.6" X 27.1" - W/O HDW (WASHED MAPLE)
11	M05992-L5-J22	EA	DOOR - STRAIGHT CORNER/OGEE EDGE - 13.6" X 27.1" - W/O HDW (WATERFORD OAK)
12	M05992-M1-J22	EA	DOOR - STRAIGHT CORNER/OGEE EDGE - 13.6" X 27.1" - W/O HDW (WASHED MAPLE)
12	M05992-M1-J22	EA	DOOR - STRAIGHT CORNER/OGEE EDGE - 13.6" X 27.1" - W/O HDW (WATERFORD OAK)

GALLEY GROUP (CONTINUED)

GALLEY CABINETS & FIXTURES (CONTINUED)



KEY	PART NUMBER	U/M	DESCRIPTION	VENDOR NO.
13	127612-01-J52	EA	CABINET - GALLEY - W/COUNTERTOP - W/O DOORS/DRAWERS/HDW (W/OVEN) (J52)	
13	127612-01-J22	EA	CABINET - GALLEY - W/COUNTERTOP - W/O DOORS/DRAWERS/HDW (W/OVEN) (J53)	
13	127612-01-J54	EA	CABINET - GALLEY - W/COUNTERTOP - W/O DOORS/DRAWERS/HDW (W/OVEN) (J54)	
13	127612-01-J55	EA	CABINET - GALLEY - W/COUNTERTOP - W/O DOORS/DRAWERS/HDW (W/OVEN) (J55)	
13	127612-01-J56	EA	CABINET - GALLEY - W/COUNTERTOP - W/O DOORS/DRAWERS/HDW (W/OVEN) (J56)	
13	127612-01-J57	EA	CABINET - GALLEY - W/COUNTERTOP - W/O DOORS/DRAWERS/HDW (W/OVEN) (J57)	
13	127612-03-J52	EA	CABINET - GALLEY - W/COUNTERTOP - W/O DOORS/DRAWERS/HDW (W/O OVEN) (J52)	
13	127612-03-J22	EA	CABINET - GALLEY - W/COUNTERTOP - W/O DOORS/DRAWERS/HDW (W/O OVEN) (J53)	
13	127612-03-J54	EA	CABINET - GALLEY - W/COUNTERTOP - W/O DOORS/DRAWERS/HDW (W/O OVEN) (J54)	
13	127612-03-J55	EA	CABINET - GALLEY - W/COUNTERTOP - W/O DOORS/DRAWERS/HDW (W/O OVEN) (J55)	
13	127612-03-J56	EA	CABINET - GALLEY - W/COUNTERTOP - W/O DOORS/DRAWERS/HDW (W/O OVEN) (J56)	
13	127612-03-J57	EA	CABINET - GALLEY - W/COUNTERTOP - W/O DOORS/DRAWERS/HDW (W/O OVEN) (J57)	
	127612-12-J52	EA	SHELF - W/PLASTIC EDGE TRIM (WASHED MAPLE)	
	127612-12-J22	EA	SHELF - W/PLASTIC EDGE TRIM (WATERFORD OAK)	
14	127612-11-J52	EA	COUNTERTOP - GALLEY CABINET (J52)	
14	127612-11-J22	EA	COUNTERTOP - GALLEY CABINET (J53)	
14	127612-11-J54	EA	COUNTERTOP - GALLEY CABINET (J54)	
14	127612-11-J55	EA	COUNTERTOP - GALLEY CABINET (J55)	
14	127612-11-J56	EA	COUNTERTOP - GALLEY CABINET (J56)	
14	127612-11-J57	EA	COUNTERTOP - GALLEY CABINET (J57)	
	108464-03-E38	EA	COVER - SINK - 15" X 11" - LAMINATED BOTH SIDES (J52)	
	108464-06-H37	EA	COVER - SINK - 15" X 11" - LAMINATED BOTH SIDES (J53)	
	108464-06-H38	EA	COVER - SINK - 15" X 11" - LAMINATED BOTH SIDES (J54,J55)	
	108464-06-J56	EA	COVER - SINK - 15" X 11" - LAMINATED BOTH SIDES (J56,J57)	
	108464-04-E38	EA	COVER - SINK - 15" X 15" - LAMINATED BOTH SIDES (J52)	
	108464-07-H37	EA	COVER - SINK - 15" X 15" - LAMINATED BOTH SIDES (J53)	
	108464-07-H38	EA	COVER - SINK - 15" X 15" - LAMINATED BOTH SIDES (J54,J55)	
	108464-07-J56	EA	COVER - SINK - 15" X 15" - LAMINATED BOTH SIDES (J56,J57)	
15	110654-01-000	EA	SINK - STAINLESS STEEL/DOUBLE BASIN (1 LG-1 SM BASIN)	
	092303-01-000	EA	STRAINER - SINK	
16	104114-02-01A	EA	FAUCET - GALLEY - SINGLE CONTROL	
	103635-01-000	EA	FAUCET - SINGLE CONTROL (WATER PURIFIER)	
	103635-01-700	EA	FITTING KIT, FAUCET REPAIR	3071-70
	103635-01-701	EA	TUBING - PLASTIC	3019-20
	103635-01-702	EA	FAUCET REPAIR KIT	3026-46
	116610-01-000	EA	BUMPER - RUBBER W/STUD	
17	126019-01-01A	EA	COFFEE MAKER - OPTIMA - W/BRACKETS	
	126019-01-700	EA	GLASS CARAFE	172547-00
	126019-01-701	EA	RESERVOIR - WATER	172554
	126019-01-702	EA	BASKET - FILTER	172553-00
	126019-01-703	EA	HARDWARE - MOUNTING	172174-00
	127612-16-J22	EA	BACKSPLASH - GALLEY COUNTERTOP (J52,J53)	
	127612-16-J23	EA	BACKSPLASH - GALLEY COUNTERTOP (J54,J55)	
	127612-16-J56	EA	BACKSPLASH - GALLEY COUNTERTOP (J56,J57)	

GALLEY GROUP (CONTINUED)

RANGE W/OVEN

KEY	PART NUMBER	U/M	DESCRIPTION
*	126023-01-01A	EA	RANGE - W/OVEN 22" - 3 BURNER/BLACK GLASS DOOR

*COMPONENT PARTS FOUND IN SERVICE PARTS LIBRARY

RANGE TOP

KEY	PART NUMBER	U/M	DESCRIPTION
*	114030-02-01A	EA	RANGE - 3 BURNER TOP - W/O OVEN - BLACK

*COMPONENT PARTS FOUND IN SERVICE PARTS LIBRARY

RANGE COVER

KEY	PART NUMBER	U/M	DESCRIPTION
	126022-02-01A	EA	COVER - RANGE - BI-FOLD - 22" - BLACK TEXTURED

RANGE HOOD

KEY	PART NUMBER	U/M	DESCRIPTION
*	100258-17-04A	EA	HOOD - RANGE - W/O MONITOR PANEL - W/O HOUR METER/SWITCH - CSA
*	100258-18-03A	EA	HOOD - RANGE - W/O MONITOR PANEL - W/HOUR METER/SWITCH - US
*	100258-16-04A	EA	HOOD - RANGE - W/O MONITOR PANEL - W/O HOUR METER/SWITCH - US
*	100258-36-01A	EA	HOOD - RANGE - W/O MONITOR PANEL - W/HOUR METER/SWITCH - US

*COMPONENT PARTS FOUND IN SERVICE PARTS LIBRARY

REFRIGERATOR

KEY	PART NUMBER	U/M	DESCRIPTION
*	121569-01-01A	EA	REFRIGERATOR - LARGE DOUBLE DOOR - RIGHT HAND - 2-WAY
*	120075-03-01A	EA	REFRIGERATOR - LARGE DOUBLE DOOR/RIGHT HAND - 2-WAY W/ICE
*	118367-01-01A	EA	REFRIGERATOR - SIDE BY SIDE DOOR - 2 WAY
	118871-02-01A	EA	TRAY - REFRIGERATOR - SIDE/SIDE
	065225-01-000	EA	PLATE - TIEDOWN - REFRIGERATOR
	090195-08-000	EA	BAFFLE - REFRIGERATOR - LOWER
	093369-03-000	EA	STRAP - REFRIGERATOR
	093646-01-000	EA	BRACKET - TIEDOWN/REFRIGERATOR - RIGHT HAND
	093646-02-000	EA	BRACKET - TIEDOWN/REFRIGERATOR - LEFT HAND
	054450-01-000	EA	LEVEL - REFRIGERATOR

*COMPONENT PARTS FOUND IN SERVICE PARTS LIBRARY

MICROWAVE OVEN

KEY	PART NUMBER	U/M	DESCRIPTION
	122753-05-000	EA	OVEN - MICROWAVE - 1 CU. FT. 0 NON CONVECTION - SHARP - UL
	122753-02-000	EA	OVEN - MICROWAVE - .9 CU. FT - CONVECTION - SHARP - UL
	122753-04-000	EA	OVEN - MICROWAVE - .9 CU FT - CONVECTION - SHARP - CSA
	082227-06-000	EA	TRIM - BOTTOM/MICROWAVE - BLACK
	102486-13-01A	EA	TRIM - MICROWAVE - VERTICAL - BLACK
	102482-09-H56	EA	FRAME - MICROWAVE
	094756-03-G15	EA	BRACKET - ANGLE - W/HOLES
	122799-01-02B	EA	SUPPORT - MICROWAVE
	122799-02-02B	EA	SUPPORT - MICROWAVE

MONITOR PANEL

KEY	PART NUMBER	U/M	DESCRIPTION
*	102765-04-01A	EA	PANEL - MONITOR - 2 HOLDING TANKS - ADJUSTABLE

*COMPONENT PARTS FOUND IN SERVICE PARTS LIBRARY

GENERATOR GROUP

ONAN GENERATOR, 6.5 KW MARQUIS - US

KEY	PART NUMBER	U/M	DESCRIPTION
	007125-03-000	EA	CLAMP - MUFFLER - 1.5" DIAMETER
	007131-01-000	EA	HANGER - TAILPIPE - 6 SLOTS
	105559-04-000	EA	GENERATOR - 6.5 KW - LP FUEL - 30/30
	106235-01-000	EA	ADAPTOR - GENERATOR EXHAUST
	116381-06-000	EA	PIPE - EXHAUST - GENERATOR
	065820-09-000	EA	HOSE - HIGH PRESSURE - 28"
	114253-04-000	EA	ELBOW - 5/16 SINGLE BARB X 1/8 MPT
	116457-01-000	EA	TEE - BRASS - BRANCE 1/4 NPT

ONAN GENERATOR, 6.5 KW MARQUIS - CSA

KEY	PART NUMBER	U/M	DESCRIPTION
	007125-03-000	EA	CLAMP - MUFFLER - 1.5" DIAMETER
	105559-04-000	EA	GENERATOR - 6.5 KW - LP FUEL - 30/30
	106234-01-000	EA	PIPE - EXHAUST - GENERATOR
	106235-01-000	EA	ADAPTOR - GENERATOR EXHAUST
	065820-09-000	EA	HOSE - HIGH PRESSURE - 28"
	114253-04-000	EA	ELBOW - 5/16 SINGLE BARB X 1/8 MPT
	116457-01-000	EA	TEE - BRASS - BRANCE 1/4 NPT

ONAN GENERATOR, 7.5 KW DIESEL

KEY	PART NUMBER	U/M	DESCRIPTION
	007125-03-000	EA	CLAMP - MUFFLER - 1.5" DIAMETER
	007131-01-000	EA	HANGER - TAILPIPE - 6 SLOTS
	106235-01-000	EA	ADAPTOR - GENERATOR EXHAUST
	116381-05-000	EA	PIPE - EXHAUST - GENERATOR
	122425-01-000	EA	GENERATOR - DIESEL - 7.5
	065820-09-000	EA	HOSE - HIGH PRESSURE - 28"
	114253-04-000	EA	ELBOW - 5/16 SINGLE BARB X 1/8 MPT
	116457-01-000	EA	TEE - BRASS - BRANCE 1/4 NPT

HEATING & AIR CONDITIONING GROUP

FURNACE-SUBURBAN - 40,000 BTU - SF-422275

KEY	PART NUMBER	U/M	DESCRIPTION
*	098668-22-000	EA	FURNACE - 40,000 BTU
	094600-05-01A	EA	REGISTER W/O DAMPER-3.6" X 11.3" FACE/2.1" X 9.9" RO-BEIGE
	094600-06-01A	EA	REGISTER W/DAMPER-3.6" X 11.3" FACE/2.1" X 9.9" RO-BEIGE
	089367-02-000	EA	TEE - 4" X 2" X 4"
	092776-01-000	EA	ADAPTER - DUCT - 2"
	098668-14-000	EA	GASKET - FIBERGLASS - .5" X 18" X 18"
	117357-02-02B	EA	TRANSITION - FURNACE
	115764-01-01A	EA	THERMOSTAT - FURNACE
	093614-03-02A	EA	GRILLE - RETURN AIR - 14" X 8" - BEIGE
	009200-01-000	EA	TAPE - FURNACE - 1 1/2"

*COMPONENT PARTS FOUND IN SERVICE PARTS LIBRARY

AUTOMOTIVE REAR HEATER SYSTEM

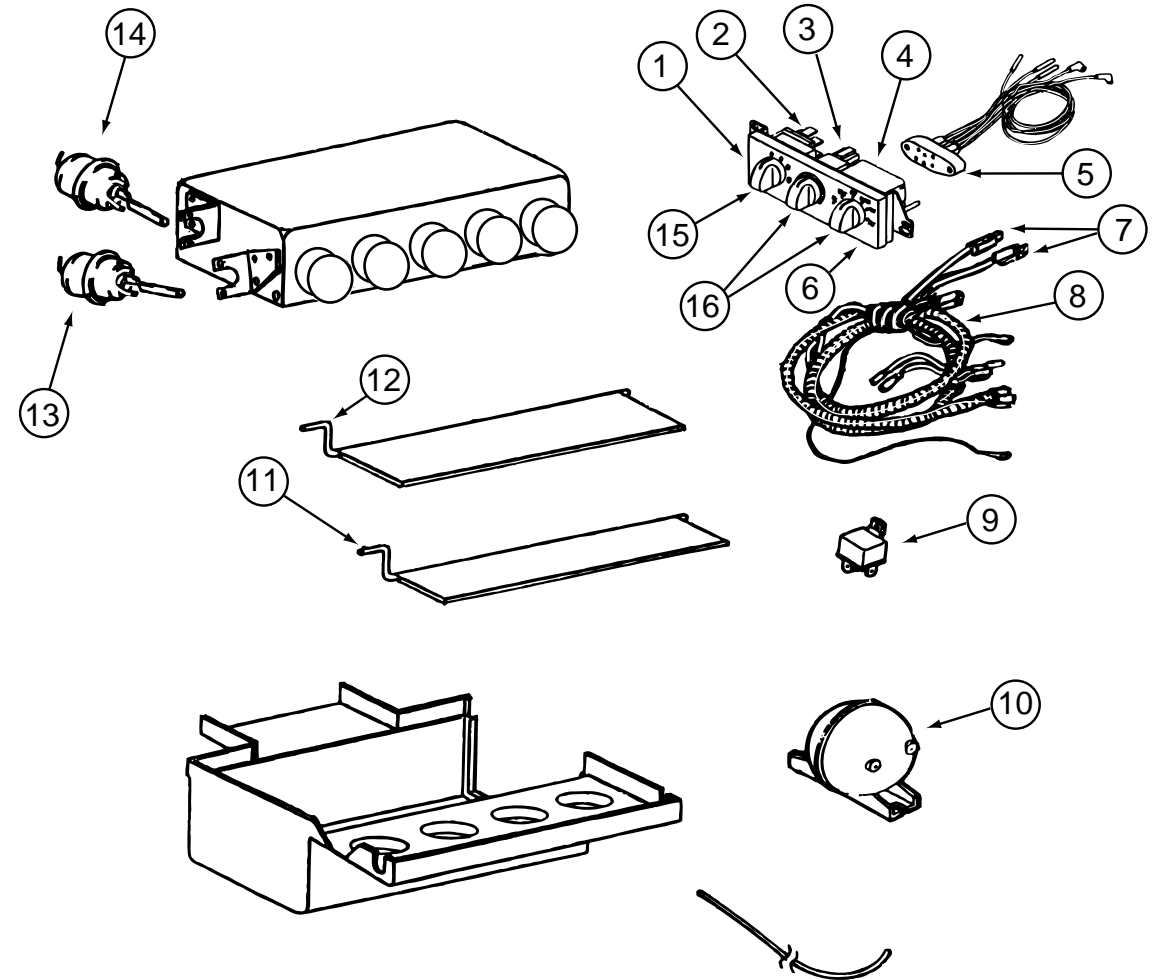
KEY	PART NUMBER	U/M	DESCRIPTION	VENDOR NO.
	084405-01-000	EA	HEATER - REAR/DUCTED - W/MOTOR AID	
	084405-01-700	EA	CORE-HEATER	FT200229
	084405-01-701	EA	FAN BLADES	HV029931
	084405-01-702	EA	MOTOR ASSEMBLY, 12 VOLT	RV010348
	009198-01-000	FT	DUCT - HEAT - FLEXIBLE - 4" ID X 25'	
	061673-01-000	EA	BRACKET - MOTOR AID TUBES - 4" X 1.5" - STEEL	
	009198-01-000	FT	DUCT - HEAT - FLEXIBLE - 4" ID X 25'	
	079059-01-000	EA	HOSE - 90 DEGREE - 5/8"ID X 4" X 36"	
	056464-10-000	EA	REGISTER - 4" DIAMETER - PLASTIC - W/O DAMPER - BEIGE	

A/C - ROOF & CEILING ASSEMBLY

KEY	PART NUMBER	U/M	DESCRIPTION
*	091225-08-000	EA	A/C - ROOF - 13,500 - SUPER MAC - BRIGHT/WHITE
*	108892-01-01A	EA	CEILING ASSEMBLY - A/C DUCTED
	102289-01-000	EA	SPRING - SCREW - ROOF A/C GASKET
	110403-01-G09	EA	SPACER - RETURN AIR (WATERFORD OAK)
	110403-01-G09	EA	SPACER - RETURN AIR (WHITE GRANITE)
	117238-01-01A	EA	THERMOSTAT - A/C - FURNACE
	117238-02-01A	EA	THERMOSTAT - A/C ONLY
	120134-01-02A	EA	REGISTER - 4" TO 5" IN DIAMETER W/DAMPER
	073937-03-000	EA	SWITCH - ROTARY- AC - SELECTOR - 3 DECK
	088238-02-000	EA	COVER - SWITCH - A/C SELECTOR - FRONT TO REAR A/C

*COMPONENT PARTS FOUND IN SERVICE PARTS LIBRARY

HEATING & AIR CONDITIONING GROUP (CONTINUED)

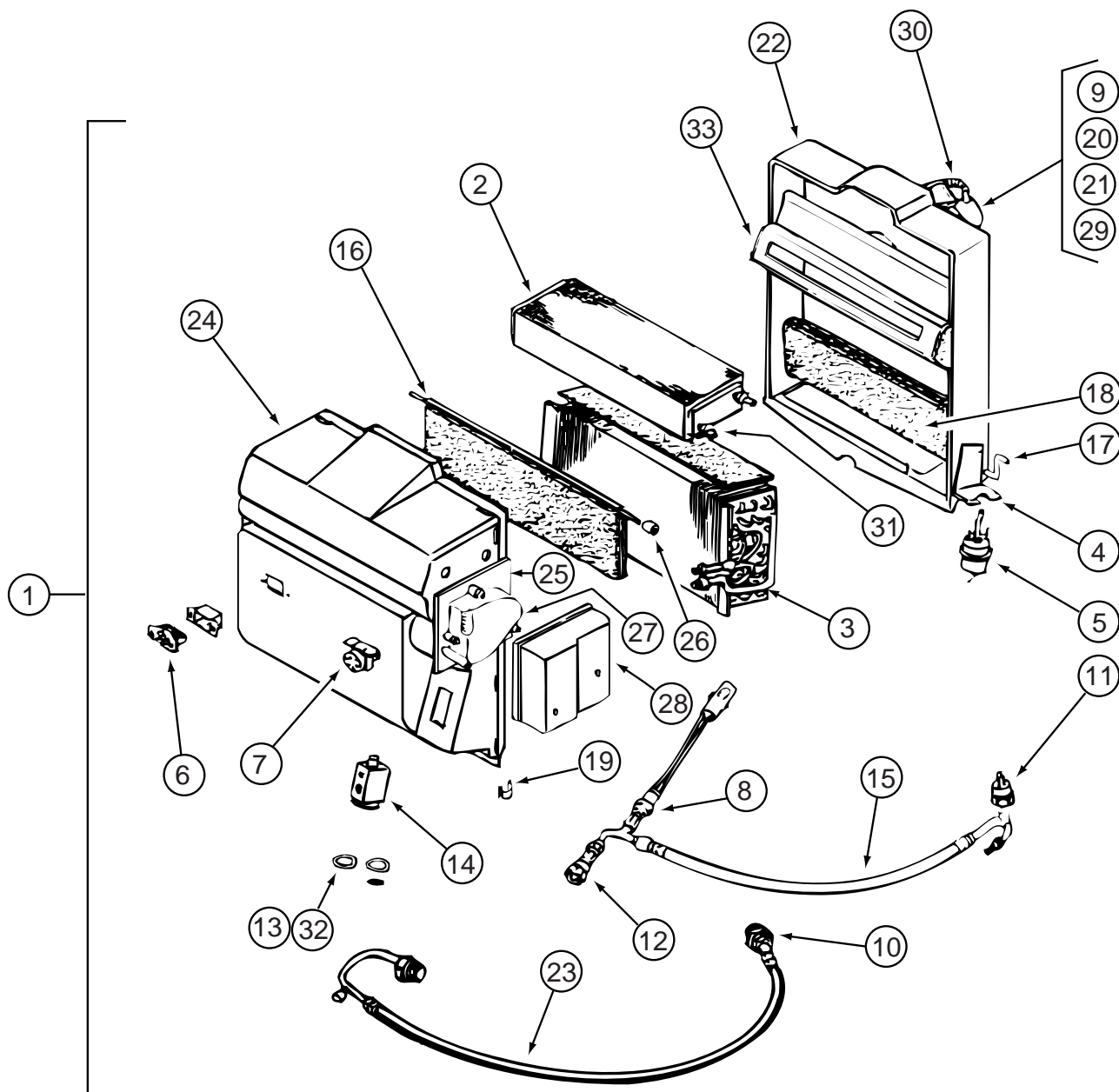


AUTO A/C CONTROL PLENUM - ROTARY

KEY	PART NUMBER	U/M	DESCRIPTION	VENDOR NO.
	103930-39-000	EA	CONTROL/PLENUM - ROTARY	
1	103930-33-702	EA	CONTROL PANEL	083-0169
2	103930-33-707	EA	SWITCH - BLOWER	032-00066
3	103930-33-708	EA	SWITCH - POTENTIOMETER	032-0184
4	103930-33-709	EA	SWITCH - VACUUM	032-0183
5	103930-33-703	EA	VACUUM HARNESS	036-0466
6	103930-33-710	EA	DECAL F/CONTROL HEAD	058-0102
7	103930-33-705	EA	LIGHT BULBS	035-0030
8	103930-33-711	EA	WIRE HARNESS - MAIN	036-0496
9	103930-02-707	EA	RELAY - BOSCH W/RESISTER	031-0001
10	103930-02-710	EA	CANISTER - VACUUM	054-0002
11	103930-39-700	EA	ROD - DOOR - AC/HEAT	073-067
12	103930-39-701	EA	ROD - DOOR - AC/DEFROST	073-0069
13	103930-02-708	EA	MOTOR - VACUUM SERVO - A/C	030-0025
14	103930-33-701	EA	MOTOR - VACUUM - 3 STAGE	030-0105
15	103930-33-712	EA	KNOB - BLOWER	062-00539
16	103930-33-713	EA	KNOB	062-00540
	103930-39-704	EA	SPRING	022-0119

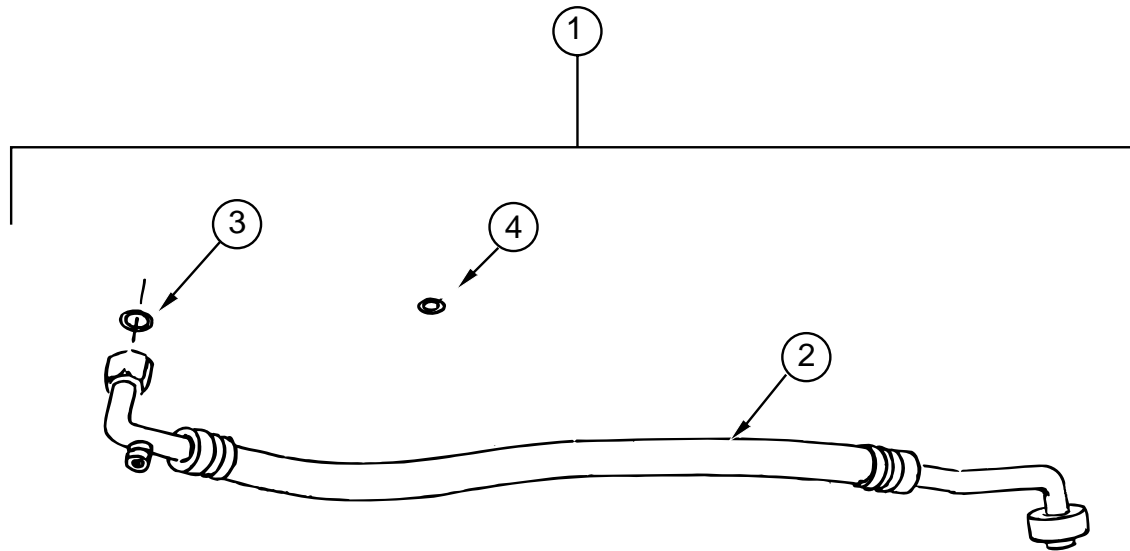
HEATING & AIR CONDITIONING GROUP (CONTINUED)

SCS EVAPORATOR/HEATER



KEY	PART NUMBER	U/M DESCRIPTION	VENDOR NO.
1	103930-32-000	EA EVAPORATOR/HEATER - FRTLINER/SPARTAN-SERVO MOTOR CONTROLLED	
2	103930-01-703	EA CORE - HEATER	042-0010
3	103930-01-704	EA COIL - EVAPORATOR	041-0017
4	103930-01-708	EA BRACKET - VACUUM MOTOR	070-0113
5	103930-02-708	EA MOTOR - VACUUM SERVO - A/C	030-0025
6	103930-01-710	EA RESISTOR - FUSED - A/C	035-0006
7	103930-01-711	EA THERMOSTAT	033-0003
8	103930-01-716	EA SWITCH - PRESSURE - FAN	032-0036
9	103930-01-717	EA WHEEL - BLOWER - CLOCKWISE	062-0010
10	103930-06-700	EA FITTING - QUICK CONNECT - #8	050-0082
11	103930-12-708	EA SWITCH - BINARY - HI/LOW CUTOUT	032-0048
12	103930-12-709	EA FITTING-QUICK CONNECT	050-0120
13	103930-17-702	EA O'RING #10	045-0127
14	103930-20-700	EA VALVE - EXPANSION - BLOCK - 2 TON	034-0032
15	103930-20-701	EA HOSE ASM #6 EVAPORATOR/DRIER085-0138	
16	103930-20-703	EA DOOR - BLEND AIR	071-0212
17	103930-20-704	EA ROD - DOOR - RECIRCULATING	073-0018
18	103930-20-705	EA PANEL - DOOR - RECIRCULATING	071-0213
19	103930-20-706	EA CLIP - RETAINER - CASE ATTACH	022-0057
20	103930-20-707	EA HOUSING - BLOWER	062-0145
21	103930-20-708	EA CLIP - MOTOR SHAFT	022-0001
22	103930-20-711	EA CASE - BACK - SUB-ASSEMBLY	062-0147
23	103930-22-700	EA HOSE ASM #10 EVAPORATOR/COMP	085-0141
24	103930-30-700	EA CASE - FRONT	062-0542
25	103930-30-701	EA PLATE - MOTOR MOUNT	062-0544
26	103930-30-702	EA BUSHING - BLEND AIR DOOR	062-0168
27	103930-30-703	EA MOTOR - SERVO	030-0104
28	103930-30-704	EA COVER - SERVO	062-0545
29	103930-30-706	EA MOTOR - BLOWER PM147 W/ADAPTER	030-0109
30	110279-01-703	EA HOSE - VENT F/BLOWER MOTOR	051-0034
31	110279-01-712	EA FITTING - HEATER	050-0076
32	113245-01-707	EA O'RING #8	045-0126
33	103930-30-707	EA DIVIDER ASM.	086-0061

HEATING & AIR CONDITIONING GROUP (CONTINUED)



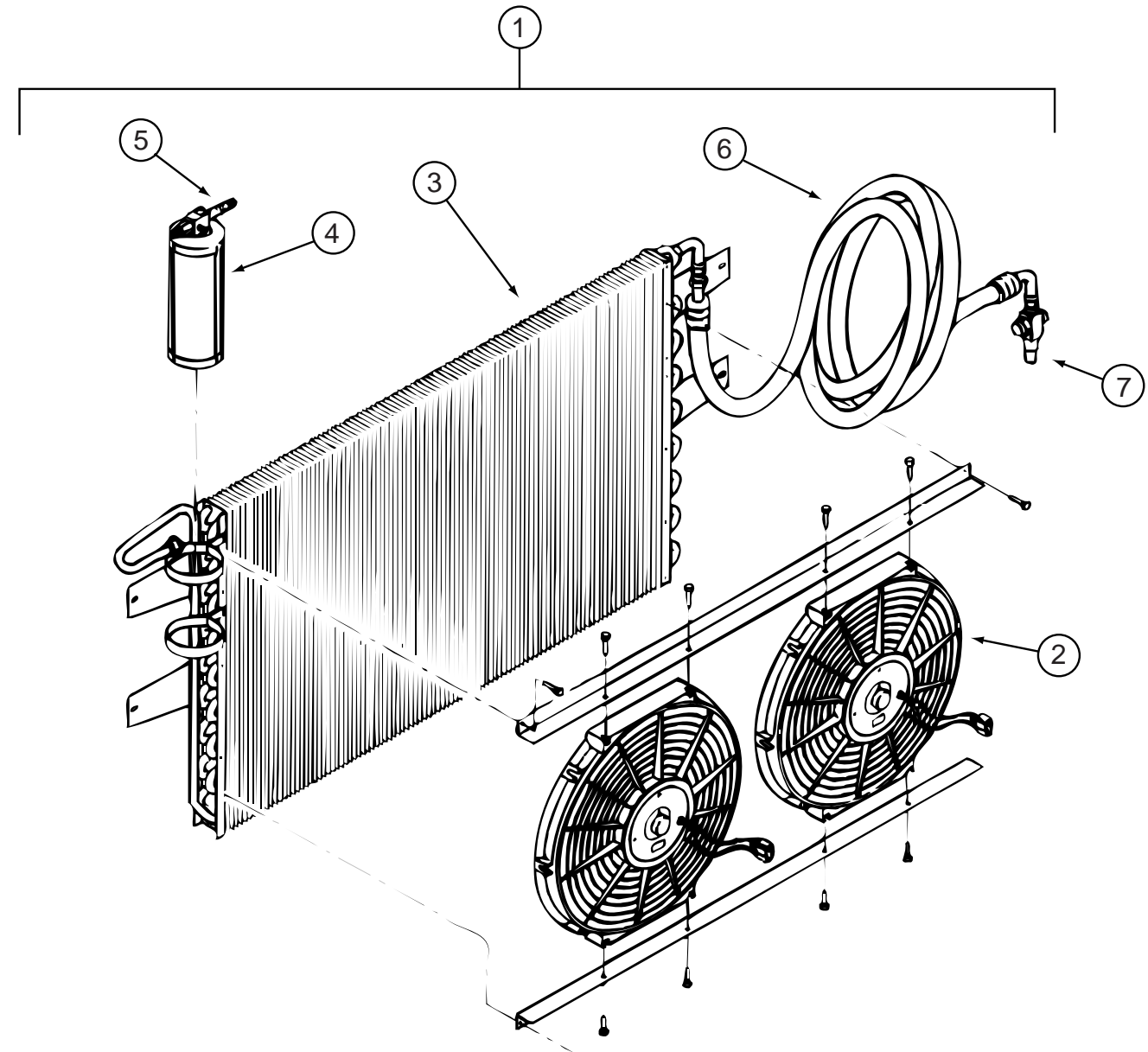
HOSE KIT

KEY	PART NUMBER	U/M	DESCRIPTION	VENDOR NO.
1	103930-15-000	EA	HOSE KIT #12 355" R134A	
2	103930-15-700	EA	HOSE ASM #12 OSHGOSH	085-0099
3	103930-15-702	EA	O'RING #18	045-0152
3	103930-17-702	EA	O'RING #10	045-0127
4	113245-01-710	EA	GASKET, #12	045-0128
	103930-07-704	EA	FITTING-QUICK CONNECT, #8	050-0081
	103930-13-702	EA	VALVE-SERVICE, W/O COMP.	050-0152

AUTOMOTIVE HEATER REAR HEATER MISCELLANEOUS PARTS

KEY	PART NUMBER	U/M	DESCRIPTION
	007076-01-000	EA	HOSE - FLEXIBLE PVC - 2" ID - INCREMENTS OF 50'
	007108-01-000	FT	HOSE - HEATER - 5/8" ID - HI-TEMP - FORD
	007281-01-000	EA	HOSE - FLEXIBLE PVC - 2.5" ID X 50'
	024990-05-000	EA	OUTLET - DEFROSTER - 4" DIAMETER W/SWIVEL DEFLECTORS
	056402-05-000	EA	BRACKET - HEATER VENT - ROUND W/BEND - BLACK
	077075-01-000	EA	GASKET - INSTRUMENT PANEL/DEFROSTER PLENUM - .6" X 10.2"
	077075-03-000	EA	GASKET - INSTRUMENT PANEL/DEFROSTER PLENUM - 1.3" X 10.2"
	103016-01-000	EA	PLENUM - TRANSITION
	103017-01-000	EA	PLENUM - DEFROSTER
	103558-01-10A	EA	VENT - DEFROSTER - 2" X 14.4" X 1.4" - ANTELOPE
	103796-01-01A	EA	LOUVER - A/C
	103930-37-000	EA	MANUAL - OWNERS - HEATER/A/C
	114802-01-000	EA	PUMP - VACUUM - 12V 16"HG
	103930-23-000	EA	VALVE - WATER - 2 PORT
	077539-01-000	EA	BRACKET - MOUNTING/DASH PANEL - L/SHAPED - 2.5"X1"X1.5"
	056464-10-000	EA	REGISTER - 4" DIAMETER - PLASTIC - W/O DAMPER - BEIGE

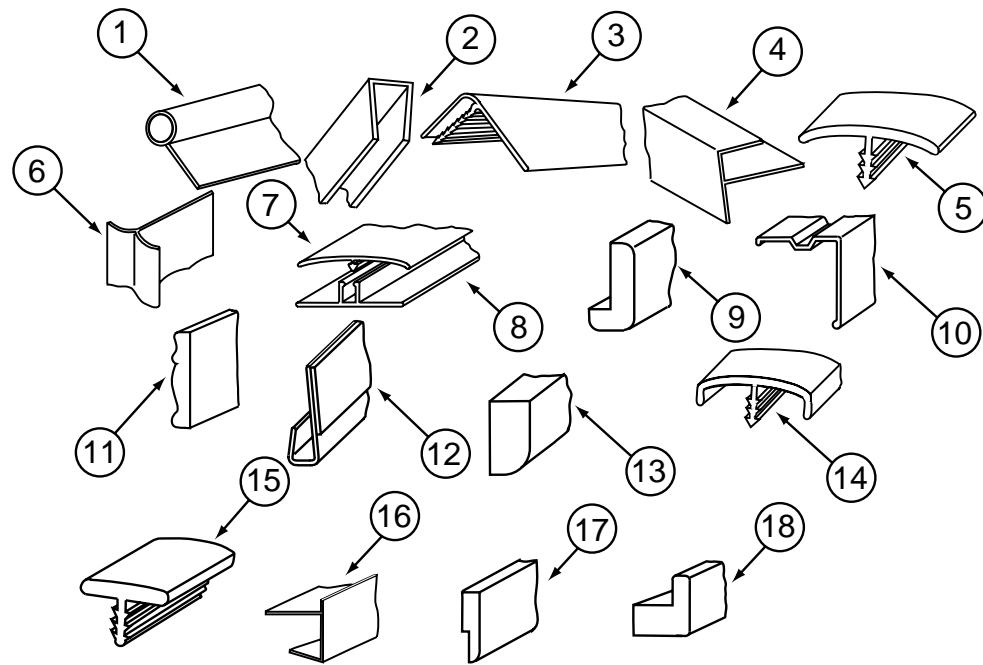
HEATING & AIR CONDITIONING GROUP (CONTINUED)



SCS CONDENSER ASM

KEY	PART NUMBER	U/M	DESCRIPTION	VENDOR NO.
1	072342-10-000	EA	CONDENSER ASM-W/FAN PUSH R13	
2	072342-08-703	EA	FAN BLADE/MOTOR & SHROUD 11"	062-0097
3	072342-10-700	EA	COIL-CONDENSER	040-0028
4	072342-10-701	EA	RECEIVER DRIER	054-0015
5	072342-10-702	EA	FITTING-QUICK CONNECT#4 MALE	050-0148
6	072342-10-703	EA	HOSE #8 - CONDENSER/COMP	051-0096
7	072342-10-704	EA	VALVE-SERVICE #8X8	050-0134
	072342-10-705	EA	HOSE ASSEMBLY W/FITTINGS	085-0119

INTERIOR FINISH GROUP



INTERIOR TRIM & MOLDINGS

KEY	PART NUMBER	U/M DESCRIPTION
1	009767-12-000	FT WELTING - SIDEWALL/CEILING/CABINET - OFF/WHT
2	070504-18-000	FT U-CHANNEL - PLASTIC - .13" X 84" - IVORY
2	070504-37-000	FT U-CHANNEL - PLASTIC - .9" X 84" - WATERFORD OAK
2	070504-50-000	FT U-CHANNEL - PLASTIC - .13" X 84" - WASHED MAPLE
2	070504-51-000	FT U-CHANNEL - PLASTIC - .9" X 84" - WASHED MAPLE
2	070504-03-000	FT U-CHANNEL - PLASTIC - .9" X 84" - GRADY BROWN
2	070504-36-000	FT U-CHANNEL - PLASTIC - .13" X 72" - WATERFORD OAK
2	009778-27-000	FT U-CHANNEL - 1" - WASHED MAPLE
2	009778-21-000	FT U-CHANNEL - 1" - WATERFORD OAK
3	009809-23-000	EA MOLDING - CORNER - OUTSIDE - 1" X 84" - MODERN IVORY
4	009812-33-000	EA MOLDING - CORNER - 1/2" W/1/4" CHAN X 84" - WASHED MAPLE
4	009812-29-000	EA MOLDING - CORNER - 1/2" W/1/4" CHAN X 84" - WATERFORD OAK
5	105709-01-000	FT MOLDING-T - 1" - MODERN IVORY
6	022992-11-000	FT MOLDING - REVERSE COVE - T-SHAPED VINYL - IVORY
7	086229-13-000	EA BATTEN - 1" X 96" - IVORY
7	086229-19-000	EA BATTEN - 1" X 98.43" - OFF WHITE
7	086229-20-000	EA BATTEN - 1" X 96" - BEIGE
8	086229-01-000	EA RETAINER - BATTEN - .75" X 92.3" - ANY COLOR
8	086229-14-000	EA RETAINER - 3/4" X 98.43" - ANY COLOR
9	077840-01-J70	EA MOLDING - CAP/WALL - 8' - WASHED MAPLE
9	077840-01-G01	EA MOLDING - WALL CAP - 8' - WATERFORD OAK
10	093873-01-000	EA TRIM - CARPET - L-ANGLE 1.1" X 1.3" X 12" - GRAY VINYL
11	100182-10-J70	EA TRIM - RAIL - WASHED MAPLE
11	100182-10-G29	EA TRIM - RAIL/CHAIR - 8' - WATERFORD OAK
12	109332-02-05A	FT TRIM-J - W/O ADHESIVE - WASHED MAPLE
12	109332-02-01A	FT TRIM-J - W/O ADHESIVE - BRASS
13	100818-01-08A	FT MOLDING - VINYL WRAP - 1.65" X .4" X 7' - WASHED MAPLE
13	100818-01-05A	FT MOLDING - VINYL WRAP - 1.65" X .4" X 84" - WATERFORD OAK
14	104676-02-06A	FT MOLDING-T - 1/2" - WASHED MAPLE
14	104676-02-04A	FT MOLDING-T - 1/2" - WATERFORD OAK
14	083620-19-000	FT MOLDING-T - END CAP EDGE - W/EDGE LIPS - .75" - WASHED MAPLE
14	083620-12-000	FT MOLDING-T - END CAP EDGE - W/EDGE LIP - .75" - WATERFORD OAK
15	104676-01-01A	FT MOLDING-T - 5/16" RIGID GOLD

INTERIOR FINISH GROUP (CONTINUED)

INTERIOR TRIM & MOLDINGS (CONTINUED)

KEY	PART NUMBER	U/M DESCRIPTION
16	103186-01-08A	FT MOLDING - PLASTIC/3/8" U-CHANNEL W/3/4" FACE - WASHED MAPLE
16	103186-01-05A	FT MOLDING - PLASTIC - 3/8" U-CHANNEL 3/4" FACE - WATERFORD OAK
16	103186-02-08A	FT MOLDING - PLASTIC/1" U-CHANNEL W/1 3/8" FACE - WASHED MAPLE
16	103186-02-05A	FT MOLDING - PLASTIC - 1" U-CHANNEL 1 3/8" FACE - WATERFORD OAK
17	105004-01-08A	EA MOLDING - VINYL WRAPPED - 1" X 96" - WASHED MAPLE
17	105004-01-05A	EA MOLDING - VINYL WRAPPED - 1" X 96" - WATERFORD OAK
18	100819-01-08A	EA MOLDING - VINYL WRAP - L-SHAPED - 1.5" X 1.5" X 7' - MAPLE
18	100819-01-05A	FT MOLDING - VINYL WRAP - L-SHAPED - 1.5" X 1.5" X 84" - OAK
	076325-43-000	FT MOLDING - EDGE BAND - .875" X .024" - CLOUD
	076325-46-000	FT MOLDING - EDGE BAND - 1 5/16" X .030" - CLOUD
	076325-73-000	FT MOLDING - EDGE BAND - .93" X .024" - OFF WHITE
	076325-75-000	FT MOLDING - EDGE BAND - .93" X .024" - WASHED MAPLE
	076325-67-000	FT MOLDING - EDGE BAND - .93" X .024" - WATERFORD OAK
	116951-01-J40	EA MOLDING - WOOD - 3" X 70.5"
	116951-01-G35	EA MOLDING - WOOD - 3" X 70.5"

BATT STRIPS

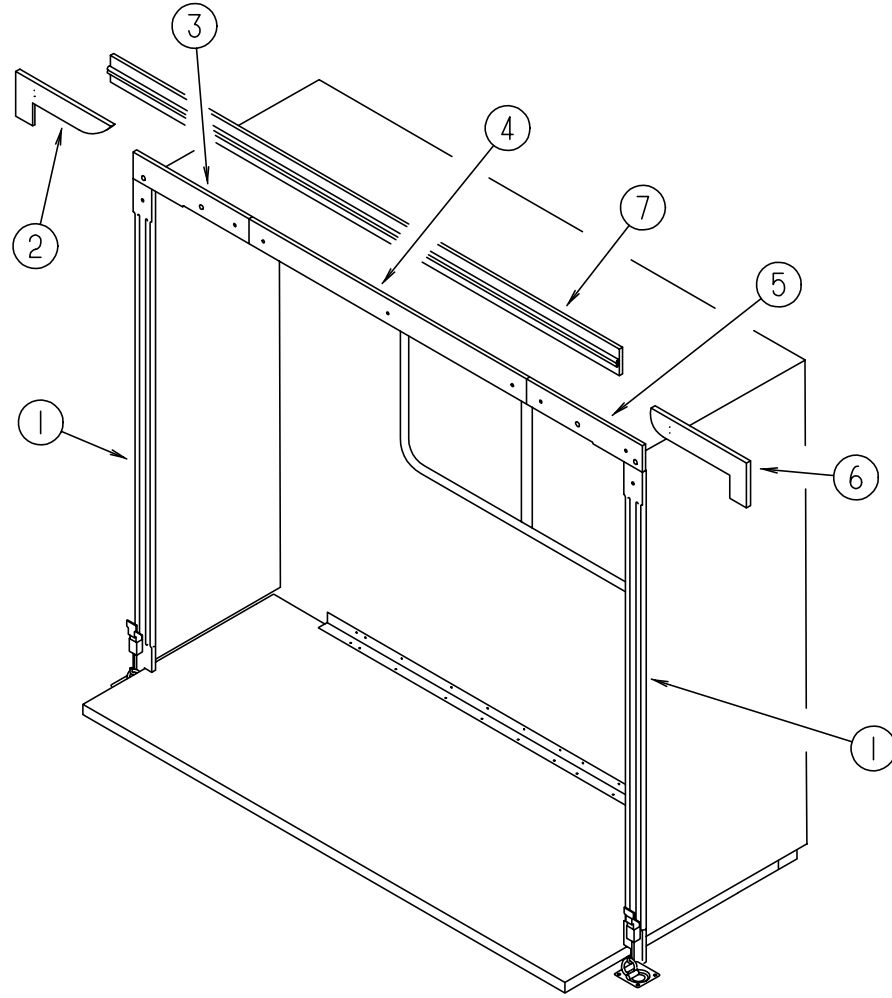
KEY	PART NUMBER	U/M DESCRIPTION
	069733-86-000	EA BATT - STRIP - WOODGRAINED/WASHED MAPLE - 8'
	085284-F5-000	FT BATT TAPE - ADHESIVE BACKED - WASHED MAPLE
	069733-83-000	EA BATT STRIP - WOODGRAINED/WATERFORD OAK - 8'
	085284-B5-000	FT BATT TAPE - ADHESIVE BACKED - WOODGRAINED - WATERFORD OAK
	088263-E4-000	EA BATT STRIP - DECORATIVE - LAJOLLA/SEAMIST - INC OF 8' (J52,J53)
	088263-F4-000	EA BATT - STRIP - DECORATIVE - TRAVIS MERCURY - 8' (J54,J55)
	085284-E9-000	FT BATT TAPE - ADHESIVE BACKED - DECORATIVE/TRAVIS MERCURY (J54,J55)
	088263-E7-000	EA BATT STRIP - DECORATIVE - GAZEBO STRIPE/SAG - 8' LONG (J56,J57)
	085284-E1-000	FT BATT TAPE - ADHESIVE BACKED - DECORATIVE-GAZEBO/STRIPE/SAG (J56,J57)

CARPET & FLOOR COVERING

KEY	PART NUMBER	U/M DESCRIPTION
	075233-01-000	SY PAD - CARPET - 3/8" X 6' ROLL
	093486-01-000	SY CARPET - COMPARTMENT - 54" WIDE - DARK GRAY
	096060-C2-000	SY CARPET - BISCANYN - INCREMENTS OF 4 SQ. YARDS (J52,J53)
	096060-98-000	SY CARPET - SILVER ASPEN - INCREMENTS OF 4 SQ YD (J54,J55)
	096060-C3-000	SY CARPET - SPRUCE - INCREMENTS OF 4 SQ. YARDS (J56,J57)
	105924-01-H19	EA MAT - FLOOR - 18" X 27" (J52,J53)
	105924-01-J54	EA MAT - FLOOR - 18" X 27" (J54,J55)
	105924-01-J56	EA MAT - FLOOR - 18" X 27" (J56,J57)
	122755-01-01A	EA TILE - RUBBER/ENTRANCE DOOR - 18.5" X 27.2"
	122755-03-01A	EA TILE - RUBBER/ENTRANCE DOOR - 17.7" X 26.4"

INTERIOR FINISH GROUP (CONTINUED)

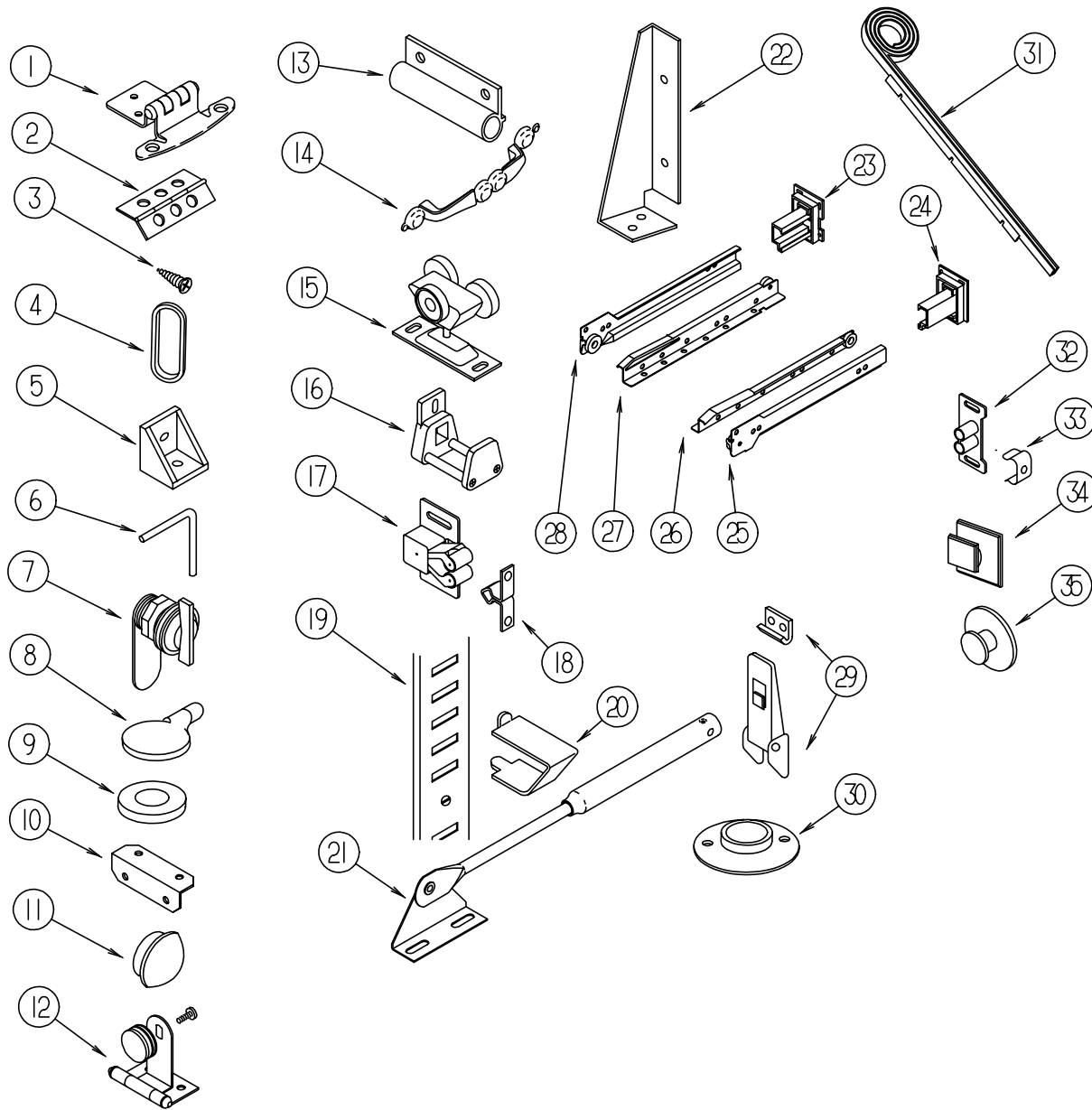
SLIDEOUT HARDWARE & MOLDINGS



KEY	PART NUMBER	U/M	DESCRIPTION
1	116951-01-J40	EA	MOLDING - WOOD - 3" X 70.5" - WASHED MAPLE
1	116951-01-G35	EA	MOLDING - WOOD - 3" X 70.5" - WATERFORD OAK
2	115811-20-J52	EA	OVERLAY - NOVEAU - 7.5" X 23.75" - LEFT HAND (J52,J53) FROM: 00-00-00 THRU: 11-16-97
2	115811-20-JA2	EA	OVERLAY - NOVEAU - 7.5" X 23.75" - LEFT HAND (J52,J53) FROM: 11-17-97 THRU: 99-99-99
2	115811-20-J54	EA	OVERLAY - NOVEAU - 7.5" X 23.75" - LEFT HAND (J54,J55)
2	115811-20-J56	EA	OVERLAY - NOVEAU - 7.5" X 23.75" - LEFT HAND (J56,J57)
3	116968-01-J52	EA	TRIM - END/ RIGHT HAND - WOOD - 3.8" X 19.1" (WASHED MAPLE)
3	116968-01-G35	EA	TRIM - END/ RIGHT HAND - WOOD - 3.8" X 19.1" (WATERFORD OAK)
4	116967-01-J52	EA	TRIM - CENTER - WOOD - 3.8" X 119.7" (WASHED MAPLE)
4	116967-01-G35	EA	TRIM - CENTER - WOOD - 3.8" X 119.7" (WATERFORD OAK)
5	116968-02-J52	EA	TRIM - END/ LEFT HAND - WOOD - 3.8" X 19.1" (WASHED MAPLE)
5	116968-02-G35	EA	TRIM - END/ LEFT HAND - WOOD - 3.8" X 19.1" (WATERFORD OAK)
6	115811-19-J52	EA	OVERLAY - NOVEAU - 7.5" X 23.75" - RIGHT HAND (J52,J53) FROM: 00-00-00 THRU: 11-16-97
6	115811-19-JA2	EA	OVERLAY - NOVEAU - 7.5" X 23.75" - RIGHT HAND (J52,J53) FROM: 11-17-97 THRU: 99-99-99
6	115811-19-J54	EA	OVERLAY - NOVEAU - 7.5" X 23.75" - RIGHT HAND (J54,J55)
6	115811-19-J56	EA	OVERLAY - NOVEAU - 7.5" X 23.75" - RIGHT HAND (J56,J57)
7	NOT AVAILABLE		

INTERIOR FINISH GROUP (CONTINUED)

CABINET HARDWARE



KEY	PART NUMBER	U/M	DESCRIPTION
1	108138-01-000	EA	HINGE - CABINET DOOR - BURNISHED BRASS
2	041389-18-000	EA	HINGE - PIANO - 1.50 X 482.6 - OFF WHITE
2	041389-25-000	EA	HINGE - PIANO - 1.50 X 55
2	009059-01-000	EA	HINGE - DOOR - 2" X 1.4" - BRASS
2	009059-02-000	EA	HINGE - DOOR - 2" X 2.7" - BRASS
3	000G13-06-10G	EA	SCREW - 6-20 X 5/8 PFH - ANTIQUE BRASS
3	000G13-06-08G	EA	SCREW
4	098410-01-01A	EA	PULL - FINGER - BRASS
5	065740-01-000	EA	BRACE - CABINET/CORNER - PLASTIC
6	108487-02-01A	EA	SUPPORT - PROP ROD/OVERHEAD - BLACK
7	100710-01-01A	EA	LOCK - GLASS DOOR/TWIST TYPE - BRASS
7	101272-01-000	EA	CATCH - GLASS DOOR
8	101766-01-000	EA	PIN - SUPPORT/GLASS DOOR
9	100707-01-000	EA	SPACER - GLASS DOOR - .8" DIA - .3" HOLE - PLASTIC
10	016604-05-000	EA	BRACE - CABINET - ANGLE - 2.5" OFF WHITE METAL
10	016604-01-000	EA	BRACE - CABINET - ANGLE - 2.5" - UNPAINTED METAL
11	042356-01-000	EA	PLUG - BUTTON - MAHOGANY - 3/8" DIAMETER - WOOD
11	074045-11-000	EA	PLUG - OAK - 3/8" DIAMETER - WHITE GRANITE
11	074045-01-000	EA	PLUG - OAK - 3/8" DIAMETER - OAK

KEY	PART NUMBER	U/M	DESCRIPTION
12	100711-01-01A	EA	HINGE - GLASS DOOR
13	108486-01-01A	EA	BRACKET - PROP ROD/OVERHEAD - BLACK
14	121890-01-01A	EA	PULL - CABINET - BRASS
15	103874-01-000	EA	HANGER - SLIDING DOOR
16	064467-01-000	EA	GUIDE - POCKET - SLIDING DOOR - WALL MOUNTED
16	076790-01-000	EA	SCREW - 6-20 X 1 1/4 PPH - BLACK
17	093586-06-000	EA	CATCH - SPRING - ROLLER
17	093586-03-000	EA	CATCH - SPRING - ROLLER
18	093586-05-000	EA	STRIKE - SPRING STEEL
18	093586-04-000	EA	STRIKE - SPRING STEEL
19	098980-01-000	EA	PILASTER - ADJUSTABLE SHELF - 18" - WOODGRAIN APPEARANCE
19	098980-02-000	EA	PILASTER - ADJUSTABLE SHELF - 12" - WOODGRAIN APPEARANCE
19	098980-04-000	EA	PILASTER - ADJUSTABLE SHELF - 48" - WOODGRAIN APPEARANCE
20	098979-01-000	EA	CLIP - ADJUSTABLE SHELF
21	074493-02-000	EA	SUPPORT - PISTON SPRING - CABINET DOOR
22	116978-01-03B	EA	GUSSET - SLIDEOUT ROOM - OFF/WHITE
23	128811-01-01A	EA	BACKSOCKET - ADJUSTABLE LEFT
24	128811-02-01A	EA	BACKSOCKET - ADJUSTABLE RIGHT
25	128810-02-01A	EA	SLIDE - DRAWER - 12" - RIGHT CABINET
25	128810-10-01A	EA	SLIDE - DRAWER - 16" - RIGHT CABINET
25	128810-14-01A	EA	SLIDE - DRAWER - 18" - RIGHT CABINET
25	128810-18-01A	EA	SLIDE - DRAWER - 20" - RIGHT CABINET
25	128810-22-01A	EA	SLIDE - DRAWER - 22" - RIGHT CABINET
25	128810-26-01A	EA	SLIDE - DRAWER - 24" - RIGHT CABINET
26	128810-04-01A	EA	SLIDE - DRAWER - 12" - RIGHT DRAWER
26	128810-12-01A	EA	SLIDE - DRAWER - 16" - RIGHT DRAWER
26	128810-16-01A	EA	SLIDE - DRAWER - 18" - RIGHT DRAWER
26	128810-20-01A	EA	SLIDE - DRAWER - 20" - RIGHT DRAWER
26	128810-24-01A	EA	SLIDE - DRAWER - 22" - RIGHT DRAWER
26	128810-28-01A	EA	SLIDE - DRAWER - 24" - RIGHT DRAWER
27	128810-03-01A	EA	SLIDE - DRAWER - 12" - LEFT DRAWER
27	128810-11-01A	EA	SLIDE - DRAWER - 16" - LEFT DRAWER
27	128810-15-01A	EA	SLIDE - DRAWER - 18" - LEFT DRAWER
27	128810-19-01A	EA	SLIDE - DRAWER - 20" - LEFT DRAWER
27	128810-23-01A	EA	SLIDE - DRAWER - 22" - LEFT DRAWER
27	128810-27-01A	EA	SLIDE - DRAWER - 24" - LEFT DRAWER
28	128810-01-01A	EA	SLIDE - DRAWER - 12" - LEFT CABINET
28	128810-09-01A	EA	SLIDE - DRAWER - 16" - LEFT CABINET
28	128810-13-01A	EA	SLIDE - DRAWER - 18" - LEFT CABINET
28	128810-17-01A	EA	SLIDE - DRAWER - 20" - LEFT CABINET
28	128810-21-01A	EA	SLIDE - DRAWER - 22" - LEFT CABINET
28	128810-25-01A	EA	SLIDE - DRAWER - 24" - LEFT CABINET
29	116975-01-01A	EA	LATCH - W/O STRIKE
29	042541-05-000	EA	STRIKE
30	009112-01-000	EA	FLANGE - 1" CLOTHES ROD - OFF WHITE PLASTIC
31	097141-02-700	EA	KIT-TRACK TAMBOUR DOOR - W/ONE RIGHT & ONE LEFT TRACK
32	009021-01-000	EA	CATCH - GRILLE - NYLON
33	009021-02-000	EA	STRIKE - SPRING STEEL
34	102327-01-01A	EA	PULL-MIRROR - W/SQUARE HANDLE
35	125221-01-01A	EA	PULL - MIRROR - W/ROUND HANDLE
	004354-01-000	EA	BUMPER - RUBBER - .5" DIA - BROWN
	042438-01-000	EA	DOWEL - WOOD - CLOTHES ROD - 1" DIAMETER X 4'
	042438-06-000	EA	DOWEL - WOOD - 1.5" X 26" - OAK
	023320-01-000	EA	PAD - FELT 3/8" DIAMETER
	079921-01-000	EA	ROLLER - NYLON - W/STEEL SHAFT - BARBED
	084070-03-000	EA	POST - END - 2.4" - SHINY BRASS
	084071-23-000	EA	ROD - BRASS - 13.12"
	102194-01-000	EA	GUIDE - PLASTIC

INTERIOR FINISH GROUP (CONTINUED)

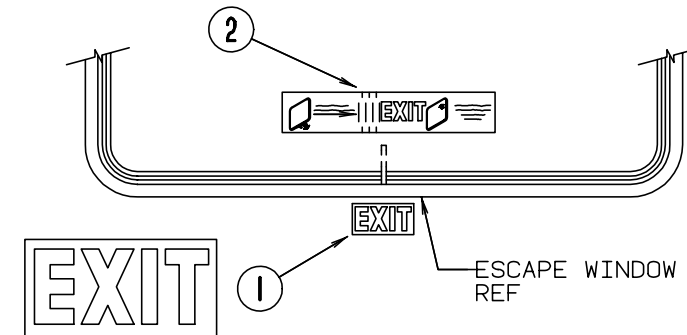
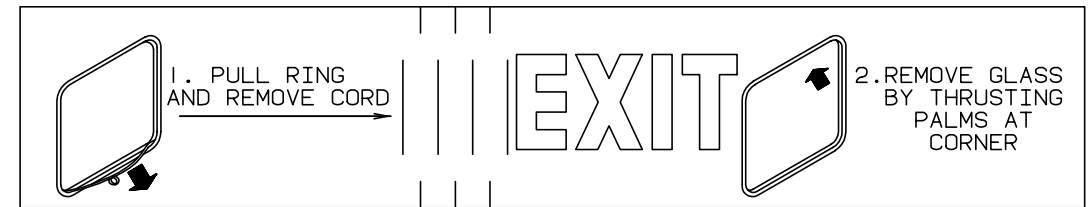
PANELING, PLASTIC LAMINATE & PARTICLE BOARD

KEY	PART NUMBER	U/M	DESCRIPTION
	000846-01-000	SF	PLYWOOD - 5/16" X 48" X 96" - CD GRADE
	000846-02-000	SF	PLYWOOD/UNDERLAYMENT - 5/16" X 48" X 96"
	000885-89-000	SF	PARTICLE BOARD-3/8" X 48" X 96" - WASHED MAPLE - 2-SIDED
	000885-91-000	SF	PARTICLE BOARD-3/4" X 48" X 96" - WASHED MAPLE - 2-SIDED
	000885-77-000	SF	PARTICLE BOARD-3/8" X 48" X 96"-WATERFORD OAK/VINYL 2 SIDE
	000885-79-000	SF	PARTICLE BOARD-3/4" X 48" X 96"-WATERFORD OAK/VINYL 2 SIDE
	057882-05-700	EA	TAMBOUR - 48" X 48" SHEET - UNFINISHED - WASHED MAPLE
	057882-04-700	EA	TAMBOUR - 48" X 48" SHEET - UNFINISHED - WATERFORD OAK
	074497-39-000	SF	PANELING - WASHED MAPLE - 4' X 8'
	074497-28-000	SF	PANELING - WATERFORD OAK - 48" X 96"
	074498-40-000	SF	LAMINATE - PLASTIC - OFF WHITE - 5' X 8' - INC OF 40 SF
	074498-62-000	SF	LAMINATE - PLASTIC - GREY FINESSE - 5' X 8' - INC OF 40SF
	074498-82-000	SF	LAMINATE - PLASTIC - WASHED MAPLE - 5' X 8' - INC OF 40 SF
	074498-77-000	SF	LAMINATE - PLASTIC - ART CABIN - 4' X 8'
	080215-13-000	SF	PANELING - 2 SIDED - WASHED MAPLE - .2" X 4' X 8'
	080215-10-000	SF	PANELING - 2 SIDED - WATERFORD - .2" X 48" X 96"
	088272-G1-000	SF	PANELING - PEBBLE EMBOSSED - ANTIQUE WHITE - 4' X 7'
	088272-G2-000	SF	PANELING - LA JOLLA/SEAMIST - 4' X 8'
	117267-D2-438	EA	LUMBER - VINYL WRAPPED - .7" X 1.5" X 96" - WATERFORD OAK
	126205-D2-438	EA	LUMBER - VINYL WRAPPED - .7" X 1.5" X 96" - WASHED MAPLE
	126205-E2-438	EA	LUMBER - VINYL WRAPPED - .7" X 2" X 96" - WASHED MAPLE
	117267-E2-438	EA	LUMBER - VINYL WRAPPED - .7" X 2" X 96" - WATERFORD OAK
	126205-G2-438	EA	LUMBER - VINYL WRAPPED - .7" X 3" X 96" - WASHED MAPLE
	117267-R2-438	EA	LUMBER - VINYL WRAPPED - .7" X 3" X 96" - WATERFORD OAK
	126205-J2-438	EA	LUMBER - VINYL WRAPPED - .7" X 5.5" X 96" - WASHED MAPLE
	117267-J2-438	EA	LUMBER - VINYL WRAPPED - .7" X 5.5" X 96" - WATERFORD OAK
	126339-01-000	SF	BOARD - WHEAT - 60" X 72"

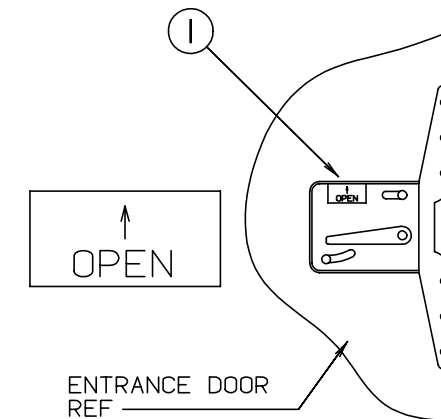
FIRE EXTINGUISHER, SMOKE DETECTORS & WALL CLOCK

KEY	PART NUMBER	U/M	DESCRIPTION	VENDOR NO.
	072852-01-000	EA	DETECTOR - SMOKE - W/9 VOLT BATTERY - US	
	072852-02-000	EA	DETECTOR - SMOKE - W/9/VOLT BATTERY - CANADIAN	
	094499-01-000	EA	EXTINGUISHER/FIRE - DRY W/MOUNTING BRACKET - 10 B:C	
	094499-02-000	EA	EXTINGUISHER/FIRE - DRY - 1A10BC - CANADIAN	
			FROM: 00-00-00 THRU: 02-24-98	
	094499-01-700	EA	BRACKET MTG. W/PLAS. STRAP	294039
			FROM: 00-00-00 THRU: 02-24-98	
	094499-03-000	EA	EXTINGUISHER/FIRE - DRY - 10B:C - W/O BRACKET	
			FROM: 02-25-98 THRU: 99-99-99	
	094499-04-000	EA	BRACKET - FIRE EXTINGUISHER	
			FROM: 02-25-98 THRU: 99-99-99	
	094499-01-701	EA	STRAP ONLY (METAL)	320351
	125136-01-000	EA	DETECTOR - CO - GAS - MODEL 9L-I	
	100793-02-01A	EA	CLOCK - WALL - QUARTZ/11" - BRASS	

LABELS GROUP

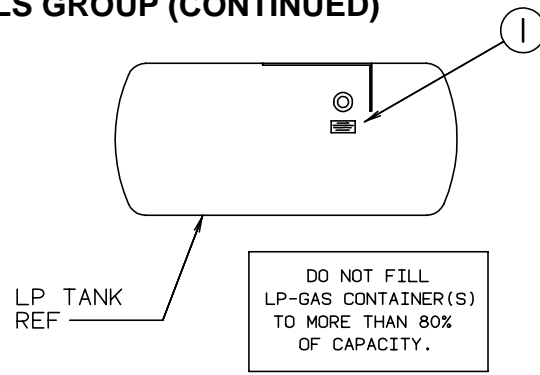


KEY	PART NUMBER	U/M	DESCRIPTION
1	039290-01-000	EA	LABEL - WARNING - EXIT
2	107571-01-000	EA	LABEL - ESCAPE EXIT - WINDOW

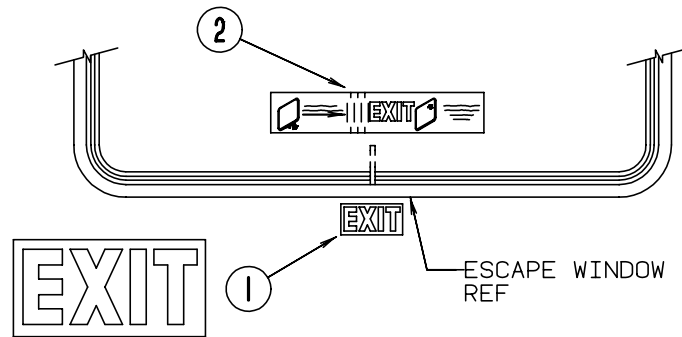
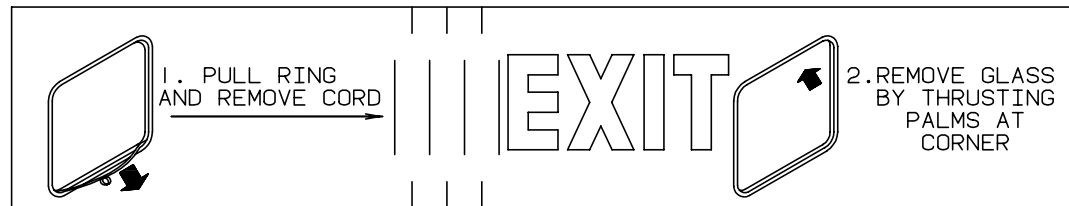


KEY	PART NUMBER	U/M	DESCRIPTION
1	040944-01-000	EA	LABEL - ENTRANCE DOOR - "OPEN"

LABELS GROUP (CONTINUED)



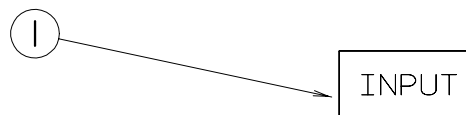
KEY	PART NUMBER	U/M DESCRIPTION
1	079965-01-000	EA LABEL - LPG - 80% CAPACITY



KEY	PART NUMBER	U/M DESCRIPTION
1	107571-01-000	EA LABEL - EXIT/ ESCAPE WINDOW

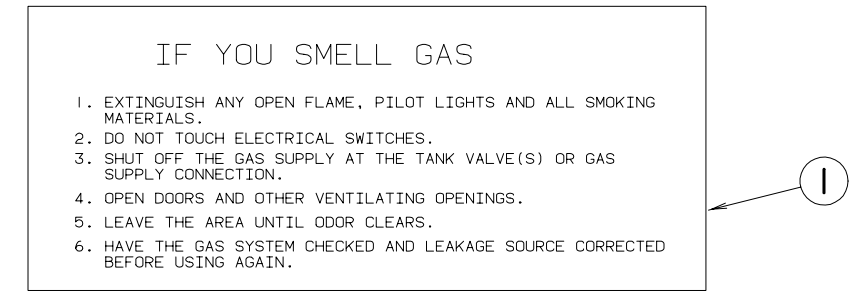
REMOVE PRIMARY TIRE HANGER BEFORE USING SPARE TIRE HOIST-SEE OWNERS MANUAL- PERSONAL INJURY MAY RESULT IF NOT FOLLOWED

KEY	PART NUMBER	U/M DESCRIPTION
1	126024-01-01A	EA LABEL - TIRE HANGER REMOVAL

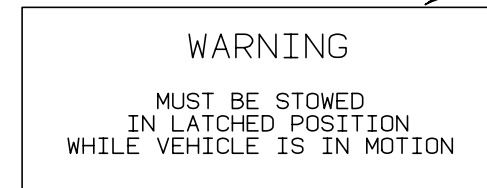


KEY	PART NUMBER	U/M DESCRIPTION
1	087236-01-000	EA LABEL - CABLE - INPUT

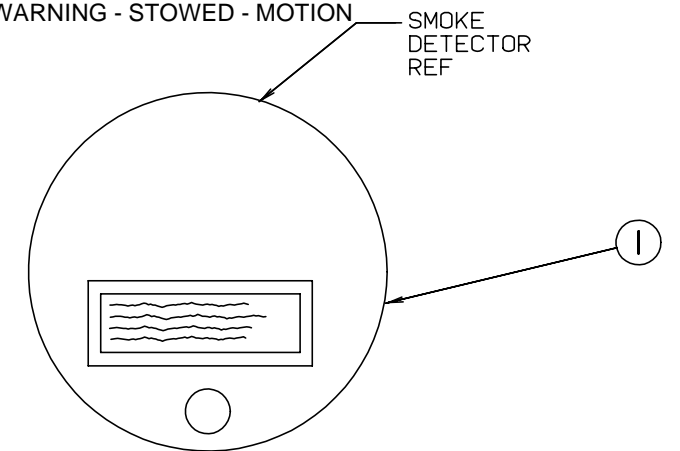
LABELS GROUP (CONTINUED)



KEY	PART NUMBER	U/M DESCRIPTION
1	073998-01-000	EA LABEL - LPG ODOR WARNING

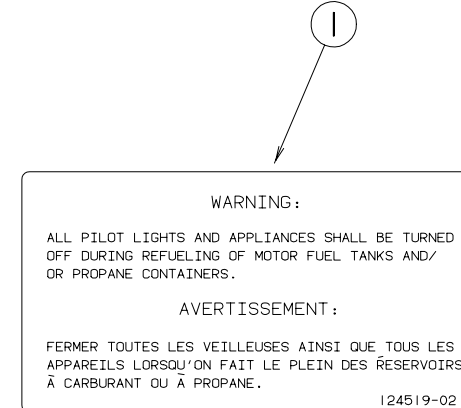


KEY	PART NUMBER	U/M DESCRIPTION
1	079966-01-000	EA LABEL - WARNING - STOWED - MOTION



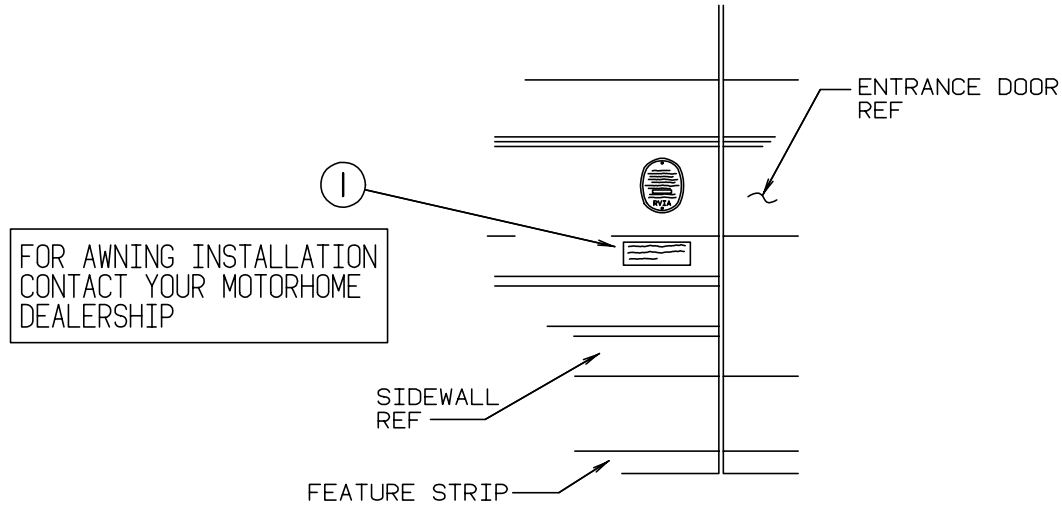
WARNING: TEST SMOKE DETECTOR OPERATION AFTER VEHICLE HAS BEEN IN STORAGE, BEFORE EACH TRIP AND AT LEAST ONCE PER WEEK DURING USE.

KEY	PART NUMBER	U/M DESCRIPTION
1	077956-01-000	EA LABEL - WARNING - SMOKE DETECTOR

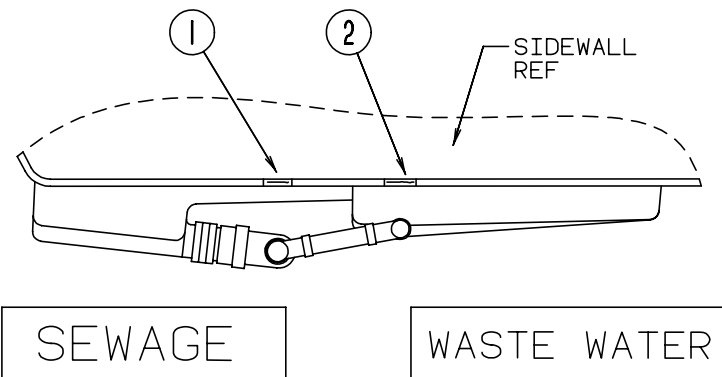


KEY	PART NUMBER	U/M DESCRIPTION
1	124519-02-02A	EA LABEL - WARNING/REFUELING - CSA

LABELS GROUP (CONTINUED)



KEY	PART NUMBER	U/M DESCRIPTION
1	099509-01-000	EA LABEL - AWNING INSTALLATION



KEY	PART NUMBER	U/M DESCRIPTION
1	006187-01-000	EA LABEL - SEWAGE
2	006188-01-000	EA LABEL - WASTE WATER

WARNING: CONTAINS "CFC" A SUBSTANCE WHICH HARMS PUBLIC HEALTH AND ENVIRONMENT BY DESTROYING OZONE IN THE UPPER ATMOSPHERE.

KEY	PART NUMBER	U/M DESCRIPTION
1	111802-01-000	EA LABEL - CFC WARNING

LABELS GROUP (CONTINUED)

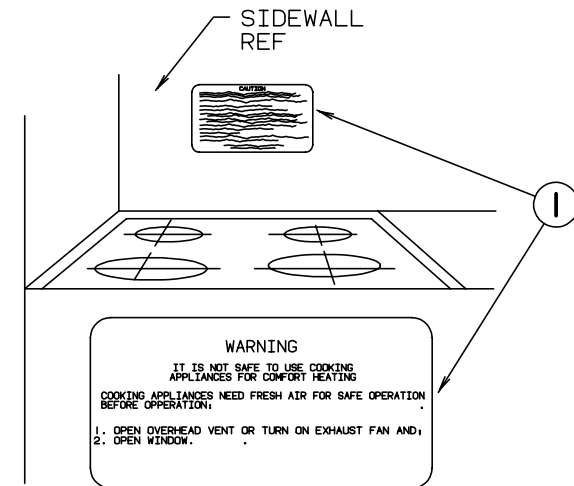
DO NOT USE HITCH BEFORE READING OWNERS MANUAL REGARDING VEHICLE LOADING AND TOWING

KEY	PART NUMBER	U/M DESCRIPTION
1	111104-01-000	EA LABEL - HITCH - READ MANUAL

NOTE: TUNE ANTENNA PER MANUFACTURER'S DIRECTIONS. FAILURE TO COMPLY COULD RESULT IN DAMAGE TO CB.

CB POWER PROVISION
 RED +12 V
 BLACK GROUND
 COAX ANTENNA
 (SEE REVERSE ALSO)

KEY	PART NUMBER	U/M DESCRIPTION
1	104678-01-000	EA LABEL - CB PREP



KEY	PART NUMBER	U/M DESCRIPTION
1	050225-01-000	EA LABEL - WARNING - STOVE VENT - US
1	050222-01-000	EA LABEL - WARNING - STOVE VENT - CSA

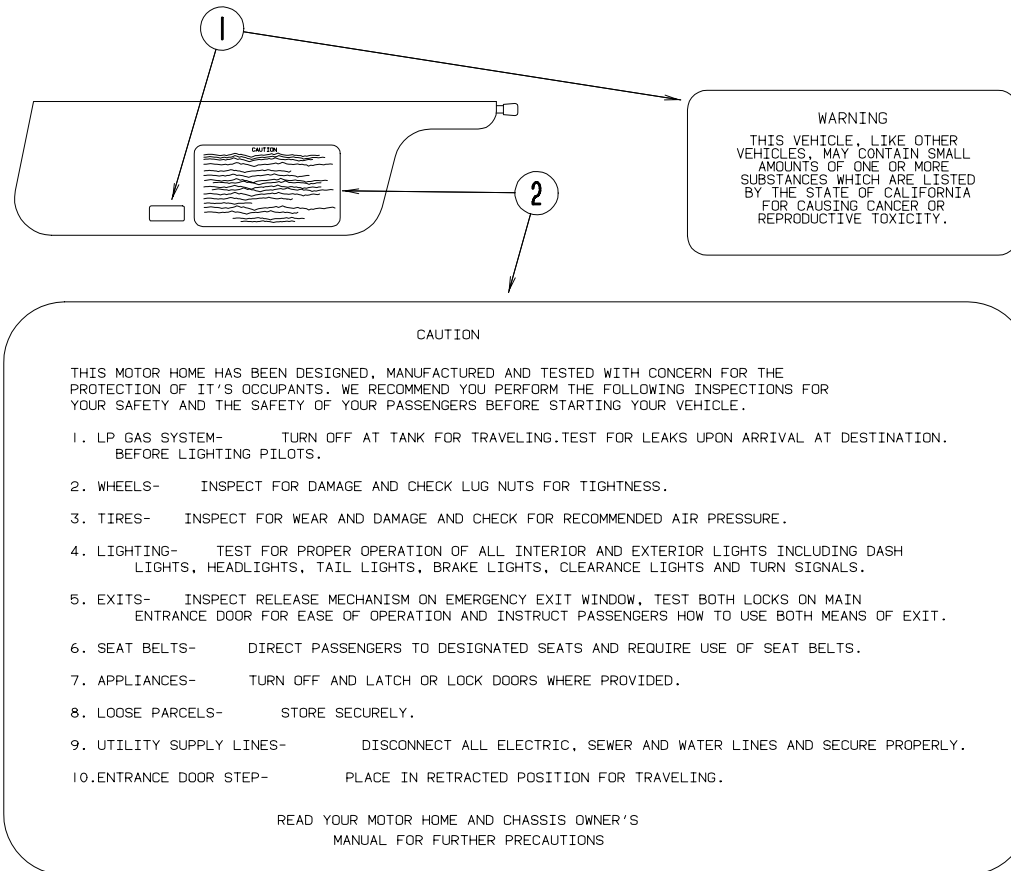
WARNING
 ROOF SURFACE MAY BE SLIPPERY ESPECIALLY WHERE MOISTURE IS PRESENT SLIPPING MAY RESULT IN PERSONAL INJURY.

KEY	PART NUMBER	U/M DESCRIPTION
1	128218-01-01A	EA LABEL - WARNING - ROOF SLIPPERY

LABELS GROUP (CONTINUED)

LP-GAS SYSTEM
 THIS GAS PIPING SYSTEM IS DESIGNED FOR USE OF LIQUIFIED PETROLEUM GAS ONLY. DO NOT CONNECT NATURAL GAS TO THIS SYSTEM.
 SECURE CAP INLET(S) WHEN NOT CONNECTED FOR USE AFTER TURNING ON GAS. EXCEPT AFTER NORMAL CONTAINER REPLACEMENT, TEST GAS PIPING AND CONNECTIONS TO APPLIANCES FOR LEAKAGE WITH SOAPY WATER OR BUBBLE SOLUTION. DO NOT USE PRODUCTS THAT CONTAIN AMMONIA OR CHLORINE.

KEY PART NUMBER U/M DESCRIPTION
 1 124520-01-02A EA LABEL - LP GAS ONLY



KEY PART NUMBER U/M DESCRIPTION
 1 099689-01-000 EA LABEL - WARNING - CANCER/TOXICITY
 2 056259-01-000 EA LABEL - SAFETY CHECK LIST

LABELS GROUP (CONTINUED)

A/C CIRCUIT 1	MAIN	MAIN	A/C CIRCUIT 2	GFI CIRCUIT 1	REFRIG/CONV	GFI CIRCUIT 2	MICROWAVE	APPLIANCE 1	APPLIANCE 2	GENERAL REFRS	WASHER DRYER
---------------	------	------	---------------	---------------	-------------	---------------	-----------	-------------	-------------	---------------	--------------

KEY PART NUMBER U/M DESCRIPTION
 1 095721-18-000 EA LABEL - CONTROL CENTER (50A) - CSA

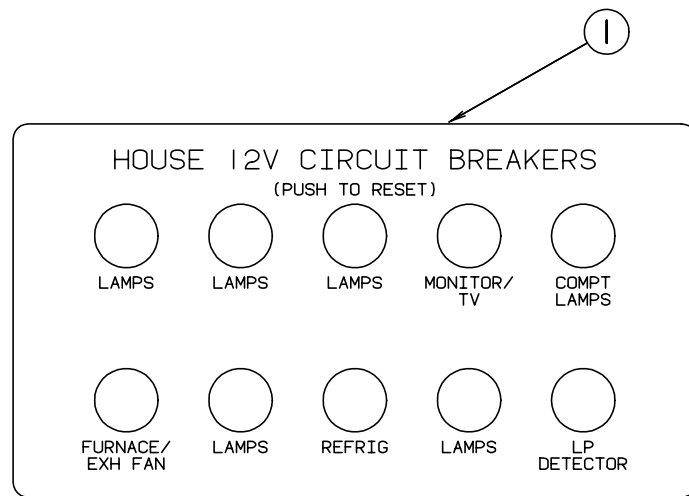
A/C CIRCUIT 1	MAIN	MAIN	A/C CIRCUIT 2	GFI CIRCUIT 1	REFRIG/CONV	GFI CIRCUIT 2	MICROWAVE	GENERAL REFRS	WASHER DRYER	DISHWASHER OR ICE MAKER	GENERAL REFRS
---------------	------	------	---------------	---------------	-------------	---------------	-----------	---------------	--------------	-------------------------	---------------

KEY PART NUMBER U/M DESCRIPTION
 1 095721-17-000 EA LABEL - CONTROL CENTER (50A) - US

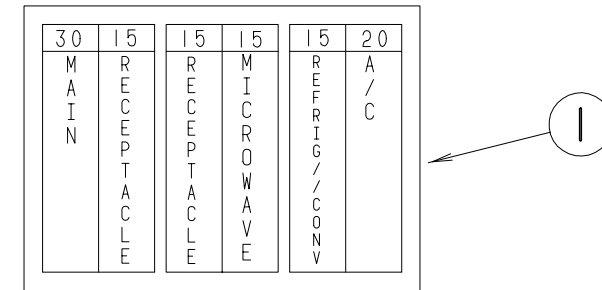
MISCELLANEOUS LABELS

KEY PART NUMBER U/M DESCRIPTION
 023769-01-000 EA LABEL - WARNING - LPG - CANADIAN
 091243-01-000 EA LABEL - A/C COVER "AIR CONDITIONING CIRCUIT ETC."
 093237-05-000 EA LABEL - CIRCUIT BREAKER - FRONT - TAG AXLE BRAKES
 094675-01-000 EA LABEL - EXTERIOR LIGHT SERVICE
 098379-04-000 EA LABEL - ELECTRICAL BOX - SIDE
 111537-05-000 EA LABEL - SLIDEOUT CONTROL
 111537-07-000 EA LABEL - FUSES
 113402-01-000 EA LABEL - CAUTION - WATER HEATER EXHAUST
 116549-01-000 EA LABEL - WARNING - SLIDEOUT

LABELS GROUP (CONTINUED)

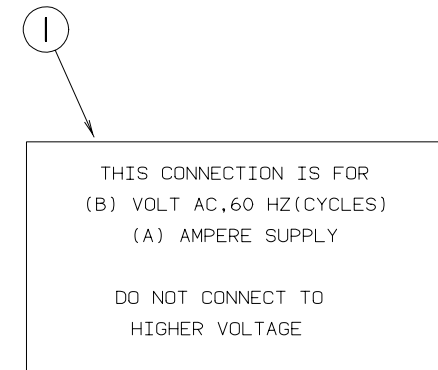
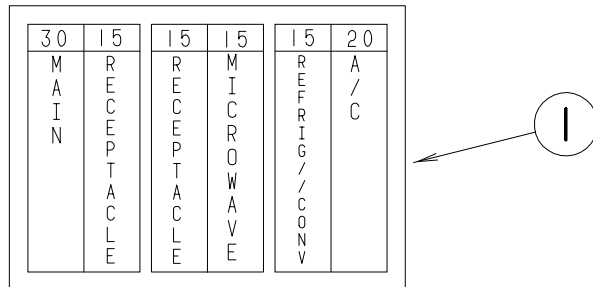


LABELS GROUP (CONTINUED)



KEY PART NUMBER U/M DESCRIPTION
1 095721-14-000 EA LABEL-CONTROL CENTER (30A)

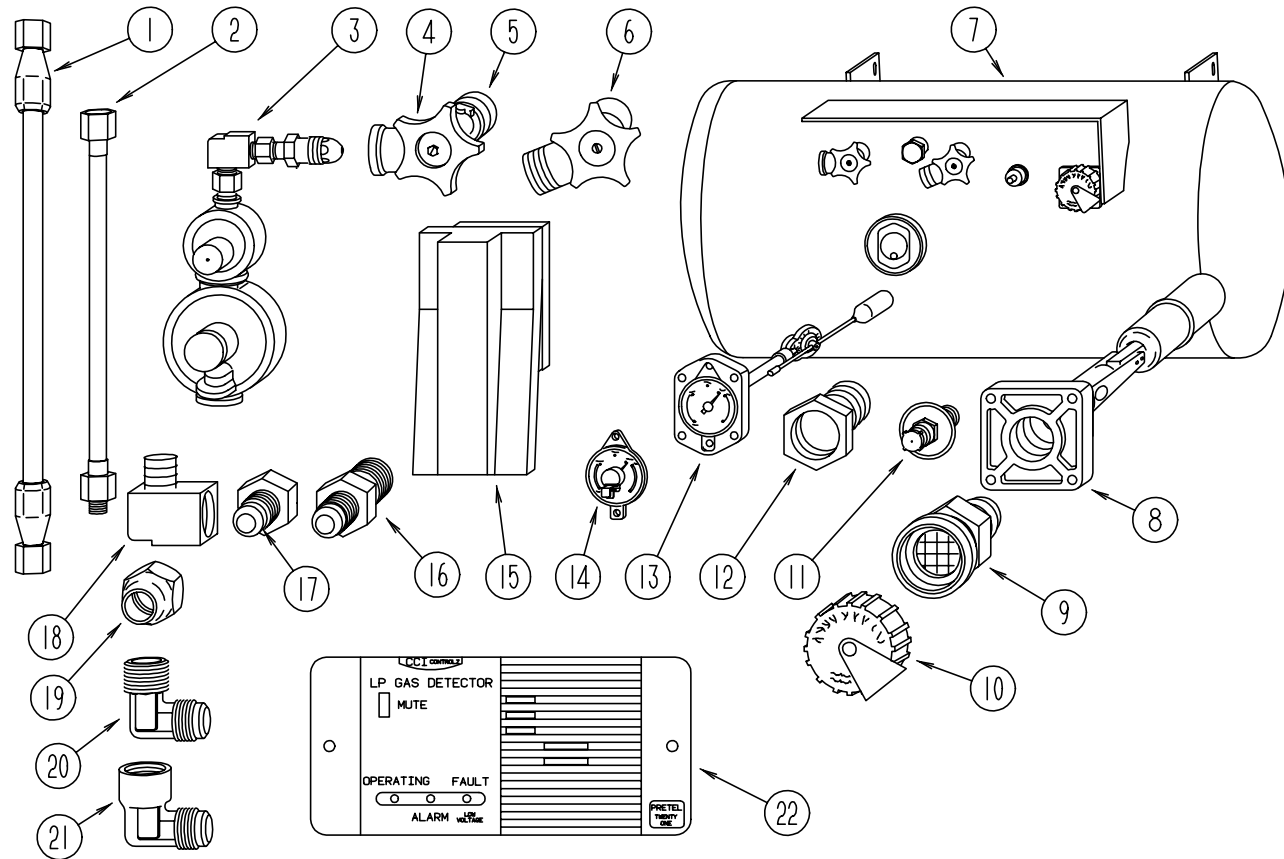
KEY PART NUMBER U/M DESCRIPTION
1 092547-06-000 EA LABEL-CIRCUIT BREAKER



KEY PART NUMBER U/M DESCRIPTION
1 125306-01-01A EA LABEL - ELECTRICAL ENTRANCE - 110VOLT 30AMP

KEY PART NUMBER U/M DESCRIPTION
1 095721-10-000 EA LABEL-CONTROL CENTER (30A) CSA

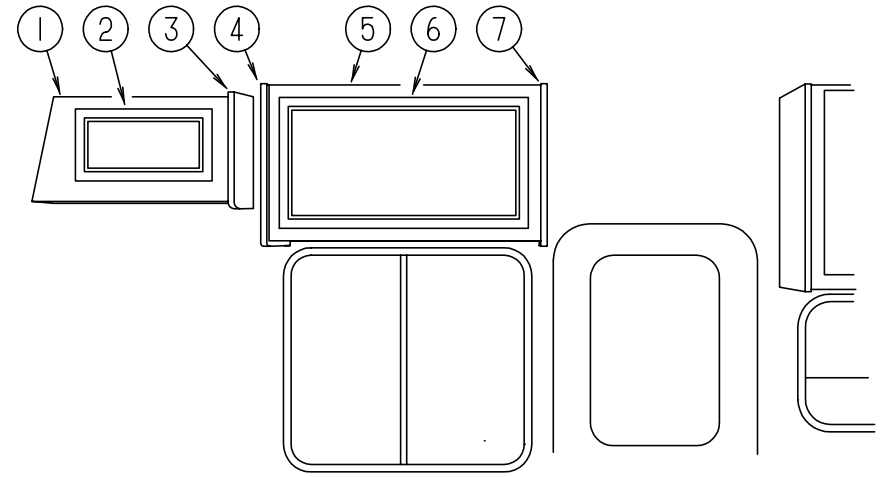
LP GROUP



LP TANK & COMPONENTS

KEY	PART NUMBER	U/M	DESCRIPTION	VENDOR NO.
1	045703-11-000	EA	HOSE - LP - 3/8"ID X 36" - 3/8"MPT X 3/8"F SWIVEL - UL/CSA	
2	045703-01-000	EA	HOSE - LP - 3/8"ID X 24" - 3/8"MPT X 1/2"F SWIVEL - U.S.	
2	045703-02-000	EA	HOSE - LP - 3/8"ID X 24" - 3/8"MPT X 1/2"F SWIVEL - CANADA	
3	106150-01-000	EA	REGULATOR - TWO STAGE - W/90 DEGREE ELBOW & 3/8" FPT OUTLET	
4	040421-01-708	EA	HANDWHEEL - SERVICE VALVE	G-1015-A
5	040421-01-712	EA	VALVE - SERV. W/O VAPOR RELIEF	29000853
6	040421-01-710	EA	VALVE - SERVICE - LIQUID (GENERATOR)	910145
7	088253-05-000	EA	TANK - LP - 130 LB - LIQUID DRAW	
7	088253-06-000	EA	TANK - LP - 130 LB (DIESEL GEN. OPTION)	
8	040421-01-711	EA	VALVE - 80% FILL W/AUTO STOP	LLL/TL3
9	040421-01-701	EA	VALVE - FILL - SHORT, LP	7547B
10	040421-01-702	EA	CAP - FILL VALVE - PLASTIC	G-1014-A
11	040421-01-700	EA	VALVE - LIQUID LEVEL - 20%	G-1013
12	040421-01-713	EA	VALVE - RELIEF 1" W/SPRING 7"	29000587
13	088253-01-700	EA	GAUGE - FLOAT ASSEMBLY - L.P.	16C
14	040440-02-000	EA	TRANSMITTER - DIAL - 0-90 OHM -2 TERMINAL (POWER & GROUND)	
15	105658-01-000	EA	COMPARTMENT - LP REGULATOR	
16	010323-01-000	EA	ADAPTER - BRASS - 3/8"F X 1/2"MPT	
16	010329-01-000	EA	ADAPTER - BRASS - 1/2" F X 1/2" MPT	
16	010326-01-000	EA	ADAPTER - FLARE - W/CONE GASKET - 3/8"FEMALE X 1/2"MALE	
17	024250-01-000	EA	ADAPTER - BRASS - 3/8"F X 1/2"FPT	
18	065318-02-000	EA	ELBOW - 90 DEGREE - 3/8" MPT TO 3/8" FPT	
19	010377-02-000	EA	NUT - BRASS - 3/8" FLARE - FORGED	
19	010380-02-000	EA	NUT - BRASS - 1/2" FLARE - FORGED	
20	010252-01-000	EA	ELBOW - BRASS - 90 DEGREE - 3/8"F X 1/2"MPT	
21	010265-01-000	EA	ELBOW - BRASS - 90 DEGREE - 3/8"F X 1/2"FPT	
22	103613-03-000	EA	DETECTOR - LP GAS - W/O SHUT-OFF VALVE	
	106871-01-000	EA	BUSHING - 1/2 X 1/4 - BLACK	
	106846-01-000	EA	VALVE - RELIEF (400 - 500 PSI)	

LOUNGE GROUP



PASSENGER SIDE FRONT OVERHEAD CABINETS

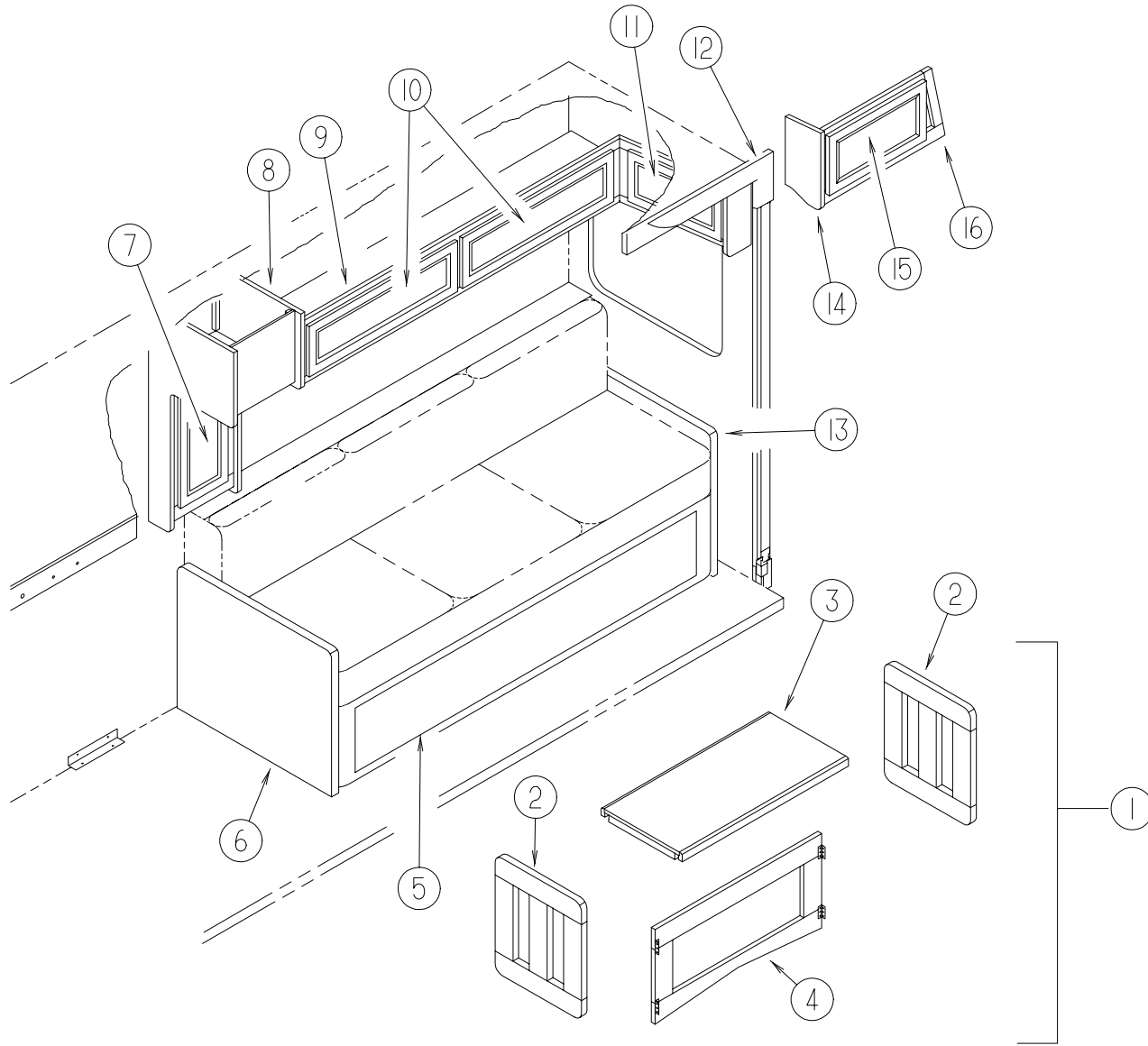
KEY	PART NUMBER	U/M	DESCRIPTION
1	126358-01-J52	EA	CABINET - OVERHEAD/FRONT/RIGHT HAND - W/O DOORS/HARDWARE (WASHED MAPLE)
1	126358-01-J53	EA	CABINET - OVERHEAD/FRONT/RIGHT HAND - W/O DOORS/HARDWARE (WATERFORD OAK)
2	M05992-L9-J52	EA	DOOR - STRAIGHT CORNER/OGEE EDGE - 10" X 29.5" - W/O HDW (WASHED MAPLE)
2	M05992-L9-J22	EA	DOOR - STRAIGHT CORNER/OGEE EDGE - 10" X 29.5" - W/O HDW (WATERFORD OAK)
3	103128-17-J52	EA	END CAP - OVERHEAD CABINET - RIGHT HAND (WASHED MAPLE)
3	103128-17-J20	EA	END CAP - OVERHEAD CABINET - RIGHT HAND (WATERFORD OAK)
4	103128-07-J52	EA	END CAP - OVERHEAD CABINET - LEFT HAND (WASHED MAPLE)
4	103128-38-J52	EA	END CAP - OVERHEAD CABINET - LEFT HAND (WASHED MAPLE)
4	103128-07-G15	EA	END CAP - OVERHEAD CABINET - LEFT HAND (WATERFORD OAK)
4	103128-38-G15	EA	END CAP - OVERHEAD CABINET - LEFT HAND (WATERFORD OAK)
5	M06838-AB-J52	EA	CABINET - OVERHEAD/FRONT/RIGHT HAND - W/O DOORS/HARDWARE (WASHED MAPLE)
5	M06838-AB-J52	EA	CABINET - OVERHEAD/FRONT/RIGHT HAND - W/O DOORS/HARDWARE (WATERFORD OAK)
5	104414-03-J52	EA	CABINET - OVERHEAD - FRONT/RIGHT HAND - W/O HARDWARE (WASHED MAPLE) (DELUXE SOUND)
5	104414-03-J22	EA	CABINET - OVERHEAD - FRONT/RIGHT HAND - W/O HARDWARE (WATERFORD OAK) (DELUXE SOUND)
	120975-11-J52	EA	SHELF - W/PLASTIC EDGE TRIM (WASHED MAPLE)
	120975-11-G35	EA	SHELF - W/PLASTIC EDGE TRIM (WATERFORD OAK)
6	M05992-M0-J52	EA	DOOR - STRAIGHT CORNER/OGEE EDGE - 15.5" X 29.5" - W/O HDW (WASHED MAPLE)
6	M05992-M0-J22	EA	DOOR - STRAIGHT CORNER/OGEE EDGE - 15.5" X 29.5" - W/O HDW (WATERFORD OAK)
7	103128-10-J52	EA	END CAP - OVERHEAD CABINET - RIGHT HAND (WASHED MAPLE)
7	103128-10-G15	EA	END CAP - OVERHEAD CABINET - RIGHT HAND (WATERFORD OAK)

ENTRANCE DOOR STEP

KEY	PART NUMBER	U/M	DESCRIPTION
	120234-04-H47	EA	LID - ENTRY STEP (OAK)
	120234-04-H40	EA	LID - ENTRY STEP (WHITE)
	122755-03-01A	EA	TILE - RUBBER/ENTRANCE DOOR - 17.7" X 26.4"
	101222-01-04A	EA	BRACKET - CATCH - LID
	116975-01-01A	EA	LATCH - W/O STRIKE - BLACK - NEW STYLE
	116975-02-01A	EA	KEEPER/STRIKE - BLACK - NEW STYLE

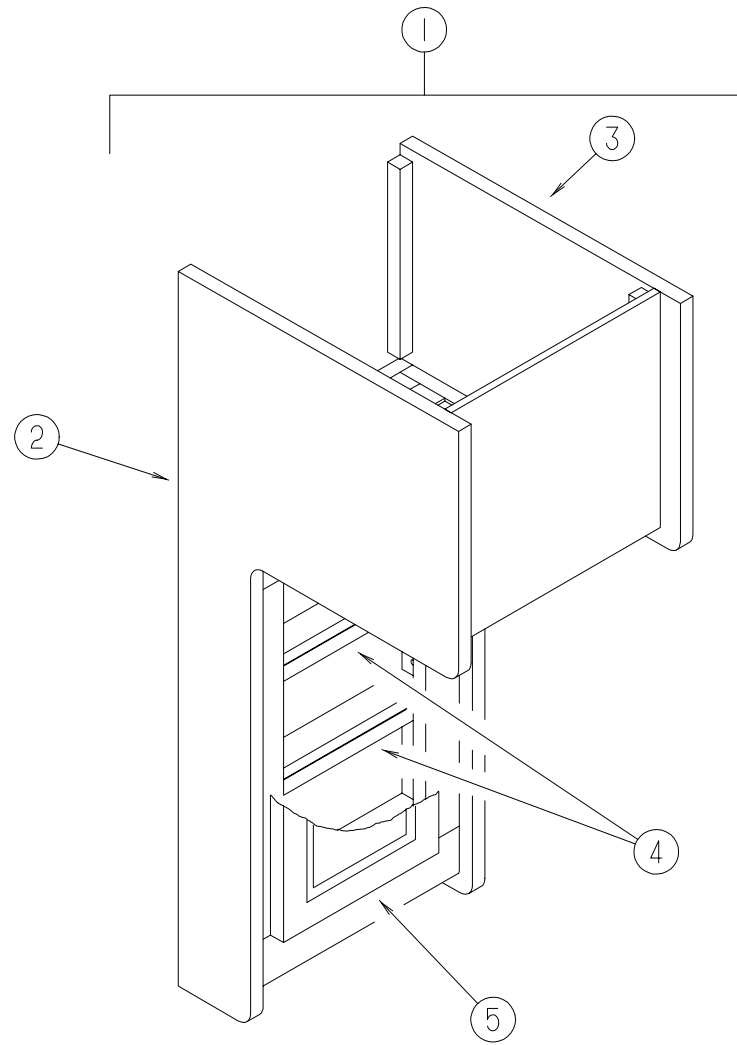
LOUNGE GROUP (CONTINUED)

DRIVER SIDE FRONT OVERHEAD CABINET WITH SLIDE OUT OVERHEAD CABINET OPTION



KEY	PART NUMBER	U/M	DESCRIPTION
1	116957-01-J70	EA	TABLE - FOLDING/COFFEE - COMPLETE (WASHED MAPLE)
1	116957-01-G15	EA	TABLE - FOLDING/COFFEE - COMPLETE (WATERFORD OAK)
2	116957-15-H23	EA	LEG ASSEMBLY - FOR NEW STYLE TABLE (WASHED MAPLE)
2	116957-15-F31	EA	LEG ASSEMBLY - FOR NEW STYLE TABLE (WATERFORD OAK)
3	116957-12-J70	EA	TABLE TOP - FOLDING (WASHED MAPLE)
3	116957-12-G15	EA	TABLE TOP - FOLDING (WATERFORD OAK)
4	116957-11-H23	EA	BRACE ASSEMBLY - FOR NEW STYLE TABLE (WASHED MAPLE)
4	116957-11-F31	EA	BRACE ASSEMBLY - FOR NEW STYLE TABLE (WATERFORD OAK)
	099856-01-000	EA	TIEDOWN - STRAP/TV - W/BUCKLE - 53.1" X 1" - WEBBING - BLK
5	120992-15-J52	EA	PANEL - FRONT KICK - SOFA/BED - FABRIC COVERED (J52,J53)
5	120992-15-J54	EA	PANEL - FRONT KICK - SOFA/BED - FABRIC COVERED (J54,J55)
5	120992-15-J56	EA	PANEL - FRONT KICK - SOFA/BED - FABRIC COVERED (J56,J57)
5	120992-14-J52	EA	PANEL - FRONT KICK - SOFA/BED - FABRIC COVERED (W/DROP TABLE) (J52,J53)
5	120992-14-J54	EA	PANEL - FRONT KICK - SOFA/BED - FABRIC COVERED (W/DROP TABLE) (J54,J55)
5	120992-14-J56	EA	PANEL - FRONT KICK - SOFA/BED - FABRIC COVERED (W/DROP TABLE) (J56,J57)
6	127840-01-J52	EA	PANEL - RIGHT END - SOFA/BED - FABRIC COVERED (J52,J53)
6	127840-01-J54	EA	PANEL - RIGHT END - SOFA/BED - FABRIC COVERED (J54,J55)
6	127840-01-J56	EA	PANEL - RIGHT END - SOFA/BED - FABRIC COVERED (J56,J57)
7	M05992-V9-J52	EA	DOOR - STRAIGHT CORNER/OGEE EDGE - 10" X 19.1" - W/O HDW (WASHED MAPLE)
7	M05992-V9-J22	EA	DOOR - STRAIGHT CORNER/OGEE EDGE - 10" X 19.1" - W/O HDW (WATERFORD OAK)
8	120975-02-J52	EA	CABINET - OVERHEAD SPEAKER - W/O DOORS/HARDWARE (WASHED MAPLE)
8	120975-02-J22	EA	CABINET - OVERHEAD SPEAKER - W/O DOORS/HARDWARE (WATERFORD OAK)
9	127823-01-J52	EA	CABINET - OVERHEAD/FRONT - W/O DOORS/HARDWARE (WASHED MAPLE)
9	127823-01-J53	EA	CABINET - OVERHEAD/FRONT - W/O DOORS/HARDWARE (WATERFORD OAK)
10	M05992-99-J52	EA	DOOR - MITERED CORNER/OGEE EDGE - 9.8" X 14.5" - W/O HDW (WASHED MAPLE)
10	M05992-99-J22	EA	DOOR - MITERED CORNER/OGEE EDGE - 9.8" X 14.5" - W/O HDW (WATERFORD OAK)
11	M05992-L9-J52	EA	DOOR - STRAIGHT CORNER/OGEE EDGE - 10" X 29.5" - W/O HDW (WASHED MAPLE)
11	M05992-L9-J22	EA	DOOR - STRAIGHT CORNER/OGEE EDGE - 10" X 29.5" - W/O HDW (WATERFORD OAK)
12	115811-19-J52	EA	OVERLAY - NOVEAU - 7.5" X 23.75" - RIGHT HAND (J52,J53) FROM: 00-00-00 THRU: 11-16-97
12	115811-19-JA2	EA	OVERLAY - NOVEAU - 7.5" X 23.75" - RIGHT HAND (J52,J53) FROM: 11-17-97 THRU: 99-99-99
12	115811-19-J54	EA	OVERLAY - NOVEAU - 7.5" X 23.75" - RIGHT HAND (J54,J55)
12	115811-19-J56	EA	OVERLAY - NOVEAU - 7.5" X 23.75" - RIGHT HAND (J56,J57)
13	127840-02-J52	EA	PANEL - LEFT END - SOFA/BED - FABRIC COVERED (J52,J53)
13	127840-02-J54	EA	PANEL - LEFT END - SOFA/BED - FABRIC COVERED (J54,J55)
13	127840-02-J56	EA	PANEL - LEFT END - SOFA/BED - FABRIC COVERED (J56,J57)
14	103128-18-J60	EA	END CAP - OVERHEAD CABINET - LEFT HAND (WASHED MAPLE)
14	103128-18-J20	EA	END CAP - OVERHEAD CABINET - LEFT HAND (WATERFORD OAK)
15	M05992-L9-J52	EA	DOOR - STRAIGHT CORNER/OGEE EDGE - 10" X 29.5" - W/O HDW (WASHED MAPLE)
15	M05992-L9-J22	EA	DOOR - STRAIGHT CORNER/OGEE EDGE - 10" X 29.5" - W/O HDW (WATERFORD OAK)
16	126301-01-J52	EA	CABINET - OVERHEAD/FRONT/LEFT HAND - W/O DOORS/HARDWARE (WASHED MAPLE)
16	126301-01-J53	EA	CABINET - OVERHEAD/FRONT/LEFT HAND - W/O DOORS/HARDWARE (WATERFORD OAK)

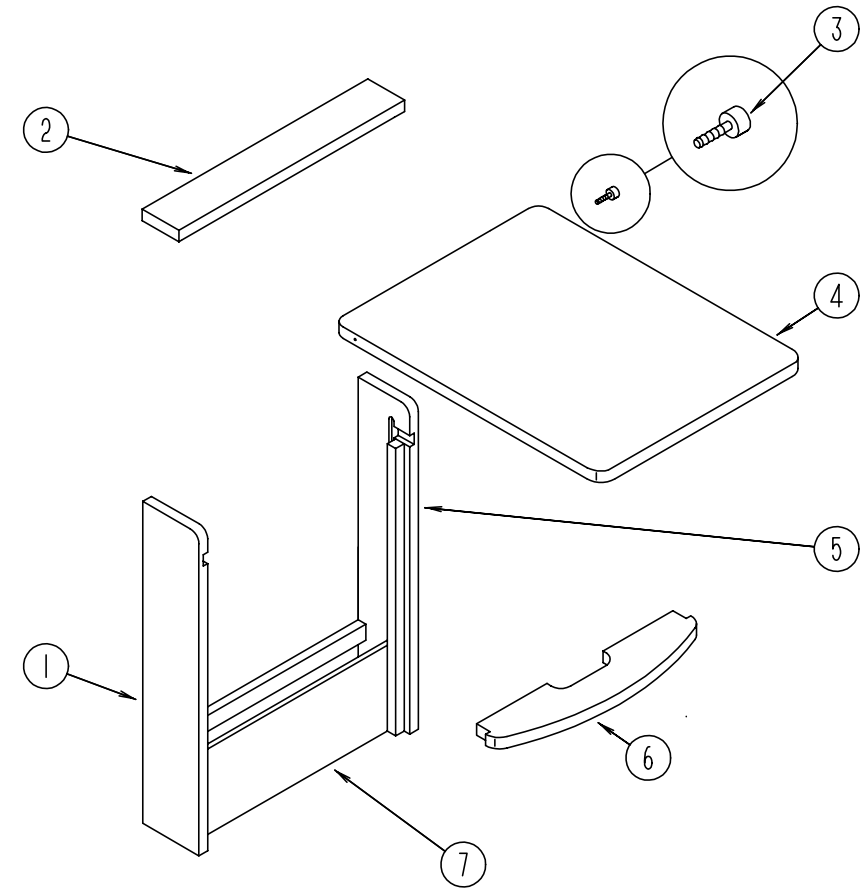
LOUNGE GROUP (CONTINUED)



SPEAKER CABINET

KEY	PART NUMBER	U/M	DESCRIPTION
1	120975-02-J52	EA	CABINET - OVERHEAD SPEAKER - W/O DOORS/HARDWARE (WASHED MAPLE)
1	120975-02-J22	EA	CABINET - OVERHEAD SPEAKER - W/O DOORS/HARDWARE (WATERFORD OAK)
2	120975-15-J52	EA	END CAP - OVERHEAD/LEFT HAND (WASHED MAPLE)
2	120975-15-J22	EA	END CAP - OVERHEAD/LEFT HAND (WATERFORD OAK)
3	120975-16-J52	EA	END CAP - OVERHEAD/RIGHT HAND (WASHED MAPLE)
3	120975-16-J22	EA	END CAP - OVERHEAD/RIGHT HAND WATERFORD OAK
4	120975-11-J52	EA	SHELF - W/PLASTIC EDGE TRIM (WASHED MAPLE)
4	120975-11-G35	EA	SHELF - W/PLASTIC EDGE TRIM (WATERFORD OAK)
5	M05992-V9-J52	EA	DOOR - STRAIGHT CORNER/OGEE EDGE - 10" X 19.1" - W/O HDW (WASHED MAPLE)
5	M05992-V9-J22	EA	DOOR - STRAIGHT CORNER/OGEE EDGE - 10" X 19.1" - W/O HDW (WATERFORD OAK)

LOUNGE GROUP (CONTINUED)



PULLOUT TABLE

KEY	PART NUMBER	U/M	DESCRIPTION
	P19559-02-J52	EA	CABINET - W/PULLOUT TABLE (WASHED MAPLE)
	P19559-02-J22	EA	CABINET - W/PULLOUT TABLE (WATERFORD OAK)
1	119559-12-J52	EA	CABINET/LEFT SIDE - F/DROP LEAF TABLE - 5.7" X 28.7" (WASHED MAPLE)
1	119559-12-G35	EA	CABINET/LEFT SIDE - F/DROP LEAF TABLE - 5.7" X 28.7" (WATERFORD OAK)
2	119559-18-J52	EA	TOP - F/CABINET/PULLOUT TABLE (WASHED MAPLE)
2	119559-18-J22	EA	TOP - F/CABINET/PULLOUT TABLE (WATERFORD OAK)
3	079921-01-000	EA	NYLON ROLLER W/ SHAFT
4	119559-21-J52	EA	TABLE TOP ONLY (WASHED MAPLE)
4	119559-21-J22	EA	TABLE TOP ONLY (WATERFORD OAK)
5	119559-11-J52	EA	CABINET/RIGHT SIDE - F/DROP LEAF TABLE - 5.7" X 28.7" (WASHED MAPLE)
5	119559-11-G35	EA	CABINET/RIGHT SIDE - F/DROP LEAF TABLE - 5.7" X 28.7" (WATERFORD OAK)
6	119559-19-J52	EA	SHELF - PULLOUT TABLE (WASHED MAPLE)
6	119559-19-J22	EA	SHELF - PULLOUT TABLE (WATERFORD OAK)
7	119559-20-J52	EA	PANEL - PULLOUT TABLE (WASHED MAPLE)
7	119559-20-J22	EA	PANEL - PULLOUT TABLE (WATERFORD OAK)
	080736-01-000	EA	PULL - RECESSED - 1.25" X 4" - OAK

SEALANTS & FASTENERS GROUP

SCREWS

KEY	PART NUMBER	U/M	DESCRIPTION
	0G3908-08-170	EA	SCREW - SF/DR - 8-18 X .50 PPH - BRIGHT WHITE
	0G3908-20-170	EA	SCREW - SF/DR - 8-18 X 1.25 PPH - BRIGHT WHITE
			FROM: 12-01-97 THRU: 01-25-98
	0G3908-24-170	EA	SCREW - SF/DR - 8-18 X 1.50 PPH - BRIGHT WHITE
			FROM: 01-26-98 THRU: 99-99-99
	0G5508-12-270	EA	SCREW - SF/DR - 8-18 X .75 PWH - TITANIUM
	000G11-05-08B	EA	SCREW - 5-20 X .50 PPH - ZINC
	000G11-06-08B	EA	SCREW - 6-20 X 1/2 PPH - ZINC
	000G11-06-06B	EA	SCREW - 6-20 X 3/8 PPH - ZINC
	000G11-06-10J	EA	SCREW - 6-20 X 5/8 PPH - BRASS
	000G11-06-10B	EA	SCREW - 6-20 X 5/8 PPH - ZINC
			FROM: 03-06-98 THRU: 99-99-99
	000G11-07-08B	EA	SCREW - 7-19 X 1/2 PPH - ZINC
	000G11-08-06B	EA	SCREW - 8-18 X 3/8 PPH - ZINC
	000G11-08-16S	EA	SCREW - 8-18 X 1 PPH - OFF WHITE
	000G11-08-12T	EA	SCREW - 8-18 X 3/4 PPH - BLACK
	000G11-08-12P	EA	SCREW - 8-18 X 3/4 PPH - DARK BROWN
	000G11-08-12P	EA	SCREW - 8-18 X 3/4 PPH - DARK BROWN
	000G11-08-12D	EA	SCREW - 8-18 X 3/4 PPH - BLACK
	000G11-08-12B	EA	SCREW - 8-18 X 3/4 PPH - ZINC
	000G11-08-08T	EA	SCREW - 8-18 X 1/2 PPH - FLUOROCARBON COATING
	000G11-08-08B	EA	SCREW - 8-18 X 1/2 PPH - ZINC
	000G11-08-20B	EA	SCREW - 8-18 X 1 1/4 PPH - ZINC
	000G11-10-16B	EA	SCREW - 10-16 X 1 PPH - ZINC
	000G11-10-12S	EA	SCREW - 10-16 X 3/4 PPH - OFF WHITE
	000G11-10-12D	EA	SCREW - 10-16 X 3/4 PPH - BLACK
	000G11-10-40B	EA	SCREW - 10-16 X 2 1/2 PPH CAD - 34927-01-000
	000G12-06-14A	EA	SCREW - 6-20 X .87 POH - PLAIN
	000G12-06-08T	EA	SCREW - 6-20 X 1/2 POH - BLACK
	000G13-06-08B	EA	SCREW - 6-20 X 1/2 PFH - ZINC
	000G13-06-24J	EA	SCREW - 6-20 X 1 1/2 PFH - BRASS
	000G13-06-16J	EA	SCREW - 6-20 X 1 PFH - BRASS
	000G13-06-10G	EA	SCREW - 6-20 X 5/8 PFH - ANTIQUE BRASS
	000G13-07-12B	EA	SCREW - 7-19 X 3/4 PFH - ZINC
	000G18-08-22B	EA	SCREW - MACHINE - 8-32 X 1 3/8 PPH - ZINC
	000G19-10-20B	EA	SCREW - MACHINE - 10-32 X 1 1/2 PPH - ZINC
	000G19-10-12F	EA	SCREW - MACHINE - 10-32 X 3/4 PPH - STAINLESS STEEL
	000G19-10-08B	EA	SCREW - MACHINE - 10-32 X 1/2 PPH - ZINC
	000G32-10-06B	EA	SCREW - 10-32 X 3/8 PPH - ZINC
	000G37-08-089	EA	SCREW - 8 X 18 X 1/2 PPH
			FROM: 03-02-98 THRU: 99-99-99
	000G39-06-10T	EA	SCREW - SF/DR - 6-20 X 5/8 PPH - BLACK
	000G39-06-08B	EA	SCREW - SF/DR - 6-18 X 1/2 - ZINC
	000G39-06-16T	EA	SCREW - SF/DR - 6-20 X 1 PPH - BLACK
	000G39-08-08S	EA	SCREW - SF/DR - 8-18 X 1/2 PPH - OFF WHITE
	000G39-08-08B	EA	SCREW - SF/DR - 8-18 X 1/2 PPH - ZINC
	000G39-08-06B	EA	SCREW - SF/DR - 8-18 X 3/8 PPH - ZINC
	000G39-08-24S	EA	SCREW - SF/DR - 8-18 X 1 1/2 - OFF WHITE
	000G39-08-24B	EA	SCREW - SF/DR - 8-18 X 1 1/2 PPH - ZINC
	000G39-08-16T	EA	SCREW - SF/DR - 6-20 X 1 PPH - BLACK
	000G39-08-16R	EA	SCREW - SF/DR - 8-18 X 1 PPH - BEIGE
	000G39-08-16B	EA	SCREW - SF/DR - 8-18 X 1 PPH - ZINC
	000G39-08-12T	EA	SCREW - SF/DR - 8-18 X 3/4 PPH - BLACK
	000G39-08-12B	EA	SCREW - SF/DR - 8-18 X 3/4 PPH - ZINC
	000G39-08-08T	EA	SCREW - SF/DR - 8-18 X 1/2 PPH - BLACK
	000G39-10-209	EA	SCREW - SF/DR - 10-16 X 1 1/4 PPH - FLUOROCARBON SILVER
	000G39-10-20B	EA	SCREW - SF/DR - 10-16 X 1 1/4 PPH - ZINC
	000G39-10-129	EA	SCREW - SF/DR - 10-16 X 3/4 PPH - FLUOROCARBON SILVER
	000G39-10-12D	EA	SCREW - SF/DR - 10-16 X 3/4 PPH - BLACK
	000G39-10-12B	EA	SCREW - SF/DR - 10-16 X 3/4 PPH - ZINC
	000G39-10-10B	EA	SCREW - SF/DR - 10-16 X 5/8 - ZINC
	000G39-10-088	EA	SCREW - SF/DR - 10-16 X 1/2 PPH - FLEX FLUOROCARBON
	000G39-10-08B	EA	SCREW - SF/DR - 10-16 X 1/2 PPH - ZINC

SEALANTS & FASTENERS GROUP (CONTINUED)

SCREWS (CONTINUED)

KEY	PART NUMBER	U/M	DESCRIPTION
	000G42-04-12B	EA	SCREW - SF/DR - 1/4-14 X 3/4 HWH - ZINC
	000G46-08-24T	EA	SCREW - MACHINE - 8-32 X 1 1/2 PFH - BLACK
	000G50-04-08B	EA	SCREW - MACHINE - 1/4-20 X 1/2 PTH - ZINC
	000G50-04-12B	EA	SCREW - MACHINE - 1/4-20 X 3/4 PPH - ZINC
	000G52-08-18B	EA	SCREW - MACHINE - 8-32 X 1 1/8 PTH - ZINC
	000G54-04-20B	EA	SCREW - 1/4-20 X 1.25 PTH - TYPE 23 - ZINC PLATED
	000G55-08-12S	EA	SCREW - SF/DR - 8-18 X 3/4 PWH - OFF WHITE
	000G55-08-16S	EA	SCREW - SF/DR - 8-18 X 1.00 - PWH - OFF WHITE
	000G55-08-12S	EA	SCREW - SF/DR - 8-18 X 3/4 PWH - WILLOW
	000G57-05-16J	EA	SCREW - 5-20 X 1 PFH - BRASS
	000G60-10-20B	EA	SCREW - SF/DR - 10-16 X 1 1/4 POH - ZINC
	000G60-10-28T	EA	SCREW - SF/DR - 10-16 X 1 3/4 - BLACK
	000G67-08-32B	EA	SCREW - 8-15 X 2 PPH - ZINC
	000G67-10-10B	EA	SCREW - 10-12 X 5/8 PPH - ZINC - TYPE A
	000G67-10-08B	EA	SCREW - 10-12 X 1/2 PPH - ZINC
	000G67-10-36T	EA	SCREW - 10-12 X 2 1/4 - PPH - BLACK
	000G67-10-24B	EA	SCREW - 10-12 X 1 1/2 PPH - ZINC
	000G67-10-16B	EA	SCREW - 10-12 X 1 PPH - ZINC
	000G67-10-120	EA	SCREW - 10-12 X 3/4 PPH - TAN
	000G67-10-12B	EA	SCREW - 10-12 X 3/4 PPH - ZINC
	000G67-10-10S	EA	SCREW - 10-12 X 5/8 PPH - OFF WHITE
	000G67-10-10P	EA	SCREW - 10-12X.62 PPH - DARK BROWN
	000G67-10-10D	EA	SCREW - 10-12 X 5/8 PPH - BLACK - TYPE A
	000G67-10-48B	EA	SCREW - 10-12 X 3 PPH - ZINC
	000G68-06-12S	EA	SCREW - 6-18 X 3/4 POH
	000G68-06-10G	EA	SCREW - 6-18 X 5/8 POH - ANTIQUE BRASS
	049465-01-000	EA	SCREW - 10-16 W/WASHER PTH - DARK BROWN
	049465-03-000	EA	SCREW - 10-16 X 1 POH W/WASHER - OFF WHITE
	054434-03-000	EA	SCREW - SF/DR - 10-16 X 2 - PWH - ZINC - W/O WINGS
	057671-01-000	EA	COVER - SCREW - #8 - PLASTIC - OFF WHITE
	057671-15-000	EA	COVER - SCREW - BRIGHT WHITE
	075908-01-000	EA	SCREW - MACHINE - 10-32 X .56 PTH - EXTERNAL TOOTH - ZINC
	076790-01-000	EA	SCREW - 6-20 X 1 1/4 PPH - BLACK
	076790-05-000	EA	SCREW - 6-20 X 1/2 PPH BLACK - THREADCUTTING - WOOD
	083554-01-000	EA	SCREW - DRYWALL - 8 X 1.25
	083554-04-000	EA	SCREW - DRYWALL - 8 X 2.50
	086256-01-000	EA	SCREW - SF/DR - 8 X 3/4 HWH LONG
	097974-01-000	EA	SCREW - PARTICLE BOARD - 7-9 X 3/4 PPH
	101618-01-000	EA	SCREW - 1/4-20 X 3/4 HEX - TAPPING - STALGARD TYPE F
	106477-01-000	EA	SCREW - 14 - 10 X 3.00 - PFH

SEALANTS & FASTENERS GROUP (CONTINUED)

ADHESIVE AND TAPE SEALERS

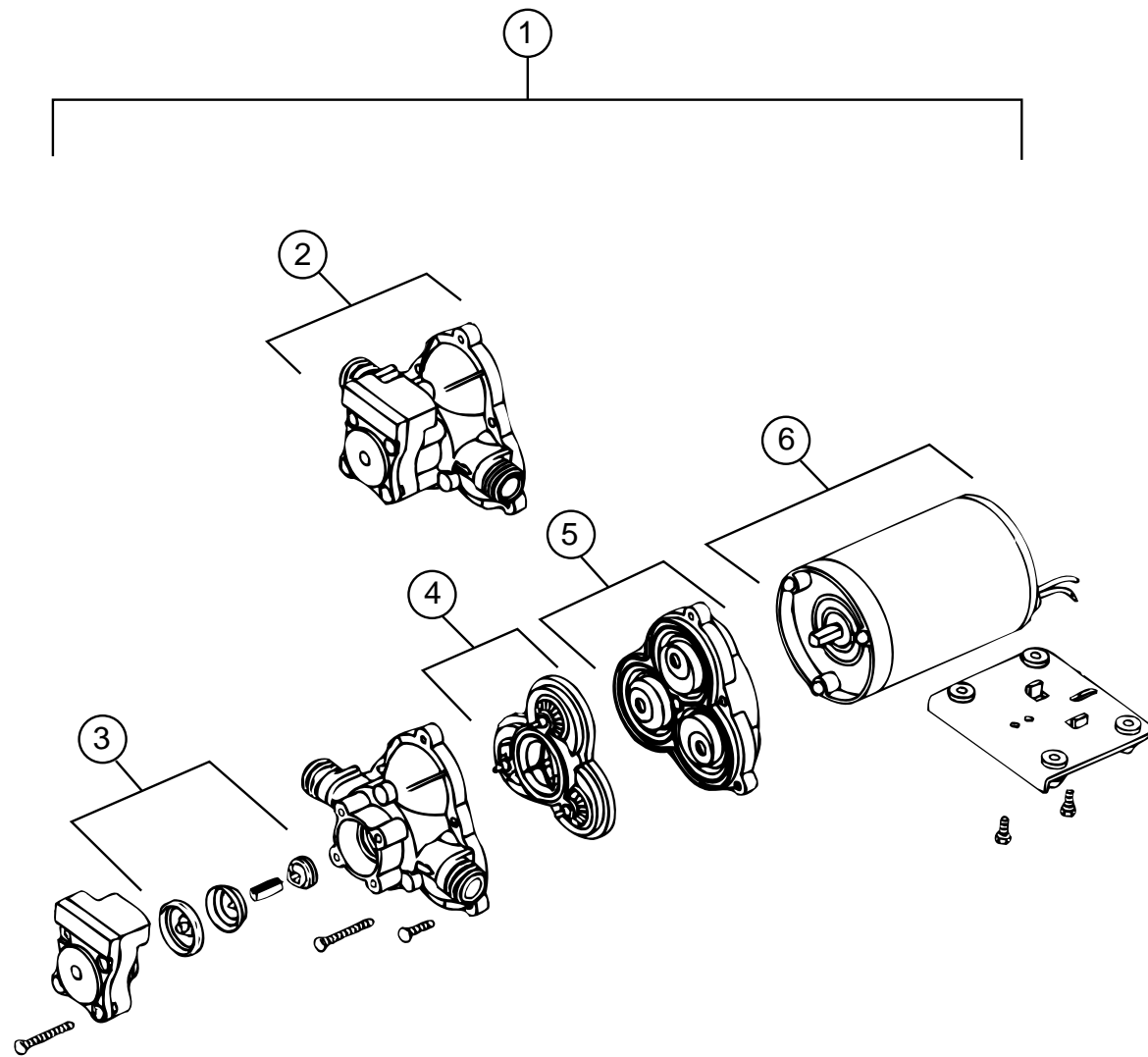
KEY	PART NUMBER	U/M	DESCRIPTION
	004006-05-700	EA	ADHESIVE-NAT. STARCH (5 GAL) 0802
	004363-01-000	FT	TAPE - ADHESIVE FOAM/1 SIDE - 3/16" X 1/2" X 50' - GRAY
	034552-02-000	EA	SILICONE - TUBE - 300 ML - W/O NOZZLE - CLEAR ALSO ORDER P.N.#900390-03-000 NOZZLE SEPARATELY
	034552-15-000	EA	SILICONE - TUBE - 300 ML - W/O NOZZLE - BRIGHT WHITE ALSO ORDER #900390-03-000 NOZZLE FROM: 00-00-00 THRU: 11-16-97
	039518-01-000	EA	SILICONE - TUBE - 300 ML - BLACK - W/O NOZZLE ALSO ORDER P.N.#900390-03-000 NOZZLE SEPARATELY
	053766-02-000	EA	BEDDING COMPOUND - TUBE - WHITE
	062917-03-000	EA	ADHESIVE - LOCTITE 242
	067788-01-000	EA	ADHESIVE - SPRAY - 3M - 19.5 AEROSOL CAN
	069640-01-000	FT	SEALER - RIBBON - 1/4" DIAMETER X 30' - BLACK
	069640-02-000	FT	SEALER - TAPE - .13"THICK X .5"WIDE X 60' - GRAY
	069640-03-000	FT	SEALER - TAPE - .13"THICK X .75"WIDE X 60' - BLACK
	069640-07-000	FT	SEALER - TAPE - .09"THICK X 2"WIDE X 45' - GRAY
	069640-09-000	FT	SEALER - TAPE - .032"THICK X 2.50"WIDE X 80' - GREY
	069640-11-000	FT	SEALER - TAPE - .19"THICK X .38"WIDE X 40' - BLACK
	069640-15-000	FT	SEALER - TAPE - .06"THICK X .38"WIDE X 80' - GREY
	069640-17-000	FT	SEALER - TAPE - .03"THICK X 1"WIDE X 90' - GRAY
	069640-18-000	FT	SEALER - TAPE - .50"THICK X 1/8"WIDE X 60' - BRIGHT WHITE
	069640-19-000	FT	SEALER - TAPE - .75"THICK X 1/8"WIDE X 60' - BRIGHT WHITE
	069640-21-000	FT	SEALER - TAPE - .50" X 1/16" X 100' - BRIGHT WHITE
	072889-09-000	EA	SEALANT - URETHANE - BLACK (TUBE)
	072889-10-000	EA	SEALANT - URETHANE (HV) - BRIGHT WHITE
	072889-11-000	EA	SEALANT - URETHANE - (TUBE) - GRAY
	072889-12-000	EA	SEALANT - URETHANE (LV) BRIGHT WHITE
	076322-01-000	FT	TAPE - DOUBLE COATED/ADHESIVE BACK - .025"THK X .75"W X 18'
	076322-05-000	FT	TAPE - DOUBLE COATED/ADHESIVE BACK - .045"THK X .75"W X 9'
	076322-05-000	FT	TAPE - DOUBLE COATED/ADHESIVE BACK - .045"THK X .75"W X 9'
	076322-07-000	FT	TAPE - DOUBLE COATED/ADHESIVE BACK - .045"THK X .50"W X 9'
	076322-07-000	FT	TAPE - DOUBLE COATED/ADHESIVE BACK - .045"THK X .50"W X 9' FROM: 00-00-00 THRU: 04-12-98
	087211-01-000	GL	PROMOTER - ADHESIVE
	088479-01-000	EA	TAPE - ALUMINUM - 3"
	102352-01-000	EA	SEALER - PUMPABLE - BLACK
	102352-02-000	EA	SEALER - PUMPABLE - CLEAR
	106206-01-000	EA	SEALER - PUMPABLE - MANUS 30A - BLACK
	107828-01-000	EA	SEALANT - SB - 190 EVERSEAL
	108716-03-000	EA	SILICONE - TUBE - BRIGHT WHITE/SELF LEVELING - W/O NOZZLE
	110274-01-000	FT	TAPE - DOUBLE SIDED FOAM - .45" X 1"
	111940-02-000	LB	SEALER - PUTTY - THUMBING FROM: 03-08-98 THRU: 99-99-99
	112864-01-000	FT	SEAL - FOAM/BUTYL COVERED - 3/8" USED BETWEEN SIDEWALL & FLOOR, ALSO USED BETWEEN STEEL COMPARTMENT COMPONENTS
	112901-02-000	EA	ADHESIVE - PLEXUS - 50ML
	120074-02-01A	EA	SEALANT - SILICONE - OFF WHITE
	120534-01-01A	EA	TAPE - SCOTCH - 3M - 1/2" FINE LINE
	123244-01-000	FT	TAPE - DOUBLE SIDED FOAM 5/64" THICK X .75" WIDE
	123816-01-000	FT	TAPE - DOUBLE SIDED - 1"
	123816-02-000	FT	TAPE - DOUBLE SIDED - 1/2" X 35 MIL THICK
	123816-03-000	FT	TAPE - DOUBLE SIDED - 1/2" X 20 MIL THICK
	900390-01-000	EA	TIP - 2 1/2" X 1/8" ORIFICE
	900390-03-000	EA	NOZZLE - SILICONE TUBE

SEALANTS & FASTENERS GROUP (CONTINUED)

CLAMPS, CLIPS, & GROMMETS

KEY	PART NUMBER	U/M	DESCRIPTION
	000F10-04-16B	EA	PIN - COTTER - 1/8" X 1" - ZINC
	000F10-06-32B	EA	PIN - COTTER - 3/16" X 2" - ZINC FROM: 02-22-98 THRU: 99-99-99
	000H14-04-04A	EA	RIVET - MANDREL BLIND - 1/8 X .400
	000H16-04-06R	EA	RIVET - POP ALUMINUM - 1/8 X .313 - .375
	000H16-06-10R	EA	RIVET - POP ALUMINUM - 3/16 X .501-.625
	007161-01-000	EA	CLAMP - HOSE - SPRING TYPE - 1/2"
	008380-01-000	EA	GROMMET - RUBBER - 5/8" HOLE X 1 1/2" DIAMETER - BLACK
	010495-01-000	EA	CLAMP - CABLE - 9/16"
	010497-01-000	EA	CLAMP - CLOSED - 5/8" ID
	010497-03-000	EA	CLAMP - CLOSED - 1" ID - CUSHIONED
	010497-04-000	EA	CLAMP - CLOSED - 1.62" ID
	010497-05-000	EA	CLAMP - CLOSED - 1/2 ID
	010499-01-000	EA	CLAMP - CLOSED - 3/8 ID
	016188-05-000	EA	GROMMET - L/P LINE - 3/8" HOLE X 1 1/4" LONG - RUBBER
	023942-01-000	EA	GROMMET - RUBBER - 2" OD
	062401-01-000	EA	CLAMP - HOSE - WORMGEAR - .25" - 1"
	062401-02-000	EA	CLAMP - HOSE - WORMGEAR - 1.56" - 2.5"
	062401-04-000	EA	CLAMP - HOSE - WORMGEAR - .69" - 1.25"
	062401-05-000	EA	CLAMP - HOSE - WORMGEAR - 2" TO 3" ID
	062401-06-000	EA	CLAMP - HOSE - WORMGEAR - .22" - .62" ID
	071015-11-000	EA	GROMMET - 1.00 ID - FITS .12 MATERIAL
	071015-19-000	EA	GROMMET - .38 ID - FITS .06 MATERIAL
	071015-29-000	EA	GROMMET - RUBBER - .25 ID X 1.25 OD W .12 GROOVE - BLK
	071015-30-000	EA	GROMMET - RUBBER - .31" ID X .81" OD W/.12" GROOVE - BLK
	080734-02-000	EA	CLIP - WIRE NYLON
	083609-01-000	EA	CLAMP - WIRE - DUAL - EQUAL DIAMETERS - 5/8"
	083610-01-000	EA	CLAMP - WIRE - DUAL - UNEQUAL DIAMETERS - 3/4" & 1 1/4"
	083610-02-000	EA	CLAMP - WIRE - DUAL - UNEQUAL DIAMETERS - 3/4" & 2"
	083610-03-000	EA	CLAMP - DUAL WIRE
	088756-01-000	EA	GROMMET - WEB - 1 1/8" I.D.
	091952-01-000	EA	CLIP - GRIPPER - 1"
	094362-02-000	EA	CLIP - XMAS TREE - BINDER HEAD - .9" LONG

WATER & SEWAGE GROUP



WATER PUMP (SHURFLOW)

KEY	PART NUMBER	U/M DESCRIPTION	VENDOR NO.
1	098607-01-000	EA PUMP - WATER - W/.5" MPT FITTING - FLOW 2.8 GPM	
2	098607-01-706	EA HOUSING - W/SWITCH ONLY	94-231-20
3	098607-01-705	EA CHECK VALVE - KIT	94-237-00
4	098607-01-703	EA VALVE KIT	94-232-00
5	098607-01-702	EA DIAPHRAGM/DRIVE ASSEMBLY KIT	94-238-04
6	098607-01-707	EA MOTOR W/BASEPLATE	94-235-03

FRESH WATER TANK

KEY	PART NUMBER	U/M DESCRIPTION
	120291-03-000	EA TANK - WATER - 90 GALLON - W/FITTINGS
	120291-01-000	EA TANK - WATER - 90 GALLON - W/O FITTINGS
	123243-01-000	EA TANK - ACCUMULATOR - 24 OZ
	042989-03-000	EA FITTING - WATER TANK - SPINWELD - 1 1/4"NPT - PLASTIC
	042989-05-000	EA FITTING - WATER TANK - SPINWELD - 1/2"FPT - PLASTIC
	049032-01-000	EA PATCH - SPINWELD - 3/8" - PLASTIC
	039861-01-000	EA SENDING UNIT W/SCREW - WASHER
	091208-01-000	EA WASHER - RUBBER - .06" X .75" X .5"
	077954-02-000	EA FILTER - WATER TANK - W/SCREEN IN TANK

WATER & SEWAGE GROUP (CONTINUED)

WATER SYSTEM COMPONENTS (FLAIR-IT)

KEY	PART NUMBER	U/M DESCRIPTION
	114428-01-000	EA TEE - 1/2"P X 1/2"P X 1/2"P
	114428-02-000	EA TEE - SWIVEL - 1/2"P X 1/2"P X 1/2"FPT
	114428-03-000	EA TEE - 1/2"P X 1/2"P X 1/2"MPT
	114429-01-000	EA ELBOW - 1/2"P X 1/2"P
	114429-02-000	EA ELBOW - 1/2"P X 1/2"MPT
	114429-03-000	EA ELBOW - SWIVEL - 1/2"P X 1/2"FPT
	114430-02-000	EA ADAPTER - SWIVEL - 1/2"P X 1/2"FPT
	114430-03-000	EA ADAPTER - 1/2"P X 1/2"MPT
	114430-06-000	EA ADAPTER - 1/2"P X 3/8"FPT
	114431-02-000	EA VALVE - WATER BYPASS - 1/2"P - THREE WAY (WATER HEATER)
	114431-03-000	EA VALVE - 90 DEGREE DRAIN - 1/2"P
	114431-04-000	EA VALVE - "INLINE SHUT-OFF" - 1/2"P

WATER SYSTEM COMPONENTS

KEY	PART NUMBER	U/M DESCRIPTION	VENDOR NO.
	701069-01-000	EA WATER PURIFICATION SYSTEM	
	701069-03-700	EA CARTRIDGE RELACEMENT	9592-06
	079381-01-000	FT TUBING - SMOOTH FLEXIBLE - 1 3/8"ID X 10'	
	039800-04-000	FT TUBING - POLYBUTYL - 1/4"OD	
	112176-01-000	FT TUBING - VINYL - REINFORCED - 1/2" ID	
	124188-01-000	FT TUBING - PEX - 1/2" ID X 20' - BLUE	
	124188-02-000	FT TUBING - PEX - 1/2" ID X 20' - RED	
	110438-02-000	EA VALVE - CHECK - BRASS - 1/2 MPT X 1/2 MPT	
	010219-01-000	EA ELBOW - 1 1/4 MPT X 1 1/4 BARB - WATER FILL - PLASTIC	
	123150-01-000	EA ELBOW - 1/2 FPT X 1/2 BARB - SWIVEL	
	123152-01-000	EA ADAPTER - 1/2 FPT X 1/2 BARB - SWIVEL	
	118051-01-02B	EA BRACKET - FAUCET SUPPORT - E-COAT	
	113697-01-000	EA CAP - 3/8 FTG	
	010224-01-000	EA ADAPTER - HOSE TO PIPE - 3/8 MPT X 3/8 BARB - PLASTIC	
	044927-01-000	EA ADAPTER - HOSE TO PIPE - 1 1/4 MPT X 1 1/4 BARB - BLACK PLASTIC	
	111888-01-000	EA FERRULE - PLASTIC - .250 ID X .375 OD	
	111888-02-000	EA INSERT - BRASS - 1/4 COMP	
	118423-01-000	EA FITTING - BRASS-TEE - 1/4C X 1/4C X 1/4C	
	120868-01-000	EA VALVE - NEEDLE - 1/4" COMPRESSION X 1/4" COMPRESSION	
	010230-06-000	EA FILL - CITY WATER - W/CHECK VALVE - MPT	

EXTERIOR SHOWER COMPONENTS

KEY	PART NUMBER	U/M DESCRIPTION
	103092-01-000	EA SHOWER HEAD - W/ 60" HOSE (US)
	103092-02-000	EA SHOWER HEAD - W/ HOSE (CSA)
	104044-01-000	EA BRACKET - SUPPORT - FAUCET
	103092-01-701	EA BRACKET (FOR SHOWER HEAD) BONE
	075241-05-000	EA FAUCET/SHOWER - BONE 3/4" MPT X 1.4" LONG INLET PIPES

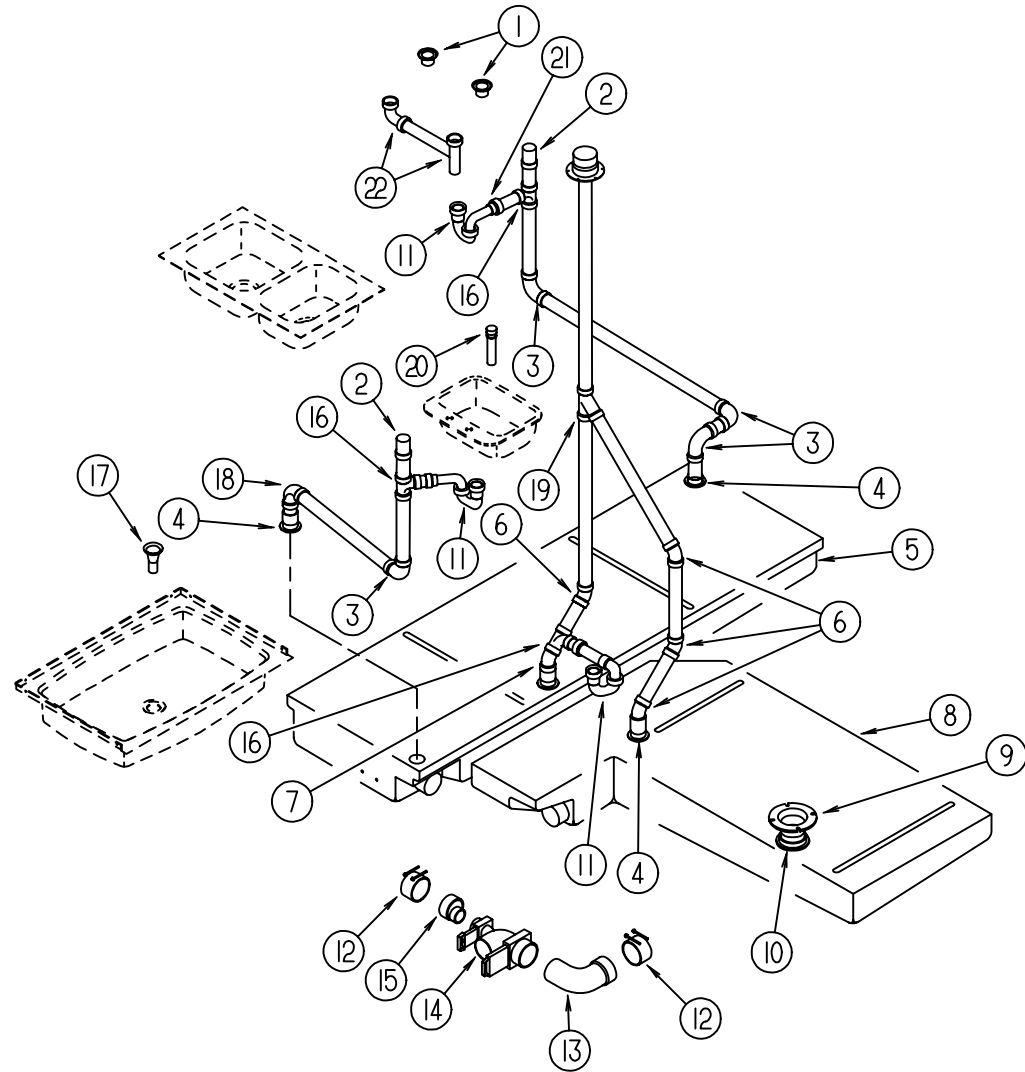
WATER HEATER G6A-8E ELECTRONIC IGNITION

KEY	PART NUMBER	U/M DESCRIPTION
*	051391-03-000	EA WATER HEATER G6A-8E ELECTRONIC IGNITION

*COMPONENT PARTS FOUND IN SERVICE PARTS LIBRARY

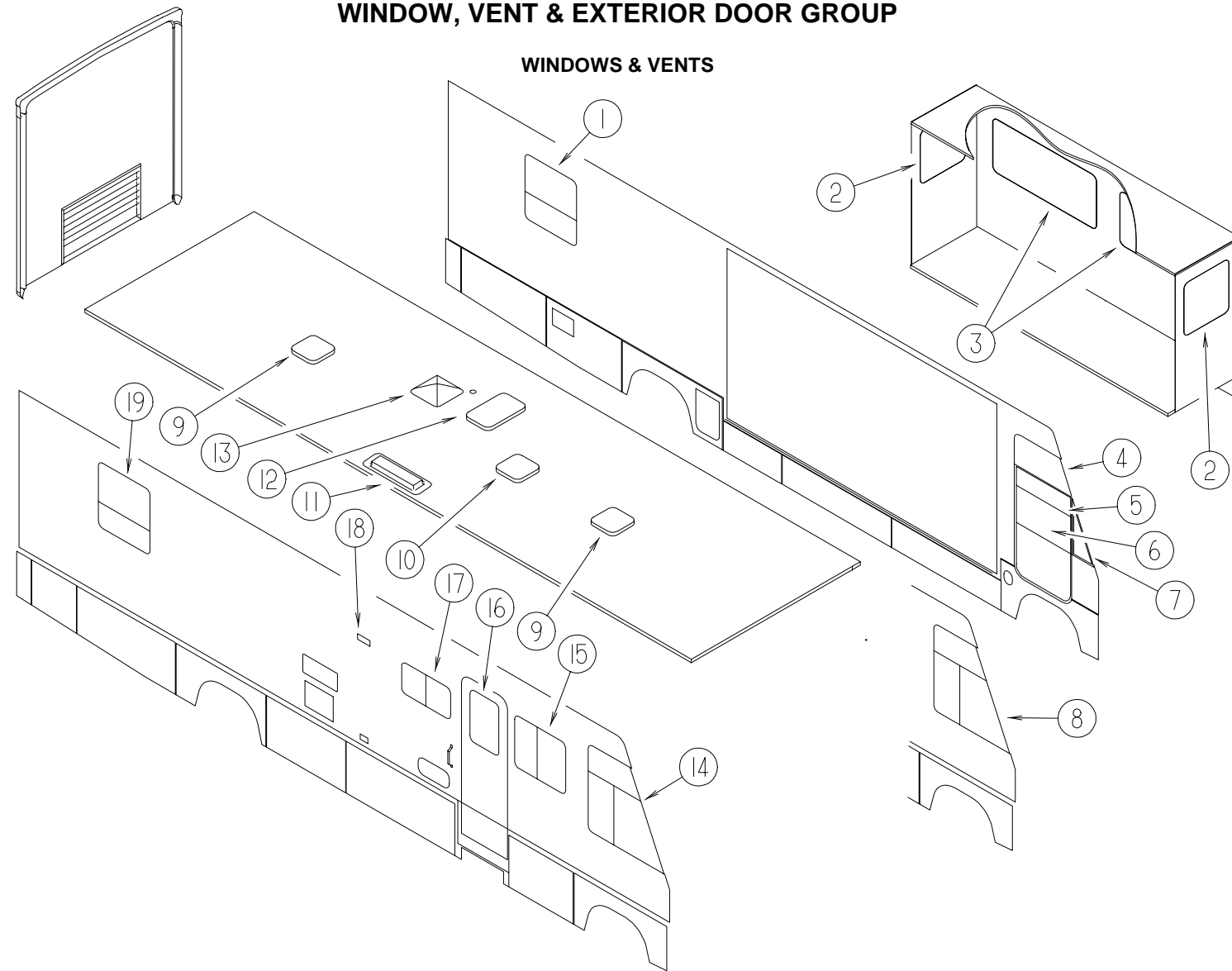
WATER & SEWAGE GROUP (CONTINUED)

DRAINAGE SYSTEM



KEY	PART NUMBER	U/M	DESCRIPTION	VENDOR NO.
1	092303-01-000	EA	STRAINER - SINK	
2	079968-01-000	EA	VENT - MECHANICAL/TRAP ARM - ANTI-SIPHON - 2" X 7.3" PLASTIC	
3	010008-01-000	EA	ELBOW - 90 DEGREE - 1 1/2" HUB X HUB - PLASTIC	
4	061607-01-000	EA	GROMMET - HOLDING TANK - 1 1/2" NPS	
5	010115-01-000	EA	COUPLING - 1 1/2" HUB X HUB - PLASTIC	
5	121385-01-700	EA	TANK - HOLDING - 53 GALLON W/3" OUTLET NIPPLE	
6	010006-01-000	EA	ELBOW - 45 DEGREE - 1 1/2" HUB X HUB - PLASTIC	
7	010051-01-000	EA	ELBOW - 45 DEGREE - 1 1/2" SPIGOT & HUB - PLASTIC	
8	124893-01-000	EA	TANK - HOLDING - 48 GALLON	
9	116644-01-000	EA	FLANGE - CLOSET - 4" X 3"	
10	061607-02-000	EA	GROMMET - HOLDING TANK - 3" NPS	
11	107538-01-000	EA	P TRAP - PLASTIC - 1 1/4" W/EXTENSION ARM (US)	
11	011071-01-000	EA	P TRAP - PLASTIC - 1 1/2" (CSA) (GALLEY)	
11	011066-01-000	EA	P TRAP - 1 1/2 - PLASTIC (CSA) (BATH)	
12	078406-01-000	EA	COUPLER - RUBBER - W/CLAMPS - 3" X 3"	
13	041956-01-000	EA	ELBOW - STREET - 1/4" BARB X 90 DEGREE X 3 XLT	
14	070916-01-000	EA	VALVE - DUAL DUMP - W/CAP - 3" X 1 1/2"	
	070916-01-700	EA	VALVE ONLY (WASTE) 3"	T1003BU
	070916-01-701	EA	VALVE ONLY (WASTE) 1 1/2"	T1001BU
	062415-01-000	EA	CAP - SEWER - 3" DIAMETER	
15	062422-01-000	EA	ADAPTER - OFFSET REDUCER - 3" X 1 1/2" - PLASTIC	
16	010071-01-000	EA	TEE - SANITARY - 1 1/2" HUB X HUB X HUB - PLASTIC	
17	011069-03-000	EA	TAILPIECE - TUB/SHOWER - 1 1/2" X 1 3/4" - PLASTIC (US)	
17	011069-02-000	EA	TAILPIECE - TUB/SHOWER - 1 1/2" X 1 1/4" X 4" - BRASS (CSA)	
	066440-01-000	EA	STRAINER - SHOWER DRAIN - W/RUBBER WASHER	
	066436-01-000	EA	NUT - SLIP - TAILPIECE 1.5"	
	069735-01-000	EA	WASHER - STRAINER TO TAILPIECE - PLASTIC - 1.5"	
18	034250-01-000	EA	ELBOW - 90 DEGREE - LONG TURN - 1 1/2" HUB X HUB - ABS	
19	010073-01-000	EA	WYE - 45 DEGREE - 1 1/2" HUB X HUB X HUB - PLASTIC	
20	096927-01-701	EA	TAILPIECE - DRAIN - LAVATORY	M9802
21	109571-01-000	EA	ADAPTER - P TRAP - 1 1/2" P X 1 1/4" MPT	
22	011091-02-000	EA	WASTE - CONTINUOUS - DOUBLE SINK (US)	
22	011091-03-000	EA	WASTE - CONTINUOUS - DOUBLE SINK - CSA	
	010201-01-000	EA	HOSE - SEWER - 3" ID X 8'	
	062416-01-000	EA	ADAPTER - SEWER HOSE TO 3" PIPE	

WINDOW, VENT & EXTERIOR DOOR GROUP

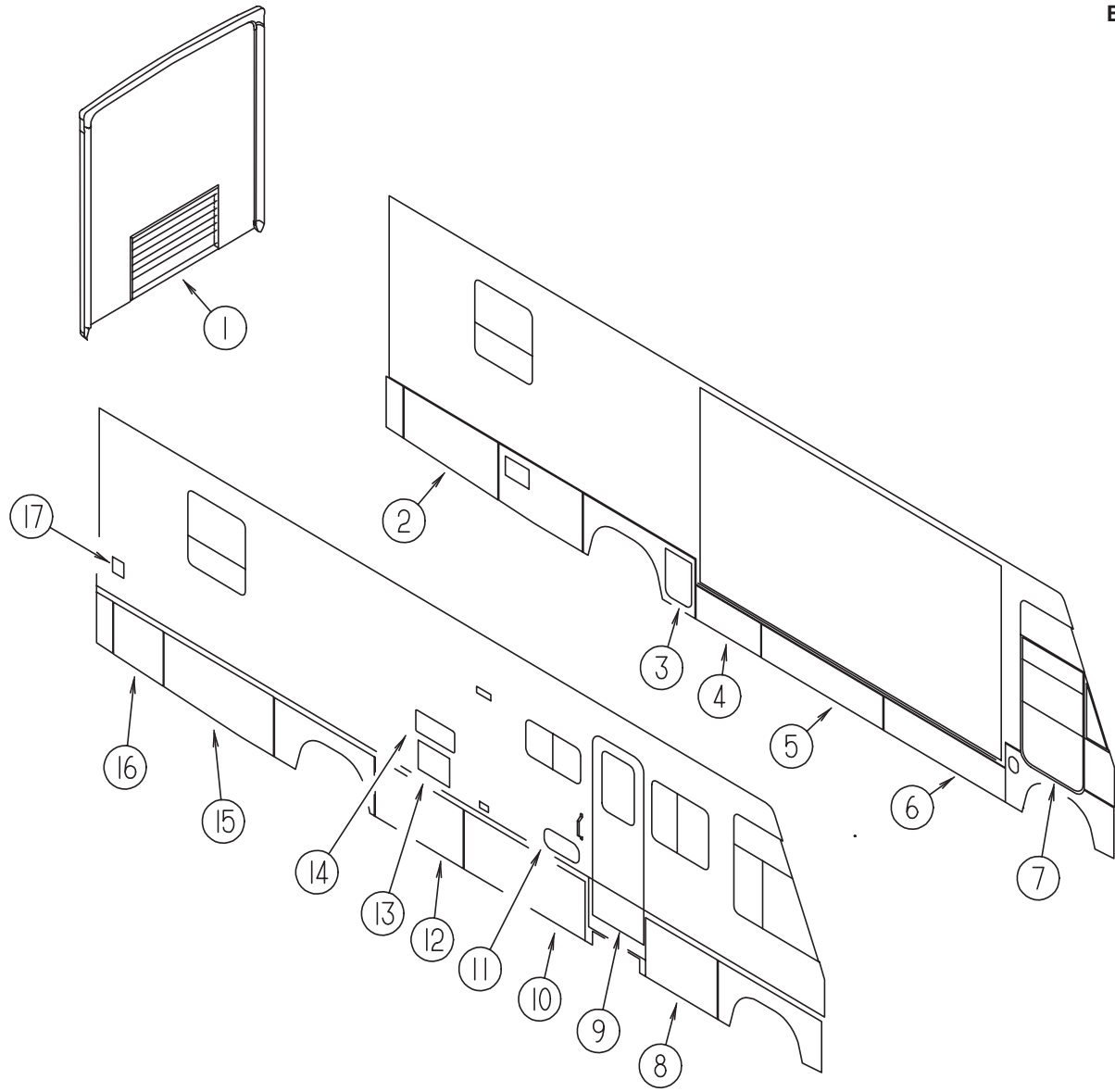


KEY	PART NUMBER	U/M	DESCRIPTION	VENDOR NO.
1*	112463-03-01A	EA	WINDOW - TIPOUT W/RETAINER TRIM - 33.3" X 30.2"	
1*	112898-16-01A	EA	WINDOW - VERTICAL SLIDER - THERMO - 30.2" X 33.2"	
2*	098647-45-01A	EA	WINDOW - PASS HORIZONTAL SLIDER W/TRIM - TINTED - 23.6" X 24.5"	
3*	098647-47-01A	EA	WINDOW - DRIVER/HORIZONTAL SLIDER W/TRIM - TINTED - 23.6" X 57.5"	
3*	112795-54-01A	EA	WINDOW - DRIVER/HORIZONTAL SLIDER - THERMO - 23.9" X 57.8"	
4*	125586-02-01A	EA	WINDOW - VISTA	
4*	116000-02-01A	EA	WINDOW - VISTA - THERMOPANE	
5	106469-02-702	EA	GLASS - STATIONARY HORIZONTAL	106-041104
6	106469-01-704	EA	GLASS ASM. - ROLL-UP - W/BRKT	V103-65L
7*	125584-02-01A	EA	WINDOW - FRONT SLANT - DRIVER	
7*	125585-02-01A	EA	WINDOW - FRONT SLANT - THERMO	
8*	125582-04-01A	EA	WINDOW - CAB - DRIVER	
8*	125583-04-01A	EA	WINDOW - DRVR CAB - 3 GLASS THERMO - 31.8"T X 51.6"B X 42.6"H	
9*	122882-01-01A	EA	VENT - ROOF - NONPOWERED - W/O INSIDE GARNISH	
10*	123780-03-01A	EA	VENTILATOR - ROOF/3"-4" - UL/CSA-W/O THERMOSTAT/POWER LIFT	
10*	123780-04-01A	EA	VENTILATOR - ROOF F/3"-4" - CSA -W/O THERMOSTAT/POWER LIFT	
10*	122882-01-01A	EA	VENT - ROOF - NONPOWERED - W/O INSIDE GARNISH	
11	084073-07-000	EA	VENT - ROOF/REFRIGERATOR - BRIGHT WHITE - NORCOLD	
11	084073-04-000	EA	BASE - ROOF VENT/REFRIGERATOR - BLACK - NORCOLD	
11	118369-01-02A	EA	CAP - REFRIGERATOR ROOF VENT - SIDE/SIDE - BRIGHT WHITE	
11	118369-02-02A	EA	BASE - REFRIGERATOR ROOF VENT - SIDE/SIDE - BRIGHT WHITE	

KEY	PART NUMBER	U/M	DESCRIPTION
12	114496-01-02A	EA	PANEL - SKYLIGHT - OUTER - 22" X 37"
12	122191-01-02A	EA	PANEL - SKYLIGHT - INNER W/LIGHT CUTOUT - 20.7" X 35.4"
13*	122882-02-01A	EA	VENT - ROOF - W/FAN - W/O INSIDE GARNISH - UL
13*	122882-03-01A	EA	VENT - ROOF - W/FAN - W/O INSIDE GARNISH - CSA
14*	125582-03-01A	EA	WINDOW - CAB - PASSENGER
14*	125583-03-01A	EA	WINDOW - PASS CAB - 3 GLASS THERMO - 31.8"T X 51.6"B X 42.6"H
15*	098644-11-01A	EA	WINDOW - VERTICAL SLIDER W/TRIM - TINTED - 26.4" X 27"
15*	112898-19-01A	EA	WINDOW - VERTICAL SLIDER - THERMO - 26.4" X 27"
16*	117053-02-F36	EA	WINDOW - PICTURE - 60% TINTING - 17" X 26.4"
16*	113733-01-01A	EA	WINDOW - STATIONARY THERMOPANE - 17" X 26.4"
17*	098647-33-01A	EA	WINDOW - PASS HORIZ SLIDER W/TRIM - TINTED - 15.7" X 28.5"
17*	112795-19-01A	EA	WINDOW - PASSENGER HORIZ SLIDER - THERMO - 16" X 28.7"
18	084616-07-000	EA	SHROUD - EXHAUST VENT/RANGE HOOD - BRIGHT WHITE
18	084878-09-000	EA	VENT - EXHAUST/RANGE HOOD - OFF WHITE
19*	112463-05-01A	EA	WINDOW - TIPOUT/ESCAPE W/RETAINER TRIM - 33.3" X 30.2"
19*	112898-18-01A	EA	WINDOW - VERTICAL SLIDER - THERMO - ESCAPE - 30.2" X 33.2"

*COMPONENT PARTS FOUND IN SERVICE PARTS LIBRARY

WINDOW, VENT & EXTERIOR DOOR GROUP (CONTINUED)
EXTERIOR DOORS

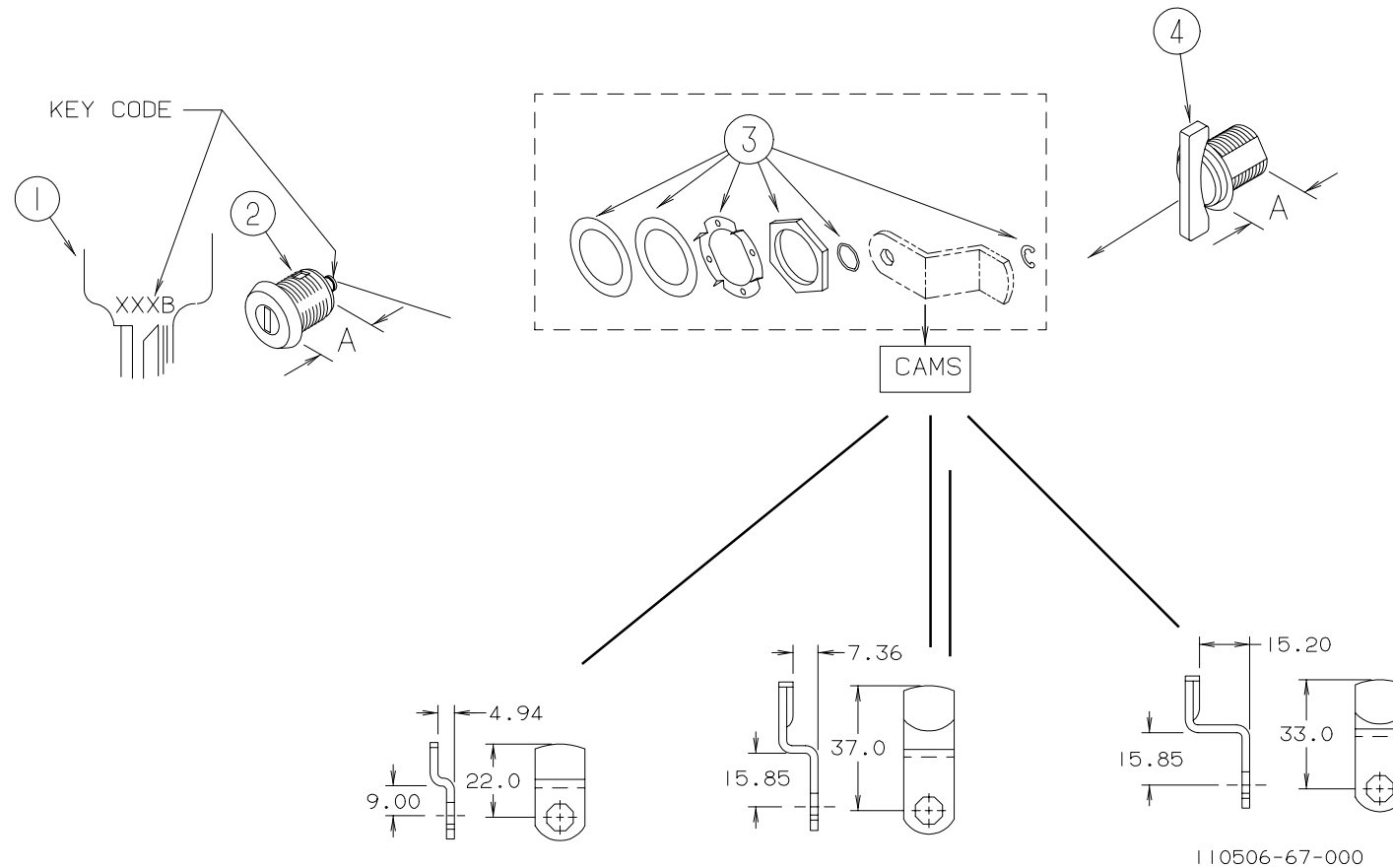


KEY	PART NUMBER	U/M	DESCRIPTION
1	105546-01-H49	EA	DOOR - ENGINE ACCESS
2	122391-41-JA1	EA	VALANCE/DOOR - DRIVER W/O PADDLE LATCH 24.8" X 49.5" X 22.4"
3	123973-02-JA1	EA	DOOR - DRAINAGE
4	122239-52-JA1	EA	VALANCE/DOOR - W/O PADDLE LATCH/HINGE - 14.4" X 34.1"
5	122239-51-JA1	EA	VALANCE/DOOR - W/O PADDLE LATCH/HINGE - 14.4" X 63.9"
6	122239-55-JA1	EA	VALANCE/DOOR - W/O PADDLE LATCH/HINGE - 14.4" X 63.9"
7	125581-04-01A	EA	DOOR - DRIVER - NON-POWER
8	122239-48-JA1	EA	VALANCE/DOOR - W/O PADDLE LATCH/HINGE - 25.7" X 37.7"
9	115108-02-H08	EA	DOOR - ENTRY - W/SCREEN DOOR - W/O WINDOW (J52, J53)
9	115108-02-J11	EA	DOOR - ENTRY - W/SCREEN DOOR - W/O WINDOW (J54, J55)
9	115108-02-H23	EA	DOOR - ENTRY - W/SCREEN DOOR - W/O WINDOW (J56, J57)
10	122239-49-JA1	EA	VALANCE/DOOR - W/O PADDLE LATCH/HINGE - 25.7" X 63.6"
11	126945-01-J22	EA	DOOR/STORAGE - W/O HARDWARE - 18" X 8.3"
12	122239-50-JA1	EA	VALANCE/DOOR - W/O PADDLE LATCH/HINGE - 25.7" X 46.3"
13	052009-06-000	EA	DOOR - WATER HEATER - BRIGHT WHITE - 18" X 14.6"
	116424-01-000	EA	PROTECTOR - LATCH - WATER HEATER
14	084103-08-000	EA	DOOR - VENT/REFRIGERATOR - W/O JAMB - BRIGHT WHITE
	084104-01-700	EA	LOCK - MALE - FASTENER 201-721-010
	084104-01-701	EA	LOCK - FEMALE - FASTENER 201-802-010
14	084104-08-000	EA	JAMB - VENT DOOR/REFRIGERATOR - BRIGHT WHITE
14	125481-01-02A	EA	DOOR - REFRIGERATOR VENT (SIDE BY SIDE DOMETIC)
15	122391-39-JA1	EA	VALANCE/DOOR - PASS W/O PADDLE LATCH 25.7" X 56.6" X 23.8"
16	122391-40-JA1	EA	VALANCE/DOOR - PASS W/O PADDLE LATCH 23.7" X 26.1" X 22.4"
17	081240-16-000	EA	DOOR - WATER FILL - LOCKABLE W/O LOCK - 4" X 4 5/8"

WINDOW, VENT & EXTERIOR DOOR GROUP (CONTINUED)

NOTE:
WHEN ORDERING THE LOCK CASE, THE KEY CODE MUST MATCH THE LAST DIGIT OF THE VEHICLE'S SERIAL NUMBER AND PART NUMBER; WHEN ORDERING THE KEYS, THE THIRD DIGIT OF THE KEY CODE MUST MATCH THE LAST DIGIT OF THE VEHICLE'S SERIAL NUMBER AND PART NUMBER

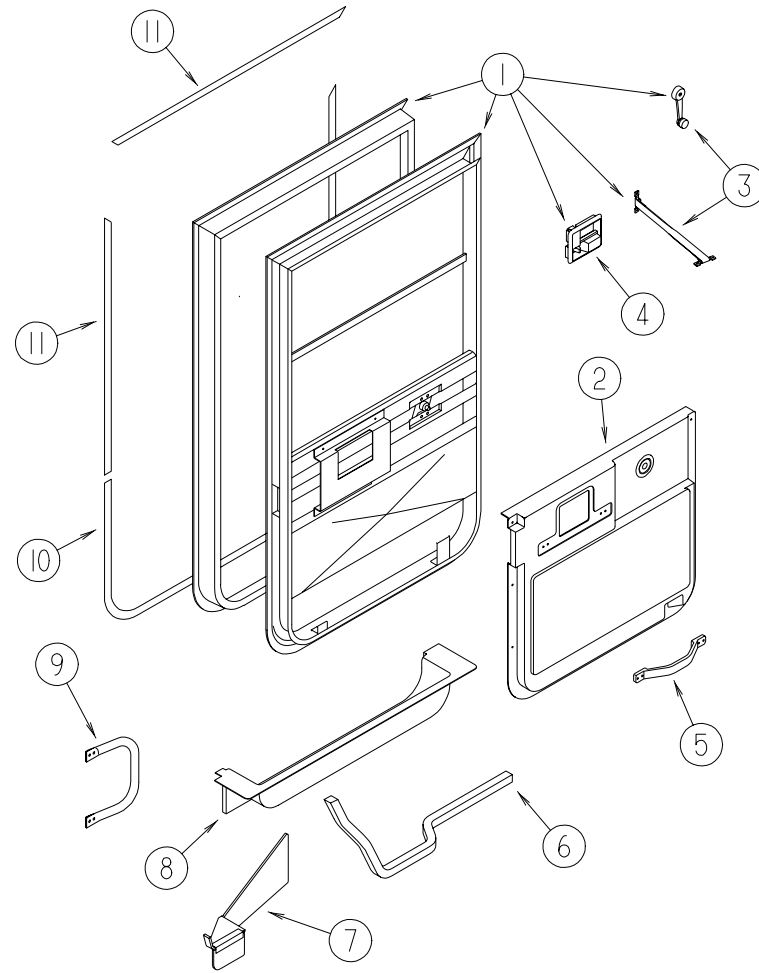
BRIGGS & STRATTON LOCKS & COMPONENTS



KEY	PART NUMBER	U/M	DESCRIPTION	VENDOR NO.	KEY	PART NUMBER	U/M	DESCRIPTION	VENDOR NO.
1	110506-59-000	EA	KEYS - SET OF TWO	596720	1	110506-59-006	EA	KEYS - SET OF TWO	596726
2	110506-52-000	EA	CASE - LOCK - A= 17 MM	702370	2	110506-52-006	EA	CASE - LOCK - A= 17 MM	702376
2	110506-53-000	EA	CASE - LOCK - A= 25 MM	702380	2	110506-53-006	EA	CASE - LOCK - A= 25 MM	702386
2	110506-54-000	EA	CASE - LOCK - A= 32 MM	703170	2	110506-54-006	EA	CASE - LOCK - A= 32 MM	703176
1	110506-59-001	EA	KEYS - SET OF TWO	596721	1	110506-59-007	EA	KEYS - SET OF TWO	596727
2	110506-52-001	EA	CASE - LOCK - A= 17 MM	702371	2	110506-52-007	EA	CASE - LOCK - A= 17 MM	702377
2	110506-53-001	EA	CASE - LOCK - A= 25 MM	702381	2	110506-53-007	EA	CASE - LOCK - A= 25 MM	702387
2	110506-54-001	EA	CASE - LOCK - A= 32 MM	703171	2	110506-54-007	EA	CASE - LOCK - A= 32 MM	703177
1	110506-59-002	EA	KEYS - SET OF TWO	596722	1	110506-59-008	EA	KEYS - SET OF TWO	596728
2	110506-52-002	EA	CASE - LOCK - A= 17 MM	702372	2	110506-52-008	EA	CASE - LOCK - A= 17 MM	702378
2	110506-53-002	EA	CASE - LOCK - A= 25 MM	702382	2	110506-53-008	EA	CASE - LOCK - A= 25 MM	702388
2	110506-54-002	EA	CASE - LOCK - A= 32 MM	703172	2	110506-54-008	EA	CASE - LOCK - A= 32 MM	703178
1	110506-59-003	EA	KEYS - SET OF TWO	596723	1	110506-59-009	EA	KEYS - SET OF TWO	596729
2	110506-52-003	EA	CASE - LOCK - A= 17 MM	702373	2	110506-52-009	EA	CASE - LOCK - A= 17 MM	702379
2	110506-53-003	EA	CASE - LOCK - A= 25 MM	702383	2	110506-53-009	EA	CASE - LOCK - A= 25 MM	702389
2	110506-54-003	EA	CASE - LOCK - A= 32 MM	703173	2	110506-54-009	EA	CASE - LOCK - A= 32 MM	703179
1	110506-59-004	EA	KEYS - SET OF TWO	596724	3	110506-40-700	EA	HARDWARE KIT	
2	110506-52-004	EA	CASE - LOCK - A= 17 MM	702374	4	110506-50-000	EA	CASE - TWIST LOCK - A= 17 MM	596952
2	110506-53-004	EA	CASE - LOCK - A= 25 MM	702384	4	110506-51-000	EA	CASE - TWIST LOCK - A= 25 MM	596669
2	110506-54-004	EA	CASE - LOCK - A= 32 MM	703174		110506-40-000	EA	CLIP-E - LOCK ASM.	93981
1	110506-59-005	EA	KEYS - SET OF TWO	596725		110506-66-000	EA	CAM - LOCK	322282
2	110506-52-005	EA	CASE - LOCK - A= 17 MM	702375		110506-67-000	EA	CAM - LOCK	322283
2	110506-53-005	EA	CASE - LOCK - A= 25 MM	702385		110506-71-000	EA	CAM - LOCK	322287
2	110506-54-005	EA	CASE - LOCK - A= 32 MM	703175		110506-59-701	EA	KEY BLANK - GOLD	

WINDOW, VENT & EXTERIOR DOOR GROUP (CONTINUED)

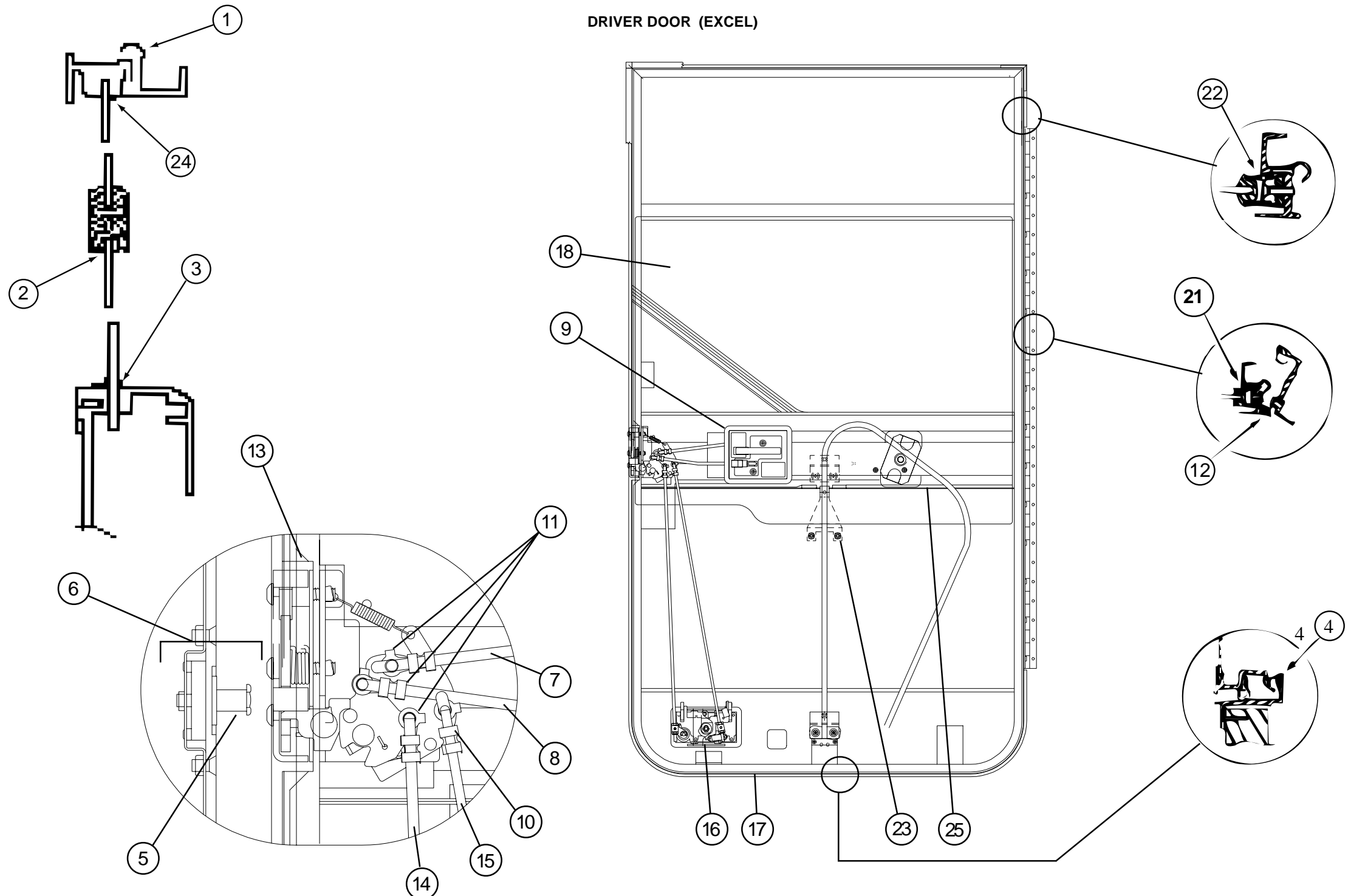
DRIVER DOOR (EXCEL)



KEY	PART NUMBER	U/M	DESCRIPTION	VENDOR NO.
1	125581-04-01A	EA	DOOR - DRIVER - NON-POWER	
2	125899-03-01A	EA	PANEL - CAB DOOR - INNER/DRIVER	
3	106469-02-704	EA	PARTS BAG (WINDOW HANDLE & CHECK STRAP)	V068-16
	109378-01-000	EA	STRAP - CHECK - DRIVER DOOR - 12.8"	
4	106469-04-712	EA	HANDLE/DOOR - INNER W/HARDWARE	248-041402
5	110604-01-01A	EA	HANDLE - ASSIST - DRIVERS DOOR	
6	063977-14-000	EA	STEP - DRIVER DOOR - LEFT HAND	
7	128255-01-04B	EA	STEP - DRIVER DOOR - BLACK	
8	107818-03-04A	EA	TRIM - STEP/DRIVERS DOOR	
			FROM: 00-00-00 THRU: 02-08-98	
8	107818-05-02A	EA	TRIM - STEP/DRIVERS DOOR	
			FROM: 02-09-98 THRU: 99-99-99	
	102569-02-000	EA	MAT - ANTI SLIP - LOWER	
9	108832-02-01A	EA	HANDLE - ASSIST - DOOR/DRIVER	
	126701-01-03A	EA	COVER - ASSIST HANDLE - OFF WHITE	
10	109235-01-05A	FT	COVER - SCREW - BRIGHT WHITE	
11	109235-01-01A	FT	COVER - SCREW - MAT BLACK	
	P01713-01-000	EA	SWITCH - PUSH BUTTON - ELECTRIC STEP	

WINDOW, VENT & EXTERIOR DOOR GROUP (CONTINUED)

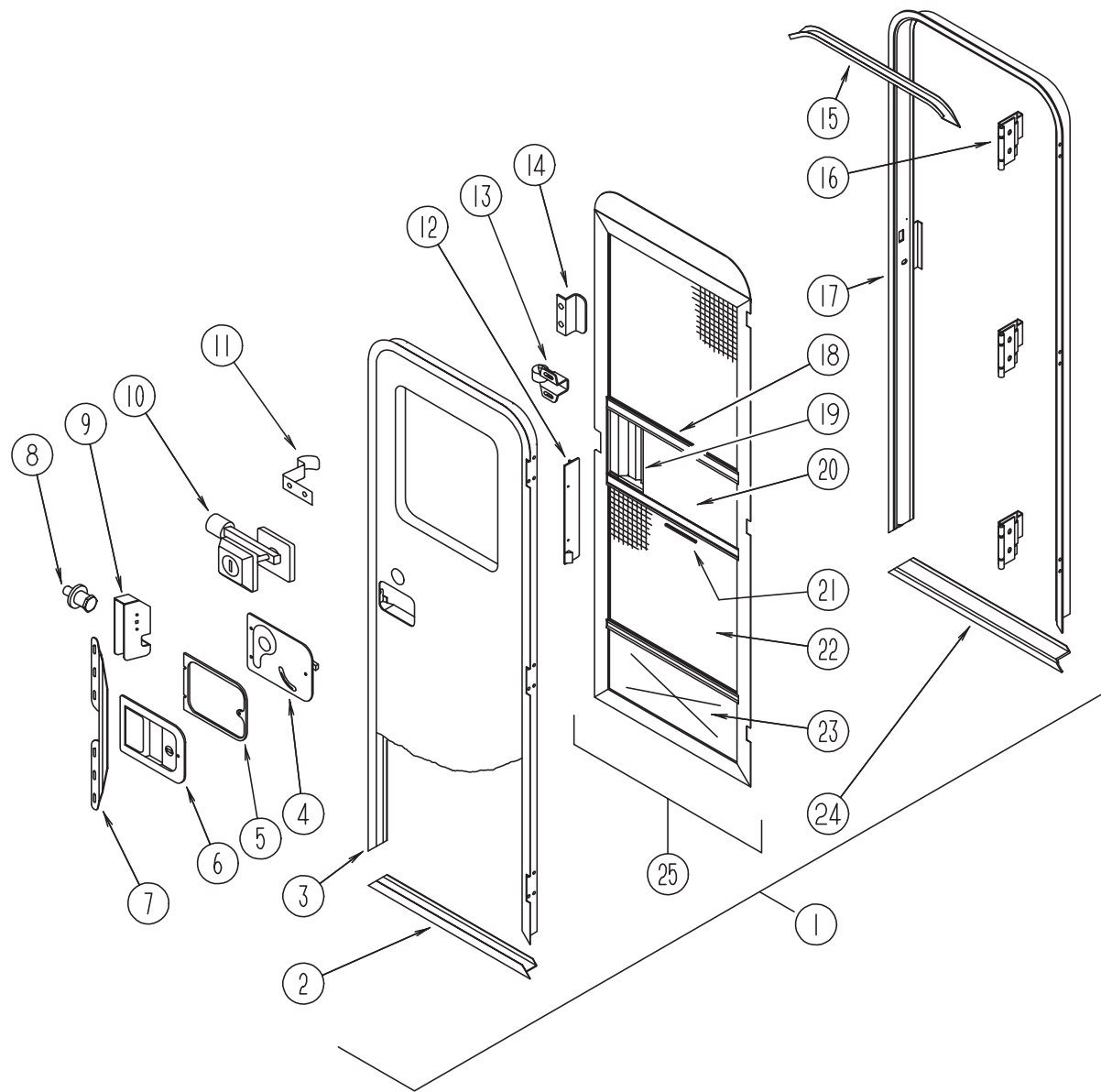
DRIVER DOOR (EXCEL)



KEY	PART NUMBER	U/M	DESCRIPTION	VENDOR NO.
1	106469-01-702	EA	DOOR SEAL	122-040984
2	106469-01-705	FT	CHANNEL - RUN - SLIDING	122-010850
3	106469-01-709	FT	WEATHERSTRIP - FUZZY	171-040630
4	106469-01-723	EA	SEAL - BULB ASM. (JAMB)	171-040985
5	106469-04-703	EA	BOLT - STRIKER (W/ WASHER)	248-041152
6	106469-04-704	EA	NUT ASSEMBLY - CAGED - W/STRIKER	248-041151
7	106469-04-705	EA	LATCH ROD - HORIZONTAL	203-041139
8	106469-04-711	EA	LOCK ROD - HORIZONTAL	203-041137
9	106469-04-712	EA	HANDLE/DOOR - INNER W/HARDWARE	248-041402
10	106469-04-713	EA	ROD CLIP L.H.	248-041154
11	106469-04-714	EA	ROD CLIP R.H.	248-041153
12	106469-05-702	EA	HINGE - 42"	211-041194
13	106469-05-706	EA	LATCH - ROTARY - W/LINKAGE	248-041150

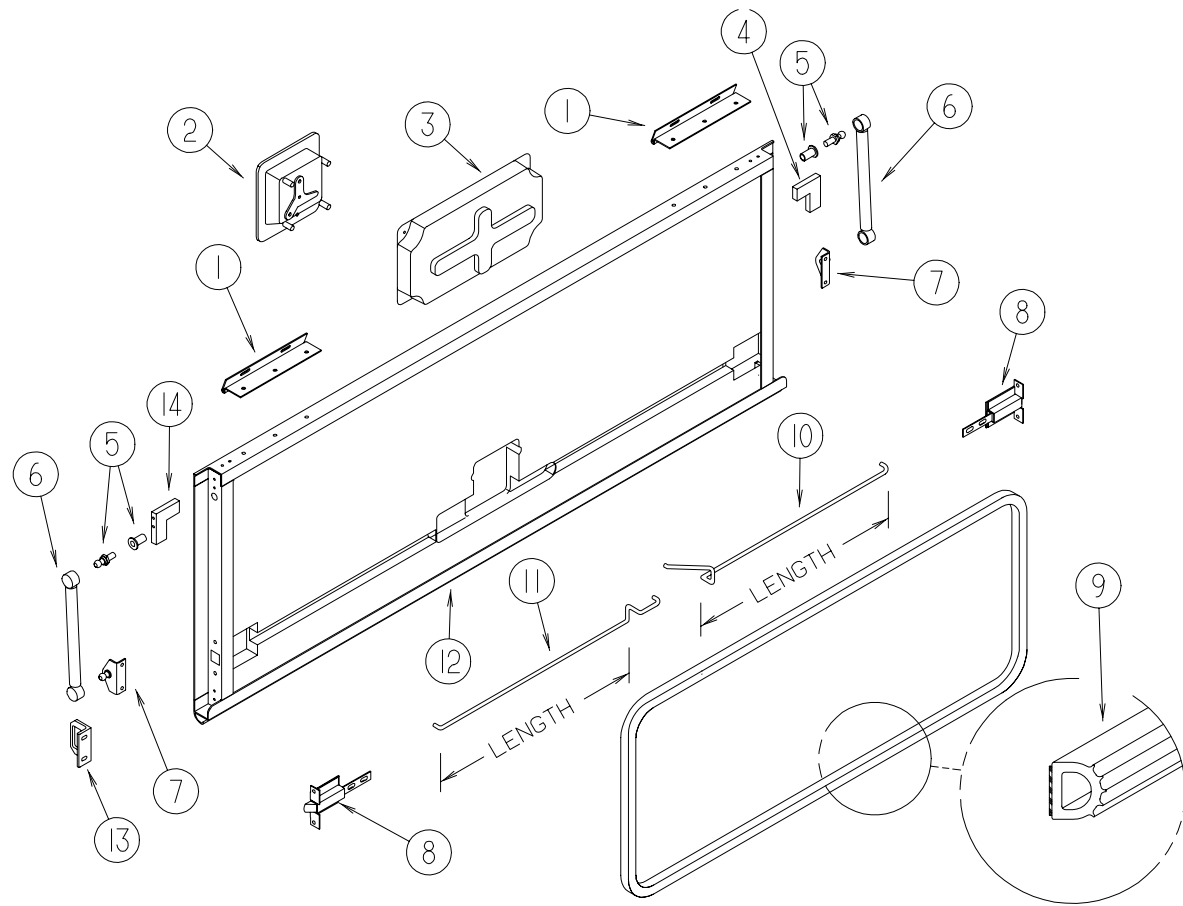
KEY	PART NUMBER	U/M	DESCRIPTION	VENDOR NO.
14	125581-04-700	EA	ROD - LATCH/VERTICAL ADJUST.	203041767
15	125581-04-701	EA	ROD - LOCK/VERTICAL ADJUST.	203-041768
16	125581-04-702	EA	PADDLE RH-W/COLLAR BLACK TEX	248-041403
17	125581-04-703	EA	FRAME - MOUNTING - BLACK	V180-35L
18	125581-04-704	EA	GLASS - ROLL-UP	106-041821
19	125581-04-705	EA	GLASS - STATIONARY	106-041547
20	125581-04-706	EA	FRAME - DOOR - SUB-ASSEMBLY	V180-94L
21	125581-04-707	EA	CHANNEL - ROLL UP GLASS	V156-60
22	125581-04-708	EA	CHANNEL - STATIONARY GLASS	V156-61
23	125581-04-709	EA	REGULATOR - MANUAL	410-08389
24	125581-04-710	EA	VINYL - GLAZING	132-041484
25	125581-04-711	EA	CHANNEL- GLASS	N135-66
	106469-04-701	EA	TUMBLER & KEYS (TRI-MARK)	248-041179
	106469-04-702	EA	KEYS (BLANK)	248-041180

WINDOW, VENT & EXTERIOR DOOR GROUP (CONTINUED)
ENTRY DOOR W/O WINDOW



KEY	PART NUMBER	U/M	DESCRIPTION
1	115108-02-H08	EA	DOOR - ENTRY - W/SCREEN DOOR - W/O WINDOW (J52, J53)
1	115108-02-J11	EA	DOOR - ENTRY - W/SCREEN DOOR - W/O WINDOW (J54, J55)
1	115108-02-H23	EA	DOOR - ENTRY - W/SCREEN DOOR - W/O WINDOW (J56, J57)
	041546-07-000	EA	BRACKET - DOOR ANGLE
	115222-02-01A	EA	GARNISH - RADIUS - ENTRY DOOR - OFF WHITE
2	121893-01-01A	EA	FRAME - ENTRY DOOR/BOTTOM - BRIGHT WHITE
3	121894-03-01A	EA	FRAME - ENTRY DOOR
4	039979-06-000	EA	COVER - LATCH PLATE - RIGHT HAND - BLACK TEXTURED
5	096810-01-01A	EA	PLATE - LATCH - ENTRY DOOR - BLACK
6	045017-13-000	EA	LATCH - ENTRY DOOR - BLACK TEXTURED
	045017-11-701	EA	KEY BLANK
7	098173-01-04A	EA	STIFFENER - ENTRY DOOR - SUPPORTS LATCH/STRIKE - UNPAINTED
8	039539-01-000	EA	STRIKE - LOCK - ENTRY DOOR - ROUND W/THREADED WASHER
	077461-03-000	EA	COVER - STRIKE - ENTRY DOOR - 6.5" X 2.5" - WHITE PLASTIC
9	039540-01-000	EA	LATCH MECHANISM - HOOK - ENTRY DOOR - INTERIOR
	039715-01-000	EA	NUT - SERT - 1/4" DIAMETER - 20 THREADS
	039984-01-000	EA	CAP - ROUND - VINYL - .28" ID X .62" LONG - BLACK
	040944-01-000	EA	LABEL - ENTRANCE DOOR - "OPEN"
10	101145-01-06A	EA	DEADBOLT - ENTRY DOOR - BLACK
	095229-01-700	EA	KEY ONLY - BLANK
	101147-01-000	EA	BOLT - SECURITY - 4.12"
	101145-01-701	EA	CYLINDER - LOCK ASM. - W/ KEY
	102524-01-000	EA	BUMPER - RUBBER - FLAT - BLACK
11	100412-01-000	EA	CATCH - SCREEN DOOR - THUMB CLIP
12	079087-03-000	EA	STRIKE - SLIDER - SCREEN DOOR - BRIGHT WHITE
13	109403-01-000	EA	CATCH - SCREEN DOOR ROLLER
	063729-04-000	EA	RIVNUT - 10-32 UNFINISHED - .010-.080
	072893-01-000	EA	NUTSERT - M5 X 0 - 8
	075671-04-000	FT	SEAL - SPONGE - LAZY T - W/ADHESIVE STRIP - .5" WIDE
	118929-01-01A	FT	SEAL - PILE - PUSH-ON
14	050712-06-000	EA	HANDLE - SCREEN DOOR - BRIGHT WHITE
15	044582-44-000	EA	CAP - DRIP - JAMB - BRIGHT WHITE
16	106719-01-05A	EA	HINGE - ENTRANCE DOOR
16	106719-01-01A	EA	HINGE - ENTRANCE DOOR - MILL
	116111-02-01A	EA	SCREW - TAPTITE - 1/4-20 X 3/8 PPH - ZINC
	102248-01-000	EA	SHIM - DOOR
17	121898-01-01A	EA	JAMB - ENTRY DOOR
18	078777-01-000	EA	CHANNEL - SLIDER - SCREEN DOOR CENTER SLIDER COVER
			FROM: 00-00-00 THRU: 02-22-98
18	078777-08-000	FT	CHANNEL - SLIDER
			FROM: 02-23-98 THRU: 99-99-99
19	079086-03-000	EA	SLIDER - SCREEN DOOR - BRIGHT WHITE
	078595-01-000	EA	TOP PLATE - SCREEN DOOR - CURVED TOP - 4.7" X 25.35"
20	016454-01-000	EA	INSERT - CENTER - LEATHER GRAIN ALUMINUM - UNPAINTED
21	002294-01-000	FT	SPLINE - SCREENING - .135" X .138" - BLACK
22	002293-02-000	SF	SCREENING - 26" - CHARCOAL
23	078552-03-000	EA	KICK PANEL - SCREEN DOOR - LOWER INSERT - UNPAINTED
24	051049-01-000	EA	JAMB - BOTTOM - ENTRY DOOR - 25.9" - UNPAINTED
	075673-01-000	FT	SEAL - PILE - ADHESIVE BACK - GRAY
	075673-05-000	FT	SEAL - PILE - ADHESIVE BACK - BLACK
25	121899-01-G04	EA	DOOR - SCREEN - W/O HARDWARE - BRIGHT WHITE
	100128-02-000	FT	SEAL - SCREEN DOOR
	009126-03-000	EA	HANDLE - ASSIST - BLACK TEXTURED

WINDOW, VENT & EXTERIOR DOOR GROUP (CONTINUED)



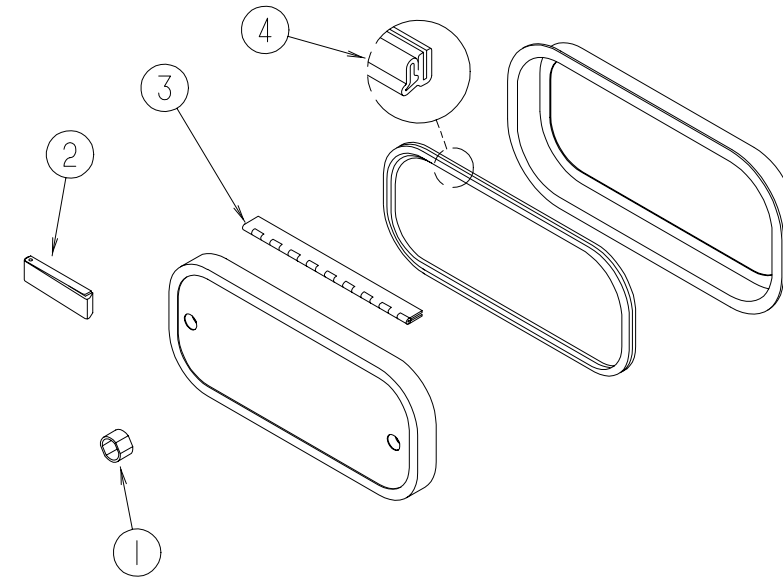
EXTERIOR DOOR COMPONENTS

KEY	PART NUMBER	U/M DESCRIPTION
1	121755-01-04A	EA HINGE - 6.00 INCH
2	112949-01-04A	EA LATCH - PADDLE W/LOCK - W/O KEY - BLACK
	112949-03-000	EA KEY - TRI-MARK #TM500
3	122277-02-01A	EA COVER - LATCH - BLACK
4	123892-12-02B	EA CORNER STABILIZER W/BALL STUD - LEFT HAND - E-COATED
5	N/A	EA BALL STUD - 10MM BALL - 5/16-18 - STAINLESS STEEL
6	107796-20-000	EA SPRING/GAS - 7" COMPRESSED/10" EXTENDED - 60 LB
7	107796-19-000	EA BRACKET - GAS SPRING
8	121947-01-01A	EA BOLT - SLIDE - LATCH - STEEL
9	107721-07-000	FT SEAL - ACCESS DOOR
10	122269-04-000	EA ROD - LATCH - 15.42"
10	122269-06-000	EA ROD - LATCH - 24.07"
10	122269-12-000	EA ROD - LATCH - 22.28"
10	122269-20-000	EA ROD - LATCH - 2.56"
10	122269-33-000	EA ROD - LATCH - 9.24"
10	122269-35-000	EA ROD - LATCH - 7.09"
10	122269-36-000	EA ROD - LATCH - 12.18"
10	122269-37-000	EA ROD - LATCH - 5.70"
10	122269-65-000	EA ROD - LATCH - 21.06"
11	122268-04-000	EA ROD - LATCH - 15.42"
11	122268-06-000	EA ROD - LATCH - 24.07"
11	122268-12-000	EA ROD - LATCH - 22.28"
11	122268-20-000	EA ROD - LATCH - 2.56"
11	122268-33-000	EA ROD - LATCH - 9.24"
11	122268-35-000	EA ROD - LATCH - 7.09"
11	122268-36-000	EA ROD - LATCH - 12.18"
11	122268-37-000	EA ROD - LATCH - 5.70"
11	122268-65-000	EA ROD - LATCH - 21.06"

WINDOW, VENT & EXTERIOR DOOR GROUP (CONTINUED)

EXTERIOR DOOR COMPONENTS (CONTINUED)

KEY	PART NUMBER	U/M DESCRIPTION
12	122613-55-007	EA U-CHANNEL/EXTRUSION - 192" - BLACK
	122612-55-007	EA U-CHANNEL/EXTRUSION - 192" - BLACK
	122614-55-007	EA U-CHANNEL/EXTRUSION - 192" - BLACK
13	123783-01-01A	EA STRIKER - DOOR - MILL
14	123892-10-02B	EA CORNER STABILIZER W/BALL STUD - RIGHT HAND - E-COATED

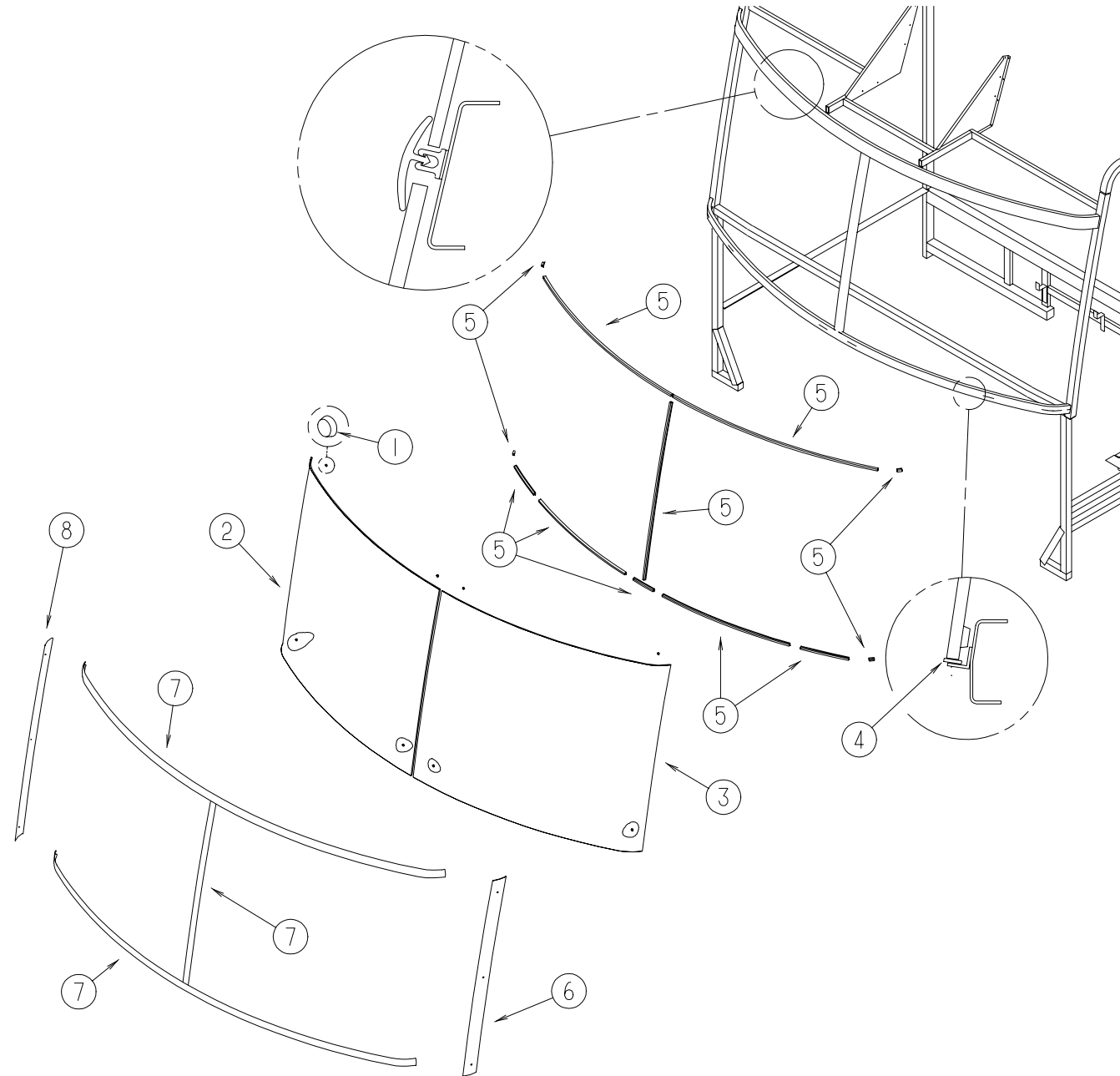


EXTERIOR DOOR COMPONENTS

KEY	PART NUMBER	U/M DESCRIPTION
1	107997-51-001	EA SPACER - DOOR LOCK - .6" DEEP
	107997-51-002	EA EXTRUDED - SPACER - 16'
2	102768-01-000	EA HOLDER - COMPARTMENT/ENTRY DOOR - METAL - MILL FINISH
3	081801-V3-000	EA HINGE - ALUMINUM - 2" X 96" - BRIGHT WHITE
4	106850-02-000	FT SEAL-E - SPONGE RUBBER - .43" X .75"

WINDSHIELD & WIPER GROUP

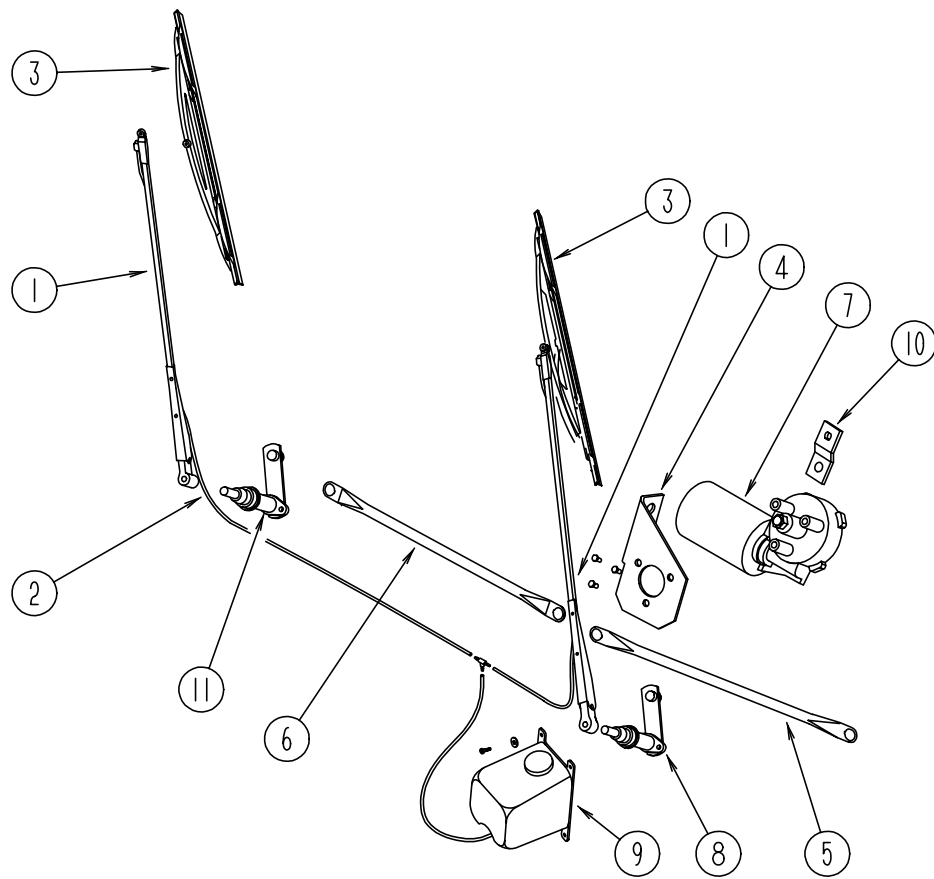
WINDSHIELD MOLDINGS & GLASS



KEY	PART NUMBER	U/M	DESCRIPTION
1	081914-01-000	EA	BUMPER - RUBBER - ROUND - .43" DIAMETER
2	124329-01-000	EA	WINDSHIELD - PASSENGER - 51.5" X 44.3" (CURVED)
3	124329-02-000	EA	WINDSHIELD - DRIVER - 51.5" X 44.3" (CURVED)
4	002328-02-000	EA	BLOCK - WINDSHIELD - .062" X .5" X .98"
5	127862-01-000	EA	CARRIER - REVEAL - WINDSHIELD - 47.2"
6	125384-04-02A	EA	TRIM - WINDSHIELD - A-PILLAR - DRIVER - BLACK
6	125384-04-01A	EA	TRIM - WINDSHIELD - A-PILLAR - DRIVER - MILL
7	120533-01-000	FT	MOLDING - REVEAL - WINDSHIELD
7	118586-01-000	FT	MOLDING - REVEAL - WINDSHIELD (CENTER POST)
8	125384-03-02A	EA	TRIM - WINDSHIELD - A-PILLAR - PASSENGER - BLACK
8	125384-03-01A	EA	TRIM - WINDSHIELD - A-PILLAR - PASSENGER - MILL

WINDSHIELD & WIPER GROUP (CONTINUED)

WINDSHIELD WIPER ASM



KEY	PART NUMBER	U/M DESCRIPTION	VENDOR NO.
1	117769-01-000	EA ARM - WIPER - PANTOGRAPH - 28"	
2	045794-01-000	FT HOSE - WASHER - WINDSHIELD - 5/32" ID - BLACK	
3	095964-01-000	EA BLADE - WINDSHIELD WIPER - 24"	
	095964-01-700	EA BLADE - REFILL 24" (PAIR)	
4	125829-02-02B	EA BRACKET ASM - WIPER MOTOR	
5	117770-01-000	EA LINK - CONNECTING - 24" - CLOSED GROMMET/OPEN GROMMET	
6	117770-02-000	EA LINK - CONNECTING - 24" - CLOSED GROMMET/CLOSED GROMMET	
7	104346-05-000	EA WIPER MOTOR - W/INTERNAL BREAKER - DYNAMIC PARK	
8	096505-09-000	EA SHAFT/PIVOT - WINDSHIELD WIPER	
9	117766-02-000	EA RESERVOIR/PUMP - WINDSHIELD WASHER	
	110605-01-000	EA TEE - PLASTIC - BARBED - 1/8" X 1/8" X 3/16"	
9	117765-03-000	EA CONNECTOR - 5/32" - WINDSHIELD WASHER	
10	104347-01-000	EA ARM - DRIVE - WIPER MOTOR - 1.54" - W/TAPERED DRIVE HOLE	
11	096505-09-000	EA SHAFT/PIVOT - WINDSHIELD WIPER	
	061603-01-000	EA GROMMET - SNAP - 3/16"ID - 3/8" HOLE - PLASTIC - BLACK	
	067188-01-000	EA STUD - CRANK - WIPER MOTOR	
	117322-01-000	EA SCREW - 1/4-28 UNFINISHED - 2A - TORX	
	077049-02-000	EA NUT - ACORN - 10-32 BLACK/ANODIZED	
	096505-02-700	EA DRIVER - KNURLED - (HD) BRL .687	NT721017
	096505-02-701	EA NUT - HEX (HD) W/.687 BARREL	NT721021
	096505-02-702	EA CAP - RUBBER (HD) BARREL .687	CP721084
	096505-02-703	EA CAP - NUT (ACORN) HD W/.687 BRL	51065-40 NT27WC
	117768-01-000	EA SHAFT - ADAPTER - PANTOGRAPH ARM	

WIPER CONTROL KIT

KEY	PART NUMBER	U/M DESCRIPTION	VENDOR NO.
	091206-04-000	EA MODULE/WIPER CONTROL KIT - DYNAMIC PARK	
	091206-02-700	EA KNOB - INNER	66C-00019
	091206-02-701	EA KNOB - OUTER	66C-00020
	091206-04-700	EA SWITCH - WIPER CONTROL	66C-00070 OR 250-6623
	102362-03-700	EA MODULE - DYNAMIC WIPER CONTROL	66D-00093 OR 250-6625