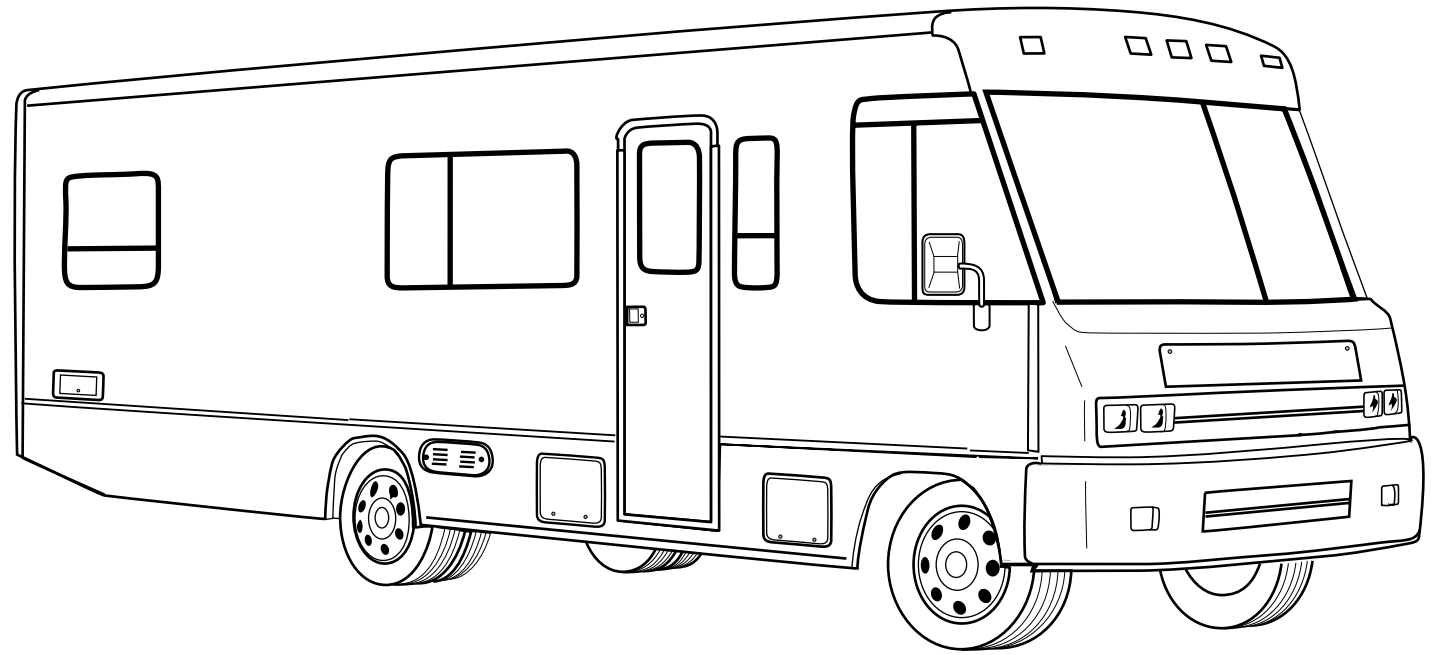


1998 ICG30WQ



J52 **KEEPSAKE (BLUE)**
(MAPLE)

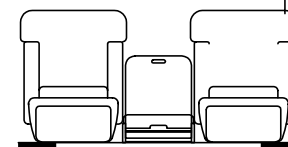
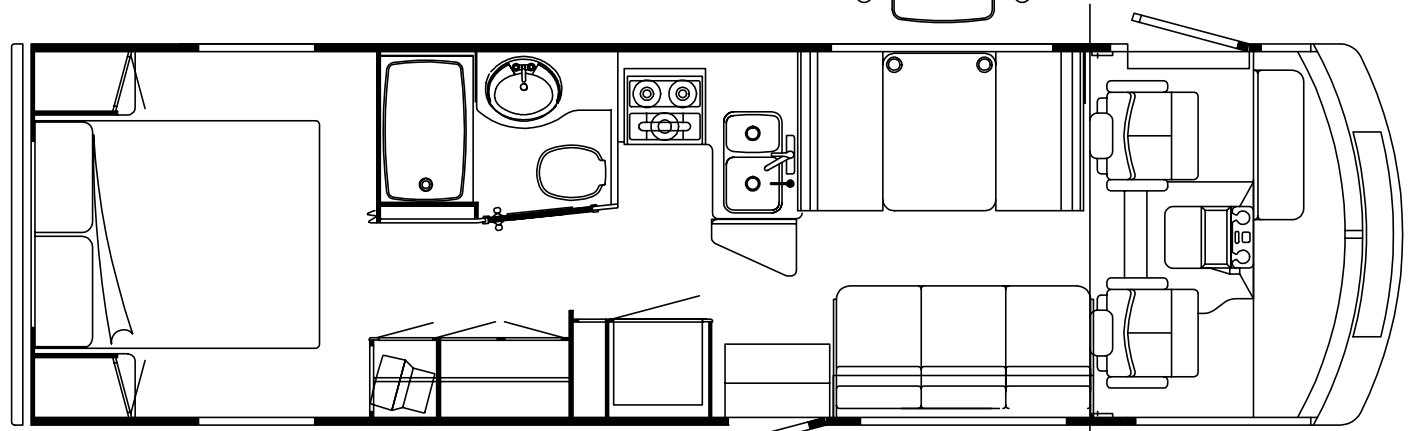
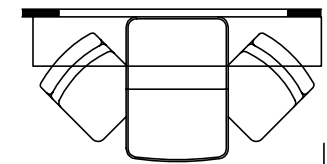
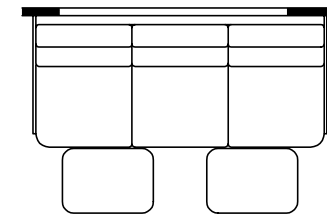
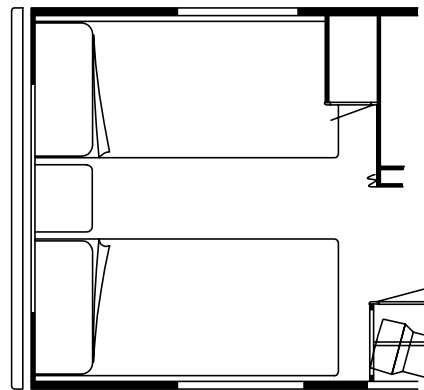
J53 **KEEPSAKE (BLUE)**
(OAK)

J54 **CLOUD (GRAY)**
(MAPLE)

J55 **CLOUD (GRAY)**
(OAK)

J56 **VINEYARD (GREEN)**
(MAPLE)

J57 **VINEYARD (GREEN)**
(OAK)



ACCESSORIES GROUP

OPERATOR MANUAL

KEY	PART NUMBER	U/M DESCRIPTION
	054185-H9-000	EA MANUAL - OPERATOR 98 SUNCRUISER - G SERIES
	092318-01-000	EA BINDER - 3 RING - MOTOR HOME MANUAL FROM: 00-00-00 THRU: 01-25-98
	092319-01-000	EA POCKET PAGE - 3 RING BINDER - PLASTIC - (50 PER PKG) FROM: 00-00-00 THRU: 02-15-98
	129079-01-01A	EA CASE - VINYL/BLACK-EXPANDABLE ACCORDION SIDES-7"WX9"HX14"L FROM: 01-26-98 THRU: 99-99-99
	125247-01-000	EA TOP LEVEL - G,1998

AUDIO VIDEO GROUP

RADIO SYSTEMS & ANTENNA

KEY	PART NUMBER	U/M DESCRIPTION	VENDOR NO.
	127516-01-000	EA RADIO - AM/FM STEREO - CD PLAYER	
	127516-01-700	EA FACE - REMOVEABLE	YEPFOX3114
	127516-01-701	EA TRIM RING	YGFC025263
	127516-01-702	EA FACTORY HARNESS	YGAJ02719
	127516-01-703	EA CARRIER F/REMOVEABLE FACE	YEFA131290
	127264-01-000	EA RADIO - AM/FM STEREO - CASSETTE	
	127264-01-700	EA TRIM RING	YFC054C044ZB
	127264-01-701	EA KNOB - VOLUME	YFE074C045ZA
	127264-01-702	EA KNOB - FADER	YEFE074C026
	127264-01-703	EA FACTORY HARNESS	YAJ024C048ZB
	125322-02-000	EA RADIO - AM-FM STEREO - CASSETTE - AUDIOVOX	
	124881-01-000	EA AMPLIFIER - AUDIO	
	110469-01-000	EA SPEAKER - 4" X 6" OVAL - COAXIAL	
	110470-01-01A	EA GRILLE - 4" X 6" OVAL - BLACK	
	094097-01-000	EA SPEAKER - RADIO/TV - W/O GRILLE - 5.25" DIAMETER	
	089340-02-000	EA GRILLE - SPEAKER - 6.5" SQUARE	
	089340-03-000	EA SPACER - SPEAKER GRILLE	
	077069-02-000	EA CABLE - ANTENNA/EXTENSION - RADIO - 96"	
	123256-01-000	EA ANTENNA - CB - W/O CABLE	
	090944-01-000	EA ANTENNA - RADIO - 16" RUBBER	
	108847-01-000	EA BRACKET - ANTENNA GROUND	
	115916-01-01B	EA BRACKET - ANTENNA MOUNT	
	109889-04-000	EA EXTENDER - ANTENNA SHAFT - 3"	

DELUXE SOUND SYSTEM

KEY	PART NUMBER	U/M DESCRIPTION
	124883-02-000	EA SPEAKER - CUBE - W/BRACKET
	124884-01-000	EA SPEAKER - 6" X 9" - SUB-WOOFER
	124885-01-000	EA GRILLE - SPEAKER - 6" X 9" - SUB-WOOFER
	125634-01-02B	EA COVER/PLATE - SPEAKER - E-COAT (DASH - 5" X 6")

REAR MONITOR SYSTEM

KEY	PART NUMBER	U/M DESCRIPTION
	093040-09-000	EA CAMERA - REAR VIEW - W/BRACKET - SONY
	093040-10-000	EA MONITOR - 7" REAR VIEW - W/BRACKET - SONY
	093040-06-000	EA WIRE ASM - MONITOR - F/NON-PREWIRED AFTER MARKET INSTALLATION
	108885-02-000	EA WIRE - REAR MONITOR (W/3 PIN HOUSING F/FUSE BLOCK) CHEVY
	093041-01-000	EA CABLE - MONITOR/CAMERA - INTERNAL USE - 65.6'
	096717-03-000	EA WIRE ASSEMBLY - REAR MONITOR - AFTER MARKET INSTALLATION

PATIO ENTERTAINMENT CENTER

KEY	PART NUMBER	U/M DESCRIPTION
	110469-01-000	EA SPEAKER - OVAL - 4" X 6" - BLACK
	110470-01-01A	EA GRILLE - SPEAKER - OVAL - 4" X 6" - BLACK
	077069-02-000	EA CABLE - ANTENNA - RADIO - EXTENSION 96" - ARA 6700667
	127516-01-000	EA RADIO - AM/FM STEREO - CD PLAYER
	090944-01-000	EA ANTENNA - RADIO - 16" RUBBER
	108847-01-000	EA BRACKET - ANTENNA GROUND
	109889-04-000	EA ANTENNA - 3" SHAFT EXTENDER - MAGNADYNE RV71EX3

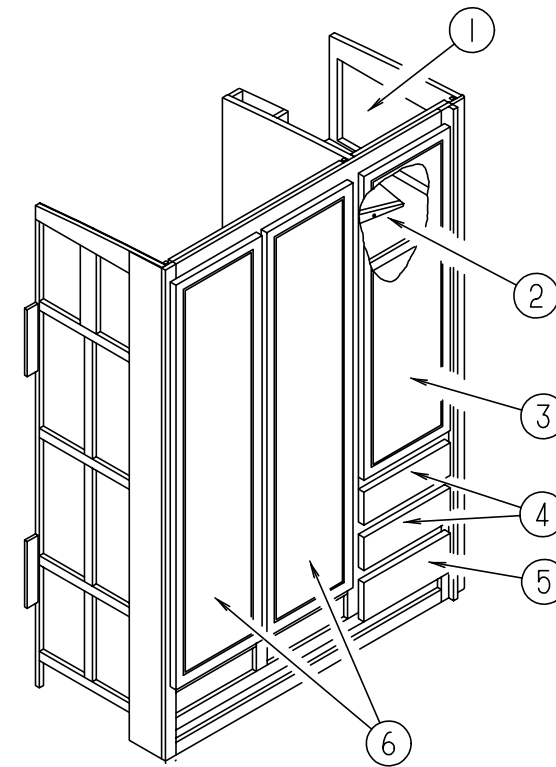
AUDIO VIDEO GROUP (CONTINUED)

TV & VCR SYSTEMS

KEY	PART NUMBER	U/M DESCRIPTION	VENDOR NO.
*	076319-23-000	EA ANTENNA - TV - ROOF MOUNT - 44.5" MAST	
*	120233-01-000	EA ANTENNA - SATELLITE (DISH & HDW) W/O RECEIVER - MANUAL	
	120233-03-000	EA CERTIFICATE - SATELLITE RECEIVER DISH	
	086231-08-000	EA TV - 13" COLOR - DC - AUDIOVOX	
	086231-08-700	EA REMOTE - UNIVERSAL	8822325
	086231-08-701	EA ADAPTER - WIRE	0891436
	126696-01-000	EA TV - 19" COLOR W/1/8" JACK - UL/CSA - GE	
	126696-01-700	EA REMOTE	226725
	126697-01-000	EA VCR-VHS - CABLE READY - W/REMOTE - GE	
	126697-01-700	EA REMOTE - F/VCR	2040R
	086757-03-000	EA CONTROL CENTER - SWITCH - VCR/TV	
	086777-06-000	EA WALLPLATE - TV CABLE - ANTENNA/1 OUTPUT - BROWN	
	086777-01-000	EA WALLPLATE - TV CABLE - W/ANTENNA SWITCH - IVORY	
	076319-09-000	EA WALLPLATE - CABLE RECEPTACLE - TV - SINGLE - BROWN	
	093214-01-02A	EA GRILLE - SPEAKER - 4" BROWN	
	098819-01-000	EA SPEAKER - 4" - 2 WATT - 8 OHM	
	086756-01-000	EA SPLITTER - TV - 2 WAY	
	076319-03-000	FT CABLE - COAXIAL - 75 OHM	
	076319-12-000	EA CONNECTOR - COAXIAL - ONE PIECE	
	114870-02-000	EA PLUG - .14" AUDIO W/LEADS	
	082134-01-000	EA ADAPTER - TV - CABLE TO CABLE	
	082136-01-000	EA NUT - HEX JAM - 3/8 - 32	

*COMPONENT PARTS FOUND IN SERVICE PARTS LIBRARY

BATH GROUP

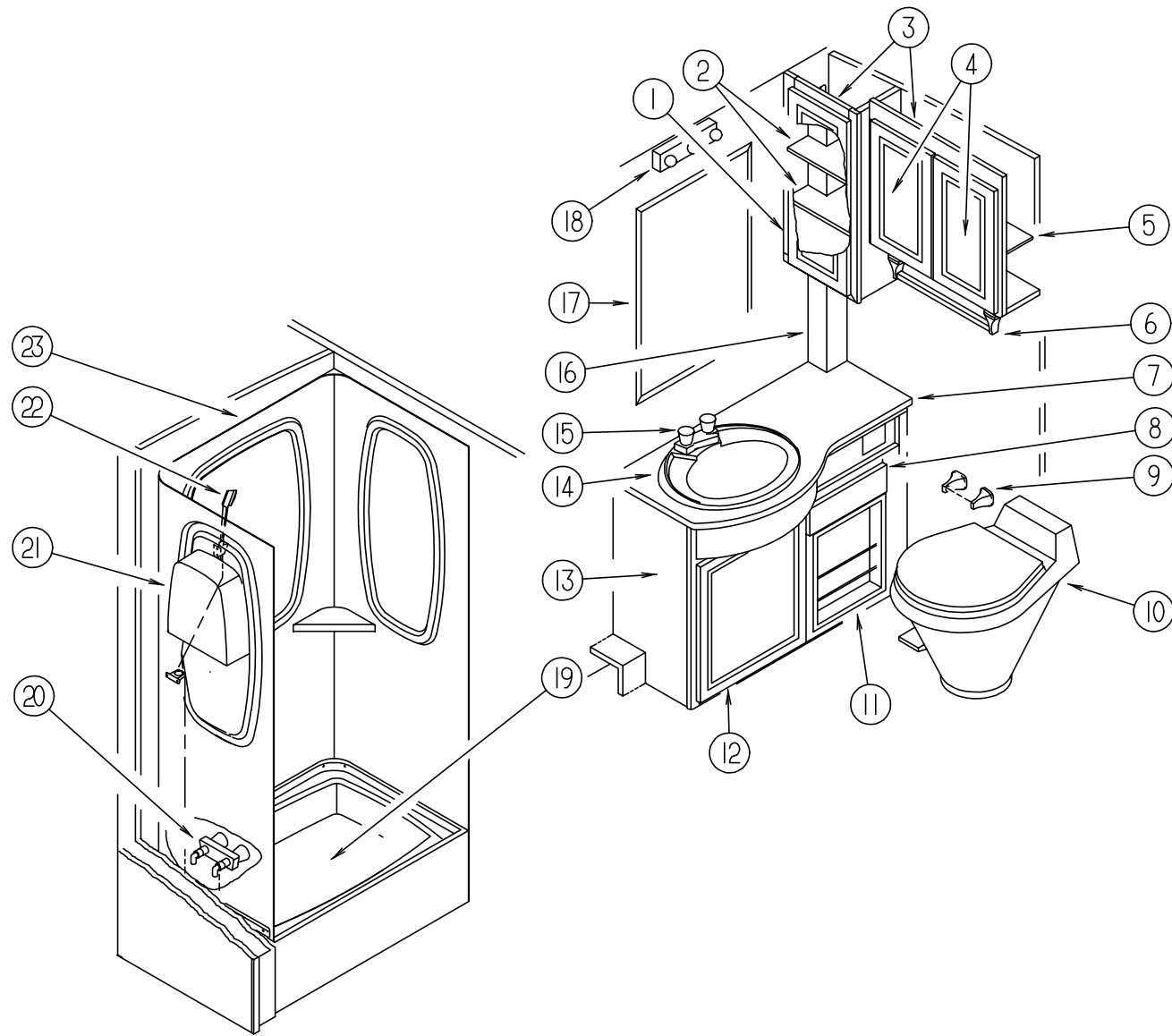


WARDROBE CABINET

KEY	PART NUMBER	U/M DESCRIPTION
1	M05992-L2-J52	EA DOOR - STRAIGHT CORNER/OGEE EDGE - 14.3" X 17.9" - W/O HDW (MAPLE)
1	M05992-L2-J22	EA DOOR - STRAIGHT CORNER/OGEE EDGE - 14.3" X 17.9" - W/O HDW (OAK)
2	126114-13-J52	EA WEDGE - W/PLASTIC EDGE MOLDING/TIE DOWN STRAP (MAPLE)
2	126114-13-J22	EA WEDGE - W/PLASTIC EDGE MOLDING/TIE DOWN STRAP (OAK)
3	M05992-L3-J52	EA DOOR - STRAIGHT CORNER/OGEE EDGE - 16.7" X 48" - W/O HDW (MAPLE)
3	M05992-L3-J22	EA DOOR - STRAIGHT CORNER/OGEE EDGE - 16.7" X 48" - W/O HDW (OAK)
4	M05971-FA-J52	EA DRAWER - OGEE EDGE - 14.1"W X 15.7"D - W/O SLIDES/HARDWARE (MAPLE)
4	M05971-FA-J22	EA DRAWER - OGEE EDGE - 14.1"W X 15.7"D - W/O SLIDES/HARDWARE (OAK)
5	M05971-FC-J52	EA DRAWER - OGEE EDGE - 14.1"W X 15.7"D - W/O SLIDES/HARDWARE (MAPLE)
5	M05971-FC-J22	EA DRAWER - OGEE EDGE - 14.1"W X 15.7"D - W/O SLIDES/HARDWARE (OAK)
6	M06803-11-J52	EA DOOR - MIRROR/MTRD CRNR/OGEE EDGE - 16" X 65.3" - W/O HDW (MAPLE)
6	M06803-11-H17	EA DOOR - MIRROR/MTRD CRNR/OGEE EDGE - 16" X 65.3" - W/O HDW (OAK)
	042438-01-000	EA DOWEL - WOOD - CLOTHES ROD - 1" DIAMETER X 4'
	009112-01-000	EA FLANGE - 1" CLOTHES ROD - OFF WHITE PLASTIC

BATH GROUP (CONTINUED)

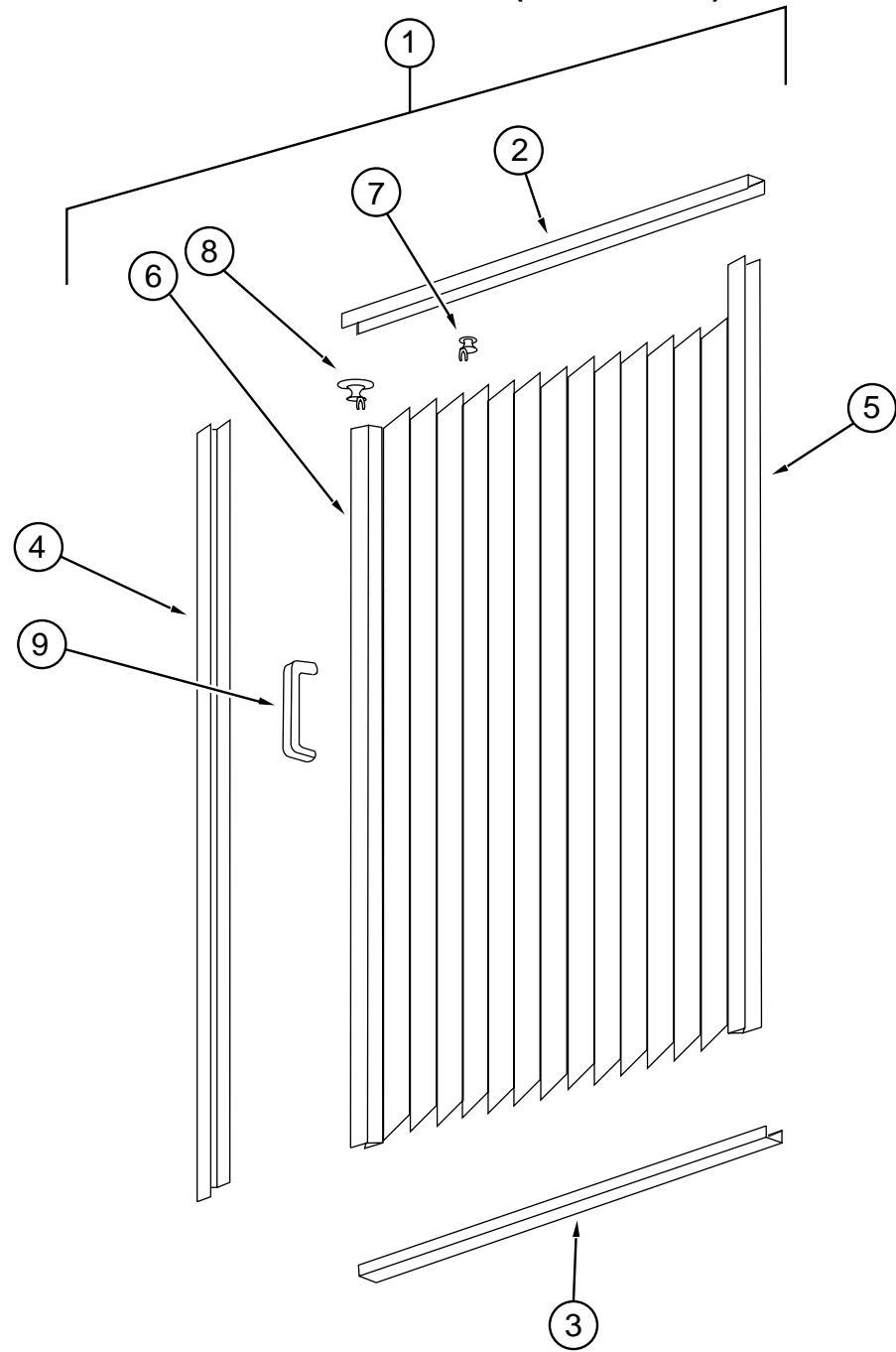
BATH CABINETS, PRIVACY DOOR & SHOWER COMPONENTS



KEY	PART NUMBER	U/M	DESCRIPTION	VENDOR NO.
1	M05992-77-J52	EA	DOOR - STRAIGHT CORNER/OGEE EDGE - 10" X 25.2" - W/O HARDWARE (MAPLE)	
1	M05992-77-J22	EA	DOOR - STRAIGHT CORNER/OGEE EDGE - 10" X 25.2" - W/O HARDWARE (OAK)	
2	126111-13-J52	EA	SHELF - W/PLASTIC EDGE TRIM (MAPLE)	
2	126111-13-J22	EA	SHELF - W/PLASTIC EDGE TRIM (OAK)	
3	126111-01-J52	EA	CABINET - OVERHEAD/MEDICINE - W/O DOORS/HARDWARE (MAPLE)	
3	126111-01-J22	EA	CABINET - OVERHEAD/MEDICINE - W/O DOORS/HARDWARE (OAK)	
4	M05992-G1-J52	EA	DOOR - STRAIGHT CORNER/OGEE EDGE - 11.2" X 19.7" - W/O HARDWARE (MAPLE)	
4	M05992-G1-J22	EA	DOOR - STRAIGHT CORNER/OGEE EDGE - 11.2" X 19.7" - W/O HARDWARE (OAK)	
5	126111-14-J52	EA	SHELF - W/PLASTIC EDGE TRIM (MAPLE)	
5	126111-14-J22	EA	SHELF - W/PLASTIC EDGE TRIM (OAK)	
6	075453-02-000	EA	BAR - TOWEL - 18" BRASS	
7	126112-15-J22	EA	COUNTERTOP - LAVATORY (J52, J53)	
7	126112-15-J23	EA	COUNTERTOP - LAVATORY (J54, J55)	
7	126112-15-J24	EA	COUNTERTOP - LAVATORY (J56, J57)	
8	M05971-EB-J52	EA	DRAWER - OGEE EDGE - 12.4"W X 11.8"D - W/O SLIDES/HARDWARE (MAPLE)	
8	M05971-EB-H17	EA	DRAWER - OGEE EDGE - 12.4"W X 11.8"D - W/O SLIDES/HARDWARE (OAK)	
9	075452-02-000	EA	HOLDER - TOILET TISSUE - BRASS	
10*	085330-06-000	EA	TOILET - STANDARD CHINA W/SPRAYER - BONE	
11	097208-07-J70	EA	MAGAZINE RACK (MAPLE)	
11	097208-07-J22	EA	MAGAZINE RACK (OAK)	
12	M05992-42-J52	EA	DOOR - STRAIGHT CORNER/OGEE EDGE - 14.9" X 21.8" - W/O HARDWARE (MAPLE)	
			FROM: 00-00-00 THRU: 09-01-97	
12	M05992-24-J52	EA	DOOR - STRAIGHT CORNER/OGEE EDGE - 14.9" X 21.8" - W/O HARDWARE (MAPLE)	
			FROM: 09-02-97 THRU: 99-99-99	
12	M05992-42-J22	EA	DOOR - STRAIGHT CORNER/OGEE EDGE - 14.9" X 21.8" - W/O HARDWARE (OAK)	
			FROM: 00-00-00 THRU: 09-01-97	
12	M05992-24-J22	EA	DOOR - STRAIGHT CORNER/OGEE EDGE - 14.9" X 21.8" - W/O HARDWARE (OAK)	
			FROM: 09-02-97 THRU: 99-99-99	
13	126112-01-J52	EA	CABINET - LAVATORY - W/COUNTERTOP - W/O DOOR/DRAWER/HDW (J52)	
13	126112-01-J22	EA	CABINET - LAVATORY - W/COUNTERTOP - W/O DOOR/DRAWER/HDW (J53)	
13	126112-01-J54	EA	CABINET - LAVATORY - W/COUNTERTOP - W/O DOOR/DRAWER/HDW (J54)	
13	126112-01-J26	EA	CABINET - LAVATORY - W/COUNTERTOP - W/O DOOR/DRAWER/HDW (J55)	
13	126112-01-J56	EA	CABINET - LAVATORY - W/COUNTERTOP - W/O DOOR/DRAWER/HDW (J56)	
13	126112-01-J57	EA	CABINET - LAVATORY - W/COUNTERTOP - W/O DOOR/DRAWER/HDW (J57)	
13	126112-13-J52	EA	SHELF - W/PLASTIC EDGE TRIM (MAPLE)	
13	126112-13-J22	EA	SHELF - W/PLASTIC EDGE TRIM (OAK)	
14	105921-01-01A	EA	SINK - LAVATORY - LARGE/OVAL - 17" X 20" PLASTIC/OFF WHITE	
	106116-01-01A	EA	STRAINER - SINK - W/STOPPER/TAILPIECE/GASKET & NUT - PLASTIC	
15	075240-06-000	EA	FAUCET - LAVATORY/BONE	
15	091253-01-000	EA	GASKET - FAUCET - LAVATORY/GALLEY	
15	105218-01-01A	EA	SPACER - FAUCET/LAVATORY SINK - 2" X 5.9" - ABS PLASTIC	
16	122398-01-J52	EA	CABINET - PIPE COVER - W/O HARDWARE (J52, J56)	
16	122398-01-J22	EA	CABINET - PIPE COVER - W/O HARDWARE (J53)	
16	122398-01-J54	EA	CABINET - PIPE COVER - W/O HARDWARE (J54)	
16	122398-01-J26	EA	CABINET - PIPE COVER - W/O HARDWARE (J55)	
16	122398-01-J57	EA	CABINET - PIPE COVER - W/O HARDWARE (J57)	
17	058331-08-000	EA	MIRROR - SAFETY GLASS - 24" X 30"	
18	110235-01-01A	EA	LIGHT - MAKE UP - 3 BULB - 12 VOLT	
19	M02630-30-GB1	EA	SHOWER PAN - W/SPRING LOADED DRAIN PLUNGER	
20	075242-04-000	EA	FAUCET - TUB/SHOWER - BONE	
	075606-01-000	EA	PANEL - PLASTIC - FAUCET BACK - 5" X 9"	
21	104462-02-01A	EA	CADDY - SHOWER - OFF WHITE	
22	103092-01-000	EA	SHOWER HEAD - W/60" HOSE - WHITE (US)	
22	103092-02-000	EA	SHOWER HEAD - W/60" HOSE - CSA	
	011048-03-700	EA	BRACKET - F/SHOWER HEAD	2328029-1
	103092-01-702	EA	SEALS - SPRAY HEAD	24466
23	115612-02-01A	EA	SURROUND - SHOWER - OFF WHITE	
	117431-03-01A	EA	DOOR - SHOWER - PLEATED FABRIC	

*COMPONENT PARTS FOUND IN SERVICE PARTS LIBRARY

BATH GROUP (CONTINUED)



SHOWER DOOR

KEY	PART NUMBER	U/M DESCRIPTION
1	117431-03-01A	EA DOOR - SHOWER - PLEATED FABRIC
2	117431-01-700	EA TRACK - TOP - ALUM. IVORY INSERT - 48"
3	117431-01-701	EA TRACK - BOTTOM - 48 "
4	117431-01-702	EA RAIL - SIDE - 67"
5	117431-01-703	EA RAIL - STATIONARY - 67"
6	117431-01-704	EA RAIL - LEAD - 67"
7	117431-01-705	EA GLIDE - IVORY - TRAVELER
8	117431-01-706	EA GLIDE - IVORY LEAD - TRAVELER
9	117431-01-708	EA HANDLES & SCREWS
	117431-01-707	EA LATCH
	117431-03-700	EA STRAP - VINYL SHOWER

BATH GROUP (CONTINUED)

BATH/BEDROOM PRIVACY DOOR

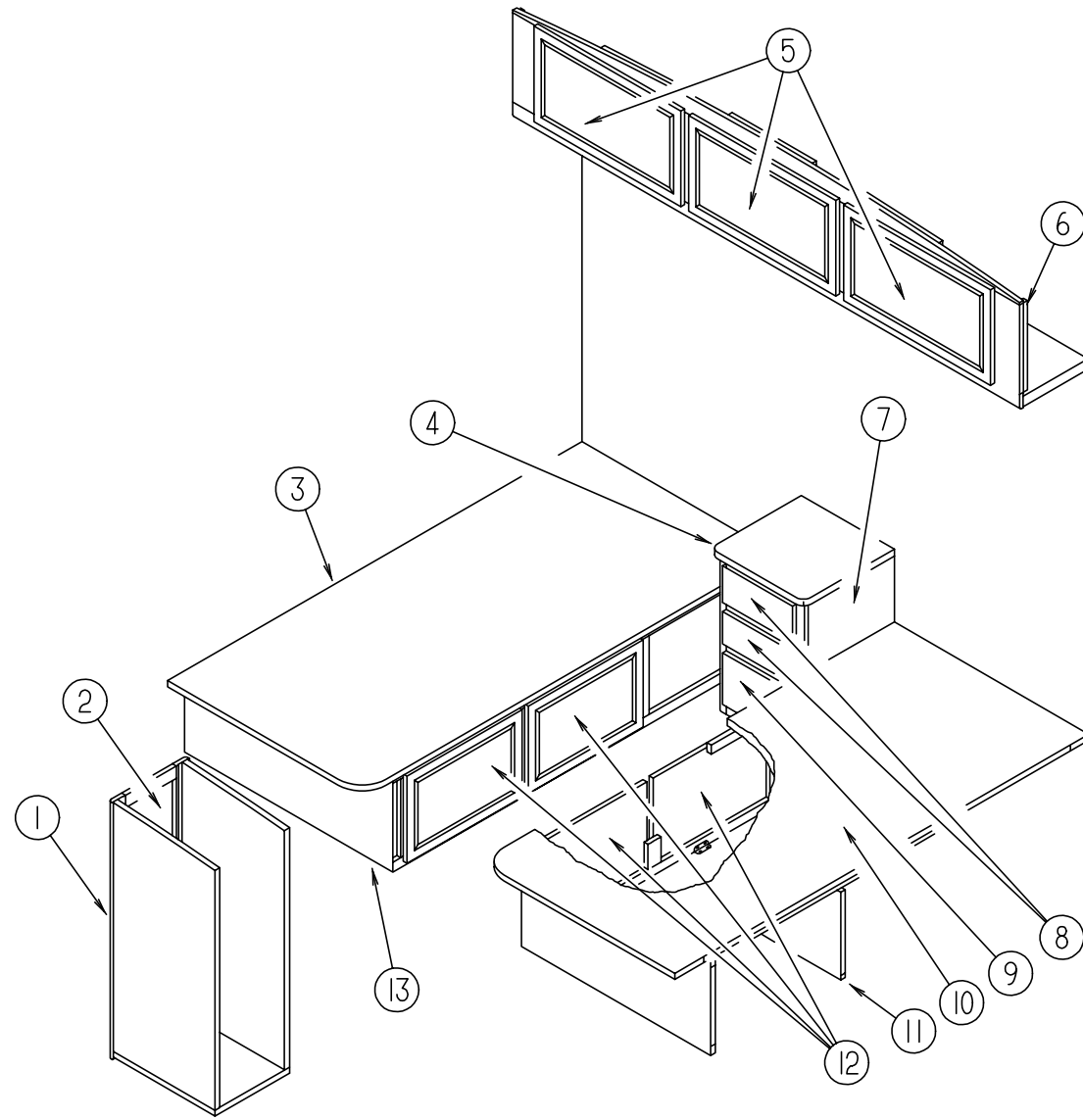
KEY	PART NUMBER	U/M DESCRIPTION
	M87868-39-J52	EA DOOR - BATH - 26.7" X 75.4" (MAPLE)
	M87868-39-J22	EA DOOR - BATH - 26.7" X 75.4" (OAK)
	102920-01-01A	EA HINGE/SPRING LOADED - BRASS
	110496-01-01A	EA HINGE - BRASS
	124311-01-01A	EA HANDLE - RECESSED - BRASS
	117978-01-01A	EA KNOB - DOOR - BRIGHT BRASS

BATH DOOR

KEY	PART NUMBER	U/M DESCRIPTION
	121449-31-J60	EA DOOR - BATH (MAPLE)
	121449-31-H17	EA DOOR - BATH (OAK)
	102920-01-01A	EA HINGE/SPRING LOADED - BRASS
	110496-01-01A	EA HINGE - BRASS
	111155-01-01A	EA LOCK - PRIVACY - POLISHED BRASS
	121449-12-J70	EA RACK - TOWEL - BATH DOOR (MAPLE)
	121449-12-G04	EA RACK - TOWEL - BATH DOOR (OAK)
	100357-01-000	EA ROD - F/TOWEL BAR - BRASS

BEDROOM GROUP

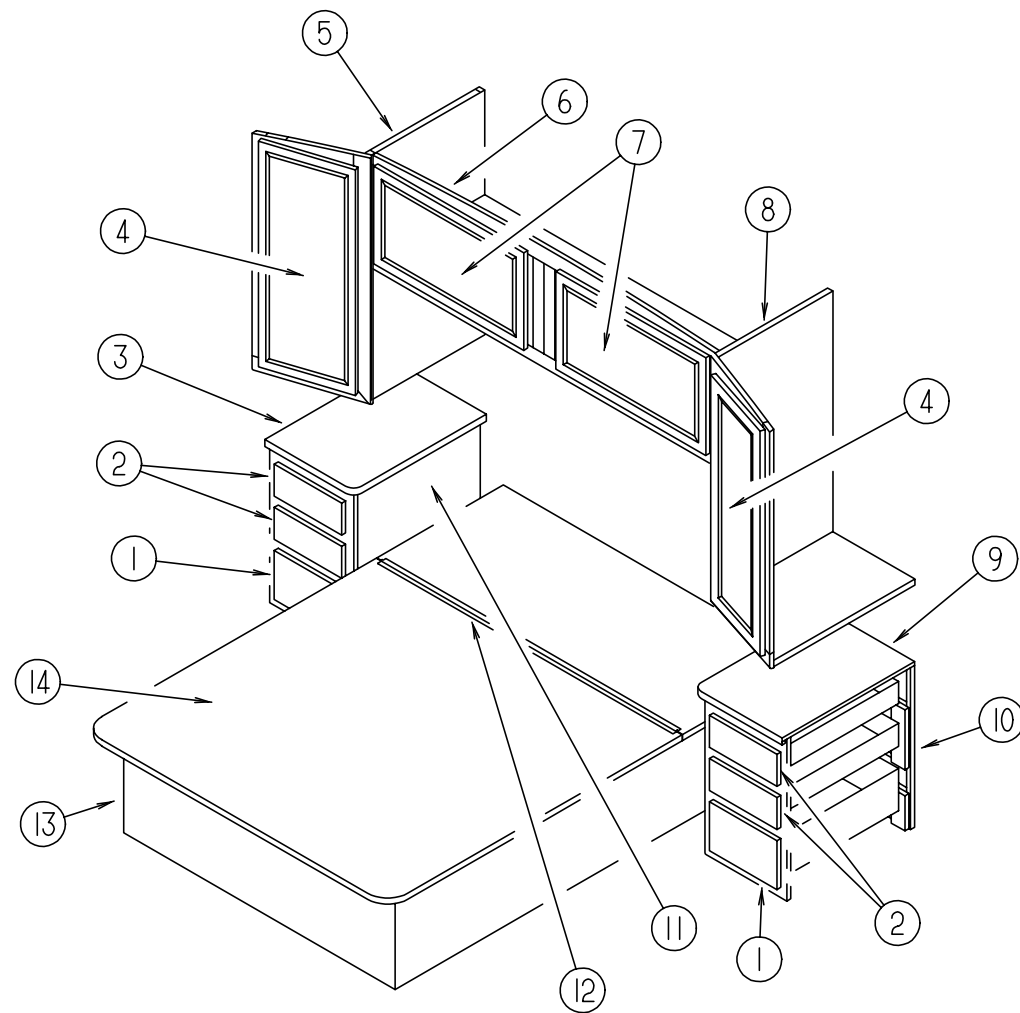
TWIN BEDROOM



KEY	PART NUMBER	U/M	DESCRIPTION
1	126529-01-J52	EA	CABINET - SHIRT CLOSET - W/O DOOR/HARDWARE (MAPLE)
1	126529-01-J22	EA	CABINET - SHIRT CLOSET - W/O DOOR/HARDWARE (OAK)
2	M05992-47-J22	EA	DOOR - STRAIGHT CORNER/OGEE EDGE - 12" X 40" - W/O HARDWARE (MAPLE)
2	M05992-47-J22	EA	DOOR - STRAIGHT CORNER/OGEE EDGE - 12" X 40" - W/O HARDWARE (OAK)
3	M07464-01-000	EA	TOP - TWIN BED - PASSENGER SIDE - W/O HARDWARE
4	104507-11-H37	EA	COUNTERTOP - NIGHTSTAND (J52, J53)
4	104507-11-F12	EA	COUNTERTOP - NIGHTSTAND (J54, J55)
4	104507-11-F32	EA	COUNTERTOP - NIGHTSTAND (J56, J57)
5	M05992-48-J22	EA	DOOR - STRAIGHT CORNER/OGEE EDGE - 15.7" X 27.9" - W/O HARDWARE (MAPLE)
5	M05992-48-J22	EA	DOOR - STRAIGHT CORNER/OGEE EDGE - 15.7" X 27.9" - W/O HARDWARE (OAK)
6	116187-01-J52	EA	CABINET - OVERHEAD/REAR - W/O DOORS/HARDWARE - (TWIN BED) (MAPLE)
6	116187-01-H17	EA	CABINET - OVERHEAD/REAR - W/O DOORS/HARDWARE - (TWIN BED) (OAK)
7	104507-01-J52	EA	CABINET/NIGHTSTAND - W/COUNTERTOP - W/O DRAWERS/HDW (J52)
7	104507-01-H47	EA	CABINET/NIGHTSTAND - W/COUNTERTOP - W/O DRAWERS/HDW (J53)
7	104507-01-J54	EA	CABINET/NIGHTSTAND - W/COUNTERTOP - W/O DRAWERS/HDW (J54)
7	104507-01-G15	EA	CABINET/NIGHTSTAND - W/COUNTERTOP - W/O DRAWERS/HDW (J55)
7	104507-01-J56	EA	CABINET/NIGHTSTAND - W/COUNTERTOP - W/O DRAWERS/HDW (J56)
7	104507-01-G36	EA	CABINET/NIGHTSTAND - W/COUNTERTOP - W/O DRAWERS/HDW (J57)
8	M05971-65-J52	EA	DRAWER - OGEE EDGE - 12.2"W X 11.8"D - W/O SLIDES/HARDWARE (MAPLE)
8	M05971-65-H17	EA	DRAWER - OGEE EDGE - 12.2"W X 11.8"D - W/O SLIDES/HARDWARE (OAK)
9	M05971-73-J52	EA	DRAWER - OGEE EDGE - 12.2"W X 11.8"D - W/O SLIDES/HARDWARE (MAPLE)
9	M05971-73-H17	EA	DRAWER - OGEE EDGE - 12.2"W X 11.8"D - W/O SLIDES/HARDWARE (OAK)
10	M07464-02-000	EA	TOP - TWIN BED - DRIVER SIDE - W/O HARDWARE
11	P16194-02-J52	EA	CABINET - BASE - TWIN BED/LEFT HAND - W/O DOORS/HARDWARE (MAPLE)
11	P16194-02-G15	EA	CABINET - BASE - TWIN BED/LEFT HAND - W/O DOORS/HARDWARE (OAK)
12	M05992-14-J52	EA	DOOR - STRAIGHT CORNER/OGEE EDGE - 12" X 21.9" - W/O HARDWARE (MAPLE)
12	M05992-14-J22	EA	DOOR - STRAIGHT CORNER/OGEE EDGE - 12" X 21.9" - W/O HARDWARE (OAK)
13	P16194-01-J52	EA	CABINET - BASE - TWIN BED/RIGHT HAND - W/O DOORS/HARDWARE (MAPLE)
13	P16194-01-G15	EA	CABINET - BASE - TWIN BED/RIGHT HAND - W/O DOORS/HARDWARE (OAK)
	096764-02-000	FT	SLIPNOT - ANTISLIP, 1' WIDE (100' ROLLS)

BEDROOM GROUP (CONTINUED)

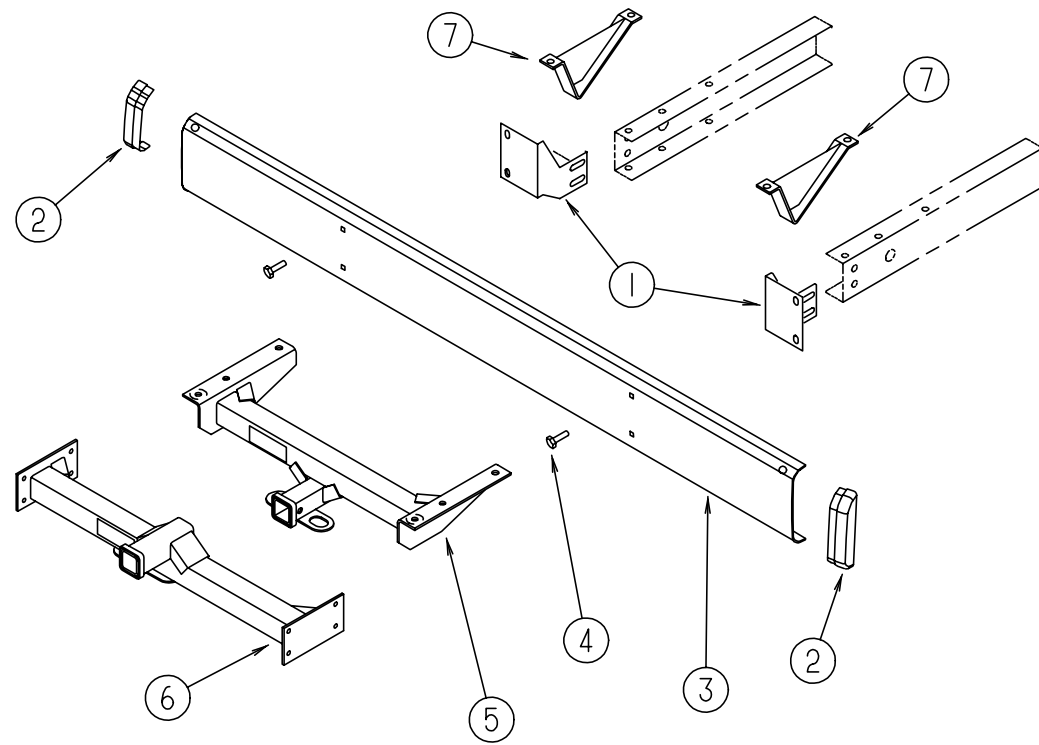
QUEEN BEDROOM



KEY	PART NUMBER	U/M	DESCRIPTION
1	M05971-W3-J52	EA	DRAWER - OGEE EDGE - 11.5"W X 21.6"D - W/O SLIDES/HARDWARE (MAPLE)
1	M05971-W3-H17	EA	DRAWER - OGEE EDGE - 11.5"W X 21.6"D - W/O SLIDES/HARDWARE (OAK)
2	M05971-L5-J52	EA	DRAWER - OGEE EDGE - 11.5"W X 21.6"D - W/O SLIDES/HARDWARE (MAPLE)
2	M05971-L5-H17	EA	DRAWER - OGEE EDGE - 11.5"W X 21.6"D - W/O SLIDES/HARDWARE (OAK)
3	116193-11-H37	EA	COUNTERTOP - NIGHTSTAND (J52, J53)
3	116193-11-F12	EA	COUNTERTOP - NIGHTSTAND (J54, J55)
3	116193-11-G36	EA	COUNTERTOP - NIGHTSTAND (J56, J57)
4	M06803-R5-J52	EA	DOOR - MIRROR/MTRD CRNR/OGEE EDGE - 14.3" X 36.4" -W/O HARDWARE (MAPLE)
4	M06803-R5-J22	EA	DOOR - MIRROR/MTRD CRNR/OGEE EDGE - 14.3" X 36.4" -W/O HARDWARE (OAK)
5	116142-01-J60	EA	CABINET - SHIRT CLOSET - RIGHT HAND - W/O DOOR/HARDWARE (MAPLE)
5	116142-01-J22	EA	CABINET - SHIRT CLOSET - RIGHT HAND - W/O DOOR/HARDWARE (OAK)
6	106523-01-J60	EA	CABINET - OVERHEAD REAR - W/O DOORS/HARDWARE (MAPLE)
6	106523-01-G09	EA	CABINET - OVERHEAD REAR - W/O DOORS/HARDWARE (OAK)
7	M05992-48-J52	EA	DOOR - STRAIGHT CORNER/OGEE EDGE - 15.7" X 27.9" - W/O HARDWARE (MAPLE)
7	M05992-48-J22	EA	DOOR - STRAIGHT CORNER/OGEE EDGE - 15.7" X 27.9" - W/O HARDWARE (OAK)
8	116142-02-J60	EA	CABINET - SHIRT CLOSET - LEFT HAND - W/O DOOR/HARDWARE (MAPLE)
8	116142-02-J22	EA	CABINET - SHIRT CLOSET - LEFT HAND - W/O DOOR/HARDWARE (OAK)
9	116193-12-H37	EA	COUNTERTOP - NIGHTSTAND (J52, J53)
9	116193-12-F12	EA	COUNTERTOP - NIGHTSTAND (J54, J55)
9	116193-12-G36	EA	COUNTERTOP - NIGHTSTAND (J56, J57)
10	116193-02-J52	EA	CABINET/NIGHTSTAND/LH - W/COUNTERTOP - W/O DRAWERS/ HARDWARE (J52)
10	116193-02-H47	EA	CABINET/NIGHTSTAND/LH - W/COUNTERTOP - W/O DRAWERS/ HARDWARE (J53)
10	116193-02-J54	EA	CABINET/NIGHTSTAND/LH - W/COUNTERTOP - W/O DRAWERS/ HARDWARE (J54)
10	116193-02-G15	EA	CABINET/NIGHTSTAND/LH - W/COUNTERTOP - W/O DRAWERS/ HARDWARE (J55)
10	116193-02-J60	EA	CABINET/NIGHTSTAND/LH - W/COUNTERTOP - W/O DRAWERS/ HARDWARE (J56)
10	116193-02-G36	EA	CABINET/NIGHTSTAND/LH - W/COUNTERTOP - W/O DRAWERS/ HARDWARE (J57)
11	116193-01-J52	EA	CABINET/NIGHTSTAND/RH - W/COUNTERTOP - W/O DRAWERS/ HARDWARE (J52)
11	116193-01-H47	EA	CABINET/NIGHTSTAND/RH - W/COUNTERTOP - W/O DRAWERS/ HARDWARE (J53)
11	116193-01-J54	EA	CABINET/NIGHTSTAND/RH - W/COUNTERTOP - W/O DRAWERS/ HARDWARE (J54)
11	116193-01-G15	EA	CABINET/NIGHTSTAND/RH - W/COUNTERTOP - W/O DRAWERS/ HARDWARE (J55)
11	116193-01-J60	EA	CABINET/NIGHTSTAND/RH - W/COUNTERTOP - W/O DRAWERS/ HARDWARE (J56)
11	116193-01-G36	EA	CABINET/NIGHTSTAND/RH - W/COUNTERTOP - W/O DRAWERS/ HARDWARE (J57)
12	041389-25-000	EA	HINGE - PIANO - 1.50" X 55"
13	P21153-01-J52	EA	CABINET - BASE/QUEEN BED (MAPLE)
13	P21153-01-G15	EA	CABINET - BASE/QUEEN BED (OAK)
14	M08093-03-H17	EA	TOP - QUEEN BED - W/O HARDWARE
	107796-06-000	EA	SPRING/GAS - 12" COMPRESSED/20" EXTENDED - 120 LB.
	126263-06-02B	EA	BRACKET - GAS SPRING - E-COATED (UPPER)
	126263-08-02B	EA	BRACKET - GAS SPRING - LOWER - E-COATED
	097872-04-000	EA	DOWEL - WOOD - 1" DIAMETER X 1.38" LONG
	091952-01-000	EA	CLIP - GRIPPER - 1"

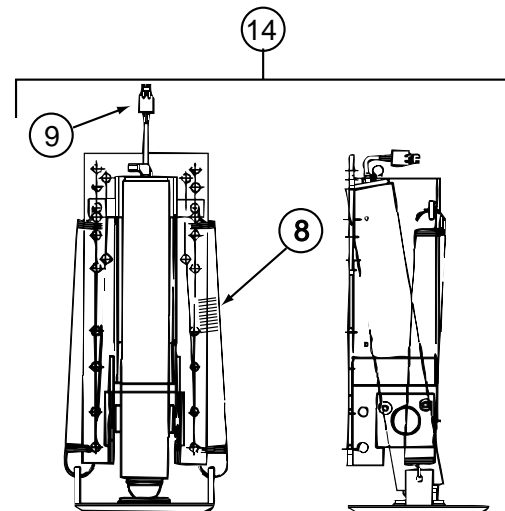
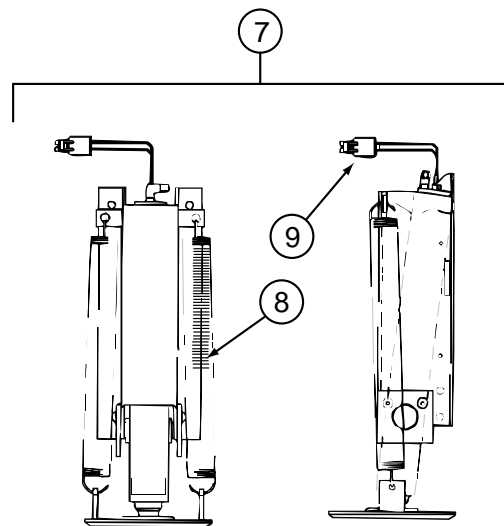
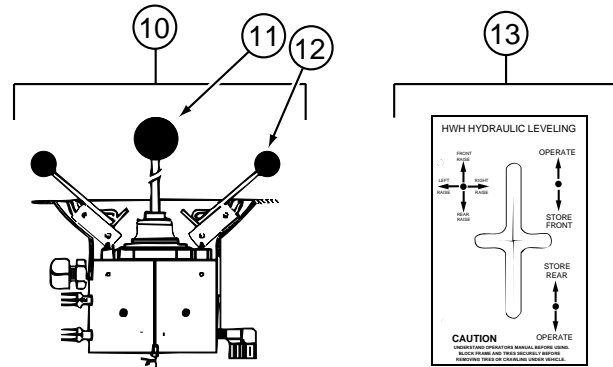
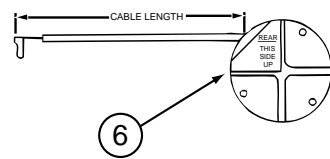
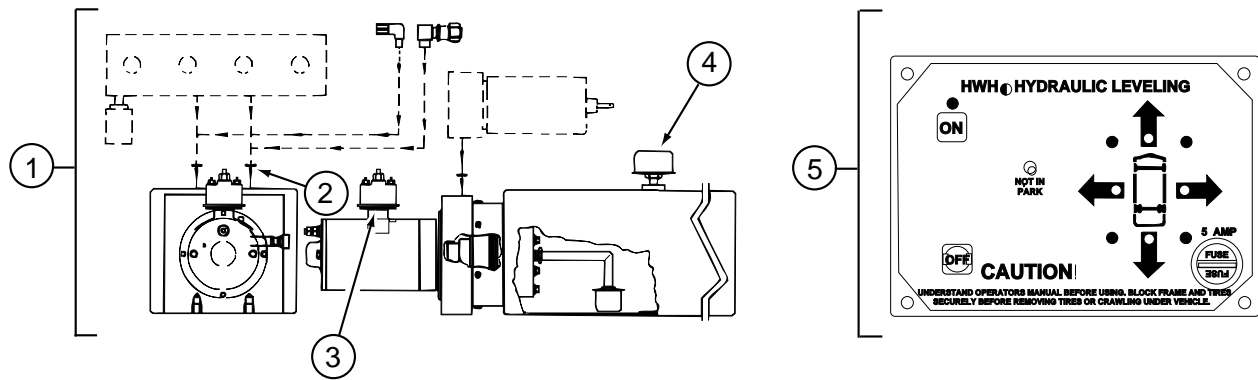
CHASSIS GROUP

REAR BUMPER & COMPONENTS



KEY	PART NUMBER	U/M	DESCRIPTION
1	104418-07-000	EA	ANGLE - BUMPER REAR SUPPORT
2	103228-01-05A	EA	END CAP - REAR BUMPER - DRIVER/ PASSENGER SIDE
3	103099-11-02A	EA	BUMPER - REAR - BRIGHT WHITE
			FROM: 00-00-00 THRU: 08-05-97
3	103099-10-02A	EA	BUMPER - REAR
			FROM: 08-06-97 THRU: 99-99-99
4	102333-01-05A	EA	BOLT - CARRIAGE - 7/16 - 14 STAINLESS STEEL CAP
5	107707-01-000	EA	HITCH RECEIVER - BOLT-ON CLASS II
6	117313-03-04B	EA	DRAWBAR - HITCH CLASS III
7	111742-01-000	EA	PLATE - SKID
	113589-01-000	EA	CONNECTOR - PLUG - TRAILER
	113589-02-000	EA	CONNECTOR - SOCKET - TRAILER
	070579-09-000	EA	PLATE - ANCHOR
	113588-02-01B	EA	BRACKET - CONNECTOR - TRAILER W/O LIP
	113588-01-01B	EA	BRACKET - CONNECTOR - TRAILER W/LIP

CHASSIS GROUP (CONTINUED)



HWH HYDRAULIC LEVELING SYSTEM (AP15569) (1997 FORD CHASSIS)

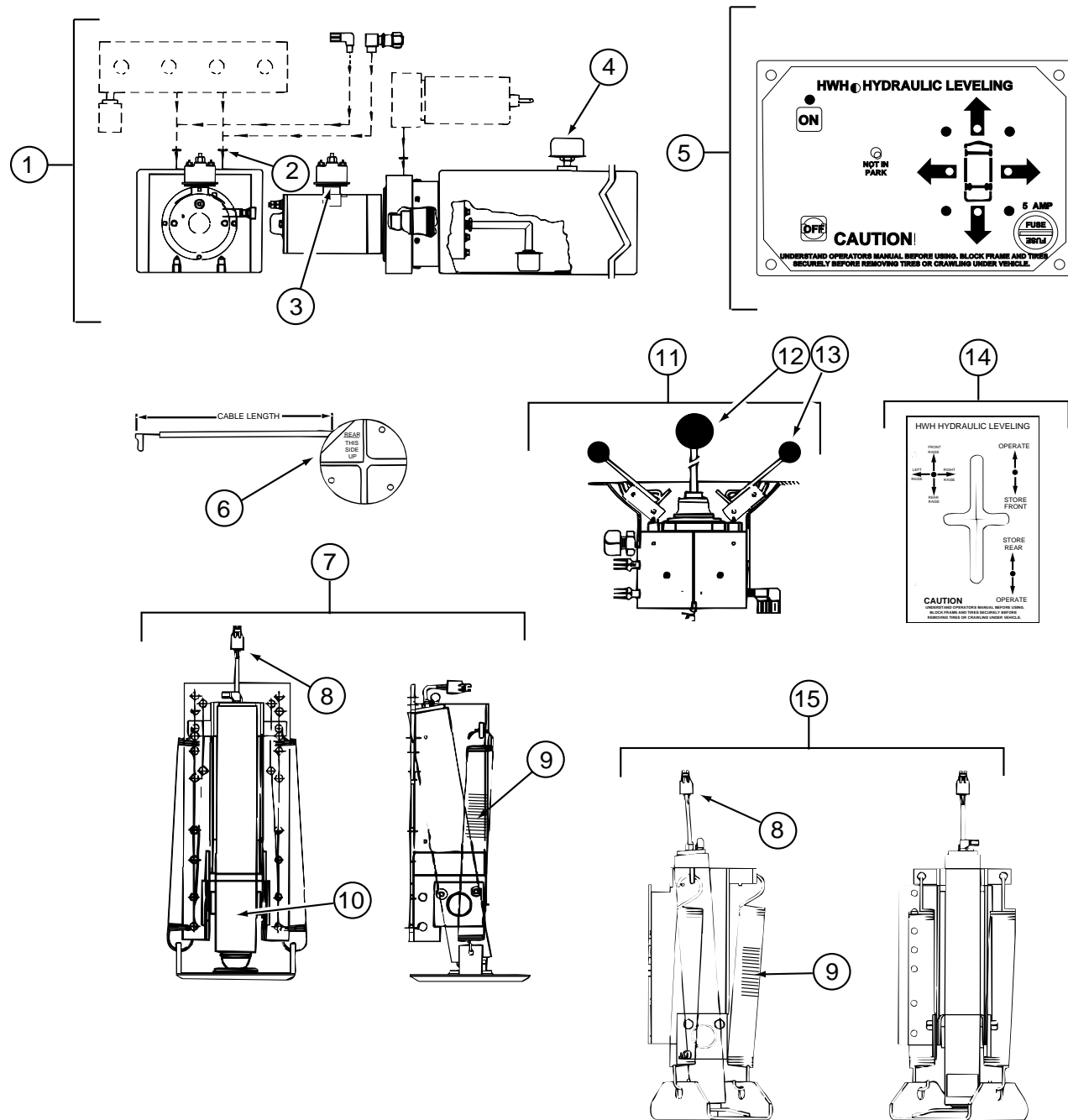
KEY	PART NUMBER	U/M DESCRIPTION	VENDOR NO.
	100532-41-000	EA LEVELING SYSTEM - HYDRAULIC	
1	100532-01-713	EA PUMP - RESERVOIR ASM. - MONARCH	RAP90014
2	100532-03-723	EA O-RING - SEAL KIT	RAP9171
3	100532-09-710	EA SOLENOID - INTERMITTENT DUTY	RAP0533
4	100532-03-715	EA CAP - BREATHER W/DIPSTICK	RAP7876
5	100532-08-703	EA PANEL ASM. - 200 BI-AXIS SYS.	RAP9755
6	100532-03-710	EA SENSING UNIT - 21' MTA	RAP6798
7	100532-16-700	EA JACK ASM. 6K - STATIONARY	RAP0468
8	100532-12-707	EA SPRING KIT	R3847
9	100532-12-706	EA SWITCH - WARNING/MAGNETIC	RAP1008
10	100532-08-702	EA VALVE - BI-AXIS	RAP9589
11	100532-08-705	EA KNOB - 3/4" BLACK - SET OF FOUR	RAP1379
12	100532-08-706	EA KNOB - 1 3/16" BLACK	RAP9734
13	100532-08-707	EA BEZEL W/GASKET - F/SYSTEM 200	RAP9592
14	100532-18-700	EA JACK - 9K STRAIGHT ACTING	RAP90177
	100532-08-700	EA POWER UNIT ASM.	AP10470
	100532-32-701	EA BUZZER - JACK DOWN WARNING	RAP0325
	100536-11-000	EA HOSE KIT - HWH #AP0013	
	107890-01-000	EA ELBOW - STEEL - 90 D - 1/4 X 37 D - FLARE	
	117183-01-02B	EA COVER - SENSOR - LEVELING	
	120916-01-02B	EA BRACKET - PUMP - LEVELING SYSTEM	

HWH HYDRAULIC LEVELING SYSTEM (AP16915) (1999 FORD CHASSIS)

KEY	PART NUMBER	U/M DESCRIPTION
	100532-51-000	EA LEVELING SYSTEM - HYDRAULIC
	100536-11-000	EA HOSE KIT - HWH #AP0013
	107890-01-000	EA ELBOW - STEEL - 90 D - 1/4 X 37 D - FLARE
	117183-01-02B	EA COVER - SENSOR - LEVELING
	120916-01-02B	EA BRACKET - PUMP - LEVELING SYSTEM

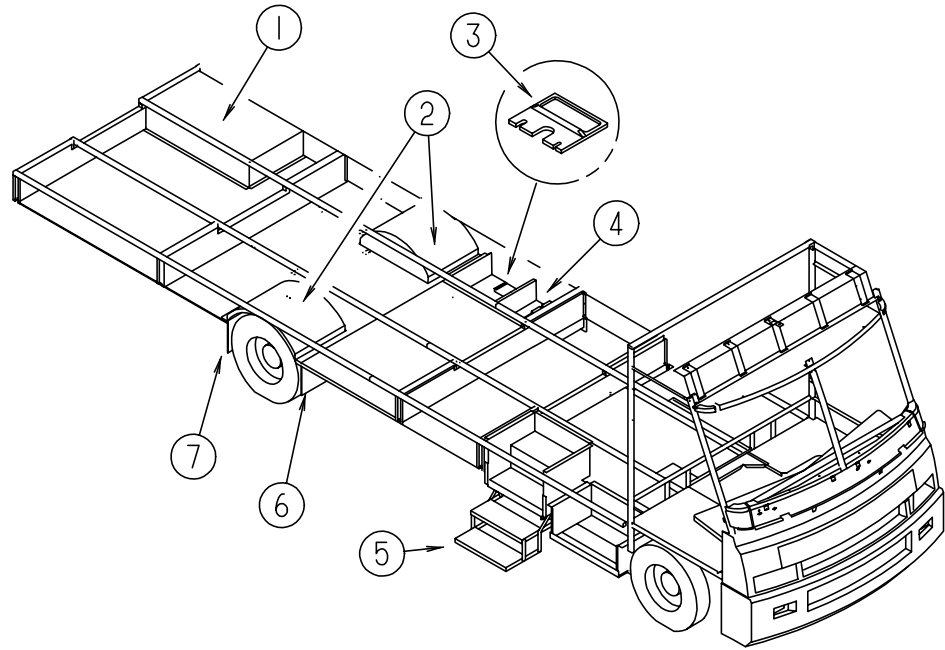
CHASSIS GROUP (CONTINUED)

HWH HYDRAULIC LEVELING SYSTEM (AP15570) (CHEVY)



KEY	PART NUMBER	U/M	DESCRIPTION	VENDOR NO.
	100532-42-000	EA	LEVELING SYSTEM - HYDRAULIC	
1	100532-01-713	EA	PUMP - RESERVOIR ASM. - MONARCH	RAP90014
2	100532-03-723	EA	O-RING - SEAL KIT	RAP9171
3	100532-09-710	EA	SOLENOID - INTERMITTENT DUTY	RAP0533
4	100532-03-715	EA	CAP - BREATHER W/DIPSTICK	RAP7876
5	100532-08-703	EA	PANEL ASM. - 200 BI-AXIS SYS.	RAP9755
6	100532-03-710	EA	SENSING UNIT 21' MTA	RAP6798
7	100532-18-700	EA	JACK - 9K STRAIGHT ACTING	RAP90177
8	100532-12-706	EA	SWITCH - WARNING - MAGNETIC	RAP1008
9	100532-12-707	EA	SPRING KIT	R3847
10	100532-32-702	EA	CYLINDER ONLY F/9000 LB JACK	RAP1927
11	100532-08-702	EA	VALVE - BI-AXIS	RAP9589
12	100532-08-705	EA	KNOB - 3/4" BLACK - SET OF FOUR	RAP1379
13	100532-08-706	EA	KNOB - 1 3/16" BLACK	RAP9734
14	100532-08-707	EA	BEZEL W/GASKET - F/SYSTEM 200	RAP9592
15	100532-42-700	EA	JACK - DRIVERS - 6K	RAP90245
	100532-42-701	EA	JACK - PASSENGER - 6K	RAP90246
	100532-08-700	EA	POWER UNIT ASM.	AP10470
	100532-32-701	EA	BUZZER - JACK DOWN WARNING	RAP0325
	100536-11-000	EA	HOSE KIT - HWH #AP0013	
	107890-01-000	EA	ELBOW - STEEL - 90 D - 1/4 X 3/8 D - FLARE	
	117183-01-02B	EA	COVER - SENSOR - LEVELING	
	120916-01-02B	EA	BRACKET - PUMP - LEVELING SYSTEM	
	121177-01-02B	EA	BRACKET - PASS REAR LEVEL JACK (STRAIGHT)	
	121177-02-02B	EA	BRACKET - DRVR REAR LEVEL JACK (STRAIGHT)	
	128285-01-000	EA	JACK/CROSSMEMBER ASSEMBLY - FRONT - CHEVY	

CHASSIS GROUP (CONTINUED)

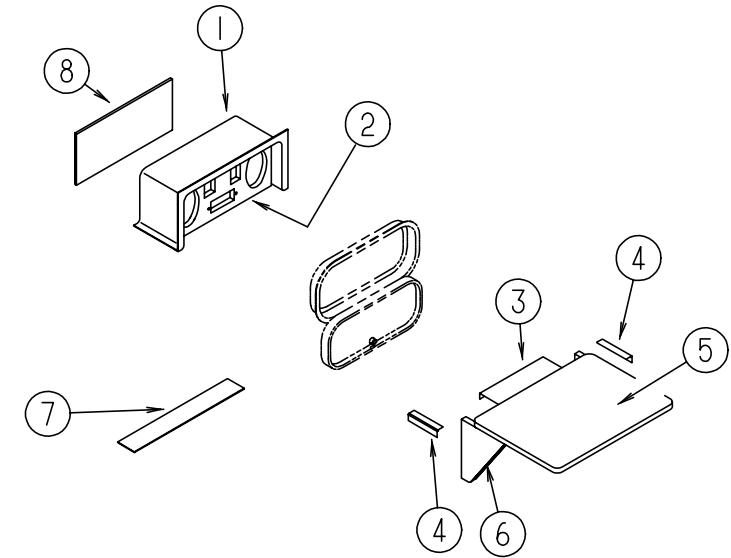


COMPARTMENTS & TRAYS

KEY	PART NUMBER	U/M	DESCRIPTION
1	N/A	EA	TRAY - GENERATOR
2	055374-03-000	EA	WHEELWELL - PLASTIC
3	M06991-05-G38	EA	HATCH - W/FOAM
	121175-01-01A	EA	LATCH - SWELL - BLACK
4	M07452-04-G38	EA	COMPARTMENT - STORAGE - 14.4" X 48.9"
5*	094707-01-01A	EA	STEP - DOUBLE - ELECTRIC - KWIKEE
	116995-01-000	EA	SWITCH/MAGNET - ELECTRIC - STEP
	104452-03-000	EA	SUPPORT - STEP
6	020167-05-000	EA	DIRT GUARD - STEEL - 14.9" LONG
7	017516-01-000	EA	FLAP - MUD - 14" X 18" - BLACK
7	020167-08-000	EA	DIRT GUARD - STEEL - 13.6" LONG
	065450-05-000	EA	TIEDOWN - BATTERY - 8.4" TUBE
	119845-01-01A	EA	PLUG - PLASTIC - BLACK
	123361-01-000	EA	DUCT - AIR INTAKE
	120867-01-02B	EA	MOUNT - LP TANK
	113452-01-000	FT	SEAL/TRIM - FRONT - VINYL W/WIRE CARRIER
	061420-10-000	EA	PLUG/PLASTIC - 1.50" DIAMETER - BLACK
	119845-01-01A	EA	PLUG - PLASTIC - BLACK

*COMPONENT PARTS FOUND IN SERVICE PARTS LIBRARY

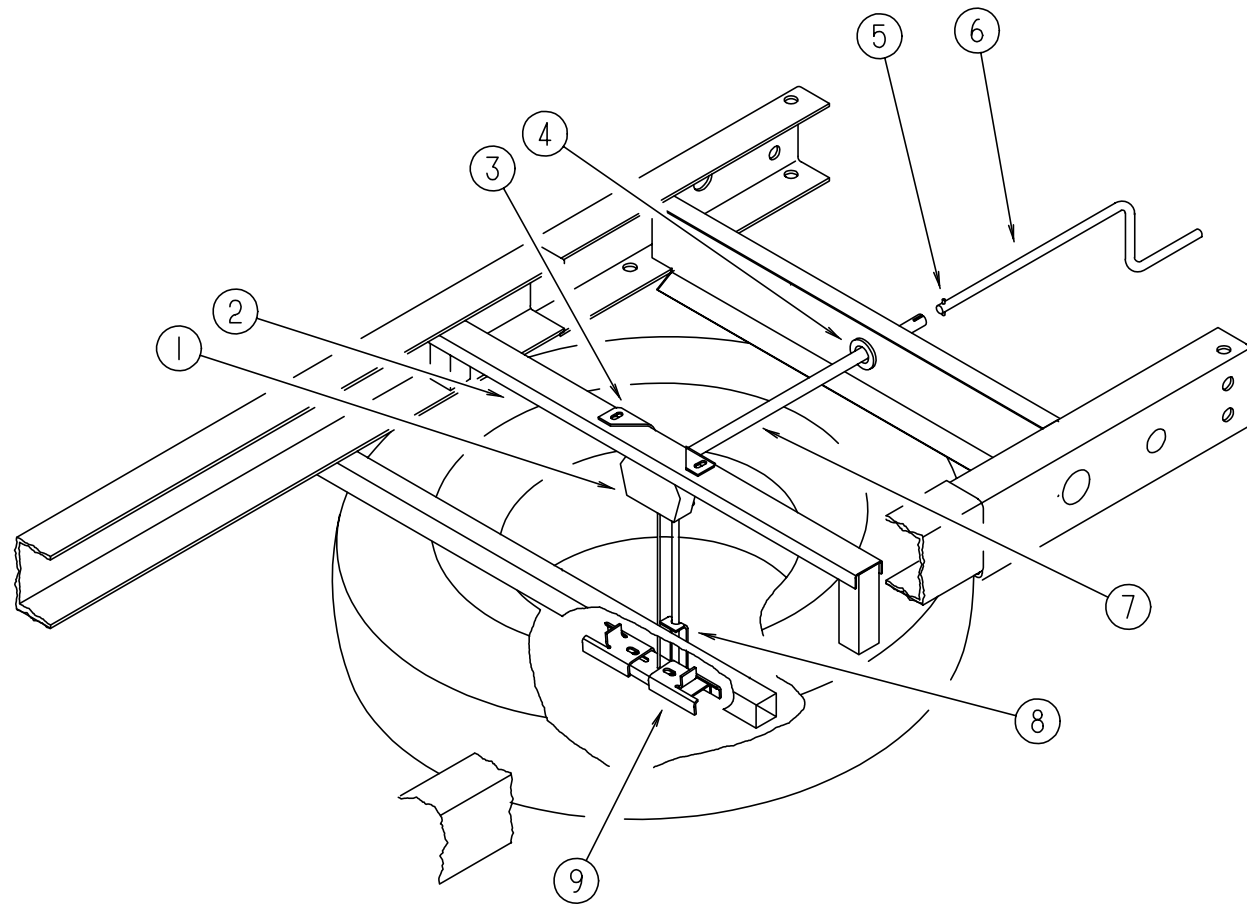
CHASSIS GROUP (CONTINUED)



COMPARTMENT (ENTERTAINMENT CENTER)

KEY	PART NUMBER	U/M	DESCRIPTION
1	124696-01-01A	EA	BOX - ENTERTAINMENT CENTER - EXTERIOR
2	127409-02-J01	EA	PLATE - RADIO MOUNTING
3	105377-01-04A	EA	BRACKET - TABLE HANGER - BRIGHT WHITE
4	105376-01-03A	EA	HINGE - CONTINUOUS - 2" X 5.5" - BRIGHT WHITE
5	105230-11-J01	EA	SHELF - EXTERIOR ENTERTAINMENT CENTER
6	105230-12-J01	EA	SUPPORT - EXTERIOR SHELF
7	104898-01-02A	EA	PLATE - PLASTIC BOTTOM - BRIGHT WHITE
8	104898-02-02A	EA	PLATE - PLASTIC BACK - BRIGHT WHITE

CHASSIS GROUP (CONTINUED)



SPARE TIRE & HOIST

KEY	PART NUMBER	U/M DESCRIPTION	
1	093267-03-000	EA HOIST - SPARE TIRE - 100#	
2	093362-06-000	EA CHANNEL - TIRE HOIST	
3	124751-01-02B	EA HANGER - SPARE TIRE - E-COATED	
4	071015-11-000	EA GROMMET - 1" ID	
5	114376-01-000	EA PIN - DRIVE - .156 X .750 - TYPE E - TIRE HOIST	
6	093376-02-000	EA HANDLE - CRANK - TIRE HOIST	
7	093375-09-000	EA EXTENSION - TIRE HOIST	
7	093375-05-000	EA EXTENSION - TIRE HOIST	FROM: 00-00-00 THRU: 09-01-97
8	124754-01-02B	EA CATCH - SPARE TIRE	FROM: 09-02-97 THRU: 99-99-99
	129085-01-02B	EA PLATE - SUPPORT - SPARE TIRE	FROM: 00-00-00 THRU: 02-21-98
	129086-01-02B	EA SUPPORT - SPARE TIRE	FROM: 02-22-98 THRU: 99-99-99
9	105499-01-000	EA BRACKET - TIRE HOIST	FROM: 02-22-98 THRU: 99-99-99
	077030-02-000	EA EXTENSION - VALVE STEM - 1.25"	
	077030-05-000	EA EXTENSION - VALVE STEM - 95 DEGREE	
	077030-06-000	EA EXTENSION - VALVE STEM - 45 DEGREE	
	095012-10-000	EA EXTENSION - VALVE STEM - 8.5"	

CHASSIS GROUP (CONTINUED)

FORD TIRE & WHEEL (FROM: 00-00-00 THRU: 02-22-98)

KEY	PART NUMBER	U/M DESCRIPTION
	051377-05-000	EA VALVE STEM
	083425-05-000	EA TIRE - MICHELIN - LT 235/85R16 - LOAD RANGE E
	095853-02-000	EA WHEEL - STEEL - 16" X 6K

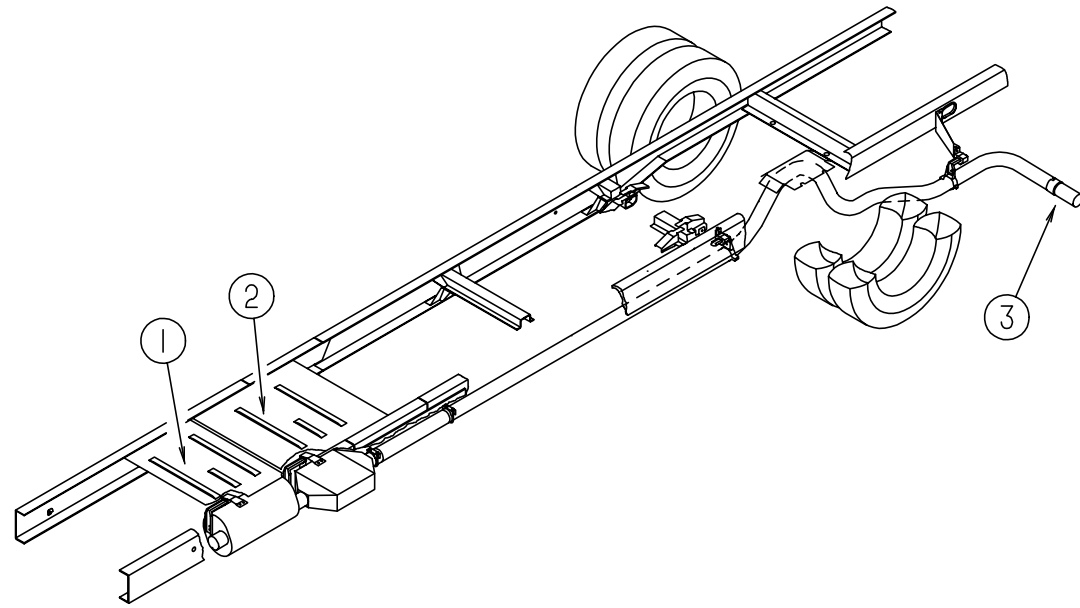
FORD TIRE (FROM: 02-23-98 THRU: 99-99-99)

KEY	PART NUMBER	U/M DESCRIPTION
	051377-04-000	EA VALVE STEM
	102340-04-000	EA TIRE - 245/70R - 19.5F - GOODYEAR

CHEVY TIRE & WHEEL

KEY	PART NUMBER	U/M DESCRIPTION
	051377-01-000	EA VALVE STEM
	064963-01-000	EA WHEEL - STEEL - 19.5" X 6" - GM 14005758
	091673-01-000	EA TIRE - 225.70 R19.5 LRF - XZA
	080208-06-000	EA LUG WRENCH - 1" X 1.06" W/DEEP SOCKET ENDS
	080208-02-000	EA BAR - LEVERAGE - LUG WRENCH

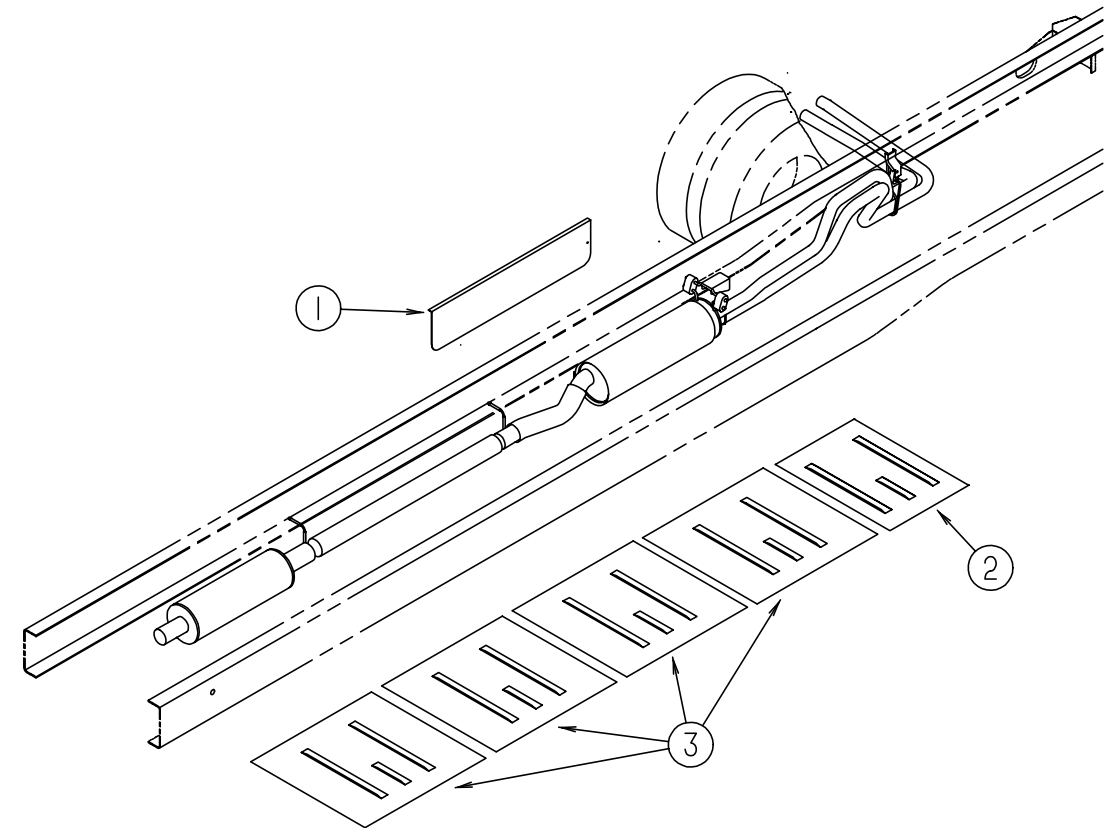
CHASSIS GROUP (CONTINUED)



EXHAUST SYSTEM (CHEVY)

KEY	PART NUMBER	U/M DESCRIPTION
1	101544-01-000	EA SHIELD - HEAT - EXHAUST - 19.7" X 28.9" - STEEL
2	101544-02-000	EA SHIELD - HEAT - EXHAUST - 30" X 29.1" - STEEL
3	094918-01-000	EA CLAMP - EXHAUST - 3" - GUILLOTINE STYLE
3	098762-11-000	EA PIPE - EXHAUST - STRAIGHT - 3"

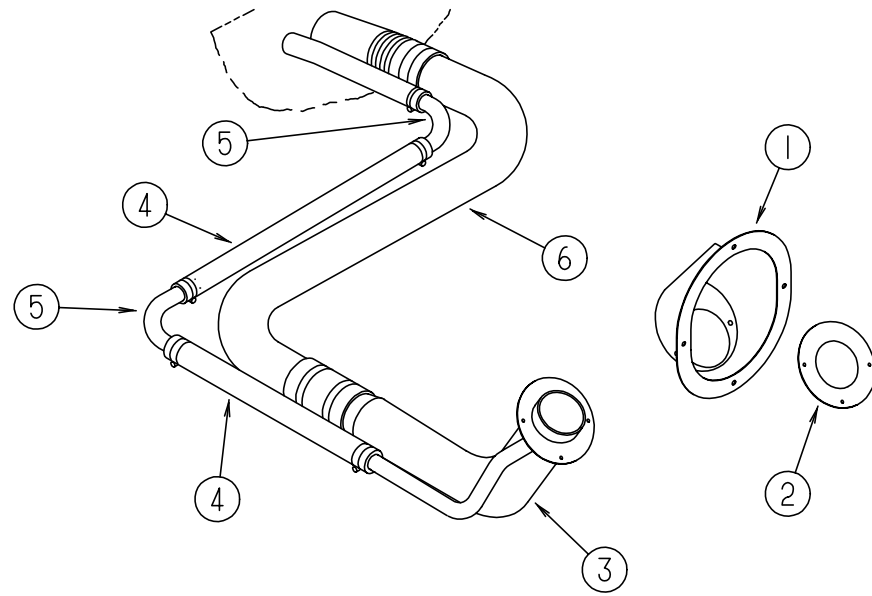
CHASSIS GROUP (CONTINUED)



EXHAUST SYSTEM (FORD)

KEY	PART NUMBER	U/M DESCRIPTION
1	075307-03-000	EA SHIELD - HEAT - LP
2	101544-01-000	EA SHIELD - HEAT - EXHAUST - 19.7" X 28.9"
3	101544-06-000	EA SHIELD - HEAT - EXHAUST

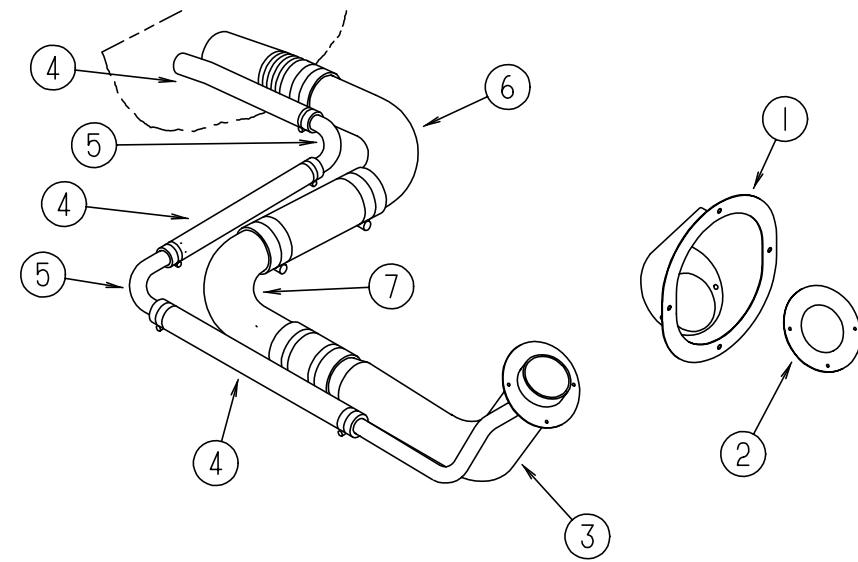
CHASSIS GROUP (CONTINUED)



FUEL SYSTEM (FORD)

KEY	PART NUMBER	U/M	DESCRIPTION
1	095854-01-04A	EA	SHROUD - FUEL FILL - BRIGHT WHITE FROM: 00-00-00 THRU: 10-04-97
1	127291-01-01A	EA	SHROUD - FUEL FILL - BRIGHT WHITE FROM: 10-05-97 THRU: 99-99-99
2	078200-01-000	EA	GASKET - FUEL FILL - 3.5"OD X 2"ID
3	087256-07-000	EA	NECK - FUEL FILL - FORD
4	066732-01-000	FT	HOSE - FUEL FILL - .62" ID
5	098806-01-000	EA	PIPE - FILL VENT - 90 DEGREE BEND - .625" OD - STEEL
6	100140-03-000	EA	TUBE - FUEL INLET
	007063-01-000	FT	HOSE - FUEL - 1/4"ID X 1/2"OD FROM: 00-00-00 THRU: 10-04-97
	128139-03-000	FT	HOSE - FUEL - LOW PERMEABILITY - 1/4" DIAMETER FROM: 10-05-97 THRU: 99-99-99
	084884-01-000	EA	PLUG - BRASS - 3/8"
	092889-14-000	EA	FUEL LINE - SUPPLY - GENERATOR - 1/4" X 92.7" - STEEL
	007111-02-000	EA	HOSE - FUEL FILL - 2" ID
	044317-01-000	FT	HOSE - FUEL - 3/8" ID

CHASSIS GROUP (CONTINUED)



FUEL SYSTEM (CHEVY)

KEY	PART NUMBER	U/M	DESCRIPTION
1	095854-01-04A	EA	SHROUD - FUEL FILL - BRIGHT WHITE FROM: 00-00-00 THRU: 10-04-97
1	127291-01-01A	EA	SHROUD - FUEL FILL - BRIGHT WHITE FROM: 10-05-97 THRU: 99-99-99
2	078200-01-000	EA	GASKET - FUEL FILL - 3.5"OD X 2"ID
3	087256-10-000	EA	NECK - FUEL FILL FROM: 00-00-00 THRU: 10-04-97
3	127301-03-000	EA	NECK - FUEL FILL FROM: 10-05-97 THRU: 99-99-99
4	066732-01-000	FT	HOSE - FUEL - .62"ID FROM: 00-00-00 THRU: 10-04-97
4	128139-02-000	FT	HOSE - FUEL - LOW PERMEABILITY - 5/8" DIAMETER FROM: 10-05-97 THRU: 99-99-99
5	098806-01-000	EA	PIPE - FILL VENT - 90 DEGREE BEND - .625" OD - STEEL
6	098807-01-000	EA	PIPE - FUEL FILL - 90 DEGREE BEND - 6.6" - 1 3/4" OD
7	098803-01-000	EA	PIPE - FUEL FILL - 90 DEGREE BEND - 13.2" - 1 3/4" OD
	007063-01-000	FT	HOSE - FUEL - 1/4"ID X 1/2"OD
	092889-34-000	EA	FUEL LINE - SUPPLY - GENERATOR - 1/4" X 87.8" - STEEL
	084884-01-000	EA	PLUG - BRASS - 3/8"
	068382-06-000	EA	BUSHING - BRASS - 3/8 MPT X 1/8 FPT
	114254-01-000	EA	ADAPTER - 1/4 BARB X 1/8 MPT

CHASSIS GROUP (CONTINUED)

WHEEL LINERS, (FORD 16")

KEY	PART NUMBER	U/M DESCRIPTION	VENDOR NO.
	110435-08-000	EA LINER - WHEEL SET (SET=4) 16"	
	110435-01-711	EA DECAL - CENTER CAP - 2"	2" DECAL
	110435-02-702	EA STUD EXTENDER	V160SD-STX
	110435-02-703	EA NUT (JAMB)	V160SD-JNT
	110435-02-704	EA COVER - LUG NUT	V160F0-LNC
	110435-02-705	EA TOOL F/ JAMB NUT - INSTALL	V160F0-TOL
	110435-08-700	EA LINER - WHEEL - FRONT	V160SD-FWC
	110435-08-701	EA LINER - WHEEL - REAR	V160SD-RWC

WHEEL LINERS, (FORD 19.5")

KEY	PART NUMBER	U/M DESCRIPTION	VENDOR NO.
	095012-07-000	EA STABILIZER - VALVE EXTENSION,L	
	110435-15-000	EA LINER - WHEEL SET/4 - 19.5"	
	110435-10-705	EA TOOL - INSTALLATION	V195P7-TOL
	110435-15-700	EA LINER - WHEEL - FRONT	V195F9-FWC
	110435-15-701	EA LINER - WHEEL - REAR	V195F9-RWC
	110435-15-702	EA NUT - JAM - ENCLOSED - 14M	V195F9-EJN

WHEEL COVERS, DICOR (FORD 16")

KEY	PART NUMBER	U/M DESCRIPTION	VENDOR NO.
	098532-01-000	EA COVER - WHEEL - FORD - 16" - SET OF 4 DICOR SH-SD-16	
	098532-01-700	EA COVER - LUG NUT (CHROME)	SHAU-LNC
	098532-01-701	EA COVER - WHEEL (FRONT & REAR) 1 ONLY	SH-SD-16COV

WHEEL COVERS, DICOR (FORD 19.5")

KEY	PART NUMBER	U/M DESCRIPTION	VENDOR NO.
	109443-07-000	EA WHEEL COVER - 4/SET - 19.5"	
	109443-01-703	EA CAP-CENTER, HUB - DICOR	SHAU95-CAP
	109443-07-700	EA COVER - WHEEL - 8 LUG	SHAF95-COV
	109443-07-701	EA BRACKET SET - FRONT	SHAF95-FBS
	109443-07-702	EA BRACKET SET - REAR	SHAF95-RBS

CHASSIS GROUP (CONTINUED)

WHEEL LINERS (CHEVY 19.5")

KEY	PART NUMBER	U/M DESCRIPTION	VENDOR NO.
	110435-10-000	EA LINER - WHEEL - SET 4 - 19.5"	
	110435-10-700	EA LINER - WHEEL - FRONT - 1 PC	V195P7-FWC
	110435-10-701	EA LINER - WHEEL - REAR - 1 PC.	V195P7-RWC
	110435-10-702	EA COVER - LUG - NUT/JAMB NUT	V195P7-EJN
	110435-10-703	EA STUD - PLASTIC	V195P7-PST
	110435-10-704	EA JAMB NUT - PLASTIC/LNC	V195P7-PJN
	110435-10-705	EA TOOL - INSTALLATION	V195P7-TOL

WHEEL COVERS, DICOR (CHEVY 19.5")

KEY	PART NUMBER	U/M DESCRIPTION	VENDOR NO.
	109443-06-000	EA WHEEL - COVER - 4/SET - 19.5"	
	109443-01-700	EA COVER - WHEEL 19.5 FRT/RR EA=1	SHAG95
	109443-01-701	EA BRACKET - RETENTION FRONT	SHAG95-FBS
	109443-01-703	EA CAP - CENTER - HUB - DICOR	SHAU95-CAP
	109443-01-704	EA CLIP - RETAINER	V160GM-PNT
	109443-06-701	EA BRACKET - RETENTION REAR	SHG795-RBS

SHOCK ABSORBER (CHEVY)

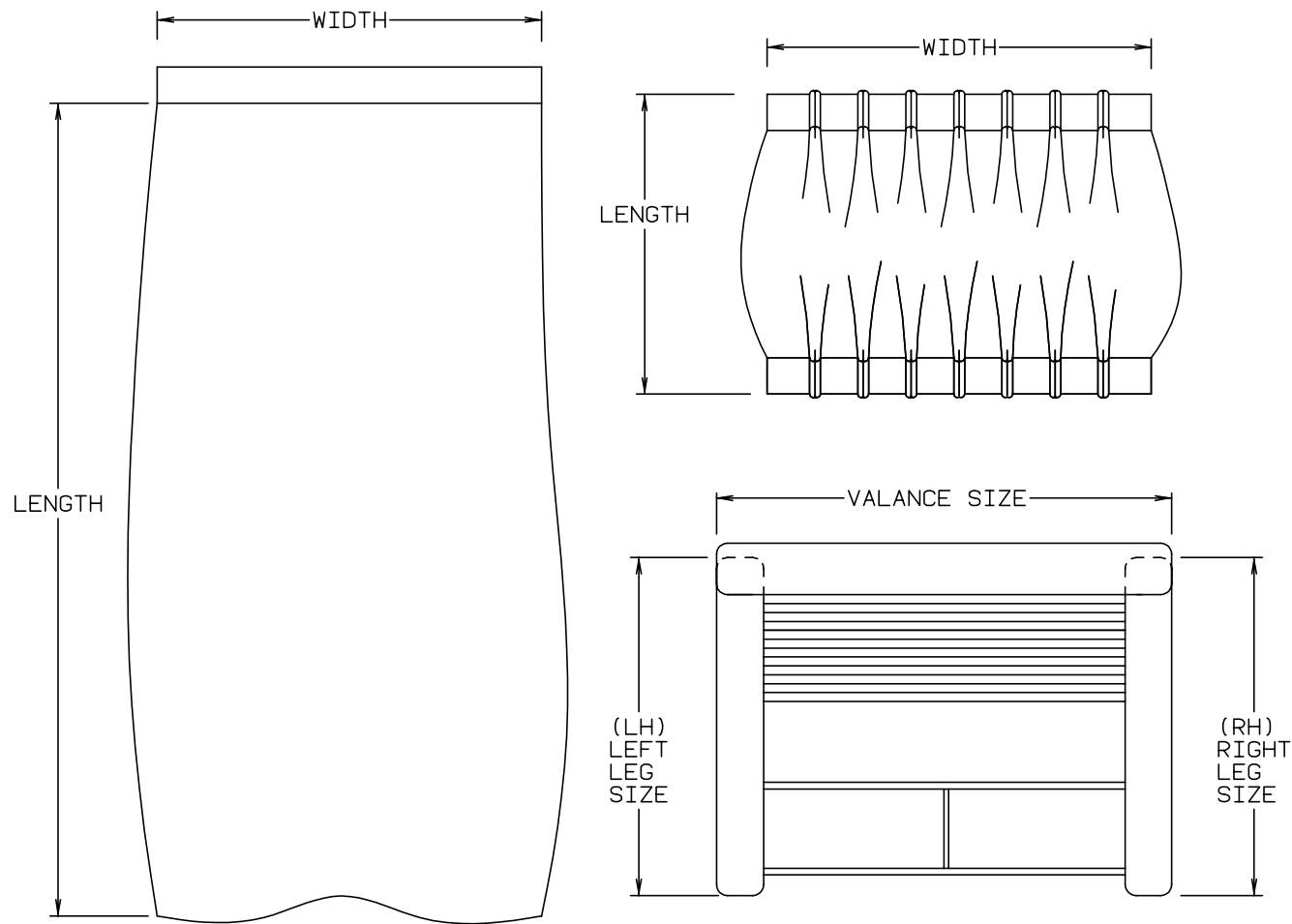
KEY	PART NUMBER	U/M DESCRIPTION	VENDOR NO.
	122756-02-000	EA SHOCK AND STABILIZER (BLUE BOOT) KIT - FRONT END P30 CHASSIS	
	122756-02-700	EA BRACKET ASM - DRIVER SIDE	T818L
	122756-02-701	EA BRACKET ASM - PASSENGER SIDE	T818R
	122756-02-702	EA BRACKET ONLY - DRIVER SIDE	T818L
	122756-02-703	EA BRACKET ONLY - PASSENGER SIDE	T818R
	122756-02-704	EA BOLT PACKAGE -BOLTS/NUTS ETC	T818R
	122756-02-705	EA SHOCK	T818SH
	122756-02-706	EA STUD - SHOCK MOUNTING	T818S
	122756-02-707	EA DAMPNER	T818SD
	122756-02-708	EA BOOT	T818SDB
	122756-02-709	EA BUSHING PKG	T818SDBSH
	122756-02-710	EA BOLT PKG	T818SBS

CURTAIN & CUSHION GROUP

NOTICE

IN ORDER TO ASSIST OUR PARTS SALES DEPT. IN PROVIDING INTERIOR SOFTGOODS ITEMS, PLEASE INCLUDE THE SERIAL NUMBER AND THE COLOR CODE NUMBER FROM THE VEHICLE CERTIFICATION LABEL WHEN ORDERING. THIS LABEL IS LOCATED ON THE LEFT SIDEWALL AT THE END OF THE DASH (A-BODY), OR ON THE DRIVER'S DOOR LATCH PLATE (C-BODY).

AN EXAMPLE OF A COLOR CODE NUMBER IS B07, WHICH DESIGNATES AN OVERALL COLOR SCHEME OF A PARTICULAR UNIT. THE COLOR LISTED AFTER THE ITEM DESCRIPTION ON THE MICROFICHE, INDICATES THE OVERALL UNIT COLOR. ORDER THE ITEM YOU DESIRE ACCORDING TO UNIT COLOR CODE.



NOTE: USE THIS ILLUSTRATION WHEN DETERMINING LENGTH AND WIDTH MEASUREMENTS FOR CURTAINS. YOU WILL NOTE THE WIDTH MEASUREMENT IS TAKEN ON THE TOP OF THE CURTAIN WITH THE CURTAIN FULLY EXTENDED. THE LENGTH MEASUREMENT IS TAKEN FROM TOP TO BOTTOM. LEFT AND RIGHT WINDOW LEGS ARE DETERMINED WHEN FACING THE WINDOW.

CURTAIN & CUSHION GROUP (CONTINUED)

SUNCRUISER FABRICS			
COLOR CODES	J52, J53	J54, J55	J56, J57
MARKETING COLORS	KEEPSAKE (BLUE)	CLOUD (GRAY)	VINEYARD (GREEN)
MAIN PLAIN	108446-S5-000	108446-U6-000	108446-U7-000
ACCENT	108446-06-000	108446-W2-000	108446-W1-000
PATTERN ACCENT	108446-06-000	108446-W3-000	108446-W0-000
BUCKET SEAT	108446-06-000 079680-24-000	108446-W2-000 103907-01-05A	108446-W1-000 103907-01-04A
DINETTE	108446-S5-000	108446-U6-000	108446-U7-000
DINETTE PAD	108446-06-000	108446-W2-000	108446-W1-000
DINETTE SWIVEL CHAIR	108446-M4-000	108446-W3-000	108446-W0-000
SOFA	108446-S5-000	108446-U6-000	108446-U7-000
RECLINER CHAIR	108446-M4-000	108446-W3-000	108446-W0-000
LOUNGE WINDOW VALANCE	108446-S5-000 084415-82-000	108446-U6-000 084415-93-000	108446-U7-000 084415-94-000
LOUNGE WINDOW LEGS	108446-X3-000	108446-T4-000	108446-T5-000
BEDSPREAD MAIN	105745-H7-000	105745-H4-000	105745-H1-000
BEDSPREAD ACCENT	105745-64-000	105745-H8-000	105745-J0-000
BEDSPREAD TRIM	084415-82-000	084415-93-000	084415-94-000
BEDROOM WINDOW VALANCE	105745-H7-000 084415-82-000	105745-H4-000 084415-93-000	105745-H1-000 084415-94-000
BEDROOM WINDOW LEGS	105745-H7-000	105745-H4-000	105745-J0-000
LOUNGE PILLOW TRIM BRAID	108446-M4-000 084415-82-000	108446-W3-000 084415-93-000	108446-W0-000 084415-94-000
MAP POCKETS	108446-M4-000	108446-W2-000	1108446-W1-000
FRONT WRAP AROUND	072333-85-000	072333-88-000	072333-85-000
CEILING	113979-01-01A	113979-01-01A	113979-01-01A

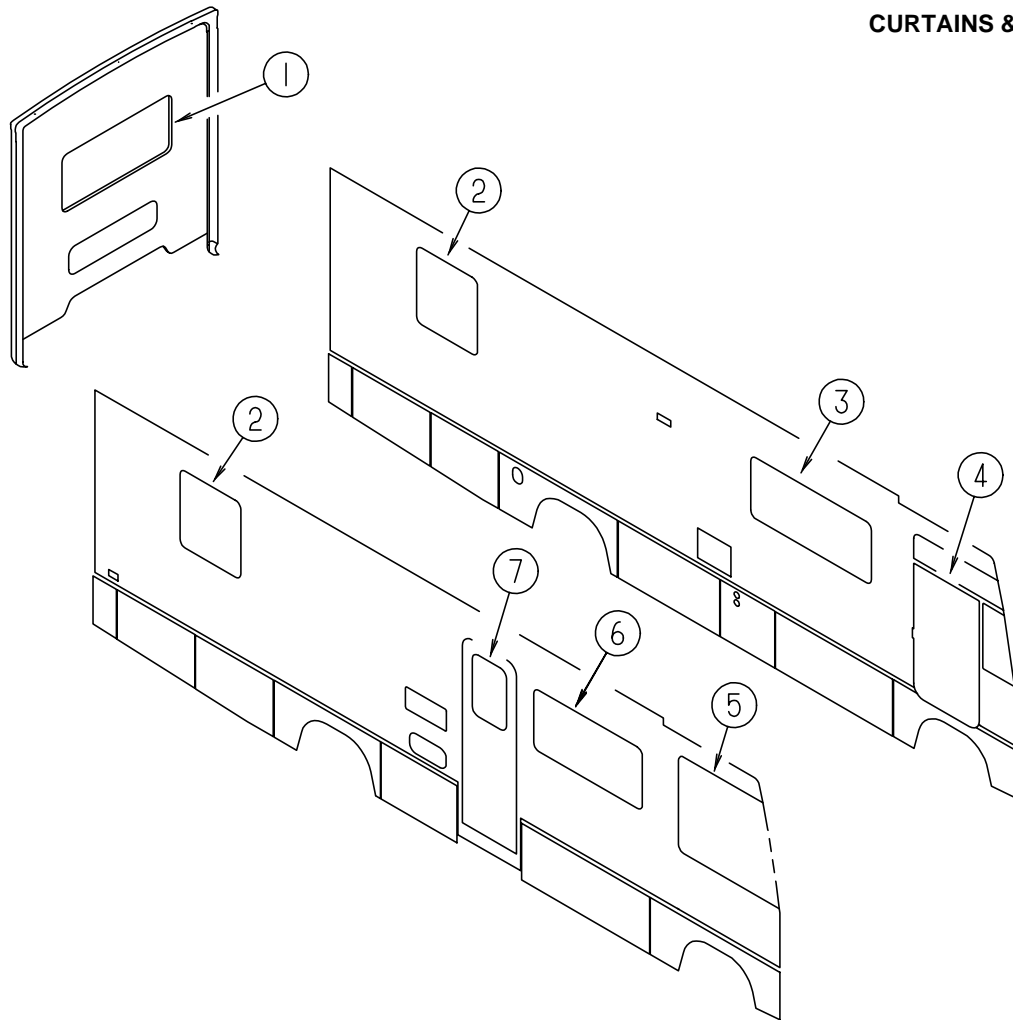
NOTE: THE FABRIC LISTED FIRST, IN A BLOCK, IS THE LARGEST QUANTITY OF FABRIC USED

ASSIST HANDLE & BUTTONS

KEY	PART NUMBER	U/M	DESCRIPTION
	070578-02-J52	EA	BUTTON - #30 - VINYL
	079349-08-J52	YD	WELT - VINYL
	057759-01-000	EA	WASHER - FLAT F/SEAT BELT - 4" DIAMETER
	007021-01-000	EA	SEAT BELT - 2" X 90" - BLACK
	056271-01-000	EA	BELT - SEAT - 2" X 102" - BLACK
	069178-02-000	EA	BRACKET - MOUNTING/ASSIST HANDLE - GRAY
	000C16-07-16B	EA	BOLT - CARRIAGE - ASSIST HANDLE - 7/16" - 14 X 1"
	000D20-07-00B	EA	NUT - ACORN - ASSIST HANDLE - 7/16 - 14
	053552-02-AA8	EA	HANDLE - ASSIST - INTERIOR/ENTRY DOOR - VINYL/OFF WHITE
	057534-03-000	EA	TIEBACK - CLEAR PLASTIC - 7.5"

CURTAIN & CUSHION GROUP (CONTINUED)

CURTAINS & WINDOW TREATMENT (QUEEN BED)

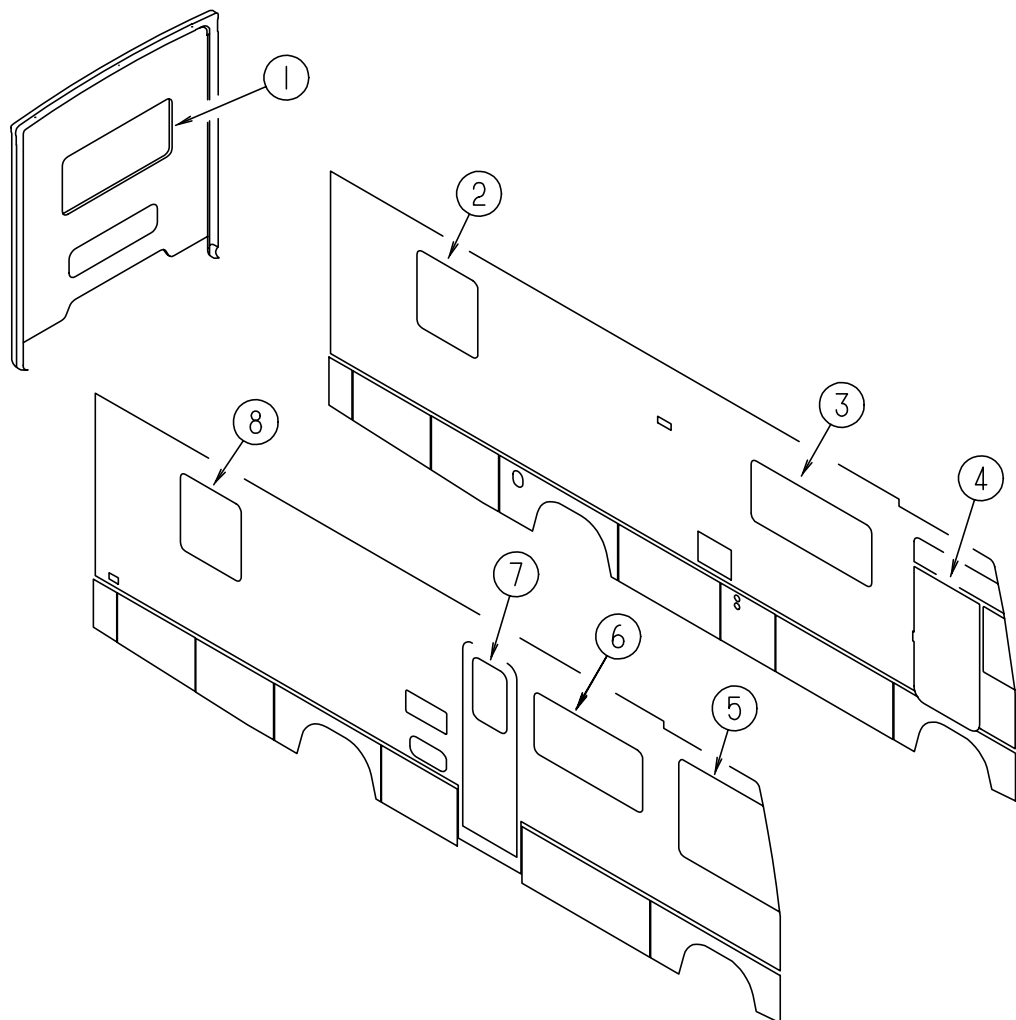


KEY	PART NUMBER	U/M DESCRIPTION
1	119299-01-J52	EA VALANCE - WHITNEY - 53" (J52, J53)
1	119299-01-J54	EA VALANCE - WHITNEY - 53" (J54, J55)
1	119299-01-J56	EA VALANCE - WHITNEY - 53" (J56, J57)
1	127017-07-J52	EA LEG - RIGHT - 25" (J52, J53)
1	127017-07-J54	EA LEG - RIGHT - 25" (J54, J55)
1	127017-23-J56	EA LEG - RIGHT - 25" (J56, J57)
1	127017-08-J52	EA LEG - LEFT - 25" (J52, J53)
1	127017-08-J54	EA LEG - LEFT - 25" (J54, J55)
1	127017-24-J56	EA LEG - LEFT - 25" (J56, J57)
1	111910-62-J10	EA BLIND - DAY/NIGHTER - 49" X 27" (J52, J53)
1	111910-62-J11	EA BLIND - DAY/NIGHTER - 49" X 27" (J54, J55, J56, J57)
2	119299-18-J52	EA VALANCE - WHITNEY - 34" (J52, J53)
2	119299-18-J54	EA VALANCE - WHITNEY - 34" (J54, J55)
2	119299-18-J56	EA VALANCE - WHITNEY - 34" (J56, J57)
2	127017-09-J52	EA LEG - RIGHT - 25" (J52, J53)
2	127017-09-J54	EA LEG - RIGHT - 25" (J54, J55)
2	127017-17-J56	EA LEG - RIGHT - 25" (J56, J57)
2	127017-10-J52	EA LEG - LEFT - 25" (J52, J53)
2	127017-10-J54	EA LEG - LEFT - 25" (J54, J55)
2	127017-18-J56	EA LEG - LEFT - 25" (J56, J57)
2	111910-58-J30	EA BLIND - DAY/NIGHTER - 31" X 37" (J52, J53)
2	111910-58-J20	EA BLIND - DAY/NIGHTER - 31" X 37" (J54, J55, J56, J57)

KEY	PART NUMBER	U/M DESCRIPTION	
3	126609-01-J52	EA VALANCE - MONA - 64.5" (J52, J53)	
3	126609-01-J54	EA VALANCE - MONA - 64.5" (J54, J55)	
3	126609-01-J56	EA VALANCE - MONA - 64.5" (J56, J57)	
3	127017-11-J52	EA LEG - RIGHT - 25" (J52, J53)	FROM: 00-00-00 THRU: 11-16-97
3	127017-11-JA2	EA LEG - RIGHT - 25" (J52, J53)	FROM: 11-17-97 THRU: 99-99-99
3	127017-01-J54	EA LEG - RIGHT - 25" (J54, J55)	
3	127017-01-J56	EA LEG - RIGHT - 25" (J56, J57)	
3	127017-12-J52	EA LEG - LEFT - 25" (J52, J53)	FROM: 00-00-00 THRU: 11-16-97
3	127017-14-JA2	EA LEG - LEFT - 25" (J52, J53)	FROM: 11-17-97 THRU: 99-99-99
3	127017-02-J54	EA LEG - LEFT - 25" (J54, J55)	
3	127017-02-J56	EA LEG - LEFT - 25" (J56, J57)	
3	109802-58-J22	EA BLIND - PLEATED - 61" X 28.5" (J52, J53)	
3	109802-58-J20	EA BLIND - PLEATED - 61" X 28.5" (J54, J55, J56, J57)	
3	111910-57-J30	EA BLIND - DAY/NIGHTER - 61" X 28.5" (J52, J53)	
3	111910-57-J20	EA BLIND - DAY/NIGHTER - 61" X 28.5" (J54, J55, J56, J57)	
4	101668-68-J22	EA CURTAIN - LEFT HAND - 42" X 106" (J52, J53, J56, J57)	
4	101668-68-J54	EA CURTAIN - LEFT HAND - 42" X 106" (J54, J55)	
4	073260-42-C18	EA TIEBACK - 6" X 18" (J52, J53, J56, J57)	
4	073260-42-C17	EA TIEBACK - 6" X 18" (J54, J55)	
4	126841-02-000	EA SHADE - PULL - CHARCOAL MESH - 34" X 60"	
5	101668-67-J22	EA CURTAIN - RIGHT HAND - 42" X 106" (J52, J53, J56, J57)	
5	101668-67-J54	EA CURTAIN - RIGHT HAND - 42" X 106" (J54, J55)	
5	073260-42-C18	EA TIEBACK - 6" X 18" (J52, J53, J56, J57)	
5	073260-42-C17	EA TIEBACK - 6" X 18" (J54, J55)	
5	126841-02-000	EA SHADE - PULL - CHARCOAL MESH - 34" X 60"	
6	126609-14-J52	EA VALANCE - MONA - 58.5" (J52, J53)	FROM: 00-00-00 THRU: 11-16-97
6	126609-14-J54	EA VALANCE - MONA - 58.5" (J54, J55)	FROM: 11-17-97 THRU: 99-99-99
6	126609-14-J56	EA VALANCE - MONA - 58.5" (J56, J57)	
6	127017-11-J52	EA LEG - RIGHT - 25" (J52, J53)	FROM: 00-00-00 THRU: 11-16-97
6	127017-11-JA2	EA LEG - RIGHT - 25" (J52, J53)	FROM: 11-17-97 THRU: 99-99-99
6	127017-01-J54	EA LEG - RIGHT - 25" (J54, J55)	
6	127017-01-J56	EA LEG - RIGHT - 25" (J56, J57)	
6	127017-12-J52	EA LEG - LEFT - 25" (J52, J53)	FROM: 00-00-00 THRU: 11-16-97
6	127017-14-JA2	EA LEG - LEFT - 25" (J52, J53)	FROM: 11-17-97 THRU: 99-99-99
6	127017-02-J54	EA LEG - LEFT - 25" (J54, J55)	
6	127017-02-J56	EA LEG - LEFT - 25" (J56, J57)	
6	109802-17-J22	EA BLIND - PLEATED - 55" X 28.5" (J52, J53)	
6	109802-17-E33	EA BLIND - PLEATED - 55" X 28.5" (J54, J55, J56, J57)	
6	111910-60-J30	EA BLIND - DAY/NIGHTER - 55" X 28.5" (J52, J53)	
6	111910-60-J15	EA BLIND - DAY/NIGHTER - 55" X 28.5" (J54, J55, J56, J57)	
7	126609-21-J52	EA VALANCE - FLAT - 33.75" (J52, J53)	
7	126609-21-J54	EA VALANCE - FLAT - 33.75" (J54, J55)	
7	126609-21-J56	EA VALANCE - FLAT - 33.75" (J56, J57)	
7	084755-57-E07	EA SHADE - PULL - 27.25"	

CURTAIN & CUSHION GROUP (CONTINUED)

CURTAINS & WINDOW TREATMENT (TWIN BED)

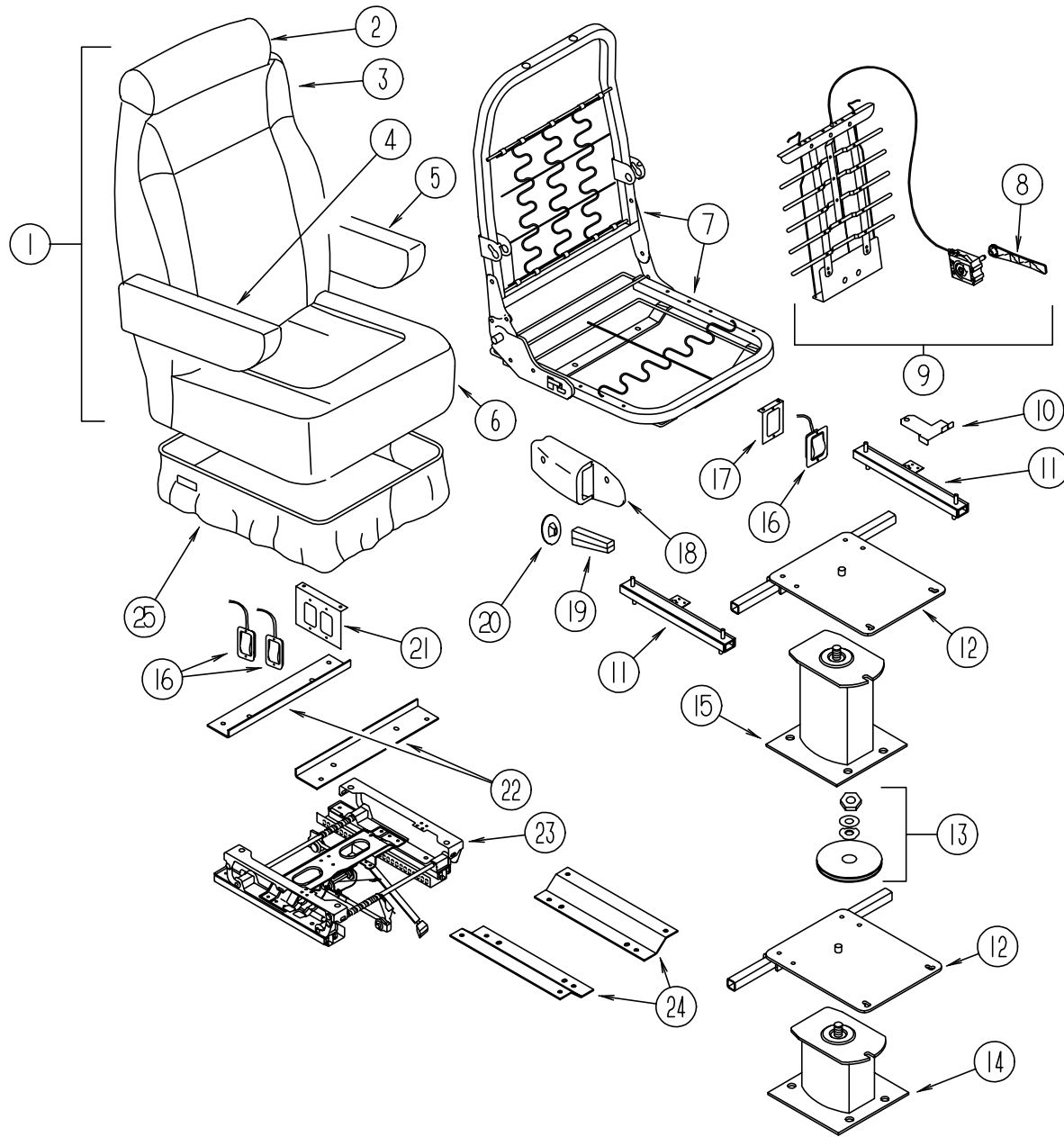


KEY	PART NUMBER	U/M	DESCRIPTION
1	119299-07-J52	EA	VALANCE - WHITNEY - 65" (J52, J53)
1	119299-07-J54	EA	VALANCE - WHITNEY - 65" (J54, J55)
1	119299-07-J56	EA	VALANCE - WHITNEY - 65" (J56, J57)
1	127017-07-J52	EA	LEG - RIGHT - 25" (J52, J53)
1	127017-07-J54	EA	LEG - RIGHT - 25" (J54, J55)
1	127017-23-J56	EA	LEG - RIGHT - 25" (J56, J57)
1	127017-08-J52	EA	LEG - LEFT - 25" (J52, J53)
1	127017-08-J54	EA	LEG - LEFT - 25" (J54, J55)
1	127017-24-J56	EA	LEG - LEFT - 25" (J56, J57)
1	111910-57-J30	EA	BLIND - DAY/NIGHTER - 61" (J52, J53)
1	111910-57-J20	EA	BLIND - DAY/NIGHTER - 61" (J54, J55, J56, J57)
2	119299-19-J52	EA	VALANCE - WHITNEY - 34" (J52, J53)
2	119299-19-J54	EA	VALANCE - WHITNEY - 34" (J54, J55)
2	119299-19-J56	EA	VALANCE - WHITNEY - 34" (J56, J57)
2	123910-15-J52	EA	LEG - RIGHT - 34" (J52, J53)
2	123910-15-J54	EA	LEG - RIGHT - 34" (J54, J55)
2	123910-19-J56	EA	LEG - RIGHT - 34" (J56, J57)
2	123910-16-J52	EA	LEG - LEFT - 34" (J52, J53)
2	123910-16-J54	EA	LEG - LEFT - 34" (J54, J55)
2	123910-20-J56	EA	LEG - LEFT - 34" (J56, J57)
2	111910-58-J30	EA	BLIND - DAY/NIGHTER - 31" X 37" (J52, J53)
2	111910-58-J20	EA	BLIND - DAY/NIGHTER - 31" X 37" (J54, J55, J56, J57)

KEY	PART NUMBER	U/M	DESCRIPTION
3	126609-01-J52	EA	VALANCE - MONA - 64.5" (J52, J53)
3	126609-01-J54	EA	VALANCE - MONA - 64.5" (J54, J55)
3	126609-01-J56	EA	VALANCE - MONA - 64.5" (J56, J57)
3	127017-11-J52	EA	LEG - RIGHT - 25" (J52, J53)
			FROM: 00-00-00 THRU: 11-16-97
3	127017-11-JA2	EA	LEG - RIGHT - 25" (J52, J53)
			FROM: 11-17-97 THRU: 99-99-99
3	127017-01-J54	EA	LEG - RIGHT - 25" (J54, J55)
3	127017-01-J56	EA	LEG - RIGHT - 25" (J56, J57)
3	127017-12-J52	EA	LEG - LEFT - 25" (J52, J53)
			FROM: 00-00-00 THRU: 11-16-97
3	127017-14-JA2	EA	LEG - LEFT - 25" (J52, J53)
			FROM: 11-17-97 THRU: 99-99-99
3	127017-02-J54	EA	LEG - LEFT - 25" (J54, J55)
3	127017-02-J56	EA	LEG - LEFT - 25" (J56, J57)
3	109802-58-J22	EA	BLIND - PLEATED - 61" X 28.5" (J52, J53)
3	109802-58-J20	EA	BLIND - PLEATED - 61" X 28.5" (J54, J55, J56, J57)
3	111910-57-J30	EA	BLIND - DAY/NIGHTER - 61" X 28.5" (J52, J53)
3	111910-57-J20	EA	BLIND - DAY/NIGHTER - 61" X 28.5" (J54, J55, J56, J57)
4	101668-68-J22	EA	CURTAIN - LEFT HAND - 42" X 106" (J52, J53, J56, J57)
4	101668-68-J54	EA	CURTAIN - LEFT HAND - 42" X 106" (J54, J55)
4	073260-42-C18	EA	TIEBACK - 6" X 18" (J52, J53, J56, J57)
4	073260-42-C17	EA	TIEBACK - 6" X 18" (J54, J55)
4	126841-02-000	EA	SHADE - PULL - CHARCOAL MESH - 34" X 60"
5	101668-67-J22	EA	CURTAIN - RIGHT HAND - 42" X 106" (J52, J53, J56, J57)
5	101668-67-J54	EA	CURTAIN - RIGHT HAND - 42" X 106" (J54, J55)
5	073260-42-C18	EA	TIEBACK - 6" X 18" (J52, J53, J56, J57)
5	073260-42-C17	EA	TIEBACK - 6" X 18" (J54, J55)
5	126841-02-000	EA	SHADE - PULL - CHARCOAL MESH - 34" X 60"
6	126609-14-J52	EA	VALANCE - MONA - 58.5" (J52, J53)
6	126609-14-J54	EA	VALANCE - MONA - 58.5" (J54, J55)
6	126609-14-J56	EA	VALANCE - MONA - 58.5" (J56, J57)
6	127017-11-J52	EA	LEG - RIGHT - 25" (J52, J53)
			FROM: 00-00-00 THRU: 11-16-97
6	127017-11-JA2	EA	LEG - RIGHT - 25" (J52, J53)
			FROM: 11-17-97 THRU: 99-99-99
6	127017-01-J54	EA	LEG - RIGHT - 25" (J54, J55)
6	127017-01-J56	EA	LEG - RIGHT - 25" (J56, J57)
6	127017-12-J52	EA	LEG - LEFT - 25" (J52, J53)
			FROM: 00-00-00 THRU: 11-16-97
6	127017-14-JA2	EA	LEG - LEFT - 25" (J52, J53)
			FROM: 11-17-97 THRU: 99-99-99
6	127017-02-J54	EA	LEG - LEFT - 25" (J54, J55)
6	127017-02-J56	EA	LEG - LEFT - 25" (J56, J57)
6	109802-17-J22	EA	BLIND - PLEATED - 55" X 28.5" (J52, J53)
6	109802-17-E33	EA	BLIND - PLEATED - 55" X 28.5" (J54, J55, J56, J57)
6	111910-60-J30	EA	BLIND - DAY/NIGHTER - 55" X 28.5" (J52, J53)
6	111910-60-J15	EA	BLIND - DAY/NIGHTER - 55" X 28.5" (J54, J55, J56, J57)
7	126609-21-J52	EA	VALANCE - FLAT - 33.75" (J52, J53)
7	126609-21-J54	EA	VALANCE - FLAT - 33.75" (J54, J55)
7	126609-21-J56	EA	VALANCE - FLAT - 33.75" (J56, J57)
7	084755-57-E07	EA	SHADE - PULL - 27.25"
8	119299-18-J52	EA	VALANCE - WHITNEY - 34" (J52, J53)
8	119299-18-J54	EA	VALANCE - WHITNEY - 34" (J54, J55)
8	119299-18-J56	EA	VALANCE - WHITNEY - 34" (J56, J57)
8	127017-09-J52	EA	LEG - RIGHT - 25" (J52, J53)
8	127017-09-J54	EA	LEG - RIGHT - 25" (J54, J55)
8	127017-17-J56	EA	LEG - RIGHT - 25" (J56, J57)
8	127017-10-J52	EA	LEG - LEFT - 25" (J52, J53)
8	127017-10-J54	EA	LEG - LEFT - 25" (J54, J55)
8	127017-18-J56	EA	LEG - LEFT - 25" (J56, J57)
8	111910-58-J30	EA	BLIND - DAY/NIGHTER - 31" X 37" (J52, J53)
8	111910-58-J20	EA	BLIND - DAY/NIGHTER - 31" X 37" (J54, J55, J56, J57)

CURTAIN & CUSHION GROUP (CONTINUED)

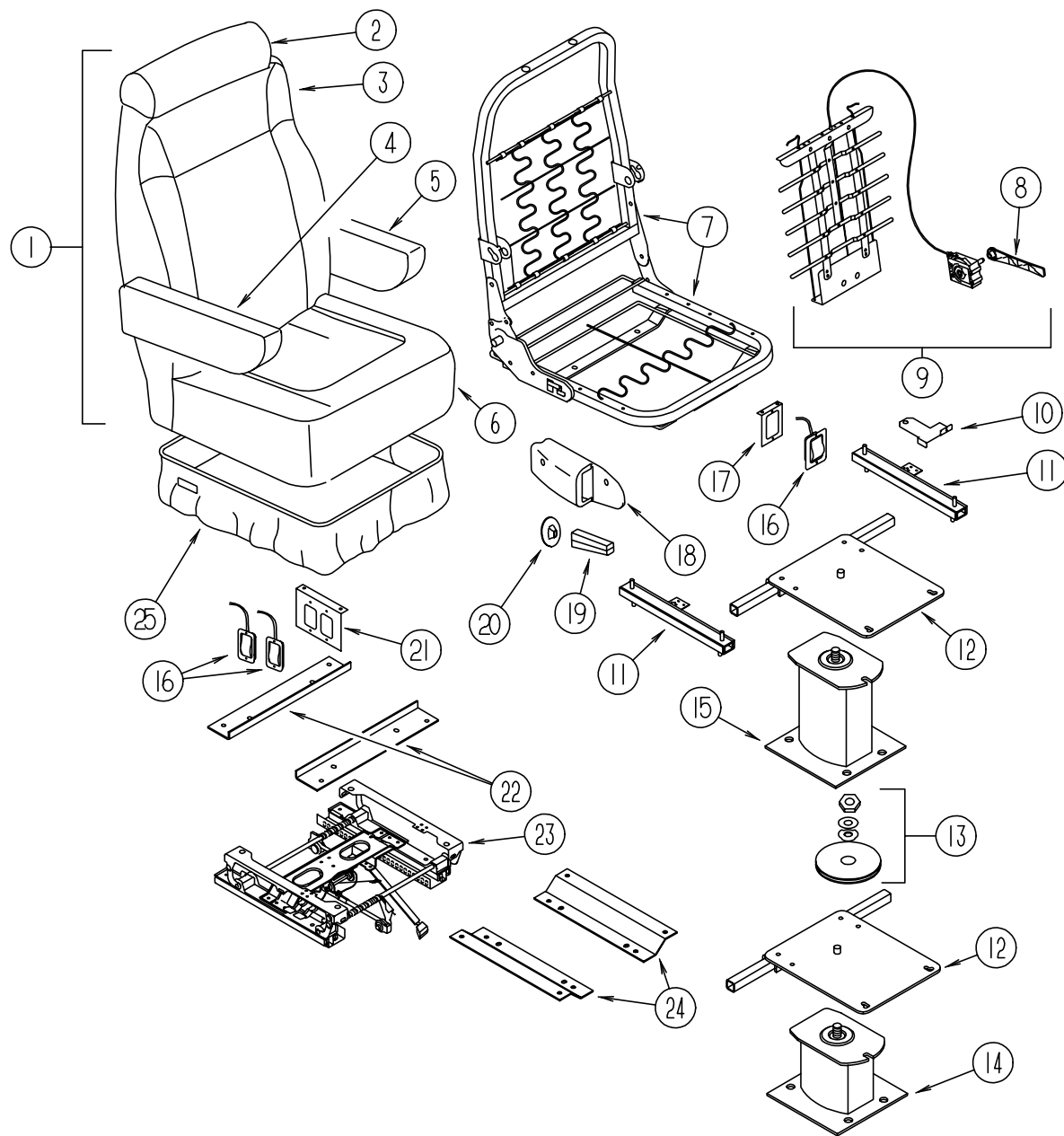
DRIVER BUCKET SEAT



KEY	PART NUMBER	U/M	DESCRIPTION
1	127581-03-J52	EA	SEAT - WIDE BUCKET - W/ADJUSTABLE LUMBAR SUPPORT/ARMREST (J52, J53)
1	127581-03-J54	EA	SEAT - WIDE BUCKET - W/ADJUSTABLE LUMBAR SUPPORT/ARMREST (J54, J55)
1	127581-03-J56	EA	SEAT - WIDE BUCKET - W/ADJUSTABLE LUMBAR SUPPORT/ARMREST (J56, J57)
1	127540-10-J52	EA	SEAT - BUCKET - DRIVERS WIDE W/LUMBAR SUPPORT (LEATHER)
2	119509-01-H19	EA	HEADREST - BUCKET SEAT (J52, J53)
			FROM: 00-00-00 THRU: 11-16-97
2	119509-01-JA2	EA	HEADREST - BUCKET SEAT (J52, J53)
			FROM: 11-17-97 THRU: 99-99-99
2	119509-01-J24	EA	HEADREST - BUCKET SEAT (J54, J55)
2	119509-01-J56	EA	HEADREST - BUCKET SEAT (J56, J57)
2	119509-02-J52	EA	HEADREST - BUCKET SEAT (LEATHER)
2	P19509-01-H19	EA	COVER - HEADREST (J52, J53)
			FROM: 00-00-00 THRU: 11-16-97
2	P19509-01-JA2	EA	COVER - HEADREST (J52, J53)
			FROM: 11-17-97 THRU: 99-99-99
2	P19509-01-J54	EA	COVER - HEADREST (J54, J55)
2	P19509-01-J56	EA	COVER - HEADREST (J56, J57)
2	P19509-02-J52	EA	COVER - HEADREST (LEATHER)
	113977-12-000	EA	HEADREST INSERT - W/O LOCK
	113977-13-000	EA	HEADREST INSERT - W/ LOCK
	114791-03-000	EA	FRAME - HEADREST
3	M05962-73-J52	EA	COVER - BACK (J52, J53)
			FROM: 00-00-00 THRU: 11-16-97
3	M05962-73-JA2	EA	COVER - BACK (J52, J53)
			FROM: 11-17-97 THRU: 99-99-99
3	M05962-73-J54	EA	COVER - BACK (J54, J55)
3	M05962-73-J56	EA	COVER - BACK (J56, J57)
3	M05962-78-J52	EA	COVER - BACK - BUCKET (LEATHER)
4	122780-01-J35	EA	ARMREST - RIGHT HAND (J52, J53)
			FROM: 00-00-00 THRU: 11-16-97
4	122780-01-JA2	EA	ARMREST - RIGHT HAND (J52, J53)
			FROM: 11-17-97 THRU: 99-99-99
4	122780-01-J54	EA	ARMREST - RIGHT HAND (J54, J55)
4	122780-01-J56	EA	ARMREST - RIGHT HAND (J56, J57)
4	122780-03-J52	EA	ARMREST - RIGHT HAND (LEATHER)
4	P22780-01-J35	EA	COVER - ARMREST - RIGHT HAND (J52, J53)
			FROM: 00-00-00 THRU: 11-16-97
4	P22780-01-JA2	EA	COVER - ARMREST - RIGHT HAND (J52, J53)
			FROM: 11-17-97 THRU: 99-99-99
4	P22780-01-J54	EA	COVER - ARMREST - RIGHT HAND (J54, J55)
4	P22780-01-J56	EA	COVER - ARMREST - RIGHT HAND (J56, J57)
4	122780-03-J52	EA	COVER - ARMREST - RIGHT HAND (LEATHER)
4	115617-03-000	EA	ARMREST - W/O COVER - RIGHT
5	122780-02-H08	EA	ARMREST - LEFT HAND (J52, J53)
			FROM: 00-00-00 THRU: 11-16-97
5	122780-02-JA2	EA	ARMREST - LEFT HAND (J52, J53)
			FROM: 11-17-97 THRU: 99-99-99
5	122780-02-J54	EA	ARMREST - LEFT HAND (J54, J55)
5	122780-02-J56	EA	ARMREST - LEFT HAND (J56, J57)
5	122780-04-J52	EA	ARMREST - LEFT HAND (LEATHER)
5	P22780-02-H08	EA	COVER - ARMREST - LEFT HAND (J52, J53)
			FROM: 00-00-00 THRU: 11-16-97
5	P22780-02-JA2	EA	COVER - ARMREST - LEFT HAND (J52, J53)
			FROM: 11-17-97 THRU: 99-99-99
5	P22780-02-J54	EA	COVER - ARMREST - LEFT HAND (J54, J55)
5	P22780-02-J56	EA	COVER - ARMREST - LEFT HAND (J56, J57)
5	P22780-04-J52	EA	COVER - ARMREST - LEFT HAND (LEATHER)
5	115617-04-000	EA	ARMREST - W/O COVER - LEFT

CURTAIN & CUSHION GROUP (CONTINUED)

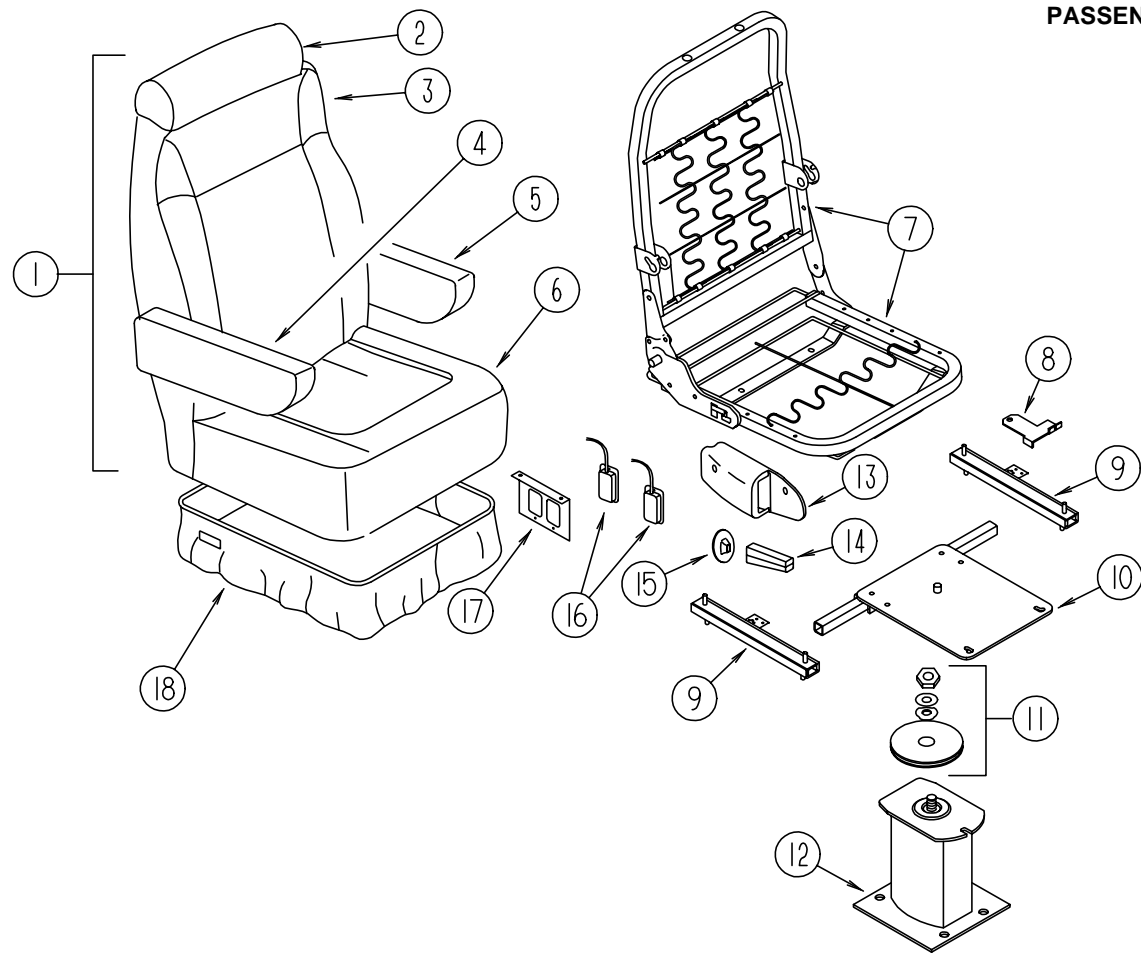
DRIVER BUCKET SEAT (CONTINUED)



KEY	PART NUMBER	U/M DESCRIPTION	VENDOR NO.
6	M05962-38-J52	EA COVER - SEAT (J52, J53)	
			FROM: 00-00-00 THRU: 11-16-97
6	M05962-38-JA2	EA COVER - SEAT (J52, J53)	
			FROM: 11-17-97 THRU: 99-99-99
6	M05962-38-J54	EA COVER - SEAT (J54, J55)	
6	M05962-38-J56	EA COVER - SEAT (J56, J57)	
	M05962-79-J52	EA COVER - SEAT - BUCKET (LEATHER)	
7	122695-01-01B	EA FRAME ASM - SEAT & BACK	
8	122611-02-701	EA LUMBAR - LEVER	412
9	122611-02-000	EA LUMBAR - W/LEVER	
10	117125-01-02B	EA BRACKET - CABLE MOUNT - ADJUSTER W/ LOCK	
11	119952-04-000	EA SLIDE/SEAT - HEAVY DUTY LOCKING - 4 STUDS	
	119952-07-000	EA WIRE - LATCH RELEASE/ ROTARY	
12	107921-05-000	EA PLATE TOP - W/ SEAT BELT BAR	
13	107921-06-000	EA BEARING KIT - PEDESTAL	
14	107921-07-000	EA PEDESTAL BASE - POWER	
15	107921-01-000	EA PEDESTAL FLOOR MOUNTED - W/9.75" EXTENSION	
16	108049-04-000	EA CABLE - W/SWITCHES - W/26" MINI LEVER ACTION	
	108049-02-000	EA CLIP - CABLE/ PEDESTAL	
17	127159-01-02B	EA BRACKET - SEAT RELEASE - SINGLE REMOTE	
18	080730-09-000	EA SHIELD - RECLINER HANDLE	
19	080730-08-000	EA HANDLE - RECLINER	
20	080730-11-000	EA SHIELD - RUBBER BOOT	
21	127159-02-02B	EA BRACKET - SEAT RELEASE - DUAL REMOTE	
22	116215-02-000	EA BRACKET - UPPER MOUNT - 6-WAY MANUAL SEAT	
	007221-01-000	EA SPACER - SEAT/ ADJUSTER	
23	116215-01-000	EA ADJUSTER/SLIDE - DRIVERS SEAT - 6-WAY MANUAL	
24	116215-03-000	EA BRACKET - LOWER MOUNT - 6-WAY MANUAL SEAT	
25	071126-58-H19	EA SKIRT - SINGLE 10.5" - W/SEAT BELT SLOT (J52, J53)	
			FROM: 00-00-00 THRU: 11-16-97
25	071126-58-JA2	EA SKIRT - SINGLE 10.5" - W/SEAT BELT SLOT (J52, J53)	
			FROM: 11-17-97 THRU: 99-99-99
25	071126-58-J54	EA SKIRT - SINGLE 10.5" - W/SEAT BELT SLOT (J54, J55)	
25	071126-58-J56	EA SKIRT - SINGLE 10.5" - W/SEAT BELT SLOT (J56, J57)	
25	071126-62-J52	EA SKIRT - SINGLE 10.5" - W/SEAT BELT SLOT (LEATHER)	
25	071126-60-J52	EA SKIRT - SINGLE - 10.5" - 6-WAY MANUAL (J52, J53)	
25	071126-60-J54	EA SKIRT - SINGLE - 10.5" - 6-WAY MANUAL (J54, J55)	
25	071126-60-J56	EA SKIRT - SINGLE - 10.5" - 6-WAY MANUAL (J56, J57)	
25	071126-67-J52	EA SKIRT - SINGLE - 10.5" - 6-WAY MANUAL (LEATHER)	

CURTAIN & CUSHION GROUP (CONTINUED)

PASSENGER BUCKET SEAT

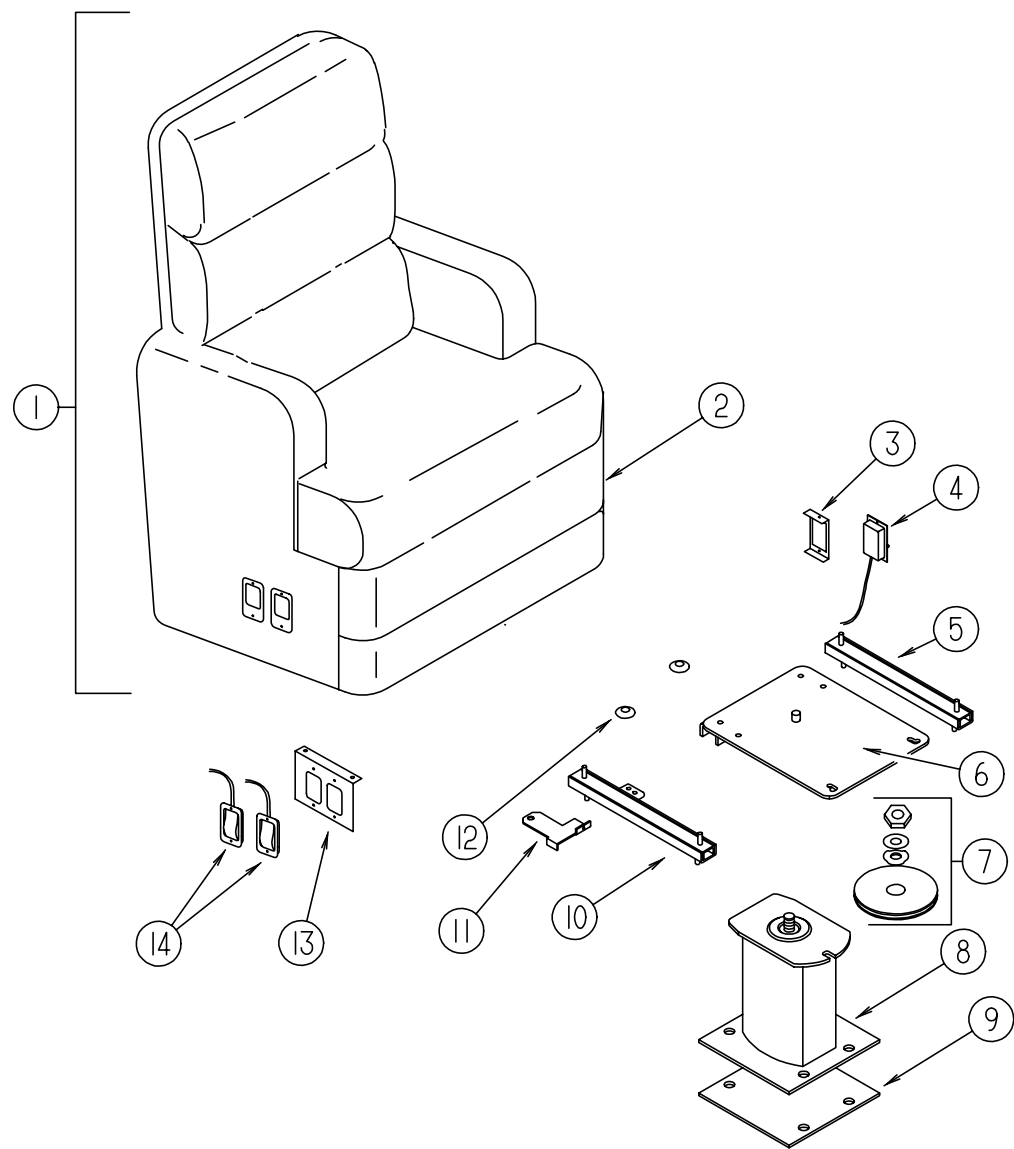


KEY	PART NUMBER	U/M DESCRIPTION
1	127581-04-J52	EA SEAT - WIDE BUCKET - W/FIXED LUMBAR SUPPORT/ARMREST (J52, J53)
1	127581-04-J54	EA SEAT - WIDE BUCKET - W/FIXED LUMBAR SUPPORT/ARMREST (J54, J55)
1	127581-04-J56	EA SEAT - WIDE BUCKET - W/FIXED LUMBAR SUPPORT/ARMREST (J56, J57)
1	127540-11-J52	EA SEAT - BUCKET - PASSENGER - WIDE (LEATHER)
2	119509-01-H19	EA HEADREST - BUCKET SEAT (J52, J53)
		FROM: 00-00-00 THRU: 11-16-97
2	119509-01-JA2	EA HEADREST - BUCKET SEAT (J52, J53)
		FROM: 11-17-97 THRU: 99-99-99
2	119509-01-J24	EA HEADREST - BUCKET SEAT (J54, J55)
2	119509-01-J56	EA HEADREST - BUCKET SEAT (J56, J57)
2	119509-02-J52	EA HEADREST - BUCKET SEAT (LEATHER)
2	P19509-01-H19	EA COVER - HEADREST (J52, J53)
		FROM: 00-00-00 THRU: 11-16-97
2	P19509-01-JA2	EA COVER - HEADREST (J52, J53)
		FROM: 11-17-97 THRU: 99-99-99
2	P19509-01-J54	EA COVER - HEADREST (J54, J55)
2	P19509-01-J56	EA COVER - HEADREST (J56, J57)
2	P19509-02-J52	EA COVER - HEADREST (LEATHER)
	113977-12-000	EA HEADREST INSERT - W/O LOCK
	113977-13-000	EA HEADREST INSERT - W/ LOCK
	114791-03-000	EA FRAME - HEADREST
3	M05962-73-J52	EA COVER - BACK (J52, J53)
		FROM: 00-00-00 THRU: 11-16-97
3	M05962-73-JA2	EA COVER - BACK (J52, J53)
		FROM: 11-17-97 THRU: 99-99-99
3	M05962-73-J54	EA COVER - BACK (J54, J55)
3	M05962-73-J56	EA COVER - BACK (J56, J57)
3	M05962-78-J52	EA COVER - BACK - BUCKET (LEATHER)

KEY	PART NUMBER	U/M DESCRIPTION
4	122780-01-J35	EA ARMREST - RIGHT HAND (J52, J53)
		FROM: 00-00-00 THRU: 11-16-97
4	122780-01-JA2	EA ARMREST - RIGHT HAND (J52, J53)
		FROM: 11-17-97 THRU: 99-99-99
4	122780-01-J54	EA ARMREST - RIGHT HAND (J54, J55)
4	122780-01-J56	EA ARMREST - RIGHT HAND (J56, J57)
4	122780-03-J52	EA ARMREST - RIGHT HAND (LEATHER)
4	P22780-01-J35	EA COVER - ARMREST - RIGHT HAND (J52, J53)
		FROM: 00-00-00 THRU: 11-16-97
4	P22780-01-JA2	EA COVER - ARMREST - RIGHT HAND (J52, J53)
		FROM: 11-17-97 THRU: 99-99-99
4	P22780-01-J54	EA COVER - ARMREST - RIGHT HAND (J54, J55)
4	P22780-01-J56	EA COVER - ARMREST - RIGHT HAND (J56, J57)
4	122780-03-J52	EA COVER - ARMREST - RIGHT HAND (LEATHER)
4	115617-03-000	EA ARMREST - W/O COVER - RIGHT
5	122780-02-H08	EA ARMREST - LEFT HAND (J52, J53)
		FROM: 00-00-00 THRU: 11-16-97
5	122780-02-JA2	EA ARMREST - LEFT HAND (J52, J53)
		FROM: 11-17-97 THRU: 99-99-99
5	122780-02-J54	EA ARMREST - LEFT HAND (J54, J55)
5	122780-02-J56	EA ARMREST - LEFT HAND (J56, J57)
5	122780-04-J52	EA ARMREST - LEFT HAND (LEATHER)
5	P22780-02-H08	EA COVER - ARMREST - LEFT HAND (J52, J53)
		FROM: 00-00-00 THRU: 11-16-97
5	P22780-02-JA2	EA COVER - ARMREST - LEFT HAND (J52, J53)
		FROM: 11-17-97 THRU: 99-99-99
5	P22780-02-J54	EA COVER - ARMREST - LEFT HAND (J54, J55)
5	P22780-02-J56	EA COVER - ARMREST - LEFT HAND (J56, J57)
5	P22780-04-J52	EA COVER - ARMREST - LEFT HAND (LEATHER)
5	115617-04-000	EA ARMREST - W/O COVER - LEFT
6	M05962-38-J52	EA COVER - SEAT (J52, J53)
		FROM: 00-00-00 THRU: 11-16-97
6	M05962-38-JA2	EA COVER - SEAT (J52, J53)
		FROM: 11-17-97 THRU: 99-99-99
6	M05962-38-J54	EA COVER - SEAT (J54, J55)
6	M05962-38-J56	EA COVER - SEAT (J56, J57)
	M05962-79-J52	EA COVER - SEAT - BUCKET (LEATHER)
7	122695-01-01B	EA FRAME ASM - SEAT & BACK
8	117125-01-02B	EA BRACKET - CABLE MOUNT - ADJUSTER W/ LOCK
9	119952-06-000	EA SLIDE/SEAT - HEAVY DUTY LOCKING - 4 STUDS
		FROM: 00-00-00 THRU: 11-02-97
9	119952-04-000	EA SLIDE/SEAT - HEAVY DUTY LOCKING - 4 STUDS
		FROM: 11-03-97 THRU: 99-99-99
	119952-07-000	EA WIRE - LATCH RELEASE/ ROTARY
10	107921-05-000	EA PLATE TOP - W/ SEAT BELT BAR
11	107921-06-000	EA BEARING KIT - PEDESTAL
12	107921-01-000	EA PEDESTAL FLOOR MOUNTED - W/9.75" EXTENSION
13	080730-09-000	EA SHIELD - RECLINER HANDLE
14	080730-08-000	EA HANDLE - RECLINER
15	080730-11-000	EA SHIELD - RUBBER BOOT
16	108049-04-000	EA CABLE - W/SWITCHES - W/26" MINI LEVER ACTION
17	127159-02-02B	EA BRACKET - SEAT RELEASE - DUAL REMOTE
18	071126-58-H19	EA SKIRT - SINGLE 10.5" - W/SEAT BELT SLOT (J52, J53)
		FROM: 00-00-00 THRU: 11-16-97
18	071126-58-JA2	EA SKIRT - SINGLE 10.5" - W/SEAT BELT SLOT (J52, J53)
		FROM: 11-17-97 THRU: 99-99-99
18	071126-58-J54	EA SKIRT - SINGLE 10.5" - W/SEAT BELT SLOT (J54, J55)
18	071126-58-J56	EA SKIRT - SINGLE 10.5" - W/SEAT BELT SLOT (J56, J57)
18	071126-62-J52	EA SKIRT - SINGLE 10.5" - W/SEAT BELT SLOT (LEATHER)

CURTAIN & CUSHION GROUP (CONTINUED)

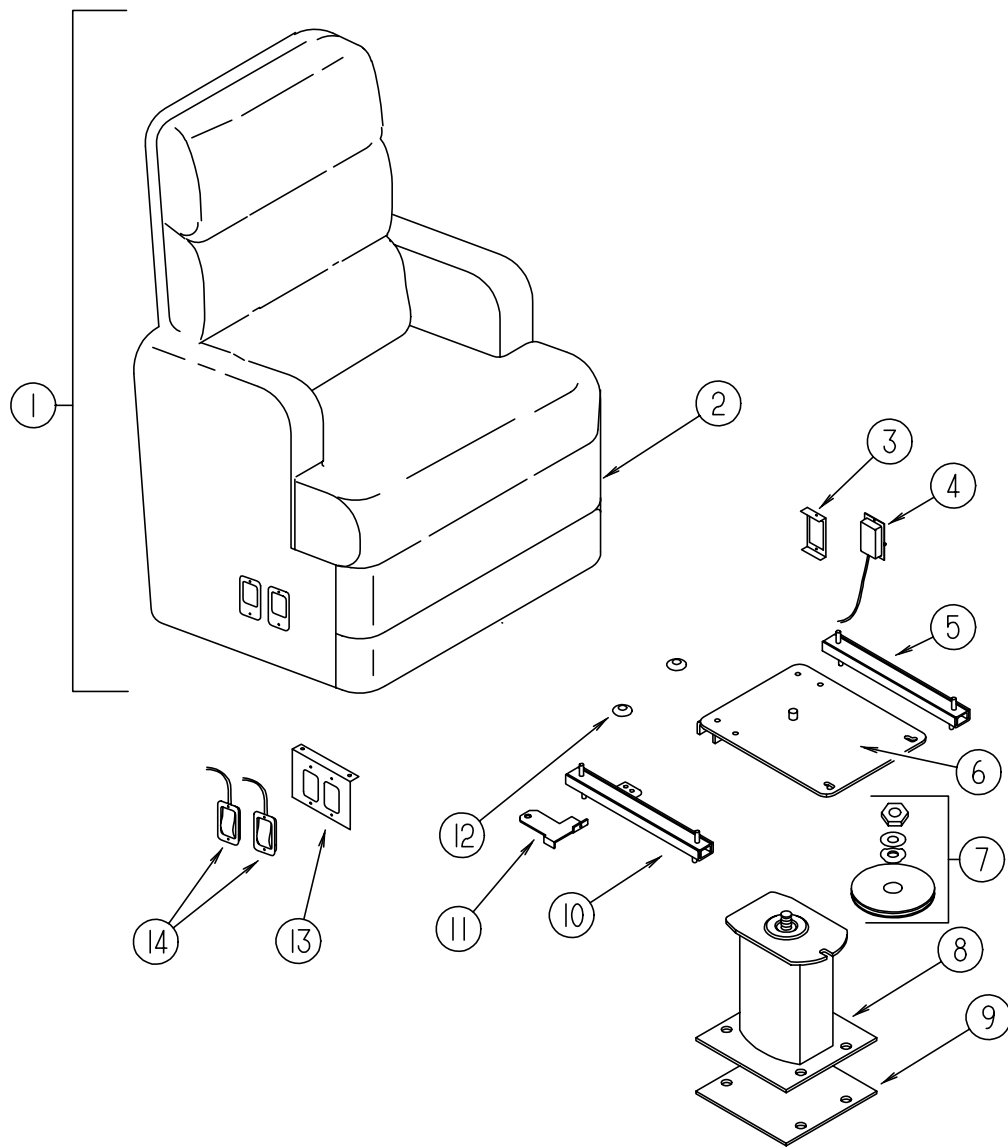
SWIVEL CHAIR (RECLINER) (FROM: 00-00-00 THRU: 11-02-97)



KEY	PART NUMBER	U/M	DESCRIPTION
1	118538-01-J52	EA	CHAIR - RECLINER (J52, J53)
1	118538-01-J54	EA	CHAIR - RECLINER (J54, J55)
1	118538-01-J56	EA	CHAIR - RECLINER (J56, J57)
1	P18538-01-J52	EA	COVER - CHAIR - RECLINER (J52, J53)
1	P18538-01-J54	EA	COVER - CHAIR - RECLINER (J54, J55)
1	P18538-01-J56	EA	COVER - CHAIR - RECLINER (J56, J57)
	P18302-27-H19	EA	COVER - ARMREST - UNIVERSAL (SLIPCOVER) (J52, J53)
	P18302-27-K58	EA	COVER - ARMREST - UNIVERSAL (SLIPCOVER) (J54, J55)
	P18302-27-J56	EA	COVER - ARMREST - UNIVERSAL (SLIPCOVER) (J56, J57)
2	118539-01-H19	EA	SKIRT - RECLINER (J52, J53)
2	118539-01-J24	EA	SKIRT - RECLINER (J54, J55)
2	118539-01-J26	EA	SKIRT - RECLINER (J56, J57)
3	127159-01-02B	EA	BRACKET - SEAT RELEASE - SINGLE REMOTE
4	108049-05-000	EA	FRAME - CABLE - REMOTE RECLINE - W/MINI LEVER ACTION
5	119952-01-000	EA	SLIDE - SEAT - HEAVY DUTY NON LOCKING
6	107921-08-000	EA	TOP PLATE - PEDESTAL - W/O SEATBELT BAR
7	107921-06-000	EA	BEARING KIT - PEDESTAL
8	107921-01-000	EA	FLOOR MOUNTED PEDESTAL - W/9.75" EXTENSION
9	108445-02-000	EA	SUB PLATE - FLOOR MOUNTED PEDESTAL
10	119952-03-000	EA	SLIDE - SEAT - HEAVY DUTY LOCKING - 2 STUDS
11	117125-01-02B	EA	BRACKET - CABLE MOUNT - ADJUSTER W/LOCK
12	007221-01-000	EA	SPACER - SEAT ADJUSTER
13	127159-02-02B	EA	BRACKET - SEAT RELEASE - DUAL REMOTE
14	108049-04-000	EA	CABLE - W/SWITCHES - W/26" MINI LEVER ACTION
	108049-02-000	EA	CLIP - CABLE/ PEDESTAL
	057759-01-000	EA	WASHER BRACKET - SEAT BELT - 4" DIAMETER
	007021-01-000	EA	SEAT BELT - 2" X 90" - BLACK

CURTAIN & CUSHION GROUP (CONTINUED)

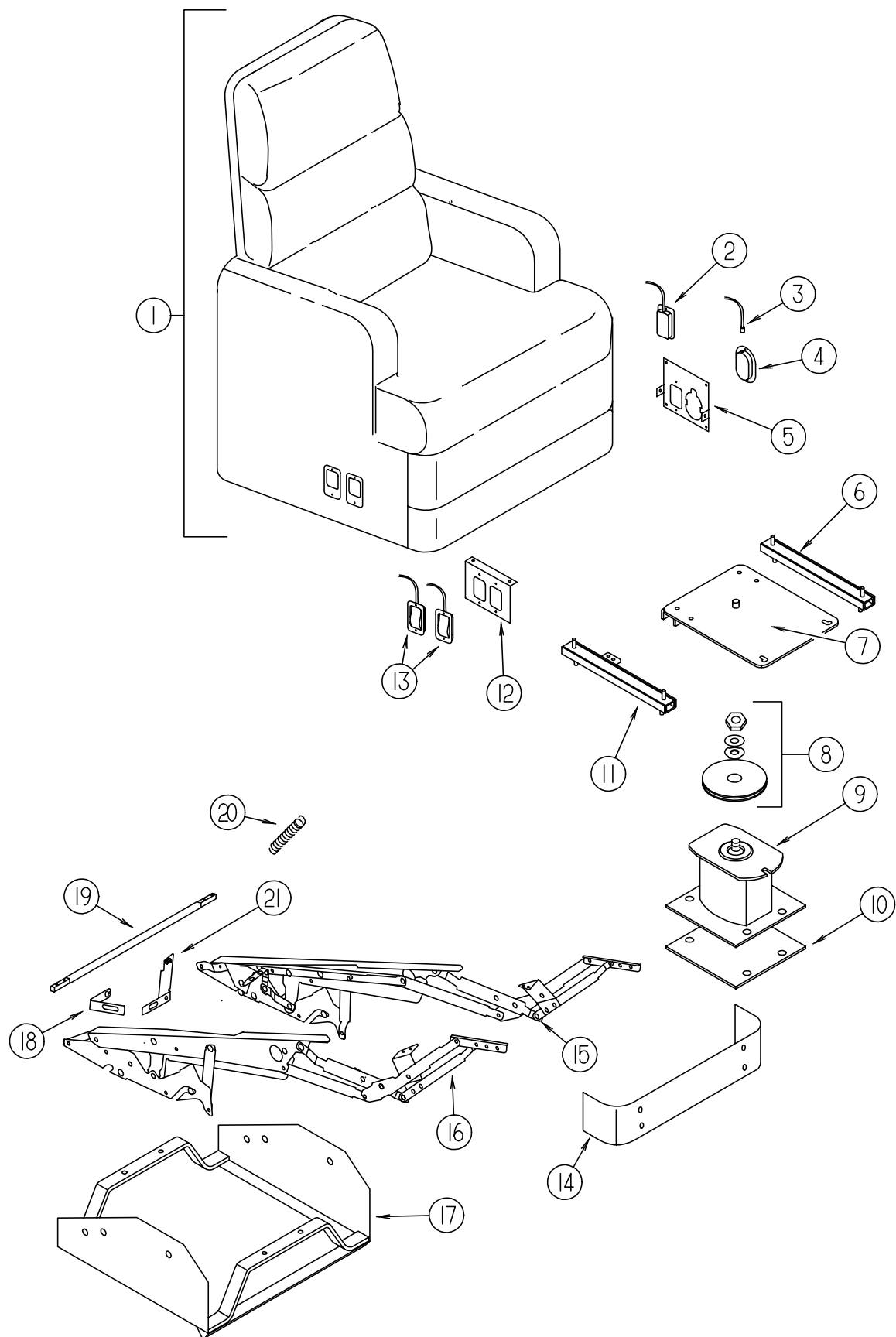
SWIVEL CHAIR (RECLINER) (FROM: 11-03-97 THRU: 01-04-98)



KEY	PART NUMBER	U/M	DESCRIPTION
1	118538-02-J52	EA	CHAIR - RECLINER/HIGHBACK (J52, J53)
1	118538-02-J54	EA	CHAIR - RECLINER/HIGHBACK (J54, J55)
1	118538-02-J56	EA	CHAIR - RECLINER/HIGHBACK (J56, J57)
1	P18538-02-J52	EA	COVER - RECLINER/HIGHBACK (J52, J53)
			FROM: 00-00-00 THRU: 11-16-97
1	P18538-02-JA2	EA	COVER - RECLINER/HIGHBACK (J52, J53)
			FROM: 11-17-97 THRU: 01-04-98
1	P18538-02-J54	EA	COVER - RECLINER/HIGHBACK (J54, J55)
1	P18538-02-J56	EA	COVER - RECLINER/HIGHBACK (J56, J57)
	P18302-27-H19	EA	COVER - ARMREST - UNIVERSAL (SLIPCOVER) (J52, J53)
	P18302-27-K58	EA	COVER - ARMREST - UNIVERSAL (SLIPCOVER) (J54, J55)
	P18302-27-J56	EA	COVER - ARMREST - UNIVERSAL (SLIPCOVER) (J56, J57)
2	118539-01-H19	EA	SKIRT - RECLINER (J52, J53)
			FROM: 00-00-00 THRU: 11-16-97
2	118539-01-JA2	EA	SKIRT - RECLINER (J52, J53)
			FROM: 11-17-97 THRU: 01-04-98
2	118539-01-J54	EA	SKIRT - RECLINER (J54, J55)
2	118539-01-J56	EA	SKIRT - RECLINER (J56, J57)
3	127159-01-02B	EA	BRACKET - SEAT RELEASE - SINGLE REMOTE
4	108049-05-000	EA	FRAME - CABLE - REMOTE RECLINE - W/MINI LEVER ACTION
5	119952-01-000	EA	SLIDE - SEAT - HEAVY DUTY NON LOCKING
6	107921-08-000	EA	TOP PLATE - PEDESTAL - W/O SEATBELT BAR
7	107921-06-000	EA	BEARING KIT - PEDESTAL
8	107921-01-000	EA	FLOOR MOUNTED PEDESTAL - W/9.75" EXTENSION
9	108445-02-000	EA	SUB PLATE - FLOOR MOUNTED PEDESTAL
10	119952-03-000	EA	SLIDE - SEAT - HEAVY DUTY LOCKING - 2 STUDS
11	117125-01-02B	EA	BRACKET - CABLE MOUNT - ADJUSTER W/LOCK
12	007221-01-000	EA	SPACER - SEAT ADJUSTER
13	127159-02-02B	EA	BRACKET - SEAT RELEASE - DUAL REMOTE
14	108049-04-000	EA	CABLE - W/SWITCHES - W/26" MINI LEVER ACTION
	108049-02-000	EA	CLIP - CABLE/ PEDESTAL
	057759-01-000	EA	WASHER BRACKET - SEAT BELT - 4" DIAMETER
	007021-01-000	EA	SEAT BELT - 2" X 90" - BLACK

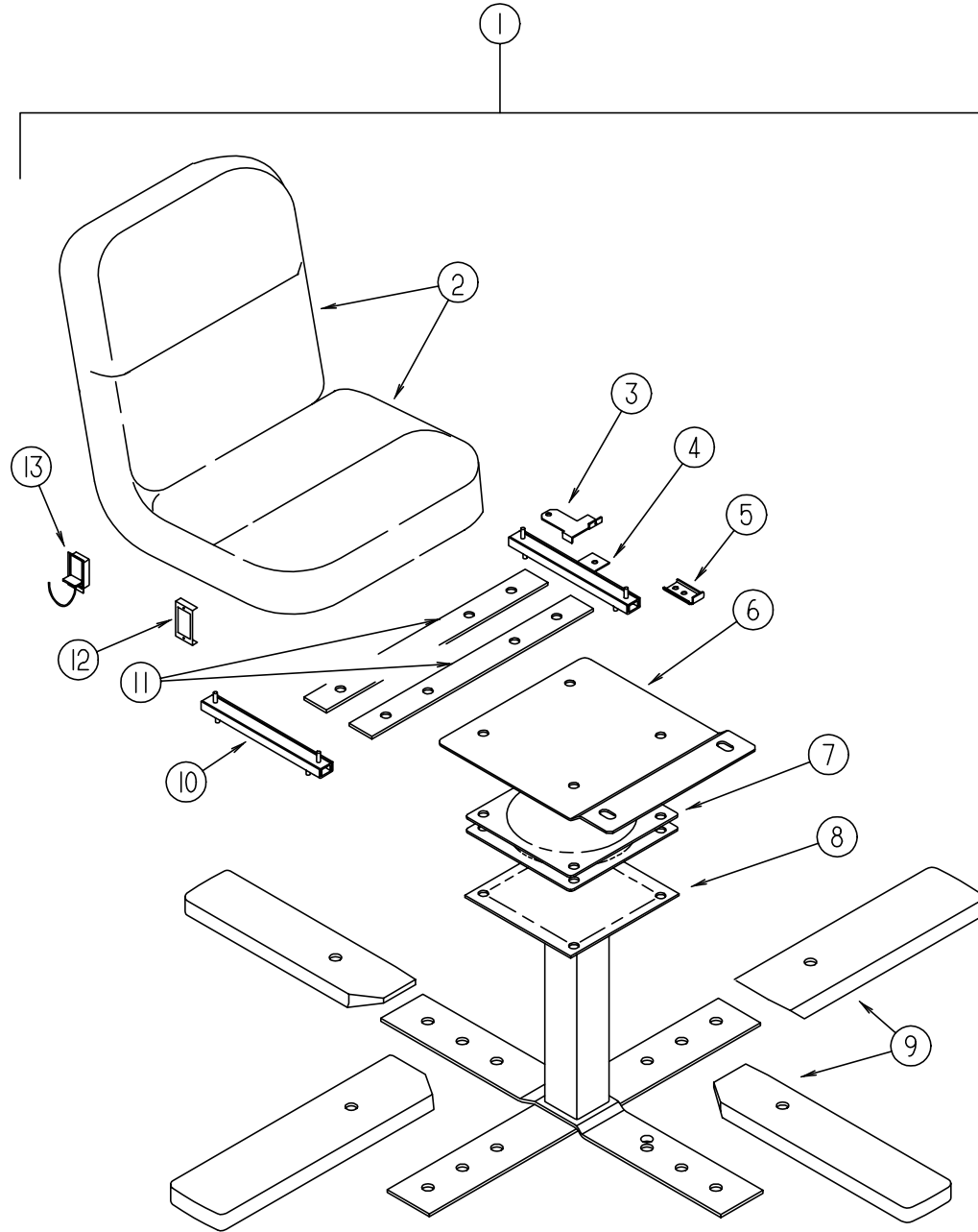
CURTAIN & CUSHION GROUP (CONTINUED)

SWIVEL CHAIR (RECLINER) (FROM: 01-05-98 THRU: 99-99-99)



KEY	PART NUMBER	U/M	DESCRIPTION
1	129327-01-J52	EA	CHAIR - INCLINER W/FOOTREST (J52, J53)
1	129327-01-J54	EA	CHAIR - INCLINER W/FOOTREST (J54, J55)
1	129327-01-J56	EA	CHAIR - INCLINER W/FOOTREST (J56, J57)
1	P29327-01-J52	EA	COVER - CHAIR - INCLINER W/FOOTREST (J52, J53)
1	P29327-01-J54	EA	COVER - CHAIR - INCLINER W/FOOTREST (J54, J55)
1	P29327-01-J56	EA	COVER - CHAIR - INCLINER W/FOOTREST (J56, J57)
	P18302-27-H19	EA	COVER - ARMREST - UNIVERSAL (SLIPCOVER) (J52, J53)
	P18302-27-K58	EA	COVER - ARMREST - UNIVERSAL (SLIPCOVER) (J54, J55)
	P18302-27-J56	EA	COVER - ARMREST - UNIVERSAL (SLIPCOVER) (J56, J57)
2	108049-05-000	EA	FRAME - CABLE - REMOTE RECLINE - W/MINI LEVER ACTION
3	129148-05-000	EA	INCLINER - CABLE - 30"
4	129148-06-000	EA	INCLINER - LEVER F/CABLE
5	129164-01-02B	EA	BRACKET - SEAT RELEASE - REMOTE
6	119952-02-000	EA	SLIDE - SEAT - HEAVY DUTY NONLOCKING
7	107921-08-000	EA	TOP PLATE - PEDESTAL - W/O SEATBELT BAR
8	107921-06-000	EA	BEARING KIT - PEDESTAL
9	107921-14-000	EA	PEDESTAL - SEAT W/5.75" EXTENSION - F/MANUAL SEAT
10	108445-02-000	EA	PLATE/FLOOR MOUNTED - PEDESTAL SEAT
11	119952-04-000	EA	SLIDE - SEAT - HEAVY DUTY LOCKING
12	129162-01-02B	EA	BRACKET - SEAT RELEASE - REMOTE
13	108049-04-000	EA	CABLE - W/SWITCHES - W/26" MINI LEVER ACTION
	108049-02-000	EA	CLIP - CABLE/ PEDESTAL
14	119901-04-000	EA	FOOT REST - RECLINER
15	129148-01-000	EA	INCLINER - LEFT
16	129148-02-000	EA	INCLINER - RIGHT
17	129173-01-02B	EA	FRAME - INCLINER - E-COATED
	129148-09-000	EA	INCLINER - CLIP/HAIRPIN - 1 7/16 X .07
18	129148-08-000	EA	INCLINER - CLIP F/CABLE
19	129148-10-000	EA	INCLINER TUBE - MODIFIED
20	129148-03-000	EA	SPRING - INCLINER
21	129148-07-000	EA	INCLINER - CABLE F/BREAK RELEASE

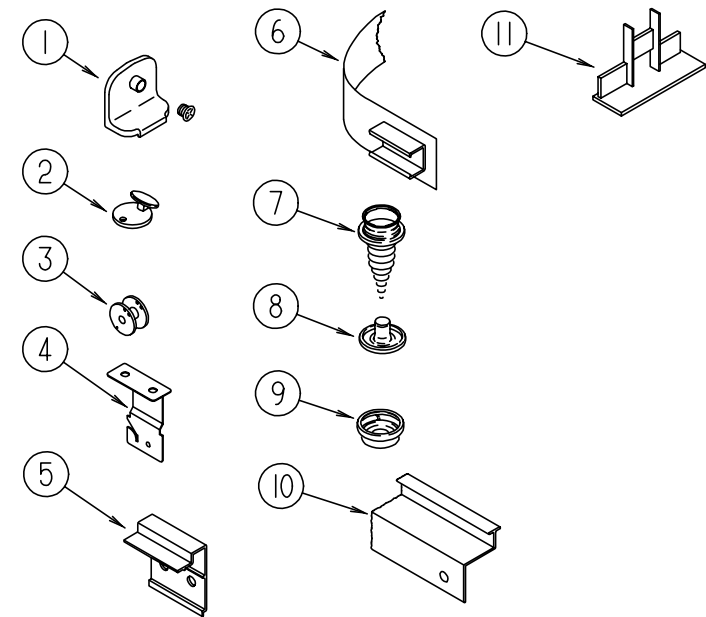
CURTAIN & CUSHION GROUP (CONTINUED)



DINETTE SWIVEL CHAIR ASM (210 KC)

KEY	PART NUMBER	U/M DESCRIPTION
1	122739-01-H19	EA CHAIR - SWIVEL (W/O CHAIR LEG COVER) (J52, J53)
1	122739-01-J54	EA CHAIR - SWIVEL (W/O CHAIR LEG COVER) (J54, J55)
1	122739-01-J56	EA CHAIR - SWIVEL (W/O CHAIR LEG COVER) (J56, J57)
2	P22739-01-H19	EA COVER - BACK/SEAT - SWIVEL CHAIR (J52, J53)
2	P22739-01-J54	EA COVER - BACK/SEAT - SWIVEL CHAIR (J54, J55)
2	P22739-01-J56	EA COVER - BACK/SEAT - SWIVEL CHAIR (J56, J57)
3	117125-01-02B	EA BRACKET - CABLE MOUNT - ADJUSTER W/LOCK
4	119952-04-000	EA SLIDE - SEAT - HEAVY DUTY LOCKING - 4 STUDS
5	007221-01-000	EA SPACER - SEAT ADJUSTER
6	119705-11-02B	EA PLATE - SEAT
7	119105-01-000	EA PLATE - SWIVEL - RETURN-0-MATIC
8	119705-02-03B	EA PEDESTAL
9	116080-02-J40	EA COVER - CHAIR LEG - 9.5" WASHED MAPLE
9	116080-02-G35	EA COVER - CHAIR LEG - 9.5" WATERFORD OAK
10	119952-02-000	EA SLIDE - SEAT - HEAVY DUTY NONLOCKING
11	120109-01-02B	EA ADAPTER BRACKET - DINETTE SWIVEL CHAIR
12	127159-01-02B	EA BRACKET - SEAT RELEASE - REMOTE
13	108049-04-000	EA CABLE - W/SWITCHES - W/26" MINI LEVER ACTION

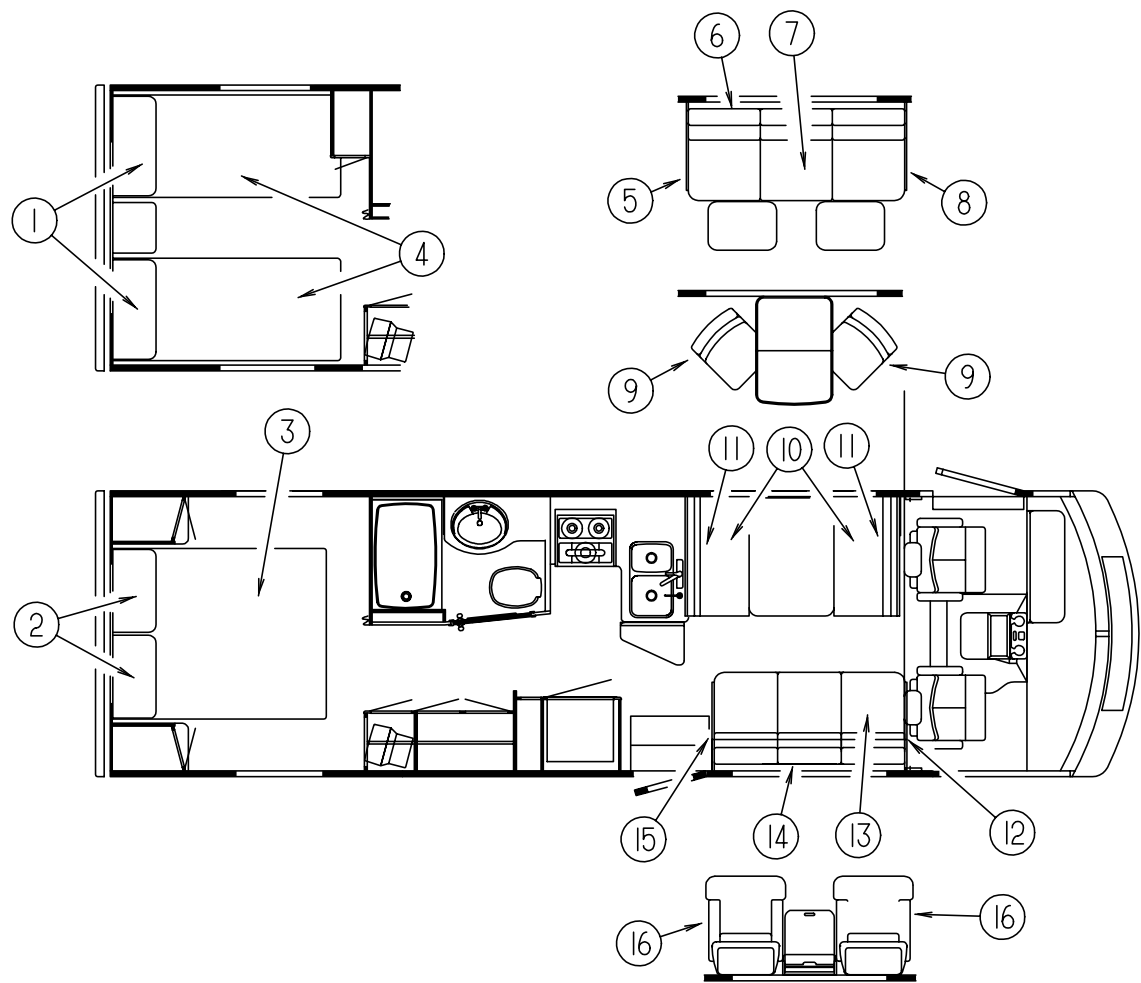
CURTAIN & CUSHION GROUP (CONTINUED)



CURTAIN & BLIND HARDWARE

KEY	PART NUMBER	U/M DESCRIPTION
1	106544-01-000	EA PULL - SHADE/BRASS
	106544-01-001	EA SCREW - SHADE/BRASS
2	102555-03-000	EA CLEAT - BLIND CORD - MILKY WHITE PLASTIC
3	097592-01-000	EA SPOOL - CORD - ELEVATED BLIND HOLDUP - SMALL - CLEAR FROM: 00-00-00 THRU: 11-23-97
3	097592-02-000	EA SPOOL - CORD - ELEVATED BLIND HOLDUP - LARGE - CLEAR FROM: 11-24-97 THRU: 99-99-99
4	084434-01-000	EA BRACKET - MOUNTING - ROLLER SHADE - 1 3/8"
5	097565-01-000	EA BRACKET - MOUNTING/PLEATED BLIND
6	101031-01-000	YD TAPE - GLIDE/CURTAIN - 4.25" SPACING
7	029130-01-000	EA SCREW - SNAP SOCKET - #8 PH X 5/8"
8	029155-01-000	EA CAP - SNAP - 5/32" OUTSIDE DIAMETER OF PIN
9	029156-01-000	EA SOCKET - SNAP - 9/16" O.D.
10	127254-01-02A	EA TRACK - CURTAIN/RIGHT HAND - TITANIUM
10	127254-02-02A	EA TRACK - CURTAIN/LEFT HAND - TITANIUM
11	094907-02-000	EA END CAP - TOP/PLEATED BLIND - PLASTIC - GRAY
	046867-03-000	EA GROMMET - HANDY BUTTON #3
	048394-02-000	YD VELCRO TAPE - HOOK - ADHESIVE BACK - .75" WIDE - BEIGE
	086276-01-000	EA TAPE - DOUBLE SIDED - 1/2"
	094896-02-000	EA GROMMET - CORD/PLEATED BLIND - NYLON - GRAY
	094907-04-000	EA HARDWARE - END CAP BOTTOM - PULL TYPE (RH & LH)
	095567-01-000	EA TACK - STRIP - .5" X 625' ROLL
	096843-01-000	EA SPRING - REWIND/ROLLER SHADE
	097564-01-000	EA HANDLE - KNOB - E-Z LIFT SHADE - SMOKED FROM: 00-00-00 THRU: 10-19-97
	097564-04-000	EA HANDLE - KNOB - E-Z LIFT SHADE - NAVY FROM: 10-20-97 THRU: 99-99-99
	097591-01-000	EA SPRING - EXTENSION/PLEATED BLIND
	097593-06-000	FT CORD - BLIND - PLEATED - PEWTER

CURTAIN & CUSHION GROUP (CONTINUED)



SOFA BED

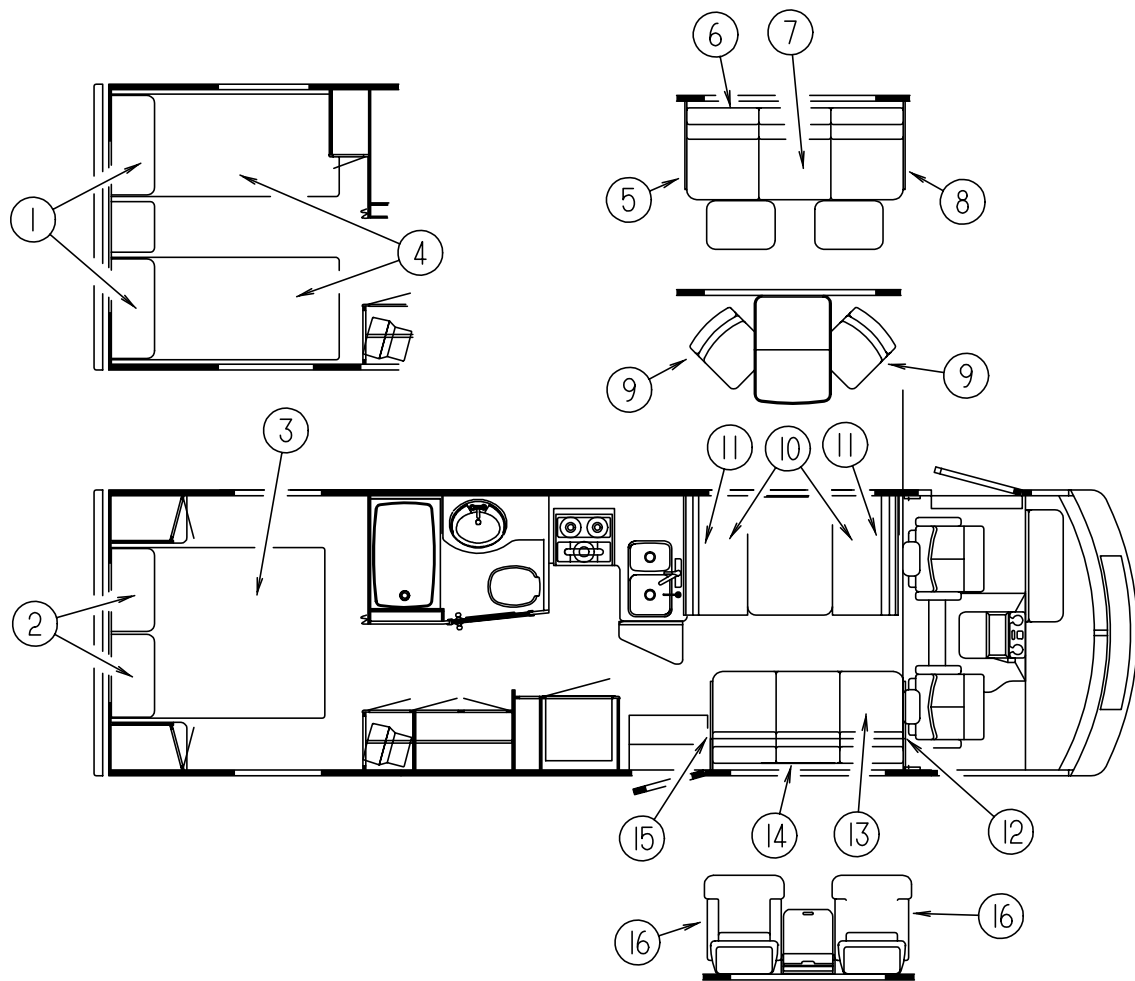
KEY	PART NUMBER	U/M	DESCRIPTION
5	127840-01-J52	EA	PANEL - RIGHT END - SOFA/BED - FABRIC COVERED (J52, J53)
5	127840-01-J54	EA	PANEL - RIGHT END - SOFA/BED - FABRIC COVERED (J54, J55)
5	127840-01-J56	EA	PANEL - RIGHT END - SOFA/BED - FABRIC COVERED (J56, J57)
5	127562-01-J52	EA	ARMREST - REMOVABLE RIGHT HAND (J52, J53)
5	127562-01-J54	EA	ARMREST - REMOVABLE RIGHT HAND (J54, J55)
5	127562-01-J56	EA	ARMREST - REMOVABLE RIGHT HAND (J56, J57)
5	P27562-01-J52	EA	COVER - ARMREST - RIGHT (J52, J53)
5	P27562-01-J54	EA	COVER - ARMREST - RIGHT (J54, J55)
5	P27562-01-J56	EA	COVER - ARMREST - RIGHT (J56, J57)
6	127561-01-J52	EA	BACK - SOFA/BED - 74" (J52, J53)
6	127561-01-J54	EA	BACK - SOFA/BED - 74" (J54, J55)
6	127561-01-J56	EA	BACK - SOFA/BED - 74" (J56, J57)
6	P27561-01-J52	EA	COVER - BACK - SOFA/BED - 74" (J52, J53)
6	P27561-01-J54	EA	COVER - BACK - SOFA/BED - 74" (J54, J55)
6	P27561-01-J56	EA	COVER - BACK - SOFA/BED - 74" (J56, J57)
7	127561-02-J52	EA	SEAT - SOFA/BED - 74" (J52, J53)
7	127561-02-J54	EA	SEAT - SOFA/BED - 74" (J54, J55)
7	127561-02-J56	EA	SEAT - SOFA/BED - 74" (J56, J57)
7	P27561-02-J52	EA	COVER - SEAT - SOFA/BED - 74" (J52, J53)
7	P27561-02-J54	EA	COVER - SEAT - SOFA/BED - 74" (J54, J55)
7	P27561-02-J56	EA	COVER - SEAT - SOFA/BED - 74" (J56, J57)
8	127840-02-J52	EA	PANEL - LEFT END - SOFA/BED - FABRIC COVERED (J52, J53)
8	127840-02-J54	EA	PANEL - LEFT END - SOFA/BED - FABRIC COVERED (J54, J55)
8	127840-02-J56	EA	PANEL - LEFT END - SOFA/BED - FABRIC COVERED (J56, J57)
8	127562-02-J52	EA	ARMREST - REMOVABLE LEFT HAND (J52, J53)
8	127562-02-J54	EA	ARMREST - REMOVABLE LEFT HAND (J54, J55)
8	127562-02-J56	EA	ARMREST - REMOVABLE LEFT HAND (J56, J57)
8	P27562-02-J52	EA	COVER - ARMREST - LEFT (J52, J53)
8	P27562-02-J54	EA	COVER - ARMREST - LEFT (J54, J55)
8	P27562-02-J56	EA	COVER - ARMREST - LEFT (J56, J57)
	127335-08-000	EA	BRACKET - REMOVABLE ARM/COUCH
	127335-09-000	EA	BRACKET - REMOVABLE ARM/CUSHION
	116104-03-02B	EA	BRACKET - ZEE W/HOLES
	120992-07-J52	EA	PANEL - FRONT KICK - SOFA/BED - FABRIC COVERED (J52, J53)
	120992-07-J54	EA	PANEL - FRONT KICK - SOFA/BED - FABRIC COVERED (J54, J55)
	120992-07-J56	EA	PANEL - FRONT KICK - SOFA/BED - FABRIC COVERED (J56, J57)
	121906-01-02B	EA	BRACKET - KICKBOARD - E-COATED
	106728-02-J52	EA	PILLOW - 9" X 20" (J52, J53)

QUEEN & TWIN BED

KEY	PART NUMBER	U/M	DESCRIPTION
1	119249-02-000	EA	PILLOW - 22" X 37" - TWIN
2	119249-01-000	EA	PILLOW - 20" X 33" - QUEEN
3	119141-13-J52	EA	BEDSPREAD/THROW - 60" X 75" (J52, J53)
3	119141-14-J54	EA	BEDSPREAD/THROW - 60" X 75" (J54, J55)
3	119141-13-J56	EA	BEDSPREAD/THROW - 60" X 75" (J56, J57)
3	123015-06-000	EA	MATTRESS - INNERSPRING - 60" X 74.5"
4	119141-15-J52	EA	BEDSPREAD/THROW - 36" X 80" (J52, J53)
4	119141-16-J54	EA	BEDSPREAD/THROW - 36" X 80" (J54, J55)
4	119141-15-J56	EA	BEDSPREAD/THROW - 36" X 80" (J56, J57)
4	123015-04-000	EA	MATTRESS - INNERSPRING - 36" X 79.5"
	103669-09-J52	EA	PILLOW - 15" X 15" (J52, J53)
	111637-09-J54	EA	PILLOW - 15" X 15" (J54, J55)
	111637-09-J56	EA	PILLOW - 15" X 15" (J56, J57)

106728-02-JA2	EA	PILLOW - 9" X 20" (J52, J53)	FROM: 00-00-00 THRU: 11-16-97
			FROM: 11-17-97 THRU: 99-99-99
106728-02-J54	EA	PILLOW - 9" X 20" (J54, J55)	
106728-02-J56	EA	PILLOW - 9" X 20" (J56, J57)	
112436-07-000	FT	TRIM - #6 - FLEX RING (REMOVABLE ARMREST ASM)	
127335-12-000	EA	FRAME - 10" LEG (SOFA BED)	

CURTAIN & CUSHION GROUP (CONTINUED)



SOFA BED

KEY	PART NUMBER	U/M	DESCRIPTION
12	127840-01-J52	EA	PANEL - RIGHT END - SOFA/BED - FABRIC COVERED (J52, J53)
12	127840-01-J54	EA	PANEL - RIGHT END - SOFA/BED - FABRIC COVERED (J54, J55)
12	127840-01-J56	EA	PANEL - RIGHT END - SOFA/BED - FABRIC COVERED (J56, J57)
12	127562-01-J52	EA	ARMREST/REMOVEABLE - RIGHT HAND (J52, J53)
12	127562-01-J54	EA	ARMREST/REMOVEABLE - RIGHT HAND (J54, J55)
12	127562-01-J56	EA	ARMREST/REMOVEABLE - RIGHT HAND (J56, J57)
12	P27562-01-J52	EA	COVER - ARMREST - RIGHT (J52, J53)
12	P27562-01-J54	EA	COVER - ARMREST - RIGHT (J54, J55)
12	P27562-01-J56	EA	COVER - ARMREST - RIGHT (J56, J57)
13	127561-04-J52	EA	SEAT - SOFA/BED - 67.5" (J52, J53)
13	127561-04-J54	EA	SEAT - SOFA/BED - 67.5" (J54, J55)
13	127561-04-J56	EA	SEAT - SOFA/BED - 67.5" (J56, J57)
13	P27561-04-J52	EA	COVER - SEAT - SOFA/BED - 67.5" (J52, J53)
13	P27561-04-J54	EA	COVER - SEAT - SOFA/BED - 67.5" (J54, J55)
13	P27561-04-J56	EA	COVER - SEAT - SOFA/BED - 67.5" (J56, J57)
14	127561-03-J52	EA	BACK - SOFA/BED - 67.5" (J52, J53)
14	127561-03-J54	EA	BACK - SOFA/BED - 67.5" (J54, J55)
14	127561-03-J56	EA	BACK - SOFA/BED - 67.5" (J56, J57)
14	P27561-03-J52	EA	COVER - BACK - SOFA/BED - 67.5" (J52, J53)
14	P27561-03-J54	EA	COVER - BACK - SOFA/BED - 67.5" (J54, J55)
14	P27561-03-J56	EA	COVER - BACK - SOFA/BED - 67.5" (J56, J57)
15	127840-02-J52	EA	PANEL - LEFT END - SOFA/BED - FABRIC COVERED (J52, J53)
15	127840-02-J54	EA	PANEL - LEFT END - SOFA/BED - FABRIC COVERED (J54, J55)
15	127840-02-J56	EA	PANEL - LEFT END - SOFA/BED - FABRIC COVERED (J56, J57)
15	127562-02-J52	EA	ARMREST/REMOVEABLE LEFT - HAND (J52, J53)
15	127562-02-J54	EA	ARMREST/REMOVEABLE LEFT - HAND (J54, J55)
15	127562-02-J56	EA	ARMREST/REMOVEABLE LEFT - HAND (J56, J57)
15	P27562-02-J52	EA	COVER - ARMREST - LEFT (J52, J53)
15	P27562-02-J54	EA	COVER - ARMREST - LEFT (J54, J55)
15	P27562-02-J56	EA	COVER - ARMREST - LEFT (J56, J57)
	112436-07-000	FT	TRIM - #6 - FLEX RING
	127335-08-000	EA	BRACKET - REMOVABLE ARM/COUCH
	127335-09-000	EA	BRACKET - REMOVABLE ARM/CUSHION
	116104-03-02B	EA	BRACKET - ZEE W/HOLES
	120992-09-J52	EA	PANEL - FRONT KICK - SOFA/BED - FABRIC COVERED (J52, J53)
	120992-09-J54	EA	PANEL - FRONT KICK - SOFA/BED - FABRIC COVERED (J54, J55)
	120992-09-J56	EA	PANEL - FRONT KICK - SOFA/BED - FABRIC COVERED (J56, J57)
	121906-01-02B	EA	BRACKET - KICKBOARD - E-COATED
	106728-02-J52	EA	PILLOW - 9" X 20" (J52, J53)

FROM: 00-00-00 THRU: 11-16-97

SWIVEL & FOLDING CHAIRS (DINETTE OPTION)

KEY	PART NUMBER	U/M	DESCRIPTION
	101604-01-04A	EA	CHAIR - DINETTE FOLDING - W/O FABRIC - SOLAR MAPLE
	101604-01-03A	EA	CHAIR - DINETTE FOLDING - W/O FABRIC - WATERFORD OAK
9	122739-01-H19	EA	CHAIR - SWIVEL (W/O CHAIR LEG COVER) (J52, J53)
9	122739-01-J54	EA	CHAIR - SWIVEL (W/O CHAIR LEG COVER) (J54, J55)
9	122739-01-J56	EA	CHAIR - SWIVEL (W/O CHAIR LEG COVER) (J56, J57)

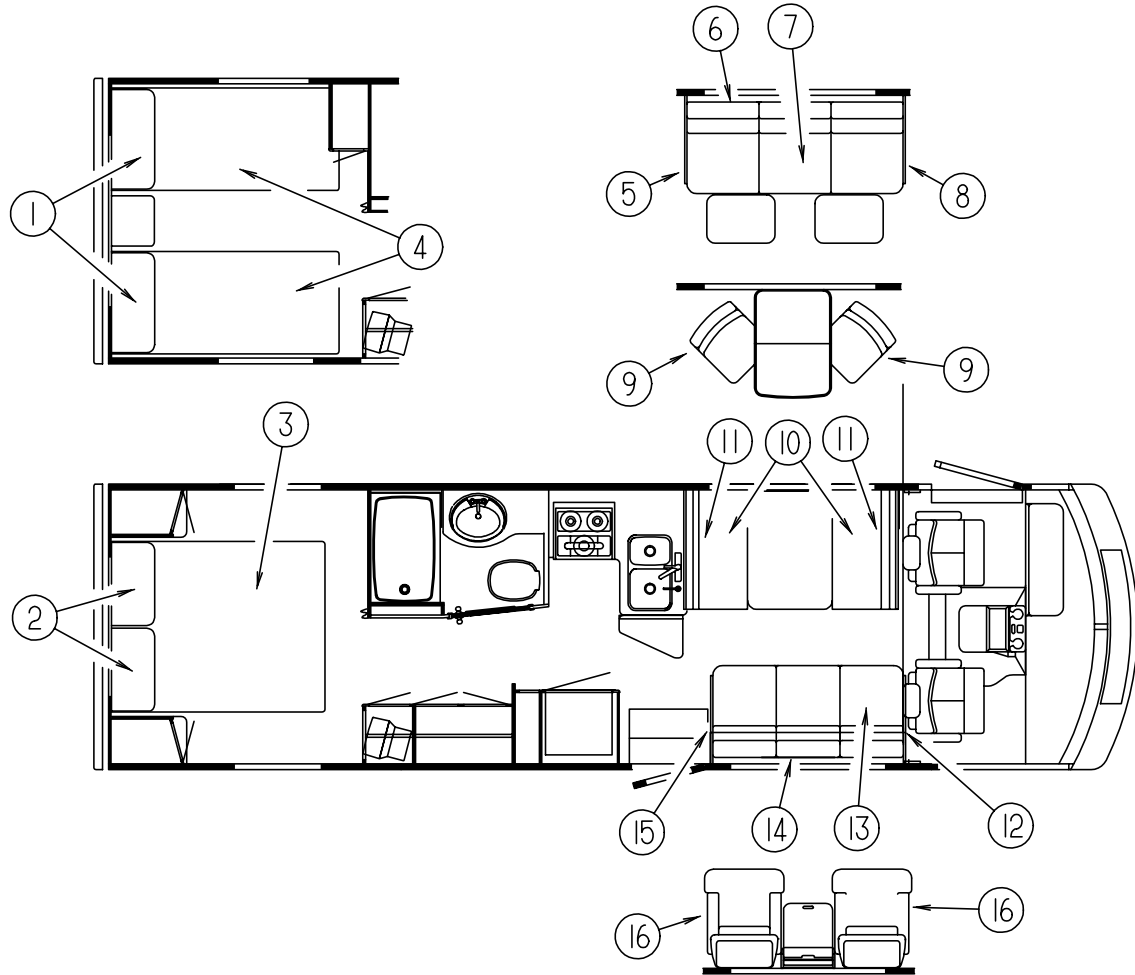
DINETTE CUSHIONS

KEY	PART NUMBER	U/M	DESCRIPTION
10	105603-15-J52	EA	CUSHION - SEAT - 23" X 42" X 5" (J52, J53)
10	105603-15-J54	EA	CUSHION - SEAT - 23" X 42" X 5" (J54, J55)
10	105603-15-J56	EA	CUSHION - SEAT - 23" X 42" X 5" (J56, J57)
10	P05603-15-J52	EA	COVER - SEAT - 23" X 42" X 5" (J52, J53)
10	P05603-15-J54	EA	COVER - SEAT - 23" X 42" X 5" (J54, J55)
10	P05603-15-J56	EA	COVER - SEAT - 23" X 42" X 5" (J56, J57)
11	111897-05-J52	EA	CUSHION - BACK - 13.5" X 42" X 5" (J52, J53)
11	111897-05-J54	EA	CUSHION - BACK - 13.5" X 42" X 5" (J54, J55)
11	111897-05-J56	EA	CUSHION - BACK - 13.5" X 42" X 5" (J56, J57)
11	P11897-05-J52	EA	COVER - BACK - 13.5" X 42" X 5" (J52, J53)
11	P11897-05-J54	EA	COVER - BACK - 13.5" X 42" X 5" (J54, J55)
11	P11897-05-J56	EA	COVER - BACK - 13.5" X 42" X 5" (J56, J57)
	078155-01-000	EA	STRAP - SNAP - BACK CUSHION

106728-02-JA2	EA	PILLOW - 9" X 20" (J52, J53)
106728-02-J54	EA	PILLOW - 9" X 20" (J54, J55)
106728-02-J56	EA	PILLOW - 9" X 20" (J56, J57)
127335-12-000	EA	FRAME - 10" LEG

FROM: 11-17-97 THRU: 99-99-99

CURTAIN & CUSHION GROUP (CONTINUED)



SWIVEL CHAIR (RECLINER) (FROM: 00-00-00 THRU: 11-02-97)

KEY	PART NUMBER	U/M DESCRIPTION
16	118538-01-J52	EA CHAIR - RECLINER (J52, J53)
16	118538-01-J54	EA CHAIR - RECLINER (J54, J55)
16	118538-01-J56	EA CHAIR - RECLINER (J56, J57)

SWIVEL CHAIR (RECLINER) (FROM: 11-03-97 THRU: 01-04-98)

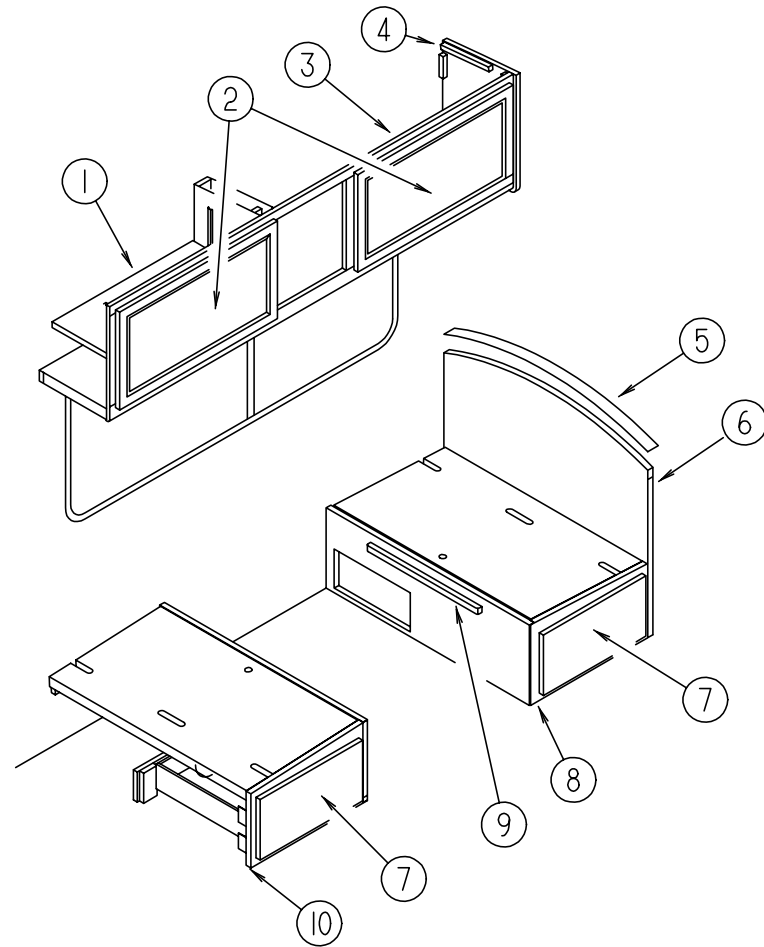
KEY	PART NUMBER	U/M DESCRIPTION
16	118538-02-J52	EA CHAIR - RECLINER/HIGHBACK (J52, J53)
16	118538-02-J54	EA CHAIR - RECLINER/HIGHBACK (J54, J55)
16	118538-02-J56	EA CHAIR - RECLINER/HIGHBACK (J56, J57)

SWIVEL CHAIR (RECLINER) (FROM: 01-05-98 THRU: 99-99-99)

KEY	PART NUMBER	U/M DESCRIPTION
16	129327-01-J52	EA CHAIR - INCLINER W/FOOTREST (J52, J53)
16	129327-01-J54	EA CHAIR - INCLINER W/FOOTREST (J54, J55)
16	129327-01-J56	EA CHAIR - INCLINER W/FOOTREST (J56, J57)

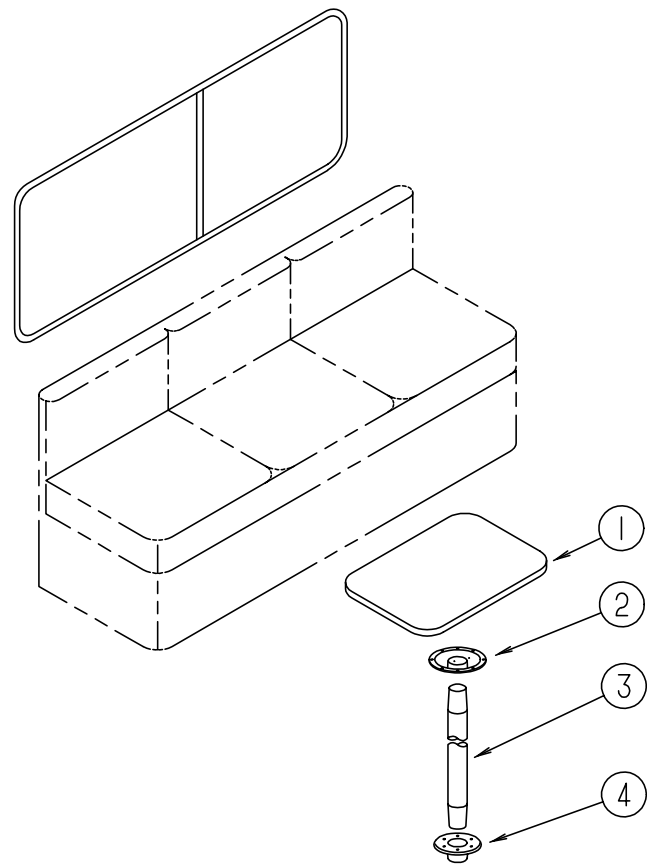
DINETTE GROUP

DINETTE



KEY	PART NUMBER	U/M	DESCRIPTION
1	117922-14-H37	EA	SHELF - W/PLASTIC EDGE TRIM (MAPLE)
1	117922-14-G15	EA	SHELF - W/PLASTIC EDGE TRIM (OAK)
2	117922-01-J52	EA	CABINET - OVERHEAD/DINETTE - W/O DOORS/HARDWARE (J52)
2	117922-01-H19	EA	CABINET - OVERHEAD/DINETTE - W/O DOORS/HARDWARE (J53)
2	117922-01-J54	EA	CABINET - OVERHEAD/DINETTE - W/O DOORS/HARDWARE (J54)
2	117922-01-J55	EA	CABINET - OVERHEAD/DINETTE - W/O DOORS/HARDWARE (J55)
2	117922-01-J56	EA	CABINET - OVERHEAD/DINETTE - W/O DOORS/HARDWARE (J56)
2	117922-01-J57	EA	CABINET - OVERHEAD/DINETTE - W/O DOORS/HARDWARE (J57)
2	117922-07-J52	EA	CABINET - OVERHEAD/DINETTE - W/O DOORS/HARDWARE (SOUND SYSTEM)
2	117922-07-J53	EA	CABINET - OVERHEAD/DINETTE - W/O DOORS/HARDWARE (SOUND SYSTEM)
2	117922-07-J54	EA	CABINET - OVERHEAD/DINETTE - W/O DOORS/HARDWARE (SOUND SYSTEM)
2	117922-07-J55	EA	CABINET - OVERHEAD/DINETTE - W/O DOORS/HARDWARE (SOUND SYSTEM)
2	117922-07-J56	EA	CABINET - OVERHEAD/DINETTE - W/O DOORS/HARDWARE (SOUND SYSTEM)
2	117922-07-J57	EA	CABINET - OVERHEAD/DINETTE - W/O DOORS/HARDWARE (SOUND SYSTEM)
3	M05992-48-J52	EA	DOOR - STRAIGHT CORNER/OGEE EDGE - 15.7" X 27.9" - W/O HARDWARE (MAPLE)
3	M05992-48-J22	EA	DOOR - STRAIGHT CORNER/OGEE EDGE - 15.7" X 27.9" - W/O HARDWARE (OAK)
3	122715-08-01A	EA	DOOR - MOLDED VINYL - 15.7" X 27.9" - W/O HARDWARE (MAPLE)
4	103128-01-G09	EA	END CAP - OVERHEAD CABINET - RIGHT HAND (OAK)
4	103128-01-J52	EA	END CAP - OVERHEAD CABINET - RIGHT HAND (MAPLE)
5	104787-08-H19	EA	PAD - DINETTE SEATBACK (J52, J53)
5	104787-08-JA2	EA	PAD - DINETTE SEATBACK (J52, J53)
			FROM: 00-00-00 THRU: 11-16-97
			FROM: 11-17-97 THRU: 99-99-99
5	104787-08-J54	EA	PAD - DINETTE (J54, J55)
5	104787-08-J56	EA	PAD - DINETTE (J56, J57)
6	M07514-07-J52	EA	CABINET - SEAT BACK/RIGHT HAND - W/O HARDWARE (MAPLE)
6	M07514-07-J22	EA	CABINET - SEAT BACK/RIGHT HAND - W/O HARDWARE (OAK)
7	M05971-ES-J52	EA	DRAWER - SQUARE EDGE - 18"W X 15.7"D - W/O SLIDES/HARDWARE (MAPLE)
7	M05971-ES-J22	EA	DRAWER - OGEE EDGE - 18"W X 15.7"D - W/O SLIDES/HARDWARE (OAK)
8	M07515-07-J52	EA	CABINET - SEATBASE/RIGHT HAND - W/O /DRAWER/HARDWARE (MAPLE)
8	M07515-07-J22	EA	CABINET - SEATBASE/RIGHT HAND - W/O /DRAWER/HARDWARE (OAK)
8	M07515-18-J52	EA	CABINET - SEATBASE/RIGHT HAND - W/O /DRAWER/HDW (SOUND SYSTEM) (MAPLE)
8	M07515-18-J22	EA	CABINET - SEATBASE/RIGHT HAND - W/O /DRAWER/HDW (SOUND SYSTEM) (OAK)
9	081295-01-H37	EA	SUPPORT - BED/DINETTE - 28" LONG (MAPLE)
9	081295-01-G01	EA	SUPPORT - BED/DINETTE - 28" LONG (OAK)
10	M07515-06-J52	EA	CABINET - SEATBASE/LEFT HAND - W/O /DRAWER/HARDWARE (MAPLE)
10	M07515-06-J22	EA	CABINET - SEATBASE/LEFT HAND - W/O /DRAWER/HARDWARE (OAK)

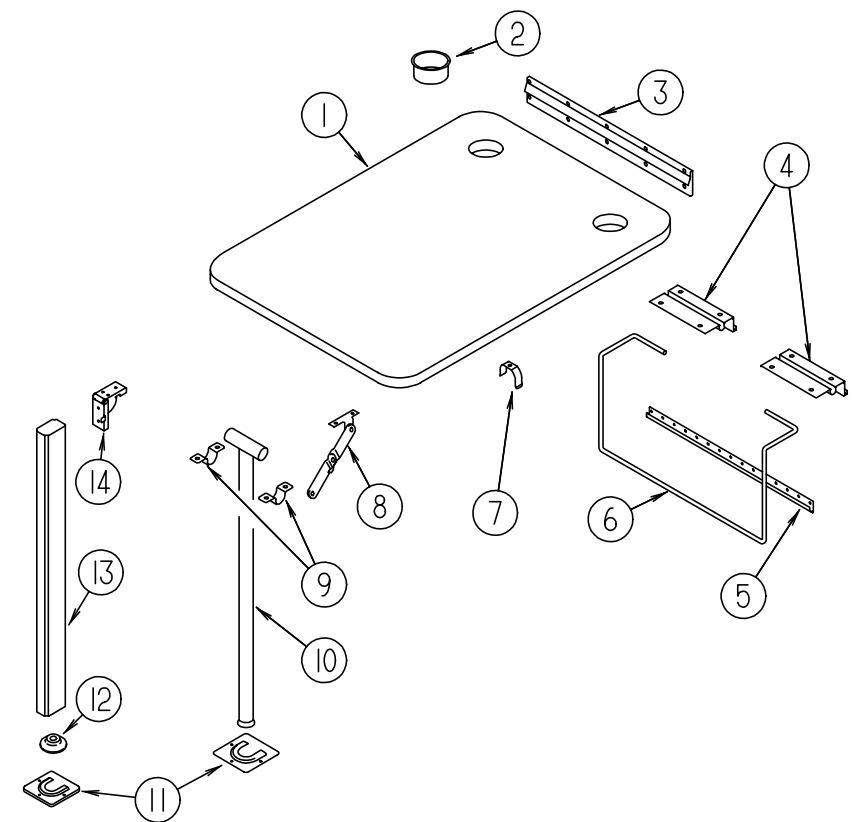
DINETTE GROUP (CONTINUED)



COUCH & PEDESTAL TABLE (OPTION)

KEY	PART NUMBER	U/M DESCRIPTION
1	081298-01-H08	EA TABLE TOP ONLY (J52, J53)
1	081298-01-H07	EA TABLE TOP ONLY (J54, J55)
1	081298-01-H31	EA TABLE TOP ONLY (J56, J57)
2	009040-03-000	EA BASE - TABLE/RAISED - TABLE MOUNTED
3	009040-02-000	EA PEDESTAL TABLE LEG - 27.5" X 2.25" DIAMETER
4	041194-01-000	EA BASE - TABLE/FLUSH - FLOOR MOUNTED
	062046-01-000	EA CLIP - LEG - PEDESTAL - 1.7" X 2.2" - DIA FROM 2 - 2.5"

DINETTE GROUP (CONTINUED)

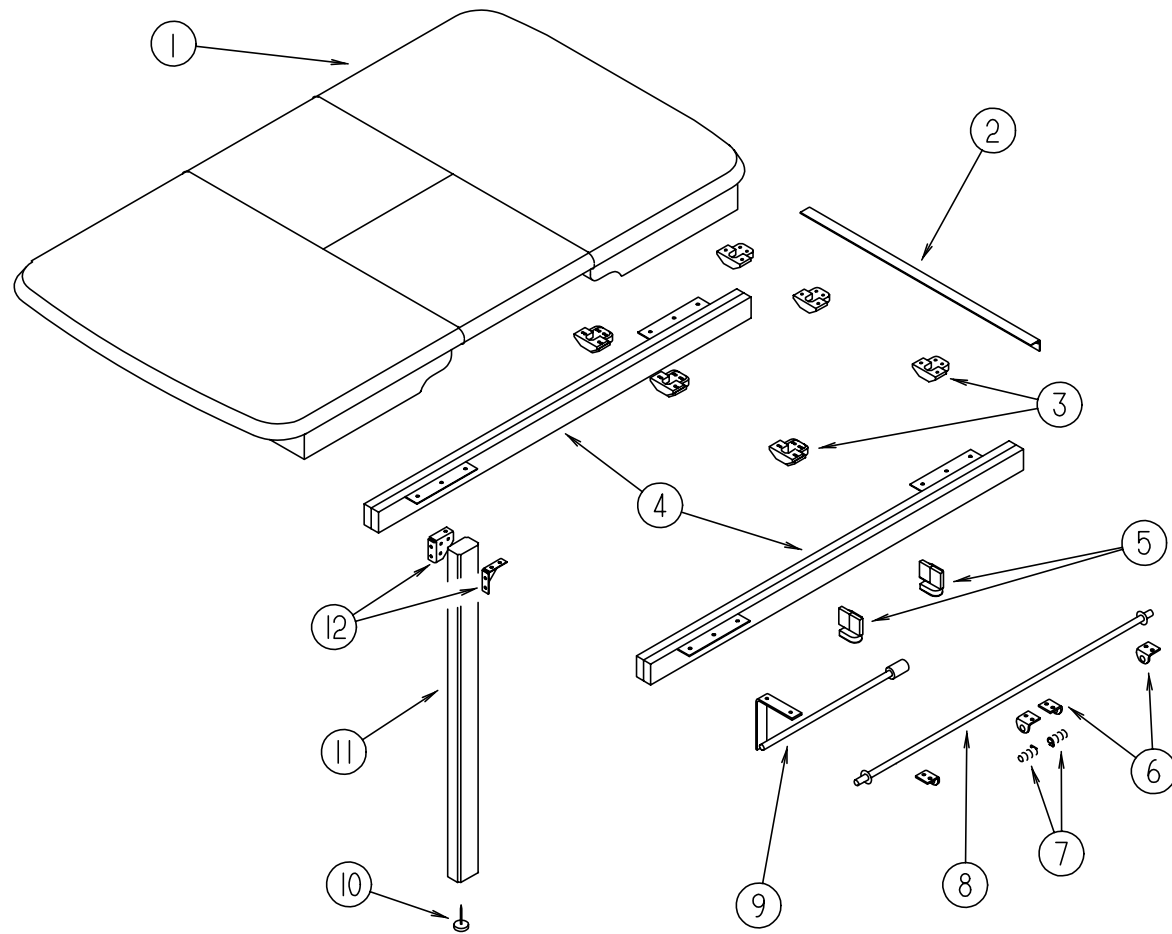


DINETTE TABLE ASM.

KEY	PART NUMBER	U/M DESCRIPTION
1	127121-20-J52	EA TOP - DINETTE TABLE (J52)
1	127121-20-J22	EA TOP - DINETTE TABLE (J53)
1	127121-20-J54	EA TOP - DINETTE TABLE (J54)
1	127121-20-J26	EA TOP - DINETTE TABLE (J55)
1	127121-20-J56	EA TOP - DINETTE TABLE (J56)
1	127121-20-J57	EA TOP - DINETTE TABLE (J57)
2	064781-06-000	EA HOLDER - CUP TWO STEP - OFF WHITE
3	053200-12-000	EA BRACKET - TABLE SUPPORT - UPPER WALL MOUNTED 23.50"
4	088410-02-000	EA BRACKET - LIFT - TABLE MOUNTED
5	024281-14-000	EA BRACKET - LIFT ROD LOWER WALL MOUNTED - 22.12"
6	024275-12-000	EA ROD - TABLE LIFT
7	024283-01-000	EA CLIP - LEG - 1" - 1.125" OD - BLACK
8	024282-01-000	EA BRACE - TABLE LEG - HINGED
9	064050-05-000	EA HINGE - TABLE LEG - OFF WHITE
10	024276-23-000	EA LEG - TABLE - METAL
11	049493-12-000	EA CATCH - TABLE LEG - FLOOR MOUNTED - OFF WHITE
11	049493-11-700	EA CATCH - TABLE LEG - E-COAT
12	092593-01-05A	EA CATCH - TABLE LEG - OFF/WHITE
13	092707-04-08A	EA MOLDING - TABLE LEG - 27" - WASHED MAPLE
13	092707-04-05A	EA MOLDING - TABLE LEG - 27" - WATERFORD OAK
14	093550-01-000	EA BRACKET - HINGE - MOUNTS TO LEG & TABLE TOP - 1.7" X 2.6"
	004354-01-000	EA BUMPER - RUBBER - .5" DIA - BROWN

DINETTE GROUP (CONTINUED)

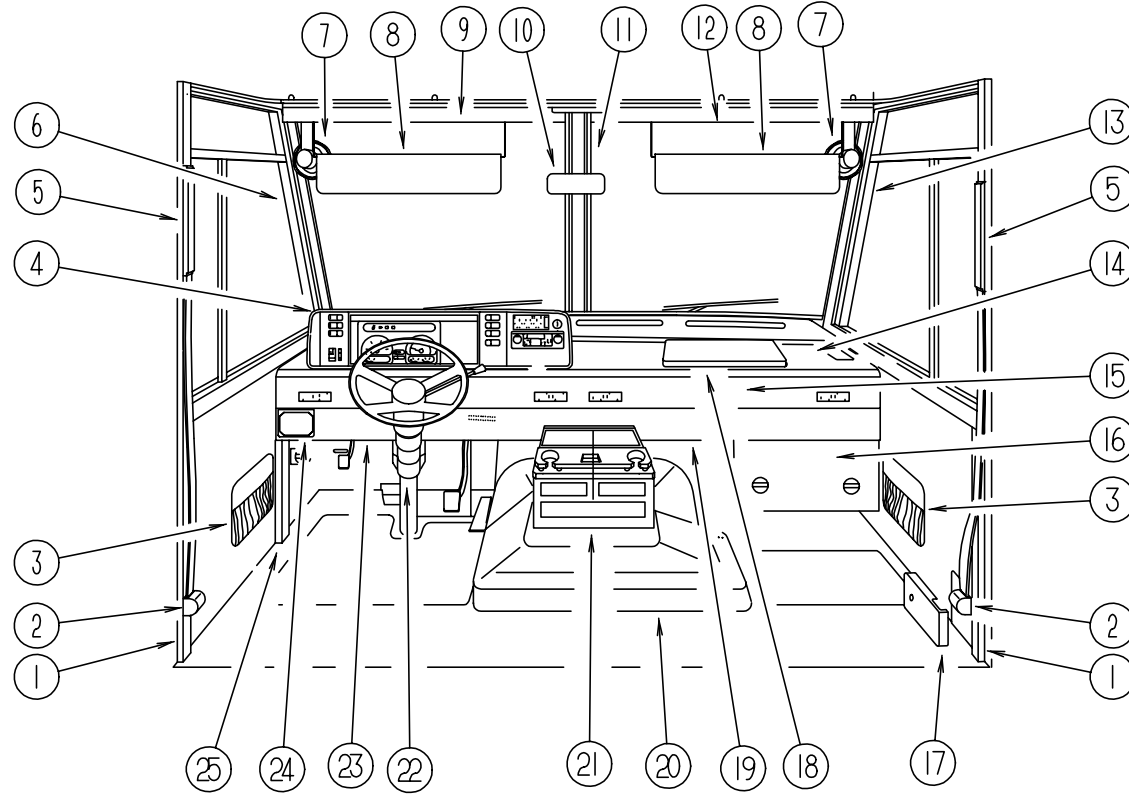
DINETTE TABLE ASM. W/ DROP LEAF



KEY	PART NUMBER	U/M	DESCRIPTION
	P18322-03-J52	EA	TABLE - PULLOUT/SELF STORING (MAPLE)
	P18322-03-J22	EA	TABLE - PULLOUT/SELF STORING (OAK)
1	118322-20-J52	EA	TABLE TOP ONLY - W/O HARDWARE (MAPLE)
1	118322-20-J22	EA	TABLE TOP ONLY - W/O HARDWARE (OAK)
2	041389-18-000	EA	HINGE - PIANO - 1 1/2" X 19" - OFF WHITE
3	009050-02-000	EA	LEVELER - TABLE TOP - MALE END W/4 SCREWS - PLASTIC
3	009050-03-000	EA	LEVELER - TABLE TOP - FEMALE END W/2 SCREWS - PLASTIC
4	110749-01-000	EA	SLIDE/EXTENSION - 19 3/4" TO 33 1/4"
5	108663-01-000	EA	HINGE - LEAF - FOLDING
6	108874-01-000	EA	BRACKET - HINGE - TABLE LEAF
7	108664-01-000	EA	SPRING - COMPRESSION - .51" X 1.96"
8	108932-01-000	EA	ROD - PIVOT
9	108905-01-000	EA	SUPPORT - TABLE LEAF
10	102194-01-000	EA	GUIDE - PLASTIC
11	092707-07-08A	EA	MOLDING - TABLE LEG - 27.8" - WASHED MAPLE
11	092707-07-05A	EA	MOLDING - TABLE LEG - WATERFORD OAK
12	102810-01-04A	EA	BRACE - TABLE LEG - BLACK
12	102810-01-03A	EA	BRACE - TABLE LEG - MILL

DRIVERS COMPARTMENT GROUP

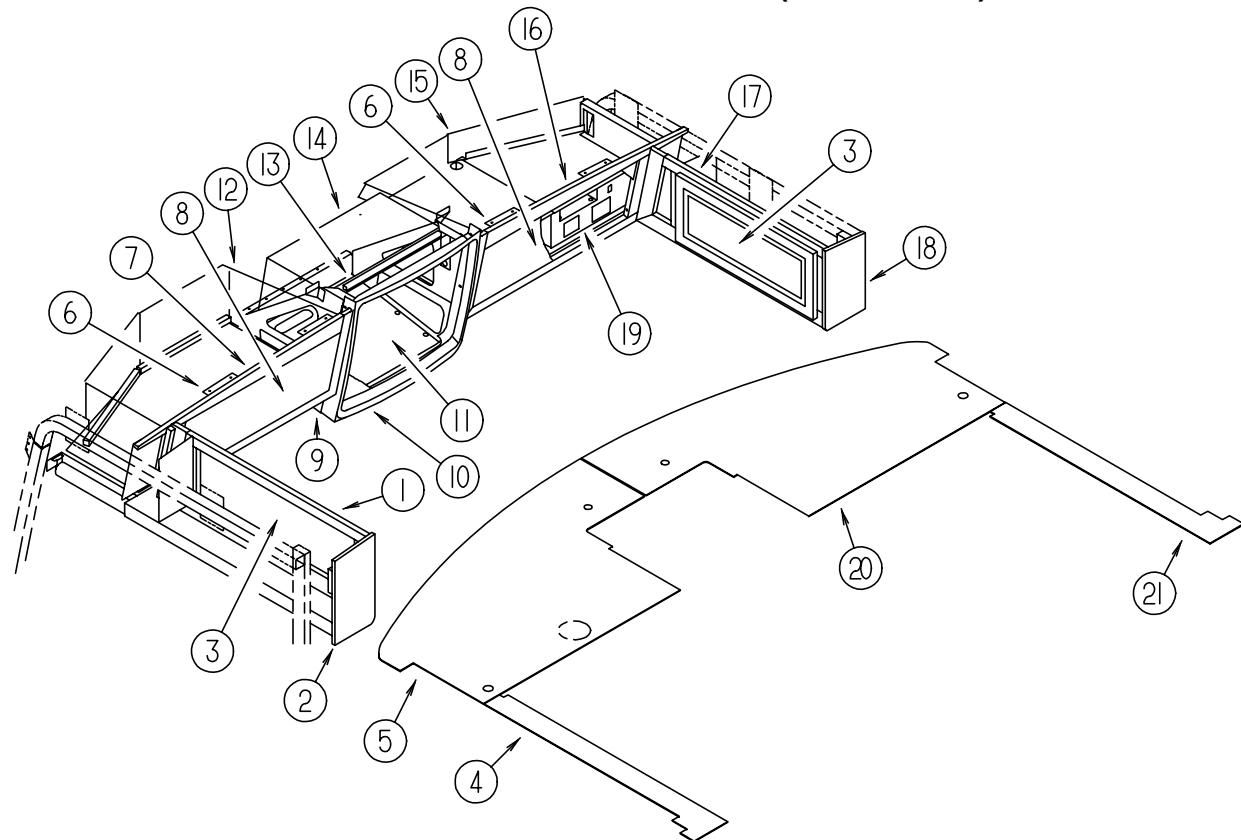
LOWER DRIVER COMPARTMENT



KEY	PART NUMBER	U/M DESCRIPTION
1	024700-51-000	EA COVER - ROLL BAR - 88" - OFF WHITE
2	091990-05-01A	EA SEAT BELT/SHOULDER HARNESS - DRIVER/PASSENGER - BLACK
	127598-01-01A	EA ADJUSTER - SEATBELT - D-LOOP - ADJUSTER
	091990-01-701	EA EXTENDER 9" FOR A8408 3 PT
	109146-01-000	EA BOLT - SHOULDER/SEAT BELT
	127598-02-000	EA NUT - HEX FLANGE - M10 X 1.5 - CLASS 10
	128444-01-000	EA WASHER - SPRING - CONICAL
3	086120-10-H19	EA PAD - MAP POCKET - 12" X 16" (J52, J53) FROM: 00-00-00 THRU: 11-16-97
3	086120-10-JA2	EA PAD - MAP POCKET - 12" X 16" (J52, J53) FROM: 11-17-97 THRU: 99-99-99
3	086120-10-J54	EA PAD - MAP POCKET - 12" X 16" (J54, J55)
3	086120-10-J56	EA PAD - MAP POCKET - 12" X 16" (J56, J57)
4	M05946-54-J52	EA DASH POD - FORD - W/O CLUSTER
4	M05946-53-J52	EA DASH POD - CHEVY - W/O CLUSTER
5	127721-01-01A	EA COVER - SLIDE - OFF WHITE
5	127798-01-01A	EA COVER - SLIDE - INNER - BLACK - 1.5" X 11.4" FROM: 07-30-97 THRU: 99-99-99 FROM: 07-30-97 THRU: 99-99-99

KEY	PART NUMBER	U/M DESCRIPTION
6	125444-02-02A	EA TRIM - A-PILLAR - INTERIOR - TITANIUM
6	123045-11-02A	EA BACKING - SCREW - TITANIUM
7	122856-01-01A	EA FAN - DEFROSTER-2 SPEED W/SWIVEL BASE/NON-OSCILATING-CHROME
8	123298-02-05A	EA SUNVISOR - 10.5" X 28.5"
9	118453-06-02A	EA TRIM - WINDSHIELD - INNER/TOP/DRIVER
10	040714-01-000	EA MIRROR - REAR VIEW/ARM MOUNT & SET SCREW
10	067490-01-000	EA BUTTON - MIRROR/REAR VIEW
11	118452-03-02A	EA TRIM - WINDSHIELD - CENTER
12	118453-05-01A	EA TRIM - WINDSHIELD - INNER/TOP/PASSENGER
13	125444-01-02A	EA TRIM - A-PILLAR - INTERIOR - TITANIUM
13	123045-11-03A	EA BACKING - SCREW - TITANIUM
14	P26082-01-000	EA DASH - W/O VINYL - E-COATED (CHEVY)
14	P26082-03-000	EA DASH - W/O VINYL - E-COATED (FORD)
14	106569-11-02A	EA VINYL - LAMINATE - TITANIUM - 1/4" X 21" X 100"
15	104354-09-05A	EA APPLIQUE - LOWER DASH - GM/FORD
15	114620-05-05A	EA TRIM - LOWER DASH - GM - 96" - TITANIUM - F/ELECTRIC MIRRORS
15	114620-08-03A	EA TRIM - LOWER DASH - GM - 96" - TITANIUM - W/O ELECTRIC MIRRORS
15	111528-07-05A	EA TRIM - DASH - LOWER/PASSENGER - TITANIUM - FORD
16	095757-05-H19	EA COVER - HEATER (J52, J53)
16	095757-05-J54	EA COVER - HEATER (J54 J55)
16	095757-05-J56	EA COVER - HEATER (J56, J57)
17	103961-03-01A	EA COVER - BRACKET - SEATBELT/OFF WHITE
18	127692-01-J50	EA TABLE - DASH
18	127597-01-000	EA SLIDE - WORK STATION - DASH
19	104354-09-05A	EA APPLIQUE - LOWER DASH - GM/FORD
20	115840-01-01A	EA COVER - MOTOR - W/O CARPET (FORD)
20	115840-03-01A	EA COVER - MOTOR - W/O CARPET (1999 FORD CHASSIS)
20	115840-02-01A	EA COVER - MOTOR - W/O CARPET (CHMCMMEVY)
21	126680-01-J52	EA TRAY - BEVERAGE - W/SHELF/CUPHOLDERS - W/O DRAWER (FORD) (MAPLE)
21	126680-01-H17	EA TRAY - BEVERAGE - W/SHELF/CUPHOLDERS - W/O DRAWER (FORD) (OAK)
21	126680-02-J23	EA TRAY - BEVERAGE - W/SHELF/CUPHOLDERS - W/O DRAWER (CHEVY) (MAPLE)
21	126680-02-H17	EA TRAY - BEVERAGE - W/SHELF/CUPHOLDERS - W/O DRAWER (CHEVY) (OAK)
22	111521-05-01A	EA COVER - STEERING COLUMN - BLACK (FORD) FROM: 00-00-00 THRU: 02-22-98
22	130111-01-01A	EA COVER - STEERING COLUMN - BLACK (FORD) FROM: 02-23-98 THRU: 99-99-99
22	103498-09-000	EA BOOT - STEERING COLUMN - W/1/2 CIRCLE (CHEVY)
23	117306-02-J52	EA TRIM - LOWER DASH - DRIVER - 15" W/O CUTOUT - FORD/TITANIUM FROM: 00-00-00 THRU: 10-27-97
23	111528-04-05A	EA TRIM - DASH - LOWER DRIVER - FORD FROM: 10-28-97 THRU: 99-99-99
24	112236-01-J60	EA BEZEL - LEVELING PANEL
25	127901-02-02A	EA PANEL - TOEKICK - LEFT HAND - TITANIUM (W/DRIVER DOOR)
25	127901-01-02A	EA PANEL - TOEKICK - LEFT HAND - TITANIUM (W/O DRIVER DOOR)
	125655-01-01A	EA TRIM - STEERING COLUMN - RIGHT HAND/FORD
	125655-02-01A	EA TRIM - STEERING COLUMN - LEFT HAND/FORD

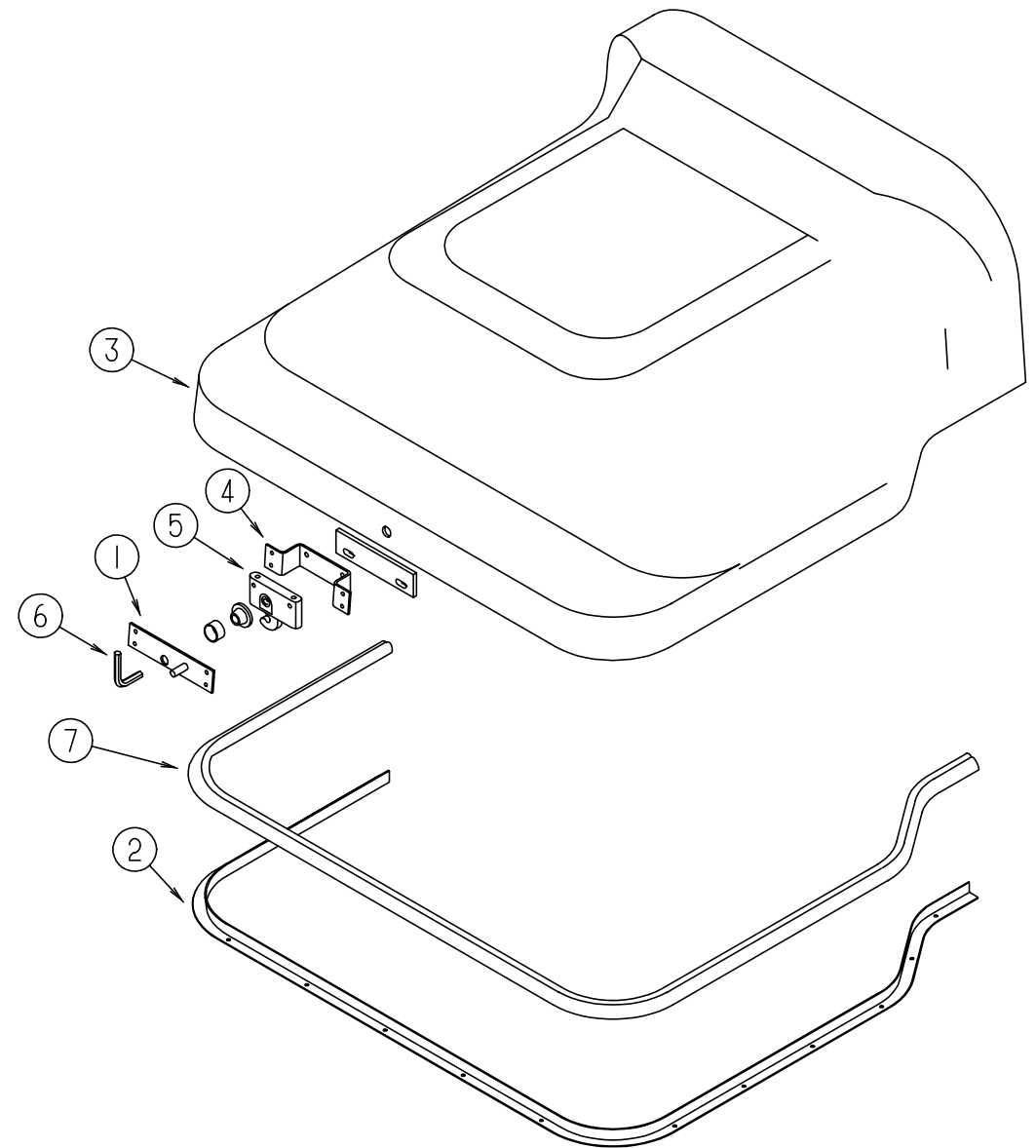
DRIVERS COMPARTMENT GROUP (CONTINUED)



OVERHEAD CABINETS (DRIVER COMPARTMENT)

KEY	PART NUMBER	U/M	DESCRIPTION
1	126301-01-J52	EA	CABINET - OVERHEAD/FRONT LEFT HAND - W/O DOOR/HARDWARE (MAPLE)
1	126301-01-J53	EA	CABINET - OVERHEAD/FRONT LEFT HAND - W/O DOOR/HARDWARE (OAK)
2	103128-18-J60	EA	END CAP - OVERHEAD CABINET - LEFT HAND (MAPLE)
2	103128-18-J20	EA	END CAP - OVERHEAD CABINET - LEFT HAND (OAK)
3	M05992-13-J52	EA	DOOR - STRAIGHT CORNER/OGEE EDGE - 10" X 19.1" - W/O HDW (MAPLE)
3	M05992-13-J53	EA	DOOR - STRAIGHT CORNER/OGEE EDGE - 10" X 19.1" - W/O HDW (OAK)
4	126443-02-J52	EA	PANEL - OVERHEAD - FRONT/LEFT HAND - 5.8" X 27.6"
5	126440-02-J52	EA	PANEL - OVERHEAD - FRONT/BOTTOM/LEFT HAND
6	106699-01-01A	EA	BRACKET - OVERHEAD CABINET/TV
7	126876-02-J60	EA	CABINET - OVERHEAD - FRONT/LEFT HAND - W/O DOOR/HARDWARE (MAPLE)
7	126876-02-J20	EA	CABINET - OVERHEAD - FRONT/LEFT HAND - W/O DOOR/HARDWARE (OAK)
8	100708-08-000	EA	DOOR - GLASS - TV CABINET - 9.7" X 27" - W/O HARDWARE
9	126006-02-J60	EA	COVER - TV - OVERHEAD/BOTTOM
10	125977-01-01A	EA	COVER - TV - OVERHEAD/FRONT - TITANIUM
10	126602-02-J52	EA	COVER - OVERHEAD FRONT - W/O TV OPTION
11	091261-01-000	FT	SLIPNOT - ANTISLIP - 1" WIDE
	100708-16-000	EA	DOOR - GLASS - CABINET - 15.5" X 15.7" - W/O HARDWARE
12	126457-02-J20	EA	PANEL - CLOSEOUT - OVERHEAD FRONT - UPPER/LOWER LEFT HAND
13	114706-04-02B	EA	SUPPORT - SHELF/TV
14	126854-01-J20	EA	PANEL - HEADLINER/TV/TOP
15	126457-01-J20	EA	PANEL - CLOSEOUT - OVERHEAD FRONT - UPPER/LOWER RIGHT HAND
16	126876-01-J60	EA	CABINET - OVERHEAD/FRONT - RIGHT HAND - W/O DOOR/HARDWARE (MAPLE)
16	126876-01-J20	EA	CABINET - OVERHEAD/FRONT - RIGHT HAND - W/O DOOR/HARDWARE (OAK)
17	126358-01-J52	EA	CABINET - OVERHEAD/FRONT - RIGHT HAND - W/O DOOR/HARDWARE (MAPLE)
17	126358-01-J53	EA	CABINET - OVERHEAD/FRONT - RIGHT HAND - W/O DOOR/HARDWARE (OAK)
18	103128-17-J20	EA	END CAP - OVERHEAD CABINET - RIGHT HAND (OAK)
18	103128-17-J52	EA	END CAP - OVERHEAD CABINET - RIGHT HAND (MAPLE)
19	126601-03-J60	EA	PANEL - SHELF - VINYL COVERED - W/O INVERTOR CUTOUT
19	126601-07-J60	EA	PANEL - SHELF - VINYL COVERED - W/INVERTOR CUTOUT
19	126601-01-J60	EA	PANEL - SHELF - VINYL COVERED - W/O INVERTOR CUTOUT/SWITCHBOX NOTCH FROM: 00-00-00 THRU: 08-28-97
19	126602-02-J52	EA	COVER - FRONT/OVERHEAD - W/O TV OPTION FROM: 08-29-97 THRU: 99-99-99
20	126440-01-J52	EA	PANEL - OVERHEAD - FRONT/BOTTOM/RIGHT HAND
21	126443-05-J52	EA	PANEL - OVERHEAD - FRONT/RIGHT HAND - 5.8" X 28.5"

DRIVERS COMPARTMENT GROUP (CONTINUED)

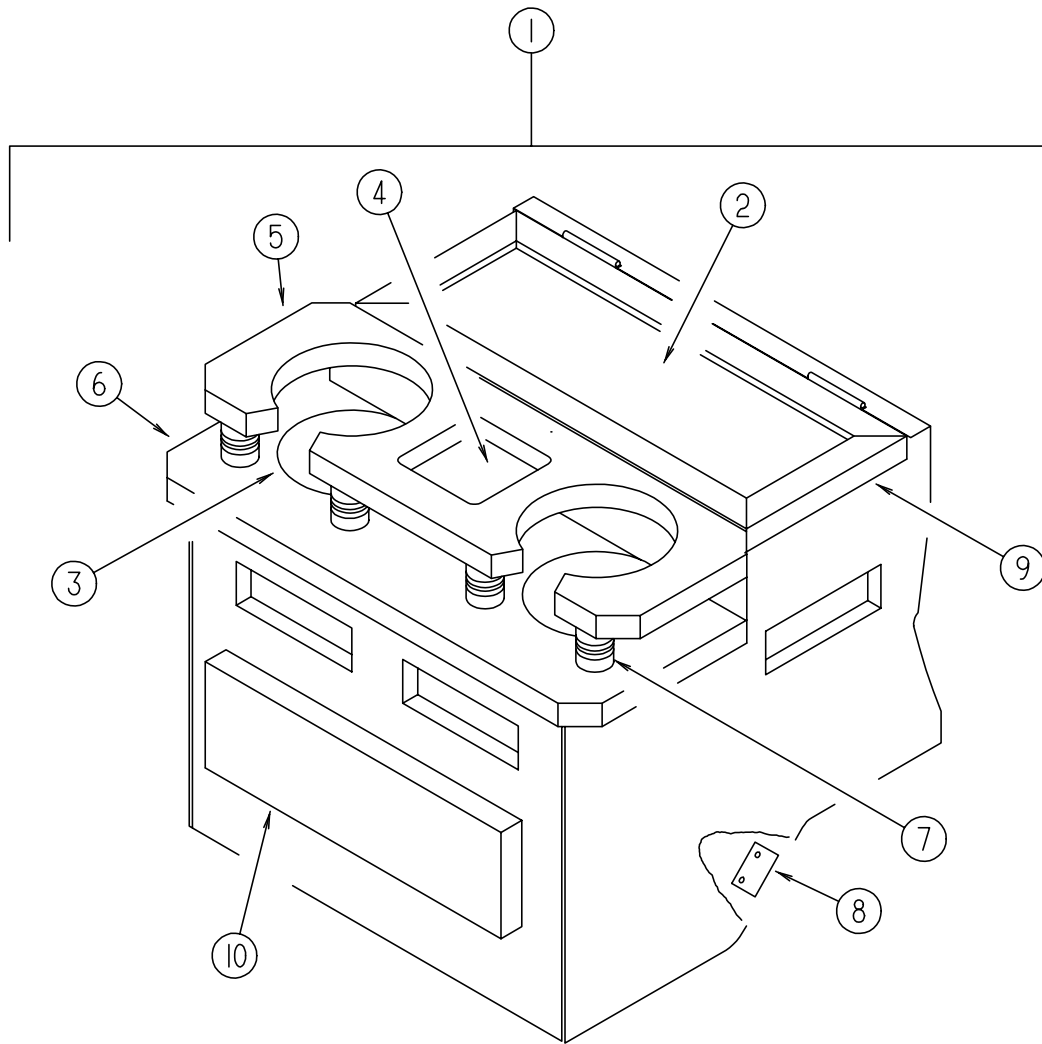


MOTOR COVER

KEY	PART NUMBER	U/M	DESCRIPTION
1	115852-01-02B	EA	STRIKE - LATCH - MOTOR COVER - E-COATED
2	115860-01-01A	EA	TRIM - MOTOR COVER
2	115860-03-01A	EA	TRIM - MOTOR COVER (1999 FORD CHASSIS)
3	115840-01-01A	EA	COVER - MOTOR - W/O CARPET (FORD)
3	115840-03-01A	EA	COVER - MOTOR - W/O CARPET (1999 FORD CHASSIS)
3	115840-02-01A	EA	COVER - MOTOR - W/O CARPET (CHEVY)
4	115850-01-02B	EA	RETAINER - LATCH - MOTOR COVER - RIGHT HAND - E-COAT FROM: 00-00-00 THRU: 05-17-98
4	115850-03-02B	EA	RETAINER - LATCH - MOTOR COVER - RIGHT HAND - E-COAT FROM: 05-18-98 THRU: 99-99-99
5	116581-01-000	EA	LATCH - MOTOR COVER
6	116833-01-02B	EA	WRENCH - HEX MOTOR COVER - E-COATED
7	039623-01-000	EA	SEAL - MOTOR COVER - RUBBER BULB TYPE

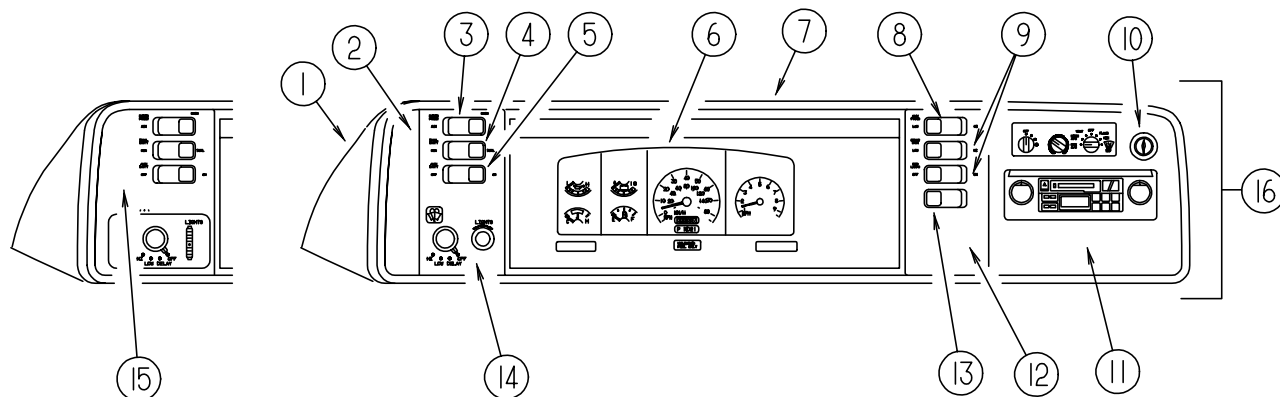
DRIVERS COMPARTMENT GROUP (CONTINUED)

BEVERAGE TRAY, DRIVER COMPARTMENT



KEY	PART NUMBER	U/M	DESCRIPTION
1	126680-01-J52	EA	TRAY - BEVERAGE - W/SHELF/CUPHOLDERS - W/O DRAWER (FORD) (MAPLE)
1	126680-01-H17	EA	TRAY - BEVERAGE - W/SHELF/CUPHOLDERS - W/O DRAWER (FORD) (OAK)
1	126680-02-J52	EA	TRAY - BEVERAGE - W/SHELF/CUPHOLDERS - W/O DRAWER (CHEVY) (MAPLE)
1	126680-02-H17	EA	TRAY - BEVERAGE - W/SHELF/CUPHOLDERS - W/O DRAWER (CHEVY) (OAK)
2	122717-06-01A	FT	PAD - NON SKID - PSA - 6.5" X 13.8"
3	122717-01-01A	EA	PAD - NON SKID - 4" DIAMETER ROUND
4	122717-02-01A	EA	PAD - NON SKID - 4" X 4"
5	126680-15-H37	EA	SHELF/CUPHOLDER (MAPLE)
5	126680-15-H17	EA	SHELF/CUPHOLDER (OAK)
6	126680-14-H37	EA	SHELF/CUPHOLDER - W/PADS (MAPLE)
6	126680-14-H17	EA	SHELF/CUPHOLDER - W/PADS (OAK)
7	097872-04-000	EA	DOWEL - WOOD - 1" DIAMETER X 1.38" LONG
8	122832-01-02B	EA	BRACKET - MOUNTING - BEVERAGE TRAY
	122772-02-02B	EA	BRACKET - MOUNTING - BEVERAGE TRAY(W/ STUD BOLTS)
9	126680-16-J52	EA	LID - BEVERAGE TRAY (MAPLE)
9	126680-16-H17	EA	LID - BEVERAGE TRAY (OAK)
10	M05971-AZ-J52	EA	DRAWER - OGEE EDGE - 10"W X 11.8"D - W/O SLIDES/HARDWARE (MAPLE)
10	M05971-AZ-H17	EA	DRAWER - OGEE EDGE - 10"W X 11.8"D - W/O SLIDES/HARDWARE (OAK)
	100128-02-000	FT	SEAL - FOAM - ADHESIVE BACK - .37" WIDE X .37" THICK

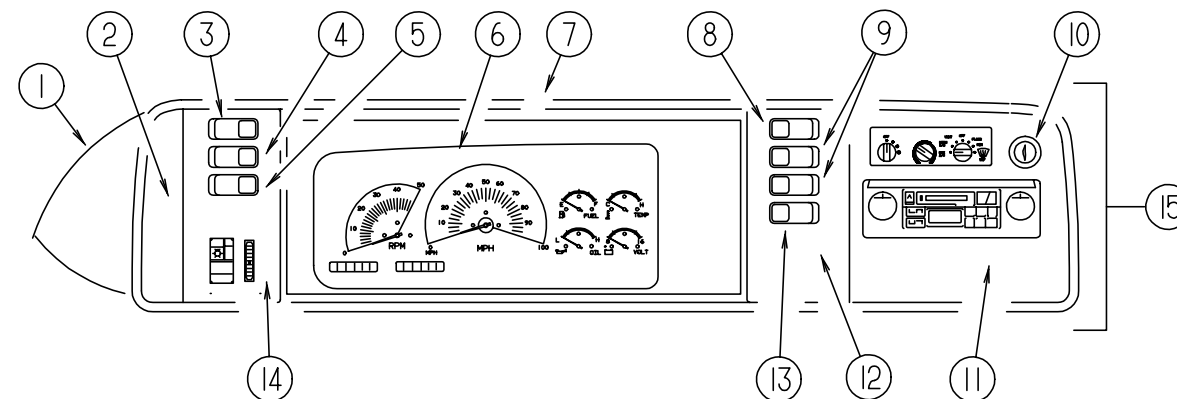
DRIVERS COMPARTMENT GROUP (CONTINUED)



DASH, GAUGES & SWITCHES (FORD)

KEY	PART NUMBER	U/M	DESCRIPTION
1	111499-01-07A	EA	POD - INSTRUMENT PANEL - TITANIUM FROM: 00-00-00 THRU: 04-16-98
1	125677-02-J52	EA	POD - INSTRUMENT PANEL - TITANIUM FROM: 04-17-98 THRU: 99-99-99
2	104056-01-08A	EA	APPLIQUE - BEZEL - DRIVER DRESS UP
3	108357-08-000	EA	SWITCH - ROCKER DPDT - ON/NONE/ON - 6 TERMINAL
3	108356-02-01A	EA	COVER/ACTUATOR SWITCH - 2 ROWS DIMPLES- CONTURA II - BLACK
4	108357-09-000	EA	SWITCH - ROCKER SPDT - ON/NONE/MOM - 3 TERMINAL
4	108356-02-01A	EA	COVER/ACTUATOR SWITCH - 2 ROWS DIMPLES- CONTURA II - BLACK
5	108357-06-000	EA	SWITCH - ROCKER DPDT - MOM/OFF/MOM - 6 TERMINAL
5	108356-02-01A	EA	COVER/ACTUATOR SWITCH - 2 ROWS DIMPLES- CONTURA II - BLACK
6	094795-02-000	EA	CLUSTER - INSTRUMENT PANEL - KILOMETERS
7	103662-05-01A	EA	BEZEL - INSTRUMENT PANEL - FORD FROM: 00-00-00 THRU: 02-22-98
7	103662-09-01A	EA	BEZEL - INSTRUMENT PANEL - FORD FROM: 02-23-98 THRU: 03-20-98
7	103662-11-01A	EA	BEZEL - INSTRUMENT PANEL - FORD FROM: 03-21-98 THRU: 04-14-98
7	103662-12-01A	EA	BEZEL - INSTRUMENT PANEL - FORD FROM: 04-15-98 THRU: 99-99-99
8	108357-10-000	EA	SWITCH - ROCKER SPDT W/LIGHT - MOM/NONE/MOM - 5 TERMINAL
8	108356-04-01A	EA	COVER/ACTUATOR SWITCH-2 ROWS DIMPLES W/LENS - CONTURA II - BLACK
9	108357-03-000	EA	SWITCH - ROCKER SPDT - ON/OFF/ON - 3 TERMINAL
9	108356-02-01A	EA	COVER/ACTUATOR SWITCH - 2 ROWS DIMPLES- CONTURA II - BLACK
	096241-03-000	EA	SWITCH - BLANK
	077942-01-000	EA	SWITCH - DUMMY - BLACK
10	089294-01-000	EA	LIGHTER - CIGARETTE - W/SOCKET & WIRE
11	104056-06-08A	EA	APPLIQUE - BEZEL - PASSENGER DRESS UP
12	104056-21-01A	EA	APPLIQUE - BEZEL - PASSENGER DRESS UP
12	104056-08-01A	EA	APPLIQUE - BEZEL - PASSENGER - 6 SWITCH (W/FOG LAMPS)
13	108357-01-000	EA	SWITCH - ROCKER SPST - ON/OFF - 2 TERMINAL
13	108356-02-01A	EA	COVER/ACTUATOR SWITCH - 2 ROWS DIMPLES- CONTURA II - BLACK
14	104056-24-01A	EA	APPLIQUE - BEZEL - DRIVER DRESS UP
15	104056-39-01A	EA	APPLIQUE - BEZEL - DRIVER DRESS UP
16	M05946-54-J52	EA	DASH POD - FORD - W/O CLUSTER
	100138-01-000	EA	MODULE - DAYTIME/RUNNING LIGHT
	077031-01-000	EA	FILM - BLACK - 1" X 1.75"
	077031-03-000	EA	FILM - WHITE - .75" X 1"
	096674-01-000	EA	NUT - HEADLAMP KNOB - BLACK
	096675-01-000	EA	KNOB - HEADLAMP - W/SHAFT
	111904-01-000	EA	CABLE/INDICATOR - TRANSMISSION - 23.1" EYE/EYE

DRIVERS COMPARTMENT GROUP (CONTINUED)



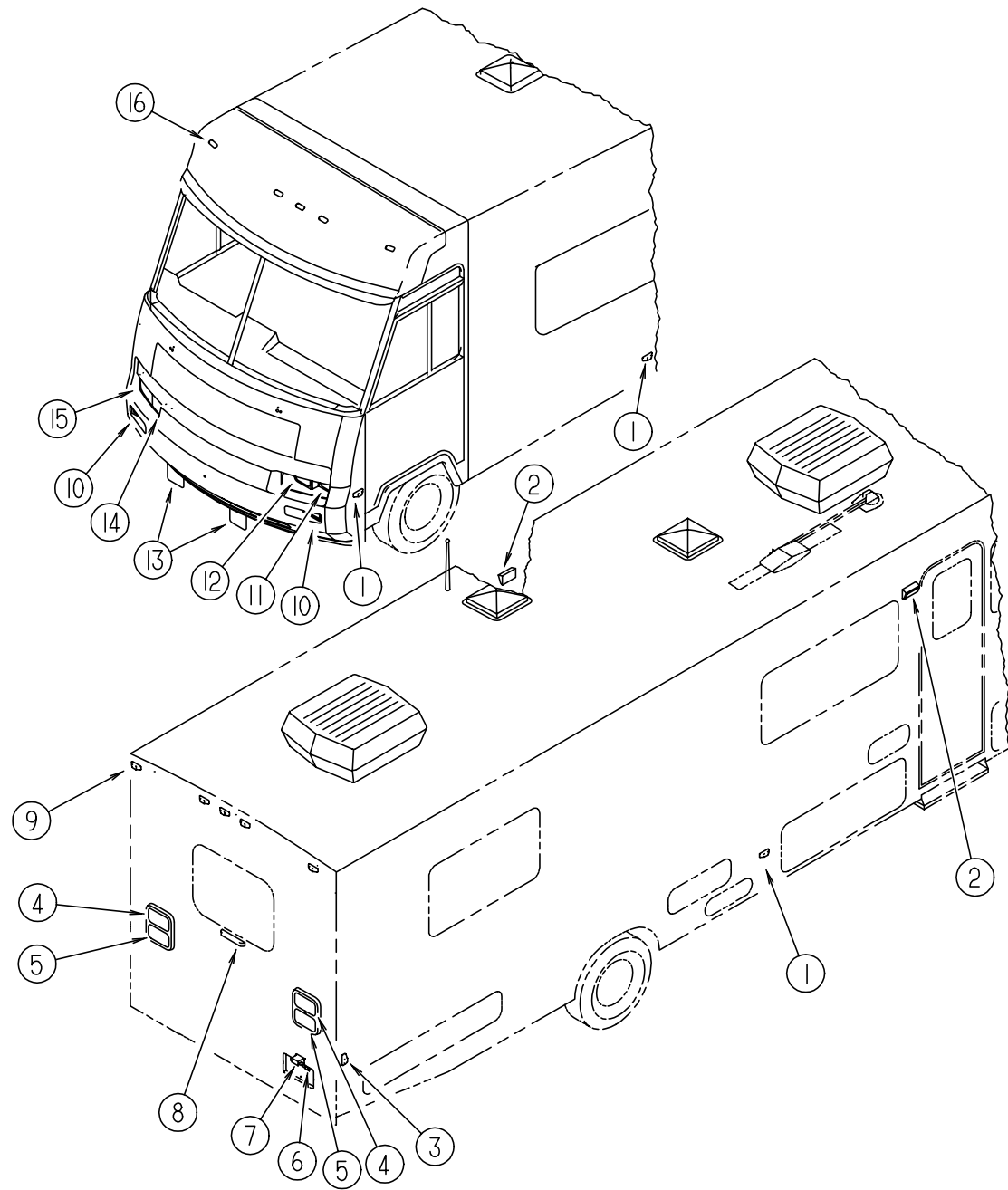
DASH, GAUGES & SWITCHES (CHEVY)

KEY	PART NUMBER	U/M	DESCRIPTION
1	125677-02-J52	EA	POD - INSTRUMENT PANEL - TITANIUM
2	104056-01-08A	EA	APPLIQUE - BEZEL - DRIVER DRESS UP
3	108357-08-000	EA	SWITCH - ROCKER DPDT - ON/NONE/ON - 6 TERMINAL
3	108356-02-01A	EA	COVER/ACTUATOR SWITCH - 2 ROWS DIMPLES- CONTURA II - BLACK
4	108357-09-000	EA	SWITCH - ROCKER SPDT - ON/NONE/MOM - 3 TERMINAL
4	108356-02-01A	EA	COVER/ACTUATOR SWITCH - 2 ROWS DIMPLES- CONTURA II - BLACK
5	108357-06-000	EA	SWITCH - ROCKER DPDT - MOM/OFF/MOM - 6 TERMINAL
5	108356-02-01A	EA	COVER/ACTUATOR SWITCH - 2 ROWS DIMPLES- CONTURA II - BLACK
6	094795-02-000	EA	CLUSTER - INSTRUMENT PANEL - KILOMETERS
7	103662-08-01A	EA	BEZEL - INSTRUMENT PANEL
8	108357-10-000	EA	SWITCH - ROCKER SPDT W/LIGHT - MOM/NONE/MOM - 5 TERMINAL
8	108356-04-01A	EA	COVER/ACTUATOR SWITCH-2 ROWS DIMPLES W/LENS-CONTURAI-BLK
9	108357-03-000	EA	SWITCH - ROCKER SPDT - ON/OFF/ON - 3 TERMINAL
9	108356-02-01A	EA	COVER/ACTUATOR SWITCH - 2 ROWS DIMPLES- CONTURA II - BLACK
	096241-03-000	EA	SWITCH - BLANK
	077942-01-000	EA	SWITCH - DUMMY - BLACK
10	089294-01-000	EA	LIGHTER - CIGARETTE - W/SOCKET & WIRE
11	104056-06-08A	EA	APPLIQUE - BEZEL - PASSENGER DRESS UP
12	104056-21-01A	EA	APPLIQUE - BEZEL - PASSENGER DRESS UP
12	104056-08-01A	EA	APPLIQUE - BEZEL - PASSENGER - 6 SWITCH (W/FOG LAMPS)
13	108357-01-000	EA	SWITCH - ROCKER SPST - ON/OFF - 2 TERMINAL
13	108356-02-01A	EA	COVER/ACTUATOR SWITCH - 2 ROWS DIMPLES- CONTURA II - BLACK
14	104056-22-01A	EA	APPLIQUE - BEZEL - DRIVER SWITCHES
15	M05946-53-J52	EA	DASH POD - CHEVY - W/O CLUSTER
	100138-01-000	EA	MODULE - DAYTIME/RUNNING LIGHT
	077031-01-000	EA	FILM - BLACK - 1" X 1.75"
	077031-03-000	EA	FILM - WHITE - .75" X 1"

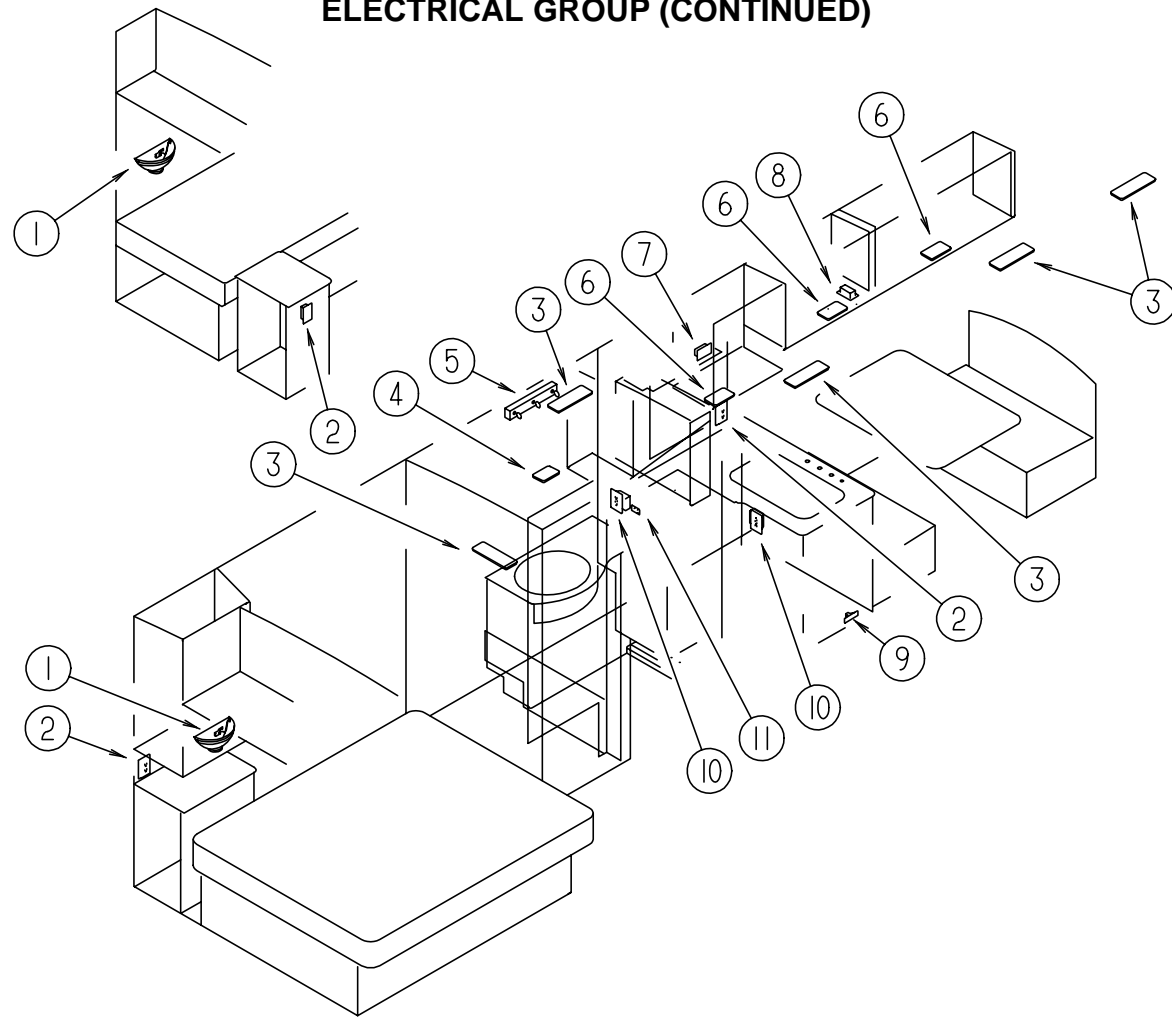
ELECTRICAL GROUP

EXTERIOR LIGHTS

KEY	PART NUMBER	U/M	DESCRIPTION
1	111102-02-000	EA	LENS - AMBER - MARKER LAMP
1	111102-01-000	EA	BASE - LAMP MARKER
1	036196-01-000	EA	BULB - 12 VOLT - #194 - .27 AMP - BAYONETTE
2	097917-01-06A	EA	LIGHT - PORCH - BRIGHT WHITE
2	008215-01-000	EA	BULB - 12 VOLT - #1003 - .94 AMP
2	097917-01-700	EA	LENS - LIGHT - CLEAR
2	008089-02-000	EA	LIGHT - PORCH - RECESSED - CANADIAN
2	008089-01-700	EA	LENS - LIGHT - RECESSED - PORCH - DECO
2	008214-01-000	EA	BULB - 12 VOLT - #67 - .59 AMP
3	111102-03-000	EA	LENS - RED - MARKER LAMP
3	111102-01-000	EA	BASE - LAMP MARKER
3	036196-01-000	EA	BULB - 12 VOLT - #194 - .27 AMP - BAYONETTE
4	115632-01-02A	EA	LIGHT - STOP/TURN/TAI RED
4	119158-01-000	EA	SOCKET - DOUBLE CONTACT
5	115632-03-02A	EA	LIGHT - STOP/TAI/BACKUP
5	119157-01-000	EA	SOCKET - SINGLE CONTACT
5	119158-01-000	EA	SOCKET - DOUBLE CONTACT
5	037935-01-000	EA	BULB - 12V - #1157 OR #2057 - 2.1 AMP - CLEAR GLASS
6	066432-03-000	EA	BRACKET - LICENSE PLATE
7	066432-02-000	EA	LIGHT - LICENSE - BLACK
8	121950-01-000	EA	LIGHT - BRAKE - CENTER MOUNT
9	127536-01-000	EA	LIGHT - CLEARANCE - RED
9	127536-02-000	EA	SOCKET - LIGHT - 194 WEDGE
9	036196-01-000	EA	BULB - 12 VOLT - #194 - .27 AMP - BAYONETTE
10	106688-02-000	EA	LIGHT - AMBER TURN SIGNAL (LENS/BACK PAN)
11	049186-04-000	EA	HEADLAMP - DRIVER - HIGH/LOW - HALOGEN
12	049188-04-000	EA	HEADLAMP - DRIVER - HIGH BEAM/HALOGEN
13	124215-01-000	EA	FOG LIGHT - RECTANGULAR/CLEAR LENS
14	049187-04-000	EA	HEADLAMP - PASSENGER - HIGH BEAM - HALOGEN
15	049185-04-000	EA	HEADLAMP - PASSENGER - HIGH/LOW - HALOGEN
	049359-01-000	EA	SPRING - RETAINER - HEADLAMP - GM #496096
	110750-01-000	EA	SCREW - HEADLAMP ADJUSTING
16	102520-01-000	EA	LIGHT - CLEARANCE - W/O SOCKET/HOUSING - AMBER
16	102540-01-000	EA	SEAL - SCREW - ROUND - RUBBER
16	102541-01-000	EA	GASKET - CLEARANCE LIGHT
16	067789-02-000	EA	SOCKET - LAMP



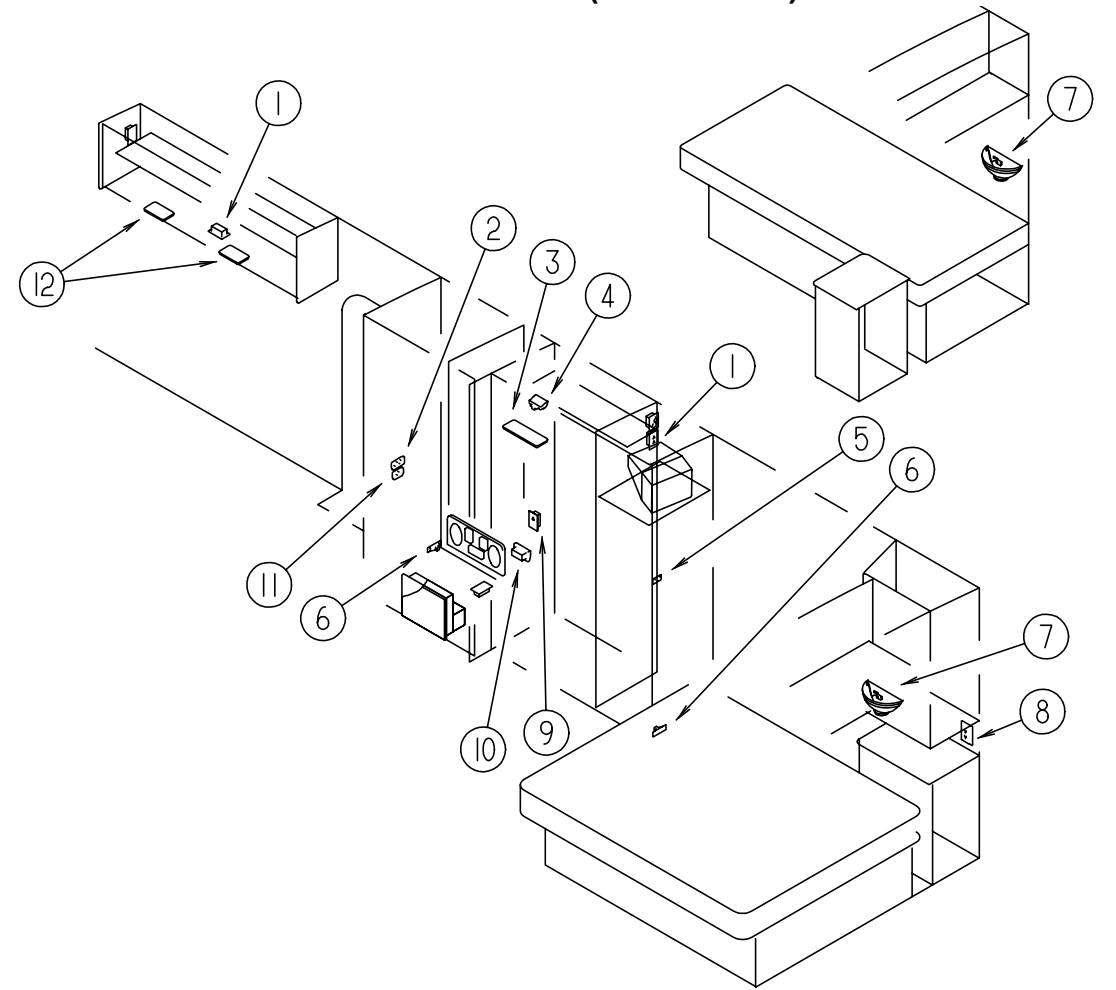
ELECTRICAL GROUP (CONTINUED)



LIGHTS, RECEPTACLES, & SWITCHES (DRIVER SIDE)

KEY	PART NUMBER	U/M	DESCRIPTION	VENDOR NO.
1	065202-38-000	EA	LAMP - WALL	
1	117806-01-000	EA	BULB - 12 VOLT - #912 - 1.0 AMP	
2	058708-02-000	EA	RECEPTACLE - ELECTRIC - DOUBLE - IVORY	
2	102568-01-GB1	EA	SPACER - RECEPTACLE - BETWEEN SIDEWALL & PLATE - WOOD (OAK)	
2	102568-01-H23	EA	SPACER - RECEPTACLE - BETWEEN SIDEWALL & PLATE - WOOD (WHITE)	
3	098024-03-02A	EA	LIGHT - DOME - 2 BULB - WHITE	
3	008218-01-000	EA	BULB - DOME LIGHT - 12 VOLT - 1141	
3	098024-01-700	EA	LENS-LIGHT	807877
4	121935-01-01A	EA	LIGHT - DOME - SHOWER	
5	110235-01-01A	EA	LIGHT - MAKE UP - 4 BULB PANLESS	
5	081633-01-700	EA	BULB - LIGHT, MAKE-UP	RP1041
6	098024-05-02A	EA	LIGHT - DOME - 1 BULB - SKYLITE - WHITE	
6	008218-01-000	EA	BULB - DOME LIGHT - 12 VOLT - 1141	
6	098024-01-701	EA	LENS - OPTI CLEAR - SKYLITE	809902
7	058708-05-000	EA	RECEPTACLE - ELECTRIC - SINGLE - BROWN	
8	058708-01-000	EA	RECEPTACLE - ELECTRIC - DOUBLE - BROWN	
9	061424-01-000	EA	LIGHT - AISLE - 12 VOLT - RECTANGULAR	
9	008103-01-000	EA	BULB - DASH/AISLE LIGHT - #53 - 12 VOLT - .12 AMP	
10	084076-02-000	EA	RECEPTACLE - GFI - 15 AMP/125 VOLT - BROWN	
11	079364-01-000	EA	SWITCH - ON/OFF ROCKER - 2 TERMINAL - BROWN	
11	098351-02-01A	EA	PLATE - SWITCH - 2 GANG POLISHED BRASS	
11	095188-01-01A	EA	SPACER - SWITCH - 2.3" X 3.4" - PLASTIC - DARK BROWN	

ELECTRICAL GROUP (CONTINUED)



LIGHTS, RECEPTACLES, & SWITCHES (PASSENGER SIDE)

KEY	PART NUMBER	U/M	DESCRIPTION	VENDOR NO.
1	058708-01-000	EA	RECEPTACLE - ELECTRIC - DOUBLE - BROWN	
2	079364-01-000	EA	SWITCH - ON/OFF ROCKER - 2 TERMINAL - BROWN	
2	095188-02-01A	EA	SPACER - SWITCH - 2.3" X 4.1" - PLASTIC - DARK BROWN	
2	098351-05-01A	EA	PLATE - SWITCH - 3 GANG POLISHED BRASS	
3	098024-03-02A	EA	LIGHT - DOME - 2 BULB - WHITE	
3	008218-01-000	EA	BULB - DOME LIGHT - 12 VOLT - 1141	
3	098024-01-700	EA	LENS-LIGHT	807877
4	087694-01-000	EA	LIGHT - WARDROBE/CLOSET - W/SWITCH	
4	087694-01-700	EA	BULB	GE561
5	079364-01-000	EA	SWITCH - ON/OFF ROCKER - 2 TERMINAL - BROWN	
5	079364-03-000	EA	SWITCH - ON/OFF ROCKER - 3 TERMINAL - BROWN	
5	098351-02-01A	EA	PLATE - SWITCH - 2 GANG POLISHED BRASS	
5	095188-01-01A	EA	SPACER - SWITCH - 2.3" X 3.4" - PLASTIC - DARK BROWN	
6	061424-01-000	EA	LIGHT - AISLE - 12 VOLT - RECTANGULAR	
6	008103-01-000	EA	BULB - DASH/AISLE LIGHT - #53 - 12 VOLT - .12 AMP	
7	065202-38-000	EA	LAMP - WALL	
7	117806-01-000	EA	BULB - 12 VOLT - #912 - 1.0 AMP	
8	058708-02-000	EA	RECEPTACLE - ELECTRIC - DOUBLE - IVORY	
8	102568-01-GB1	EA	SPACER - RECEPTACLE - BETWEEN SIDEWALL & PLATE - WOOD (OAK)	
8	102568-01-H23	EA	SPACER - RECEPTACLE - BETWEEN SIDEWALL & PLATE - WOOD (WHITE)	
9	058707-01-000	EA	RECEPTACLE - ELECTRIC - SINGLE - BROWN	
10	112822-01-01A	EA	RECEPTACLE - DUPLEX - IVORY	
11	079364-03-000	EA	SWITCH - ON/OFF ROCKER - 3 TERMINAL - BROWN	
11	098351-01-01A	EA	PLATE - SWITCH - 1 GANG POLISHED BRASS	
11	095188-01-01A	EA	SPACER - SWITCH - 2.3" X 3.4" - PLASTIC - DARK BROWN	
12	098024-06-02A	EA	LIGHT - DOME - 2 BULB - SKYLITE	
12	008218-01-000	EA	BULB - DOME LIGHT - 12 VOLT - NO. 1141	
12	098024-01-701	EA	LENS - OPTI CLEAR - SKYLITE	809902

ELECTRICAL GROUP (CONTINUED)

CONVERTER & LOAD CENTER

KEY	PART NUMBER	U/M	DESCRIPTION
	083208-02-000	EA	CONTROL CENTER - 45 AMP - 120/12V
	099048-03-000	EA	INVERTER - 130 WATT
	106071-01-000	EA	SWITCH - AUTOMATIC TRANSFER - 30 AMP - MAGNETEK
	113132-01-000	EA	LOAD CENTER - 120/240 VOLT - 60 AMP
	123058-02-000	EA	CONVERTER - 45 AMP - ELECTRONIC - 4 1/8"H X 7"W X 12 3/8"L

ELECTRICAL SWITCHES

KEY	PART NUMBER	U/M	DESCRIPTION
	073626-04-000	EA	COVER - ELECTRIC - 10.4" X 7.8"
	077942-01-000	EA	SWITCH - DUMMY - BLACK
	079364-01-000	EA	SWITCH - ON/OFF ROCKER - 2 TERMINAL - BROWN
	079364-03-000	EA	SWITCH - ON/OFF ROCKER - 3 TERMINAL - BROWN
	079364-04-000	EA	SWITCH - ON/OFF ROCKER - 2 TERMINAL - BLACK
	095188-01-01A	EA	SPACER - SWITCH - 2.3" X 3.4" - PLASTIC - DARK BROWN
	095188-02-01A	EA	SPACER - SWITCH - 2.3" X 4.1" - PLASTIC - DARK BROWN
	096241-03-000	EA	SWITCH - BLANK - BLACK
	098351-02-01A	EA	PLATE - SWITCH - 2 GANG POLISHED BRASS
	098351-05-01A	EA	PLATE - SWITCH - 3 GANG POLISHED BRASS
	098351-09-01A	EA	PLATE - SWITCH - SPEAKER SELECT - POLISHED BRASS
	098351-14-01A	EA	PLATE - SWITCH - 1 GANG W/LABEL
	108355-01-000	EA	HOUSING - SWITCH
	108356-02-01A	EA	COVER/ACTUATOR SWITCH - 2 ROWS DIMPLES- CONTURA II - BLACK
	108356-04-01A	EA	COVER/ACTUATOR SWITCH-2 ROWS DIMPLES W/LENS-CONTURAI-BLK
	108357-01-000	EA	SWITCH - ROCKER SPST - ON/OFF - 2 TERMINAL
	108357-06-000	EA	SWITCH - ROCKER DPDT - MOM/OFF/MOM - 6 TERMINAL
	108357-08-000	EA	SWITCH - ROCKER DPDT - ON/NONE/ON - 6 TERMINAL

ROCKER SWITCHES (DASH)

KEY	PART NUMBER	U/M	DESCRIPTION
	108357-03-000	EA	SWITCH - ROCKER SPDT - ON/OFF/ON - 3 TERMINAL
	108356-02-01A	EA	COVER/ACTUATOR SWITCH - 2 ROWS DIMPLES- CONTURA II - BLACK
	108357-08-000	EA	SWITCH - ROCKER DPDT - ON/NONE/ON - 6 TERMINAL
	108357-06-000	EA	SWITCH - ROCKER DPDT - MOM/OFF/MOM - 6 TERMINAL
	108357-09-000	EA	SWITCH - ROCKER SPDT - ON/NONE/MOM - 3 TERMINAL
	108357-10-000	EA	SWITCH - ROCKER SPDT - W/LIGHT - MOM/NONE/MOM - 5 TERMINAL
	108356-04-01A	EA	COVER/ACTUATOR SWITCH - 2 ROWS DIMPLES W/LENS-CONTURAI-BLK
	096241-03-000	EA	SWITCH - BLANK
	077942-01-000	EA	SWITCH - DUMMY - BLACK

RECEPTACLES

KEY	PART NUMBER	U/M	DESCRIPTION
	024924-02-000	EA	RECEPTACLE - POWER CORD - W/PARTIAL PLATE
	058707-01-000	EA	RECEPTACLE - ELECTRIC - SINGLE - BROWN
	058707-02-000	EA	RECEPTACLE - BLANK JUNCTION BOX
	058708-01-000	EA	RECEPTACLE - ELECTRIC - DOUBLE - BROWN
	058708-02-000	EA	RECEPTACLE - ELECTRIC - DOUBLE - IVORY
	058708-05-000	EA	RECEPTACLE - SINGLE - BROWN
	084076-02-000	EA	RECEPTACLE - GFI - 15 AMP/125 VOLT - BROWN
	091927-01-000	EA	COVER - RECEPTACLE - DOUBLE - IVORY
	102568-01-GB1	EA	SPACER - RECEPTACLE - BETWEEN SIDEWALL & PLATE - WOOD
	112822-01-01A	EA	RECEPTACLE - DUPLEX - IVORY
	112824-01-03A	EA	COVER - RECEPTACLE - EXTERIOR DUPLEX
	115930-02-000	EA	INLET - 50 AMP - 240 VOLT - EXTERIOR

ELECTRICAL GROUP (CONTINUED)

WIRE ASSEMBLIES

KEY	PART NUMBER	U/M	DESCRIPTION
	P27264-02-000	EA	WIRE ASSEMBLY - RADIO AM/FM CASSETTE
	P27516-02-000	EA	WIRE ASSEMBLY - RADIO AM/FM/CD
	073328-B4-000	EA	CABLE ASSEMBLY - BATTERY - W/TERMINALS
	090986-01-000	EA	WIRE ASSEMBLY - ELECTRIC STEP
	096449-01-000	EA	WIRE ASSEMBLY - WATER TANK TO MONITOR PANEL
	096717-03-000	EA	WIRE ASSEMBLY - REAR MONITOR - AFTER MARKET INSTALLATION
	097618-01-000	EA	WIRE ASSEMBLY - MONITOR PANEL- W/3 WIRES & ORANGE RESISTOR
	100159-02-000	EA	WIRE ASSEMBLY - DAYTIME RUNNING LIGHTS W/FUSE
	108303-01-000	EA	WIRE ASSEMBLY - REAR AUTO HEATER
	108304-01-000	EA	WIRE ASSEMBLY - INSTRUMENT PANEL - AUXILIARY FANS
	110256-01-000	EA	WIRE ASSEMBLY - INSTRUMENT PANEL - GENERATOR
	111915-01-000	EA	WIRE ASSEMBLY - DAYTIME RUNNING LAMPS - FUSED - GM
	113134-03-000	EA	WIRE ASSEMBLY - WIPER/WASHER
	124096-01-000	EA	WIRE - INSTRUMENT PANEL - FOG LAMPS
	126392-01-000	EA	WIRE ASSEMBLY - REMOTE MIRRORS

CIRCUIT BREAKERS & FUSES

KEY	PART NUMBER	U/M	DESCRIPTION
	008235-01-000	EA	FUSE - 15 AMP/12VOLT - AUTOMOTIVE
	062037-01-000	EA	HOUSING - AUTO FUSE - NATURAL
	062037-02-000	EA	HOUSING - AUTO FUSE - GREEN
	062037-03-000	EA	HOUSING - AUTO FUSE - BLACK
	062037-04-000	EA	HOUSING - AUTO FUSE - BLUE
	062037-06-000	EA	HOUSING - AUTO FUSE - BROWN
	062037-07-000	EA	HOUSING - AUTO FUSE - RED
	062901-02-000	EA	FUSE - 05 AMPS - AUTOMOTIVE
	062901-05-000	EA	FUSE - 15 AMPS - AUTOMOTIVE
	062901-06-000	EA	FUSE - 20 AMPS - AUTOMOTIVE
	062901-07-000	EA	FUSE - 25 AMPS - AUTOMOTIVE
	062901-08-000	EA	FUSE - 30 AMPS - AUTOMOTIVE
	083209-01-000	EA	CIRCUIT BREAKER - 15 AMP - 120 VOLT - CANADIAN
	083209-02-000	EA	CIRCUIT BREAKER - 15/15 AMP - 120 VOLT
	083209-03-000	EA	CIRCUIT BREAKER - 15/20 AMP - 120 VOLT
	083209-04-000	EA	CIRCUIT BREAKER - 30 AMP - 120 VOLT
	083209-06-000	EA	CIRCUIT BREAKER - 30/15 AMP - 120 VOLT
	093654-01-000	EA	CIRCUIT BREAKER - 6 AMP - 12 VOLT
	093654-02-000	EA	CIRCUIT BREAKER - 15 AMP - 12 VOLT
	093655-03-000	EA	CIRCUIT BREAKER - 40 AMP - 12 VOLT
	093674-01-000	EA	PLATE - CIRCUIT BREAKER - HOUSE - 8.4" X 4.1" - STEEL
	100341-01-000	EA	FUSE HOLDER - IN LINE TYPE
	106656-01-000	EA	FUSE BLOCK - 4 CAVITY - AUTOFUSE
	108669-01-000	EA	HOUSING - AUTO FUSE HOLDER
	108916-01-000	EA	CIRCUIT BREAKER - 50 AMP - 12 VOLT - 2 POLE
	122811-01-000	EA	CIRCUIT BREAKER - 20/50/50/20

ELECTRICAL BOXES & CORDS

KEY	PART NUMBER	U/M	DESCRIPTION
	008052-01-000	EA	CORD - POWER - 10/3 WIRE - 30 AMP - 25' - CANADIAN
	008054-02-000	EA	CORD - POWER - 10/3 WIRE - 30 AMP - 35'
	008289-01-000	EA	BOX - ELECTRIC/STEEL - 1/2" & 3/4" KNOCKOUTS - 4" X 4"
	008289-02-000	EA	BOX - ELECTRIC/STEEL - 1/2" & 3/4" KNOCKOUTS - 4" X 4"-CAN
	008294-01-000	EA	COVER - ELECTRICAL BOX - BLANK/STEEL - 4" X 4" - GRAY
	008294-02-000	EA	COVER - ELECTRICAL BOX - BLANK STEEL - 4" X 4" - CANADIAN
	069238-01-000	EA	COVER - ELECTRICAL BOX - W/HOLE - 4" X 4" - GRAY
	074890-01-000	EA	BOX - EXTENSION/STEEL - OPEN SIDES - 4" X 4" X 1 1/2"
	074897-01-000	EA	COVER - ELECTRICAL BOX W/HOLES - 4" X 4"
	091910-01-000	EA	BOX - ELECTRIC - 3.8" X 3.5" X 1.8" - PLASTIC
	091910-02-000	EA	BOX - ELECTRIC - 2.2" X 3.5" X 1.7" - PLASTIC
	108934-01-000	EA	POWER CORD - 36/50 AMP - 4 WIRE
	111509-01-000	EA	BOX - ELECTRICAL - E-COATED
	111510-01-000	EA	DOOR/ACCESS PANEL - ELECTRICAL BOX

ELECTRICAL GROUP (CONTINUED)**ELECTRICAL CONNECTORS & CONDUIT**

KEY	PART NUMBER	U/M	DESCRIPTION
	007954-01-000	EA	RECEPTACLE - HOUSING - 6 POSITION
	007956-05-000	EA	INSULATOR - SHRINK - .25 ID X 1.50
	008311-01-000	EA	CONNECTOR - WIRE NUT - INSULATED - RED
	008312-01-000	EA	CONNECTOR - WIRE NUT - INSULATED - BLUE
	008313-01-000	EA	CONNECTOR - WIRE NUT - INSULATED - YELLOW
	008314-01-000	EA	CONNECTOR - WIRE NUT - INSULATED - GRAY
	008326-01-000	EA	TERMINAL - RING - 16/14 WIRE - 3/8" STUD
	008328-01-000	EA	TERMINAL - RING - 12/10 WIRE - #10 STUD FIT
	008331-01-000	EA	TERMINAL - RING - TONGUE - #4 WIRE - 3/8" STUD - COPPER
	008348-01-000	EA	TERMINAL - RING - 3/8" STUD 2 GA. WIRE
	008355-01-000	EA	CONNECTOR - CABLE CLAMPING - 3/4"
	008356-01-000	EA	CONNECTOR - PLASTIC - 3/8" AVG
	008356-02-000	EA	CONNECTOR - PLASTIC - 21/32
	008394-01-000	FT	CONDUIT - FLEXIBLE - 1/2"
	008398-01-000	EA	CONNECTOR - 1/2" X 90 DEGREE - FLEX CONDUIT - UL & CSA
	035416-04-000	EA	TERMINAL - RING - #10 STUD FIT - INSULATED BARREL #16/14
	041480-01-000	EA	CONNECTOR - STRAIGHT - 1/2' FLEX CONDUIT
	041953-01-000	FT	CONDUIT - CONVOLUTE SLIT - .5" ID
	041953-01-000	FT	CONDUIT - CONVOLUTE SLIT - .5" ID
	041953-03-000	FT	CONDUIT - CONVOLUTE SLIT - 1" ID (CLOTHES ROD COVER)
	041953-05-000	FT	CONDUIT - CONVOLUTE SOLID - .62" ID
	041953-06-000	FT	CONDUIT - CONVOLUTE SLIT - .375" ID
	041953-07-000	FT	CONDUIT - CONVOLUTE SLIT - .25" ID
	041953-08-000	FT	CONDUIT - CONVOLUTE SLIT - 1.50" ID
	041953-09-000	FT	CONDUIT - CONVOLUTE SLIT - .50" ID
	041953-10-000	FT	CONDUIT - CONVOLUTE SLIT - .75" ID
	041953-11-000	FT	CONDUIT - CONVOLUTE SLIT - 1.06" ID
	041953-12-000	FT	CONDUIT - CONVOLUTE NON SLIT - 1.1" ID
	047443-01-000	EA	TERMINAL - .250 RECEPTACLE FIT - INSULATED - 16/14 AWG
	047443-02-000	EA	TERMINAL - .250 RECEPTACLE FIT - INSULATED - 12/10 AWG
	058028-01-000	EA	CONNECTOR - ELECTRICAL PIGTAIL - NYLON - CLEAR
	062036-01-000	EA	TERMINAL - PACK - CON - 12/10 AWG
	062036-02-000	EA	TERMINAL - PACK - CON - 16/14 AWG
	077479-01-000	EA	BOOT - BATTERY TERMINAL - DOUBLE CABLE
	077479-02-000	EA	BOOT - BATTERY TERMINAL - SINGLE CABLE
	080015-02-000	EA	RECEPTACLE - FLAG - .185 - 16/14 GAUGE
	085724-01-000	EA	SOCKET - DOUBLE CONTACT - TAILLIGHT
	087225-01-000	FT	SLEEVING - 1/2" - TYPE H
	087225-02-000	FT	SLEEVING - 5/8" - TYPE H
	087949-01-000	EA	BUSS BAR - 2 POSITION - .6" X 1.5"
	087949-02-000	EA	BUSS BAR - 3 POSITION - .6" X 2.4"
	088267-01-000	EA	TERMINAL - FEMALE - 1/4
	088473-01-000	EA	HOUSING - PIN - 12 CAVITY (3 ROWS OF 4)
	088473-02-000	EA	HOUSING - PIN - 15 CAVITY (3 ROWS OF 5)
	088473-03-000	EA	HOUSING - PIN - 9 CAVITY (3 ROWS OF 3)
	088473-06-000	EA	HOUSING - PIN - 6 CAVITY (2 ROWS OF 3)
	088473-08-000	EA	HOUSING - PIN - 4 CAVITY - IN-LINE
	088473-09-000	EA	HOUSING - PIN - 3 CAVITY IN-LINE
	088473-10-000	EA	HOUSING - PIN - 2 CAVITY
	088474-01-000	EA	HOUSING - SOCKET - 12 CAVITY
	088474-02-000	EA	HOUSING - SOCKET - 15 CAVITY
	088474-03-000	EA	HOUSING - SOCKET - 9 CAVITY
	088474-06-000	EA	HOUSING - SOCKET - 6 CAVITY
	088474-07-000	EA	HOUSING - SOCKET - 5 CAVITY
	088474-08-000	EA	HOUSING - SOCKET - 4 CAVITY
	088474-09-000	EA	HOUSING - ELECTRICAL - 3 TERMINAL
	088474-10-000	EA	HOUSING - SOCKET - 2 CAVITY
	088475-01-000	EA	PIN - CONNECTOR - 14 - 20 AWG
	088475-02-000	EA	PIN - CONNECTOR - 10-12 AWG
	088476-01-000	EA	TERMINAL - ELECTRICAL
	088476-02-000	EA	SOCKET - CONNECTOR - 12-10 GA - PRE-TIN

ELECTRICAL GROUP (CONTINUED)**ELECTRICAL CONNECTORS & CONDUIT (CONTINUED)**

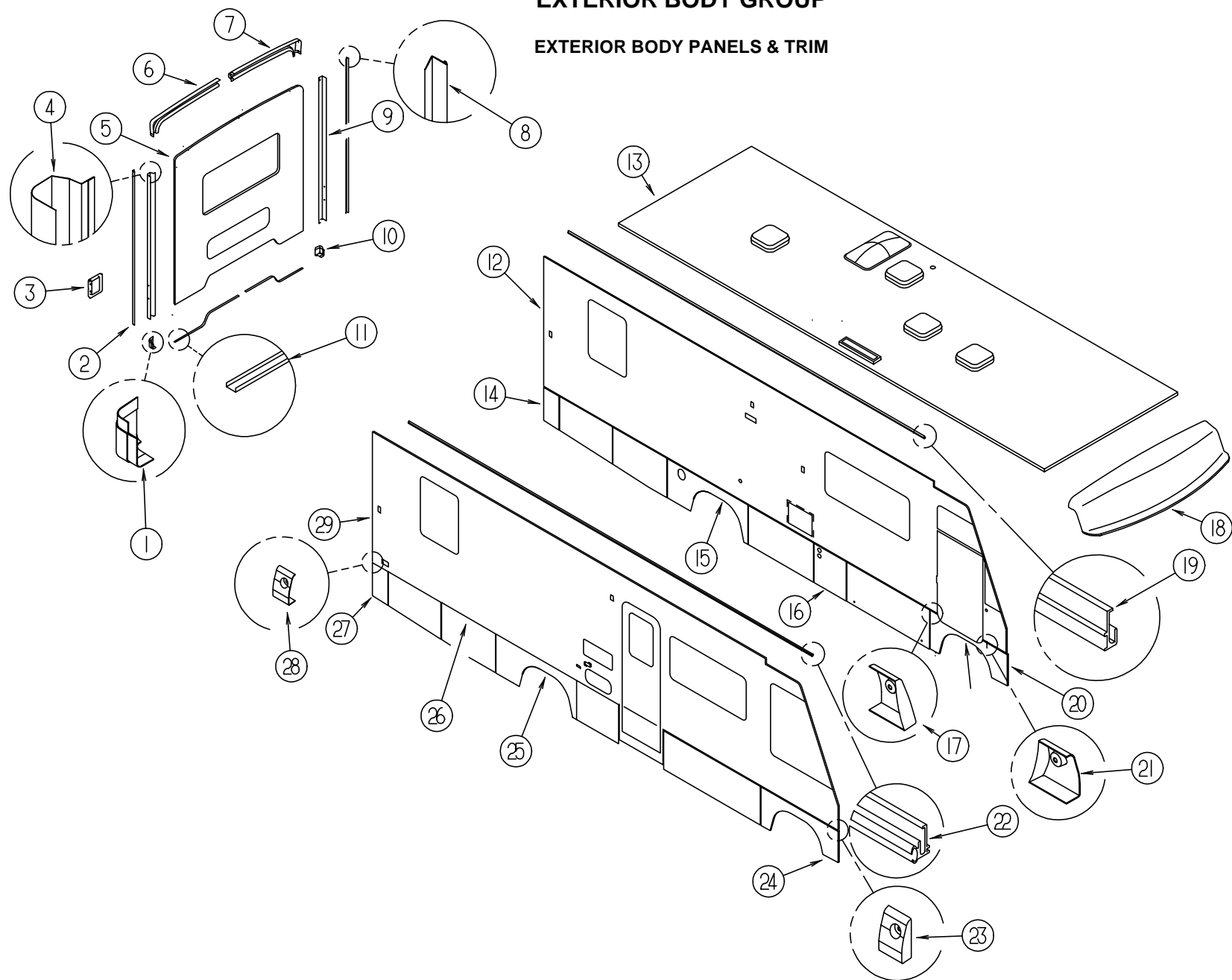
KEY	PART NUMBER	U/M	DESCRIPTION
	092786-02-000	EA	BUSS BAR - 3.3" LONG
	092786-03-000	EA	BUSS BAR - 6.9" LONG
	098260-01-000	EA	TERMINAL - MALE - 56 SERIES
	098261-02-000	EA	SOCKET - CONNECTOR - WEATHERPACK
	098262-01-000	EA	SEAL - CONNECTOR - WEATHERPACK
	098264-01-000	EA	HOUSING - 2 PIN - WEATHERPACK
	101571-01-000	EA	HOUSING - 2 POSITION - MALE
	103608-01-000	EA	SOCKET - WEDGE BASE W/LEADS
	103987-02-000	EA	SEAL - SOLENOID ACCESS
	104016-01-000	EA	WIRE ASSEMBLY - AUXILIARY FANS
	104100-01-000	EA	HOUSING - 1 POSITION - 75 AMPS
	104100-03-000	EA	TERMINAL - 75 AMP
	106006-01-000	EA	HOUSING - 1 POSITION - FEMALE
	106007-01-000	EA	TERMINAL - FEMALE - 14-16 AWG
	106655-01-000	EA	TERMINAL - FUSE BLOCK - 14-16 AWG
	106655-02-000	EA	TERMINAL - FUSE BLOCK - 10-12 AWG
	110178-01-000	EA	HOUSING - WIPER MOTOR
	112823-01-000	EA	SPLICE - REDUCER - 16-14 TO 18-22
	113131-01-000	EA	HOUSING - 3 PIN
	113135-01-000	EA	TERMINAL - FEMALE - M/P - 14-16
	113306-01-000	EA	TERMINAL - FEMALE - M/P - 14-16
	113307-01-000	EA	TERMINAL - FEMALE - M/P - 16-20
	113468-01-000	EA	HOUSING - 2 POSITION - FEMALE
	115556-01-000	EA	HOUSING - 3 POSITION - FEMALE
	115556-02-000	EA	HOUSING - 2 POSITION - FEMALE
	115931-02-000	EA	COVER - CONNECTOR
	115932-02-000	EA	CONNECTOR - FEMALE - 50 AMP - 240 VOLT
	116811-01-000	EA	TERMINAL - .110 RECEPTACLE - 16-14 AWG
	119248-02-000	EA	HOUSING - 7 POSITION - FEMALE
	125323-02-000	EA	HOUSING - 8 POSITION - MALE
	125324-01-000	EA	TERMINAL - MALE - METRI-PACK - 150
	125325-01-000	EA	SEAL - CAVITY

ELECTRICAL MISCELLANEOUS

KEY	PART NUMBER	U/M	DESCRIPTION
	007093-01-000	EA	SIGNAL FLASHER
	008188-01-000	EA	SOLENOID - 3 POST - BATTERY CHANGE OVER
	063910-01-000	EA	HOUSING - RELAY
	063912-02-000	EA	RELAY - CANISTER - SPDT
	086233-01-000	EA	STUD - ISOLATED - 3/8" X 7/8" LONG
	086273-01-000	EA	RELAY - BATTERY DISCONNECT
	115504-01-000	EA	PANEL - SOLAR 10 WATT
	115504-01-700	EA	PLUG & CABLE, 10 WATT PANEL 600-016
	115505-01-000	EA	LIGHT - MONITOR/SOLAR PANEL - RED LED INDICATOR

EXTERIOR BODY GROUP

EXTERIOR BODY PANELS & TRIM

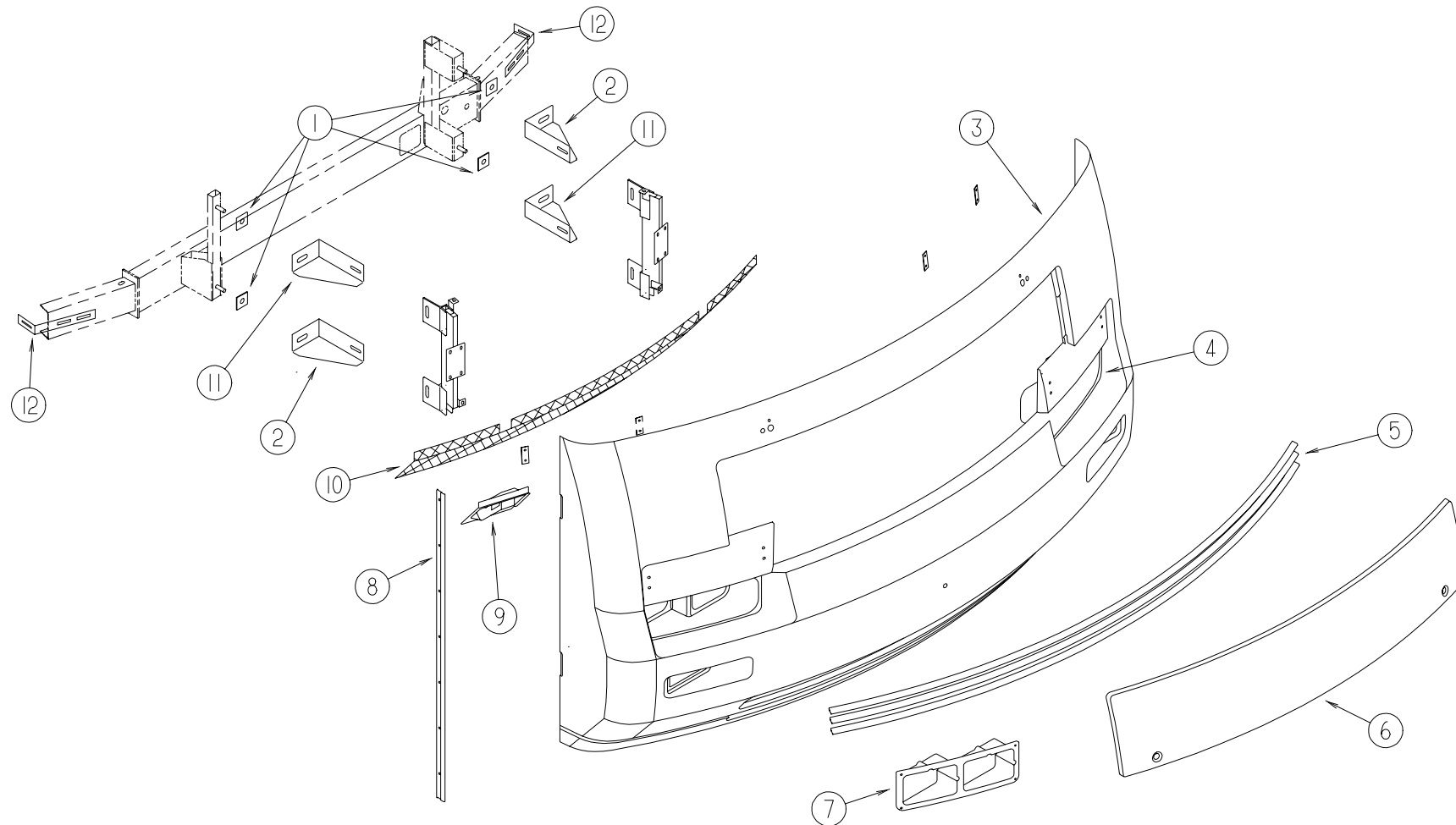


KEY	PART NUMBER	U/M	DESCRIPTION
1	125626-01-01A	EA	TRIM - BACKWALL - LOWER/PASSENGER
2	120548-01-02A	EA	TRIM-J - BACKWALL - PASSENGER/NOTCHED
3	125646-01-01A	EA	TRIM - TAIL LIGHT/REAR - DRIVER-PASSENGER - BRIGHT WHITE
4	125649-01-12B	EA	TRIM - BACKWALL/PASSENGER SIDE - BRIGHT WHITE
5	M08153-08-J22	EA	BACKWALL - W/O WINDOW/TRIM - TWIN BED (J52, J53)
5	M08153-08-J26	EA	BACKWALL - W/O WINDOW/TRIM - TWIN BED (J54, J55)
5	M08153-08-J56	EA	BACKWALL - W/O WINDOW/TRIM - TWIN BED (J56, J57)
5	M08153-07-J22	EA	BACKWALL - W/O WINDOW/TRIM - QUEEN BED (J52, J53)
5	M08153-07-J26	EA	BACKWALL - W/O WINDOW/TRIM - QUEEN BED (J54, J55)
5	M08153-07-J56	EA	BACKWALL - W/O WINDOW/TRIM - QUEEN BED (J56, J57)
6	125518-01-01A	EA	TRIM - BACKWALL - TOP/PASSENGER
7	125519-01-01A	EA	TRIM - BACKWALL - TOP/DRIVER
8	120548-02-02A	EA	TRIM-J - BACKWALL - DRIVER/NOTCHED
9	125649-02-12B	EA	TRIM - BACKWALL/DRIVER SIDE - BRIGHT WHITE
10	125626-02-01A	EA	TRIM - BACKWALL - LOWER/DRIVER
11	050406-25-000	EA	TRIM - BACKWALL - LOWER
12	126689-02-J52	EA	SIDEWALL - DRIVER - W/O WINDOWS/TRIM (J52, J53)
12	126689-02-J54	EA	SIDEWALL - DRIVER - W/O WINDOWS/TRIM (J54, J55)
12	126689-02-J56	EA	SIDEWALL - DRIVER - W/O WINDOWS/TRIM (J56, J57)
13	126685-02-J52	EA	ROOF - W/O LIGHTS/VENTS - W/WIRING

KEY	PART NUMBER	U/M	DESCRIPTION
14	122732-02-JA1	EA	VALANCE/PANEL - REAR DRIVER - W/O HARDWARE - 11.5"
15	125663-03-JA1	EA	VALANCE/WHEEL LIP - REAR - DRIVER
16	122776-18-JA1	EA	VALANCE/PANEL - W/O HARDWARE - 26.9"
17	124178-04-01A	EA	CAP - TRIM/DRIVER DOOR
18	125304-02-J60	EA	CAP - ROOF
19	120091-02-02A	EA	TRIM - ROOF
20	125664-02-JA1	EA	VALANCE/WHEEL LIP - FRONT - DRIVER
20	125664-01-JA1	EA	VALANCE/WHEEL LIP - FRONT - DRIVER - W/DRIVER DOOR
21	124178-03-01A	EA	CAP - TRIM/DRIVER DOOR
22	120092-01-02A	EA	RAIL - AWNING - BRIGHT WHITE
23	124132-01-01A	EA	CAP - TRIM/SIDEWALL - RIGHT HAND - BRIGHT WHITE
24	125648-02-JA1	EA	WHEEL LIP - FRONT - PASSENGER
25	125647-03-JA1	EA	VALANCE/WHEEL LIP - REAR - PASSENGER
26	124176-01-01A	EA	TRIM - SIDEWALL - BRIGHT WHITE - 16'
26	105312-01-03A	FT	INSERT - VINYL FEATURE STRIP - GRAY METALLIC
27	122732-01-JA1	EA	VALANCE/PANEL - REAR PASSENGER - W/O HARDWARE - 11.5"
28	124132-02-01A	EA	CAP - TRIM/SIDEWALL - LEFT HAND - BRIGHT WHITE
29	126688-02-J52	EA	SIDEWALL - PASSENGER - W/O WINDOWS/TRIM (J52, J53)
29	126688-02-J54	EA	SIDEWALL - PASSENGER - W/O WINDOWS/TRIM (J54, J55)
29	126688-02-J56	EA	SIDEWALL - PASSENGER - W/O WINDOWS/TRIM (J56, J57)

EXTERIOR BODY GROUP (CONTINUED)

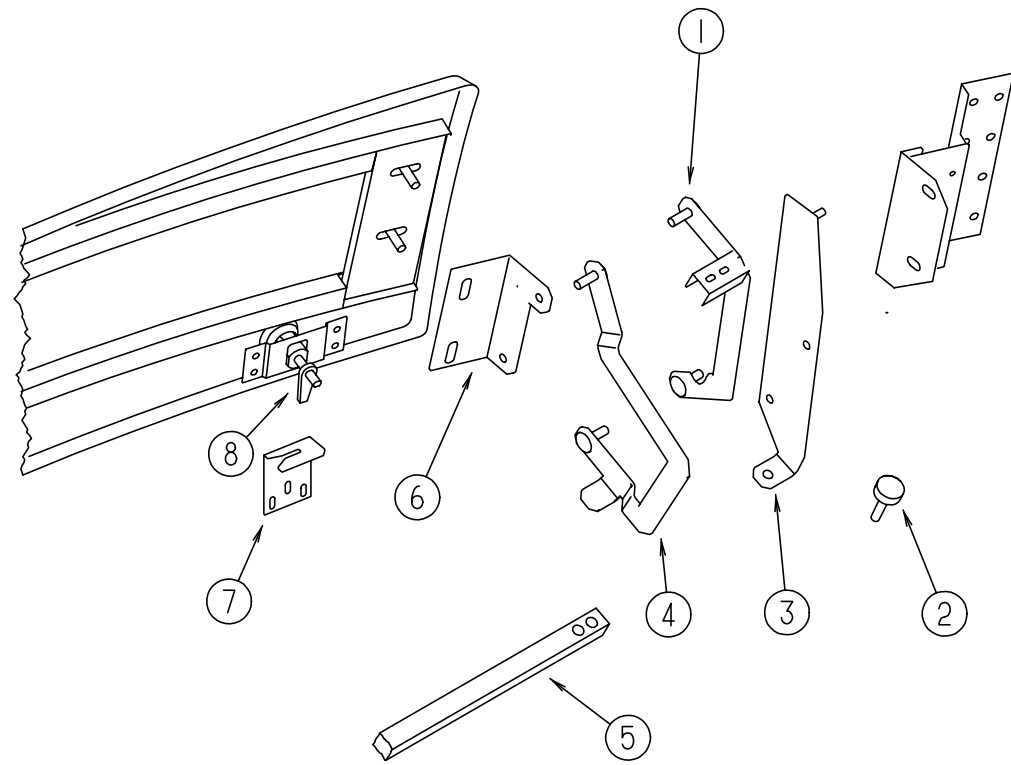
FRONT LOWER PANEL ASM AND COMPONENTS



KEY	PART NUMBER	U/M	DESCRIPTION
1	116617-02-02B	EA	SPACER - BUMPER
2	117611-08-02B	EA	BRACKET - BUMPER - LEFT HAND UPPER/RIGHT HAND LOWER
3	125703-06-J52	EA	PANEL - FRONT/LOWER - W/O NOTCH
4	125713-02-01A	EA	BEZEL - HEADLAMP - LEFT HAND - BLACK
4	110690-02-D18	EA	PLATE - HEADLAMP - QUAD/LEFT HAND
5	126777-01-J52	EA	GRILLE - FRONT END
			FROM: 00-00-00 THRU: 12-06-97
5	126777-02-J52	EA	GRILLE - FRONT END/PASSENGER
			FROM: 00-00-00 THRU: 12-06-97
5	126777-03-J52	EA	GRILLE - FRONT END/DRIVER
			FROM: 00-00-00 THRU: 12-06-97
5	128741-01-J52	EA	GRILLE - FRONT END
			FROM: 12-07-97 THRU: 99-99-99
5	128740-01-01A	EA	RETAINER - GRILLE - BRIGHT WHITE
6	126862-01-J52	EA	HOOD - FRONT
7	125713-01-01A	EA	BEZEL - HEADLAMP - RIGHT HAND
7	110690-01-D18	EA	PLATE - HEADLAMP - QUAD/RIGHT HAND
8	123680-05-01A	EA	TRIM - FIBERGLASS PANEL - BRIGHT WHITE
9	127013-01-01A	EA	BEZEL - FOGLAMP - RIGHT HAND
9	127013-02-01A	EA	BEZEL - FOGLAMP - LEFT HAND

KEY	PART NUMBER	U/M	DESCRIPTION
10	115924-16-02A	EA	WIRE MESH - F/GRILLE - FLAT BLACK
11	117611-07-02B	EA	BRACKET - BUMPER - RIGHT HAND UPPER/LEFT HAND LOWER
12	128251-01-02B	EA	SUPPORT - VALANCE - E-COATED
	077001-01-000	EA	ANGLE - MOUNTING - ROOF PANEL - V ANGLE - 3" X 2.4" X 1.5"
	106746-02-000	EA	PANEL - STEPWELL
	106747-02-000	EA	PANEL - STEPWELL - END RH
	106747-03-000	EA	PANEL - STEPWELL - END LH

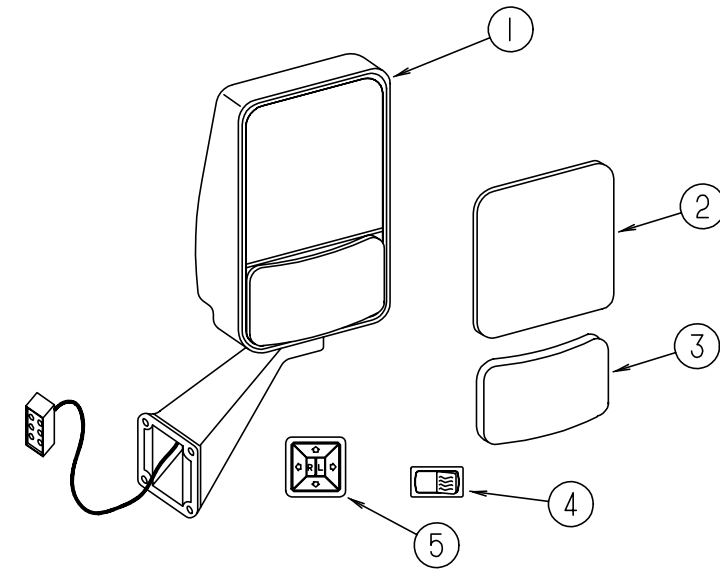
EXTERIOR BODY GROUP (CONTINUED)



HOOD HARDWARE

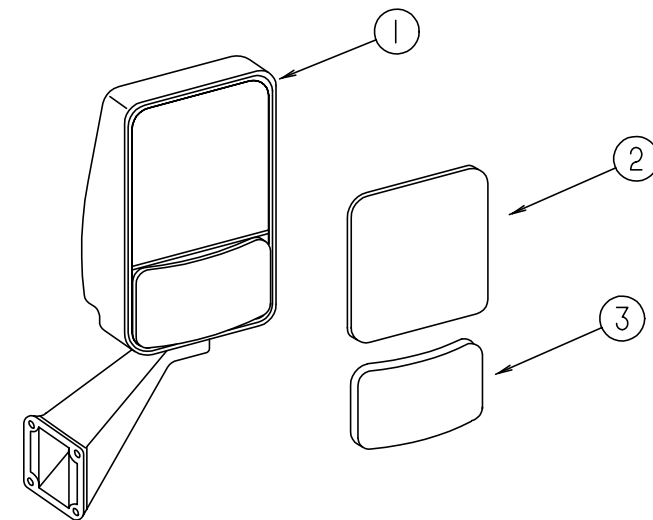
KEY	PART NUMBER	U/M DESCRIPTION
1	126353-01-02B	EA LINK - HINGE - UPPER/PASSENGER
	126353-02-02B	EA LINK - HINGE - UPPER/DRIVER
2	058786-01-000	EA BOLT - ADJUSTING HOOD - W/BLACK PAD
3	126867-06-02B	EA BRACKET - LINK - HOOD HINGE - PASSENGER - E-COATED
	126867-08-02B	EA BRACKET - LINK - HOOD HINGE - DRIVER - E-COATED
4	126356-02-02B	EA LINK - HINGE/HOOD - LOWER/PASSENGER
	126356-04-02B	EA LINK - HINGE/HOOD - LOWER/DRIVER
5	105096-10-000	EA TUBE - HOOD HINGE TIMING W/WELDNUTS
6	109927-05-000	EA ANGLE - LINK - HOOD/PASSENGER
	109927-06-000	EA ANGLE - LINK - HOOD/DRIVER
7	126352-01-02B	EA LATCH - HOOD - FRONT END
8	102330-02-000	EA LATCH - VISE ACTION/KEY OPERATED
	102330-04-000	EA PAWL - LATCH - STRAIGHT - 1.96"
	102328-01-000	EA KEY - BARREL - NICKEL PLATED

EXTERIOR BODY GROUP (CONTINUED)



EXTERIOR MIRROR OPTION (REMOTE & HEAT)

KEY	PART NUMBER	U/M DESCRIPTION
1	106015-12-01A	EA MIRROR - EXTERIOR REMOTE/HEAT - PASSENGER
1	106015-13-01A	EA MIRROR - EXTERIOR REMOTE/HEAT - DRIVER
2	106015-12-700	EA MIRROR - FLAT HEATED W/CLIP
3	106015-12-701	EA MIRROR - CONVEX HEATED W/CLIP
4	087695-02-000	EA SWITCH - HEATER - EXTERIOR MIRROR
5	088246-01-000	EA SWITCH - REMOTE - EXTERIOR - SQUARE PUSH
	087695-03-000	EA CONNECTOR - ASSEMBLY

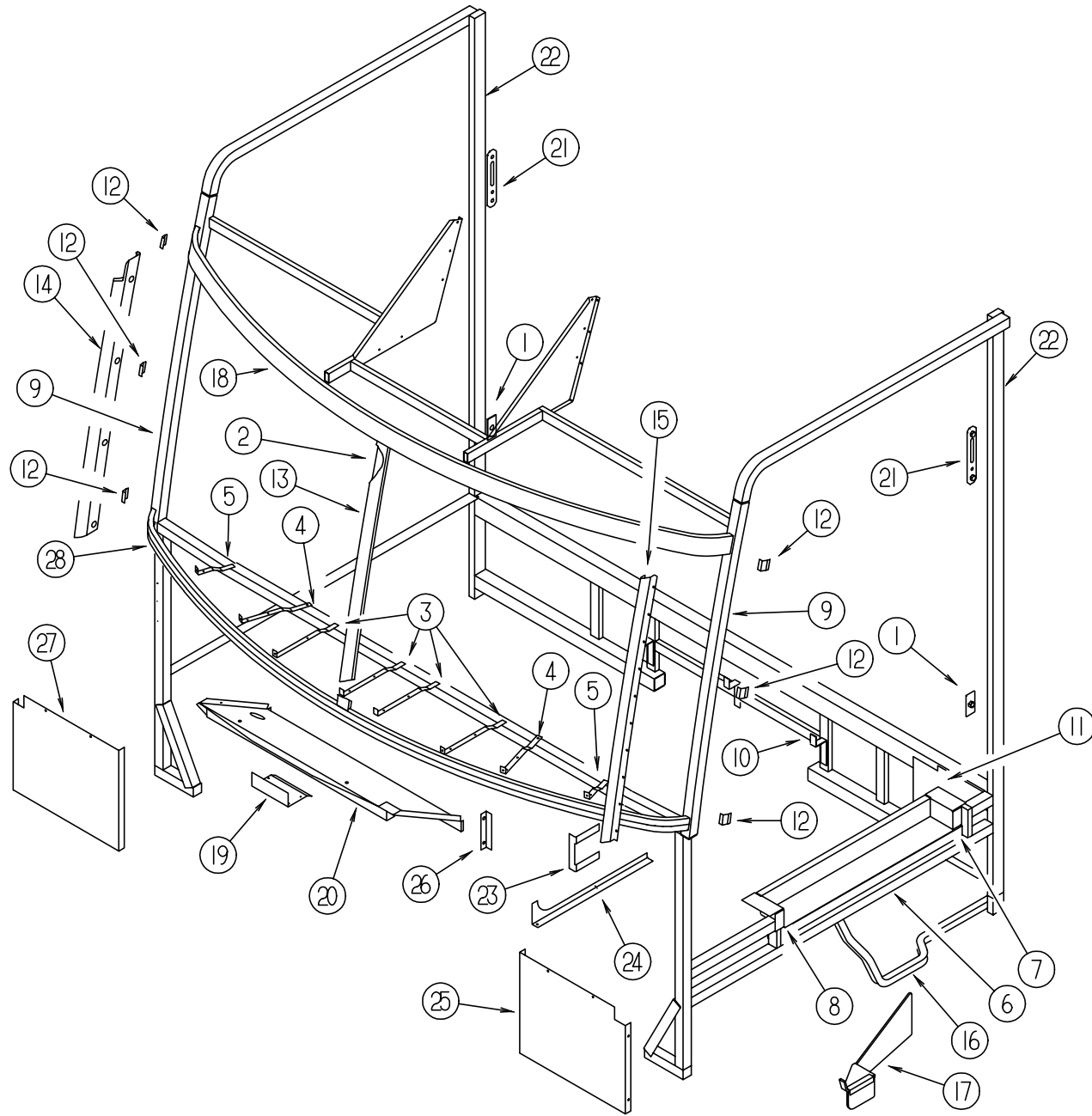


EXTERIOR MIRROR (ADJUSTABLE)

KEY	PART NUMBER	U/M DESCRIPTION
1	106015-14-01A	EA MIRROR - EXTERIOR ADJUSTABLE GLASS - PASSENGER
1	106015-15-01A	EA MIRROR - EXTERIOR ADJUSTABLE GLASS - DRIVER
2	106015-14-700	EA MIRROR - FLAT
3	106015-14-701	EA MIRROR - CONVEX

EXTERIOR BODY GROUP (CONTINUED)

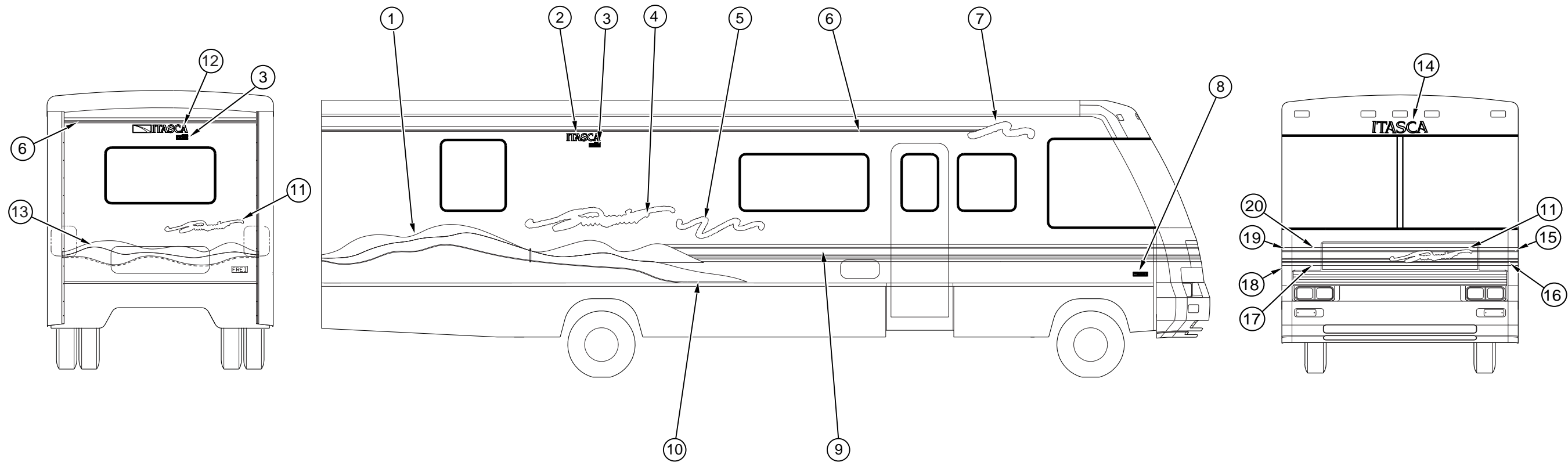
FRONT END ASM.



KEY	PART NUMBER	U/M	DESCRIPTION
1	070579-06-000	EA	PLATE - ANCHOR - W/7/16" WELD NUT - 1.5" X 3.3"
1	070579-07-000	EA	PLATE - ANCHOR - W/O WELD NUT - 1.5" X 3.3"
2	078249-16-000	EA	TUBE - SWEPT - CAB FRAME
3	104797-03-000	EA	BRACKET - DEFROSTER
4	104797-04-000	EA	BRACKET - DEFROSTER
5	104797-05-000	EA	BRACKET - DEFROSTER
6	106746-02-000	EA	PANEL - STEPWELL
7	106747-03-000	EA	PANEL - STEPWELL - RIGHT HAND END
8	106747-04-000	EA	PANEL - STEPWELL - LEFT HAND END
9	117273-01-01A	EA	TUBE - SUPPORT - A-PILLAR
10	117287-01-01B	EA	BRACKET - MOUNT - CABLE
11	118592-01-01B	EA	SHIELD - SPLASH - RIGHT HAND
12	120363-01-01B	EA	BRACKET - WINDSHIELD
13	120840-06-01B	EA	STRAP - W/HOLES - MILL
14	121269-07-01B	EA	FRAME - WINDSHIELD - A-PILLAR - MILL
15	121269-08-01B	EA	FRAME - WINDSHIELD - A-PILLAR - MILL
16	063977-14-000	EA	STEP - DRIVER DOOR - LEFT HAND
17	128255-01-04B	EA	STEP - DRIVER DOOR - BLACK
18	121268-01-01B	EA	SUPPORT - WINDSHIELD - UPPER - MLL
19	125836-02-01B	EA	ZEE-WIPER MOTOR - MILL
20	125837-02-01B	EA	BRACE - WIPER MOTOR - MILL
21	127461-02-01B	EA	PLATE - ANCHOR - SEAT BELT
22	127874-01-01B	EA	TUBE-B PILLAR - MILL
23	097123-01-000	EA	MOUNT - AIR INTAKE - FORD
24	099102-01-000	EA	BRACKET - LINKAGE - THROTTLE
25	104147-14-000	EA	SHIELD/SPLASH - HEADLIGHT
26	123262-02-02B	EA	BRACKET ASM - FUSE PANEL - E-CT
27	121962-02-02B	EA	SHIELD/SPLASH - HEADLIGHT
28	121267-01-01B	EA	SUPPORT - WINDSHIELD, LOWER - MLL
	121481-05-01B	EA	HEADER - WINDSHIELD - CENTER

EXTERIOR BODY GROUP (CONTINUED)

DECALS, FILM STRIPES & PAINT



KEY	PART NUMBER	U/M	DESCRIPTION
1	125500-01-01A	EA	DECAL - WAVES - #2 PASSENGER
1	125500-02-01A	EA	DECAL - WAVES - #2 DRIVER
2	124811-01-05A	EA	DECAL - LOGO - ITASCA
3	122770-02-07A	EA	DECAL - "BUILT PROUDLY BY WINNEBAGO INDUSTRIES"
4	125492-01-01A	EA	DECAL - "SUNCRUISER" BRUSHSTROKE - LARGE - PASSENGER
4	125492-02-01A	EA	DECAL - "SUNCRUISER" BRUSHSTROKE - LARGE - DRIVER
5	125495-01-01A	EA	DECAL - BRUSHSTROKE - LARGE - PASSENGER
5	125495-02-01A	EA	DECAL - BRUSHSTROKE - LARGE - DRIVER
6	105781-64-01A	FT	FILM - MULTISTRIFE - 2.25"
7	125493-01-01A	EA	DECAL - BRUSHSTROKE - SMALL - PASSENGER
7	125493-02-01A	EA	DECAL - BRUSHSTROKE - SMALL - DRIVER
8	129922-01-01A	EA	EMBLEM - TRITON V10
8	122312-02-01A	EA	DECAL - VORTEC 7400 FUEL INJECTED
9	093689-24-01A	FT	FILM - MULTISTRIFE - 8" WIDE
10	125499-01-01A	EA	DECAL - WAVES - #1 PASSENGER
10	125499-02-01A	EA	DECAL - WAVES - #1 DRIVER
11	125502-01-01A	EA	DECAL - "SUNCRUISER" - BRUSHSTROKE - SMALL
12	124806-01-04A	EA	DECAL - LOGO - ITASCA W/ICON
13	125501-01-01A	EA	DECAL - WAVES - BACKWALL
14	124989-01-03A	EA	DECAL - LOGO - ITASCA - SWEEP #15
15	125494-02-01A	EA	DECAL - CORNER - UPPER DRIVER
16	125498-02-01A	EA	DECAL - CORNER - LOWER DRIVER
17	125497-01-01A	EA	DECAL - HOOD - LOWER
18	125498-01-01A	EA	DECAL - CORNER - LOWER PASSENGER
19	125494-01-01A	EA	DECAL - CORNER - UPPER PASSENGER
20	125496-01-01A	EA	DECAL - HOOD - UPPER
	093681-40-01A	FT	FILM - 2" - FLAT BLACK
	041561-03-000	EA	PAINT - 16 OUNCE SPRAY - OFF WHITE
	004308-01-000	EA	PAINT - BLACK SPRAY
	091828-61-000	GL	PAINT-CHROMABASE L8723 - OFF WHITE

OFF WHITE
 TURQUOISE METALLIC
 PLATINUM METALLIC
 BRIGHT WHITE
 MANHATTAN MIST METALLIC
 LT. TURQUOISE METALLIC
 VIOLET FIREMIST METALLIC
 ORCHID MIST METALLIC

DUPONT PAINT COLOR CODES

(INTERIOR) L8723
 (EXTERIOR) F2998U
 (EXTERIOR) F2528U
 (EXTERIOR) B8951U
 (FILM) GM182
 (FILM) GM188
 (FILM) F4572
 (FILM) F1916K

EXTERIOR BODY GROUP (CONTINUED)

STYROFOAM & FIBERGLASS SHEETING

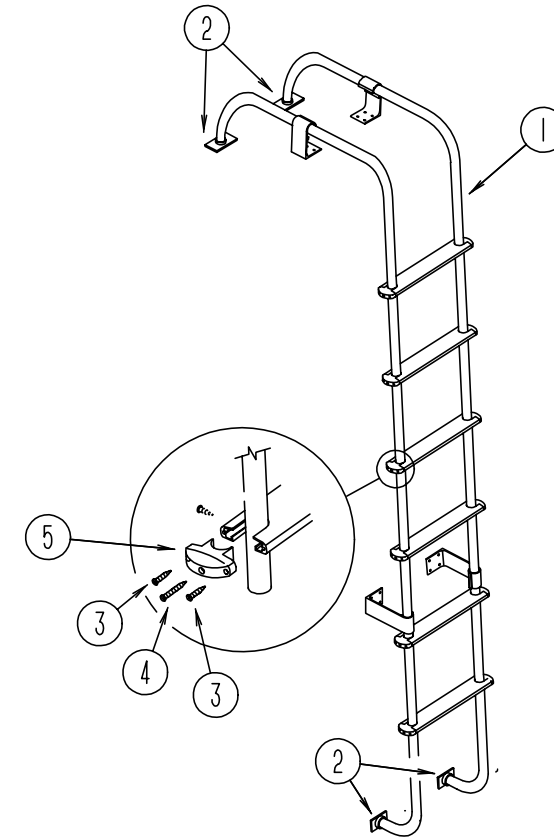
KEY	PART NUMBER	U/M	DESCRIPTION
	000870-08-000	SF	STYROFOAM - 3/4" X 48" X 96" PLANED EXPANDED BEAD BOARD
	002726-01-001	EA	GARNISH - U-CHANNEL - 1.38" X 19' - SERRATED
	002766-01-001	EA	ANGLE - EXTRUDED - 1" X 1.5" X 17'
	033381-17-001	FT	STEEL - TUBE - 16 GAUGE 1.5" X 1.5" X 16'
	068716-01-001	EA	BRACE - 90 DEGREE L-ANGLE - 16'
	076054-U4-000	EA	FIBERGLASS SHEET - 101" X 104" - BRIGHT WHITE
	076054-Y8-000	EA	FIBERGLASS SHEET - 79" X 342" - BRIGHT WHITE
			FROM: 00-00-00 THRU: 08-19-97
	076054-W3-000	EA	FIBERGLASS SHEET - 79" X 361.3" - BRIGHT WHITE
			FROM: 08-20-97 THRU: 99-99-99
	076054-W6-000	EA	FIBERGLASS SHEET - 79" X 367" - BRIGHT WHITE
	077517-62-000	EA	FIBERGLASS - SHEET/SIDEWALL - 48" X 96" - BRIGHT WHITE
	089297-01-000	SF	PLYWOOD - LUAN - OVERLAY GRADE - 48" X 96"
	089297-02-000	SF	PLYWOOD - LUAN - OVERLAY GRADE - 48" X 108"
	100619-01-000	BF	FOAM - EXPANDED POLYSTYRENE - 1.34" X 48" X 96"
	100619-02-000	BF	FOAM - EXPANDED POLYSTYRENE - 1.5" X 48" X 96"
	100619-04-000	BF	FOAM - EXPANDED POLYSTYRENE - .5" X 48" X 96"
	100619-05-000	BF	FOAM - EXPANDED POLYSTYRENE - .75" X 48" X 96"-1.5 DENSITY
	100619-11-000	BF	FOAM - EXPANDED POLYSTYRENE - 2" X 48" X 96"
	100619-13-000	BF	FOAM - EXPANDED POLYSTYRENE - .34" X 34.65" X 96"
	100619-16-000	BF	FOAM - EXPANDED POLYSTYRENE - .75" X 48" X 96"-2.0 DENSITY
	105077-08-000	EA	FOAM - PLUG - ROOF CAP
	120107-01-000	EA	FOAM - COVE - ROOF - 2.8" X 96" LONG
	120107-02-000	EA	FOAM - PLUG - ROOF TUBE - 2.2" X 2.9" X 1.8" LONG
	120107-03-000	EA	FOAM - PLUG - SIDEWALL TUBE - 1.2" X 2.1" X 1.8" LONG
	125838-01-002	EA	ACRYLIC SHEET - .125 X 1.8" X 2"

EXTERIOR BODY HARDWARE

KEY	PART NUMBER	U/M	DESCRIPTION
	120570-01-02B	EA	SUPPORT - VALANCE
			FROM: 00-00-00 THRU: 08-25-97
	128251-01-02B	EA	SUPPORT - VALANCE - E-COATED
			FROM: 08-26-97 THRU: 99-99-99
	120524-01-02B	EA	U-CHANNEL - E-COATED
	114248-03-01A	EA	ANGLE - PLASTIC - 92.2"
	099069-01-000	FT	SEAL - RUBBER - CLOSED SPONGE - .5" WIDE X .12" THICK -BLK
	107865-01-000	EA	ROD - SUPPORT - VALANCE PANEL - 14.3"
	107865-02-000	EA	ROD - SUPPORT - VALANCE PANEL - 13.2"
	107865-05-000	EA	ROD - SUPPORT - VALANCE PANEL - 9"
	118383-01-04A	EA	RETAINER - SCREW
	118383-04-04A	EA	CAP - RETAINER/SCREW
	119568-01-01A	EA	STANDOFF - VALANCE PANEL - BLACK
	121117-01-04B	EA	ANGLE - W/HOLES
			FROM: 00-00-00 THRU: 11-17-97
	121117-01-02B	EA	ANGLE - W/HOLES - E-COATED
			FROM: 11-18-97 THRU: 99-99-99
	124299-51-001	EA	EXTRUDED - RETAINER - TRIM - 144"
	113874-06-06A	EA	AWNING - W/O HARDWARE - 16' (POLAR MAUVE) VINYL
*	113874-01-02A	EA	HARDWARE KIT - AWNING - W/O STANDOFF BRACKET - BRIGHT WHT

*COMPONENT PARTS FOUND IN SERVICE PARTS LIBRARY

EXTERIOR BODY GROUP (CONTINUED)

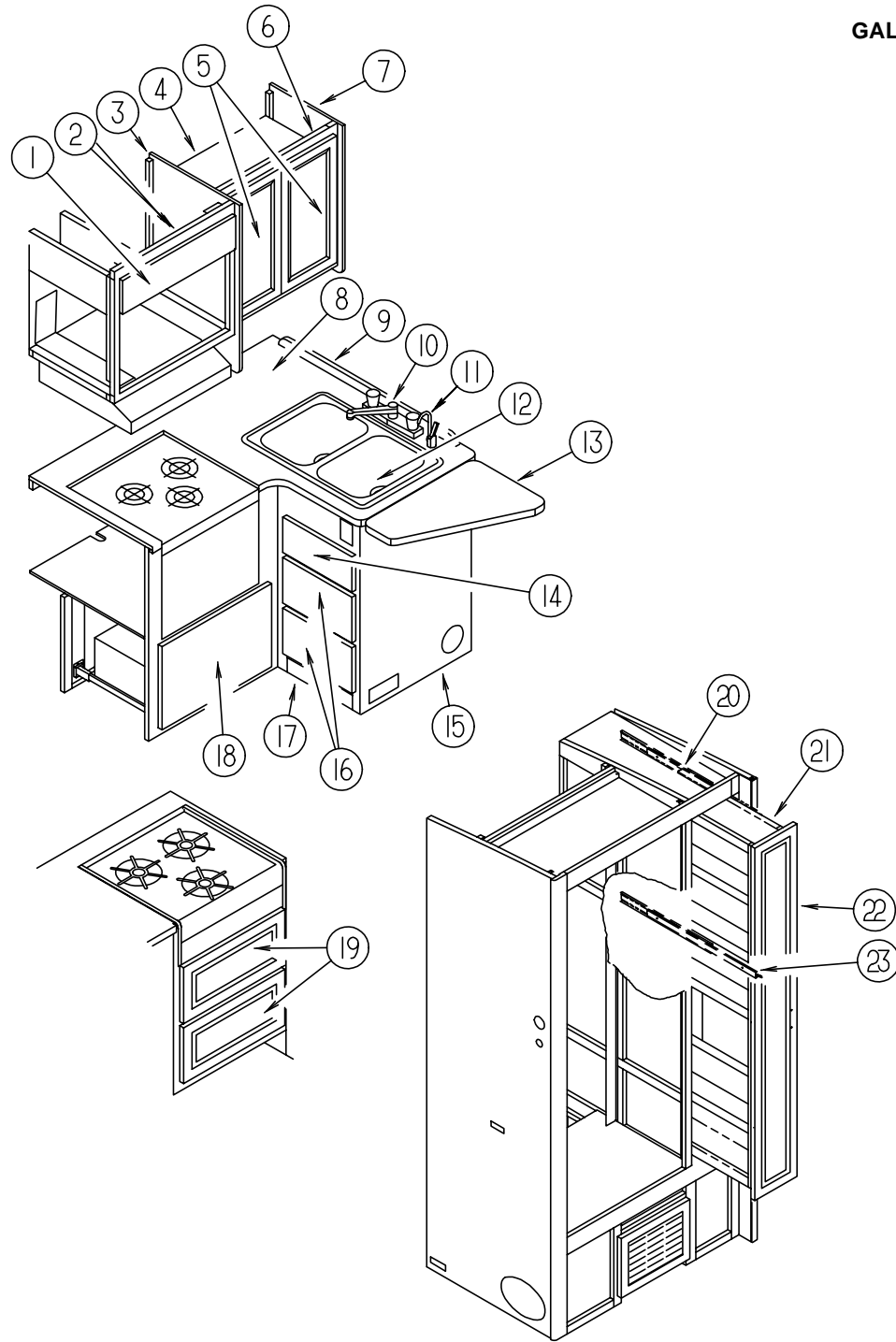


LADDER

KEY	PART NUMBER	U/M	DESCRIPTION
1	102953-11-F31	EA	LADDER
2	067165-01-000	EA	MOUNTING BRACKET - LADDER - LOWER
3	000G39-06-10T	EA	SCREW-SF/ DR - 6 - 20 X 5/8 PPH - BLACK
4	000G68-10-36T	EA	SCREW - 10 - 12 X 2.25 POH BLACK
5	076980-02-000	EA	END CAP - STEP - BLACK
	038327-01-000	FT	TAPE - ANTI SLIP - 2" X 60FT
	112384-01-000	EA	SPONGE - BRACKET - RACK & LADDER

GALLEY GROUP

GALLEY CABINETRY & FIXTURES



KEY	PART NUMBER	U/M	DESCRIPTION
1	P26057-01-J52	EA	CABINET - OVERHEAD/MICROWAVE - W/O DOORS/HARDWARE (MAPLE)
1	P26057-01-J22	EA	CABINET - OVERHEAD/MICROWAVE - W/O DOORS/HARDWARE (OAK)
2	100708-05-000	EA	DOOR - GLASS - TV CABINET - 8.5" X 23.4" - W/O HARDWARE
3	103128-33-J52	EA	END CAP - OVERHEAD/RIGHT HAND (MAPLE)
3	103128-33-J22	EA	END CAP - OVERHEAD/RIGHT HAND (OAK)
4	122174-11-J52	EA	SHELF - W/PLASTIC EDGE TRIM (MAPLE)
4	122174-11-H33	EA	SHELF - W/ PLASTIC EDGE TRIM (OAK)
5	M05992-L4-J52	EA	DOOR - STRAIGHT CORNER/OGEE EDGE - 10" X 21.4" - W/O HDW (MAPLE)
5	M05992-L4-J22	EA	DOOR - STRAIGHT CORNER/OGEE EDGE - 10" X 21.4" - W/O HDW (OAK)
6	122174-02-J52	EA	CABINET - OVERHEAD/GALLEY - W/O DOORS/HARDWARE (MAPLE)
6	122174-02-J22	EA	CABINET - OVERHEAD/GALLEY - W/O DOORS/HARDWARE (OAK)

KEY	PART NUMBER	U/M	DESCRIPTION	VENDOR NO.
7	103128-11-J52	EA	END CAP - OVERHEAD CABINET - RIGHT HAND (MAPLE)	
7	103128-11-H33	EA	END CAP - OVERHEAD CABINET - RIGHT HAND (OAK)	
8	126110-17-J52	EA	COUNTERTOP - GALLEY (J52)	
8	126110-17-J22	EA	COUNTERTOP - GALLEY (J53)	
8	126110-17-J54	EA	COUNTERTOP - GALLEY (J54)	
8	126110-17-J26	EA	COUNTERTOP - GALLEY (J55)	
8	126110-17-J56	EA	COUNTERTOP - GALLEY (J56)	
8	126110-17-J57	EA	COUNTERTOP - GALLEY (J57)	
9	126110-20-J52	EA	BACKSPLASH - GALLEY CABINET (J52)	
9	126110-20-J22	EA	BACKSPLASH - GALLEY CABINET (J53)	
9	126110-20-J54	EA	BACKSPLASH - GALLEY CABINET (J54)	
9	126110-20-J26	EA	BACKSPLASH - GALLEY CABINET (J55)	
9	126110-20-J56	EA	BACKSPLASH - GALLEY CABINET (J56)	
9	126110-20-J57	EA	BACKSPLASH - GALLEY CABINET (J57)	
10	104114-02-01A	EA	FAUCET - GALLEY - SINGLE CONTROL	
11	103635-01-000	EA	FAUCET - SINGLE CONTROL DRINKING	
	103635-01-700	EA	FITTING KIT, FAUCET REPAIR	3071-70
	103635-01-701	EA	TUBING - PLASTIC	3019-20
	103635-01-702	EA	FAUCET REPAIR KIT	3026-46
12	110654-01-000	EA	SINK - STAINLESS STEEL/DOUBLE BASIN (1 LG-1 SM BASIN)	
	092303-01-000	EA	STRAINER - SINK	
	108464-04-E38	EA	COVER - SINK - 15" X 15" - LAMINATE BOTH SIDES (J52, J53)	
	108464-04-J31	EA	COVER - SINK - 15" X 15" - LAMINATE BOTH SIDES (J54, J55)	
	108464-04-F32	EA	COVER - SINK - 15" X 15" - LAMINATE BOTH SIDES (J56, J57)	
	108464-03-E38	EA	COVER - SINK - 15" X 11" - LAMINATE BOTH SIDES (J52, J53)	
	108464-03-J31	EA	COVER - SINK - 15" X 11" - LAMINATE BOTH SIDES (J54, J55)	
	108464-03-GV4	EA	COVER - SINK - 15" X 11" - LAMINATE BOTH SIDES (J56, J57)	
13	126110-14-J22	EA	EXTENSION - GALLEY COUNTERTOP (J52, J53)	
13	126110-14-J26	EA	EXTENSION - GALLEY COUNTERTOP (J54, J55)	
13	126110-14-J56	EA	EXTENSION - GALLEY COUNTERTOP (J56, J57)	
14	M05971-KY-J52	EA	DRAWER - OGEE EDGE - 13.8"W X 21.6"D - W/O SLIDES/HARDWARE (MAPLE)	
14	M05971-KY-J22	EA	DRAWER - OGEE EDGE - 13.8"W X 21.6"D - W/O SLIDES/HARDWARE (OAK)	
15	126110-01-J52	EA	CABINET - GALLEY - W/CTRTP - W/O DOORS/DRAWERS/HDW (RANGE & OVEN) (J52)	
15	126110-01-J22	EA	CABINET - GALLEY - W/CTRTP - W/O DOORS/DRAWERS/HDW (RANGE & OVEN) (J53)	
15	126110-01-J54	EA	CABINET - GALLEY - W/CTRTP - W/O DOORS/DRAWERS/HDW (RANGE & OVEN) (J54)	
15	126110-01-J26	EA	CABINET - GALLEY - W/CTRTP - W/O DOORS/DRAWERS/HDW (RANGE & OVEN) (J55)	
15	126110-01-J56	EA	CABINET - GALLEY - W/CTRTP - W/O DOORS/DRAWERS/HDW (RANGE & OVEN) (J56)	
15	126110-01-J57	EA	CABINET - GALLEY - W/CTRTP - W/O DOORS/DRAWERS/HDW (RANGE & OVEN) (J57)	
15	126110-02-J52	EA	CABINET - GALLEY - W/CTRTP - W/O DOORS/DRAWERS/HDW (RANGE TOP) (J52)	
15	126110-02-J22	EA	CABINET - GALLEY - W/CTRTP - W/O DOORS/DRAWERS/HDW (RANGE TOP) (J53)	
15	126110-02-J54	EA	CABINET - GALLEY - W/CTRTP - W/O DOORS/DRAWERS/HDW (RANGE TOP) (J54)	
15	126110-02-J26	EA	CABINET - GALLEY - W/CTRTP - W/O DOORS/DRAWERS/HDW (RANGE TOP) (J55)	
15	126110-02-J56	EA	CABINET - GALLEY - W/CTRTP - W/O DOORS/DRAWERS/HDW (RANGE TOP) (J56)	
15	126110-02-J57	EA	CABINET - GALLEY - W/CTRTP - W/O DOORS/DRAWERS/HDW (RANGE TOP) (J57)	
16	M05971-FE-J52	EA	DRAWER - OGEE EDGE - 13.8"W X 21.6"D - W/O SLIDES/HARDWARE (MAPLE)	
16	M05971-FE-J22	EA	DRAWER - OGEE EDGE - 13.8"W X 21.6"D - W/O SLIDES/HARDWARE (OAK)	
17	126110-12-J52	EA	TOE KICK - GALLEY CABINET (MAPLE)	
17	126110-12-J22	EA	TOE KICK - GALLEY CABINET (OAK)	
18	M05971-GZ-J52	EA	DRAWER - OGEE EDGE - 19.7"W X 11.8"D - W/O SLIDES/HARDWARE (MAPLE)	
18	M05971-GZ-J22	EA	DRAWER - OGEE EDGE - 19.7"W X 11.8"D - W/O SLIDES/HARDWARE (OAK)	
19	M05971-JU-J52	EA	DRAWER - OGEE EDGE - 23.6"W X 19.7"D - W/O SLIDES/HARDWARE (MAPLE)	
19	M05971-JU-J22	EA	DRAWER - OGEE EDGE - 23.6"W X 19.7"D - W/O SLIDES/HARDWARE (OAK)	
20	122360-02-000	EA	SLIDE - PANTRY - W/O LOCK - RIGHT/LEFT HAND	
21	122325-01-J60	EA	CABINET - PANTRY/RIGHT HAND SLIDING - W/O SLIDES/HARDWARE (MAPLE)	
21	122325-01-J22	EA	CABINET - PANTRY/RIGHT HAND SLIDING - W/O SLIDES/HARDWARE (OAK)	
22	M05992-Z2-J22	EA	DOOR - STRAIGHT CORNER/OGEE EDGE - 8.5" X 60.7" - W/O HARDWARE (MAPLE)	
22	M05992-Z2-J60	EA	DOOR - STRAIGHT CORNER/OGEE EDGE - 8.5" X 60.7" - W/O HARDWARE (OAK)	
23	122360-03-000	EA	SLIDE - PANTRY - W/LOCK - RIGHT HAND	
	123673-01-01A	EA	KNOB - PANTRY SLIDE	
	090329-01-000	FT	SEAL/T - REFRIGERATOR CABINET	

GALLEY GROUP (CONTINUED)

RANGE, MICROWAVE OVEN & GALLEY HARDWARE

KEY	PART NUMBER	U/M	DESCRIPTION
*	126023-01-01A	EA	RANGE - W/OVEN 22" - 3 BURNER/BLACK GLASS DOOR
*	114030-02-01A	EA	RANGE - 3 BURNER TOP - W/O OVEN - BLACK
*	121569-02-01A	EA	REFRIGERATOR - LARGE DOUBLE DOOR/2-WAY
	122753-02-000	EA	OVEN - MICROWAVE - .9 CU. FT - CONVECTION - SHARP - UL
	122753-04-000	EA	OVEN - MICROWAVE - .9 CU. FT - CONVECTION - SHARP - CSA
	122753-05-000	EA	OVEN - MICROWAVE - 1 CU. FT. 0 NON CONVECTION - SHARP - UL
	102482-09-H56	EA	FRAME - MICROWAVE
	082227-06-000	EA	TRIM - BOTTOM/MICROWAVE - BLACK
	102486-13-01A	EA	TRIM - MICROWAVE - VERTICAL - BLACK
	081587-03-000	EA	BRACKET - TIEDOWN - RANGE - RIGHT
			FROM: 00-00-00 THRU: 10-07-97
	081587-07-000	EA	BRACKET - TIEDOWN - RANGE - RIGHT
			FROM: 10-08-97 THRU: 99-99-99
	081587-04-000	EA	BRACKET - TIEDOWN - RANGE - LEFT
			FROM: 00-00-00 THRU: 10-07-97
	081587-08-000	EA	BRACKET - TIEDOWN - RANGE - RIGHT
			FROM: 10-08-97 THRU: 99-99-99
	094756-03-D18	EA	BRACKET - ANGLE - W/HOLES
	116751-02-01A	EA	TRAY - REFRIGERATOR - BLACK
	054450-01-000	EA	LEVEL - REFRIGERATOR
	065225-02-000	EA	PLATE - TIEDOWN - REFRIGERATOR
	090195-08-000	EA	BAFFLE - REFRIGERATOR - LOWER
	093369-03-000	EA	STRAP - REFRIGERATOR
	093646-01-000	EA	BRACKET - TIEDOWN/REFRIGERATOR - RIGHT HAND
	093646-02-000	EA	BRACKET - TIEDOWN/REFRIGERATOR - LEFT HAND

*COMPONENT PARTS FOUND IN SERVICE PARTS LIBRARY

RANGE HOODS & MONITOR PANEL

KEY	PART NUMBER	U/M	DESCRIPTION
*	100258-18-03A	EA	HOOD - RANGE - W/O MONITOR PANEL - W/HOUR METER/SWITCH - US
*	100258-17-04A	EA	HOOD - RANGE - W/O MONITOR PANEL - W/O HOUR METER/SWITCH - CSA
*	100258-16-04A	EA	HOOD - RANGE - W/O MONITOR PANEL - W/O HOUR METER/SWITCH - US
*	102765-04-01A	EA	PANEL - MONITOR - W/ PLUG - 2 TANKS & WATER HEATER - LVS

*COMPONENT PARTS FOUND IN SERVICE PARTS LIBRARY

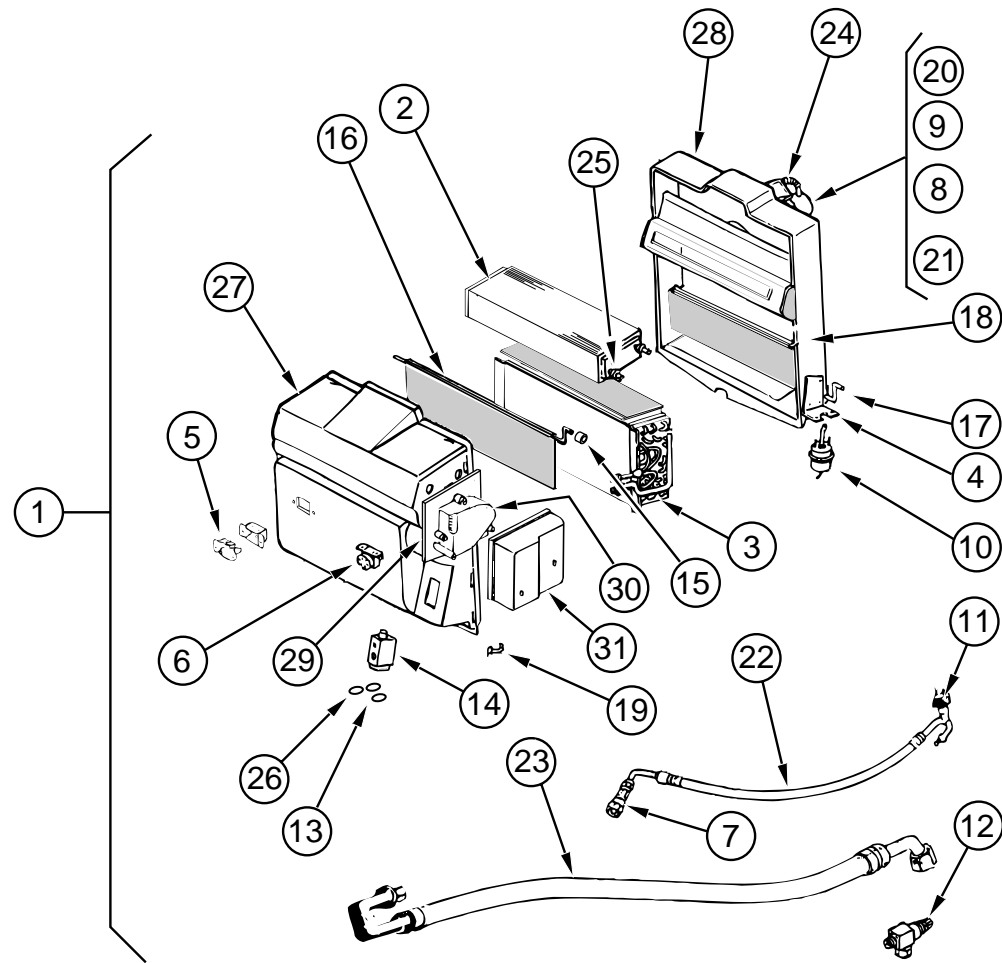
GENERATOR GROUP

ONAN GENERATOR, 4.0 KW MICROLITE

KEY	PART NUMBER	U/M	DESCRIPTION
	109982-03-000	EA	GENERATOR - 4.0 MICROLITE
	007125-04-000	EA	CLAMP - MUFFLER - 1.12" DIAMETER
	105958-09-000	EA	PIPE - GENERATOR EXHAUST - 1.3" OD X 5.9" X 22"

HEATING & AIR CONDITIONING GROUP

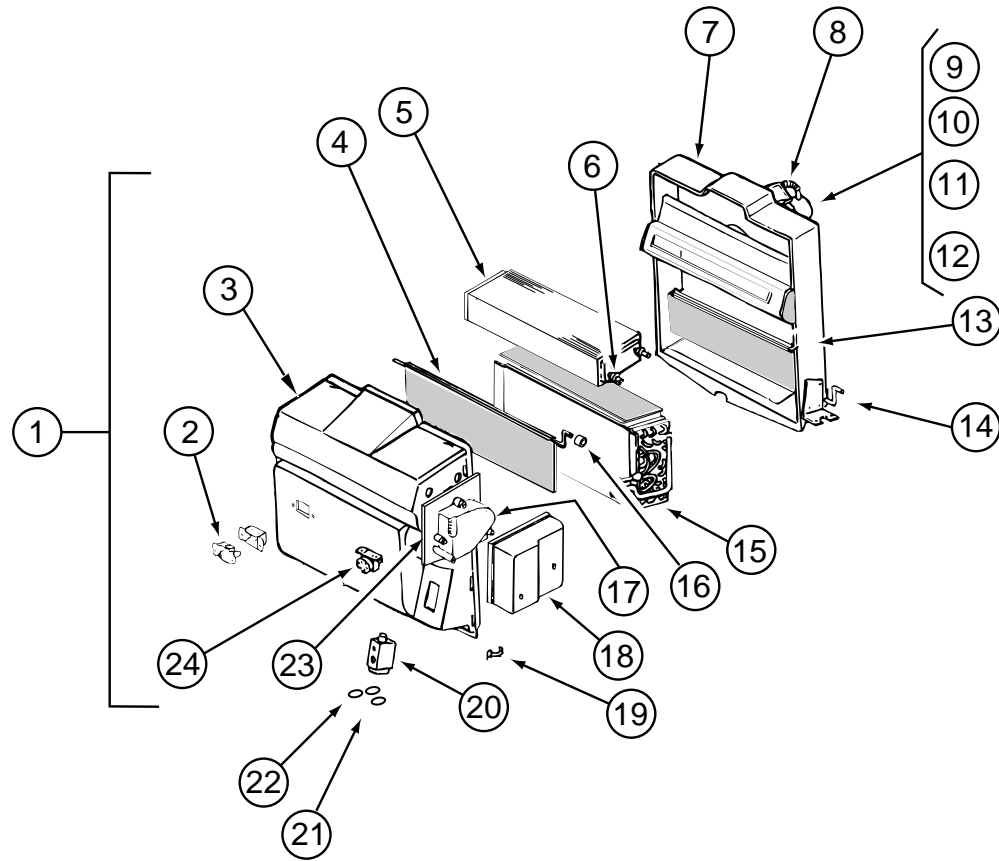
AUTOMOTIVE AIR CONDITIONING (FORD)



KEY	PART NUMBER	U/M DESCRIPTION	VENDOR NO.
1	103930-31-000	EA EVAPORATOR/HEATER - FORD - SERVO MOTOR CONTROLLED	
2	103930-01-703	EA CORE - HEATER	042-0010
3	103930-01-704	EA COIL - EVAPORATOR	041-0017
4	103930-01-708	EA BRACKET - VACUUM MOTOR	070-0113
5	103930-01-710	EA RESISTOR - FUSED - A/C	035-0006
6	103930-01-711	EA THERMOSTAT	033-0003
7	103930-01-713	EA FITTING - QUICK CONNECT - #4	050-0030
8	103930-01-717	EA WHEEL - BLOWER - CLOCKWISE	062-0010
9	103930-30-706	EA MOTOR - BLOWER PM147 W/ADAPTER	030-0109
10	103930-02-708	EA MOTOR - VACUUM SERVO - A/C	030-0025
11	103930-12-708	EA SWITCH - BINARY - HI/LOW CUTOUT	032-0048
12	103930-13-702	EA VALVE - SERVICE - W/O COMP.	050-0152
13	103930-17-702	EA O'RING #10	045-0127
14	103930-20-700	EA VALVE - EXPANSION-BLOCK - 2 TON	034-0032
15	103930-30-702	EA BUSHING - BLEND AIR DOOR	062-0168
16	103930-30-705	EA DOOR - BLEND AIR	071-0568
17	103930-20-704	EA ROD - DOOR - RECIRCULATING	073-0018
18	103930-20-705	EA PANEL - DOOR - RECIRCULATING	071-0213
19	103930-20-706	EA CLIP - RETAINER - CASE ATTACH	022-0057
20	103930-20-707	EA HOUSING - BLOWER	062-0145
21	103930-20-708	EA CLIP - MOTOR SHAFT	022-0001
22	103930-21-700	EA HOSE ASM - #6 EVAPORATOR/DRIER	085-0139
23	103930-21-701	EA HOSE ASM - #10 EVAPORATOR/COMP	085-0149
24	110279-01-703	EA HOSE - VENT F/BLOWER MOTOR	051-0034
25	110279-01-712	EA FITTING - HEATER	050-0076
26	113245-01-707	EA O'RING #8	045-0126
27	103930-30-700	EA CASE - FRONT	062-0542
28	103930-20-711	EA CASE - BACK - SUB-ASSEMBLY	062-0147
29	103930-30-701	EA PLATE - MOTOR MOUNT	062-0544
30	103930-30-703	EA MOTOR - SERVO	030-0104
31	103930-30-704	EA COVER - SERVO	062-0545
	103796-01-01A	EA LOUVER - A/C	
	126692-01-H17	EA PLENUM ASM - A/C	

HEATING & AIR CONDITIONING GROUP (CONTINUED)

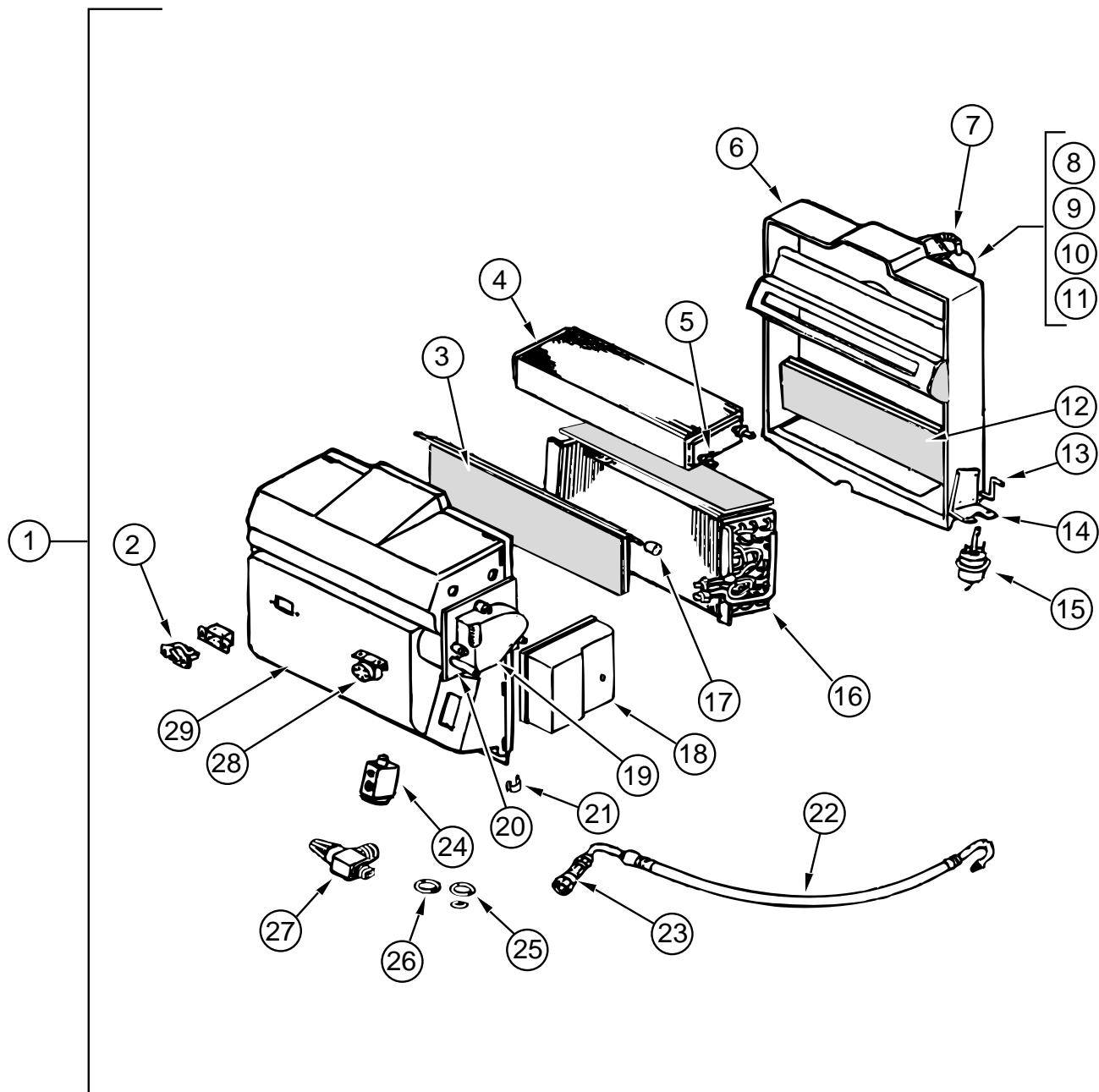
AUTOMOTIVE AIR CONDITIONING (FORD) (NON-CHARGED)



KEY	PART NUMBER	U/M	DESCRIPTION	VENDOR NO.
1	103930-43-000	EA	EVAPORATOR/HEATER ASSEMBLY - NON-CHARGED	
2	103930-01-710	EA	RESISTOR - FUSED - A/C	035-0006
3	103930-30-700	EA	CASE - FRONT	062-0542
4	103930-43-700	EA	DOOR - BLEND AIR	071-0568
5	103930-01-703	EA	CORE - HEATER	042-0010
6	110279-01-712	EA	FITTING - HEATER	050-0076
7	103930-20-711	EA	CASE - BACK - SUB-ASSEMBLY	062-0147
8	110279-01-703	EA	HOSE - VENT F/BLOWER MOTOR	051-0034
9	103930-20-707	EA	HOUSING - BLOWER	062-0145
10	103930-30-706	EA	MOTOR - BLOWER PM147 W/ADAPTER	030-0109
11	103930-01-717	EA	WHEEL - BLOWER - CLOCKWISE	062-0010
12	103930-20-708	EA	CLIP - MOTOR SHAFT	022-0001
13	103930-20-705	EA	PANEL - DOOR - RECIRCULATING	071-0213
14	103930-20-704	EA	ROD - DOOR - RECIRCULATING	073-0018
15	103930-01-704	EA	COIL - EVAPORATOR	041-0017
16	103930-30-702	EA	BUSHING - BLEND AIR DOOR	062-0168
17	103930-30-703	EA	MOTOR - SERVO	030-0104
18	103930-30-704	EA	COVER - SERVO	062-0545
19	103930-20-706	EA	CLIP - RETAINER - CASE ATTACH	022-0057
20	103930-20-700	EA	VALVE - EXPANSION-BLOCK - 2 TON	034-0032
21	103930-17-702	EA	O'RING #10	045-0127
22	103930-01-707	EA	O'RING #8	045-0126
23	103930-30-701	EA	PLATE - MOTOR MOUNT	062-0544
24	103930-01-711	EA	THERMOSTAT	033-0003
	103930-30-707	EA	DIVIDER ASM.	086-0061
	103930-23-000	EA	VALVE - WATER - 2 PORT	
	103930-44-000	EA	HOSE - EVAPORATOR/DRYER - #6	
	103930-45-000	EA	HOSE - EVAPORATOR/COMPRESSOR - FORD	
	103930-29-000	EA	HOSE KIT - #10 F/GM L-29 & L-65 CHASSIS	
	103930-29-000	EA	HOSE KIT - #10 F/GM L-29 & L-65 CHASSIS	
	103930-29-701	EA	O'RING F/LOW PRESSURE SWITCH 045-0483	
	007076-01-000	EA	HOSE - FLEXIBLE PVC - 2" ID - INCREMENTS OF 50'	
	007108-01-000	FT	HOSE - HEATER - 5/8" ID - HI-TEMP - FORD	
	007281-01-000	EA	HOSE - FLEXIBLE PVC - 2.5" ID X 50'	
	024990-05-000	EA	OUTLET - DEFROSTER - 4" DIAMETER W/SWIVEL DEFLECTORS	
	056402-05-000	EA	BRACKET - HEATER VENT - ROUND W/BEND - BLACK	
	077075-01-000	EA	GASKET - INSTRUMENT PANEL TO DEFROSTER PLENUM - .6"X10.2"	
	103016-01-000	EA	PLENUM - TRANSITION	
	103017-03-000	EA	PLENUM - DEFROSTER	
	103558-01-11A	EA	VENT - DEFROSTER - 2" X 14.4" X 1.4" - TITANIUM	
	103796-01-01A	EA	LOUVER - A/C	

HEATING & AIR CONDITIONING GROUP (CONTINUED)

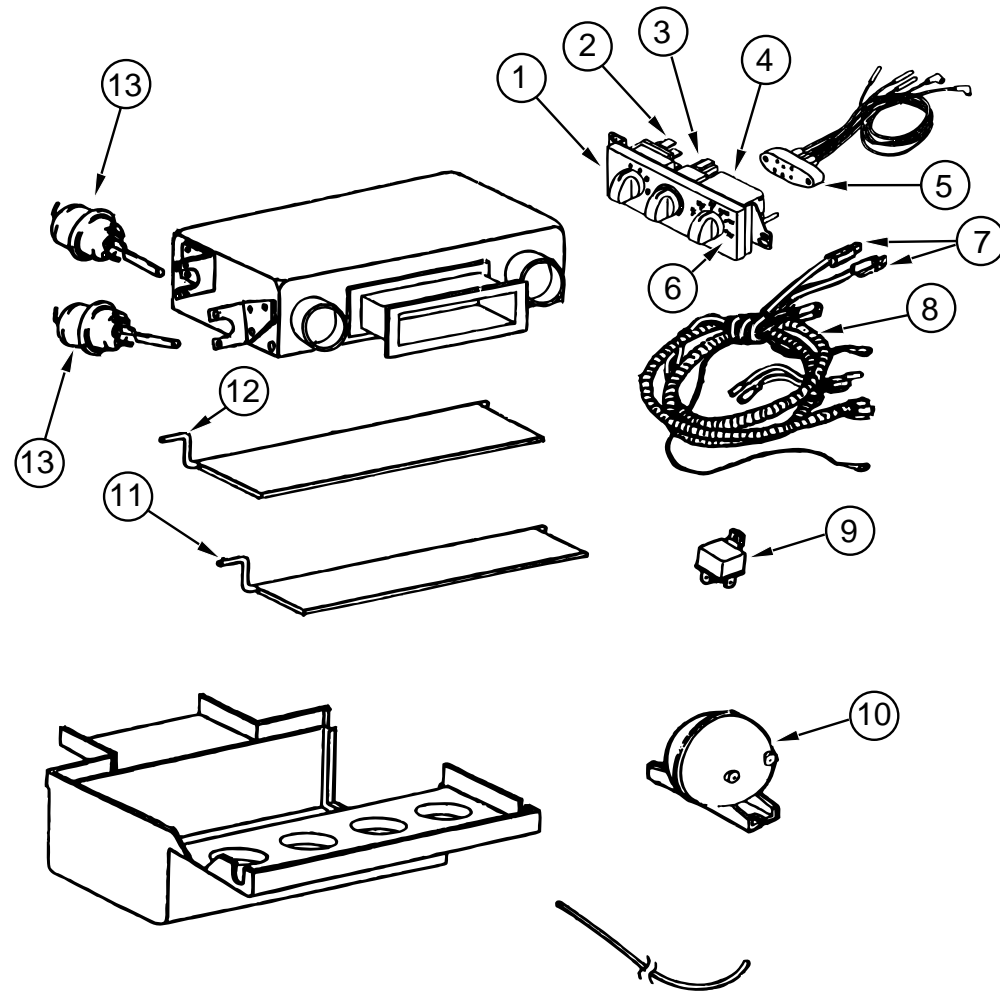
SCS EVAPORATOR/ HEATER - CHEVY



KEY	PART NUMBER	U/M	DESCRIPTION	VENDOR NO.
1	103930-30-000	EA	EVAPORATOR/HEATER - CHEVY - SERVO MOTOR CONTROLLED	
2	103930-01-710	EA	RESISTOR - FUSED - A/C	035-0006
3	103930-30-705	EA	DOOR - BLEND AIR	071-0568
4	103930-01-703	EA	CORE - HEATER	042-0010
5	110279-01-712	EA	FITTING - HEATER	050-0076
6	103930-20-711	EA	CASE - BACK - SUB-ASSEMBLY	062-0147
7	110279-01-703	EA	HOSE - VENT - BLOWER MOTOR	051-0034
8	103930-20-707	EA	HOUSING - BLOWER	062-0145
9	103930-30-706	EA	MOTOR - BLOWER - (PM147)	030-0109
10	103930-01-717	EA	WHEEL - BLOWER - CLOCKWISE	062-0010
11	103930-20-708	EA	CLIP - MOTOR SHAFT	022-0001
12	103930-20-705	EA	PANEL - DOOR - RECIRCULATING	071-0213
13	103930-20-704	EA	ROD - DOOR-RECIRCULATING	073-0018
14	103930-01-708	EA	BRACKET - VACUUM MOTOR	070-0113
15	103930-02-708	EA	MOTOR - VACUUM SERVO - A/C	030-0025
16	103930-01-704	EA	COIL - EVAPORATOR	041-0017
17	103930-30-702	EA	BUSHING - BLEND AIR DOOR	062-0168
18	103930-30-704	EA	COVER - SERVO	062-0545
19	103930-30-703	EA	MOTOR - SERVO	030-0104
20	103930-30-701	EA	PLATE - MOTOR MOUNT	062-0544
21	103930-20-706	EA	CLIP-RETAINER - CASE ATTACH	022-0057
22	103930-25-700	EA	HOSE ASM. - #6 EVAP TO DRIER	085-0350
23	103930-12-709	EA	FITTING - QUICK CONNECT	050-0120
24	103930-20-700	EA	VALVE - EXPANSION-BLOCK - 2 TON	034-0032
25	103930-17-702	EA	O'RING #10	045-0127
26	113245-01-707	EA	O'RING #8	045-0126
27	103930-20-709	EA	VALVE - SERVICE	050-0159
28	103930-01-711	EA	THERMOSTAT	033-0003
29	103930-30-700	EA	CASE - FRONT	062-0542
	103796-01-01A	EA	LOUVER - A/C	
	126692-01-H17	EA	PLENUM ASM - A/C	

HEATING & AIR CONDITIONING GROUP (CONTINUED)

SCS CONTROL/ PLENUM



KEY	PART NUMBER	U/M DESCRIPTION	VENDOR NO.
	103930-40-000	EA CONTROL/PLENUM - ROTARY CONTROL HEAD	
1	103930-33-702	EA CONTROL PANEL	083-0169
2	103930-33-707	EA SWITCH - BLOWER	032-0186
3	103930-33-708	EA SWITCH - POTENTIOMETER	032-0184
4	103930-33-709	EA SWITCH - VACUUM	032-0183
5	103930-33-703	EA VACUUM HARNESS	036-0465
6	103930-33-710	EA DECAL F/CONTROL HEAD	058-0102
7	103930-33-705	EA LIGHT BULBS	035-0030
8	103930-33-711	EA WIRE HARNESS MAIN	036-0466
9	103930-02-707	EA RELAY-BOSCH W/RESISTER	031-0001
10	103930-02-710	EA CANISTER-VACUUM	054-0002
11	103930-39-700	EA ROD - DOOR - AC/HEAT	073-067
12	103930-39-701	EA ROD - DOOR AC/DEFROST	073-0069
13	103930-02-708	EA MOTOR - VACUUM SERVO, A/C	030-0025
	103930-33-701	EA MOTOR - VACUUM, 3 STAGE	030-0105
	103930-39-702	EA KNOB - BLOWER	062-0539
	103930-39-703	EA KNOB - TEMPERATURE	062-0540
	103930-39-704	EA SPRING	022-0119

HEATING & AIR CONDITIONING GROUP (CONTINUED)

FURNACE

KEY	PART NUMBER	U/M	DESCRIPTION
*	098668-21-000	EA	FURNACE - 35000 BTU
	009200-01-000	EA	TAPE - FURNACE - 1 1/2"
	092777-01-000	EA	ADAPTER - DUCT - 4"
	089367-02-000	EA	TEE - 4" X 2" X 4"
	093614-04-02A	EA	GRILLE - RETURN AIR - 15.9" X 9.9"
	056464-09-000	EA	REGISTER - 4" DIAMETER - PLASTIC - W/DAMPER - BEIGE
	094600-05-01A	EA	REGISTER - HEAT - W/O DAMPER - 11.3" - BEIGE
	098668-14-000	EA	GASKET - FIBERGLASS - .5" X 18" X 18"
	115764-01-01A	EA	THERMOSTAT - FURNACE

* COMPONENT PARTS FOUND IN SERVICE PARTS LIBRARY

AUTOMOTIVE REAR HEATER SYSTEM

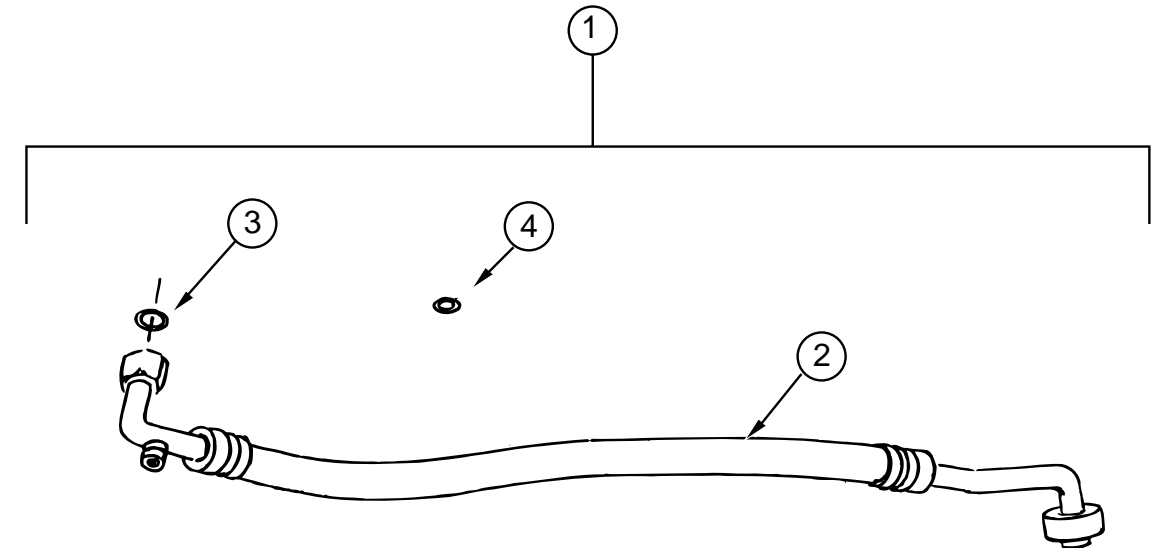
KEY	PART NUMBER	U/M	DESCRIPTION	VENDOR NO.
	084405-01-000	EA	HEATER - REAR/DUCTED - W/MOTOR AID	
	084405-01-700	EA	CORE-HEATER	FT200229
	084405-01-701	EA	FAN BLADES	HV029931
	084405-01-702	EA	MOTOR ASSEMBLY, 12 VOLT	RV010348
	061673-01-000	EA	BRACKET - MOTOR AID TUBES - 4" X 1.5" - STEEL	
	009198-01-000	FT	DUCT - HEAT - FLEXIBLE - 4" ID X 25'	
	069636-02-000	EA	CONNECTOR - DUCT - 4" ID	
	079059-03-000	EA	HOSE - 90 DEGREE - .61" ID X 4" X 18"	
	079059-01-000	EA	HOSE - 90 DEGREE - 5/8" ID X 4" X 36"	
	056464-10-000	EA	REGISTER - 4" DIAMETER - PLASTIC - W/O DAMPER - BEIGE	
	007108-01-000	FT	HOSE - HEATER - 5/8" ID - HI-TEMP - FORD	
	076776-01-000	EA	TEE - BEADED - 5/8" X 5/8" X 5/8"	

A/C - ROOF & CEILING ASSEMBLY

KEY	PART NUMBER	U/M	DESCRIPTION
*	108889-02-03A	EA	AIR CONDITIONER - 13,500 BTU/220 VOLT - BRIGHT WHITE - EXP FROM: 00-00-00 THRU: 08-02-98
*	131185-02-01A	EA	A/C-ROOF - 13,500 BTU - 220 VOLT - WHITE FROM: 08-03-98 THRU: 99-99-99
*	131188-01-01A	EA	A/C - ROOF - 14,800 MACH 15 - WHITE
*	131184-01-01A	EA	CEILING ASSEMBLY - A/C DUCTED - WHITE
	131184-02-01A	EA	BOARD - DIVIDER - SILVER
	102289-01-000	EA	SPRING - SCREW - ROOF A/C GASKET
	117238-01-01A	EA	THERMOSTAT - A/C - FURNACE
	120134-01-02A	EA	REGISTER - 4" TO 5" IN DIAMETER W/DAMPER
	121365-02-01A	EA	COVER - A/C SWITCH - SINGLE

*COMPONENT PARTS FOUND IN SERVICE PARTS LIBRARY

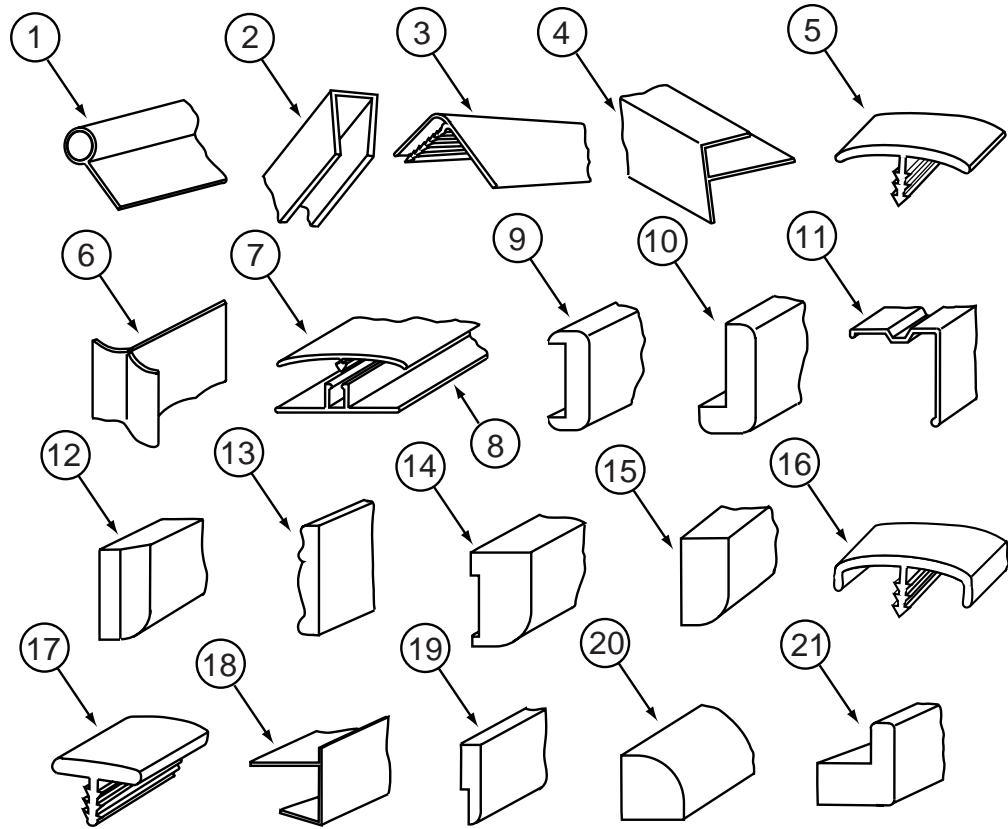
HEATING & AIR CONDITIONING GROUP (CONTINUED)



CHEVY HOSE KIT - VORTEC GAS OR DIESEL OPTION

KEY	PART NUMBER	U/M	DESCRIPTION	VENDOR NO.
1	103930-29-000	EA	HOSE KIT - #10 W/GM L-29 & L-65 CHASSIS	
2	103930-29-700	EA	HOSE ASSM #10W/HARRISON COMP	085-0348
3	103930-17-702	EA	O'RING #10	045-0127
4	103930-29-701	EA	GASKET-GMLP SW 1996	045-0483

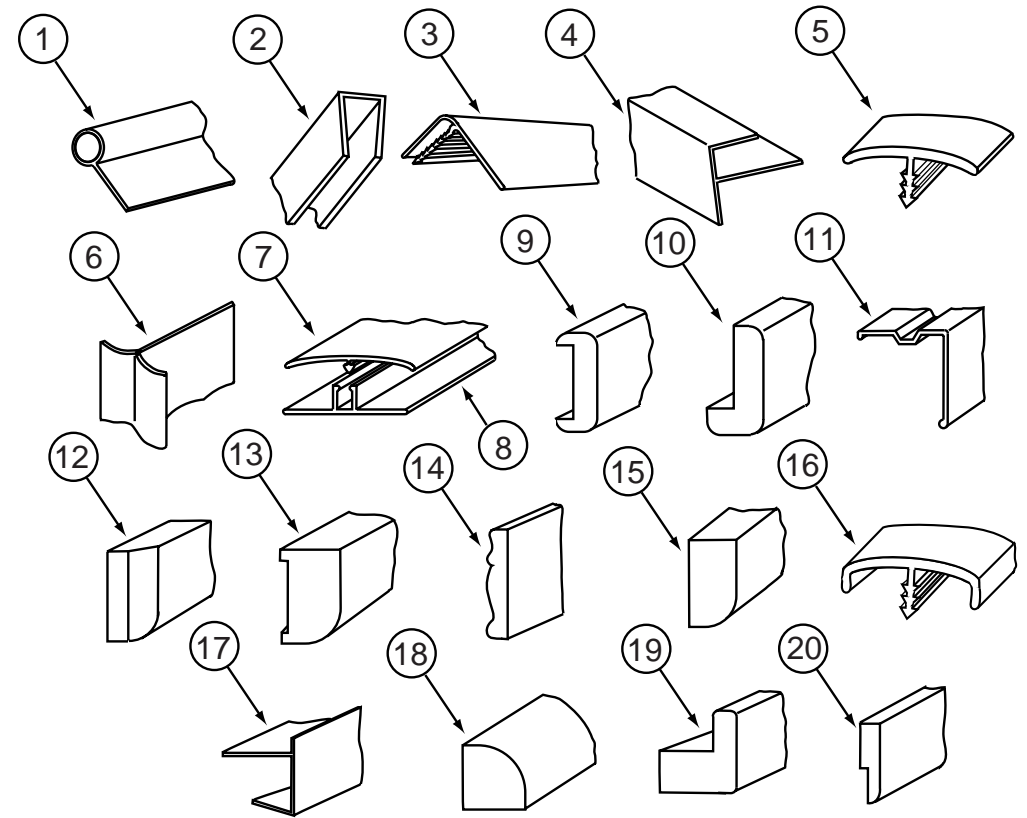
INTERIOR FINISH GROUP



INTERIOR TRIM & MOLDINGS (OAK)

KEY	PART NUMBER	U/M	DESCRIPTION
1	009767-12-000	FT	WELTING - SIDEWALL/CEILING/CABINET - OFF/WHT
2	009778-21-000	FT	U-CHANNEL - 1" - WATERFORD OAK
2	070504-36-000	FT	U-CHANNEL - PLASTIC - .13" X 72" - WATERFORD OAK
2	070504-37-000	FT	U-CHANNEL - PLASTIC - .87" X 84" - WATERFORD OAK
3	009809-23-000	EA	MOLDING - CORNER - OUTSIDE - 1" X 84" - MODERN IVORY
3	009809-28-000	EA	MOLDING - CORNER - OUTSIDE - 1" X 84" - WATERFORD OAK
4	009812-29-000	EA	MOLDING - PLASTIC - 1/2" O/S CORNER - WATERFORD OAK
5	105709-01-000	FT	MOLDING-T - 1" - MODERN IVORY
6	022992-11-000	FT	MOLDING - REVERSE COVE - T-SHAPED VINYL - IVORY
7	086229-13-000	EA	BATTEN - 1" X 96" - IVORY
7	086229-20-000	EA	BATTEN - 1" X 96" - BEIGE
8	086229-01-000	EA	RETAINER - BATTEN - .75" WIDE - 7.6'
9	078323-06-G15	EA	MOLDING - CAP - WALL - 78"
10	077840-01-G01	EA	MOLDING - CAP/WALL - 8' WATERFORD OAK
11	093873-01-01A	EA	TRIM - CARPET - L-ANGLE 1.1" X 1.3" X 12' - GRAY VINYL
12	100659-01-E01	EA	MOLDING/TRIM - VINYL FLOOR
13	100182-10-G29	EA	TRIM - RAIL/CHAIR - 8'
14	117268-D2-134	EA	MOLDING - VINYL WRAPPED - .7" X 1.6" X 84" - WATERFORD OAK
14	117268-F2-438	EA	MOLDING - VINYL WRAPPED - .7" X 2.6" X 96" - WATERFORD OAK
14	117268-F2-134	EA	MOLDING - VINYL WRAPPED - .7" X 2.7" X 84" - WATERFORD OAK
15	100818-01-05A	EA	MOLDING - VINYL WRAPPED - 1.65" X .4" X 84"-WATERFORD OAK
16	083620-07-000	FT	MOLDING-T - END CAP EDGE - W/EDGE LIPS - .75" - THOR PECAN
16	083620-12-000	FT	MOLDING-T - END CAP EDGE - W/EDGE LIP - .75"-WATERFORD OAK
16	104676-02-04A	FT	MOLDING-T - 1/2" - WATERFORD OAK
17	104676-01-01A	FT	MOLDING-T - 5/16" RIGID GOLD
18	103186-01-05A	FT	MOLDING - PLASTIC - 3/8" U-CHANNEL 3/4" FACE-WATERFORD OAK
18	103186-02-05A	FT	MOLDING - PLASTIC/1" U-CHANNEL W/1 3/8" FACE-WATERFORD OAK
19	105004-01-04A	EA	MOLDING - VINYL WRAPPED - 1" X 96" - PICKLED ASH
20	109410-01-G15	EA	MOLDING - TRIM - 8' - ASH/WATERFORD OAK STAIN
21	100819-01-05A	EA	MOLDING - VINYL WRAPPED - L-SHAPED - 1.5" X 1.5" X 84"
	076325-46-000	FT	MOLDING - EDGE BAND - 1 5/16" X .001" - CLOUD
	076325-67-000	FT	MOLDING - EDGE BAND - .93" X .024" - WATERFORD OAK
	076325-73-000	FT	MOLDING - EDGE BAND - .93" X .024"

INTERIOR FINISH GROUP (CONTINUED)

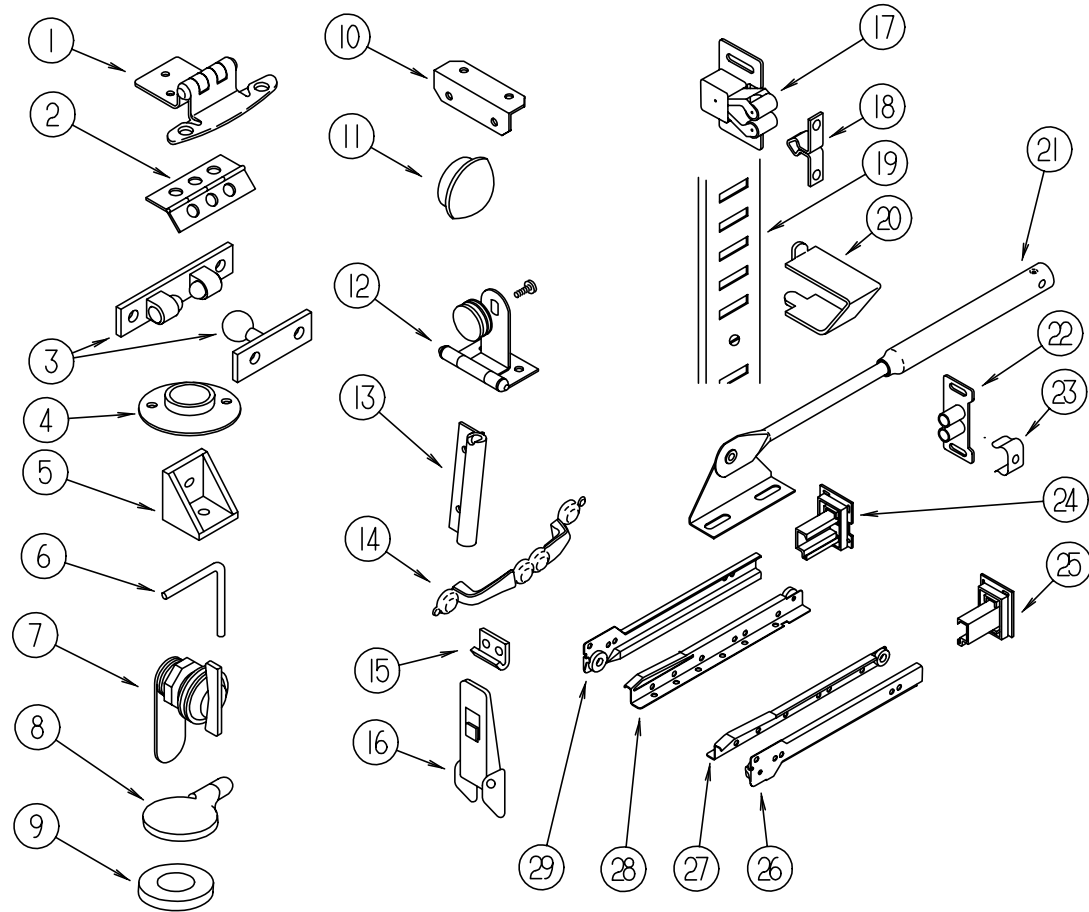


INTERIOR TRIM & MOLDINGS (MAPLE)

KEY	PART NUMBER	U/M	DESCRIPTION
1	009767-12-000	FT	WELTING - SIDEWALL/CEILING/CABINET - OFF/WHT
2	009778-27-000	FT	U-CHANNEL - 1" - WASHED MAPLE
2	070504-50-000	FT	U-CHANNEL - PLASTIC - .13" X 84" - WASHED MAPLE
2	070504-51-000	FT	U-CHANNEL - PLASTIC - .9" X 84" - WASHED MAPLE
3	009809-23-000	EA	MOLDING - CORNER - OUTSIDE - 1" X 84" - MODERN IVORY
3	009809-31-000	EA	MOLDING - CORNER - OUTSIDE - 1" X 84" - WASHED MAPLE
4	009812-33-000	EA	MOLDING - CORNER - 1/2" W/1/4" CHAN X 84" - WASHED MAPLE
5	105709-01-000	FT	MOLDING-T - 1" - MODERN IVORY
6	022992-11-000	FT	MOLDING - REVERSE COVE - T-SHAPED VINYL - IVORY
7	086229-13-000	EA	BATTEN - 1" X 96" - IVORY
7	086229-20-000	EA	BATTEN - 1" X 96" - BEIGE
8	086229-01-000	EA	RETAINER - BATTEN - .75" WIDE - 7.6'
9	078323-06-J52	EA	MOLDING - CAP/WALL - 6.6'
10	077840-01-J70	EA	MOLDING - CAP/WALL - 8' WASHED MAPLE
11	093873-01-01A	EA	TRIM - CARPET - L-ANGLE 1.1" X 1.3" X 12' - GRAY VINYL
12	100659-01-E01	EA	MOLDING/TRIM - VINYL FLOOR
13	126204-D2-134	EA	MOLDING - VINYL WRAPPED - .7" X 1.6" X 84" - WASHED MAPLE
13	126204-F2-134	EA	MOLDING-018X065X2134 MM VNYL - WRAPPED-WASHED MAPL
14	100182-10-J70	EA	TRIM - RAIL
15	100818-01-08A	EA	MOLDING - VINYL WRAP - 1.65" X .4" X 7' - WASHED MAPLE
16	083620-19-000	FT	MOLDING-T - END CAP EDGE - W/EDGE LIPS - .75"-WASHED MAPLE
16	104676-01-01A	FT	MOLDING-T - 5/16" RIGID GOLD
16	104676-02-06A	FT	MOLDING-T - 1/2" - WASHED MAPLE
17	103186-01-08A	FT	MOLDING - PLASTIC/3/8" U-CHANNEL W/3/4" FACE -WASHED MAPLE
17	103186-02-08A	FT	MOLDING - PLASTIC/1" U-CHANNEL W/1 3/8" FACE - WASHED MAPLE
18	109410-01-J70	EA	MOLDING - TRIM - 8' - WHITE MAPLE/WASHED MAPLE STAIN
19	100819-01-08A	EA	MOLDING - VINYL WRAP - L-SHAPED - 1.5" X 1.5" X 7'-MAPLE
20	105004-01-08A	EA	MOLDING - VINYL WRAPPED - 1" X 96" - WASHED MAPLE
	076325-46-000	FT	MOLDING - EDGE BAND - 1 5/16" X .030" - CLOUD
	076325-73-000	FT	MOLDING - EDGE BAND - .93" X .024" - OFF WHITE
	076325-75-000	FT	MOLDING - EDGE BAND - .93" X .024" - WASHED MAPLE

INTERIOR FINISH GROUP (CONTINUED)

CABINET HARDWARE



KEY	PART NUMBER	U/M DESCRIPTION
1	108138-01-000	EA HINGE - CABINET DOOR - BURNISHED BRASS
2	009059-01-000	EA HINGE - DOOR - 2" X 1.4" - BRASS
2	009059-02-000	EA HINGE - DOOR - 2" X 2.7" - BRASS
3	084451-02-000	EA CATCH - BRASS
4	009112-01-000	EA FLANGE - PLASTIC - 1" CLOTHES ROD - OFF WHITE
5	065740-01-000	EA BRACE - CABINET/CORNER - PLASTIC
6	108487-02-01A	EA SUPPORT - PROP ROD/OVERHEAD - BLACK
	039984-01-000	EA CAP - ROUND - VINYL - .28" ID X .62" - BLACK (PROP ROD)
7	100710-01-01A	EA LOCK - GLASS DOOR/TWIST TYPE - BRASS
8	101766-01-000	EA PIN - SUPPORT/GLASS DOOR
9	100707-01-000	EA SPACER - GLASS DOOR - .8" DIA - .3" HOLE - PLASTIC
10	016604-01-000	EA BRACE - CABINET - ANGLE - 2.5" - UNPAINTED METAL
10	016604-05-000	EA BRACE - CABINET - ANGLE - 2.5" - OFF WHITE METAL
11	074045-01-000	EA PLUG - OAK - 1/2" DIAMETER
12	100711-01-01A	EA HINGE - GLASS DOOR
13	108486-01-01A	EA BRACKET - PROP ROD/OVERHEAD - BLACK
14	121890-01-01A	EA PULL - CABINET - BRASS

KEY	PART NUMBER	U/M DESCRIPTION
15	042541-05-000	EA STRIKE - BRASS - W/O LATCH
16	116975-01-01A	EA LATCH - W/O STRIKE - BLACK - NEW STYLE
17	093586-06-000	EA CATCH - SPRING - ROLLER
18	093586-05-000	EA STRIKE - SPRING STEEL
19	098980-01-000	EA PILASTER - ADJUSTABLE SHELF - 18"
19	098980-02-000	EA PILASTER - ADJUSTABLE SHELF - 12"
19	098980-03-000	EA PILASTER - ADJUSTABLE SHELF - 9"
20	098979-01-000	EA CLIP - ADJUSTABLE SHELF
21	074493-02-000	EA SUPPORT - PISTON SPRING - CABINET DOOR
22	009021-01-000	EA CATCH - GRILLE - NYLON
23	009021-02-000	EA STRIKE - SPRING STEEL
	023320-01-000	EA PAD - FELT 3/8" DIAMETER
	041389-18-000	EA HINGE - PIANO - 1.50" X 19" - OFF WHITE
	041389-25-000	EA HINGE - PIANO - 1.50" X 55"
	042438-01-000	EA DOWEL - WOOD - CLOTHES ROD - 1" DIAMETER X 4'
	042438-06-000	EA DOWEL - WOOD - 1.5" X 26" - OAK
	101272-01-000	EA CATCH - GLASS DOOR
	102194-01-000	EA GUIDE - PLASTIC
	004354-01-000	EA BUMPER - RUBBER - .5" DIA - BROWN

CABINET DOOR SLIDES & BACK SOCKETS (FROM: 00-00-00 THRU: 02-22-98)

KEY	PART NUMBER	U/M DESCRIPTION
24	114045-01-000	EA BACKSOCKET - ADJUSTABLE LEFT
25	114045-02-000	EA BACKSOCKET - ADJUSTABLE RIGHT
26	114031-02-000	EA SLIDE - 12" - RIGHT SIDE/CABINET
26	114031-14-000	EA SLIDE - 18" - RIGHT SIDE/CABINET
26	114031-22-000	EA SLIDE - 22" - RIGHT SIDE/CABINET
27	114031-04-000	EA SLIDE - 12" - RIGHT SIDE/DRAWER
27	114031-16-000	EA SLIDE - 18" - RIGHT SIDE/DRAWER
27	114031-24-000	EA SLIDE - 22" - RIGHT SIDE/DRAWER
28	114031-03-000	EA SLIDE - 12" - LEFT SIDE/DRAWER
28	114031-15-000	EA SLIDE - 18" - LEFT SIDE/DRAWER
28	114031-23-000	EA SLIDE - 22" - LEFT SIDE/DRAWER
29	114031-01-000	EA SLIDE - 12" - LEFT SIDE/CABINET
29	114031-13-000	EA SLIDE - 18" - LEFT SIDE/CABINET
29	114031-21-000	EA SLIDE - 22" - LEFT SIDE/CABINET

CABINET DOOR SLIDES & BACK SOCKETS (FROM: 02-23-98 THRU: 99-99-99)

KEY	PART NUMBER	U/M DESCRIPTION
24	128811-01-01A	EA BACKSOCKET - ADJUSTABLE - LEFT
25	128811-02-01A	EA BACKSOCKET - ADJUSTABLE - RIGHT
26	128810-02-01A	EA SLIDE - DRAWER - 12" - RIGHT CABINET
26	128810-14-01A	EA SLIDE - DRAWER - 18" - RIGHT CABINET
26	128810-22-01A	EA SLIDE - DRAWER - 22" - RIGHT CABINET
27	128810-04-01A	EA SLIDE - DRAWER - 12" - RIGHT DRAWER
27	128810-16-01A	EA SLIDE - DRAWER - 18" - RIGHT DRAWER
27	128810-24-01A	EA SLIDE - DRAWER - 22" - RIGHT DRAWER
28	128810-03-01A	EA SLIDE - DRAWER - 12" - LEFT DRAWER
28	128810-15-01A	EA SLIDE - DRAWER - 18" - LEFT DRAWER
28	128810-23-01A	EA SLIDE - DRAWER - 22" - LEFT DRAWER
29	128810-01-01A	EA SLIDE - DRAWER - 12" - LEFT CABINET
29	128810-13-01A	EA SLIDE - DRAWER - 18" - LEFT CABINET
29	128810-21-01A	EA SLIDE - DRAWER - 22" - LEFT CABINET

INTERIOR FINISH GROUP (CONTINUED)

PANELING & PLASTIC LAMINATE

KEY	PART NUMBER	U/M	DESCRIPTION
	000846-01-000	SF	PLYWOOD - 5/16" X 48" X 96" - CD GRADE
	000846-02-000	SF	PLYWOOD/UNDERLAYMENT - 5/16" X 48" X 96"
	000885-89-000	SF	PARTICLE BOARD - 3/8" X 48" X 96" - WASHED MAPLE - 2-SIDED
	000885-90-000	SF	PARTICLE BOARD - 1/2" X 48" X 96" - WASHED MAPLE - 2-SIDED
	000885-91-000	SF	PARTICLE BOARD - 3/4" X 48" X 96" - WASHED MAPLE - 2-SIDED
	000885-76-000	SF	PARTICLE BOARD - 3/8" X 48" X 96" - WATERFORD OAK/VINYL 1 SIDE
	000885-77-000	SF	PARTICLE BOARD - 3/8" X 48" X 96" - WATERFORD OAK/VINYL 2 SIDE
	000885-78-000	SF	PARTICLE BOARD - 1/2" X 48" X 96" - WATERFORD OAK/VINYL 2 SIDE
	000885-79-000	SF	PARTICLE BOARD - 3/4" X 48" X 96" - WATERFORD OAK/VINYL 2 SIDE
	074497-28-000	SF	PANELING - WATERFORD OAK - 48" X 96"
	074497-39-000	SF	PANELING - WASHED MAPLE - 4' X 8'
	074498-62-000	SF	LAMINATE - PLASTIC - GREY FINESSE - 5' X 8' - INC OF 40SF (J52, J53)
	074498-71-000	SF	LAMINATE - PLASTIC - NEUTRAL SANTOS - 5' X 8' - INC OF 40SF (J54, J55)
	074498-72-000	SF	LAMINATE - PLASTIC - PEBBLE SANTOS - 5' X 8' - INC OF 40SF (J56, J57)
	074498-40-000	SF	LAMINATE - PLASTIC - OFF WHITE - 5' X 8' - INC OF 40 SF (EXTERIOR ENTRTNT.)
	074498-77-000	SF	LAMINATE - PLASTIC - ART CABIN - 4' X 8' - INC OF 32 SF
	074498-82-000	SF	LAMINATE - PLASTIC - WASHED MAPLE - 5' X 8' - INC OF 40 SF
	080215-13-000	SF	PANELING - 2 SIDED - WASHED MAPLE - .2" X 4' X 8'
	080215-10-000	SF	PANELING - 2 SIDED - WATERFORD - .2" X 4' X 8'
	088272-G1-000	SF	PANELING - PEBBLE EMBOSSED - ANTIQUE WHITE - 4' X 7' (WET BATH)
	088272-G2-000	SF	PANELING - LA JOLLA/SEAMIST - 4' X 8' (J52, J53)
	088272-H4-000	SF	PANELING - TRAVIS - 4' X 7'(28 SQ.FT.) (J54, J55)
	088272-G5-000	SF	PANELING - GAZEBO STRIPE/SAG - 4' X 8' (J56, J57)
	117267-D2-438	EA	LUMBER - VINYL WRAPPED - .7" X 1.5" X 96" - WATERFORD OAK
	117267-E2-438	EA	LUMBER - VINYL WRAPPED - .7" X 2" X 96" - WATERFORD OAK
	117267-F2-438	EA	LUMBER - VINYL WRAPPED - .7" X 2.5" X 96" - WATERFORD OAK
	117267-J2-438	EA	LUMBER - VINYL WRAPPED - .7" X 5.5" X 96" - WATERFORD OAK
	117267-R2-438	EA	LUMBER - VINYL WRAPPED - .7" X 3" X 96" - WATERFORD OAK
	126205-E2-438	EA	LUMBER - VINYL WRAPPED - .7" X 2" X 96" - WASHED MAPLE
	126205-G2-438	EA	LUMBER - VINYL WRAPPED - .7" X 3" X 96" - WASHED MAPLE
	126205-D2-438	EA	LUMBER - VINYL WRAPPED - .7" X 1.5" X 96" - WASHED MAPLE
	126205-J2-438	EA	LUMBER - VINYL WRAPPED - .7" X 5.5" X 96" - WASHED MAPLE
	126339-01-000	SF	BOARD - WHEAT - 60" X 72"

FIRE EXTINGUISHER, DETECTORS & WALL CLOCK

KEY	PART NUMBER	U/M	DESCRIPTION	VENDOR NO.
	072852-02-000	EA	DETECTOR - SMOKE - W/9 VOLT BATTERY - CANADIAN	
	094499-02-000	EA	EXTINGUISHER/FIRE - DRY - 1A10BC - CANADIAN	
	094499-01-700	EA	BRACKET MTG. W/PLAS. STRAP	294039
	072852-01-000	EA	DETECTOR - SMOKE - W/9 VOLT BATTERY - US	
	094499-01-000	EA	EXTINGUISHER/FIRE - DRY W/MOUNTING BRACKET	
			FROM: 00-00-00 THRU: 02-24-98	
	094499-01-700	EA	BRACKET MTG. W/PLAS. STRAP	294039
	094499-01-701	EA	STRAP ONLY (METAL)	320351
	094499-03-000	EA	EXTENGUISHER/FIRE - DRY - 10B:C	
			FROM: 02-25-98 THRU: 99-99-99	
	094499-04-000	EA	BRACKET - FIRE EXTINGUISHER	
			FROM: 02-25-98 THRU: 99-99-99	
	118081-02-01A	EA	CLOCK - WALL - ROUND 8" - BRASS	
	125136-01-000	EA	CO DETECTOR - GAS - ROUND W/2 SCREWS - 9 VOLT	

INTERIOR FINISH GROUP (CONTINUED)

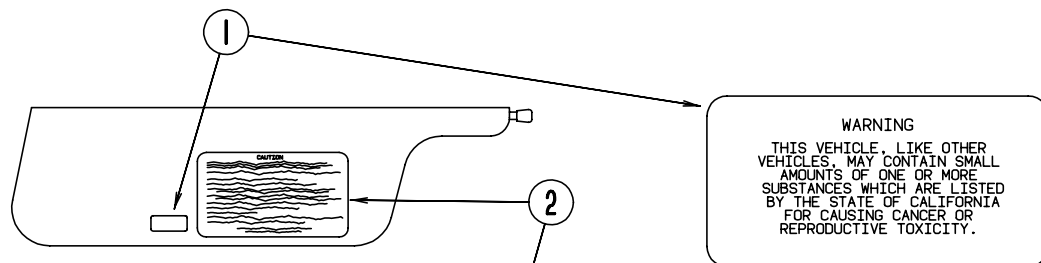
BATT STRIPS & BATT TAPE

KEY	PART NUMBER	U/M	DESCRIPTION
	088263-E4-000	EA	BATT STRIP - DECORATIVE - LAJOLLA/SEAMIST - INC OF 8' (J52, J53)
	088263-F4-000	EA	BATT STRIP - DECORATIVE - TRAVIS MERCURY - 8' LENGTHS (J54, J55)
	088263-E7-000	EA	BATT STRIP - DECORATIVE - GAZEBO STRIPE/SAG - 8' LENGTHS (J56, J57)
	069733-86-000	EA	BATT STRIP - WOODGRAINED/WASHED MAPLE - 8'
	069733-83-000	EA	BATT STRIP - WOODGRAINED/WATERFORD OAK - 8'
	085284-D7-000	FT	BATT TAPE - ADHESIVE BACKED - DECORATIVE -LA JOLLA/SEAMIST (J52, J53)
	085284-E9-000	FT	BATT TAPE - ADHESIVE BACKED - DECORATIVE/TRAVIS MERCURY (J54, J55)
	085284-E1-000	FT	BATT TAPE - ADHESIVE BACKED - DECORATIVE/GAZEBO STRIPE/SAG (J56, J57)
	085284-F5-000	FT	BATT TAPE - ADHESIVE BACKED - WASHED MAPLE
	085284-B5-000	FT	BATT TAPE - ADHESIVE BACKED - WOODGRAINED - WATERFORD OAK

FLOOR COVERINGS

KEY	PART NUMBER	U/M	DESCRIPTION
	093486-01-000	SY	CARPET - COMPARTMENT - 72" WIDE - DARK GRAY
	096060-C2-000	SY	CARPET - BISCANYN - INCREMENTS OF 4 SQ. YARDS (J52, J53)
	096060-D1-000	SY	CARPET - JUBILATION - SEAL GRAY (J54, J55)
	096060-C3-000	SY	CARPET - SPRUCE - INCREMENTS OF 4 SQ. YARDS (J56, J57)
	042720-21-000	SY	VINYL - FLOOR COVERING - 7' WIDE - MODULATION
	105924-01-F25	EA	MAT - FLOOR - 18" X 27"
	122755-01-01A	EA	TILE - RUBBER/ENTRANCE DOOR - 18.5" X 27.2"
	122755-03-01A	EA	TILE - RUBBER/ENTRANCE DOOR - 17.7" X 26.4"

LABELS GROUP



WARNING
 THIS VEHICLE, LIKE OTHER VEHICLES, MAY CONTAIN SMALL AMOUNTS OF ONE OR MORE SUBSTANCES WHICH ARE LISTED BY THE STATE OF CALIFORNIA FOR CAUSING CANCER OR REPRODUCTIVE TOXICITY.

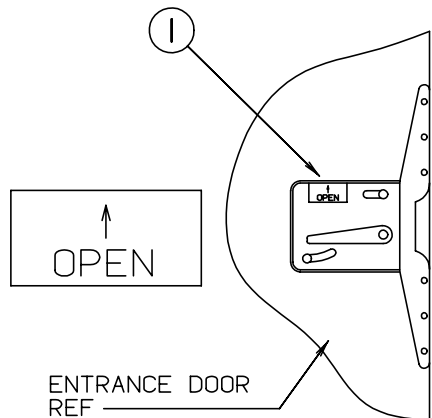
CAUTION

THIS MOTOR HOME HAS BEEN DESIGNED, MANUFACTURED AND TESTED WITH CONCERN FOR THE PROTECTION OF IT'S OCCUPANTS. WE RECOMMEND YOU PERFORM THE FOLLOWING INSPECTIONS FOR YOUR SAFETY AND THE SAFETY OF YOUR PASSENGERS BEFORE STARTING YOUR VEHICLE.

1. LP GAS SYSTEM- TURN OFF AT TANK FOR TRAVELING. TEST FOR LEAKS UPON ARRIVAL AT DESTINATION BEFORE LIGHTING PILOTS.
2. WHEELS- INSPECT FOR DAMAGE AND CHECK LUG NUTS FOR TIGHTNESS.
3. TIRES- INSPECT FOR WEAR AND DAMAGE AND CHECK FOR RECOMMENDED AIR PRESSURE.
4. LIGHTING- TEST FOR PROPER OPERATION OF ALL INTERIOR AND EXTERIOR LIGHTS INCLUDING DASH LIGHTS, HEADLIGHTS, TAIL LIGHTS, BRAKE LIGHTS, CLEARANCE LIGHTS AND TURN SIGNALS.
5. EXITS- INSPECT RELEASE MECHANISM ON EMERGENCY EXIT WINDOW, TEST BOTH LOCKS ON MAIN ENTRANCE DOOR FOR EASE OF OPERATION AND INSTRUCT PASSENGERS HOW TO USE BOTH MEANS OF EXIT.
6. SEAT BELTS- DIRECT PASSENGERS TO DESIGNATED SEATS AND REQUIRE USE OF SEAT BELTS.
7. APPLIANCES- TURN OFF AND LATCH OR LOCK DOORS WHERE PROVIDED.
8. LOOSE PARCELS- STORE SECURELY.
9. UTILITY SUPPLY LINES- DISCONNECT ALL ELECTRIC, SEWER AND WATER LINES AND SECURE PROPERLY.
10. ENTRANCE DOOR STEP- PLACE IN RETRACTED POSITION FOR TRAVELING.

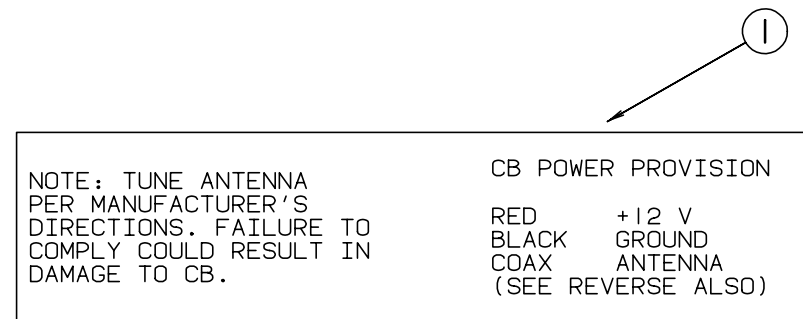
READ YOUR MOTOR HOME AND CHASSIS OWNER'S MANUAL FOR FURTHER PRECAUTIONS

KEY	PART NUMBER	U/M DESCRIPTION
1	099689-01-000	EA LABEL - WARNING - CANCER/TOXICITY
2	056259-01-000	EA LABEL - SAFETY CHECK LIST
	111802-01-000	EA LABEL - CFC WARNING



KEY	PART NUMBER	U/M DESCRIPTION
1	040944-01-000	EA LABEL - ENTRANCE DOOR - "OPEN"

LABELS GROUP (CONTINUED)



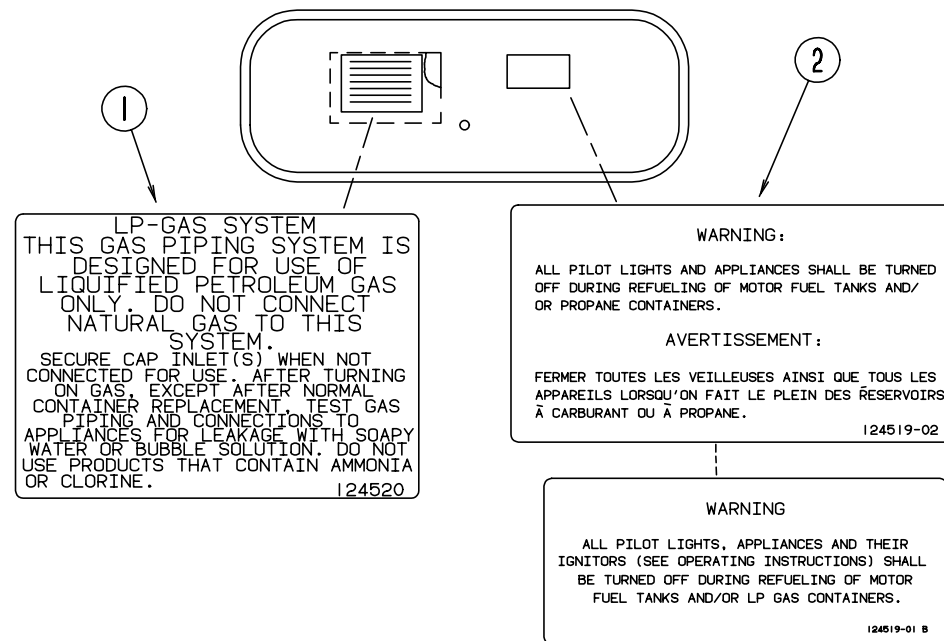
NOTE: TUNE ANTENNA PER MANUFACTURER'S DIRECTIONS. FAILURE TO COMPLY COULD RESULT IN DAMAGE TO CB.

CB POWER PROVISION

RED	+12 V
BLACK	GROUND
COAX	ANTENNA

(SEE REVERSE ALSO)

KEY	PART NUMBER	U/M DESCRIPTION
1	104678-01-000	EA LABEL - CB PREP



LP-GAS SYSTEM
 THIS GAS PIPING SYSTEM IS DESIGNED FOR USE OF LIQUIFIED PETROLEUM GAS ONLY. DO NOT CONNECT NATURAL GAS TO THIS SYSTEM.
 SECURE CAP INLET(S) WHEN NOT CONNECTED FOR USE. AFTER TURNING ON GAS, EXCEPT AFTER NORMAL CONTAINER REPLACEMENT, TEST GAS PIPING AND CONNECTIONS TO APPLIANCES FOR LEAKAGE WITH SOAPY WATER OR BUBBLE SOLUTION. DO NOT USE PRODUCTS THAT CONTAIN AMMONIA OR CLORINE.

124520

WARNING:
 ALL PILOT LIGHTS AND APPLIANCES SHALL BE TURNED OFF DURING REFUELING OF MOTOR FUEL TANKS AND/OR PROPANE CONTAINERS.

AVERTISSEMENT:
 FERMER TOUTES LES VEILLEUSES AINSI QUE TOUS LES APPAREILS LORSQU'ON FAIT LE PLEIN DES RESERVOIRS A CARBURANT OU A PROPANE.

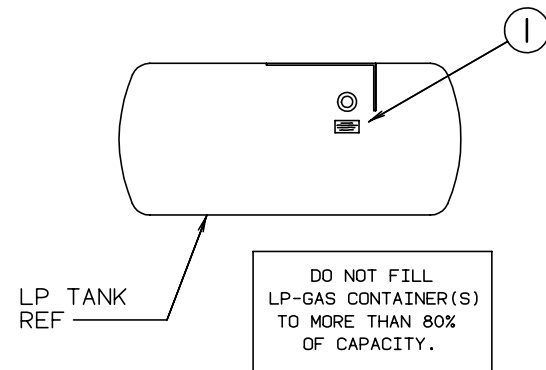
124519-02

WARNING
 ALL PILOT LIGHTS, APPLIANCES AND THEIR IGNITORS (SEE OPERATING INSTRUCTIONS) SHALL BE TURNED OFF DURING REFUELING OF MOTOR FUEL TANKS AND/OR LP GAS CONTAINERS.

124519-01 B

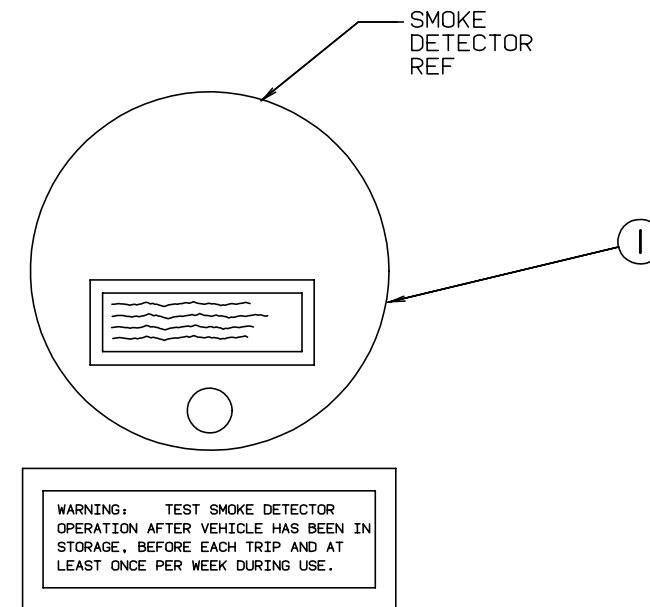
KEY	PART NUMBER	U/M DESCRIPTION
1	124520-01-02A	EA LABEL - LP GAS ONLY
	023769-01-000	EA LABEL - WARNING - LPG - CANADIAN
2	124519-01-02A	EA LABEL - WARNING/REFUELING
2	124519-02-02A	EA LABEL - WARNING/REFUELING - CSA

LABELS GROUP (CONTINUED)

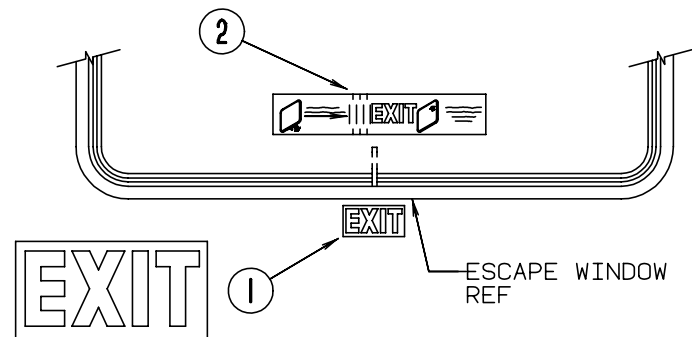
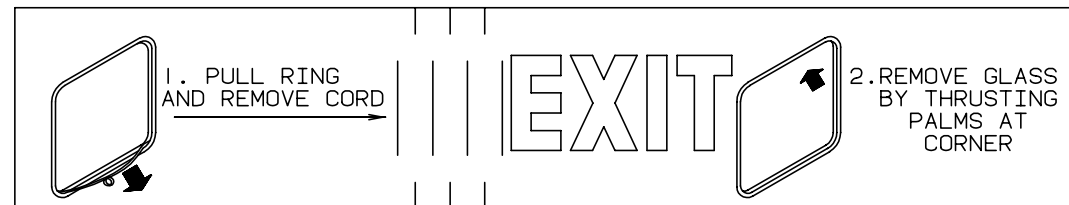


KEY	PART NUMBER	U/M DESCRIPTION
1	079965-01-000	EA LABEL - LPG - 80% CAPACITY

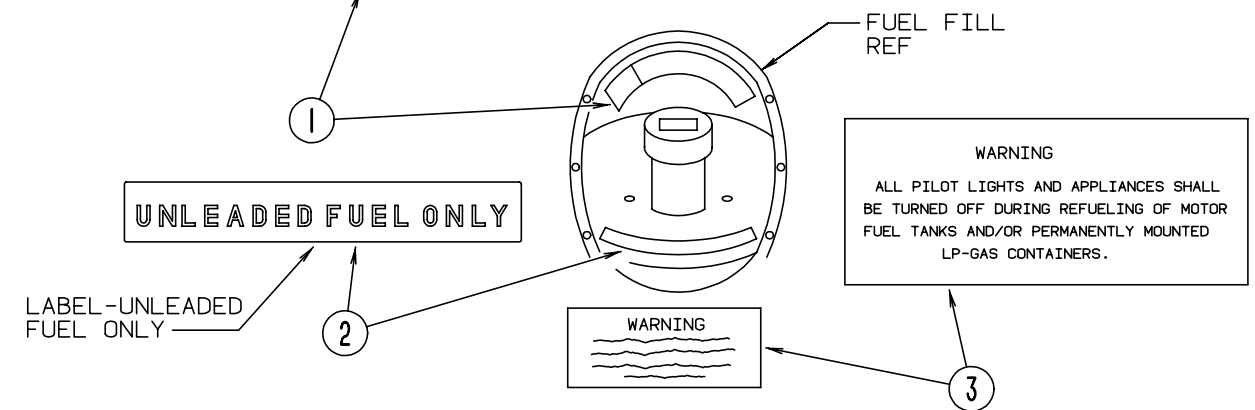
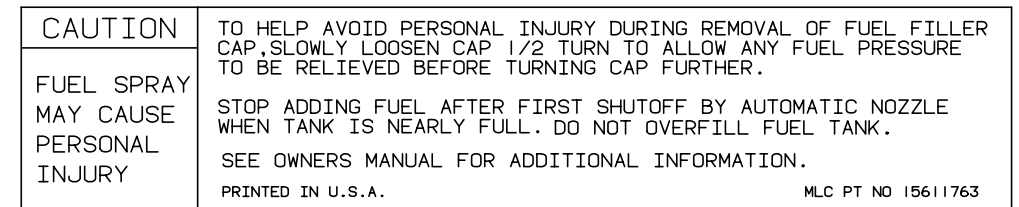
LABELS GROUP (CONTINUED)



KEY	PART NUMBER	U/M DESCRIPTION
1	077956-01-000	EA LABEL - WARNING - SMOKE DETECTOR

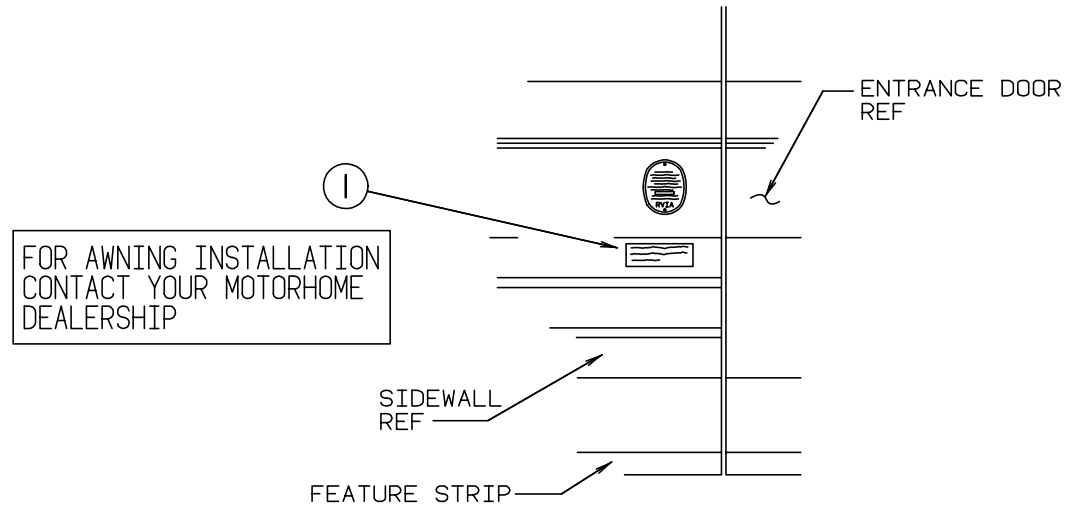


KEY	PART NUMBER	U/M DESCRIPTION
1	107571-01-000	EA LABEL - EXIT/ESCAPE WINDOW
2	039290-01-000	EA LABEL - EXIT WARNING

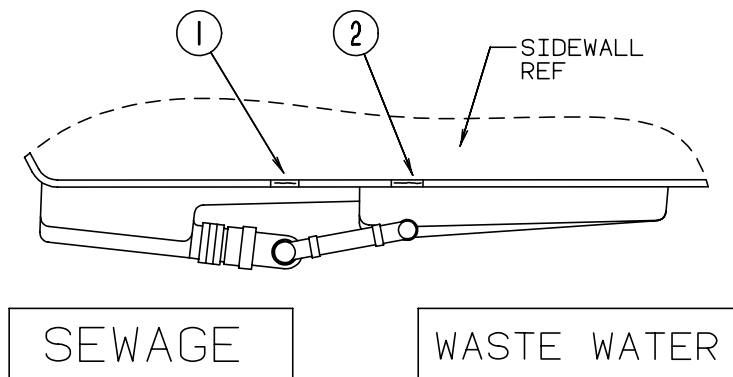


KEY	PART NUMBER	U/M DESCRIPTION
1	087207-05-000	EA LABEL - FUEL CAP REMOVAL
2	062043-01-000	EA LABEL - FUEL - UNLEADED
3	124519-01-02A	EA LABEL - WARNING/REFUELING
3	124519-02-02A	EA LABEL - WARNING/REFUELING - CSA

LABELS GROUP (CONTINUED)

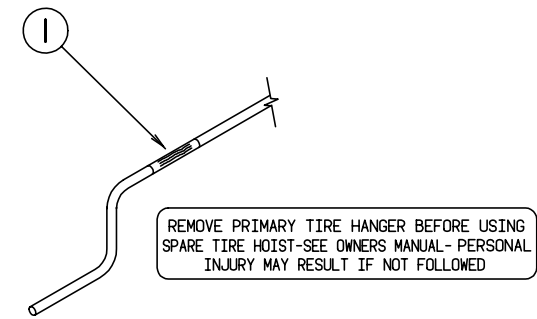


KEY	PART NUMBER	U/M DESCRIPTION
1	099509-01-000	EA LABEL - AWNING INSTALLATION

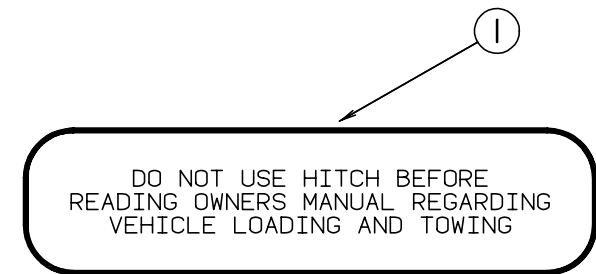


KEY	PART NUMBER	U/M DESCRIPTION
1	006187-01-000	EA LABEL - SEWAGE
2	006188-01-000	EA LABEL - WASTE WATER

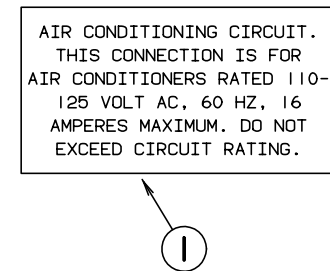
LABELS GROUP (CONTINUED)



KEY	PART NUMBER	U/M DESCRIPTION
1	126024-01-01A	EA LABEL - TIRE HANGER REMOVAL

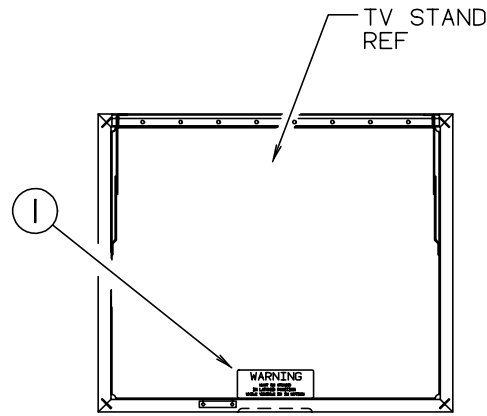


KEY	PART NUMBER	U/M DESCRIPTION
1	111104-01-000	EA LABEL - HITCH - READ MANUAL - WHITE



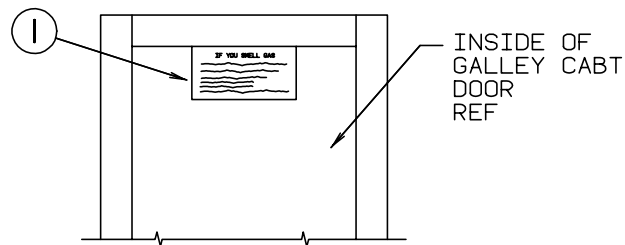
KEY	PART NUMBER	U/M DESCRIPTION
1	091243-01-000	EA LABEL - A/C COVER "AIR CONDITIONING CIRCUIT ETC."

LABELS GROUP (CONTINUED)



WARNING
MUST BE STOWED
IN LATCHED POSITION
WHILE VEHICLE IS IN MOTION

KEY	PART NUMBER	U/M DESCRIPTION
1	079966-01-000	EA LABEL - WARNING - STOWED - MOTION

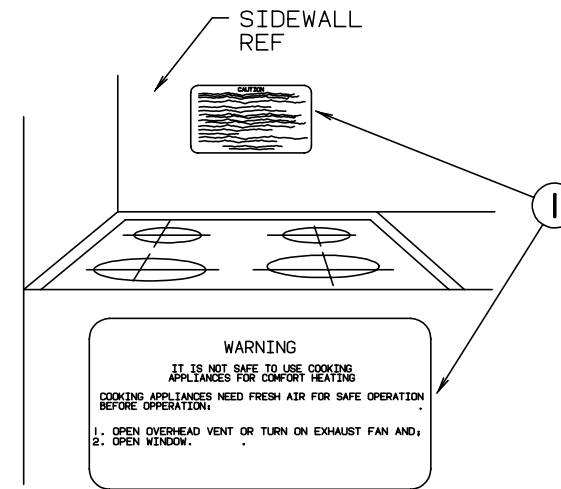


IF YOU SMELL GAS

1. EXTINGUISH ANY OPEN FLAME, PILOT LIGHTS AND ALL SMOKING MATERIALS.
2. SHUT OFF THE GAS SUPPLY AT THE TANK VALVE(OR GAS SUPPLY CONNECTION.
3. OPEN DOORS AND OTHER VENTILATING OPENINGS.
4. DO NOT TOUCH ELECTRICAL SWITCHES.
5. LEAVE THE AREA UNTIL ODOR CLEARS.
6. HAVE THE GAS SYSTEM CHECKED AND LEAKAGE SOURCE CORRECTED BEFORE USING AGAIN.

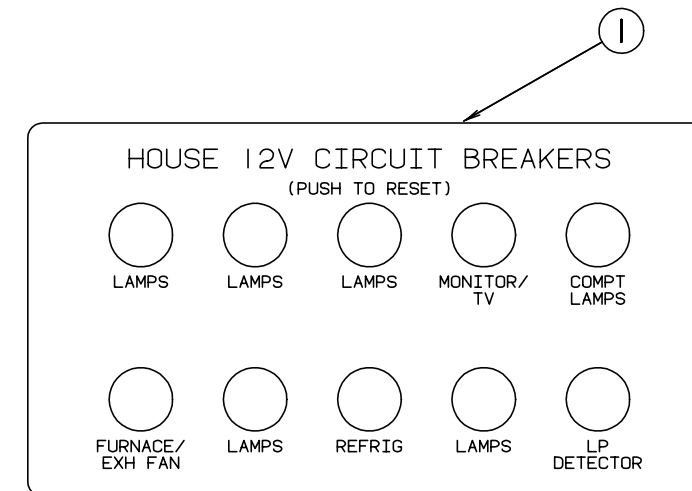
KEY	PART NUMBER	U/M DESCRIPTION
1	073998-01-000	EA LABEL - LPG ODOR WARNING

LABELS GROUP (CONTINUED)



WARNING
IT IS NOT SAFE TO USE COOKING
APPLIANCES FOR COMFORT HEATING
COOKING APPLIANCES NEED FRESH AIR FOR SAFE OPERATION
BEFORE OPERATION:
1. OPEN OVERHEAD VENT OR TURN ON EXHAUST FAN AND;
2. OPEN WINDOW.

KEY	PART NUMBER	U/M DESCRIPTION
1	050225-01-000	EA LABEL - WARNING - STOVE VENT - US
1	050222-01-000	EA LABEL - WARNING - STOVE VENT - CSA



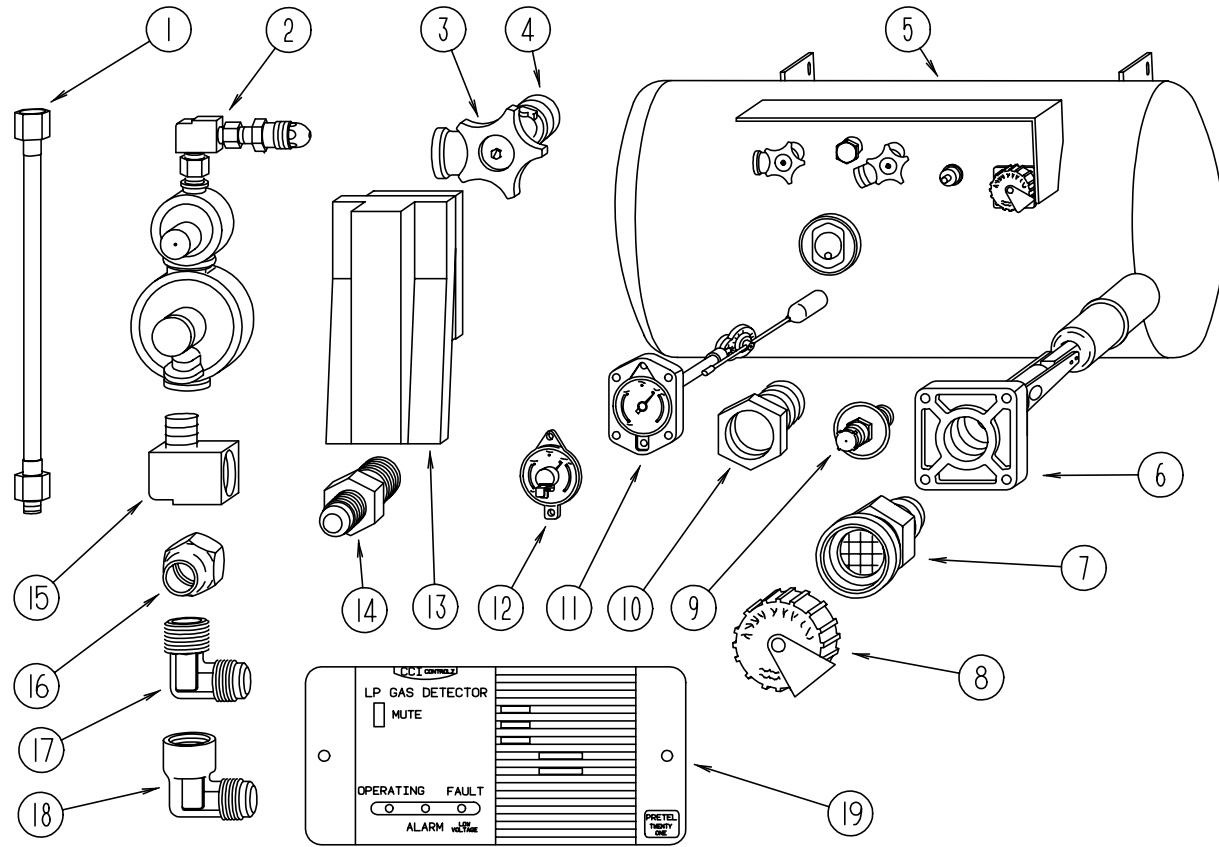
KEY	PART NUMBER	U/M DESCRIPTION
1	092547-06-000	EA LABEL-CIRCUIT BREAKER

MISCELLANEOUS LABELS

KEY	PART NUMBER	U/M DESCRIPTION
	087236-01-000	EA LABEL - CABLE - INPUT
	094675-01-000	EA LABEL - EXTERIOR LIGHT - SERVICE
	098379-04-000	EA LABEL - ELECTRICAL BOX - SIDE
	098641-01-000	EA LABEL - FUEL - UNLEADED - DASH
	111537-07-000	EA LABEL - FUSES
	111802-01-000	EA LABEL - CFC WARNING
	113402-01-000	EA LABEL - CAUTION - WATER HEATER EXHAUST
	125306-01-01A	EA LABEL - ELECTRICAL ENTRANCE - 110VOLT 30AMP
	128218-01-01A	EA LABEL - WARNING - ROOF SLIPPERY

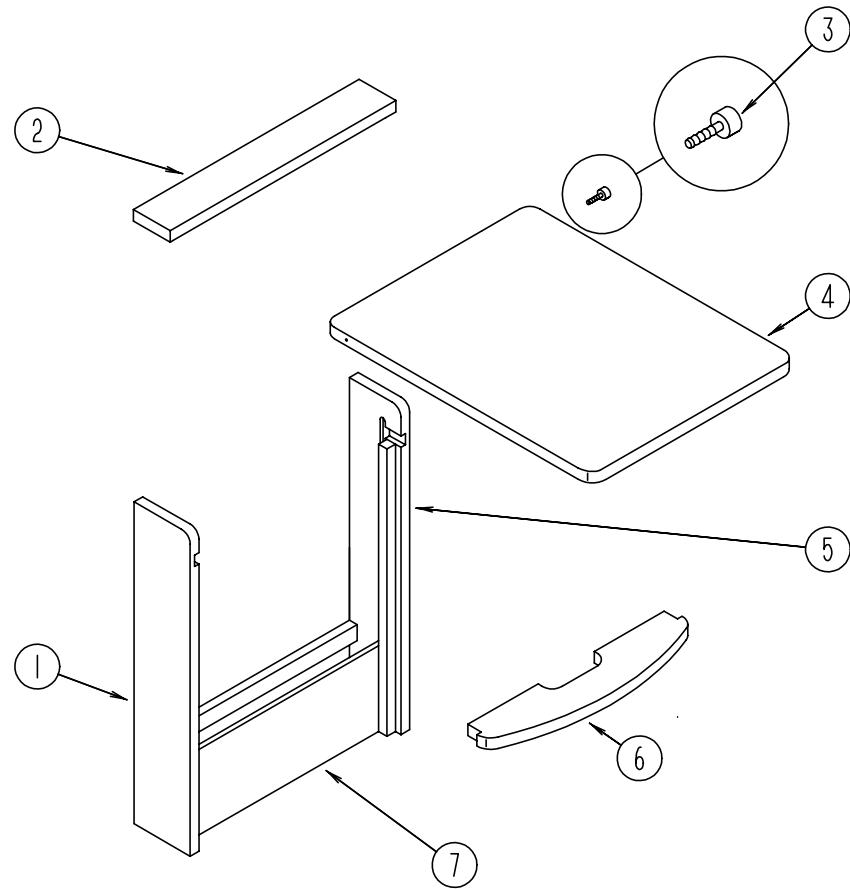
LP GROUP

LP TANK & COMPONENTS



KEY	PART NUMBER	U/M	DESCRIPTION	VENDOR NO.
1	045703-05-000	EA	HOSE - LP - 3/8"ID X 28" - 3/8"MPT X 1/2"F SWIVEL - U.S.	
1	045703-06-000	EA	HOSE - LP - 3/8"ID X 28" - 3/8"MPT X 1/2"F SWIVEL - CANADA	
2	106150-01-000	EA	REGULATOR - TWO STAGE	
3	040421-01-708	EA	HANDWHEEL - SERVICE VALVE	G-1015-A
4	040421-01-712	EA	VALVE - SERV. W/O VAPOR RELIEF	29000853
5	088253-04-000	EA	TANK - LP - 100 LB - 16"DIAMETER X 36" LONG	
6	040421-01-711	EA	VALVE - 80% FILL W/AUTO STOP	LLL/TL3
7	040421-01-701	EA	VALVE - FILL - SHORT, LP	7547B
8	040421-01-702	EA	CAP - FILL VALVE - PLASTIC	G-1014-A
9	040421-01-700	EA	VALVE - LIQUID LEVEL - 20%	G-1013
10	040421-01-713	EA	VALVE - RELIEF 1" W/SPRING 7"	29000587
11	088253-01-700	EA	GAUGE - FLOAT ASSEMBLY - L.P.	16C
12	040440-02-000	EA	TRANSMITTER - DIAL - 0-90 OHM -2 TERMINAL (POWER & GROUND)	
13	105658-01-000	EA	COMPARTMENT - LP REGULATOR	
14	010326-01-000	EA	ADAPTER - FLARE - W/CONE GASKET - 3/8"FEMALE X 1/2"MALE	
14	010323-01-000	EA	ADAPTER - BRASS - 3/8" F X 1/2" MPT	
14	010329-01-000	EA	ADAPTER - BRASS - 1/2" F X 1/2" MPT	
15	065318-02-000	EA	ELBOW - 90 DEGREE - 3/8" MPT TO 3/8" FPT	
16	010377-02-000	EA	NUT - BRASS - 3/8" FLARE - FORGED	
16	010380-02-000	EA	NUT - BRASS - 1/2" FLARE - FORGED	
17	010252-01-000	EA	ELBOW - BRASS - 90 DEGREE - 3/8"F X 1/2"MPT	
18	010265-01-000	EA	ELBOW - BRASS - 90 DEGREE - 3/8"F X 1/2"FPT	
19	103613-03-000	EA	DETECTOR - LP GAS - W/O SHUT-OFF VALVE	

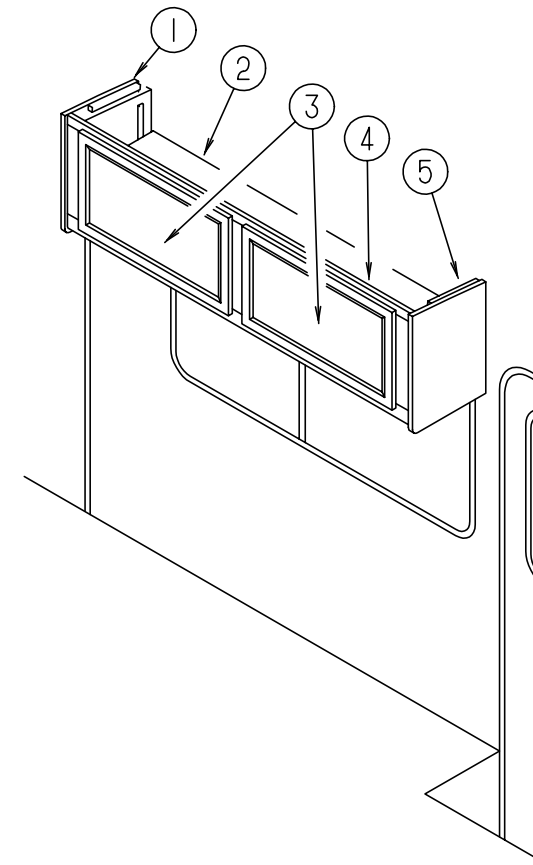
LOUNGE GROUP



PULLOUT TABLE

KEY	PART NUMBER	U/M DESCRIPTION
	P19559-02-J52	EA CABINET - TABLE - W/O PULLOUT TOP (MAPLE)
	P19559-02-J22	EA CABINET - TABLE - W/O PULLOUT TOP (OAK)
1	119559-12-J52	EA END - TABLE - LEFT SIDE - 28.7" X 5.7" (MAPLE)
1	119559-12-G35	EA END - TABLE - LEFT SIDE - 28.7" X 5.7" (OAK)
2	119559-18-J52	EA TOP - PULLOUT TABLE - W/O HARDWARE (MAPLE)
2	119559-18-J22	EA TOP - PULLOUT TABLE - W/O HARDWARE (OAK)
3	079921-01-000	EA NYLON ROLLER W/ SHAFT
4	119559-17-J52	EA TABLE TOP - ONLY (MAPLE)
4	119559-21-J22	EA TABLE TOP - ONLY (OAK)
5	119559-11-J52	EA END - TABLE - RIGHT SIDE - 28.7" X 5.7" (MAPLE)
5	119559-11-G35	EA END - TABLE - RIGHT SIDE - 28.7" X 5.7" (OAK)
6	119559-19-J52	EA SHELF - PULLOUT TABLE (MAPLE)
6	119559-19-J22	EA SHELF - PULLOUT TABLE (OAK)
7	119559-20-J52	EA PANEL - PULLOUT TABLE (MAPLE)
7	119559-20-J22	EA PANEL - PULLOUT TABLE (OAK)
	080736-01-000	EA PULL - RECESSED - 1.25" X 4" - OAK

LOUNGE GROUP (CONTINUED)



LOUNGE OVERHEAD CABINET (PASSENGER SIDE)

KEY	PART NUMBER	U/M DESCRIPTION
1	103128-02-J52	EA END CAP - OVERHEAD CABINET - LEFT HAND (MAPLE) FROM: 00-00-00 THRU: 10-17-97
1	103128-39-J52	EA END CAP - OVERHEAD CABINET - LEFT HAND (MAPLE) FROM: 10-18-97 THRU: 99-99-99
1	103128-02-G09	EA END CAP - OVERHEAD CABINET - LEFT HAND (OAK) FROM: 00-00-00 THRU: 10-17-97
1	103128-39-G09	EA END CAP - OVERHEAD CABINET - LEFT HAND (OAK) FROM: 10-18-97 THRU: 99-99-99
2	112061-12-J52	EA SHELF W/PLASTIC EDGE TRIM (MAPLE)
2	112061-12-J22	EA SHELF W/PLASTIC EDGE TRIM (OAK)
3	M05992-48-J22	EA DOOR - STRAIGHT CORNER/OGEE EDGE - 15.7" X 27.9" - W/O HDW (MAPLE)
3	M05992-48-J22	EA DOOR - STRAIGHT CORNER/OGEE EDGE - 15.7" X 27.9" - W/O HDW (OAK)
4	112061-02-J52	EA CABINET - OVERHEAD/FRONT/RIGHT - W/O DOORS/HARDWARE (MAPLE)
4	112061-02-J22	EA CABINET - OVERHEAD/FRONT/RIGHT - W/O DOORS/HARDWARE (OAK)
4	112061-03-J52	EA CABINET - OVERHEAD/FRONT/RIGHT - W/O DOORS/HDW (SOUND) (MAPLE)
4	112061-03-J22	EA CABINET - OVERHEAD/FRONT/RIGHT - W/O DOORS/HDW (SOUND) (OAK)
5	103128-01-J52	EA END CAP - OVERHEAD CABINET - RIGHT HAND (MAPLE)
5	103128-01-G09	EA END CAP - OVERHEAD CABINET - RIGHT HAND (OAK)

SEALANTS & FASTENERS GROUP

ADHESIVE AND TAPE SEALERS

KEY	PART NUMBER	U/M	DESCRIPTION
	004006-05-700	EA	ADHESIVE-NAT. STARCH (5 GAL) 0802
	004020-01-000	QT	ADHESIVE - ABS CEMENT - QUART
	004363-01-000	FT	TAPE - ADHESIVE FOAM/1 SIDE - 3/16" X 1/2" X 50' - GRAY
	034552-02-000	EA	SILICONE - TUBE - 300 ML - W/O NOZZLE - CLEAR ALSO ORDER P.N.#900390-03-000 NOZZLE SEPARATELY
	039518-01-000	EA	SILICONE - TUBE - 300 ML - BLACK - W/O NOZZLE ALSO ORDER P.N.#900390-03-000 NOZZLE SEPARATELY
	053766-02-000	EA	BEDDING COMPOUND - TUBE - WHITE
	067788-01-000	EA	ADHESIVE - SPRAY - 3M - 19.5 AEROSOL CAN
	069640-01-000	FT	SEALER - RIBBON - 1/4" DIAMETER X 30'
	069640-02-000	FT	SEALER - TAPE - 1/8"THICK X .50"WIDE X 60'
	069640-03-000	FT	SEALER - TAPE - 1/8"THICK X .75"WIDE X 60' - BLACK
	069640-09-000	FT	SEALER - TAPE - 1/32"THICK X 2.50"WIDE X 80' - GREY
	069640-14-000	FT	SEALER - TAPE - 1/16"THICK X 1"WIDE X 100'
	069640-17-000	FT	SEALER - TAPE - 1/32" THICK X 1"WIDE X 90'
	069640-18-000	FT	SEALER - TAPE - 1/2"THICK X 1/8"WIDE X 60' - BRT/WHITE
	069640-19-000	FT	SEALER - TAPE - 3/4" X 1/8" X 60' - BRIGHT WHITE
	069640-21-000	FT	SEALER - TAPE - 1/2" X 1/16" X 100' - BRIGHT WHITE
	072889-01-000	EA	SEALANT - URETHANE - BLACK - 1/10
	072889-09-000	EA	SEALANT - URETHANE - BLACK (TUBE)
	072889-10-000	EA	SEALANT - URETHANE (HV) - BRIGHT WHITE
	072889-11-000	EA	SEALANT - URETHANE - (TUBE) - GRAY
	072889-12-000	EA	SEALANT - URETHANE (LV) BRIGHT WHITE
	076322-01-000	FT	TAPE - DOUBLE COATED/ADHESIVE BACK - .025"THK X .75"W X 18'
	076322-02-000	FT	TAPE - DOUBLE COATED/ADHESIVE BACK - .045"THK X 1"W X 108'
	076322-05-000	FT	TAPE - DOUBLE COATED/ADHESIVE BACK - .045"THK X .75"W X 9'
	076322-07-000	FT	TAPE - DOUBLE COATED/ADHESIVE BACK - .045"THK X .50"W X 9'
	087211-01-000	GL	PROMOTER - ADHESIVE
	088479-01-000	EA	TAPE - ALUMINUM - 3"
	091255-02-000	FT	SEAL - ADHESIVE BACKED/FOAM - .18" THICK X 1.5" WIDE
	102352-01-000	EA	SEALER - PUMPABLE - BLACK
	102352-02-000	EA	SEALER - PUMPABLE - CLEAR
	106206-01-000	EA	SEALER - PUMPABLE - MANUS 30A - BLACK
	107828-01-000	EA	SEALANT - SB - 190 EVERSEAL
	108716-03-000	EA	SILICONE - TUBE - BRIGHT WHITE/SELF LEVELING - W/O NOZZLE
	110274-01-000	FT	TAPE - DOUBLE SIDED FOAM - .45" X 1"
	112864-01-000	FT	SEAL - FOAM/BUTYL COVERED - 3/8"
	112901-02-000	EA	ADHESIVE - PLEXUS - 50ML
	118085-02-01A	FT	TAPE - FOIL - 1"
	120074-02-01A	EA	SEALANT - SILICONE - OFF WHITE
	120534-01-01A	EA	TAPE - SCOTCH - 3M - 1/2" FINE LINE
	123244-01-000	FT	TAPE - DOUBLE SIDED FOAM 5/64" THICK X .75" WIDE
	123816-01-000	FT	TAPE - DOUBLE SIDED - 1"
	123816-02-000	FT	TAPE - DOUBLE SIDED - 1/2" X 35 MIL THICK
	123816-03-000	FT	TAPE - DOUBLE SIDED - 1/2" X 20 MIL THICK
	900390-01-000	EA	TIP - 2 1/2" X 1/8" ORIFICE
	900390-03-000	EA	NOZZLE - SILICONE TUBE

SEALANTS & FASTENERS GROUP (CONTINUED)

BOLTS, NUTS & WASHERS

KEY	PART NUMBER	U/M	DESCRIPTION
	000C12-05-16B	EA	BOLT - HEX - 5/16-18 X 1 - ZINC 5
	000C12-05-12B	EA	BOLT - HEX - 5/16-18 X 3/4 - ZINC 5
	000C12-06-16B	EA	BOLT - HEX - 3/8-16 X 1 LG - ZINC 5
	000C12-08-24B	EA	BOLT - HEX - 1/2-13 X 1.50 - ZINC 5
	000C12-08-16B	EA	BOLT - HEX - 1/2-13 X 1.00 - GD5 - ZINC
	000C12-10-24B	EA	BOLT - HEX - 5/8-11 X 1.50 - ZINC 5
	000C13-07-48B	EA	BOLT - HEX - 7/16-20 X 3 - ZINC 5
	000C26-04-14B	EA	BOLT - HEX - SERRATED FLANGE - 1/4-20 X 7/8 - ZINC
	000C26-04-10B	EA	BOLT - HEX - SERRATED FLANGE - 1/4-20 X 5/8 - ZINC
	000C26-04-18B	EA	BOLT - HEX - SERRATED FLANGE - 1/4-20 X 1 1/8 - ZINC
	000C26-05-16B	EA	BOLT - HEX - SERRATED FLANGE - 5/16-18 X 1 - ZINC
	000C26-05-12B	EA	BOLT - HEX - SERRATED FLANGE - 5/16-18 X 3/4 - ZINC
	000C26-06-12B	EA	BOLT - HEX - SERRATED FLANGE - 3/8-16 X 3/4 - ZINC
	000C26-06-16B	EA	BOLT - HEX - SERRATED FLANGE - 3/8-16 X 1 - ZINC
	000C26-08-24B	EA	BOLT - HEX - SERRATED FLANGE - 1/2-13 X 1.5 ZINC
	000G45-04-24B	EA	BOLT - LAG - 1/4-9 X 1.50 ZINC
	051387-06-000	EA	BOLT - CARRIAGE W/O HOLE - 5/16-18 X 9.5 - ZINC
	102333-01-06A	EA	BOLT - CARRIAGE - 7/16-14 STAINLESS STEEL CAP
	091274-03-000	EA	BOLT-J - 3/8-16 X 12.0
	106166-01-000	EA	BOLT/COLLARED HANGER - 8-32 X 1"
	106956-03-000	EA	BOLT - HEX TAP - 1/2-12NC X 3 - GRADE 5 - FULL THREAD/ZINC
	000D29-05-00B	EA	NUT - 5/16 - 18 UNC - SF/LOCKING - NYLON WASHER INSERT
	000D24-10-00B	EA	NUT - HEX - SELF LOCKING - 10-32 ZINC
	000D34-04-00B	EA	NUT - HEX - LOCKING - 1/4-20 ZINC
	000D34-06-00B	EA	NUT - HEX - LOCKING - 3/8 - 16 GRADE C - ZINC-PREVAILING T
	000D39-04-00B	EA	NUT - HEX - LOCKING W/SERRATED FLANGE - 1/4-20 - ZINC
	000D39-05-00B	EA	NUT - HEX - LOCKING W/SERRATED FLANGE - 5/16-18 - ZINC
	000D39-06-00B	EA	NUT - HEX - LOCKING W/SERRATED FLANGE - 3/8-18 - ZINC
	000D39-07-00B	EA	NUT - HEX - LOCKING W/SERRATED FLANGE - 7/16-14 - ZINC
	000D39-08-00B	EA	NUT - HEX - LOCKING W/SERRATED FLANGE - 1/2-13 - ZINC
	000D44-07-00B	EA	NUT - HEX - SERRATED FLANGE/LOCKING - 7/16-20 - ZINC
	000D46-04-00A	EA	NUT - HEX - WELD - 1/4 - 20 - PLAIN
	040921-01-000	EA	NUT - SPEED - U TYPE - 10-24 BLACK
	040921-04-000	EA	NUT - SPEED - U TYPE - # 8 - .59" LENGTH X .44" WIDTH
	040921-05-000	EA	NUT - SPEED - U-TYPE #8 - .67" X .44" WIDE
	040921-09-000	EA	NUT - SPEED - U TYPE - # 8
	044364-01-000	EA	NUT - SPEED - FLAT - RECTANGULAR - SELF LOCKING/ONE PIECE
	044364-02-000	EA	NUT - SPEED - FLAT - ROUND
	000D76-06-00B	EA	NUT - HEX FLANGE - 3/8-16
	063253-07-000	EA	NUT - J - #8A - .120 - .130 PNL THK
	083163-06-000	EA	PUSHNUT - FLAT TYPE 3/8 STUD - FORD ONLY
	000E11-08-00B	EA	WASHER - LOCKING - 1/2 MED SPLIT - ZINC
	000E13-14-00B	EA	WASHER - FLAT - 1/4 WIDE - ZINC
	000E13-18-00B	EA	WASHER - FLAT - 3/8 WIDE - ZINC
	000E13-20-00B	EA	WASHER - FLAT - 7/16 WIDE - ZINC
	000E13-21-00B	EA	WASHER - FLAT - W/2 NAR - ZINC
	000E13-22-00B	EA	WASHER - FLAT - 1/2 WIDE - ZINC
	000E13-26-00B	EA	WASHER - FLAT - 5/8 WIDE - ZINC
	058716-02-000	EA	WASHER - FLAT NYLON
	107397-01-000	EA	WASHER - FENDER - .25" ID X 1" OD
	110794-01-000	EA	WASHER - FLAT - 1" ID X 1 3/4' OD
	088787-12-000	EA	STUD - WELD - 1/4 - 20 X 1.0 LG - MN
	108067-03-000	EA	STUD - WELD - 1/4 - 20 X 1/2 CD

SEALANTS & FASTENERS GROUP (CONTINUED)

SCREWS

KEY	PART NUMBER	U/M	DESCRIPTION
	0G3908-08-170	EA	SCREW - SF/DR - 8-18 X .50 PPH - BRIGHT WHITE
	0G3908-20-170	EA	SCREW - SF/DR - 8-18 X 1.25 PPH - BRIGHT WHITE
	0G3908-24-170	EA	SCREW - SF/DR - 8-18 X 1.50 PPH - BRIGHT WHITE
	0G5508-12-260	EA	SCREW - SF/DR - 8-18 X .75 PWH - ALLANTE ANTELOPE
	0G5508-12-270	EA	SCREW - SF/DR - 8-18 X .75 PWH - TITANIUM
	000G11-05-08B	EA	SCREW - 5-20 X .50 PPH - ZINC
	000G11-06-10J	EA	SCREW - 6-20 X 5/8 PPH - BRASS
	000G11-06-08B	EA	SCREW - 6-20 X .50 PPH - ZINC
	000G11-06-06B	EA	SCREW - 6-20 X 3/8 PPH - ZINC
	000G11-07-08B	EA	SCREW - 7-19 X .50 PPH - ZINC
	000G11-08-08T	EA	SCREW - 8-18 X 1/5 PPH - FLUOROCARBON COATING
	000G11-08-08B	EA	SCREW - 8-18 X .50 PPH - ZINC
	000G11-08-06B	EA	SCREW - 8-18 X 3/8 PPH - ZINC
	000G11-08-20B	EA	SCREW - 8-18 X 1.25 PPH - ZINC
	000G11-08-16S	EA	SCREW - 8-18 X 1 PPH - OFF WHITE
	000G11-08-12T	EA	SCREW - 8-18 X .75 PPH - BLACK
	000G11-08-12P	EA	SCREW - 8-18 X .75 PPH - DARK BROWN
	000G11-08-12P	EA	SCREW - 8-18 X .75 PPH - DARK BROWN
	000G11-08-12D	EA	SCREW - 8-18 X .75 PPH - BLACK
	000G11-08-12B	EA	SCREW - 8-18 X .75 PPH - ZINC
	000G11-10-12D	EA	SCREW - 10-16 X .75 PPH - BLACK
	000G11-10-40B	EA	SCREW - 10-16 X 2 1/2 PPH CAD - 34927-01-000
	000G11-10-16B	EA	SCREW - 10-16 X 1 PPH - ZINC
	000G11-10-12S	EA	SCREW - 10-16 X .75 PPH - OFF WHITE
	000G12-06-08T	EA	SCREW - 6-20 X 1/2 POH - BLACK
	000G13-06-24J	EA	SCREW - 6-20 X 1.50 PFH - BRASS
	000G13-06-16J	EA	SCREW - 6-20 X 1 PFH - BRASS
	000G13-06-10G	EA	SCREW - 6-20 X 5/8 PFH - ANTIQUE BRASS
	000G13-06-08B	EA	SCREW - 6-20 X .50 PFH - ZINC
	000G13-07-12B	EA	SCREW - 7-19 X .75 PFH - ZINC
	000G18-08-22B	EA	SCREW - MACHINE - 8-32 X 1 3/8 PPH - ZINC
	000G19-10-12F	EA	SCREW - MACHINE - 10-32 X .75 - PPH - STAINLESS STEEL
	000G19-10-08B	EA	SCREW - MACHINE - 10-32 X .50 - PPH - ZINC
	000G19-10-20B	EA	SCREW - MACHINE - 10-32 X 1.25 PPH - ZINC
	000G32-10-06B	EA	SCREW - 10-32 X 3/8 PPH - ZINC
	000G37-08-089	EA	SCREW - 8 X 18 X 1/2 PPH
	000G39-06-08B	EA	SCREW - SF/DR - 6-18 X .50 - ZINC
	000G39-06-16T	EA	SCREW - SF/DR - 6-20 X 1 PPH - BLACK
	000G39-06-10T	EA	SCREW - SF/DR - 6-20 X 5/8 PPH - BLACK
	000G39-06-10T	EA	SCREW - SF/DR - 6-20 X 5/8 PPH - BLACK
	000G39-08-08B	EA	SCREW - SF/DR - 8-18 X 1.50 PPH - ZINC
	000G39-08-06B	EA	SCREW - SF/DR - 8-18 X 3/8 PPH - ZINC
	000G39-08-24S	EA	SCREW - SF/DR - 8-18 X 1.50 - OFF WHITE
	000G39-08-24B	EA	SCREW - SF/DR - 8-18 X 1 1/2 PPH - ZINC
	000G39-08-16T	EA	SCREW - SF/DR - 6-20 X 1 PPH - BLACK
	000G39-08-16R	EA	SCREW - SF/DR - 8-18 X 1 PPH - BEIGE
	000G39-08-16B	EA	SCREW - SF/DR - 8-18 X 1 PPH - ZINC
	000G39-08-12T	EA	SCREW - SF/DR - 8-18 X .75 PPH - BLACK
	000G39-08-12B	EA	SCREW - SF/DR - 8-18 X .75 PPH - ZINC
	000G39-08-08T	EA	SCREW - SF/DR - 8-18 X 1/2 PPH - BLACK
	000G39-08-08S	EA	SCREW - SF/DR - 8-18 X .50 PPH - OFF WHITE
	000G39-10-10B	EA	SCREW - SF/DR - 10-16 X .625 - ZINC
	000G39-10-088	EA	SCREW - SF/DR - 10-16 X 1/2 PPH - FLEX FLUOROCARBON
	000G39-10-08B	EA	SCREW - SF/DR - 10-16 X .50 PPH - ZINC
	000G39-10-48B	EA	SCREW - SF/DR - 10-16 X 3 - PPH - ZINC
	000G39-10-32B	EA	SCREW - SF/DR - 10-16 X 2 - PPH - ZINC
	000G39-10-209	EA	SCREW - SF/DR - 10-16 X 1 1/4 PPH - FLUOROCARBON SILVER
	000G39-10-20B	EA	SCREW - SF/DR - 10-16 X 1.25 PPH - ZINC
	000G39-10-129	EA	SCREW - SF/DR - 10-16 X .75 PPH - FLUOROCARBON SILVER
	000G39-10-12R	EA	SCREW - SF/DR - 10-16 X .75 PPH - BEIGE
	000G39-10-12D	EA	SCREW - SF/DR - 10-16 X .75 PPH - BLACK
	000G39-10-12B	EA	SCREW - SF/DR - 10-16 X .75 PPH - ZINC

SEALANTS & FASTENERS GROUP (CONTINUED)

SCREWS (CONTINUED)

KEY	PART NUMBER	U/M	DESCRIPTION
	000G39-12-12E	EA	SCREW - SF/DR - 12-14 X .75 PPH - CHROME
	000G42-04-12B	EA	SCREW - SF/DR - 1/4-14 X .75 HWH - ZINC
	000G43-06-24B	EA	SCREW - MACHINE - 6-32 X 1.50 - ZINC
	000G46-08-24T	EA	SCREW - MACHINE - 8-32 X 1.50 PFH - BLACK
	000G50-04-12B	EA	SCREW - MACHINE - 1/4-20 X .75 PPH - ZINC
	000G50-04-08B	EA	SCREW - MACHINE - 1/4-20 X .50 PTH - ZINC
	000G52-08-18B	EA	SCREW - MACHINE - 8-32 X 1 1/8 PTH - ZINC
	000G54-04-20B	EA	SCREW - 1/4-20 X 1.25 PTH - TYPE 23 - ZINC PLATED
	000G55-08-16S	EA	SCREW - SF/DR - 8-18 X 1.00 - PWH - OFF WHITE
	000G55-08-12S	EA	SCREW - SF/DR - 8-18 X .75 PWH - OFF WHITE
	000G57-05-16J	EA	SCREW - 5-20 X 1 PFH - BRASS
	000G60-10-28T	EA	SCREW - SF/DR - 10-16 X 1.75 - BLACK
	000G60-10-209	EA	SCREW - SF/DR - 10-16 X 1.25 POH
	000G60-10-20B	EA	SCREW - SF/DR - 10-16 X 1.25 POH - ZINC
	000G67-08-32B	EA	SCREW - 8-15 X 2 PPH - ZINC
	000G67-10-10D	EA	SCREW - 10-12 X 5/8 PPH - BLACK - TYPE A
	000G67-10-10B	EA	SCREW - 10-12 X 5/8 PPH - ZINC - TYPE A
	000G67-10-08B	EA	SCREW - 10-12 X .50 PPH - ZINC
	000G67-10-120	EA	SCREW - 10-12 X .75 PPH - TAN
	000G67-10-12P	EA	SCREW - 10-12 X .75 - PPH - DARK BROWN
	000G67-10-12B	EA	SCREW - 10-12 X .75 PPH - ZINC
	000G67-10-10S	EA	SCREW - 10-12 X 5/8 PPH - OFF WHITE
	000G67-10-48B	EA	SCREW - 10-12 X 3 PPH - ZINC
	000G67-10-36T	EA	SCREW - 10-12 X 2.25 PPH - BLACK
	000G67-10-24B	EA	SCREW - 10-12 X 1.25 PPH - ZINC
	000G67-10-16B	EA	SCREW - 10-12 X 1 PPH - ZINC
	000G67-10-120	EA	SCREW - 10-12 X .75 PPH - TAN
	000G68-06-12S	EA	SCREW - 6-18 X 3/4 POH
	000G68-06-10G	EA	SCREW - 6-18 X 5/8 POH - ANTIQUE BRASS
	049465-01-000	EA	SCREW - 10-16 W/WASHER PTH - DARK BROWN
	049465-03-000	EA	SCREW - 10-16 X 1 POH W/WASHER - OFF WHITE
	054434-03-000	EA	SCREW - SF/DR - 10-16 X 2 - PWH - ZINC - W/O WINGS
	057671-01-000	EA	COVER - SCREW - #8 - PLASTIC - OFF WHITE
	057671-03-000	EA	COVER - SCREW - #8 - WILLOW
	057671-15-000	EA	COVER - SCREW - BRIGHT WHITE
	075908-01-000	EA	SCREW - MACHINE - 10-32 X .56 PTH - EXTERNAL TOOTH - ZINC
	076790-01-000	EA	SCREW - 6-20 X 1 1/4 PPH - BLACK
	083554-01-000	EA	SCREW - DRYWALL - 8 X 1.25
	083554-04-000	EA	SCREW - DRYWALL - 8 X 2.50
	086256-01-000	EA	SCREW - SF/DR - 8 X 3/4 HWH LONG
	097974-01-000	EA	SCREW - PARTICLE BOARD - 7-9 X 3/4 PPH
	101618-01-000	EA	SCREW - 1/4-20 X 3/4 HEX - TAPPING - STALGARD TYPE F
	106477-01-000	EA	SCREW - 14 - 10 X 3.00 - PFH

SEALANTS & FASTENERS GROUP (CONTINUED)

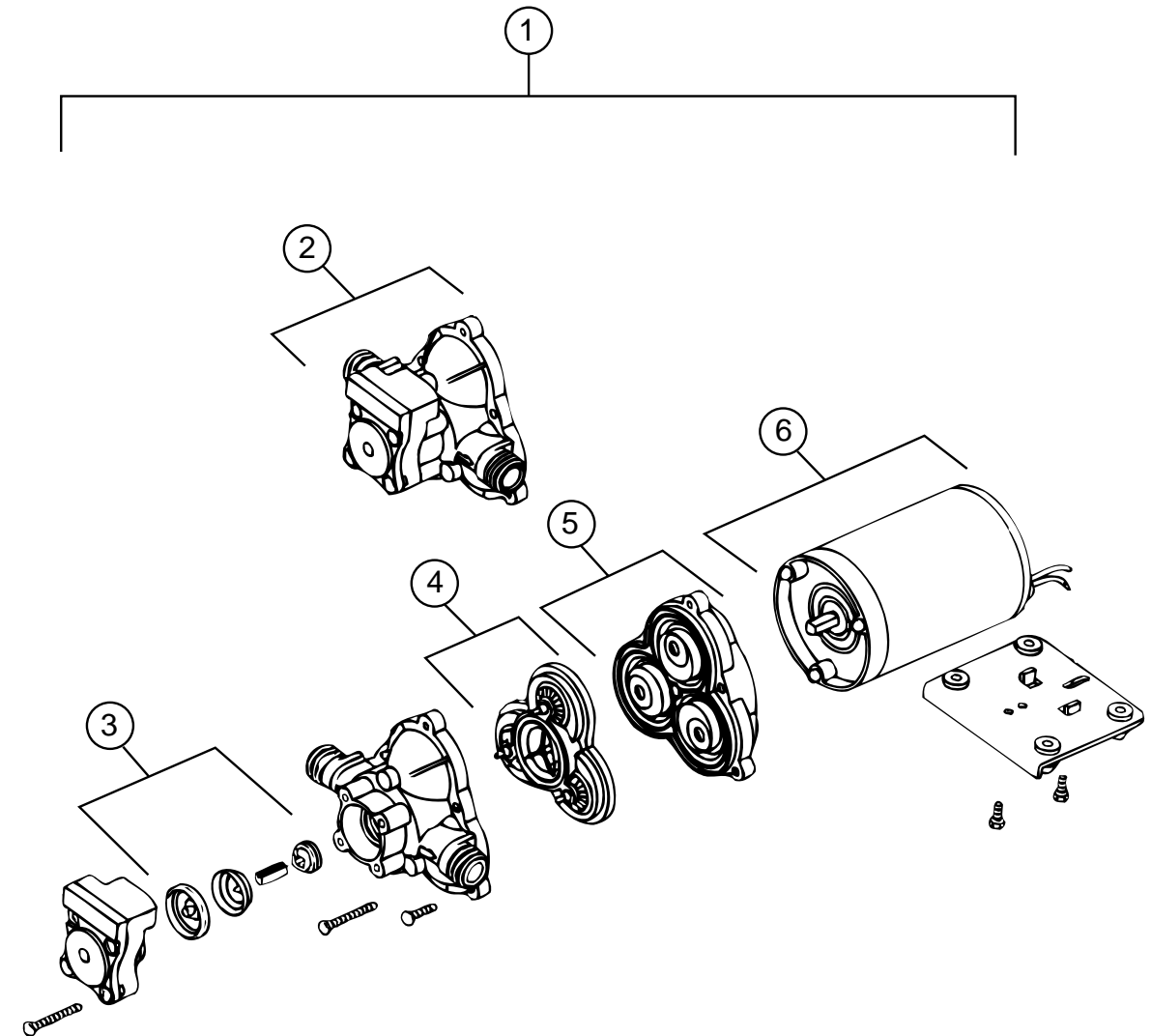
CLAMPS, CLIPS, & GROMMETS

KEY	PART NUMBER	U/M DESCRIPTION
	000F10-04-16B	EA PIN - COTTER - 1/8" X 1" - ZINC
	000F10-06-32B	EA PIN - COTTER - 3/16" X 2" - ZINC
	000H14-04-04A	EA RIVET - MANDREL BLIND - 1/8 X .400
	000H14-06-14R	EA RIVET - MANDREL BLIND - 3/16"
	000H16-04-06R	EA RIVET - POP ALUMINUM - 1/8" X .313 - .375
	000H16-06-10R	EA RIVET - POP ALUMINUM - 3/16 X .501-.625
	007161-01-000	EA CLAMP - HOSE - SPRING TYPE - 1/2"
	010495-01-000	EA CLAMP - CABLE - 9/16"
	010497-01-000	EA CLAMP - CLOSED - 5/8" ID
	010497-03-000	EA CLAMP - CLOSED - 1" ID - CUSHIONED
	010497-04-000	EA CLAMP - CLOSED - 1.62" ID
	010499-01-000	EA CLAMP - CLOSED - 3/8" ID
	062401-01-000	EA CLAMP - HOSE - WORMGEAR - .25" - 1"
	062401-02-000	EA CLAMP - HOSE - WORMGEAR - 1.56" - 2.5"
	062401-04-000	EA CLAMP - HOSE - WORMGEAR - .69" - 1.25"
	062401-06-000	EA CLAMP - HOSE - WORMGEAR - .22" - .62" ID
	083609-01-000	EA CLAMP - WIRE - DUAL - EQUAL DIAMETERS - 5/8"
	083610-01-000	EA CLAMP - WIRE - DUAL - UNEQUAL DIAMETERS - 3/4" & 1 1/4"
	083610-02-000	EA CLAMP - WIRE - DUAL - UNEQUAL DIAMETERS
	016188-05-000	EA GROMMET - L/P LINE - 3/8" HOLE X 1 1/4" LONG - RUBBER
	023942-01-000	EA GROMMET - RUBBER - 2" OD
	071015-11-000	EA GROMMET - 1.00 ID - FITS .12 MATERIAL
	008380-01-000	EA GROMMET - RUBBER - 5/8" HOLE X 1 1/2" DIAMETER - BLACK
	071015-29-000	EA GROMMET - RUBBER - 1/4 ID X 1 1/4 OD W .12 GROOVE - BLK
	071015-30-000	EA GROMMET - RUBBER - .31" ID X .81" OD W/.12" GROOVE - BLK
	088756-01-000	EA GROMMET - WEB - 1 1/8" I.D.
	091952-01-000	EA CLIP - GRIPPER - 1"
	094362-02-000	EA CLIP - XMAS TREE - BINDER HEAD - .9" LONG

MISCELLANEOUS FASTENERS

KEY	PART NUMBER	U/M DESCRIPTION
	008343-01-000	EA TIE - WIRE - 6"
	008343-02-000	EA TIE - WIRE - 14"
	029094-04-000	YD VELCRO TAPE - LOOP - 1" WIDE - BLACK
	029096-03-000	YD VELCRO TAPE - HOOK - 1" WIDE - BLACK
	081211-04-000	EA PLUG - PLASTIC - .46" DIAMETER - BLACK
	081211-05-000	EA PLUG - PLASTIC - .188 DIAMETER - NATURAL
	085774-01-000	FT FASTENER - DUAL HOOK - 1" WIDE - ADHESIVE BACK - BLACK
	085774-02-000	FT FASTENER - DUAL HOOK - 1" WIDE - ADHESIVE BACK - BLACK
	086285-01-000	EA SPACER - NYLON - .5" OD X .257" ID
	088792-02-000	YD VELCRO TAPE - LOOP - .75" - ADHESIVE BACKED - BEIGE
	108046-02-000	EA CABLE TIE - SCREW MOUNT 15"
	110943-02-000	FT FELTSTRIP - 3/8" - ADHESIVE BACK - WHITE
	115361-01-01A	EA PLUG - PLASTIC
	123816-04-000	FT TAPE - DOUBLE SIDED - 6"

WATER & SEWAGE GROUP



WATER PUMP (SHURFLO)

KEY	PART NUMBER	U/M DESCRIPTION	VENDOR NO.
1	098607-01-000	EA PUMP - WATER - W/.5" MPT FITTING - FLOW 2.8 GPM	
2	098607-01-706	EA HOUSING - W/SWITCH ONLY	94-231-20
3	098607-01-705	EA VALVE - CHECK - KIT	94-237-00
4	098607-01-703	EA VALVE KIT	94-232-00
5	098607-01-702	EA DIAPHRAGM/DRIVE ASSEMBLY KIT	94-238-04
6	098607-01-707	EA MOTOR W/BASEPLATE	11-148-04

WATER & SEWAGE GROUP (CONTINUED)**FRESH WATER TANK**

KEY	PART NUMBER	U/M	DESCRIPTION
	123243-01-000	EA	TANK - ACCUMULATOR, 24 OZ
	117217-01-000	EA	TANK - WATER - 30 GALLON - W/O FITTINGS
	117217-02-000	EA	TANK - WATER - 30 GALLON - W/FITTINGS (CHEVY)
	117217-13-000	EA	TANK - WATER - 30 GALLON - W/FITTINGS (FORD)
	116881-01-000	EA	TANK - FRESH WATER - 48 GAL. W/NOTCHED CORNER W/O FITTINGS
	116881-08-000	EA	TANK - WATER - 48 GALLON - W/NOTCH - W/FITTINGS (CHEVY)
	116881-15-000	EA	TANK - WATER - 48 GALLON - W/NOTCH - W/FITTINGS (FORD)
	042989-03-000	EA	FITTING - WATER TANK - SPINWELD - 1 1/4"NPT - PLASTIC
	042989-05-000	EA	FITTING - SPINWELD - 1/2" FPT - PLASTIC
	049032-01-000	EA	PATCH - SPINWELD - 3/8" - PLASTIC
	039861-01-000	EA	SENDING UNIT - W/SCREW - WASHER - WELL NUT & TERMINAL RING
	091208-01-000	EA	WASHER - RUBBER - .06" X .75" X .5"
	077954-02-000	EA	FILTER - WATER TANK - SCREEN IN TANK

WATER SYSTEM COMPONENTS (FLAIR - IT)

KEY	PART NUMBER	U/M	DESCRIPTION
	114427-01-000	EA	CAP - 1/2P - 02860
	114427-02-000	EA	PLUG - 1/2P - 02863
	114427-03-000	EA	NUT - 1/2"Q - #6453
	114428-01-000	EA	TEE - 1/2P X 1/2P X 1/2P - 02820
	114428-02-000	EA	TEE - SWIVEL - 1/2P X 1/2P X 1/2FPT - 02821
	114428-03-000	EA	TEE - 1/2P X 1/2P X 1/2MPT - 02822
	114428-04-000	EA	TEE - 1/2P X 1/2P X 1/8FPT - 02834
	114429-01-000	EA	ELBOW - 1/2P X 1/2P - 02800
	114429-02-000	EA	ELBOW - 1/2P X 1/2MPT - 02803
	114429-03-000	EA	ELBOW - SWIVEL - 1/2P X 1/2FPT - 02816
	114429-04-000	EA	ELBOW - 1/2P X 3/8MPT - 02810
	114429-05-000	EA	ELBOW - 1/2P X 3/4MPT - 02812
	114429-06-000	EA	ELBOW - SWIVEL - 1/2P X 3/4FPT - 02811
	114429-07-000	EA	ELBOW - 1/2P X 1/2FPT DROPEAR - 02801
	114430-01-000	EA	ADAPTER - 1/2P X 1/2P - 02840
	114430-02-000	EA	ADAPTER - SWIVEL - 1/2P X 1/2FPT -02873
	114430-03-000	EA	ADAPTER - 1/2P X 1/2MPT - 02842
	114430-04-000	EA	ADAPTER - 1/2P X 3/8MPT - 02852
	114430-06-000	EA	ADAPTER - 1/2P X 3/8FPT - 02851
	114430-08-000	EA	ADAPTER - 1/2P X 3/4MPT - 02868
	114431-01-000	EA	VALVE - LINE DRAIN 1/2P - 02914
	114431-02-000	EA	VALVE - 1/2P - BYPASS - 02910
	114431-03-000	EA	VALVE - 1/2P X 1/2P - 02884
	114431-04-000	EA	VALVE - STOP - 1/2P X 1/2P - 02880
	114431-05-000	EA	VALVE - NEEDLE - COMP 1/8MPTX1/4 - 64858
	114431-06-000	EA	VALVE - 3/8P X 3/8P - 02882
	114431-07-000	EA	VALVE - 3/8P THREE - WAY - 02900
	114431-08-000	EA	STRAIGHT STOP VALVE - 3/8P X 3/8P - 02879

WATER & SEWAGE GROUP (CONTINUED)**WATER SYSTEM COMPONENTS**

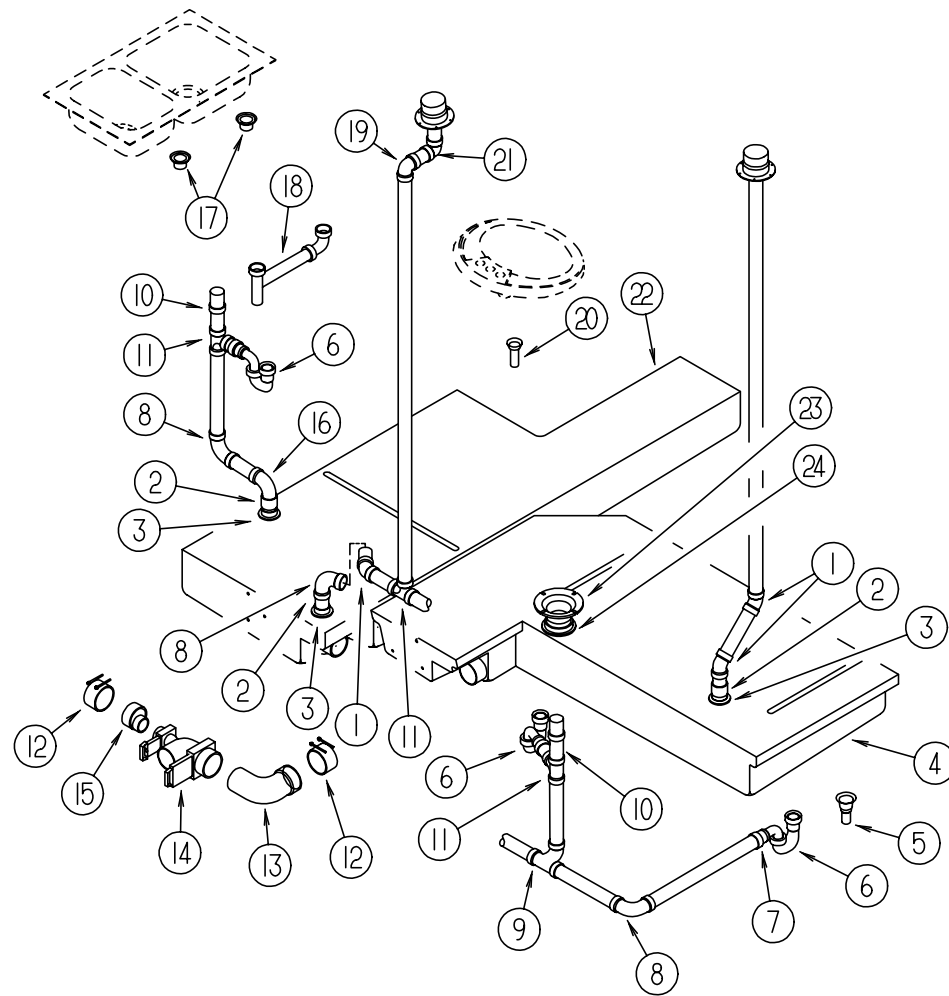
KEY	PART NUMBER	U/M	DESCRIPTION	VENDOR NO.
*	051393-01-000	EA	WATER HEATER - GH6-8E - ELECTRONIC IGNITION W/MOTOR AID	
	701069-01-000	EA	WATER PURIFICATION SYSTEM	
	701069-03-700	EA	CARTRIDGE - WATER FILTER - AC - EVERPURE	9601-11
	010224-01-000	EA	ADAPTER - HOSE TO PIPE - 3/8" MPT X 3/8" BARB - BLK PLASTIC	
	118809-02-000	EA	ADAPTER - 1/2" MPT X 1/2" BARB - PLASTIC	
	123152-01-000	EA	ADAPTER - 1/2" FPT X 1/2" BARB - SWIVEL	
	010230-06-000	EA	FILL - CITY WATER - W/CHECK VALVE - MPT	
	124188-01-000	FT	TUBING - PEX - 1/2" ID X 20' - BLUE	
	124188-02-000	FT	TUBING - PEX - 1/2" ID X 20' - RED	
	074462-02-000	FT	TUBING - VINYL - 3/8" ID X 20' - CLEAR	
	112176-01-000	FT	TUBING - VINYL - REINFORCED - 1/2" ID	
	079381-01-000	FT	TUBING - SMOOTH FLEXIBLE - 1 3/8" ID X 20'	
	010219-01-000	EA	ELBOW - 1 1/4" MPT X 1 1/4" BARB - WATER FILL - PLASTIC	
	039808-03-000	EA	ELBOW - 1/2" MPT X 1/2" MPT - PLASTIC	
	123150-01-000	EA	ELBOW - 1/2" FPT X 1/2" BARB - SWIVEL	
	110438-02-000	EA	VALVE - CHECK - BRASS - 1/2" MPT X 1/2" MPT	
	113697-01-000	EA	CAP - 3/8" FTG	

COMPONENT PARTS FOUND IN SERVICE PARTS LIBRARY*EXTERIOR SHOWER COMPONENTS**

KEY	PART NUMBER	U/M	DESCRIPTION
	103092-01-000	EA	SHOWER HEAD - W/ 60" HOSE (US)
	103092-02-000	EA	SHOWER HEAD - W/ HOSE (CSA)
	104044-01-000	EA	BRACKET - SUPPORT - FAUCET
	118051-01-02B	EA	BRACKET - FAUCET SUPPORT - E-COAT
	079563-04-01A	EA	FAUCET - SHOWER W/ 1/2" MPT X 1.25" LONG INLET PIPE

WATER & SEWAGE GROUP (CONTINUED)

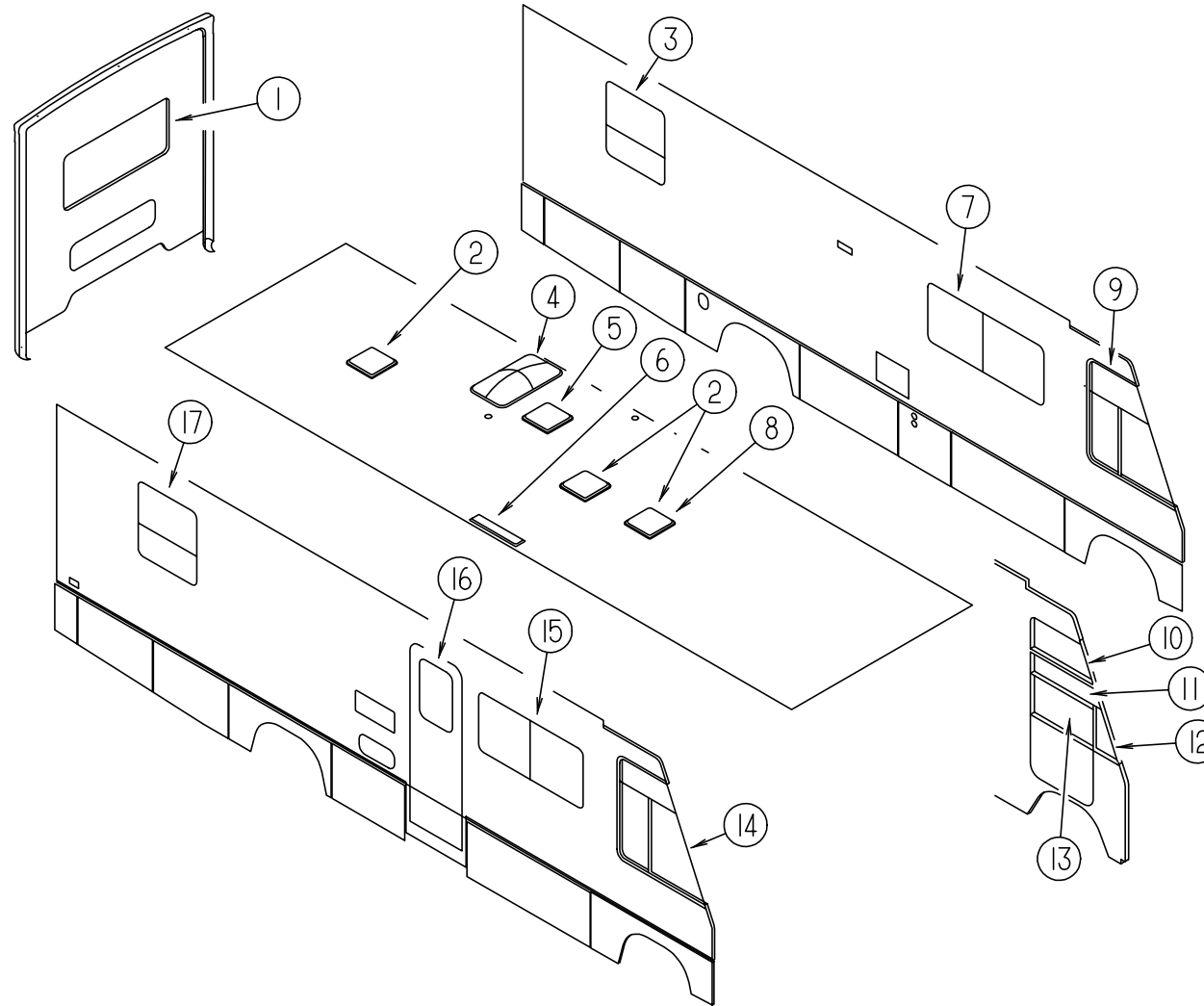
DRAINAGE SYSTEM



KEY	PART NUMBER	U/M	DESCRIPTION	VENDOR NO.
1	010006-01-000	EA	ELBOW - 45 DEGREE - 1 1/2" HUB X HUB - PLASTIC	
2	010115-01-000	EA	COUPLING - 1 1/2" HUB X HUB - PLASTIC	
3	061607-01-000	EA	GROMMET - HOLDING TANK - 1 1/2" NPS	
4	104351-01-000	EA	TANK - HOLDING - SEWAGE - 55 GALLON	
5	120981-01-01A	EA	DRAIN - BATH/SHOWER W/SPRING LOADED PLUNGER - BRASS	
5	127440-02-01A	EA	WASHER - RUBBER - 1.8" X .1"	
6	107538-01-000	EA	P TRAP - PLASTIC - 1 1/4" W/EXTENSION ARM	
6	011066-03-700	EA	P TRAP KIT 1 1/2" X 1 1/2" P TRAP W/1 1/2"-1 1/4" REDUCER - CANADA	
7	109571-01-000	EA	ADAPTER - P TRAP - 1 1/2" P X 1 1/4" MPT	
8	010008-01-000	EA	ELBOW - 90 DEGREE - 1 1/2" HUB X HUB - PLASTIC	
9	031365-02-000	EA	TEE - PLASTIC - 1 1/2" EXT LG TURN	
10	079968-01-000	EA	VENT - MECHANICAL/TRAP ARM - ANTI-SIPHON-2" X 7.3" PLASTIC	
11	010071-01-000	EA	TEE - SANITARY - 1 1/2" HUB X HUB X HUB - PLASTIC	
12	078406-01-000	EA	COUPLER - RUBBER - W/CLAMPS - 3" X 3"	
13	041956-01-000	EA	ELBOW - STREET - 1/4" BARB X 90 DEGREE X 3 XLT	
14	070916-01-000	EA	VALVE - DUAL DUMP - W/CAP - 3" X 1 1/2"	
	070916-01-700	EA	VALVE ONLY (WASTE) 3"	T1003BU
	070916-01-701	EA	VALVE ONLY (WASTE) 1 1/2"	T1001BU
	010201-01-000	EA	HOSE - SEWER - 3" ID X 8'	
	062416-01-000	EA	ADAPTER - SEWER HOSE TO 3" PIPE	
	062415-01-000	EA	CAP - SEWER - 3" DIAMETER	
	062415-01-700	EA	STRING - SEWER CAP	V#SV7 STRAP
15	062422-01-000	EA	ADAPTER - OFFSET REDUCER - 3" X 1 1/2" - PLASTIC	
16	033761-01-000	EA	ELBOW - TURN - 90 DEGREE 1 1/2" HUB X 1 1/2" SPIGOT	
17	092303-01-000	EA	STRAINER - SINK	
18	011091-02-000	EA	WASTE - CONTINUOUS - DOUBLE SINK	
18	011091-03-000	EA	WASTE - CONTINUOUS - DOUBLE SINK - CSA	
19	034250-01-000	EA	ELBOW - 90 DEGREE - LONG TURN - 1 1/2" HUB X HUB - ABS	
20	106116-01-01A	EA	STRAINER - SINK - W/STOPPER/TAIPIECE/GASKET & NUT - PLASTIC	
21	010009-01-000	EA	ELBOW - 90 DEGREE - 1/4 BEND - 1 1/2" PLASTIC	
22	111229-01-700	EA	TANK - HOLDING - 56 GAL - 3"NIPPLE	
23	116644-01-000	EA	FLANGE - CLOSET - 4" X 3"	
24	061607-02-000	EA	GROMMET - HOLDING TANK - 3" NPS	
	010129-03-000	EA	NIPPLE - PLASTIC - 3" X 3" TOE	
	130403-01-000	EA	NUT - SLIP - W/WINGS 1 1/2"	

WINDOW, VENT & EXTERIOR DOOR GROUP

WINDOWS & VENTS



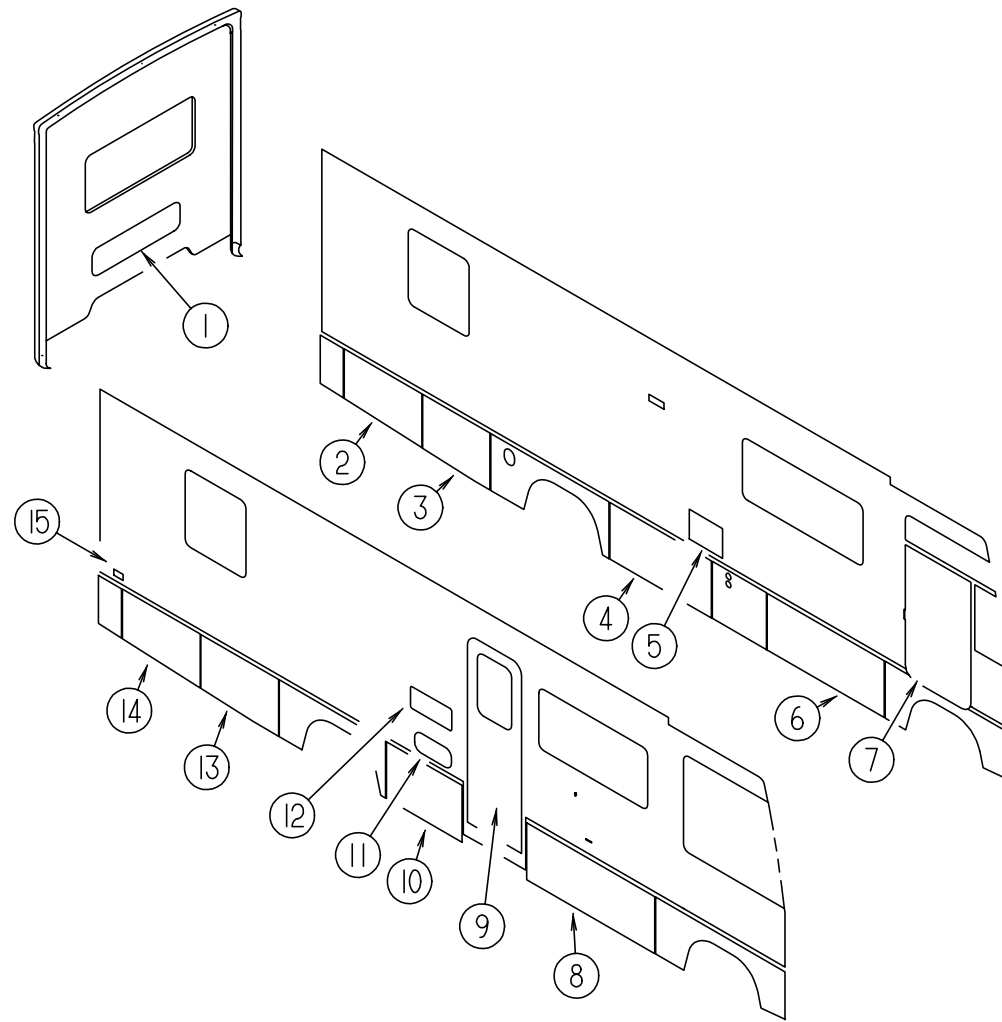
KEY	PART NUMBER	U/M	DESCRIPTION
1*	078528-06-E10	EA	WINDOW - ESCAPE W/O RETAINER/ TRIM 48.5" X 24.5" (QUEEN BED)
1*	113502-01-01A	EA	WINDOW - REAR/CENTER ESCAPE THERMO - 24.8" X 48.7" (QUEEN BED)
1*	078528-13-F11	EA	WINDOW - ESCAPE W/O INSIDE TRIM - 59.8" X 26" (TWIN BEDS)
1*	113733-07-01A	EA	WINDOW - STATIONARY THERMOPANE/ EUROPEAN 26.4" X 60" (TWIN BEDS)
2*	122882-01-01A	EA	VENT - ROOF - NONPOWERED
2	122882-07-01A	EA	VENT - ROOF - GARNISH 63.5-104.6
3*	112463-03-01A	EA	WINDOW - TIPOUT W/RETAINER TRIM - 33.3" X 30.2" (QUEEN BED)
3*	112898-16-01A	EA	WINDOW - VERTICAL SLIDER - THERMO - 30.2" X 33.2" (QUEEN BED)
3*	112898-18-01A	EA	WINDOW - VERTICAL SLIDER - THERMO - ESCAPE - 30.2" X 33.2" (TWIN BEDS)
3*	112463-05-01A	EA	WINDOW - TIPOUT/ ESCAPE W/ RETAINER TRIM - 33.3" X 30.2" (TWIN BEDS)
4	114496-01-02A	EA	PANEL - SKYLIGHT - OUTER - 22" X 37"
4	122191-01-02A	EA	PANEL - SKYLIGHT - INNER W/LIGHT CUTOUT - 20.7" X 35.4"
5*	122882-02-01A	EA	VENT - ROOF - POWERED
5*	122882-03-01A	EA	VENT - ROOF - POWERED CSA
5	122882-07-01A	EA	VENT - ROOF - GARNISH 63.5-104.6
6	084073-04-000	EA	BASE - ROOF VENT/REFRIGERATOR - BLACK - NORCOLD
6	084073-07-000	EA	VENT - ROOF/REFRIGERATOR - BRIGHT WHITE - NORCOLD
	083558-03-000	EA	VENT - PLUMBING - ROOF PIPE COVERED - OFF WHITE

KEY	PART NUMBER	U/M	DESCRIPTION	VENDOR NO.
7*	112795-15-01A	EA	WINDOW - DRIVER HORIZONTAL SLIDER - THERMO - 26.4" X 60"	
7*	098647-22-01A	EA	WINDOW-DRIVER HORIZ SLIDER W/TRIM-TINTED - 26.1" X 59.7"	
8*	123780-03-01A	EA	VENT - ROOF - 3" TO 4" - W/FAN/POWER LIFT - W/O THERMOSTAT	
9*	125582-04-01A	EA	WINDOW - CAB - DRIVER	
9*	125583-04-01A	EA	WINDOW - DRIVER CAB-3 GLASS THERMO - 31.8"T X 51.6"B X 42.6"H	
10*	125586-02-01A	EA	WINDOW - VISTA	
10*	125600-02-01A	EA	WINDOW - VISTA - THERMOPANE	
11	125581-04-705	EA	GLASS - STATIONARY	106-041547
12	125581-04-704	EA	GLASS - ROLL-UP	106-041821
13*	125584-02-01A	EA	WINDOW - FRONT SLANT - DRIVER	
13*	125585-02-01A	EA	WINDOW - FRONT SLANT - THERMO	
14*	125582-03-01A	EA	WINDOW - CAB - PASSENGER	
14*	125583-03-01A	EA	WINDOW - PASS CAB-3 GLASS THERMO - 31.8"T X 51.6"B X 42.6"H	
15*	098647-24-01A	EA	WINDOW - PASS HORIZ SLIDER W/TRIM - TINTED - 26.1" X 53.8"	
15*	112795-17-01A	EA	WINDOW - PASSENGER HORIZ SLIDER - THERMO - 26.4" X 54"	
16*	117053-02-F36	EA	WINDOW - PICTURE 17" X 26.4"	
16*	113733-01-01A	EA	WINDOW - STATIONARY THERMOPANE 26.4" X 17"	
17*	112463-03-01A	EA	WINDOW - TIPOUT W/RETAINER TRIM - 33.3" X 30.2" (QUEEN BED)	
17*	112898-16-01A	EA	WINDOW - VERTICAL SLIDER - THERMO - 30.2" X 33.2" (QUEEN BED)	

*COMPONENT PARTS FOUND IN SERVICE PARTS LIBRARY

WINDOW, VENT & EXTERIOR DOOR GROUP (CONTINUED)

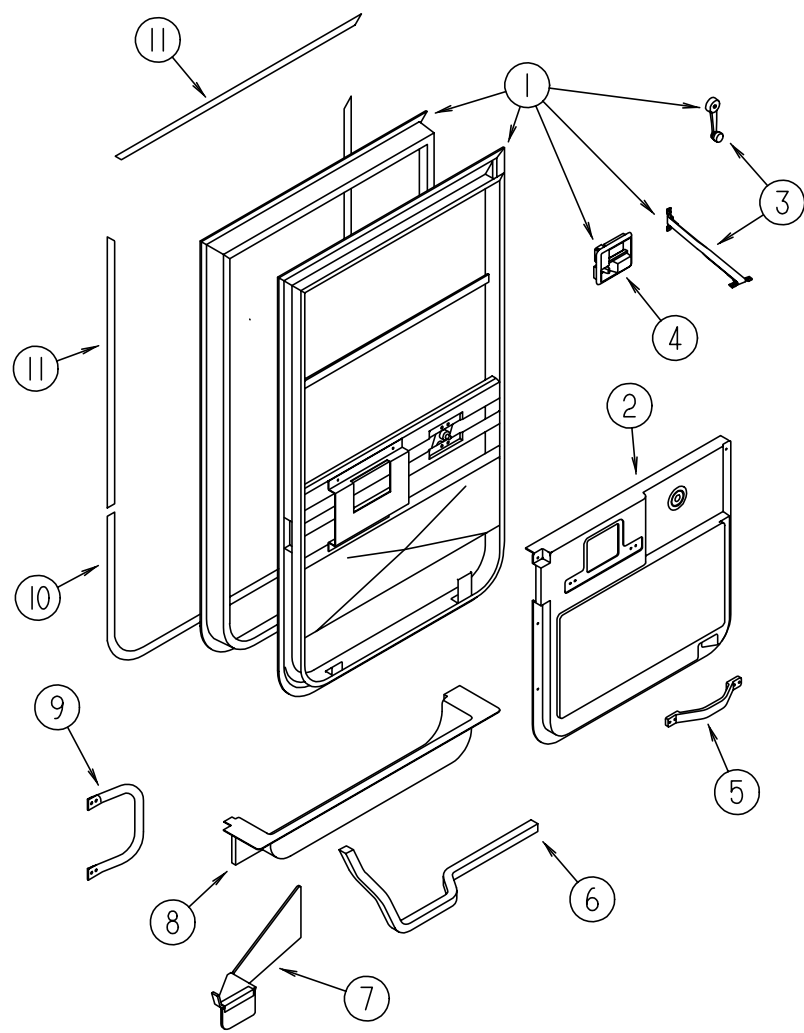
EXTERIOR DOORS



KEY	PART NUMBER	U/M	DESCRIPTION	VENDOR NO.
1	126944-02-J22	EA	DOOR/STORAGE - W/O HARDWARE - 43.5" X 11.7"	
2	122391-07-JA1	EA	VALANCE/DOOR - DRIVER W/O PADDLE LATCH 22.4" X 38.6" X 20.6"	
3	122391-49-JA1	EA	VALANCE/DOOR - DRIVER W/O PADDLE LATCH 23.7" X 33.4" X 22.4"	
4	122239-74-JA1	EA	VALANCE/DOOR - W/O PADDLE LATCH/HINGE - 23.7" X 50.5"	
5	052009-06-000	EA	DOOR - WATER HEATER - BRIGHT WHITE - 18" X 14.6"	
6	122239-73-JA1	EA	VALANCE/DOOR - W/O PADDLE LATCH/HINGE - 23.7" X 58.2"	
7	125581-04-01A	EA	DOOR - DRIVER - NON-POWER	
8	122239-06-JA1	EA	VALANCE/DOOR - W/O PADDLE LATCH/HINGE - 23.7" X 63.6"	
9	115108-02-H08	EA	DOOR - ENTRY - W/SCREEN DOOR - W/O WINDOW (J52, J53)	
9	115108-02-J11	EA	DOOR - ENTRY - W/SCREEN DOOR - W/O WINDOW (J54, J55)	
9	115108-02-H23	EA	DOOR - ENTRY - W/SCREEN DOOR - W/O WINDOW (J56, J57)	
10	122239-72-JA1	EA	VALANCE/DOOR - W/O PADDLE LATCH/HINGE - 23.7" X 37.7"	
11	126945-01-J22	EA	DOOR/STORAGE - W/O HARDWARE - 18" X 8.3"	
12	084103-08-000	EA	DOOR - VENT/REFRIGERATOR - W/O JAMB - BRIGHT WHITE	
12	084104-08-000	EA	JAMB - VENT DOOR/REFRIGERATOR - BRIGHT WHITE	
12	084104-01-700	EA	LOCK - MALE - FASTENER	201-721-010
12	084104-01-701	EA	LOCK - FEMALE - FASTENER	201-802-010
13	122391-06-JA1	EA	VALANCE/DOOR - PASS W/O PADDLE LATCH 22.5" X 38.6" X 23.7"	
14	122391-08-JA1	EA	VALANCE/DOOR - PASS W/O PADDLE LATCH 20.6" X 38.6" X 22.4"	
15	081240-16-000	EA	DOOR - WATER FILL - LOCKABLE W/O LOCK - 4" X 4 5/8"	

WINDOW, VENT & EXTERIOR DOOR GROUP (CONTINUED)

DRIVER DOOR (EXCEL)

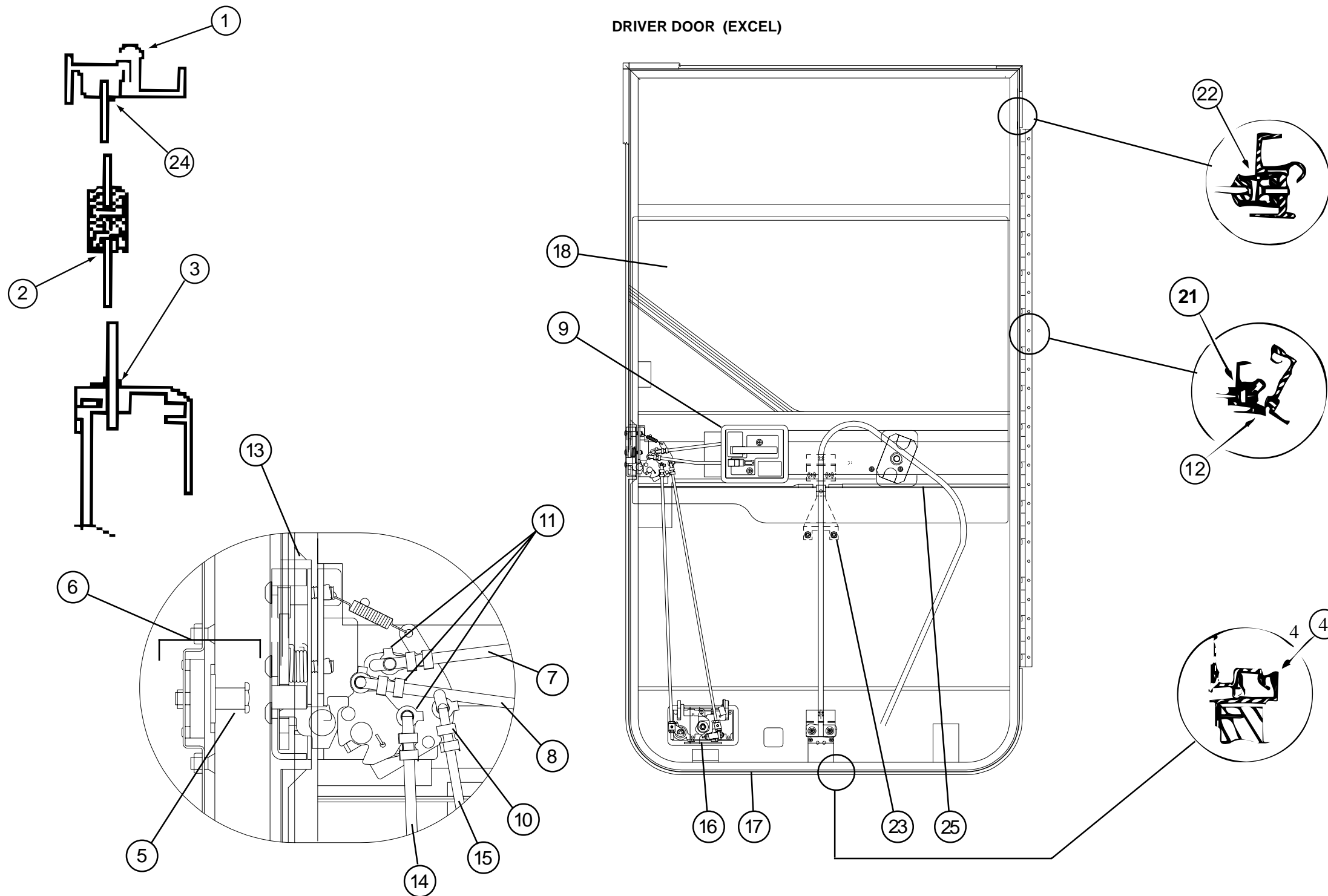


KEY	PART NUMBER	U/M	DESCRIPTION	VENDOR NO.
1	125581-04-01A	EA	DOOR - DRIVER - NON-POWER	
2	125899-01-01A	EA	PANEL - CAB DOOR - INNER/DRIVER	
			FROM: 00-00-00 THRU: 09-10-97	
2	125899-03-01A	EA	PANEL - CAB DOOR - INNER/DRIVER	
			FROM: 09-11-97 THRU: 99-99-99	
3	106469-02-704	EA	PARTS BAG (WINDOW HANDLE & CHECK STRAP)	V068-16
	109378-01-000	EA	STRAP - CHECK - DRIVER DOOR - 12.8"	
4	106469-04-712	EA	HANDLE/DOOR - INNER W/HARDWARE	248-041402
5	110604-01-01A	EA	HANDLE - ASSIST - DRIVERS DOOR	
6	063977-14-000	EA	STEP - DRIVER DOOR - LEFT HAND	
7	128255-01-04B	EA	STEP - DRIVER DOOR - BLACK	

KEY	PART NUMBER	U/M	DESCRIPTION
8	107818-03-04A	EA	TRIM - STEP - DRIVERS DOOR
			FROM: 00-00-00 THRU: 02-08-98
8	107818-05-02A	EA	TRIM - STEP - DRIVERS DOOR
			FROM: 02-09-98 THRU: 99-99-99
	102569-02-000	EA	MAT - ANTI SLIP - LOWER
9	108832-02-01A	EA	HANDLE - ASSIST - DRIVER DOOR
	126701-01-03A	EA	COVER - ASSIST HANDLE - OFF WHITE
10	109235-01-05A	FT	COVER - SCREW - BRIGHT WHITE
11	109235-01-01A	FT	COVER - SCREW - MAT BLACK - 132-081046
	P01713-01-000	EA	SWITCH - PUSH BUTTON - IN DOOR JAMB - METAL CHROME

WINDOW, VENT & EXTERIOR DOOR GROUP (CONTINUED)

DRIVER DOOR (EXCEL)

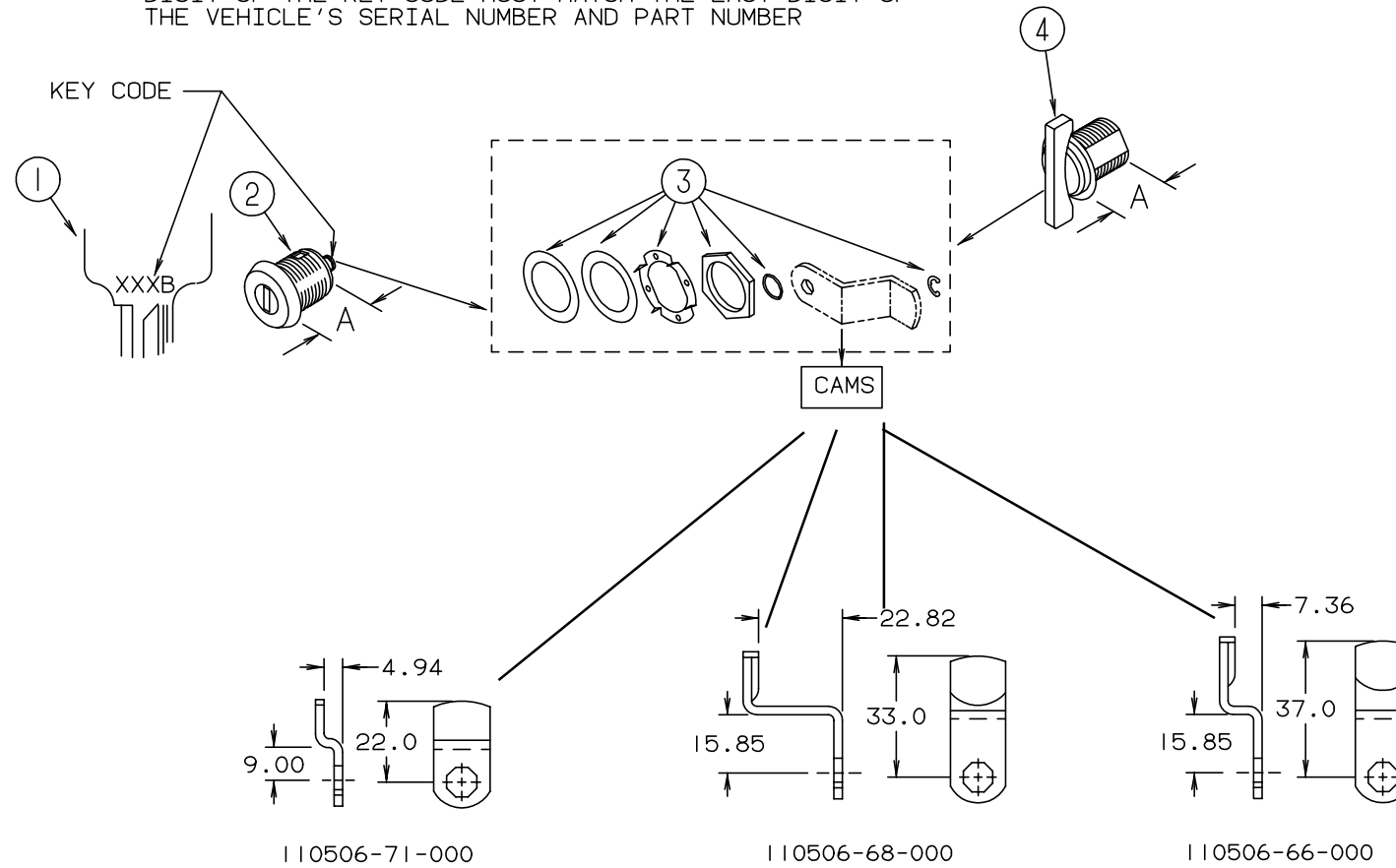


KEY	PART NUMBER	U/M	DESCRIPTION	VENDOR NO.
1	106469-01-702	EA	DOOR SEAL	122-040984
2	106469-01-705	FT	CHANNEL - RUN - SLIDING	122-010850
3	106469-01-709	FT	WEATHERSTRIP - FUZZY	171-040630
4	106469-01-723	EA	SEAL - BULB ASM. (JAMB)	171-040985
5	106469-04-703	EA	BOLT - STRIKER (W/ WASHER)	248-041152
6	106469-04-704	EA	NUT ASSEMBLY - CAGED - W/STRIKER	248-041151
7	106469-04-705	EA	LATCH ROD - HORIZONTAL	203-041139
8	106469-04-711	EA	LOCK ROD - HORIZONTAL	203-041137
9	106469-04-712	EA	HANDLE/DOOR - INNER W/HARDWARE	248-041402
10	106469-04-713	EA	ROD CLIP L.H.	248-041154
11	106469-04-714	EA	ROD CLIP R.H.	248-041153
12	106469-05-702	EA	HINGE - 42"	211-041194
13	106469-05-706	EA	LATCH - ROTARY - W/LINKAGE	248-041150

KEY	PART NUMBER	U/M	DESCRIPTION	VENDOR NO.
14	125581-04-700	EA	ROD - LATCH/VERTICAL ADJUST.	203041767
15	125581-04-701	EA	ROD - LOCK/VERTICAL ADJUST.	203-041768
16	125581-04-702	EA	PADDLE RH-W/COLLAR BLACK TEX	248-041403
17	125581-04-703	EA	FRAME - MOUNTING - BLACK	V180-35L
18	125581-04-704	EA	GLASS - ROLL-UP	106-041821
19	125581-04-705	EA	GLASS - STATIONARY	106-041547
20	125581-04-706	EA	FRAME - DOOR - SUB-ASSEMBLY	V180-94L
21	125581-04-707	EA	CHANNEL - ROLL UP GLASS	V156-60
22	125581-04-708	EA	CHANNEL - STATIONARY GLASS	V156-61
23	125581-04-709	EA	REGULATOR - MANUAL	410-08389
24	125581-04-710	EA	VINYL - GLAZING	132-041484
25	125581-04-711	EA	CHANNEL- GLASS	N135-66
	106469-04-701	EA	TUMBLER & KEYS (TRI-MARK)	248-041179
	106469-04-702	EA	KEYS (BLANK)	248-041180

WINDOW, VENT & EXTERIOR DOOR GROUP (CONTINUED)
BRIGGS & STRATTON LOCKS & COMPONENTS

NOTE:
 WHEN ORDERING THE LOCK CASE, THE KEY CODE MUST MATCH THE LAST DIGIT OF THE VEHICLE'S SERIAL NUMBER AND PART NUMBER; WHEN ORDERING THE KEYS, THE THIRD DIGIT OF THE KEY CODE MUST MATCH THE LAST DIGIT OF THE VEHICLE'S SERIAL NUMBER AND PART NUMBER

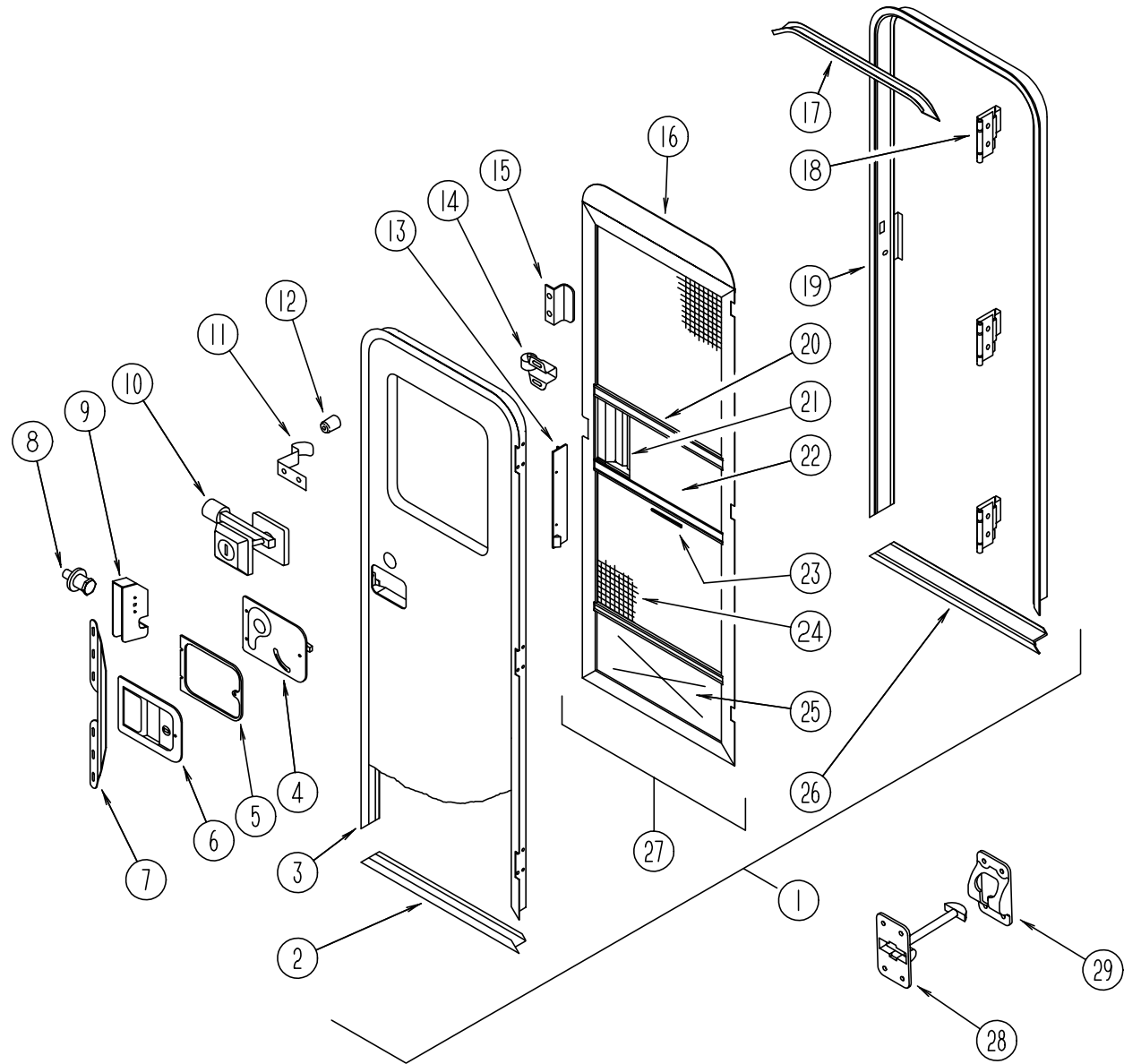


KEY	PART NUMBER	U/M	DESCRIPTION	VENDOR NO.
1	110506-59-000	EA	KEYS - SET OF TWO	596720
2	110506-52-000	EA	CASE - LOCK - A= .65"	702370
2	110506-53-000	EA	CASE - LOCK - A= 1"	702380
2	110506-54-000	EA	CASE - LOCK - A= 1.25"	703170
1	110506-59-001	EA	KEYS - SET OF TWO	596721
2	110506-52-001	EA	CASE - LOCK - A= .65"	702371
2	110506-53-001	EA	CASE - LOCK - A= 1"	702381
2	110506-54-001	EA	CASE - LOCK - A= 1.25"	703171
1	110506-59-002	EA	KEYS - SET OF TWO	596722
2	110506-52-002	EA	CASE - LOCK - A= .65"	702372
2	110506-53-002	EA	CASE - LOCK - A= 1"	702382
2	110506-54-002	EA	CASE - LOCK - A= 1.25"	703172
1	110506-59-003	EA	KEYS - SET OF TWO	596723
2	110506-52-003	EA	CASE - LOCK - A= .65"	702373
2	110506-53-003	EA	CASE - LOCK - A= 1"	702383
2	110506-54-003	EA	CASE - LOCK - A= 1.25"	703173
1	110506-59-004	EA	KEYS - SET OF TWO	596724
2	110506-52-004	EA	CASE - LOCK - A= .65"	702374
2	110506-53-004	EA	CASE - LOCK - A= 1"	702384
2	110506-54-004	EA	CASE - LOCK - A= 1.25"	703174
1	110506-59-005	EA	KEYS - SET OF TWO	596725
2	110506-52-005	EA	CASE - LOCK - A= .65"	702375
2	110506-53-005	EA	CASE - LOCK - A= 1"	702385
2	110506-54-005	EA	CASE - LOCK - A= 1.25"	703175

KEY	PART NUMBER	U/M	DESCRIPTION	VENDOR NO.
1	110506-59-006	EA	KEYS - SET OF TWO	596726
2	110506-52-006	EA	CASE - LOCK - A= .65"	702376
2	110506-53-006	EA	CASE - LOCK - A= 1"	702386
2	110506-54-006	EA	CASE - LOCK - A= 1.25"	703176
1	110506-59-007	EA	KEYS - SET OF TWO	596727
2	110506-52-007	EA	CASE - LOCK - A= .65"	702377
2	110506-53-007	EA	CASE - LOCK - A= 1"	702387
2	110506-54-007	EA	CASE - LOCK - A= 1.25"	703177
1	110506-59-008	EA	KEYS - SET OF TWO	596728
2	110506-52-008	EA	CASE - LOCK - A= .65"	702378
2	110506-53-008	EA	CASE - LOCK - A= 1"	702388
2	110506-54-008	EA	CASE - LOCK - A= 1.25"	703178
1	110506-59-009	EA	KEYS - SET OF TWO	596729
2	110506-52-009	EA	CASE - LOCK - A= .65"	702379
2	110506-53-009	EA	CASE - LOCK - A= 1"	702389
2	110506-54-009	EA	CASE - LOCK - A= 1.25"	703179
3	110506-40-700	EA	HARDWARE KIT	
4	110506-50-000	EA	CASE - TWIST LOCK - A= .65"	596952
4	110506-51-000	EA	CASE - TWIST LOCK - A= 1"	596669
4	110506-55-000	EA	CASE - TWIST LOCK - A= 1.25"	597312AA1
	110506-40-000	EA	CLIP-E - LOCK ASM.	93981
	110506-64-000	EA	CAM - LOCK	322280
	110506-68-000	EA	CAM - LOCK	322284
	110506-71-000	EA	CAM - LOCK	322287
	110506-59-701	EA	KEY BLANK - GOLD	

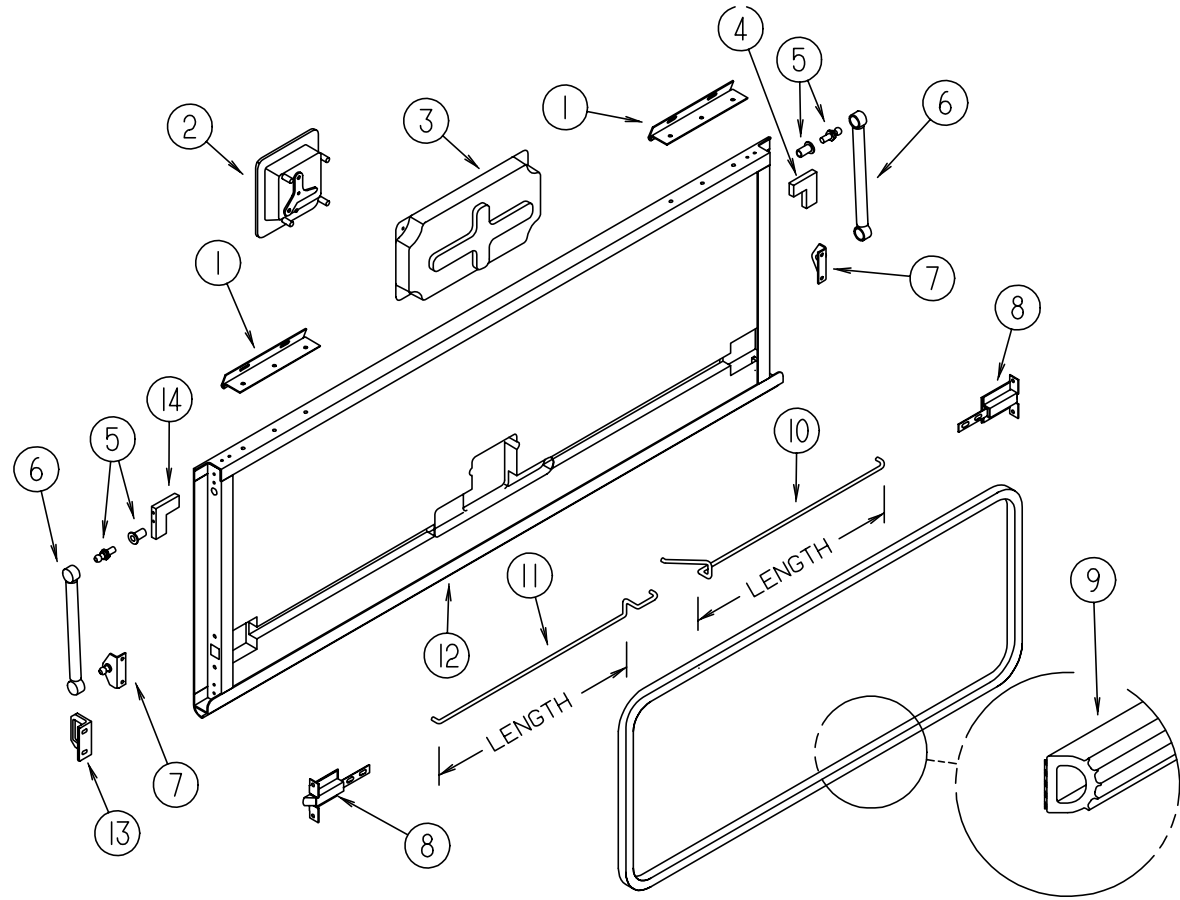
WINDOW, VENT & EXTERIOR DOOR GROUP (CONTINUED)

ENTRY DOOR W/O WINDOW



KEY	PART NUMBER	U/M	DESCRIPTION
1	115108-02-H08	EA	DOOR - ENTRY - W/SCREEN DOOR - W/O WINDOW (J52, J53)
1	115108-02-J11	EA	DOOR - ENTRY - W/SCREEN DOOR - W/O WINDOW (J54, J55)
1	115108-02-H23	EA	DOOR - ENTRY - W/SCREEN DOOR - W/O WINDOW (J56, J57)
2	121893-01-01A	EA	FRAME - DOOR - ENTRANCE - BOTTOM - BRIGHT WHITE
3	121894-03-01A	EA	FRAME - DOOR - ENTRANCE
4	039979-06-000	EA	COVER - LATCH PLATE - RIGHT HAND - BLACK TEXTURED
5	096810-01-01A	EA	PLATE - LATCH - ENTRY DOOR - BLACK
6	045017-13-000	EA	LATCH - ENTRANCE DOOR - BLACK TEXTURED
7	098173-01-04A	EA	STIFFENER - ENTRY DOOR - SUPPORTS LATCH/ STRIKE AREA - UNPAINTED
8	039539-01-000	EA	STRIKE - LOCK - ENTRY DOOR - ROUND W/ THREADED WASHER
9	039540-01-000	EA	LATCH MECHANISM - HOOK - ENTRY DOOR - INTERIOR
	077461-03-000	EA	COVER - STRIKE - ENTRY DOOR - 6.5" X 2.5" - WHITE PLASTIC
	039715-01-000	EA	NUT-SERT - 1/4" DIAMETER - 20 THREADS (ENTRANCE DOOR HINGE)
	041546-07-000	EA	BRACKET - DOOR ANGLE - OFF WHITE
	036618-02-000	EA	E-RING - EXTERNAL - 3/16" SHAFT DIAMETER - LYNOR DOOR LOCK
	045017-11-701	EA	KEY - BLANK - F1 SERIES
	045017-11-703	EA	CYLINDER - LOCK ASM. W/ KEYS
	075671-04-000	FT	SEAL - SPONGE - LAZY T SHAPE - W/ ADHESIVE STRIP - .5" WIDE
	086285-05-000	EA	SPACER - NYLON - .7" X .56"
10	101145-01-06A	EA	DEADBOLT - ENTRY DOOR W/O SECURITY BOLT W/2 KEYS - BLACK
	095229-01-700	EA	KEY - BLANK - DEADBOLT
	101145-01-701	EA	CYLINDER - LOCK ASM. - W/ KEY
	101147-01-000	EA	BOLT - SECURITY - 4.12" BACKSET
11	100412-01-000	EA	CATCH - SCREEN DOOR - THUMB CLIP
12	117046-01-000	EA	BUMPER - RUBBER - ROUND END
13	079087-03-000	EA	STRIKE - SLIDER - SCREEN DOOR - BRIGHT WHITE
14	109403-01-000	EA	CATCH - SCREEN DOOR ROLLER
15	050712-06-000	EA	HANDLE - SCREEN DOOR - BRIGHT WHITE
16	078595-01-000	EA	TOP PLATE - SCREEN DOOR - CURVED TOP - 4.7" X 25.35"
17	044582-44-000	EA	CAP - DRIP - ENTRY DOOR - ALUMINUM - BRIGHT WHITE
18	106719-01-05A	EA	HINGE - ENTRANCE DOOR - BRIGHT WHITE
18	106719-01-01A	EA	HINGE - ENTRANCE DOOR - MILL
	102248-01-000	EA	SHIM - DOOR
	116111-02-01A	EA	SCREW - TAPTITE - 1/4-20 X 3/8 PPH - ZINC
	118929-01-01A	FT	SEAL - PILE - PUSH ON
19	121898-01-01A	EA	JAMB - DOOR - ENTRANCE
20	078777-01-000	EA	CHANNEL - SLIDE - SCREEN DOOR CENTER SLIDER COVER FROM: 00-00-00 THRU: 02-22-98
20	078777-08-000	FT	CHANNEL SLIDER FROM: 02-23-98 THRU: 99-99-99
21	079086-03-000	EA	SLIDER - SCREEN DOOR - BRIGHT WHITE
22	016454-01-000	EA	INSERT - CENTER - LEATHER GRAIN ALUMINUM - UNPAINTED
	001014-01-013	EA	INSERT - CENTER - 10.25" X 16.31" - UNPAINTED
23	002294-01-000	FT	SPLINE - SCREENING - .135" X .138"
24	002293-02-000	SF	SCREENING - WINDOW/ DOOR - 26"
	075673-01-000	FT	SEAL - PILE - ADHESIVE BACK - GRAY
25	078552-03-000	EA	KICK PANEL - SCREEN DOOR - LOWER INSERT - UNPAINTED
	078595-01-000	EA	TOP PLATE - SCREEN DOOR - CURVED TOP - 4.7" X 25.35"
26	051049-01-000	EA	JAMB - BOTTOM - ENTRY DOOR - 25.9" - UNPAINTED
27	121899-01-G04	EA	DOOR - SCREEN - W/O HARDWARE
28	104099-01-04A	EA	CATCH - DOOR HOLDER - STRIKE - BRIGHT WHITE
29	104099-02-04A	EA	CATCH - DOOR HOLDER - RETAINER - BRIGHT WHITE
	115222-02-01A	EA	GARNISH - RADIUS - ENTRY DOOR
	009126-03-000	EA	HANDLE - ASSIST - BLACK TEXTURED
	120863-06-000	EA	BUMPER - RUBBER - 3/4" X 3/8"

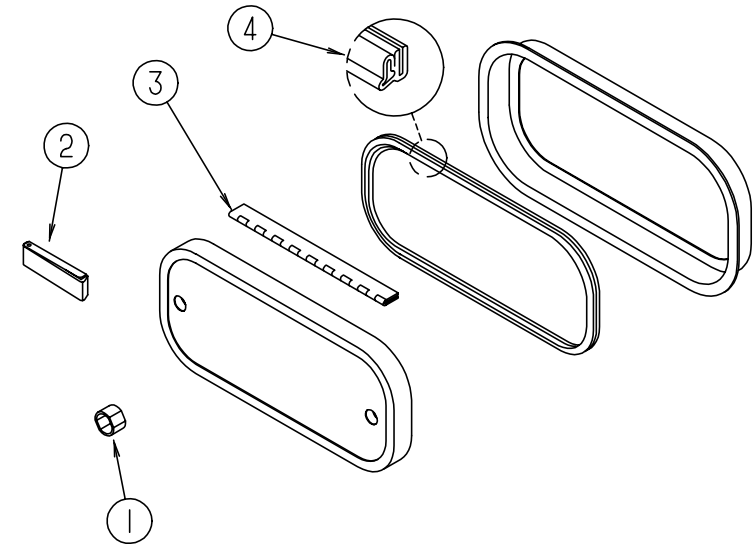
WINDOW, VENT & EXTERIOR DOOR GROUP (CONTINUED)



EXTERIOR DOOR COMPONENTS

KEY	PART NUMBER	U/M	DESCRIPTION
1	121755-01-04A	EA	HINGE - 6.00 INCH
2	112949-01-04A	EA	LATCH - PADDLE W/ LOCK W/O KEY - BLACK
	112949-03-000	EA	KEY - TRI-MARK #TM500
3	122277-02-01A	EA	COVER - LATCH - BLACK
4	123892-12-02B	EA	CORNER STABILIZER W/BALL STUD - LEFT HAND - E-COATED
			FROM: 08-22-97 THRU: 99-99-99
5	057460-08-000	EA	BALL STUD - 10MM BALL - 5/16-18 - STAINLESS STEEL
			FROM: 00-00-00 THRU: 08-21-97
6	107796-20-000	EA	SPRING/GAS - 7" COMPRESSED/10" EXTENDED - 60 LB
7	107796-19-000	EA	BRACKET - GAS SPRING
			FROM: 00-00-00 THRU: 08-21-97
8	121947-01-01A	EA	BOLT - SLIDE - LATCH - STEEL
9	107721-07-000	FT	SEAL-D - ACCESS DOOR
10	122269-29-000	EA	ROD - LATCH - 2.08"
10	122269-33-000	EA	ROD - LATCH - 9.24"
10	122269-17-000	EA	ROD - LATCH - 11.57"
10	122269-30-000	EA	ROD - LATCH - 14.03"
10	122269-04-000	EA	ROD - LATCH - 15.42"
10	122269-53-000	EA	ROD - LATCH - 24.98"
11	122268-29-000	EA	ROD - LATCH - 2.08"
11	122268-33-000	EA	ROD - LATCH - 9.24"
11	122268-17-000	EA	ROD - LATCH - 11.57"
11	122268-30-000	EA	ROD - LATCH - 14.03"
11	122268-04-000	EA	ROD - LATCH - 15.42"
11	122268-53-000	EA	ROD - LATCH - 24.98"
12	122613-55-007	EA	EXTRUDED - ROCKER PANEL - 192" - BLACK
	122612-55-007	EA	EXTRUDED - U CHANNEL - BLACK - 192"
	122614-55-007	EA	EXTRUDED - H CHANNEL - 191" - BLACK
13	123783-01-01A	EA	STRIKER - DOOR - MILL
14	123892-10-02B	EA	CORNER STABILIZER W/BALL STUD - RIGHT HAND - E-COATED
			FROM: 08-22-97 THRU: 99-99-99

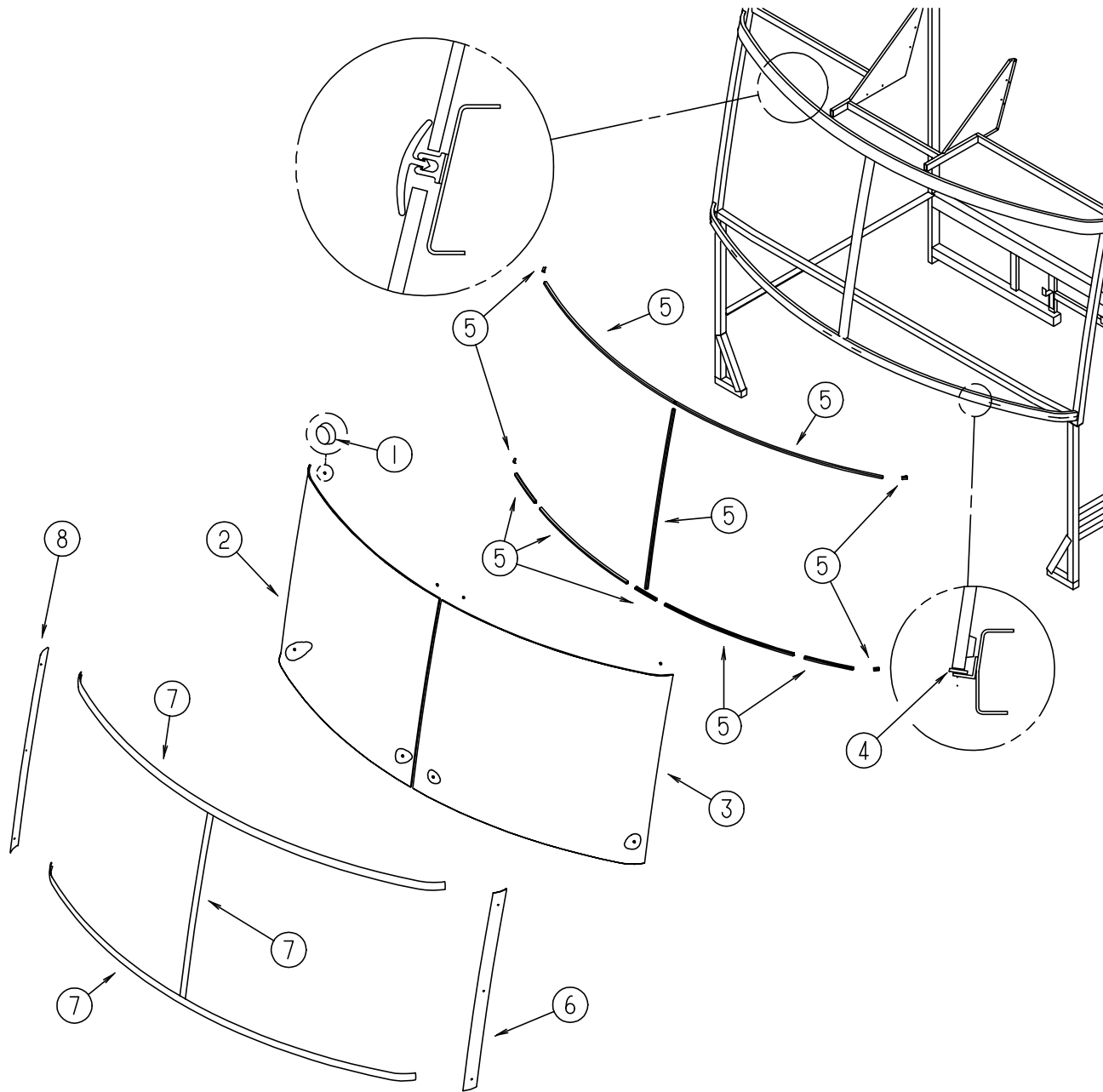
WINDOW, VENT & EXTERIOR DOOR GROUP (CONTINUED)



EXTERIOR DOOR COMPONENTS

KEY	PART NUMBER	U/M	DESCRIPTION
1	107997-51-001	EA	SPACER - DOOR LOCK - .6" DEEP
	107997-51-002	EA	EXTRUDED - SPACER - 16'
2	102768-01-000	EA	HOLDER - COMPARTMENT/ ENTRY DOOR - METAL - MILL FINISH
3	081801-V3-000	EA	HINGE - ALUMINUM - 2" X 8' - BRIGHT WHITE
4	106850-02-000	FT	SEAL-E - SPONGE RUBBER - .43" X .75"

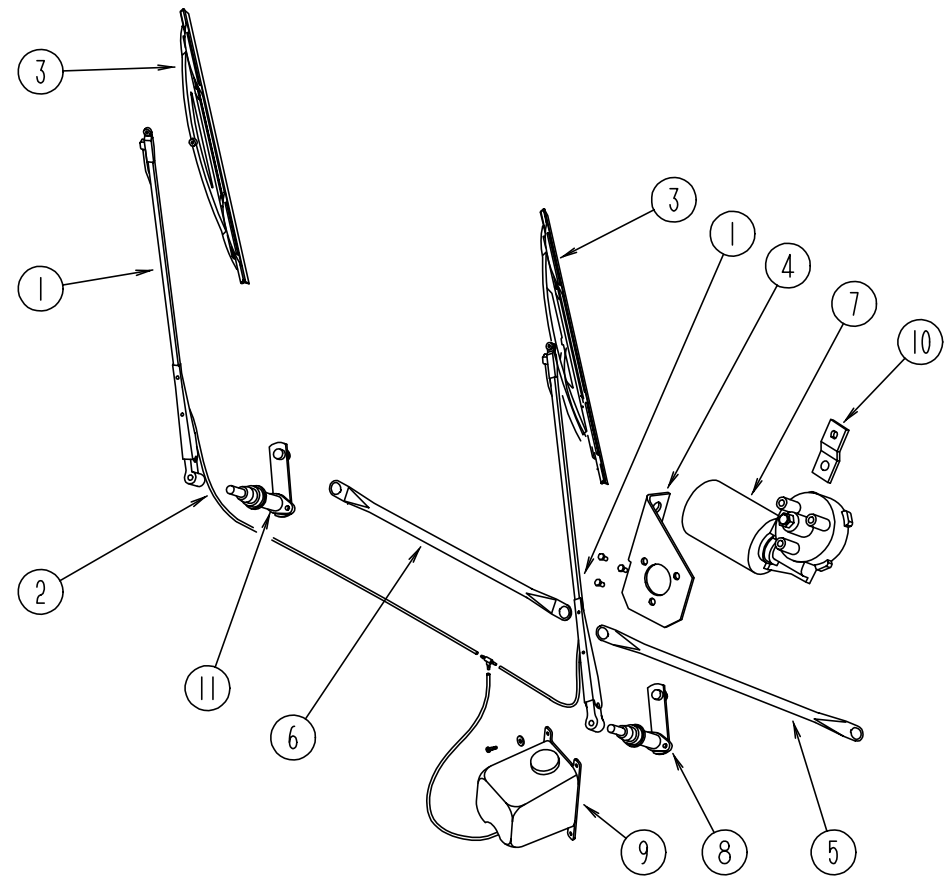
WINDSHIELD & WIPER GROUP



WINDSHIELD & TRIM

KEY	PART NUMBER	U/M	DESCRIPTION
1	081914-01-000	EA	BUMPER - RUBBER - ROUND - .43" DIAMETER
2	124329-01-000	EA	WINDSHIELD - PASSENGER - 51.5" X 44.3" (CURVED)
3	124329-02-000	EA	WINDSHIELD - DRIVER - 51.5" X 44.3" (CURVED)
4	002328-02-000	EA	BLOCK - WINDSHIELD - .062" X .5" X .98"
5	127862-01-000	EA	CARRIER - REVEAL - WINDSHIELD - 47.2"
6	125384-04-02A	EA	TRIM - WINDSHIELD - A-PILLAR - DRIVER - BLACK
6	125384-04-01A	EA	TRIM - WINDSHIELD - A-PILLAR - DRIVER - MILL
7	118586-01-000	FT	MOLDING - REVEAL - WINDSHIELD (CENTER POST)
7	120533-01-000	FT	MOLDING - REVEAL - WINDSHIELD
8	125384-03-02A	EA	TRIM - WINDSHIELD - A-PILLAR - PASSENGER - BLACK
8	125384-03-01A	EA	TRIM - WINDSHIELD - A-PILLAR - PASSENGER - MILL

WINDSHIELD & WIPER GROUP (CONTINUED)



WINDSHIELD WIPER ASM

KEY	PART NUMBER	U/M	DESCRIPTION	VENDOR NO.
1	117769-01-000	EA	ARM - WIPER - PANTOGRAPH - 28"	
2	045794-01-000	FT	HOSE - WASHER - WINDSHIELD - 5/32" ID - BLACK	
3	095964-01-000	EA	BLADE - WINDSHIELD WIPER - 24"	
	095964-01-700	EA	BLADE - REFILL 24" EA= 1 PAIR	12360
4	125829-03-02B	EA	BRACKET ASM - WIPER MOTOR - E-CT	
5	117770-01-000	EA	LINK - CONNECTING - 24" - CLOSED GROMMET/OPEN GROMMET	
6	117770-02-000	EA	LINK - CONNECTING - 24" - CLOSED GROMMET/CLOSED GROMMET	
7	104346-05-000	EA	MOTOR - WIPER W/INTERNAL BREAKER - DYNAMIC PARK (CHEVY)	
7	104346-04-000	EA	WIPER MOTOR - "COAST TO PARK" W/BKR - W/GRN/RED/WHITE WIRE (FORD)	
8	096505-09-000	EA	SHAFT/PIVOT - WINDSHIELD WIPER	
9	117765-03-000	EA	CONNECTOR - 5/32" - WINDSHIELD WASHER	
9	117766-02-000	EA	RESERVOIR/PUMP - WINDSHIELD WASHER	
10	104347-04-000	EA	ARM - DRIVE - WIPER MOTOR	
11	096505-09-000	EA	SHAFT/PIVOT - WINDSHIELD WIPER	
	061603-01-000	EA	GROMMET - SNAP - 3/16"ID - 3/8" HOLE - PLASTIC BLACK	
	077049-02-000	EA	NUT - ACORN - 10-32 BLACK/ANODIZED	
	067188-01-000	EA	STUD - CRANK - WIPER MOTOR	
	117322-01-000	EA	SCREW - 1/4-28 UNFINISHED - 2A - TORX	
	096505-02-700	EA	DRIVER - KNURLED - (HD) BRL .687	NT721017
	096505-02-701	EA	NUT - HEX (HD) W/.687 BARREL	NT721021
	096505-02-702	EA	CAP - RUBBER (HD) BARREL .687	CP721084
	096505-02-703	EA	CAP - NUT(ACORN) HD W/.687 BRL	51065-40-NT27WC
	110605-01-000	EA	TEE - PLASTIC - BARBED - 1/8" X 1/8" X 3/16"	
	117768-01-000	EA	SHAFT - ADAPTER - PANTOGRAPH ARM	