

1998

ICF35WP

J65

BARCELONA (TAUPE)

J66

GEMSTONE (GREEN)

J67

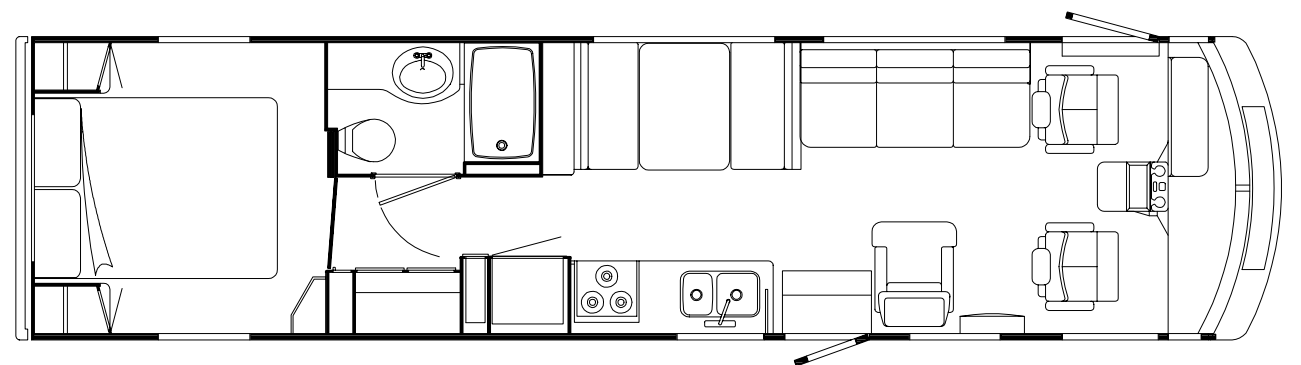
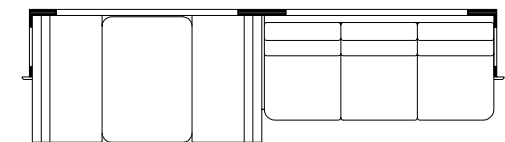
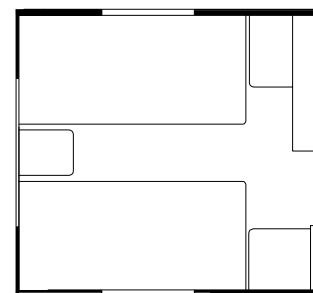
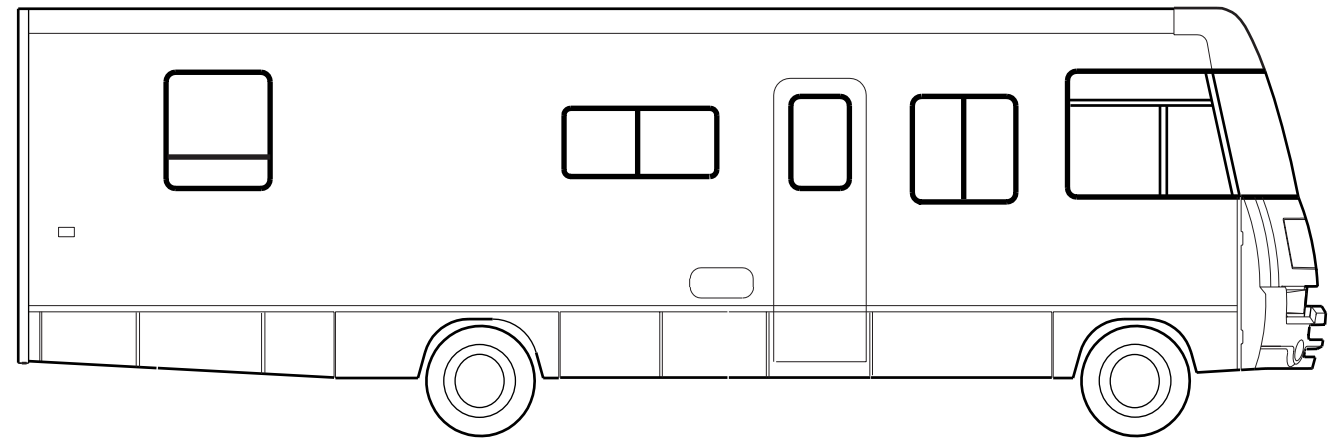
HORIZON (BLUE)

J68

SANDPIPER (TAN)

J69

SILVERSAGE (GREEN)



**ACCESSORIES GROUP
OPERATOR MANUAL**

KEY	PART NUMBER	U/M	DESCRIPTION
	054185-H8-000	EA	MANUAL - OPERATOR 1998 SUNRISE - F SERIES
	092318-01-000	EA	BINDER - 3 RING - MOTOR HOME MANUAL
			FROM: 00-00-00 THRU: 01-25-98
	092319-01-000	EA	POCKET PAGE - 3 RING BINDER - PLASTIC - (50 PER PKG)
			FROM: 00-00-00 THRU: 02-15-98
	129079-01-01A	EA	CASE - VINYL/BLACK - EXPANDABLE ACCORDION SIDES - 7"W X 9"H X 14"L
			FROM: 01-26-98 THRU: 99-99-99
	125967-01-000	DW	TOP LEVEL - F - 1998

**AUDIO VIDEO GROUP
PATIO ENTERTAINMENT CENTER**

KEY	PART NUMBER	U/M	DESCRIPTION
	076319-09-000	EA	WALLPLATE - CABLE RECEPTACLE - TV - SINGLE - BROWN
	077069-02-000	EA	CABLE - ANTENNA/EXTENSION - RADIO - 96"
	086756-01-000	EA	SPLITTER - TV - 2 WAY
	125322-02-000	EA	RADIO - AM/FM STEREO - CASSETTE - AUDIOVOX
	090944-01-000	EA	ANTENNA - RADIO - 16" RUBBER
	108847-01-000	EA	BRACKET - ANTENNA GROUND
	109889-04-000	EA	EXTENDER - ANTENNA SHAFT - 3"
	110469-01-000	EA	SPEAKER - 4" X 6" OVAL - COAXIAL
	110470-01-01A	EA	GRILLE - 4" X 6" OVAL - BLACK

RADIO SYSTEM & ANTENNA

KEY	PART NUMBER	U/M	DESCRIPTION	VENDOR NO.
	127516-03-000	EA	RADIO - AM/FM STEREO - CD PLAYER - PANASONIC	
	127516-01-700	EA	FACE - REMOVEABLE	YEPOFX3114
	127516-01-701	EA	TRIM RING	YGFC025263
	127516-01-702	EA	FACTORY HARNESS	YGAJ02719
	127516-01-703	EA	CARRIER F/REMOVEABLE FACE	YEFA131290
	110267-04-000	EA	RADIO - AM/FM STEREO - CD COMPATIBLE - AUDIOVOX	
	077069-02-000	EA	CABLE - ANTENNA/EXTENSION - RADIO - 96"	
	090944-01-000	EA	ANTENNA - RADIO - 16" RUBBER	
	115916-01-01B	EA	BRACKET - ANTENNA MOUNT	
	110469-01-000	EA	SPEAKER - 4" X 6" OVAL - COAXIAL	
	110470-01-01A	EA	GRILLE - 4" X 6" OVAL - BLACK	
	089340-02-000	EA	GRILLE - SPEAKER - 6.5" SQUARE	
	089340-03-000	EA	SPACER - SPEAKER GRILLE	
	094097-01-000	EA	SPEAKER - RADIO/TV - W/O GRILLE - 5.25" DIAMETER	

AUDIO VIDEO GROUP (CONTINUED)
TV, VCR & COMPONENTS

KEY	PART NUMBER	U/M DESCRIPTION	VENDOR NO.
	126696-01-000	EA TV - 19" COLOR W/1/8" JACK - UL/CSA	
			FROM: 00-00-00 THRU: 04-12-98
	126696-01-700	EA REMOTE	226725
			FROM: 00-00-00 THRU: 04-12-98
	126696-02-000	EA TV - 19" COLOR W/1/8" JACK - UL/CSA	
			FROM: 04-13-98 THRU: 99-99-99
	126696-01-700	EA REMOTE	226725
			FROM: 04-13-98 THRU: 99-99-99
	126697-01-000	EA VCR - VHS/CABLE READY - W/REMOTE - GE	
			FROM: 00-00-00 THRU: 03-22-98
	126697-01-700	EA REMOTE - F/VCR	2040R
			FROM: 00-00-00 THRU: 03-22-98
	126697-02-000	EA VCR-VHS - CABLE READY - W/REMOTE	
			FROM: 03-23-98 THRU: 99-99-99
	126697-02-700	EA REMOTE - F/VCR	
			FROM: 03-23-98 THRU: 99-99-99
	086757-03-000	EA CONTROL CENTER - SWITCH - VCR/TV	
	086777-06-000	EA WALLPLATE - TV CABLE - ANTENNA BOOSTER/1 OUTPUT - BROWN	
	076319-08-000	EA WALLPLATE - CABLE RECEPTACLE - TV - SINGLE - IVORY	
	093214-01-02A	EA GRILLE - SPEAKER - 4" BROWN	
	098819-01-000	EA SPEAKER - 4" - 2 WATT - 8 OHM	
	076319-09-000	EA WALLPLATE - CABLE RECEPTACLE - TV - SINGLE - BROWN	
	086777-02-000	EA WALLPLATE - TV CABLE - W/ANTENNA SWITCH	
	093901-03-000	EA PLATE - TV COAX - EXTERIOR - 1.8" X 2.5"	
	076319-12-000	EA CONNECTOR - COAXIAL - ONE PIECE	
	082134-01-000	EA ADAPTER - TV - CABLE TO CABLE	
	086756-01-000	EA SPLITTER - TV - 2 WAY	
	076319-03-000	FT CABLE - COAXIAL - 75 OHM	
	082136-01-000	EA NUT - HEX JAM - 3/8 - 32	
	114870-02-000	EA PLUG - .14" AUDIO W/LEADS	

WINEGARD TV ANTENNA

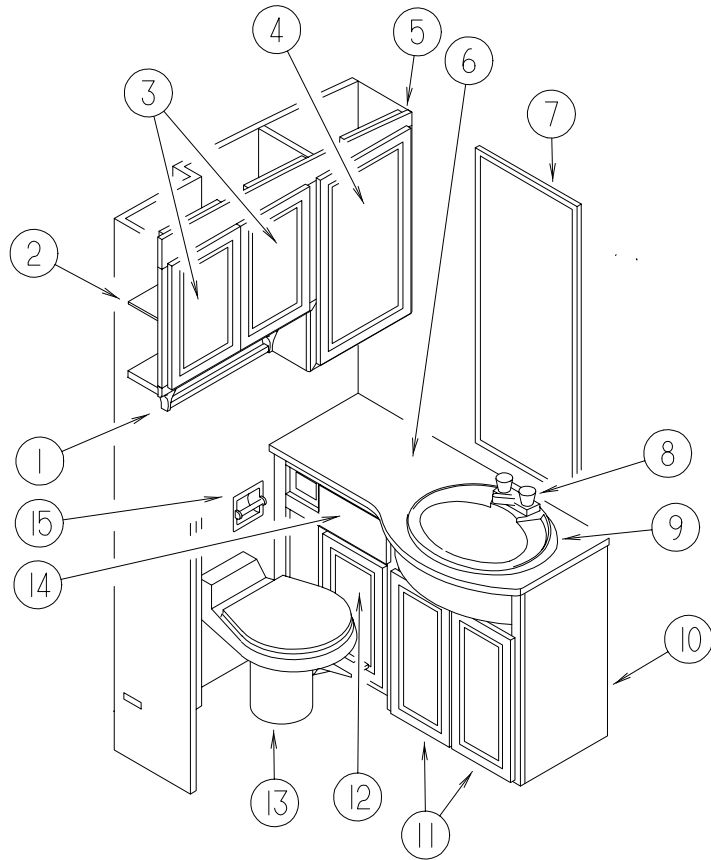
KEY	PART NUMBER	U/M DESCRIPTION	VENDOR NO.
*	076319-21-000	EA ANTENNA - TV - ROOF MOUNT - 3" ROOF	
			FROM: 00-00-00 THRU: 12-07-97
*	076319-23-000	EA ANTENNA - TV - ROOF MOUNT - 44.5" MAST	
			FROM: 12-08-97 THRU: 99-99-99

***COMPONENT PARTS FOUND IN SERVICE PARTS LIBRARY**

AUDIO VIDEO GROUP (CONTINUED)
REAR MONITOR SYSTEM

KEY	PART NUMBER	U/M DESCRIPTION
	126838-01-000	EA MONITOR/CAMERA - REAR VIEW 7"
	126838-01-700	EA MONITOR - 7" - VIDEOMAN
	126838-01-701	EA CAMERA - VIDEOMAN
	108885-02-000	EA WIRE - REAR MONITOR - (W/3 PIN HOUSING F/FUSE BLOCK) CHEVY
	126838-03-000	EA CABLE - MONITOR/CAMERA

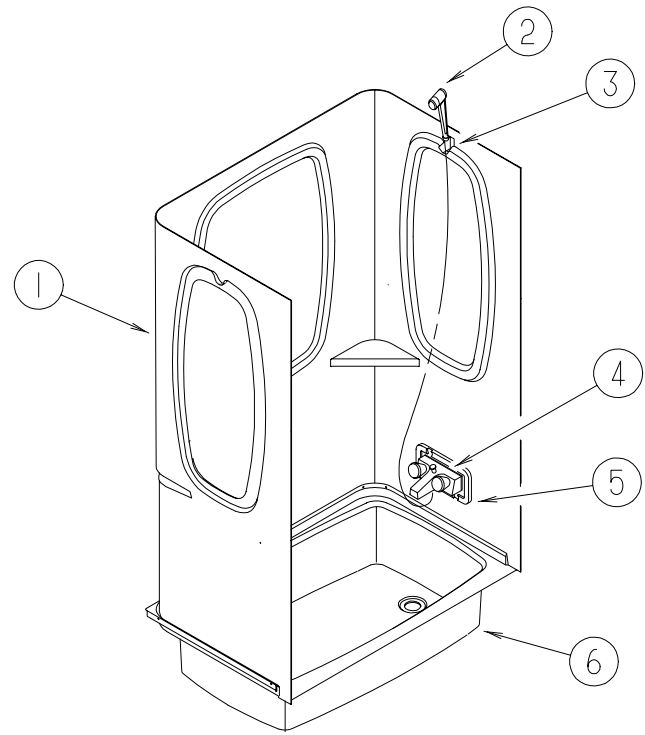
BATH GROUP
BATHROOM CABINET & COMPONENTS



KEY	PART NUMBER	U/M DESCRIPTION
1	075453-02-000	EA BAR - TOWEL - 18" BRASS
2	127987-14-J37	EA SHELF - W/PLASTIC EDGE TRIM
3	M08758-91-J37	EA DOOR - MITERED CORNER/OGEE EDGE - 12" X 18.7" - W/O HDW
3	M05992-38-J37	EA DOOR - STRAIGHT CORNER/OGEE EDGE - 12" X 18.7" - W/O HDW (DOOR OPTION)
	076767-04-000	EA CABLE - SUPPORT - 5.9" STAINLESS STEEL
4	M08758-01-J05	EA DOOR - MITERED CORNER/OGEE EDGE - 15.7" X 27.9" - W/O HDW
4	M05992-48-J15	EA DOOR - STRAIGHT CORNER/OGEE EDGE - 15.7" X 27.9" - W/O HDW (DOOR OPTION)
	127987-15-J37	EA SHELF - W/PLASTIC EDGE TRIM
5	127987-01-J37	EA CABINET - MEDICINE - W/O DOORS/HARDWARE
6	126309-16-J24	EA COUNTERTOP - LAVATORY (J65)
6	126309-16-J26	EA COUNTERTOP - LAVATORY (J66,J69)
6	126309-16-J22	EA COUNTERTOP - LAVATORY (J67)
6	126309-16-J98	EA COUNTERTOP - LAVATORY (J68)
7	058331-51-000	EA MIRROR - SAFETY GLASS - 25.9" X 40"
8	075240-06-000	EA FAUCET - LAVATORY/BONE
	105218-01-01A	EA SPACER - FAUCET/LAVATORY SINK - 2" X 5.9" - ABS PLASTIC
	091253-01-000	EA GASKET - FAUCET - LAVATORY/GALLEY
9	105921-01-01A	EA SINK - LAVATORY - LARGE/OVAL - 17" X 20" PLASTIC/OFF WHITE
	106116-01-01A	EA STRAINER - SINK-W/STOPPER/TAILPIECE/GASKET & NUT - PLASTIC
10	126309-01-J24	EA CABINET - LAVATORY - W/COUNTERTOP - W/O DOORS/DRAWERS/HDW (J65)
10	126309-01-J26	EA CABINET - LAVATORY - W/COUNTERTOP - W/O DOORS/DRAWERS/HDW (J66,J69)
10	126309-01-J22	EA CABINET - LAVATORY - W/COUNTERTOP - W/O DOORS/DRAWERS/HDW (J67)
10	126309-01-J98	EA CABINET - LAVATORY - W/COUNTERTOP - W/O DOORS/DRAWERS/HDW (J68)
	126309-12-J22	EA SHELF - W/PLASTIC EDGE TRIM
11	M08758-E7-J37	EA DOOR - MITERED CORNER/OGEE EDGE - 10.2" X 21.4" - W/O HDW
11	M05992-AP-J37	EA DOOR - STRAIGHT CORNER/OGEE EDGE - 10.2" X 21.4" - W/O HDW - RH (DOOR OPTION)
11	M05992-AR-J37	EA DOOR - STRAIGHT CORNER/OGEE EDGE - 10.2" X 21.4" - W/O HDW - LH (DOOR OPTION)
12	125162-10-J37	EA CABINET - HAMPER - W/O DOORS/HARDWARE
12	M08758-E9-J37	EA DOOR - MITERED CORNER/OGEE EDGE - 11.4" X 21.8" - W/O HDW
13*	063740-01-000	EA TOILET - HIGH/HAND FLUSH
14	M05971-CM-J37	EA DRAWER - OGEE EDGE - 9.4"W X 11.8"D - W/O SLIDES/HARDWARE
15	075452-02-000	EA HOLDER - TOILET TISSUE - BRASS

****COMPONENT PARTS FOUND IN SERVICE PARTS LIBRARY**

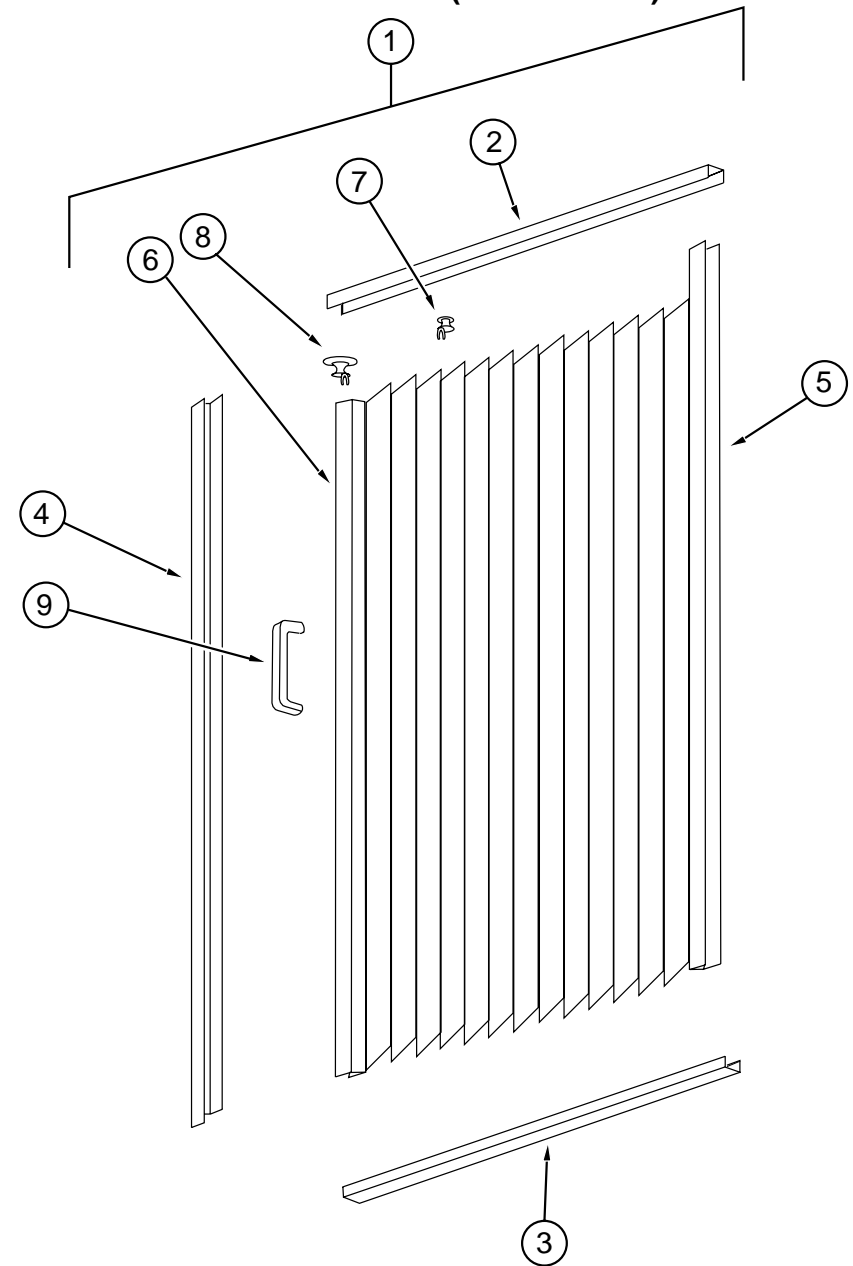
BATH GROUP (CONTINUED)



SHOWER & COMPONENTS

KEY	PART NUMBER	U/M	DESCRIPTION	VENDOR NO.
1	115612-04-01A	EA	SURROUND - SHOWER - OFF WHITE	
2	103092-01-000	EA	SHOWER HEAD - W/60" HOSE - WHITE	
			FROM: 00-00-00 THRU: 07-12-98	
2	103092-02-000	EA	SHOWER HEAD - W/60" HOSE - CSA	
			FROM: 00-00-00 THRU: 07-12-98	
	103092-01-702	EA	SEALS - SPRAY HEAD	24466
2	131383-02-01A	EA	SHOWER HEAD - W/HOSE & BRACKET - 60" - CSA - IVORY	
			FROM: 07-13-98 THRU: 99-99-99	
3	103092-01-700	EA	BRACKET - F/SHOWER HEAD - CLEAR	2328028
3	011048-03-700	EA	BRACKET - F/SHOWER HEAD	2328029-I
4	075242-04-000	EA	FAUCET - TUB/SHOWER - BONE	
5	075606-01-000	EA	PANEL - PLASTIC - FAUCET BACK - 5" X 9"	
6	M02630-27-F11	EA	SHOWER PAN - W/STRAINER/TAILPIECE	

BATH GROUP (CONTINUED)



SHOWER DOOR COMPONENTS

KEY	PART NUMBER	U/M	DESCRIPTION
1	117431-03-01A	EA	DOOR - SHOWER PLEATED FABRIC
2	117431-01-700	EA	TRACK - TOP - ALUM. IVORY INSERT 48"
3	117431-01-701	EA	TRACK - BOTTOM - 48 "
4	117431-01-702	EA	RAIL - SIDE - 67"
5	117431-01-703	EA	RAIL - STATIONARY - 67"
6	117431-01-704	EA	RAIL - LEAD - 67" - W/LATCH
7	117431-01-705	EA	GLIDE - IVORY - TRAVELER
8	117431-01-706	EA	GLIDE - IVORY LEAD - TRAVELER
9	117431-01-708	EA	HANDLES & SCREWS
	117431-01-707	EA	LATCH
	117431-03-700	EA	STRAP - VINYL SHOWER

BATH GROUP (CONTINUED)

BATHROOM DOOR & COMPONENTS

KEY	PART NUMBER	U/M	DESCRIPTION
	121449-33-J22	EA	DOOR - BATH
	094485-03-01A	EA	KNOB - BRASS
			FROM: 00-00-00 THRU: 10-19-97
	111155-01-01A	EA	LOCK - PRIVACY - POLISHED BRASS
			FROM: 10-20-97 THRU: 99-99-99
	102920-01-01A	EA	HINGE/SPRING LOADED - BRASS
	121449-12-G04	EA	RACK - TOWEL - BATH DOOR
	100357-01-000	EA	ROD - F/TOWEL BAR - BRASS

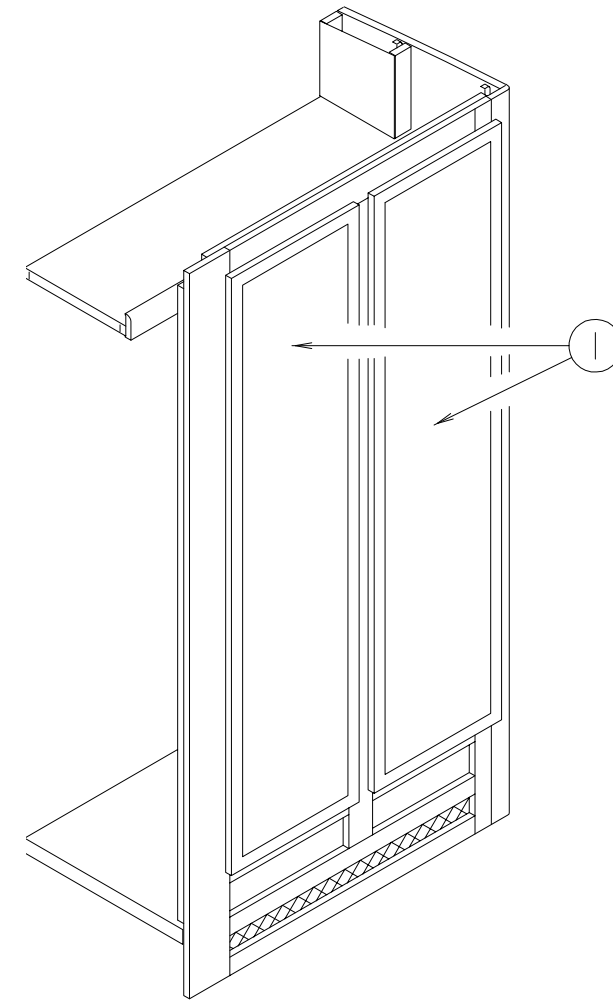
BATHROOM/BEDROOM PRIVACY DOOR & COMPONENTS

KEY	PART NUMBER	U/M	DESCRIPTION	VENDOR NO.
	042488-10-000	EA	DOOR - FOLDING - OFF WHITE FABRIC - 37" X 75"	
	042488-10-700	EA	LEADRAIL - PREPUNCHED F/HANDLE	DW2100
	080224-01-700	EA	HANDLE W/LATCH-CATCH - BROWN	DE03505
	080224-01-705	EA	LATCH & CATCH ASM. - ALMOND	DE25010 & DE25020
	009702-01-000	EA	END STOP - CURTAIN CARRIER - L ROD	
	094856-05-01A	EA	TRACK - DOOR/FOLDING - OFF WHITE	
	009700-04-002	EA	TRACK - L-SHAPED 195.5" - OFF WHITE	

SKYLITE

KEY	PART NUMBER	U/M	DESCRIPTION
	114496-01-02A	EA	PANEL - SKYLIGHT - OUTER - 22" X 37"
	122191-01-02A	EA	PANEL - SKYLIGHT - INNER W/LIGHT CUTOUT - 20.7" X 35.4"

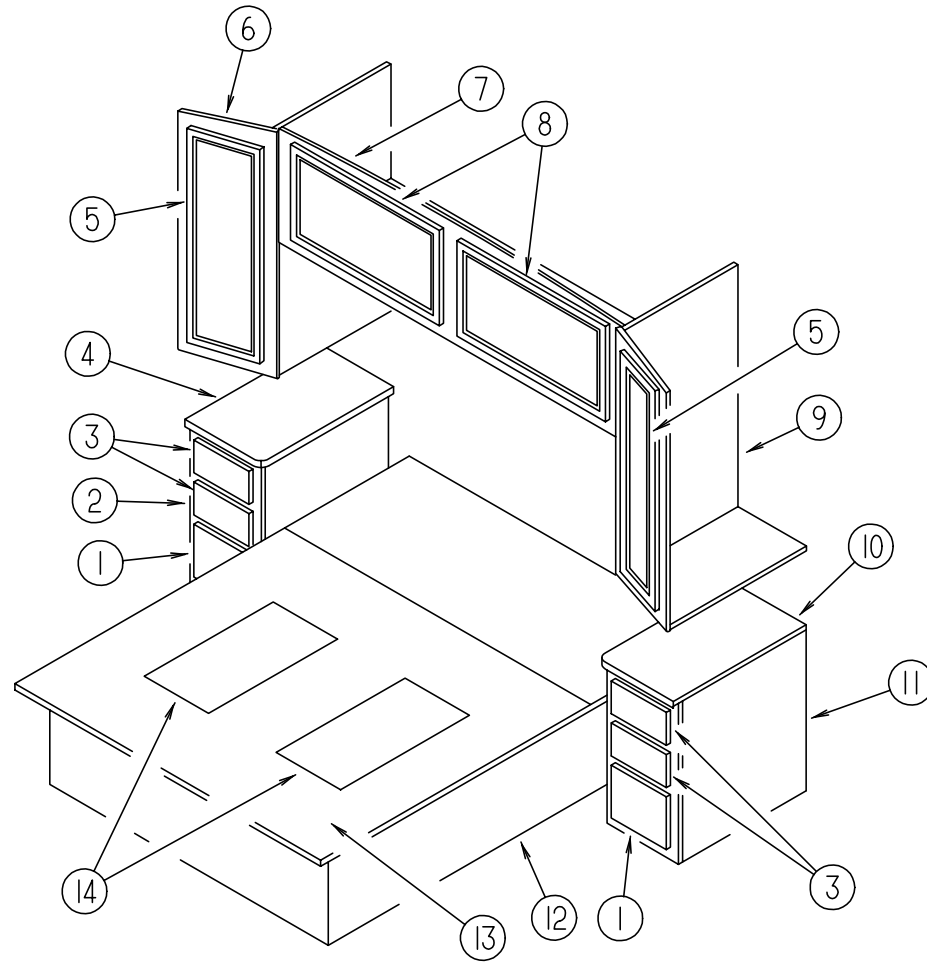
BATH GROUP (CONTINUED)



WARDROBE CABINET

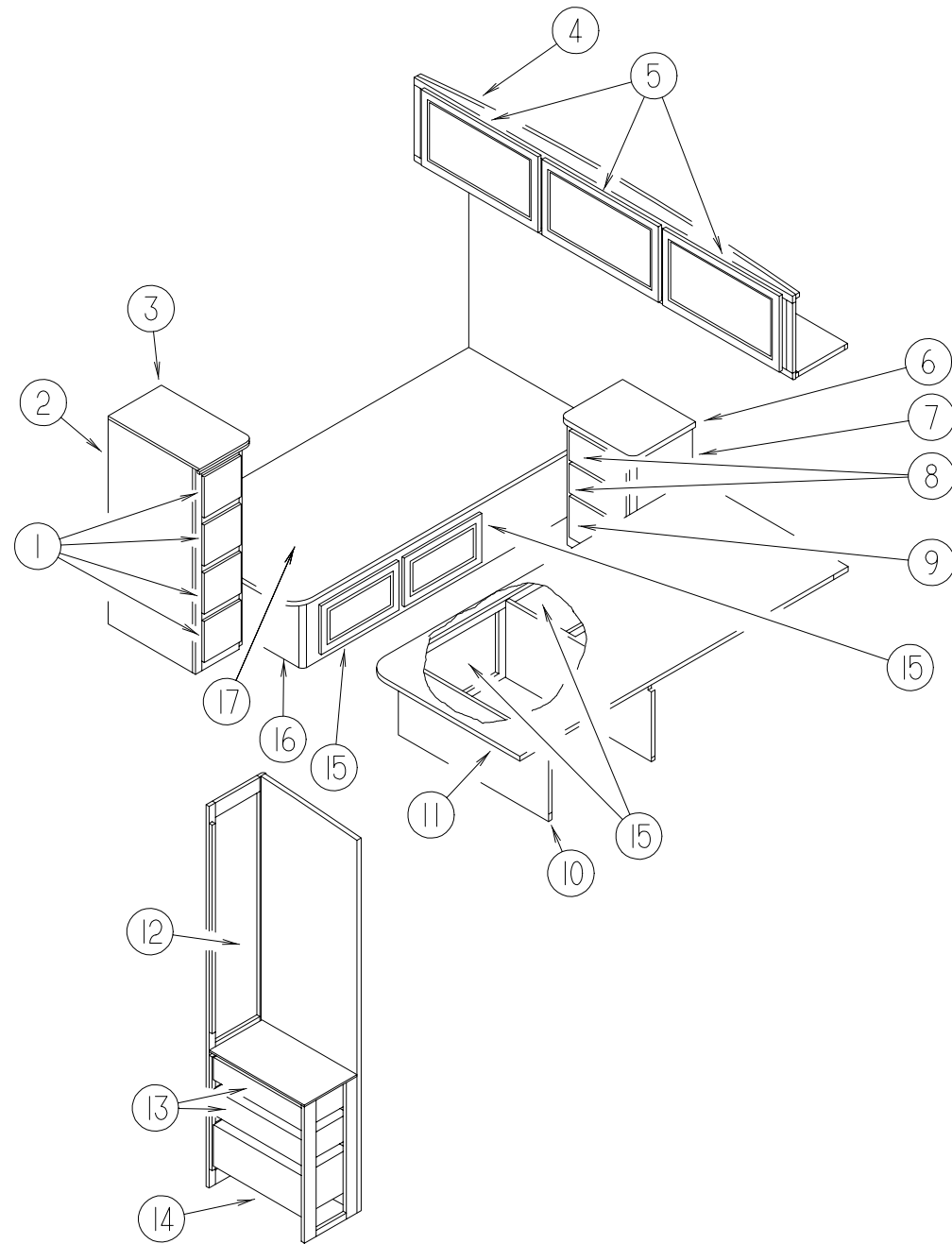
KEY	PART NUMBER	U/M	DESCRIPTION
1	M08758-42-J15	EA	DOOR - MIRROR/MTRD CRNR/OGEE EDGE - 16.1" X 65.3" - W/O HDW
1	M06803-11-J01	EA	DOOR - MIRROR/MTRD CRNR/OGEE EDGE - 16" X 65.3" - W/O HDW (DOOR OPTION)

**BEDROOM GROUP
QUEEN BEDROOM CABINERY**



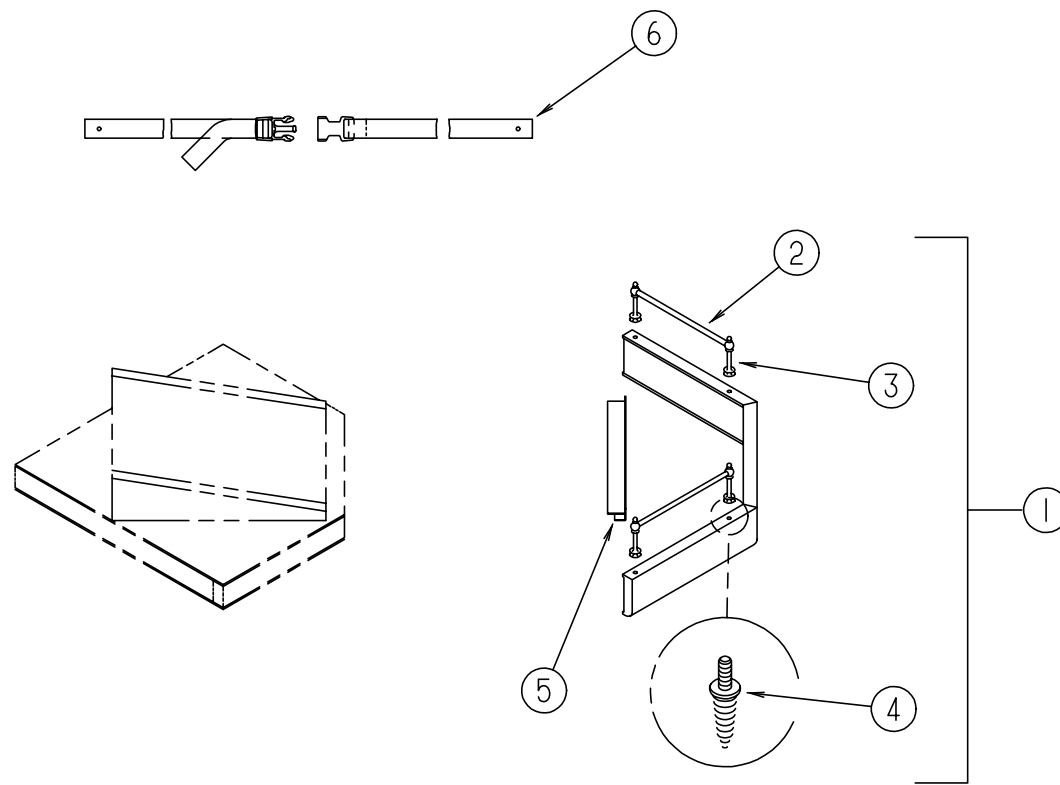
KEY	PART NUMBER	U/M	DESCRIPTION
1	M05971-W3-J37	EA	DRAWER - OGEE EDGE - 11.5"W X 21.6"D - W/O SLIDES/HARDWARE
2	116193-01-J24	EA	CABINET/NIGHTSTAND/RH - W/COUNTERTOP - W/O DOORS/DWRS/HDW (J65,J69)
2	116193-01-J55	EA	CABINET/NIGHTSTAND/RH - W/COUNTERTOP - W/O DOORS/DWRS/HDW (J66)
2	116193-01-J97	EA	CABINET/NIGHTSTAND/RH - W/COUNTERTOP - W/O DOORS/DWRS/HDW (J67)
2	116193-01-J98	EA	CABINET/NIGHTSTAND/RH - W/COUNTERTOP - W/O DOORS/DWRS/HDW (J68)
3	M05971-L5-J15	EA	DRAWER - OGEE EDGE - 11.5"W X 21.6"D - W/O SLIDES/HARDWARE
4	116193-11-J24	EA	COUNTERTOP - NIGHTSTAND/RIGHT HAND (J65,J69)
4	116193-11-J54	EA	COUNTERTOP - NIGHTSTAND/RIGHT HAND (J66)
4	116193-11-H37	EA	COUNTERTOP - NIGHTSTAND/RIGHT HAND (J67)
4	116193-11-G17	EA	COUNTERTOP - NIGHTSTAND/RIGHT HAND (J68)
5	M08758-49-J15	EA	DOOR - MITERED CORNER/OGEE EDGE - 14.3" X 36.4" - W/O HDW
5	M05992-91-J37	EA	DOOR - STRAIGHT CORNER/OGEE EDGE - 14.3" X 36.4" - W/O HDW (DOOR UPGRADE)
6	126003-01-J20	EA	CABINET - SHIRT CLOSET/RIGHT HAND - W/O DOORS/HARDWARE
	009112-01-000	EA	FLANGE - PLASTIC - 1" CLOTHES ROD - OFF WHITE
	042438-01-000	EA	DOWEL - WOOD - CLOTHES ROD - 1" DIAMETER X 4'
7	106523-01-G09	EA	CABINET - OVERHEAD/REAR - W/O DOORS/HARDWARE
7	M06839-71-J37	EA	CABINET - OVERHEAD/REAR/QUEEN - W/O DOORS/HARDWARE (DOOR UPGRADE)
8	M08758-01-J05	EA	DOOR - MITERED CORNER/OGEE EDGE - 15.7" X 27.9" - W/O HDW
8	M05992-48-J15	EA	DOOR - STRAIGHT CORNER/OGEE EDGE - 15.7" X 27.9" - W/O HDW (DOOR UPGRADE)
9	126003-02-J20	EA	CABINET - SHIRT CLOSET/LEFT HAND - W/O DOORS/HARDWARE
	009112-01-000	EA	FLANGE - PLASTIC - 1" CLOTHES ROD - OFF WHITE
	042438-01-000	EA	DOWEL - WOOD - CLOTHES ROD - 1" DIAMETER X 4'
10	116193-12-J24	EA	COUNTERTOP - NIGHTSTAND/LEFT HAND (J65,J69)
10	116193-12-J54	EA	COUNTERTOP - NIGHTSTAND/LEFT HAND (J66)
10	116193-12-H37	EA	COUNTERTOP - NIGHTSTAND/LEFT HAND (J67)
10	116193-12-G17	EA	COUNTERTOP - NIGHTSTAND/LEFT HAND (J68)
11	116193-02-J24	EA	CABINET/NIGHTSTAND/LH - W/COUNTERTOP - W/O DOORS/DWRS/HDW (J65,J69)
11	116193-02-J55	EA	CABINET/NIGHTSTAND/LH - W/COUNTERTOP - W/O DOORS/DWRS/HDW (J66)
11	116193-02-J97	EA	CABINET/NIGHTSTAND/LH - W/COUNTERTOP - W/O DOORS/DWRS/HDW (J67)
11	116193-02-J98	EA	CABINET/NIGHTSTAND/LH - W/COUNTERTOP - W/O DOORS/DWRS/HDW (J68)
12	P26437-01-J22	EA	CABINET - BASE/QUEEN BED - W/O DOORS/DRAWERS/HARDWARE
13	M07571-03-J22	EA	TOP - QUEEN BED - W/O HARDWARE
	107796-06-000	EA	SPRING/GAS - 12" COMPRESSED/20" EXTENDED - 120 LB.
	126259-01-000	EA	STUD - BALL - GAS SHOCK MOUNTING
	126263-06-02B	EA	BRACKET - GAS SPRING - E-COATED
	126263-08-02B	EA	BRACKET - GAS SPRING - LOWER - E-COATED
	097872-04-000	EA	DOWEL - WOOD - 1" DIAMETER X 1.38" LONG
14	096764-02-000	FT	SLIPNOT - ANTISLIP - 1' WIDE (100' ROLLS)

BEDROOM GROUP (CONTINUED)
TWIN BEDROOM CABINETS



KEY	PART NUMBER	U/M	DESCRIPTION
1	M05971-C3-J37	EA	DRAWER - OGEE EDGE - 12.1"W X 17.7"D - W/O SLIDES/HARDWARE
2	128349-01-J37	EA	DRESSER - W/COUNTERTOP - W/O DRAWERS/HDW - F/RH TWIN BED (J65,J69)
2	128349-01-J38	EA	DRESSER - W/COUNTERTOP - W/O DRAWERS/HDW - F/RH TWIN BED (J66)
2	128349-01-J97	EA	DRESSER - W/COUNTERTOP - W/O DRAWERS/HDW - F/RH TWIN BED (J67)
2	128349-01-J98	EA	DRESSER - W/COUNTERTOP - W/O DRAWERS/HDW - F/RH TWIN BED (J68)
3	128349-11-J37	EA	COUNTERTOP - DRESSER (J65,J69)
3	128349-11-J38	EA	COUNTERTOP - DRESSER (J66)
3	128349-11-J97	EA	COUNTERTOP - DRESSER (J67)
3	128349-11-J98	EA	COUNTERTOP - DRESSER (J68)
4	116187-01-H17	EA	CABINET - OVERHEAD/REAR - W/O DOORS/HARDWARE - F/TWIN BED
5	M08758-01-J05	EA	DOOR - MITERED CORNER/OGEE EDGE - 15.7" X 27.9" - W/O HDW
5	M05992-48-J15	EA	DOOR - STRAIGHT CORNER/OGEE EDGE - 15.7" X 27.9" - W/O HDW (DOOR UPGRADE)
6	104507-11-J24	EA	COUNTERTOP - NIGHTSTAND (J65,J69)
6	104507-11-F12	EA	COUNTERTOP - NIGHTSTAND (J66)
6	104507-11-H37	EA	COUNTERTOP - NIGHTSTAND (J67)
6	104507-11-E10	EA	COUNTERTOP - NIGHTSTAND (J68)
7	104507-01-J24	EA	CABINET/NIGHTSTAND - W/COUNTERTOP - W/O DOORS/DRAWERS/HDW (J65,J69)
7	104507-01-G15	EA	CABINET/NIGHTSTAND - W/COUNTERTOP - W/O DOORS/DRAWERS/HDW (J66)
7	104507-01-H47	EA	CABINET/NIGHTSTAND - W/COUNTERTOP - W/O DOORS/DRAWERS/HDW (J67)
7	104507-01-G17	EA	CABINET/NIGHTSTAND - W/COUNTERTOP - W/O DOORS/DRAWERS/HDW (J68)
8	M05971-65-J37	EA	DRAWER - OGEE EDGE - 12.2"W X 11.8"D - W/O SLIDES/HARDWARE
9	M05971-73-J37	EA	DRAWER - OGEE EDGE - 12.2"W X 11.8"D - W/O SLIDES/HARDWARE
10	P26435-01-J22	EA	CABINET - BASE/TWIN BED - LEFT HAND - W/O DOORS/DRAWERS/HDW
11	M08754-01-000	EA	TOP - TWIN BED/LEFT HAND - W/O HARDWARE
12	M08758-17-J37	EA	DOOR - MITERED CORNER/OGEE EDGE - 12" X 48" - W/O HDW
12	M05992-15-J37	EA	DOOR - STRAIGHT CORNER/OGEE EDGE - 12" X 48" - W/O HDW (DOOR UPGRADE)
	009112-01-000	EA	FLANGE - 1" ROD - CLOTHES - PLASTIC - OFF WHITE
	042438-01-000	EA	DOWEL - WOOD - CLOTHES ROD - 1" DIAMETER X 4'
13	M05971-58-J37	EA	DRAWER - OGEE EDGE - 9.6"W X 21.6"D - W/O SLIDES/HARDWARE
14	M05971-W5-J37	EA	DRAWER - OGEE EDGE - 9.6"W X 21.6"D - W/O SLIDES/HARDWARE
15	M08758-84-J01	EA	DOOR - MITERED CORNER/OGEE EDGE - 12" X 21.8" - W/O HDW
15	M05992-79-J37	EA	DOOR - STRAIGHT CORNER/OGEE EDGE - 12" X 21.8" - W/O HDW (DOOR UPGRADE)
16	P26436-01-J22	EA	CABINET - BASE/TWIN BED - RIGHT HAND - W/O DOORS/DRAWERS/HDW
17	M08754-02-000	EA	TOP - TWIN BED/RIGHT HAND - W/O HARDWARE
	096764-02-000	FT	SLIPNOT - ANTISLIP - 1' WIDE (100' ROLLS)
	107796-06-000	EA	SPRING/GAS - 12" COMPRESSED/20" EXTENDED - 120 LB.
	126263-06-02B	EA	BRACKET - GAS SPRING - E-COATED
	126263-08-02B	EA	BRACKET - GAS SPRING - LOWER - E-COATED
	097872-04-000	EA	DOWEL - WOOD - 1" DIAMETER X 1.38" LONG

BEDROOM GROUP (CONTINUED)



CHASSIS GROUP SHOCKS & STABILIZER KIT - FRONT

KEY	PART NUMBER	U/M	DESCRIPTION	VENDOR NO.
	122756-02-000	EA	SHOCK AND STABILIZER (BLUE BOOT) KIT - FRONT END P30 CHASS NOTE: ORDER 70139029000, FOR AFTER MARKET INSTALLATION	
	122756-02-700	EA	BRACKET ASM - DRIVER SIDE	T818L
	122756-02-701	EA	BRACKET ASM - PASSENGER SIDE	T818R
	122756-02-702	EA	BRACKET ONLY - DRIVER SIDE	T818L
	122756-02-703	EA	BRACKET ONLY - PASS. SIDE	T818R
	122756-02-704	EA	BOLT PACKAGE - BOLTS/NUTS ETCT818R	
	122756-02-705	EA	SHOCK	T818SH
	122756-02-706	EA	STUD - SHOCK MOUNTING	T818S
	122756-02-707	EA	DAMPNER	T818SD
	122756-02-708	EA	BOOT	T818SDB
	122756-02-709	EA	BUSHING PKG	T818SDBSH
	122756-02-710	EA	BOLT PKG	T818SBS

LUG WRENCH & LEVERAGE BAR

KEY	PART NUMBER	U/M	DESCRIPTION
	080208-02-000	EA	BAR - LEVERAGE - LUG WRENCH
	080208-06-000	EA	LUG WRENCH - 1" X 1.06" W/DEEP SOCKET ENDS

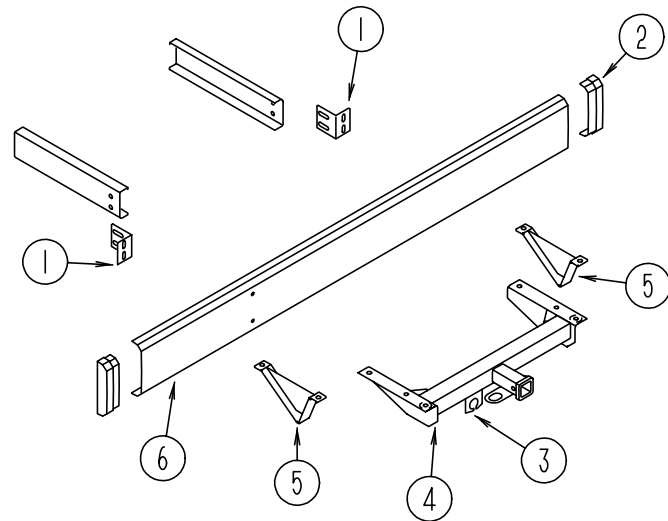
CHASSIS MISCELLANEOUS

KEY	PART NUMBER	U/M	DESCRIPTION
	008042-01-000	FT	TUBING - VINYL - .65" ID
	008401-01-000	EA	STRAP - CONDUIT - 3/4" - 1 HOLE - GALVANIZED STEEL
	075307-03-000	EA	SHIELD - HEAT - LP
	113007-01-000	EA	PIN - SPRING - .375 X 3"
	088498-01-000	EA	UNION - INVERTED FLARE - BRASS - 3/16 BRAKE LINE
	113452-01-000	FT	SEAL/TRIM - FRONT - VINYL W/WIRE CARRIER
	123361-01-000	EA	DUCT - AIR INTAKE
	088497-02-000	EA	NUT - INVERTED FLARE - 1/4"
	074833-04-000	EA	SPACER - BEARING - DRIVESHAFT - 8" X 2" STEEL
	129690-01-000	EA	DEADENER - DRIVESHAFT - 3.5"
	075302-29-000	EA	DRIVESHAFT ASSEMBLY - 3 PIECES BALANCED - CHEVY 216"
	083415-01-000	EA	SHIELD - HEAT - DRIVESHAFT BEARING - 4" X 5.5" - STEEL

QUEEN BED TV SHELF

KEY	PART NUMBER	U/M	DESCRIPTION
1	127376-01-J20	EA	CABINET - TV SHELF - RIGHT HAND
2	084071-27-000	EA	ROD - BRASS - 2.7"
2	084071-19-000	EA	ROD - BRASS - 7.09"
3	084070-03-000	EA	POST - END - 2.4" - SHINY BRASS
4	106166-01-000	EA	BOLT/COLLARED HANGER - 8-32 X 1"
5	117268-D2-134	EA	MOLDING - VINYL WRAPPED - .7" X 1.6" X 84" - WATERFORD OAK
6	099717-02-000	EA	STRAP - TV TIE DOWN W/29.9" FEMALE STRAP/14.2" MALE STRAP

CHASSIS GROUP (CONTINUED)



REAR BUMPER, TRAILER HITCH & COMPONENTS

KEY	PART NUMBER	U/M	DESCRIPTION
1	104418-07-000	EA	ANGLE - BUMPER - REAR SUPPORT
2	103228-01-06A	EA	END CAP - REAR BUMPER - DRIVER/PASSENGER
3	113588-01-01B	EA	BRACKET - CONNECTOR - TRAILER W/LIP - 1999 FORD CHASSIS
3	113588-02-01B	EA	BRACKET - CONNECTOR - TRAILER W/O LIP - 1997 FORD CHASSIS & CHEVY CHASSIS
4	107707-01-000	EA	HITCH RECEIVER - BOLT-ON CLASS II - 1997 FORD CHASSIS & CHEVY CHASSIS FROM: 00-00-00 THRU: 05-10-98
4	130339-01-000	EA	HITCH RECEIVER - BOLT-ON CLASS II - 1997 FORD CHASSIS & CHEVY CHASSIS FROM: 05-11-98 THRU: 99-99-99
4	117313-03-04B	EA	HITCH RECEIVER - BOLT-ON CLASS III - 1999 FORD CHASSIS FROM: 00-00-00 THRU: 06-14-98
4	130339-02-000	EA	HITCH RECEIVER - BOLT ON CLASS III - 1999 FORD CHASSIS FROM: 06-15-98 THRU: 99-99-99
5	111742-01-000	EA	PLATE - SKID
6	103099-10-02A	EA	BUMPER - REAR - BRIGHT WHITE
	113589-02-000	EA	CONNECTOR - SOCKET - TRAILER
	113589-01-000	EA	CONNECTOR - PLUG - TRAILER

CHASSIS GROUP (CONTINUED)

19.5" CHEVY CHROME WHEEL LINERS

KEY	PART NUMBER	U/M	DESCRIPTION	VENDOR NO.
	110435-10-000	EA	LINER - WHEEL - SET 4 - 19.5"	
	110435-10-700	EA	LINER - WHEEL - FRONT - 1 PC	V195P7-FWC
	110435-10-701	EA	LINER - WHEEL - REAR - 1 PC.	V195P7-RWC
	110435-10-702	EA	JAMB NUT - ENCLOSED/LNC	V195P7-EJN
	110435-10-703	EA	STUD - PLASTIC	V195P7-PST
	110435-10-704	EA	JAMB NUT - PLASTIC/LNC	V195P7-PJN
	110435-10-705	EA	TOOL - INSTALLATION	V195P7-TOL

16" FORD CHROME WHEEL LINERS

KEY	PART NUMBER	U/M	DESCRIPTION	VENDOR NO.
	110435-08-000	EA	LINER - WHEEL SET (SET=4) 16"	
	110435-01-711	EA	DECAL - CENTER CAP - 2" DECAL	
	110435-02-702	EA	STUD EXTENDER	V160SD-STX
	110435-02-703	EA	NUT (JAMB)	V160SD-JNT
	110435-02-704	EA	COVER - LUG NUT	V160FO-LNC
	110435-02-705	EA	TOOL F/ JAMB NUT - INSTALL.	V160FO-TOL
	110435-08-700	EA	LINER - WHEEL - FRONT	V160SD-FWC
	110435-08-701	EA	LINER - WHEEL - REAR	V160SD-RWC

19.5" FORD STAINLESS STEEL WHEEL LINERS - 1999 CHASSIS - 15,500 #

KEY	PART NUMBER	U/M	DESCRIPTION	VENDOR NO.
	110435-14-000	EA	LINER - WHEEL SET/4 - 19.5"	
	110435-10-705	EA	TOOL - INSTALLATION	V195P7-TOL
	110435-14-700	EA	LINER - WHEEL - FRONT	V195F96-FWC
	110435-14-701	EA	LINER - WHEEL - REAR	V195F96-RWC
	110435-15-702	EA	NUT - JAM - ENCLOSED - 14M	V195F9-EJN

19.5" FORD STAINLESS STEEL WHEEL LINERS - 1999 CHASSIS - 18,000 #

KEY	PART NUMBER	U/M	DESCRIPTION	VENDOR NO.
	110435-15-000	EA	LINER - WHEEL SET/4 - 19.5"	
	110435-10-705	EA	TOOL - INSTALLATION	V195P7-TOL
	110435-15-700	EA	LINER - WHEEL - FRONT	V195F9-FWC
	110435-15-701	EA	LINER - WHEEL - REAR	V195F9-RWC
	110435-15-702	EA	NUT - JAM - ENCLOSED - 14M	V195F9-EJN

16" FORD WHEEL COVERS - 1997 CHASSIS

KEY	PART NUMBER	U/M	DESCRIPTION	VENDOR NO.
	098532-01-000	EA	COVER - WHEEL - FORD - 16" - SET OF 4 DICOR SH-SD-16	
	098532-01-700	EA	COVER - LUG NUT (CHROME)	SHAU-LNC
	098532-01-701	EA	COVER - WHEEL - FRT/REAR 1 ONLY	SH-SD

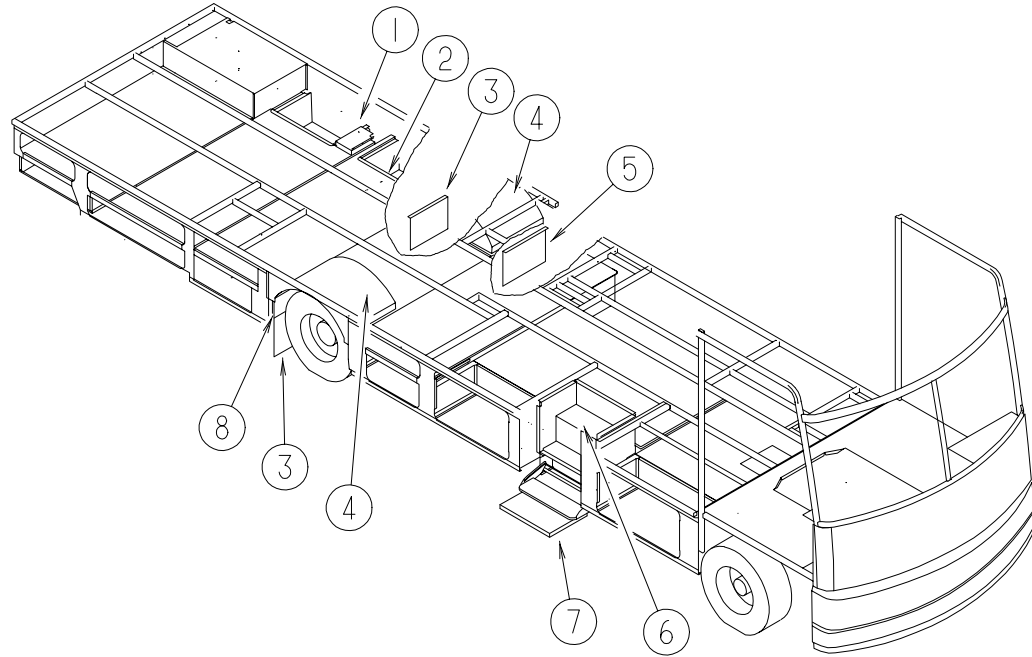
19.5" FORD WHEEL COVERS - 1999 CHASSIS

KEY	PART NUMBER	U/M	DESCRIPTION	VENDOR NO.
	109443-07-000	EA	WHEEL COVER - 4/SET - 19.5"	
	109443-01-703	EA	CAP - CENTER - HUB - DICOR	SHAU95-CAP
	109443-07-700	EA	COVER - WHEEL - 8 LUG	SHAF95-COV
	109443-07-701	EA	BRACKET SET - FRONT	SHAF95-FBS
	109443-07-702	EA	BRACKET SET - REAR	SHAF95-RBS

19.5" CHEVY WHEEL COVERS

KEY	PART NUMBER	U/M	DESCRIPTION	VENDOR NO.
	109443-06-000	EA	WHEEL - COVER - 4/SET - 19.5"	
	109443-01-700	EA	COVER - WHEEL 19.5 FRT/RR EA=1	SHAG95
	109443-01-701	EA	BRACKET - RETENTION FRONT	SHAG95-FBS
	109443-01-703	EA	CAP - CENTER - HUB - DICOR	SHAU95-CAP
	109443-01-704	EA	CLIP - RETAINER	V160GM-PNT
	109443-06-701	EA	BRACKET - RETENTION REAR	SHG795-RBS

CHASSIS GROUP (CONTINUED)

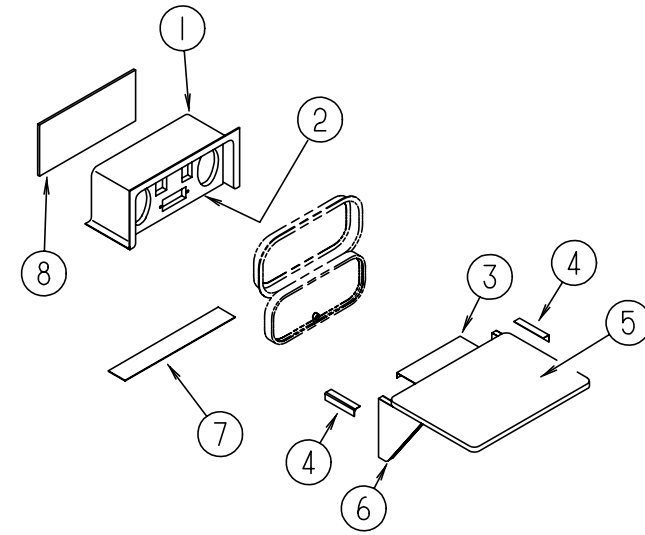


STORAGE COMPARTMENTS & WHEELWELLS

KEY	PART NUMBER	U/M	DESCRIPTION
1	127397-01-02B	EA	COVER - ELECTRICAL - E-COAT
2	M08627-01-H17	EA	COMPARTMENT - ELECTRICAL/DRAINAGE
	M08628-01-H17	EA	HATCH W/FOAM INSERT
	121175-02-01A	EA	LATCH - SWELL
3	020167-08-000	EA	DIRT GUARD - STEEL - 13.6" LONG
4	055374-01-000	EA	WHEELWELL - PLASTIC
5	020167-05-000	EA	DIRT GUARD - STEEL - 14.9" LONG
6	120234-03-H17	EA	LID - ENTRY STEP
7*	094707-01-01A	EA	STEP - DOUBLE - ELECTRIC - KWIKEE
7	104452-03-000	EA	SUPPORT - STEP
8	017516-01-000	EA	MUD FLAP - 14" X 18" - BLACK
	065450-05-000	EA	TIEDOWN - BATTERY - 8.4" TUBE
	061420-10-000	EA	PLUG/PLASTIC - 1.50" DIAMETER - BLACK
	119845-01-01A	EA	PLUG - PLASTIC - BLACK

*COMPONENT PARTS FOUND IN SERVICE PARTS LIBRARY

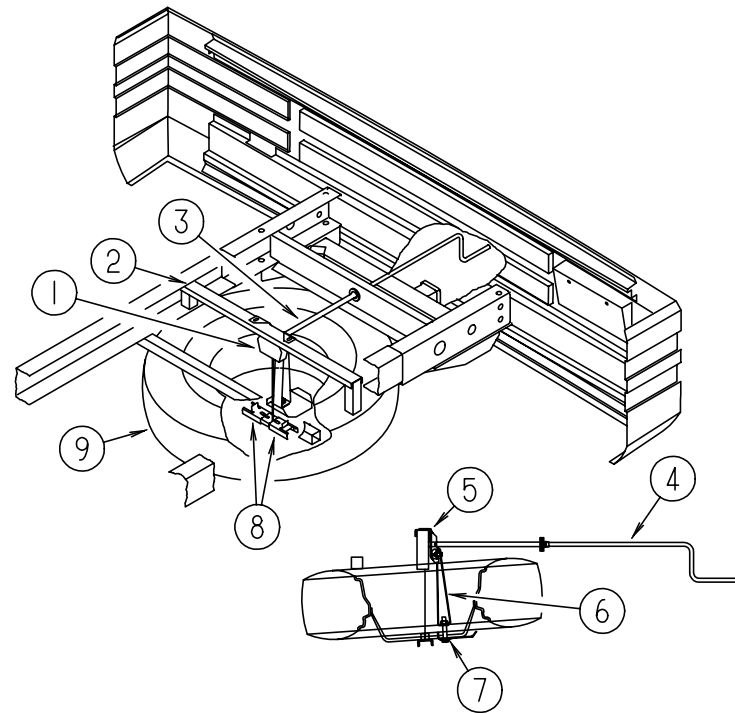
CHASSIS GROUP (CONTINUED)



PATIO ENTERTAINMENT CENTER

KEY	PART NUMBER	U/M	DESCRIPTION
1	124696-01-01A	EA	BOX - ENTERTAINMENT CENTER/EXTERIOR
2	127409-02-J01	EA	PLATE - RADIO MOUNTING
3	105377-01-04A	EA	BRACKET - TABLE HANGER - BRIGHT WHITE
4	105376-01-03A	EA	HINGE - CONTINUOUS - 2" X 5.5" - BRIGHT WHITE
5	105230-11-J01	EA	SHELF - EXTERIOR ENTERTAINMENT CENTER - W/O BRKT/HINGE/SUPT
6	105230-12-J01	EA	SUPPORT - EXTERIOR SHELF
7	104898-01-02A	EA	PLATE - PLASTIC BOTTOM - BRIGHT WHITE
8	104898-02-02A	EA	PLATE - PLASTIC BACK - BRIGHT WHITE

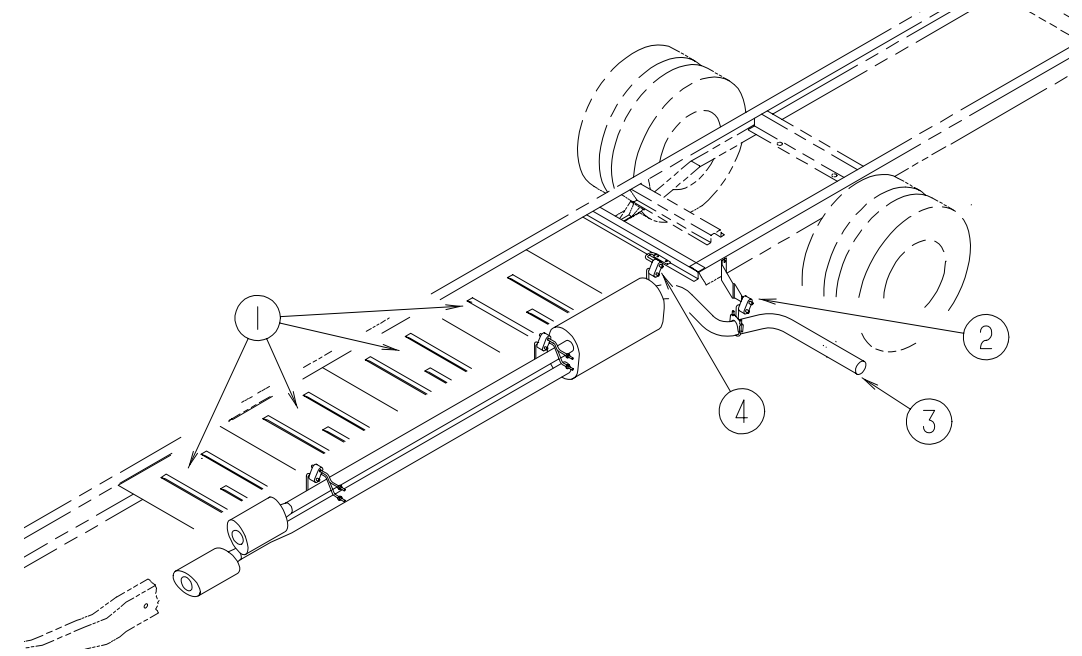
CHASSIS GROUP (CONTINUED)



TIRE HOIST

KEY	PART NUMBER	U/M	DESCRIPTION
1	093267-03-000	EA	HOIST - SPARE TIRE - #100 LB
2	093362-06-000	EA	CHANNEL - TIRE HOIST
	129006-01-02B	EA	SUPPORT/CARRIER - TIRE - FORD
3	093375-14-000	EA	EXTENSION - TIRE HOIST
4	093376-02-000	EA	HANDLE - CRANK - TIRE HOIST
	114376-01-000	EA	PIN - DRIVE - .156 X .750 - TYPE E - TIRE HOIST
5	124751-01-02B	EA	HANGER - SPARE TIRE - E-COATED
6	091274-03-000	EA	BOLT-J - 3/8-16 X 12.0
6	129086-01-02B	EA	SUPPORT - SPARE TIRE
			FROM: 00-00-00 THRU: 02-21-98
			FROM: 02-22-98 THRU: 99-99-99
7	124754-01-02B	EA	CATCH - SPARE TIRE
			FROM: 00-00-00 THRU: 02-21-98
7	129085-01-02B	EA	PLATE - SUPPORT - SPARE TIRE
			FROM: 02-22-98 THRU: 99-99-99
8	105499-01-000	EA	BRACKET - TIRE HOIST
9	083425-10-000	EA	TIRE - LT215/85R16 LRE XCH4 - 1997 15,200 # FORD CHASSIS
9	083425-05-000	EA	TIRE - MICHELIN - LT 235/85R16 - LOAD RANGE E - 1997 17,000 # FORD CHASSIS
9	091673-08-000	EA	TIRE - 225/70R - 19.5F - GENERAL - 1999 15,500 #FORD CHASSIS
9	102340-04-000	EA	TIRE - 245/70R - 19.5F - GOODYEAR - 1999 18,000 #FORD CHASSIS
9	091673-01-000	EA	TIRE - 225.70 R19.5 LRF - XZA - CHEVY
9	051377-05-000	EA	VALVE STEM - 1997 FORD CHASSIS
9	051377-04-000	EA	VALVE STEM - .5" X 2" - 1999 FORD CHASSIS
9	051377-01-000	EA	VALVE STEM - CHEVY
9	095853-02-000	EA	WHEEL - STEEL - 16" X 6K - 1997 FORD CHASSIS
9	064963-01-000	EA	WHEEL - STEEL - 19.5" X 6" - GM 14005758 - CHEVY
	077030-02-000	EA	EXTENSION - VALVE STEM - 1.25" - CHROME WHEEL LINERS
	077030-05-000	EA	EXTENSION - VALVE STEM - 95 DEGREE - STAINLESS STEEL WHEEL LINERS
	077030-06-000	EA	EXTENSION - VALVE STEM - 45 DEGREE - STAINLESS STEEL WHEEL LINERS
	095012-10-000	EA	EXTENSION - VALVE STEM - 8.5" - STAINLESS STEEL WHEEL LINERS
	095012-07-000	EA	STABILIZER - VALVE EXTENSION - 4" - STAINLESS STEEL WHEEL LINERS

CHASSIS GROUP (CONTINUED)

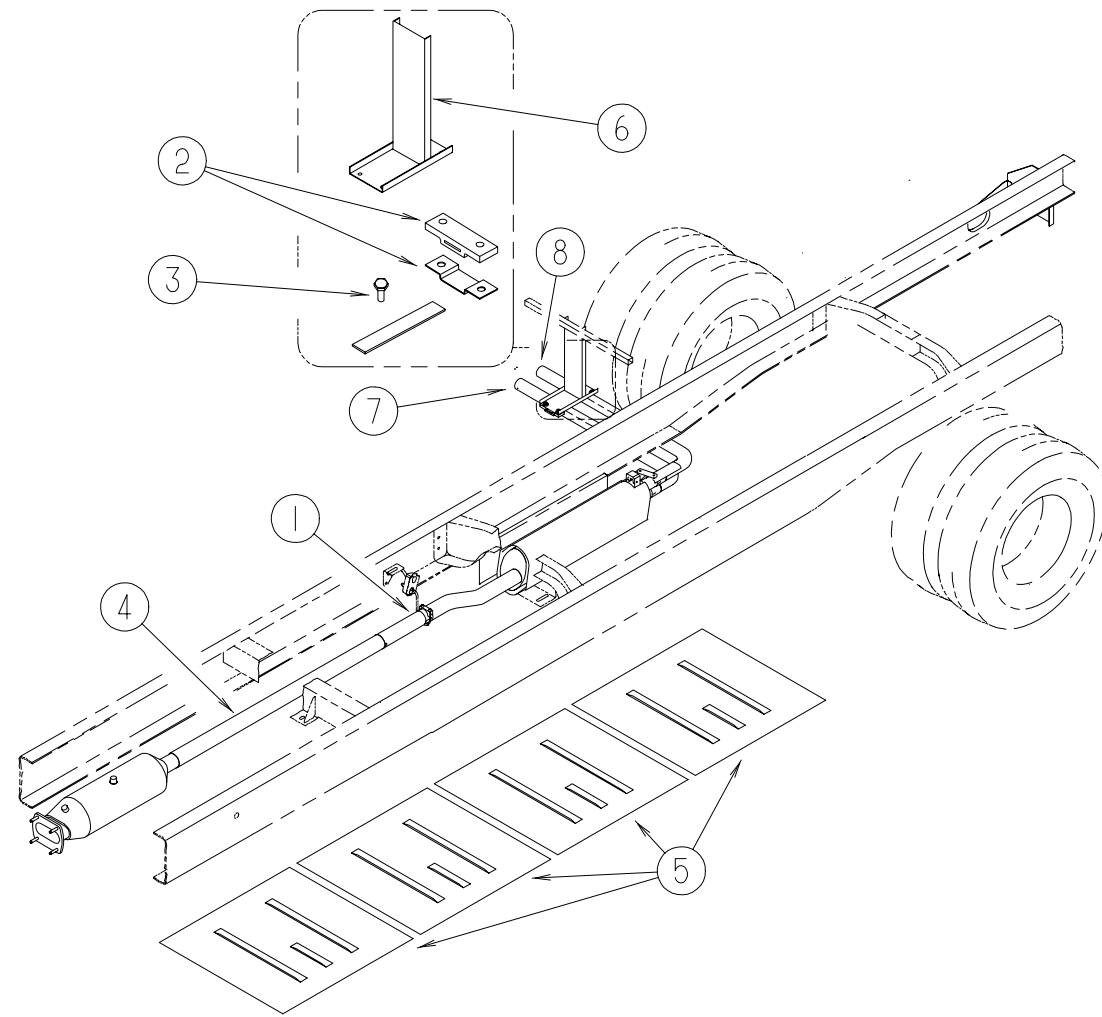


CHEVY EXHAUST SYSTEM

KEY	PART NUMBER	U/M	DESCRIPTION
1	101544-02-000	EA	SHIELD - HEAT/EXHAUST - 30" X 29.1"
2	122392-03-02B	EA	HANGER - TAILPIPE - REAR
3	122529-02-000	EA	PIPE - EXHAUST
	094918-01-000	EA	CLAMP - EXHAUST - 3" - GUILLOTINE STYLE
4	122392-01-02B	EA	HANGER - TAILPIPE

CHASSIS GROUP (CONTINUED)

CHASSIS GROUP (CONTINUED)



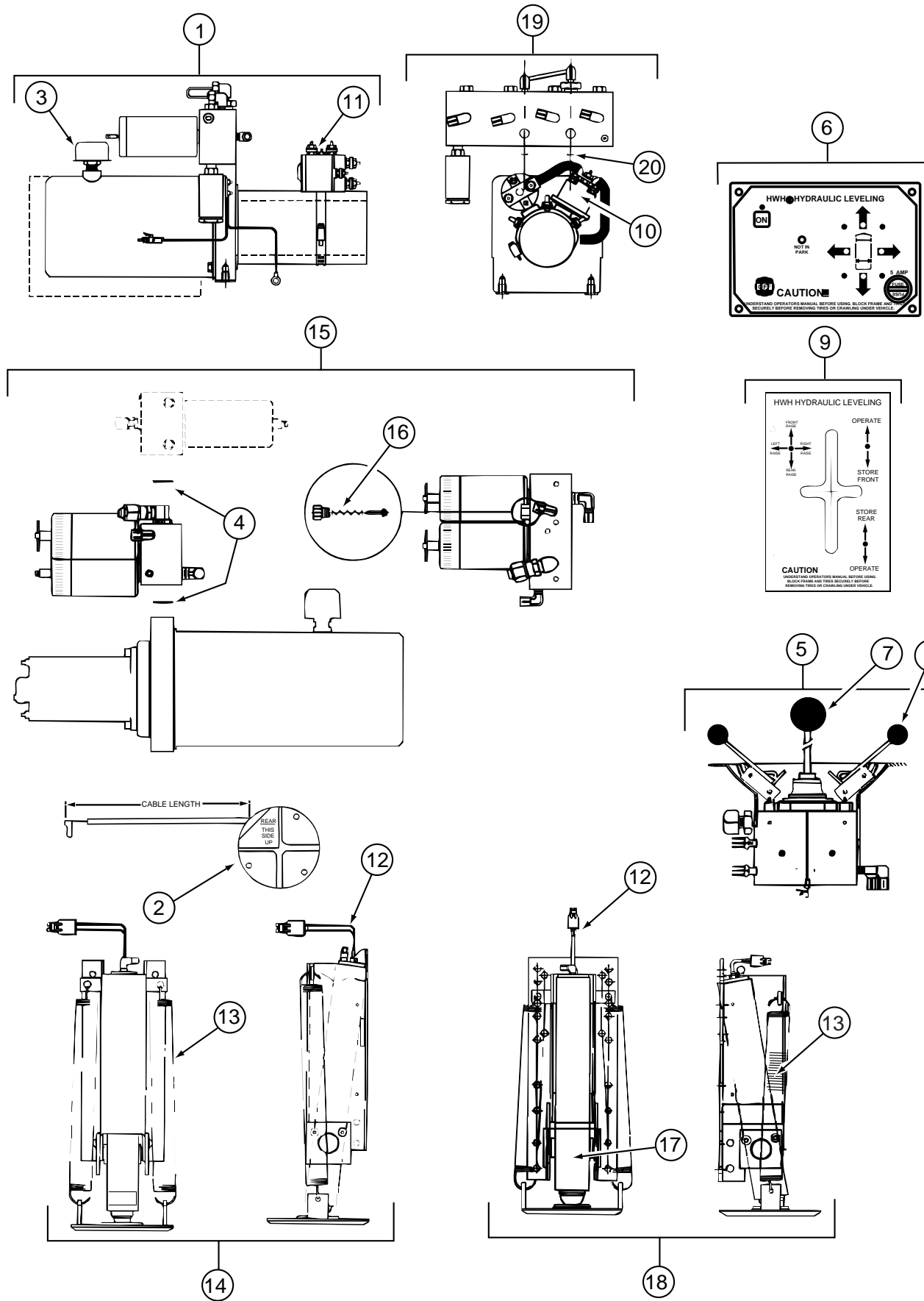
1997 FORD CHASSIS EXHAUST SYSTEM

KEY	PART NUMBER	U/M	DESCRIPTION
1	094918-06-000	EA	CLAMP - EXHAUST - 3" - HEAVY DUTY
2	095190-01-000	EA	HANGER - EXHAUST - 4" X 1.4"
3	096055-06-000	EA	SUPPORT - EXHAUST PIPE
4	098762-16-000	EA	PIPE - EXHAUST - STRAIGHT - 3"
5	101544-06-000	EA	SHIELD - HEAT/EXHAUST - 33.9" X 29.1"
6	118000-02-02B	EA	HANGER - TAILPIPE
6	118000-04-02B	EA	HANGER - TAILPIPE - E-COATED
7	122242-02-000	EA	PIPE - EXHAUST/TAIL - FRONT - FORD
			FROM: 00-00-00 THRU: 01-26-98
7	129206-02-000	EA	PIPE/TAIL - EXHAUST - FORD
			FROM: 01-27-98 THRU: 99-99-99
8	122243-02-000	EA	PIPE - EXHAUST/TAIL - REAR - FORD
			FROM: 00-00-00 THRU: 01-26-98
8	129206-01-000	EA	PIPE/TAIL - EXHAUST - FORD
			FROM: 01-27-98 THRU: 99-99-99
	007125-05-000	EA	CLAMP - MUFFLER - 2" DIAMETER

1999 FORD CHASSIS EXHAUST SYSTEM

KEY	PART NUMBER	U/M	DESCRIPTION
1	101544-02-000	EA	SHIELD - HEAT/EXHAUST - 30" X 29.1"
2	101544-06-000	EA	SHIELD - HEAT/EXHAUST - 33.9" X 29.1"
3	128756-01-02B	EA	SHIELD - HEAT EXHAUST - E-COATED
4	098762-08-000	EA	PIPE - EXHAUST - STRAIGHT
			FROM: 00-00-00 THRU: 05-31-98
4	112012-04-000	EA	PIPE - EXHAUST - 76.2" DIAMETER
			FROM: 06-01-98 THRU: 99-99-99
5	N/A	EA	PIPE - EXHAUST (CHASSIS PROVIDED)

CHASSIS GROUP (CONTINUED)
1997 FORD CHASSIS LEVELING SYSTEM - HYDRAULIC -W/SLIDEOUT



KEY	PART NUMBER	U/M DESCRIPTION	VENDOR NO.
	100532-40-000	EA LEVELING SYSTEM - HYDRAULIC	
1	100532-01-713	EA PUMP - RESERVOIR ASM. - MONARCH	RAP90014
2	100532-03-710	EA SENSING UNIT 21' MTA	RAP6798
3	100532-03-715	EA CAP - BREATHER W/DIPSTICK	RAP7876
4	100532-31-702	EA O-RING/SEAL KIT - MANIFOLD	RAP90127
5	100532-08-702	EA VALVE - BI-AXIS	RAP9589
6	100532-08-703	EA PANEL ASM. - 200 BI-AXIS SYS.	RAP9755
7	100532-08-705	EA KNOB - 3/4" BLACK - SET OF FOUR	RAP1379
8	100532-08-706	EA KNOB - 1 3/16" BLACK	RAP9734
9	100532-08-707	EA BEZEL W/GASKET - F/SYSTEM 200	RAP9592
10	100532-09-704	EA VALVE - PRESSURE SOLENOID	RAP0642
11	100532-09-710	EA SOLENOID - INTERMITTENT DUTY	RAP0533
12	100532-12-706	EA SWITCH - WARNING/MAGNETIC	RAP1008 / RAP90496
13	100532-12-707	EA SPRING KIT	R3847
14	100532-16-700	EA JACK ASM. 6K - STATIONARY	RAP0468
15	100532-16-701	EA MANIFOLD ASM. F/SLIDE OUT	RAP1716
16	100532-31-701	EA CHECK VALVE & KIT	RAP10021
17	100532-32-702	EA CYLINDER ONLY F/9000 LB JACK	RAP1927
18	100532-18-700	EA JACK - 9K STRAIGHT ACTING	RAP90177
19	100532-37-701	EA PUMP/RESERVOIR/MANIFOLD ASM	RAP13232
20	100532-03-723	EA O-RING/SEAL KIT	RAP9171
	100532-32-703	EA BUZZER - JACK WARNING	RAP90403

1999 FORD CHASSIS LEVELING SYSTEM - HYDRAULIC -W/SLIDEOUT

KEY	PART NUMBER	U/M DESCRIPTION	VENDOR NO.
	100532-52-000	EA LEVELING SYSTEM - HYDRAULIC F/SLIDEOUT SYSTEM	
	100532-01-713	EA PUMP - RESERVOIR ASM. - MONARCH	RAP90014
	100532-03-710	EA SENSING UNIT 21' MTA	RAP6798
	100532-03-715	EA CAP - BREATHER W/DIPSTICK	RAP7876
	100532-31-702	EA O-RING/SEAL KIT - MANIFOLD	RAP90127
	100532-08-702	EA VALVE - BI-AXIS	RAP9589
	100532-08-703	EA PANEL ASM. - 200 BI-AXIS SYS.	RAP9755
	100532-08-705	EA KNOB - 3/4" BLACK - SET OF FOUR	RAP1379
	100532-08-706	EA KNOB - 1 3/16" BLACK	RAP9734
	100532-08-707	EA BEZEL W/GASKET - F/SYSTEM 200	RAP9592
	100532-09-704	EA VALVE - PRESSURE SOLENOID	RAP0642
	100532-09-710	EA SOLENOID - INTERMITTENT DUTY	RAP0533
	100532-12-706	EA SWITCH - WARNING/MAGNETIC	RAP1008 / RAP90496
	100532-12-707	EA SPRING KIT	R3847
	100532-16-701	EA MANIFOLD ASM. F/SLIDE OUT	RAP1716
	100532-31-701	EA CHECK VALVE & KIT	RAP10021
	100532-37-701	EA PUMP/RESERVOIR/MANIFOLD ASM	RAP13232
	100532-03-723	EA O-RING/SEAL KIT	RAP9171
	100532-32-703	EA BUZZER - JACK WARNING	RAP90403
	100532-03-722	EA O-RING KIT	R7430
	100532-45-700	EA CYLINDER W/O FOOT - 6K X 13"	RAP90490
	100532-47-701	EA VALVE - BI-AXIS - W/O LEVERS	RAP0367
	100532-51-700	EA JACK - 6K STRAIGHT ACTING	RAP90502
	100532-53-700	EA CYLINDER ASM. - 9K	RAP90491

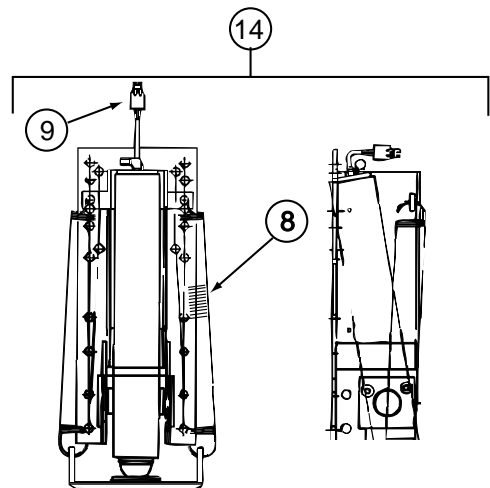
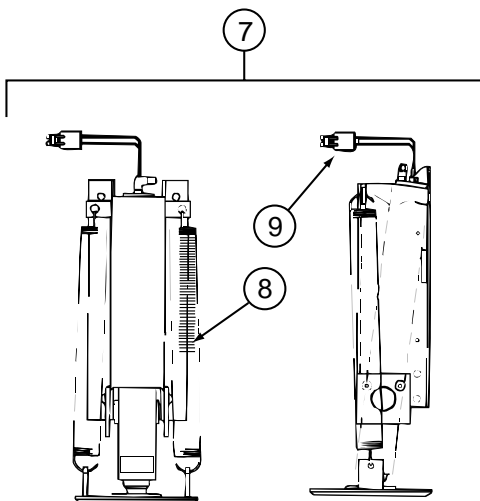
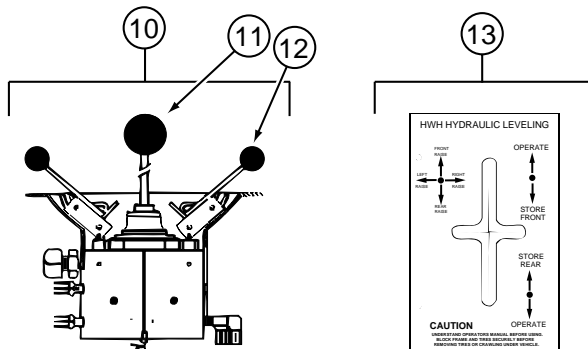
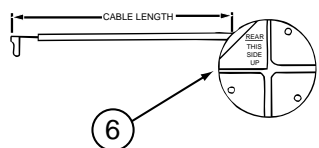
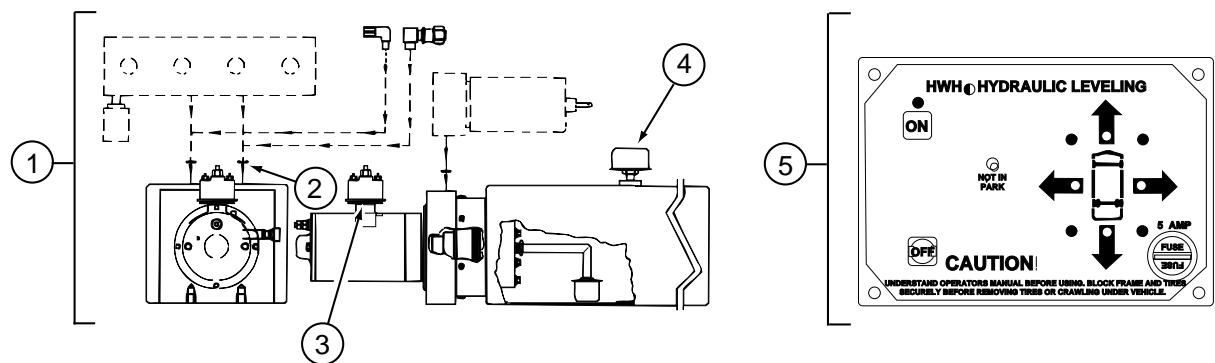
HOSE KIT

KEY	PART NUMBER	U/M DESCRIPTION	VENDOR NO.
	100536-10-000	EA HOSE KIT - LEVELING SYSTEM/JACKS	
	100536-09-700	EA HOSE - HYDRAULIC - 324"	AP2464
	100536-09-701	EA HOSE - HYDRAULIC - 60"	RAP4073
	100536-09-702	EA HOSE - HYDRAULIC - 354"	RAP4311
	100536-10-700	EA HOSE - HYDRAULIC - 84"	RAP1412

HOSE KIT - PUMP TO SLIEOUT VALVE

KEY	PART NUMBER	U/M DESCRIPTION	VENDOR NO.
	100536-42-000	EA HOSE KIT - PUMP TO SLIDE - OUT VALVE	
	100536-42-700	EA HOSE - HYDRAULIC - 168"	RAP6115
	100536-42-701	EA HOSE - HYDRAULIC - 175"	RAP90350

CHASSIS GROUP (CONTINUED)
1997 FORD CHASSIS LEVELING SYSTEM - HYDRAULIC -W/O SLIDEOUT



KEY	PART NUMBER	U/M DESCRIPTION	VENDOR NO.
	100532-41-000	EA LEVELING SYSTEM - HYDRAULIC	
1	100532-01-713	EA PUMP - RESERVOIR ASM. - MONARCH	RAP90014
2	100532-03-723	EA O-RING/SEAL KIT	RAP9171
3	100532-09-710	EA SOLENOID - INTERMITTENT DUTY	RAP0533
4	100532-03-715	EA CAP - BREATHER W/DIPSTICK	RAP7876
5	100532-08-703	EA PANEL ASM. - 200 BI-AXIS SYS.	RAP9755
6	100532-03-710	EA SENSING UNIT 21' MTA	RAP6798
7	100532-16-700	EA JACK ASM. 6K - STATIONARY	RAP0468
8	100532-12-707	EA SPRING KIT	R3847
9	100532-12-706	EA SWITCH - WARNING/MAGNETIC	RAP1008 / RAP90496
10	100532-08-702	EA VALVE - BI-AXIS	RAP9589
11	100532-08-705	EA KNOB - 3/4" BLACK - SET OF FOUR	RAP1379
12	100532-08-706	EA KNOB - 1 3/16" BLACK	RAP9734
13	100532-08-707	EA BEZEL W/GASKET - F/SYSTEM 200	RAP9592
14	100532-18-700	EA JACK - 9K STRAIGHT ACTING	RAP90177
	100532-32-703	EA BUZZER - JACK WARNING	RAP90403
	100532-08-700	EA POWER UNIT ASM.	AP10470

1999 FORD CHASSIS LEVELING SYSTEM - HYDRAULIC -W/O SLIDEOUT

KEY	PART NUMBER	U/M DESCRIPTION	VENDOR NO.
	100532-51-000	EA LEVELING SYSTEM - HYDRAULIC	
	100532-01-713	EA PUMP - RESERVOIR ASM. - MONARCH	RAP90014
	100532-03-710	EA SENSING UNIT 21' MTA	RAP6798
	100532-03-715	EA CAP - BREATHER W/DIPSTICK	RAP7876
	100532-08-702	EA VALVE - BI-AXIS	RAP9589
	100532-08-703	EA PANEL ASM. - 200 BI-AXIS SYS.	RAP9755
	100532-08-705	EA KNOB - 3/4" BLACK - SET OF FOUR	RAP1379
	100532-08-706	EA KNOB - 1 3/16" BLACK	RAP9734
	100532-08-707	EA BEZEL W/GASKET - F/SYSTEM 200	RAP9592
	100532-09-710	EA SOLENOID - INTERMITTENT DUTY	RAP0533
	100532-12-706	EA SWITCH - WARNING/MAGNETIC	RAP1008 / RAP90496
	100532-12-707	EA SPRING KIT	R3847
	100532-03-723	EA O-RING/SEAL KIT	RAP9171
	100532-32-703	EA BUZZER - JACK WARNING	RAP90403
	100532-45-700	EA CYLINDER W/O FOOT - 6K X 13"	RAP90490
	100532-47-701	EA VALVE - BI-AXIS - W/O LEVERS	RAP0367
	100532-51-700	EA JACK - 6K STRAIGHT ACTING	RAP90502
	100532-53-700	EA CYLINDER ASM. - 9K	RAP90491

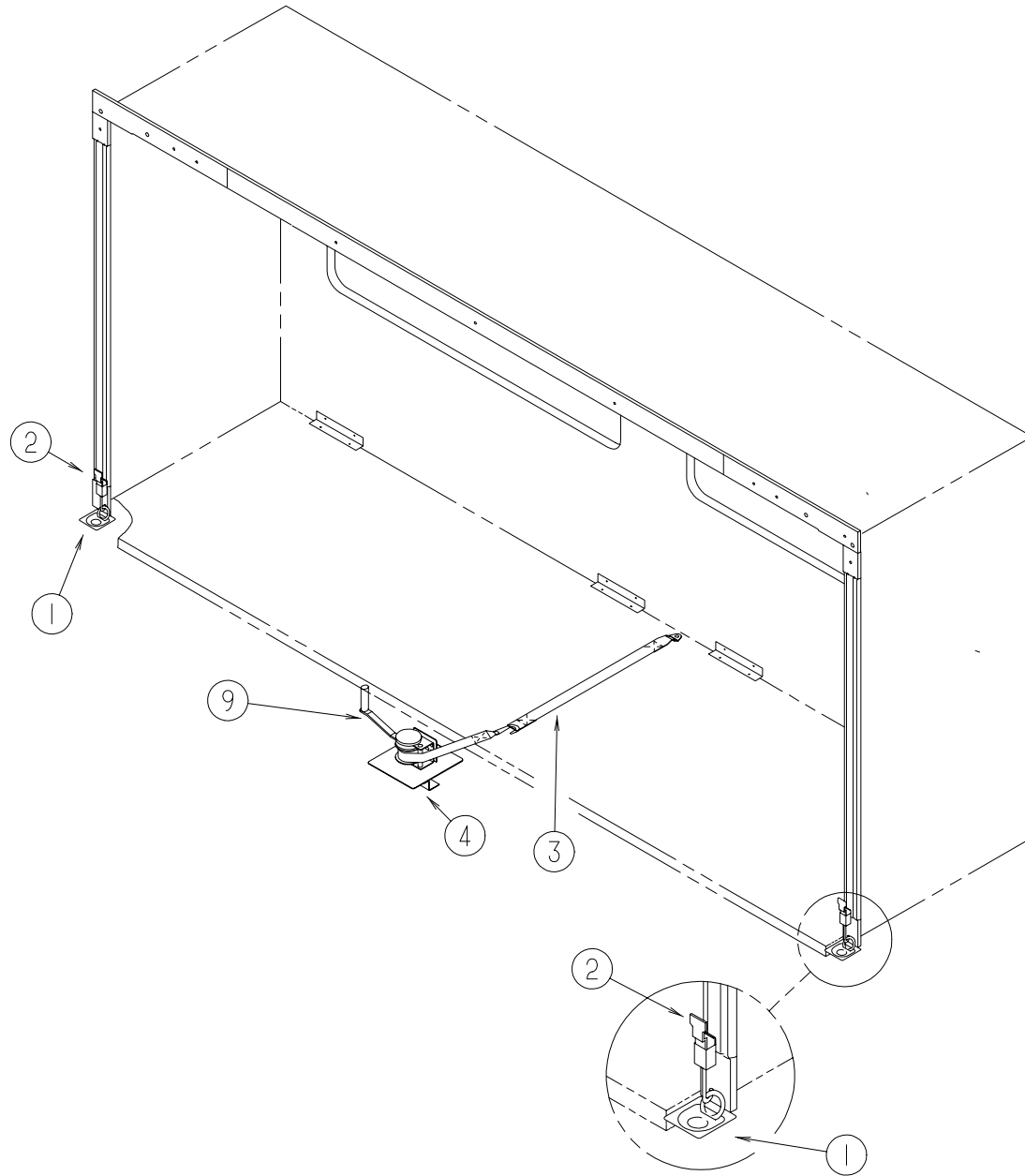
HOSE KIT

KEY	PART NUMBER	U/M DESCRIPTION	VENDOR NO.
	100536-10-000	EA HOSE KIT - LEVELING SYSTEM/JACKS	
	100536-09-700	EA HOSE - HYDRAULIC - 324"	AP2464
	100536-09-701	EA HOSE - HYDRAULIC - 60"	RAP4073
	100536-09-702	EA HOSE - HYDRAULIC - 354"	RAP4311
	100536-10-700	EA HOSE - HYDRAULIC - 84"	RAP1412

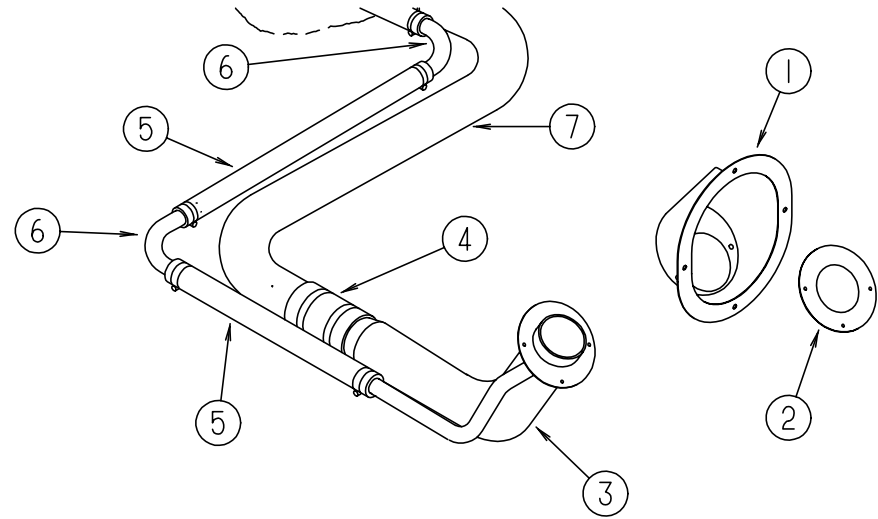
CHASSIS GROUP (CONTINUED)

SLIDEOUT HARDWARE

KEY	PART NUMBER	U/M	DESCRIPTION
1	116736-01-01A	EA	TIEDOWN - DROP/D - ZINC
2	116737-01-01A	EA	LATCH - DRAW - ADJUSTABLE - ZINC
3	116101-02-F31	EA	STRAP - WINCH
4	115767-02-000	EA	SLIDEOUT - WINCH
4	116082-03-02B	EA	BRACKET - WINCH



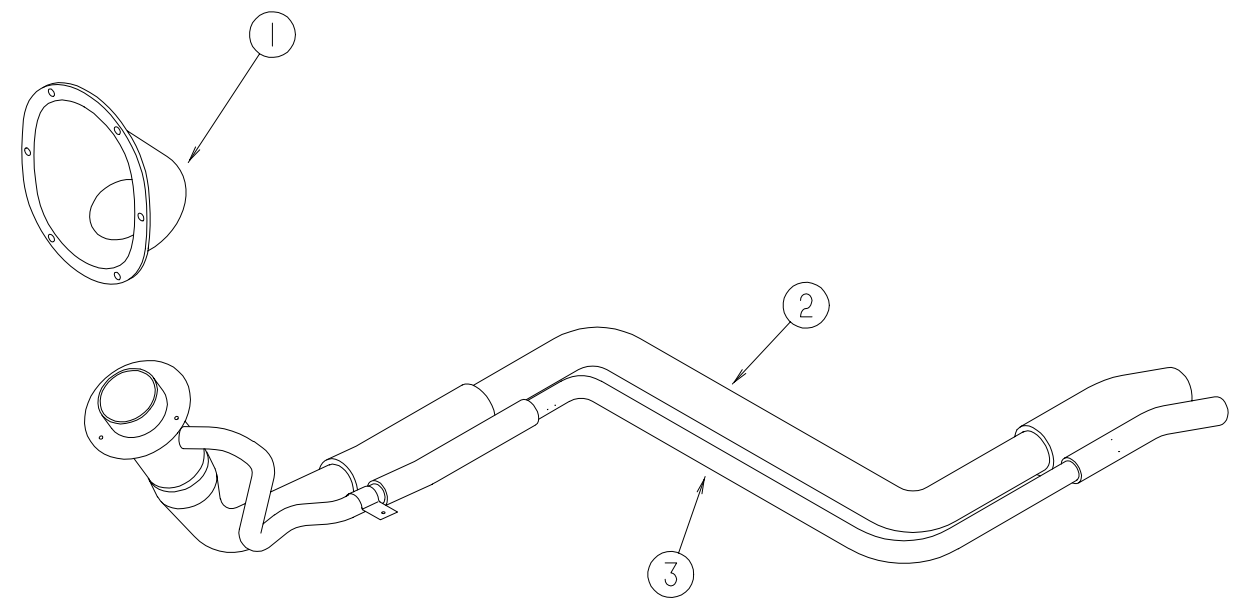
CHASSIS GROUP (CONTINUED)



FORD FUEL SYSTEM - 1997 CHASSIS

KEY	PART NUMBER	U/M	DESCRIPTION
1	095854-01-04A	EA	SHROUD - FUEL FILL - BRIGHT WHITE
2	078200-01-000	EA	GASKET - FUEL FILL - 3.5" OD X 2" ID
3	087256-07-000	EA	NECK - FUEL FILL - FORD
4	007111-02-000	EA	HOSE - FUEL FILL - 2" ID
5	066732-01-000	FT	HOSE - FUEL - .62"ID
6	098806-01-000	EA	PIPE - FILL VENT - 90 DEGREE BEND - .635 OD - STEEL
7	100140-03-000	EA	TUBE - FUEL INLET
	007063-01-000	FT	HOSE - FUEL - 1/4"ID X 1/2"OD
	084884-01-000	EA	PLUG - BRASS - 3/8"
	092889-14-000	EA	FUEL LINE - SUPPLY - GENERATOR - 1/4" X 92.7" - STEEL

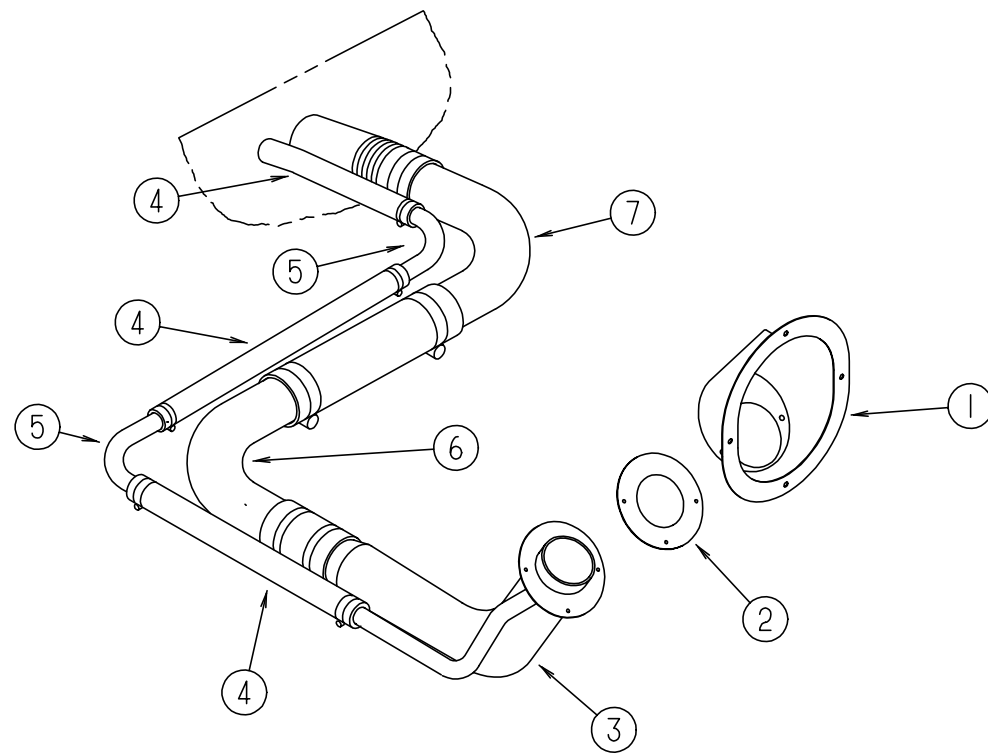
CHASSIS GROUP (CONTINUED)



FORD FUEL SYSTEM - 1999 CHASSIS

KEY	PART NUMBER	U/M	DESCRIPTION
1	127291-01-01A	EA	SHROUD - FUEL FILL - BRIGHT WHITE
2	129321-04-000	EA	TUBE - FUEL - INLET
3	129320-04-000	EA	PIPE - VENT - FILL
	007063-01-000	FT	HOSE - FUEL - 1/4"ID X 1/2"OD
	084884-01-000	EA	PLUG - BRASS - 3/8"
	092889-14-000	EA	FUEL LINE - SUPPLY - GENERATOR - 1/4" X 92.7" - STEEL

CHASSIS GROUP (CONTINUED)



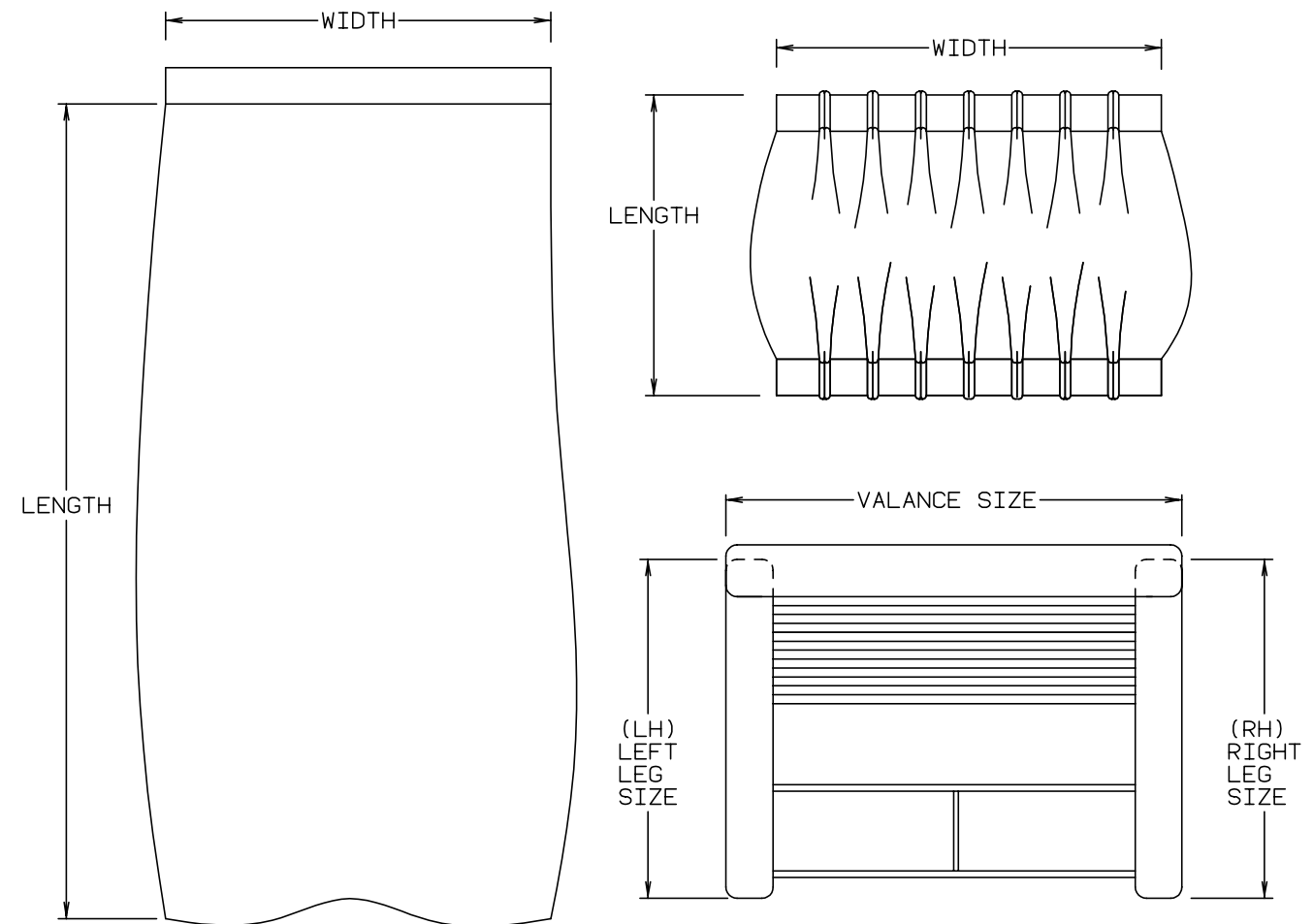
CHEVY FUEL SYSTEM

KEY	PART NUMBER	U/M	DESCRIPTION
1	095854-01-04A	EA	SHROUD - FUEL FILL - BRIGHT WHITE - 97 CHASSIS
1	127291-01-01A	EA	SHROUD - FUEL FILL - BRIGHT WHITE - 98 CHASSIS
2	078200-01-000	EA	GASKET - FUEL FILL - 3.5" OD X 2" ID
3	087256-10-000	EA	NECK - FUEL FILL - 97 CHASSIS
3	127301-03-000	EA	NECK - FUEL FILL - 98 CHASSIS
4	066732-01-000	FT	HOSE - FUEL - .62"ID - 97 CHASSIS
4	128139-02-000	FT	HOSE - FUEL - LOW PERMEABILITY - 5/8" DIAMETER - 98 CHASSIS
5	098806-01-000	EA	PIPE - FILL VENT - 90 DEGREE BEND - .635 OD - STEEL
6	098803-01-000	EA	PIPE - FUEL FILL - 90 DEGREE BEND - 13.2" - 1 3/4" OD
7	098807-01-000	EA	PIPE - FUEL FILL - 90 DEGREE BEND - 6.6" - 1 3/4" OD
	084884-01-000	EA	PLUG - BRASS - 3/8"
	007063-01-000	FT	HOSE - FUEL - 1/4"ID X 1/2"OD - 97 CHASSIS
	128139-03-000	FT	HOSE - FUEL - LOW PERMEABILITY - 1/4" DIAMETER - 98 CHASSIS
	068382-06-000	EA	BUSHING - BRASS - 3/8 MPT X 1/8 FPT
	114254-01-000	EA	ADAPTER - 1/4 BARB X 1/8 MPT
	044317-01-000	FT	HOSE - FUEL - 3/8" ID
	092889-21-000	EA	FUEL LINE - SUPPLY - GENERATOR - 1/4" X 52.7" - STEEL

CURTAIN & CUSHION GROUP NOTICE

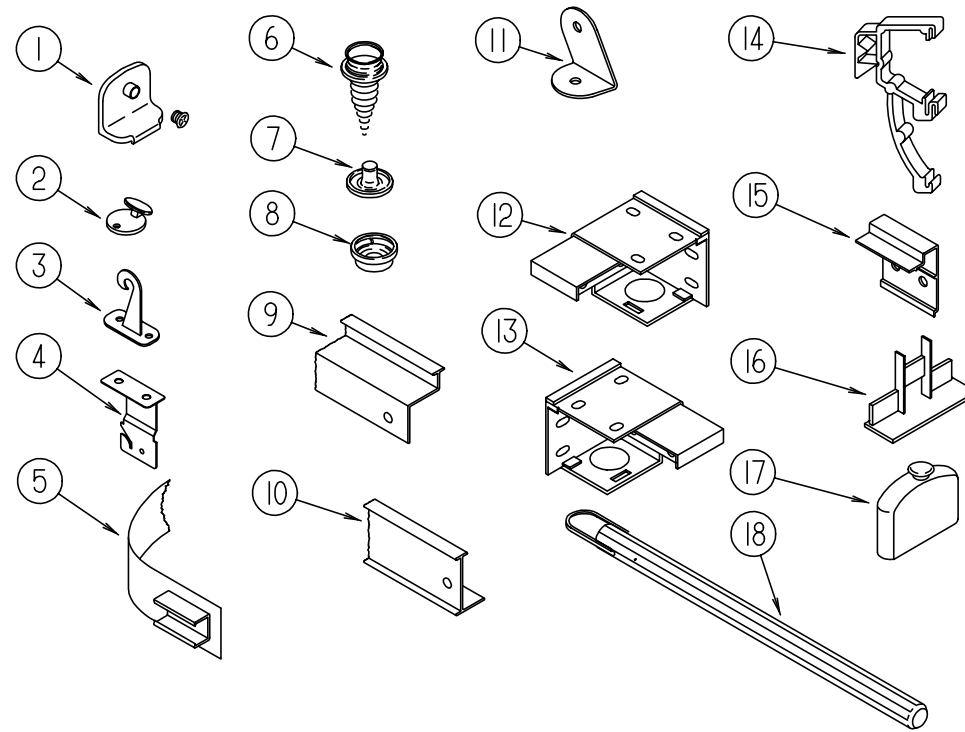
IN ORDER TO ASSIST OUR PARTS SALES DEPT. IN PROVIDING INTERIOR SOFTGOODS ITEMS, PLEASE INCLUDE THE SERIAL NUMBER AND THE COLOR CODE NUMBER FROM THE VEHICLE CERTIFICATION LABEL WHEN ORDERING. THIS LABEL IS LOCATED ON THE LEFT SIDEWALL AT THE END OF THE DASH (A-BODY), OR ON THE DRIVER'S DOOR LATCH PLATE (C-BODY).

AN EXAMPLE OF A COLOR CODE NUMBER IS B07, WHICH DESIGNATES AN OVERALL COLOR SCHEME OF A PARTICULAR UNIT. THE COLOR LISTED AFTER THE ITEM DESCRIPTION ON THE MICROFICHE, INDICATES THE OVERALL UNIT COLOR. ORDER THE ITEM YOU DESIRE ACCORDING TO UNIT COLOR CODE.



NOTE: USE THIS ILLUSTRATION WHEN DETERMINING LENGTH AND WIDTH MEASUREMENTS FOR CURTAINS. YOU WILL NOTE THE WIDTH MEASUREMENT IS TAKEN ON THE TOP OF THE CURTAIN WITH THE CURTAIN FULLY EXTENDED. THE LENGTH MEASUREMENT IS TAKEN FROM TOP TO BOTTOM. LEFT AND RIGHT WINDOW LEGS ARE DETERMINED WHEN FACING THE WINDOW.

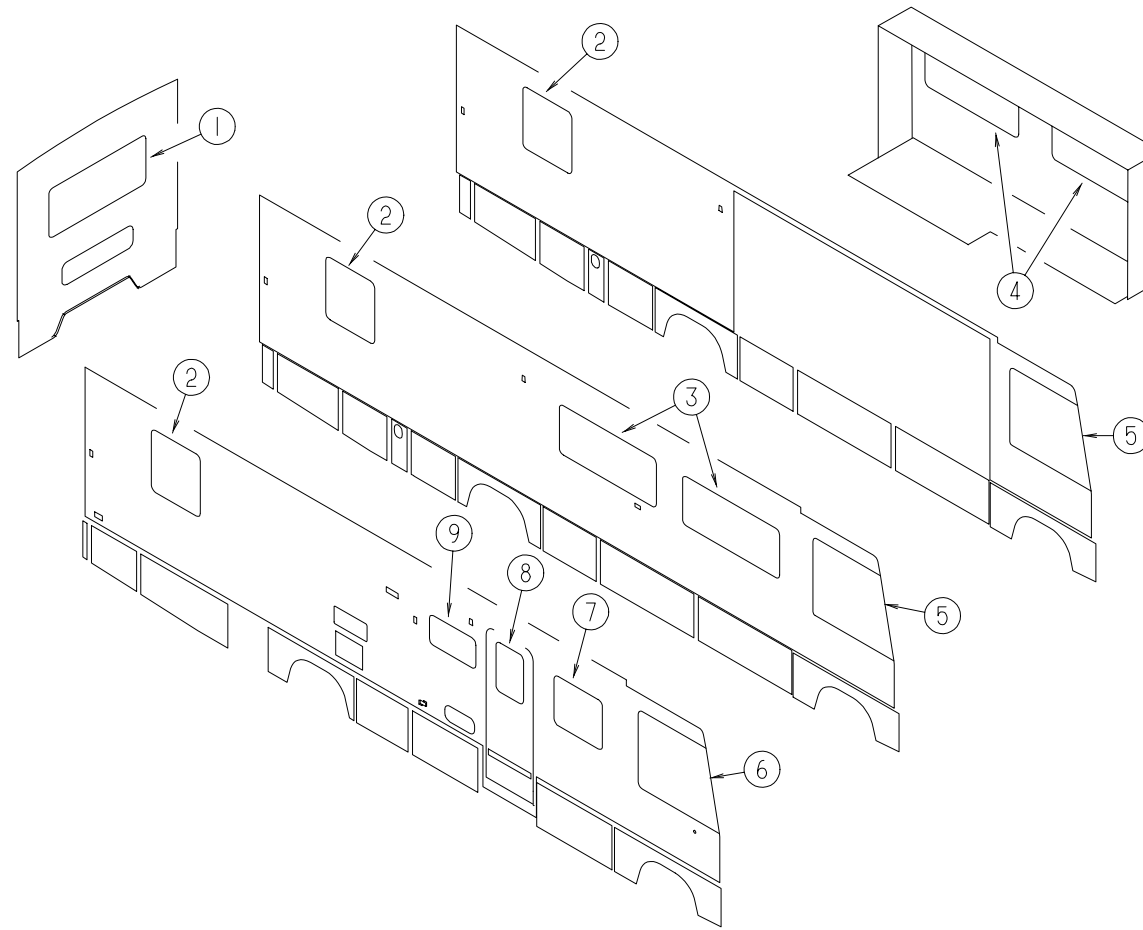
CURTAIN & CUSHION GROUP (CONTINUED)
CURTAIN, BLIND HARDWARE & TRACKS



KEY	PART NUMBER	U/M	DESCRIPTION
1	106544-01-000	EA	PULL - SHADE/BRASS
1	106544-01-001	EA	SCREW - SHADE/BRASS
2	102555-03-000	EA	CLEAT - BLIND CORD - MILKY WHITE PLASTIC
3	109441-03-000	EA	HOLD DOWN - BLIND (CLOUDY)
	109441-02-000	EA	HOLD DOWN-SPACER
4	084434-01-000	EA	BRACKET - MOUNTING - ROLLER SHADE - 1 3/8"
	096843-01-000	EA	SPRING - REWIND/ROLLER SHADE
	086276-01-000	EA	TAPE - DOUBLE SIDED - 1/2"
5	101031-01-000	YD	TAPE - GLIDE/CURTAIN - 4.25" SPACING
6	029130-01-000	EA	SCREW - SNAP SOCKET - #8 PH X 5/8"
6	029130-03-000	EA	SCREW - SNAP SOCKET - #8 PH X 1"
7	029155-01-000	EA	CAP - SNAP - 5/32" OUTSIDE DIAMETER OF PIN
8	029156-01-000	EA	SOCKET - SNAP - 9/16" O.D.
9	127254-01-01A	EA	TRACK - CURTAIN - RIGHT HAND
9	127254-02-01A	EA	TRACK - CURTAIN - LEFT HAND
11	099205-02-02A	EA	BRACKET - WRAPAROUND
12	083170-01-000	EA	BRACKET - BLIND - LEFT SIDE WHEN FACING WINDOW
13	083170-02-000	EA	BRACKET - BLIND - RIGHT SIDE WHEN FACING WINDOW
14	109353-04-000	EA	CLIP - VALANCE SLAT MOUNTING - CLEAR PLASTIC
15	097565-01-000	EA	BRACKET - MOUNTING/PLEATED BLIND
16	094907-02-000	EA	END CAP - TOP/PLEATED BLIND - PLASTIC - GRAY
17	093475-01-701	EA	CAP - END - WITH INVERTED STUD PAR
18	093475-01-700	EA	WAND - BLIND W/METAL CLIP, 8" NONE

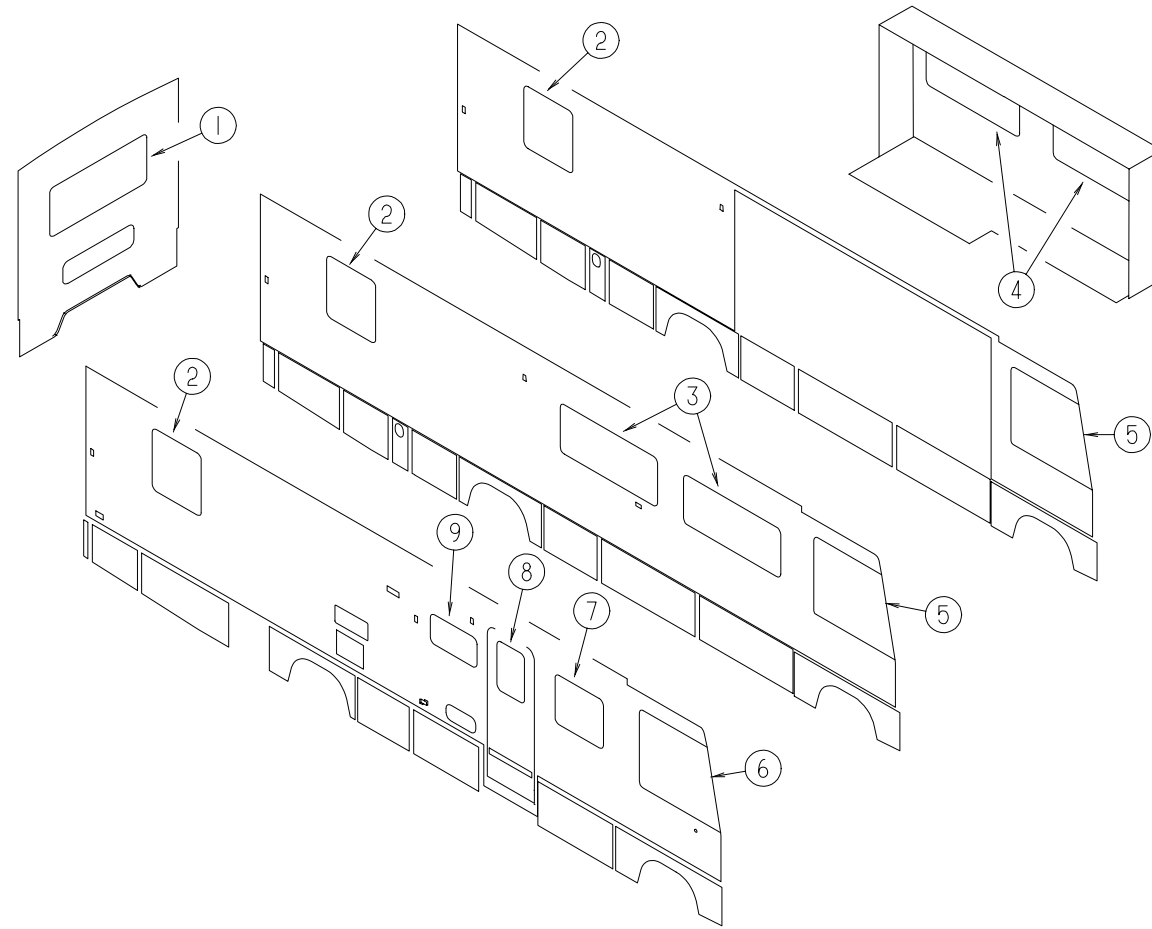
KEY	PART NUMBER	U/M	DESCRIPTION
	097592-01-000	EA	SPOOL - CORD - ELEVATED BLIND HOLDUP - CLEAR PLASTIC FROM: 00-00-00 THRU: 11-23-97
	097592-02-000	EA	BRACKET - HOLDDOWN ADJUSTER FROM: 11-24-97 THRU: 99-99-99
	046867-03-000	EA	GROMMET - HANDY BUTTON #3
	056003-01-000	EA	BRACKET - DRAPERY RETAINING - FRONT - METAL
	056003-02-000	EA	BRACKET - DRAPERY RETAINING - REAR - METAL
	083125-07-000	EA	BRACE - COUCH - 2.5" USED TO SUPPORT DINETTE PADS & CURTAIN LEGS
	068716-01-001	EA	BRACE - 90 DEGREE L-ANGLE - 16'
	094896-02-000	EA	GROMMET - CORD/PLEATED BLIND - NYLON - GRAY
	094907-04-000	EA	HARDWARE - END CAP BOTTOM - PULL TYPE (RH & LH)
	097564-03-000	EA	HANDLE - KNOB - E-Z LIFT SHADE - TAN (J65,J66,J68,J69)
	097564-04-000	EA	HANDLE - KNOB - E-Z LIFT SHADE - NAVY (J67)
	097591-01-000	EA	SPRING - EXTENSION/PLEATED BLIND
	046867-02-000	EA	WASHER - HANDY BUTTON #3
	095567-01-000	EA	TACK - STRIP - .5" X 625' ROLL
	097593-06-000	FT	CORD - BLIND - PLEATED - PEWTER (J67)
	097593-02-000	FT	CORD - BLIND/PLEATED - GRAY (J65,J66,J68,J69)
	105648-01-02A	EA	BRACE - VALANCE - OFF/WHITE - 14"
	009702-01-000	EA	END STOP - CURTAIN CARRIER - L ROD
	048394-02-000	YD	VELCRO TAPE - HOOK - ADHESIVE BACK - .75" WIDE - BEIGE

CURTAIN & CUSHION GROUP (CONTINUED)
WINDOW TREATMENT



KEY	PART NUMBER	U/M	DESCRIPTION
1	121410-58-J37	EA	VALANCE - MODERATE - 53" (J65) - QUEEN BED OR TWIN BEDS
1	119263-28-J45	EA	VALANCE - STARBUCK II - 52"(J66) - QUEEN BED OR TWIN BEDS
1	127060-04-J47	EA	VALANCE - DAVIS - 53" (J67) - QUEEN BED OR TWIN BEDS
1	127061-04-J46	EA	VALANCE - DUNE - 52" (J68) - QUEEN BED OR TWIN BEDS
1	119299-01-J28	EA	VALANCE - WHITNEY - 53" (J69) - QUEEN BED OR TWIN BEDS
1	127017-03-J19	EA	LEG - RIGHT - 25" (J65) - QUEEN BED OR TWIN BEDS
1	127017-04-J19	EA	LEG - LEFT - 25" (J65) - QUEEN BED OR TWIN BEDS
1	112986-14-J01	EA	CURTAIN - 27.5" X 6" (J66) - QUEEN BED OR TWIN BEDS
1	112986-14-J47	EA	CURTAIN - 27.5" X 6" (J67) - QUEEN BED OR TWIN BEDS
1	112986-14-J02	EA	CURTAIN - 27.5" X 6" (J68) - QUEEN BED OR TWIN BEDS
1	127017-07-J28	EA	LEG - RIGHT - 25" (J69) - QUEEN BED OR TWIN BEDS
1	127017-08-J28	EA	LEG - LEFT - 25" (J69) - QUEEN BED OR TWIN BEDS
1	109041-54-02A	EA	BLIND - MINI - 50" X 27" - QUEEN BED OR TWIN BEDS
1	111910-62-J11	EA	BLIND - DAY/NIGHTER - 49" X 27" - WINDOW COVERINGS OPTION (J65,J66,J68) QUEEN BED OR TWIN BEDS
1	111910-62-J10	EA	BLIND - DAY/NIGHTER - 49" X 27" - WINDOW COVERINGS OPTION (J67) QUEEN BED OR TWIN BEDS
1	111910-62-J04	EA	BLIND - DAY/NIGHTER - 49" X 27" - WINDOW COVERINGS OPTION (J69) QUEEN BED OR TWIN BEDS
2	121410-59-J37	EA	VALANCE - MODERATE - 34" (J65)
2	119263-29-J45	EA	VALANCE - STARBUCK II - 34" (J66)
2	127060-05-J47	EA	VALANCE - DAVIS - 34" (J67)
2	127061-05-J46	EA	VALANCE - DUNE - 34" (J68)
2	119299-18-J28	EA	VALANCE - WHITNEY - 34" (J69)
2	127017-05-J37	EA	LEG - RIGHT - 34" (J65)
2	127017-06-J37	EA	LEG - LEFT - 34" (J65)
2	112986-13-J45	EA	CURTAIN - 38.5" X 6" (J66)
2	112986-13-J47	EA	CURTAIN - 38.5" X 6" (J67)
2	112986-13-J46	EA	CURTAIN - 38.5" X 6" (J68)
2	127017-09-J28	EA	LEG - RIGHT - 34" (J69)
2	127017-10-J28	EA	LEG - LEFT - 34" (J69)
2	109041-55-02A	EA	BLIND - MINI - 31" X 37"
2	111910-58-J20	EA	BLIND - DAY/NIGHTER - 31" X 37" - WINDOW COVERINGS OPTION (J65,J66,J68)
2	111910-58-J30	EA	BLIND - DAY/NIGHTER - 31" X 37" - WINDOW COVERINGS OPTION (J67)
2	111910-58-J38	EA	BLIND - DAY/NIGHTER - 31" X 37" - WINDOW COVERINGS OPTION (J69)
3	121410-44-J21	EA	VALANCE - MODERATE - 64.5" (J65)
3	119263-25-J45	EA	VALANCE - STARBUCK II - 64.5" (J66)
3	127060-01-J47	EA	VALANCE - DAVIS - 64.5" (J67)
3	127061-01-J46	EA	VALANCE - DUNE - 64.5" (J68)
3	121410-62-J28	EA	VALANCE - MODERATE - 64.5" (J69)
3	127017-01-J21	EA	LEG - RIGHT - 25" (J65)
3	127017-11-J45	EA	LEG - RIGHT - 25" (J66)
3	127017-11-J47	EA	LEG - RIGHT - 25" (J67)
3	127017-11-J46	EA	LEG - RIGHT - 25" (J68)
3	127017-01-J50	EA	LEG - RIGHT - 25" (J69)
3	127017-02-J21	EA	LEG - LEFT - 25" (J65)
3	127017-12-J45	EA	LEG - LEFT - 25" (J66)
3	127017-12-J47	EA	LEG - LEFT - 25" (J67)
3	127017-12-J46	EA	LEG - LEFT - 25" (J68)
3	127017-02-J50	EA	LEG - LEFT - 25" (J69)
3	109041-53-02A	EA	BLIND - MINI - 61" X 28.5"
3	111910-57-J20	EA	BLIND - DAY/NIGHTER - 61" X 29.5" - WINDOW COVERINGS OPTION (J65,J66,J68)
3	111910-57-J30	EA	BLIND - DAY/NIGHTER - 61" X 28.5" - WINDOW COVERINGS OPTION (J67)
3	111910-57-J38	EA	BLIND - DAY/NIGHTER - 61" X 28.5" - WINDOW COVERINGS OPTION (J69)

CURTAIN & CUSHION GROUP (CONTINUED)
WINDOW TREATMENT (CONTINUED)



KEY	PART NUMBER	U/M	DESCRIPTION
4	121410-04-J21	EA	VALANCE - MODERATE - 62.5" (J65)
4	119263-39-J01	EA	VALANCE - STARBUCK II - 62.5" (J66)
4	127060-14-J97	EA	VALANCE - DAVIS - 62.5" (J67)
4	127061-14-J98	EA	VALANCE - DUNE - 62.5" (J68)
4	121410-65-J28	EA	VALANCE - MODERATE - 62.5" (J69)
4	127017-41-J37	EA	LEG - RIGHT - 23.5" (J65)
4	127017-43-J01	EA	LEG - RIGHT - 23.5" (J66)
4	127017-43-J03	EA	LEG - RIGHT - 23.5" (J67)
4	127017-43-J02	EA	LEG - RIGHT - 23.5" (J68)
4	127017-41-J28	EA	LEG - RIGHT - 23.5" (J69)
4	127017-42-J37	EA	LEG - LEFT - 23.5" (J65)
4	127017-44-J01	EA	LEG - LEFT - 23.5" (J66)
4	127017-44-J03	EA	LEG - LEFT - 23.5" (J67)
4	127017-44-J02	EA	LEG - LEFT - 23.5" (J68)
4	127017-42-J28	EA	LEG - LEFT - 23.5" (J69)
4	109041-22-02A	EA	BLIND - MINI - 59"
4	111910-55-J31	EA	BLIND - DAY/NIGHTER - 59" X 26.5" - WINDOW COVERINGS OPTION (J65,J66,J68)
4	111910-55-J03	EA	BLIND - DAY/NIGHTER - 59" X 26.5" - WINDOW COVERINGS OPTION (J67)
4	111910-55-J69	EA	BLIND - DAY/NIGHTER - 59" X 26.5" - WINDOW COVERINGS OPTION (J69)
5	101668-68-J22	EA	CURTAIN - LEFT HAND - 42" X 106" (J65,J69)
5	101668-68-J38	EA	CURTAIN - LEFT HAND - 42" X 106" (J66,J67,J68)
6	101668-67-J22	EA	CURTAIN - RIGHT HAND - 42" X 106" (J65,J69)
6	101668-67-J38	EA	CURTAIN - RIGHT HAND - 42" X 106" (J66,J67,J68)
	073260-42-C18	EA	TIEBACK - 6" X 18" (J65,J69)
	073260-42-D10	EA	TIEBACK - 6" X 18" (J66,J67,J68)
7	121410-05-J37	EA	VALANCE - MODERATE - 34.5" (J65)
7	119263-37-J38	EA	VALANCE - STARBUCK II - 34.5" (J66)
7	127060-17-J97	EA	VALANCE - DAVIS - 34" (J67)
7	127061-17-J98	EA	VALANCE - DUNE - 34" (J68)

KEY	PART NUMBER	U/M	DESCRIPTION
7	121410-76-J28	EA	VALANCE - MODERATE - 34" (J69)
7	127017-01-J21	EA	LEG - RIGHT - 25" (J65)
7	127017-11-J45	EA	LEG - RIGHT - 25" (J66)
7	127017-11-J47	EA	LEG - RIGHT - 25" (J67)
7	127017-11-J46	EA	LEG - RIGHT - 25" (J68)
7	127017-01-J50	EA	LEG - RIGHT - 25" (J69)
7	127017-02-J21	EA	LEG - LEFT - 25" (J65)
7	127017-12-J45	EA	LEG - LEFT - 25" (J66)
7	127017-12-J47	EA	LEG - LEFT - 25" (J67)
7	127017-12-J46	EA	LEG - LEFT - 25" (J68)
7	127017-02-J50	EA	LEG - LEFT - 25" (J69)
7	109041-47-02A	EA	BLIND - MINI - 30" X 27.5"
7	111910-59-J60	EA	BLIND - DAY/NIGHTER - 31" X 28.5" - WINDOW COVERINGS OPTION (J65,J66,J68)
7	111910-59-J30	EA	BLIND - DAY/NIGHTER - 31" X 28.5" - WINDOW COVERINGS OPTION (J67)
7	111910-59-J69	EA	BLIND - DAY/NIGHTER - 31" X 28.5" - WINDOW COVERINGS OPTION (J69)
8	121410-95-J37	EA	VALANCE - MODERATE - 36" (J65)
8	119263-44-J38	EA	VALANCE - STARBUCK II - 36.25" (J66)
8	127060-13-J97	EA	VALANCE - STARBUCK II - 36.25" (J67)
8	127061-13-J98	EA	VALANCE - DUNE - 36.25" (J68)
8	121410-97-J28	EA	VALANCE - MODERATE - 15" X 36" (J69)
8	120820-21-J37	EA	VALANCE - 15" X 36" - W/CLOCK CUTOUT - W/SLIDEOUT (J65)
8	120820-32-J38	EA	VALANCE - 15" X 36" - W/CLOCK CUTOUT - W/SLIDEOUT (J66)
8	120820-32-J97	EA	VALANCE - 15" X 36" - W/CLOCK CUTOUT - W/SLIDEOUT (J67)
8	120820-32-J98	EA	VALANCE - 15" X 36" - W/CLOCK CUTOUT - W/SLIDEOUT (J68)
8	120820-26-J28	EA	VALANCE - 15" X 36" - W/CLOCK CUTOUT - W/SLIDEOUT (J69)
8	084755-60-F01	EA	SHADE - PULL - 29.25"
9	109041-44-02A	EA	BLIND - MINI - 30.5" X 18"

CURTAIN & CUSHION GROUP (CONTINUED)

QUEEN MATTRESS & BEDSPREAD

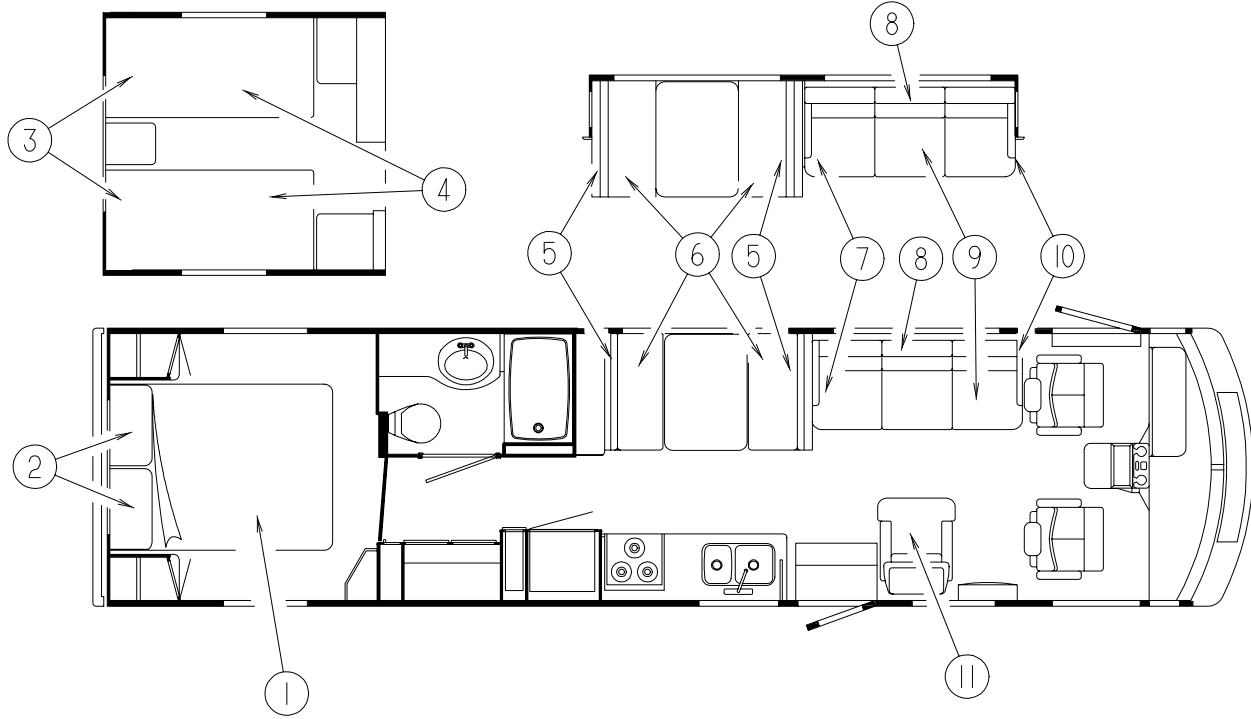
KEY	PART NUMBER	U/M DESCRIPTION
1	123015-07-000	EA MATTRESS - INNERSPRING - 60" X 79.5"
1	123471-23-J37	EA BEDSPREAD/THROW - 60" X 80" (J65)
1	123471-23-J01	EA BEDSPREAD/THROW - 60" X 80" (J66)
1	123471-23-J03	EA BEDSPREAD/THROW - 60" X 80" (J67)
1	123471-23-J02	EA BEDSPREAD/THROW - 60" X 80" (J68)
1	123471-23-J69	EA BEDSPREAD/THROW - 60" X 80" (J69)
2	111863-15-J37	EA PILLOW SHAM - 20" X 33" (J65)
2	111863-15-J45	EA PILLOW SHAM - 20" X 33" (J66)
2	111863-15-J47	EA PILLOW SHAM - 20" X 33" (J67)
2	111863-15-J46	EA PILLOW SHAM - 20" X 33" (J68)
2	111863-15-J69	EA PILLOW SHAM - 20" X 33" (J69)

TWIN MATTRESSES & BEDSPREADS

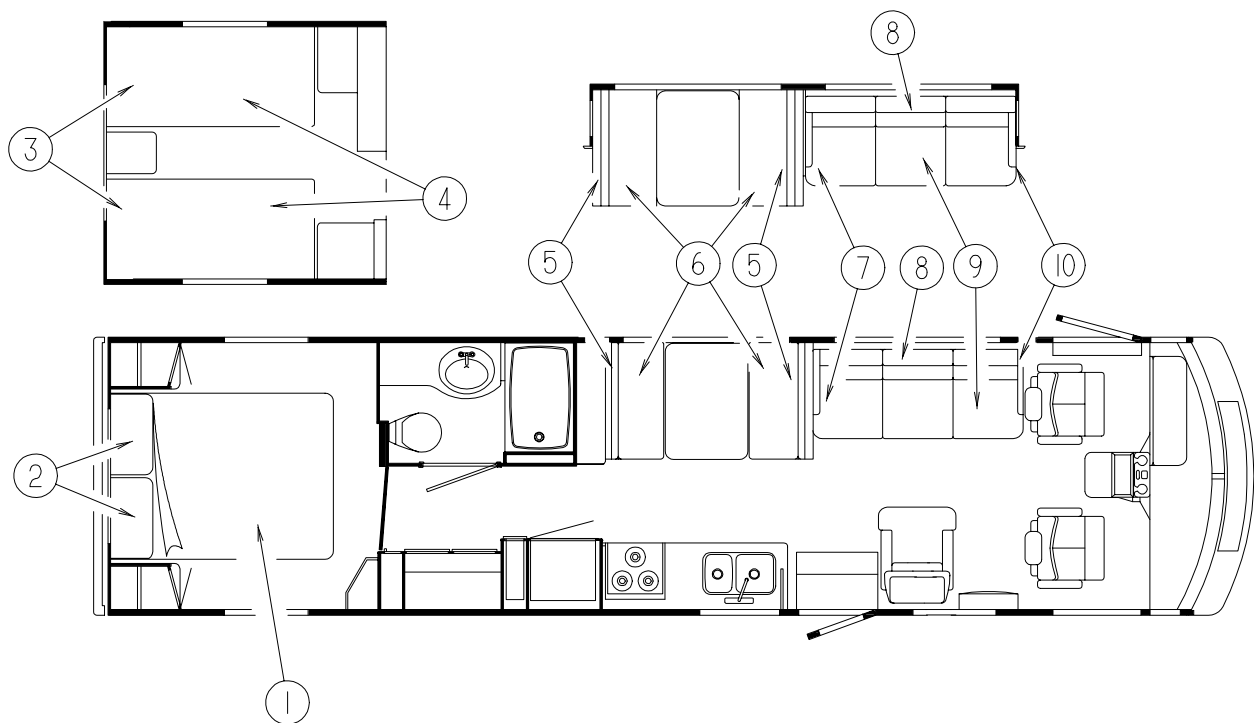
KEY	PART NUMBER	U/M DESCRIPTION
3	111863-16-J37	EA PILLOW SHAM - 22" X 37" (J65)
3	111863-16-J45	EA PILLOW SHAM - 22" X 37" (J66)
3	111863-16-J47	EA PILLOW SHAM - 22" X 37" (J67)
3	111863-16-J46	EA PILLOW SHAM - 22" X 37" (J68)
3	111863-16-J69	EA PILLOW SHAM - 22" X 37" (J69)
4	123015-04-000	EA MATTRESS - INNERSPRING - 36" X 79.5"
4	123471-09-J37	EA BEDSPREAD/THROW - 36" X 80" (J65)
4	123471-09-J36	EA BEDSPREAD/THROW - 36" X 80" (J66)
4	123471-09-J47	EA BEDSPREAD/THROW - 36" X 80" (J67)
4	123471-09-J46	EA BEDSPREAD/THROW - 36" X 80" (J68)
4	123471-09-J69	EA BEDSPREAD/THROW - 36" X 80" (J69)

DINETTE CUSHIONS

KEY	PART NUMBER	U/M DESCRIPTION
5	111880-05-J65	EA CUSHION - BACK - 13.5" X 42" X 5" (J65)
5	111880-05-J45	EA CUSHION - BACK - 13.5" X 42" X 5" (J66)
5	111880-05-J47	EA CUSHION - BACK - 13.5" X 42" X 5" (J67)
5	111880-05-J46	EA CUSHION - BACK - 13.5" X 42" X 5" (J68)
5	111880-05-J69	EA CUSHION - BACK - 13.5" X 42" X 5" (J69)
	P11880-05-J65	EA COVER - BACK - 13.5" X 42" X 5" (J65)
	P11880-05-J45	EA COVER - BACK - 13.5" X 42" X 5" (J66)
	P11880-05-J47	EA COVER - BACK - 13.5" X 42" X 5" (J67)
	P11880-05-J46	EA COVER - BACK - 13.5" X 42" X 5" (J68)
	P11880-05-J46	EA COVER - BACK - 13.5" X 42" X 5" (J69)
	078155-01-000	EA STRAP - SNAP - BACK CUSHION
6	105603-15-J21	EA CUSHION - SEAT - 23" X 42" X 5" (J65)
6	105603-15-J45	EA CUSHION - SEAT - 23" X 42" X 5" (J66)
6	105603-15-J47	EA CUSHION - SEAT - 23" X 42" X 5" (J67)
6	105603-15-J02	EA CUSHION - SEAT - 23" X 42" X 5" (J68)
6	105603-15-J28	EA CUSHION - SEAT - 23" X 42" X 5" (J69)
	P05603-15-J21	EA COVER - SEAT - 23" X 42" X 5" (J65)
	P05603-15-J45	EA COVER - SEAT - 23" X 42" X 5" (J66)
	P05603-15-J47	EA COVER - SEAT - 23" X 42" X 5" (J67)
	P05603-15-J02	EA COVER - SEAT - 23" X 42" X 5" (J68)
	P05603-15-J28	EA COVER - SEAT - 23" X 42" X 5" (J69)



CURTAIN & CUSHION GROUP (CONTINUED)



DRIVER SIDE SOFA/BED

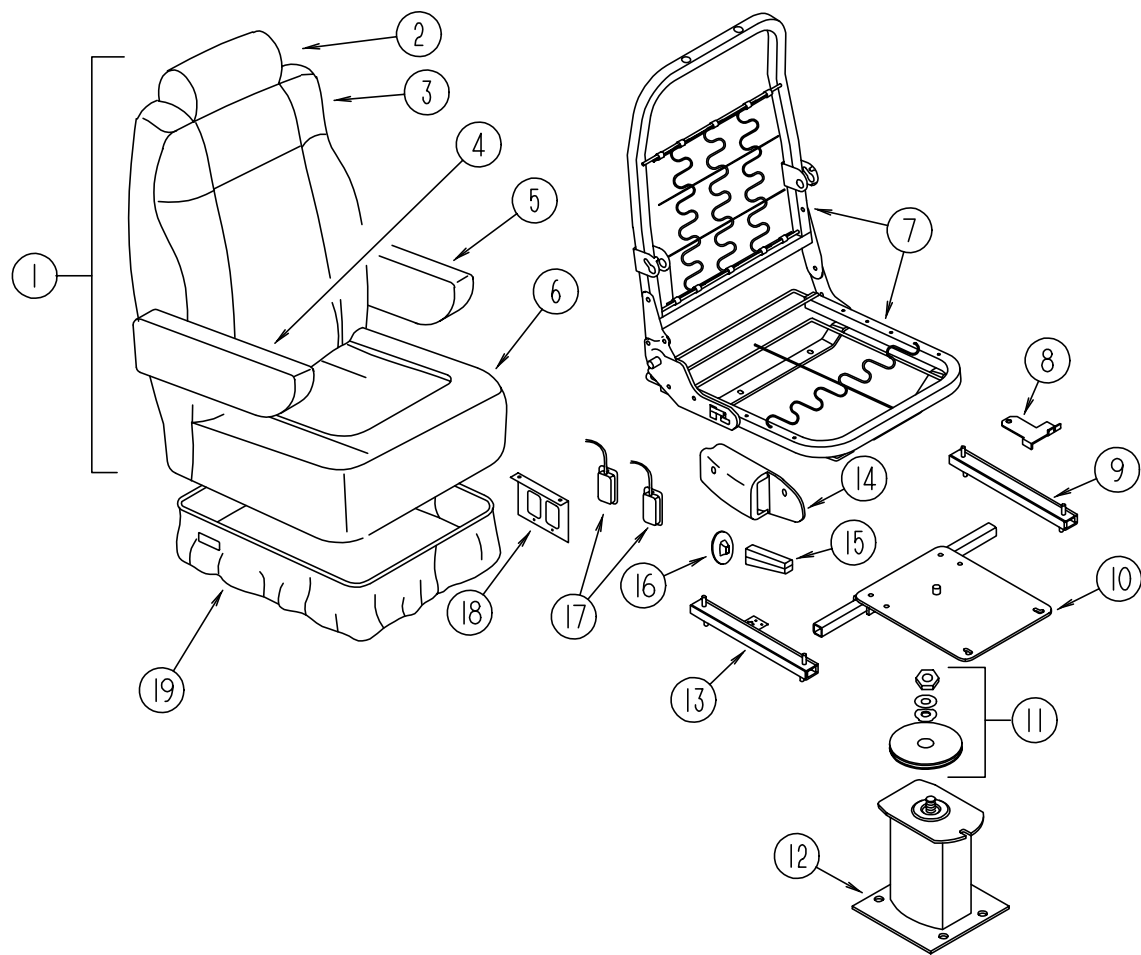
KEY	PART NUMBER	U/M	DESCRIPTION
7	127562-01-J21	EA	ARMREST/REMOVABLE - RIGHT HAND (J65)
7	127562-01-J45	EA	ARMREST/REMOVABLE - RIGHT HAND (J66)
7	127562-01-J47	EA	ARMREST/REMOVABLE - RIGHT HAND (J67)
7	127562-01-J46	EA	ARMREST/REMOVABLE - RIGHT HAND (J68)
7	127562-01-J50	EA	ARMREST/REMOVABLE - RIGHT HAND (J69)
	P27562-01-J21	EA	COVER - ARMREST - RIGHT (J65)
	P27562-01-J45	EA	COVER - ARMREST - RIGHT (J66)
	P27562-01-J47	EA	COVER - ARMREST - RIGHT (J67)
	P27562-01-J46	EA	COVER - ARMREST - RIGHT (J68)
	P27562-01-J50	EA	COVER - ARMREST - RIGHT (J69)
	112436-07-000	FT	TRIM - #6 - FLEX RING
	127335-08-000	EA	BRACKET - REMOVABLE ARM/COUCH
	127335-09-000	EA	BRACKET - REMOVABLE ARM/CUSHION
	127840-04-J37	EA	PANEL - RIGHT END - SOFA/BED - FABRIC COVERED (J65) FROM: 00-00-00 THRU: 01-18-98
	127840-04-J38	EA	PANEL - RIGHT END - SOFA/BED - FABRIC COVERED (J66) FROM: 00-00-00 THRU: 01-18-98
	127840-04-J97	EA	PANEL - RIGHT END - SOFA/BED - FABRIC COVERED (J67) FROM: 00-00-00 THRU: 01-18-98
	127840-04-J98	EA	PANEL - RIGHT END - SOFA/BED - FABRIC COVERED (J68) FROM: 00-00-00 THRU: 01-18-98
	127840-04-J28	EA	PANEL - RIGHT END - SOFA/BED - FABRIC COVERED (J69) FROM: 00-00-00 THRU: 01-18-98
	127840-01-J21	EA	PANEL - RIGHT END - SOFA/BED - FABRIC COVERED (J65) FROM: 01-19-98 THRU: 99-99-99
	127840-01-J38	EA	PANEL - RIGHT END - SOFA/BED - FABRIC COVERED (J66) FROM: 01-19-98 THRU: 99-99-99
	127840-01-J97	EA	PANEL - RIGHT END - SOFA/BED - FABRIC COVERED (J67) FROM: 01-19-98 THRU: 99-99-99
	127840-01-J98	EA	PANEL - RIGHT END - SOFA/BED - FABRIC COVERED (J68) FROM: 01-19-98 THRU: 99-99-99
	127840-01-J28	EA	PANEL - RIGHT END - SOFA/BED - FABRIC COVERED (J69) FROM: 01-19-98 THRU: 99-99-99
8	127561-01-J21	EA	BACK - SOFA/BED - 74" (J65)
8	127561-01-J45	EA	BACK - SOFA/BED - 74" (J66)
8	127561-01-J47	EA	BACK - SOFA/BED - 74" (J67)
8	127561-01-J46	EA	BACK - SOFA/BED - 74" (J68)
8	127561-01-J50	EA	BACK - SOFA/BED - 74" (J69)

DRIVER SIDE SOFA/BED (CONTINUED)

KEY	PART NUMBER	U/M	DESCRIPTION
	P27561-01-J21	EA	COVER - BACK - SOFA/BED - 74" (J65)
	P27561-01-J45	EA	COVER - BACK - SOFA/BED - 74" (J66)
	P27561-01-J47	EA	COVER - BACK - SOFA/BED - 74" (J67)
	P27561-01-J46	EA	COVER - BACK - SOFA/BED - 74" (J68)
	P27561-01-J50	EA	COVER - BACK - SOFA/BED - 74" (J69)
9	127561-02-J21	EA	SEAT - SOFA/BED - 74" (J65)
9	127561-02-J45	EA	SEAT - SOFA/BED - 74" (J66)
9	127561-02-J47	EA	SEAT - SOFA/BED - 74" (J67)
9	127561-02-J46	EA	SEAT - SOFA/BED - 74" (J68)
9	127561-02-J50	EA	SEAT - SOFA/BED - 74" (J69)
	P27561-02-J21	EA	COVER - SEAT - SOFA/BED - 74" (J65)
	P27561-02-J45	EA	COVER - SEAT - SOFA/BED - 74" (J66)
	P27561-02-J47	EA	COVER - SEAT - SOFA/BED - 74" (J67)
	P27561-02-J46	EA	COVER - SEAT - SOFA/BED - 74" (J68)
	P27561-02-J50	EA	COVER - SEAT - SOFA/BED - 74" (J69)
10	127562-02-J21	EA	ARMREST/REMOVABLE - LEFT HAND (J65)
10	127562-02-J45	EA	ARMREST/REMOVABLE - LEFT HAND (J66)
10	127562-02-J47	EA	ARMREST/REMOVABLE - LEFT HAND (J67)
10	127562-02-J46	EA	ARMREST/REMOVABLE - LEFT HAND (J68)
10	127562-02-J50	EA	ARMREST/REMOVABLE - LEFT HAND (J69)
	P27562-02-J21	EA	COVER - ARMREST - LEFT (J65)
	P27562-02-J45	EA	COVER - ARMREST - LEFT (J66)
	P27562-02-J47	EA	COVER - ARMREST - LEFT (J67)
	P27562-02-J46	EA	COVER - ARMREST - LEFT (J68)
	P27562-02-J50	EA	COVER - ARMREST - LEFT (J69)
	112436-07-000	FT	TRIM - #6 - FLEX RING
	127335-08-000	EA	BRACKET - REMOVABLE ARM/COUCH
	127335-09-000	EA	BRACKET - REMOVABLE ARM/CUSHION
	116104-03-02B	EA	BRACKET - ZEE W/HOLES
	121906-01-02B	EA	BRACKET - KICKBOARD - E-COATED
	127840-05-J37	EA	PANEL - LEFT END - SOFA/BED - FABRIC COVERED (J65) FROM: 00-00-00 THRU: 01-18-98
	127840-05-J38	EA	PANEL - LEFT END - SOFA/BED - FABRIC COVERED (J66) FROM: 00-00-00 THRU: 01-18-98
	127840-05-J97	EA	PANEL - LEFT END - SOFA/BED - FABRIC COVERED (J67) FROM: 00-00-00 THRU: 01-18-98
	127840-05-J98	EA	PANEL - LEFT END - SOFA/BED - FABRIC COVERED (J68) FROM: 00-00-00 THRU: 01-18-98
	127840-05-J28	EA	PANEL - LEFT END - SOFA/BED - FABRIC COVERED (J69) FROM: 00-00-00 THRU: 01-18-98
	127840-02-J21	EA	PANEL - LEFT END - SOFA/BED - FABRIC COVERED (J65) FROM: 01-19-98 THRU: 99-99-99
	127840-02-J38	EA	PANEL - LEFT END - SOFA/BED - FABRIC COVERED (J66) FROM: 01-19-98 THRU: 99-99-99
	127840-02-J97	EA	PANEL - LEFT END - SOFA/BED - FABRIC COVERED (J67) FROM: 01-19-98 THRU: 99-99-99
	127840-02-J98	EA	PANEL - LEFT END - SOFA/BED - FABRIC COVERED (J68) FROM: 01-19-98 THRU: 99-99-99
	127840-02-J28	EA	PANEL - LEFT END - SOFA/BED - FABRIC COVERED (J69) FROM: 01-19-98 THRU: 99-99-99
	111637-15-J37	EA	PILLOW - 14" X 14" (J65)
	111637-15-J45	EA	PILLOW - 14" X 14" (J66)
	111637-15-J47	EA	PILLOW - 14" X 14" (J67)
	111637-15-J46	EA	PILLOW - 14" X 14" (J68)
	111637-15-J17	EA	PILLOW - 14" X 14" (J69)

NOTE: COUCH FRONT AND SIDE PANELS ARE FOUND IN LOUNGE GROUP

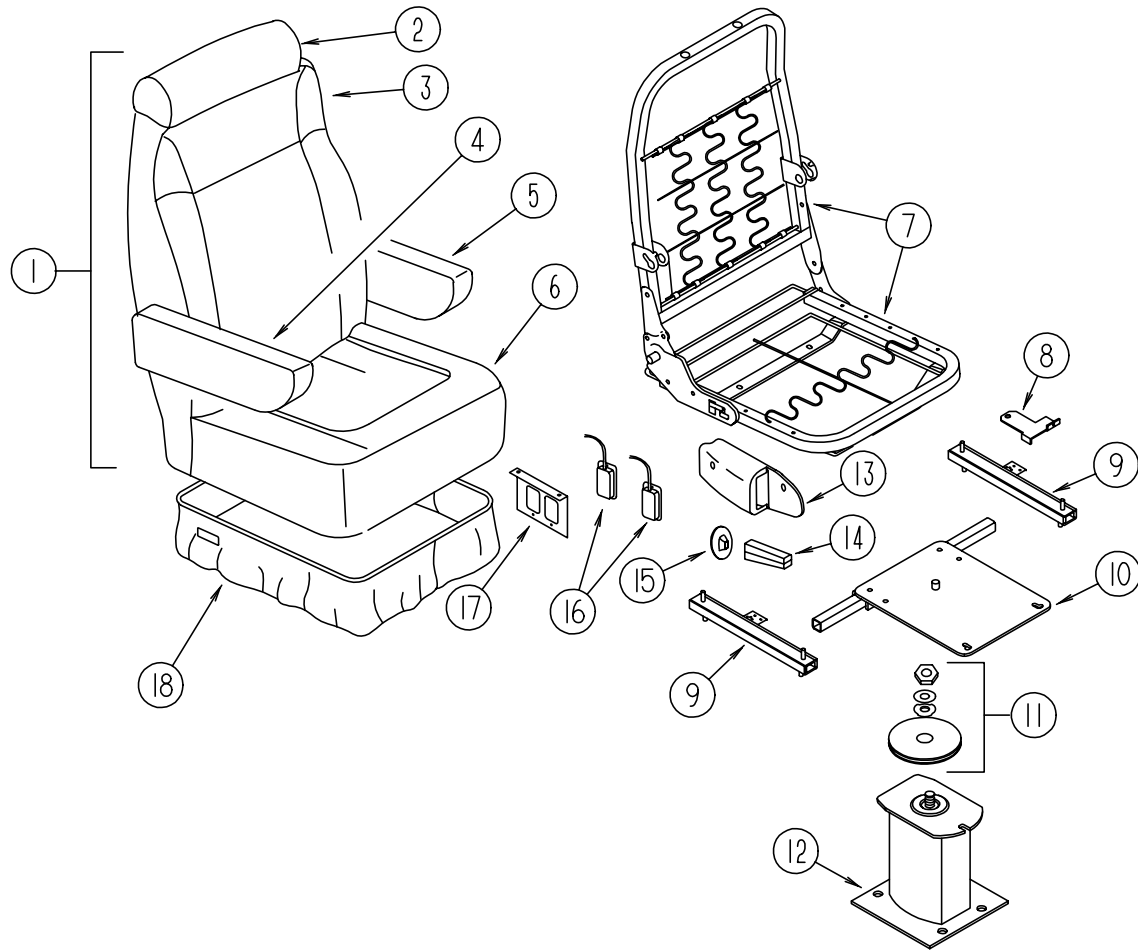
CURTAIN & CUSHION GROUP (CONTINUED)
LOUNGE SWIVEL CHAIR



KEY	PART NUMBER	U/M	DESCRIPTION
1	127540-05-J37	EA	SEAT - BUCKET - WIDE - MANUAL RECLINING (J65)
1	127540-04-J66	EA	SEAT - BUCKET - WIDE - MANUAL RECLINING (J66)
1	127540-04-J67	EA	SEAT - BUCKET - WIDE - MANUAL RECLINING (J67)
1	127540-04-J68	EA	SEAT - BUCKET - WIDE - MANUAL RECLINING (J68)
1	127540-04-J69	EA	SEAT - BUCKET - WIDE - MANUAL RECLINING (J69)
2	127601-01-J37	EA	HEADREST (J65)
2	127601-01-J66	EA	HEADREST (J66)
2	127601-01-J67	EA	HEADREST (J67)
2	127601-01-J68	EA	HEADREST (J68)
2	127601-01-J69	EA	HEADREST (J69)
	P27601-01-J37	EA	COVER - HEADREST (J65)
	P27601-01-J66	EA	COVER - HEADREST (J66)
	P27601-01-J67	EA	COVER - HEADREST (J67)
	P27601-01-J68	EA	COVER - HEADREST (J68)
	P27601-01-J69	EA	COVER - HEADREST (J69)

KEY	PART NUMBER	U/M	DESCRIPTION
3	M05962-65-J37	EA	COVER - BACK (J65)
3	M05962-67-J45	EA	COVER - BACK - WIDE (J66)
3	M05962-67-J47	EA	COVER - BACK - WIDE (J67)
3	M05962-67-J46	EA	COVER - BACK - WIDE (J68)
3	M05962-67-J69	EA	COVER - BACK - WIDE (J69)
4	122780-01-J21	EA	ARMREST - RIGHT HAND (J65)
4	122780-01-J01	EA	ARMREST - RIGHT HAND (J66)
4	122780-01-H01	EA	ARMREST - RIGHT HAND (J67)
4	122780-01-J02	EA	ARMREST - RIGHT HAND (J68)
4	122780-01-J50	EA	ARMREST - RIGHT HAND (J69)
	P22780-01-J21	EA	COVER - ARMREST - RIGHT HAND (J65)
	P22780-01-J01	EA	COVER - ARMREST - RIGHT HAND (J66)
	P22780-01-H01	EA	COVER - ARMREST - RIGHT HAND (J67)
	P22780-01-J02	EA	COVER - ARMREST - RIGHT HAND (J68)
	P22780-01-J50	EA	COVER - ARMREST - RIGHT HAND (J69)
	115617-03-000	EA	ARMREST - W/O COVER - RIGHT HAND
5	122780-02-J21	EA	ARMREST - LEFT HAND (J65)
5	122780-02-J26	EA	ARMREST - LEFT HAND (J66)
5	122780-02-H16	EA	ARMREST - LEFT HAND (J67)
5	122780-02-J02	EA	ARMREST - LEFT HAND (J68)
5	122780-02-J50	EA	ARMREST - LEFT HAND (J69)
	P22780-02-J21	EA	COVER - ARMREST - LEFT HAND (J65)
	P22780-02-J26	EA	COVER - ARMREST - LEFT HAND (J66)
	P22780-02-H16	EA	COVER - ARMREST - LEFT HAND (J67)
	P22780-02-J02	EA	COVER - ARMREST - LEFT HAND (J68)
	P22780-02-J50	EA	COVER - ARMREST - LEFT HAND (J69)
	115617-04-000	EA	ARMREST - W/O COVER - LEFT HAND
6	M05962-66-J37	EA	COVER - SEAT (J65)
6	M05962-68-J45	EA	COVER - SEAT - WIDE (J66)
6	M05962-68-J47	EA	COVER - SEAT - WIDE (J67)
6	M05962-68-J46	EA	COVER - SEAT - WIDE (J68)
6	M05962-68-J69	EA	COVER - SEAT - WIDE (J69)
7	122695-01-01B	EA	FRAME - SEAT/BACK
8	117125-01-02B	EA	BRACKET - CABLE MOUNT - ADJUSTER W/LOCK
9	119952-02-000	EA	SLIDE/SEAT - HEAVY DUTY NON LOCKING
	119952-07-000	EA	WIRE - LATCH RELEASE/ROTARY
10	107921-05-000	EA	PLATE - TOP - W/SEAT BELT BAR
11	107921-06-000	EA	BEARING KIT - PEDESTAL
12	107921-01-000	EA	PEDESTAL/FLOOR MOUNTED - W/9.75" EXTENSION
13	119952-04-000	EA	SLIDE/SEAT - HEAVY DUTY LOCKING - 4 STUDS
14	080730-09-000	EA	SHIELD - RECLINER HANDLE
15	080730-08-000	EA	HANDLE - RECLINER
16	080730-11-000	EA	SHIELD - RUBBER BOOT
17	108049-04-000	EA	CABLE - W/SWITCHES - W/26" MINI LEVER ACTION
	108049-02-000	EA	CLIP - CABLE/PEDESTAL
18	127159-02-02B	EA	BRACKET - SEAT RELEASE - REMOTE
19	071126-66-J37	EA	SKIRT - BUCKET/LARGE (J65)
19	071126-66-J45	EA	SKIRT - BUCKET/LARGE (J66)
19	071126-66-J47	EA	SKIRT - BUCKET/LARGE (J67)
19	071126-66-J46	EA	SKIRT - BUCKET/LARGE (J68)
19	071126-66-J69	EA	SKIRT - BUCKET/LARGE (J69)
	108445-02-000	EA	PLATE/FLOOR MOUNTED - PEDESTAL SEAT

CURTAIN & CUSHION GROUP (CONTINUED)
BUCKET SEAT W/O LUMBAR



KEY	PART NUMBER	U/M	DESCRIPTION
1	127540-02-J21	EA	SEAT - BUCKET - DRIVER/PASSENGER (J65)
1	127540-03-J38	EA	SEAT - BUCKET - WIDE - MANUAL RECLINING (J66)
1	127540-03-J97	EA	SEAT - BUCKET - WIDE - MANUAL RECLINING (J67)
1	127540-03-J46	EA	SEAT - BUCKET - WIDE - MANUAL RECLINING (J68)
1	127540-03-J69	EA	SEAT - BUCKET - WIDE - MANUAL RECLINING (J69)
2	119509-01-J21	EA	HEADREST - BUCKET SEAT (J65)
2	119509-01-J26	EA	HEADREST - BUCKET SEAT (J66)
2	119509-01-H01	EA	HEADREST - BUCKET SEAT (J67)
2	119509-01-J02	EA	HEADREST - BUCKET SEAT (J68)
2	119509-01-J50	EA	HEADREST - BUCKET SEAT (J69)
	P19509-01-J21	EA	COVER - HEADREST (J65)
	P19509-01-J26	EA	COVER - HEADREST (J66)
	P19509-01-H01	EA	COVER - HEADREST (J67)
	P19509-01-J02	EA	COVER - HEADREST (J68)
	P19509-01-J50	EA	COVER - HEADREST (J69)

KEY	PART NUMBER	U/M	DESCRIPTION
3	M05962-71-J21	EA	COVER - BACK (J65)
3	M05962-63-J45	EA	COVER - BACK - WIDE (J66)
3	M05962-63-J47	EA	COVER - BACK - WIDE (J67)
3	M05962-63-J46	EA	COVER - BACK - WIDE (J68)
3	M05962-63-J69	EA	COVER - BACK - WIDE (J69)
4	122780-01-J21	EA	ARMREST - RIGHT HAND (J65)
4	122780-01-J01	EA	ARMREST - RIGHT HAND (J66)
4	122780-01-H01	EA	ARMREST - RIGHT HAND (J67)
4	122780-01-J02	EA	ARMREST - RIGHT HAND (J68)
4	122780-01-J50	EA	ARMREST - RIGHT HAND (J69)
	P22780-01-J21	EA	COVER - ARMREST - RIGHT HAND (J65)
	P22780-01-J01	EA	COVER - ARMREST - RIGHT HAND (J66)
	P22780-01-H01	EA	COVER - ARMREST - RIGHT HAND (J67)
	P22780-01-J02	EA	COVER - ARMREST - RIGHT HAND (J68)
	P22780-01-J50	EA	COVER - ARMREST - RIGHT HAND (J69)
	115617-03-000	EA	ARMREST - W/O COVER - RIGHT HAND
5	122780-02-J21	EA	ARMREST - LEFT HAND (J65)
5	122780-02-J26	EA	ARMREST - LEFT HAND (J66)
5	122780-02-H16	EA	ARMREST - LEFT HAND (J67)
5	122780-02-J02	EA	ARMREST - LEFT HAND (J68)
5	122780-02-J50	EA	ARMREST - LEFT HAND (J69)
	P22780-02-J21	EA	COVER - ARMREST - LEFT HAND (J65)
	P22780-02-J26	EA	COVER - ARMREST - LEFT HAND (J66)
	P22780-02-H16	EA	COVER - ARMREST - LEFT HAND (J67)
	P22780-02-J02	EA	COVER - ARMREST - LEFT HAND (J68)
	P22780-02-J50	EA	COVER - ARMREST - LEFT HAND (J69)
	115617-04-000	EA	ARMREST - W/O COVER - LEFT HAND
6	M05962-40-J21	EA	COVER - SEAT (J65)
6	M05962-64-J45	EA	COVER - SEAT - WIDE (J66)
6	M05962-64-J47	EA	COVER - SEAT - WIDE (J67)
6	M05962-64-J46	EA	COVER - SEAT - WIDE (J68)
6	M05962-64-J69	EA	COVER - SEAT - WIDE (J69)
7	122695-01-01B	EA	FRAME - SEAT/BACK
8	117125-01-02B	EA	BRACKET - CABLE MOUNT - ADJUSTER W/LOCK
9	119952-04-000	EA	SLIDE/SEAT - HEAVY DUTY LOCKING - 4 STUDS
	119952-07-000	EA	WIRE - LATCH RELEASE/ROTARY
10	107921-05-000	EA	PLATE - TOP - W/SEAT BELT BAR
11	107921-06-000	EA	BEARING KIT - PEDESTAL
12	107921-01-000	EA	PEDESTAL/FLOOR MOUNTED - W/9.75" EXTENSION
13	080730-09-000	EA	SHIELD - RECLINER HANDLE
14	080730-08-000	EA	HANDLE - RECLINER
15	080730-11-000	EA	SHIELD - RUBBER BOOT
16	108049-04-000	EA	CABLE - W/SWITCHES - W/26" MINI LEVER ACTION
	108049-02-000	EA	CLIP - CABLE/PEDESTAL
17	127159-02-02B	EA	BRACKET - SEAT RELEASE - REMOTE
18	071126-58-J21	EA	SKIRT - SINGLE 10.5" - W/SEAT BELT SLOT (J65)
18	071126-58-H17	EA	SKIRT - SINGLE 10.5" - W/SEAT BELT SLOT (J66)
18	071126-58-H16	EA	SKIRT - SINGLE 10.5" - W/SEAT BELT SLOT (J67)
18	071126-58-J46	EA	SKIRT - SINGLE 10.5" - W/SEAT BELT SLOT (J68)
18	071126-58-J50	EA	SKIRT - SINGLE 10.5" - W/SEAT BELT SLOT (J69)

CURTAIN & CUSHION GROUP (CONTINUED)
BUTTON, TRIM, ASSIST HANDLE & SEAT BELT

KEY	PART NUMBER	U/M	DESCRIPTION
	079349-04-J21	YD	WELT - NARROW (J65)
	079349-04-H17	YD	WELT - NARROW (J66)
	079349-04-H16	YD	WELT - NARROW (J67)
	079349-04-J46	YD	WELT - NARROW (J68)
	079349-04-J50	YD	WELT - NARROW (J69)
	084415-66-000	YD	TRIM - BRAID
	007021-01-000	EA	SEAT BELT - 2" X 90" - BLACK
	056271-01-000	EA	BELT - SEAT - 2" X 102" - BLACK
	057759-01-000	EA	WASHER BRACKET - SEAT BELT - 4" DIAMETER
	069178-02-000	EA	BRACKET - MOUNTING/ASSIST HANDLE - GRAY
	053552-02-AA8	EA	HANDLE - ASSIST - INTERIOR/ENTRY DOOR - VINYL/OFF WHITE
	000C16-07-16B	EA	BOLT - CARRIAGE - ASSIST HANDLE - 7/16" - 14 X 1"
	000D20-07-00B	EA	NUT - ACORN - ASSIST HANDLE - 7/16 - 14
	057534-01-000	EA	TIEBACK/TIEDOWN - 6" CLEAR PLASTIC
	057534-02-000	EA	TIEBACK - CLEAR PLASTIC - 3"
	057534-03-000	EA	TIEBACK - CLEAR PLASTIC - 7.5"
	070578-02-B10	EA	BUTTON - SCREW - STUD - #30 VINYL

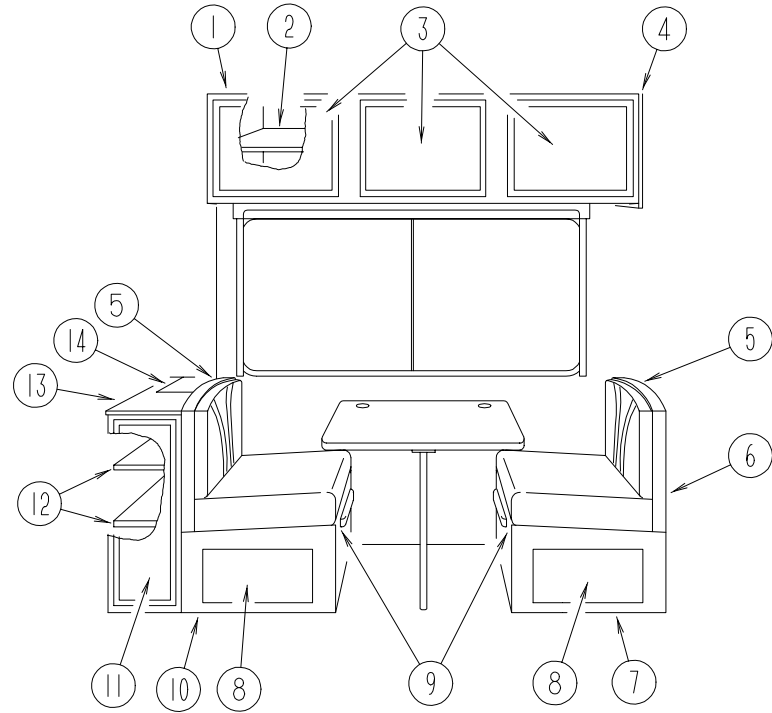
CURTAIN & CUSHION GROUP (CONTINUED)

SUNRISE FABRIC

COLOR CODES	J65	J66	J67	J68	J69
	BARCELONA (TAUPE)	GEMSTONE (GREEN)	HORIZON (BLUE)	SANDPIPER (TAN)	SILVERSAGE (GREEN)
CEILING MATERIAL	113979-01-01A	113979-01-01A	113979-01-01A	113979-01-01A	113979-01-01A
MADRID VINYL	103907-01-01A	103907-01-01A	103907-01-01A	103907-01-01A	103907-01-01A
ALLANTE ANTELOPE VINYL	103907-01-08A 103907-02-08A 103907-03-08A	103907-01-08A 103907-02-08A 103907-03-08A	103907-01-08A 103907-02-08A 103907-03-08A	103907-01-08A 103907-02-08A 103907-03-08A	103907-01-08A 103907-02-08A 103907-03-08A
DRAPERY LINING	087272-03-000	087272-03-000	087272-03-000	087272-03-000	087272-03-000
BUCKET SEATS	108446-W7-000	108446-N3-000 108446-G0-000	108446-F4-000 108446-F7-000	108446-57-000 108446-U1-000	108446-U8-000 108446-W4-000
DINETTE	108446-W8-000	108446-N4-000	108446-U5-000	108446-R8-000	108446-W5-000
DINETTE PADS	108446-W7-000	108446-G0-000	108446-F7-000	108446-U1-000	108446-W4-000
SOFA	108446-W8-000	108446-N4-000	108446-U5-000	108446-R8-000	108446-W5-000
SOFA PILLOWS	108446-W7-000	108446-N3-000	108446-F4-000	108446-57-000	108446-U8-000
SWIVEL CHAIR	108446-W7-000	108446-N3-000 108446-G0-000	108446-F4-000 108446-F7-000	108446-57-000 108446-U1-000	108446-U8-000 108446-W4-000
LOUNGE WINDOWS	108446-W8-000	108446-N3-000 108446-N4-000	108446-F4-000 108446-U5-000	108446-57-000 108446-R8-000	108446-W5-000 108446-W4-000
BEDROOM WINDOWS	105745-H5-000 105745-B5-000	105745-G1-000 105745-E7-000	105745-65-000 105745-64-000	105745-G2-000 105745-A1-000	105745-H6-000 105745-E7-000
BEDSPREAD	105745-H5-000	105745-G1-000	105745-65-000	105745-G2-000	105745-H6-000
PILLOW SHAMS	105745-H5-000 105745-B5-000	105745-G1-000 105745-E7-000	105745-65-000 105745-64-000	105745-G2-000 105745-A1-000	105745-H6-000 105745-E7-000
HEADBOARD	105745-H5-000 105745-B5-000	105745-G1-000 105745-E7-000	105745-65-000 105745-64-000	105745-G2-000 105745-A1-000	105745-H6-000 105745-E7-000
FRONT WRAP AROUND	072333-85-000	072333-82-000	072333-82-000	072333-82-000	072333-85-000
LOUNGE CABINET INSERTS	108446-W7-000	108446-N3-000	108446-F4-000	108446-57-000	108446-U8-000
BEDROOM CABINET INSERTS	105745-B5-000	105745-E7-000	105745-64-000	105745-A1-000	105745-E7-000
MAP POCKETS	108446-W7-000	108446-G0-000	108446-F7-000	108446-U1-000	108446-W4-000

NOTE: FABRIC LISTED FIRST, IN A BLOCK, IS THE LARGEST QUANTITY OF FABRIC USED.

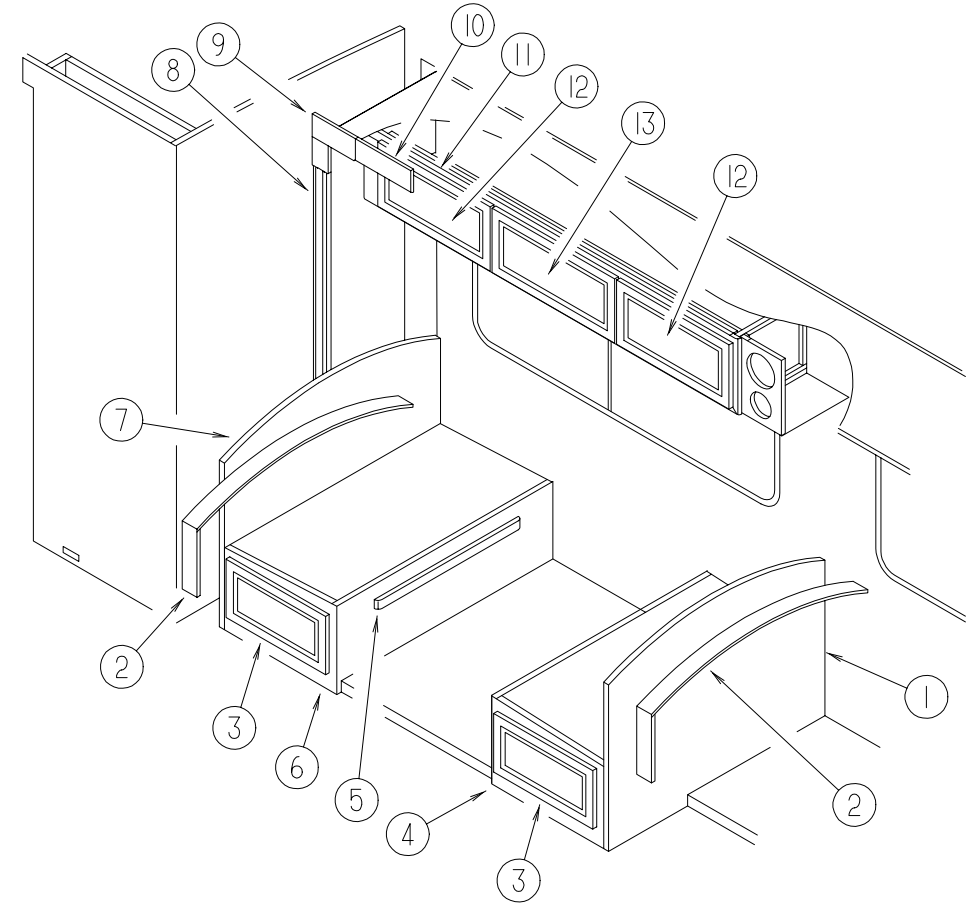
DINETTE GROUP



DINETTE CABINETRY W/O SLIDEOUT

KEY	PART NUMBER	U/M	DESCRIPTION
1	128307-01-J37	EA	CABINET - OVERHEAD/DINETTE - W/O DOORS/HARDWARE
2	128307-11-J37	EA	SHELF - W/PLASTIC EDGE TRIM
3	M08758-27-J15	EA	DOOR - MITERED CORNER/OGEE EDGE - 14.3" X 26.7" - W/O HDW
3	M05992-89-J37	EA	DOOR - STRAIGHT CORNER/OGEE EDGE - 14.3" X 26.7" - W/O HDW (DOOR OPTION)
4	103128-31-J37	EA	END CAP - OVERHEAD CABINET - RIGHT HAND
5	104787-08-J21	EA	PAD - DINETTE SEATBACK (J65)
5	104787-08-J20	EA	PAD - DINETTE SEATBACK (J66)
5	104787-08-J47	EA	PAD - DINETTE SEATBACK (J67)
5	104787-08-J46	EA	PAD - DINETTE SEATBACK (J68)
5	104787-08-J50	EA	PAD - DINETTE SEATBACK (J69)
6	M08752-10-J37	EA	CABINET - SEATBACK - RIGHT HAND
7	M08753-10-J37	EA	CABINET - SEATBASE - RIGHT HAND - W/O DOOR/DRAWER/HDW
8	M08758-44-J15	EA	DOOR - MITERED CORNER/OGEE EDGE - 10" X 19.1" - W/O HDW
8	M05992-M7-J18	EA	DOOR - STRAIGHT CORNER/OGEE EDGE - 10" X 19.1" - W/O HDW (DOOR OPTION)
9	081295-01-G01	EA	SUPPORT - BED/DINETTE - 28" LONG
10	M08753-12-J37	EA	CABINET - SEATBASE - LEFT HAND - W/O DOOR/DRAWER/HARDWARE
11	M08758-80-J15	EA	DOOR - MITERED CORNER/OGEE EDGE - 9" X 26.5" - W/O HDW
11	M05992-H2-K16	EA	DOOR - STRAIGHT CORNER/OGEE EDGE - 9" X 26.5" - W/O HDW (DOOR OPTION)
12	128147-14-J37	EA	SHELF - W/PLASTIC EDGE TRIM
13	128147-15-J37	EA	COUNTERTOP - STORAGE/DINETTE (J65)
13	128147-15-J38	EA	COUNTERTOP - STORAGE/DINETTE (J66,J69)
13	128147-15-J97	EA	COUNTERTOP - STORAGE/DINETTE (J67)
13	128147-15-J98	EA	COUNTERTOP - STORAGE/DINETTE (J68)
14	128147-16-J37	EA	COUNTERTOP - STORAGE/DINETTE (J65)
14	128147-16-J38	EA	COUNTERTOP - STORAGE/DINETTE (J66,J69)
14	128147-16-J97	EA	COUNTERTOP - STORAGE/DINETTE (J67)
14	128147-16-J98	EA	COUNTERTOP - STORAGE/DINETTE (J68)

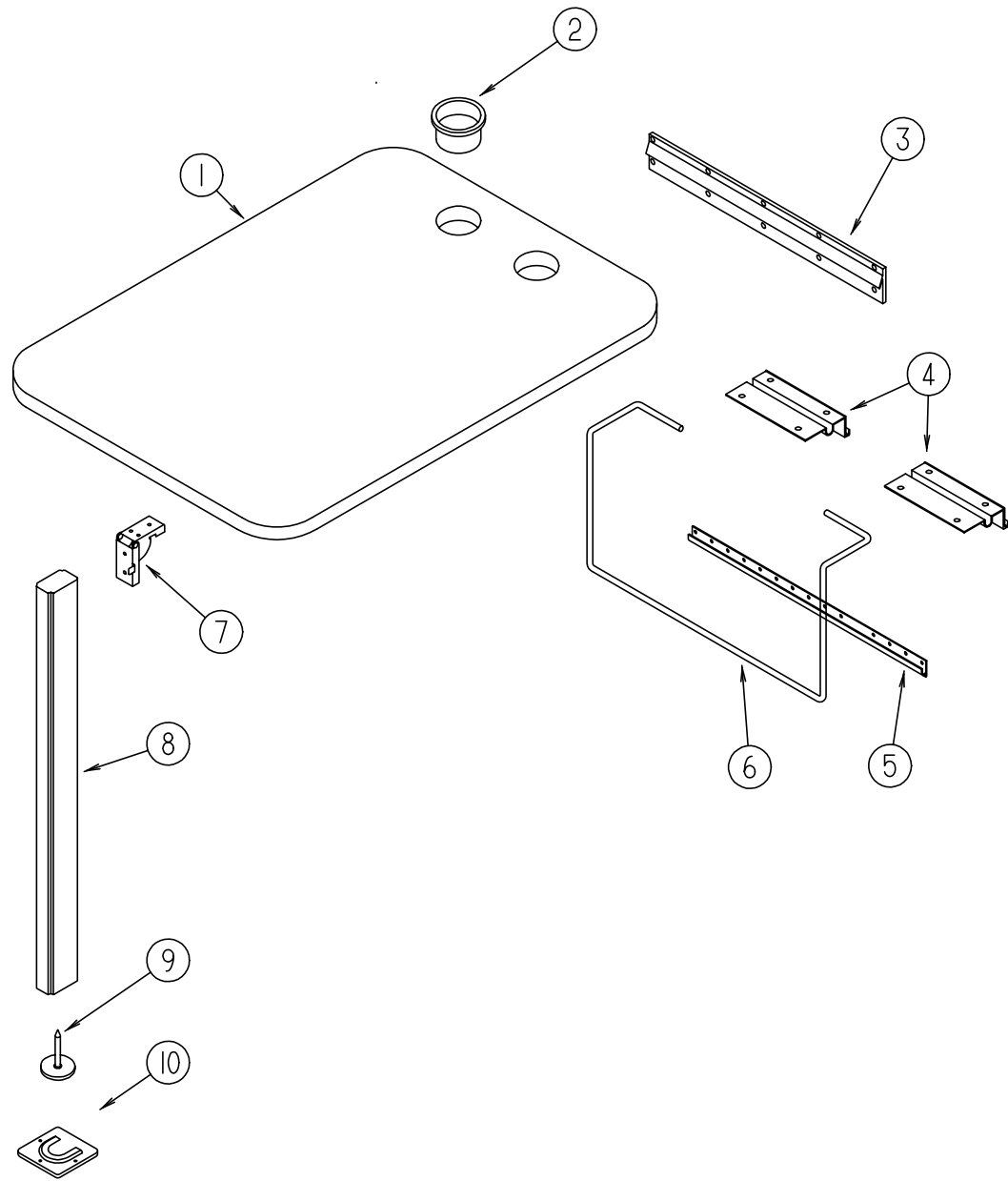
DINETTE GROUP (CONTINUED)



DINETTE CABINETRY W/SLIDEOUT

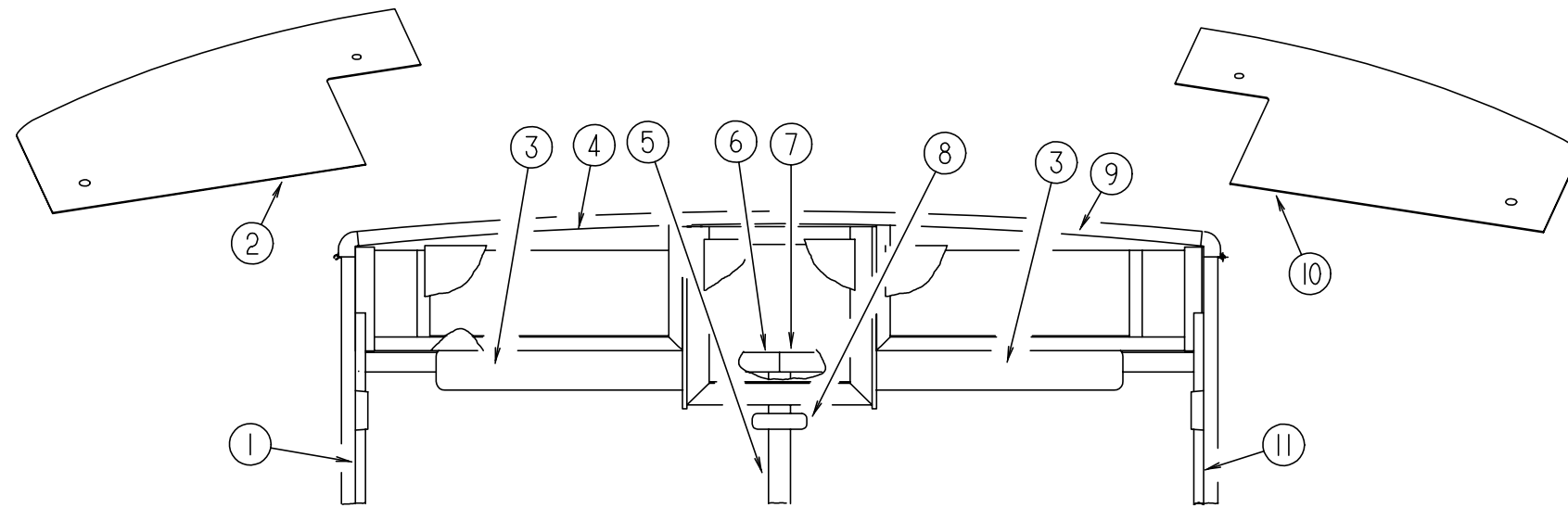
KEY	PART NUMBER	U/M	DESCRIPTION
1	M08755-01-J22	EA	CABINET - SEATBACK - RIGHT HAND
2	104787-08-J21	EA	PAD - DINETTE SEATBACK (J65)
2	104787-08-J20	EA	PAD - DINETTE SEATBACK (J66)
2	104787-08-J47	EA	PAD - DINETTE SEATBACK (J67)
2	104787-08-J46	EA	PAD - DINETTE SEATBACK (J68)
2	104787-08-J50	EA	PAD - DINETTE SEATBACK (J69)
3	M08758-44-J15	EA	DOOR - MITERED CORNER/OGEE EDGE - 10" X 19.1" - W/O HDW
3	M05992-M7-J18	EA	DOOR - STRAIGHT CORNER/OGEE EDGE - 10" X 19.1" - W/O HDW (DOOR OPTION)
4	M08756-03-J37	EA	CABINET - SEATBASE - RIGHT HAND - W/O DOOR/DRAWER/HARDWARE
5	081295-01-G01	EA	SUPPORT - BED/DINETTE - 28" LONG
6	M08756-04-J37	EA	CABINET - SEATBASE - LEFT HAND - W/O DOOR/DRAWER/HARDWARE
7	M08755-02-J22	EA	CABINET - SEATBACK - LEFT HAND
8	116951-01-G35	EA	MOLDING - WOOD - 3" X 70.5"
9	116968-01-G35	EA	TRIM - END/LEFT HAND - WOOD - 3.8" X 19.1"
10	116967-01-G35	EA	TRIM - CENTER - WOOD - 3.8" X 120"
11	126310-01-J22	EA	CABINET - OVERHEAD/DINETTE - W/O DOORS/HARDWARE
12	M08758-B4-J03	EA	DOOR - MITERED CORNER/OGEE EDGE - 10" X 21.8" - W/O HDW
12	M05992-T5-J37	EA	DOOR - STRAIGHT CORNER/OGEE EDGE - 10.8" X 21.8" - W/O HDW (DOOR OPTION)
13	M08758-06-J01	EA	DOOR - MITERED CORNER/OGEE EDGE - 10.8" X 23.8" - W/O HDW
13	M05992-T3-J37	EA	DOOR - STRAIGHT CORNER/OGEE EDGE - 10.1" X 23.8" - W/O HDW (DOOR OPTION)

DINETTE GROUP (CONTINUED)
DINETTE TABLE



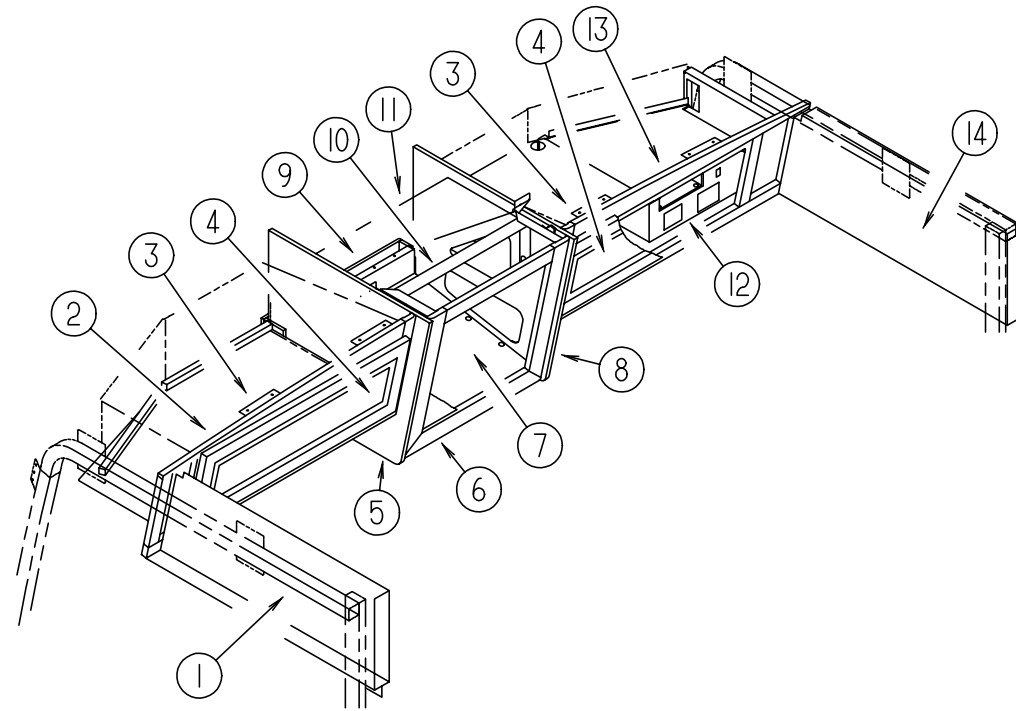
KEY	PART NUMBER	U/M	DESCRIPTION
1	081322-20-J37	EA	TABLE TOP ONLY (J65)
1	081322-20-J66	EA	TABLE TOP ONLY (J66,J69)
1	081322-20-J97	EA	TABLE TOP ONLY (J67)
1	081322-20-J98	EA	TABLE TOP ONLY (J68)
2	064781-06-000	EA	HOLDER - CUP - TWO STEP - OFF WHITE
3	053200-12-000	EA	BRACKET - TABLE SUPPORT - UPPER/WALL MOUNTED - 23.50"
4	088410-02-000	EA	BRACKET - LIFT - TABLE MOUNTED
5	024281-14-000	EA	BRACKET/TABLE - LIFT ROD/LOWER WALL MOUNTED - 22.12"
6	024275-12-000	EA	ROD - TABLE LIFT
7	093550-01-000	EA	BRACKET - HINGE - MOUNTS TO LEG & TABLE TOP - 1.7" X 2.6"
8	092707-04-05A	EA	LEG - TABLE - W/O HARDWARE - 27" - WATERFORD OAK
9	092593-01-05A	EA	CATCH - TABLE LEG - OFF/WHITE
10	049493-12-000	EA	CATCH - TABLE LEG/FLOOR MOUNTED - OFF WHITE
10	049493-11-700	EA	CATCH - TABLE LEG - E-COAT

DRIVERS COMPARTMENT GROUP
DRIVERS COMPARTMENT - UPPER



KEY	PART NUMBER	U/M	DESCRIPTION
1	125444-02-02A	EA	TRIM - A-PILLAR/DRIVER - INTERIOR - TITANIUM
	123045-11-03A	EA	BACKING - SCREW - TITANIUM
2	126440-02-J52	EA	PANEL - OVERHEAD/FRONT BOTTOM - LEFT HAND
3	123298-02-05A	EA	SUNVISOR - 10.5" X 28.5"
4	126457-02-J20	EA	PANEL - CLOSEOUT - OVERHEAD FRONT - UPPER/LOWER LEFT HAND
5	118452-03-02A	EA	TRIM - WINDSHIELD - CENTER
6	118453-06-02A	EA	TRIM - WINDSHIELD - INNER/TOP/DRIVER
7	118453-05-02A	EA	TRIM - WINDSHIELD - INNER/TOP/PASSENGER
8	040714-01-000	EA	MIRROR - REAR VIEW/ARM MOUNT & SET SCREW
	067490-01-000	EA	BUTTON - MIRROR/REAR VIEW
9	126457-01-J20	EA	PANEL - CLOSEOUT - OVERHEAD FRONT - UPPER/LOWER RIGHT HAND
10	126440-01-J52	EA	PANEL - OVERHEAD/FRONT BOTTOM - RIGHT HAND
11	125444-01-02A	EA	TRIM - A-PILLAR/PASSENGER - INTERIOR - TITANIUM
	123045-11-03A	EA	BACKING - SCREW - TITANIUM

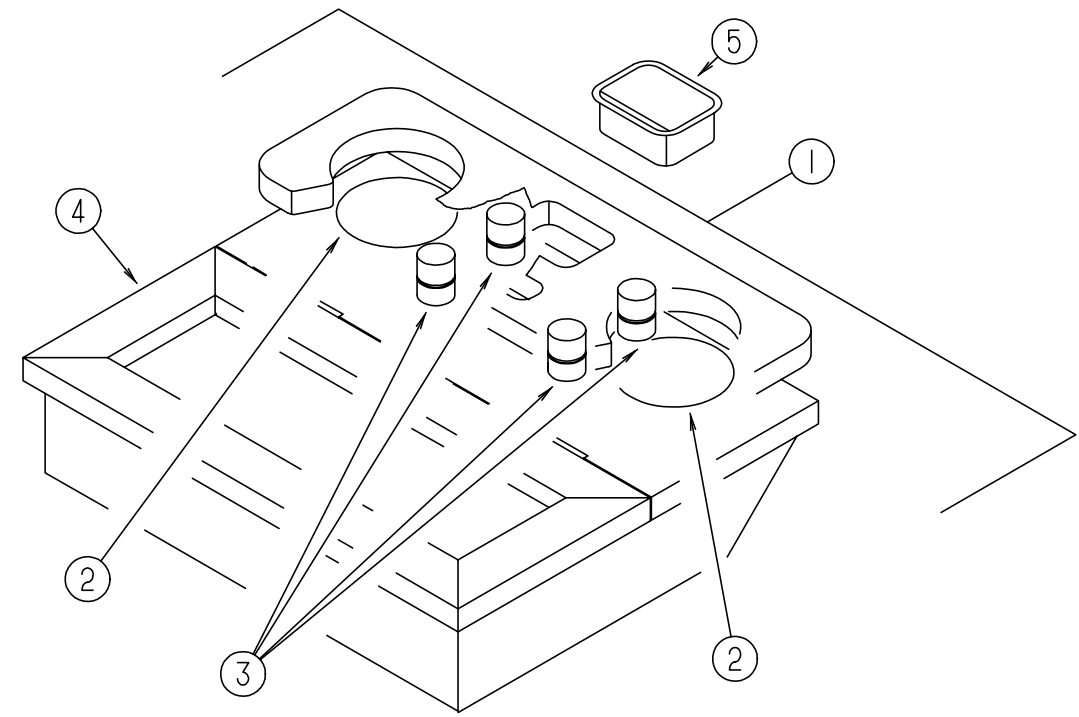
DRIVERS COMPARTMENT GROUP (CONTINUED)



INTERIOR STORAGE AND TV CABINETS

KEY	PART NUMBER	U/M	DESCRIPTION
1	126765-08-J65	EA	PANEL - OVERHEAD/DRIVER
2	126877-02-J15	EA	CABINET - OVERHEAD - FRONT/LEFT HAND - W/O DOORS/HARDWARE
3	106699-01-01A	EA	BRACKET - OVERHEAD CABINET/TV
4	M08758-52-J15	EA	DOOR - MITERED CORNER/OGEE EDGE - 10.6" X 27.9" - W/O HDW
5	103128-25-J15	EA	END CAP - OVERHEAD CABINET - LEFT HAND
6	126718-01-J15	EA	FRAME/FACE - TV CABINET - W/O DOOR/HARDWARE - W/O TV OPTIONS
6	116791-02-J15	EA	FRAME/FACE - TV CABINET - F/TV - W/TV OPTIONS
	091261-01-000	FT	SLIPNOT - ANTISLIP - 1' WIDE - W/TV OPTIONS
7	100708-16-000	EA	DOOR - GLASS - CABINET - 15.5" X 15.7" - W/O HARDWARE - W/O TV OPTIONS
8	103128-26-J15	EA	END CAP - OVERHEAD CABINET - RIGHT HAND
9	126801-01-J45	EA	CABINET BOTTOM - VINYL COVERED
10	114706-04-02B	EA	SUPPORT - SHELF/TV
	126081-01-02B	EA	BRACKET/SUPPORT - TV - 24 DEGREE - E-COATED
	126081-02-02B	EA	BRACKET/SUPPORT - TV - 24 DEGREE - E-COATED
11	126854-01-J20	EA	PANEL - HEADLINER/TV/TOP - W/O TV OPTIONS
12	126601-01-J60	EA	PANEL - SHELF - VINYL COVERED - W/O INVERTER CUTOUT - W/TV ANTENNA
12	126601-03-J60	EA	PANEL - SHELF - VINYL COVERED - W/O INVERTER CUTOUT - W/TV OPTIONS
12	126601-07-J60	EA	PANEL - SHELF - VINYL COVERED - W/INVERTER CUTOUT - W/TV OPTIONS
13	126877-01-J15	EA	CABINET - OVERHEAD - FRONT/RIGHT HAND - W/O DOORS/HARDWARE
14	126765-07-J65	EA	PANEL - OVERHEAD/PASSENGER

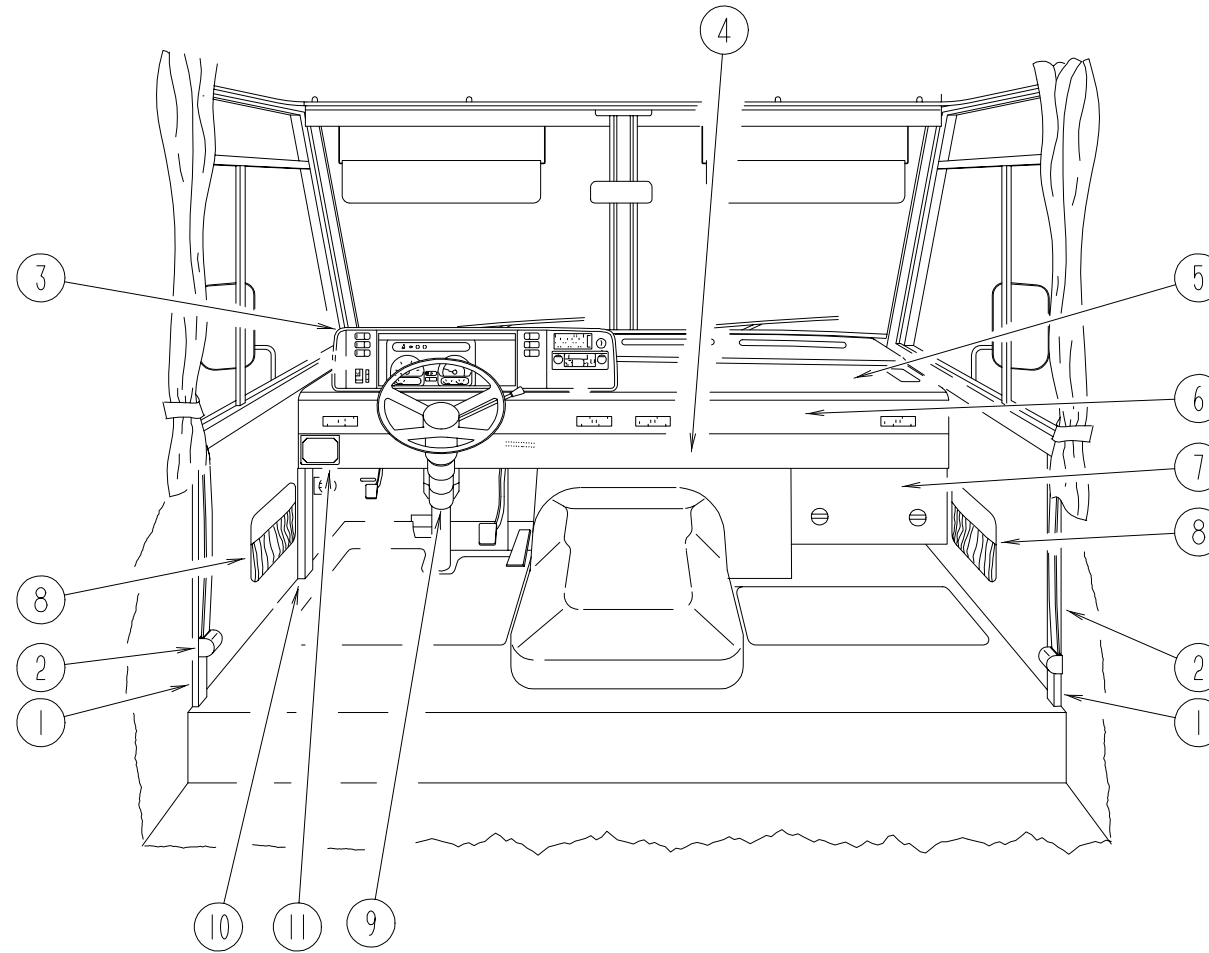
DRIVERS COMPARTMENT GROUP (CONTINUED)



BEVERAGE TRAY

KEY	PART NUMBER	U/M	DESCRIPTION
1	111618-01-H17	EA	TRAY - BEVERAGE W/COMPARTMENT - W/O CUPHOLDERS
2	122717-01-01A	EA	PAD - NON SKID - 4" DIAMETER ROUND
3	097872-04-000	EA	DOWEL - WOOD - 1" DIAMETER X 1.38" LONG
4	111618-13-GB1	EA	LID - BEVERAGE TRAY COMPARTMENT
5	046886-03-000	EA	ASHTRAY - CHROME W/COVER

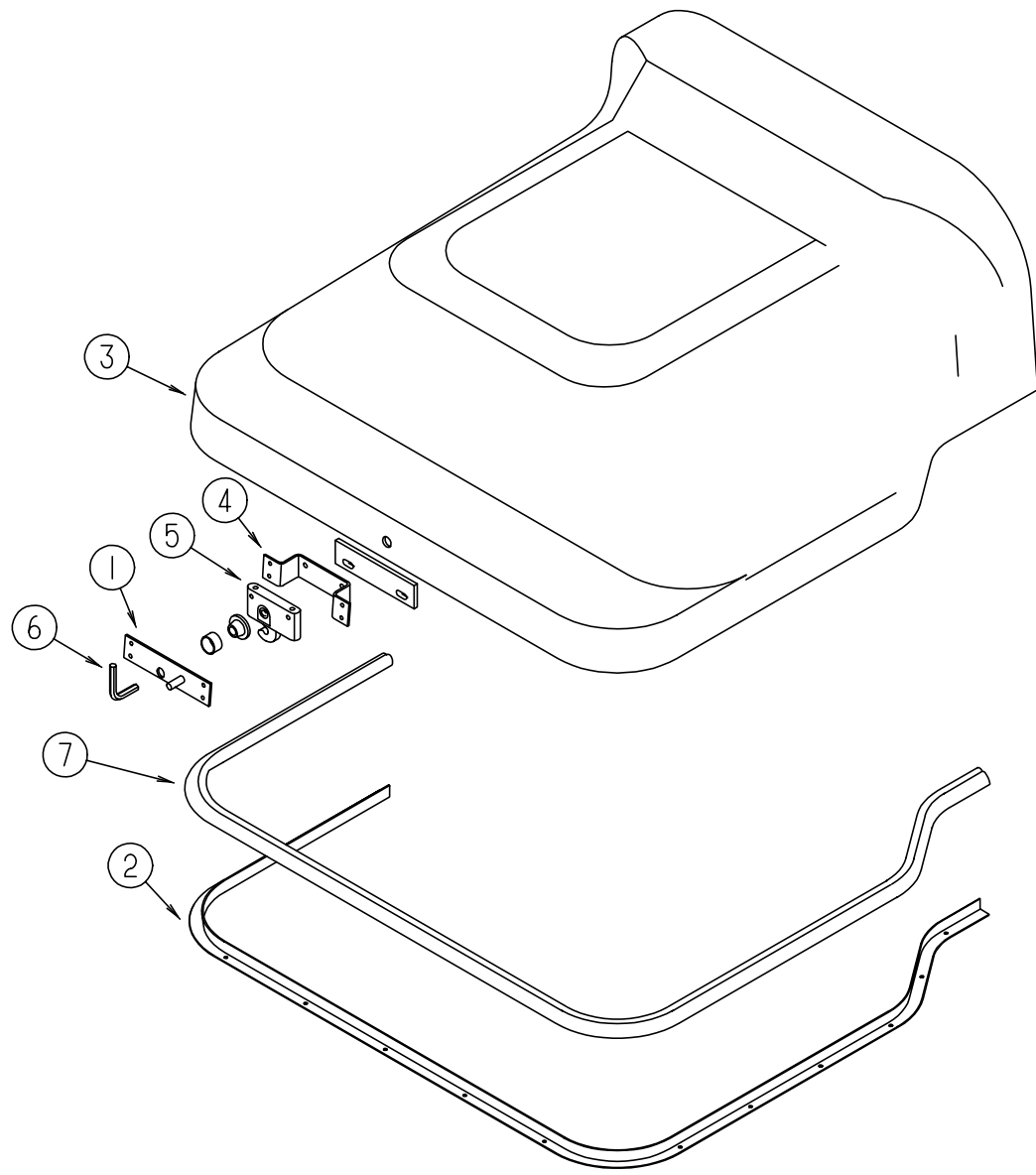
DRIVERS COMPARTMENT GROUP (CONTINUED)
DRIVERS COMPARTMENT - LOWER



KEY	PART NUMBER	U/M	DESCRIPTION	VENDOR NO.
1	024700-51-000	EA	COVER - ROLL BAR	
2	091990-05-01A	EA	SEAT BELT/SHOULDER HARNESS - DRIVERS/PASSENGER - BLACK	
	091990-01-700	EA	COVER - BOLT	
	091990-01-701	EA	EXTENDER 9" FOR A8408 3 PT	I-1331-02
	109146-01-000	EA	BOLT - SHOULDER/SEAT BELT	
	103961-03-01A	EA	COVER - BRACKET - SEATBELT/OFF WHITE	
3	125677-02-J52	EA	POD - INSTRUMENT PANEL - TITANIUM	
4	114620-12-03A	EA	TRIM - LOWER DASH - GM - 96" - TITANIUM	
4	114620-01-05A	EA	TRIM - LOWER DASH - GM - 96" - TITANIUM - HEATED MIRRORS OPTION	
4	111528-04-05A	EA	TRIM - LOWER DASH - DRIVER - TITANIUM - FORD	
4	111528-03-06A	EA	TRIM - LOWER DASH - PASSENGER - TITANIUM - FORD	
			HEATED MIRRORS OPTION - 1997 CHASSIS	
4	111528-08-03A	EA	TRIM - LOWER DASH - PASSENGER - FORD - TITANIUM - 1997 CHASSIS	
5	P26082-01-000	EA	DASH - W/O VINYL - E-COATED - CHEVY	
5	P26082-03-000	EA	DASH - W/O VINYL - E-COATED - FORD - 1997 CHASSIS	
5	P26082-10-000	EA	DASH - W/O VINYL - E-COATED - FORD - 1999 CHASSIS	
	106569-11-02A	EA	VINYL - LAMINATE - TITANIUM - 1/4" X 21" X 100"	
	113452-01-000	FT	SEAL/TRIM - FRONT - VINYL W/WIRE CARRIER	

KEY	PART NUMBER	U/M	DESCRIPTION	VENDOR NO.
6	126340-02-01A	EA	DECAL - LOGO - SUNRISE	
7	095757-05-G15	EA	COVER - HEATER (J65,J69)	
7	095757-05-G16	EA	COVER - HEATER (J66)	
7	095757-05-J51	EA	COVER - HEATER (J67)	
7	095757-05-J60	EA	COVER - HEATER (J68)	
8	086120-01-J21	EA	PAD - MAP POCKET - 12" X 16" (J65)	
8	086120-01-J61	EA	PAD - MAP POCKET - 12" X 16" (J66)	
8	086120-01-H16	EA	PAD - MAP POCKET - 12" X 16" (J67)	
8	086120-01-J46	EA	PAD - MAP POCKET - 12" X 16" (J68)	
8	086120-01-J50	EA	PAD - MAP POCKET - 12" X 16" (J69)	
9	103498-09-000	EA	BOOT - STEERING COLUMN - W/1/2 CIRCLE - CHEVY	
	111521-05-01A	EA	COVER - STEERING COLUMN - BLACK - FORD - 1997 FORD CHASSIS	
	130111-01-01A	EA	COVER - STEERING COLUMN - BLACK - FORD - 1999 FORD CHASSIS	
	125655-01-01A	EA	TRIM - STEERING COLUMN - RIGHT HAND/FORD - 1997 FORD CHASSIS	
	125655-03-01A	EA	TRIM - STEERING COLUMN - RIGHT HAND/FORD - 1999 FORD CHASSIS	
	125655-02-01A	EA	TRIM - STEERING COLUMN - LEFT HAND/FORD - 1997 FORD CHASSIS	
	125655-04-01A	EA	TRIM - STEERING COLUMN - LEFT HAND/FORD - 1999 FORD CHASSIS	
10	127901-01-02A	EA	PANEL - TOEKICK/LEFT HAND - TITANIUM	
11	112236-02-J52	EA	BEZEL - F/SLIDEOUT ROOM CONTROL	

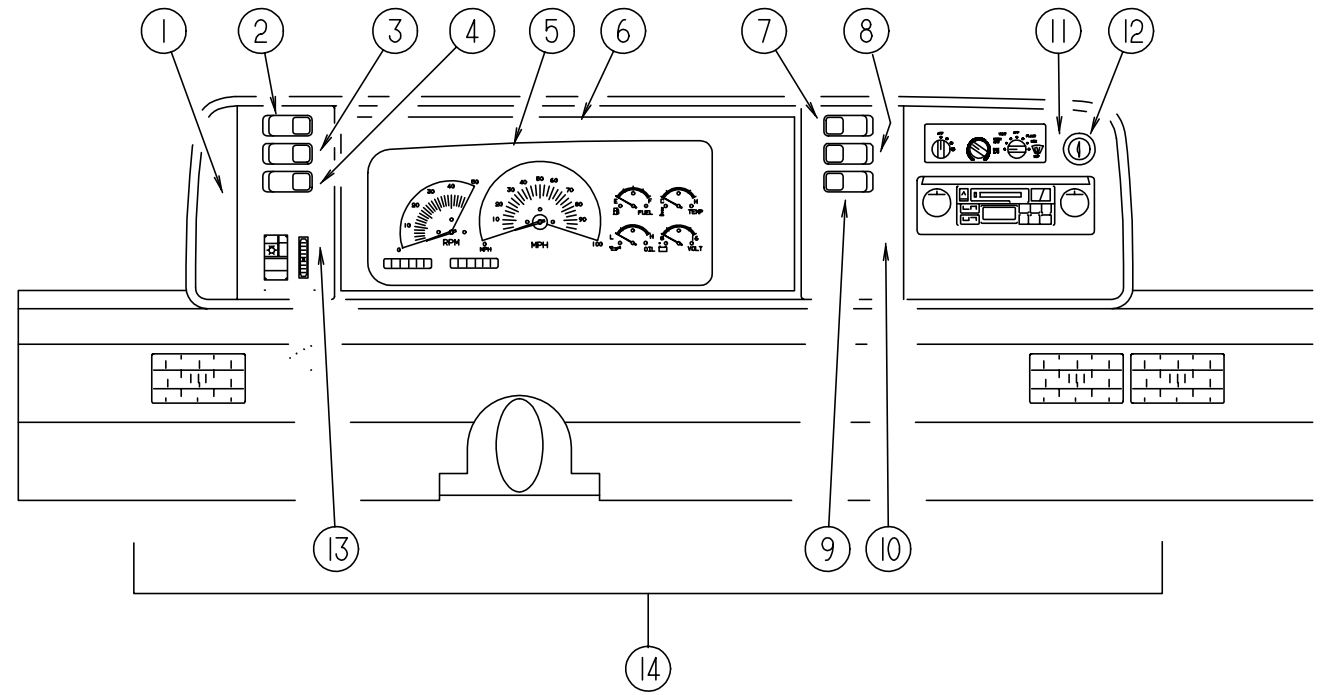
DRIVERS COMPARTMENT GROUP (CONTINUED)



MOTOR COVER

KEY	PART NUMBER	U/M DESCRIPTION
1	115852-01-02B	EA STRIKE - LATCH - MOTOR COVER - E-COATED
2	115860-01-01A	EA TRIM - MOTOR COVER
2	115860-03-01A	EA TRIM - MOTOR COVER - 1999 FORD CHASSIS
3	115840-01-01A	EA COVER - MOTOR - W/O CARPET - 1997 FORD CHASSIS
3	115840-03-01A	EA COVER - MOTOR - W/O CARPET - 1999 FORD CHASSIS
3	115840-02-01A	EA COVER - MOTOR - W/O CARPET - CHEVY
4	115850-01-02B	EA RETAINER - LATCH - MOTOR COVER - RIGHT HAND - E-COATED
		FROM: 00-00-00 THRU: 05-17-98
4	115850-03-02B	EA RETAINER - LATCH - MOTOR COVER - RIGHT HAND - E-COATED
		FROM: 05-18-98 THRU: 99-99-99
5	116581-01-000	EA LATCH - MOTOR COVER
6	116833-01-02B	EA WRENCH - HEX MOTOR COVER - E-COATED
7	039623-01-000	FT SEAL - MOTOR COVER - RUBBER BULB TYPE

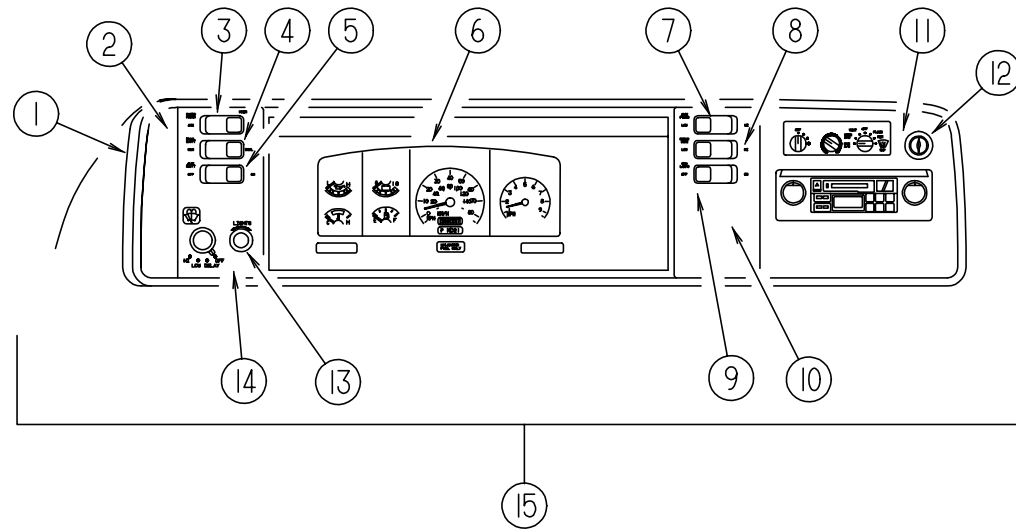
DRIVERS COMPARTMENT GROUP (CONTINUED)



DASH, GAUGES & SWITCHES - CHEVY

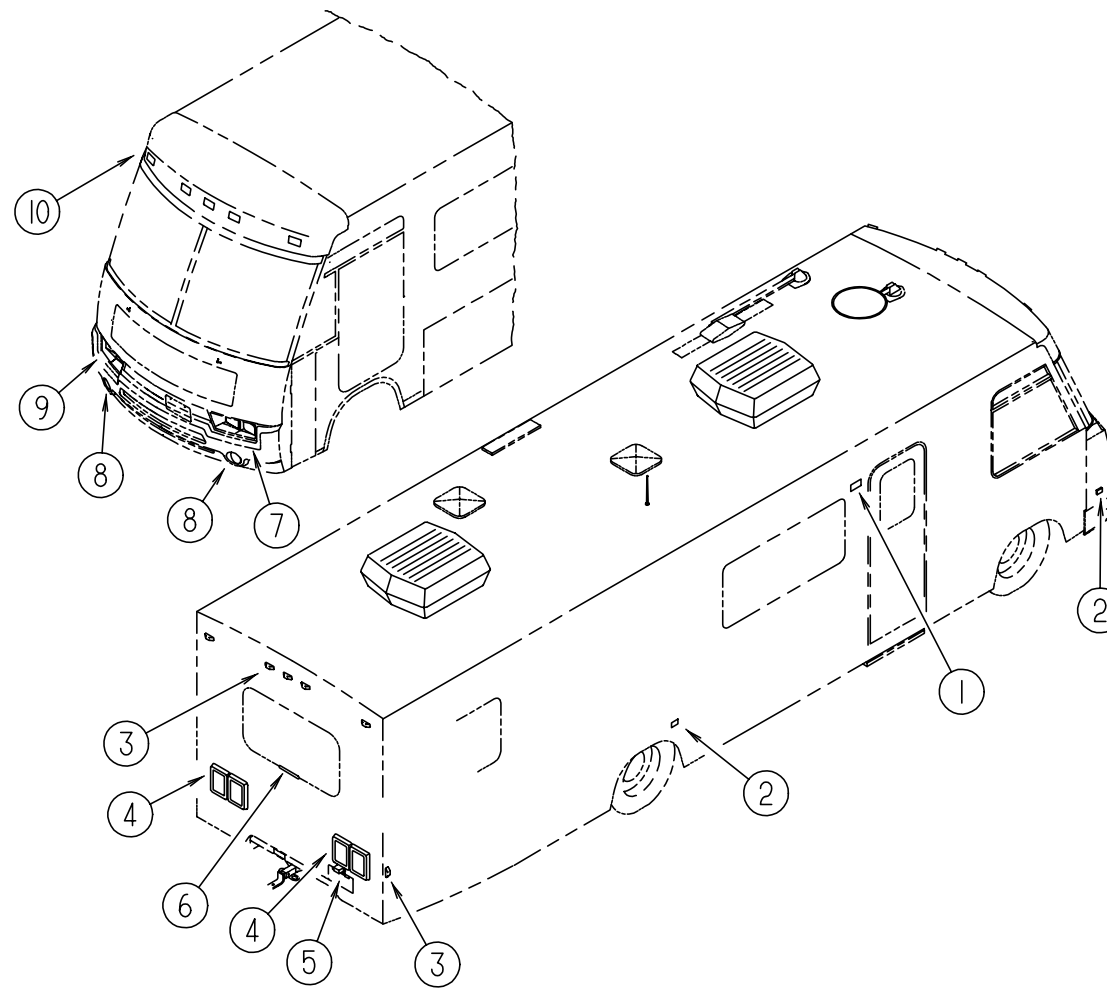
KEY	PART NUMBER	U/M DESCRIPTION
1	104056-01-07A	EA APPLIQUE - BEZEL - DRIVER DRESS UP
2	108356-02-01A	EA COVER/ACTUATOR SWITCH - 2 ROWS DIMPLES- CONTURA II - BLACK
2	108357-05-000	EA SWITCH - ROCKER SPDT - ON/NONE/ON - 3 TERMINAL - RADIO POWER W/O CD
2	108357-08-000	EA SWITCH - ROCKER DPDT - ON/NONE/ON - 6 TERMINAL - RADIO POWER W/CD
3	108356-02-01A	EA COVER/ACTUATOR SWITCH - 2 ROWS DIMPLES- CONTURA II - BLACK
3	108357-09-000	EA SWITCH - ROCKER SPDT - ON/NONE/MOM - 3 TERMINAL - AUXILIARY START
4	108356-02-01A	EA COVER/ACTUATOR SWITCH - 2 ROWS DIMPLES- CONTURA II - BLACK
4	108357-06-000	EA SWITCH - ROCKER DPDT - MOM/OFF/MOM - 6 TERMINAL - AUXILIARY BATTERY
5	N/A	EA CLUSTER - INSTRUMENT PANEL - K/M - GAS - CANADIAN
6	103662-06-01A	EA BEZEL - INSTRUMENT PANEL - 97 CHASSIS
6	103662-08-01A	EA BEZEL - INSTRUMENT PANEL - GM - 98 CHASSIS
7	108356-04-01A	EA COVER/ACTUATOR SWITCH-2 ROWS DIMPLES W/LENS-CONTURAIIBLK
7	108357-10-000	EA SWITCH - ROCKER SPDT W/LIGHT - MOM/NONE/MOM - 5 TERMINAL - GENERATOR
7	096241-03-000	EA SWITCH - BLANK - BLACK
8	108356-02-01A	EA COVER/ACTUATOR SWITCH - 2 ROWS DIMPLES- CONTURA II - BLACK
8	108357-03-000	EA SWITCH - ROCKER SPDT - ON/OFF/ON - 3 TERMINAL - REAR HEATER
8	096241-03-000	EA SWITCH - BLANK - BLACK
9	096241-03-000	EA SWITCH - BLANK - BLACK
10	104056-21-01A	EA APPLIQUE - BEZEL - PASSENGER DRESS UP
11	104056-06-07A	EA APPLIQUE - BEZEL - PASSENGER DRESS UP
		FROM: 00-00-00 THRU: 05-10-98
11	104056-06-01A	EA APPLIQUE - BEZEL - PASSENGER SIDE DRESS UP
		FROM: 05-11-98 THRU: 99-99-99
12	089294-01-000	EA LIGHTER - CIGARETTE - W/SOCKET & WIRE
13	104056-22-01A	EA APPLIQUE - BEZEL - DRIVER SWITCHES
		FROM: 00-00-00 THRU: 05-08-98
13	104056-37-01A	EA APPLIQUE - BEZEL - DRIVER SWITCHES
		FROM: 05-09-98 THRU: 99-99-99
14	M05946-50-J50	EA DASH POD - CHEVY - W/O CLUSTER
	100138-01-000	EA MODULE - DAYTIME/RUNNING LIGHT - CANADIAN
	103603-01-000	EA BULB - 12 VOLT - #74 - .12A WEDGE - GE 22-25 USED IN DASH
	077031-01-000	EA FILM - BLACK - 1" X 1.75"
	077031-03-000	EA FILM - WHITE - .75" X 1"
	049176-01-000	EA HEDLOCK II - 3/4 DIAMETER SCREW MOUNT

DRIVERS COMPARTMENT GROUP (CONTINUED)
DASH, GAUGES & SWITCHES - FORD



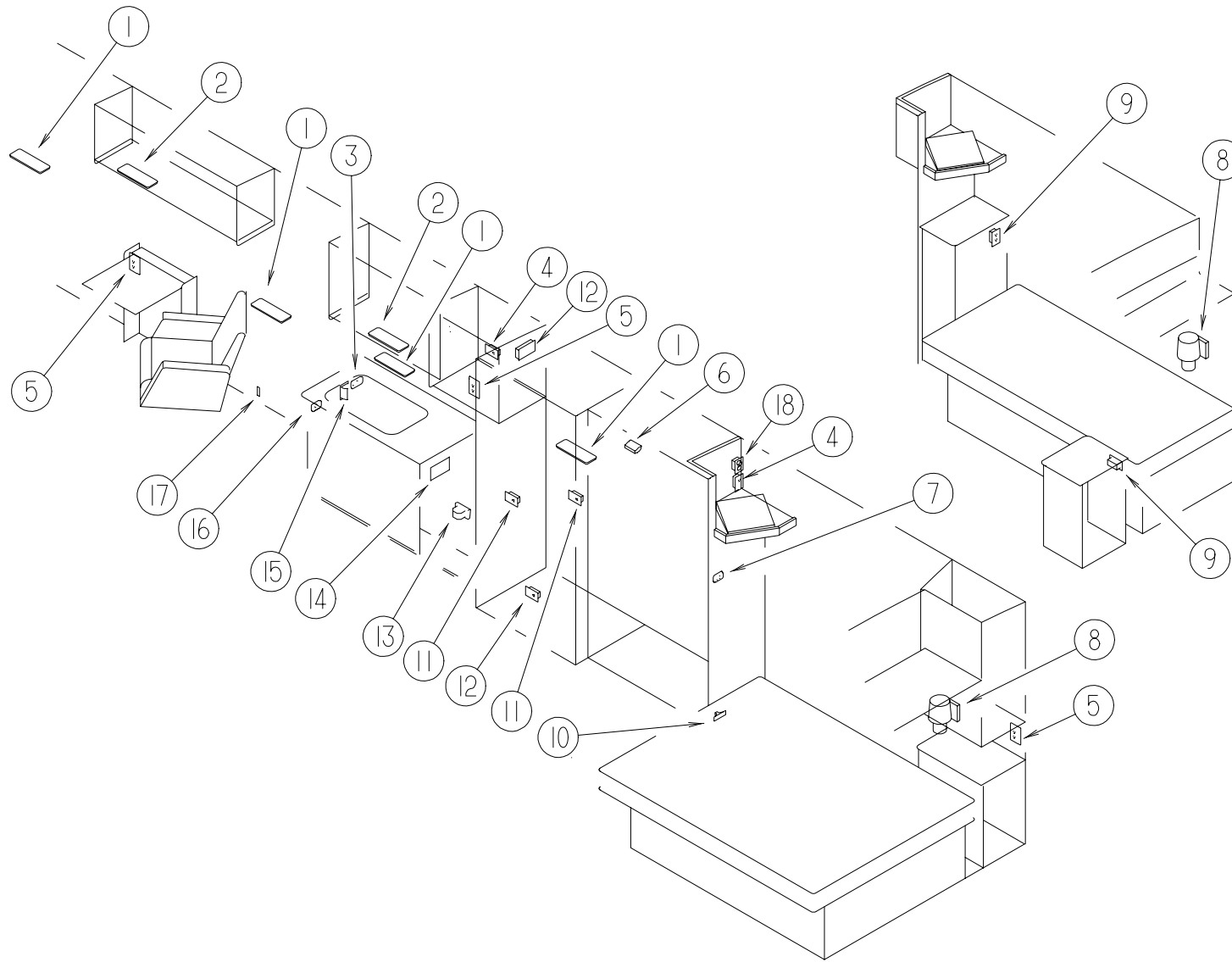
KEY	PART NUMBER	U/M	DESCRIPTION	KEY	PART NUMBER	U/M	DESCRIPTION	VENDOR NO.
1	103662-05-01A	EA	BEZEL - INSTRUMENT PANEL	8	108356-02-01A	EA	COVER/ACTUATOR SWITCH - 2 ROWS DIMPLES- CONTURA II - BLACK	
			FROM: 00-00-00 THRU: 02-22-98	8	108357-03-000	EA	SWITCH - ROCKER SPDT - ON/OFF/ON - 3 TERMINAL - REAR HEATER	
1	103662-09-01A	EA	BEZEL - INSTRUMENT PANEL	8	096241-03-000	EA	SWITCH - BLANK - BLACK	
			FROM: 02-23-98 THRU: 03-20-98	9	096241-03-000	EA	SWITCH - BLANK - BLACK	
1	103662-11-01A	EA	BEZEL - INSTRUMENT PANEL	10	104056-21-01A	EA	APPLIQUE - BEZEL - PASSENGER DRESS UP	
			FROM: 03-21-98 THRU: 04-14-98	11	104056-06-07A	EA	APPLIQUE - BEZEL - PASSENGER DRESS UP	
1	103662-12-01A	EA	BEZEL - INSTRUMENT PANEL					FROM: 00-00-00 THRU: 05-10-98
			FROM: 04-15-98 THRU: 99-99-99	11	104056-06-01A	EA	APPLIQUE - BEZEL - PASSENGER SIDE DRESS UP	FROM: 05-11-98 THRU: 99-99-99
2	104056-01-07A	EA	APPLIQUE - BEZEL - DRIVER DRESS UP - 1997 FORD CHASSIS	12	089294-01-000	EA	LIGHTER - CIGARETTE - W/SOCKET & WIRE	
2	104056-39-01A	EA	APPLIQUE - BEZEL - LEFT - 1999 FORD CHASSIS	13	096674-01-000	EA	NUT - HEADLAMP KNOB - BLACK - 1997 CHASSIS	
3	108356-02-01A	EA	COVER/ACTUATOR SWITCH - 2 ROWS DIMPLES- CONTURA II - BLACK	13	096675-01-000	EA	KNOB - HEADLAMP - W/SHAFT - 1997 CHASSIS	
3	108357-05-000	EA	SWITCH - ROCKER SPDT - ON/NONE/ON - 3 TERMINAL - RADIO POWER W/O CD	14	104056-24-01A	EA	APPLIQUE - BEZEL - DRIVER DRESS UP - 1997 FORD CHASSIS	
3	108357-08-000	EA	SWITCH - ROCKER DPDT - ON/NONE/ON - 6 TERMINAL - RADIO POWER W/CD		104056-39-01A	EA	APPLIQUE - BEZEL - LEFT - 1999 FORD CHASSIS	
4	108356-02-01A	EA	COVER/ACTUATOR SWITCH - 2 ROWS DIMPLES- CONTURA II - BLACK	15	M05946-51-J45	EA	DASH POD - FORD - W/O CLUSTER	
4	108357-09-000	EA	SWITCH - ROCKER SPDT - ON/NONE/MOM - 3 TERMINAL - AUXILIARY START		100138-01-000	EA	MODULE - DAYTIME/RUNNING LIGHT - CANADIAN	
5	108356-02-01A	EA	COVER/ACTUATOR SWITCH - 2 ROWS DIMPLES- CONTURA II - BLACK		077031-01-000	EA	FILM - BLACK - 1" X 1.75"	
5	108357-06-000	EA	SWITCH - ROCKER DPDT - MOM/OFF/MOM - 6 TERMINAL - AUXILIARY BATTERY		077031-03-000	EA	FILM - WHITE - .75" X 1"	
6	N/A	EA	CLUSTER - INSTRUMENT PANEL		049176-01-000	EA	HEDLOCK II - 3/4 DIAMETER SCREW MOUNT	
7	108356-04-01A	EA	COVER/ACTUATOR SWITCH-2 ROWS DIMPLES W/LENS-CONTURAIIBLK		103603-01-000	EA	BULB - 12 VOLT - #74 - .12A WEDGE - GE 22-25 USED IN DASH	
7	108357-10-000	EA	SWITCH - ROCKER SPDT W/LIGHT - MOM/NONE/MOM - 5 TERMINAL - GENERATOR		111904-01-000	EA	CABLE/INDICATOR - TRANSMISSION - 23.1" EYE/EYE - 1997 CHASSIS	
7	096241-03-000	EA	SWITCH - BLANK - BLACK		129644-01-000	EA	CABLE/INDICATOR - TRANSMISSION - 46.7" EYE/EYE - 1999 CHASSIS	

**ELECTRICAL GROUP
EXTERIOR LIGHTS**



KEY	PART NUMBER	U/M	DESCRIPTION	VENDOR NO.	KEY	PART NUMBER	U/M	DESCRIPTION	VENDOR NO.
1	097917-01-06A	EA	LIGHT - PORCH - BRIGHT WHITE		5	066432-02-000	EA	LIGHT - LICENSE - BLACK	
	008215-01-000	EA	BULB - 12 VOLT - NUMBER 1003 - .94 AMP		5	066432-03-000	EA	BRACKET - LICENSE PLATE	
	097917-01-700	EA	LENS - LIGHT - CLEAR	30-78-021	6	121950-01-000	EA	LIGHT - BRAKE - CENTER MOUNT	
1	008089-02-000	EA	LIGHT - PORCH - RECESSED - CANADIAN		7	049186-04-000	EA	HEADLAMP - DRIVER - HIGH/LOW - HALOGEN	
	008089-01-700	EA	LENS - LIGHT - RECESSED - PORCH DECO		7	049188-04-000	EA	HEADLAMP - DRIVER - HIGH BEAM - HALOGEN	
	008214-01-000	EA	BULB - 12 VOLT - #67 - .59 AMP		7	049359-01-000	EA	SPRING - RETAINER - HEADLAMP - GM #496096	
	091981-01-000	EA	GASKET - PORCH LIGHT		7	110750-01-000	EA	SCREW - HEADLAMP ADJUSTING	
2	111102-01-000	EA	BASE - LAMP MARKER		8	126198-01-000	EA	LAMP ASSEMBLY - PARK/TURN - AMBER	
2	111102-02-000	EA	LENS - AMBER - MARKER LAMP		8	126198-02-000	EA	GROMMET - MOUNTING - LIGHT/4" RED	
	036196-01-000	EA	BULB - 12 VOLT - #194 - .27 AMP - BAYONETTE		9	049185-04-000	EA	HEADLAMP - PASSENGER - HIGH/LOW - HALOGEN	
3	111102-01-000	EA	BASE - LAMP MARKER		9	049187-04-000	EA	HEADLAMP - PASSENGER - HIGH BEAM - HALOGEN	
3	111102-03-000	EA	LENS - RED - MARKER LAMP		9	049359-01-000	EA	SPRING - RETAINER - HEADLAMP - GM #496096	
	036196-01-000	EA	BULB - 12 VOLT - #194 - .27 AMP - BAYONETTE		9	110750-01-000	EA	SCREW - HEADLAMP ADJUSTING	
4	115632-01-02A	EA	LIGHT - STOP/TURN/TAIL RED		10	102520-01-000	EA	LIGHT - CLEARANCE - W/O SOCKET/HOUSING - AMBER	
4	115632-03-02A	EA	LIGHT - STOP/TAI/BACKUP		10	067789-02-000	EA	SOCKET - LAMP	
	037934-01-000	EA	BULB - 12V - #1156 - 2.1 AMP CLEAR GLASS BACK UP & TURN SIGNAL BULB		10	036196-01-000	EA	BULB - 12 VOLT - #194 - .27 AMP - BAYONETTE	
	037935-01-000	EA	BULB - 12V - #1157 OR #2057 - 2.1 AMP - CLEAR GLASS BRAKE LIGHT BULB		10	102540-01-000	EA	SEAL - SCREW - ROUND - RUBBER	
4	121621-01-01A	EA	POD - TAIL LIGHT - BRIGHT WHITE		10	102541-01-000	EA	GASKET - CLEARANCE LIGHT	

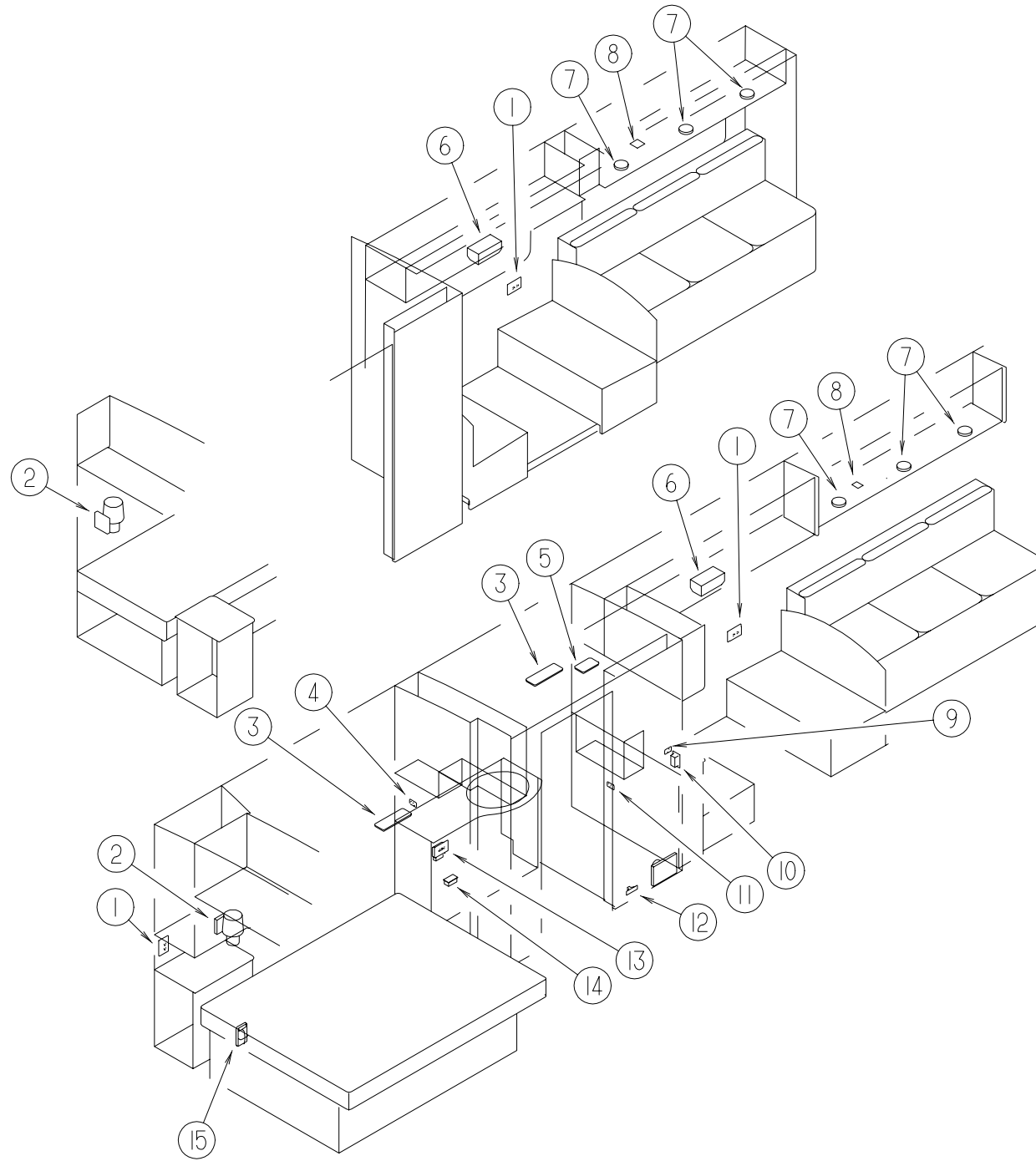
ELECTRICAL GROUP (CONTINUED)
LIGHTS, SWITCHES, & RECEPTACLES PASSENGERS SIDE



KEY	PART NUMBER	U/M	DESCRIPTION	VENDOR NO.		
1	098024-03-02A	EA	LIGHT - DOME - 2 BULB - WHITE	807877		
	008218-01-000	EA	BULB - DOME LIGHT - 12 VOLT - NO. 1141			
	098024-01-700	EA	LENS - LIGHT			
2	098024-06-02A	EA	LIGHT - DOME - 2 BULB - SKYLITE	809902		
	098024-01-701	EA	LENS - OPTI CLEAR - SKYLITE			
	008218-01-000	EA	BULB - 12 VOLT - #1141 - 1.44AMP			
	117806-01-000	EA	BULB - 12 VOLT #912 - 1.0 AMPS			
3	079364-01-000	EA	SWITCH - ON/OFF ROCKER - 2 TERMINAL - BROWN			
	098351-05-01A	EA	PLATE - SWITCH - 3 GANG POLISHED BRASS			
	095188-02-01A	EA	SPACER - SWITCH - 2.3" X 4.1" - PLASTIC - DARK BROWN			
4	058708-05-000	EA	RECEPTACLE - ELECTRIC - SINGLE - BROWN			
5	058708-02-000	EA	RECEPTACLE - ELECTRIC - DOUBLE - IVORY			
5	102568-01-GB1	EA	SPACER - RECEPTACLE - BETWEEN SIDEWALL & PLATE - WOOD			
	087694-01-000	EA	LIGHT - WARDROBE/CLOSET - W/SWITCH			
6	087694-01-700	EA	BULB	GE561		
	079364-01-000	EA	SWITCH - ON/OFF ROCKER - 2 TERMINAL - BROWN			
7	079364-03-000	EA	SWITCH - ON/OFF ROCKER - 3 TERMINAL - BROWN			
	098351-02-01A	EA	PLATE - SWITCH - 2 GANG POLISHED BRASS			
	095188-01-01A	EA	SPACER - SWITCH - 2.3" X 3.4" - PLASTIC - DARK BROWN			
	8	119258-02-01A	EA		LAMP - WALL	12-0322
	119258-01-700	EA	FINIAL (PYRAMID)			
119257-03-01A	EA	SHADE - LAMP - LINEN				

KEY	PART NUMBER	U/M	DESCRIPTION	VENDOR NO.
9	058708-01-000	EA	RECEPTACLE - ELECTRIC - DOUBLE - BROWN	
10	061424-01-000	EA	LIGHT - AISLE - 12 VOLT - RECTANGULAR	
	008103-01-000	EA	BULB - DASH/AISLE LIGHT - #53 - 12 VOLT - .12 AMP	
11	058707-01-000	EA	RECEPTACLE - ELECTRIC - SINGLE - BROWN	
12	058707-02-000	EA	RECEPTACLE - BLANK - JUNCTION BOX	
13	112822-01-01A	EA	RECEPTACLE - DUPLEX - IVORY	
	112824-01-03A	EA	COVER - EXTERIOR DUPLEX RECEPTACLE - WHITE PLASTIC	
14	121935-01-01A	EA	LIGHT - DOME - SHOWER	
15	084076-02-000	EA	RECEPTACLE - GFI - 15 AMP/125 VOLT - BROWN	
	084077-02-000	EA	PLATE - COVER - RECEPTACLE - GFI - BROWN	
16	079364-03-000	EA	SWITCH - ON/OFF ROCKER - 3 TERMINAL - BROWN	
	098351-01-01A	EA	PLATE - SWITCH - 1 GANG POLISHED BRASS	
17	095188-01-01A	EA	SPACER - SWITCH - 2.3" X 3.4" - PLASTIC - DARK BROWN	
	116995-01-000	EA	SWITCH/MAGNET - ELECTRIC STEP	
18	076319-09-000	EA	WALLPLATE - CABLE RECEPTACLE - TV - SINGLE - BROWN	

ELECTRICAL GROUP (CONTINUED)
LIGHTS, SWITCHES, & RECEPTACLES DRIVERS SIDE



KEY	PART NUMBER	U/M	DESCRIPTION	VENDOR NO.
1	058708-02-000	EA	RECEPTACLE - ELECTRIC - DOUBLE - IVORY	
1	102568-01-GB1	EA	SPACER - RECEPTACLE - BETWEEN SIDEWALL & PLATE - WOOD	
2	119258-02-01A	EA	LAMP - WALL	
	119258-01-700	EA	FINIAL (PYRAMID)	12-0322
	119257-03-01A	EA	SHADE - LAMP - LINEN	
3	098024-03-02A	EA	LIGHT - DOME - 2 BULB - WHITE	
	008218-01-000	EA	BULB - DOME LIGHT - 12 VOLT - NO. 1141	
	098024-01-700	EA	LENS - LIGHT	807877
4	079364-03-000	EA	SWITCH - ON/OFF ROCKER - 3 TERMINAL - BROWN	
	098351-01-01A	EA	PLATE - SWITCH - 1 GANG POLISHED BRASS	
5	121935-01-01A	EA	LIGHT - DOME - SHOWER	
6	093575-06-01A	EA	LIGHT - CEILING - FLUTED	
7	123775-01-01A	EA	LIGHT - HALOGEN - ROUND	
	123775-01-700	EA	BULB - 10 WATT - HALOGEN	71-JC10

KEY	PART NUMBER	U/M	DESCRIPTION	VENDOR NO.
8	079364-01-000	EA	SWITCH - ON/OFF ROCKER - 2 TERMINAL - BROWN	
	098351-05-01A	EA	PLATE - SWITCH - 3 GANG POLISHED BRASS	
9	079364-01-000	EA	SWITCH - ON/OFF ROCKER - 2 TERMINAL - BROWN	
	098351-01-01A	EA	PLATE - SWITCH - 1 GANG POLISHED BRASS	
10	058708-02-000	EA	RECEPTACLE - ELECTRIC - DOUBLE - IVORY	
11	079364-01-000	EA	SWITCH - ON/OFF ROCKER - 2 TERMINAL - BROWN	
	098351-02-01A	EA	PLATE - SWITCH - 2 GANG POLISHED BRASS	
12	061424-01-000	EA	LIGHT - AISLE - 12 VOLT - RECTANGULAR	
	008103-01-000	EA	BULB - DASH/AISLE LIGHT - #53 - 12 VOLT - .12 AMP	
13	084076-01-000	EA	RECEPTACLE - GFI - 15 AMP/125 VOLT - IVORY	
13	084076-02-000	EA	RECEPTACLE - GFI - 15 AMP/125 VOLT - BROWN	
14	058707-02-000	EA	RECEPTACLE - BLANK - JUNCTION BOX	
15	098024-01-03A	EA	LIGHT - DOME - 1 BULB - WHITE	
	098024-01-700	EA	LENS - LIGHT	807877
	008218-01-000	EA	BULB - DOME LIGHT - 12 VOLT - NO. 1141	

ELECTRICAL GROUP (CONTINUED)**FUSES & FUSE HOUSINGS**

KEY	PART NUMBER	U/M	DESCRIPTION
	062901-02-000	EA	FUSE - 05 AMPS - AUTOMOTIVE
	062901-05-000	EA	FUSE - 15 AMPS - AUTOMOTIVE
	062901-06-000	EA	FUSE - 20 AMPS - AUTOMOTIVE
	062901-07-000	EA	FUSE - 25 AMPS - AUTOMOTIVE
	062901-08-000	EA	FUSE - 30 AMPS - AUTOMOTIVE
	062037-01-000	EA	HOUSING - AUTO FUSE - NATURAL
	062037-02-000	EA	HOUSING - AUTO FUSE - GREEN
	062037-03-000	EA	HOUSING - AUTO FUSE - BLACK
	062037-04-000	EA	HOUSING - AUTO FUSE - BLUE
	062037-06-000	EA	HOUSING - AUTO FUSE - BROWN
	062037-07-000	EA	HOUSING - AUTO FUSE - RED
	108669-01-000	EA	HOUSING - AUTO FUSE HOLDER
	106656-01-000	EA	FUSE BLOCK - 4 CAVITY - AUTOFUSE

CIRCUIT BREAKERS

KEY	PART NUMBER	U/M	DESCRIPTION
	083209-01-000	EA	CIRCUIT BREAKER - 15 AMP - 120 VOLT - CANADIAN
	083209-02-000	EA	CIRCUIT BREAKER - 15/15 AMP - 120 VOLT
	083209-03-000	EA	CIRCUIT BREAKER - 15/20 AMP - 120 VOLT
	083209-04-000	EA	CIRCUIT BREAKER - 30 AMP - 120 VOLT
	083209-06-000	EA	CIRCUIT BREAKER - 30/15 AMP - 120 VOLT
	083209-07-000	EA	CIRCUIT BREAKER - 20/20 AMP - 120 VOLT
	093655-03-000	EA	CIRCUIT BREAKER - 40 AMP - 12 VOLT
	093654-01-000	EA	CIRCUIT BREAKER - 6 AMP - 12 VOLT
	093654-02-000	EA	CIRCUIT BREAKER - 15 AMP - 12 VOLT
	093674-01-000	EA	PLATE - CIRCUIT BREAKER - HOUSE - 8.4" X 4.1" - STEEL

TERMINALS

KEY	PART NUMBER	U/M	DESCRIPTION
	008326-01-000	EA	TERMINAL - RING - 16/14 WIRE - 3/8" STUD
	008328-01-000	EA	TERMINAL - RING - 12/10 WIRE - #10 STUD FIT
	008331-01-000	EA	TERMINAL - RING - TONGUE - #4 WIRE - 3/8" STUD - COPPER
	008348-01-000	EA	TERMINAL - RING - 3/8" STUD 2 GA. WIRE
	035416-04-000	EA	TERMINAL - RING - #10 STUD FIT - INSULATED BARREL #16/14
	047443-01-000	EA	TERMINAL - .250 RECEPTACLE FIT - INSULATED - 16/14 AWG
	047443-02-000	EA	TERMINAL - .250 RECEPTACLE FIT - INSULATED - 12/10 AWG
	062036-01-000	EA	TERMINAL - PACK - CON - 12/10 AWG
	062036-02-000	EA	TERMINAL - PACK - CON - 16/14 AWG
	088267-01-000	EA	TERMINAL - FEMALE - 1/4
	088476-01-000	EA	TERMINAL - ELECTRICAL
	098260-01-000	EA	TERMINAL - MALE - 56 SERIES
	104100-03-000	EA	TERMINAL - 75 AMP
	106007-01-000	EA	TERMINAL - FEMALE - 14-16 AWG
	106655-01-000	EA	TERMINAL - FUSE BLOCK - 14-16 AWG
	106655-02-000	EA	TERMINAL - FUSE BLOCK - 10-12 AWG
	113135-01-000	EA	TERMINAL - FEMALE - M/P - 14-16 - F/NON SEALED TERMINAL
	113306-01-000	EA	TERMINAL - FEMALE - M/P - 14-16 - F/SEALED TERMINAL
	113307-01-000	EA	TERMINAL - FEMALE - M/P - 16-20
	125324-01-000	EA	TERMINAL - MALE - METRI-PACK - 150

ELECTRICAL GROUP (CONTINUED)**ELECTRIC BOXES & COVERS**

KEY	PART NUMBER	U/M	DESCRIPTION
	008289-01-000	EA	BOX - ELECTRIC/STEEL - 1/2" & 3/4" KNOCKOUTS - 4" X 4"
	008289-02-000	EA	BOX - ELECTRIC/STEEL - 1/2" & 3/4" KNOCKOUTS - 4" X 4" - CAN
	008294-01-000	EA	COVER - ELECTRICAL BOX - BLANK/STEEL - 4" X 4" - GRAY
	008294-02-000	EA	COVER - ELECTRICAL BOX - BLANK STEEL - 4" X 4" - CANADIAN
	069238-01-000	EA	COVER - ELECTRICAL BOX - W/HOLE - 4" X 4" - GRAY USED WITH 30 AMP RECEPTACLE
	091910-01-000	EA	BOX - ELECTRIC - 3.8" X 3.5" X 1.8" - PLASTIC
	091910-02-000	EA	BOX - ELECTRIC - 2.2" X 3.5" X 1.7" - PLASTIC
	111509-01-000	EA	BOX - ELECTRICAL - E-COATED
	111510-01-000	EA	DOOR/ACCESS PANEL - ELECTRICAL BOX
	074890-01-000	EA	BOX - EXTENSION/STEEL - OPEN SIDES - 4" X 4" X 1 1/2"
	074897-01-000	EA	COVER - ELECTRICAL BOX W/HOLES - 4" X 4"
	127397-01-02B	EA	COVER - ELECTRICAL - E-COAT

HOUSINGS, PINS & SOCKETS

KEY	PART NUMBER	U/M	DESCRIPTION
	088473-01-000	EA	HOUSING - PIN - 12 CAVITY
	088473-02-000	EA	HOUSING - PIN - 15 CAVITY
	088473-03-000	EA	HOUSING - PIN - 9 CAVITY
	088473-06-000	EA	HOUSING - PIN - 6 CAVITY
	088473-08-000	EA	HOUSING - PIN - 4 CAVITY
	088473-09-000	EA	HOUSING - PIN - 3 CAVITY
	088473-10-000	EA	HOUSING - PIN - 2 CAVITY
	088474-01-000	EA	HOUSING - SOCKET - 12 CAVITY
	088474-02-000	EA	HOUSING - SOCKET - 15 CAVITY
	088474-03-000	EA	HOUSING - SOCKET - 9 CAVITY
	088474-06-000	EA	HOUSING - SOCKET - 6 CAVITY
	088474-07-000	EA	HOUSING - SOCKET - 5 CAVITY
	088474-08-000	EA	HOUSING - SOCKET - 4 CAVITY
	088474-09-000	EA	HOUSING - ELECTRICAL - 3 TERMINAL
	088474-10-000	EA	HOUSING - SOCKET - 2 CAVITY
	088475-01-000	EA	PIN - CONNECTOR - 14 - 20 AWG
	088475-02-000	EA	PIN - CONNECTOR - 10-12 AWG
	088476-02-000	EA	SOCKET - CONNECTOR - 12-10 GA - PRE-TIN
	098261-02-000	EA	SOCKET - CONNECTOR - WEATHERPACK
	098262-01-000	EA	SEAL - CONNECTOR - WEATHERPACK
	098264-01-000	EA	HOUSING - 2 PIN - WEATHERPACK
	101571-01-000	EA	HOUSING - 2 POSITION - MALE
	103608-01-000	EA	SOCKET - WEDGE BASE W/LEADS
	104100-01-000	EA	HOUSING - 1 POSITION - 75 AMPS
	106006-01-000	EA	HOUSING - 1 POSITION - FEMALE
	108355-01-000	EA	HOUSING - SWITCH
	110178-01-000	EA	HOUSING - WIPER MOTOR
	113131-01-000	EA	HOUSING - 3 PIN
	113468-01-000	EA	HOUSING - 2 POSITION - FEMALE USED ON WIPER/WASHER WIRE ASM
	119248-02-000	EA	HOUSING - 7 POSITION - FEMALE
	125323-02-000	EA	HOUSING - 8 POSITION - MALE
	115556-01-000	EA	HOUSING - 3 POSITION - FEMALE
	115556-02-000	EA	HOUSING - 2 POSITION - FEMALE
	007954-01-000	EA	RECEPTACLE - HOUSING - 6 POSITION
	080015-02-000	EA	RECEPTACLE - FLAG - .185 - 16/14 GAUGE

ELECTRICAL GROUP (CONTINUED)**CONNECTORS**

KEY	PART NUMBER	U/M	DESCRIPTION
	008311-01-000	EA	CONNECTOR - WIRE NUT - INSULATED - RED
	008312-01-000	EA	CONNECTOR - WIRE NUT - INSULATED - BLUE
	008313-01-000	EA	CONNECTOR - WIRE NUT - INSULATED - YELLOW
	008314-01-000	EA	CONNECTOR - WIRE NUT - INSULATED - GRAY
	008355-01-000	EA	CONNECTOR - CABLE CLAMPING - 3/4"
	008356-01-000	EA	CONNECTOR - PLASTIC - 3/8" AVG
	008356-02-000	EA	CONNECTOR - PLASTIC - 21/32
	008398-01-000	EA	CONNECTOR - 1/2" X 90 DEGREE - FLEX CONDUIT - UL & CSA
	058028-01-000	EA	CONNECTOR - ELECTRICAL PIGTAIL - NYLON - CLEAR
	112823-01-000	EA	SPLICE - REDUCER - 16-14 TO 18-22

POWER CORDS

KEY	PART NUMBER	U/M	DESCRIPTION
	008052-01-000	EA	CORD - POWER - 10/3 - 30 AMP - 25' - CANADIAN
	008054-01-000	EA	CORD - POWER - 10/3 WIRE - 30 AMP - 25'

WIRE ASSEMBLIES

KEY	PART NUMBER	U/M	DESCRIPTION
	P27516-02-000	EA	WIRE ASSEMBLY - RADIO AM/FM/CD
	073328-B4-000	EA	CABLE ASSEMBLY - BATTERY - W/TERMINALS
	081059-02-000	EA	WIRE ASSEMBLY - 9PIN - F/RADIO
	P03784-01-000	EA	WIRE ASSEMBLY - HEADLAMP - GM
	P03784-02-000	EA	WIRE ASSEMBLY - HEADLAMP - FORD
	090986-01-000	EA	WIRE ASSEMBLY - ELECTRIC STEP
	096449-01-000	EA	WIRE ASSEMBLY - WATER TANK TO MONITOR PANEL
	097618-01-000	EA	WIRE ASSEMBLY - MONITOR PANEL- W/3 WIRES & ORANGE RESISTOR
	100677-01-000	EA	WIRE ASSEMBLY - RADIO
	108303-01-000	EA	WIRE ASSEMBLY - REAR AUTO HEATER
	110256-01-000	EA	WIRE ASSEMBLY - INSTRUMENT PANEL - GENERATOR
	111915-01-000	EA	WIRE ASSEMBLY - DAYTIME RUNNING LAMPS - FUSED - GM
	111915-03-000	EA	WIRE ASSEMBLY - DAYTIME RUNNING LAMPS - FUSED - FORD
	113134-03-000	EA	WIRE ASSEMBLY - WIPER/WASHER
	126392-01-000	EA	WIRE ASSEMBLY - REMOTE MIRRORS
	126838-02-000	EA	WIRE ASSEMBLY - MONITOR
	126591-01-02B	EA	CARRIER - WIRE -SLIDEOUT

CONDUIT

KEY	PART NUMBER	U/M	DESCRIPTION
	041953-01-000	FT	CONDUIT - CONVOLUTE SLIT - .5" ID - POLYETHELENE
	041953-03-000	FT	CONDUIT - CONVOLUTE SLIT - 1" ID (CLOTHES ROD COVER)
	041953-05-000	FT	CONDUIT - CONVOLUTE SOLID - .62" ID - POLYETHELENE
	041953-06-000	FT	CONDUIT - CONVOLUTE SLIT - .375" ID - POLYETHELENE
	041953-07-000	FT	CONDUIT - CONVOLUTE SLIT - .25" ID - POLYETHELENE
	041953-08-000	FT	CONDUIT - CONVOLUTE SLIT - 1.50" ID - POLYETHELENE
	041953-09-000	FT	CONDUIT - CONVOLUTE SLIT - .50" ID - NYLON
	041953-10-000	FT	CONDUIT - CONVOLUTE SLIT - .75" ID - NYLON
	041953-11-000	FT	CONDUIT - CONVOLUTE SLIT - 1.06" ID - NYLON
	041953-12-000	FT	CONDUIT - CONVOLUTE SOLID - 1.1" ID - NYLON
	008394-01-000	FT	CONDUIT - FLEXIBLE - 1/2"

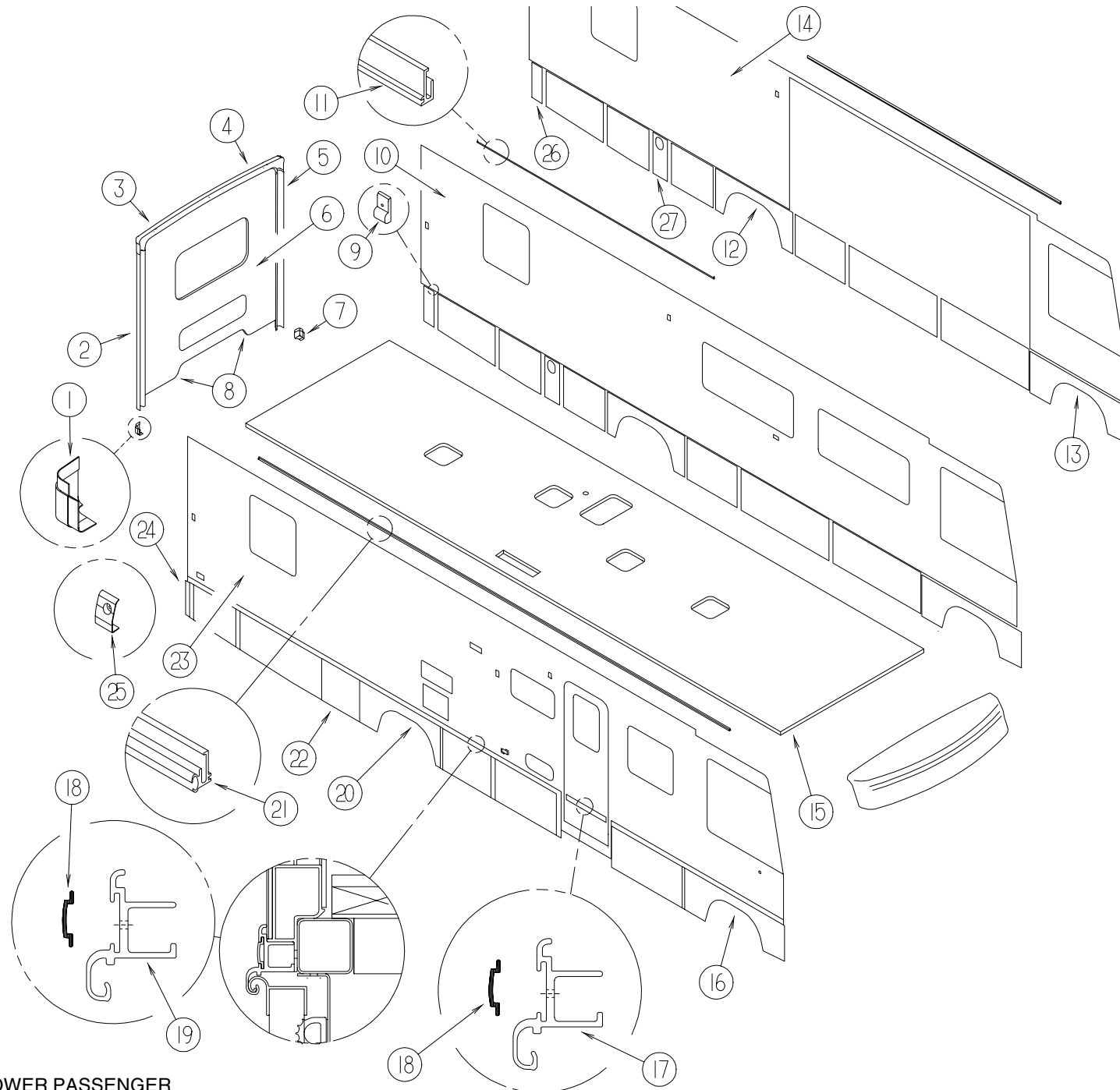
ELECTRICAL GROUP (CONTINUED)**CONVERTER & INVERTER**

KEY	PART NUMBER	U/M	DESCRIPTION
	123058-02-000	EA	CONVERTER - 45 AMP - ELECTRONIC - 4 1/8"H X 7"W X 12 3/8"L
	099048-03-000	EA	INVERTER - 130 WATT
	113132-01-000	EA	LOAD CENTER - 120/240 VOLT - 60 AMP - EXPORT
	109677-01-000	EA	LOAD CENTER - 120 VOLT - 40 AMP

MISCELLANEOUS ELECTRICAL COMPONENTS

KEY	PART NUMBER	U/M	DESCRIPTION
	007093-01-000	EA	SIGNAL FLASHER
	007956-05-000	EA	INSULATOR - SHRINK - .25 ID X 1.50
	008188-01-000	EA	SOLENOID - 3 POST - BATTERY CHANGE OVER
	063910-01-000	EA	HOUSING - RELAY
	063912-02-000	EA	RELAY - CANISTER - SPDT
	086233-01-000	EA	STUD - ISOLATED - 3/8" X 7/8" LONG
	086273-01-000	EA	RELAY - BATTERY DISCONNECT
	087949-01-000	EA	BUSS BAR - 2 POSITION - .6" X 1.5"
	087949-02-000	EA	BUSS BAR - 3 POSITION - .6" X 2.4"
	092786-03-000	EA	BUSS BAR - 6.9" LONG
	103987-02-000	EA	SEAL - SOLENOID ACCESS
	125323-03-000	EA	LOCK - SECONDARY 8 POSITION
	125325-01-000	EA	SEAL - CAVITY
	087225-02-000	FT	SLEEVING - 5/8" - TYPE H
	077479-01-000	EA	BOOT - BATTERY TERMINAL - DOUBLE CABLE
	077479-02-000	EA	BOOT - BATTERY TERMINAL - SINGLE CABLE

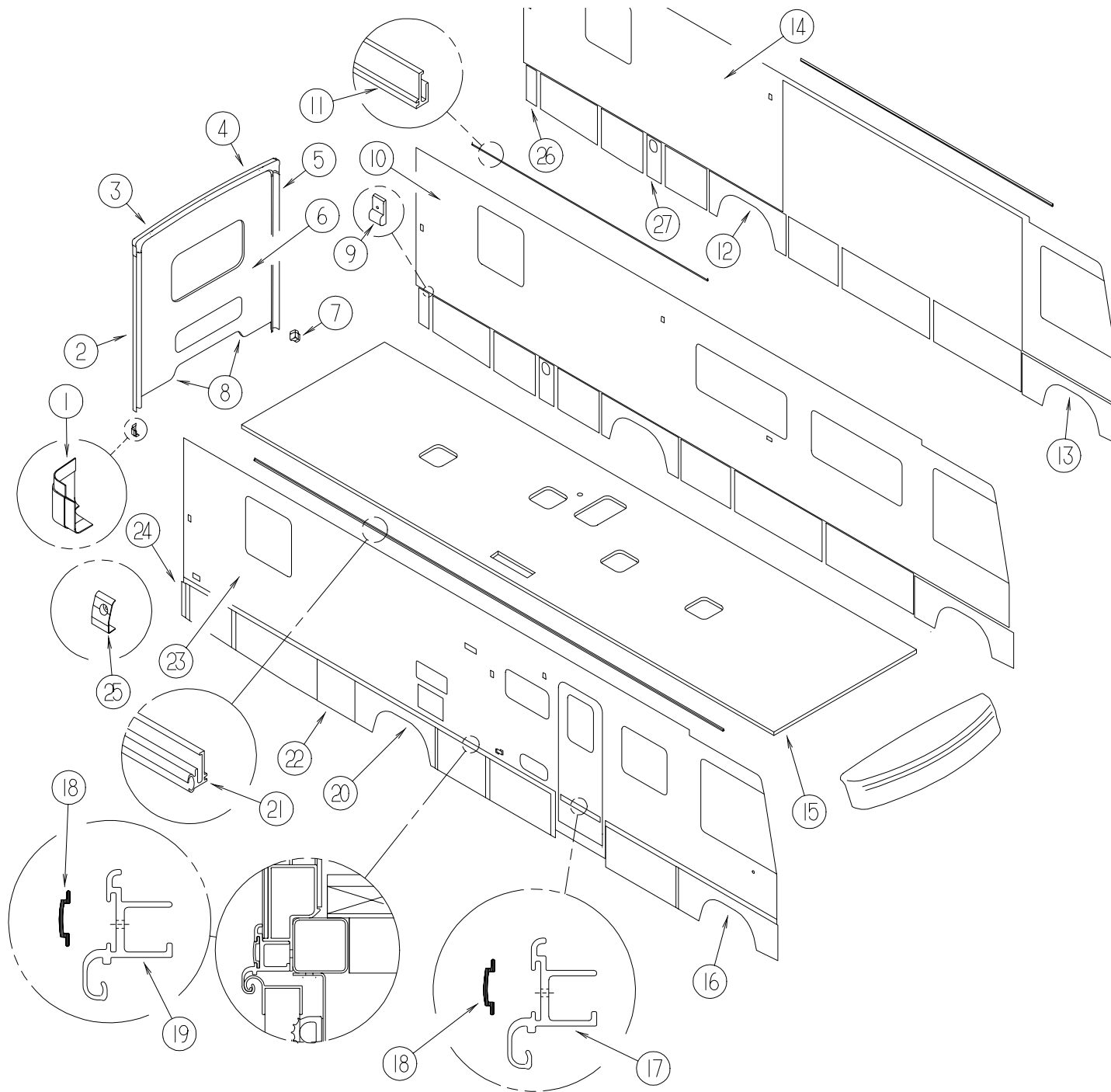
EXTERIOR BODY GROUP
EXTERIOR BODY PANELS AND TRIM



KEY	PART NUMBER	U/M DESCRIPTION
1	119212-01-01A	EA TRIM - BACKWALL - LOWER PASSENGER
2	114874-03-12B	EA TRIM - BACKWALL - SIDE - PASSENGER SIDE - BRT/WHITE
2	120548-01-02A	EA TRIM - J - BACKWALL - PASSENGER - 98.3" - NOTCHED - BRT/WHITE
3	114872-02-02A	EA TRIM - BACKWALL - TOP - PASSENGER SIDE - BRT/WHITE
4	114873-02-02A	EA TRIM - BACKWALL - TOP - DRIVER SIDE - BRT/WHITE
5	114874-04-12B	EA TRIM - BACKWALL - SIDE - DRIVER SIDE - BRT WHITE
5	120548-02-02A	EA TRIM - J - BACKWALL - DRIVER - 98.3 - NOTCHED - BRT WHITE
6	M08793-03-J65	EA BACKWALL - W/O WINDOW/TRIM - GM - QUEEN BED
6	M08793-03-J66	EA BACKWALL - W/O WINDOW/TRIM - GM - QUEEN BED
6	M08793-03-J67	EA BACKWALL - W/O WINDOW/TRIM - GM - QUEEN BED
6	M08793-03-J68	EA BACKWALL - W/O WINDOW/TRIM - GM - QUEEN BED
6	M08793-03-J69	EA BACKWALL - W/O WINDOW/TRIM - GM - QUEEN BED
6	M08793-04-J65	EA BACKWALL - W/O WINDOW/TRIM - GM - TWIN BED
6	M08793-04-J66	EA BACKWALL - W/O WINDOW/TRIM - GM - TWIN BED
6	M08793-04-J67	EA BACKWALL - W/O WINDOW/TRIM - GM - TWIN BED
6	M08793-04-J68	EA BACKWALL - W/O WINDOW/TRIM - GM - TWIN BED
6	M08793-04-J69	EA BACKWALL - W/O WINDOW/TRIM - GM - TWIN BED

KEY	PART NUMBER	U/M DESCRIPTION
6	M08794-03-J65	EA BACKWALL - W/O WINDOW/TRIM - FORD - QUEEN BED
6	M08794-03-J66	EA BACKWALL - W/O WINDOW/TRIM - FORD - QUEEN BED
6	M08794-03-J67	EA BACKWALL - W/O WINDOW/TRIM - FORD - QUEEN BED
6	M08794-03-J68	EA BACKWALL - W/O WINDOW/TRIM - FORD - QUEEN BED
6	M08794-03-J69	EA BACKWALL - W/O WINDOW/TRIM - FORD - QUEEN BED
6	M08794-04-J65	EA BACKWALL - W/O WINDOW/TRIM - FORD - TWIN BED
6	M08794-04-J66	EA BACKWALL - W/O WINDOW/TRIM - FORD - TWIN BED
6	M08794-04-J67	EA BACKWALL - W/O WINDOW/TRIM - FORD - TWIN BED
6	M08794-04-J68	EA BACKWALL - W/O WINDOW/TRIM - FORD - TWIN BED
6	M08794-04-J69	EA BACKWALL - W/O WINDOW/TRIM - FORD - TWIN BED
	114248-03-01A	EA ANGLE - PLASTIC - 92.2"
7	119212-02-01A	EA TRIM - BACKWALL - LOWER DRIVER
8	050406-25-000	EA TRIM - BACKWALL - LOWER
9	127845-05-01A	EA CAP - SIDEWALL TRIM - RIGHT HAND - 2.1" - BRIGHT WHITE

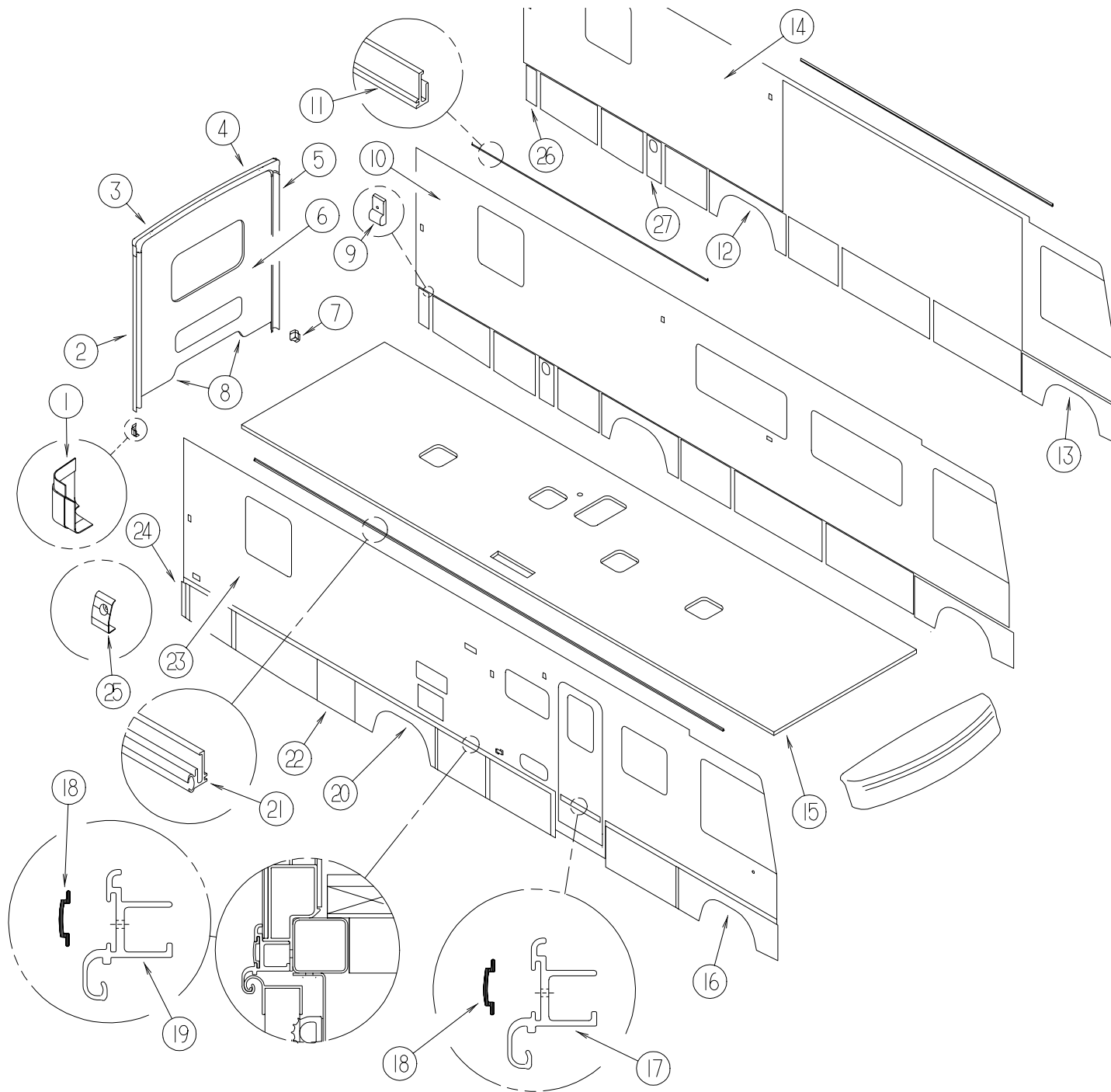
EXTERIOR BODY GROUP (CONTINUED)
EXTERIOR BODY PANELS AND TRIM (CONTINUED)



KEY	PART NUMBER	U/M	DESCRIPTION
10	126430-04-J65	EA	SIDEWALL - DRIVER - W/O WINDOWS/TRIMS
10	126430-04-J66	EA	SIDEWALL - DRIVER - W/O WINDOWS/TRIMS
10	126689-04-J67	EA	SIDEWALL - DRIVER - W/O WINDOWS/TRIMS
10	126689-04-J68	EA	SIDEWALL - DRIVER - W/O WINDOWS/TRIMS
10	126689-04-J69	EA	SIDEWALL - DRIVER - W/O WINDOWS/TRIMS
11	120091-02-02A	EA	TRIM - ROOF
12	125663-11-J37	EA	VALANCE/WHEEL LIP - REAR - DRIVER
13	125664-08-J37	EA	VALANCE/WHEEL LIP - FRONT - DRIVER
14	126500-04-J65	EA	SIDEWALL - DRIVER - W/O WINDOWS/TRIMS
14	126500-04-J66	EA	SIDEWALL - DRIVER - W/O WINDOWS/TRIMS
14	126500-04-J67	EA	SIDEWALL - DRIVER - W/O WINDOWS/TRIMS
14	126500-04-J68	EA	SIDEWALL - DRIVER - W/O WINDOWS/TRIMS
14	126500-04-J69	EA	SIDEWALL - DRIVER - W/O WINDOWS/TRIMS

KEY	PART NUMBER	U/M	DESCRIPTION
15	126408-04-J65	EA	ROOF - W/O LIGHTS/VENTS - W/WIRING
16	125648-11-J37	EA	VALANCE/WHEEL LIP - FRONT - PASSENGER
17	126903-01-01A	EA	TRIM - SIDEWALL - 60.9" - BRIGHT WHITE
18	105312-01-07A	EA	INSERT - VINYL FEATURE STRIP - BRIGHT WHITE
19	126901-21-01A	EA	TRIM - SIDEWALL - 195" BRIGHT WHITE
20	125647-12-J37	EA	VALANCE/WHEEL LIP - REAR - PASSENGER
21	120092-01-02A	EA	RAIL - AWNING - BRIGHT WHITE
22	122776-28-J37	EA	VALANCE/PANEL - W/O HARDWARE - 23.9"
23	126429-04-J65	EA	SIDEWALL - PASSENGER - W/O WINDOWS/TRIMS
23	126429-04-J66	EA	SIDEWALL - PASSENGER - W/O WINDOWS/TRIMS
23	126429-04-J67	EA	SIDEWALL - PASSENGER - W/O WINDOWS/TRIMS
23	126429-04-J68	EA	SIDEWALL - PASSENGER - W/O WINDOWS/TRIMS
23	126429-04-J69	EA	SIDEWALL - PASSENGER - W/O WINDOWS/TRIMS

EXTERIOR BODY GROUP (CONTINUED)
EXTERIOR BODY PANELS AND TRIM (CONTINUED)

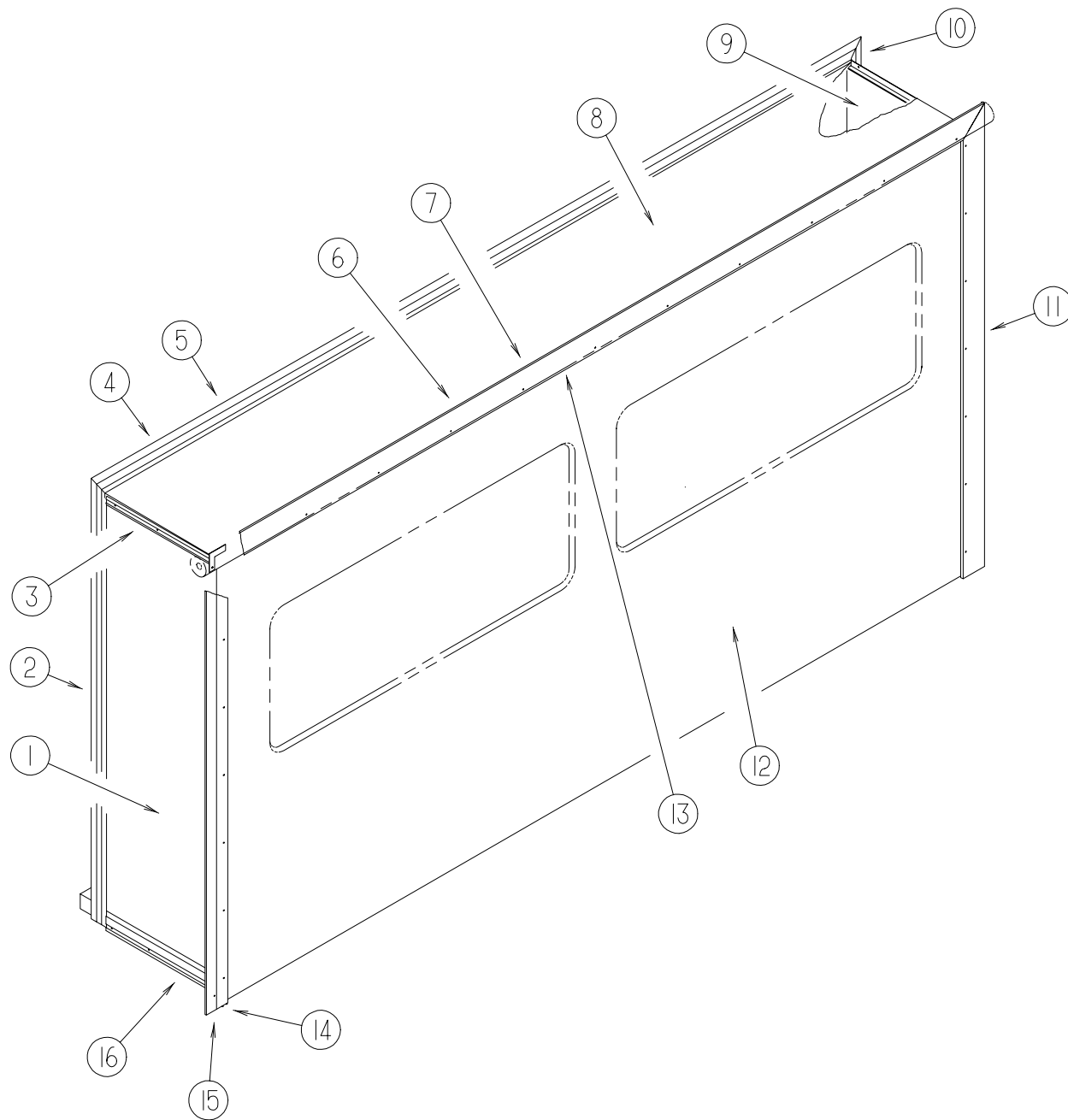


KEY	PART NUMBER	U/M DESCRIPTION
24	126645-09-J37	EA VALANCE/PANEL - REAR PASSENGER - W/O HARDWARE - 6.1"
25	127845-06-01A	EA CAP - SIDEWALL TRIM - LEFT HAND - 2.1" - BRIGHT WHITE
26	126645-10-J37	EA VALANCE/PANEL - REAR DRIVER - W/O HARDWARE - 9"
27	122776-29-J37	EA VALANCE/PANEL - W/O HARDWARE - 11.9"
	126694-55-001	EA EXTRUSION - U-CHANNEL/HINGED - 191.7" - BRIGHT WHITE
	002726-01-001	EA GARNISH - U-CHANNEL - 1.38" X 19' - SERRATED
	002766-01-001	EA ANGLE - EXTRUDED - 1" X 1.5" X 17'
	117046-01-000	EA BUMPER - RUBBER/ROUND END - .99"
	117046-02-000	EA BUMPER - RUBBER/ROUND END - 1.5"
	117047-01-000	EA BUMPER - RUBBER - WASHER INSERT

KEY	PART NUMBER	U/M DESCRIPTION
	120524-01-02B	EA U-CHANNEL - E-COATED
	121117-01-12B	EA ANGLE - W/HOLES - BRIGHT WHITE
	099069-01-000	FT SEAL - RUBBER - CLOSED SPONGE - .5" WIDE X .12" THICK -BLK
	119568-01-01A	EA STANDOFF - VALANCE PANEL - BLACK
	128251-01-02B	EA SUPPORT - VALANCE - E-COATED
	107865-01-000	EA ROD - SUPPORT - VALANCE PANEL - 14.3"
	107865-02-000	EA ROD - SUPPORT - VALANCE PANEL - 13.2"
	107865-05-000	EA ROD - SUPPORT - VALANCE PANEL - 9"
	107865-16-000	EA ROD - SUPPORT - VALANCE PANEL - 9.7"

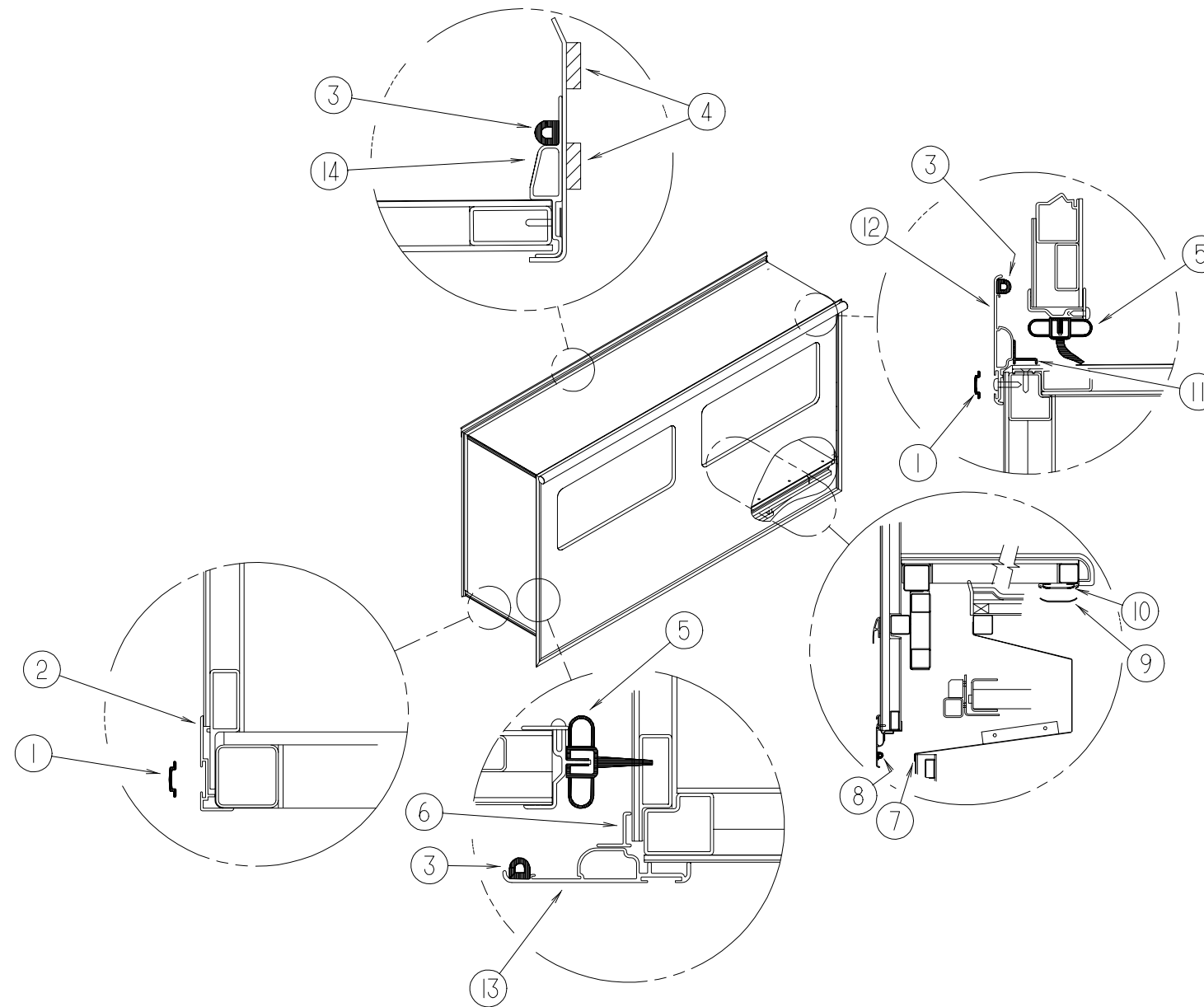
EXTERIOR BODY GROUP (CONTINUED)

FRONT SLIDEOUT PANELS & TRIMS



KEY	PART NUMBER	U/M	DESCRIPTION
1	126569-01-J37	EA	PANEL - SLIDEOUT - FRONT (J65)
1	126569-01-J56	EA	PANEL - SLIDEOUT - FRONT (J66)
1	126569-01-J97	EA	PANEL - SLIDEOUT - FRONT (J67)
1	126569-01-J02	EA	PANEL - SLIDEOUT - FRONT (J68)
1	126569-01-J28	EA	PANEL - SLIDEOUT - FRONT (J69)
2	117004-01-03A	EA	TRIM - SEAL - INNER
3	108688-01-03A	EA	STRIP - FEATURE - 15'
3	105312-01-07A	FT	INSERT - VINYL FEATURE STRIP - BRIGHT WHITE
4	117004-03-03A	EA	TRIM - SEAL - INNER
5	125466-01-01A	EA	SUPPORT - ROOF - INTERIOR - OFF/WHITE
6	119992-01-02A	EA	TRIM - SEAL - W/MITERED ENDS
6	105312-01-07A	FT	INSERT - VINYL FEATURE STRIP - BRIGHT WHITE
7	117058-01-01A	FT	TAPE - LOOP - 3/4" WIDE - ADHESIVE BACKED
8	126221-01-J22	EA	ROOF - SLIDEOUT - W/O LIGHTS/VENTS - W/WIRING
9	126570-01-J37	EA	PANEL - SLIDEOUT - REAR (J65)
9	126570-01-J56	EA	PANEL - SLIDEOUT - REAR (J66)
9	126570-01-J97	EA	PANEL - SLIDEOUT - REAR (J67)
9	126570-01-J02	EA	PANEL - SLIDEOUT - REAR (J68)
9	126570-01-J28	EA	PANEL - SLIDEOUT - REAR (J69)
10	117004-02-03A	EA	TRIM - SEAL - INNER
11	119992-12-01A	EA	TRIM - SEAL - W/MITERED ENDS - BRIGHT WHITE
11	105312-01-07A	FT	INSERT - VINYL FEATURE STRIP - BRIGHT WHITE
12	119783-06-J37	EA	PANEL - SLIDEOUT/OUTER (J65)
12	119783-06-J56	EA	PANEL - SLIDEOUT/OUTER (J66)
12	119783-06-J97	EA	PANEL - SLIDEOUT/OUTER (J67)
12	119783-06-J98	EA	PANEL - SLIDEOUT/OUTER (J68)
12	119783-06-J28	EA	PANEL - SLIDEOUT/OUTER (J69)
13	122977-06-01A	EA	AWNING - SLIDEOUT - W/COVER - 160.24"
14	119992-11-01A	EA	TRIM - SEAL - W/MITERED ENDS - BRIGHT WHITE
14	105312-01-07A	FT	INSERT - VINYL FEATURE STRIP - BRIGHT WHITE
15	126546-01-02A	EA	COVER - END/SIDEWALL SLIDEOUT - BRIGHT WHITE
16	125051-01-01A	EA	STRIP - FEATURE - LOWER - BRIGHT WHITE

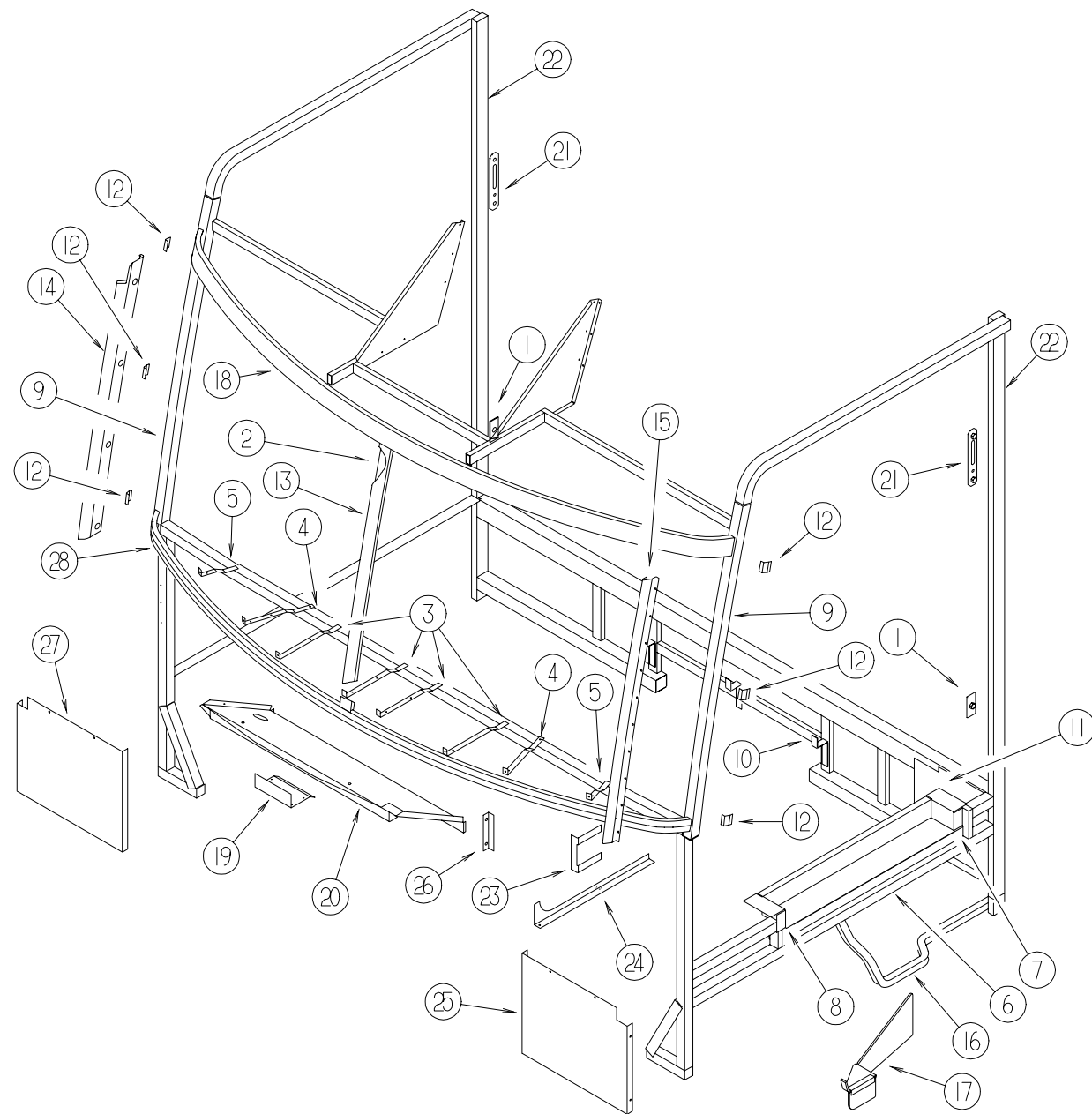
EXTERIOR BODY GROUP (CONTINUED)
EXTERIOR SLIDEOUT HARDWARE



KEY	PART NUMBER	U/M	DESCRIPTION
1	105312-01-07A	FT	INSERT - VINYL FEATURE STRIP - BRIGHT WHITE
2	108688-01-03A	EA	STRIP - FEATURE - 15'
3	099418-01-000	FT	D - SECTION SEAL W/ADHESIVE BACK - .44" X .44" - BLK RUBBER
4	100128-02-000	FT	SEAL - FOAM - ADHESIVE BACK - .37" WIDE X .37" THICK
5	115076-01-000	FT	SEAL - SLIDEOUT
6	116933-01-02A	EA	TRIM - SEAL
7	115075-02-000	FT	SEAL - WIPE - .25" X 3.15"
8	089275-02-000	FT	STRIP - 3/4" X 84" BLACK POLYETHELENE
9	121283-01-000	FT	SEAL - P SHAPED
9	115661-01-000	FT	POLYETHYLENE - HIGH DENSITY - 1/16" X 3'

KEY	PART NUMBER	U/M	DESCRIPTION
10	115325-05-02A	EA	RAIL - FLOOR/SLIDEOUT ROOM - BLACK FROM: 00-00-00 THRU: 03-31-98
10	115325-03-02A	EA	RAIL - FLOOR/SLIDEOUT ROOM - BLACK - 64.5" LONG FROM: 04-01-98 THRU: 99-99-99
11	116933-02-02A	EA	TRIM/SEAL - BRIGHT WHITE
12	119992-12-01A	EA	TRIM - SEAL - W/MITERED ENDS BRIGHT WHITE
13	119992-11-01A	EA	TRIM - SEAL - W/MITERED ENDS BRIGHT WHITE
14	117004-03-03A	EA	TRIM - SEAL - INNER (TOP)
	117004-01-03A	EA	TRIM - SEAL - INNER (FORWARD)
	117004-02-03A	EA	TRIM - SEAL - INNER (REARWARD)

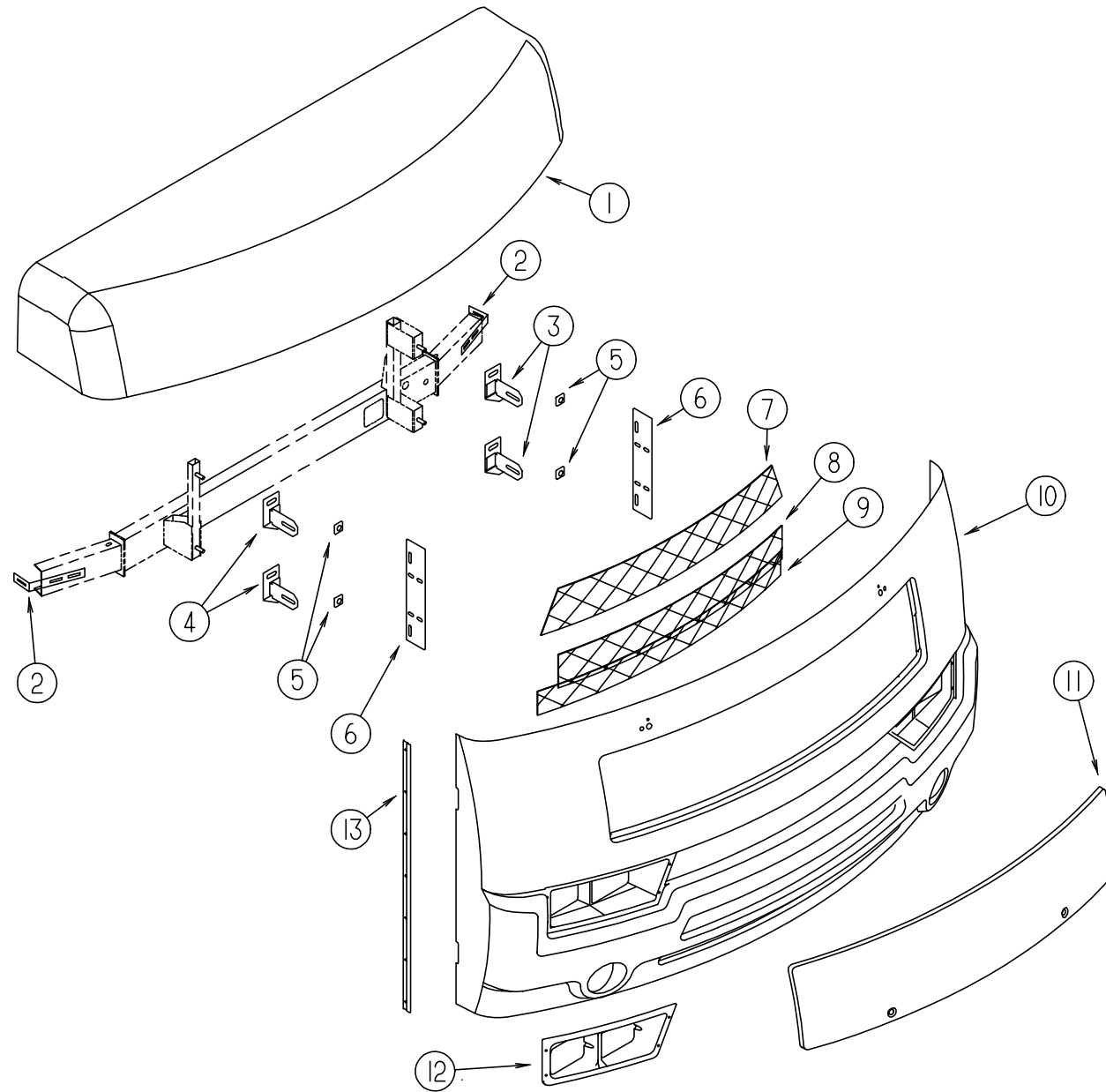
EXTERIOR BODY GROUP (CONTINUED)
FRONT END ASM



KEY	PART NUMBER	U/M	DESCRIPTION
1	070579-06-000	EA	PLATE - ANCHOR - W/7/16" WELD NUT - 1.5" X 3.3"
1	070579-07-000	EA	PLATE - ANCHOR - W/O WELD NUT - 1.5" X 3.3"
2	078249-16-000	EA	TUBE - SWEPT - CAB FRAME
3	104797-03-000	EA	BRACKET - DEFROSTER
4	104797-04-000	EA	BRACKET - DEFROSTER
5	104797-05-000	EA	BRACKET - DEFROSTER
6	106746-02-000	EA	PANEL - STEPWELL
7	106747-03-000	EA	PANEL - STEPWELL - RIGHT HAND END
8	106747-04-000	EA	PANEL - STEPWELL - LEFT HAND END
9	117273-01-01A	EA	TUBE - SUPPORT - A-PILLAR
10	117287-01-01B	EA	BRACKET - MOUNT - CABLE
11	118592-01-01B	EA	SHIELD - SPLASH - RIGHT HAND
12	120363-01-01B	EA	BRACKET - WINDSHIELD
13	120840-06-01B	EA	STRAP - W/HOLES - MILL
14	121269-07-01B	EA	FRAME - WINDSHIELD - A-PILLAR - MILL

KEY	PART NUMBER	U/M	DESCRIPTION
15	121269-08-01B	EA	FRAME - WINDSHIELD - A-PILLAR - MILL
16	063977-14-000	EA	STEP - DRIVER DOOR - LEFT HAND
17	128255-01-04B	EA	STEP - DRIVER DOOR - BLACK
18	121268-01-01B	EA	SUPPORT - WINDSHIELD - UPPER - MLL
19	125836-02-01B	EA	ZEE - WIPER MOTOR - MILL
20	125837-02-01B	EA	BRACE - WIPER MOTOR - MILL
21	127461-02-01B	EA	PLATE - ANCHOR - SEAT BELT
22	127874-01-01B	EA	TUBE - B-PILLAR - MILL
23	097123-01-000	EA	MOUNT - AIR INTAKE - FORD
24	099102-01-000	EA	BRACKET - LINKAGE - THROTTLE
25	104147-14-000	EA	SHIELD/SPLASH - HEADLIGHT
26	123262-02-02B	EA	BRACKET ASM - FUSE PANEL - E-CT
27	121962-02-02B	EA	SHIELD/SPLASH - HEADLIGHT - E-COATED
28	121267-01-01B	EA	SUPPORT - WINDSHIELD - LOWER - MLL

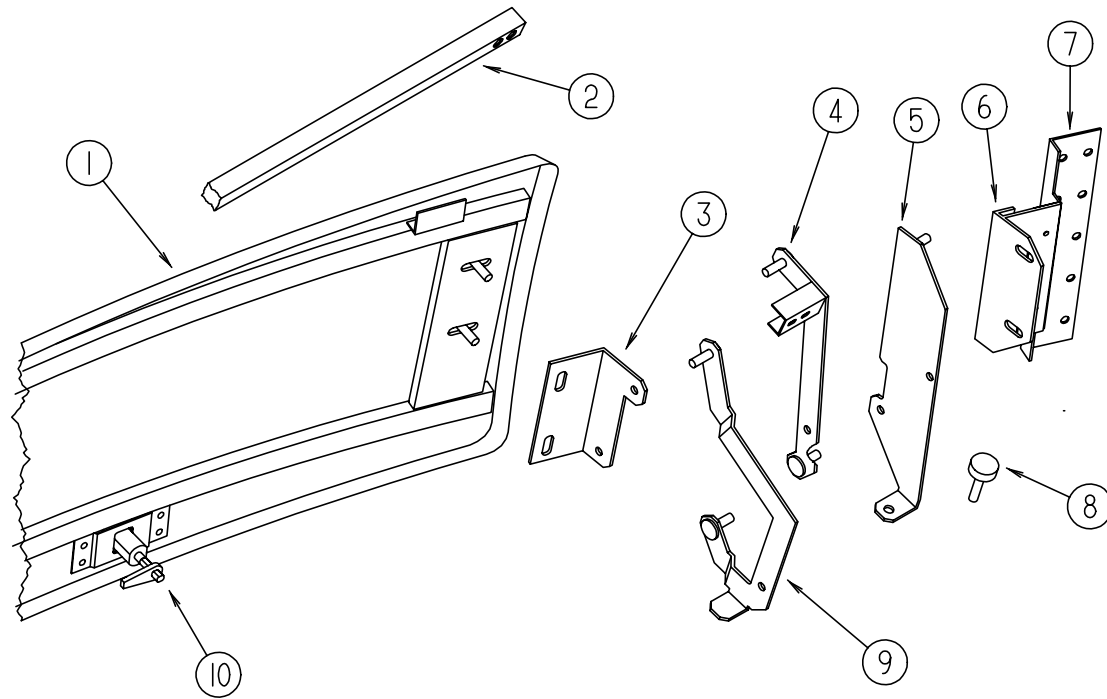
EXTERIOR BODY GROUP (CONTINUED)
FRONT END COMPONENTS



KEY	PART NUMBER	U/M	DESCRIPTION
1	125304-02-J60	EA	CAP - ROOF - W/O LIGHTS/WIRING
	118383-01-04A	EA	RETAINER - SCREW
	118383-04-04A	EA	CAP - RETAINER/SCREW
	070579-06-000	EA	PLATE - ANCHOR - W/7/16 WELD NUT - 1.5" X 3.3"
	070579-07-000	EA	PLATE - ANCHOR - W/O WELD NUT - 1.5" X 3.3"
2	128251-01-02B	EA	SUPPORT - VALANCE - E-COATED
3	122826-02-02B	EA	BRACKET - BUMPER - DRIVER - E-COATED
4	122826-01-02B	EA	BRACKET - BUMPER - PASSENGER - E-COATED
5	116617-02-02B	EA	SPACER - BUMPER
6	126933-02-02A	EA	SUPPORT - GRILLE - VERTICAL/BLACK
7	115924-22-02A	EA	WIRE MESH - F/GRILLE - FLAT BLACK

KEY	PART NUMBER	U/M	DESCRIPTION
8	115924-23-02A	EA	WIRE MESH - F/GRILLE - FLAT BLACK
9	115924-24-02A	EA	WIRE MESH - F/GRILLE - FLAT BLACK
10	126845-04-J45	EA	PANEL - FRONT/LOWER - W/O NOTCH
11	127223-01-J50	EA	HOOD - FRONT
12	126844-01-01A	EA	BEZEL - HEADLAMP - DUAL/RIGHT HAND
	126844-02-01A	EA	BEZEL - HEADLAMP - DUAL/LEFT HAND
	110690-01-D18	EA	PLATE - HEADLAMP - QUAD/RIGHT HAND
	110690-02-D18	EA	PLATE - HEADLAMP - QUAD/LEFT HAND
	007157-05-000	EA	NUT - WELL
13	123680-05-01A	EA	TRIM - FIBERGLASS - PANEL

EXTERIOR BODY GROUP (CONTINUED)



HOOD & COMPONENTS

KEY	PART NUMBER	U/M	DESCRIPTION
1	127223-01-J50	EA	HOOD - FRONT
	106730-10-000	EA	PLATE - STUD - F/HOOD
2	105096-10-000	EA	TUBE - HOOD HINGE TIMING W/WELDNUTS - CHEVY
3	109927-07-000	EA	ANGLE - LINK - HOOD/RIGHT HAND
	109927-08-000	EA	ANGLE - LINK - HOOD/LEFT HAND
4	127174-01-02B	EA	LINK - HINGE/HOOD/UPPER/RIGHT HAND
	127174-02-02B	EA	LINK - HINGE/HOOD/UPPER/LEFT HAND
5	126867-10-02B	EA	BRACKET - LINK - HOOD HINGE - PASSENGER - E-COATED
	126867-12-02B	EA	BRACKET - LINK - HOOD HINGE - DRIVER - E-COATED
6	118595-01-03A	EA	SUPPORT - HINGE LINK - PASSENGER - BRIGHT WHITE
	118595-02-03A	EA	SUPPORT - HINGE LINK - DRIVER - BRIGHT WHITE
7	113495-06-02B	EA	SUPPORT - HINGE
			FROM: 00-00-00 THRU: 01-06-98
7	113495-07-02B	EA	SUPPORT - HINGE
			FROM: 01-07-98 THRU: 99-99-99
8	058786-01-000	EA	BOLT - ADJUSTING HOOD - W/BLACK PAD
9	127172-02-02B	EA	LINK - HINGE/HOOD/LOWER/RIGHT HAND
	127172-04-02B	EA	LINK - HINGE/HOOD/LOWER/LEFT HAND
10	102330-02-000	EA	LATCH - VISE ACTION/KEY OPERATED
	102330-04-000	EA	PAWL - LATCH - STRAIGHT - 1.96"
	102328-01-000	EA	KEY - BARREL - NICKEL PLATED
	106748-01-000	EA	LATCH - HOOD - FRONT END
	099418-01-000	FT	SEAL - D-SECTION/ADHESIVE BACK - .44" X .44"- BLK RUBBER

EXTERIOR BODY GROUP (CONTINUED)

MISCELLANEOUS FRONT END COMPONENTS

KEY	PART NUMBER	U/M	DESCRIPTION
	110782-01-000	EA	ANGLE - SUPPORT - HEADLAMP
	125846-01-J60	EA	SUPPORT ASM - WIPER
	076364-57-000	EA	ANGLE - FORMED

FIBERGLASS, STYROFOAM & INSULATION

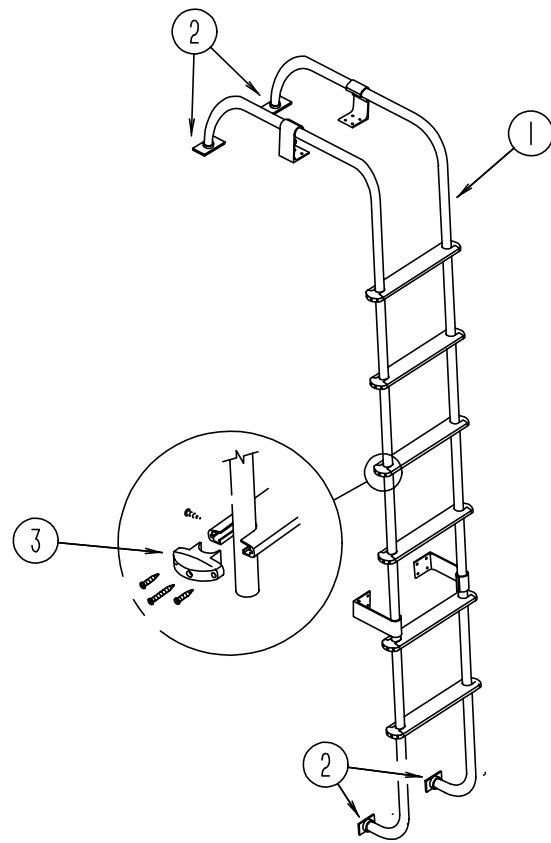
KEY	PART NUMBER	U/M	DESCRIPTION
	076054-U4-000	EA	FIBERGLASS SHEET - 101" X 104" - BRIGHT WHITE
			FROM: 00-00-00 THRU: 02-03-98
	076054-U8-000	EA	FIBERGLASS SHEET - 100" X 105" - BRIGHT WHITE
			FROM: 02-04-98 THRU: 99-99-99
	076054-X9-000	EA	FIBERGLASS SHEET - 22.1" X 70.6" - BRIGHT WHITE
	076054-W6-000	EA	FIBERGLASS SHEET - 79" X 367" - BRIGHT WHITE
	077517-62-000	EA	FIBERGLASS SHEET/SIDEWALL - 48" X 96" - BRIGHT WHITE
	108535-05-702	EA	FRP FLAT 108" X 396" BRT WHT (ROOF COVERING)
	000870-08-000	SF	STYROFOAM - 3/4" X 48" X 96" PLANED EXPANDED BEAD BOARD
	072878-01-000	SF	INSULATION - SOUND BARRIER PAD - .058" X 33" X 58"
	100619-01-000	BF	FOAM - EXPANDED POLYSTYRENE - 1.34" X 48" X 96"
	100619-02-000	BF	FOAM - EXPANDED POLYSTYRENE - 1.5" X 48" X 96"
	100619-04-000	BF	FOAM - EXPANDED POLYSTYRENE - .5" X 48" X 96"
	100619-05-000	BF	FOAM - EXPANDED POLYSTYRENE - .75" X 48" X 96"
	100619-10-000	BF	FOAM - EXPANDED POLYSTYRENE - 1.5" X 48" X 96"
	100619-11-000	BF	FOAM - EXPANDED POLYSTYRENE - 2" X 48" X 96"
	100619-13-000	BF	FOAM - EXPANDED POLYSTYRENE - .34" X 34.65" X 96"
	100619-16-000	BF	FOAM - EXPANDED POLYSTYRENE - .75" X 48" X 96"
	105077-08-000	EA	FOAM - PLUG - ROOF CAP
	120107-01-000	EA	FOAM - COVE - ROOF - 2.8" X 96" LONG
	120107-02-000	EA	FOAM - PLUG - ROOF TUBE - 2.2" X 2.9" X 1.8" LONG
	120107-03-000	EA	FOAM - PLUG - SIDEWALL TUBE - 1.2" X 2.1" X 1.8" LONG
	089297-01-000	SF	PLYWOOD - LUAN - OVERLAY GRADE - 48" X 96
	089297-02-000	SF	PLYWOOD - LUAN - OVERLAY GRADE - 48" X 108"

A & E AWNING & HARDWARE

KEY	PART NUMBER	U/M	DESCRIPTION
	113874-08-06A	EA	AWNING - W/O HARDWARE - 19' (POLAR MAUVE) VINYL
*	113874-01-02A	EA	HARDWARE KIT - AWNING - W/O STANDOFF BRACKET - BRIGHT WHT
	119496-01-02A	EA	SPACER/ZEE - AWNING
			FROM: 00-00-00 THRU: 04-12-98
	111037-01-01A	EA	SPACER - AWNING - UPPER - BLACK
			FROM: 00-00-00 THRU: 04-12-98
	130320-01-02A	EA	BRACKET - AWNING - F/A&E INSTALLATION - BRIGHT WHITE
			FROM: 04-13-98 THRU: 99-99-99

*COMPONENT PARTS FOUND IN SERVICE PARTS LIBRARY

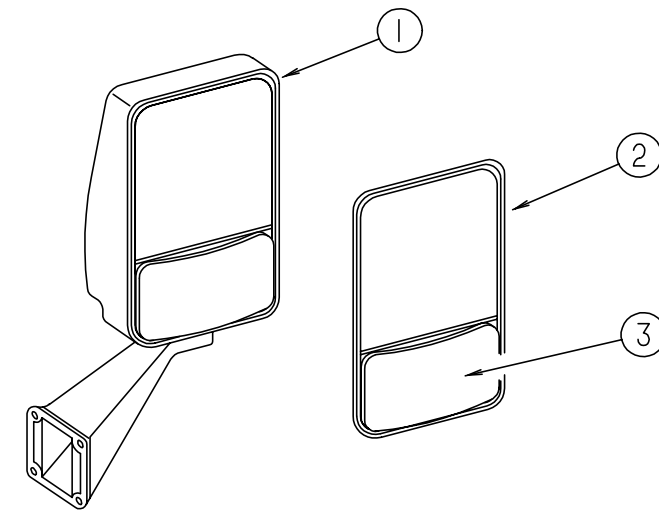
EXTERIOR BODY GROUP (CONTINUED)



LADDER

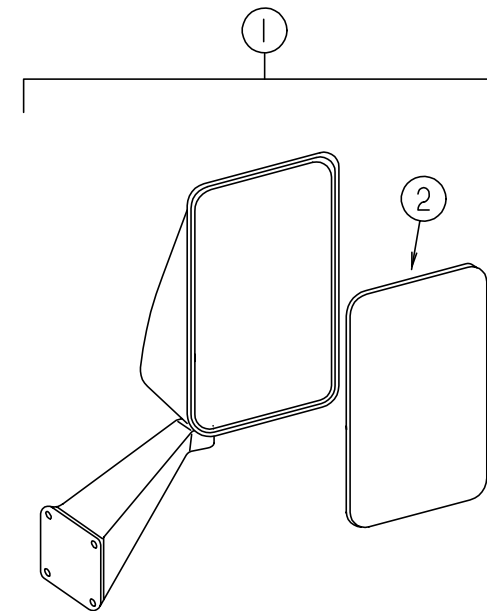
KEY	PART NUMBER	U/M DESCRIPTION	
1	102953-11-F31	EA LADDER	
			FROM: 00-00-00 THRU: 05-17-98
1	129639-02-01A	EA LADDER - BRUSHED ALUMINUM	
			FROM: 05-18-98 THRU: 99-99-99
2	067165-01-000	EA BRACKET - MOUNTING - LOWER LADDER	
3	076980-02-000	EA END CAP - STEP - BLACK	
	038327-04-000	EA TAPE - ANTI SLIP - 12" X 60'	

EXTERIOR BODY GROUP (CONTINUED)



VELVAC HEATED EXTERIOR MIRRORS

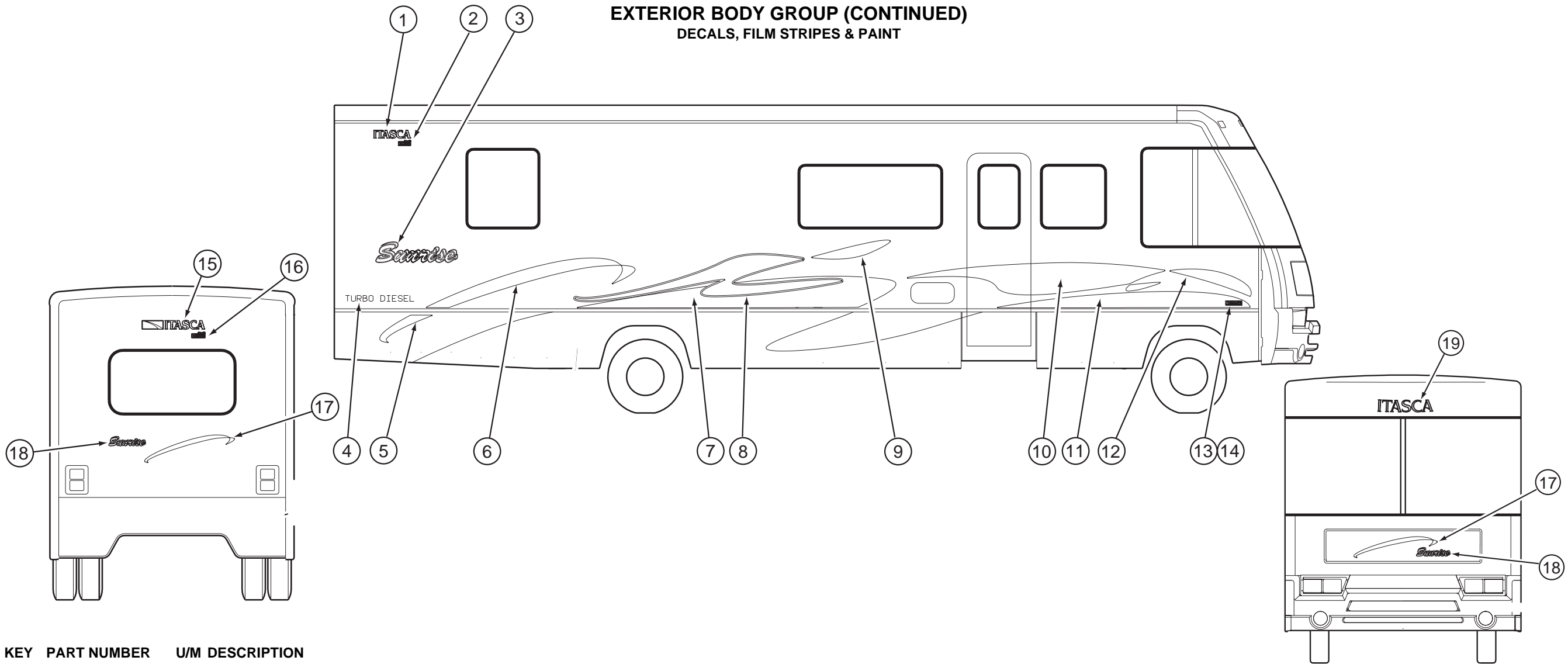
KEY	PART NUMBER	U/M DESCRIPTION	VENDOR NO.
1	106015-12-01A	EA MIRROR - EXTERIOR REMOTE/HEAT - PASSENGER	
1	106015-13-01A	EA MIRROR - EXTERIOR REMOTE/HEAT - DRIVER	
2	106015-12-700	EA MIRROR - FLAT - W/W/O HEAT	709448
3	106015-12-701	EA MIRROR - CONVEX - W/W/O HEAT	709449
	106015-12-702	EA SCREW CAP - (BAG OF 4)	748329
	087695-02-000	EA SWITCH - HEATER - EXTERIOR MIRROR	
	088246-01-000	EA SWITCH - REMOTE - EXTERIOR - SQUARE PUSH	
	087695-03-000	EA CONNECTOR - ASSEMBLY	



VELVAC EXTERIOR MIRRORS

KEY	PART NUMBER	U/M DESCRIPTION	VENDOR NO.
1	123297-01-01A	EA MIRROR - EXTERIOR - ADJUSTABLE GLASS - DRIVER	
1	123297-02-01A	EA MIRROR - EXTERIOR - ADJUSTABLE GLASS - PASSENGER	
2	106860-02-702	EA GLASS ONLY FLAT RH/LH STAR	702086-8

EXTERIOR BODY GROUP (CONTINUED)
DECALS, FILM STRIPES & PAINT

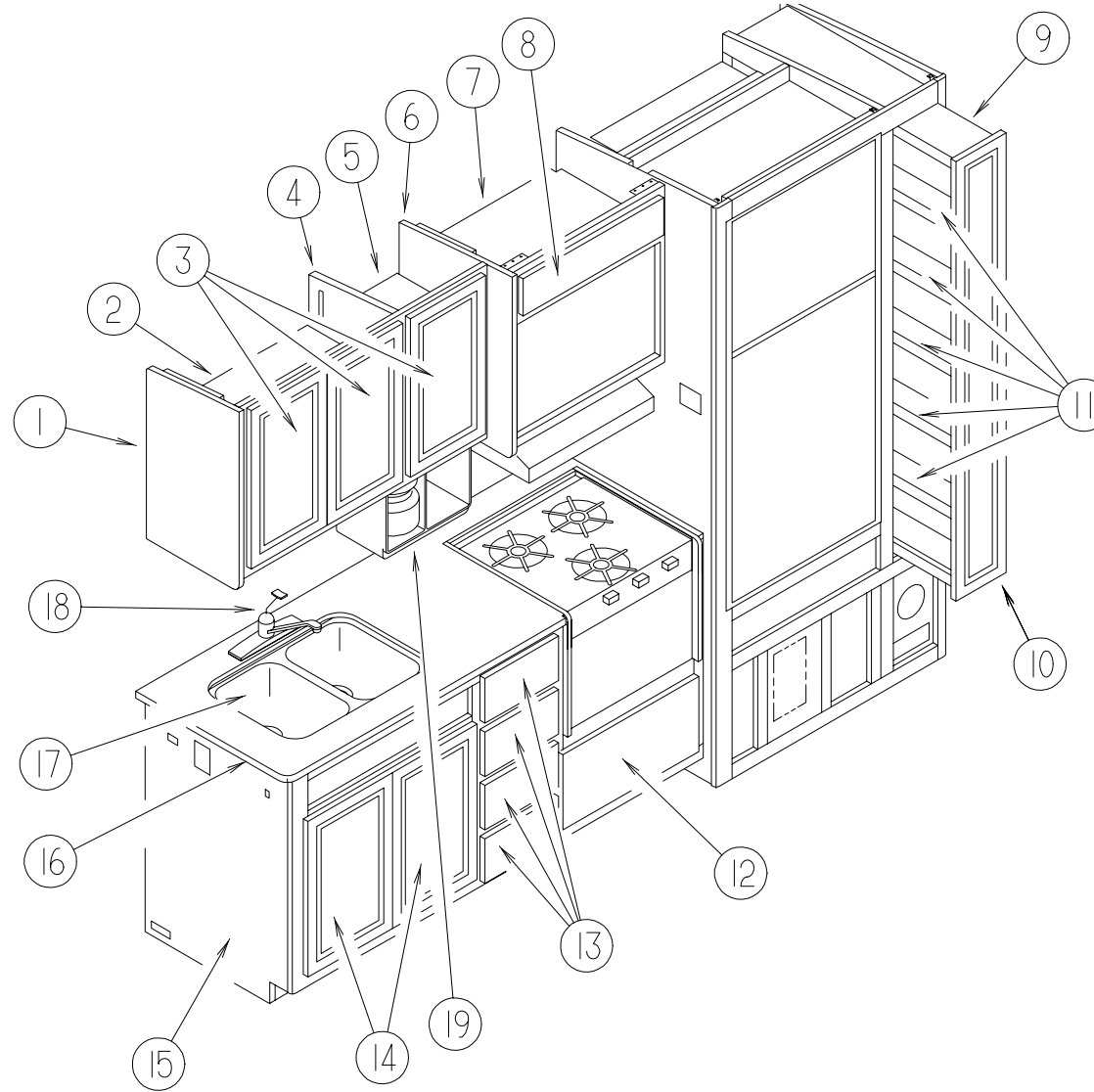


KEY	PART NUMBER	U/M	DESCRIPTION
1	124811-01-06A	EA	DECAL - LOGO - ITASCA
2	122770-01-10A	EA	DECAL - "BUILT PROUDLY BY WINNEBAGO INDUSTRIES"
3	121425-01-03A	EA	DECAL - LOGO - SUNRISE/LARGE
4	111318-03-16A	EA	DECAL - TURBO DIESEL
5	128041-01-01A	EA	DECAL - SWIRL - #1/LOWER/RIGHT HAND
	128041-02-01A	EA	DECAL - SWIRL - #1/LOWER/LEFT HAND
6	128040-01-01A	EA	DECAL - SWIRL - #1 UPPER/RIGHT HAND
	128040-02-01A	EA	DECAL - SWIRL - #1/UPPER/LEFT HAND
7	128047-01-01A	EA	DECAL - PAINT HUMPS - REAR/PASSENGER
	128047-02-01A	EA	DECAL - PAINT HUMPS - REAR/DRIVERS
8	128042-01-01A	EA	DECAL - SWIRL - #2/RIGHT HAND
	128042-02-01A	EA	DECAL - SWIRL - #2/LEFT HAND
9	128043-01-01A	EA	DECAL - TIP - #2/RIGHT HAND
	128043-02-01A	EA	DECAL - TIP - #2/LEFT HAND
10	128044-01-01A	EA	DECAL - SWIRL - #3/RIGHT HAND
	128044-02-01A	EA	DECAL - SWIRL - #3/LEFT HAND
11	128046-01-01A	EA	DECAL - PAINT HUMPS - FRONT/RIGHT HAND
	128046-02-01A	EA	DECAL - PAINT HUMPS - FRONT/LEFT HAND
12	128045-01-01A	EA	DECAL - TIP - #3/RIGHT HAND
	128045-02-01A	EA	DECAL - TIP - #3/LEFT HAND
13	129922-01-01A	EA	EMBLEM - TRITON V10
14	122312-02-01A	EA	DECAL - VORTEC 7400 FUEL INJECTED
15	124806-01-05A	EA	DECAL - LOGO - ITASCA
16	122770-02-12A	EA	DECAL - "BUILT PROUDLY BY WINNEBAGO INDUSTRIES"
17	128048-01-01A	EA	DECAL - SWIRL - HOOD
18	121425-02-03A	EA	DECAL - LOGO - SUNRISE/SMALL
19	124989-01-04A	EA	DECAL - LOGO - ITASCA/SWEEP #15
	004308-01-000	EA	PAINT - BLACK SPRAY
	041561-03-000	EA	PAINT - 16 OUNCE SPRAY - OFF WHITE

DUPONT COLOR CODES

BRIGHT WHITE	(MAIN BODY COLOR)	B8951
SILVER METALLIC	(LOWER ACCENT COLOR)	F2573U
LAVENDAR FROST METALLIC	(DECAL COLOR)	F2984
AZTEC SILVER METALLIC	(DECAL COLOR)	F2573

**GALLEY GROUP
GALLEY CABINETS**



KEY	PART NUMBER	U/M	DESCRIPTION	VENDOR NO.	KEY	PART NUMBER	U/M	DESCRIPTION	VENDOR NO.
1	081319-20-G15	EA	END CAP - OVERHEAD CABINET		15	128297-01-J37	EA	CABINET - GALLEY - W/COUNTERTOP - W/O DOORS/DRAWERS/HDW (J65,J69)	
2	122393-11-H17	EA	SHELF/LARGE - W/PLASTIC EDGE MOLDING		15	128297-01-J38	EA	CABINET - GALLEY - W/COUNTERTOP - W/O DOORS/DRAWERS/HDW (J66)	
3	M08758-14-J05	EA	DOOR - MITERED CORNER/OGEE EDGE - 12" X 21.8" - W/O HDW		15	128297-01-J97	EA	CABINET - GALLEY - W/COUNTERTOP - W/O DOORS/DRAWERS/HDW (J67)	
3	M05992-14-J37	EA	DOOR - STRAIGHT CORNER/OGEE EDGE - 12" X 21.8" - W/O HDW		15	128297-01-J98	EA	CABINET - GALLEY - W/COUNTERTOP - W/O DOORS/DRAWERS/HDW (J68)	
4	P22393-01-H17	EA	CABINET - OVERHEAD/GALLEY - W/O DOORS/HARDWARE		16	128297-13-J37	EA	COUNTERTOP - GALLEY (J65,J69)	
5	122393-12-H17	EA	SHELF/SMALL - W/PLASTIC EDGE MOLDING		16	128297-13-J38	EA	COUNTERTOP - GALLEY (J66)	
6	081320-14-G09	EA	END CAP - OVERHEAD CABINET		16	128297-13-J97	EA	COUNTERTOP - GALLEY (J67)	
7	128620-02-J15	EA	CABINET - MICROWAVE - W/O DOORS/HARDWARE		16	128297-13-J98	EA	COUNTERTOP - GALLEY (J68)	
8	M05992-G3-J15	EA	DOOR - STRAIGHT CORNER/OGEE EDGE - 6.3" X 23.2" - W/O HDW		17	104113-01-000	EA	SINK - DOUBLE - STAINLESS STEEL	
9	122325-01-J22	EA	CABINET - PANTRY/RIGHT HAND SLIDING - W/O SLIDES/HARDWARE		092303-01-000		EA	STRAINER - SINK	
	122360-02-000	EA	SLIDE - PANTRY - W/O LOCK - RIGHT/LEFT HAND		103610-03-J37		EA	COVER - SINK - 15.2" X 11" (J65,J69)	
	122360-03-000	EA	SLIDE - PANTRY - W/LOCK - RIGHT HAND		103610-03-H07		EA	COVER - SINK - 15.2" X 11" (J66)	
	123673-01-01A	EA	KNOB - PANTRY SLIDE		103610-03-H04		EA	COVER - SINK - 15.2" X 11" (J67)	
10	M08758-E6-J37	EA	DOOR - MITERED CORNER/OGEE EDGE - 8.5" X 60.7" - W/O HDW		103610-03-H24		EA	COVER - SINK - 15.2" X 11" (J68)	
10	M05992-K0-J37	EA	DOOR - STRAIGHT CORNER/OGEE EDGE - 8.5" X 60.7" - W/O HDW		18	104114-02-01A	EA	FAUCET - GALLEY - SINGLE CONTROL	
11	122325-11-H17	EA	SHELF - W/EDGE MOLDING		19	126019-01-01A	EA	COFFEEMAKER - OPTIMA - W/BRACKETS - BLACK & DECKER	
12	M05971-GZ-J37	EA	DRAWER - OGEE EDGE - 19.7"W X 11.8"W - W/O SLIDES/HARDWARE		126019-01-700		EA	GLASS CARAFE	172547-00
13	M05971-11-J15	EA	DRAWER - OGEE EDGE - 9.9"W X 17.7"D - W/O SLIDES/HARDWARE		126019-01-701		EA	RESERVOIR - WATER	172554
14	M08758-87-J37	EA	DOOR - MITERED CORNER/OGEE EDGE - 13.6" X 27" - W/O HDW		126019-01-702		EA	BASKET - FILTER	172553-00
14	M05992-E5-J37	EA	DOOR - STRAIGHT CORNER/OGEE EDGE - 13.6" X 27" - W/O HDW - RH		126019-01-703		EA	HARDWARE - MOUNTING	172174-00
14	M05992-E6-J37	EA	DOOR - STRAIGHT CORNER/OGEE EDGE - 13.6" X 27" - W/O HDW - LH						

GALLEY GROUP (CONTINUED)
MICROWAVE OVEN & TRIMS, BRACKETS, AND BRACES

KEY	PART NUMBER	U/M	DESCRIPTION	VENDOR NO.
	128527-02-000	EA	OVEN - MICROWAVE - 1.2 CU FT - NON CONVECTION	
	128527-02-700	EA	TRIM RING - F/1.2 CU.FT. MICRO	MC-6471-EA
	128642-02-000	EA	TRIM KIT W/VENT - MICROWAVE - 1.2 CU FT SAMSUNG	
	094750-10-000	EA	BRACKET - MICROWAVE - 89 DEGREE	
	098916-22-02B	EA	BRACE - MICROWAVE CABINET - LEFT HAND	
	098916-23-02B	EA	BRACE - MICROWAVE CABINET - RIGHT HAND	

HOOD RANGE

KEY	PART NUMBER	U/M	DESCRIPTION
*	100258-16-04A	EA	HOOD - RANGE - W/O MONITOR PANEL - W/O HOUR METER/SWITCH - US
*	100258-18-03A	EA	HOOD - RANGE - W/O MONITOR PANEL - W/HOUR METER/SWITCH - US
*	100258-17-04A	EA	HOOD - RANGE - W/O MONITOR PANEL - W/O HOUR METER/SWITCH - CSA

***COMPONENT PARTS FOUND IN SERVICE PARTS LIBRARY**

RANGE

KEY	PART NUMBER	U/M	DESCRIPTION
*	112881-02-03A	EA	RANGE - 16" - 3 BURNER - FRONT HI-OUTPUT BURNER - BLK TOP/DOOR
	105458-03-000	EA	BRACKET - STOVE TIEDOWN - RIGHT HAND
	105458-04-000	EA	BRACKET - STOVE TIEDOWN - LEFT HAND

***COMPONENT PARTS FOUND IN SERVICE PARTS LIBRARY**

LVS MONITOR PANEL

KEY	PART NUMBER	U/M	DESCRIPTION
*	102765-04-01A	EA	PANEL - MONITOR - 2 HOLDING TANKS - ADJUSTABLE

***COMPONENT PARTS FOUND IN SERVICE PARTS LIBRARY**

REFRIGERATOR & TRAYS, LEVEL, TIEDOWN PLATE, BRACKETS, AND SEAL

KEY	PART NUMBER	U/M	DESCRIPTION
*	121568-01-01A	EA	REFRIGERATOR - SMALL DOUBLE DOOR - 2-WAY FROM: 00-00-00 THRU: 07-19-98
*	121568-03-01A	EA	REFRIGERATOR - SMALL DOUBLE DOOR/RIGHT HAND - 2-WAY - BLK FROM: 07-20-98 THRU: 99-99-99
	116751-02-01A	EA	TRAY - REFRIGERATOR - BLACK
	054450-01-000	EA	LEVEL - REFRIGERATOR
	065225-02-000	EA	PLATE - TIEDOWN - REFRIGERATOR
	093646-01-000	EA	BRACKET - TIEDOWN/REFRIGERATOR - RIGHT HAND
	093646-02-000	EA	BRACKET - TIEDOWN/REFRIGERATOR - LEFT HAND
	090329-01-000	FT	SEAL/T - REFRIGERATOR CABINET

***COMPONENT PARTS FOUND IN SERVICE PARTS LIBRARY**

GENERATOR GROUP
6500 WATT EMERALD PLUS

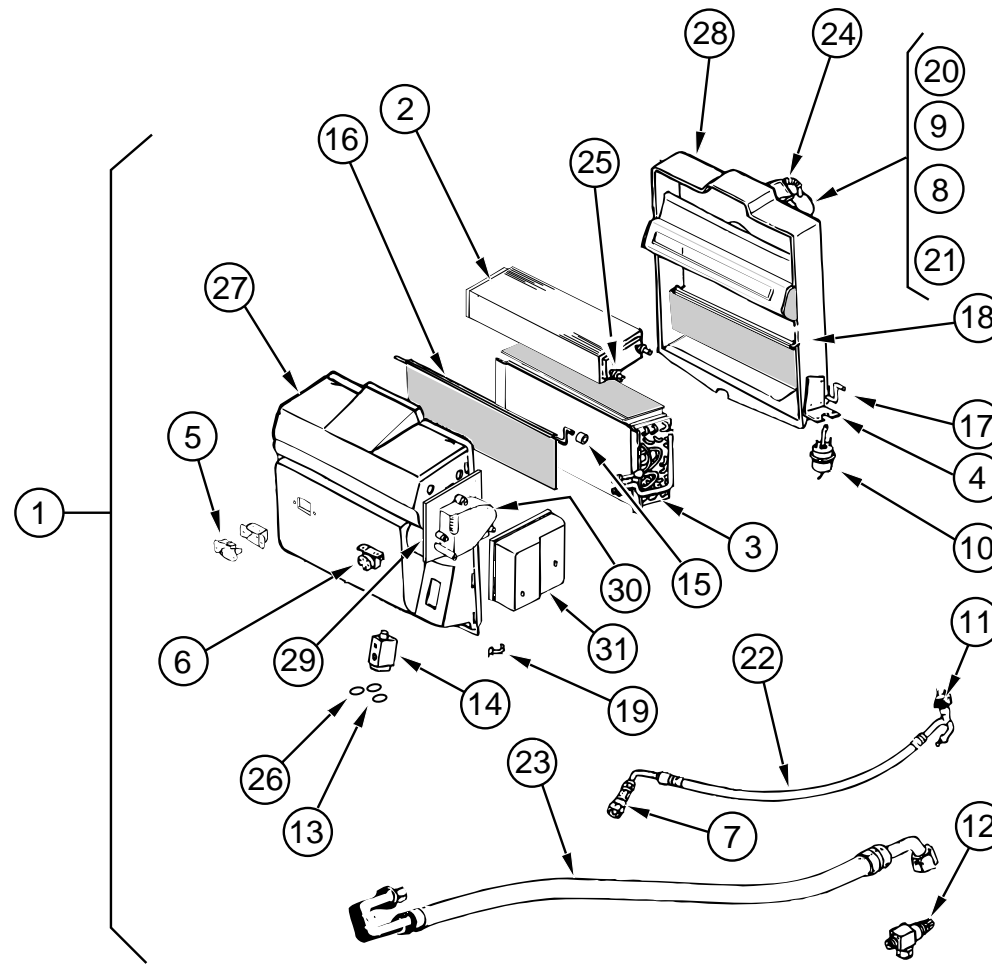
KEY	PART NUMBER	U/M	DESCRIPTION
	100975-01-000	EA	GENERATOR - 6.5 KW EMERALD PLUS
	094657-02-000	EA	TRAY - GENERATOR - 22.5" X 30.4" X 6.9" - W/ANGLE & NUTS FROM: 00-00-00 THRU: 01-28-98
	127008-02-02B	EA	TRAY - GENERATOR FROM: 01-29-98 THRU: 99-99-99
	106602-01-000	EA	PIPE - EXHAUST - GENERATOR
	081364-03-000	EA	MUFFLER - GENERATOR - ONAN
	079654-05-000	EA	PIPE - EXHAUST - ANGLED W/FLANGE - 2" ID
	007131-01-000	EA	HANGER - TAILPIPE - 6 SLOTS
	007125-03-000	EA	CLAMP - MUFFLER - 1.5" DIAMETER
	007125-04-000	EA	CLAMP - MUFFLER - 1.12" DIAMETER
	106607-01-000	EA	ANGLE - SUPPORT - EXHAUST
	094059-01-000	EA	SPACER - GENERATOR - ONAN

5000 WATT EMERALD PLUS

KEY	PART NUMBER	U/M	DESCRIPTION
	109303-01-000	EA	GENERATOR - 5 KW - EMERALD PLUS
	094657-02-000	EA	TRAY - GENERATOR - 22.5" X 30.4" X 6.9" - W/ANGLE & NUTS FROM: 00-00-00 THRU: 01-28-98
	127008-02-02B	EA	TRAY - GENERATOR FROM: 01-29-98 THRU: 99-99-99
	106602-01-000	EA	PIPE - EXHAUST - GENERATOR
	081364-03-000	EA	MUFFLER - GENERATOR - ONAN
	079654-05-000	EA	PIPE - EXHAUST - ANGLED W/FLANGE - 2" ID
	007131-01-000	EA	HANGER - TAILPIPE - 6 SLOTS
	007125-03-000	EA	CLAMP - MUFFLER - 1.5" DIAMETER
	007125-04-000	EA	CLAMP - MUFFLER - 1.12" DIAMETER
	106607-01-000	EA	ANGLE - SUPPORT - EXHAUST
	094059-01-000	EA	SPACER - GENERATOR - ONAN

NOTE: ADDITIONAL GENERATOR COMPONENTS ARE FOUND IN THE CHASSIS GROUP

HEATING & AIR CONDITIONING GROUP
SCS EVAPORATOR/HEATER ASSEMBLY - FORD 1997 CHASSIS

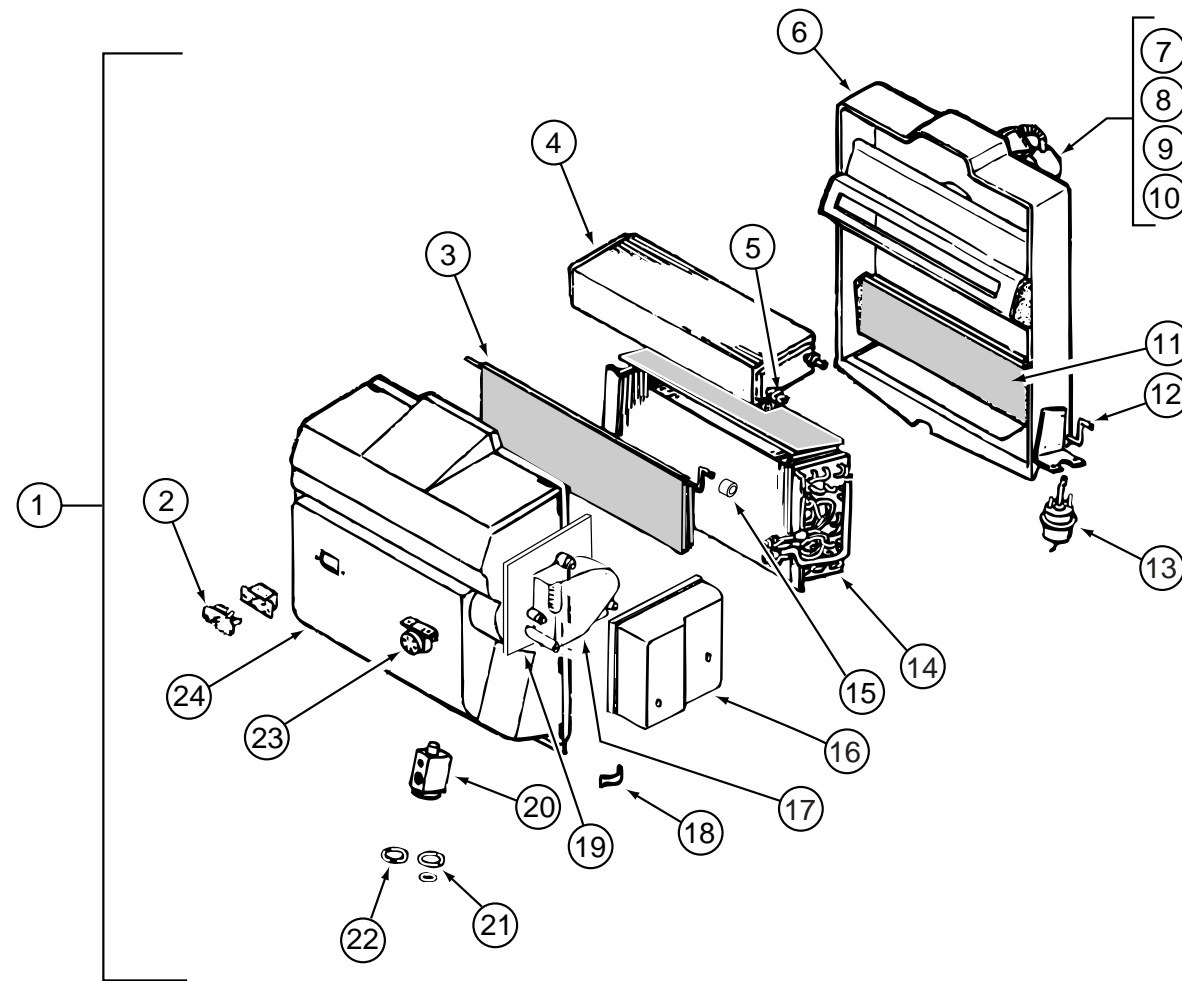


KEY	PART NUMBER	U/M	DESCRIPTION
1	103930-31-000	EA	EVAPORATOR/HEATER - FORD - SERVO MOTOR CONTROLLED
2	103930-01-703	EA	CORE - HEATER
3	103930-01-704	EA	COIL - EVAPORATOR
4	103930-01-708	EA	BRACKET - VACUUM MOTOR
5	103930-01-710	EA	RESISTOR - FUSED - A/C
6	103930-01-711	EA	THERMOSTAT
7	103930-01-713	EA	FITTING - QUICK CONNECT - #4
8	103930-01-717	EA	WHEEL - BLOWER - CLOCKWISE
9	103930-30-706	EA	MOTOR - BLOWER PM147 W/ADAPTER
10	103930-02-708	EA	MOTOR - VACUUM SERVO - A/C
11	103930-12-708	EA	SWITCH - BINARY - HI/LOW CUTOUT
12	103930-13-702	EA	VALVE - SERVICE - W/O COMP.
13	103930-17-702	EA	O'RING #10
14	103930-20-700	EA	VALVE - EXPANSION - BLOCK - 2 TON
15	103930-30-702	EA	BUSHING - BLEND AIR DOOR

VENDOR NO.	KEY	PART NUMBER	U/M	DESCRIPTION	VENDOR NO.
042-0010	16	103930-30-705	EA	DOOR - BLEND AIR	071-0568
041-0017	17	103930-20-704	EA	ROD - DOOR - RECIRCULATING	073-0018
070-0113	18	103930-20-705	EA	PANEL - DOOR - RECIRCULATING	071-0213
035-0006	19	103930-20-706	EA	CLIP - RETAINER - CASE ATTACH	022-0057
033-0003	20	103930-20-707	EA	HOUSING - BLOWER	062-0145
050-0030	21	103930-20-708	EA	CLIP - MOTOR SHAFT	022-0001
062-0010	22	103930-21-700	EA	HOSE ASM #6 EVAPORATOR/DRIER	085-0139
030-0109	23	103930-21-701	EA	HOSE ASM #10 EVAPORATOR/COMP	085-0149
030-0025	24	110279-01-703	EA	HOSE - VENT F/BLOWER MOTOR	051-0034
032-0048	25	110279-01-712	EA	FITTING - HEATER	050-0076
050-0152	26	113245-01-707	EA	O'RING #8	045-0126
045-0127	27	103930-30-700	EA	CASE - FRONT	062-0542
034-0032	28	103930-20-711	EA	CASE - BACK - SUB-ASSEMBLY	062-0147
062-0168	29	103930-30-701	EA	PLATE - MOTOR MOUNT	062-0544
	30	103930-30-703	EA	MOTOR - SERVO	030-0104
	31	103930-30-704	EA	COVER - SERVO	062-0545

HEATING & AIR CONDITIONING GROUP (CONTINUED)

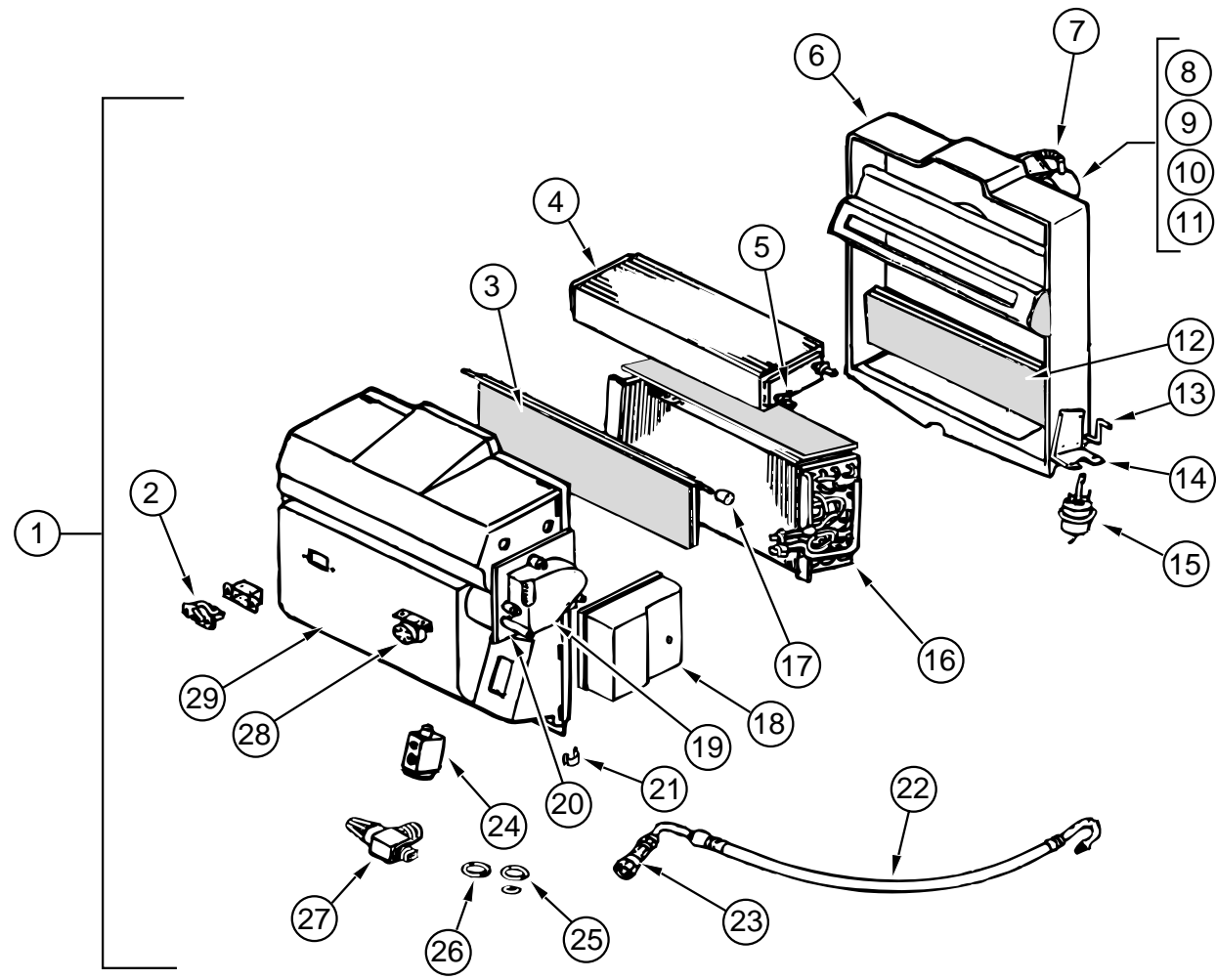
SCS EVAPORATOR/HEATER ASSEMBLY - FORD 1999 CHASSIS



KEY	PART NUMBER	U/M	DESCRIPTION	VENDOR NO.
1	103930-43-000	EA	EVAPORATOR/HEATER ASSEMBLY - NON-CHARGED	
2	103930-01-710	EA	RESISTOR - FUSED - A/C	035-0006
3	103930-43-700	EA	DOOR - AIR BLEND	071-0568
4	103930-01-703	EA	CORE - HEATER	042-0010
5	110279-01-712	EA	FITTING - HEATER	050-0076
6	103930-20-711	EA	CASE - BACK - SUB-ASSEMBLY	062-0147
7	103930-20-707	EA	HOUSING - BLOWER	062-0145
8	103930-30-706	EA	MOTOR - BLOWER PM147 W/ADAPTER	030-0109
9	103930-01-717	EA	WHEEL - BLOWER - CLOCKWISE	062-0010
10	103930-20-708	EA	CLIP - MOTOR SHAFT	022-0001
11	103930-20-705	EA	PANEL - DOOR - RECIRCULATING	071-0213
12	103930-20-704	EA	ROD - DOOR - RECIRCULATING	073-0018
13	103930-02-708	EA	MOTOR - VACUUM SERVO - A/C	030-0025

KEY	PART NUMBER	U/M	DESCRIPTION	VENDOR NO.
14	103930-01-704	EA	COIL - EVAPORATOR	041-0017
15	103930-30-702	EA	BUSHING - BLEND AIR DOOR	062-0168
16	103930-30-704	EA	COVER - SERVO	062-0545
17	103930-30-703	EA	MOTOR - SERVO	030-0104
18	103930-20-706	EA	CLIP - RETAINER - CASE ATTACH	022-0057
19	103930-30-701	EA	PLATE - MOTOR MOUNT	062-0544
20	103930-20-700	EA	VALVE - EXPANSION - BLOCK - 2 TON	034-0032
21	103930-17-702	EA	O'RING #10	045-0127
22	103930-01-707	EA	GASKET - O'RING - #8	045-0012
23	103930-01-711	EA	THERMOSTAT	033-0003
24	103930-30-700	EA	CASE - FRONT	062-0542
	103930-02-714	EA	CLAMP - CLUTCH - BARREL	022-0006
	103930-30-707	EA	DIVIDER ASM.	086-0061

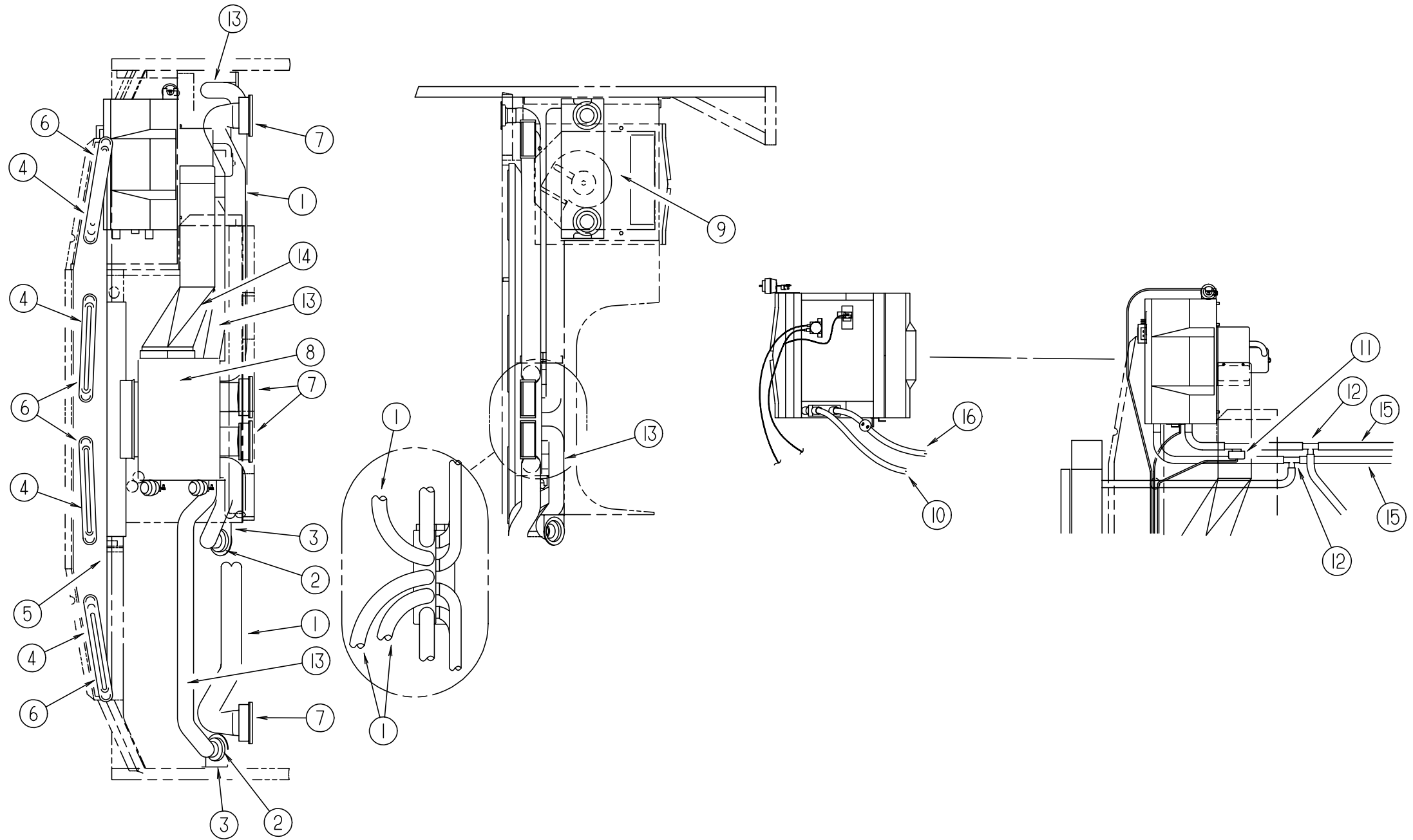
HEATING & AIR CONDITIONING GROUP (CONTINUED)
SCS EVAPORATOR/HEATER ASSEMBLY - CHEVY CHASSIS



KEY	PART NUMBER	U/M DESCRIPTION	VENDOR NO.
1	103930-30-000	EA EVAPORATOR/HEATER - CHEVY - SERVO MOTOR CONTROLLED	
2	103930-01-710	EA RESISTOR - FUSED - A/C	035-0006
3	103930-30-705	EA DOOR - BLEND AIR	071-0568
4	103930-01-703	EA CORE - HEATER	042-0010
5	110279-01-712	EA FITTING - HEATER	050-0076
6	103930-20-711	EA CASE - BACK - SUB-ASSEMBLY	062-0147
7	110279-01-703	EA HOSE - VENT F/BLOWER MOTOR	051-0034
8	103930-20-707	EA HOUSING - BLOWER	062-0145
9	103930-30-706	EA MOTOR - BLOWER PM147 W/ADAPTER	030-0109
10	103930-01-717	EA WHEEL - BLOWER - CLOCKWISE	062-0010
11	103930-20-708	EA CLIP - MOTOR SHAFT	022-0001
12	103930-20-705	EA PANEL - DOOR - RECIRCULATING	071-0213
13	103930-20-704	EA ROD - DOOR - RECIRCULATING	073-0018
14	103930-01-708	EA BRACKET - VACUUM MOTOR	070-0113

KEY	PART NUMBER	U/M DESCRIPTION	VENDOR NO.
15	103930-02-708	EA MOTOR - VACUUM SERVO - A/C	030-0025
16	103930-01-704	EA COIL - EVAPORATOR	041-0017
17	103930-30-702	EA BUSHING - BLEND AIR DOOR	062-0168
18	103930-30-704	EA COVER - SERVO	062-0545
19	103930-30-703	EA MOTOR - SERVO	030-0104
20	103930-30-701	EA PLATE - MOTOR MOUNT	062-0544
21	103930-20-706	EA CLIP - RETAINER - CASE ATTACH	022-0057
22	103930-25-700	EA HOSE ASM #6 EVAPORATOR/DRIER	085-0350
23	103930-12-709	EA FITTING - QUICK CONNECT	050-0120
24	103930-20-700	EA VALVE - EXPANSION - BLOCK - 2 TON	034-0032
25	103930-17-702	EA O'RING #10	045-0127
26	113245-01-707	EA O'RING #8	045-0126
27	103930-20-709	EA VALVE - SERVICE	050-0159
28	103930-01-711	EA THERMOSTAT	033-0003
29	103930-30-700	EA CASE - FRONT	062-0542

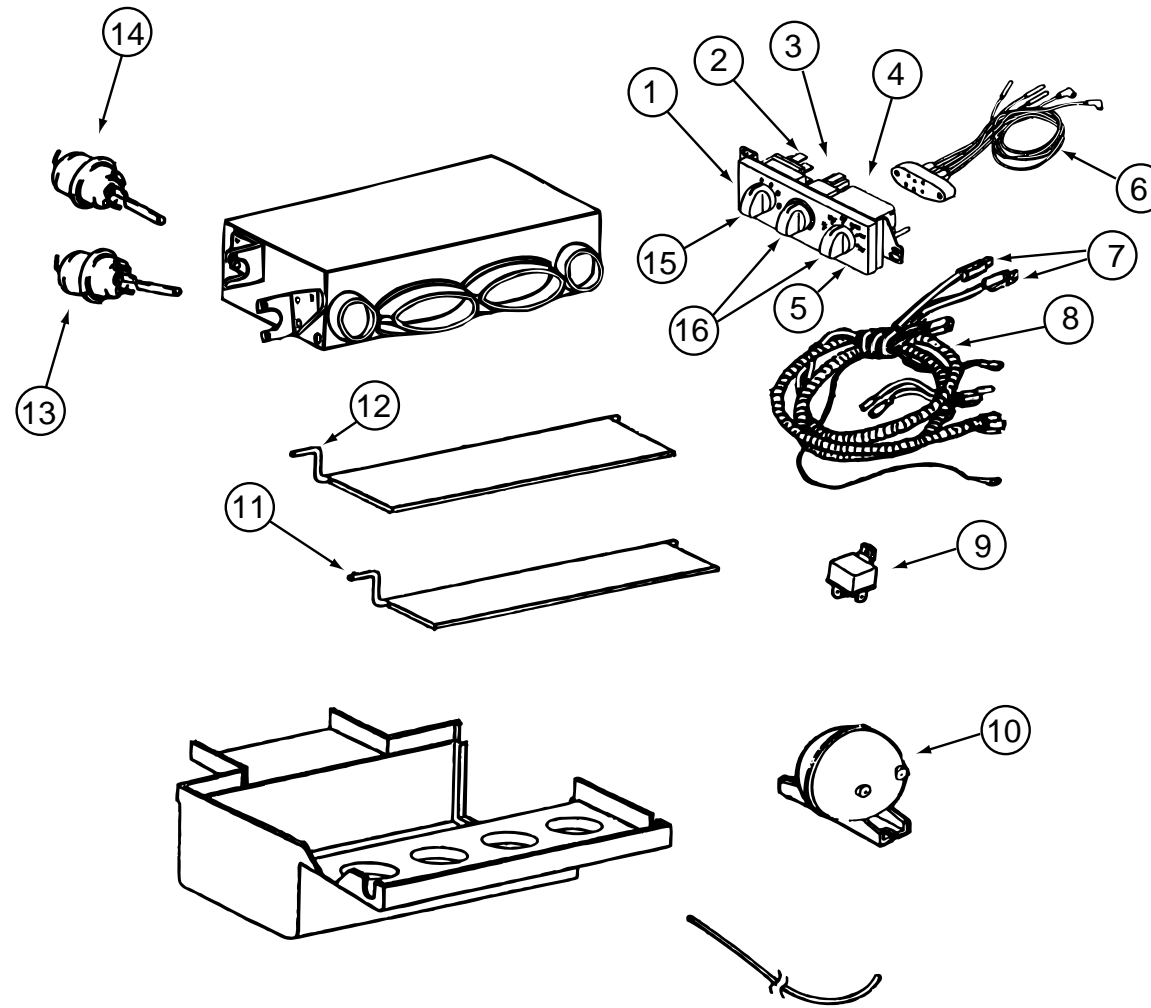
HEATING & AIR CONDITIONING GROUP (CONTINUED)
AUTOMOTIVE HEATER MISCELLANEOUS



KEY	PART NUMBER	U/M DESCRIPTION
1	007281-01-000	EA HOSE - FLEXIBLE PVC - 2.5" ID X 50'
1	007281-01-700	FT HOSE - FLEXIBLE PVC - 2.5" ID
2	024990-05-000	EA OUTLET - DEFROSTER - 4" DIAMETER W/SWIVEL DEFLECTORS
3	056402-05-000	EA BRACKET - HEATER VENT - ROUND W/BEND - BLACK
4	077075-01-000	EA GASKET - INSTRUMENT PANEL TO DEFROSTER PLENUM
5	103017-03-000	EA PLENUM - DEFROSTER
6	103558-01-10A	EA VENT - DEFROSTER - 2" X 14.4" X 1.4" - ANTELOPE
7	103796-01-01A	EA LOUVER - A/C-ADJUSTABLE - 2.2" X 5.4" F/2.5" HOSE - BLACK
8	103930-39-000	EA CONTROL/PLENUM - ROTARY
9	103930-30-000	EA EVAPORATOR/HEATER - CHEVY - SERVO MOTOR CONTROLLED
9	103930-31-000	EA EVAPORATOR/HEATER - SERVO MOTOR CONTROLLED - FORD 1997 CHASSIS
9	103930-43-000	EA EVAPORATOR/HEATER ASSEMBLY - NON-CHARGED - FORD 1999 CHASSIS

KEY	PART NUMBER	U/M DESCRIPTION	VENDOR NO.
10	103930-29-000	EA HOSE KIT - #10 F/GM L-29 & L-65 CHASSIS	
	103930-17-702	EA O'RING #10	045-0127
	103930-29-701	EA O'RING F/LOW PRESSURE SWITCH	045-0483
10	103930-45-000	EA HOSE - EVAPORATOR/COMPRESSOR - FORD 1999 CHASSIS	
11	103930-23-000	EA VALVE - WATER - 2 PORT	
12	076776-01-000	EA TEE - BEADED - 5/8" X 5/8" X 5/8"	
13	007076-01-000	EA HOSE - FLEXIBLE PVC - 2" ID - INCREMENTS OF 50'	
14	103016-03-000	EA PLENUM - TRANSITION	
15	007108-01-000	FT HOSE - HEATER - 5/8" ID - HI-TEMP - FORD	
16	103930-44-000	EA HOSE - EVAPORATOR/DRYER - #6 - FORD 1999 CHASSIS	
	077539-01-000	EA BRACKET - MOUNTING/DASH PANEL - L/SHAPED - 2.5" X 1" X 1.5"	
	103930-37-000	EA MANUAL - OWNERS - HEATER/A/C	
	7SB003-97-01A	EA SCS/FRIGETTE SERVICE MANUAL AIR CONDITIONING	

HEATING & AIR CONDITIONING GROUP (CONTINUED)
SCS CONTROL/PLENUM



KEY	PART NUMBER	U/M	DESCRIPTION
	103930-39-000	EA	CONTROL/PLENUM - ROTARY
1	103930-33-702	EA	CONTROL PANEL
2	103930-33-707	EA	SWITCH - BLOWER
3	103930-33-708	EA	SWITCH - POTENTIOMETER
4	103930-33-709	EA	SWITCH - VACUUM
5	103930-33-710	EA	DECAL F/CONTROL HEAD
6	103930-33-703	EA	VACUUM HARNESS
7	103930-33-705	EA	LIGHT BULBS
8	103930-33-711	EA	WIRE HARNESS - MAIN

VENDOR NO.
083-0169
032-0186
032-0184
032-0183
058-0102
036-0466
035-0030
036-0496

KEY	PART NUMBER	U/M	DESCRIPTION
9	103930-02-707	EA	RELAY - BOSCH W/RESISTER
10	103930-02-710	EA	CANISTER - VACUUM
11	103930-39-700	EA	ROD - DOOR - AC/HEAT
12	103930-39-701	EA	ROD - DOOR - AC/DEFROST
13	103930-02-708	EA	MOTOR - VACUUM SERVO - A/C
14	103930-33-701	EA	MOTOR - VACUUM - 3 STAGE
15	103930-39-702	EA	KNOB - BLOWER
16	103930-39-703	EA	KNOB - TEMPERATURE
	103930-39-704	EA	SPRING

VENDOR NO.
031-0001
054-0002
073-0028
073-0060
030-0025
030-0105
062-0539
062-0540
022-0119

HEATING & AIR CONDITIONING GROUP (CONTINUED)

COLEMAN ROOF A/C & CEILING ASM

KEY	PART NUMBER	U/M	DESCRIPTION
*	108889-01-05A	EA	A/C - ROOF - 13,500 TSR FROM: 00-00-00 THRU: 07-05-98
*	131185-01-01A	EA	A/C - ROOF - 13,500 BTU - 220 VOLT FROM: 07-06-98 THRU: 99-99-99
	102289-01-000	EA	SPRING - SCREW - ROOF A/C GASKET
*	108892-01-01A	EA	CEILING ASSEMBLY - A/C DUCTED FROM: 00-00-00 THRU: 07-05-98
*	131184-01-01A	EA	CEILING ASSEMBLY - A/C DUCTED - WHITE FROM: 07-06-98 THRU: 99-99-99
	117238-01-01A	EA	THERMOSTAT - A/C - FURNACE
	117238-02-01A	EA	THERMOSTAT - A/C ONLY
	131184-02-01A	EA	BOARD - DIVIDER - SILVER
	120134-01-02A	EA	REGISTER - 4" TO 5" IN DIAMETER W/DAMPER FROM: 06-15-98 THRU: 99-99-99

***COMPONENT PARTS FOUND IN SERVICE PARTS LIBRARY**

ROOF A/C COVERS

KEY	PART NUMBER	U/M	DESCRIPTION
	092633-02-02A	EA	COVER - BLANK - ROOF A/C - 5.1" X 5.1"

HEATING & AIR CONDITIONING GROUP (CONTINUED)

40,000 BTU SUBURBAN FURNACE, REGISTERS & WALL THERMOSTAT

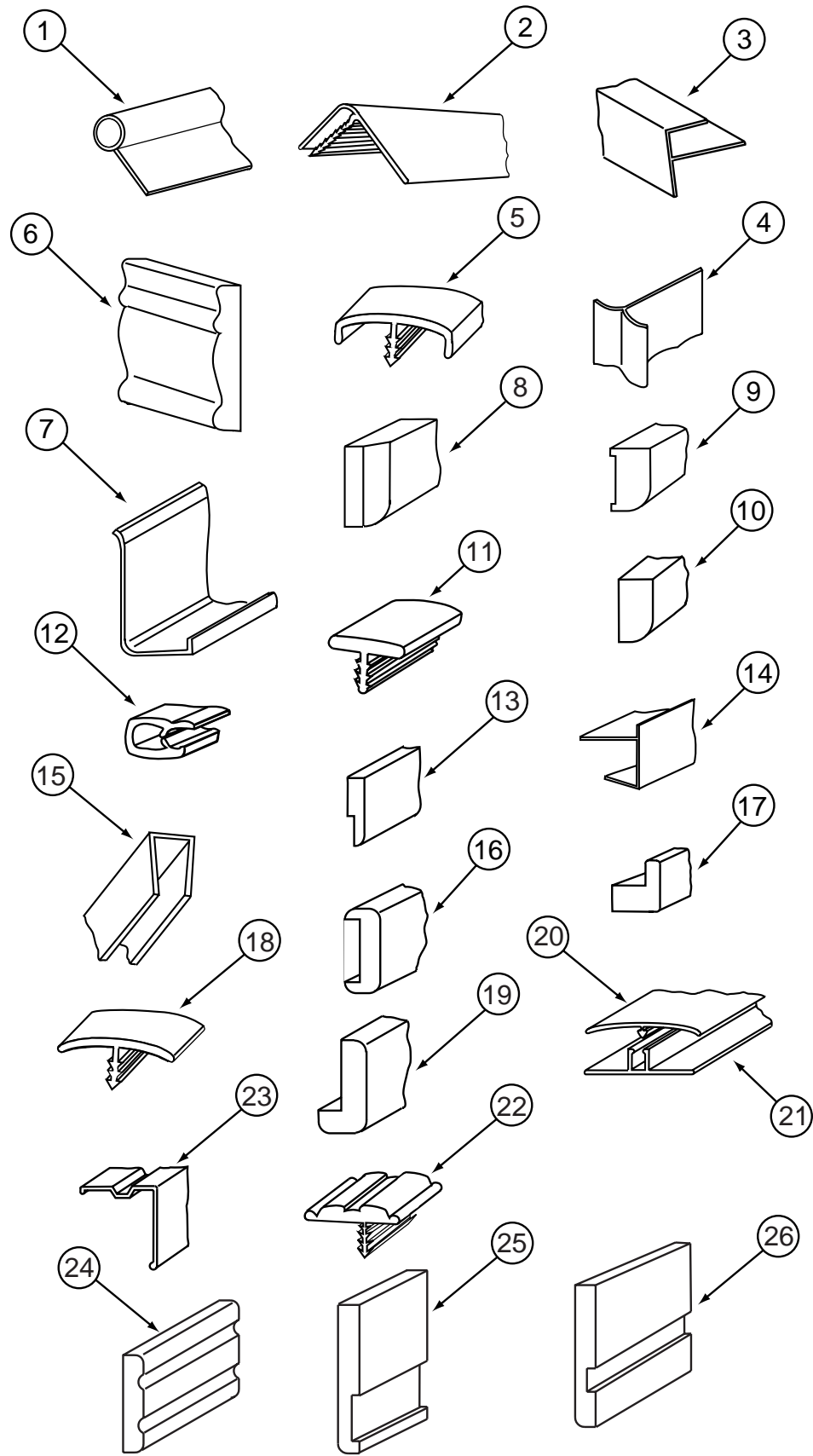
KEY	PART NUMBER	U/M	DESCRIPTION
*	098668-22-000	EA	FURNACE - 40,000 BTU
	056464-11-000	EA	REGISTER - 4" DIAMETER - PLASTIC - W/DAMPER - OFF WHITE
	093614-01-02A	EA	GRILLE - RETURN AIR - 15.6" X 7.6" - BEIGE
	093614-03-02A	EA	GRILL - RETURN AIR - 14" X 8" - BEIGE
	009198-01-000	FT	DUCT - HEAT - FLEXIBLE - 4" ID X 25'
	089367-02-000	EA	TEE - 4" X 2" X 4"
	092777-01-000	EA	ADAPTER - DUCT - 4"
	094600-05-01A	EA	REGISTER W/O DAMPER - 3.6" X 11.3" FACE/2.1" X 9.9" RO-BEIGE
	098668-14-000	EA	GASKET - FIBERGLASS - .5" X 18" X 18"
	009200-01-000	EA	TAPE - FURNACE - 1 1/2"
	115764-01-01A	EA	THERMOSTAT - FURNACE

***COMPONENT PARTS FOUND IN SERVICE PARTS LIBRARY**

EVANS REAR HEATER & COMPONENTS

KEY	PART NUMBER	U/M	DESCRIPTION	VENDOR NO.
	084405-01-000	EA	HEATER - REAR/DUCTED - W/MOTOR AID	
	084405-01-700	EA	CORE - HEATER	FT200229
	084405-01-701	EA	FAN BLADES	HV029931
	084405-01-702	EA	MOTOR ASSEMBLY - 12 VOLT	RV010348
	009198-01-000	FT	DUCT - HEAT - FLEXIBLE - 4" ID X 25'	
	056464-10-000	EA	REGISTER - 4" DIAMETER - PLASTIC - W/O DAMPER - BEIGE	
	061673-01-000	EA	BRACKET - MOTOR AID TUBES - 4" X 1.5" - STEEL	
	069636-02-000	EA	CONNECTOR - DUCT - 4" ID	
	079059-01-000	EA	HOSE - 90 DEGREE - 5/8" ID X 4" X 36"	

**INTERIOR FINISH GROUP
MOLDINGS & TRIMS**



KEY	PART NUMBER	U/M DESCRIPTION
1	009767-12-000	FT WELTING - SIDEWALL/CEILING/CABINET - OFF/WHT
2	009809-23-000	EA MOLDING - CORNER - OUTSIDE - 1" X 84" - MODERN IVORY
2	009809-28-000	EA MOLDING - CORNER - OUTSIDE - 1" X 84" - WATERFORD OAK
3	009812-29-000	EA MOLDING - PLASTIC - 1/2" O/S CORNER - WATERFORD OAK
4	022992-11-000	FT MOLDING - REVERSE COVE - T-SHAPED VINYL - IVORY
5	083620-12-000	FT MOLDING-T - END CAP EDGE - W/EDGE LIP - .75"-WATERFORD OAK
6	100182-10-G29	EA TRIM - RAIL/CHAIR - 8'
7	085746-01-000	FT TRIM-J - CARPET - 1.2" X .5" ANGLE - 10' LONG - BEIGE PVC
8	100659-01-G09	EA MOLDING/TRIM - VINYL FLOOR
9	117268-D2-134	EA MOLDING - VINYL WRAPPED - .7" X 1.6" X 84" - WATERFORD OAK
9	117268-F2-134	EA MOLDING - VINYL WRAPPED - .7" X 2.7" X 84" - WATERFORD OAK
10	100818-01-05A	EA MOLDING - VINYL WRAPPED - 1.65" X .4" X 7'
11	104676-01-01A	FT MOLDING-T - 5/16" RIGID GOLD
12	113452-01-000	EA SEAL/TRIM - FRONT - VINYL W/WIRE CARRIER
13	105004-01-05A	EA MOLDING - VINYL WRAPPED - 1" X 96" - WATERFORD OAK
14	103186-01-05A	FT MOLDING - PLASTIC - 3/8" U-CHANNEL 3/4" FACE-WATERFORD OAK
14	103186-02-05A	FT MOLDING - PLASTIC - 1" U-CHANNEL 1 3/8" FACE-WATERFORD OAK
15	009778-21-000	FT U-CHANNEL - 1" - WATERFORD OAK
15	070504-03-000	FT U-CHANNEL - PLASTIC - .9" X 84" - GRADY BROWN
15	070504-36-000	FT U-CHANNEL - PLASTIC - .13" X 72" - WATERFORD OAK
15	070504-37-000	FT U-CHANNEL - PLASTIC - .87" X 84" - WATERFORD OAK
16	078323-06-G15	EA MOLDING - CAP - WALL - 78"
17	100819-01-05A	EA MOLDING - VINYL WRAPPED - L-SHAPED - 1.5" X 1.5" X 7' - WATERFORD OAK
18	105709-01-000	FT MOLDING-T - 1" - MODERN IVORY
19	077840-01-G01	EA MOLDING - CAP/WALL - 8' WATERFORD OAK
20	086229-15-000	EA BATTEN - 1" X 96" - MODERN IVORY
20	086229-19-000	EA BATTEN - 1" X 98.43" - OFF WHITE
20	086229-20-000	EA BATTEN - 1" X 96" - BEIGE
21	086229-14-000	EA RETAINER - .75" X 98.43" - ANY COLOR
22	109736-02-01A	FT T-MOLDING - 1" - NATURAL OAK - GALLEY EDGE
23	093873-01-01A	EA TRIM - CARPET - L-ANGLE 1.1" X 1.3" X 12' - GRAY VINYL
24	116951-01-G35	EA MOLDING - WOOD - 3" X 70.5"
25	116967-01-G35	EA TRIM - CENTER - WOOD - 3.8" X 120"
26	116968-01-G35	EA TRIM - END/LEFT HAND - WOOD - 3.8" X 19.1"
26	116968-02-G35	EA TRIM - END/RIGHT HAND - WOOD - 3.8" X 19.1"
	117267-D2-438	EA LUMBER - VINYL WRAPPED - .7" X 1.5" X 96" - WATERFORD OAK
	117267-E2-438	EA LUMBER - VINYL WRAPPED - .7" X 2" X 96" - WATERFORD OAK
	117267-F2-438	EA LUMBER - VINYL WRAPPED - .7" X 2.5" X 96" - WATERFORD OAK
	117267-J2-438	EA LUMBER - VINYL WRAPPED - .7" X 5.5" X 96" - WATERFORD OAK
	117267-R2-438	EA LUMBER - VINYL WRAPPED - .7" X 3" X 96" - WATERFORD OAK

INTERIOR FINISH GROUP (CONTINUED)

BATT STRIPS

KEY	PART NUMBER	U/M	DESCRIPTION
	069733-83-000	EA	BATT STRIP - WOODGRAINED/WATERFORD OAK - 8'
	079653-13-000	EA	BATT STRIP - KERFED - TRAVERTINE WHITE - 8'
	079653-28-000	EA	BATT STRIP - KERFED - WOODGRAINED/WATERFORD OAK - 8'
	088263-E3-000	EA	BATT STRIP - DECORATIVE - PEBBLE EMBOSSED/ANTIQUE-8' LONG
	088263-E2-000	EA	BATT STRIP - DECORATIVE - PRIMAVERA STONE - 8' (J65)
	088263-E7-000	EA	BATT STRIP - DECORATIVE - GAZEBO STRIPE/SAG - 8' LONG (J66)
	088263-E6-000	EA	BATT STRIP - DECORATIVE - MONTANA FROST - 8' (J67)
	088263-C4-000	EA	BATT STRIP - DECORATIVE - CORBIN/TOBACCO - 8' LONG (J68)
	088263-F8-000	EA	BATT STRIP - DECORATIVE - CAIRO SILVERSAGE - 8' LONG (J69)
	085284-B5-000	FT	BATT TAPE - ADHESIVE BACKED - WOODGRAINED - WATERFORD OAK
	085284-D6-000	FT	BATT TAPE - ADHESIVE BACKED - DECORATIVE - EMBOSSED ANTIQUE
	085284-D5-000	FT	BATT TAPE - ADHESIVE BACKED - DECORATIVE - PRIMAVERA STONE (J65)
	085284-E1-000	FT	BATT TAPE - ADHESIVE BACKED - DECORATIVE - GAZEBO STRIPE/SAG (J66)
	085284-E0-000	FT	BATT TAPE - ADHESIVE BACKED - DECORATIVE - MONTANA FROST (J67)
	085284-B7-000	FT	BATT TAPE - ADHESIVE BACKED - DECORATIVE - CORBIN/TOBACCO (J68)
	085284-F4-000	FT	BATT TAPE - ADHESIVE BACKED - DECORATIVE - CAIRO SILVERSAGE (J69)

PLASTIC LAMINATE & EDGE BAND

KEY	PART NUMBER	U/M	DESCRIPTION
	074498-80-000	SF	LAMINATE - PLASTIC - WHITE TUNDRA - 5' X 8' (J65,J69)
	074498-71-000	SF	LAMINATE - PLASTIC - NEUTRAL SANTOS - 5' X 8' (J66)
	074498-62-000	SF	LAMINATE - PLASTIC - GREY FINESSE - 5' X 8' (J67)
	074498-54-000	SF	LAMINATE - PLASTIC - SAND SPEKTRUM - 5' X 8' (J68)
	076325-39-000	FT	MOLDING - EDGE BAND - 1 5/16" X .030" - ALMOND (J65,J66,J69)
	076325-46-000	FT	MOLDING - EDGE BAND - 1 5/16" X .030" - CLOUD (J67)
	076325-47-000	FT	MOLDING - EDGE BAND - 1 5/16" X .030" - SAND (J68)
	076325-40-000	FT	MOLDING - EDGE BAND - .9" X .024" - ALMOND (J65,J66,J69)
	076325-43-000	FT	MOLDING - EDGE BAND - .875" X .024" - CLOUD (J67)
	076325-44-000	FT	MOLDING - EDGE BAND - .875" X .024" - SAND (J68)
	076325-67-000	FT	MOLDING - EDGE BAND - .93" X .024" - WATERFORD OAK
	076325-73-000	FT	MOLDING - EDGE BAND - .93" X .024" - OFF WHITE
	074498-77-000	SF	LAMINATE - PLASTIC - ART CABIN - 4' X 8' - INC OF 32 SF (PULL OUT TABLE)
	076325-68-000	FT	MOLDING - EDGE BAND - 1 5/16" X .038 - WATERFORD OAK (PULL OUT TABLE)
	074498-40-000	SF	LAMINATE - PLASTIC - OFF WHITE - 5' X 8' - INC OF 40 SF (PATIO ENTERTAINMENT CENTER TABLE)
	076325-73-000	FT	MOLDING - EDGE BAND - .93" X .024" (PATIO ENTERTAINMENT CENTER TABLE)

INTERIOR FINISH GROUP (CONTINUED)

SMOKE DETECTOR, CO DETECTOR, FIRE EXTINGUISHER, CLOCK, & MIRROR

KEY	PART NUMBER	U/M	DESCRIPTION
	072852-01-000	EA	DETECTOR - SMOKE - W/9 VOLT BATTERY - US
	072852-02-000	EA	DETECTOR - SMOKE - W/9 VOLT BATTERY - CANADIAN
	094499-01-000	EA	EXTINGUISHER/FIRE - DRY W/MOUNTING BRACKET
			FROM: 00-00-00 THRU: 02-24-98
	094499-01-700	EA	BRACKET MTG. W/PLAS. STRAP 294039
	094499-01-701	EA	STRAP ONLY (METAL) 320351
	094499-03-000	EA	EXTINGUISHER/FIRE - DRY - 10B:C - W/O BRACKET
			FROM: 02-25-98 THRU: 99-99-99
	094499-04-000	EA	BRACKET - FIRE EXTINGUISHER
			FROM: 02-25-98 THRU: 99-99-99
	094499-02-000	EA	EXTINGUISHER/FIRE - DRY - 1A10BC - CANADIAN
	125136-01-000	EA	CO DETECTOR - GAS - ROUND W/2 SCREWS - 9 VOLT
	100793-02-01A	EA	CLOCK - WALL - QUARTZ/11" - BRASS
	118081-02-01A	EA	CLOCK - WALL - ROUND 8" - BRASS

ANTISLIP & FLOOR MATS

KEY	PART NUMBER	U/M	DESCRIPTION
	091261-01-000	FT	SLIPNOT - ANTISLIP - 1' WIDE
	105924-01-F12	EA	MAT - FLOOR - 18" X 27" (J65)
	105924-01-F06	EA	MAT - FLOOR - 18" X 27" (J66)
	105924-01-F05	EA	MAT - FLOOR - 18" X 27" (J67)
	105924-01-J16	EA	MAT - FLOOR - 18" X 27" (J68)
	105924-01-J69	EA	MAT - FLOOR - 18" X 27" (J69)

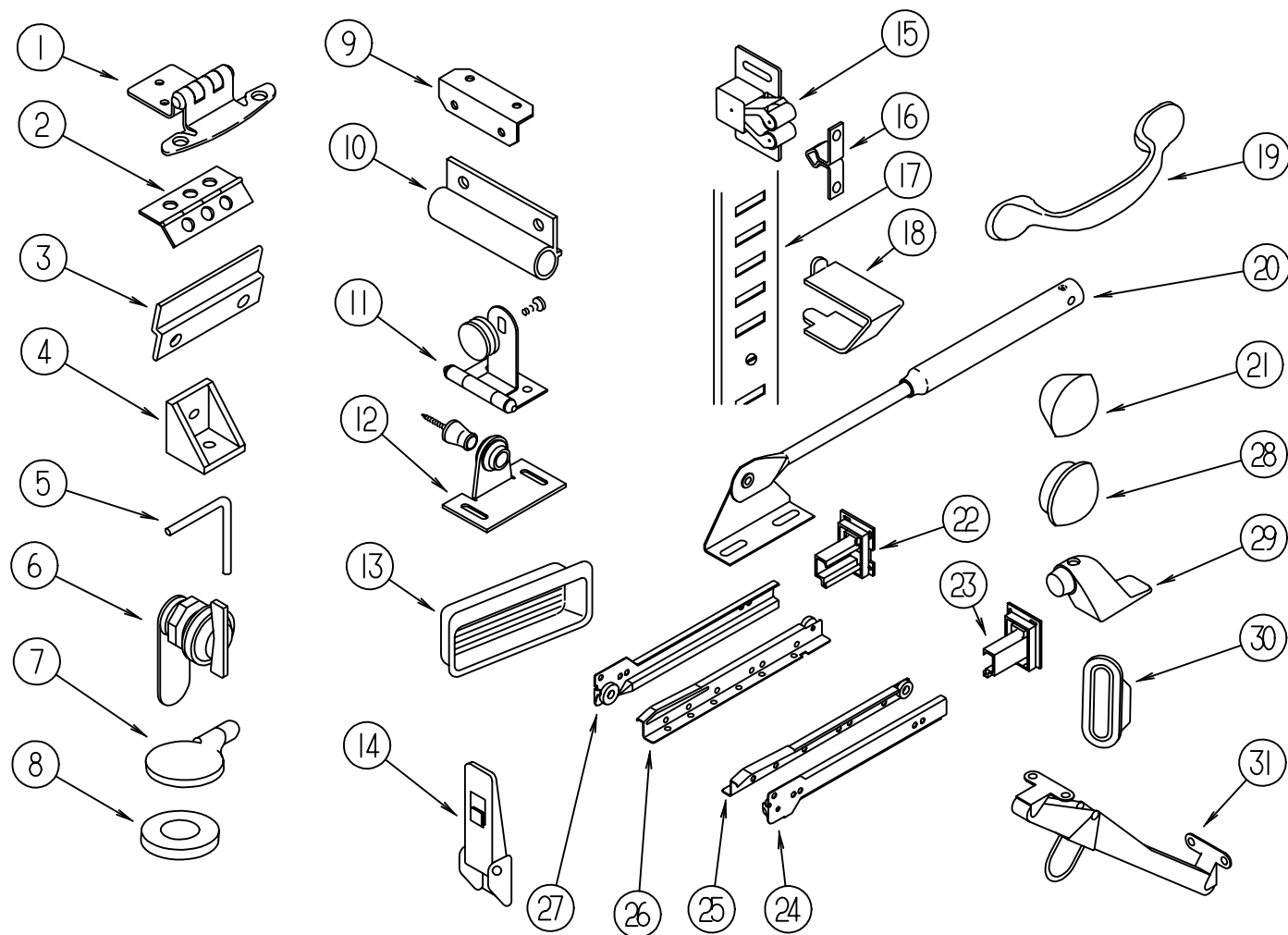
CARPET, VINYL, & TILE

KEY	PART NUMBER	U/M	DESCRIPTION
	093486-01-000	SY	CARPET - COMPARTMENT - 72" WIDE - DARK GRAY
	096060-99-000	SY	CARPET - PARCHMENT - INCREMENTS OF 4 SQ YD (J65,J69)
	096060-98-000	SY	CARPET - SILVER ASPEN - INCREMENTS OF 4 SQ YD (J66)
	096060-97-000	SY	CARPET - LAPIS - INCREMENTS OF 4 SQ YDS (J67)
	096060-95-000	SY	CARPET - DOESKIN - INCREMENTS OF 4 SQ YDS (J68)
	042720-21-000	SY	VINYL - FLOOR COVERING - 7' WIDE - MODULATION
	124253-01-02A	EA	VINYL - FLOOR PLANK - 3" X 12" - MAPLE
	122755-02-01A	EA	TILE - RUBBER/ENTRANCE DOOR - 18.5" X 29.3"
	122755-04-01A	EA	TILE - RUBBER/ENTRANCE DOOR - 17.7" X 28.5"

PANELING, PLYWOOD, & PARTICLE BOARD

KEY	PART NUMBER	U/M	DESCRIPTION
	074497-28-000	SF	PANELING - WATERFORD OAK - 48" X 96"
	088272-G1-000	SF	PANELING - PEBBLE EMBOSSED - ANTIQUE WHITE - 4' X 7'
	088272-F9-000	SF	PANELING - PRIMAVERA STONE - 4' X 8' (J65)
	088272-G5-000	SF	PANELING - GAZEBO STRIPE - 4' X 7' (J66)
	088272-G4-000	SF	PANELING - MONTANA FROST - 4' X 7' (J67)
	088272-E5-000	SF	PANELING - CORBIN/TOBACCO - 4' X 7' (J68)
	088272-H7-000	SF	PANELING - CAIRO/SILVERSAGE - 4' X 7' (J69)
	080215-10-000	SF	PANELING - 2 SIDED - WATERFORD - .2" X 48" X 96"
	000846-01-000	SF	PLYWOOD - 5/16" X 48" X 96" - CD GRADE
	000846-02-000	SF	PLYWOOD/UNDERLAYMENT - 5/16" X 48" X 96"
	089297-01-000	SF	PLYWOOD - LUAN - OVERLAY GRADE - 48" X 96"
	089297-02-000	SF	PLYWOOD - LUAN - OVERLAY GRADE - 48" X 108"
	126339-01-000	SF	BOARD - WHEAT - 60" X 72"
	000885-76-000	SF	PARTICLE BOARD - 3/8" X 48" X 96" - WATERFORD OAK/VINYL 1 SIDE
	000885-77-000	SF	PARTICLE BOARD - 3/8" X 48" X 96" - WATERFORD OAK/VINYL 2 SIDE
	000885-79-000	SF	PARTICLE BOARD - 3/4" X 48" X 96" - WATERFORD OAK/VINYL 2 SIDE

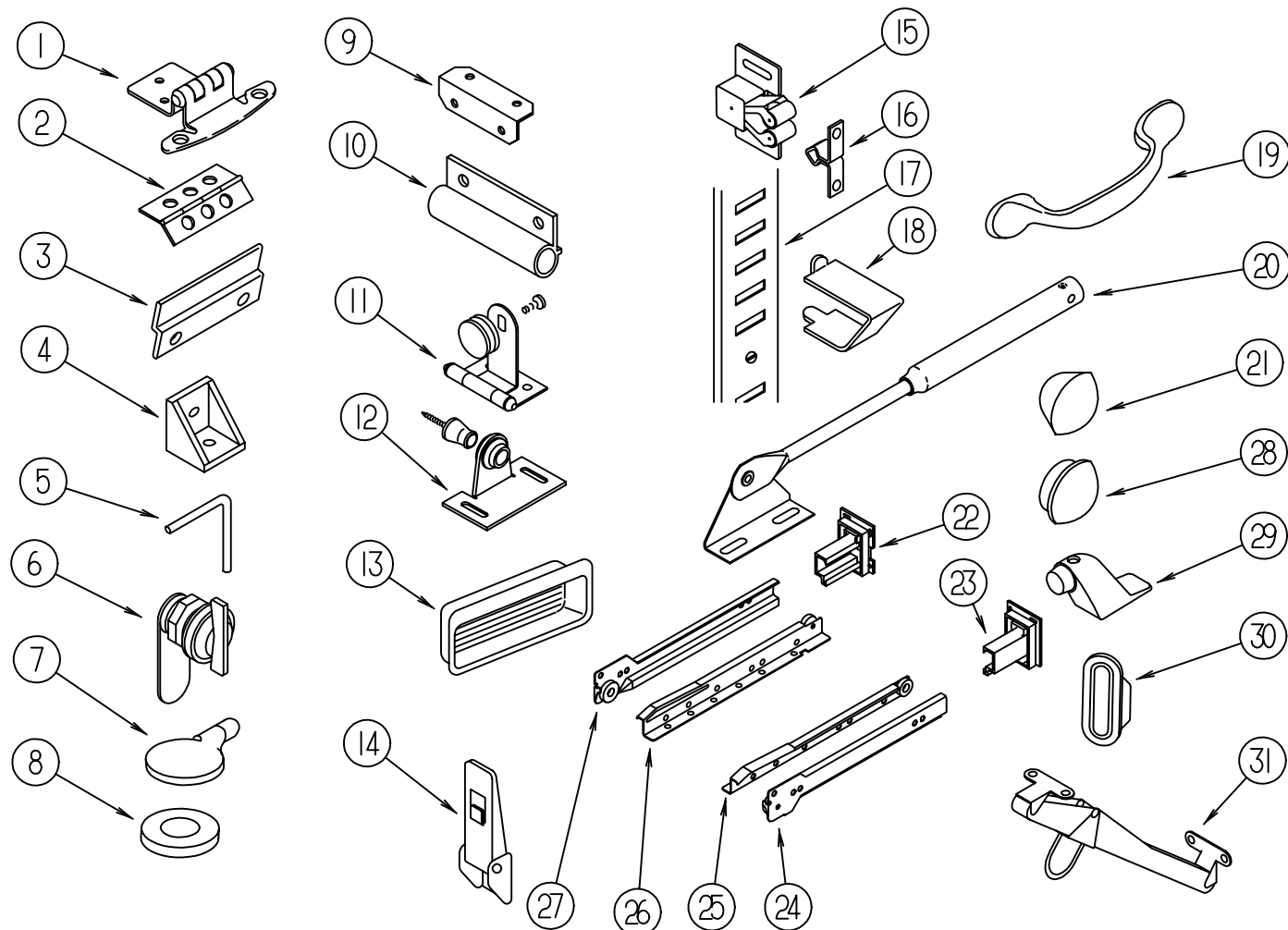
INTERIOR FINISH GROUP (CONTINUED)
CABINET HARDWARE



KEY	PART NUMBER	U/M	DESCRIPTION
1	108138-01-000	EA	HINGE - CABINET DOOR - BURNISHED BRASS
2	009059-01-000	EA	HINGE - DOOR - 2" X 1.4" - BRASS
2	009059-02-000	EA	HINGE - DOOR - 2" X 2.7" - BRASS
3	101272-01-000	EA	CATCH - GLASS DOOR
4	065740-01-000	EA	BRACE - CABINET/CORNER - PLASTIC
5	108487-02-01A	EA	SUPPORT - PROP ROD/OVERHEAD - BLACK
	039984-01-000	EA	CAP - ROUND - VINYL - .28" ID X .62" - BLACK
6	100710-01-01A	EA	LOCK - GLASS DOOR/TWIST TYPE - BRASS
7	101766-01-000	EA	PIN - SUPPORT/GLASS DOOR
8	100707-01-000	EA	SPACER - GLASS DOOR - .8" DIA - .3" HOLE - PLASTIC
9	016604-01-000	EA	BRACE - CABINET - ANGLE - 2.5" - UNPAINTED METAL
9	016604-05-000	EA	BRACE - CABINET - ANGLE - 2.5" - OFF WHITE METAL
	111866-01-02A	EA	BRACE - SEAT - ANGLE - OFF WHITE
10	108486-01-01A	EA	BRACKET - PROP ROD/OVERHEAD - BLACK
11	100711-01-01A	EA	HINGE - GLASS DOOR
12	009013-01-000	EA	CATCH - BULLDOG - MALE/FEMALE
13	124311-01-01A	EA	HANDLE - RECESSED - BRASS
14	116975-01-01A	EA	LATCH - W/O STRIKE - BLACK - NEW STYLE
15	093586-06-000	EA	CATCH - SPRING - ROLLER
16	093586-05-000	EA	STRIKE - SPRING STEEL

KEY	PART NUMBER	U/M	DESCRIPTION
17	098980-01-000	EA	PILASTER - ADJUSTABLE SHELF - 18"
17	098980-02-000	EA	PILASTER - ADJUSTABLE SHELF - 12"
17	098980-03-000	EA	PILASTER - ADJUSTABLE SHELF - 9"
17	098980-04-000	EA	PILASTER - ADJUSTABLE SHELF - 48"
17	098980-05-000	EA	PILASTER - ADJUSTABLE SHELF - 15"
18	098979-01-000	EA	CLIP - ADJUSTABLE SHELF
19	121891-01-01A	EA	PULL - CABINET - BRASS
20	074493-02-000	EA	SUPPORT - PISTON SPRING - CABINET DOOR
21	042356-01-000	EA	PLUG - BUTTON - MAHOGANY - 3/8" DIAMETER - WOOD
28	074045-01-000	EA	PLUG - OAK - 1/2" DIAMETER
29	103257-01-000	EA	STOP - DOOR
30	098410-01-01A	EA	PULL - FINGER - OVAL - BRASS
31	104181-01-01A	EA	SUPPORT - LEAF 5.3" EXTENDS TO 7.5" - SAFETY RING - METAL
	004354-01-000	EA	BUMPER - RUBBER - .5" DIA - BROWN
	023320-01-000	EA	PAD - FELT 3/8" DIAMETER
	041389-25-000	EA	HINGE - PIANO - 1 1/2" X 55"
	042438-01-000	EA	DOWEL - WOOD - CLOTHES ROD - 1" DIAMETER X 4'
	122021-01-02A	EA	ANGLE - W/HOLES - OFF/WHITE
	114693-01-01A	EA	SUPPORT - BLACK
	114693-02-01A	EA	SUPPORT - BLACK
	009112-01-000	EA	FLANGE - PLASTIC - 1" CLOTHES ROD - OFF WHITE
	079921-01-000	EA	ROLLER - NYLON - W/STEEL SHAFT - BARBED
	080728-01-000	EA	HANDLE - PULL - 1.25" X 4.4" - BROWN PLASTIC

INTERIOR FINISH GROUP (CONTINUED)
CABINET HARDWARE (DRAWER SLIDES)



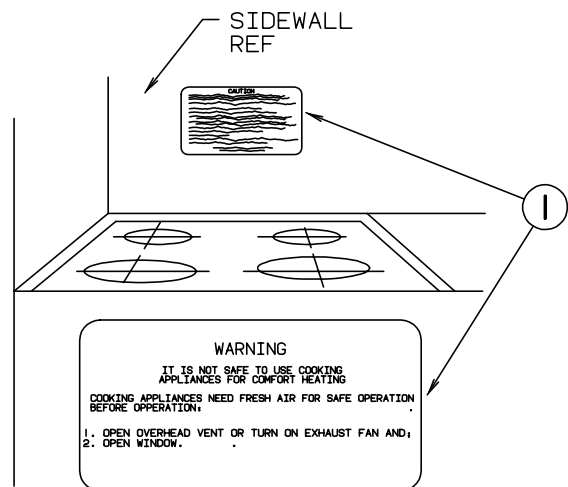
CABINET DRAWER SLIDES - FROM: 00-00-00 THRU: 02-22-98

CABINET DRAWER SLIDES - FROM: FROM: 02-23-98 THRU: 99-99-99

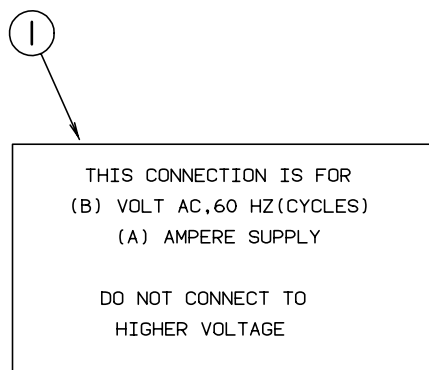
KEY	PART NUMBER	U/M	DESCRIPTION
22	114045-01-000	EA	BACKSOCKET - ADJUSTABLE LEFT
23	114045-02-000	EA	BACKSOCKET - ADJUSTABLE RIGHT
24	114031-02-000	EA	SLIDE - 12" - RIGHT SIDE/CABINET
24	114031-06-000	EA	SLIDE - 14" - RIGHT SIDE/CABINET
24	114031-14-000	EA	SLIDE - 18" - RIGHT SIDE/CABINET
24	114031-22-000	EA	SLIDE - 22" - RIGHT SIDE/CABINET
25	114031-04-000	EA	SLIDE - 12" - RIGHT SIDE/DRAWER
25	114031-08-000	EA	SLIDE - 14" - RIGHT SIDE/DRAWER
25	114031-16-000	EA	SLIDE - 18" - RIGHT SIDE/DRAWER
25	114031-24-000	EA	SLIDE - 22" - RIGHT SIDE/DRAWER
26	114031-03-000	EA	SLIDE - 12" - LEFT SIDE/DRAWER
26	114031-07-000	EA	SLIDE - 14" - LEFT SIDE/DRAWER
26	114031-15-000	EA	SLIDE - 18" - LEFT SIDE/DRAWER
26	114031-23-000	EA	SLIDE - 22" - LEFT SIDE/DRAWER
27	114031-01-000	EA	SLIDE - 12" - LEFT SIDE/CABINET
27	114031-05-000	EA	SLIDE - 14" - LEFT SIDE/CABINET
27	114031-13-000	EA	SLIDE - 18" - LEFT SIDE/CABINET
27	114031-21-000	EA	SLIDE - 22" - LEFT SIDE/CABINET

KEY	PART NUMBER	U/M	DESCRIPTION
22	128811-01-01A	EA	BACKSOCKET - ADJUSTABLE - LEFT
23	128811-02-01A	EA	BACKSOCKET - ADJUSTABLE - RIGHT
24	128810-02-01A	EA	SLIDE - DRAWER - 12" - RIGHT CABINET
24	128810-06-01A	EA	SLIDE - DRAWER - 14" - RIGHT CABINET
24	128810-14-01A	EA	SLIDE - DRAWER - 18" - RIGHT CABINET
24	128810-18-01A	EA	SLIDE - DRAWER - 20" - RIGHT CABINET
24	128810-22-01A	EA	SLIDE - DRAWER - 22" - RIGHT CABINET
25	128810-04-01A	EA	SLIDE - DRAWER - 12" - RIGHT DRAWER
25	128810-08-01A	EA	SLIDE - DRAWER - 14" - RIGHT DRAWER
25	128810-16-01A	EA	SLIDE - DRAWER - 18" - RIGHT DRAWER
25	128810-20-01A	EA	SLIDE - DRAWER - 20" - RIGHT DRAWER
25	128810-24-01A	EA	SLIDE - DRAWER - 22" - RIGHT DRAWER
26	128810-03-01A	EA	SLIDE - DRAWER - 12" - LEFT DRAWER
26	128810-07-01A	EA	SLIDE - DRAWER - 14" - LEFT DRAWER
26	128810-15-01A	EA	SLIDE - DRAWER - 18" - LEFT DRAWER
26	128810-19-01A	EA	SLIDE - DRAWER - 20" - LEFT DRAWER
26	128810-23-01A	EA	SLIDE - DRAWER - 22" - LEFT DRAWER
27	128810-01-01A	EA	SLIDE - DRAWER - 12" - LEFT CABINET
27	128810-05-01A	EA	SLIDE - DRAWER - 14" - LEFT CABINET
27	128810-13-01A	EA	SLIDE - DRAWER - 18" - LEFT CABINET
27	128810-17-01A	EA	SLIDE - DRAWER - 20" - LEFT CABINET
27	128810-21-01A	EA	SLIDE - DRAWER - 22" - LEFT CABINET

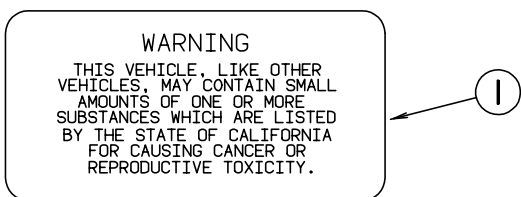
LABELS GROUP



KEY	PART NUMBER	U/M DESCRIPTION
1	050225-01-000	EA LABEL - WARNING - STOVE VENT - US
1	050222-01-000	EA LABEL - STOVE VENT - CANADIAN

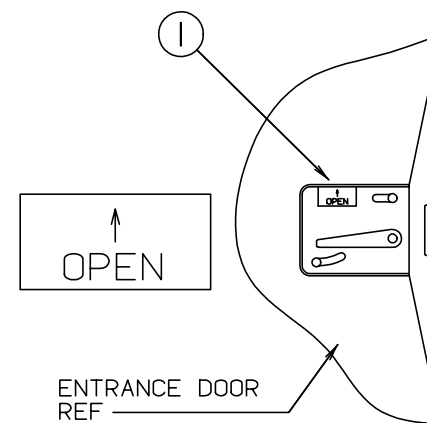


KEY	PART NUMBER	U/M DESCRIPTION
1	125306-01-01A	EA LABEL - ELECTRICAL ENTRANCE - 110VOLT 30AMP

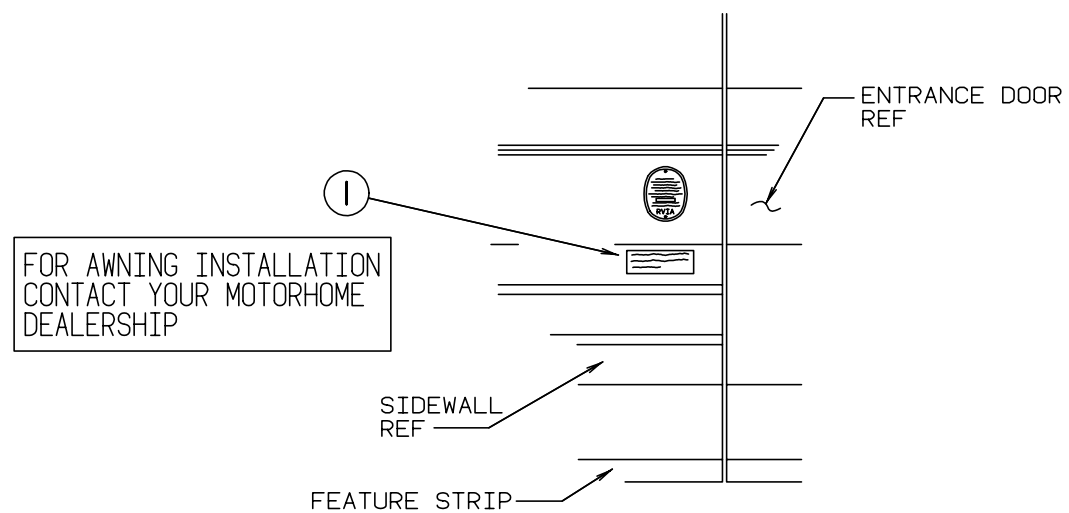


KEY	PART NUMBER	U/M DESCRIPTION
1	099689-01-000	EA LABEL - WARNING - CANCER/TOXICITY - CALIFORNIA

LABELS GROUP (CONTINUED)

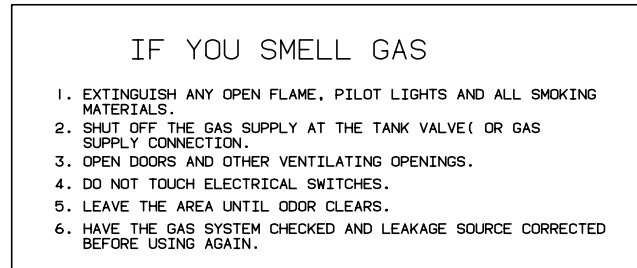
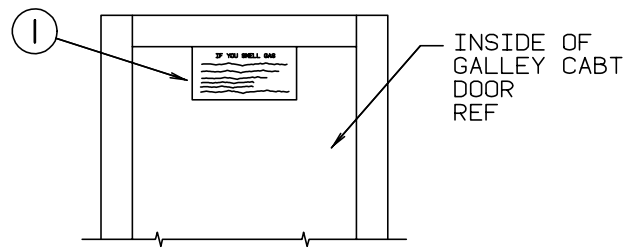


KEY	PART NUMBER	U/M DESCRIPTION
1	040944-01-000	EA LABEL - ENTRANCE DOOR - "OPEN"

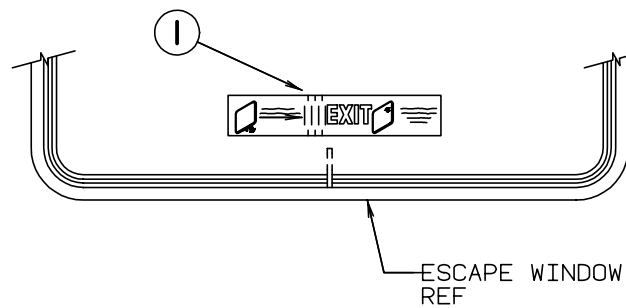
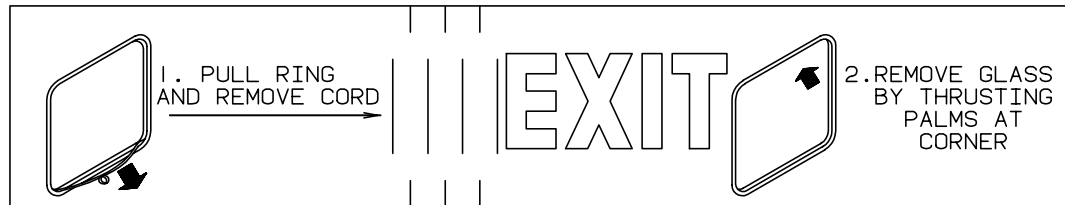


KEY	PART NUMBER	U/M DESCRIPTION
1	099509-01-000	EA LABEL - AWNING INSTALLATION

LABELS GROUP (CONTINUED)

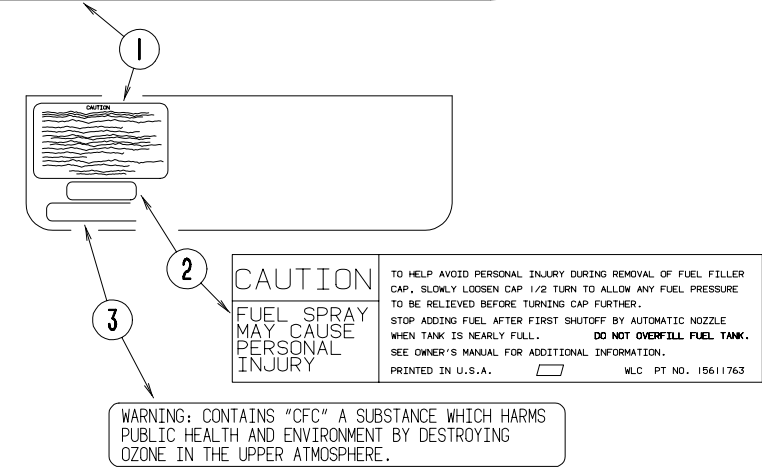
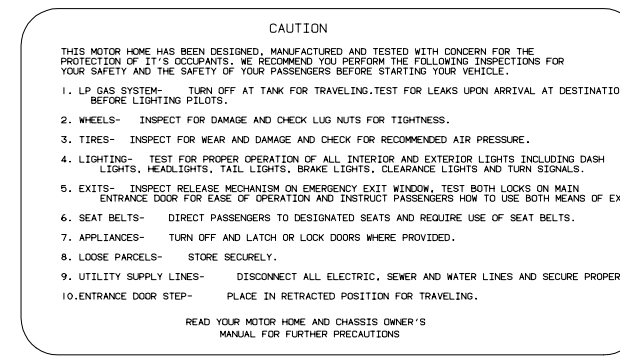


KEY	PART NUMBER	U/M DESCRIPTION
1	073998-01-000	EA LABEL - LPG ODOR WARNING

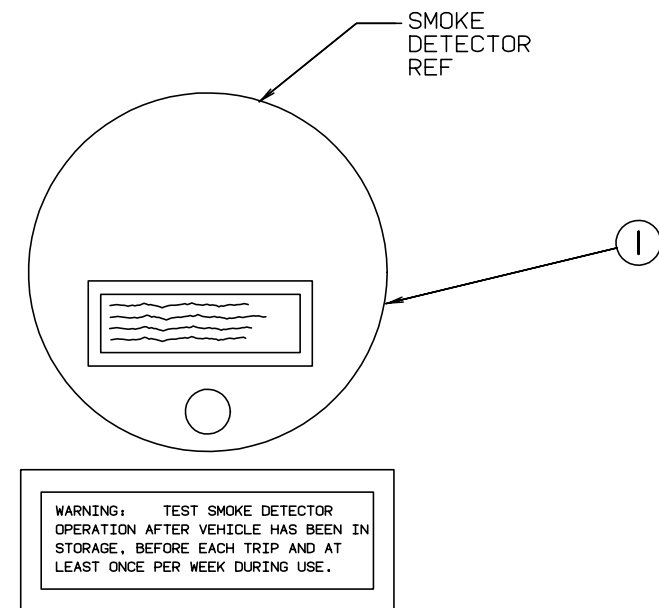


KEY	PART NUMBER	U/M DESCRIPTION
1	107571-01-000	EA LABEL - EXIT/ESCAPE WINDOW

LABELS GROUP (CONTINUED)



KEY	PART NUMBER	U/M DESCRIPTION
1	056259-01-000	EA LABEL - SAFETY CHECK LIST
2	087207-05-000	EA LABEL - FUEL CAP REMOVAL
3	111802-01-000	EA LABEL - CFC WARNING



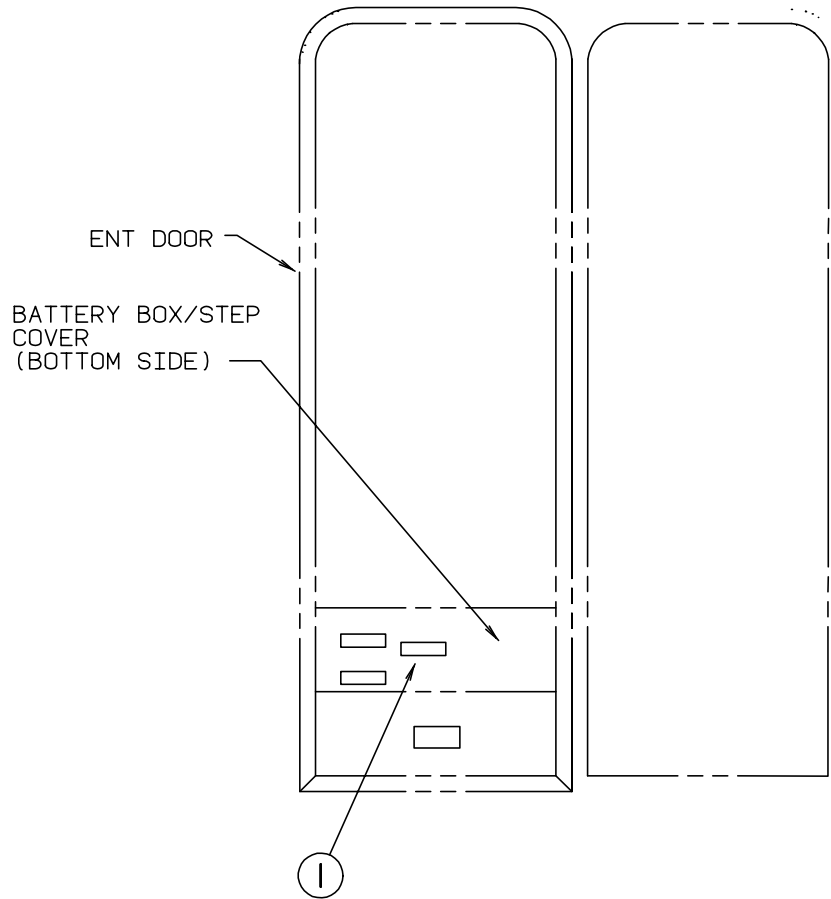
KEY	PART NUMBER	U/M DESCRIPTION
1	077956-01-000	EA LABEL - WARNING - SMOKE DETECTOR

LABELS GROUP (CONTINUED)

AIR CONDITIONING CIRCUIT.
THIS CONNECTION IS FOR
AIR CONDITIONERS RATED 110-
125 VOLT AC, 60 HZ, 16
AMPERES MAXIMUM. DO NOT
EXCEED CIRCUIT RATING.



KEY	PART NUMBER	U/M DESCRIPTION
1	091243-01-000	EA LABEL - A/C COVER "AIR CONDITIONING CIRCUIT ETC."



WARNING: DISCONNECT BATTERIES BEFORE
CONNECTING EXTERNAL CHARGING EQUIPMENT.

AVERTISSEMENT: DEBRANCHER LES BATTERIES AVANT
DE BRANCHER TOUT EQUIPEMENT DE CHARGE EXTERIEUR.

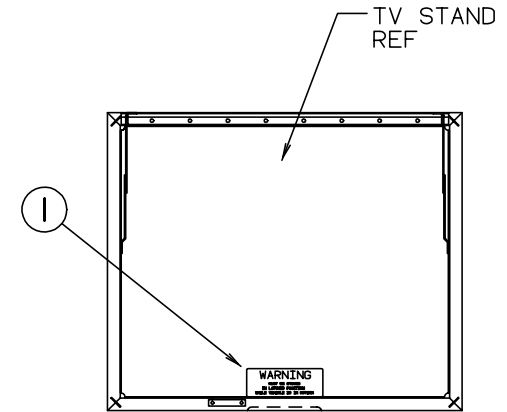
KEY	PART NUMBER	U/M DESCRIPTION
1	065748-01-000	EA LABEL - CAUTION - BATTERY CHARGING
1	065748-02-000	EA LABEL - WARNING - BATTERY/FRENCH

LABELS GROUP (CONTINUED)

DO NOT USE HITCH BEFORE
READING OWNERS MANUAL REGARDING
VEHICLE LOADING AND TOWING



KEY	PART NUMBER	U/M DESCRIPTION
1	111104-01-000	EA LABEL - HITCH - READ MANUAL - WHITE
1	111104-02-000	EA LABEL - HITCH - READ MANUAL - BLACK



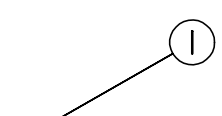
WARNING
MUST BE STOWED
IN LATCHED POSITION
WHILE VEHICLE IS IN MOTION

KEY	PART NUMBER	U/M DESCRIPTION
1	079966-01-000	EA LABEL - WARNING - STOWED - MOTION

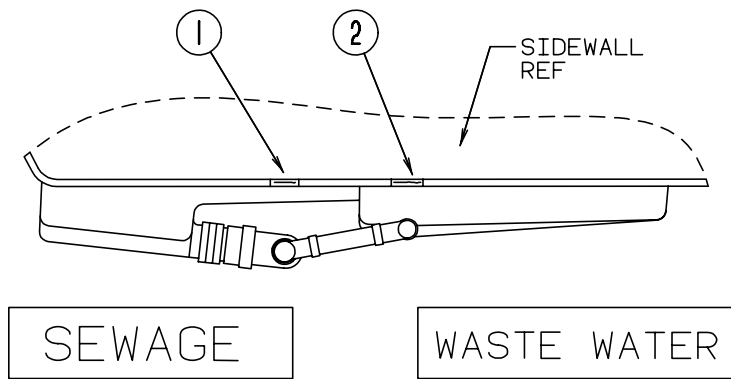
NOTE: TUNE ANTENNA
PER MANUFACTURER'S
DIRECTIONS. FAILURE TO
COMPLY COULD RESULT IN
DAMAGE TO CB.

CB POWER PROVISION
RED +12 V
BLACK GROUND
COAX ANTENNA
(SEE REVERSE ALSO)

KEY	PART NUMBER	U/M DESCRIPTION
1	104678-01-000	EA LABEL-CB PREP

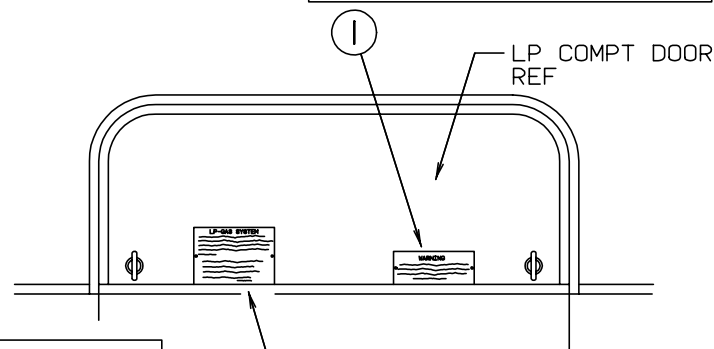


LABELS GROUP (CONTINUED)



KEY	PART NUMBER	U/M DESCRIPTION
1	006187-01-000	EA LABEL - SEWAGE
2	006188-01-000	EA LABEL - WASTE WATER

WARNING
ALL PILOT LIGHTS AND APPLIANCES SHALL BE TURNED OFF DURING REFUELING OF MOTOR FUEL TANKS AND/OR PERMANENTLY MOUNTED LP-GAS CONTAINERS.

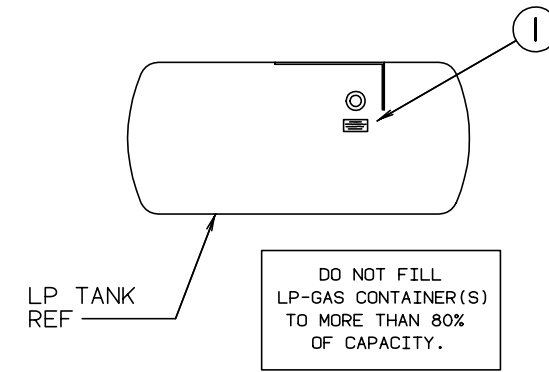


LP-GAS SYSTEM
THIS GAS PIPING SYSTEM IS DESIGNED FOR USE OF LIQUEFIED PETROLEUM GAS ONLY. DO NOT CONNECT NATURAL GAS TO THIS SYSTEM.

SECURELY CAP INLET(S) WHEN NOT CONNECTED FOR USE. AFTER TURNING ON GAS, EXCEPT AFTER NORMAL CONTAINER REPLACEMENT, TEST GAS PIPING AND CONNECTIONS TO APPLIANCE FOR LEAKAGE WITH SOAPY WATER OR BUBBLE SOLUTION. DO NOT USE PRODUCTS THAT CONTAIN AMMONIA OR CHLORINE.
P.N. 54531

KEY	PART NUMBER	U/M DESCRIPTION
1	124519-01-01A	EA LABEL - WARNING/REFUELING - BLACK ON CLEAR
1	124519-02-01A	EA LABEL - WARNING/REFUELING - CSA
2	124520-01-01A	EA LABEL - LP GAS ONLY
2	023769-01-000	EA LABEL - WARNING - LPG - CANADIAN

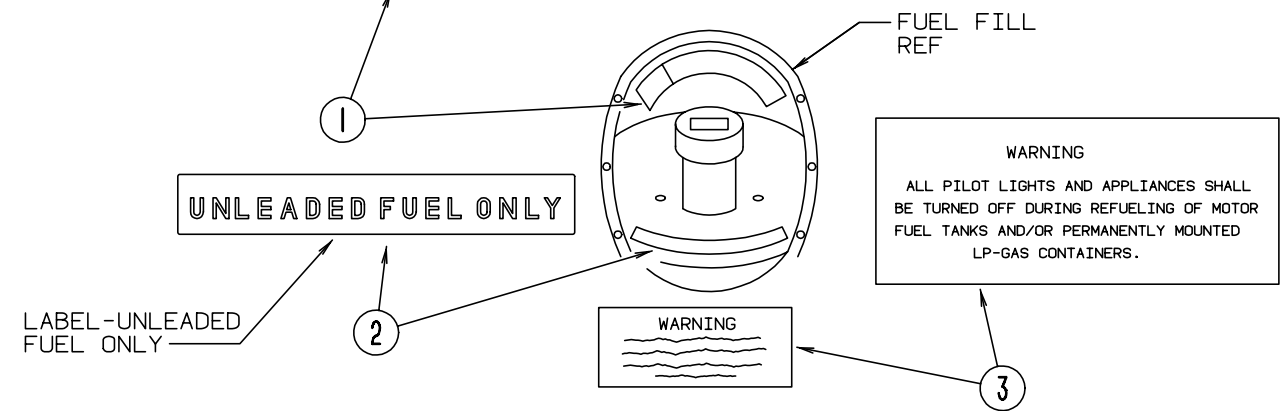
LABELS GROUP (CONTINUED)



KEY	PART NUMBER	U/M DESCRIPTION
1	079965-01-000	EA LABEL - LPG - 80% CAPACITY

CAUTION
TO HELP AVOID PERSONAL INJURY DURING REMOVAL OF FUEL FILLER CAP, SLOWLY LOOSEN CAP 1/2 TURN TO ALLOW ANY FUEL PRESSURE TO BE RELIEVED BEFORE TURNING CAP FURTHER.

FUEL SPRAY MAY CAUSE PERSONAL INJURY
STOP ADDING FUEL AFTER FIRST SHUTOFF BY AUTOMATIC NOZZLE WHEN TANK IS NEARLY FULL. DO NOT OVERFILL FUEL TANK.
SEE OWNERS MANUAL FOR ADDITIONAL INFORMATION.
PRINTED IN U.S.A. MLC PT NO 15611763



KEY	PART NUMBER	U/M DESCRIPTION
1	087207-05-000	EA LABEL - FUEL CAP REMOVAL
2	062043-01-000	EA LABEL - FUEL - UNLEADED
3	124519-01-01A	EA LABEL - WARNING/REFUELING - BLACK ON CLEAR
3	124519-02-01A	EA LABEL - WARNING/REFUELING - CSA

WARNING
ROOF SURFACE MAY BE SLIPPERY ESPECIALLY WHERE MOISTURE IS PRESENT SLIPPING MAY RESULT IN PERSONAL INJURY.
128218-01

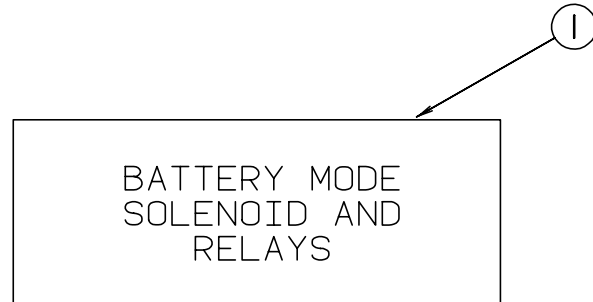
KEY	PART NUMBER	U/M DESCRIPTION
1	128218-01-01A	EA LABEL - WARNING - ROOF SLIPPERY

FROM: 11-13-97 THRU: 99-99-99

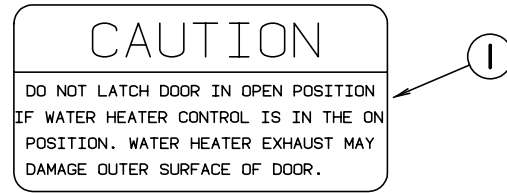
LABELS GROUP (CONTINUED)



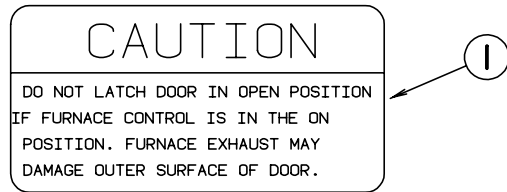
KEY PART NUMBER U/M DESCRIPTION
 1 087236-01-000 EA LABEL - CABLE - INPUT



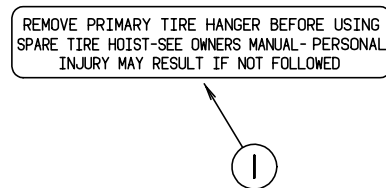
KEY PART NUMBER U/M DESCRIPTION
 1 098379-04-000 EA LABEL - ELECTRICAL BOX - SIDE



KEY PART NUMBER U/M DESCRIPTION
 1 113402-01-000 EA LABEL - CAUTION - WATER HEATER EXHAUST

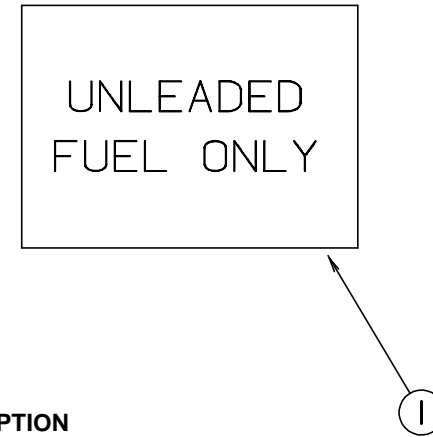


KEY PART NUMBER U/M DESCRIPTION
 1 113402-02-000 EA LABEL - CAUTION - FURNACE EXHAUST
 FROM: 00-00-00 THRU: 11-12-97

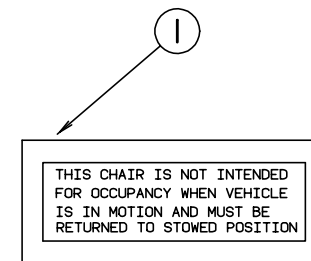


KEY PART NUMBER U/M DESCRIPTION
 1 126024-01-01A EA LABEL - TIRE HANGER REMOVAL

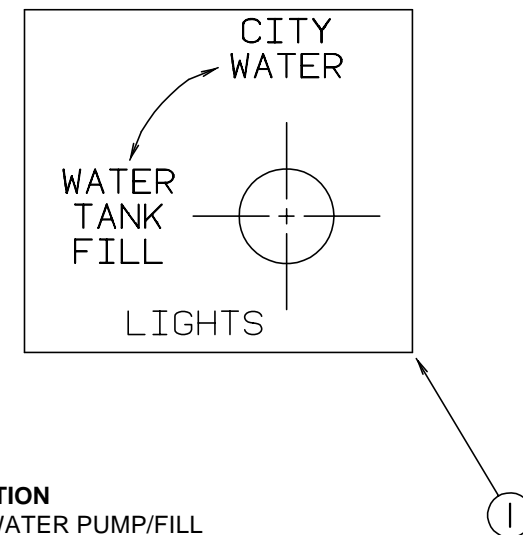
LABELS GROUP (CONTINUED)



KEY PART NUMBER U/M DESCRIPTION
 1 098641-01-000 EA LABEL - FUEL - UNLEADED - DASH

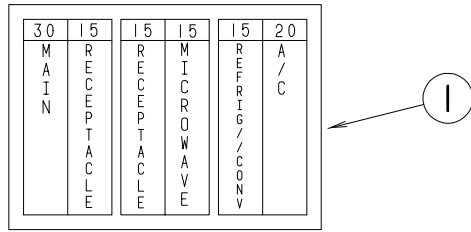


KEY PART NUMBER U/M DESCRIPTION
 1 102267-01-000 EA LABEL - NO OCCUPANCY - US
 102267-02-000 EA LABEL - NO OCCUPANCY - CSA

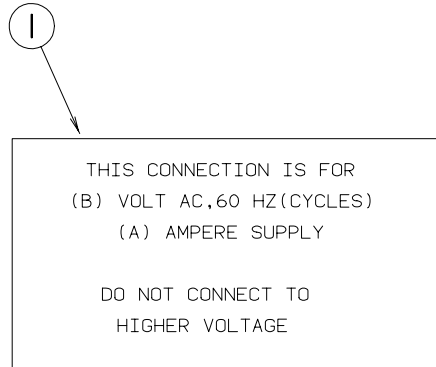


KEY PART NUMBER U/M DESCRIPTION
 1 117629-01-000 EA LABEL - WATER PUMP/FILL

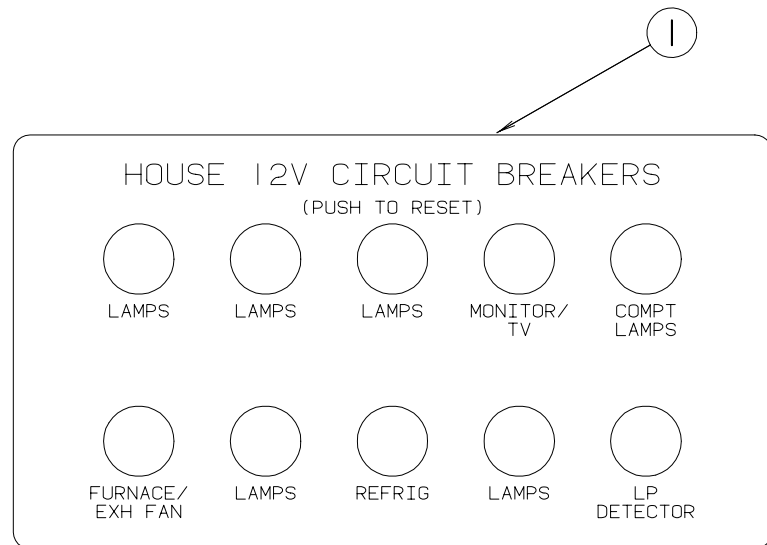
LABELS GROUP (CONTINUED)



KEY PART NUMBER U/M DESCRIPTION
 1 095721-10-000 EA LABEL - CONTROL CENTER (30A) CSA

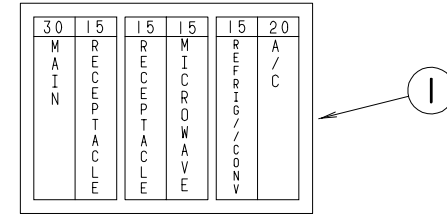


KEY PART NUMBER U/M DESCRIPTION
 1 125306-01-01A EA LABEL - ELECTRICAL ENTRANCE - 110VOLT 30AMP



KEY PART NUMBER U/M DESCRIPTION
 1 092547-06-000 EA LABEL - CIRCUIT BREAKER

LABELS GROUP (CONTINUED)

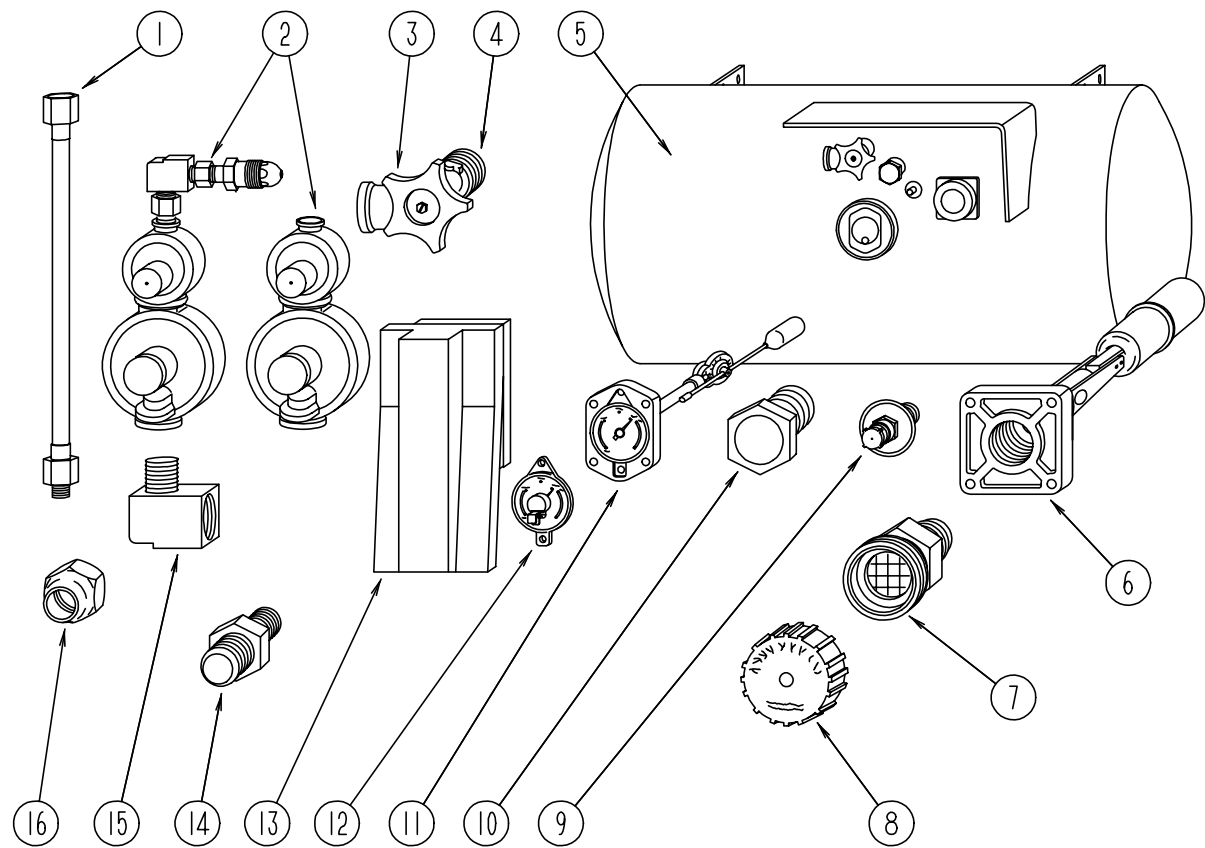


KEY PART NUMBER U/M DESCRIPTION
 1 095721-14-000 EA LABEL - CONTROL CENTER (30A)

MISCELLANEOUS LABELS

KEY PART NUMBER U/M DESCRIPTION
 006064-01-000 EA LABEL-SEAT W/O SEATBELT "NOT INTENDED FOR USE WHILE COACH IN MOTION"
 054531-01-000 EA LABEL - LP GAS ONLY
 111537-07-000 EA LABEL - FUSES
 039290-01-000 EA LABEL - WARNING - EXIT
 094675-01-000 EA LABEL - EXTERIOR LIGHT SERVICE
 111537-05-000 EA LABEL - SLIDEOUT CONTROL
 116549-01-000 EA LABEL - WARNING - SLIDEOUT

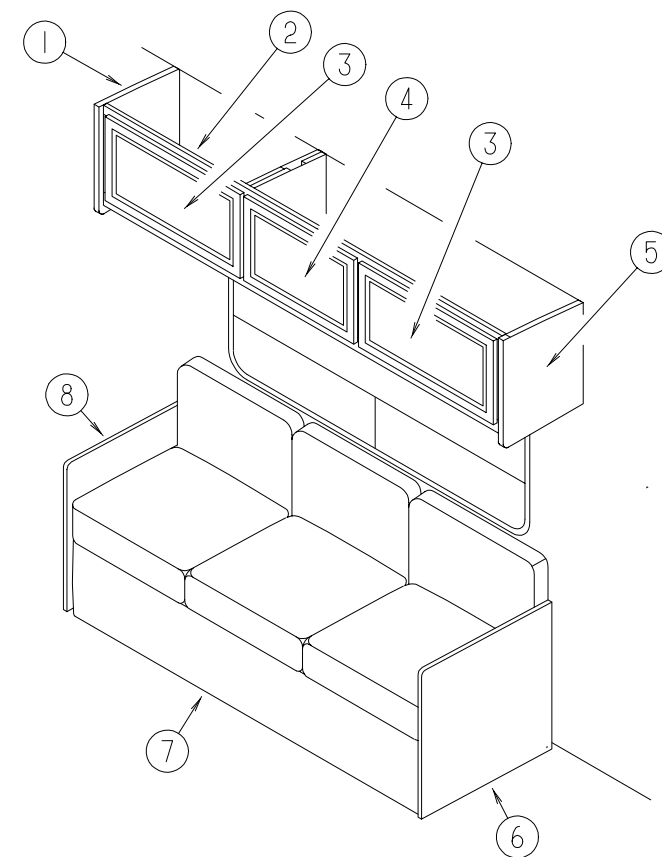
LP GROUP



LP TANK & COMPONENTS

KEY	PART NUMBER	U/M	DESCRIPTION	VENDOR NO.
1	045703-01-000	EA	HOSE - LP - 3/8"ID X 24" - 3/8"MPT X 1/2"F SWIVEL - U.S.	
1	045703-02-000	EA	HOSE - LP - 3/8"ID X 24" - 3/8"MPT X 1/2"F SWIVEL - CANADA	
1	045703-11-000	EA	HOSE - LP - 3/8"ID X 36" - 3/8"MPT X 3/8"F SWIVEL - UL/CSA	
2	106150-01-000	EA	REGULATOR - TWO STAGE - W/90 DEGREE ELBOW & 3/8" FPT OUTLET	
3	040421-01-708	EA	HANDWHEEL - SERVICE VALVE	G-1015-A
4	040421-01-712	EA	VALVE - SERV. W/O VAPOR RELIEF	29000853
5	088253-09-000	EA	TANK - LP - 100 LB - 14" DIAMETER X 47" LONG	
6	040421-01-711	EA	VALVE - 80% FILL W/AUTO STOP	LLL/TL3
7	040421-01-701	EA	VALVE - FILL - SHORT - LP	7547B
8	040421-01-702	EA	CAP - FILL VALVE - PLASTIC	G-1014-A
9	040421-01-700	EA	VALVE - LIQUID LEVEL - 20%	G-1013
10	040421-01-713	EA	VALVE - RELIEF 1" W/SPRING 7"	29000587
11	040421-01-707	EA	FLOAT ASM. (SIGHT GAUGE) 14"	14C
12	040440-02-000	EA	TRANSMITTER - DIAL - 0-90 OHM - 2 TERMINAL (POWER & GROUND)	
13	105658-01-000	EA	COMPARTMENT - LP REGULATOR	
14	010323-01-000	EA	ADAPTER - BRASS - 3/8"F X 1/2"MPT	
14	010329-01-000	EA	ADAPTER - BRASS - 1/2" F X 1/2" MPT	
15	065318-02-000	EA	ELBOW - 90 DEGREE - 3/8" MPT TO 3/8" FPT	
16	010377-02-000	EA	NUT - BRASS - 3/8" FLARE - FORGED	
	008042-01-000	FT	TUBING - VINYL - .65" ID	
	010265-01-000	EA	ELBOW - BRASS - 90 DEGREE - 3/8"F X 1/2"FPT	
	010380-02-000	EA	NUT - BRASS - 1/2" FLARE - FORGED	
	010326-01-000	EA	ADAPTER - FLARE - W/CONE GASKET - 3/8" FEMALE X 1/2" MALE	
	035340-01-000	EA	ELBOW - 3/8" MPT X 1/2" F - BRASS	
	010252-01-000	EA	ELBOW - BRASS - 90 DEGREE - 3/8"F X 1/2"MPT	
	103613-03-000	EA	DETECTOR - LP GAS - W/O SHUT-OFF VALVE	

LOUNGE GROUP

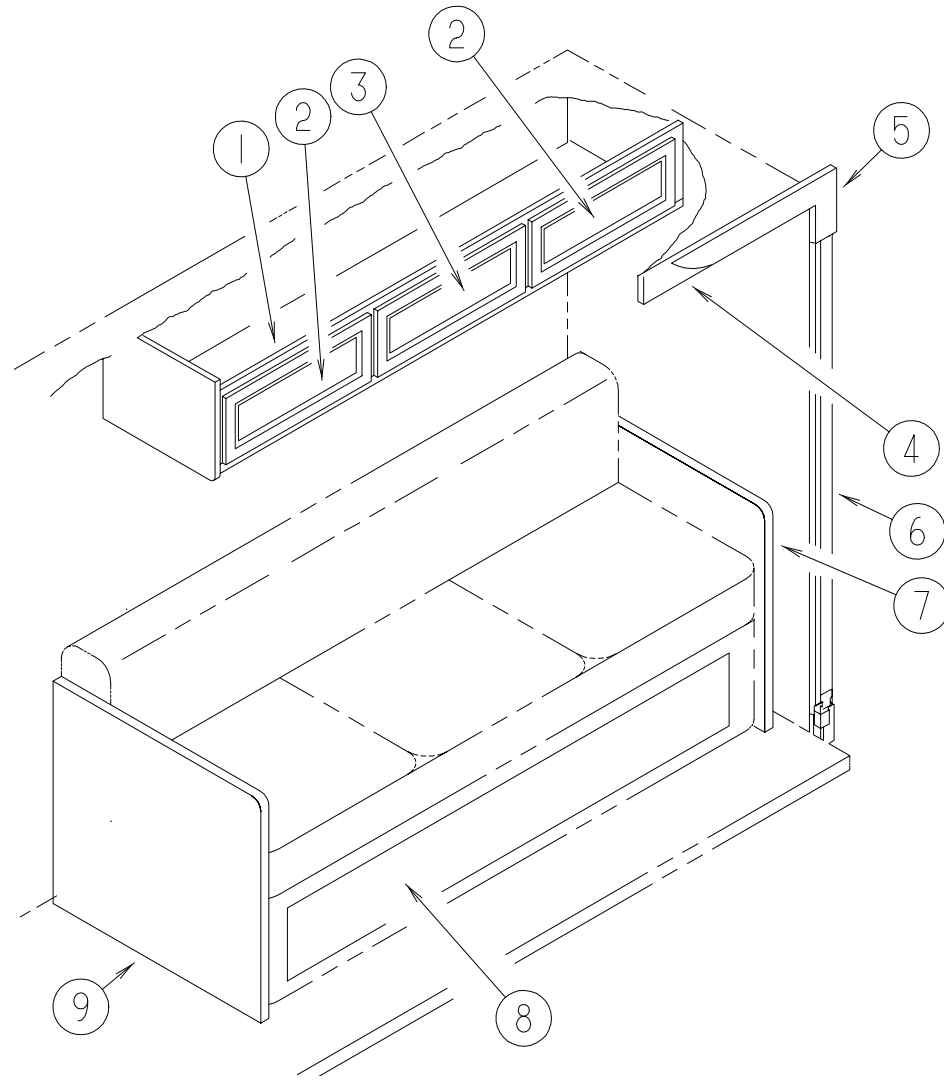


DRIVER SIDE OVERHEAD & SOFA/BED CABINETS W/O SLIDEOUT

KEY	PART NUMBER	U/M	DESCRIPTION
1	127596-02-J37	EA	CABINET - OVERHEAD - FRONT/LEFT HAND - W/O DOORS/HARDWARE
2	127596-11-J37	EA	SHELF - W/PLASTIC EDGE TRIM
3	M08758-25-J15	EA	DOOR - MITERED CORNER/OGEE EDGE - 14.3" X 21.8" - W/O HDW
3	M05992-69-K16	EA	DOOR - STRAIGHT CORNER/OGEE EDGE - 14.3" X 21.8" - W/O HDW (DOOR OPTION)
4	M08758-27-J15	EA	DOOR - MITERED CORNER/OGEE EDGE - 14.3" X 26.7" - W/O HDW
4	M05992-89-J37	EA	DOOR - STRAIGHT CORNER/OGEE EDGE - 14.3" X 26.7" - W/O HDW (DOOR OPTION)
5	103128-31-J37	EA	END CAP - OVERHEAD/CABINET - RIGHT HAND
6	122716-12-J21	EA	PANEL - RIGHT END - SOFA/BED - FABRIC COVERED (J65,J69)
6	122716-12-J45	EA	PANEL - RIGHT END - SOFA/BED - FABRIC COVERED (J66)
6	122716-12-J47	EA	PANEL - RIGHT END - SOFA/BED - FABRIC COVERED (J67)
6	122716-12-J46	EA	PANEL - RIGHT END - SOFA/BED - FABRIC COVERED (J68)
7	M08164-01-J21	EA	PANEL - FRONT KICK - SOFA/BED - FABRIC COVERED (J65,J69)
7	M08164-01-J38	EA	PANEL - FRONT KICK - SOFA/BED - FABRIC COVERED (J66)
7	M08164-01-J97	EA	PANEL - FRONT KICK - SOFA/BED - FABRIC COVERED (J67)
7	M08164-01-J98	EA	PANEL - FRONT KICK - SOFA/BED - FABRIC COVERED (J68)
8	122716-11-J21	EA	PANEL - LEFT END - SOFA/BED - FABRIC COVERED (J65,J69)
8	122716-11-J38	EA	PANEL - LEFT END - SOFA/BED - FABRIC COVERED (J66)
8	122716-11-J97	EA	PANEL - LEFT END - SOFA/BED - FABRIC COVERED (J67)
8	122716-11-J98	EA	PANEL - LEFT END - SOFA/BED - FABRIC COVERED (J68)
	082525-01-000	EA	BRACE - COUCH - FLOOR MOUNT - ANGLE 3" LONG

LOUNGE GROUP (CONTINUED)

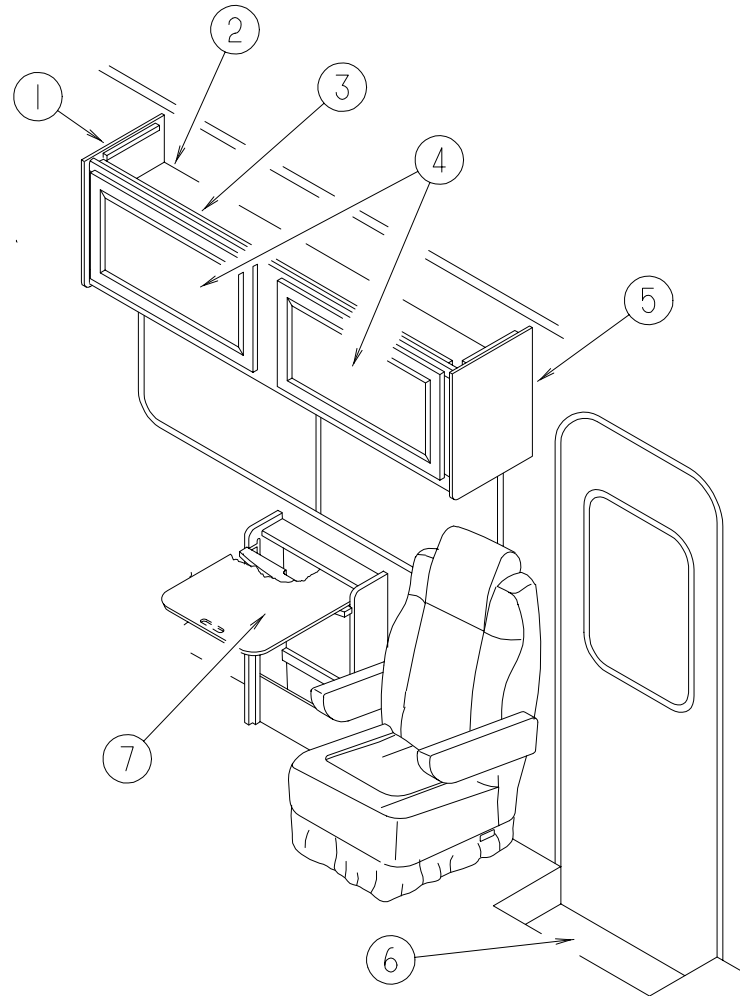
DRIVERS SIDE OVERHEAD AND SOFA/BED CABINETS W/SLIDEOUT



KEY	PART NUMBER	U/M	DESCRIPTION
1	126433-02-J37	EA	CABINET - OVERHEAD/COUCH - W/O DOORS/HARDWARE
2	M08758-B4-J03	EA	DOOR - MITERED CORNER/OGEE EDGE - 10" X 21.8" - W/O HDW
2	M05992-T5-J37	EA	DOOR - STRAIGHT CORNER/OGEE EDGE - 10.8" X 21.8" - W/O HDW (DOOR OPTION)
3	M08758-06-J01	EA	DOOR - MITERED CORNER/OGEE EDGE - 10.8" X 23.8" - W/O HDW
3	M05992-T3-J37	EA	DOOR - STRAIGHT CORNER/OGEE EDGE - 10.1" X 23.8" - W/O HDW (DOOR OPTION)
4	116967-01-G35	EA	TRIM - CENTER - WOOD - 3.8" X 120"
5	116968-02-G35	EA	TRIM - END/RIGHT HAND - WOOD - 3.8" X 19.1"
6	116951-01-G35	EA	MOLDING - WOOD - 3" X 70.5"
7	127840-04-J37	EA	PANEL - RIGHT END - SOFA/BED - FABRIC COVERED (J65,J69) FROM: 00-00-00 THRU: 01-18-98
7	127840-04-J38	EA	PANEL - RIGHT END - SOFA/BED - FABRIC COVERED (J66) FROM: 00-00-00 THRU: 01-18-98
7	127840-04-J97	EA	PANEL - RIGHT END - SOFA/BED - FABRIC COVERED (J67) FROM: 00-00-00 THRU: 01-18-98
7	127840-04-J98	EA	PANEL - RIGHT END - SOFA/BED - FABRIC COVERED (J68) FROM: 00-00-00 THRU: 01-18-98
8	M08164-05-J37	EA	PANEL - FRONT KICK - SOFA/BED - FABRIC COVERED (J65,J69)
8	M08164-05-J38	EA	PANEL - FRONT KICK - SOFA/BED - FABRIC COVERED (J66)
8	M08164-05-J97	EA	PANEL - FRONT KICK - SOFA/BED - FABRIC COVERED (J67)
8	M08164-05-J98	EA	PANEL - FRONT KICK - SOFA/BED - FABRIC COVERED (J68)

KEY	PART NUMBER	U/M	DESCRIPTION
9	127840-05-J37	EA	PANEL - LEFT END - SOFA/BED - FABRIC COVERED (J65,J69) FROM: 00-00-00 THRU: 01-18-98
9	127840-05-J38	EA	PANEL - LEFT END - SOFA/BED - FABRIC COVERED (J66) FROM: 00-00-00 THRU: 01-18-98
9	127840-05-J97	EA	PANEL - LEFT END - SOFA/BED - FABRIC COVERED (J67) FROM: 00-00-00 THRU: 01-18-98
9	127840-05-J98	EA	PANEL - LEFT END - SOFA/BED - FABRIC COVERED (J68) FROM: 00-00-00 THRU: 01-18-98
9	127840-07-J37	EA	PANEL - LEFT END - SOFA/BED - FABRIC COVERED (J65) FROM: 01-19-98 THRU: 99-99-99
9	127840-07-J38	EA	PANEL - LEFT END - SOFA/BED - FABRIC COVERED (J66) FROM: 01-19-98 THRU: 99-99-99
9	127840-07-J97	EA	PANEL - LEFT END - SOFA/BED - FABRIC COVERED (J67) FROM: 01-19-98 THRU: 99-99-99
9	127840-07-J98	EA	PANEL - LEFT END - SOFA/BED - FABRIC COVERED (J68) FROM: 01-19-98 THRU: 99-99-99
9	127840-07-J28	EA	PANEL - LEFT END - SOFA/BED - FABRIC COVERED (J69) FROM: 01-19-98 THRU: 99-99-99

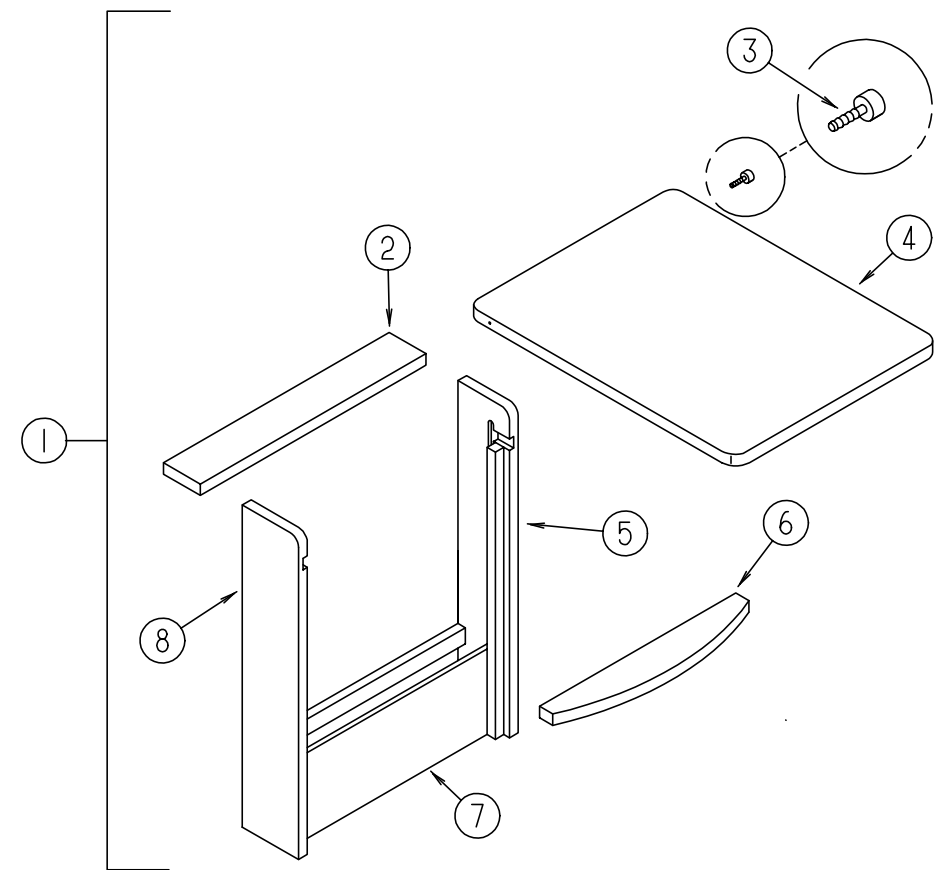
LOUNGE GROUP (CONTINUED)



PASSENGER SIDE SWIVEL CHAIRS & PULLOUT TABLE

KEY	PART NUMBER	U/M	DESCRIPTION
1	103128-32-J37	EA	END CAP - OVERHEAD CABINET - LEFT HAND
2	128293-01-J37	EA	CABINET - OVERHEAD - FRONT/RIGHT HAND - W/O DOORS/HDW
3	128293-11-J37	EA	SHELF - W/PLASTIC EDGE TRIM
4	M08758-25-J15	EA	DOOR - MITERED CORNER/OGEE EDGE - 14.3" X 21.8" - W/O HDW
4	M05992-69-K16	EA	DOOR - STRAIGHT CORNER/OGEE EDGE - 14.3" X 21.8" - W/O HDW (DOOR OPTION)
5	103128-31-J37	EA	END CAP - OVERHEAD CABINET - RIGHT HAND
6	120234-03-H17	EA	LID - ENTRY STEP
	101222-01-04A	EA	BRACKET - CATCH - LID
	116975-01-01A	EA	LATCH - W/O STRIKE - BLACK - NEW STYLE
	116975-02-01A	EA	KEEPER/STRIKE - BLACK - NEW STYLE
	064075-07-000	FT	SEAL - BULB - W/WIRED U CHANNEL - .3" X .5" CHANNEL - BLK
7	P19559-03-J22	EA	CABINET - W/PULLOUT TABLE
	091257-10-000	EA	HANDLE - ASSIST - WATERFORD OAK

LOUNGE GROUP (CONTINUED)



PULLOUT TABLE

KEY	PART NUMBER	U/M	DESCRIPTION
1	P19559-03-J22	EA	CABINET - W/PULLOUT TABLE
2	119559-22-J22	EA	TOP - F/CABINET/PULLOUT TABLE
3	079921-01-000	EA	ROLLER - NYLON - W/STEEL SHAFT - BARBED
4	119559-25-J22	EA	TABLE TOP - PULLOUT
	080736-01-000	EA	PULL - RECESSED - 1.25 X 4" - OAK
5	119559-11-G35	EA	CABINET/RIGHT SIDE - F/DROP LEAF TABLE - 5.7" X 28.7"
6	119559-23-J22	EA	SHELF - PULLOUT TABLE
7	119559-24-J22	EA	PANEL - PULLOUT TABLE
8	119559-12-G35	EA	CABINET/LEFT SIDE - F/DROP LEAF TABLE - 5.7" X 28.7"

SEALANTS & FASTENERS GROUP

ADHESIVE

KEY	PART NUMBER	U/M DESCRIPTION	VENDOR NO.
	004020-01-000	QT ADHESIVE - ABS CEMENT - QUART	
	087211-01-000	GL PROMOTER - ADHESIVE	
	004006-05-700	EA ADHESIVE - NAT. STARCH (5 GAL)	0802
	062917-03-000	EA ADHESIVE - LOCTITE 242	
	067788-01-000	EA ADHESIVE - SPRAY - 3M - 19.5 AEROSOL CAN	
	112901-02-000	EA ADHESIVE - PLEXUS - 50ML	

NUTS

KEY	PART NUMBER	U/M DESCRIPTION
	000D24-10-00B	EA NUT - HEX - SELF LOCKING - 10-32 ZINC
	000D29-05-00B	EA NUT - 5/16 - 18 UNC - SF/LOCKING - NYLON WASHER INSERT
	000D34-04-00B	EA NUT - HEX - LOCKING - 1/4-20 ZINC
	000D34-06-00B	EA NUT - HEX - LOCKING - 3/8-16 GRADE C - ZINC-PREVAILING
	000D39-04-00B	EA NUT - HEX - LOCKING W/SERRATED FLANGE - 1/4-20 - ZINC
	000D39-05-00B	EA NUT - HEX - LOCKING W/SERRATED FLANGE - 5/16-18 - ZINC
	000D39-06-00B	EA NUT - HEX - LOCKING W/SERRATED FLANGE - 3/8-18 - ZINC
	000D39-07-00B	EA NUT - HEX - LOCKING W/SERRATED FLANGE - 7/16-14 - ZINC
	000D39-08-00B	EA NUT - HEX - LOCKING W/SERRATED FLANGE - 1/2-13 - ZINC
	000D44-07-00B	EA NUT - HEX - SERRATED FLANGE/LOCKING - 7/16-20 - ZINC
	000D46-04-00A	EA NUT - HEX - WELD - 1/4 - 20 - PLAIN
	000D76-06-00B	EA NUT - HEX FLANGE - 3/8-16
	040921-01-000	EA NUT - SPEED - U TYPE - 10-24 BLACK
	040921-04-000	EA NUT - SPEED - U TYPE - # 8 - .59" LENGTH X .44" WIDTH
	040921-09-000	EA NUT - SPEED - U TYPE - # 8
	044364-02-000	EA NUT - SPEED - FLAT - ROUND
	063253-07-000	EA NUT - J - #8A - .120 - .130 PNL THK
	083163-06-000	EA PUSHNUT - FLAT TYPE 3/8 STUD - FORD ONLY
	104369-01-000	EA NUT - HEX - HEAVY - 5/8-11 UNC

WASHERS

KEY	PART NUMBER	U/M DESCRIPTION
	000E11-07-00B	EA WASHER - LOCKING - 7/16 MED SPLIT - ZINC
	000E11-08-00B	EA WASHER - LOCKING - 1/2 MED SPLIT - ZINC
	000E13-14-00B	EA WASHER - FLAT - 1/4 WIDE - ZINC
	000E13-18-00B	EA WASHER - FLAT - 3/8 WIDE - ZINC
	000E13-20-00B	EA WASHER - FLAT - 7/16 WIDE - ZINC
	000E13-21-00B	EA WASHER - FLAT - W/2 NAR - ZINC
	000E13-22-00B	EA WASHER - FLAT - 1/2 WIDE - ZINC
	000E13-26-00B	EA WASHER - FLAT - 5/8 WIDE - ZINC
	044533-01-000	EA WASHER - PLASTIC - 1 3/8" OD - FOR BUTTONS
	058716-02-000	EA WASHER - FLAT NYLON
	077071-01-000	EA WASHER - FENDER - 3/16"ID X 1" OD
	106649-01-000	EA WASHER - SEALING - GALVANIZED
	107397-01-000	EA WASHER - FENDER - .25" ID X 1" OD

SEALANTS & FASTENERS GROUP (CONTINUED)

SEALERS

KEY	PART NUMBER	U/M DESCRIPTION
	069640-01-000	FT SEALER - RIBBON - 1/4" DIAMETER X 30' - BLACK
	069640-02-000	FT SEALER - TAPE - .13"THICK X .5"WIDE X 60' - GRAY
	069640-03-000	FT SEALER - TAPE - 1/8"THICK X .75"WIDE X 60' - BLACK
	069640-07-000	FT SEALER - TAPE - 3/32"THICK X 2"WIDE X 45'
	069640-09-000	FT SEALER - TAPE - 1/32"THICK X 2.50"WIDE X 80' - GREY
	069640-11-000	FT SEALER - TAPE - 3/16"THICK X 3/8"WIDE X 40'
	069640-13-000	FT SEALER - TAPE - 3/32"THICK X 2"WIDE X 45'
	069640-14-000	FT SEALER - TAPE - 1/16"THICK X 1"WIDE X 100'
	069640-15-000	FT SEALER - TAPE - 1/16"THICK X 3/8"WIDE X 80' - GREY
	069640-17-000	FT SEALER - TAPE - 1/32" THICK X 1"WIDE X 90'
	069640-18-000	FT SEALER - TAPE - 1/2"THICK X 1/8"WIDE X 60' - BRT/WHITE
	069640-19-000	FT SEALER - TAPE - 3/4" X 1/8" X 60' - BRIGHT WHITE
	069640-21-000	FT SEALER - TAPE - 1/2" X 1/16" X 100' - BRIGHT WHITE
	900390-01-000	EA TIP - 2 1/2" X 1/8" ORIFICE
	900390-03-000	EA NOZZLE - SILICONE TUBE
	034552-02-000	EA SILICONE - TUBE - 300 ML - W/O NOZZLE - CLEAR
	034552-15-000	EA SILICONE - TUBE - 300 ML - W/O NOZZLE - BRIGHT WHITE
	039518-01-000	EA SILICONE - TUBE - 300 ML - BLACK - W/O NOZZLE
	108716-03-000	EA SILICONE - TUBE - BRIGHT WHITE/SELF LEVELING - W/O NOZZLE
	053766-02-000	EA BEDDING COMPOUND - TUBE - WHITE
	072889-01-000	EA SEALANT - URETHANE - BLACK - 1/10
	072889-09-000	EA SEALANT - URETHANE - BLACK (TUBE)
	072889-10-000	EA SEALANT - URETHANE (HV) - BRIGHT WHITE
	072889-12-000	EA SEALANT - URETHANE (LV) BRIGHT WHITE
	091255-02-000	FT SEAL - ADHESIVE BACKED/FOAM - .18" THICK X 1.5" WIDE
	102352-01-000	EA SEALER - PUMPABLE - BLACK
	102352-02-000	EA SEALER - PUMPABLE - CLEAR
	106206-01-000	EA SEALER - PUMPABLE - MANUS 30A - BLACK
	111940-02-000	LB SEALER - PUTTY - THUMBING
	112864-01-000	FT SEAL - FOAM/BUTYL COVERED - 3/8"
	120074-02-01A	EA SEALANT - SILICONE - OFF WHITE

CLAMPS

KEY	PART NUMBER	U/M DESCRIPTION
	007161-01-000	EA CLAMP - HOSE - SPRING TYPE - 1/2"
	010495-01-000	EA CLAMP - CABLE - 9/16"
	010495-02-000	EA CLAMP - CABLE - 3/8
	010497-01-000	EA CLAMP - CLOSED - 5/8" ID
	010497-03-000	EA CLAMP - CLOSED - 1" ID - CUSHIONED
	010497-04-000	EA CLAMP - CLOSED - 1.62" ID
	010497-05-000	EA CLAMP - CLOSED - 1/2 ID
	010497-07-000	EA CLAMP - CLOSED - 3/8" ID
	010499-01-000	EA CLAMP - CLOSED - 3/8" ID
	062401-01-000	EA CLAMP - HOSE - WORMGEAR - .25" - 1"
	062401-02-000	EA CLAMP - HOSE - WORMGEAR - 1.56" - 2.5"
	062401-03-000	EA CLAMP - HOSE - WORMGEAR - .22"- 1"
	062401-04-000	EA CLAMP - HOSE - WORMGEAR - .69" - 1.25"
	062401-05-000	EA CLAMP - HOSE - WORMGEAR - 2" TO 3" ID
	062401-06-000	EA CLAMP - HOSE - WORMGEAR - .22" - .62" ID
	062401-11-000	EA CLAMP - HOSE - WORMGEAR - 3.50" - 4.50"
	075148-02-000	EA CLAMP - GROUNDING - BRONZE SCREWS
	083609-01-000	EA CLAMP - WIRE - DUAL - EQUAL DIAMETERS - 5/8"
	083610-01-000	EA CLAMP - WIRE - DUAL - UNEQUAL DIAMETERS - 3/4" & 1 1/4"
	083610-02-000	EA CLAMP - WIRE - DUAL - UNEQUAL DIAMETERS - 3/4" & 2"

SEALANTS & FASTENERS GROUP (CONTINUED)

SCREWS

KEY	PART NUMBER	U/M DESCRIPTION
	0G3908-08-170	EA SCREW - SF/DR - 8-18 X .50 PPH - BRIGHT WHITE
	0G3908-24-170	EA SCREW - SF/DR - 8-18 X 1.50 PPH - BRIGHT WHITE
	0G5508-12-260	EA SCREW - SF/DR - 8-18 X .75 PWH - ALLANTE ANTELOPE
	0G5508-16-260	EA SCREW - SF/DR - 8-18 X 1.00 PWH ZINC - INTERIOR ANTELOPE
	0G6710-08-170	EA SCREW - 10-12 X 1/2 PPH - BRIGHT WHITE
	000G11-05-08B	EA SCREW - 5-20 X .50 PPH - ZINC
	000G11-06-08B	EA SCREW - 6-20 X .50 PPH - ZINC
	000G11-06-06B	EA SCREW - 6-20 X 3/8 PPH - ZINC
	000G11-06-10J	EA SCREW - 6-20 X 5/8 PPH - BRASS
	000G11-06-10B	EA SCREW - 6-20 X 5/8 PPH - ZINC
	000G11-07-08B	EA SCREW - 7-19 X .50 PPH - ZINC
	000G11-08-06B	EA SCREW - 8-18 X 3/8 PPH - ZINC
	000G11-08-10B	EA SCREW - 8-18 X .50 PPH - ZINC
	000G11-08-20B	EA SCREW - 8-18 X 1.25 PPH - ZINC
	000G11-08-16S	EA SCREW - 8-18 X 1 PPH - OFF WHITE
	000G11-08-12T	EA SCREW - 8-18 X .75 PPH - BLACK
	000G11-08-12P	EA SCREW - 8-18 X .75 PPH - DARK BROWN
	000G11-08-12D	EA SCREW - 8-18 X .75 PPH - BLACK
	000G11-08-12B	EA SCREW - 8-18 X .75 PPH - ZINC
	000G11-08-08B	EA SCREW - 8-18 X .50 PPH - ZINC
	000G11-08-08T	EA SCREW - 8-18 X 1/2 PPH - FLUOROCARBON COATING
	000G11-10-24P	EA SCREW - 10-16 X 1 1/2 PPH - DARK BROWN
	000G11-10-16B	EA SCREW - 10-16 X 1 PPH - ZINC
	000G11-10-12S	EA SCREW - 10-16 X .75 PPH - OFF WHITE
	000G11-10-12D	EA SCREW - 10-16 X .75 PPH - BLACK
	000G11-10-40B	EA SCREW - 10-16 X 2 1/2 PPH CAD - 34927-01-000
	000G12-06-08T	EA SCREW - 6-20 X 1/2 POH - BLACK
	000G13-06-16J	EA SCREW - 6-20 X 1 PFH - BRASS
	000G13-06-10G	EA SCREW - 6-20 X 5/8 PFH - ANTIQUE BRASS
	000G13-06-08G	EA SCREW - 6-20 X .50 PFH - ANTIQUE BRASS
	000G13-06-08B	EA SCREW - 6-20 X 1/2 PFH - ZINC
	000G13-06-24J	EA SCREW - 6-20 X 1.50 PFH - BRASS
	000G13-07-10H	EA SCREW - 7-19 X 5/8 PFH - BLACK
	000G13-07-12B	EA SCREW - 7-19 X .75 PFH - ZINC
	000G13-08-16B	EA SCREW - 8-18 X 1 PFH - ZINC
	000G18-08-22B	EA SCREW - MACHINE - 8-32 X 1 3/8 PPH - ZINC
	000G19-10-08B	EA SCREW - MACHINE - 10-32 X 1/2 PPH - ZINC
	000G19-10-12F	EA SCREW - MACHINE - 10-32 X .75 - PPH - STAINLESS STEEL
	000G19-10-20B	EA SCREW - MACHINE - 10-32 X 1.25 PPH - ZINC
	000G32-10-06B	EA SCREW - 10-32 X 3/8 PPH - ZINC
	000G37-08-089	EA SCREW - 8 X 18 X 1/2 PPH
	000G39-06-16T	EA SCREW - SF/DR - 6-20 X 1 PPH - BLACK
	000G39-06-10T	EA SCREW - SF/DR - 6-20 X 5/8 PPH - BLACK
	000G39-08-12B	EA SCREW - SF/DR - 8-18 X .75 PPH - ZINC
	000G39-08-08S	EA SCREW - SF/DR - 8-18 X .50 PPH - OFF WHITE
	000G39-08-08B	EA SCREW - SF/DR - 8-18 X 1.50 PPH - ZINC
	000G39-08-06B	EA SCREW - SF/DR - 8-18 X 3/8 PPH - ZINC
	000G39-08-08T	EA SCREW - SF/DR - 8-18 X 1/2 PPH - BLACK
	000G39-08-24B	EA SCREW - SF/DR - 8-18 X 1 1/2 PPH - ZINC
	000G39-08-16T	EA SCREW - SF/DR - 6-20 X 1 PPH - BLACK
	000G39-08-16R	EA SCREW - SF/DR - 8-18 X 1 PPH - BEIGE
	000G39-08-16B	EA SCREW - SF/DR - 8-18 X 1 PPH - ZINC
	000G39-08-12T	EA SCREW - SF/DR - 8-18 X .75 PPH - BLACK
	000G39-10-20B	EA SCREW - SF/DR - 10-16 X 1.25 PPH - ZINC
	000G39-10-129	EA SCREW - SF/DR - 10-16 X .75 PPH - FLUOROCARBON SILVER
	000G39-10-12D	EA SCREW - SF/DR - 10-16 X .75 PPH - BLACK
	000G39-10-12B	EA SCREW - SF/DR - 10-16 X .75 PPH - ZINC
	000G39-10-10B	EA SCREW - SF/DR - 10-16 X .625 - ZINC
	000G39-10-088	EA SCREW - SF/DR - 10-16 X 1/2 PPH - FLEX FLUOROCARBON
	000G39-10-08B	EA SCREW - SF/DR - 10-16 X .50 PPH - ZINC
	000G39-10-20T	EA SCREW - SF/DR - 10-16 X 1.25 PPH
	000G39-10-48T	EA SCREW - SF/DR - 10-16 X 3.00 PPH - BLACK
	000G39-10-209	EA SCREW - SF/DR - 10-16 X 1 1/4 PPH - FLUOROCARBON SILVER

SEALANTS & FASTENERS GROUP (CONTINUED)

SCREWS (CONTINUED)

KEY	PART NUMBER	U/M DESCRIPTION
	000G42-04-12B	EA SCREW - SF/DR - 1/4-14 X .75 HWH - ZINC
	000G43-06-24B	EA SCREW - MACHINE - 6-32 X 1.50 - ZINC
	000G46-08-24T	EA SCREW - MACHINE - 8-32 X 1.50 PFH - BLACK
	000G50-04-08B	EA SCREW - MACHINE - 1/4-20 X 1/2 PTH - ZINC
	000G50-04-12B	EA SCREW - MACHINE - 1/4-20 X 3/4 PPH - ZINC
	000G52-08-18B	EA SCREW - MACHINE - 8-32 X 1 1/8 PTH - ZINC
	000G54-04-20B	EA SCREW - 1/4-20 X 1.25 PTH - TYPE 23 - ZINC PLATED
	000G55-08-16S	EA SCREW - SF/DR - 8-18 X 1.00 - PWH - OFF WHITE
	000G55-08-12S	EA SCREW - SF/DR - 8-18 X .75 PWH - OFF WHITE
	000G56-12-48B	EA SCREW - WOOD - 12-11 X 3 POH - SPECIAL HARDENED
	000G60-10-28T	EA SCREW - SF/DR - 10-16 X 1.75 - BLACK
	000G60-10-20B	EA SCREW - SF/DR - 10-16 X 1.25 POH - ZINC
	000G67-10-120	EA SCREW - 10-12 X .75 PPH - TAN
	000G67-10-12P	EA SCREW - 10-12 X .75 - PPH - DARK BROWN
	000G67-10-12B	EA SCREW - 10-12 X .75 PPH - ZINC
	000G67-10-10S	EA SCREW - 10-12 X 5/8 PPH - OFF WHITE
	000G67-10-10D	EA SCREW - 10-12 X 5/8 PPH - BLACK - TYPE A
	000G67-10-10B	EA SCREW - 10-12 X 5/8 PPH - ZINC - TYPE A
	000G67-10-08R	EA SCREW - 10-12 X 1/2 PPH - BEIGE - TYPE A
	000G67-10-08B	EA SCREW - 10-12 X .50 PPH - ZINC
	000G67-10-16B	EA SCREW - 10-12 X 1 PPH - ZINC
	000G67-10-32B	EA SCREW - 10-12 X 2 PPH - ZINC
	000G67-10-36T	EA SCREW - 10-12 X 2.25 PPH - BLACK
	000G67-10-24B	EA SCREW - 10-12 X 1.25 PPH - ZINC
	000G67-10-20D	EA SCREW - 10-12 X 1.25 PPH - BLACK
	000G67-10-120	EA SCREW - 10-12 X .75 PPH - TAN
	000G68-06-10G	EA SCREW - 6-18 X 5/8 POH - ANTIQUE BRASS
	049465-01-000	EA SCREW - 10-16 W/WASHER PTH - DARK BROWN
	049465-03-000	EA SCREW - 10-16 X 1 POH W/WASHER - OFF WHITE
	049465-17-000	EA SCREW - 10-16 X 1 POH W/WASHER
	054434-02-000	EA SCREW - SF/DR - 10-16 X 2 - ZINC
	057671-01-000	EA COVER - SCREW - #8 - PLASTIC - OFF WHITE
	057671-15-000	EA COVER - SCREW - BRIGHT WHITE
	075908-01-000	EA SCREW - MACHINE - 10-32 X .56 PTH - EXTERNAL TOOTH - ZINC
	076790-01-000	EA SCREW - 6-20 X 1 1/4 PPH - BLACK
	083554-01-000	EA SCREW - DRYWALL - 8 X 1.25
	083554-04-000	EA SCREW - DRYWALL - 8 X 2.50
	086256-01-000	EA SCREW - SF/DR - 8 X 3/4 HWH LONG
	087721-01-000	EA SCREW - FLAT HEAD - TAPPING - 1/4" X 1 1/4" LONG - ZINC
	097974-01-000	EA SCREW - PARTICLE BOARD - 7-9 X 3/4 PPH

SEALANTS & FASTENERS GROUP (CONTINUED)

BOLTS

KEY	PART NUMBER	U/M	DESCRIPTION
	000C12-05-16B	EA	BOLT - HEX - 5/16-18 X 1 - ZINC 5
	000C12-05-12B	EA	BOLT - HEX - 5/16-18 X 3/4 - ZINC 5
	000C12-06-16B	EA	BOLT - HEX - 3/8-16 X 1 LG - ZINC 5
	000C12-08-24B	EA	BOLT - HEX - 1/2-13 X 1.50 - ZINC 5
	000C12-08-16B	EA	BOLT - HEX - 1/2-13 X 1.00 - GD5 - ZINC
	000C12-10-24B	EA	BOLT - HEX - 5/8-11 X 1.50 - ZINC 5
	000C13-07-48B	EA	BOLT - HEX - 7/16-20 X 3 - ZINC 5
	000C18-05-40A	EA	BOLT - ELEVATOR - 5/16-18 X 2.50 - PL
	000C26-04-10B	EA	BOLT - HEX - SERRATED FLANGE - 1/4-20 X 5/8 - ZINC
	000C26-04-18B	EA	BOLT - HEX - SERRATED FLANGE - 1/4-20 X 1 1/8 - ZINC
	000C26-04-14B	EA	BOLT - HEX - SERRATED FLANGE - 1/4-20 X 7/8 - ZINC
	000C26-05-16B	EA	BOLT - HEX - SERRATED FLANGE - 5/16-18 X 1 - ZINC
	000C26-05-12B	EA	BOLT - HEX - SERRATED FLANGE - 5/16-18 X 3/4 - ZINC
	000C26-06-16B	EA	BOLT - HEX - SERRATED FLANGE - 3/8-16 X 1 - ZINC
	000C26-06-12B	EA	BOLT - HEX - SERRATED FLANGE - 3/8-16 X 3/4 - ZINC
	000C26-08-24B	EA	BOLT - HEX - SERRATED FLANGE - 1/2-13 X 1.5 ZINC
	000C27-10-32B	EA	BOLT - CARRIAGE - 5/8-11 X 2
	000G45-04-24B	EA	BOLT - LAG - 1/4-9 X 1.50 ZINC
	051387-06-000	EA	BOLT - CARRIAGE W/O HOLE - 5/16-18 X 9.5 - ZINC
	091274-03-000	EA	BOLT-J - 3/8-16 X 12.0
	102333-01-06A	EA	BOLT - CARRIAGE - 7/16-14 STAINLESS STEEL CAP
	106166-01-000	EA	BOLT/COLLARED HANGER - 8-32 X 1"
	106956-03-000	EA	BOLT - HEX TAP - 1/2-12NC X 3 - GRADE 5 - FULL THREAD/ZINC FROM: 02-22-98 THRU: 04-19-98
	106956-08-000	EA	BOLT - HEX TAP 1/2-13 NC X 4 GRADE 5 FROM: 04-20-98 THRU: 99-99-99
	088787-12-000	EA	STUD - WELD - 1/4 - 20 X 1.0 LG - MN
	108067-03-000	EA	STUD - WELD - 1/4 - 20 X 1/2 CD

TAPES

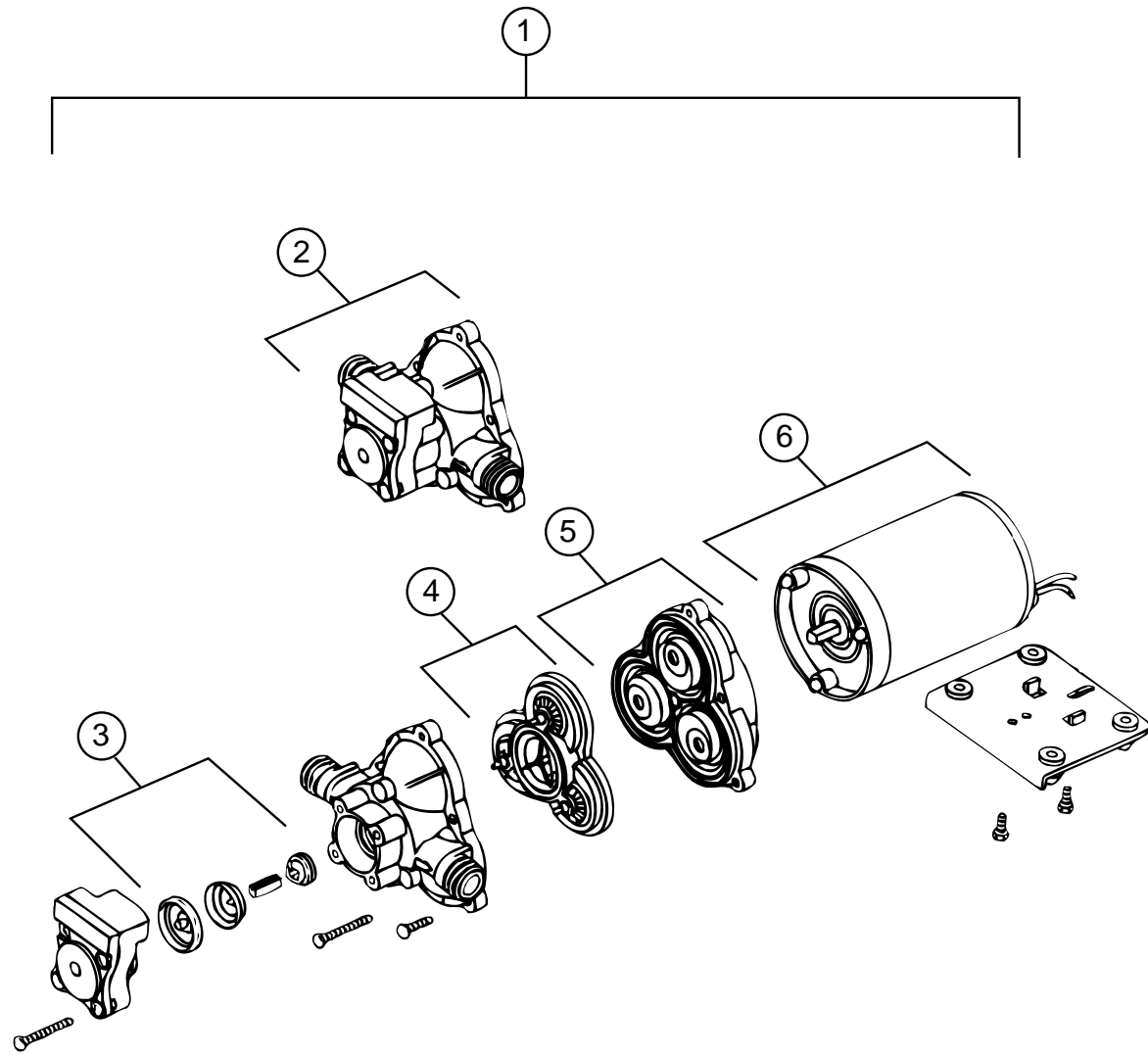
KEY	PART NUMBER	U/M	DESCRIPTION
	076322-01-000	FT	TAPE - DOUBLE COATED/ADHESIVE BACK - .025"THK X .75"W X18'
	076322-05-000	FT	TAPE - DOUBLE COATED/ADHESIVE BACK - .045"THK X .75"W X 9'
	076322-07-000	FT	TAPE - DOUBLE COATED/ADHESIVE BACK - .045"THK X .50"W X 9'
	110274-01-000	FT	TAPE - DOUBLE SIDED FOAM - .45" X 1"
	120534-01-01A	EA	TAPE - SCOTCH - 3M - 1/2" FINE LINE
	123244-01-000	FT	TAPE - DOUBLE SIDED FOAM 5/64" THICK X .75" WIDE
	123816-01-000	FT	TAPE - DOUBLE SIDED - 1"
	123816-02-000	FT	TAPE - DOUBLE SIDED - 1/2" X 35 MIL THICK
	123816-03-000	FT	TAPE - DOUBLE SIDED - 1/2" X 20 MIL THICK

SEALANTS & FASTENERS GROUP (CONTINUED)

RIVETS, GROMMETS AND MISCELLANEOUS FASTENERS

KEY	PART NUMBER	U/M	DESCRIPTION
	000H14-04-04A	EA	RIVET - MANDREL BLIND - 1/8 X .400
	000H16-04-06R	EA	RIVET - POP ALUMINUM - 1/8 X .313 - .375
	000H16-06-10R	EA	RIVET - POP ALUMINUM - 3/16 X .501-.625
	069592-02-000	EA	RIVET-T - POP - 1/4 X .093 - .156
	000F10-04-16B	EA	PIN - COTTER - 1/8" X 1" - ZINC
	000F10-06-32B	EA	PIN - COTTER - 3/16" X 2" - ZINC
	008380-01-000	EA	GROMMET - RUBBER - 5/8" HOLE X 1 1/2" DIAMETER - BLACK
	016188-03-000	EA	GROMMET - L/P LINE - 3/8" HOLE X 2 1/2" LONG - RUBBER
	016188-05-000	EA	GROMMET - L/P LINE - 3/8" HOLE X 1 1/4" LONG - RUBBER
	023942-01-000	EA	GROMMET - RUBBER - 2" OD
	071015-11-000	EA	GROMMET - 1.00 ID - FITS .12 MATERIAL
	071015-26-000	EA	GROMMET - RUBBER - 1.5" ID X 2.12" OD W/.06" GROOVE - BLK
	071015-30-000	EA	GROMMET - RUBBER - .31" ID X .81" OD W/.12" GROOVE - BLK
	088756-01-000	EA	GROMMET - WEB - 1 1/8" I.D.
	114208-02-000	EA	GROMMET - EDGE LINER - FITS .625
	056134-02-000	EA	HOLDER - RING - 1.8" DIAMETER - METAL
	081211-03-000	EA	PLUG - PLASTIC - .50 DIAMETER - BLACK
	081211-05-000	EA	PLUG - PLASTIC - .188 DIAMETER - NATURAL
	115361-01-01A	EA	PLUG - PLASTIC
	086285-01-000	EA	SPACER - NYLON - .5" OD X .257" ID
	029094-04-000	YD	VELCRO TAPE - LOOP - 1" WIDE - BLACK
	029096-03-000	YD	VELCRO TAPE - HOOK - 1" WIDE - BLACK
	029096-04-000	YD	TAPE - HOOK - VELCRO - 1" WIDE - BLACK
	088792-01-000	YD	VELCRO TAPE - HOOK - 5/8" - NON-ADHESIVE BACKED FROM: 00-00-00 THRU: 02-17-98
	088792-05-000	YD	VELCRO TAPE - LOOP - 5/8" - NON-ADHESIVE BACKED - WHITE FROM: 02-18-98 THRU: 99-99-99
	085774-01-000	FT	FASTENER - DUAL HOOK - 1" WIDE - ADHESIVE BACK - BLACK
	085774-02-000	FT	FASTENER - DUAL HOOK - 1" WIDE - ADHESIVE BACK - BLACK
	008343-01-000	EA	TIE - WIRE - 6"
	008343-02-000	EA	TIE - WIRE - 14"
	108046-02-000	EA	CABLE TIE - SCREW MOUNT 15"
	080734-02-000	EA	CLIP - WIRE NYLON
	091952-01-000	EA	CLIP - GRIPPER - 1"
	091952-02-000	EA	CLIP - GRIPPER - 3/4"
	094362-02-000	EA	CLIP - XMAS TREE - BINDER HEAD - .9" LONG
	094362-05-000	EA	CLIP - XMAS TREE - ROUND HEAD - 1.4" LONG
	101447-01-000	EA	CLIP - U TYPE
	110943-02-000	FT	FELTSTRIP - 3/8" - ADHESIVE BACK - WHITE
	116743-01-01A	EA	CAP - LUG COVER - THREAD PROTECTOR - BLACK

WATER & SEWAGE GROUP



SHURFLO WATER PUMP

KEY	PART NUMBER	U/M DESCRIPTION	VENDOR NO.
1	098607-01-000	EA PUMP - WATER - W/.5" MPT FITTING - FLOW 2.8 GPM	
2	098607-01-706	EA HOUSING - W/SWITCH ONLY	94-231-20
3	098607-01-705	EA VALVE - CHECK - KIT	94-237-00
4	098607-01-703	EA VALVE KIT	94-232-00
5	098607-01-702	EA DIAPHRAGM/DRIVE ASSEMBLY KIT	94-238-04
6	098607-01-707	EA MOTOR W/BASEPLATE	11-148-04

ATWOOD WATER HEATER W/MOTOR AID (GH6-8E)

KEY	PART NUMBER	U/M DESCRIPTION
*	051393-01-000	EA WATER HEATER - GH6-8E - ELECTRONIC IGNITION W/MOTOR AID

*COMPONENT PARTS FOUND IN SERVICE PARTS LIBRARY

WATER & SEWAGE GROUP (CONTINUED)

WATER TANKS

KEY	PART NUMBER	U/M DESCRIPTION
	118645-01-000	EA TANK - WATER - 17 GALLON - W/O FITTINGS
	118645-03-000	EA TANK - WATER - 17 GALLON - W/FITTINGS
	118454-01-000	EA TANK - WATER - 46 GALLON - W/O FITTINGS
	118454-04-000	EA TANK - WATER - 46 GALLON - W/FITTINGS
	039861-01-000	EA SENDING UNIT - W/SCREW - WASHER - WELL NUT/TERMINAL RING
	010224-01-000	EA ADAPTER - HOSE TO PIPE - 3/8 MPT X 3/8 BARB - PLASTIC
	010219-01-000	EA ELBOW - 1 1/4 MPT X 1 1/4 BARB - WATER FILL - PLASTIC
	114428-03-000	EA TEE - 1/2"P X 1/2"P X 1/2"MPT
	114429-02-000	EA ELBOW - 1/2"P X 1/2"MPT
	042989-03-000	EA FITTING - WATER TANK - SPINWELD - 1 1/4"NPT - PLASTIC
	042989-04-000	EA FITTING - WATER TANK - SPINWELD - 3/8 FPT - WHITE PLASTIC
	042989-05-000	EA FITTING - WATER TANK - SPINWELD - 1/2"FPT - PLASTIC
	049032-01-000	EA PATCH - SPINWELD - 3/8" - PLASTIC
	077954-02-000	EA FILTER - WATER TANK - W/SCREEN IN TANK
	079381-01-000	FT TUBING - SMOOTH FLEXIBLE - 1 3/8 ID X 20'

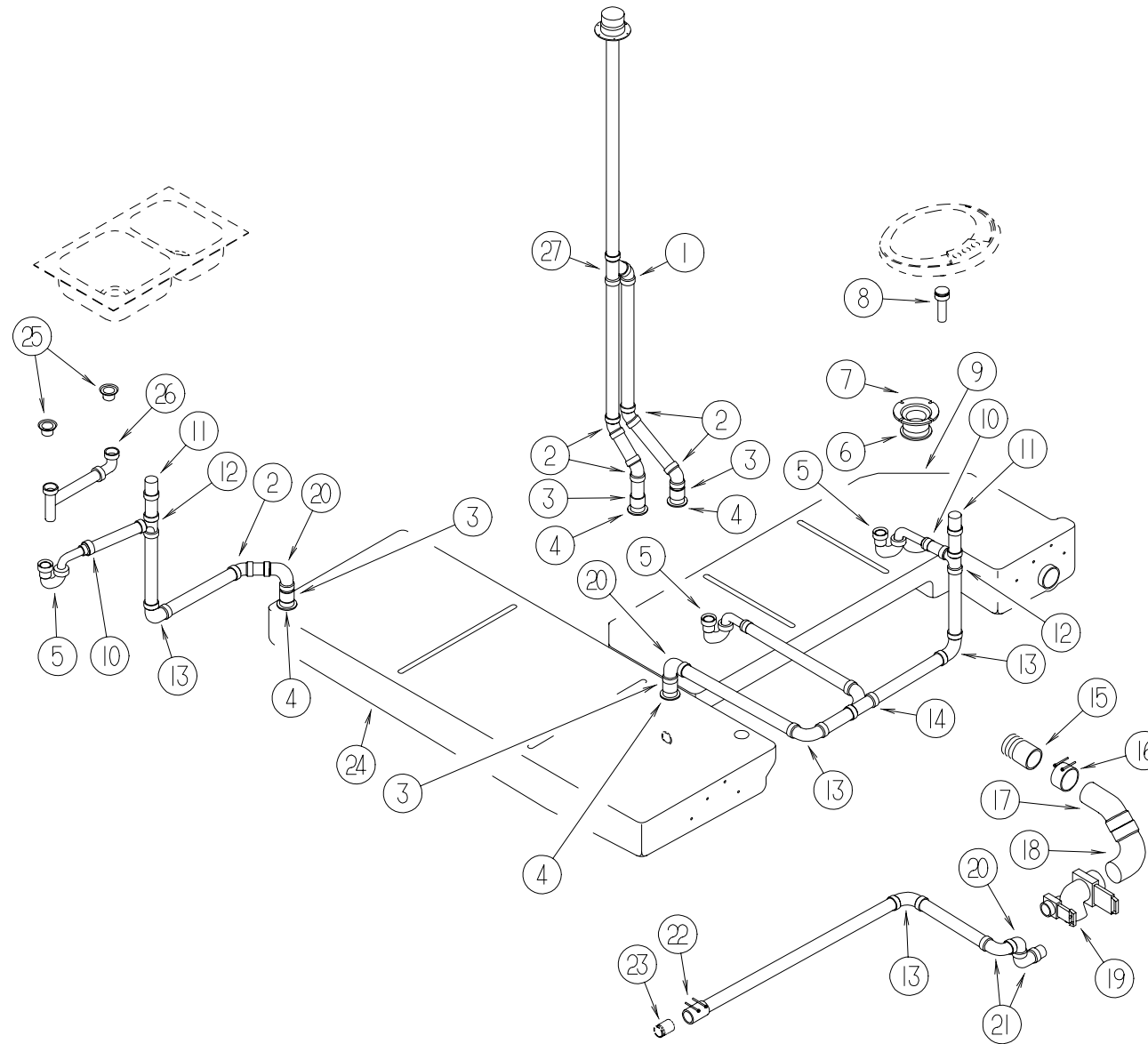
EXTERIOR SHOWER

KEY	PART NUMBER	U/M DESCRIPTION	VENDOR NO.
	079563-04-01A	EA FAUCET - SHOWER 1/2"MPT X 1 1/4"LONG INLET PIPE	
	118051-01-02B	EA BRACKET - FAUCET SUPPORT - E-COAT	
	103092-02-000	EA SHOWER HEAD - W/60" HOSE - CSA	
	103092-01-000	EA SHOWER HEAD - W/60" HOSE - WHITE	
	103092-01-700	EA BRACKET - F/SHOWER HEAD - CLEAR	2328028
	011048-03-700	EA BRACKET - F/SHOWER HEAD	2328029-I
	103092-01-702	EA SEALS - SPRAY HEAD	24466
	093527-02-000	EA BRACKET - EXTERIOR SHOWER HEAD/SQUEEGEE	
	108357-08-000	EA SWITCH - ROCKER DPDT - ON/NONE/ON - 6 TERMINAL	
	108356-02-01A	EA COVER/ACTUATOR SWITCH - 2 ROWS DIMPLES- CONTURA II - BLACK	

WATER SYSTEM

KEY	PART NUMBER	U/M DESCRIPTION
	103798-01-000	EA CONNECTOR - 1/4 OD X 3/8 MPT
	110438-02-000	EA VALVE - CHECK - BRASS - 1/2 MPT X 1/2 MPT
	010230-06-000	EA FILL - CITY WATER - W/CHECK VALVE - MPT
	101814-01-000	EA COUPLING - FEMALE - 1/2" X 1/2" FPT - GRAY
	111223-04-000	EA ELBOW - 1/2" MPT X 1/2" BARB - PLASTIC - 1999 18,000 #FORD CHASSIS
	112176-01-000	FT TUBING - VINYL - REINFORCED - 1/2" ID
	113697-01-000	EA CAP - 3/8 FTG
	114428-01-000	EA TEE - 1/2"P X 1/2"P X 1/2"P
	114428-02-000	EA TEE - SWIVEL - 1/2"P X 1/2"P X 1/2"FPT
	114428-03-000	EA TEE - 1/2"P X 1/2"P X 1/2"MPT
	114429-01-000	EA ELBOW - 1/2"P X 1/2"P
	114429-02-000	EA ELBOW - 1/2"P X 1/2"MPT
	114429-03-000	EA ELBOW - FLAIR-IT SWIVEL - 1/2"P X 1/2"FPT
	114429-04-000	EA ELBOW - 1/2"P X 3/8"MPT
	114430-02-000	EA ADAPTER - SWIVEL - 1/2"P X 1/2"FPT
	114430-03-000	EA ADAPTER - 1/2"P X 1/2"MPT
	114430-06-000	EA ADAPTER - 1/2"P X 3/8"FPT
	114431-01-000	EA VALVE - 180 DEGREE/CENTER DRAIN - 1/2P - THREE WAY
	114431-02-000	EA VALVE - WATER BYPASS - 1/2"P - THREE WAY (WATER HEATER)
	114431-03-000	EA VALVE - 90 DEGREE DRAIN - 1/2"P
	118809-02-000	EA ADAPTER - 1/2" MPT X 1/2" BARB - PLASTIC
	123150-01-000	EA ELBOW - 1/2 FPT X 1/2 BARB - SWIVEL
	123152-01-000	EA ADAPTER - 1/2 FPT X 1/2 BARB - SWIVEL
	124188-01-000	FT TUBING - PEX - 1/2" ID X 20' - BLUE
	124188-02-000	FT TUBING - PEX - 1/2" ID X 20' - RED

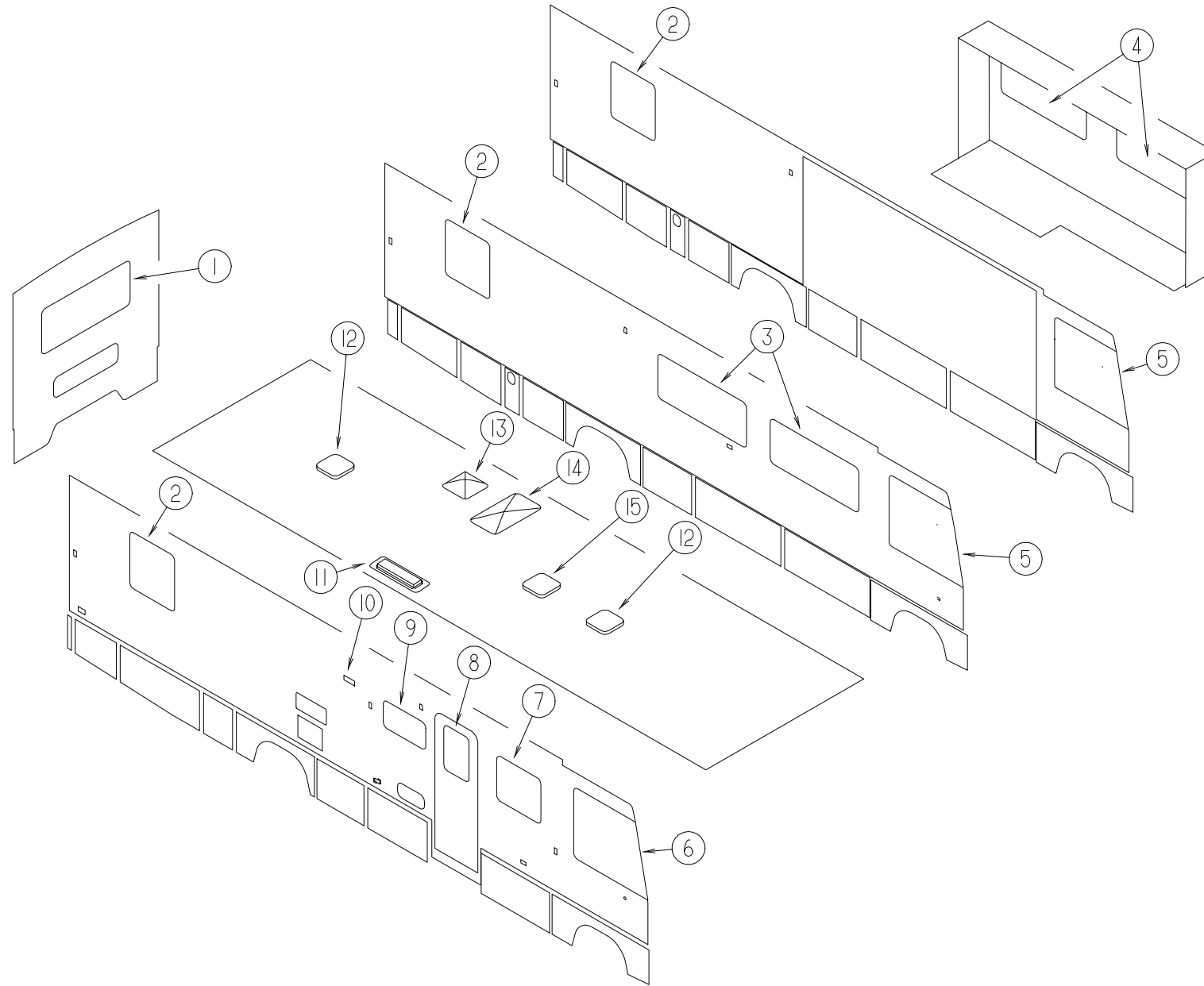
WATER & SEWAGE GROUP (CONTINUED)
DRAINAGE SYSTEM



KEY	PART NUMBER	U/M	DESCRIPTION	VENDOR NO.
1	010051-01-000	EA	ELBOW - 45 DEGREE - 1 1/2" SPIGOT & HUB - PLASTIC	
2	010006-01-000	EA	ELBOW - 45 DEGREE - 1 1/2" HUB X HUB - PLASTIC	
3	010115-01-000	EA	COUPLING - 1 1/2" HUB X HUB - PLASTIC	
4	061607-01-000	EA	GROMMET - HOLDING TANK - 1 1/2" NPS	
5	107538-01-000	EA	P TRAP - PLASTIC - 1 1/4" W/EXTENSION ARM	
5	011071-01-000	EA	P-TRAP - PLASTIC - 1 1/2" - CSA	
6	061607-02-000	EA	GROMMET - HOLDING TANK - 3" NPS	
7	116644-01-000	EA	FLANGE - CLOSET - 4" X 3"	
8	096927-01-701	EA	TAILPIECE - DRAIN - LAVATORY	
9	123055-01-700	EA	TANK - HOLDING - 40 GALLON W/3" OUTLET NIPPLE	
10	109571-01-000	EA	ADAPTER - P TRAP - 1 1/2" P X 1 1/4" MPT	
11	079968-01-000	EA	VENT - MECHANICAL/TRAP ARM - ANTI-SIPHON - 2" X 7.3" PLASTIC	
12	010071-01-000	EA	TEE - SANITARY - 1 1/2" HUB X HUB X HUB - PLASTIC	
13	010008-01-000	EA	ELBOW - 90 DEGREE - 1 1/2" HUB X HUB - PLASTIC	
14	031365-02-000	EA	TEE - PLASTIC - 1 1/2" EXT LG TURN	
15	010129-03-000	EA	NIPPLE - PLASTIC - 3" X 3" TOE	
16	078406-01-000	EA	COUPLER - RUBBER - W/CLAMPS - 3" X 3"	
17	010061-01-000	EA	ELBOW - 45 DEGREE ST - 3" SPIGOT/HUB - PLASTIC	

KEY	PART NUMBER	U/M	DESCRIPTION	VENDOR NO.
18	041956-01-000	EA	ELBOW - STREET - 1/4" BARB X 90 DEGREE X 3 XLT	
19	070916-01-000	EA	VALVE - DUAL DUMP - W/CAP - 3" X 1 1/2"	
	070916-01-700	EA	VALVE ONLY (WASTE) 3"	T1003BU
	070916-01-701	EA	VALVE ONLY (WASTE) 1 1/2"	T1001BU
20	034250-01-000	EA	ELBOW - 90 DEGREE - LONG TURN - 1 1/2" HUB X HUB - ABS	
21	033761-01-000	EA	ELBOW - TURN - 90 DEGREE 1 1/2" HUB X 1 1/2" SPIGOT	
22	089355-01-000	EA	COUPLER - RUBBER - 1 1/2" X 1 1/2"	
23	102024-01-000	EA	NIPPLE - PLASTIC - 1.5" X 2.62" TOE	
24	127961-01-700	EA	TANK - HOLDING - 54 GALLON W/1.5" OUTLET NIPPLE	
25	092303-01-000	EA	STRAINER - SINK	
26	011091-02-000	EA	WASTE - CONTINUOUS - DOUBLE SINK - US	
26	011091-03-000	EA	WASTE - CONTINUOUS - DOUBLE SINK - CSA	
27	010073-01-000	EA	WYE - 45 DEGREE - 1 1/2" HUB X HUB X HUB - PLASTIC	
	011069-04-000	EA	TAILPIECE - 1 1/2" X 1 1/4" X 8" - BRASS	
	011069-02-000	EA	TAILPIECE - TUB/SHOWER - 1 1/2" X 1 1/4" X 4" - BRASS	
	066436-01-000	EA	NUT - SLIP - TAILPIECE 1.5"	
	130403-01-000	EA	NUT - SLIP - W/WINGS 1 1/2"	
	010201-01-000	EA	HOSE - SEWER - 3" ID X 8'	
	062416-01-000	EA	ADAPTER - SEWER HOSE TO 3" PIPE	

WINDOW, VENT & EXTERIOR DOOR GROUP
WINDOWS AND ROOF VENTS

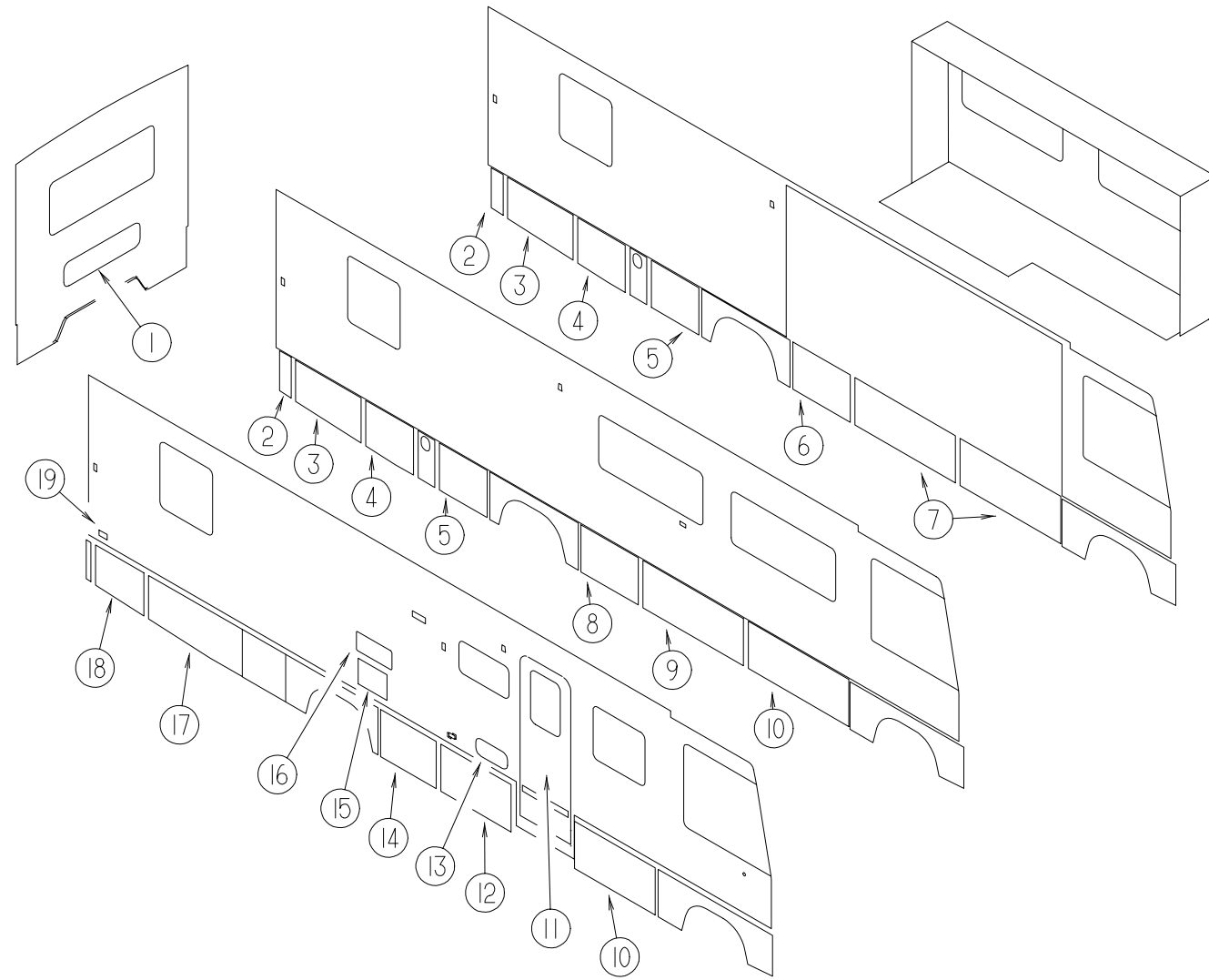


KEY	PART NUMBER	U/M	DESCRIPTION
1*	078528-06-E10	EA	WINDOW - ESCAPE - W/O RETAINER/TRIM - 48.5" X 24.5" - QUEEN & TWIN
1	074816-11-000	EA	RETAINER - TRIM - ESCAPE WINDOW - OFF WHITE - QUEEN & TWIN BEDS
1*	113502-01-01A	EA	WINDOW - REAR/CENTER ESCAPE - THERMO - 24.8" X 48.7" - QUEEN & TWIN
2*	112463-03-01A	EA	WINDOW - TIPOUT W/RETAINER TRIM - 33.3" X 30.2"
2*	112898-16-01A	EA	WINDOW - VERTICAL SLIDER - THERMO - 30.2" X 33.2"
3*	098647-22-01A	EA	WINDOW - DRIVER HORIZONTAL SLIDER W/TRIM - TINTED - 26.1" X 59.7"
3*	112795-15-01A	EA	WINDOW - DRIVER HORIZONTAL SLIDER - THERMO - 26.4" X 60"
4*	098647-47-01A	EA	WINDOW - DRIVER HORIZONTAL SLIDER W/TRIM - TINTED - 23.6" X 57.5"
4*	112795-54-01A	EA	WINDOW - DRIVER HORIZONTAL SLIDER - THERMO - 23.9" X 57.8"
5*	125582-04-01A	EA	WINDOW - CAB - DRIVER
5*	125583-04-01A	EA	WINDOW - DRVR CAB - 3 GLASS THERMO - 31.8"T X 51.6"B X 42.6"H
6*	125582-03-01A	EA	WINDOW - CAB - PASSENGER
6*	125583-03-01A	EA	WINDOW - PASS CAB - 3 GLASS THERMO - 31.8"T X 51.6"B X 42.6"H
7*	098647-25-01A	EA	WINDOW - PASS HORIZ SLIDER W/TRIM - TINTED - 26.1" X 29.6"
7*	112795-18-01A	EA	WINDOW - PASSENGER HORIZ SLIDER - THERMO - 26.4" X 30"
8*	117053-02-F36	EA	WINDOW - PICTURE - 60% TINTING - 17" X 26.4"
8	117054-02-02A	EA	RETAINER - TRIM - BRIGHT WHITE
8*	113733-01-01A	EA	WINDOW - STATIONARY THERMOPANE - 26.4" X 17"

KEY	PART NUMBER	U/M	DESCRIPTION
9*	098647-33-01A	EA	WINDOW - PASS HORIZ SLIDER W/TRIM - TINTED - 15.7" X 28.5"
9*	112795-19-01A	EA	WINDOW - PASSENGER HORIZONTAL SLIDER - THERMO - 16" X 28.7"
10	084878-09-000	EA	VENT - EXHAUST/RANGE HOOD - OFF WHITE
10	084616-07-000	EA	SHROUD - EXHAUST VENT/RANGE HOOD - BRIGHT WHITE
11	084073-04-000	EA	BASE - ROOF VENT/REFRIGERATOR - BLACK - NORCOLD
11	084073-07-000	EA	VENT - ROOF/REFRIGERATOR - BRIGHT WHITE - NORCOLD
12*	122882-01-01A	EA	VENT - ROOF - NONPOWERED - W/O INSIDE GARNISH
12	122882-07-01A	EA	GARNISH - ROOF VENT - 2.50" TO 4.12"
13*	122882-02-01A	EA	VENT - ROOF - W/FAN - W/O INSIDE GARNISH - UL
13*	122882-03-01A	EA	VENT - ROOF - W/FAN - W/O INSIDE GARNISH - CSA
13	122882-07-01A	EA	GARNISH - ROOF VENT - 2.50" TO 4.12"
14	114496-01-02A	EA	PANEL - SKYLIGHT - OUTER - 22" X 37"
14	122191-01-02A	EA	PANEL - SKYLIGHT - INNER W/LIGHT CUTOUT - 20.7" X 35.4"
15*	122882-01-01A	EA	VENT - ROOF - NONPOWERED - W/O INSIDE GARNISH
15	122882-07-01A	EA	GARNISH - ROOF VENT - 2.50" TO 4.12"
15*	123780-03-01A	EA	VENT - ROOF - 3" TO 4" - W/FAN/POWER LIFT - W/O THERMOSTAT
	083558-03-000	EA	VENT - PLUMBING - PIPE ROOF - W/COVER - OFF WHITE
	117046-01-000	EA	BUMPER - RUBBER/ROUND END
	117046-02-000	EA	BUMPER - RUBBER/ROUND END - THERMOPANE WINDOW OPTION

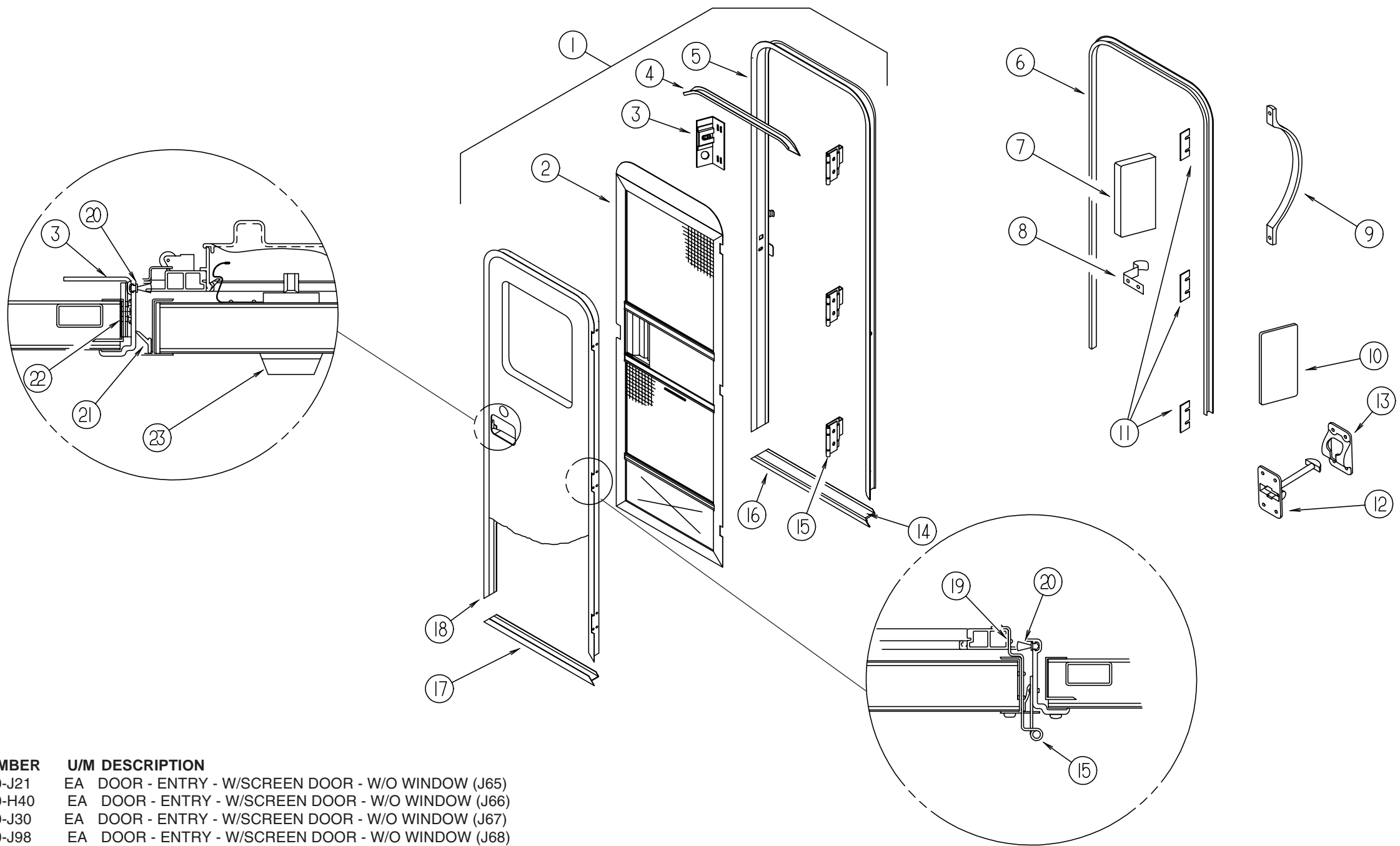
*COMPONENT PARTS FOUND IN SERVICE PARTS LIBRARY

WINDOW, VENT & EXTERIOR DOOR GROUP (CONTINUED)
EXTERIOR DOORS & PANELS



KEY	PART NUMBER	U/M DESCRIPTION	KEY	PART NUMBER	U/M DESCRIPTION	VENDOR NO.
1	126944-02-J22	EA DOOR/STORAGE - W/O HARDWARE - 43.5" X 11.7"	12	126646-22-J37	EA VALANCE/DOOR - W/O PADDLE LATCH - 42.5"	
2	126645-10-J37	EA VALANCE/PANEL - REAR DRIVER - W/O HARDWARE - 9"	13	126945-01-J22	EA DOOR/STORAGE - W/O HARDWARE - 18" X 8.3"	
3	126647-13-J37	EA VALANCE/DOOR - DRIVER W/O LATCH - 22.7" X 39.8" X 20.7"	14	126646-23-J37	EA VALANCE/DOOR - W/O PADDLE LATCH - 34"	
4	126647-15-J37	EA VALANCE/DOOR - DRIVER W/O LATCH - 23.7" X 29.6" X 22.8"	15	052009-06-000	EA DOOR - WATER HEATER - BRIGHT WHITE - 18" X 14.6"	
5	126646-26-J37	EA VALANCE/DOOR - W/O PADDLE LATCH - 29.6"	16	084103-08-000	EA DOOR - REFRIGERATOR - VENTED - W/O JAMB	
6	126646-25-J37	EA VALANCE/DOOR - W/O PADDLE LATCH - 35.1"	16	084104-08-000	EA JAMB - REFRIGERATOR DOOR	
7	126646-24-J37	EA VALANCE/DOOR - W/O PADDLE LATCH - 59.9"		084104-01-700	EA LOCK - MALE - FASTENER	201-721-010
8	126646-29-J37	EA VALANCE/DOOR - W/O PADDLE LATCH - 29.3"		084104-01-701	EA LOCK - FEMALE - FASTENER	201-802-010
9	126646-28-J37	EA VALANCE/DOOR - W/O PADDLE LATCH - 77.4"	17	126647-16-J37	EA VALANCE/DOOR - PASS W/O LATCH - 23.7" X 40.3" X 22.6"	
10	126646-21-J37	EA VALANCE/DOOR - W/O PADDLE LATCH - 48.6"	18	126647-14-J37	EA VALANCE/DOOR - DRIVER W/O LATCH - 20.4" X 43.7" X 22.5"	
11	115108-10-J21	EA DOOR - ENTRY - W/SCREEN DOOR - W/O WINDOW (J65)	19	081240-16-000	EA DOOR - WATER FILL - LOCKABLE W/O LOCK - 4" X 4 5/8"	
11	115108-10-H40	EA DOOR - ENTRY - W/SCREEN DOOR - W/O WINDOW (J66)				
11	115108-10-J30	EA DOOR - ENTRY - W/SCREEN DOOR - W/O WINDOW (J67)				
11	115108-10-J98	EA DOOR - ENTRY - W/SCREEN DOOR - W/O WINDOW (J68)				
11	115108-10-J28	EA DOOR - ENTRY - W/SCREEN DOOR - W/O WINDOW (J69)				

WINDOW, VENT & EXTERIOR DOOR GROUP (CONTINUED)
ENTRANCE DOOR

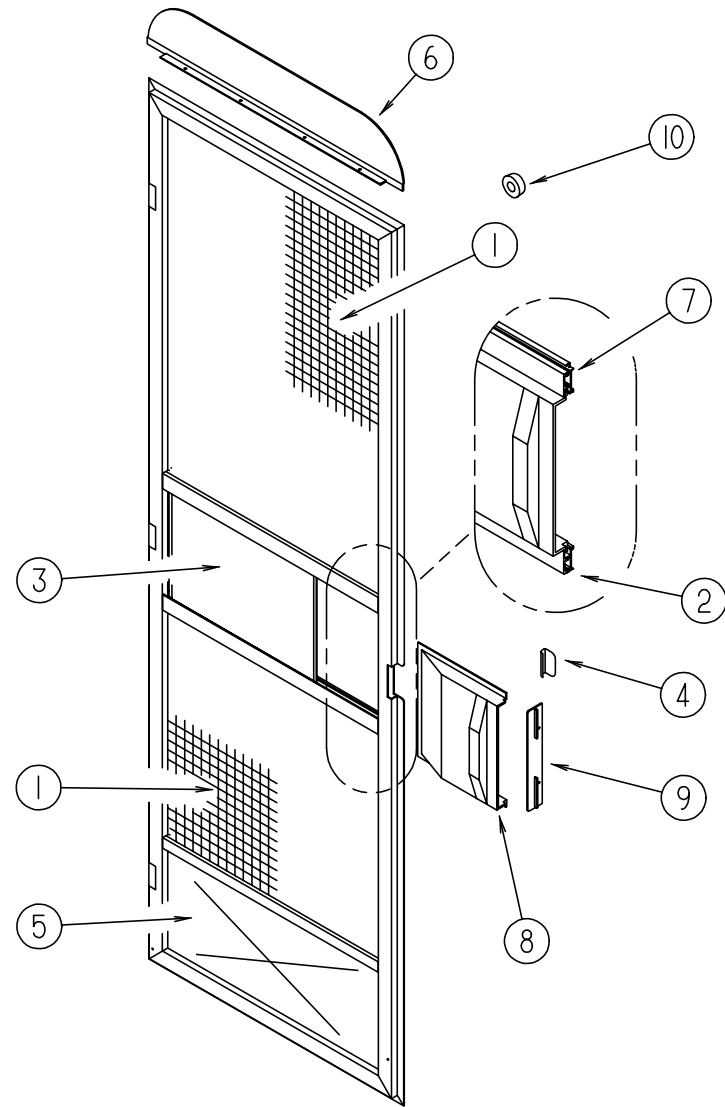


KEY	PART NUMBER	U/M DESCRIPTION
1	115108-10-J21	EA DOOR - ENTRY - W/SCREEN DOOR - W/O WINDOW (J65)
1	115108-10-H40	EA DOOR - ENTRY - W/SCREEN DOOR - W/O WINDOW (J66)
1	115108-10-J30	EA DOOR - ENTRY - W/SCREEN DOOR - W/O WINDOW (J67)
1	115108-10-J98	EA DOOR - ENTRY - W/SCREEN DOOR - W/O WINDOW (J68)
1	115108-10-J28	EA DOOR - ENTRY - W/SCREEN DOOR - W/O WINDOW (J69)
	090340-01-000	FT SEAL - FOAM - CLOSED CELL - 1/4" X 1/2" X 50'
2	121899-05-H17	EA DOOR - SCREEN - W/O HARDWARE - BRIGHT WHITE
3	041546-07-000	EA BRACKET - DOOR ANGLE - OFF WHITE
4	044582-44-000	EA CAP - DRIP - JAMB - BRIGHT WHITE
5	121898-09-01A	EA JAMB - ENTRY DOOR
6	115222-02-01A	EA GARNISH - RADIUS - ENTRY DOOR
7	077461-03-000	EA COVER - STRIKE - ENTRY DOOR - 6.5" X 2.5" - WHITE PLASTIC
8	100412-01-000	EA CATCH - SCREEN DOOR
9	009126-03-000	EA HANDLE - ASSIST - BLACK TEXTURED
10	076725-02-000	EA COVER - HINGE - ENTRY DOOR - 6" X 3.2" - OFF WHITE
11	102248-01-000	EA SHIM - DOOR
12	104099-01-04A	EA CATCH - DOOR HOLDER - STRIKE - BRIGHT WHITE
13	104099-02-04A	EA CATCH - DOOR HOLDER - RETAINER - BRIGHT WHITE
14	038327-01-000	EA TAPE - ANTI-SLIP - 2" X 60'
15	106719-01-05A	EA HINGE - ENTRANCE DOOR - BRIGHT WHITE
	116111-02-01A	EA SCREW - TAPTITE - 1/4-20 X 3/8 PPH - ZINC
	039715-01-000	EA NUT-SERT - 1/4" DIAMETER - 20 THREADS

KEY	PART NUMBER	U/M DESCRIPTION	VENDOR NO.
16	051049-01-000	EA JAMB - BOTTOM - ENTRY DOOR - 25.9" - UNPAINTED	
17	121893-03-02A	EA FRAME - ENTRY DOOR/BOTTOM - BRIGHT WHITE	
18	121894-11-01A	EA FRAME - ENTRY DOOR	
	098173-01-04A	EA STIFFENER - ENTRY DOOR - SUPPORTS LATCH/STRIKE - UNPAINTED	
19	100128-02-000	FT SEAL - FOAM - ADHESIVE BACK - .37" WIDE X .37" THICK	
20	118929-01-01A	FT SEAL - PILE - PUSH ON	
21	075671-04-000	FT SEAL - SPONGE - LAZY T - W/ADHESIVE STRIP - .5" WIDE	
22	104692-01-000	EA SEAL - FOAM/ADHESIVE BACK - .75"THICK X .75"WIDE X 25'	
23	101145-01-06A	EA DEADBOLT - ENTRY DOOR W/O SECURITY BOLT W/2 KEYS - BLACK	
	101147-01-000	EA BOLT - SECURITY - 4.12"	
	095229-01-700	EA KEY-BLANK, DEADBOLT	81205-03
	101145-01-701	EA CYLINDER-LOCK ASM., W/KEY	81306-03
	109403-01-000	EA CATCH - SINGLE ROLLER - SCREEN DOOR	
	130444-01-01A	EA CAP - KEY IDENTIFIER - GRAY	

FROM: 05-05-98 THRU: 99-99-99

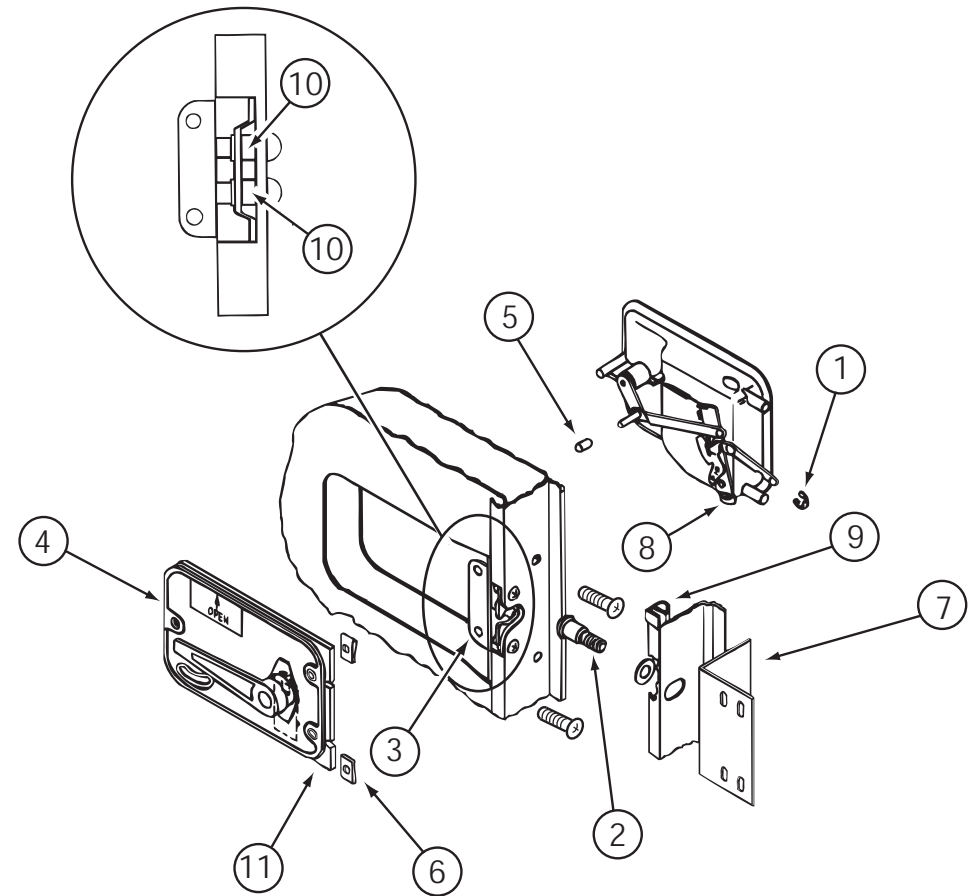
WINDOW, VENT & EXTERIOR DOOR GROUP (CONTINUED)



SCREEN DOOR

KEY	PART NUMBER	U/M	DESCRIPTION	
	121899-04-H13	EA	DOOR - SCREEN - W/O HARDWARE	
	121899-05-H17	EA	DOOR - SCREEN - W/O HARDWARE	FROM: 00-00-00 THRU: 08-04-97
		EA		FROM: 08-05-97 THRU: 99-99-99
1	002293-02-000	SF	SCREENING - WINDOW/DOOR - 26" - CHARCOAL	
2	002294-01-000	FT	SPLINE - SCREENING - .135" X .138"	
3	016454-15-000	EA	INSERT - SCREEN DOOR - CENTER	
4	050712-06-000	EA	HANDLE - SCREEN DOOR - BRIGHT WHITE	
5	078552-09-000	EA	INSERT - SCREEN DOOR - LOWER	
6	078595-03-000	EA	PLATE - SCREEN DOOR	
7	078777-06-000	EA	CHANNEL - SLIDER - 24"	
		EA		FROM: 00-00-00 THRU: 01-25-98
7	078777-08-000	FT	CHANNEL SLIDER	FROM: 01-26-98 THRU: 99-99-99
8	079086-03-000	EA	SLIDER - SCREEN DOOR - BRIGHT WHITE	
9	079087-03-000	EA	STRIKE - SLIDER - SCREEN DOOR - BRIGHT WHITE	
10	120863-05-000	EA	BUMPER - RUBBER - 3/4" X 3/8"	
		EA		FROM: 00-00-00 THRU: 10-27-97
10	120863-06-000	EA	BUMPER - RUBBER - 3/4" X 3/8"	FROM: 10-28-97 THRU: 99-99-99
	075673-05-000	FT	SEAL - PILE - ADHESIVE BACK - BLACK	

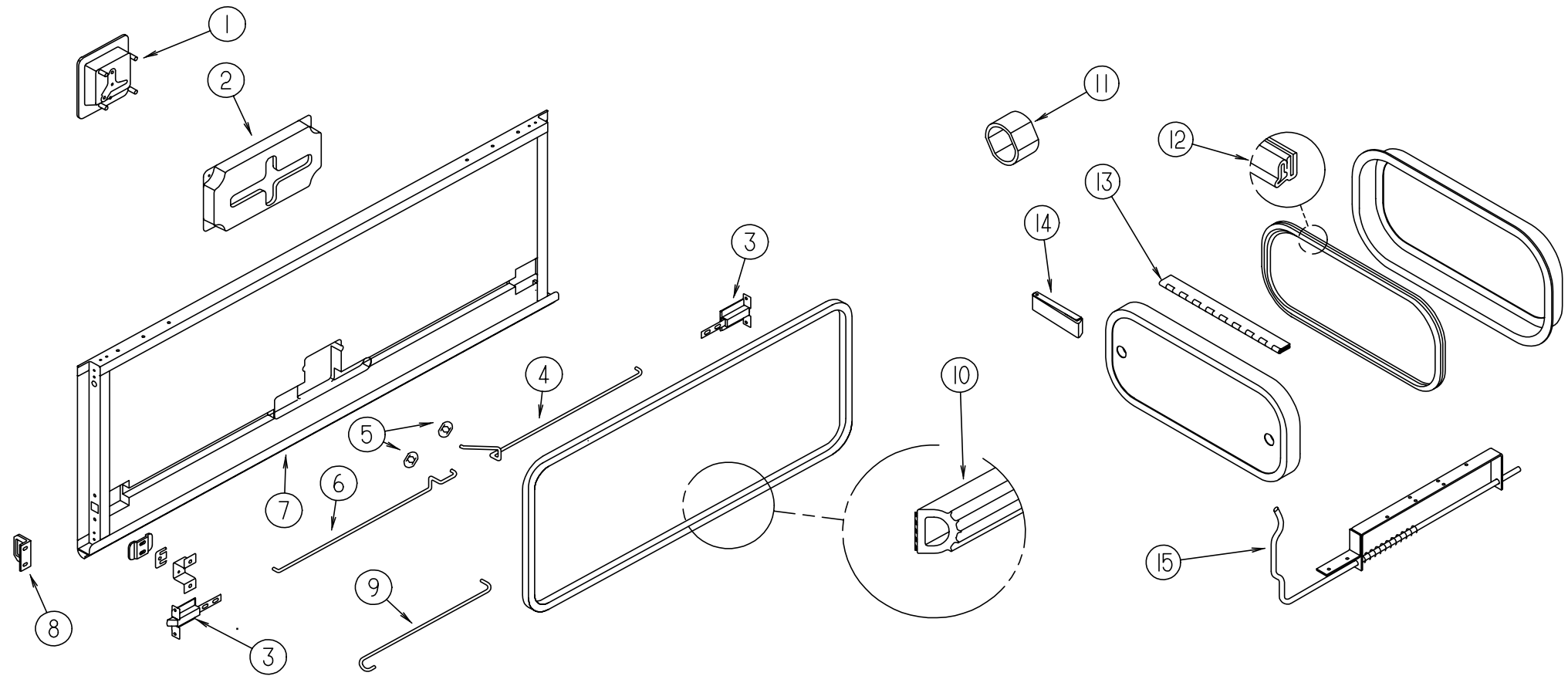
WINDOW, VENT & EXTERIOR DOOR GROUP (CONTINUED)



ENTRY DOOR LOCK INSTALLATION

KEY	PART NUMBER	U/M	DESCRIPTION	VENDOR NO.
1	036618-02-000	EA	E RING - EXTERNAL - 3/16" SHAFT DIAMETER - LYNOR DOOR LOCK	
2	039539-01-000	EA	STRIKE - LOCK - ENTRY DOOR - ROUND W/THREADED WASHER	
3	039540-01-000	EA	LATCH MECHANISM - HOOK - ENTRY DOOR - INTERIOR	
4	039979-06-000	EA	COVER - LATCH PLATE - RIGHT HAND - BLACK TEXTURED	
5	039984-01-000	EA	CAP - ROUND - VINYL - .28" ID X .62" - BLACK	
6	040921-01-000	EA	NUT - SPEED - U TYPE - 10-24 BLACK	
7	041546-07-000	EA	BRACKET - DOOR ANGLE - OFF WHITE	
8	045017-13-000	EA	LATCH - ENTRY DOOR - BLACK TEXTURED	
	045017-11-703	EA	CYLINDER-LOCK ASM. W/KEYS	81266-09
9	064075-07-000	FT	SEAL - BULB - W/WIRED U CHANNEL - .3" X .5" CHANNEL - BLK	
10	086285-05-000	EA	SPACER - NYLON - .7" X .56"	
11	096810-01-01A	EA	PLATE - LATCH - ENTRY DOOR - BLACK	

WINDOW, VENT & EXTERIOR DOOR GROUP (CONTINUED)
EXTERIOR ACCESS DOOR COMPONENTS



KEY	PART NUMBER	U/M	DESCRIPTION
1	112949-01-03A	EA	LATCH - PADDLE W/LOCK - W/O KEY - BRIGHT WHITE
	112949-03-000	EA	KEY - TRI-MARK #TM500
1	112949-02-04A	EA	LATCH - PADDLE NON-LOCKING - BRIGHT WHITE
	110506-55-000	EA	CASE/CYLINDER - TWIST LOCK - W/O CAM - 1.25" - 597312AA1
2	122277-02-01A	EA	COVER - LATCH - BLACK
3	121947-01-01A	EA	BOLT - SLIDE - LATCH - STEEL
4	122269-05-000	EA	ROD - LATCH - 11.09"
4	122269-06-000	EA	ROD - LATCH - 24.07"
4	122269-16-000	EA	ROD - LATCH - 8.96"
4	122269-17-000	EA	ROD - LATCH - 11.57"
4	122269-44-000	EA	ROD - LATCH - 21.39"
4	122269-49-000	EA	ROD - LATCH - 17.51"
5	124304-01-000	EA	CLIP - ROUND PUSH ON
6	122268-05-000	EA	ROD - LATCH - 11.09"
6	122268-06-000	EA	ROD - LATCH - 24.07"
6	122268-16-000	EA	ROD - LATCH - 11.57"
6	122268-17-000	EA	ROD - LATCH - 8.96"
6	122268-44-000	EA	ROD - LATCH - 21.39"
6	122268-49-000	EA	ROD - LATCH - 17.51"
7	122613-55-001	EA	EXTRUDED - ROCKER PANEL - 192" - BRIGHT WHITE
8	123783-01-01A	EA	STRIKER - DOOR - MILL
9	101667-06-000	EA	PROP ROD

KEY	PART NUMBER	U/M	DESCRIPTION
10	107721-07-000	FT	SEAL - ACCESS DOOR
11	107997-51-001	EA	SPACER - DOOR LOCK - .6" DEEP
11	107997-51-002	EA	EXTRUDED - SPACER - 16'
12	106850-02-000	FT	SEAL-E - SPONGE RUBBER - .43" X .75"
13	081801-V3-000	EA	HINGE - ALUMINUM - 2" X 96" - BRIGHT WHITE
14	102768-01-000	EA	HOLDER - COMPARTMENT/ENTRY DOOR - METAL - MILL FINISH
15	092644-04-J15	EA	ROD - PROP - COMPARTMENT DOOR - W/SPRING/CAM/BRACKET
	076767-01-000	EA	CABLE - STEEL - 12"
			FROM: 10-20-97 THRU: 99-99-99
	104692-01-000	FT	SEAL - FOAM/ADHESIVE BACK - .75"THICK X .75"WIDE X 25'
	112160-01-000	FT	SEAL - D SECTION - .2 X .3" - FOAM RUBBER
	116424-01-000	EA	PROTECTOR - LATCH - WATER HEATER
	120863-02-000	EA	BUMPER - RUBBER - 1" DIAMETER X 1.50"
	122614-55-001	EA	EXTRUDED - H CHANNEL - 191" - BRIGHT WHITE
	128298-01-12B	EA	CATCH - F/LOCK - COMPARTMENT DOORS
	122278-01-01A	EA	PLATE - STRIKE - BLACK
	123512-01-02B	EA	BRACKET - VALANCE DOOR - E-COATED

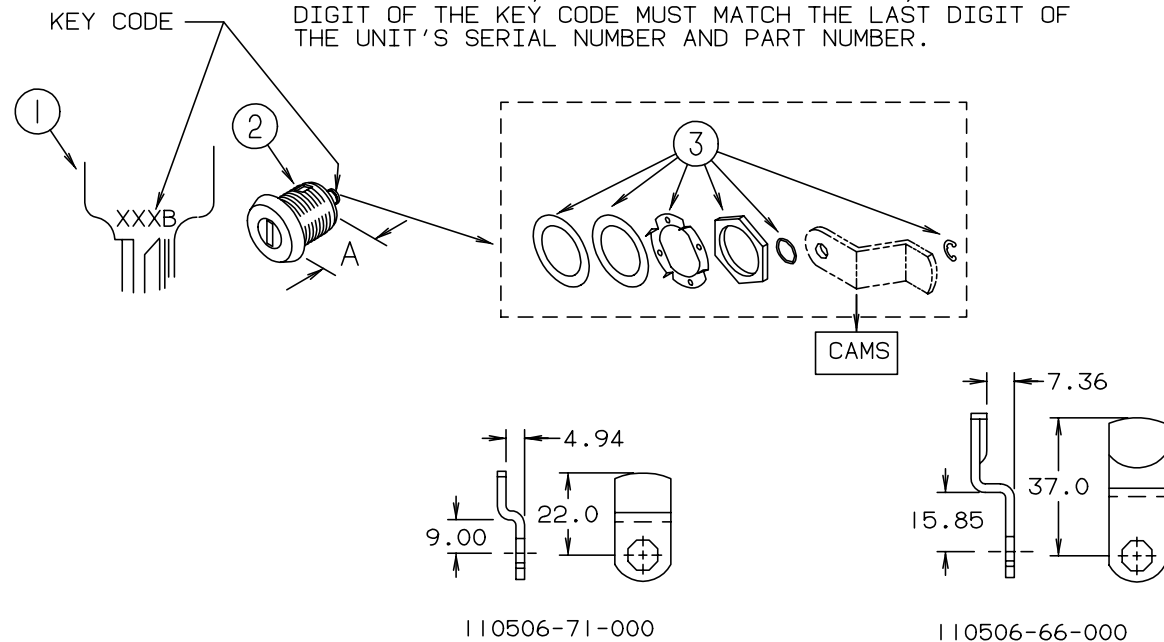
WINDOW, VENT & EXTERIOR DOOR GROUP (CONTINUED)

WINDOW, VENT & EXTERIOR DOOR GROUP (CONTINUED)

RANGE HOOD VENT AND SHROUD

KEY	PART NUMBER	U/M	DESCRIPTION
	084616-07-000	EA	SHROUD - EXHAUST VENT/RANGE HOOD - BRIGHT WHITE
	084878-09-000	EA	VENT - EXHAUST/RANGE HOOD - OFF WHITE

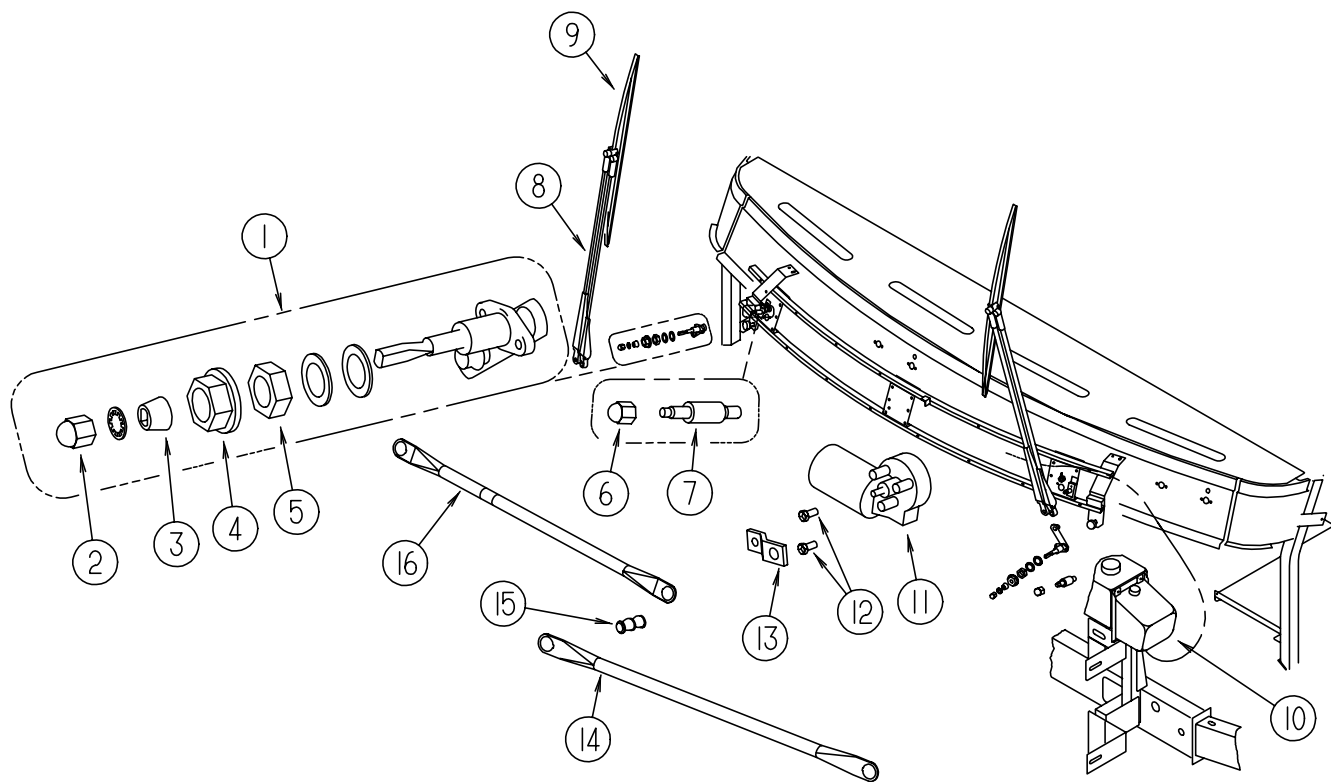
NOTE:
WHEN ORDERING THE LOCK CASE, THE KEY CODE MUST MATCH THE LAST DIGIT OF THE UNIT'S SERIAL NUMBER AND PART NUMBER; WHEN ORDERING THE KEYS, THE THIRD DIGIT OF THE KEY CODE MUST MATCH THE LAST DIGIT OF THE UNIT'S SERIAL NUMBER AND PART NUMBER.



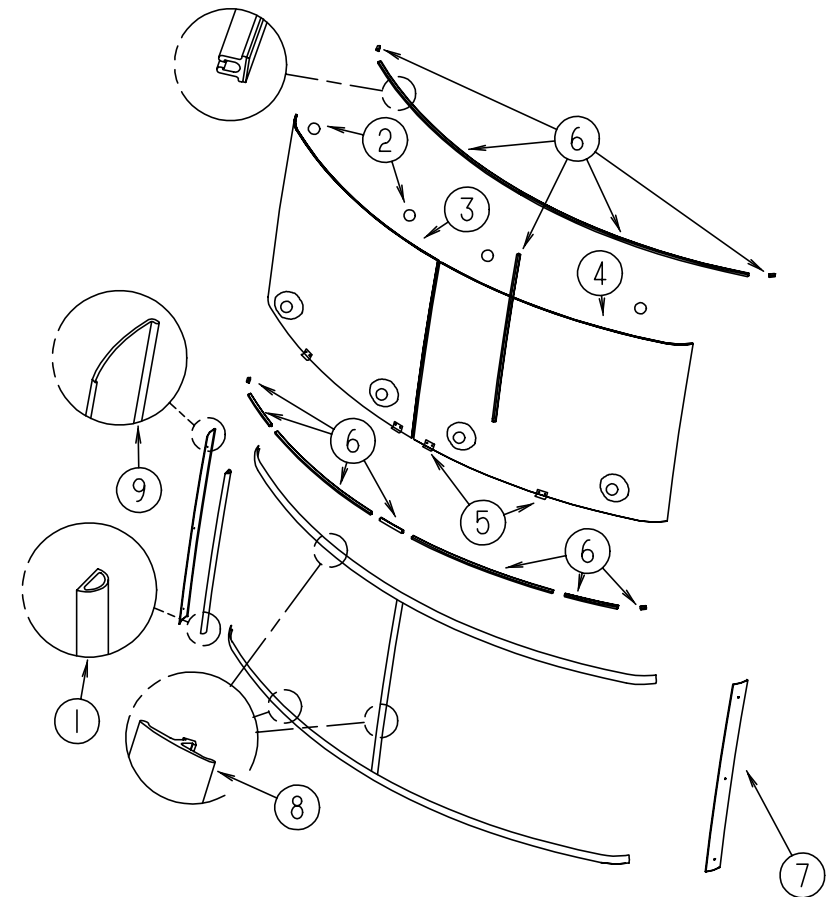
BRIGGS & STRATTON LOCKS & COMPONENTS

KEY	PART NUMBER	U/M	DESCRIPTION	VENDOR NO.
1	110506-59-000	EA	KEYS - SET OF TWO	596720
2	110506-52-000	EA	CASE/CYLINDER - LOCKING W/O CAM - .65"	702370
2	110506-54-000	EA	CASE/CYLINDER - LOCKING W/O CAM OR KEY - 1 1/4"	703170
1	110506-59-001	EA	KEYS - SET OF TWO	596721
2	110506-52-001	EA	CASE/CYLINDER - LOCKING W/O CAM - .65"	702371
2	110506-54-001	EA	CASE/CYLINDER - LOCKING W/O CAM OR KEY - 1 1/4"	703171
1	110506-59-002	EA	KEYS - SET OF TWO	596722
2	110506-52-002	EA	CASE/CYLINDER - LOCKING W/O CAM - .65"	702372
2	110506-54-002	EA	CASE/CYLINDER - LOCKING W/O CAM OR KEY - 1 1/4"	703172
1	110506-59-003	EA	KEYS - SET OF TWO	596723
2	110506-52-003	EA	CASE/CYLINDER - LOCKING W/O CAM - .65"	702373
2	110506-54-003	EA	CASE/CYLINDER - LOCKING W/O CAM OR KEY - 1 1/4"	703173
1	110506-59-004	EA	KEYS - SET OF TWO	596724
2	110506-52-004	EA	CASE/CYLINDER - LOCKING W/O CAM - .65"	702374
2	110506-54-004	EA	CASE/CYLINDER - LOCKING W/O CAM OR KEY - 1 1/4"	703174
1	110506-59-005	EA	KEYS - SET OF TWO	596725
2	110506-52-005	EA	CASE/CYLINDER - LOCKING W/O CAM - .65"	702375
2	110506-54-005	EA	CASE/CYLINDER - LOCKING W/O CAM OR KEY - 1 1/4"	703175
1	110506-59-006	EA	KEYS - SET OF TWO	596726
2	110506-52-006	EA	CASE/CYLINDER - LOCKING W/O CAM - .65"	702376
2	110506-54-006	EA	CASE/CYLINDER - LOCKING W/O CAM OR KEY - 1 1/4"	703176
1	110506-59-007	EA	KEYS - SET OF TWO	596727
2	110506-52-007	EA	CASE/CYLINDER - LOCKING W/O CAM - .65"	702377
2	110506-54-007	EA	CASE/CYLINDER - LOCKING W/O CAM OR KEY - 1 1/4"	703177
1	110506-59-008	EA	KEYS - SET OF TWO	596728
2	110506-52-008	EA	CASE/CYLINDER - LOCKING W/O CAM - .65"	702378
2	110506-54-008	EA	CASE/CYLINDER - LOCKING W/O CAM OR KEY - 1 1/4"	703178
1	110506-59-009	EA	KEYS - SET OF TWO	596729
2	110506-52-009	EA	CASE/CYLINDER - LOCKING W/O CAM - .65"	702379
2	110506-54-009	EA	CASE/CYLINDER - LOCKING W/O CAM OR KEY - 1 1/4"	703179
3	110506-40-700	EA	HDWE KIT	596950AAL
	110506-59-701	EA	KEY BLANK (GOLD)	596728

WINDSHIELD & WIPER GROUP
WIPER & WASHER COMPONENTS



WINDSHIELD & WIPER GROUP (CONTINUED)



KEY	PART NUMBER	U/M	DESCRIPTION	VENDOR NO.
1	096505-09-000	EA	SHAFT/PIVOT - WINDSHIELD WIPER	
2	096505-02-703	EA	CAP - NUT(ACORN) HD W/.687 BRL	51065-40-NT27WC
3	096505-02-700	EA	DRIVER - KNURLED - (HD) BRL .687	NT721017
4	096505-02-702	EA	CAP - RUBBER (HD) BARREL .687	CP721084
5	096505-02-701	EA	NUT - HEX (HD) W/.687 BARREL	NT721021
6	077049-02-000	EA	NUT - ACORN - 10-32 BLACK/ANODIZED	
7	117768-01-000	EA	SHAFT - ADAPTER - PANTOGRAPH ARM	
8	117769-01-000	EA	ARM - WIPER - PANTOGRAPH - 28"	
	096931-01-701	EA	NOZZLE - HARDWARE KIT	
9	095964-01-000	EA	BLADE - WINDSHIELD WIPER - 24"	
	095964-01-700	EA	BLADE - REFILL 24" EA = 1 PAIR	12360
10	117766-02-000	EA	RESERVOIR/PUMP - WINDSHIELD WASHER	
	045794-01-000	FT	HOSE - WASHER - WINDSHIELD - 5/32" ID - BLACK	
	110605-01-000	EA	TEE - PLASTIC - BARBED - 1/8" X 1/8" X 3/16"	
	117765-03-000	EA	CONNECTOR - 5/32" - WINDSHIELD WASHER	
11	104346-05-000	EA	MOTOR - WIPER W/INTERNAL BREAKER - DYNAMIC PARK - FORD	
11	104346-04-000	EA	MOTOR - WIPER W/INTERNAL BREAKER - CHEVY	
12	117322-01-000	EA	SCREW - 1/4-28 UNFINISHED - 2A - TORX	
13	104347-04-000	EA	ARM - DRIVE - WIPER MOTOR	
14	117770-01-000	EA	LINK - CONNECTING - 24" - CLOSED GROMMET/OPEN GROMMET	
15	067188-01-000	EA	STUD - CRANK - WIPER MOTOR	
16	117770-02-000	EA	LINK - CONNECTING - 24" - CLOSED GROMMET/CLOSED GROMMET	
	061603-01-000	EA	GROMMET - SNAP - 3/16"ID - 3/8" HOLE - PLASTIC BLACK	

WINDSHIELD MOLDINGS & GLASS

KEY	PART NUMBER	U/M	DESCRIPTION
1	099418-01-000	FT	SEAL - D-SECTION/ADHESIVE BACK - .44" X .44"- BLK RUBBER
2	081914-01-000	EA	BUMPER - RUBBER - ROUND - .43" DIAMETER
3	124329-01-000	EA	WINDSHIELD - PASSENGER - 51.5" X 44.3" (CURVED)
4	124329-02-000	EA	WINDSHIELD - DRIVERS - 51.5" X 44.3" (CURVED)
5	002328-02-000	EA	BLOCK - WINDSHIELD - .062" X .5" X .98"
6	127862-01-000	EA	CARRIER - REVEAL - WINDSHIELD - 47.2"
7	125384-04-02A	EA	TRIM - WINDSHIELD - A-PILLAR - DRIVER - BLACK
8	120533-01-000	FT	MOLDING - REVEAL - WINDSHIELD
9	125384-03-02A	EA	TRIM - WINDSHIELD - A-PILLAR - PASSENGER - BLACK