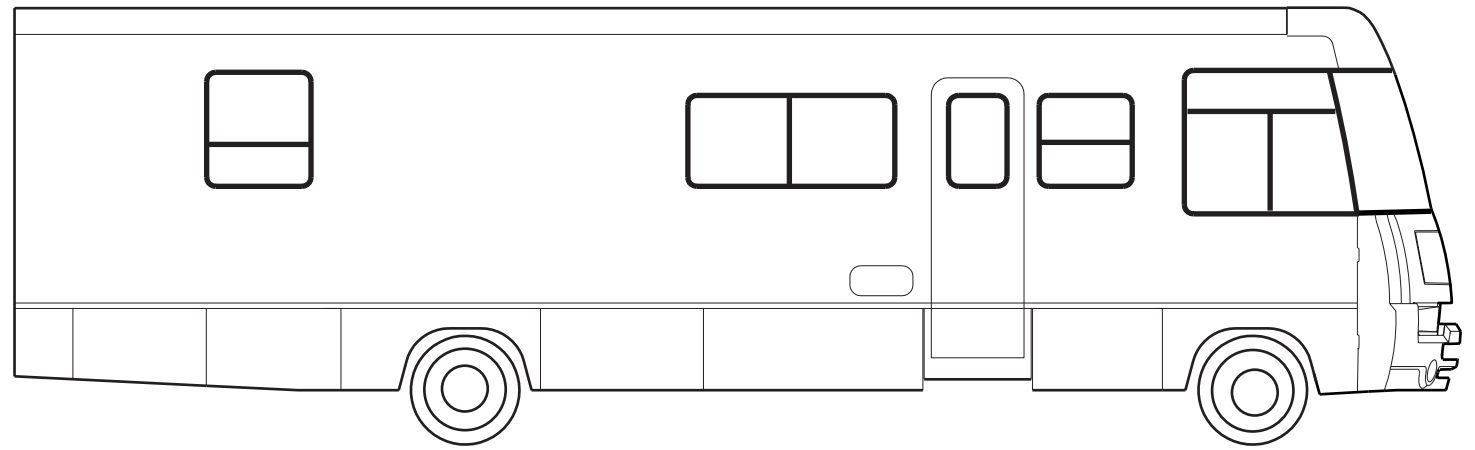


1998
ICF32WQ



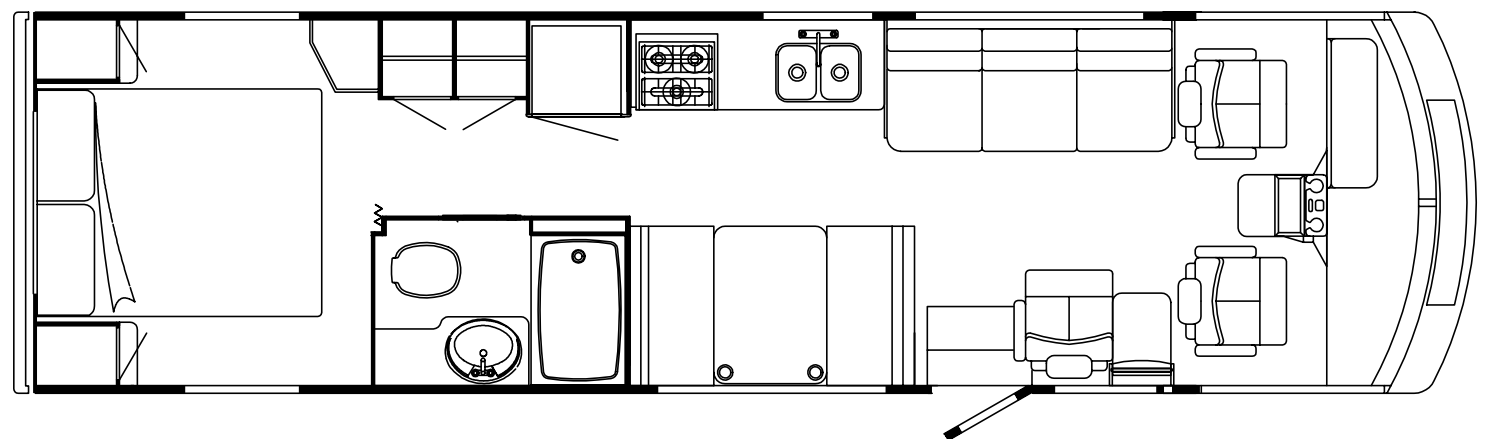
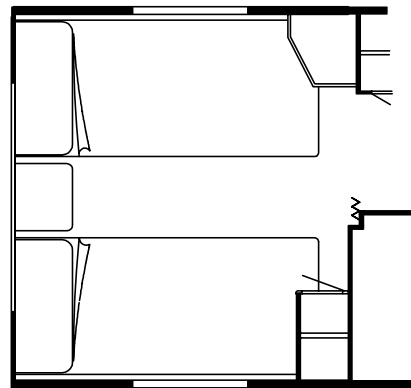
J65
BARCELONA (TAUPE)

J66
GEMSTONE (GREEN)

J67
HORIZON (BLUE)

J68
SANDPIPER (TAN)

J69
SILVERSAGE (GREEN)



**ACCESSORIES GROUP
OPERATOR MANUAL**

KEY	PART NUMBER	U/M DESCRIPTION
	054185-H8-000	EA MANUAL-OPERATOR 98 SUNRISE - F SERIES
	092318-01-000	EA BINDER - 3 RING - MOTOR HOME MANUAL FROM: 00-00-00 THRU: 01-25-98
	092319-01-000	EA POCKET PAGE - 3 RING BINDER - PLASTIC - (50 PER PKG) FROM: 00-00-00 THRU: 01-25-98
	129079-01-01A	EA CASE - VINYL/BLACK-EXPANDABLE ACCORDION SIDES-7"WX9"HX14"L FROM: 01-26-98 THRU: 99-99-99
	125967-01-000	DW TOP LEVEL-F, 1998

**AUDIO VIDEO GROUP
PATIO ENTERTAINMENT CENTER**

KEY	PART NUMBER	U/M DESCRIPTION
	076319-09-000	EA WALLPLATE - CABLE RECEPTACLE - TV - SINGLE - BROWN
	077069-02-000	EA CABLE - ANTENNA/EXTENSION - RADIO - 96"
	086756-01-000	EA SPLITTER - TV - 2 WAY
	125322-02-000	EA RADIO - AM/FM STEREO - CASSETTE - AUDIOVOX
	090944-01-000	EA ANTENNA - RADIO - 16" RUBBER
	108847-01-000	EA BRACKET - ANTENNA GROUND
	109889-04-000	EA EXTENDER - ANTENNA SHAFT - 3"
	110469-01-000	EA SPEAKER - 4" X 6" OVAL - COAXIAL
	110470-01-01A	EA GRILLE - 4" X 6" OVAL - BLACK

RADIO SYSTEM & ANTENNA

KEY	PART NUMBER	U/M DESCRIPTION	VENDOR NO.
	127516-01-000	EA RADIO - AM/FM STEREO - CD PLAYER	
	127516-01-700	EA FACE - REMOVEABLE	YEPOFX3114
	127516-01-701	EA TRIM RING	YGFC025263
	127516-01-702	EA FACTORY HARNESS	YGAJ02719
	127516-01-703	EA CARRIER F/REMOVEABLE FACE	YEFA131290
	110267-04-000	EA RADIO - AM/FM STEREO - CD COMPATIBLE - AUDIOVOX	
	077069-02-000	EA CABLE - ANTENNA/EXTENSION - RADIO - 96"	
	090944-01-000	EA ANTENNA - RADIO - 16" RUBBER	
	115916-01-01B	EA BRACKET - ANTENNA MOUNT	
	110469-01-000	EA SPEAKER - 4" X 6" OVAL - COAXIAL	
	110470-01-01A	EA GRILLE - 4" X 6" OVAL - BLACK	
	089340-02-000	EA GRILLE - SPEAKER - 6.5" SQUARE	
	089340-03-000	EA SPACER - SPEAKER GRILLE	
	094097-01-000	EA SPEAKER - RADIO/TV - W/O GRILLE - 5.25" DIAMETER	

AUDIO VIDEO GROUP (CONTINUED)

TV, VCR & COMPONENTS

KEY	PART NUMBER	U/M	DESCRIPTION	VENDOR NO.
	126696-01-000	EA	TV - 19" COLOR W/1/8" JACK - UL/CSA	
				FROM: 00-00-00 THRU: 04-12-98
	126696-01-700	EA	REMOTE	226725
				FROM: 00-00-00 THRU: 04-12-98
	126696-02-000	EA	TV - 19" COLOR W/1/8" JACK - UL/CSA	
				FROM: 04-13-98 THRU: 99-99-99
	126696-01-700	EA	REMOTE	226725
				FROM: 04-13-98 THRU: 99-99-99
	126697-01-000	EA	VCR - VHS/CABLE READY - W/REMOTE - GE	
				FROM: 00-00-00 THRU: 03-22-98
	126697-01-700	EA	REMOTE - F/VCR	2040R
				FROM: 00-00-00 THRU: 03-22-98
	126697-02-000	EA	VCR-VHS - CABLE READY - W/REMOTE	
				FROM: 03-23-98 THRU: 99-99-99
	126697-02-700	EA	REMOTE - F/VCR	
				FROM: 03-23-98 THRU: 99-99-99
	086757-03-000	EA	CONTROL CENTER - SWITCH - VCR/TV	
	086777-05-000	EA	WALLPLATE - TV CABLE - ANTENNA BOOSTER/1 OUTPUT - IVORY	
				FROM: 00-00-00 THRU: 10-01-97
	086777-06-000	EA	WALLPLATE - TV CABLE - ANTENNA BOOSTER/1 OUTPUT - BROWN	
				FROM: 10-02-97 THRU: 99-99-99
	093214-01-02A	EA	GRILLE - SPEAKER - 4" BROWN	
	098819-01-000	EA	SPEAKER - 4" - 2 WATT - 8 OHM	
	076319-09-000	EA	WALLPLATE - CABLE RECEPTACLE - TV - SINGLE - BROWN	
	086777-02-000	EA	WALLPLATE - TV CABLE - W/ANTENNA SWITCH	
	093901-03-000	EA	PLATE - TV COAX - EXTERIOR - 1.8" X 2.5"	
	076319-12-000	EA	CONNECTOR - COAXIAL - ONE PIECE	
	082134-01-000	EA	ADAPTER - TV - CABLE TO CABLE	
	086756-01-000	EA	SPLITTER - TV - 2 WAY	
	076319-03-000	FT	CABLE - COAXIAL - 75 OHM	
	082136-01-000	EA	NUT - HEX JAM - 3/8 - 32	
	114870-02-000	EA	PLUG - .14" AUDIO W/LEADS	

WINEGARD TV ANTENNA

KEY	PART NUMBER	U/M	DESCRIPTION
*	076319-21-000	EA	ANTENNA-TV - ROOF MOUNT - 3" ROOF
			FROM: 00-00-00 THRU: 12-07-97
*	076319-23-000	EA	ANTENNA-TV - ROOF MOUNT - 44.5" MAST
			FROM: 12-08-97 THRU: 99-99-99

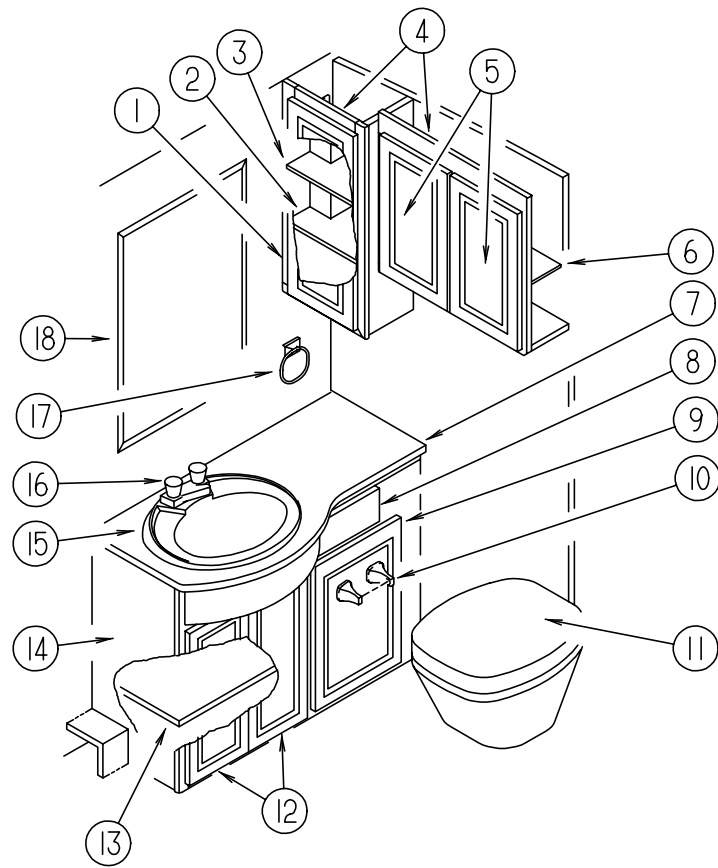
*COMPONENT PARTS FOUND IN SERVICE PARTS LIBRARY

AUDIO VIDEO GROUP (CONTINUED)

REAR MONITOR SYSTEM

KEY	PART NUMBER	U/M	DESCRIPTION
	126838-01-000	EA	MONITOR/CAMERA - REAR VIEW 7"
	126838-01-700	EA	MONITOR - 7" - VIDEOMAN
	126838-01-701	EA	CAMERA - VIDEOMAN
	126838-03-000	EA	CABLE - MONITOR/CAMERA
	108885-02-000	EA	WIRE-REAR MONITOR -(W/3 PIN HOUSING F/FUSE BLOCK) CHEVY

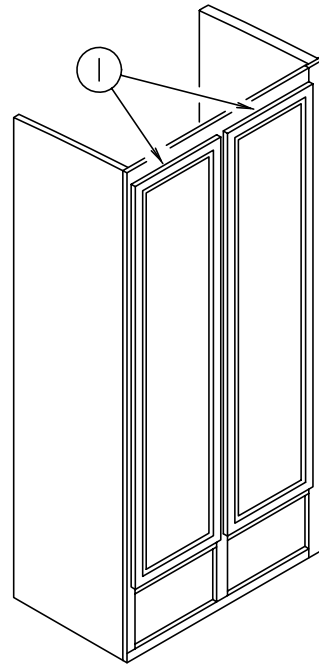
BATH GROUP
BATHROOM CABINET & COMPONENTS



KEY	PART NUMBER	U/M	DESCRIPTION
1	M08758-01-J05	EA	DOOR - MITERED CORNER/OGEE EDGE - 15.7" X 27.9" - W/O HDW (RAISED MEDIUM DENSITY FIBERBOARD INSERT)
1	M05992-48-J15	EA	DOOR - STRAIGHT CORNER/OGEE EDGE - 15.7" X 27.9" - W/O HDW (GENERAL TRAILER OPTION)
2	116308-14-H17	EA	SHELF - W/PLASTIC EDGE TRIM
3	116308-15-H17	EA	SHELF - W/PLASTIC EDGE TRIM
4	116308-01-G15	EA	CABINET - MEDICINE - W/O DOORS/HARDWARE
	076767-04-000	EA	CABLE - SUPPORT - 5.9" STAINLESS STEEL
5	M08758-41-J15	EA	DOOR - MITERED CORNER/OGEE EDGE - 11.2" X 19.7" - W/O HDW (RAISED MEDIUM DENSITY FIBERBOARD INSERT)
5	M05992-G1-J37	EA	DOOR - STRAIGHT CORNER/OGEE EDGE - 11.2" X 19.7" - W/O HDW (GENERAL TRAILER OPTION)
6	116308-16-H17	EA	SHELF - W/PLASTIC EDGE TRIM
7	125418-13-J24	EA	COUNTERTOP - LAVATORY (J65)
7	125418-13-J26	EA	COUNTERTOP - LAVATORY (J66,J69)
7	125418-13-J22	EA	COUNTERTOP - LAVATORY (J67)
7	125418-13-J98	EA	COUNTERTOP - LAVATORY (J68)
8	M05971-L8-J37	EA	DRAWER - OGEE EDGE - 8.1"W X 9.8"D - W/O SLIDES/HARDWARE FROM: 00-00-00 THRU: 08-17-97
8	M05971-JA-J22	EA	DRAWER - OGEE EDGE - 6.3"W X 9.8"D - W/O SLIDES/HARDWARE FROM: 08-18-97 THRU: 99-99-99
9	P25417-04-J37	EA	DRAWER - HAMPER - W/O SLIDES/HARDWARE
9	P25417-01-J37	EA	DRAWER - HAMPER - W/O SLIDES/HARDWARE (GENERAL TRAILER OPTION)
10	075452-02-000	EA	HOLDER - TOILET TISSUE - BRASS
11*	063740-01-000	EA	TOILET - HIGH/HAND FLUSH
12	M08758-93-J01	EA	DOOR - MITERED CORNER/OGEE EDGE - 11" X 21.8" - W/O HDW (FLAT MEDIUM DENSITY FIBERBOARD INSERT)
12	M05992-AK-J37	EA	DOOR - STRAIGHT CORNER/OGEE EDGE - 11" X 21.8" - W/O HDW (GENERAL TRAILER OPTION)
13	125418-11-J22	EA	SHELF - W/PLASTIC EDGE TRIM
14	125418-01-J24	EA	CABINET - LAVATORY - W/COUNTERTOP - W/O DOORS/DRAWERS/HDW (J65)
14	125418-01-J26	EA	CABINET - LAVATORY - W/COUNTERTOP - W/O DOORS/DRAWERS/HDW (J66)
14	125418-01-J22	EA	CABINET - LAVATORY - W/COUNTERTOP - W/O DOORS/DRAWERS/HDW (J67)
14	125418-01-J98	EA	CABINET - LAVATORY - W/COUNTERTOP - W/O DOORS/DRAWERS/HDW (J68)
14	125418-01-J69	EA	CABINET - LAVATORY - W/COUNTERTOP - W/O DOORS/DRAWERS/HDW (J69)
15	105921-01-01A	EA	SINK - LAVATORY - LARGE/OVAL - 17" X 20" PLASTIC/OFF WHITE
	106116-01-01A	EA	STRAINER - SINK-W/STOPPER/TAIPIECE/GASKET & NUT - PLASTIC
16	075240-06-000	EA	FAUCET - LAVATORY/BONE
	105218-01-01A	EA	SPACER - FAUCET/LAVATORY SINK - 2" X 5.9" - ABS PLASTIC
	091253-01-000	EA	GASKET - FAUCET - LAVATORY/GALLEY
17	075454-02-000	EA	RING - TOWEL - W/MOUNTING HARDWARE - BRASS
18	058331-51-000	EA	MIRROR - SAFETY GLASS - 25.9" X 40"
18	105004-01-05A	EA	MOLDING - VINYL WRAPPED - 1" X 96" - WATERFORD OAK

*COMPONENT PARTS FOUND IN SERVICE PARTS LIBRARY

BATH GROUP (CONTINUED)



BATH GROUP (CONTINUED)
BATHROOM DOOR & COMPONENTS

KEY	PART NUMBER	U/M DESCRIPTION
	121449-37-J37	EA DOOR - BATH
	094485-03-01A	EA KNOB - BRASS
	009059-02-000	EA HINGE - DOOR - 2" X 2.7" - BRASS
	121449-12-G04	EA RACK - TOWEL - BATH DOOR
	100357-01-000	EA ROD - F/TOWEL BAR - BRASS
	105394-01-05A	EA JAMB - DOOR/MOLDED PLASTIC - WATERFORD OAK - 7'

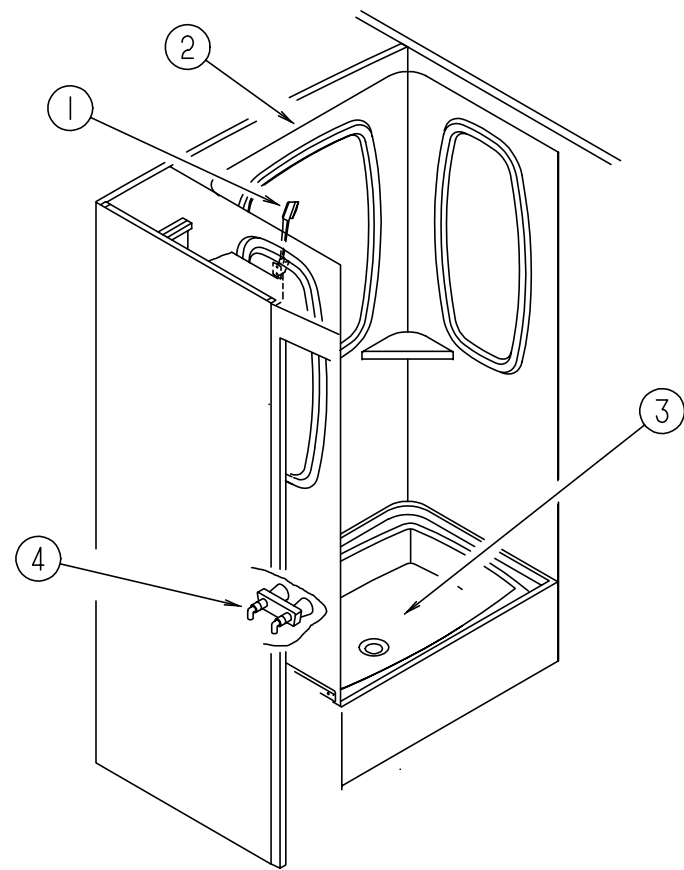
BATHROOM/BEDROOM PRIVACY DOOR & COMPONENTS

KEY	PART NUMBER	U/M DESCRIPTION	VENDOR NO.
	042488-10-000	EA DOOR - FOLDING - OFF WHITE FABRIC - 37" X 75"	
	042488-10-700	EA LEADRAIL-PREPUNCHED F/HANDLE	DW2100
	080224-01-700	EA HANDLE W/LATCH-CATCH, BROWN	DE03505
	080224-01-705	EA LATCH & CATCH ASM., ALMOND	DE25010 & DE25020
	009702-01-000	EA END STOP - CURTAIN CARRIER - L ROD	
	094856-09-01A	EA TRACK - FOLDING DOOR - OFF WHITE	
	009700-04-002	EA TRACK - L-SHAPED 195.5" - OFF WHITE	

WARDROBE CABINET

KEY	PART NUMBER	U/M DESCRIPTION
1	M08758-42-J15	EA DOOR - MIRROR/MTRD CRNR/OGEE EDGE - 16.1" X 65.3"-W/O HDW
1	M06803-11-J01	EA DOOR - MIRROR/MTRD CRNR/OGEE EDGE - 16.1" X 65.3" - W/O HDW (GENERAL TRAILER OPTION)

BATH GROUP (CONTINUED)



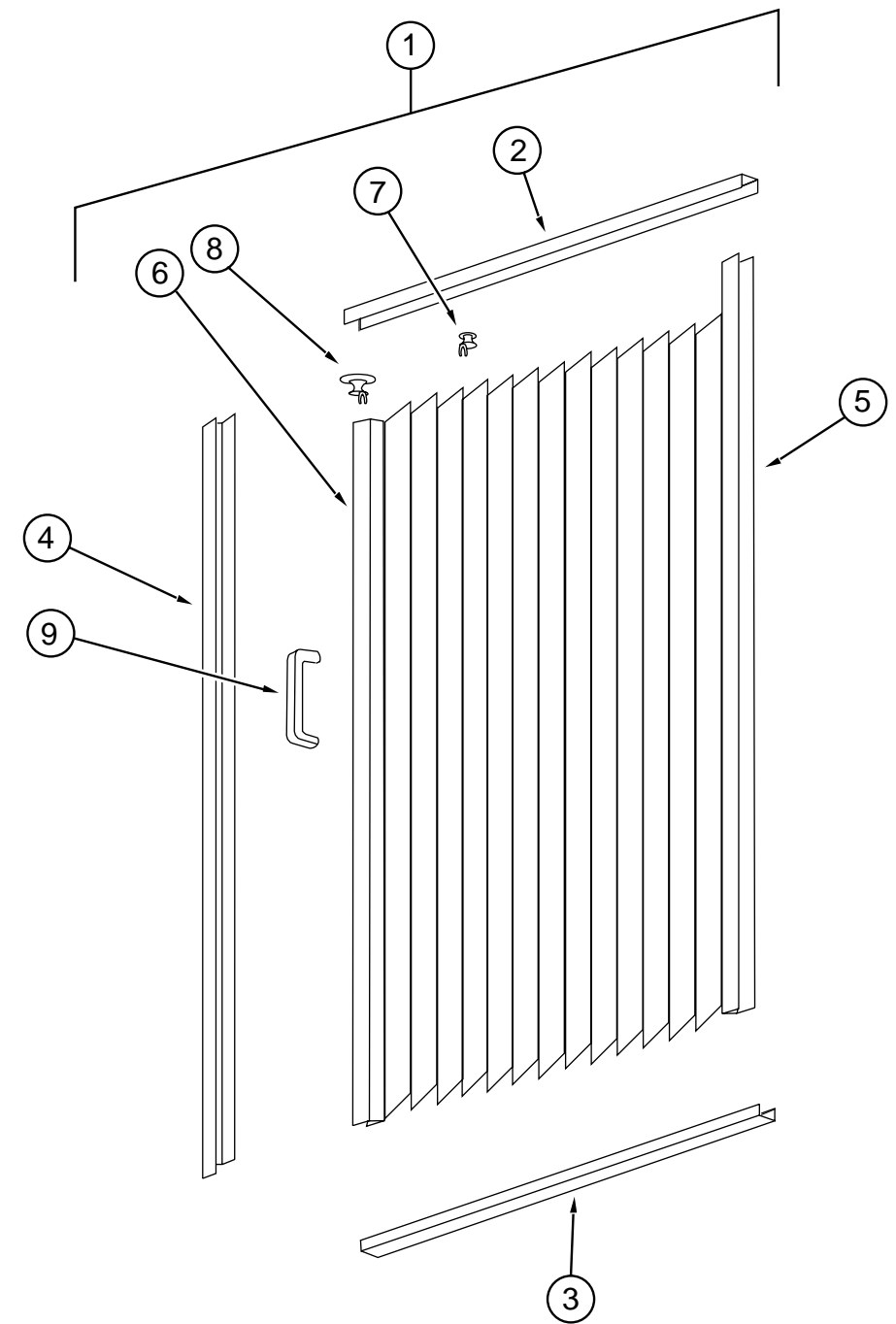
SHOWER & COMPONENTS

KEY	PART NUMBER	U/M	DESCRIPTION	VENDOR NO.
1	103092-01-000	EA	SHOWER HEAD - W/60" HOSE - WHITE	
	103092-01-702	EA	SEALS-SPRAY HEAD	24466
1	103092-02-000	EA	SHOWER HEAD - W/60" HOSE - CSA	
	103092-01-700	EA	BRACKET-F/SHOWER HEAD, CLEAR	2328028
	011048-03-700	EA	BRACKET - F/SHOWER HEAD	2328029-I
2	115612-03-01A	EA	SURROUND - SHOWER - OFF WHITE	
3	M02630-28-F11	EA	SHOWER PAN - W/STRAINER/TAILPIECE	
4	075242-04-000	EA	FAUCET - TUB/SHOWER - BONE	
	075606-01-000	EA	PANEL - PLASTIC - FAUCET BACK - 5" X 9"	

SKYLIGHT

KEY	PART NUMBER	U/M	DESCRIPTION
	114496-01-02A	EA	PANEL - SKYLIGHT - OUTER - 22" X 37"
	122191-01-02A	EA	PANEL - SKYLIGHT - INNER W/LIGHT CUTOUT - 20.7" X 35.4"

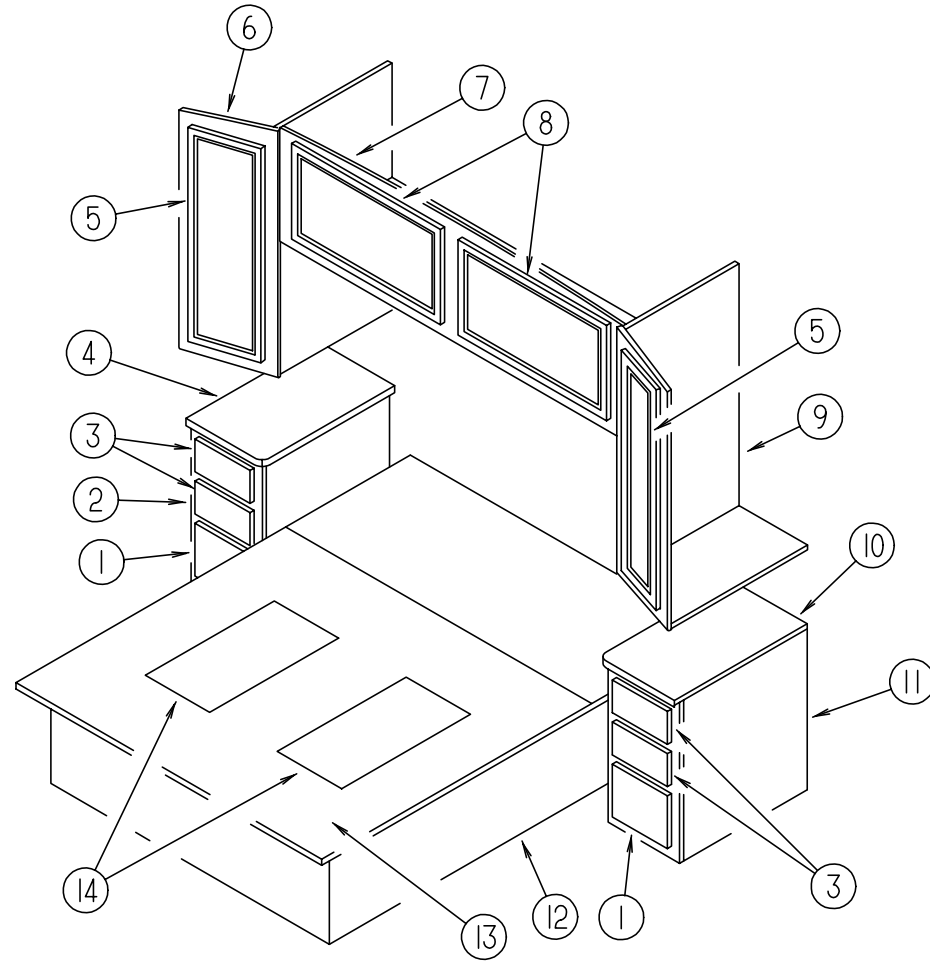
BATH GROUP (CONTINUED)



SHOWER DOOR COMPONENTS

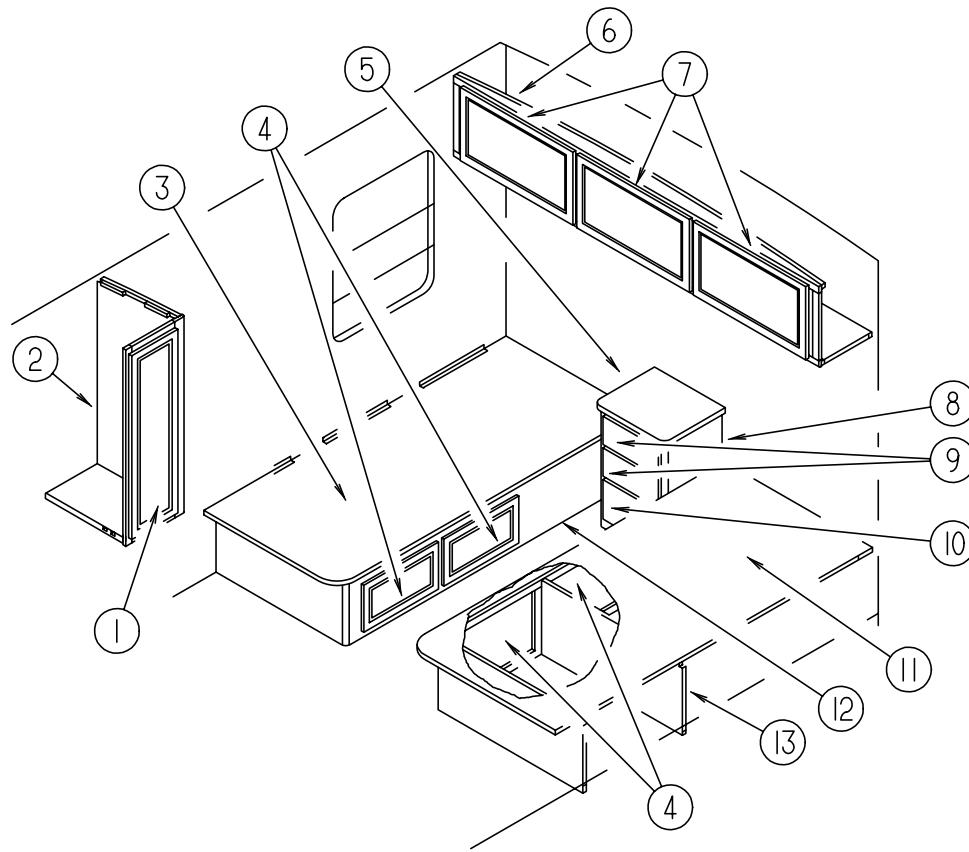
KEY	PART NUMBER	U/M	DESCRIPTION
1	117431-03-01A	EA	DOOR - SHOWER PLEATED FABRIC
2	117431-01-700	EA	TRACK-TOP, ALUM.IVORY INSERT 48"
3	117431-01-701	EA	TRACK-BOTTOM, 48 "
4	117431-01-702	EA	RAIL-SIDE, 67"
5	117431-01-703	EA	RAIL-STATIONARY, 67"
6	117431-01-704	EA	RAIL-LEAD, 67"
7	117431-01-705	EA	GLIDE-IVORY, TRAVELER
8	117431-01-706	EA	GLIDE-IVORY LEAD, TRAVELER
9	117431-01-708	EA	HANDLES & SCREWS
	117431-01-707	EA	LATCH
	117431-03-700	EA	STRAP-VINYL SHOWER

**BEDROOM GROUP
QUEEN BEDROOM CABINETS**



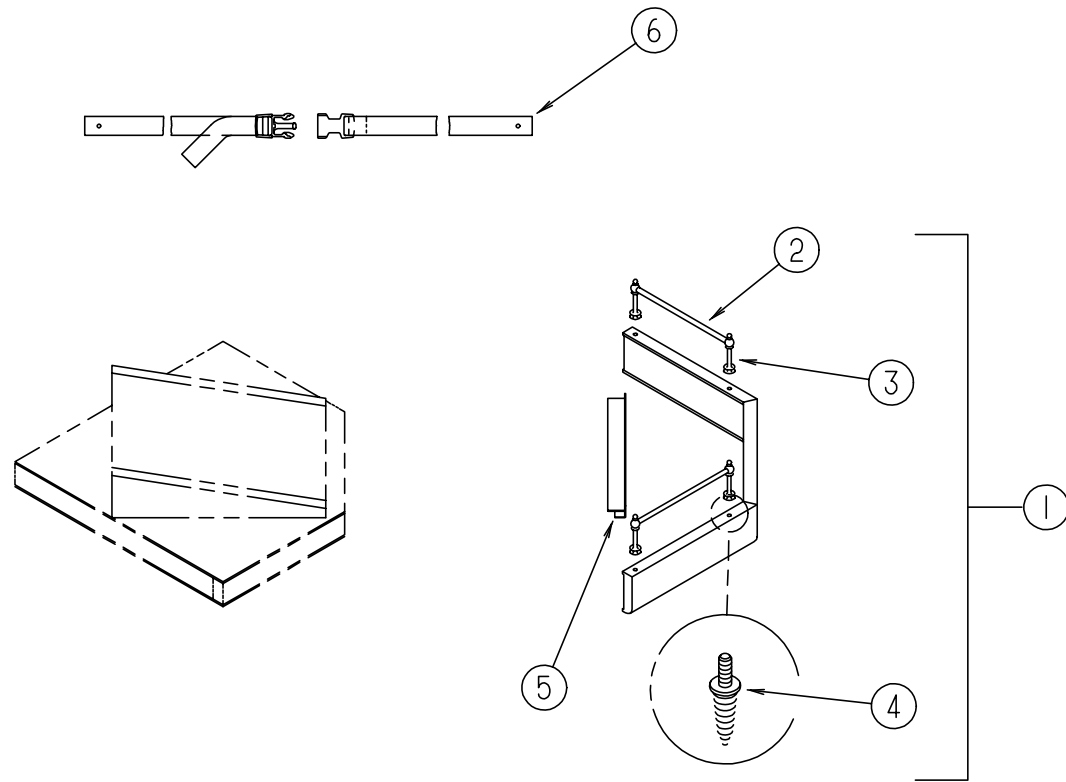
KEY	PART NUMBER	U/M	DESCRIPTION
1	M05971-W3-J37	EA	DRAWER - OGEE EDGE - 11.5"W X 21.6"D - W/O SLIDES/HARDWARE
2	116193-01-J24	EA	CABINET/NIGHTSTAND/RH - W/COUNTERTOP - W/O DOORS/DWRS/HDW (J65)
2	116193-01-G15	EA	CABINET/NIGHTSTAND/RH - W/COUNTERTOP - W/O DOORS/DWRS/HDW (J66,J69)
2	116193-01-J97	EA	CABINET/NIGHTSTAND/RH - W/COUNTERTOP - W/O DOORS/DWRS/HDW (J67)
2	116193-01-J98	EA	CABINET/NIGHTSTAND/RH - W/COUNTERTOP - W/O DOORS/DWRS/HDW (J68)
3	M05971-L5-J15	EA	DRAWER - OGEE EDGE - 11.5"W X 21.6"D - W/O SLIDES/HARDWARE
4	116193-11-J24	EA	COUNTERTOP - NIGHTSTAND (J65)
4	116193-11-F12	EA	COUNTERTOP - NIGHTSTAND (J66,J69)
4	116193-11-H37	EA	COUNTERTOP - NIGHTSTAND (J67)
4	116193-11-G17	EA	COUNTERTOP - NIGHTSTAND (J68)
5	M08758-49-J15	EA	DOOR - MITERED CORNER/OGEE EDGE - 14.3" X 36.4" - W/O HDW (RAISED MEDIUM DENSITY FIBERBOARD INSERT)
5	M05992-91-J37	EA	DOOR - STRAIGHT CORNER/OGEE EDGE - 14.3" X 36.4" - W/O HDW (GENERAL TRAILER OPTION)
6	126003-01-J20	EA	CABINET - SHIRT CLOSET/RIGHT HAND - W/O DOORS/HARDWARE
	009112-01-000	EA	FLANGE - PLASTIC - 1" CLOTHES ROD - OFF WHITE
	042438-01-000	EA	DOWEL - WOOD - CLOTHES ROD - 1" DIAMETER X 4'
7	106523-01-G09	EA	CABINET - OVERHEAD/REAR - W/O DOORS/HARDWARE
8	M08758-01-J05	EA	DOOR - MITERED CORNER/OGEE EDGE - 15.7" X 27.9" - W/O HDW (RAISED MEDIUM DENSITY FIBERBOARD INSERT)
8	M05992-48-J15	EA	DOOR - STRAIGHT CORNER/OGEE EDGE - 15.7" X 27.9" - W/O HDW (GENERAL TRAILER OPTION)
9	126003-02-J20	EA	CABINET - SHIRT CLOSET/LEFT HAND - W/O DOORS/HARDWARE
	009112-01-000	EA	FLANGE - PLASTIC - 1" CLOTHES ROD - OFF WHITE
	042438-01-000	EA	DOWEL - WOOD - CLOTHES ROD - 1" DIAMETER X 4'
10	116193-12-J24	EA	COUNTERTOP - NIGHTSTAND (J65)
10	116193-12-F12	EA	COUNTERTOP - NIGHTSTAND (J66,J69)
10	116193-12-H37	EA	COUNTERTOP - NIGHTSTAND (J67)
10	116193-12-G17	EA	COUNTERTOP - NIGHTSTAND (J68)
11	116193-02-J24	EA	CABINET/NIGHTSTAND/LH - W/COUNTERTOP - W/O DOORS/DWRS/HDW (J65)
11	116193-02-G15	EA	CABINET/NIGHTSTAND/LH - W/COUNTERTOP - W/O DOORS/DWRS/HDW (J66,J69)
11	116193-02-J97	EA	CABINET/NIGHTSTAND/LH - W/COUNTERTOP - W/O DOORS/DWRS/HDW (J67)
11	116193-02-J98	EA	CABINET/NIGHTSTAND/LH - W/COUNTERTOP - W/O DOORS/DWRS/HDW (J68)
12	P21153-02-J37	EA	CABINET - BASE - QUEEN BED - W/O DOORS/DRAWERS/HARDWARE
13	M08093-03-H17	EA	TOP - BED - QUEEN - W/O HARDWARE
	107796-06-000	EA	SPRING/GAS - 12" COMPRESSED/20" EXTENDED - 120 LB.
	126259-01-000	EA	STUD - BALL - GAS SHOCK MOUNTING
	126263-06-02B	EA	BRACKET - GAS SPRING - E-COATED
	126263-08-02B	EA	BRACKET - GAS SPRING - LOWER - E-COATED
	097872-04-000	EA	DOWEL - WOOD - 1" DIAMETER X 1.38" LONG
14	096764-02-000	FT	SLIPNOT - ANTISLIP - 1" WIDE (100' ROLLS)

BEDROOM GROUP (CONTINUED)
TWIN BEDROOM CABINETS



KEY	PART NUMBER	U/M	DESCRIPTION
1	M08758-28-J15	EA	DOOR - MITERED CORNER/OGEE EDGE - 12" X 39.9" - W/O HDW (RAISED MEDIUM DENSITY FIBERBOARD INSERT)
1	M05992-47-K16	EA	DOOR - STRAIGHT CORNER/OGEE EDGE - 12" X 39.9" - W/O HDW (GENERAL TRAILER OPTION)
2	110946-01-G09	EA	CABINET - SHIRT CLOSET/RIGHT HAND - W/O DOORS/HARDWARE
3	M07464-01-000	EA	TOP - TWIN BED - PASSENGER SIDE - W/O HARDWARE
4	M08758-14-J05	EA	DOOR - MITERED CORNER/OGEE EDGE - 12" X 21.8" - W/O HDW (RAISED MEDIUM DENSITY FIBERBOARD INSERT)
4	M05992-14-J37	EA	DOOR - STRAIGHT CORNER/OGEE EDGE - 12" X 21.8" - W/O HDW (GENERAL TRAILER OPTION)
5	104507-11-J24	EA	COUNTERTOP - NIGHTSTAND (J65)
5	104507-11-F12	EA	COUNTERTOP - NIGHTSTAND (J66,J69)
5	104507-11-H37	EA	COUNTERTOP - NIGHTSTAND (J67)
5	104507-11-E10	EA	COUNTERTOP - NIGHTSTAND (J68)
6	116187-01-H17	EA	CABINET - OVERHEAD/REAR - W/O DOORS/HARDWARE - F/TWIN BED
7	M08758-01-J05	EA	DOOR - MITERED CORNER/OGEE EDGE - 15.7" X 27.9" - W/O HDW (RAISED MEDIUM DENSITY FIBERBOARD INSERT)
7	M05992-48-J15	EA	DOOR - STRAIGHT CORNER/OGEE EDGE - 15.7" X 27.9" - W/O HDW (GENERAL TRAILER OPTION)
8	104507-01-J24	EA	CABINET/NIGHTSTAND - W/COUNTERTOP - W/O DOORS/DRAWERS/HDW (J65)
8	104507-01-G15	EA	CABINET/NIGHTSTAND - W/COUNTERTOP - W/O DOORS/DRAWERS/HDW (J66,J69)
8	104507-01-H47	EA	CABINET/NIGHTSTAND - W/COUNTERTOP - W/O DOORS/DRAWERS/HDW (J67)
8	104507-01-G17	EA	CABINET/NIGHTSTAND - W/COUNTERTOP - W/O DOORS/DRAWERS/HDW (J68)
9	M05971-65-J37	EA	DRAWER - OGEE EDGE - 12.2"W X 11.8"D - W/O SLIDES/HARDWARE
10	M05971-73-J37	EA	DRAWER - OGEE EDGE - 12.2"W X 11.8"D - W/O SLIDES/HARDWARE
11	M07464-02-000	EA	TOP - TWIN BED - DRIVER SIDE - W/O HARDWARE
12	P16194-01-G15	EA	CABINET - BASE - TWIN BED/RIGHT HAND - W/O DOORS/DWRS/HDW
13	P16194-02-G15	EA	CABINET - BASE - TWIN BED/LEFT HAND - W/O DOORS/DWRS/HDW
	096764-02-000	FT	SLIPNOT - ANTISLIP - 1" WIDE (100' ROLLS)

BEDROOM GROUP (CONTINUED)



QUEEN BED TV SHELF

KEY	PART NUMBER	U/M DESCRIPTION
1	127486-01-J22	EA SHELF - TV - W/BRASS POST ENDS & RODS
2	084071-20-000	EA ROD - BRASS - 9.8"
2	084071-19-000	EA ROD - BRASS - 6"
3	084070-03-000	EA POST - END - 2.4" - SHINY BRASS
4	106166-01-000	EA BOLT/COLLARED HANGER - 8-32 X 1"
5	103186-01-05A	FT MOLDING - PLASTIC - 3/8" U-CHANNEL 3/4" FACE-WATERFORD OAK
6	099717-02-000	EA STRAP - TV TIE DOWN W/29.9" FEMALE STRAP/14.2" MALE STRAP

CHASSIS GROUP SHOCKS & STABILIZER KIT - FRONT

KEY	PART NUMBER	U/M DESCRIPTION	VENDOR NO.
	122756-02-000	EA SHOCK AND STABILIZER (BLUE BOOT) KIT - FRONT END P30 CHASS NOTE: ORDER 70139029000, FOR AFTER MARKET INSTALLATION	
	122756-02-700	EA BRACKET ASM - DRIVER SIDE	T818L
	122756-02-701	EA BRACKET ASM - PASSENGER SIDE	T818R
	122756-02-702	EA BRACKET ONLY - DRIVER SIDE	T818L
	122756-02-703	EA BRACKET ONLY - PASS. SIDE	T818R
	122756-02-704	EA BOLT PACKAGE -BOLTS/NUTS ETC	T818R
	122756-02-705	EA SHOCK	T818SH
	122756-02-706	EA STUD - SHOCK MOUNTING	T818S
	122756-02-707	EA DAMPNER - STEERING	T818SD
	122756-02-708	EA BOOT - DAMPNER	T818SDB
	122756-02-709	EA BUSHING PKG-STEERING DAMPNER	T818SDBSH
	122756-02-710	EA BOLT PKG - STEERING DAMPNER	T818SBS

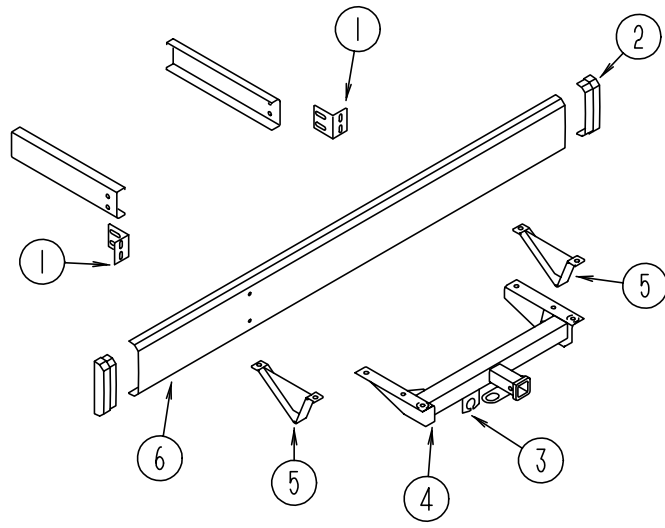
LUG WRENCH & LEVERAGE BAR

KEY	PART NUMBER	U/M DESCRIPTION
	080208-02-000	EA BAR - LEVERAGE - LUG WRENCH
	080208-06-000	EA LUG WRENCH - 1" X 1.06" W/DEEP SOCKET ENDS

CHASSIS MISCELLANEOUS

KEY	PART NUMBER	U/M DESCRIPTION
	008042-01-000	FT TUBING - VINYL - .65" ID
	008401-01-000	EA STRAP - CONDUIT - 3/4" - 1 HOLE - GALVANIZED STEEL
	075307-03-000	EA SHIELD - HEAT - LP
	113452-01-000	FT SEAL/TRIM - FRONT - VINYL W/WIRE CARRIER
	123361-01-000	EA DUCT - AIR INTAKE

CHASSIS GROUP (CONTINUED)



REAR BUMPER, TRAILER HITCH & COMPONENTS

KEY	PART NUMBER	U/M DESCRIPTION
1	104418-07-000	EA ANGLE - BUMPER - REAR SUPPORT
2	103228-01-06A	EA END CAP - REAR BUMPER - DRIVER/PASSENGER
3	113588-01-01B	EA BRACKET - CONNECTOR - TRAILER W/LIP - 1999 FORD CHASSIS
3	113588-02-01B	EA BRACKET - CONNECTOR - TRAILER W/O LIP 1997 FORD CHASSIS & CHEVY CHASSIS
4	107707-01-000	EA HITCH RECEIVER - BOLT-ON CLASS II - 1997 FORD CHASSIS & CHEVY CHASSIS FROM: 00-00-00 THRU: 05-10-98
4	130339-01-000	EA HITCH RECEIVER - BOLT-ON CLASS II - 1997 FORD CHASSIS & CHEVY CHASSIS FROM: 05-11-98 THRU: 99-99-99
4	117313-03-04B	EA HITCH RECEIVER - BOLT-ON CLASS III - 1999 FORD CHASSIS FROM: 00-00-00 THRU: 06-14-98
4	130339-02-000	EA HITCH RECEIVER - BOLT ON CLASS III - 1999 FORD CHASSIS FROM: 06-15-98 THRU: 99-99-99
5	111742-01-000	EA PLATE - SKID
6	103099-10-02A	EA BUMPER - REAR - BRIGHT WHITE
	113589-02-000	EA CONNECTOR - SOCKET - TRAILER
	113589-01-000	EA CONNECTOR - PLUG - TRAILER

CHASSIS GROUP (CONTINUED)

19.5" CHEVY CHROME WHEEL LINERS

KEY	PART NUMBER	U/M DESCRIPTION	VENDOR NO.
	110435-10-000	EA LINER - WHEEL - SET 4 - 19.5"	
	110435-10-700	EA LINER - WHEEL - FRONT - 1 PC	V195P7-FWC
	110435-10-701	EA LINER - WHEEL - REAR - 1 PC.	V195P7-RWC
	110435-10-702	EA JAMB NUT - ENCLOSED/LNC	V195P7-EJN
	110435-10-703	EA STUD - PLASTIC	V195P7-PST
	110435-10-704	EA JAMB NUT - PLASTIC/LNC	V195P7-PJN
	110435-10-705	EA TOOL - INSTALLATION	V195P7-TOL

19.5" CHEVY WHEEL COVERS

KEY	PART NUMBER	U/M DESCRIPTION	VENDOR NO.
	109443-06-000	EA WHEEL - COVER - 4/SET - 19.5"	
	109443-01-700	EA COVER-WHEEL 19.5 FRT/RR EA=1	SHAG95
	109443-01-701	EA BRACKET-RETENTION FRONT	SHAG95-FBS
	109443-01-703	EA CAP-CENTER, HUB - DICOR	SHAU95-CAP
	109443-01-704	EA CLIP-RETAINER	V160GM-PNT
	109443-06-701	EA BRACKET-RETENTION REAR	SHG795-RBS

16" FORD CHROME WHEEL LINERS - 1997 CHASSIS

KEY	PART NUMBER	U/M DESCRIPTION	VENDOR NO.
	110435-08-000	EA LINER - WHEEL SET (SET=4) 16"	
	110435-01-711	EA DECAL-CENTER CAP, 2" DECAL	
	110435-02-702	EA STUD EXTENDER	V160SD-STX
	110435-02-703	EA NUT (JAMB)	V160SD-JNT
	110435-02-704	EA COVER-LUG NUT	V160F0-LNC
	110435-02-705	EA TOOL F/ JAMB NUT, INSTALL.	V160FO-TOL
	110435-08-700	EA LINER-WHEEL, FRONT	V160SD-FWC
	110435-08-701	EA LINER-WHEEL, REAR	V160SD-RWC

19.5" FORD STAINLESS STEEL WHEEL LINERS - 1999 CHASSIS

KEY	PART NUMBER	U/M DESCRIPTION	VENDOR NO.
	110435-15-000	EA LINER - WHEEL SET/4 - 19.5"	
	110435-10-705	EA TOOL - INSTALLATION	V195P7-TOL
	110435-15-700	EA LINER - WHEEL - FRONT	V195F9-FWC
	110435-15-701	EA LINER - WHEEL - REAR	V195F9-RWC
	110435-15-702	EA NUT - JAM - ENCLOSED - 14M	V195F9-EJN

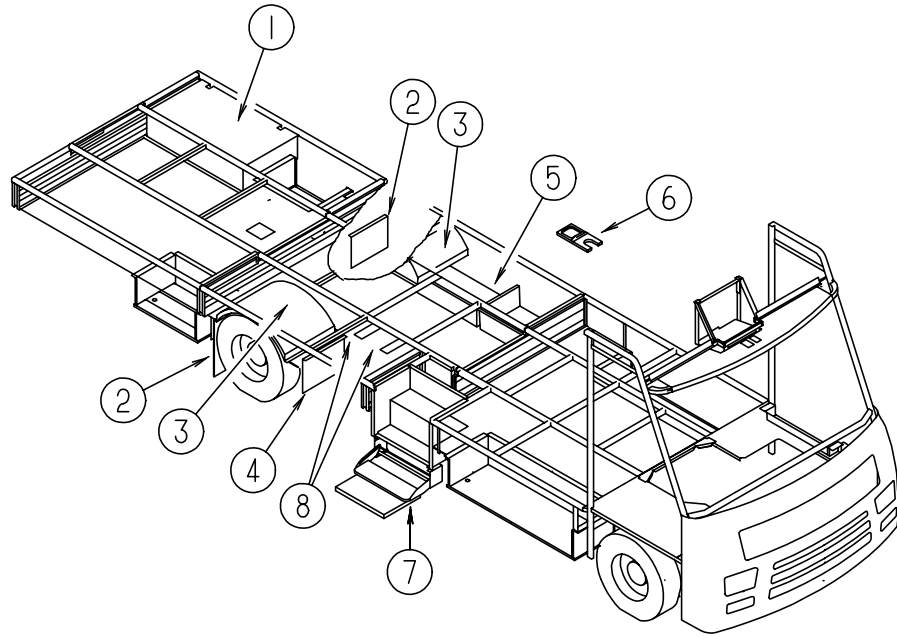
16" FORD WHEEL COVERS - 1997 CHASSIS

KEY	PART NUMBER	U/M DESCRIPTION	VENDOR NO.
	098532-01-000	EA COVER - WHEEL - FORD - 16" - SET OF 4 DICOR SH-SD-16	
	098532-01-700	EA COVER-LUG NUT (CHROME)	SHAU-LNC
	098532-01-701	EA COVER-WHEEL-FRT/REAR 1 ONLY	SH-SD

19.5" FORD WHEEL COVERS - 1999 CHASSIS

KEY	PART NUMBER	U/M DESCRIPTION	VENDOR NO.
	109443-07-000	EA WHEEL COVER - 4/SET - 19.5"	
	109443-01-703	EA CAP-CENTER, HUB - DICOR	SHAU95-CAP
	109443-07-700	EA COVER - WHEEL - 8 LUG	SHAF95-COV
	109443-07-701	EA BRACKET SET - FRONT	SHAF95-FBS
	109443-07-702	EA BRACKET SET - REAR	SHAF95-RBS

CHASSIS GROUP (CONTINUED)

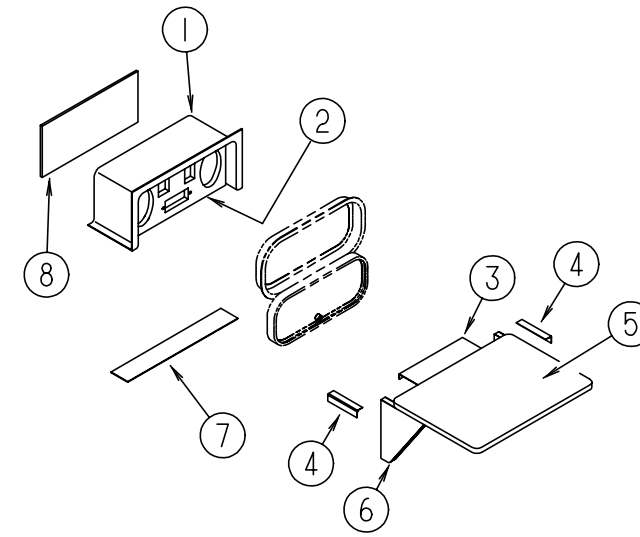


STORAGE COMPARTMENTS & WHEELWELLS

KEY	PART NUMBER	U/M	DESCRIPTION
1	104644-01-000	EA	ANGLE - FORMED - GENERATOR
1	104644-02-000	EA	ANGLE - FORMED - GENERATOR
			FROM: 00-00-00 THRU: 01-25-98
1	094657-02-000	EA	TRAY - GENERATOR - 22.5" X 30.4" X 6.9" - W/ANGLE & NUTS
			FROM: 00-00-00 THRU: 01-28-98
1	127008-02-02B	EA	TRAY - GENERATOR
			FROM: 01-29-98 THRU: 99-99-99
2	020167-08-000	EA	DIRT GUARD - STEEL - 13.6" LONG
2	017516-01-000	EA	MUD FLAP - 14" X 18" - BLACK
3	055374-03-000	EA	WHEELWELL - PLASTIC
4	020167-05-000	EA	DIRT GUARD - STEEL - 14.9" LONG
5	114676-04-G38	EA	COMPARTMENT - STORAGE - 14.4" X 48.9"
6	M06991-05-G38	EA	HATCH/COMPARTMENT - W/FOAMED INSULATION
	121175-01-01A	EA	LATCH - SWELL - BLACK
7*	094707-01-01A	EA	STEP - DOUBLE - ELECTRIC - KWIKEE
7	104452-03-000	EA	SUPPORT - STEP
	065450-05-000	EA	TIEDOWN - BATTERY - 8.4" TUBE
8	120867-01-02B	EA	MOUNT - LP TANK
	104803-01-000	EA	ANGLE-FORMED W/SLOTS
	061420-10-000	EA	PLUG/PLASTIC - 1.50" DIAMETER - BLACK
	119845-01-01A	EA	PLUG - PLASTIC - BLACK

*COMPONENT PARTS FOUND IN SERVICE PARTS LIBRARY

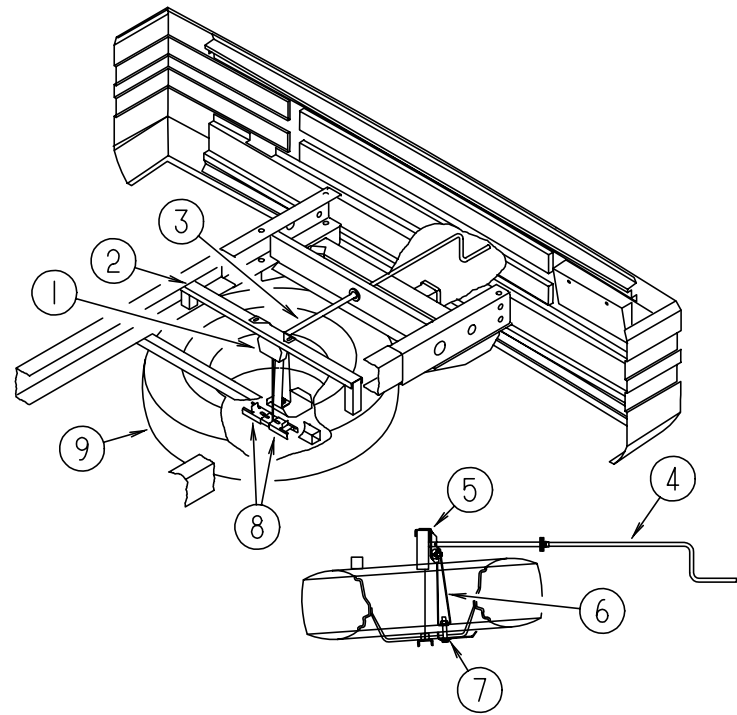
CHASSIS GROUP (CONTINUED)



PATIO ENTERTAINMENT CENTER

KEY	PART NUMBER	U/M	DESCRIPTION
1	124696-01-01A	EA	BOX - ENTERTAINMENT CENTER/EXTERIOR
2	127409-02-J01	EA	PLATE - RADIO MOUNTING
3	105377-01-04A	EA	BRACKET - TABLE HANGER - BRIGHT WHITE
4	105376-01-03A	EA	HINGE - CONTINUOUS - 2" X 5.5" - BRIGHT WHITE
5	105230-11-J01	EA	SHELF - EXTERIOR ENTERTAINMENT CENTER-W/O BRKT/HINGE/SUPT
6	105230-12-J01	EA	SUPPORT - EXTERIOR SHELF
7	104898-01-02A	EA	PLATE - PLASTIC BOTTOM - BRIGHT WHITE
8	104898-02-02A	EA	PLATE - PLASTIC BACK - BRIGHT WHITE

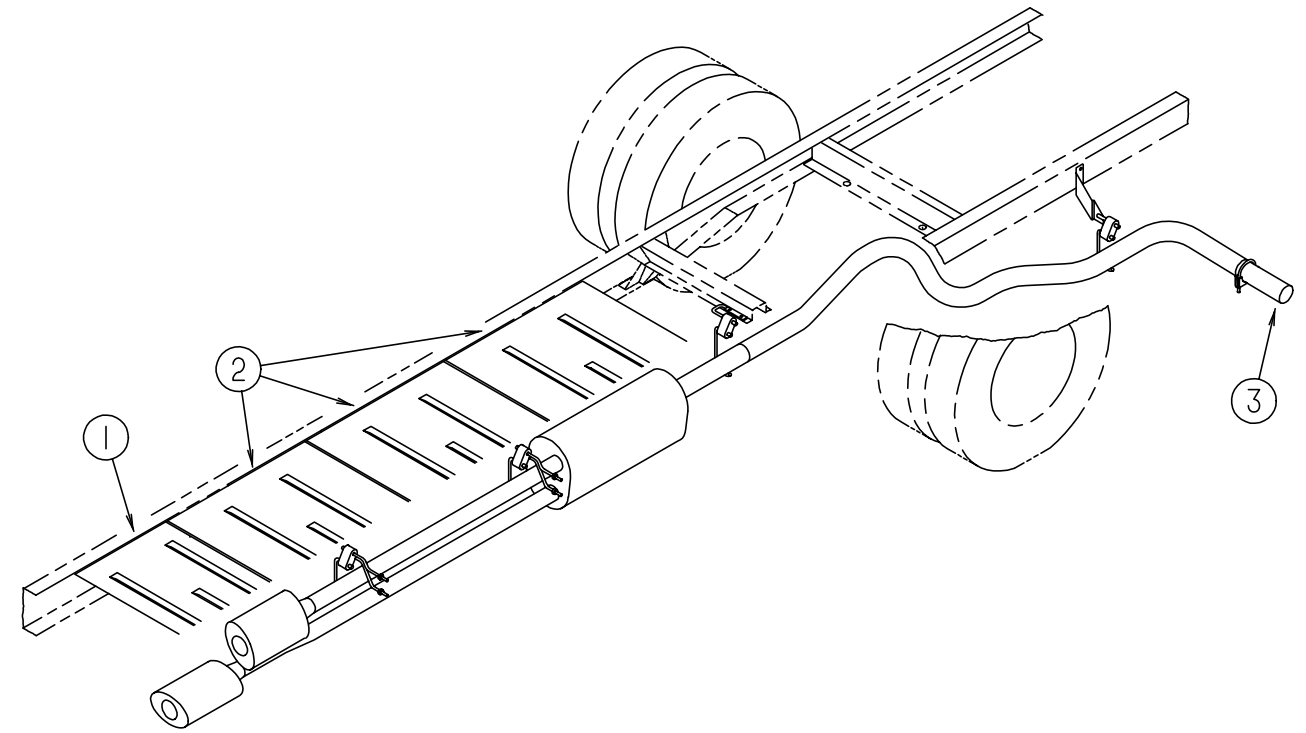
CHASSIS GROUP (CONTINUED)



TIRE HOIST

KEY	PART NUMBER	U/M	DESCRIPTION
1	093267-03-000	EA	HOIST - SPARE TIRE - #100 LB
2	093362-06-000	EA	CHANNEL - TIRE HOIST
	129006-01-02B	EA	SUPPORT/CARRIER - TIRE - FORD
3	093375-05-000	EA	EXTENSION - TIRE HOIST
4	093376-02-000	EA	HANDLE - CRANK - TIRE HOIST
	114376-01-000	EA	PIN - DRIVE - .156 X .750 - TYPE E - TIRE HOIST
5	124751-01-02B	EA	HANGER - SPARE TIRE - E-COATED
6	091274-03-000	EA	BOLT-J - 3/8-16 X 12.0
6	129086-01-02B	EA	SUPPORT - SPARE TIRE
			FROM: 00-00-00 THRU: 02-21-98
			FROM: 02-22-98 THRU: 99-99-99
7	124754-01-02B	EA	CATCH - SPARE TIRE
			FROM: 00-00-00 THRU: 02-21-98
7	129085-01-02B	EA	PLATE - SUPPORT - SPARE TIRE
			FROM: 02-22-98 THRU: 99-99-99
8	105499-01-000	EA	BRACKET - TIRE HOIST
9	083425-05-000	EA	TIRE - MICHELIN - LT 235/85R16 - LOAD RANGE E - 1997 FORD CHASSIS
9	102340-04-000	EA	TIRE - 245/70R - 19.5F - GOODYEAR - 1999 FORD CHASSIS
9	091673-01-000	EA	TIRE - 225.70 R19.5 LRF - XZA - CHEVY
9	051377-05-000	EA	VALVE STEM - 1997 FORD CHASSIS
9	051377-04-000	EA	VALVE STEM - .5" X 2" - 1999 FORD CHASSIS
9	051377-01-000	EA	VALVE STEM - CHEVY
9	095853-02-000	EA	WHEEL - STEEL - 16" X 6K - 1997 FORD CHASSIS
9	064963-01-000	EA	WHEEL - STEEL - 19.5" X 6" - GM 14005758 - CHEVY
	077030-02-000	EA	EXTENSION - VALVE STEM - 1.25" - CHROME WHEEL LINERS
	077030-05-000	EA	EXTENSION - VALVE STEM - 95 DEGREE - STAINLESS STEEL WHEEL LINERS
	077030-06-000	EA	EXTENSION - VALVE STEM - 45 DEGREE - STAINLESS STEEL WHEEL LINERS
	095012-10-000	EA	EXTENSION - VALVE STEM - 8.5" - STAINLESS STEEL WHEEL LINERS
	095012-07-000	EA	STABILIZER - VALVE EXTENSION - 4" - STAINLESS STEEL WHEEL LINERS

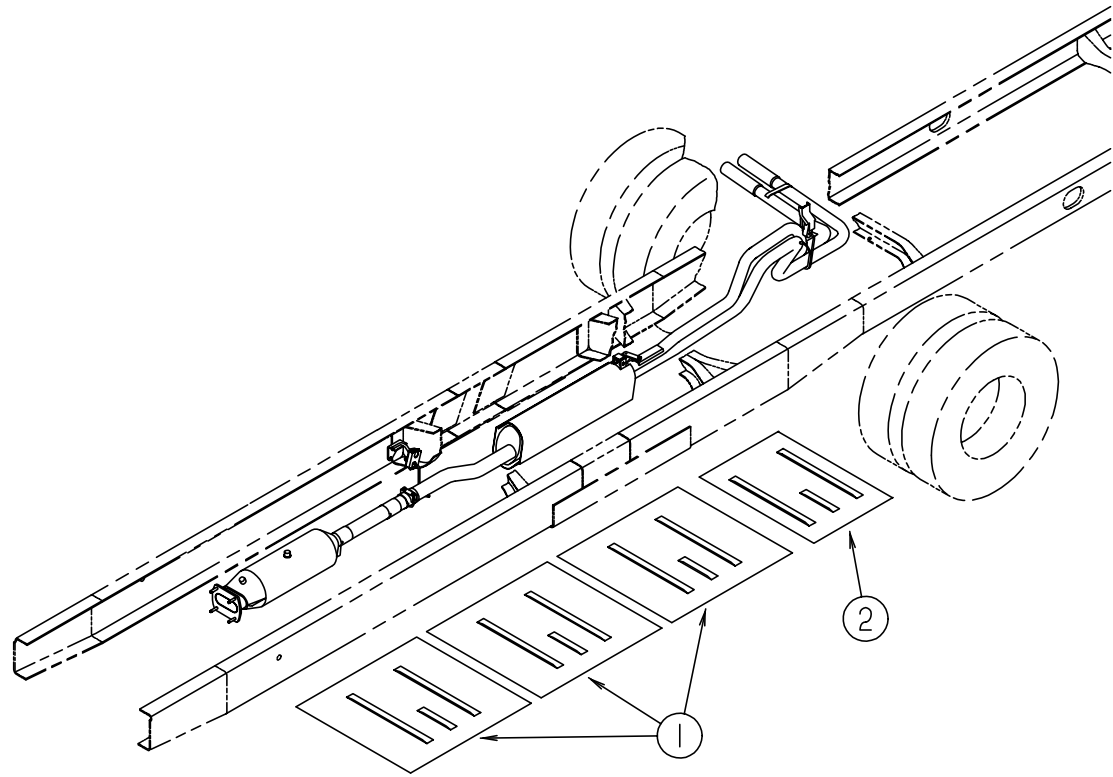
CHASSIS GROUP (CONTINUED)



CHEVY EXHAUST SYSTEM

KEY	PART NUMBER	U/M	DESCRIPTION
1	101544-01-000	EA	SHIELD - HEAT/EXHAUST - 19.7" X 29.1"
2	101544-02-000	EA	SHIELD - HEAT/EXHAUST - 30" X 29.1"
3	098762-11-000	EA	PIPE - EXHAUST - STRAIGHT - 3"
	094918-01-000	EA	CLAMP - EXHAUST - 3" - GUILLOTINE STYLE

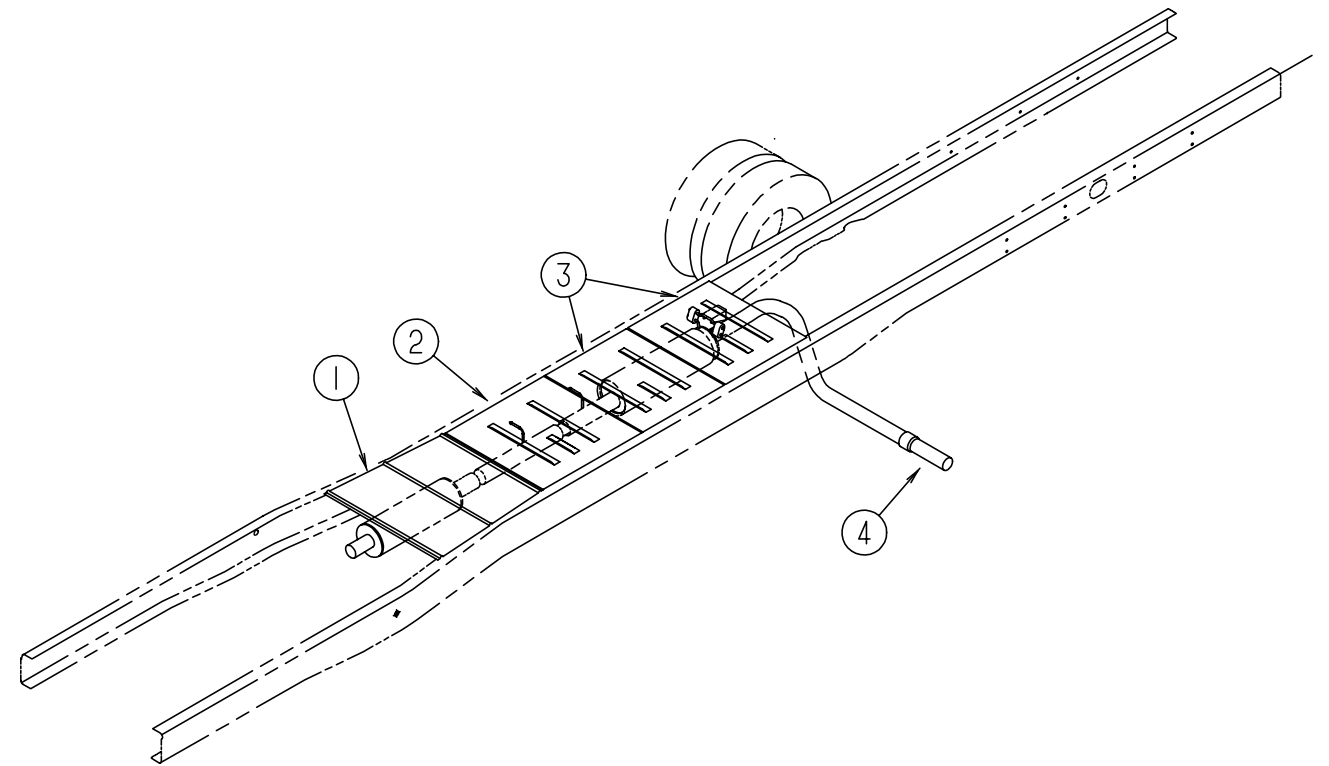
CHASSIS GROUP (CONTINUED)



FORD EXHAUST SYSTEM - 1997 CHASSIS

KEY	PART NUMBER	U/M	DESCRIPTION
1	101544-06-000	EA	SHIELD - HEAT/EXHAUST - 33.9" X 29.1"
2	101544-01-000	EA	SHIELD - HEAT/EXHAUST - 19.7" X 29.1"

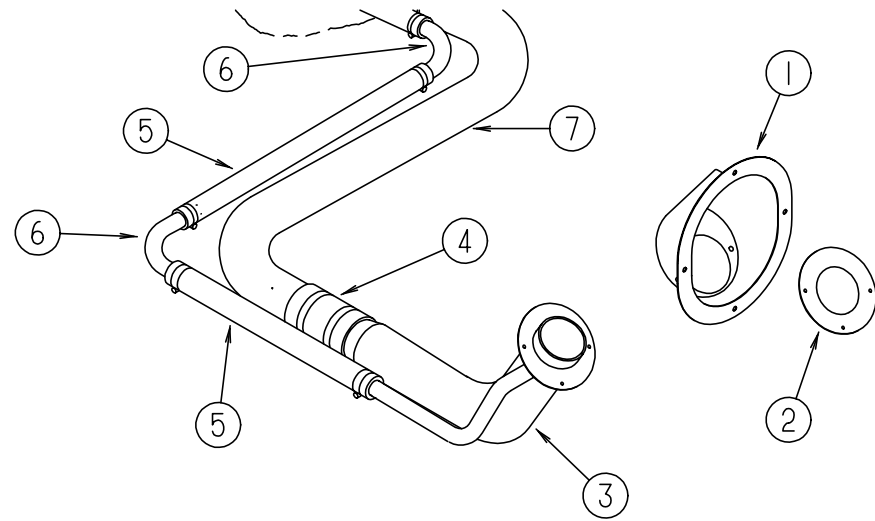
CHASSIS GROUP (CONTINUED)



FORD EXHAUST SYSTEM - 1999 CHASSIS

KEY	PART NUMBER	U/M	DESCRIPTION
1	128756-01-02B	EA	SHIELD - HEAT EXHAUST - E-COATED
2	101544-06-000	EA	SHIELD - HEAT/EXHAUST - 33.9" X 29.1"
3	101544-02-000	EA	SHIELD - HEAT/EXHAUST - 30" X 29.1"
4	129726-01-000	EA	PIPE - EXHAUST

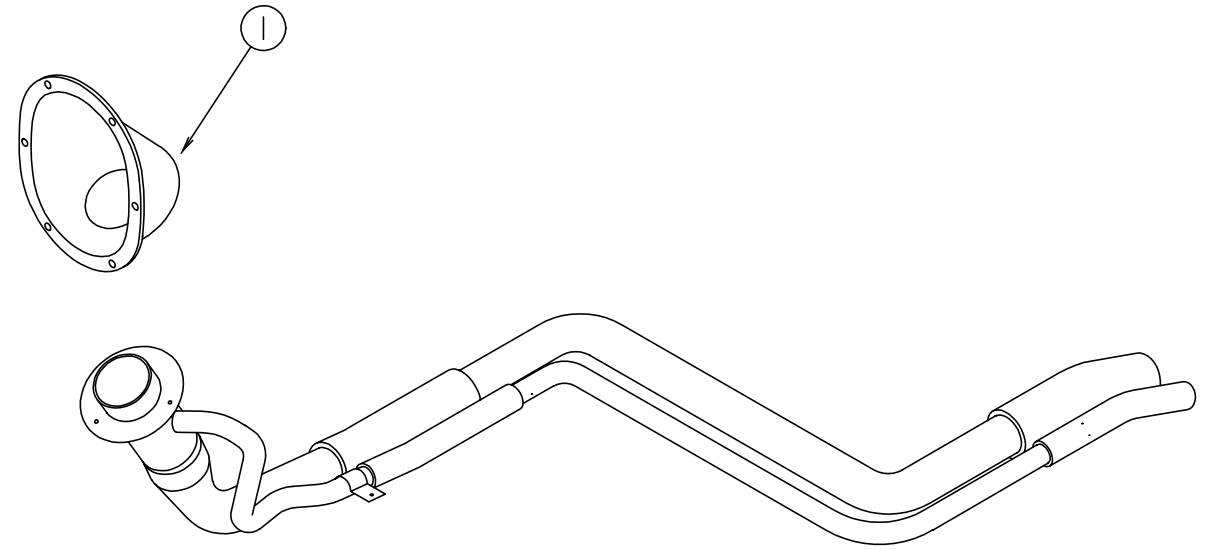
CHASSIS GROUP (CONTINUED)



FORD FUEL SYSTEM - 1997 CHASSIS

KEY	PART NUMBER	U/M	DESCRIPTION
1	095854-01-04A	EA	SHROUD - FUEL FILL - BRIGHT WHITE
2	078200-01-000	EA	GASKET - FUEL FILL - 3.5" OD X 2" ID
3	087256-07-000	EA	NECK - FUEL FILL - FORD
4	007111-02-000	EA	HOSE - FUEL FILL - 2" ID
5	066732-01-000	FT	HOSE - FUEL - .62"ID
6	098806-01-000	EA	PIPE - FILL VENT - 90 DEGREE BEND - .635 OD - STEEL
7	100140-03-000	EA	TUBE - FUEL INLET
	007063-01-000	FT	HOSE - FUEL - 1/4"ID X 1/2"OD
	084884-01-000	EA	PLUG - BRASS - 3/8"
	092889-14-000	EA	FUEL LINE - SUPPLY - GENERATOR - 1/4" X 92.7" - STEEL

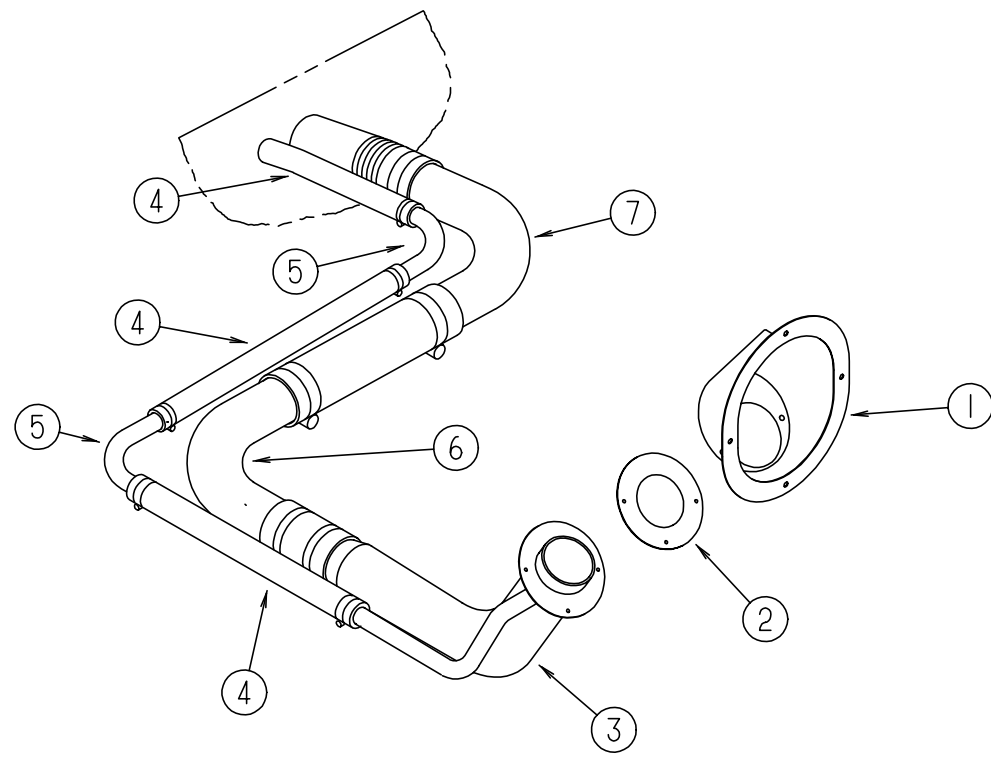
CHASSIS GROUP (CONTINUED)



FORD FUEL SYSTEM - 1999 CHASSIS

KEY	PART NUMBER	U/M	DESCRIPTION
1	127291-01-01A	EA	SHROUD - FUEL FILL - BRIGHT WHITE
	007063-01-000	FT	HOSE - FUEL - 1/4"ID X 1/2"OD
	084884-01-000	EA	PLUG - BRASS - 3/8"
	092889-14-000	EA	FUEL LINE - SUPPLY - GENERATOR - 1/4" X 92.7" - STEEL

CHASSIS GROUP (CONTINUED)



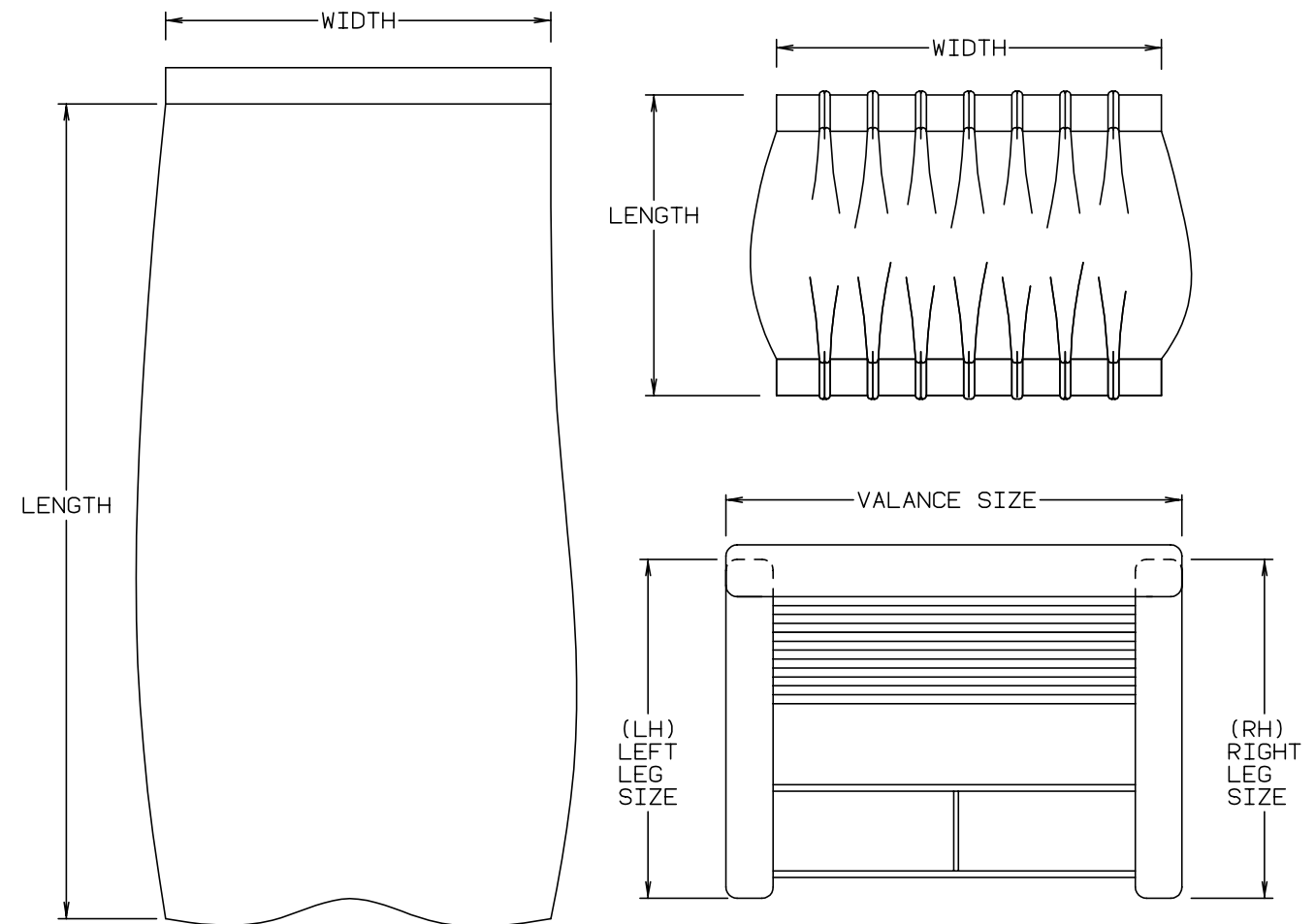
CHEVY FUEL SYSTEM

KEY	PART NUMBER	U/M	DESCRIPTION
1	095854-01-04A	EA	SHROUD - FUEL FILL - BRIGHT WHITE - 97 CHASSIS
1	127291-01-01A	EA	SHROUD - FUEL FILL - BRIGHT WHITE - 98 CHASSIS
2	078200-01-000	EA	GASKET - FUEL FILL - 3.5" OD X 2" ID
3	087256-10-000	EA	NECK - FUEL FILL - 97 CHASSIS
3	127301-03-000	EA	NECK - FUEL FILL - 98 CHASSIS
4	066732-01-000	FT	HOSE - FUEL - .62"ID - 97 CHASSIS
4	128139-02-000	FT	HOSE - FUEL - LOW PERMEABILITY - 5/8" DIAMETER - 98 CHASSIS
5	098806-01-000	EA	PIPE - FILL VENT - 90 DEGREE BEND - .635 OD - STEEL
6	098803-01-000	EA	PIPE - FUEL FILL - 90 DEGREE BEND - 13.2" - 1 3/4" OD
7	098807-01-000	EA	PIPE - FUEL FILL - 90 DEGREE BEND - 6.6" - 1 3/4" OD
	084884-01-000	EA	PLUG - BRASS - 3/8"
	007063-01-000	FT	HOSE - FUEL - 1/4"ID X 1/2"OD - 97 CHASSIS
	128139-03-000	FT	HOSE - FUEL - LOW PERMEABILITY - 1/4" DIAMETER - 98 CHASSIS
	068382-06-000	EA	BUSHING - BRASS - 3/8 MPT X 1/8 FPT
	114254-01-000	EA	ADAPTER - 1/4 BARB X 1/8 MPT
	044317-01-000	FT	HOSE - FUEL - 3/8" ID
	092889-35-000	EA	FUEL LINE - SUPPLY - GENERATOR - 1/4" X 79.1" - STEEL

CURTAIN & CUSHION GROUP NOTICE

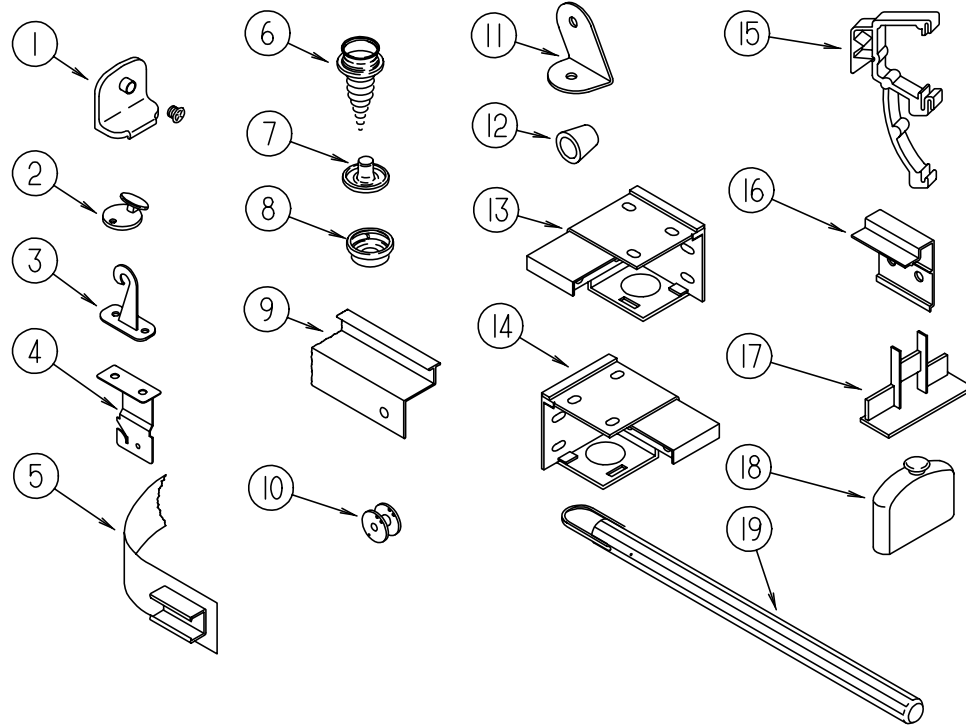
IN ORDER TO ASSIST OUR PARTS SALES DEPT. IN PROVIDING INTERIOR SOFTGOODS ITEMS, PLEASE INCLUDE THE SERIAL NUMBER AND THE COLOR CODE NUMBER FROM THE VEHICLE CERTIFICATION LABEL WHEN ORDERING. THIS LABEL IS LOCATED ON THE LEFT SIDEWALL AT THE END OF THE DASH (A-BODY), OR ON THE DRIVER'S DOOR LATCH PLATE (C-BODY).

AN EXAMPLE OF A COLOR CODE NUMBER IS B07, WHICH DESIGNATES AN OVERALL COLOR SCHEME OF A PARTICULAR UNIT. THE COLOR LISTED AFTER THE ITEM DESCRIPTION ON THE MICROFICHE, INDICATES THE OVERALL UNIT COLOR. ORDER THE ITEM YOU DESIRE ACCORDING TO UNIT COLOR CODE.



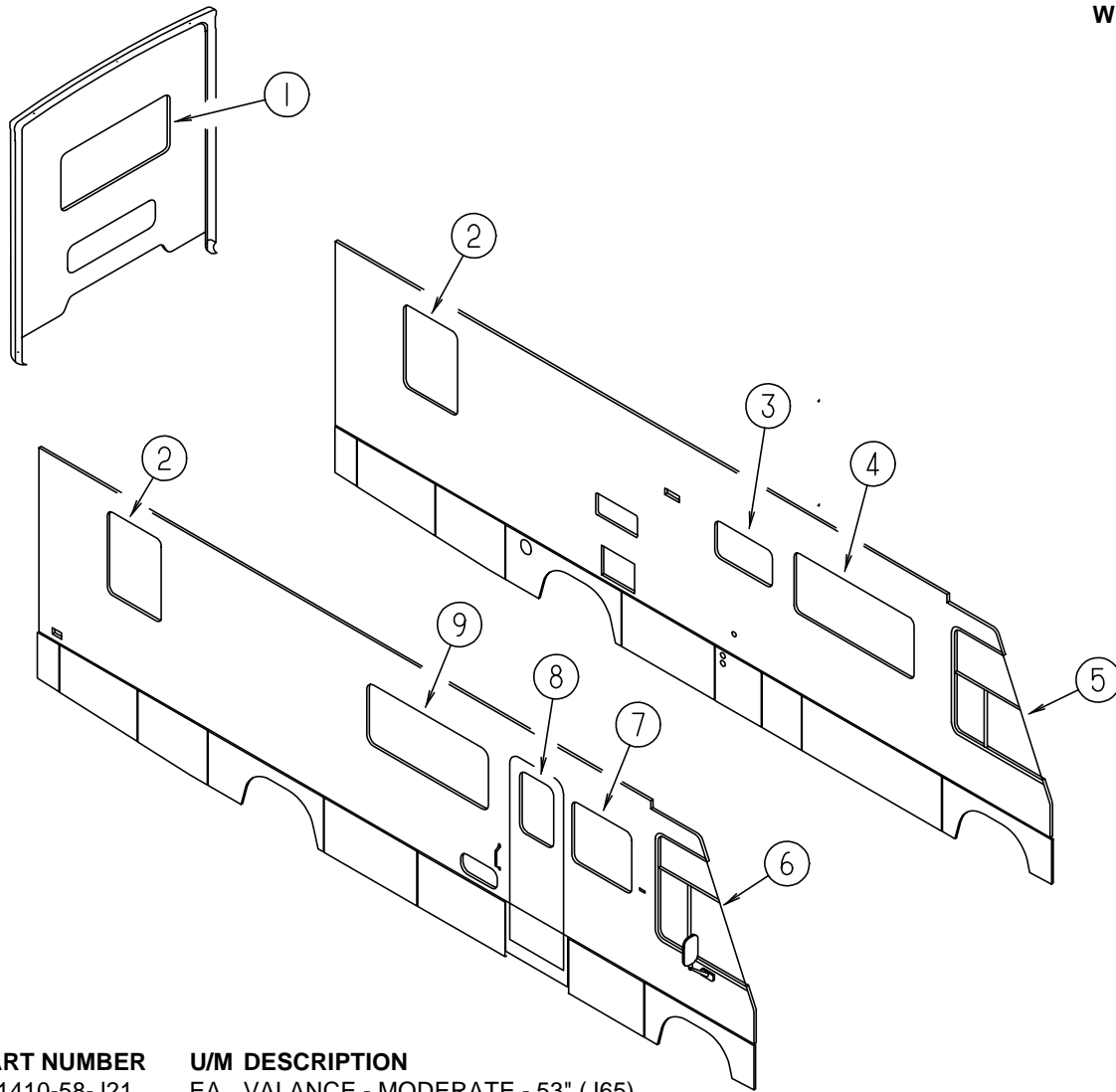
NOTE: USE THIS ILLUSTRATION WHEN DETERMINING LENGTH AND WIDTH MEASUREMENTS FOR CURTAINS. YOU WILL NOTE THE WIDTH MEASUREMENT IS TAKEN ON THE TOP OF THE CURTAIN WITH THE CURTAIN FULLY EXTENDED. THE LENGTH MEASUREMENT IS TAKEN FROM TOP TO BOTTOM. LEFT AND RIGHT WINDOW LEGS ARE DETERMINED WHEN FACING THE WINDOW.

CURTAIN & CUSHION GROUP (CONTINUED)
CURTAIN, BLIND HARDWARE & TRACKS



KEY	PART NUMBER	U/M	DESCRIPTION
1	106544-01-000	EA	PULL - SHADE/BRASS
1	106544-01-001	EA	SCREW - SHADE/BRASS
2	102555-03-000	EA	CLEAT - BLIND CORD - MILKY WHITE PLASTIC
3	109441-03-000	EA	HOLD DOWN - BLIND (CLOUDY)
	109441-02-000	EA	HOLD DOWN-SPACER
4	084434-01-000	EA	BRACKET - MOUNTING - ROLLER SHADE - 1 3/8"
	096843-01-000	EA	SPRING - REWIND/ROLLER SHADE
	086276-01-000	EA	TAPE - DOUBLE SIDED - 1/2"
5	101031-01-000	YD	TAPE - GLIDE/CURTAIN - 4.25" SPACING
6	029130-01-000	EA	SCREW - SNAP SOCKET - #8 PH X 5/8"
6	029130-03-000	EA	SCREW - SNAP SOCKET - #8 PH X 1"
7	029155-01-000	EA	CAP - SNAP - 5/32" OUTSIDE DIAMETER OF PIN
8	029156-01-000	EA	SOCKET - SNAP - 9/16" O.D.
9	127254-01-01A	EA	TRACK - CURTAIN - RIGHT HAND
9	127254-02-01A	EA	TRACK - CURTAIN - LEFT HAND
10	097592-01-000	EA	SPOOL - CORD - ELEVATED BLIND HOLDUP - SMALL - CLEAR FROM: 00-00-00 THRU: 11-23-97
10	097592-02-000	EA	SPOOL - CORD - ELEVATED BLIND HOLDUP - LARGE - CLEAR FROM: 11-24-97 THRU: 99-99-99
11	099205-02-02A	EA	BRACKET - WRAPAROUND
12	097564-01-000	EA	HANDLE - KNOB - E-Z LIFT SHADE - SMOKED FROM: 00-00-00 THRU: 10-19-97
12	097564-03-000	EA	HANDLE - KNOB - E-Z LIFT SHADE - TAN (J65,J66,J68,J69) FROM: 10-20-97 THRU: 99-99-99
12	097564-04-000	EA	HANDLE - KNOB - E-Z LIFT SHADE - NAVY (J67) FROM: 10-20-97 THRU: 99-99-99
13	083170-01-000	EA	BRACKET - BLIND - LEFT SIDE WHEN FACING WINDOW
14	083170-02-000	EA	BRACKET - BLIND - RIGHT SIDE WHEN FACING WINDOW
15	109353-04-000	EA	CLIP - VALANCE SLAT MOUNTING - CLEAR PLASTIC
16	097565-01-000	EA	BRACKET - MOUNTING/PLEATED BLIND
17	094907-02-000	EA	END CAP - TOP/PLEATED BLIND - PLASTIC - GRAY
18	093475-01-701	EA	CAP-END, WITH INVERTED STUD PAR
19	093475-01-700	EA	WAND-BLIND W/METAL CLIP, 8" NONE
	046867-03-000	EA	GROMMET - HANDY BUTTON #3
	056003-01-000	EA	BRACKET - DRAPERY RETAINING - FRONT - METAL
	056003-02-000	EA	BRACKET - DRAPERY RETAINING - REAR - METAL
	083125-07-000	EA	BRACE - COUCH - 2.5" USED TO SUPPORT DINETTE PADS & CURTAIN LEGS
	068716-01-001	EA	BRACE - 90 DEGREE L-ANGLE - 16'
	094896-02-000	EA	GROMMET - CORD/PLEATED BLIND - NYLON - GRAY
	094907-04-000	EA	HARDWARE - END CAP BOTTOM - PULL TYPE (RH & LH)
	097591-01-000	EA	SPRING - EXTENSION/PLEATED BLIND
	046867-02-000	EA	WASHER - HANDY BUTTON #3
	095567-01-000	EA	TACK - STRIP - .5" X 625' ROLL
	097593-02-000	FT	CORD - BLIND - PLEATED - GRAY (J65,J66,J68,J69)
	097593-06-000	FT	CORD - BLIND - PLEATED - PEWTER (J67)
	105648-01-02A	EA	BRACE - VALANCE - OFF/WHITE - 14"

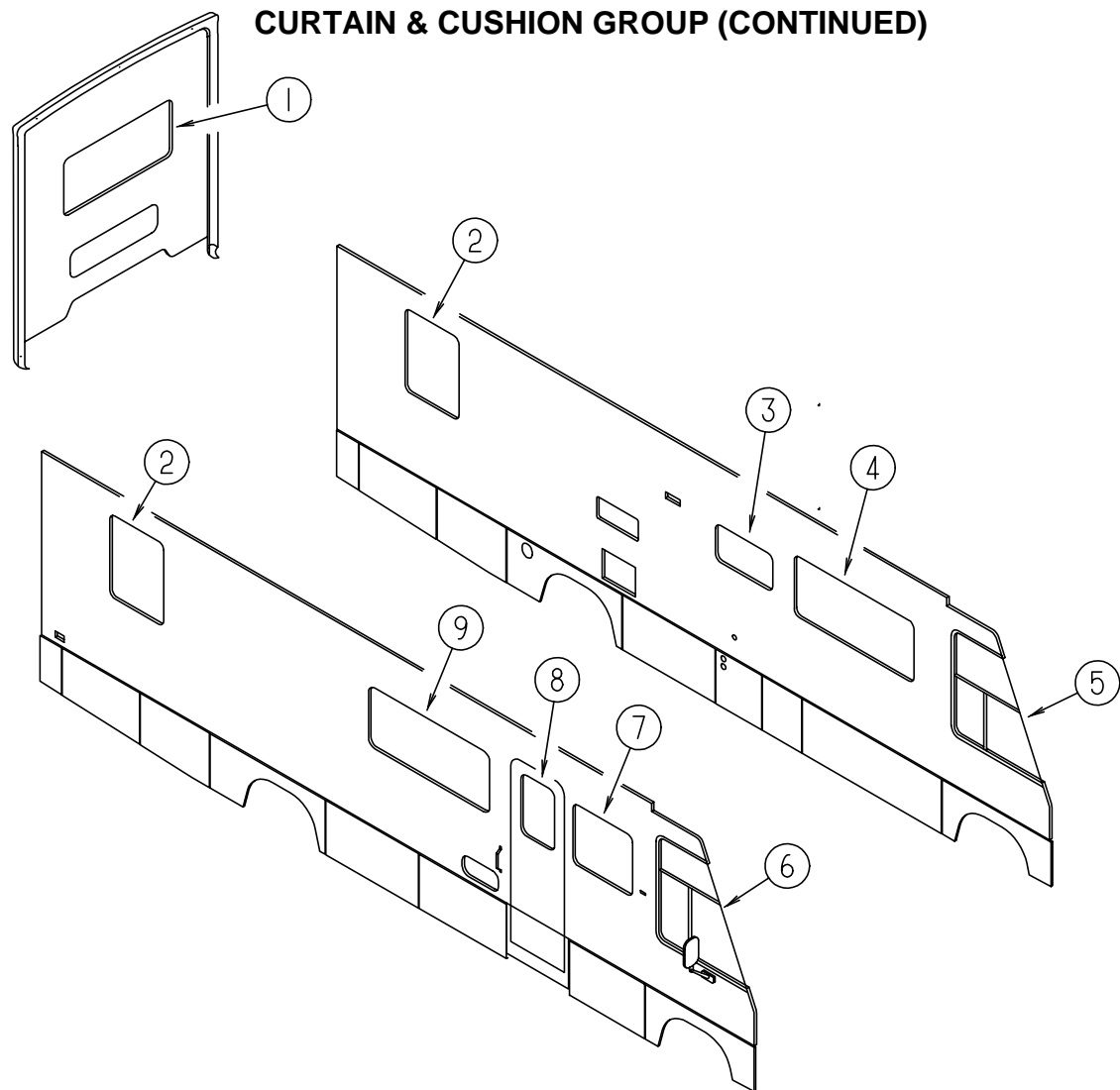
CURTAIN & CUSHION GROUP (CONTINUED)
WINDOW TREATMENT



KEY	PART NUMBER	U/M	DESCRIPTION
1	121410-58-J21	EA	VALANCE - MODERATE - 53" (J65)
1	119263-28-J45	EA	VALANCE - STARBUCK II - 52" (J66)
1	127060-04-J47	EA	VALANCE - DAVIS - 52" (J67)
1	127061-04-J46	EA	VALANCE - DUNE - 52" (J68)
1	119299-01-J28	EA	VALANCE - WHITNEY- 53" (J69)
1	127017-03-J19	EA	LEG - RIGHT - 25" (J65)
1	127017-04-J19	EA	LEG - LEFT - 25" (J65)
1	112986-14-J01	EA	CURTAIN - 27.5" X 6" (J66)
1	112986-14-J47	EA	CURTAIN - 27.5" X 6" (J67)
1	112986-14-J02	EA	CURTAIN - 27.5" X 6" (J68)
1	127017-07-J28	EA	LEG - RIGHT - 25" (J69)
1	127017-08-J28	EA	LEG - LEFT - 25" (J69)
1	109041-54-02A	EA	BLIND - MINI - 50" X 27" (J65,J66,J68,J69)
1	109041-54-01A	EA	BLIND - MINI - 50" X 27" (J67)
1	111910-62-J11	EA	BLIND - DAY/NIGHTER - 49" X 27" - WINDOW COVERINGS OPTION (J65,J66,J68)
1	111910-62-J10	EA	BLIND - DAY/NIGHTER - 49" X 27" - WINDOW COVERINGS OPTION (J67)
1	111910-62-J04	EA	BLIND - DAY/NIGHTER - 49" X 27" - WINDOW COVERINGS OPTION (J69)
2	121410-59-J21	EA	VALANCE - MODERATE - 34" (J65)
2	119263-29-J45	EA	VALANCE - STARBUCK II - 34" (J66)
2	127060-05-J47	EA	VALANCE - DAVIS - 34" (J67)
2	127061-05-J46	EA	VALANCE - DUNE - 34" (J68)
2	119299-18-J28	EA	VALANCE - WHITNEY- 34" (J69)
2	127017-05-J37	EA	LEG - RIGHT - 34" (J65)
2	127017-06-J37	EA	LEG - LEFT - 34" (J65)
2	112986-13-J45	EA	CURTAIN - 38.5" X 6" (J66)
2	112986-13-J47	EA	CURTAIN - 38.5" X 6" (J67)
2	112986-13-J46	EA	CURTAIN - 38.5" X 6" (J68)
2	123910-15-J28	EA	LEG - RIGHT - 34" (J69)
2	123910-16-J28	EA	LEG - LEFT - 34" (J69)

KEY	PART NUMBER	U/M	DESCRIPTION
2	109041-55-02A	EA	BLIND - MINI - 31" X 37" (J65,J66,J68,J69)
2	109041-55-01A	EA	BLIND - MINI - 31" X 37" (J67)
2	111910-58-J20	EA	BLIND - DAY/NIGHTER - 31" X 37" - WINDOW COVERINGS OPTION (J65,J66,J68)
2	111910-58-J30	EA	BLIND - DAY/NIGHTER - 31" X 37" - WINDOW COVERINGS OPTION (J67)
2	111910-58-J38	EA	BLIND - DAY/NIGHTER - 31" X 37" - WINDOW COVERINGS OPTION (J69)
3	109041-44-02A	EA	BLIND - MINI - 30.5" X 18" (J65,J66,J68,J69)
3	109041-44-01A	EA	BLIND - MINI - 30.5" X 18" (J67)
4	121410-44-J21	EA	VALANCE - MODERATE - 64.5" (J65)
4	119263-25-J45	EA	VALANCE - STARBUCK II - 64.5" (J66)
4	127060-01-J47	EA	VALANCE - DAVIS - 64.5" (J67)
4	127061-01-J46	EA	VALANCE - DUNE - 64.5" (J68)
4	121410-62-J28	EA	VALANCE - MODERATE - 64.5" (J69)
4	127017-01-J21	EA	LEG - RIGHT - 25" (J65)
4	127017-11-J01	EA	LEG - RIGHT - 25" (J66)
4	127017-11-J03	EA	LEG - RIGHT - 25" (J67)
4	127017-11-J02	EA	LEG - RIGHT - 25" (J68)
4	127017-01-J50	EA	LEG - RIGHT - 25" (J69)
4	127017-02-J21	EA	LEG - LEFT - 25" (J65)
4	127017-12-J01	EA	LEG - LEFT - 25" (J66)
4	127017-12-J03	EA	LEG - LEFT - 25" (J67)
4	127017-12-J02	EA	LEG - LEFT - 25" (J68)
4	127017-02-J50	EA	LEG - LEFT - 25" (J69)
4	109041-53-02A	EA	BLIND - MINI - 61" X 28.5" (J65,J66,J68,J69)
4	109041-53-01A	EA	BLIND - MINI - 61" X 28.5" (J67)
4	111910-57-J20	EA	BLIND - DAY/NIGHTER - 61" X 29.5" - WINDOW COVERINGS OPTION (J65,J66,J68)
4	111910-57-J30	EA	BLIND - DAY/NIGHTER - 61" X 28.5" - WINDOW COVERINGS OPTION (J67)
4	111910-57-J38	EA	BLIND - DAY/NIGHTER - 61" X 28.5" - WINDOW COVERINGS OPTION (J69)
5	101668-68-J22	EA	CURTAIN - LEFT HAND - 42" X 106" (J65,J69)
5	101668-68-J38	EA	CURTAIN - LEFT HAND - 42" X 106" (J66,J67,J68)
6	101668-67-J22	EA	CURTAIN - RIGHT HAND - 42" X 106" (J65,J69)
6	101668-67-J38	EA	CURTAIN - RIGHT HAND - 42" X 106" (J66,J67,J68)
	073260-42-C18	EA	TIEBACK - 6" X 18" (J65,J69)
	073260-42-D10	EA	TIEBACK - 6" X 18" (J66,J67,J68)
7	121410-56-J37	EA	VALANCE - MODERATE - 31.5" (J65)
7	119263-37-J38	EA	VALANCE - STARBUCK II - 31.5" (J66)
7	127060-08-J97	EA	VALANCE - DAVIS - 31.5" (J67)
7	127061-08-J98	EA	VALANCE - DUNE - 31.5" (J68)
7	121410-73-J28	EA	VALANCE - MODERATE - 31.5" (J69)
7	127017-01-J21	EA	LEG - RIGHT - 25" (J65)
7	127017-11-J01	EA	LEG - RIGHT - 25" (J66)
7	127017-11-J03	EA	LEG - RIGHT - 25" (J67)
7	127017-11-J02	EA	LEG - RIGHT - 25" (J68)
7	127017-01-J50	EA	LEG - RIGHT - 25" (J69)
7	127017-02-J21	EA	LEG - LEFT - 25" (J65)
7	127017-12-J01	EA	LEG - LEFT - 25" (J66)
7	127017-12-J03	EA	LEG - LEFT - 25" (J67)
7	127017-12-J02	EA	LEG - LEFT - 25" (J68)
7	127017-02-J50	EA	LEG - LEFT - 25" (J69)
7	093475-28-07A	EA	BLIND - MINI - 28" X 28" (J65,J66,J68,J69)
7	093475-28-06A	EA	BLIND - MINI - 28" X 28" (J67)
7	111910-20-J04	EA	BLIND - DAY/NIGHTER - 28" X 28" - WINDOW COVERINGS OPTION (J65,J66,J68)
7	111910-20-J03	EA	BLIND - DAY/NIGHTER - 28" X 28" - WINDOW COVERINGS OPTION (J67)
7	111910-20-J38	EA	BLIND - DAY/NIGHTER - 28" X 28" - WINDOW COVERINGS OPTION (J69)
8	121410-77-J37	EA	VALANCE - MODERATE - 16" X 31" (J65)
8	119263-41-J38	EA	VALANCE - STARBUCK II - 16" X 31" (J66)
8	127060-11-J97	EA	VALANCE - DAVIS - 30.5" (J67)
8	127061-11-J98	EA	VALANCE - DUNE - 30.5" (J68)
8	121410-70-J28	EA	VALANCE - MODERATE - 31" (J69)
8	084755-57-E07	EA	SHADE - PULL - 27.25"

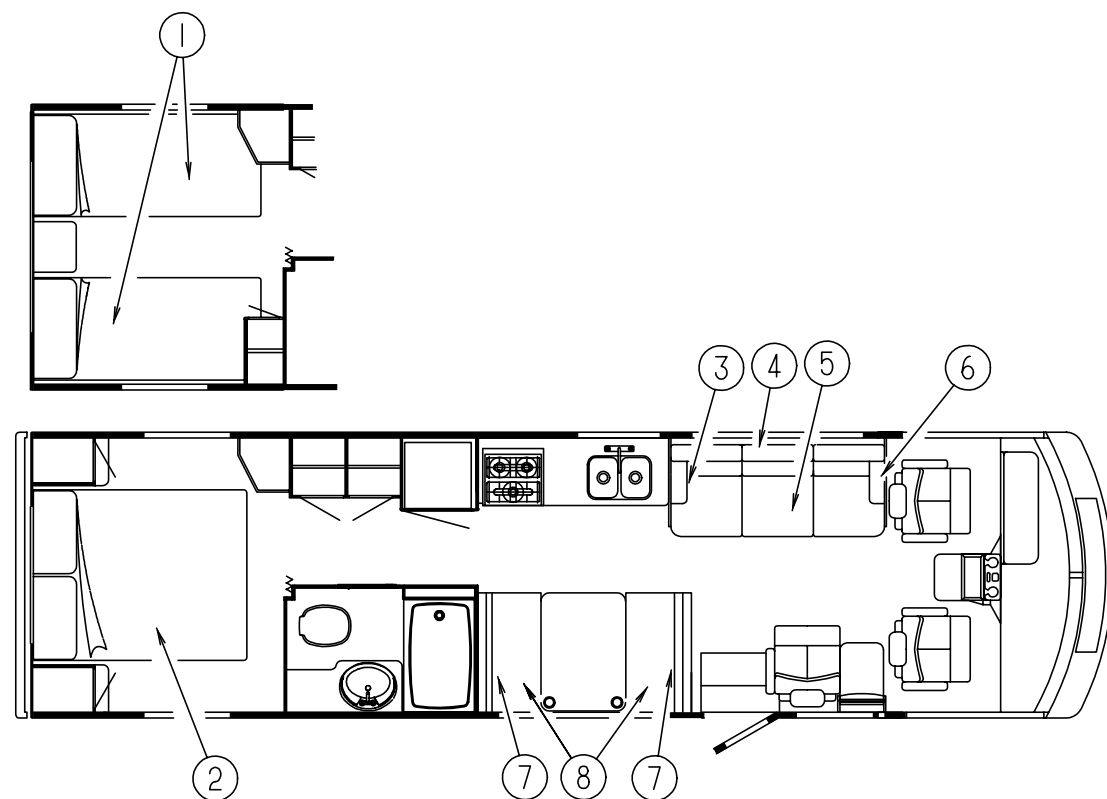
CURTAIN & CUSHION GROUP (CONTINUED)



WINDOW TREATMENT (CONTINUED)

KEY	PART NUMBER	U/M	DESCRIPTION
9	121410-44-J21	EA	VALANCE - MODERATE - 64.5" (J65)
9	119263-25-J45	EA	VALANCE - STARBUCK II - 64.5" (J66)
9	127060-01-J47	EA	VALANCE - DAVIS - 64.5" (J67)
9	127061-01-J46	EA	VALANCE - DUNE - 64.5" (J68)
9	121410-62-J28	EA	VALANCE - MODERATE - 64.5" (J69)
9	121410-44-J21	EA	VALANCE - MODERATE - 64.5" - COFFEEMAKER OPTION (J65)
9	121410-61-J45	EA	VALANCE - MODERATE - 64.5" - COFFEEMAKER OPTION (J66)
9	121410-61-J47	EA	VALANCE - MODERATE - 64.5" - COFFEEMAKER OPTION (J67)
9	121410-61-J46	EA	VALANCE - MODERATE - 64.5" - COFFEEMAKER OPTION (J68)
9	121410-62-J28	EA	VALANCE - MODERATE - 64.5" - COFFEEMAKER OPTION (J69)
9	127017-01-J21	EA	LEG - RIGHT - 25" (J65)
9	127017-11-J01	EA	LEG - RIGHT - 25" (J66)
9	127017-11-J03	EA	LEG - RIGHT - 25" (J67)
9	127017-11-J02	EA	LEG - RIGHT - 25" (J68)
4	127017-01-J50	EA	LEG - RIGHT - 25" (J69)
9	127017-02-J21	EA	LEG - LEFT - 25" (J65)
9	127017-12-J01	EA	LEG - LEFT - 25" (J66)
9	127017-12-J03	EA	LEG - LEFT - 25" (J67)
9	127017-12-J02	EA	LEG - LEFT - 25" (J68)
4	127017-02-J50	EA	LEG - LEFT - 25" (J69)
9	109041-53-02A	EA	BLIND - MINI - 61" X 28.5" (J65,J66,J68,J69)
9	109041-53-01A	EA	BLIND - MINI - 61" X 28.5" (J67)
9	111910-57-J20	EA	BLIND - DAY/NIGHTER - 61" X 28.5" - WINDOW COVERINGS OPTION (J65,J66,J68)
9	111910-57-J30	EA	BLIND - DAY/NIGHTER - 61" X 28.5" - WINDOW COVERINGS OPTION (J67)
4	111910-57-J38	EA	BLIND - DAY/NIGHTER - 61" X 28.5" - WINDOW COVERINGS OPTION (J69)

CURTAIN & CUSHION GROUP (CONTINUED)



TWIN MATTRESSES & BEDSPREADS

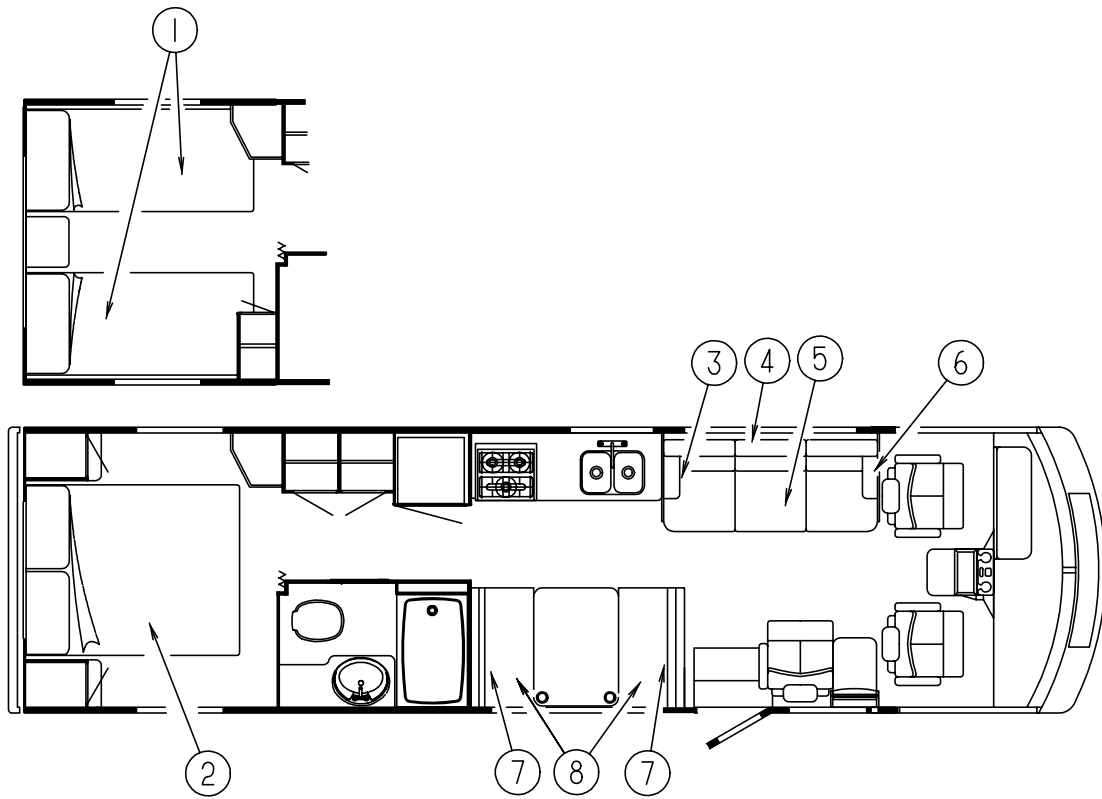
KEY	PART NUMBER	U/M	DESCRIPTION
1	123015-04-000	EA	MATTRESS - INNERSPRING - 36" X 79.5"
1	123471-09-J37	EA	BEDSPREAD/THROW - 36" X 80" (J65)
1	123471-09-J36	EA	BEDSPREAD/THROW - 36" X 75" (J66)
1	123471-09-J47	EA	BEDSPREAD/THROW - 36" X 75" (J67)
1	123471-09-J46	EA	BEDSPREAD/THROW - 36" X 75" (J68)
1	123471-09-J69	EA	BEDSPREAD/THROW - 36" X 75" (J69)
	111863-16-J37	EA	PILLOW SHAM - 22" X 37" (J65)
	111863-16-J45	EA	PILLOW SHAM - 22" X 37" (J66)
	111863-16-J47	EA	PILLOW SHAM - 22" X 37" (J67)
	111863-16-J46	EA	PILLOW SHAM - 22" X 37" (J68)
	111863-16-J69	EA	PILLOW SHAM - 22" X 37" (J69)

QUEEN MATTRESS & BEDSPREAD

KEY	PART NUMBER	U/M	DESCRIPTION
2	123015-06-000	EA	MATTRESS - INNERSPRING - 60" X 74.5"
2	123471-08-J37	EA	BEDSPREAD/THROW - 60" X 75" (J65)
2	123471-08-J01	EA	BEDSPREAD/THROW - 60" X 75" (J66)
2	123471-08-J03	EA	BEDSPREAD/THROW - 60" X 75" (J67)
2	123471-08-J02	EA	BEDSPREAD/THROW - 60" X 75" (J68)
2	123471-08-J69	EA	BEDSPREAD/THROW - 60" X 75" (J69)
	111863-15-J37	EA	PILLOW SHAM - 20" X 33" (J65)
	111863-15-J45	EA	PILLOW SHAM - 20" X 33" (J66)
	111863-15-J47	EA	PILLOW SHAM - 20" X 33" (J67)
	111863-15-J46	EA	PILLOW SHAM - 20" X 33" (J68)
	111863-15-J69	EA	PILLOW SHAM - 20" X 33" (J69)

CURTAIN & CUSHION GROUP (CONTINUED)

SOFA/BED (CONTINUED)



SOFA/BED

KEY	PART NUMBER	U/M	DESCRIPTION
3	127562-01-J21	EA	ARMREST/REMOVABLE - RIGHT HAND (J65)
3	127562-01-J45	EA	ARMREST/REMOVABLE - RIGHT HAND (J66)
3	127562-01-J47	EA	ARMREST/REMOVABLE - RIGHT HAND (J67)
3	127562-01-J46	EA	ARMREST/REMOVABLE - RIGHT HAND (J68)
3	127562-01-J50	EA	ARMREST/REMOVABLE - RIGHT HAND (J69)
	P27562-01-J21	EA	COVER - ARMREST - RIGHT (J65)
	P27562-01-J45	EA	COVER - ARMREST - RIGHT (J66)
	P27562-01-J47	EA	COVER - ARMREST - RIGHT (J67)
	P27562-01-J46	EA	COVER - ARMREST - RIGHT (J68)
	P27562-01-J50	EA	COVER - ARMREST - RIGHT (J68)
	101926-01-02A	EA	BRACKET - ZEE - BLACK
	127335-08-000	EA	BRACKET - REMOVABLE ARM/COUCH
	127335-09-000	EA	BRACKET - REMOVABLE ARM/CUSHION
4	127561-01-J21	EA	BACK - SOFA/BED - 74" (J65)
4	127561-01-J45	EA	BACK - SOFA/BED - 74" (J66)
4	127561-01-J47	EA	BACK - SOFA/BED - 74" (J67)
4	127561-01-J46	EA	BACK - SOFA/BED - 74" (J68)
4	127561-01-J50	EA	BACK - SOFA/BED - 74" (J69)
	P27561-01-J21	EA	COVER - BACK - SOFA/BED - 74" (J65)
	P27561-01-J45	EA	COVER - BACK - SOFA/BED - 74" (J66)
	P27561-01-J47	EA	COVER - BACK - SOFA/BED - 74" (J67)
	P27561-01-J46	EA	COVER - BACK - SOFA/BED - 74" (J68)
	P27561-01-J50	EA	COVER - BACK - SOFA/BED - 74" (J69)

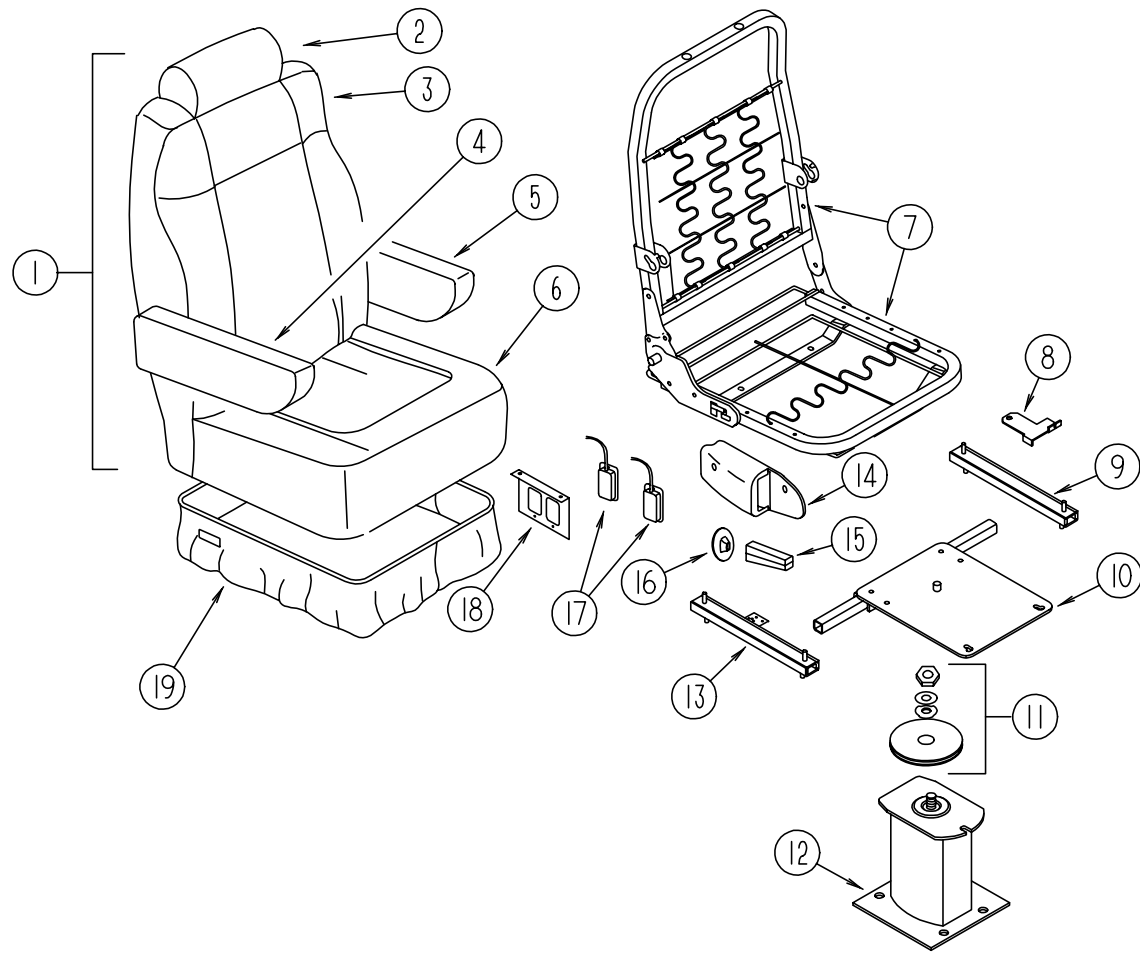
KEY	PART NUMBER	U/M	DESCRIPTION
5	127561-02-J21	EA	SEAT - SOFA/BED - 74" (J65)
5	127561-02-J45	EA	SEAT - SOFA/BED - 74" (J66)
5	127561-02-J47	EA	SEAT - SOFA/BED - 74" (J67)
5	127561-02-J46	EA	SEAT - SOFA/BED - 74" (J68)
5	127561-02-J50	EA	SEAT - SOFA/BED - 74" (J69)
	P27561-02-J21	EA	COVER - SEAT - SOFA/BED - 74" (J65)
	P27561-02-J45	EA	COVER - SEAT - SOFA/BED - 74" (J66)
	P27561-02-J47	EA	COVER - SEAT - SOFA/BED - 74" (J67)
	P27561-02-J46	EA	COVER - SEAT - SOFA/BED - 74" (J68)
	P27561-02-J50	EA	COVER - SEAT - SOFA/BED - 74" (J69)
6	127562-02-J21	EA	ARMREST/REMOVABLE - LEFT HAND (J65)
6	127562-02-J45	EA	ARMREST/REMOVABLE - LEFT HAND (J66)
6	127562-02-J47	EA	ARMREST/REMOVABLE - LEFT HAND (J67)
6	127562-02-J46	EA	ARMREST/REMOVABLE - LEFT HAND (J68)
6	127562-02-J50	EA	ARMREST/REMOVABLE - LEFT HAND (J68)
	P27562-02-J21	EA	COVER - ARMREST - LEFT (J65)
	P27562-02-J45	EA	COVER - ARMREST - LEFT (J66)
	P27562-02-J47	EA	COVER - ARMREST - LEFT (J67)
	P27562-02-J46	EA	COVER - ARMREST - LEFT (J68)
	P27562-02-J50	EA	COVER - ARMREST - LEFT (J69)
	101926-01-02A	EA	BRACKET - ZEE - BLACK
	116104-03-02B	EA	BRACKET - ZEE W/HOLES
	127335-08-000	EA	BRACKET - REMOVABLE ARM/COUCH
	127335-09-000	EA	BRACKET - REMOVABLE ARM/CUSHION
	112436-07-000	FT	TRIM - #6 - FLEX RING
	127335-12-000	EA	FRAME-10" LEG
	111637-15-J37	EA	PILLOW - 14" X 14" (J65)
	111637-15-J45	EA	PILLOW - 14" X 14" (J66)
	111637-15-J47	EA	PILLOW - 14" X 14" (J67)
	111637-15-J46	EA	PILLOW - 14" X 14" (J68)
	111637-15-J17	EA	PILLOW - 14" X 14" (J69)

NOTE: COUCH FRONT AND SIDE PANELS ARE FOUND IN THE LOUNGE GROUP

DINETTE CUSHIONS

KEY	PART NUMBER	U/M	DESCRIPTION
7	111880-01-J37	EA	CUSHION - BACK - 13.5" X 38" X 5" (J65)
7	111880-01-J45	EA	CUSHION - BACK - 13.5" X 38" X 5" (J66)
7	111880-01-J47	EA	CUSHION - BACK - 13.5" X 38" X 5" (J67)
7	111880-01-J46	EA	CUSHION - BACK - 13.5" X 38" X 5" (J68)
7	111880-01-J69	EA	CUSHION - BACK - 13.5" X 38" X 5" (J69)
	P11880-01-J37	EA	COVER - BACK CUSHION - 13.5" X 38" X 5" (J65)
	P11880-01-J45	EA	COVER - BACK CUSHION - 13.5" X 38" X 5" (J66)
	P11880-01-J47	EA	COVER - BACK CUSHION - 13.5" X 38" X 5" (J67)
	P11880-01-J46	EA	COVER - BACK CUSHION - 13.5" X 38" X 5" (J68)
	P11880-01-J69	EA	COVER - BACK CUSHION - 13.5" X 38" X 5" (J69)
8	088927-87-J21	EA	CUSHION - SEAT - 23" X 38" X 5" (J65)
8	088927-87-J01	EA	CUSHION - SEAT - 23" X 38" X 5" (J66)
8	088927-87-J47	EA	CUSHION - SEAT - 23" X 38" X 5" (J67)
8	088927-87-J02	EA	CUSHION - SEAT - 23" X 38" X 5" (J68)
8	088927-87-J50	EA	CUSHION - SEAT - 23" X 38" X 5" (J69)
	M88927-87-J21	EA	COVER - SEAT - 23" X 38" X 5" (J65)
	M88927-87-J01	EA	COVER - SEAT - 23" X 38" X 5" (J66)
	M88927-87-J47	EA	COVER - SEAT - 23" X 38" X 5" (J67)
	M88927-87-J02	EA	COVER - SEAT - 23" X 38" X 5" (J68)
	M88927-87-J50	EA	COVER - SEAT - 23" X 38" X 5" (J69)

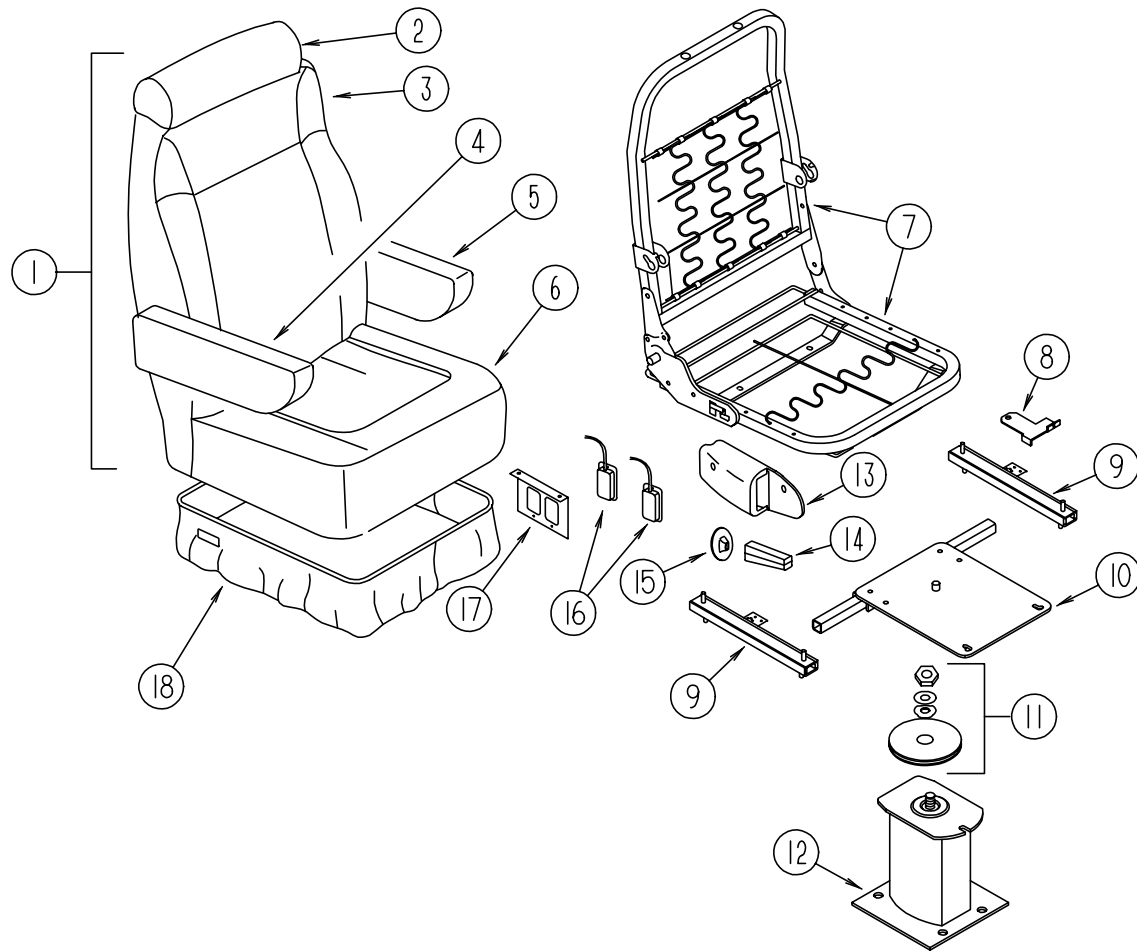
CURTAIN & CUSHION GROUP (CONTINUED)
LOUNGE SWIVEL CHAIR



KEY	PART NUMBER	U/M	DESCRIPTION
1	127540-05-J37	EA	SEAT - BUCKET - MANUAL RECLINE/LOUNGE CHAIR - WIDE (J65)
1	127540-04-J38	EA	SEAT - BUCKET - MANUAL RECLINE/LOUNGE CHAIR - WIDE (J66)
1	127540-04-J97	EA	SEAT - BUCKET - MANUAL RECLINE/LOUNGE CHAIR - WIDE (J67)
1	127540-04-J46	EA	SEAT - BUCKET - MANUAL RECLINE/LOUNGE CHAIR - WIDE (J68)
1	127540-04-J69	EA	SEAT - BUCKET - MANUAL RECLINE/LOUNGE CHAIR - WIDE (J69)
2	127601-01-J37	EA	HEADREST (J65)
2	127601-01-J45	EA	HEADREST (J66)
2	127601-01-J47	EA	HEADREST (J67)
2	127601-01-J46	EA	HEADREST (J68)
2	127601-01-J69	EA	HEADREST (J69)
	P27601-01-J37	EA	COVER - HEADREST (J65)
	P27601-01-J45	EA	COVER - HEADREST (J66)
	P27601-01-J47	EA	COVER - HEADREST (J67)
	P27601-01-J46	EA	COVER - HEADREST (J68)
	P27601-01-J69	EA	COVER - HEADREST (J69)

KEY	PART NUMBER	U/M	DESCRIPTION
3	M05962-65-J37	EA	COVER - BACK (J65)
3	M05962-67-J45	EA	COVER - BACK (J66)
3	M05962-67-J47	EA	COVER - BACK (J67)
3	M05962-67-J46	EA	COVER - BACK (J68)
3	M05962-67-J69	EA	COVER - BACK (J69)
4	122780-01-J21	EA	ARMREST - RIGHT HAND (J65)
4	122780-01-J01	EA	ARMREST - RIGHT HAND (J66)
4	122780-01-H01	EA	ARMREST - RIGHT HAND (J67)
4	122780-01-J02	EA	ARMREST - RIGHT HAND (J68)
4	122780-01-J50	EA	ARMREST - RIGHT HAND (J69)
	P22780-01-J21	EA	COVER - ARMREST - RIGHT HAND (J65)
	P22780-01-J01	EA	COVER - ARMREST - RIGHT HAND (J66)
	P22780-01-H01	EA	COVER - ARMREST - RIGHT HAND (J67)
	P22780-01-J02	EA	COVER - ARMREST - RIGHT HAND (J68)
	P22780-01-J50	EA	COVER - ARMREST - RIGHT HAND (J69)
	115617-03-000	EA	ARMREST - W/O COVER - RIGHT HAND
5	122780-02-J21	EA	ARMREST - LEFT HAND (J65)
5	122780-02-J26	EA	ARMREST - LEFT HAND (J66)
5	122780-02-H16	EA	ARMREST - LEFT HAND (J67)
5	122780-02-J02	EA	ARMREST - LEFT HAND (J68)
5	122780-02-J50	EA	ARMREST - LEFT HAND (J69)
	P22780-02-J21	EA	COVER - ARMREST - LEFT HAND (J65)
	P22780-02-J26	EA	COVER - ARMREST - LEFT HAND (J66)
	P22780-02-H16	EA	COVER - ARMREST - LEFT HAND (J67)
	P22780-02-J02	EA	COVER - ARMREST - LEFT HAND (J68)
	P22780-02-J50	EA	COVER - ARMREST - LEFT HAND (J69)
	115617-04-000	EA	ARMREST - W/O COVER - LEFT HAND
6	M05962-66-J37	EA	COVER - SEAT (J65)
6	M05962-68-J45	EA	COVER - SEAT (J66)
6	M05962-68-J47	EA	COVER - SEAT (J67)
6	M05962-68-J46	EA	COVER - SEAT (J68)
6	M05962-68-J69	EA	COVER - SEAT (J69)
7	122695-01-01B	EA	FRAME - SEAT/BACK
8	117125-01-02B	EA	BRACKET - CABLE MOUNT - ADJUSTER W/LOCK
9	119952-02-000	EA	SLIDE/SEAT - HEAVY DUTY NON LOCKING
	119952-07-000	EA	WIRE - LATCH RELEASE/ROTARY
10	107921-05-000	EA	PLATE - TOP - W/SEAT BELT BAR
11	107921-06-000	EA	BEARING KIT - PEDESTAL
12	107921-01-000	EA	PEDESTAL/FLOOR MOUNTED - W/9.75" EXTENSION
13	119952-06-000	EA	SLIDE/SEAT - HEAVY DUTY LOCKING - 4 STUDS
			FROM: 00-00-00 THRU: 11-02-97
13	119952-04-000	EA	SLIDE/SEAT - HEAVY DUTY LOCKING - 4 STUDS
			FROM: 11-03-97 THRU: 99-99-99
14	080730-09-000	EA	SHIELD - RECLINER HANDLE
15	080730-08-000	EA	HANDLE - RECLINER
16	080730-11-000	EA	SHIELD - RUBBER BOOT
17	108049-04-000	EA	CABLE - W/SWITCHES - W/26" MINI LEVER ACTION
	108049-02-000	EA	CLIP - CABLE/PEDESTAL
18	127159-02-02B	EA	BRACKET - SEAT RELEASE - REMOTE
19	071126-66-J37	EA	SKIRT - BUCKET/LARGE (J65)
19	071126-66-J45	EA	SKIRT - BUCKET/LARGE (J66)
19	071126-66-J47	EA	SKIRT - BUCKET/LARGE (J67)
19	071126-66-J46	EA	SKIRT - BUCKET/LARGE (J68)
19	071126-66-J69	EA	SKIRT - BUCKET/LARGE (J69)
	108445-02-000	EA	PLATE/FLOOR MOUNTED - PEDESTAL SEAT

CURTAIN & CUSHION GROUP (CONTINUED)
BUCKET SEAT W/O LUMBAR



KEY	PART NUMBER	U/M	DESCRIPTION
1	127540-02-J21	EA	SEAT - BUCKET - MANUAL RECLINING - WIDE (J65)
1	127540-03-J38	EA	SEAT - BUCKET - MANUAL RECLINING - WIDE (J66)
1	127540-03-J97	EA	SEAT - BUCKET - MANUAL RECLINING - WIDE (J67)
1	127540-03-J46	EA	SEAT - BUCKET - MANUAL RECLINING - WIDE (J68)
1	127540-03-J69	EA	SEAT - BUCKET - MANUAL RECLINING - WIDE (J69)
2	119509-01-J21	EA	HEADREST - BUCKET SEAT (J65)
2	119509-01-J26	EA	HEADREST - BUCKET SEAT (J66)
2	119509-01-H01	EA	HEADREST - BUCKET SEAT (J67)
2	119509-01-J02	EA	HEADREST - BUCKET SEAT (J68)
2	119509-01-J50	EA	HEADREST - BUCKET SEAT (J69)
	P19509-01-J21	EA	COVER - HEADREST (J65)
	P19509-01-J26	EA	COVER - HEADREST (J66)
	P19509-01-H01	EA	COVER - HEADREST (J67)
	P19509-01-J02	EA	COVER - HEADREST (J68)
	P19509-01-J50	EA	COVER - HEADREST (J69)
	113977-12-000	EA	HEADREST INSERT - W/O LOCK
	113977-13-000	EA	HEADREST INSERT - W/LOCK

KEY	PART NUMBER	U/M	DESCRIPTION
3	M05962-71-J21	EA	COVER - BACK (J65)
3	M05962-63-J45	EA	COVER - BACK (J66)
3	M05962-63-J47	EA	COVER - BACK (J67)
3	M05962-63-J46	EA	COVER - BACK (J68)
3	M05962-63-J69	EA	COVER - BACK (J69)
4	122780-01-J21	EA	ARMREST - RIGHT HAND (J65)
4	122780-01-J01	EA	ARMREST - RIGHT HAND (J66)
4	122780-01-H01	EA	ARMREST - RIGHT HAND (J67)
4	122780-01-J02	EA	ARMREST - RIGHT HAND (J68)
4	122780-01-J50	EA	ARMREST - RIGHT HAND (J69)
	P22780-01-J21	EA	COVER - ARMREST - RIGHT HAND (J65)
	P22780-01-J01	EA	COVER - ARMREST - RIGHT HAND (J66)
	P22780-01-H01	EA	COVER - ARMREST - RIGHT HAND (J67)
	P22780-01-J02	EA	COVER - ARMREST - RIGHT HAND (J68)
	P22780-01-J50	EA	COVER - ARMREST - RIGHT HAND (J69)
	115617-03-000	EA	ARMREST - W/O COVER - RIGHT HAND
5	122780-02-J21	EA	ARMREST - LEFT HAND (J65)
5	122780-02-J26	EA	ARMREST - LEFT HAND (J66)
5	122780-02-H16	EA	ARMREST - LEFT HAND (J67)
5	122780-02-J02	EA	ARMREST - LEFT HAND (J68)
5	122780-02-J50	EA	ARMREST - LEFT HAND (J69)
	P22780-02-J21	EA	COVER - ARMREST - LEFT HAND (J65)
	P22780-02-J26	EA	COVER - ARMREST - LEFT HAND (J66)
	P22780-02-H16	EA	COVER - ARMREST - LEFT HAND (J67)
	P22780-02-J02	EA	COVER - ARMREST - LEFT HAND (J68)
	P22780-02-J50	EA	COVER - ARMREST - LEFT HAND (J69)
	115617-04-000	EA	ARMREST - W/O COVER - LEFT HAND
6	M05962-40-J21	EA	COVER - SEAT (J65)
6	M05962-64-J45	EA	COVER - SEAT (J66)
6	M05962-64-J47	EA	COVER - SEAT (J67)
6	M05962-64-J46	EA	COVER - SEAT (J68)
6	M05962-64-J69	EA	COVER - SEAT (J69)
7	122695-01-01B	EA	FRAME - SEAT/BACK
8	117125-01-02B	EA	BRACKET - CABLE MOUNT - ADJUSTER W/LOCK
9	119952-06-000	EA	SLIDE/SEAT - HEAVY DUTY LOCKING - 4 STUDS
			FROM: 00-00-00 THRU: 11-02-97
9	119952-04-000	EA	SLIDE/SEAT - HEAVY DUTY LOCKING - 4 STUDS
			FROM: 11-03-97 THRU: 99-99-99
	119952-07-000	EA	WIRE - LATCH RELEASE/ROTARY
10	107921-05-000	EA	PLATE - TOP - W/SEAT BELT BAR
11	107921-06-000	EA	BEARING KIT - PEDESTAL
12	107921-01-000	EA	PEDESTAL/FLOOR MOUNTED - W/9.75" EXTENSION
13	080730-09-000	EA	SHIELD - RECLINER HANDLE
14	080730-08-000	EA	HANDLE - RECLINER
15	080730-11-000	EA	SHIELD - RUBBER BOOT
16	108049-04-000	EA	CABLE - W/SWITCHES - W/26" MINI LEVER ACTION
	108049-02-000	EA	CLIP - CABLE/PEDESTAL
17	127159-02-02B	EA	BRACKET - SEAT RELEASE - REMOTE
18	071126-58-J21	EA	SKIRT - SINGLE 10.5" - W/SEAT BELT SLOT (J65)
18	071126-58-H17	EA	SKIRT - SINGLE 10.5" - W/SEAT BELT SLOT (J66)
18	071126-58-H16	EA	SKIRT - SINGLE 10.5" - W/SEAT BELT SLOT (J67)
18	071126-58-J46	EA	SKIRT - SINGLE 10.5" - W/SEAT BELT SLOT (J68)
18	071126-58-J50	EA	SKIRT - SINGLE 10.5" - W/SEAT BELT SLOT (J69)

CURTAIN & CUSHION GROUP (CONTINUED)

BUTTON, TRIM, ASSIST HANDLE & SEAT BELT

KEY	PART NUMBER	U/M	DESCRIPTION
	079349-04-J21	YD	WELT - NARROW (J65)
	079349-04-H17	YD	WELT - NARROW (J66)
	079349-04-H16	YD	WELT - NARROW (J67)
	079349-04-J46	YD	WELT - NARROW (J68)
	079349-04-J50	YD	WELT - NARROW (J69)
	084415-66-000	YD	TRIM - BRAID (J65)
	007021-01-000	EA	SEAT BELT - 2" X 90" - BLACK
	056271-01-000	EA	BELT - SEAT - 2" X 102" - BLACK
	057759-01-000	EA	WASHER BRACKET - SEAT BELT - 4" DIAMETER
	069178-02-000	EA	BRACKET - MOUNTING/ASSIST HANDLE - GRAY
	053552-02-AA8	EA	HANDLE - ASSIST - INTERIOR/ENTRY DOOR - VINYL/OFF WHITE
	000C16-07-16B	EA	BOLT - CARRIAGE - ASSIST HANDLE - 7/16" - 14 X 1"
	000D20-07-00B	EA	NUT - ACORN - ASSIST HANDLE - 7/16 - 14
	057534-01-000	EA	TIEBACK/TIEDOWN - 6" CLEAR PLASTIC

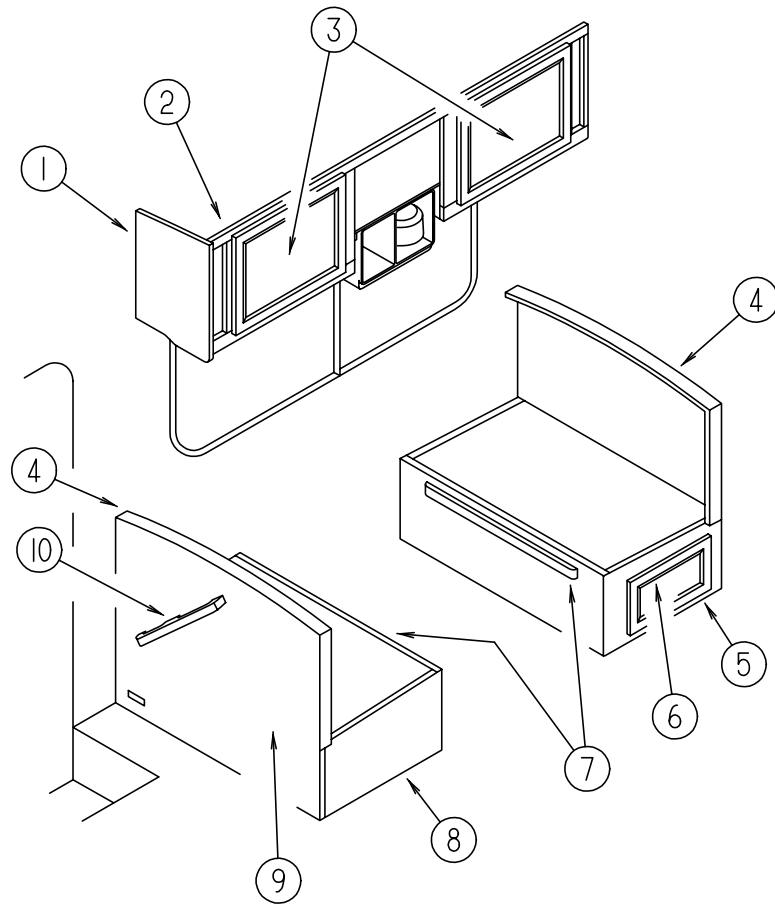
CURTAIN & CUSHION GROUP (CONTINUED)

SUNRISE FABRIC

COLOR CODES	J65	J66	J67	J68	J69
	BARCELONA (TAUPE)	GEMSTONE (GREEN)	HORIZON (BLUE)	SANDPIPER (TAN)	SILVERSAGE (GREEN)
CEILING MATERIAL	113979-01-01A	113979-01-01A	113979-01-01A	113979-01-01A	113979-01-01A
MADRID VINYL	103907-01-01A	103907-01-01A	103907-01-01A	103907-01-01A	103907-01-01A
ALLANTE ANTELOPE VINYL	103907-01-08A 103907-02-08A 103907-03-08A	103907-01-08A 103907-02-08A 103907-03-08A	103907-01-08A 103907-02-08A 103907-03-08A	103907-01-08A 103907-02-08A 103907-03-08A	103907-01-08A 103907-02-08A 103907-03-08A
DRAPERY LINING	087272-03-000	087272-03-000	087272-03-000	087272-03-000	087272-03-000
BUCKET SEATS	108446-W7-000	108446-N3-000 108446-G0-000	108446-F4-000 108446-F7-000	108446-57-000 108446-U1-000	108446-U8-000 108446-W4-000
DINETTE	108446-W8-000	108446-N4-000	108446-U5-000	108446-R8-000	108446-W5-000
DINETTE PADS	108446-W7-000	108446-G0-000	108446-F7-000	108446-U1-000	108446-W4-000
SOFA	108446-W8-000	108446-N4-000	108446-U5-000	108446-R8-000	108446-W5-000
SOFA PILLOWS	108446-W7-000	108446-N3-000	108446-F4-000	108446-57-000	108446-U8-000
SWIVEL CHAIR	108446-W7-000	108446-N3-000 108446-G0-000	108446-F4-000 108446-F7-000	108446-57-000 108446-U1-000	108446-U8-000 108446-W4-000
LOUNGE WINDOWS	108446-W8-000	108446-N3-000 108446-N4-000	108446-F4-000 108446-U5-000	108446-57-000 108446-R8-000	108446-W5-000 108446-W4-000
BEDROOM WINDOWS	105745-H5-000 105745-B5-000	105745-G1-000 105745-E7-000	105745-65-000 105745-64-000	105745-G2-000 105745-A1-000	105745-H6-000 105745-E7-000
BEDSPREAD	105745-H5-000	105745-G1-000	105745-65-000	105745-G2-000	105745-H6-000
PILLOW SHAMS	105745-H5-000 105745-B5-000	105745-G1-000 105745-E7-000	105745-65-000 105745-64-000	105745-G2-000 105745-A1-000	105745-H6-000 105745-E7-000
HEADBOARD	105745-H5-000 105745-B5-000	105745-G1-000 105745-E7-000	105745-65-000 105745-64-000	105745-G2-000 105745-A1-000	105745-H6-000 105745-E7-000
FRONT WRAP AROUND	072333-85-000	072333-82-000	072333-82-000	072333-82-000	072333-85-000
LOUNGE CABINET INSERTS	108446-W7-000	108446-N3-000	108446-F4-000	108446-57-000	108446-U8-000
BEDROOM CABINET INSERTS	105745-B5-000	105745-E7-000	105745-64-000	105745-A1-000	105745-E7-000
MAP POCKETS	108446-W7-000	108446-G0-000	108446-F7-000	108446-U1-000	108446-W4-000

NOTE: FABRIC LISTED FIRST, IN A BLOCK, IS THE LARGEST QUANTITY OF FABRIC USED.

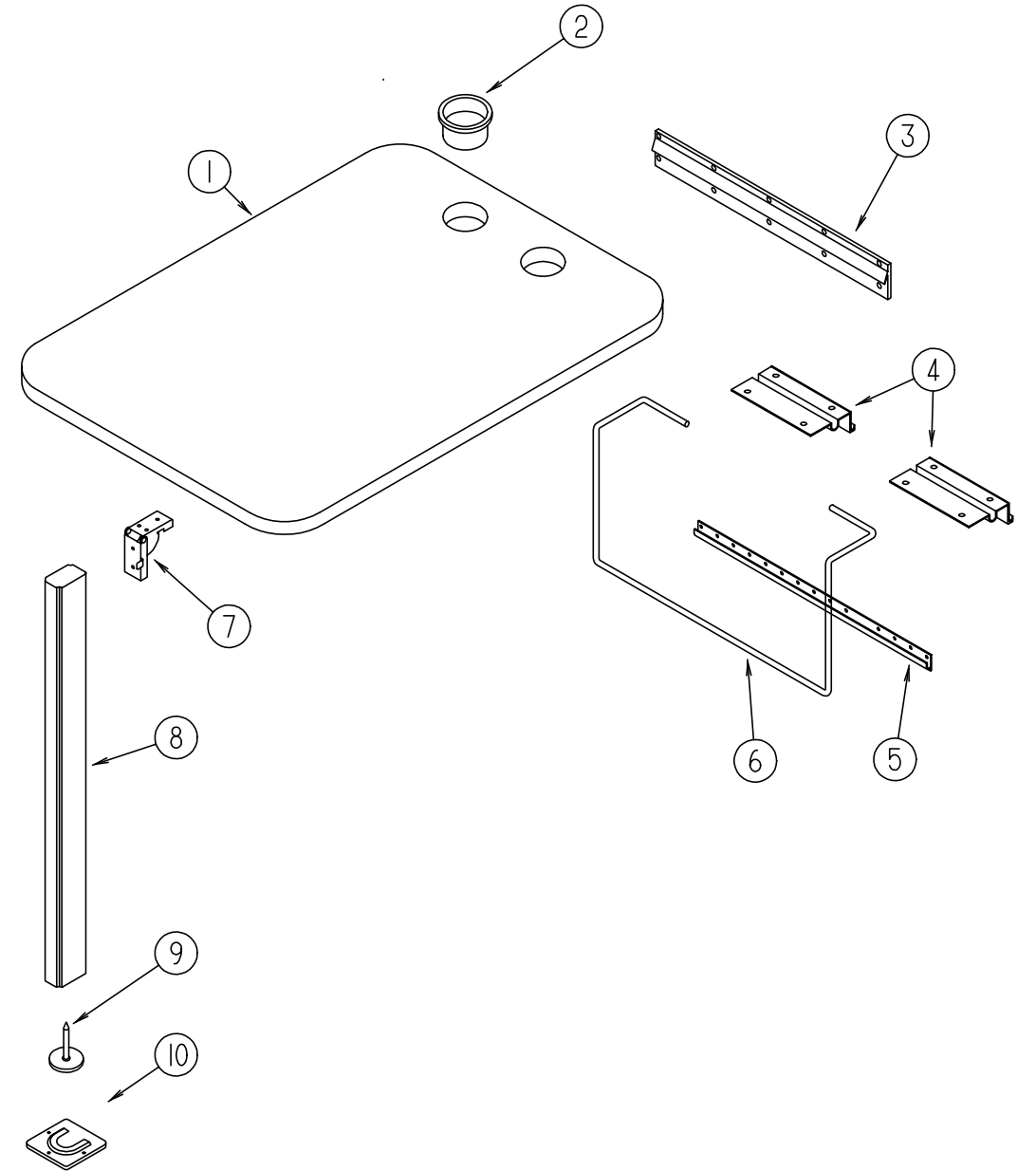
DINETTE GROUP



DINETTE CABINETRY

KEY	PART NUMBER	U/M	DESCRIPTION
1	103128-30-J37	EA	END CAP - OVERHEAD/CABINET - LEFT HAND
2	127593-01-J65	EA	CABINET - OVERHEAD/DINETTE - W/O DOORS/HARDWARE (J65)
2	127593-01-J38	EA	CABINET - OVERHEAD/DINETTE - W/O DOORS/HARDWARE (J66)
2	127593-01-J97	EA	CABINET - OVERHEAD/DINETTE - W/O DOORS/HARDWARE (J67)
2	127593-01-J98	EA	CABINET - OVERHEAD/DINETTE - W/O DOORS/HARDWARE (J68)
2	127593-01-J69	EA	CABINET - OVERHEAD/DINETTE - W/O DOORS/HARDWARE (J69)
	127593-14-J37	EA	SHELF - W/PLASTIC EDGE TRIM
2	127594-01-J65	EA	CABINET - OVERHEAD/DINETTE - W/O DOORS/HARDWARE - COFFEEMAKER (J65)
2	127594-01-J38	EA	CABINET - OVERHEAD/DINETTE - W/O DOORS/HARDWARE - COFFEEMAKER (J66)
2	127594-01-J97	EA	CABINET - OVERHEAD/DINETTE - W/O DOORS/HARDWARE - COFFEEMAKER (J67)
2	127594-01-J98	EA	CABINET - OVERHEAD/DINETTE - W/O DOORS/HARDWARE - COFFEEMAKER (J68)
2	127594-01-J69	EA	CABINET - OVERHEAD/DINETTE - W/O DOORS/HARDWARE - COFFEEMAKER (J69)
	127594-13-J37	EA	SHELF - W/PLASTIC EDGE TRIM
3	M08758-27-J15	EA	DOOR - MITERED CORNER/OGEE EDGE - 14.3" X 26.7" - W/O HDW (RAISED MEDIUM DENSITY FIBERBOARD INSERT)
3	M05992-89-J37	EA	DOOR - STRAIGHT CORNER/OGEE EDGE - 14.3" X 26.7" - W/O HDW (GENERAL TRAILER OPTION)
4	104787-04-J21	EA	PAD - DINETTE SEATBACK (J65)
4	104787-04-G15	EA	PAD - DINETTE SEATBACK (J66)
4	104787-04-H16	EA	PAD - DINETTE SEATBACK (J67)
4	104787-04-J46	EA	PAD - DINETTE SEATBACK (J68)
4	104787-04-J50	EA	PAD - DINETTE SEATBACK (J69)
5	M08753-08-J37	EA	CABINET - SEATBASE - RIGHT HAND - W/O DOOR/DRAWER/HARDWARE
6	M08758-44-J15	EA	DOOR - MITERED CORNER/OGEE EDGE - 10" X 19.1" - W/O HDW (FLAT MEDIUM DENSITY FIBERBOARD INSERT)
6	M05992-M7-J18	EA	DOOR - STRAIGHT CORNER/OGEE EDGE - 10" X 19.1" - W/O HDW (GENERAL TRAILER OPTION)
7	081295-01-G01	EA	SUPPORT - BED/DINETTE - 28" LONG
8	M04175-90-H13	EA	CABINET - SEATBASE - LEFT HAND - W/O DOOR/DRAWER/HDW
9	M04174-90-H13	EA	CABINET - SEATBACK - LEFT HAND
10	091257-10-000	EA	HANDLE - ASSIST - WATERFORD OAK

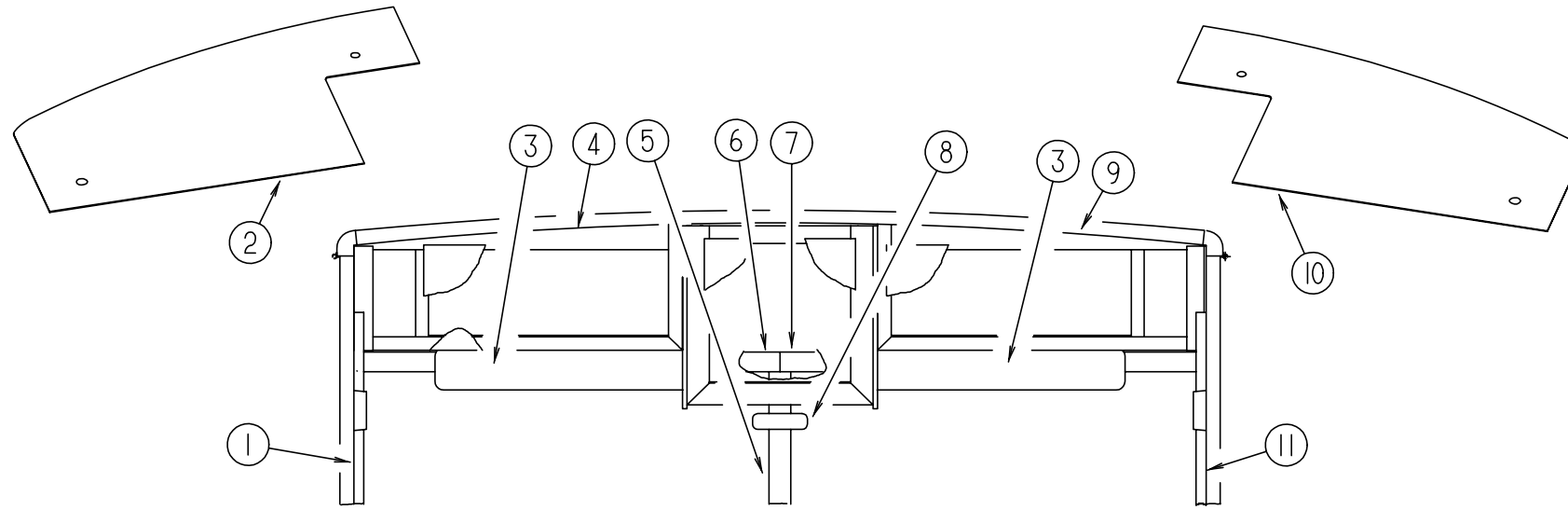
DINETTE GROUP (CONTINUED)



DINETTE TABLE

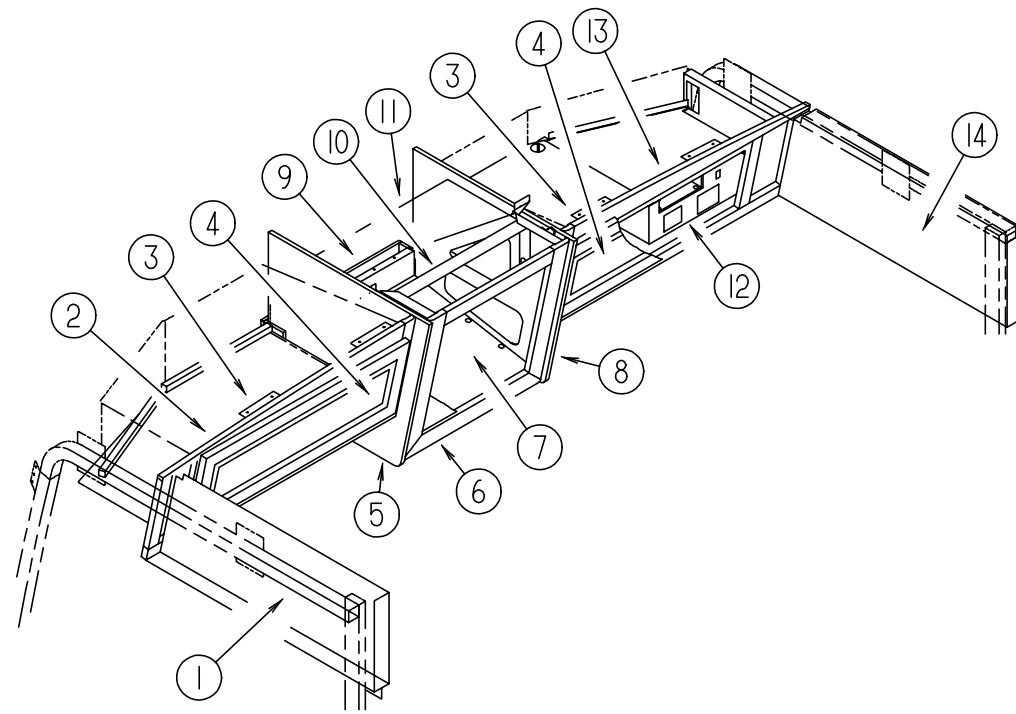
KEY	PART NUMBER	U/M	DESCRIPTION
1	081322-21-J37	EA	TABLE TOP ONLY (J65)
1	081322-21-J38	EA	TABLE TOP ONLY (J66,J69)
1	081322-21-J97	EA	TABLE TOP ONLY (J67)
1	081322-21-J98	EA	TABLE TOP ONLY (J68)
2	064781-06-000	EA	HOLDER - CUP - TWO STEP - OFF WHITE
3	053200-12-000	EA	BRACKET - TABLE SUPPORT - UPPER WALL MOUNTED - 23.50"
4	088410-02-000	EA	BRACKET - LIFT - TABLE MOUNTED
5	024281-14-000	EA	BRACKET - LIFT ROD/LOWER WALL MOUNTED - 22.12"
6	024275-12-000	EA	ROD - TABLE LIFT
7	093550-01-000	EA	BRACKET - HINGE - MOUNTS TO LEG & TABLE TOP - 1.7" X 2.6"
8	092707-04-05A	EA	MOLDING - TABLE LEG - 27"
9	092593-01-05A	EA	CATCH - TABLE LEG - OFF/WHITE
10	049493-12-000	EA	CATCH - TABLE LEG/FLOOR MOUNTED - OFF WHITE
10	049493-11-700	EA	CATCH - TABLE LEG/FLOOR MOUNTED - E COATED

DRIVERS COMPARTMENT GROUP
DRIVERS COMPARTMENT - UPPER



KEY	PART NUMBER	U/M	DESCRIPTION
1	125444-02-02A	EA	TRIM - A-PILLAR/DRIVER - INTERIOR - TITANIUM
	123045-11-03A	EA	BACKING - SCREW - TITANIUM
2	126440-02-J52	EA	PANEL - OVERHEAD - FRONT/BOTTOM/LEFT HAND
3	123298-02-05A	EA	SUNVISOR - 10.5" X 28.5"
4	126457-02-J20	EA	PANEL - CLOSEOUT - OVERHEAD FRONT - UPPER/LOWER LEFT HAND
5	118452-03-02A	EA	TRIM - WINDSHIELD - CENTER
6	118453-06-02A	EA	TRIM - WINDSHIELD - INNER/TOP/DRIVER
7	118453-05-02A	EA	TRIM - WINDSHIELD - INNER/TOP/PASSENGER
8	040714-01-000	EA	MIRROR - REAR VIEW/ARM MOUNT & SET SCREW
	067490-01-000	EA	BUTTON - MIRROR/REAR VIEW
9	126457-01-J20	EA	PANEL - CLOSEOUT - OVERHEAD FRONT - UPPER/LOWER RIGHT HAND
10	126440-01-J52	EA	PANEL - OVERHEAD - FRONT/BOTTOM/RIGHT HAND
11	125444-01-02A	EA	TRIM - A-PILLAR/PASSENGER - INTERIOR - TITANIUM
	123045-11-03A	EA	BACKING - SCREW - TITANIUM

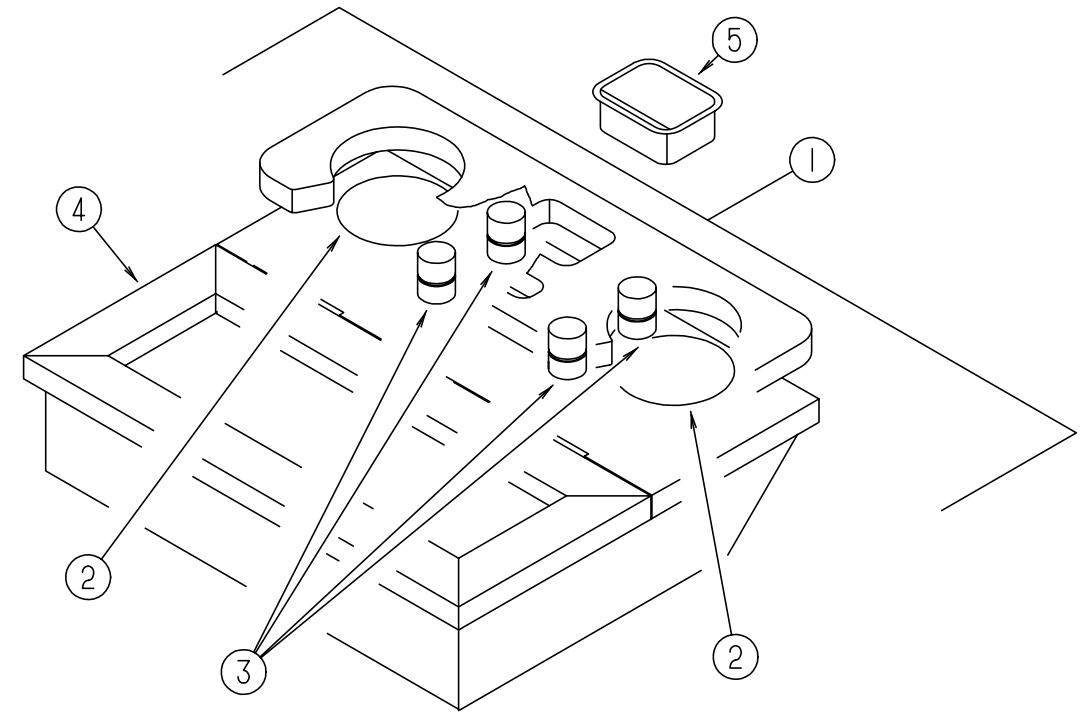
DRIVERS COMPARTMENT GROUP (CONTINUED)



INTERIOR STORAGE AND TV CABINETS

KEY	PART NUMBER	U/M	DESCRIPTION
1	126765-08-J65	EA	PANEL - OVERHEAD/DRIVER
2	126877-02-J15	EA	CABINET - OVERHEAD - FRONT/LEFT HAND - W/O DOORS/HARDWARE
3	106699-01-01A	EA	BRACKET - OVERHEAD CABINET/TV
4	M08758-52-J15	EA	DOOR - MITERED CORNER/OGEE EDGE - 10.8" X 27.9" - W/O HDW (RAISED MEDIUM DENSITY FIBERBOARD INSERT)
4	M05992-90-J01	EA	DOOR - STRAIGHT CORNER/OGEE EDGE - 10.8" X 27.9" - W/O HDW (GENERAL TRAILER OPTION)
5	103128-25-J15	EA	END CAP - OVERHEAD CABINET - LEFT HAND
6	126718-01-J15	EA	FRAME/FACE - TV CABINET - W/O DOOR/HARDWARE - W/O TV OPTIONS
6	116791-02-J15	EA	FRAME/FACE - TV CABINET - F/TV - W/TV OPTIONS
	091261-01-000	FT	SLIPNOT - ANTISLIP - 1' WIDE - W/TV OPTIONS
7	100708-16-000	EA	DOOR - GLASS - CABINET - 15.5" X 15.7" - W/O HARDWARE - W/O TV OPTIONS
8	103128-26-J15	EA	END CAP - OVERHEAD CABINET - RIGHT HAND
9	126801-01-J45	EA	CABINET BOTTOM - VINYL COVERED
10	114706-04-02B	EA	SUPPORT - SHELF/TV
	126081-01-02B	EA	BRACKET/SUPPORT - TV - 24 DEGREE - E-COATED
	126081-02-02B	EA	BRACKET/SUPPORT - TV - 24 DEGREE - E-COATED
11	126854-01-J20	EA	PANEL - HEADLINER/TV/TOP - W/O TV OPTIONS
12	126601-01-J60	EA	PANEL - SHELF - VINYL COVERED - W/O INVERTOR CUTOUT - W/TV ANTENNA
12	126601-03-J60	EA	PANEL - SHELF - VINYL COVERED - W/O INVERTOR CUTOUT - W/TV OPTIONS
12	126601-07-J60	EA	PANEL - SHELF - VINYL COVERED - W/INVERTOR CUTOUT - W/TV OPTIONS
13	126877-01-J15	EA	CABINET - OVERHEAD - FRONT/RIGHT HAND - W/O DOORS/HARDWARE
14	126765-07-J65	EA	PANEL - OVERHEAD/PASSENGER

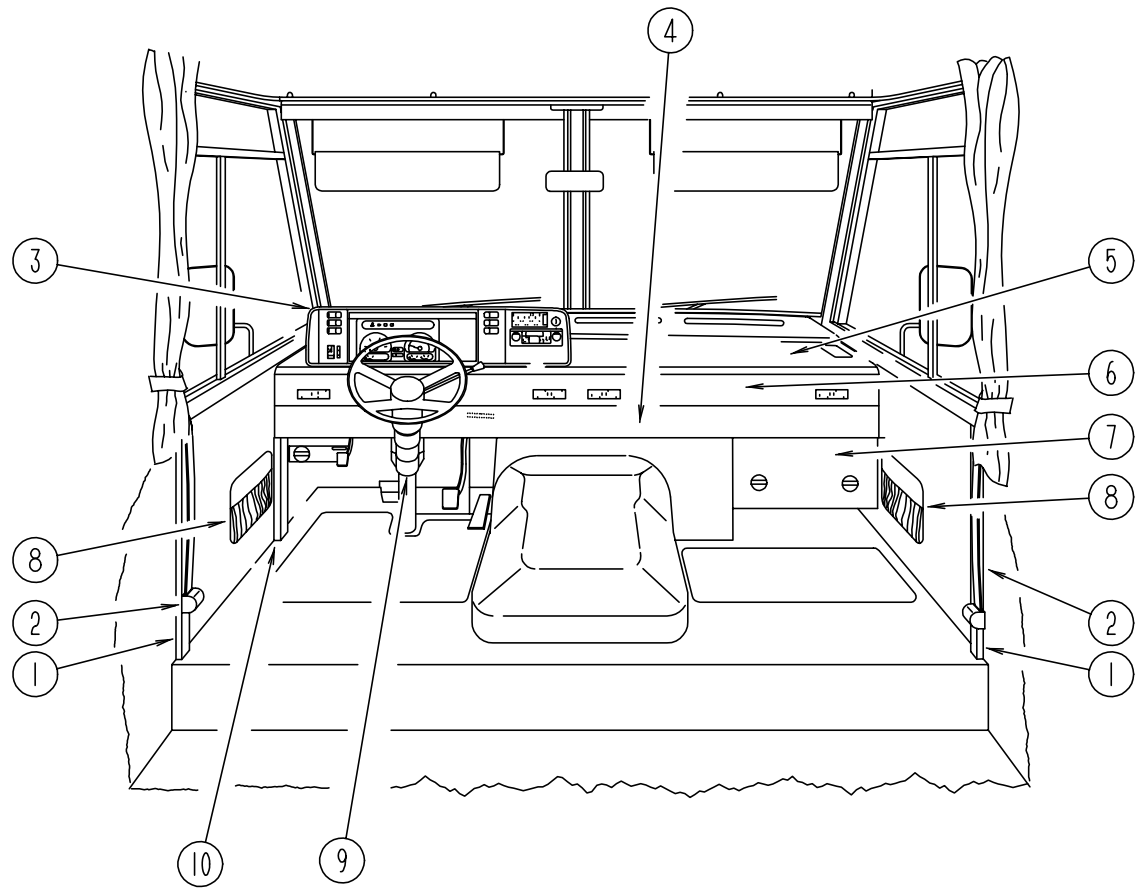
DRIVERS COMPARTMENT GROUP (CONTINUED)



BEVERAGE TRAY

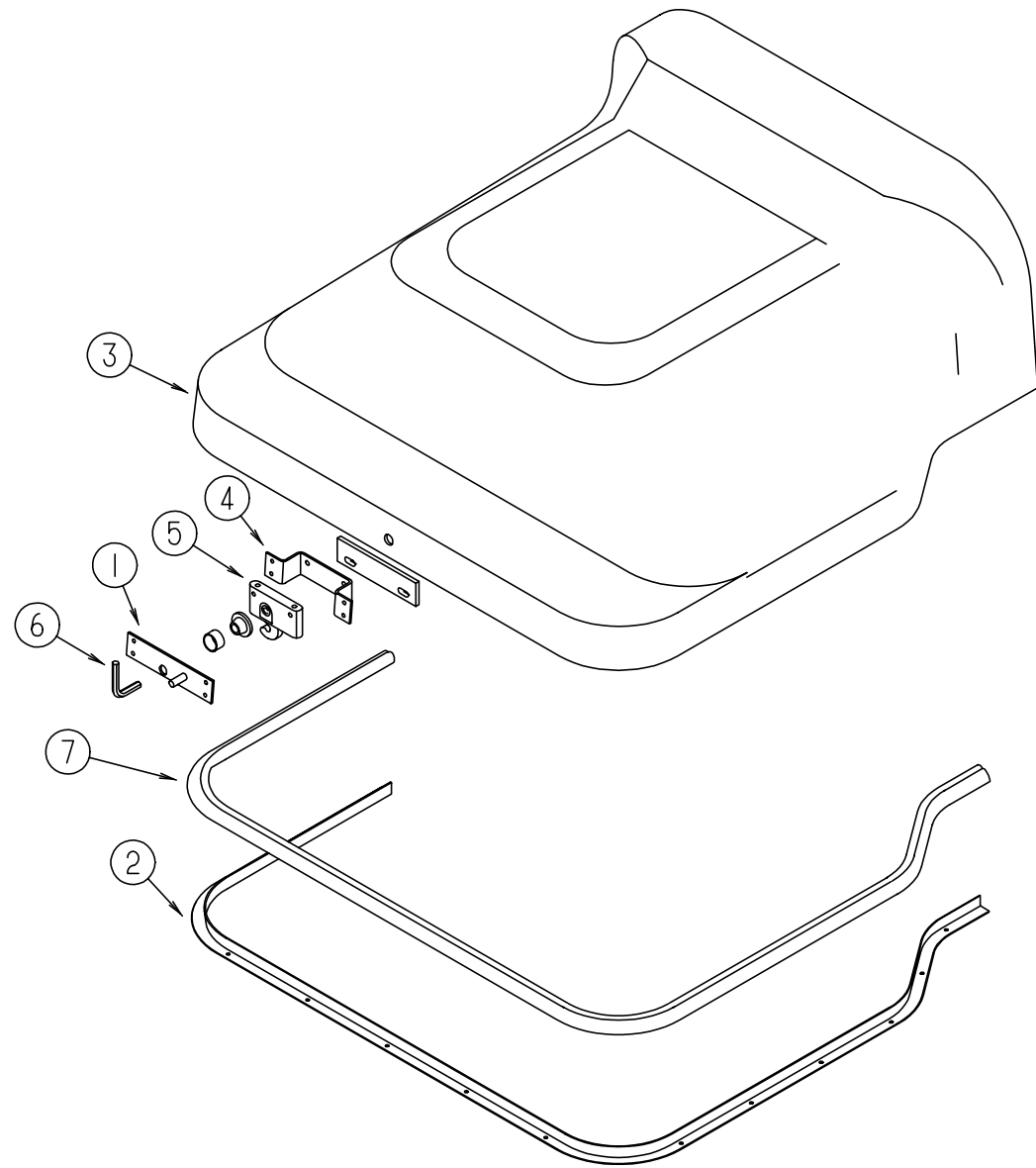
KEY	PART NUMBER	U/M	DESCRIPTION
1	111618-01-H17	EA	TRAY - BEVERAGE W/COMPARTMENT - W/O CUPHOLDERS
2	122717-01-01A	EA	PAD - NON SKID - 4" DIAMETER ROUND
3	097872-04-000	EA	DOWEL - WOOD - 1" DIAMETER X 1.38" LONG
4	111618-13-GB1	EA	LID - BEVERAGE TRAY COMPARTMENT
5	046886-03-000	EA	ASHTRAY - CHROME W/COVER

DRIVERS COMPARTMENT GROUP (CONTINUED)
DRIVERS COMPARTMENT - LOWER



KEY	PART NUMBER	U/M	DESCRIPTION	VENDOR NO.
1	024700-51-000	EA	COVER - ROLL BAR	
2	091990-04-01A	EA	SEAT BELT/SHOULDER HARNESS - DRIVERS/PASSENGER - BLACK	
	091990-01-700	EA	COVER-BOLT	
	091990-01-701	EA	EXTENDER 9" FOR A8408 3 PT	I-1331-02
	109146-01-000	EA	BOLT - SHOULDER/SEAT BELT	
	103961-03-01A	EA	COVER - BRACKET - SEATBELT/OFF WHITE	
	127598-01-01A	EA	ADJUSTER - SEATBELT - D-LOOP - ADJUSTER	
3	125677-02-J52	EA	POD - INSTRUMENT PANEL - TITANIUM	
			FROM: 00-00-00 THRU: 02-28-98	
3	111499-01-07A	EA	POD - INSTRUMENT PANEL - TITANIUM	
			FROM: 03-01-98 THRU: 04-16-98	
3	125677-02-J52	EA	POD - INSTRUMENT PANEL - TITANIUM	
			FROM: 04-17-98 THRU: 99-99-99	
4	114620-12-03A	EA	TRIM - LOWER DASH - GM - 96" - TITANIUM	
4	114620-01-05A	EA	TRIM - LOWER DASH - GM - 96" - TITANIUM - HEATED MIRRORS OPTION	
4	117306-02-J52	EA	TRIM - LOWER DASH - DRIVER - 15" W/O CUTOUT-FORD/TITANIUM	
			FROM: 00-00-00 THRU: 10-27-97	
4	111528-04-05A	EA	TRIM - LOWER DASH - DRIVER - TITANIUM - FORD	
			FROM: 10-28-97 THRU: 99-99-99	
4	111528-03-06A	EA	TRIM - LOWER DASH - PASSENGER - TITANIUM - FORD	
			HEATED MIRRORS OPTION - 1997 CHASSIS	
4	111528-08-03A	EA	TRIM - LOWER DASH - PASSENGER - FORD - TITANIUM - 1997 CHASSIS	
5	P26082-01-000	EA	DASH - W/O VINYL - E-COATED - CHEVY	
5	P26082-03-000	EA	DASH - W/O VINYL - E-COATED - FORD - 1997 CHASSIS	
5	P26082-10-000	EA	DASH - W/O VINYL - E-COATED - FORD - 1999 CHASSIS	
	106569-11-02A	EA	VINYL - LAMINATE - TITANIUM - 1/4" X 21" X 100"	
	113452-01-000	FT	SEAL/TRIM - FRONT - VINYL W/WIRE CARRIER	
6	126340-02-01A	EA	DECAL - LOGO - SUNRISE	
7	095757-03-E33	EA	COVER - HEATER (J65)	
7	095757-03-F06	EA	COVER - HEATER (J66,J69)	
7	095757-03-F05	EA	COVER - HEATER (J67)	
7	095757-03-G36	EA	COVER - HEATER (J68)	
8	086120-01-J21	EA	PAD - MAP POCKET - 12" X 16" (J65)	
8	086120-01-J61	EA	PAD - MAP POCKET - 12" X 16" (J66)	
8	086120-01-H16	EA	PAD - MAP POCKET - 12" X 16" (J67)	
8	086120-01-J46	EA	PAD - MAP POCKET - 12" X 16" (J68)	
8	086120-01-J50	EA	PAD - MAP POCKET - 12" X 16" (J69)	
9	103498-09-000	EA	BOOT - STEERING COLUMN - W/1/2 CIRCLE - CHEVY	
	111521-05-01A	EA	COVER - STEERING COLUMN - BLACK - FORD - 1997 FORD CHASSIS	
	130111-01-01A	EA	COVER - STEERING COLUMN - BLACK - FORD - 1999 FORD CHASSIS	
	125655-01-01A	EA	TRIM - STEERING COLUMN - RIGHT HAND/FORD - 1997 FORD CHASSIS	
	125655-03-01A	EA	TRIM - STEERING COLUMN - RIGHT HAND/FORD - 1999 FORD CHASSIS	
	125655-02-01A	EA	TRIM - STEERING COLUMN - LEFT HAND/FORD - 1997 FORD CHASSIS	
	125655-04-01A	EA	TRIM - STEERING COLUMN - LEFT HAND/FORD - 1999 FORD CHASSIS	
10	127901-01-02A	EA	PANEL - TOEKICK/LEFT HAND - TITANIUM	

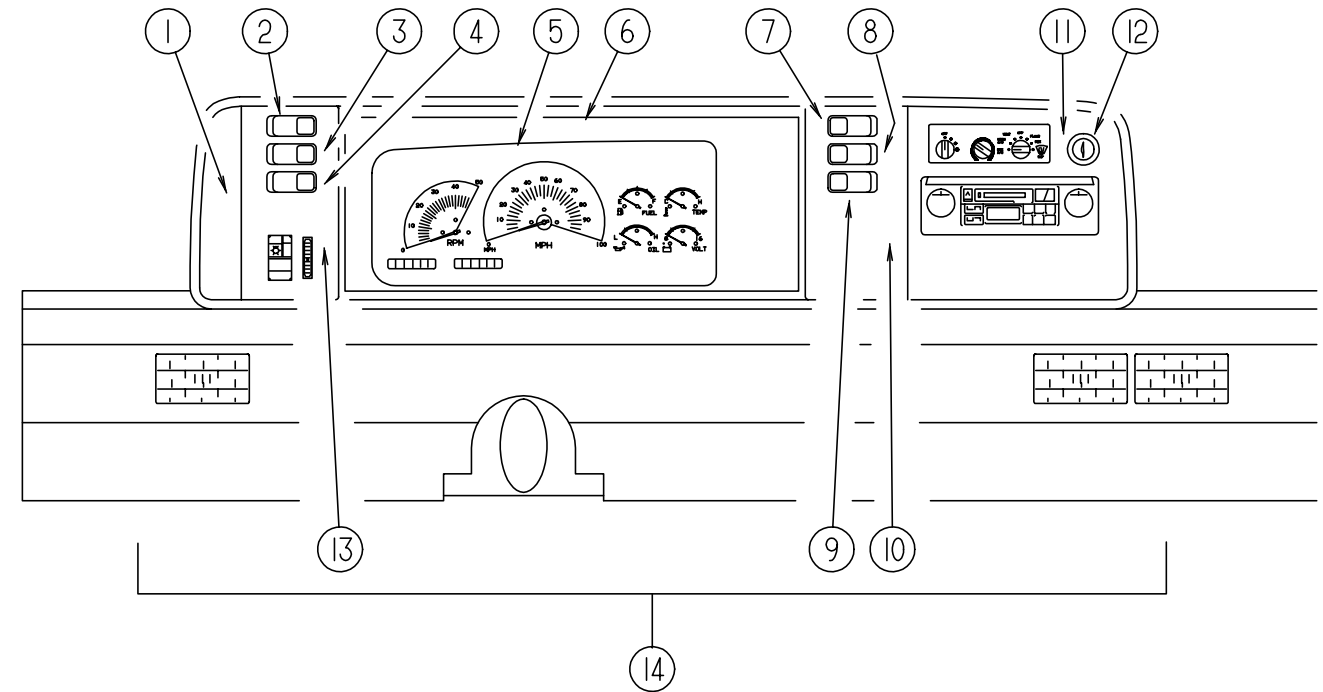
DRIVERS COMPARTMENT GROUP (CONTINUED)



MOTOR COVER

KEY	PART NUMBER	U/M	DESCRIPTION
1	115852-01-02B	EA	STRIKE - LATCH - MOTOR COVER - E-COATED
2	115860-01-01A	EA	TRIM - MOTOR COVER - CHEVY CHASSIS OR 1997 FORD CHASSIS
2	115860-03-01A	EA	TRIM - MOTOR COVER - 1999 FORD CHASSIS
3	115840-01-01A	EA	COVER - MOTOR - W/O CARPET - 1997 FORD CHASSIS
3	115840-03-01A	EA	COVER - MOTOR - W/O CARPET - 1999 FORD CHASSIS
3	115840-02-01A	EA	COVER - MOTOR - W/O CARPET - CHEVY
4	115850-01-02B	EA	RETAINER - LATCH - MOTOR COVER - RIGHT HAND - E-COATED FROM: 00-00-00 THRU: 05-17-98
4	115850-03-02B	EA	RETAINER - LATCH - MOTOR COVER - RIGHT HAND - E-COATED FROM: 05-18-98 THRU: 99-99-99
5	116581-01-000	EA	LATCH - MOTOR COVER
6	116833-01-02B	EA	WRENCH - HEX MOTOR COVER - E-COATED
7	039623-01-000	FT	SEAL - MOTOR COVER - RUBBER BULB TYPE

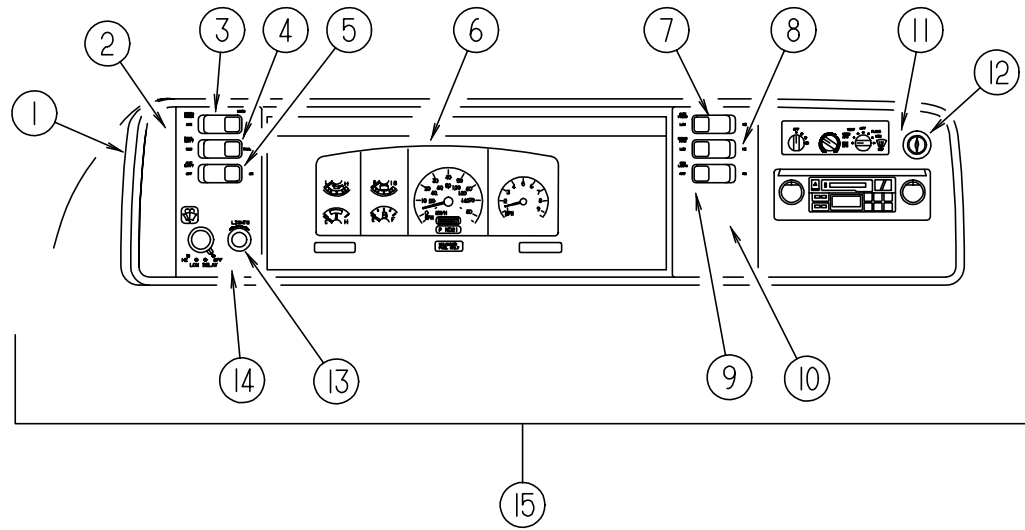
DRIVERS COMPARTMENT GROUP (CONTINUED)



DASH, GAUGES & SWITCHES - CHEVY

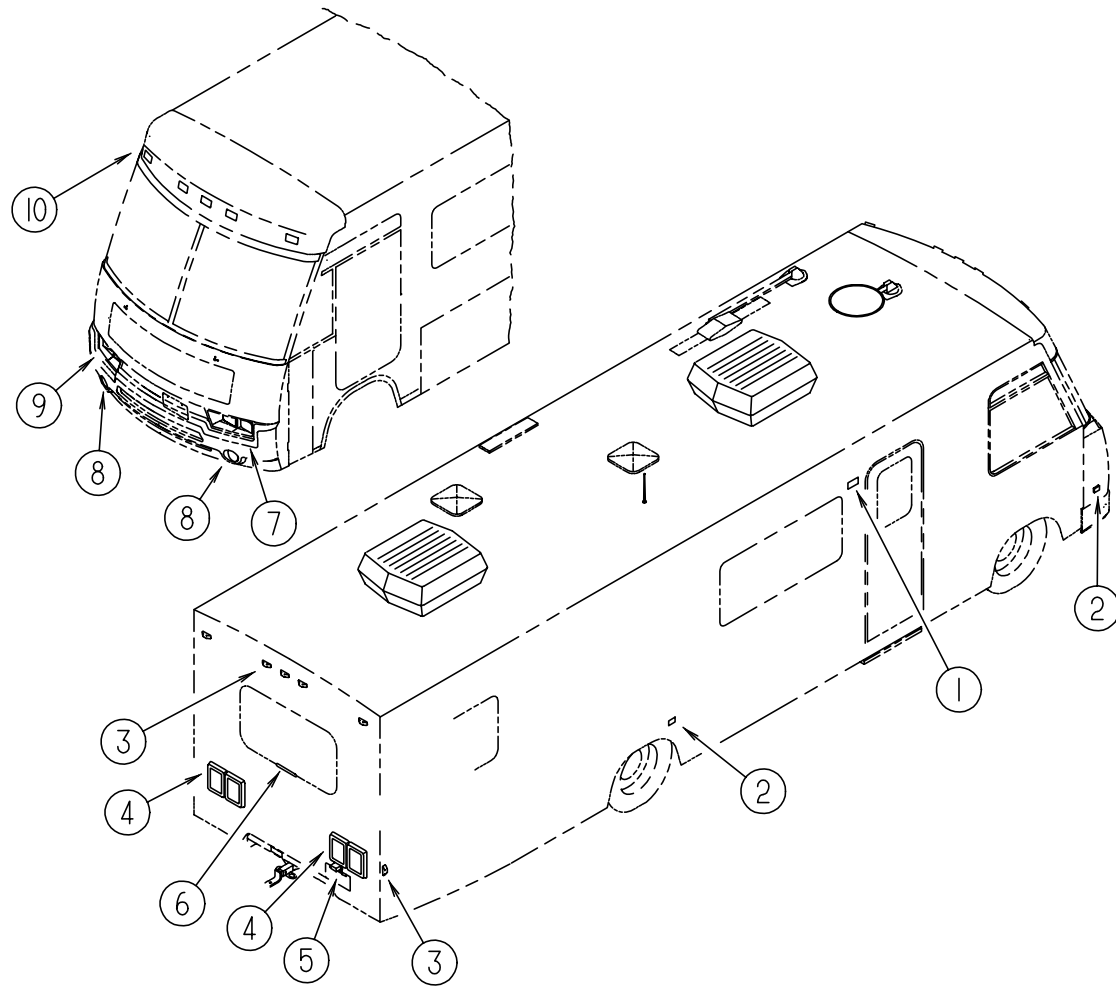
KEY	PART NUMBER	U/M	DESCRIPTION
1	104056-01-07A	EA	APPLIQUE - BEZEL - DRIVER DRESS UP
2	108356-02-01A	EA	COVER/ACTUATOR SWITCH - 2 ROWS DIMPLES- CONTURA II - BLACK
2	108357-05-000	EA	SWITCH - ROCKER SPDT - ON/NONE/ON - 3 TERMINAL - RADIO POWER W/O CD
2	108357-08-000	EA	SWITCH - ROCKER DPDT - ON/NONE/ON - 6 TERMINAL - RADIO POWER W/CD
3	108356-02-01A	EA	COVER/ACTUATOR SWITCH - 2 ROWS DIMPLES- CONTURA II - BLACK
3	108357-09-000	EA	SWITCH - ROCKER SPDT - ON/NONE/MOM - 3 TERMINAL - AUXILIARY START
4	108356-02-01A	EA	COVER/ACTUATOR SWITCH - 2 ROWS DIMPLES- CONTURA II - BLACK
4	108357-06-000	EA	SWITCH - ROCKER DPDT - MOM/OFF/MOM - 6 TERMINAL - AUXILIARY BATTERY
5	N/A	EA	CLUSTER - INSTRUMENT PANEL - K/M - GAS - CANADIAN
6	103662-06-01A	EA	BEZEL - INSTRUMENT PANEL - 97 CHASSIS
6	103662-08-01A	EA	BEZEL - INSTRUMENT PANEL - GM - 98 CHASSIS
7	108356-04-01A	EA	COVER/ACTUATOR SWITCH-2 ROWS DIMPLES W/LENS-CONTURAI-BLK
7	108357-10-000	EA	SWITCH - ROCKER SPDT W/LIGHT - MOM/NONE/MOM - 5 TERMINAL - GENERATOR
7	096241-03-000	EA	SWITCH - BLANK - BLACK
8	108356-02-01A	EA	COVER/ACTUATOR SWITCH - 2 ROWS DIMPLES- CONTURA II - BLACK
8	108357-03-000	EA	SWITCH - ROCKER SPDT - ON/OFF/ON - 3 TERMINAL - REAR HEATER
8	096241-03-000	EA	SWITCH - BLANK - BLACK
9	096241-03-000	EA	SWITCH - BLANK - BLACK
10	104056-21-01A	EA	APPLIQUE - BEZEL - PASSENGER DRESS UP
11	104056-06-07A	EA	APPLIQUE - BEZEL - PASSENGER DRESS UP FROM: 00-00-00 THRU: 05-10-98
11	104056-06-01A	EA	APPLIQUE - BEZEL - PASSENGER SIDE DRESS UP FROM: 05-11-98 THRU: 99-99-99
12	089294-01-000	EA	LIGHTER - CIGARETTE - W/SOCKET & WIRE
13	104056-22-01A	EA	APPLIQUE - BEZEL - DRIVER SWITCHES FROM: 00-00-00 THRU: 05-08-98
13	104056-37-01A	EA	APPLIQUE - BEZEL - DRIVER SWITCHES FROM: 05-09-98 THRU: 99-99-99
14	M05946-50-J50	EA	DASH POD - CHEVY - W/O CLUSTER
	100138-01-000	EA	MODULE - DAYTIME/RUNNING LIGHT - CANADIAN
	103603-01-000	EA	BULB - 12 VOLT - #74 - .12A WEDGE - GE 22-25 USED IN DASH
	077031-01-000	EA	FILM - BLACK - 1" X 1.75"
	077031-03-000	EA	FILM - WHITE - .75" X 1"
	049176-01-000	EA	HEDLOCK II - 3/4 DIAMETER SCREW MOUNT

DRIVERS COMPARTMENT GROUP (CONTINUED)
DASH, GAUGES & SWITCHES - FORD



KEY	PART NUMBER	U/M	DESCRIPTION
1	103662-05-01A	EA	BEZEL - INSTRUMENT PANEL FROM: 00-00-00 THRU: 02-22-98
1	103662-09-01A	EA	BEZEL - INSTRUMENT PANEL FROM: 02-23-98 THRU: 03-20-98
1	103662-11-01A	EA	BEZEL - INSTRUMENT PANEL FROM: 03-21-98 THRU: 04-14-98
1	103662-12-01A	EA	BEZEL - INSTRUMENT PANEL FROM: 04-15-98 THRU: 99-99-99
2	104056-01-07A	EA	APPLIQUE - BEZEL - DRIVER DRESS UP - 1997 FORD CHASSIS
2	104056-39-01A	EA	APPLIQUE - BEZEL - LEFT - 1999 FORD CHASSIS
3	108356-02-01A	EA	COVER/ACTUATOR SWITCH - 2 ROWS DIMPLES- CONTURA II - BLACK
3	108357-05-000	EA	SWITCH - ROCKER SPDT - ON/NONE/ON - 3 TERMINAL - RADIO POWER W/O CD
3	108357-08-000	EA	SWITCH - ROCKER DPDT - ON/NONE/ON - 6 TERMINAL - RADIO POWER W/CD
4	108356-02-01A	EA	COVER/ACTUATOR SWITCH - 2 ROWS DIMPLES- CONTURA II - BLACK
4	108357-09-000	EA	SWITCH - ROCKER SPDT - ON/NONE/MOM - 3 TERMINAL - AUXILIARY START
5	108356-02-01A	EA	COVER/ACTUATOR SWITCH - 2 ROWS DIMPLES- CONTURA II - BLACK
5	108357-06-000	EA	SWITCH - ROCKER DPDT - MOM/OFF/MOM - 6 TERMINAL - AUXILIARY BATTERY
6	N/A	EA	CLUSTER - INSTRUMENT PANEL
7	108356-04-01A	EA	COVER/ACTUATOR SWITCH-2 ROWS DIMPLES W/LENS-CONTURAIIBLK
7	108357-10-000	EA	SWITCH - ROCKER SPDT W/LIGHT - MOM/NONE/MOM - 5 TERMINAL - GENERATOR
7	096241-03-000	EA	SWITCH - BLANK - BLACK
8	108356-02-01A	EA	COVER/ACTUATOR SWITCH - 2 ROWS DIMPLES- CONTURA II - BLACK
8	108357-03-000	EA	SWITCH - ROCKER SPDT - ON/OFF/ON - 3 TERMINAL - REAR HEATER
8	096241-03-000	EA	SWITCH - BLANK - BLACK
9	096241-03-000	EA	SWITCH - BLANK - BLACK
10	104056-21-01A	EA	APPLIQUE - BEZEL - PASSENGER DRESS UP
11	104056-06-07A	EA	APPLIQUE - BEZEL - PASSENGER DRESS UP FROM: 00-00-00 THRU: 05-10-98
11	104056-06-01A	EA	APPLIQUE - BEZEL - PASSENGER SIDE DRESS UP FROM: 05-11-98 THRU: 99-99-99
12	089294-01-000	EA	LIGHTER - CIGARETTE - W/SOCKET & WIRE
13	096674-01-000	EA	NUT - HEADLAMP KNOB - BLACK - 1997 CHASSIS
13	096675-01-000	EA	KNOB - HEADLAMP - W/SHAFT - 1997 CHASSIS
14	104056-24-01A	EA	APPLIQUE - BEZEL - DRIVER DRESS UP - 1997 FORD CHASSIS
14	104056-39-01A	EA	APPLIQUE - BEZEL - LEFT - 1999 FORD CHASSIS
15	M05946-51-J45	EA	DASH POD - FORD - W/O CLUSTER
	100138-01-000	EA	MODULE - DAYTIME/RUNNING LIGHT - CANADIAN
	077031-01-000	EA	FILM - BLACK - 1" X 1.75"
	077031-03-000	EA	FILM - WHITE - .75" X 1"
	049176-01-000	EA	HEDLOCK II - 3/4 DIAMETER SCREW MOUNT
	103603-01-000	EA	BULB - 12 VOLT - #74 - .12A WEDGE - GE 22-25 USED IN DASH
	111904-01-000	EA	CABLE/INDICATOR - TRANSMISSION - 23.1" EYE/EYE - 1997 CHASSIS
	129644-01-000	EA	CABLE/INDICATOR - TRANSMISSION - 46.7" EYE/EYE - 1999 CHASSIS

**ELECTRICAL GROUP
EXTERIOR LIGHTS**

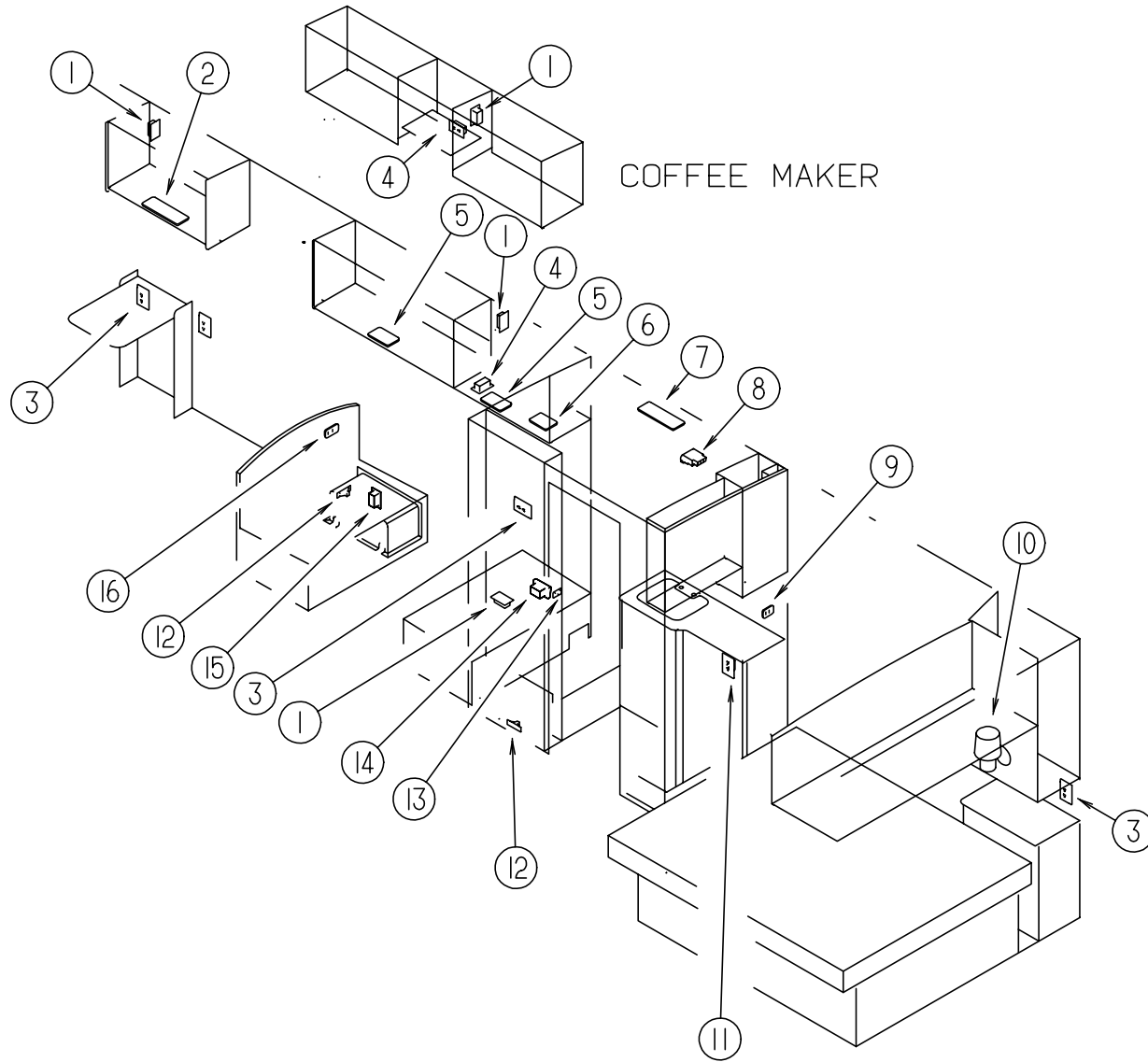


KEY	PART NUMBER	U/M	DESCRIPTION
1	097917-01-06A	EA	LIGHT - PORCH - BRIGHT WHITE
	008215-01-000	EA	BULB - 12 VOLT - NUMBER 1003 - .94 AMP
	097917-01-700	EA	LENS-LIGHT, CLEAR
1	008089-02-000	EA	LIGHT - PORCH - RECESSED - CANADIAN
	008089-01-700	EA	LENS-LIGHT, RECESSED, PORCH DECO
	008214-01-000	EA	BULB - 12 VOLT - #67 - .59 AMP
	091981-01-000	EA	GASKET - PORCH LIGHT
2	111102-01-000	EA	BASE - LAMP MARKER
2	111102-02-000	EA	LENS - AMBER - MARKER LAMP
	036196-01-000	EA	BULB - 12 VOLT - #194 - .27 AMP - BAYONETTE
3	111102-01-000	EA	BASE - LAMP MARKER
3	111102-03-000	EA	LENS - RED - MARKER LAMP
	036196-01-000	EA	BULB - 12 VOLT - #194 - .27 AMP - BAYONETTE
4	115632-01-02A	EA	LIGHT - STOP/TURN/TAILED RED
4	115632-03-02A	EA	LIGHT - STOP/TAILED/BACKUP
	037934-01-000	EA	BULB - 12V - #1156 - 2.1 AMP CLEAR GLASS BACK UP & TURN SIGNAL BULB
	037935-01-000	EA	BULB - 12V - #1157 OR #2057 - 2.1 AMP - CLEAR GLASS BRAKE LIGHT BULB
4	121621-01-01A	EA	POD - TAIL LIGHT - BRIGHT WHITE
5	066432-02-000	EA	LIGHT - LICENSE - BLACK
5	066432-03-000	EA	BRACKET - LICENSE PLATE
6	121950-01-000	EA	LIGHT - BRAKE - CENTER MOUNT
7	049186-04-000	EA	HEADLAMP - DRIVER - HIGH/LOW - HALOGEN
7	049188-04-000	EA	HEADLAMP - DRIVER - HIGH BEAM - HALOGEN
7	049359-01-000	EA	SPRING - RETAINER - HEADLAMP - GM #496096
7	110750-01-000	EA	SCREW - HEADLAMP ADJUSTING
8	126198-01-000	EA	LAMP ASSEMBLY - PARK/TURN - AMBER
8	126198-02-000	EA	GROMMET - MOUNTING - LIGHT/4" RED
9	049185-04-000	EA	HEADLAMP - PASSENGER - HIGH/LOW - HALOGEN
9	049187-04-000	EA	HEADLAMP - PASSENGER - HIGH BEAM - HALOGEN
9	049359-01-000	EA	SPRING - RETAINER - HEADLAMP - GM #496096
9	110750-01-000	EA	SCREW - HEADLAMP ADJUSTING
10	102520-01-000	EA	LIGHT - CLEARANCE - W/O SOCKET/HOUSING - AMBER
10	067789-02-000	EA	SOCKET - LAMP
10	036196-01-000	EA	BULB - 12 VOLT - #194 - .27 AMP - BAYONETTE
10	102540-01-000	EA	SEAL - SCREW - ROUND - RUBBER
10	102541-01-000	EA	GASKET - CLEARANCE LIGHT

VENDOR NO.

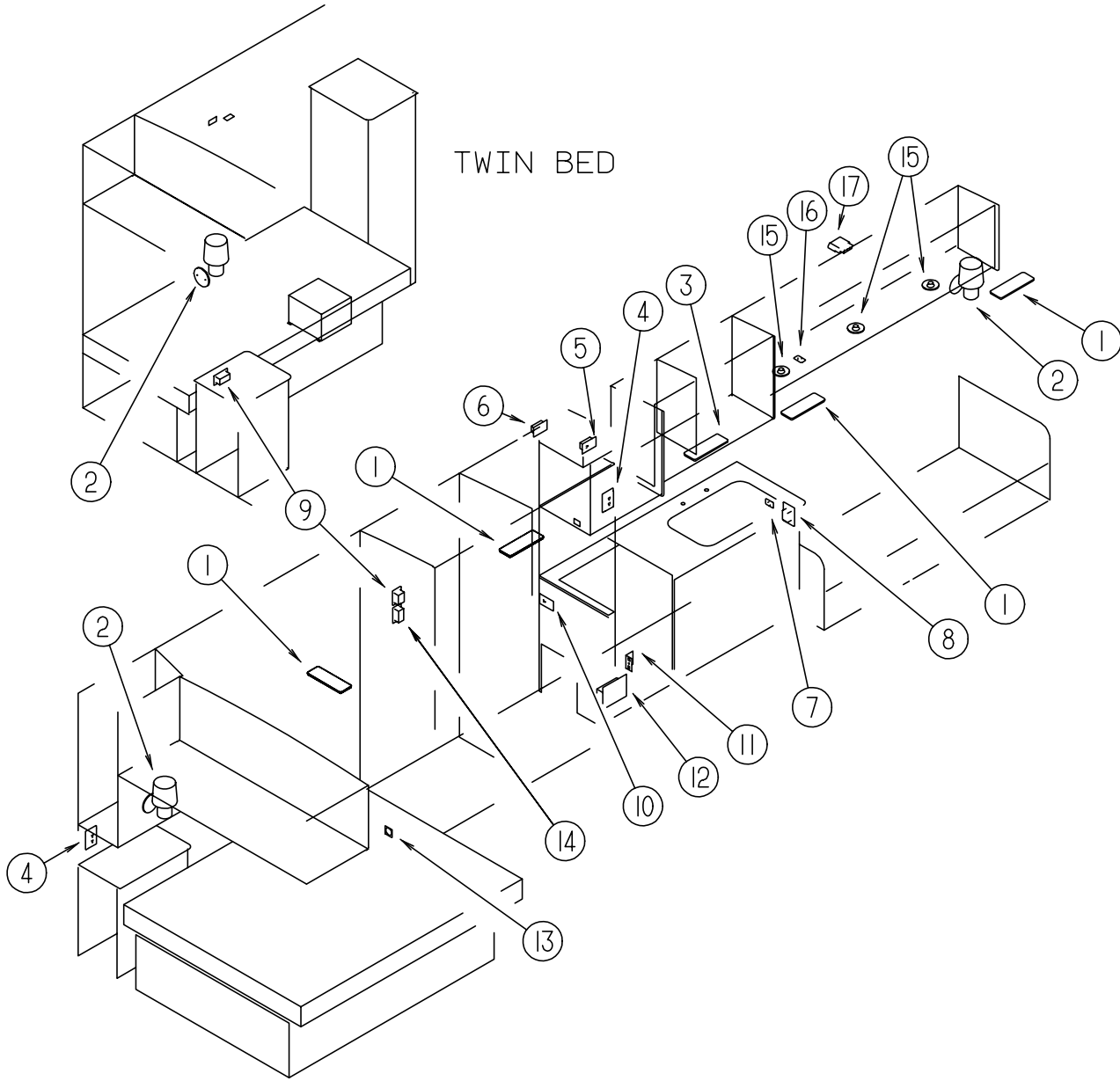
30-78-021

ELECTRICAL GROUP (CONTINUED)
LIGHTS, SWITCHES, & RECEPTACLES PASSENGERS SIDE



KEY	PART NUMBER	U/M	DESCRIPTION	VENDOR NO.
1	058707-02-000	EA	RECEPTACLE - BLANK JUNCTION BOX	
2	098024-06-02A	EA	LIGHT - DOME - 2 BULB - SKYLITE	
	008218-01-000	EA	BULB - 12 VOLT - #1141 - 1.44AMP	
	098024-01-701	EA	LENS - OPTI CLEAR - SKYLITE	809902
3	058708-02-000	EA	RECEPTACLE - ELECTRIC - DOUBLE - IVORY	
3	102568-01-GB1	EA	SPACER - RECEPTACLE - BETWEEN SIDEWALL & PLATE - WOOD	
4	058708-01-000	EA	RECEPTACLE - ELECTRIC - DOUBLE - BROWN	
5	098024-05-02A	EA	LIGHT - DOME - 1 BULB - SKYLITE - WHITE	
	008218-01-000	EA	BULB - 12 VOLT - #1141 - 1.44AMP	
	098024-01-701	EA	LENS - OPTI CLEAR - SKYLITE	809902
6	121935-01-01A	EA	LIGHT - DOME - SHOWER	
7	098024-03-02A	EA	LIGHT - DOME - 2 BULB - WHITE	
	008218-01-000	EA	BULB - DOME LIGHT - 12 VOLT - NO. 1141	
	098024-01-700	EA	LENS-LIGHT	807877
8	091927-01-000	EA	COVER - RECEPTACLE - DOUBLE - IVORY - W/O ROOF A/C OPTION	
9	098351-01-01A	EA	PLATE - SWITCH - 1 GANG POLISHED BRASS	
9	095188-01-01A	EA	SPACER - SWITCH - 2.3" X 3.4" - PLASTIC - DARK BROWN	
9	079364-03-000	EA	SWITCH - ON/OFF ROCKER - 3 TERMINAL - BROWN - WATER PUMP	
10	119257-03-01A	EA	SHADE - LAMP - LINEN	
10	119258-02-01A	EA	LAMP - WALL	
	119258-01-700	EA	FINIAL (PYRAMID)	12-0322
10	067479-01-000	EA	BULB - 12 VOLT - #1076 - 1.80 AMP	
11	084076-02-000	EA	RECEPTACLE - GFI - 15 AMP/125 VOLT - BROWN	
12	061424-01-000	EA	LIGHT - AISLE - 12 VOLT - RECTANGULAR	
	008103-01-000	EA	BULB - DASH/AISLE LIGHT - #53 - 12 VOLT - .12 AMP	
13	098351-02-01A	EA	PLATE - SWITCH - 2 GANG POLISHED BRASS	
13	079364-01-000	EA	SWITCH - ON/OFF ROCKER - 2 TERMINAL - BROWN - SHOWER & BATH LIGHT	
14	112822-01-01A	EA	RECEPTACLE - DUPLEX - IVORY	
14	112824-01-03A	EA	COVER - EXTERIOR DUPLEX RECEPTACLE - WHITE PLASTIC	
15	058708-01-000	EA	RECEPTACLE - ELECTRIC - DOUBLE - BROWN	
16	098351-05-01A	EA	PLATE - SWITCH - 3 GANG POLISHED BRASS	
16	079364-01-000	EA	SWITCH - ON/OFF ROCKER - 2 TERMINAL - BROWN - STEP	
16	095188-02-01A	EA	SPACER - SWITCH - 2.3" X 4.1" - PLASTIC - DARK BROWN	
	086280-01-000	EA	LIGHT - SURFACE MOUNT - 12 VOLT	
	086280-01-700	EA	BULB,12V	ARP1089

ELECTRICAL GROUP (CONTINUED)
LIGHTS, SWITCHES, & RECEPTACLES DRIVERS SIDE



KEY	PART NUMBER	U/M	DESCRIPTION	VENDOR NO.
1	098024-03-02A	EA	LIGHT - DOME - 2 BULB - WHITE	
	008218-01-000	EA	BULB - DOME LIGHT - 12 VOLT - NO. 1141	
	098024-01-700	EA	LENS-LIGHT	807877
2	119257-03-01A	EA	SHADE - LAMP - LINEN	
2	119258-02-01A	EA	LAMP - WALL	
	119258-01-700	EA	FINIAL (PYRAMID)	12-0322
2	067479-01-000	EA	BULB - 12 VOLT - #1076 - 1.80 AMP	
3	098024-06-02A	EA	LIGHT - DOME - 2 BULB - SKYLITE	
	008218-01-000	EA	BULB - 12 VOLT - #1141 - 1.44AMP	
	098024-01-701	EA	LENS - OPTI CLEAR - SKYLITE	809902
4	058708-02-000	EA	RECEPTACLE - ELECTRIC - DOUBLE - IVORY	
4	102568-01-GB1	EA	SPACER - RECEPTACLE - BETWEEN SIDEWALL & PLATE - WOOD	
5	058708-05-000	EA	RECEPTACLE - SINGLE - BROWN - MICROWAVE	
6	058707-02-000	EA	RECEPTACLE - BLANK JUNCTION BOX	
7	079364-03-000	EA	SWITCH - ON/OFF ROCKER - 3 TERMINAL - BROWN	
7	098351-01-01A	EA	PLATE - SWITCH - 1 GANG POLISHED BRASS	
8	084076-02-000	EA	RECEPTACLE - GFI - 15 AMP/125 VOLT - BROWN	
9	058708-01-000	EA	RECEPTACLE - ELECTRIC - DOUBLE - BROWN	
10	058707-01-000	EA	RECEPTACLE - ELECTRIC - SINGLE - BROWN	
11	079364-01-000	EA	SWITCH - ON/OFF ROCKER - 2 TERMINAL - BROWN - SERVICE LIGHT	
12	024924-02-000	EA	RECEPTACLE - POWER CORD - W/PARTIAL PLATE	
13	108354-01-01A	EA	LIGHT - COURTESY	
	108354-01-700	EA	BULB-COURTESY LIGHT	395-B
14	079364-01-000	EA	SWITCH - ON/OFF ROCKER - 2 TERMINAL - BROWN - BEDROOM LIGHT	
14	079364-03-000	EA	SWITCH - ON/OFF ROCKER - 3 TERMINAL - BROWN - COURTESY LIGHT	
14	098351-02-01A	EA	PLATE - SWITCH - 2 GANG POLISHED BRASS	
14	095188-01-01A	EA	SPACER - SWITCH - 2.3" X 3.4" - PLASTIC - DARK BROWN	
15	123775-01-01A	EA	LIGHT - HALOGEN - ROUND	
	123775-01-700	EA	BULB - 10 WATT - HALOGEN	71-JC10
16	079364-01-000	EA	SWITCH - ON/OFF ROCKER - 2 TERMINAL - BROWN	
16	098351-01-01A	EA	PLATE - SWITCH - 1 GANG POLISHED BRASS	
17	091927-01-000	EA	COVER - RECEPTACLE - DOUBLE - IVORY - W/O ROOF A/C OPTION	
	086280-01-000	EA	LIGHT - SURFACE MOUNT - 12 VOLT	
	086280-01-700	EA	BULB,12V	ARP1089

ELECTRICAL GROUP (CONTINUED)
FUSES & FUSE HOUSINGS

KEY	PART NUMBER	U/M DESCRIPTION
	062901-02-000	EA FUSE - 05 AMPS - AUTOMOTIVE
	062901-05-000	EA FUSE - 15 AMPS - AUTOMOTIVE
	062901-06-000	EA FUSE - 20 AMPS - AUTOMOTIVE
	062901-07-000	EA FUSE - 25 AMPS - AUTOMOTIVE
	062901-08-000	EA FUSE - 30 AMPS - AUTOMOTIVE
	062037-01-000	EA HOUSING - AUTO FUSE - NATURAL
	062037-02-000	EA HOUSING - AUTO FUSE - GREEN
	062037-03-000	EA HOUSING - AUTO FUSE - BLACK
	062037-04-000	EA HOUSING - AUTO FUSE - BLUE
	062037-06-000	EA HOUSING - AUTO FUSE - BROWN
	062037-07-000	EA HOUSING - AUTO FUSE - RED
	108669-01-000	EA HOUSING - AUTO FUSE HOLDER
	106656-01-000	EA FUSE BLOCK - 4 CAVITY - AUTOFUSE

CIRCUIT BREAKERS

KEY	PART NUMBER	U/M DESCRIPTION
	083209-01-000	EA CIRCUIT BREAKER - 15 AMP - 120 VOLT - CANADIAN
	083209-02-000	EA CIRCUIT BREAKER - 15/15 AMP - 120 VOLT
	083209-03-000	EA CIRCUIT BREAKER - 15/20 AMP - 120 VOLT
	083209-04-000	EA CIRCUIT BREAKER - 30 AMP - 120 VOLT
	083209-06-000	EA CIRCUIT BREAKER - 30/15 AMP - 120 VOLT
	083209-07-000	EA CIRCUIT BREAKER - 20/20 AMP - 120 VOLT
	093654-01-000	EA CIRCUIT BREAKER - 6 AMP - 12 VOLT
	093654-02-000	EA CIRCUIT BREAKER - 15 AMP - 12 VOLT
	093655-03-000	EA CIRCUIT BREAKER - 40 AMP - 12 VOLT
	093674-01-000	EA PLATE - CIRCUIT BREAKER - HOUSE - 8.4" X 4.1" - STEEL

TERMINALS

KEY	PART NUMBER	U/M DESCRIPTION
	008326-01-000	EA TERMINAL - RING - 16/14 WIRE - 3/8" STUD
	008328-01-000	EA TERMINAL - RING - 12/10 WIRE - #10 STUD FIT
	008331-01-000	EA TERMINAL - RING - TONGUE - #4 WIRE - 3/8" STUD - COPPER
	008348-01-000	EA TERMINAL - RING - 3/8" STUD 2 GA. WIRE
	035416-04-000	EA TERMINAL - RING - #10 STUD FIT - INSULATED BARREL #16/14
	047443-01-000	EA TERMINAL - .250 RECEPTACLE FIT - INSULATED - 16/14 AWG
	047443-02-000	EA TERMINAL - .250 RECEPTACLE FIT - INSULATED - 12/10 AWG
	062036-01-000	EA TERMINAL - PACK - CON - 12/10 AWG
	062036-02-000	EA TERMINAL - PACK - CON - 16/14 AWG
	088267-01-000	EA TERMINAL - FEMALE - 1/4
	088476-01-000	EA TERMINAL - ELECTRICAL
	098260-01-000	EA TERMINAL - MALE - 56 SERIES
	104100-03-000	EA TERMINAL - 75 AMP
	106007-01-000	EA TERMINAL - FEMALE - 14-16 AWG
	106655-01-000	EA TERMINAL - FUSE BLOCK - 14-16 AWG
	106655-02-000	EA TERMINAL - FUSE BLOCK - 10-12 AWG
	113135-01-000	EA TERMINAL - FEMALE- M/P - 14-16 - F/SEALED TERMINAL
	113306-01-000	EA TERMINAL - FEMALE - M/P - 14-16 - F/NON SEALED TERMINAL
	113307-01-000	EA TERMINAL - FEMALE - M/P - 16-20
	116811-01-000	EA TERMINAL - .110 RECEPTACLE - 16-14 AWG
	125324-01-000	EA TERMINAL - MALE - METRI-PACK - 150

ELECTRICAL GROUP (CONTINUED)
ELECTRIC BOXES & COVERS

KEY	PART NUMBER	U/M DESCRIPTION
	008289-01-000	EA BOX - ELECTRIC/STEEL - 1/2" & 3/4" KNOCKOUTS - 4" X 4"
	008289-02-000	EA BOX - ELECTRIC/STEEL - 1/2" & 3/4" KNOCKOUTS - 4" X 4"-CAN
	008294-01-000	EA COVER - ELECTRICAL BOX - BLANK/STEEL - 4" X 4" - GRAY
	008294-02-000	EA COVER - ELECTRICAL BOX - BLANK STEEL - 4" X 4" - CANADIAN
	069238-01-000	EA COVER - ELECTRICAL BOX - W/HOLE - 4" X 4" - GRAY USED WITH 30 AMP RECEPTACLE
	074890-01-000	EA BOX - EXTENSION/STEEL - OPEN SIDES - 4" X 4" X 1 1/2"
	074897-01-000	EA COVER - ELECTRICAL BOX W/HOLES - 4" X 4"
	091910-01-000	EA BOX - ELECTRIC - 3.8" X 3.5" X 1.8" - PLASTIC
	091910-02-000	EA BOX - ELECTRIC - 2.2" X 3.5" X 1.7" - PLASTIC
	111509-01-000	EA BOX - ELECTRICAL - E-COATED
	111510-01-000	EA DOOR/ACCESS PANEL - ELECTRICAL BOX

HOUSINGS, PINS & SOCKETS

KEY	PART NUMBER	U/M DESCRIPTION
	088473-01-000	EA HOUSING - PIN - 12 CAVITY
	088473-02-000	EA HOUSING - PIN - 15 CAVITY
	088473-03-000	EA HOUSING - PIN - 9 CAVITY
	088473-06-000	EA HOUSING - PIN - 6 CAVITY
	088473-08-000	EA HOUSING - PIN - 4 CAVITY
	088473-09-000	EA HOUSING - PIN - 3 CAVITY
	088473-10-000	EA HOUSING - PIN - 2 CAVITY
	088474-01-000	EA HOUSING - SOCKET - 12 CAVITY
	088474-02-000	EA HOUSING - SOCKET - 15 CAVITY
	088474-03-000	EA HOUSING - SOCKET - 9 CAVITY
	088474-06-000	EA HOUSING - SOCKET - 6 CAVITY
	088474-07-000	EA HOUSING - SOCKET - 5 CAVITY
	088474-08-000	EA HOUSING - SOCKET - 4 CAVITY
	088474-09-000	EA HOUSING - ELECTRICAL - 3 TERMINAL
	088474-10-000	EA HOUSING - SOCKET - 2 CAVITY
	088475-01-000	EA PIN - CONNECTOR - 14 - 20 AWG
	088475-02-000	EA PIN - CONNECTOR - 10-12 AWG
	088476-02-000	EA SOCKET - CONNECTOR - 12-10 GA - PRE-TIN
	098261-02-000	EA SOCKET - CONNECTOR - WEATHERPACK
	098262-01-000	EA SEAL - CONNECTOR - WEATHERPACK
	098264-01-000	EA HOUSING - 2 PIN - WEATHERPACK
	101571-01-000	EA HOUSING - 2 POSITION - MALE
	103608-01-000	EA SOCKET - WEDGE BASE W/LEADS
	104100-01-000	EA HOUSING - 1 POSITION - 75 AMPS
	106006-01-000	EA HOUSING - 1 POSITION - FEMALE
	108355-01-000	EA HOUSING - SWITCH
	110178-01-000	EA HOUSING - WIPER MOTOR
	113131-01-000	EA HOUSING - 3 PIN
	113468-01-000	EA HOUSING - 2 POSITION - FEMALE USED ON WIPER/WASHER WIRE ASM
	119248-02-000	EA HOUSING - 7 POSITION - FEMALE
	125323-02-000	EA HOUSING - 8 POSITION - MALE
	115556-01-000	EA HOUSING - 3 POSITION - FEMALE
	115556-02-000	EA HOUSING - 2 POSITION - FEMALE
	007954-01-000	EA RECEPTACLE - HOUSING - 6 POSITION
	080015-02-000	EA RECEPTACLE - FLAG - .185 - 16/14 GAUGE

ELECTRICAL GROUP (CONTINUED)**CONNECTORS**

KEY	PART NUMBER	U/M	DESCRIPTION
	008311-01-000	EA	CONNECTOR - WIRE NUT - INSULATED - RED
	008312-01-000	EA	CONNECTOR - WIRE NUT - INSULATED - BLUE
	008313-01-000	EA	CONNECTOR - WIRE NUT - INSULATED - YELLOW
	008314-01-000	EA	CONNECTOR - WIRE NUT - INSULATED - GRAY
	008355-01-000	EA	CONNECTOR - CABLE CLAMPING - 3/4"
	008356-01-000	EA	CONNECTOR - PLASTIC - 3/8" AVG
	008356-02-000	EA	CONNECTOR - PLASTIC - 21/32
	008398-01-000	EA	CONNECTOR - 1/2" X 90 DEGREE - FLEX CONDUIT - UL & CSA
	058028-01-000	EA	CONNECTOR - ELECTRICAL PIGTAIL - NYLON - CLEAR
	112823-01-000	EA	SPLICE - REDUCER - 16-14 TO 18-22
	126403-02-000	EA	CONNECTOR - 3 CIRCUIT

POWER CORDS

KEY	PART NUMBER	U/M	DESCRIPTION
	008052-01-000	EA	CORD - POWER - 10/3 - 30 AMP - 25' - CANADIAN
	008054-02-000	EA	CORD - POWER - 10/3 WIRE - 30 AMP - 35'

WIRE ASSEMBLIES

KEY	PART NUMBER	U/M	DESCRIPTION
	P27516-02-000	EA	WIRE ASSEMBLY - RADIO AM/FM/CD
	073328-B4-000	EA	CABLE ASSEMBLY - BATTERY - W/TERMINALS
	081059-02-000	EA	WIRE ASSEMBLY - 9PIN - F/RADIO
	090986-01-000	EA	WIRE ASSEMBLY - ELECTRIC STEP
	096449-01-000	EA	WIRE ASSEMBLY - WATER TANK TO MONITOR PANEL
	097618-01-000	EA	WIRE ASSEMBLY - MONITOR PANEL- W/3 WIRES & ORANGE RESISTOR
	100677-01-000	EA	WIRE ASSEMBLY - RADIO
	108303-01-000	EA	WIRE ASSEMBLY - REAR AUTO HEATER
	110256-01-000	EA	WIRE ASSEMBLY - INSTRUMENT PANEL - GENERATOR
	111915-01-000	EA	WIRE ASSEMBLY - DAYTIME RUNNING LAMPS - FUSED - GM
	111915-03-000	EA	WIRE ASSEMBLY - DAYTIME RUNNING LAMPS - FUSED - FORD
	113134-03-000	EA	WIRE ASSEMBLY - WIPER/WASHER
	126392-01-000	EA	WIRE ASSEMBLY - REMOTE MIRRORS
	126838-02-000	EA	WIRE ASSEMBLY - MONITOR

CONDUIT

KEY	PART NUMBER	U/M	DESCRIPTION
	008394-01-000	FT	CONDUIT - FLEXIBLE - 1/2"
	041953-01-000	FT	CONDUIT - CONVOLUTE SLIT - .5" ID - POLYETHELENE
	041953-03-000	FT	CONDUIT - CONVOLUTE SLIT - 1" ID (CLOTHES ROD COVER)
	041953-05-000	FT	CONDUIT - CONVOLUTE SOLID - .62" ID - POLYETHELENE
	041953-06-000	FT	CONDUIT - CONVOLUTE SLIT - .375" ID - POLYETHELENE
	041953-07-000	FT	CONDUIT - CONVOLUTE SLIT - .25" ID - POLYETHELENE
	041953-08-000	FT	CONDUIT - CONVOLUTE SLIT - 1.50" ID - POLYETHELENE
	041953-09-000	FT	CONDUIT - CONVOLUTE SLIT - .50" ID - NYLON
	041953-10-000	FT	CONDUIT - CONVOLUTE SLIT - .75" ID - NYLON
	041953-11-000	FT	CONDUIT - CONVOLUTE SLIT - 1.06" ID - NYLON
	041953-12-000	FT	CONDUIT - CONVOLUTE SOLID - 1.1" ID - NYLON

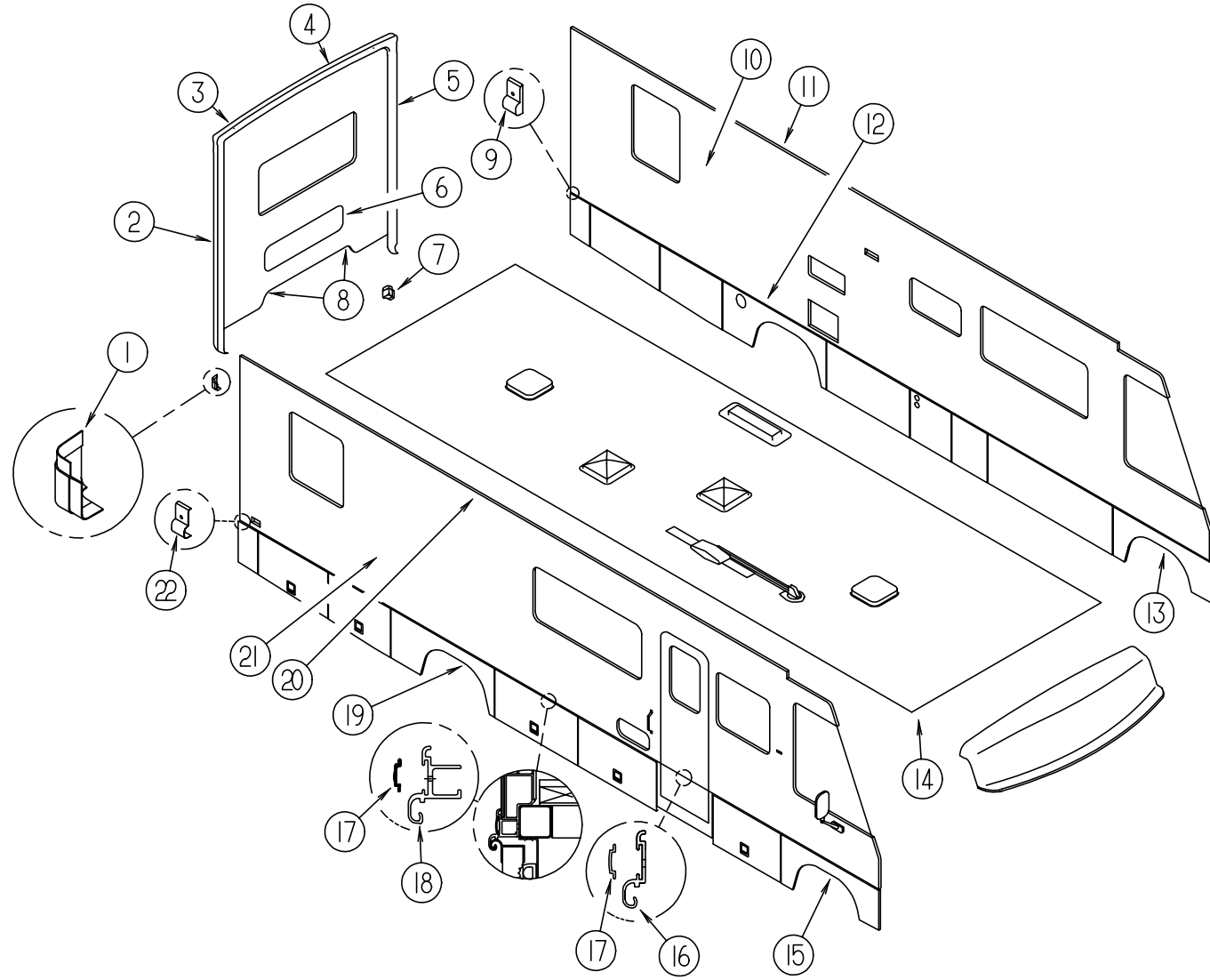
ELECTRICAL GROUP (CONTINUED)**CONVERTER & INVERTER**

KEY	PART NUMBER	U/M	DESCRIPTION
	099048-03-000	EA	INVERTER - 130 WATT
	113132-01-000	EA	LOAD CENTER - 120/240 VOLT - 60 AMP - EXPORT
	109677-01-000	EA	LOAD CENTER - 120 VOLT - 40 AMP
	123058-02-000	EA	CONVERTER - 45 AMP - ELECTRONIC - 4 1/8"H X 7"W X 12 3/8"L

MISCELLANEOUS ELECTRICAL COMPONENTS

KEY	PART NUMBER	U/M	DESCRIPTION
	007093-01-000	EA	SIGNAL FLASHER
	007956-05-000	EA	INSULATOR - SHRINK - .25 ID X 1.50
	008058-01-000	EA	ADAPTER-POWER CORD, 30 AMP TO 15 AMP
	008188-01-000	EA	SOLENOID - 3 POST - BATTERY CHANGE OVER
	063910-01-000	EA	HOUSING - RELAY
	063912-02-000	EA	RELAY - CANISTER - SPDT
	086233-01-000	EA	STUD - ISOLATED - 3/8" X 7/8" LONG
	086273-01-000	EA	RELAY - BATTERY DISCONNECT
	087949-01-000	EA	BUSS BAR - 2 POSITION - .6" X 1.5"
	087949-02-000	EA	BUSS BAR - 3 POSITION - .6" X 2.4"
	092786-02-000	EA	BUSS BAR - 3.3" LONG
	092786-03-000	EA	BUSS BAR - 6.9" LONG
	103987-02-000	EA	SEAL - SOLENOID ACCESS
	125323-03-000	EA	LOCK - SECONDARY 8 POSITION
	125325-01-000	EA	SEAL - CAVITY
	087225-01-000	FT	SLEEVING - 1/2" - TYPE H
	087225-02-000	FT	SLEEVING - 5/8" - TYPE H
	077479-01-000	EA	BOOT - BATTERY TERMINAL - DOUBLE CABLE
	077479-02-000	EA	BOOT - BATTERY TERMINAL - SINGLE CABLE

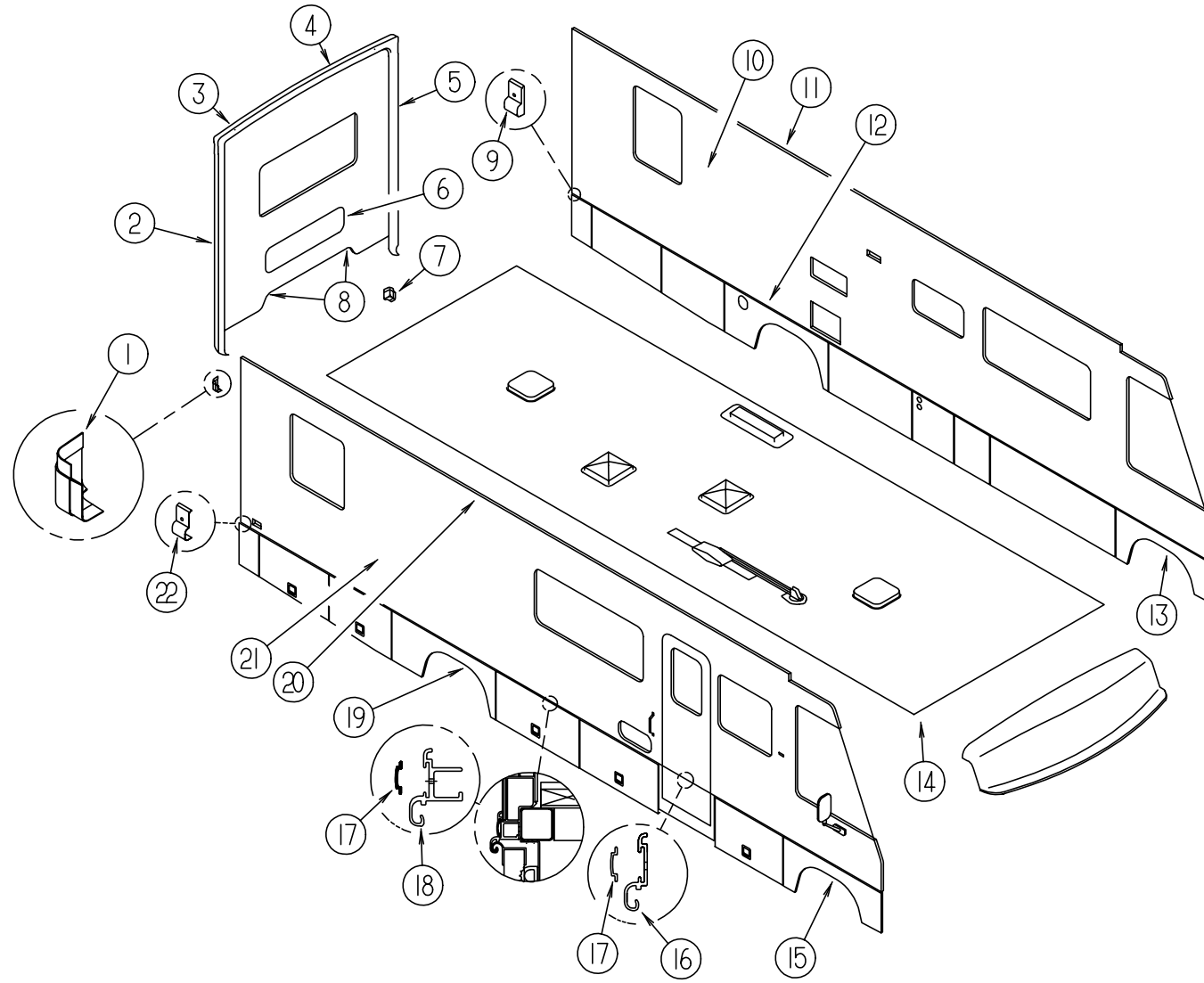
**EXTERIOR BODY GROUP
EXTERIOR BODY PANELS AND TRIM**



KEY	PART NUMBER	U/M DESCRIPTION
1	119212-01-01A	EA TRIM - BACKWALL - LOWER PASSENGER
2	114874-03-12B	EA TRIM - BACKWALL - SIDE - PASSENGER SIDE - BRT/WHITE
2	120548-01-02A	EA TRIM-J - BACKWALL - PASSENGER/NOTCHED
3	114872-02-02A	EA TRIM - BACKWALL - TOP - PASSENGER SIDE - BRT/WHITE
4	114873-02-02A	EA TRIM - BACKWALL - TOP - DRIVER SIDE - BRT/WHITE
5	114874-04-12B	EA TRIM - BACKWALL - SIDE - DRIVER SIDE - BRT/WHITE
5	120548-02-02A	EA TRIM-J - BACKWALL - DRIVER/NOTCHED
6	M08153-02-H40	EA BACKWALL - W/O WINDOW/TRIM - GM - QUEEN BED (J65) FROM: 00-00-00 THRU: 09-07-97
6	M08153-02-H38	EA BACKWALL - W/O WINDOW/TRIM - GM - QUEEN BED (J66) FROM: 00-00-00 THRU: 09-07-97
6	M08153-02-J97	EA BACKWALL - W/O WINDOW/TRIM - GM - QUEEN BED (J67) FROM: 00-00-00 THRU: 09-07-97
6	M08153-02-J98	EA BACKWALL - W/O WINDOW/TRIM - GM - QUEEN BED (J68) FROM: 00-00-00 THRU: 09-07-97
6	M08793-03-J65	EA BACKWALL - W/O WINDOW/TRIM - GM - QUEEN BED (J65) FROM: 09-08-97 THRU: 99-99-99
6	M08793-03-J66	EA BACKWALL - W/O WINDOW/TRIM - GM - QUEEN BED (J66) FROM: 09-08-97 THRU: 99-99-99
6	M08793-03-J67	EA BACKWALL - W/O WINDOW/TRIM - GM - QUEEN BED (J67) FROM: 09-08-97 THRU: 99-99-99
6	M08793-03-J68	EA BACKWALL - W/O WINDOW/TRIM - GM - QUEEN BED (J68) FROM: 09-08-97 THRU: 99-99-99
6	M08793-03-J69	EA BACKWALL - W/O WINDOW/TRIM - GM - QUEEN BED (J69)

KEY	PART NUMBER	U/M DESCRIPTION
6	M08153-03-H40	EA BACKWALL - W/O WINDOW/TRIM - GM - TWIN BED (J65) FROM: 00-00-00 THRU: 09-07-97
6	M08153-03-H38	EA BACKWALL - W/O WINDOW/TRIM - GM - TWIN BED (J66) FROM: 00-00-00 THRU: 09-07-97
6	M08153-03-J97	EA BACKWALL - W/O WINDOW/TRIM - GM - TWIN BED (J67) FROM: 00-00-00 THRU: 09-07-97
6	M08153-03-J98	EA BACKWALL - W/O WINDOW/TRIM - GM - TWIN BED (J68) FROM: 00-00-00 THRU: 09-07-97
6	M08793-04-J65	EA BACKWALL - W/O WINDOW/TRIM - GM - TWIN BED (J65) FROM: 09-08-97 THRU: 99-99-99
6	M08793-04-J66	EA BACKWALL - W/O WINDOW/TRIM - GM - TWIN BED (J66) FROM: 09-08-97 THRU: 99-99-99
6	M08793-04-J67	EA BACKWALL - W/O WINDOW/TRIM - GM - TWIN BED (J67) FROM: 09-08-97 THRU: 99-99-99
6	M08793-04-J68	EA BACKWALL - W/O WINDOW/TRIM - GM - TWIN BED (J68) FROM: 09-08-97 THRU: 99-99-99
6	M08793-04-J69	EA BACKWALL - W/O WINDOW/TRIM - GM - TWIN BED (J69)
6	M08154-02-H40	EA BACKWALL - W/O WINDOW/TRIM - FORD - QUEEN BED (J65) FROM: 00-00-00 THRU: 09-07-97
6	M08154-02-H38	EA BACKWALL - W/O WINDOW/TRIM - FORD - QUEEN BED (J66) FROM: 00-00-00 THRU: 09-07-97
6	M08154-02-J97	EA BACKWALL - W/O WINDOW/TRIM - FORD - QUEEN BED (J67) FROM: 00-00-00 THRU: 09-07-97
6	M08154-02-J98	EA BACKWALL - W/O WINDOW/TRIM - FORD - QUEEN BED (J68) FROM: 00-00-00 THRU: 09-07-97
6	M08794-03-J65	EA BACKWALL - W/O WINDOW/TRIM - FORD - QUEEN BED (J65) FROM: 09-08-97 THRU: 99-99-99
6	M08794-03-J66	EA BACKWALL - W/O WINDOW/TRIM - FORD - QUEEN BED (J66) FROM: 09-08-97 THRU: 99-99-99
6	M08794-03-J67	EA BACKWALL - W/O WINDOW/TRIM - FORD - QUEEN BED (J67) FROM: 09-08-97 THRU: 99-99-99
6	M08794-03-J68	EA BACKWALL - W/O WINDOW/TRIM - FORD - QUEEN BED (J68) FROM: 09-08-97 THRU: 99-99-99
6	M08794-03-J69	EA BACKWALL - W/O WINDOW/TRIM - FORD - QUEEN BED (J69)
6	M08154-03-H40	EA BACKWALL - W/O WINDOW/TRIM - FORD - TWIN BED (J65) FROM: 00-00-00 THRU: 09-07-97
6	M08154-03-J38	EA BACKWALL - W/O WINDOW/TRIM - FORD - TWIN BED (J66) FROM: 00-00-00 THRU: 09-07-97
6	M08154-03-J97	EA BACKWALL - W/O WINDOW/TRIM - FORD - TWIN BED (J67) FROM: 00-00-00 THRU: 09-07-97
6	M08154-03-J98	EA BACKWALL - W/O WINDOW/TRIM - FORD - TWIN BED (J68) FROM: 00-00-00 THRU: 09-07-97
6	M08794-04-J65	EA BACKWALL - W/O WINDOW/TRIM - FORD - TWIN BED (J65) FROM: 09-08-97 THRU: 99-99-99
6	M08794-04-J66	EA BACKWALL - W/O WINDOW/TRIM - FORD - TWIN BED (J66) FROM: 09-08-97 THRU: 99-99-99
6	M08794-04-J67	EA BACKWALL - W/O WINDOW/TRIM - FORD - TWIN BED (J67) FROM: 09-08-97 THRU: 99-99-99
6	M08794-04-J68	EA BACKWALL - W/O WINDOW/TRIM - FORD - TWIN BED (J68) FROM: 09-08-97 THRU: 99-99-99
6	M08794-04-J69	EA BACKWALL - W/O WINDOW/TRIM - FORD - TWIN BED (J69)

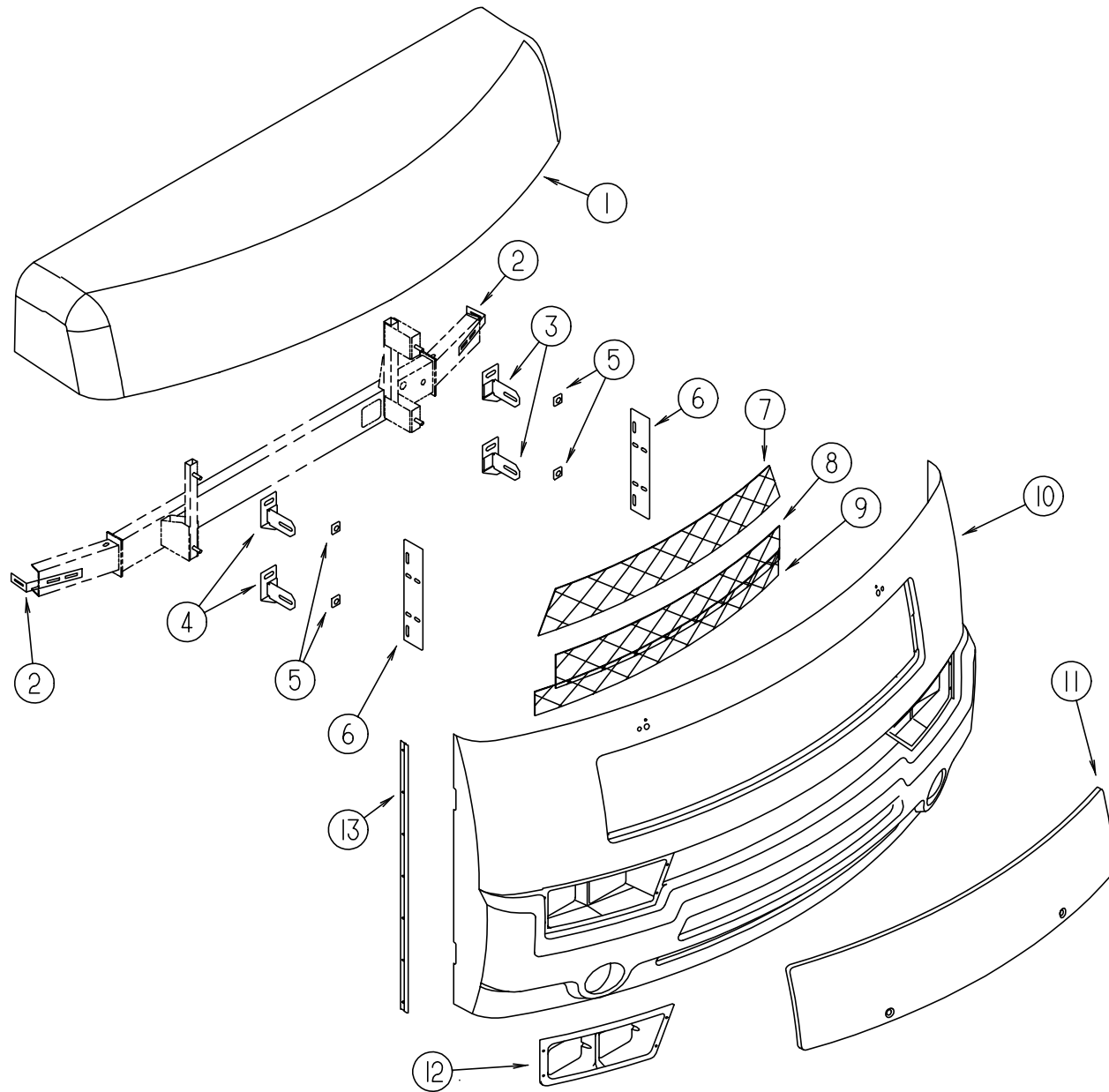
EXTERIOR BODY GROUP (CONTINUED)
EXTERIOR BODY PANELS AND TRIM (CONTINUED)



KEY	PART NUMBER	U/M	DESCRIPTION
	114248-03-01A	EA	ANGLE - PLASTIC - 92.2"
7	119212-02-01A	EA	TRIM - BACKWALL - LOWER DRIVER
8	050406-25-000	EA	TRIM - BACKWALL - LOWER
9	127845-05-01A	EA	CAP - SIDEWALL TRIM - RIGHT HAND - 2.1" - BRIGHT WHITE
10	125771-04-J65	EA	SIDEWALL - DRIVER - W/O WINDOWS/TRIMS
10	125771-04-J66	EA	SIDEWALL - DRIVER - W/O WINDOWS/TRIMS
10	125771-04-J67	EA	SIDEWALL - DRIVER - W/O WINDOWS/TRIMS
10	125771-04-J68	EA	SIDEWALL - DRIVER - W/O WINDOWS/TRIMS
10	125771-04-J69	EA	SIDEWALL - DRIVER - W/O WINDOWS/TRIMS
11	120091-02-02A	EA	TRIM - ROOF
12	125663-05-J37	EA	VALANCE/WHEEL LIP - REAR - DRIVER
13	125664-06-J37	EA	VALANCE/WHEEL LIP - FRONT - DRIVER
14	P25903-04-J65	EA	ROOF - W/O LIGHTS/VENTS - W/WIRING
15	125648-06-J37	EA	VALANCE/WHEEL LIP - FRONT - PASSENGER
16	126903-01-01A	EA	TRIM - SIDEWALL - 60.9" - BRIGHT WHITE
17	105312-01-07A	EA	INSERT - VINYL FEATURE STRIP - BRIGHT WHITE
18	126901-21-01A	EA	TRIM - SIDEWALL - 195" BRIGHT WHITE
19	125647-05-J37	EA	VALANCE/WHEEL LIP - REAR - PASSENGER
20	120092-01-02A	EA	RAIL - AWNING - BRIGHT WHITE
21	125770-04-J65	EA	SIDEWALL - PASSENGER - W/O WINDOWS/TRIMS

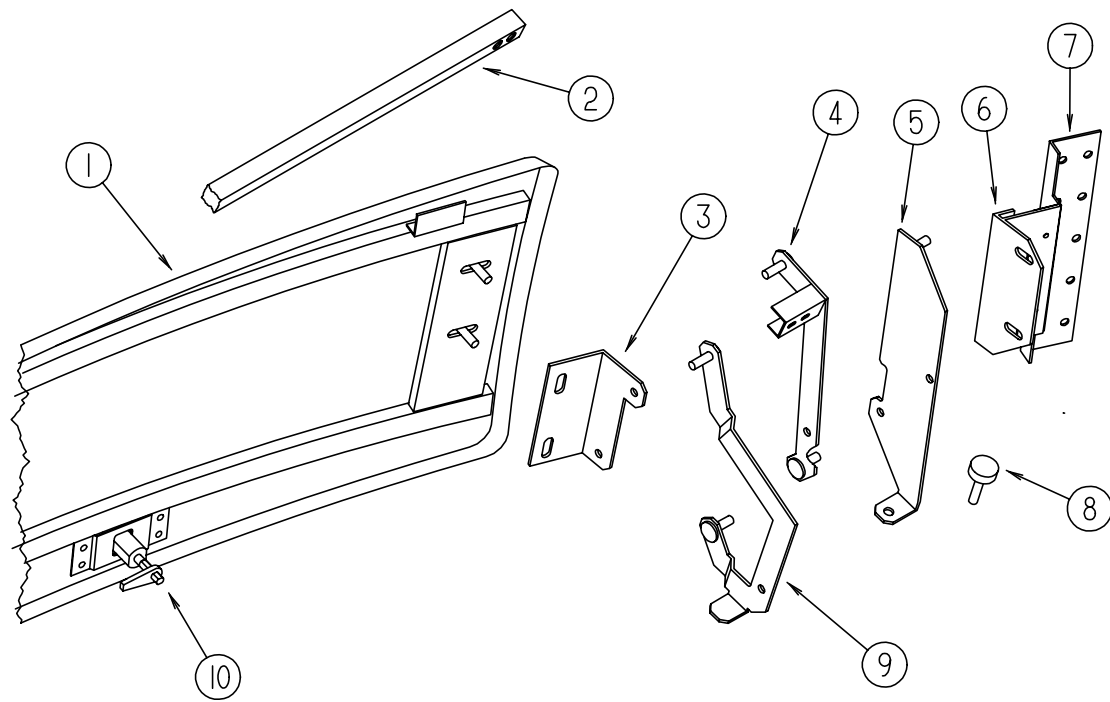
KEY	PART NUMBER	U/M	DESCRIPTION
21	125770-04-J66	EA	SIDEWALL - PASSENGER - W/O WINDOWS/TRIMS
21	125770-04-J67	EA	SIDEWALL - PASSENGER - W/O WINDOWS/TRIMS
21	125770-04-J68	EA	SIDEWALL - PASSENGER - W/O WINDOWS/TRIMS
21	125770-04-J69	EA	SIDEWALL - PASSENGER - W/O WINDOWS/TRIMS
22	127845-06-01A	EA	CAP - SIDEWALL TRIM - LEFT HAND - 2.1" - BRIGHT WHITE
	126694-55-001	EA	EXTRUSION - U-CHANNEL/HINGED - 191.7" - BRIGHT WHITE
	002726-01-001	EA	GARNISH - U-CHANNEL - 1.38" X 19" - SERRATED
	002766-01-001	EA	ANGLE - EXTRUDED - 1" X 1.5" X 17"
	117047-01-000	EA	BUMPER - RUBBER - WASHER INSERT
	120524-01-02B	EA	U-CHANNEL - E-COATED
	121117-01-12B	EA	ANGLE - W/HOLES - BRIGHT WHITE
	099069-01-000	FT	SEAL - RUBBER - CLOSED SPONGE - .5" WIDE X .12" THICK -BLK
	119568-01-01A	EA	STANDOFF - VALANCE PANEL - BLACK
	128251-01-02B	EA	SUPPORT - VALANCE - E-COATED
	107865-01-000	EA	ROD - SUPPORT - VALANCE PANEL - 14.3"
			FROM: 00-00-00 THRU: 02-17-98
	107865-21-000	EA	ROD - SUPPORT - VALANCE PANEL - 23.3"
			FROM: 00-00-00 THRU: 02-17-98
	107865-05-000	EA	ROD - SUPPORT - VALANCE PANEL - 9"
			FROM: 02-18-98 THRU: 99-99-99

EXTERIOR BODY GROUP (CONTINUED)
FRONT END COMPONENTS



KEY	PART NUMBER	U/M	DESCRIPTION
1	125304-02-J60	EA	CAP - ROOF
	118383-01-04A	EA	RETAINER - SCREW
	118383-04-04A	EA	CAP - RETAINER/SCREW
	070579-06-000	EA	PLATE - ANCHOR - W/7/16 WELD NUT - 1.5" X 3.3"
	070579-07-000	EA	PLATE - ANCHOR - W/O WELD NUT - 1.5" X 3.3"
2	128251-01-02B	EA	SUPPORT - VALANCE - E-COATED
3	122826-02-02B	EA	BRACKET - BUMPER - DRIVER - E-COATED
4	122826-01-02B	EA	BRACKET - BUMPER - PASSENGER - E-COATED
5	116617-02-02B	EA	SPACER - BUMPER
6	126933-02-02A	EA	SUPPORT - GRILLE - VERTICAL/BLACK
7	115924-22-02A	EA	WIRE MESH - F/GRILLE - FLAT BLACK
8	115924-23-02A	EA	WIRE MESH - F/GRILLE - FLAT BLACK
9	115924-24-02A	EA	WIRE MESH - F/GRILLE - FLAT BLACK
10	126845-04-J45	EA	PANEL - FRONT/LOWER - W/O NOTCH
11	127223-01-J50	EA	HOOD - FRONT
12	126844-01-01A	EA	BEZEL - HEADLAMP - DUAL/RIGHT HAND
	126844-02-01A	EA	BEZEL - HEADLAMP - DUAL/LEFT HAND
	110690-01-D18	EA	PLATE - HEADLAMP - QUAD/RIGHT HAND
	110690-02-D18	EA	PLATE - HEADLAMP - QUAD/LEFT HAND
	007157-05-000	EA	NUT - WELL
13	123680-05-01A	EA	TRIM - FIBERGLASS PANEL - BRIGHT WHITE

EXTERIOR BODY GROUP (CONTINUED)



HOOD & COMPONENTS

KEY	PART NUMBER	U/M	DESCRIPTION
1	127223-01-J50	EA	HOOD - FRONT
	106730-10-000	EA	PLATE - STUD - F/HOOD
2	105096-10-000	EA	TUBE - HOOD HINGE TIMING W/WELDNUTS - CHEVY
3	109927-07-000	EA	ANGLE - LINK - HOOD/RIGHT HAND
	109927-08-000	EA	ANGLE - LINK - HOOD/LEFT HAND
4	127174-01-02B	EA	LINK - HINGE/HOOD/UPPER/RIGHT HAND
	127174-02-02B	EA	LINK - HINGE/HOOD/UPPER/LEFT HAND
5	126867-10-02B	EA	BRACKET - LINK - HOOD HINGE - PASSENGER - E-COATED
	126867-12-02B	EA	BRACKET - LINK - HOOD HINGE - DRIVER - E-COATED
6	118595-01-03A	EA	SUPPORT - HINGE LINK - PASSENGER - BRIGHT WHITE
	118595-02-03A	EA	SUPPORT - HINGE LINK - DRIVER - BRIGHT WHITE
7	113495-06-02B	EA	SUPPORT - HINGE
			FROM: 00-00-00 THRU: 01-06-98
7	113495-07-02B	EA	SUPPORT - HINGE
			FROM: 01-07-98 THRU: 99-99-99
8	058786-01-000	EA	BOLT - ADJUSTING HOOD - W/BLACK PAD
9	127172-02-02B	EA	LINK - HINGE/HOOD/LOWER/RIGHT HAND
	127172-04-02B	EA	LINK - HINGE/HOOD/LOWER/LEFT HAND
10	102330-02-000	EA	LATCH - VISE ACTION/KEY OPERATED
	102330-04-000	EA	PAWL - LATCH - STRAIGHT - 1.96"
	102328-01-000	EA	KEY - BARREL - NICKEL PLATED
	106748-01-000	EA	LATCH - HOOD - FRONT END
	099418-01-000	FT	SEAL - D-SECTION/ADHESIVE BACK - .44" X .44"- BLK RUBBER

EXTERIOR BODY GROUP (CONTINUED)

MISCELLANEOUS FRONT END COMPONENTS

KEY	PART NUMBER	U/M	DESCRIPTION
	078249-16-000	EA	TUBE-SWEPT,FRAME,CAB
	104797-03-000	EA	BRACKET-DEFROSTER
	104797-04-000	EA	BRACKET-DEFROSTER
	104797-05-000	EA	BRACKET-DEFROSTER
	117273-01-01A	EA	TUBE - SUPPORT - A-PILLAR
	117287-01-01B	EA	BRACKET - MOUNT - CABLE
	118592-01-01B	EA	SHIELD-SPLASH,RH,MILL
	120363-01-01B	EA	BRACKET - WINDSHIELD
	121269-05-01B	EA	FRAME - WINDSHIELD - A-PILLAR - MILL
	121269-06-01B	EA	FRAME - WINDSHIELD - A-PILLAR - MILL
	124763-51-01B	EA	HEADER ASM-W/TV,MILL
	121267-01-01B	EA	SUPPORT-WINDSHIELD,LOWER,MLL
	121268-01-01B	EA	SUPPORT-WINDSHIELD,UPPER,MLL
	125836-02-01B	EA	ZEE-WIPER MOTOR,MILL
	125837-02-01B	EA	BRACE-WIPER MOTOR,MILL
	127461-02-01B	EA	PLATE - ANCHOR - SEAT BELT
	127874-01-01B	EA	TUBE-B PILLAR,MILL
	120840-06-01B	EA	STRAP-W/HOLES,MILL
	110782-01-000	EA	ANGLE - SUPPORT - HEADLAMP
	125846-01-J60	EA	SUPPORT ASM-WIPER
	121962-02-02B	EA	SHIELD/SPLASH - HEADLIGHT - E-COATED
	076364-57-000	EA	ANGLE - FORMED
	097123-01-000	EA	MOUNT-AIR INTAKE,FORD
	099102-01-000	EA	BRACKET-LINKAGE,THROTTLE
	104147-14-000	EA	SHIELD/SPLASH - HEADLIGHT

FIBERGLASS, STYROFOAM & INSULATION

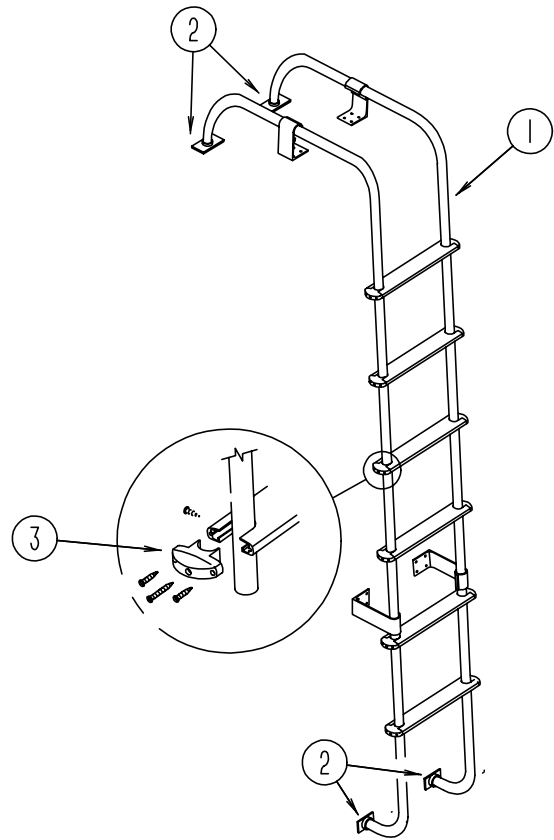
KEY	PART NUMBER	U/M	DESCRIPTION
	076054-U4-000	EA	FIBERGLASS SHEET - 101" X 104" - BRIGHT WHITE
			FROM: 00-00-00 THRU: 02-03-98
	076054-U8-000	EA	FIBERGLASS SHEET - 100" X 105" - BRIGHT WHITE
			FROM: 02-04-98 THRU: 99-99-99
	076054-W3-000	EA	FIBERGLASS SHEET - 79" X 361.3" - BRIGHT WHITE
	076054-W6-000	EA	FIBERGLASS SHEET - 79" X 367" - BRIGHT WHITE
	077517-62-000	EA	FIBERGLASS - SHEET/SIDEWALL - 48" X 96" - BRIGHT WHITE
	108535-05-702	EA	FRP FLAT 108" X 396" BRT WHT (ROOF COVERING)
	000870-08-000	SF	STYROFOAM - 3/4" X 48" X 96" PLANED EXPANDED BEAD BOARD
	100619-01-000	BF	FOAM - EXPANDED POLYSTYRENE - 1.34" X 48" X 96"
	100619-02-000	BF	FOAM - EXPANDED POLYSTYRENE - 1.5" X 48" X 96"
	100619-04-000	BF	FOAM - EXPANDED POLYSTYRENE - .5" X 48" X 96"
	100619-05-000	BF	FOAM - EXPANDED POLYSTYRENE - .75" X 48" X 96"
	100619-10-000	BF	FOAM - EXPANDED POLYSTYRENE - 1.5" X 48" X 96"
	100619-11-000	BF	FOAM - EXPANDED POLYSTYRENE - 2" X 48" X 96"
	100619-13-000	BF	FOAM - EXPANDED POLYSTYRENE - .34" X 34.65" X 96"
	100619-16-000	BF	FOAM - EXPANDED POLYSTYRENE - .75" X 48" X 96"
	105077-08-000	EA	FOAM - PLUG - ROOF CAP
	120107-01-000	EA	FOAM - COVE - ROOF - 2.8" X 96" LONG
	120107-02-000	EA	FOAM - PLUG - ROOF TUBE - 2.2" X 2.9" X 1.8" LONG
	120107-03-000	EA	FOAM - PLUG - SIDEWALL TUBE - 1.2" X 2.1" X 1.8" LONG

A & E AWNING & HARDWARE

KEY	PART NUMBER	U/M	DESCRIPTION
	113874-06-06A	EA	AWNING - W/O HARDWARE - 16' (POLAR MAUVE) VINYL
*	113874-01-02A	EA	HARDWARE KIT - AWNING - W/O STANDOFF BRACKET - BRIGHT WHITE
	119496-01-02A	EA	SPACER/ZEE - AWNING
			FROM: 00-00-00 THRU: 04-12-98
	111037-01-01A	EA	SPACER - AWNING - UPPER - BLACK
			FROM: 00-00-00 THRU: 04-12-98
	130320-01-02A	EA	BRACKET - AWNING - F/A&E INSTALLATION - BRIGHT WHITE
			FROM: 04-13-98 THRU: 99-99-99

*COMPONENT PARTS FOUND IN SERVICE PARTS LIBRARY

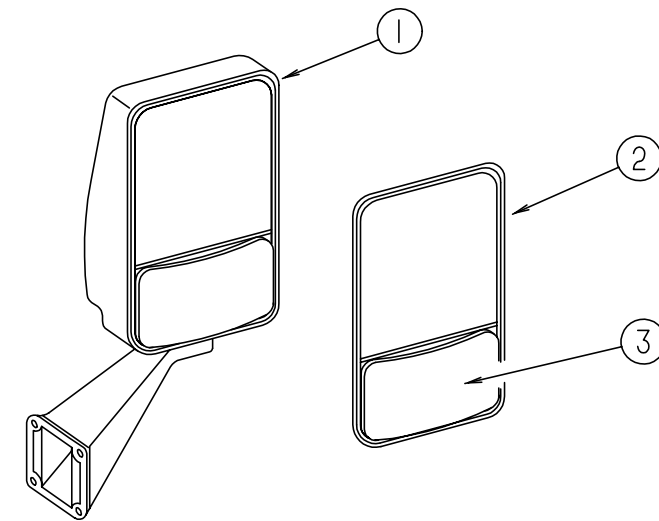
EXTERIOR BODY GROUP (CONTINUED)



LADDER

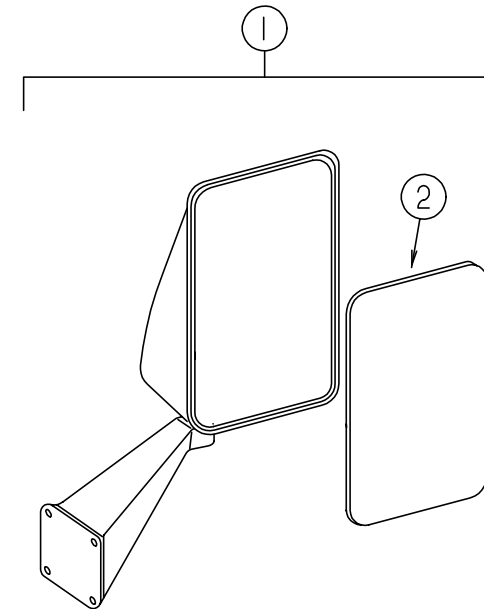
KEY	PART NUMBER	U/M DESCRIPTION	
1	102953-11-F31	EA LADDER	
			FROM: 00-00-00 THRU: 05-17-98
1	129639-02-01A	EA LADDER - BRUSHED ALUMINUM	FROM: 05-18-98 THRU: 99-99-99
2	067165-01-000	EA BRACKET - MOUNTING - LOWER LADDER	
3	076980-02-000	EA END CAP - STEP - BLACK	
	038327-04-000	EA TAPE - ANTI SLIP - 12" X 60'	
	129375-01-000	EA SEAL/FOAM - LADDER BRACKET	FROM: 05-18-98 THRU: 99-99-99

EXTERIOR BODY GROUP (CONTINUED)



VELVAC HEATED EXTERIOR MIRRORS

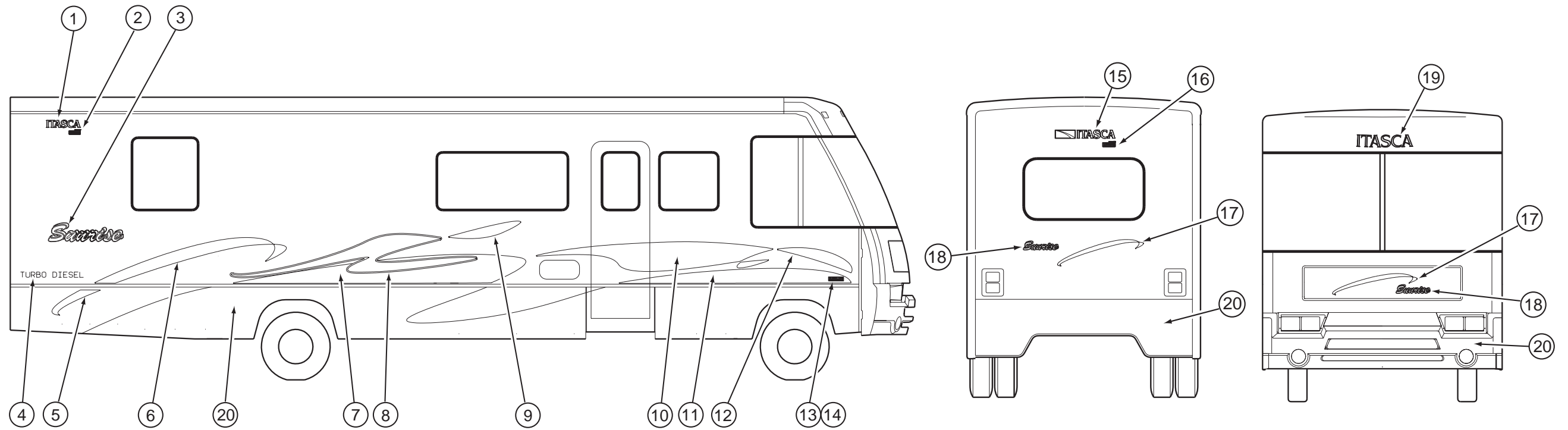
KEY	PART NUMBER	U/M DESCRIPTION	VENDOR NO.
1	106015-12-01A	EA MIRROR - EXTERIOR REMOTE/HEAT - PASSENGER	
1	106015-13-01A	EA MIRROR - EXTERIOR REMOTE/HEAT - DRIVER	
2	106015-12-700	EA MIRROR-FLAT - W/W/O HEAT	709448
3	106015-12-701	EA MIRROR-CONVEX - W/W/O HEAT	709449
	106015-12-702	EA SCREW CAP - (BAG OF 4)	748329
	087695-02-000	EA SWITCH - HEATER - EXTERIOR MIRROR	
	088246-01-000	EA SWITCH - REMOTE - EXTERIOR - SQUARE PUSH	
	087695-03-000	EA CONNECTOR - ASSEMBLY	



VELVAC EXTERIOR MIRRORS

KEY	PART NUMBER	U/M DESCRIPTION	VENDOR NO.
1	123297-01-01A	EA MIRROR - EXTERIOR - ADJUSTABLE GLASS - DRIVER	
1	123297-02-01A	EA MIRROR - EXTERIOR - ADJUSTABLE GLASS - PASSENGER	
2	106860-02-702	EA GLASS ONLY FLAT RH/LH STAR	702086-8

EXTERIOR BODY GROUP (CONTINUED)
DECALS, FILM STRIPES & PAINT

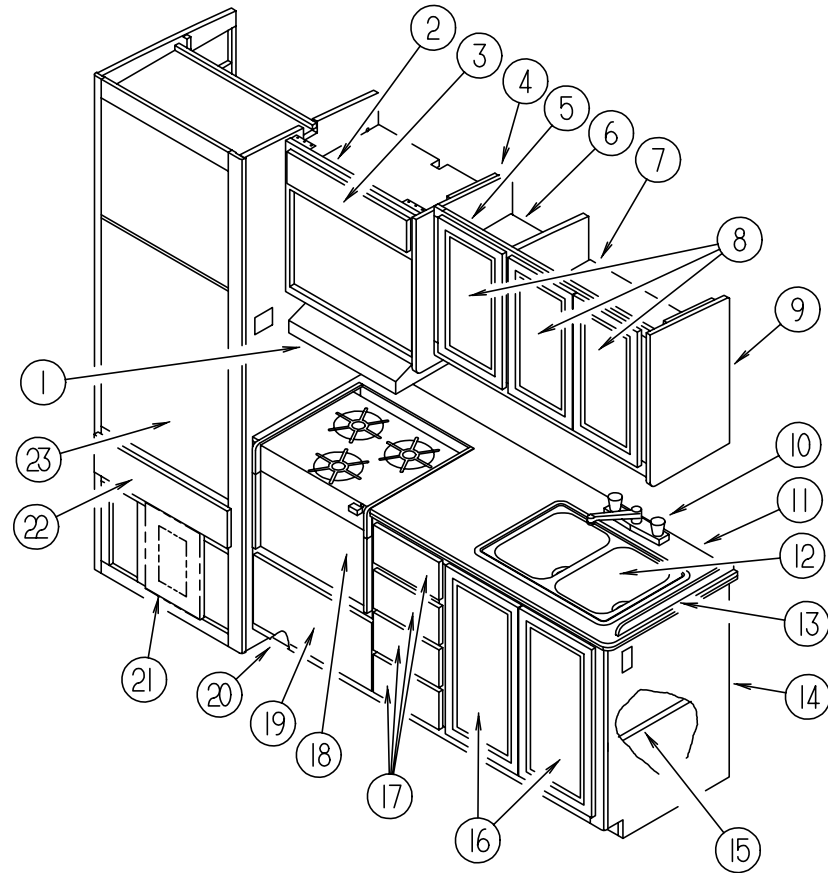


KEY	PART NUMBER	U/M	DESCRIPTION
1	124811-01-06A	EA	DECAL - LOGO - ITASCA
2	122770-01-10A	EA	DECAL - "BUILT PROUDLY BY WINNEBAGO INDUSTRIES"
3	121425-01-03A	EA	DECAL - LOGO - SUNRISE/LARGE
4	111318-03-16A	EA	DECAL - TURBO DIESEL
5	128041-01-01A	EA	DECAL - SWIRL - #1/LOWER/RIGHT HAND
	128041-02-01A	EA	DECAL - SWIRL - #1/LOWER/LEFT HAND
6	128040-01-01A	EA	DECAL - SWIRL - #1 UPPER/RIGHT HAND
	128040-02-01A	EA	DECAL - SWIRL - #1/UPPER/LEFT HAND
7	128047-01-01A	EA	DECAL - PAINT HUMPS - REAR/PASSENGER
	128047-02-01A	EA	DECAL - PAINT HUMPS - REAR/DRIVERS
8	128042-01-01A	EA	DECAL - SWIRL - #2/RIGHT HAND
	128042-02-01A	EA	DECAL - SWIRL - #2/LEFT HAND
9	128043-01-01A	EA	DECAL - TIP - #2/RIGHT HAND
	128043-02-01A	EA	DECAL - TIP - #2/LEFT HAND
10	128044-01-01A	EA	DECAL - SWIRL - #3/RIGHT HAND
	128044-02-01A	EA	DECAL - SWIRL - #3/LEFT HAND
11	128046-01-01A	EA	DECAL - PAINT HUMPS - FRONT/RIGHT HAND
	128046-02-01A	EA	DECAL - PAINT HUMPS - FRONT/LEFT HAND
12	128045-01-01A	EA	DECAL - TIP - #3/RIGHT HAND
	128045-02-01A	EA	DECAL - TIP - #3/LEFT HAND
13	129922-01-01A	EA	EMBLEM - TRITON V10
14	122312-02-01A	EA	DECAL - VORTEC 7400 FUEL INJECTED
15	124806-01-05A	EA	DECAL - LOGO - ITASCA
16	122770-02-12A	EA	DECAL - "BUILT PROUDLY BY WINNEBAGO INDUSTRIES"
17	128048-01-01A	EA	DECAL - SWIRL - HOOD
18	121425-02-03A	EA	DECAL - LOGO - SUNRISE/SMALL
19	124989-01-04A	EA	DECAL - LOGO - ITASCA/SWEEP #15
20	N/A		PAINT - SILVER METALLIC
	004308-01-000	EA	PAINT - BLACK SPRAY
	041561-03-000	EA	PAINT - 16 OUNCE SPRAY - OFF WHITE

DUPONT COLOR CODES

BRIGHT WHITE (MAIN BODY COLOR)	B8951
SILVER METALLIC (LOWER ACCENT COLOR)	F2573U
LAVENDAR FROST METALLIC (DECAL COLOR)	F2984
AZTEC SILVER METALLIC (DECAL COLOR)	F2573

GALLEY GROUP
GALLEY CABINETRY



KEY	PART NUMBER	U/M DESCRIPTION
1*	100258-16-04A	EA HOOD - RANGE - W/O MONITOR PANEL-W/O HOUR METER/SWITCH-US
1*	100258-17-04A	EA HOOD - RANGE - W/O MONITOR PANEL-W/O HOUR METER/SWITCH-CSA
1*	100258-18-03A	EA HOOD - RANGE - W/O MONITOR PANEL-W/HOUR METER/SWITCH - US
2	121328-05-H47	EA CABINET - MICROWAVE/OVERHEAD - W/O DOORS/HARDWARE FROM: 00-00-00 THRU: 10-05-97
2	128620-04-J15	EA CABINET - MICROWAVE - W/O DOORS/HARDWARE FROM: 10-06-97 THRU: 99-99-99
3	M05992-J9-H47	EA DOOR - STRAIGHT CORNER/OGEE EDGE - 5.1" X 22.4" - W/O HDW FROM: 00-00-00 THRU: 10-05-97
3	M05992-G3-J15	EA DOOR - STRAIGHT CORNER/OGEE EDGE - 6.3" X 23.2" - W/O HDW FROM: 10-06-97 THRU: 99-99-99
4	081320-16-G09	EA END CAP - OVERHEAD CABINET
5	P18158-02-G15	EA CABINET - OVERHEAD/GALLEY - W/O DOORS/HARDWARE
6	118158-11-J37	EA SHELF - W/PLASTIC EDGE TRIM
7	118158-12-J37	EA SHELF - W/PLASTIC EDGE TRIM
8	M08758-14-J05	EA DOOR - MITERED CORNER/OGEE EDGE - 12" X 21.8" - W/O HDW (RAISED MEDIUM DENSITY FIBERBOARD INSERT)
8	M05992-14-J37	EA DOOR - STRAIGHT CORNER/OGEE EDGE - 12" X 21.8" - W/O HDW (GENERAL TRAILER OPTION)
9	081319-17-G35	EA END CAP - OVERHEAD CABINET
10	104114-02-01A	EA FAUCET - GALLEY - SINGLE CONTROL
11	127582-14-J37	EA COUNTERTOP - GALLEY CABINET (J65)
11	127582-14-J38	EA COUNTERTOP - GALLEY CABINET (J66,J69)
11	127582-14-J97	EA COUNTERTOP - GALLEY CABINET (J67)
11	127582-14-J98	EA COUNTERTOP - GALLEY CABINET (J68)
12	104113-01-000	EA SINK - DOUBLE - STAINLESS STEEL
	092303-01-000	EA STRAINER - SINK
	103610-03-J37	EA COVER - SINK - 15.2" X 11" (J65)
	103610-03-H07	EA COVER - SINK - 15.2" X 11" (J66,J69)
	103610-03-H04	EA COVER - SINK - 15.2" X 11" (J67)
	103610-03-H24	EA COVER - SINK - 15.2" X 11" (J68)
13	098335-07-J24	EA RAIL - GALLEY - 22.2" (J65)
13	098335-07-G07	EA RAIL - GALLEY - 22.2" (J66,J69)
13	098335-07-G24	EA RAIL - GALLEY - 22.2" (J67)
13	098335-07-G04	EA RAIL - GALLEY - 22.2" (J68)
14	127582-01-J37	EA CABINET - GALLEY - W/COUNTERTOP - W/O DOORS/DRAWERS/HDW (J65)
14	127582-01-J38	EA CABINET - GALLEY - W/COUNTERTOP - W/O DOORS/DRAWERS/HDW (J66,J69)
14	127582-01-J97	EA CABINET - GALLEY - W/COUNTERTOP - W/O DOORS/DRAWERS/HDW (J67)
14	127582-01-J98	EA CABINET - GALLEY - W/COUNTERTOP - W/O DOORS/DRAWERS/HDW (J68)
15	127582-11-J37	EA SHELF - W/PLASTIC EDGE TRIM
16	M08758-87-J37	EA DOOR - MITERED CORNER/OGEE EDGE - 13.6" X 27" - W/O HDW (FLAT MEDIUM DENSITY FIBERBOARD INSERT)
16	M05992-E6-J37	EA DOOR - STRAIGHT CORNER/OGEE EDGE - 13.6" X 27" - W/O HDW (GENERAL TRAILER OPTION)
17	M05971-11-J15	EA DRAWER - OGEE EDGE - 9.9"W X 17.7"D - W/O SLIDES/HARDWARE
18*	112881-02-03A	EA RANGE-16" 3 BURNER-FRONT HI-OUTPUT BURNER - BLK TOP/DOOR
	105458-03-000	EA BRACKET - STOVE TIEDOWN - RIGHT HAND
	105458-04-000	EA BRACKET - STOVE TIEDOWN - LEFT HAND
19	M05971-GX-J37	EA DRAWER - OGEE EDGE - 19.7"W X 11.8"D - W/O SLIDES/HARDWARE
20	118200-01-01A	SF MESH - PLASTIC - 1/2 INCH
21	M08758-E2-J37	EA DOOR - MITERED CORNER/OGEE EDGE - 13.8" X 23.2" - W/O HDW (FLAT MEDIUM DENSITY FIBERBOARD INSERT)
21	M05992-AL-J37	EA DOOR - STRAIGHT CORNER/OGEE EDGE - 13.8" X 23.2" - W/O HDW (GENERAL TRAILER OPTION)
22	M05971-GY-J37	EA DRAWER - OGEE EDGE - 23"W X 11.8"D - W/O SLIDES/HARDWARE
23*	121568-02-01A	EA REFRIGERATOR - SMALL DOUBLE DOOR - 2-WAY
	116751-02-01A	EA TRAY - REFRIGERATOR - BLACK
	054450-01-000	EA LEVEL - REFRIGERATOR
	065225-02-000	EA PLATE - TIEDOWN - REFRIGERATOR
	093646-01-000	EA BRACKET - TIEDOWN/REFRIGERATOR - RIGHT HAND
	093646-02-000	EA BRACKET - TIEDOWN/REFRIGERATOR - LEFT HAND
	090329-01-000	FT SEAL/T - REFRIGERATOR CABINET

*COMPONENT PARTS FOUND IN SERVICE PARTS LIBRARY

GALLEY GROUP (CONTINUED)
MICROWAVE OVEN & TRIMS, BRACKETS, AND BRACES

KEY	PART NUMBER	U/M DESCRIPTION	VENDOR NO.
	115303-02-000	EA OVEN - MICROWAVE - 1.3 CU FT	
			FROM: 00-00-00 THRU: 10-05-97
	115401-02-01A	EA TRIM - MICROWAVE	
			FROM: 00-00-00 THRU: 10-05-97
	094750-07-000	EA BRACKET - MICROWAVE - 89 DEGREE	
			FROM: 00-00-00 THRU: 10-05-97
	098916-16-02B	EA BRACE - MICROWAVE - LEFT HAND	
			FROM: 00-00-00 THRU: 10-05-97
	098916-17-02B	EA BRACE - MICROWAVE - RIGHT HAND	
			FROM: 00-00-00 THRU: 10-05-97
	128527-02-000	EA OVEN - MICROWAVE - 1.2 CU FT - NON CONVECTION	
			FROM: 10-06-97 THRU: 99-99-99
	128527-02-700	EA TRIM RING-F/1.2 CU.FT. MICRO	MC-6471-EA
			FROM: 10-06-97 THRU: 99-99-99
	128642-02-000	EA TRIM KIT W/VENT - MICROWAVE - 1.2 CU FT SAMSUNG	
			FROM: 10-06-97 THRU: 99-99-99
	094750-10-000	EA BRACKET - MICROWAVE - 89 DEGREE	
			FROM: 10-06-97 THRU: 99-99-99
	098916-22-02B	EA BRACE - MICROWAVE CABINET - LEFT HAND	
			FROM: 10-06-97 THRU: 99-99-99
	098916-23-02B	EA BRACE - MICROWAVE CABINET - RIGHT HAND	
			FROM: 10-06-97 THRU: 99-99-99

COFFEE MAKER

KEY	PART NUMBER	U/M DESCRIPTION	VENDOR NO.
	126019-01-01A	EA COFFEEMAKER - OPTIMA - W/BRACKETS - BLACK & DECKER	
	126019-01-700	EA GLASS CARAFE	172547-00
	126019-01-701	EA RESERVOIR- WATER	172554
	126019-01-702	EA BASKET - FILTER	172553-00
	126019-01-703	EA HARDWARE - MOUNTING	172174-00

LVS MONITOR PANEL

KEY	PART NUMBER	U/M DESCRIPTION
*	102765-04-01A	EA PANEL - MONITOR - 2 HOLDING TANKS - ADJUSTABLE

***COMPONENT PARTS FOUND IN SERVICE PARTS LIBRARY**

GENERATOR GROUP
4,000 WATT ONAN EMERALD PLUS

KEY	PART NUMBER	U/M DESCRIPTION
	100974-01-000	EA GENERATOR - 4 KW EMERALD PLUS - ONAN BGE-FA26100G WITH ONAN GENERATOR TRAY #403-2218 - IF INSTALLING BELOW FLOOR ORDER ONAN TRAY #403-2727
	007067-01-000	SF INSULATION - FIBERGLASS - 1" THICK X 4' - INCREMENTS/4 SF
	007125-03-000	EA CLAMP - MUFFLER - 1.5" DIAMETER
	007125-04-000	EA CLAMP - MUFFLER - 1.12" DIAMETER
	079654-05-000	EA PIPE - EXHAUST - ANGLED W/FLANGE - 2" ID
	082272-01-000	EA MUFFLER - GENERATOR
	094059-01-000	EA SPACER - GENERATOR - ONAN
	105958-03-000	EA PIPE - GENERATOR EXHAUST 1.5" OD X 4.4" X 15.7"

5,000 WATT ONAN EMERALD PLUS

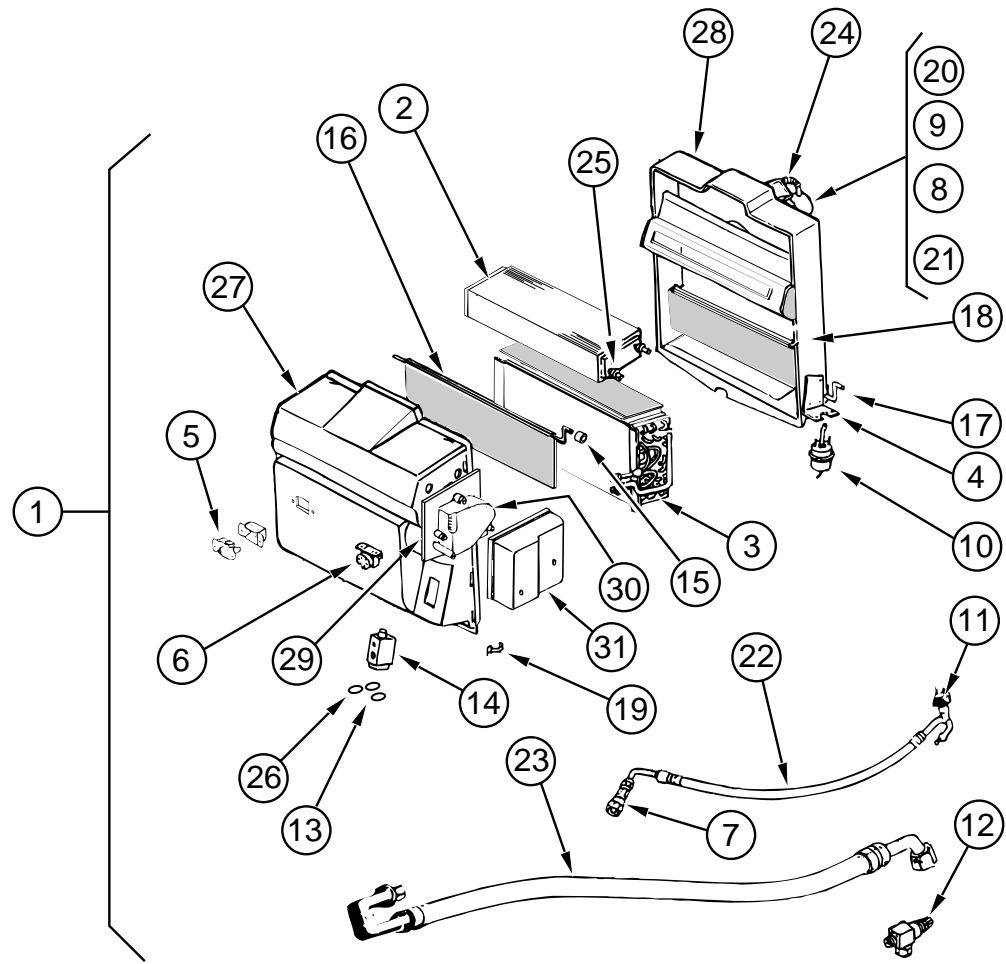
KEY	PART NUMBER	U/M DESCRIPTION
	109303-01-000	EA GENERATOR - 5 KW - EMERALD PLUS WITH ONAN TRAY #403-2727
	007125-03-000	EA CLAMP - MUFFLER - 1.5" DIAMETER
	007125-04-000	EA CLAMP - MUFFLER - 1.12" DIAMETER
	007131-01-000	EA HANGER - TAILPIPE - 6 SLOTS
	079654-05-000	EA PIPE - EXHAUST - ANGLED W/FLANGE - 2" ID
	081364-03-000	EA MUFFLER - GENERATOR - ONAN
	094059-01-000	EA SPACER - GENERATOR - ONAN
	106602-01-000	EA PIPE - EXHAUST - GENERATOR
	106607-01-000	EA ANGLE - SUPPORT - EXHAUST

6,500 WATT ONAN EMERALD PLUS

KEY	PART NUMBER	U/M DESCRIPTION
	100975-01-000	EA GENERATOR - 6.5 KW EMERALD PLUS WITH ONAN TRAY #403-2218
	007067-01-000	SF INSULATION - FIBERGLASS - 1" THICK X 4'-INCREMENTS 4 SF
	007125-03-000	EA CLAMP - MUFFLER - 1.5" DIAMETER
	007125-04-000	EA CLAMP - MUFFLER - 1.12" DIAMETER
	007131-01-000	EA HANGER - TAILPIPE - 6 SLOTS
	079654-05-000	EA PIPE - EXHAUST - ANGLED W/FLANGE - 2" ID
	081364-03-000	EA MUFFLER - GENERATOR - ONAN
	094059-01-000	EA SPACER - GENERATOR - ONAN
	106602-01-000	EA PIPE - EXHAUST - GENERATOR
	106607-01-000	EA ANGLE - SUPPORT - EXHAUST

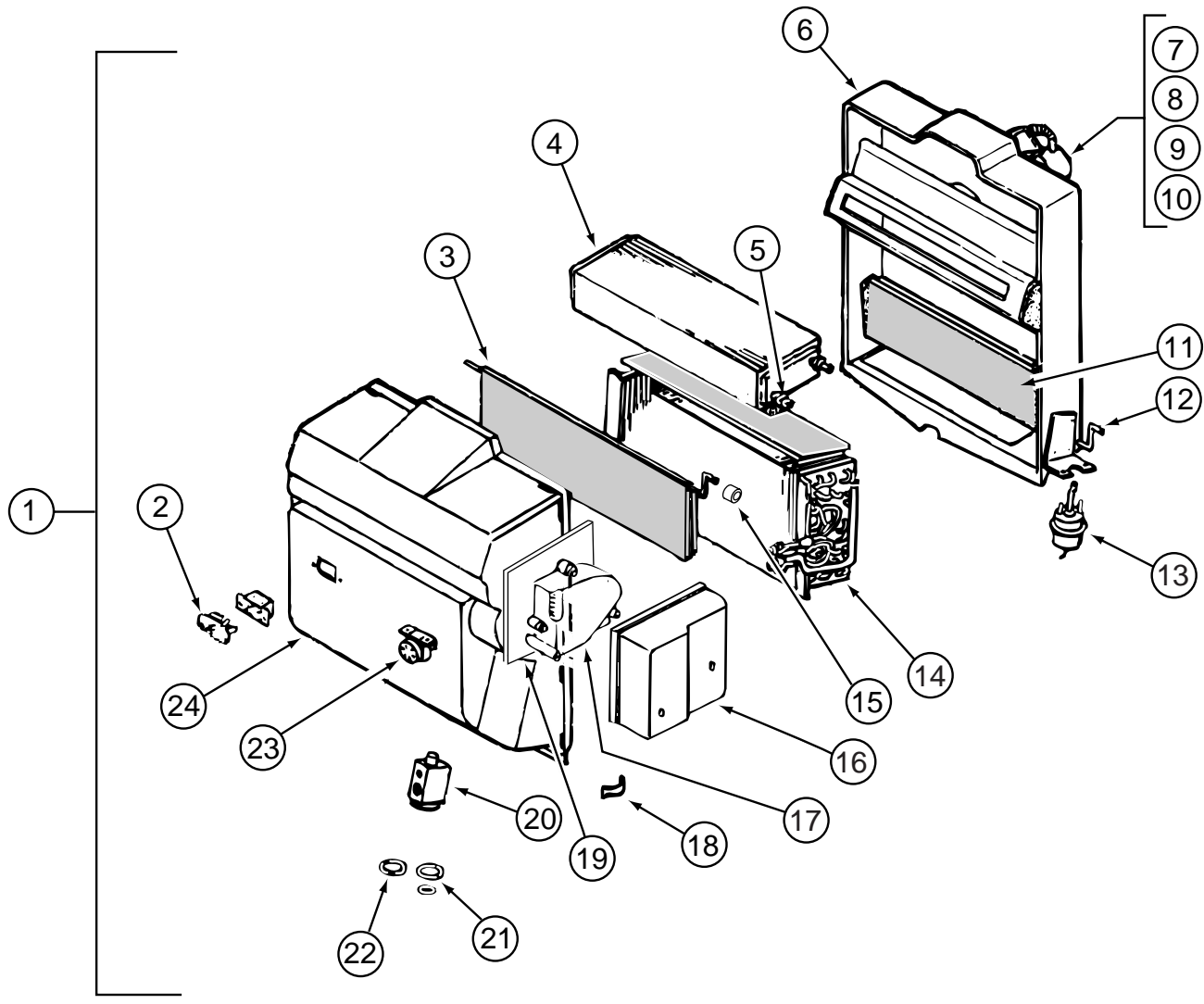
NOTE: ADDITIONAL GENERATOR COMPONENTS ARE FOUND IN THE CHASSIS GROUP

HEATING & AIR CONDITIONING GROUP
SCS EVAPORATOR/HEATER ASSEMBLY - FORD 1997 CHASSIS



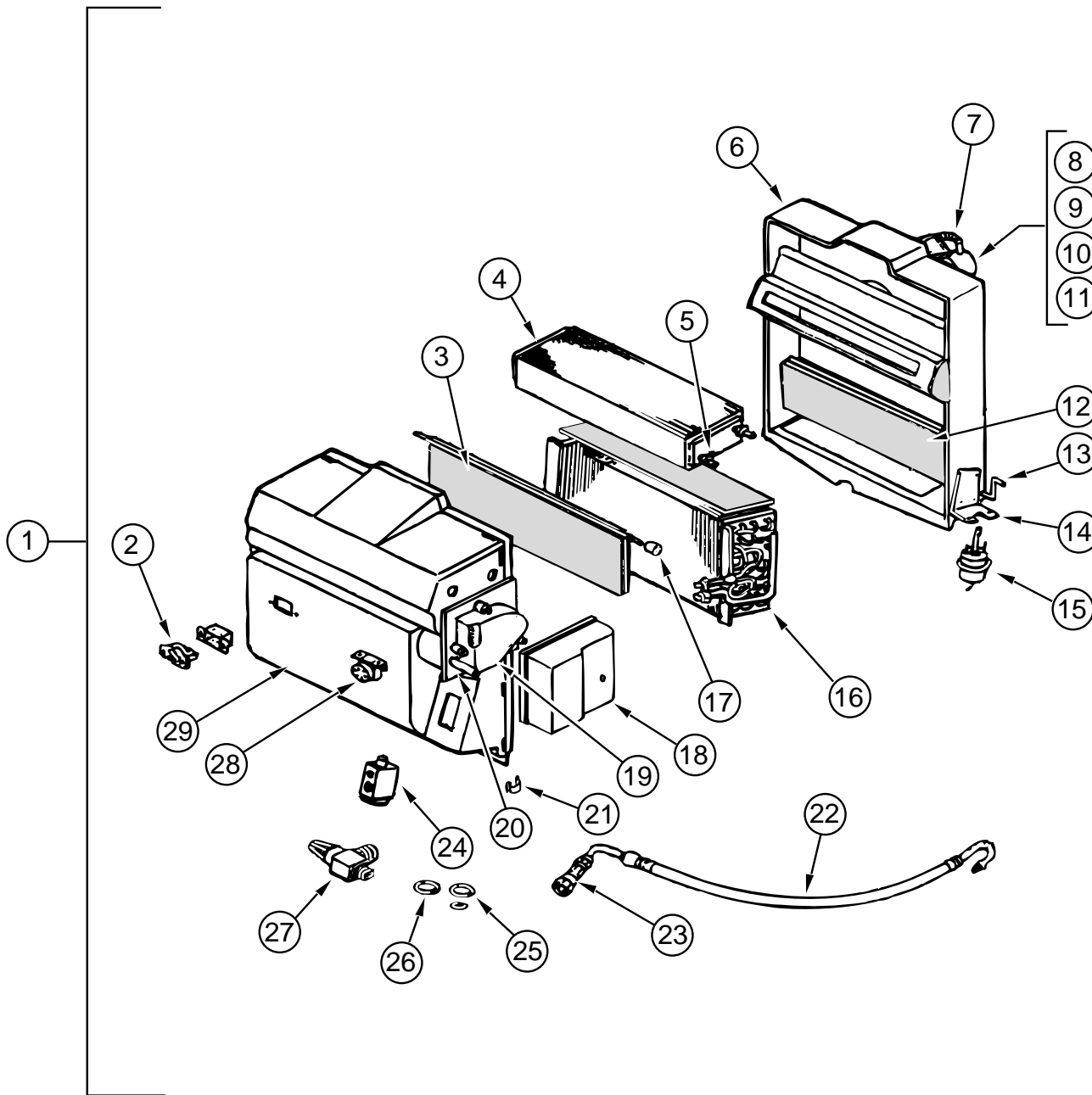
KEY	PART NUMBER	U/M DESCRIPTION	VENDOR NO.
1	103930-31-000	EA EVAPORATOR/HEATER - FORD - SERVO MOTOR CONTROLLED	
2	103930-01-703	EA CORE-HEATER	042-0010
3	103930-01-704	EA COIL-EVAPORATOR	041-0017
4	103930-01-708	EA BRACKET-VACUUM MOTOR	070-0113
5	103930-01-710	EA RESISTOR-FUSED, A/C	035-0006
6	103930-01-711	EA THERMOSTAT	033-0003
7	103930-01-713	EA FITTING-QUICK CONNECT, #4	050-0030
8	103930-01-717	EA WHEEL-BLOWER, CLOCKWISE	062-0010
9	103930-30-706	EA MOTOR-BLOWER PM147 W/ADAPTER	030-0109
10	103930-02-708	EA MOTOR-VACUUM SERVO, A/C	030-0025
11	103930-12-708	EA SWITCH-BINARY-HI/LOW CUTOUT	032-0048
12	103930-13-702	EA VALVE-SERVICE, W/O COMP.	050-0152
13	103930-17-702	EA O'RING #10	045-0127
14	103930-20-700	EA VALVE-EXPANSION-BLOCK, 2 TON	034-0032
15	103930-30-702	EA BUSHING - BLEND AIR DOOR	062-0168
16	103930-30-705	EA DOOR - BLEND AIR	071-0568
17	103930-20-704	EA ROD-DOOR-RECIRCULATING	073-0018
18	103930-20-705	EA PANEL-DOOR, RECIRCULATING	071-0213
19	103930-20-706	EA CLIP-RETAINER - CASE ATTACH	022-0057
20	103930-20-707	EA HOUSING-BLOWER	062-0145
21	103930-20-708	EA CLIP-MOTOR SHAFT	022-0001
22	103930-21-700	EA HOSE ASM #6 EVAPORATOR/DRIER	085-0139
23	103930-21-701	EA HOSE ASM #10 EVAPORATOR/COMP	085-0149
24	110279-01-703	EA HOSE-VENT F/BLOWER MOTOR	051-0034
25	110279-01-712	EA FITTING-HEATER	050-0076
26	113245-01-707	EA O'RING #8	045-0126
27	103930-30-700	EA CASE - FRONT	062-0542
28	103930-20-711	EA CASE-BACK, SUB-ASSEMBLY	062-0147
29	103930-30-701	EA PLATE - MOTOR MOUNT	062-0544
30	103930-30-703	EA MOTOR - SERVO	030-0104
31	103930-30-704	EA COVER - SERVO	062-0545

HEATING & AIR CONDITIONING GROUP (CONTINUED)
SCS EVAPORATOR/HEATER ASSEMBLY - FORD 1999 CHASSIS



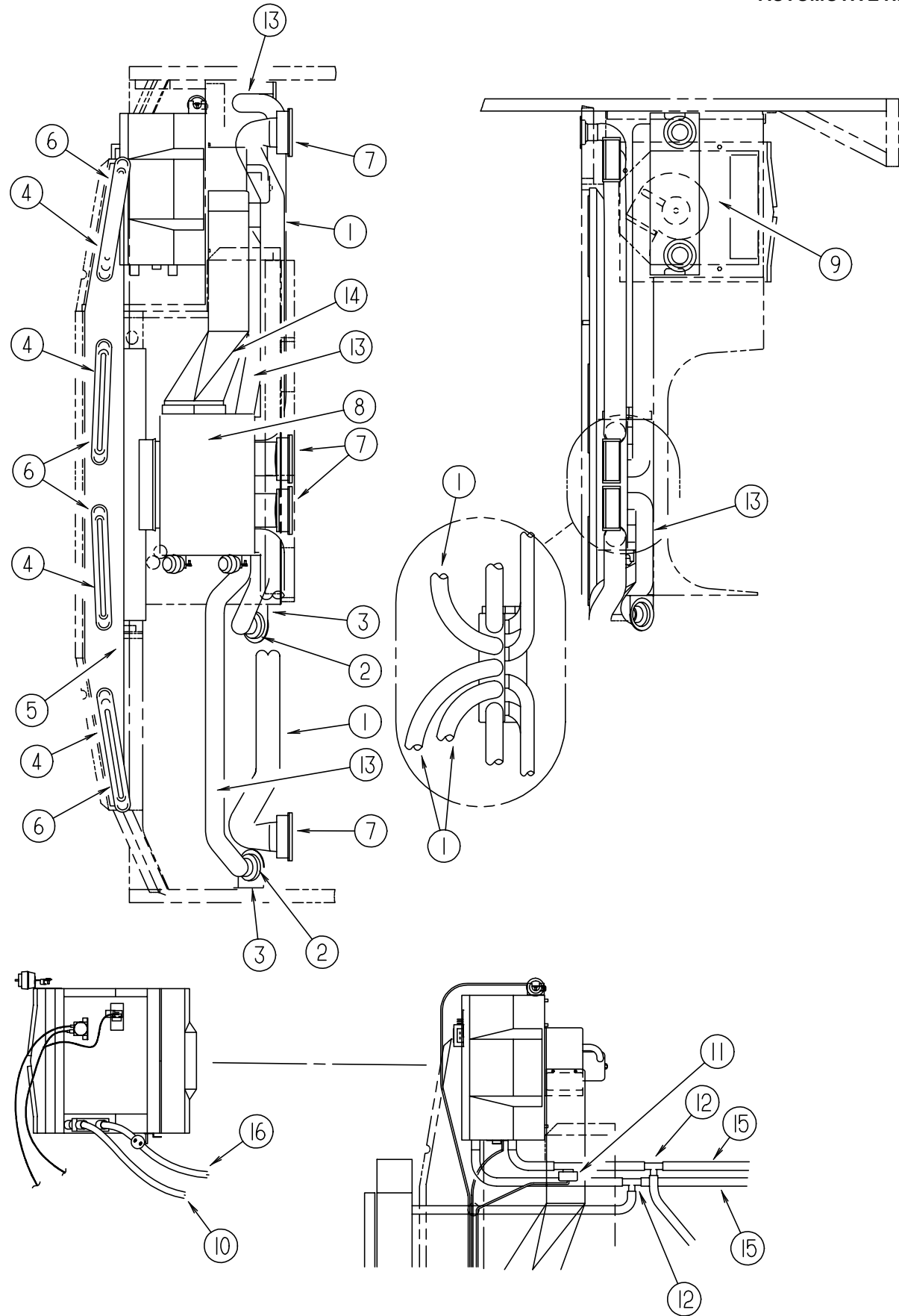
KEY	PART NUMBER	U/M	DESCRIPTION	VENDOR NO.
1	103930-43-000	EA	EVAPORATOR/HEATER ASSEMBLY - NON-CHARGED	
2	103930-01-710	EA	RESISTOR-FUSED, A/C	035-0006
3	103930-43-700	EA	DOOR - AIR BLEND	071-0568
4	103930-01-703	EA	CORE-HEATER	042-0010
5	110279-01-712	EA	FITTING-HEATER	050-0076
6	103930-20-711	EA	CASE-BACK, SUB-ASSEMBLY	062-0147
7	103930-20-707	EA	HOUSING-BLOWER	062-0145
8	103930-30-706	EA	MOTOR-BLOWER PM147 W/ADAPTER	030-0109
9	103930-01-717	EA	WHEEL-BLOWER, CLOCKWISE	062-0010
10	103930-20-708	EA	CLIP-MOTOR SHAFT	022-0001
11	103930-20-705	EA	PANEL-DOOR, RECIRCULATING	071-0213
12	103930-20-704	EA	ROD-DOOR-RECIRCULATING	073-0018
13	103930-02-708	EA	MOTOR-VACUUM SERVO, A/C	030-0025
14	103930-01-704	EA	COIL-EVAPORATOR	041-0017
15	103930-30-702	EA	BUSHING - BLEND AIR DOOR	062-0168
16	103930-30-704	EA	COVER - SERVO	062-0545
17	103930-30-703	EA	MOTOR - SERVO	030-0104
18	103930-20-706	EA	CLIP-RETAINER - CASE ATTACH	022-0057
19	103930-30-701	EA	PLATE - MOTOR MOUNT	062-0544
20	103930-20-700	EA	VALVE-EXPANSION-BLOCK, 2 TON	034-0032
21	103930-17-702	EA	O'RING #10	045-0127
22	103930-01-707	EA	GASKET-O'RING, #8	045-0012
23	103930-01-711	EA	THERMOSTAT	033-0003
24	103930-30-700	EA	CASE - FRONT	062-0542
	103930-02-714	EA	CLAMP-CLUTCH, BARREL	022-0006
	103930-30-707	EA	DIVIDER ASM.	086-0061

HEATING & AIR CONDITIONING GROUP (CONTINUED)
SCS EVAPORATOR/HEATER ASSEMBLY - CHEVY CHASSIS



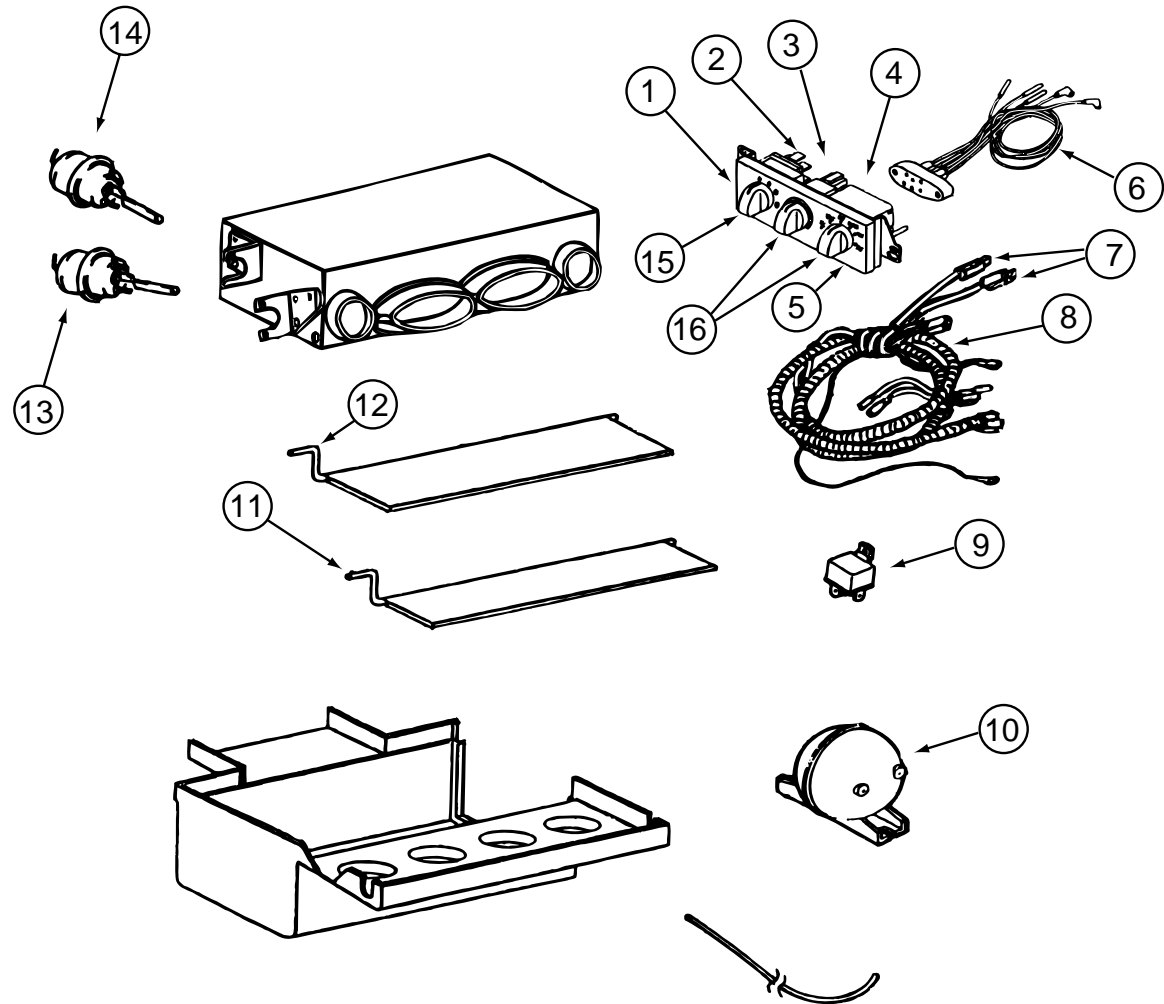
KEY	PART NUMBER	U/M	DESCRIPTION	VENDOR NO.
1	103930-30-000	EA	EVAPORATOR/HEATER - CHEVY - SERVO MOTOR CONTROLLED	
2	103930-01-710	EA	RESISTOR-FUSED, A/C	035-0006
3	103930-30-705	EA	DOOR - BLEND AIR	071-0568
4	103930-01-703	EA	CORE-HEATER	042-0010
5	110279-01-712	EA	FITTING-HEATER	050-0076
6	103930-20-711	EA	CASE-BACK, SUB-ASSEMBLY	062-0147
7	110279-01-703	EA	HOSE-VENT F/BLOWER MOTOR	051-0034
8	103930-20-707	EA	HOUSING-BLOWER	062-0145
9	103930-30-706	EA	MOTOR-BLOWER PM147 W/ADAPTER	030-0109
10	103930-01-717	EA	WHEEL-BLOWER, CLOCKWISE	062-0010
11	103930-20-708	EA	CLIP-MOTOR SHAFT	022-0001
12	103930-20-705	EA	PANEL-DOOR, RECIRCULATING	071-0213
13	103930-20-704	EA	ROD-DOOR-RECIRCULATING	073-0018
14	103930-01-708	EA	BRACKET-VACUUM MOTOR	070-0113
15	103930-02-708	EA	MOTOR-VACUUM SERVO, A/C	030-0025
16	103930-01-704	EA	COIL-EVAPORATOR	041-0017
17	103930-30-702	EA	BUSHING - BLEND AIR DOOR	062-0168
18	103930-30-704	EA	COVER - SERVO	062-0545
19	103930-30-703	EA	MOTOR - SERVO	030-0104
20	103930-30-701	EA	PLATE - MOTOR MOUNT	062-0544
21	103930-20-706	EA	CLIP-RETAINER - CASE ATTACH	022-0057
22	103930-25-700	EA	HOSE ASM #6 EVAPORATOR/DRIER	085-0350
23	103930-12-709	EA	FITTING-QUICK CONNECT	050-0120
24	103930-20-700	EA	VALVE-EXPANSION-BLOCK, 2 TON	034-0032
25	103930-17-702	EA	O'RING #10	045-0127
26	113245-01-707	EA	O'RING #8	045-0126
27	103930-20-709	EA	VALVE-SERVICE	050-0159
28	103930-01-711	EA	THERMOSTAT	033-0003
29	103930-30-700	EA	CASE - FRONT	062-0542

HEATING & AIR CONDITIONING GROUP (CONTINUED)
AUTOMOTIVE HEATER MISCELLANEOUS



KEY	PART NUMBER	U/M DESCRIPTION	VENDOR NO.
1	007281-01-000	EA HOSE - FLEXIBLE PVC - 2.5" ID X 50'	
1	007281-01-700	FT HOSE-FLEXIBLE PVC, 2 1/2 ID	
2	024990-05-000	EA OUTLET - DEFROSTER - 4" DIAMETER W/SWIVEL DEFLECTORS	
3	056402-05-000	EA BRACKET - HEATER VENT - ROUND W/BEND - BLACK	
4	077075-01-000	EA GASKET - INSTRUMENT PANEL TO DEFROSTER PLENUM	
5	103017-03-000	EA PLENUM - DEFROSTER	
6	103558-01-11A	EA VENT - DEFROSTER - 2" X 14.4" X 1.4" - TITANIUM	
7	103796-01-01A	EA LOUVER - A/C-ADJUSTABLE - 2.2" X 5.4" F/2.5" HOSE - BLACK	
8	103930-39-000	EA CONTROL/PLENUM - ROTARY	
9	103930-30-000	EA EVAPORATOR/HEATER - CHEVY - SERVO MOTOR CONTROLLED	
9	103930-31-000	EA EVAPORATOR/HEATER - SERVO MOTOR CONTROLLED - FORD 1997 CHASSIS	
9	103930-43-000	EA EVAPORATOR/HEATER ASSEMBLY - NON-CHARGED - FORD 1999 CHASSIS	
10	103930-29-000	EA HOSE KIT - #10 F/GM L-29 & L-65 CHASSIS	
	103930-17-702	EA O'RING #10	045-0127
	103930-29-701	EA O'RING F/LOW PRESSURE SWITCH	045-0483
10	103930-45-000	EA HOSE - EVAPORATOR/COMPRESSOR - FORD 1999 CHASSIS	
11	103930-23-000	EA VALVE - WATER - 2 PORT	
12	076776-01-000	EA TEE - BEADED - 5/8" X 5/8" X 5/8"	
13	007076-01-000	EA HOSE - FLEXIBLE PVC - 2" ID - INCREMENTS OF 50'	
14	103016-03-000	EA PLENUM - TRANSITION	
15	007108-01-000	FT HOSE - HEATER - 5/8" ID - HI-TEMP - FORD	
16	103930-44-000	EA HOSE - EVAPORATOR/DRYER - #6 - FORD 1999 CHASSIS	
	077539-01-000	EA BRACKET - MOUNTING/DASH PANEL - L/SHAPED - 2.5"X1"X1.5"	
	103930-37-000	EA MANUAL - OWNERS - HEATER/A/C	
	7SB003-97-01A	EA SCS/FRIGETTE SERVICE MANUAL AIR CONDITIONING	

HEATING & AIR CONDITIONING GROUP (CONTINUED)
SCS CONTROL/PLENUM



KEY	PART NUMBER	U/M	DESCRIPTION	VENDOR NO.
	103930-39-000	EA	CONTROL/PLENUM - ROTARY	
1	103930-33-702	EA	CONTROL PANEL	083-0169
2	103930-33-707	EA	SWITCH - BLOWER	032-0186
3	103930-33-708	EA	SWITCH - POTENTIOMETER	032-0184
4	103930-33-709	EA	SWITCH - VACUUM	032-0183
5	103930-33-710	EA	DECAL F/CONTROL HEAD	058-0102
6	103930-33-703	EA	VACUUM HARNESS	036-0466
7	103930-33-705	EA	LIGHT BULBS	035-0030
8	103930-33-711	EA	WIRE HARNESS - MAIN	036-0496
9	103930-02-707	EA	RELAY-BOSCH W/RESISTER	031-0001
10	103930-02-710	EA	CANISTER-VACUUM	054-0002
11	103930-39-700	EA	ROD - DOOR - AC/HEAT	073-0028
12	103930-39-701	EA	ROD - DOOR - AC/DEFROST	073-0060
13	103930-02-708	EA	MOTOR-VACUUM SERVO, A/C	030-0025
14	103930-33-701	EA	MOTOR - VACUUM, 3 STAGE	030-0105
15	103930-39-702	EA	KNOB - BLOWER	062-0539
16	103930-39-703	EA	KNOB - TEMPERATURE	062-0540
	103930-39-704	EA	SPRING	022-0119

HEATING & AIR CONDITIONING GROUP (CONTINUED)

COLEMAN ROOF A/C & CEILING ASM

KEY	PART NUMBER	U/M	DESCRIPTION
*	115219-01-03A	EA	A/C - ROOF - 14,800 MACH 15 - BRIGHT WHITE
*	108889-01-05A	EA	A/C - ROOF - 13,500 TSR
	102289-01-000	EA	SPRING - SCREW - ROOF A/C GASKET
*	108892-01-01A	EA	CEILING ASSEMBLY - A/C DUCTED
	117238-01-01A	EA	THERMOSTAT - A/C - FURNACE
	131184-02-01A	EA	BOARD - DIVIDER - SILVER
			FROM: 06-15-98 THRU: 99-99-99
	120134-01-02A	EA	REGISTER - 4" TO 5" IN DIAMETER W/DAMPER

***COMPONENT PARTS FOUND IN SERVICE PARTS LIBRARY**

ROOF A/C COVERS & ROTARY SWITCH

KEY	PART NUMBER	U/M	DESCRIPTION
	092633-02-02A	EA	COVER - BLANK - ROOF A/C - 5.1" X 5.1"
	073937-03-000	EA	SWITCH - ROTARY- AC - SELECTOR - 3 DECK
	121365-01-01A	EA	COVER - A/C SWITCH - DUAL
	121365-02-01A	EA	COVER - A/C SWITCH - SINGLE

HEATING & AIR CONDITIONING GROUP (CONTINUED)

35,000 BTU SUBURBAN FURNACE, REGISTERS & WALL THERMOSTAT

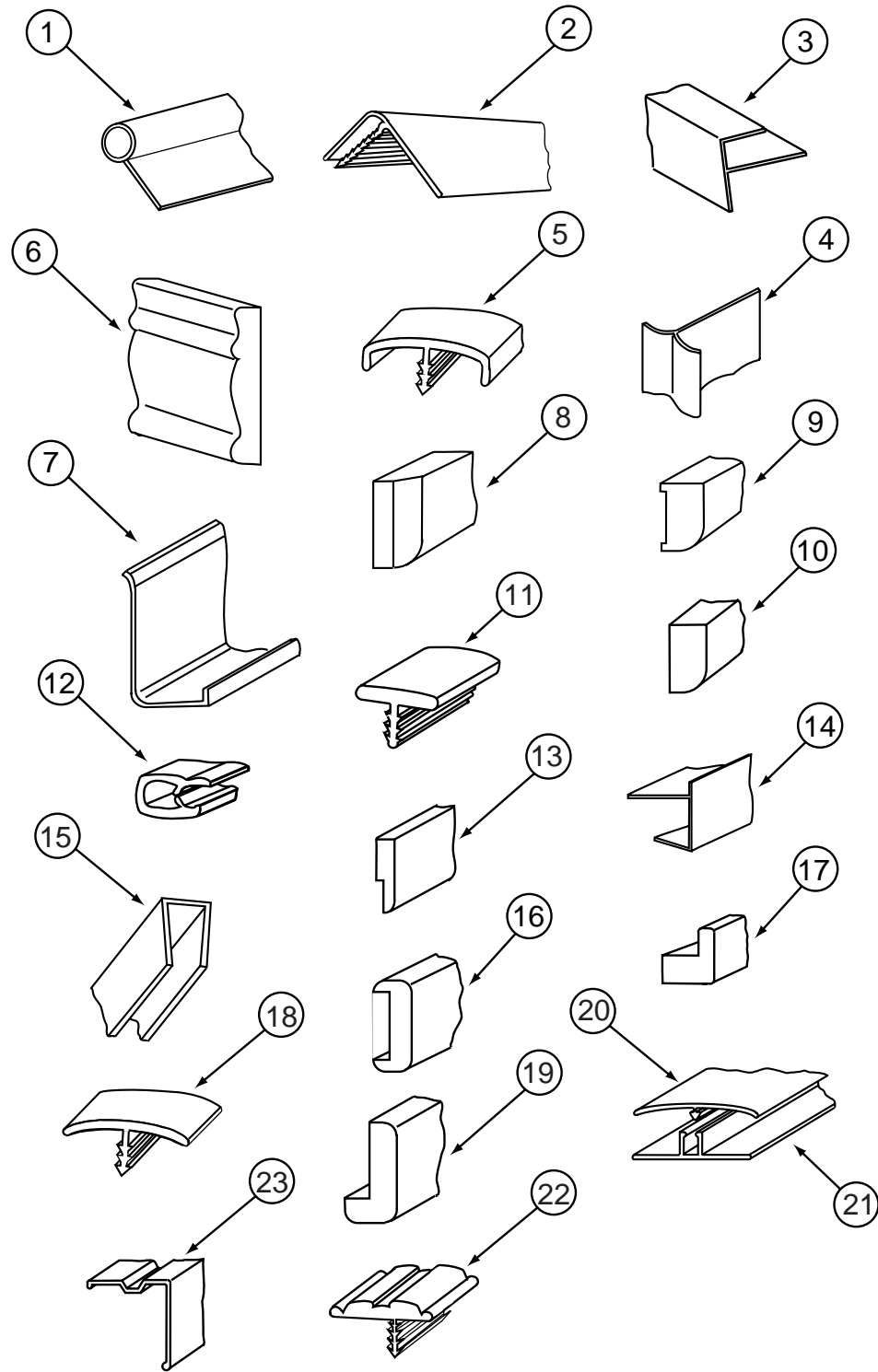
KEY	PART NUMBER	U/M	DESCRIPTION
*	098668-21-000	EA	FURNACE - 35000 BTU
	093614-01-02A	EA	GRILLE - RETURN AIR - 15.6" X 7.6" - BEIGE
	009198-01-000	FT	DUCT - HEAT - FLEXIBLE - 4" ID X 25'
	089367-02-000	EA	TEE - 4" X 2" X 4"
	094600-05-01A	EA	REGISTER W/O DAMPER-3.6" X 11.3" FACE/2.1" X 9.9" RO-BEIGE
	094600-06-01A	EA	REGISTER W/DAMPER-3.6" X 11.3" FACE/2.1" X 9.9" RO-BEIGE
	098668-23-000	EA	DOOR - ACCESS - FURNACE - BRIGHT WHITE
	009200-01-000	EA	TAPE - FURNACE - 1 1/2"
	115764-01-01A	EA	THERMOSTAT - FURNACE

***COMPONENT PARTS FOUND IN SERVICE PARTS LIBRARY**

EVANS REAR HEATER & COMPONENTS

KEY	PART NUMBER	U/M	DESCRIPTION	VENDOR NO.
	084405-01-000	EA	HEATER - REAR/DUCTED - W/MOTOR AID	
	084405-01-700	EA	CORE-HEATER	FT200229
	084405-01-701	EA	FAN BLADES	HV029931
	084405-01-702	EA	MOTOR ASSEMBLY, 12 VOLT	RV010348
	009198-01-000	FT	DUCT - HEAT - FLEXIBLE - 4" ID X 25'	
	056464-10-000	EA	REGISTER - 4" DIAMETER - PLASTIC - W/O DAMPER - BEIGE	
	061673-01-000	EA	BRACKET - MOTOR AID TUBES - 4" X 1.5" - STEEL	
	069636-02-000	EA	CONNECTOR - DUCT - 4" ID	
	079059-01-000	EA	HOSE - 90 DEGREE - 5/8" ID X 4" X 36"	

**INTERIOR FINISH GROUP
MOLDINGS & TRIMS**



KEY	PART NUMBER	U/M DESCRIPTION
1	009767-12-000	FT WELTING - SIDEWALL/CEILING/CABINET - OFF/WHT
2	009809-28-000	EA MOLDING - CORNER - OUTSIDE - 1" X 84" - WATERFORD OAK
2	009809-23-000	EA MOLDING - CORNER - OUTSIDE - 1" X 84" - MODERN IVORY
3	009812-29-000	EA MOLDING - PLASTIC - 1/2" O/S CORNER - WATERFORD OAK
4	022992-11-000	FT MOLDING - REVERSE COVE - T-SHAPED VINYL - IVORY
5	083620-12-000	FT MOLDING-T - END CAP EDGE - W/EDGE LIP - .75"-WATERFORD OAK
6	100182-10-G29	EA TRIM - RAIL/CHAIR - 8'
7	085746-01-000	FT TRIM-J - CARPET - 1.2" X .5" ANGLE - 10' LONG - BEIGE PVC
8	100659-01-G09	EA MOLDING/TRIM - VINYL FLOOR
9	117268-D2-134	EA MOLDING - VINYL WRAPPED - .7" X 1.6" X 84" - WATERFORD OAK
9	117268-F2-134	EA MOLDING - VINYL WRAPPED - .7" X 2.7" X 84" - WATERFORD OAK
10	100818-01-05A	EA MOLDING - VINYL WRAPPED - 1.65" X .4" X 7'
11	104676-02-04A	FT MOLDING-T - 1/2" - WATERFORD OAK
12	113452-01-000	EA SEAL/TRIM - FRONT - VINYL W/WIRE CARRIER
13	105004-01-05A	EA MOLDING - VINYL WRAPPED - 1" X 96" - WATERFORD OAK
14	103186-01-05A	FT MOLDING - PLASTIC - 3/8" U-CHANNEL 3/4" FACE-WATERFORD OAK
14	103186-02-05A	FT MOLDING - PLASTIC - 1" U-CHANNEL 1 3/8" FACE-WATERFORD OAK
15	009778-21-000	FT U-CHANNEL - 1" - WATERFORD OAK
15	070504-03-000	FT U-CHANNEL - PLASTIC - .9" X 84" - GRADY BROWN
15	070504-36-000	FT U-CHANNEL - PLASTIC - .13" X 72" - WATERFORD OAK
15	070504-37-000	FT U-CHANNEL - PLASTIC - .87" X 84" - WATERFORD OAK
16	078323-06-G15	EA MOLDING - CAP - WALL - 78"
17	100819-01-05A	EA MOLDING - VINYL WRAPPED - L-SHAPED - 1.5" X 1.5" X 7' - WATERFORD OAK
18	105709-01-000	FT MOLDING-T - 1" - MODERN IVORY
19	077840-01-G01	EA MOLDING - CAP/WALL - 8' WATERFORD OAK
20	086229-20-000	EA BATTEN - 1" X 96" - BEIGE
20	086229-15-000	EA BATTEN - 1" X 96" - MODERN IVORY
21	086229-01-000	EA RETAINER - BATTEN - .75" X 92.3" - ANY COLOR
22	109736-01-01A	FT T-MOLDING - 1" - BRASS/BLACK
22	109736-02-01A	FT T-MOLDING - 1" - NATURAL OAK - GALLEY EDGE
23	093873-01-01A	EA TRIM - CARPET - L-ANGLE 1.1" X 1.3" X 12' - GRAY VINYL
	117267-D2-438	EA LUMBER - VINYL WRAPPED - .7" X 1.5" X 96" - WATERFORD OAK
	117267-E2-438	EA LUMBER - VINYL WRAPPED - .7" X 2" X 96" - WATERFORD OAK
	117267-F2-438	EA LUMBER - VINYL WRAPPED - .7" X 2.5" X 96" - WATERFORD OAK
	117267-J2-438	EA LUMBER - VINYL WRAPPED - .7" X 5.5" X 96" - WATERFORD OAK
	117267-R2-438	EA LUMBER - VINYL WRAPPED - .7" X 3" X 96" - WATERFORD OAK

INTERIOR FINISH GROUP (CONTINUED)

BATT STRIPS

KEY	PART NUMBER	U/M	DESCRIPTION
	069733-83-000	EA	BATT STRIP - WOODGRAINED/WATERFORD OAK - 8'
	079653-28-000	EA	BATT STRIP - KERFED - WOODGRAINED/WATERFORD OAK - 8'
	088263-E3-000	EA	BATT STRIP - DECORATIVE - PEBBLE EMBOSSED/ANTIQUE-8' LONG
	088263-E2-000	EA	BATT STRIP - DECORATIVE - PRIMAVERA STONE - 8' (J65)
	088263-E7-000	EA	BATT STRIP - DECORATIVE - GAZEBO STRIPE/SAG - 8' LONG (J66)
	088263-E6-000	EA	BATT STRIP - DECORATIVE - MONTANA FROST - 8' (J67)
	088263-C4-000	EA	BATT STRIP - DECORATIVE - CORBIN/TOBACCO - 8' LONG (J68)
	088263-F8-000	EA	BATT STRIP - DECORATIVE - CAIRO SILVERSAGE - INC OF 8' (J69)
	085284-B5-000	FT	BATT TAPE - ADHESIVE BACKED - WOODGRAINED - WATERFORD OAK
	085284-D6-000	FT	BATT TAPE - ADHESIVE BACKED -DECORATIVE - EMBOSSED ANTIQUE
	085284-D5-000	FT	BATT TAPE - ADHESIVE BACKED - DECORATIVE - PRIMAVERA STONE (J65)
	085284-E1-000	FT	BATT TAPE - ADHESIVE BACKED-DECORATIVE-GAZEBO STRIPE/SAG (J66)
	085284-E0-000	FT	BATT TAPE - ADHESIVE BACKED - DECORATIVE - MONTANA FROST (J67)
	085284-B7-000	FT	BATT TAPE - ADHESIVE BACKED - DECORATIVE - CORBIN/TOBACCO (J68)
	085284-F4-000	FT	BATT TAPE - ADHESIVE BACKED - CAIRO SILVERSAGE (J69)

PLASTIC LAMINATE & EDGE BAND

KEY	PART NUMBER	U/M	DESCRIPTION
	074498-80-000	SF	LAMINATE - PLASTIC - WHITE TUNDRA - 5' X 8' (J65)
	074498-71-000	SF	LAMINATE - PLASTIC - NEUTRAL SANTOS - 5' X 8' (J66,J69)
	074498-62-000	SF	LAMINATE - PLASTIC - GREY FINESSE - 5' X 8' (J67)
	074498-54-000	SF	LAMINATE - PLASTIC - SAND SPEKTRUM - 5' X 8' (J68)
	076325-39-000	FT	MOLDING - EDGE BAND - 1 5/16" X .030" - ALMOND (J65,J66,J69)
	076325-46-000	FT	MOLDING - EDGE BAND - 1 5/16" X .030" - CLOUD (J67)
	076325-47-000	FT	MOLDING - EDGE BAND - 1 5/16" X .030" - SAND (J68)
	076325-40-000	FT	MOLDING - EDGE BAND - .9" X .024" - ALMOND (J65,J66,J69)
	076325-43-000	FT	MOLDING - EDGE BAND - .875" X .024" - CLOUD (J67)
	076325-44-000	FT	MOLDING - EDGE BAND - .875" X .024" - SAND (J68)
	076325-67-000	FT	MOLDING - EDGE BAND - .93" X .024" - WATERFORD OAK
	074498-77-000	SF	LAMINATE - PLASTIC - ART CABIN - 4' X 8' - INC OF 32 SF (PULL OUT TABLE)
	076325-68-000	FT	MOLDING - EDGE BAND - 1 5/16" X .038 - WATERFORD OAK (PULL OUT TABLE)
	074498-40-000	SF	LAMINATE - PLASTIC - OFF WHITE - 5' X 8' - INC OF 40 SF (PATIO ENTERTAINMENT CENTER TABLE)
	076325-73-000	FT	MOLDING - EDGE BAND - .93" X .024" (PATIO ENTERTAINMENT CENTER TABLE)

INTERIOR FINISH GROUP (CONTINUED)

SMOKE DETECTOR, CO DETECTOR, & FIRE EXTINGUISHER

KEY	PART NUMBER	U/M	DESCRIPTION
	072852-01-000	EA	DETECTOR - SMOKE - W/9 VOLT BATTERY - US
	072852-02-000	EA	DETECTOR - SMOKE - W/9 VOLT BATTERY - CANADIAN
	094499-01-000	EA	EXTINGUISHER/FIRE - DRY W/MOUNTING BRACKET
	094499-01-700	EA	BRACKET MTG. W/PLAS. STRAP 294039
	094499-01-701	EA	STRAP ONLY (METAL) 320351
	094499-03-000	EA	EXTINGUISHER/FIRE - DRY - 10B:C - W/O BRACKET
	094499-04-000	EA	BRACKET - FIRE EXTINGUISHER
	094499-02-000	EA	EXTINGUISHER/FIRE - DRY - 1A10BC - CANADIAN
	125136-01-000	EA	CO DETECTOR - GAS - ROUND W/2 SCREWS - 9 VOLT

ANTISLIP & FLOOR MATS

KEY	PART NUMBER	U/M	DESCRIPTION
	091261-01-000	FT	SLIPNOT - ANTISLIP - 1' WIDE
	105924-01-F12	EA	MAT - FLOOR - 18" X 27" (J65)
	105924-01-F06	EA	MAT - FLOOR - 18" X 27" (J66)
	105924-01-F05	EA	MAT - FLOOR - 18" X 27" (J67)
	105924-01-J16	EA	MAT - FLOOR - 18" X 27" (J68)
	105924-01-J69	EA	MAT - FLOOR - 18" X 27" (J69)

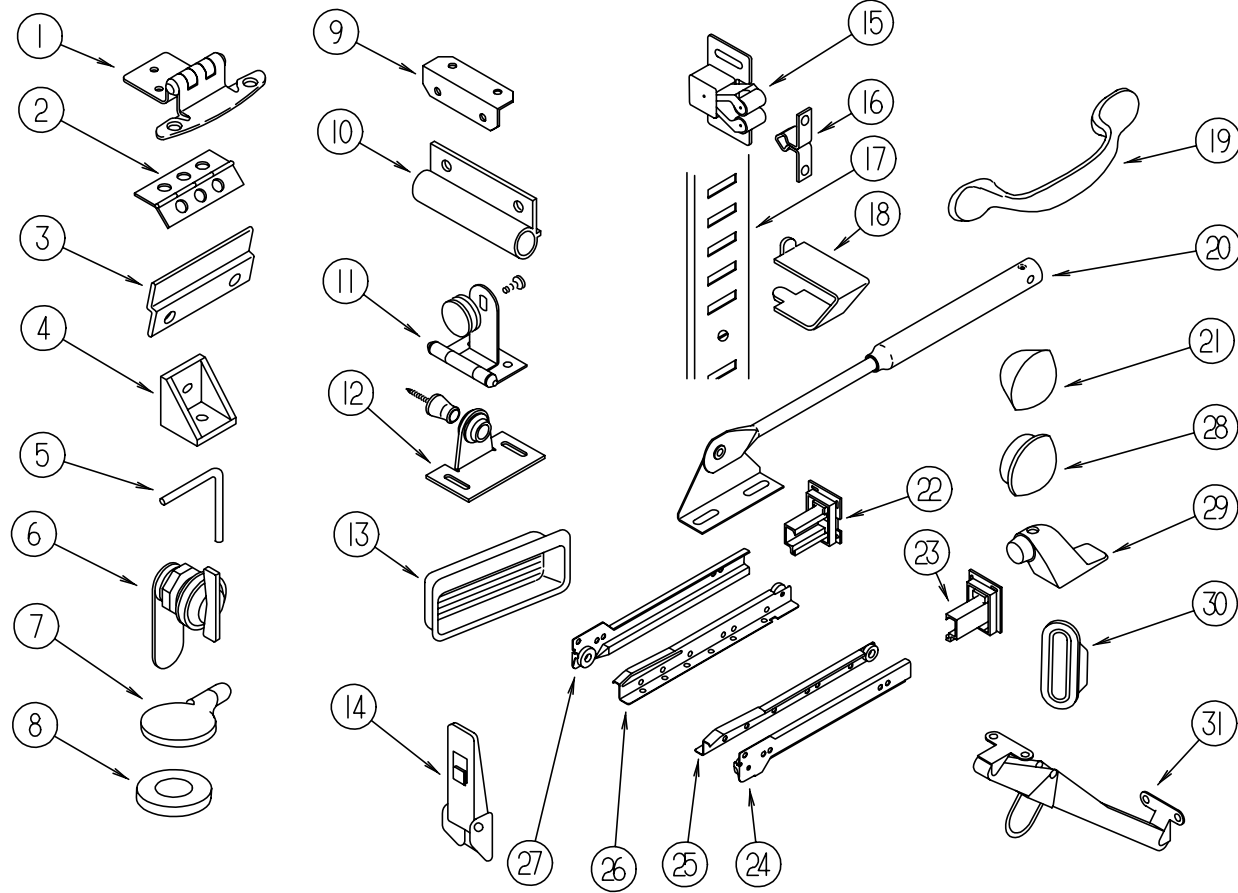
CARPET, VINYL, & TILE

KEY	PART NUMBER	U/M	DESCRIPTION
	093486-01-000	SY	CARPET - COMPARTMENT - 72" WIDE - DARK GRAY
	096060-99-000	SY	CARPET - PARCHMENT (J65)
	096060-98-000	SY	4 SQ YD MINIMUM ORDER QUANTITY
	096060-97-000	SY	CARPET - SILVER ASPEN - INCREMENTS OF 4 SQ YD (J66,J69)
	096060-95-000	SY	CARPET - LAPIS - INCREMENTS OF 4 SQ YDS (J67)
	042720-21-000	SY	CARPET - DOESKIN - INCREMENTS OF 4 SQ YDS (J68)
	124253-01-02A	SY	VINYL - FLOOR COVERING - 7' WIDE - MODULATION
	122755-01-01A	EA	VINYL - FLOOR PLANK - 3" X 12" - MAPLE
	122755-03-01A	EA	TILE - RUBBER/ENTRANCE DOOR - 18.5" X 27.2"
		EA	TILE - RUBBER/ENTRANCE DOOR - 17.7" X 26.4"

PANELING, PLYWOOD, & PARTICLE BOARD

KEY	PART NUMBER	U/M	DESCRIPTION
	074497-28-000	SF	PANELING - WATERFORD OAK - 48" X 96"
	088272-G1-000	SF	PANELING - PEBBLE EMBOSSED - ANTIQUE WHITE - 4' X 7'
	088272-F9-000	SF	PANELING - PRIMAVERA STONE - 4' X 8' (J65)
	088272-G5-000	SF	PANELING - GAZEBO STRIPE - 4' X 7' (J66)
	088272-G4-000	SF	PANELING - MONTANA FROST - 4' X 7' (J67)
	088272-E5-000	SF	PANELING - CORBIN/TOBACCO - 4' X 7' (J68)
	088272-H7-000	SF	PANELING - CAIRO/SILVERSAGE (J69)
	000846-01-000	SF	PLYWOOD - 5/16" X 48" X 96" - CD GRADE
	000846-02-000	SF	PLYWOOD/UNDERLAYMENT - 5/16" X 48" X 96"
	089297-01-000	SF	PLYWOOD - LUAN - OVERLAY GRADE - 48" X 96"
	089297-02-000	SF	PLYWOOD - LUAN - OVERLAY GRADE - 48" X 108"
	126339-01-000	SF	BOARD - WHEAT - 60" X 72"
	000885-76-000	SF	PARTICLE BOARD-3/8" X 48" X 96"-WATERFORD OAK/VINYL 1 SIDE
	000885-77-000	SF	PARTICLE BOARD-3/8" X 48" X 96"-WATERFORD OAK/VINYL 2 SIDE
	000885-78-000	SF	PARTICLE BOARD-1/2" X 48" X 96"-WATERFORD OAK/VINYL 2 SIDE
	000885-79-000	SF	PARTICLE BOARD-3/4" X 48" X 96"-WATERFORD OAK/VINYL 2 SIDE

INTERIOR FINISH GROUP (CONTINUED)
CABINET HARDWARE



KEY	PART NUMBER	U/M	DESCRIPTION
1	108138-01-000	EA	HINGE - CABINET DOOR - BURNISHED BRASS
2	009059-01-000	EA	HINGE - DOOR - 2" X 1.4" - BRASS
2	009059-02-000	EA	HINGE - DOOR - 2" X 2.7" - BRASS
3	101272-01-000	EA	CATCH - GLASS DOOR
4	065740-01-000	EA	BRACE - CABINET/CORNER - PLASTIC
5	108487-02-01A	EA	SUPPORT - PROP ROD/OVERHEAD - BLACK
5	039984-01-000	EA	CAP - ROUND - VINYL - .28" ID X .62" - BLACK
6	100710-01-01A	EA	LOCK - GLASS DOOR/TWIST TYPE - BRASS
7	101766-01-000	EA	PIN - SUPPORT/GLASS DOOR
8	100707-01-000	EA	SPACER - GLASS DOOR - .8" DIA - .3" HOLE - PLASTIC
9	016604-01-000	EA	BRACE - CABINET - ANGLE - 2.5" - UNPAINTED METAL
9	016604-05-000	EA	BRACE - CABINET - ANGLE - 2.5" - OFF WHITE METAL
10	108486-01-01A	EA	BRACKET - PROP ROD/OVERHEAD - BLACK
11	100711-01-01A	EA	HINGE - GLASS DOOR
12	009013-01-000	EA	CATCH - BULLDOG - MALE/FEMALE
13	124311-01-01A	EA	HANDLE - RECESSED - BRASS
14	116975-01-01A	EA	LATCH - W/O STRIKE - BLACK - NEW STYLE
15	093586-06-000	EA	CATCH - SPRING - ROLLER
16	093586-05-000	EA	STRIKE - SPRING STEEL
17	098980-01-000	EA	PILASTER - ADJUSTABLE SHELF - 18" WOODGRAIN APPEARANCE
17	098980-02-000	EA	PILASTER - ADJUSTABLE SHELF - 12" WOODGRAIN APPEARANCE
17	098980-03-000	EA	PILASTER - ADJUSTABLE SHELF - 9" WOODGRAIN APPEARANCE
17	098980-04-000	EA	PILASTER - ADJUSTABLE SHELF - 48" WOODGRAIN APPEARANCE
18	098979-01-000	EA	CLIP - ADJUSTABLE SHELF
19	121891-01-01A	EA	PULL - CABINET - BRASS
20	074493-02-000	EA	SUPPORT - PISTON SPRING - CABINET DOOR
21	042356-01-000	EA	PLUG - BUTTON - MAHOGANY - 3/8" DIAMETER - WOOD

CABINET DRAWER SLIDES - FROM: 00-00-00 THRU: 02-22-98

KEY	PART NUMBER	U/M	DESCRIPTION
22	114045-01-000	EA	BACKSOCKET - ADJUSTABLE LEFT
23	114045-02-000	EA	BACKSOCKET - ADJUSTABLE RIGHT
24	114031-02-000	EA	SLIDE - 12" - RIGHT SIDE/CABINET
24	114031-10-000	EA	SLIDE - 16" - RIGHT SIDE/CABINET
24	114031-14-000	EA	SLIDE - 18" - RIGHT SIDE/CABINET
24	114031-22-000	EA	SLIDE - 22" - RIGHT SIDE/CABINET
25	114031-04-000	EA	SLIDE - 12" - RIGHT SIDE/DRAWER
25	114031-12-000	EA	SLIDE - 16" - RIGHT SIDE/DRAWER
25	114031-16-000	EA	SLIDE - 18" - RIGHT SIDE/DRAWER
25	114031-24-000	EA	SLIDE - 22" - RIGHT SIDE/DRAWER
26	114031-03-000	EA	SLIDE - 12" - LEFT SIDE/DRAWER
26	114031-11-000	EA	SLIDE - 16" - LEFT SIDE/DRAWER
26	114031-15-000	EA	SLIDE - 18" - LEFT SIDE/DRAWER
26	114031-23-000	EA	SLIDE - 22" - LEFT SIDE/DRAWER
27	114031-01-000	EA	SLIDE - 12" - LEFT SIDE/CABINET
27	114031-09-000	EA	SLIDE - 16" - LEFT SIDE/CABINET
27	114031-13-000	EA	SLIDE - 18" - LEFT SIDE/CABINET
27	114031-21-000	EA	SLIDE - 22" - LEFT SIDE/CABINET

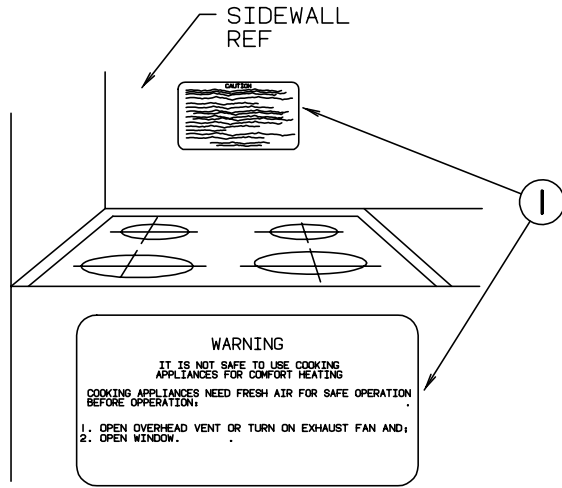
CABINET DRAWER SLIDES - FROM: 02-23-98 THRU: 99-99-99

KEY	PART NUMBER	U/M	DESCRIPTION
22	128811-01-01A	EA	BACKSOCKET - ADJUSTABLE - LEFT
23	128811-02-01A	EA	BACKSOCKET - ADJUSTABLE - RIGHT
24	128810-02-01A	EA	SLIDE - 12" - RIGHT SIDE/CABINET
24	128810-10-01A	EA	SLIDE - 16" - RIGHT SIDE/CABINET
24	128810-14-01A	EA	SLIDE - 18" - RIGHT SIDE/CABINET
24	128810-22-01A	EA	SLIDE - 22" - RIGHT SIDE/CABINET
25	128810-04-01A	EA	SLIDE - 12" - RIGHT SIDE/DRAWER
25	128810-12-01A	EA	SLIDE - 16" - RIGHT SIDE/DRAWER
25	128810-16-01A	EA	SLIDE - 18" - RIGHT SIDE/DRAWER
25	128810-24-01A	EA	SLIDE - 22" - RIGHT SIDE/DRAWER
26	128810-03-01A	EA	SLIDE - 12" - LEFT SIDE/DRAWER
26	128810-11-01A	EA	SLIDE - 16" - LEFT SIDE/DRAWER
26	128810-15-01A	EA	SLIDE - 18" - LEFT SIDE/DRAWER
26	128810-24-01A	EA	SLIDE - 22" - LEFT SIDE/DRAWER
27	128810-01-01A	EA	SLIDE - 12" - LEFT SIDE/CABINET
27	128810-09-01A	EA	SLIDE - 16" - LEFT SIDE/CABINET
27	128810-13-01A	EA	SLIDE - 18" - LEFT SIDE/CABINET
27	128810-21-01A	EA	SLIDE - 22" - LEFT SIDE/CABINET

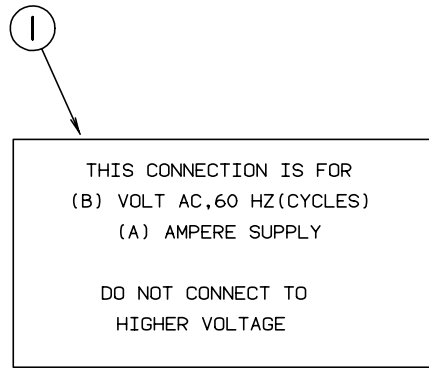
CABINET HARDWARE (CONTINUED)

KEY	PART NUMBER	U/M	DESCRIPTION
28	074045-01-000	EA	PLUG - OAK - 1/2" DIAMETER
29	103257-01-000	EA	STOP - DOOR
30	098410-01-01A	EA	PULL - FINGER - OVAL - BRASS
31	104181-01-01A	EA	SUPPORT - LEAF 5.3" EXTENDS TO 7.5" - SAFETY RING - METAL
	004354-01-000	EA	BUMPER - RUBBER - .5" DIA - BROWN
	023320-01-000	EA	PAD - FELT 3/8" DIAMETER
	041389-25-000	EA	HINGE - PIANO - 1 1/2" X 55"
	042438-02-000	EA	DOWEL - WOOD - 2" X 2"
	122021-01-02A	EA	ANGLE - W/HOLES - OFF/WHITE
	114693-01-01A	EA	SUPPORT - BLACK
	114693-02-01A	EA	SUPPORT - BLACK

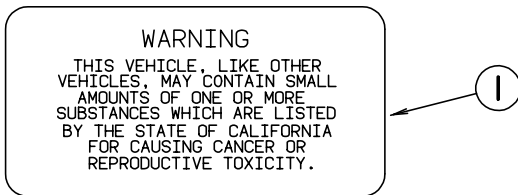
LABELS GROUP



KEY	PART NUMBER	U/M DESCRIPTION
1	050225-01-000	EA LABEL - WARNING - STOVE VENT - US
1	050222-01-000	EA LABEL - STOVE VENT - CANADIAN

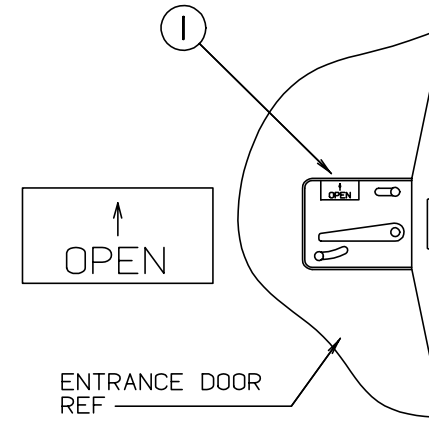


KEY	PART NUMBER	U/M DESCRIPTION
1	125306-01-01A	EA LABEL - ELECTRICAL ENTRANCE - 110VOLT 30AMP

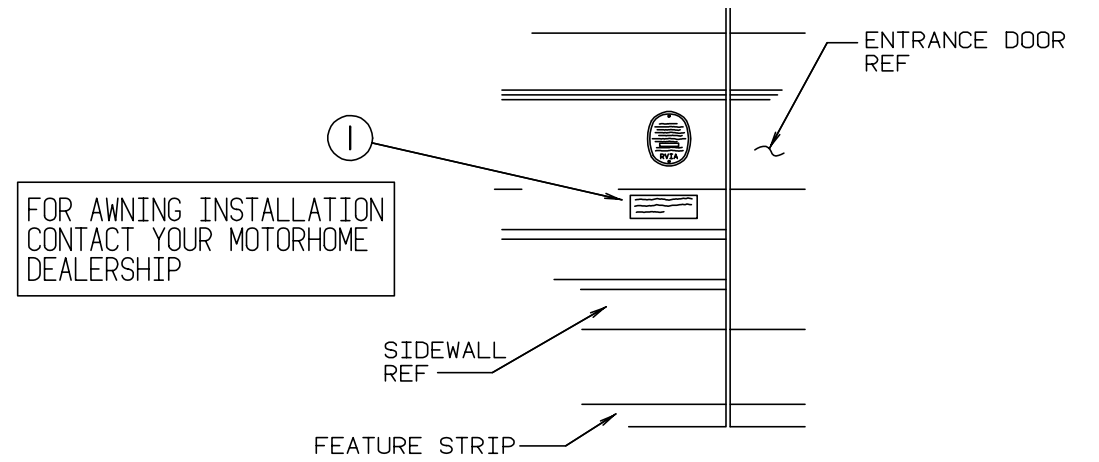


KEY	PART NUMBER	U/M DESCRIPTION
1	099689-01-000	EA LABEL - WARNING - CANCER/TOXICITY - CALIFORNIA

LABELS GROUP (CONTINUED)

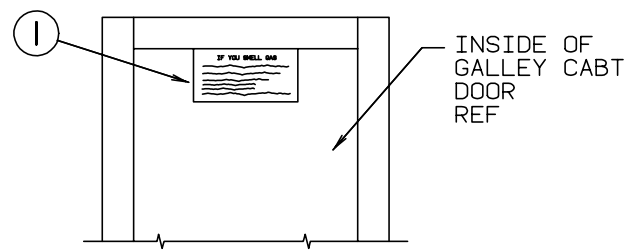


KEY	PART NUMBER	U/M DESCRIPTION
1	040944-01-000	EA LABEL - ENTRANCE DOOR - "OPEN"



KEY	PART NUMBER	U/M DESCRIPTION
1	099509-01-000	EA LABEL - AWNING INSTALLATION

LABELS GROUP (CONTINUED)

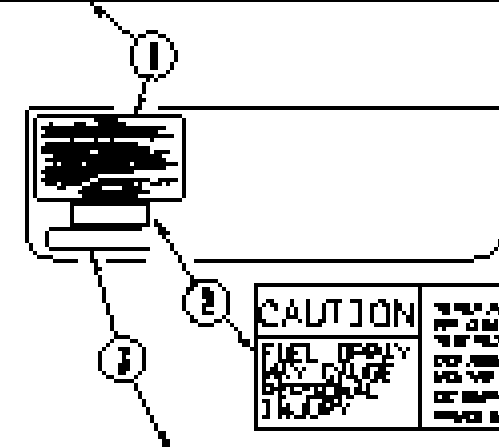
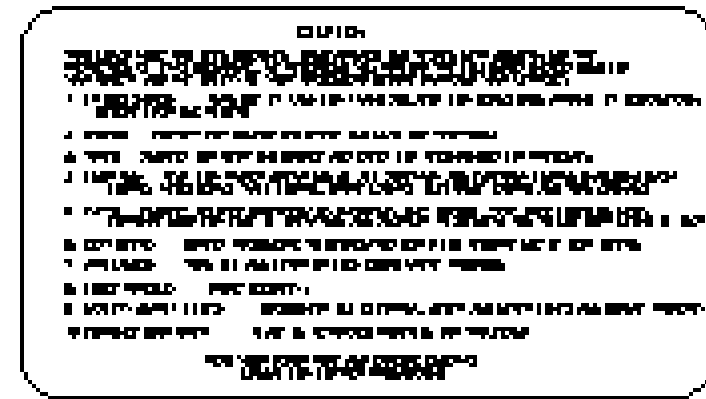


IF YOU SMELL GAS

1. EXTINGUISH ANY OPEN FLAME, PILOT LIGHTS AND ALL SMOKING MATERIALS.
2. SHUT OFF THE GAS SUPPLY AT THE TANK VALVE(OR GAS SUPPLY CONNECTION.
3. OPEN DOORS AND OTHER VENTILATING OPENINGS.
4. DO NOT TOUCH ELECTRICAL SWITCHES.
5. LEAVE THE AREA UNTIL ODOR CLEARS.
6. HAVE THE GAS SYSTEM CHECKED AND LEAKAGE SOURCE CORRECTED BEFORE USING AGAIN.

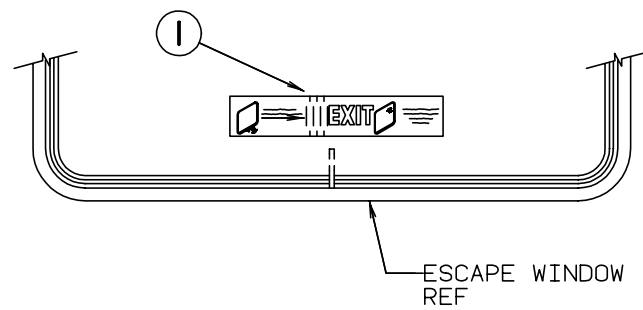
KEY	PART NUMBER	U/M DESCRIPTION
1	073998-01-000	EA LABEL - LPG ODOR WARNING

LABELS GROUP (CONTINUED)

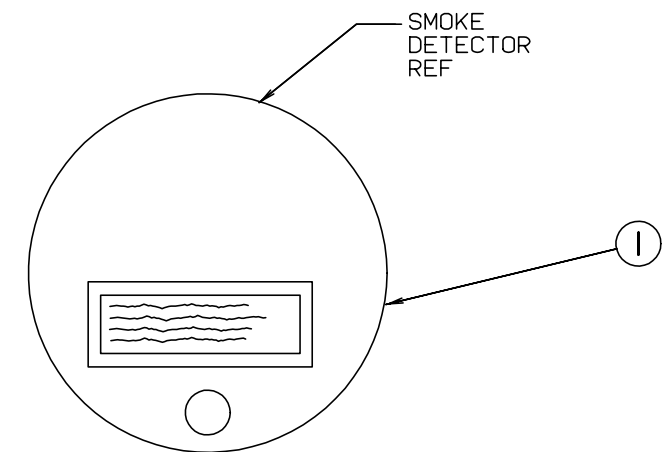


WARNING: CONTAINS CFC - A SUBSTANCE WHICH MAY BE HARMFUL TO HEALTH AND ENVIRONMENT BY DISCHARGE DURING THE NORMAL LIFE CYCLE.

KEY	PART NUMBER	U/M DESCRIPTION
1	056259-01-000	EA LABEL - SAFETY CHECK LIST
2	087207-05-000	EA LABEL - FUEL CAP REMOVAL
3	111802-01-000	EA LABEL - CFC WARNING



KEY	PART NUMBER	U/M DESCRIPTION
1	107571-01-000	EA LABEL - EXIT/ESCAPE WINDOW



WARNING: TEST SMOKE DETECTOR OPERATION AFTER VEHICLE HAS BEEN IN STORAGE, BEFORE EACH TRIP AND AT LEAST ONCE PER WEEK DURING USE.

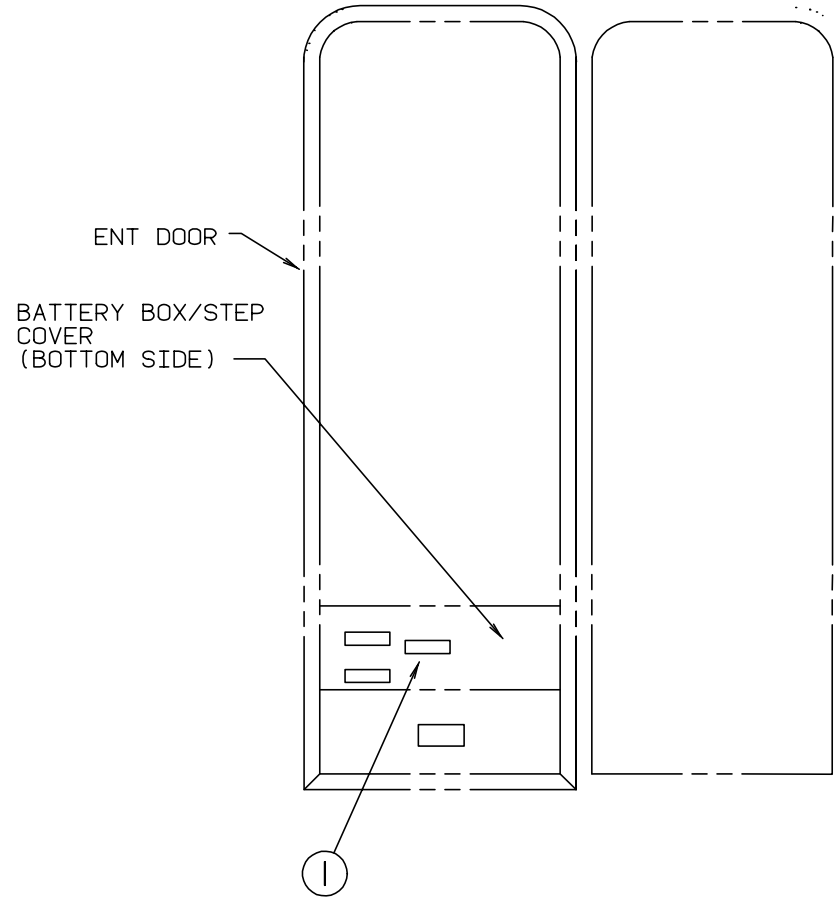
KEY	PART NUMBER	U/M DESCRIPTION
1	077956-01-000	EA LABEL - WARNING - SMOKE DETECTOR

LABELS GROUP (CONTINUED)

AIR CONDITIONING CIRCUIT.
THIS CONNECTION IS FOR
AIR CONDITIONERS RATED 110-
125 VOLT AC, 60 HZ, 16
AMPERES MAXIMUM. DO NOT
EXCEED CIRCUIT RATING.



KEY	PART NUMBER	U/M DESCRIPTION
1	091243-01-000	EA LABEL - A/C COVER "AIR CONDITIONING CIRCUIT ETC."



WARNING: DISCONNECT BATTERIES BEFORE
CONNECTING EXTERNAL CHARGING EQUIPMENT.

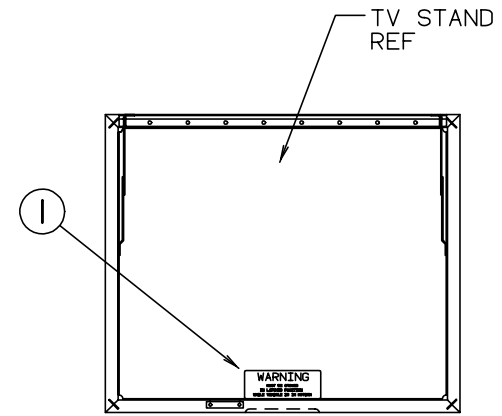
AVERTISSEMENT: DEBRANCHER LES BATTERIES AVANT
DE BRANCHER TOUT EQUIPEMENT DE CHARGE EXTERIEUR.

KEY	PART NUMBER	U/M DESCRIPTION
1	065748-01-000	EA LABEL - CAUTION - BATTERY CHARGING
1	065748-02-000	EA LABEL - WARNING - BATTERY/FRENCH

LABELS GROUP (CONTINUED)

DO NOT USE HITCH BEFORE
READING OWNERS MANUAL REGARDING
VEHICLE LOADING AND TOWING

KEY	PART NUMBER	U/M DESCRIPTION
1	111104-01-000	EA LABEL - HITCH - READ MANUAL - WHITE
1	111104-02-000	EA LABEL - HITCH - READ MANUAL - BLACK



WARNING
MUST BE STOWED
IN LATCHED POSITION
WHILE VEHICLE IS IN MOTION

KEY	PART NUMBER	U/M DESCRIPTION
1	079966-01-000	EA LABEL - WARNING - STOWED - MOTION

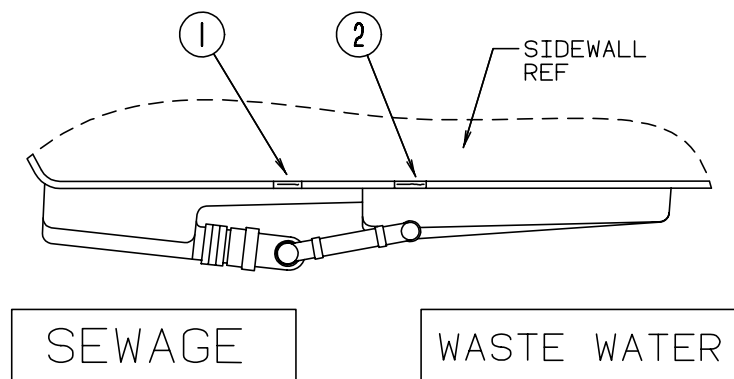
NOTE: TUNE ANTENNA
PER MANUFACTURER'S
DIRECTIONS. FAILURE TO
COMPLY COULD RESULT IN
DAMAGE TO CB.

CB POWER PROVISION

RED +12 V
BLACK GROUND
COAX ANTENNA
(SEE REVERSE ALSO)

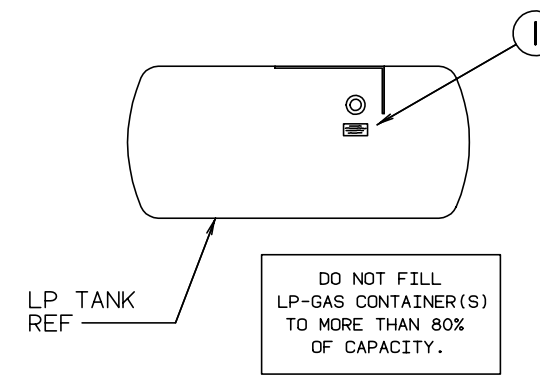
KEY	PART NUMBER	U/M DESCRIPTION
1	104678-01-000	EA LABEL-CB PREP

LABELS GROUP (CONTINUED)



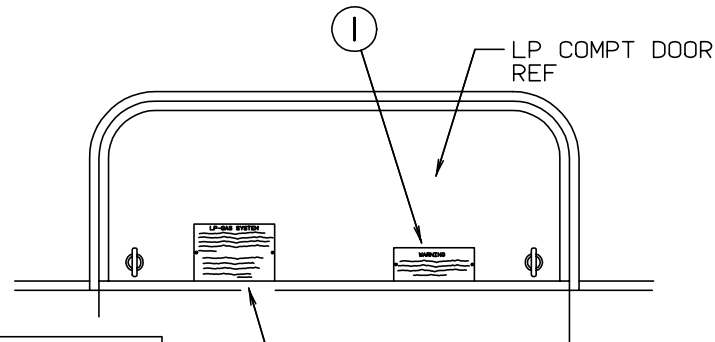
KEY	PART NUMBER	U/M DESCRIPTION
1	006187-01-000	EA LABEL - SEWAGE
2	006188-01-000	EA LABEL - WASTE WATER

LABELS GROUP (CONTINUED)



KEY	PART NUMBER	U/M DESCRIPTION
1	079965-01-000	EA LABEL - LPG - 80% CAPACITY

WARNING
ALL PILOT LIGHTS AND APPLIANCES SHALL BE TURNED OFF DURING REFUELING OF MOTOR FUEL TANKS AND/OR PERMANENTLY MOUNTED LP-GAS CONTAINERS.



LP-GAS SYSTEM
THIS GAS PIPING SYSTEM IS DESIGNED FOR USE OF LIQUEFIED PETROLEUM GAS ONLY. DO NOT CONNECT NATURAL GAS TO THIS SYSTEM.

SECURELY CAP INLET(S) WHEN NOT CONNECTED FOR USE. AFTER TURNING ON GAS, EXCEPT AFTER NORMAL CONTAINER REPLACEMENT, TEST GAS PIPING AND CONNECTIONS TO APPLIANCE FOR LEAKAGE WITH SOAPY WATER OR BUBBLE SOLUTION. DO NOT USE PRODUCTS THAT CONTAIN AMMONIA OR CHLORINE.
P.N. 54531

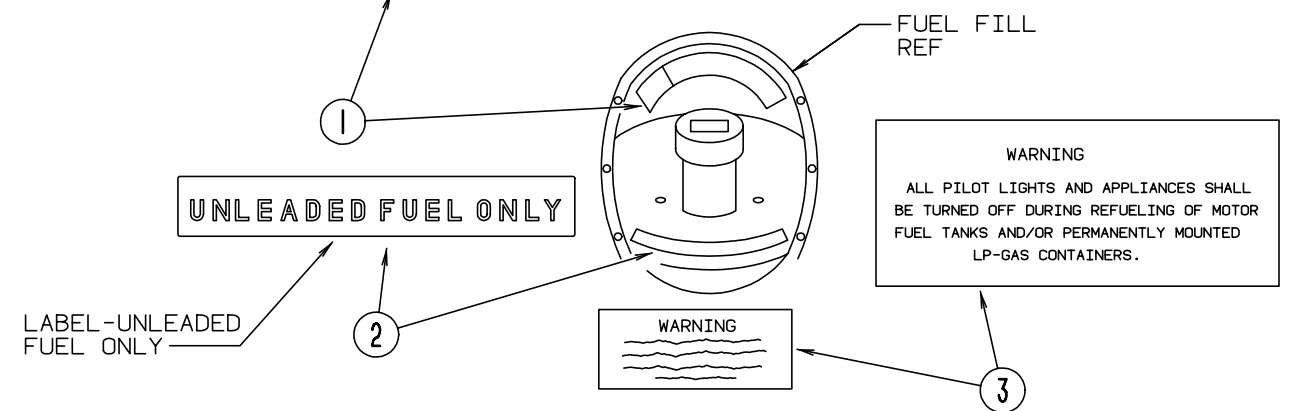
KEY	PART NUMBER	U/M DESCRIPTION
1	124519-01-01A	EA LABEL - WARNING/REFUELING - BLACK ON CLEAR
1	124519-02-01A	EA LABEL - WARNING/REFUELING - CSA
2	124520-01-01A	EA LABEL - LP GAS ONLY
2	023769-01-000	EA LABEL - WARNING - LPG - CANADIAN

CAUTION
FUEL SPRAY MAY CAUSE PERSONAL INJURY

TO HELP AVOID PERSONAL INJURY DURING REMOVAL OF FUEL FILLER CAP, SLOWLY LOOSEN CAP 1/2 TURN TO ALLOW ANY FUEL PRESSURE TO BE RELIEVED BEFORE TURNING CAP FURTHER.

STOP ADDING FUEL AFTER FIRST SHUTOFF BY AUTOMATIC NOZZLE WHEN TANK IS NEARLY FULL. DO NOT OVERFILL FUEL TANK.

SEE OWNERS MANUAL FOR ADDITIONAL INFORMATION.
PRINTED IN U.S.A. MLC PT NO 15611763



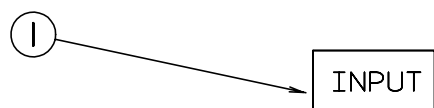
KEY	PART NUMBER	U/M DESCRIPTION
1	087207-05-000	EA LABEL - FUEL CAP REMOVAL
2	062043-01-000	EA LABEL - FUEL - UNLEADED
3	124519-01-01A	EA LABEL - WARNING/REFUELING - BLACK ON CLEAR
3	124519-02-01A	EA LABEL - WARNING/REFUELING - CSA

WARNING
ROOF SURFACE MAY BE SLIPPERY ESPECIALLY WHERE MOISTURE IS PRESENT. SLIPPING MAY RESULT IN PERSONAL INJURY.
128218-01

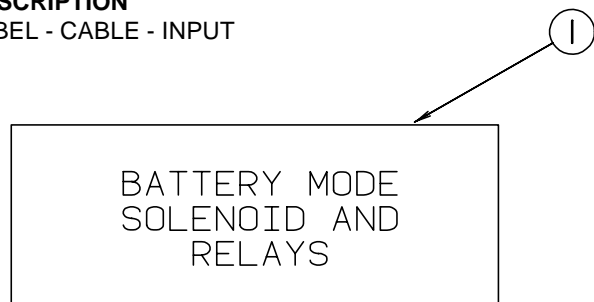
KEY	PART NUMBER	U/M DESCRIPTION
1	128218-01-01A	EA LABEL - WARNING - ROOF SLIPPERY

FROM: 11-13-97 THRU: 99-99-99

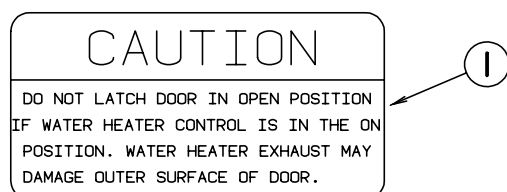
LABELS GROUP (CONTINUED)



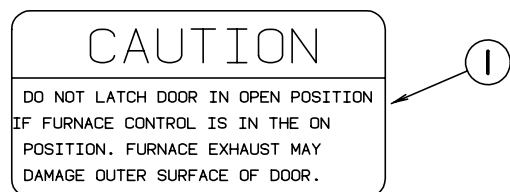
KEY PART NUMBER U/M DESCRIPTION
 1 087236-01-000 EA LABEL - CABLE - INPUT



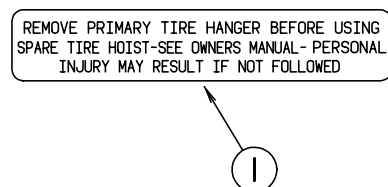
KEY PART NUMBER U/M DESCRIPTION
 1 098379-04-000 EA LABEL - ELECTRICAL BOX - SIDE



KEY PART NUMBER U/M DESCRIPTION
 1 113402-01-000 EA LABEL - CAUTION - WATER HEATER EXHAUST

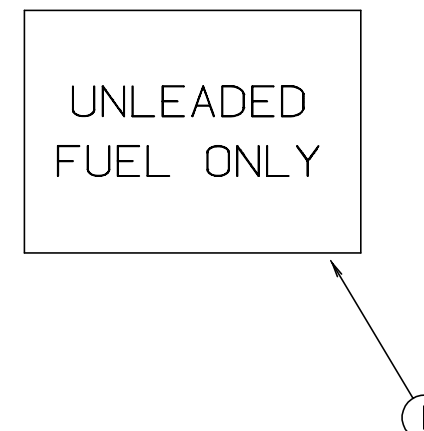


KEY PART NUMBER U/M DESCRIPTION
 1 113402-02-000 EA LABEL - CAUTION - FURNACE EXHAUST
 FROM: 00-00-00 THRU: 11-12-97

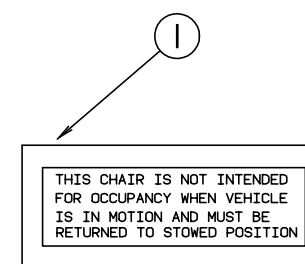


KEY PART NUMBER U/M DESCRIPTION
 1 126024-01-01A EA LABEL - TIRE HANGER REMOVAL

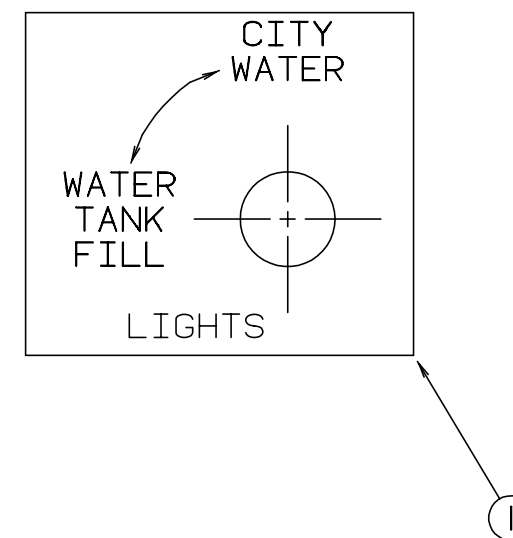
LABELS GROUP (CONTINUED)



KEY PART NUMBER U/M DESCRIPTION
 1 098641-01-000 EA LABEL - FUEL - UNLEADED - DASH

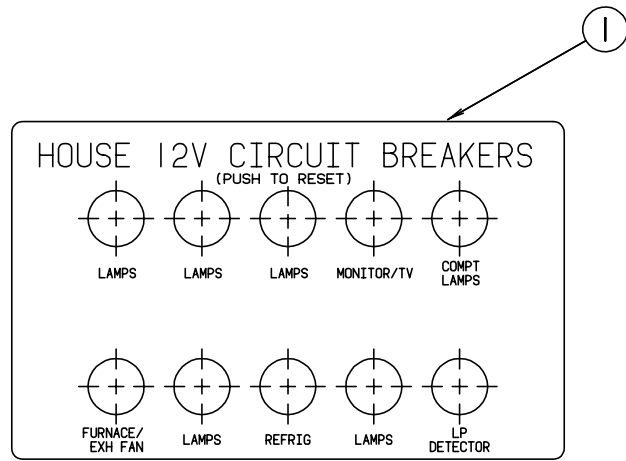


KEY PART NUMBER U/M DESCRIPTION
 1 102267-01-000 EA LABEL - NO OCCUPANCY - US
 102267-02-000 EA LABEL - NO OCCUPANCY - CSA

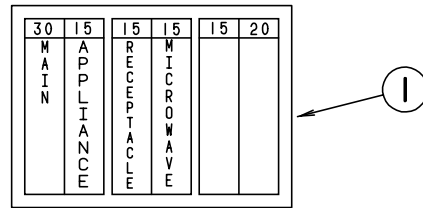


KEY PART NUMBER U/M DESCRIPTION
 1 117629-01-000 EA LABEL - WATER PUMP/FILL

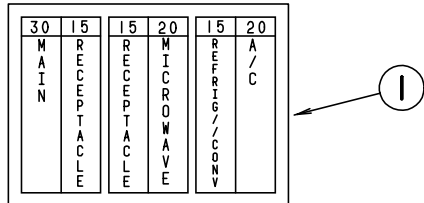
LABELS GROUP (CONTINUED)



KEY PART NUMBER U/M DESCRIPTION
 1 092547-06-000 EA LABEL - CIRCUIT BREAKER

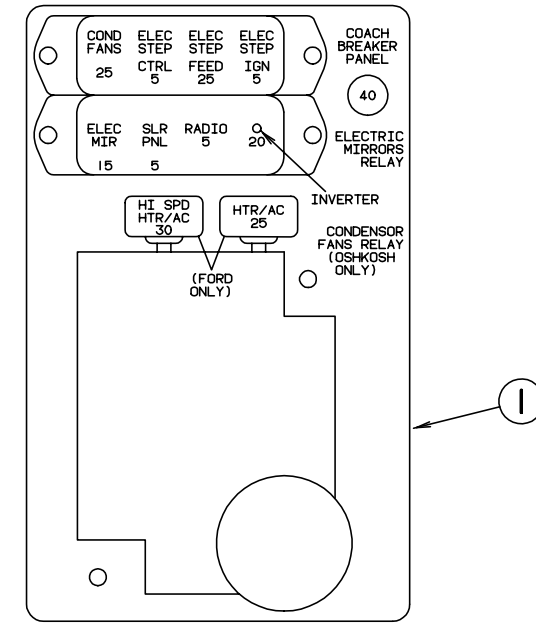


KEY PART NUMBER U/M DESCRIPTION
 1 095721-10-000 EA LABEL - CONTROL CENTER (30A) (CANADIAN)



KEY PART NUMBER U/M DESCRIPTION
 1 095721-14-000 EA LABEL - CONTROL CENTER (30A)

LABELS GROUP (CONTINUED)

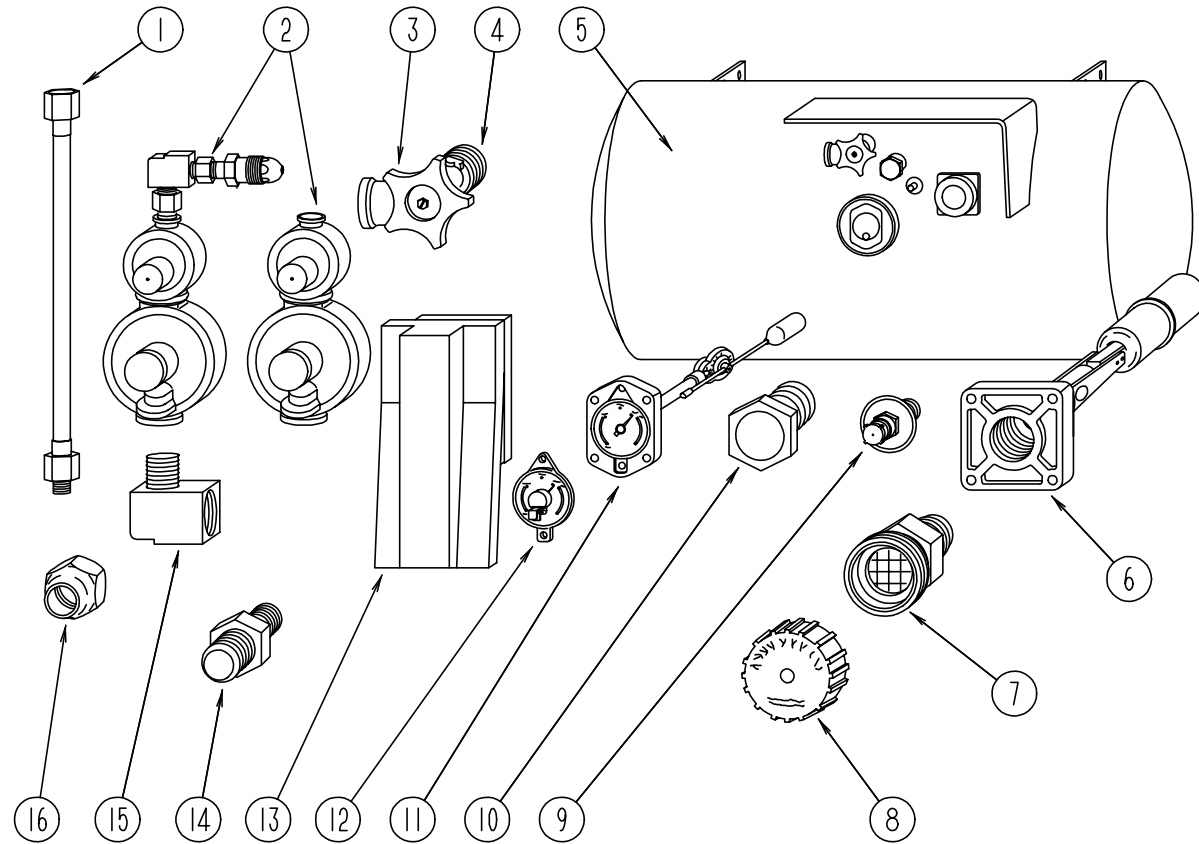


KEY PART NUMBER U/M DESCRIPTION
 1 111537-07-000 EA LABEL - FUSES

MISCELLANEOUS LABELS

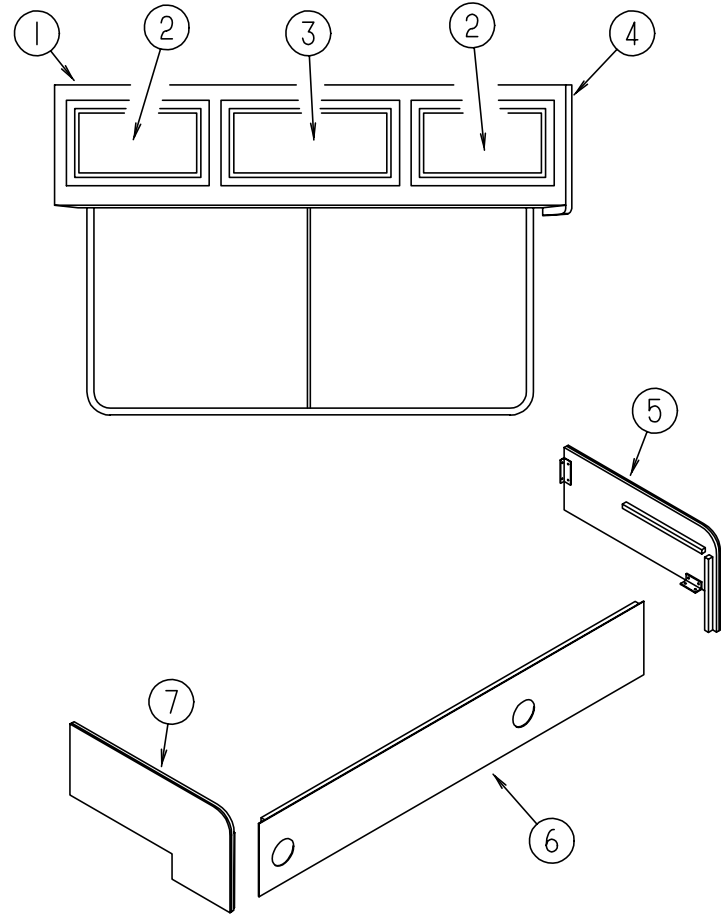
KEY PART NUMBER U/M DESCRIPTION
 006064-01-000 EA LABEL-SEAT W/O SEATBELT "NOT INTENDED FOR USE WHILE COACH IN MOTION"

LP GROUP
LP TANK & COMPONENTS



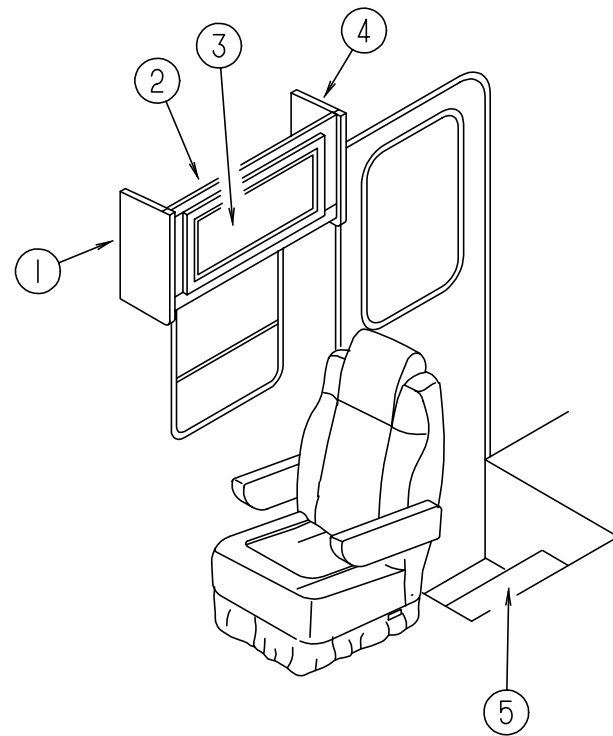
KEY	PART NUMBER	U/M	DESCRIPTION	VENDOR NO.
1	045703-01-000	EA	HOSE - LP - 3/8"ID X 24" - 3/8"MPT X 1/2"F SWIVEL - U.S.	
1	045703-02-000	EA	HOSE - LP - 3/8"ID X 24" - 3/8"MPT X 1/2"F SWIVEL - CANADA	
2	106150-01-000	EA	REGULATOR - TWO STAGE -W/90 DEGREE ELBOW & 3/8" FPT OUTLET	
3	040421-01-708	EA	HANDWHEEL-SERVICE VALVE	G-1015-A
4	040421-01-712	EA	VALVE,SERV. W/O VAPOR RELIEF	29000853
5	088253-01-000	EA	TANK - LP - 80 LB - 16" DIAMETER X 30"	
6	040421-01-711	EA	VALVE-80% FILL W/AUTO STOP	LLL/TL3
7	040421-01-701	EA	VALVE-FILL-SHORT, LP	7547B
8	040421-01-702	EA	CAP-FILL VALVE, PLASTIC	G-1014-A
9	040421-01-700	EA	VALVE-LIQUID LEVEL, 20%	G-1013
10	040421-01-713	EA	VALVE-RELIEF 1" W/SPRING 7"	29000587
11	088253-01-700	EA	GAUGE-FLOAT ASSEMBLY, L.P.	16C
12	040440-02-000	EA	TRANSMITTER - DIAL - 0-90 OHM -2 TERMINAL (POWER & GROUND)	
13	105658-01-000	EA	COMPARTMENT - LP REGULATOR	
14	010329-01-000	EA	ADAPTER - BRASS - 1/2" F X 1/2" MPT	
15	065318-02-000	EA	ELBOW - 90 DEGREE - 3/8" MPT TO 3/8" FPT	
16	010377-02-000	EA	NUT - BRASS - 3/8" FLARE - FORGED	
	008042-01-000	FT	TUBING - VINYL - .65" ID	
	010252-01-000	EA	ELBOW - BRASS - 90 DEGREE - 3/8"F X 1/2"MPT	
	010380-02-000	EA	NUT - BRASS - 1/2" FLARE - FORGED	
	010326-01-000	EA	ADAPTER - FLARE - W/CONE GASKET - 3/8"FEMALE X 1/2"MALE	
	103613-03-000	EA	DETECTOR - LP GAS - W/O SHUT-OFF VALVE	

**LOUNGE GROUP
DRIVER SIDE OVERHEAD & SOFA/BED CABINETS**



KEY	PART NUMBER	U/M	DESCRIPTION
1	127596-01-J37	EA	CABINET - OVERHEAD/FRONT - LEFT HAND - W/O DOORS/HARDWARE
	127596-11-J37	EA	SHELF - W/PLASTIC EDGE TRIM
2	M08758-25-J15	EA	DOOR - MITERED CORNER/OGEE EDGE - 14.3" X 21.8" - W/O HDW (RAISED MEDIUM DENSITY FIBERBOARD INSERT)
2	M05992-69-K16	EA	DOOR - STRAIGHT CORNER/OGEE EDGE - 14.3" X 21.8" - W/O HDW (GENERAL TRAILER OPTION)
3	M08758-27-J15	EA	DOOR - MITERED CORNER/OGEE EDGE - 14.3" X 26.7" - W/O HDW (RAISED MEDIUM DENSITY FIBERBOARD INSERT)
3	M05992-89-J37	EA	DOOR - STRAIGHT CORNER/OGEE EDGE - 14.3" X 26.7" - W/O HDW (GENERAL TRAILER OPTION)
4	103128-31-J37	EA	END CAP - OVERHEAD CABINET - RIGHT HAND
5	127840-02-J21	EA	PANEL - LEFT END - SOFA/BED - FABRIC COVERED (J65)
5	127840-02-J38	EA	PANEL - LEFT END - SOFA/BED - FABRIC COVERED (J66)
5	127840-02-J97	EA	PANEL - LEFT END - SOFA/BED - FABRIC COVERED (J67)
5	127840-02-J98	EA	PANEL - LEFT END - SOFA/BED - FABRIC COVERED (J68)
5	127840-02-J28	EA	PANEL - LEFT END - SOFA/BED - FABRIC COVERED (J69)
6	120992-07-J21	EA	PANEL - FRONT KICK - SOFA/BED - FABRIC COVERED (J65)
6	120992-07-J45	EA	PANEL - FRONT KICK - SOFA/BED - FABRIC COVERED (J66)
6	120992-07-J47	EA	PANEL - FRONT KICK - SOFA/BED - FABRIC COVERED (J67)
6	120992-07-J46	EA	PANEL - FRONT KICK - SOFA/BED - FABRIC COVERED (J68)
6	120992-07-J50	EA	PANEL - FRONT KICK - SOFA/BED - FABRIC COVERED (J69)
	121906-01-02B	EA	BRACKET - KICKBOARD - E-COATED
7	127840-03-J21	EA	PANEL - RIGHT END - SOFA/BED - FABRIC COVERED (J65) FROM: 00-00-00 THRU: 08-31-97
7	127840-01-J21	EA	PANEL - RIGHT END - SOFA/BED - FABRIC COVERED (J65) FROM: 09-01-97 THRU: 99-99-99
7	127840-03-J38	EA	PANEL - RIGHT END - SOFA/BED - FABRIC COVERED (J66) FROM: 00-00-00 THRU: 08-31-97
7	127840-01-J38	EA	PANEL - RIGHT END - SOFA/BED - FABRIC COVERED (J66) FROM: 09-01-97 THRU: 99-99-99
7	127840-03-J97	EA	PANEL - RIGHT END - SOFA/BED - FABRIC COVERED (J67) FROM: 00-00-00 THRU: 08-31-97
7	127840-01-J97	EA	PANEL - RIGHT END - SOFA/BED - FABRIC COVERED (J67) FROM: 09-01-97 THRU: 99-99-99
7	127840-03-J98	EA	PANEL - RIGHT END - SOFA/BED - FABRIC COVERED (J68) FROM: 00-00-00 THRU: 08-31-97
7	127840-01-J98	EA	PANEL - RIGHT END - SOFA/BED - FABRIC COVERED (J68) FROM: 09-01-97 THRU: 99-99-99
7	127840-01-J28	EA	PANEL - RIGHT END - SOFA/BED - FABRIC COVERED (J69)
	P27942-01-000	EA	CABINET - COVER - WATER FILL - W/O DOORS/HARDWARE

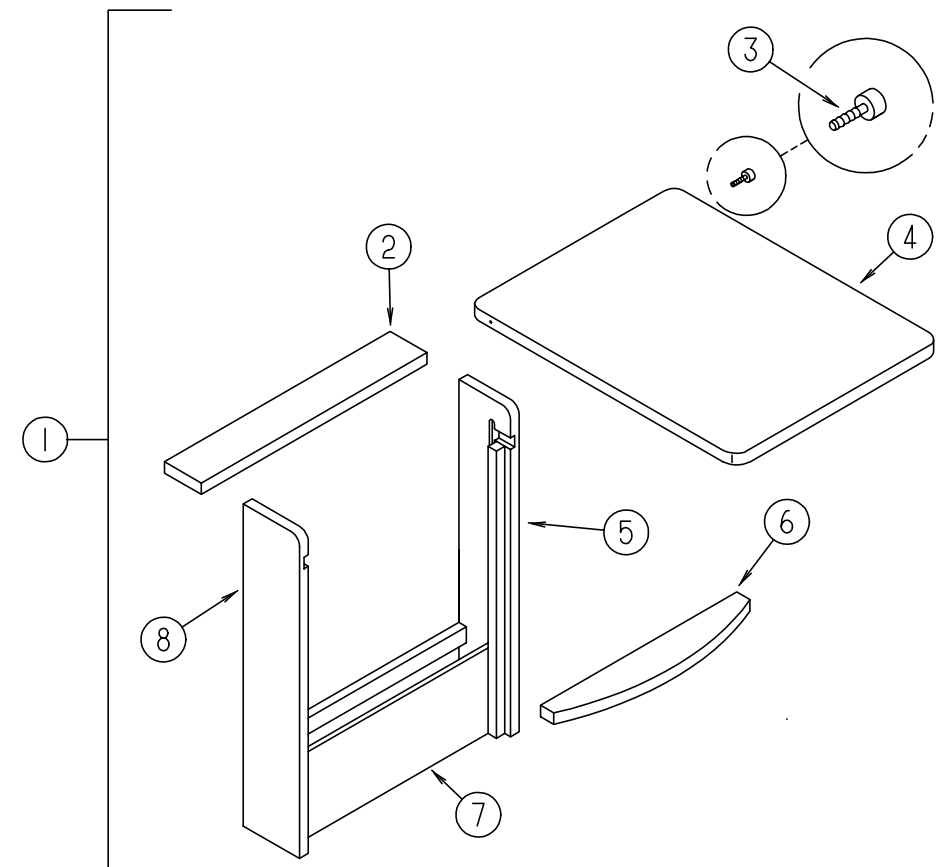
LOUNGE GROUP (CONTINUED)



PASSENGER SIDE LOUNGE

KEY	PART NUMBER	U/M	DESCRIPTION
1	103128-37-J37	EA	END CAP - OVERHEAD CABINET - LEFT HAND
2	127595-01-J37	EA	CABINET - OVERHEAD/FRONT - RIGHT HAND- W/O DOORS/HARDWARE
	127595-12-J37	EA	SHELF - W/PLASTIC EDGE TRIM
3	M08758-27-J15	EA	DOOR - MITERED CORNER/OGEE EDGE - 14.3" X 26.7" - W/O HDW (RAISED MEDIUM DENSITY FIBERBOARD INSERT)
3	M05992-89-J37	EA	DOOR - STRAIGHT CORNER/OGEE EDGE - 14.3" X 26.7" - W/O HDW (GENERAL TRAILER OPTION)
4	103128-31-J37	EA	END CAP - OVERHEAD CABINET - RIGHT HAND
5	120234-04-H13	EA	LID - ENTRY STEP
	101222-01-04A	EA	BRACKET - CATCH - LID
	116975-01-01A	EA	LATCH - W/O STRIKE - BLACK - NEW STYLE
	116975-02-01A	EA	KEEPER/STRIKE - BLACK - NEW STYLE
	064075-07-000	FT	SEAL - BULB - W/WIRED U CHANNEL - .3" X .5" CHANNEL - BLK

LOUNGE GROUP (CONTINUED)



PULLOUT TABLE

KEY	PART NUMBER	U/M	DESCRIPTION
1	P19559-02-J22	EA	CABINET - W/PULLOUT TABLE
2	119559-18-J22	EA	TOP - F/CABINET/PULLOUT TABLE
3	079921-01-000	EA	ROLLER - NYLON - W/STEEL SHAFT - BARBED
4	119559-21-J22	EA	TABLE TOP ONLY
	080736-01-000	EA	PULL - RECESSED - 1.25 X 4" - OAK
5	119559-11-G35	EA	CABINET/RIGHT SIDE - F/DROP LEAF TABLE - 5.7" X 28.7"
6	119559-19-J22	EA	SHELF - PULLOUT TABLE
7	119559-20-J22	EA	PANEL - PULLOUT TABLE
8	119559-12-G35	EA	CABINET/LEFT SIDE - F/DROP LEAF TABLE - 5.7" X 28.7"

SEALANTS & FASTENERS GROUP

ADHESIVE

KEY	PART NUMBER	U/M DESCRIPTION	VENDOR NO.
	004020-01-000	QT ADHESIVE - ABS CEMENT - QUART	
	087211-01-000	GL PROMOTER - ADHESIVE	
	004006-05-700	EA ADHESIVE-NAT. STARCH (5 GAL)	0802
	062917-03-000	EA ADHESIVE - LOCTITE 242	
	067788-01-000	EA ADHESIVE - SPRAY - 3M - 19.5 AEROSOL CAN	
	112901-02-000	EA ADHESIVE - PLEXUS - 50ML	

NUTS

KEY	PART NUMBER	U/M DESCRIPTION
	000D24-10-00B	EA NUT - HEX - SELF LOCKING - 10-32 ZINC
	000D29-05-00B	EA NUT - 5/16 - 18 UNC - SF/LOCKING - NYLON WASHER INSERT
	000D34-04-00B	EA NUT - HEX - LOCKING - 1/4-20 ZINC
	000D34-06-00B	EA NUT - HEX - LOCKING - 3/8-16 GRADE C - ZINC-PREVAILING
	000D39-04-00B	EA NUT - HEX - LOCKING W/SERRATED FLANGE - 1/4-20 - ZINC
	000D39-05-00B	EA NUT - HEX - LOCKING W/SERRATED FLANGE - 5/16-18 - ZINC
	000D39-06-00B	EA NUT - HEX - LOCKING W/SERRATED FLANGE - 3/8-18 - ZINC
	000D39-07-00B	EA NUT - HEX - LOCKING W/SERRATED FLANGE - 7/16-14 - ZINC
	000D39-08-00B	EA NUT - HEX - LOCKING W/SERRATED FLANGE - 1/2-13 - ZINC
	000D44-07-00B	EA NUT - HEX - SERRATED FLANGE/LOCKING - 7/16-20 - ZINC
	000D46-04-00A	EA NUT - HEX - WELD - 1/4 - 20 - PLAIN
	000D76-06-00B	EA NUT - HEX FLANGE - 3/8-16
	040921-01-000	EA NUT - SPEED - U TYPE - 10-24 BLACK
	040921-04-000	EA NUT - SPEED - U TYPE - # 8 - .59" LENGTH X .44" WIDTH
	040921-09-000	EA NUT - SPEED - U TYPE - # 8
	044364-02-000	EA NUT - SPEED - FLAT - ROUND
	063253-07-000	EA NUT - J - #8A - .120 - .130 PNL THK
	083163-06-000	EA PUSHNUT - FLAT TYPE 3/8 STUD - FORD ONLY
	104369-01-000	EA NUT - HEX - HEAVY - 5/8-11 UNC

WASHERS

KEY	PART NUMBER	U/M DESCRIPTION
	000E11-07-00B	EA WASHER - LOCKING - 7/16 MED SPLIT - ZINC
	000E11-08-00B	EA WASHER - LOCKING - 1/2 MED SPLIT - ZINC
	000E13-14-00B	EA WASHER - FLAT - 1/4 WIDE - ZINC
	000E13-18-00B	EA WASHER - FLAT - 3/8 WIDE - ZINC
	000E13-20-00B	EA WASHER - FLAT - 7/16 WIDE - ZINC
	000E13-21-00B	EA WASHER - FLAT - 1/2 NARROW - ZINC
	000E13-22-00B	EA WASHER - FLAT - 1/2 WIDE - ZINC
	000E13-26-00B	EA WASHER - FLAT - 5/8 WIDE - ZINC
	044533-01-000	EA WASHER - PLASTIC - 1 3/8" OD - FOR BUTTONS
	058716-02-000	EA WASHER - FLAT NYLON
	077071-01-000	EA WASHER - FENDER - 3/16"ID X 1" OD
	106649-01-000	EA WASHER - SEALING - GALVANIZED
	107397-01-000	EA WASHER - FENDER - .25" ID X 1" OD

SEALANTS & FASTENERS GROUP (CONTINUED)

SEALERS

KEY	PART NUMBER	U/M DESCRIPTION
	069640-01-000	FT SEALER - RIBBON - 1/4" DIAMETER X 30' - BLACK
	069640-02-000	FT SEALER - TAPE - .13"THICK X .5"WIDE X 60' - GRAY
	069640-03-000	FT SEALER - TAPE - .13"THICK X .75"WIDE X 60' - BLACK
	069640-07-000	FT SEALER - TAPE - .09"THICK X 2"WIDE X 45' - GRAY
	069640-09-000	FT SEALER - TAPE - .032"THICK X 2.50"WIDE X 80' - GREY
	069640-11-000	FT SEALER - TAPE - .19"THICK X .38"WIDE X 40' - BLACK
	069640-13-000	FT SEALER - TAPE - .03"THICK X 2"WIDE X 45' - BLACK
	069640-14-000	FT SEALER - TAPE - .06"THICK X 1"WIDE X 100' - GRAY
	069640-15-000	FT SEALER - TAPE - .06"THICK X .38"WIDE X 80' - GRAY
	069640-17-000	FT SEALER - TAPE - .03"THICK X 1"WIDE X 90' - GRAY
	069640-18-000	FT SEALER - TAPE - .50"THICK X 1/8"WIDE X 60' - BRIGHT WHITE
	069640-19-000	FT SEALER - TAPE - .75"THICK X 1/8"WIDE X 60' - BRIGHT WHITE
	069640-21-000	FT SEALER - TAPE - .50" THICK X 1/16 X 100FT - BRIGHT WHITE
	900390-01-000	EA TIP - 2 1/2" X 1/8" ORIFICE
	900390-03-000	EA NOZZLE - SILICONE TUBE
	034552-02-000	EA SILICONE - TUBE - 300 ML - W/O NOZZLE - CLEAR
	034552-15-000	EA SILICONE - TUBE - 300 ML - W/O NOZZLE - BRIGHT WHITE
	039518-01-000	EA SILICONE - TUBE - 300 ML - BLACK - W/O NOZZLE
	108716-03-000	EA SILICONE - TUBE - BRIGHT WHITE/SELF LEVELING - W/O NOZZLE
	053766-02-000	EA BEDDING COMPOUND - TUBE - WHITE
	072889-01-000	EA SEALANT - URETHANE - BLACK - 1/10
	072889-09-000	EA SEALANT - URETHANE - BLACK (TUBE)
	072889-10-000	EA SEALANT - URETHANE (HV) - BRIGHT WHITE
	072889-11-000	EA SEALANT - URETHANE - (TUBE) - GRAY
	072889-12-000	EA SEALANT - URETHANE (LV) BRIGHT WHITE
	091255-02-000	FT SEAL - ADHESIVE BACKED/FOAM - .18" THICK X 1.5" WIDE
	102352-01-000	EA SEALER - PUMPABLE - BLACK
	102352-02-000	EA SEALER - PUMPABLE - CLEAR
	106206-01-000	EA SEALER - PUMPABLE - MANUS 30A - BLACK
	111940-02-000	LB SEALER - PUTTY - THUMBING
	112864-01-000	FT SEAL - FOAM/BUTYL COVERED - 3/8"
	120074-02-01A	EA SEALANT - SILICONE - OFF WHITE

CLAMPS

KEY	PART NUMBER	U/M DESCRIPTION
	007161-01-000	EA CLAMP - HOSE - SPRING TYPE - 1/2"
	010495-01-000	EA CLAMP - CABLE - 9/16"
	010495-02-000	EA CLAMP - CABLE - 3/8
	010497-01-000	EA CLAMP - CLOSED - 5/8" ID
	010497-03-000	EA CLAMP - CLOSED - 1" ID - CUSHIONED
	010497-04-000	EA CLAMP - CLOSED - 1.62" ID
	010497-05-000	EA CLAMP - CLOSED - 1/2 ID
	010497-07-000	EA CLAMP - CLOSED - 3/8" ID
	010499-01-000	EA CLAMP - CLOSED - 3/8" ID
	062401-01-000	EA CLAMP - HOSE - WORMGEAR - .25" - 1"
	062401-02-000	EA CLAMP - HOSE - WORMGEAR - 1.56" - 2.5"
	062401-03-000	EA CLAMP - HOSE - WORMGEAR - .22" - 1"
	062401-04-000	EA CLAMP - HOSE - WORMGEAR - .69" - 1.25"
	062401-05-000	EA CLAMP - HOSE - WORMGEAR - 2" TO 3" ID
	062401-06-000	EA CLAMP - HOSE - WORMGEAR - .22" - .62" ID
	062401-11-000	EA CLAMP - HOSE - WORMGEAR - 3.50" - 4.50"
	075148-02-000	EA CLAMP - GROUNDING - BRONZE SCREWS
	083609-01-000	EA CLAMP - WIRE - DUAL - EQUAL DIAMETERS - 5/8"
	083610-01-000	EA CLAMP - WIRE - DUAL - UNEQUAL DIAMETERS - 3/4" & 1 1/4"
	083610-02-000	EA CLAMP - WIRE - DUAL - UNEQUAL DIAMETERS - 3/4" & 2"

SEALANTS & FASTENERS GROUP (CONTINUED)

SCREWS

KEY	PART NUMBER	U/M DESCRIPTION
	0G3908-08-170	EA SCREW - SF/DR - 8-18 X .50 PPH - BRIGHT WHITE
	0G3908-24-170	EA SCREW - SF/DR - 8-18 X 1.50 PPH - BRIGHT WHITE
	0G5508-12-270	EA SCREW - SF/DR - 8-18 X .75 PWH - TITANIUM
	0G6710-08-170	EA SCREW - 10-12 X 1/2 PPH - BRIGHT WHITE
	000G11-05-08B	EA SCREW - 5-20 X .50 PPH - ZINC
	000G11-06-08B	EA SCREW - 6-20 X .50 PPH - ZINC
	000G11-06-06B	EA SCREW - 6-20 X 3/8 PPH - ZINC
	000G11-06-10J	EA SCREW - 6-20 X 5/8 PPH - BRASS
	000G11-06-10B	EA SCREW - 6-20 X 5/8 PPH - ZINC
	000G11-07-08B	EA SCREW - 7-19 X .50 PPH - ZINC
	000G11-08-06B	EA SCREW - 8-18 X 3/8 PPH - ZINC
	000G11-08-10B	EA SCREW - 8-18 X .50 PPH - ZINC
	000G11-08-20B	EA SCREW - 8-18 X 1.25 PPH - ZINC
	000G11-08-16S	EA SCREW - 8-18 X 1 PPH - OFF WHITE
	000G11-08-12T	EA SCREW - 8-18 X .75 PPH - BLACK
	000G11-08-12P	EA SCREW - 8-18 X .75 PPH - DARK BROWN
	000G11-08-12D	EA SCREW - 8-18 X .75 PPH - BLACK
	000G11-08-12B	EA SCREW - 8-18 X .75 PPH - ZINC
	000G11-08-08B	EA SCREW - 8-18 X .50 PPH - ZINC
	000G11-08-08T	EA SCREW - 8-18 X 1/2 PPH - FLUOROCARBON COATING
	000G11-10-24P	EA SCREW - 10-16 X 1 1/2 PPH - DARK BROWN
	000G11-10-16B	EA SCREW - 10-16 X 1 PPH - ZINC
	000G11-10-12S	EA SCREW - 10-16 X .75 PPH - OFF WHITE
	000G11-10-12D	EA SCREW - 10-16 X .75 PPH - BLACK
	000G11-10-40B	EA SCREW - 10-16 X 2 1/2 PPH CAD - 34927-01-000
	000G12-06-08T	EA SCREW - 6-20 X 1/2 POH - BLACK
	000G13-06-16J	EA SCREW - 6-20 X 1 PFH - BRASS
	000G13-06-10G	EA SCREW - 6-20 X 5/8 PFH - ANTIQUE BRASS
	000G13-06-08G	EA SCREW - 6-20 X .50 PFH - ANTIQUE BRASS
	000G13-06-08B	EA SCREW - 6-20 X 1/2 PFH - ZINC
	000G13-06-24J	EA SCREW - 6-20 X 1.50 PFH - BRASS
	000G13-07-10H	EA SCREW - 7-19 X 5/8 PFH - BLACK
	000G13-07-12B	EA SCREW - 7-19 X .75 PFH - ZINC
	000G13-08-16B	EA SCREW - 8-18 X 1 PFH - ZINC
	000G18-08-22B	EA SCREW - MACHINE - 8-32 X 1 3/8 PPH - ZINC
	000G19-10-08B	EA SCREW - MACHINE - 10-32 X 1/2 PPH - ZINC
	000G19-10-12F	EA SCREW - MACHINE - 10-32 X .75 - PPH - STAINLESS STEEL
	000G19-10-20B	EA SCREW - MACHINE - 10-32 X 1.25 PPH - ZINC
	000G32-10-06B	EA SCREW - 10-32 X 3/8 PPH - ZINC
	000G37-08-089	EA SCREW - 8 X 18 X 1/2 PPH
	000G39-06-16T	EA SCREW - SF/DR - 6-20 X 1 PPH - BLACK
	000G39-06-10T	EA SCREW - SF/DR - 6-20 X 5/8 PPH - BLACK
	000G39-08-12B	EA SCREW - SF/DR - 8-18 X .75 PPH - ZINC
	000G39-08-08S	EA SCREW - SF/DR - 8-18 X .50 PPH - OFF WHITE
	000G39-08-08B	EA SCREW - SF/DR - 8-18 X 1.50 PPH - ZINC
	000G39-08-06B	EA SCREW - SF/DR - 8-18 X 3/8 PPH - ZINC
	000G39-08-08T	EA SCREW - SF/DR - 8-18 X 1/2 PPH - BLACK
	000G39-08-24B	EA SCREW - SF/DR - 8-18 X 1 1/2 PPH - ZINC
	000G39-08-16T	EA SCREW - SF/DR - 6-20 X 1 PPH - BLACK
	000G39-08-16R	EA SCREW - SF/DR - 8-18 X 1 PPH - BEIGE
	000G39-08-16B	EA SCREW - SF/DR - 8-18 X 1 PPH - ZINC
	000G39-08-12T	EA SCREW - SF/DR - 8-18 X .75 PPH - BLACK
	000G39-10-20B	EA SCREW - SF/DR - 10-16 X 1.25 PPH - ZINC
	000G39-10-129	EA SCREW - SF/DR - 10-16 X .75 PPH - FLUOROCARBON SILVER
	000G39-10-12D	EA SCREW - SF/DR - 10-16 X .75 PPH - BLACK
	000G39-10-12B	EA SCREW - SF/DR - 10-16 X .75 PPH - ZINC
	000G39-10-10B	EA SCREW - SF/DR - 10-16 X .625 - ZINC
	000G39-10-088	EA SCREW - SF/DR - 10-16 X 1/2 PPH - FLEX FLUOROCARBON
	000G39-10-08B	EA SCREW - SF/DR - 10-16 X .50 PPH - ZINC
	000G39-10-20T	EA SCREW - SF/DR - 10-16 X 1.25 PPH
	000G39-10-32B	EA SCREW - SF/DR - 10-16 X 2 - PPH - ZINC
	000G39-10-48T	EA SCREW - SF/DR - 10-16 X 3.00 PPH - BLACK
	000G39-10-209	EA SCREW - SF/DR - 10-16 X 1 1/4 PPH - FLUOROCARBON SILVER

SEALANTS & FASTENERS GROUP (CONTINUED)

SCREWS (CONTINUED)

KEY	PART NUMBER	U/M DESCRIPTION
	000G39-10-48B	EA SCREW - SF/DR - 10-16 X 3 - PPH - ZINC
	000G39-12-12E	EA SCREW - SF/DR - 12-14 X 3/4 PPH - CHROME
	000G42-04-12B	EA SCREW - SF/DR - 1/4-14 X .75 HWH - ZINC
	000G43-06-24B	EA SCREW - MACHINE - 6-32 X 1.50 - ZINC
	000G46-08-24T	EA SCREW - MACHINE - 8-32 X 1.50 PFH - BLACK
	000G50-04-08B	EA SCREW - MACHINE - 1/4-20 X 1/2 PTH - ZINC
	000G50-04-12B	EA SCREW - MACHINE - 1/4-20 X 3/4 PPH - ZINC
	000G52-08-18B	EA SCREW - MACHINE - 8-32 X 1 1/8 PTH - ZINC
	000G54-04-20B	EA SCREW - 1/4-20 X 1.25 PTH - TYPE 23 - ZINC PLATED
	000G55-08-16S	EA SCREW - SF/DR - 8-18 X 1.00 - PWH - OFF WHITE
	000G55-08-12S	EA SCREW - SF/DR - 8-18 X .75 PWH - OFF WHITE
	000G56-12-48B	EA SCREW - WOOD - 12-11 X 3 POH - SPECIAL HARDENED
	000G57-05-16J	EA SCREW - 5-20 X 1 PFH - BRASS
	000G60-10-28T	EA SCREW - SF/DR - 10-16 X 1.75 - BLACK
	000G60-10-20B	EA SCREW - SF/DR - 10-16 X 1.25 POH - ZINC
	000G67-08-32B	EA SCREW - 8-15 X 2 PPH - ZINC
	000G67-10-120	EA SCREW - 10-12 X .75 PPH - TAN
	000G67-10-12P	EA SCREW - 10-12 X .75 - PPH - DARK BROWN
	000G67-10-12B	EA SCREW - 10-12 X .75 PPH - ZINC
	000G67-10-10S	EA SCREW - 10-12 X 5/8 PPH - OFF WHITE
	000G67-10-10D	EA SCREW - 10-12 X 5/8 PPH - BLACK - TYPE A
	000G67-10-10B	EA SCREW - 10-12 X 5/8 PPH - ZINC - TYPE A
	000G67-10-08R	EA SCREW - 10-12 X 1/2 PPH - BEIGE - TYPE A
	000G67-10-08B	EA SCREW - 10-12 X .50 PPH - ZINC
	000G67-10-16B	EA SCREW - 10-12 X 1 PPH - ZINC
	000G67-10-32B	EA SCREW - 10-12 X 2 PPH - ZINC
	000G67-10-36T	EA SCREW - 10-12 X 2.25 PPH - BLACK
	000G67-10-24B	EA SCREW - 10-12 X 1.25 PPH - ZINC
	000G67-10-20D	EA SCREW - 10-12 X 1.25 PPH - BLACK
	000G67-10-120	EA SCREW - 10-12 X .75 PPH - TAN
	000G67-10-48B	EA SCREW - 10-12 X 3 PPH - ZINC
	000G68-06-10G	EA SCREW - 6-18 X 5/8 POH - ANTIQUE BRASS
	000G68-06-12S	EA SCREW - 6-18 X 3/4 POH
	049465-01-000	EA SCREW - 10-16 W/WASHER PTH - DARK BROWN
	049465-03-000	EA SCREW - 10-16 X 1 POH W/WASHER - OFF WHITE
	049465-17-000	EA SCREW - 10-16 X 1 POH W/WASHER - BRIGHT WHITE
	054434-02-000	EA SCREW - SF/DR - 10-16 X 2 - ZINC
	057671-01-000	EA COVER - SCREW - #8 - PLASTIC - OFF WHITE
	057671-15-000	EA COVER - SCREW - BRIGHT WHITE
	075908-01-000	EA SCREW - MACHINE - 10-32 X .56 PTH - EXTERNAL TOOTH - ZINC
	076790-01-000	EA SCREW - 6-20 X 1 1/4 PPH - BLACK
	083554-01-000	EA SCREW - DRYWALL - 8 X 1.25
	083554-04-000	EA SCREW - DRYWALL - 8 X 2.50
	086256-01-000	EA SCREW - SF/DR - 8 X 3/4 HWH LONG
	087721-01-000	EA SCREW - FLAT HEAD - TAPPING - 1/4" X 1 1/4" LONG - ZINC
	097974-01-000	EA SCREW - PARTICLE BOARD - 7-9 X 3/4 PPH

SEALANTS & FASTENERS GROUP (CONTINUED)

BOLTS

KEY	PART NUMBER	U/M DESCRIPTION
	000C12-05-16B	EA BOLT - HEX - 5/16-18 X 1 - ZINC 5
	000C12-05-12B	EA BOLT - HEX - 5/16-18 X 3/4 - ZINC 5
	000C12-06-16B	EA BOLT - HEX - 3/8-16 X 1 LG - ZINC 5
	000C12-08-24B	EA BOLT - HEX - 1/2-13 X 1.50 - ZINC 5
	000C12-08-16B	EA BOLT - HEX - 1/2-13 X 1.00 - GD5 - ZINC
	000C12-10-24B	EA BOLT - HEX - 5/8-11 X 1.50 - ZINC 5
	000C13-07-24B	EA BOLT - HEX - 7/16-20 X 1 1/2 GRADE 5
	000C13-07-48B	EA BOLT - HEX - 7/16-20 X 3 - ZINC 5
	000C18-05-40A	EA BOLT - ELEVATOR - 5/16-18 X 2.50 - PL
	000C26-04-10B	EA BOLT - HEX - SERRATED FLANGE - 1/4-20 X 5/8 - ZINC
	000C26-04-18B	EA BOLT - HEX - SERRATED FLANGE - 1/4-20 X 1 1/8 - ZINC
	000C26-04-14B	EA BOLT - HEX - SERRATED FLANGE - 1/4-20 X 7/8 - ZINC
	000C26-05-16B	EA BOLT - HEX - SERRATED FLANGE - 5/16-18 X 1 - ZINC
	000C26-05-12B	EA BOLT - HEX - SERRATED FLANGE - 5/16-18 X 3/4 - ZINC
	000C26-06-16B	EA BOLT - HEX - SERRATED FLANGE - 3/8-16 X 1 - ZINC
	000C26-06-12B	EA BOLT - HEX - SERRATED FLANGE - 3/8-16 X 3/4 - ZINC
	000C26-08-24B	EA BOLT - HEX - SERRATED FLANGE - 1/2-13 X 1.5 ZINC
	000C27-10-32B	EA BOLT - CARRIAGE - 5/8-11 X 2
	000G45-04-24B	EA BOLT - LAG - 1/4-9 X 1.50 ZINC
	000D65-08-00B	EA NUT - HEX/SERRATED FLANGE - 8-32 ZINC
	051387-06-000	EA BOLT - CARRIAGE W/O HOLE - 5/16-18 X 9.5 - ZINC
	091274-03-000	EA BOLT-J - 3/8-16 X 12.0
	102333-01-06A	EA BOLT - CARRIAGE - 7/16-14 STAINLESS STEEL CAP
	106166-01-000	EA BOLT/COLLARED HANGER - 8-32 X 1"
	106956-03-000	EA BOLT - HEX TAP - 1/2-12NC X 3 - GRADE 5 - FULL THREAD/ZINC FROM: 02-22-98 THRU: 04-19-98
	106956-08-000	EA BOLT - HEX TAP 1/2-13 NC X 4 GRADE 5 FROM: 04-20-98 THRU: 99-99-99
	088787-12-000	EA STUD - WELD - 1/4 - 20 X 1.0 LG - MN
	108067-03-000	EA STUD - WELD - 1/4 - 20 X 1/2 CD

TAPES

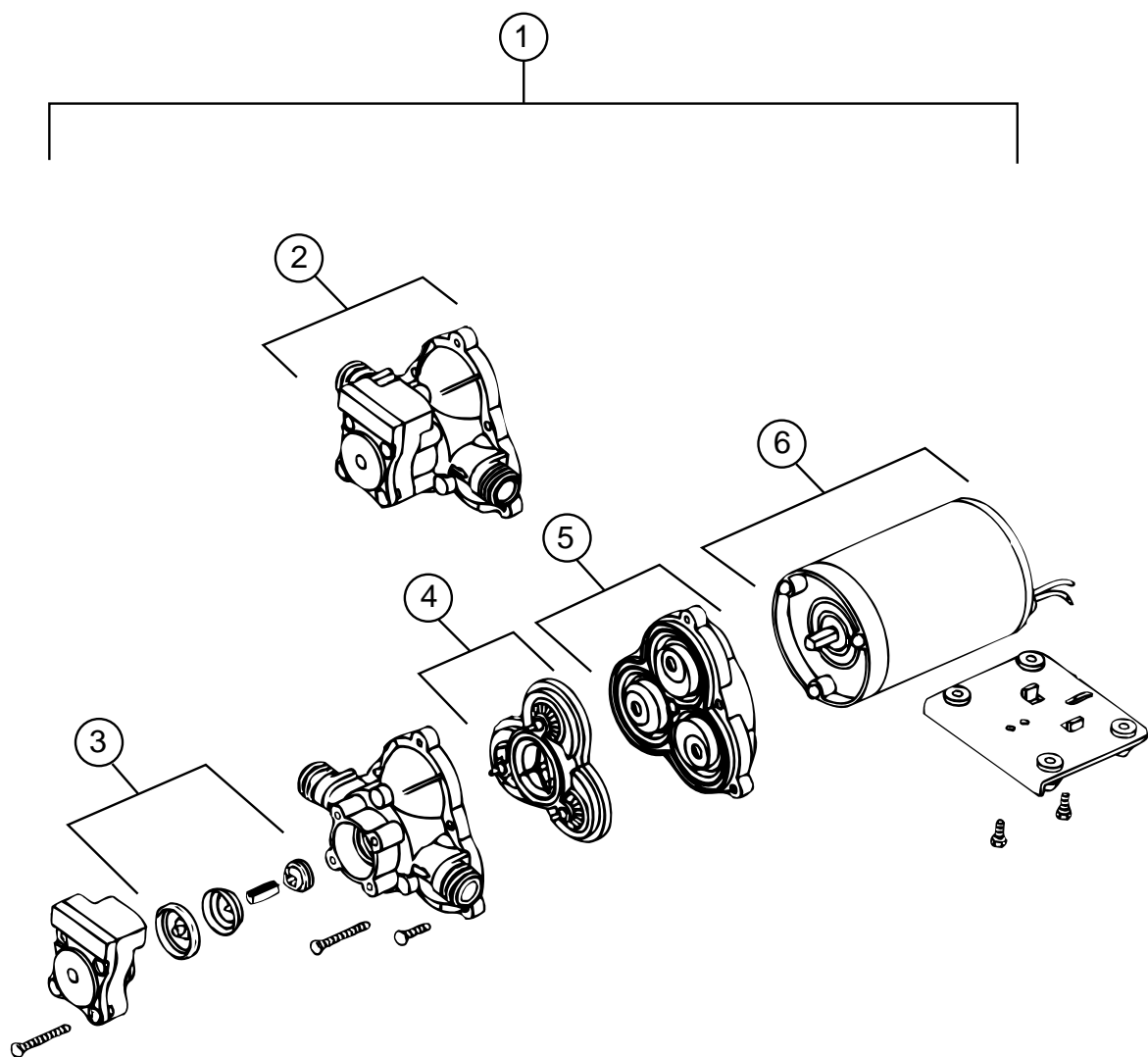
KEY	PART NUMBER	U/M DESCRIPTION
	076322-01-000	FT TAPE - DOUBLE COATED/ADHESIVE BACK - .025"THK X .75"W X18'
	076322-05-000	FT TAPE - DOUBLE COATED/ADHESIVE BACK - .045"THK X .75"W X 9'
	076322-07-000	FT TAPE - DOUBLE COATED/ADHESIVE BACK - .045"THK X .50"W X 9'
	088479-01-000	EA TAPE - ALUMINUM - 3"
	110274-01-000	FT TAPE - DOUBLE SIDED FOAM - .45" X 1"
	118085-02-01A	FT TAPE - FOIL - 1"
	120534-01-01A	EA TAPE - SCOTCH - 3M - 1/2" FINE LINE
	123244-01-000	FT TAPE - DOUBLE SIDED FOAM 5/64" THICK X .75" WIDE
	123816-01-000	FT TAPE - DOUBLE SIDED - 1"
	123816-02-000	FT TAPE - DOUBLE SIDED - 1/2" X 35 MIL THICK
	123816-03-000	FT TAPE - DOUBLE SIDED - 1/2" X 20 MIL THICK
	123816-04-000	FT TAPE - DOUBLE SIDED - 6"

SEALANTS & FASTENERS GROUP (CONTINUED)

RIVETS, GROMMETS AND MISCELLANEOUS FASTENERS

KEY	PART NUMBER	U/M DESCRIPTION
	000H14-04-04A	EA RIVET - MANDREL BLIND - 1/8 X .400
	000H14-06-14R	EA RIVET - MANDREL BLIND - 3/16"
	000H16-04-06R	EA RIVET - POP ALUMINUM - 1/8 X .313 - .375
	000H16-06-10R	EA RIVET - POP ALUMINUM - 3/16 X .501-.625
	069592-02-000	EA RIVET-T - POP - 1/4 X .093 - .156
	000F10-04-16B	EA PIN - COTTER - 1/8" X 1" - ZINC
	000F10-06-32B	EA PIN - COTTER - 3/16" X 2" - ZINC
	008380-01-000	EA GROMMET - RUBBER - 5/8" HOLE X 1 1/2" DIAMETER - BLACK
	016188-03-000	EA GROMMET - L/P LINE - 3/8" HOLE X 2 1/2" LONG - RUBBER
	016188-05-000	EA GROMMET - L/P LINE - 3/8" HOLE X 1 1/4" LONG - RUBBER
	023942-01-000	EA GROMMET - RUBBER - 2" OD
	071015-11-000	EA GROMMET - 1.00 ID - FITS .12 MATERIAL
	071015-26-000	EA GROMMET - RUBBER - 1.5" ID X 2.12" OD W/.06" GROOVE - BLK
	071015-30-000	EA GROMMET - RUBBER - .31" ID X .81" OD W/.12" GROOVE - BLK
	088756-01-000	EA GROMMET - WEB - 1 1/8 " I.D.
	114208-02-000	EA GROMMET - EDGE LINER - FITS .625
	056134-02-000	EA HOLDER - RING - 1.8" DIAMETER - METAL
	081211-03-000	EA PLUG - PLASTIC - .50 DIAMETER - BLACK
	081211-04-000	EA PLUG - PLASTIC - .46 DIAMETER - BLACK USED IN HOUSE CIRCUIT BREAKER PANELS
	081211-05-000	EA PLUG - PLASTIC - .188 DIAMETER - NATURAL
	115361-01-01A	EA PLUG - PLASTIC
	086285-01-000	EA SPACER - NYLON - .5" OD X .257" ID
	029094-04-000	YD VELCRO TAPE - LOOP - 1" WIDE - BLACK
	029096-03-000	YD VELCRO TAPE - HOOK - 1" WIDE - BLACK
	029096-04-000	YD TAPE - HOOK - VELCRO - 1" WIDE - BLACK
	088792-01-000	YD VELCRO TAPE - HOOK - 5/8" - NON-ADHESIVE BACKED FROM: 00-00-00 THRU: 02-17-98
	088792-05-000	YD VELCRO TAPE - LOOP - 5/8" - NON-ADHESIVE BACKED - WHITE FROM: 02-18-98 THRU: 99-99-99
	085774-01-000	FT FASTENER - DUAL HOOK - 1" WIDE - ADHESIVE BACK - BLACK
	085774-02-000	FT FASTENER - DUAL HOOK - 1" WIDE - ADHESIVE BACK - BLACK
	008343-01-000	EA TIE - WIRE - 6"
	008343-02-000	EA TIE - WIRE - 14"
	108046-02-000	EA CABLE TIE - SCREW MOUNT 15"
	080734-02-000	EA CLIP - WIRE NYLON
	091952-01-000	EA CLIP - GRIPPER - 1"
	091952-02-000	EA CLIP - GRIPPER - 3/4"
	094362-02-000	EA CLIP - XMAS TREE - BINDER HEAD - .9" LONG
	094362-05-000	EA CLIP - XMAS TREE - ROUND HEAD - 1.4" LONG
	101447-01-000	EA CLIP - U TYPE
	110943-02-000	FT FELTSTRIP - 3/8" - ADHESIVE BACK - WHITE
	116743-01-01A	EA CAP - LUG COVER - THREAD PROTECTOR - BLACK

WATER & SEWAGE GROUP



SHURFLO WATER PUMP

KEY	PART NUMBER	U/M DESCRIPTION	VENDOR NO.
1	098607-01-000	EA PUMP - WATER - W/.5" MPT FITTING - FLOW 2.8 GPM	
2	098607-01-706	EA HOUSING, W/SWITCH ONLY	94-231-20
3	098607-01-705	EA VALVE-CHECK, KIT	94-237-00
4	098607-01-703	EA VALVE KIT	94-232-00
5	098607-01-702	EA DIAPHRAGM/DRIVE ASSEMBLY KIT	94-238-04
6	098607-01-707	EA MOTOR W/BASEPLATE	11-148-04

ATWOOD WATER HEATER W/MOTOR AID (GH6-8E)

KEY	PART NUMBER	U/M DESCRIPTION
*	051393-01-000	EA WATER HEATER - GH6-8E - ELECTRONIC IGNITION W/MOTOR AID

*COMPONENT PARTS FOUND IN SERVICE PARTS LIBRARY

WATER & SEWAGE GROUP (CONTINUED)

WATER TANKS

KEY	PART NUMBER	U/M DESCRIPTION
	117217-02-000	EA TANK - FRESH WATER - 30 GALLON - W/FITTINGS FROM: 00-00-00 THRU: 09-08-97
	117217-10-000	EA TANK - FRESH WATER - 30 GALLON - W/FITTINGS FROM: 09-09-97 THRU: 99-99-99
	117217-01-000	EA TANK - FRESH WATER - 30 GALLON - W/O FITTINGS
	116881-08-000	EA TANK - FRESH WATER - 48 GALLON W/NOTCHED CORNER/FITTINGS
	116881-01-000	EA TANK - FRESH WATER - 48 GAL-W/NOTCHED CORNER W/O FITTINGS
	116881-14-000	EA TANK - FRESH WATER - 48 GALLON W/NOTCHED CORNER/FITTINGS 1999 18,000 #FORD CHASSIS
	116881-01-000	EA TANK - FRESH WATER - 48 GAL-W/NOTCHED CORNER W/O FITTINGS 1999 18,000 #FORD CHASSIS
	117217-12-000	EA TANK - FRESH WATER - 30 GALLON - W/FITTINGS 1999 18,000 #FORD CHASSIS
	117217-01-000	EA TANK - FRESH WATER - 30 GALLON - W/O FITTINGS 1999 18,000 #FORD CHASSIS
	039861-01-000	EA SENDING UNIT - W/SCREW - WASHER - WELL NUT/TERMINAL RING
	010224-01-000	EA ADAPTER - HOSE TO PIPE - 3/8 MPT X 3/8 BARB - PLASTIC
	010219-01-000	EA ELBOW - 1 1/4 MPT X 1 1/4 BARB - WATER FILL - PLASTIC
	042989-03-000	EA FITTING - WATER TANK - SPINWELD - 1 1/4"NPT - PLASTIC
	042989-05-000	EA FITTING - WATER TANK - SPINWELD - 1/2"FPT - PLASTIC
	049032-01-000	EA PATCH - SPINWELD - 3/8" - PLASTIC
	077954-02-000	EA FILTER - WATER TANK - W/SCREEN IN TANK
	079381-01-000	FT TUBING - SMOOTH FLEXIBLE - 1 3/8 ID X 20'

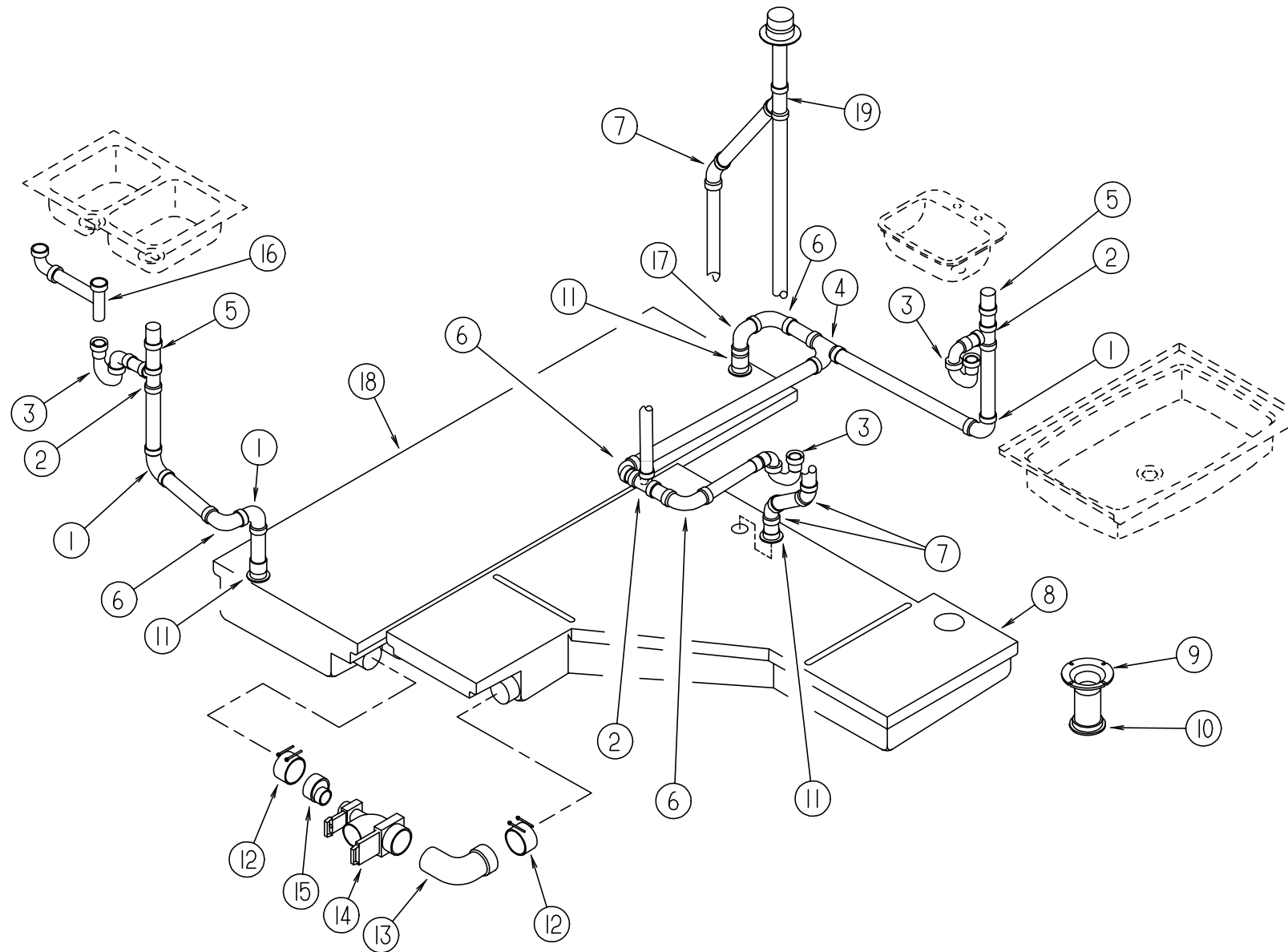
EXTERIOR SHOWER

KEY	PART NUMBER	U/M DESCRIPTION	VENDOR NO.
	079563-04-01A	EA FAUCET - SHOWER 1/2"MPT X 1 1/4"LONG INLET PIPE	
	118051-01-02B	EA BRACKET - FAUCET SUPPORT - E-COAT	
	103092-02-000	EA SHOWER HEAD - W/60" HOSE - CSA	
	103092-01-000	EA SHOWER HEAD - W/60" HOSE - WHITE	
	103092-01-700	EA BRACKET-F/SHOWER HEAD, CLEAR	2328028
	011048-03-700	EA BRACKET - F/SHOWER HEAD	2328029-1
	103092-01-702	EA SEALS-SPRAY HEAD	24466
	093527-02-000	EA BRACKET - EXTERIOR SHOWER HEAD/SQUEEGEE	
	108357-08-000	EA SWITCH - ROCKER DPDT - ON/NONE/ON - 6 TERMINAL	
	108356-02-01A	EA COVER/ACTUATOR SWITCH - 2 ROWS DIMPLES- CONTURA II - BLACK	

WATER SYSTEM

KEY	PART NUMBER	U/M DESCRIPTION
	103798-01-000	EA CONNECTOR - 1/4 OD X 3/8 MPT
	110438-02-000	EA VALVE - CHECK - BRASS - 1/2 MPT X 1/2 MPT
	010230-06-000	EA FILL - CITY WATER - W/CHECK VALVE - MPT
	101814-01-000	EA COUPLING - FEMALE - 1/2" X 1/2" FPT - GRAY
	111223-04-000	EA ELBOW - 1/2" MPT X 1/2" BARB - PLASTIC - 1999 18,000 #FORD CHASSIS
	112176-01-000	FT TUBING - VINYL - REINFORCED - 1/2" ID
	113697-01-000	EA CAP - 3/8 FTG
	114428-01-000	EA TEE - 1/2"P X 1/2"P X 1/2"P
	114428-02-000	EA TEE - SWIVEL - 1/2"P X 1/2"P X 1/2"FPT
	114428-03-000	EA TEE - 1/2"P X 1/2"P X 1/2"MPT
	114429-01-000	EA ELBOW - 1/2"P X 1/2"P
	114429-02-000	EA ELBOW - 1/2"P X 1/2"MPT
	114429-03-000	EA ELBOW - FLAIR-IT SWIVEL - 1/2"P X 1/2"FPT
	114429-04-000	EA ELBOW - 1/2"P X 3/8"MPT
	114430-02-000	EA ADAPTER - SWIVEL - 1/2"P X 1/2"FPT
	114430-03-000	EA ADAPTER - 1/2"P X 1/2"MPT
	114430-06-000	EA ADAPTER - 1/2"P X 3/8"FPT
	114431-01-000	EA VALVE - 180 DEGREE/CENTER DRAIN - 1/2P - THREE WAY
	114431-02-000	EA VALVE - WATER BYPASS - 1/2"P - THREE WAY (WATER HEATER)
	114431-03-000	EA VALVE - 90 DEGREE DRAIN - 1/2"P
	123150-01-000	EA ELBOW - 1/2 FPT X 1/2 BARB - SWIVEL
	123152-01-000	EA ADAPTER - 1/2 FPT X 1/2 BARB - SWIVEL
	124188-01-000	FT TUBING - PEX - 1/2" ID X 20' - BLUE
	124188-02-000	FT TUBING - PEX - 1/2" ID X 20' - RED
	124184-01-000	EA SUPPORT - WATER LINE - BEND

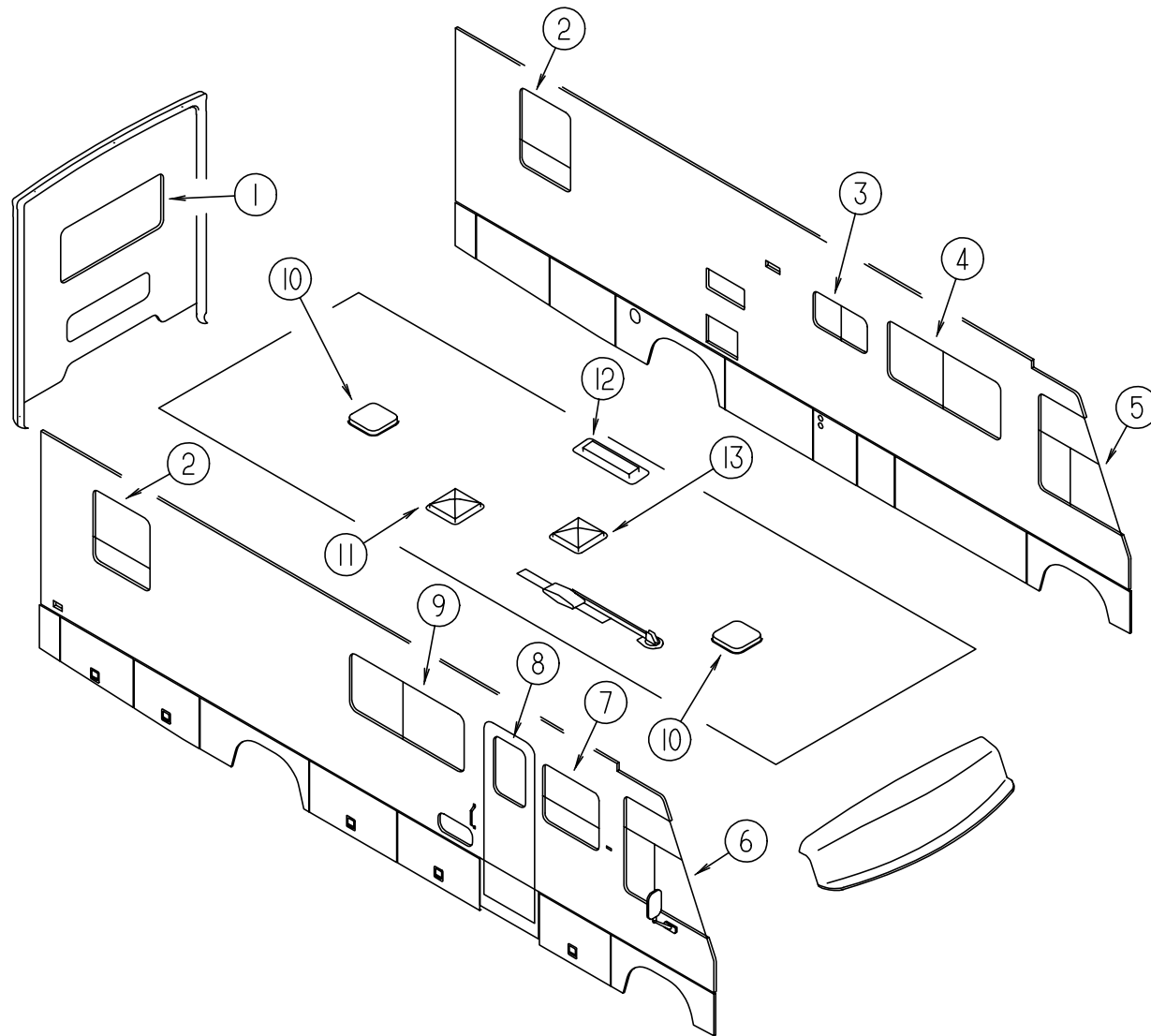
WATER & SEWAGE GROUP (CONTINUED)
DRAINAGE SYSTEM



KEY	PART NUMBER	U/M	DESCRIPTION
1	010008-01-000	EA	ELBOW - 90 DEGREE - 1 1/2" HUB X HUB - PLASTIC
2	010071-01-000	EA	TEE - SANITARY - 1 1/2" HUB X HUB X HUB - PLASTIC
3	107538-01-000	EA	P TRAP - PLASTIC - 1 1/4" W/EXTENSION ARM
3	011071-01-000	EA	P-TRAP - PLASTIC - 1 1/2" - CSA
	109571-01-000	EA	ADAPTER - P TRAP - 1 1/2"P X 1 1/4"MPT - US
4	031365-02-000	EA	TEE - PLASTIC - 1 1/2" EXT LG TURN
5	079968-01-000	EA	VENT - MECHANICAL/TRAP ARM - ANTI-SIPHON-2" X 7.3" PLASTIC
6	033761-01-000	EA	ELBOW - TURN - 90 DEGREE 1 1/2" HUB X 1 1/2" SPIGOT
7	010006-01-000	EA	ELBOW - 45 DEGREE - 1 1/2" HUB X HUB - PLASTIC
8	104350-01-000	EA	TANK - HOLDING - 69 GAL - "REVISED DESIGN"
	039861-01-000	EA	SENDING UNIT - W/SCREW - WASHER - WELL NUT/TERMINAL RING
9	116644-01-000	EA	FLANGE - CLOSET - 4" X 3"
10	061607-02-000	EA	GROMMET - HOLDING TANK - 3" NPS
11	010115-01-000	EA	COUPLING - 1 1/2" HUB X HUB - PLASTIC
	061607-01-000	EA	GROMMET - HOLDING TANK - 1 1/2" NPS
12	078406-01-000	EA	COUPLER - RUBBER - W/CLAMPS - 3" X 3"
13	041956-01-000	EA	ELBOW - STREET - 1/4" BARB X 90 DEGREE X 3 XLT

KEY	PART NUMBER	U/M	DESCRIPTION	VENDOR NO.
14	070916-01-000	EA	VALVE - DUAL DUMP - W/CAP - 3" X 1 1/2"	
	070916-01-700	EA	VALVE ONLY (WASTE) 3"	T1003BU
	070916-01-701	EA	VALVE ONLY (WASTE) 1 1/2"	T1001BU
	010201-01-000	EA	HOSE - SEWER - 3" ID X 8'	
	062416-01-000	EA	ADAPTER - SEWER HOSE TO 3" PIPE	
15	062422-01-000	EA	ADAPTER - OFFSET REDUCER - 3" X 1 1/2" - PLASTIC	
16	011091-02-000	EA	WASTE - CONTINUOUS - DOUBLE SINK	
17	034250-01-000	EA	ELBOW - 90 DEGREE - LONG TURN - 1 1/2" HUB X HUB - ABS	
18	104352-01-000	EA	TANK - HOLDING - 50 GALLON (GRAY) - RECTANGULAR	
	039861-01-000	EA	SENDING UNIT - W/SCREW - WASHER - WELL NUT/TERMINAL RING	
19	010073-01-000	EA	WYE - 45 DEGREE - 1 1/2" HUB X HUB X HUB - PLASTIC	
	011069-02-000	EA	TAILPIECE - TUB/SHOWER - 1 1/2" X 1 1/4" X 4" - BRASS	
	066729-01-000	EA	STRAINER - TUB/SHOWER W/PLUG - CHROME	
	127440-02-01A	EA	WASHER - RUBBER - 1.8" X .1"	
	130403-01-000	EA	NUT - SLIP - W/WINGS 1 1/2"	
	094756-02-01A	EA	BRACKET - L - 6.1" LONG X 3.9" WIDE - STEEL	

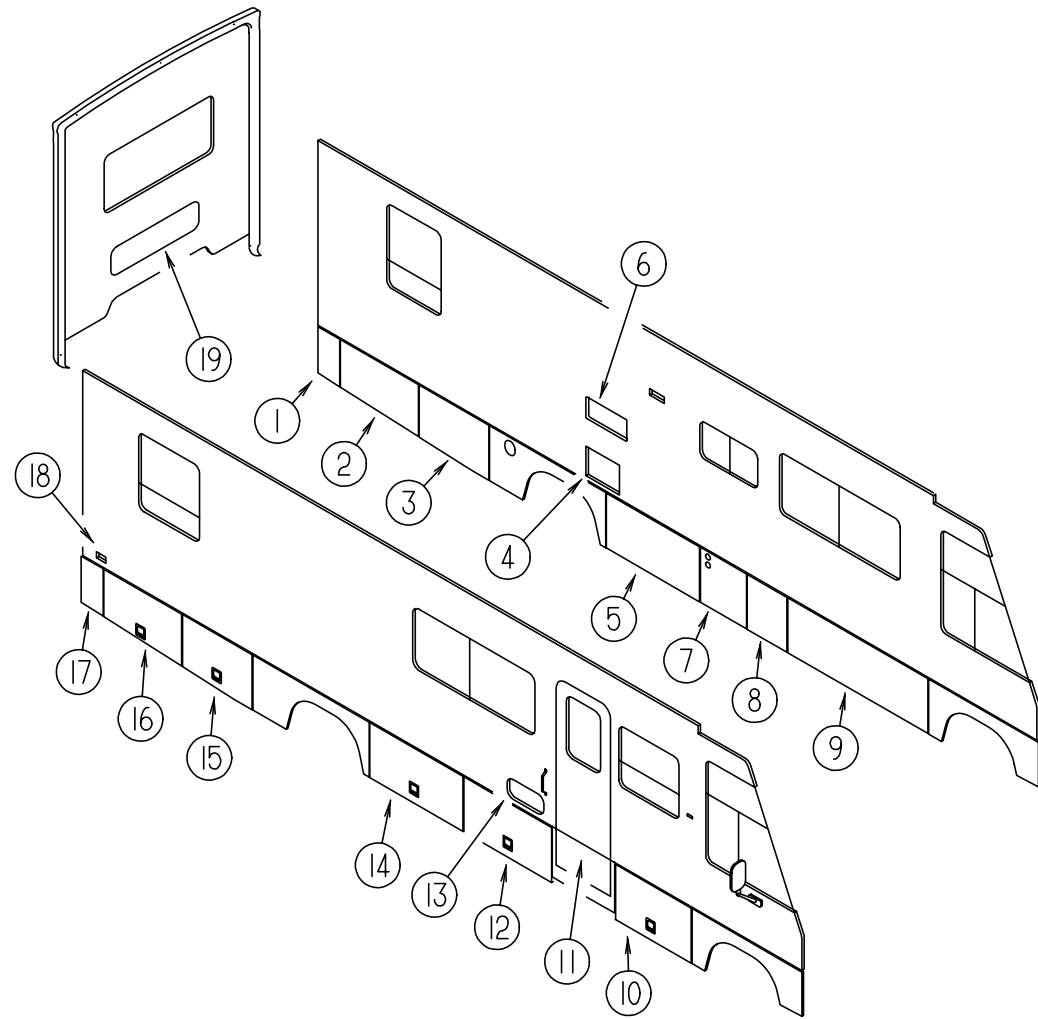
WINDOW, VENT & EXTERIOR DOOR GROUP
WINDOWS AND ROOF VENTS



KEY	PART NUMBER	U/M	DESCRIPTION
1*	078528-06-E10	EA	WINDOW - ESCAPE - W/O RETAINER/TRIM - 48.5" X 24.5"
1	074816-11-000	EA	RETAINER - TRIM - ESCAPE WINDOW - OFF WHITE
1*	113502-01-01A	EA	WINDOW - REAR/CENTER ESCAPE - THERMO - 24.8" X 48.7"
2	126795-01-01A	EA	WINDOW - TORQUE - 33" X 30"
2*	112463-03-01A	EA	WINDOW - TIPOUT W/RETAINER TRIM - 33.3" X 30.2" FROM: 00-00-00 THRU: 09-07-97
2*	112898-16-01A	EA	WINDOW - VERTICAL SLIDER - THERMO - 30.2" X 33.2" FROM: 09-08-97 THRU: 99-99-99
3	126793-01-01A	EA	WINDOW - HORIZONTAL SLIDER/RIGHT HAND - 15.98" X 28.74" FROM: 00-00-00 THRU: 09-07-97
3*	098647-34-01A	EA	WINDOW-DRIVER HORIZ SLIDER W/TRIM-TINTED - 15.7" X 28.5" FROM: 09-08-97 THRU: 99-99-99
3*	112795-20-01A	EA	WINDOW - DRIVER HORIZONTAL SLIDER - THERMO - 16" X 28.7"
4	126793-04-01A	EA	WINDOW - HORIZONTAL SLIDER
4*	098647-22-01A	EA	WINDOW-DRIVER HORIZ SLIDER W/TRIM-TINTED - 26.1" X 59.7" FROM: 09-08-97 THRU: 99-99-99
4*	112795-15-01A	EA	WINDOW - DRIVER HORIZONTAL SLIDER - THERMO - 26.4" X 60"
5	126791-08-01A	EA	WINDOW - CAB/LEFT HAND - 41.5"H X 30.8"T X 50.1"B FROM: 00-00-00 THRU: 09-07-97
5*	125582-04-01A	EA	WINDOW - CAB - DRIVER
5*	125583-04-01A	EA	WINDOW - DRVR CAB-3 GLASS THERMO-31.8"T X 51.6"B X 42.6"H FROM: 09-08-97 THRU: 99-99-99
6	126791-07-01A	EA	WINDOW - CAB/RIGHT HAND - 41.5"H X 30.8"T X 50.1"B FROM: 00-00-00 THRU: 09-07-97
6*	125582-03-01A	EA	WINDOW - CAB - PASSENGER
6*	125583-03-01A	EA	WINDOW - PASS CAB-3 GLASS THERMO- 31.8"T X 51.6"B X 42.6"H FROM: 09-08-97 THRU: 99-99-99
7	126792-02-01A	EA	WINDOW - RAISED SLIDER - 26.3" X 26.9" FROM: 00-00-00 THRU: 09-07-97
7*	098644-11-01A	EA	WINDOW - VERTICAL SLIDER W/TRIM - TINTED - 26.4" X 27" FROM: 09-08-97 THRU: 99-99-99
7*	112898-19-01A	EA	WINDOW - VERTICAL SLIDER - THERMO - 27" X 26.4"
8*	117053-02-F36	EA	WINDOW - PICTURE - 60% TINTING - 17" X 26.4"
8	117054-02-02A	EA	RETAINER - TRIM - BRIGHT WHITE
8*	113733-01-01A	EA	WINDOW - STATIONARY THERMOPANE - 26.4" X 17"
9	126793-05-01A	EA	WINDOW - HORIZONTAL SLIDER
9*	098647-23-01A	EA	WINDOW - PASS HORIZ SLIDER W/TRIM - TINTED - 26.1" X 59.7" FROM: 00-00-00 THRU: 09-07-97
9*	112795-16-01A	EA	WINDOW - PASSENGER HORIZ SLIDER - THERMO - 26.4" X 60" FROM: 09-08-97 THRU: 99-99-99
10*	122882-01-01A	EA	VENT - ROOF - NONPOWERED - W/O INSIDE GARNISH
10	122882-07-01A	EA	GARNISH - ROOF VENT - 2.50" TO 4.12"
11*	122882-02-01A	EA	VENT - ROOF - W/FAN - W/O INSIDE GARNISH - UL
11*	122882-03-01A	EA	VENT - ROOF - W/FAN - W/O INSIDE GARNISH - CSA
11	122882-07-01A	EA	GARNISH - ROOF VENT - 2.50" TO 4.12"
12	084073-04-000	EA	BASE - ROOF VENT/REFRIGERATOR - BLACK - NORCOLD
12	084073-07-000	EA	VENT - ROOF/REFRIGERATOR - BRIGHT WHITE - NORCOLD
13*	122882-01-01A	EA	VENT - ROOF - NONPOWERED - W/O INSIDE GARNISH
13	122882-07-01A	EA	GARNISH - ROOF VENT - 2.50" TO 4.12"
13*	123780-03-01A	EA	VENT - ROOF - 3" TO 4" - W/FAN/POWER LIFT - W/O THERMOSTAT
	083558-03-000	EA	VENT - PLUMBING - PIPE ROOF - W/COVER - OFF WHITE
	117046-01-000	EA	BUMPER - RUBBER/ROUND END
	117046-02-000	EA	BUMPER - RUBBER/ROUND END - THERMOPANE WINDOW OPTION

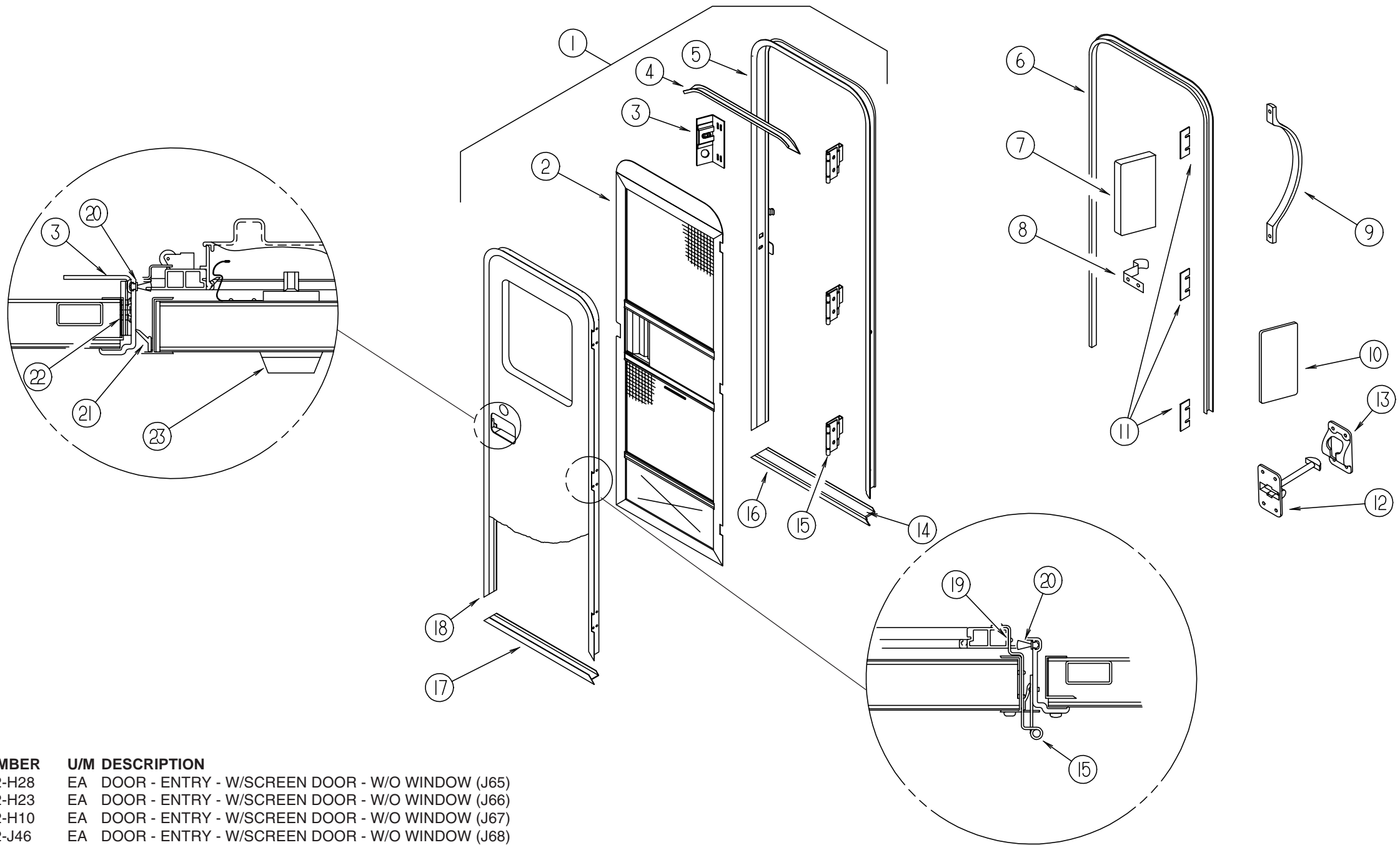
*COMPONENT PARTS FOUND IN SERVICE PARTS LIBRARY

WINDOW, VENT & EXTERIOR DOOR GROUP (CONTINUED)
EXTERIOR DOORS & PANELS



KEY	PART NUMBER	U/M	DESCRIPTION	VENDOR NO.
1	126645-06-J37	EA	VALANCE/PANEL - REAR DRIVER - W/O HARDWARE - 11.5" FROM: 00-00-00 THRU: 11-23-97	
1	126645-13-J37	EA	VALANCE/PANEL - REAR DRIVER - W/O HARDWARE - 11.5" FROM: 11-24-97 THRU: 99-99-99	
2	126647-07-J37	EA	VALANCE/DOOR - DRIVER W/O LATCH - 22.4" X 38.6" X 20.6"	
3	126647-05-J37	EA	VALANCE/DOOR - DRIVER W/O LATCH - 23.7" X 38.6" X 22.5"	
4	052009-06-000	EA	DOOR - WATER HEATER - BRIGHT WHITE - 18" X 14.6"	
5	126646-09-J37	EA	VALANCE/DOOR - W/O PADDLE LATCH - 46.2"	
6	084103-08-000	EA	DOOR - REFRIGERATOR - VENTED - W/O JAMB	
6	084104-08-000	EA	JAMB - REFRIGERATOR DOOR	
	084104-01-700	EA	LOCK-MALE, FASTENER	201-721-010
	084104-01-701	EA	LOCK-FEMALE, FASTENER	201-802-010
7	122776-24-J37	EA	VALANCE/PANEL - W/O HARDWARE - 22.9"	
8	126646-10-J37	EA	VALANCE/DOOR - W/O PADDLE LATCH - 19.6"	
9	126646-14-J37	EA	VALANCE/DOOR - W/O PADDLE LATCH - 65.3"	
10	126646-12-J37	EA	VALANCE/DOOR - W/O PADDLE LATCH - 33.9"	
11	115108-02-H28	EA	DOOR - ENTRY - W/SCREEN DOOR - W/O WINDOW (J65)	
11	115108-02-H23	EA	DOOR - ENTRY - W/SCREEN DOOR - W/O WINDOW (J66)	
11	115108-02-H10	EA	DOOR - ENTRY - W/SCREEN DOOR - W/O WINDOW (J67)	
11	115108-02-J46	EA	DOOR - ENTRY - W/SCREEN DOOR - W/O WINDOW (J68)	
11	115108-02-J50	EA	DOOR - ENTRY - W/SCREEN DOOR - W/O WINDOW (J69)	
12	126646-11-J37	EA	VALANCE/DOOR - W/O PADDLE LATCH - 43.4"	
13	126945-01-J22	EA	DOOR/STORAGE - W/O HARDWARE - 18" X 8.3"	
14	126646-13-J37	EA	VALANCE/DOOR - W/O PADDLE LATCH - 46.2"	
15	126647-06-J37	EA	VALANCE/DOOR - PASS W/O LATCH - 22.5" X 38.6" X 23.7"	
16	126647-08-J37	EA	VALANCE/DOOR - DRIVER W/O LATCH - 20.6" X 38.6" X 22.4"	
17	126645-05-J37	EA	VALANCE/PANEL - REAR DRIVER - W/O HARDWARE - 11.5"	
18	081240-16-000	EA	DOOR - WATER FILL - LOCKABLE W/O LOCK - 4" X 4 5/8"	
19	126944-02-J22	EA	DOOR/STORAGE - W/O HARDWARE - 43.5" X 11.7" - QUEEN BED	

WINDOW, VENT & EXTERIOR DOOR GROUP (CONTINUED)
ENTRANCE DOOR

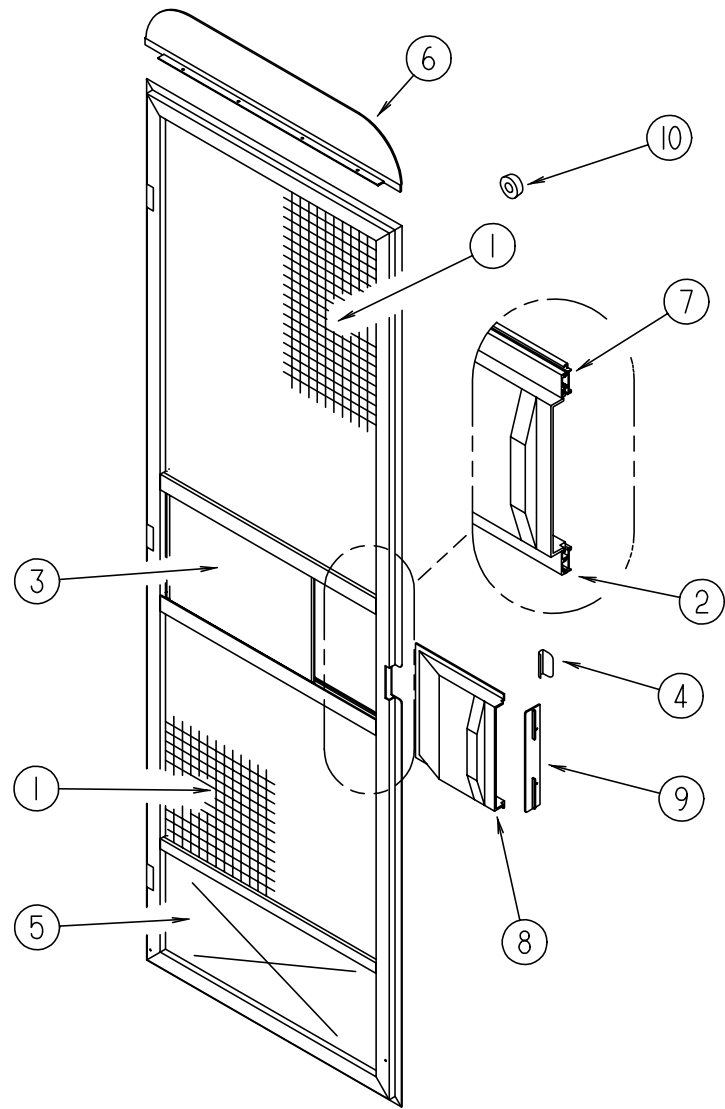


KEY	PART NUMBER	U/M	DESCRIPTION
1	115108-02-H28	EA	DOOR - ENTRY - W/SCREEN DOOR - W/O WINDOW (J65)
1	115108-02-H23	EA	DOOR - ENTRY - W/SCREEN DOOR - W/O WINDOW (J66)
1	115108-02-H10	EA	DOOR - ENTRY - W/SCREEN DOOR - W/O WINDOW (J67)
1	115108-02-J46	EA	DOOR - ENTRY - W/SCREEN DOOR - W/O WINDOW (J68)
1	115108-02-J50	EA	DOOR - ENTRY - W/SCREEN DOOR - W/O WINDOW (J69)
	090340-01-000	FT	SEAL - FOAM - CLOSED CELL - 1/4" X 1/2" X 50'
2	121899-01-G04	EA	DOOR - SCREEN - W/O HARDWARE - BRIGHT WHITE
3	041546-07-000	EA	BRACKET - DOOR ANGLE - OFF WHITE
4	044582-44-000	EA	CAP - DRIP - JAMB - BRIGHT WHITE
5	121898-01-01A	EA	JAMB - ENTRY DOOR
6	115222-02-01A	EA	GARNISH - RADIUS - ENTRY DOOR
7	077461-03-000	EA	COVER - STRIKE - ENTRY DOOR - 6.5" X 2.5" - WHITE PLASTIC
8	100412-01-000	EA	CATCH - SCREEN DOOR
9	009126-03-000	EA	HANDLE - ASSIST - BLACK TEXTURED
10	076725-02-000	EA	COVER - HINGE - ENTRY DOOR - 6" X 3.2" - OFF WHITE
11	102248-01-000	EA	SHIM - DOOR
12	104099-01-04A	EA	CATCH - DOOR HOLDER - STRIKE - BRIGHT WHITE
13	104099-02-04A	EA	CATCH - DOOR HOLDER - RETAINER - BRIGHT WHITE
14	038327-01-000	EA	TAPE - ANTI-SLIP - 2" X 60'
15	106719-01-05A	EA	HINGE - ENTRANCE DOOR - BRIGHT WHITE
	116111-02-01A	EA	SCREW - TAPTITE - 1/4-20 X 3/8 PPH - ZINC
	039715-01-000	EA	NUT-SERT - 1/4" DIAMETER - 20 THREADS

KEY	PART NUMBER	U/M	DESCRIPTION	VENDOR NO.
16	051049-01-000	EA	JAMB - BOTTOM - ENTRY DOOR - 25.9" - UNPAINTED	
17	121893-01-01A	EA	FRAME - ENTRY DOOR/BOTTOM - BRIGHT WHITE	
18	121894-03-01A	EA	FRAME - ENTRY DOOR	
	098173-01-04A	EA	STIFFENER - ENTRY DOOR - SUPPORTS LATCH/STRIKE - UNPAINTED	
19	100128-02-000	FT	SEAL - FOAM - ADHESIVE BACK - .37" WIDE X .37" THICK	
20	118929-01-01A	FT	SEAL - PILE - PUSH ON	
21	075671-04-000	FT	SEAL - SPONGE - LAZY T - W/ADHESIVE STRIP - .5" WIDE	
22	104692-01-000	EA	SEAL - FOAM/ADHESIVE BACK - .75"THICK X .75"WIDE X 25'	
23	101145-01-06A	EA	DEADBOLT - ENTRY DOOR W/O SECURITY BOLT W/2 KEYS - BLACK	
	101147-01-000	EA	BOLT - SECURITY - 4.12"	
	095229-01-700	EA	KEY-BLANK, DEADBOLT	81205-03
	101145-01-701	EA	CYLINDER-LOCK ASM., W/KEY	81306-03
	109403-01-000	EA	CATCH - SINGLE ROLLER - SCREEN DOOR	
	130444-01-01A	EA	CAP - KEY IDENTIFIER - GRAY	

FROM: 05-05-98 THRU: 99-99-99

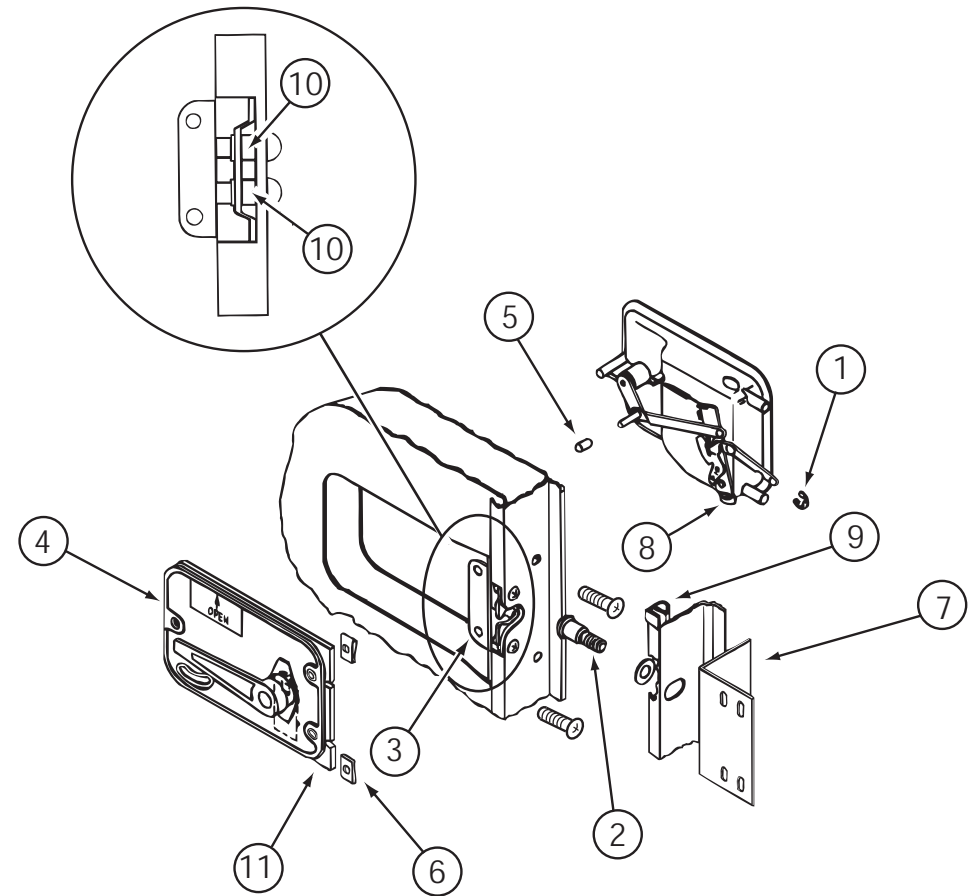
WINDOW, VENT & EXTERIOR DOOR GROUP (CONTINUED)



SCREEN DOOR

KEY	PART NUMBER	U/M DESCRIPTION
	121899-01-G04	EA DOOR - SCREEN - W/O HARDWARE - BRIGHT WHITE
1	002293-02-000	SF SCREENING - WINDOW/DOOR - 26" - CHARCOAL
2	002294-01-000	FT SPLINE - SCREENING - .135" X .138"
3	016454-01-000	EA INSERT - CENTER - LEATHER GRAIN ALUMINUM - UNPAINTED
	001014-01-013	EA INSERT - CENTER - 10.25" X 16.31" - UNPAINTED
4	050712-06-000	EA HANDLE - SCREEN DOOR - BRIGHT WHITE
5	078552-03-000	EA KICK PANEL - SCREEN DOOR - LOWER INSERT - UNPAINTED
6	078595-01-000	EA TOP PLATE - SCREEN DOOR - CURVED TOP - 4.7" X 25.35"
7	078777-01-000	EA CHANNEL - SLIDE - SCREEN DOOR CENTER SLIDER COVER
		FROM: 00-00-00 THRU: 02-22-98
7	078777-08-000	FT CHANNEL SLIDER
		FROM: 02-23-98 THRU: 99-99-99
8	079086-03-000	EA SLIDER - SCREEN DOOR - BRIGHT WHITE
9	079087-03-000	EA STRIKE - SLIDER - SCREEN DOOR - BRIGHT WHITE
10	120863-05-000	EA BUMPER - RUBBER - 3/4" X 3/8"
		FROM: 00-00-00 THRU: 10-27-97
10	120863-06-000	EA BUMPER - RUBBER - 3/4" X 3/8"
		FROM: 10-28-97 THRU: 99-99-99
	075673-01-000	FT SEAL - PILE - ADHESIVE BACK - GRAY
	075673-05-000	FT SEAL - PILE - ADHESIVE BACK - BLACK

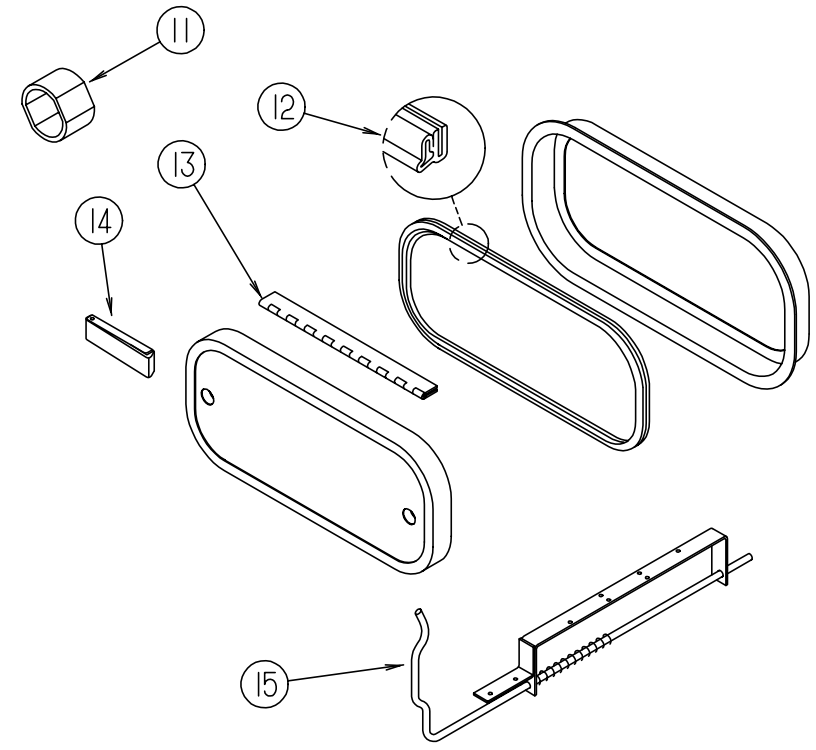
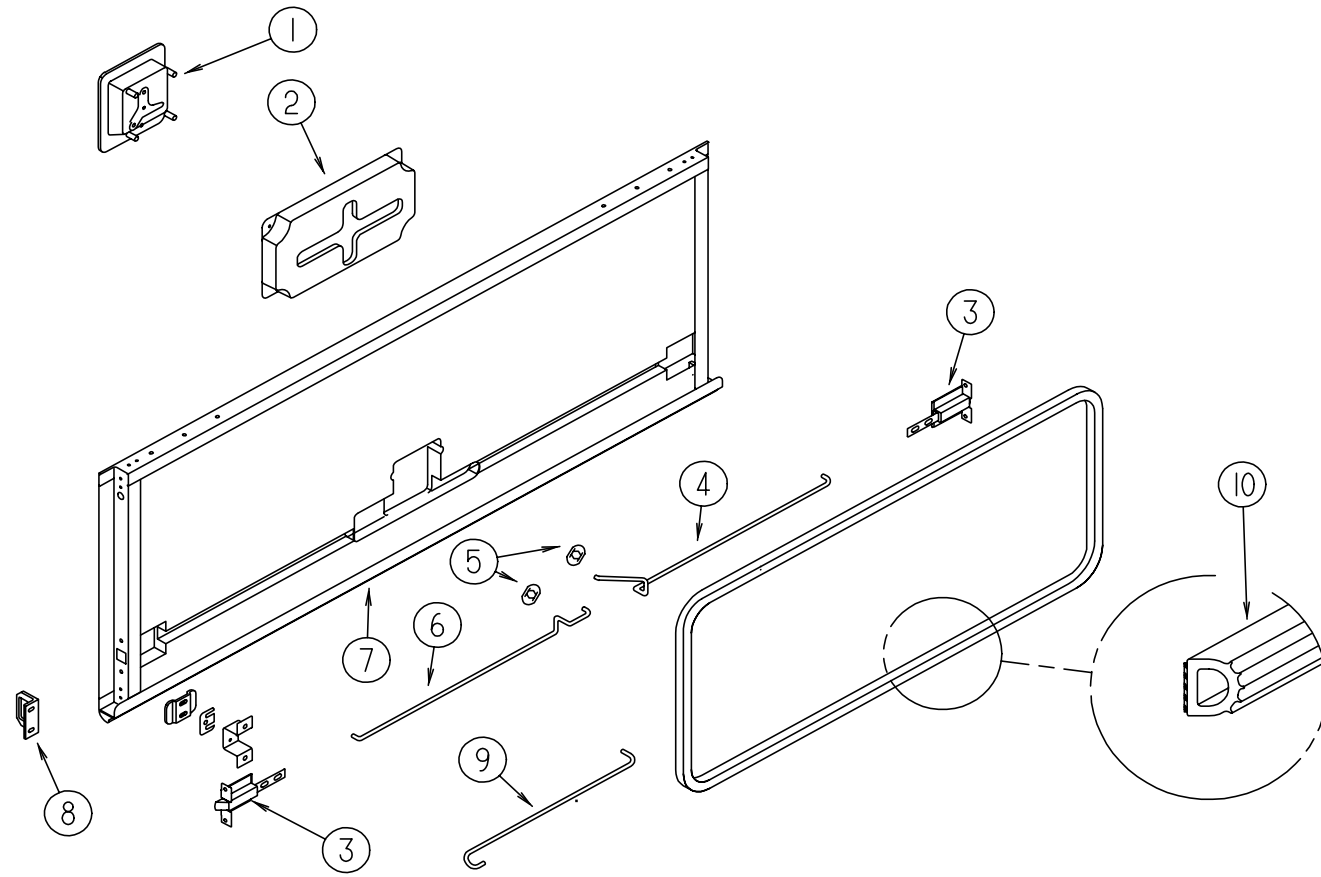
WINDOW, VENT & EXTERIOR DOOR GROUP (CONTINUED)



ENTRY DOOR LOCK INSTALLATION

KEY	PART NUMBER	U/M DESCRIPTION	VENDOR NO.
1	036618-02-000	EA E RING - EXTERNAL - 3/16" SHAFT DIAMETER - LYNOR DOOR LOCK	
2	039539-01-000	EA STRIKE - LOCK - ENTRY DOOR - ROUND W/THREADED WASHER	
3	039540-01-000	EA LATCH MECHANISM - HOOK - ENTRY DOOR - INTERIOR	
4	039979-06-000	EA COVER - LATCH PLATE - RIGHT HAND - BLACK TEXTURED	
5	039984-01-000	EA CAP - ROUND - VINYL - .28" ID X .62" - BLACK	
6	040921-01-000	EA NUT - SPEED - U TYPE - 10-24 BLACK	
7	041546-07-000	EA BRACKET - DOOR ANGLE - OFF WHITE	
8	045017-13-000	EA LATCH - ENTRY DOOR - BLACK TEXTURED	
	045017-11-703	EA CYLINDER-LOCK ASM. W/KEYS	81266-09
9	064075-07-000	FT SEAL - BULB - W/WIRED U CHANNEL - .3" X .5" CHANNEL - BLK	
10	086285-05-000	EA SPACER - NYLON - .7" X .56"	
11	096810-01-01A	EA PLATE - LATCH - ENTRY DOOR - BLACK	

WINDOW, VENT & EXTERIOR DOOR GROUP (CONTINUED)
EXTERIOR ACCESS DOOR COMPONENTS



KEY	PART NUMBER	U/M	DESCRIPTION
1	112949-01-03A	EA	LATCH - PADDLE W/LOCK - W/O KEY - BRIGHT WHITE
	112949-03-000	EA	KEY - TRI-MARK #TM500
1	112949-02-04A	EA	LATCH - PADDLE NON-LOCKING - BRIGHT WHITE
	110506-55-000	EA	CASE/CYLINDER - TWIST LOCK - W/O CAM - 1.25" - 597312AA1
2	122277-02-01A	EA	COVER - LATCH - BLACK
3	121947-01-01A	EA	BOLT - SLIDE - LATCH - STEEL
4	122269-04-000	EA	ROD - LATCH - 15.42"
4	122269-17-000	EA	ROD - LATCH - 11.57"
4	122269-29-000	EA	ROD - LATCH - 2.08"
4	122269-30-000	EA	ROD - LATCH - 14.03"
4	122269-33-000	EA	ROD - LATCH - 9.24"
4	122269-53-000	EA	ROD - LATCH - 24.98"
5	124304-01-000	EA	CLIP - ROUND PUSH ON
6	122268-04-000	EA	ROD - LATCH - 15.42"
6	122268-17-000	EA	ROD - LATCH - 8.96"
6	122268-29-000	EA	ROD - LATCH - 2.08"
6	122268-30-000	EA	ROD - LATCH - 14.03"
6	122268-33-000	EA	ROD - LATCH - 9.24"
6	122268-53-000	EA	ROD - LATCH - 24.98"
7	122613-55-001	EA	EXTRUDED - ROCKER PANEL - 192" - BRIGHT WHITE
8	123783-01-01A	EA	STRIKER - DOOR - MILL
9	101667-06-000	EA	PROP ROD

KEY	PART NUMBER	U/M	DESCRIPTION
10	107721-07-000	FT	SEAL - ACCESS DOOR
11	107997-51-001	EA	SPACER - DOOR LOCK - .6" DEEP
11	107997-51-002	EA	EXTRUDED - SPACER - 16'
12	106850-02-000	FT	SEAL-E - SPONGE RUBBER - .43" X .75"
13	081801-V3-000	EA	HINGE - ALUMINUM - 2" X 96" - BRIGHT WHITE
14	102768-01-000	EA	HOLDER - COMPARTMENT/ENTRY DOOR - METAL - MILL FINISH
15	092644-04-J15	EA	ROD-PROP - COMPARTMENT DOOR - W/SPRING/CAM/BRAKETS
	076767-01-000	EA	CABLE - STEEL - 12"
			FROM: 10-09-97 THRU: 99-99-99
	104692-01-000	FT	SEAL - FOAM/ADHESIVE BACK - .75"THICK X .75"WIDE X 25'
	112160-01-000	FT	SEAL - D SECTION - .2 X .3" - FOAM RUBBER
	116424-01-000	EA	PROTECTOR - LATCH - WATER HEATER
	120863-02-000	EA	BUMPER - RUBBER - 1" DIAMETER X 1.50"
	122612-55-001	EA	U-CHANNEL/EXTRUSION - 192" - BRIGHT WHITE
	122614-55-001	EA	EXTRUDED - H CHANNEL - 191" - BRIGHT WHITE
	128298-01-12B	EA	CATCH - F/LOCK - COMPARTMENT DOORS
	123512-01-02B	EA	BRACKET - VALANCE DOOR - E-COATED

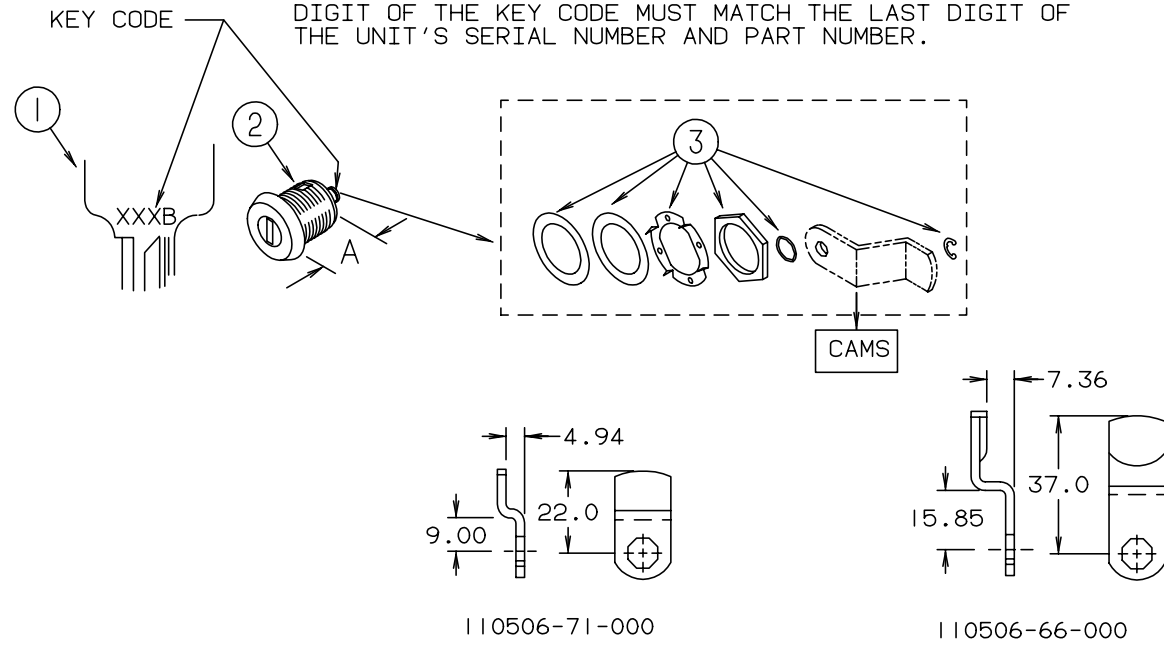
WINDOW, VENT & EXTERIOR DOOR GROUP (CONTINUED)

WINDOW, VENT & EXTERIOR DOOR GROUP (CONTINUED)

RANGE HOOD VENT AND SHROUD

KEY	PART NUMBER	U/M DESCRIPTION
	084616-07-000	EA SHROUD - EXHAUST VENT/RANGE HOOD - BRIGHT WHITE
	084878-09-000	EA VENT - EXHAUST/RANGE HOOD - OFF WHITE

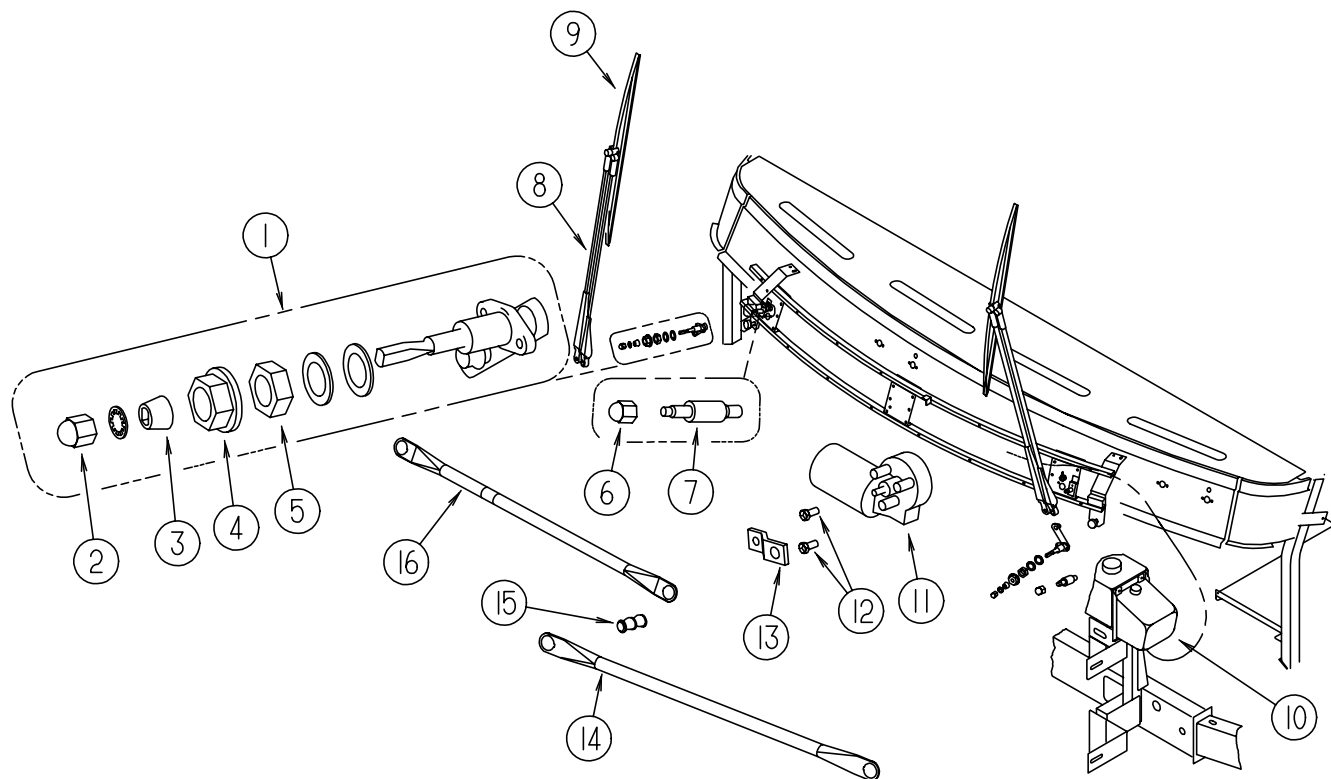
NOTE:
 WHEN ORDERING THE LOCK CASE, THE KEY CODE MUST MATCH THE LAST DIGIT OF THE UNIT'S SERIAL NUMBER AND PART NUMBER; WHEN ORDERING THE KEYS, THE THIRD DIGIT OF THE KEY CODE MUST MATCH THE LAST DIGIT OF THE UNIT'S SERIAL NUMBER AND PART NUMBER.



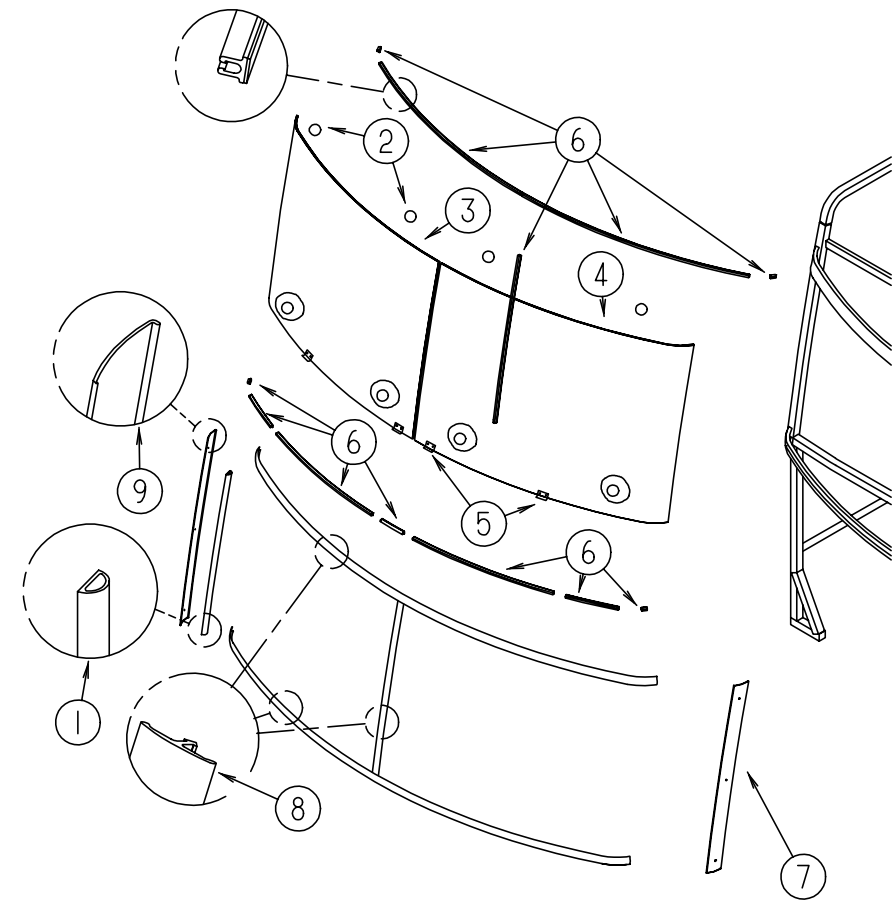
BRIGGS & STRATTON LOCKS & COMPONENTS

KEY	PART NUMBER	U/M DESCRIPTION	VENDOR NO.
1	110506-59-000	EA KEYS - SET OF TWO	596720
2	110506-52-000	EA CASE/CYLINDER - LOCKING W/O CAM - .65"	702370
2	110506-54-000	EA CASE/CYLINDER - LOCKING W/O CAM OR KEY - 1 1/4"	703170
1	110506-59-001	EA KEYS - SET OF TWO	596721
2	110506-52-001	EA CASE/CYLINDER - LOCKING W/O CAM - .65"	702371
2	110506-54-001	EA CASE/CYLINDER - LOCKING W/O CAM OR KEY - 1 1/4"	703171
1	110506-59-002	EA KEYS - SET OF TWO	596722
2	110506-52-002	EA CASE/CYLINDER - LOCKING W/O CAM - .65"	702372
2	110506-54-002	EA CASE/CYLINDER - LOCKING W/O CAM OR KEY - 1 1/4"	703172
1	110506-59-003	EA KEYS - SET OF TWO	596723
2	110506-52-003	EA CASE/CYLINDER - LOCKING W/O CAM - .65"	702373
2	110506-54-003	EA CASE/CYLINDER - LOCKING W/O CAM OR KEY - 1 1/4"	703173
1	110506-59-004	EA KEYS - SET OF TWO	596724
2	110506-52-004	EA CASE/CYLINDER - LOCKING W/O CAM - .65"	702374
2	110506-54-004	EA CASE/CYLINDER - LOCKING W/O CAM OR KEY - 1 1/4"	703174
1	110506-59-005	EA KEYS - SET OF TWO	596725
2	110506-52-005	EA CASE/CYLINDER - LOCKING W/O CAM - .65"	702375
2	110506-54-005	EA CASE/CYLINDER - LOCKING W/O CAM OR KEY - 1 1/4"	703175
1	110506-59-006	EA KEYS - SET OF TWO	596726
2	110506-52-006	EA CASE/CYLINDER - LOCKING W/O CAM - .65"	702376
2	110506-54-006	EA CASE/CYLINDER - LOCKING W/O CAM OR KEY - 1 1/4"	703176
1	110506-59-007	EA KEYS - SET OF TWO	596727
2	110506-52-007	EA CASE/CYLINDER - LOCKING W/O CAM - .65"	702377
2	110506-54-007	EA CASE/CYLINDER - LOCKING W/O CAM OR KEY - 1 1/4"	703177
1	110506-59-008	EA KEYS - SET OF TWO	596728
2	110506-52-008	EA CASE/CYLINDER - LOCKING W/O CAM - .65"	702378
2	110506-54-008	EA CASE/CYLINDER - LOCKING W/O CAM OR KEY - 1 1/4"	703178
1	110506-59-009	EA KEYS - SET OF TWO	596729
2	110506-52-009	EA CASE/CYLINDER - LOCKING W/O CAM - .65"	702379
2	110506-54-009	EA CASE/CYLINDER - LOCKING W/O CAM OR KEY - 1 1/4"	703179
3	110506-40-700	EA HDWE KIT	596950AAL
	110506-59-701	EA KEY BLANK (GOLD)	596728

WINDSHIELD & WIPER GROUP



WINDSHIELD & WIPER GROUP (CONTINUED)



WIPER & WASHER COMPONENTS

KEY	PART NUMBER	U/M	DESCRIPTION	VENDOR NO.
1	096505-09-000	EA	SHAFT/PIVOT - WINDSHIELD WIPER	
2	096505-02-703	EA	CAP-NUT(ACORN) HD W/.687 BRL	51065-40-NT27WC
3	096505-02-700	EA	DRIVER-KNURLED,(HD) BRL .687	NT721017
4	096505-02-702	EA	CAP-RUBBER (HD) BARREL .687	CP721084
5	096505-02-701	EA	NUT-HEX (HD) W/.687 BARREL	NT721021
6	077049-02-000	EA	NUT - ACORN - 10-32 BLACK/ANODIZED	
7	117768-01-000	EA	SHAFT - ADAPTER - PANTOGRAPH ARM	
8	117769-01-000	EA	ARM - WIPER - PANTOGRAPH - 28"	
	096931-01-701	EA	NOZZLE-HARDWARE KIT	
9	095964-01-000	EA	BLADE - WINDSHIELD WIPER - 24"	
	095964-01-700	EA	BLADE-REFILL24" EA = 1 PAIR	12360
10	117766-02-000	EA	RESERVOIR/PUMP - WINDSHIELD WASHER	
	045794-01-000	FT	HOSE - WASHER - WINDSHIELD - 5/32" ID - BLACK	
	110605-01-000	EA	TEE - PLASTIC - BARBED - 1/8" X 1/8" X 3/16"	
	117765-03-000	EA	CONNECTOR - 5/32" - WINDSHIELD WASHER	
11	104346-05-000	EA	MOTOR - WIPER W/INTERNAL BREAKER - DYNAMIC PARK - FORD	
11	104346-04-000	EA	MOTOR - WIPER W/INTERNAL BREAKER - CHEVY	
12	117322-01-000	EA	SCREW - 1/4-28 UNFINISHED - 2A - TORX	
13	104347-04-000	EA	ARM - DRIVE - WIPER MOTOR	
14	117770-01-000	EA	LINK - CONNECTING - 24" - CLOSED GROMMET/OPEN GROMMET	
15	067188-01-000	EA	STUD - CRANK - WIPER MOTOR	
16	117770-02-000	EA	LINK - CONNECTING - 24" - CLOSED GROMMET/CLOSED GROMMET	
	061603-01-000	EA	GROMMET - SNAP - 3/16"ID - 3/8" HOLE - PLASTIC BLACK	

WINDSHIELD MOLDINGS & GLASS

KEY	PART NUMBER	U/M	DESCRIPTION
1	099418-01-000	FT	SEAL - D-SECTION/ADHESIVE BACK - .44" X .44"- BLK RUBBER
2	081914-01-000	EA	BUMPER - RUBBER - ROUND - .43" DIAMETER
3	124329-01-000	EA	WINDSHIELD - PASSENGER - 51.5" X 44.3" (CURVED)
4	124329-02-000	EA	WINDSHIELD - DRIVERS - 51.5" X 44.3" (CURVED)
5	002328-02-000	EA	BLOCK - WINDSHIELD - .062" X .5" X .98"
6	127862-01-000	EA	CARRIER - REVEAL - WINDSHIELD - 47.2"
7	125384-04-02A	EA	TRIM - WINDSHIELD - A-PILLAR - DRIVER - BLACK
8	120533-01-000	FT	MOLDING - REVEAL - WINDSHIELD
9	125384-03-02A	EA	TRIM - WINDSHIELD - A-PILLAR - PASSENGER - BLACK