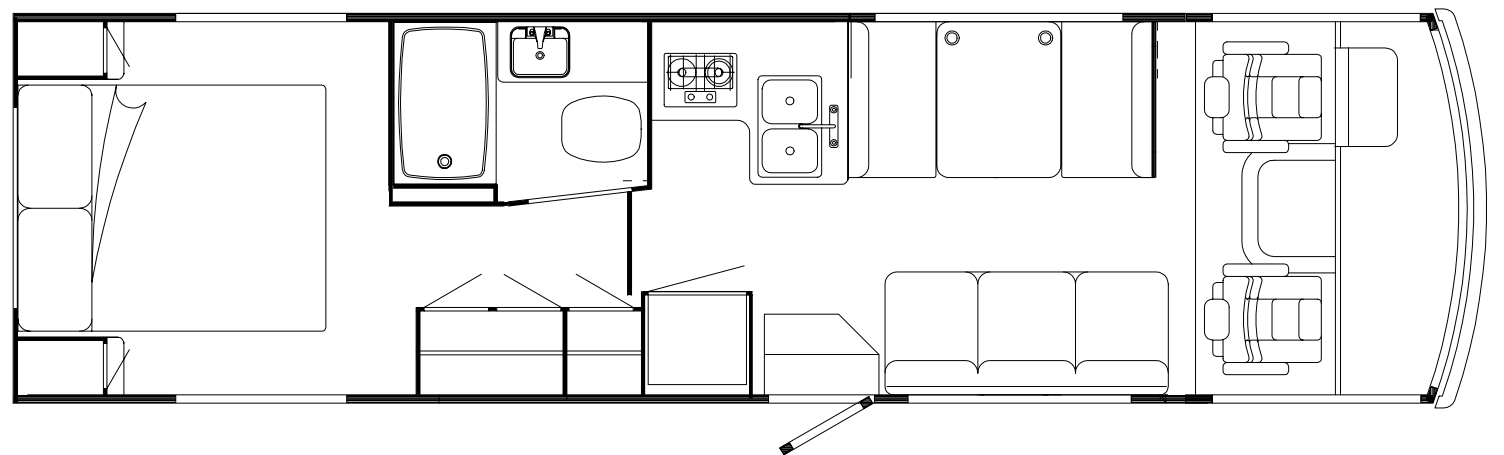
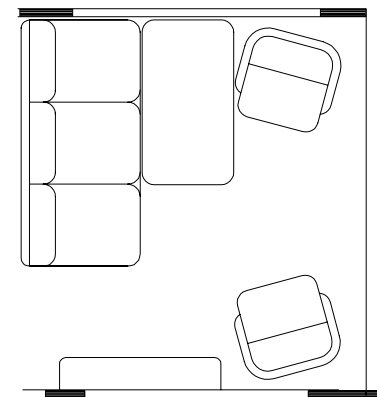
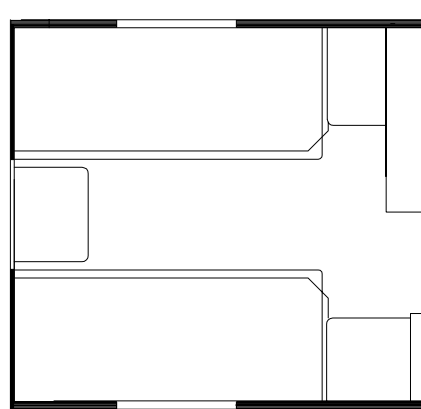


1998
ICF30RQ
J58
CHAMELEON (COBALT)
J59
MERCURY (BLUSH)



ACCESSORIES GROUP

OPERATOR MANUAL

KEY	PART NUMBER	U/M	DESCRIPTION
	054185-H8-000	EA	MANUAL - OPERATOR 98 SUNRISE - F SERIES
	092319-01-000	EA	POCKET PAGE - 3 RING BINDER - PLASTIC - (50 PER PKG) MINIMUM ORDER OF 50 (1 PKG)
	129079-01-01A	EA	CASE - VINYL/BLACK-EXPANDABLE ACCORDION SIDES-7"WX9"HX14"L
	125967-01-000	DW	TOP LEVEL-F,1998

AUDIO VIDEO GROUP

PATIO ENTERTAINMENT CENTER

KEY	PART NUMBER	U/M	DESCRIPTION
	076319-09-000	EA	WALLPLATE - CABLE RECEPTACLE - TV - SINGLE - BROWN
	077069-02-000	EA	CABLE - ANTENNA/EXTENSION - RADIO - 96"
	086756-01-000	EA	SPLITTER - TV - 2 WAY
	082134-01-000	EA	ADAPTER - TV - CABLE TO CABLE
	125322-02-000	EA	RADIO - AM/FM STEREO - CASSETTE - AUDIOVOX
	077069-02-000	EA	CABLE - ANTENNA/EXTENSION - RADIO - 96"
	090944-01-000	EA	ANTENNA - RADIO - 16" RUBBER
	108847-01-000	EA	BRACKET - ANTENNA GROUND
	109889-04-000	EA	EXTENDER - ANTENNA SHAFT - 3"
	110469-01-000	EA	SPEAKER - 4" X 6" OVAL - COAXIAL
	110470-01-01A	EA	GRILLE - 4" X 6" OVAL - BLACK

RADIO SYSTEMS & ANTENNA

KEY	PART NUMBER	U/M	DESCRIPTION
	110267-04-000	EA	RADIO - AM/FM STEREO/CD COMPATIBLE - AUDIOVOX
	127264-03-000	EA	RADIO - AM/FM STEREO/CASSETTE - EUROPEAN
	077069-02-000	EA	CABLE - ANTENNA/EXTENSION - RADIO - 96"
	110469-01-000	EA	SPEAKER - 4" X 6" OVAL - COAXIAL
	110470-01-01A	EA	GRILLE - 4" X 6" OVAL - BLACK
	090944-01-000	EA	ANTENNA - RADIO - 16" RUBBER
	115916-01-01B	EA	BRACKET - ANTENNA MOUNT
	089340-02-000	EA	GRILLE - SPEAKER - 6.5" SQUARE
	089340-03-000	EA	SPACER - SPEAKER GRILLE
	094097-01-000	EA	SPEAKER - RADIO/TV - W/O GRILLE - 5.25" DIAMETER

RADIO - AM/FM STEREO/CASSETTE

KEY	PART NUMBER	U/M	DESCRIPTION	VENDOR NO.
	127264-01-000	EA	RADIO - AM/FM STEREO - CASSETTE - PANASONIC	
	127264-01-700	EA	TRIM RING	YFC054C044ZB
	127264-01-701	EA	KNOB - VOLUME	YFE074C045ZA
	127264-01-702	EA	KNOB - FADER	YEFE074C026
	127264-01-703	EA	FACTORY HARNESS	YAJ024C048ZB

AUDIO VIDEO GROUP (CONTINUED)

RADIO - AM/FM STEREO/CD PLAYER

KEY	PART NUMBER	U/M	DESCRIPTION	VENDOR NO.
	127516-03-000	EA	RADIO - AM/FM STEREO - CD PLAYER - PANASONIC	
	088473-01-000	EA	HOUSING - PIN - 12 CAVITY (3 ROWS OF 4)	
	088475-01-000	EA	PIN - CONNECTOR - 14-20 AWG	
	127516-01-700	EA	FACE - REMOVABLE	YEPOFX3114
	127516-01-701	EA	TRIM RING	YGFC025263
	127516-01-702	EA	FACTORY HARNESS	YGAJ02719
	127516-01-703	EA	CARRIER F/REMOVEABLE FACE	YEFA131290

TV ANTENNA & TV INSTALLATION COMPONENTS

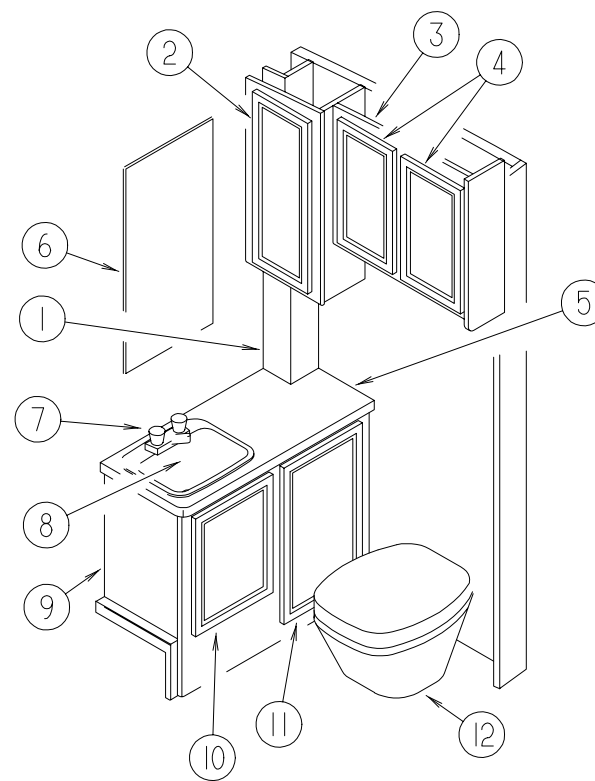
KEY	PART NUMBER	U/M	DESCRIPTION
*	076319-23-000	EA	ANTENNA - TV ROOF MOUNT - 44.5" MAST
*	076319-25-000	EA	KIT - HARDWARE INTERIOR
	093214-01-02A	EA	GRILLE - SPEAKER - 4" BROWN
	098819-01-000	EA	SPEAKER - 4" - 2 WATT - 8 OHM
	086756-01-000	EA	SPLITTER - TV - 2 WAY
	076319-03-000	FT	CABLE - COAXIAL - 75 OHM
	076319-12-000	EA	CONNECTOR - COAXIAL - ONE PIECE
	114870-02-000	EA	PLUG - .14" AUDIO W/LEADS
	082134-01-000	EA	ADAPTER - TV - CABLE TO CABLE
	076319-06-000	EA	ADAPTER - CABLE ROOF PLATE
	082136-01-000	EA	NUT - HEX JAM - 3/8-32
	086777-06-000	EA	WALLPLATE - TV CABLE - ANTENNA BOOSTER/1 OUTPUT - BROWN
	086777-01-000	EA	WALLPLATE - TV CABLE - ANTENNA SWITCH - IVORY
	076319-09-000	EA	WALLPLATE - CABLE RECEPTACLE - TV - SINGLE - BROWN
	076319-08-000	EA	WALLPLATE - CABLE RECEPTACLE - TV - SINGLE - IVORY
	093901-03-000	EA	PLATE - TV COAX - EXTERIOR - 1.8" X 2.5"

*COMPONENT PARTS FOUND IN SERVICE PARTS LIBRARY

REAR MONITOR SYSTEM

KEY	PART NUMBER	U/M	DESCRIPTION
	126838-01-000	EA	MONITOR/CAMERA - REAR VIEW 7"
	126838-01-700	EA	MONITOR - 7" VIDEOMAN
	126838-01-701	EA	CAMERA VIDEOMAN
	126838-03-000	EA	CABLE - MONITOR/CAMERA
	093040-06-000	EA	WIRE ASM-MONITOR- F/NON-PREWired AFTER MARKET INSTALLATION
	108885-02-000	EA	WIRE - REAR MONITOR (W/3 PIN HOUSING F/FUSE BLOCK) CHEVY

BATH GROUP

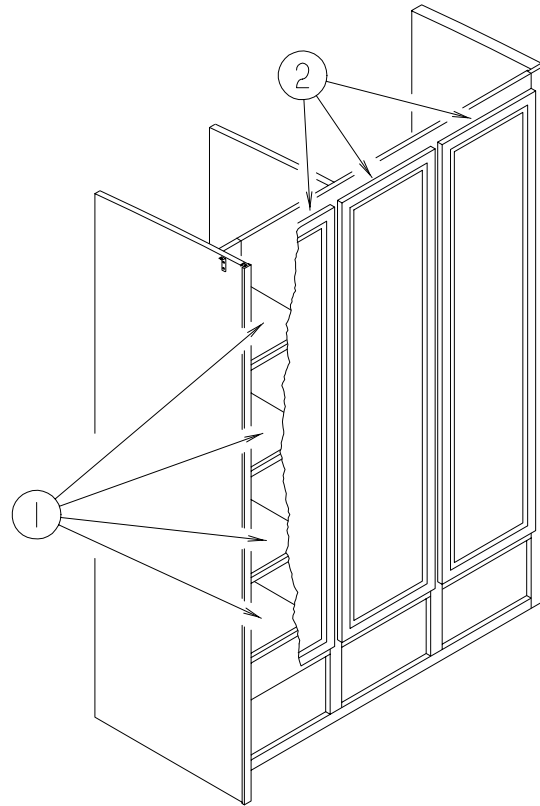


BATHROOM CABINET & COMPONENTS

KEY	PART NUMBER	U/M	DESCRIPTION	VENDOR NO.
1	122398-01-J58	EA	CABINET - PIPE COVER - W/O HARDWARE	
1	122398-01-J59	EA	CABINET - PIPE COVER - W/O HARDWARE	
2	M05992-90-J58	EA	DOOR - STRAIGHT CORNER/OGEE EDGE - 10.8" X 27.9" - W/O HDW	
3	122324-01-J58	EA	CABINET - LINEN - W/O DOORS/HARDWARE	
	122324-11-J58	EA	SHELF - W/PLASTIC EDGE TRIM	
	122324-12-J58	EA	SHELF - W/PLASTIC EDGE TRIM	
4	M05992-G1-J30	EA	DOOR - STRAIGHT CORNER/OGEE EDGE - 11.2" X 19.7" - W/O HDW	
5	122397-11-H33	EA	COUNTERTOP - LAVATORY (J58)	
5	122397-11-J59	EA	COUNTERTOP - LAVATORY (J59)	
6	058331-08-000	EA	MIRROR - SAFETY GLASS - 24" X 30"	
7	075240-06-000	EA	FAUCET - LAVATORY/BONE	
8	096927-01-01A	EA	SINK - LAVATORY - RECTANGULAR - PLASTIC/BONE	
	096927-01-700	EA	SINK STOPPER	M9801
	096927-01-701	EA	TAILPIECE-DRAIN-LAVATORY	M9802
	091253-01-000	EA	GASKET - FAUCET - LAVATORY/GALLEY	
9	122397-01-J58	EA	CABINET - LAVATORY - W/COUNTERTOP - W/O DOORS/DWRS/HDW	
9	122397-01-J59	EA	CABINET - LAVATORY - W/COUNTERTOP - W/O DOORS/DWRS/HDW	
9	122397-02-J58	EA	CABINET - LAVATORY - W/COUNTERTOP - W/O DOORS/DWRS/HDW GERMAN EXPORT	
9	122397-02-J59	EA	CABINET - LAVATORY - W/COUNTERTOP - W/O DOORS/DWRS/HDW GERMAN EXPORT	
10	M05992-Q7-J10	EA	DOOR - STRAIGHT CORNER/OGEE EDGE - 14.3" X 21.8" - W/O HDW	
11	M05992-W5-J58	EA	DOOR - STRAIGHT CORNER/OGEE EDGE - 25.5" X 15.3" - W/O HDW	
12*	063740-02-000	EA	TOILET - HIGH - FOOT FLUSH	
	075452-02-000	EA	HOLDER - TOILET TISSUE - BRASS	
	075453-02-000	EA	BAR - TOWEL - 18" BRASS	

*COMPONENT PARTS FOUND IN SERVICE PARTS LIBRARY

BATH GROUP (CONTINUED)



WARDROBE CABINET

KEY	PART NUMBER	U/M DESCRIPTION
1	122293-14-J58	EA SHELF - W/PLASTIC EDGE TRIM
2	M06803-11-J10	EA DOOR - MIRROR/MTRD CRNR/OGEE EDGE - 16.1" X 65.3"-W/O HDW

BATH GROUP (CONTINUED)

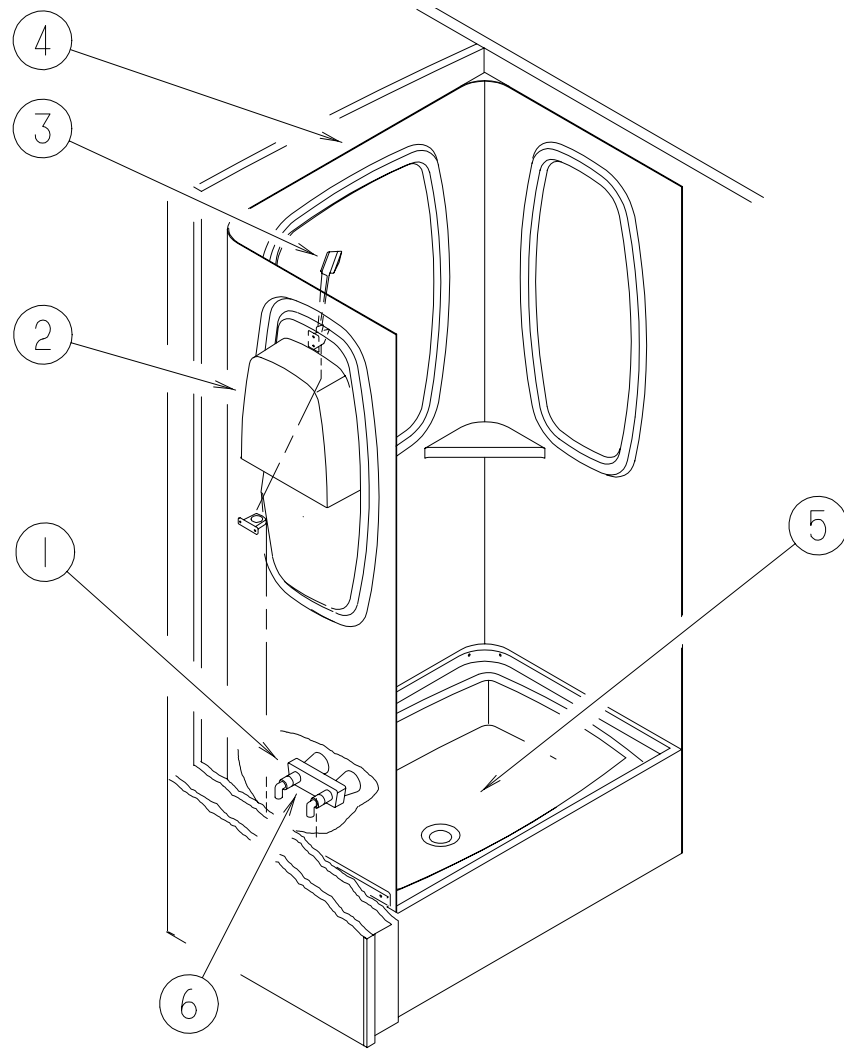
BATHROOM DOOR & COMPONENTS

KEY	PART NUMBER	U/M DESCRIPTION
	121449-26-J58	EA DOOR - BATH
	094485-03-01A	EA KNOB - BRASS
	102920-01-01A	EA HINGE/SPRING LOADED - BRASS
	110496-01-01A	EA HINGE - BRASS
	121449-12-G07	EA RACK - TOWEL - BATH DOOR
	100357-01-000	EA ROD - F/TOWEL BAR - BRASS

BATHROOM/BEDROOM PRIVACY DOOR & COMPONENTS

KEY	PART NUMBER	U/M DESCRIPTION	VENDOR NO.
	042488-10-000	EA DOOR - FOLDING - OFF WHITE FABRIC - 37" X 75"	
	042488-10-700	EA LEADRAIL-PREPUNCHED F/HANDLE	DW2100
	080224-01-700	EA HANDLE W/LATCH-CATCH, BROWN	DE03505
	080224-01-705	EA LATCH & CATCH ASM., ALMOND	DE25010 & DE25020

BATH GROUP (CONTINUED)



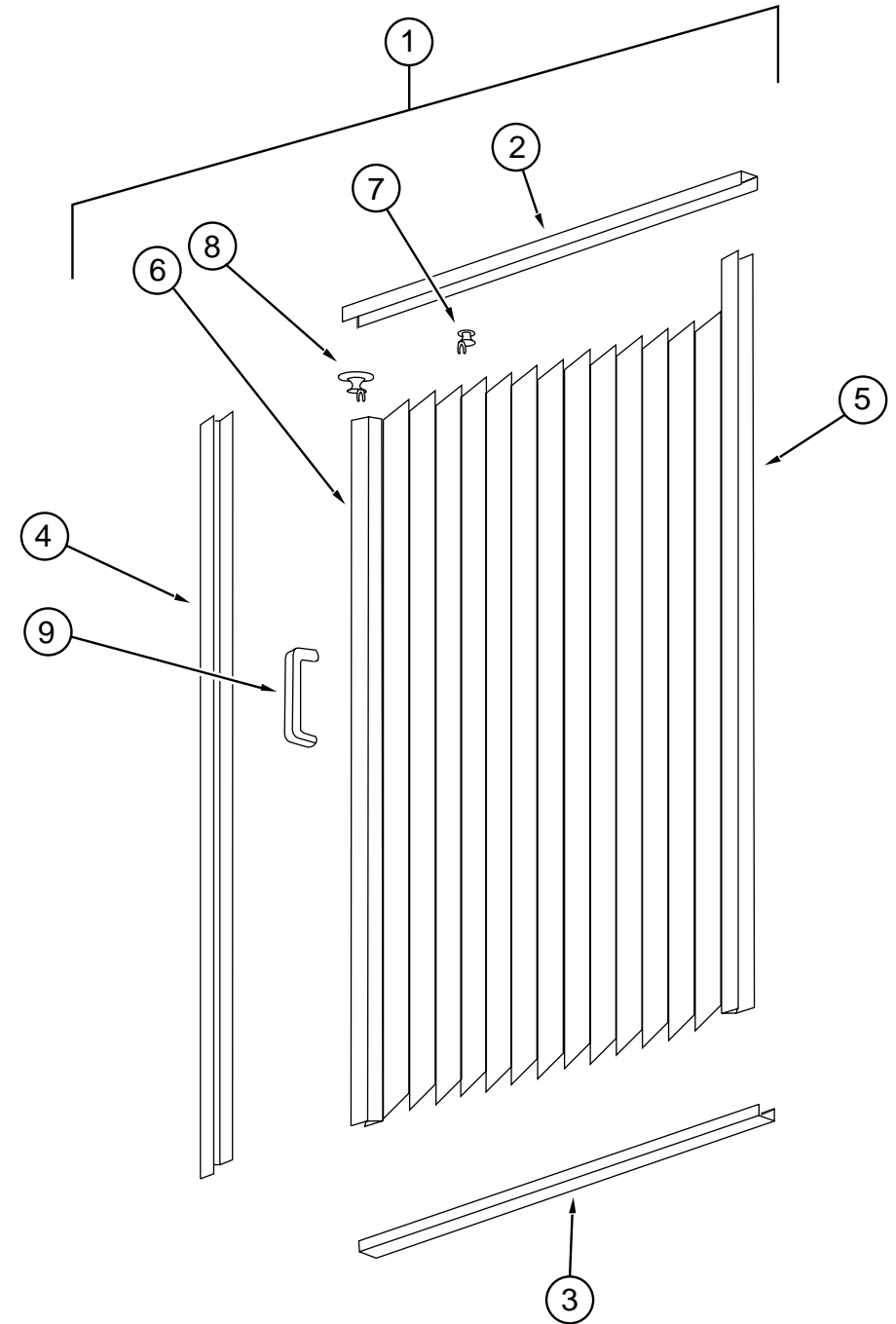
SHOWER & COMPONENTS

KEY	PART NUMBER	U/M DESCRIPTION
1	075242-04-000	EA FAUCET - TUB/SHOWER - BONE
2	104462-02-01A	EA CADDY - SHOWER - OFF WHITE
3	103092-01-000	EA SHOWER HEAD - W/60" HOSE - WHITE
	103092-01-700	EA BRACKET-F/SHOWER HEAD, CLEAR
	011048-03-700	EA BRACKET - F/SHOWER HEAD
	103092-01-702	EA SEALS-SPRAY HEAD
4	115612-02-01A	EA SURROUND - SHOWER - OFF WHITE
5	M02630-49-J37	EA SHOWER PAN - W/STRAINER/TAILPIECE
	066436-01-000	EA NUT - SLIP - TAILPIECE 1.5"
	066729-01-000	EA STRAINER - TUB/SHOWER - W/PLUG
6	075606-01-000	EA PANEL - PLASTIC - FAUCET BACK - 5" X 9"

SKYLITE

KEY	PART NUMBER	U/M DESCRIPTION
	122192-01-02A	EA PANEL - SKYLIGHT - OUTER - 16.4" X 27.8"
	122193-01-02A	EA PANEL - SKYLIGHT - INNER

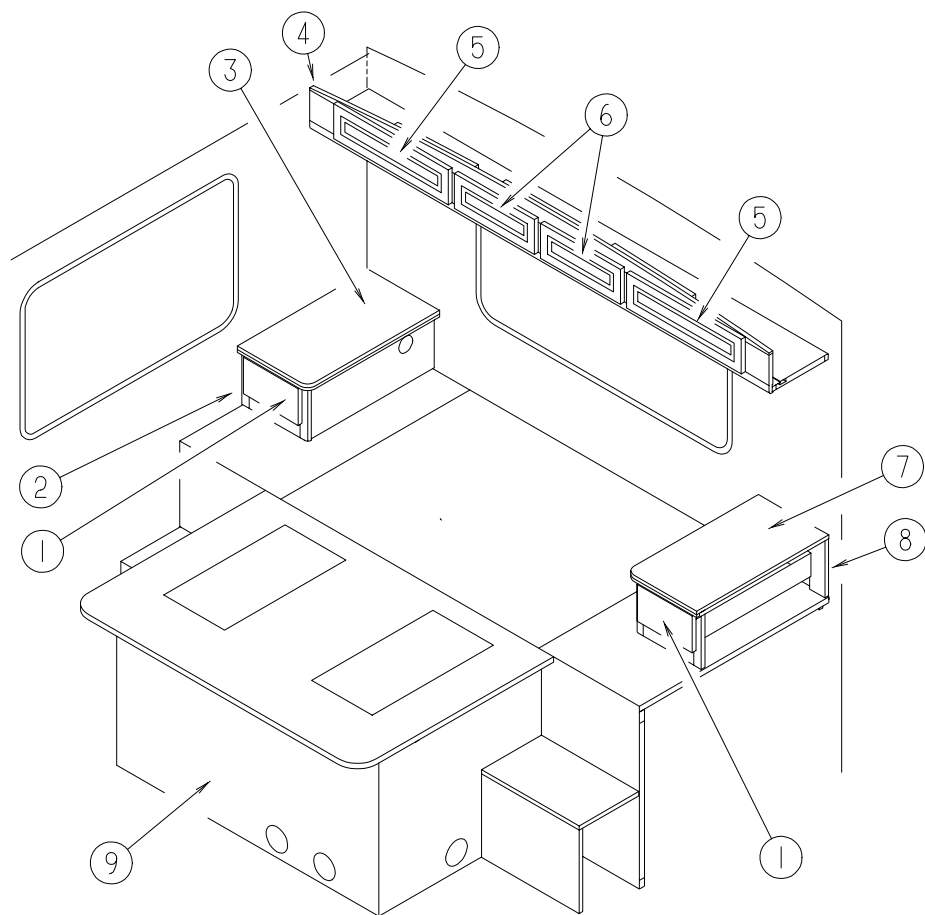
BATH GROUP (CONTINUED)



SHOWER DOOR & COMPONENTS

KEY	PART NUMBER	U/M DESCRIPTION
1	117431-03-01A	EA DOOR - SHOWER PLEATED FABRIC
2	117431-01-700	EA TRACK-TOP, ALUM.IVORY INSERT 48"
3	117431-01-701	EA TRACK-BOTTOM, 48"
4	117431-01-702	EA RAIL-SIDE, 67"
5	117431-01-703	EA RAIL-STATIONARY, 67"
6	117431-01-704	EA RAIL-LEAD, 67" - W/LATCH
7	117431-01-705	EA GLIDE-IVORY, TRAVELER
8	117431-01-706	EA GLIDE-IVORY LEAD, TRAVELER
9	117431-01-708	EA HANDLES & SCREWS
	117431-01-707	EA CATCH - BATH DOOR
	117431-03-700	EA STRAP-VINYL SHOWER

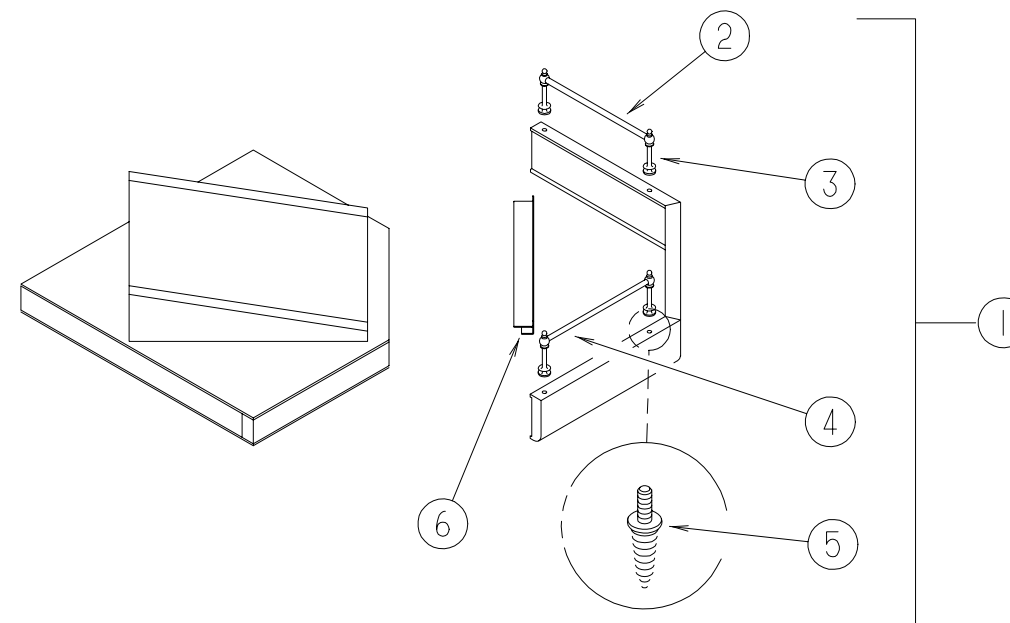
BEDROOM GROUP



QUEEN BEDROOM CABINERY

KEY	PART NUMBER	U/M DESCRIPTION
1	M05971-J8-J58	EA DRAWER - OGEE EDGE - 8.9"W X 19.7"D - W/O SLIDES/HARDWARE
2	114482-05-J58	EA CABINET - NIGHTSTAND/RIGHT HAND - W/O DOORS/DRAWERS/HDW
2	114482-05-J59	EA CABINET - NIGHTSTAND/RIGHT HAND - W/O DOORS/DRAWERS/HDW
3	114482-11-H37	EA COUNTERTOP - NIGHTSTAND (J58)
3	114482-11-G10	EA COUNTERTOP - NIGHTSTAND (J59)
4	127938-01-J58	EA CABINET - OVERHEAD/REAR - W/O DOORS/HARDWARE
5	M05992-G3-J58	EA DOOR - STRAIGHT CORNER/OGEE EDGE - 6.3" X 23.2" - W/O HDW
6	M05992-93-J58	EA DOOR - MITERED CORNER/OGEE EDGE - 6.3" X 16.1" - W/O HDW
7	114482-12-H37	EA COUNTERTOP - NIGHTSTAND (J58)
7	114482-12-G10	EA COUNTERTOP - NIGHTSTAND (J59)
8	114482-06-J58	EA CABINET - NIGHTSTAND/LEFT HAND - W/O DOORS/DRAWERS/HDW
8	114482-06-J59	EA CABINET - NIGHTSTAND/LEFT HAND - W/O DOORS/DRAWERS/HDW
9	P28224-01-J58	EA CABINET - BASE/QUEEN BED - W/O DOORS/DRAWERS/HARDWARE

BEDROOM GROUP (CONTINUED)

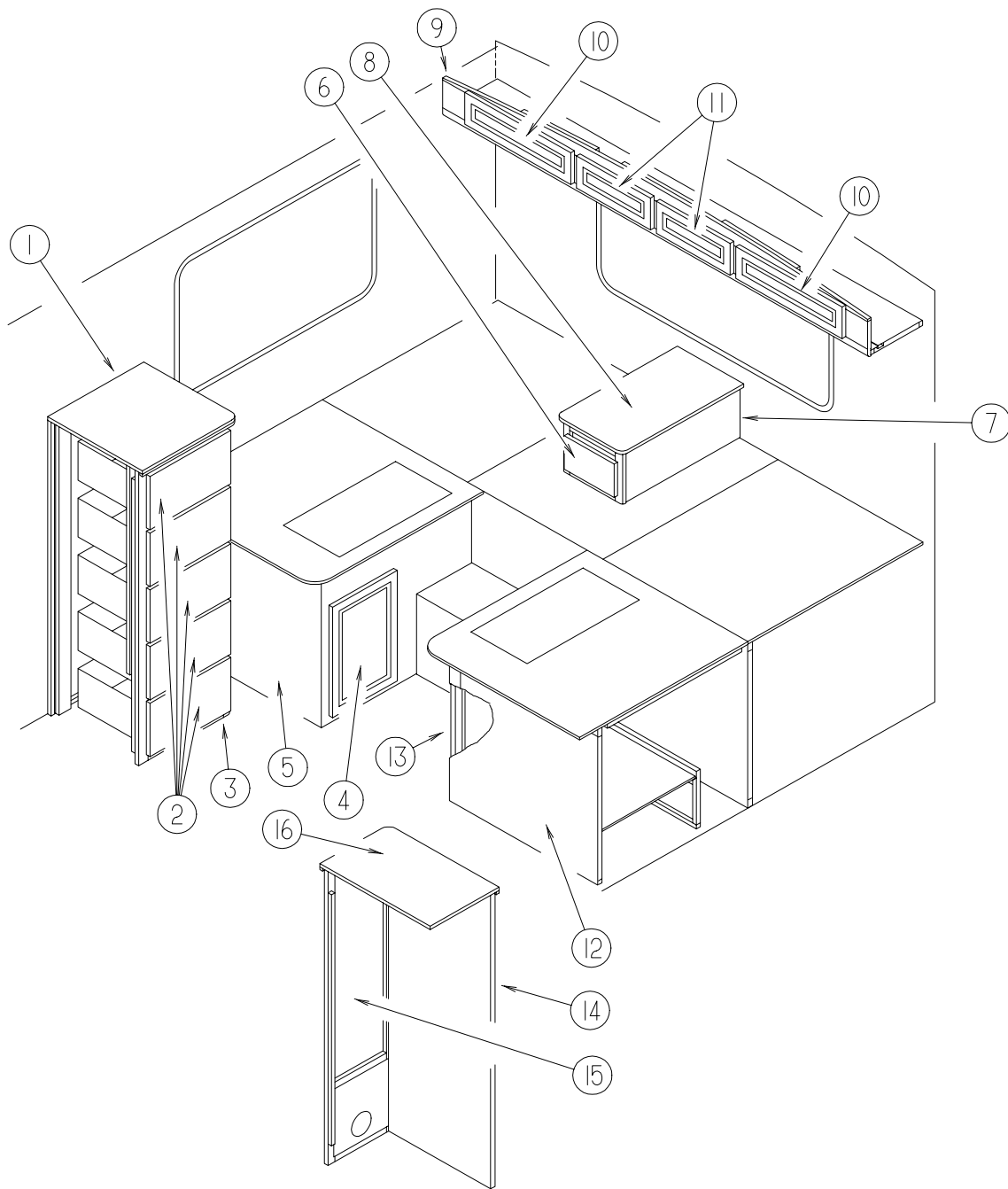


TV SHELF - QUEEN BED

KEY	PART NUMBER	U/M DESCRIPTION
1	116553-01-J58	EA CABINET - TV SHELF - W/BRASS ROD/POST ENDS
2	084071-24-000	EA ROD - BRASS - 3.8" LONG
3	084070-03-000	EA POST - END - 2.4" - SHINY BRASS
4	084071-19-000	EA ROD - BRASS - 7.1"
5	106166-01-000	EA BOLT/COLLARED HANGER - 8-32 X 1"
6	103186-01-04A	FT MOLDING - PLASTIC/3/8" U-CHANNEL W/3/4" FACE- CHERRY
	099717-02-000	EA STRAP - TV TIE DOWN W/29.9" FEMALE STRAP & 14.2" MALE STRAP

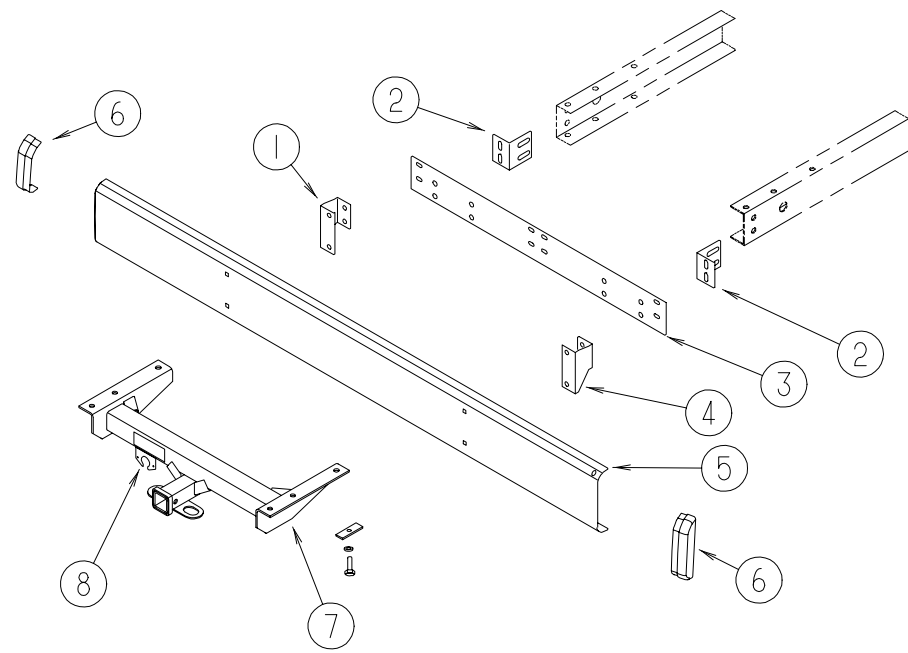
BEDROOM GROUP (CONTINUED)

TWIN BEDROOM CABINETS



KEY	PART NUMBER	U/M	DESCRIPTION
1	122499-11-H33	EA	COUNTERTOP - DRESSER (J58)
1	122499-11-J38	EA	COUNTERTOP - DRESSER (J59)
2	M05971-Z3-J58	EA	DRAWER - OGEE EDGE - 15.1"W X 15.7"D - W/O SLIDES/HARDWARE
3	122499-01-J58	EA	CABINET-DRESSER-W/COUNTERTOP-W/O DRAWERS/HDW-F/RH TWN BED
3	122499-01-J59	EA	CABINET-DRESSER-W/COUNTERTOP-W/O DRAWERS/HDW-F/RH TWN BED
4	M05992-76-J58	EA	DOOR - STRAIGHT CORNER/OGEE EDGE - 14.9" X 21.8" - W/O HDW
5	127892-01-J58	EA	CABINET - BASE/TWIN BED - RIGHT HAND - W/O DRS/DWRS/HDW
6	M05971-Z9-J58	EA	DRAWER - OGEE EDGE - 8.7"W X 23.6"D - W/O SLIDES/HARDWARE
7	121863-02-J58	EA	CABINET - NIGHTSTAND - W/CTRTP-W/O DRS/DWRS/HDW-F/TWN BED
7	121863-02-J59	EA	CABINET - NIGHTSTAND - W/CTRTP-W/O DRS/DWRS/HDW-F/TWN BED
8	121863-11-H33	EA	COUNTERTOP - NIGHTSTAND (J58)
8	121863-11-H14	EA	COUNTERTOP - NIGHTSTAND (J59)
9	127938-01-J58	EA	CABINET - OVERHEAD/REAR - W/O DOORS/HARDWARE
10	M05992-G3-J58	EA	DOOR - STRAIGHT CORNER/OGEE EDGE - 6.3" X 23.2" - W/O HDW
11	M05992-93-J58	EA	DOOR - MITERED CORNER/OGEE EDGE - 6.3" X 16.1" - W/O HDW
12	127893-01-J58	EA	CABINET - BASE - TWIN BED - LEFT HAND - W/O DRS/DWRS/HDW
13	M05992-20-J58	EA	DOOR - STRAIGHT CORNER/OGEE EDGE - 14.9" X 21.8" - W/O HDW
14	122475-01-J58	EA	CABINET - SHIRT CLOSET/LEFT HAND - W/O DOORS/HARDWARE
14	122475-01-J59	EA	CABINET - SHIRT CLOSET/LEFT HAND - W/O DOORS/HARDWARE
15	M05992-W1-J58	EA	DOOR - STRAIGHT CORNER/OGEE EDGE - 12" X 40" - W/O HDW
16	122475-11-H33	EA	COUNTERTOP - SHIRT CLOSET (J58)
16	122475-11-J38	EA	COUNTERTOP - SHIRT CLOSET (J59)

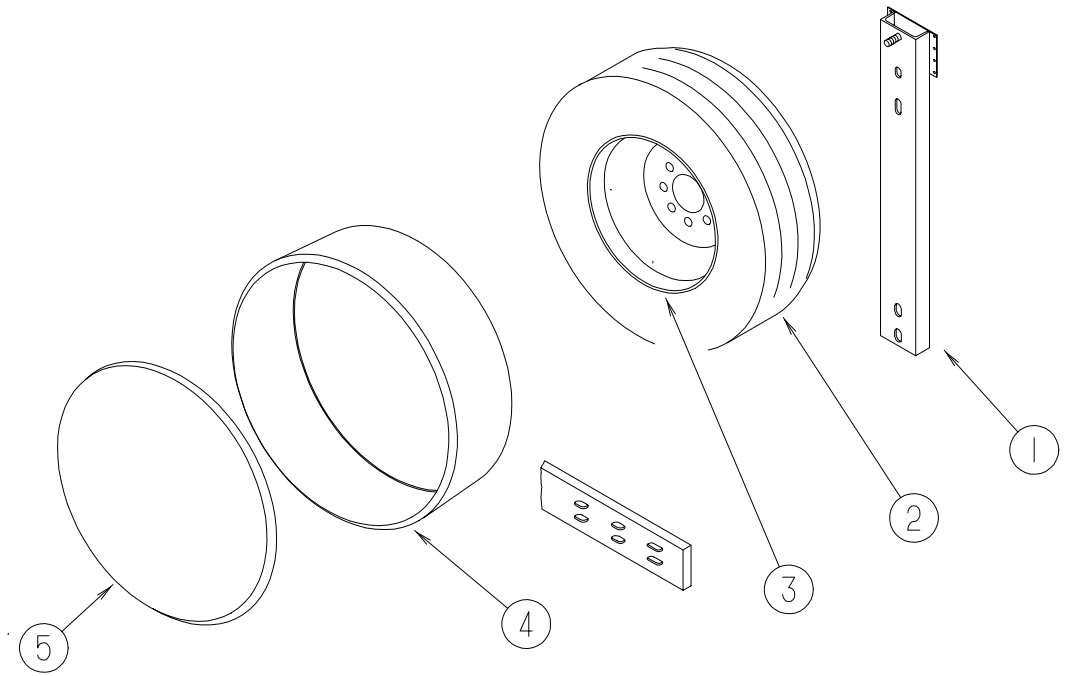
CHASSIS GROUP



REAR BUMPER, TRAILER HITCH & COMPONENTS

KEY	PART NUMBER	U/M	DESCRIPTION
1	117950-04-02B	EA	BRACKET - BUMPER/REAR
2	078668-01-000	EA	SUPPORT ANGLE - BUMPER/REAR - L ANGLE - 4" X 3" STEEL/BLK
3	078678-02-000	EA	PLATE - MOUNTING - BUMPER/REAR - 46" X 5" - W/WELD NUTS
4	117950-03-02B	EA	BRACKET - BUMPER/REAR
5	103099-07-02A	EA	BUMPER - REAR - BRIGHT WHITE
6	103228-01-06A	EA	END CAP - REAR BUMPER - DRIVER/PASSENGER
7	130339-02-000	EA	HITCH RECEIVER - BOLT-ON CLASS II
8	113588-02-01B	EA	BRACKET - CONNECTOR - TRAILER W/O LIP
	113589-02-000	EA	CONNECTOR - SOCKET - TRAILER
	113589-01-000	EA	CONNECTOR - PLUG - TRAILER

CHASSIS GROUP (CONTINUED)



CHEVY SPARE TIRE, CARRIER, COVER & LUG WRENCH

KEY	PART NUMBER	U/M	DESCRIPTION
1	102944-05-000	EA	BRACKET - TIRE CARRIER - CHEVY
2	091673-01-000	EA	TIRE - 225/70 R19.5 LRF - MICHELIN XZA
	051377-01-000	EA	VALVE STEM
	077030-02-000	EA	EXTENSION - VALVE STEM - 1.25"
3	064963-01-000	EA	WHEEL - STEEL - 19.5" X 6" - GM 14005758
4	108163-05-01A	EA	COVER - TIRE - 8 1/4" X 101"
5	108560-04-01A	EA	INSERT - TIRE COVER
	080208-02-000	EA	BAR - LEVERAGE - LUG WRENCH - CHEVY/OSHKOSH
	080208-06-000	EA	LUG WRENCH - 1" X 1.06" W/DEEP SOCKET ENDS

CHASSIS GROUP (CONTINUED)

19.5" CHEVY STAINLESS STEEL WHEEL LINERS

KEY	PART NUMBER	U/M DESCRIPTION	VENDOR NO.
	110435-10-000	EA LINER - WHEEL - SET/4 - 19.5"	
	110435-10-700	EA LINER - WHEEL - FRONT - 1 PC	V195P7-FWC
	110435-10-701	EA LINER - WHEEL - REAR - 1 PC.	V195P7-RWC
	110435-10-702	EA JAMB NUT & LUG NUT COVER COMBINATION	V195P7-EJN
	110435-10-703	EA STUD - PLASTIC F/NON-FUNCTION NUT COVERS	V195P7-PST
	110435-10-704	EA NUT - PLASTIC W/STAINLESS STEEL NUT COVER	V195P7-PJN
	110435-10-705	EA TOOL - INSTALLATION	V195P7-TOL

19.5" CHEVY WHEEL COVERS

KEY	PART NUMBER	U/M DESCRIPTION	VENDOR NO.
	109443-06-000	EA WHEEL - COVER - 4/SET - 19.5"	
	109443-01-700	EA COVER-WHEEL 19.5 FRT/RR EA=1	SHAG95
	109443-01-701	EA BRACKET-RETENTION FRONT	SHAG95-FBS
	109443-01-703	EA CAP-CENTER, HUB - DICOR	SHAU95-CAP
	109443-01-704	EA CLIP-RETAINER	V160GM-PNT
	109443-06-701	EA BRACKET-RETENTION REAR	SHG795-RBS

FRONT SHOCKS & STABILIZER

KEY	PART NUMBER	U/M DESCRIPTION	VENDOR NO.
	122756-02-000	EA SHOCK AND STABILIZER (BLUE BOOT) KIT - FRONT END P30 CHASS	
	122756-02-700	EA BRACKET ASM - DRIVER SIDE	T818L
	122756-02-701	EA BRACKET ASM - PASSENGER SIDE	T818R
	122756-02-702	EA BRACKET ONLY - DRIVER SIDE	T818L
	122756-02-703	EA BRACKET ONLY -PASSENGER SIDE	T818R
	122756-02-704	EA BOLT PACKAGE -BOLTS/NUTS ETC	T818R
	122756-02-705	EA SHOCK	T818SH
	122756-02-706	EA STUD - SHOCK MOUNTING	T818S
	122756-02-707	EA DAMPNER - STEERING	T818SD
	122756-02-708	EA BOOT - DAMPNER	T818SDB
	122756-02-709	EA BUSHING PKG-STEERING DAMPNER	T818SDBSH
	122756-02-710	EA BOLT PKG - STEERING DAMPNER	T818SBS

CHASSIS GROUP (CONTINUED)

HWH LEVELING SYSTEM

KEY	PART NUMBER	U/M DESCRIPTION	VENDOR NO.
	100532-08-000	EA LEVELING SYSTEM - HYDRAULIC - JOYSTICK - HWH	
	100532-01-704	EA SWITCH - MERCURY -6K/9K JACK	RAP1010
	100532-01-705	EA SPRING KIT-9K JACK	R1171
	100532-01-714	EA SCREW KIT (LEVELING JACKS)	R1280
	100532-02-700	EA JACK ASSEMBLY, 6K TALL	RAP7164
	100532-02-701	EA SPRING KIT-6K JACK	R6824
	100532-02-704	EA CABLE-ACTUATOR, 6K JACK	RAP7194
	100532-03-710	EA SENSING UNIT 21' MTA	RAP6798
	100532-03-715	EA CAP-BREATHER W/DIPSTICK	RAP7876
	100532-08-700	EA POWER UNIT ASM.	AP10470
	100532-08-701	EA CONTROL,BI-AXIS-F/200 SYSTEM	RAP0612
	100532-08-702	EA VALVE,BI-AXIS	RAP9589
	100532-08-703	EA PANEL ASM.-200 BI-AXIS SYS.	RAP9755
	100532-08-704	EA JACK ASM.-9K TALL 200 SYS.	RAP7002
	100532-08-705	EA KNOB-3/4" BLACK, SET OF FOUR	RAP1379
	100532-08-706	EA KNOB-1 3/16" BLACK	RAP9734
	100532-08-707	EA BEZEL W/GASKET, F/SYSTEM 200	RAP9592
	100532-09-707	EA ACTUATOR ASM.-9K	RAP0547
	100532-09-709	EA ACTUATOR ASM.-6K	RAP0448
	100532-09-710	EA SOLENOID-INTERMITENT DUTY	RAP0533
	100533-05-000	EA BRACKETS - FRONT LEVELING JACK - KICKDOWN - CHEVY	
	100534-12-000	EA BRACKETS - REAR LEVELING JACKS (KICKDOWN) - CHEV	
	100536-11-000	EA HOSE KIT - HWH #AP0013	
	107890-01-000	EA ELBOW - STEEL - 90 D - 1/4 X 37 D - FLARE	
	117183-01-02B	EA COVER - SENSOR - LEVELING	
	120916-01-02B	EA BRACKET - PUMP - LEVELING SYSTEM	
	122309-01-09B	EA SHIELD - LEVELING JACK - GALVANIZED	

AIR COMPRESSOR - FIRESTONE AIRSPRING ASSEMBLY

KEY	PART NUMBER	U/M DESCRIPTION	VENDOR NO.
	084086-07-000	EA COMPRESSOR/ACCESSORY KIT - 12 VOLT/ 1/6HP	
	084086-05-703	EA LOWER BRACKET	5098
	084086-07-700	EA COMPRESSOR	21-9014
	084086-07-701	EA TUBING-18FT	21-9038
	084086-07-702	EA TANK-AIR	21-9003
	084086-07-703	EA HOSE-AIR	21-9006

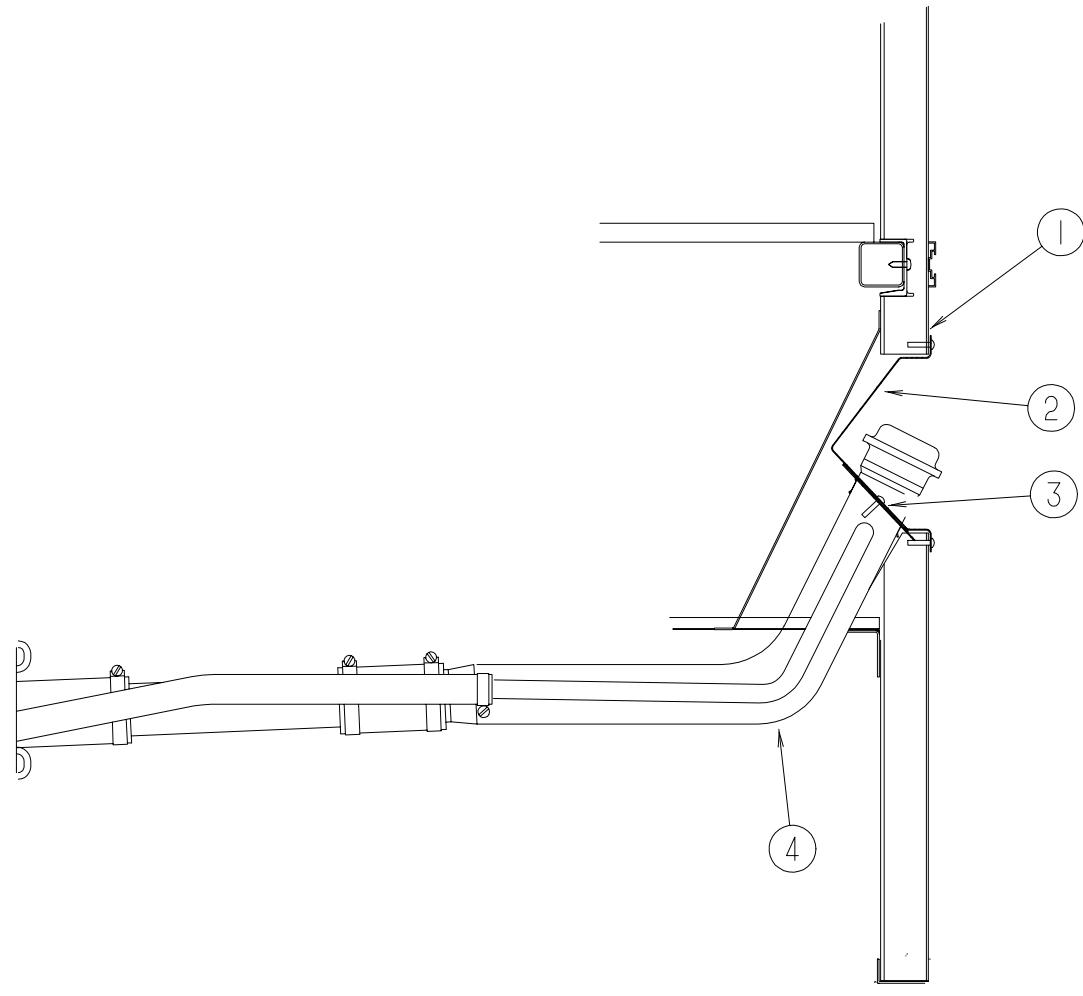
FIRESTONE AIRSPRING KIT

KEY	PART NUMBER	U/M DESCRIPTION	VENDOR NO.
	084086-08-000	EA AIRSPRING KIT - '93-'97 GM 14,500-16,000 GVW	
	084086-05-706	EA VALVE-INFLATION,PUSH TO CONN	3032
	084086-08-700	EA BAG-AIR, (SPRING), 224C	0335
	084086-08-701	EA TUBING-22FT	0937
	084086-08-702	EA BRACKET-UPPER	5104
	084086-08-703	EA BRACKET-LOWER	5128
	084086-08-704	EA FITTING-PUSH TO CONNECT	3046
	084086-08-705	EA SLEEVE-THERMAL	0899

FIRESTONE AIRSPRING CONTROL KIT

KEY	PART NUMBER	U/M DESCRIPTION	VENDOR NO.
	084086-09-000	EA CONTROL KIT - AIR SPRING - SINGLE CONTROL	
	084086-06-700	EA PANEL-AIR CONTROL, RIGHT	21-9012
	084086-06-702	EA TUBING-FLEXIBLE	21-9008
	084086-06-703	EA CONNECTOR-T	21/3025
	084086-06-704	EA FERRULE	21-0932
	120501-01-02B	EA BRACKET - CONTROL - RIDE RIDE	

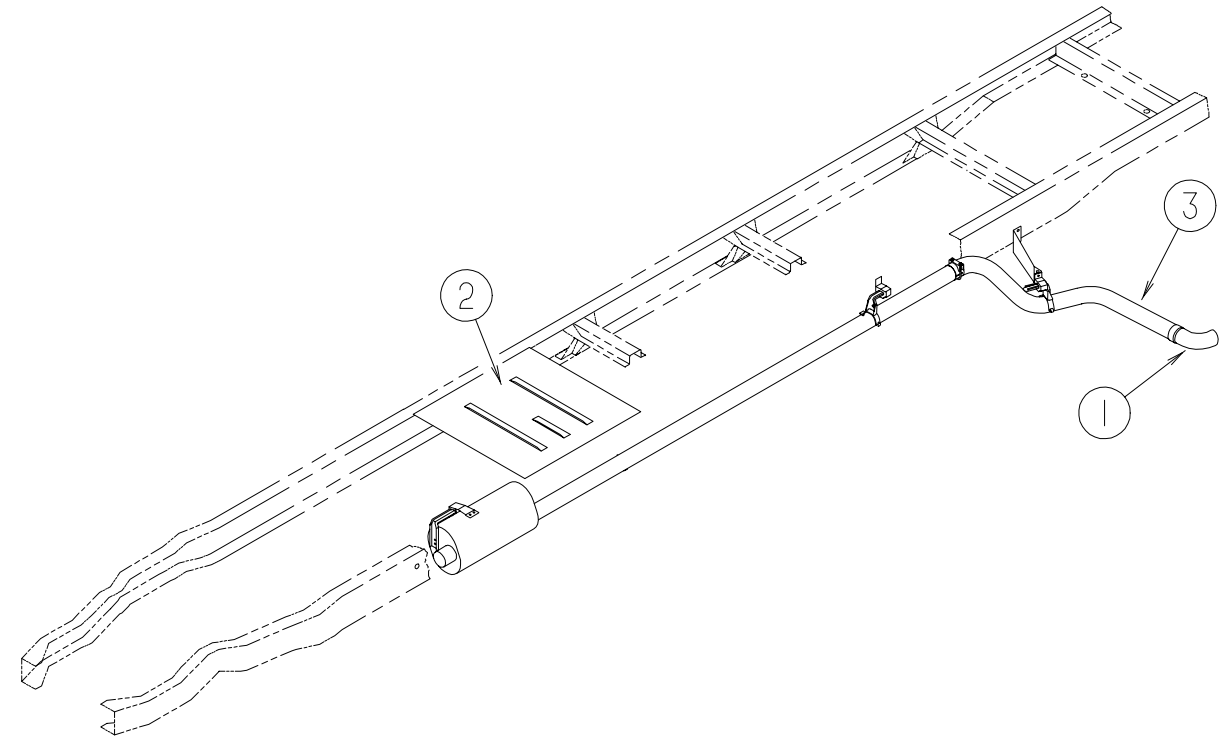
CHASSIS GROUP (CONTINUED)



FUEL SYSTEM

KEY	PART NUMBER	U/M	DESCRIPTION
1	099069-01-000	FT	SEAL - RUBBER - CLOSED SPONGE - .5" WIDE X .12" THICK -BLK
2	127291-01-01A	EA	SHROUD - FUEL FILL - BRIGHT WHITE
3	078200-01-000	EA	GASKET - FUEL FILL - 3.5"OD X 2"ID
4	127301-02-000	EA	NECK - FUEL FILL
	068382-06-000	EA	BUSHING - BRASS - 3/8"MPT X 1/8"FPT
	114254-01-000	EA	ADAPTER - 1/4 BARB X 1/8 MPT
	007063-01-000	FT	HOSE - FUEL - 1/4"ID X 1/2"OD
	084884-01-000	EA	PLUG - BRASS - 3/8"
	092889-21-000	EA	FUEL LINE - SUPPLY - GENERATOR - 1/4" X 52.7" - STEEL

CHASSIS GROUP (CONTINUED)



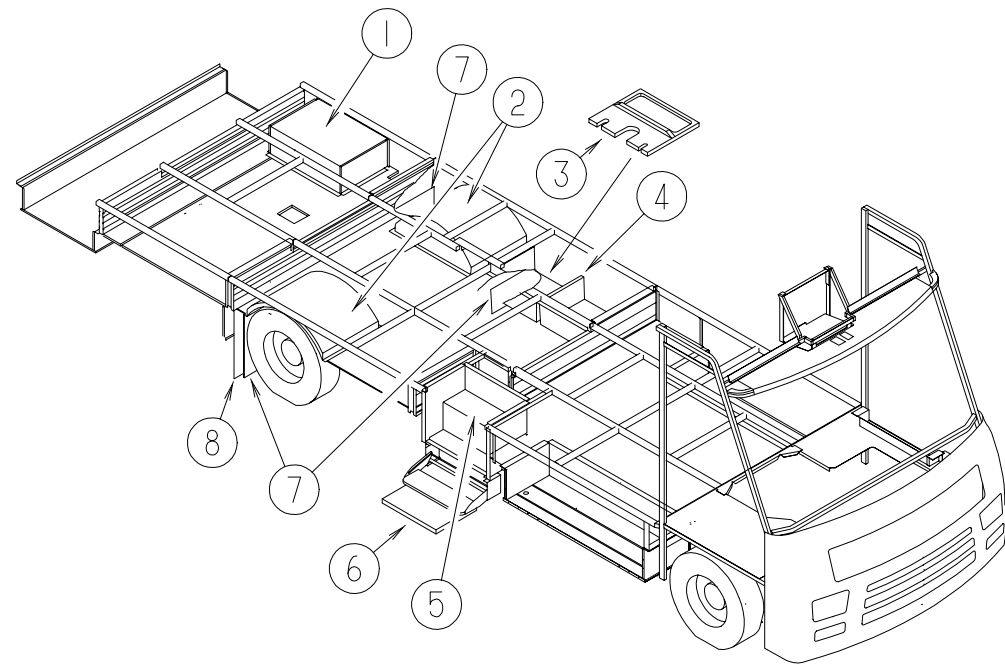
CHEVY EXHAUST SYSTEM - DIESEL

KEY	PART NUMBER	U/M	DESCRIPTION
1	119119-01-000	EA	PIPE - EXHAUST/TAIL 90 DEGREEE
2	101544-02-000	EA	SHIELD - HEAT/EXHAUST - 30" X 29.1"
3	122529-01-000	EA	PIPE - EXHAUST

CHASSIS MISCELLANEOUS

KEY	PART NUMBER	U/M	DESCRIPTION
	123361-01-000	EA	DUCT - AIR INTAKE
	113452-01-000	FT	SEAL/TRIM - FRONT - VINYL W/WIRE CARRIER
	102805-01-000	EA	CHANNEL - EXTENSION - FRONT FRAME - 13.7"
	075466-01-000	EA	UNION - INVERTED FLAIR - 1/4"
	088497-02-000	EA	NUT - INVERTED FLARE - 1/4"
	077298-55-003	EA	EXTRUSION - TUBE - .275"

CHASSIS GROUP (CONTINUED)

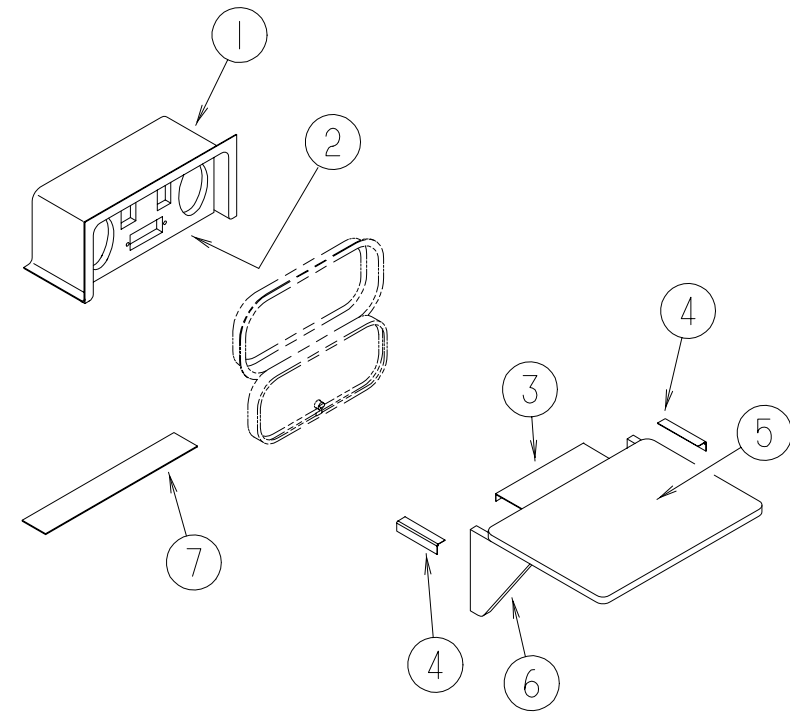


STORAGE COMPARTMENTS & WHEELWELLS

KEY	PART NUMBER	U/M	DESCRIPTION
1	114070-02-02B	EA	SUPPORT - GENERATOR - LEFT
1	114071-02-02B	EA	SUPPORT - GENERATOR - RIGHT
2	055080-01-000	EA	WHEELWELL - PLASTIC - REAR - LEFT OR RIGHT
	072877-03-000	EA	INSULATION - SOUND BARRIER - 1" X 36" X 57"
3	092887-01-000	EA	HATCH/PLATE - 8.2" FLANGE/6.5" R.O. - BLACK
	121175-01-01A	EA	LATCH - SWELL - BLACK
4	M07452-02-F36	EA	COMPARTMENT - STORAGE W/HATCH 11" X 48.9"
5	065450-05-000	EA	TIEDOWN - BATTERY - 8.4" TUBE
6*	094707-01-01A	EA	STEP - DOUBLE - ELECTRIC - KWIKEE
	116995-01-000	EA	SWITCH/MAGNET - ELECTRIC STEP
	104452-03-000	EA	SUPPORT - STEP
7	020167-03-000	EA	DIRT GUARD - STEEL - 11" LONG
8	017516-01-000	EA	MUD FLAP - 14" X 18" - BLACK

*COMPONENT PARTS FOUND IN SERVICE PARTS LIBRARY

CHASSIS GROUP (CONTINUED)



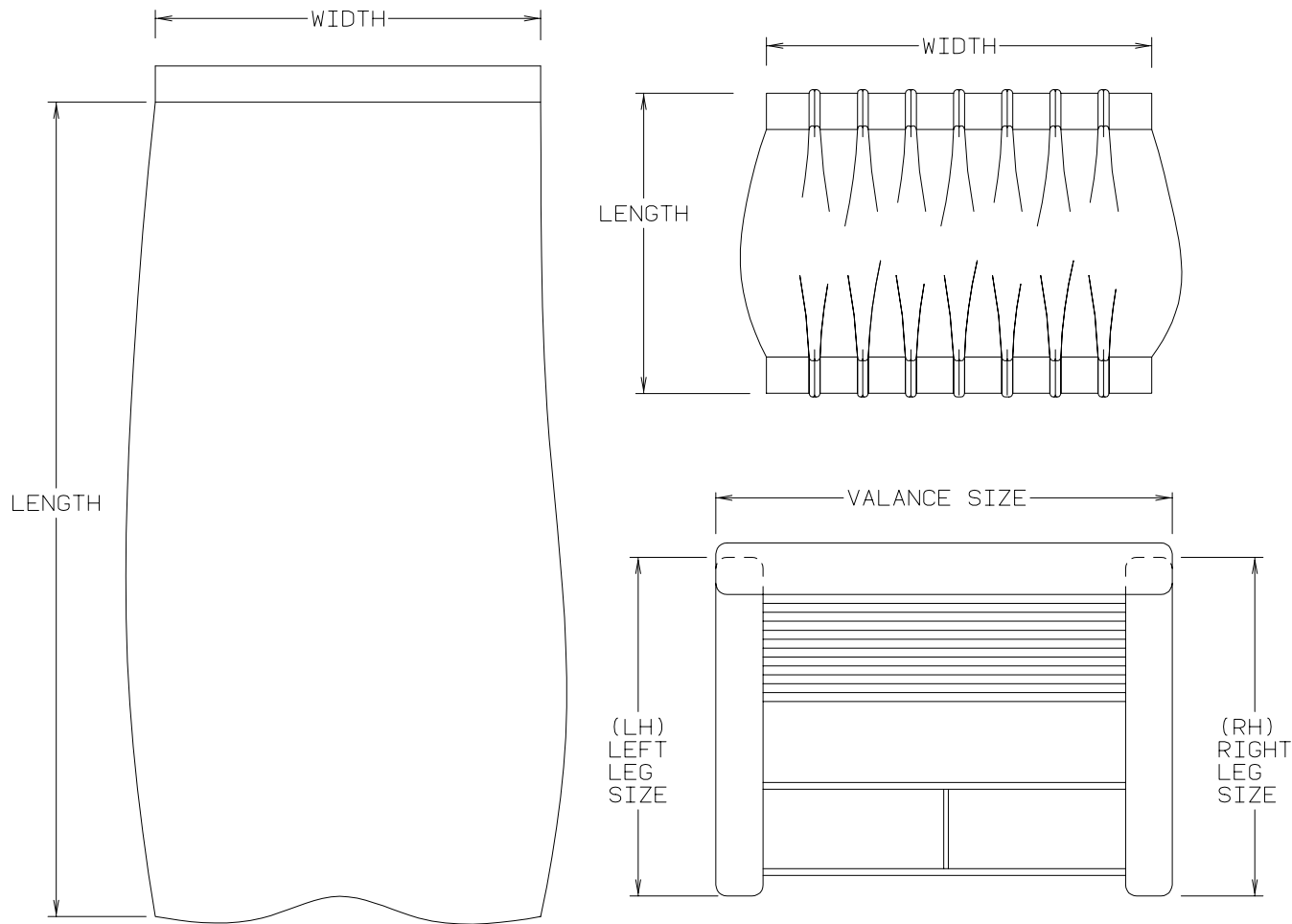
PATIO ENTERTAINMENT CENTER

KEY	PART NUMBER	U/M	DESCRIPTION
1	104897-03-02A	EA	BOX - EXTERIOR ENTERTAINMENT CENTER
2	104899-01-C05	EA	PLATE - RADIO MOUNTING
3	105377-01-04A	EA	BRACKET - TABLE HANGER - BRIGHT WHITE
4	105376-01-03A	EA	HINGE - CONTINUOUS - 2" X 5.5" - BRIGHT WHITE
5	105230-11-E01	EA	SHELF - EXTERIOR ENTERTAINMENT CENTER-W/O BRKT/HINGE/SUPT
6	105230-12-E01	EA	SUPPORT - EXTERIOR SHELF
7	104898-01-02A	EA	PLATE - PLASTIC BOTTOM - BRIGHT WHITE

**CURTAIN & CUSHION GROUP
NOTICE**

IN ORDER TO ASSIST OUR PARTS SALES DEPT. IN PROVIDING INTERIOR SOFT GOODS ITEMS, PLEASE INCLUDE THE SERIAL NUMBER AND THE COLOR CODE NUMBER FROM THE VEHICLE CERTIFICATION LABEL WHEN ORDERING. THIS LABEL IS LOCATED ON THE LEFT SIDEWALL AT THE END OF THE DASH (A-BODY), OR ON THE DRIVER'S DOOR LATCH PLATE (C-BODY).

AN EXAMPLE OF A COLOR CODE NUMBER IS B07, WHICH DESIGNATES AN OVERALL COLOR SCHEME OF A PARTICULAR UNIT. THE COLOR LISTED AFTER THE ITEM DESCRIPTION ON THE MICROFICHE, INDICATES THE OVERALL UNIT COLOR. ORDER THE ITEM YOU DESIRE ACCORDING TO UNIT COLOR CODE.



NOTE: USE THIS ILLUSTRATION WHEN DETERMINING LENGTH AND WIDTH MEASUREMENTS FOR CURTAINS. YOU WILL NOTE THE WIDTH MEASUREMENT IS TAKEN ON THE TOP OF THE CURTAIN WITH THE CURTAIN FULLY EXTENDED. THE LENGTH MEASUREMENT IS TAKEN FROM TOP TO BOTTOM. LEFT AND RIGHT WINDOW LEGS ARE DETERMINED WHEN FACING THE WINDOW.

**CURTAIN & CUSHION GROUP (CONTINUED)
FABRICS**

Color Codes	J58	J59
	CHAMELEON	MERCURY
BUCKET SEATS	108446-G3-000	108446-77-000
DINETTE CUSHIONS	108446-M8-000	108446-R9-000
DINETTE PADS	108446-G3-000	108446-77-000
SOFA	108446-M8-000	108446-R9-000
SOFA PILLOWS	108446-M8-000 084415-88-000	108446-R9-000 084415-95-000
SWIVEL CHAIR	108446-G3-000	108446-S0-000
LOUNGE/DINETTE VALANCE/LEG	108446-G3-000	108446-77-000
LOUNGE/DINETTE VALANCE TRIMS/OVERLAYS	108446-M8-000	108446-R9-000
BEDROOM VALANCE/LEG	105745-61-000	105745-B5-000
BEDROOM VALANCE TRIMS/OVERLAYS	105745-E9-000	105745-G6-000
BEDSPREAD	105745-E9-000 084415-87-000	105745-G6-000 084415-95-000
PILLOW SHAMS	105745-E9-000 084415-87-000	105745-G6-000 084415-95-000
BEDROOM PILLOWS	105745-61-000 084415-87-000	105745-B5-000 084415-95-000
ENTRANCE DOOR VALANCE	108446-M8-000	108446-R9-000
MAP POCKETS	108446-G3-000	108446-S0-000
WRAP AROUND CURTAINS	072333-85-000	072333-85-000
DRAPERY LINING	089351-03-000	089351-03-000
CEILING VINYL	113979-01-01A	113979-01-01A
OFF WHITE VINYL	103907-01-01A	103907-01-01A
CAMBRIDGE VINYL	103907-01-05A	103907-01-05A

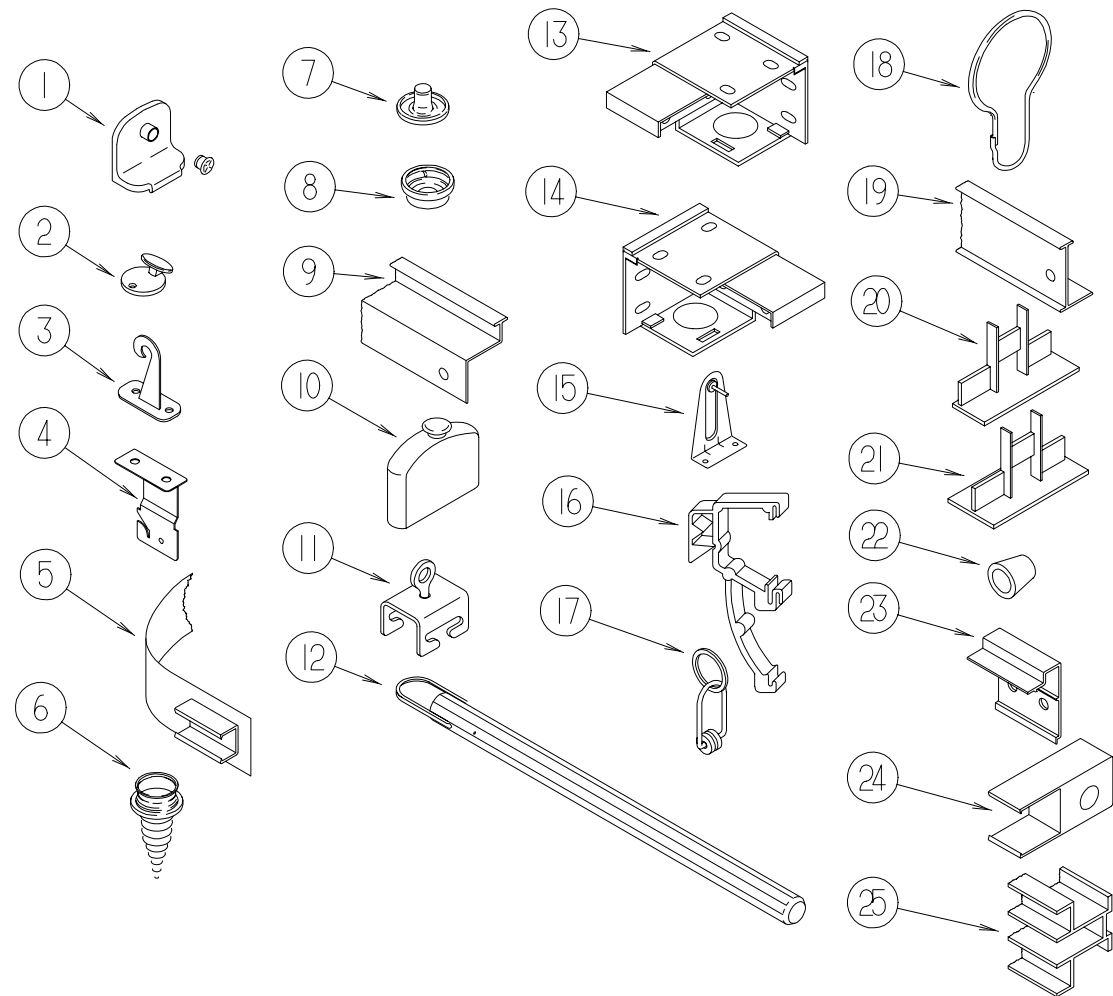
NOTE: THE FABRIC LISTED FIRST IN A BLOCK, IS THE LARGEST QUANTITY OF FABRIC USED

BUTTONS, WELT & TRIMS

KEY	PART NUMBER	U/M DESCRIPTION
	070578-02-B10	EA BUTTON - SCREW - STUD - #30 VINYL
	084415-88-000	YD TRIM - BRAID - AMBER W/FRINGE (J58)
	084415-95-000	YD TRIM - BRAID - MERCURY W/FRINGE (J59)
	084415-87-000	YD TRIM - BRAID - AMBER (J58)
	079349-04-H50	YD WELT - NARROW (J58)
	079349-04-J11	YD WELT - NARROW (J59)

CURTAIN & CUSHION GROUP (CONTINUED)

CURTAIN, BLIND HARDWARE & TRACKS



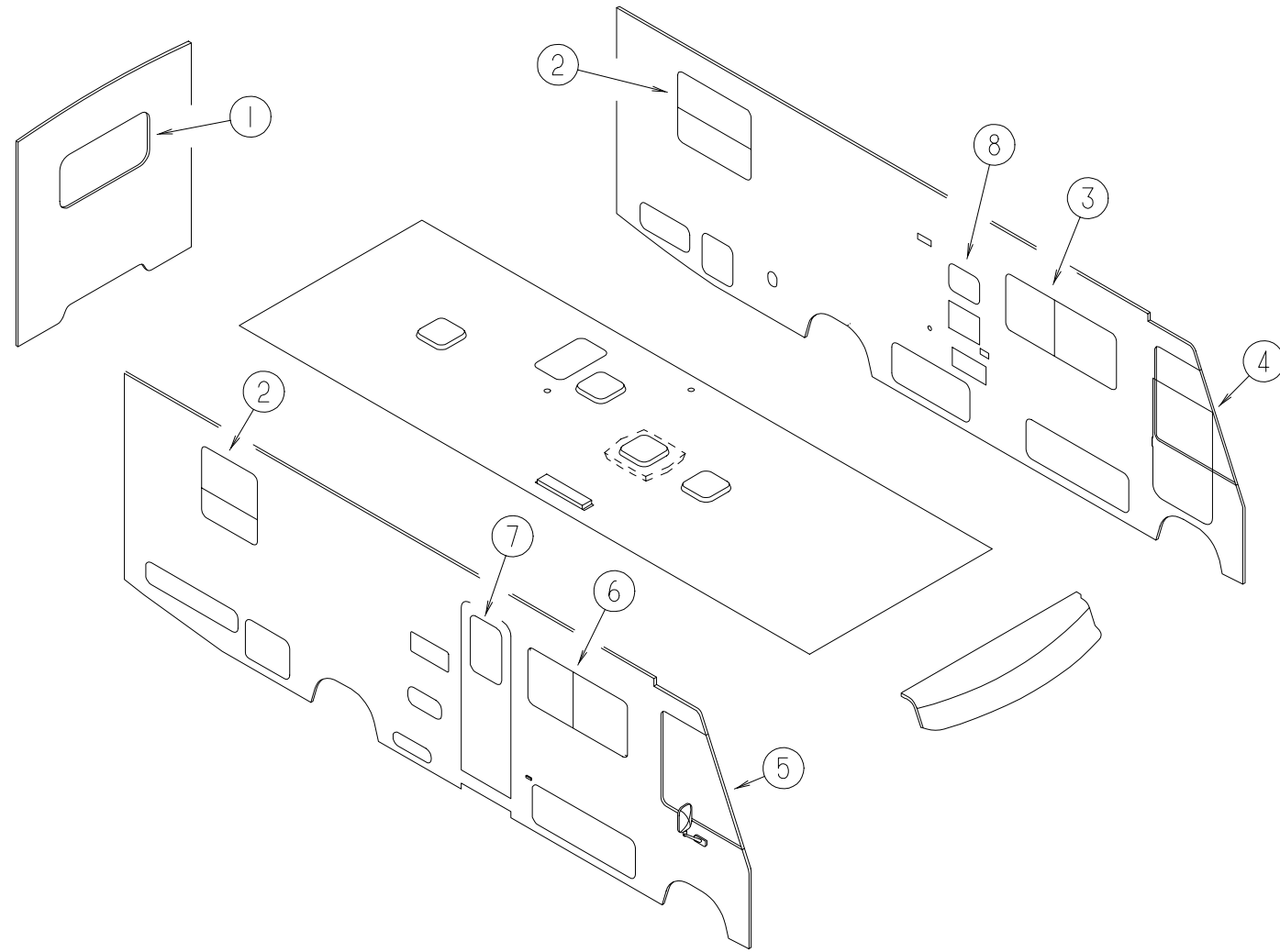
KEY	PART NUMBER	U/M DESCRIPTION
1	106544-01-001	EA SCREW - SHADE/BRASS
1	106544-01-000	EA PULL - SHADE/BRASS
2	102555-03-000	EA CLEAT - BLIND CORD - MILKY WHITE PLASTIC
3	109441-03-000	EA HOLD DOWN - BLIND (CLOUDY)
	109441-02-000	EA HOLD DOWN - SPACER
4	084434-01-000	EA BRACKET - MOUNTING - ROLLER SHADE - 1 3/8"
	096843-01-000	EA SPRING - REWIND/ROLLER SHADE
	086276-01-000	EA TAPE - DOUBLE SIDED - 1/2"
5	101031-01-000	YD TAPE - GLIDE/CURTAIN - 4.25" SPACING
6	029130-01-000	EA SCREW - SNAP SOCKET - #8 PH X 5/8"
7	029155-01-000	EA CAP - SNAP - 5/32" OUTSIDE DIAMETER OF PIN
8	029156-01-000	EA SOCKET - SNAP - 9/16" O.D.
9	114641-05-04A	EA TRACK - CURTAIN - WRAPAROUND W/SPACERS - RIGHT HAND
9	114641-06-04A	EA TRACK - CURTAIN - WRAPAROUND W/SPACERS - LEFT HAND
9	114641-07-J58	EA TRACK - WRAPAROUND W/SPACERS - RIGHT HAND
9	114641-08-J58	EA TRACK - WRAPAROUND W/SPACERS - LEFT HAND
10	093475-01-701	EA CAP-END, WITH INVERTED STUD
11	009702-01-000	EA END STOP - CURTAIN CARRIER - L ROD
12	093475-01-700	EA WAND-BLIND W/METAL CLIP, 8"
13	083170-01-000	EA BRACKET - BLIND - LEFT SIDE WHEN FACING WINDOW
14	083170-02-000	EA BRACKET - BLIND - RIGHT SIDE WHEN FACING WINDOW
15	095591-02-000	EA BRACKET - BLIND - HOLD DOWN W/PIN - METAL
16	109353-04-000	EA CLIP - VALANCE SLAT MOUNTING - CLEAR PLASTIC
17	009701-01-000	EA CARRIER - CURTAIN - L ROD
18	009136-02-000	EA HANGER - RING - PIN TYPE - CURTAIN - BRASS
19	009700-04-002	EA TRACK/CURTAIN - L SHAPED - 15.5' - OFF WHITE
20	094907-04-000	EA END CAP - BOTTOM/PLEATED BLIND (RH & LH)
21	094907-02-000	EA END CAP - TOP/PLEATED BLIND - PLASTIC - GRAY
22	097564-03-000	EA HANDLE - KNOB - E-Z LIFT SHADE - TAN
22	097564-04-000	EA HANDLE - KNOB - E-Z LIFT SHADE - NAVY
	000G68-06-12B	EA SCREW - 6-18 X .75 POH
23	097565-01-000	EA BRACKET - MOUNTING/PLEATED BLIND
24	101033-02-000	EA END CAP - TRACK/CLEAR
25	101033-04-000	EA TRACK - WALL - 3'
	046867-02-000	EA WASHER - HANDY BUTTON #3
	046867-03-000	EA GROMMET - HANDY BUTTON #3
	094896-02-000	EA GROMMET - CORD/PLEATED BLIND - NYLON - GRAY
	097591-01-000	EA SPRING - EXTENSION/PLEATED BLIND
	097592-02-000	EA SPOOL - CORD - ELEVATED BLIND HOLDUP - LARGE - CLEAR
	097593-06-000	FT CORD - BLIND - PLEATED - PEWTER
	105648-01-02A	EA BRACE - VALANCE - OFF/WHITE - 14"

ASSIST HANDLE & SEAT BELT

KEY	PART NUMBER	U/M DESCRIPTION
	007021-01-000	EA SEAT BELT - 2" X 90" - BLACK
	056271-02-000	EA BELT - SEAT - 2" X 72" - BLACK
	118350-01-01A	EA SEAT BELT - 2 POINT - BLACK
	057759-01-000	EA WASHER - FLAT F/SEAT BELT - 4" DIAMETER
	053552-02-AA8	EA HANDLE - ASSIST - INTERIOR/ENTRY DOOR - VINYL/OFF WHITE
	069178-02-000	EA BRACKET - MOUNTING/ASSIST HANDLE - GRAY
	000C16-07-16B	EA BOLT - CARRIAGE - ASSIST HANDLE - 7/16" - 14 X 1"
	000D20-07-00B	EA NUT - ACORN - ASSIST HANDLE - 7/16 - 14
	057534-01-000	EA TIEBACK/TIEDOWN - 6" CLEAR PLASTIC

CURTAIN & CUSHION GROUP (CONTINUED)

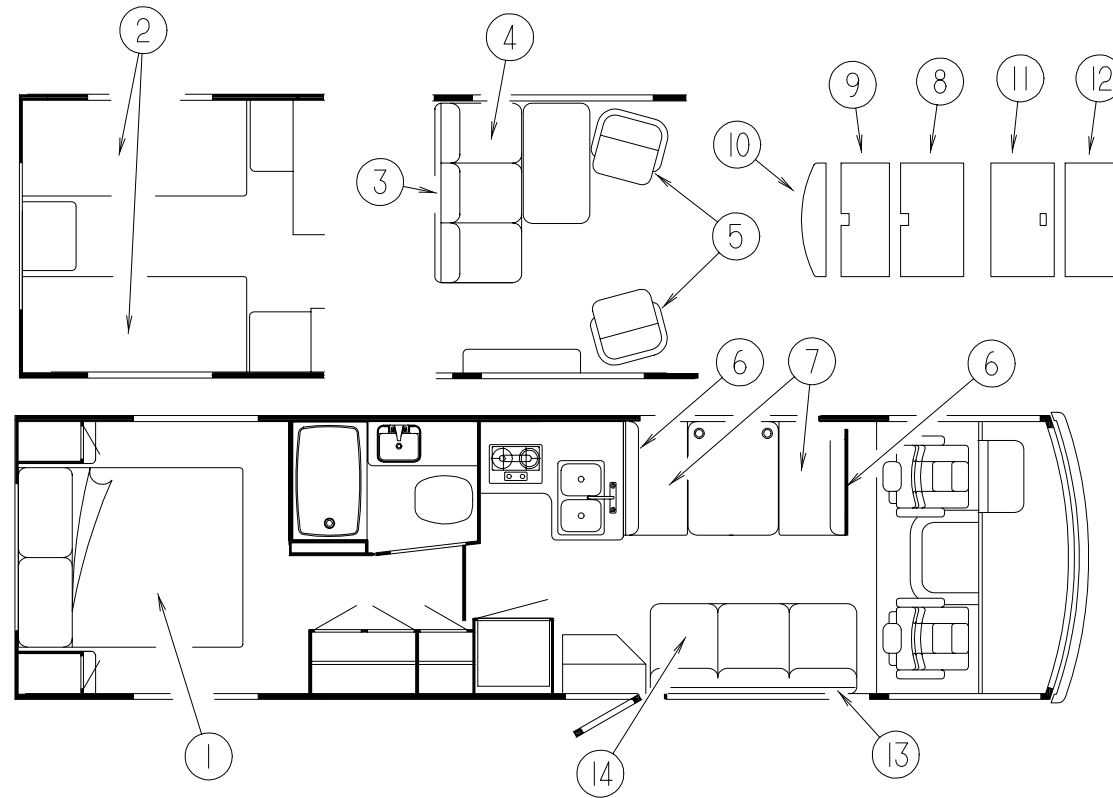
WINDOW TREATMENT



KEY	PART NUMBER	U/M DESCRIPTION
1	119299-01-J10	EA VALANCE - WHITNEY - 53" (J58)
1	119299-01-J59	EA VALANCE - WHITNEY - 53" (J59)
1	111910-62-J10	EA BLIND - DAY/NIGHTER - 49" X 27" (J58)
1	111910-62-K66	EA BLIND - DAY/NIGHTER - 49" X 27" (J59)
1	127017-23-J10	EA LEG - RIGHT - 27" (J58)
1	127017-23-J11	EA LEG - RIGHT - 27" (J59)
1	127017-24-J10	EA LEG - LEFT - 27" (J58)
1	127017-24-J11	EA LEG - LEFT - 27" (J59)
2	119299-25-J10	EA VALANCE - WHITNEY - 45" (J58)
2	119299-25-J59	EA VALANCE - WHITNEY - 45" (J59)
2	111910-53-J03	EA BLIND - DAY/NIGHTER - 42" X 28.5" (J58)
2	111910-53-K56	EA BLIND - DAY/NIGHTER - 42" X 28.5" (J59)
2	127017-15-J10	EA LEG - RIGHT - 27" (J58)
2	127017-23-J11	EA LEG - RIGHT - 27" (J59)
2	127017-16-J10	EA LEG - LEFT - 27" (J58)
2	127017-24-J11	EA LEG - LEFT - 27" (J59)

KEY	PART NUMBER	U/M DESCRIPTION
3	127014-06-J58	EA LAMBREQUIN - LESLEY - 63" X 27"
3	127014-06-J59	EA LAMBREQUIN - LESLEY - 63" X 27"
3	109802-58-J22	EA BLIND - PLEATED - 61" X 28.5" (J58)
3	109802-58-J20	EA BLIND - PLEATED - 61" X 28.5" (J59)
4	101668-46-E91	EA CURTAIN - LEFT HAND - 48" X 95"
5	101668-45-E91	EA CURTAIN - RIGHT HAND - 48" X 95"
	073260-42-C18	EA TIEBACK - 6" X 18"
6	127014-11-J58	EA LAMBREQUIN - LESLEY - 57" X 27"
6	127014-11-J59	EA LAMBREQUIN - LESLEY - 57" X 27"
6	109802-17-J22	EA BLIND - PLEATED - 55" X 28.5" (J58)
6	109802-17-E33	EA BLIND - PLEATED - 55" X 28.5" (J59)
7	120820-19-J58	EA VALANCE - 16.5" X 35"
7	120820-19-J59	EA VALANCE - 16.5" X 35"
7	084755-60-F01	EA SHADE - PULL - 29.25"
8	109041-49-01A	EA BLIND - MINI - 21" X 19"

CURTAIN & CUSHION GROUP (CONTINUED)



QUEEN BEDSPREAD, PILLOW SHAMS & MATTRESS

KEY	PART NUMBER	U/M	DESCRIPTION
1	123471-01-H10	EA	BEDSPREAD/THROW - 60" X 75" (J58)
1	123471-01-J11	EA	BEDSPREAD/THROW - 60" X 75" (J59)
1	119555-01-H10	EA	PILLOW SHAM - 20" X 33" (J58)
1	119555-01-J11	EA	PILLOW SHAM - 20" X 33" (J59)
	123015-06-000	EA	MATTRESS - INNERSPRING - 60" X 74.5"

TWIN BEDSPREADS, PILLOW SHAMS & MATTRESS

KEY	PART NUMBER	U/M	DESCRIPTION
2	123471-02-H10	EA	BEDSPREAD/THROW - 36" X 75" (J58)
2	123471-02-J11	EA	BEDSPREAD/THROW - 36" X 75" (J59)
2	119555-03-H10	EA	PILLOW SHAM - 22" X 37" (J58)
2	119555-03-J11	EA	PILLOW SHAM - 22" X 37" (J59)
	123015-03-000	EA	MATTRESS - INNERSPRING - 36" X 74.5"

BEDROOM ACCENT PILLOWS

KEY	PART NUMBER	U/M	DESCRIPTION
	111637-12-J58	EA	PILLOW - 17" X 17"
	111637-12-J59	EA	PILLOW - 17" X 17"

SOFA/BED

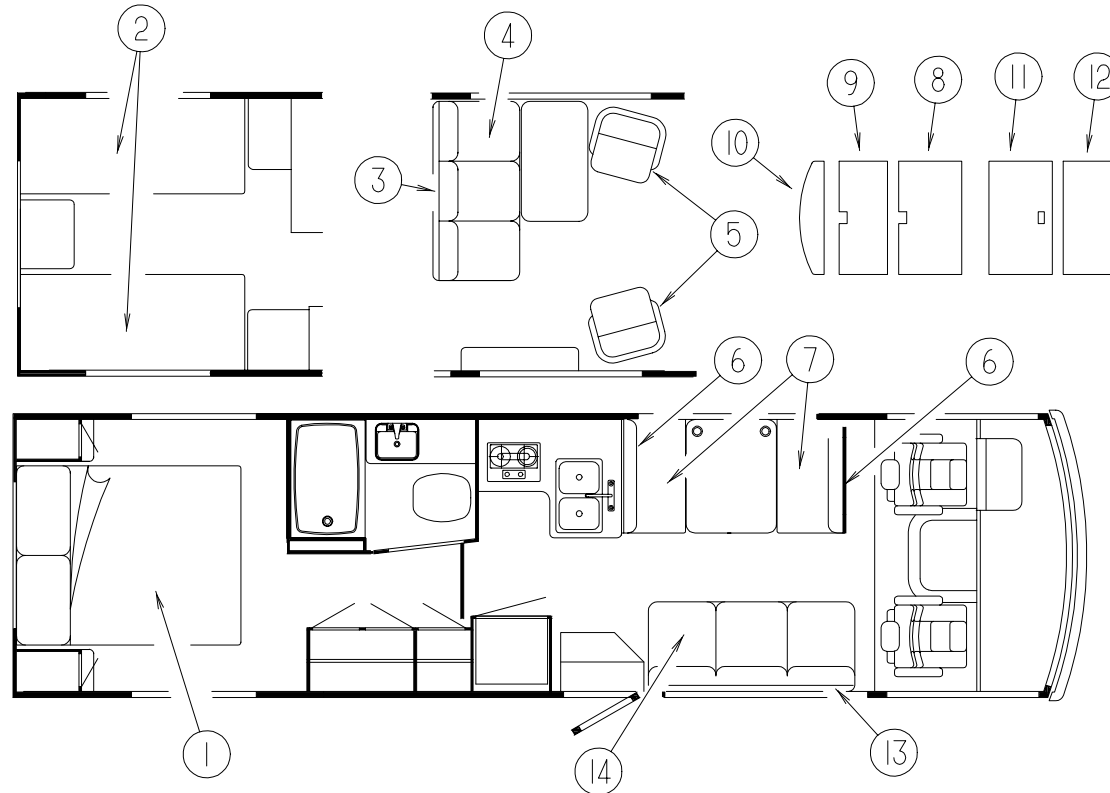
KEY	PART NUMBER	U/M	DESCRIPTION
3	115469-01-J58	EA	BACK COMPLETE - SOFA/BED - W/O ARMS
3	115469-01-J59	EA	BACK COMPLETE - SOFA/BED - W/O ARMS
	115469-02-J58	EA	CUSHION/BACK - RIGHT & LEFT - SOFA/BED
	115469-02-J59	EA	CUSHION/BACK - RIGHT & LEFT - SOFA/BED
	P15469-02-J58	EA	COVER - END - BACK
	P15469-02-J59	EA	COVER - END - BACK
	115469-03-J58	EA	CUSHION/BACK - CENTER - SOFA/BED
	115469-03-J59	EA	CUSHION/BACK - CENTER - SOFA/BED
	P15469-03-J58	EA	COVER - END - CENTER
	P15469-03-J59	EA	COVER - END - CENTER
	114726-01-J58	EA	TRAY - BEVERAGE
4	114969-04-H10	EA	SEAT - SOFA/BED - W/O BACKREST (J58)
4	114969-04-J11	EA	SEAT - SOFA/BED - W/O BACKREST (J59)
	P14969-04-H10	EA	COVER - SEAT - SOFA/BED (J58)
	P14969-04-J11	EA	COVER - SEAT - SOFA/BED (J59)
	114763-07-000	EA	FRAME - FORWARD FACING LEGS - SOFA/BED
	114763-01-000	EA	FRAME - FORWARD FACING BASE - SOFA/BED
	114763-02-000	EA	FRAME - FORWARD FACING SEAT - SOFA/BED
	116631-02-02B	EA	PLATE - W/HOLES - E-COATED
	120962-01-000	EA	BRACKET - QUICK RELEASE CLAMP

NOTE: COUCH FRONT AND SIDE PANELS ARE FOUND IN THE LOUNGE GROUP

SWIVEL CHAIR

KEY	PART NUMBER	U/M	DESCRIPTION
5	118302-01-J58	EA	CHAIR - SWIVEL - W/SKIRT
5	118302-01-J59	EA	CHAIR - SWIVEL - W/SKIRT

CURTAIN & CUSHION GROUP (CONTINUED)



DINETTE CUSHIONS

KEY	PART NUMBER	U/M	DESCRIPTION
6	111897-04-J58	EA	CUSHION - BACK - 13.5" X 38" X 5"
6	111897-04-J59	EA	CUSHION - BACK - 13.5" X 38" X 5"
	P11897-04-J58	EA	COVER - BACK - 13.5" X 38" X 5"
	P11897-04-J59	EA	COVER - BACK - 13.5" X 38" X 5"
	078155-01-000	EA	STRAP - SNAP - BACK CUSHION
7	088927-87-H10	EA	CUSHION - SEAT - 23" X 38" X 5" (J58)
7	088927-87-J11	EA	CUSHION - SEAT - 23" X 38" X 5" (J59)
	M88927-87-H10	EA	COVER - SEAT - 23" X 38" X 5" (J58)
	M88927-87-J11	EA	COVER - SEAT - 23" X 38" X 5" (J59)

DINETTE CUSHIONS - EUROPEAN EXPORT

KEY	PART NUMBER	U/M	DESCRIPTION
8	120968-02-J58	EA	CUSHION - SEAT - 23" X 41" X 5" (J58)
8	120968-02-J11	EA	CUSHION - SEAT - 23" X 41" X 5" (J59)
	P20968-02-J10	EA	COVER - SEAT - 23" X 41" X 5" (J58)
	P20968-02-J11	EA	COVER - SEAT - 23" X 41" X 5" (J59)
9	120968-01-J58	EA	CUSHION - BACK - 23" X 41" X 5" (J58)
9	120968-01-J11	EA	CUSHION - BACK - 23" X 41" X 5" (J59)
	P20968-01-J10	EA	COVER - BACK - 23" X 41" X 5" (J58)
	P20968-01-J11	EA	COVER - BACK - 23" X 41" X 5" (J59)
10	120968-03-J58	EA	CUSHION - TOP BACK (J58)
10	120968-03-J11	EA	CUSHION - TOP BACK (J59)
	P20968-03-J10	EA	COVER - BACK/TOP (J58)
	P20968-03-J11	EA	COVER - BACK/TOP (J59)
11	120968-05-J58	EA	CUSHION - SEAT - 23" X 41" X 5" (J58)
11	120968-05-J11	EA	CUSHION - SEAT - 23" X 41" X 5" (J59)
	P20968-05-J10	EA	COVER - SEAT - 23" X 41" X 5" (J58)
	P20968-05-J11	EA	COVER - SEAT - 23" X 41" X 5" (J59)
12	120968-04-J58	EA	CUSHION - BACK - 41" X 28" X 5" (J58)
12	120968-04-J11	EA	CUSHION - BACK - 41" X 28" X 5" (J59)
	P20968-04-J10	EA	COVER - BACK - 13" X 41" X 5" (J58)
	P20968-04-J11	EA	COVER - BACK - 13" X 41" X 5" (J59)

SOFA/BED

KEY	PART NUMBER	U/M	DESCRIPTION
13	111319-03-H10	EA	BACK - SOFA/BED - W/FRAME - 66.5" (J58)
13	111319-03-J11	EA	BACK - SOFA/BED - W/FRAME - 66.5" (J59)
	P11319-03-H10	EA	COVER - BACK - SOFA/BED - 66.5" (J58)
	P11319-03-J11	EA	COVER - BACK - SOFA/BED - 66.5" (J59)
	101085-09-000	EA	FRAME - BACK - SOFA/BED - 66.5" X 16"
14	100032-37-H10	EA	SEAT - SOFA/BED W/FRAME - 66.5" (J58)
14	100032-37-J11	EA	SEAT - SOFA/BED W/FRAME - 66.5" (J59)
	P00032-37-H10	EA	COVER - SEAT - SOFA/BED - 66.5" (J58)
	P00032-37-J11	EA	COVER - SEAT - SOFA/BED - 66.5" (J59)
	101085-01-000	EA	FRAME - SEAT - SOFA/BED - 66.5"
	101085-03-000	EA	FRAME - BASE - SOFA/BED - 66.5"

NOTE: COUCH FRONT AND SIDE PANELS ARE FOUND IN THE LOUNGE GROUP

LOUNGE ACCENT PILLOWS

KEY	PART NUMBER	U/M	DESCRIPTION
	111637-18-J30	EA	PILLOW - 17" X 17" (J58)
	111637-18-J59	EA	PILLOW - 17" X 17" (J59)

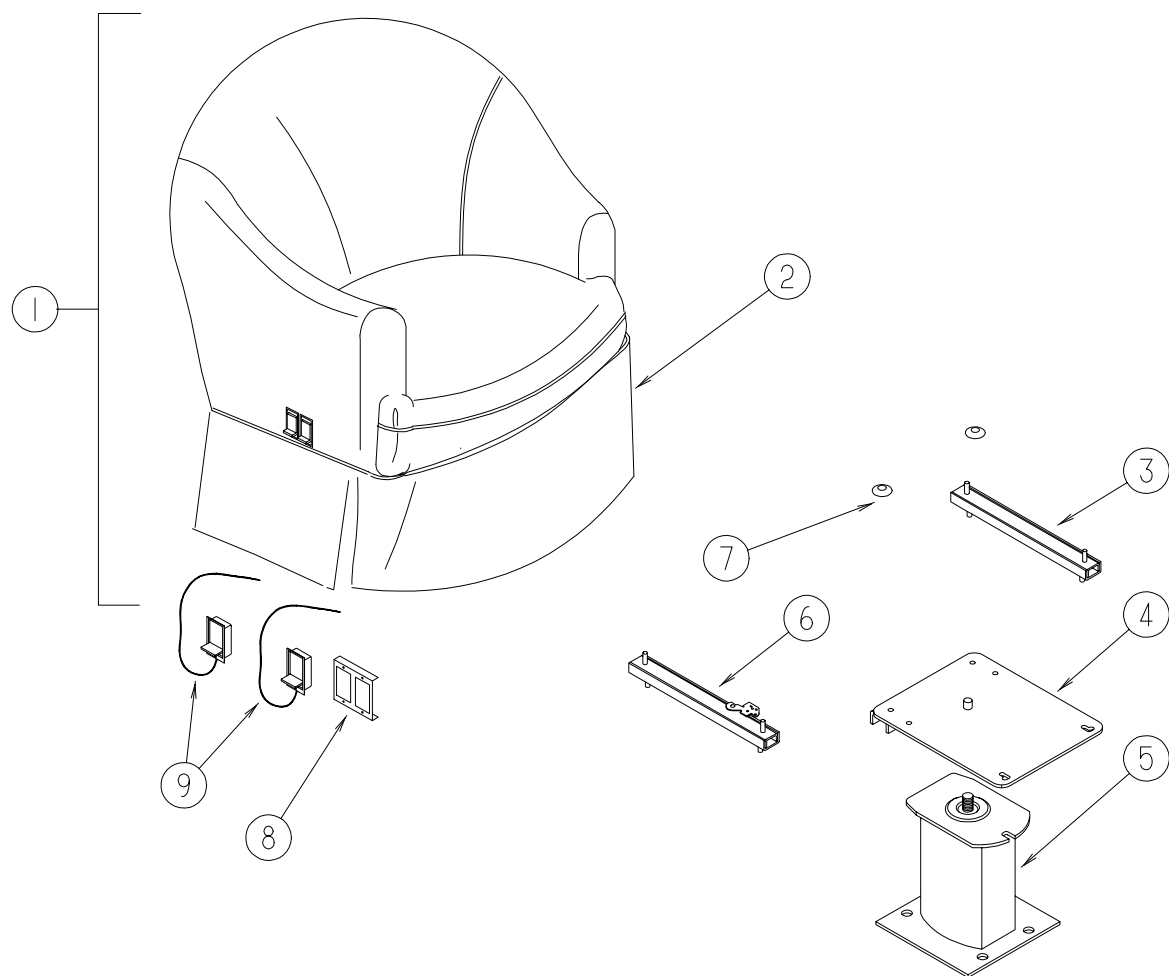
BUCKET SEAT - EUROPEAN EXPORT

KEY	PART NUMBER	U/M	DESCRIPTION
	M05962-33-H10	EA	COVER - BACK (J58)
	M05962-33-J18	EA	COVER - BACK (J59)
	M05962-34-H10	EA	COVER - SEAT (J58)
	M05962-34-J18	EA	COVER - SEAT (J59)
	080730-08-000	EA	HANDLE - RECLINER
	080730-09-000	EA	SHIELD - RECLINER HANDLE
	080730-11-000	EA	SHIELD - RUBBER BOOT
	122695-02-01B	EA	FRAME - SEAT/BACK

CURTAIN & CUSHION GROUP (CONTINUED)

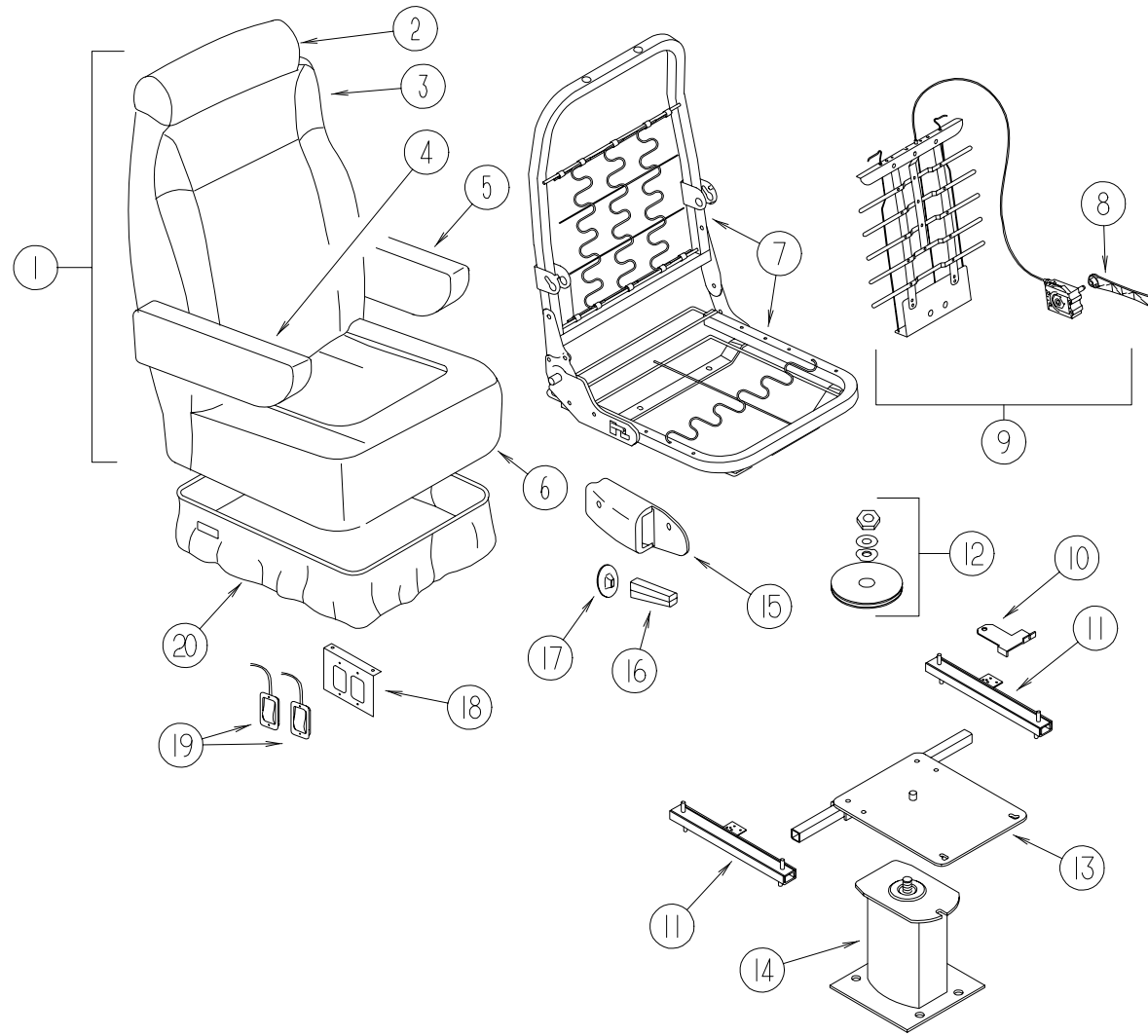
SWIVEL CHAIR

KEY	PART NUMBER	U/M	DESCRIPTION
1	118302-01-J58	EA	CHAIR - SWIVEL - W/SKIRT
1	118302-01-J59	EA	CHAIR - SWIVEL - W/SKIRT
	P18302-01-J58	EA	COVER - SWIVEL CHAIR
	P18302-01-J59	EA	COVER - SWIVEL CHAIR
2	118306-01-J58	EA	SKIRT - SWIVEL CHAIR
2	118306-01-J59	EA	SKIRT - SWIVEL CHAIR
3	119952-01-000	EA	SLIDE/SEAT - HEAVY DUTY NON LOCKING
4	107921-08-000	EA	TOP PLATE - PEDESTAL - W/O SEAT BELT BAR
	107921-06-000	EA	BEARING KIT - PEDESTAL
5	107921-02-000	EA	PEDESTAL/FLOOR MOUNTED - W/6.50" EXTENSION
6	119952-03-000	EA	SLIDE/SEAT - HEAVY DUTY LOCKING - 2 STUDS
7	007221-01-000	EA	SPACER - SEAT/ADJUSTER
8	127159-02-02B	EA	BRACKET - SEAT RELEASE - DUAL REMOTE
9	108049-04-000	EA	CABLE - W/SWITCHES - W/26" MINI LEVER ACTION
	108049-02-000	EA	CLIP - CABLE/PEDESTAL
	117125-01-02B	EA	BRACKET - CABLE MOUNT - ADJUSTER W/LOCK
	112436-03-000	FT	TRIM - #8 - FLEX RING
	108445-02-000	EA	PLATE/FLOOR MOUNTED - PEDESTAL SEAT



CURTAIN & CUSHION GROUP (CONTINUED)

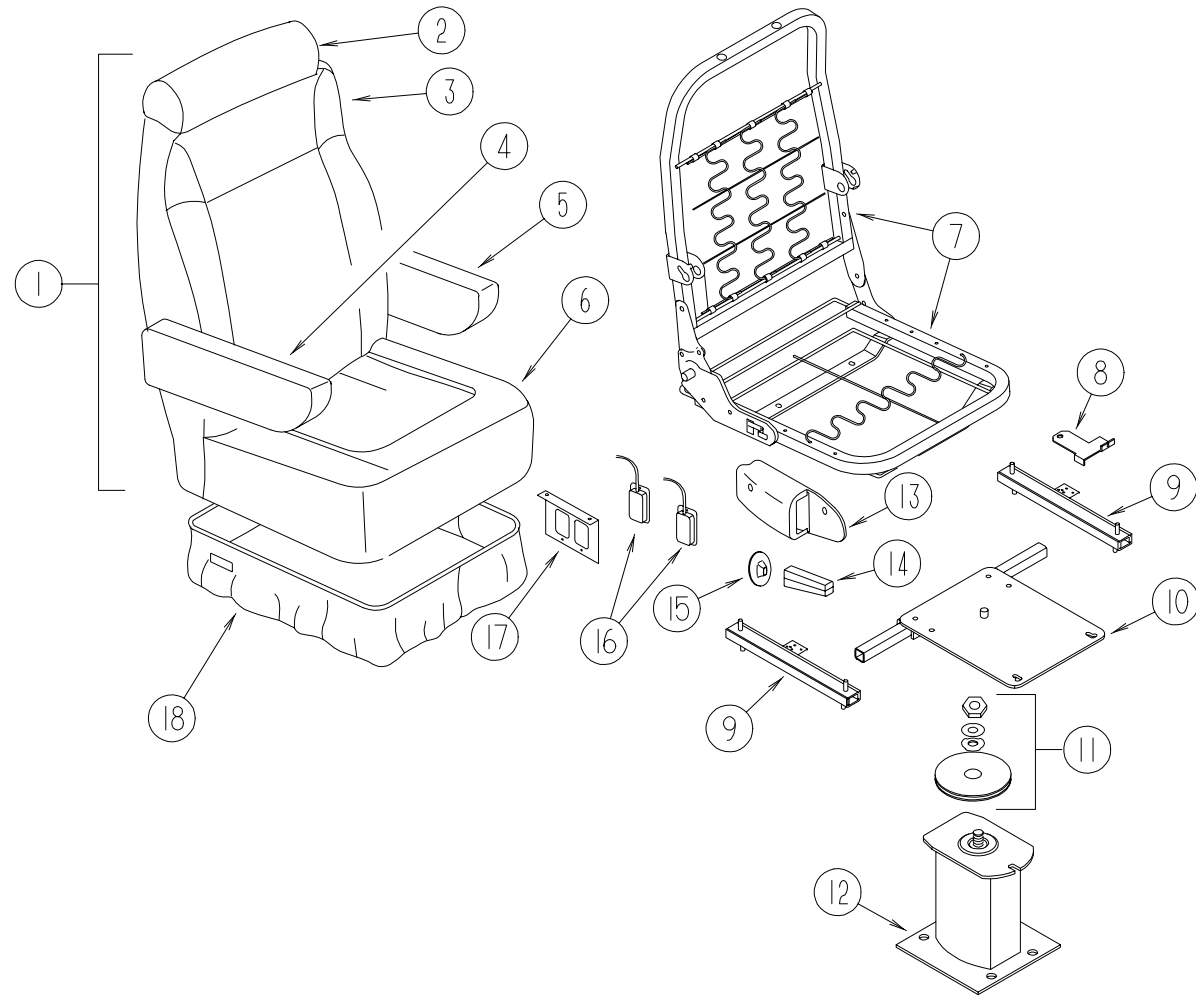
DRIVER BUCKET SEAT



KEY	PART NUMBER	U/M	DESCRIPTION
1	127540-01-J58	EA	SEAT - BUCKET - DRIVER - W/LUMBAR SUPPORT - WIDE
1	127540-01-J59	EA	SEAT - BUCKET - DRIVER - W/LUMBAR SUPPORT - WIDE
2	119509-01-H10	EA	HEADREST - BUCKET SEAT (J58)
2	119509-01-H05	EA	HEADREST - BUCKET SEAT (J59)
	P19509-01-H10	EA	COVER - HEADREST (J58)
	P19509-01-H05	EA	COVER - HEADREST (J59)
	113977-12-000	EA	HEADREST INSERT - W/O LOCK
	113977-13-000	EA	HEADREST INSERT - W/LOCK
3	M05962-71-J58	EA	COVER - BACK
3	M05962-71-J59	EA	COVER - BACK
4	122780-01-J10	EA	ARMREST - RIGHT HAND (J58)
4	122780-01-J11	EA	ARMREST - RIGHT HAND (J59)
	P22780-01-J10	EA	COVER - ARMREST - RIGHT HAND (J58)
	P22780-01-J11	EA	COVER - ARMREST - RIGHT HAND (J59)
	115617-03-000	EA	ARMREST - W/O COVER - RIGHT HAND
5	122780-02-H10	EA	ARMREST - LEFT HAND (J58)
5	122780-02-J11	EA	ARMREST - LEFT HAND (J59)
	P22780-02-H10	EA	COVER - ARMREST - LEFT HAND (J58)
	P22780-02-J11	EA	COVER - ARMREST - LEFT HAND (J59)
	115617-04-000	EA	ARMREST - W/O COVER - LEFT HAND
6	M05962-40-J58	EA	COVER - SEAT
6	M05962-40-J59	EA	COVER - SEAT
7	122695-01-01B	EA	FRAME - SEAT/BACK
8	122611-02-701	EA	LUMBAR - LEVER
9	122611-02-000	EA	LUMBAR - W/LEVER
10	117125-01-02B	EA	BRACKET - CABLE MOUNT - ADJUSTER W/LOCK
11	119952-04-000	EA	SLIDE/SEAT - HEAVY DUTY LOCKING - 4 STUDS
12	107921-06-000	EA	BEARING KIT - PEDESTAL
13	107921-05-000	EA	PLATE - TOP - W/SEAT BELT BAR
14	107921-01-000	EA	PEDESTAL/FLOOR MOUNTED - W/9.75" EXTENSION
15	080730-09-000	EA	SHIELD - RECLINER HANDLE
16	080730-08-000	EA	HANDLE - RECLINER
17	080730-11-000	EA	SHIELD - RUBBER BOOT
18	127159-02-02B	EA	BRACKET - SEAT RELEASE - DUAL REMOTE
19	108049-04-000	EA	CABLE - W/SWITCHES - W/26" MINI LEVER ACTION
	108049-02-000	EA	CLIP - CABLE/PEDESTAL
20	071126-58-H50	EA	SKIRT - SINGLE 10.5" - W/SEAT BELT SLOT (J58)
20	071126-58-H34	EA	SKIRT - SINGLE 10.5" - W/SEAT BELT SLOT (J59)

CURTAIN & CUSHION GROUP (CONTINUED)

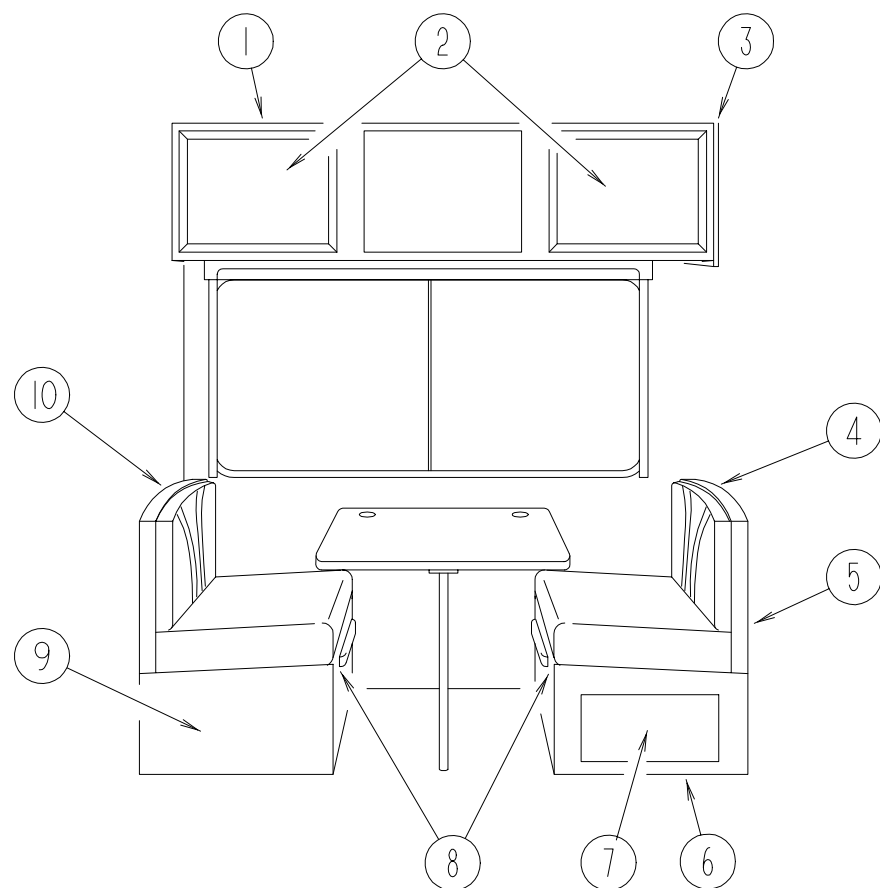
PASSENGER BUCKET SEAT



KEY	PART NUMBER	U/M	DESCRIPTION
1	127540-02-J58	EA	SEAT - BUCKET - MANUAL RECLINING - WIDE
1	127540-02-J59	EA	SEAT - BUCKET - MANUAL RECLINING - WIDE
2	119509-01-H10	EA	HEADREST - BUCKET SEAT (J58)
2	119509-01-H05	EA	HEADREST - BUCKET SEAT (J59)
	P19509-01-H10	EA	COVER - HEADREST (J58)
	P19509-01-H05	EA	COVER - HEADREST (J59)
	113977-12-000	EA	HEADREST INSERT - W/O LOCK
	113977-13-000	EA	HEADREST INSERT - W/LOCK
3	M05962-71-J58	EA	COVER - BACK
3	M05962-71-J59	EA	COVER - BACK
4	122780-01-J10	EA	ARMREST - RIGHT HAND (J58)
4	122780-01-J11	EA	ARMREST - RIGHT HAND (J59)
	P22780-01-J10	EA	COVER - ARMREST - RIGHT HAND (J58)
	P22780-01-J11	EA	COVER - ARMREST - RIGHT HAND (J59)
	115617-03-000	EA	ARMREST - W/O COVER - RIGHT HAND
5	122780-02-H10	EA	ARMREST - LEFT HAND (J58)
5	122780-02-J11	EA	ARMREST - LEFT HAND (J59)
	P22780-02-H10	EA	COVER - ARMREST - LEFT HAND (J58)
	P22780-02-J11	EA	COVER - ARMREST - LEFT HAND (J59)
	115617-04-000	EA	ARMREST - W/O COVER - LEFT HAND
6	M05962-40-J58	EA	COVER - SEAT
6	M05962-40-J59	EA	COVER - SEAT
7	122695-01-01B	EA	FRAME - SEAT/BACK
8	117125-01-02B	EA	BRACKET - CABLE MOUNT - ADJUSTER W/LOCK
9	119952-04-000	EA	SLIDE/SEAT - HEAVY DUTY LOCKING - 4 STUDS
10	107921-05-000	EA	PLATE - TOP - W/SEAT BELT BAR
11	107921-06-000	EA	BEARING KIT - PEDESTAL
12	107921-01-000	EA	PEDESTAL/FLOOR MOUNTED - W/9.75" EXTENSION
13	080730-09-000	EA	SHIELD - RECLINER HANDLE
14	080730-08-000	EA	HANDLE - RECLINER
15	080730-11-000	EA	SHIELD - RUBBER BOOT
16	108049-04-000	EA	CABLE - W/SWITCHES - W/26" MINI LEVER ACTION
	108049-02-000	EA	CLIP - CABLE/PEDESTAL
17	127159-02-02B	EA	BRACKET - SEAT RELEASE - DUAL REMOTE
18	071126-58-H50	EA	SKIRT - SINGLE 10.5" - W/SEAT BELT SLOT (J58)
18	071126-58-H34	EA	SKIRT - SINGLE 10.5" - W/SEAT BELT SLOT (J59)

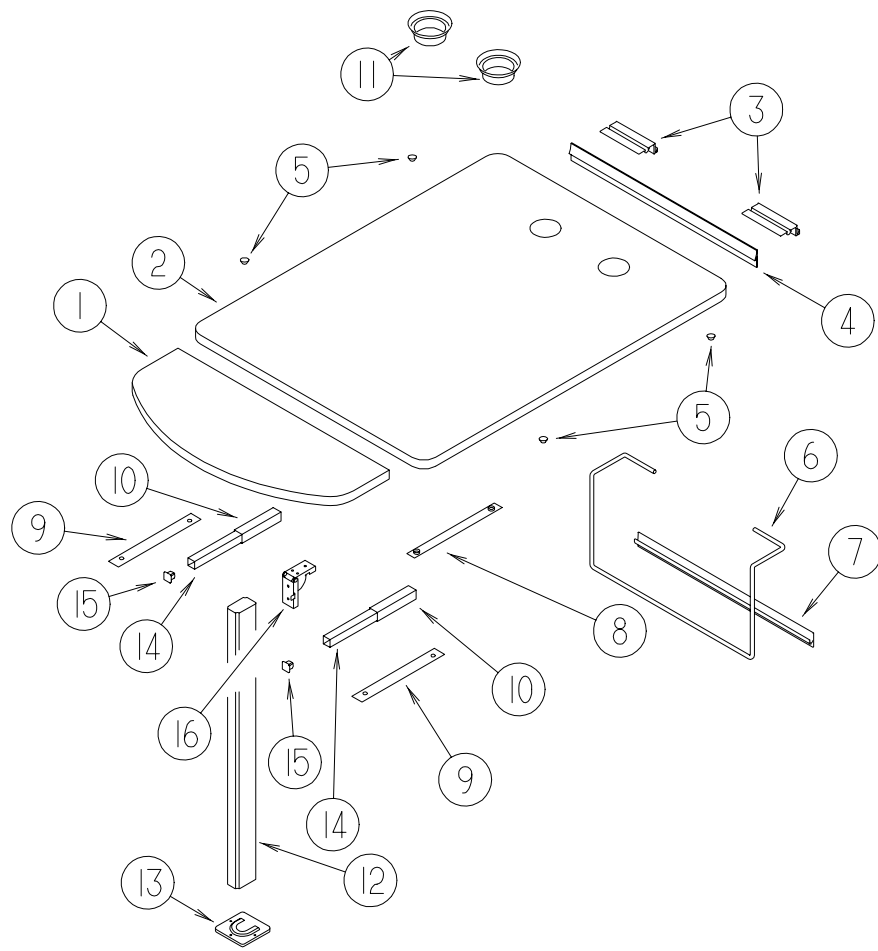
DINETTE GROUP

DINETTE CABINETRY



KEY	PART NUMBER	U/M DESCRIPTION
1	117922-06-J58	EA CABINET - OVERHEAD/DINETTE - W/O DOORS/HARDWARE
1	117922-06-J59	EA CABINET - OVERHEAD/DINETTE - W/O DOORS/HARDWARE
2	M05992-48-J10	EA DOOR - STRAIGHT CORNER/OGEE EDGE - 15.7" X 27.9" - W/O HDW
3	103128-01-J30	EA END CAP - OVERHEAD CABINET - RIGHT HAND
4	104787-09-H10	EA PAD - DINETTE SEATBACK - EXPORT (J58)
4	104787-09-G08	EA PAD - DINETTE SEATBACK - EXPORT (J59)
5	M04174-79-J58	EA CABINET - SEATBACK - RIGHT HAND - EUROPEAN EXPORT
5	M04174-81-J58	EA CABINET - SEATBACK - RIGHT HAND - GERMAN EXPORT
6	M04175-79-J58	EA CABINET - SEATBASE - RIGHT HAND - W/O DOOR/DRAWER/HDW - EUROPEAN
6	M04175-81-J58	EA CABINET - SEATBASE - RIGHT HAND - GERMAN EXPORT
7	M05992-R9-J58	EA DOOR - STRAIGHT CORNER/OGEE EDGE - 10" X 19.1" - W/O HDW
8	081295-01-G01	EA SUPPORT - BED/DINETTE - 28" LONG
9	M04175-91-J58	EA CABINET - SEATBASE - LEFT HAND - W/O DOOR/DRAWER/HDW - EUROPEAN
9	M04175-93-J58	EA CABINET - SEATBASE - LEFT HAND - GERMAN EXPORT
10	104787-10-G38	EA PAD - DINETTE SEATBACK - EXPORT (J58)
10	104787-10-J11	EA PAD - DINETTE SEATBACK - EXPORT (J59)

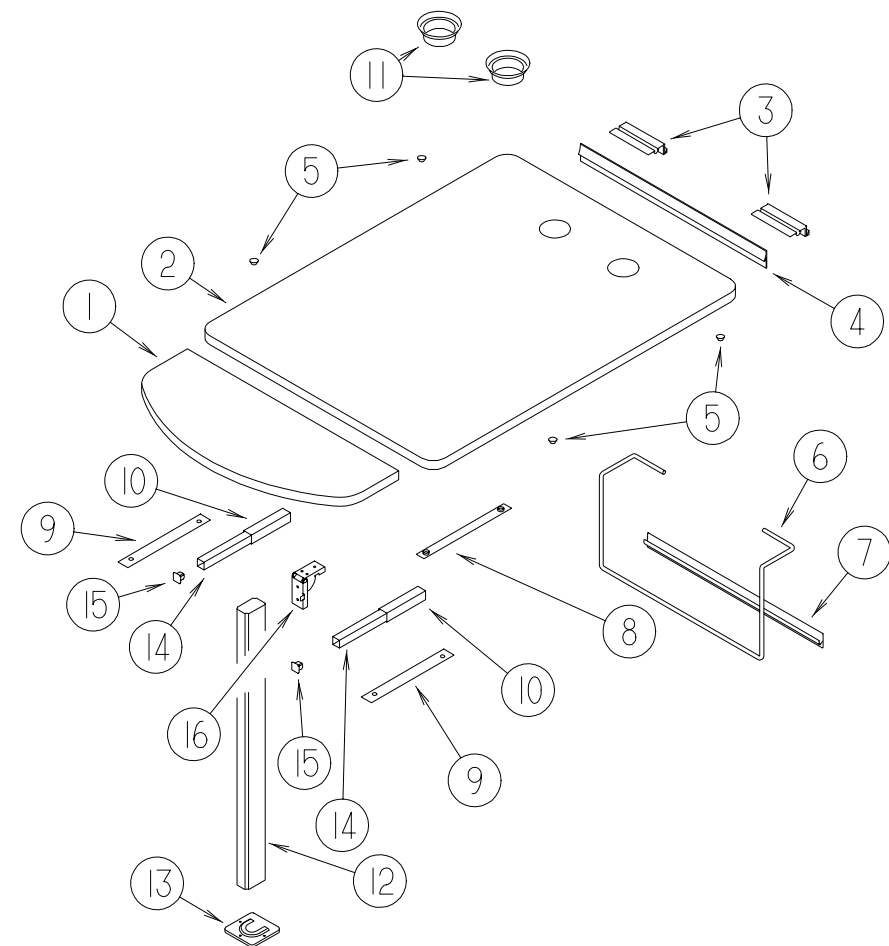
DINETTE GROUP (CONTINUED)



DINETTE TABLE - EUROPEAN EXPORT

KEY	PART NUMBER	U/M	DESCRIPTION
	120511-01-J58	EA	TABLE - DINETTE - W/O HARDWARE
	120511-01-J59	EA	TABLE - DINETTE - W/O HARDWARE
1	120511-12-J58	EA	EXTENSION - TABLE - W/O HARDWARE
1	120511-12-J59	EA	EXTENSION - TABLE - W/O HARDWARE
2	120511-11-G39	EA	TOP - TABLE - W/O HARDWARE (J58)
2	120511-11-G41	EA	TOP - TABLE - W/O HARDWARE (J59)
3	088410-02-000	EA	BRACKET - LIFT - TABLE MOUNTED
4	053200-12-000	EA	BRACKET - TABLE SUPPORT - UPPER/WALL MOUNTED - 23.50"
5	004354-01-000	EA	BUMPER - RUBBER - .5" DIA - BROWN
6	024275-12-000	EA	ROD - TABLE LIFT
7	024281-14-000	EA	BRACKET/TABLE - LIFT ROD/LOWER WALL MOUNTED - 22.12"
	002929-01-001	EA	EXTRUDED - BRACKET TABLE
8	057534-01-000	EA	TIEBACK/TIEDOWN - 6" CLEAR PLASTIC
	029130-04-000	EA	SOCKET - SNAP FASTENER
9	114117-01-02A	EA	PLATE - SPACER
10	113729-01-02A	EA	TUBE - SUPPORT/TABLE
11	064781-06-000	EA	HOLDER - CUP - TWO STEP - OFF WHITE
12	092707-04-04A	EA	LEG - TABLE - W/O HARDWARE - 28" - CHERRY
13	049493-12-000	EA	CATCH - TABLE LEG/FLOOR MOUNTED - OFF WHITE
13	069726-02-000	EA	BUMPER - .88" OD X .40" THICK - BLACK
14	113728-01-02A	EA	TUBE - SUPPORT/TABLE
15	110550-01-000	EA	CAP - TUBE .9" SQUARE
16	093550-01-000	EA	BRACKET - HINGE - MOUNTS TO LEG & TABLE TOP - 1.7" X 2.6"

DINETTE GROUP (CONTINUED)

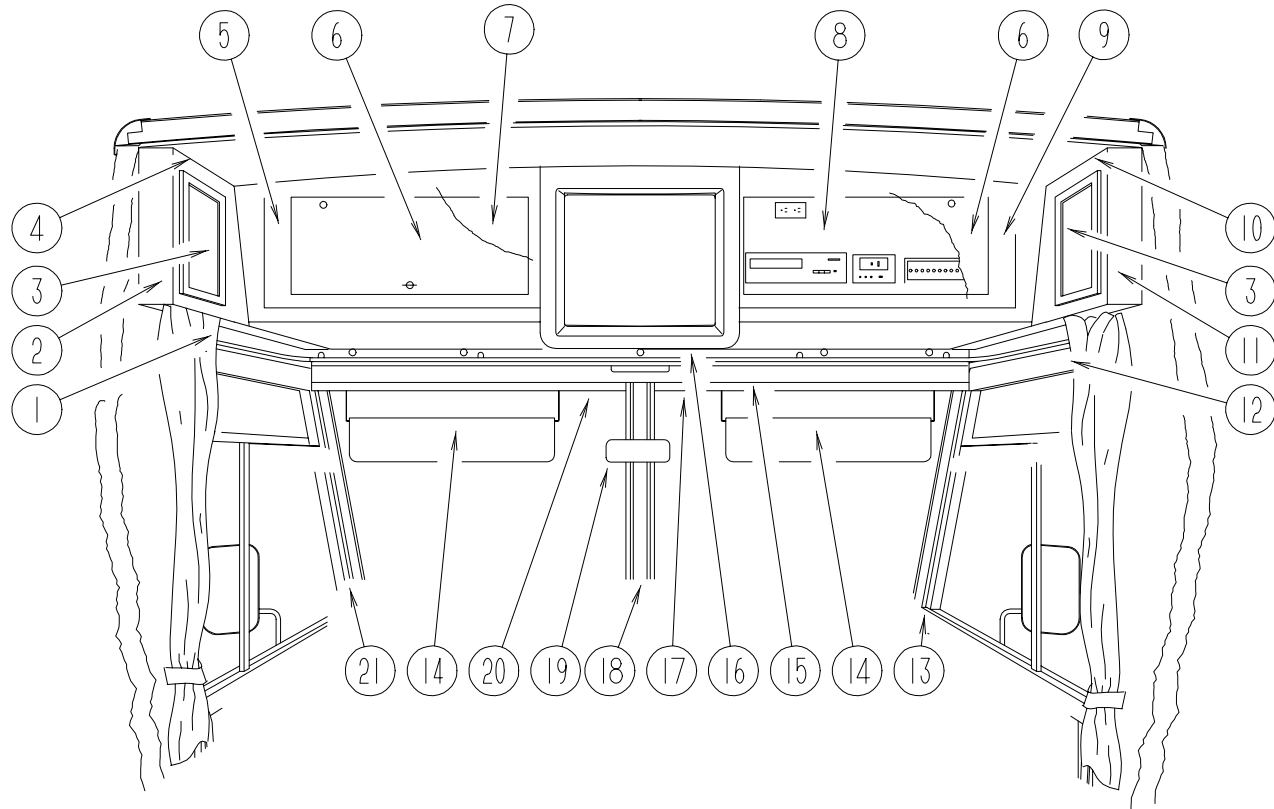


DINETTE TABLE - GERMAN EXPORT

KEY	PART NUMBER	U/M	DESCRIPTION
	120511-02-J58	EA	TABLE - DINETTE - W/O HARDWARE
	120511-02-J59	EA	TABLE - DINETTE - W/O HARDWARE
1	120511-12-J58	EA	EXTENSION - TABLE - W/O HARDWARE
1	120511-12-J59	EA	EXTENSION - TABLE - W/O HARDWARE
2	120511-13-H51	EA	TOP - TABLE - W/O HARDWARE (J58)
2	120511-13-H53	EA	TOP - TABLE - W/O HARDWARE (J59)
3	088410-02-000	EA	BRACKET - LIFT - TABLE MOUNTED
4	053200-12-000	EA	BRACKET - TABLE SUPPORT - UPPER/WALL MOUNTED - 23.50"
5	004354-01-000	EA	BUMPER - RUBBER - .5" DIA - BROWN
6	024275-12-000	EA	ROD - TABLE LIFT
7	024281-14-000	EA	BRACKET/TABLE - LIFT ROD/LOWER WALL MOUNTED - 22.12"
	002929-01-001	EA	EXTRUDED - BRACKET TABLE
8	057534-01-000	EA	TIEBACK/TIEDOWN - 6" CLEAR PLASTIC
	029130-04-000	EA	SOCKET - SNAP FASTENER
9	114117-01-02A	EA	PLATE - SPACER
10	113729-01-02A	EA	TUBE - SUPPORT/TABLE
11	064781-06-000	EA	HOLDER - CUP - TWO STEP - OFF WHITE
12	092707-06-03A	EA	LEG - TABLE - W/O HARDWARE - 28" - CHERRY
13	049493-12-000	EA	CATCH - TABLE LEG/FLOOR MOUNTED - OFF WHITE
13	069726-02-000	EA	BUMPER - .88" OD X .40" THICK - BLACK
14	113728-01-02A	EA	TUBE - SUPPORT/TABLE
15	110550-01-000	EA	CAP - TUBE .9" SQUARE
16	093550-01-000	EA	BRACKET - HINGE - MOUNTS TO LEG & TABLE TOP - 1.7" X 2.6"

DRIVERS COMPARTMENT GROUP

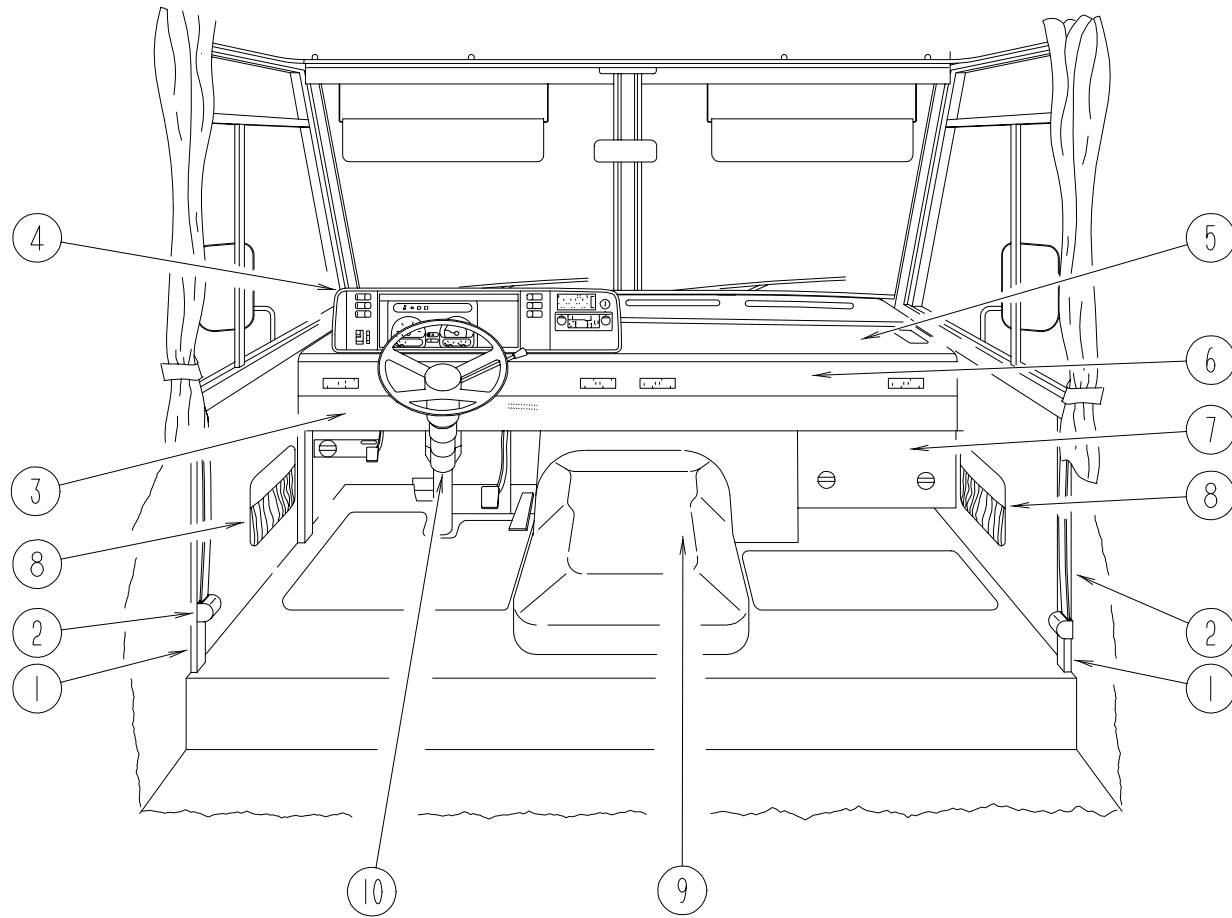
DRIVERS COMPARTMENT - UPPER



KEY	PART NUMBER	U/M DESCRIPTION
1	104289-08-J58	EA PANEL - VINYL COVERED/OVERHEAD TV CABINET - LEFT SIDE
2	103128-09-J58	EA END CAP - OVERHEAD CABINET - LEFT HAND
3	M05992-V9-J58	EA DOOR - STRAIGHT CORNER/OGEE EDGE - 10" X 19.1" - W/O HDW
4	109561-04-J58	EA CABINET - OVERHEAD - FRONT/LEFT HAND - W/O DOORS/HARDWARE
4	109561-04-J59	EA CABINET - OVERHEAD - FRONT/LEFT HAND - W/O DOORS/HARDWARE
	P09561-04-G35	EA PANEL - VINYL COVERED/CABINET BOTTOM - DRIVER
5	114612-02-J58	EA FACE - OVERHEAD/TV - LEFT HAND - 15.4" X 33.7"
	106699-01-01A	EA BRACKET - OVERHEAD CABINET/TV
6	100708-12-000	EA DOOR - GLASS TV CABINET - 9.7" X 23.2" - W/O HARDWARE
7	114661-06-J58	EA PANEL - HEADLINER/OVERHEAD - LEFT HAND
7	114661-12-J58	EA PANEL - HEADLINER/OVERHEAD TV - LEFT HAND - EXPORT TV/VCR PREP
8	114661-01-J58	EA PANEL - HEADLINER/OVERHEAD - RIGHT HAND
8	114661-26-J58	EA PANEL - HEADLINER/OVERHEAD TV - RIGHT HAND - EXPORT TV/VCR PREP
9	114612-01-J58	EA FACE - OVERHEAD/TV - RIGHT HAND - 15.4" X 33.7"
	106699-01-01A	EA BRACKET - OVERHEAD CABINET/TV
10	109561-03-J58	EA CABINET - OVERHEAD - FRONT PASSENGER - W/O DOOR/HDW
10	109561-03-J59	EA CABINET - OVERHEAD - FRONT PASSENGER - W/O DOOR/HDW
	100676-02-000	EA SHELF - OVERHEAD CABINET - VCR/INVERTOR
	P09561-03-G35	EA PANEL - VINYL COVERED/CABINET BOTTOM - PASSENGER
11	103128-08-J58	EA END CAP - OVERHEAD CABINET - RIGHT HAND
12	104289-07-J58	EA PANEL - VINYL COVERED/OVERHEAD TV CABINET - RIGHT SIDE
13	103931-03-04A	EA COVER - A-PILLAR - PASS - 2.3" FACE X 48.7" - QUICK SILVER
14	128076-02-01A	EA SUNVISOR - CENTER MOUNT - WIDE - QUICK SILVER
15	078811-08-J58	EA PANEL - TRIM - HEADER/LOWER
15	078811-06-J58	EA PANEL - TRIM - HEADER/LOWER - EXPORT TV/VCR PREP
16	116791-01-J58	EA FACE FRAME - TV CABINET - 20.6" X 22.2" - W/O TV
	M05992-V5-J58	EA DOOR - STRAIGHT CORNER/OGEE EDGE - 16.7" X 18.1" - W/O HDW
	115638-01-J58	EA PANEL - HEADLINER - TOP
	115639-01-J58	EA PANEL - HEADLINER - SIDE
	114706-02-02B	EA SUPPORT - SHELF - TV
	P18192-01-G35	EA CABINET - STEEL/VINYL COVERED - W/O TV
16	122881-01-02A	EA INSERT - OVERHEAD/TV FRONT - W/TV - EXPORT TV/VCR PREP
	118022-06-H33	EA COVER - TV - OVERHEAD/FRONT - W/O HARDWARE
	114706-02-02B	EA SUPPORT - SHELF - TV
17	078579-19-000	EA TRIM - WINDSHIELD - UPPER INNER/PASSENGER
18	079765-13-000	EA TRIM - WINDSHIELD CENTER
19	040714-01-000	EA MIRROR - REAR VIEW/ARM MOUNT & SET SCREW
20	078579-20-000	EA TRIM - WINDSHIELD - UPPER INNER/DRIVER
21	103931-04-04A	EA COVER - A-PILLAR - DRIVER - 2.3" FACE X 48.7"-QUICK SILVER

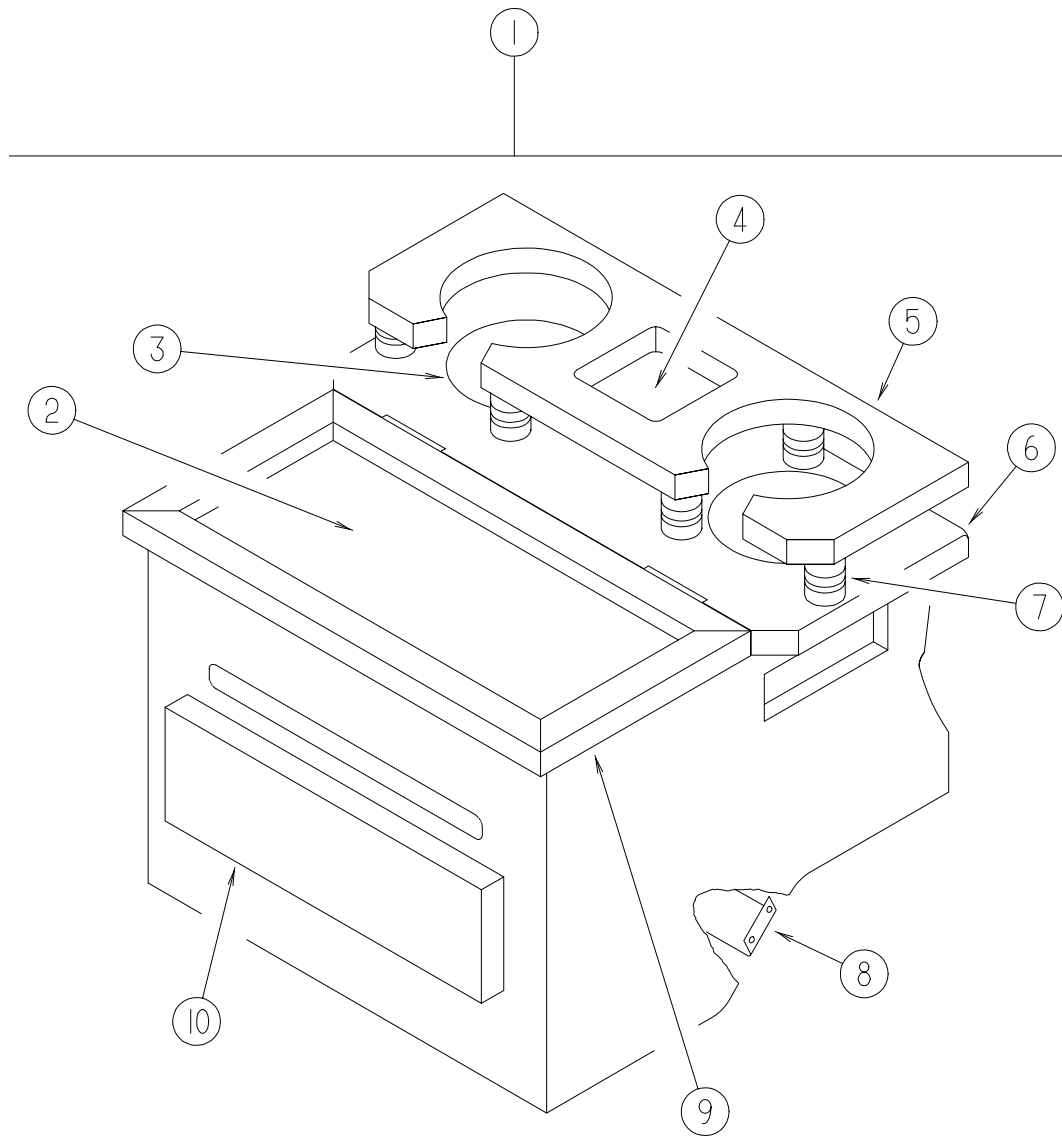
DRIVERS COMPARTMENT GROUP (CONTINUED)

DRIVERS COMPARTMENT - LOWER



KEY	PART NUMBER	U/M DESCRIPTION	VENDOR NO.
1	024700-51-000	EA COVER - ROLL BAR	
2	091990-04-01A	EA SEAT BELT/SHOULDER HARNESS - DRIVERS/PASSENGER - BLACK	
	091990-01-701	EA EXTENDER 9" FOR A8408 3 PT	I-1331-02
	109146-01-000	EA BOLT - SHOULDER/SEAT BELT	
	103961-01-01A	EA COVER - BRACKET - SEAT BELT/RIGHT HAND	
	103961-02-01A	EA COVER - BRACKET - SEAT BELT/LEFT HAND - DRIVER DOOR OPTION	
	103961-05-01A	EA COVER - BRACKET - SEAT BELT/LH - EUROPEAN - DRIVER DOOR	
3	103812-11-02A	EA TRIM - DASH/LOWER - GM	
3	114620-01-03A	EA TRIM - LOWER DASH - GM - 96" - QUICK SILVER - W/ELECTRIC MIRRORS	
4	111499-01-05A	EA POD - INSTRUMENT PANEL	
5	P03817-18-000	EA DASH - W/O VINYL - GM	
	106569-02-05A	YD VINYL - LAMINATE - 1/4" X 16" X 8'	
	077539-01-000	EA BRACKET - MOUNTING/DASH PANEL - L/SHAPED - 2.5"X1"X1.5"	
	105927-02-000	EA PANEL - DASH TOP - W/STUD - W/O VINYL	
	113452-01-000	FT SEAL/TRIM - FRONT - VINYL W/WIRE CARRIER	
6	104354-01-07A	EA APPLIQUE - LOWER DASH - GM	
7	095757-03-J58	EA COVER - HEATER (J58)	
7	095757-03-FC1	EA COVER - HEATER (J59)	
8	086120-01-J30	EA PAD - MAP POCKET - 12" X 16" (J58)	
8	086120-01-H34	EA PAD - MAP POCKET - 12" X 16" (J59)	
9	115840-02-01A	EA COVER - MOTOR - W/O CARPET	
10	103498-09-000	EA BOOT - STEERING COLUMN - W/1/2 CIRCLE	

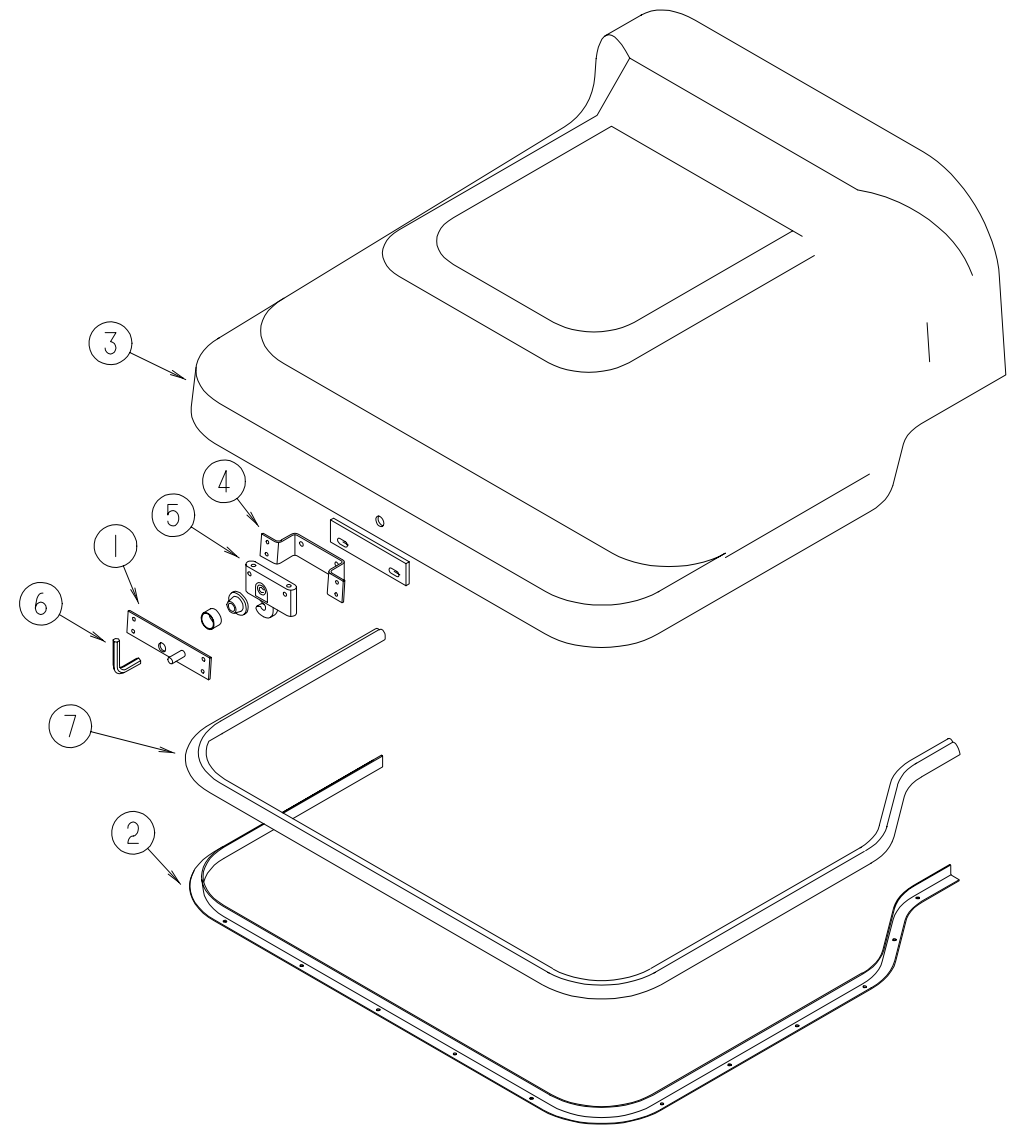
DRIVERS COMPARTMENT GROUP (CONTINUED)



BEVERAGE TRAY

KEY	PART NUMBER	U/M DESCRIPTION
1	126680-01-J58	EA TRAY - BEVERAGE - W/SHELF/CUPHOLDERS - W/O DRAWER
2	122717-06-01A	FT PAD - NON-SKID - PSA - 6.5" X 13.8"
3	122717-01-01A	EA PAD - NON SKID - 4" DIAMETER ROUND
4	122717-02-01A	EA PAD - NON SKID - 4" X 4"
5	126680-15-J58	EA SHELF/CUPHOLDER
6	126680-14-J58	EA SHELF/CUPHOLDER - W/PADS
7	097872-04-000	EA DOWEL - WOOD - 1" DIAMETER X 1.38" LONG
8	122832-01-02B	EA BRACKET - MOUNTING - BEVERAGE TRAY
9	126680-16-J58	EA LID - BEVERAGE TRAY
10	M05971-AZ-K54	EA DRAWER - OGEE EDGE - 9.9"W X 11.8"D - W/O SLIDES/HARDWARE
	100128-02-000	FT SEAL - FOAM/ADHESIVE BACK - .37" WIDE X .37" THICK

DRIVERS COMPARTMENT GROUP (CONTINUED)

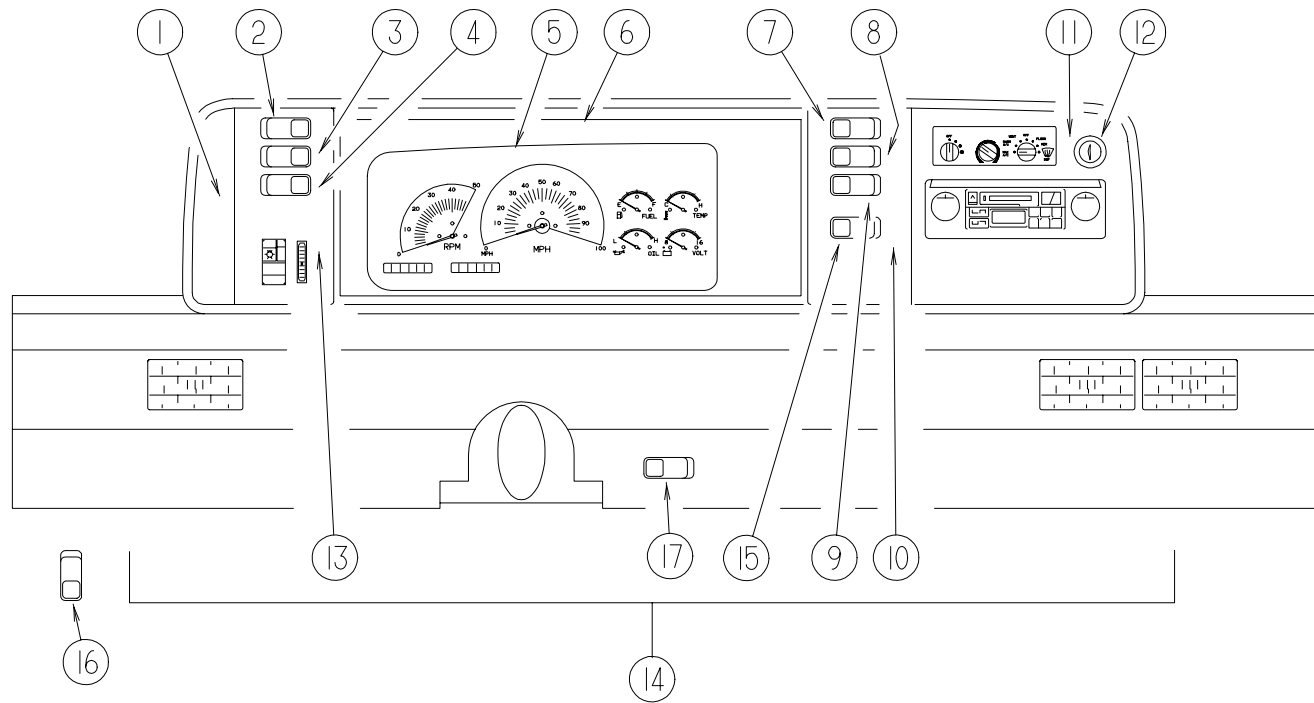


MOTOR COVER

KEY	PART NUMBER	U/M DESCRIPTION
1	115852-01-02B	EA STRIKE - LATCH - MOTOR COVER - E-COATED
2	115860-01-01A	EA TRIM - MOTOR COVER
3	115840-02-01A	EA COVER - MOTOR - W/O CARPET
4	115850-01-02B	EA RETAINER - LATCH - MOTOR COVER - RIGHT HAND - E-COATED
		FROM: 00-00-00 THRU: 05-17-98
4	115850-03-02B	EA RETAINER - LATCH - MOTOR COVER - RIGHT HAND - E-COATED
		FROM: 05-18-98 THRU: 99-99-99
5	116581-01-000	EA LATCH - MOTOR COVER
6	116833-01-02B	EA WRENCH - HEX MOTOR COVER - E-COATED
7	039623-01-000	FT SEAL - MOTOR COVER - RUBBER BULB TYPE

DRIVERS COMPARTMENT GROUP (CONTINUED)

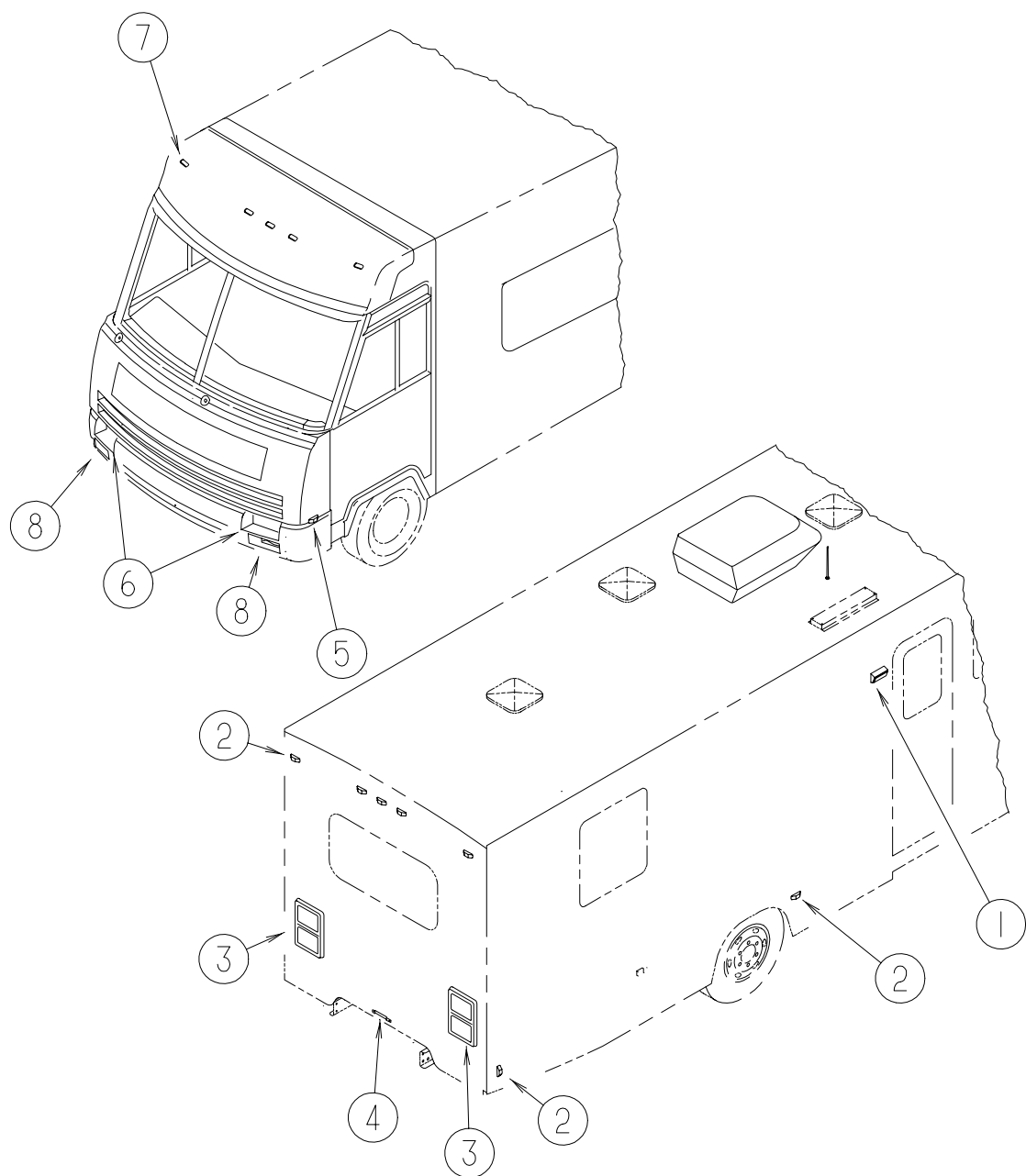
DASH, GAUGES & SWITCHES



KEY	PART NUMBER	U/M DESCRIPTION
1	104056-01-04A	EA APPLIQUE - BEZEL - DRIVER - WOODLAND
2	108357-05-000	EA SWITCH - ROCKER SPDT - ON/NONE/ON - 3 TERMINAL - W/O CD PLAYER
2	108357-08-000	EA SWITCH - ROCKER DPDT - ON/NONE/ON - 6 TERMINAL - W/CD PLAYER
2	108356-02-01A	EA COVER/ACTUATOR SWITCH - 2 ROWS DIMPLES- CONTURA II - BLACK
3	108357-09-000	EA SWITCH - ROCKER SPDT - ON/NONE/MOM - 3 TERMINAL - AUXILIARY START
3	108356-02-01A	EA COVER/ACTUATOR SWITCH - 2 ROWS DIMPLES- CONTURA II - BLACK
4	108357-06-000	EA SWITCH - ROCKER DPDT - MOM/OFF/MOM-6 TERMINAL - BATTERY DISCONNECT
4	108356-02-01A	EA COVER/ACTUATOR SWITCH - 2 ROWS DIMPLES- CONTURA II - BLACK
4	096241-03-000	EA SWITCH - BLANK - BLACK
5		EA CLUSTER - N/A ORDER FROM LOCAL GM DEALER
6	103662-06-01A	EA BEZEL - INSTRUMENT PANEL
7	108357-10-000	EA SWITCH - ROCKER SPDT - W/LIGHT - MOM/NONE/MOM - 5 TERMINAL - GEN
7	108356-04-01A	EA COVER/ACTUATOR SWITCH - 2 ROWS DIMPLES W/LENS-CONTURAI - GEN
7	096241-03-000	EA SWITCH - BLANK - BLACK - W/O GENERATOR
8	108357-03-000	EA SWITCH - ROCKER SPDT - ON/OFF/ON - 3 TERMINAL - REAR HEATER/MOTOR AID
8	108356-02-01A	EA COVER/ACTUATOR SWITCH-2 ROWS DIMPLES - REAR HEATER/MOTOR AID
8	096241-03-000	EA SWITCH - BLANK - BLACK - W/O GENERATOR - W/O REAR HEATER/MOTOR AID
9	108357-03-000	EA SWITCH - ROCKER SPDT - ON/OFF/ON - 3 TERMINAL - AUX. DEFROSTER FAN
9	108356-02-01A	EA COVER/ACTUATOR SWITCH-2 ROWS DIMPLES - AUX. DEFROSTER FAN
9	096241-03-000	EA SWITCH - BLANK - BLACK - W/O GENERATOR - W/O AUX. DEFROSTER FAN
10	104056-08-01A	EA APPLIQUE - BEZEL - PASSENGER - 6 SWITCH - BLACK VELVET
	077031-01-000	EA FILM - BLACK - 1" X 1.75"
	077031-03-000	EA FILM - WHITE - .75" X 1"
11	104056-06-04A	EA APPLIQUE - BEZEL - PASSENGER - WOODLAND
12	089294-01-000	EA LIGHTER - CIGARETTE - W/SOCKET & WIRE
13	104056-22-01A	EA APPLIQUE - BEZEL - DRIVER - BLACK
14	111499-01-05A	EA POD - INSTRUMENT PANEL
15	108357-01-000	EA SWITCH - ROCKER SPST - ON/OFF - 2 TERMINAL
15	108356-02-01A	EA COVER/ACTUATOR SWITCH - 2 ROWS DIMPLES- CONTURA II - BLACK
16	P01713-01-000	EA SWITCH - PUSH BUTTON -DRIVER DOOR
17	088246-01-000	EA SWITCH - MIRROR REMOTE - EXTERIOR - SQUARE PUSH
17	087695-02-000	EA SWITCH - HEATER - EXTERIOR MIRROR
	108355-01-000	EA HOUSING - SWITCH
	077942-01-000	EA SWITCH - DUMMY - BLACK

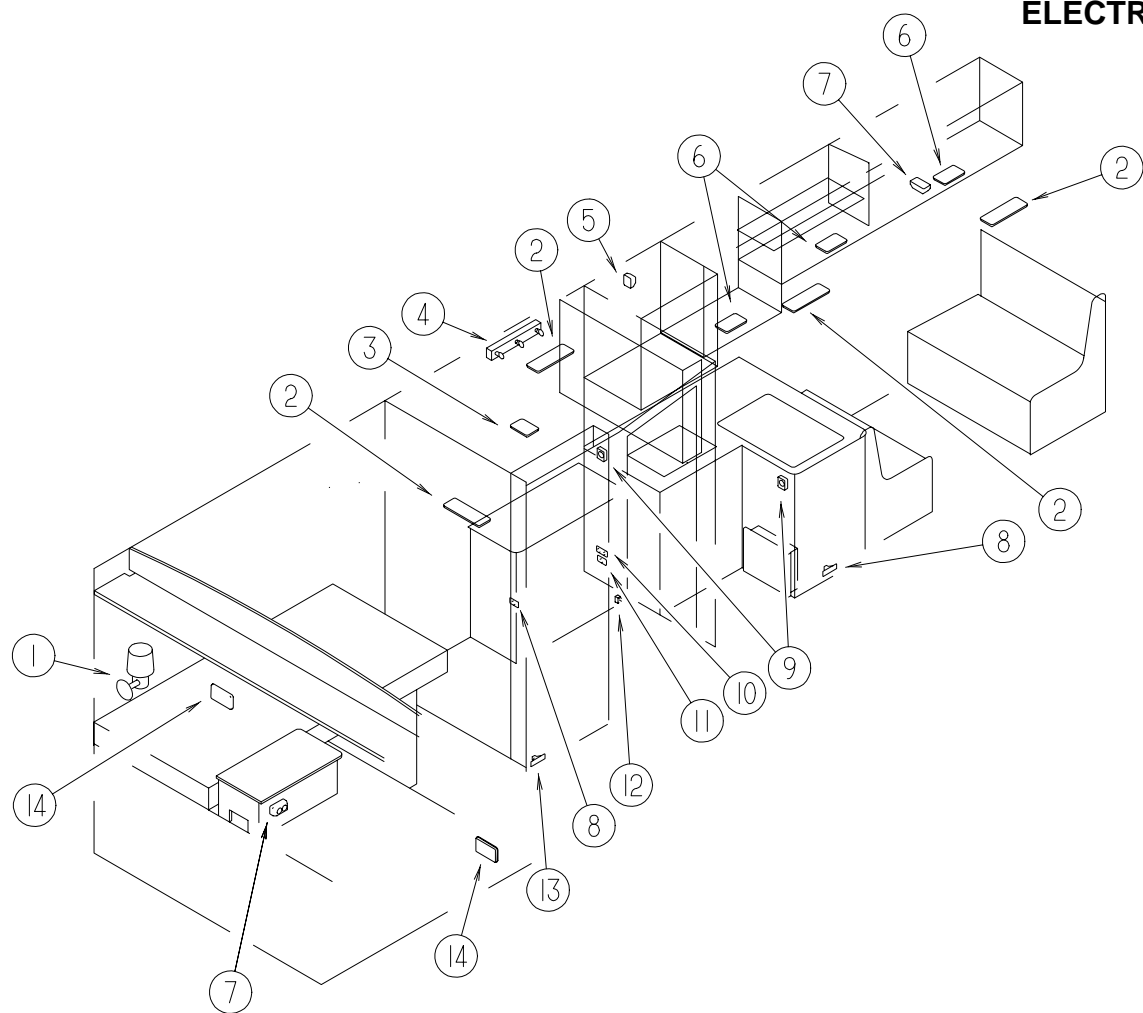
ELECTRICAL GROUP

EXTERIOR LIGHTS

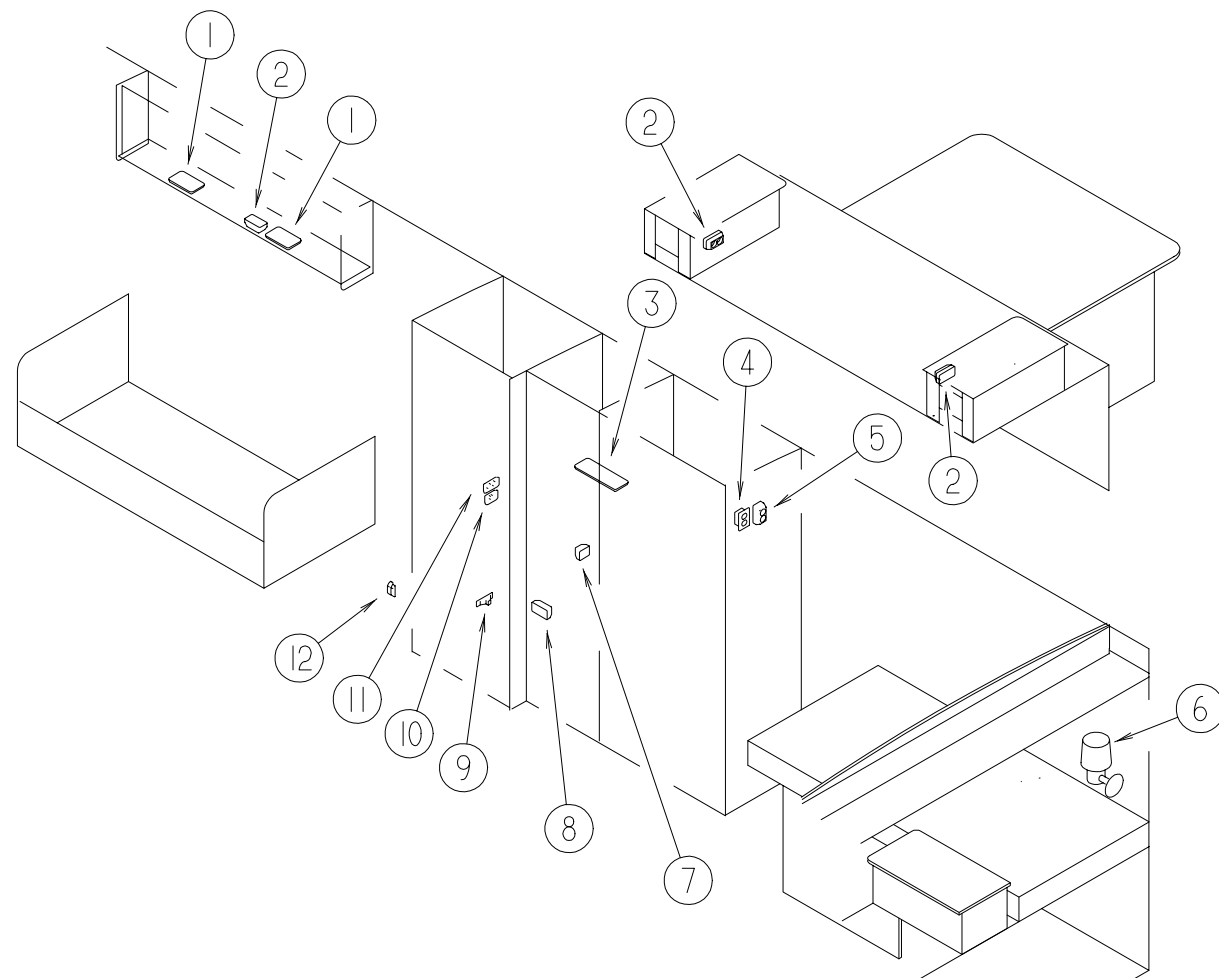


KEY	PART NUMBER	U/M DESCRIPTION	VENDOR NO.
1	097917-01-06A	EA LIGHT - PORCH - BRIGHT WHITE	
	008215-01-000	EA BULB - 12 VOLT - #1003 - .94 AMP	
	097917-01-700	EA LENS-LIGHT, CLEAR	30-78-021
2	121685-03-000	EA LAMP - SIDEMARKER - AMBER	
	121685-03-700	EA LENS	9EL 141 135-031
	124221-01-000	EA BULB - 12 VOLT/.4 AMP/5 WATT - #2825	
3	121679-01-000	EA LIGHT - STOP/TAIL/BUMPER/TURN	
	121679-01-700	EA LENS	9EL 122 689-021
	124219-01-000	EA BULB - 12 VOLT/.83 AMP/10 WATT - #5008	
	124220-01-000	EA BULB - 12 VOLT/1.75 AMP/21 WATT - #7506	
	123154-02-01A	EA TRIM - TAIL LIGHT	
	057671-15-000	EA COVER - SCREW - BRIGHT WHITE - EUROPEAN	
4	121680-01-000	EA LAMP - LICENSE PLATE	
	124218-01-000	EA BULB - 12VOLT/.4 AMP/5 WATT - #6418	
5	121684-01-000	EA LAMP - SIDEMARKER - AMBER - RIGHT HAND	
	121684-02-000	EA LAMP - SIDEMARKER - AMBER - LEFT HAND	
	124220-01-000	EA BULB - 12 VOLT/1.75 AMP/21 WATT - #7506	
6	121687-01-000	EA HEADLAMP - HIGH/LOW - EUROPEAN - W/PARK	
6	121687-02-000	EA HEADLAMP - HIGH - EUROPEAN - INNER	
	124216-01-000	EA BULB- 12 VOLT/55 WATT - #64150	
7	121685-01-000	EA LAMP - CLEARANCE - CLEAR	
	121685-01-700	EA LENS	9EL 141 135-011
	124221-01-000	EA BULB - 12 VOLT/.4 AMP/5 WATT - #2825	
8	121682-01-000	EA LAMP - TURN - FRONT	
	124220-01-000	EA BULB - 12 VOLT/1.75 AMP/21 WATT - #7506	

ELECTRICAL GROUP (CONTINUED)



LIGHTS, SWITCHES & RECEPTACLES - DRIVERS SIDE



LIGHTS, SWITCHES, & RECEPTACLES PASSENGERS SIDE

KEY	PART NUMBER	U/M	DESCRIPTION	VENDOR NO.
1	065202-24-000	EA	LAMP - WALL/BRASS - W/O SHADE	
	067479-01-000	EA	BULB - 12 VOLT - #1076 - 1.80 AMP	
1	119257-01-01A	EA	SHADE - LAMP - POTPOURRI	
2	098024-03-02A	EA	LIGHT - DOME - 2 BULB - WHITE	
	008218-01-000	EA	BULB - 12 VOLT - #1141 - 1.44AMP	
	098024-01-700	EA	LENS-LIGHT	807877
3	121935-01-01A	EA	LIGHT - DOME - SHOWER	
4	110235-01-01A	EA	LIGHT - MAKE UP - 3 BULB - 12 VOLT	
	081633-01-700	EA	BULB-LIGHT, MAKE-UP	RP1041
5	112590-01-000	EA	RECEPTACLE - 16 AMP - 240 VOLT - 2 POLE W/GROUND	
6	098024-05-02A	EA	LIGHT - DOME - 1 BULB - SKYLITE - WHITE	
	008218-01-000	EA	BULB - 12 VOLT - #1141 - 1.44AMP	
	098024-01-701	EA	LENS - OPTI CLEAR - SKYLITE	809902
7	123657-01-01A	EA	RECEPTACLE - DUPLEX - 16 AMP - EUROPEAN	
8	061424-01-000	EA	LIGHT - AISLE - 12 VOLT - RECTANGULAR	
	008103-01-000	EA	BULB - DASH/AISLE LIGHT - #53 - 12 VOLT - .12 AMP	
9	123660-01-01A	EA	RECEPTACLE - SINGLE - WC - EUROPEAN	
10	098351-03-01A	EA	PLATE - SWITCH - 3 GANG POLISHED BRASS	
	079364-01-000	EA	SWITCH - ON/OFF ROCKER - 2 TERMINAL - BROWN	
	079364-03-000	EA	SWITCH - ON/OFF ROCKER - 3 TERMINAL - BROWN	
11	098351-01-01A	EA	PLATE - SWITCH - 1 GANG POLISHED BRASS	
	079364-01-000	EA	SWITCH - ON/OFF ROCKER - 2 TERMINAL - BROWN	
12	108357-08-000	EA	SWITCH - ROCKER DPDT - ON/NONE/ON - 6 TERMINAL	
	108356-02-01A	EA	COVER/ACTUATOR SWITCH - 2 ROWS DIMPLES- CONTURA II - BLACK	
13	098351-02-01A	EA	PLATE - SWITCH - 2 GANG POLISHED BRASS	
	079364-01-000	EA	SWITCH - ON/OFF ROCKER - 2 TERMINAL - BROWN	
	079364-03-000	EA	SWITCH - ON/OFF ROCKER - 3 TERMINAL - BROWN	
14	098024-02-01A	EA	LIGHT - DOME - 1 BULB - IVORY	
	008218-01-000	EA	BULB - 12 VOLT - #1141 - 1.44AMP	
	098024-01-701	EA	LENS - OPTI CLEAR - SKYLITE	809902

KEY	PART NUMBER	U/M	DESCRIPTION	VENDOR NO.
1	098024-05-02A	EA	LIGHT - DOME - 1 BULB - SKYLITE - WHITE	
	008218-01-000	EA	BULB - 12 VOLT - #1141 - 1.44AMP	
	098024-01-701	EA	LENS - OPTI CLEAR - SKYLITE	809902
2	123657-01-01A	EA	RECEPTACLE - DUPLEX - 16 AMP - EUROPEAN	
3	098024-03-02A	EA	LIGHT - DOME - 2 BULB - WHITE	
	008218-01-000	EA	BULB - 12 VOLT - #1141 - 1.44AMP	
	098024-01-700	EA	LENS-LIGHT	807877
4	086777-06-000	EA	WALLPLATE - TV CABLE - ANTENNA BOOSTER/1 OUTPUT - BROWN	
5	123656-01-01A	EA	RECEPTACLE - DUPLEX - 16 AMP - EUROPEAN	
6	065202-24-000	EA	LAMP - WALL/BRASS - W/O SHADE	
	067479-01-000	EA	BULB - 12 VOLT - #1076 - 1.80 AMP	
6	119257-01-01A	EA	SHADE - LAMP - POTPOUM	
7	112590-01-000	EA	RECEPTACLE - 16 AMP - 240 VOLT - 2 POLE W/GROUND	
8	058708-01-000	EA	RECEPTACLE - ELECTRIC - DOUBLE - BROWN	
8	076319-09-000	EA	WALLPLATE - CABLE RECEPTACLE - TV - SINGLE - BROWN	
9	061424-01-000	EA	LIGHT - AISLE - 12 VOLT - RECTANGULAR	
	008103-01-000	EA	BULB - DASH/AISLE LIGHT - #53 - 12 VOLT - .12 AMP	
10	098351-01-01A	EA	PLATE - SWITCH - 1 GANG POLISHED BRASS	
	079364-03-000	EA	SWITCH - ON/OFF ROCKER - 3 TERMINAL - BROWN	
10	095188-02-01A	EA	SPACER - SWITCH - 2.3" X 4.1" - PLASTIC - DARK BROWN	
11	098351-05-01A	EA	PLATE - SWITCH - 3 GANG POLISHED BRASS	
	079364-01-000	EA	SWITCH - ON/OFF ROCKER - 2 TERMINAL - BROWN	
11	095188-02-01A	EA	SPACER - SWITCH - 2.3" X 4.1" - PLASTIC - DARK BROWN	
12	116995-01-000	EA	SWITCH/MAGNET - ELECTRIC STEP	

ELECTRICAL GROUP (CONTINUED)**FUSES & FUSE HOUSINGS**

KEY	PART NUMBER	U/M	DESCRIPTION
	062037-01-000	EA	HOUSING - AUTO FUSE - NATURAL
	062037-02-000	EA	HOUSING - AUTO FUSE - GREEN
	062037-03-000	EA	HOUSING - AUTO FUSE - BLACK
	062037-04-000	EA	HOUSING - AUTO FUSE - BLUE
	062037-05-000	EA	HOUSING - AUTO FUSE - GRAY
	062037-06-000	EA	HOUSING - AUTO FUSE - BROWN
	062037-07-000	EA	HOUSING - AUTO FUSE - RED
	108669-01-000	EA	HOUSING - AUTO FUSE HOLDER
	062901-02-000	EA	FUSE - 05 AMPS - AUTOMOTIVE
	062901-05-000	EA	FUSE - 15 AMPS - AUTOMOTIVE
	062901-06-000	EA	FUSE - 20 AMPS - AUTOMOTIVE
	062901-07-000	EA	FUSE - 25 AMPS - AUTOMOTIVE
	062901-08-000	EA	FUSE - 30 AMPS - AUTOMOTIVE
	106656-01-000	EA	FUSE BLOCK - 4 CAVITY - AUTOFUSE

CIRCUIT BREAKERS

KEY	PART NUMBER	U/M	DESCRIPTION
	083209-02-000	EA	CIRCUIT BREAKER - 15/15 AMP - 120 VOLT
	083209-04-000	EA	CIRCUIT BREAKER - 30 AMP - 120 VOLT
	083209-07-000	EA	CIRCUIT BREAKER - 20/20 AMP - 120 VOLT
	083209-08-000	EA	CIRCUIT BREAKER - BLANK
	093655-03-000	EA	CIRCUIT BREAKER - 40 AMP - 12 VOLT
	112591-01-000	EA	CIRCUIT BREAKER - 16 AMP - 240 VOLT
	112592-01-000	EA	CIRCUIT BREAKER - 25 AMP - 240 VOLT - GFI

TERMINALS

KEY	PART NUMBER	U/M	DESCRIPTION
	008326-01-000	EA	TERMINAL - RING - 16/14 WIRE - 3/8" STUD
	008328-01-000	EA	TERMINAL - RING - 12/10 WIRE - #10 STUD FIT
	008331-01-000	EA	TERMINAL - RING - TONGUE - #4 WIRE - 3/8" STUD - COPPER
	008348-01-000	EA	TERMINAL - RING - 3/8" STUD 2 GA. WIRE
	035416-04-000	EA	TERMINAL - RING - #10 STUD FIT - INSULATED BARREL #16/14
	047443-01-000	EA	TERMINAL - .250 RECEPTACLE FIT - INSULATED - 16/14 AWG
	047443-02-000	EA	TERMINAL - .250 RECEPTACLE FIT - INSULATED - 12/10 AWG
	062036-01-000	EA	TERMINAL - PACK - CON - 12/10 AWG
	062036-02-000	EA	TERMINAL - PACK - CON - 16/14 AWG
	088476-01-000	EA	TERMINAL - ELECTRICAL
	088267-01-000	EA	TERMINAL - FEMALE - 1/4
	098260-01-000	EA	TERMINAL - MALE - 56 SERIES
	104100-03-000	EA	TERMINAL - 75 AMP
	106007-01-000	EA	TERMINAL - FEMALE - 14-16 AWG
	106655-01-000	EA	TERMINAL - FUSE BLOCK - 14-16 AWG
	106655-02-000	EA	TERMINAL - FUSE BLOCK - 10-12 AWG
	113135-01-000	EA	TERMINAL - FEMALE - M/P - 14-16 - F/SEALED TERMINAL
	113306-01-000	EA	TERMINAL - FEMALE - M/P - 14-16 - F/NON-SEALED TERMINAL
	113307-01-000	EA	TERMINAL - FEMALE - M/P - 16-20
	125324-01-000	EA	TERMINAL - MALE - METRI-PACK - 150

ELECTRICAL GROUP (CONTINUED)**ELECTRIC BOXES & COVERS**

KEY	PART NUMBER	U/M	DESCRIPTION
	008289-01-000	EA	BOX - ELECTRIC/STEEL - 1/2" & 3/4" KNOCKOUTS - 4" X 4"
	008294-01-000	EA	COVER - ELECTRICAL BOX - BLANK/STEEL - 4" X 4" - GRAY
	069238-01-000	EA	COVER - ELECTRICAL BOX - W/HOLE - 4" X 4" - GRAY USED WITH 30 AMP RECEPTACLE
	091910-02-000	EA	BOX - ELECTRIC - 2.2" X 3.5" X 1.8" - PLASTIC
	093257-02-000	EA	BOX - ELECTRIC - CIRCUIT BREAKER
	111509-01-000	EA	BOX - ELECTRICAL - E-COATED
	111510-01-000	EA	DOOR/ACCESS PANEL - ELECTRICAL BOX
	123659-01-000	EA	BOX - ELECTRIC - RECEPTACLE - EUROPEAN

CONDUIT

KEY	PART NUMBER	U/M	DESCRIPTION
	041953-01-000	FT	CONDUIT - CONVOLUTE SLIT - .5" ID - POLYETHELENE
	041953-03-000	FT	CONDUIT - CONVOLUTE SLIT - 1" ID (CLOTHES ROD COVER)
	041953-05-000	FT	CONDUIT - CONVOLUTE SOLID - .62" ID - POLYETHELENE
	041953-06-000	FT	CONDUIT - CONVOLUTE SLIT - .375" ID - POLYETHELENE
	041953-07-000	FT	CONDUIT - CONVOLUTE SLIT - .25" ID - POLYETHELENE
	041953-08-000	FT	CONDUIT - CONVOLUTE SLIT - 1.50" ID - POLYETHELENE
	041953-09-000	FT	CONDUIT - CONVOLUTE SLIT - .50" ID - NYLON
	041953-10-000	FT	CONDUIT - CONVOLUTE SLIT - .75" ID - NYLON
	041953-11-000	FT	CONDUIT - CONVOLUTE SLIT - 1.06" ID - NYLON

POWER CORDS

KEY	PART NUMBER	U/M	DESCRIPTION
	008054-01-000	EA	CORD - POWER - 10/3 WIRE - 30 AMP - 25'

ELECTRICAL GROUP (CONTINUED)**HOUSINGS, PINS & SOCKETS**

KEY	PART NUMBER	U/M	DESCRIPTION
	088473-01-000	EA	HOUSING - PIN - 12 CAVITY (3 ROWS OF 4)
	088473-02-000	EA	HOUSING - PIN - 15 CAVITY (3 ROWS OF 5)
	088473-03-000	EA	HOUSING - PIN - 9 CAVITY (3 ROWS OF 3)
	088473-05-000	EA	HOUSING - PIN - 6 CAVITY IN-LINE
	088473-06-000	EA	HOUSING - PIN - 6 CAVITY (2 ROWS OF 3)
	088473-08-000	EA	HOUSING - PIN - 4 CAVITY - IN-LINE
	088473-09-000	EA	HOUSING - PIN - 3 CAVITY IN-LINE
	088473-10-000	EA	HOUSING - PIN - 2 CAVITY - IN LINE
	088474-01-000	EA	HOUSING - SOCKET - 12 CAVITY
	088474-02-000	EA	HOUSING - SOCKET - 15 CAVITY
	088474-03-000	EA	HOUSING - SOCKET - 9 CAVITY
	088474-06-000	EA	HOUSING - SOCKET - 6 CAVITY
	088474-07-000	EA	HOUSING - SOCKET - 5 CAVITY
	088474-08-000	EA	HOUSING - SOCKET - 4 CAVITY
	088474-09-000	EA	HOUSING - ELECTRICAL - 3 TERMINAL
	088474-10-000	EA	HOUSING - SOCKET - 2 CAVITY
	088475-01-000	EA	PIN - CONNECTOR - 14-20 AWG
	088475-02-000	EA	PIN - CONNECTOR - 10 - 12 AWG
	088476-02-000	EA	SOCKET - CONNECTOR - 12-10 GA - PRE-TIN
	098261-02-000	EA	SOCKET - CONNECTOR - WEATHERPACK
	098265-02-000	EA	PIN - CONNECTOR - WEATHERPACK
	101571-01-000	EA	HOUSING - 2 POSITION - MALE
	101751-01-000	EA	HOUSING - 1 PIN - WEATHER PACK
	101751-02-000	EA	HOUSING - 1 PIN - WEATHERPACK
	104100-01-000	EA	HOUSING - 1 POSITION - 75 AMPS
	106006-01-000	EA	HOUSING - 1 POSITION - FEMALE
	110178-01-000	EA	HOUSING - WIPER MOTOR
	113468-01-000	EA	HOUSING - 2 POSITION - FEMALE
	115556-01-000	EA	HOUSING - 3 POSITION - FEMALE
	119248-02-000	EA	HOUSING - 7 POSITION - FEMALE
	125323-02-000	EA	HOUSING - 8 POSITION - MALE

CONNECTORS

KEY	PART NUMBER	U/M	DESCRIPTION
	008311-01-000	EA	CONNECTOR - WIRE NUT - INSULATED - RED
	008312-01-000	EA	CONNECTOR - WIRE NUT - INSULATED - BLUE
	008313-01-000	EA	CONNECTOR - WIRE NUT - INSULATED - YELLOW
	008314-01-000	EA	CONNECTOR - WIRE NUT - INSULATED - GRAY
	008355-01-000	EA	CONNECTOR - CABLE CLAMPING - 3/4"
	008356-01-000	EA	CONNECTOR - PLASTIC - 3/8" AVG
	008356-02-000	EA	CONNECTOR - PLASTIC - 21/32
	041480-01-000	EA	CONNECTOR - STRAIGHT - 1/2" FLEX CONDUIT
	058028-01-000	EA	CONNECTOR - ELECTRICAL PIGTAIL - NYLON - CLEAR
	080015-02-000	EA	RECEPTACLE - FLAG - .185 - 16/14 GAUGE
	080015-03-000	EA	RECEPTACLE - FLAG - .250 - 14/16 GAUGE
	088475-01-000	EA	PIN - CONNECTOR - 14-20 AWG
	088475-02-000	EA	PIN - CONNECTOR - 10 - 12 AWG
	088476-02-000	EA	SOCKET - CONNECTOR - 12-10 GA - PRE-TIN
	098261-02-000	EA	SOCKET - CONNECTOR - WEATHERPACK
	098262-01-000	EA	SEAL - CONNECTOR - WEATHERPACK
	098265-02-000	EA	PIN - CONNECTOR - WEATHERPACK
	103608-01-000	EA	SOCKET - WEDGE BASE W/LEADS
	007954-01-000	EA	RECEPTACLE - HOUSING - 6 POSITION

ELECTRICAL GROUP (CONTINUED)**WIRE ASSEMBLIES**

KEY	PART NUMBER	U/M	DESCRIPTION
	P27264-02-000	EA	WIRE ASSEMBLY - RADIO AM/FM CASSETTE
	P27516-02-000	EA	WIRE ASSEMBLY - RADIO AM/FM/CD
	073328-B4-000	EA	CABLE ASSEMBLY - BATTERY - W/TERMINALS
	081059-02-000	EA	WIRE ASSEMBLY - 9PIN - F/RADIO
	090986-01-000	EA	WIRE ASSEMBLY - ELECTRIC STEP
	096449-01-000	EA	WIRE ASSEMBLY - WATER TANK TO MONITOR PANEL
	096717-03-000	EA	WIRE ASSEMBLY - REAR MONITOR - AFTER MARKET INSTALLATION
	097618-01-000	EA	WIRE ASSEMBLY - MONITOR PANEL- W/3 WIRES & ORANGE RESISTOR ORANGE RESISTOR W/3 (ORANGE-GREEN-BLUE) WIRES
	100677-01-000	EA	WIRE ASSEMBLY - RADIO
	102636-02-000	EA	WIRE ASSEMBLY - CLEARANCE LAMPS
	108303-01-000	EA	WIRE ASSEMBLY - REAR AUTO HEATER
	110256-01-000	EA	WIRE ASSEMBLY - INSTRUMENT PANEL - GENERATOR
	112593-01-000	FT	CABLE - 3 WIRE - 16A - FLEX RUBBER - EUROPEAN
	112593-02-000	FT	CABLE - 3 WIRE - 25A - FLEX RUBBER - EUROPEAN
	113134-03-000	EA	WIRE ASSEMBLY - WIPER/WASHER
	124096-01-000	EA	WIRE - INSTRUMENT PANEL - FOG LAMPS
	126392-01-000	EA	WIRE ASSEMBLY - REMOTE MIRRORS

CONVERTER & INVERTER

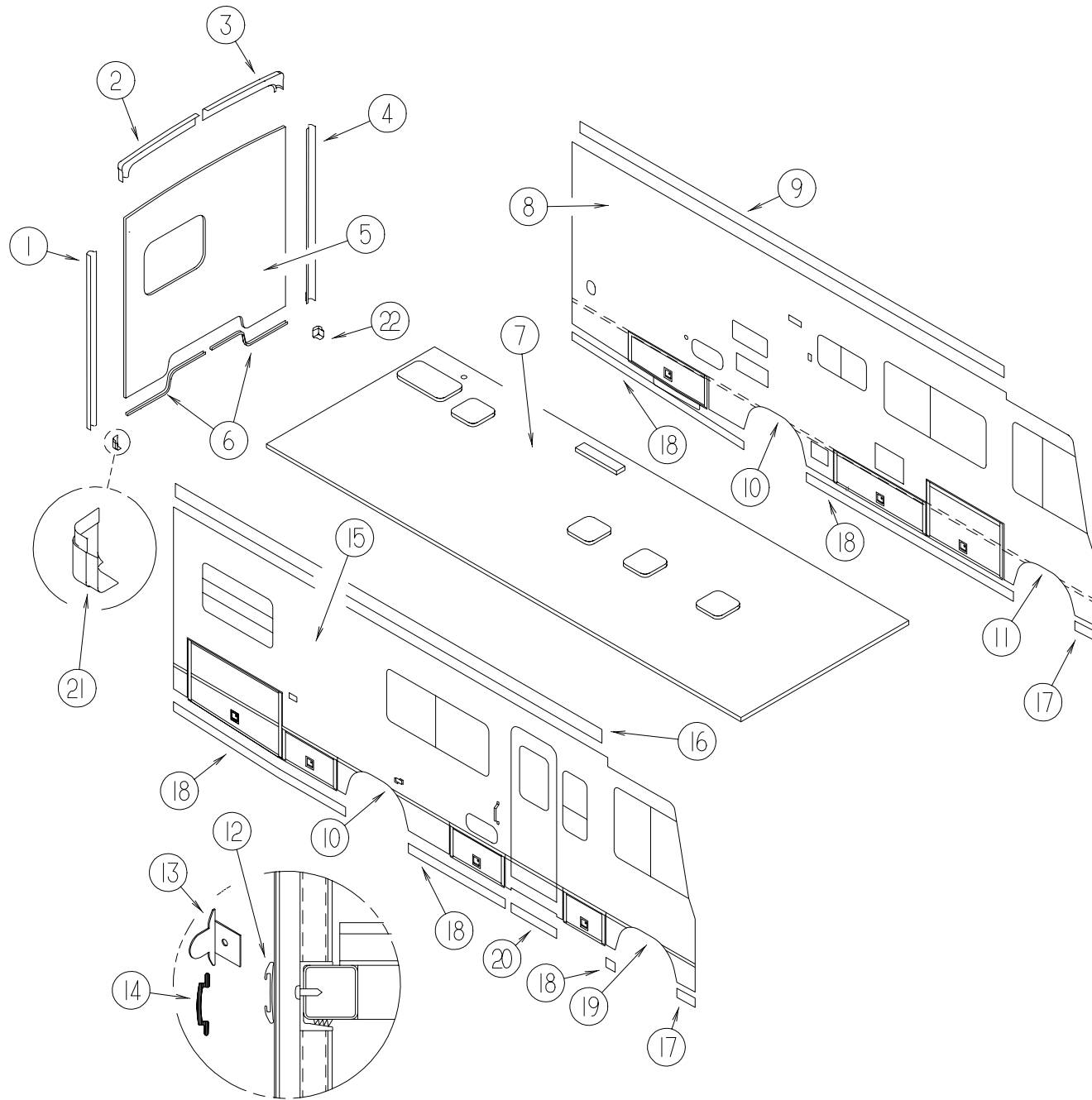
KEY	PART NUMBER	U/M	DESCRIPTION
	083208-02-000	EA	CONTROL CENTER - 45 AMP - 120/12V
	113493-01-000	EA	LOAD CENTER - 12 MDL - FLUSH MOUNT
	114511-01-000	EA	CONVERTER - 40 AMP - W/CHARGER
	125570-01-000	EA	TRANSFORMER - 220 TO 110 VAC

MISCELLANEOUS ELECTRICAL COMPONENTS

KEY	PART NUMBER	U/M	DESCRIPTION
	007956-05-000	EA	INSULATOR - SHRINK - .25 ID X 1.50
	077479-01-000	EA	BOOT - BATTERY TERMINAL - DOUBLE CABLE
	077479-02-000	EA	BOOT - BATTERY TERMINAL - SINGLE CABLE
	087225-02-000	FT	SLEEVING - 5/8" - TYPE H
	087949-01-000	EA	BUSS BAR - 2 POSITION - .6" X 1.5"
	087949-02-000	EA	BUSS BAR - 3 POSITION - .6" X 2.4"
	103987-02-000	EA	SEAL - SOLENOID ACCESS
	112594-01-000	EA	INLET - 16 AMP 240 VOLT - 2 POLE W/GROUND - EUROPEAN
	112823-01-000	EA	SPLICE - REDUCER - 16-14 TO 18-22
	125325-01-000	EA	SEAL - CAVITY
	007093-01-000	EA	SIGNAL FLASHER
	008188-01-000	EA	SOLENOID - 3 POST - BATTERY CHANGE OVER
	063910-01-000	EA	HOUSING - RELAY
	063912-02-000	EA	RELAY - CANISTER - SPDT
	083172-02-000	EA	PANEL-DI-ELECTRIC 110 28X36 - COATED BOTH SIDES
	086233-01-000	EA	STUD - ISOLATED - 3/8" X 7/8" LONG
	086273-01-000	EA	RELAY - BATTERY DISCONNECT
	113494-01-000	EA	CONTACTOR - 25 AMP - 230 VOLT - 50 HZ

EXTERIOR BODY GROUP

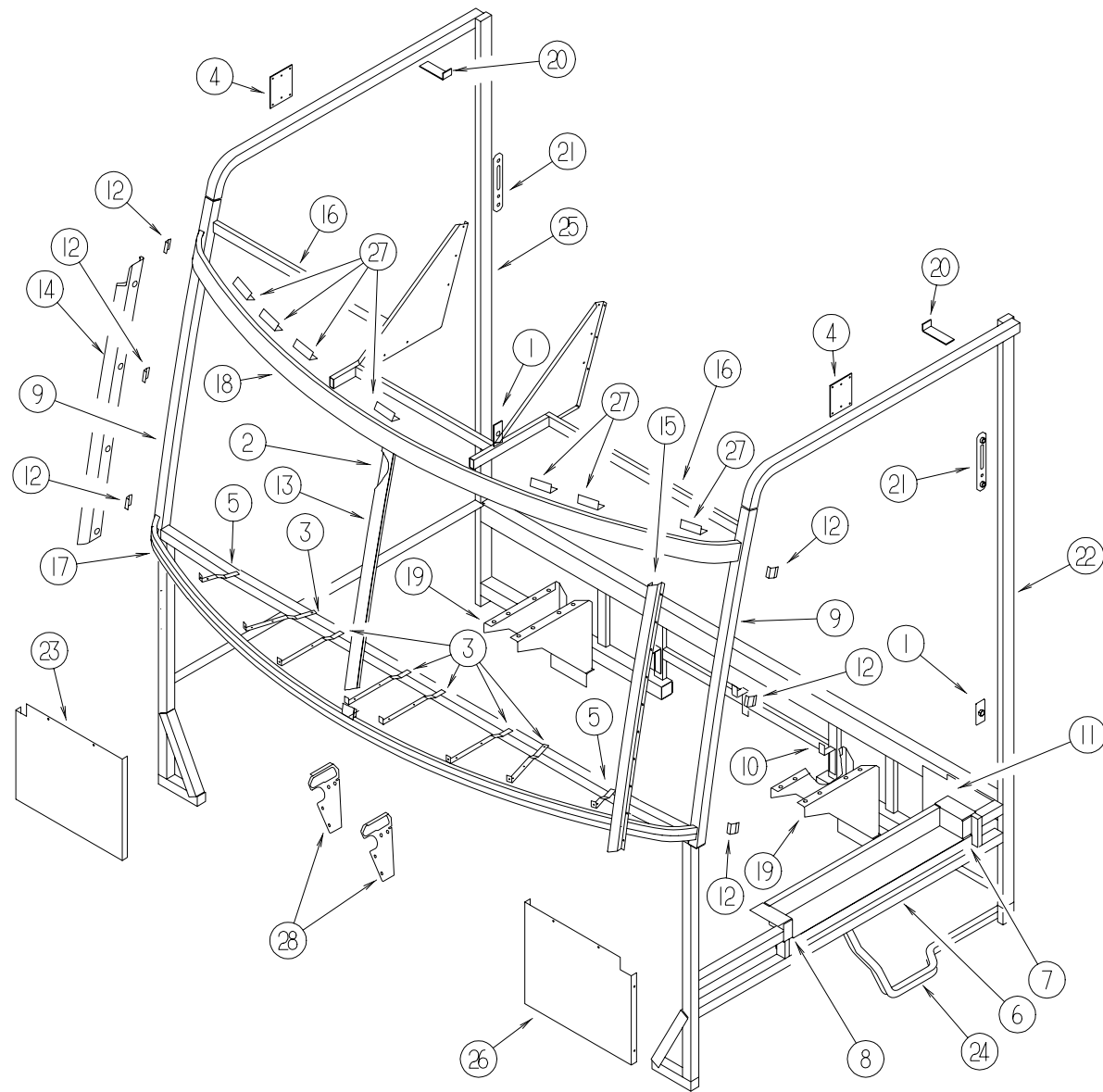
EXTERIOR BODY PANELS AND TRIM



KEY	PART NUMBER	U/M	DESCRIPTION
1	114874-03-12B	EA	TRIM - BACKWALL - SIDE - PASSENGER SIDE - BRT/WHITE
	104033-09-02A	EA	J-TRIM - BACKWALL - PASSENGER - 98.3" - BRIGHT WHITE
2	114872-03-03A	EA	TRIM - BACKWALL - TOP/PASSENGER
3	114873-03-03A	EA	TRIM - BACKWALL - TOP/DRIVER - BRIGHT WHITE
4	114874-04-12B	EA	TRIM - BACKWALL - SIDE - DRIVER SIDE - BRT/WHITE
	116800-55-005	EA	EXTRUDED CHANNEL - 192" - BRIGHT WHITE
5	127456-01-J58	EA	BACKWALL - W/O WINDOW/TRIM
6	050406-29-000	EA	TRIM - LOWER BACKWALL
7	122114-01-H33	EA	ROOF - W/O LIGHTS/VENTS - W/WIRING
8	127930-01-J58	EA	SIDEWALL - DRIVER - W/O WINDOWS/TRIMS
8	127930-01-J59	EA	SIDEWALL - DRIVER - W/O WINDOWS/TRIMS
9	120091-02-02A	EA	TRIM - ROOF
10	122276-01-01A	EA	PANEL - WHEEL LIP - REAR
10	108070-01-04A	EA	TRIM - REAR WHEELWELL - DRIVER/PASSENGER
11	122275-03-01A	EA	PANEL - WHEEL LIP - FRONT/DRIVER
11	108069-07-01A	EA	TRIM - WHEELWELL/FRONT - DRIVER/PASSENGER - BRIGHT WHITE
12	108688-01-03A	EA	STRIP - FEATURE - 15'
13	108651-01-01A	EA	END CAP - FEATURE STRIP
14	105312-01-07A	FT	INSERT - VINYL FEATURE STRIP - BRIGHT WHITE
15	127929-01-J58	EA	SIDEWALL - PASSENGER - W/O WINDOWS/TRIMS
15	127929-01-J59	EA	SIDEWALL - PASSENGER - W/O WINDOWS/TRIMS
16	120092-01-02A	EA	RAIL - AWNING - BRIGHT WHITE
17	108109-13-01A	EA	TRIM - SIDEWALL - LOWER/FRONT - BRIGHT WHITE
18	122230-10-01A	EA	TRIM - ROCKER PANEL - 171" - BRIGHT WHITE
19	122275-01-01A	EA	PANEL - WHEEL LIP - FRONT/PASSENGER
19	108069-07-01A	EA	TRIM - WHEELWELL/FRONT - DRIVER/PASSENGER - BRIGHT WHITE
20	122562-01-H33	EA	TRIM - SIDEWALL
	108039-07-01A	EA	TRIM - SIDEWALL - 28.6" - MILL
21	119212-01-01A	EA	TRIM - BACKWALL - LOWER PASSENGER
22	119212-02-01A	EA	TRIM - BACKWALL - LOWER DRIVER

EXTERIOR BODY GROUP (CONTINUED)

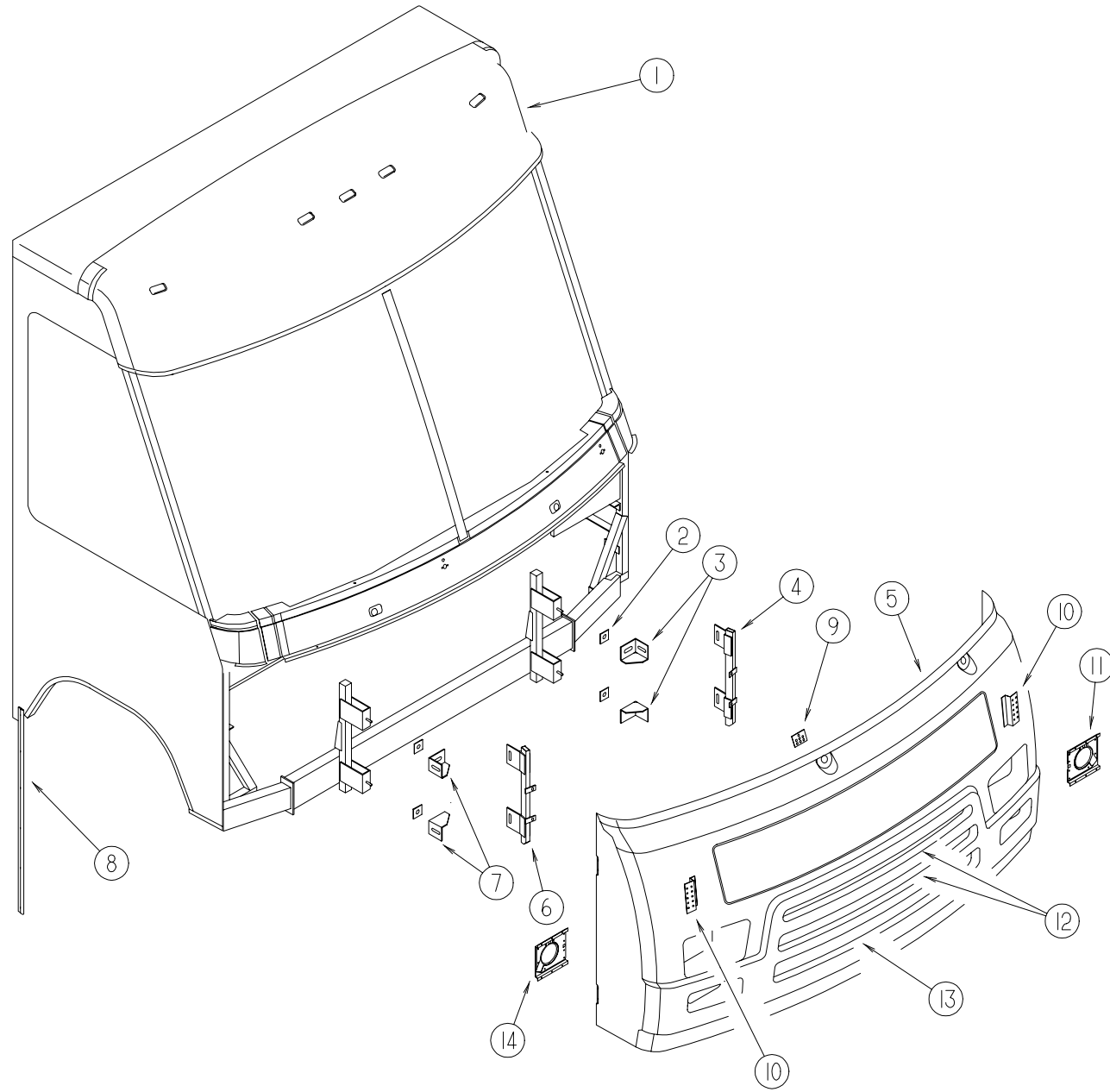
FRONT END ASSEMBLY



KEY	PART NUMBER	U/M	DESCRIPTION
1	070579-06-000	EA	PLATE - ANCHOR - W/7/16" WELD NUT - 1.5" X 3.3"
1	070579-07-000	EA	PLATE - ANCHOR - W/O WELD NUT - 1.5" X 3.3"
2	075710-01-000	EA	FRAME - WINDSHIELD - CENTER DIVIDER - INNER
3	104797-01-000	EA	BRACKET-DEFROSTER,6.5
4	033386-51-047	EA	STEEL - ANGLE - .125" X .75" X 2"
5	104797-02-000	EA	BRACKET-DEFROSTER,3.5
6	106746-01-000	EA	PANEL - STEPWELL
7	106747-01-000	EA	PANEL - STEPWELL - RIGHT HAND END
8	106747-02-000	EA	PANEL - STEPWELL - LEFT HAND END
9	102901-02-000	EA	TUBE-FRAME,SIDE
10	117287-01-01B	EA	BRACKET - MOUNT - CABLE
11	118592-01-01B	EA	SHIELD - SPLASH - RIGHT HAND
12	120363-01-01B	EA	BRACKET - WINDSHIELD
13	105204-01-000	EA	SUPPORT-WINDSHIELD,CENTER
14	121269-11-01B	EA	FRAME-WINDSHIELD,A PILLAR,ML
15	121269-12-01B	EA	FRAME-WINDSHIELD,A PILLAR,ML
16	105534-02-000	EA	HEADER-W/S,CENTER
17	102928-01-000	EA	SUPPORT-WINDSHIELD LOWER
18	110924-02-000	EA	PANEL-HEADER,SUPPORT
19	122086-01-01B	EA	BRACKET - SEAT - RH
19	122086-02-01B	EA	BRACKET - SEAT - LH
	069640-14-000	FT	SEALER - TAPE - .06"THICK X 1"WIDE X 100' - GRAY
20	101496-01-000	EA	BRACKET - PANEL - END CAP
21	103318-01-000	EA	MOUNT ASM-SEATBELT,WALL
22	117976-01-01B	EA	TUBE-B PILLAR,MILL
23	121962-04-02B	EA	SHIELD ASM-SPLASH,HDLGT,E-CT
24	063977-11-000	EA	STEP - DRIVER DOOR
25	117976-02-01B	EA	TUBE-B PILLAR,MILL
26	104148-02-000	EA	SHIELD-SPLASH,HEADLIGHT,LH
27	077001-01-000	EA	ANGLE - MOUNTING - ROOF PANEL - 3" X 2.4" X 1.5"
28	103136-03-000	EA	BRACKET - SUPPORT - UPPER/HINGE/RIGHT
28	103136-04-000	EA	BRACKET - SUPPORT - UPPER/HINGE/LEFT

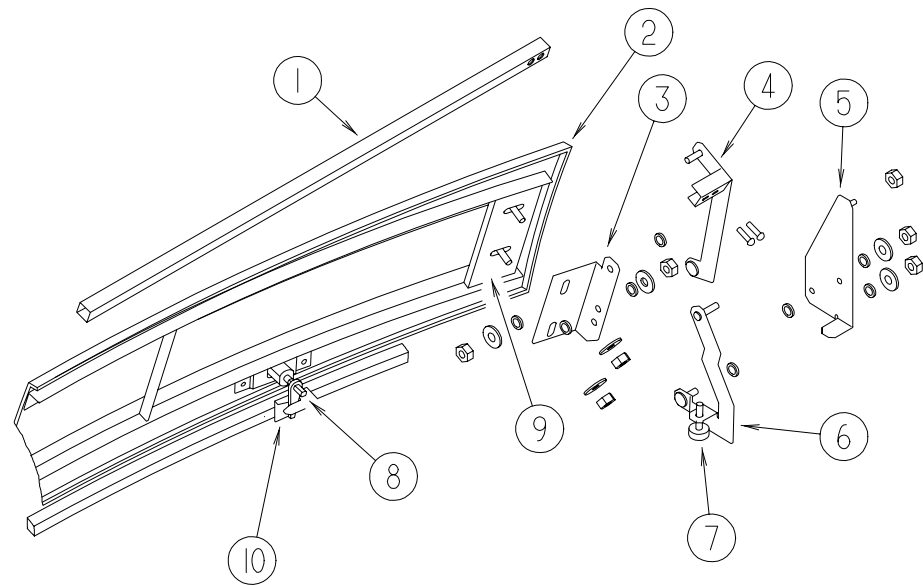
EXTERIOR BODY GROUP (CONTINUED)

FRONT END COMPONENTS



KEY	PART NUMBER	U/M DESCRIPTION
1	115042-01-02A	EA PANEL - ROOF CAP - W/O LIGHTS/WIRING - EUROPEAN
2	116617-02-02B	EA SPACER - BUMPER
3	117611-04-02B	EA BRACKET - BUMPER - LEFT HAND UPPER/RIGHT HAND LOWER
4	118997-07-H33	EA SUPPORT - GRILLE - FRONT
5	121539-01-01A	EA PANEL - FRONT/LOWER - W/O GRILLES/HOOD
6	118997-06-H33	EA SUPPORT - GRILLE - FRONT
7	117611-03-02B	EA BRACKET - BUMPER - RIGHT HAND UPPER/LEFT HAND LOWER
8	123680-05-01A	EA TRIM - FIBERGLASS PANEL - BRIGHT WHITE
9	119445-01-02B	EA PLATE - W/HOLES
10	113495-04-02B	EA SUPPORT - HINGE
11	115951-02-02B	EA PLATE - HEADLAMP - DUAL/LEFT HAND
12	121554-01-H33	EA GRILLE - UPPER - NEW DESIGN
13	121555-01-H33	EA GRILLE - LOWER - NEW DESIGN
14	115951-01-02B	EA PLATE - HEADLAMP - DUAL/RIGHT HAND

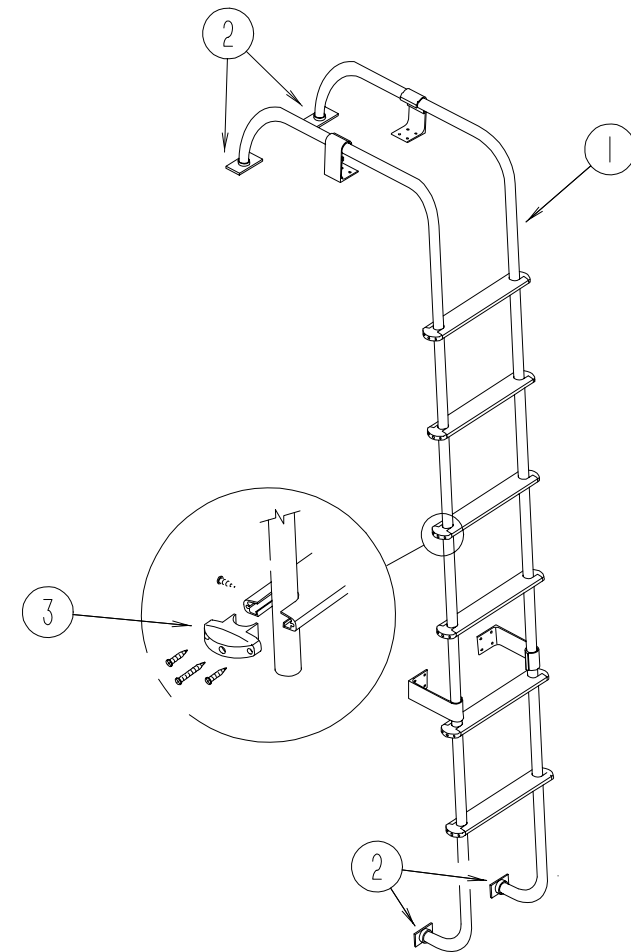
EXTERIOR BODY GROUP (CONTINUED)



HOOD & COMPONENTS

KEY	PART NUMBER	U/M	DESCRIPTION
1	105096-10-000	EA	TUBE - HOOD HINGE TIMING W/WELDNUTS
2	115976-04-H01	EA	PANEL - HOOD
3	109927-03-000	EA	ANGLE - LINK - HOOD/RIGHT HAND
3	109927-04-000	EA	ANGLE - LINK - HOOD/LEFT HAND
4	109929-07-000	EA	LINK - HINGE/HOOD - UPPER/RIGHT HAND
4	109929-08-000	EA	LINK - HINGE/HOOD - UPPER/LEFT HAND
5	109926-23-000	EA	BRACKET - LINK - HINGE/RIGHT HAND
5	109926-24-000	EA	BRACKET - LINK - HINGE/LEFT HAND
6	109930-15-000	EA	LINK - HINGE/HOOD - LOWER/RIGHT HAND
6	109930-16-000	EA	LINK - HINGE/HOOD - LOWER/LEFT HAND
7	058786-01-000	EA	BOLT - ADJUSTING HOOD - W/BLACK PAD
8	102330-02-000	EA	LATCH - VISE ACTION/KEY OPERATED
	102328-01-000	EA	KEY - BARREL - NICKEL PLATED
9	106730-10-000	EA	PLATE - STUD - F/HOOD
10	106748-06-000	EA	LATCH - HOOD - FRONT END

EXTERIOR BODY GROUP (CONTINUED)



LADDER

KEY	PART NUMBER	U/M	DESCRIPTION
1	102953-18-H13	EA	LADDER
			FROM: 00-00-00 THRU: 05-24-98
1	129639-03-01A	EA	LADDER - BRUSHED ALUMINUM
			FROM: 05-25-98 THRU: 99-99-99
2	067165-01-000	EA	BRACKET - MOUNTING - RACK & LADDER
3	076980-02-000	EA	END CAP - STEP - BLACK
	038327-01-000	EA	TAPE - ANTI SLIP - 2" X 60'

AWNING & HARDWARE

KEY	PART NUMBER	U/M	DESCRIPTION
	113874-06-01A	EA	AWNING - W/O HDW 16' (POLAR BLUE LAVENDER) VINYL
*	113874-01-02A	EA	HARDWARE KIT - AWNING - W/O STANDOFF BRACKET-BRIGHT WHITE
	111037-01-01A	EA	SPACER - AWNING - UPPER - BLACK
	111038-01-01A	EA	SPACER - AWNING - LOWER
	113874-10-01A	EA	SPACER - AWNING - LOWER BRACKET
	130320-01-02A	EA	BRACKET - AWNING - F/A&E INSTALLATION - BRIGHT WHITE

***COMPONENT PARTS FOUND IN SERVICE PARTS LIBRARY**

EXTERIOR BODY GROUP (CONTINUED)

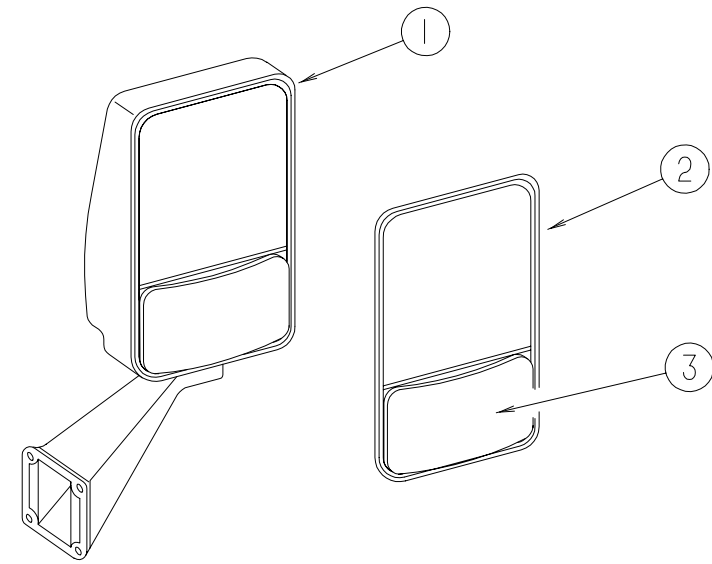
FIBERGLASS, PLYWOOD, STYROFOAM & INSULATION

KEY	PART NUMBER	U/M	DESCRIPTION
	076054-U8-000	EA	FIBERGLASS SHEET - 100" X 105" - BRIGHT WHITE
	076054-T2-000	EA	FIBERGLASS SHEET - 106.8" X 343.5" - BRIGHT WHITE
	076054-U4-000	EA	FIBERGLASS SHEET - 101" X 104" - BRIGHT WHITE
	077517-62-000	EA	FIBERGLASS - SHEET/SIDEWALL - 48" X 96" - BRIGHT WHITE
	076054-G8-700	EA	FIBERGLASS-SH O/W 52" X 96"
	108535-04-705	EA	FIBERGLASS SHEET - 6" X 34' BRIGHT WHITE
	108535-05-702	EA	FIBERGLASS SHEET - FLAT - 110" X 396" BRIGHT WHITE - ROOF
	089297-01-000	SF	PLYWOOD - LUAN - OVERLAY GRADE - 48" X 96"
	089297-02-000	SF	PLYWOOD - LUAN - OVERLAY GRADE - 48" X 108"
	000870-08-000	SF	STYROFOAM - 3/4" X 48" X 96" PLANED EXPANDED BEAD BOARD
	100619-01-000	BF	FOAM - EXPANDED POLYSTYRENE - 1.34" X 48" X 96"
	100619-04-000	BF	FOAM - EXPANDED POLYSTYRENE - .5" X 48" X 96"
	100619-05-000	BF	FOAM - EXPANDED POLYSTYRENE - .75" X 48" X 96"-1.5 DENSITY
	100619-11-000	BF	FOAM - EXPANDED POLYSTYRENE - 2" X 48" X 96"
	100619-16-000	BF	FOAM - EXPANDED POLYSTYRENE - .75" X 48" X 96"-2.0 DENSITY
	120107-01-000	EA	FOAM - COVE - ROOF - 2.8" X 96" LONG
	120107-02-000	EA	FOAM - PLUG - ROOF TUBE - 2.2" X 2.9" X 1.8" LONG
	120107-03-000	EA	FOAM - PLUG - SIDEWALL TUBE - 1.2" X 2.1" X 1.8" LONG
	125838-01-001	EA	ACRYLIC SHEET - .125" X 1.49" X 2"
	002726-01-001	EA	GARNISH - U-CHANNEL - 1.38" X 19' - SERRATED
	068716-01-001	EA	BRACE - 90 DEGREE L-ANGLE - 16'

HELLA HEATED EXTERIOR MIRRORS

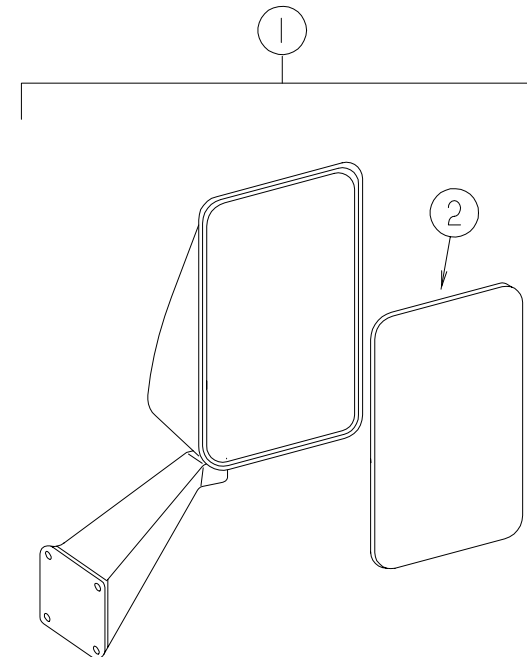
KEY	PART NUMBER	U/M	DESCRIPTION
	129607-02-01A	EA	MIRROR - DRIVER - 12 VOLT/HEATED - BLACK
	129607-01-01A	EA	MIRROR - PASSENGER - 12 VOLT HEATED - BLACK
	129607-03-01A	EA	BRACKET - MOUNTING/MIRROR
	129607-04-01A	EA	WIRE - MONITOR
	106477-05-000	EA	SCREW - 14-10 X 2.25 PFH

EXTERIOR BODY GROUP (CONTINUED)



VELVAC HEATED EXTERIOR MIRRORS

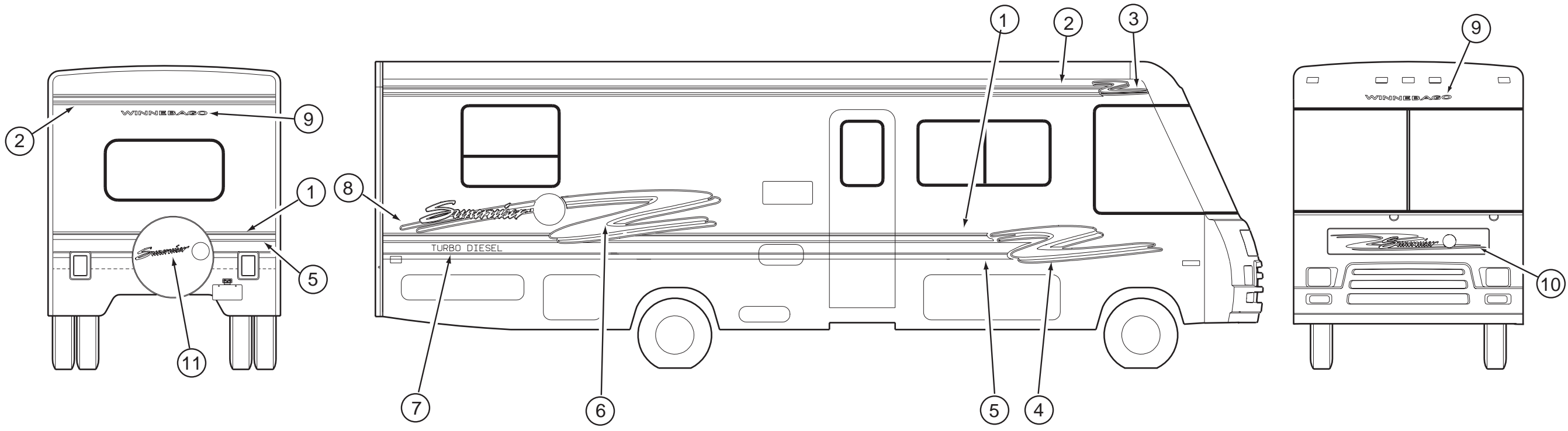
KEY	PART NUMBER	U/M	DESCRIPTION	VENDOR NO.
1	106015-13-01A	EA	MIRROR - EXTERIOR REMOTE/HEAT - DRIVER	
1	106015-12-01A	EA	MIRROR - EXTERIOR REMOTE/HEAT - PASSENGER	
2	106015-12-700	EA	MIRROR-FLAT - W/W/O HEAT	709448
3	106015-12-701	EA	MIRROR-CONVEX - W/W/O HEAT	709449
	106015-12-702	EA	SCREW CAP - (BAG OF 4)	748329
	087695-02-000	EA	SWITCH - HEATER - EXTERIOR MIRROR	
	088246-01-000	EA	SWITCH - REMOTE - EXTERIOR - SQUARE PUSH	
	087695-03-000	EA	CONNECTOR - ASSEMBLY	



VELVAC EXTERIOR MIRRORS

KEY	PART NUMBER	U/M	DESCRIPTION	VENDOR NO.
1	123297-01-01A	EA	MIRROR - EXTERIOR - ADJUSTABLE GLASS - DRIVER	
1	123297-02-01A	EA	MIRROR - EXTERIOR - ADJUSTABLE GLASS - PASSENGER	
2	106860-02-702	EA	GLASS ONLY FLAT RH/LH STAR	702086-8

EXTERIOR BODY GROUP (CONTINUED)
DECALS, FILM STRIPES & PAINT



KEY	PART NUMBER	U/M	DESCRIPTION
1	105781-55-01A	FT	FILM - MULTISTRIPE - 3.12"
2	094443-45-01A	FT	FILM - MULTISTRIPE - 4.24"
3	122035-01-01A	EA	DECAL - SWOOP - #4 - RIGHT HAND (PASSENGER)
3	122035-02-01A	EA	DECAL - SWOOP - #4 - LEFT HAND (DRIVER)
4	122034-01-01A	EA	DECAL - SWOOP - #3 - RIGHT HAND (PASSENGER)
4	122034-02-01A	EA	DECAL - SWOOP - #3 - LEFT HAND (DRIVER)
5	105781-56-01A	FT	FILM - MULTISTRIPE - 6.74"
6	122032-01-01A	EA	DECAL - SWOOP - #1 - RIGHT HAND (PASSENGER)
6	122032-02-01A	EA	DECAL - SWOOP - #1 - LEFT HAND (DRIVER)
7	111318-03-03A	EA	DECAL - TURBO DIESEL
8	122036-01-01A	EA	DECAL - LOGO - SUNCRUISER W/EARTH - (PASSENGER)
8	122036-02-01A	EA	DECAL - LOGO - SUNCRUISER W/EARTH - (DRIVER)
9	050313-16-000	EA	DECAL - LOGO - "WINNEBAGO" - 2.8"
10	122031-01-01A	EA	DECAL - LOGO - SUNCRUISER W/EARTH
11	122030-01-01A	EA	DECAL - LOGO - SUNCRUISER W/EARTH
	041561-03-000	EA	PAINT - 16 OUNCE SPRAY - OFF WHITE
	004308-01-000	EA	PAINT - BLACK SPRAY

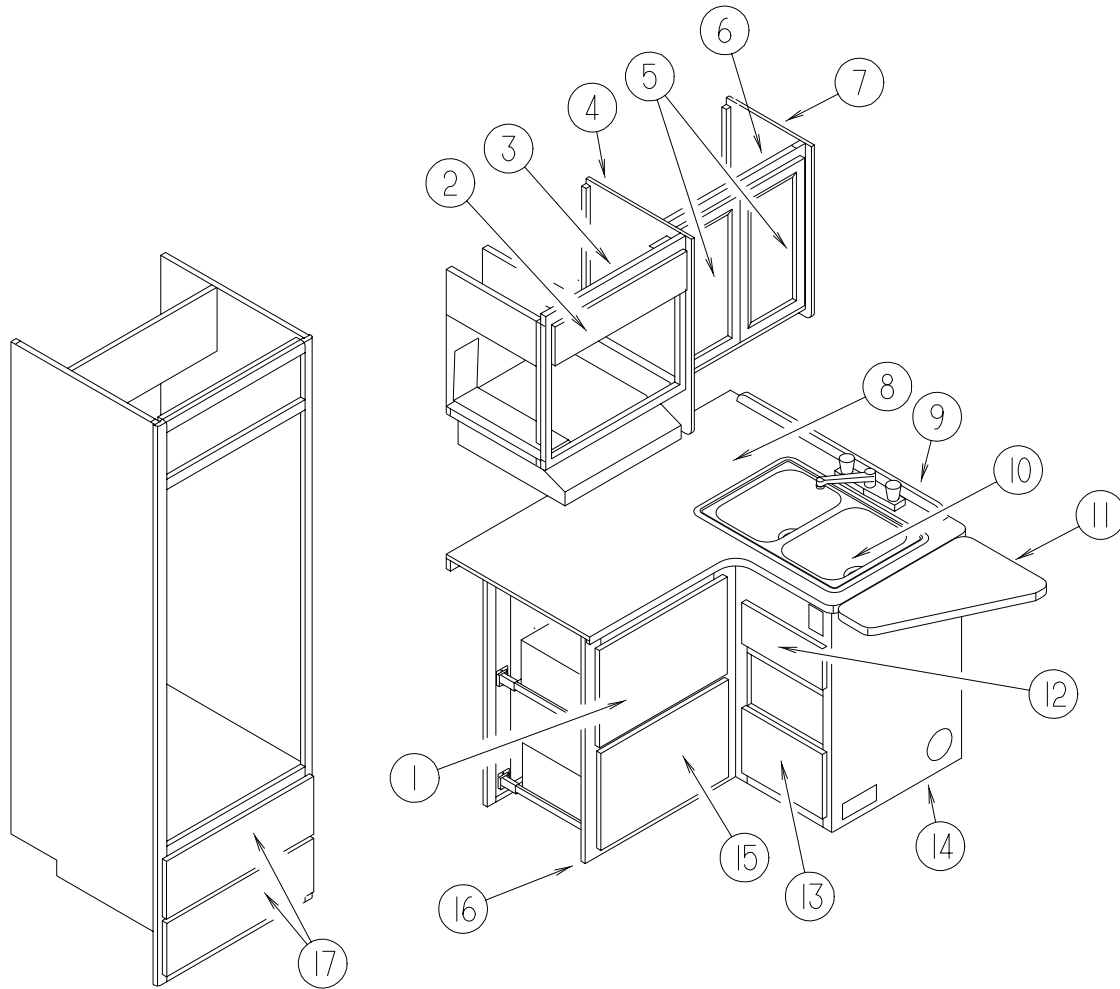
DUPONT PAINT COLOR CODES

BRIGHT WHITE
 PLATINUM METALLIC

B8951
 F2528U

GALLEY GROUP

GALLEY CABINETS



KEY	PART NUMBER	U/M	DESCRIPTION	VENDOR NO.
1	M05971-AF-J58	EA	DRAWER - OGEE EDGE - 19.6"W X 21.6"D- W/O SLIDES/HARDWARE	
2	M05992-G3-J58	EA	DOOR - STRAIGHT CORNER/OGEE EDGE - 6.3" X 23.2" - W/O HDW	
3	128620-05-J58	EA	CABINET - MICROWAVE - W/O DOORS/HARDWARE	
4	081320-16-J58	EA	END CAP - OVERHEAD CABINET	
5	M05992-L4-K54	EA	DOOR - STRAIGHT CORNER/OGEE EDGE - 10" X 21.4" - W/O HDW	
6	122174-01-J58	EA	CABINET - OVERHEAD GALLEY - W/O DOORS/HARDWARE	
	122174-11-J58	EA	SHELF - W/PLASTIC EDGE TRIM	
7	103128-11-J58	EA	END CAP - OVERHEAD CABINET - RIGHT HAND	
8	122162-25-J58	EA	COUNTERTOP - GALLEY	
8	122162-25-J59	EA	COUNTERTOP - GALLEY	
9	122162-29-J58	EA	BACKSPLASH - GALLEY CABINET	
9	122162-29-J59	EA	BACKSPLASH - GALLEY CABINET	
10	104113-01-000	EA	SINK - DOUBLE - STAINLESS STEEL	
	092303-01-000	EA	STRAINER - SINK	
	104114-02-01A	EA	FAUCET - GALLEY - SINGLE CONTROL	
	103635-01-000	EA	FAUCET - SINGLE CONTROL DRINKING	
	103635-01-700	EA	FITTING KIT, FAUCET REPAIR	3071-70
	103635-01-701	EA	TUBING-PLASTIC	3019-20
	108464-01-E13	EA	COVER - SINK - 15.2" X 11.1" - LAMINATED ON BOTH SIDES (J58)	
	108464-01-J66	EA	COVER - SINK - 15.2" X 11.1" - LAMINATED ON BOTH SIDES (J59)	
11	122162-26-J58	EA	EXTENSION - GALLEY COUNTERTOP	
11	122162-26-J59	EA	EXTENSION - GALLEY COUNTERTOP	
	127377-01-01A	EA	HINGE - GALLEY EXTENSION	
12	M05971-Z0-J58	EA	DRAWER - OGEE EDGE - 11.2"W X 7.9"D - W/O SLIDES/HARDWARE	
13	M05992-Z3-J58	EA	DOOR - STRAIGHT CORNER/OGEE EDGE - 10.6" X 13.8" - W/O HDW	
14	122162-03-J58	EA	CABINET - GALLEY - W/COUNTERTOP - W/O DOORS/DRAWERS/HDW	
14	122162-03-J59	EA	CABINET - GALLEY - W/COUNTERTOP - W/O DOORS/DRAWERS/HDW	
15	M05971-Z2-J58	EA	DRAWER - OGEE EDGE - 19.6"W X 13.8"D - W/O SLIDES/HARDWARE	
16	122162-19-J58	EA	TOE KICK - GALLEY CABINET	
	094750-10-000	EA	BRACKET - MICROWAVE - 89 DEGREE	
17	M05971-Y9-J58	EA	DRAWER - OGEE EDGE - 22.5"W X 11.8"D - W/O SLIDES/HARDWARE	
	090329-01-000	FT	SEAL/T - REFRIGERATOR CABINET	

GALLEY GROUP (CONTINUED)

LVS MONITOR PANEL

KEY	PART NUMBER	U/M	DESCRIPTION
*	102765-04-01A	EA	PANEL - MONITOR - 2 HOLDING TANKS - ADJUSTABLE

*COMPONENT PARTS FOUND IN SERVICE PARTS LIBRARY

MICROWAVE CABINET BRACKETS

KEY	PART NUMBER	U/M	DESCRIPTION
	098916-22-02B	EA	BRACE - MICROWAVE CABINET - LEFT HAND
	098916-23-02B	EA	BRACE - MICROWAVE CABINET - RIGHT HAND

NORCOLD 963RH REFRIGERATOR

KEY	PART NUMBER	U/M	DESCRIPTION
*	120076-03-01A	EA	REFRIGERATOR - SMALL DOUBLE DOOR/BLACK 3-WAY - RIGHT HAND
	065225-02-000	EA	PLATE - TIEDOWN - REFRIGERATOR
	093646-01-000	EA	BRACKET - TIEDOWN/REFRIGERATOR - RIGHT HAND
	093646-02-000	EA	BRACKET - TIEDOWN/REFRIGERATOR - LEFT HAND
	116751-05-01A	EA	TRAY - REFRIGERATOR - BLACK

*COMPONENT PARTS FOUND IN SERVICE PARTS LIBRARY

RANGE HOOD

KEY	PART NUMBER	U/M	DESCRIPTION
*	100258-18-03A	EA	HOOD - RANGE - W/O MONITOR PANEL-W/HOUR METER/SWITCH
	100258-10-01A	EA	GAUGE - HOUR METER W/SWITCH - SCREW ON STYLE

*COMPONENT PARTS FOUND IN SERVICE PARTS LIBRARY

GENERATOR GROUP

3,300 WATT ONAN MICROLITE

KEY	PART NUMBER	U/M	DESCRIPTION
	109982-05-000	EA	GENERATOR - 3.3 MICROLITE
	105958-09-000	EA	PIPE - GENERATOR EXHAUST - 1.3" OD X 5.9" X 22"
	007125-04-000	EA	CLAMP - MUFFLER - 1.12" DIAMETER

4,000 WATT ONAN MICROLITE

KEY	PART NUMBER	U/M	DESCRIPTION
	109982-03-000	EA	GENERATOR - 4.0 MICROLITE
	105958-09-000	EA	PIPE - GENERATOR EXHAUST - 1.3" OD X 5.9" X 22"
	007125-04-000	EA	CLAMP - MUFFLER - 1.12" DIAMETER

NOTE: ADDITIONAL GENERATOR COMPONENTS ARE FOUND IN THE CHASSIS GROUP.

HEATING & AIR CONDITIONING GROUP

30,000 BTU SUBURBAN FURNACE & WALL THERMOSTAT

KEY	PART NUMBER	U/M	DESCRIPTION
*	098668-20-000	EA	FURNACE - 30,000 BTU
	115764-01-01A	EA	THERMOSTAT - FURNACE
	117238-02-01A	EA	THERMOSTAT - A/C ONLY
	056464-11-000	EA	REGISTER - 4" DIAMETER - PLASTIC - W/DAMPER - OFF WHITE
	009200-01-000	EA	TAPE - FURNACE - 1 1/2"
	089367-02-000	EA	TEE - 4" X 2" X 4"
	094600-05-01A	EA	REGISTER W/O DAMPER-3.6" X 11.3" FACE/2.1" X 9.9" RO-BEIGE
	098668-23-000	EA	DOOR - ACCESS - FURNACE - BRIGHT WHITE

***COMPONENT PARTS FOUND IN SERVICE PARTS LIBRARY**

EVANS REAR HEATER & COMPONENTS

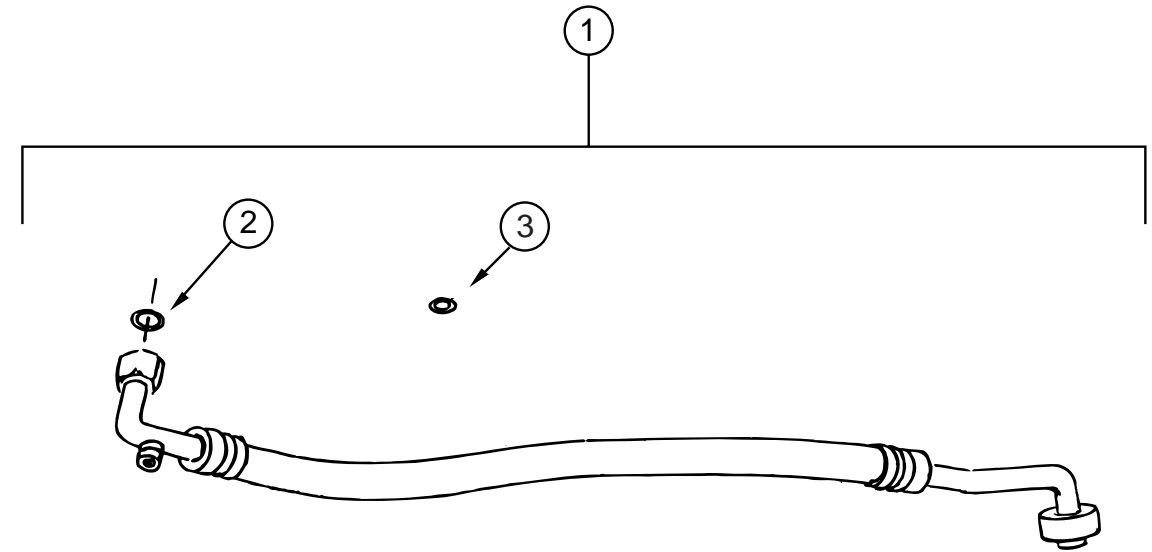
KEY	PART NUMBER	U/M	DESCRIPTION	VENDOR NO.
	084405-01-000	EA	HEATER - REAR/DUCTED - W/MOTOR AID	
	084405-01-700	EA	CORE-HEATER	FT200229
	084405-01-701	EA	FAN BLADES	HV029931
	084405-01-702	EA	MOTOR ASSEMBLY, 12 VOLT	RV010348
	061673-01-000	EA	BRACKET - MOTOR AID TUBES - 4" X 1.5" - STEEL	
	056464-10-000	EA	REGISTER - 4" DIAMETER - PLASTIC - W/O DAMPER - BEIGE	
	009198-01-000	FT	DUCT - HEAT - FLEXIBLE - 4" ID X 25'	
	079059-13-000	EA	HOSE - 90 DEGREE - .61" X 4" X 48"	

ROOF & CEILING AIR CONDITIONERS

KEY	PART NUMBER	U/M	DESCRIPTION
*	108889-02-03A	EA	AIR CONDITIONER - 13,500 BTU/220 VOLT - BRIGHT WHITE - EXP
*	115219-01-03A	EA	A/C - ROOF - 14,800 MACH 15 - BRIGHT WHITE
*	108892-01-01A	EA	CEILING ASSEMBLY - A/C DUCTED
	117238-02-01A	EA	THERMOSTAT - A/C ONLY
	120134-01-02A	EA	REGISTER - 4" TO 5" IN DIAMETER W/DAMPER
	092633-02-02A	EA	COVER - BLANK - ROOF A/C - 5.1" X 5.1"
	121365-02-01A	EA	COVER - A/C SWITCH - SINGLE
	102289-01-000	EA	SPRING - SCREW - ROOF A/C GASKET

***COMPONENT PARTS FOUND IN SERVICE PARTS LIBRARY**

HEATING & AIR CONDITIONING GROUP (CONTINUED)

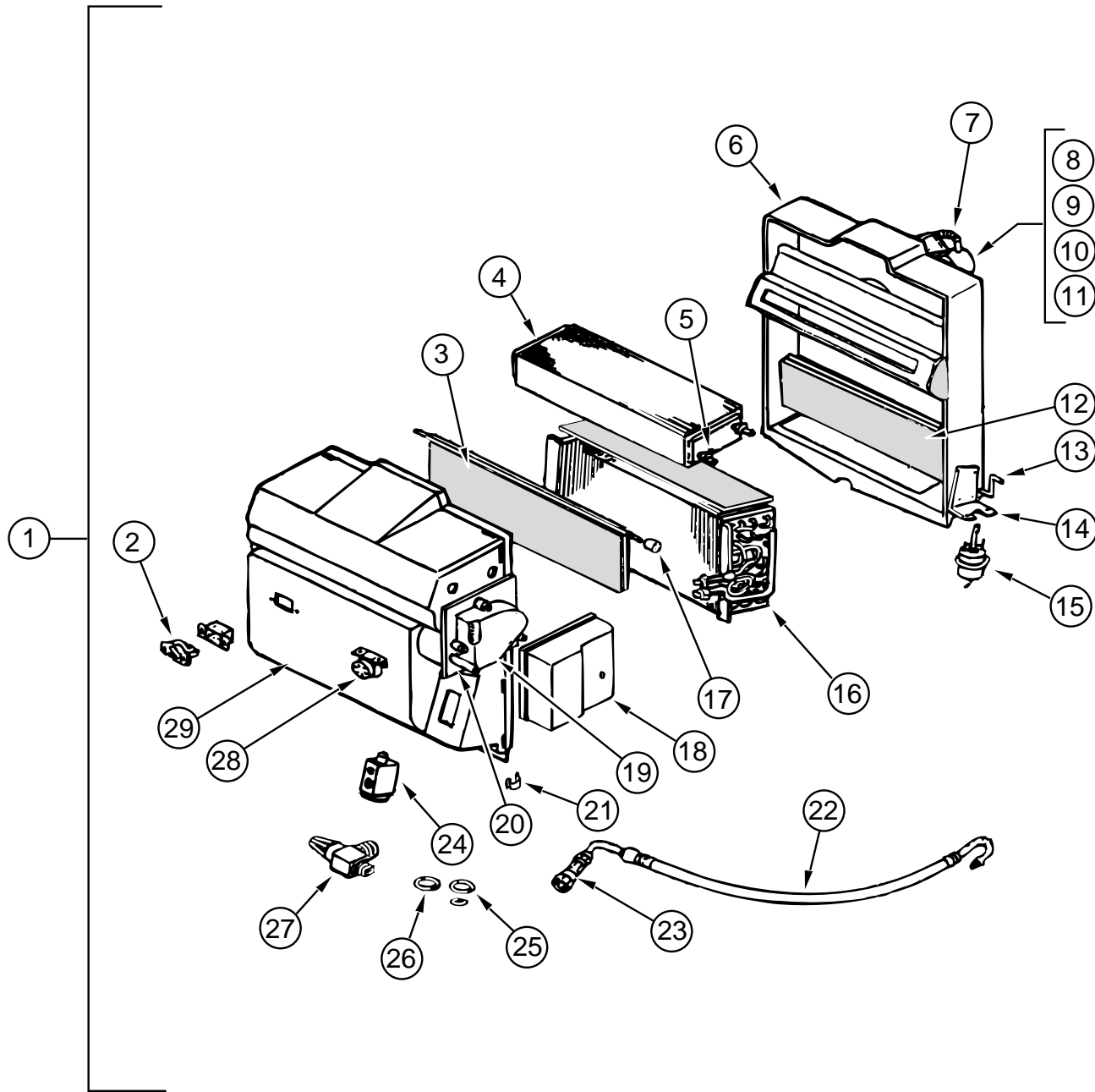


CHEVY HOSE KIT

KEY	PART NUMBER	U/M	DESCRIPTION	VENDOR NO.
1	103930-29-000	EA	HOSE KIT - #10 F/GM L-29 & L-65 CHASSIS	
2	103930-17-702	EA	O'RING #10	045-0127
3	103930-29-701	EA	O'RING F/LOW PRESSURE SWITCH	045-0483

HEATING & AIR CONDITIONING GROUP (CONTINUED)

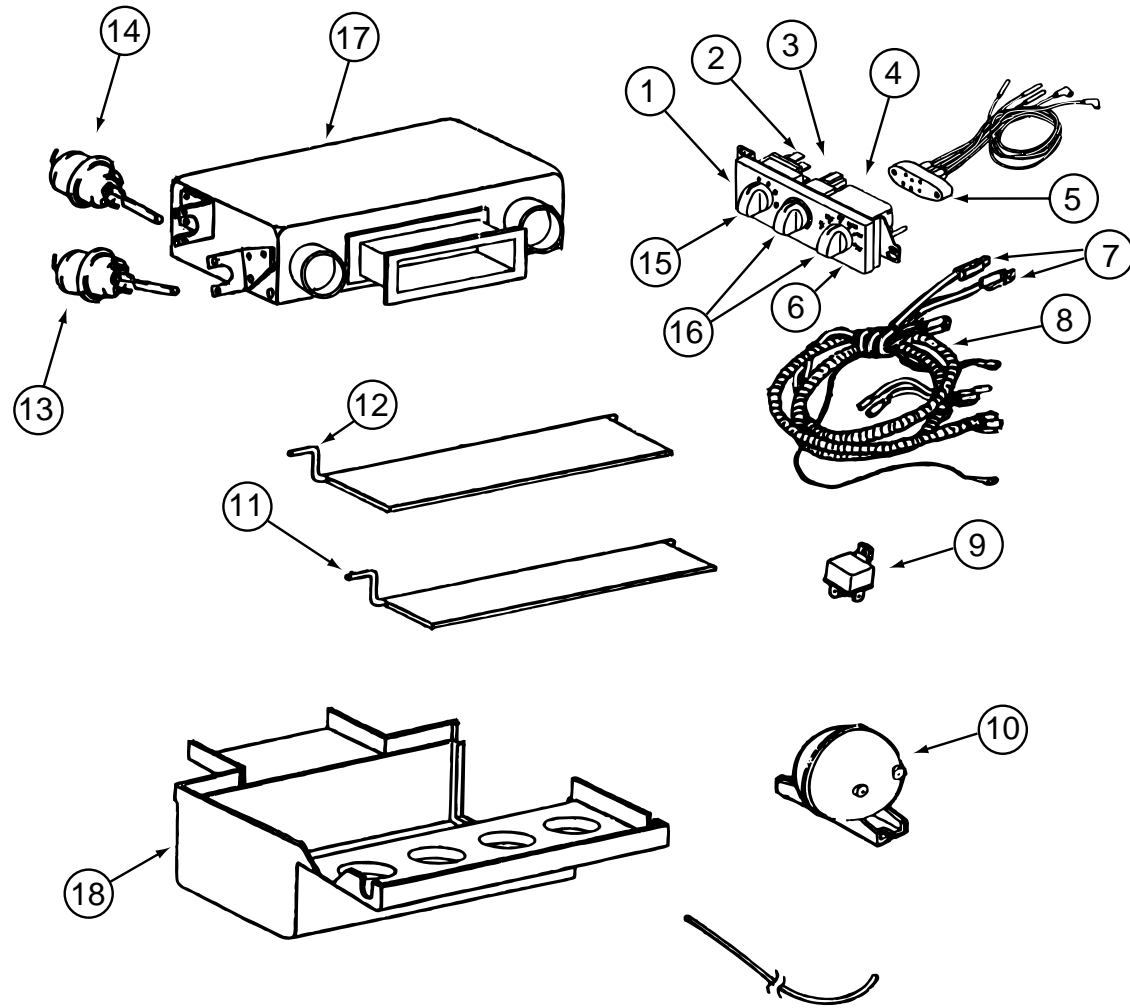
SCS EVAPORATOR/HEATER ASSEMBLY



KEY	PART NUMBER	U/M	DESCRIPTION	VENDOR NO.
1	103930-30-000	EA	EVAPORATOR/HEATER - CHEVY - SERVO MOTOR CONTROLLED	
2	103930-01-710	EA	RESISTOR-FUSED, A/C	035-0006
3	103930-30-705	EA	DOOR - BLEND AIR	071-0568
4	103930-01-703	EA	CORE-HEATER	042-0010
5	110279-01-712	EA	FITTING-HEATER	050-0076
6	103930-20-711	EA	CASE-BACK, SUB-ASSEMBLY	062-0147
7	110279-01-703	EA	HOSE-VENT F/BLOWER MOTOR	051-0034
8	103930-20-707	EA	HOUSING-BLOWER	062-0145
9	103930-30-706	EA	MOTOR-BLOWER PM147 W/ADAPTER	030-0109
10	103930-01-717	EA	WHEEL-BLOWER, CLOCKWISE	062-0010
11	103930-20-708	EA	CLIP-MOTOR SHAFT	022-0001
12	103930-20-705	EA	PANEL-DOOR, RECIRCULATING	071-0213
13	103930-20-704	EA	ROD-DOOR-RECIRCULATING	073-0018
14	103930-01-708	EA	BRACKET-VACUUM MOTOR	070-0113
15	103930-02-708	EA	MOTOR-VACUUM SERVO, A/C	030-0025
16	103930-01-704	EA	COIL-EVAPORATOR	041-0017
17	103930-30-702	EA	BUSHING - BLEND AIR DOOR	062-0168
18	103930-30-704	EA	COVER - SERVO	062-0545
19	103930-30-703	EA	MOTOR - SERVO	030-0104
20	103930-30-701	EA	PLATE - MOTOR MOUNT	062-0544
21	103930-20-706	EA	CLIP-RETAINER - CASE ATTACH	022-0057
22	103930-25-700	EA	HOSE ASM #6 EVAPORATOR/DRIER	085-0350
23	103930-12-709	EA	FITTING-QUICK CONNECT	050-0120
24	103930-20-700	EA	VALVE-EXPANSION-BLOCK, 2 TON	034-0032
25	103930-17-702	EA	O-RING #10	045-0127
26	113245-01-707	EA	O-RING #8	045-0126
27	103930-20-709	EA	VALVE-SERVICE	050-0159
28	103930-01-711	EA	THERMOSTAT	033-0003
29	103930-30-700	EA	CASE - FRONT	062-0542

HEATING & AIR CONDITIONING GROUP (CONTINUED)

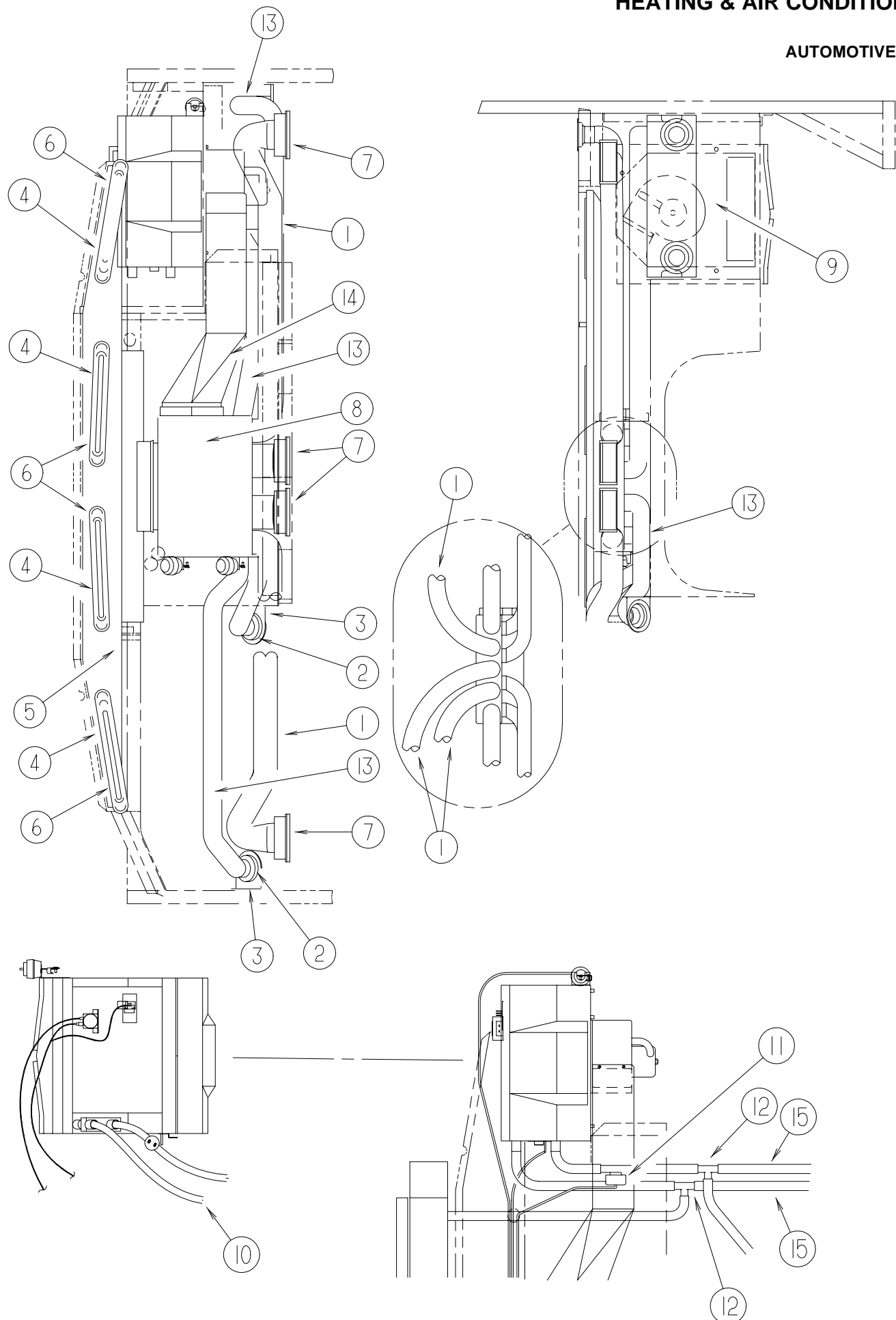
SCS CONTROL/PLENUM



KEY	PART NUMBER	U/M DESCRIPTION	VENDOR NO.
	103930-34-000	EA CONTROL/PLENUM - ROTARY CONTROL HEAD	
1	103930-33-702	EA CONTROL PANEL	083-0169
2	103930-33-707	EA SWITCH - BLOWER	032-00066
3	103930-33-708	EA SWITCH - POTENTIOMETER	032-0184
4	103930-33-709	EA SWITCH - VACUUM	032-0183
5	103930-33-703	EA VACUUM HARNESS	036-0466
6	103930-33-710	EA DECAL F/CONTROL HEAD	058-0102
7	103930-33-705	EA LIGHT BULBS	035-0030
8	103930-33-711	EA WIRE HARNESS - MAIN	036-0496
9	103930-02-707	EA RELAY-BOSCH W/RESISTER	031-0001
10	103930-02-710	EA CANISTER-VACUUM	054-0002
11	103930-33-700	EA ROD - DOOR DEFROSTER/AC	073-0028
12	103930-33-706	EA ROD - DOOR AC/DEFROST	073-0060
13	103930-02-708	EA MOTOR-VACUUM SERVO, A/C	030-0025
14	103930-33-701	EA MOTOR - VACUUM, 3 STAGE	030-0105
15	103930-33-712	EA KNOB - BLOWER	062-00539
16	103930-33-713	EA KNOB	062-00540
17	103930-34-700	EA PLENUM - TOP	060-0432
18	103930-34-701	EA PLENUM - BOTTOM	060-0435

HEATING & AIR CONDITIONING GROUP (CONTINUED)

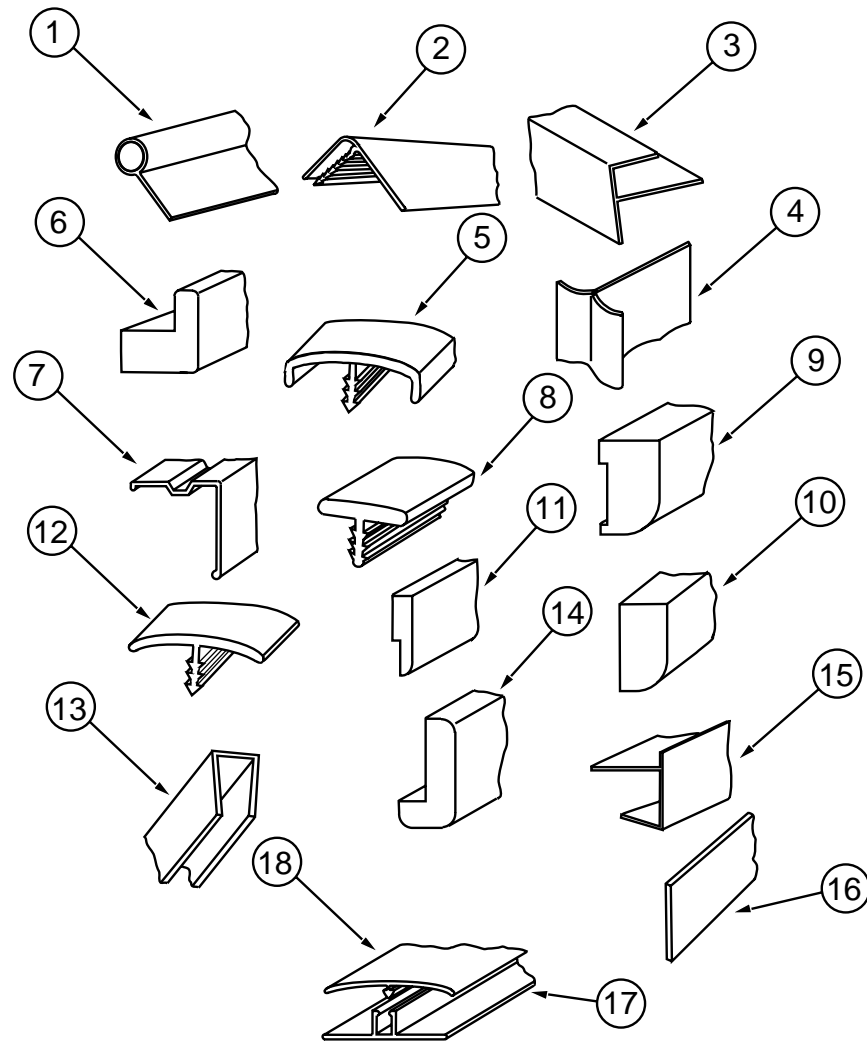
AUTOMOTIVE HEATER & A/C



KEY	PART NUMBER	U/M	DESCRIPTION
1	007281-01-000	EA	HOSE - FLEXIBLE PVC - 2.5" ID X 50'
2	024990-05-000	EA	OUTLET - DEFROSTER - 4" DIAMETER W/SWIVEL DEFLECTORS
3	056402-05-000	EA	BRACKET - HEATER VENT - ROUND W/BEND - BLACK
4	077075-01-000	EA	GASKET - INSTRUMENT PANEL/DEFROSTER PLENUM - .6" X 10.2"
4	077075-03-000	EA	GASKET - INSTRUMENT PANEL/DEFROSTER PLENUM - 1.3" X 10.2"
5	103017-01-000	EA	PLENUM - DEFROSTER
6	103558-01-06A	EA	VENT - DEFROSTER - 2" X 14.4" X 1.4" - QUICK SILVER
7	103796-01-01A	EA	LOUVER - A/C-ADJUSTABLE - 2.2" X 5.4" F/2.5" HOSE - BLACK
8	103930-34-000	EA	CONTROL/PLENUM - ROTARY CONTROL HEAD
9	103930-30-000	EA	EVAPORATOR/HEATER - CHEVY - SERVO MOTOR CONTROLLED
10	103930-29-000	EA	HOSE KIT - #10 F/GM L-29 & L-65 CHASSIS
11	103930-23-000	EA	VALVE - WATER - 2 PORT
12	076776-01-000	EA	TEE - BEADED - 5/8" X 5/8" X 5/8"
13	007076-01-000	EA	HOSE - FLEXIBLE PVC - 2" ID - INCREMENTS OF 50'
14	103016-01-000	EA	PLENUM - TRANSITION
15	007108-01-000	FT	HOSE - HEATER - 5/8" ID - HI-TEMP
	126692-01-H17	EA	PLENUM - A/C - BEVERAGE TRAY
	103930-37-000	EA	MANUAL - OWNERS - HEATER/A/C

INTERIOR FINISH GROUP

MOLDINGS & TRIMS



KEY	PART NUMBER	U/M DESCRIPTION
1	009767-12-000	FT WELTING - SIDEWALL/CEILING/CABINET - OFF/WHT
2	009809-27-000	EA MOLDING - CORNER - OUTSIDE - 1" X 84" - CHERRY
3	009812-26-000	EA MOLDING - CORNER - 1/2" W/1/4" CHAN X 84" - CHERRY
4	022992-11-000	FT MOLDING - REVERSE COVE - T-SHAPED VINYL - IVORY
5	083620-11-000	FT MOLDING-T - END CAP EDGE - W/EDGE LIP - .75" - CHERRY
6	100819-01-04A	EA MOLDING - VINYL WRAP - L-SHAPED - 1.5" X 1.5" X 7' -CHERRY
7	100659-01-G09	EA MOLDING/TRIM - VINYL FLOOR
8	104676-01-01A	FT MOLDING-T - 5/16" RIGID GOLD
9	111136-D2-134	EA MOLDING - VINYL WRAPPED - .7" X 1.6" X 7' - CHERRY
9	111136-F2-438	EA MOLDING - VINYL WRAPPED - .7" X 2.5" X 8' - CHERRY
9	111136-F2-134	EA MOLDING - VINYL WRAPPED - .7" X 2.6" X 84" - CHERRY
10	100818-01-04A	EA MOLDING - VINYL WRAP - 1.6" X .4" X 84" - CHERRY CHERRY
11	105004-01-03A	EA MOLDING - VINYL WRAPPED - 1" X 96" - SALEM CHERRY
12	105709-01-000	FT MOLDING-T - 1" - MODERN IVORY
13	070504-03-000	FT U-CHANNEL - PLASTIC - .9" X 84" - GRADY BROWN
13	070504-36-000	FT U-CHANNEL - PLASTIC - .13" X 72" - WATERFORD OAK
13	070504-37-000	FT U-CHANNEL - PLASTIC - .9" X 84" - WATERFORD OAK
13	009778-18-000	FT U-CHANNEL - 1" - CHERRY-CHERRY
14	077840-01-E41	EA MOLDING - CAP/WALL - 8' SALEM CHERRY
15	103186-01-04A	FT MOLDING - PLASTIC/3/8" U-CHANNEL W/3/4" FACE - CHERRY
15	103186-02-04A	FT MOLDING - PLASTIC/1" U-CHANNEL W/1 3/8" FACE - CHERRY
16	076325-34-000	FT MOLDING - EDGE BAND - 1 5/16" X .030" - ORCHID MIST
16	076325-46-000	FT MOLDING - EDGE BAND - 1 5/16" X .030" - CLOUD (J58)
16	076325-39-000	FT MOLDING - EDGE BAND - 1 5/16" X .030" - NEUTRAL (J59)
16	076325-43-000	FT MOLDING - EDGE BAND - .93" X .024" - CLOUD (J58)
16	076325-40-000	FT MOLDING - EDGE BAND - .93" X .024" - NEUTRAL (J59)
16	076325-50-000	FT MOLDING - EDGE BAND - 1 5/16" X .030" - CHERRY
16	076325-52-000	FT MOLDING - EDGE BAND - .93" X .024" - CHERRY
17	086229-01-000	EA RETAINER - BATTEN - .75" X 92.3" - ANY COLOR
18	086229-15-000	EA BATTEN - 1" X 96" - MODERN IVORY
18	086229-20-000	EA BATTEN - 1" X 96" - BEIGE
18	093873-01-01A	EA TRIM - CARPET - L-ANGLE 1.1" X 1.3" X 12' - GRAY VINYL
		MOLDING - PLASTIC/1" U-CHANNEL W/1 3/8" FACE - CHERRY

INTERIOR FINISH GROUP (CONTINUED)

BATT STRIPS

KEY	PART NUMBER	U/M	DESCRIPTION
	088263-E6-000	EA	BATT STRIP - DECORATIVE - MONTANNA/FROST - 8' (J58)
	088263-E4-000	EA	BATT STRIP - DECORATIVE - LAJOLLA/SEAMIST - INC OF 8' (J59)
	085284-E0-000	FT	BATT TAPE - ADHESIVE BACKED - DECORATIVE - MONTANA FROST (J58)
	085284-D7-000	FT	BATT TAPE - ADHESIVE BACKED - DECORATIVE - LAJOLLA/SEAMIST (J59)
	088263-E3-000	EA	BATT STRIP - DECORATIVE - PEBBLE EMBOSSED/ANTIQUE - 8'
	085284-D6-000	FT	BATT TAPE - ADHESIVE BACKED - DECORATIVE-EMBOSSED ANTIQUE
	069733-82-000	EA	BATT STRIP - WOODGRAINED/SALEM CHERRY - 8'
	085284-97-000	FT	BATT TAPE - ADHESIVE BACKED - WOODGRAINED/SALEM CHERRY

PANELING, PLYWOOD & PARTICLE BOARD

KEY	PART NUMBER	U/M	DESCRIPTION
	088272-G4-000	SF	PANELING - MONTANA FROST - 4' X 7' (J58)
	088272-G2-000	SF	PANELING - LA JOLLA SEA MIST - 4' X 7' (J59)
	088272-G1-000	SF	PANELING - PEBBLE EMBOSSED - ANTIQUE WHITE - 48" X 84"
	074497-23-000	SF	PANELING - CHERRY - 1/8" X 48" X 96"
	000885-71-000	SF	PARTICLE BOARD - 3/8" X 48" X 96" - CHERRY/VINYL 1 SIDED
	000885-72-000	SF	PARTICLE BOARD - 1/2" X 48" X 96" - CHERRY/VINYL 2 SIDED
	000885-73-000	SF	PARTICLE BOARD - 3/4" X 48" X 96" - CHERRY/VINYL 2 SIDED
	000885-74-000	SF	PARTICLE BOARD - 3/8" X 48" X 98" - CHERRY/VINYL 2 SIDED
	000846-01-000	SF	PLYWOOD - 5/16" X 48" X 96" - CD GRADE
	126339-01-000	SF	BOARD - WHEAT - 60" X 72"

PLASTIC LAMINATE

KEY	PART NUMBER	U/M	DESCRIPTION
	074498-62-000	SF	LAMINATE - PLASTIC - GREY FINESSE - 5' X 8' (J58)
	074498-71-000	SF	LAMINATE - PLASTIC - NEUTRAL SANTOS - 5'X 8' (J59)
	074498-58-000	SF	LAMINATE - PLASTIC - CHERRY - 4' X 8'
	074498-40-000	SF	LAMINATE - PLASTIC - OFF WHITE - 5' X 8'

INTERIOR FINISH GROUP (CONTINUED)

SMOKE DETECTOR, CO DETECTOR, FIRE EXTINGUISHER & CLOCK

KEY	PART NUMBER	U/M	DESCRIPTION	VENDOR NO.
	072852-01-000	EA	DETECTOR - SMOKE - W/9 VOLT BATTERY - US	
	094499-01-700	EA	BRACKET MTG. W/PLAS. STRAP	294039
	094499-01-701	EA	STRAP ONLY (METAL)	320351
	094499-03-000	EA	EXTINGUISHER/FIRE - DRY - 10B:C - W/O BRACKET	
	094499-04-000	EA	BRACKET - FIRE EXTINGUISHER	
	118081-02-01A	EA	CLOCK - WALL - ROUND 8" - BRASS	
	125136-01-000	EA	CO DETECTOR - GAS - ROUND W/2 SCREWS - 9 VOLT	

ANTISLIP & FLOOR MATS

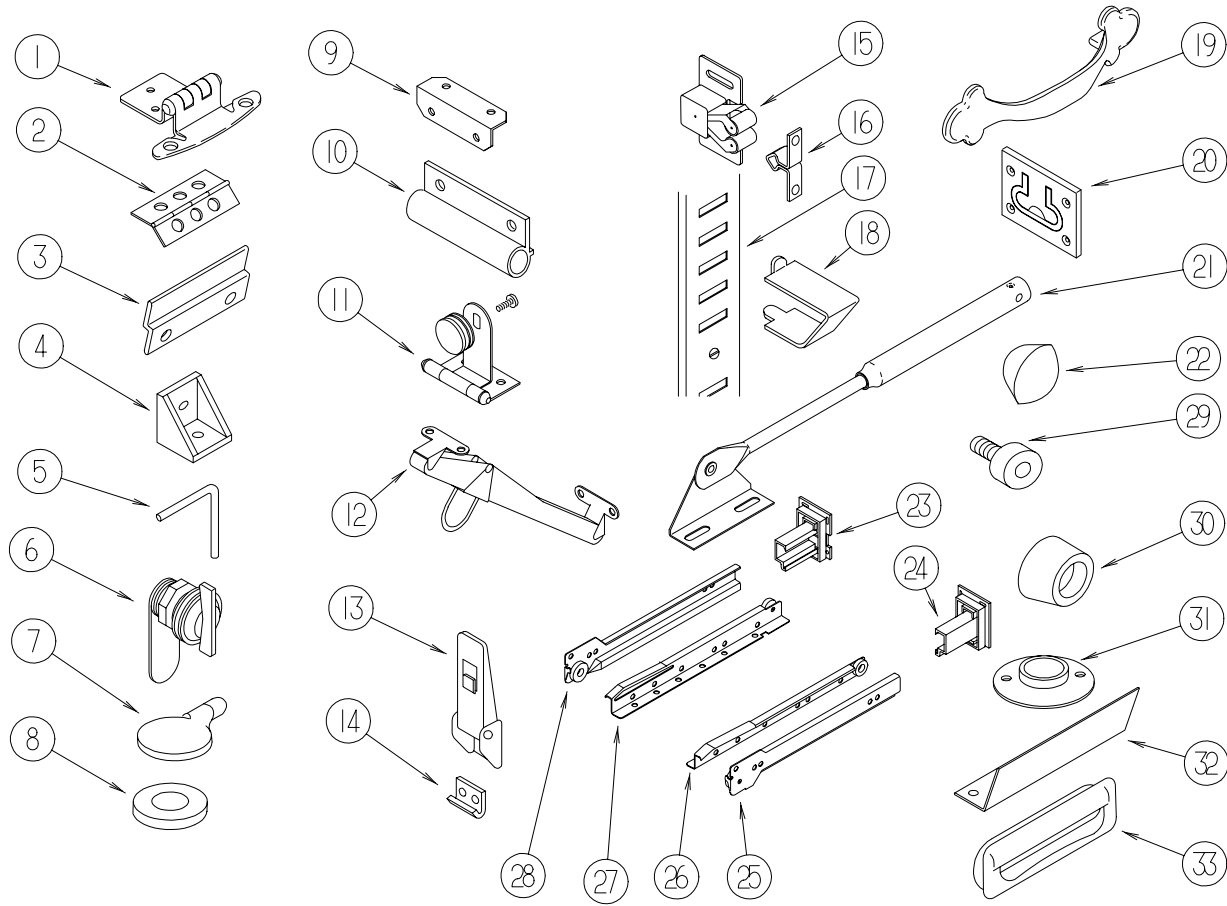
KEY	PART NUMBER	U/M	DESCRIPTION
	091261-01-000	FT	SLIPNOT - ANTISLIP - 1' WIDE
	105924-01-J58	EA	MAT - FLOOR - 18" X 27"
	105924-01-J59	EA	MAT - FLOOR - 18" X 27"

CARPET & TILE

KEY	PART NUMBER	U/M	DESCRIPTION
	096060-C4-000	SY	CARPET - NIGHT NAVY - INCREMENTS OF 4 SQ. YARDS (J58)
	096060-A1-000	SY	CARPET - ARTIC GRAY - INCREMENTS OF 4 SQ YDS (J59)
	093486-01-000	SY	CARPET - COMPARTMENT - 72" WIDE - DARK GRAY
	122755-01-01A	EA	TILE - RUBBER/ENTRANCE DOOR - 18.5" X 27.2"
	122755-03-01A	EA	TILE - RUBBER/ENTRANCE DOOR - 17.7" X 26.4"

INTERIOR FINISH GROUP (CONTINUED)

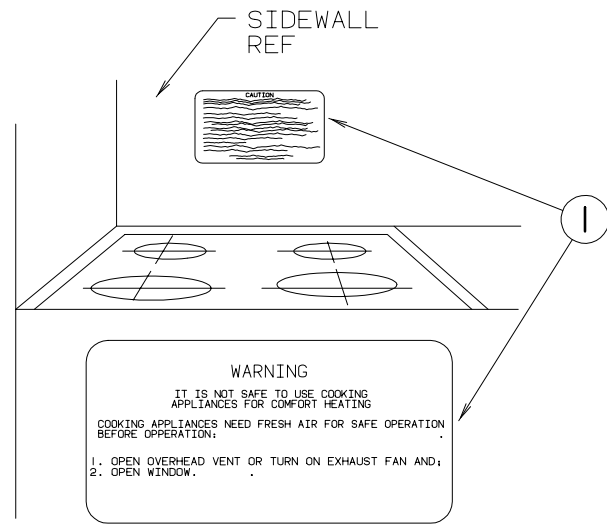
CABINET HARDWARE



KEY	PART NUMBER	U/M	DESCRIPTION
1	108138-01-000	EA	HINGE - CABINET DOOR - BURNISHED BRASS
	000G13-06-08G	EA	SCREW
2	009059-01-000	EA	HINGE - DOOR - 2" X 1.4" - BRASS
2	009059-02-000	EA	HINGE - DOOR - 2" X 2.7" - BRASS
3	101272-01-000	EA	CATCH - GLASS DOOR
4	065740-01-000	EA	BRACE - CABINET/CORNER - PLASTIC
5	108487-02-01A	EA	SUPPORT - PROP ROD/OVERHEAD - BLACK
6	100710-01-01A	EA	LOCK - GLASS DOOR/TWIST TYPE - BRASS
7	101766-01-000	EA	PIN - SUPPORT/GLASS DOOR
8	100707-01-000	EA	SPACER - GLASS DOOR - .8" DIA - .3" HOLE - PLASTIC
9	016604-01-000	EA	BRACE - CABINET - ANGLE - 2.5" - UNPAINTED METAL
9	016604-05-000	EA	BRACE - CABINET - ANGLE - 2.5" - OFF WHITE METAL
10	108486-01-01A	EA	BRACKET - PROP ROD/OVERHEAD - BLACK
11	100711-01-01A	EA	HINGE - GLASS DOOR
12	104181-01-01A	EA	SUPPORT - LEAF 5.3" EXTENDS TO 7.5" - SAFETY RING - METAL
13	116975-01-01A	EA	LATCH - W/O STRIKE - BLACK - NEW STYLE
14	116975-02-01A	EA	NEW STYLE KEEPER/STRIKE
15	093586-06-000	EA	CATCH - SPRING ROLLER
16	093586-05-000	EA	STRIKE - SPRING STEEL

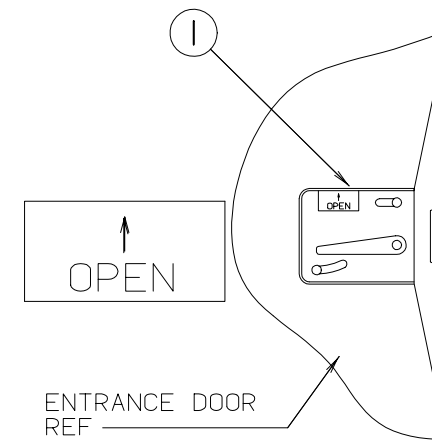
KEY	PART NUMBER	U/M	DESCRIPTION
17	098980-01-000	EA	PILASTER - ADJUSTABLE SHELF - 18" - WOODGRAIN
17	098980-02-000	EA	PILASTER - ADJUSTABLE SHELF - 12" - WOODGRAIN
17	098980-03-000	EA	PILASTER - ADJUSTABLE SHELF - 9" - WOODGRAIN
17	098980-04-000	EA	PILASTER - ADJUSTABLE SHELF - 48" - WOODGRAIN
17	098980-05-000	EA	PILASTER - ADJUSTABLE SHELF - 15"
17	098980-06-000	EA	PILASTER - ADJUSTABLE SHELF - 24"
18	098979-01-000	EA	CLIP - ADJUSTABLE SHELF
19	125165-01-01A	EA	PULL - CABINET - BRIGHT BRASS
20	072871-01-000	EA	PULL - FLUSH - CHROME
21	074493-02-000	EA	SUPPORT - PISTON SPRING - CABINET DOOR - 26 LBS
22	042356-01-000	EA	PLUG - BUTTON - MAHOGANY - 3/8" DIAMETER - WOOD
23	128811-01-01A	EA	BACKSOCKET - ADJUSTABLE - LEFT
24	128811-02-01A	EA	BACKSOCKET - ADJUSTABLE - RIGHT
25	128810-02-01A	EA	SLIDE - DRAWER - 12" - RIGHT CABINET
25	128810-06-01A	EA	SLIDE - DRAWER - 14" - RIGHT CABINET
25	128810-10-01A	EA	SLIDE - DRAWER - 16" - RIGHT CABINET
25	128810-14-01A	EA	SLIDE - DRAWER - 18" - RIGHT CABINET
25	128810-18-01A	EA	SLIDE - DRAWER - 20" - RIGHT CABINET
25	128810-22-01A	EA	SLIDE - DRAWER - 22" - RIGHT CABINET
25	128810-26-01A	EA	SLIDE - DRAWER - 24" - RIGHT CABINET
26	128810-04-01A	EA	SLIDE - DRAWER - 12" - RIGHT DRAWER
26	128810-08-01A	EA	SLIDE - DRAWER - 14" - RIGHT DRAWER
26	128810-12-01A	EA	SLIDE - DRAWER - 16" - RIGHT DRAWER
26	128810-16-01A	EA	SLIDE - DRAWER - 18" - RIGHT DRAWER
26	128810-20-01A	EA	SLIDE - DRAWER - 20" - RIGHT DRAWER
26	128810-24-01A	EA	SLIDE - DRAWER - 22" - RIGHT DRAWER
26	128810-28-01A	EA	SLIDE - DRAWER - 24" - RIGHT DRAWER
27	128810-03-01A	EA	SLIDE - DRAWER - 12" - LEFT DRAWER
27	128810-07-01A	EA	SLIDE - DRAWER - 14" - LEFT DRAWER
27	128810-11-01A	EA	SLIDE - DRAWER - 16" - LEFT DRAWER
27	128810-15-01A	EA	SLIDE - DRAWER - 18" - LEFT DRAWER
27	128810-19-01A	EA	SLIDE - DRAWER - 20" - LEFT DRAWER
27	128810-23-01A	EA	SLIDE - DRAWER - 22" - LEFT DRAWER
27	128810-27-01A	EA	SLIDE - DRAWER - 24" - LEFT DRAWER
28	128810-01-01A	EA	SLIDE - DRAWER - 12" - LEFT CABINET
28	128810-05-01A	EA	SLIDE - DRAWER - 14" - LEFT CABINET
28	128810-09-01A	EA	SLIDE - DRAWER - 16" - LEFT CABINET
28	128810-13-01A	EA	SLIDE - DRAWER - 18" - LEFT CABINET
28	128810-17-01A	EA	SLIDE - DRAWER - 20" - LEFT CABINET
28	128810-21-01A	EA	SLIDE - DRAWER - 22" - LEFT CABINET
28	128810-25-01A	EA	SLIDE - DRAWER - 24" - LEFT CABINET
29	079921-01-000	EA	ROLLER - NYLON - W/STEEL SHAFT - BARBED
30	004354-01-000	EA	BUMPER - RUBBER - .5" DIA - BROWN
31	009112-01-000	EA	FLANGE - PLASTIC - 1" CLOTHES ROD - OFF WHITE
32	111866-01-02A	EA	BRACE - SEAT - ANGLE - OFF WHITE
33	124311-01-01A	EA	HANDLE - RECESSED - BRASS
	042438-01-000	EA	DOWEL - WOOD - CLOTHES ROD - 1" DIAMETER X 4'
	074045-08-000	EA	PLUG - OAK - 1/2" DIAMETER - SALEM CHERRY
	114693-01-01A	EA	SUPPORT - BLACK - RIGHT HAND
	114693-02-01A	EA	SUPPORT - BLACK - LEFT HAND

LABELS GROUP

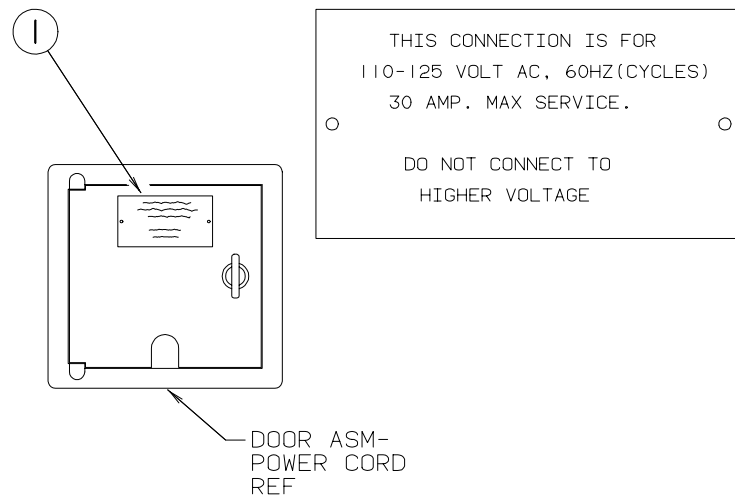


KEY	PART NUMBER	U/M DESCRIPTION
1	050225-01-000	EA LABEL - STOVE VENT

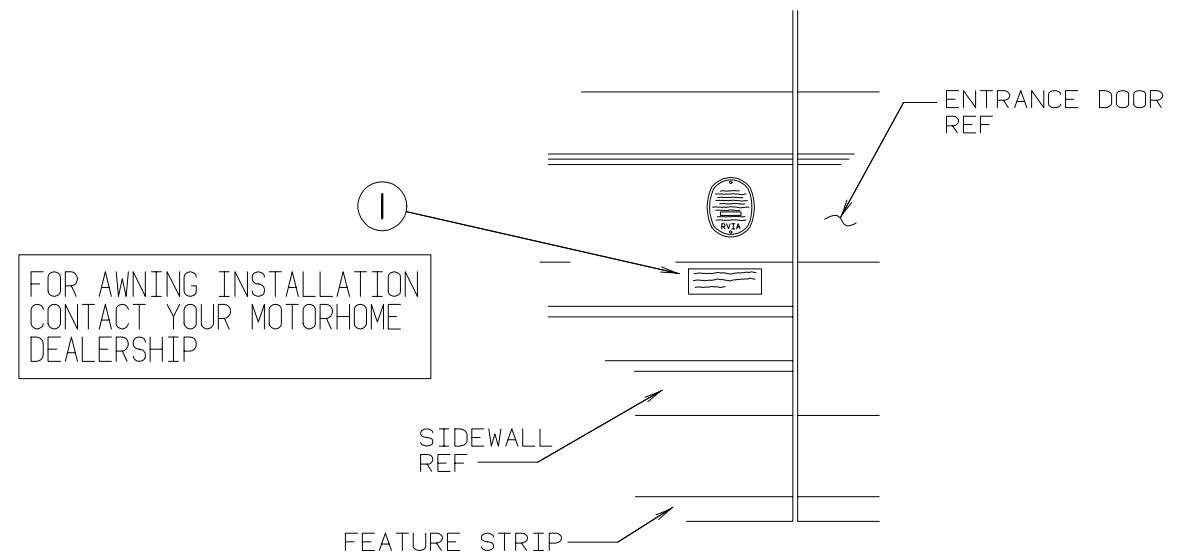
LABELS GROUP (CONTINUED)



KEY	PART NUMBER	U/M DESCRIPTION
1	040944-01-000	EA LABEL - ENTRANCE DOOR - "OPEN"

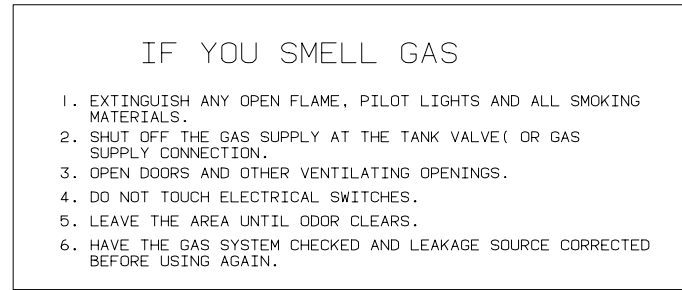
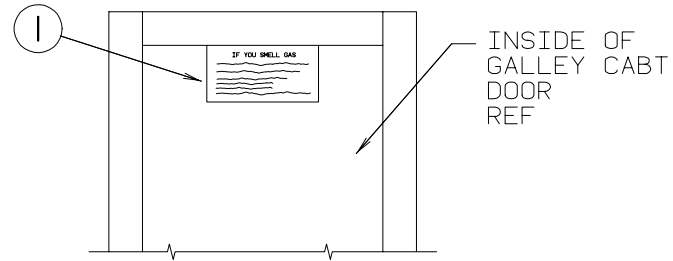


KEY	PART NUMBER	U/M DESCRIPTION
1	125306-01-01A	EA LABEL - ELECTRICAL ENTRANCE - 110 VOLT - 30 AMP

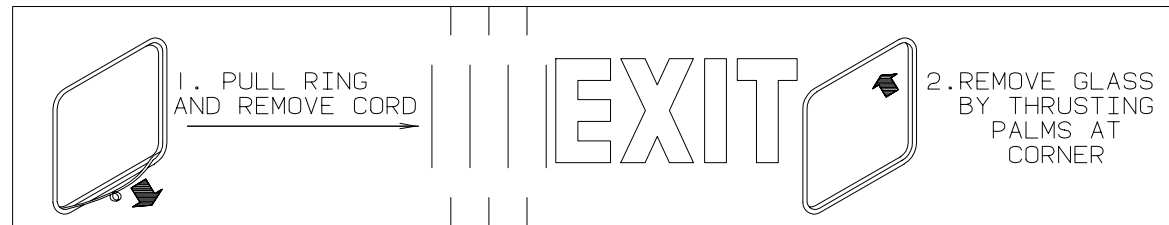


KEY	PART NUMBER	U/M DESCRIPTION
1	099509-01-000	EA LABEL - AWNING INSTALLATION

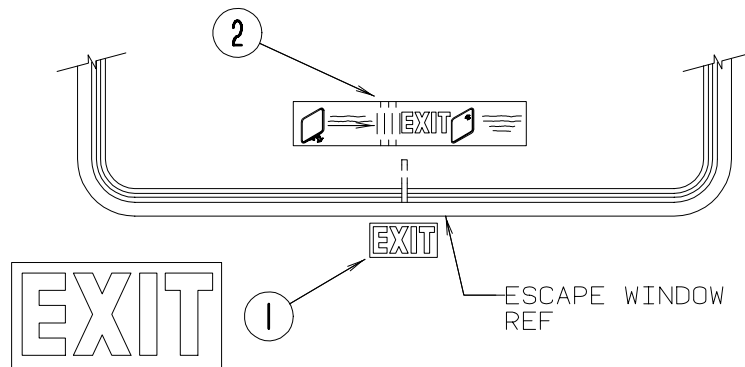
LABELS GROUP (CONTINUED)



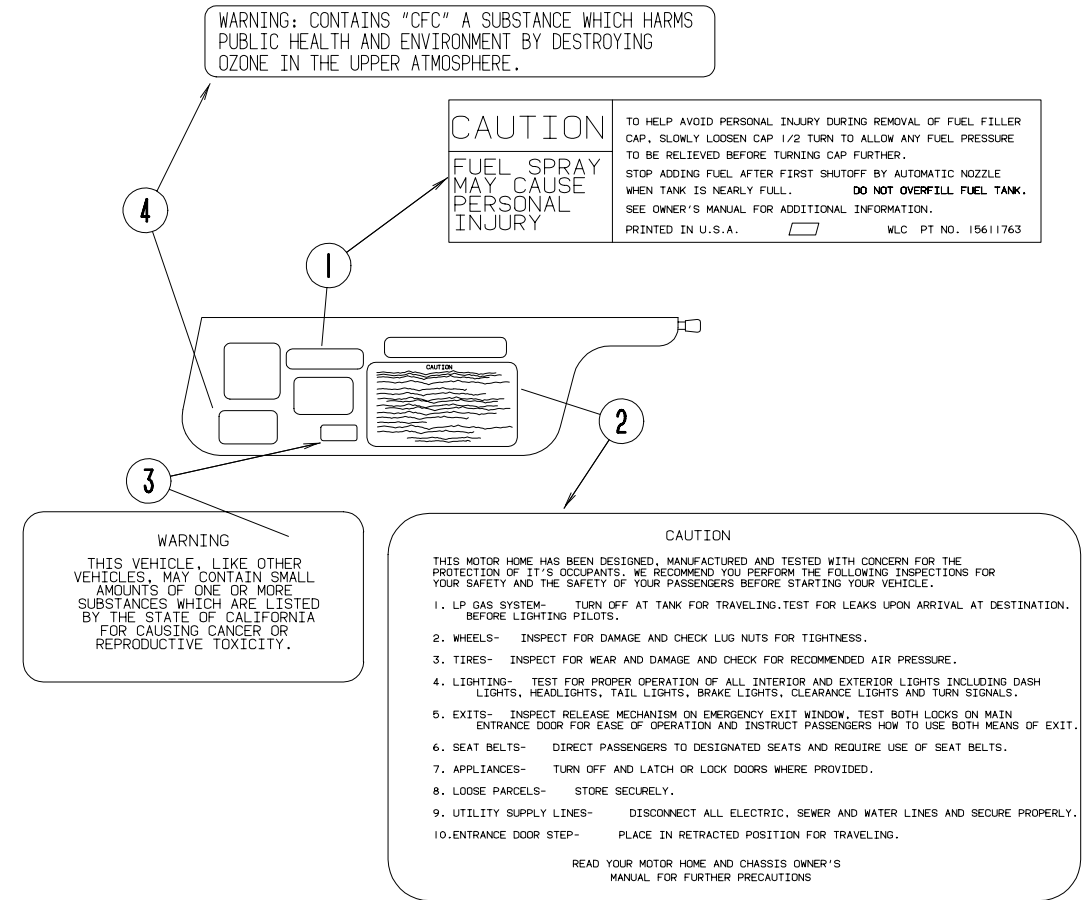
KEY	PART NUMBER	U/M DESCRIPTION
1	073998-01-000	EA LABEL - LPG ODOR WARNING



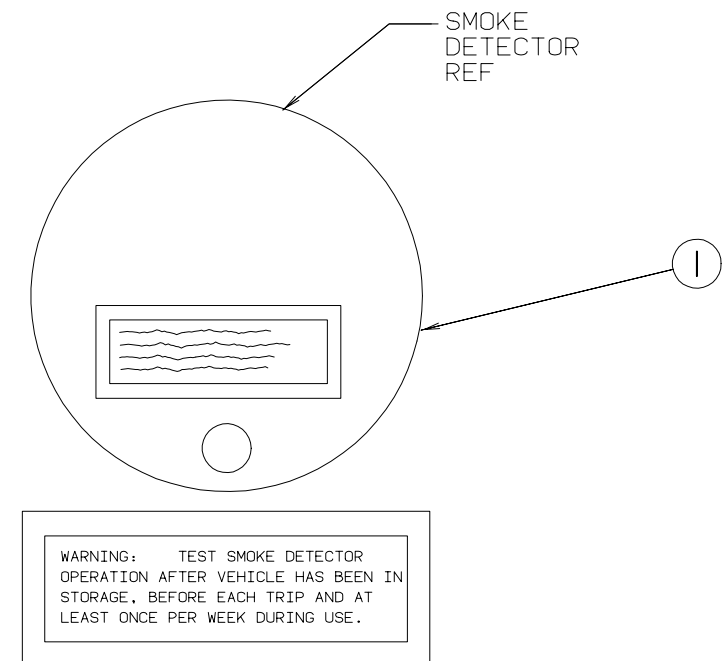
KEY	PART NUMBER	U/M DESCRIPTION
1	039290-01-000	EA LABEL - WARNING - EXIT
2	107571-01-000	EA LABEL - EXIT/ESCAPE WINDOW



LABELS GROUP (CONTINUED)



KEY	PART NUMBER	U/M DESCRIPTION
1	111802-01-000	EA LABEL - CFC WARNING
2	099689-01-000	EA LABEL - WARNING - CANCER/TOXICITY
3	056259-01-000	EA LABEL - SAFETY CHECK LIST
4	126611-01-000	EA LABEL - AIR BAG - VISOR



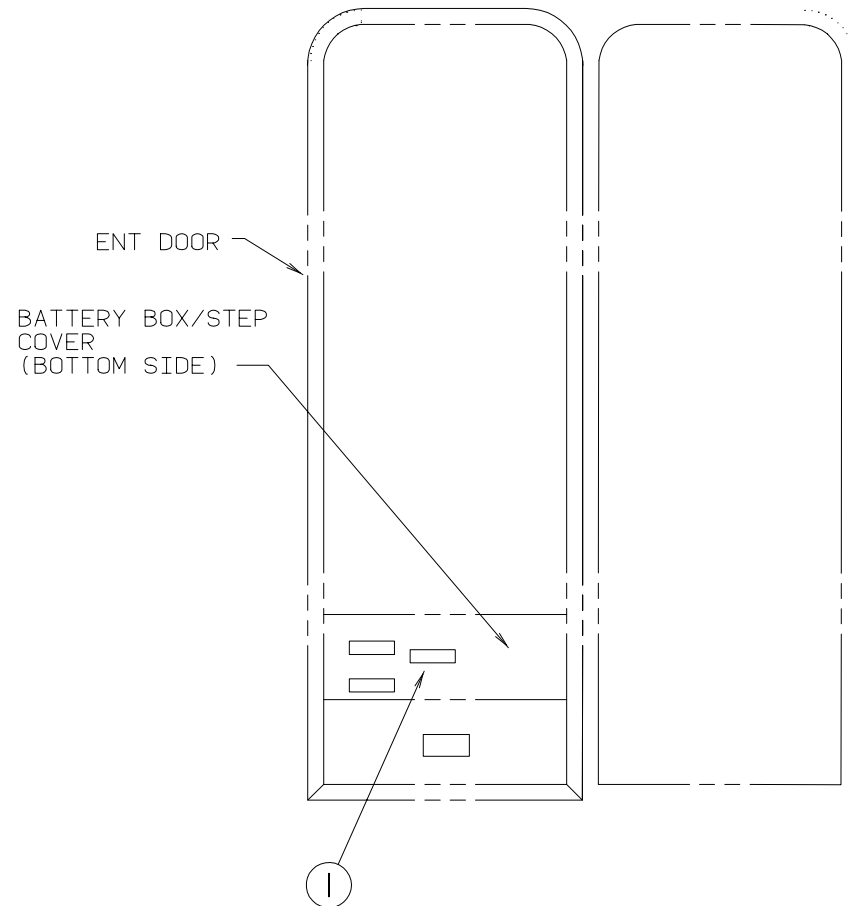
KEY	PART NUMBER	U/M DESCRIPTION
1	077956-01-000	EA LABEL - WARNING - SMOKE DETECTOR

LABELS GROUP (CONTINUED)

AIR CONDITIONING CIRCUIT.
THIS CONNECTION IS FOR
AIR CONDITIONERS RATED 110-
125 VOLT AC, 60 HZ, 16
AMPERES MAXIMUM. DO NOT
EXCEED CIRCUIT RATING.



KEY	PART NUMBER	U/M DESCRIPTION
1	091243-01-000	EA LABEL - A/C COVER "AIR CONDITIONING CIRCUIT ETC."



WARNING: DISCONNECT BATTERIES BEFORE
CONNECTING EXTERNAL CHARGING EQUIPMENT.

AVERTISSEMENT: DEBRANCHER LES BATTERIES AVANT
DE BRANCHER TOUT EQUIPEMENT DE CHARGE EXTERIEUR.

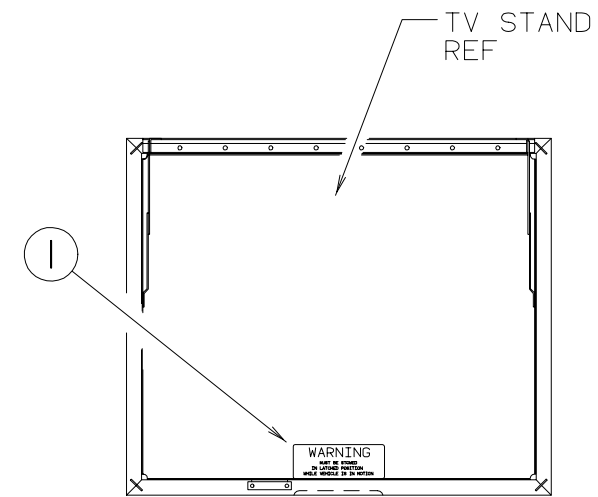
KEY	PART NUMBER	U/M DESCRIPTION
1	065748-01-000	EA LABEL - CAUTION - BATTERY CHARGING
1	065748-02-000	EA LABEL - CAUTION - BATTERY/FRENCH

LABELS GROUP (CONTINUED)

DO NOT USE HITCH BEFORE
READING OWNERS MANUAL REGARDING
VEHICLE LOADING AND TOWING



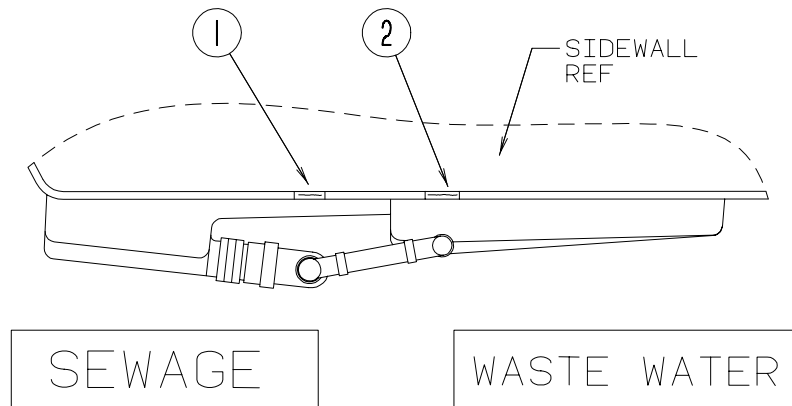
KEY	PART NUMBER	U/M DESCRIPTION
1	111104-01-000	EA LABEL - HITCH - READ MANUAL - WHITE



WARNING
MUST BE STOWED
IN LATCHED POSITION
WHILE VEHICLE IS IN MOTION

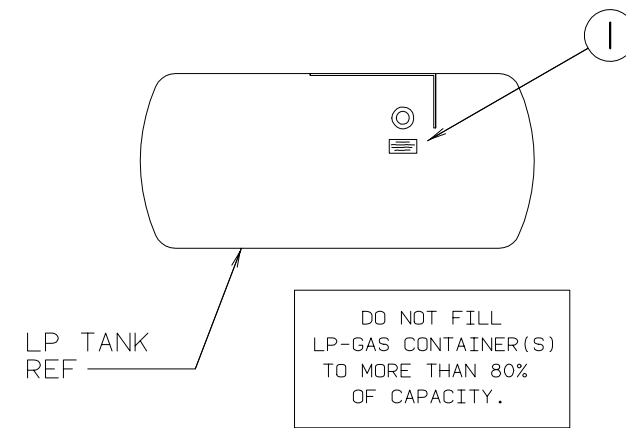
KEY	PART NUMBER	U/M DESCRIPTION
1	079966-01-000	EA LABEL - WARNING - STOWED - MOTION

LABELS GROUP (CONTINUED)

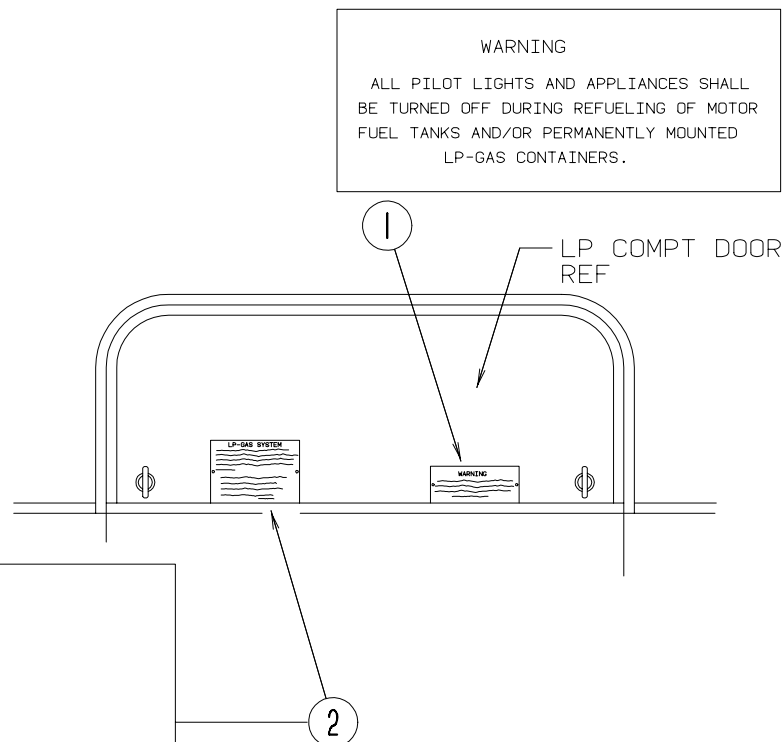


KEY	PART NUMBER	U/M DESCRIPTION
1	006187-01-000	EA LABEL - SEWAGE
2	006188-01-000	EA LABEL - WASTE WATER

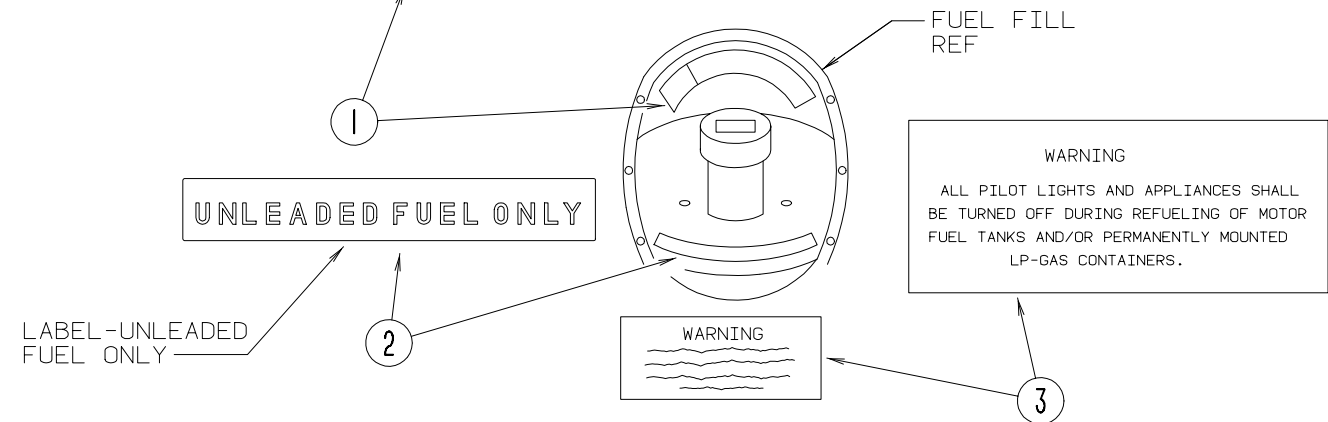
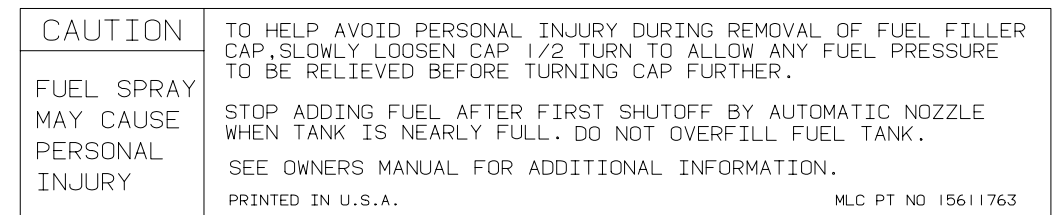
LABELS GROUP (CONTINUED)



KEY	PART NUMBER	U/M DESCRIPTION
1	079965-01-000	EA LABEL - LPG - 80% CAPACITY

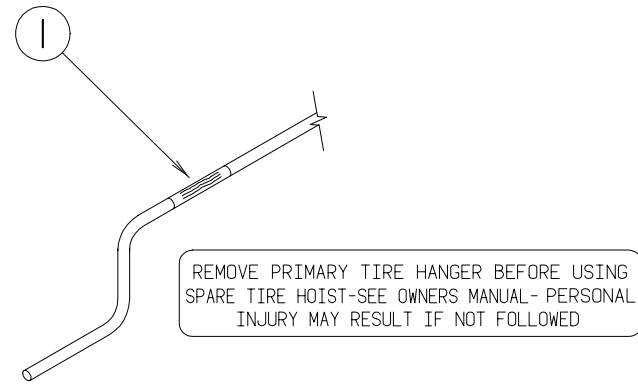


KEY	PART NUMBER	U/M DESCRIPTION
1	124519-01-01A	EA LABEL - WARNING/REFUELING - BLACK ON CLEAR
2	124520-01-01A	EA LABEL - LP GAS ONLY - BLACK ON CLEAR

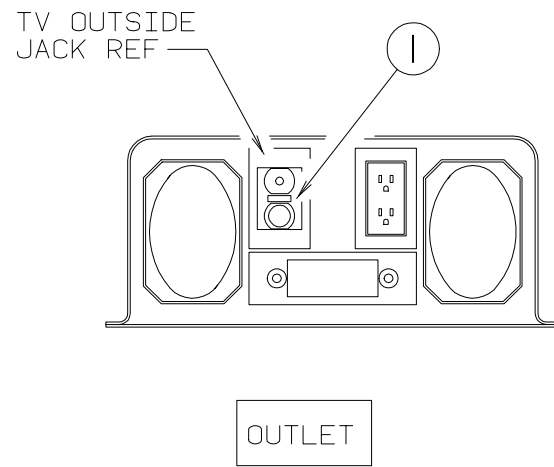


KEY	PART NUMBER	U/M DESCRIPTION
1	087207-05-000	EA LABEL - FUEL CAP REMOVAL
2	062043-01-000	EA LABEL - FUEL - UNLEADED
3	124519-01-01A	EA LABEL - WARNING/REFUELING - BLACK ON CLEAR

LABELS GROUP (CONTINUED)



KEY	PART NUMBER	U/M DESCRIPTION
1	126024-01-01A	EA LABEL - TIRE HANGER REMOVAL

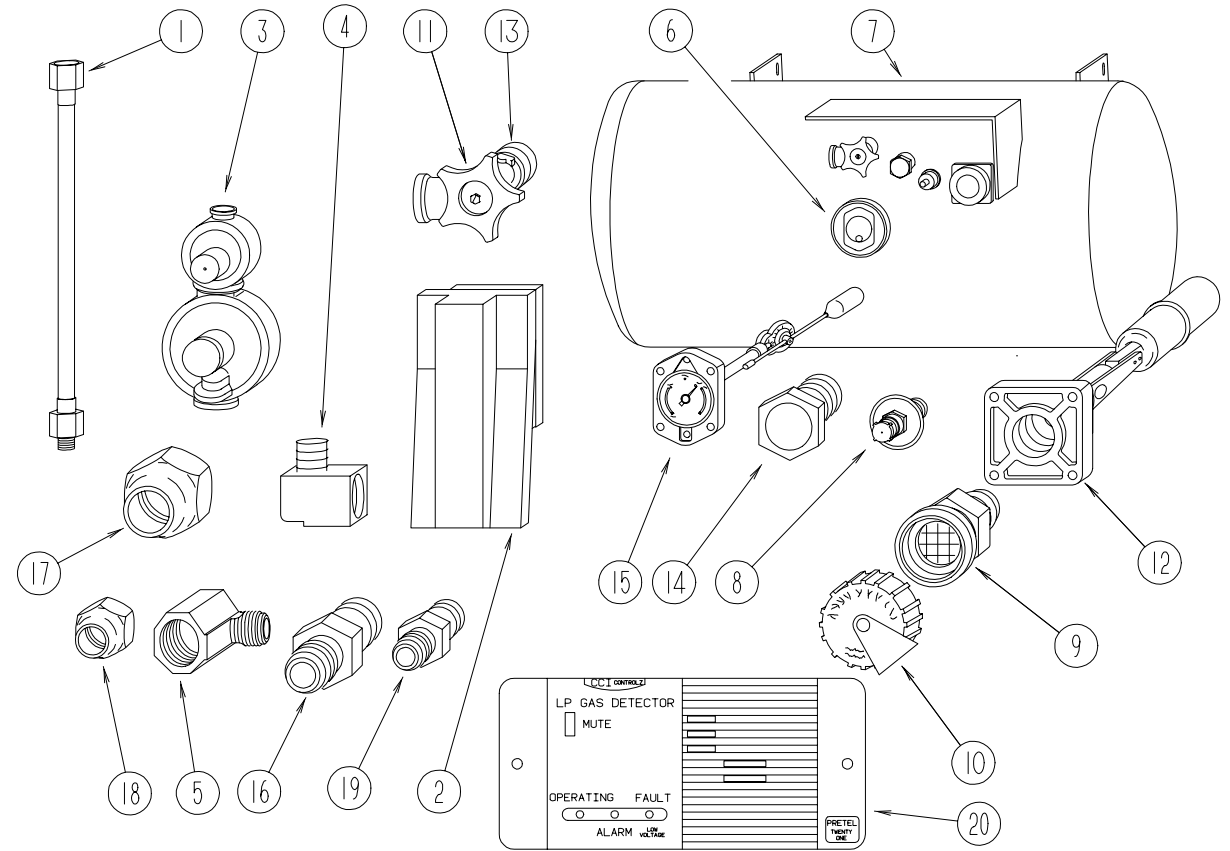


KEY	PART NUMBER	U/M DESCRIPTION
1	087236-01-000	EA LABEL - CABLE - INPUT

MISCELLANEOUS LABELS

KEY	PART NUMBER	U/M DESCRIPTION
	068383-01-000	EA LABEL - DIESEL FUEL
	098379-04-000	EA LABEL - ELECTRICAL BOX - SIDE
	098641-01-000	EA LABEL - FUEL - UNLEADED - DASH
	102267-01-000	EA LABEL - NO OCCUPANCY - US
	111537-07-000	EA LABEL - FUSES
	113402-01-000	EA LABEL - CAUTION - WATER HEATER EXHAUST
	128218-01-01A	EA LABEL - WARNING - SLIPPERY ROOF

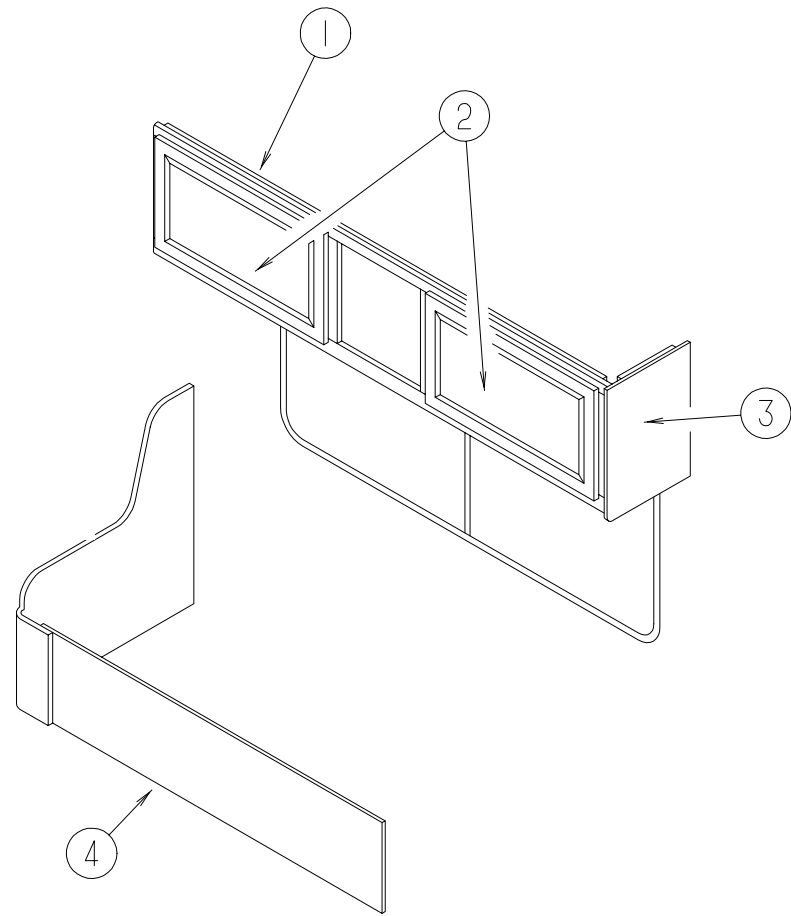
LP GROUP



LP TANK & COMPONENTS

KEY	PART NUMBER	U/M DESCRIPTION	VENDOR NO.
1	045703-01-000	EA HOSE - LP - 3/8"ID X 24" - 3/8"MPT X 1/2"F SWIVEL	
2	105658-01-000	EA COMPARTMENT - LP REGULATOR	
3	106150-01-000	EA REGULATOR - TWO STAGE -W/90 DEGREE ELBOW & 3/8" FPT OUTLET	
4	035340-01-000	EA ELBOW - 3/8" MPT X 1/2" F - BRASS	
5	010265-01-000	EA ELBOW - BRASS - 90 DEGREE - 3/8"F X 1/2"FPT	
6	040440-02-000	EA TRANSMITTER - DIAL - 0-90 OHM -2 TERMINAL (POWER & GROUND)	
7	088253-07-000	EA TANK - LP - 80 LB - 16" X 30" - TOP MOUNT	
8	040421-01-700	EA VALVE-LIQUID LEVEL, 20%	G-1013
9	040421-01-701	EA VALVE-FILL-SHORT, LP	7547B
10	040421-01-702	EA CAP-FILL VALVE, PLASTIC	G-1014-A
11	040421-01-708	EA HANDWHEEL-SERVICE VALVE	G-1015-A
12	040421-01-711	EA VALVE-80% FILL W/AUTO STOP	LLL/TL3
13	040421-01-712	EA VALVE,SERV. W/O VAPOR RELIEF	29000853
14	040421-01-713	EA VALVE-RELIEF 1" W/SPRING 7"	29000587
	040421-01-714	EA VALVE RELIEF 3/4"W/SPRING 7"	LVRF29000400
15	088253-01-700	EA GAUGE-FLOAT ASSEMBLY, L.P.	16C
16	010329-01-000	EA ADAPTER - BRASS - 1/2"F X 1/2"MPT	
17	010377-02-000	EA NUT - BRASS - 3/8" FLARE - FORGED	
18	010380-02-000	EA NUT - BRASS - 1/2" FLARE - FORGED	
19	010323-01-000	EA ADAPTER - BRASS - 3/8"F X 1/2"MPT	
20	103613-03-000	EA DETECTOR - LP GAS - W/O SHUT-OFF VALVE	
	122752-01-02B	EA BRACKET - LP - E-COATED	

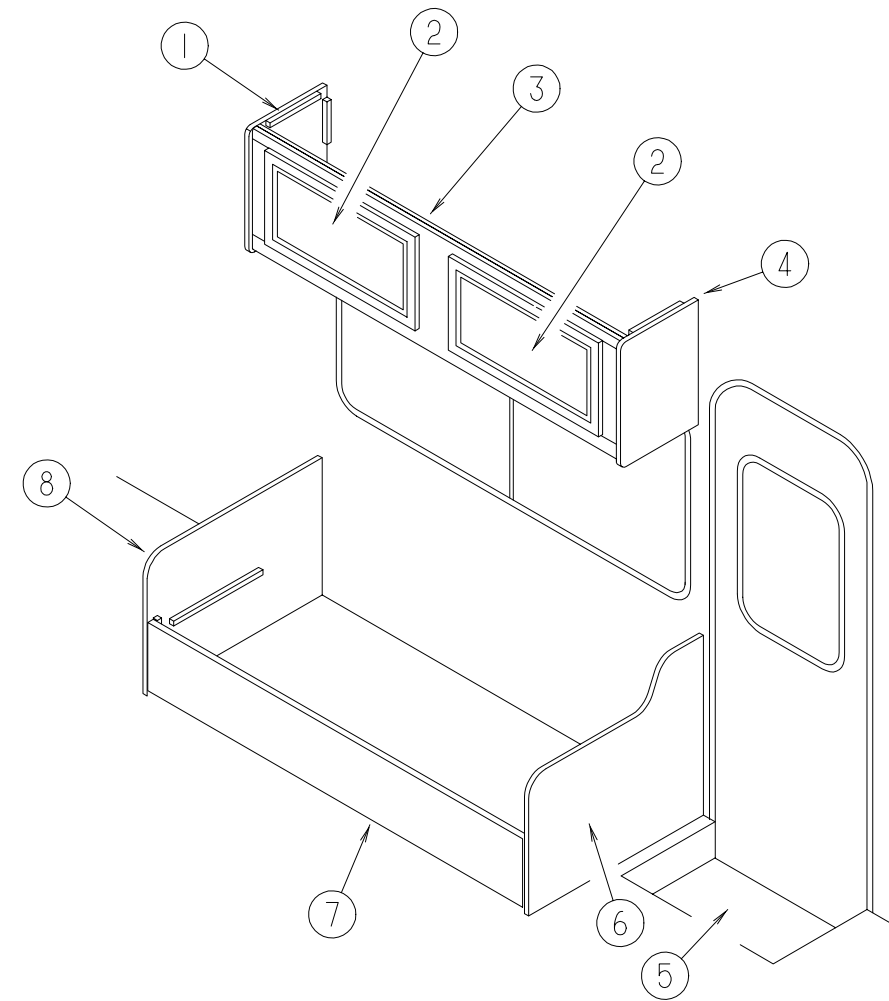
LOUNGE GROUP



DRIVER SIDE OVERHEAD & COUCH CABINETS

KEY	PART NUMBER	U/M	DESCRIPTION
1	117922-06-J58	EA	CABINET - OVERHEAD/DINETTE - W/O DOORS/HARDWARE
1	117922-06-J59	EA	CABINET - OVERHEAD/DINETTE - W/O DOORS/HARDWARE
2	M05992-48-J10	EA	DOOR - STRAIGHT CORNER/OGEE EDGE - 15.7" X 27.9" - W/O HDW
3	103128-01-J30	EA	END CAP - OVERHEAD CABINET - RIGHT HAND
4	M04187-89-H10	EA	PANEL - FRONT KICK - SOFA/BED - FABRIC COVERED (J58)
4	M04187-89-J11	EA	PANEL - FRONT KICK - SOFA/BED - FABRIC COVERED (J59)
	121906-01-02B	EA	BRACKET - KICKBOARD - E-COATED

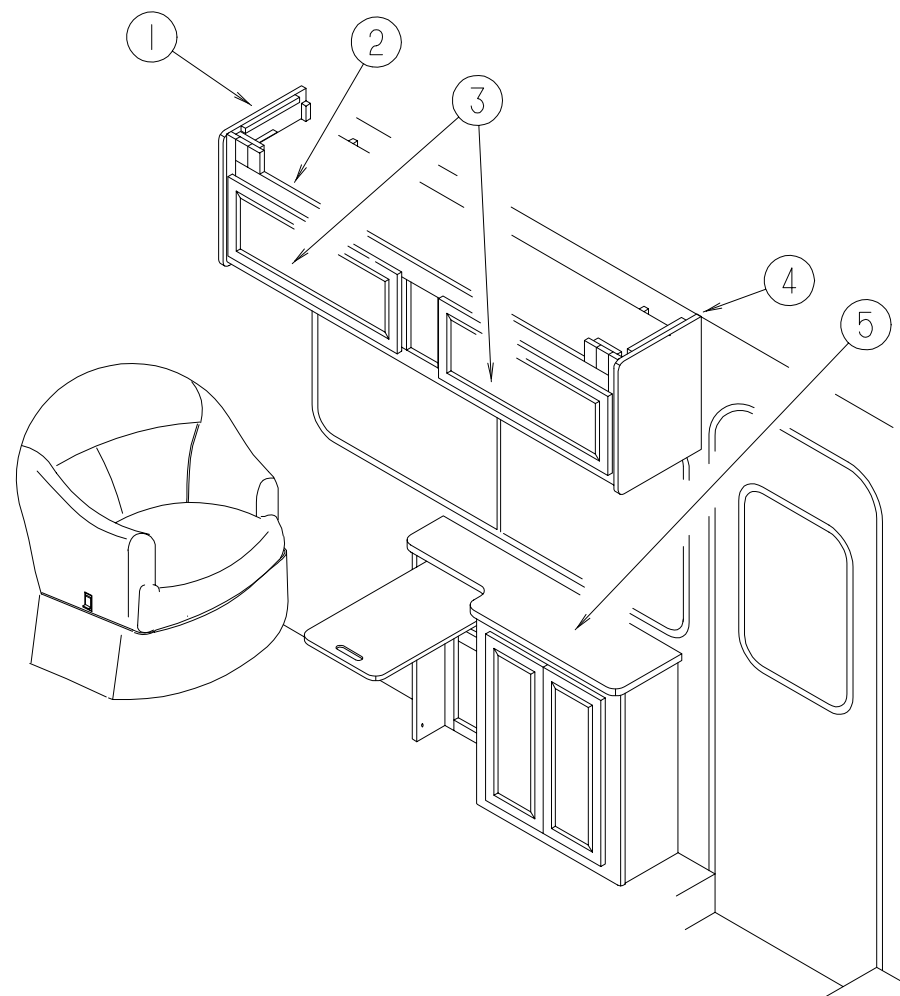
LOUNGE GROUP (CONTINUED)



PASSENGER SIDE OVERHEAD & COUCH CABINETS

KEY	PART NUMBER	U/M	DESCRIPTION
1	103128-13-J58	EA	END CAP - OVERHEAD CABINET - LEFT HAND
2	M05992-89-J58	EA	DOOR - STRAIGHT CORNER/OGEE EDGE - 14.3" X 26.7" - W/O HDW
3	122173-01-J58	EA	CABINET - OVERHEAD LOUNGE - W/O DOORS/HARDWARE
4	103128-12-J58	EA	END CAP - OVERHEAD CABINET - RIGHT HAND
5	120234-04-H13	EA	LID - ENTRY STEP
	122755-03-01A	EA	TILE - RUBBER/ENTRANCE DOOR - 17.7" X 26.4"
	101222-01-04A	EA	BRACKET - CATCH - LID
	116975-01-01A	EA	LATCH - W/O STRIKE - BLACK - NEW STYLE
	116975-02-01A	EA	KEEPER/STRIKE - BLACK - NEW STYLE
6	M04187-84-J58	EA	PANEL - RIGHT END - SOFA/BED - FABRIC COVERED
6	M04187-84-J59	EA	PANEL - RIGHT END - SOFA/BED - FABRIC COVERED
7	M04187-83-J58	EA	PANEL - FRONT KICK - SOFA/BED - FABRIC COVERED
7	M04187-83-J59	EA	PANEL - FRONT KICK - SOFA/BED - FABRIC COVERED
8	M04187-85-J58	EA	PANEL - LEFT END - SOFA/BED - FABRIC COVERED
8	M04187-85-J59	EA	PANEL - LEFT END - SOFA/BED - FABRIC COVERED
	082525-01-000	EA	BRACE - COUCH - FLOOR MOUNT - ANGLE 3" LONG

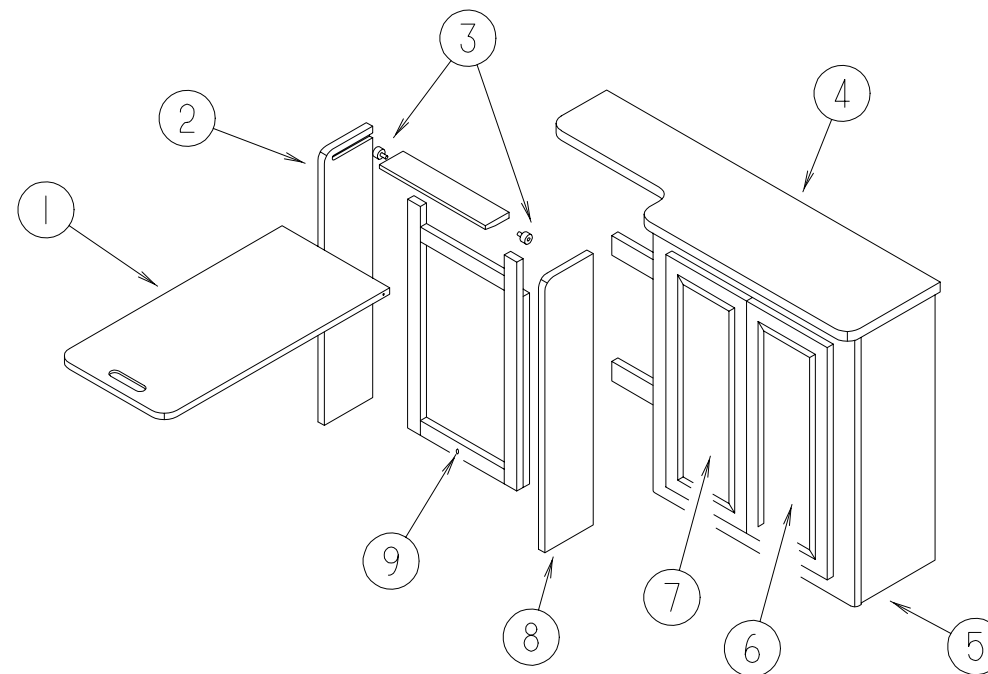
LOUNGE GROUP (CONTINUED)



PASSENGER SIDE OVERHEAD CABINET & HUTCH

KEY	PART NUMBER	U/M	DESCRIPTION
1	103128-13-J58	EA	END CAP - OVERHEAD CABINET - LEFT HAND
2	M05992-89-J58	EA	DOOR - STRAIGHT CORNER/OGEE EDGE - 14.3" X 26.7" - W/O HDW
3	122173-01-J58	EA	CABINET - OVERHEAD LOUNGE - W/O DOORS/HARDWARE
4	103128-12-J58	EA	END CAP - OVERHEAD CABINET - RIGHT HAND
5	114796-01-H10	EA	CABINET - HUTCH/FRONT/RH - W/COUNTERTOP-W/O DRS/DWRS/HDW (J58)
5	114796-01-J59	EA	CABINET - HUTCH/FRONT/RH - W/COUNTERTOP-W/O DRS/DWRS/HDW (J59)

LOUNGE GROUP (CONTINUED)



PASSENGER SIDE HUTCH

KEY	PART NUMBER	U/M	DESCRIPTION
1	114796-15-G07	EA	TABLE - PULLOUT - HUTCH CABINET
2	114796-13-F08	EA	PANEL - OUTSIDE - FLIP UP TABLE CABINET
3	079921-01-000	EA	ROLLER - NYLON - W/STEEL SHAFT - BARBED
4	114796-11-F02	EA	COUNTERTOP - HUTCH CABINET (J58)
4	114796-11-J38	EA	COUNTERTOP - HUTCH CABINET (J59)
5	114796-01-H10	EA	CABINET - HUTCH/FRONT/RH - W/COUNTERTOP-W/O DRS/DWRS/HDW (J58)
5	114796-01-J59	EA	CABINET - HUTCH/FRONT/RH - W/COUNTERTOP-W/O DRS/DWRS/HDW (J59)
6	M05992-H0-J10	EA	DOOR - STRAIGHT CORNER/OGEE EDGE - 10" X 25.2" - W/O HDW
7	M05992-H1-J10	EA	DOOR - STRAIGHT CORNER/OGEE EDGE - 10" X 25.2" - W/O HDW
8	114796-12-G07	EA	PANEL - INSIDE - FLIP UP TABLE CABINET
9	049176-01-000	EA	HEDLOCK II - 3/4 DIAMETER SCREW MOUNT
	097974-01-000	EA	SCREW - PARTICLE BOARD - 7-9 X 3/4 PPH

SEALANTS & FASTENERS GROUP

ADHESIVES, TAPES & SEALERS

KEY	PART NUMBER	U/M	DESCRIPTION
	002707-02-000	FT	TAPE-SEALER - 5/16" X 1/2" - INCREMENTS OF 50 FT
	004006-05-700	EA	ADHESIVE-NAT. STARCH (5 GAL) 0802
	004020-01-000	QT	ADHESIVE - ABS CEMENT - QUART
	034552-02-000	EA	SILICONE - TUBE - W/O NOZZLE - CLEAR
	039518-01-000	EA	SILICONE - TUBE - W/O NOZZLE - BLACK
	053766-08-000	EA	BEDDING COMPOUND - TUBE - GRAY
	062917-03-000	EA	ADHESIVE - LOCTITE 242
	067788-01-000	EA	ADHESIVE - SPRAY - 3M - 19.5 AEROSOL CAN
	069640-01-000	FT	SEALER - RIBBON - 1/4" DIAMETER X 30' - BLACK
	069640-02-000	FT	SEALER - TAPE - .13"THICK X .5"WIDE X 60' - GRAY
	069640-03-000	FT	SEALER - TAPE - .13"THICK X .75"WIDE X 60' - BLACK
	069640-07-000	FT	SEALER - TAPE - .09"THICK X 2"WIDE X 45' - GRAY
	069640-09-000	FT	SEALER - TAPE - .032"THICK X 2.50"WIDE X 80' - GREY
	069640-14-000	FT	SEALER - TAPE - .06"THICK X 1"WIDE X 100' - GRAY
	069640-17-000	FT	SEALER - TAPE - .03"THICK X 1"WIDE X 90' - GRAY
	069640-18-000	FT	SEALER - TAPE - .50"THICK X 1/8"WIDE X 60' - BRIGHT WHITE
	069640-19-000	FT	SEALER - TAPE - .75"THICK X 1/8"WIDE X 60' - BRIGHT WHITE
	072889-01-000	EA	SEALANT - URETHANE - BLACK - 1/10
	072889-09-000	EA	SEALANT - URETHANE - BLACK (TUBE)
	072889-10-000	EA	SEALANT - URETHANE (HV) - BRIGHT WHITE
	072889-12-000	EA	SEALANT - URETHANE (LV) BRIGHT WHITE
	076322-03-000	FT	TAPE - DOUBLE COATED/ADHESIVE BACK - .045"THK X .50"W X 9'
	076322-05-000	FT	TAPE - DOUBLE COATED/ADHESIVE BACK - .045"THK X .75"W X 9'
	087211-01-000	GL	PROMOTER - ADHESIVE
	088479-01-000	EA	TAPE - ALUMINUM - 3"
	091255-02-000	FT	SEAL - ADHESIVE BACKED/FOAM - .18" THICK X 1.5" WIDE
	102352-01-000	EA	SEALER - PUMPABLE - BLACK
	102352-02-000	EA	SEALER - PUMPABLE - CLEAR
	106206-01-000	EA	SEALER - PUMPABLE - MANUS 30A - BLACK
	108716-03-000	EA	SILICONE - TUBE - BRIGHT WHITE/SELF LEVELING - W/O NOZZLE
	110274-01-000	FT	TAPE - DOUBLE SIDED FOAM - .45" X 1"
	111940-02-000	LB	SEALER - PUTTY - THUMBING
	112864-01-000	FT	SEAL - FOAM/BUTYL COVERED - 3/8"
	112901-02-000	EA	ADHESIVE - PLEXUS - 50ML
	120074-02-01A	EA	SEALANT - SILICONE - OFF WHITE
	120534-01-01A	EA	TAPE - SCOTCH - 3M - 1/2" FINE LINE
	123816-01-000	FT	TAPE - DOUBLE SIDED - 1"
	123816-02-000	FT	TAPE - DOUBLE SIDED - 1/2" X 1 1/3" THICK
	131264-03-01A	EA	SILICONE - SELF LEVELING - W/O NOZZLE - BRIGHT WHITE
	900390-01-000	EA	TIP - 2 1/2" X 1/8" ORIFICE
	900390-03-000	EA	NOZZLE - SILICONE TUBE

SEALANTS & FASTENERS GROUP (CONTINUED)

WASHERS

KEY	PART NUMBER	U/M	DESCRIPTION
	000E11-07-00B	EA	WASHER - LOCKING - 7/16 MED SPLIT - ZINC
	000E11-08-00B	EA	WASHER - LOCKING - 1/2 MED SPLIT - ZINC
	000E13-14-00B	EA	WASHER - FLAT - 1/4 WIDE - ZINC
	000E13-18-00B	EA	WASHER - FLAT - 3/8 WIDE - ZINC
	000E13-20-00B	EA	WASHER - FLAT - 7/16 WIDE - ZINC
	000E13-21-00B	EA	WASHER - FLAT - 1/2 NARROW - ZINC
	000E13-22-00B	EA	WASHER - FLAT - 1/2 WIDE - ZINC
	000E13-26-00B	EA	WASHER - FLAT - 5/8 WIDE - ZINC
	058716-02-000	EA	WASHER - FLAT NYLON
	106649-01-000	EA	WASHER - SEALING - GALVANIZED
	110794-01-000	EA	WASHER - FLAT - 1"ID X 1 3/4"OD

NUTS

KEY	PART NUMBER	U/M	DESCRIPTION
	000D24-10-00B	EA	NUT - HEX - SELF LOCKING - 10-32 ZINC
	000D29-05-00B	EA	NUT - HEX - LOCKING W/SERRATED FLANGE-NYLON WASHER INSERT
	000D34-06-00B	EA	NUT - HEX - LOCKING - 3/8-16 GRADE C - ZINC-PREVAILING
	000D39-04-00B	EA	NUT - HEX - LOCKING W/SERRATED FLANGE - 1/4-20 - ZINC
	000D39-05-00B	EA	NUT - HEX - LOCKING W/SERRATED FLANGE - 5/16-18 - ZINC
	000D39-06-00B	EA	NUT - HEX - LOCKING W/SERRATED FLANGE - 3/8-18 - ZINC
	000D39-07-00B	EA	NUT - HEX - LOCKING W/SERRATED FLANGE - 7/16-14 - ZINC
	000D39-08-00B	EA	NUT - HEX - LOCKING W/SERRATED FLANGE - 1/2-13 - ZINC
	000D44-07-00B	EA	NUT - HEX - LOCKING W/SERRATED FLANGE - 7/16-20 - ZINC
	000D46-04-00A	EA	NUT - HEX - WELD - 1/4-20 - PLAIN
	040921-01-000	EA	NUT - SPEED - U TYPE - 10-24 BLACK
	040921-04-000	EA	NUT - SPEED - U TYPE - 8-.59" LENGTH X .44" WIDTH
	040921-09-000	EA	NUT - SPEED - U TYPE - 8
	044364-02-000	EA	NUT - SPEED - FLAT - ROUND
	063253-07-000	EA	NUT - J - #8A - .120 - .130 PNL THK
	087234-01-000	EA	NUT - JACK - 1/4 X 20 THD - MOLLY - MOUNTS LICENSE PLATES
	104369-01-000	EA	NUT - HEX - HEAVY - 5/8-11 UNC

CLAMPS

KEY	PART NUMBER	U/M	DESCRIPTION
	007161-01-000	EA	CLAMP - HOSE - SPRING TYPE - 1/2"
	010495-02-000	EA	CLAMP - CABLE - 3/8
	010497-01-000	EA	CLAMP - CLOSED - 5/8" ID
	010497-03-000	EA	CLAMP - CLOSED - 1" ID - CUSHIONED
	010497-04-000	EA	CLAMP - CLOSED - 1.62" ID
	010497-07-000	EA	CLAMP - CLOSED - 3/8" ID
	010499-01-000	EA	CLAMP - CLOSED - 3/8 ID
	062401-01-000	EA	CLAMP - HOSE - WORMGEAR - .25" - 1"
	062401-02-000	EA	CLAMP - HOSE - WORMGEAR - 1.56" - 2.5"
	062401-03-000	EA	CLAMP - HOSE - WORMGEAR - .22"- 1"
	062401-04-000	EA	CLAMP - HOSE - WORMGEAR - .69" - 1.25"
	062401-05-000	EA	CLAMP - HOSE - WORMGEAR - 2" TO 3" ID
	062401-06-000	EA	CLAMP - HOSE - WORMGEAR - .22" - .62" ID
	062401-11-000	EA	CLAMP - HOSE - WORMGEAR - 3.50" - 4.50"
	075148-02-000	EA	CLAMP - GROUNDING - BRONZE SCREWS
	077955-01-000	EA	CLIP-J - VINYL COATED - 3/8"
	080734-02-000	EA	CLIP - WIRE NYLON
	083609-01-000	EA	CLAMP - WIRE - DUAL - EQUAL DIAMETERS - 5/8"
	083610-01-000	EA	CLAMP - WIRE - DUAL - UNEQUAL DIAMETERS - 3/4" & 1 1/4"
	094362-02-000	EA	CLIP - XMAS TREE - BINDER HEAD - .9" LONG

SEALANTS & FASTENERS GROUP (CONTINUED)

SCREWS

KEY	PART NUMBER	U/M DESCRIPTION
	0G3908-08-170	EA SCREW - SF/DR - 8-18 X .50 PPH - BRIGHT WHITE
	0G3908-24-170	EA SCREW - SF/DR - 8-18 X 1.50 PPH - BRIGHT WHITE
	0G5508-16-190	EA SCREW - SF/DR - 8-18 X 1.00 PWH
	0G6710-08-170	EA SCREW - 10-12 X 1/2 PPH - BRIGHT WHITE
	000G11-05-08B	EA SCREW - 5-20 X .50 PPH - ZINC
	000G11-06-10J	EA SCREW - 6-20 X 5/8 PPH - BRASS
	000G11-06-10B	EA SCREW - 6-20 X 5/8 PPH - ZINC
	000G11-06-08B	EA SCREW - 6-20 X 1/2 PPH - ZINC
	000G11-06-06B	EA SCREW - 6-20 X 3/8 PPH - ZINC
	000G11-07-08B	EA SCREW - 7-19 X 1/2 PPH - ZINC
	000G11-08-08T	EA SCREW - 8-18 X 1/2 PPH - FLUOROCARBON COATING
	000G11-08-08B	EA SCREW - 8-18 X 1/2 PPH - ZINC
	000G11-08-06B	EA SCREW - 8-18 X 3/8 PPH - ZINC
	000G11-08-20B	EA SCREW - 8-18 X 1 1/4 PPH - ZINC
	000G11-08-16S	EA SCREW - 8-18 X 1 PPH - OFF WHITE
	000G11-08-12T	EA SCREW - 8-18 X 3/4 PPH - BLACK
	000G11-08-12P	EA SCREW - 8-18 X 3/4 PPH - DARK BROWN
	000G11-08-12D	EA SCREW - 8-18 X 3/4 PPH - BLACK
	000G11-08-12B	EA SCREW - 8-18 X 3/4 PPH - ZINC
	000G11-10-12D	EA SCREW - 10-16 X 3/4 PPH - BLACK
	000G11-10-40B	EA SCREW - 10-16 X 2 1/2 PPH CAD - 34927-01-000
	000G11-10-16B	EA SCREW - 10-16 X 1 PPH - ZINC
	000G11-10-12S	EA SCREW - 10-16 X 3/4 PPH - OFF WHITE
	000G12-06-08T	EA SCREW - 6-20 X 1/2 POH - BLACK
	000G13-06-16E	EA SCREW - 6-20 X 1.00 PFH - CHROME
	000G13-06-10G	EA SCREW - 6-20 X 5/8 PFH - ANTIQUE BRASS
	000G13-06-08G	EA SCREW - 6-20 X .50 PFH - ANTIQUE BRASS
	000G13-06-08B	EA SCREW - 6-20 X 1/2 PFH - ZINC
	000G13-06-24J	EA SCREW - 6-20 X 1 1/2 PFH - BRASS
	000G13-06-16J	EA SCREW - 6-20 X 1 PFH - BRASS
	000G13-07-12B	EA SCREW - 7-19 X 3/4 PFH - ZINC
	000G18-08-22B	EA SCREW - MACHINE - 8-32 X 1 3/8 PPH - ZINC
	000G19-10-20B	EA SCREW - MACHINE - 10-32 X 1 1/2 PPH - ZINC
	000G19-10-12F	EA SCREW - MACHINE - 10-32 X 3/4 PPH - STAINLESS STEEL
	000G19-10-08B	EA SCREW - MACHINE - 10-32 X 1/2 PPH - ZINC
	000G39-06-10T	EA SCREW - SF/DR - 6-20 X 5/8 PPH - BLACK
	000G39-08-16T	EA SCREW - SF/DR - 6-20 X 1 PPH - BLACK
	000G39-08-16R	EA SCREW - SF/DR - 8-18 X 1 PPH - BEIGE
	000G39-08-16B	EA SCREW - SF/DR - 8-18 X 1 PPH - ZINC
	000G39-08-12T	EA SCREW - SF/DR - 8-18 X 3/4 PPH - BLACK
	000G39-08-12B	EA SCREW - SF/DR - 8-18 X 3/4 PPH - ZINC
	000G39-08-08T	EA SCREW - SF/DR - 8-18 X 1/2 PPH - BLACK
	000G39-08-08S	EA SCREW - SF/DR - 8-18 X 1/2 PPH - OFF WHITE
	000G39-08-08B	EA SCREW - SF/DR - 8-18 X 1/2 PPH - ZINC
	000G39-08-24B	EA SCREW - SF/DR - 8-18 X 1 1/2 PPH - ZINC
	000G39-10-12B	EA SCREW - SF/DR - 10-16 X 3/4 PPH - ZINC
	000G39-10-10B	EA SCREW - SF/DR - 10-16 X 5/8 - ZINC
	000G39-10-08B	EA SCREW - SF/DR - 10-16 X 1/2 PPH - ZINC
	000G39-10-48T	EA SCREW - SF/DR - 10-16 X 3.00 PPH - BLACK
	000G39-10-209	EA SCREW - SF/DR - 10-16 X 1 1/4 PPH - FLUOROCARBON SILVER
	000G39-10-20B	EA SCREW - SF/DR - 10-16 X 1 1/4 PPH - ZINC
	000G39-10-129	EA SCREW - SF/DR - 10-16 X 3/4 PPH - FLUOROCARBON SILVER
	000G39-10-12D	EA SCREW - SF/DR - 10-16 X 3/4 PPH - BLACK
	000G46-08-24T	EA SCREW - MACHINE - 8-32 X 1 1/2 PFH - BLACK

SEALANTS & FASTENERS GROUP (CONTINUED)

SCREWS (CONTINUED)

KEY	PART NUMBER	U/M DESCRIPTION
	000G50-04-12B	EA SCREW - MACHINE - 1/4-20 X 3/4 PPH - ZINC
	000G52-08-18B	EA SCREW - MACHINE - 8-32 X 1 1/8 PTH - ZINC
	000G54-04-20B	EA SCREW - 1/4-20 X 1.25 PTH - TYPE 23 - ZINC PLATED
	000G55-08-12S	EA SCREW - SF/DR - 8-18 X 3/4 PWH - OFF WHITE
	000G56-12-48B	EA SCREW - WOOD - 12-11 X 3 POH - SPECIAL HARDENED
	000G67-08-32B	EA SCREW - 8-15 X 2 PPH - ZINC
	000G67-10-10B	EA SCREW - 10-12 X 5/8 PPH - ZINC - TYPE A
	000G67-10-08B	EA SCREW - 10-12 X 1/2 PPH - ZINC
	000G67-10-36T	EA SCREW - 10-12 X 2 1/4 - PPH - BLACK
	000G67-10-32B	EA SCREW - 10-12 X 2 PPH - ZINC
	000G67-10-24B	EA SCREW - 10-12 X 1.50 PPH - ZINC
	000G67-10-16B	EA SCREW - 10-12 X 1 PPH - ZINC
	000G67-10-120	EA SCREW - 10-12 X 3/4 PPH - TAN
	000G67-10-12P	EA SCREW - 10-12 X 3/4 PPH - DARK BROWN
	000G67-10-12B	EA SCREW - 10-12 X 3/4 PPH - ZINC
	000G67-10-10S	EA SCREW - 10-12 X 5/8 PPH - OFF WHITE
	000G67-10-10P	EA SCREW - 10-12X.62 PPH - DARK BROWN
	000G67-10-10D	EA SCREW - 10-12 X 5/8 PPH - BLACK - TYPE A
	000G68-06-10G	EA SCREW - 6-18 X 5/8 POH - ANTIQUE BRASS
	054434-02-000	EA SCREW - SF/DR - 10-16 X 2 - ZINC
	057671-01-000	EA COVER - SCREW - #8 - PLASTIC - OFF WHITE
	057671-12-000	EA COVER - SCREW - #8 - QUICK SILVER
	057671-15-000	EA COVER - SCREW - BRIGHT WHITE
	075908-01-000	EA SCREW - MACHINE - 10-32 X .56 PTH - EXTERNAL TOOTH - ZINC
	076790-01-000	EA SCREW - 6-20 X 1 1/4 PPH - BLACK
	083554-04-000	EA SCREW - DRYWALL - 8 X 2.50
	086256-01-000	EA SCREW - SF/DR - 8 X 3/4 HWH LONG
	097974-01-000	EA SCREW - PARTICLE BOARD - 7-9 X 3/4 PPH
	115430-01-01A	EA SCREW - 8-18 X 1/2 POH - W/WASHER

SEALANTS & FASTENERS GROUP (CONTINUED)**BOLTS**

KEY	PART NUMBER	U/M	DESCRIPTION
	000C12-05-16B	EA	BOLT - HEX - 5/16-18 X 1 - ZINC 5
	000C12-06-16B	EA	BOLT - HEX - 3/8-16 X 1 LG - ZINC 5
	000C12-08-24B	EA	BOLT - HEX - 1/2-13 X 1.50 - ZINC 5
	000C12-08-16B	EA	BOLT - HEX - 1/2-13 X 1.00 - GD5 - ZINC
	000C12-10-24B	EA	BOLT - HEX - 5/8-11 X 1.50 - ZINC 5
	000C13-07-48B	EA	BOLT - HEX - 7/16-20 X 3 - ZINC 5
	000C13-07-24B	EA	BOLT - HEX - 7/16-20 X 1 1/2 GRADE 5
	000C26-04-10B	EA	BOLT - HEX - SERRATED FLANGE - 1/4-20 X 5/8 - ZINC
	000C26-04-18B	EA	BOLT - HEX - SERRATED FLANGE - 1/4-20 X 1 1/8 - ZINC
	000C26-04-14B	EA	BOLT - HEX - SERRATED FLANGE - 1/4-20 X 7/8 - ZINC
	000C26-05-16B	EA	BOLT - HEX - SERRATED FLANGE - 5/16-18 X 1 - ZINC
	000C26-05-12B	EA	BOLT - HEX - SERRATED FLANGE - 5/16-18 X 3/4 - ZINC
	000C26-06-16B	EA	BOLT - HEX - SERRATED FLANGE - 3/8-16 X 1 - ZINC
	000C26-06-12B	EA	BOLT - HEX - SERRATED FLANGE - 3/8-16 X 3/4 - ZINC
	000C26-08-24B	EA	BOLT - HEX - SERRATED FLANGE - 1/2-13 X 1 1/2 ZINC
	000C27-10-32B	EA	BOLT - CARRIAGE - 5/8-11 X 2
	051387-06-000	EA	BOLT - CARRIAGE W/O HOLE - 5/16-18 X 9.5 - ZINC
	102333-01-06A	EA	BOLT - CARRIAGE - 7/16-14 STAINLESS STEEL CAP
	088787-12-000	EA	STUD - WELD - 1/4 - 20 X 1.0 LG - MN
	108067-03-000	EA	STUD - WELD - 1/4 - 20 X 1/2 CD

SEALANTS & FASTENERS GROUP (CONTINUED)**GROMMETS**

KEY	PART NUMBER	U/M	DESCRIPTION
	016188-05-000	EA	GROMMET - L/P LINE - 3/8" HOLE X 1 1/4" LONG - RUBBER
	023942-01-000	EA	GROMMET - RUBBER - 2" OD
	071015-19-000	EA	GROMMET - .38 ID - FITS .06 MATERIAL
	071015-26-000	EA	GROMMET - RUBBER - 1.5" ID X 2.12" OD W/.06" GROOVE - BLK
	071015-30-000	EA	GROMMET - RUBBER - .31" ID X .81" OD W/.12" GROOVE - BLK
	088756-01-000	EA	GROMMET - WEB - 1 1/8 " I.D.
	114208-01-000	EA	GROMMET - EDGE LINER - FITS 1 3/4"

RIVETS AND MISCELLANEOUS FASTENERS

KEY	PART NUMBER	U/M	DESCRIPTION
	000H14-04-04A	EA	RIVET - MANDREL BLIND - 1/8 X .400
	000H16-04-06R	EA	RIVET - POP ALUMINUM - 1/8 X .313 - .375
	000H16-06-10R	EA	RIVET - POP ALUMINUM - 3/16 X .501-.625
	008343-01-000	EA	TIE - WIRE - 6"
	008343-02-000	EA	TIE - WIRE - 14"
	086285-01-000	EA	SPACER - NYLON - .5" OD X .257" ID
	029094-04-000	YD	VELCRO TAPE - LOOP - 1" WIDE - BLACK
	029096-03-000	YD	VELCRO TAPE - HOOK - 1" WIDE - BLACK
	029096-04-000	YD	TAPE - HOOK - VELCRO - 1" WIDE - BLACK
	085774-01-000	FT	FASTENER - DUAL HOOK - 1" WIDE - ADHESIVE BACK - BLACK
	085774-02-000	FT	FASTENER - DUAL HOOK - 1" WIDE - ADHESIVE BACK - BLACK
	048394-02-000	YD	VELCRO TAPE - HOOK - ADHESIVE BACK - .75" WIDE - BEIGE
	088792-02-000	YD	VELCRO TAPE - LOOP - 3/4" - ADHESIVE BACKED - BEIGE
	088792-05-000	YD	VELCRO TAPE - LOOP - 5/8" - NON-ADHESIVE BACKED - WHITE
	108046-02-000	EA	CABLE TIE - SCREW MOUNT 15"
	110943-02-000	FT	FELTSTRIP - 3/8" - ADHESIVE BACK - WHITE

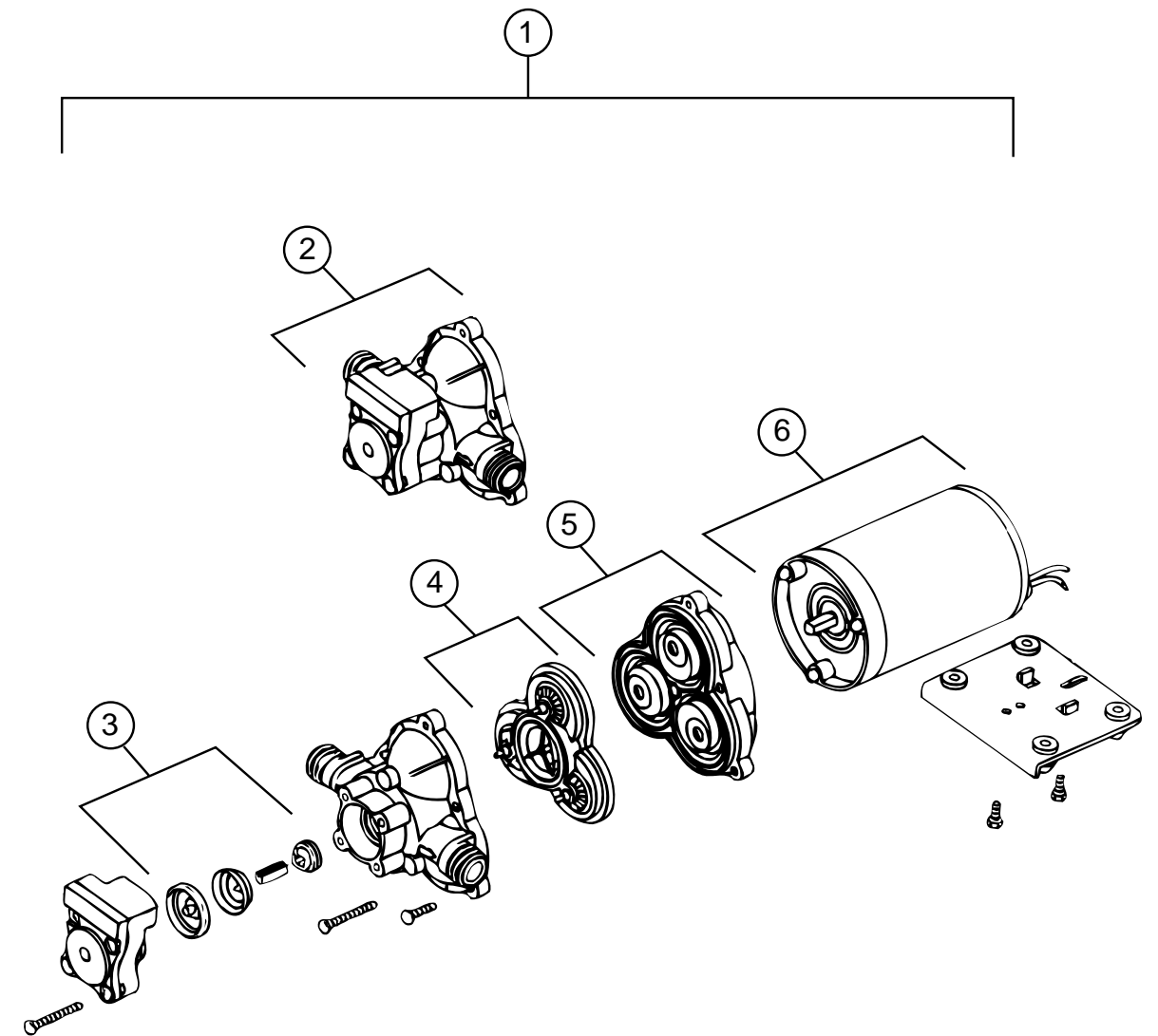
WATER & SEWAGE GROUP

ATWOOD WATER HEATER W/ELECTRIC IGNITION (ICH6-6E)

KEY	PART NUMBER	U/M	DESCRIPTION
*	111129-01-000	EA	WATER HEATER - ELECTRIC IGNITION - 220 VOLTS
	104703-05-000	EA	TUBE - MOTOR AID
	103798-01-000	EA	CONNECTOR - 1/4 OD X 3/8 MPT
	112177-01-000	EA	ADAPTER - BRASS - 1/2 MPT X 1/2 BARB

*COMPONENT PARTS FOUND IN SERVICE PARTS LIBRARY

WATER & SEWAGE GROUP (CONTINUED)



SHURFLO WATER PUMP

KEY	PART NUMBER	U/M	DESCRIPTION	VENDOR NO.
1	098607-01-000	EA	PUMP - WATER - W/.5" MPT FITTING - FLOW 2.8 GPM	
2	098607-01-706	EA	HOUSING, W/SWITCH ONLY	94-231-20
3	098607-01-705	EA	VALVE-CHECK, KIT	94-237-00
4	098607-01-703	EA	VALVE KIT	94-232-00
5	098607-01-702	EA	DIAPHRAGM/DRIVE ASSEMBLY KIT	94-238-04
6	098607-01-707	EA	MOTOR W/BASEPLATE	11-148-04

WATER & SEWAGE GROUP (CONTINUED)

WATER TANK

KEY	PART NUMBER	U/M DESCRIPTION
	116700-05-000	EA TANK - WATER - 59 GALLON - W/FITTINGS
	116700-01-000	EA TANK - WATER - 59 GALLON - W/O FITTINGS
	039861-01-000	EA SENDING UNIT - W/SCREW - WASHER - WELL NUT/TERMINAL RING
	077954-02-000	EA FILTER - WATER TANK - W/SCREEN IN TANK
	042989-03-000	EA FITTING - SPINWELD - 1 1/4"NPT - PLASTIC
	042989-04-000	EA FITTING - SPINWELD - 3/8"FPT - WHITE PLASTIC
	042989-05-000	EA FITTING - SPINWELD - 1/2"FPT - PLASTIC
	049032-01-000	EA PATCH - SPINWELD - 3/8" - PLASTIC

EXTERIOR SHOWER

KEY	PART NUMBER	U/M DESCRIPTION
	079563-04-01A	EA FAUCET - SHOWER 1/2"MPT X 1 1/4"LONG INLET PIPE
	103092-01-000	EA SHOWER HEAD - W/60" HOSE - WHITE
	118051-01-02B	EA BRACKET - FAUCET SUPPORT - E-COAT
	114430-02-000	EA ADAPTER - SWIVEL - 1/2"P X 1/2"FPT
	114429-01-000	EA ELBOW - 1/2"P X 1/2"P

WATER & SEWAGE GROUP (CONTINUED)

WATER SYSTEM COMPONENTS

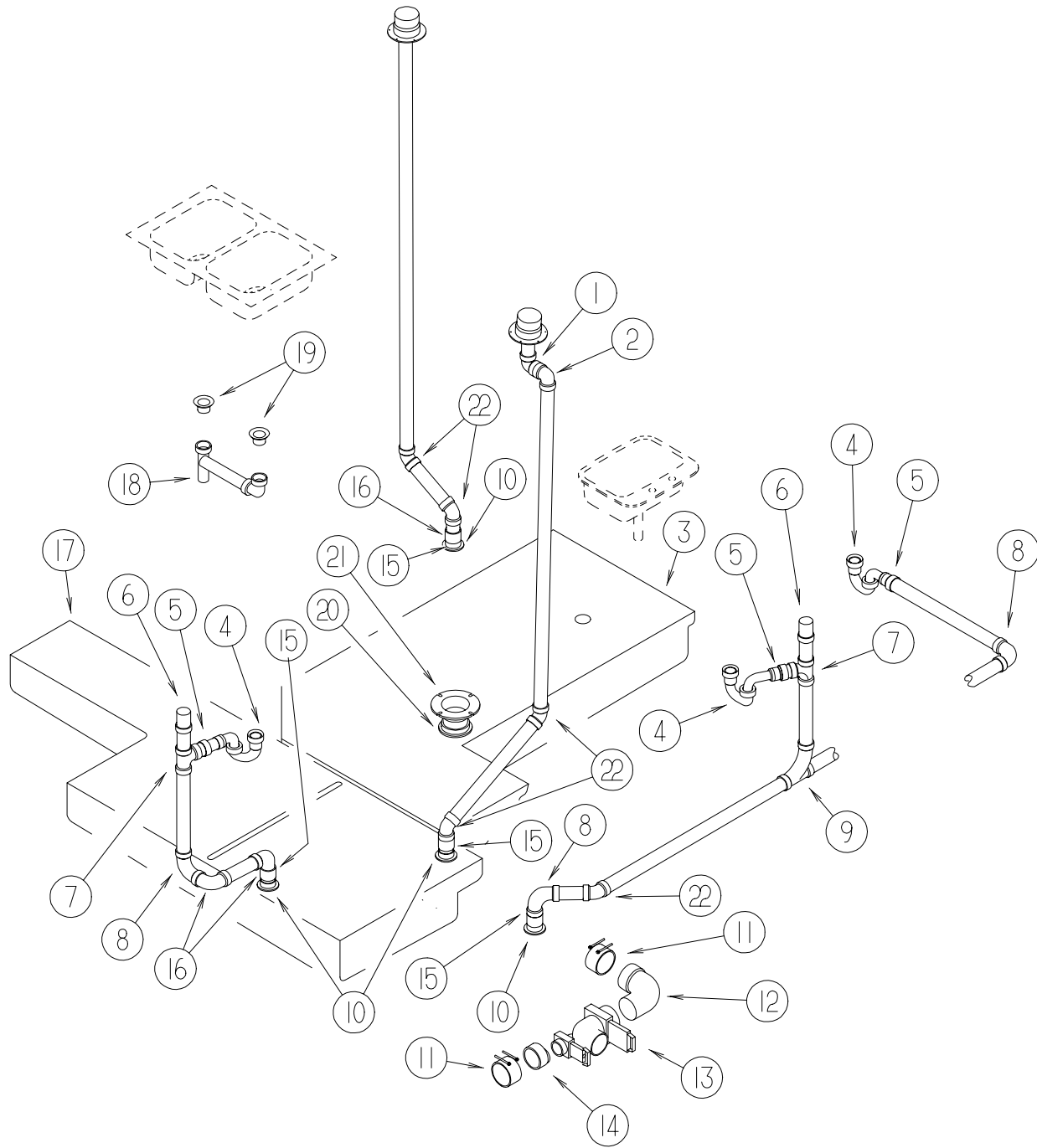
KEY	PART NUMBER	U/M DESCRIPTION
	039808-03-000	EA ELBOW - 1/2" MPT X 1/2" MPT - PLASTIC
	114429-01-000	EA ELBOW - 1/2"P X 1/2"P
	114429-02-000	EA ELBOW - 1/2"P X 1/2"MPT
	114429-03-000	EA ELBOW - SWIVEL - 1/2"P X 1/2"FPT
	114429-04-000	EA ELBOW - 1/2"P X 3/8"MPT
	123150-01-000	EA ELBOW - 1/2 FPT X 1/2 BARB - SWIVEL
	039808-03-000	EA ELBOW - 1/2" MPT X 1/2" MPT - PLASTIC
	010224-01-000	EA ADAPTER - HOSE TO PIPE - 3/8 MPT X 3/8 BARB - PLASTIC
	044927-01-000	EA ADAPTER - HOSE TO PIPE-1 1/4 MPTX1 1/4 BARB-BLACK PLASTIC
	010224-01-000	EA ADAPTER - HOSE TO PIPE - 3/8 MPT X 3/8 BARB - PLASTIC
	114430-02-000	EA ADAPTER - SWIVEL - 1/2"P X 1/2"FPT
	114430-03-000	EA ADAPTER - 1/2"P X 1/2"MPT
	118809-01-000	EA ADAPTER - PLASTIC - 1/2 MPT X 3/8 BARB
	123152-01-000	EA ADAPTER - 1/2 FPT X 1/2 BARB - SWIVEL
	010328-01-000	EA ADAPTER - BRASS - 1/2F X 3/8MPT
	074462-02-000	FT TUBING - VINYL - 3/8 ID X 20' - CLEAR
	079381-01-000	FT TUBING - RIBBED FLEXIBLE - WATER FILL - 1.4" X 10"
	039800-04-000	FT TUBING - POLYBUTYL - 1/4"OD
	124188-01-000	FT TUBING - PEX - 1/2" ID X 20' - BLUE
	124188-02-000	FT TUBING - PEX - 1/2" ID X 20' - RED
	112176-01-000	FT TUBING - VINYL - REINFORCED - 1/2" ID
	114428-01-000	EA TEE - 1/2"P X 1/2"P X 1/2"P
	114428-02-000	EA TEE - SWIVEL - 1/2"P X 1/2"P X 1/2"FPT
	114431-01-000	EA VALVE - 180 DEGREE/CENTER DRAIN - 1/2"P - THREE WAY
	110438-02-000	EA VALVE - CHECK - BRASS - 1/2 MPT X 1/2 MPT
	010230-06-000	EA FILL - CITY WATER - W/CHECK VALVE - MPT
	077954-02-000	EA FILTER - WATER TANK - W/SCREEN IN TANK
	101814-01-000	EA COUPLING - FEMALE - 1/2" X 1/2" FPT - GRAY
	113697-01-000	EA CAP - 3/8 FTG
	111888-01-000	EA FERRULE - PLASTIC - .250 ID X .375 OD
	111888-02-000	EA INSERT - BRASS - 1/4 COMP
	115029-01-000	FT HOSE - WATER - 3/8 ID

WATER PURIFICATION SYSTEM

KEY	PART NUMBER	U/M DESCRIPTION	VENDOR NO.
	701069-01-000	EA WATER PURIFICATION SYSTEM	
	701069-03-700	EA CARTRIDGE RELACEMENT	9592-06

WATER & SEWAGE GROUP (CONTINUED)

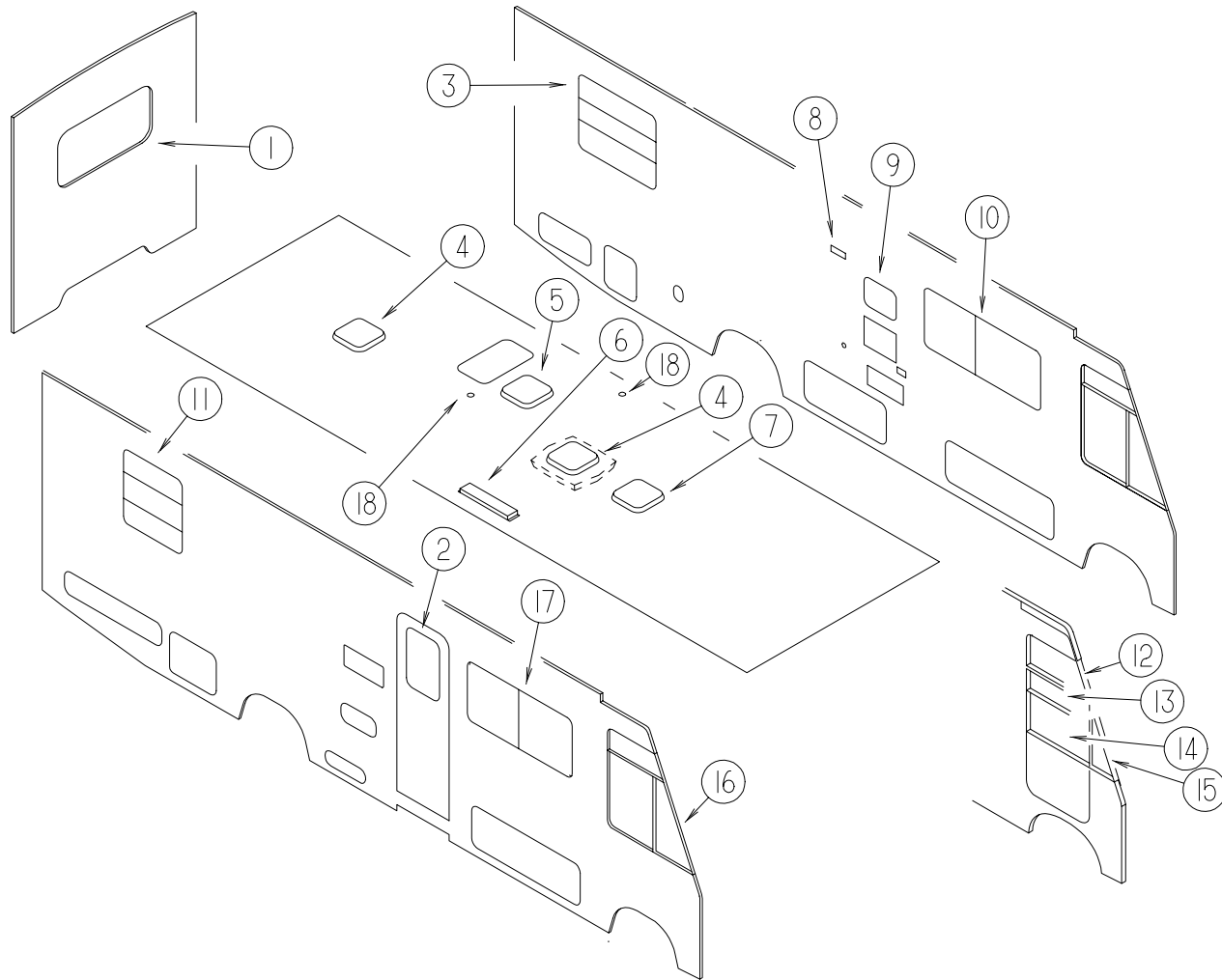
DRAINAGE SYSTEM



KEY	PART NUMBER	U/M DESCRIPTION	VENDOR NO.
1	034250-01-000	EA ELBOW - 90 DEGREE - LONG TURN - 1 1/2" HUB X HUB - ABS	
2	010009-01-000	EA ELBOW - 90 DEGREE - 1/4 BEND - 1 1/2" PLASTIC	
3	104351-01-000	EA TANK - HOLDING - SEWAGE - 55 GALLON - W/O FITTINGS	
4	107538-01-000	EA P TRAP - PLASTIC - 1 1/4" W/EXTENSION ARM	
5	109571-01-000	EA ADAPTER - P TRAP - 1 1/2" P X 1 1/4" MPT	
6	079968-01-000	EA VENT - MECHANICAL/TRAP ARM - ANTI-SIPHON-2" X 7.3" PLASTIC	
7	010071-01-000	EA TEE - SANITARY - 1 1/2" HUB X HUB X HUB - PLASTIC	
8	010008-01-000	EA ELBOW - 90 DEGREE - 1 1/2" HUB X HUB - PLASTIC	
9	031365-02-000	EA TEE - PLASTIC - 1 1/2" EXT LG TURN	
10	061607-01-000	EA GROMMET - HOLDING TANK - 1 1/2" NPS	
11	078406-01-000	EA COUPLER - RUBBER - W/CLAMPS - 3" X 3"	
12	041956-01-000	EA ELBOW - STREET - 1/4" BARB X 90 DEGREE X 3 XLT	
13	070916-01-000	EA VALVE - DUAL DUMP - W/CAP - 3" X 1 1/2"	
	070916-01-700	EA VALVE ONLY (WASTE) 3"	T1003BU
	070916-01-701	EA VALVE ONLY (WASTE) 1 1/2"	T1001BU
	010201-01-000	EA HOSE - SEWER - 3" ID X 8'	
	010129-03-000	EA NIPPLE - PLASTIC - 3" X 3" TOE	
14	062422-01-000	EA ADAPTER - OFFSET REDUCER - 3" X 1 1/2" - PLASTIC	
15	010115-01-000	EA COUPLING - 1 1/2" HUB X HUB - PLASTIC	
16	033761-01-000	EA ELBOW - TURN - 90 DEGREE 1 1/2" HUB X 1 1/2" SPIGOT	
17	111229-01-700	EA TANK-HOLDING 56 GAL-3"NIPPLE PARTS SALES	
	094756-03-G15	EA BRACKET - ANGLE - W/HOLES	
18	011091-02-000	EA WASTE - CONTINUOUS - DOUBLE SINK	
19	092303-01-000	EA STRAINER - SINK	
20	116644-01-000	EA FLANGE - CLOSET - 4" X 3"	
21	061607-02-000	EA GROMMET - HOLDING TANK - 3" NPS	
22	010006-01-000	EA ELBOW - 45 DEGREE - 1 1/2" HUB X HUB - PLASTIC	

WINDOW, VENT & EXTERIOR DOOR GROUP

WINDOWS & VENTS

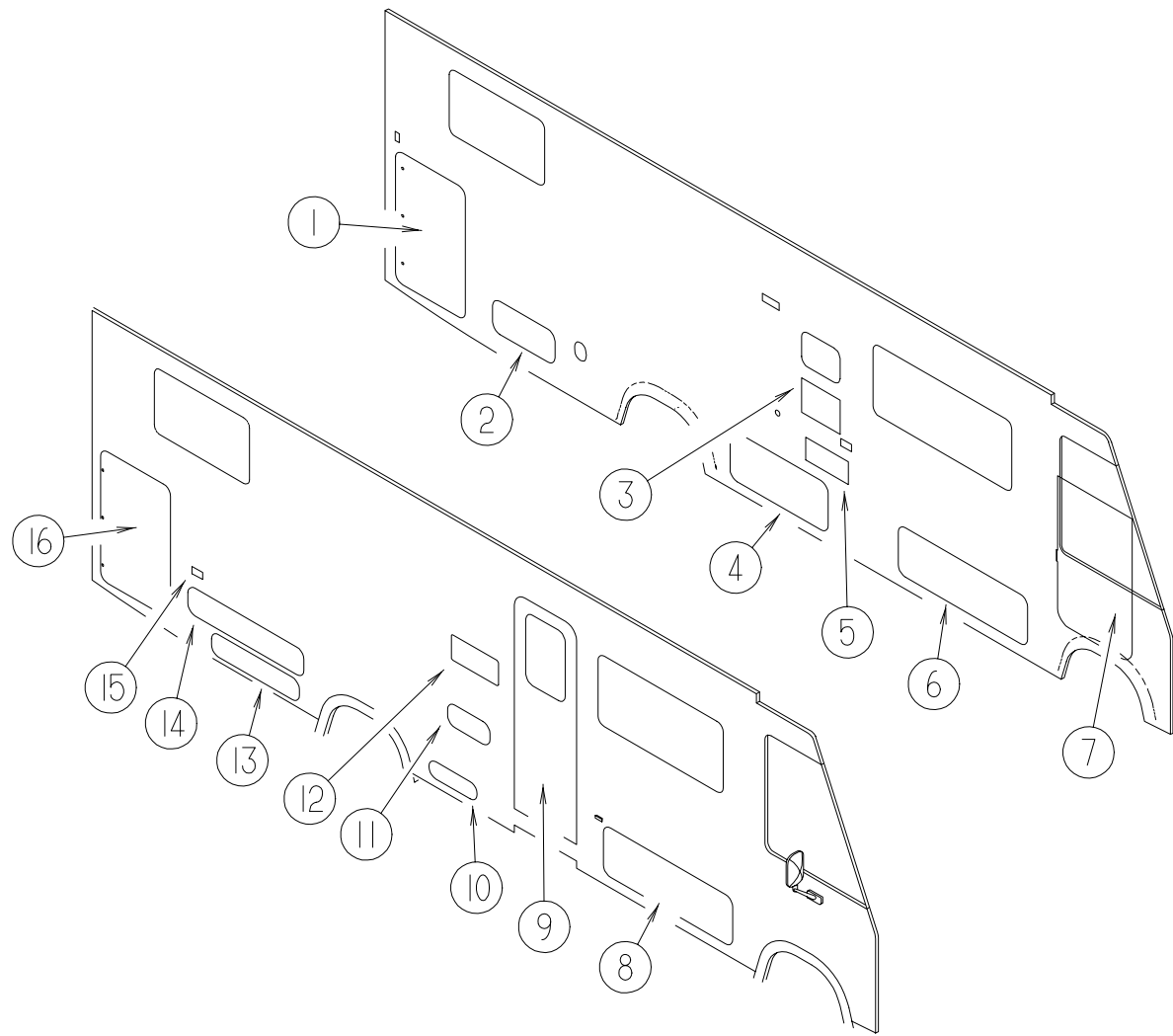


KEY	PART NUMBER	U/M	DESCRIPTION
1*	113502-06-01A	EA	WINDOW - REAR/CENTER ESCAPE - THERMO/EURO - 24.8" X 38.7"
2*	113733-03-01A	EA	WINDOW - STATIONARY THERMOPANE/EUROPEAN - 26.4" X 17"
3*	112795-45-01A	EA	WINDOW-DRIVER HORIZONTAL SLIDE THERMO 24 1/4" X 41 1/4"
4*	122882-01-01A	EA	VENT - ROOF - NONPOWERED - W/O INSIDE GARNISH
5*	122882-02-01A	EA	VENT - ROOF - W/FAN - W/O INSIDE GARNISH - UL
6	084073-07-000	EA	VENT - ROOF/REFRIGERATOR - BRIGHT WHITE - NORCOLD
	084073-04-000	EA	BASE - ROOF VENT/REFRIGERATOR - BLACK - NORCOLD
7*	123780-03-01A	EA	VENT - ROOF - 3" TO 4" - W/FAN/POWER LIFT - W/O THERMOSTAT
8	084878-09-000	EA	VENT - EXHAUST/RANGE HOOD - OFF WHITE
	084616-07-000	EA	SHROUD - EXHAUST VENT/RANGE HOOD - BRIGHT WHITE
9*	112795-55-01A	EA	WINDOW - DRIVER - HORIZONTAL SLIDER-THERMO 15 1/2"X18 1/2"
10*	112795-40-01A	EA	WINDOW - DRIVER/HORIZONTAL SLIDER - THERMO-26.1" X 59.8"
11*	112795-44-01A	EA	WINDOW - PASSENGER/HORIZONTAL SLIDER-THERMO-24.3" X 41"
12*	116000-03-01A	EA	WINDOW - DRIVER VISTA-THERMO/EURO-25.7"T X 32.2"B X 14.8"H
13	106469-08-701	EA	GLASS -STATIONARY HORIZONTAL - E-GLASS
14	106469-08-702	EA	GLASS ASSEMBLY, ROLL UP - E-GLASS
15*	115999-03-01A	EA	WINDOW-DRIVER WING-TRI/THERMO/EURO- 11.1"B X 28"F X 25.5"R
16*	113501-05-01A	EA	WINDOW-PASS CAB/THERMO/EURO(3 GLS)24.4"T X 44.1"B X 44.3"H
17*	112795-43-01A	EA	WINDOW-PASSENGER HORIZONTAL SLIDE THERMO 26 3/8" X 54"
18	083558-03-000	EA	VENT - PLUMBING - ROOF PIPE COVERED - OFF WHITE

*COMPONENT PARTS FOUND IN SERVICE PARTS LIBRARY

WINDOW, VENT & EXTERIOR DOOR GROUP (CONTINUED)

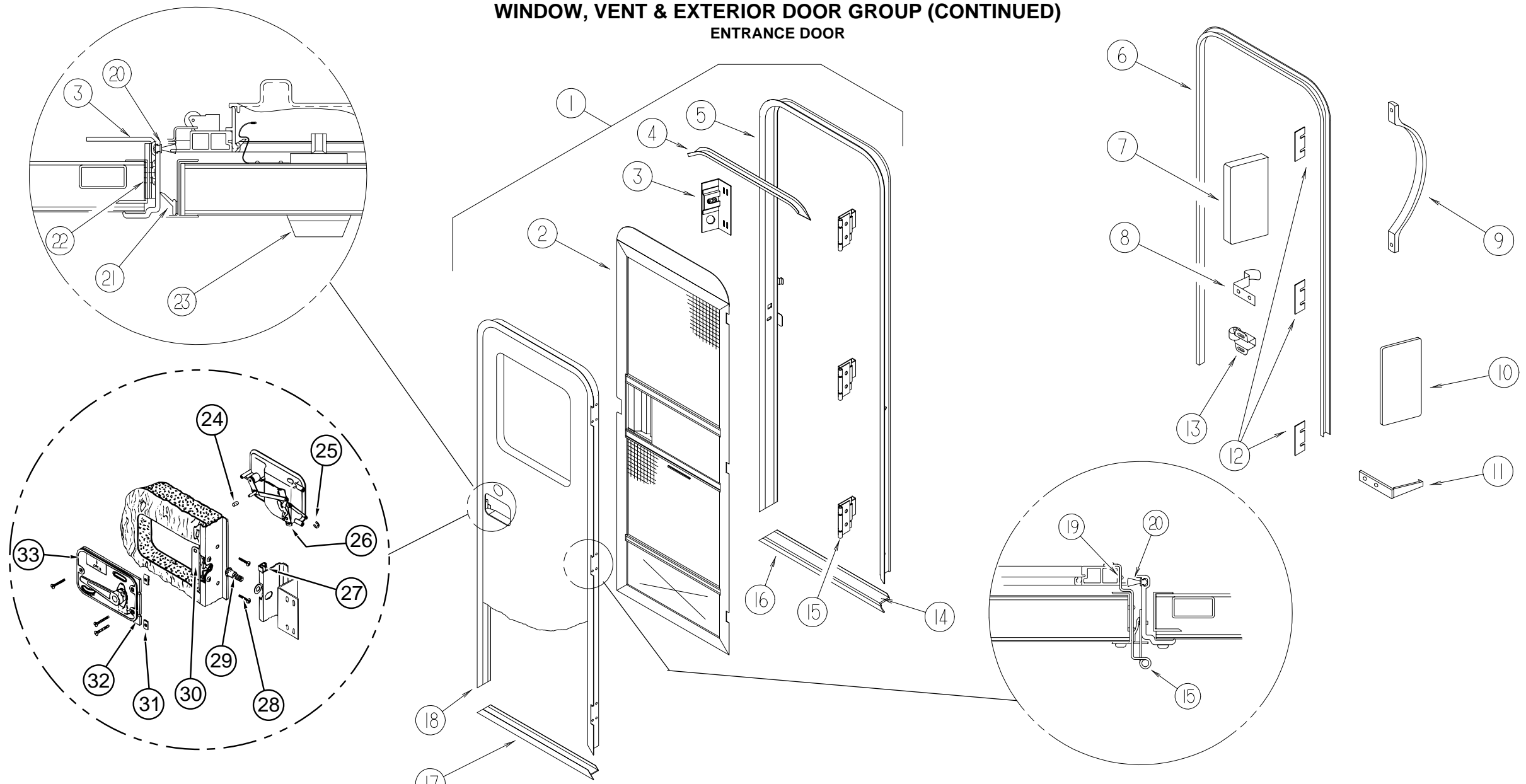
EXTERIOR DOORS



KEY	PART NUMBER	U/M DESCRIPTION	VENDOR NO.
1	126944-04-J58	EA DOOR/STORAGE - W/O HARDWARE - 49" X 29.9"	
2	126946-21-J58	EA DOOR/STORAGE - W/O HARDWARE - 29.4" X 11.7"	
3	052009-06-000	EA DOOR - WATER HEATER - BRIGHT WHITE - 18" X 14.6"	
	116424-01-000	EA PROTECTOR - LATCH - WATER HEATER	
4	126946-22-J58	EA DOOR/STORAGE - W/O HARDWARE - 42" X 17.7"	
5	098668-23-000	EA DOOR - ACCESS - FURNACE	
6	126946-18-J58	EA DOOR/STORAGE - W/O HARDWARE - 55.6" X 18.1"	
7	106469-08-01A	EA DOOR - DRIVER	
8	126946-18-J58	EA DOOR/STORAGE - W/O HARDWARE - 55.6" X 18.1"	
9	115108-02-H10	EA DOOR - ENTRY - W/SCREEN DOOR - W/O WINDOW (J58)	
9	115108-02-H08	EA DOOR - ENTRY - W/SCREEN DOOR - W/O WINDOW (J59)	
10	126945-02-J58	EA DOOR/STORAGE - W/O HARDWARE - 18" X 8.3"	
11	126945-01-J22	EA DOOR/STORAGE - W/O HARDWARE - 18" X 8.3"	
12	084103-08-000	EA DOOR - VENT/REFRIGERATOR - W/O JAMB - BRIGHT WHITE	
	084104-08-000	EA JAMB - VENT DOOR/REFRIGERATOR - BRIGHT WHITE	
	084104-01-700	EA LOCK-MALE, FASTENER	201-721-010
	084104-01-701	EA LOCK-FEMALE, FASTENER	201-802-010
13	126946-20-J58	EA DOOR/STORAGE - W/O HARDWARE - 37.7" X 8.1" - GERMAN EXPORT	
14	126946-19-J58	EA DOOR/STORAGE - W/O HARDWARE - 49.8" X 10"	
15	081240-16-000	EA DOOR - WATER FILL - LOCKABLE W/O LOCK - 4" X 4 5/8"	
16	126944-03-J58	EA DOOR/STORAGE - W/O HARDWARE - 49" X 29.9"	

WINDOW, VENT & EXTERIOR DOOR GROUP (CONTINUED)

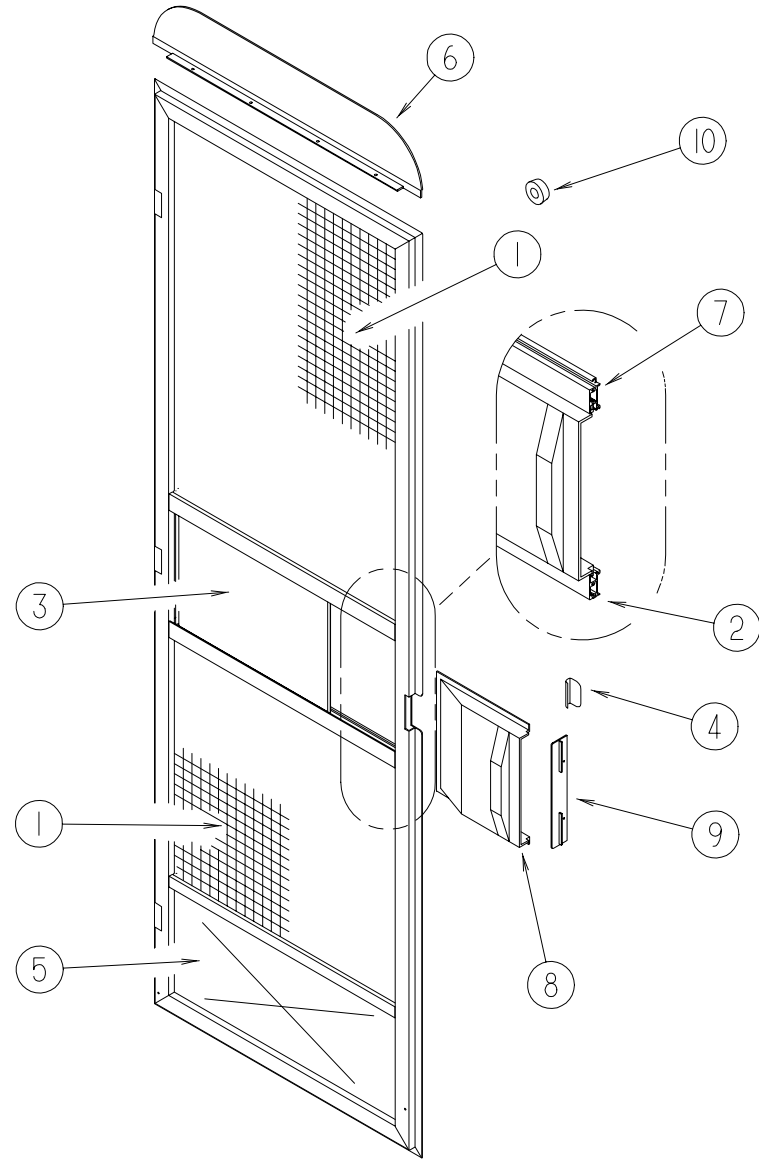
ENTRANCE DOOR



KEY	PART NUMBER	U/M	DESCRIPTION
1	115108-02-H10	EA	DOOR - ENTRY - W/SCREEN DOOR - W/O WINDOW (J58)
1	115108-02-H08	EA	DOOR - ENTRY - W/SCREEN DOOR - W/O WINDOW (J59)
2	121899-03-GB1	EA	DOOR - SCREEN - W/O HARDWARE
3	041546-07-000	EA	BRACKET - DOOR ANGLE - OFF WHITE
4	044582-44-000	EA	CAP - DRIP - JAMB - BRIGHT WHITE
5	121898-04-01A	EA	JAMB - ENTRANCE DOOR - BRIGHT WHITE
6	115222-01-01A	EA	GARNISH - RADIUS - ENTRY DOOR - OFF WHITE
7	077461-03-000	EA	COVER - STRIKE - ENTRY DOOR - 6.5" X 2.5" - WHITE PLASTIC
8	100412-01-000	EA	CATCH - SCREEN DOOR
9	009126-03-000	EA	HANDLE - ASSIST - BLACK TEXTURED
10	076725-02-000	EA	COVER - HINGE - ENTRY DOOR - 6" X 3.2" - OFF WHITE
11	102768-01-000	EA	HOLDER - COMPARTMENT/ENTRY DOOR - METAL - MILL FINISH
12	102248-01-000	EA	SHIM - DOOR
13	079087-03-000	EA	STRIKE - SLIDER - SCREEN DOOR - BRIGHT WHITE
14	038327-01-000	FT	TAPE - ANTI-SLIP - 2" X 60'
15	106719-01-05A	EA	HINGE - ENTRANCE DOOR - BRIGHT WHITE
	039715-01-000	EA	NUT-SERT - 1/4" DIAMETER - 20 THREADS - ENTRANCE DOOR HINGE
	116111-02-01A	EA	SCREW - TAPTITE - 1/4-20 X 3/8 PPH - ZINC
16	051049-01-000	EA	JAMB - BOTTOM - ENTRY DOOR - 25.9" - UNPAINTED
17	121893-01-01A	EA	FRAME - ENTRY DOOR/BOTTOM - BRIGHT WHITE
18	121894-07-01A	EA	FRAME - ENTRY DOOR - BRIGHT WHITE
	098173-01-04A	EA	STIFFENER - ENTRY DOOR - SUPPORTS LATCH/STRIKE - UNPAINTED
19	100128-02-000	FT	SEAL - FOAM/ADHESIVE BACK - .37" WIDE X .37" THICK
20	118929-01-01A	FT	SEAL - PILE - PUSH ON

KEY	PART NUMBER	U/M	DESCRIPTION	VENDOR NO.
21	075671-04-000	FT	SEAL - SPONGE - LAZY T - W/ADHESIVE STRIP - .5" WIDE	
22	104692-01-000	FT	SEAL - FOAM/ADHESIVE BACK - .75"THICK X .75"WIDE X 25'	
23	101145-01-06A	EA	DEADBOLT - ENTRY DOOR W/O SECURITY BOLT W/2 KEYS - BLACK	
	095229-01-700	EA	KEY-BLANK, DEADBOLT	81205-03
	101145-01-701	EA	CYLINDER-LOCK ASM., W/KEY	81306-03
	101147-01-000	EA	BOLT - SECURITY - 4.12"	
24	039984-01-000	EA	CAP - ROUND - VINYL - .28" ID X .62" - BLACK	
25	036618-02-000	EA	E-RING - EXTERNAL - 3/16" SHAFT DIAMETER - LYNOR DOOR LOCK	
26	045017-13-000	EA	LATCH - ENTRY DOOR - BLACK TEXTURED	
	039979-05-000	EA	COVER - INTERIOR LATCH - W/TRIP ARM - LEFT - BLACK	
	045017-11-701	EA	KEY-BLANK, F1 SERIES	14264-01-2001
	045017-11-703	EA	CYLINDER-LOCK ASM. W/KEYS	81266-09
27	064075-07-000	FT	SEAL - BULB - W/WIRED U CHANNEL - .3" X .5" CHANNEL-BLACK	
28	000G54-04-20B	EA	SCREW - 1/4-20 X 1.25 PTH - TYPE 23 - ZINC PLATED	
29	039539-01-000	EA	STRIKE - LOCK - ENTRY DOOR - ROUND W/THREADED WASHER	
30	039540-01-000	EA	LATCH MECHANISM - HOOK - ENTRY DOOR - INTERIOR	
31	040921-01-000	EA	NUT - SPEED - U TYPE - 10-24 BLACK	
32	096810-01-01A	EA	PLATE - LATCH - ENTRY DOOR - BLACK	
33	039979-06-000	EA	COVER - LATCH PLATE - RIGHT HAND - BLACK TEXTURED	
	086285-05-000	EA	SPACER - NYLON - .7" X .56"	
	104099-01-04A	EA	CATCH - DOOR HOLDER - STRIKE - BRIGHT WHITE	
	104099-02-04A	EA	CATCH - DOOR HOLDER - RETAINER - BRIGHT WHITE	
	130444-01-01A	EA	CAP - KEY IDENTIFIER - GRAY	

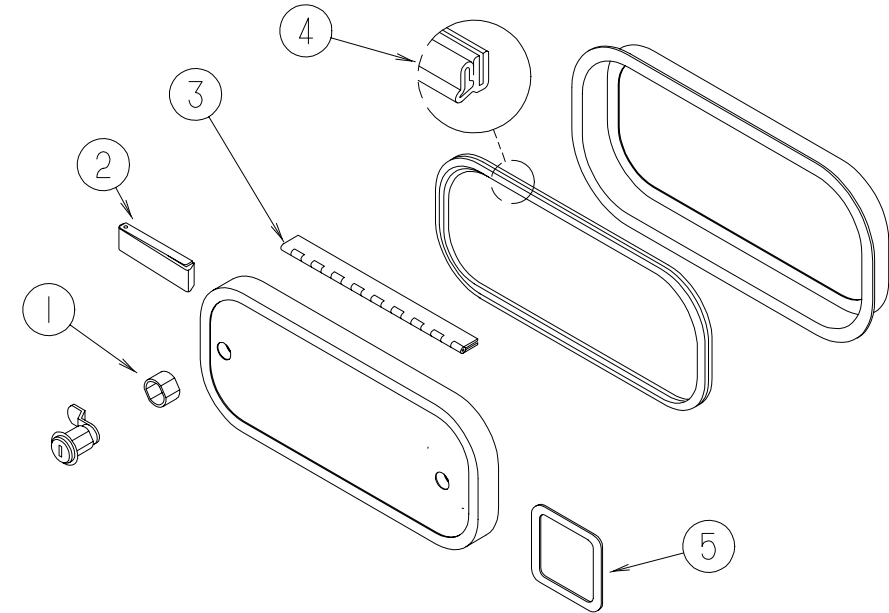
WINDOW, VENT & EXTERIOR DOOR GROUP (CONTINUED)



SCREEN DOOR

KEY	PART NUMBER	U/M	DESCRIPTION
	121899-03-GB1	EA	DOOR - SCREEN - W/O HARDWARE
1	002293-02-000	SF	SCREENING - WINDOW/DOOR - 26" - CHARCOAL
2	002294-01-000	FT	SPLINE - SCREENING - .135" X .138"
3	016454-01-000	EA	INSERT - CENTER - LEATHER GRAIN ALUMINUM - UNPAINTED
	001014-01-013	EA	INSERT - CENTER - 10.25" X 16.31" - UNPAINTED
4	050712-06-000	EA	HANDLE - SCREEN DOOR - BRIGHT WHITE
5	078552-03-000	EA	KICK PANEL - SCREEN DOOR - LOWER INSERT - UNPAINTED
6	078595-01-000	EA	TOP PLATE - SCREEN DOOR - CURVED TOP - 4.7" X 25.35"
7	078777-08-000	FT	CHANNEL - SLIDER
8	079086-03-000	EA	SLIDER - SCREEN DOOR - BRIGHT WHITE
9	079087-03-000	EA	STRIKE - SLIDER - SCREEN DOOR - BRIGHT WHITE
10	120863-06-000	EA	BUMPER - RUBBER - 3/4" X 3/8"
	075673-01-000	FT	SEAL - PILE - ADHESIVE BACK - GRAY
	075673-05-000	FT	SEAL - PILE - ADHESIVE BACK - BLACK
	086285-05-000	EA	SPACER - NYLON - .7" X .56"

WINDOW, VENT & EXTERIOR DOOR GROUP (CONTINUED)

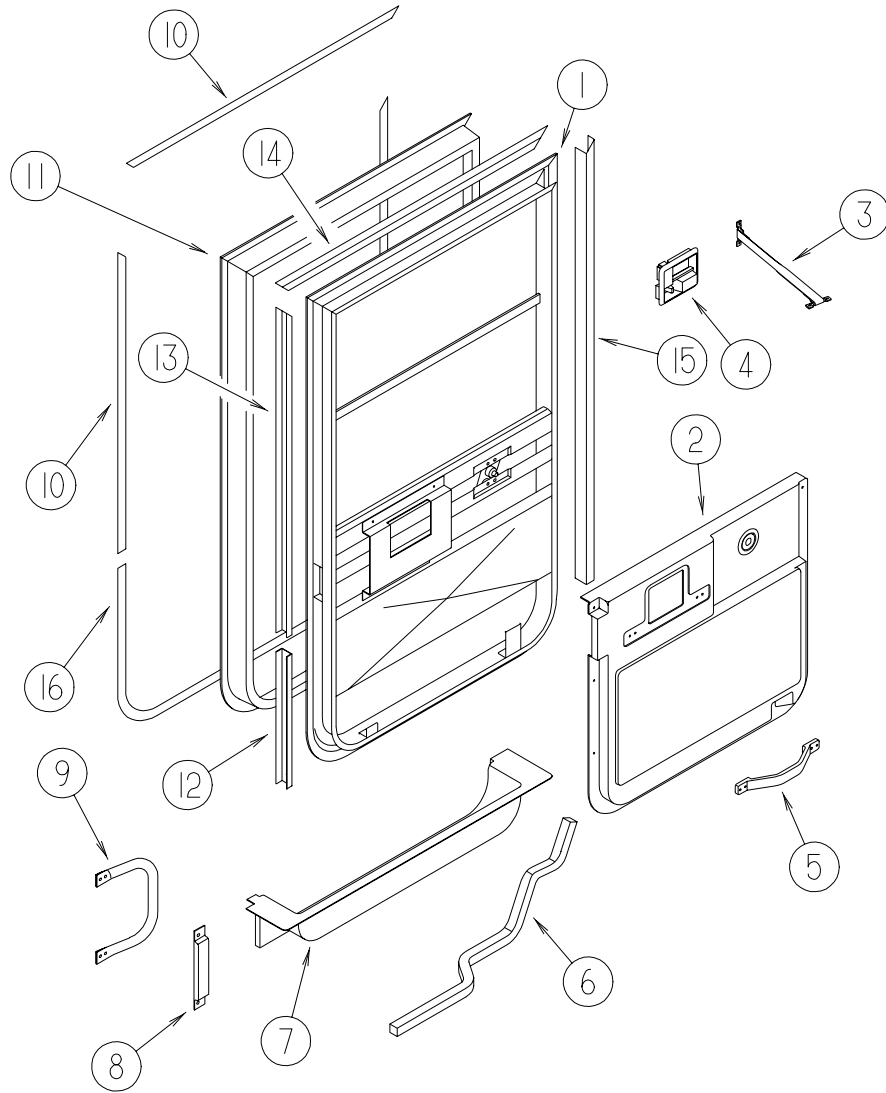


EXTERIOR ACCESS DOOR COMPONENTS

KEY	PART NUMBER	U/M	DESCRIPTION
1	107997-51-001	EA	SPACER - DOOR LOCK - .6" DEEP
	107997-51-002	EA	EXTRUDED - SPACER - 16'
2	102768-01-000	EA	HOLDER - COMPARTMENT/ENTRY DOOR - METAL - MILL FINISH
3	081801-V3-000	EA	HINGE - ALUMINUM - 2" X 96" - BRIGHT WHITE
	081801-02-000	EA	HINGE - DOOR - PIANO - 2" X 8'
4	064075-07-000	FT	SEAL - BULB - W/WIRED U CHANNEL - .3" X .5" CHANNEL - BLK
5	098338-01-000	EA	GASKET - LOCK POCKET
	098408-01-000	FT	SEAL - SPONGE RUBBER - CLOSED CELL
	104692-01-000	FT	SEAL - FOAM/ADHESIVE BACK - .75"THICK X .75"WIDE X 25'
	091876-01-000	EA	RETAINER - DOOR - 1.9" X .8" - METAL
	106850-02-000	FT	SEAL-E - SPONGE RUBBER - .43" X .75"
	076767-06-000	EA	CABLE - SUPPORT - 25.6" - STAINLESS STEEL
	089329-02-000	EA	CLIP - SPRING
	101667-02-000	EA	ROD - PROP - 21.97"
	121577-01-01A	EA	PLATE - W/HOLE - BRIGHT WHITE
	121126-01-01A	EA	PULL - LOCK

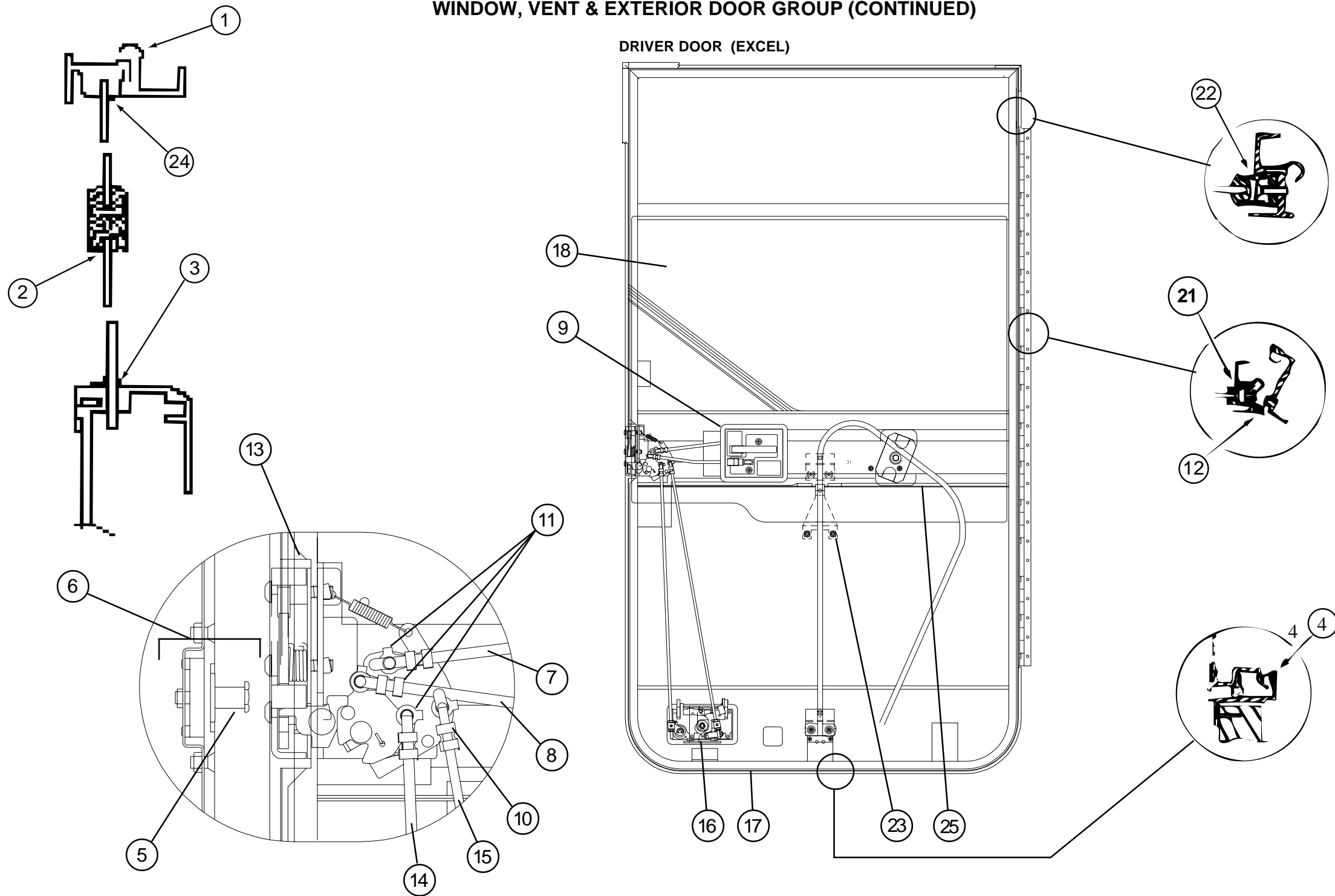
WINDOW, VENT & EXTERIOR DOOR GROUP (CONTINUED)

EXCEL DRIVERS DOOR



KEY	PART NUMBER	U/M	DESCRIPTION	VENDOR NO.
1	106469-07-01A	EA	DOOR - DRIVER	
1	106469-08-01A	EA	DOOR - DRIVER	
2	114973-01-02A	EA	PANEL - DOOR - INNER DRIVER - WILLOW	
3	106469-02-704	EA	PARTS BAG, WINDOW HDL MISC.	V068-16
	109378-01-000	EA	STRAP - CHECK - DRIVER DOOR - 12.8"	
	064219-01-000	EA	RETAINER - CHECK STRAP - DRIVER DOOR	
4	106469-04-712	EA	HANDLE/DOOR-INNER W/HARDWARE	248-041402
5	110604-01-01A	EA	HANDLE - ASSIST - DRIVER DOOR - 10.8" LONG - BLACK	
6	063977-11-000	EA	STEP - DRIVER DOOR	
7	126069-03-01A	EA	TRIM - STEP - DRIVER	
	102569-02-000	EA	MAT - ANTI SLIP - LOWER	
8	108654-01-01A	EA	COVER - STRIKE - DRIVER DOOR	
9	108832-01-02A	EA	HANDLE - ASSIST - DRIVER DOOR	
	108833-01-01A	EA	COVER - ASSIST HANDLE - W/O NOTCH - OFF WHITE	
	108833-03-01A	EA	COVER - ASSIST HANDLE - W/NOTCH - OFF WHITE	
10	109235-01-01A	FT	COVER - SCREW - MAT BLACK	
11	106469-07-700	EA	FRAME MOUNTING ASM., (JAMB)	V130-30L
12	108897-02-01A	EA	GARNISH - DRIVER DOOR - REAR LOWER	
13	108108-04-02A	EA	GARNISH - DRIVER DOOR - REAR UPPER	
14	108107-01-02A	EA	GARNISH - DRIVER DOOR - TOP	
15	108129-02-02A	EA	GARNISH - DRIVER DOOR - FRONT	
16	109235-01-05A	FT	COVER - SCREW - BRIGHT WHITE	
	107868-01-000	EA	ANGLE - SUPPORT - DOOR - 1.5" X 1.5" X .7"	

WINDOW, VENT & EXTERIOR DOOR GROUP (CONTINUED)

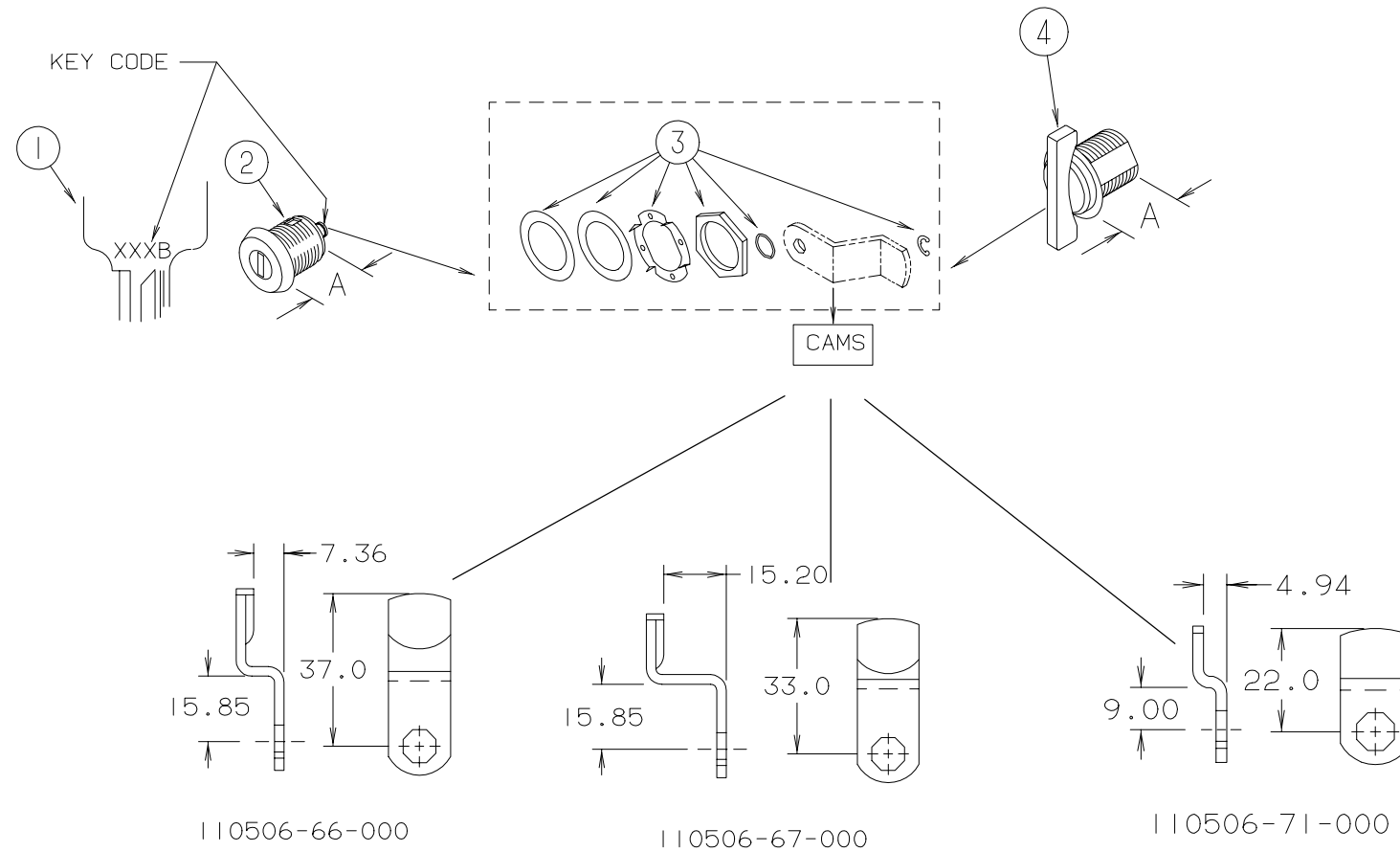


KEY	PART NUMBER	U/M DESCRIPTION	VENDOR NO.
	106469-07-01A	EA DOOR - DRIVER	
	106469-08-01A	EA DOOR - DRIVER	
1	106469-01-702	EA DOOR SEAL	122-040984
2	106469-01-705	FT CHANNEL - RUN - SLIDING	122-010850
3	106469-01-709	FT WEATHERSTRIP - FUZZY	171-040630
4	106469-01-723	EA SEAL - BULB ASM. (JAMB)	171-040985
5	106469-04-703	EA BOLT - STRIKER (W/ WASHER)	248-041152
6	106469-04-704	EA NUT ASSEMBLY - CAGED - W/STRIKER	248-041151
7	106469-04-705	EA LATCH ROD - HORIZONTAL	203-041139
8	106469-04-711	EA LOCK ROD - HORIZONTAL	203-041137
9	106469-04-712	EA HANDLE/DOOR - INNER W/HARDWARE	248-041402
10	106469-04-713	EA ROD CLIP L.H.	248-041154
11	106469-04-714	EA ROD CLIP R.H.	248-041153
12	106469-05-702	EA HINGE - 42"	211-041194
13	106469-05-706	EA LATCH - ROTARY - W/LINKAGE	248-041150

KEY	PART NUMBER	U/M DESCRIPTION	VENDOR NO.
14	125581-04-700	EA ROD - LATCH/VERTICAL ADJUST.	203041767
15	125581-04-701	EA ROD - LOCK/VERTICAL ADJUST.	203-041768
16	125581-04-702	EA PADDLE RH-W/COLLAR BLACK TEX	248-041403
17	125581-04-703	EA FRAME - MOUNTING - BLACK	V180-35L
18	125581-04-704	EA GLASS - ROLL-UP	106-041821
19	125581-04-705	EA GLASS - STATIONARY	106-041547
20	125581-04-706	EA FRAME - DOOR - SUB-ASSEMBLY	V180-94L
21	125581-04-707	EA CHANNEL - ROLL UP GLASS	V156-60
22	125581-04-708	EA CHANNEL - STATIONARY GLASS	V156-61
23	125581-04-709	EA REGULATOR - MANUAL	410-08389
24	125581-04-710	EA VINYL - GLAZING	132-041484
25	125581-04-711	EA CHANNEL- GLASS	N135-66
	106469-04-701	EA TUMBLER & KEYS (TRI-MARK)	248-041179
	106469-04-702	EA KEYS (BLANK)	248-041180

WINDOW, VENT & EXTERIOR DOOR GROUP (CONTINUED)
BRIGGS & STRATTON LOCKS & COMPONENTS

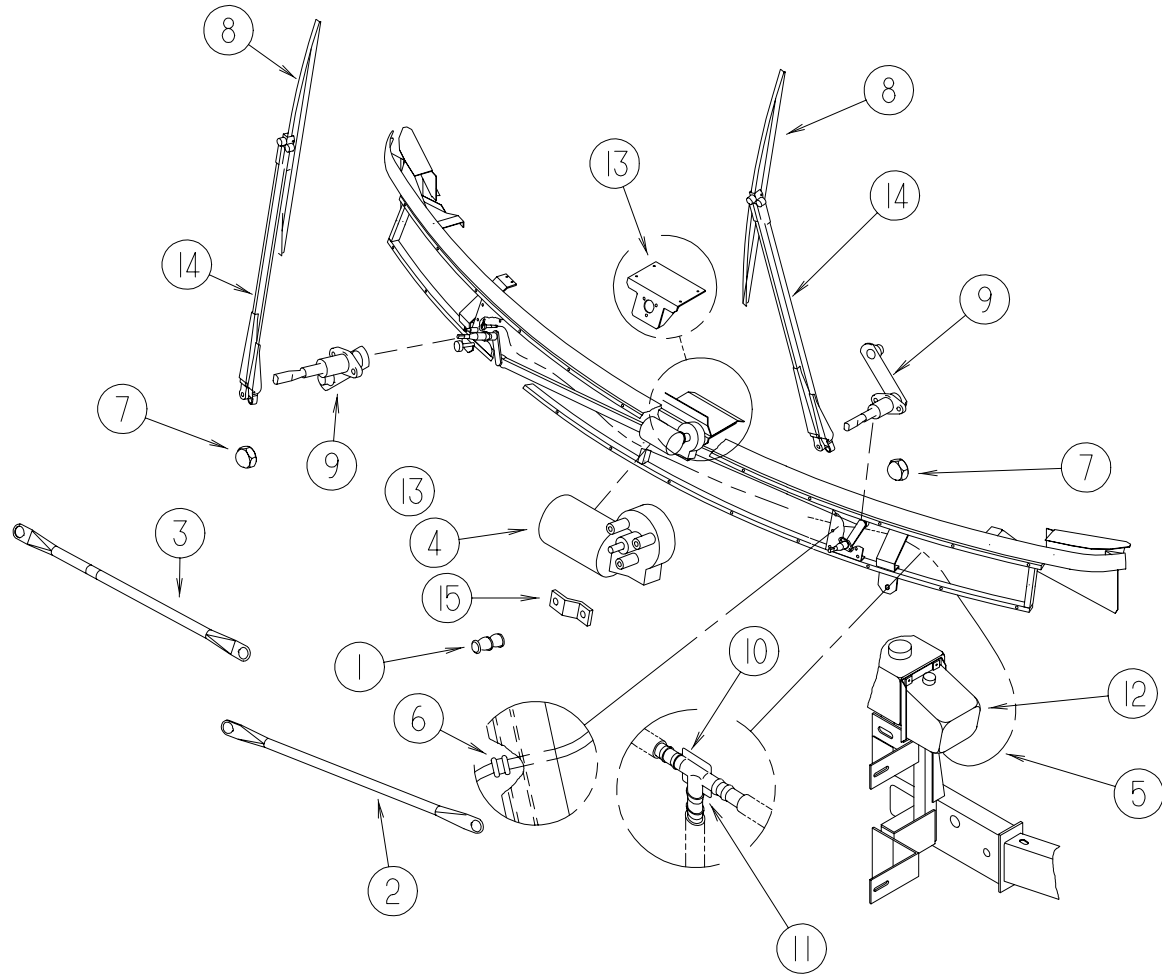
NOTE:
 WHEN ORDERING THE LOCK CASE, THE KEY CODE MUST MATCH THE LAST DIGIT OF THE VEHICLE'S SERIAL NUMBER AND PART NUMBER; WHEN ORDERING THE KEYS, THE THIRD DIGIT OF THE KEY CODE MUST MATCH THE LAST DIGIT OF THE VEHICLE'S SERIAL NUMBER AND PART NUMBER



KEY	PART NUMBER	U/M DESCRIPTION	VENDOR NO.	KEY	PART NUMBER	U/M DESCRIPTION	VENDOR NO.
1	110506-59-000	EA KEYS-SET OF 2	596720	1	110506-59-004	EA KEYS-SET OF 2	
2	110506-53-000	EA CASE/CYLINDER - LOCKING - W/O CAM/KEY - 1"	702380	1	110506-59-006	EA KEYS-SET OF 2	596726
2	110506-54-000	EA CASE/CYLINDER - LOCKING - W/O CAM/KEY - 1.25"	703170	2	110506-54-006	EA CASE/CYLINDER - LOCKING - W/O CAM/KEY - 1.25"	703176
1	110506-59-001	EA KEYS-SET OF 2	596721	1	110506-59-007	EA KEYS-SET OF 2	596727
2	110506-53-001	EA CASE/CYLINDER - LOCKING - W/O CAM/KEY - 1"	702381	2	110506-53-007	EA CASE/CYLINDER - LOCKING - W/O CAM/KEY - 1"	702387
2	110506-54-001	EA CASE/CYLINDER - LOCKING - W/O CAM/KEY - 1.25"	703171	2	110506-54-007	EA CASE/CYLINDER - LOCKING - W/O CAM/KEY - 1.25"	703177
1	110506-59-002	EA KEYS-SET OF 2	596722	1	110506-59-008	EA KEYS-SET OF 2	596728
2	110506-53-002	EA CASE/CYLINDER - LOCKING - W/O CAM/KEY - 1"	702382	2	110506-53-008	EA CASE/CYLINDER - LOCKING - W/O CAM/KEY - 1"	702388
2	110506-54-002	EA CASE/CYLINDER - LOCKING - W/O CAM/KEY - 1.25"	703172	2	110506-54-008	EA CASE/CYLINDER - LOCKING - W/O CAM/KEY - 1.25"	703178
1	110506-59-003	EA KEYS-SET OF 2	596723	1	110506-59-009	EA KEYS-SET OF 2	596729
2	110506-53-003	EA CASE/CYLINDER - LOCKING - W/O CAM/KEY - 1"	702383	2	110506-53-009	EA CASE/CYLINDER - LOCKING - W/O CAM/KEY - 1"	702389
2	110506-54-003	EA CASE/CYLINDER - LOCKING - W/O CAM/KEY - 1.25"	703173	3	110506-54-009	EA CASE/CYLINDER - LOCKING - W/O CAM/KEY - 1.25"	703179
1	110506-59-004	EA KEYS-SET OF 2	596724	3	110506-40-700	EA HARDWARE KIT-LOCK, W/GASKET, NUT, CLIP & WASHERS	
2	110506-53-004	EA CASE/CYLINDER - LOCKING - W/O CAM/KEY - 1"	702384	4	110506-50-000	EA CASE - TWIST LOCK - A= 17 MM	596952
2	110506-54-004	EA CASE/CYLINDER - LOCKING - W/O CAM/KEY - 1.25"	703174	4	110506-51-000	EA CASE - TWIST LOCK - A= 25 MM	596669
1	110506-59-005	EA KEYS-SET OF 2	596725		110506-59-701	EA KEY BLANK	
2	110506-53-005	EA CASE/CYLINDER - LOCKING - W/O CAM/KEY - 1"	702385		110506-66-000	EA CAM - LATCHING - DOG LEGGED 1.5" LONG	
2	110506-54-005	EA CASE/CYLINDER - LOCKING - W/O CAM/KEY - 1.25"	703175		110506-67-000	EA CAM - LATCHING - DOG LEGGED 1.3" LONG	
					110506-71-000	EA CAM - LATCHING - DOG LEGGED .86" LONG	

WINDSHIELD & WIPER GROUP

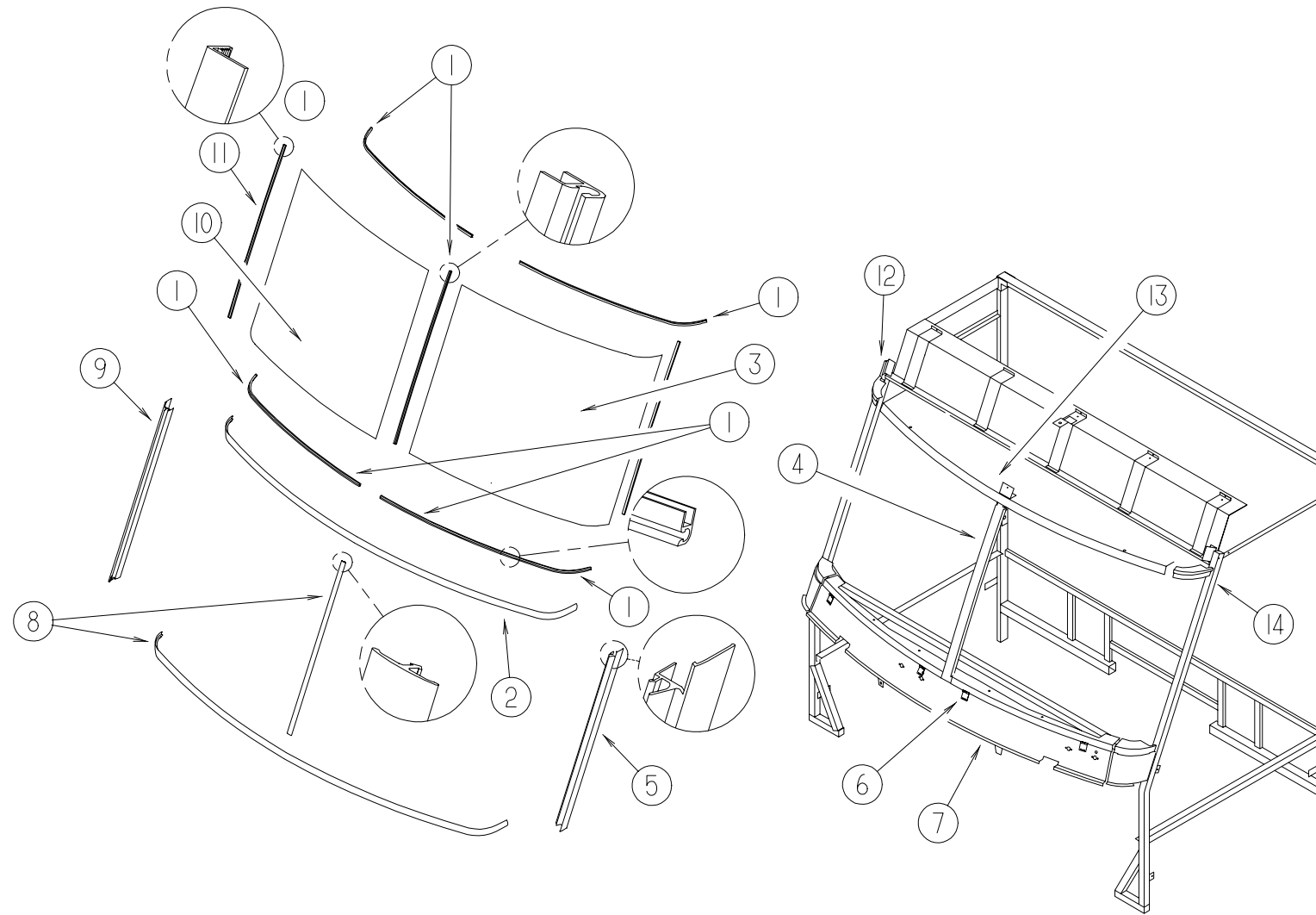
WIPER & WASHER COMPONENTS



KEY	PART NUMBER	U/M DESCRIPTION	VENDOR NO.
1	067188-01-000	EA STUD - CRANK - WIPER MOTOR	
	117322-01-000	EA SCREW - 1/4-28 UNFINISHED - 2A - TORX	
2	117008-01-000	EA LINK/ROD - WIPER CONNECTING - DRIVER SIDE - CLOSED/CLOSED	
3	117008-02-000	EA LINK/ROD - WIPER CONNECTING - PASSENGER SIDE - CLOSED/OPEN	
4	104346-04-000	EA WIPER MOTOR - "COAST TO PARK" W/BKR - W/GRN/RED/WHITE WIRE	
5	045794-01-000	FT HOSE - WASHER - WINDSHIELD - 5/32" ID - BLACK	
6	061603-01-000	EA GROMMET - SNAP - 3/16"ID - 3/8" HOLE - PLASTIC BLACK	
7	077049-02-000	EA NUT - ACORN - 10-32 BLACK/ANODIZED	
8	095964-01-000	EA BLADE - WINDSHIELD WIPER - 24"	
	095964-01-700	EA BLADE-REFILL 24" EA= 1 PAIR	12360
9	096505-05-000	EA SHAFT/PIVOT - WINDSHIELD WIPER	
9	096505-06-000	EA SHAFT/PIVOT - WINDSHIELD WIPER	
	096505-02-700	EA DRIVER-KNURLED,(HD) BRL .687	NT721017
	096505-02-701	EA NUT-HEX (HD) W/.687 BARREL	NT721021
	096505-02-702	EA CAP-RUBBER (HD) BARREL .687	CP721084
	096505-02-703	EA CAP-NUT(ACORN) HD W/.687 BRL	51065-40-NT27WC
	077298-55-003	EA EXTRUSION - TUBE - .275"	
	110794-01-000	EA WASHER - FLAT - 1"ID X 1 3/4"OD	
	110742-01-000	EA GASKET - NEOPRENE - WIPER ADAPTER SHAFT - 1 3/4"OD X 1"ID	
10	110605-01-000	EA TEE - PLASTIC - BARBED - 1/8" X 1/8" X 3/16"	
11	117765-03-000	EA CONNECTOR - 5/32" - WINDSHIELD WASHER	
12	117766-02-000	EA RESERVOIR/PUMP - WINDSHIELD WASHER	
	000G19-10-12F	EA SCREW - MACHINE - 10-32 X 3/4 PPH - STAINLESS STEEL	
13	104549-01-000	EA BRACKET - WIPER MOTOR	
14	103671-01-000	EA ARM - WIPER - 24"	
	096931-01-700	FT HOSE-WIPER	XTU-66-0001
	096931-01-701	EA NOZZLE-HARDWARE KIT	
15	104347-01-000	EA ARM - DRIVE - WIPER MOTOR - 1.54" -W/TAPERED DRIVE HOLE	

WINDSHIELD & WIPER GROUP (CONTINUED)

WINDSHIELD MOLDINGS & GLASS



KEY	PART NUMBER	U/M DESCRIPTION
1	110268-01-000	EA CARRIER - WINDSHIELD - 50.4"
2	120533-01-000	FT MOLDING - REVEAL - WINDSHIELD
3	103788-04-000	EA GLASS - WINDSHIELD - DRIVER
4	075710-01-000	EA FRAME - WINDSHIELD - CENTER DIVIDER - INNER
5	103107-04-01A	EA TRIM - WINDSHIELD - DRIVER SIDE
6	104449-01-000	EA SUPPORT - WINDSHIELD
7	077847-02-000	EA SUPPORT - WINDSHIELD/LOWER - W/O BRACKETS
8	102936-01-000	FT MOLDING - REVEAL - WINDSHIELD
9	103107-03-01A	EA TRIM - WINDSHIELD - PASSENGER SIDE - BLACK
10	103788-03-000	EA GLASS - WINDSHIELD - PASSENGER
11	098788-06-000	EA CHANNEL - 49" PVC
12	077922-03-000	EA HEADER - WINDSHIELD/END - PASSENGER SIDE
13	077922-05-000	EA HEADER - WINDSHIELD - CENTER
14	077922-04-000	EA HEADER - WINDSHIELD/END - DRIVER SIDE
	072874-01-000	EA EXTRUDED - CAP - WINDSHIELD REVEAL MOLDING