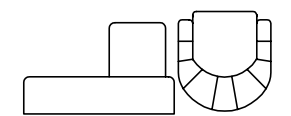
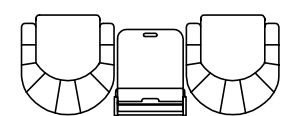
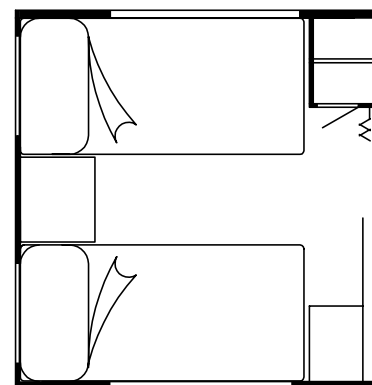
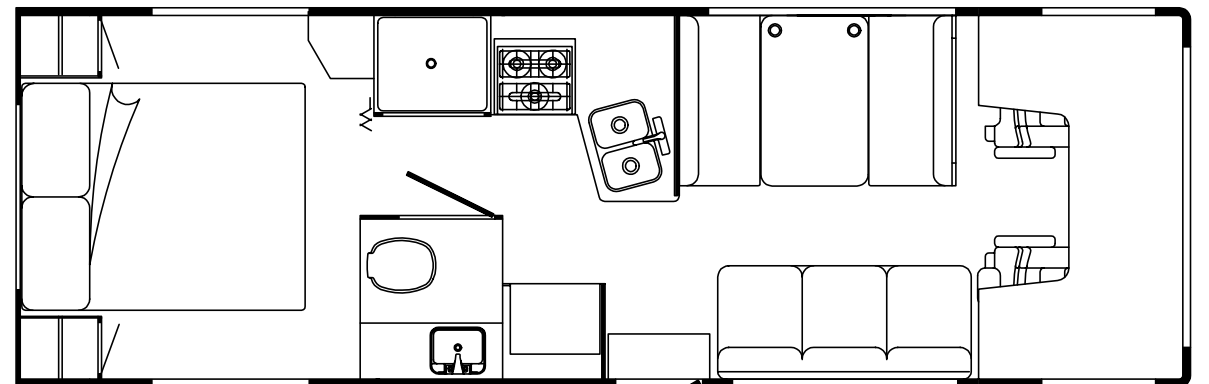
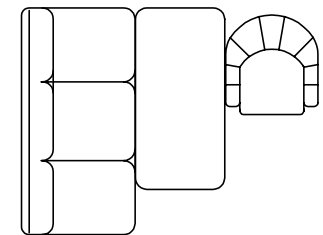
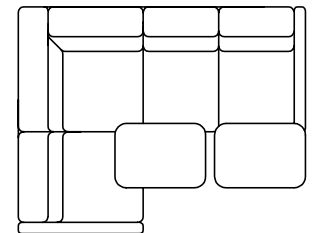
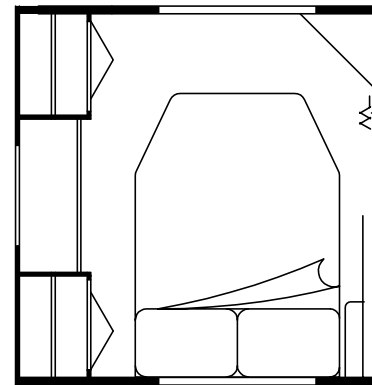
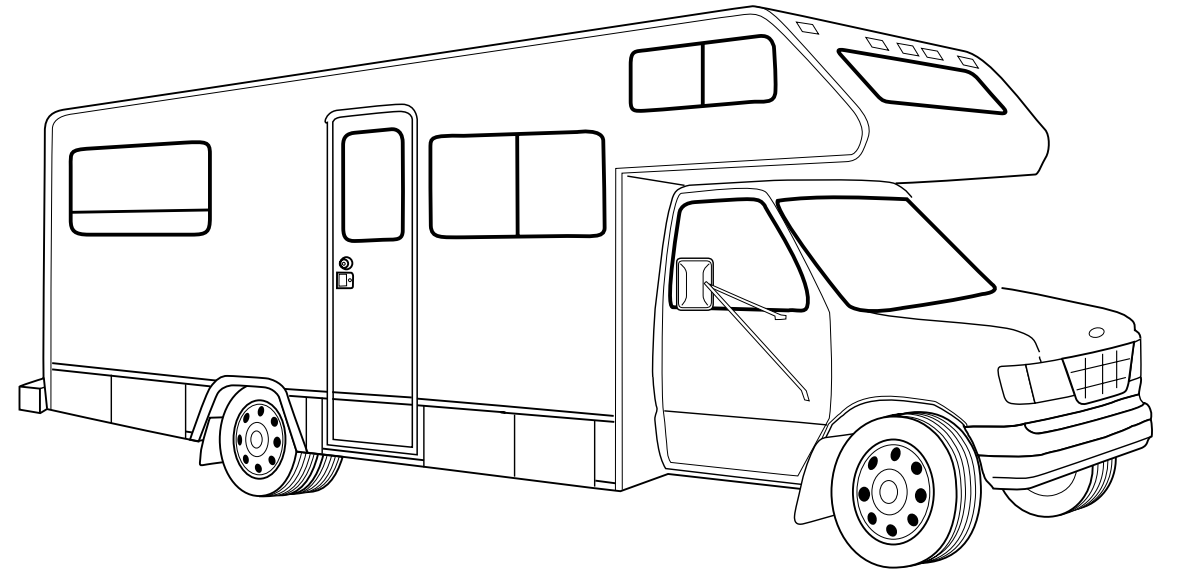


1998
IF429WQ
J35
KEEPSAKE (BLUE)
J36
GEMSTONE (GREEN)



ACCESSORIES GROUP

OPERATORS MANUAL

KEY	PART NUMBER	U/M	DESCRIPTION
	054185-H7-000	EA	MANUAL - OPERATOR - 98 SUNDANCER - 400 SERIES
	092318-01-000	EA	BINDER - 3 RING - MOTOR HOME MANUAL FROM: 00-00-00 THRU: 02-15-98
	092319-01-000	EA	POCKET PAGE - 3 RING BINDER - PLASTIC - (50 PER PKG) FROM: 00-00-00 THRU: 02-15-98
	129079-01-01A	EA	CASE - VINYLE/BLACK-EXPANDABLE ACCORDION SIDES - 7"WX9"HX14"L FROM: 02-16-98 THRU: 99-99-99
	125441-01-000	DW	TOP LEVEL-C,1998

AUDIO VIDEO GROUP

RADIO SYSTEM & ANTENNA

KEY	PART NUMBER	U/M	DESCRIPTION
	N/A	EA	SPEAKER - 5" X 7" OVAL - FORD F2UF-18814-CD
	111177-01-01A	EA	GRILLE - SPEAKER - 6.6" X 8.9" - HOUSING 5" X 7" SPEAKER
	125322-01-000	EA	RADIO - AM-FM STEREO - CASSETTE - AUDIOVOX FROM: 00-00-00 THRU: 07-06-97
	125322-02-000	EA	RADIO - AM-FM STEREO - CASSETTE - AUDIOVOX FROM: 07-07-97 THRU: 99-99-99
	090944-01-000	EA	ANTENNA - RADIO - 16" RUBBER
	077069-02-000	EA	CABLE - ANTENNA/EXTENSION - RADIO - 96"
	108137-01-000	EA	PLUG - ANTENNA
	108847-01-000	EA	BRACKET - ANTENNA GROUND
	109889-04-000	EA	EXTENDER - ANTENNA SHAFT - 3"
	110469-01-000	EA	SPEAKER - 4" X 6" OVAL - COAXIAL
	110470-01-01A	EA	GRILLE - 4" X 6" OVAL - BLACK

TV & VCR SYSTEMS

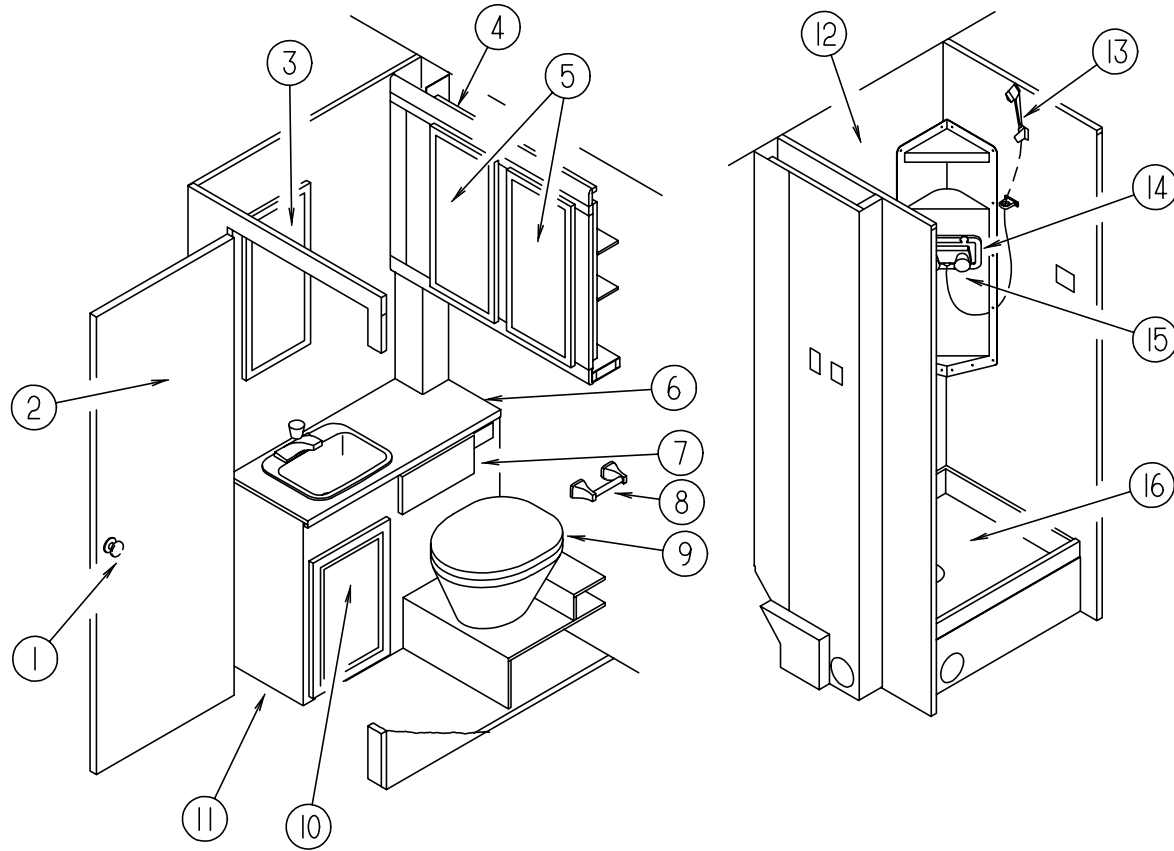
KEY	PART NUMBER	U/M	DESCRIPTION	VENDOR NO.
	086231-08-000	EA	TV - 13" COLOR - DC - AUDIOVOX	
	086231-08-700	EA	REMOTE-UNIVERSAL	8822325
	086231-08-701	EA	ADAPTER - WIRE	0891436
	126696-01-000	EA	TV - 19" COLOR W/1/8" JACK - UL/CSA - GE	
	126696-01-700	EA	REMOTE	226725
	126697-01-000	EA	VCR-VHS - CABLE READY - W/REMOTE - GE	
	126697-01-700	EA	REMOTE - F/VCR	2040R
	094487-03-000	EA	VIDEO CASSETTE PLAYER W/O REMOTE - AUDIOVOX	
	094487-03-700	EA	WIRE - ADAPTER	0891436
	082134-01-000	EA	ADAPTER - TV - CABLE TO CABLE	
	082136-01-000	EA	NUT - HEX JAM - 3/8 - 32	
	076319-03-000	FT	CABLE - COAXIAL - 75 OHM	
	076319-12-000	EA	CONNECTOR - COAXIAL - ONE PIECE	
	076319-09-000	EA	WALLPLATE - CABLE RECEPTACLE - TV - SINGLE - BROWN	
	076319-08-000	EA	WALLPLATE - CABLE RECEPTACLE - TV - SINGLE - IVORY	
	086777-02-000	EA	WALLPLATE - TV CABLE - W/ANTENNA SWITCH	
	086777-06-000	EA	WALLPLATE - TV CABLE - ANTENNA/1 OUTPUT - BROWN	
	086756-01-000	EA	SPLITTER - TV - 2 WAY	
	086757-03-000	EA	CONTROL CENTER - SWITCH - VCR/TV	
	099717-02-000	EA	STRAP - TV TIE DOWN W/29.9" FEMALE STRAP/14.2" MALE STRAP	
	099717-04-000	EA	STRAP - TIE DOWN W/21.3" FEMALE STRAP & 27.2" MALE STRAP	

TV ANTENNA & SATELLITE DISH

KEY	PART NUMBER	U/M	DESCRIPTION
*	076319-21-000	EA	ANTENNA-TV - ROOF MOUNT - 3" ROOF FROM: 00-00-00 THRU: 12-07-97
*	076319-23-000	EA	ANTENNA-TV - ROOF MOUNT - 44.5" MAST FROM: 12-08-97 THRU: 99-99-99
*	120233-01-000	EA	ANTENNA - SATELLITE (DISH & HDW) W/O RECEIVER - MANUAL

***COMPONENT PARTS FOUND IN SERVICE PARTS LIBRARY**

BATH GROUP



BATH GROUP (CONTINUED)

BATHROOM CABINETS & FIXTURES (CONTINUED)

KEY	PART NUMBER	U/M	DESCRIPTION	VENDOR NO.
13	103092-01-000	EA	SHOWER HEAD - W/60" HOSE - WHITE	
13	103092-02-000	EA	SHOWER HEAD - W/HOSE - CSA	
	103092-01-700	EA	BRACKET-F/SHOWER HEAD, CLEAR	2328028
	011048-03-700	EA	BRACKET - F/SHOWER HEAD	2328029-I
14	075241-05-000	EA	FAUCET/SHOWER - BONE 3/4" MPT X 1.4" LONG INLET PIPES	
15	075606-01-000	EA	PANEL - PLASTIC - FAUCET BACK - 5" X 9"	
16	M02673-05-B13	EA	PAN - SHOWER - 29.8" X 22.7" X 5.7"	

*COMPONENT PARTS FOUND IN SERVICE PARTS LIBRARY

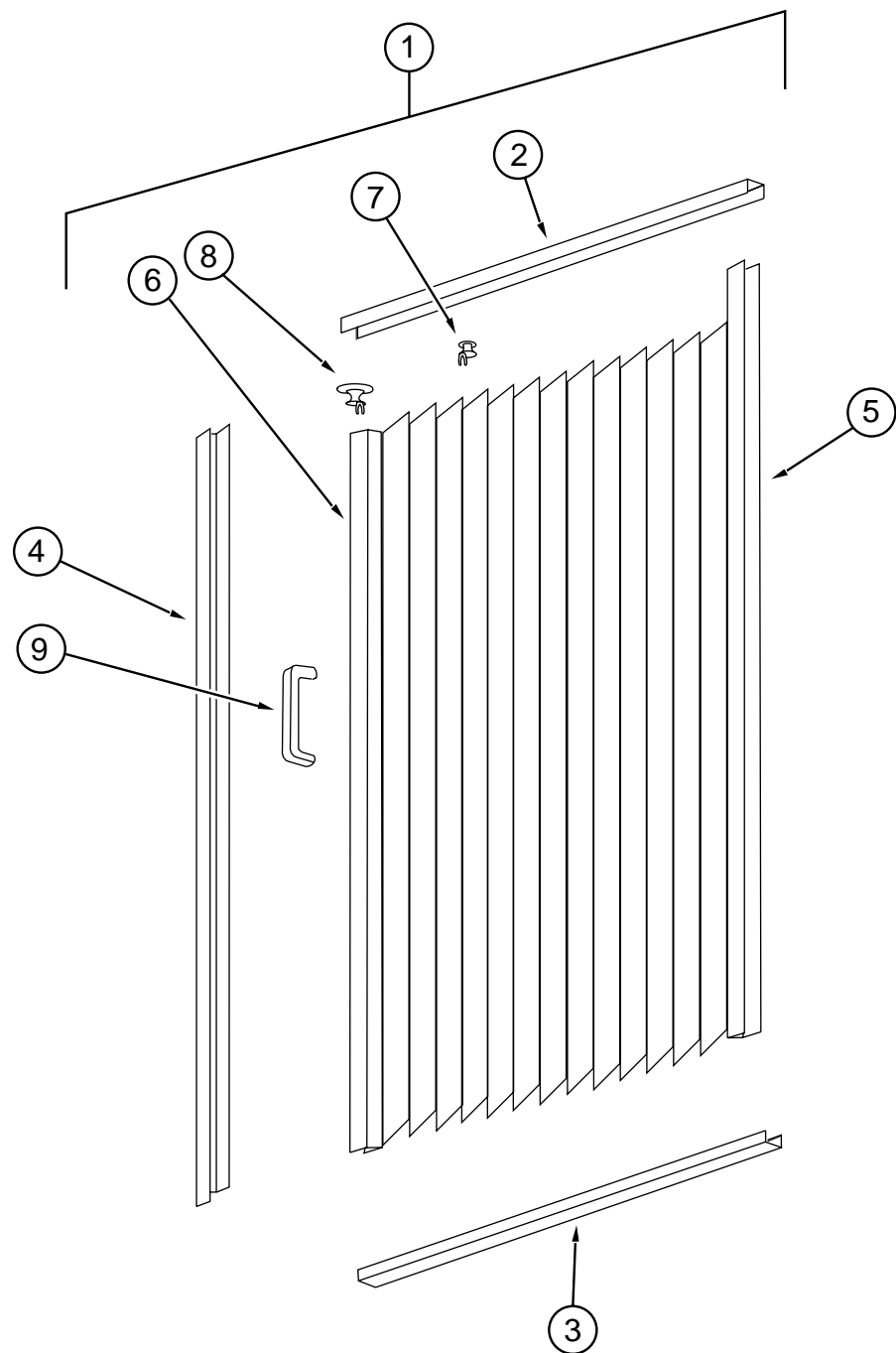
EXTERIOR SHOWER PARTS

KEY	PART NUMBER	U/M	DESCRIPTION	VENDOR NO.
	093527-02-000	EA	BRACKET - EXTERIOR SHOWER HEAD/SQUEEGEE	
	091952-02-000	EA	CLIP - GRIPPER - 3/4"	
	075241-05-000	EA	FAUCET/SHOWER - BONE 3/4" MPT X 1.4" LONG INLET PIPES	
	103092-01-000	EA	SHOWER HEAD - W/60" HOSE - WHITE	
	103092-01-700	EA	BRACKET-F/SHOWER HEAD, CLEAR	2328028
	011048-03-700	EA	BRACKET - F/SHOWER HEAD	2328029-I

BATHROOM CABINETS & FIXTURES

KEY	PART NUMBER	U/M	DESCRIPTION	VENDOR NO.
1	094485-03-01A	EA	KNOB - BRASS	
	105394-01-05A	EA	EXTRUDED PLASTIC - DOOR JAMB - WATERFORD OAK - 7'	
2	121449-04-H04	EA	DOOR - BATH	
	121449-12-G04	EA	RACK - TOWEL - BATH DOOR	
	100357-01-000	EA	ROD - F/TOWEL BAR - BRASS	
	110496-01-01A	EA	HINGE - BRASS	
	102920-01-01A	EA	HINGE - SPRING LOADED/BRASS	
	075454-02-000	EA	RING - TOWEL - W/MOUNTING HARDWARE - BRASS	
	075453-02-000	EA	BAR - TOWEL - 18" BRASS	
3	058331-01-000	EA	MIRROR - SAFETY GLASS - 19" X 26"	
4	122820-01-J05	EA	CABINET - MEDICINE - W/O DOORS/HARDWARE	
4	122820-12-H07	EA	SHELF - W/PLASTIC EDGE TRIM	
	109180-03-H08	EA	CABINET - PIPE COVER - W/O HARDWARE (J35)	
	109180-03-H30	EA	CABINET - PIPE COVER - W/O HARDWARE (J36)	
5	M08758-24-J05	EA	DOOR - MITERED CORNER/OGEE EDGE - 14.3" X 16" - W/O HDW	
6	123571-11-H08	EA	COUNTERTOP - LAVATORY (J35)	
6	123571-11-J06	EA	COUNTERTOP - LAVATORY (J36)	
	096927-01-01A	EA	SINK - LAVATORY - RECTANGULAR - PLASTIC/BONE	
	096927-01-700	EA	SINK STOPPER	M9801
	096927-01-701	EA	TAILPIECE-DRAIN-LAVATORY	M9802
	075240-06-000	EA	FAUCET - LAVATORY/BONE	
	091253-01-000	EA	GASKET - FAUCET - LAVATORY/GALLEY	
7	M05971-BM-J35	EA	DRAWER - OGEE EDGE - 10.9"W X 9.8"D - W/O SLIDES/HARDWARE	
8	075452-02-000	EA	HOLDER - TOILET TISSUE - BRASS	
9*	063740-01-000	EA	TOILET - HIGH/HAND FLUSH	
10	M08758-78-J15	EA	DOOR - MITERED CORNER/OGEE EDGE - 14.1" X 21.8" - W/O HDW	
11	P23571-01-H08	EA	CABINET - LAVATORY - W/COUNTERTOP - W/O DOORS/DRWS/HDW (J35)	
11	P23571-01-J06	EA	CABINET - LAVATORY - W/COUNTERTOP - W/O DOORS/DRWS/HDW (J36)	
	122192-01-02A	EA	PANEL - SKYLITE - OUTER - 16.4" X 27.8"	
	122193-01-02A	EA	PANEL - SKYLITE - INNER	
12	105629-01-01A	EA	SURROUND - SHOWER	
	117431-01-01A	EA	DOOR - SHOWER - FABRIC PLEATED - 29.6" X 63.0"	

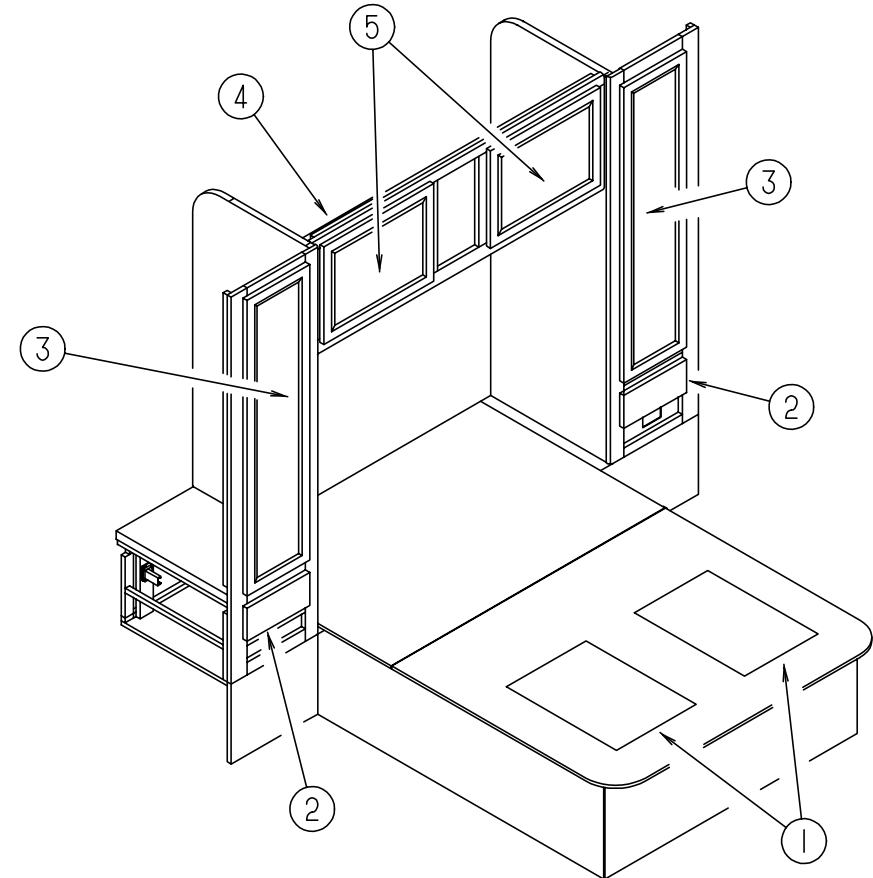
BATH GROUP (CONTINUED)



SHOWER DOOR - COASTAL

KEY	PART NUMBER	U/M	DESCRIPTION
1	117431-01-01A	EA	DOOR - SHOWER - FABRIC PLEATED - 29.6" X 63.0"
2	117431-01-700	EA	TRACK-TOP, ALUM.IVORY INSERT 48"
3	117431-01-701	EA	TRACK-BOTTOM, 48"
4	117431-01-702	EA	RAIL-SIDE, 67"
5	117431-01-703	EA	RAIL-STATIONARY, 67"
6	117431-01-704	EA	RAIL-LEAD, 67"
7	117431-01-705	EA	GLIDE-IVORY, TRAVELER
8	117431-01-706	EA	GLIDE-IVORY LEAD, TRAVELER
	117431-01-707	EA	LATCH
9	117431-01-708	EA	HANDLES & SCREWS
	117431-01-709	EA	STRAP-VINYL

BEDROOM GROUP

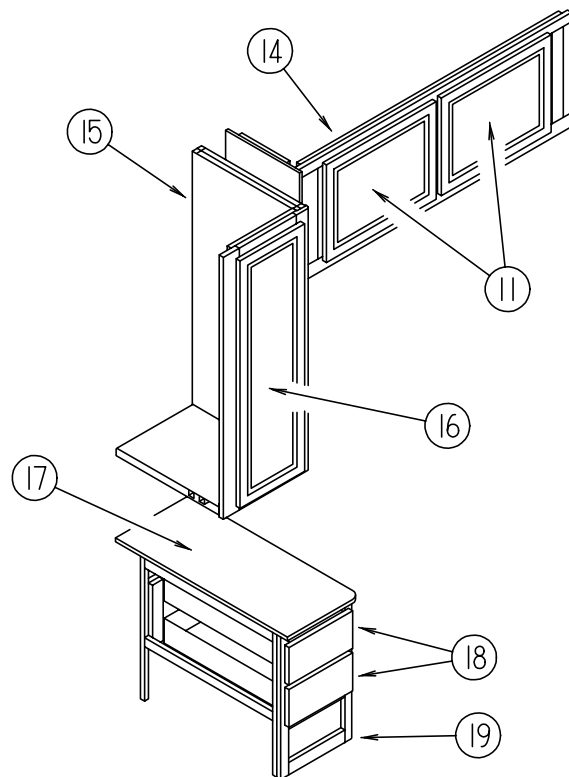
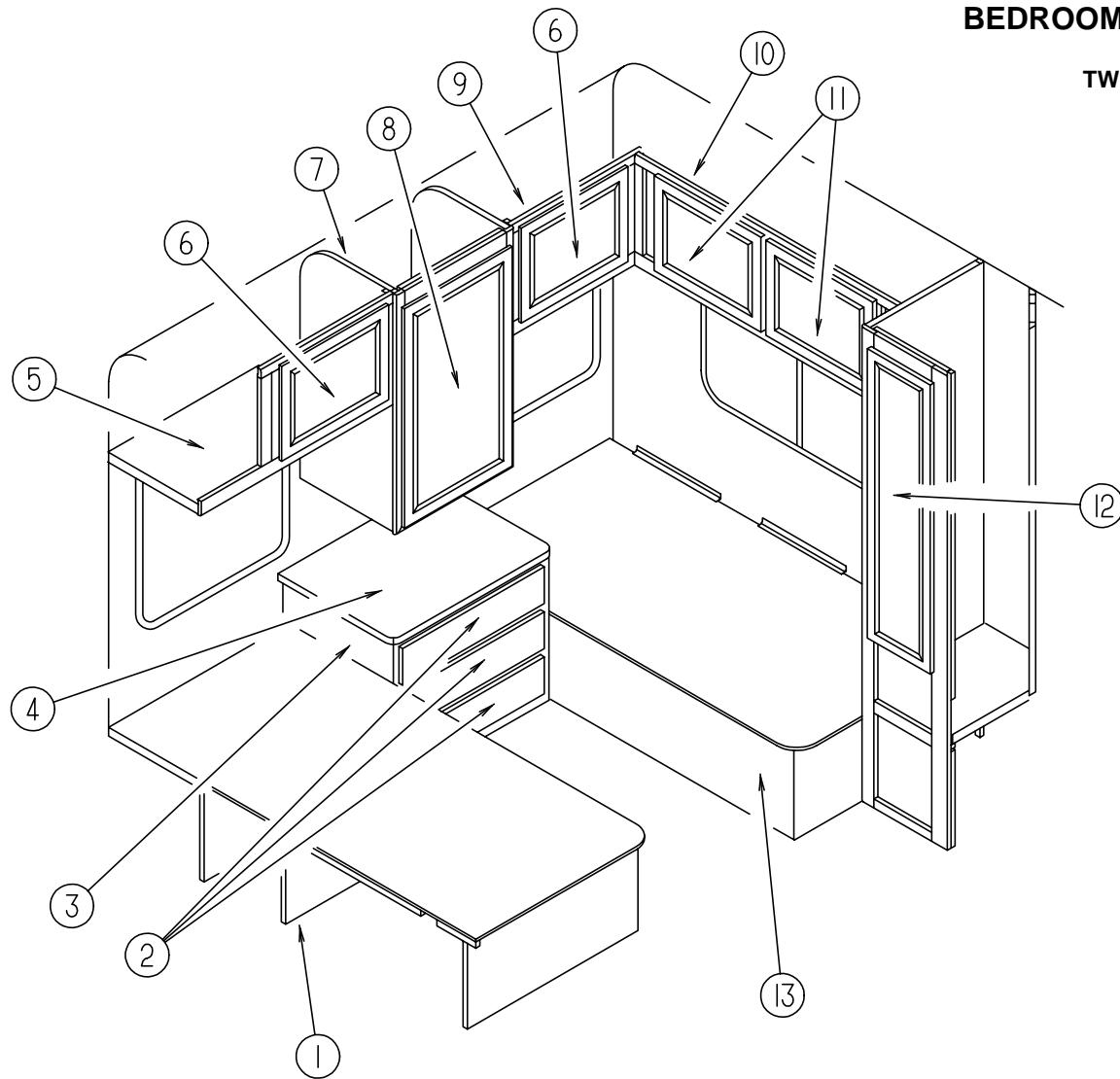


CENTER QUEEN BED CABINERY

KEY	PART NUMBER	U/M	DESCRIPTION
1	091261-01-000	FT	SLIPNOT - ANTISLIP - 1" WIDE
	P18430-04-G04	EA	CABINET - BASE - QUEEN BED - W/O DOORS/DRAWERS/HARDWARE
	M07550-01-G04	EA	TOP - QUEEN BED - W/O HARDWARE
	107796-06-000	EA	SPRING/GAS - 12" COMPRESSED/20" EXTENDED - 120 LB.
	126263-06-02B	EA	BRACKET - GAS SPRING - E-COATED
	126263-08-02B	EA	BRACKET - GAS SPRING - LOWER - E-COATED
	M79284-02-A03	EA	EXTRUSION - U-CHANNEL - .03" X 96" - GRADY BROWN
2	M05971-49-J35	EA	DRAWER - OGEE EDGE - 9.8"W X 17.7"D - W/O SLIDES/HARDWARE
3	M08758-13-J01	EA	DOOR - MITERED CORNER/OGEE EDGE - 12" X 48" - W/O HDW
	097872-04-000	EA	DOWEL - WOOD - 1" DIAMETER X 1.38" LONG
	091952-01-000	EA	CLIP - GRIPPER - 1"
	009112-01-000	EA	FLANGE - PLASTIC - 1" CLOTHES ROD - OFF WHITE
4	120419-01-G04	EA	CABINET - OVERHEAD/REAR - W/O DOORS/HARDWARE
5	M08758-01-J05	EA	DOOR - MITERED CORNER/OGEE EDGE - 15.7" X 27.9" - W/O HDW
	120071-01-G24	EA	CABINET - CORNER - W/COUNTERTOP - W/O DOORS/DRAWERS/HDW (J35)
	120071-01-G05	EA	CABINET - CORNER - W/COUNTERTOP - W/O DOORS/DRAWERS/HDW (J36)
	120071-11-G24	EA	COUNTERTOP - CORNER CABINET (J35)
	120071-11-G05	EA	COUNTERTOP - CORNER CABINET (J36)
	116773-02-000	EA	SWIVEL/SLIDES - F/TV SHELF

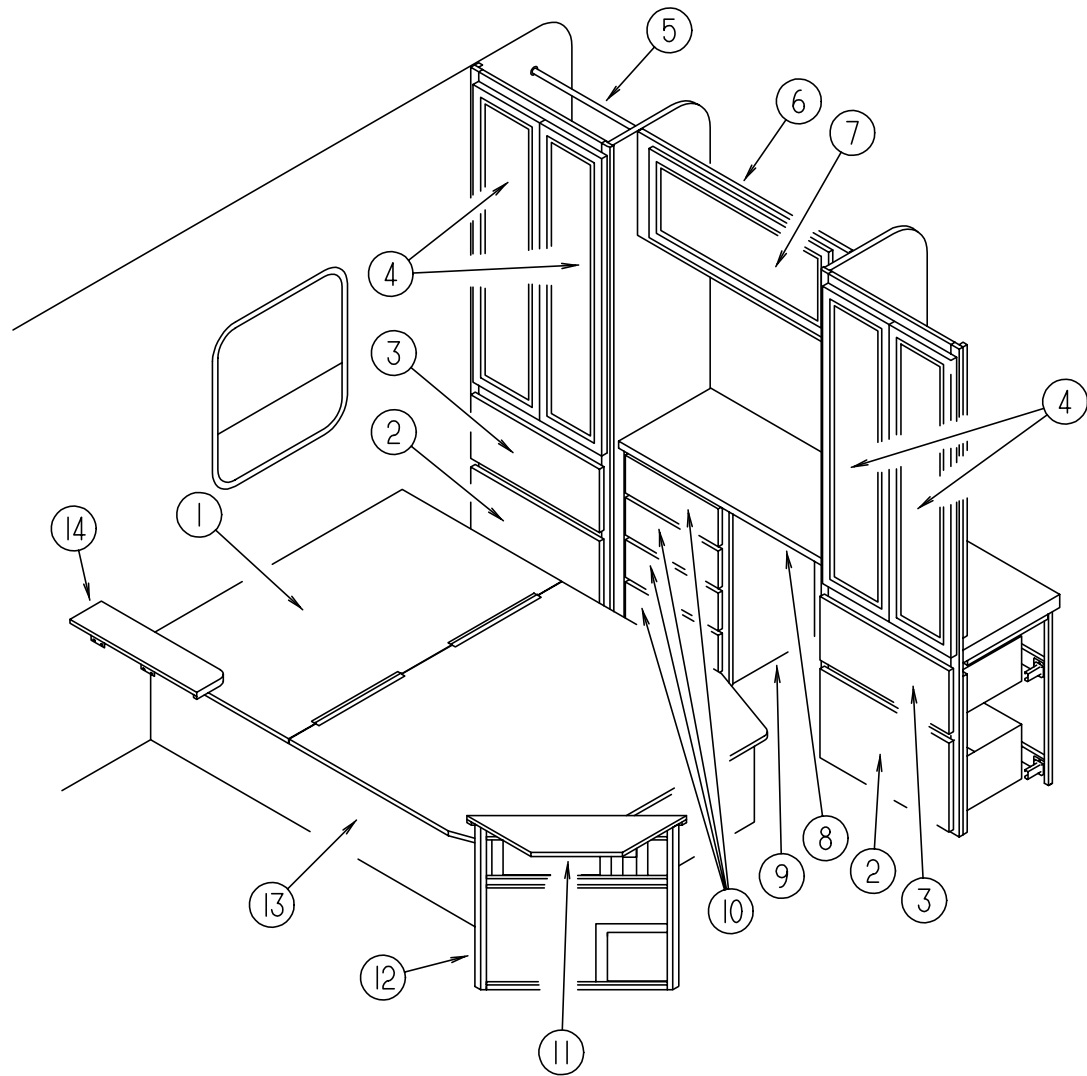
BEDROOM GROUP (CONTINUED)

TWIN BED CABINETS



KEY	PART NUMBER	U/M	DESCRIPTION
1	P18690-01-G04	EA	CABINET - BASE - TWIN BED/RIGHT HAND-W/O DOORS/DRAWERS/HDW
	107796-06-000	EA	SPRING/GAS - 12" COMPRESSED/20" EXTENDED - 120 LB.
	091952-01-000	EA	CLIP - GRIPPER - 1"
	097872-04-000	EA	DOWEL - WOOD - 1" DIAMETER X 1.38" LONG
	091261-01-000	FT	SLIPNOT - ANTISLIP - 1" WIDE
2	M05971-M3-J35	EA	DRAWER - OGEE EDGE - 14.9"W X 11.8"D - W/O SLIDES/HARDWARE
3	118679-01-H08	EA	CABINET - NIGHTSTAND - W/COUNTERTOP - W/O DRS/DWRS/HDW (J35)
3	118679-01-J06	EA	CABINET - NIGHTSTAND - W/COUNTERTOP - W/O DRS/DWRS/HDW (J36)
4	118679-11-G24	EA	COUNTERTOP - NIGHTSTAND (J35)
4	118679-11-G05	EA	COUNTERTOP - NIGHTSTAND (J36)
5	110004-01-G04	EA	CABINET - OVERHEAD/REAR/ RIGHT HAND - W/O DOORS/HARDWARE
6	M08758-04-J15	EA	DOOR - MITERED CORNER/OGEE EDGE - 15.7" X 20.4" - W/O HDW
7	123051-01-H07	EA	CABINET - SHIRT CLOSET/RIGHT REAR - W/O DOORS/DRAWERS/HDW
8	M08758-29-J05	EA	DOOR - MITERED CORNER/OGEE EDGE - 20.6" X 36.4" - W/O HDW
9	110004-02-G04	EA	CABINET - OVERHEAD/REAR/LEFT HAND - W/O DOORS/HARDWARE
10	109578-04-H08	EA	CABINET - OVERHEAD/REAR/LEFT HAND - W/O DOORS/HARDWARE (J35)
10	109578-04-J36	EA	CABINET - OVERHEAD/REAR/LEFT HAND - W/O DOORS/HARDWARE (J36)
	109908-09-G04	EA	END CAP - OVERHEAD CABINET
11	M08758-04-J15	EA	DOOR - MITERED CORNER/OGEE EDGE - 15.7" X 20.4" - W/O HDW
12	M08758-17-J37	EA	DOOR - MITERED CORNER/OGEE EDGE - 12" X 48" - W/O HDW
13	P18689-01-G04	EA	CABINET - BASE - TWIN BED/LEFT HAND-W/O DOORS/DRAWERS/HDW
14	109578-03-H08	EA	CABINET - OVERHEAD/REAR/RIGHT HAND - W/O DOORS/HARDWARE (J35)
14	109578-03-J36	EA	CABINET - OVERHEAD/REAR/RIGHT HAND - W/O DOORS/HARDWARE (J36)
	109908-08-G04	EA	END CAP - OVERHEAD CABINET
15	112831-01-G04	EA	CABINET - SHIRT CLOSET/RIGHT HAND - W/O DOORS/HARDWARE
16	M08758-28-J15	EA	DOOR - MITERED CORNER/OGEE EDGE - 12" X 39.9" - W/O HDW
17	118680-11-G24	EA	COUNTERTOP - NIGHTSTAND (J35)
17	118680-11-G05	EA	COUNTERTOP - NIGHTSTAND (J36)
18	M05971-U4-J35	EA	DRAWER - OGEE EDGE - 9.4"W X 23.6"D - W/O SLIDES/HARDWARE
19	P18680-01-G24	EA	CABINET - NIGHTSTAND - W/COUNTERTOP - W/O DRS/DWRS/HDW (J35)
19	P18680-01-G05	EA	CABINET - NIGHTSTAND - W/COUNTERTOP - W/O DRS/DWRS/HDW (J36)
	042438-01-000	EA	DOWEL - WOOD - CLOTHES ROD - 1" DIAMETER X 4'
	009112-01-000	EA	FLANGE - PLASTIC - 1" CLOTHES ROD - OFF WHITE
	084357-02-H07	EA	TV STAND - FOLD DOWN W/MIRROR
	084356-08-000	EA	INSERT - TV STAND - W/SUPPORT HINGE
	084412-01-000	EA	SUPPORT/HINGE KIT (LEFT & RIGHT HINGES)
	058331-14-000	EA	MIRROR - SAFETY GLASS - 14" X 12.7"
	084451-01-000	EA	CATCH - BRASS
	084413-01-000	EA	HINGE/CONTINUOUS - ALUMINUM 1" X 72" - W/HOLES

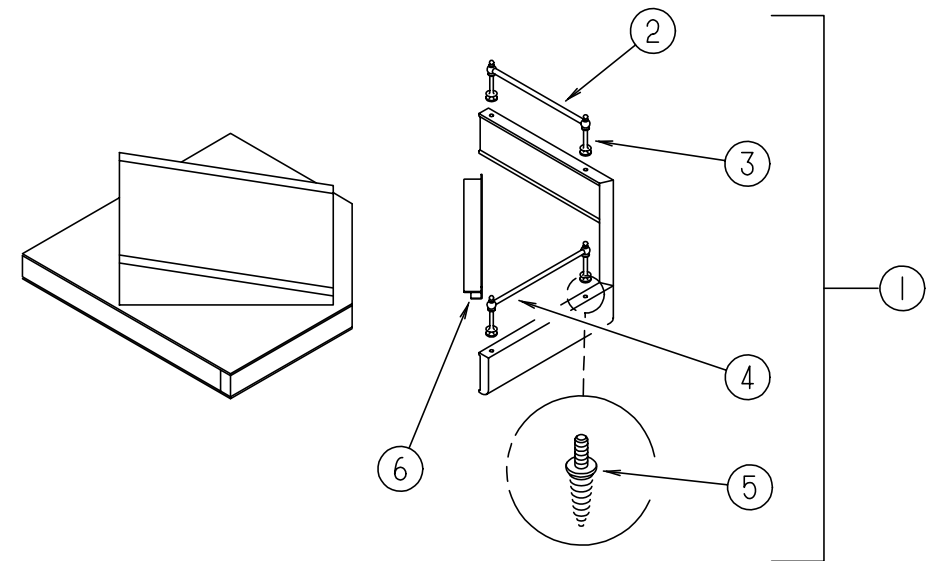
BEDROOM GROUP (CONTINUED)



DOUBLE BED CABINETRY

KEY	PART NUMBER	U/M	DESCRIPTION
1	091261-01-000	FT	SLIPNOT - ANTISLIP - 1" WIDE
	107796-06-000	EA	SPRING/GAS - 12" COMPRESSED/20" EXTENDED - 120 LB.
	126263-06-02B	EA	BRACKET - GAS SPRING - E-COATED
	126263-08-02B	EA	BRACKET - GAS SPRING - LOWER - E-COATED
	097872-04-000	EA	DOWEL - WOOD - 1" DIAMETER X 1.38" LONG
2	M05971-T3-J37	EA	DRAWER - OGEE EDGE - 21.8"W X 13.8"D - W/O SLIDES/HARDWARE
3	M05971-T4-J37	EA	DRAWER - OGEE EDGE - 21.8"W X 13.8"D - W/O SLIDES/HARDWARE
4	M08758-13-J01	EA	DOOR - MITERED CORNER/OGEE EDGE - 12" X 48" - W/O HDW
5	042438-01-000	EA	DOWEL - WOOD - CLOTHES ROD - 1" DIAMETER X 4'
	009112-01-000	EA	FLANGE - PLASTIC - 1" CLOTHES ROD - OFF WHITE
6	118677-01-H08	EA	CABINET - REAR OVERHEAD - W/O DOORS/HARDWARE (J35)
6	118677-01-J36	EA	CABINET - REAR OVERHEAD - W/O DOORS/HARDWARE (J36)
7	M08758-16-J01	EA	DOOR - MITERED CORNER/OGEE EDGE - 14.3" X 33.4" - W/O HDW
8	118676-11-G24	EA	COUNTERTOP - VANITY (J35)
8	118676-11-G05	EA	COUNTERTOP - VANITY (J36)
9	P18676-01-G24	EA	CABINET - VANITY - W/COUNTERTOP - W/O DOORS/DRAWERS/HDW (J35)
9	P18676-01-G05	EA	CABINET - VANITY - W/COUNTERTOP - W/O DOORS/DRAWERS/HDW (J36)
10	M05971-T5-J37	EA	DRAWER - OGEE EDGE - 15.4"W X 13.8"D - W/O SLIDES/HDW
11	120071-11-G24	EA	COUNTERTOP - CORNER CABINET (J35)
11	120071-11-G05	EA	COUNTERTOP - CORNER CABINET (J36)
12	120071-01-G24	EA	CABINET - CORNER - W/COUNTERTOP - W/O DOORS/DRAWERS/HDW (J35)
12	120071-01-G05	EA	CABINET - CORNER - W/COUNTERTOP - W/O DOORS/DRAWERS/HDW (J36)
13	P19644-02-G04	EA	CABINET - BASE - DOUBLE BED - W/O DOORS/DRAWERS/HARDWARE
	M79284-02-A03	EA	EXTRUSION - U-CHANNEL - .03" X 96" - GRADY BROWN
14	116842-02-G24	EA	SHELF - DOUBLE BED - W/O HARDWARE (J35)
14	116842-02-G05	EA	SHELF - DOUBLE BED - W/O HARDWARE (J36)

BEDROOM GROUP (CONTINUED)



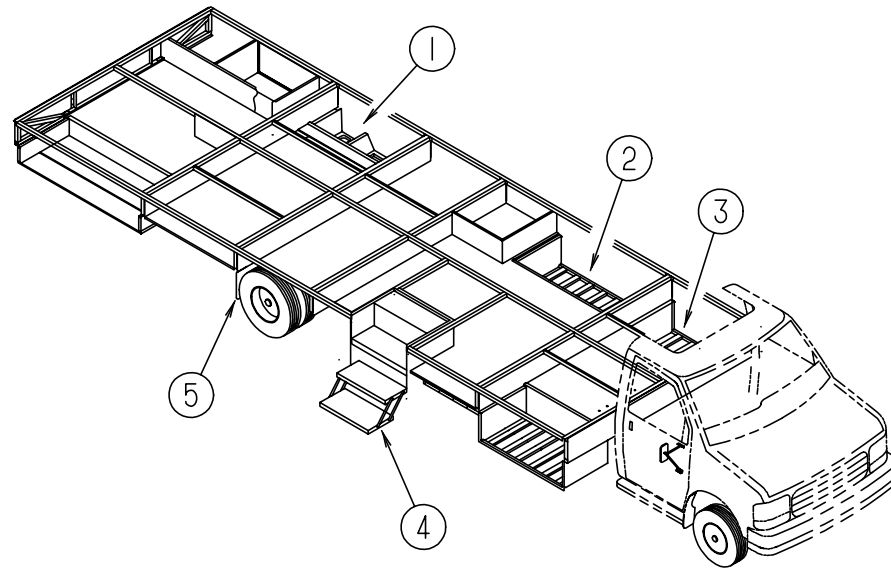
TV SHELF - BEDROOM

KEY	PART NUMBER	U/M	DESCRIPTION
1	116553-03-G04	EA	CABINET - TV SHELF - W/BRASS RODS/POST ENDS
2	084071-12-000	EA	ROD - BRASS - 4.08" LONG
3	084070-03-000	EA	POST - END - 2.4" - BRASS
	106166-01-000	EA	BOLT/COLLARED HANGER - 8-32 X 1"
4	084071-19-000	EA	ROD - BRASS - 7.09" LONG
5	105247-01-000	EA	INSERT NUT - 8-32 THD X .394LG
6	103186-01-05A	FT	MOLDING - PLASTIC 3/8" U-CHANNEL 3/4" FACE - WATERFORD OAK

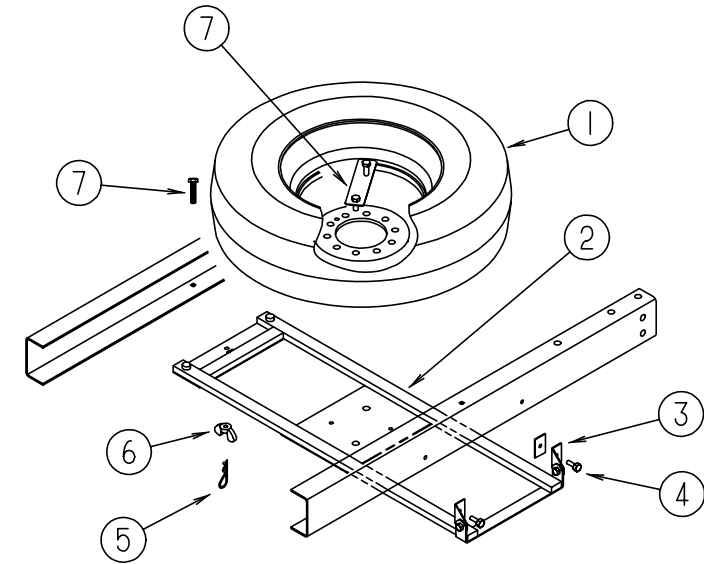
BEDROOM FOLDING DOOR

KEY	PART NUMBER	U/M	DESCRIPTION	VENDOR NO.
	094856-10-01A	EA	TRACK - FOLDING DOOR - OFF WHITE	
	042488-10-000	EA	DOOR - FOLDING - OFF WHITE FABRIC - 37" X 75"	
	042488-10-700	EA	LEADRAIL-PREPUNCHED F/HANDLE	DW2100
	080224-01-703	EA	HANDLE W/LATCH-CATCH, ALMOND	DE03505
	080224-01-705	EA	LATCH & CATCH ASM., ALMOND	DE25010 & DE25020

CHASSIS GROUP



CHASSIS GROUP (CONTINUED)



COMPARTMENTS, PLUGS & SEALS

KEY	PART NUMBER	U/M	DESCRIPTION
1	117186-02-G04	EA	COMPARTMENT - STORAGE
	M06991-02-FQ0	EA	HATCH - W/FOAM INSULATION (110 POWER)
	M06991-04-FB1	EA	HATCH - W/FOAM INSULATION (WATER OR SEWER)
	121175-01-01A	EA	LATCH - SWELL - BLACK
	116926-02-01A	EA	COMPARTMENT - SEWER & 110V POWER CORD
2	117928-01-01A	EA	COMPARTMENT - STORAGE
	093873-01-01A	EA	TRIM - CARPET - L-ANGLE 1.1" X 1.3" X 12' - GRAY VINYL
3	117928-06-01A	EA	COMPARTMENT - STORAGE - 23.4" X 42.4"
4*	094707-01-01A	EA	STEP - DOUBLE - ELECTRIC - KWIKEE
5	017516-01-000	EA	MUD FLAP - 14" X 18" - BLACK
	065450-05-000	EA	TIEDOWN - BATTERY - 8.4" TUBE
	084993-02-000	EA	STRAP - BATTERY - 55" LONG
	084993-01-000	EA	STRAP - BATTERY - 43.2" LONG
	121948-01-000	EA	SHIELD - SIGHT
	105376-01-03A	EA	HINGE - CONTINUOUS - 2" X 5.5" - BRIGHT WHITE
	112864-01-000	FT	SEAL - FOAM/BUTYL COVERED - 3/8"
	119845-01-01A	EA	PLUG - PLASTIC - BLACK
	061420-10-000	EA	PLUG/PLASTIC - 1.50" DIAMETER - BLACK
	061420-09-000	EA	PLUG/PLASTIC - 1.00" - DIAMETER

*COMPONENT PARTS FOUND IN SERVICE PARTS LIBRARY

DRIVESHAFT & BRAKE LINE FLARE UNION

KEY	PART NUMBER	U/M	DESCRIPTION
	103653-10-000	EA	DRIVESHAFT - BALANCED PAIR - 190" WB - DIESEL ENGINE
	115043-02-000	EA	BUSHING - STEP-UP - 2.5 OD - 3.5 OD - EXHAUST - DIESEL
	074833-01-000	EA	SPACER - BEARING - DRIVESHAFT - 2" X 8" X .5" THICK
	085771-03-000	EA	NUT - HEX - FLARE TORQUE - GRADE G - DRIVESHAFT
	088498-01-000	EA	UNION - INVERTED FLARE - BRASS - 3/16 - BRAKE LINE
	103653-16-000	EA	DRIVESHAFT - BALANCED PAIR - 190" WB - GAS ENGINE

SPARE TIRE

KEY	PART NUMBER	U/M	DESCRIPTION
1	070917-06-000	EA	TIRE - LT225/75R16E - R4S - M/S - FIRESTONE
1	083617-03-000	EA	WHEEL - STEEL - 16.0 X 6
	112358-01-000	EA	WRENCH - LUG - 7/8" - L-SHAPE
2	116348-01-02B	EA	CRADLE - SPARE TIRE - E-COATED
3	116349-01-02B	EA	BRACKET/HINGE - SPARE TIRE - E-COATED
4	000C26-06-12B	EA	BOLT-HEX-SER FLANGE - 3/8-16 X 3/4 - ZINC
4	000E13-17-00B	EA	WASHER-FLANGE - 3/8" AR ZINC
4	000D34-06-00B	EA	NUT-HEX, LK - 3/8 - 16 GRADE C ZN - PREVAILING TORQUE
5	034513-01-000	EA	PIN-HITCH - 3/16" WIRE
6	064081-03-000	EA	NUT - WING 3/8-16 - W/WELD NUT
6	116338-02-02B	EA	BRACKET/CLAMP - SPARE TIRE - E-COATED
7	000D29-09-00B	EA	NUT-HEX SELFLOCK 9/16-12 ZN
	051377-04-000	EA	VALVE STEM

WHEEL COVERS

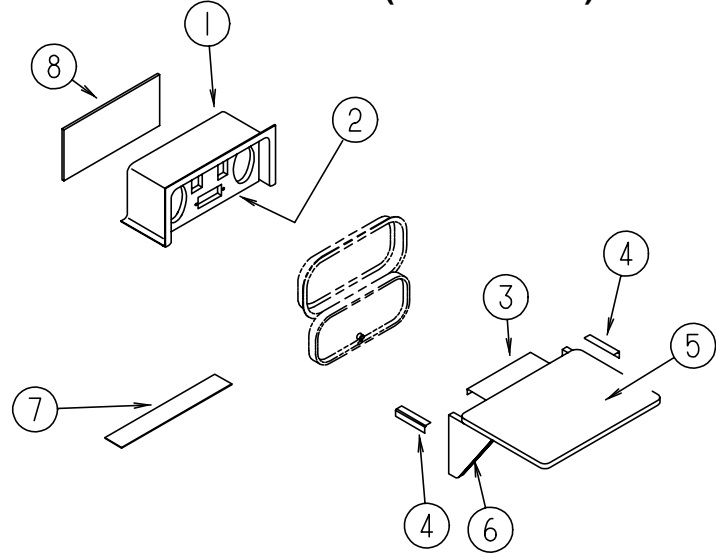
KEY	PART NUMBER	U/M	DESCRIPTION	VENDOR NO.
	109443-05-000	EA	WHEEL COVER - 4/SET - 16" STAINLESS STEEL	
	098532-01-700	EA	COVER-LUG NUT (CHROME)	SHAU-LNC
	109443-05-700	EA	COVER-WHEEL, 16" SS EA=1	SHFM16-CVR

ELECTRIC STEP ASSEMBLY

KEY	PART NUMBER	U/M	DESCRIPTION
*	094707-01-01A	EA	STEP - DOUBLE - ELECTRIC - KWIKEE
	116995-01-000	EA	SWITCH/MAGNET - ELECTRIC STEP
	091176-01-000	EA	SUPPORT - BASE - ENTRANCE STEP

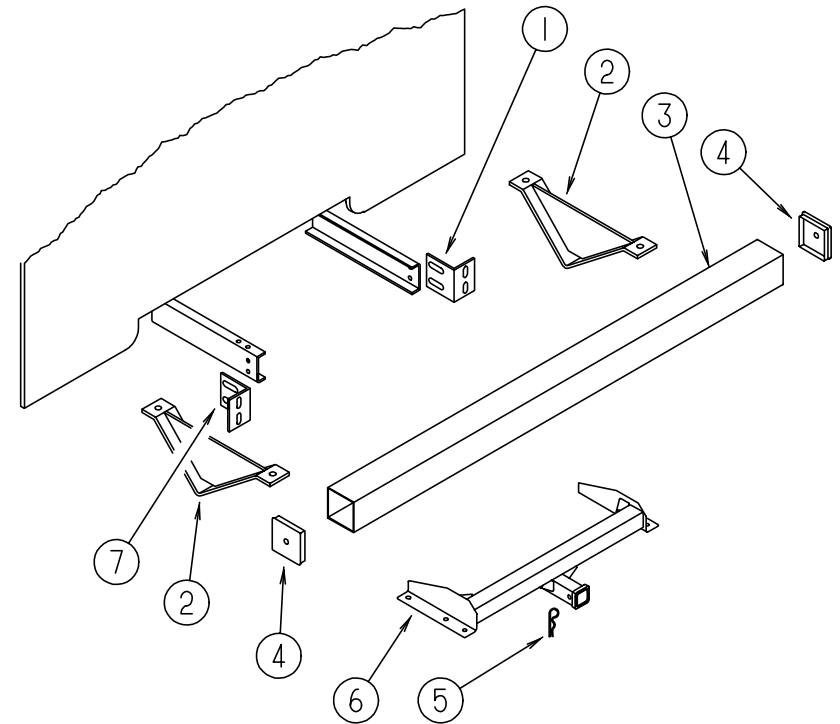
*COMPONENT PARTS FOUND IN SERVICE PARTS LIBRARY

CHASSIS GROUP (CONTINUED)



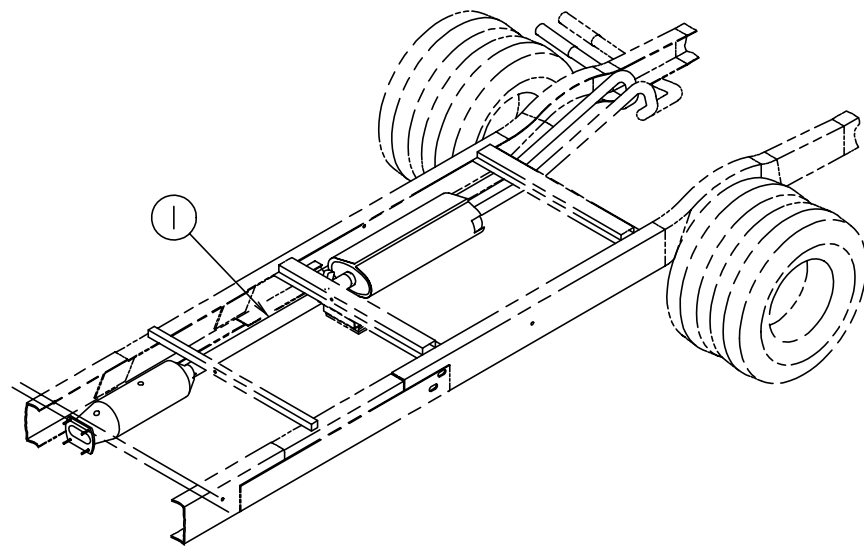
ENTERTAINMENT COMPARTMENT

KEY	PART NUMBER	U/M	DESCRIPTION
1	124696-01-01A	EA	BOX - ENTERTAINMENT CENTER/EXTERIOR
2	127409-02-J01	EA	PLATE - RADIO MOUNTING
3	105377-01-04A	EA	BRACKET - TABLE HANGER - BRIGHT WHITE
4	105376-01-03A	EA	HINGE - CONTINUOUS - 2" X 5.5" - BRIGHT WHITE
5	105230-11-J01	EA	SHELF - EXTERIOR ENTERTAINMENT CENTER - W/O HARDWARE
6	105230-12-J01	EA	SUPPORT - EXTERIOR SHELF
7	104898-01-02A	EA	PLATE - PLASTIC BOTTOM - BRIGHT WHITE
8	104898-02-02A	EA	PLATE - PLASTIC BACK - BRIGHT WHITE



REAR BUMPER & HITCH

KEY	PART NUMBER	U/M	DESCRIPTION
1	104420-01-000	EA	SUPPORT/ANGLE - REAR BUMPER
2	083376-01-000	EA	PLATE/SKID - 13.2" X 6" X 2" STEEL
3	103422-05-02A	EA	BUMPER/ALUMINUM - SQUARE TUBE
4	039779-01-000	EA	CAP - BUMPER - RUBBER - 4" X 4" - BLACK
5	034513-01-000	EA	PIN - HITCH - 3/16" WIRE
6	107707-08-000	EA	HITCH RECEIVER - BOLT-ON CLASS II
7	104420-02-000	EA	SUPPORT/ANGLE - REAR BUMPER
	097745-02-000	EA	HOUSING - RECEPTACLE - TRAILER - 48' WIRE LENGTH
	113634-01-000	EA	WIRE ASSEMBLY - TRAILER ADAPTER
			FROM: 00-00-00 THRU: 08-20-97
	113589-01-000	EA	CONNECTOR - PLUG - TRAILER
	113589-02-000	EA	CONNECTOR - SOCKET - TRAILER
	113588-02-01B	EA	BRACKET - CONNECTOR - TRAILER W/O LIP
	070579-09-000	EA	PLATE - ANCHOR
			FROM: 00-00-00 THRU: 10-06-97
	000C26-08-24B	EA	BOLT - HEX - SERRATED FLANGE - 1/2-13 X 1.5 ZINC
			FROM: 10-07-97 THRU: 99-99-99
	000E13-21-00B	EA	WASHER - FLAT - W/2 NAR - ZINC
			FROM: 10-07-97 THRU: 99-99-99



EXHAUST SYSTEM COMPONENTS

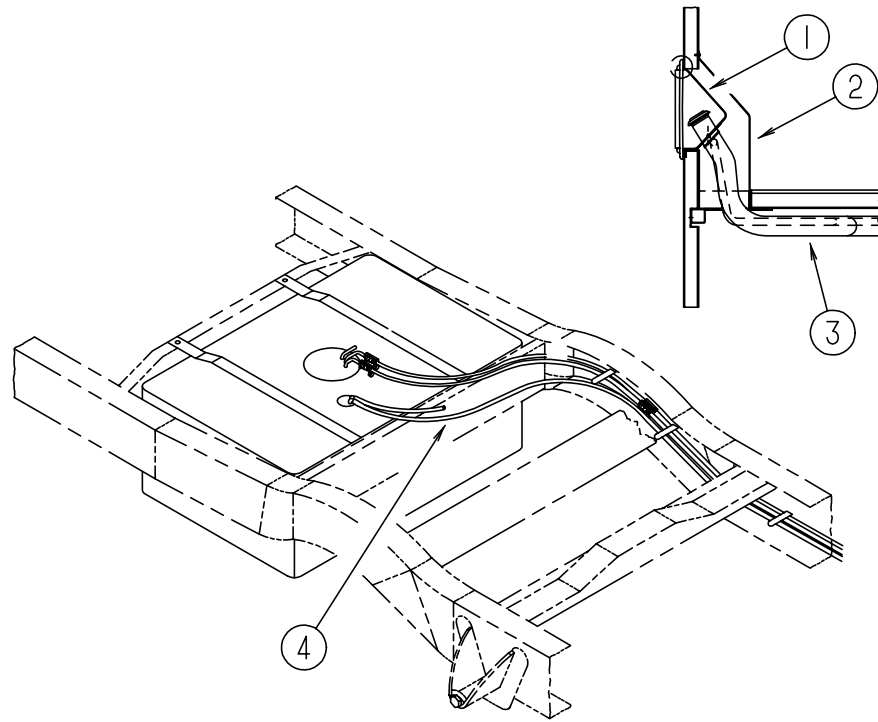
KEY	PART NUMBER	U/M	DESCRIPTION
	094918-06-000	EA	CLAMP - EXHAUST - 3" - HEAVY DUTY
	094918-02-000	EA	CLAMP - EXHAUST - 3.5"
1	111478-02-000	EA	EXHAUST PIPE - DOUBLE WALL STAINLESS STEEL - 33.9" LONG
	098762-13-000	EA	PIPE - EXHAUST - STRAIGHT - 3.5"
	098762-18-000	EA	PIPE - EXHAUST - STRAIGHT - 3"

CURTAIN & CUSHION GROUP

NOTICE

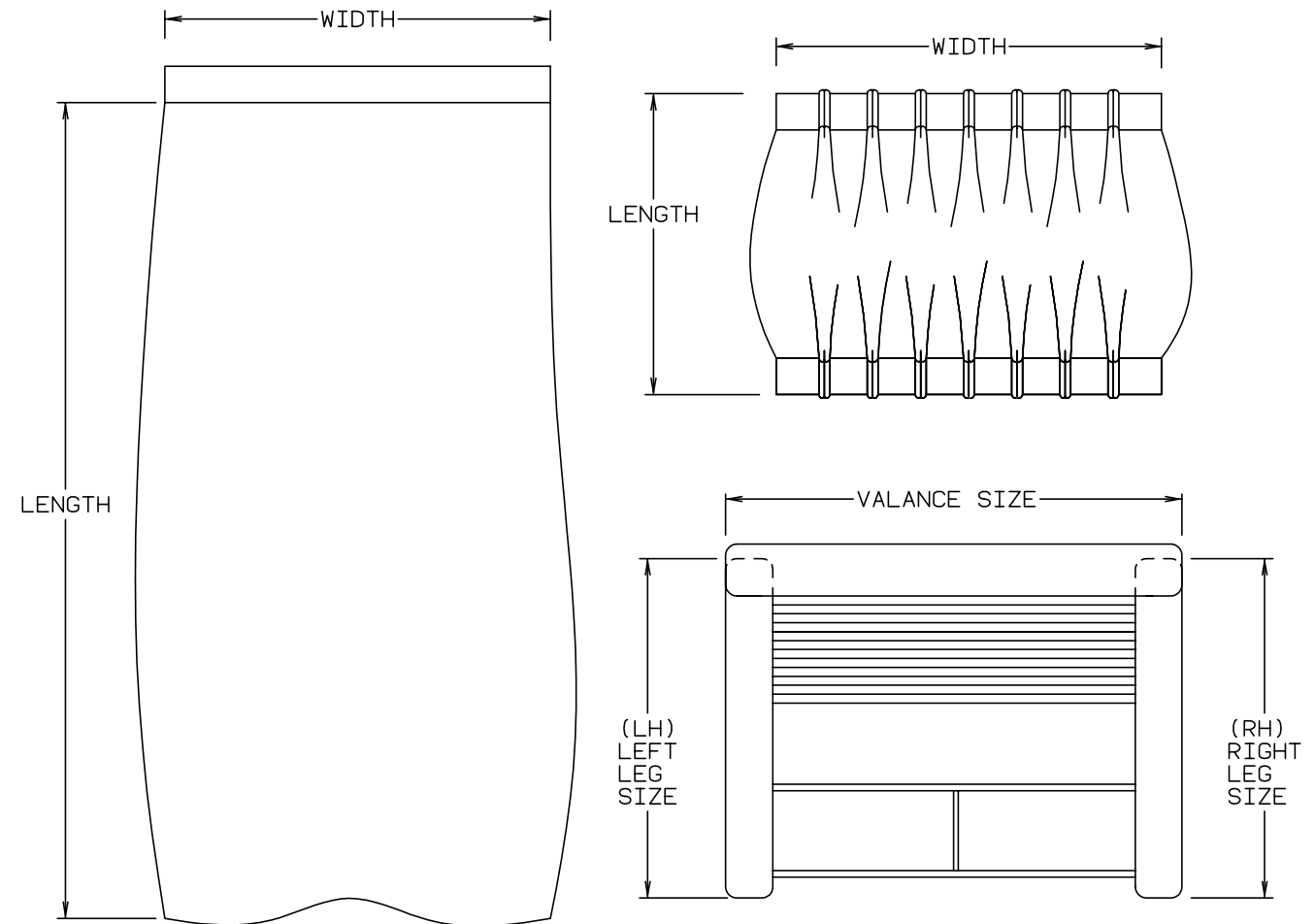
IN ORDER TO ASSIST OUR PARTS SALES DEPT. IN PROVIDING INTERIOR SOFTWARE ITEMS, PLEASE INCLUDE THE SERIAL NUMBER AND THE COLOR CODE NUMBER FROM THE VEHICLE CERTIFICATION LABEL WHEN ORDERING. THIS LABEL IS LOCATED ON THE LEFT SIDEWALL AT THE END OF THE DASH (A-BODY), OR ON THE DRIVER'S DOOR LATCH PLATE (C-BODY).

AN EXAMPLE OF A COLOR CODE NUMBER IS B07, WHICH DESIGNATES AN OVERALL COLOR SCHEME OF A PARTICULAR UNIT. THE COLOR LISTED AFTER THE ITEM DESCRIPTION ON THE MICROFICHE, INDICATES THE OVERALL UNIT COLOR. ORDER THE ITEM YOU DESIRE ACCORDING TO UNIT COLOR CODE.



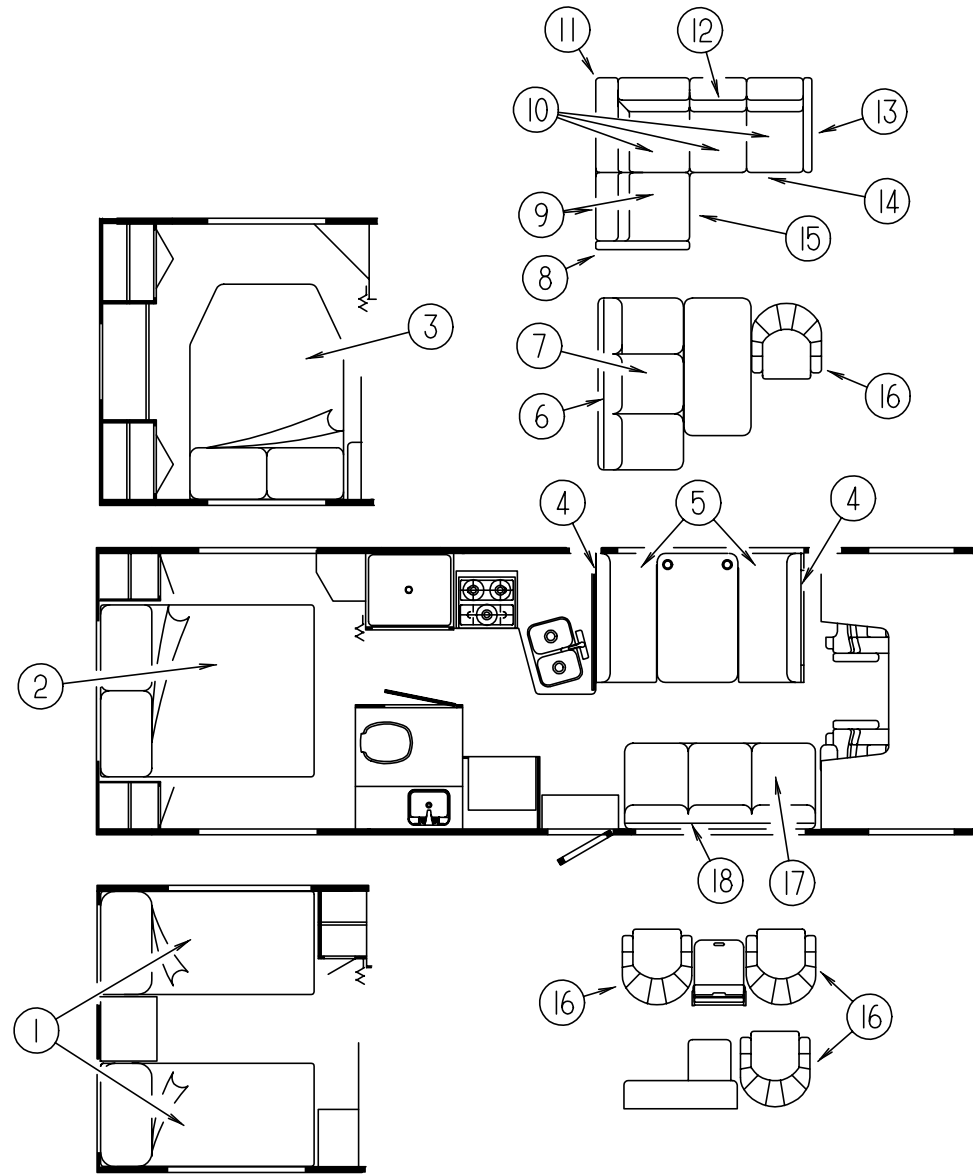
FUEL SYSTEM COMPONENTS

KEY	PART NUMBER	U/M	DESCRIPTION
1	095854-01-04A	EA	SHROUD - FUEL FILL - BRIGHT WHITE
2	078040-06-000	EA	SHROUD - FUEL FILL - UPPER
3	124994-01-000	EA	NECK - FILLER - FUEL FILL
3	117934-02-000	EA	NECK - FILLER - FUEL FILL
	078200-01-000	EA	GASKET - FUEL FILL - 3.5" OD X 2" ID
4	007063-01-000	FT	HOSE - FUEL - 1/4" ID X 1/2" OD
	125187-01-000	FT	HOSE - FUEL - LOW PERM - 11.1 ID
	125187-02-000	FT	HOSE - FUEL - LOW PERM - 12.7 ID
	084884-01-000	EA	PLUG - BRASS - 3/8"



NOTE: USE THIS ILLUSTRATION WHEN DETERMINING LENGTH AND WIDTH MEASUREMENTS FOR CURTAINS. YOU WILL NOTE THE WIDTH MEASUREMENT IS TAKEN ON THE TOP OF THE CURTAIN WITH THE CURTAIN FULLY EXTENDED. THE LENGTH MEASUREMENT IS TAKEN FROM TOP TO BOTTOM. LEFT AND RIGHT WINDOW LEGS ARE DETERMINED WHEN FACING THE WINDOW.

CURTAIN & CUSHION GROUP (CONTINUED)



DOUBLE BED BEDSPREAD, PILLOW & MATTRESS

KEY	PART NUMBER	U/M	DESCRIPTION
3	101123-32-000	EA	MATTRESS - FOAM - 54" X 75"
	P01123-16-000	EA	COVER - MATTRESS - 54" X 74" X 5" - W/CUT CORNER
	123471-05-J35	EA	BEDSPREAD/THROW - 54" X 75"
	123471-05-J36	EA	BEDSPREAD/THROW - 54" X 75"
	111863-06-J35	EA	PILLOW SHAM - 20" X 30"
	111863-06-J36	EA	PILLOW SHAM - 20" X 30"
	111862-03-J35	EA	PILLOW - 15" X 15"
	111862-03-J36	EA	PILLOW - 15" X 15"

DINETTE CUSHIONS

KEY	PART NUMBER	U/M	DESCRIPTION
4	111897-05-J35	EA	CUSHION - BACK - 13.5" X 42" X 5" (J35)
4	111897-05-J36	EA	CUSHION - BACK - 13.5" X 42" X 5" (J36)
	P11897-05-J35	EA	COVER - BACK - 13.5" X 42" X 5" (J35)
	P11897-05-J36	EA	COVER - BACK - 13.5" X 42" X 5" (J36)
5	105603-15-J35	EA	CUSHION - SEAT - 23" X 42" X 5" (J35)
5	105603-15-H30	EA	CUSHION - SEAT - 23" X 42" X 5" (J36)
	P05603-15-J35	EA	COVER - SEAT - 23" X 42" X 5" (J35)
	P05603-15-H30	EA	COVER - SEAT - 23" X 42" X 5" (J36)

FORWARD FACING COUCH

KEY	PART NUMBER	U/M	DESCRIPTION
6	114969-01-J35	EA	BACK - SOFA/BED (J35)
6	114969-01-H30	EA	BACK - SOFA/BED (J36)
	114969-02-J35	EA	BACK - SOFA/BED - RIGHT & LEFT CUSHIONS (J35)
	114969-02-H30	EA	BACK - SOFA/BED - RIGHT & LEFT CUSHIONS (J36)
	P14969-02-J35	EA	COVER - BACK - RIGHT AND LEFT CUSHIONS - SOFA/BED (J35)
	P14969-02-H30	EA	COVER - BACK - RIGHT AND LEFT CUSHIONS - SOFA/BED (J36)
	114969-03-J35	EA	BACK - SOFA/BED - CENTER CUSHION (J35)
	114969-03-H30	EA	BACK - SOFA/BED - CENTER CUSHION (J36)
	P14969-03-J35	EA	COVER - CENTER - FORWARD FACING - JACK KNIFED (J35)
	P14969-03-H30	EA	COVER - CENTER - FORWARD FACING - JACK KNIFED (J36)
7	114969-04-J35	EA	SEAT - SOFA/BED - W/O BACKREST (J35)
7	114969-04-H30	EA	SEAT - SOFA/BED - W/O BACKREST (J36)
	P14969-04-J35	EA	COVER - SEAT - SOFA/BED (J35)
	P14969-04-H30	EA	COVER - SEAT - SOFA/BED (J36)
	114763-01-000	EA	FRAME - FORWARD FACING BASE - SOFA/BED
	114763-02-000	EA	FRAME - FORWARD FACING SEAT - SOFA/BED
	114763-07-000	EA	FRAME - FORWARD FACING LEGS - SOFA/BED
	114726-01-H07	EA	TRAY - BEVERAGE - W/O HARDWARE
	116631-02-02B	EA	PLATE - W/HOLES - E-COATED

NOTE: COUCH FRONT AND SIDE PANELS ARE FOUND IN THE LOUNGE GROUP.

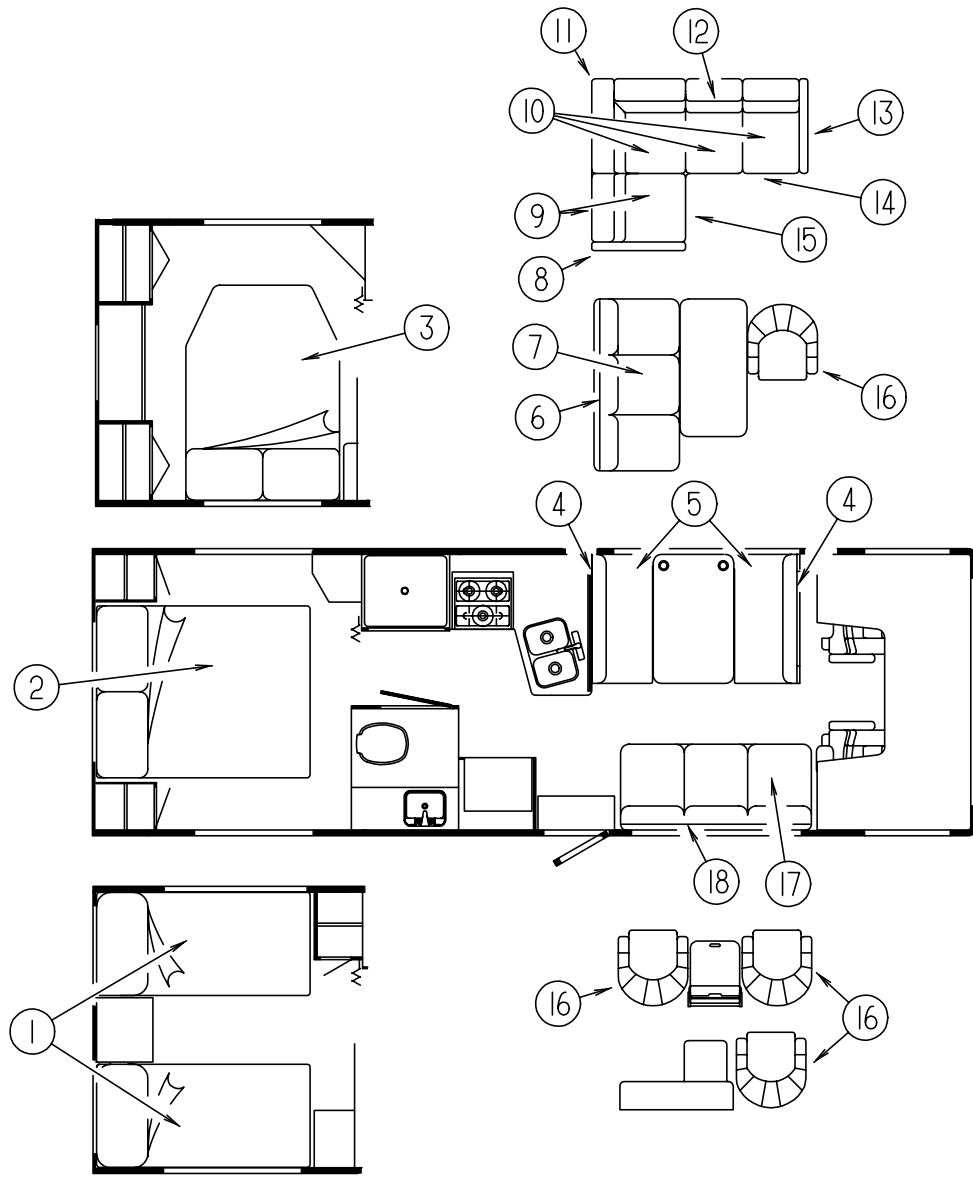
TWIN BED BEDSPREAD, PILLOW & MATTRESS

KEY	PART NUMBER	U/M	DESCRIPTION
1	101123-29-000	EA	MATTRESS - FOAM - 35" X 74"
1	P01123-29-000	EA	COVER - MATTRESS - 35" X 74"
	123471-06-J35	EA	BEDSPREAD/THROW - 36" X 75" (J35)
	123471-06-H30	EA	BEDSPREAD/THROW - 36" X 75" (J36)
	111863-07-J35	EA	PILLOW SHAM - 22" X 37"
	111863-07-J36	EA	PILLOW SHAM - 22" X 37"
	111862-03-J35	EA	PILLOW - 15" X 15"
	111862-03-J36	EA	PILLOW - 15" X 15"

QUEEN BED BEDSPREAD, PILLOW & MATTRESS

KEY	PART NUMBER	U/M	DESCRIPTION
2	123015-06-000	EA	MATTRESS - INNERSPRING - 60" X 74.5"
	123471-08-J35	EA	BEDSPREAD/THROW - 60" X 75" (J35)
	123471-08-J01	EA	BEDSPREAD/THROW - 60" X 75" (J36)
	104176-04-J35	EA	SHAM - PILLOW - 30" (J35)
	104176-04-J01	EA	SHAM - PILLOW - 30" (J36)
	111862-03-J35	EA	PILLOW - 15" X 15"
	111862-03-J36	EA	PILLOW - 15" X 15"

CURTAIN & CUSHION GROUP (CONTINUED)



SECTIONAL SLEEPER COUCH

KEY	PART NUMBER	U/M	DESCRIPTION
8	125471-01-J35	EA	ARMREST - RIGHT HAND (J35)
8	125471-01-H30	EA	ARMREST - RIGHT HAND (J36)
	124366-01-000	EA	SOFA - RIGHT WOOD ARM - 8' SECTIONAL
9	125060-01-J35	EA	BED COMPLETE (J35)
9	125060-01-H30	EA	BED COMPLETE (J36)
	P25060-01-J35	EA	COVER - SOFA/BED (J35)
	P25060-01-H30	EA	COVER - SOFA/BED (J36)
	123622-04-000	EA	FRAME - BACK - 44"
	123622-05-000	EA	FRAME - SEAT - 44"
10	125059-01-J35	EA	SEAT - SOFA/BED - STATIONARY (J35)
10	125059-01-H30	EA	SEAT - SOFA/BED - STATIONARY (J36)
	P25059-01-J35	EA	COVER - SEAT - SOFA/BED (J35)
	P25059-01-H30	EA	COVER - SEAT - SOFA/BED (J36)
	123624-01-000	EA	FRAME - FIXED 55"
11	104655-04-J35	EA	CUSHION - CORNER - SOFA/BED (J35)
11	104655-04-H30	EA	CUSHION - CORNER - SOFA/BED (J36)
	P04655-04-J35	EA	COVER - CORNER CUSHION (J35)
	P04655-04-H30	EA	COVER - CORNER CUSHION (J36)
12	104655-03-J35	EA	CUSHION - BACK - SOFA/BED (J35)
12	104655-03-H30	EA	CUSHION - BACK - SOFA/BED (J36)
	P04655-03-J35	EA	COVER - BACK CUSHION (J35)
	P04655-03-H30	EA	COVER - BACK CUSHION (J36)

CURTAIN & CUSHION GROUP (CONTINUED)

SECTIONAL SLEEPER COUCH (CONTINUED)

KEY	PART NUMBER	U/M	DESCRIPTION
13	125471-02-J35	EA	ARMREST - LEFT HAND (J35)
13	125471-02-H30	EA	ARMREST - LEFT HAND (J36)
	124366-02-000	EA	SOFA - LEFT WOOD ARM - 8' SECTIONAL
14	120992-05-J35	EA	COUCH FRONT - STATIONARY (J35)
14	120992-05-H30	EA	COUCH FRONT - STATIONARY (J36)
15	120992-06-J35	EA	COUCH FRONT - FABRIC COVERED (J35)
15	120992-06-H30	EA	COUCH FRONT - FABRIC COVERED (J36)
	123622-06-000	EA	FRAME - BASE WITH LEGS - 44"

NOTE: COUCH FRONT AND SIDE PANELS ARE FOUND IN THE LOUNGE GROUP.

SWIVEL CHAIR

KEY	PART NUMBER	U/M	DESCRIPTION
16	115470-01-H08	EA	CHAIR - SWIVEL (J35)
			FROM: 00-00-00 THRU: 11-16-97
16	115470-01-JA2	EA	CHAIR - SWIVEL (J35)
			FROM: 11-17-97 THRU: 99-99-99
16	115470-01-H30	EA	CHAIR - SWIVEL (J36)
	P15470-01-H08	EA	COVER - CHAIR (J35)
			FROM: 00-00-00 THRU: 11-16-97
	P15470-01-JA2	EA	COVER - CHAIR (J35)
			FROM: 11-17-97 THRU: 99-99-99
	P15470-01-H30	EA	COVER - CHAIR (J36)
	P07977-01-J35	EA	COVER - CHAIR SKIRT (J35)
			FROM: 00-00-00 THRU: 11-16-97
	P07977-01-JA2	EA	COVER - CHAIR SKIRT (J35)
			FROM: 11-17-97 THRU: 99-99-99
	P07977-01-J36	EA	COVER - CHAIR SKIRT (J36)

PASSENGER SIDE COUCH

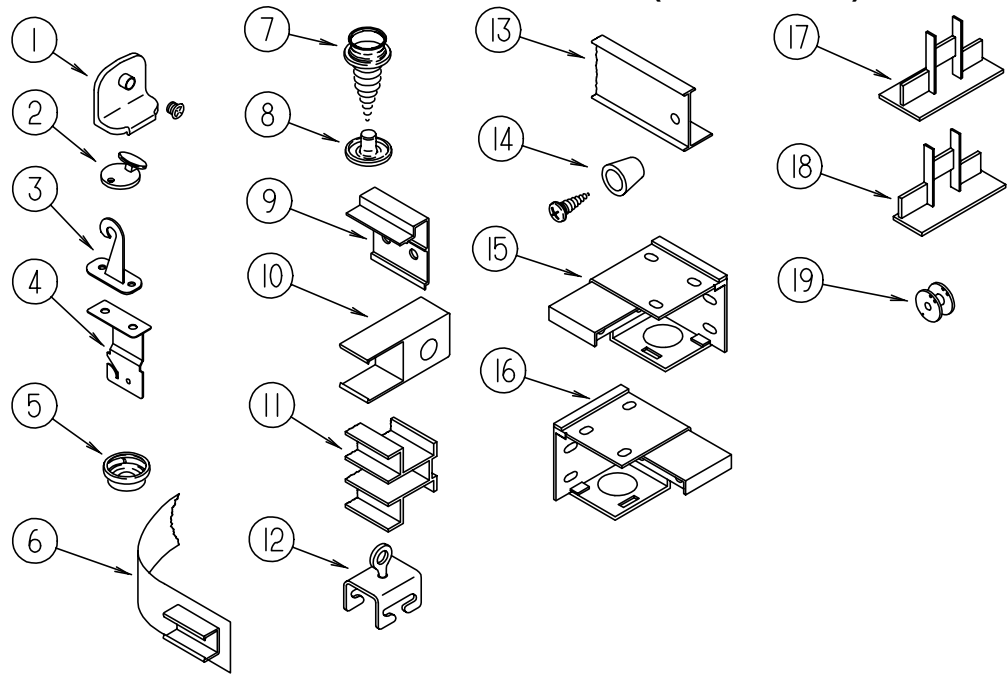
KEY	PART NUMBER	U/M	DESCRIPTION
17	100032-37-J35	EA	SEAT - SOFA/BED W/FRAME - 66.5" (J35)
17	100032-37-H30	EA	SEAT - SOFA/BED W/FRAME - 66.5" (J36)
	P00032-37-J35	EA	COVER - SEAT - SOFA/BED - 66.5" (J35)
	P00032-37-H30	EA	COVER - SEAT - SOFA/BED - 66.5" (J36)
	101085-01-000	EA	FRAME - SEAT - SOFA/BED - 66.5"
	101085-03-000	EA	FRAME - BASE - SOFA/BED - 66.5"
18	111319-03-J35	EA	BACK - SOFA/BED - W/FRAME - 66.5"
18	111319-03-J36	EA	BACK - SOFA/BED - W/FRAME - 66.5"
	P11319-03-J35	EA	COVER - BACK - SOFA/BED - 66.5" (J35)
	P11319-03-J01	EA	COVER - BACK - SOFA/BED - 66.5" (J36)
	101085-09-000	EA	FRAME - BACK - SOFA/BED - 66.5" X 16"
	113990-09-000	EA	LOCK - BRACKET - MALE FLEXSTEEL
	122556-04-01A	EA	LOCK - JACK KNIFE SEAT

NOTE: COUCH FRONT AND SIDE PANELS ARE FOUND IN THE LOUNGE GROUP.

VINYL ASSIST HANDLE, BUTTONS, WELTING & SEATBELTS

KEY	PART NUMBER	U/M	DESCRIPTION
	079349-04-H19	YD	WELT - NARROW (J35)
			FROM: 00-00-00 THRU: 11-16-97
	079349-04-H19	YD	WELT - NARROW (J35)
			FROM: 11-17-97 THRU: 99-99-99
	079349-04-H17	YD	WELT - NARROW (J36)
	057759-01-000	EA	WASHER BRACKET - SEAT BELT - 4" DIAMETER
	007021-01-000	EA	SEAT BELT - 2" X 90" - BLACK
	069178-02-000	EA	BRACKET - MOUNTING/ASSIST HANDLE - GRAY
	000C16-07-16B	EA	BOLT - CARRIAGE - ASSIST HANDLE - 7/16" - 14 X 1"
	000D20-07-00B	EA	NUT - ACORN - ASSIST HANDLE - 7/16 - 14
	053552-02-AA8	EA	HANDLE - ASSIST - INTERIOR/ENTRY DOOR - VINYL/OFF WHITE

CURTAIN & CUSHION GROUP (CONTINUED)



CURTAIN & BLIND HARDWARE

KEY	PART NUMBER	U/M	DESCRIPTION
1	106544-01-000	EA	PULL - SHADE/BRASS
1	106544-01-001	EA	SCREW - SHADE/BRASS
2	102555-01-000	EA	CLEAT - BLIND CORD - CLEAR PLASTIC
3	109441-03-000	EA	HOLD DOWN - BLIND (CLOUDY)
4	084434-01-000	EA	BRACKET - MOUNTING - ROLLER SHADE - 1 3/8"
5	029156-01-000	EA	SOCKET - SNAP - 9/16" O.D.
6	101031-01-000	YD	TAPE - GLIDE/CURTAIN - 4.25" SPACING
7	029130-01-000	EA	SCREW - SNAP SOCKET - #8 PH X 5/8"
8	029155-01-000	EA	CAP - SNAP - 5/32" OUTSIDE DIAMETER OF PIN
9	097565-01-000	EA	BRACKET - MOUNTING/PLEATED BLIND
10	101033-02-000	EA	END CAP - TRACK/CLEAR
11	101033-04-000	EA	TRACK - WALL - 3'
11	101033-06-000	EA	TRACK - WALL - 6.5'
11	101033-07-000	EA	TRACK - WALL - 2.5'
12	009702-01-000	EA	END STOP - CURTAIN CARRIER - L ROD
13	009700-04-002	EA	TRACK - L-SHAPED 195.5" - OFF WHITE
14	097564-01-000	EA	HANDLE - KNOB - E-Z LIFT SHADE - SMOKED
14	097564-04-000	EA	HANDLE - KNOB - E-Z LIFT SHADE - NAVY (J35) FROM: 00-00-00 THRU: 10-19-97
14	097564-03-000	EA	HANDLE - KNOB - E-Z LIFT SHADE - TAN (J36) FROM: 10-20-97 THRU: 99-99-99
15	000G68-06-12B	EA	FASTENING SCREW
15	083170-01-000	EA	BRACKET - BLIND - LEFT SIDE WHEN FACING WINDOW
16	083170-02-000	EA	BRACKET - BLIND - RIGHT SIDE WHEN FACING WINDOW
17	094907-04-000	EA	HARDWARE - END CAP BOTTOM - PULL TYPE (RH & LH)
18	094907-02-000	EA	END CAP - TOP/PLEATED BLIND - PLASTIC - GRAY
19	097592-01-000	EA	SPOOL - CORD - ELEVATED BLIND HOLDUP - CLEAR PLASTIC FROM: 00-00-00 THRU: 11-23-97
097592-02-000	EA	BRACKET - HOLDDOWN ADJUSTER FROM: 11-24-97 THRU: 99-99-99	
046867-03-000	EA	GROMMET - HANDY BUTTON #3	
048394-02-000	YD	VELCRO TAPE - HOOK - ADHESIVE BACK - .75" WIDE - BEIGE	
048394-02-000	YD	VELCRO TAPE - HOOK - ADHESIVE BACK - .75" WIDE - BEIGE	
076827-02-000	EA	BRACKET - LEG - 2.9" X 1.8" - TRIANGLE	
088792-01-000	YD	VELCRO TAPE - HOOK - 5/8" - NON-ADHESIVE BACKED	
088792-02-000	YD	VELCRO TAPE - LOOP - .75" - ADHESIVE BACKED - BEIGE	
096843-01-000	EA	SPRING - REWIND/ROLLER SHADE	
086276-01-000	EA	TAPE - DOUBLE SIDED - 1/2"	
075943-10-000	EA	BRACE - VALANCE - 20"	
094896-02-000	EA	GROMMET - CORD/PLEATED BLIND - NYLON - GRAY	

CURTAIN & CUSHION GROUP (CONTINUED)

CURTAIN & BLIND HARDWARE (CONTINUED)

KEY	PART NUMBER	U/M	DESCRIPTION
	097591-01-000	EA	SPRING - EXTENSION/PLEATED BLIND
	097593-06-000	FT	CORD - BLIND - PLEATED - PEWTER (J35)
	097593-02-000	FT	CORD - BLIND - PLEATED - GRAY (J36)
	056003-01-000	EA	BRACKET - DRAPERY RETAINING - FRONT - METAL
	056003-02-000	EA	BRACKET - DRAPERY RETAINING - FRONT - METAL
	109441-02-000	EA	HOLD SOWN - SPACER

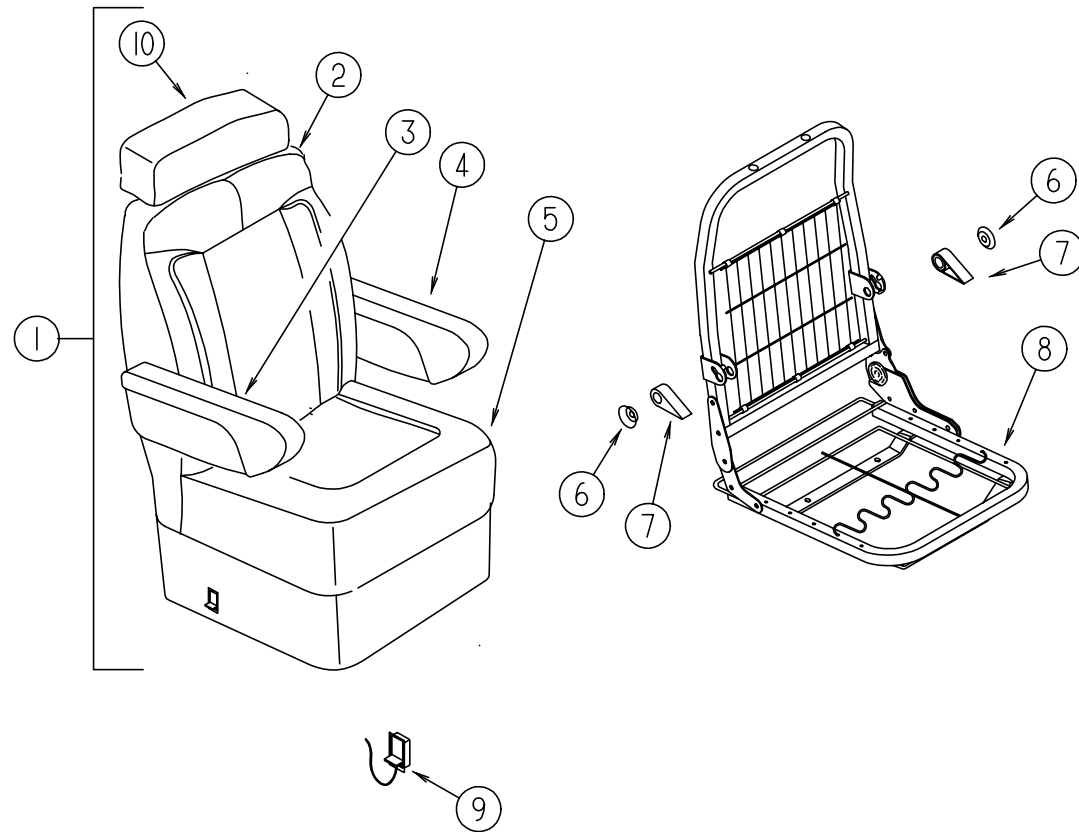
Family - 400's	J35 Keepsake	J36 Gemstone
Bucket Seats	108446-M4-000	108446-G0-000
Dinette	108446-S5-000	108446-N4-000
Dinette Pads	108446-M4-000	108446-G0-000
Sofa	108446-S5-000	108446-N4-000
Swivel Chair	108446-M4-000	108446-N3-000
Lounge Windows	108446-M4-000 108446-S5-000	108446-G0-000 108446-N3-000
Legs	108446-M4-000	108446-G0-000
Overhead Bunk	108446-M4-000	108446-N3-000
Bedroom Windows	105745-H7-000	105745-G1-000
Bedroom Pillow	105745-64-000 105745-H7-000	105745-E7-000 105745-G1-000
Bedspread	105745-H7-000	105745-G1-000
Pillow Shams	105745-H7-000 105745-64-000	105745-G1-000 105745-E7-000
Front Wraparound	072333-82-000	072333-82-000
Day/Nighter	094911-25-000 094911-38-000	094911-30-000 094911-50-000
Overhead Curtain	105745-H7-000	105745-G1000
Ceiling Vinyl	113979-01-01A	113979-01-01A

NOTE: FABRIC LISTED FIRST IN A BLOCK IS THE LARGEST QUANTITY OF FABRIC USED.

CURTAIN & CUSHION GROUP (CONTINUED)

CURTAIN & CUSHION GROUP (CONTINUED)

BUCKET SEATS (CONTINUED)



BUCKET SEATS

KEY	PART NUMBER	U/M	DESCRIPTION
1	127540-06-J35	EA	SEAT - BUCKET - DRIVER - W/ARMREST
1	127540-06-J36	EA	SEAT - BUCKET - DRIVER - W/ARMREST
1	127540-07-J35	EA	SEAT - BUCKET - PASSENGER - W/ARMREST
1	127540-07-J36	EA	SEAT - BUCKET - PASSENGER - W/ARMREST
2	M05962-74-J35	EA	COVER - BACK (J35)
			FROM: 00-00-00 THRU: 11-16-97
	M05962-74-JA2	EA	COVER - BACK (J35)
			FROM: 11-17-97 THRU: 99-99-99
2	M05962-74-J36	EA	COVER - BACK (J36)
3	122780-01-H19	EA	ARMREST - RIGHT HAND (J35)
			FROM: 00-00-00 THRU: 11-16-97
3	122780-01-JA2	EA	ARMREST - RIGHT HAND (J35)
			FROM: 11-17-97 THRU: 99-99-99
3	122780-01-H30	EA	ARMREST - RIGHT HAND (J36)
	P22780-01-H19	EA	COVER - ARMREST - RIGHT HAND (J35)
			FROM: 00-00-00 THRU: 11-16-97
	P22780-01-JA2	EA	COVER - ARMREST - RIGHT HAND (J35)
			FROM: 11-17-97 THRU: 99-99-99
	P22780-01-H30	EA	COVER - ARMREST - RIGHT HAND (J36)
	115617-03-000	EA	ARMREST - W/O COVER - RIGHT HAND
4	122780-02-H19	EA	ARMREST - LEFT HAND (J35)
			FROM: 00-00-00 THRU: 11-16-97
4	122780-02-JA2	EA	ARMREST - LEFT HAND (J35)
			FROM: 11-17-97 THRU: 99-99-99
4	122780-02-H30	EA	ARMREST - LEFT HAND (J36)
	P22780-02-H19	EA	COVER - ARMREST - LEFT HAND (J35)
			FROM: 00-00-00 THRU: 11-16-97
	P22780-02-JA2	EA	COVER - ARMREST - LEFT HAND (J35)
			FROM: 11-17-97 THRU: 99-99-99
	P22780-02-H30	EA	COVER - ARMREST - LEFT HAND (J36)
	115617-04-000	EA	ARMREST - W/O COVER - LEFT HAND

KEY	PART NUMBER	U/M	DESCRIPTION
5	M05962-58-H08	EA	COVER - SEAT (J35)
			FROM: 00-00-00 THRU: 11-16-97
5	M05962-58-JA2	EA	COVER - SEAT (J35)
			FROM: 11-17-97 THRU: 99-99-99
5	M05962-58-J36	EA	COVER - SEAT (J36)
6	125229-05-000	EA	PAL NUT
7	125229-03-000	EA	LEVER - RECLINING
8	125229-01-000	EA	FRAME - SEAT - DRIVER - W/RIGHT ARMREST BRACKET
8	125229-02-000	EA	FRAME - SEAT - PASSENGER - W/LEFT ARMREST BRACKET
9	108049-03-000	EA	CABLE - W/SWITCHES - 25.5" SHEATH/28.5" CABLE W/DOG LEG
			FROM: 00-00-00 THRU: 06-25-97
9	108049-04-000	EA	CABLE - W/SWITCHES - W/26" MINI LEVER ACTION
			FROM: 06-26-97 THRU: 99-99-99
	108049-02-000	EA	CLIP - CABLE/PEDESTAL
10	119509-01-H19	EA	HEADREST - BUCKET SEAT (J35)
			FROM: 00-00-00 THRU: 11-16-97
10	119509-01-JA2	EA	HEADREST - BUCKET SEAT (J35)
			FROM: 11-17-97 THRU: 99-99-99
10	119509-01-H30	EA	HEADREST - BUCKET SEAT (J36)
	P19509-01-H19	EA	COVER - HEADREST (J35)
			FROM: 00-00-00 THRU: 11-16-97
	P19509-01-JA2	EA	COVER - HEADREST (J35)
			FROM: 11-17-97 THRU: 99-99-99
	P19509-01-H30	EA	COVER - HEADREST (J36)
	113977-12-000	EA	HEADREST INSERT - W/O LOCK
	113977-13-000	EA	HEADREST INSERT - W/LOCK

BUNK CUSHIONS

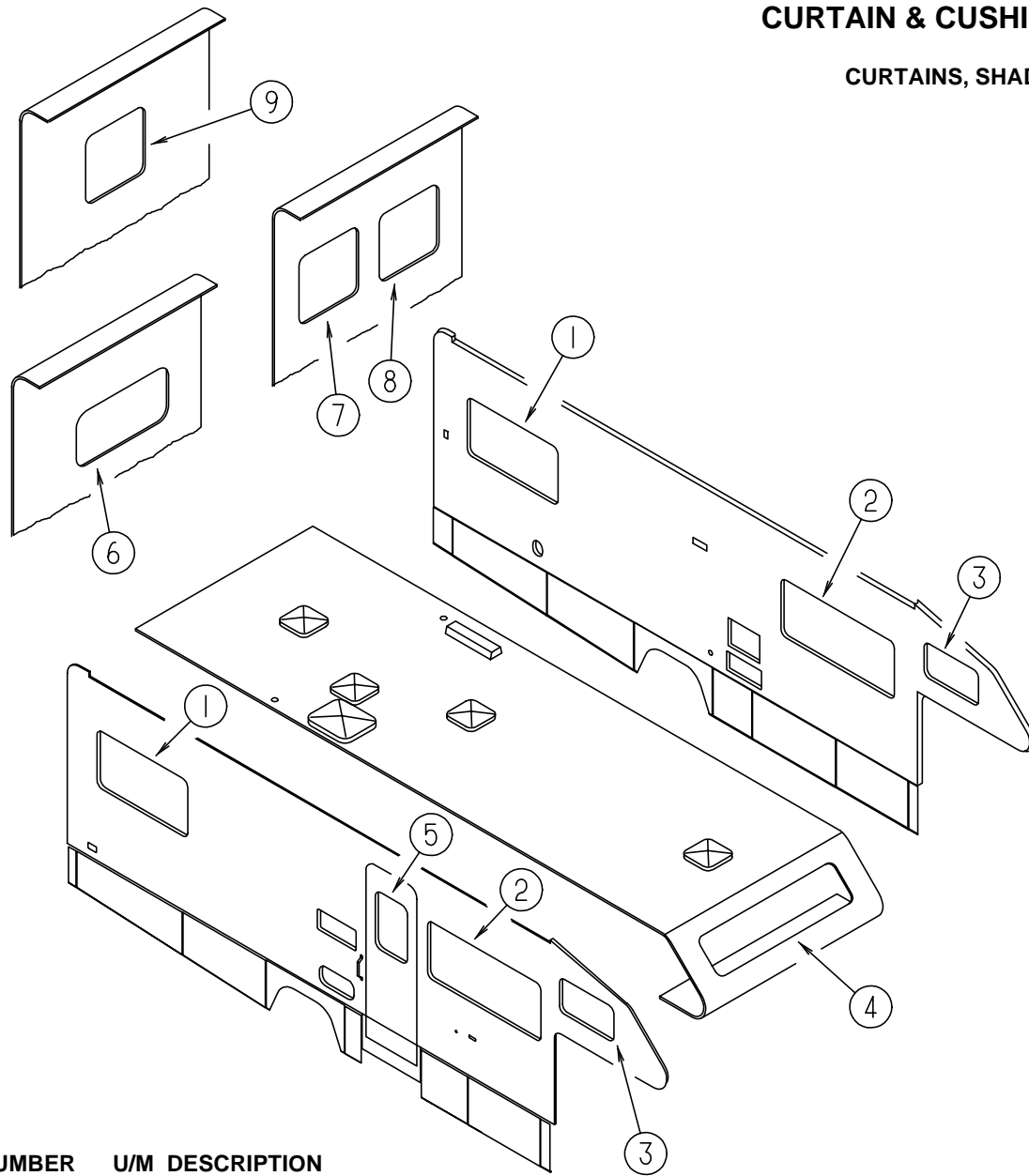
KEY	PART NUMBER	U/M	DESCRIPTION
	105573-10-J35	EA	CUSHION - OVERHEAD BUNK/REAR - 27" X 23" X 80" X 5" (J35)
			FROM: 00-00-00 THRU: 11-16-97
	P05573-10-JA2	EA	COVER - CUSHION/OVERHEAD BUNK/REAR - 27" X 23" X 80" X 5"(J35)
			FROM: 11-17-97 THRU: 99-99-99
	105573-10-J36	EA	CUSHION - OVERHEAD BUNK/REAR - 27" X 23" X 80" X 5" (J36)
	P05573-10-J35	EA	COVER - CUSHION/OVERHEAD/BUNK/REAR - 27"X 23"X 80"X 5" (J35)
			FROM: 00-00-00 THRU: 11-16-97
	P05573-10-JA2	EA	COVER - CUSHION/OVERHEAD BUNK/REAR - 27" X 23" X 80" X 5" (J35)
			FROM: 11-17-97 THRU: 99-99-99
	P05573-10-J36	EA	COVER - CUSHION/OVERHEAD BUNK/REAR - 27"X 23"X 80"X 5" (J36)
	105573-09-H08	EA	CUSHION - OVERHEAD BUNK/Front - 32.5" X 80" X 5" (J35)
			FROM: 00-00-00 THRU: 11-16-97
	105573-09-JA2	EA	CUSHION - OVERHEAD BUNK/Front - 32.5" X 80" X 5" (J35)
			FROM: 11-17-97 THRU: 99-99-99
	105573-09-H30	EA	CUSHION - OVERHEAD BUNK/Front - 32.5" X 80" X 5" (J36)
	P05573-09-H08	EA	COVER - CUSHION/OVERHEAD BUNK/Front - 32.5" X 80" X 5" (J35)
			FROM: 00-00-00 THRU: 11-16-97
	P05573-09-JA2	EA	COVER - CUSHION/OVERHEAD BUNK/Front - 32.5" X 80" X 5" (J35)
			FROM: 11-17-97 THRU: 99-99-99
	P05573-09-H30	EA	COVER - CUSHION/OVERHEAD BUNK/Front- 32.5" X 80" X 5" (J36)

BUNK CUSHIONS W/Front ENTERTAINMENT CENTER

KEY	PART NUMBER	U/M	DESCRIPTION
	079145-08-000	EA	CUSHION - BUNK - 25" X 74" X 3.5"
	M79145-08-000	EA	COVER - CUSHION/BUNK - 25" X 74" X 3.5"
	094658-02-G04	EA	OAK HANDLE - WATERFORD OAK

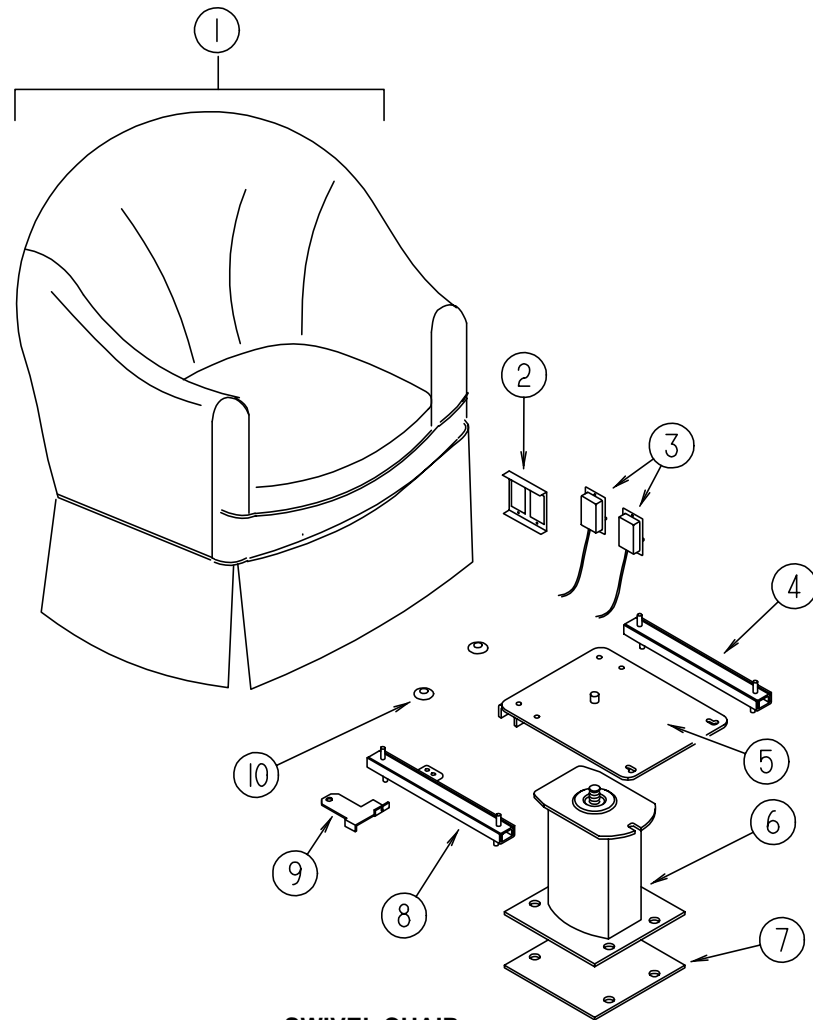
CURTAIN & CUSHION GROUP (CONTINUED)

CURTAINS, SHADES VALANCES & BLINDS



KEY	PART NUMBER	U/M	DESCRIPTION
1	114993-07-J35	EA	VALANCE - TAILOR - 44" (QUEEN)
1	114993-07-J36	EA	VALANCE - TAILOR - 44" (QUEEN)
1	114993-13-J35	EA	VALANCE - TAILOR - 52" (TWIN & DOUBLE)
1	114993-13-J36	EA	VALANCE - TAILOR - 52" (TWIN & DOUBLE)
1	112986-04-J35	EA	CURTAIN - 29.5" X 6" (QUEEN)
1	112986-04-J36	EA	CURTAIN - 29.5" X 6" (QUEEN)
1	112986-11-J35	EA	CURTAIN - 27.5" X 6" (TWIN & DOUBLE)
1	112986-11-J36	EA	CURTAIN - 27.5" X 6" (TWIN & DOUBLE)
1	109041-33-01A	EA	BLIND - MINI - 42" X 28" (QUEEN)(J35)
1	109041-33-02A	EA	BLIND - MINI - 42" X 28" (QUEEN)(J36)
1	109041-54-01A	EA	BLIND - MINI - 50" X 27" (TWIN & DOUBLE)(J35)
1	109041-54-02A	EA	BLIND - MINI - 50" X 27" (TWIN & DOUBLE)(J36)
1	111910-53-J03	EA	BLIND - DAY/NIGHTER - 42" X 28.5" (QUEEN)(J35)
1	111910-53-J01	EA	BLIND - DAY/NIGHTER - 42" X 28.5"(QUEEN)(J36)
1	111910-62-J10	EA	BLIND - DAY/NIGHTER - 49" X 27" (TWIN & DOUBLE)(J35)
1	111910-62-J11	EA	BLIND - DAY/NIGHTER - 49" X 27" (TWIN & DOUBLE)(J36)
2	118078-14-J35	EA	VALANCE - QUEST - 5" X 64.5" (J35)
			FROM: 00-00-00 THRU: 11-16-97
2	118078-14-JA2	EA	VALANCE - QUEST - 5" X 64.5" (J35)
			FROM: 11-17-97 THRU: 99-99-99
2	118078-15-J36	EA	VALANCE - QUEST - 5" X 64.5" (J36)
2	109041-53-01A	EA	BLIND - MINI - 61" X 28.5" (J35)
2	109041-53-02A	EA	BLIND - MINI - 61" X 28.5" (J36)
2	111910-57-J51	EA	BLIND - DAY/NIGHTER - 61" X 28.5"(J35)
2	111910-57-J20	EA	BLIND - DAY/NIGHTER - 61" X 28.5"(J36)
2	127017-13-J35	EA	LEG - RIGHT - 25" (J35)
			FROM: 00-00-00 THRU: 11-16-97
2	127017-13-JA2	EA	LEG - RIGHT - 25" (J35)
			FROM: 11-17-97 THRU: 99-99-99
2	127017-13-J36	EA	LEG - RIGHT - 25" (J36)
2	127017-14-J35	EA	LEG - LEFT - 25" (J35)
			FROM: 00-00-00 THRU: 11-16-97
2	127017-14-JA2	EA	LEG - LEFT - 25" (J35)
			FROM: 11-17-97 THRU: 99-99-99
2	127017-14-J36	EA	LEG - LEFT - 25" (J36)
3	101034-51-J35	EA	CURTAIN - RIGHT HAND - 19" X 34" (J35)
3	101034-51-J01	EA	CURTAIN - RIGHT HAND - 19" X 34" (J36)
3	101034-52-J35	EA	CURTAIN - LEFT HAND - 19" X 34" (J35)
3	101034-52-J01	EA	CURTAIN - LEFT HAND - 19" X 34" (J36)
4	101034-33-J35	EA	CURTAIN - RIGHT HAND - 21" X 60" (J35)
4	101034-33-J01	EA	CURTAIN - RIGHT HAND - 21" X 60" (J36)
4	101034-34-J35	EA	CURTAIN - LEFT HAND - 21" X 60" (J35)
4	101034-34-J01	EA	CURTAIN - LEFT HAND - 21" X 60" (J36)
5	118078-10-J35	EA	VALANCE - QUEST/FLAT - 11" X 31.75"
5	118078-11-J36	EA	VALANCE - QUEST/FLAT - 11" X 31.75"
5	084755-57-E07	EA	SHADE - PULL - 27.25"
6	114993-13-J35	EA	VALANCE - TAILOR - 52"
6	114993-13-J36	EA	VALANCE - TAILOR - 52"
6	109041-54-01A	EA	BLIND - MINI - 50" X 27"(J35)
6	109041-54-02A	EA	BLIND - MINI - 50" X 27"(J36)
6	111910-62-J10	EA	BLIND - DAY/NIGHTER - 49" X 27" (J35)
6	111910-62-J11	EA	BLIND - DAY/NIGHTER - 49" X 27" (J36)
6	112986-11-J35	EA	CURTAIN - PLEATED TOP - 27.5" X 6"
6	112986-11-J36	EA	CURTAIN - PLEATED TOP - 27.5" X 6"
7	114993-14-J35	EA	VALANCE - TAILOR - 31"
7	114993-14-J36	EA	VALANCE - TAILOR - 31"
7	093475-28-06A	EA	BLIND - MINI - 28" X 28" (J35)
7	093475-28-07A	EA	BLIND - MINI - 28" X 28" (J36)
7	112986-11-J35	EA	CURTAIN - 27.5" X 6"
7	112986-11-J36	EA	CURTAIN - 27.5" X 6"
7	111910-20-J03	EA	BLIND - DAY/NIGHTER - 28" X 28" (J35)
7	111910-20-J04	EA	BLIND - DAY/NIGHTER - 28" X 28" (J36)
8	114993-14-J35	EA	VALANCE - TAILOR - 31"
8	114993-14-J36	EA	VALANCE - TAILOR - 31"
8	093475-28-06A	EA	BLIND - MINI - 28" X 28" (J35)
8	093475-28-07A	EA	BLIND - MINI - 28" X 28" (J36)
8	112986-11-J35	EA	CURTAIN - 27.5" X 6"
8	112986-11-J36	EA	CURTAIN - 27.5" X 6"
8	111910-20-J03	EA	BLIND - DAY/NIGHTER - 28" X 28" (J35)
8	111910-20-J04	EA	BLIND - DAY/NIGHTER - 28" X 28" (J36)
9	114993-14-J35	EA	VALANCE - TAILOR - 31"
9	114993-14-J36	EA	VALANCE - TAILOR - 31"
9	112986-04-J35	EA	CURTAIN - 29.5" X 6"
9	112986-04-J36	EA	CURTAIN - 29.5" X 6"
9	109041-39-01A	EA	BLIND - MINI - 28" X 29.5"(J35)
9	109041-39-02A	EA	BLIND - MINI - 28" X 29.5"(J36)
9	111910-20-J03	EA	BLIND - DAY/NIGHTER - 28" X 28" (J35)
9	111910-20-J04	EA	BLIND - DAY/NIGHTER - 28" X 28" (J36)
	076892-23-G05	EA	CURTAIN - 44" X 80"
	093487-10-01A	EA	CURTAIN - PLEATED 31" X 100" BUNK PRIVACY

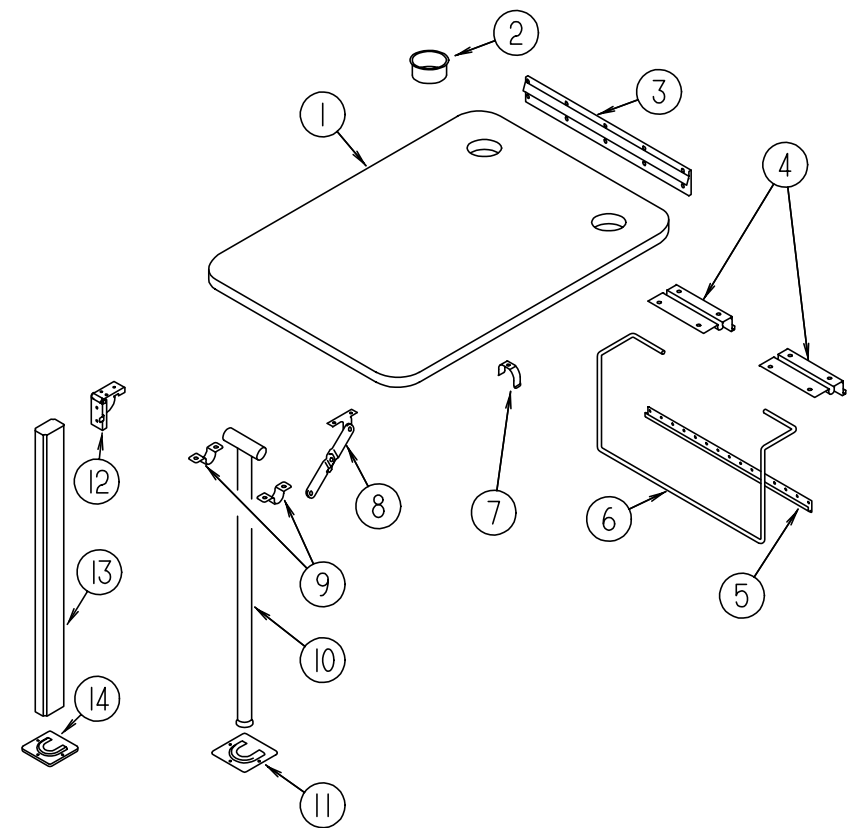
CURTAIN & CUSHION GROUP (CONTINUED)



SWIVEL CHAIR

KEY	PART NUMBER	U/M	DESCRIPTION
1	115470-01-H08	EA	CHAIR - SWIVEL (J35)
			FROM: 00-00-00 THRU: 11-16-97
1	115470-01-JA2	EA	CHAIR - SWIVEL (J35)
			FROM: 11-17-97 THRU: 99-99-99
1	115470-01-H30	EA	CHAIR - SWIVEL (J36)
	P15470-01-H08	EA	COVER - CHAIR (J35)
			FROM: 00-00-00 THRU: 11-16-97
	P15470-01-JA2	EA	COVER - CHAIR (J35)
			FROM: 11-17-97 THRU: 99-99-99
	P15470-01-H30	EA	COVER - CHAIR (J36)
	P07977-01-J35	EA	COVER - SKIRT (J35)
			FROM: 00-00-00 THRU: 11-16-97
	P07977-01-JA2	EA	COVER - SKIRT (J35)
			FROM: 11-17-97 THRU: 99-99-99
	P07977-01-J36	EA	COVER - SKIRT (J36)
2	127159-02-02B	EA	BRACKET - SEAT RELEASE - REMOTE
3	108049-03-000	EA	CABLE - W/SWITCHES - 25.5" SHEATH/28.5" CABLE W/DOG LEG
			FROM: 00-00-00 THRU: 06-25-97
3	108049-04-000	EA	CABLE - W/SWITCHES - W/26" MINI LEVER ACTION
			FROM: 06-26-97 THRU: 99-99-99
	108049-02-000	EA	CLIP - CABLE/PEDESTAL
4	119952-01-000	EA	SLIDE/SEAT - HEAVY DUTY NON LOCKING
5	107921-08-000	EA	TOP PLATE - PEDESTAL - W/O SEAT BELT BAR
	107921-06-000	EA	BEARING KIT - PEDESTAL
6	107921-01-000	EA	PEDESTAL/FLOOR MOUNTED - W/9.75" EXTENSION
7	108445-02-000	EA	PLATE/FLOOR MOUNTED - PEDESTAL SEAT
8	119952-03-000	EA	SLIDE/SEAT - HEAVY DUTY LOCKING - 2 STUDS
9	117125-01-02B	EA	BRACKET - CABLE MOUNT - ADJUSTER W/LOCK
10	007221-01-000	EA	SPACER - SEAT/ADJUSTER - 4 USED PER SWIVEL CHAIR

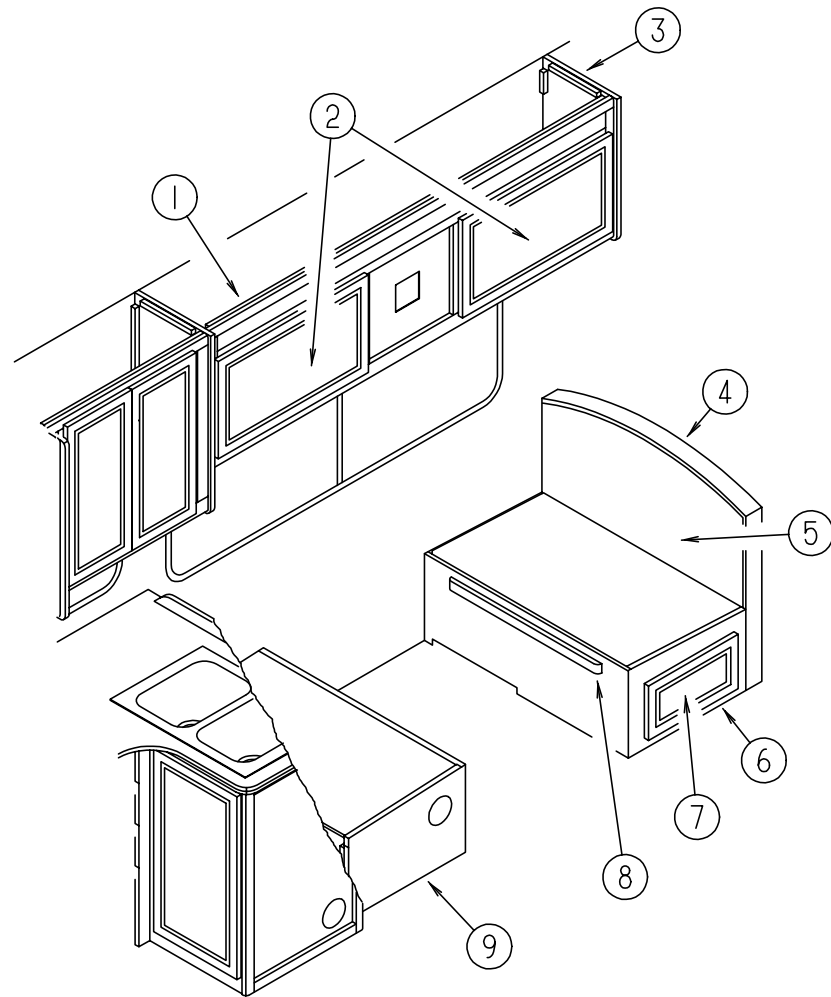
DINETTE GROUP



DINETTE TABLE

KEY	PART NUMBER	U/M	DESCRIPTION
1	081322-12-H37	EA	TABLE TOP ONLY (J35)
1	081322-12-J04	EA	TABLE TOP ONLY (J36)
2	064781-06-000	EA	HOLDER - CUP - TWO STEP - OFF WHITE
3	053200-12-000	EA	BRACKET - TABLE SUPPORT - UPPER WALL MOUNTED - 23.50"
4	088410-02-000	EA	BRACKET - LIFT - TABLE MOUNTED
5	024281-14-000	EA	BRACKET - LIFT ROD/LOWER WALL MOUNTED - 22.12"
6	024275-12-000	EA	ROD - TABLE LIFT
7	024283-01-000	EA	CLIP - LEG - 1" - 1.125" OD - BLACK
8	024282-01-000	EA	BRACE - TABLE LEG - HINGED
9	064050-05-000	EA	HINGE - TABLE LEG - OFF WHITE
10	024276-23-000	EA	LEG - TABLE - METAL - OFF WHITE
11	049493-11-700	EA	CATCH - TABLE LEG, E-COAT
	049493-12-000	EA	CATCH - TABLE LEG/FLOOR MOUNTED - OFF WHITE
12	093550-01-000	EA	BRACKET - HINGE - MOUNTS TO LEG & TABLE TOP - 1.7" X 2.6"
13	092707-04-05A	EA	MOLDING - TABLE LEG - 27"
14	092593-01-05A	EA	CATCH - TABLE LEG - OFF/WHITE

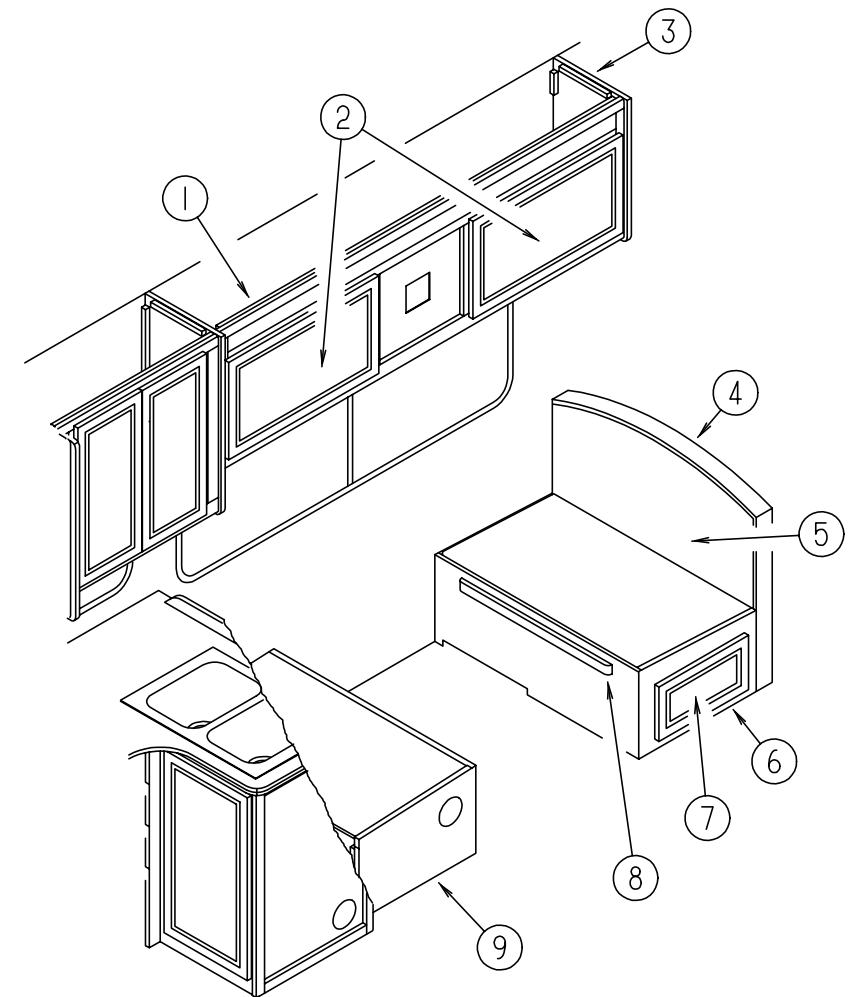
DINETTE GROUP (CONTINUED)



DINETTE OVERHEAD CABINETS W/FRONT BUNK

KEY	PART NUMBER	U/M	DESCRIPTION
1	122926-01-J35	EA	CABINET - OVERHEAD/DINETTE/LOUNGE - W/O DOORS/HARDWARE
1	122926-01-J36	EA	CABINET - OVERHEAD/DINETTE/LOUNGE - W/O DOORS/HARDWARE
2	M08758-26-J05	EA	DOOR - MITERED CORNER/OGEE EDGE - 11.4" X 28.1" - W/O HDW
3	109908-09-G04	EA	END CAP - OVERHEAD CABINET
4	111338-06-H19	EA	PAD - SEATBACK (J35)
			FROM: 00-00-00 THRU: 11-16-97
4	111338-06-JA2	EA	PAD - SEATBACK (J35)
			FROM: 11-17-97 THRU: 99-99-99
4	111338-06-G15	EA	PAD - SEATBACK (J36)
5	M08123-04-G04	EA	CABINET - SEATBACK - LEFT HAND - W/O HARDWARE
6	M08122-10-H07	EA	CABINET - SEATBASE - RIGHT HAND - W/O DOORS/DRAWERS/HDW
7	M08758-44-J15	EA	DOOR - MITERED CORNER/OGEE EDGE - 10" X 19.1" - W/O HDW
8	081295-04-G04	EA	SUPPORT - BED/DINETTE - 40" LONG
			FROM: 00-00-00 THRU: 01-04-98
8	081295-01-G01	EA	SUPPORT - BED/DINETTE - 28" LONG
			FROM: 01-05-98 THRU: 99-99-99
9	M06885-24-G04	EA	CABINET - SEATBASE - LEFT HAND-W/O DOORS/DRAWERS/HARDWARE

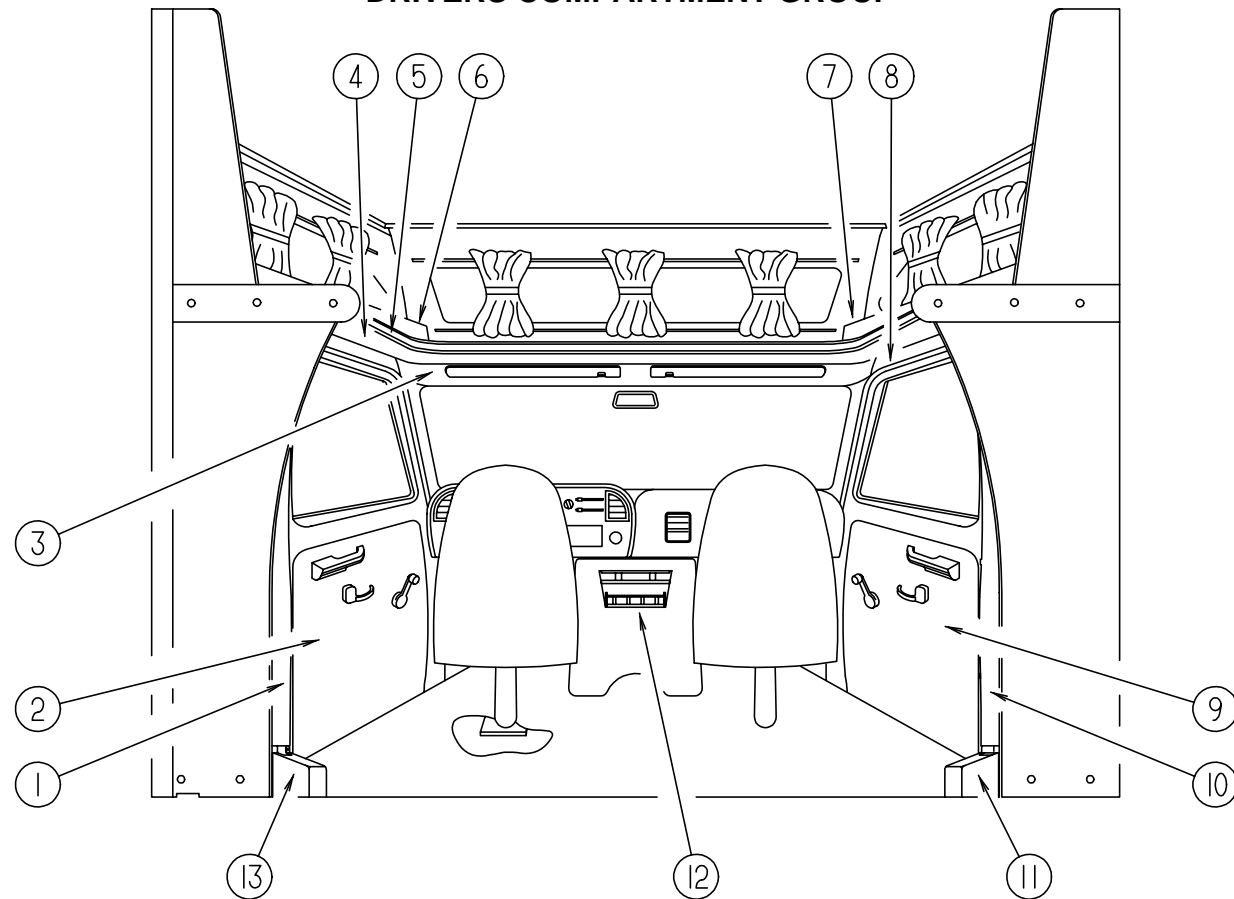
DINETTE GROUP (CONTINUED)



DINETTE OVERHEAD CABINETS W/FRONT ENTERTAINMENT CENTER

KEY	PART NUMBER	U/M	DESCRIPTION
1	122926-02-J35	EA	CABINET - OVERHEAD - W/O DOORS/HARDWARE
1	122926-02-J36	EA	CABINET - OVERHEAD - W/O DOORS/HARDWARE
2	M08758-27-J15	EA	DOOR - MITERED CORNER/OGEE EDGE - 14.3" X 26.7" - W/O HDW
3	109908-09-G04	EA	END CAP - OVERHEAD CABINET
4	111338-06-H19	EA	PAD - SEATBACK (J35)
			FROM: 00-00-00 THRU: 11-16-97
4	111338-06-JA2	EA	PAD - SEATBACK (J35)
			FROM: 11-17-97 THRU: 99-99-99
4	111338-06-G15	EA	PAD - SEATBACK (J36)
5	M08123-04-G04	EA	CABINET - SEATBACK - LEFT HAND - W/O HARDWARE
6	M08122-10-H07	EA	CABINET - SEATBASE - RIGHT HAND - W/O DOORS/DRAWERS/HDW
7	M08758-44-J15	EA	DOOR - MITERED CORNER/OGEE EDGE - 10" X 19.1" - W/O HDW
8	081295-04-G04	EA	SUPPORT - BED/DINETTE - 40" LONG
			FROM: 00-00-00 THRU: 01-04-98
8	081295-01-G01	EA	SUPPORT - BED/DINETTE - 28" LONG
			FROM: 01-05-98 THRU: 99-99-99
9	M06885-24-G04	EA	CABINET - SEATBASE - LEFT HAND-W/O DOORS/DRAWERS/HARDWARE

DRIVERS COMPARTMENT GROUP



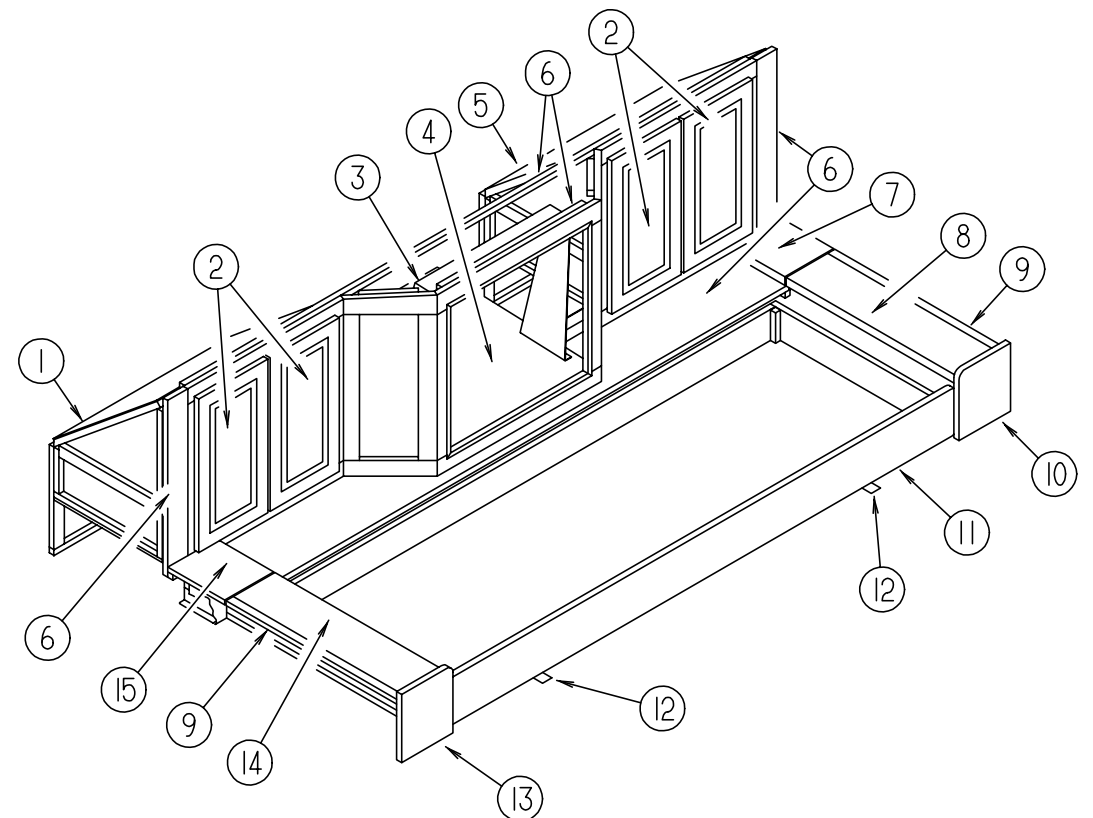
DRIVERS COMPARTMENT

KEY	PART NUMBER	U/M	DESCRIPTION	VENDOR NO.
1	125031-02-H04	EA	TRIM - CAB - B-PILLAR	
2	N/A	EA	CHASSIS SUPPLIED	
3	106448-01-H04	EA	HEADLINER - W/VINYL	
4	106447-04-H04	EA	TRIM - CAB DOOR - UPPER/LEFT HAND	
5	119520-01-01A	FT	MOLDING-T - 1" - W/EDGE LIPS (OFF/WHITE-CREAM)	
6	109894-01-J35	EA	CABINET - HAMPER - DRIVER/Front (J35)	
6	109894-01-H30	EA	CABINET - HAMPER - DRIVER/Front (J36)	
7	109894-03-J35	EA	CABINET - HAMPER - PASSENGER/Front (J35)	
7	109894-03-H30	EA	CABINET - HAMPER - PASSENGER/ Front (J36)	
8	106447-03-H04	EA	TRIM - CAB DOOR - UPPER/RIGHT HAND	
9	N/A	EA	CHASSIS SUPPLIED	
10	125031-01-H04	EA	TRIM - CAB - B-PILLAR	
11	106431-01-02A	EA	COVER - SEATBELT RECOIL - PASSENGER SIDE - VW GREY	
12	N/A	EA	CHASSIS SUPPLIED	
13	106431-02-02A	EA	COVER - SEATBELT RECOIL - DRIVER SIDE - VW GRAY	
	106025-03-01A	EA	LADDER - BUNK - BLACK - 47.3"	
	106025-01-700	EA	BRACKET SET-F/BUNK LADDER	08-0030-00
	091952-01-000	EA	CLIP-GRIPPER - 1"	

INSTRUMENT CLUSTERS & BATTERY SWITCH

KEY	PART NUMBER	U/M	DESCRIPTION
	111414-01-000	EA	RECEPTACLE - 12V - W/O BIMETAL
	094795-09-000	EA	CLUSTER - INSTRUMENT PANEL - KM - GAS/DIESEL - FORD
	100138-01-000	EA	MODULE - DAYTIME/RUNNING LIGHT
	108357-09-000	EA	SWITCH - ROCKER SPDT - ON/NONE/MOM - 3 TERMINAL
	108357-08-000	EA	SWITCH - ROCKER DPDT - ON/NONE/ON - 6 TERMINAL

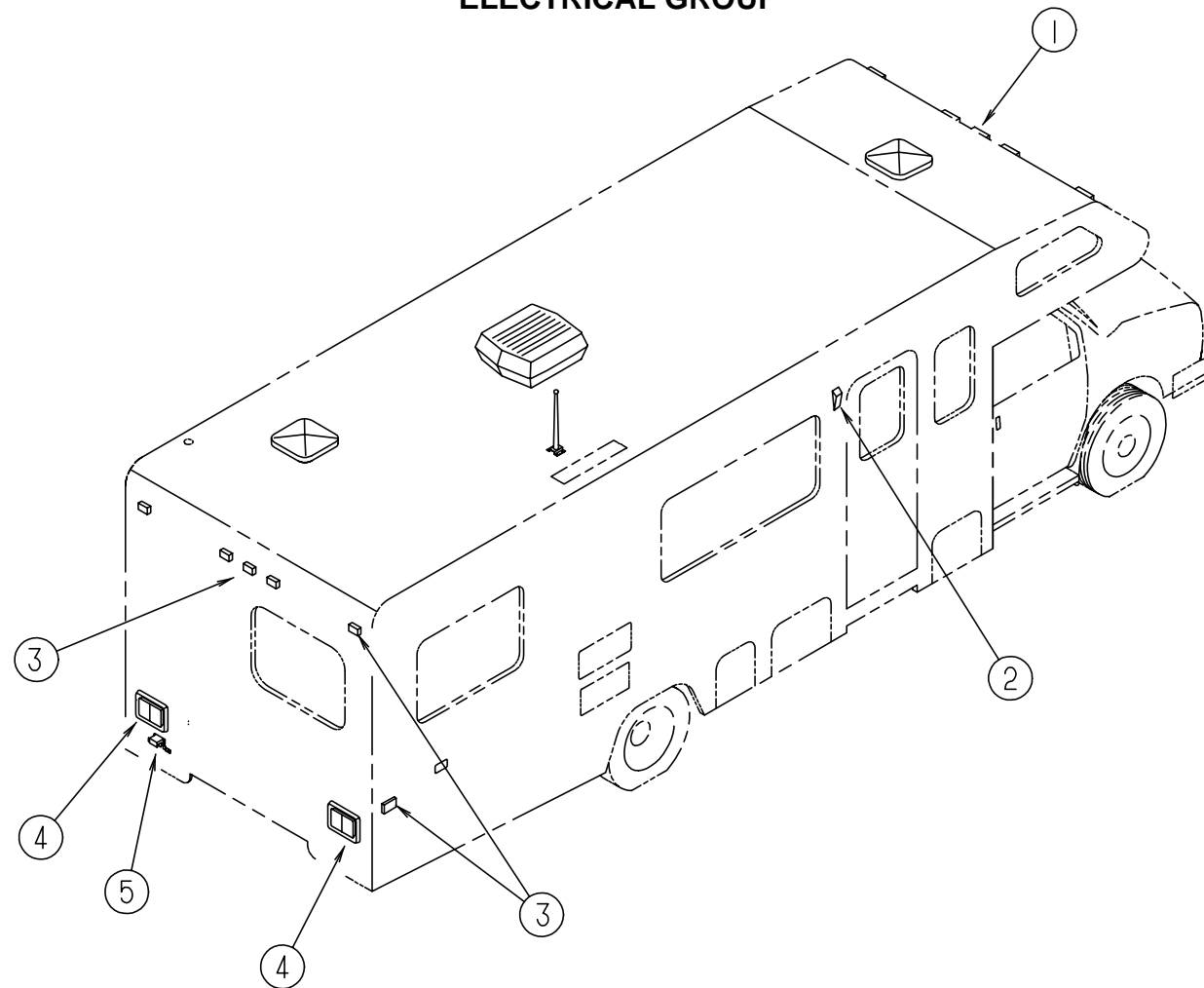
DRIVERS COMPARTMENT GROUP (CONTINUED)



FRONT ENTERTAINMENT CENTER

KEY	PART NUMBER	U/M	DESCRIPTION
1	113156-02-G04	EA	CABINET-ENTERTAINMENT CTR-W/SHELF-DRIVER SIDE-W/O DOOR/HDW
2	M08758-51-J03	EA	DOOR - MITERED CORNER/OGEE EDGE - 10.6" X 19.9" - W/O HDW
3	110790-03-000	EA	BRACKET - TIEDOWN/TV
4	111356-02-J01	EA	SHELF - TV - W/TIEDOWN BRACKET
5	113156-01-G04	EA	CABINET-ENTERTAINMENT CTR-W/SHELF-PASS SIDE-W/O DOOR/HDW
6	121563-02-J05	EA	FACE - ENTERTAINMENT CENTER - W/O HARDWARE
7	113155-11-F02	EA	COUNTERTOP - ENTERTAINMENT CENTER STORAGE (J35)
7	113155-11-G05	EA	COUNTERTOP - ENTERTAINMENT CENTER STORAGE (J36)
8	113155-12-G24	EA	COUNTERTOP - ENTERTAINMENT CENTER STORAGE (J35)
8	113155-12-G05	EA	COUNTERTOP - ENTERTAINMENT CENTER STORAGE (J36)
9	113155-21-F02	EA	COUNTERTOP - ENTERTAINMENT CENTER STORAGE (J35)
9	113155-21-G05	EA	COUNTERTOP - ENTERTAINMENT CENTER STORAGE (J36)
10	113155-01-H08	EA	CABINET/STORAGE - RIGHT END - W/FLIP UP COUNTERTOP (J35)
10	113155-01-J04	EA	CABINET/STORAGE - RIGHT END - W/FLIP UP COUNTERTOP (J36)
11	100847-01-J03	EA	DRAWER - ENTERTAINMENT CENTER - W/O HARDWARE (J35)
11	100847-01-J04	EA	DRAWER - ENTERTAINMENT CENTER - W/O HARDWARE (J36)
12	093673-01-01A	FT	TRIM/MOLDING - 1.4" WIDE X 8' LONG
13	113155-02-G24	EA	CABINET/STORAGE - LEFT END - W/FLIP UP COUNTERTOP (J35)
13	113155-02-G05	EA	CABINET/STORAGE - LEFT END - W/FLIP UP COUNTERTOP (J36)
14	113155-18-G24	EA	COUNTERTOP - ENTERTAINMENT CENTER (J35)
14	113155-18-G05	EA	COUNTERTOP - ENTERTAINMENT CENTER (J36)
15	113155-19-F02	EA	COUNTERTOP - ENTERTAINMENT CENTER (J35)
15	113155-19-G05	EA	COUNTERTOP - ENTERTAINMENT CENTER (J36)
	106699-01-01A	EA	BRACKET - OVERHEAD CABINET/TV

ELECTRICAL GROUP



EXTERIOR LIGHTS

KEY	PART NUMBER	U/M	DESCRIPTION	VENDOR NO.
1	111102-01-000	EA	BASE - LAMP MARKER	
1	111102-02-000	EA	LENS - AMBER - MARKER LAMP	
	036196-01-000	EA	BULB - 12 VOLT - #194 - .27 AMP - BAYONETTE	
2	097917-01-06A	EA	LIGHT - PORCH - BRIGHT WHITE	
	097917-01-700	EA	LENS-LIGHT, CLEAR	30-78-021
	008215-01-000	EA	BULB - 12 VOLT - #1003 - .94 AMP	
2	008089-02-000	EA	LIGHT - PORCH - RECESSED - CANADIAN	
	008089-01-700	EA	LENS-LIGHT, RECESSED, PORCH	DECO
	008214-01-000	EA	BULB - 12 VOLT NO 67 - 0.59 AMP	
	091981-01-000	EA	GASKET	
3	111102-01-000	EA	BASE - LAMP MARKER	
3	111102-03-000	EA	LENS - RED - MARKER LAMP	
	036196-01-000	EA	BULB - 12 VOLT - #194 - .27 AMP - BAYONETTE	
4	081638-01-000	EA	TAILLIGHT/DOUBLE W/BLACK TRIM - DRIVER/PASSENGER SIDE	
4	081638-01-700	EA	LENS-TAILLIGHT, RED	30-84-010
4	081638-01-701	EA	LENS-TAILLIGHT, W/BACKUP	30-84-700
4	103355-01-05A	EA	POD - TAIL LIGHT	
4	121950-01-000	EA	LIGHT - BRAKE - CENTER MOUNT	
4	037934-01-000	EA	BULB# 1156 - (BACK UP & TURN SIGNAL)	
4	037935-01-000	EA	BULB# 2057 OR #1157 - (BRAKE LIGHT)	
5	066432-02-000	EA	LIGHT - LICENSE - BLACK	
	066432-03-000	EA	BRACKET - LICENSE PLATE	

ELECTRICAL GROUP (CONTINUED)

FUSES & CIRCUIT BREAKERS

KEY	PART NUMBER	U/M	DESCRIPTION
	008235-01-000	EA	FUSE - 15 AMP/12VOLT - AUTOMOTIVE
	062901-02-000	EA	FUSE - 05 AMPS - AUTOMOTIVE
	062901-05-000	EA	FUSE - 15 AMPS - AUTOMOTIVE
	083209-02-000	EA	CIRCUIT BREAKER - 15/15 AMP - 120 VOLT
	083209-03-000	EA	CIRCUIT BREAKER - 15/20 AMP - 120 VOLT
	083209-04-000	EA	CIRCUIT BREAKER - 30 AMP - 120 VOLT
	083209-06-000	EA	CIRCUIT BREAKER - 30/15 AMP - 120 VOLT
	093654-01-000	EA	CIRCUIT BREAKER - 6 AMP - 12 VOLT
	093654-03-000	EA	CIRCUIT BREAKER - 20 AMP - 12 VOLT
	093655-01-000	EA	CIRCUIT BREAKER - 25 AMP - 12 VOLT
	093655-02-000	EA	CIRCUIT BREAKER - 30 AMP - 12 VOLT
	100341-01-000	EA	FUSE HOLDER - IN LINE TYPE
	108669-01-000	EA	HOUSING - AUTO FUSE HOLDER

POWER CONVERTER & INVERTER

KEY	PART NUMBER	U/M	DESCRIPTION
	099048-03-000	EA	INVERTER - 130 WATT
	113132-01-000	EA	LOAD CENTER - 120/240 VOLT - 60 AMP
	123058-02-000	EA	CONVERTER - 45 AMP - ELECTRONIC - 4 1/8"H X 7"W X 12 3/8"L

WIRING ASSEMBLIES

KEY	PART NUMBER	U/M	DESCRIPTION
	073328-B4-000	EA	CABLE ASSEMBLY - BATTERY - W/TERMINALS
	090986-01-000	EA	WIRE ASSEMBLY - ELECTRIC STEP
	096449-01-000	EA	WIRE ASSEMBLY - WATER TANK TO MONITOR PANEL
	097618-01-000	EA	WIRE ASSEMBLY - MONITOR PANEL- W/3 WIRES & ORANGE RESISTOR
	106851-01-000	EA	WIRE ASSEMBLY - RUNNING LIGHTS - FUSE
	116894-01-000	EA	WIRE ASSEMBLY - SPEED SENSOR EXTENDED

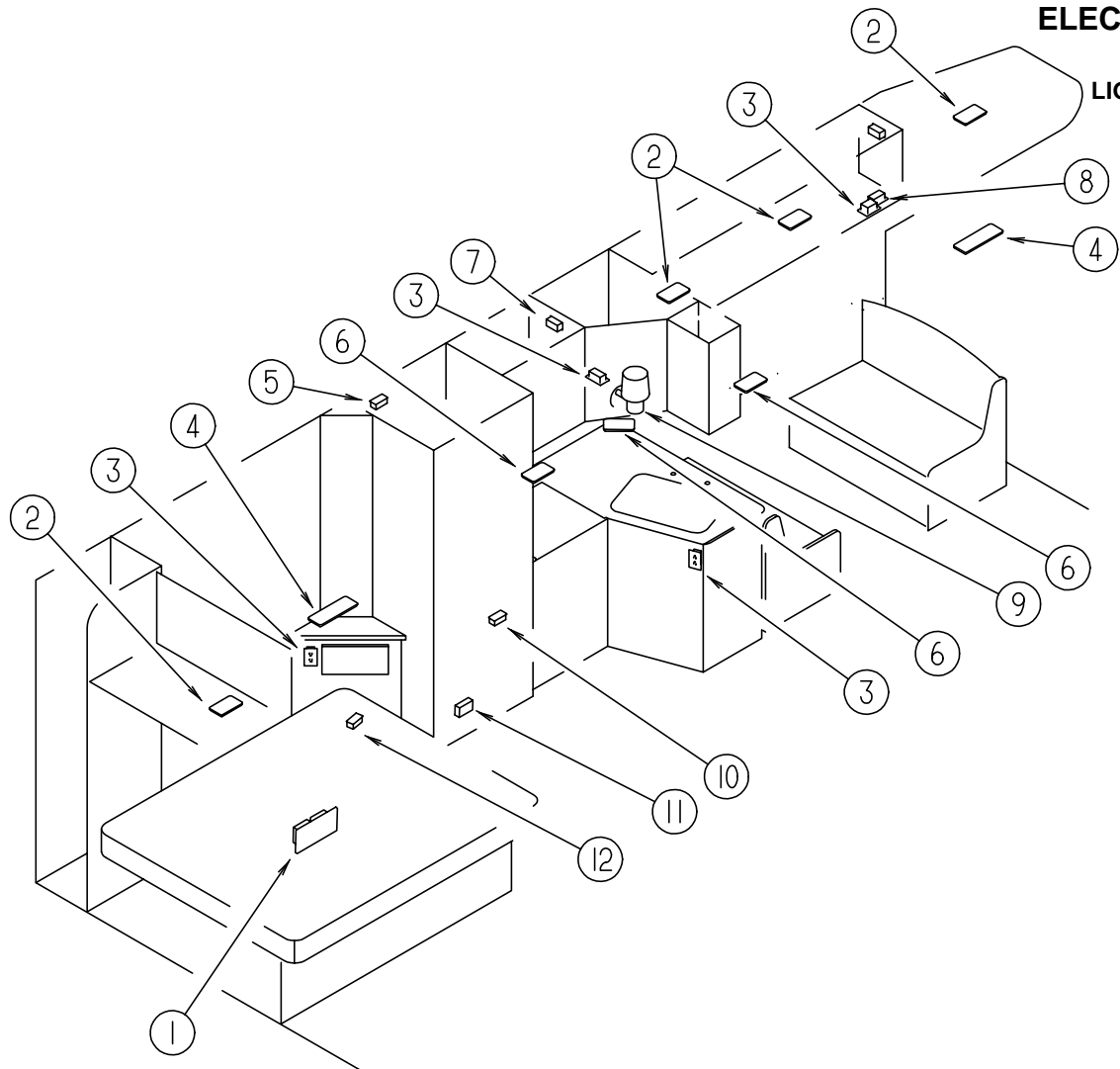
ELECTRIC BOXES, COVERS & POWER CORDS

KEY	PART NUMBER	U/M	DESCRIPTION
	008052-01-000	EA	CORD - POWER - 10/3 - 30 AMP - 25' - CANADIAN
	008054-01-000	EA	CORD - POWER - 10/3 - 30 AMP - 25'
	008289-01-000	EA	BOX - ELECTRIC/STEEL - 1/2" & 3/4" KNOCKOUTS - 4" X 4"
	008289-02-000	EA	BOX - ELECTRIC/STEEL - 1/2" & 3/4" KNOCKOUTS - 4" X 4"-CAN
	008294-01-000	EA	COVER - ELECTRICAL BOX - BLANK/STEEL - 4" X 4" - GRAY
	069238-01-000	EA	COVER - ELECTRICAL BOX - W/HOLE - 4" X 4" - GRAY USED WITH 30 AMP RECEPTACLE
	091910-01-000	EA	BOX - ELECTRIC - 3.8" X 3.5" X 1.8" - PLASTIC
	091910-02-000	EA	BOX - ELECTRIC - 2.2" X 3.5" X 1.7" - PLASTIC
	093257-02-000	EA	BOX - ELECTRIC - CIRCUIT BREAKER
	107165-01-01A	EA	BOX - CIRCUIT BREAKER - 14.6" X 4" - PLASTIC
	107165-03-01A	EA	BOX - CIRCUIT BREAKER

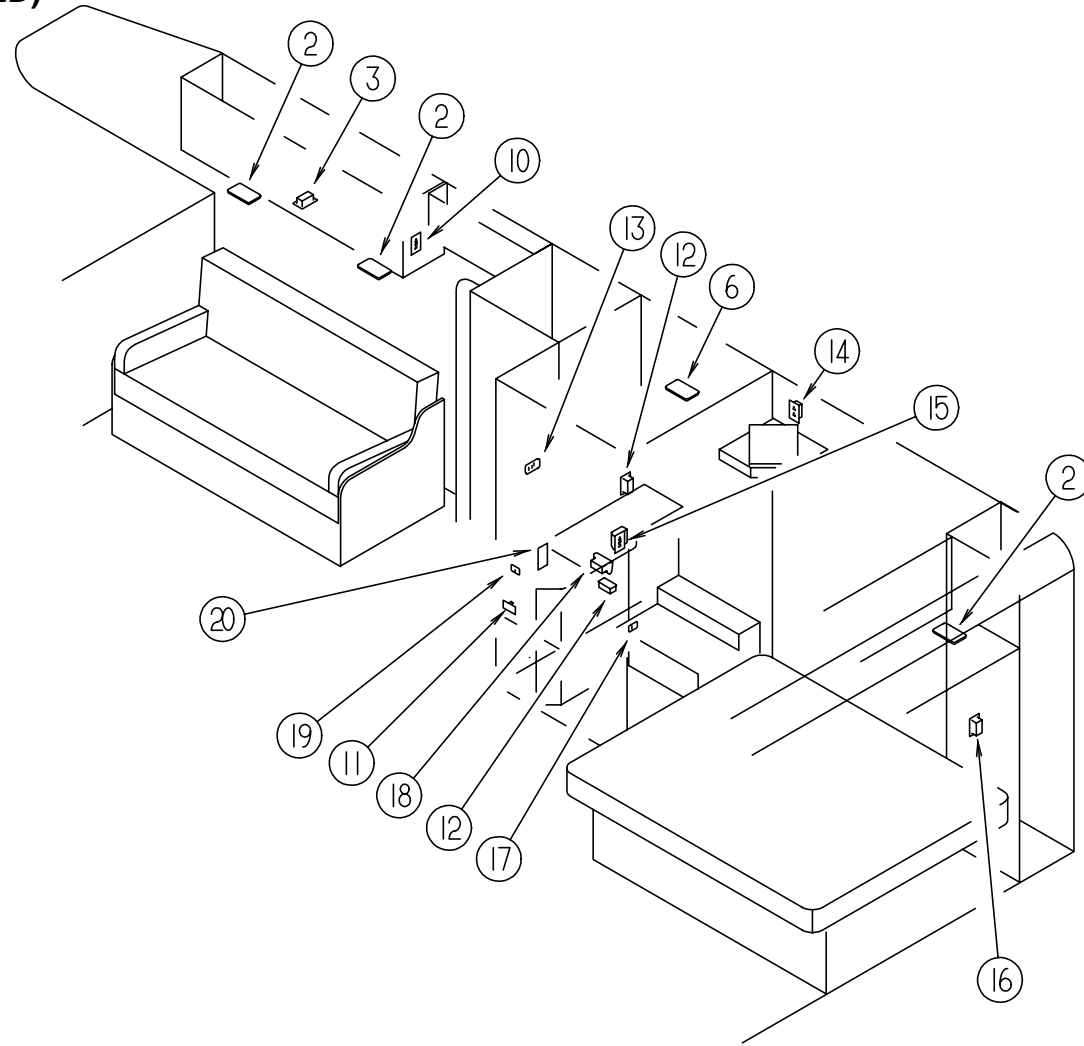
RELAY HOUSING & SOLENOID

KEY	PART NUMBER	U/M	DESCRIPTION
	008188-01-000	EA	SOLENOID - 3 POST - BATTERY CHANGE OVER
	063910-01-000	EA	HOUSING - RELAY
	086233-01-000	EA	STUD - ISOLATED - 3/8" X 7/8" LONG
	086273-01-000	EA	RELAY - BATTERY DISCONNECT

ELECTRICAL GROUP (CONTINUED)



LIGHTS, SWITCHES & RECEPTACLES



KEY	PART NUMBER	U/M	DESCRIPTION	VENDOR NO.
1	024924-02-000	EA	RECEPTACLE - POWER CORD - W/PARTIAL PLATE	
1	069238-01-000	EA	COVER - ELECTRICAL BOX - W/HOLE - 4" X 4" - GRAY	
2	098024-05-02A	EA	LIGHT - DOME - 1 BULB - SKYLITE WHITE	
2	008218-01-000	EA	BULB - DOME LIGHT - 12 VOLT - NO. 1141	
2	098024-01-701	EA	OPTI CLEAR LENS	809902 (4.5 X 3.5)
3	058708-01-000	EA	RECEPTACLE - ELECTRIC - DOUBLE - BROWN	
4	098024-03-02A	EA	LIGHT - DOME - 2 BULB WHITE	
4	008218-01-000	EA	BULB - DOME LIGHT - 12 VOLT - NO. 1141	
4	098024-01-700	EA	LENS-LIGHT	807877
5	121935-01-01A	EA	LIGHT - DOME - SHOWER	
6	098024-01-03A	EA	LIGHT-DOME 1 BULB WHITE - *PD 771WW US/CSA	
6	008218-01-000	EA	BULB - DOME LIGHT - 12 VOLT - NO. 1141	
6	098024-01-700	EA	LENS-LIGHT	807877
7	058708-05-000	EA	RECEPTACLE - SINGLE - BROWN	
8	098351-02-01A	EA	PLATE - SWITCH - 2 GANG POLISHED BRASS (W/O TV)	
8	079364-01-000	EA	SWITCH - ON/OFF ROCKER - 2 TERMINAL - BROWN	
8	098351-15-01A	EA	PLATE - SWITCH - 2 GANG W/LABEL (W/TV)	
8	079364-03-000	EA	SWITCH - ON/OFF ROCKER - 3 TERMINAL - BROWN	
9	119258-02-01A	EA	LAMP - WALL	
9	119258-01-700	EA	FINIAL (PYRAMID)	12-0322
9	119257-03-01A	EA	SHADE - LAMP - LINEN	
10	058707-02-000	EA	RECEPTACLE - BLANK JUNCTION BOX	
11	061424-01-000	EA	LIGHT - AISLE - 12 VOLT - RECTANGULAR	
11	008103-01-000	EA	BULB - DASH/AISLE LIGHT - #53 - 12 VOLT - .12 AMP	
12	058707-01-000	EA	RECEPTACLE - ELECTRIC - SINGLE - BROWN	
	108357-08-000	EA	SWITCH - ROCKER DPDT - ON/NONE/ON - 6 TERMINAL	
	108356-02-01A	EA	COVER/ACTUATOR SWITCH - 2 ROWS DIMPLES- CONTURA II - BLACK	

KEY	PART NUMBER	U/M	DESCRIPTION	VENDOR NO.
13	079364-01-000	EA	SWITCH - ON/OFF ROCKER - 2 TERMINAL - BROWN	
13	098351-05-01A	EA	PLATE - SWITCH - 3 GANG POLISHED BRASS	
13	095188-02-01A	EA	SPACER - SWITCH - 2.3" X 4.1" - PLASTIC - DARK BROWN	
14	058708-02-000	EA	RECEPTACLE - ELECTRIC - DOUBLE - IVORY	
14	091927-01-000	EA	COVER - RECEPTACLE - DOUBLE - IVORY	
14	102568-01-GB1	EA	SPACER - RECEPTACLE - BETWEEN SIDEWALL & PLATE - WOOD	
15	084076-02-000	EA	RECEPTACLE - GFI - 15 AMP - 125 VOLT - BROWN	
16	058708-02-000	EA	RECEPTACLE - ELECTRIC - DOUBLE - IVORY	
16	091927-01-000	EA	COVER - RECEPTACLE - DOUBLE - IVORY	
17	098351-02-01A	EA	PLATE - SWITCH - 2 GANG POLISHED BRASS	
17	095188-01-01A	EA	SPACER - SWITCH - 2.3" X 3.4" - PLASTIC - DARK BROWN	
17	079364-01-000	EA	SWITCH - ON/OFF ROCKER - 2 TERMINAL - BROWN	
17	079364-03-000	EA	SWITCH - ON/OFF ROCKER - 3 TERMINAL - BROWN	
18	112822-01-01A	EA	RECEPTACLE - DUPLEX - IVORY	
18	112824-01-03A	EA	COVER - RECEPTACLE - EXTERIOR DUPLEX	
19	098351-07-01A	EA	PLATE - SWITCH - GENERATOR - POLISHED BRASS	
19	108357-06-000	EA	SWITCH - ROCKER DPDT - MOM/OFF/MOM - 6 TERMINAL	
19	108356-11-01A	EA	COVER-ACTUATOR SWITCH - 3 GROOVES - AUX BATT - BLACK	
20	098351-03-01A	EA	PLATE - SWITCH - 3 GANG POLISHED BRASS	
20	079364-01-000	EA	SWITCH - ON/OFF ROCKER - 2 TERMINAL - BROWN	
20	079364-03-000	EA	SWITCH - ON/OFF ROCKER - 3 TERMINAL - BROWN	
20	095188-02-01A	EA	SPACER - SWITCH - 2.3" X 4.1" - PLASTIC - DARK BROWN	
	086280-01-000	EA	LIGHT - SURFACE MOUNT - 12 VOLT	
	086280-01-700	EA	BULB,12V	ARP1089
	117806-01-000	EA	BULB - 12 VOLT NO.912 - 1.0 AMPS	
	108355-01-000	EA	HOUSING - SWITCH	
	108356-07-01A	EA	COVER/ACTUATOR SWITCH - 2 ROWS DIMPLES - AUX START - BLACK	
	108357-09-000	EA	SWITCH - ROCKER SPDT - ON/NONE/MOM - 3 TERMINAL	
	081994-06-000	EA	PLATE - SWITCH - AUXILIARY START	

ELECTRICAL GROUP (CONTINUED)

CONDUIT, CONNECTORS, HOUSINGS & TERMINALS

KEY	PART NUMBER	U/M	DESCRIPTION
	007956-05-000	EA	INSULATOR - SHRINK - .25 ID X 1.50
	008313-01-000	EA	CONNECTOR - WIRE NUT - INSULATED - YELLOW
	008314-01-000	EA	CONNECTOR - WIRE NUT - INSULATED - GRAY
	008326-01-000	EA	TERMINAL - RING - 16/14 WIRE - 3/8" STUD
	008328-01-000	EA	TERMINAL - RING - 12/10 WIRE - #10 STUD FIT
	008331-01-000	EA	TERMINAL - RING - TONGUE - #4 WIRE - 3/8" STUD - COPPER
	008348-01-000	EA	TERMINAL - RING - 3/8" STUD 2 GA. WIRE
	008355-01-000	EA	CONNECTOR - CABLE CLAMPING - 3/4"
	008356-01-000	EA	CONNECTOR - PLASTIC - 3/8" AVG
	008356-02-000	EA	CONNECTOR - PLASTIC - 21/32
	035416-04-000	EA	TERMINAL - RING - #10 STUD FIT - INSULATED BARREL #16/14
	041953-01-000	FT	CONDUIT - CONVOLUTE SLIT - .5" ID
	041953-03-000	FT	CONDUIT - CONVOLUTE SLIT - 1" ID (CLOTHES ROD COVER)
	041953-05-000	FT	CONDUIT - CONVOLUTE SOLID - .62" ID
	041953-06-000	FT	CONDUIT - CONVOLUTE SLIT - .375" ID
	041953-07-000	FT	CONDUIT - CONVOLUTE SLIT - .25" ID
	041953-08-000	FT	CONDUIT - CONVOLUTE SLIT - 1.50" ID
	041953-09-000	FT	CONDUIT - CONVOLUTE SLIT - .50" ID
	041953-10-000	FT	CONDUIT - CONVOLUTE SLIT - .75" ID
	041953-11-000	FT	CONDUIT - CONVOLUTE SLIT - 1.06" ID
	041953-12-000	FT	CONDUIT - CONVOLUTE NON SLIT - 1.1" ID
	047443-01-000	EA	TERMINAL - .250 RECEPTACLE FIT - INSULATED - 16/14 AWG
	047443-02-000	EA	TERMINAL - .250 RECEPTACLE FIT - INSULATED - 12/10 AWG
	058028-01-000	EA	CONNECTOR - ELECTRICAL PIGTAIL - NYLON - CLEAR
	077479-01-000	EA	BOOT - BATTERY TERMINAL - DOUBLE CABLE
	077479-02-000	EA	BOOT - BATTERY TERMINAL - SINGLE CABLE
	080015-02-000	EA	RECEPTACLE - FLAG - .185 - 16/14 GAUGE
	080015-03-000	EA	RECEPTACLE - FLAG - .250 - 14/16 GAUGE
	087949-01-000	EA	BUSS BAR - 2 POSITION - .6" X 1.5"
	088473-01-000	EA	HOUSING - PIN - 12 CAVITY
	088473-02-000	EA	HOUSING - PIN - 15 CAVITY
	088473-03-000	EA	HOUSING - PIN - 9 CAVITY
	088473-08-000	EA	HOUSING - PIN - 4 CAVITY
	088473-09-000	EA	HOUSING - PIN - 3 CAVITY
	088473-10-000	EA	HOUSING - PIN - 2 CAVITY
	088474-01-000	EA	HOUSING - SOCKET - 12 CAVITY
	088474-02-000	EA	HOUSING - SOCKET - 15 CAVITY
	088474-03-000	EA	HOUSING - SOCKET - 9 CAVITY
	088474-07-000	EA	HOUSING - SOCKET - 5 CAVITY
	088474-08-000	EA	HOUSING - SOCKET - 4 CAVITY
	088474-09-000	EA	HOUSING - ELECTRICAL - 3 TERMINAL
	088474-10-000	EA	HOUSING - SOCKET - 2 CAVITY
	088475-01-000	EA	PIN - CONNECTOR - 14 - 20 AWG
	088475-02-000	EA	PIN - CONNECTOR - 10-12 AWG
	088476-01-000	EA	TERMINAL - ELECTRICAL
	088476-02-000	EA	SOCKET - CONNECTOR - 12-10 GA - PRE-TIN
	098261-01-000	EA	SOCKET - CONNECTOR - WEATHERPACK
	098261-02-000	EA	SOCKET - CONNECTOR - WEATHERPACK
	098262-01-000	EA	SEAL - CONNECTOR - WEATHERPACK
	098265-02-000	EA	PIN - CONNECTOR - WEATHERPACK
	101751-02-000	EA	HOUSING - 1 PIN - WEATHER PACK
	047443-02-000	EA	TERMINAL - .250 RECEPTACLE FIT - INSULATED - 12/10 AWG
	102777-02-000	EA	TERMINAL - RING - #6 STUD - 10 AWG
	106655-01-000	EA	TERMINAL - FUSE BLOCK - 14-16 AWG
	106655-02-000	EA	TERMINAL - FUSE BLOCK - 10-12 AWG
	119223-01-000	EA	HOUSING - 6 POSITION - MALE - WEATHERPAK
	125323-02-000	EA	HOUSING - 8 POSITION - MALE
	125324-01-000	EA	TERMINAL - MALE - METRI-PACK - 150
	125325-01-000	EA	SEAL - CAVITY

EXTERIOR BODY GROUP

FIBERGLASS, STYROFOAM & ALUMINUM CHANNEL

KEY	PART NUMBER	U/M	DESCRIPTION
	000870-08-000	SF	STYROFOAM - .75" X 48" X 96" PLANED EXPANDED BEAD BOARD
	002726-01-001	EA	GARNISH - U-CHANNEL - 1.38" X 19' - SERRATED
	068716-01-001	EA	BRACE - 90 DEGREE L-ANGLE - 16'
	076054-W2-000	EA	FIBERGLASS SHEET - 85" X 339" - BRIGHT WHITE
	076054-W5-000	EA	FIBERGLASS SHEET - 101.4" X 108.7" - BRIGHT WHITE
	108535-06-700	EA	FIBERGLASS SHEET - 102" X 102" BRIGHT WHITE
	076054-Z5-000	EA	FIBERGLASS SHEET - 27.4" X 66" - BRIGHT WHITE
	077517-62-000	EA	FIBERGLASS - SHEET/SIDEWALL - 4' X 8' - BRIGHT WHITE
	108535-05-702	EA	FIBERGLASS SHEET - FLAT - 110" X 396" BRIGHT WHITE - ROOF
	117754-03-01A	EA	FIBERGLASS SHEET - 10.5" X 96" BRIGHT WHITE
	083574-06-000	SF	STYROFOAM - .75 X 48" X 108" - INCREMENTS OF 14 SF
	089297-01-000	SF	PLYWOOD - LUAN - OVERLAY GRADE - 48" X 96"
	100619-01-000	BF	FOAM - EXPANDED POLYSTYRENE - 1.34" X 48" X 96"
	100619-02-000	BF	FOAM - EXPANDED POLYSTYRENE - 1.5" X 48" X 96"
	100619-04-000	BF	FOAM - EXPANDED POLYSTYRENE - .5" X 48" X 96"
	100619-05-000	BF	FOAM - EXPANDED POLYSTYRENE - .75" X 48" X 96"
	100619-11-000	BF	FOAM - EXPANDED POLYSTYRENE - 2" X 48" X 96"
	100619-13-000	BF	FOAM - EXPANDED POLYSTYRENE - .34" X 34.65" X 96"
	100619-16-000	BF	FOAM - EXPANDED POLYSTYRENE - .75" X 48" X 96"

RUNNING BOARDS

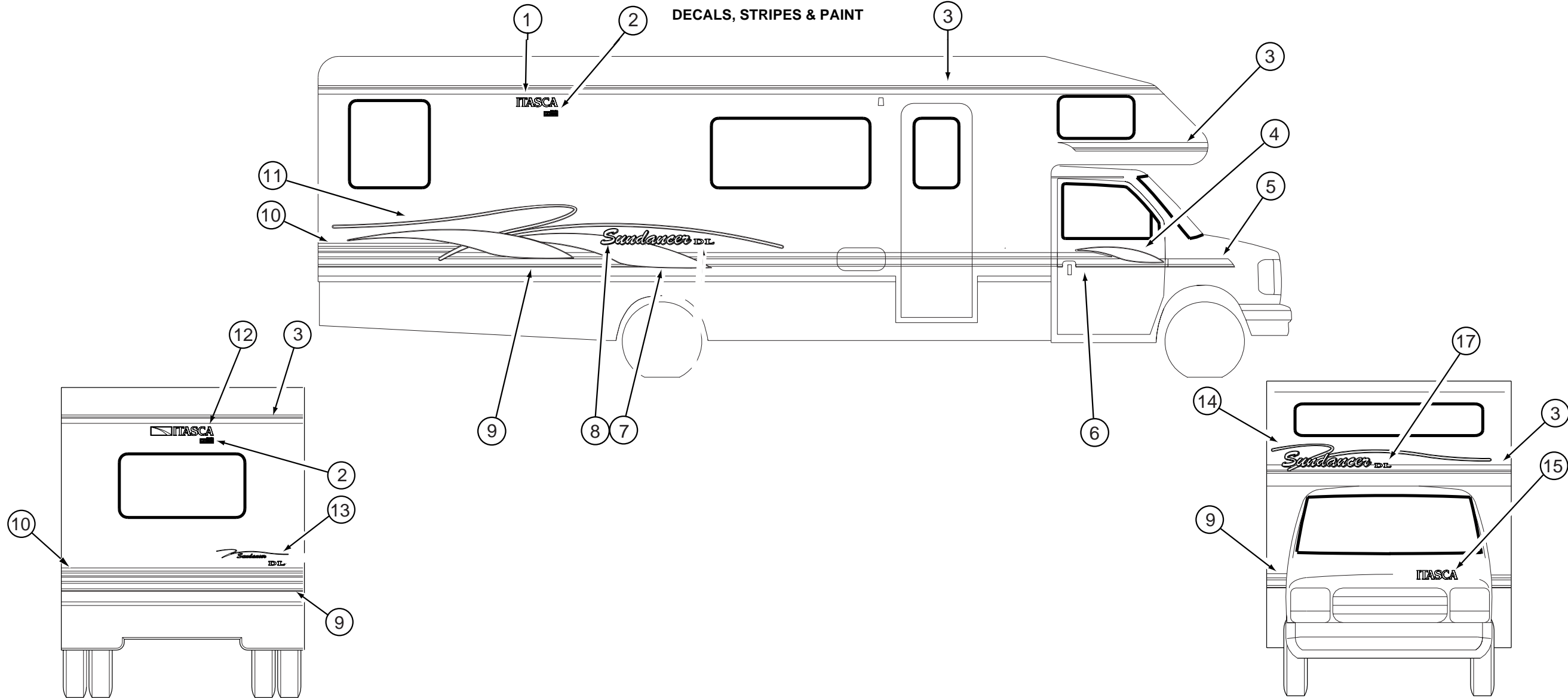
KEY	PART NUMBER	U/M	DESCRIPTION	VENDOR NO.
	072884-27-000	EA	RUNNING BOARD SET - 39" - FORD - ALUMINUM	
	072884-27-700	EA	BRACKET SET 12" 92	RB2BRK/M
	072884-27-701	EA	RUNNING BOARD-FORD 39",RT<	
	072884-27-702	FT	TREAD TAPE	RB9202
	072884-27-703	EA	MUD FLAP W/HOLES, 1EA=PAIR	99171
	072884-27-704	EA	CAP-ENDS, 1EA=PAIR	99148

AWNING & HARDWARE KIT - FAULKNER

KEY	PART NUMBER	U/M	DESCRIPTION
	113874-05-02A	EA	AWNING - W/O HDW 14' (EMERALD FROST) VINYL
*	113874-01-06A	EA	AWNING - HARDWARE KIT - BRIGHT WHITE
	111038-01-01A	EA	SPACER - AWNING - LOWER

*COMPONENT PARTS FOUND IN SERVICE PARTS LIBRARY

EXTERIOR BODY GROUP (CONTINUED)



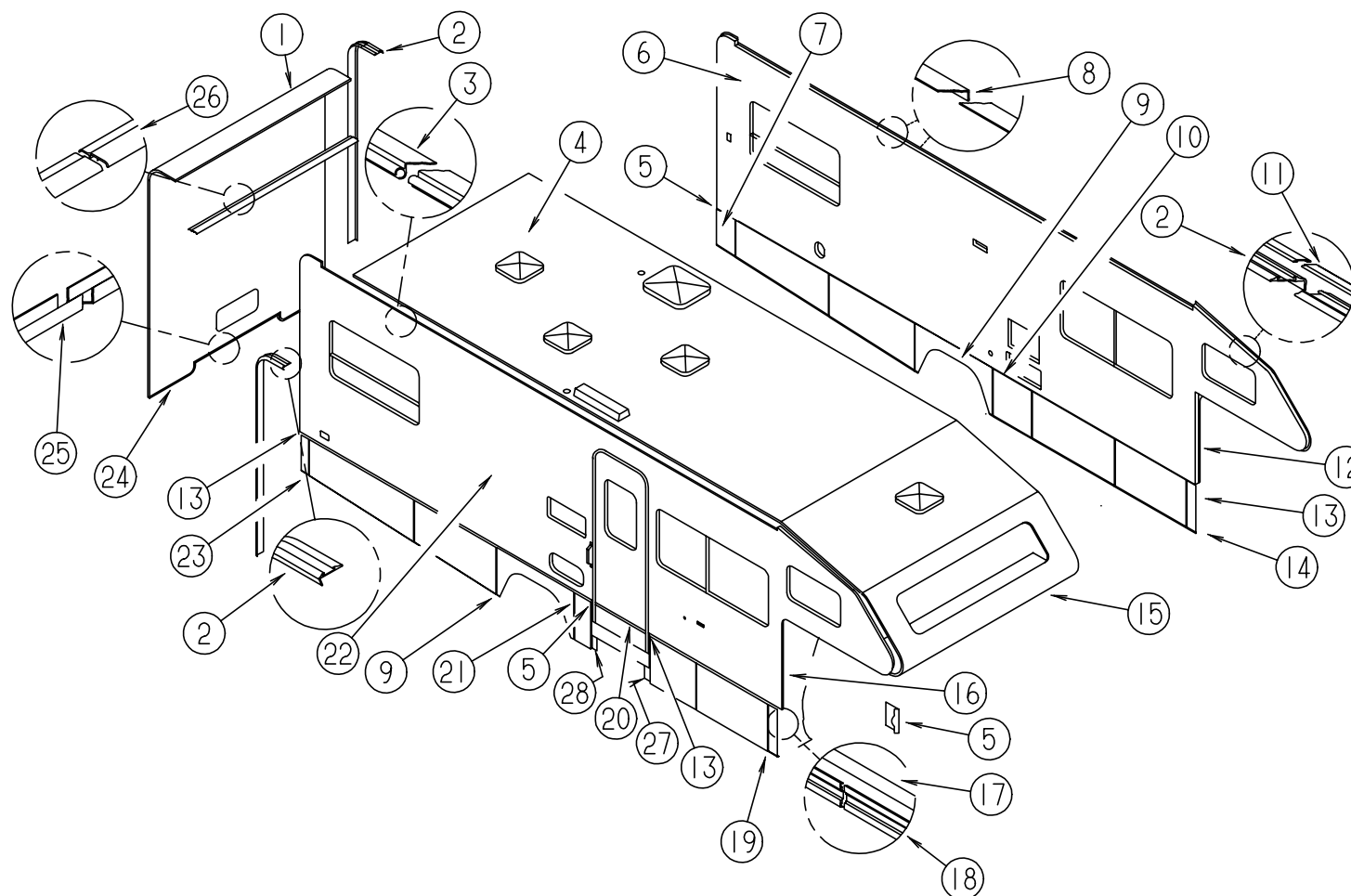
KEY	PART NUMBER	U/M	DESCRIPTION
1	124811-01-03A	EA	DECAL - LOGO - ITASCA
2	122770-02-06A	EA	DECAL - BUILT PROUDLY BY WINNEBAGO INDUSTRIES
3	105781-63-01A	FT	FILM - MULTISTRIPE - 3.12"
4	125099-01-01A	EA	DECAL - SWEEP - CAB/RIGHT HAND
	125099-02-01A	EA	DECAL - SWEEP - CAB/LEFT HAND
5	126679-01-01A	EA	DECAL - FENDER - RIGHT HAND
	126679-02-01A	EA	DECAL - FENDER - LEFT HAND
6	125098-01-01A	EA	DECAL - CAB - DIE CUT
	125098-02-01A	EA	DECAL - CAB - DIE CUT
7	125100-01-01A	EA	DECAL - SWEEP - RIGHT HAND
	125100-02-01A	EA	DECAL - SWEEP - LEFT HAND
8	125103-01-01A	EA	DECAL - LOGO - SUNDANCER
9	094423-11-01A	FT	FILM - MULTISTRIPE - 5.49"
10	105781-62-01A	FT	FILM - MULTISTRIPE - 3.12"
11	125102-01-01A	EA	DECAL - SWEEP - REAR/RIGHT HAND
	125102-02-01A	EA	DECAL - SWEEP - REAR/LEFT HAND
12	124806-01-03A	EA	DECAL - LOGO - ITASCA W/ICON
13	125104-01-01A	EA	DECAL - SUNDANCER W/SLASH
14	125101-01-01A	EA	DECAL - SLEEPER W/SUNDANCER
15	124811-02-01A	EA	DECAL - LOGO - ITASCA SMALL/HOOD
	041561-03-000	EA	PAINT - 16 OUNCE SPRAY - OFF WHITE

OFF WHITE	L8723A
BRIGHT WHITE	B8951
APRICOT MIST	F4581
MALIBU TEAL	F4580
AMETHYST FROST	RM012
MARINE BLUE	F4579
VIOLET FIREMIST	F4572

DUPONT COLOR CODES

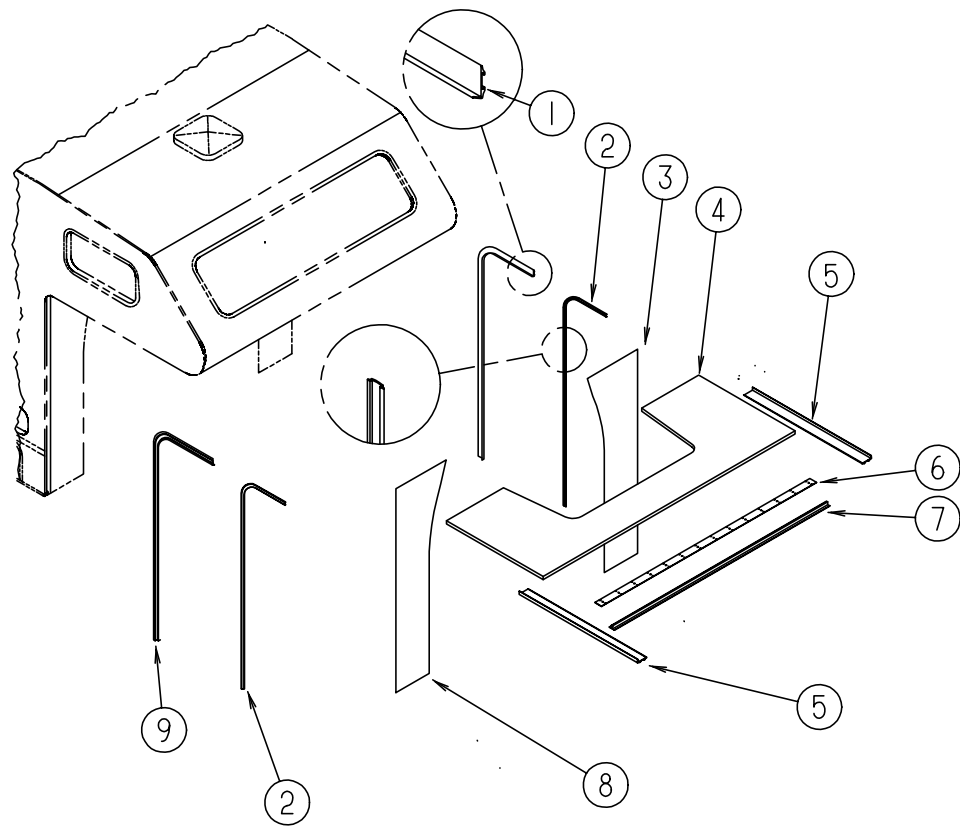
EXTERIOR BODY GROUP (CONTINUED)

BODY PANELS & TRIMS



KEY	PART NUMBER	U/M	DESCRIPTION	KEY	PART NUMBER	U/M	DESCRIPTION
1	P26656-01-J35	EA	BACKWALL - W/O WINDOW/TRIM - F/CENTER QUEEN BED	12	104479-06-02A	EA	TRIM - FRONT CONTOUR - BRIGHT WHITE
1	P26656-01-J36	EA	BACKWALL - W/O WINDOW/TRIM - F/CENTER QUEEN BED	13	124132-02-01A	EA	CAP - TRIM/SIDEWALL - LEFT HAND - BRIGHT WHITE
1	P26656-02-J35	EA	BACKWALL - W/O WINDOW/TRIM - F/TWIN BED	14	122776-02-H07	EA	PANEL - VALANCE - W/O HARDWARE
1	P26656-02-J36	EA	BACKWALL - W/O WINDOW/TRIM - F/TWIN BED	15	P21337-01-H07	EA	ROOF - FRONT ONLY - W/O LIGHTS/VENTS - W/WIRING
1	P26656-03-J35	EA	BACKWALL - W/O WINDOW/TRIM - F/SIDE DOUBLE BED	16	104479-05-02A	EA	TRIM - FRONT CONTOUR - BRIGHT WHITE
1	P26656-03-J36	EA	BACKWALL - W/O WINDOW/TRIM - F/SIDE DOUBLE BED	17	124299-51-001	EA	EXTRUDED - RETAINER - TRIM - 144"
2	096854-05-02A	EA	TRIM - CONTOUR - BRIGHT WHITE - 114" FROM: 00-00-00 THRU: 04-01-98	18	124176-01-01A	EA	TRIM - SIDEWALL - BRIGHT WHITE - 16'
2	096854-06-02A	EA	TRIM - CONTOUR - 130" - BRIGHT WHITE FROM: 04-02-98 THRU: 99-99-99	19	122776-01-H07	EA	PANEL - VALANCE - W/O HARDWARE
3	099583-55-004	EA	AWNING RAIL - 133.9" - BRIGHT WHITE FROM: 00-00-00 THRU: 04-01-98	20	108688-01-03A	EA	STRIP - FEATURE - 15'
3	099583-55-005	EA	AWNING RAIL,3658 MM B/W FROM: 04-02-98 THRU: 99-99-99	20	122828-23-01A	EA	TRIM - SIDEWALL - FEATURE STRIP
	099583-55-003	EA	RAIL - AWNING - 120"		108651-01-01A	EA	END CAP - FEATURE STRIP
4	P22250-01-H07	EA	ROOF - W/O FRONT CAP/VENTS/LIGHTS - W/WIRING	21	122776-03-H07	EA	PANEL - VALANCE - W/O HARDWARE
5	124132-01-01A	EA	CAP - TRIM/SIDEWALL - RIGHT HAND - BRIGHT WHITE	22	125923-01-J35	EA	SIDEWALL - PASSENGER - W/O WINDOWS/TRIM
6	125924-01-J35	EA	SIDEWALL - DRIVER - W/O WINDOWS/TRIMS	22	125923-01-J36	EA	SIDEWALL - PASSENGER - W/O WINDOWS/TRIM
6	125924-01-J36	EA	SIDEWALL - DRIVER - W/O WINDOWS/TRIMS	23	122732-03-H07	EA	PANEL - VALANCE/REAR - W/O HARDWARE
7	122732-04-H07	EA	PANEL - VALANCE/REAR - W/O HARDWARE	24	103334-03-02A	EA	TRIM - BACKWALL/LOWER
8	096864-01-02A	EA	TRIM - CONTOUR - ROOF TO SIDEWALL - 120"	25	103335-02-02A	EA	TRIM - BACKWALL/LOWER
8	096864-02-02A	EA	TRIM - CONTOUR - ROOF TO SIDEWALL - 134" FROM: 00-00-00 THRU: 04-01-98	26	078580-02-000	EA	TRIM - ROOF/FRONT/REAR CAP
8	096864-04-02A	EA	TRIM - CONTOUR - ROOF TO SIDEWALL - BRIGHT WHITE FROM: 04-02-98 THRU: 99-99-99	27	125089-01-H07	EA	TRIM - ENTRANCE STEP
9	121304-02-01A	EA	PANEL - WHEEL LIP - REAR	28	125089-02-H07	EA	TRIM - ENTRANCE STEP
10	122776-10-H07	EA	PANEL - VALANCE - W/O HARDWARE		107865-06-000	EA	ROD - SUPPORT - VALANCE PANEL - 15"
11	105312-01-07A	FT	INSERT - VINYL FEATURE STRIP - BRIGHT WHITE		107865-01-000	EA	ROD - SUPPORT - VALANCE PANEL - 14.3"
					002365-03-006	EA	U-CHANNEL - EXTRUDED - 1" X 192" - BRIGHT WHITE
					119568-01-01A	EA	STANDOFF-VALANCE PNL,BLACK

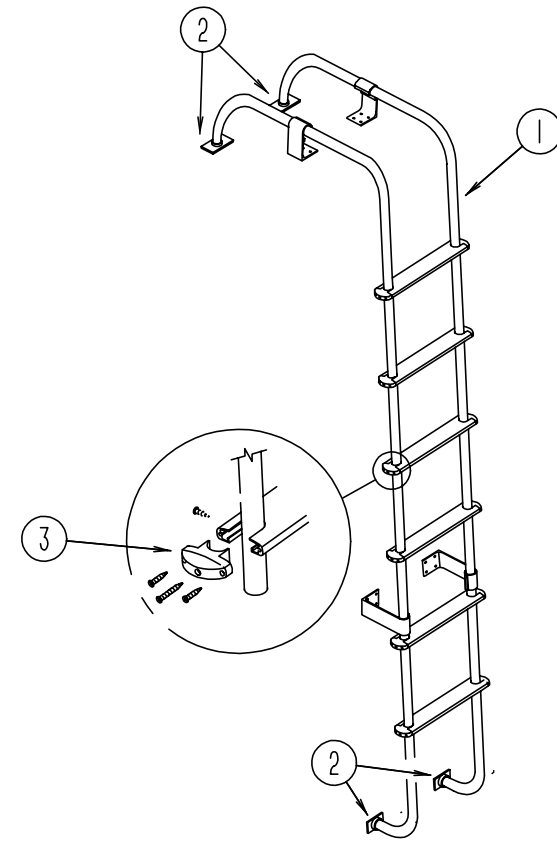
EXTERIOR BODY GROUP (CONTINUED)



WINGWALL, SLEEPERBOARD & TRIM

KEY	PART NUMBER	U/M	DESCRIPTION
1	104479-06-02A	EA	TRIM - FRONT CONTOUR - BRIGHT WHITE
2	105312-01-07A	FT	INSERT - VINYL FEATURE STRIP - BRIGHT WHITE
3	125088-02-J05	EA	WINGWALL - DRIVER - BRIGHT WHITE
4	P25129-01-J01	EA	SLEEPERBOARD
5	096854-05-02A	EA	TRIM - CONTOUR - BRIGHT WHITE - 114"
6	100086-04-01A	EA	TRIM - SLEEPER BOARD/ROOF - 2" X 96.6"
7	100085-05-01A	EA	TRIM - STRAP - SLEEPERBOARD
8	125088-01-J05	EA	WINGWALL - PASSENGER - BRIGHT WHITE
9	104479-05-02A	EA	TRIM - FRONT CONTOUR - BRIGHT WHITE
	002365-03-006	EA	U-CHANNEL - EXTRUDED - 1" X 192" - BRIGHT WHITE

EXTERIOR BODY GROUP (CONTINUED)



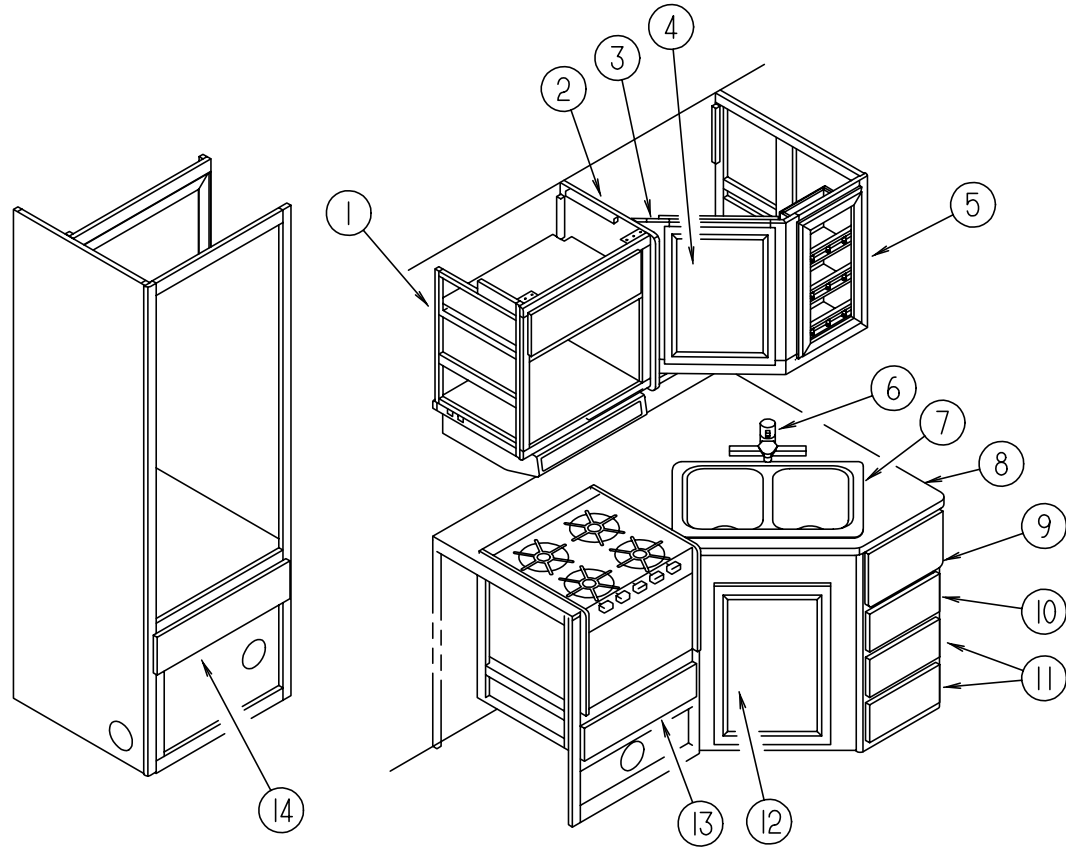
LADDER

KEY	PART NUMBER	U/M	DESCRIPTION
1	102953-15-G04	EA	LADDER
2	067165-01-000	EA	BRACKET - MOUNTING - LOWER LADDER
	000G39-06-10T	EA	SCREW-SF/DR - 6-20 X 5/8 PPH - BLACK
	000G68-10-36T	EA	SCREW-10-12 X 2.25 POH BLACK
3	076980-02-000	EA	END CAP - STEP - BLACK
	038327-01-000	EA	TAPE - ANTI-SLIP - 2" X 60'

EXTERIOR MIRRORS

KEY	PART NUMBER	U/M	DESCRIPTION	VENDOR NO.
	120269-03-01A	EA	MIRROR - EXTERIOR - PASSENGER	
	120269-04-01A	EA	MIRROR - EXTERIOR - DRIVER	
	120269-01-700	EA	GLASS KIT W/BEZEL RH/LH	
				709407-8

GALLEY GROUP



CABINETS & FIXTURES

KEY	PART NUMBER	U/M	DESCRIPTION
1	122267-01-H07	EA	CABINET - MICROWAVE - W/O DOORS/HARDWARE FROM: 00-00-00 THRU: 10-05-97
1	128619-01-J05	EA	CABINET - MICROWAVE - W/O DOORS/HARDWARE FROM: 10-06-97 THRU: 99-99-99
2	109908-21-G04	EA	END CAP - OVERHEAD CABINET FROM: 00-00-00 THRU: 10-05-97
2	109908-68-J05	EA	END CAP - OVERHEAD CABINET FROM: 10-06-97 THRU: 99-99-99
3	116669-01-G04	EA	CABINET - OVERHEAD - GALLEY - W/O DOORS/HARDWARE
	116669-11-G04	EA	SHELF - W/PLASTIC EDGE TRIM
4	M08758-25-J15	EA	DOOR - MITERED CORNER/OGEE EDGE - 14.3" X 21.8" - W/O HDW
5	112076-05-J05	EA	CABINET - SPICE RACK - W/O DOORS/HARDWARE
6	104114-02-01A	EA	FAUCET - GALLEY - SINGLE CONTROL
7	104113-01-000	EA	SINK - DOUBLE - STAINLESS STEEL
	092303-01-000	EA	STRAINER - SINK
	103610-03-H04	EA	COVER - SINK - 15.2" X 11" (J35)
	103610-01-H05	EA	COVER - SINK - 15.2" X 11" (J36)
8	122362-13-H08	EA	COUNTERTOP (J35)
8	122362-13-H31	EA	COUNTERTOP (J36)
8	P22362-01-H08	EA	CABINET - GALLEY/DINETTE - W/COUNTERTOP - W/O DRS/DWRS/HDW (J35)
8	P22362-01-J06	EA	CABINET - GALLEY/DINETTE - W/COUNTERTOP - W/O DRS/DWRS/HDW (J36)
8	P22362-02-H08	EA	CABINET - GALLEY/COUCH - W/COUNTERTOP - W/O DRS/DWRS/HDW (J35)
8	P22362-02-J06	EA	CABINET - GALLEY/COUCH - W/COUNTERTOP - W/O DRS/DWRS/HDW (J36)
9	080812-08-G24	EA	EXTENSION - GALLEY (J35)
9	080812-08-G05	EA	EXTENSION - GALLEY (J36)
10	M05971-F4-J35	EA	DRAWER - OGEE EDGE - 14.2"W X 11.8"D - W/O SLIDES/HARDWARE
11	M05971-E6-J35	EA	DRAWER - OGEE EDGE - 14.2"W X 21.6"D - W/O SLIDES/HARDWARE
12	M08758-D5-J05	EA	DOOR - MITERED CORNER/OGEE EDGE - 13.5" X 30.3" - W/O HDW
13	M05971-KM-J35	EA	DRAWER - OGEE EDGE - 19.7"W X 15.7"D - W/O SLIDES/HDW
	090329-01-000	FT	SEAL/T - REFRIGERATOR CABINET
14	M05971-S0-J35	EA	DRAWER - OGEE EDGE - 22.5"W X 19.7"D - W/O SLIDES/HARDWARE
	091257-10-000	EA	HANDLE - ASSIST - WATERFORD OAK
	098335-14-H08	EA	RAIL - GALLEY - 41" (J35)
	098335-14-H31	EA	RAIL - GALLEY - 41" (J36)

GALLEY GROUP (CONTINUED)

REFRIGERATOR - NORCOLD 9162

KEY	PART NUMBER	U/M	DESCRIPTION
*	121568-01-01A	EA	REFRIGERATOR - SMALL DOUBLE DOOR - 2-WAY
	093646-01-000	EA	BRACKET - TIEDOWN/REFRIGERATOR - RIGHT HAND
	093646-02-000	EA	BRACKET - TIEDOWN/REFRIGERATOR - LEFT HAND
	116751-05-01A	EA	TRAY - REFRIGERATOR
	054450-01-000	EA	LEVEL - REFRIGERATOR
	065225-02-000	EA	PLATE - TIEDOWN - REFRIGERATOR

***COMPONENT PARTS FOUND IN SERVICE PARTS LIBRARY**

RANGE HOODS - VENTLINE

KEY	PART NUMBER	U/M	DESCRIPTION
*	100258-16-04A	EA	HOOD - RANGE - W/O MONITOR PANEL - W/O HOUR METER & SWITCH
*	100258-17-04A	EA	HOOD - RANGE - W/O MONITOR PANEL - W/O HOUR METER & SWITCH
*	100258-18-03A	EA	HOOD - RANGE - W/O MONITOR PANEL - W/HOUR METER & SWITCH

***COMPONENT PARTS FOUND IN SERVICE PARTS LIBRARY**

COFFEE MAKER - BLACK & DECKER

KEY	PART NUMBER	U/M	DESCRIPTION	VENDOR NO.
	126019-01-01A	EA	COFFEEMAKER - OPTIMA - W/BRACKETS - BLACK & DECKER	
	126019-01-700	EA	GLASS CARAFE	172547-00
	126019-01-701	EA	RESERVOIR- WATER	172554
	126019-01-702	EA	BASKET - FILTER	172553-00
	126019-01-703	EA	HARDWARE - MOUNTING	172174-00

MICROWAVE OVEN - MAGIC CHEF - FROM: 00-00-00 THRU: 10-05-97

KEY	PART NUMBER	U/M	DESCRIPTION
	115303-02-000	EA	OVEN - MICROWAVE - 1.3 CU FT
	115401-02-01A	EA	TRIM - MICROWAVE
	098916-18-02B	EA	BRACE - MICROWAVE CABINET - LEFT HAND
	098916-19-02B	EA	BRACE - MICROWAVE CABINET - RIGHT HAND
	094750-07-000	EA	BRACKET - MICROWAVE - 89 DEGREE

MICROWAVE OVEN - SAMSUNG - FROM: 10-06-97 THRU: 99-99-99

KEY	PART NUMBER	U/M	DESCRIPTION
	128527-02-000	EA	OVEN - MICROWAVE - 1.2 CU FT - NON CONVECTION
	128642-02-000	EA	TRIM KIT W/VENT - MICROWAVE - 1.2 CU FT SAMSUNG
	098916-22-02B	EA	BRACE - MICROWAVE CABINET - LEFT HAND
	098916-23-02B	EA	BRACE - MICROWAVE CABINET - RIGHT HAND
	094750-10-000	EA	BRACKET - MICROWAVE - 89 DEGREE

RANGE - MAGIC CHEF

KEY	PART NUMBER	U/M	DESCRIPTION
*	112881-02-03A	EA	RANGE - 16" 3 BURNER-FRONT 9100/REAR 6500 BTU-BLK TOP/DR
	105458-01-000	EA	BRACKET - STOVE TIEDOWN - RIGHT HAND
	105458-02-000	EA	BRACKET - STOVE TIEDOWN - LEFT HAND

***COMPONENT PARTS FOUND IN SERVICE PARTS LIBRARY**

MONITOR PANEL - LVS

KEY	PART NUMBER	U/M	DESCRIPTION
*	102765-04-01A	EA	PANEL - MONITOR - 2 HOLDING TANKS - ADJUSTABLE
	096449-01-000	EA	WIRE ASSEMBLY - WATER TANK TO MONITOR PANEL
	097618-01-000	EA	WIRE ASSEMBLY - MONITOR PANEL- W/3 WIRES & ORANGE RESISTOR

***COMPONENT PARTS FOUND IN SERVICE PARTS LIBRARY**

GENERATOR GROUP

4000 KW ONAN GENERATOR

KEY	PART NUMBER	U/M	DESCRIPTION
	007067-01-000	SF	INSULATION - FIBERGLASS - 1" THICK X 4' - INCREMENTS/4 SF
	109982-03-000	EA	GENERATOR - 4.0 MICROLITE
	118248-01-02B	EA	BRACKET - GENERATOR - W/O NOTCH - E-COATED
	118248-02-02B	EA	BRACKET - GENERATOR - W/NOTCH - E-COATED
	007125-04-000	EA	CLAMP - MUFFLER - 1.12" DIAMETER
	105958-09-000	EA	PIPE - GENERATOR EXHAUST 1.25" OD X 5.9" X 22"

3.6 KW ONAN GENERATOR

KEY	PART NUMBER	U/M	DESCRIPTION
	007067-01-000	SF	INSULATION - FIBERGLASS - 1" THICK X 4' - INCREMENTS/4 SF
	109982-04-000	EA	GENERATOR - 3.6 MICROLITE
	118248-01-02B	EA	BRACKET - GENERATOR - W/O NOTCH - E-COATED
	118248-02-02B	EA	BRACKET - GENERATOR - W/NOTCH - E-COATED
	007125-04-000	EA	CLAMP - MUFFLER - 1.12" DIAMETER
	105958-09-000	EA	PIPE - GENERATOR EXHAUST 1.25" OD X 5.9" X 22"

NOTE: ADDITIONAL GENERATOR COMPONENTS ARE FOUND IN THE CHASSIS GROUP.

HEATING & AIR CONDITIONING GROUP

HEATING SYSTEM

KEY	PART NUMBER	U/M	DESCRIPTION
	007108-01-000	FT	HOSE - HEATER - 5/8" ID - HI-TEMP - FORD
	076776-01-000	EA	TEE - BEADED - 5/8" X 5/8" X 5/8"
	093614-02-02A	EA	GRILL - RETURN AIR
	009200-01-000	EA	TAPE - FURNACE - 1 1/2"
	089367-02-000	EA	TEE - 4" X 2" X 4"
	093614-02-02A	EA	GRILL - RETURN AIR
	009200-01-000	EA	TAPE - FURNACE - 1 1/2"
	093741-01-000	EA	BOX - BOOT - FLOOR REGISTER
	094600-05-01A	EA	REGISTER - HEAT - W/O DAMPER - 11.3" - BEIGE
	040731-01-000	EA	NIPPLE - INLET MANIFOLD - GM —3838094 COMPONENT OF HEATER PIPE ASSEMBLY
	056464-11-000	EA	REGISTER - 4" DIAMETER - PLASTIC - W/DAMPER - OFF WHITE
	009200-01-000	EA	TAPE - FURNACE - 1 1/2"
	089367-02-000	EA	TEE - 4" X 2" X 4"
	093614-02-02A	EA	GRILL - RETURN AIR

REAR HEATER - EVANS

KEY	PART NUMBER	U/M	DESCRIPTION	VENDOR NO.
	084405-01-000	EA	HEATER - REAR/DUCTED - W/MOTOR AID	
	084405-01-700	EA	CORE-HEATER	FT200229
	084405-01-701	EA	FAN BLADES	HV029931
	084405-01-702	EA	MOTOR ASSEMBLY, 12 VOLT	
	009198-01-000	FT	DUCT - HEAT - FLEXIBLE - 4" ID X 25'	
	069636-02-000	EA	CONNECTOR - DUCT - 4" ID	
	061673-01-000	EA	BRACKET - MOTOR AID TUBES - 4" X 1.5" - STEEL	
	056464-10-000	EA	REGISTER - 4" DIAMETER - PLASTIC - W/O DAMPER - BEIGE	
	081994-06-000	EA	PLATE - SWITCH - AUXILIARY START	
	087202-01-000	EA	SWITCH - 4 POSITION - W/KNOB/BEZEL - 5 TERMINAL	
	087202-01-701	EA	KNOB-SWITCH, ROTARY	062-0104
	087202-01-702	EA	PLATE F/ROTARY SWITCH	062-0105

AIR CONDITIONERS & CEILING ASM.

KEY	PART NUMBER	U/M	DESCRIPTION
*	108889-02-03A	EA	AIR CONDITIONER - 13,500 BTU/220 VOLT - BRIGHT WHITE - EXP
*	115219-01-03A	EA	A/C - ROOF - 14,800 MACH 15 - BRIGHT WHITE
*	108892-01-01A	EA	CEILING ASSEMBLY - A/C DUCTED
	120134-01-02A	EA	REGISTER - 4" TO 5" IN DIAMETER W/DAMPER
	092633-01-02A	EA	FRAME - PLATE - ROOF A/C - 5.7" X 3.9" ANY COLOR
	117238-01-01A	EA	THERMOSTAT - A/C - FURNACE
	102289-01-000	EA	SPRING - SCREW - ROOF A/C GASKET

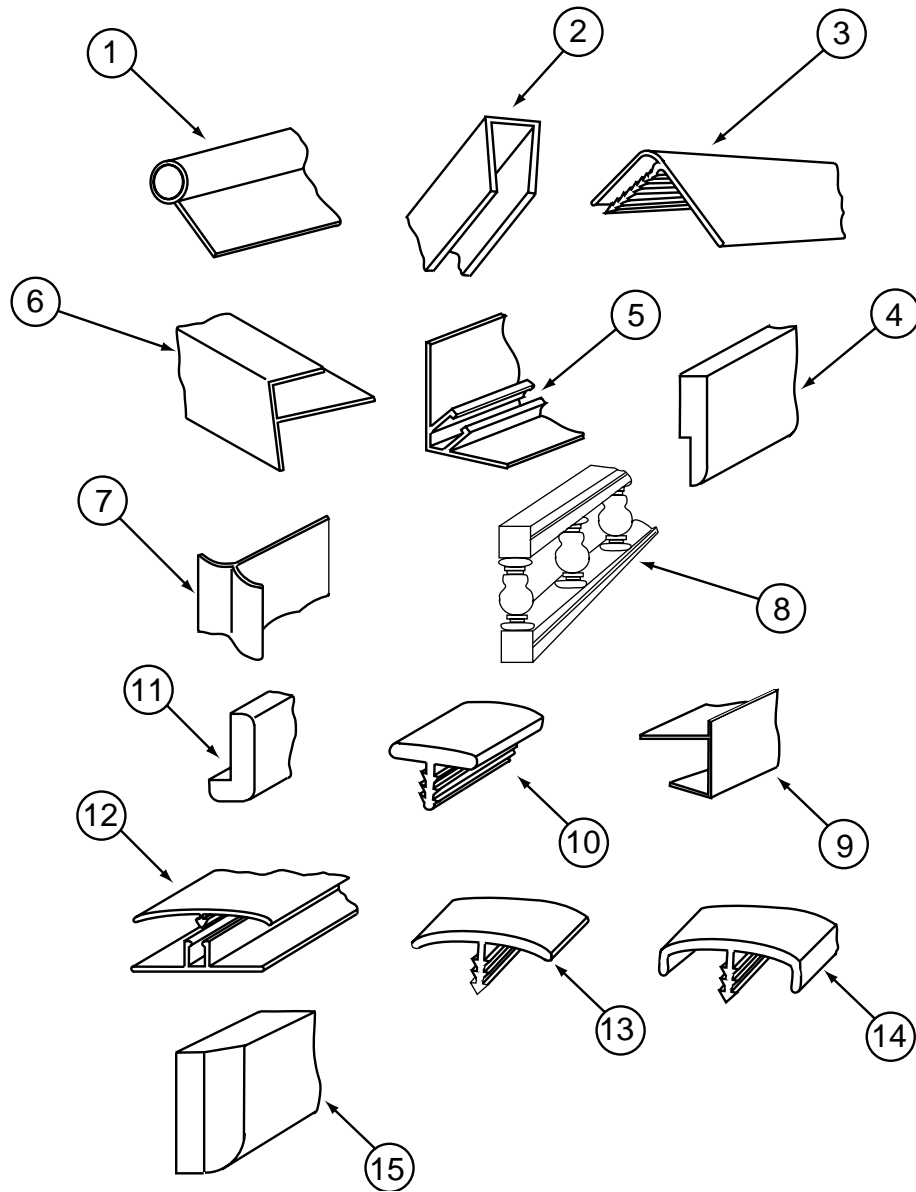
***COMPONENT PARTS FOUND IN SERVICE PARTS LIBRARY**

FURNACE - 30000 BTU

KEY	PART NUMBER	U/M	DESCRIPTION
*	098668-20-000	EA	FURNACE - 30000 BTU
	098668-23-000	EA	DOOR - ACCESS - FURNACE - BRIGHT WHITE

***COMPONENT PARTS FOUND IN SERVICE PARTS LIBRARY**

INTERIOR FINISH GROUP



MOLDINGS & TRIMS

KEY	PART NUMBER	U/M	DESCRIPTION
1	009767-12-000	FT	WELTING - SIDEWALL/CEILING/CABINET - OFF/WHT
2	009778-21-000	FT	U-CHANNEL - 1" - WATERFORD OAK
2	009778-30-000	FT	U-CHANNEL - 1" - VILLAGE OAK
2	009778-20-700	EA	U-CHANNEL, 1"X55" MODERN IVORY
3	009809-23-000	EA	MOLDING - CORNER - OUTSIDE - 1" X 84" - MODERN IVORY
3	009809-28-000	EA	MOLDING - CORNER - OUTSIDE - 1" X 84" - WATERFORD OAK
4	105004-01-05A	EA	MOLDING - VINYL WRAPPED - 1" X 96" - WATERFORD OAK
5	100819-01-05A	EA	MOLDING - VINYL WRAPPED - L-SHAPED - 1.5" X 1.5" X 7' - WATERFORD OAK
6	009812-29-000	EA	MOLDING - PLASTIC - 1/2" O/S CORNER - WATERFORD OAK
6	009812-24-000	EA	MOLDING - PLASTIC - 1/2" O/S CORNER - IVORY
7	022992-11-000	FT	MOLDING - REVERSE COVE - T-SHAPED VINYL - IVORY
8	075249-01-000	EA	RAILING - OAK - 72" UNFINISHED
9	103186-01-05A	FT	MOLDING - PLASTIC - 3/8" U-CHANNEL 3/4" FACE-WATERFORD OAK
10	104676-02-04A	FT	MOLDING-T - 1/2" - WATERFORD OAK
11	077840-01-G01	EA	MOLDING - CAP/WALL - 8' WATERFORD OAK
			FROM: 00-00-00 THRU: 10-05-97

INTERIOR FINISH GROUP (CONTINUED)

MOLDINGS & TRIMS (CONTINUED)

KEY	PART NUMBER	U/M	DESCRIPTION
12	086229-11-000	EA	RETAINER - OFFSET - 97.01"
12	086229-12-000	EA	BATTEN - 1.5" OFFSET X 97.01" IVORY
12	086229-13-000	EA	BATTEN - 1" X 96" - IVORY
12	086229-18-000	EA	BATTEN - 1" X 97.68" - OFF WHITE
12	086229-20-000	EA	BATTEN - 1" X 96" - BEIGE
13	009815-09-000	FT	MOLDING-T - .75" IVORY
13	105709-01-000	FT	MOLDING-T - 1" - MODERN IVORY
14	083620-09-000	FT	MOLDING-T - END CAP EDGE - W/EDGE LIPS - .75"-MODERN IVORY
14	083620-12-000	FT	MOLDING-T - END CAP EDGE - W/EDGE LIP - .75"-WATERFORD OAK
14	119520-01-01A	FT	MOLDING-T - 1" - W/EDGE LIPS (OFF/WHITE-CREAM)
15	100659-01-G09	EA	MOLDING/TRIM - VINYL FLOOR
	070504-36-000	FT	U-CHANNEL - PLASTIC - .13" X 72" - WATERFORD OAK
	070504-37-000	FT	U-CHANNEL - PLASTIC - .87" X 84" - WATERFORD OAK
			FROM: 00-00-00 THRU: 10-05-97
	120492-01-04A	FT	STRIP - TRIM - WATERFORD OAK
	117267-D2-438	EA	LUMBER - VINYL WRAPPED - .7" X 1.5" X 96" - WATERFORD OAK
	117267-E2-438	EA	LUMBER - VINYL WRAPPED - .7" X 2" X 96" - WATERFORD OAK
	117267-G2-438	EA	LUMBER - VINYL WRAPPED - .7" X 3" X 96" - WATERFORD OAK
	117267-J2-438	EA	LUMBER - VINYL WRAPPED - .7" X 5.5" X 96"- WATERFORD OAK
	117268-D2-134	EA	MOLDING - VINYL WRAPPED - .7" X 1.6" X 84" - WATERFORD OAK
	117268-F2-134	EA	MOLDING - VINYL WRAPPED - .7" X 2.7" X 84" - WATERFORD OAK
			FROM: 00-00-00 THRU: 10-26-97

EDGE BAND MOLDING

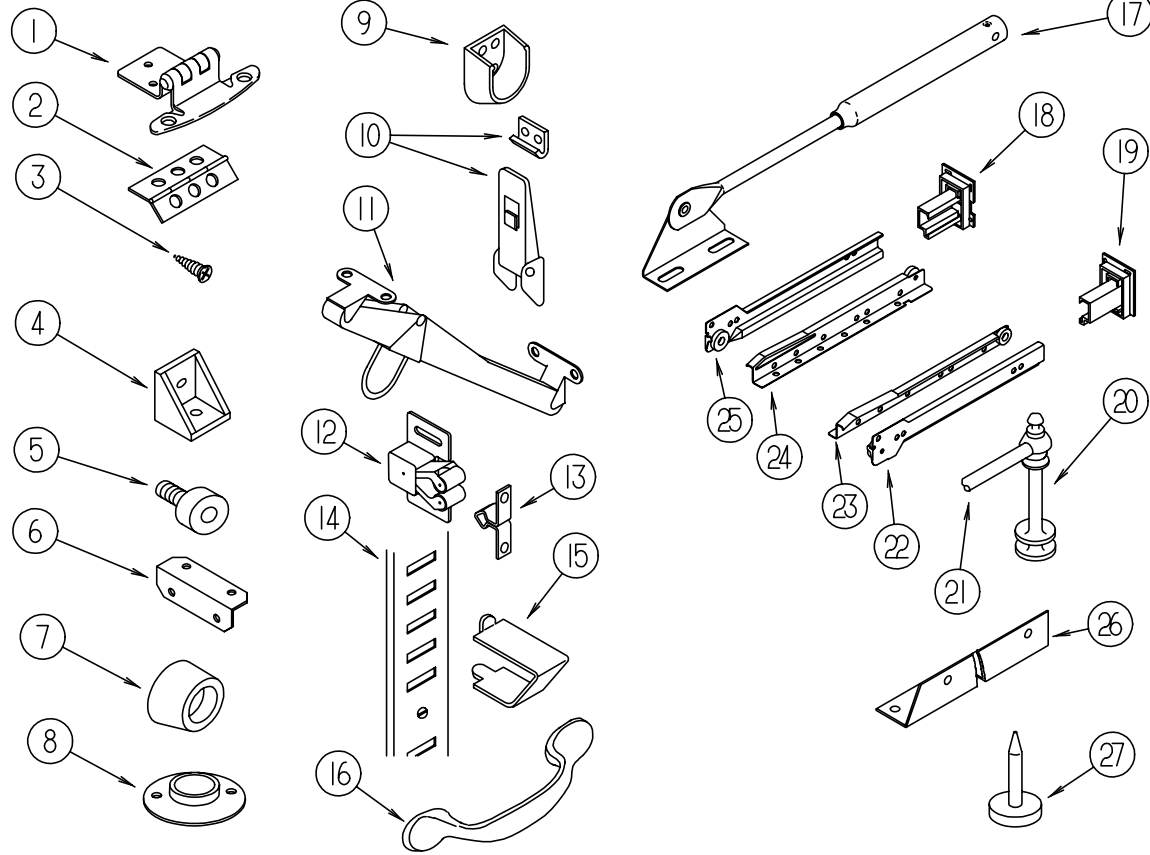
KEY	PART NUMBER	U/M	DESCRIPTION
	076325-68-000	FT	MOLDING - EDGE BAND - 1 5/16" X .038" - WATERFORD OAK
	076325-67-000	FT	MOLDING - EDGE BAND - .93" X .024" - WATERFORD OAK
	076325-43-000	FT	MOLDING - EDGE BAND .876" X .024" - CLOUD (J35)
	076325-46-000	FT	MOLDING - EDGE BAND - 1 5/16" X .001" - CLOUD (J35)
	076325-37-000	FT	MOLDING - EDGE BAND - 1 5/16" X .030" (J36)
	076325-38-000	FT	MOLDING - EDGE BAND - .875" X .024" (J36)
	076325-73-000	FT	MOLDING - EDGE BAND - .93" X .024" (EXT ENTERTAINMENT CENTER)

BATT STRIP & TAPE

KEY	PART NUMBER	U/M	DESCRIPTION
	069733-83-000	EA	BATT STRIP - WOODGRAINED/WATERFORD OAK - 8'
	085284-B5-000	FT	BATT TAPE - ADHESIVE BACKED - WOODGRAINED - WATERFORD OAK
	088263-E4-000	EA	BATT STRIP - DECORATIVE - LAJOLLA/SEAMIST - 8' LONG (J35)
	085284-D7-000	FT	BATT TAPE - ADHESIVE BACKED - DECORATIVE -LA JOLLA/SEAMIST (J35)
	088263-E7-000	EA	BATT STRIP - DECORATIVE - GAZEBO STRIPE/SAG - 8' LONG (J36))
	085284-E1-000	FT	BATT TAPE - ADHESIVE BACKED - DECORATIVE-GAZEBO/STRIPE/SAG (J36)
	088263-E3-000	EA	BATT STRIP - DECORATIVE - PEBBLE EMBOSSED/ANTIQUE-8' LONG (BATH)
	085284-D6-000	EA	BATT TAPE - ADHESIVE BACKED -DECORATIVE - EMBOSSED ANTIQUE (BATH)
	088263-F7-000	EA	BATT STRIP - DECORATIVE - IMPACT PEARL TEXTR - INC OF 8'
			FROM: 00-00-00 THRU: 10-05-97
	088263-F9-000	EA	BATT STRIP - CEILING - IMPACT PEARL - INC OF 9'
			FROM: 10-06-97 THRU: 99-99-99
	085284-F3-000	FT	BATT TAPE - ADHESIVE BACKED - IMPACT PEARL TEXTURE
			FROM: 00-00-00 THRU: 10-05-97
	085284-F6-000	EA	BATT TAPE - ADHESIVE BACKED - IMPACT PEARL
			FROM: 10-06-97 THRU: 99-99-99

INTERIOR FINISH GROUP (CONTINUED)

CABINET & TABLE HARDWARE
FROM: 00-00-00 THRU: 02-22-97

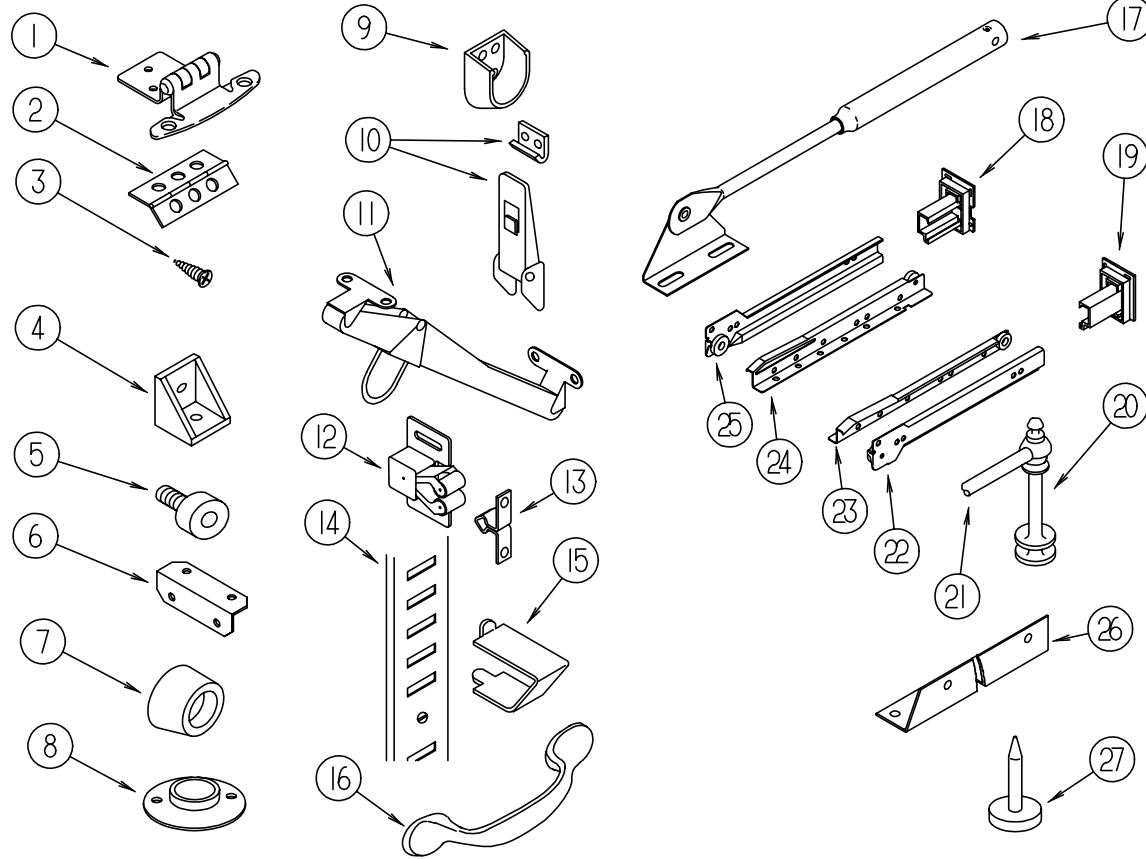


KEY	PART NUMBER	U/M	DESCRIPTION
1	108138-01-000	EA	HINGE - CABINET DOOR - BURNISHED BRASS
2	009059-01-000	EA	HINGE - DOOR - 2" X 1.4" - BRASS
2	041389-35-000	EA	HINGE - PIANO - OFF WHITE - 31"
3	000G13-06-08G	EA	SCREW - 6-20 X 5/8 PFH - ANTIQUE BRASS (HINGE 108138-01-000)
4	065740-01-000	EA	BRACE - CABINET/CORNER - PLASTIC
5	079921-01-000	EA	ROLLER - NYLON - W/STEEL SHAFT - BARBED
6	016604-01-000	EA	BRACE - CABINET - ANGLE - 2.5" - UNPAINTED METAL
6	016604-05-000	EA	BRACE - CABINET - ANGLE - 2.5" - OFF WHITE METAL
7	004354-01-000	EA	BUMPER - RUBBER - .5" DIA - BROWN
8	009112-01-000	EA	FLANGE - PLASTIC - 1" CLOTHES ROD - OFF WHITE
9	113236-01-01A	EA	BRACKET - CLOTHES - ROD
10	116975-01-01A	EA	LATCH - W/O STRIKE - BLACK - NEW STYLE
	116975-02-01A	EA	KEEPER/STRIKE - BLACK - NEW STYLE
11	104181-01-01A	EA	SUPPORT - LEAF 5.3" EXTENDS TO 7.5" - SAFETY RING - METAL
12	093586-06-000	EA	CATCH - SPRING - ROLLER
13	093586-05-000	EA	STRIKE - SPRING STEEL
14	098980-05-000	EA	PILASTER - ADJUSTABLE SHELF - 15"
15	098979-01-000	EA	CLIP - ADJUSTABLE SHELF
16	121891-01-01A	EA	PULL - CABINET - BRASS
17	074493-02-000	EA	SUPPORT - PISTON SPRING - CABINET DOOR
18	114045-01-000	EA	BACKSOCKET - ADJUSTABLE LEFT
19	114045-02-000	EA	BACKSOCKET - ADJUSTABLE RIGHT
20	084070-03-000	EA	POST - END - 2.4" - BRASS
21	084071-12-000	EA	ROD - BRASS - 4.08" LONG
21	084071-19-000	EA	ROD - BRASS - 7.09" LONG
22	114031-02-000	EA	SLIDE - 12" - RIGHT SIDE/CABINET
22	114031-06-000	EA	SLIDE - 14" - RIGHT SIDE/CABINET
22	114031-10-000	EA	SLIDE - 16" - RIGHT SIDE/CABINET
22	114031-14-000	EA	SLIDE - 18" - RIGHT SIDE/CABINET
22	114031-18-000	EA	SLIDE - 20" - RIGHT SIDE/CABINET
22	114031-22-000	EA	SLIDE - 22" - RIGHT SIDE/CABINET
23	114031-04-000	EA	SLIDE - 12" - RIGHT SIDE/DRAWER
23	114031-08-000	EA	SLIDE - 14" - RIGHT SIDE/DRAWER
23	114031-12-000	EA	SLIDE - 16" - RIGHT SIDE/DRAWER
23	114031-16-000	EA	SLIDE - 18" - RIGHT SIDE/DRAWER
23	114031-20-000	EA	SLIDE - 20" - RIGHT SIDE/DRAWER
23	114031-24-000	EA	SLIDE - 22" - RIGHT SIDE/DRAWER
24	114031-03-000	EA	SLIDE - 12" - LEFT SIDE/DRAWER
24	114031-07-000	EA	SLIDE - 14" - LEFT SIDE/DRAWER
24	114031-11-000	EA	SLIDE - 16" - LEFT SIDE/DRAWER
24	114031-15-000	EA	SLIDE - 18" - LEFT SIDE/DRAWER
24	114031-19-000	EA	SLIDE - 20" - LEFT SIDE/DRAWER
24	114031-23-000	EA	SLIDE - 22" - LEFT SIDE/DRAWER
25	114031-01-000	EA	SLIDE - 12" - LEFT SIDE/CABINET
25	114031-05-000	EA	SLIDE - 14" - LEFT SIDE/CABINET
25	114031-09-000	EA	SLIDE - 16" - LEFT SIDE/CABINET
25	114031-13-000	EA	SLIDE - 18" - LEFT SIDE/CABINET
25	114031-17-000	EA	SLIDE - 20" - LEFT SIDE/CABINET
25	114031-21-000	EA	SLIDE - 22" - LEFT SIDE/CABINET
26	114693-01-01A	EA	SUPPORT - BLACK
26	114693-02-01A	EA	SUPPORT - BLACK
27	102194-01-000	EA	GUIDE - PLASTIC
	023320-01-000	EA	PAD - FELT 3/8" DIAMETER
	042438-01-000	EA	DOWEL - WOOD - CLOTHES ROD - 1" DIAMETER X 4'
	042438-02-000	EA	DOWEL - WOOD - 2" X 2"
	103256-01-000	EA	LATCH - SLIDE
	118933-01-01A	EA	SUPPORT - HINGE LOCK
	124311-01-01A	EA	HANDLE - RECESSED - BRASS

INTERIOR FINISH GROUP (CONTINUED)

CABINET & TABLE HARDWARE (CONTINUED)

FROM: 10-23-97 THRU: 99-99-99



KEY	PART NUMBER	U/M	DESCRIPTION
1	108138-01-000	EA	HINGE - CABINET DOOR - BURNISHED BRASS
2	009059-01-000	EA	HINGE - DOOR - 2" X 1.4" - BRASS
2	041389-35-000	EA	HINGE - PIANO - OFF WHITE - 31"
3	000G13-06-08G	EA	SCREW - 6-20 X 5/8 PFH - ANTIQUE BRASS (HINGE 108138-01-000)
4	065740-01-000	EA	BRACE - CABINET/CORNER - PLASTIC
5	079921-01-000	EA	ROLLER - NYLON - W/STEEL SHAFT - BARBED
6	016604-01-000	EA	BRACE - CABINET - ANGLE - 2.5" - UNPAINTED METAL
6	016604-05-000	EA	BRACE - CABINET - ANGLE - 2.5" - OFF WHITE METAL
7	004354-01-000	EA	BUMPER - RUBBER - .5" DIA - BROWN
8	009112-01-000	EA	FLANGE - PLASTIC - 1" CLOTHES ROD - OFF WHITE
9	113236-01-01A	EA	BRACKET - CLOTHES - ROD
10	116975-01-01A	EA	LATCH - W/O STRIKE - BLACK - NEW STYLE
	116975-02-01A	EA	KEEPER/STRIKE - BLACK - NEW STYLE
11	104181-01-01A	EA	SUPPORT - LEAF 5.3" EXTENDS TO 7.5" - SAFETY RING - METAL
12	093586-06-000	EA	CATCH - SPRING - ROLLER
13	093586-05-000	EA	STRIKE - SPRING STEEL
14	098980-05-000	EA	PILASTER - ADJUSTABLE SHELF - 15"
15	098979-01-000	EA	CLIP - ADJUSTABLE SHELF
16	121891-01-01A	EA	PULL - CABINET - BRASS
17	074493-02-000	EA	SUPPORT - PISTON SPRING - CABINET DOOR
18	128811-01-01A	EA	BACKSOCKET - ADJUSTABLE - LEFT
19	128811-02-01A	EA	BACKSOCKET - ADJUSTABLE - RIGHT
20	084070-03-000	EA	POST - END - 2.4" - BRASS
21	084071-12-000	EA	ROD - BRASS - 4.08" LONG
21	084071-19-000	EA	ROD - BRASS - 7.09" LONG
22	128810-02-01A	EA	SLIDE - DRAWER - 12" - RIGHT CABINET
22	128810-06-01A	EA	SLIDE - DRAWER - 14" - RIGHT CABINET
22	128810-10-01A	EA	SLIDE - DRAWER - 16" - RIGHT CABINET
22	128810-14-01A	EA	SLIDE - DRAWER - 18" - RIGHT CABINET
22	128810-18-01A	EA	SLIDE - DRAWER - 20" - RIGHT CABINET
22	128810-22-01A	EA	SLIDE - DRAWER - 22" - RIGHT CABINET
23	128810-04-01A	EA	SLIDE - DRAWER - 12" - RIGHT DRAWER
23	128810-08-01A	EA	SLIDE - DRAWER - 14" - RIGHT DRAWER
23	128810-12-01A	EA	SLIDE - DRAWER - 16" - RIGHT DRAWER
23	128810-16-01A	EA	SLIDE - DRAWER - 18" - RIGHT DRAWER
23	128810-20-01A	EA	SLIDE - DRAWER - 20" - RIGHT DRAWER
23	128810-24-01A	EA	SLIDE - DRAWER - 22" - RIGHT DRAWER
24	128810-03-01A	EA	SLIDE - DRAWER - 12" - LEFT DRAWER
24	128810-07-01A	EA	SLIDE - DRAWER - 14" - LEFT DRAWER
24	128810-11-01A	EA	SLIDE - DRAWER - 16" - LEFT DRAWER
24	128810-15-01A	EA	SLIDE - DRAWER - 18" - LEFT DRAWER
24	128810-19-01A	EA	SLIDE - DRAWER - 20" - LEFT DRAWER
24	128810-23-01A	EA	SLIDE - DRAWER - 22" - LEFT DRAWER
25	128810-01-01A	EA	SLIDE - DRAWER - 12" - LEFT CABINET
25	128810-05-01A	EA	SLIDE - DRAWER - 14" - LEFT CABINET
25	128810-09-01A	EA	SLIDE - DRAWER - 16" - LEFT CABINET
25	128810-13-01A	EA	SLIDE - DRAWER - 18" - LEFT CABINET
25	128810-17-01A	EA	SLIDE - DRAWER - 20" - LEFT CABINET
25	128810-21-01A	EA	SLIDE - DRAWER - 22" - LEFT CABINET
26	114693-01-01A	EA	SUPPORT - BLACK
26	114693-02-01A	EA	SUPPORT - BLACK
27	102194-01-000	EA	GUIDE - PLASTIC
	023320-01-000	EA	PAD - FELT 3/8" DIAMETER
	042438-01-000	EA	DOWEL - WOOD - CLOTHES ROD - 1" DIAMETER X 4'
	042438-02-000	EA	DOWEL - WOOD - 2" X 2"
	103256-01-000	EA	LATCH - SLIDE
	118933-01-01A	EA	SUPPORT - HINGE LOCK
	124311-01-01A	EA	HANDLE - RECESSED - BRASS

INTERIOR FINISH GROUP (CONTINUED)

PANELING, LAMINATES & PLASTIC

KEY	PART NUMBER	U/M	DESCRIPTION
	074497-28-000	SF	PANELING - WATERFORD OAK - 48" X 96"
	074497-38-000	SF	PANELING - IMPACT PEARL TEXTURE - 4' X 9' - SMOOTH (SLEEPERBOARD) FROM: 00-00-00 THRU: 10-05-97
	074497-41-000	SF	PANELING - CEILING - IMPACT PEAR - 4' X 9' (SLEEPERBOARD) FROM: 10-06-97 THRU: 99-99-99
	080215-10-000	SF	PANELING - 2 SIDED - WATERFORD - .2" X 48" X 96"
	088272-G2-000	SF	PANELING - LA JOLLA/SEAMIST - 4' X 8' (J35)
	088272-G5-000	SF	PANELING - GAZEBO STRIPE - 4' X 7' (J36)
	088272-G1-000	SF	PANELING - PEBBLE EMBOSSED - ANTIQUE WHITE - 4' X 7' (BATH)
	000885-76-000	SF	PARTICLE BOARD-3/8" X 48" X 96"-WATERFORD OAK/VINYL 1 SIDE
	000885-77-000	SF	PARTICLE BOARD-3/8" X 48" X 96"-WATERFORD OAK/VINYL 2 SIDE
	000885-78-000	SF	PARTICLE BOARD-1/2" X 48" X 96"-WATERFORD OAK/VINYL 2 SIDE
	000885-79-000	SF	PARTICLE BOARD-3/4" X 48" X 96"-WATERFORD OAK/VINYL 2 SIDE
	074498-62-000	SF	LAMINATE - PLASTIC - GREY FINESSE - 5' X 8' - INC OF 40SF (J35)
	074498-72-000	SF	LAMINATE - PLASTIC - PEBBLE SANTOS - 5' X 8' INC OF 40 SF (J36)
	074498-77-000	SF	LAMINATE - PLASTIC - ART CABIN - 4' X 8' - INC OF 32 SF
	074498-84-000	SF	LAMINATE - PLASTIC - OFF WHITE - 5' X 8' - INC OF 40 SF
	126339-01-000	SF	BOARD - WHEAT - 60" X 72"
	057882-04-700	EA	DOOR-TAMBOUR 4'X4' PC WINONA
	093743-05-01A	SF	PLASTIC - ABS COIL - BRIGHT WHITE - 20" X 108"
	000846-01-000	SF	PLYWOOD - 5/16" X 48" X 96" - CD GRADE
	000846-02-000	SF	PLYWOOD/UNDERLAYMENT - 5/16" X 48" X 96"

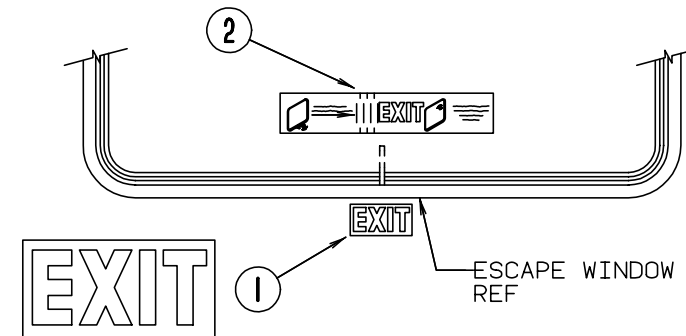
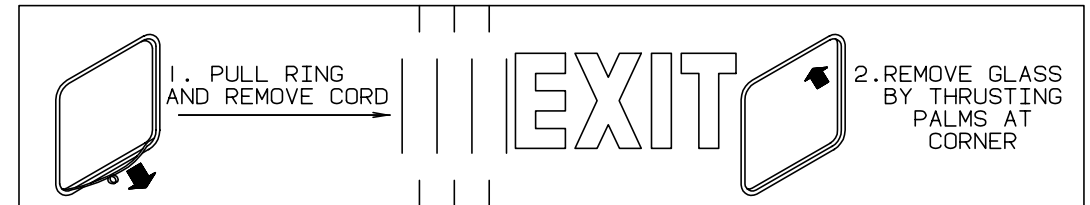
FIRE EXTINGUISHER, DETECTORS & CLOCK

KEY	PART NUMBER	U/M	DESCRIPTION	VENDOR NO.
	072852-01-000	EA	DETECTOR - SMOKE - W/9 VOLT BATTERY - US	
	072852-02-000	EA	DETECTOR - SMOKE - W/9 VOLT BATTERY - CANADIAN	
	094499-01-000	EA	EXTINGUISHER/FIRE - DRY W/MOUNTING BRACKET	
	094499-02-000	EA	EXTINGUISHER/FIRE - DRY - 1A10BC - CANADIAN	
	094499-01-700	EA	BRACKET MTG. W/PLAS. STRAP	294039
	094499-01-701	EA	STRAP ONLY (METAL)	320351
	118081-02-01A	EA	CLOCK - WALL - ROUND 8" - BRASS	
	125136-01-000	EA	CO DETECTOR - GAS - ROUND W/2 SCREWS - 9 VOLT	

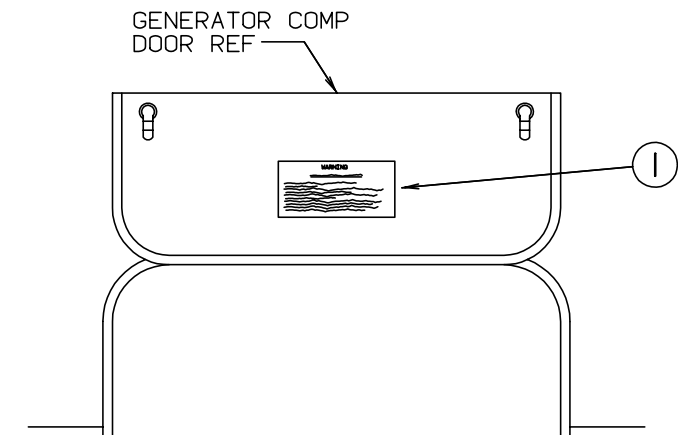
CARPETING & FLOOR MATS

KEY	PART NUMBER	U/M	DESCRIPTION
	096060-C2-000	SY	CARPET - BISCANYN - INCREMENTS OF 4 SQ. YARDS (J35)
	096060-98-000	SY	CARPET - SILVER ASPEN - INCREMENTS OF 4 SQ YD (J36)
	093486-01-000	SY	CARPET - COMPARTMENT - 72" WIDE - DARK GRAY
	093873-01-01A	EA	TRIM - CARPET - L-ANGLE 1.1" X 1.3" X 12' - GRAY VINYL
	122755-05-01A	EA	TILE - RUBBER/ENTRANCE DOOR - 11.2" X 26.9"
	125780-03-000	EA	MAT - FLOOR - FRONT/PASSENGER - "1" - FORD
	125780-04-000	EA	MAT - FLOOR - FRONT/DRIVER - "1" - FORD

LABELS GROUP



KEY	PART NUMBER	U/M	DESCRIPTION
1	039290-01-000	EA	LABEL-WARNING - EXIT
2	107571-01-000	EA	LABEL - EXIT/ESCAPE WINDOW



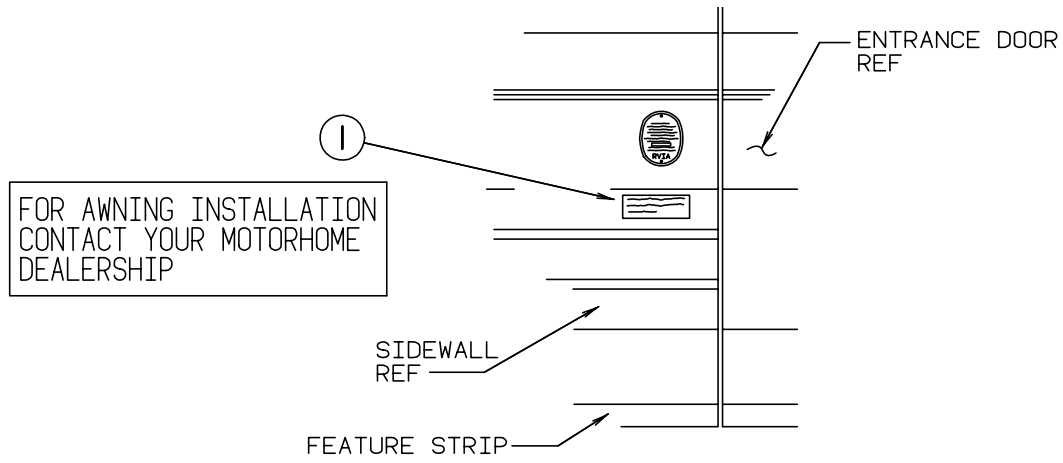
WARNING

WHEN ADDING A GENERATOR SET:

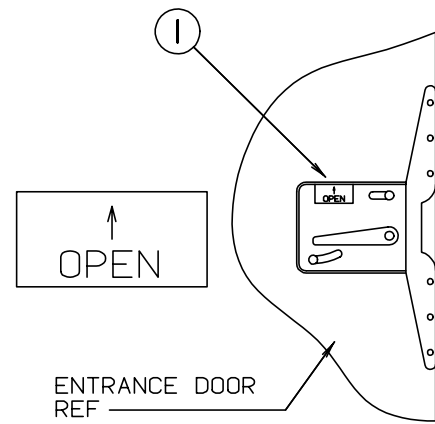
HIGH VOLTAGE-USE EXTREME CAUTION WHEN WORKING ON ELECTRICAL COMPONENTS.
HAVE ALL ELECTRICAL INSTALLATION PERFORMED BY A QUALIFIED LICENSED ELECTRICIAN-FOLLOW ALL STATE AND LOCAL CODES.
ONLY INSTALL GENERATOR SET APPROVED FOR R.V. APPLICATION. HAVE INSTALLED BY QUALIFIED TECHNICIAN.
TO AVOID HEAT BUILD-UP AND TO GUARANTEE AN ADEQUATE AIR SUPPLY TO THE GENERATOR CARBURETOR, FOLLOW INSTALLATION INSTRUCTIONS.
GENERATOR ENGINE EXHAUST GASES ARE TOXIC AND MUST NOT TERMINATE UNDER THE VEHICLE-DISCHARGE EXHAUST AWAY FROM VEHICLE.

KEY	PART NUMBER	U/M	DESCRIPTION
1	077510-01-000	EA	LABEL-GENERATOR PREP

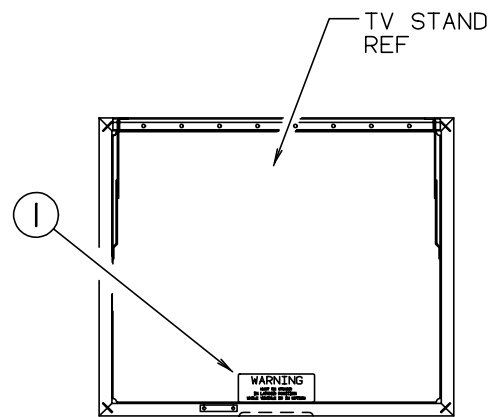
LABELS GROUP (CONTINUED)



KEY	PART NUMBER	U/M DESCRIPTION
1	099509-01-000	EA LABEL - AWNING INSTALLATION



KEY	PART NUMBER	U/M DESCRIPTION
1	040944-01-000	EA LABEL - ENTRANCE DOOR - "OPEN"

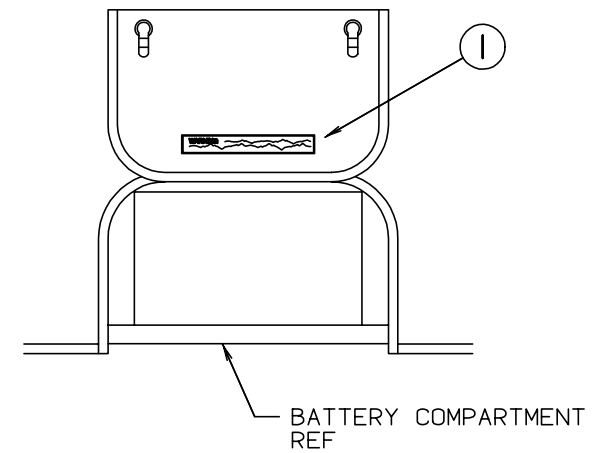


WARNING
MUST BE STOWED
IN LATCHED POSITION
WHILE VEHICLE IS IN MOTION

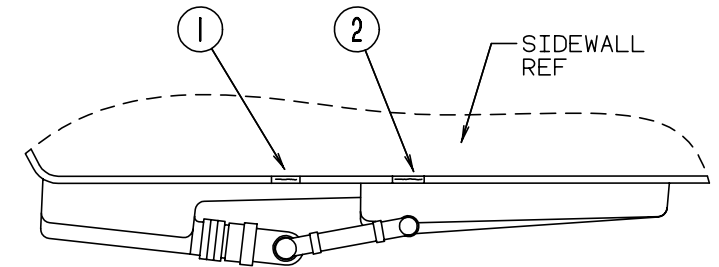
KEY	PART NUMBER	U/M DESCRIPTION
1	079966-01-000	EA LABEL - WARNING - STOWED - MOTION

LABELS GROUP (CONTINUED)

WARNING DISCONNECT BATTERIES BEFORE CONNECTING EXTERNAL CHARGING EQUIPMENT.



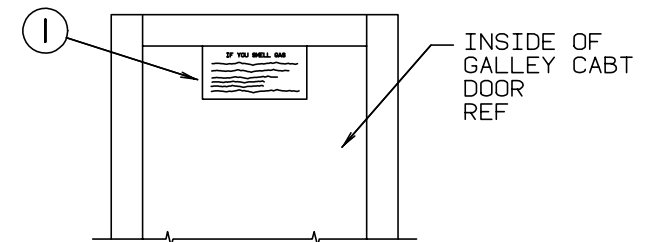
KEY	PART NUMBER	U/M DESCRIPTION
1	065748-01-000	EA LABEL - CAUTION - BATTERY CHARGING



SEWAGE

WASTE WATER

KEY	PART NUMBER	U/M DESCRIPTION
1	006187-01-000	EA LABEL - SEWAGE
2	006188-01-000	EA LABEL - WASTE WATER

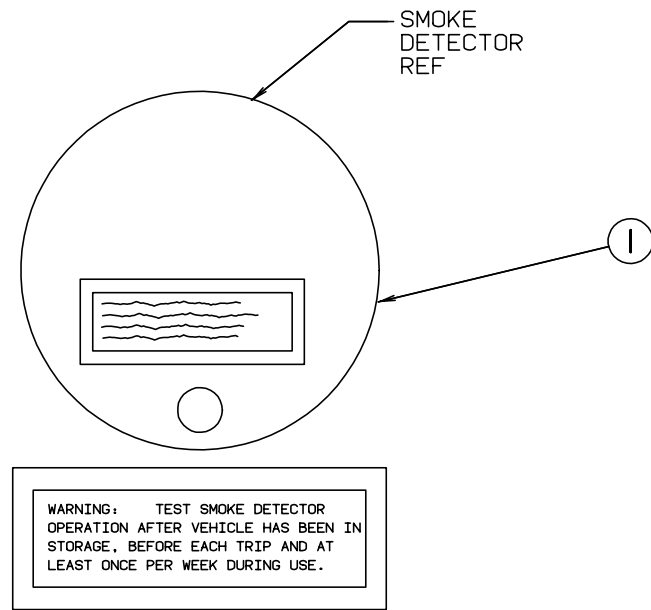


IF YOU SMELL GAS

1. EXTINGUISH ANY OPEN FLAME, PILOT LIGHTS AND ALL SMOKING MATERIALS.
2. SHUT OFF THE GAS SUPPLY AT THE TANK VALVE(OR GAS SUPPLY CONNECTION.
3. OPEN DOORS AND OTHER VENTILATING OPENINGS.
4. DO NOT TOUCH ELECTRICAL SWITCHES.
5. LEAVE THE AREA UNTIL ODOR CLEARS.
6. HAVE THE GAS SYSTEM CHECKED AND LEAKAGE SOURCE CORRECTED BEFORE USING AGAIN.

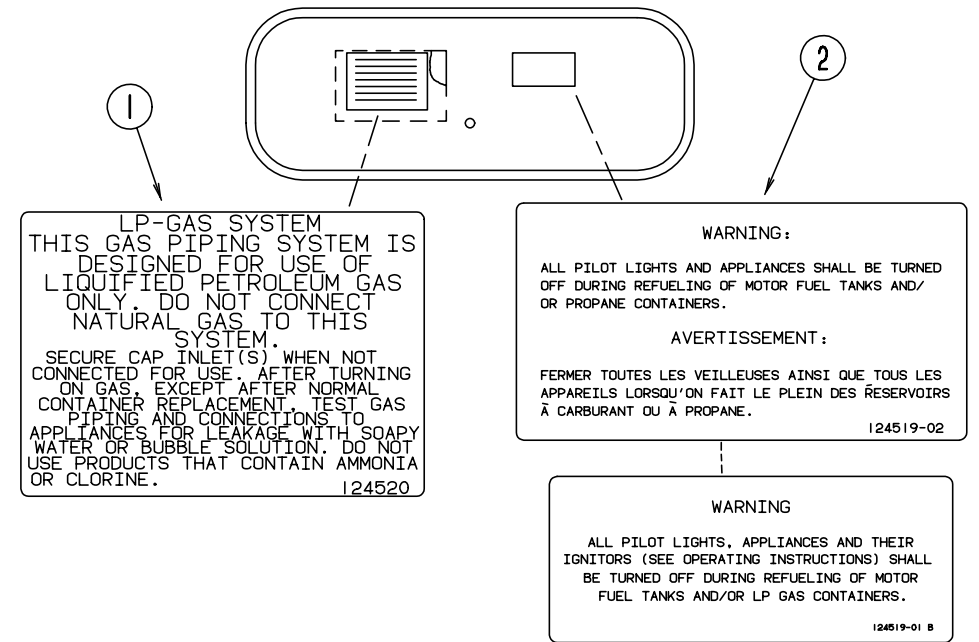
KEY	PART NUMBER	U/M DESCRIPTION
1	073998-01-000	EA LABEL - LPG ODOR WARNING

LABELS GROUP (CONTINUED)

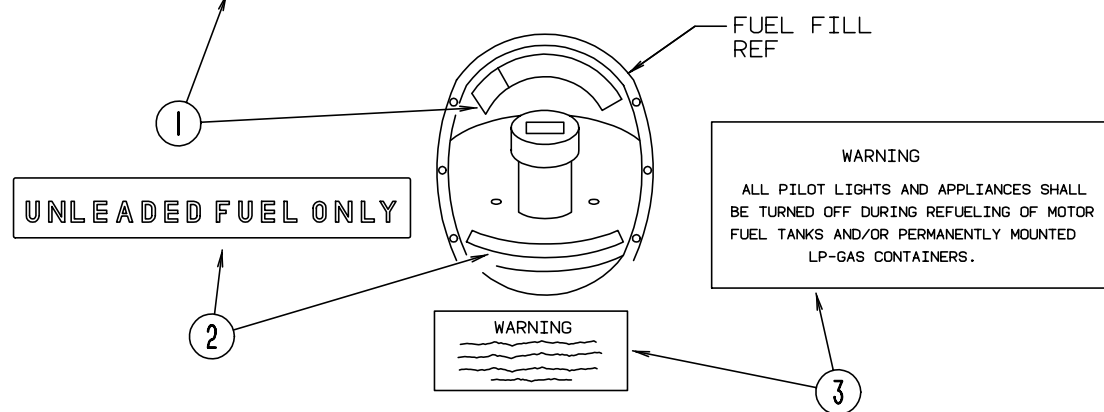
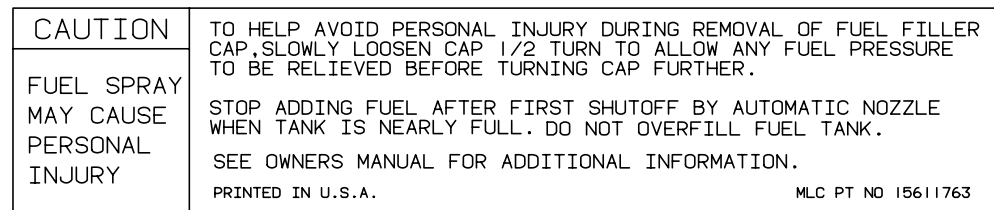


KEY	PART NUMBER	U/M	DESCRIPTION
1	077956-01-000	EA	LABEL - WARNING - SMOKE DETECTOR

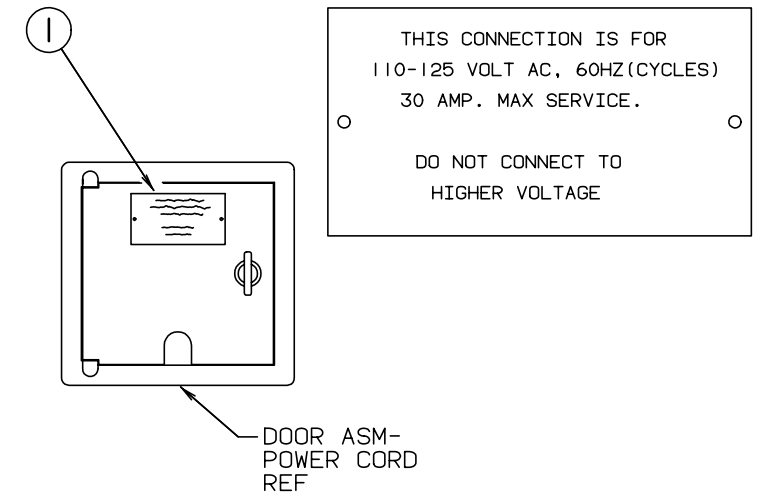
LABELS GROUP (CONTINUED)



KEY	PART NUMBER	U/M	DESCRIPTION
1	124520-01-01A	EA	LABEL - LP GAS ONLY - US
	023769-01-000	EA	LABEL - WARNING - LPG - CANADIAN
2	124519-01-01A	EA	LABEL - WARNING/REFUELING - BLACK ON CLEAR
2	124519-02-01A	EA	LABEL - WARNING/REFUELING - CSA

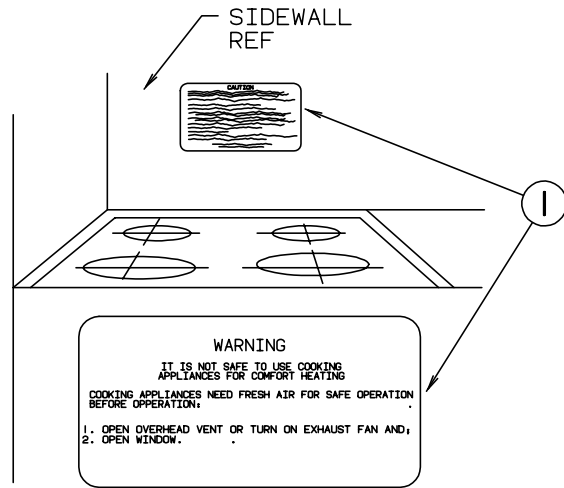


KEY	PART NUMBER	U/M	DESCRIPTION
1	087207-05-000	EA	LABEL-FUEL CAP REMOVAL
2	N/A	EA	LABEL - FUEL - UNLEADED
3	124519-01-01A	EA	LABEL - WARNING/REFUELING - BLACK ON CLEAR
3	124519-02-01A	EA	LABEL - WARNING/REFUELING - CSA

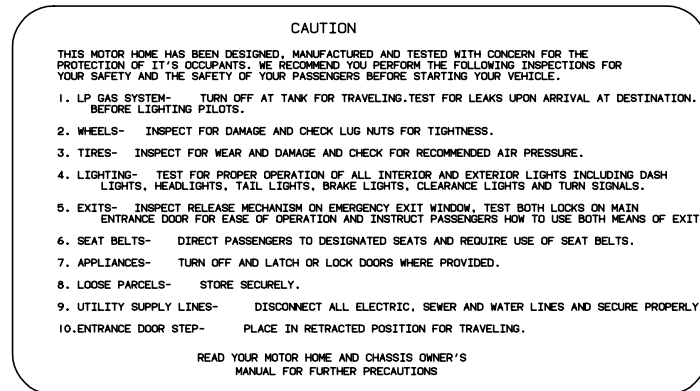
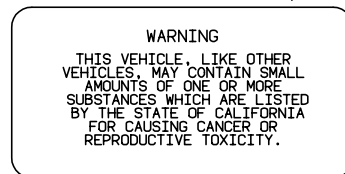
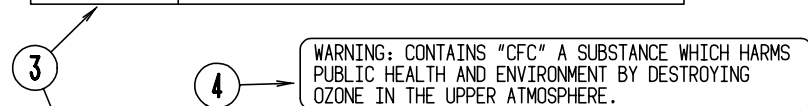
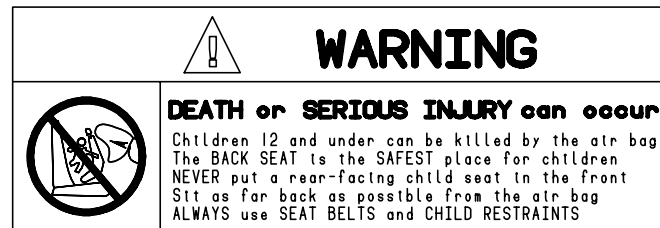


KEY	PART NUMBER	U/M	DESCRIPTION
1	125306-01-01A	EA	LABEL - ELECTRICAL ENTRANCE - 110VOLT 30AMP FROM: 00-00-00 THRU: 07-13-97
1	125306-01-01A	EA	LABEL - ELECTRICAL ENTRANCE - 110VOLT 30AMP FROM: 07-14-97 THRU: 99-99-99

LABELS GROUP (CONTINUED)

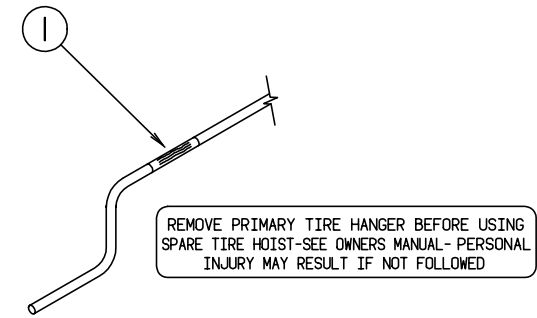


KEY	PART NUMBER	U/M	DESCRIPTION
1	050225-01-000	EA	LABEL - WARNING - STOVE VENT - US
1	050222-01-000	EA	LABEL - STOVE VENT - CANADIAN

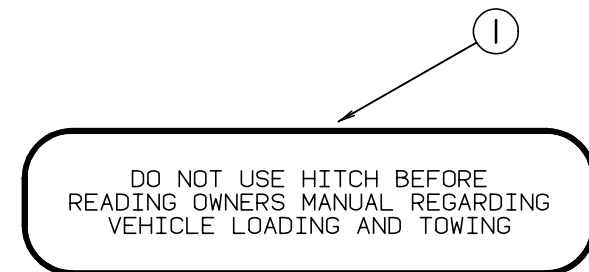


KEY	PART NUMBER	U/M	DESCRIPTION
1	126611-01-000	EA	LABEL - AIR BAG - VISOR
2	056259-01-000	EA	LABEL - SAFETY CHECK LIST
3	099689-01-000	EA	LABEL - WARNING - CANCER/TOXICITY
4	111802-01-000	EA	LABEL - CFC WARNING

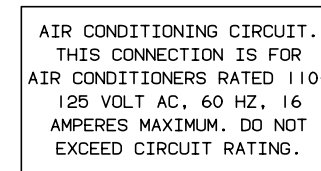
LABELS GROUP (CONTINUED)



KEY	PART NUMBER	U/M	DESCRIPTION
1	126024-01-01A	EA	LABEL - TIRE HANGER REMOVAL

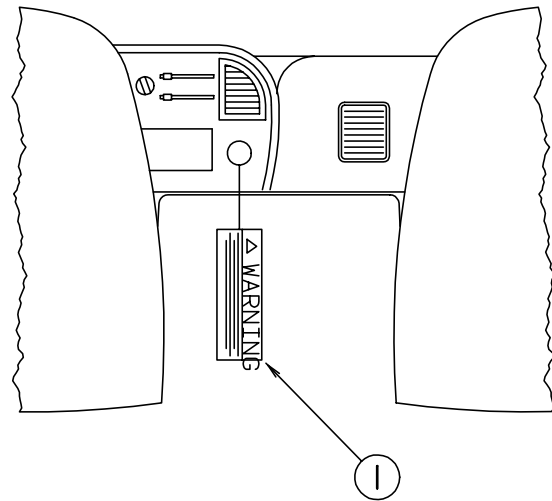


KEY	PART NUMBER	U/M	DESCRIPTION
1	111104-01-000	EA	LABEL - HITCH - READ MANUAL - WHITE



KEY	PART NUMBER	U/M	DESCRIPTION
1	091243-01-000	EA	LABEL - A/C COVER "AIR CONDITIONING CIRCUIT ETC."

LABELS GROUP (CONTINUED)



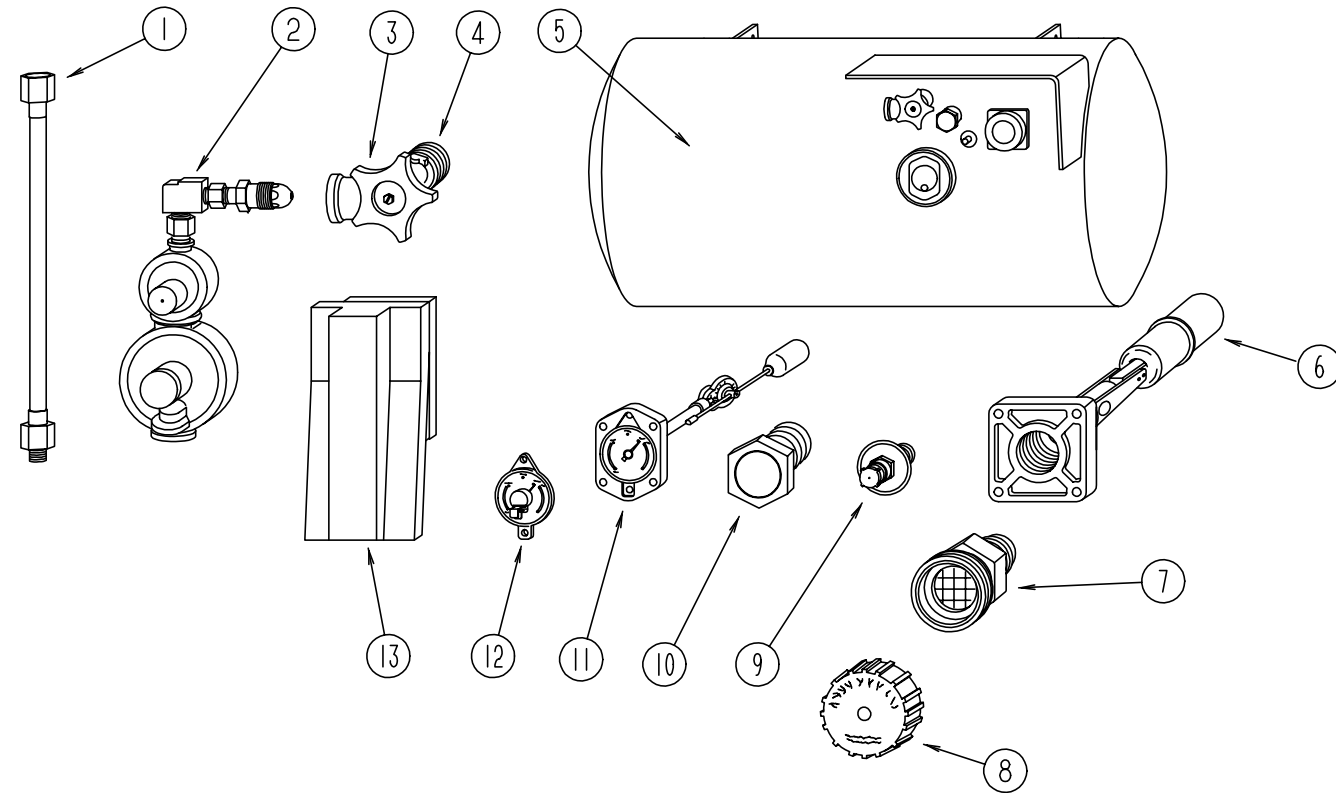
KEY	PART NUMBER	U/M	DESCRIPTION
1	126612-01-000	EA	LABEL - HANG TAG - AIR BAG - DASH

MISCELLANEOUS LABELS

KEY	PART NUMBER	U/M	DESCRIPTION
	006064-01-000	EA	LABEL - SEAT W/O SEATBELT
	061417-01-000	EA	LABEL - FUEL - ON FUEL FILL DOOR
	062043-01-000	EA	LABEL - FUEL - UNLEADED
	087236-01-000	EA	LABEL - CABLE - INPUT
	093236-08-000	EA	LABEL - CIRCUIT BREAKER
	111104-02-000	EA	LABEL - HITCH - READ MANUAL - BLACK
	128218-01-01A	EA	LABEL - WARNING - ROOF SLIPPERY

FROM: 08-25-97 THRU: 99-99-99

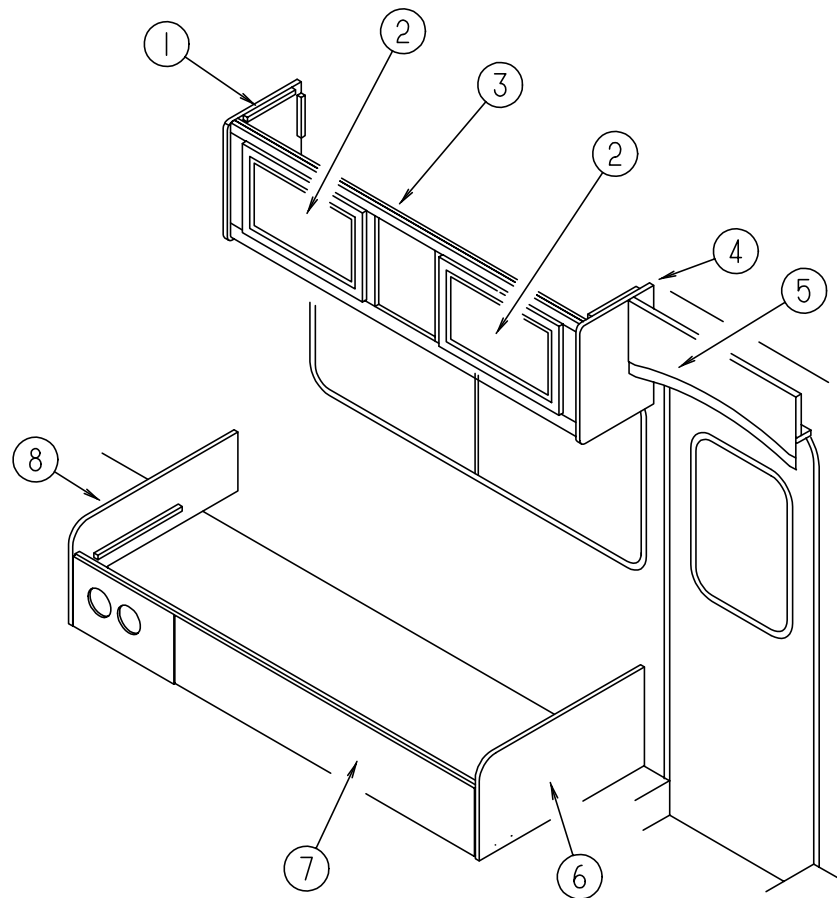
LP GROUP



LP SYSTEM

KEY	PART NUMBER	U/M	DESCRIPTION	VENDOR NO.
1	045703-01-000	EA	HOSE - LP - 3/8"ID X 24" - 3/8"MPT X 1/2"F SWIVEL - U.S.	
1	045703-02-000	EA	HOSE - LP - 3/8"ID X 24" - 3/8"MPT X 1/2"F SWIVEL - CANADA	
	045703-09-000	EA	HOSE - LP - 3/8"ID X 24" - 3/8"ID F SWIVEL X 3/8"ID F SWIV	
2	106150-01-000	EA	REGULATOR - TWO STAGE -W/90 DEGREE ELBOW & 3/8" FPT OUTLET	
2	106150-02-000	EA	REGULATOR - TWO STAGE - 1/4" FPT INLET/3/8" FPT OUTLET	
3	040421-01-708	EA	HANDWHEEL-SERVICE VALVE	G-1015-A
4	040421-01-712	EA	VALVE,SERV. W/O VAPOR RELIEF	29000853
5	097821-01-000	EA	TANK - LP - 60 LB BRUNNER - 14" X 30"	
6	040421-01-711	EA	VALVE-80% FILL W/AUTO STOP	LLL/TL3
7	040421-01-701	EA	VALVE-FILL-SHORT, LP	7547B
8	040421-01-702	EA	CAP-FILL VALVE, PLASTIC	G-1014-A
9	040421-01-700	EA	VALVE-LIQUID LEVEL, 20%	G-1013
10	040421-01-713	EA	VALVE-RELIEF 1" W/SPRING 7"	29000587
11	040421-01-707	EA	FLOAT ASM.(SIGHT GAUGE) 14"	14C
12	040440-02-000	EA	TRANSMITTER - DIAL - 0-90 OHM -2 TERMINAL (POWER & GROUND)	
13	105658-01-000	EA	COMPARTMENT - LP REGULATOR	
	024250-01-000	EA	ADAPTER - BRASS - 3/8"F X 1/2"FPT	
	010326-01-000	EA	ADAPTER - FLARE - W/CONE GASKET - 3/8"FEMALE X 1/2"MALE	
	010380-02-000	EA	NUT - BRASS - 1/2" FLARE - FORGED	
	010323-01-000	EA	ADAPTER - BRASS - 3/8"F X 1/2"MPT	
	010252-01-000	EA	ELBOW - BRASS - 90 DEGREE - 3/8"F X 1/2"MPT	
	010377-02-000	EA	NUT - BRASS - 3/8" FLARE - FORGED	
	105658-01-000	EA	COMPARTMENT - LP REGULATOR	
	103613-03-000	EA	DETECTOR - LP GAS - W/O SHUT-OFF VALVE	

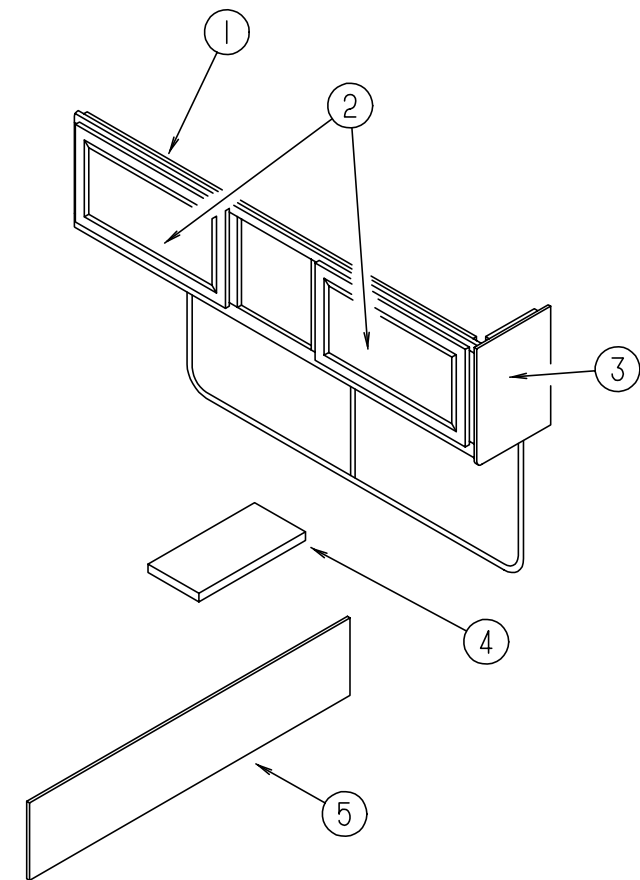
LOUNGE GROUP



PASSENGER SIDE LOUNGE CABINERY W/FRONT ENTERTAINMENT CENTER

KEY	PART NUMBER	U/M	DESCRIPTION
1	109908-08-G04	EA	END CAP - OVERHEAD CABINET
2	M08758-04-J15	EA	DOOR - MITERED CORNER/OGEE EDGE - 15.7" X 20.4" - W/O HDW
3	120939-01-J35	EA	CABINET - OVERHEAD/FRONT - W/O DOORS/HARDWARE
3	120939-01-J36	EA	CABINET - OVERHEAD/FRONT - W/O DOORS/HARDWARE
4	109908-09-G04	EA	END CAP - OVERHEAD CABINET
5	112964-01-G04	EA	CABINET - OVERHEAD ENTRANCE - W/O DOORS/HARDWARE
6	M08107-07-J35	EA	PANEL - LEFT END - SOFA/BED - FABRIC COVERED (J35)
6	M08107-07-H30	EA	PANEL - LEFT END - SOFA/BED - FABRIC COVERED (J36)
7	M08107-05-J35	EA	PANEL - FRONT KICK - SOFA/BED - FABRIC COVERED (J35)
7	M08107-05-H30	EA	PANEL - FRONT KICK - SOFA/BED - FABRIC COVERED (J36)
8	M08107-06-J35	EA	PANEL - RIGHT END - SOFA/BED - FABRIC COVERED (J35)
8	M08107-06-H30	EA	PANEL - RIGHT END - SOFA/BED - FABRIC COVERED (J36)
	101222-01-04A	EA	BRACKET - CATCH - LID
			FROM: 00-00-00 THRU: 01-07-98
	101222-01-02A	EA	BRACKET - CATCH - LID - OFF WHITE
			FROM: 01-08-98 THRU: 99-99-99
	P14437-02-000	EA	CABINET - LID ENTRANCE DOOR - W/O CARPET
	082525-01-000	EA	BRACE - COUCH - FLOOR MOUNT - ANGLE 3" LONG
	083125-07-000	EA	BRACE - COUCH - 2.5"

LOUNGE GROUP (CONTINUED)



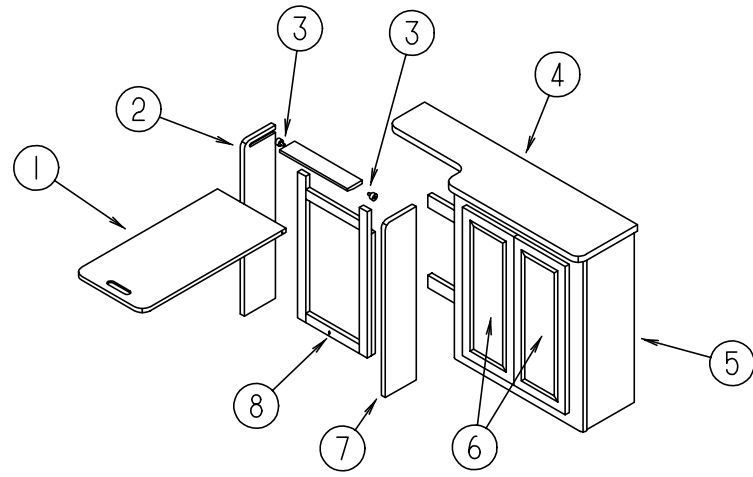
FRONT FACING COUCH, TABLE & OVERHEAD CABINERY W/FRONT BUNK

KEY	PART NUMBER	U/M	DESCRIPTION
1	122926-01-J35	EA	CABINET - OVERHEAD/DINETTE/LOUNGE - W/O DOORS/HARDWARE
1	122926-01-J36	EA	CABINET - OVERHEAD/DINETTE/LOUNGE - W/O DOORS/HARDWARE
2	M08758-26-J05	EA	DOOR - MITERED CORNER/OGEE EDGE - 11.4" X 28.1" - W/O HDW
3	109908-09-G04	EA	END CAP - OVERHEAD CABINET
4	P14725-01-000	EA	COVER - AIR RETURN W/O CARPET
5	M02634-01-J35	EA	PANEL - FRONT KICK - SOFA/BED - FABRIC COVERED (J35)
5	M02634-01-H30	EA	PANEL - FRONT KICK - SOFA/BED - FABRIC COVERED (J36)
	082525-01-000	EA	BRACE - COUCH - FLOOR MOUNT - ANGLE 3" LONG
	083125-07-000	EA	BRACE - COUCH - 2.5"
	114726-07-026	EA	TRAY - BEVERAGE
	114739-01-01A	EA	PAD - NON SKID - PSA - 1 EACH = PAIR

FRONT FACING COUCH, TABLE & OVERHEAD CABINERY W/FRONT ENTERTAINMENT CENTER

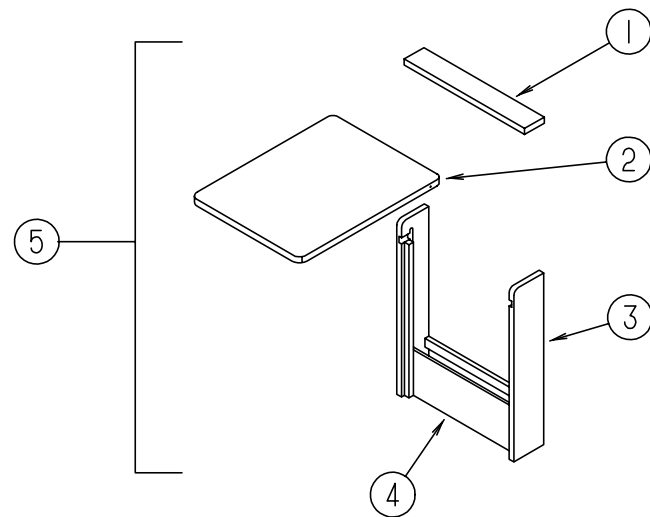
KEY	PART NUMBER	U/M	DESCRIPTION
1	122926-02-J35	EA	CABINET - OVERHEAD/DINETTE - W/O DOOR/HARDWARE
1	122926-02-J36	EA	CABINET - OVERHEAD/DINETTE - W/O DOOR/HARDWARE
2	M08758-27-J15	EA	DOOR - MITERED CORNER/OGEE EDGE - 14.3" X 26.7" - W/O HDW
3	109908-09-G04	EA	END CAP - OVERHEAD CABINET
4	P14725-01-000	EA	COVER - AIR RETURN W/O CARPET
5	M02634-01-J35	EA	PANEL - FRONT KICK - SOFA/BED - FABRIC COVERED (J35)
5	M02634-01-H30	EA	PANEL - FRONT KICK - SOFA/BED - FABRIC COVERED (J36)
	082525-01-000	EA	BRACE - COUCH - FLOOR MOUNT - ANGLE 3" LONG
	083125-07-000	EA	BRACE - COUCH - 2.5"
	114726-07-026	EA	TRAY - BEVERAGE
	114739-01-01A	EA	PAD - NON SKID - PSA - 1 EACH = PAIR

LOUNGE GROUP (CONTINUED)



PASSENGER SIDE HUTCH TABLE

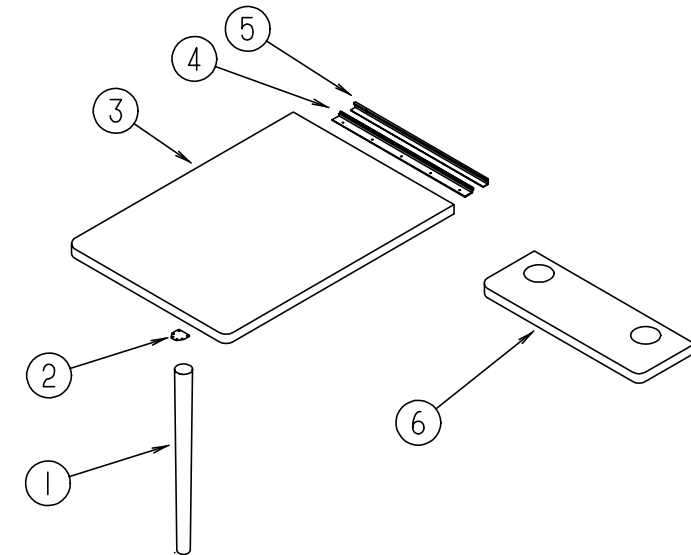
KEY	PART NUMBER	U/M	DESCRIPTION
1	114796-15-G04	EA	TABLE - PULLOUT - HUTCH CABINET
2	114796-13-G04	EA	PANEL - OUTSIDE - FLIP UP TABLE CABINET
3	079921-01-000	EA	ROLLER - NYLON - W/STEEL SHAFT - BARBED
4	114796-11-F02	EA	COUNTERTOP - HUTCH CABINET (J35)
4	114796-11-F29	EA	COUNTERTOP - HUTCH CABINET (J36)
5	114796-01-GB1	EA	CABINET - HUTCH PASS/LOUNGE - W/PULLOUT TBL - W/O DRS/HDW (J35)
5	114796-01-G05	EA	CABINET - HUTCH PASS/LOUNGE - W/PULLOUT TBL - W/O DRS/HDW (J36)
6	M08758-45-J15	EA	DOOR - MITERED CORNER/OGEE EDGE - 10" X 25.2" - W/O HDW
7	114796-12-G04	EA	PANEL - INSIDE - FLIP UP TABLE CABINET
8	049176-01-000	EA	HEDLOCK II-3/4 DIA SCREW MT



PASSENGER SIDE PULL OUT TABLE W/ SWIVEL CHAIRS

KEY	PART NUMBER	U/M	DESCRIPTION
1	096873-15-G01	EA	SHELF - SUPPORT - OVER PULLOUT TABLE TOP
2	096873-11-G01	EA	TABLE TOP ONLY - PULLOUT
	080736-01-000	EA	PULL - RECESSED - 1.25 X 4" - OAK
3	096873-14-G01	EA	SIDE END - TABLE - LEFT SIDE - 28.7" X 5.7"
	096873-13-G01	EA	SIDE END - TABLE - RIGHT SIDE - 28.7" X 5.7"
4	096873-16-G01	EA	TABLE FRONT - BOTTOM - 18.1" X 6.7"
5	M96873-01-G01	EA	CABINET - F/PULLOUT TABLE - W/O TOP

LOUNGE GROUP (CONTINUED)



DRIVER SIDE TABLE W/FRONT FACING COUCH

KEY	PART NUMBER	U/M	DESCRIPTION
1	114724-01-01A	EA	LEG - TABLE/TAPERED - WOOD - UNFINISHED
1	114724-01-03A	EA	LEG - TABLE/TAPERED - WOOD - WATERFORD OAK
2	114724-02-000	EA	PLATE - TABLE LEG
3	081322-14-H10	EA	TABLE TOP ONLY (J35)
3	081322-14-H31	EA	TABLE TOP ONLY (J36)
4	102201-04-02A	EA	SUPPORT - HINGE CATCH - TABLE MOUNTED - OFF WHITE
5	118933-01-01A	EA	SUPPORT - HINGE LOCK
6	114681-01-F02	EA	TABLE - LOUNGE - SMALL - W/O HARDWARE (J35)
6	114681-01-F29	EA	TABLE - LOUNGE - SMALL - W/O HARDWARE (J36)
	069726-02-000	EA	BUMPER - .88" OD X .40" THICK - BLACK
	064781-06-000	EA	HOLDER-CUP TWO STEP - OFF WHITE

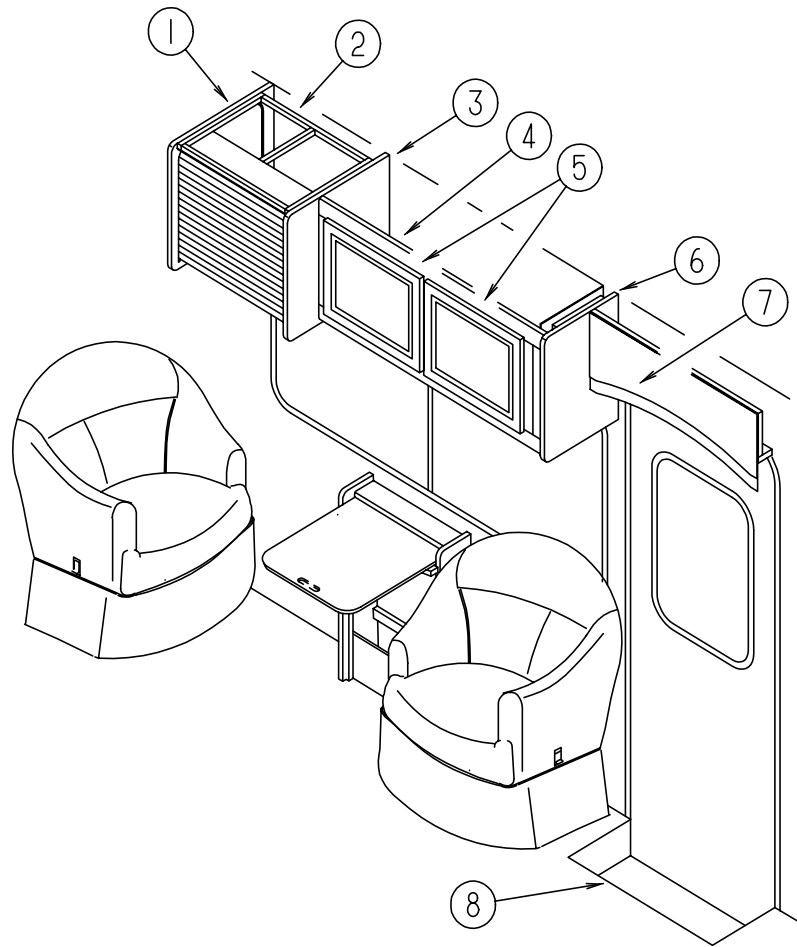
DRIVER SIDE W/SECTIONAL COUCH & OVERHEAD CABINERY W/FRONT BUNK

KEY	PART NUMBER	U/M	DESCRIPTION
	122926-01-J35	EA	CABINET - OVERHEAD/DINETTE/LOUNGE - W/O DOORS/HARDWARE
	122926-01-J36	EA	CABINET - OVERHEAD/DINETTE/LOUNGE - W/O DOORS/HARDWARE
	109908-09-G04	EA	END CAP - OVERHEAD CABINET
	M08758-26-J05	EA	DOOR - MITERED CORNER/OGEE EDGE - 11.4" X 28.1" - W/O HDW
	081298-01-H08	EA	TABLE TOP ONLY (J35)
	081298-01-H31	EA	TABLE TOP ONLY (J36)
	041194-01-000	EA	BASE - TABLE/FLUSH - FLOOR MOUNTED
	009040-02-000	EA	PEDESTAL TABLE LEG - 27.5" X 2.25" DIAMETER
	009040-03-000	EA	BASE - TABLE/RAISED - TABLE MOUNTED
	042438-02-000	EA	DOWEL - WOOD - 2" X 2"

DRIVER SIDE W/SECTIONAL COUCH & OVERHEAD CABINERY W/FRONT ENTERTAINMENT CENTER

KEY	PART NUMBER	U/M	DESCRIPTION
	122926-02-J35	EA	CABINET - OVERHEAD/DINETTE - W/O DOOR/HARDWARE
	122926-02-J36	EA	CABINET - OVERHEAD/DINETTE - W/O DOOR/HARDWARE
	109908-09-G04	EA	END CAP - OVERHEAD CABINET
	M08758-27-J15	EA	DOOR - MITERED CORNER/OGEE EDGE - 14.3" X 26.7" - W/O HDW
	081298-01-H08	EA	TABLE TOP ONLY (J35)
	081298-01-H31	EA	TABLE TOP ONLY (J36)
	041194-01-000	EA	BASE - TABLE/FLUSH - FLOOR MOUNTED
	009040-02-000	EA	PEDESTAL TABLE LEG - 27.5" X 2.25" DIAMETER
	009040-03-000	EA	BASE - TABLE/RAISED - TABLE MOUNTED
	042438-02-000	EA	DOWEL - WOOD - 2" X 2"

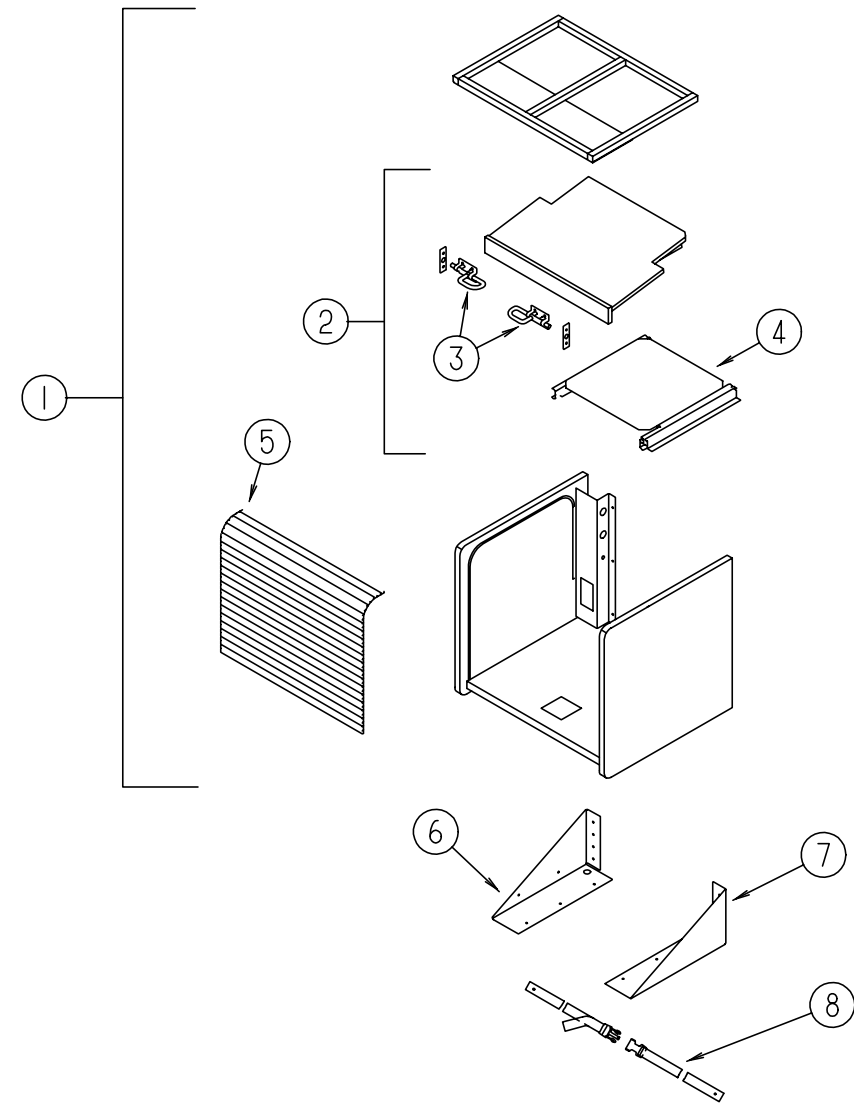
LOUNGE GROUP (CONTINUED)



PASSENGER SIDE OVERHEAD CABINETRY W/TV CABINET

KEY	PART NUMBER	U/M	DESCRIPTION
1	109908-58-J01	EA	END CAP - OVERHEAD CABINET
	057882-04-700	EA	DOOR-TAMBOUR 4'X4' PC WINONA PART SALES
	093622-01-000	EA	TRACK - DOOR - TAMBOUR - PLASTIC - 8' LENGTHS
	093623-01-000	EA	CORNER - TRACK - TAMBOUR DOOR
2	M08163-05-J01	EA	CABINET - TV/VCP - W/O SHELF/SLIDES/SWIVEL- W/TAMBOUR DOOR
	122469-02-02B	EA	BRACKET - ZEE
2	M08163-06-J01	EA	CABINET - TV/VCP - W/SHELF-SLIDES/SWIVEL/TAMBOUR DOOR
3	109908-58-J01	EA	END CAP - OVERHEAD CABINET
4	122777-01-H07	EA	CABINET - OVERHEAD FRONT - W/O DOORS/HARDWARE
5	M08758-23-J05	EA	DOOR - MITERED CORNER/OGEE EDGE - 14.3" X 17.8" - W/O HDW
6	109908-09-G04	EA	END CAP - OVERHEAD CABINET
7	112964-01-G04	EA	CABINET - OVERHEAD ENTRANCE - W/O DOORS/HARDWARE
8	P14437-02-000	EA	CABINET - LID ENTRANCE DOOR - W/O CARPET
8	101222-01-04A	EA	BRACKET - CATCH - LID
			FROM: 00-00-00 THRU: 01-07-98
8	101222-01-02A	EA	BRACKET - CATCH - LID - OFF WHITE
			FROM: 01-08-98 THRU: 99-99-99

LOUNGE GROUP (CONTINUED)



PASSENGER SIDE TV CABINET

KEY	PART NUMBER	U/M	DESCRIPTION
1	M08163-05-J01	EA	CABINET - TV/VCP - W/O SHELF/SLIDES/SWIVEL- W/TAMBOUR DOOR
1	M08163-06-J01	EA	CABINET - TV/VCP - W/SHELF-SLIDES/SWIVEL/TAMBOUR DOOR
2	125722-13-J01	EA	SHELF - W/SLIDE & SWIVEL
3	103256-01-000	EA	LATCH - SLIDE
4	116773-02-000	EA	SWIVEL/SLIDES - F/TV SHELF
5	057882-04-700	EA	DOOR-TAMBOUR 4'X4' PC WINONA
6	122298-03-02B	EA	BRACKET - TV/VCR - RIGHT HAND
7	122298-02-02B	EA	BRACKET - TV/VCR - LEFT HAND
8	099717-04-000	EA	STRAP - TIE DOWN W/21.3" FEMALE STRAP & 27.2" MALE STRAP
	122469-01-02B	EA	BRACKET - ZEE
	122790-01-02B	EA	BRACKET - VCP - E-COATED

SEALANTS & FASTENERS GROUP

SCREWS

KEY	PART NUMBER	U/M	DESCRIPTION
	0G1208-12-170	EA	SCREW - 8-18 X .75 POH - BRIGHT WHITE
	0G3908-08-170	EA	SCREW - SF/DR - 8-18 X .50 PPH - BRIGHT WHITE
	0G3908-20-170	EA	SCREW - SF/DR - 8-18 X 1.25 PPH - BRIGHT WHITE
			FROM: 12-01-97 THRU: 01-25-98
	0G3908-24-170	EA	SCREW - SF/DR - 8-18 X 1.50 PPH - BRIGHT WHITE
	0G5508-12-170	EA	SCREW - SF/DR - 8-18 X .75 PWH - BRIGHT WHITE
	0G5508-16-250	EA	SCREW - SF/DR - 8-18 X 1.00 PWH
	0G6710-08-170	EA	SCREW - 10-12 X 1/2 PPH - BRIGHT WHITE
	000C18-06-56A	EA	BOLT - ELEVATOR - 3/8-16 X 3 1/2 - GRADE 5
	000G11-05-08B	EA	SCREW - 5-20 X .50 PPH - ZINC
	000G11-06-10J	EA	SCREW - 6-20 X 5/8 PPH - BRASS
	000G11-06-08B	EA	SCREW - 6-20 X .50 PPH - ZINC
	000G11-06-06B	EA	SCREW - 6-20 X 3/8 PPH - ZINC
	000G11-07-08B	EA	SCREW - 7-19 X .50 PPH - ZINC
	000G11-08-12B	EA	SCREW - 8-18 X .75 PPH - ZINC
	000G11-08-08B	EA	SCREW - 8-18 X .50 PPH - ZINC
	000G11-08-06B	EA	SCREW - 8-18 X 3/8 PPH - ZINC
	000G11-08-20B	EA	SCREW - 8-18 X 1.25 PPH - ZINC
	000G11-08-16S	EA	SCREW - 8-18 X 1 PPH - OFF WHITE
	000G11-08-12T	EA	SCREW - 8-18 X .75 PPH - BLACK
	000G11-08-12P	EA	SCREW - 8-18 X .75 PPH - DARK BROWN
	000G11-08-12P	EA	SCREW - 8-18 X .75 PPH - DARK BROWN
	000G11-08-12D	EA	SCREW - 8-18 X .75 PPH - BLACK
	000G11-10-12S	EA	SCREW - 10-16 X .75 PPH - OFF WHITE
	000G12-06-08T	EA	SCREW - 6-20 X 1/2 POH - BLACK
	000G12-08-12S	EA	SCREW - 8-18 X .75 POH - OFF WHITE
	000G13-06-16J	EA	SCREW - 6-20 X 1 PFH - BRASS
	000G13-06-10G	EA	SCREW - 6-20 X 5/8 PFH - ANTIQUE BRASS
	000G13-06-08B	EA	SCREW - 6-20 X .50 PFH - ZINC
	000G13-06-24J	EA	SCREW - 6-20 X 1.50 PFH - BRASS
	000G13-07-12B	EA	SCREW - 7-19 X .75 PFH - ZINC
	000G19-10-12F	EA	SCREW - MACHINE - 10-32 X .75 - PPH - STAINLESS STEEL
	000G32-10-06B	EA	SCREW - 10-32 X 3/8 PPH - ZINC
	000G39-06-16T	EA	SCREW - SF/DR - 6-20 X 1 PPH - BLACK
	000G39-06-10T	EA	SCREW - SF/DR - 6-20 X 5/8 PPH - BLACK
	000G39-06-08B	EA	SCREW - SF/DR - 6-18 X .50 - ZINC
	000G39-08-06B	EA	SCREW - SF/DR - 8-18 X 3/8 PPH - ZINC
	000G39-08-12B	EA	SCREW - SF/DR - 8-18 X .75 PPH - ZINC
	000G39-08-08T	EA	SCREW - SF/DR - 8-18 X 1/2 PPH - BLACK
	000G39-08-08S	EA	SCREW - SF/DR - 8-18 X .50 PPH - OFF WHITE
	000G39-08-08B	EA	SCREW - SF/DR - 8-18 X 1.50 PPH - ZINC
	000G39-08-24B	EA	SCREW - SF/DR - 8-18 X 1 1/2 PPH - ZINC
	000G39-08-16R	EA	SCREW - SF/DR - 8-18 X 1 PPH - BEIGE
	000G39-08-12T	EA	SCREW - SF/DR - 8-18 X .75 PPH - BLACK
	000G39-10-08B	EA	SCREW - SF/DR - 10-16 X .50 PPH - ZINC
	000G39-10-32B	EA	SCREW - SF/DR - 10-16 X 2 - PPH - ZINC
	000G39-10-209	EA	SCREW - SF/DR - 10-16 X 1 1/4 PPH - FLUOROCARBON SILVER
	000G39-10-20B	EA	SCREW - SF/DR - 10-16 X 1.25 PPH - ZINC
	000G39-10-129	EA	SCREW - SF/DR - 10-16 X .75 PPH - FLUOROCARBON SILVER
	000G39-10-12R	EA	SCREW - SF/DR - 10-16 X .75 PPH - BEIGE
	000G39-10-12D	EA	SCREW - SF/DR - 10-16 X .75 PPH - BLACK
	000G39-10-12B	EA	SCREW - SF/DR - 10-16 X .75 PPH - ZINC
	000G39-10-088	EA	SCREW - SF/DR - 10-16 X 1/2 PPH - FLEX FLUOROCARBON
	000G42-04-16B	EA	SCREW - SF/DR - 1/4-14 X 1 HWH - ZINC
	000G46-08-24T	EA	SCREW - MACHINE - 8-32 X 1.50 PFH - BLACK
	000G50-04-12B	EA	SCREW - MACHINE - 1/4-20 X .75 PPH - ZINC
	000G52-08-18B	EA	SCREW - MACHINE - 8-32 X 1 1/8 PTH - ZINC
	000G54-04-20B	EA	SCREW - 1/4-20 X 1.25 PTH - TYPE 23 - ZINC PLATED
	000G60-10-28T	EA	SCREW - SF/DR - 10-16 X 1.75 - BLACK
	000G60-10-20B	EA	SCREW - SF/DR - 10-16 X 1.25 POH - ZINC
	000G67-10-20D	EA	SCREW - 10-12 X 1.25 PPH - BLACK

SEALANTS & FASTENERS GROUP (CONTINUED)

SCREWS (CONTINUED)

KEY	PART NUMBER	U/M	DESCRIPTION
	000G67-10-16B	EA	SCREW - 10-12 X 1 PPH - ZINC
	000G67-10-120	EA	SCREW - 10-12 X .75 PPH - TAN
	000G67-10-120	EA	SCREW - 10-12 X .75 PPH - TAN
	000G67-10-12R	EA	SCREW - 10-12 X .75 PPH - BEIGE
	000G67-10-12P	EA	SCREW - 10-12 X .75 - PPH - DARK BROWN
	000G67-10-12B	EA	SCREW - 10-12 X .75 PPH - ZINC
	000G67-10-10S	EA	SCREW - 10-12 X 5/8 PPH - OFF WHITE
	000G67-10-10D	EA	SCREW - 10-12 X 5/8 PPH - BLACK - TYPE A
	000G67-10-10B	EA	SCREW - 10-12 X 5/8 PPH - ZINC - TYPE A
	000G67-10-08R	EA	SCREW - 10-12 X 1/2 PPH - BEIGE - TYPE A
	000G67-10-08B	EA	SCREW - 10-12 X .50 PPH - ZINC
	000G67-10-36T	EA	SCREW - 10-12 X 2.25 PPH - BLACK
	000G67-10-32B	EA	SCREW - 10-12 X 2 PPH - ZINC
	000G67-10-24B	EA	SCREW - 10-12 X 1.25 PPH - ZINC
	000G68-06-10G	EA	SCREW - 6-18 X 5/8 POH - ANTIQUE BRASS
	049465-03-000	EA	SCREW - 10-16 X 1 POH W/WASHER - OFF WHITE
	054434-02-000	EA	SCREW - SF/DR - 10-16 X 2 - ZINC
	054434-03-000	EA	SCREW - SF/DR - 10-16 X 2 - PWH - ZINC - W/O WINGS
	057671-01-000	EA	COVER - SCREW - #8 - PLASTIC - OFF WHITE
	057671-15-000	EA	COVER - SCREW - BRIGHT WHITE
	075908-01-000	EA	SCREW - MACHINE - 10-32 X .56 PTH - EXTERNAL TOOTH - ZINC
	076790-01-000	EA	SCREW - 6-20 X 1 1/4 PPH - BLACK
	083554-01-000	EA	SCREW - DRYWALL - 8 X 1.25
	086256-01-000	EA	SCREW - SF/DR - 8 X 3/4 HWH LONG
	087721-01-000	EA	SCREW - FLAT HEAD - TAPPING - 1/4" X 1 1/4" LONG - ZINC
	097974-01-000	EA	SCREW - PARTICLE BOARD - 7-9 X 3/4 PPH
	101618-01-000	EA	SCREW - 1/4-20 X 3/4 HEX - TAPPING - STALGARD TYPE F
	105126-01-000	EA	SCREW - MACH - 8-32 X 1 PPH TAPIT

CLAMPS, GROMMETS, CLIPS & RIVETS

KEY	PART NUMBER	U/M	DESCRIPTION
	000H16-04-06R	EA	RIVET - POP ALUMINUM - 1/8" X .313 - .375
	007161-01-000	EA	CLAMP - HOSE - SPRING TYPE - 1/2"
	010495-01-000	EA	CLAMP - CABLE - 9/16"
	010497-01-000	EA	CLAMP - CLOSED - 5/8" ID
	010497-03-000	EA	CLAMP - CLOSED - 1" ID - CUSHIONED
	010497-04-000	EA	CLAMP - CLOSED - 1.62" ID
	010497-08-000	EA	CLAMP - CLOSED - .125"
	010499-01-000	EA	CLAMP - CLOSED - 3/8" ID
	016188-05-000	EA	GROMMET - L/P LINE - 3/8" HOLE X 1 1/4" LONG - RUBBER
	023942-01-000	EA	GROMMET - RUBBER - 2" OD
	056134-01-000	EA	HOLDER - RING - 3.6" DIAMETER - METAL
	062401-01-000	EA	CLAMP - HOSE - WORMGEAR - .25" - 1"
	062401-02-000	EA	CLAMP - HOSE - WORMGEAR - 1.56" - 2.5"
	062401-03-000	EA	CLAMP - HOSE - WORMGEAR - .22" - 1"
	062401-04-000	EA	CLAMP - HOSE - WORMGEAR - .69" - 1.25"
	062401-06-000	EA	CLAMP - HOSE - WORMGEAR - .22" - .62" ID
	062401-11-000	EA	CLAMP - HOSE - WORMGEAR - 3.50" - 4.50"
	069592-02-000	EA	RIVET-T - POP - 1/4 X .093 - .156
	071015-26-000	EA	GROMMET - RUBBER - 1.5" ID X 2.12" OD W/.06" GROOVE - BLK
	075148-02-000	EA	CLAMP - GROUNDING - BRONZE SCREWS
	080734-02-000	EA	CLIP - WIRE NYLON
	083609-01-000	EA	CLAMP - WIRE - DUAL - EQUAL DIAMETERS - 5/8"
	083610-01-000	EA	CLAMP - WIRE - DUAL - UNEQUAL DIAMETERS - 3/4" & 1 1/4"
	083610-02-000	EA	CLAMP - WIRE - DUAL - UNEQUAL DIAMETERS
	091952-01-000	EA	CLIP - GRIPPER - 1"
	091952-02-000	EA	CLIP - GRIPPER - 3/4"
	101447-01-000	EA	CLIP - U TYPE - HOLDS SHOWER SURROUND TOGETHER
	114208-02-000	EA	GROMMET - EDGE LINER - FITS .625

FROM: 00-00-00 THRU: 08-19-97

SEALANTS & FASTENERS GROUP (CONTINUED)

ADHESIVE & FASTENERS

KEY	PART NUMBER	U/M	DESCRIPTION
	004006-05-700	EA	ADHESIVE-NAT. STARCH (5 GAL) 0802
	004020-01-000	QT	ADHESIVE - ABS CEMENT - QUART
	053766-02-000	EA	BEDDING COMPOUND - TUBE - WHITE
	053766-06-000	EA	BEDDING COMPOUND - TUBE - CLEAR
	034552-02-000	EA	SILICONE - TUBE - 300 ML - W/O NOZZLE - CLEAR
	034552-15-000	EA	SILICONE - TUBE - 300 ML - W/O NOZZLE - BRIGHT WHITE
			FROM: 00-00-00 THRU: 11-16-97
	039518-01-000	EA	SILICONE - TUBE - 300 ML - BLACK - W/O NOZZLE
	108716-03-000	EA	SILICONE - TUBE - BRIGHT WHITE/SELF LEVELING - W/O NOZZLE
	120074-01-01A	EA	SILICONE TUBE - OFF WHITE W/O NOZZLE - LOW ODOR
	069640-01-000	FT	SEALER - RIBBON - 1/4" DIAMETER X 30'
	069640-02-000	FT	SEALER - TAPE - 1/8"THICK X .50"WIDE X 60'
	069640-03-000	FT	SEALER - TAPE - 1/8"THICK X .75"WIDE X 60' - BLACK
	069640-07-000	FT	SEALER - TAPE - 3/32"THICK X 2"WIDE X 45'
	069640-10-000	FT	SEALER - TAPE - 1/32"THICK X 1.50"WIDE X 90'
	069640-11-000	FT	SEALER - TAPE - 3/16"THICK X 3/8"WIDE X 40'
	069640-15-000	FT	SEALER - TAPE - 1/16"THICK X 3/8"WIDE X 80' - GREY
	069640-17-000	FT	SEALER - TAPE - 1/32" THICK X 1"WIDE X 90'
	069640-18-000	FT	SEALER - TAPE - 1/2"THICK X 1/8"WIDE X 60' - BRT/WHITE
	069640-19-000	FT	SEALER - TAPE - 3/4" X 1/8" X 60' - BRIGHT WHITE
	069640-21-000	FT	SEALER - TAPE - 1/2" X 1/16" X 100' - BRIGHT WHITE
			FROM: 09-22-97 THRU: 99-99-99
	072889-09-000	EA	SEALANT - URETHANE - BLACK (TUBE)
	072889-10-000	EA	SEALANT - URETHANE (HV) - BRIGHT WHITE
	072889-12-000	EA	SEALANT - URETHANE (LV) BRIGHT WHITE
	120074-02-01A	EA	SEALANT - SILICONE - OFF WHITE
	076314-02-000	FT	TAPE - CARPET SEAM - HEAT-BOND - 4" WIDE
	076322-01-000	FT	TAPE - DOUBLE COATED/ADHESIVE BACK - .025"THK X .75"W X 18'
	076322-05-000	FT	TAPE - DOUBLE COATED/ADHESIVE BACK - .045"THK X .75"W X 9'
	076322-07-000	FT	TAPE - DOUBLE COATED/ADHESIVE BACK - .045"THK X .50"W X 9'
	123816-01-000	FT	TAPE - DOUBLE SIDED - 1"
	123816-02-000	FT	TAPE - DOUBLE SIDED - 1/2" X 35 MIL THICK
	123816-03-000	FT	TAPE - DOUBLE SIDED - 1/2" X 20 MIL THICK
	087211-01-000	GL	PROMOTER - ADHESIVE
	091255-02-000	FT	SEAL - ADHESIVE BACKED/FOAM - .18" THICK X 1.5" WIDE
	102352-01-000	EA	SEALER - PUMPABLE - BLACK
	102352-02-000	EA	SEALER - PUMPABLE - CLEAR
	106206-01-000	EA	SEALER - PUMPABLE - MANUS 30A - BLACK
	118085-02-01A	FT	TAPE - FOIL - 1"
	120534-01-01A	EA	TAPE - SCOTCH - 3M - 1/2" FINE LINE
	900390-01-000	EA	TIP - 2 1/2" X 1/8" ORIFICE
	900390-03-000	EA	NOZZLE - SILICONE TUBE

SEALANTS & FASTENERS GROUP (CONTINUED)

BOLTS, NUTS & WASHERS

KEY	PART NUMBER	U/M	DESCRIPTION
	000C12-05-16B	EA	BOLT - HEX - 5/16-18 X 1 - ZINC 5
	000C12-06-16B	EA	BOLT - HEX - 3/8-16 X 1 LG - ZINC 5
	000C12-07-20B	EA	BOLT - HEX - 7/16-14 X 1 1/4 - ZINC 5
	000C12-08-24B	EA	BOLT - HEX - 1/2-13 X 1.50 - ZINC 5
	000C13-07-48B	EA	BOLT - HEX - 7/16-20 X 3 - ZINC 5
	000C18-05-40A	EA	BOLT - ELEVATOR - 5/16-18 X 2.50 - PL
	000C18-06-48B	EA	BOLT - ELEVATOR - 3/8-16 X 3 - ZINC - GRADE 5
	000C26-04-14B	EA	BOLT - HEX - SERRATED FLANGE - 1/4-20 X 7/8 - ZINC
	000C26-04-10B	EA	BOLT - HEX - SERRATED FLANGE - 1/4-20 X 5/8 - ZINC
	000C26-05-12B	EA	BOLT - HEX - SERRATED FLANGE - 5/16-18 X 3/4 - ZINC
	000C26-06-16B	EA	BOLT - HEX - SERRATED FLANGE - 3/8-16 X 1 - ZINC
	000C26-08-24B	EA	BOLT - HEX - SERRATED FLANGE - 1/2-13 X 1.5 ZINC
			FROM: 10-07-97 THRU: 99-99-99
	000G45-05-16B	EA	BOLT - LAG - 5/16-9 X 1 - ZINC
	051387-06-000	EA	BOLT - CARRIAGE W/O HOLE - 5/16-18 X 9.5 - ZINC
	091274-03-000	EA	BOLT-J - 3/8-16 X 12.0
	102333-01-06A	EA	BOLT - CARRIAGE - 7/16-14 STAINLESS STEEL CAP
	106166-01-000	EA	BOLT/COLLARED HANGER - 8-32 X 1"
	000D34-06-00B	EA	NUT - HEX - LOCKING - 3/8 - 16 GRADE C - ZINC-PREVAILING T
	000D39-04-00B	EA	NUT - HEX - SERRATED FLANGE/LOCKING - 1/4 - 20 - ZINC
	000D39-05-00B	EA	NUT - HEX - SERRATED FLANGE/LOCKING - 5/16 - 18 - ZINC
	000D39-06-00B	EA	NUT - HEX - SERRATED FLANGE/LOCKING - 3/8 - 18 - ZINC
	000D39-07-00B	EA	NUT - HEX - SERRATED FLANGE/LOCKING - 7/16 - 14 - ZINC
	000D39-08-00B	EA	NUT - HEX - SERRATED FLANGE/LOCKING - 1/2 - 13 - ZINC
	000D44-07-00B	EA	NUT - HEX - SERRATED FLANGE/LOCKING - 7/16-20 - ZINC
	000D46-04-00A	EA	NUT - HEX - WELD - 1/4 - 20 - PLAIN
	040921-01-000	EA	NUT - SPEED - U TYPE - 10-24 BLACK
	044364-02-000	EA	NUT - SPEED - FLAT - ROUND
	000E11-07-00B	EA	WASHER - LOCKING - 7/16 MED SPLIT - ZINC
	000E13-14-00B	EA	WASHER - FLAT - 1/4 WIDE - ZINC
	000E13-18-00B	EA	WASHER - FLAT - 3/8 WIDE - ZINC
	000E13-20-00B	EA	WASHER - FLAT - 7/16 WIDE - ZINC
	000E13-21-00B	EA	WASHER - FLAT - W/2 NAR - ZINC
			FROM: 10-07-97 THRU: 99-99-99
	041322-01-000	EA	WASHER - FLANGE - 15/32 ID X 2 3/8 OD - FOR SEAT BELT MOUN
	044533-01-000	EA	WASHER - PLASTIC - 1 3/8" OD - FOR BUTTONS
	077071-01-000	EA	WASHER - FENDER - 3/16"ID X 1" OD
	008343-01-000	EA	TIE - WIRE - 6"
	081211-05-000	EA	PLUG - PLASTIC - .188 DIAMETER - NATURAL
	085774-01-000	FT	FASTENER - DUAL HOOK - 1" WIDE - ADHESIVE BACK - BLACK
	085774-02-000	FT	FASTENER - DUAL HOOK - 1" WIDE - ADHESIVE BACK - BLACK
	108046-01-000	EA	CABLE TIE - SCREW MOUNT 8"
	108046-02-000	EA	CABLE TIE - SCREW MOUNT 15"
	110943-02-000	FT	FELTSTRIP - 3/8" - ADHESIVE BACK - WHITE
	115361-01-01A	EA	PLUG - PLASTIC
	068938-03-000	EA	BEARING - SNAP IN - .38"ID - TYPE 7

WATER & SEWAGE GROUP

FRESH WATER TANK & WATER SYSTEM

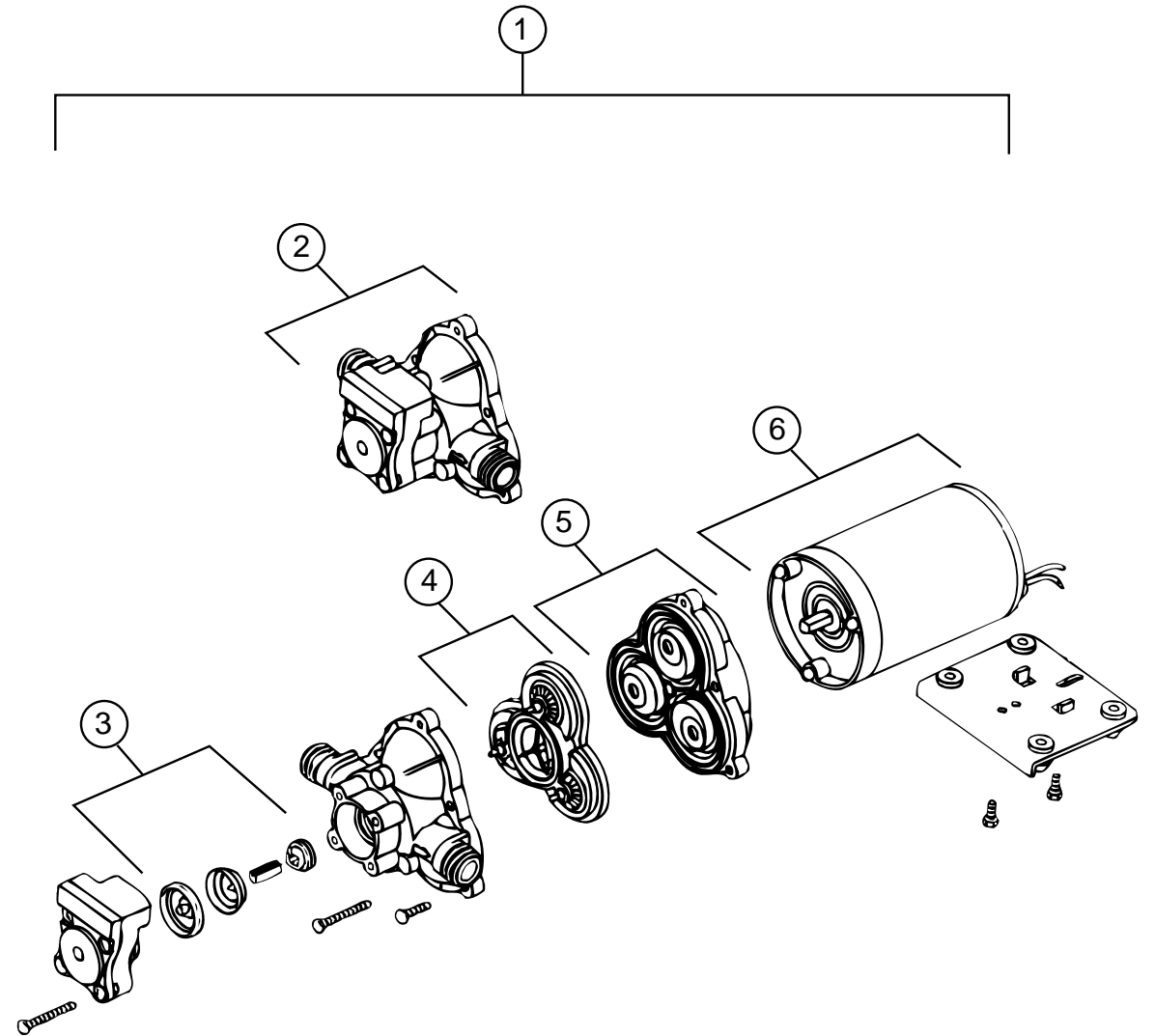
KEY	PART NUMBER	U/M	DESCRIPTION
	119109-06-000	EA	TANK - WATER - 40 GALLON - W/FITTINGS
	119109-01-000	EA	TANK - WATER - 40 GALLON - W/O FITTINGS
	077954-02-000	EA	FILTER - WATER TANK - W/SCREEN IN TANK
	042989-03-000	EA	FITTING - WATER TANK - SPINWELD - 1 1/4"NPT - PLASTIC
	042989-04-000	EA	FITTING - WATER TANK - SPINWELD - 3/8 FPT - WHITE PLASTIC
	042989-05-000	EA	FITTING - WATER TANK - SPINWELD - 1/2"FPT - PLASTIC
	049032-01-000	EA	PATCH - SPINWELD - 3/8" - PLASTIC
	039861-01-000	EA	SENDING UNIT - W/SCREW - WASHER - WELL NUT/TERMINAL RING
	079381-01-000	FT	TUBING - SMOOTH FLEXIBLE - 1 3/8 ID X 20'
	114430-02-000	EA	ADAPTER - SWIVEL - 1/2"P X 1/2"FPT
	114430-03-000	EA	ADAPTER - 1/2"P X 1/2"MPT
	114430-06-000	EA	ADAPTER - 1/2"P X 3/8"FPT
	123152-01-000	EA	ADAPTER - 1/2 FPT X 1/2 BARB - SWIVEL
	010224-01-000	EA	ADAPTER - HOSE TO PIPE - 3/8 MPT X 3/8 BARB - PLASTIC
	044927-01-000	EA	ADAPTER - HOSE TO PIPE - 1 1/4 MPT X 1 1/4 BARB - BLK PLS
	113697-01-000	EA	CAP - 3/8 FTG
	123150-01-000	EA	ELBOW - 1/2 FPT X 1/2 BARB - SWIVEL
	114429-01-000	EA	ELBOW - 1/2"P X 1/2"P
	114429-02-000	EA	ELBOW - 1/2"P X 1/2"MPT
	114429-03-000	EA	ELBOW - FLAIR-IT SWIVEL - 1/2"P X 1/2"FPT
	035539-01-000	EA	ELBOW - PLASTIC - 3/8 MPT X 3/8 BARB
			FROM: 00-00-00 THRU: 08-03-97
	010230-06-000	EA	FILL - CITY WATER - W/CHECK VALVE - MPT
	115029-01-000	FT	HOSE - WATER - 3/8 ID
	039861-01-000	EA	SENDING UNIT - W/SCREW - WASHER - WELL NUT/TERMINAL RING
	114428-01-000	EA	TEE - 1/2"P X 1/2"P X 1/2"P
	114428-02-000	EA	TEE - SWIVEL - 1/2"P X 1/2"P X 1/2"FPT
	114428-03-000	EA	TEE - 1/2"P X 1/2"P X 1/2"MPT
	112176-01-000	FT	TUBING - VINYL - REINFORCED - 1/2" ID
	039800-02-000	FT	TUBING - POLYBUTYL - 5/8"OD X 20' - INC OF 20'
			FROM: 00-00-00 THRU: 08-05-97
	124188-01-000	FT	TUBING - PEX - 1/2" ID X 20' - BLUE
			FROM: 08-06-97 THRU: 99-99-99
	124188-02-000	FT	TUBING - PEX - 1/2" ID X 20' - RED
	112176-01-000	FT	TUBING - VINYL - REINFORCED - 1/2" ID
	114431-02-000	EA	VALVE - WATER BYPASS - 1/2"P - THREE WAY (WATER HEATER)
	114431-03-000	EA	VALVE - 90 DEGREE DRAIN - 1/2"P
	110438-02-000	EA	VALVE - CHECK - BRASS - 1/2 MPT X 1/2 MPT
	069735-01-000	EA	WASHER - STRAINER TO TAILPIECE - PLASTIC - 1.5"
			FROM: 00-00-00 THRU: 12-04-97
	127440-02-01A	EA	WASHER - RUBBER - 1.8" X .1"
			FROM: 12-05-97 THRU: 99-99-99

WATER HEATERS

KEY	PART NUMBER	U/M	DESCRIPTION
*	051393-01-000	EA	WATER HEATER - GH6-8E - ELECTRONIC IGNITION W/MOTOR AID
*	051391-03-000	EA	WATER HEATER G6A-8E ELECTRONIC IGNITION
	097967-01-000	EA	SWITCH - WATER HEATER - REMOTE W/LIGHT

*COMPONENT PARTS FOUND IN SERVICE PARTS LIBRARY

WATER & SEWAGE GROUP (CONTINUED)

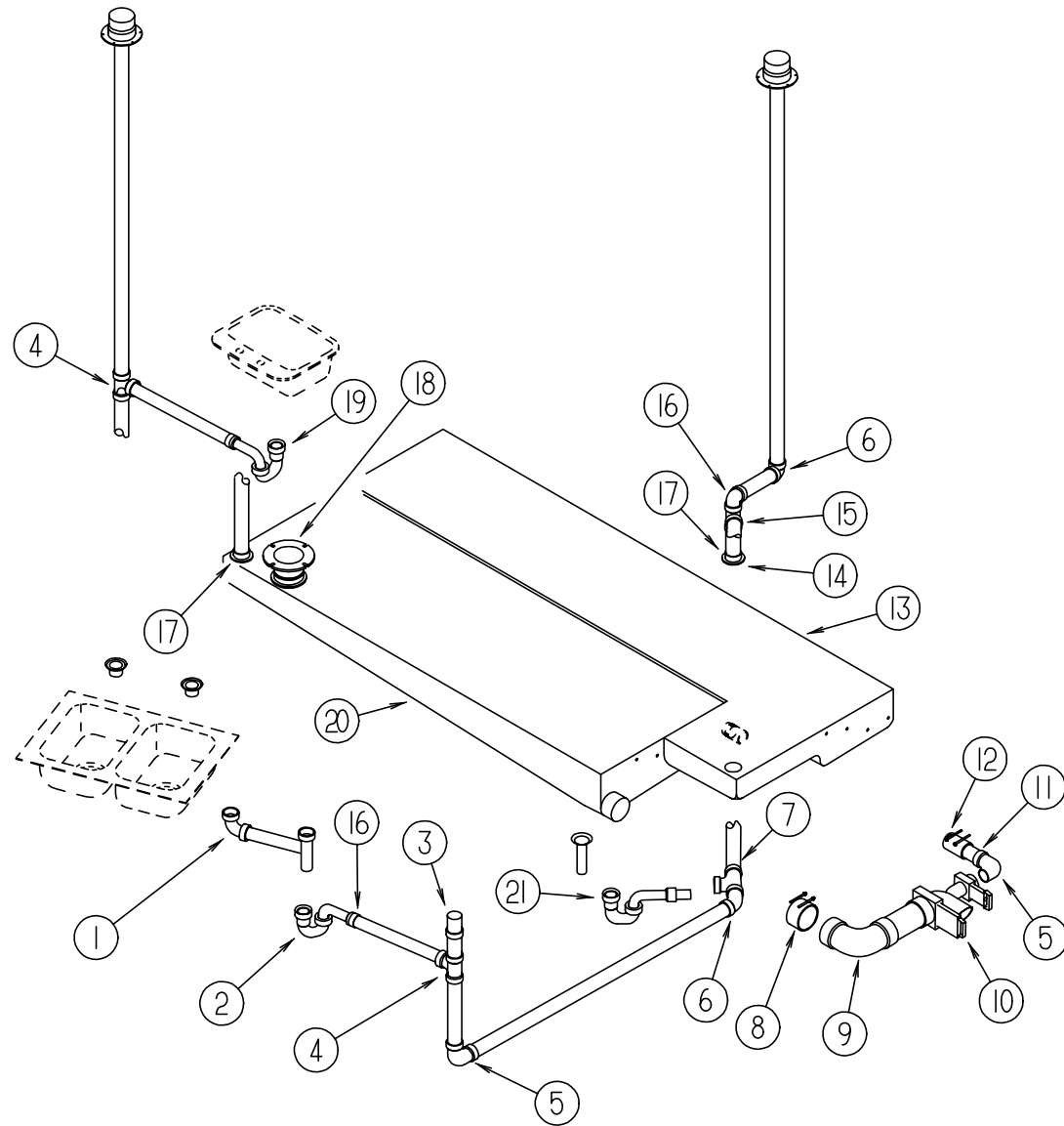


WATER PUMP - SHURFLO

KEY	PART NUMBER	U/M	DESCRIPTION	VENDOR NO.
1	098607-01-000	EA	PUMP - WATER - W/.5" MPT FITTING - FLOW 2.8 GPM	
2	098607-01-706	EA	HOUSING, W/SWITCH ONLY	94-231-20
3	098607-01-705	EA	VALVE-CHECK, KIT	94-237-00
4	098607-01-703	EA	VALVE KIT	94-232-00
5	098607-01-702	EA	DIAPHRAGM/DRIVE ASSEMBLY KIT	94-238-04
6	098607-01-707	EA	MOTOR W/BASEPLATE	11-148-04

WATER & SEWAGE GROUP (CONTINUED)

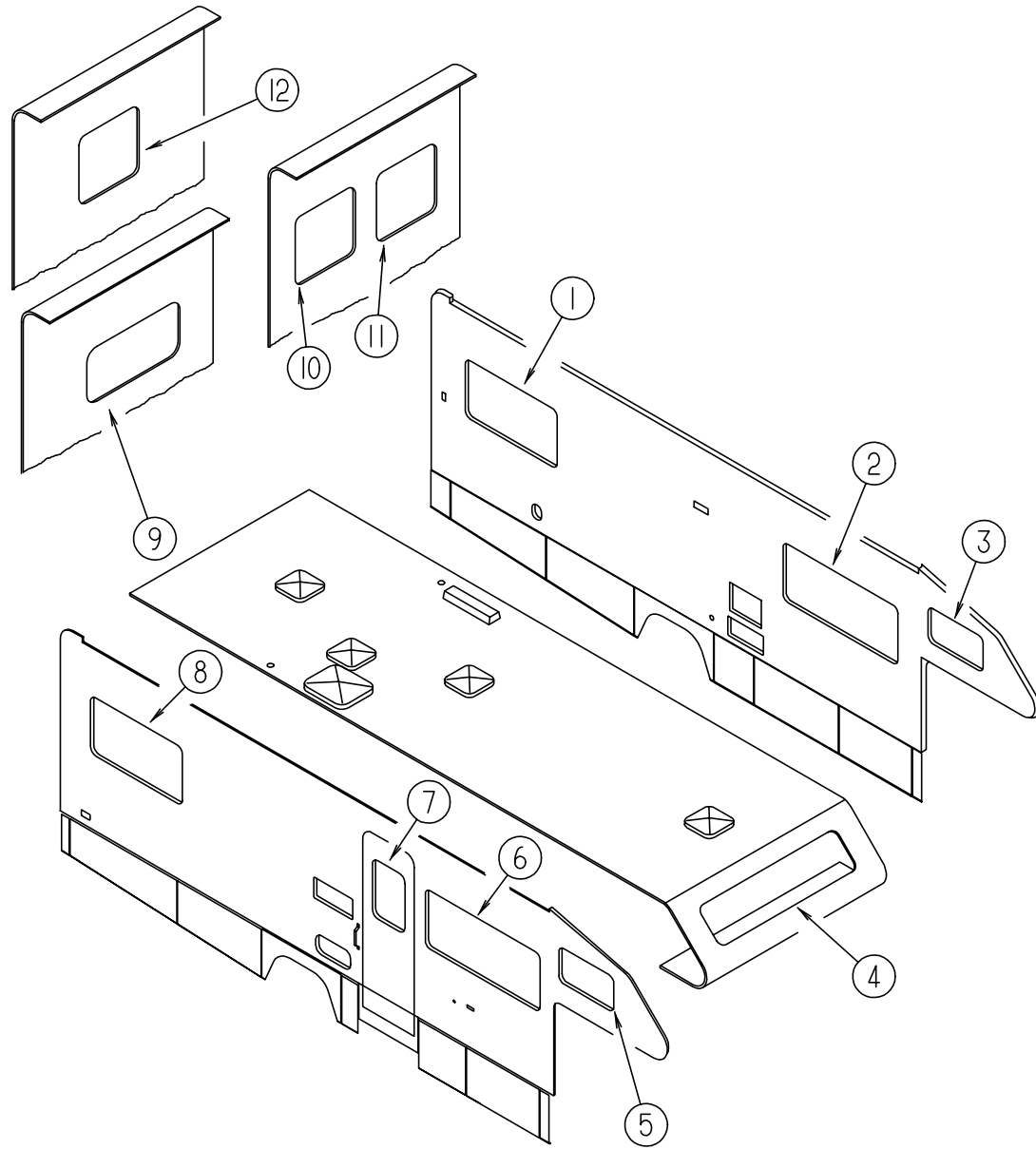
DRAINAGE SYSTEM



KEY	PART NUMBER	U/M	DESCRIPTION	VENDOR NO.
1	011091-02-000	EA	WASTE - CONTINUOUS - DOUBLE SINK	
2	109571-01-000	EA	ADAPTER - P TRAP - 1 1/2" P X 1 1/4" MPT	
2	107538-01-000	EA	P TRAP - PLASTIC - 1 1/4" W/EXTENSION ARM	
2	011071-01-000	EA	P TRAP - PLASTIC - 1 1/2"	
3	079968-01-000	EA	VENT - MECHANICAL/TRAP ARM - ANTI-SIPHON-2" X 7.3" PLASTIC	
4	010071-01-000	EA	TEE - SANITARY - 1 1/2" HUB X HUB X HUB - PLASTIC	
5	010008-01-000	EA	ELBOW - 90 DEGREE - 1 1/2" HUB X HUB - PLASTIC	
6	010006-01-000	EA	ELBOW - 45 DEGREE - 1 1/2" HUB X HUB - PLASTIC	
7	031365-02-000	EA	TEE - PLASTIC - 1 1/2" EXT LG TURN	
8	078406-01-000	EA	COUPLER - RUBBER - W/CLAMPS - 3" X 3"	
9	031126-01-000	EA	ELBOW - 1/4 BEND - 3" X 90" XLT - BLACK PLASTIC	
10	070916-01-000	EA	VALVE - DUAL DUMP - W/CAP - 3" X 1 1/2"	
	070916-01-700	EA	VALVE ONLY (WASTE) 3"	T1003BU
	070916-01-701	EA	VALVE ONLY (WASTE) 1 1/2"	T1001BU
10	062415-01-000	EA	CAP - SEWER - 3" DIAMETER	
	062415-01-700	EA	STRING-SEWER CAP	V#SV7 STRAP
	010201-01-000	EA	HOSE - SEWER - 3" ID X 8'	
	062416-01-000	EA	ADAPTER - SEWER HOSE TO 3" PIPE	
11	089355-01-000	EA	COUPLER - RUBBER - 1 1/2" X 1 1/2"	
12	089355-01-000	EA	COUPLER - RUBBER - 1 1/2" X 1 1/2"	
12	109571-02-000	EA	ADAPTER - 1 1/2" HUB X 1 1/2" MPT	
13	117580-01-700	EA	TANK - HOLDING - 33 GALLON W/1.5" OUTLET NIPPLE	
14	061607-01-000	EA	GROMMET - HOLDING TANK - 1 1/2" NPS	
15	011071-01-000	EA	P TRAP - PLASTIC - 1 1/2"	
16	010051-01-000	EA	ELBOW - 45 DEGREE - 1 1/2" SPIGOT & HUB - PLASTIC	
17	010115-01-000	EA	COUPLING - 1 1/2" HUB X HUB - PLASTIC	
18	063641-01-000	EA	FLANGE - CLOSET - 4" X 3"	
18	061607-02-000	EA	GROMMET - HOLDING TANK - 3" NPS	
19	109571-01-000	EA	ADAPTER - P TRAP - 1 1/2" P X 1 1/4" MPT	
19	107538-01-000	EA	P TRAP - PLASTIC - 1 1/4" W/EXTENSION ARM	
20	123643-01-000	EA	TANK - HOLDING - 32 GALLON - W/O FITTINGS	
21	069735-01-000	EA	WASHER - STRAINER TO TAILPIECE - PLASTIC - 1.5"	
				FROM: 00-00-00 THRU: 10-21-97
21	127440-02-01A	EA	WASHER - RUBBER - 1.8" X .1"	
				FROM: 10-22-97 THRU: 99-99-99
21	066440-01-000	EA	STRAINER - SHOWER DRAIN - W/RUBBER WASHER	
21	066436-01-000	EA	NUT - SLIP - TAILPIECE 1.5"	
21	011069-02-000	EA	TAILPIECE - TUB/SHOWER - 1 1/2" X 1 1/4" X 4" - BRASS	

WINDOW, VENT & EXTERIOR DOOR GROUP

WINDOWS

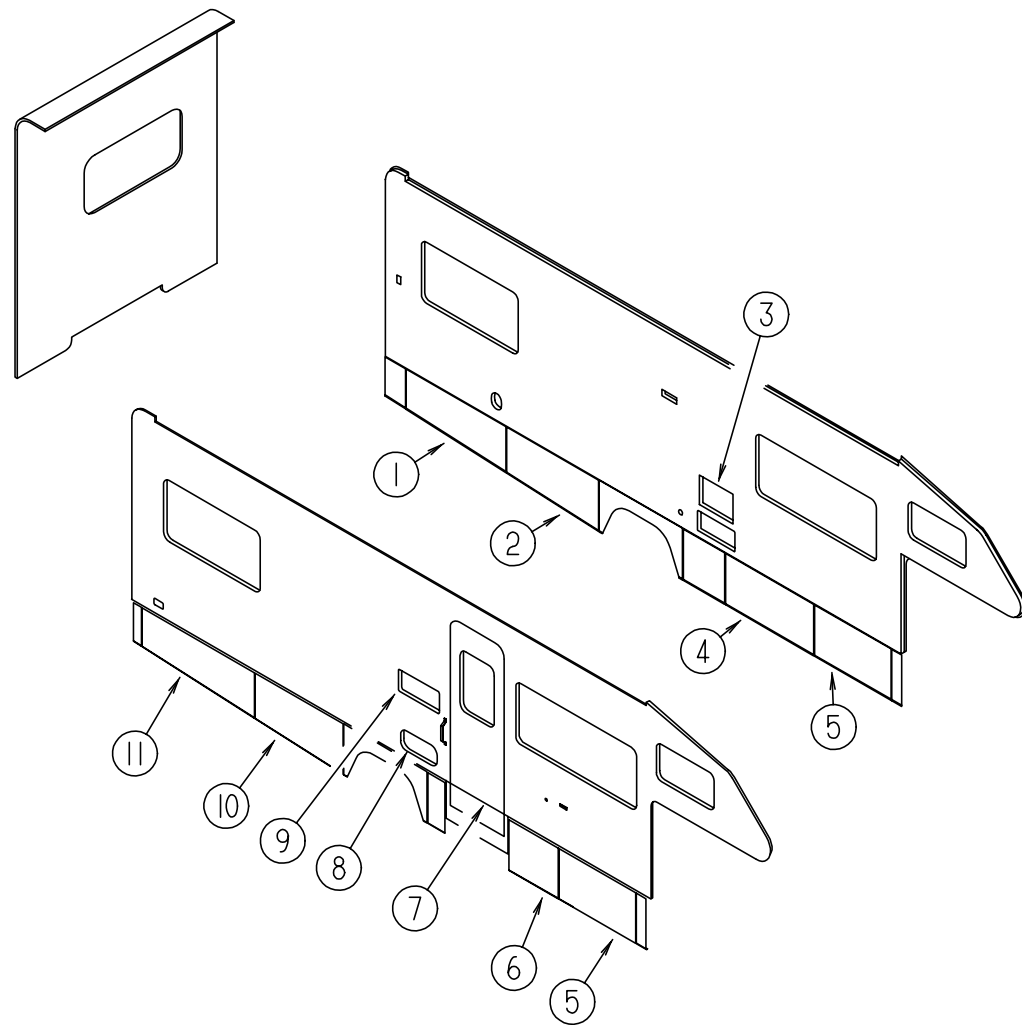


KEY	PART NUMBER	U/M	DESCRIPTION
1*	104691-13-01A	EA	WINDOW - SINGLE TIPOUT - 26.3" X 47.9"(TWIN & DOUBLE)
1*	112795-25-01A	EA	WINDOW - DRIVER HORIZONTAL SLIDER - THERMO - 26.4" X 48"(TWIN & DOUBLE)
1*	113500-01-01A	EA	WINDOW - DOUBLE TIPOUT - TINTED - 24.5" X 41.3"(QUEEN)
1*	112795-23-01A	EA	WINDOW - DRIVER HORIZONTAL SLIDER - THERMO - 24.5" X 41.3"(QUEEN)
2*	098647-22-01A	EA	WINDOW - DR HORIZ SLIDER W/TRIM - TINTED - 26.1" X 59.7"
2*	112795-15-01A	EA	WINDOW - DRIVER HORIZONTAL SLIDER - THERMO - 26.4" X 60"
3*	098647-34-01A	EA	WINDOW - DR HORIZ SLIDER W/TRIM - TINTED - 15.7" X 28.5"
3*	112795-20-01A	EA	WINDOW - DRIVER HORIZONTAL SLIDER - THERMO - 16" X 28.7"
4*	103313-03-F15	EA	WINDOW - PICTURE - 16.7" X 71.3"
	117054-01-01A	EA	RETAINER - TRIM
4*	115630-01-01A	EA	WINDOW - STATIONARY/THERMOPANE - 17.2" X 72"
5*	098647-33-01A	EA	WINDOW - PASS HORIZ SLIDER W/TRIM - TINTED - 15.7" X 28.5"
5*	112795-19-01A	EA	WINDOW - PASSENGER HORIZ SLIDER - THERMO - 16" X 28.7"
6*	098647-23-01A	EA	WINDOW - PASS HORIZ SLIDER W/TRIM - TINTED - 26.1" X 59.7"
6*	112795-16-01A	EA	WINDOW - PASSENGER HORIZ SLIDER - THERMO - 26.4" X 60"
7*	117053-02-F36	EA	WINDOW - PICTURE - 60% TINTING - 17" X 26.4"
	117054-02-02A	EA	RETAINER - TRIM - BRIGHT WHITE
7*	113733-01-01A	EA	WINDOW - STATIONARY - THERMOPANE - 17" X 26.4"
8*	104691-13-01A	EA	WINDOW - SINGLE TIPOUT - 26.3" X 47.9" (TWIN & DOUBLE)
8*	112795-22-01A	EA	WINDOW - PASSENGER HORIZ SLIDER - THERMO - 26.4" X 48" (TWIN & DOUBLE)
8*	113500-01-01A	EA	WINDOW - DOUBLE TIPOUT - TINTED - 24.5" X 41.3" (QUEEN)
8*	112795-21-01A	EA	WINDOW - PASSENGER HORIZ SLIDER - THERMO - 24.5" X 41.3" (QUEEN)
9*	078528-06-E10	EA	WINDOW - ESCAPE - W/O RETAINER/TRIM - 48.5" X 24.5' (QUEEN)
	074816-11-000	EA	RETAINER - TRIM - ESCAPE WINDOW - OFF WHITE
9*	113502-01-01A	EA	WINDOW - REAR/CENTER ESCAPE - THERMO - 24.8" X 48.7" (QUEEN)
10*	116976-04-01A	EA	WINDOW - PICTURE/TINTED - 26.4" X 26.3"(TWIN)
10*	113733-02-01A	EA	WINDOW - STATIONARY - THERMOPANE - 26.4" X 26.25" (TWIN)
11*	116976-02-01A	EA	WINDOW - PICTURE/TINTED/ESCAPE - 26.4" X 25.3" (TWIN)
11*	113502-04-01A	EA	WINDOW - REAR ESCAPE - THERMO - 26.4" X 26.3" (TWIN)
12*	116976-02-01A	EA	WINDOW - PICTURE/TINTED/ESCAPE - 26.4" X 25.3"(DOUBLE)
12*	113502-04-01A	EA	WINDOW - REAR ESCAPE - THERMO - 26.4" X 26.3" (DOUBLE)

*COMPONENT PARTS FOUND IN SERVICE PARTS LIBRARY

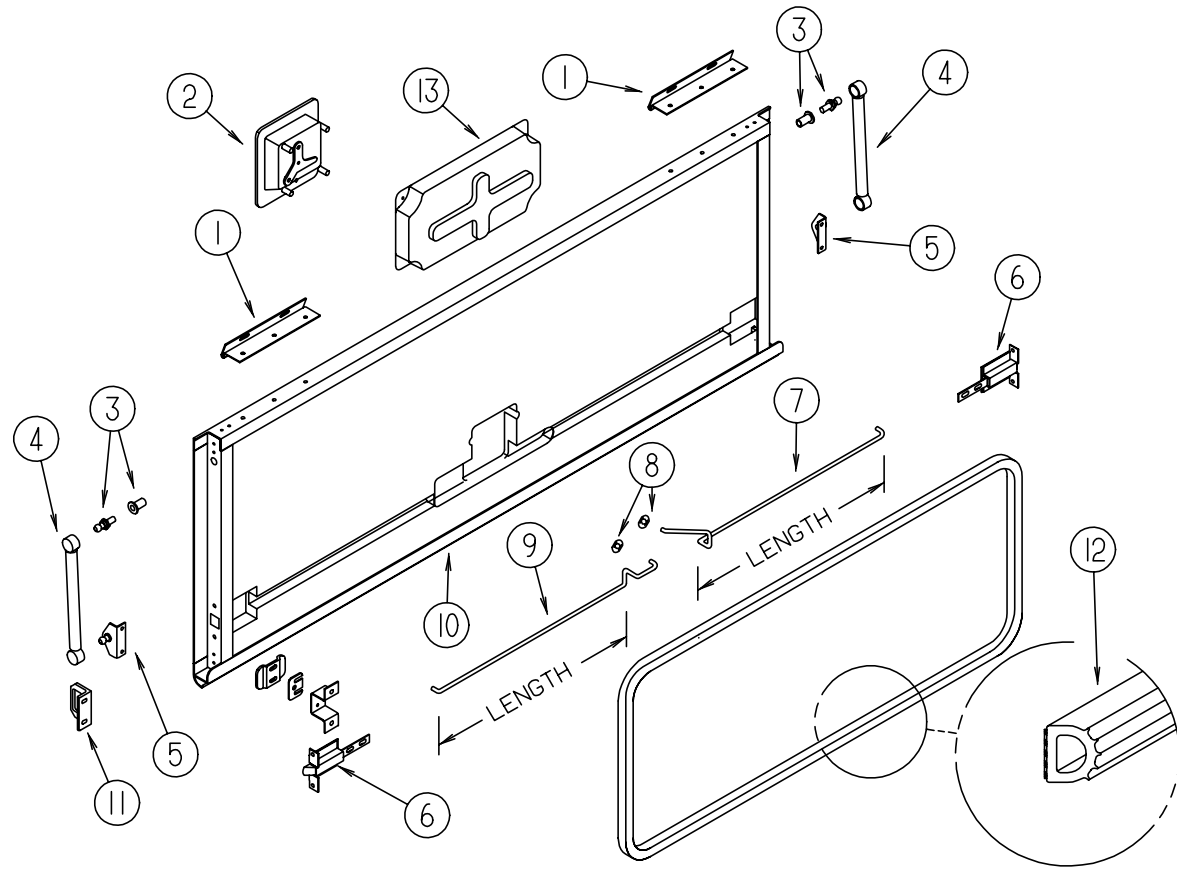
WINDOW, VENT & EXTERIOR DOOR GROUP (CONTINUED)

EXTERIOR DOORS



KEY	PART NUMBER	U/M	DESCRIPTION	VENDOR NO.
1	122391-38-H07	EA	VALANCE/DOOR-DRIVER W/O PADDLE LATCH 19.3" X 49.5" X 16.8"	
2	122391-10-H07	EA	VALANCE/DOOR-DRIVER W/O PADDLE LATCH 21.5" X 45.6" X 19.5"	
3	052009-06-000	EA	DOOR - WATER HEATER - BRIGHT WHITE - 18" X 14.6"	
3	116424-01-000	EA	PROTECTOR - LATCH - WATER HEATER	
4	122239-18-H07	EA	VALANCE/DOOR - W/O PADDLE LATCH - 43.9"	
5	122239-17-H07	EA	VALANCE/DOOR - W/O PADDLE LATCH - 38"	
6	122239-20-H07	EA	VALANCE/DOOR - W/O PADDLE LATCH - 24.5"	
6	123478-02-H07	EA	DOOR - COMPARTMENT - W/O LATCH/HINGE	
7	115108-02-H08	EA	DOOR - ENTRY - W/SCREEN DOOR - W/O WINDOW (J35)	
7	115108-02-H23	EA	DOOR - ENTRY - W/SCREEN DOOR - W/O WINDOW (J36)	
8	126945-01-J22	EA	DOOR - STORAGE - W/O HARDWARE - 8.3" X 18"	
9	084103-08-000	EA	DOOR - REFRIGERATOR - VENTED - W/O JAMB	
9	084104-08-000	EA	JAMB - REFRIGERATOR DOOR	
9	084104-01-700	EA	LOCK-MALE, FASTENER	201-721-010
9	084104-01-701	EA	LOCK-FEMALE, FASTENER	201-802-010
10	122391-09-H07	EA	VALANCE/DOOR-PASS W/O PADDLE LATCH 21.5" X 43.3" X 19.6"	
11	122391-11-H07	EA	VALANCE/DOOR-PASS W/O PADDLE LATCH 19.4" X 55.8" X 16.6"	
	081240-16-000	EA	DOOR - WATER FILL - LOCKABLE W/O LOCK - 4" X 4 5/8"	
	098668-23-000	EA	DOOR - ACCESS - FURNACE - BRIGHT WHITE	

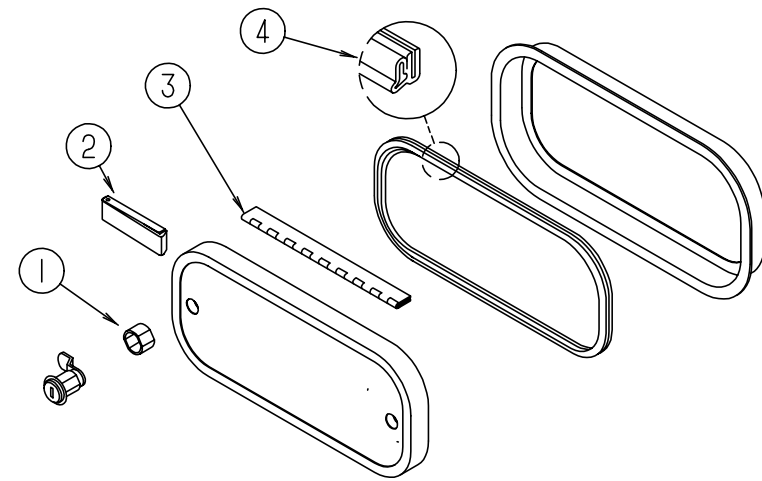
WINDOW, VENT & EXTERIOR DOOR GROUP (CONTINUED)



EXTERIOR DOOR & COMPONENTS

KEY	PART NUMBER	U/M	DESCRIPTION
1	121755-01-04A	EA	HINGE - 6.00 INCH
2	112949-01-03A	EA	LATCH - PADDLE W/LOCK - W/O KEY - BRIGHT WHITE
2	112949-02-04A	EA	LATCH - PADDLE NON-LOCKING - BRIGHT WHITE
	112949-03-000	EA	KEY - TRI-MARK #TM500
3	057460-08-000	EA	BALL STUD - 10MM BALL - 5/16-18 - STAINLESS STEEL FROM: 00-00-00 THRU: 08-21-97
4	107796-18-000	EA	SPRING/GAS - 10" LENGTH - 80 LB
5	107796-19-000	EA	BRACKET - GAS SPRING FROM: 00-00-00 THRU: 08-24-97
5	107796-03-000	EA	BRACKET - GAS SPRING - SMALL FROM: 00-00-00 THRU: 08-24-97
6	121947-01-01A	EA	BOLT - SLIDE - LATCH - STEEL
7	122269-21-000	EA	ROD - LATCH - 4.52"
7	122269-18-000	EA	ROD - LATCH - 11.28"
7	122269-19-000	EA	ROD - LATCH - 14.22"
7	122269-24-000	EA	ROD - LATCH - 15.09"
7	122269-25-000	EA	ROD - LATCH - 17.04"
7	122269-23-000	EA	ROD - LATCH - 20.19"
8	124304-01-000	EA	CLIP - ROUND PUSH ON
9	122268-21-000	EA	ROD - LATCH - 4.52"
9	122268-18-000	EA	ROD - LATCH - 11.28"
9	122268-19-000	EA	ROD - LATCH - 14.22"
9	122268-24-000	EA	ROD - LATCH - 15.09"
9	122268-25-000	EA	ROD - LATCH - 17.04"
9	122268-23-000	EA	ROD - LATCH - 20.19"
10	122613-55-001	EA	EXTRUDED - ROCKER PANEL - 192" - BRIGHT WHITE
11	123783-01-01A	EA	STRIKER - DOOR - MILL
12	107721-08-000	FT	SEAL - ACCESS DOOR
13	122277-02-01A	EA	COVER - LATCH - BLACK
	122614-55-001	EA	EXTRUDED - H CHANNEL - 191" - BRIGHT WHITE
	123892-10-02B	EA	KEY ASM-CORNER,DOOR,E-COAT
	123892-12-02B	EA	KEY ASM-CORNER,DOOR,E-COAT

WINDOW, VENT & EXTERIOR DOOR GROUP (CONTINUED)



EXTERIOR DOOR & COMPONENTS

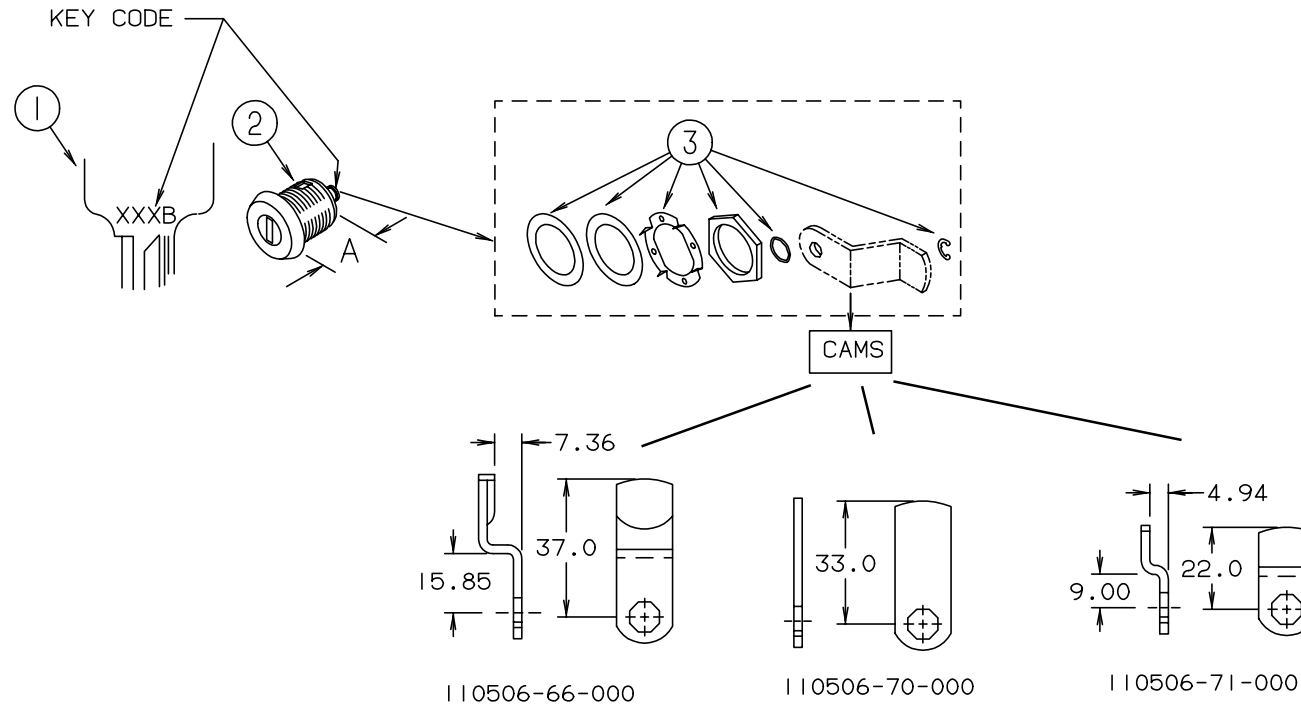
KEY	PART NUMBER	U/M	DESCRIPTION
1	107997-51-001	EA	SPACER - DOOR LOCK - .6" DEEP
	107997-51-002	EA	EXTRUDED - SPACER - 16'
2	102768-01-000	EA	HOLDER - COMPARTMENT/ENTRY DOOR - METAL - MILL FINISH
3	081801-V3-000	EA	HINGE - ALUMINUM - 2" X 96" - BRIGHT WHITE
3	009065-01-000	EA	HINGE - ALUMINUM - 1 1/2" X 96" - UNPAINTED
4	106850-02-000	FT	SEAL-E - SPONGE RUBBER - .43" X .75" FROM: 00-00-00 THRU: 12-02-97
4	106850-02-000	FT	SEAL-E - SPONGE RUBBER - .43" X .75" FROM: 12-03-97 THRU: 99-99-99
4	098408-01-000	FT	SEAL - SPONGE RUBBER - CLOSED CELL
	120863-02-000	EA	BUMPER - RUBBER - 1" DIAMETER X 1.50"

WINDOW, VENT & EXTERIOR DOOR GROUP (CONTINUED)

BRIGGS & STRATTON LOCKS & COMPONENTS

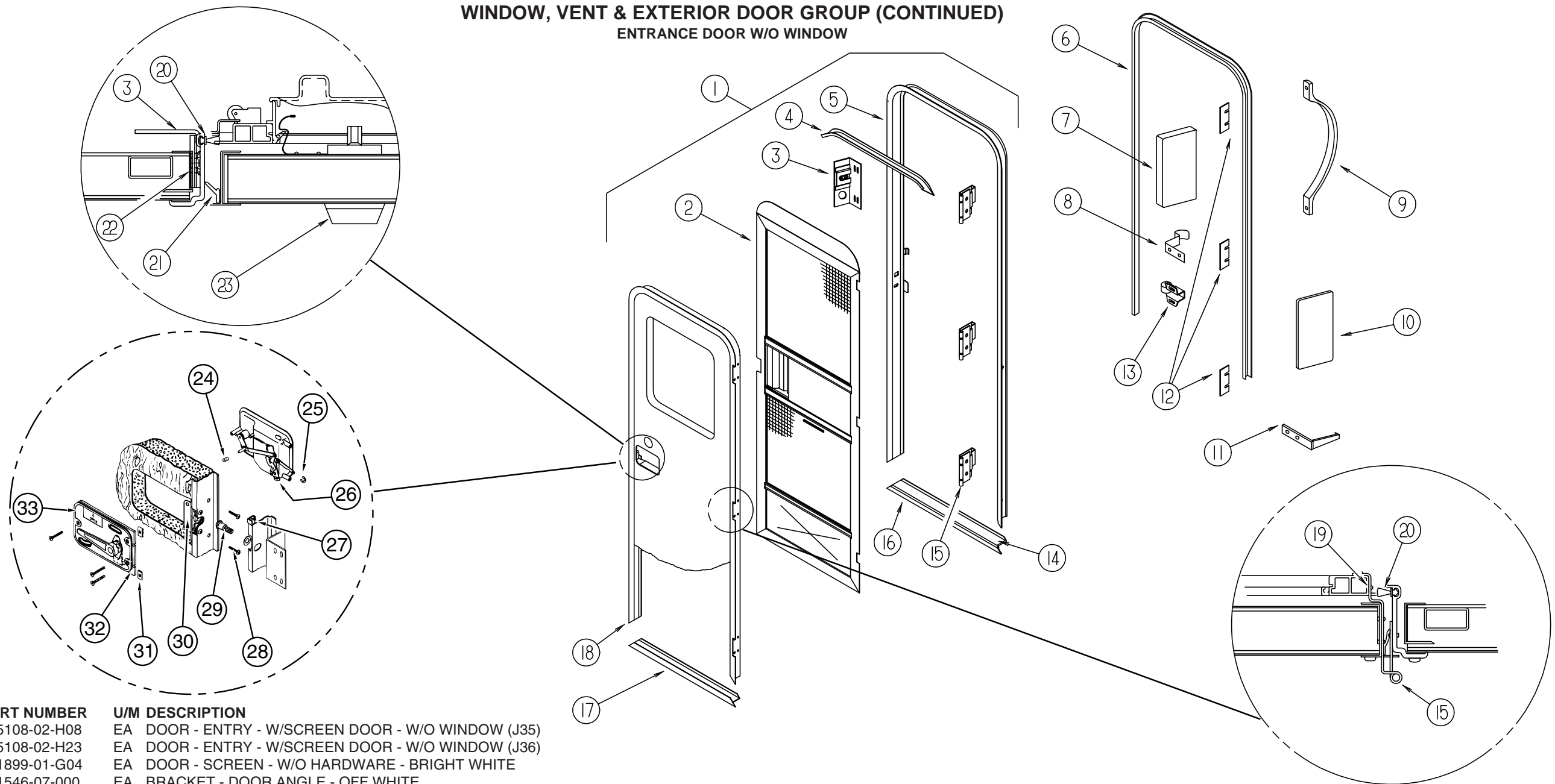
NOTE:

WHEN ORDERING THE LOCK CASE, THE KEY CODE MUST MATCH THE LAST DIGIT OF THE VEHICLE'S SERIAL NUMBER AND PART NUMBER; WHEN ORDERING THE KEYS, THE THIRD DIGIT OF THE KEY CODE MUST MATCH THE LAST DIGIT OF THE VEHICLE'S SERIAL NUMBER AND PART NUMBER.



KEY	PART NUMBER	U/M	DESCRIPTION	VENDOR NO.	KEY	PART NUMBER	U/M	DESCRIPTION	VENDOR NO.
1	110506-59-000	EA	KEYS - SET OF TWO	596720	1	110506-59-006	EA	KEYS - SET OF TWO	597936
2	110506-52-000	EA	CASE/CYLINDER - LOCKING - W/O CAM/KEY - .65"	702370	2	110506-52-006	EA	CASE/CYLINDER - LOCKING - W/O CAM/KEY - .65"	702376
2	110506-54-000	EA	CASE/CYLINDER - LOCKING - W/O CAM/KEY - 1.25"	703170	2	110506-54-006	EA	CASE/CYLINDER - LOCKING - W/O CAM/KEY - 1.25"	703176
1	110506-59-001	EA	KEYS - SET OF TWO	596721	1	110506-59-007	EA	KEYS - SET OF TWO	597937
2	110506-52-001	EA	CASE/CYLINDER - LOCKING - W/O CAM/KEY - .65"	702371	2	110506-52-007	EA	CASE/CYLINDER - LOCKING - W/O CAM/KEY - .65"	702377
2	110506-54-001	EA	CASE/CYLINDER - LOCKING - W/O CAM/KEY - 1.25"	703171	2	110506-54-007	EA	CASE/CYLINDER - LOCKING - W/O CAM/KEY - 1.25"	703177
1	110506-59-002	EA	KEYS - SET OF TWO	596722	1	110506-59-008	EA	KEYS - SET OF TWO	596728
2	110506-52-002	EA	CASE/CYLINDER - LOCKING - W/O CAM/KEY - .65"	702372	2	110506-52-008	EA	CASE/CYLINDER - LOCKING - W/O CAM/KEY - .65"	702378
2	110506-54-002	EA	CASE/CYLINDER - LOCKING - W/O CAM/KEY - 1.25"	703172	2	110506-54-008	EA	CASE/CYLINDER - LOCKING - W/O CAM/KEY - 1.25"	703178
1	110506-59-003	EA	KEYS - SET OF TWO	596723	1	110506-59-009	EA	KEYS - SET OF TWO	596729
2	110506-52-003	EA	CASE/CYLINDER - LOCKING - W/O CAM/KEY - .65"	702373	2	110506-52-009	EA	CASE/CYLINDER - LOCKING - W/O CAM/KEY - .65"	702379
2	110506-54-003	EA	CASE/CYLINDER - LOCKING - W/O CAM/KEY - 1.25"	703173	2	110506-54-009	EA	CASE/CYLINDER - LOCKING - W/O CAM/KEY - 1.25"	703179
1	110506-59-004	EA	KEYS - SET OF TWO	596724	3	110506-40-700	EA	HDWE KIT	596950AAL
2	110506-52-004	EA	CASE/CYLINDER - LOCKING - W/O CAM/KEY - .65"	702374		110506-66-000	EA	CAM - LATCHING - DOG LEGGED 1.5" LONG	
2	110506-54-004	EA	CASE/CYLINDER - LOCKING - W/O CAM/KEY - 1.25"	703174		110506-70-000	EA	CAM - LATCHING - STRAIGHT 1.3" LONG	
						110506-71-000	EA	CAM - LATCHING - DOG LEGGED .86" LONG	
1	110506-59-005	EA	KEYS - SET OF TWO	596725		110506-59-701	EA	KEY BLANK (GOLD)	
2	110506-52-005	EA	CASE/CYLINDER - LOCKING - W/O CAM/KEY - .65"	702375					
2	110506-54-005	EA	CASE/CYLINDER - LOCKING - W/O CAM/KEY - 1.25"	703175					

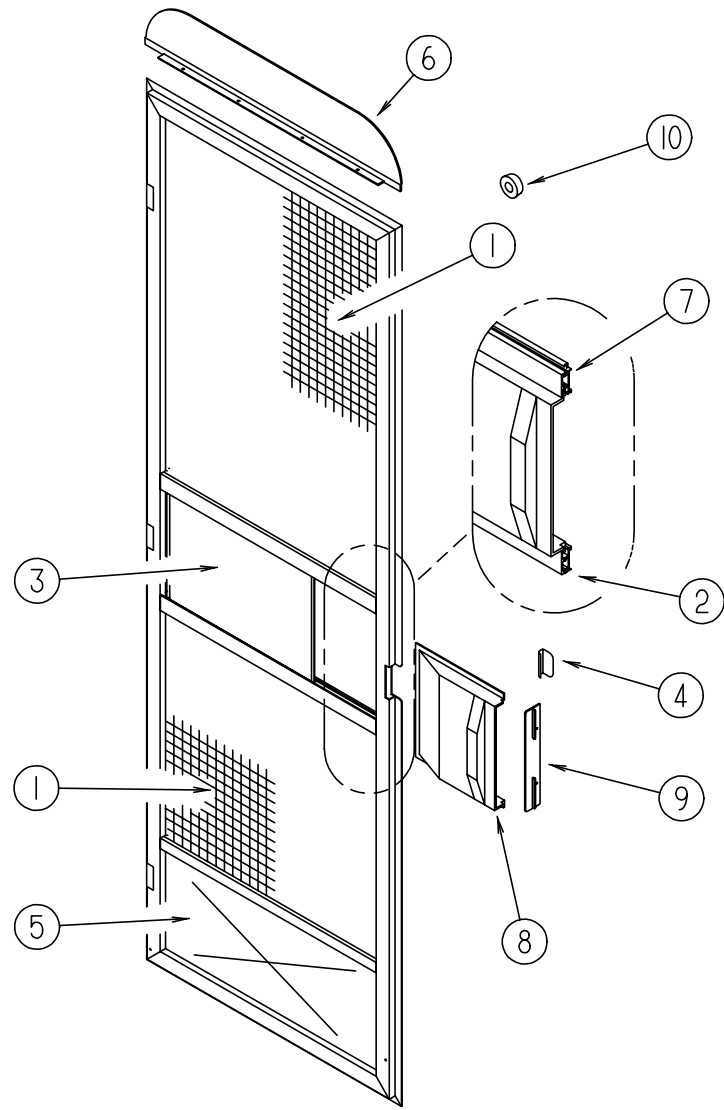
WINDOW, VENT & EXTERIOR DOOR GROUP (CONTINUED)
ENTRANCE DOOR W/O WINDOW



KEY	PART NUMBER	U/M	DESCRIPTION
1	115108-02-H08	EA	DOOR - ENTRY - W/SCREEN DOOR - W/O WINDOW (J35)
1	115108-02-H23	EA	DOOR - ENTRY - W/SCREEN DOOR - W/O WINDOW (J36)
2	121899-01-G04	EA	DOOR - SCREEN - W/O HARDWARE - BRIGHT WHITE
3	041546-07-000	EA	BRACKET - DOOR ANGLE - OFF WHITE
4	044582-44-000	EA	CAP - DRIP - JAMB - BRIGHT WHITE
5	121898-01-01A	EA	GARNISH - RADIUS - ENTRY DOOR
7	077461-05-000	EA	COVER/BRACKET - STRIKE
8	100412-01-000	EA	CATCH - SCREEN DOOR
9	009126-03-000	EA	HANDLE - ASSIST - BLACK TEXTURED
10	076725-02-000	EA	COVER - HINGE - ENTRY DOOR - 6" X 3.2" - OFF WHITE
11	102768-01-000	EA	HOLDER - COMPARTMENT/ENTRY DOOR - METAL - MILL FINISH
12	102248-01-000	EA	SHIM - DOOR
13	079087-03-000	EA	STRIKE - SLIDER - SCREEN DOOR - BRIGHT WHITE
14	038327-01-000	EA	TAPE - ANTI-SLIP - 2" X 60'
15	106719-01-05A	EA	HINGE - ENTRANCE DOOR - BRIGHT WHITE
	106719-01-01A	EA	HINGE - ENTRANCE DOOR - MILL
	039715-01-000	EA	NUT-SERT - 1/4" DIAMETER - 20 THREADS
16	051049-01-000	EA	JAMB - BOTTOM - ENTRY DOOR - 25.9" - UNPAINTED
	075673-05-000	FT	SEAL - PILE - ADHESIVE BACK - BLACK
17	121893-01-01A	EA	FRAME - ENTRY DOOR/BOTTOM - BRIGHT WHITE
18	121894-03-01A	EA	FRAME - ENTRY DOOR
	098173-01-04A	EA	STIFFENER - ENTRY DOOR - SUPPORTS LATCH/STRIKE - UNPAINTED
	098173-01-04A	EA	STIFFENER - ENTRY DOOR - SUPPORTS LATCH/STRIKE - UNPAINTED
19	100128-02-000	FT	SEAL - FOAM - ADHESIVE BACK - .37" WIDE X .37" THICK
20	118929-01-01A	FT	SEAL - PILE - PUSH ON
21	075671-04-000	FT	SEAL - SPONGE - LAZY T - W/ADHESIVE STRIP - .5" WIDE
22	104692-01-000	FT	SEAL - FOAM/ADHESIVE BACK - .75"THICK X .75"WIDE X 25'

KEY	PART NUMBER	U/M	DESCRIPTION
23	101145-01-06A	EA	DEADBOLT - ENTRY DOOR W/O SECURITY BOLT W/2 KEYS - BLACK
	101147-01-000	EA	BOLT - SECURITY - 4.12"
	095229-01-700	EA	KEY-BLANK, DEADBOLT 81205-03
	101145-01-701	EA	CYLINDER-LOCK ASM., W/KEY 81306-03
24	039984-01-000	EA	CAP - ROUND - VINYL - .28" ID X .62" - BLACK
25	036618-02-000	EA	E RING - EXTERNAL - 3/16" SHAFT DIAMETER - LYNOR DOOR LOCK
26	045017-13-000	EA	LATCH - ENTRY DOOR - BLACK TEXTURED
	045017-11-701	EA	KEY-BLANK, F1 SERIES 81312-02
	045017-11-703	EA	CYLINDER-LOCK ASM. W/KEYS 81266-09
27	064075-07-000	FT	SEAL - BULB - W/WIRED U CHANNEL - .3" X .5" CHANNEL - BLK
28	000G54-04-20B	EA	SCREW - 1/4-20 X 1.25 PTH - TYPE 23 - ZINC PLATED
29	039539-01-000	EA	STRIKE - LOCK - ENTRY DOOR - ROUND W/THREADED WASHER
30	039540-01-000	EA	LATCH MECHANISM - HOOK - ENTRY DOOR - INTERIOR
31	040921-01-000	EA	NUT - SPEED - U TYPE - 10-24 BLACK
32	096810-01-01A	EA	PLATE - LATCH - ENTRY DOOR - BLACK
33	039979-06-000	EA	COVER - LATCH PLATE - RIGHT HAND - BLACK TEXTURED
	086285-05-000	EA	SPACER - NYLON - .7" X .56"
	104099-01-04A	EA	CATCH - DOOR HOLDER - STRIKE - BRIGHT WHITE
	104099-02-04A	EA	CATCH - DOOR HOLDER - RETAINER - BRIGHT WHITE
	121676-01-01A	EA	ANGLE - ENTRY DOOR - BRIGHT WHITE
	121676-02-01A	EA	ANGLE - ENTRY DOOR - BRIGHT WHITE
	121676-03-01A	EA	ANGLE - ENTRY DOOR

WINDOW, VENT & EXTERIOR DOOR GROUP (CONTINUED)



SCREEN DOOR COMPONENTS

KEY	PART NUMBER	U/M	DESCRIPTION
	121899-01-G04	EA	DOOR - SCREEN - W/O HARDWARE - BRIGHT WHITE
1	002293-02-000	SF	SCREENING - WINDOW/DOOR - 26" - CHARCOAL
2	002294-01-000	FT	SPLINE - SCREENING - .135" X .138"
3	016454-01-000	EA	INSERT - CENTER - LEATHER GRAIN ALUMINUM - UNPAINTED
	001014-01-013	EA	INSERT - CENTER - 10.25" X 16.31" - UNPAINTED
4	050712-06-000	EA	HANDLE - SCREEN DOOR - BRIGHT WHITE
5	078552-03-000	EA	KICK PANEL - SCREEN DOOR - LOWER INSERT - UNPAINTED
6	078595-01-000	EA	TOP PLATE - SCREEN DOOR - CURVED TOP - 4.7" X 25.35"
7	078777-01-000	EA	CHANNEL - SLIDE - SCREEN DOOR CENTER SLIDER COVER
			FROM: 00-00-00 THRU: 02-22-98
7	078777-08-000	FT	CHANNEL SLIDER
			FROM: 02-23-98 THRU: 99-99-99
8	079086-03-000	EA	SLIDER - SCREEN DOOR - BRIGHT WHITE
9	079087-03-000	EA	STRIKE - SLIDER - SCREEN DOOR - BRIGHT WHITE
10	120863-05-000	EA	BUMPER - RUBBER - 3/4" X 3/8"
			FROM: 00-00-00 THRU: 10-27-97
10	120863-06-000	EA	BUMPER - RUBBER - 3/4" X 3/8"
			FROM: 10-28-97 THRU: 99-99-99

WINDOW, VENT & EXTERIOR DOOR GROUP (CONTINUED)

POWERED ROOF VENTILATOR - US - FANTASTIC

KEY	PART NUMBER	U/M	DESCRIPTION
*	123780-02-01A	EA	VENTILATOR - ROOF/1" - W/O THERMOSTAT/POWER LIFT
			FROM: 00-00-00 THRU: 10-05-97
*	123780-01-01A	EA	VENTILATOR - ROOF/1" - W/O THERMOSTAT/POWER LIFT
			FROM: 10-06-97 THRU: 99-99-99

***COMPONENT PARTS FOUND IN SERVICE PARTS LIBRARY**

VENT

KEY	PART NUMBER	U/M	DESCRIPTION
*	122882-01-01A	EA	VENT - ROOF - NONPOWERED - W/O INSIDE GARNISH
*	122882-02-01A	EA	VENT - ROOF - W/FAN - W/O INSIDE GARNISH - UL
*	122882-03-01A	EA	VENT - ROOF - W/FAN - W/O INSIDE GARNISH - CSA
	122882-07-01A	EA	GARNISH - ROOF VENT - 2.50" TO 4.12"

***COMPONENT PARTS FOUND IN SERVICE PARTS LIBRARY**

VENTS, SHROUDS AND ROOF COVERS

KEY	PART NUMBER	U/M	DESCRIPTION
	084073-07-000	EA	VENT - ROOF/REFRIGERATOR - BRIGHT WHITE - NORCOLD
	084073-04-000	EA	BASE - ROOF VENT/REFRIGERATOR - BLACK - NORCOLD
	084616-07-000	EA	SHROUD - EXHAUST VENT/RANGE HOOD - BRIGHT WHITE
	084878-09-000	EA	VENT - EXHAUST/RANGE HOOD - OFF WHITE
	083558-03-000	EA	VENT - PLUMBING - PIPE ROOF - W/COVER - OFF WHITE