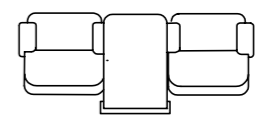
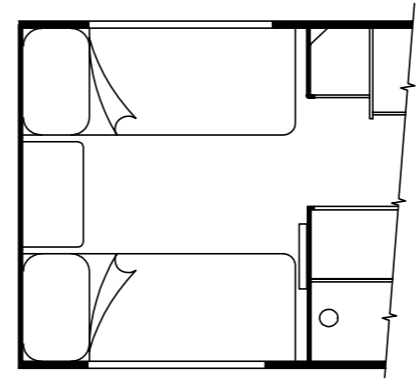
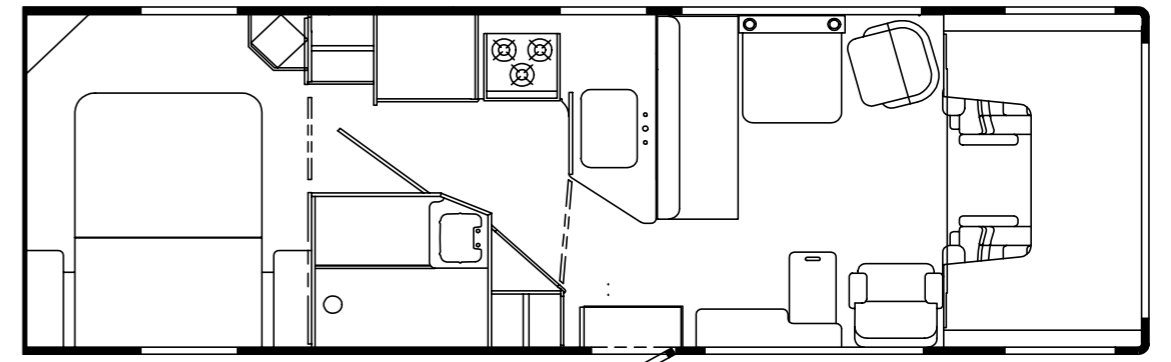
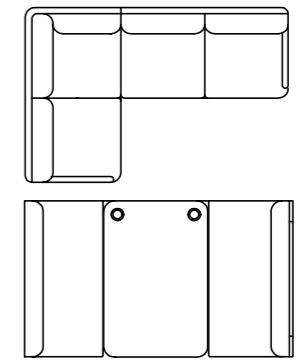


1998
IF429WU DL

J40
OAKLEAF
J41
WILLOW



ACCESSORIES GROUP

OPERATORS MANUAL

KEY	PART NUMBER	U/M	DESCRIPTION
	054185-H7-000	EA	MANUAL - OPERATOR - 98 SUNDANCER 400 SERIES
	092318-01-000	EA	BINDER - 3 RING - MOTOR HOME MANUAL FROM: 00-00-00 THRU: 02-15-98
	092319-01-000	EA	POCKET PAGE - 3 RING BINDER - PLASTIC - (50 PER PKG) FROM: 00-00-00 THRU: 02-15-98
	129079-01-01A	EA	CASE - VINYL/BLACK-EXPANDABLE ACCORDION SIDES-7"WX9"HX14"L FROM: 02-16-98 THRU: 99-99-99
	125441-01-000	DW	TOP LEVEL-C,1998

AUDIO VIDEO GROUP

RADIO SYSTEM & ANTENNA

KEY	PART NUMBER	U/M	DESCRIPTION
	N/A	EA	SPEAKER - 5" X 7" OVAL - FORD F2UF-18814-CD
	111177-01-01A	EA	GRILLE - SPEAKER - 6.6" X 8.9" - HOUSING 5" X 7" SPEAKER
	125322-01-000	EA	RADIO - AM-FM STEREO - CASSETTE - AUDIOVOX FROM: 00-00-00 THRU: 07-06-97
	125322-02-000	EA	RADIO - AM-FM STEREO - CASSETTE - AUDIOVOX FROM: 07-07-97 THRU: 99-99-99
	090944-01-000	EA	ANTENNA - RADIO - 16" RUBBER
	077069-02-000	EA	CABLE - ANTENNA/EXTENSION - RADIO - 96"
	108137-01-000	EA	PLUG - ANTENNA
	108847-01-000	EA	BRACKET - ANTENNA GROUND
	109889-04-000	EA	EXTENDER - ANTENNA SHAFT - 3"
	110469-01-000	EA	SPEAKER - 4" X 6" OVAL - COAXIAL
	110470-01-01A	EA	GRILLE - 4" X 6" OVAL - BLACK

TV & VCR SYSTEMS

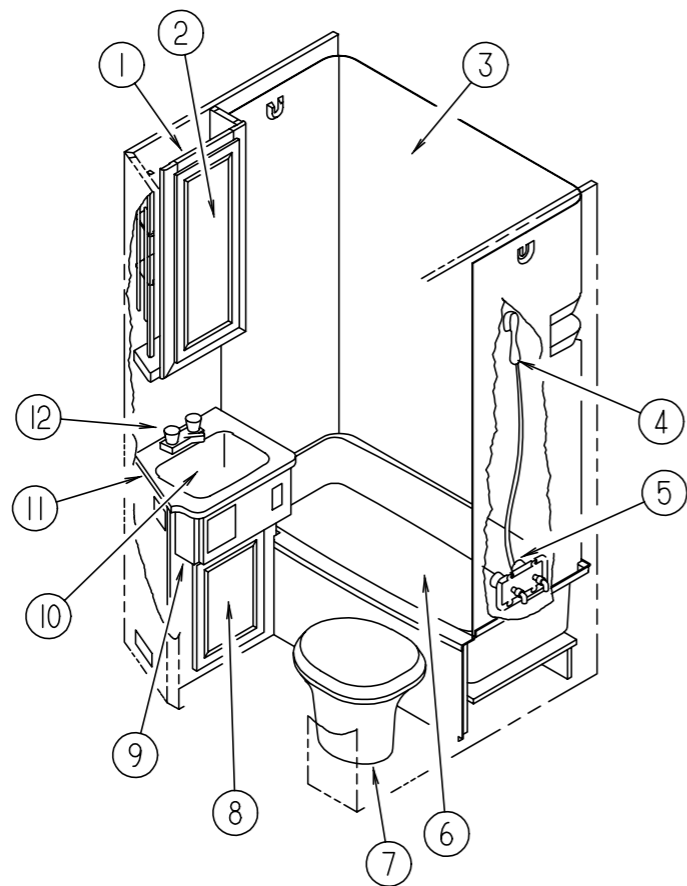
KEY	PART NUMBER	U/M	DESCRIPTION	VENDOR NO.
	086231-08-000	EA	TV - 13" COLOR - DC - AUDIOVOX	
	086231-08-700	EA	REMOTE-UNIVERSAL	8822325
	086231-08-701	EA	ADAPTER - WIRE	0891436
	126696-01-000	EA	TV - 19" COLOR W/1/8" JACK - UL/CSA - GE FROM: 00-00-00 THRU: 04-12-98	
	126696-02-000	EA	TV - 19" COLOR W/1/8" JACK - UL/CSA - GE FROM: 04-13-98 THRU: 99-99-99	
	126696-01-700	EA	REMOTE	226725
	126697-01-000	EA	VCR-VHS - CABLE READY - W/REMOTE - GE FROM: 00-00-00 THRU: 03-22-98	
	126697-01-700	EA	REMOTE - F/VCR	2040R
	126697-02-000	EA	VCR - VHS/CABLE READY - W/REMOTE FROM: 03-23-98 THRU: 99-99-99	
	126697-02-700	EA	REMOTE	238513
	094487-03-000	EA	VIDEO CASSETTE PLAYER W/O REMOTE - AUDIOVOX	
	094487-03-700	EA	WIRE - ADAPTER	0891436
	094487-05-000	EA	VIDEO CASSETTE PLAYER - VERTIC	
	122790-01-02B	EA	BRACKET - VCP - E-COATED FROM: 00-00-00 THRU: 03-11-98	
	122790-02-02B	EA	BRACKET - VCP - E-COATED FROM: 03-12-98 THRU: 99-99-99	
	082134-01-000	EA	ADAPTER - TV - CABLE TO CABLE	
	082136-01-000	EA	NUT - HEX JAM - 3/8 - 32	
	076319-03-000	FT	CABLE - COAXIAL - 75 OHM	
	076319-12-000	EA	CONNECTOR - COAXIAL - ONE PIECE	
	076319-09-000	EA	WALLPLATE - CABLE RECEPTACLE - TV - SINGLE - BROWN	
	076319-08-000	EA	WALLPLATE - CABLE RECEPTACLE - TV - SINGLE - IVORY	
	086777-02-000	EA	WALLPLATE - TV CABLE - W/ANTENNA SWITCH	
	086777-06-000	EA	WALLPLATE - TV CABLE - ANTENNA/1 OUTPUT - BROWN	
	086756-01-000	EA	SPLITTER - TV - 2 WAY	
	086757-03-000	EA	CONTROL CENTER - SWITCH - VCR/TV	
	099717-02-000	EA	STRAP - TV TIE DOWN W/29.9" FEMALE STRAP/14.2" MALE STRAP	
	099717-04-000	EA	STRAP - TIE DOWN W/21.3" FEMALE STRAP & 27.2" MALE STRAP	

TV ANTENNA & SATELLITE DISH

KEY	PART NUMBER	U/M	DESCRIPTION
*	076319-21-000	EA	ANTENNA-TV - ROOF MOUNT - 3" ROOF FROM: 00-00-00 THRU: 12-07-97
*	076319-23-000	EA	ANTENNA-TV - ROOF MOUNT - 44.5" MAST FROM: 12-08-97 THRU: 99-99-99
*	076319-25-000	EA	KIT - HARDWARE INTERIOR
*	120233-01-000	EA	ANTENNA - SATELLITE (DISH & HDW) W/O RECEIVER - MANUAL

*COMPONENT PARTS FOUND IN SERVICE PARTS LIBRARY

BATH GROUP



BATHROOM CABINETS & FIXTURES

KEY	PART NUMBER	U/M	DESCRIPTION	VENDOR NO.
1	114744-01-J40	EA	CABINET - MEDICINE - W/O DOORS/HARDWARE	
	114744-11-J40	EA	SHelf - W/PLASTIC EDGE TRIM	
2	M06803-A4-J40	EA	DOOR - MITERED CORNER/OGEE EDGE - 10" X 29.5" - W/O HDW	
	058331-84-000	EA	MIRROR - SAFETY GLASS - 6.6" X 26.2"	
3	110541-02-01A	EA	SURROUND - SHOWER/TUB - W/MOLDED ROD BRACKETS	
	102075-10-01A	EA	ROD - CURTAIN/SHOWER	
4	103092-01-000	EA	HEAD-SHOWER - W/60" HOSE	
4	103092-02-000	EA	SHOWER HEAD-W/HOSE - ONDINE 23213NYLON B	
	103092-01-700	EA	BRACKET ONLY-CLEAR - F/SHOWER HEAD	2328028
	011048-03-700	EA	BRACKET - F/SHOWER HEAD	2328029-3
	103092-01-702	EA	SEALS-SPRAY HEAD	24466
5	075606-01-000	EA	PANEL - PLASTIC - FAUCET BACK - 5" X 9"	
5	075242-04-000	EA	FAUCET-TUB/SHOWER - BONE	
6	M02630-26-F01	EA	SHOWER PAN	
7*	063740-01-000	EA	TOILET - HIGH/HAND FLUSH - AQUA MAGIC IV	
8	M05992-P6-J40	EA	DOOR - STRAIGHT CORNER/OGEE EDGE - 12.8" X 17.7" - W/O HDW	
9	P18429-01-J40	EA	CABINET - LAVATORY - W/COUNTERTOP - W/O DOORS/DRAWERS/HDW	
9	P18429-01-J41	EA	CABINET - LAVATORY - W/COUNTERTOP - W/O DOORS/DRAWERS/HDW	
10	096927-01-01A	EA	SINK - LAVATORY - RECTANGULAR - PLASTIC/BONE	
	096927-01-700	EA	SINK STOPPER	M9801
	096927-01-701	EA	TAILPIECE-DRAIN-LAVATORY	M9802
11	118429-12-G25	EA	COUNTERTOP - LAVATORY (J40)	
11	118429-12-G05	EA	COUNTERTOP - LAVATORY (J41)	
12	075240-06-000	EA	FAUCET - LAVATORY/BONE	
	091253-01-000	EA	GASKET - FAUCET - LAVATORY/GALLEY	
	085278-01-000	EA	HOLDER - TOILET PAPER - RECESSED - BRASS	
	075453-02-000	EA	BAR - TOWEL - 18" BRASS	
	114496-01-02A	EA	PANEL - SKYLIGHT - OUTER - 22" X 37"	
	122191-01-02A	EA	PANEL - SKYLIGHT - INNER W/LIGHT CUTOUT - 20.7" X 35.4"	

*COMPONENT PARTS FOUND IN SERVICE PARTS LIBRARY

BATH GROUP (CONTINUED)

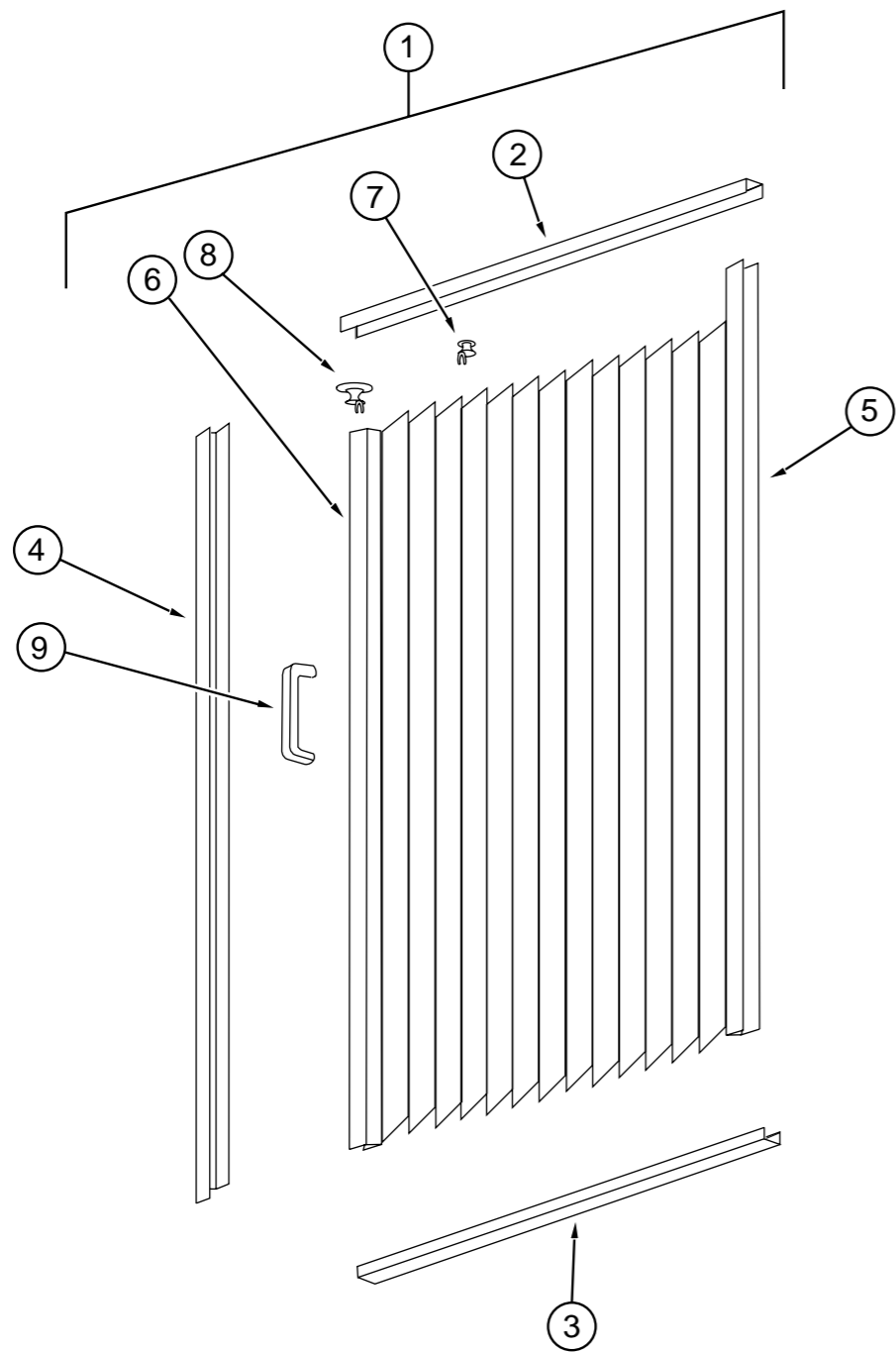
BATH DOOR

KEY	PART NUMBER	U/M	DESCRIPTION
	121449-23-J40	EA	DOOR - BATH - W/O HARDWARE
	110496-01-01A	EA	HINGE - BRASS
	102920-01-01A	EA	HINGE - SPRING LOADED - BRASS
	094485-03-01A	EA	KNOB - BRASS
	121449-12-J70	EA	RACK - TOWEL - BATH DOOR
	100357-01-000	EA	ROD - F/TOWEL BAR - BRASS
	105394-01-07A	EA	JAMB - DOOR/MOLDED PLASTIC - WASHED MAPLE - 7'

EXTERIOR SHOWER PARTS

KEY	PART NUMBER	U/M	DESCRIPTION	VENDOR NO.
	093527-02-000	EA	BRACKET - EXTERIOR SHOWER HEAD/SQUEEGEE	
	091952-02-000	EA	CLIP - GRIPPER - 3/4"	
	075241-05-000	EA	FAUCET/SHOWER - BONE 3/4" MPT X 1.4" LONG INLET PIPES	
	103092-01-000	EA	SHOWER HEAD - W/60" HOSE - WHITE	
	103092-02-000	EA	SHOWER HEAD - W/60" HOSE - CSA	
	103092-01-700	EA	BRACKET-F/SHOWER HEAD, CLEAR	2328028
	103092-01-702	EA	SEALS-SPRAY HEAD	24466
	011048-03-700	EA	BRACKET - F/SHOWER HEAD	2328029-I

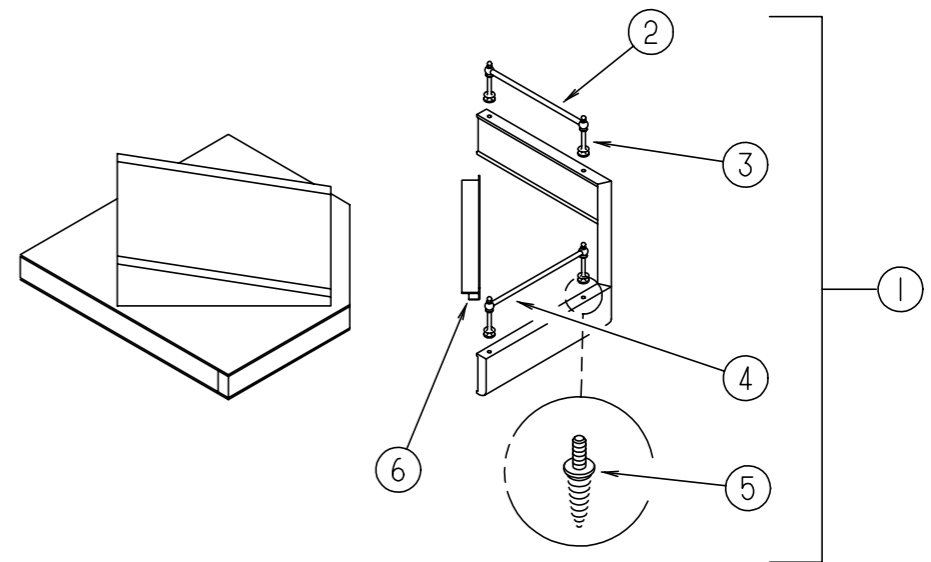
BATH GROUP (CONTINUED)



SHOWER DOOR - COASTAL

KEY	PART NUMBER	U/M	DESCRIPTION
1	117431-05-01A	EA	DOOR - SHOWER - PLEATED FABRIC
2	117431-01-700	EA	TRACK - TOP, ALUM. IVORY INSERT - 48"
3	117431-01-701	EA	TRACK - BOTTOM, 40 "
4	117431-01-702	EA	RAIL - SIDE, 67"
5	117431-01-703	EA	RAIL - STATIONARY, 67"
6	117431-01-704	EA	RAIL-LEAD, 67" - W/LATCH
7	117431-01-705	EA	GLIDE - IVORY, TRAVELER
8	117431-01-706	EA	GLIDE - IVORY LEAD, TRAVELER
	117431-01-707	EA	LATCHING PIN - PLASTIC
9	117431-01-708	EA	HANDLES & SCREWS
	117431-05-700	EA	STRAP-VINYL SHOWER

BEDROOM GROUP



TV SHELF - BEDROOM

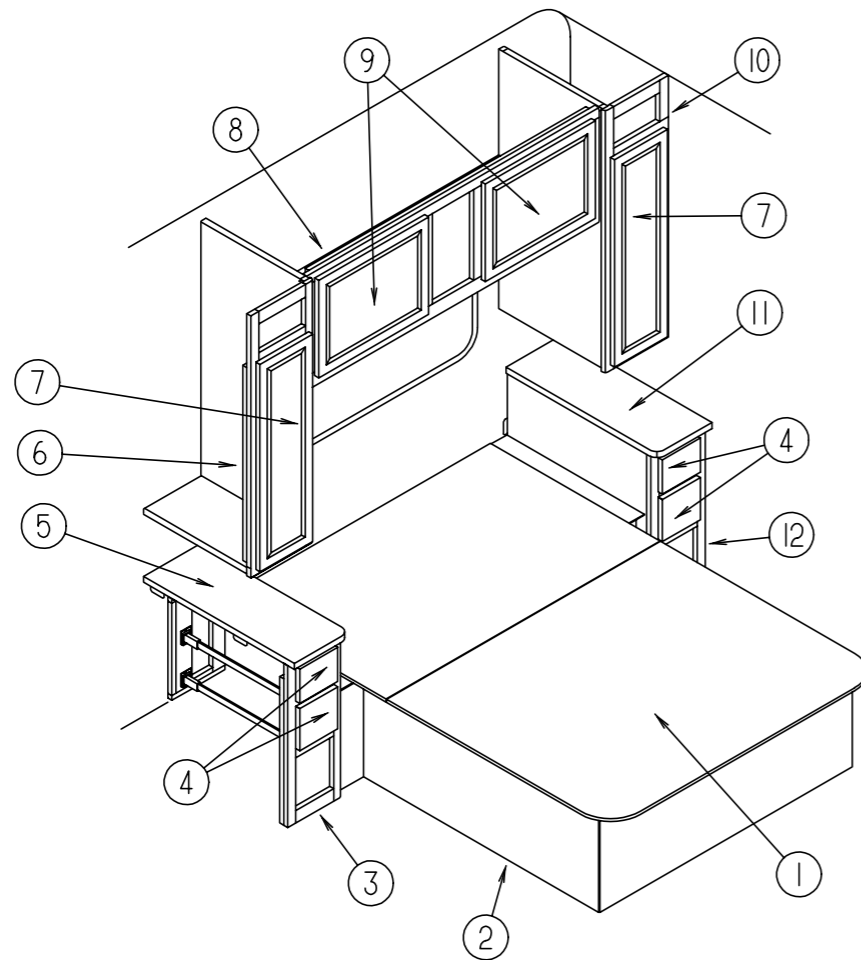
KEY	PART NUMBER	U/M	DESCRIPTION
1	116553-01-J40	EA	CABINET - TV SHELF - W/BRASS RODS/POST ENDS
2	084071-12-000	EA	ROD - BRASS - 4.08" LONG
3	084070-03-000	EA	POST - END - 2.4" - SHINY BRASS
4	084071-19-000	EA	ROD - BRASS - 7.09" LONG
5	106166-01-000	EA	BOLT/COLLARED HANGER - 8-32 X 1"
6	103186-01-08A	FT	MOLDING - PLASTIC/3/8" U-CHANNEL W/3/4" FACE- WASHED MAPLE

FOLDING DOOR & HARDWARE

KEY	PART NUMBER	U/M	DESCRIPTION	VENDOR NO.
	042488-10-000	EA	DOOR - FOLDING - OFF WHITE FABRIC - 37" X 75"	
	042488-10-700	EA	LEADRAIL-PREPUNCHED F/HANDLE	DW2100
	080224-01-700	EA	HANDLE W/LATCH-CATCH, BROWN	DE03505
	080224-01-705	EA	LATCH & CATCH ASM., ALMOND	DE25010 & DE25020
	094856-06-02A	EA	TRACK - FOLDING DOOR - 37.6"	

BEDROOM GROUP (CONTINUED)

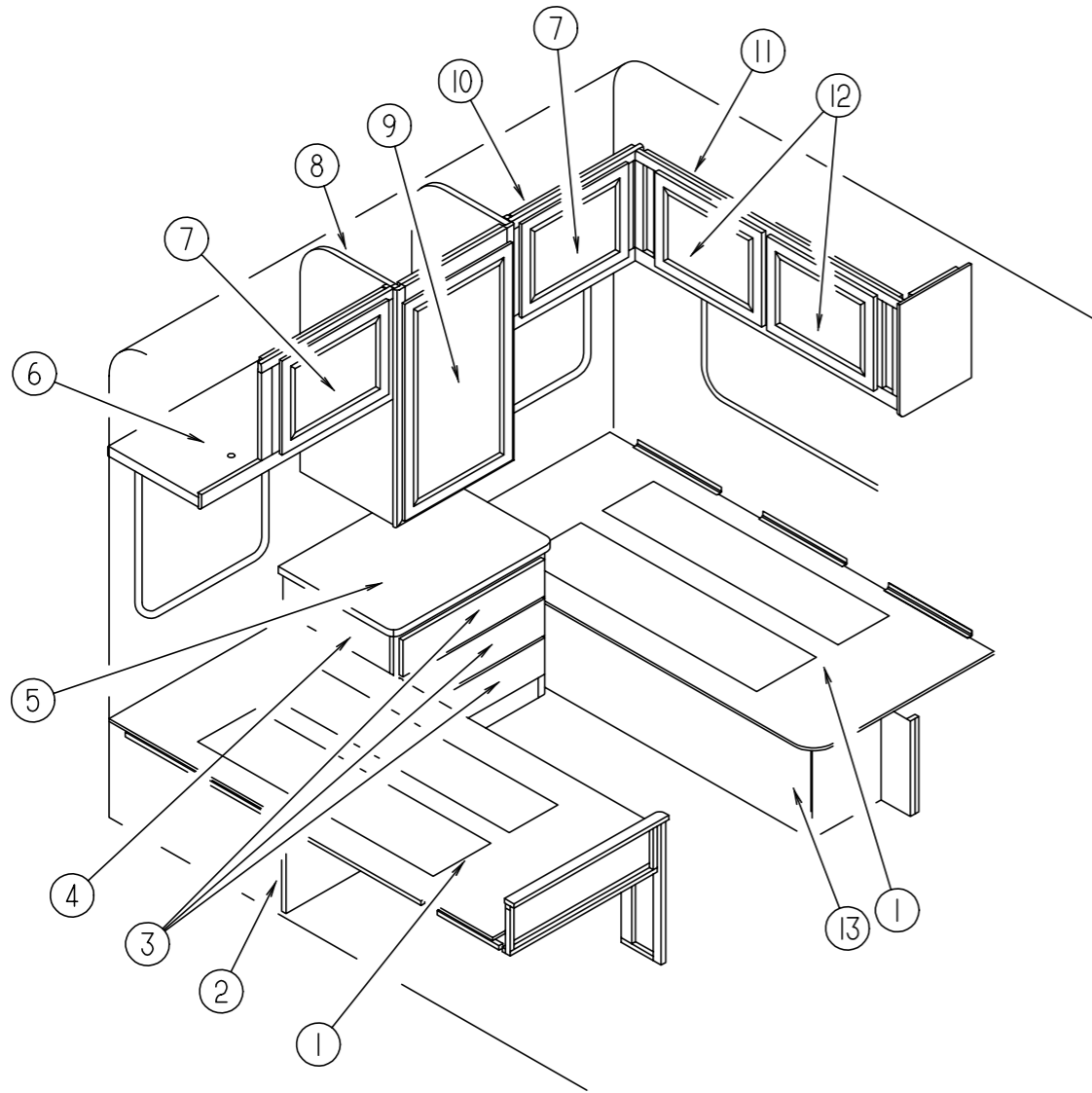
CENTER QUEEN BEDROOM



KEY	PART NUMBER	U/M	DESCRIPTION
1	M07550-01-G04	EA	TOP - QUEEN BED - W/O HARDWARE
	096764-02-000	FT	SLIPNOT - ANTISLIP - 1' WIDE (100' ROLLS)
	107796-05-000	EA	BRACKET - SUPPORT - GAS SPRING TO BED - FLAT (LOWER) FROM: 00-00-00 THRU: 06-03-97
	126263-08-02B	EA	BRACKET - GAS SPRING - LOWER - E-COATED FROM: 06-04-97 THRU: 99-99-99
	107796-07-000	EA	BRACKET - SUPPORT - GAS SPRING TO BED - ANGLE(UPPER) FROM: 00-00-00 THRU: 06-03-97
	126263-06-02B	EA	BRACKET - GAS SPRING - E-COATED FROM: 06-04-97 THRU: 99-99-99
	107796-06-000	EA	SPRING/GAS - 12" COMPRESSED/20" EXTENDED - 120 LB. FROM: 00-00-00 THRU: 04-05-98
	107796-26-000	EA	SPRING/GAS - 12" COMPRESSED/20" EXTENDED - 90 LB. FROM: 04-06-98 THRU: 99-99-99
2	P18430-03-J40	EA	CABINET - BASE - QUEEN BED - W/O DOORS/DRAWERS/HARDWARE
3	P18440-01-J40	EA	CABINET - NIGHTSTAND/Front - W/CTRTP - W/O DOORS/DWRS/HDW
3	P18440-01-J41	EA	CABINET - NIGHTSTAND/Front - W/CTRTP - W/O DOORS/DWRS/HDW
4	M05970-J6-J40	EA	DRAWER - RADIUS EDGE - 6.0"W X 17.7"D-W/O SLIDES/HARDWARE
5	118440-11-G25	EA	COUNTERTOP - NIGHTSTAND (J40)
5	118440-11-G05	EA	COUNTERTOP - NIGHTSTAND (J41)
6	P14697-01-J40	EA	CABINET - SHIRT CLOSET/LEFT HAND - W/O DOORS/DRAWERS/HDW
	042438-01-000	EA	DOWEL - WOOD - CLOTHES ROD - 1" DIAMETER X 4'
	009112-01-000	EA	FLANGE - PLASTIC - 1" CLOTHES ROD - OFF WHITE
7	M05992-01-J40	EA	DOOR - STRAIGHT CORNER/OGEE EDGE - 9.8" X 33.4" - W/O HDW
8	123255-01-J40	EA	CABINET - OVERHEAD REAR - W/O DOORS/HARDWARE
9	M05992-48-J40	EA	DOOR - STRAIGHT CORNER/OGEE EDGE - 15.7" X 27.9" - W/O HDW
10	114608-01-J40	EA	CABINET - SHIRT CLOSET/RIGHT HAND - W/O DOORS/DRAWERS/HDW
11	118439-11-G25	EA	COUNTERTOP - NIGHTSTAND (J40)
11	118439-11-G05	EA	COUNTERTOP - NIGHTSTAND (J41)
12	P18439-01-J40	EA	CABINET - NIGHTSTAND/REAR - W/CTRTP - W/O DOORS/DWRS/HDW
12	P18439-01-J41	EA	CABINET - NIGHTSTAND/REAR - W/CTRTP - W/O DOORS/DWRS/HDW
	119617-01-J40	EA	CABINET - CORNER - W/O DOORS/DRAWERS/HARDWARE
	119617-01-J41	EA	CABINET - CORNER - W/O DOORS/DRAWERS/HARDWARE
	119617-11-G25	EA	COUNTERTOP - CORNER CABINET (J40)
	119617-11-G05	EA	COUNTERTOP - CORNER CABINET (J41)
	119617-13-J40	EA	SHELF - W/EDGE MOLDING
	M05992-H1-J40	EA	DOOR - STRAIGHT CORNER/OGEE EDGE - 10" X 25.2" - W/O HDW (RIGHT)
	M05992-H0-J40	EA	DOOR - STRAIGHT CORNER/OGEE EDGE - 10" X 25.2" - W/O HDW (LEFT)

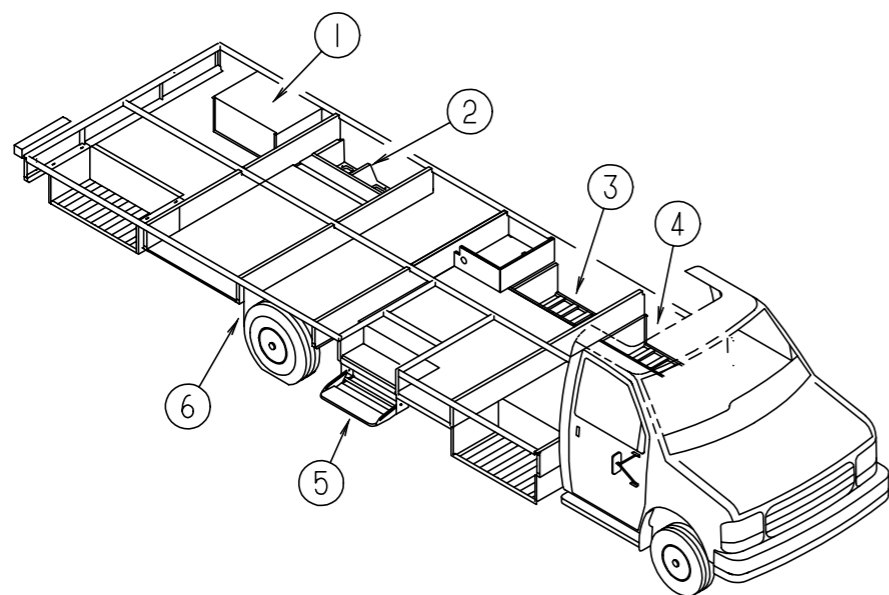
BEDROOM GROUP (CONTINUED)

TWIN BEDROOM



KEY	PART NUMBER	U/M	DESCRIPTION
1	096764-02-000	FT	SLIPNOT-ANTISLIP, 1' WIDE (100' ROLLS)
	107796-05-000	EA	BRACKET - SUPPORT - GAS SPRING TO BED - FLAT (LOWER) FROM: 00-00-00 THRU: 06-03-97
	126263-08-02B	EA	BRACKET - GAS SPRING - LOWER - E-COATED FROM: 06-04-97 THRU: 99-99-99
	107796-07-000	EA	BRACKET - SUPPORT - GAS SPRING TO BED - ANGLE(UPPER) FROM: 00-00-00 THRU: 06-03-97
	126263-06-02B	EA	BRACKET - GAS SPRING - E-COATED FROM: 06-04-97 THRU: 99-99-99
	107796-06-000	EA	SPRING/GAS - 12" COMPRESSED/20" EXTENDED - 120 LB.
	105376-01-02A	EA	HINGE - CONTINUOUS - 2" X 5.5" - OFF WHITE
2	P18432-01-J40	EA	CABINET - BASE - TWIN BED/RIGHT HAND-W/O DOORS/DRAWERS/HDW
3	M05971-K4-J40	EA	DRAWER - OGEE EDGE - 14.9"W X 17.7"D-W/O SLIDES/HARDWARE
4	115319-01-J40	EA	CABINET - NIGHTSTAND/REAR - W/COUNTERTOP-W/O DRS/DWRS/HDW
4	115319-01-J41	EA	CABINET - NIGHTSTAND/REAR - W/COUNTERTOP-W/O DRS/DWRS/HDW
5	115319-11-G25	EA	COUNTERTOP - NIGHTSTAND (J40)
5	115319-11-G05	EA	COUNTERTOP - NIGHTSTAND (J41)
6	110004-03-J40	EA	CABINET - OVERHEAD/REAR - RIGHT HAND TWIN - W/O DRS/HDW
7	M05992-41-J40	EA	DOOR - STRAIGHT CORNER/OGEE EDGE - 15.7" X 20.4" - W/O HDW
8	123051-01-J40	EA	CABINET - SHIRT CLOSET/RIGHT REAR - W/O DOORS/DRAWERS/HDW
	042438-01-000	EA	DOWEL-WOOD - CLOTHES ROD - 1" DIAMETER X 4'
	009112-01-000	EA	FLANGE-1" ROD - CLOTHES - PLASTIC - OFF WHITE
9	M06803-CJ-J40	EA	DOOR - MITERED CORNER/OGEE EDGE - 20.6" X 32.4" - W/O HDW
10	110004-04-J40	EA	CABINET - OVERHEAD/REAR - LEFT HAND - W/O DOORS/HARDWARE
11	118427-01-J40	EA	CABINET - OVERHEAD/REAR - LEFT HAND - W/O DOORS/HARDWARE
	109908-09-J40	EA	END CAP - OVERHEAD CABINET
	118427-02-J40	EA	CABINET - OVERHEAD/REAR - RIGHT HAND - W/O DOORS/HARDWARE
	109908-08-J40	EA	END CAP - OVERHEAD CABINET
12	M05992-48-J40	EA	DOOR - STRAIGHT CORNER/OGEE EDGE - 15.7" X 27.9" - W/O HDW
13	P18433-01-J40	EA	CABINET - BASE - TWIN BED/LEFT HAND - W/O DOORS/DWRS/HDW
	084357-01-J40	EA	TV STAND
	084356-07-000	EA	INSERT-TV STAND - METAL - OFF WHITE
	084412-01-000	EA	SUPPORT HINGE KIT (LEFT & RIGHT HINGES)
	084413-01-000	EA	HINGE-CONTINUOUS - ALUMINUM - 1" X 72" - W/HOLES
	084451-01-000	EA	CATCH-TV SHELF - BRASS
	058331-10-000	EA	MIRROR - SAFETY GLASS - 14" X 17"

CHASSIS GROUP

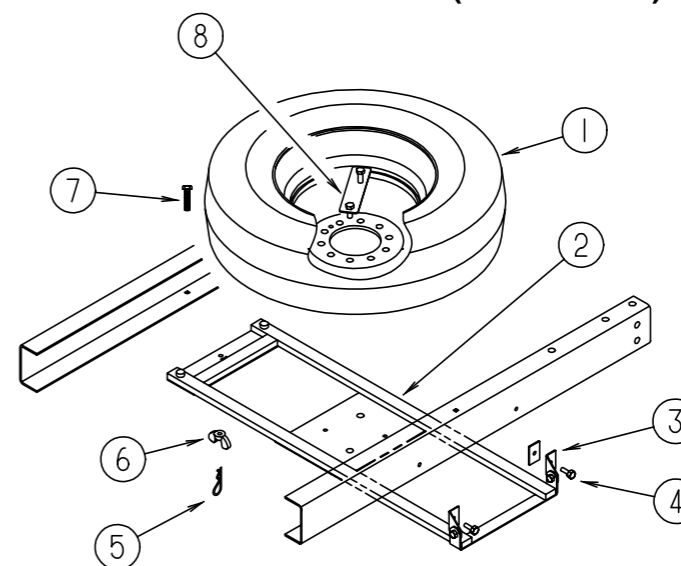


COMPARTMENTS, PLUGS & SEALS

KEY	PART NUMBER	U/M	DESCRIPTION
1	114070-02-02B	EA	SUPPORT - GENERATOR - LEFT
			FROM: 00-00-00 THRU: 08-22-97
1	114071-02-02B	EA	SUPPORT - GENERATOR - RIGHT
			FROM: 00-00-00 THRU: 08-22-97
1	118248-02-02B	EA	BRACKET - GENERATOR - W/NOTCH - E-COATED
1	118248-01-02B	EA	BRACKET - GENERATOR - W/O NOTCH - E-COATED
2	117926-02-01A	EA	COMPARTMENT - STORAGE
2	116926-02-01A	EA	COMPARTMENT - SEWER & 110V POWER CORD
2	M06991-02-FQ0	EA	HATCH - W/FOAM INSULATION (110 POWER)
2	M06991-04-FB1	EA	HATCH - W/FOAM INSULATION (WATER OR SEWER)
2	121175-01-01A	EA	LATCH - SWELL - BLACK
3	117928-01-01A	EA	COMPARTMENT - STORAGE
4	117928-06-01A	EA	COMPARTMENT - STORAGE - 23.4" X 42.4"
5*	094707-01-01A	EA	STEP - DOUBLE - ELECTRIC - KWIKEE
	091176-01-000	EA	SUPPORT - BASE - ENTRANCE STEP
	116995-01-000	EA	SWITCH/MAGNET - ELECTRIC STEP
6	017516-01-000	EA	MUD FLAP - 14" X 18" - BLACK
	084993-01-000	EA	STRAP - BATTERY - 43.2" LONG
	084993-02-000	EA	STRAP - BATTERY - 55" LONG
	065450-05-000	EA	TIEDOWN - BATTERY - 8.4" TUBE
	112864-01-000	FT	SEAL - FOAM/BUTYL COVERED - 3/8"
	119845-01-01A	EA	PLUG - PLASTIC - BLACK
	121948-01-000	EA	SHIELD - SIGHT
	056746-01-000	EA	PLUG - CAP - 1" DIAMETER
			FROM: 00-00-00 THRU: 06-01-97
	056748-01-000	EA	PLUG - CAP - 1.5" DIAMETER
			FROM: 00-00-00 THRU: 06-01-97
	061420-09-000	EA	PLUG/PLASTIC - 1.00" - DIAMETER
			FROM: 06-02-97 THRU: 99-99-99
	061420-10-000	EA	PLUG/PLASTIC - 1.50" DIAMETER - BLACK
			FROM: 06-02-97 THRU: 99-99-99

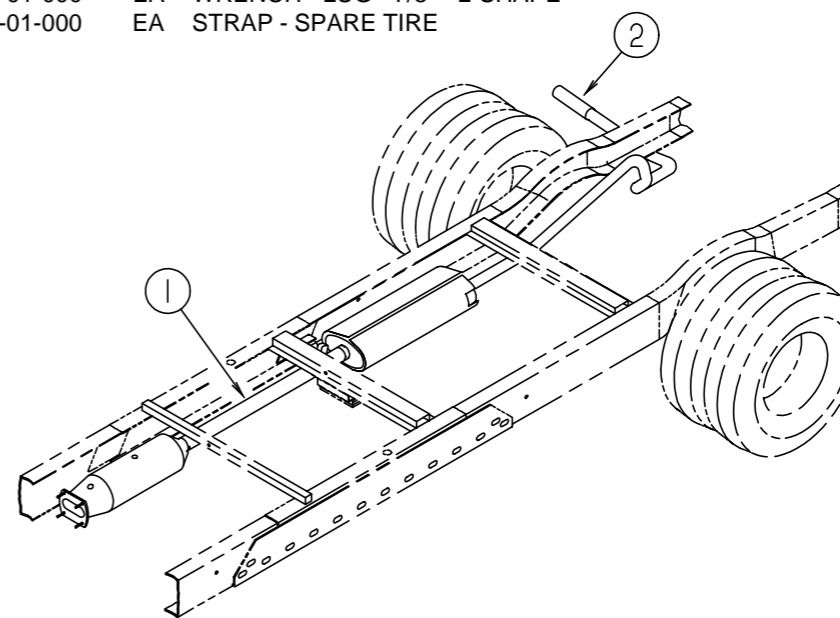
*COMPONENT PARTS FOUND IN SERVICE PARTS LIBRARY

CHASSIS GROUP (CONTINUED)



SPARE TIRE

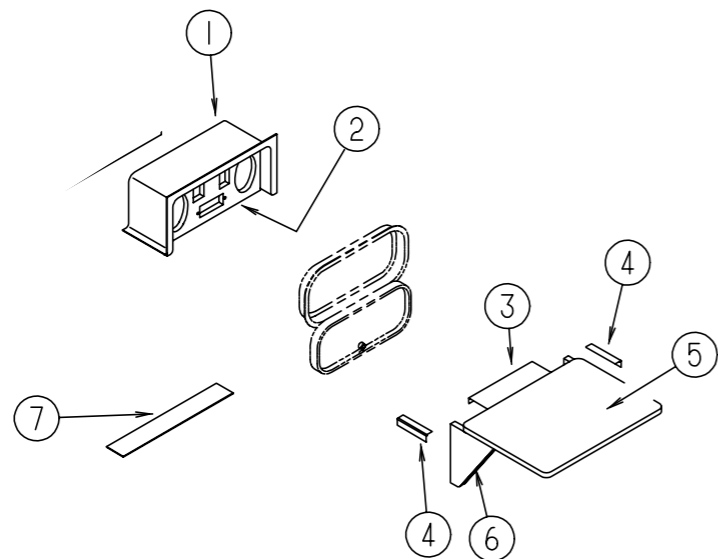
KEY	PART NUMBER	U/M	DESCRIPTION
1	070917-06-000	EA	TIRE - LT225/75R16E - R4S - M/S
1	083617-03-000	EA	WHEEL - STEEL - 16.0 X 6
	051377-04-000	EA	VALVE STEM - .5" X 2"
2	116348-01-02B	EA	CRADLE - SPARE TIRE - E-COATED
3	116349-01-02B	EA	BRACKET/HINGE - SPARE TIRE - E-COATED
4	000C26-06-12B	EA	BOLT-HEX-SER FLANGE - 3/8-16 X 3/4 - ZINC
4	000E13-17-00B	EA	WASHER-FLANGE - 3/8" AR ZINC
4	000D34-06-00B	EA	NUT-HEX, LK - 3/8 - 16 GRADE C ZN - PREVAILING TORQUE
5	034513-01-000	EA	PIN-HITCH - 3/16" WIRE
6	064081-03-000	EA	NUT-WING
7	000C18-06-56A	EA	BOLT - ELEVATOR - 3/8-16 X 3 1/2 - GRADE 5
8	116338-02-02B	EA	BRACKET/CLAMP - SPARE TIRE - E-COATED
8	000D29-09-00B	EA	NUT - HEX - SELF LOCKING - 9/16-12 ZINC
	112358-01-000	EA	WRENCH - LUG - 7/8" - L-SHAPE
	115580-01-000	EA	STRAP - SPARE TIRE



EXHAUST SYSTEM COMPONENTS

KEY	PART NUMBER	U/M	DESCRIPTION
1	111478-02-000	EA	EXHAUST PIPE - DOUBLE WALL STAINLESS STEEL - 33.9" LONG - GAS
	094918-06-000	EA	CLAMP - EXHAUST - 3" - HEAVY DUTY - GAS
1	098762-13-000	EA	PIPE - EXHAUST - STRAIGHT - 3.5" - DIESEL
	094918-02-000	EA	CLAMP - EXHAUST - 3.5" - DIESEL
2	098762-18-000	EA	PIPE - EXHAUST - STRAIGHT - 3"

CHASSIS GROUP (CONTINUED)



ENTERTAINMENT COMPARTMENT

KEY	PART NUMBER	U/M	DESCRIPTION
1	104897-02-02A	EA	BOX - EXTERIOR ENTERTAINMENT CENTER
2	104899-01-C05	EA	PLATE - RADIO MOUNTING
3	105377-01-04A	EA	BRACKET - TABLE HANGER
4	105376-01-03A	EA	HINGE - CONTINUOUS - 2" X 5.5"
5	105230-11-J01	EA	SHELF - EXTERIOR ENTERTAINMENT CENTER - W/O HARDWARE
6	105230-13-J01	EA	SUPPORT - EXTERIOR SHELF
7	104898-01-02A	EA	PLATE - PLASTIC BOTTOM
	127409-01-J01	EA	PLATE - RADIO MOUNTING

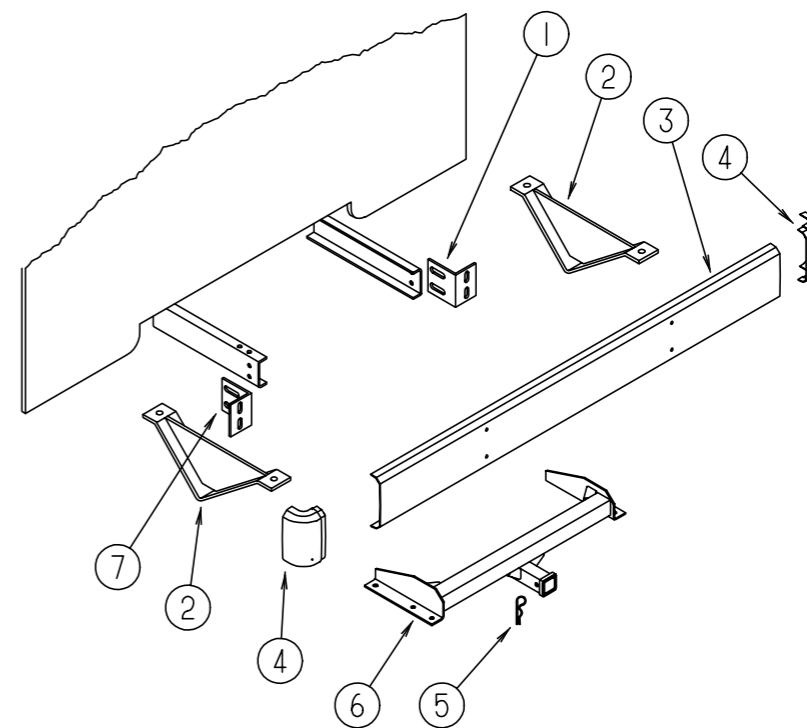
DRIVESHAFT & BRAKE LINE FLARE UNION

KEY	PART NUMBER	U/M	DESCRIPTION
	103653-16-000	EA	DRIVESHAFT - BALANCED PAIR - 190" WB - GAS ENGINE
	074833-01-000	EA	SPACER - BEARING - DRIVESHAFT - 2" X 8" X .5" THICK
	085771-03-000	EA	NUT - HEX - FLARE TORQUE - GRADE G - DRIVESHAFT
	088498-01-000	EA	UNION - INVERTED FLARE - BRASS - 3/16 BRAKE LINE

WHEEL COVERS

KEY	PART NUMBER	U/M	DESCRIPTION	VENDOR NO.
	110435-02-000	EA	LINER/WHEEL - SET OF 4	
	110435-01-711	EA	DECAL-CENTER CAP, 2"	FROM: 00-00-00 THRU: 10-08-97
	110435-02-700	EA	LINER-WHEEL,FRONT	2" DECAL
	110435-02-701	EA	LINER-WHEEL,REAR	V160F2-FWC
	110435-02-702	EA	STUD EXTENDER	V160F2-RWC
	110435-02-703	EA	NUT (JAMB)	V160SD-STX
	110435-02-704	EA	COVER-LUG NUT	V160SD-JNT
	110435-02-705	EA	TOOL F/ JAMB NUT, INSTALL.	V160F0-LNC
	110435-13-000	EA	LINER - WHEEL - SET OF 4	V160FO-TOL
	110435-10-705	EA	TOOL - INSTALLATION	FROM: 10-09-97 THRU: 99-99-99
	110435-13-700	EA	WHEEL COVER - FRONT	V195P7-TOL
	110435-13-701	EA	WHEEL COVER - REAR	V160F7-FWC
	110435-13-702	EA	COVER - LUG NUT/JAMB NUT	V160F7-RWC
	095012-05-000	EA	EXTENSION - VALVE STEM - LIVE 5"	V160F7-EJN
	095012-06-000	EA	STABILIZER - VALVE - EXTENSION - L	

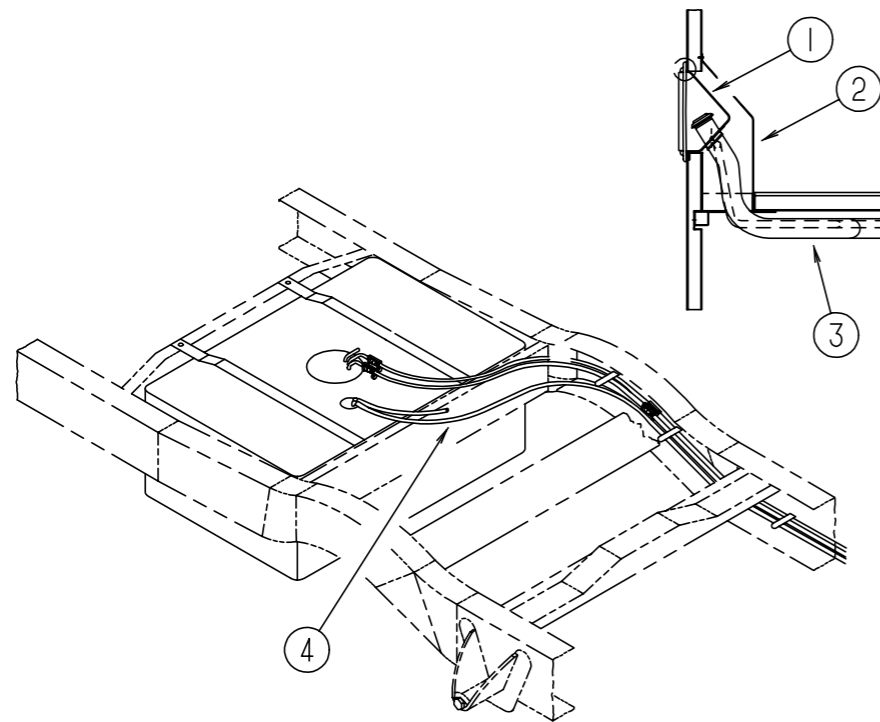
CHASSIS GROUP (CONTINUED)



REAR BUMPER & HITCH

KEY	PART NUMBER	U/M	DESCRIPTION
1	105933-01-000	EA	BRACKET - BUMPER - REAR/RIGHT HAND
2	083376-01-000	EA	PLATE/SKID - 13.2" X 6" X 2" STEEL
3	103099-05-02A	EA	BUMPER - REAR - BRIGHT WHITE
4	106147-01-02A	EA	END CAP - BUMPER - BLACK
5	034513-01-000	EA	PIN - HITCH - 3/16" WIRE
6	107707-08-000	EA	HITCH RECEIVER - BOLT-ON CLASS II
7	105933-02-000	EA	BRACKET - BUMPER - REAR/LEFT HAND
	097744-02-000	EA	HOUSING - TRAILER PIN - 48"
	113634-01-000	EA	WIRE ASSEMBLY - TRAILER ADAPTER
	113589-02-000	EA	CONNECTOR - SOCKET - TRAILER
	113589-01-000	EA	CONNECTOR - PLUG - TRAILER
	113588-02-01B	EA	BRACKET - CONNECTOR - TRAILER W/O LIP
	070579-09-000	EA	PLATE - ANCHOR
	000C26-08-24B	EA	BOLT - HEX - SERRATED FLANGE - 1/2-13 X 1.5 ZINC
	000E13-21-00B	EA	WASHER - FLAT - W/2 NAR - ZINC
	094362-02-000	EA	CLIP - XMAS TREE - BINDER HEAD - .9" LONG

CHASSIS GROUP (CONTINUED)



FUEL SYSTEM COMPONENTS

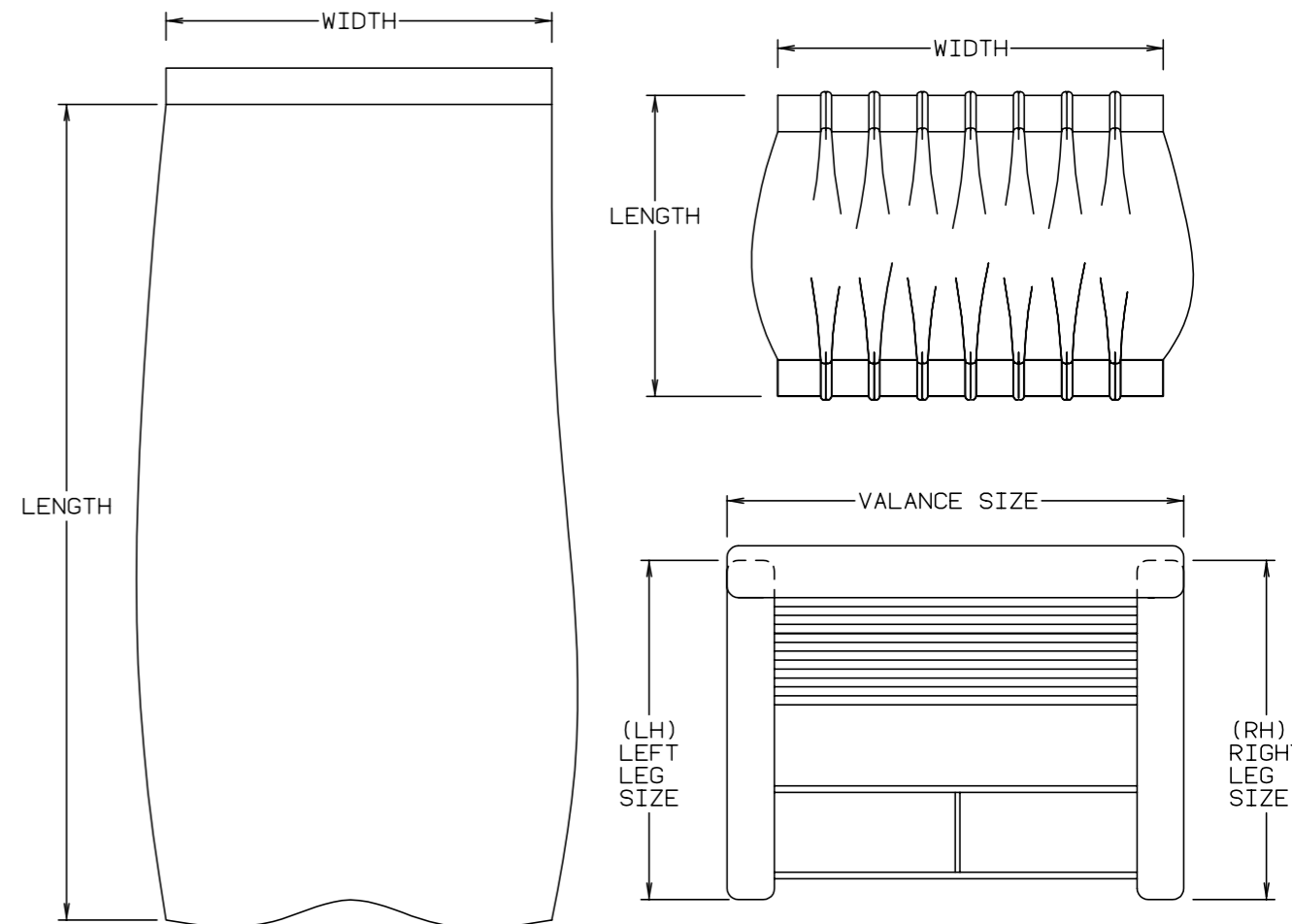
KEY	PART NUMBER	U/M	DESCRIPTION
1	095854-01-04A	EA	SHROUD - FUEL FILL - BRIGHT WHITE
2	078040-06-000	EA	SHROUD - FUEL FILL - UPPER
3	124994-01-000	EA	NECK - FILLER - FUEL FILL
3	117934-02-000	EA	NECK - FILLER - FUEL FILL - DIESEL
	078200-01-000	EA	GASKET - FUEL FILL - 3.5" OD X 2" ID
4	125187-01-000	FT	HOSE - FUEL - LOW PERM - 11.1" ID
4	125187-02-000	FT	HOSE - FUEL - LOW PERM - 12.7" ID
	007063-01-000	FT	HOSE - FUEL - 1/4" ID X 1/2" OD
	044317-01-000	FT	HOSE - FUEL - 3/8" ID
	084884-01-000	EA	PLUG - BRASS - 3/8"

CURTAIN & CUSHION GROUP

NOTICE

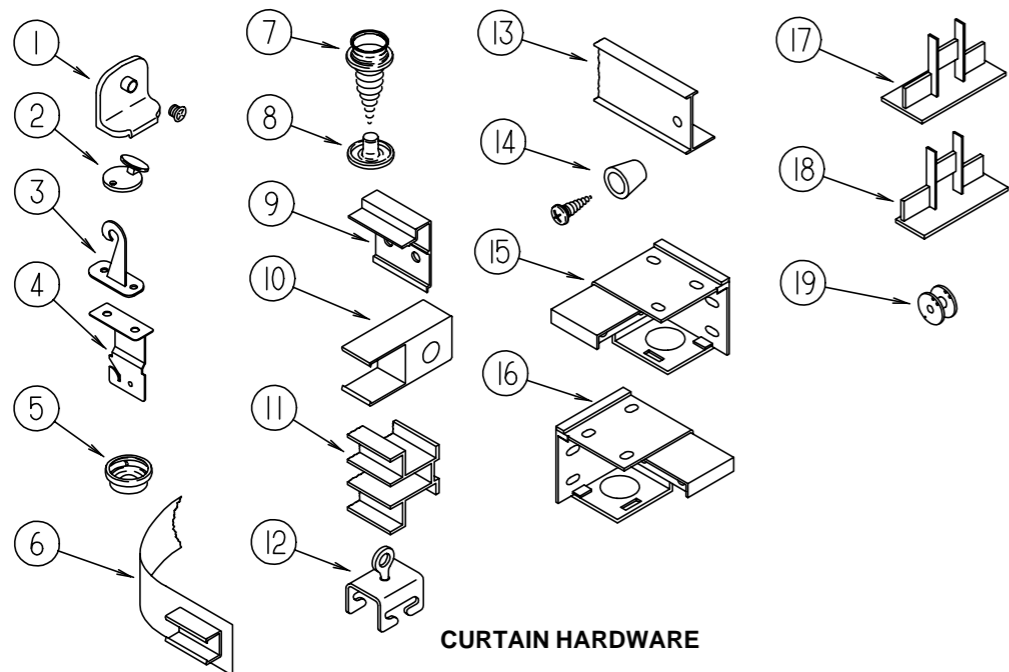
IN ORDER TO ASSIST OUR PARTS SALES DEPT. IN PROVIDING INTERIOR SOFTWARE ITEMS, PLEASE INCLUDE THE SERIAL NUMBER AND THE COLOR CODE NUMBER FROM THE VEHICLE CERTIFICATION LABEL WHEN ORDERING. THIS LABEL IS LOCATED ON THE LEFT SIDEWALL AT THE END OF THE DASH (A-BODY), OR ON THE DRIVER'S DOOR LATCH PLATE (C-BODY).

AN EXAMPLE OF A COLOR CODE NUMBER IS B07, WHICH DESIGNATES AN OVERALL COLOR SCHEME OF A PARTICULAR UNIT. THE COLOR LISTED AFTER THE ITEM DESCRIPTION ON THE MICROFICHE, INDICATES THE OVERALL UNIT COLOR. ORDER THE ITEM YOU DESIRE ACCORDING TO UNIT COLOR CODE.



NOTE: USE THIS ILLUSTRATION WHEN DETERMINING LENGTH AND WIDTH MEASUREMENTS FOR CURTAINS. YOU WILL NOTE THE WIDTH MEASUREMENT IS TAKEN ON THE TOP OF THE CURTAIN WITH THE CURTAIN FULLY EXTENDED. THE LENGTH MEASUREMENT IS TAKEN FROM TOP TO BOTTOM. LEFT AND RIGHT WINDOW LEGS ARE DETERMINED WHEN FACING THE WINDOW.

CURTAIN & CUSHION GROUP (CONTINUED)



CURTAIN HARDWARE

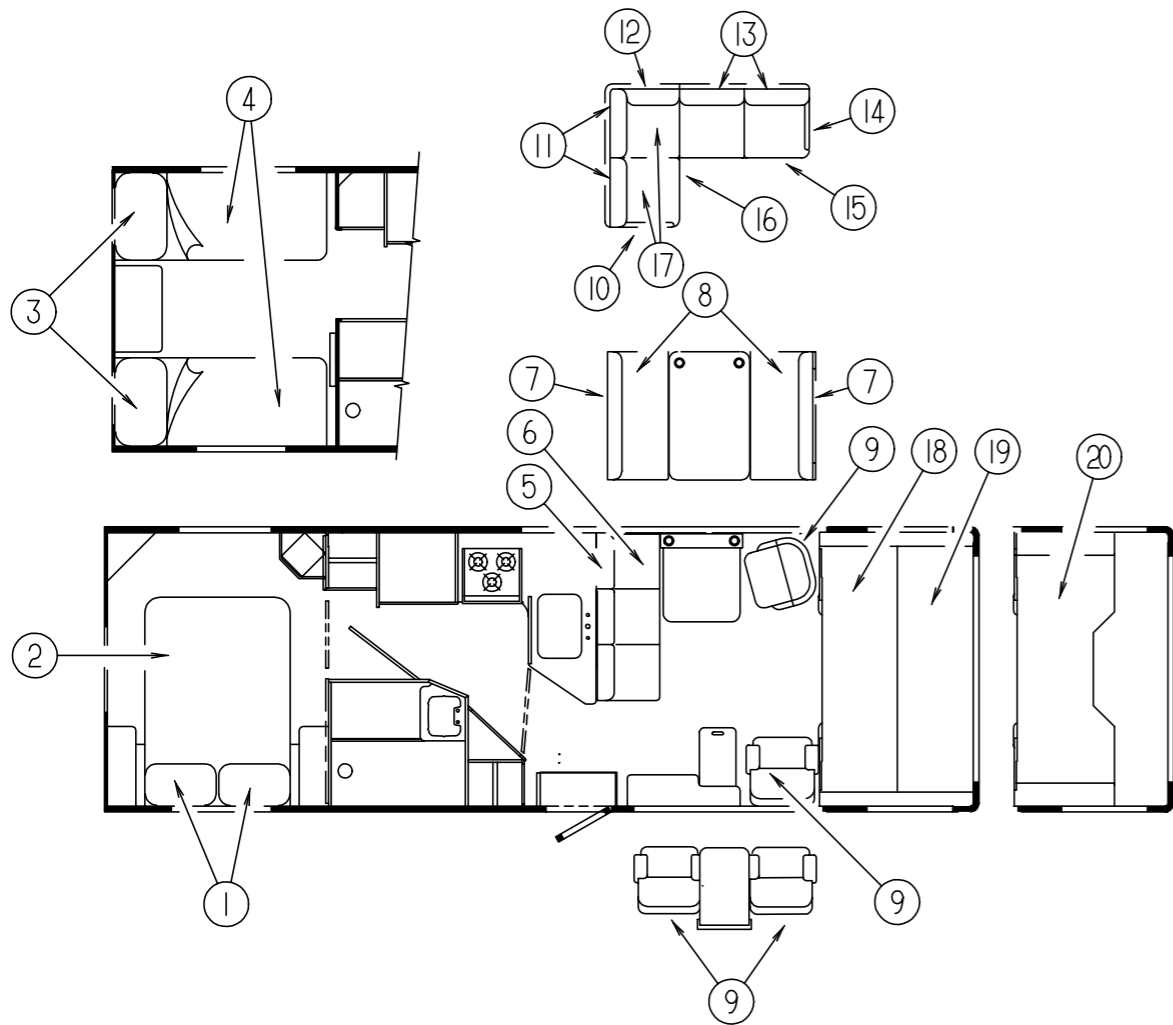
KEY	PART NUMBER	U/M	DESCRIPTION
1	106544-01-000	EA	PULL - SHADE/BRASS
1	106544-01-001	EA	SCREW - SHADE/BRASS
2	102555-03-000	EA	CLEAT - BLIND CORD - MILKY WHITE PLASTIC
3	109441-03-000	EA	HOLD DOWN - BLIND (CLOUDY)
4	084434-01-000	EA	BRACKET - MOUNTING - ROLLER SHADE - 1 3/8"
5	029156-01-000	EA	SOCKET - SNAP - 9/16" O.D.
6	101031-01-000	YD	TAPE - GLIDE/CURTAIN - 4.25" SPACING
7	029130-01-000	EA	SCREW - SNAP SOCKET - #8 PH X 5/8"
8	029155-01-000	EA	CAP - SNAP - 5/32" OUTSIDE DIAMETER OF PIN
9	097565-01-000	EA	BRACKET - MOUNTING/PLEATED BLIND
10	101033-02-000	EA	END CAP - TRACK/CLEAR
11	101033-04-000	EA	TRACK - WALL - 3'
11	101033-06-000	EA	TRACK - WALL - 6.5'
11	101033-07-000	EA	TRACK - WALL - 2.5'
12	009702-01-000	EA	END STOP - CURTAIN CARRIER - L ROD
13	009700-04-002	EA	TRACK - L-SHAPED 195.5" - OFF WHITE
14	097564-01-000	EA	HANDLE - KNOB - E-Z LIFT SHADE - SMOKED
14	097564-04-000	EA	HANDLE - KNOB - E-Z LIFT SHADE - NAVY
14	097564-03-000	EA	HANDLE - KNOB - E-Z LIFT SHADE - TAN
			FROM: 00-00-00 THRU: 10-19-97
			FROM: 10-20-97 THRU: 99-99-99
			FROM: 10-20-97 THRU: 99-99-99
	000G68-06-12B	EA	FASTENING SCREW
15	083170-01-000	EA	BRACKET - BLIND - LEFT SIDE WHEN FACING WINDOW
16	083170-02-000	EA	BRACKET - BLIND - RIGHT SIDE WHEN FACING WINDOW
17	094907-04-000	EA	HARDWARE - END CAP BOTTOM - PULL TYPE (RH & LH)
18	094907-02-000	EA	END CAP - TOP/PLEATED BLIND - PLASTIC - GRAY
19	097592-01-000	EA	SPOOL - CORD - ELEVATED BLIND HOLDUP - CLEAR PLASTIC
			FROM: 00-00-00 THRU: 11-23-97
	097592-02-000	EA	BRACKET - HOLDDOWN ADJUSTER
			FROM: 11-24-97 THRU: 99-99-99
	046867-03-000	EA	GROMMET - HANDY BUTTON #3
	048394-02-000	YD	VELCRO TAPE - HOOK - ADHESIVE BACK - .75" WIDE - BEIGE
	075943-10-000	EA	BRACE - VALANCE - 20"
	086276-01-000	EA	TAPE - DOUBLE SIDED - 1/2"
	094896-02-000	EA	GROMMET - CORD/PLEATED BLIND - NYLON - GRAY
	096843-01-000	EA	SPRING - REWIND/ROLLER SHADE
	097591-01-000	EA	SPRING - EXTENSION/PLEATED BLIND
	109353-04-000	EA	CLIP - VALANCE SLAT MOUNTING - CLEAR PLASTIC
	097593-02-000	FT	CORD - BLIND - PLEATED - GRAY
	097593-06-000	FT	CORD - BLIND - PLEATED - PEWTER
	095567-01-000	EA	TACK - STRIP - .5" X 625' ROLL

CURTAIN & CUSHION GROUP (CONTINUED)

Family - 400 DL's	J40	Oakleaf	J41 Willow
Bucket Seats	108446-R2-000 103907-01-04A		108446-55-000 079680-17-000
Dinette	108446-P0-000		108446-S4-000
Dinette Pads	108446-R2-000		108446-55-000
Sofa	108446-P0-000		108446-S4-000
Swivel Chair	108446-R2-000		108446-S1-000
Lounge Window	108446-R2-000 108446-P0-000		108446-S1-000 108446-S4-000
Legs	108446-R2-000		108446-S1-000
Buttons	108446-P0-000		108446-S4-000
Lounge Pillow	108446-R2-000		108446-S1-000
Overhead Bunk	108446-R2-000		108446-S1-000
Bedroom Window	105745-F0-000 105745-E7-000		105745-G3-000 105745-F5-000
Bedroom Legs	105745-E7-000		105745-F5-000
Bedroom Pillow	105745-E7-000		105745-F5-000
Bedsread	105745-F0-000		105745-G3-000
Pillow Shams	105745-F0-000		105745-G3-000
Front Wraparound	07233-85-000		07233-85-000
Overhead Curtain	105745-F0-000		105745-G3-000
Day/Nighter	094911-30-000 094911-50-000		094911-30-000 094911-50-000
Ceiling Vinyl	113979-01-01A		113979-01-01A

NOTE: THE FABRIC LISTED FIRST, IN A BLOCK, IS THE LARGEST QUANTITY OF FABRIC USED.

CURTAIN & CUSHION GROUP (CONTINUED)



QUEEN BEDSPREAD, PILLOW & MATTRESS

KEY	PART NUMBER	U/M	DESCRIPTION
1	119555-01-J40	EA	PILLOW SHAM - 20" X 33"
1	119555-01-J41	EA	PILLOW SHAM - 20" X 33"
2	123015-06-000	EA	MATTRESS - INNERSPRING - 60" X 74.5"
2	123471-01-J40	EA	BEDSPREAD/THROW - 60" X 75"
2	123471-01-J41	EA	BEDSPREAD/THROW - 60" X 75"
	103669-06-J40	EA	PILLOW - 15" X 15"
	103669-06-J41	EA	PILLOW - 15" X 15"

TWIN BEDSPREAD, PILLOW & MATTRESS

KEY	PART NUMBER	U/M	DESCRIPTION
3	119555-03-J40	EA	PILLOW SHAM - 22" X 37"
3	119555-03-J41	EA	PILLOW SHAM - 22" X 37"
4	101123-30-000	EA	MATTRESS - COMPLETE FOAM - 36" X 80" - 1 CORNER CUT
4	P01123-30-000	EA	COVER - MATTRESS - 36" X 80" - W/1 CUT CORNER
4	123471-09-J40	EA	BEDSPREAD/THROW - 36" X 80"
4	123471-09-J41	EA	BEDSPREAD/THROW - 36" X 80"
	103669-09-J40	EA	PILLOW - 15" X 15"
	103669-09-J41	EA	PILLOW - 15" X 15"

CURTAIN & CUSHION GROUP (CONTINUED)

FORWARD FACING COUCH

KEY	PART NUMBER	U/M	DESCRIPTION
5	115469-01-J40	EA	BACK - SOFA/BED - W/O ARMS
5	114969-01-J41	EA	BACK - SOFA/BED
	115469-02-J40	EA	BACK - SOFA/BED - END - W/O ARMS
	114969-02-J41	EA	BACK - SOFA/BED - RIGHT & LEFT CUSHIONS
	P15469-02-J40	EA	COVER - END - BACK
	P14969-02-J41	EA	COVER - BACK - RIGHT/LEFT CUSHION - SOFA/BED
	115469-03-J40	EA	BACK - SOFA/BED - CENTER CUSHION - W/O ARMS
	114969-03-J41	EA	BACK - SOFA/BED - CENTER CUSHION - W/O ARMS
	P15469-03-J40	EA	COVER - END - CENTER
	P14969-03-J41	EA	BACK - SOFA/BED - CENTER CUSHION
6	114969-04-J40	EA	SEAT - SOFA/BED - W/O BACKREST
6	114969-04-J41	EA	SEAT - SOFA/BED - W/O BACKREST
	P14969-04-J40	EA	COVER - SEAT - SOFA/BED
	P14969-04-J41	EA	COVER - SEAT - SOFA/BED
	103669-08-J40	EA	PILLOW - 15" X 15"
	103669-08-J41	EA	PILLOW - 15" X 15"
	113990-09-000	EA	LOCK - BRACKET - MALE FLEXSTEEL
	122556-04-01A	EA	LOCK - JACK KNIFE SEAT
	114763-01-000	EA	FRAME - FORWARD FACING BASE - SOFA/BED
	114763-02-000	EA	FRAME - FORWARD FACING SEAT - SOFA/BED
	114763-07-000	EA	FRAME - FORWARD FACING LEGS - SOFA/BED
	116631-02-02B	EA	PLATE - W/HOLES - E-COATED
	117125-01-02B	EA	BRACKET-CABLE HOLDER - E-COAT
	114726-01-H07	EA	TRAY - BEVERAGE

NOTE: COUCH FRONT AND SIDE PANELS ARE FOUND IN THE LOUNGE GROUP.

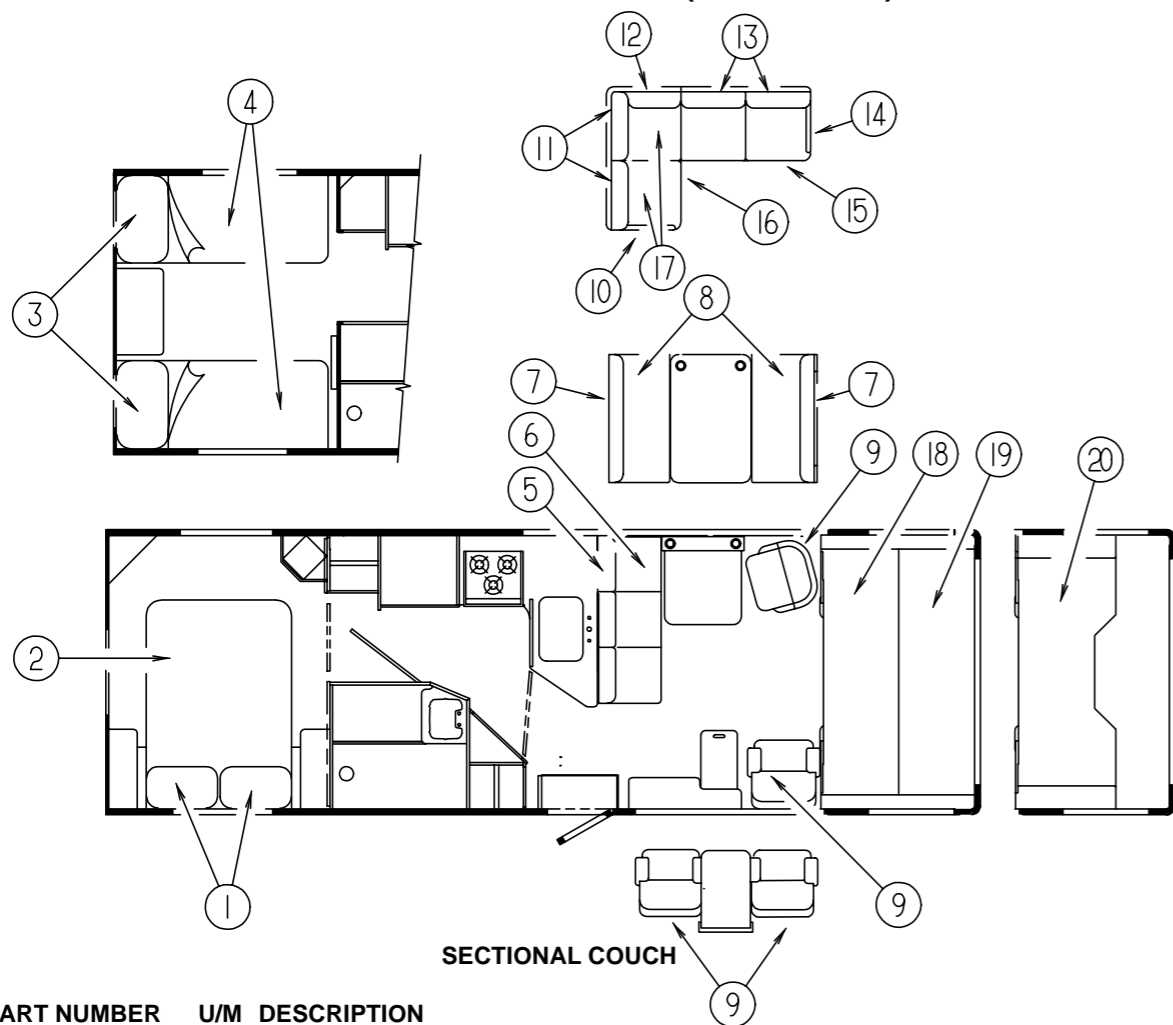
DINETTE CUSHIONS

KEY	PART NUMBER	U/M	DESCRIPTION
7	111897-05-J40	EA	CUSHION - BACK - 13.5" X 42" X 5"
7	111897-05-J41	EA	CUSHION - BACK - 13.5" X 42" X 5"
	P11897-05-J40	EA	COVER - BACK - 13.5" X 42" X 5"
	P11897-05-J41	EA	COVER - BACK - 13.5" X 42" X 5"
8	105603-15-H23	EA	CUSHION - SEAT - 23" X 42" X 5" (J40)
8	105603-15-J41	EA	CUSHION - SEAT - 23" X 42" X 5" (J41)
	P05603-15-H23	EA	COVER - SEAT - 23" X 42" X 5" (J40)
	P05603-15-J41	EA	COVER - SEAT - 23" X 42" X 5" (J41)

SWIVEL CHAIR

KEY	PART NUMBER	U/M	DESCRIPTION
9	115470-01-J04	EA	CHAIR - SWIVEL (J40)
9	115470-01-J41	EA	CHAIR - SWIVEL (J41)
	P15470-01-J04	EA	COVER - CHAIR (J40)
	P15470-01-J41	EA	COVER - CHAIR (J41)
	P07977-01-J04	EA	COVER - SKIRT (J40)
	P07977-01-J41	EA	COVER - SKIRT (J41)

CURTAIN & CUSHION GROUP (CONTINUED)



SECTIONAL COUCH

KEY	PART NUMBER	U/M	DESCRIPTION
10	125471-01-J40	EA	ARMREST - RIGHT HAND
10	125471-01-J41	EA	ARMREST - RIGHT HAND
	124366-01-000	EA	SOFA - RIGHT WOOD ARM - 8' SECTIONAL
11	104655-03-J40	EA	CUSHION - BACK - SOFA/BED
11	104655-03-J41	EA	CUSHION - BACK - SOFA/BED
	P04655-03-J40	EA	COVER - BACK CUSHION
	P04655-03-J41	EA	COVER - BACK CUSHION
12	104655-04-J40	EA	CUSHION - CORNER - SOFA/BED
12	104655-04-J41	EA	CUSHION - CORNER - SOFA/BED
	P04655-04-J40	EA	COVER - CORNER CUSHION
	P04655-04-J41	EA	COVER - CORNER CUSHION
13	125060-01-J40	EA	BED COMPLETE
13	125060-01-J41	EA	BED COMPLETE
	P25060-01-J40	EA	COVER - SOFA/BED
	P25060-01-J41	EA	COVER - SOFA/BED
14	125471-02-J40	EA	ARMREST - LEFT HAND
14	125471-02-J41	EA	ARMREST - LEFT HAND
	124366-02-000	EA	SOFA - LEFT WOOD ARM - 8' SECTIONAL
15	120992-06-J40	EA	PANEL - FRONT KICK - SOFA/BED - FABRIC COVERED
15	120992-06-J41	EA	PANEL - FRONT KICK - SOFA/BED - FABRIC COVERED
16	120992-05-J40	EA	PANEL - FRONT KICK - SOFA/BED - FABRIC COVERED
16	120992-05-J41	EA	PANEL - FRONT KICK - SOFA/BED - FABRIC COVERED
	121906-01-02B	EA	BRACKET - KICKBOARD - E-COATED
17	125059-01-J40	EA	SEAT - SOFA/BED - STATIONARY
17	125059-01-J41	EA	SEAT - SOFA/BED - STATIONARY
	P25059-01-J40	EA	COVER - SEAT - SOFA/BED
	P25059-01-J41	EA	COVER - SEAT - SOFA/BED
	123622-04-000	EA	FRAME - BACK - 44"
	123622-05-000	EA	FRAME - SEAT - 44"
	123622-06-000	EA	FRAME - BASE WITH LEGS - 44"
	123624-01-000	EA	FRAME - FIXED 55"

CURTAIN & CUSHION GROUP (CONTINUED)

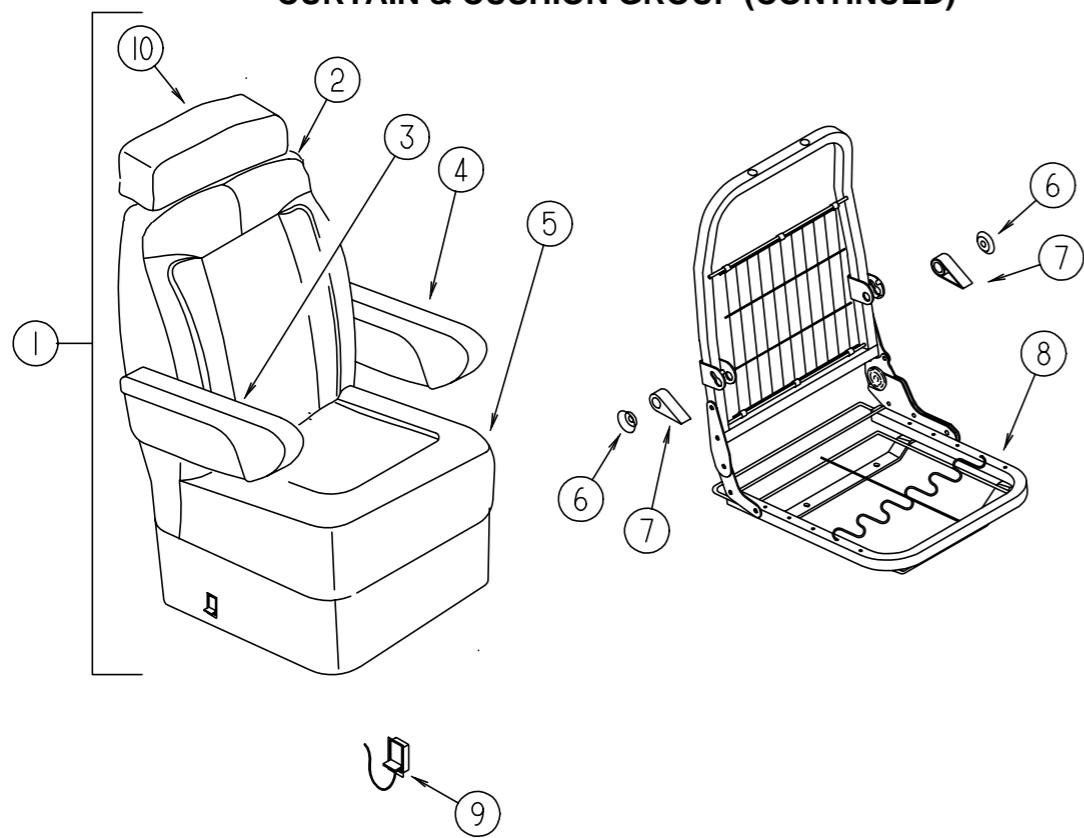
BUNK CUSHIONS

KEY	PART NUMBER	U/M	DESCRIPTION
18	105573-10-J04	EA	CUSHION - OVERHEAD BUNK/REAR - 27" X 23" X 80" X 5" (J40)
18	105573-10-J41	EA	CUSHION - OVERHEAD BUNK/REAR - 27" X 23" X 80" X 5" (J41)
	P05573-10-J04	EA	COVER - CUSHION/OVERHEAD BUNK/REAR - 27"X 23"X 80"X 5"(J40)
	P05573-10-J41	EA	COVER - CUSHION/OVERHEAD BUNK/REAR - 27"X 23"X 80"X 5"(J41)
19	105573-09-J04	EA	CUSHION - OVERHEAD BUNK/FRONT - 32.5" X 80" X 5" (J40)
19	105573-09-J41	EA	CUSHION - OVERHEAD BUNK/FRONT - 32.5" X 80" X 5" (J41)
	P05573-09-J04	EA	COVER - CUSHION/OVERHEAD BUNK/FRONT - 32.5" X 80" X 5" (J40)
	P05573-09-J41	EA	COVER - CUSHION/OVERHEAD BUNK/FRONT - 32.5" X 80" X 5" (J41)
20	079145-08-000	EA	CUSHION - BUNK - 25" X 74" X 3.5"
	M79145-08-000	EA	COVER - CUSHION/BUNK - 25" X 74" X 3.5"
	094658-02-J40	EA	OAK HANDLE - WASHED MAPLE

VINYL ASSIST HANDLE, BUTTONS, & SEATBELTS

KEY	PART NUMBER	U/M	DESCRIPTION
	084415-83-000	YD	TRIM - BRAID (J40)
	084415-66-000	YD	TRIM - BRAID (J41)
	118337-04-J40	EA	BUTTON - #60 - FABRIC COVERED
	118337-04-J41	EA	BUTTON - #60 - FABRIC COVERED
	074494-02-000	EA	BUTTON - RETAINING PIVOT - #60
	074494-03-000	EA	BUTTON - SERRATED PIVOT - W/ 3/8 TACK
	069178-02-000	EA	BRACKET - MOUNTING/ASSIST HANDLE - GRAY
	053552-02-AA8	EA	HANDLE - ASSIST - INTERIOR/ENTRY DOOR - VINYL/OFF WHITE
	000C16-07-16B	EA	BOLT - CARRIAGE - ASSIST HANDLE - 7/16" - 14 X 1"
	000D20-07-00B	EA	NUT - ACORN - ASSIST HANDLE - 7/16 - 14
	057759-01-000	EA	WASHER - FLAT F/SEAT BELT - 4" DIAMETER
	007021-01-000	EA	BELT-SEAT - 2" X 90" - BLACK
	057534-06-000	EA	TIEBACK/TIEDOWN - VINYL - 6" VINYL
	109353-04-000	EA	CLIP - VALANCE SLAT MOUNTING - CLEAR PLASTIC

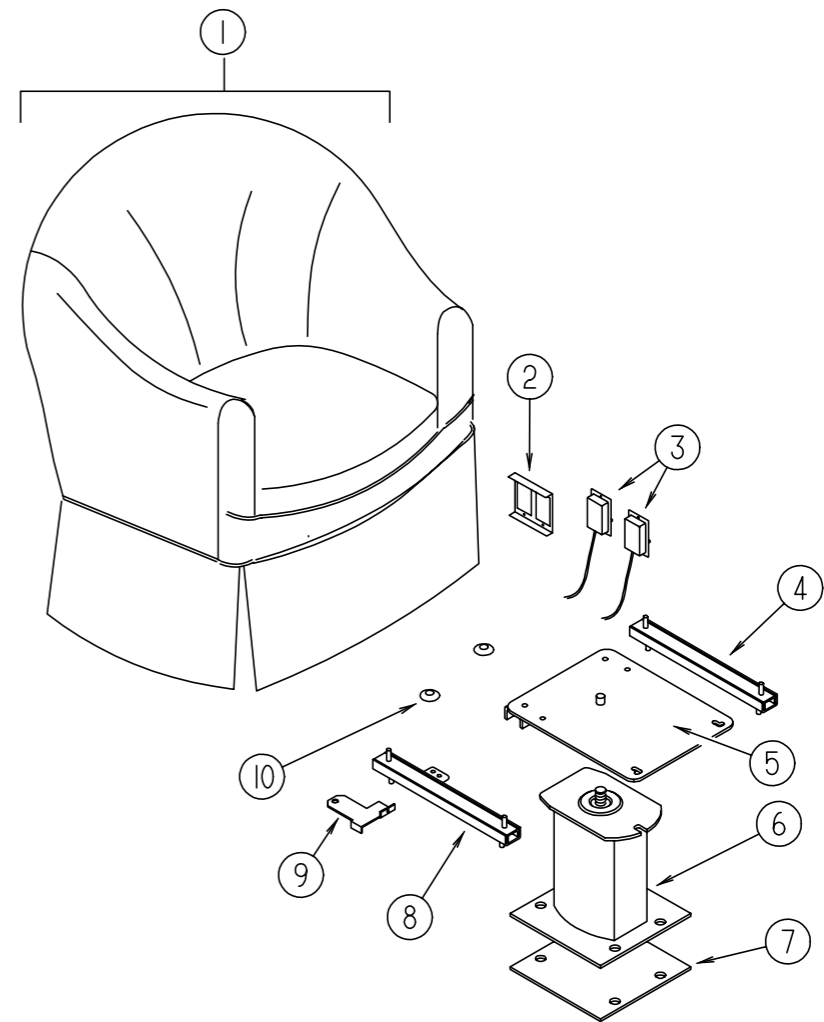
CURTAIN & CUSHION GROUP (CONTINUED)



BUCKET SEATS

KEY	PART NUMBER	U/M	DESCRIPTION
1	122738-05-J40	EA	SEAT - BUCKET/DRIVER - W/HEADREST/RIGHT ARMREST
1	122738-05-J41	EA	SEAT - BUCKET/DRIVER - W/HEADREST/RIGHT ARMREST
1	122738-04-J40	EA	SEAT - BUCKET/PASSENGER - W/HEADREST/LEFT ARMREST
1	122738-04-J41	EA	SEAT - BUCKET/PASSENGER - W/HEADREST/LEFT ARMREST
2	M05962-59-J40	EA	COVER - BACK (J40)
2	M05962-59-H11	EA	COVER - BACK (J41)
3	122780-01-H23	EA	ARMREST - RIGHT HAND (J40)
3	122780-01-H53	EA	ARMREST - RIGHT HAND (J41)
	P22780-01-H23	EA	COVER - ARMREST - RIGHT HAND (J40)
	P22780-01-H53	EA	COVER - ARMREST - RIGHT HAND (J41)
	115617-03-000	EA	ARMREST - W/O COVER - RIGHT HAND
4	122780-02-H54	EA	ARMREST - LEFT HAND (J40)
4	122780-02-H52	EA	ARMREST - LEFT HAND (J41)
	P22780-02-H54	EA	COVER - ARMREST - LEFT HAND (J40)
	P22780-02-H52	EA	COVER - ARMREST - LEFT HAND (J41)
	115617-04-000	EA	ARMREST - W/O COVER - LEFT HAND
5	M05962-60-J40	EA	COVER - SEAT (J40)
5	M05962-60-H11	EA	COVER - SEAT (J41)
6	125229-05-000	EA	PAL NUT
7	125229-03-000	EA	LEVER - RECLINING
8	125229-02-000	EA	FRAME - SEAT - PASSENGER - W/LEFT ARMREST BRACKET
8	125229-01-000	EA	FRAME - SEAT - DRIVER - W/RIGHT ARMREST BRACKET
9	108049-03-000	EA	CABLE - W/SWITCHES - 25.5" SHEATH/28.5" CABLE W/DOG LEG FROM: 00-00-00 THRU: 06-25-97
9	108049-04-000	EA	CABLE - W/SWITCHES - W/26" MINI LEVER ACTION FROM: 06-26-97 THRU: 99-99-99
	108049-02-000	EA	CLIP - CABLE/PEDESTAL
10	119509-01-H23	EA	HEADREST - BUCKET SEAT (J40)
10	119509-01-H11	EA	HEADREST - BUCKET SEAT (J41)
	P19509-01-H23	EA	COVER - HEADREST (J40)
	P19509-01-H11	EA	COVER - HEADREST (J41)
	113977-12-000	EA	HEADREST INSERT - W/O LOCK
	113977-13-000	EA	HEADREST INSERT - W/LOCK

CURTAIN & CUSHION GROUP (CONTINUED)

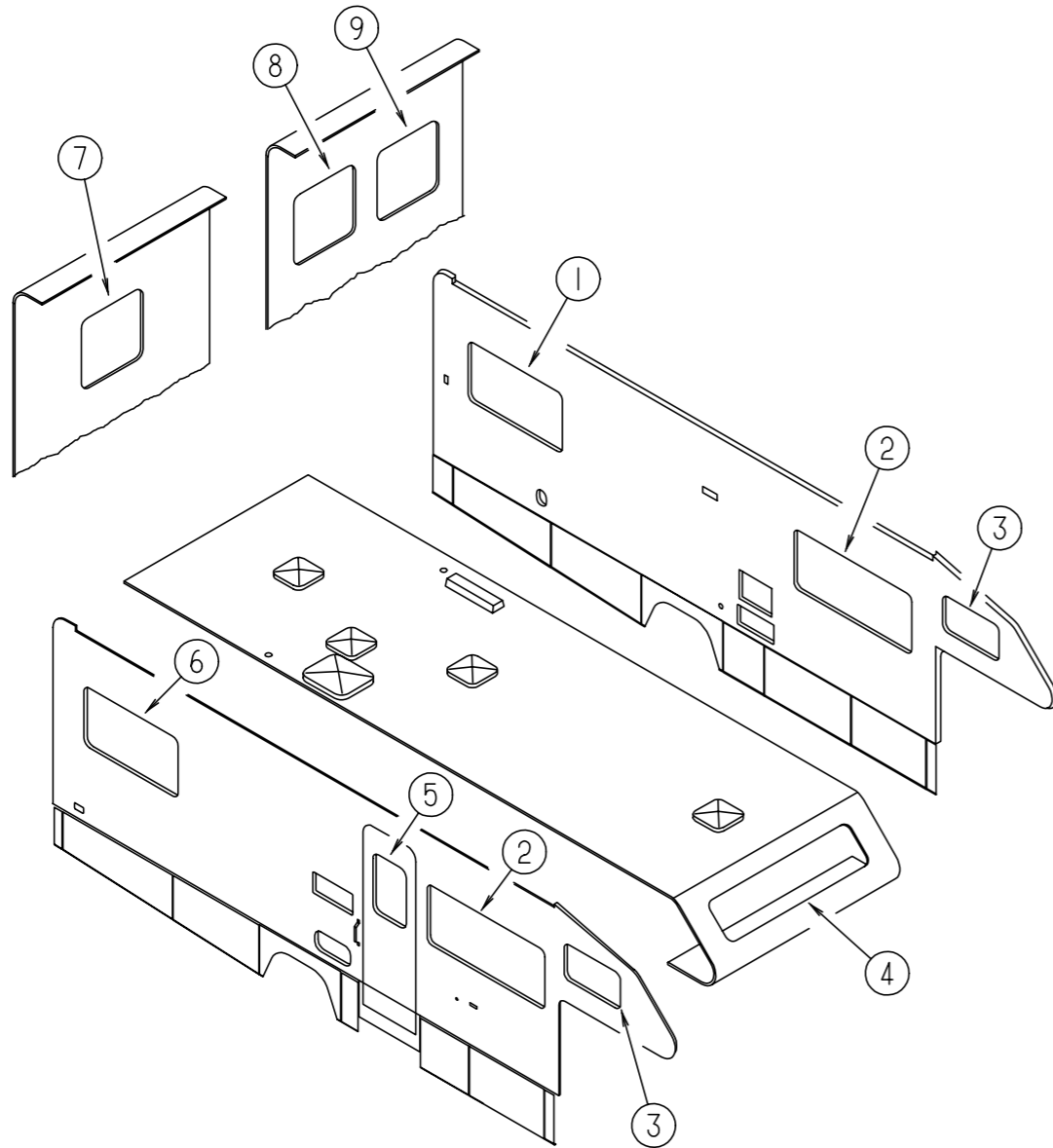


SWIVEL CHAIR

KEY	PART NUMBER	U/M	DESCRIPTION
1	115470-01-J04	EA	CHAIR - SWIVEL (J40)
1	115470-01-J41	EA	CHAIR - SWIVEL (J41)
	P15470-01-J04	EA	COVER - CHAIR (J40)
	P15470-01-J41	EA	COVER - CHAIR (J41)
	P07977-01-J04	EA	COVER - SKIRT (J40)
	P07977-01-J41	EA	COVER - SKIRT (J41)
2	127159-02-02B	EA	BRACKET - SEAT RELEASE - REMOTE
3	108049-03-000	EA	CABLE - W/SWITCHES - 25.5" SHEATH/28.5" CABLE W/DOG LEG FROM: 00-00-00 THRU: 06-25-97
	108049-04-000	EA	CABLE - W/SWITCHES - W/26" MINI LEVER ACTION FROM: 06-26-97 THRU: 99-99-99
	108049-02-000	EA	CLIP - CABLE/PEDESTAL
4	119952-01-000	EA	SLIDE/SEAT - HEAVY DUTY NON LOCKING
5	107921-08-000	EA	TOP PLATE - PEDESTAL - W/O SEAT BELT BAR
	107921-06-000	EA	BEARING KIT - PEDESTAL
6	107921-01-000	EA	PEDESTAL/FLOOR MOUNTED - W/9.75" EXTENSION
7	108445-02-000	EA	PLATE/FLOOR MOUNTED - PEDESTAL SEAT
8	119952-03-000	EA	SLIDE/SEAT - HEAVY DUTY LOCKING - 2 STUDS
9	117125-01-02B	EA	BRACKET - CABLE MOUNT - ADJUSTER W/LOCK
10	007221-01-000	EA	SPACER - SEAT/ADJUSTER - 04 USED PER SWIVEL CHAIR

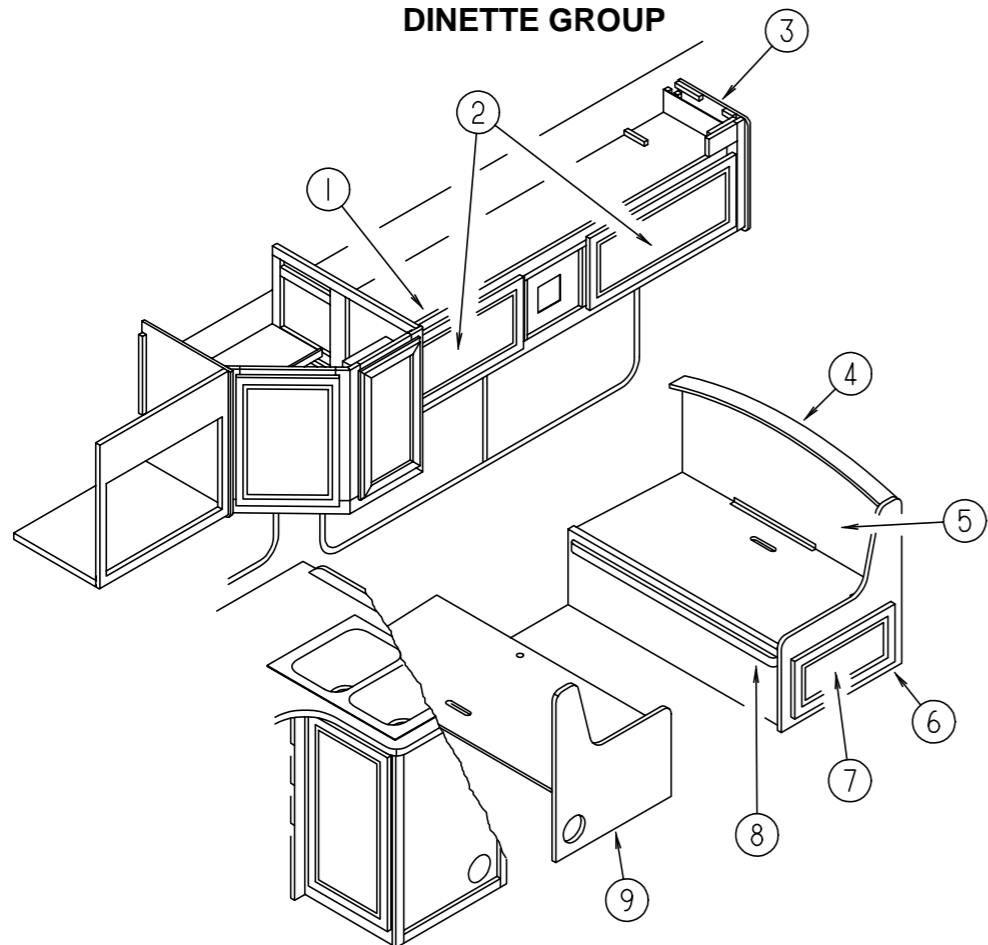
CURTAIN & CUSHION GROUP (CONTINUED)

CURTAINS, SHADES VALANCES & BLINDS



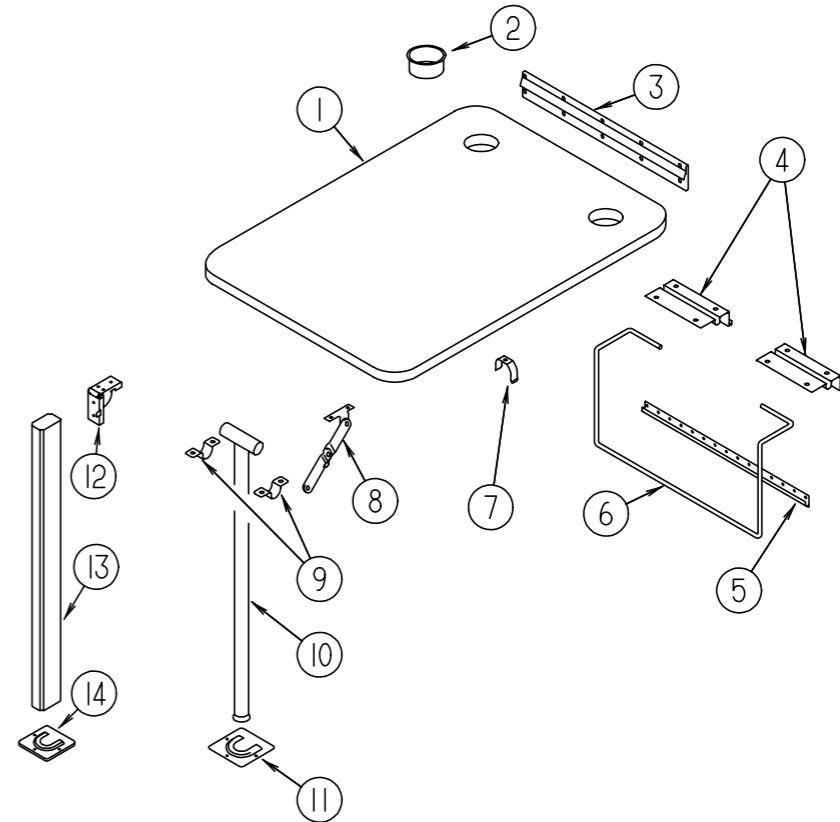
KEY	PART NUMBER	U/M	DESCRIPTION
1	119299-01-J40	EA	VALANCE - WHITNEY - 53"
1	119299-01-J41	EA	VALANCE - WHITNEY - 53"
1	127017-15-J40	EA	LEG - RIGHT - 27"
1	127017-15-J41	EA	LEG - RIGHT - 27"
1	127017-16-J40	EA	LEG - LEFT - 27"
1	127017-16-J41	EA	LEG - LEFT - 27"
1	111910-62-J11	EA	BLIND - DAY/NIGHTER - 49" X 27"
2	119136-39-J40	EA	VALANCE - STANWICK - 64.5"
2	119136-39-J41	EA	VALANCE - STANWICK - 64.5"
2	127017-11-J40	EA	LEG - RIGHT - 25"
2	127017-11-J41	EA	LEG - RIGHT - 25"
2	127017-12-J40	EA	LEG - LEFT - 25"
2	127017-12-J41	EA	LEG - LEFT - 25"
2	111910-57-J20	EA	BLIND - DAY/NIGHTER - 61"
3	101034-51-J40	EA	CURTAIN - RIGHT HAND - 19" X 34"
3	101034-51-J41	EA	CURTAIN - RIGHT HAND - 19" X 34"
3	101034-52-J40	EA	CURTAIN - LEFT HAND - 19" X 34"
3	101034-52-J41	EA	CURTAIN - LEFT HAND - 19" X 34"
4	101034-33-J40	EA	CURTAIN - RIGHT HAND - 21" X 60"
4	101034-33-J41	EA	CURTAIN - RIGHT HAND - 21" X 60"
4	101034-34-J40	EA	CURTAIN - LEFT HAND - 21" X 60"
4	101034-34-J41	EA	CURTAIN - LEFT HAND - 21" X 60"
5	119136-27-J40	EA	VALANCE - STANWICK - 31.75"
5	118078-11-J41	EA	VALANCE - STANWICK - 31.75"
5	084755-57-E07	EA	SHADE - PULL - 27.25"
6	119299-01-J40	EA	VALANCE - WHITNEY - 53"
6	119299-01-J41	EA	VALANCE - WHITNEY - 53"
6	127017-15-J40	EA	LEG - RIGHT - 27"
6	127017-15-J41	EA	LEG - RIGHT - 27"
6	127017-16-J40	EA	LEG - LEFT - 27"
6	127017-16-J41	EA	LEG - LEFT - 27"
6	111910-62-J11	EA	BLIND - DAY/NIGHTER - 49" X 27"
7	119299-24-J40	EA	VALANCE - WHITNEY - 53"
7	119299-24-J41	EA	VALANCE - WHITNEY - 53"
7	127017-15-J40	EA	LEG - RIGHT - 27"
7	127017-15-J41	EA	LEG - RIGHT - 27"
7	127017-16-J40	EA	LEG - LEFT - 27"
7	127017-16-J41	EA	LEG - LEFT - 27"
7	111910-62-J11	EA	BLIND - DAY/NIGHTER - 49" X 27"
8	119299-04-J40	EA	VALANCE - WHITNEY - 31"
8	119299-04-J41	EA	VALANCE - WHITNEY - 31"
8	127017-15-J40	EA	LEG - RIGHT - 27"
8	127017-16-J41	EA	LEG - RIGHT - 27"
8	127017-16-J40	EA	LEG - LEFT - 27"
8	127017-16-J41	EA	LEG - LEFT - 27"
8	111910-20-J02	EA	BLIND - DAY/NIGHTER - 28" X 28"
9	119299-05-J40	EA	VALANCE - WHITNEY - 31"
9	119299-05-J41	EA	VALANCE - WHITNEY - 31"
9	123910-21-J40	EA	LEG - RIGHT - 27"
9	123910-21-J41	EA	LEG - RIGHT - 27"
9	123910-21-J40	EA	LEG - LEFT - 27"
9	123910-22-J41	EA	LEG - LEFT - 27"
9	111910-20-J04	EA	BLIND - DAY/NIGHTER - 28" X 28"
	093487-10-01A	EA	CURTAIN - BUNK/PRIVACY/PLEATED - 31" X 100"
	076892-23-G07	EA	CURTAIN - 44" X 80"

DINETTE GROUP



DINETTE CABINETRY

DINETTE GROUP (CONTINUED)



DINETTE TABLE

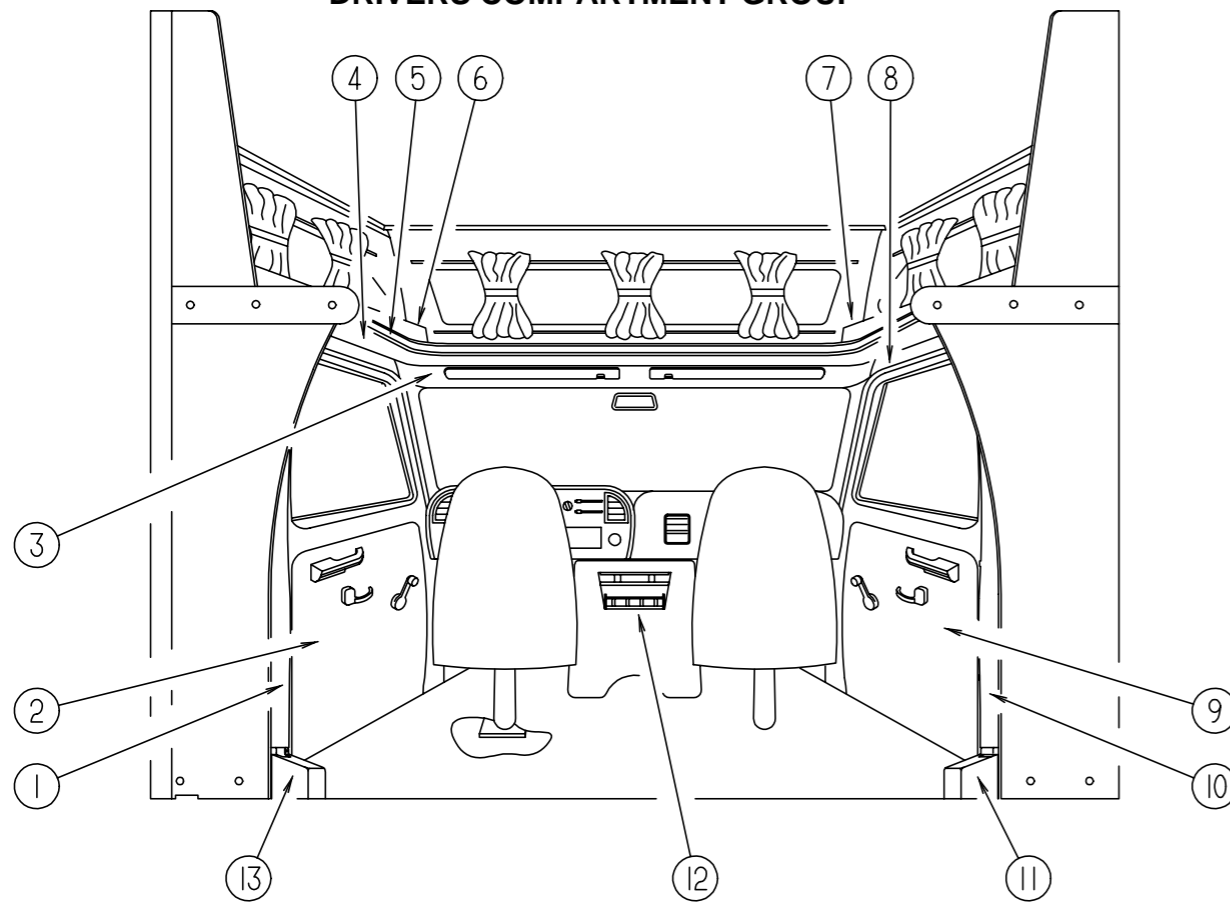
KEY	PART NUMBER	U/M	DESCRIPTION
1	122926-01-J40	EA	CABINET - DINETTE OVERHEAD - W/O DOORS/HARDWARE
1	122926-01-J41	EA	CABINET - DINETTE OVERHEAD - W/O DOORS/HARDWARE
2	M05992-50-J40	EA	DOOR - STRAIGHT CORNER/OGEE EDGE - 11.4" X 28.2" - W/O HDW
3	109908-09-J40	EA	END CAP - OVERHEAD CABINET
4	111338-06-H23	EA	PAD - SEATBACK (J40)
4	111338-06-E22	EA	PAD - SEATBACK (J41)
5	M08123-03-J40	EA	CABINET - SEATBACK - W/O HARDWARE
6	M08122-10-J40	EA	CABINET - SEATBASE/RIGHT HAND - W/O DOORS/DRAWERS/HDW
7	M05992-M7-J40	EA	DOOR - STRAIGHT CORNER/OGEE EDGE - 10" X 19.1" - W/O HDW
8	081295-04-E01	EA	SUPPORT - BED/DINETTE - 40" LONG
			FROM: 00-00-00 THRU: 01-04-98
8	081295-01-H37	EA	SUPPORT - BED/DINETTE - 28" LONG
			FROM: 01-05-98 THRU: 99-99-99
9	M06885-24-J40	EA	CABINET - SEATBASE - LEFT HAND-W/O DOORS/DRAWERS/HARDWARE

DINETTE CABINETRY W/FRONT ENTERTAINMENT CENTER

KEY	PART NUMBER	U/M	DESCRIPTION
1	122926-02-J40	EA	CABINET - DINETTE OVERHEAD - W/O DOORS/HARDWARE
1	122926-02-J41	EA	CABINET - DINETTE OVERHEAD - W/O DOORS/HARDWARE
2	M05992-Q6-J40	EA	DOOR - STRAIGHT CORNER/OGEE EDGE - 14.3" X 26.7" - W/O HDW
3	109908-09-J40	EA	END CAP - OVERHEAD CABINET
4	111338-06-H23	EA	PAD - DINETTE SEATBACK (J40)
4	111338-06-E22	EA	PAD - DINETTE SEATBACK (J41)
5	M08123-03-J40	EA	CABINET - SEATBACK - W/O HARDWARE
6	M08122-10-J40	EA	CABINET - SEATBASE - RIGHT HAND - W/O DOORS/DRAWERS/HDW
7	M05992-M7-J40	EA	DOOR - STRAIGHT CORNER/OGEE EDGE - 10" X 19.1" - W/O HDW
8	081295-04-E01	EA	SUPPORT - BED/DINETTE - 40" LONG
			FROM: 00-00-00 THRU: 01-04-98
8	081295-01-H37	EA	SUPPORT - BED/DINETTE - 28" LONG
			FROM: 01-05-98 THRU: 99-99-99
9	M06885-24-J40	EA	CABINET - SEATBASE - LEFT HAND-W/O DOORS/DRAWERS/HARDWARE

KEY	PART NUMBER	U/M	DESCRIPTION
1	081322-12-F09	EA	TABLE TOP ONLY (J40)
1	081322-12-J04	EA	TABLE TOP ONLY (J41)
	M81322-12-J01	EA	TABLE - DINETTE W/SUPPORT - W/O HARDWARE (J40)
	M81322-12-J04	EA	TABLE - DINETTE W/SUPPORT - W/O HARDWARE (J41)
2	064781-06-000	EA	HOLDER - CUP - TWO STEP - OFF WHITE
3	053200-12-000	EA	BRACKET - TABLE SUPPORT - UPPER/WALL MOUNTED - 23.50"
4	088410-02-000	EA	BRACKET - LIFT - TABLE MOUNTED
5	024281-14-000	EA	BRACKET/TABLE - LIFT ROD/LOWER WALL MOUNTED - 22.12"
6	024275-12-000	EA	ROD - TABLE LIFT
7	024283-01-000	EA	CLIP - LEG - 1" - 1.125" OD - BLACK
8	024282-01-000	EA	BRACE - TABLE LEG - HINGED
9	064050-05-000	EA	HINGE - TABLE LEG - OFF WHITE
10	024276-23-000	EA	LEG - TABLE - METAL - OFF WHITE
11	049493-11-700	EA	CATCH-TABLE LEG,E-COAT
11	049493-12-000	EA	CATCH - TABLE LEG/FLOOR MOUNTED - OFF WHITE
12	093550-01-000	EA	BRACKET - HINGE - MOUNTS TO LEG & TABLE TOP - 1.7" X 2.6"
13	092708-06-J01	EA	LEG - TABLE - W/O HARDWARE - ORDER PIECE PARTS
13	092707-04-08A	EA	MOLDING - TABLE LEG - 27" - WASHED MAPLE
14	092593-01-05A	EA	CATCH - TABLE LEG - OFF/WHITE

DRIVERS COMPARTMENT GROUP



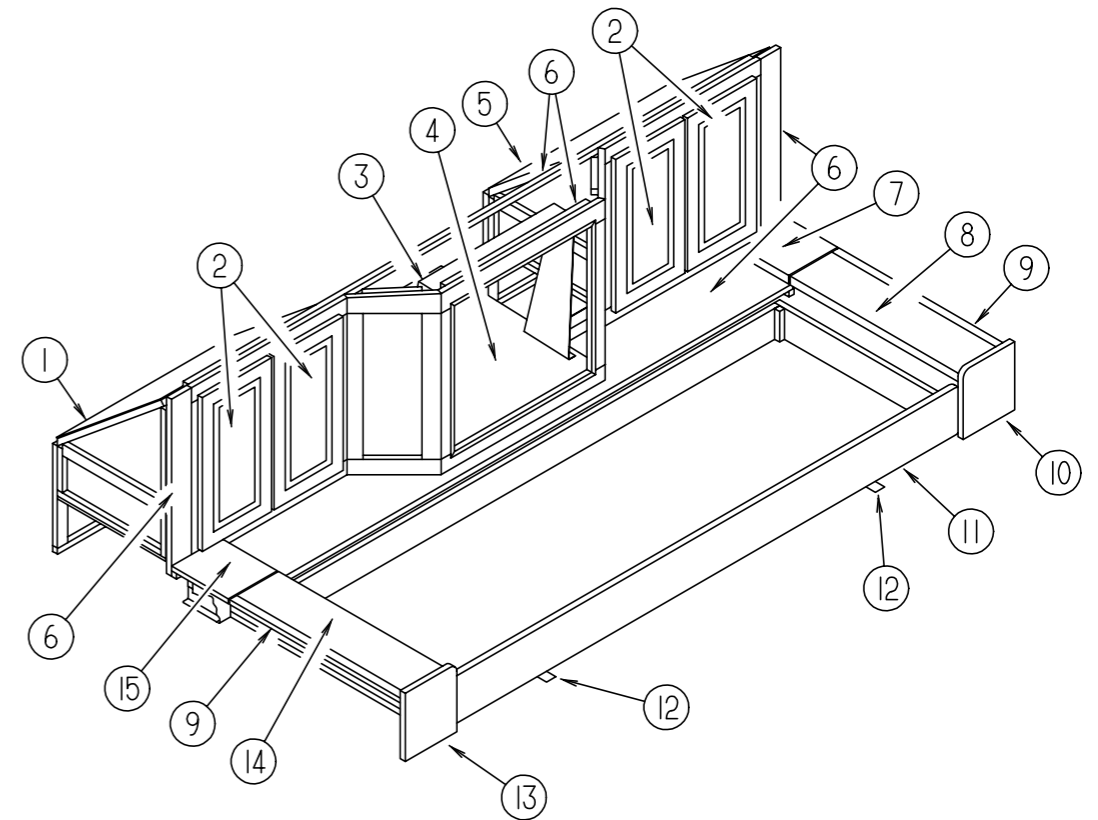
DRIVERS COMPARTMENT

KEY	PART NUMBER	U/M	DESCRIPTION	VENDOR NO.
1	125031-02-H04	EA	TRIM - CAB - B-PILLAR - DRIVER SIDE	
2	N/A	EA	CHASSIS SUPPLIED	
3	106448-01-H04	EA	HEADLINER - W/VINYL	
4	106447-04-H04	EA	TRIM - CAB DOOR - UPPER/LEFT HAND	
5	119520-01-01A	FT	MOLDING-T - 1" - W/EDGE LIPS (OFF/WHITE-CREAM)	
6	109894-01-J06	EA	CABINET - HAMPER - DRIVER/Front (J40)	
6	109894-01-J41	EA	CABINET - HAMPER - DRIVER/Front (J41)	
7	109894-03-J06	EA	CABINET - HAMPER - PASSENGER/Front (J40)	
7	109894-03-J41	EA	CABINET - HAMPER - PASSENGER/Front (J41)	
8	106447-03-H04	EA	TRIM - CAB DOOR - UPPER/RIGHT HAND	
9	N/A	EA	CHASSIS SUPPLIED	
10	125031-01-H04	EA	TRIM - CAB - B-PILLAR - PASSENGER SIDE	
11	106431-01-02A	EA	COVER - SEATBELT RECOIL - PASSENGER SIDE - VW GREY	
12	125291-01-01A	EA	TRAY - BEVERAGE - F/DELUXE MOTOR COVER	
13	106431-02-02A	EA	COVER - SEATBELT RECOIL - DRIVER SIDE - VW GREY	
	106025-03-01A	EA	LADDER - BUNK - BLACK - 47.3"	
	106025-01-700	EA	BRACKET SET-F/BUNK LADDER	08-0030-00
	091952-01-000	EA	CLIP-GRIPPER - 1"	

INSTRUMENT CLUSTERS & BATTERY SWITCH

KEY	PART NUMBER	U/M	DESCRIPTION
	111414-01-000	EA	RECEPTACLE - 12V - W/O BIMETAL
	094795-09-000	EA	CLUSTER - INSTRUMENT PANEL - KILOMETERS - GAS/DIESEL-FORD
	100138-01-000	EA	MODULE - DAYTIME/RUNNING LIGHT
	108355-01-000	EA	HOUSING - SWITCH
	108356-02-01A	EA	COVER/ACTUATOR SWITCH - 2 ROWS DIMPLES- CONTURA II - BLACK
	108357-09-000	EA	SWITCH - ROCKER SPDT - ON/NONE/MOM - 3 TERMINAL

DRIVERS COMPARTMENT GROUP (CONTINUED)



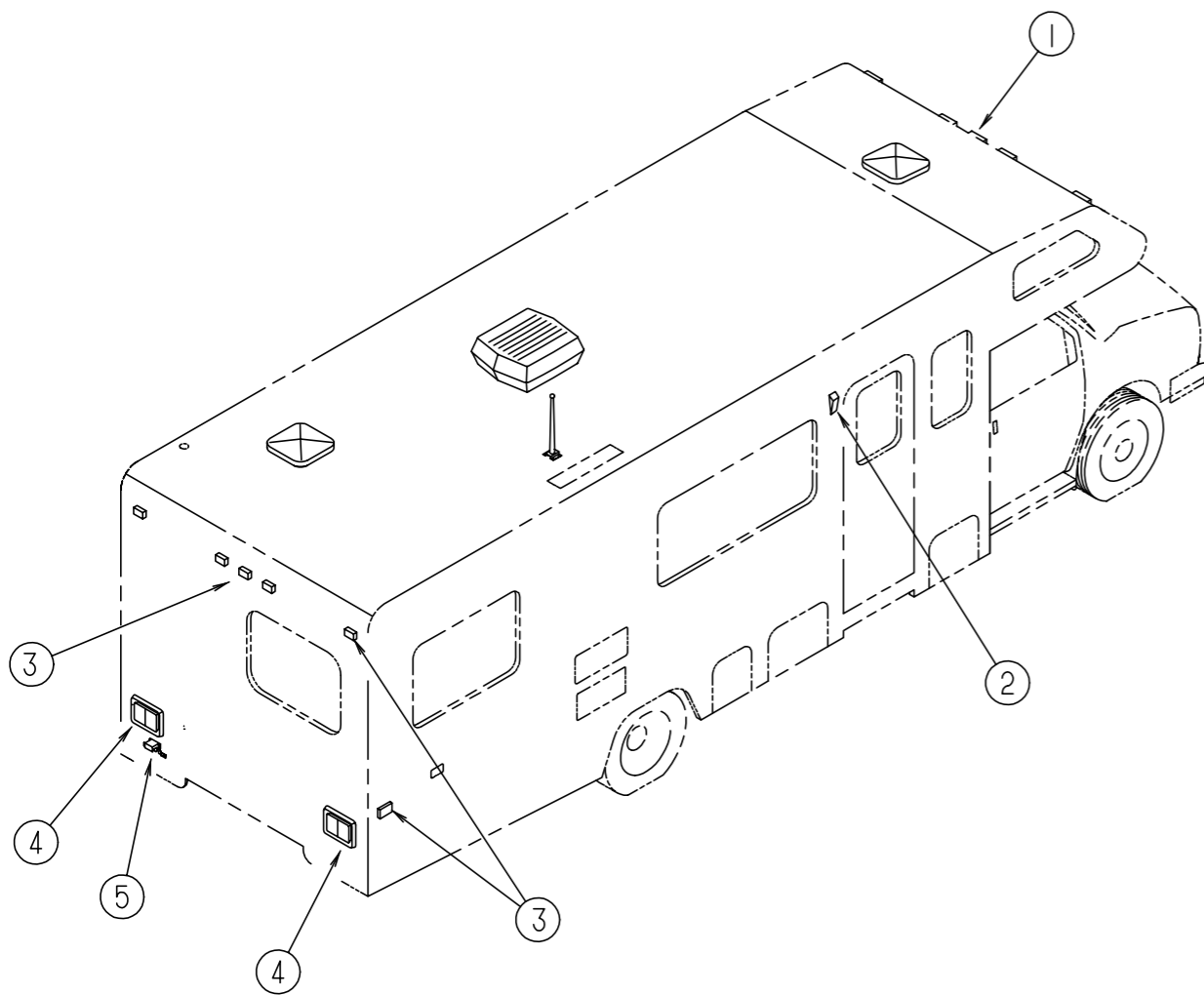
FRONT ENTERTAINMENT CENTER

KEY	PART NUMBER	U/M	DESCRIPTION
1	113156-02-J40	EA	CABINET-ENTERTAINMENT CTR-W/SHELF-DRIVER SIDE-W/O DOOR/HDW
2	M05992-67-J40	EA	DOOR - STRAIGHT CORNER/OGEE EDGE - 10.6" X 19.9" - W/O HDW
3	110790-03-000	EA	BRACKET - TIEDOWN/TV
4	111356-02-J40	EA	SHELF - TV - W/TIEDOWN BRACKET
5	113156-01-J40	EA	CABINET-ENTERTAINMENT CTR-W/SHELF-PASS SIDE-W/O DOOR/HDW
6	N/A	EA	FACE - ENTERTAINMENT CENTER - W/O HARDWARE
7	113155-11-F09	EA	COUNTERTOP - ENTERTAINMENT CENTER STORAGE (J40)
7	113155-11-G05	EA	COUNTERTOP - ENTERTAINMENT CENTER STORAGE (J41)
8	113155-12-G05	EA	COUNTERTOP - ENTERTAINMENT CENTER STORAGE (J40)
8	113155-12-G07	EA	COUNTERTOP - ENTERTAINMENT CENTER STORAGE (J41)
9	113155-21-F02	EA	COUNTERTOP - ENTERTAINMENT CENTER STORAGE (J40)
9	113155-21-G05	EA	COUNTERTOP - ENTERTAINMENT CENTER STORAGE (J41)
10	113155-01-J40	EA	CABINET/STORAGE - RIGHT END - W/FLIP UP COUNTERTOP
10	113155-01-J41	EA	CABINET/STORAGE - RIGHT END - W/FLIP UP COUNTERTOP
11	100847-01-J40	EA	DRAWER - ENTERTAINMENT CENTER - W/O HARDWARE
11	100847-01-J41	EA	DRAWER - ENTERTAINMENT CENTER - W/O HARDWARE
12	093673-01-01A	FT	TRIM/MOLDING - 1.4" WIDE X 8' LONG
13	113155-02-J40	EA	CABINET/STORAGE - LEFT END - W/FLIP UP COUNTERTOP
13	113155-02-J41	EA	CABINET/STORAGE - LEFT END - W/FLIP UP COUNTERTOP
14	113155-18-G07	EA	COUNTERTOP - ENTERTAINMENT CENTER STORAGE (J40)
14	113155-18-G05	EA	COUNTERTOP - ENTERTAINMENT CENTER STORAGE (J41)
15	113155-19-F09	EA	COUNTERTOP - ENTERTAINMENT CENTER STORAGE (J40)
15	113155-19-G05	EA	COUNTERTOP - ENTERTAINMENT CENTER STORAGE (J41)
	106699-01-01A	EA	BRACKET - OVERHEAD CABINET/TV
	088856-52-007	EA	EXTRUDED - ANGLE - 161"
	122790-01-02B	EA	BRACKET - VCP - E-COATED
	122790-02-02B	EA	BRACKET - VCP - E-COATED

FROM: 00-00-00 THRU: 03-11-98

FROM: 03-12-98 THRU: 99-99-99

ELECTRICAL GROUP



EXTERIOR LIGHTS

KEY	PART NUMBER	U/M	DESCRIPTION	VENDOR NO.
1	111102-01-000	EA	BASE - LAMP MARKER	
1	111102-02-000	EA	LENS - AMBER - LAMP MARKER	
	036196-01-000	EA	BULB - 12 VOLT - #194 - .27 AMP - BAYONETTE	
2	097917-01-06A	EA	LIGHT - PORCH - BRIGHT WHITE	
	097917-01-700	EA	LENS-LIGHT, CLEAR	30-78-021
	008215-01-000	EA	BULB - 12 VOLT - #1003 - .94 AMP	
2	008089-02-000	EA	LIGHT - PORCH - RECESSED - CANADIAN	
	008089-01-700	EA	LENS-LIGHT, RECESSED - PORCH DECO	
	008214-01-000	EA	BULB - 12 VOLT NO 67 - 0.59 AMP	
	091981-01-000	EA	GASKET - PORCH LIGHT	
3	111102-01-000	EA	BASE - LAMP MARKER	
3	111102-03-000	EA	LENS - RED - LAMP MARKER	
	036196-01-000	EA	BULB - 12 VOLT - #194 - .27 AMP - BAYONETTE	
4	081638-01-000	EA	TAILLIGHT/DOUBLE W/BLACK TRIM - DRIVER/PASSENGER SIDE	
4	081638-01-700	EA	LENS-TAILLIGHT, RED	30-84-010
4	081638-01-701	EA	LENS-TAILLIGHT, W/BACKUP	30-84-700
4	103355-01-05A	EA	POD-TAILLIGHT, BRIGHT WHITE	
4	037934-01-000	EA	BULB# 1156 - (BACK UP & TURN SIGNAL)	
4	037935-01-000	EA	BULB# 2057 OR #1157 - (BRAKE LIGHT)	
5	066432-02-000	EA	LIGHT - LICENSE - BLACK	
	121950-01-000	EA	LIGHT - BRAKE - CENTER MOUNT	

ELECTRICAL GROUP (CONTINUED)

FUSES & CIRCUIT BREAKERS

KEY	PART NUMBER	U/M	DESCRIPTION
	008235-01-000	EA	FUSE - 15 AMP/12VOLT - AUTOMOTIVE
	062901-02-000	EA	FUSE - 5 AMPS - AUTOMOTIVE
	062901-05-000	EA	FUSE - 15 AMPS - AUTOMOTIVE
	083209-02-000	EA	CIRCUIT BREAKER - 15/15 AMP - 120 VOLT
	083209-03-000	EA	CIRCUIT BREAKER - 15/20 AMP - 120 VOLT
	083209-04-000	EA	CIRCUIT BREAKER - 30 AMP - 120 VOLT
	083209-06-000	EA	CIRCUIT BREAKER - 30/15 AMP - 120 VOLT
	093654-01-000	EA	CIRCUIT BREAKER - 6 AMP - 12 VOLT
	093654-03-000	EA	CIRCUIT BREAKER - 20AMP - 12 VOLT
	093655-01-000	EA	CIRCUIT BREAKER - 25 AMP - 12 VOLT
	093655-02-000	EA	CIRCUIT BREAKER - 30 AMP - 12 VOLT
	100341-01-000	EA	FUSE HOLDER - IN LINE TYPE
	108669-01-000	EA	HOUSING - AUTO FUSE HOLDER

POWER CONVERTER & INVERTER

KEY	PART NUMBER	U/M	DESCRIPTION
	099048-03-000	EA	INVERTER - 130 WATT
	113132-01-000	EA	LOAD CENTER - 120/240 VOLT - 60 AMP
	123058-02-000	EA	CONVERTER - 45 AMP - ELECTRONIC - 4 1/8" H X 7" W X 12 3/8" L

WIRING ASSEMBLIES

KEY	PART NUMBER	U/M	DESCRIPTION
	073328-B4-000	EA	CABLE ASSEMBLY - BATTERY - W/TERMINALS
	090986-01-000	EA	WIRE ASSEMBLY - ELECTRIC STEP - KWIKEE 9009
	096449-01-000	EA	WIRE ASSEMBLY - WATER TANK TO MONITOR PANEL
	097618-01-000	EA	WIRE ASSEMBLY - MONITOR PANEL - W/3 WIRES & ORANGE RESISTOR
	106851-01-000	EA	WIRE ASSEMBLY - RUNNING LIGHTS - FUSE
	116894-01-000	EA	WIRE ASSEMBLY - SPEED SENSOR EXTENDED
	105306-01-000	EA	WIRE ASSEMBLY - MONITOR PANEL ADAPTER

ELECTRIC BOXES, COVERS & POWER CORDS

KEY	PART NUMBER	U/M	DESCRIPTION
	008052-01-000	EA	CORD - POWER - 10/3 - 30 AMP - 25' - CANADIAN
	008054-01-000	EA	CORD - POWER - 10/3 - 30 AMP - 25'
	008289-01-000	EA	BOX - ELECTRIC/STEEL - 1/2" & 3/4" KNOCKOUTS - 4" X 4"
	008289-02-000	EA	BOX - ELECTRIC/STEEL - 1/2" & 3/4" KNOCKOUTS - 4" X 4" - CANADIAN
	008294-01-000	EA	COVER - ELECTRICAL BOX - BLANK/STEEL - 4" X 4" - GRAY
	069238-01-000	EA	COVER - ELECTRICAL BOX - W/HOLE - 4" X 4" - GRAY
	091910-01-000	EA	BOX - ELECTRIC - 3.8" X 3.5" X 1.8" - PLASTIC
	091910-02-000	EA	BOX - ELECTRIC - 2.2" X 3.5" X 1.7" - PLASTIC
	093257-02-000	EA	BOX - ELECTRIC - CIRCUIT BREAKER
	107165-01-01A	EA	BOX - CIRCUIT BREAKER - 14.6" X 4" - PLASTIC
	107165-03-01A	EA	BOX - CIRCUIT BREAKER - 7.1" X 4"

RELAY HOUSING & SOLENOID

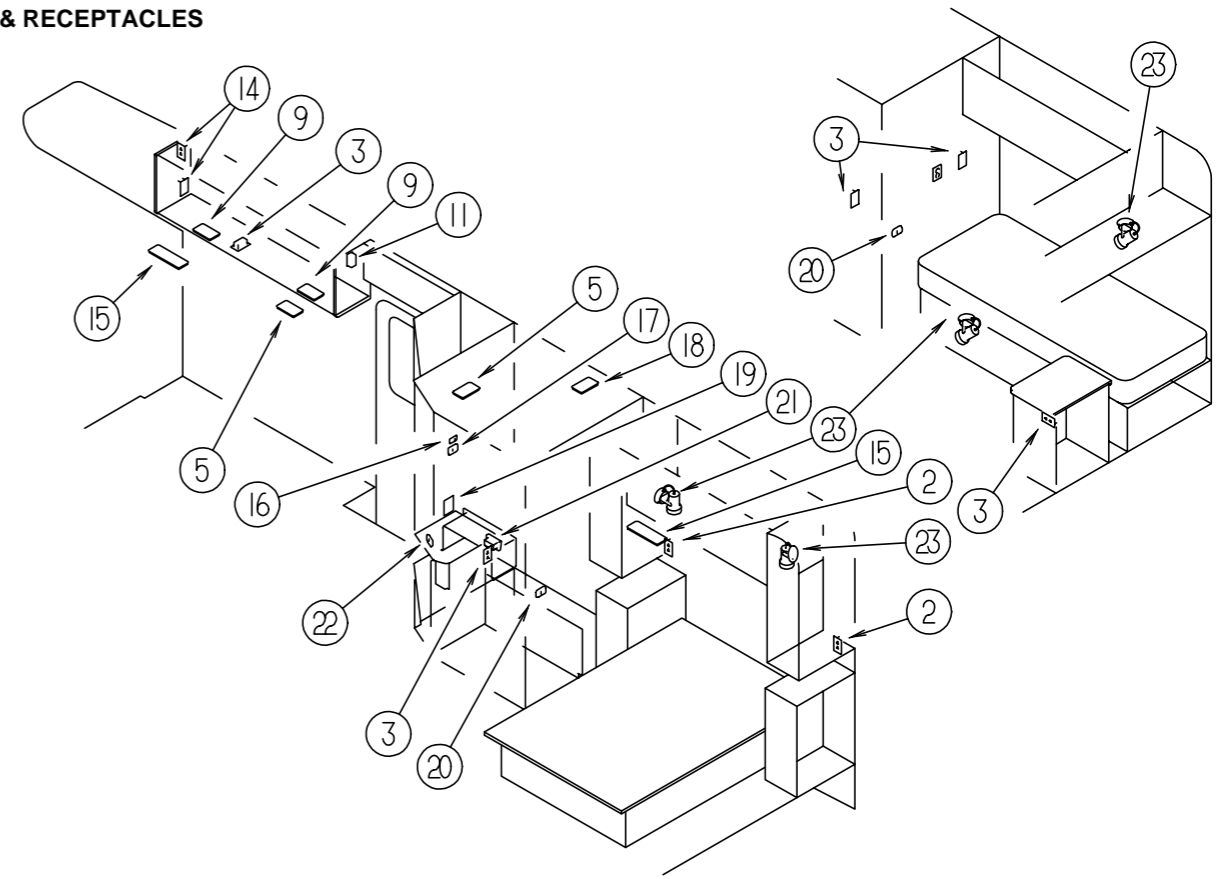
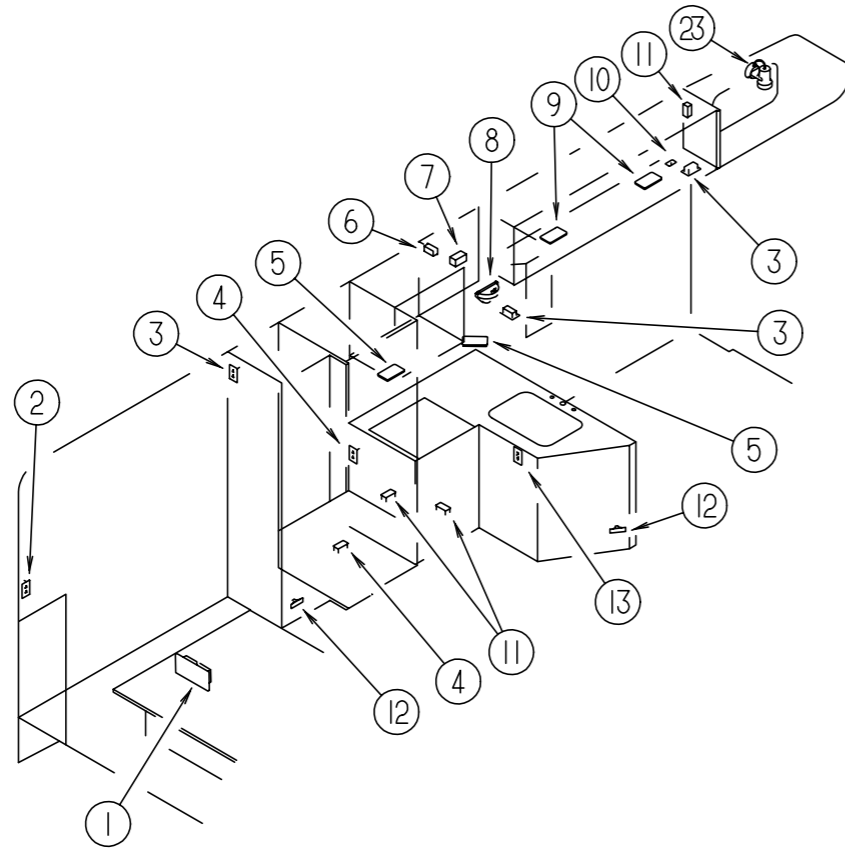
KEY	PART NUMBER	U/M	DESCRIPTION
	008188-01-000	EA	SOLENOID - 3 POST - BATTERY CHANGE OVER
	063910-01-000	EA	HOUSING - RELAY
	086233-01-000	EA	STUD - ISOLATED - 3/8" X 7/8" LONG
	086273-01-000	EA	RELAY - BATTERY DISCONNECT

SWITCHES & COVER/ACTUATOR

KEY	PART NUMBER	U/M	DESCRIPTION
	108357-08-000	EA	SWITCH - ROCKER DPDT - ON/NONE/ON - 6 TERMINAL (WATER PUMP)
	108356-02-01A	EA	COVER/ACTUATOR SWITCH - 2 ROWS DIMPLES - CONTURA II - BLACK
	108357-06-000	EA	SWITCH - ROCKER DPDT - MOM/OFF/MOM - 6 TERMINAL
	108357-08-000	EA	SWITCH - ROCKER DPDT - ON/NONE/ON - 6 TERMINAL

ELECTRICAL GROUP (CONTINUED)

LIGHTS, SWITCHES & RECEPTACLES



KEY	PART NUMBER	U/M	DESCRIPTION	VENDOR NO.
1	024924-02-000	EA	RECEPTACLE - POWER CORD - W/PARTIAL PLATE	
1	069238-01-000	EA	COVER - ELECTRICAL BOX - W/HOLE - 4" X 4" - GRAY	
2	058708-02-000	EA	RECEPTACLE - ELECTRIC - DOUBLE - IVORY	
2	102568-01-J70	EA	SPACER - RECEPTACLE - BETWEEN SIDEWALL & PLATE - WOOD	
3	058708-01-000	EA	RECEPTACLE - ELECTRIC - DOUBLE - BROWN	
4	058707-01-000	EA	RECEPTACLE - ELECTRIC - SINGLE - BROWN	
5	098024-01-03A	EA	LIGHT - DOME - 1 BULB - WHITE	
5	008218-01-000	EA	BULB - DOME LIGHT - 12 VOLT - NO. 1141	
5	098024-01-700	EA	LENS-LIGHT	807877
6	058708-05-000	EA	RECEPTACLE - SINGLE - BROWN	
7	091927-01-000	EA	COVER - RECEPTACLE - DOUBLE - IVORY	
8	119257-01-01A	EA	SHADE - LAMP - POTPOUM	
8	065202-38-000	EA	LAMP - WALL	
8	067479-01-000	EA	BULB - 12 VOLT - #1076 - 1.80 AMP	
9	098024-05-02A	EA	LIGHT - DOME - 1 BULB - SKYLITE - WHITE	
9	008218-01-000	EA	BULB - DOME LIGHT - 12 VOLT - NO. 1141	
9	098024-01-701	EA	LENS - OPTI CLEAR - SKYLITE	809902
10	098351-02-01A	EA	PLATE - SWITCH - 2 GANG POLISHED BRASS (W/SIDE TV CABINET)	
10	079364-01-000	EA	SWITCH - ON/OFF ROCKER - 2 PRONGS - BROWN - TV (W/SIDE TV CABINET)	
10	079364-03-000	EA	SWITCH - ON/OFF ROCKER - 3 PRONGS - BROWN - COURTESY LIGHT	
10	098351-01-01A	EA	PLATE - SWITCH - 1 GANG POLISHED BRASS (W/O SIDE TV CABINET)	
11	058707-02-000	EA	RECEPTACLE - BLANK JUNCTION BOX	
12	061424-01-000	EA	LIGHT - AISLE - 12 VOLT - RECTANGULAR	
12	008103-01-000	EA	BULB - DASH/AISLE LIGHT - #53 - 12 VOLT - .12 AMP	
13	084076-02-000	EA	RECEPTACLE - GFI - 15 AMP - 125 VOLT - BROWN	

KEY	PART NUMBER	U/M	DESCRIPTION	VENDOR NO.
14	111414-01-000	EA	RECEPTACLE - 12V - W/O BIMETAL	
15	098024-03-02A	EA	LIGHT - DOME - 2 BULB - WHITE	
15	008218-01-000	EA	BULB - DOME LIGHT - 12 VOLT - NO. 1141	
15	098024-01-700	EA	LENS-LIGHT	807877
16	098351-06-01A	EA	PLATE - SWITCH - 2 GANG POLISHED BRASS	
16	079364-01-000	EA	SWITCH - ON/OFF ROCKER - 2 PRONGS - BROWN - CEILING/PORCH	
17	098351-01-01A	EA	PLATE - SWITCH - 1 GANG POLISHED BRASS	
17	079364-01-000	EA	SWITCH - ON/OFF ROCKER - 2 PRONGS - BROWN - STEP	
18	121935-01-01A	EA	LIGHT - DOME - SHOWER	
19	098351-07-01A	EA	PLATE - SWITCH - GENERATOR - POLISHED BRASS	
19	108357-06-000	EA	SWITCH - ROCKER DPDT - MOM/OFF/MOM - 6 TERMINAL	
19	108356-11-01A	EA	COVER-ACTUATOR SWITCH - 3 GROOVES - AUX BATT - BLACK	
20	098351-02-01A	EA	PLATE - SWITCH - 2 GANG POLISHED BRASS	
20	079364-01-000	EA	SWITCH - ON/OFF ROCKER - 2 PRONGS - BROWN - CEILING LIGHT	
20	079364-03-000	EA	SWITCH - ON/OFF ROCKER - 3 PRONGS - BROWN - AISLE LIGHT	
20	095188-01-01A	EA	SPACER - SWITCH - 2.3" X 3.4" - PLASTIC - DARK BROWN	
21	112822-01-01A	EA	RECEPTACLE - DUPLEX - IVORY	
21	112824-01-03A	EA	COVER - RECEPTACLE - EXTERIOR DUPLEX	
22	098351-03-01A	EA	PLATE - SWITCH - 3 GANG POLISHED BRASS	
22	079364-01-000	EA	SWITCH - ON/OFF ROCKER - 2 PRONGS - BROWN - CEILING/SHOWER	
22	079364-03-000	EA	SWITCH - ON/OFF ROCKER - 3 PRONGS - BROWN - PUMP	
22	095188-02-01A	EA	SPACER - SWITCH - 2.3" X 4.1" - PLASTIC - DARK BROWN	
23	104172-01-01A	EA	LIGHT - BULLET - UL/CSA	
23	104173-01-01A	EA	LIGHT - DESIGNER - BRASS - UL	
	086280-01-000	EA	LIGHT - SURFACE MOUNT - 12 VOLT	
	086280-01-700	EA	BULB, 12V	ARP1089
	108355-01-000	EA	HOUSING - SWITCH	
	097734-01-02A	EA	EXTENSION - RECEPTACLE - 3.2" X 5" X .7" - BROWN PLASTIC	

ELECTRICAL GROUP (CONTINUED)**CONDUIT, CONNECTORS, HOUSINGS & TERMINALS**

KEY	PART NUMBER	U/M	DESCRIPTION
	007956-05-000	EA	INSULATOR - SHRINK - .25 ID X 1.50
	008313-01-000	EA	CONNECTOR - WIRE NUT - INSULATED - YELLOW
	008314-01-000	EA	CONNECTOR - WIRE NUT - INSULATED - GRAY
	008326-01-000	EA	TERMINAL - RING 16/14 WIRE - 3/8" STUD
	008328-01-000	EA	TERMINAL - RING - 12/10 WIRE - #10 STUD FIT
	008331-01-000	EA	TERMINAL - RING - TONGUE - #4 WIRE - 3/8" STUD - COPPER
	008348-01-000	EA	TERMINAL - RING - 3/8" STUD 2 GA. WIRE
	008355-01-000	EA	CONNECTOR - CABLE CLAMPING - 3/4"
	008356-01-000	EA	CONNECTOR - PLASTIC - 3/8" AVG
	008356-02-000	EA	CONNECTOR - PLASTIC - 21/32
	035416-04-000	EA	TERMINAL - RING - #10 STUD FIT - INSULATED BARREL #16/14
	041953-01-000	FT	CONDUIT - CONVOLUTE SLIT - .5" ID
	041953-03-000	FT	CONDUIT - CONVOLUTE SLIT - 1" ID (CLOTHES ROD COVER)
	041953-05-000	FT	CONDUIT - CONVOLUTE SOLID - .62" ID
	041953-06-000	FT	CONDUIT - CONVOLUTE SLIT - .375" ID
	041953-07-000	FT	CONDUIT - CONVOLUTE SLIT - .25" ID
	041953-08-000	FT	CONDUIT - CONVOLUTE SLIT - 1.50" ID
	041953-09-000	FT	CONDUIT - CONVOLUTE SLIT - .50" ID
	041953-10-000	FT	CONDUIT - CONVOLUTE SLIT - .75" ID
	041953-11-000	FT	CONDUIT - CONVOLUTE SLIT - 1.06" ID
	041953-12-000	FT	CONDUIT - CONVOLUTE NON SLIT - 1.1" ID
	047443-01-000	EA	TERMINAL - .250 RECEPTACLE FIT - INSULATED - 16/14 AWG
	047443-02-000	EA	TERMINAL - .250 RECEPTACLE FIT - INSULATED - 12/10 AWG
	058028-01-000	EA	CONNECTOR - ELECTRICAL PIGTAIL - NYLON - CLEAR
	077479-01-000	EA	BOOT - BATTERY TERMINAL - DOUBLE CABLE
	077479-02-000	EA	BOOT - BATTERY TERMINAL - SINGLE CABLE
	080015-02-000	EA	RECEPTACLE - FLAG - .185 - 16/14 GAUGE - AMP 3
	080015-03-000	EA	RECEPTACLE-FLAG, .250 - 14/16 GA
	087949-01-000	EA	BUSS BAR - 2 POSITION - .6" X 1.5"
	088473-01-000	EA	HOUSING - PIN - 12 CAVITY
	088473-02-000	EA	HOUSING - PIN - 15 CAVITY
	088473-06-000	EA	HOUSING - PIN - 6 CAVITY
	088473-07-000	EA	HOUSING - PIN - 5 CAVITY
	088473-08-000	EA	HOUSING - PIN - 4 CAVITY
	088473-09-000	EA	HOUSING - PIN - 3 CAVITY
	088473-10-000	EA	HOUSING - PIN - 2 CAVITY
	088474-01-000	EA	HOUSING - SOCKET - 12 CAVITY
	088474-02-000	EA	HOUSING - SOCKET - 15 CAVITY
	088474-03-000	EA	HOUSING - SOCKET - 9 CAVITY
	088474-07-000	EA	HOUSING - SOCKET - 5 CAVITY
	088474-08-000	EA	HOUSING - SOCKET - 4 CAVITY
	088474-09-000	EA	HOUSING - SOCKET - 3 CAVITY
	088474-10-000	EA	HOUSING - SOCKET - 2 CAVITY
	088475-01-000	EA	PIN - CONNECTOR - 14 - 20 AWG
	088475-02-000	EA	PIN - CONNECTOR - 10-12 AWG
	088476-01-000	EA	SOCKET - CONNECTOR - BRASS - PRE-TIN
	088476-02-000	EA	SOCKET - CONNECTOR - 12-10 GA - PHOS BRZ - PRE - TIN
	098261-02-000	EA	SOCKET - CONNECTOR - WEATHER PACK
	098262-01-000	EA	SEAL - CONNECTOR - WEATHER PACK
	098265-02-000	EA	PIN - CONNECTOR - WEATHERPACK
	101751-02-000	EA	HOUSING - 1 PIN - WEATHERPACK
	102777-02-000	EA	TERMINAL - RING - #6 STUD - 10 AWG
	106655-01-000	EA	TERMINAL - FUSE BLOCK - 14-16 AWG
	106655-02-000	EA	TERMINAL - FUSE BLOCK - 10-12 AWG
	119223-01-000	EA	HOUSING - 6 POSITION - MALE - WEATHERPACK
	125323-02-000	EA	HOUSING - 8 POSITION - MALE
	125324-01-000	EA	TERMINAL - MALE
	125325-01-000	EA	SEAL - CAVITY

EXTERIOR BODY GROUP**AWNING - A & E**

KEY	PART NUMBER	U/M	DESCRIPTION
	113874-05-02A	EA	AWNING/W/O HARDWARE 14' (POLAR/NAVY/TEAL) VINYL
*	113874-01-02A	EA	HARDWARE KIT - AWNING - W/O STANDOFF BRACKET-BRIGHT WHITE
	111038-01-01A	EA	SPACER - AWNING - LOWER
	130320-01-02A	EA	BRACKET - AWNING - F/A&E INSTALLATION - BRIGHT WHITE

COMPONENT PARTS FOUND IN SERVICE PARTS LIBRARY*RUNNING BOARDS**

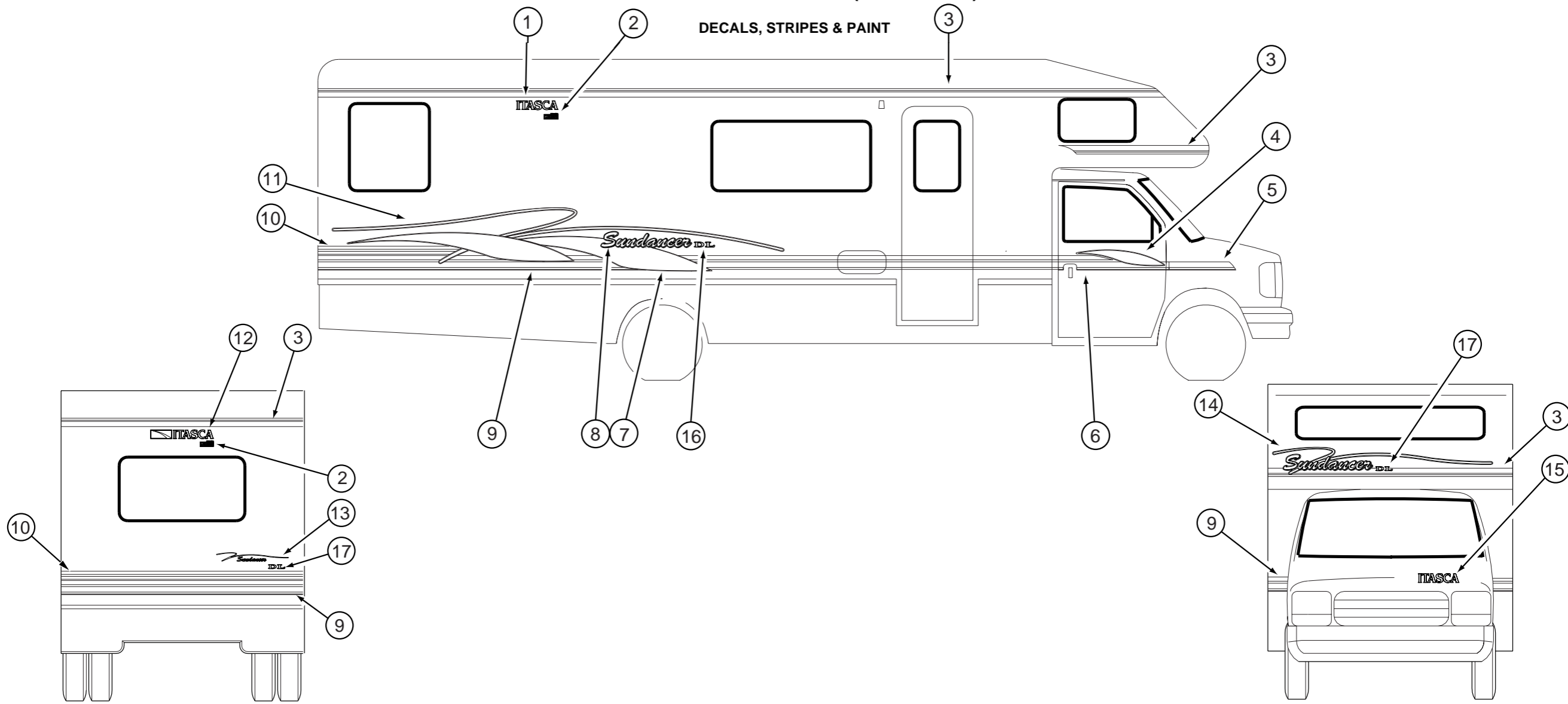
KEY	PART NUMBER	U/M	DESCRIPTION
	106461-03-000	EA	HARDWARE KIT - RUNNING BOARD
	106461-06-01A	EA	RUNNING BOARD - FIBERGLASS - PASSENGER - FORD - BRT WHITE
	106461-07-01A	EA	RUNNING BOARD - FIBERGLASS - DRIVER - FORD - BRT WHITE
	106461-04-000	EA	TRIM - RUNNING BOARD/FORD
	106461-05-000	EA	NON SKID STRIP - RUNNING BOARD

FIBERGLASS, STYROFOAM & ALUMINUM CHANNEL

KEY	PART NUMBER	U/M	DESCRIPTION
	100619-01-000	BF	FOAM - EXPANDED POLYSTYRENE - 1.34" X 48" X 96"
	100619-02-000	BF	FOAM - EXPANDED POLYSTYRENE - 1.5" X 48" X 96"
	100619-04-000	BF	FOAM - EXPANDED POLYSTYRENE - .5" X 48" X 96"
	100619-05-000	BF	FOAM - EXPANDED POLYSTYRENE - .75" X 48" X 96"
	100619-11-000	BF	FOAM - EXPANDED POLYSTYRENE - 2" X 48" X 96"
	100619-13-000	BF	FOAM - EXPANDED POLYSTYRENE - .34" X 34.65" X 96"
	100619-16-000	BF	FOAM - EXPANDED POLYSTYRENE - .75" X 48" X 96"
	076054-AC-000	EA	FIBERGLASS SHEET - 20" X 99.8" BRIGHT WHITE FROM: 02-09-98 THRU: 99-99-99
	076054-W2-000	EA	FIBERGLASS SHEET 85" X 339" BRIGHT WHITE
	076054-W5-000	EA	FIBERGLASS SHEET - 101.42" X 108.66" BRT WHT
	076054-Z6-000	EA	FIBERGLASS SHEET - 25" X 66" - BRIGHT WHITE
	077517-62-000	EA	FIBERGLASS - SHEET - 48" X 96" BRIGHT WHITE
	000870-08-000	SF	STYROFOAM - 3/4" X 48" X 96" PLANED EXPANDED BEAD BOARD
	083574-06-000	SF	STYROFOAM - .75 X 48" X 108" - INCREMENTS OF 14 SF
	068716-01-001	EA	BRACE - 90 DEGREE L-ANGLE - 16'
	002726-01-001	EA	GARNISH - U-CHANNEL - 1.38" X 19' - SERRATED
	089297-01-000	SF	PLYWOOD - LUAN - OVERLAY GRADE - 48" X 96'
	089297-02-000	SF	PLYWOOD - LUAN - OVERLAY GRADE - 48" X 108'
	108535-05-702	EA	FIBERGLASS SHEET - FLAT - 110" X 396" BRIGHT WHITE - ROOF
	117754-03-01A	EA	FIBERGLASS SHEET - 10.5" X 96" - BRIGHT WHITE

EXTERIOR BODY GROUP (CONTINUED)

DECALS, STRIPES & PAINT



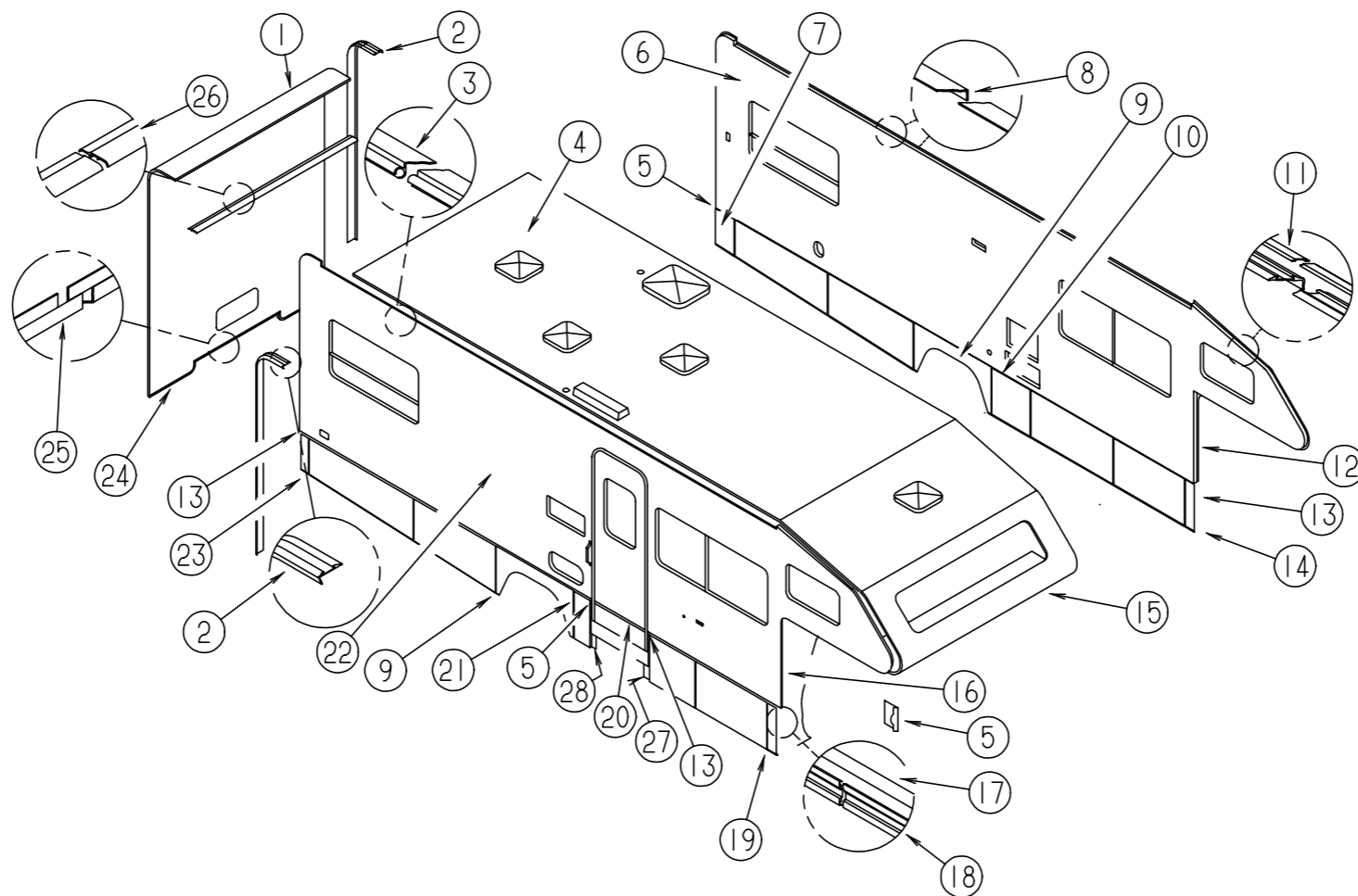
KEY	PART NUMBER	U/M	DESCRIPTION
1	124811-01-03A	EA	DECAL - LOGO - ITASCA
2	122770-02-06A	EA	DECAL - BUILT PROUDLY BY WINNEBAGO INDUSTRIES
3	105781-63-01A	FT	FILM - MULTISTRIPE - 3.12"
4	125099-01-01A	EA	DECAL - SWEEP - CAB/RIGHT HAND
	125099-02-01A	EA	DECAL - SWEEP - CAB/LEFT HAND
5	126679-01-01A	EA	DECAL - FENDER - RIGHT HAND
	126679-02-01A	EA	DECAL - FENDER - LEFT HAND
6	125098-01-01A	EA	DECAL - CAB DOOR - RIGHT HAND
	125098-02-01A	EA	DECAL - CAB DOOR - LEFT HAND
7	125100-01-01A	EA	DECAL - SWEEP - RIGHT HAND
	125100-02-01A	EA	DECAL - SWEEP - LEFT HAND
8	125103-01-01A	EA	DECAL - LOGO - SUNDANCER
9	094423-11-01A	FT	FILM - MULTISTRIPE - 5.49"
10	105781-62-01A	FT	FILM - MULTISTRIPE - 3.12"
11	125102-01-01A	EA	DECAL - SWEEP - REAR/RIGHT HAND
	125102-02-01A	EA	DECAL - SWEEP - REAR/LEFT HAND
12	124806-01-03A	EA	DECAL - LOGO ITASCA
13	125104-01-01A	EA	DECAL - SUNDANCER W/SLASH
14	125101-01-01A	EA	DECAL - SLEEPER W/SUNDANCER
15	124811-02-01A	EA	DECAL - LOGO - ITASCA SMALL/HOOD
16	120995-05-01A	EA	DECAL - LOGO - DL/LARGE
17	120995-06-01A	EA	DECAL - LOGO - DL/SMALL
	041561-03-000	EA	PAINT - 16 OUNCE SPRAY - OFF WHITE

DUPONT COLOR CODES

OFF WHITE	L8723A
BRIGHT WHITE	B8951
APRICOT MIST	F4581
MALIBU TEAL	F4580
AMETHYST FROST	RM012
MARINE BLUE	F4579
VIOLET FIREMIST	F4572
LT CHAMPAGNE MET	F2997U
SEAMIST	F-1977

EXTERIOR BODY GROUP (CONTINUED)

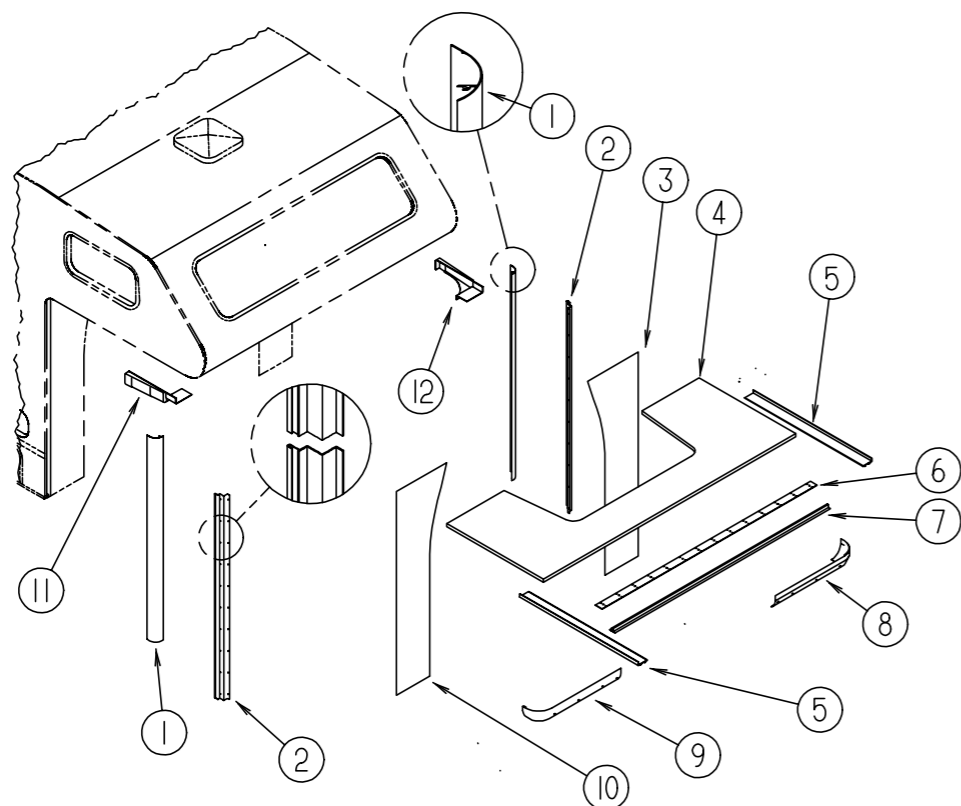
BODY PANELS & TRIMS



KEY	PART NUMBER	U/M	DESCRIPTION
1	P26658-01-J06	EA	BACKWALL - W/O WINDOW/TRIM - F/QUEEN BED (J40)
1	P26658-01-J41	EA	BACKWALL - W/O WINDOW/TRIM - F/QUEEN BED (J41)
1	P26658-02-J06	EA	BACKWALL - W/O WINDOW/TRIM - F/TWIN BED (J40)
1	P26658-02-J41	EA	BACKWALL - W/O WINDOW/TRIM - F/TWIN BED (J41)
2	096854-05-02A	EA	TRIM - CONTOUR - BRIGHT WHITE - 114"
3	099583-55-003	EA	AWNING RAIL - 120"
4	P23146-01-H07	EA	ROOF - W/O LIGHTS/VENTS - W/WIRING
5	124132-01-01A	EA	CAP - SIDEWALL TRIM - RIGHT HAND - 1.4" - BRIGHT WHITE
6	P25931-02-J40	EA	SIDEWALL - DRIVER - W/O WINDOWS/TRIM
6	P25391-02-J41	EA	SIDEWALL - DRIVER - W/O WINDOWS/TRIM
7	122732-04-JA1	EA	VALANCE/PANEL - REAR DRIVER - W/O HARDWARE - 8.9"
8	096864-01-02A	EA	TRIM - CONTOUR - ROOF TO SIDEWALL - 120"
9	121304-02-02A	EA	PANEL - WHEEL LIP - REAR
10	122776-10-JA1	EA	VALANCE/PANEL - W/O HARDWARE - 20.6"
11	096854-05-02A	EA	TRIM - CONTOUR - BRIGHT WHITE - 130"
			FROM: 00-00-00 THRU: 04-01-98
11	096854-07-02A	EA	TRIM - CONTOUR - 144" - BRIGHT WHITE
			FROM: 04-02-98 THRU: 99-99-99
12	104479-06-02A	EA	TRIM - FRONT CONTOUR - BRIGHT WHITE - LEFT HAND
13	124132-02-01A	EA	CAP - SIDEWALL TRIM - LEFT HAND - 1.4" - BRIGHT WHITE
14	122776-07-JA1	EA	VALANCE/PANEL - W/O HARDWARE - 7"
15	P21337-01-H07	EA	ROOF - FRONT ONLY - W/O LIGHTS/VENTS - W/WIRING

KEY	PART NUMBER	U/M	DESCRIPTION
16	104479-05-02A	EA	TRIM - FRONT CONTOUR - BRIGHT WHITE - LEFT HAND
17	124299-51-001	EA	EXTRUDED - RETAINER - TRIM - 144"
18	124176-01-01A	EA	TRIM - SIDEWALL - BRIGHT WHITE - 16'
19	122776-06-JA1	EA	VALANCE/PANEL - W/O HARDWARE - 7"
20	108688-01-03A	EA	STRIP - FEATURE - 15'
20	108651-01-01A	EA	END CAP - FEATURE STRIP
21	122776-03-JA1	EA	VALANCE/PANEL - W/O HARDWARE - 8.9"
22	P25930-02-J40	EA	SIDEWALL - PASSENGER - W/O WINDOWS/TRIM
22	P25930-02-J41	EA	SIDEWALL - PASSENGER - W/O WINDOWS/TRIM
23	122732-03-JA1	EA	VALANCE/PANEL - REAR PASSENGER - W/O HARDWARE - 4.9"
24	103334-03-02A	EA	TRIM - BACKWALL/LOWER - 25.6"
25	103335-02-02A	EA	TRIM - BACKWALL/LOWER - 46.2"
26	078580-02-000	EA	TRIM - ROOF/FRONT/REAR CAP
27	125089-01-JA1	EA	TRIM - ENTRANCE STEP
28	125089-02-JA1	EA	TRIM - ENTRANCE STEP
	107865-06-000	EA	ROD - SUPPORT - VALANCE PANEL - 15"
	107865-01-000	EA	ROD - SUPPORT - VALANCE PANEL - 14.3"

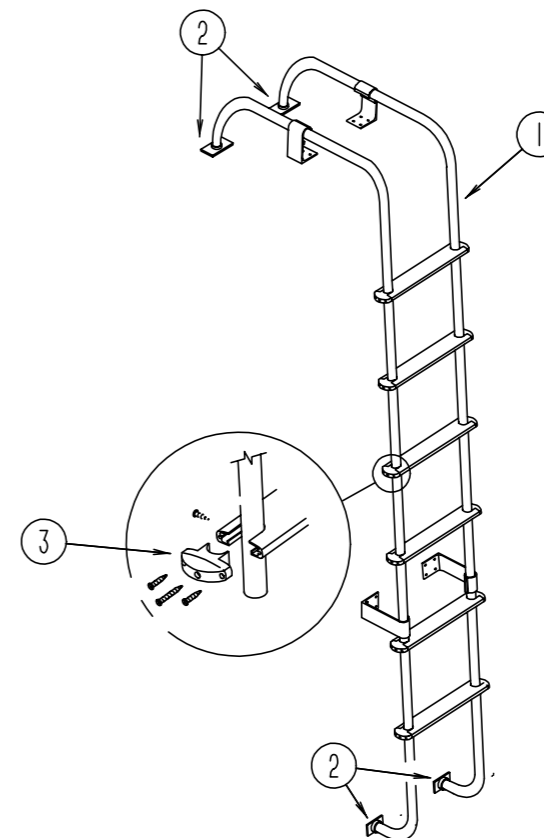
EXTERIOR BODY GROUP (CONTINUED)



WINGWALL, SLEEPERBOARD & TRIM

KEY	PART NUMBER	U/M	DESCRIPTION
1	108037-02-02A	EA	COVER - WINGWALL OUTER-CURVED BRIGHT WHITE ALUMINUM
2	105015-02-02A	EA	TRIM-WINGWALL/SIDEWALL INNER SUPPORT BRKT - BRIGHT WHITE
3	125128-02-J10	EA	WINGWALL - DRIVER
4	P25129-01-J01	EA	SLEEPERBOARD
5	096854-05-02A	EA	TRIM - CONTOUR - BRIGHT WHITE - 114"
5	105312-01-07A	FT	INSERT - VINYL FEATURE STRIP - BRIGHT WHITE
6	100086-04-01A	EA	TRIM - SLEEPER BOARD/ROOF - 2" X 96.6"
7	100085-05-01A	EA	TRIM - STRAP - SLEEPERBOARD
8	122910-02-G07	EA	COVER - WINGWALL - DRIVER
9	122910-01-G07	EA	COVER - WINGWALL - PASSENGER
10	125128-01-J10	EA	WINGWALL - PASSENGER
11	104444-01-02A	EA	COVER - WINGWALL TRIM - UPPER PASSENGER - BRIGHT WHITE
12	104444-02-02A	EA	COVER - WINGWALL TRIM - UPPER DRIVER - BRIGHT WHITE

EXTERIOR BODY GROUP (CONTINUED)



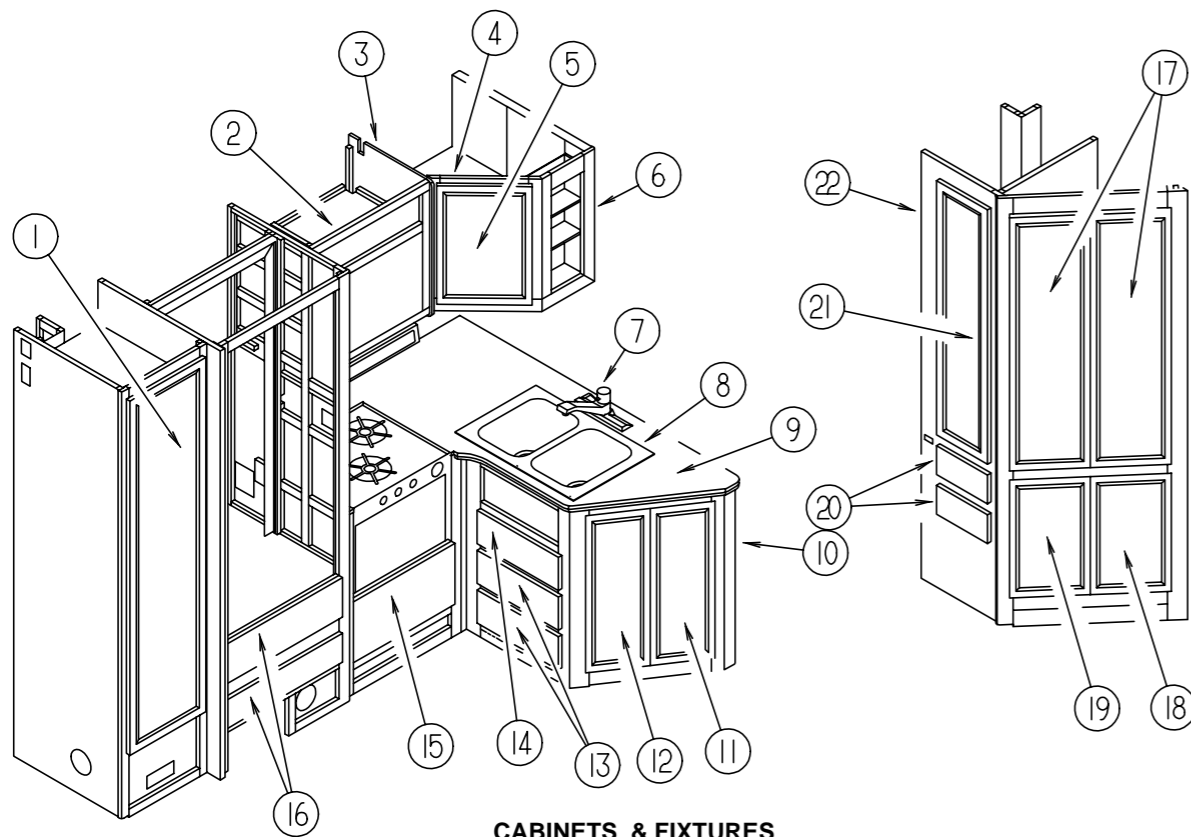
LADDER

KEY	PART NUMBER	U/M	DESCRIPTION
1	102953-15-G04	EA	LADDER
			FROM: 00-00-00 THRU: 05-31-98
1	129639-05-01A	EA	LADDER
			FROM: 06-01-98 THRU: 99-99-99
2	067165-01-000	EA	MOUNTING BRACKET - LOWER LADDER
	000G39-06-10T	EA	SCREW - SF/DR - 6-20 X 5/8 PPH - BLACK
	000G68-10-36T	EA	SCREW - 10-12 X 2.25 POH BLACK
3	076980-02-000	EA	END CAP - STEP - BLACK
	038327-01-000	EA	TAPE - ANTI-SLIP - 2" X 60'

EXTERIOR MIRRORS - VELVAC

KEY	PART NUMBER	U/M	DESCRIPTION	VENDOR NO.
	120269-05-01A	EA	MIRROR - EXTERIOR - W/HEAT/REMOTE - PASSENGER	
	120269-06-01A	EA	MIRROR - EXTERIOR - W/HEAT/REMOTE - DRIVER	
	120269-05-701	EA	GLASS ONLY REPLACEMENT RH/LH	709411-8
	120269-07-01A	EA	PANEL - DRIVERS DOOR MIRROR CONTROL W/SWITCH & PIGTAIL	
	120269-08-000	EA	HARNESS - ELECTRIC MIRROR	

GALLEY GROUP



CABINETS & FIXTURES

KEY	PART NUMBER	U/M	DESCRIPTION
1	M06803-11-J40 123122-12-J40	EA	DOOR - MIRROR/MTRD CRNR/OGEE EDGE - 16" X 65.3" - W/O HDW SHELF - W/PLASTIC EDGE TRIM
2	122267-01-J40	EA	CABINET - MICROWAVE - W/O DOORS/HARDWARE
2	128619-01-J40	EA	CABINET - MICROWAVE - W/O DOORS/HARDWARE
3	109908-21-J40	EA	END CAP - OVERHEAD CABINET
3	109908-68-J40	EA	END CAP - OVERHEAD CABINET
4	P14876-01-J40 114876-11-J40	EA	CABINET - GALLEY OVERHEAD W/SPICE RACK - W/O DOORS/HDW SHELF - W/PLASTIC EDGE TRIM
5	M05992-69-J40	EA	DOOR - STRAIGHT CORNER/OGEE EDGE - 14.3" X 21.8" - W/O HDW
6	114875-01-J40	EA	CABINET - SPICE RACK - W/O DOORS/HARDWARE
7	098335-15-G07 098335-15-G05	EA	RAIL - GALLEY - 46.1" (J40) RAIL - GALLEY - 46.1" (J41)
8	104114-02-01A 104113-01-000	EA	FAUCET - GALLEY - SINGLE CONTROL SINK - DOUBLE - STAINLESS STEEL
9	092303-01-000 103610-03-H07 103610-03-H05	EA	STRAINER - SINK COVER - SINK - 15.2" X 11" (J40) COVER - SINK - 15.2" X 11" (J41)
9	123123-20-H07	EA	COUNTERTOP (J40)
9	123123-20-H31	EA	COUNTERTOP (J41)
10	M07554-03-J40	EA	CABINET - GALLEY - W/COUNTERTOP -W/O DRS/DWRS/HDW-F/COUCH
10	M07554-03-J41	EA	CABINET - GALLEY - W/COUNTERTOP -W/O DRS/DWRS/HDW-F/COUCH
10	M07554-04-J40	EA	CABINET - GALLEY - W/COUNTERTOP-W/O DRS/DWRS/HDW-F/DINETTE
10	M07554-04-J41	EA	CABINET - GALLEY - W/COUNTERTOP-W/O DRS/DWRS/HDW-F/DINETTE
10	M07554-05-J40	EA	CABINET - GALLEY-W/COUNTERTOP-W/O DRS/DWRS/HDW-F/COUCH-CAN
10	M07554-05-J41	EA	CABINET - GALLEY-W/COUNTERTOP-W/O DRS/DWRS/HDW-F/COUCH-CAN
10	M07554-06-J40	EA	CABINET - GALLEY-W/COUNTERTOP-W/O DRS/DWRS/HDW -F/DIN-CAN
10	M07554-06-J41	EA	CABINET - GALLEY-W/COUNTERTOP-W/O DRS/DWRS/HDW -F/DIN-CAN
11	123123-17-J40	EA	SHELF - W/PLASTIC EDGE TRIM
11	M05992-N1-J40	EA	DOOR - STRAIGHT CORNER/OGEE EDGE - 10" X 29.5" - W/O HDW
12	M05992-N2-J40	EA	DOOR - STRAIGHT CORNER/OGEE EDGE - 10" X 29.5" - W/O HDW

GALLEY GROUP (CONTINUED)

CABINETS & FIXTURES (CONTINUED)

KEY	PART NUMBER	U/M	DESCRIPTION
13	M05971-J4-J40	EA	DRAWER - OGEE EDGE - 15.4"W X 17.7"D-W/O SLIDES/HARDWARE
14	M05971-J3-J40	EA	DRAWER - OGEE EDGE - 12.5"W X 8.6"D-W/O SLIDES/HARDWARE
15	M05971-KM-J40	EA	DRAWER - OGEE EDGE - 19.7"W X 15.7"D - W/O SLIDES/HDW
16	M05971-L9-J40	EA	DRAWER - OGEE EDGE - 22.5"W X 21.6"D - W/O SLIDES/HARDWARE
	090329-01-000	FT	SEAL/T - REFRIGERATOR CABINET
17	M06803-28-J40	EA	DOOR - MIRROR/MTRD CORNER/OGEE EDGE - 12" X 48" - W/O HDW
18	M05992-P8-J40	EA	DOOR - STRAIGHT CORNER/OGEE EDGE - 11.9" X 21.9" - W/O HDW
19	M05992-P9-J40	EA	DOOR - STRAIGHT CORNER/OGEE EDGE - 12" X 21.8" - W/O HDW
20	M05971-J1-J40	EA	DRAWER - OGEE EDGE - 9.8"W X 13.8"D-W/O SLIDES/HARDWARE
21	M05992-15-J40	EA	DOOR - STRAIGHT CORNER/OGEE EDGE - 12" X 48" - W/O HDW
22	114308-01-J40	EA	CABINET - PANTRY - W/O DOORS/DRAWERS/HARDWARE
	114308-12-J40	EA	SHELF - W/PLASTIC EDGE TRIM (3 EA)
	114308-16-J40	EA	SHELF - W/PLASTIC EDGE TRIM (1 EA)

RANGE HOODS - VENTLINE

KEY	PART NUMBER	U/M	DESCRIPTION
*	100258-22-03A	EA	HOOD - RANGE - 22" - W/MONITOR PANEL
*	100258-23-03A	EA	HOOD - RANGE - 22" - W/MONITOR PANEL
	096449-01-000	EA	WIRE ASSEMBLY - WATER TANK TO MONITOR PANEL
	097618-01-000	EA	WIRE ASSEMBLY - MONITOR PANEL- W/3 WIRES & ORANGE RESISTOR

***COMPONENT PARTS FOUND IN SERVICE PARTS LIBRARY**

**MICROWAVE OVEN - MAGIC CHEF
FROM: 00-00-00 THRU: 10-05-97**

KEY	PART NUMBER	U/M	DESCRIPTION
	115303-02-000	EA	OVEN - MICROWAVE - 1.3 CU FT
	115401-02-01A	EA	TRIM - MICROWAVE
	098916-18-02B	EA	BRACE - MICROWAVE CABINET - LEFT HAND
	098916-19-02B	EA	BRACE - MICROWAVE CABINET - RIGHT HAND
	094750-07-000	EA	BRACKET - MICROWAVE - 89 DEGREE

**MICROWAVE OVEN - SAMSUNG
FROM: 10-06-97 THRU: 06-30-98**

KEY	PART NUMBER	U/M	DESCRIPTION
	128527-02-000	EA	OVEN - MICROWAVE - 1.2 CU FT - NON CONVECTION
	128642-02-000	EA	TRIM KIT W/VENT - MICROWAVE - 1.2 CU FT SAMSUNG
	098916-22-02B	EA	BRACE - MICROWAVE CABINET - LEFT HAND
	098916-23-02B	EA	BRACE - MICROWAVE CABINET - RIGHT HAND
	094750-10-000	EA	BRACKET - MICROWAVE - 89 DEGREE

**MICROWAVE OVEN - SAMSUNG
FROM: 07-01-98 THRU: 99-99-99**

KEY	PART NUMBER	U/M	DESCRIPTION
	128527-04-000	EA	OVEN - MICROWAVE - 1.2 CU FT - NON CONVECTION
	098916-22-02B	EA	BRACE - MICROWAVE CABINET - LEFT HAND
	098916-23-02B	EA	BRACE - MICROWAVE CABINET - RIGHT HAND
	094750-10-000	EA	BRACKET - MICROWAVE - 89 DEGREE

REFRIGERATOR - NORCOLD 9162

KEY	PART NUMBER	U/M	DESCRIPTION
*	121568-02-01A	EA	REFRIGERATOR - SMALL DOUBLE DOOR - LEFT HAND - 2-WAY
	093646-01-000	EA	BRACKET - TIEDOWN/REFRIGERATOR - RIGHT HAND
	093646-02-000	EA	BRACKET - TIEDOWN/REFRIGERATOR - LEFT HAND
	116751-06-01A	EA	TRAY - REFRIGERATOR - BLACK
	054450-01-000	EA	LEVEL - REFRIGERATOR
	065225-02-000	EA	PLATE - TIEDOWN - REFRIGERATOR

***COMPONENT PARTS FOUND IN SERVICE PARTS LIBRARY**

GALLEY GROUP (CONTINUED)**COFFEE MAKER - BLACK & DECKER**

KEY	PART NUMBER	U/M	DESCRIPTION	VENDOR NO.
	126019-01-01A	EA	COFFEEMAKER - OPTIMA - W/BRACKETS - BLACK & DECKER	
	126019-01-700	EA	GLASS CARAFE	172547-00
	126019-01-701	EA	RESERVOIR- WATER	172554
	126019-01-702	EA	BASKET - FILTER	172553-00
	126019-01-703	EA	HARDWARE - MOUNTING	172174-00

RANGE - MAGIC CHEF

KEY	PART NUMBER	U/M	DESCRIPTION
*	112881-02-01A	EA	RANGE - 16" - 3 BURNER - FRONT 9100/REAR 6500 BTU-BLK TOP
	105458-01-000	EA	BRACKET - STOVE TIEDOWN - RIGHT HAND
	105458-02-000	EA	BRACKET - STOVE TIEDOWN - LEFT HAND

*COMPONENT PARTS FOUND IN SERVICE PARTS LIBRARY

GENERATOR GROUP**4000 KW ONAN GENERATOR**

KEY	PART NUMBER	U/M	DESCRIPTION
	007067-01-000	SF	INSULATION - FIBERGLASS - 1" THICK X 4' - INCREMENTS/4 SF
	109982-03-000	EA	GENERATOR - 4.0 MICROLITE
	118248-01-02B	EA	BRACKET - GENERATOR - W/O NOTCH - E-COATED
	118248-02-02B	EA	BRACKET - GENERATOR - W/NOTCH - E-COATED
	007125-04-000	EA	CLAMP - MUFFLER - 1.12" DIAMETER
	105958-09-000	EA	PIPE - GENERATOR EXHAUST 1.25" OD X 5.9" X 22"

3.6 KW ONAN GENERATOR

KEY	PART NUMBER	U/M	DESCRIPTION
	007067-01-000	SF	INSULATION - FIBERGLASS - 1" THICK X 4' - INCREMENTS/4 SF
	109982-04-000	EA	GENERATOR - 3.6 MICROLITE
	118248-01-02B	EA	BRACKET - GENERATOR - W/O NOTCH - E-COATED
	118248-02-02B	EA	BRACKET - GENERATOR - W/NOTCH - E-COATED
	007125-04-000	EA	CLAMP - MUFFLER - 1.12" DIAMETER
	105958-09-000	EA	PIPE - GENERATOR EXHAUST 1.25" OD X 5.9" X 22"

NOTE: ADDITIONAL GENERATOR COMPONENTS ARE FOUND IN THE CHASSIS GROUP.

HEATING & AIR CONDITIONING GROUP

HEATING SYSTEM

KEY	PART NUMBER	U/M	DESCRIPTION
	007108-01-000	FT	HOSE - HEATER - 5/8" ID - HI-TEMP - FORD
	076776-01-000	EA	TEE - BEADED - 5/8" X 5/8" X 5/8"
	009200-01-000	EA	TAPE - FURNACE - 1 1/2"
	089367-02-000	EA	TEE - 4" X 2" X 4"
	093614-01-02A	EA	GRILL - RETURN AIR - 15.6" X 7.6" - BEIGE
	040731-01-000	EA	NIPPLE - INLET MANIFOLD - GM --3838094
	094600-05-01A	EA	REGISTER - HEAT - W/O DAMPER - 11.3" - BEIGE
	056464-11-000	EA	REGISTER - 4" DIAMETER - PLASTIC - W/DAMPER - OFF WHITE

REAR HEATER - EVANS

KEY	PART NUMBER	U/M	DESCRIPTION	VENDOR NO.
	084405-01-000	EA	HEATER - REAR/DUCTED - W/MOTOR AID	
	084405-01-700	EA	CORE-HEATER	FT200229
	084405-01-701	EA	FAN BLADES	HV029931
	084405-01-702	EA	MOTOR ASSEMBLY, 12 VOLT	RV010348
	009198-01-000	FT	DUCT - HEAT - FLEXIBLE - 4" ID X 25'	
	069636-02-000	EA	CONNECTOR - DUCT - 4" ID	
	061673-01-000	EA	BRACKET - MOTOR AID TUBES - 4" X 1.5" - STEEL	
	056464-10-000	EA	REGISTER - 4" DIAMETER - PLASTIC - W/O DAMPER - BEIGE	

AIR CONDITIONERS & CEILING ASM.

KEY	PART NUMBER	U/M	DESCRIPTION
*	115219-01-03A	EA	A/C - ROOF - 14,800 MACH 15 - BRIGHT WHITE
*	108892-01-01A	EA	CEILING ASSEMBLY - A/C DUCTED
	120134-01-02A	EA	REGISTER - 4" TO 5" IN DIAMETER W/DAMPER
	117238-01-01A	EA	THERMOSTAT - A/C - FURNACE
	102289-01-000	EA	SPRING - SCREW - ROOF A/C GASKET
	092633-01-02A	EA	FRAME - PLATE - ROOF A/C - 5.7" X 3.9" - ANY COLOR

*COMPONENT PARTS FOUND IN SERVICE PARTS LIBRARY

FURNACE - 30000 BTU

KEY	PART NUMBER	U/M	DESCRIPTION
*	098668-20-000	EA	FURNACE - 30000 BTU
	098668-23-000	EA	DOOR - ACCESS - FURNACE - BRIGHT WHITE

**COMPONENT PARTS FOUND IN SERVICE PARTS LIBRARY

INTERIOR FINISH GROUP

PANELING, LAMINATES & PLASTIC

KEY	PART NUMBER	U/M	DESCRIPTION
	074497-39-000	SF	PANELING - WASHED MAPLE - 1/8" X 48" X 96"
	074497-38-000	SF	PANELING - IMPACT PEARL TEXTURE - 4' X 9' - SMOOTH FROM: 00-00-00 THRU: 10-05-97
	074497-41-000	SF	PANELING - CEILING - IMPACT PEARL - EMBOSSED - 4' X 9' FROM: 10-06-97 THRU: 99-99-99
	074498-71-000	SF	LAMINATE - PLASTIC - NEUTRAL SANTOS - 5'X8' (J40)
	074498-72-000	SF	LAMINATE - PLASTIC - PEBBLE SANTOS - 5' X 8' (J41)
	074498-40-000	SF	LAMINATE - PLASTIC - OFF WHITE - 5' X 8' (EXT. ENTERTAINMENT)
	074498-82-000	SF	LAMINATE - PLASTIC - WASHED MAPLE - 5' X 8'
	080215-13-000	SF	PANELING - 2 SIDED - .2" X 48" X 96" - WASHED MAPLE
	088272-G1-000	SF	PANELING - PEBBLE EMBOSSED - ANTIQUE WHITE - 4' X 7' (BATH)
	088272-H2-000	SF	PANELING - TUSCAN MINK - 4' X 7' (J40)
	088272-H3-000	SF	PANELING - BARCELONIA - 4' X 7' (J41)
	000885-89-000	SF	PARTICLE BOARD-3/8" X 48" X 96" - WASHED MAPLE - 2-SIDED
	000885-90-000	SF	PARTICLE BOARD-1/2" X 48" X 96" - WASHED MAPLE - 2-SIDED
	000885-91-000	SF	PARTICLE BOARD-3/4" X 48" X 96" - WASHED MAPLE - 2-SIDED
	126339-01-000	SF	BOARD - WHEAT - 60" X 72"
	057882-05-700	EA	DOOR-TAMBOUR 4'X4' PC WINONA
	093743-05-01A	SF	PLASTIC - ABS COIL - BRIGHT WHITE - 20" X 108"
	000846-01-000	SF	PLYWOOD - 5/16" X 48" X 96" - CD GRADE
	000846-02-000	SF	PLYWOOD/UNDERLAYMENT - 5/16" X 48" X 96"
	083618-07-000	SF	PLYWOOD - MAPLE - 1 SIDE 3/16"

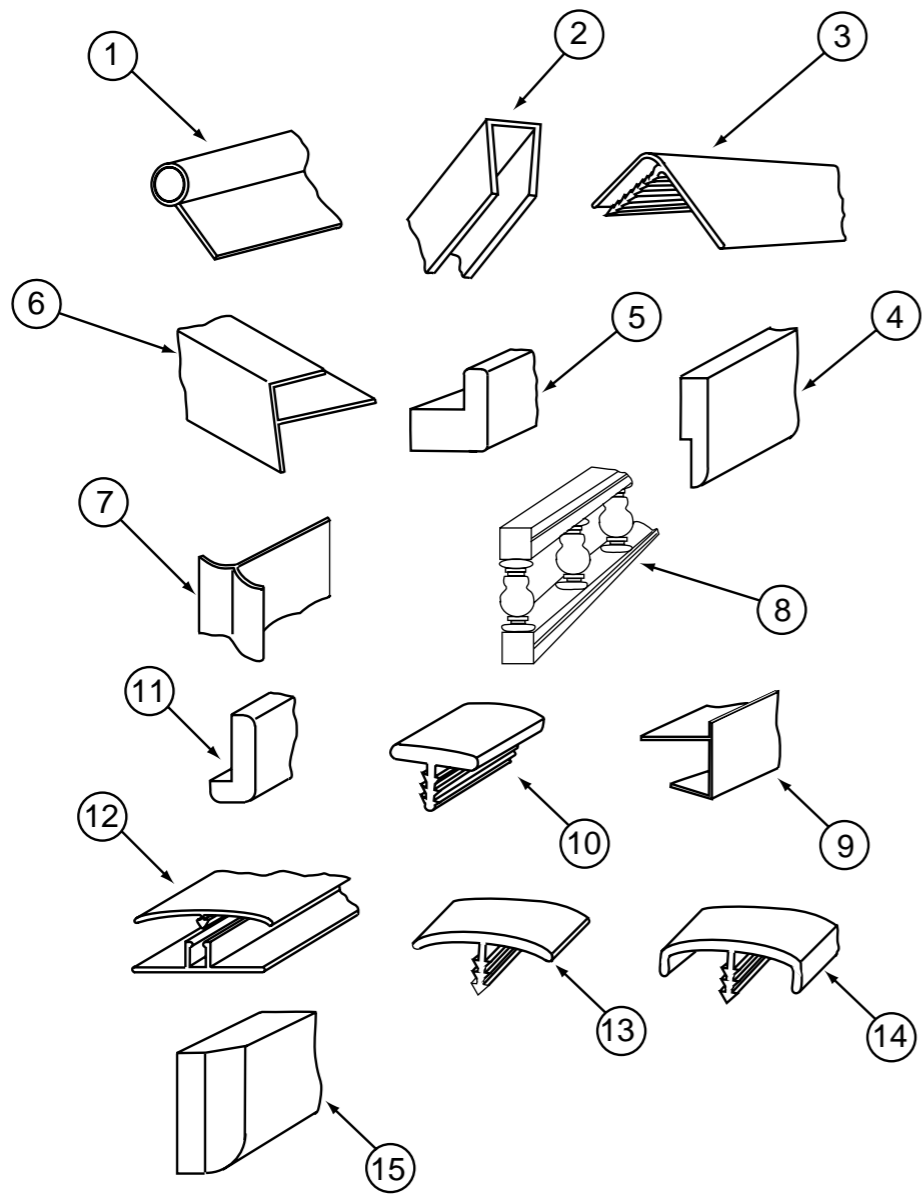
FIRE EXTINGUISHER, DETECTORS & CLOCK

KEY	PART NUMBER	U/M	DESCRIPTION	VENDOR NO.
	072852-01-000	EA	DETECTOR - SMOKE - W/9 VOLT BATTERY - US	
	072852-02-000	EA	DETECTOR - SMOKE - W/9 VOLT BATTERY - CANADIAN	
	094499-01-000	EA	EXTINGUISHER/FIRE - DRY W/MOUNTING BRACKET	
	094499-02-000	EA	EXTINGUISHER/FIRE - DRY - 1A10BC - CANADIAN	
	094499-01-700	EA	BRACKET MTG. W/PLAS. STRAP	294039
	094499-01-701	EA	STRAP ONLY (METAL)	320351
	118081-02-01A	EA	CLOCK - WALL - ROUND 8" - BRASS	
	125136-01-000	EA	CO DETECTOR - GAS - ROUND W/2 SCREWS - 9 VOLT	

CARPETING & FLOOR MATS

KEY	PART NUMBER	U/M	DESCRIPTION
	096060-C8-000	SY	CARPET - MOLLUSK - INCREMENTS OF 4 SQ. YARDS (J40)
	096060-95-000	SY	CARPET - ARTIC GRAY - INCREMENTS OF 4 SQ YDS (J41)
	093486-01-000	SY	CARPET - COMPARTMENT - 72" WIDE - DARK GRAY
	093873-01-01A	EA	TRIM - CARPET - L-ANGLE 1.1" X 1.3" X 12' - GRAY VINYL
	122755-05-01A	EA	TILE - RUBBER/ENTRANCE DOOR - 11.2" X 26.9"
	125780-03-000	EA	MAT - FLOOR - FRONT/PASSENGER - "I" - FORD
	125780-04-000	EA	MAT - FLOOR - FRONT/DRIVER - "I" - FORD

INTERIOR FINISH GROUP (CONTINUED)



MOLDINGS & TRIMS

KEY	PART NUMBER	U/M	DESCRIPTION
1	009767-12-000	FT	WELTING - SIDEWALL/CEILING/CABINET - OFF/WHT
2	009778-27-000	FT	U-CHANNEL - 1" - WASHED MAPLE
2	009778-20-700	EA	U-CHANNEL, 1"X55" MODERN IVORY
3	009809-23-000	EA	MOLDING - CORNER - OUTSIDE - 1" X 84" - MODERN IVORY
3	009809-31-000	EA	MOLDING - CORNER - OUTSIDE - 1" X 84" - WASHED MAPLE
4	105004-01-06A	EA	MOLDING - VINYL WRAPPED - 1" X 96" - SOLAR MAPLE
5	100819-01-08A	EA	MOLDING - VINYL WRAPPED - L-SHAPED - 1.5" X 1.5" X 7'- MAPLE
6	009812-33-000	EA	MOLDING - CORNER - 1/2" W/1/4" CHAN X 84" - WASHED MAPLE
6	009812-24-000	EA	MOLDING - PLASTIC - 1/2" O/S CORNER - IVORY
7	022992-01-000	FT	MOLDING - REVERSE COVE - T-SHAPED - WHITE VINYL
7	022992-11-000	FT	MOLDING - REVERSE COVE - T-SHAPED VINYL - IVORY
8	075249-01-000	EA	RAILING - OAK - 72" UNFINISHED
9	103186-01-08A	FT	MOLDING - PLASTIC/3/8" U-CHANNEL W/3/4" FACE - WASHED MAPLE
10	104676-01-01A	FT	MOLDING-T - 5/16" RIGID GOLD
10	104676-02-06A	FT	MOLDING-T - 1/2" - WASHED MAPLE
11	077840-01-J70	EA	MOLDING - CAP/WALL - 8' WASHED MAPLE

INTERIOR FINISH GROUP (CONTINUED)

MOLDINGS & TRIMS (CONTINUED)

KEY	PART NUMBER	U/M	DESCRIPTION
12	086229-11-000	EA	RETAINER - OFFSET - 97.01"
12	086229-12-000	EA	BATTEN - 1.5" OFFSET X 97.01" IVORY
12	086229-13-000	EA	BATTEN - 1" X 96" - IVORY
12	086229-18-000	EA	BATTEN - 1" X 97.68" - OFF WHITE
12	086229-20-000	EA	BATTEN - 1" X 96" - BEIGE
13	009815-09-000	FT	MOLDING-T - .75" IVORY
13	105709-01-000	FT	MOLDING-T - 1" - MODERN IVORY
14	083620-09-000	FT	MOLDING-T - END CAP EDGE - W/EDGE LIPS - .75"-MODERN IVORY
14	083620-19-000	FT	MOLDING-T - END CAP EDGE - W/EDGE LIPS - .75" - WASHED MAPLE
14	119520-01-01A	FT	MOLDING-T - 1" - W/EDGE LIPS (OFF/WHITE-CREAM)
15	100659-01-J40	EA	MOLDING/TRIM - VINYL FLOOR
	070504-50-000	FT	U-CHANNEL - PLASTIC - .13" X 84" - WASHED MAPLE
	070504-51-000	FT	U-CHANNEL - PLASTIC - .9" X 84" - WASHED MAPLE
	120492-01-06A	EA	STRIP - TRIM - WASHED MAPLE
	126204-D2-134	EA	MOLDING - VINYL WRAPPED - WASHED MAPLE - .7" X 1.6" X 84"
	126204-F2-134	EA	MOLDING - VINYL WRAPPED - .7" X 2.6" X 7'- WASHED MAPLE
	126204-D2-438	EA	MOLDING - VINYL WRAPPED - WASHED MAPLE - .7" X 1.5" X 96"
	126204-E2-438	EA	MOLDING - VINYL WRAPPED - WASHED MAPLE - .7" X 2" X 96"
	126205-G2-438	EA	LUMBER - VINYL WRAPPED - WASHED MAPLE - .7" X 3" X 96"
	126205-J2-438	EA	LUMBER - VINYL WRAPPED - WASHED MAPLE - .7" X 5.5" X 96"

EDGE BAND MOLDING

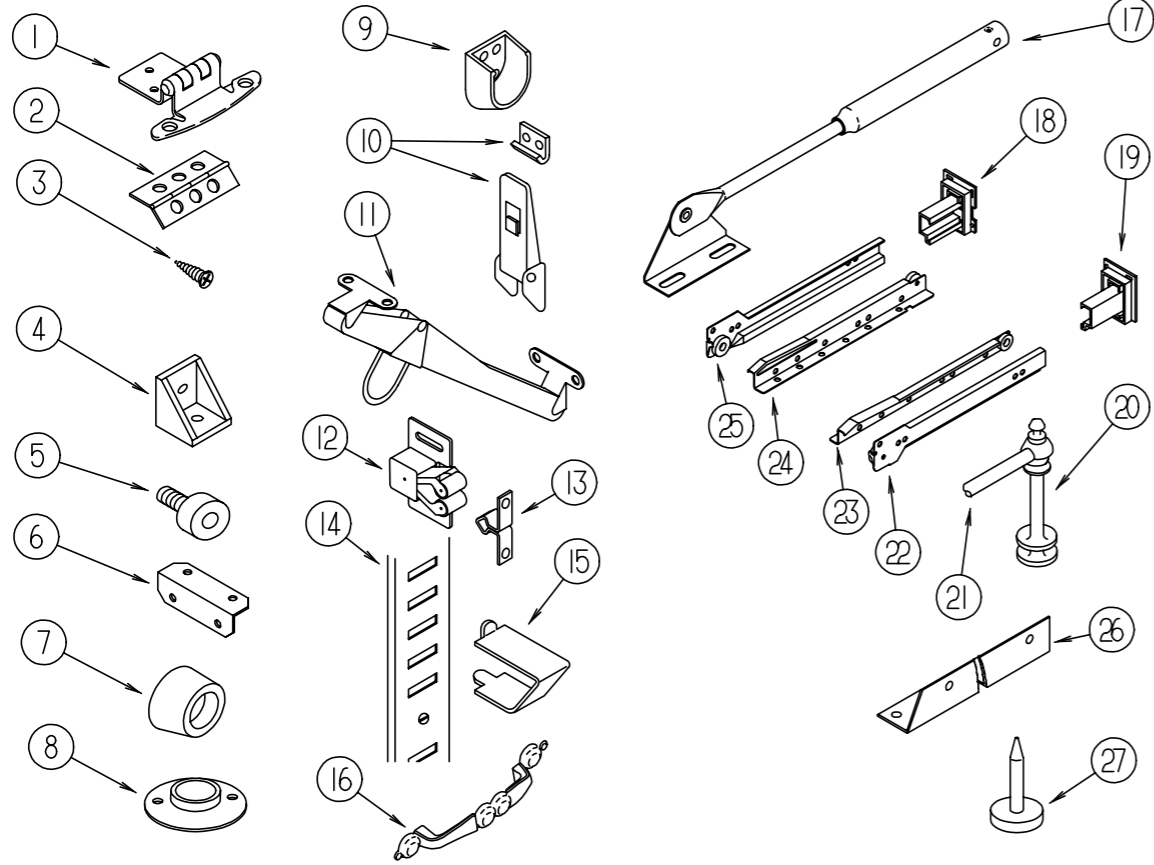
KEY	PART NUMBER	U/M	DESCRIPTION
	076325-74-000	FT	MOLDING - EDGE BAND - 1 5/16" X .030" - WASHED MAPLE
	076325-75-000	FT	MOLDING - EDGE BAND - .93" X .024" - WASHED MAPLE
	076325-40-000	FT	MOLDING - EDGE BAND .876" X .024" (J40)
	076325-39-000	FT	MOLDING - EDGE BAND - 1 5/16" X .001" (J40)
	076325-37-000	FT	MOLDING - EDGE BAND - 1 5/16" X .030"(J41)
	076325-38-000	FT	MOLDING - EDGE BAND .876" X .024" (J41)
	076325-73-000	FT	MOLDING - EDGE BAND - .93" X .024" (EXT ENTERTAINMENT CENTER)

BATT STRIP & TAPE

KEY	PART NUMBER	U/M	DESCRIPTION
	069733-86-000	EA	BATT STRIP - WOODGRAINED WASHED MAPLE - 8'
	079653-39-000	EA	BATT STRIP - KERFED - WASHED MAPLE - 8'
	085284-F5-000	FT	BATT TAPE - ADHESIVE BACKED - WOODGRAINED/WASHED MAPLE
	088263-F2-000	EA	BATT STRIP - DECORATIVE - TUSCAN MINK (J40)
	085284-E7-000	FT	BATT TAPE - ADHESIVE BACKED - DECORATIVE - TUSCAN MINK (J40)
	088263-F3-000	EA	BATT STRIP - DECORATIVE - BARCELONA LINEN (J41)
	085284-E8-000	FT	BATT TAPE - ADHESIVE BACKED - DECORATIVE/BARCELONA LINEN (J41)
	088263-E3-000	EA	BATT STRIP - DECORATIVE - PEBBLE EMBOSSED/ANTIQUE (BATH)
	085284-D6-000	FT	BATT TAPE - ADHESIVE BACKED - DECORATIVE - EMBOSSED ANTIQUE (BATH)
	088263-F7-000	EA	BATT STRIP - DECORATIVE - IMPACT PEARL TEXTR
			FROM: 00-00-00 THRU: 10-05-97
	088263-F9-000	EA	BATT STRIP - CEILING - IMPACT PEARL
			FROM: 10-06-97 THRU: 99-99-99
	085284-F3-000	FT	BATT TAPE - ADHESIVE BACKED - IMPACT PEARL TEXTURE
			FROM: 00-00-00 THRU: 10-05-97
	085284-F6-000	FT	BATT TAPE - ADHESIVE BACKED - IMPACT PEARL
			FROM: 10-06-97 THRU: 99-99-99

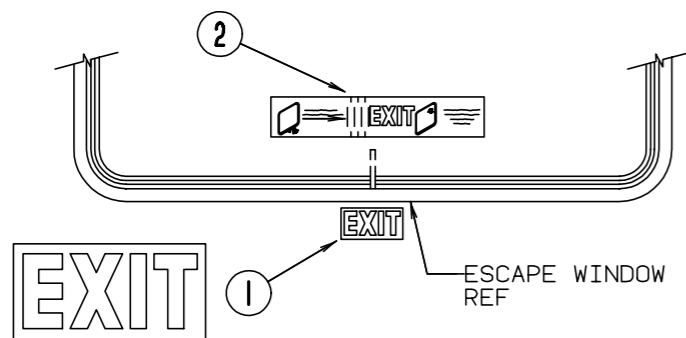
INTERIOR FINISH GROUP (CONTINUED)

CABINET & TABLE HARDWARE

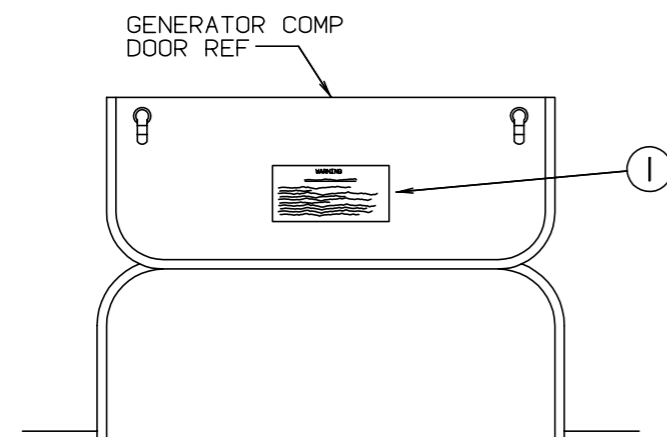


KEY	PART NUMBER	U/M	DESCRIPTION
1	108138-01-000	EA	HINGE - CABINET DOOR - BURNISHED BRASS
2	009059-01-000	EA	HINGE - DOOR - 2" X 1.4" - BRASS
2	041389-35-000	EA	HINGE - PIANO - OFF WHITE - 31"
3	000G13-06-08G	EA	SCREW - 6-20 X 5/8 PFH - ANTIQUE BRASS (HINGE 108138-01-000)
4	065740-01-000	EA	BRACE - CABINET/CORNER - PLASTIC
5	079921-01-000	EA	ROLLER - NYLON - W/STEEL SHAFT - BARBED
6	016604-01-000	EA	BRACE - CABINET - ANGLE - 2.5" - UNPAINTED METAL
6	016604-05-000	EA	BRACE - CABINET - ANGLE - 2.5" - OFF WHITE METAL
7	004354-01-000	EA	BUMPER - RUBBER - .5" DIA - BROWN
8	009112-01-000	EA	FLANGE - PLASTIC - 1" CLOTHES ROD - OFF WHITE
9	113236-01-01A	EA	BRACKET - CLOTHES - ROD
10	116975-01-01A	EA	LATCH - W/O STRIKE - BLACK - NEW STYLE
	116975-02-01A	EA	KEEPER/STRIKE - BLACK - NEW STYLE
11	104181-01-01A	EA	SUPPORT - LEAF 5.3" EXTENDS TO 7.5" - SAFETY RING - METAL
12	093586-06-000	EA	CATCH - SPRING - ROLLER
13	093586-05-000	EA	STRIKE - SPRING STEEL
14	098980-05-000	EA	PILASTER - ADJUSTABLE SHELF - 15"
15	098979-01-000	EA	CLIP - ADJUSTABLE SHELF
16	111093-01-000	EA	PULL - CABINET - BRASS
17	074493-02-000	EA	SUPPORT - PISTON SPRING - CABINET DOOR
18	128811-01-01A	EA	BACKSOCKET - ADJUSTABLE - LEFT
19	128811-02-01A	EA	BACKSOCKET - ADJUSTABLE - RIGHT
20	084070-03-000	EA	POST - END - 2.4" - SHINY BRASS
21	084071-12-000	EA	ROD - BRASS - 4.08" LONG
21	084071-19-000	EA	ROD - BRASS - 7.09" LONG
22	128810-02-01A	EA	SLIDE - DRAWER - 12" - RIGHT CABINET
22	128810-06-01A	EA	SLIDE - DRAWER - 14" - RIGHT CABINET
22	128810-10-01A	EA	SLIDE - DRAWER - 16" - RIGHT CABINET
22	128810-14-01A	EA	SLIDE - DRAWER - 18" - RIGHT CABINET
22	128810-18-01A	EA	SLIDE - DRAWER - 20" - RIGHT CABINET
22	128810-22-01A	EA	SLIDE - DRAWER - 22" - RIGHT CABINET
23	128810-04-01A	EA	SLIDE - DRAWER - 12" - RIGHT DRAWER
23	128810-08-01A	EA	SLIDE - DRAWER - 14" - RIGHT DRAWER
23	128810-12-01A	EA	SLIDE - DRAWER - 16" - RIGHT DRAWER
23	128810-16-01A	EA	SLIDE - DRAWER - 18" - RIGHT DRAWER
23	128810-20-01A	EA	SLIDE - DRAWER - 20" - RIGHT DRAWER
23	128810-24-01A	EA	SLIDE - DRAWER - 22" - RIGHT DRAWER
24	128810-03-01A	EA	SLIDE - DRAWER - 12" - LEFT DRAWER
24	128810-07-01A	EA	SLIDE - DRAWER - 14" - LEFT DRAWER
24	128810-11-01A	EA	SLIDE - DRAWER - 16" - LEFT DRAWER
24	128810-15-01A	EA	SLIDE - DRAWER - 18" - LEFT DRAWER
24	128810-19-01A	EA	SLIDE - DRAWER - 20" - LEFT DRAWER
24	128810-23-01A	EA	SLIDE - DRAWER - 22" - LEFT DRAWER
25	128810-01-01A	EA	SLIDE - DRAWER - 12" - LEFT CABINET
25	128810-05-01A	EA	SLIDE - DRAWER - 14" - LEFT CABINET
25	128810-09-01A	EA	SLIDE - DRAWER - 16" - LEFT CABINET
25	128810-13-01A	EA	SLIDE - DRAWER - 18" - LEFT CABINET
25	128810-17-01A	EA	SLIDE - DRAWER - 20" - LEFT CABINET
25	128810-21-01A	EA	SLIDE - DRAWER - 22" - LEFT CABINET
26	114693-01-01A	EA	SUPPORT - BLACK - RIGHT HAND
26	114693-02-01A	EA	SUPPORT - BLACK - LEFT HAND
27	102194-01-000	EA	GUIDE - PLASTIC
	023320-01-000	EA	PAD - FELT 3/8" DIAMETER
	042438-01-000	EA	DOWEL - WOOD - CLOTHES ROD - 1" DIAMETER X 4'
	042438-02-000	EA	DOWEL - WOOD - 2" X 2"

LABELS GROUP



KEY	PART NUMBER	U/M	DESCRIPTION
1	039290-01-000	EA	LABEL - WARNING - EXIT
2	107571-01-000	EA	LABEL - EXIT/ESCAPE WINDOW



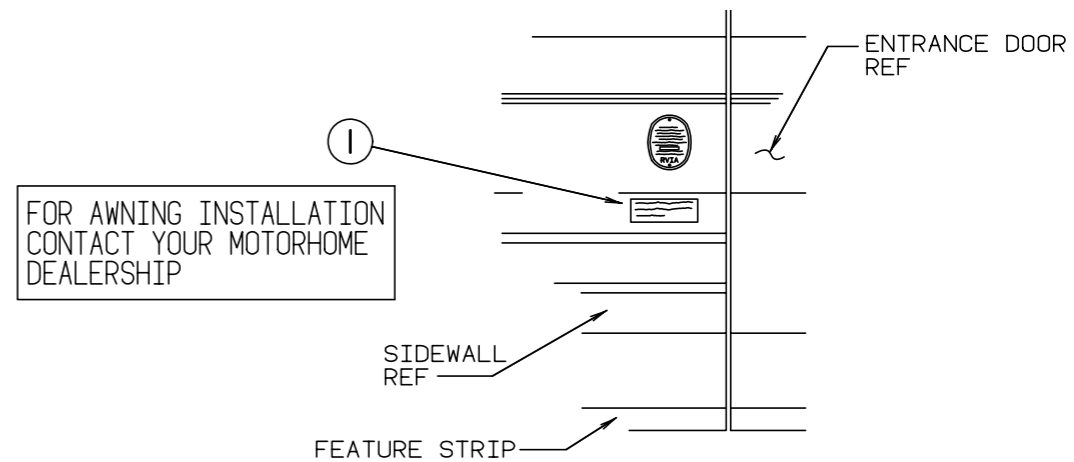
WARNING

WHEN ADDING A GENERATOR SET:

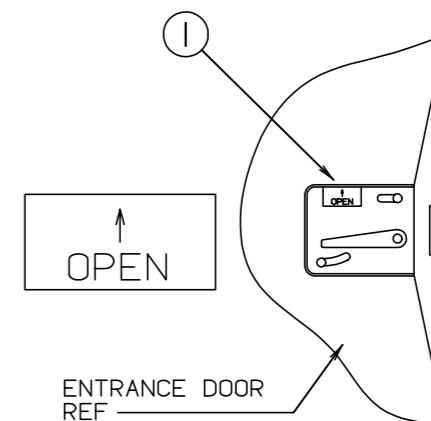
HIGH VOLTAGE-USE EXTREME CAUTION WHEN WORKING ON ELECTRICAL COMPONENTS.
 HAVE ALL ELECTRICAL INSTALLATION PERFORMED BY A QUALIFIED LICENSED ELECTRICIAN-FOLLOW ALL STATE AND LOCAL CODES.
 ONLY INSTALL GENERATOR SET APPROVED FOR R.V. APPLICATION. HAVE INSTALLED BY QUALIFIED TECHNICIAN.
 TO AVOID HEAT BUILD-UP AND TO GUARANTEE AN ADEQUATE AIR SUPPLY TO THE GENERATOR CARBURETOR, FOLLOW INSTALLATION INSTRUCTIONS.
 GENERATOR ENGINE EXHAUST GASES ARE TOXIC AND MUST NOT TERMINATE UNDER THE VEHICLE-DISCHARGE EXHAUST AWAY FROM VEHICLE.

KEY	PART NUMBER	U/M	DESCRIPTION
1	077510-01-000	EA	LABEL-GENERATOR PREP

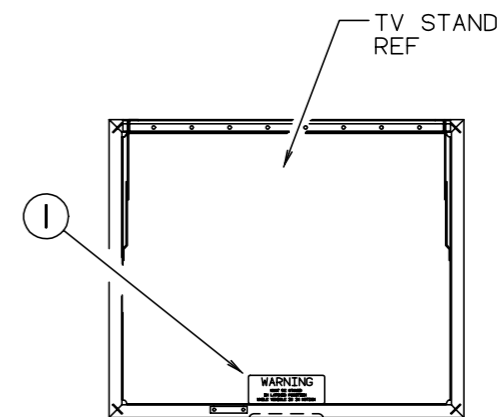
LABELS GROUP (CONTINUED)



KEY	PART NUMBER	U/M	DESCRIPTION
1	099509-01-000	EA	LABEL - AWNING INSTALLATION



KEY	PART NUMBER	U/M	DESCRIPTION
1	040944-01-000	EA	LABEL - ENTRANCE DOOR - "OPEN"

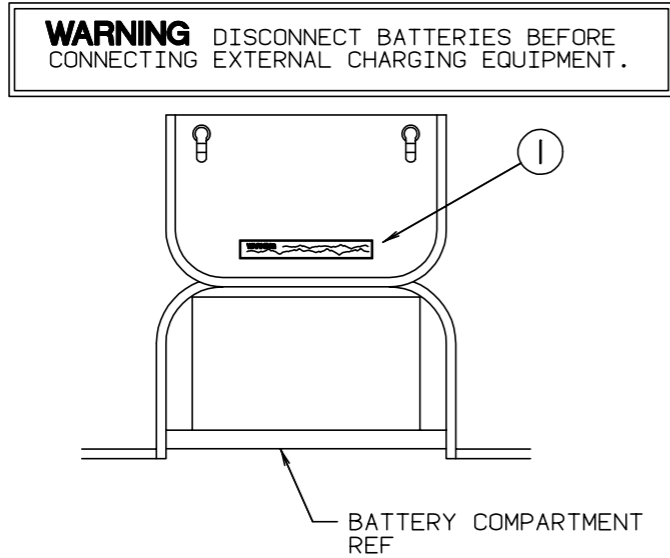


WARNING

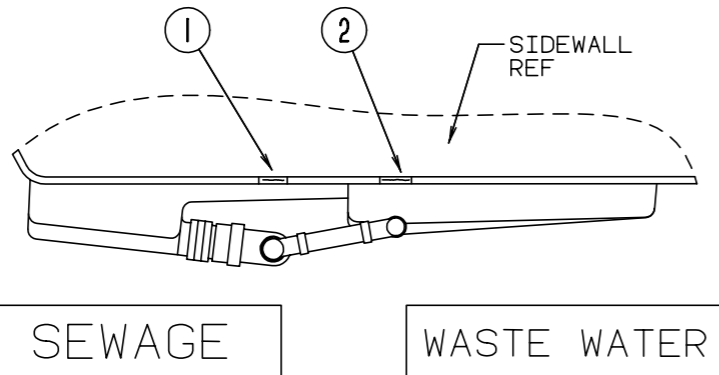
MUST BE STOWED IN LATCHED POSITION WHILE VEHICLE IS IN MOTION

KEY	PART NUMBER	U/M	DESCRIPTION
1	079966-01-000	EA	LABEL - WARNING - STOWED - MOTION

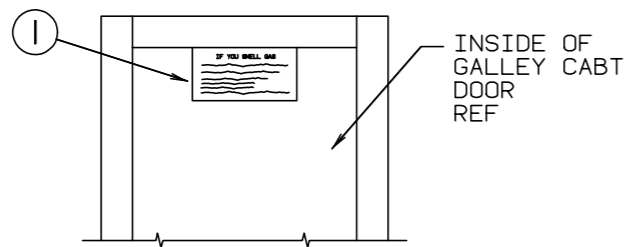
LABELS GROUP (CONTINUED)



KEY	PART NUMBER	U/M	DESCRIPTION
1	065748-01-000	EA	LABEL - CAUTION - BATTERY CHARGING



KEY	PART NUMBER	U/M	DESCRIPTION
1	006187-01-000	EA	LABEL - SEWAGE
2	006188-01-000	EA	LABEL - WASTE WATER

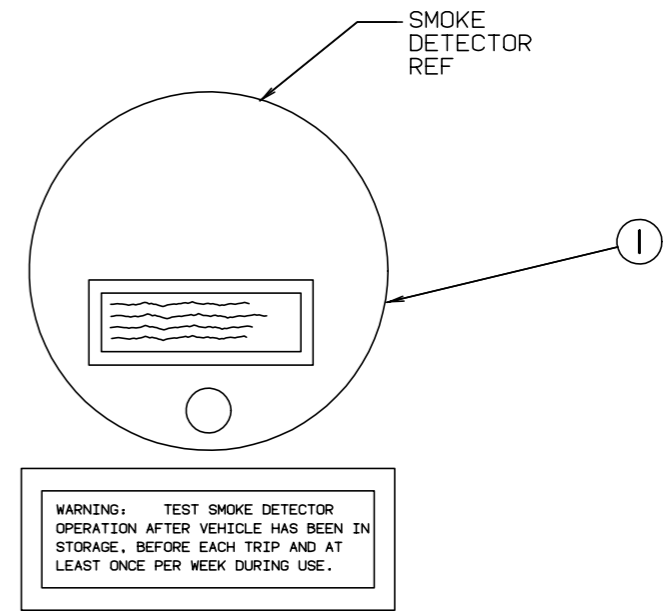


IF YOU SMELL GAS

1. EXTINGUISH ANY OPEN FLAME, PILOT LIGHTS AND ALL SMOKING MATERIALS.
2. SHUT OFF THE GAS SUPPLY AT THE TANK VALVE(OR GAS SUPPLY CONNECTION.
3. OPEN DOORS AND OTHER VENTILATING OPENINGS.
4. DO NOT TOUCH ELECTRICAL SWITCHES.
5. LEAVE THE AREA UNTIL ODOR CLEARS.
6. HAVE THE GAS SYSTEM CHECKED AND LEAKAGE SOURCE CORRECTED BEFORE USING AGAIN.

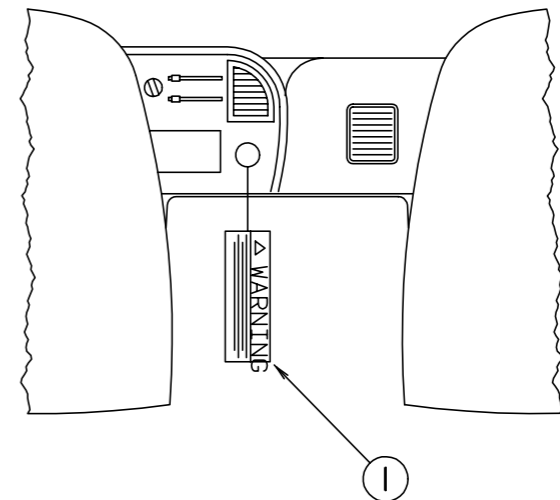
KEY	PART NUMBER	U/M	DESCRIPTION
1	073998-01-000	EA	LABEL - LPG ODOR WARNING

LABELS GROUP (CONTINUED)



WARNING: TEST SMOKE DETECTOR OPERATION AFTER VEHICLE HAS BEEN IN STORAGE, BEFORE EACH TRIP AND AT LEAST ONCE PER WEEK DURING USE.

KEY	PART NUMBER	U/M	DESCRIPTION
1	077956-01-000	EA	LABEL - WARNING - SMOKE DETECTOR



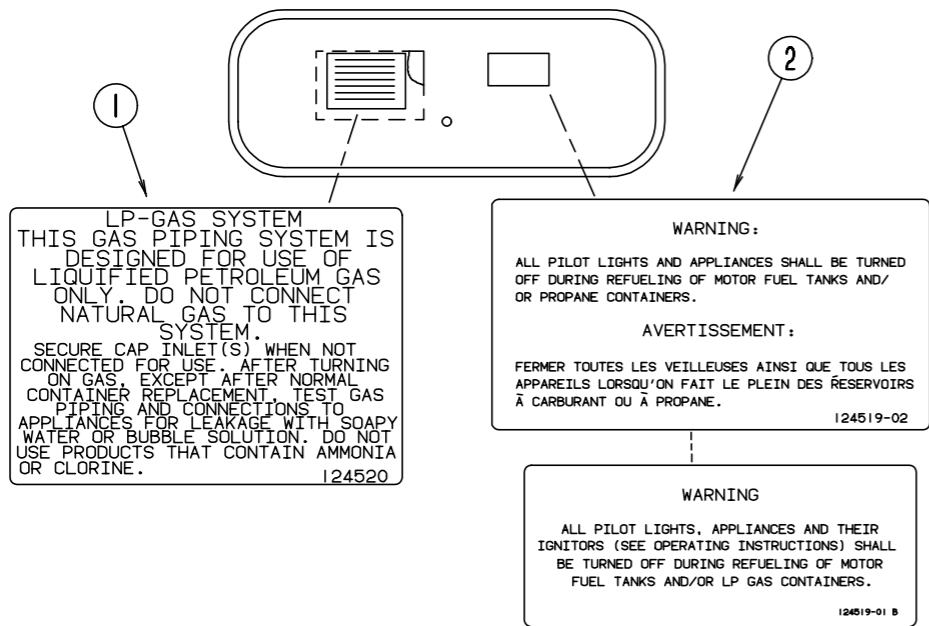
WARNING

○ **Children Can be KILLED or INJURED by Passenger Air Bag**

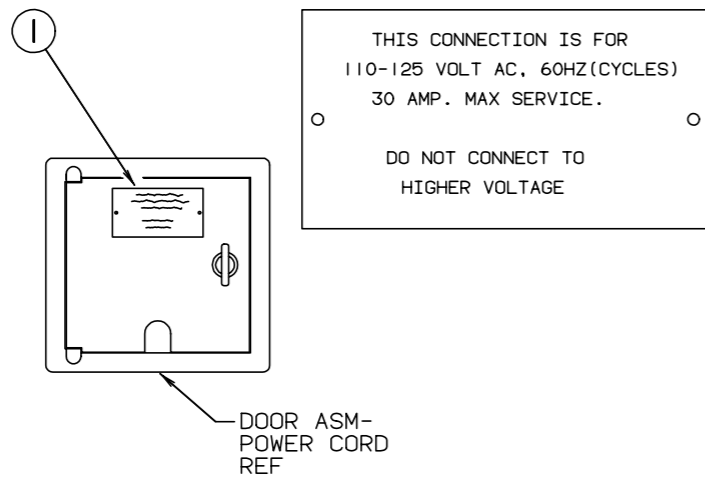
The back seat is the safest place for children 12 and under. Make sure all children use seat belts or child seats.

KEY	PART NUMBER	U/M	DESCRIPTION
1	126612-01-000	EA	LABEL - HANG TAG - AIR BAG - DASH

LABELS GROUP (CONTINUED)



KEY	PART NUMBER	U/M	DESCRIPTION
1	124520-01-01A	EA	LABEL - LP GAS ONLY - US
	023769-01-000	EA	LABEL - WARNING - LPG - CANADIAN
2	124519-01-01A	EA	LABEL - WARNING/REFUELING - BLACK ON CLEAR
2	124519-02-01A	EA	LABEL - WARNING/REFUELING - CSA

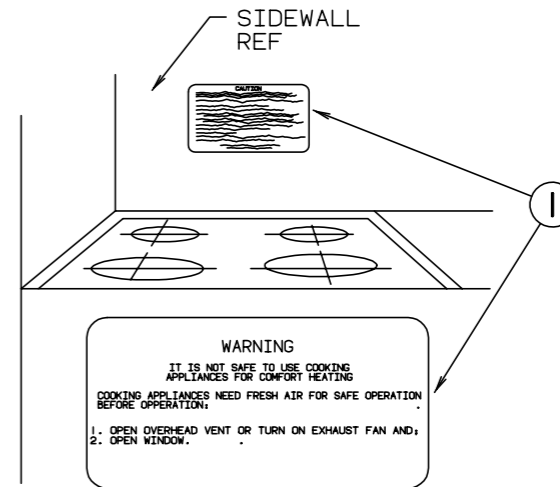


KEY	PART NUMBER	U/M	DESCRIPTION
1	125306-01-01A	EA	LABEL - ELECTRICAL ENTRANCE - 110VOLT 30AMP

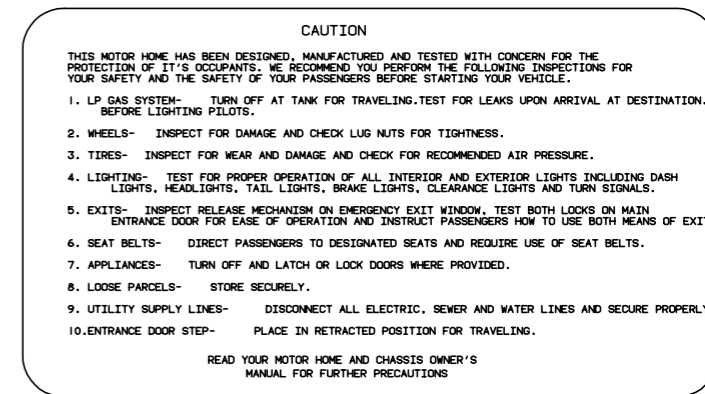
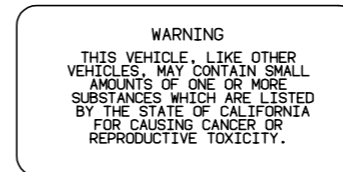
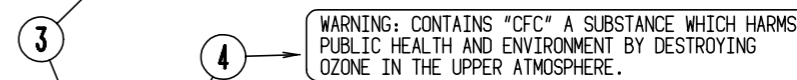
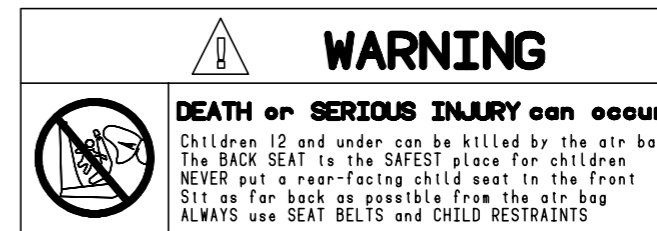
MISCELLANEOUS LABELS

KEY	PART NUMBER	U/M	DESCRIPTION
	006064-01-000	EA	LABEL - SEAT W/O SEATBELT
	061417-01-000	EA	LABEL - FUEL - ON FUEL FILL DOOR
	062043-01-000	EA	LABEL - FUEL - UNLEADED
	087236-01-000	EA	LABEL - CABLE - INPUT
	093236-08-000	EA	LABEL - CIRCUIT BREAKER
	128218-01-01A	EA	LABEL - WARNING - ROOF SLIPPERY
			FROM: 08-25-97 THRU: 99-99-99
	125306-01-01A	EA	LABEL - ELECTRICAL ENTRANCE - 110 VOLT 30 AMP

LABELS GROUP (CONTINUED)

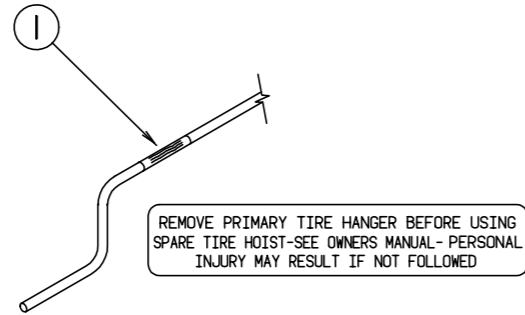


KEY	PART NUMBER	U/M	DESCRIPTION
1	050225-01-000	EA	LABEL - WARNING - STOVE VENT - US
1	050222-01-000	EA	LABEL - STOVE VENT - CANADIAN

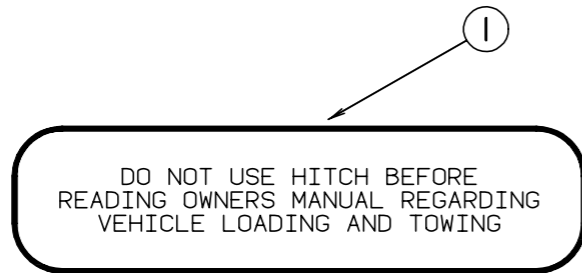


KEY	PART NUMBER	U/M	DESCRIPTION
1	099689-01-000	EA	LABEL - WARNING - CANCER/TOXICITY
2	056259-01-000	EA	LABEL - SAFETY CHECK LIST
3	126611-01-000	EA	LABEL - AIR BAG - VISOR
4	111802-01-000	EA	LABEL - CFC WARNING

LABELS GROUP (CONTINUED)



KEY	PART NUMBER	U/M	DESCRIPTION
1	126024-01-01A	EA	LABEL - TIRE HANGER REMOVAL

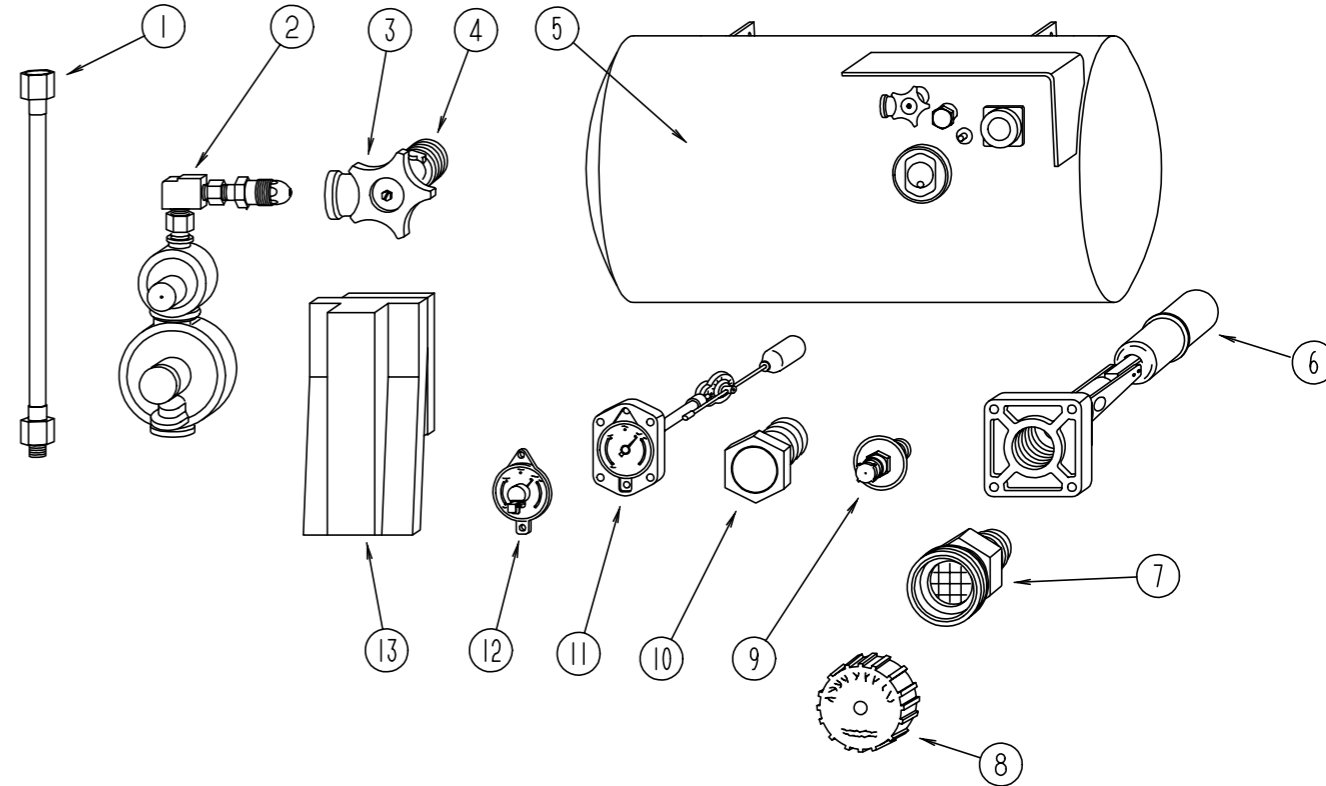


KEY	PART NUMBER	U/M	DESCRIPTION
1	111104-01-000	EA	LABEL - HITCH - READ MANUAL - WHITE
	111104-02-000	EA	LABEL - HITCH - READ MANUAL - BLACK

AIR CONDITIONING CIRCUIT.
THIS CONNECTION IS FOR
AIR CONDITIONERS RATED 110-
125 VOLT AC, 60 HZ, 16
AMPERES MAXIMUM. DO NOT
EXCEED CIRCUIT RATING.

KEY	PART NUMBER	U/M	DESCRIPTION
1	091243-01-000	EA	LABEL - A/C COVER "AIR CONDITIONING CIRCUIT ETC."

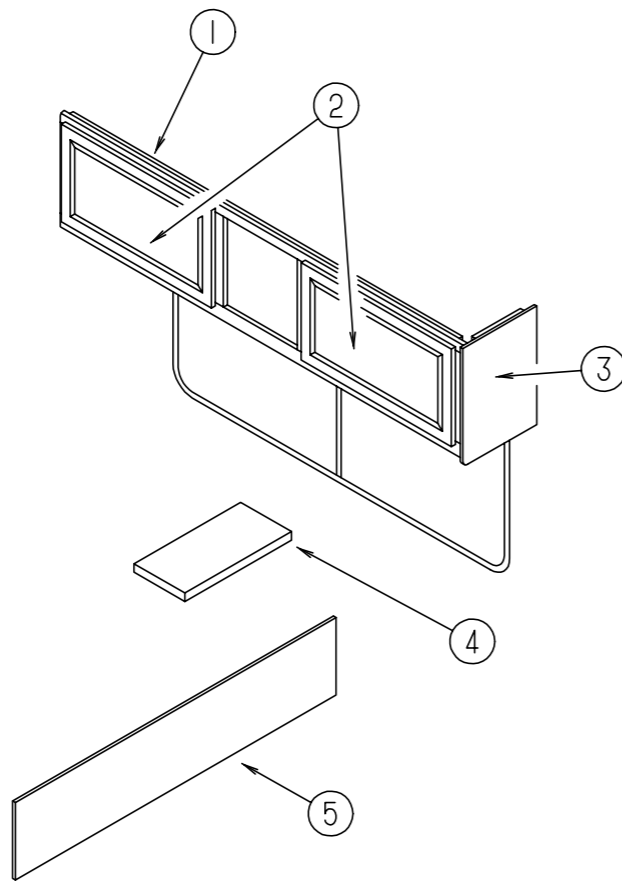
LP GROUP



LP SYSTEM

KEY	PART NUMBER	U/M	DESCRIPTION	VENDOR NO.
1	045703-01-000	EA	HOSE-LP - 3/8" ID X 24" - 3/8" MPT X 1/2" F SWIVEL (US)	
1	045703-02-000	EA	HOSE-LP - 3/8" ID X 24" - 3/8" MPT X 1/2" F SWIVEL (CANADA)	
	045703-09-000	EA	HOSE ASM-LP 3/8" ID X 24" US & CGA 3/8" F SWIVEL X 3/8" F SWIVEL	
2	106150-01-000	EA	REGULATOR - TWO STAGE	
3	040421-01-708	EA	HANDWHEEL-SERVICE VALVE - BRUNNER	G-1015-A
4	040421-01-712	EA	VALVE-SERVICE W/O VAPOR RELIEF	29000853
5	097821-01-000	EA	TANK - LP - 60 LB BRUNNER - 14" X 30"	
6	040421-01-711	EA	VALVE - 80% - W/FLOAT & GASKET	
7	040421-01-701	EA	VALVE-SHORT LP FILLER W/YELLOW CAP - BRUNNER	75478
8	040421-01-702	EA	CAP-LP FILLER VALVE - PLASTIC - YELLOW - BRUNNER	G-1014-A
9	040421-01-700	EA	VALVE-LIQUID LEVEL - 20% LP - BRUNNER	G-1013
10	040421-01-713	EA	VALVE-VAPOR ONLY	29000587
11	040421-01-707	EA	FLOAT ASM. (SIGHT GAUGE) 14"	14C
12	040440-02-000	EA	TRANSMITTER - DIAL - 0-90 OHM -2 TERMINAL (POWER & GROUND)	
13	105658-01-000	EA	COMPARTMENT - LP REGULATOR	
	010265-01-000	EA	ELBOW - BRASS - 90 DEGREE - 3/8"F X 1/2"FPT	
	010323-01-000	EA	ADAPTER - BRASS - 3/8"F X 1/2"MPT	
	010326-01-000	EA	ADAPTER - FLARE - W/CONE GASKET - 3/8"F X 1/2"F	
	010377-02-000	EA	NUT - BRASS - 3/8" FLARE - FORGED	
	010380-02-000	EA	NUT - BRASS - 1/2" FLARE - FORGED	
	103613-03-000	EA	DETECTOR - LP GAS - W/O SHUT-OFF VALVE	
	106150-02-000	EA	REGULATOR - TWO STAGE	

LOUNGE GROUP



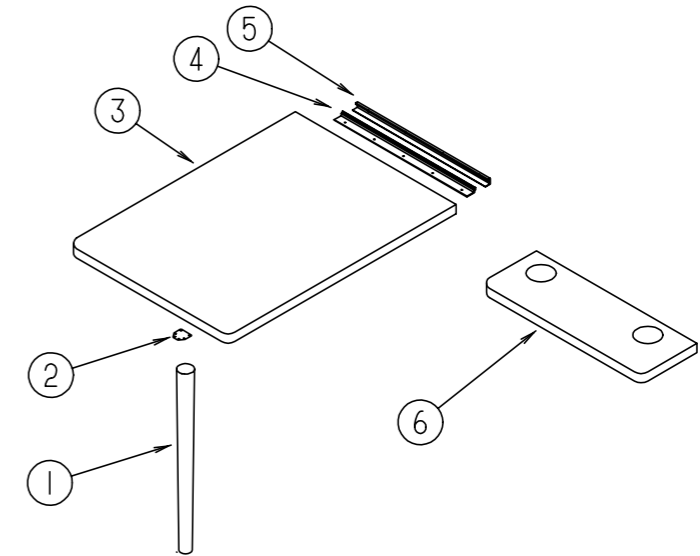
FRONT FACING COUCH, TABLE & CABINERY

KEY	PART NUMBER	U/M	DESCRIPTION
1	122926-01-J40	EA	CABINET - DINETTE OVERHEAD - W/O DOORS/HARDWARE
1	122926-01-J41	EA	CABINET - DINETTE OVERHEAD - W/O DOORS/HARDWARE
2	M05992-50-J40	EA	DOOR - STRAIGHT CORNER/OGEE EDGE - 11.4" X 28.2" - W/O HDW
3	109908-09-J40	EA	END CAP - OVERHEAD CABINET
4	P14725-01-000	EA	COVER - AIR RETURN W/O CARPET
5	M02634-01-J40	EA	PANEL - FRONT KICK - SOFA/BED - FABRIC COVERED
5	M02634-01-J41	EA	PANEL - FRONT KICK - SOFA/BED - FABRIC COVERED
	082525-01-000	EA	BRACE - COUCH - FLOOR MOUNT - ANGLE 3" LONG
	105947-01-000	EA	BRACKET - HOLD DOWN - COUCH - CANADIAN
	083125-07-000	EA	BRACE - COUCH - 2.5"
	114693-01-01A	EA	SUPPORT - COUCH - BLACK - RIGHT
	114693-02-01A	EA	SUPPORT - COUCH - BLACK - LEFT
	114739-01-01A	EA	PAD - NON SKID - PSA - 1 EACH = PAIR

FRONT FACING COUCH, TABLE & CABINERY W/FRONT ENTERTAINMENT CENTER

KEY	PART NUMBER	U/M	DESCRIPTION
1	122926-02-J40	EA	CABINET - DINETTE OVERHEAD - W/O DOORS/HARDWARE
1	122926-02-J41	EA	CABINET - DINETTE OVERHEAD - W/O DOORS/HARDWARE
2	M05992-Q6-J40	EA	DOOR - STRAIGHT CORNER/OGEE EDGE - 14.3" X 26.7" - W/O HDW
3	109908-09-J40	EA	END CAP - OVERHEAD CABINET
4	P14725-01-000	EA	COVER - AIR RETURN W/O CARPET
5	M02634-01-J40	EA	PANEL - FRONT KICK - SOFA/BED - FABRIC COVERED
5	M02634-01-J41	EA	PANEL - FRONT KICK - SOFA/BED - FABRIC COVERED
	082525-01-000	EA	BRACE - COUCH - FLOOR MOUNT - ANGLE 3" LONG
	105947-01-000	EA	BRACKET - HOLD DOWN - COUCH - CANADIAN
	083125-07-000	EA	BRACE - COUCH - 2.5"
	114693-01-01A	EA	SUPPORT - COUCH - BLACK - RIGHT
	114693-02-01A	EA	SUPPORT - COUCH - BLACK - LEFT
	114739-01-01A	EA	PAD - NON SKID - PSA - 1 EACH = PAIR

LOUNGE GROUP (CONTINUED)



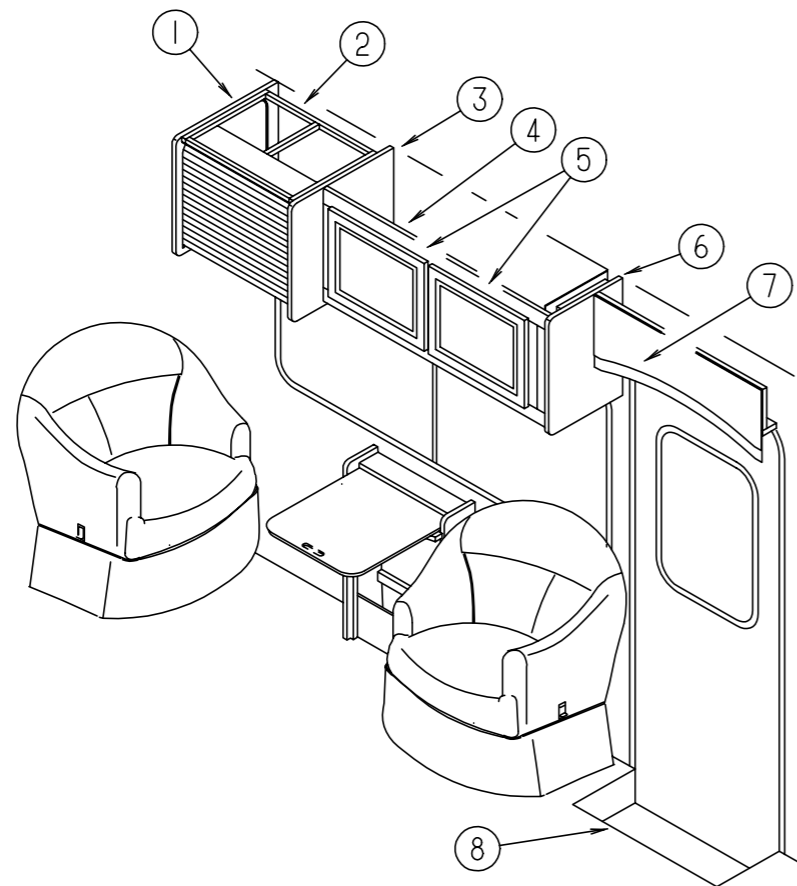
DRIVER SIDE TABLE W/FRONT FACING COUCH

KEY	PART NUMBER	U/M	DESCRIPTION
1	114724-01-07A	EA	LEG - TABLE - WOOD - TAPERED
1	114724-01-01A	EA	LEG - TABLE - TAPERED WOOD - UNFINISHED
2	114724-02-000	EA	PLATE - TABLE LEG
3	081322-14-G07	EA	TABLE TOP ONLY (J40)
3	081322-14-H31	EA	TABLE TOP ONLY (J41)
	114739-01-01A	EA	PAD - NON SKID - PSA - 1 EACH = PAIR
4	102201-04-02A	EA	SUPPORT - HINGE CATCH - TABLE MOUNTED - OFF WHITE
5	118933-01-01A	EA	SUPPORT - HINGE LOCK - OFF WHITE
6	114681-01-F09	EA	TABLE - LOUNGE/SMALL - W/O HARDWARE (J40)
6	114681-01-F29	EA	TABLE - LOUNGE/SMALL - W/O HARDWARE (J41)
	069726-02-000	EA	BUMPER - .88" OD X .40" THICK - BLACK
	064781-06-000	EA	HOLDER - CUP - TWO STEP - OFF WHITE

DRIVER SIDE TABLE W/SECTIONAL SLEEPER COUCH

KEY	PART NUMBER	U/M	DESCRIPTION
	081298-01-H07	EA	TABLE TOP ONLY (J40)
	081298-01-H31	EA	TABLE TOP ONLY (J41)
	041194-01-000	EA	BASE - TABLE/FLUSH - FLOOR MOUNTED
	009040-02-000	EA	PEDESTAL TABLE LEG - 27.5" X 2.25" DIAMETER
	009040-03-000	EA	BASE - TABLE/RAISED - TABLE MOUNTED
	042438-02-000	EA	DOWEL - WOOD - 2" X 2"
	062046-01-000	EA	CLIP - LEG - PEDESTAL - 1.7" X 2.2" - DIA FROM 2 - 2.5"

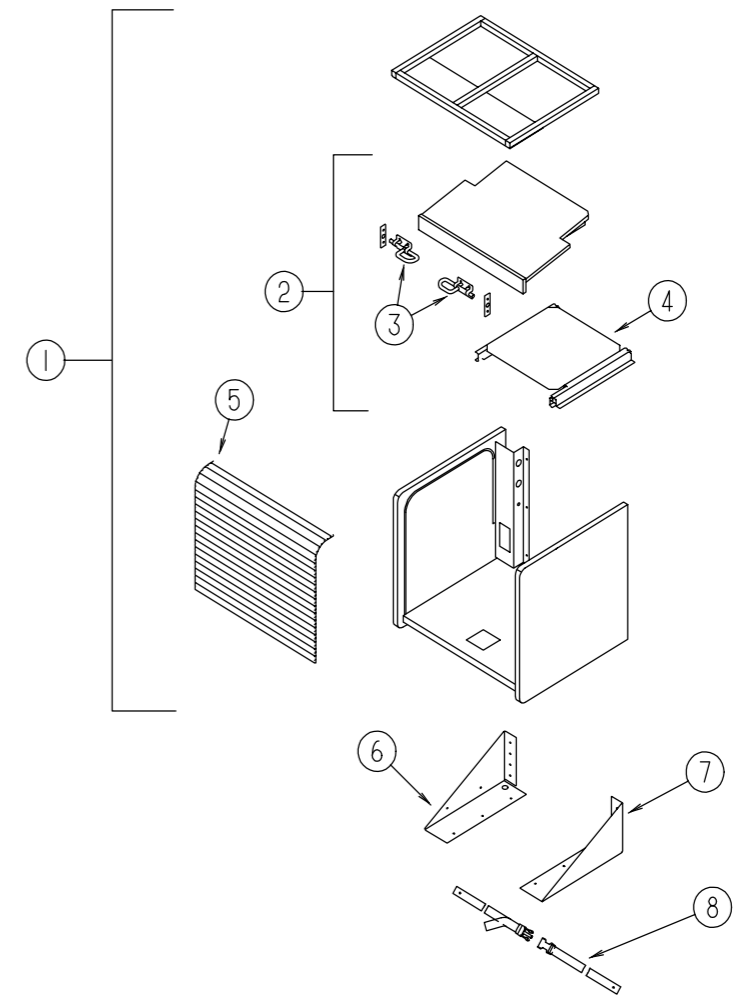
LOUNGE GROUP (CONTINUED)



PASSENGER SIDE OVERHEAD CABINETRY W/TV CABINET

KEY	PART NUMBER	U/M	DESCRIPTION
1	109908-58-J40	EA	END CAP - OVERHEAD CABINET
2	M08163-05-J40	EA	CABINET - TV/VCP - W/O SHELF/SLIDES/SWIVEL- W/TAMBOUR DOOR
2	M08163-06-J40	EA	CABINET - TV/VCP - W/SHELF/SLIDES/SWIVEL - W/TAMBOUR DOOR
	125722-13-J40	EA	SHELF - W/SLIDES & SWIVEL
	122469-02-02B	EA	BRACKET - ZEE
3	109908-58-J40	EA	END CAP - OVERHEAD CABINET
4	122777-01-J40	EA	CABINET - OVERHEAD FRONT - W/O DOORS/HARDWARE
5	M05992-L2-J40	EA	DOOR - STRAIGHT CORNER/OGEE EDGE - 10" X 29.5" - W/O HDW
6	109908-09-J40	EA	END CAP - OVERHEAD CABINET
7	112964-01-G04	EA	CABINET - OVERHEAD ENTRANCE
8	P14437-02-000	EA	CABINET - LID ENTRANCE DOOR - W/O CARPET
8	101222-01-02A	EA	BRACKET - CATCH - LID - OFF WHITE

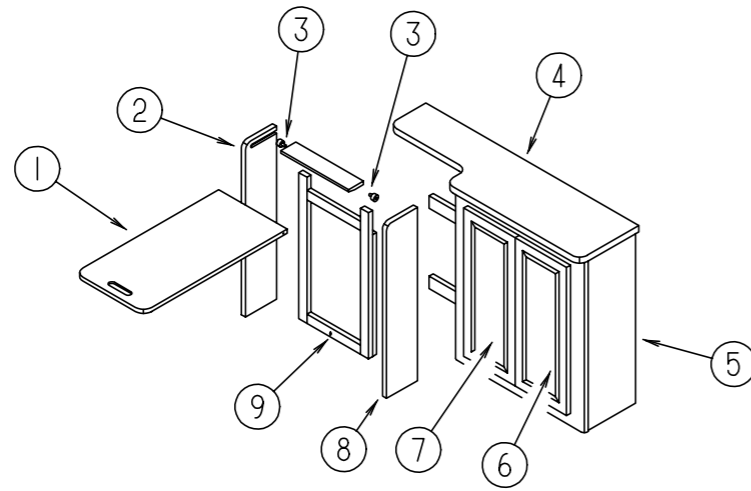
LOUNGE GROUP (CONTINUED)



PASSENGER SIDE TV CABINET

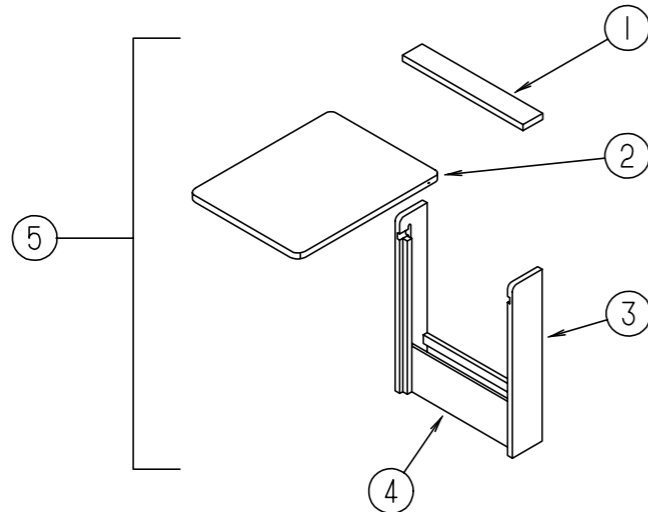
KEY	PART NUMBER	U/M	DESCRIPTION
1	M08163-06-J40	EA	CABINET - TV/VCP - W/SHELF/SLIDES/SWIVEL - W/TAMBOUR DOOR
2	125722-13-J40	EA	SHELF - W/SLIDE AND SWIVEL
3	103256-01-000	EA	LATCH - SLIDE
4	116773-02-000	EA	SWIVEL/SLIDES - F/TV SHELF
5	057882-04-700	EA	TAMBOUR - 48" X 48" SHEET - UNFINISHED
6	122298-03-02B	EA	BRACKET - TV/VCR - RIGHT HAND
7	122298-02-02B	EA	BRACKET - TV/VCR - LEFT HAND
8	099717-04-000	EA	STRAP - TIE DOWN W/21.3" FEMALE STRAP & 27.2" MALE STRAP
	122469-01-02B	EA	BRACKET - ZEE

LOUNGE GROUP (CONTINUED)



PASSENGER SIDE HUTCH TABLE

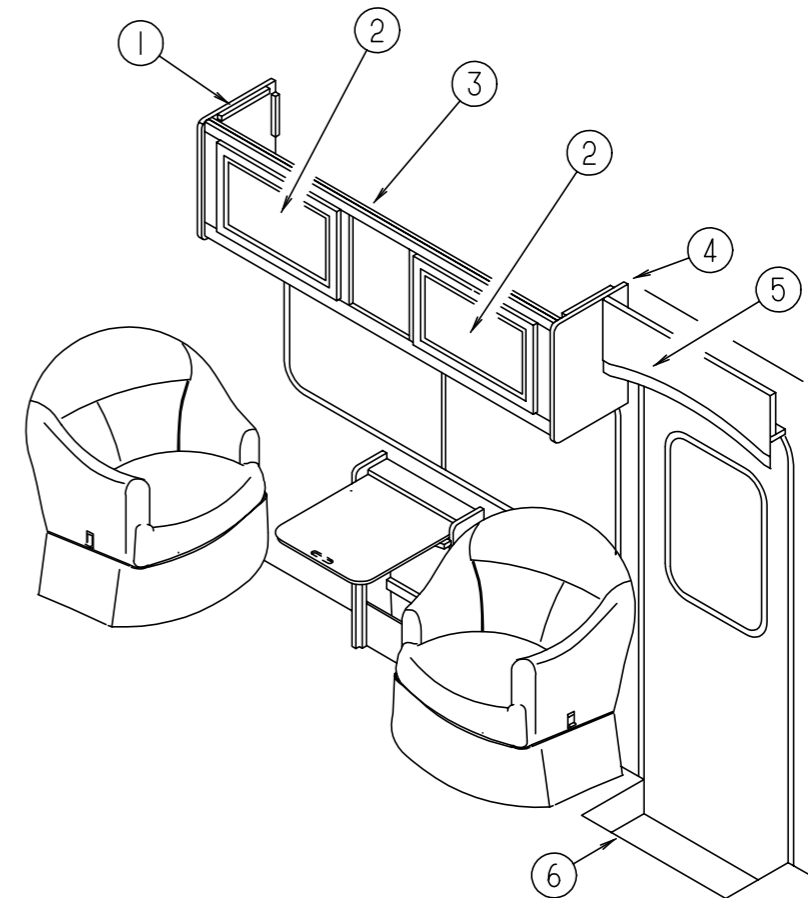
KEY	PART NUMBER	U/M	DESCRIPTION
1	114796-15-J40	EA	TABLE - PULLOUT - HUTCH CABINET
2	114796-13-J40	EA	PANEL - OUTSIDE - FLIP UP TABLE CABINET
3	079921-01-000	EA	ROLLER-NYLON - W/STEEL SHAFT - BARBED
4	114796-11-F09	EA	COUNTERTOP - HUTCH CABINET (J40)
4	114796-11-F29	EA	COUNTERTOP - HUTCH CABINET (J41)
5	114796-01-J40	EA	CABINET - HUTCH PASS LOUNGE- W/PULLOUT TBL-W/O DOORS/HDW(J40)
5	114796-01-J41	EA	CABINET - HUTCH PASS LOUNGE- W/PULLOUT TBL-W/O DOORS/HDW(J41)
6	M05992-H0-J40	EA	DOOR - STRAIGHT CORNER/OGEE EDGE - 10" X 25.2" - W/O HDW
7	M05992-H1-J40	EA	DOOR - STRAIGHT CORNER/OGEE EDGE - 10" X 25.2" - W/O HDW
8	114796-12-J40	EA	PANEL - INSIDE - FLIP UP TABLE CABINET
9	049176-01-000	EA	HEDLOCK II - 3/4 DIAMETER, SCREW MOUNT



PASSENGER SIDE PULL OUT TABLE W/ SWIVEL CHAIRS

KEY	PART NUMBER	U/M	DESCRIPTION
1	096873-15-J40	EA	SHELF - SUPPORT - OVER PULLOUT TABLE TOP
2	096873-11-J40	EA	TABLE TOP ONLY - PULLOUT
	080736-01-000	EA	PULL - RECESSED - 1.25 X 4" - OAK
3	096873-14-J40	EA	SIDE END - TABLE - LEFT SIDE - 28.7" X 5.7"
	096873-13-J40	EA	SIDE END - TABLE - RIGHT SIDE - 28.7" X 5.7"
4	096873-16-J40	EA	TABLE FRONT - BOTTOM - 18.1" X 6.7"
5	M96873-01-J40	EA	CABINET - F/PULLOUT TABLE - W/O TABLE TOP

LOUNGE GROUP (CONTINUED)



PASSENGER SIDE LOUNGE CABINETRY W/O TV CABINET

KEY	PART NUMBER	U/M	DESCRIPTION
1	109908-08-J40	EA	END CAP - OVERHEAD CABINET
2	M05992-41-J40	EA	DOOR - STRAIGHT CORNER/OGEE EDGE - 15.7" X 20.4" - W/O HDW
3	120939-01-J40	EA	CABINET - OVERHEAD FRONT - W/O DOORS/HARDWARE
3	120939-01-J41	EA	CABINET - OVERHEAD FRONT - W/O DOORS/HARDWARE
4	109908-09-J40	EA	END CAP - OVERHEAD CABINET
5	112964-01-G04	EA	CABINET - OVERHEAD ENTRANCE
6	P14437-02-000	EA	CABINET - LID ENTRANCE DOOR - W/O CARPET
6	101222-01-02A	EA	BRACKET - CATCH - LID - OFF WHITE

SEALANTS & FASTENERS GROUP

SCREWS

KEY	PART NUMBER	U/M	DESCRIPTION
	0G1208-12-170	EA	SCREW - 8-18 X .75 POH - BRIGHT WHITE
	0G3908-08-170	EA	SCREW - SF/DR - 8-18 X .50 PPH - BRIGHT WHITE
	0G3908-20-170	EA	SCREW - SF/DR - 8-18 X 1.25 PPH - BRIGHT WHITE
			FROM: 12-01-97 THRU: 01-25-98
	0G3908-24-170	EA	SCREW - SF/DR - 8-18 X 1.50 PPH - BRIGHT WHITE
	0G5508-16-250	EA	SCREW - SF/DR - 8-18 X 1.00 PWH
	0G6710-08-170	EA	SCREW - 10-12 X 1/2 PPH - BRIGHT WHITE
	000C18-06-56A	EA	BOLT - ELEVATOR - 3/8-16 X 3 1/2 - GRADE 5
	000G11-05-08B	EA	SCREW - 5-20 X .50 PPH - ZINC
	000G11-06-10J	EA	SCREW - 6-20 X 5/8 PPH - BRASS
	000G11-06-10B	EA	SCREW - 6-20 X 5/8 PPH - ZINC
			FROM: 03-06-98 THRU: 99-99-99
	000G11-06-08B	EA	SCREW - 6-20 X 1/2 PPH - ZINC
	000G11-06-06B	EA	SCREW - 6-20 X 3/8 PPH - ZINC
	000G11-07-08B	EA	SCREW - 7-19 X 1/2 PPH - ZINC
	000G11-08-12B	EA	SCREW - 8-18 X 3/4 PPH - ZINC
	000G11-08-08B	EA	SCREW - 8-18 X 1/2 PPH - ZINC
	000G11-08-06B	EA	SCREW - 8-18 X 3/8 PPH - ZINC
	000G11-08-20B	EA	SCREW - 8-18 X 1 1/4 PPH - ZINC
	000G11-08-16S	EA	SCREW - 8-18 X 1 PPH - OFF WHITE
	000G11-08-12T	EA	SCREW - 8-18 X 3/4 PPH - BLACK
	000G11-08-12P	EA	SCREW - 8-18 X 3/4 PPH - DARK BROWN
	000G11-08-12D	EA	SCREW - 8-18 X 3/4 PPH - BLACK
	000G11-10-12S	EA	SCREW - 10-16 X 3/4 PPH - OFF WHITE
	000G12-06-08T	EA	SCREW - 6-20 X 1/2 POH - BLACK
	000G12-08-12S	EA	SCREW - 8-18 X .75 POH - OFF WHITE
	000G13-05-10B	EA	SCREW - 5-12 X 5/8 PFH - ZINC
	000G13-06-10G	EA	SCREW - 6-20 X 5/8 PFH - ANTIQUE BRASS
	000G13-06-08B	EA	SCREW - 6-20 X 1/2 PFH - ZINC
	000G13-06-24J	EA	SCREW - 6-20 X 1 1/2 PFH - BRASS
	000G13-06-16J	EA	SCREW - 6-20 X 1 PFH - BRASS
	000G13-07-12B	EA	SCREW - 7-19 X 3/4 PFH - ZINC
	000G19-10-12F	EA	SCREW - MACHINE - 10-32 X 3/4 PPH - STAINLESS STEEL
	000G32-10-06B	EA	SCREW - 10-32 X 3/8 PPH - ZINC
	000G37-08-089	EA	SCREW - 8 X 18 X 1/2 PPH
			FROM: 03-02-98 THRU: 99-99-99
	000G39-06-10T	EA	SCREW - SF/DR - 6-20 X 5/8 PPH - BLACK
	000G39-06-08B	EA	SCREW - SF/DR - 6-18 X 1/2 - ZINC
	000G39-06-10T	EA	SCREW - SF/DR - 6-20 X 5/8 PPH - BLACK
	000G39-08-08T	EA	SCREW - SF/DR - 8-18 X 1/2 PPH - BLACK
	000G39-08-08S	EA	SCREW - SF/DR - 8-18 X 1/2 PPH - OFF WHITE
	000G39-08-08B	EA	SCREW - SF/DR - 8-18 X 1/2 PPH - ZINC
	000G39-08-06B	EA	SCREW - SF/DR - 8-18 X 3/8 PPH - ZINC
	000G39-08-24B	EA	SCREW - SF/DR - 8-18 X 1 1/2 PPH - ZINC
	000G39-08-16R	EA	SCREW - SF/DR - 8-18 X 1 PPH - BEIGE
	000G39-08-12B	EA	SCREW - SF/DR - 8-18 X 3/4 PPH - ZINC
	000G39-10-08B	EA	SCREW - SF/DR - 10-16 X 1/2 PPH - ZINC
	000G39-10-32B	EA	SCREW - SF/DR - 10-16 X 2 - PPH - ZINC
	000G39-10-20B	EA	SCREW - SF/DR - 10-16 X 1 1/4 PPH - ZINC
	000G39-10-129	EA	SCREW - SF/DR - 10-16 X 3/4 PPH - FLUOROCARBON SILVER
	000G39-10-12R	EA	SCREW - SF/DR - 10-16 X .75 PPH - BEIGE
	000G39-10-12D	EA	SCREW - SF/DR - 10-16 X 3/4 PPH - BLACK
	000G39-10-12B	EA	SCREW - SF/DR - 10-16 X 3/4 PPH - ZINC
	000G39-10-088	EA	SCREW - SF/DR - 10-16 X 1/2 PPH - FLEX FLUOROCARBON
	000G42-04-16B	EA	SCREW - SF/DR - 1/4-14 X 1 HWH - ZINC
	000G46-08-24T	EA	SCREW - MACHINE - 8-32 X 1 1/2 PFH - BLACK
	000G52-08-18B	EA	SCREW - MACHINE - 8-32 X 1 1/8 PTH - ZINC
	000G54-04-20B	EA	SCREW - 1/4-20 X 1.25 PTH - TYPE 23 - ZINC PLATED
	000G60-10-28T	EA	SCREW - SF/DR - 10-16 X 1 3/4 - BLACK
	000G60-10-20B	EA	SCREW - SF/DR - 10-16 X 1 1/4 POH - ZINC
	000G67-10-08B	EA	SCREW - 10-12 X 1/2 PPH - ZINC
	000G67-10-24B	EA	SCREW - 10-12 X 1.50 PPH - ZINC

SEALANTS & FASTENERS GROUP (CONTINUED)

SCREWS (CONTINUED)

KEY	PART NUMBER	U/M	DESCRIPTION
	000G67-10-20D	EA	SCREW - 10-12 X 1.25 PPH - BLACK
	000G67-10-16B	EA	SCREW - 10-12 X 1 PPH - ZINC
	000G67-10-120	EA	SCREW - 10-12 X 3/4 PPH - TAN
	000G67-10-120	EA	SCREW - 10-12 X 3/4 PPH - TAN
	000G67-10-12R	EA	SCREW - 10-12 X .75 PPH - BEIGE
	000G67-10-12P	EA	SCREW - 10-12 X 3/4 PPH - DARK BROWN
	000G67-10-12B	EA	SCREW - 10-12 X 3/4 PPH - ZINC
	000G67-10-10S	EA	SCREW - 10-12 X 5/8 PPH - OFF WHITE
	000G67-10-10D	EA	SCREW - 10-12 X 5/8 PPH - BLACK - TYPE A
	000G67-10-10B	EA	SCREW - 10-12 X 5/8 PPH - ZINC - TYPE A
	000G67-10-08R	EA	SCREW - 10-12 X 1/2 PPH - BEIGE - TYPE A
	000G67-10-36T	EA	SCREW - 10-12 X 2 1/4 - PPH - BLACK
	000G67-10-32B	EA	SCREW - 10-12 X 2 PPH - ZINC
	000G68-06-10G	EA	SCREW - 6-18 X 5/8 POH - ANTIQUE BRASS
	049465-03-000	EA	SCREW - 10-16 X 1 POH W/WASHER - OFF WHITE
	054434-02-000	EA	SCREW - SF/DR - 10-16 X 2 - ZINC
	057671-01-000	EA	COVER - SCREW - #8 - PLASTIC - OFF WHITE
	057671-15-000	EA	COVER - SCREW - BRIGHT WHITE
			FROM: 02-06-97 THRU: 99-99-99
	075908-01-000	EA	SCREW - MACHINE - 10-32 X .56 PTH - EXTERNAL TOOTH - ZINC
	076790-01-000	EA	SCREW - 6-20 X 1 1/4 PPH - BLACK
	076790-05-000	EA	SCREW - 6-20 X 1/2 PPH BLACK - THREADCUTTING - WOOD
	083554-01-000	EA	SCREW - DRYWALL - 8 X 1.25
			FROM: 00-00-00 THRU: 03-05-98
	086256-01-000	EA	SCREW - SF/DR - 8 X 3/4 HWH LONG
	087721-01-000	EA	SCREW - FLAT HEAD - TAPPING - 1/4" X 1 1/4" LONG - ZINC
	097974-01-000	EA	SCREW - PARTICLE BOARD - 7-9 X 3/4 PPH
	101618-01-000	EA	SCREW - 1/4-20 X 3/4 HEX - TAPPING - STALGARD TYPE F
	105126-01-000	EA	SCREW - MACH - 8-32 X 1 PPH TAPIT

CLAMPS, GROMMETS, CLIPS & RIVETS

KEY	PART NUMBER	U/M	DESCRIPTION
	000H16-04-06R	EA	RIVET - POP ALUMINUM - 1/8 X .313 - .375
	007161-01-000	EA	CLAMP - HOSE - SPRING TYPE - 1/2"
	010495-01-000	EA	CLAMP - CABLE - 9/16"
	010497-01-000	EA	CLAMP - CLOSED - 5/8" ID
	010497-03-000	EA	CLAMP - CLOSED - 1" ID - CUSHIONED
	010497-04-000	EA	CLAMP - CLOSED - 1.62" ID
	010497-08-000	EA	CLAMP - CLOSED - .125"
	010499-01-000	EA	CLAMP - CLOSED - 3/8 ID
	016188-05-000	EA	GROMMET - L/P LINE - 3/8" HOLE X 1 1/4" LONG - RUBBER
	023942-01-000	EA	GROMMET - RUBBER - 2" OD
	056134-02-000	EA	HOLDER - RING - 1.8" DIAMETER - METAL
	062401-01-000	EA	CLAMP - HOSE - WORMGEAR - .25" - 1"
	062401-02-000	EA	CLAMP - HOSE - WORMGEAR - 1.56" - 2.5"
	062401-03-000	EA	CLAMP - HOSE - WORMGEAR - .22" - 1"
	062401-04-000	EA	CLAMP - HOSE - WORMGEAR - .69" - 1.25"
	062401-06-000	EA	CLAMP - HOSE - WORMGEAR - .22" - .62" ID
	062401-11-000	EA	CLAMP - HOSE - WORMGEAR - 3.50" - 4.50"
	069592-02-000	EA	RIVET-T - POP - 1/4 X .093 - .156
	071015-26-000	EA	GROMMET - RUBBER - 1.5" ID X 2.12" OD W/.06" GROOVE - BLK
	075148-02-000	EA	CLAMP - GROUNDING - BRONZE SCREWS
	080734-02-000	EA	CLIP - WIRE NYLON
	083609-01-000	EA	CLAMP - WIRE - DUAL - EQUAL DIAMETERS - 5/8"
	083610-01-000	EA	CLAMP - WIRE - DUAL - UNEQUAL DIAMETERS - 3/4" & 1 1/4"
	083610-02-000	EA	CLAMP - WIRE - DUAL - UNEQUAL DIAMETERS - 3/4" & 2"
	091952-01-000	EA	CLIP - GRIPPER - 1"
	091952-02-000	EA	CLIP - GRIPPER - 3/4"
	101447-01-000	EA	CLIP - U TYPE
			HOLDS SHOWER SURROUND TOGETHER
	114208-02-000	EA	GROMMET - EDGE LINER - FITS .625
			FROM: 00-00-00 THRU: 08-19-97

SEALANTS & FASTENERS GROUP (CONTINUED)

BOLTS, NUTS & WASHERS

KEY	PART NUMBER	U/M	DESCRIPTION
	000C12-05-16B	EA	BOLT - HEX - 5/16-18 X 1 - ZINC 5
	000C12-06-16B	EA	BOLT - HEX - 3/8-16 X 1 LG - ZINC 5
	000C12-07-20B	EA	BOLT - HEX - 7/16-14 X 1 1/4 - ZINC 5
	000C12-08-24B	EA	BOLT - HEX - 1/2-13 X 1.50 - ZINC 5
	000C12-10-24B	EA	BOLT - HEX - 5/8-11 X 1.50 - ZINC 5
	000C13-07-48B	EA	BOLT - HEX - 7/16-20 X 3 - ZINC 5
	000C18-05-40A	EA	BOLT - ELEVATOR - 5/16-18 X 2.50 - PL
	000C18-06-48B	EA	BOLT - ELEVATOR - 3/8-16 X 3 - ZINC - GRADE 5
	000C26-04-10B	EA	BOLT - HEX - SERRATED FLANGE - 1/4-20 X 5/8 - ZINC
	000C26-06-16B	EA	BOLT - HEX - SERRATED FLANGE - 3/8-16 X 1 - ZINC
	000C26-06-12B	EA	BOLT - HEX - SERRATED FLANGE - 3/8-16 X 3/4 - ZINC
	000C26-08-24B	EA	BOLT - HEX - SERRATED FLANGE - 1/2-13 X 1 1/2 ZINC
			FROM: 10-07-97 THRU: 99-99-99
	000D29-09-00B	EA	NUT - HEX - SELF LOCKING - 9/16-12 - ZINC
	000D34-06-00B	EA	NUT - HEX - LOCKING - 3/8-16 GRADE C - ZINC-PREVAILING
	000D39-04-00B	EA	NUT - HEX - LOCKING W/SERRATED FLANGE - 1/4-20 - ZINC
	000D39-05-00B	EA	NUT - HEX - LOCKING W/SERRATED FLANGE - 5/16-18 - ZINC
	000D39-06-00B	EA	NUT - HEX - LOCKING W/SERRATED FLANGE - 3/8-18 - ZINC
	000D39-07-00B	EA	NUT - HEX - LOCKING W/SERRATED FLANGE - 7/16-14 - ZINC
	000D39-08-00B	EA	NUT - HEX - LOCKING W/SERRATED FLANGE - 1/2-13 - ZINC
	000D44-07-00B	EA	NUT - HEX - LOCKING W/SERRATED FLANGE - 7/16-20 - ZINC
	000D46-04-00A	EA	NUT - HEX - WELD - 1/4-20 - PLAIN
	000D65-08-00B	EA	NUT - HEX/SERRATED FLANGE - 8-32 ZINC
	000E11-07-00B	EA	WASHER - LOCKING - 7/16 MED SPLIT - ZINC
	000E13-17-00B	EA	WASHER - FLAT - 3/8" AR - ZINC
	000E13-18-00B	EA	WASHER - FLAT - 3/8 WIDE - ZINC
	000E13-20-00B	EA	WASHER - FLAT - 7/16 WIDE - ZINC
	000E13-21-00B	EA	WASHER - FLAT - 1/2 NARROW - ZINC
			FROM: 10-07-97 THRU: 99-99-99
	000G45-04-24B	EA	BOLT - LAG - 1/4-9 X 1 1/2 - ZINC
			FROM: 00-00-00 THRU: 01-01-98
	040921-01-000	EA	NUT - SPEED - U TYPE - 10-24 BLACK
	041322-01-000	EA	WASHER - FLANGE - 15/32 ID X 2 3/8 OD - F/SEAT BELT MTG
	044364-02-000	EA	NUT - SPEED - FLAT - ROUND
	044533-01-000	EA	WASHER - PLASTIC - 1 3/8" OD - FOR BUTTONS
	051387-06-000	EA	BOLT - CARRIAGE W/O HOLE - 5/16-18 X 9.5 - ZINC
	087234-01-000	EA	NUT - JACK - 1/4 X 20 THD - MOLLY- -MOUNTS LICENSE PLATES
	091274-03-000	EA	BOLT-J - 3/8-16 X 12.0
	102333-01-06A	EA	BOLT - CARRIAGE - 7/16-14 STAINLESS STEEL CAP
	106166-01-000	EA	BOLT/COLLARED HANGER - 8-32 X 1"

TIES & FASTENERS

KEY	PART NUMBER	U/M	DESCRIPTION
	008343-01-000	EA	TIE - WIRE - 6"
	081211-05-000	EA	PLUG - PLASTIC - .188 DIAMETER - NATURAL
	085774-01-000	FT	FASTENER - DUAL HOOK - 1" WIDE - ADHESIVE BACK - BLACK
	085774-02-000	FT	FASTENER - DUAL HOOK - 1" WIDE - ADHESIVE BACK - BLACK
	088792-01-000	YD	VELCRO TAPE - HOOK - 5/8" - NON-ADHESIVE BACKED
			FROM: 00-00-00 THRU: 02-17-98
	088792-02-000	YD	VELCRO TAPE - LOOP - 3/4" - ADHESIVE BACKED - BEIGE
	088792-05-000	YD	VELCRO TAPE - LOOP - 5/8" - NON-ADHESIVE BACKED - WHITE
			FROM: 02-18-98 THRU: 99-99-99
	108046-01-000	EA	CABLE TIE - SCREW MOUNT 8"
	108046-02-000	EA	CABLE TIE - SCREW MOUNT 15"
	110943-02-000	FT	FELTSTRIP - 3/8" - ADHESIVE BACK - WHITE

SEALANTS & FASTENERS GROUP (CONTINUED)

ADHESIVE & FASTENERS

KEY	PART NUMBER	U/M	DESCRIPTION
	004006-05-700	EA	ADHESIVE-NAT. STARCH (5 GAL) 0802
	004020-01-000	QT	ADHESIVE - ABS CEMENT - QUART
	034552-02-000	EA	SILICONE - TUBE - 300 ML - W/O NOZZLE - CLEAR
	034552-15-000	EA	SILICONE - TUBE - 300 ML - W/O NOZZLE - BRIGHT WHITE
			FROM: 00-00-00 THRU: 11-16-97
	039518-01-000	EA	SILICONE - TUBE - 300 ML - BLACK - W/O NOZZLE
	120074-01-01A	EA	SILICONE TUBE - OFF WHITE W/O NOZZLE - LOW ODOR
	053766-06-000	EA	BEDDING COMPOUND - TUBE - CLEAR
	063642-01-000	FT	TAPE - ADHESIVE - .4" X 1.5" X 180"
	076322-02-000	FT	TAPE - DOUBLE COATED/ADHESIVE BACK - .045" X 1" W X 108'
	067788-01-000	EA	ADHESIVE - SPRAY - 3M - 19.5 AEROSOL CAN
	069640-01-000	FT	SEALER - RIBBON - 1/4" DIAMETER X 30' - BLACK
	069640-02-000	FT	SEALER - TAPE - .13"THICK X .5"WIDE X 60' - GRAY
	069640-03-000	FT	SEALER - TAPE - .13"THICK X .75"WIDE X 60' - BLACK
	069640-07-000	FT	SEALER - TAPE - .09"THICK X 2"WIDE X 45' - GRAY
	069640-10-000	FT	SEALER - TAPE - .03"THICK X 1.50"WIDE X 90' - GRAY
	069640-11-000	FT	SEALER - TAPE - .19"THICK X .38"WIDE X 40' - BLACK
	069640-15-000	FT	SEALER - TAPE - .06"THICK X .38"WIDE X 80' - GRAY
	069640-17-000	FT	SEALER - TAPE - .03"THICK X 1"WIDE X 90' - GRAY
	069640-18-000	FT	SEALER - TAPE - .50"THICK X 1/8"WIDE X 60' - BRIGHT WHITE
	069640-19-000	FT	SEALER - TAPE - .75"THICK X 1/8"WIDE X 60' - BRIGHT WHITE
	069640-21-000	FT	SEALER - TAPE - .50" THICK X 1/16 X 100FT - BRIGHT WHITE
			FROM: 09-22-97 THRU: 99-99-99
	087211-01-000	GL	PROMOTER - ADHESIVE
	072889-09-000	EA	SEALANT - URETHANE - BLACK (TUBE)
	072889-10-000	EA	SEALANT - URETHANE (HV) - BRIGHT WHITE
	072889-12-000	EA	SEALANT - URETHANE (LV) BRIGHT WHITE
	076314-02-000	FT	TAPE - CARPET SEAM - HEAT-BOND - 4" WIDE
	076322-05-000	FT	TAPE - DOUBLE COATED/ADHESIVE BACK - .045"THK X .75"W X 9'
	076322-07-000	FT	TAPE - DOUBLE COATED/ADHESIVE BACK - .045"THK X .50"W X 9'
	091255-02-000	FT	SEAL - ADHESIVE BACKED/FOAM - .18" THICK X 1.5" WIDE
	102352-01-000	EA	SEALER - PUMPABLE - BLACK
	102352-02-000	EA	SEALER - PUMPABLE - CLEAR
	106206-01-000	EA	SEALER - PUMPABLE - MANUS 30A - BLACK
	108716-03-000	EA	SILICONE - TUBE - BRIGHT WHITE/SELF LEVELING - W/O NOZZLE
	112864-01-000	FT	SEAL - FOAM/BUTYL COVERED - 3/8"
	118085-02-01A	FT	TAPE - FOIL - 1"
	120074-02-01A	EA	SEALANT - SILICONE - OFF WHITE
	120534-01-01A	EA	TAPE - SCOTCH - 3M - 1/2" FINE LINE
	123816-01-000	FT	TAPE - DOUBLE SIDED - 1"
	123816-02-000	FT	TAPE - DOUBLE SIDED - 1/2" X 1 1/3" THICK
	123816-03-000	FT	TAPE - DOUBLE SIDED - 1/2" X 3/4" - THICK
	900390-01-000	EA	TIP - 2 1/2" X 1/8" ORIFICE
	900390-03-000	EA	NOZZLE - SILICONE TUBE

WATER & SEWAGE GROUP

WATER HEATER W/ELECTRIC IGNITION ATWOOD (G6A-8E)

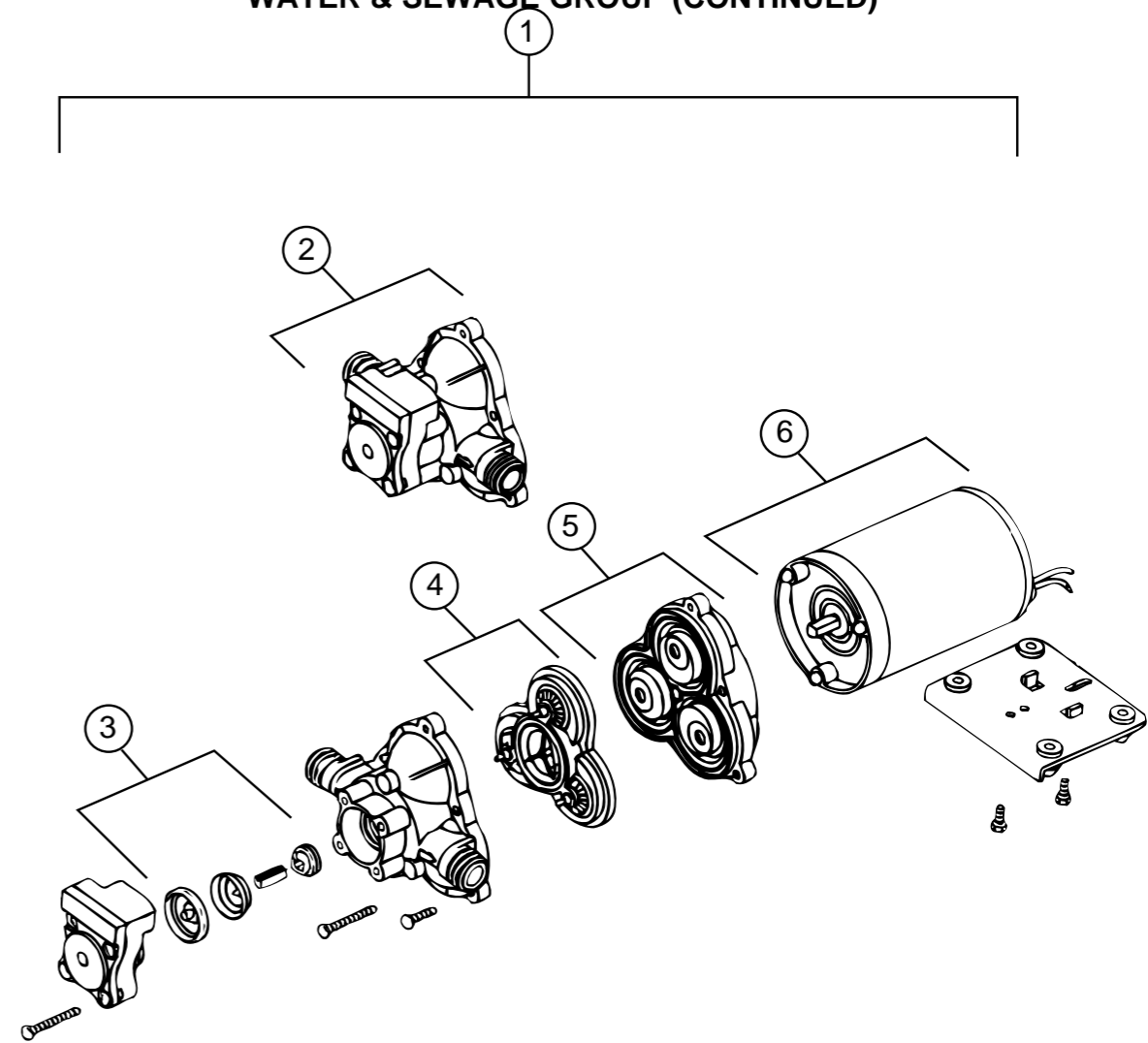
KEY	PART NUMBER	U/M	DESCRIPTION
*	051391-03-000	EA	WATER HEATER - W/ ELECTRIC IGNITION
*	051393-01-000	EA	WATER HEATER - W/ MOTOR AID - PILOTLESS IGNITION
	097967-01-000	EA	SWITCH - WATER HEATER - REMOTE W/LIGHT

*COMPONENT PARTS FOUND IN SERVICE PARTS LIBRARY

FRESH WATER TANK & WATER SYSTEM

KEY	PART NUMBER	U/M	DESCRIPTION
	119109-06-000	EA	TANK - WATER - 40 GALLON - W/FITTINGS
	119109-01-000	EA	TANK - WATER - 40 GALLON - W/O FITTINGS
	077954-02-000	EA	FILTER - WATER TANK - SCREEN IN TANK
	042989-03-000	EA	FITTING - WATER TANK - SPINWELD - 1 1/4"NPT - WHITE PLASTIC
	042989-04-000	EA	FITTING - WATER TANK - SPINWELD - 3/8" FPT - PLASTIC - WHITE
	042989-05-000	EA	FITTING - WATER TANK - SPINWELD - 1/2"FPT - WHITE PLASTIC
	049032-01-000	EA	PATCH - SPINWELD - 3/8" - PLASTIC
	039861-01-000	EA	SENDING UNIT - W/SCREW - WASHER - WELL NUT & TERMINAL RING
	079381-01-000	FT	TUBING - SMOOTH FLEXIBLE - 1 3/8" ID X 20'
	114430-02-000	EA	ADAPTER - SWIVEL - 1/2P X 1/2FPT
	114430-03-000	EA	ADAPTER - 1/2P X 1/2MPT
	114430-06-000	EA	ADAPTER - 1/2P X 3/8FPT
	123152-01-000	EA	ADAPTER - 1/2" FPT X 1/2" BARB SWIVEL
	102224-01-000	EA	ADAPTER - HOSE TO PIPE - 3/8" MPT X 3/8" BARB-BLK PLASTIC
	044927-01-000	EA	ADAPTER - HOSE TO PIPE-1 1/4 MPTX1 1/4 BARB-BLACK PLASTIC
	113697-01-000	EA	CAP - 3/8 FTG
	101814-01-000	EA	COUPLING - FEMALE - 1/2" X 1/2"FPT W/COMP SLEEVE - GRAY
	123150-01-000	EA	ELBOW - 1/2" FPT X 1/2" BARB - SWIVEL
	114429-01-000	EA	ELBOW - 1/2P X 1/2P
	114429-02-000	EA	ELBOW - 1/2P X 1/2MPT
	114429-03-000	EA	ELBOW - FLAIR-IT SWIVEL - 1/2"P X 1/2"FPT
	010230-06-000	EA	FILL - CITY WATER - W/CHECK VALVE - MPT
	115029-01-000	FT	HOSE - 3/8 ID - WATER - LAVANTURE PR86
	046128-01-000	EA	VALVE-DRAIN, PLASTIC - 1/2" FPT
	114428-02-000	EA	TEE - SWIVEL - 1/2P X 1/2P X 1/2FPT
	114428-03-000	EA	TEE - 1/2P X 1/2P X 1/2 MPT
	039800-02-000	FT	TUBING - POLYBUTL - 5/8" OD X 20' - INCR OF 20' - BLACK
	074462-02-000	FT	TUBING - VINYL - 3/8" ID X 20' - CLEAR
	112176-01-000	FT	TUBING - VINYL - REINFORCED - 1/2" ID
	114431-02-000	EA	WATER VALVE - 2 POSITION - "BYPASS VALVE"
	114431-03-000	EA	WATER VALVE - 90 DEGREE ELBOW - "WATER DRAIN VALVE"
	110438-02-000	EA	VALVE - CHECK - BRASS - 1/2 MPT X 1/2 FPT
	035539-01-000	EA	ELBOW - PLASTIC - 3/8 MPT X 3/8 BARB

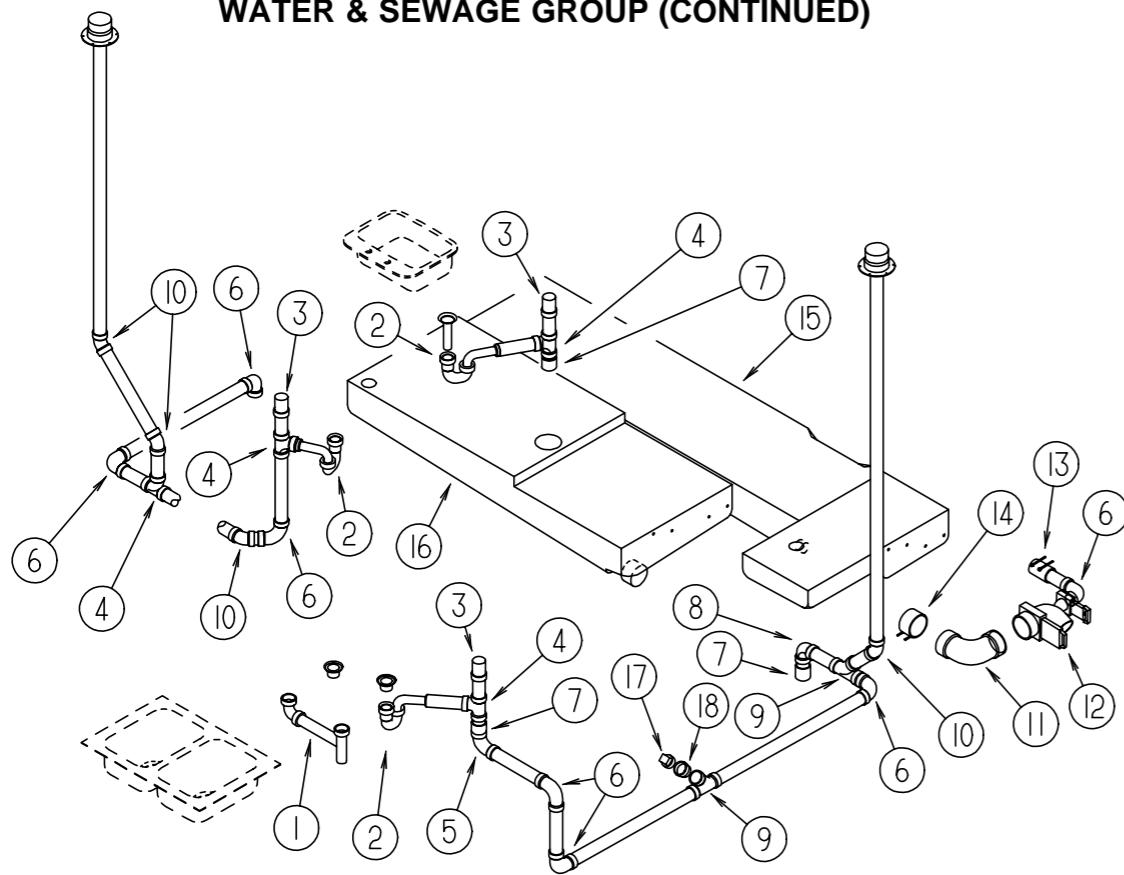
WATER & SEWAGE GROUP (CONTINUED)



WATER PUMP - SHURFLO

KEY	PART NUMBER	U/M	DESCRIPTION	VENDOR NO.
1	098607-01-000	EA	PUMP-WATER - W/.5" MPT FITTING - FLOW 2.8 GPM - UL	
2	098607-01-706	EA	HOUSING W/SWITCH ONLY	94-231-20
3	098607-01-705	EA	CHECK VALVE-KIT	94-237-00
4	098607-01-703	EA	VALVE KIT	94-232-00
5	098607-01-702	EA	DIAPHRAGM/DRIVE ASSEMBLY KIT	94-238-04
6	098607-01-707	EA	MOTOR W/BASEPLATE	11-148-04

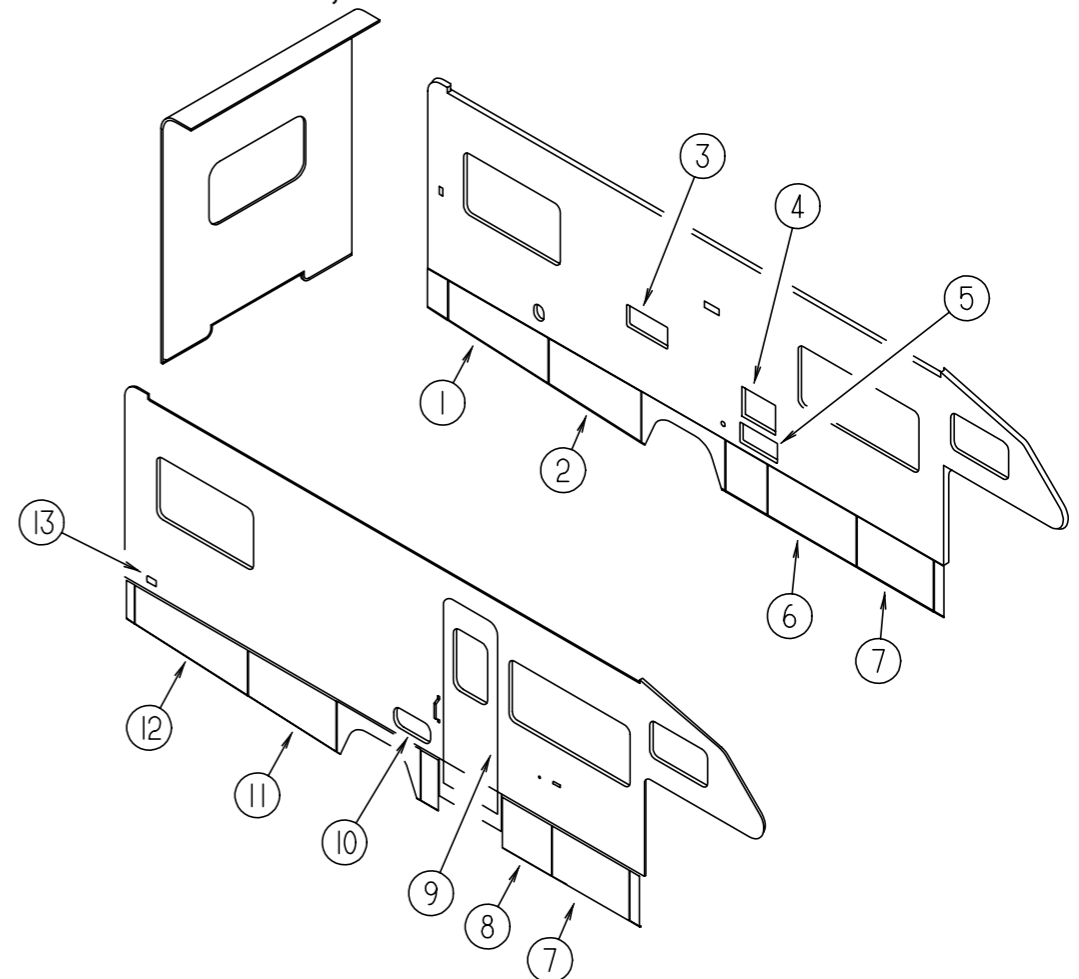
WATER & SEWAGE GROUP (CONTINUED)



DRAINAGE SYSTEM

KEY	PART NUMBER	U/M	DESCRIPTION	VENDOR NO.
1	011091-02-000	EA	PIPE-DRAIN - DOUBLE SINK - BAFFLE TEE - 1 1/2"	
1	011091-03-000	EA	PIPE-DRAIN - W/SEALS - DOUBLE SINK - EXTENDS 9" TO 16"- CANADIAN	
2	109571-01-000	EA	ADAPTER-P TRAP - 1 1/2" P X 1 1/4" MPT	
2	107538-01-000	EA	P TRAP-PLASTIC 1 1/4" W/EXT ARM - KEVCO P814 1-1/4"	
2	011071-01-000	EA	P TRAP-PLASTIC 1 1/2" - NIBCO 5892 1 1/2(CSA)	
3	079968-01-000	EA	VENT-MECHANICAL TRAP ARM - ANTI-SIPHON - 2" DIA X 7.3" - PLASTIC	
4	010071-01-000	EA	TEE-SANITARY - 1 1/2" HUB X HUB X HUB - PLASTIC - BLACK	
5	010051-01-000	EA	ELBOW - 45 DEGREE - 1 1/2" SPIGOT & HUB - PLASTIC	
6	010008-01-000	EA	ELBOW - 90 DEGREE - 1/4" BEND - 1 1/2" HUB X HUB - BLACK PLASTIC	
7	010115-01-000	EA	COUPLING - 1 1/2" HUB X HUB - PLASTIC	
8	034250-01-000	EA	ELBOW - 90 DEGREE - LONG TURN - 1 1/2" HUB X HUB - ABS	
9	010073-01-000	EA	WYE - 45 DEGREE - 1 1/2" HUB X HUB X HUB - PLASTIC	
10	010006-01-000	EA	ELBOW - 45 DEGREE - 1 1/2" HUB X HUB - PLASTIC	
11	031126-01-000	EA	ELBOW - 1/4 BEND - 3" X 90" XLT - BLACK PLASTIC	
12	070916-01-000	EA	VALVE-DUAL DUMP - W/CAP - 3" X 1 1/2" - PLASTIC - BLACK	
	070916-01-700	EA	VALVE ONLY (WASTE) 3"	T1003BU
	070916-01-701	EA	VALVE ONLY (WASTE) 1 1/2"	T1001BU
12	062415-01-000	EA	CAP-SEWER - 3" DIAMETER	
	062415-01-700	EA	STRING-SEWER CAP	V#SV7 STRAP
	010201-01-000	EA	HOSE-SEWER - 3" ID X 8'	
	062416-01-000	EA	ADAPTER-SEWER HOSE TO 3" PIPE	
13	089355-01-000	EA	COUPLER - RUBBER 1 1/2" X 1 1/2"	
14	078406-01-000	EA	COUPLER - RUBBER - W/CLAMPS - 3" X 3"	
15	117580-01-000	EA	TANK - HOLDING - 33 GALLON - W/O FITTINGS	
16	117573-01-000	EA	TANK - HOLDING - 33 GALLON - W/O FITTINGS AFTER 06-05-97 USE 123643-01-000	
17	010166-01-000	EA	PLUG - THREADED - 1 1/4" DIAMETER - PLASTIC - BLACK	
18	010122-01-000	EA	BUSHING - REDUCER - 1 1/2 SMTH X 1 1/4 THD - BLACK PLASTIC	
	061607-01-000	EA	GROMMET - HOLDING TANK - 1 1/2" NPS	
	061607-02-000	EA	GROMMET - HOLDING TANK - 3" NPS	
	069735-01-000	EA	WASHER - STRAINER TO TAILPIECE PLASTIC - 1.5"	
	011069-04-000	EA	TAILPIECE-TUB/SHOWER - 1 1/2" X 1 1/4" X 8" - BRASS	
	041956-01-000	EA	ELBOW - STREET - 1/4" BARB X 90 DEGREE X 3 XLT	
	116644-01-000	EA	FLANGE-CLOSET 4" X 3"	

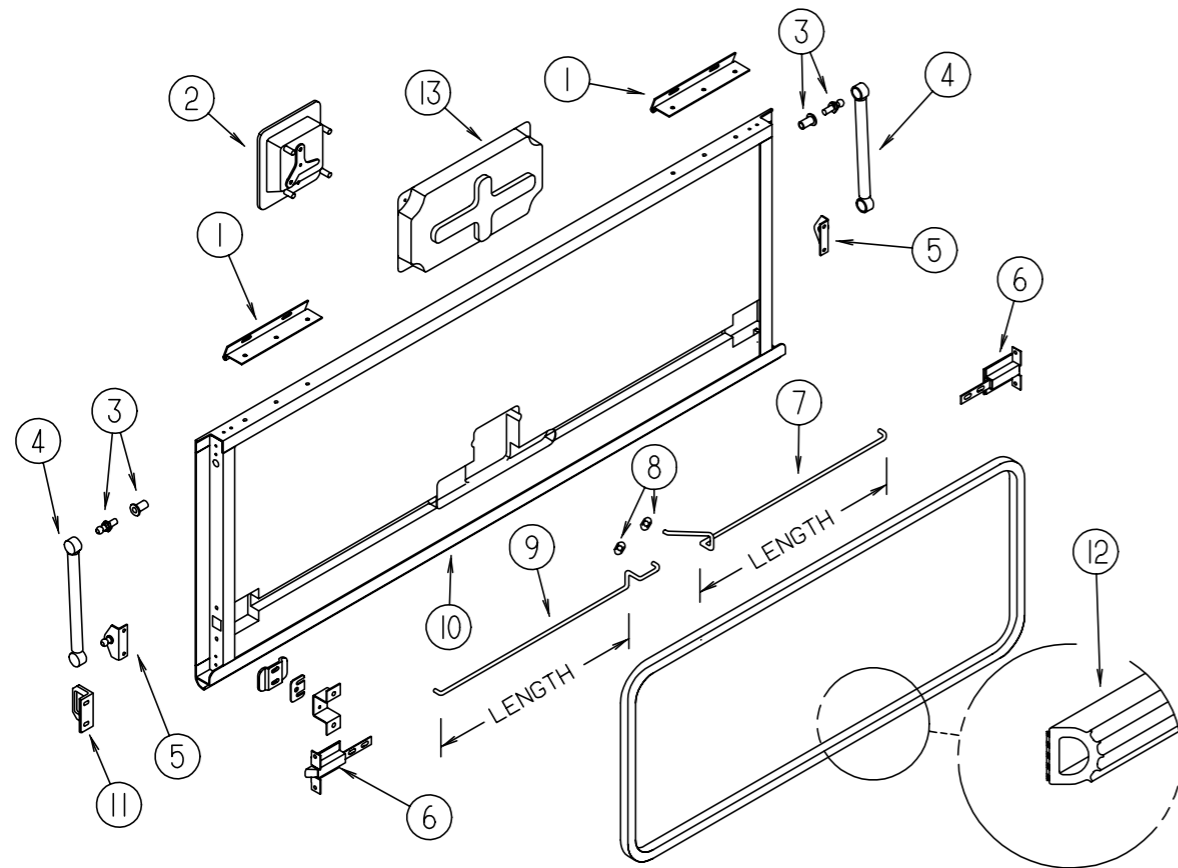
WINDOW, VENT & EXTERIOR DOOR GROUP



EXTERIOR DOORS

KEY	PART NUMBER	U/M	DESCRIPTION	VENDOR NO.
1	122391-38-JA1	EA	VALANCE/DOOR-DRIVER W/O PADDLE LATCH 19.3" X 49.5" X 16.8"	
2	122391-10-JA1	EA	VALANCE/DOOR-DRIVER W/O PADDLE LATCH 21.5" X 45.6" X 19.5"	
3	084103-08-000	EA	DOOR - VENT/REFRIGERATOR - W/O JAMB - BRIGHT WHITE	
3	084104-08-000	EA	JAMB - REFRIGERATOR DOOR	
3	084104-01-700	EA	LOCK - MALE, FASTENER	201-721-010
3	084104-01-701	EA	LOCK - FEMALE, FASTENER	201-802-010
4	052009-06-000	EA	DOOR - WATER HEATER - BRIGHT WHITE - 18" X 14.6"	
4	116424-01-000	EA	PROTECTOR - LATCH - WATER HEATER	
5	098668-23-000	EA	DOOR - ACCESS - FURNACE - BRIGHT WHITE - SUBURBAN	
6	122239-18-JA1	EA	VALANCE/DOOR - W/O PADDLE LATCH/HINGE - 21.5" X 43.9"	
7	122239-17-JA1	EA	VALANCE/DOOR - W/O PADDLE LATCH/HINGE - 21.5" X 38"	
8	122239-20-JA1	EA	VALANCE/DOOR - W/O PADDLE LATCH/HINGE - 21.5" X 24.5"	
	123478-02-H07	EA	DOOR - COMPARTMENT - W/O LATCH/HINGE	
9	115108-02-J06	EA	DOOR - ENTRY - W/SCREEN DOOR - W/O WINDOW (J40)	
9	115108-02-J41	EA	DOOR - ENTRY - W/SCREEN DOOR - W/O WINDOW (J41)	
10	126945-01-J22	EA	DOOR/STORAGE - W/O HARDWARE - 18" X 8.3"	
11	122391-09-JA1	EA	VALANCE/DOOR-PASS W/O PADDLE LATCH 21.5" X 43.3" X 19.6"	
12	122391-11-JA1	EA	VALANCE/DOOR-PASS W/O PADDLE LATCH 19.4" X 55.8" X 16.6"	
13	081240-16-000	EA	DOOR - WATER FILL - LOCKABLE W/O LOCK - 4" X 4 5/8"	
	088794-06-000	EA	DOOR - POWER CORD W/HATCH - BRIGHT WHITE - 9.2" X 11"	

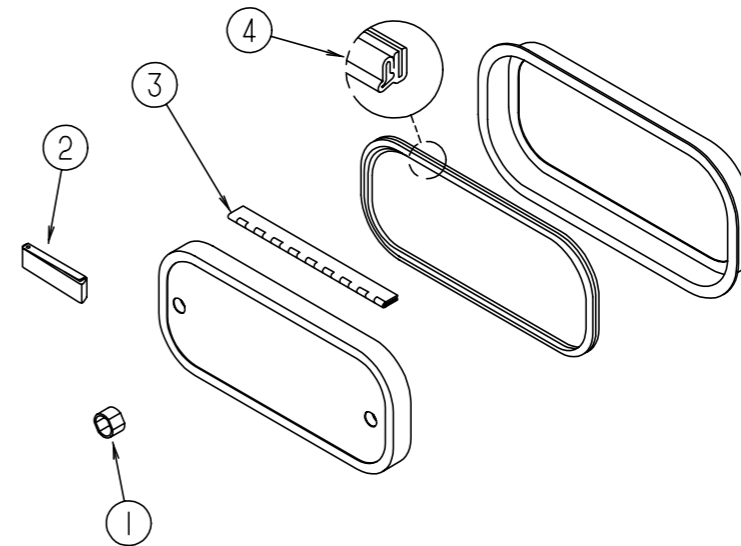
WINDOW, VENT & EXTERIOR DOOR GROUP (CONTINUED)



EXTERIOR DOOR COMPONENTS

KEY	PART NUMBER	U/M	DESCRIPTION
1	121755-01-04A	EA	HINGE - 6.00 INCH
2	112949-01-04A	EA	LATCH - PADDLE W/LOCK W/O KEY - BLACK
2	112949-02-05A	EA	LATCH - PADDLE NON-LOCKING - BLACK
	112949-03-000	EA	KEY - TRI-MARK #TM500
3	057460-08-000	EA	BALL STUD - 10MM BALL - 5/16-18
4	107796-18-000	EA	SPRING - GAS - 10" LENGTH
5	107796-03-000	EA	BRACKET - GAS SPRING - SMALL
5	107796-19-000	EA	BRACKET - GAS SPRING
6	121947-01-01A	EA	BOLT - SLIDE - LATCH - STEEL
7	122269-18-000	EA	ROD - LATCH - 11.28"
7	122269-19-000	EA	ROD - LATCH - 14.22"
7	122269-21-000	EA	ROD - LATCH - 4.52"
7	122269-23-000	EA	ROD - LATCH - 20.19"
7	122269-24-000	EA	ROD - LATCH - 15.09"
7	122269-25-000	EA	ROD - LATCH - 17.04"
8	124304-01-000	EA	CLIP - ROUND PUSH ON
9	122268-18-000	EA	ROD - LATCH - 11.28"
9	122268-19-000	EA	ROD - LATCH - 14.22"
9	122268-21-000	EA	ROD - LATCH - 4.52"
9	122268-23-000	EA	ROD - LATCH - 20.19"
9	122268-24-000	EA	ROD - LATCH - 15.09"
9	122268-25-000	EA	ROD - LATCH - 17.04"
10	122613-55-007	EA	ROCKER PANEL/EXTRUSION - 192" - BLACK
11	123783-01-01A	EA	STRIKER - DOOR - MILL
	122278-01-01A	EA	PLATE - STRIKE - BLACK
12	107721-01-000	FT	SEAL - ACCESS DOORS
12	107721-07-000	FT	SEAL - ACCESS DOOR (SEWAGE & 110V DOOR ONLY)
13	122277-02-01A	EA	COVER - LATCH - BLACK
	122614-55-007	EA	H-CHANNEL/EXTRUSION - 192" - BLACK

WINDOW, VENT & EXTERIOR DOOR GROUP (CONTINUED)



EXTERIOR DOOR COMPONENTS

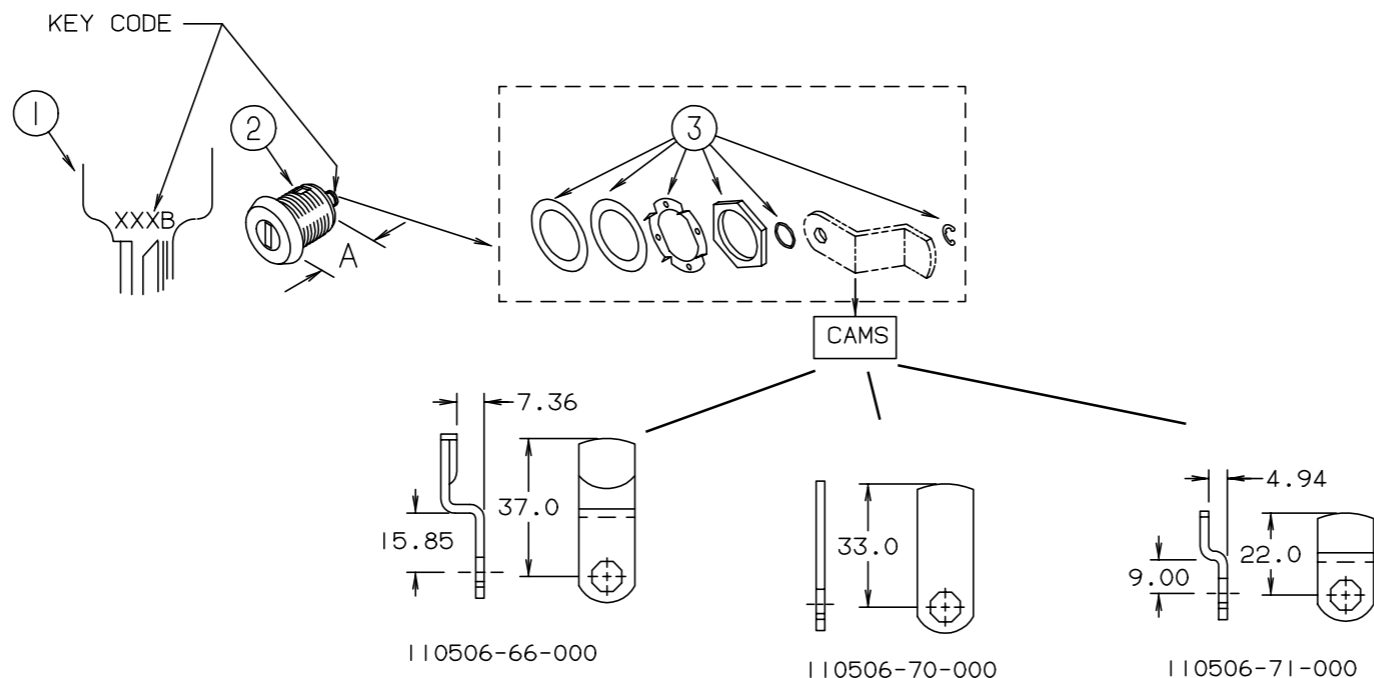
KEY	PART NUMBER	U/M	DESCRIPTION
1	107997-51-001	EA	SPACER - DOOR LOCK - .6" DEEP
	107997-51-002	EA	EXTRUDED - SPACER - 16'
2	102768-01-000	EA	HOLDER - COMPARTMENT/ENTRY DOOR - METAL - MILL FINISH
3	081801-02-000	EA	HINGE - DOOR - PIANO - 2" X 8'
3	081801-V3-000	EA	HINGE - ALUMINUM - 2" X 96"
3	009065-01-000	EA	HINGE - CONTINUOUS - 1 1/2" X 96" - UNPAINTED
4	064075-07-000	FT	SEAL - BULB - W/WIRED U CHANNEL - .3" X .5" CHANNEL - BLK
	104692-01-000	FT	SEAL - FOAM/ADHESIVE BACK - .75"THICK X .75"WIDE X 25'

WINDOW, VENT & EXTERIOR DOOR GROUP (CONTINUED)

BRIGGS & STRATTON LOCKS & COMPONENTS

NOTE:

WHEN ORDERING THE LOCK CASE, THE KEY CODE MUST MATCH THE LAST DIGIT OF THE VEHICLE'S SERIAL NUMBER AND PART NUMBER; WHEN ORDERING THE KEYS, THE THIRD DIGIT OF THE KEY CODE MUST MATCH THE LAST DIGIT OF THE VEHICLE'S SERIAL NUMBER AND PART NUMBER.



KEY	PART NUMBER	U/M	DESCRIPTION	VENDOR NO.	KEY	PART NUMBER	U/M	DESCRIPTION	VENDOR NO.
1	110506-59-000	EA	KEYS - SET OF TWO	596720	1	110506-59-006	EA	KEYS - SET OF TWO	597936
2	110506-52-000	EA	CASE/CYLINDER - LOCKING - W/O CAM/KEY - .65"	702370	2	110506-52-006	EA	CASE/CYLINDER - LOCKING - W/O CAM/KEY - .65"	702376
2	110506-54-000	EA	CASE/CYLINDER - LOCKING - W/O CAM/KEY - 1.25"	703170	2	110506-54-006	EA	CASE/CYLINDER - LOCKING - W/O CAM/KEY - 1.25"	703176
1	110506-59-001	EA	KEYS - SET OF TWO	596721	1	110506-59-007	EA	KEYS - SET OF TWO	597937
2	110506-52-001	EA	CASE/CYLINDER - LOCKING - W/O CAM/KEY - .65"	702371	2	110506-52-007	EA	CASE/CYLINDER - LOCKING - W/O CAM/KEY - .65"	702377
2	110506-54-001	EA	CASE/CYLINDER - LOCKING - W/O CAM/KEY - 1.25"	703171	2	110506-54-007	EA	CASE/CYLINDER - LOCKING - W/O CAM/KEY - 1.25"	703177
1	110506-59-002	EA	KEYS - SET OF TWO	596722	1	110506-59-008	EA	KEYS - SET OF TWO	596728
2	110506-52-002	EA	CASE/CYLINDER - LOCKING - W/O CAM/KEY - .65"	702372	2	110506-52-008	EA	CASE/CYLINDER - LOCKING - W/O CAM/KEY - .65"	702378
2	110506-54-002	EA	CASE/CYLINDER - LOCKING - W/O CAM/KEY - 1.25"	703172	2	110506-54-008	EA	CASE/CYLINDER - LOCKING - W/O CAM/KEY - 1.25"	703178
1	110506-59-003	EA	KEYS - SET OF TWO	596723	1	110506-59-009	EA	KEYS - SET OF TWO	596729
2	110506-52-003	EA	CASE/CYLINDER - LOCKING - W/O CAM/KEY - .65"	702373	2	110506-52-009	EA	CASE/CYLINDER - LOCKING - W/O CAM/KEY - .65"	702379
2	110506-54-003	EA	CASE/CYLINDER - LOCKING - W/O CAM/KEY - 1.25"	703172	2	110506-54-009	EA	CASE/CYLINDER - LOCKING - W/O CAM/KEY - 1.25"	703179
1	110506-59-004	EA	KEYS - SET OF TWO	596724	3	110506-40-700	EA	HDWE KIT	596950AAL
2	110506-52-004	EA	CASE/CYLINDER - LOCKING - W/O CAM/KEY - .65"	702374		110506-66-000	EA	CAM - LATCHING - DOG LEGGED 1.5" LONG	
2	110506-54-004	EA	CASE/CYLINDER - LOCKING - W/O CAM/KEY - 1.25"	703174		110506-70-000	EA	CAM - LATCHING - STRAIGHT 1.3" LONG	
1	110506-59-005	EA	KEYS - SET OF TWO	596725		110506-71-000	EA	CAM - LATCHING - DOG LEGGED .86" LONG	
2	110506-52-005	EA	CASE/CYLINDER - LOCKING - W/O CAM/KEY - .65"	702375		110506-59-701	EA	KEY BLANK	
2	110506-54-005	EA	CASE/CYLINDER - LOCKING - W/O CAM/KEY - 1.25"	703175					

WINDOW, VENT & EXTERIOR DOOR GROUP (CONTINUED)

WINDOW, VENT & EXTERIOR DOOR GROUP (CONTINUED)

POWERED ROOF VENTILATOR - US - FANTASTIC

KEY	PART NUMBER	U/M	DESCRIPTION
*	123780-02-01A	EA	VENTILATOR - ROOF/1" - W/O THERMOSTAT/POWER LIFT FROM: 00-00-00 THRU: 10-05-97
*	123780-01-01A	EA	VENTILATOR - ROOF/1" - W/O THERMOSTAT/POWER LIFT FROM: 10-06-97 THRU: 99-99-99

***COMPONENT PARTS FOUND IN SERVICE PARTS LIBRARY**

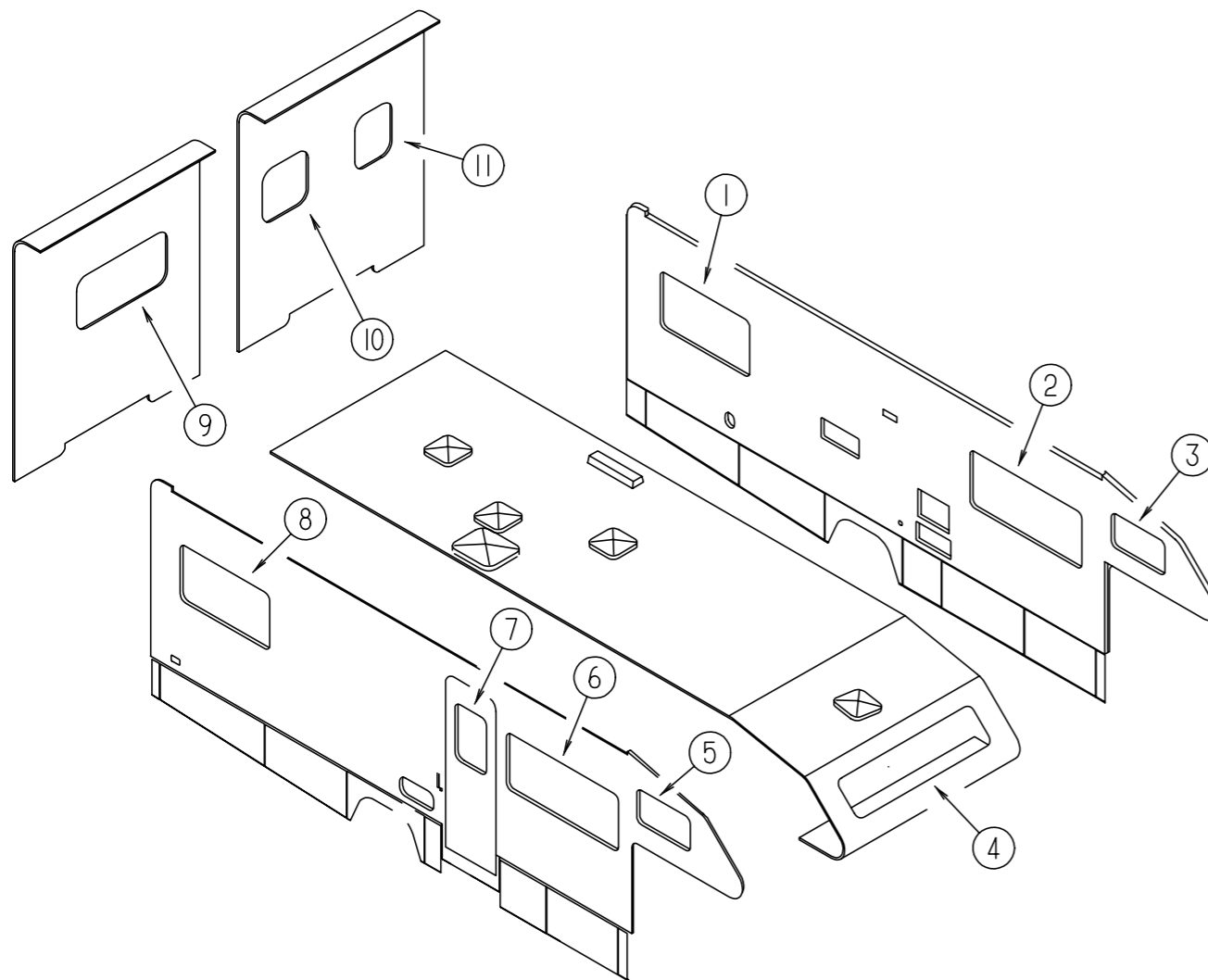
VENT

KEY	PART NUMBER	U/M	DESCRIPTION
*	122882-01-01A	EA	VENT - ROOF - NONPOWERED - W/O INSIDE GARNISH
*	122882-02-01A	EA	VENT - ROOF - W/FAN - W/O INSIDE GARNISH - UL
*	122882-03-01A	EA	VENT - ROOF - W/FAN - W/O INSIDE GARNISH - CSA
	122882-07-01A	EA	GARNISH - ROOF VENT - 2.50" TO 4.12"
	122882-06-01A	EA	GARNISH - ROOF VENT - 1" TO 2.56"

***COMPONENT PARTS FOUND IN SERVICE PARTS LIBRARY**

VENTS, SHROUDS AND ROOF COVERS

KEY	PART NUMBER	U/M	DESCRIPTION
	084073-07-000	EA	VENT - ROOF/REFRIGERATOR - BRIGHT WHITE - NORCOLD
	084073-04-000	EA	BASE - ROOF VENT/REFRIGERATOR - BLACK - NORCOLD
	084878-09-000	EA	VENT - EXHAUST/RANGE HOOD - OFF WHITE
	083558-03-000	EA	VENT - PLUMBING - ROOF PIPE COVERED - OFF WHITE
	092698-02-05A	EA	VENT - W/DOOR - BRIGHT WHITE

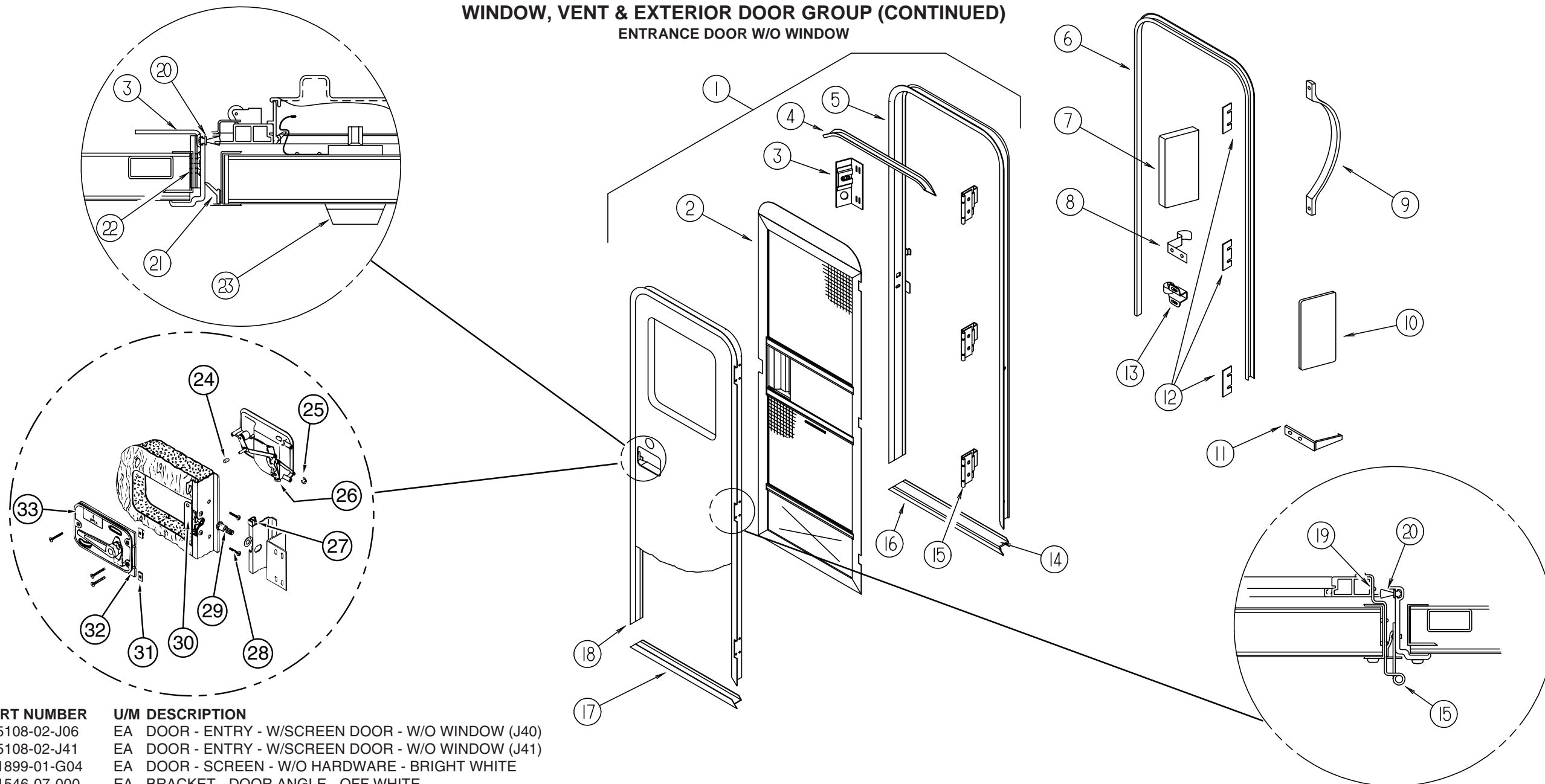


WINDOWS

KEY	PART NUMBER	U/M	DESCRIPTION
1*	104691-13-01A	EA	WINDOW - SINGLE TIPOUT - 48" X 26.4"
1*	112795-25-01A	EA	WINDOW - DRIVER HORIZONTAL SLIDER - THERMO - 26.4" X 48"
2*	098647-22-01A	EA	WINDOW-DRIVER HORIZ SLIDER W/TRIM-TINTED - 26.1" X 59.7"
2*	112795-15-01A	EA	WINDOW - DRIVER HORIZONTAL SLIDER - THERMO - 26.4" X 60"
3*	098647-34-01A	EA	WINDOW-DRIVER HORIZ SLIDER W/TRIM-TINTED - 15.7" X 28.5"
3*	112795-20-01A	EA	WINDOW - DRIVER HORIZONTAL SLIDER - THERMO - 16" X 28.7"
4*	103313-03-F15	EA	WINDOW - PICTURE - 16.7" X 71.3"
4*	115630-01-01A	EA	WINDOW - STATIONARY/THERMOPANE - 17.2" X 72"
5*	098647-33-01A	EA	WINDOW - PASS HORIZ SLIDER W/TRIM - TINTED - 15.7" X 28.5"
5*	112795-19-01A	EA	WINDOW - PASSENGER HORIZ SLIDER - THERMO - 16" X 28.7"
6*	098647-23-01A	EA	WINDOW - PASS HORIZ SLIDER W/TRIM - TINTED - 26.1" X 59.7"
6*	112795-16-01A	EA	WINDOW - PASSENGER HORIZ SLIDER - THERMO - 26.4" X 60"
7*	117053-02-F36	EA	WINDOW - PICTURE - 60% TINTING - 17" X 26.4"
7*	113733-01-01A	EA	WINDOW - STATIONARY THERMOPANE - 17" X 26.4"
8*	104691-13-01A	EA	WINDOW - SINGLE TIPOUT - 48" X 26.4"
8*	112795-22-01A	EA	WINDOW - PASSENGER HORIZ SLIDER - THERMO - 26.4" X 48"
9*	078528-06-E10	EA	WINDOW - ESCAPE - W/O RETAINER/TRIM - 48.5" X 24.5"
9*	113502-01-01A	EA	WINDOW - REAR/CENTER ESCAPE - THERMO - 24.8" X 48.7"
10*	116976-04-01A	EA	WINDOW - PICTURE/TINTED - 26.4" X 26.3"
10*	113733-02-01A	EA	WINDOW - STATIONARY THERMOPANE - 26.4" X 26.3"
11*	116976-02-01A	EA	WINDOW - PICTURE/TINTED/ESCAPE - 26.4" X 25.3"
11*	113502-04-01A	EA	WINDOW - REAR ESCAPE - THERMO - 26.4" X 26.3"

***COMPONENT PARTS FOUND IN SERVICE PARTS LIBRARY**

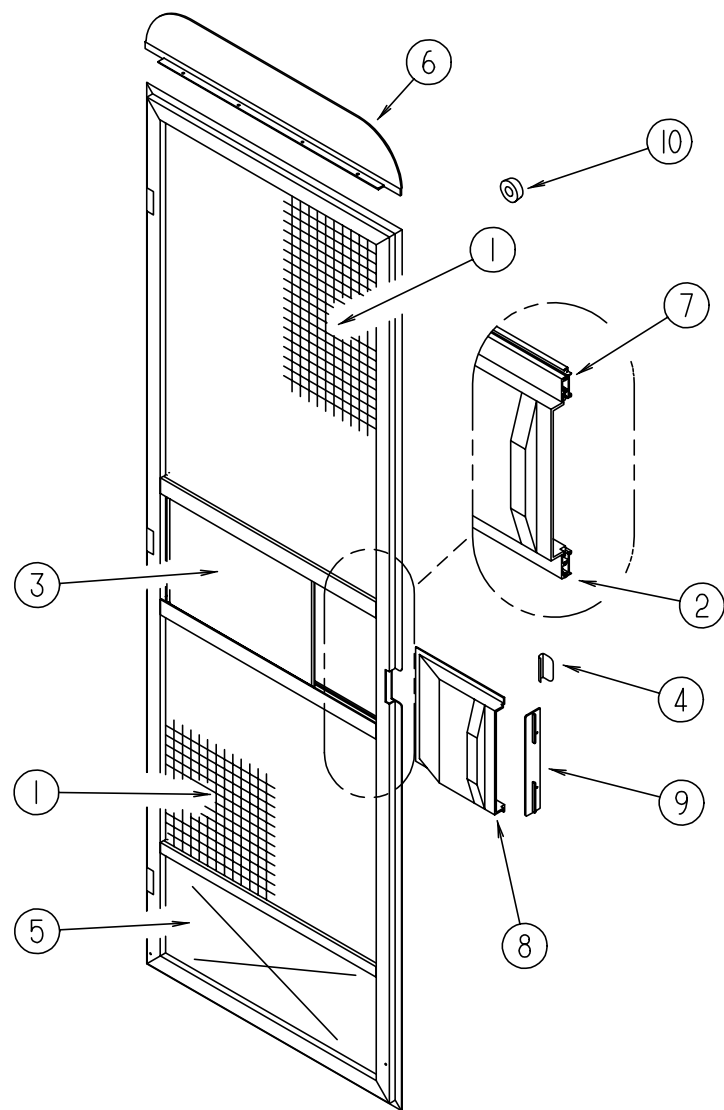
WINDOW, VENT & EXTERIOR DOOR GROUP (CONTINUED)
ENTRANCE DOOR W/O WINDOW



KEY	PART NUMBER	U/M	DESCRIPTION
1	115108-02-J06	EA	DOOR - ENTRY - W/SCREEN DOOR - W/O WINDOW (J40)
1	115108-02-J41	EA	DOOR - ENTRY - W/SCREEN DOOR - W/O WINDOW (J41)
2	121899-01-G04	EA	DOOR - SCREEN - W/O HARDWARE - BRIGHT WHITE
3	041546-07-000	EA	BRACKET - DOOR ANGLE - OFF WHITE
4	044582-44-000	EA	CAP - DRIP - JAMB - BRIGHT WHITE
5	121898-01-01A	EA	GARNISH - RADIUS - ENTRY DOOR
7	077461-05-000	EA	COVER/BRACKET - STRIKE
8	100412-01-000	EA	CATCH - SCREEN DOOR
9	009126-03-000	EA	HANDLE - ASSIST - BLACK TEXTURED
10	076725-02-000	EA	COVER - HINGE - ENTRY DOOR - 6" X 3.2" - OFF WHITE
11	102768-01-000	EA	HOLDER - COMPARTMENT/ENTRY DOOR - METAL - MILL FINISH
12	102248-01-000	EA	SHIM - DOOR
13	079087-03-000	EA	STRIKE - SLIDER - SCREEN DOOR - BRIGHT WHITE
14	038327-01-000	EA	TAPE - ANTI-SLIP - 2" X 60'
15	106719-01-05A	EA	HINGE - ENTRANCE DOOR - BRIGHT WHITE
	106719-01-01A	EA	HINGE - ENTRANCE DOOR - MILL
	039715-01-000	EA	NUT-SERT - 1/4" DIAMETER - 20 THREADS
16	051049-01-000	EA	JAMB - BOTTOM - ENTRY DOOR - 25.9" - UNPAINTED
	075673-05-000	FT	SEAL - PILE - ADHESIVE BACK - BLACK
17	121893-01-01A	EA	FRAME - ENTRY DOOR/BOTTOM - BRIGHT WHITE
18	121894-03-01A	EA	FRAME - ENTRY DOOR
	098173-01-04A	EA	STIFFENER - ENTRY DOOR - SUPPORTS LATCH/STRIKE - UNPAINTED
	098173-01-04A	EA	STIFFENER - ENTRY DOOR - SUPPORTS LATCH/STRIKE - UNPAINTED
19	100128-02-000	FT	SEAL - FOAM - ADHESIVE BACK - .37" WIDE X .37" THICK
20	118929-01-01A	FT	SEAL - PILE - PUSH ON
21	075671-04-000	FT	SEAL - SPONGE - LAZY T - W/ADHESIVE STRIP - .5" WIDE
22	104692-01-000	FT	SEAL - FOAM/ADHESIVE BACK - .75"THICK X .75"WIDE X 25'

KEY	PART NUMBER	U/M	DESCRIPTION
23	101145-01-06A	EA	DEADBOLT - ENTRY DOOR W/O SECURITY BOLT W/2 KEYS - BLACK
	101147-01-000	EA	BOLT - SECURITY - 4.12"
	095229-01-700	EA	KEY-BLANK, DEADBOLT 81205-03
	101145-01-701	EA	CYLINDER-LOCK ASM., W/KEY 81306-03
24	039984-01-000	EA	CAP - ROUND - VINYL - .28" ID X .62" - BLACK
25	036618-02-000	EA	E RING - EXTERNAL - 3/16" SHAFT DIAMETER - LYNOR DOOR LOCK
26	045017-13-000	EA	LATCH - ENTRY DOOR - BLACK TEXTURED
	045017-11-701	EA	KEY-BLANK, F1 SERIES 81312-02
	045017-11-703	EA	CYLINDER-LOCK ASM. W/KEYS 81266-09
27	064075-07-000	FT	SEAL - BULB - W/WIRED U CHANNEL - .3" X .5" CHANNEL - BLK
28	000G54-04-20B	EA	SCREW - 1/4-20 X 1.25 PTH - TYPE 23 - ZINC PLATED
29	039539-01-000	EA	STRIKE - LOCK - ENTRY DOOR - ROUND W/THREADED WASHER
30	039540-01-000	EA	LATCH MECHANISM - HOOK - ENTRY DOOR - INTERIOR
31	040921-01-000	EA	NUT - SPEED - U TYPE - 10-24 BLACK
32	096810-01-01A	EA	PLATE - LATCH - ENTRY DOOR - BLACK
33	039979-06-000	EA	COVER - LATCH PLATE - RIGHT HAND - BLACK TEXTURED
	086285-05-000	EA	SPACER - NYLON - .7" X .56"
	104099-01-04A	EA	CATCH - DOOR HOLDER - STRIKE - BRIGHT WHITE
	104099-02-04A	EA	CATCH - DOOR HOLDER - RETAINER - BRIGHT WHITE
	121676-01-01A	EA	ANGLE - ENTRY DOOR - BRIGHT WHITE
	121676-02-01A	EA	ANGLE - ENTRY DOOR - BRIGHT WHITE
	121676-03-01A	EA	ANGLE - ENTRY DOOR

WINDOW, VENT & EXTERIOR DOOR GROUP (CONTINUED)



SCREEN DOOR COMPONENTS

KEY	PART NUMBER	U/M	DESCRIPTION
	121899-01-G04	EA	DOOR - SCREEN - W/O HARDWARE - BRIGHT WHITE
1	002293-02-000	SF	SCREENING - WINDOW/DOOR - 26" - CHARCOAL
2	002294-01-000	FT	SPLINE - SCREENING - .135" X .138"
3	016454-01-000	EA	INSERT - CENTER - LEATHER GRAIN ALUMINUM - UNPAINTED
	001014-01-013	EA	INSERT - CENTER - 10.25" X 16.31" - UNPAINTED
4	050712-06-000	EA	HANDLE - SCREEN DOOR - BRIGHT WHITE
5	078552-03-000	EA	KICK PANEL - SCREEN DOOR - LOWER INSERT - UNPAINTED
6	078595-01-000	EA	TOP PLATE - SCREEN DOOR - CURVED TOP - 4.7" X 25.35"
7	078777-01-000	EA	CHANNEL - SLIDE - SCREEN DOOR CENTER SLIDER COVER
			FROM: 00-00-00 THRU: 02-22-98
7	078777-08-000	FT	CHANNEL SLIDER
			FROM: 02-23-98 THRU: 99-99-99
8	079086-03-000	EA	SLIDER - SCREEN DOOR - BRIGHT WHITE
9	079087-03-000	EA	STRIKE - SLIDER - SCREEN DOOR - BRIGHT WHITE
10	120863-05-000	EA	BUMPER - RUBBER - 3/4" X 3/8"
			FROM: 00-00-00 THRU: 10-27-97
10	120863-06-000	EA	BUMPER - RUBBER - 3/4" X 3/8"
			FROM: 10-28-97 THRU: 99-99-99

WINDOW, VENT & EXTERIOR DOOR GROUP (CONTINUED)

POWERED ROOF VENTILATOR - US - FANTASTIC

KEY	PART NUMBER	U/M	DESCRIPTION
*	123780-02-01A	EA	VENTILATOR - ROOF/1" - W/O THERMOSTAT/POWER LIFT
			FROM: 00-00-00 THRU: 10-05-97
*	123780-01-01A	EA	VENTILATOR - ROOF/1" - W/O THERMOSTAT/POWER LIFT
			FROM: 10-06-97 THRU: 99-99-99

***COMPONENT PARTS FOUND IN SERVICE PARTS LIBRARY**

VENT

KEY	PART NUMBER	U/M	DESCRIPTION
*	122882-01-01A	EA	VENT - ROOF - NONPOWERED - W/O INSIDE GARNISH
*	122882-02-01A	EA	VENT - ROOF - W/FAN - W/O INSIDE GARNISH - UL
*	122882-03-01A	EA	VENT - ROOF - W/FAN - W/O INSIDE GARNISH - CSA
	122882-07-01A	EA	GARNISH - ROOF VENT - 2.50" TO 4.12"

***COMPONENT PARTS FOUND IN SERVICE PARTS LIBRARY**

VENTS, SHROUDS AND ROOF COVERS

KEY	PART NUMBER	U/M	DESCRIPTION
	084073-07-000	EA	VENT - ROOF/REFRIGERATOR - BRIGHT WHITE - NORCOLD
	084073-04-000	EA	BASE - ROOF VENT/REFRIGERATOR - BLACK - NORCOLD
	083558-03-000	EA	VENT - PLUMBING - PIPE ROOF - W/COVER - OFF WHITE
	092698-02-05A	EA	VENT - W/DOOR - BRIGHT WHITE