

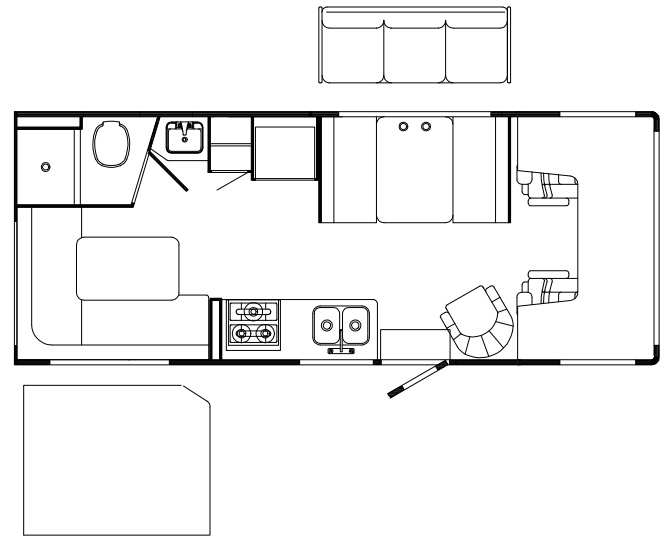
**1998**  
**IF324WD**

**J03**

**NEWPORT (BLUE)**

**J04**

**DUNE (BROWN)**



## ACCESSORIES GROUP

### OPERATORS MANUAL

KEY	PART NUMBER	UM	DESCRIPTION
	125441-01-000	DW	TOP LEVEL-C,1998
	092318-01-000	EA	BINDER - 3 RING - MOTOR HOME MANUAL
	092319-01-000	EA	POCKET PAGE - 3 RING BINDER - PLASTIC - (50 PER PKG)
	129079-01-01A	EA	CASE - VINYL/BLACK-EXPANDABLE ACCORDION SIDES-7"WX9"HX14"L
	054185-G8-000	EA	MANUAL - OPERATOR 98 MINNIE - 300 SERIES

## AUDIO VIDEO GROUP

### RADIO SYSTEM

KEY	PART NUMBER	U/M	DESCRIPTION
	125322-02-000	EA	RADIO - AM/FM STEREO - CASSETTE - AUDIOVOX
	108137-01-000	EA	PLUG - ANTENNA
	077069-02-000	EA	CABLE - ANTENNA/EXTENSION - RADIO - 96"
	090944-01-000	EA	ANTENNA - RADIO - 16" RUBBER
	108847-01-000	EA	BRACKET - ANTENNA GROUND
	109889-01-000	EA	EXTENDER - SHAFT - ANTENNA 1"
	110469-01-000	EA	SPEAKER - 4" X 6" OVAL - COAXIAL
	110470-01-01A	EA	GRILLE - 4" X 6" OVAL - BLACK

### RADIO-PATIO ENTERTAINMENT CENTER

KEY	PART NUMBER	U/M	DESCRIPTION
	125322-02-000	EA	RADIO - AM-FM STEREO - CASSETTE - AUDIOVOX
	090944-01-000	EA	ANTENNA - RADIO - 16" RUBBER
	077069-02-000	EA	CABLE - ANTENNA/EXTENSION - RADIO - 96"
	108847-01-000	EA	BRACKET - ANTENNA GROUND
	082134-01-000	EA	ADAPTER - TV - CABLE TO CABLE
	086756-01-000	EA	SPLITTER - TV - 2 WAY
	076319-09-000	EA	WALLPLATE - CABLE RECEPTACLE - TV - SINGLE - BROWN
	058708-02-000	EA	RECEPTACLE - ELECTRIC - DOUBLE - IVORY
	109889-01-000	EA	EXTENDER - SHAFT - ANTENNA 1"
	110469-01-000	EA	SPEAKER - 4" X 6" OVAL - COAXIAL
	110470-01-01A	EA	GRILLE - 4" X 6" OVAL - BLACK

### TV - VCR SYSTEMS

KEY	PART NUMBER	U/M	DESCRIPTION	VENDOR NO.
	126696-01-000	EA	TV - 19" COLOR W/1/8" JACK - UL/CSA - GE	
			FROM: 00-00-00 THRU: 04-12-98	
	126696-02-000	EA	TV - 19" COLOR W/1/8" JACK - UL/CSA - GE	
			FROM: 04-13-98 THRU: 99-99-99	
	126696-01-700	EA	REMOTE	226725
	126697-01-000	EA	VCR-VHS - CABLE READY - W/REMOTE - GE	
			FROM: 00-00-00 THRU: 03-22-98	
	126697-02-000	EA	VCR-VHS - CABLE READY - W/REMOTE - GE	
			FROM: 03-23-98 THRU: 99-99-99	2040R
	126697-01-700	EA	REMOTE - F/VCR	
	086231-08-000	EA	TV - 13" COLOR - DC - AUDIOVOX	
	086231-08-700	EA	REMOTE-UNIVERSAL	8822325
	086231-08-701	EA	ADAPTER - WIRE	0891436
	094487-03-000	EA	VIDEO CASSETTE PLAYER W/O REMOTE - AUDIOVOX	
			FROM: 00-00-00 THRU: 03-11-98	
	094487-04-000	EA	PLAYER - CASSETTE VIDEO - AUDIOVOX	
			FROM: 03-12-98 THRU: 03-23-98	
	094487-05-000	EA	PLAYER - CASSETTE VIDEO - VERTIC	
			FROM: 03-24-98 THRU: 99-99-99	
	086231-08-700	EA	REMOTE-UNIVERSAL	8822325
	094487-03-700	EA	WIRE - ADAPTER	0891436
	082136-01-000	EA	NUT - HEX JAM - 3/8 - 32	
	082134-01-000	EA	ADAPTER - TV - CABLE TO CABLE	
	086756-01-000	EA	SPLITTER - TV - 2 WAY	
	076319-03-000	FT	CABLE - COAXIAL - 75 OHM	
	076319-12-000	EA	CONNECTOR - COAXIAL - ONE PIECE	
	086777-02-000	EA	WALLPLATE - TV CABLE - W/ANTENNA SWITCH	
	086777-06-000	EA	WALLPLATE - TV CABLE - ANTENNA/1 OUTPUT - BROWN	
	086757-03-000	EA	CONTROL CENTER - SWITCH - VCR/TV	

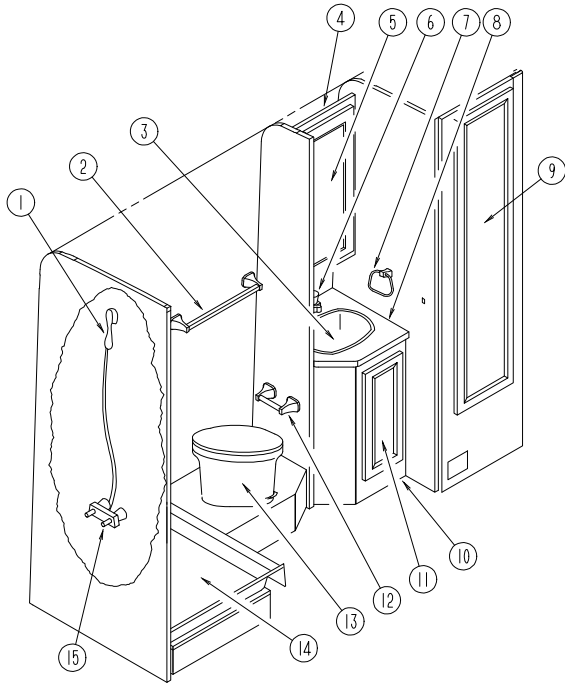
### TV ANTENNA - WINEGARD - MODEL RVA W02

KEY	PART NUMBER	U/M	DESCRIPTION
*	076319-20-000	EA	ANTENNA-TV - ROOF MOUNT - 1" ROOF
			FROM: 00-00-00 THRU: 12-07-97
*	076319-23-000	EA	ANTENNA-TV - ROOF MOUNT - 44.5" MAST
			FROM: 12-08-97 THRU: 99-99-99

\*COMPONENT PARTS FOUND IN SERVICE PARTS LIBRARY

# BATH GROUP

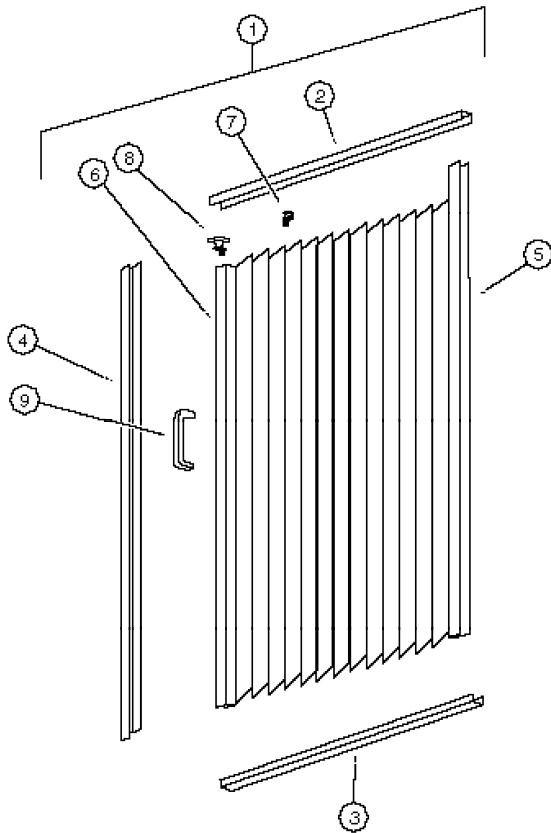
## BATHROOM CABINETS & FIXTURES



KEY	PART NUMBER	U/M DESCRIPTION	VENDOR NO.
1	103092-01-000	EA SHOWER HEAD - W/60" HOSE - WHITE	
1	103092-02-000	EA SHOWER HEAD - W/60" HOSE - CSA	
	103092-01-700	EA BRACKET-F/SHOWER HEAD, CLEAR	2328028
	011048-03-700	EA BRACKET - F/SHOWER HEAD	2328029-1
	103092-01-702	EA SEALS-SPRAY HEAD	24466
	075606-01-000	EA PANEL - PLASTIC - FAUCET BACK - 5" X 9"	
2	075453-02-000	EA BAR - TOWEL - 18" BRASS	
3	096927-01-01A	EA SINK - LAVATORY - RECTANGULAR - PLASTIC/BONE	
	096927-01-700	EA SINK STOPPER	M9801
	096927-01-701	EA TAILPIECE-DRAIN-LAVATORY	M9802
4	116863-01-H04	EA CABINET - MEDICINE - W/O DOORS/HARDWARE	
5	115237-04-G01	EA DOOR - MIRRORED - BATH - W/O HARDWARE	
6	075240-06-000	EA FAUCET - LAVATORY/BONE	
	091253-01-000	EA GASKET - FAUCET - LAVATORY/GALLEY	
7	075454-02-000	EA RING - TOWEL - W/MOUNTING HARDWARE - BRASS	
8	123296-13-H04	EA COUNTERTOP - LAVATORY (J03)	
8	123296-13-H05	EA COUNTERTOP - LAVATORY (J04)	
9	M08758-38-J03	EA DOOR - MITERED CORNER/OGEE EDGE - 15.5" X 45.4"-W/O HDW	
9	M06803-91-K04	EA DOOR - MIRROR/MTRD CRNR/OGEE EDGE - 15.5"X 45.4" - W/O HDW - UPGRADE	
10	P23296-01-J03	EA CABINET - LAVATORY - W/CTRTP - W/O DOORS/DWRS/HDW (J03)	
10	P23296-01-H05	EA CABINET - LAVATORY - W/CTRTP - W/O DOORS/DWRS/HDW (J04)	
11	M08758-46-J03	EA DOOR - MITERED CORNER/OGEE EDGE - 13.4" X 21.8" - W/O HDW	
11	M05992-W2-K04	EA DOOR - STRAIGHT CORNER/OGEE EDGE - 13.4" X 21.8" - W/O HDW - UPGRADE	
12	075452-02-000	EA HOLDER - TOILET TISSUE - BRASS	
13*	067487-01-000	EA TOILET - 12.37" - IVORY - HAND FLUSH	
14	M02673-05-B13	EA PAN - SHOWER - 29.8" X 22.7" X 5.7" - W/STRAINER	
	066436-01-000	EA NUT - SLIP - TAILPIECE 1.5"	
		FROM: 00-00-00 THRU: 01-25-98	
	066440-01-000	EA STRAINER - SHOWER DRAIN - W/RUBBER WASHER	
	069735-01-000	EA WASHER - STRAINER TO TAILPIECE - PLASTIC - 1.5"	
		FROM: 00-00-00 THRU: 10-21-97	
	127440-02-01A	EA WASHER - RUBBER - 1.8" X .1"	
		FROM: 10-22-97 THRU: 99-99-99	
	011069-02-000	EA TAILPIECE - TUB/SHOWER - 1 1/2" X 1 1/4" X 4" - BRASS	
	069735-01-000	EA WASHER - STRAINER TO TAILPIECE - PLASTIC - 1.5"	
	130403-01-000	EA NUT - SLIP - W/WINGS 1 1/2"	
15	075241-05-000	EA FAUCET/SHOWER - BONE 3/4" MPT X 1.4" LONG INLET PIPES	

\*COMPONENT PARTS FOUND IN SERVICE PARTS LIBRARY

**BATH GROUP (CONTINUED)**



**SHOWER DOOR**

KEY	PART NUMBER	U/M DESCRIPTION
1	117431-01-01A	EA DOOR - SHOWER - FABRIC PLEATED - 29.6" X 63.0"
2	117431-01-700	EA TRACK-TOP, ALUMINUM - IVORY INSERT - 48"
3	117431-01-701	EA TRACK-BOTTOM, 40"
4	117431-01-702	EA RAIL-SIDE, 67"
5	117431-01-703	EA RAIL-STATIONARY, 67"
6	117431-01-704	EA RAIL-LEAD, 67"
7	117431-01-705	EA GLIDE-IVORY, TRAVELER
8	117431-01-706	EA GLIDE-IVORY LEAD, TRAVELER
9	117431-01-708	EA HANDLES & SCREWS
	117431-01-707	EA LATCH
	117431-01-709	EA STRAP-VINYL SHOWER

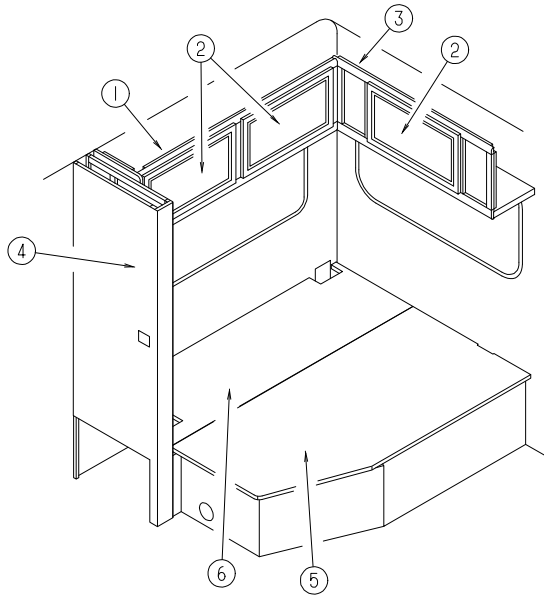
**BATH GROUP (CONTINUED)**

**BATH PRIVACY DOOR**

KEY	PART NUMBER	U/M DESCRIPTION
	121449-21-H04	EA DOOR - BATH
	094485-03-01A	EA KNOB - BRASS
	102920-01-01A	EA HINGE/SPRING LOADED - BRASS
	110496-01-01A	EA HINGE - BRASS
	121449-12-G04	EA RACK - TOWEL - BATH DOOR
	100357-01-000	EA ROD - F/TOWEL BAR - BRASS
	105394-01-05A	EA JAMB - DOOR/MOLDED PLASTIC - WATERFORD OAK - 7'

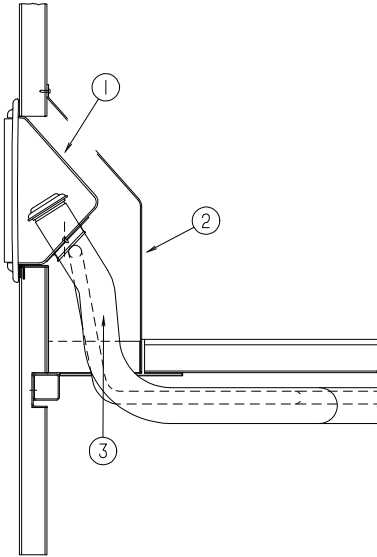
## BEDROOM GROUP

### BEDROOM CABINETS



KEY	PART NUMBER	U/M DESCRIPTION
1	122609-02-J03	EA CABINET - OVERHEAD - W/O DOORS/HARDWARE
2	M08758-43-J15	EA DOOR - MITERED CORNER/OGEE EDGE - 15.7" X 27.9" - W/O HDW
2	M08758-01-J05	EA DOOR - MITERED CORNER/OGEE EDGE - 15.7" X 27.9" - W/O HDW - RAISED PANEL
2	M05992-48-J15	EA DOOR - STRAIGHT CORNER/OGEE EDGE - 15.7" X 27.9" - W/O HDW - UPGRADE
3	127484-01-J03	EA CABINET - OVERHEAD - REAR - W/O DOORS/HARDWARE
4	127483-01-J03	EA CABINET - PIPE COVER - W/O DOORS/HARDWARE
4	127483-01-J04	EA CABINET - PIPE COVER - W/O DOORS/HARDWARE
5	M07448-06-J03	EA TOP - QUEEN BED - W/O HARDWARE
6	M07448-05-000	EA TOP - QUEEN BED - W/O HARDWARE
	126259-01-000	EA STUD - BALL
	057460-02-000	EA STUD BALL - GAS SPRING - .39" - 5/16"-18 - RAISED BED EXCHANGE
	107796-10-000	EA BRACKET - GAS SPRING - 90 DEGREE SMALL
		FROM: 00-00-00 THRU: 08-24-97
	126263-03-01B	EA BRACKET - GAS SPRING
		FROM: 08-25-97 THRU: 99-99-99
	108998-04-000	EA SPRING-GAS 12" COMPRESSED/20"EXTENDED - 60LB.
	089076-08-000	EA H-CHANNEL - SUPPORT/BED

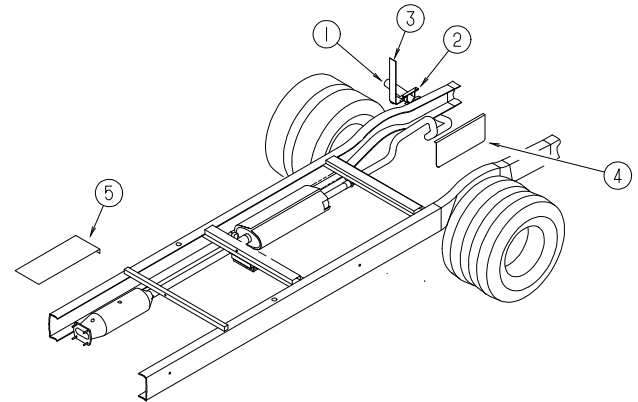
## CHASSIS GROUP



### FUEL SYSTEM COMPONENTS

KEY	PART NUMBER	U/M DESCRIPTION
1	095854-01-04A	EA SHROUD - FUEL FILL - BRIGHT WHITE
2	078040-05-000	EA SHROUD - FUEL FILL - UPPER
3	124326-01-000	EA NECK - FILLER - FUEL FILL
3	128312-01-000	EA NECK - FUEL FILL - CHEVY UNLEADED
		FROM: 00-00-00 THRU: 08-24-97
3	124995-01-000	EA NECK - FUEL FILL - UNLEADED
	007063-01-000	FT HOSE - FUEL - 1/4"ID X 1/2"OD
	084884-01-000	EA PLUG - BRASS - 3/8"
		FROM: 08-25-97 THRU: 99-99-99

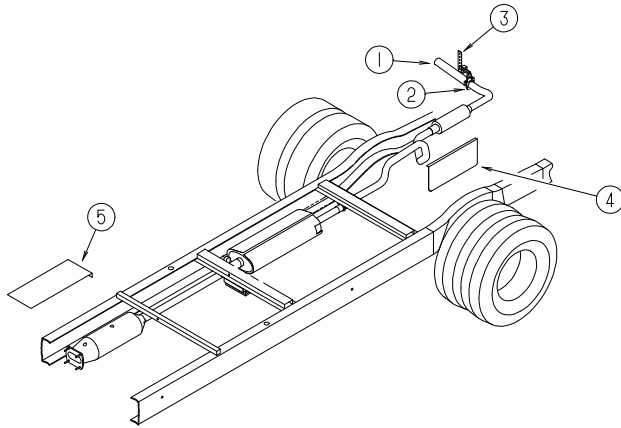
## CHASSIS GROUP (CONTINUED)



### EXHAUST SYSTEM - FORD - GAS

KEY	PART NUMBER	U/M DESCRIPTION
1	098762-18-000	EA PIPE - EXHAUST - STRAIGHT - 3"
	016379-02-000	EA STRAP - HANGER EXTENSION - 2" X 1" - STEEL
2	007125-08-000	EA CLAMP - MUFFLER - 3"
3	007131-01-000	EA HANGER - TAILPIPE - 6 SLOTS
4	111848-01-02B	EA SHIELD - HEAT - EXHAUST
5	127971-04-02B	EA SHIELD - HEAT
		FROM: 00-00-00 THRU: 03-31-98
5	091182-01-000	EA SHIELD - HEAT
		FROM: 04-01-98 THRU: 99-99-99

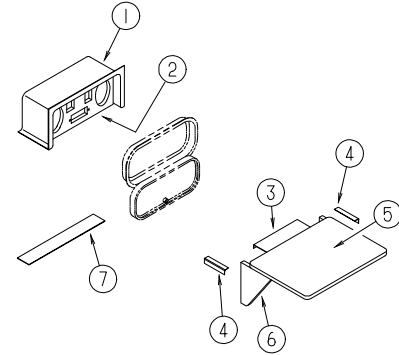
## CHASSIS GROUP (CONTINUED)



### EXHAUST SYSTEM - CHEVY - GAS

KEY	PART NUMBER	U/M DESCRIPTION	
1	124570-02-000	EA PIPE - EXHAUST - TAIL	
2	007125-07-000	EA CLAMP - MUFFLER - 2.5" DIAMETER	
3	007131-01-000	EA HANGER - TAILPIPE - 6 SLOTS	
4	007125-07-000	EA CLAMP - MUFFLER - 2.5" DIAMETER	
4	111848-01-02B	EA SHIELD - HEAT - EXHAUST	
5	127971-04-02B	EA SHIELD - HEAT	FROM: 00-00-00 THRU: 03-31-98
5	091182-01-000	EA SHIELD - HEAT	FROM: 04-01-98 THRU: 99-99-99

## CHASSIS GROUP (CONTINUED)



### EXTERIOR ENTERTAINMENT CENTER

KEY	PART NUMBER	U/M DESCRIPTION
1	104897-02-02A	EA BOX - EXTERIOR ENTERTAINMENT CENTER
2	127409-01-J01	EA PLATE - RADIO MOUNTING
3	105377-01-04A	EA BRACKET - TABLE HANGER - BRIGHT WHITE
4	105376-01-03A	EA HINGE - CONTINUOUS - 2" X 5.5" - BRIGHT WHITE
5	105230-11-J01	EA SHELF - EXTERIOR ENTERTAINMENT CENTER - W/O HARDWARE
6	105230-12-J01	EA SUPPORT - EXTERIOR SHELF
7	104898-01-02A	EA PLATE - PLASTIC BOTTOM - BRIGHT WHITE

### REAR AIR BAGS

KEY	PART NUMBER	U/M DESCRIPTION
	106067-03-000	EA AIRSPRING - 4" DIAMETER TWIN - FORD
	106067-04-000	EA AIRSPRING - 4" DIAMETER TWIN - CHEVY
	106067-03-700	EA AIR BAG REPL. KIT (2 BAGS) - FORD
	106067-04-700	EA AIR BAG REPL. KIT (2 BAGS) - CHEVY
	109236-01-000	EA PLATE - VALVE - AIR SPRING

**CHASSIS GROUP (CONTINUED)**

**WHEEL COVERS**

KEY	PART NUMBER	U/M DESCRIPTION	VENDOR NO.
	109443-05-000	EA WHEEL COVER - 4/SET - 16" STAINLESS STEEL	
	098532-01-700	EA COVER-LUG NUT (CHROME)	SHAU-LNC
	109443-05-700	EA COVER-WHEEL, 16" SS EA=1	SHFM16-CVR
	077030-02-000	EA EXTENSION - VALVE STEM - 1.25"	

**WHEEL LINERS - FORD - FROM: 00-00-00 THRU: 10-08-97**

KEY	PART NUMBER	U/M DESCRIPTION	VENDOR NO.
	110435-02-000	EA LINER/WHEEL - SET OF 4	
	110435-01-711	EA DECAL-CENTER CAP, 2"	
	110435-02-700	EA LINER-WHEEL,FRONT	V160F2-FWC
	110435-02-701	EA LINER-WHEEL,REAR	V160F2-RWC
	110435-02-702	EA STUD EXTENDER	V160SD-STX
	110435-02-703	EA NUT (JAMB)	V160SD-JNT
	110435-02-704	EA COVER-LUG NUT	V160F0-LNC
	110435-02-705	EA TOOL F/ JAMB NUT, INSTALL.	V160FO-TOL

**WHEEL LINERS - FORD - FROM: 10-09-97 THRU: 99-99-99**

KEY	PART NUMBER	U/M DESCRIPTION	VENDOR NO.
	110435-13-000	EA LINER - WHEEL - SET OF 4	
	110435-10-705	EA TOOL - INSTALLATION	V195P7-TOL
	110435-13-700	EA WHEEL COVER - FRONT	V160F7-FWC
	110435-13-701	EA WHEEL COVER - REAR	V160F7-RWC
	110435-13-702	EA JAM NUT/ENCLOSED - 9/16"	V160F7-EJN
	095012-05-000	EA EXTENSION - VALVE STEM - LIVE 5"	
	095012-06-000	EA STABILIZER - VALVE - EXTENSION - L	
	051377-04-000	EA VALVE STEM - .5" X 2"	

**WHEEL - FORD**

KEY	PART NUMBER	U/M DESCRIPTION
	083617-03-000	EA WHEEL-STEEL, 16.0 X 6 - ACCURIDE 28618 - FORD

**CHASSIS GROUP (CONTINUED)**

**WHEEL LINERS - CHEVY**

KEY	PART NUMBER	U/M DESCRIPTION	VENDOR NO.
	091209-05-000	EA LINER - WHEEL - SET OF 4 - 16" - STAINLESS STEEL	
	091209-03-702	EA COVER-AXLE, FRONT, 8 LUG	64UE
	091209-03-703	EA COVER-AXLE, REAR, 8 LUG	65UE
	091209-03-704	EA RING-SNAP	
	091209-05-700	EA LINER-WHEEL, FRONT	57-88 KAPER
	091209-05-701	EA LINER-WHEEL, REAR	58-88
	077030-02-000	EA EXTENSION - VALVE STEM - 1.25"	
	051377-03-000	EA VALVE STEM - CHEVY	

**WHEEL - CHEVY**

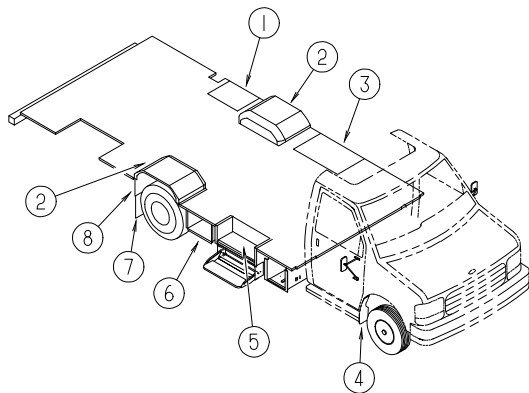
KEY	PART NUMBER	U/M DESCRIPTION
	089359-03-000	EA WHEEL - STEEL - 16" X 6" L - 8 HOLE - PRIMED

**LUG WRENCH**

KEY	PART NUMBER	U/M DESCRIPTION
	080208-02-000	EA BAR - LEVERAGE - LUG WRENCH
	080208-06-000	EA LUG WRENCH - 1" X 1.06" W/DEEP SOCKET ENDS
	112358-01-000	EA WRENCH - LUG - 7/8" - L-SHAPE



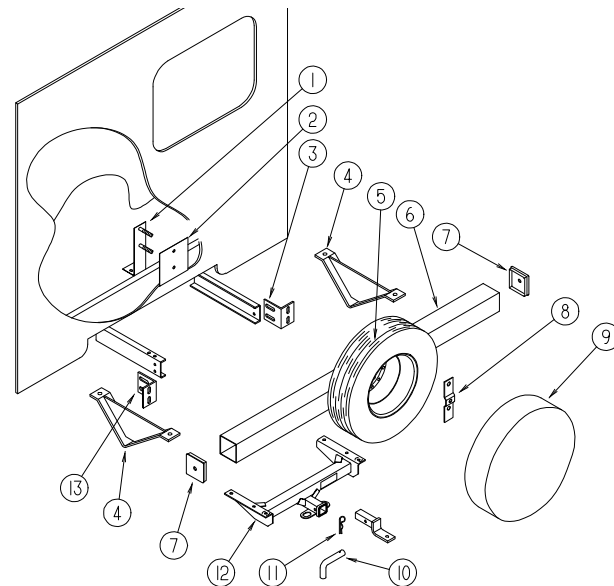
**CHASSIS GROUP (CONTINUED)**



**MISCELLANEOUS CHASSIS COMPONENTS**

KEY	PART NUMBER	U/M DESCRIPTION	VENDOR NO.
1	101868-08-000	EA COMPARTMENT - POWER CORD	
2	096322-01-000	EA WHEELWELL - REAR - DRIVER/PASSENGER - PLASTIC	
3	114070-02-02B	EA SUPPORT - GENERATOR - LEFT	
3	114071-02-02B	EA SUPPORT - GENERATOR - RIGHT	
4	072884-28-701	EA FRONT FLAP - PAIR - CHEVY	99153
4	072884-27-703	EA MUD FLAP W/HOLES, 1EA=PAIR - FORD	99171
5	077848-02-000	EA STEP - PULLOUT	
5	076241-14-000	EA SUPPORT - STEP	
5	091176-01-000	EA SUPPORT - BASE - ENTRANCE STEP	
6	105203-04-000	EA COMPARTMENT - BATTERY	
	084993-01-000	EA STRAP - BATTERY - 43.2" LONG	
	084993-02-000	EA STRAP - BATTERY - 55" LONG	
7	017516-01-000	EA MUD FLAP - 14" X 18" - BLACK	
8	045731-05-000	EA GUARD - ROCK	
	061420-01-000	EA PLUG/PLASTIC - 1.75" DIAMETER - BROWN	
	061420-05-000	EA PLUG/PLASTIC - 1.8" DIAMETER	
	061420-10-000	EA PLUG/PLASTIC - 1.50" DIAMETER - BLACK	
	101667-03-000	EA PROP. ROD	

**CHASSIS GROUP (CONTINUED)**



**REAR BUMPER, HITCH & SPARE TIRE CARRIER**

KEY	PART NUMBER	U/M DESCRIPTION
1	105209-06-C52	EA BRACKET - SPARE TIRE - FORD
1	105209-04-C52	EA BRACKET - SPARE TIRE - CHEVY
2	105208-01-000	EA PLATE - SPARE TIRE
3	104420-01-000	EA SUPPORT/ANGLE - REAR BUMPER - RIGHT HAND
4	083376-01-000	EA PLATE/SKID - 13.2" X 6" X 2" STEEL
5	070917-05-000	EA TIRE - LT225/75R16D - R4S M/S - FORD
5	106715-01-000	EA TIRE - LT 225/75 R16 - LRD 550 AS - GM
6	103422-05-02A	EA BUMPER/ALUMINUM - SQUARE TUBE
7	039779-01-000	EA CAP - BUMPER - RUBBER - 4" X 4" - BLACK
8	105208-01-000	EA PLATE - SPARE TIRE
9	073322-09-J01	EA COVER - TIRE - 30"
10	034512-01-000	EA PIN - LOCKING - DRAWBAR
11	034513-01-000	EA PIN - HITCH - 3/16" WIRE
12	130339-04-000	EA HITCH RECEIVER - BOLT-ON CLASS II
13	104420-02-000	EA SUPPORT/ANGLE - REAR BUMPER - LEFT HAND
	097744-02-000	EA HOUSING - TRAILER PIN - 48"
	097745-02-000	EA HOUSING - RECEPTACLE - TRAILER - 48" WIRE LENGTH
	113589-01-000	EA CONNECTOR - PLUG - TRAILER
	113589-02-000	EA CONNECTOR - SOCKET - TRAILER
	113588-02-01B	EA BRACKET - CONNECTOR - TRAILER W/O LIP
	113634-01-000	EA WIRE ASSEMBLY - TRAILER ADAPTER

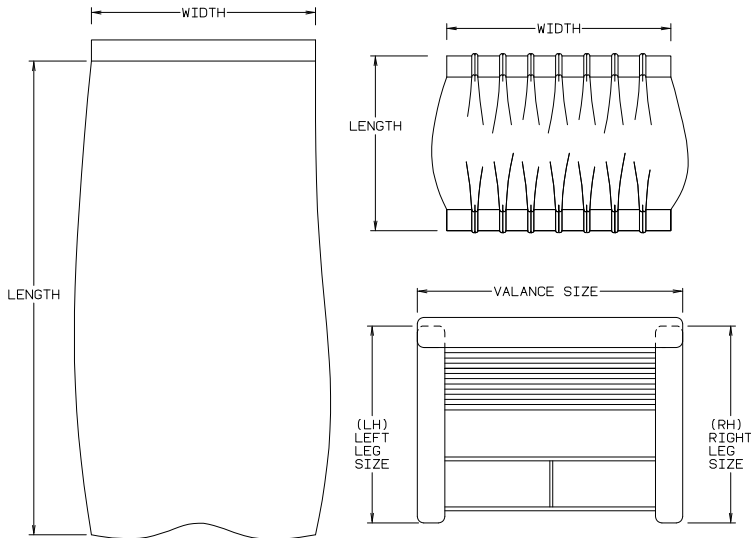
FROM: 00-00-00 THRU: 08-20-97

## CURTAIN & CUSHION GROUP

### NOTICE

IN ORDER TO ASSIST OUR PARTS SALES DEPT. IN PROVIDING INTERIOR SOFTWARE ITEMS, PLEASE INCLUDE THE SERIAL NUMBER AND THE COLOR CODE NUMBER FROM THE VEHICLE CERTIFICATION LABEL WHEN ORDERING. THIS LABEL IS LOCATED ON THE LEFT SIDEWALL AT THE END OF THE DASH (A-BODY), OR ON THE DRIVER'S DOOR LATCH PLATE (C-BODY).

AN EXAMPLE OF A COLOR CODE NUMBER IS B07, WHICH DESIGNATES AN OVERALL COLOR SCHEME OF A PARTICULAR UNIT. THE COLOR LISTED AFTER THE ITEM DESCRIPTION ON THE MICROFICHE, INDICATES THE OVERALL UNIT COLOR. ORDER THE ITEM YOU DESIRE ACCORDING TO UNIT COLOR CODE.



NOTE: USE THIS ILLUSTRATION WHEN DETERMINING LENGTH AND WIDTH MEASUREMENTS FOR CURTAINS. YOU WILL NOTE THE WIDTH MEASUREMENT IS TAKEN ON THE TOP OF THE CURTAIN WITH THE CURTAIN FULLY EXTENDED. THE LENGTH MEASUREMENT IS TAKEN FROM TOP TO BOTTOM. LEFT AND RIGHT WINDOW LEGS ARE DETERMINED WHEN FACING THE WINDOW.

## CURTAIN & CUSHION GROUP (CONTINUED)

### FABRICS

Color Codes	J03	J04
	NEWPORT	DUNE
BUCKET SEATS	108446-F7-000 108446-F4-000	108446-R2-000
DINETTE CUSHIONS	108446-R3-000	108446-R7-000
DINETTE PADS	108446-F7-000	108446-R2-000
SOFA	108446-R3-000	108446-R7-000
SWIVEL CHAIR	108446-F4-000	108446-R2-000
LOUNGE/DINETTE VALANCE	108446-F7-000	108446-R2-000
LOUNGE/DINETTE OVERLAYS	108446-F4-000	108446-R7-000
LOUNGE/DINETTE LEG	108446-F4-000	108446-R2-000
BEDROOM VALANCE/LEG	105745-65-000	105745-G0-000
BEDROOM OVERLAYS	105745-64-000	105745-B5-000
BEDSPREAD	105745-65-000	105745-G0-000
PILLOW SHAMS	105745-65-000 105745-64-000	105745-G0-000 105745-B5-000
ENTRANCE DOOR VALANCE	108446-F7-000	108446-R2-000
BUNK CUSHIONS	108446-F4-000	108446-R2-000
BUNK/PRIVACY CURTAINS	105745-65-000	105745-G0-000
DRAPERY LINING	087272-03-000	087272-03-000
TIRE COVER	103907-01-06A	103907-01-06A
HEADLINER	103907-01-04A	103907-01-04A

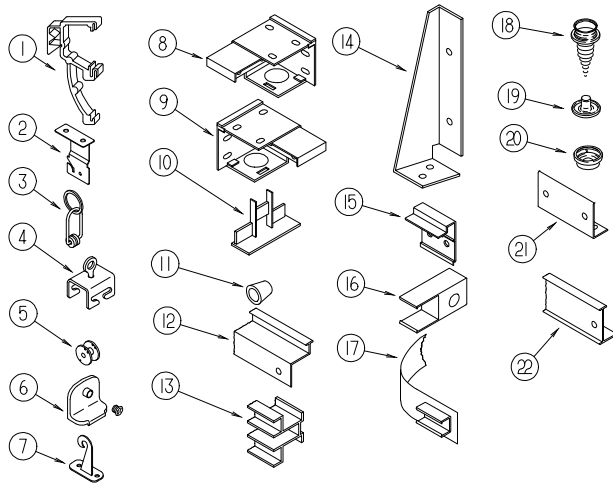
NOTE: FABRIC LISTED FIRST IN A BLOCK, IS THE LARGEST QUANTITY OF FABRIC USED

### BUTTONS

KEY	PART NUMBER	U/M DESCRIPTION
	070578-10-J03	EA BUTTON-SCREW STUD - #30
	070578-10-J04	EA BUTTON-SCREW STUD - #30

## CURTAIN & CUSHION GROUP (CONTINUED)

### CURTAIN & BLIND HARDWARE

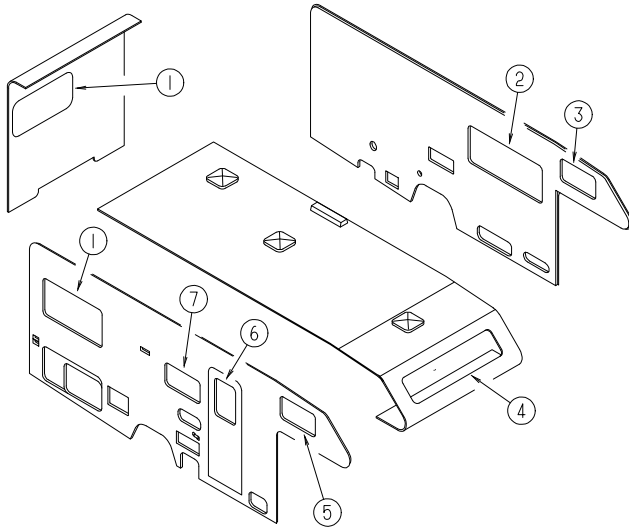


KEY	PART NUMBER	U/M DESCRIPTION
	046867-03-000	EA GROMMET - HANDY BUTTON #3
	048394-02-000	YD VELCRO TAPE - HOOK - ADHESIVE BACK - .75" WIDE - BEIGE
	084433-05-000	EA SHADE - ROLLER - 72.25"
	086276-01-000	EA TAPE - DOUBLE SIDED - 1/2"
	088792-01-000	YD VELCRO TAPE - HOOK - 5/8" - NON-ADHESIVE BACKED
	088792-02-000	YD VELCRO TAPE - LOOP - .75" - ADHESIVE BACKED - BEIGE
	088792-05-000	YD VELCRO TAPE - LOOP - 5/8" - NON-ADHESIVE BACKED - WHITE
	088792-06-000	YD VELCRO TAPE - LOOP - .75" - NON-ADHESIVE BACKED - BUFF
	094896-02-000	EA GROMMET - CORD/PLEATED BLIND - NYLON - GRAY
	094907-04-000	EA HARDWARE - END CAP BOTTOM - PULL TYPE (RH & LH)
	096843-01-000	EA SPRING - REWIND/ROLLER SHADE
	097591-01-000	EA SPRING - EXTENSION/PLEATED BLIND
	097592-02-000	EA BRACKET - HOLDDOWN ADJUSTER
	097593-02-000	FT CORD - BLIND/PLEATED - GRAY
	097593-06-000	FT CORD - BLIND - PLEATED - PEWTER
	109441-03-000	EA HOLD DOWN - BLIND (CLOUDY)
	056003-01-000	EA BRACKET - DRAPERY RETAINING - FRONT - METAL
	056003-02-000	EA BRACKET - DRAPERY RETAINING - REAR - METAL
	075943-10-000	EA BRACE - VALANCE - 20"
	084434-01-000	EA BRACKET - MOUNTING - ROLLER SHADE - 1 3/8"
	094907-02-000	EA END CAP - TOP/PLEATED BLIND - PLASTIC - GRAY
	084434-01-000	EA BRACKET - MOUNTING - ROLLER SHADE - 1 3/8"
	089275-01-000	FT STRIP - 3/4" X 96" - CLEAR POLYETHYLENE

KEY	PART NUMBER	U/M DESCRIPTION
1	109353-04-000	EA CLIP - VALANCE SLAT MOUNTING - CLEAR PLASTIC
2	084434-01-000	EA BRACKET - MOUNTING - ROLLER SHADE - 1 3/8"
3	009701-01-000	EA CARRIER - CURTAIN - L ROD
4	009702-01-000	EA END STOP - CURTAIN CARRIER - L ROD
5	097592-01-000	EA SPOOL - CORD - ELEVATED BLIND HOLDUP - CLEAR PLASTIC
6	106544-01-000	EA PULL - SHADE/BRASS
	106544-01-001	EA SCREW - SHADE/BRASS
7	109441-03-000	EA HOLD DOWN - BLIND (CLOUDY)
8	083170-01-000	EA BRACKET - BLIND - LEFT SIDE WHEN FACING WINDOW
9	083170-02-000	EA BRACKET - BLIND - RIGHT SIDE WHEN FACING WINDOW
10	094907-02-000	EA END CAP - TOP/PLEATED BLIND - PLASTIC - GRAY
11	097564-01-000	EA HANDLE - KNOB - E-Z LIFT SHADE - SMOKED
11	097564-03-000	EA HANDLE - KNOB - E-Z LIFT SHADE - TAN
11	097564-04-000	EA HANDLE - KNOB - E-Z LIFT SHADE - NAVY
12	105450-03-01A	EA TRACK - CURTAIN - 50" LONG
12	105450-14-01A	EA TRACK - CURTAIN - 90"
13	101033-04-000	EA TRACK - WALL - 3'
13	101033-06-000	EA TRACK - WALL - 6.5'
13	101033-07-000	EA TRACK - WALL - 2.5'
14	076827-02-000	EA BRACKET - LEG - 2.9" X 1.8" - TRIANGLE
15	097565-01-000	EA BRACKET - MOUNTING/PLEATED BLIND
16	101033-02-000	EA END CAP - TRACK/CLEAR
17	101031-01-000	YD TAPE - GLIDE/CURTAIN - 4.25" SPACING
18	029130-01-000	EA SCREW - SNAP SOCKET - #8 PH X 5/8"
19	029155-01-000	EA CAP - SNAP - 5/32" OUTSIDE DIAMETER OF PIN
20	029156-01-000	EA SOCKET - SNAP - 9/16" O.D
21	083125-07-000	EA BRACE - COUCH - 2.5"
22	009700-04-002	EA TRACK - L-SHAPED 195.5" - OFF WHITE

## CURTAIN & CUSHION GROUP (CONTINUED)

### CURTAINS & WINDOW TREATMENT



EY	PART NUMBER	U/M DESCRIPTION
2	127017-11-J03	EA LEG - RIGHT - 25"
2	127017-11-J04	EA LEG - RIGHT - 25"
2	127017-12-J03	EA LEG - LEFT - 25"
2	127017-12-J04	EA LEG - LEFT - 25"
3	101034-51-J03	EA CURTAIN - RIGHT HAND - 19" X 34"
3	101034-51-J04	EA CURTAIN - RIGHT HAND - 19" X 34"
4	101034-33-E21	EA CURTAIN - RIGHT HAND - 21" X 60" (J03)
4	101034-33-J04	EA CURTAIN - RIGHT HAND - 21" X 60" (J04)
4	101034-34-E21	EA CURTAIN - LEFT HAND - 21" X 60" (J03)
4	101034-34-J04	EA CURTAIN - LEFT HAND - 21" X 60" (J04)
4	101034-52-J03	EA CURTAIN - LEFT HAND - 19" X 34"
5	101034-52-J04	EA CURTAIN - LEFT HAND - 19" X 34"
6	118071-02-J03	EA VALANCE - SUNDANCE - 29"
6	118071-02-J04	EA VALANCE - SUNDANCE - 29"
6	084755-57-E07	EA SHADE - PULL - 27.25"
7	109041-44-01A	EA BLIND - MINI - 30.5" X 18" (J03)
7	109041-44-02A	EA BLIND - MINI - 30.5" X 18" (J04)

### PRIVACY CURTAINS

KEY	PART NUMBER	U/M DESCRIPTION
	101668-39-J03	EA CURTAIN - RIGHT HAND - 35" X 50"
	101668-39-J04	EA CURTAIN - RIGHT HAND - 35" X 50"
	101668-40-J03	EA CURTAIN - LEFT HAND - 35" X 50"
	101668-40-J04	EA CURTAIN - LEFT HAND - 35" X 50"
	101668-58-J03	EA CURTAIN - TAPE TOP - 70" X 60"
	101668-58-J04	EA CURTAIN - TAPE TOP - 70" X 60"
	076892-23-J03	EA CURTAIN - 44" X 80"
	076892-23-J04	EA CURTAIN - 44" X 80"

### CURTAIN TIEBACKS

KEY	PART NUMBER	U/M DESCRIPTION
	073260-23-F15	EA TIEBACK - CURTAIN - 3" X 18" (J03)
	073260-23-J04	EA TIEBACK - CURTAIN - 3" X 18" (J04)
	073260-65-J03	EA TIEBACK - 4" X 15"
	073260-65-J04	EA TIEBACK - 4" X 15"

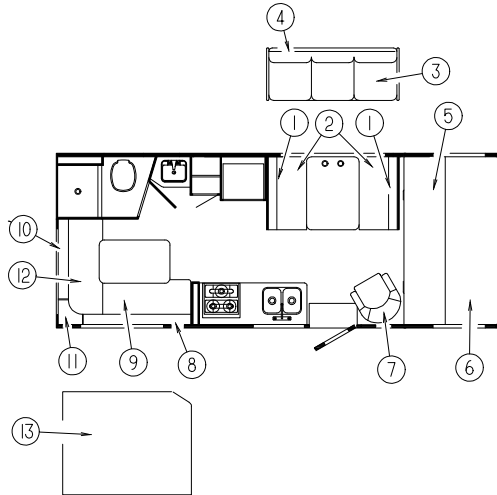
### ASSIST HANDLE & SEAT BELTS

KEY	PART NUMBER	U/M DESCRIPTION
1	118071-23-J03	EA VALANCE - SUNDANCE - 53"
1	118071-24-J04	EA VALANCE - SUNDANCE - 53"
1	118071-15-J03	EA VALANCE - SUNDANCE - 53" - QUEEN BED
1	118071-15-J04	EA VALANCE - SUNDANCE - 53" - QUEEN BED
1	111910-62-J10	EA BLIND - DAY/NIGHTER - 49" X 27" (J03)
1	111910-62-J11	EA BLIND - DAY/NIGHTER - 49" X 27" (J04)
1	084755-92-F15	EA SHADE - PULL - 50.25"
1	127017-49-J03	EA LEG - RIGHT - 27"
1	127017-49-J04	EA LEG - RIGHT - 27"
1	127017-50-J03	EA LEG - LEFT - 27"
1	127017-50-J04	EA LEG - LEFT - 27"
1	112986-14-J03	EA CURTAIN - 27.5" X 6" - QUEEN BED
1	112986-14-J04	EA CURTAIN - 27.5" X 6" - QUEEN BED
2	118071-05-J03	EA VALANCE - SUNDANCE - 64.5"
2	118071-14-J04	EA VALANCE - SUNDANCE - 64.5"
2	111910-57-J51	EA BLIND - DAY/NIGHTER - 61" X 28.5" (J03)
2	111910-57-J20	EA BLIND - DAY/NIGHTER - 61" X 28.5" (J04)
2	127522-01-J01	EA SHADE - PULL - 61"

KEY	PART NUMBER	U/M DESCRIPTION
	007021-01-000	EA SEAT BELT - 2" X 90" - BLACK
	057759-01-000	EA WASHER BRACKET - SEAT BELT - 4" DIAMETER
	069178-02-000	EA BRACKET - MOUNTING/ASSIST HANDLE - GRAY
	000C16-07-16B	EA BOLT - CARRIAGE - ASSIST HANDLE - 7/16" - 14 X 1"
	000D20-07-00B	EA NUT - ACORN - ASSIST HANDLE - 7/16 - 14
	053552-01-J05	EA HANDLE - ASSIST - INTERIOR
	057534-06-000	EA TIEBACK/TIEDOWN - VINYL - 6" BEIGE
	057534-01-000	EA TIEBACK/TIEDOWN - 6" CLEAR PLASTIC

## CURTAIN & CUSHION GROUP (CONTINUED)

### BUNK CUSHIONS



**DINETTE CUSHIONS - DRIVER SIDE**

KEY	PART NUMBER	U/M DESCRIPTION
1	111897-14-J03	EA CUSHION - BACK - 13.5" X 42" X 5"
1	111897-14-J04	EA CUSHION - BACK - 13.5" X 42" X 5"
	P11897-14-J03	EA COVER - BACK CUSHION - 13.5" X 42" X 5"
	P11897-14-J04	EA COVER - BACK CUSHION - 13.5" X 42" X 5"
2	105603-15-J03	EA CUSHION - SEAT - 23" X 42" X 5"
2	105603-15-J04	EA CUSHION - SEAT - 23" X 42" X 5"
	P05603-15-J03	EA COVER - SEAT - 23" X 42" X 5"
	P05603-15-J04	EA COVER - SEAT - 23" X 42" X 5"

### COUCH

KEY	PART NUMBER	U/M DESCRIPTION
3	100032-43-H16	EA SEAT - SOFA/BED W/FRAME - 74" - W/O ARMS (J03)
3	100032-43-J04	EA SEAT - SOFA/BED W/FRAME - 74" - W/O ARMS (J04)
	P00032-43-H16	EA COVER - SEAT - SOFA/BED - 74" - NO ARMS (J03)
	P00032-43-J04	EA COVER - SEAT - SOFA/BED - 74" - NO ARMS (J04)
	101085-04-000	EA FRAME - SEAT - SOFA/BED - 74.75"
	101085-06-000	EA FRAME - BASE - SOFA/BED - 74.75"
	105947-01-000	EA BRACKET - HOLD DOWN - COUCH - CANADIAN
	122556-04-01A	EA LOCK - JACK KNIFE SEAT
	113990-09-000	EA LOCK - BRACKET - MALE FLEXSTEEL
4	111319-01-J03	EA BACK - SOFA/BED - W/FRAME - 74"
4	111319-01-J04	EA BACK - SOFA/BED - W/FRAME - 74"
	P11319-01-J03	EA COVER - BACK CUSHION - SOFA/BED - 74"
	P11319-01-J04	EA COVER - BACK CUSHION - SOFA/BED - 74"
	101085-10-000	EA FRAME - BACK - SOFA/BED - 74.75" X 16"

NOTE: COUCH FRONT AND SIDE PANELS ARE FOUND IN LOUNGE GROUP

KEY	PART NUMBER	U/M DESCRIPTION
5	105573-10-J03	EA CUSHION - OVERHEAD BUNK/REAR - 27" X 23" X 5"
5	105573-10-J04	EA CUSHION - OVERHEAD BUNK/REAR - 27" X 23" X 5"
	P05573-10-J03	EA COVER - CUSHION/OVERHEAD BUNK/REAR - 27" X 23" X 80" X 5"
	P05573-10-J04	EA COVER - CUSHION/OVERHEAD BUNK/REAR - 27" X 23" X 80" X 5"
6	105573-09-J03	EA CUSHION - OVERHEAD BUNK/Front - 32.5" X 80" X 5"
6	105573-09-J04	EA CUSHION - OVERHEAD BUNK/Front - 32.5" X 80" X 5"
	P05573-09-J03	EA COVER - CUSHION/OVERHEAD BUNK/Front - 32.5" X 80" X 5"
	P05573-09-J04	EA COVER - CUSHION/OVERHEAD BUNK/Front - 32.5" X 80" X 5"

### BUNK CUSHIONS-OVERHEAD ENTERTAINMENT CENTER

KEY	PART NUMBER	U/M DESCRIPTION
	079145-08-000	EA CUSHION - BUNK - 25" X 74" X 3.5"
	M79145-08-000	EA COVER - CUSHION/BUNK - 25" X 74" X 3.5"

### SWIVEL CHAIR

KEY	PART NUMBER	U/M DESCRIPTION
7	115470-01-GB1	EA CHAIR - SWIVEL (J03)
7	115470-01-J04	EA CHAIR - SWIVEL (J04)

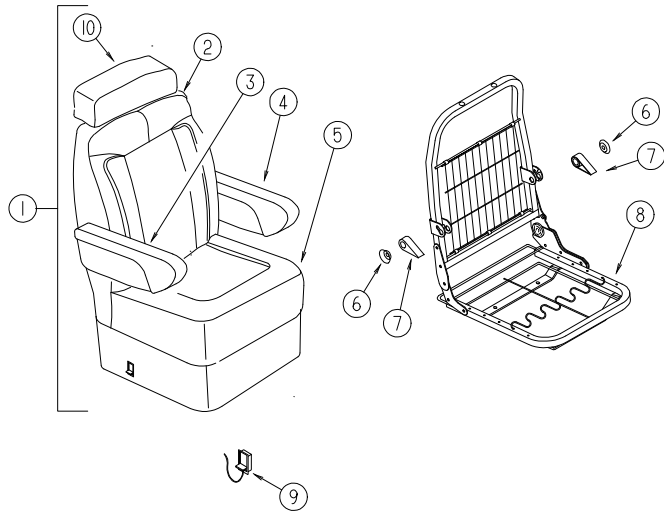
### DINETTE CUSHIONS - REAR

KEY	PART NUMBER	U/M DESCRIPTION
8	127742-02-J03	EA CUSHION - BACK - 48" X 14" X 5"
8	127742-02-J04	EA CUSHION - BACK - 48" X 14" X 5"
	P27742-02-J03	EA COVER - BACK - 48" X 14" X 5"
	P27742-02-J04	EA COVER - BACK - 48" X 14" X 5"
9	127742-01-J03	EA CUSHION - SEAT - 31.25" X 48" X 4.75"
9	127742-01-J04	EA CUSHION - SEAT - 31.25" X 48" X 4.75"
	P27742-01-J03	EA COVER - SEAT - 31.25" X 48" X 4.75"
	P27742-01-J04	EA COVER - SEAT - 31.25" X 48" X 4.75"
10	127742-04-J03	EA CUSHION - BACK - 27.5" X 14" X 7"
10	127742-04-J04	EA CUSHION - BACK - 27.5" X 14" X 7"
	P27742-04-J03	EA COVER - BACK - 27.5" X 14" X 7"
	P27742-04-J04	EA COVER - BACK - 27.5" X 14" X 7"
11	127742-05-J03	EA CUSHION - CORNER - BOLSTER
11	127742-05-J04	EA CUSHION - CORNER - BOLSTER
	P27742-05-J03	EA COVER - CORNER - BOLSTER
	P27742-05-J04	EA COVER - CORNER - BOLSTER
12	127742-03-J03	EA CUSHION - SEAT - 27" X 60" X 5"
12	127742-03-J04	EA CUSHION - SEAT - 27" X 60" X 5"
	P27742-03-J03	EA COVER - SEAT - 27" X 60" X 5"
	P27742-03-J04	EA COVER - SEAT - 27" X 60" X 5"

### DOUBLE BEDSPREAD, PILLOW & MATTRESS

KEY	PART NUMBER	U/M DESCRIPTION
13	123471-08-J03	EA BEDSPREAD/THROW - 60" X 75"
13	123471-08-J04	EA BEDSPREAD/THROW - 60" X 75"
	104176-04-J03	EA PILLOW SHAM - 30"
	104176-04-J04	EA PILLOW SHAM - 30"
	101123-35-000	EA MATTRESS - FOAM W/1 CUT CORNER - 60" X 75" X 6.5"
	P01123-35-000	EA COVER - MATTRESS - 60" X 75" X 6.5"

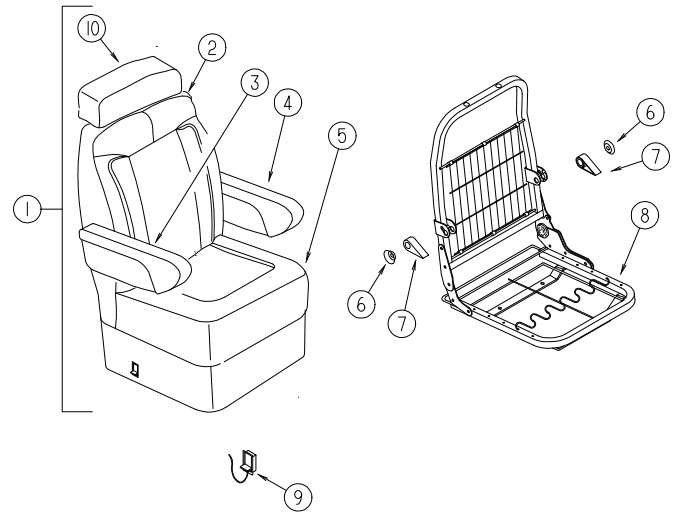
**CURTAIN & CUSHION GROUP (CONTINUED)**



**BUCKET SEAT - FORD - FROM: 00-00-00 THRU: 02-28-98**

KEY	PART NUMBER	U/M DESCRIPTION
1	110148-10-J03	EA SEAT - BUCKET - W/LEFT ARMREST
1	110148-10-J04	EA SEAT - BUCKET - W/LEFT ARMREST
1	110148-11-J03	EA SEAT - BUCKET - W/RIGHT ARMREST
1	110148-11-J04	EA SEAT - BUCKET - W/RIGHT ARMREST
2	M05962-55-J03	EA COVER - BACK
2	M05962-55-J04	EA COVER - BACK
3	122780-01-H16	EA ARMREST - RIGHT HAND (J03)
3	122780-01-H54	EA ARMREST - RIGHT HAND (J04)
	P22780-01-H16	EA COVER - ARMREST - RIGHT HAND (J03)
	P22780-01-H54	EA COVER - ARMREST - RIGHT HAND (J04)
	115617-03-000	EA ARMREST - W/O COVER - RIGHT HAND
4	122780-02-H16	EA ARMREST - LEFT HAND (J03)
4	122780-02-H54	EA ARMREST - LEFT HAND (J04)
	P22780-02-H16	EA COVER - ARMREST - LEFT HAND (J03)
	P22780-02-H54	EA COVER - ARMREST - LEFT HAND (J04)
	115617-04-000	EA ARMREST - W/O COVER - LEFT HAND
5	M05962-56-J03	EA COVER - SEAT
	M05962-56-J04	EA COVER - SEAT
6	125229-05-000	EA PAL NUT
7	125229-03-000	EA LEVER - RECLINING
8	125229-01-000	EA FRAME - SEAT - DRIVER - W/RIGHT ARMREST BRACKET
8	125229-02-000	EA FRAME - SEAT - PASSENGER - W/LEFT ARMREST BRACKET
9	117125-01-02B	EA BRACKET - CABLE MOUNT - ADJUSTER W/LOCK
10	119509-01-H01	EA HEADREST - BUCKET SEAT (J03)
10	119509-01-H23	EA HEADREST - BUCKET SEAT (J04)
	P19509-01-H01	EA COVER - HEADREST (J03)
	P19509-01-H23	EA COVER - HEADREST (J04)
	113977-12-000	EA HEADREST INSERT - W/O LOCK
	113977-13-000	EA HEADREST INSERT - W/LOCK
	007221-01-000	EA SPACER - SEAT/ADJUSTER

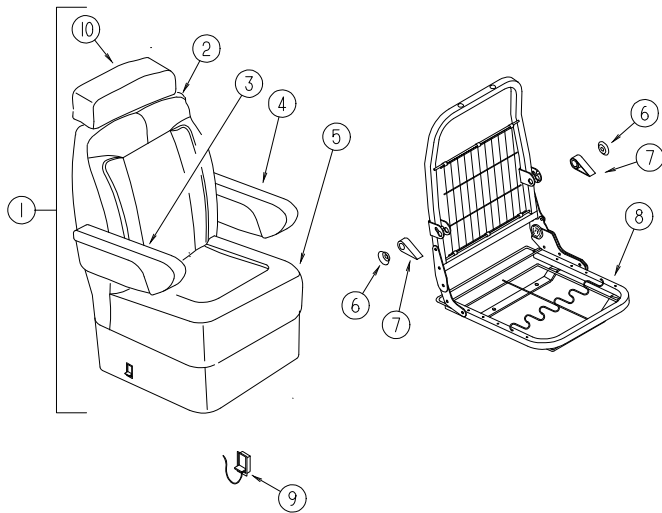
**CURTAIN & CUSHION GROUP (CONTINUED)**



**BUCKET SEAT - FORD - FROM: 03-01-98 THRU: 99-99-99**

KEY	PART NUMBER	U/M DESCRIPTION
1	110148-16-J03	EA SEAT - BUCKET - W/RIGHT ARMREST
1	110148-16-J04	EA SEAT - BUCKET - W/RIGHT ARMREST
1	110148-17-J03	EA SEAT - BUCKET - W/LEFT ARMREST
1	110148-17-J04	EA SEAT - BUCKET - W/LEFT ARMREST
2	M05962-55-J03	EA COVER - BACK
2	M05962-55-J04	EA COVER - BACK
3	122780-01-H16	EA ARMREST - RIGHT HAND (J03)
3	122780-01-H54	EA ARMREST - RIGHT HAND (J04)
	P22780-01-H16	EA COVER - ARMREST - RIGHT HAND (J03)
	P22780-01-H54	EA COVER - ARMREST - RIGHT HAND (J04)
	115617-03-000	EA ARMREST - W/O COVER - RIGHT HAND
4	122780-02-H16	EA ARMREST - LEFT HAND (J03)
4	122780-02-H54	EA ARMREST - LEFT HAND (J04)
	P22780-02-H16	EA COVER - ARMREST - LEFT HAND (J03)
	P22780-02-H54	EA COVER - ARMREST - LEFT HAND (J04)
	115617-04-000	EA ARMREST - W/O COVER - LEFT HAND
5	M05962-56-J03	EA COVER - SEAT
5	M05962-56-J04	EA COVER - SEAT
6	125229-05-000	EA PAL NUT
7	125229-03-000	EA LEVER - RECLINING
8	125229-07-001	EA FRAME - SEAT - PASSENGER - W/LEFT ARMREST BRACKET
8	125229-07-000	EA FRAME - SEAT - PASSENGER - W/LEFT ARMREST BRACKET
8	125229-06-001	EA FRAME - SEAT - DRIVER - W/RIGHT ARMREST BRACKET
8	125229-06-000	EA FRAME - SEAT - DRIVER - W/RIGHT ARMREST BRACKET
9	117125-01-02B	EA BRACKET - CABLE MOUNT - ADJUSTER W/LOCK
	119509-01-H01	EA HEADREST - BUCKET SEAT (J03)
	119509-01-H23	EA HEADREST - BUCKET SEAT (J04)
	P19509-01-H01	EA COVER - HEADREST (J03)
	P19509-01-H23	EA COVER - HEADREST (J04)
	113977-12-000	EA HEADREST INSERT - W/O LOCK
	113977-13-000	EA HEADREST INSERT - W/LOCK
	007221-01-000	EA SPACER - SEAT/ADJUSTER

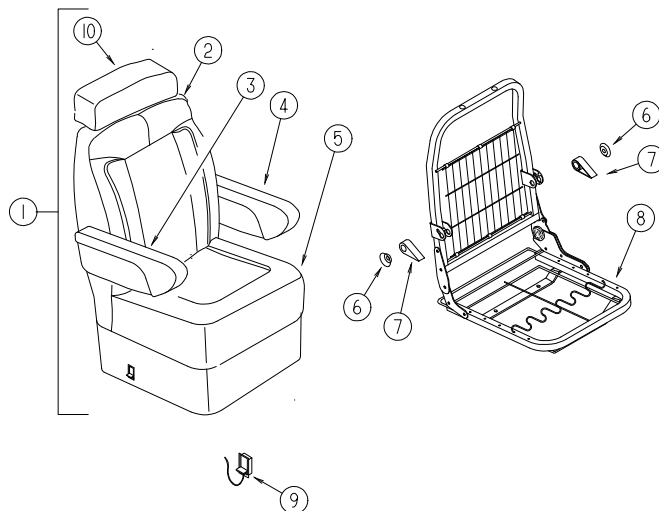
**CURTAIN & CUSHION GROUP (CONTINUED)**



**BUCKET SEAT - CHEVY - FROM: 00-00-00 THRU: 02-28-98**

KEY	PART NUMBER	U/M DESCRIPTION
1	110148-14-J03	EA SEAT - BUCKET - W/RIGHT ARMREST
1	110148-14-J04	EA SEAT - BUCKET - W/RIGHT ARMREST
1	110148-15-J03	EA SEAT - BUCKET - W/LEFT ARMREST
1	110148-15-J04	EA SEAT - BUCKET - W/LEFT ARMREST
2	M05962-55-J03	EA COVER - BACK
2	M05962-55-J04	EA COVER - BACK
3	122780-01-H01	EA ARMREST - RIGHT HAND (J03)
3	122780-01-H23	EA ARMREST - RIGHT HAND (J04)
	P22780-01-H01	EA COVER - ARMREST - RIGHT HAND (J03)
	P22780-01-H23	EA COVER - ARMREST - RIGHT HAND (J04)
	115617-03-000	EA ARMREST - W/O COVER - RIGHT HAND
4	122780-02-H16	EA ARMREST - LEFT HAND (J03)
4	122780-02-H54	EA ARMREST - LEFT HAND (J04)
	P22780-02-J26	EA COVER - ARMREST - LEFT HAND (J03)
	P22780-02-J02	EA COVER - ARMREST - LEFT HAND (J04)
	115617-04-000	EA ARMREST - W/O COVER - LEFT HAND
5	M05962-69-J03	EA COVER - SEAT
5	M05962-69-J04	EA COVER - SEAT
6	125229-05-000	EA PAL NUT
7	125229-03-000	EA LEVER - RECLINING
8	125229-01-000	EA FRAME - SEAT - DRIVER - W/RIGHT ARMREST BRACKET
8	125229-02-000	EA FRAME - SEAT - PASSENGER - W/LEFT ARMREST BRACKET
9	117125-01-02B	EA BRACKET - CABLE MOUNT - ADJUSTER W/LOCK
10	119509-01-H01	EA HEADREST - BUCKET SEAT (J03)
10	119509-01-H23	EA HEADREST - BUCKET SEAT (J04)
	P19509-01-H01	EA COVER - HEADREST (J03)
	P19509-01-H23	EA COVER - HEADREST (J04)
	113977-12-000	EA HEADREST INSERT - W/O LOCK
	113977-13-000	EA HEADREST INSERT - W/LOCK
	007221-01-000	EA SPACER - SEAT/ADJUSTER

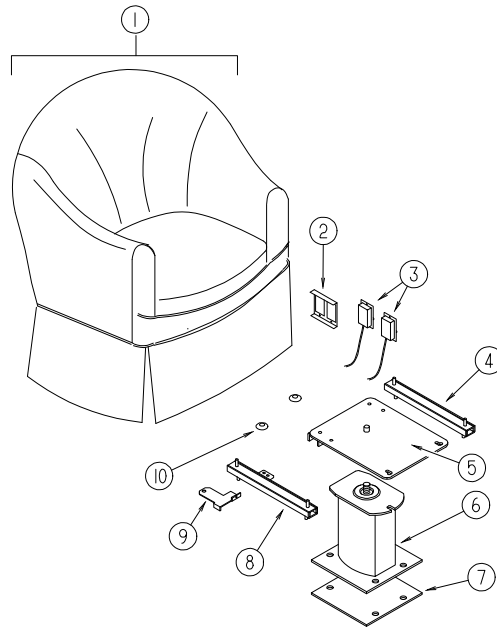
**CURTAIN & CUSHION GROUP (CONTINUED)**



**BUCKET SEAT - CHEVY - FROM: 03-01-98 THRU: 99-99-99**

KEY	PART NUMBER	U/M DESCRIPTION
1	110148-18-J03	EA SEAT - BUCKET - W/RIGHT ARMREST
1	110148-18-J04	EA SEAT - BUCKET - W/RIGHT ARMREST
1	110148-19-J03	EA SEAT - BUCKET - W/LEFT ARMREST
1	110148-19-J04	EA SEAT - BUCKET - W/LEFT ARMREST
2	M05962-55-J03	EA COVER - BACK
2	M05962-55-J04	EA COVER - BACK
3	122780-01-H16	EA ARMREST - RIGHT HAND (J03)
3	122780-01-H54	EA ARMREST - RIGHT HAND (J04)
	P22780-01-H16	EA COVER - ARMREST - RIGHT HAND (J03)
	P22780-01-H54	EA COVER - ARMREST - RIGHT HAND (J04)
	115617-03-000	EA ARMREST - W/O COVER - RIGHT HAND
4	122780-02-H16	EA ARMREST - LEFT HAND (J03)
4	122780-02-H54	EA ARMREST - LEFT HAND (J04)
	P22780-02-H16	EA COVER - ARMREST - LEFT HAND (J03)
	P22780-02-H54	EA COVER - ARMREST - LEFT HAND (J04)
	115617-04-000	EA ARMREST - W/O COVER - LEFT HAND
5	M05962-56-J03	EA COVER - SEAT
5	M05962-56-J04	EA COVER - SEAT
6	125229-05-000	EA PAL NUT
7	125229-03-000	EA LEVER - RECLINING
8	125229-07-001	EA FRAME - SEAT - PASSENGER - W/LEFT ARMREST BRACKET
8	125229-07-000	EA FRAME - SEAT - PASSENGER - W/LEFT ARMREST BRACKET
8	125229-06-001	EA FRAME - SEAT - DRIVER - W/RIGHT ARMREST BRACKET
8	125229-06-000	EA FRAME - SEAT - DRIVER - W/RIGHT ARMREST BRACKET
9	117125-01-02B	EA BRACKET - CABLE MOUNT - ADJUSTER W/LOCK
10	119509-01-H01	EA HEADREST - BUCKET SEAT (J03)
10	119509-01-H23	EA HEADREST - BUCKET SEAT (J04)
	P19509-01-H01	EA COVER - HEADREST (J03)
	P19509-01-H23	EA COVER - HEADREST (J04)
	113977-12-000	EA HEADREST INSERT - W/O LOCK
	113977-13-000	EA HEADREST INSERT - W/LOCK
	007221-01-000	EA SPACER - SEAT/ADJUSTER

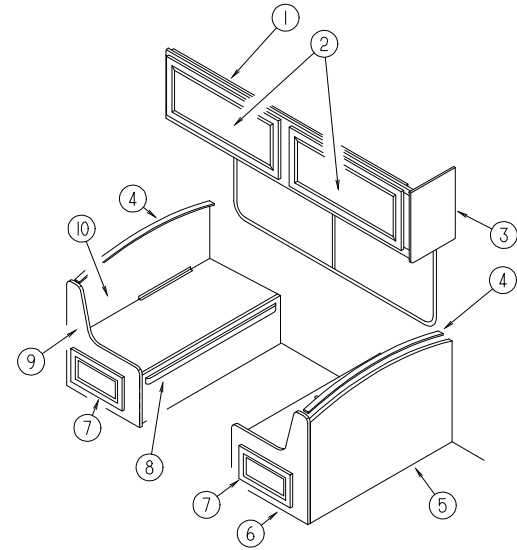
## CURTAIN & CUSHION GROUP (CONTINUED)



SWIVEL CHAIR

KEY	PART NUMBER	U/M	DESCRIPTION
1	115470-01-GB1	EA	CHAIR - SWIVEL (J03)
1	115470-01-J04	EA	CHAIR - SWIVEL (J04)
	P15470-01-GB1	EA	COVER - CHAIR (J03)
	P15470-01-J04	EA	COVER - CHAIR (J04)
	P07977-01-GB1	EA	COVER - SKIRT (J03)
	P07977-01-J04	EA	COVER - SKIRT (J04)
2	097683-02-000	EA	BRACKET - REMOTE/SIDE MOUNT - DOUBLE
3	108049-03-000	EA	CABLE - W/SWITCHES - 25.5" SHEATH/28.5" CABLE W/DOG LEG
	108049-02-000	EA	CLIP - CABLE/PEDESTAL
4	119952-01-000	EA	SLIDE - SEAT - NONLOCKING HD
5	107921-08-000	EA	TOP PLATE - PEDESTAL - WO SEAT BELT BAR
	107921-06-000	EA	BEARING KIT - PEDESTAL
6	107921-01-000	EA	PEDESTAL/FLOOR MOUNTED - W/9.75" EXTENSION
7	108445-02-000	EA	PLATE/FLOOR MOUNTED - PEDESTAL SEAT
8	119952-03-000	EA	SLIDE - SEAT/HEAVY DUTY/LOCKING W/2 STUDS
9	117125-01-02B	EA	BRACKET - CABLE MOUNT - ADJUSTER W/LOCK
10	007221-01-000	EA	SPACER - SEAT ADJUSTER

## DINETTE GROUP

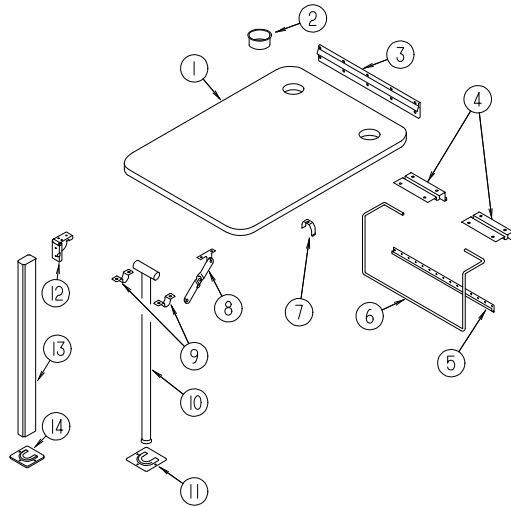


DINETTE CABINETS & PADS

KEY	PART NUMBER	U/M	DESCRIPTION
1	122610-01-J03	EA	CABINET - OVERHEAD/DINETTE - W/O DOORS/HARDWARE
2	M08758-43-J15	EA	DOOR - MITERED CORNER/OGEE EDGE - 15.7" X 27.9" - W/O HDW
2	M08758-01-J05	EA	DOOR - MITERED CORNER/OGEE EDGE - 15.7" X 27.9" - W/O HDW - RAISED PANEL
2	M05992-48-J15	EA	DOOR - STRAIGHT CORNER/OGEE EDGE - 15.7" X 27.9" - W/O HDW - UPGRADE
3	104335-22-H04	EA	END CAP - OVERHEAD CABINET
4	111338-11-J03	EA	PAD - DINETTE
4	111338-11-J04	EA	PAD - DINETTE
5	M08123-16-J01	EA	CABINET - SEATBACK/RIGHT HAND - W/O HARDWARE
6	M08122-17-J01	EA	CABINET - SEATBASE/RIGHT HAND - W/O DOORS/DRAWERS/HDW
7	M08758-44-J15	EA	DOOR - MITERED CORNER/OGEE EDGE - 10" X 19.1" - W/O HDW
7	M05992-M7-J18	EA	DOOR - STRAIGHT CORNER/OGEE EDGE - 10" X 19.1" - W/O HDW - UPGRADE
8	081295-01-G01	EA	SUPPORT - BED/DINETTE - 28" LONG
9	M08122-25-J03	EA	CABINET - SEATBASE/LEFT HAND - W/O DOORS/DRAWERS/HARDWARE
10	M08123-23-J03	EA	CABINET - SEATBACK/LEFT HAND - W/O HARDWARE



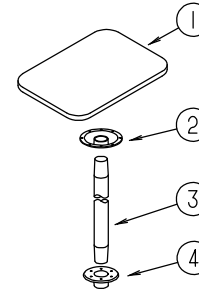
## DINETTE GROUP (CONTINUED)



**DINETTE TABLE & HARDWARE**

KEY	PART NUMBER	U/M DESCRIPTION
	M81322-12-J03	EA TABLE - DINETTE W/SUPPORT - W/O HARDWARE
	M81322-12-J04	EA TABLE - DINETTE W/SUPPORT - W/O HARDWARE
1	081322-12-H37	EA TABLE TOP ONLY (J03)
1	081322-12-J04	EA TABLE TOP ONLY (J04)
2	064781-06-000	EA HOLDER - CUP - TWO STEP - OFF WHITE
3	053200-12-000	EA BRACKET - TABLE SUPPORT - UPPER WALL MOUNTED - 23.50"
4	088410-02-000	EA BRACKET - LIFT - TABLE MOUNTED
5	024281-14-000	EA BRACKET - LIFT ROD/LOWER WALL MOUNTED - 22.12"
6	024275-12-000	EA ROD - TABLE LIFT
7	024283-01-000	EA CLIP - LEG - 1" - 1.125" OD - BLACK
8	024282-01-000	EA BRACE - TABLE LEG - HINGED
9	064050-05-000	EA HINGE - TABLE LEG - OFF WHITE
10	024276-22-000	EA LEG - TABLE - W/O HARDWARE - OFF WHITE
		FROM: 00-00-00 THRU: 09-23-97
11	049493-12-000	EA CATCH - TABLE LEG/FLOOR MOUNTED - OFF WHITE
	049493-11-700	EA CATCH - TABLE LEG/FLOOR MOUNTED - E COATED
12	093550-01-000	EA BRACKET - HINGE - MOUNTS TO LEG & TABLE TOP - 1.7" X 2.6"
13	092707-04-05A1	EA MOLDING - TABLE LEG - 27"
		FROM: 09-24-97 THRU: 99-99-99
14	092593-01-05A	EA CATCH - TABLE LEG - OFF/WHITE

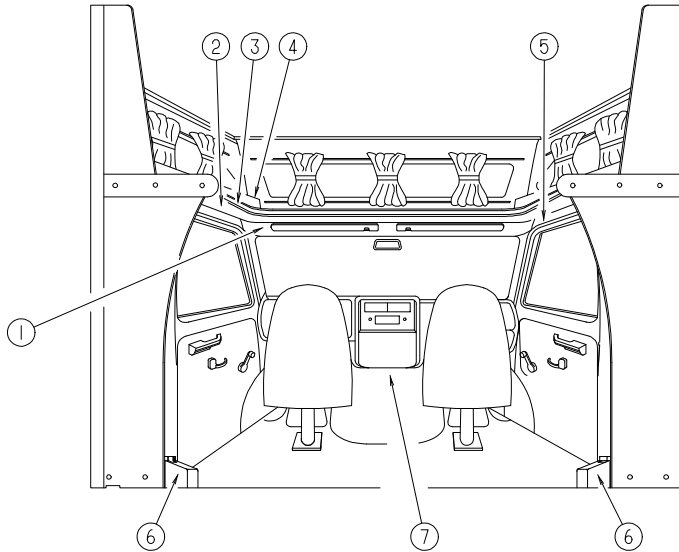
## DINETTE GROUP (CONTINUED)



**DINETTE PEDESTAL TABLE & HARDWARE**

KEY	PART NUMBER	U/M DESCRIPTION
1	081298-01-H08	EA TABLE TOP ONLY (J03)
1	081298-01-H31	EA TABLE TOP ONLY (J04)
2	009040-03-000	EA BASE - TABLE/RAISED - TABLE MOUNTED
3	009040-02-000	EA PEDESTAL TABLE LEG - 27.5" X 2.25" DIAMETER
4	041194-01-000	EA BASE - TABLE/FLUSH - FLOOR MOUNTED
	062046-01-000	EA CLIP - LEG - PEDESTAL - 1.7" X 2.2" - DIA FROM 2 - 2.5"
	042438-02-000	EA DOWEL - WOOD - 2" X 2"

## DRIVERS COMPARTMENT GROUP



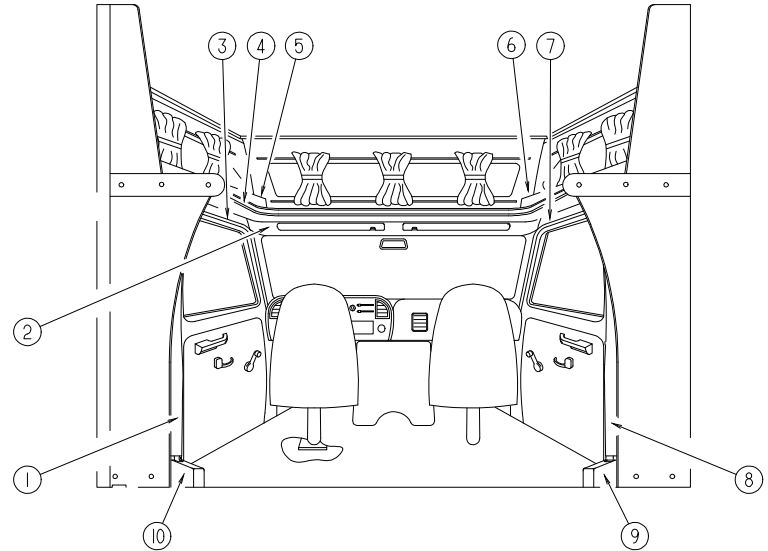
CHEVY DRIVERS COMPARTMENT

KEY	PART NUMBER	U/M DESCRIPTION
1	124818-01-H04	EA HEADLINER - W/VINYL
2	124819-01-H04	EA TRIM - CAB DOOR - UPPER/LEFT HAND
3	119520-01-01A	FT MOLDING-T - 1" - W/EDGE LIPS (OFF/WHITE-CREAM)
4	109894-01-H27	EA CABINET - HAMPER - FRONT - DRIVER (J03)
4	109894-01-H07	EA CABINET - HAMPER - FRONT - DRIVER (J04)
4	109894-03-H27	EA CABINET - HAMPER - FRONT - PASSENGER (J03)
4	109894-03-H07	EA CABINET - HAMPER - FRONT - PASSENGER (J04)
5	124817-01-H04	EA TRIM - CAB DOOR - UPPER RIGHT HAND
6	076302-03-000	EA SEAT BELT - DRIVER/PASSENGER
	087932-03-000	EA BRACKET - SHOULDER HARNESS - LEFT HAND
	087932-04-000	EA BRACKET - SHOULDER HARNESS - RIGHT HAND
7	100516-01-G01	EA TRAY - BEVERAGE - W/O CUPHOLDERS
	M04194-01-G01	EA TRAY - BEVERAGE - UNSTAINED
	122717-04-01A	EA PAD - NON SKID - 3" DIA. ROUND

INSTRUMENT CLUSTERS - CHEVY

KEY	PART NUMBER	U/M DESCRIPTION
	094797-07-000	EA CLUSTER - INSTRUMENT PANEL - GAS
	100138-01-000	EA MODULE - DAYTIME/RUNNING LIGHT
	108355-01-000	EA HOUSING - SWITCH
	108357-09-000	EA SWITCH - ROCKER SPDT - ON/NONE/MOM - 3 TERMINAL
	108357-08-000	EA SWITCH - ROCKER DPDT - ON/NONE/ON - 6 TERMINAL
	108356-02-01A	EA COVER/ACTUATOR SWITCH - 2 ROWS DIMPLES- CONTURA II - BLACK
	111414-01-000	EA RECEPTACLE - 12V - W/O BIMETAL

## DRIVERS COMPARTMENT GROUP (CONTINUED)



FORD DRIVERS COMPARTMENT

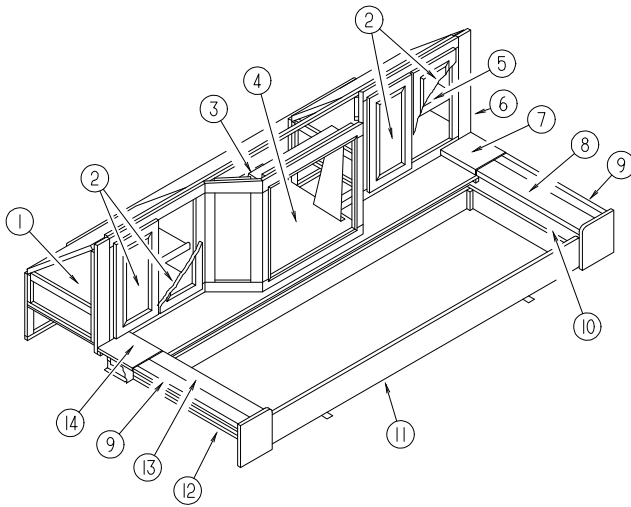
KEY	PART NUMBER	U/M DESCRIPTION
1	125031-02-H04	EA TRIM - CAB - B-PILLAR
2	106448-01-H04	EA HEADLINER - W/VINYL
3	106447-04-H04	EA TRIM - CAB DOOR - UPPER/LEFT HAND
4	119520-01-01A	FT MOLDING-T - 1" - W/EDGE LIPS (OFF/WHITE-CREAM)
5	109894-01-H27	EA CABINET - HAMPER - FRONT - DRIVER (J03)
5	109894-01-H07	EA CABINET - HAMPER - FRONT - DRIVER (J04)
6	109894-03-H27	EA CABINET - HAMPER - FRONT - PASSENGER (J03)
6	109894-03-H07	EA CABINET - HAMPER - FRONT - PASSENGER (J04)
7	106447-03-H04	EA TRIM - CAB DOOR - UPPER/RIGHT HAND
8	125031-01-H04	EA TRIM - CAB - B-PILLAR
9	106431-01-02A	EA COVER - SEATBELT RECOIL - PASSENGER SIDE - VW GREY
10	106431-02-02A	EA COVER - SEATBELT RECOIL - DRIVER SIDE - VW GRAY

INSTRUMENT CLUSTERS - FORD

KEY	PART NUMBER	U/M DESCRIPTION
	094795-09-000	EA CLUSTER - INSTRUMENT PANEL - KILOMETERS - GAS/DIESEL-FORD
	100138-01-000	EA MODULE - DAYTIME/RUNNING LIGHT
	108355-01-000	EA HOUSING - SWITCH
	108357-09-000	EA SWITCH - ROCKER SPDT - ON/NONE/MOM - 3 TERMINAL
	108357-06-000	EA SWITCH - ROCKER DPDT - MOM/OFF/MOM - 6 TERMINAL
	108356-07-01A	EA COVER/ACTUATOR SWITCH - 2 ROWS DIMPLES - AUX START - BLACK

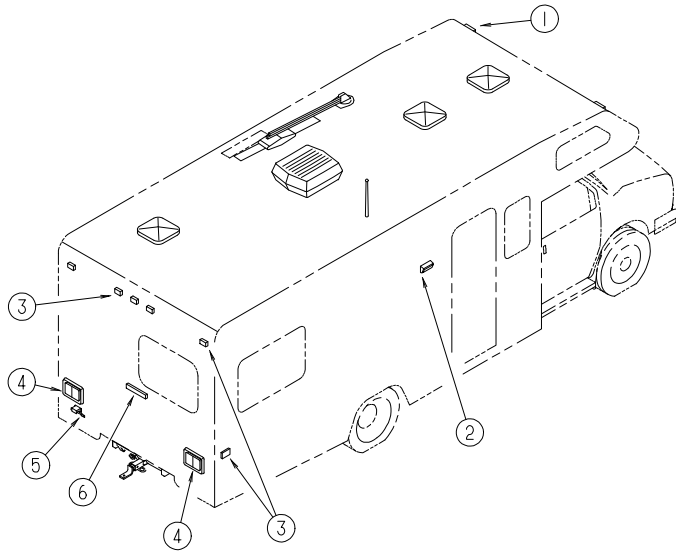
## DRIVERS COMPARTMENT GROUP (CONTINUED)

### FRONT ENTERTAINMENT CENTER



KEY	PART NUMBER	U/M DESCRIPTION
1	113156-02-G04	EA CABINET-ENTERTAINMENT CTR-W/SHELF-DRIVER SIDE-W/O DOOR/HDW
2	M08758-54-J03	EA DOOR - MITERED CORNER/OGEE EDGE - 10.6" X 19.9" - W/O HDW
2	M08758-51-J03	EA DOOR - MITERED CORNER/OGEE EDGE - 10.6" X 19.9" - W/O HDW - RAISED PANEL
2	M05992-67-J01	EA DOOR - STRAIGHT CORNER/OGEE EDGE - 10.6" X 19.9" - W/O HDW - UPGRADE
3	110790-03-000	EA BRACKET - TIEDOWN/TV
4	111356-02-J01	EA SHELF - TV - W/TIEDOWN BRACKET
5	113156-01-G04	EA CABINET-ENTERTAINMENT CTR-W/SHELF-PASS SIDE-W/O DOOR/HDW
6	113157-02-J01	EA CABINET/FACE - ENTERTAINMENT CENTER - W/O HARDWARE
7	113155-11-F02	EA COUNTERTOP - ENTERTAINMENT CENTER STORAGE (J03)
7	113155-11-G05	EA COUNTERTOP - ENTERTAINMENT CENTER STORAGE (J04)
8	113155-12-G24	EA COUNTERTOP - ENTERTAINMENT CENTER STORAGE (J03)
8	113155-12-G05	EA COUNTERTOP - ENTERTAINMENT CENTER STORAGE (J04)
9	113155-21-F02	EA COUNTERTOP - ENTERTAINMENT CENTER STORAGE (J03)
9	113155-21-G05	EA COUNTERTOP - ENTERTAINMENT CENTER STORAGE (J04)
10	113155-01-H08	EA CABINET/STORAGE - RIGHT END - W/FLIP UP COUNTERTOP (J03)
10	113155-01-J04	EA CABINET/STORAGE - RIGHT END - W/FLIP UP COUNTERTOP (J04)
11	100847-01-J03	EA DRAWER - ENTERTAINMENT CENTER - W/O HARDWARE
11	100847-01-J04	EA DRAWER - ENTERTAINMENT CENTER - W/O HARDWARE
12	113155-02-G24	EA CABINET/STORAGE - LEFT END - W/FLIP UP COUNTERTOP (J03)
12	113155-02-G05	EA CABINET/STORAGE - LEFT END - W/FLIP UP COUNTERTOP (J04)
13	113155-18-G24	EA COUNTERTOP - ENTERTAINMENT CENTER STORAGE (J03)
13	113155-18-G05	EA COUNTERTOP - ENTERTAINMENT CENTER STORAGE (J04)
14	113155-19-F02	EA COUNTERTOP - ENTERTAINMENT CENTER STORAGE (J03)
14	113155-19-G05	EA COUNTERTOP - ENTERTAINMENT CENTER STORAGE (J04)

## ELECTRICAL GROUP



### EXTERIOR LIGHTS

KEY	PART NUMBER	U/M DESCRIPTION	VENDOR NO.
1	111102-02-000	EA LENS - AMBER - MARKER LAMP	
	111102-01-000	EA BASE - LAMP MARKER	
	036196-01-000	EA BULB - 12 VOLT - #194 - .27 AMP - BAYONETTE	
	091983-01-000	EA GASKET - CLEARANCE/SIDEMARKER LIGHT	
	112823-01-000	EA SPLICE - REDUCER - 16-14 TO 18-22	
2	097917-01-06A	EA LIGHT - PORCH - BRIGHT WHITE	
	008215-01-000	EA BULB - 12 VOLT - #1003 - .94 AMP	
	097917-01-700	EA LENS-LIGHT, CLEAR	30-78-021
	111102-03-000	EA LENS - RED - MARKER LAMP	
	111102-01-000	EA BASE - LAMP MARKER	
	036196-01-000	EA BULB - 12 VOLT - #194 - .27 AMP - BAYONETTE	
	091983-01-000	EA GASKET - CLEARANCE/SIDEMARKER LIGHT	
	112823-01-000	EA SPLICE - REDUCER - 16-14 TO 18-22	
4	103355-01-05A	EA POD - TAIL LIGHT	
	081638-01-000	EA TAILLIGHT/DOUBLE W/BLACK TRIM - DRIVER/PASSENGER SIDE	
	037934-01-000	EA BULB - 12V - #1156 - 2.1 AMP CLEAR GLASS	
	037935-01-000	EA BULB - 12V - #1157 OR #2057 - 2.1 AMP - CLEAR GLASS	
	081638-01-700	EA LENS-TAILLIGHT, RED	30-84-010
	081638-01-701	EA LENS-TAILLIGHT, W/BACKUP	30-84-700
5	066432-02-000	EA LIGHT - LICENSE - BLACK	
	066432-03-000	EA BRACKET - LICENSE PLATE	
6	121950-01-000	EA LIGHT - BRAKE - CENTER MOUNT	

## ELECTRICAL GROUP (CONTINUED)

### CONDUIT

KEY	PART NUMBER	U/M DESCRIPTION
	041953-01-000	FT CONDUIT - CONVOLUTE SLIT - .5" ID
	041953-03-000	FT CONDUIT - CONVOLUTE SLIT - 1" ID (CLOTHES ROD COVER)
	041953-05-000	FT CONDUIT - CONVOLUTE SOLID - .62" ID
	041953-06-000	FT CONDUIT - CONVOLUTE SLIT - .375" ID
	041953-07-000	FT CONDUIT - CONVOLUTE SLIT - .25" ID
	041953-08-000	FT CONDUIT - CONVOLUTE SLIT - 1.50" ID
	041953-09-000	FT CONDUIT - CONVOLUTE SLIT - .50" ID
	041953-10-000	FT CONDUIT - CONVOLUTE SLIT - .75" ID
	041953-11-000	FT CONDUIT - CONVOLUTE SLIT - 1.06" ID
	008394-01-000	FT CONDUIT - FLEXIBLE - 1/2"

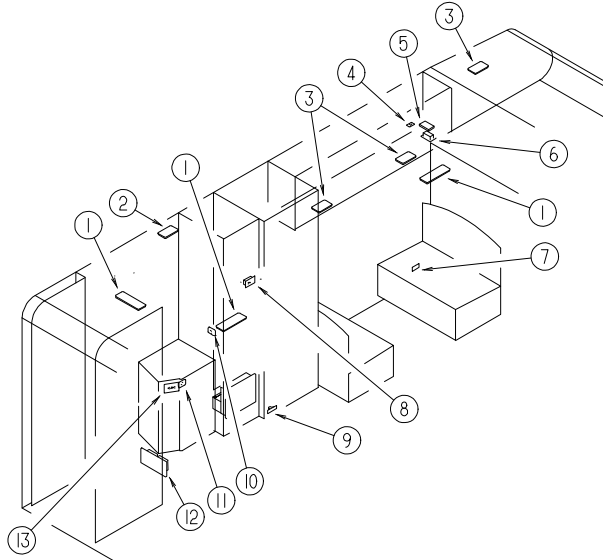
### WIRING ASSEMBLIES

KEY	PART NUMBER	U/M DESCRIPTION
	096449-01-000	EA WIRE ASSEMBLY - WATER TANK TO MONITOR PANEL
	097618-01-000	EA WIRE ASSEMBLY - MONITOR PANEL - W/3 WIRES & ORANGE RESISTOR ORANGE RESISTOR W/3 (ORANGE-GREEN-BLUE) WIRES
	106851-01-000	EA WIRE ASSEMBLY - RUNNING LIGHTS - FUSE

### POWER CONVERTER & INVERTER

KEY	PART NUMBER	U/M DESCRIPTION
	083208-01-000	EA CONTROL CENTER - 32A AMP - 120V/12V
	099048-03-000	EA INVERTER - 130 WATT

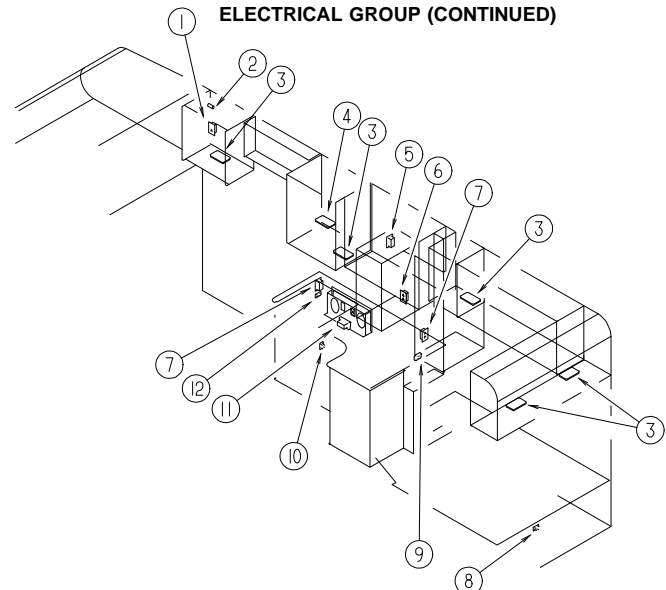
### ELECTRICAL GROUP (CONTINUED)



LIGHTS, SWITCHES & RECEPTACLES - DRIVER SIDE

KEY	PART NUMBER	U/M DESCRIPTION	VENDOR NO.
1	098024-03-02A	EA LIGHT - DOME - 2 BULB - WHITE	
	008218-01-000	EA BULB - 12 VOLT - #1141 - 1.44AMP	
	098024-01-700	EA LENS-LIGHT	807877
2	098024-01-03A	EA LIGHT - DOME - 1 BULB - WHITE	
	008218-01-000	EA BULB - 12 VOLT - #1141 - 1.44AMP	
	098024-01-700	EA LENS-LIGHT	807877
3	098024-05-02A	EA LIGHT - DOME - 1 BULB - SKYLITE - WHITE	
	008218-01-000	EA BULB - 12 VOLT - #1141 - 1.44AMP	
	098024-01-701	EA LENS - OPTI CLEAR - SKYLITE	809902
4	079364-03-000	EA SWITCH - ON/OFF ROCKER - 3 TERMINAL - BROWN - W/O TV STORAGE	
	098351-01-01A	EA PLATE - SWITCH - 1 GANG POLISHED BRASS	
4	079364-03-000	EA SWITCH - ON/OFF ROCKER - 3 TERMINAL - BROWN - W/TV STORAGE	
4	079364-01-000	EA SWITCH - ON/OFF ROCKER - 2 TERMINAL - BROWN - W/TV STORAGE	
	098351-15-01A	EA PLATE - SWITCH - 2 GANG W/LABEL	
5	086777-02-000	EA WALLPLATE - TV CABLE - W/ANTENNA SWITCH	
5	086777-06-000	EA WALLPLATE - TV CABLE - ANTENNA/1 OUTPUT - BROWN	
6	058708-01-000	EA RECEPTACLE - ELECTRIC - DOUBLE - BROWN	
7	084077-03-000	EA COVER/BLANK - ROOF A/C 5.2" X 3.5" - IVORY	
8	058707-01-000	EA RECEPTACLE - ELECTRIC - SINGLE - BROWN	
9	061424-01-000	EA LIGHT - AISLE - 12 VOLT - RECTANGULAR	
	008103-01-000	EA BULB - DASH/AISLE LIGHT - #53 - 12 VOLT - .12 AMP	
10	079364-03-000	EA SWITCH - ON/OFF ROCKER - 3 TERMINAL - BROWN	
10	079364-01-000	EA SWITCH - ON/OFF ROCKER - 2 TERMINAL - BROWN	
	098351-02-01A	EA PLATE - SWITCH - 2 GANG POLISHED BRASS	
	095188-01-01A	EA SPACER - SWITCH - 2.3" X 3.4" - PLASTIC - DARK BROWN	
11	079364-01-000	EA SWITCH - ON/OFF ROCKER - 2 TERMINAL - BROWN	
	098351-01-01A	EA PLATE - SWITCH - 1 GANG POLISHED BRASS	
	095188-01-01A	EA SPACER - SWITCH - 2.3" X 3.4" - PLASTIC - DARK BROWN	
12	024924-02-000	EA RECEPTACLE - POWER CORD - W/PARTIAL PLATE	
13	084076-02-000	EA RECEPTACLE - GFI - 15 AMP/125 VOLT - BROWN	
13	084077-02-000	EA PLATE - COVER - RECEPTACLE - GFI - BROWN	

### ELECTRICAL GROUP (CONTINUED)



LIGHTS, SWITCHES & RECEPTACLES - PASSENGER SIDE

KEY	PART NUMBER	U/M DESCRIPTION	VENDOR NO.
1	111414-01-000	EA RECEPTACLE - 12V - W/O BIMETAL	
2	058708-01-000	EA RECEPTACLE - ELECTRIC - DOUBLE - BROWN	
3	098024-05-02A	EA LIGHT - DOME - 1 BULB - SKYLITE - WHITE	
	008218-01-000	EA BULB - 12 VOLT - #1141 - 1.44AMP	
	098024-01-701	EA LENS - OPTI CLEAR - SKYLITE	809902
4	098024-01-03A	EA LIGHT - DOME - 1 BULB - WHITE	
	008218-01-000	EA BULB - 12 VOLT - #1141 - 1.44AMP	
	098024-01-700	EA LENS-LIGHT	807877
5	058708-05-000	EA RECEPTACLE - ELECTRIC - SINGLE - BROWN	
6	058708-02-000	EA RECEPTACLE - ELECTRIC - DOUBLE - IVORY	
7	058708-01-000	EA RECEPTACLE - ELECTRIC - DOUBLE - BROWN	
8	108357-08-000	EA SWITCH - ROCKER DPDT - ON/NONE/ON - 6 TERMINAL	
8	108356-02-01A	EA COVER/ACTUATOR SWITCH - 2 ROWS DIMPLES- CONTURA II - BLACK	
8	081994-02-000	EA PLATE - SWITCH - EXTERIOR SHOWER	
9	079364-01-000	EA SWITCH - ON/OFF ROCKER - 2 TERMINAL - BROWN	
9	098351-01-01A	EA PLATE - SWITCH - 1 GANG POLISHED BRASS	
10	098351-07-01A	EA PLATE - SWITCH - GENERATOR - POLISHED BRASS	
10	108357-06-000	EA SWITCH - ROCKER SPDT - MON/OFF/MOM - 6 TERMINAL	
10	108356-11-01A	EA ACTUATOR/COVER - SWITCH - 3 GROOVES	
11	112822-01-01A	EA RECEPTACLE - DUPLEX - IVORY	
11	112824-01-03A	EA COVER - RECEPTACLE - EXTERIOR DUPLEX	
12	079364-01-000	EA SWITCH - ON/OFF ROCKER - 2 TERMINAL - BROWN	
12	098351-06-01A	EA PLATE - SWITCH - 2 GANG POLISHED BRASS	

**ELECTRICAL GROUP (CONTINUED)**

**FUSES & CIRCUIT BREAKERS**

KEY	PART NUMBER	U/M DESCRIPTION
	008235-01-000	EA FUSE - 15 AMP/12VOLT - AUTOMOTIVE
	062901-02-000	EA FUSE - 05 AMPS - AUTOMOTIVE
	062901-05-000	EA FUSE - 15 AMPS - AUTOMOTIVE
	083209-02-000	EA CIRCUIT BREAKER - 15/15 AMP - 120 VOLT
	083209-03-000	EA CIRCUIT BREAKER - 15/20 AMP - 120 VOLT
	083209-06-000	EA CIRCUIT BREAKER - 30/15 AMP - 120 VOLT
	093654-01-000	EA CIRCUIT BREAKER - 6 AMP - 12 VOLT
	093654-03-000	EA CIRCUIT BREAKER - 20 AMP - 12 VOLT
	093655-02-000	EA CIRCUIT BREAKER - 30 AMP - 12 VOLT
	100341-01-000	EA FUSE HOLDER - IN LINE TYPE

**ELECTRIC BOXES, COVERS & POWER CORDS**

KEY	PART NUMBER	U/M DESCRIPTION
	008052-01-000	EA CORD - POWER - 10/3 WIRE - 30 AMP - 25' - CANADIAN
	008054-01-000	EA CORD - POWER - 10/3 WIRE - 30 AMP - 25'
	008058-01-000	EA ADAPTER-POWER CORD, 30 AMP TO 15 AMP
	008289-01-000	EA BOX - ELECTRIC/STEEL - 1/2" & 3/4" KNOCKOUTS - 4" X 4"
	008289-02-000	EA BOX - ELECTRIC/STEEL - 1/2" & 3/4" KNOCKOUTS - 4" X 4"-CAN
	008294-01-000	EA COVER - ELECTRICAL BOX - BLANK/STEEL - 4" X 4" - GRAY
	008294-02-000	EA COVER - ELECTRICAL BOX - BLANK STEEL - 4" X 4" - CANADIAN
	069238-01-000	EA COVER - ELECTRICAL BOX - W/HOLE - 4" X 4" - GRAY USED WITH 30 AMP RECEPTACLE
	091910-01-000	EA BOX - ELECTRIC - 3.8" X 3.5" X 1.8" - PLASTIC
	091910-02-000	EA BOX - ELECTRIC - 2.2" X 3.5" X 1.8" - PLASTIC
	093603-01-000	EA BOX - ELECTRIC - 4" X 2 1/8" X 2 1/8"
	107165-01-01A	EA BOX - CIRCUIT BREAKER - 14.6" X 4" - PLASTIC

**CONDUIT**

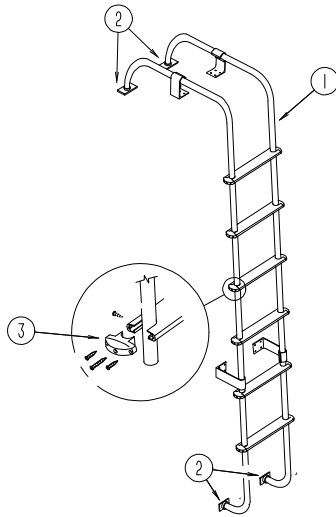
KEY	PART NUMBER	U/M DESCRIPTION
	041480-01-000	EA CONNECTOR - STRAIGHT - 1/2" FLEX CONDUIT
	041953-01-000	FT CONDUIT - CONVOLUTE SLIT - .5" ID
	041953-03-000	FT CONDUIT - CONVOLUTE SLIT - 1" ID (CLOTHES ROD COVER)
	041953-06-000	FT CONDUIT - CONVOLUTE SLIT - .375" ID
	041953-07-000	FT CONDUIT - CONVOLUTE SLIT - .25" ID
	041953-08-000	FT CONDUIT - CONVOLUTE SLIT - 1.50" ID
	041953-09-000	FT CONDUIT - CONVOLUTE SLIT - .50" ID
	041953-10-000	FT CONDUIT - CONVOLUTE SLIT - .75" ID
	041953-11-000	FT CONDUIT - CONVOLUTE SLIT - 1.06" ID

**ELECTRICAL GROUP (CONTINUED)**

**CONNECTORS, HOUSINGS, TERMINALS & ELECTRICAL MISCELLANEOUS (CONTINUED)**

KEY	PART NUMBER	U/M DESCRIPTION
	007956-05-000	EA INSULATOR - SHRINK - .25 ID X 1.50
	008058-01-000	EA ADAPTER-POWER CORD, 30 AMP TO 15 AMP
	008311-01-000	EA CONNECTOR - WIRE NUT - INSULATED - RED
	008312-01-000	EA CONNECTOR - WIRE NUT - INSULATED - BLUE
	008313-01-000	EA CONNECTOR - WIRE NUT - INSULATED - YELLOW
	008314-01-000	EA CONNECTOR - WIRE NUT - INSULATED - GRAY
	008326-01-000	EA TERMINAL - RING - 16/14 WIRE - 3/8" STUD
	008328-01-000	EA TERMINAL - RING - 12/10 WIRE - #10 STUD FIT
	008331-01-000	EA TERMINAL - RING - TONGUE - #4 WIRE - 3/8" STUD - COPPER
	008348-01-000	EA TERMINAL - RING - 3/8" STUD 2 GA. WIRE
	008355-01-000	EA CONNECTOR - CABLE CLAMPING - 3/4"
	008356-01-000	EA CONNECTOR - PLASTIC - 3/8" AVG
	008356-02-000	EA CONNECTOR - PLASTIC - 21/32
	035416-04-000	EA TERMINAL - RING - #10 STUD FIT - INSULATED BARREL #16/14
	047443-01-000	EA TERMINAL - .250 RECEPTACLE FIT - INSULATED - 16/14 AWG
	047443-02-000	EA TERMINAL - .250 RECEPTACLE FIT - INSULATED - 12/10 AWG
	058028-01-000	EA CONNECTOR - ELECTRICAL PIGTAIL - NYLON - CLEAR
	077479-01-000	EA BOOT - BATTERY TERMINAL - DOUBLE CABLE
	077479-02-000	EA BOOT - BATTERY TERMINAL - SINGLE CABLE
	080015-02-000	EA RECEPTACLE - FLAG - .185 - 16/14 GAUGE
	080015-03-000	EA RECEPTACLE - FLAG - .250 - 14/16 GAUGE
	087225-01-000	FT SLEEVEING - 1/2" - TYPE H
	087225-02-000	FT SLEEVEING - 5/8" - TYPE H
	087949-01-000	EA BUSS BAR - 2 POSITION - 6" X 1.5"
	088473-03-000	EA HOUSING - PIN - 9 CAVITY (3 ROWS OF 3)
	088473-06-000	EA HOUSING - PIN - 6 CAVITY (2 ROWS OF 3)
	088473-08-000	EA HOUSING - PIN - 4 CAVITY - IN-LINE
	088473-09-000	EA HOUSING - PIN - 3 CAVITY IN-LINE
	088473-10-000	EA HOUSING - PIN - 2 CAVITY - IN LINE
	088474-03-000	EA HOUSING - SOCKET - 9 CAVITY
	088474-06-000	EA HOUSING - SOCKET - 6 CAVITY
	088474-07-000	EA HOUSING - SOCKET - 5 CAVITY
	088474-08-000	EA HOUSING - SOCKET - 4 CAVITY
	088474-09-000	EA HOUSING - ELECTRICAL - 3 TERMINAL
	088474-10-000	EA HOUSING - SOCKET - 2 CAVITY
	088475-01-000	EA PIN - CONNECTOR - 14-20 AWG
	088475-02-000	EA PIN - CONNECTOR - 10 - 12 AWG
	088476-01-000	EA TERMINAL - ELECTRICAL
	088476-02-000	EA SOCKET - CONNECTOR - 12-10 GA - PRE-TIN
	098261-02-000	EA SOCKET - CONNECTOR - WEATHERPACK
	098262-01-000	EA SEAL - CONNECTOR - WEATHERPACK
	098265-02-000	EA PIN - CONNECTOR - WEATHERPACK
	101751-02-000	EA HOUSING - 1 PIN - WEATHERPACK
	102777-02-000	EA TERMINAL - RING - #6 STUD - 10 AWG
	119223-01-000	EA HOUSING - 6 POSITION - MALE - WEATHERPACK
	125323-02-000	EA HOUSING - 8 POSITION - MALE
	125323-03-000	EA LOCK - SECONDARY 8 POSITION
	125324-01-000	EA TERMINAL - MALE - METRI-PACK - 150
	125325-01-000	EA SEAL - CAVITY
	008188-01-000	EA SOLENOID - 3 POST - BATTERY CHANGE OVER
	063910-01-000	EA HOUSING - RELAY
	086273-01-000	EA RELAY - BATTERY DISCONNECT

## EXTERIOR BODY GROUP



### LADDER

KEY	PART NUMBER	U/M DESCRIPTION	
1	102953-10-F15	EA LADDER	FROM: 00-00-00 THRU: 02-01-98
1	129639-01-01A	EA LADDER - BRUSHED ALUMINUM	FROM: 02-02-98 THRU: 99-99-99
2	067165-01-000	EA BRACKET - MOUNTING - LOWER LADDER	
3	076980-02-000	EA END CAP - STEP - BLACK	
	000G39-06-10T	EA SCREW - SF/DR - 6-20 X 5/8 PPH - BLACK	
	000G68-10-36T	EA SCREW - 10-12 X 2.25 POH BLACK	
	038327-01-000	EA TAPE - ANTI SLIP - 2" X 60'	

### EXTERIOR MIRRORS - FORD

KEY	PART NUMBER	U/M DESCRIPTION	VENDOR NO.
	120269-03-02A	EA MIRROR - EXTERIOR - PASSENGER - 102"	
	120269-04-02A	EA MIRROR - EXTERIOR - DRIVER - 102"	
	120269-01-700	EA GLASS KIT W/BEZEL RH/LH	709407-8

### EXTERIOR MIRRORS - CHEVY

KEY	PART NUMBER	U/M DESCRIPTION
	106860-06-01A	EA MIRROR - REGULAR HEAD - BRIGHT WHITE

## EXTERIOR BODY GROUP (CONTINUED)

### FIBERGLASS, ALUMINUM, STYROFOAM, PLYWOOD & CHANNEL

KEY	PART NUMBER	U/M DESCRIPTION
	076054-AC-000	EA FIBERGLASS SHEET - 20" X 99.8" - OFF WHITE
	076054-N4-000	EA FIBERGLASS SHEET - 102" X 261.8" BRIGHT WHITE
	076054-U4-000	EA FIBERGLASS SHEET - 101" X 104" - BRIGHT WHITE
	076054-U8-000	EA FIBERGLASS SHEET - 100" X 105" - BRIGHT WHITE
	076054-W5-000	EA FIBERGLASS SHEET - 101.4" X 108.7" - BRIGHT WHITE
	077517-62-000	EA FIBERGLASS - SHEET/SIDEWALL - 48" X 96" - BRIGHT WHITE
	083574-06-000	SF STYROFOAM - .75 X 4' X 9' - INCREMENTS OF 14 SF
	000870-08-000	SF STYROFOAM - 3/4" X 48" X 96" PLANED EXPANDED BEAD BOARD
	089297-01-000	SF PLYWOOD - LUAN - OVERLAY GRADE - 48" X 96"
	089297-02-000	SF PLYWOOD - LUAN - OVERLAY GRADE - 48" X 108"
	100619-01-000	BF FOAM - EXPANDED POLYSTYRENE - 1.34" X 48" X 96"
	100619-04-000	BF FOAM - EXPANDED POLYSTYRENE - .5" X 48" X 96"
	100619-05-000	BF FOAM - EXPANDED POLYSTYRENE - .75" X 48" X 96"-1.5 DENSITY
	100619-16-000	BF FOAM - EXPANDED POLYSTYRENE - .75" X 48" X 96"-2.0 DENSITY
	002726-01-001	EA GARNISH - U-CHANNEL - 1.38" X 19' - SERRATED
	002766-01-001	EA ANGLE - EXTRUDED - 1" X 1.5" X 17'
	068716-01-001	EA BRACE - 90 DEGREE L-ANGLE - 16'

### AWNING

KEY	PART NUMBER	U/M DESCRIPTION
	113874-03-06A	EA AWNING - W/O HARDWARE - 11.5' (P MAUVE) VINYL
	111038-01-01A	EA SPACER - AWNING - LOWER
*	113874-01-02A	EA HARDWARE KIT - AWNING - W/O STANDOFF BRACKET-BRIGHT WHITE
	113874-10-01A	EA SPACER - AWNING - LOWER BRACKET
	127647-01-01A	EA ROD/AWNING GUARD - ENTRANCE DOOR
	130320-01-02A	EA BRACKET - AWNING - F/A&E INSTALLATION - BRIGHT WHITE

### \*COMPONENT PARTS FOUND IN SERVICE PARTS LIBRARY

### RUNNING BOARDS - CHEVY

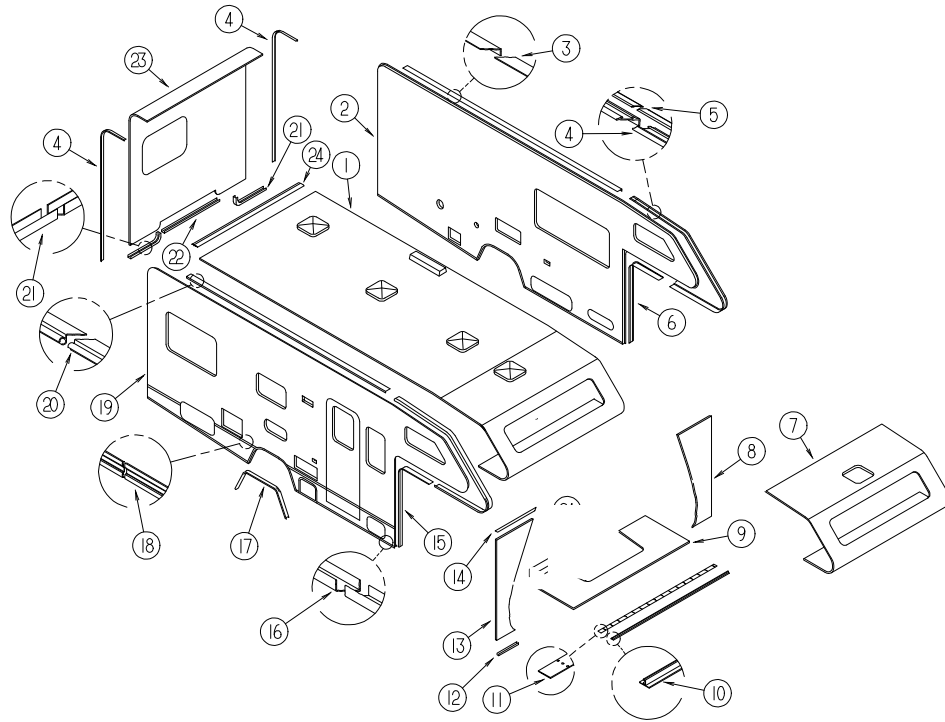
KEY	PART NUMBER	U/M DESCRIPTION	VENDOR NO.
	072884-28-000	EA RUNNING BOARD - ALUMINUM - CHEVY CHASSIS	
	072884-27-704	EA CAP-ENDS, 1EA=PAIR	99148
	072884-28-700	EA RUNNING BOARDS ONLY- RT & LT	15543
	072884-28-701	EA FRONT FLAP - PAIR	99153
	072884-28-702	EA BRACKET SET - COMPLETE	206771

### RUNNING BOARDS - FORD

KEY	PART NUMBER	U/M DESCRIPTION	VENDOR NO.
	072884-27-000	EA RUNNING BOARD SET - 39" - FORD - ALUMINUM	
	072884-27-700	EA BRACKET SET 12" 92	RB2BRK/M
	072884-27-701	EA RUNNING BOARD-FORD 39",RT&LT	
	072884-27-702	FT TREAD TAPE	RB9202
	072884-27-703	EA MUD FLAP W/HOLES, 1EA=PAIR	99171
	072884-27-704	EA CAP-ENDS, 1EA=PAIR	99148

# EXTERIOR BODY GROUP (CONTINUED)

## EXTERIOR BODY PANELS



### KEY PART NUMBER

KEY	PART NUMBER	U/M DESCRIPTION
1	P26012-01-J03	EA ROOF - W/O LIGHTS/VENTS - W/WIRING
2	P25702-01-J03	EA SIDEWALL - DRIVER - W/O WINDOWS/TRIMS
2	P25702-01-J04	EA SIDEWALL - DRIVER - W/O WINDOWS/TRIMS
3	096864-01-02A	EA TRIM - CONTOUR - ROOF TO SIDEWALL - 120"
4	096854-05-02A	EA TRIM - CONTOUR - BRIGHT WHITE - 114"
4	096854-06-02A	EA TRIM - CONTOUR - BRIGHT WHITE - 130"
5	105312-01-07A	FT INSERT - VINYL FEATURE STRIP - BRIGHT WHITE
6	104479-06-02A	EA TRIM - FRONT CONTOUR - BRIGHT WHITE - LEFT HAND
7	M76177-01-700	EA ROOF SECTION, FRONT 8' X 8'
8	125088-06-J01	EA WINGWALL
9	P25129-01-J01	EA SLEEPERBOARD
10	100086-04-01A	EA TRIM - SLEEPER BOARD/ROOF - 2" X 96.6"
11	100085-05-01A	EA TRIM - STRAP - SLEEPERBOARD
12	002365-03-006	EA U-CHANNEL - EXTRUDED - 1" X 192" - BRIGHT WHITE
13	125088-05-J01	EA WINGWALL
14	022992-14-000	FT MOLDING - REVERSE COVE

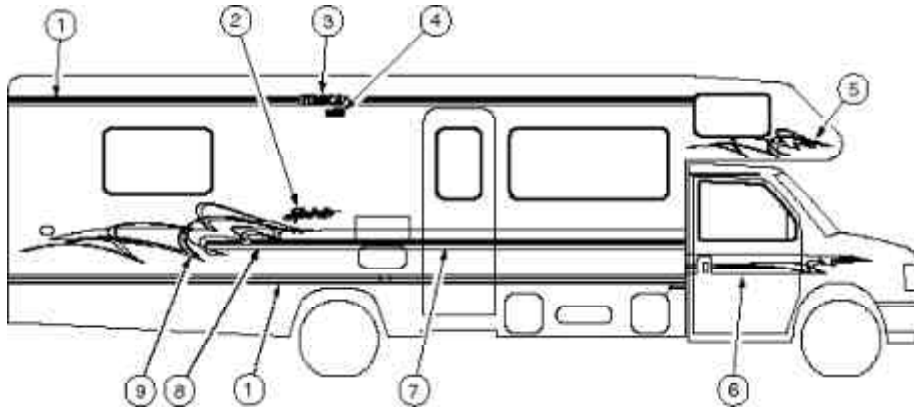
### KEY PART NUMBER

KEY	PART NUMBER	U/M DESCRIPTION
15	104479-05-02A	EA TRIM - FRONT CONTOUR - BRIGHT WHITE - LEFT HAND
16	098072-55-003	EA U-CHANNEL - OFF SET - 1.65" WIDE X 192"
17	105100-02-02A	EA TRIM - WHEELWELL
		FROM: 00-00-00 THRU: 01-11-98
17	124517-04-01A	EA TRIM - WHEELWELL/REAR - BRIGHT WHITE
		FROM: 01-12-98 THRU: 99-99-99
18	108688-01-03A	EA STRIP - FEATURE - 15'
	105312-01-07A	FT INSERT - VINYL FEATURE STRIP - BRIGHT WHITE
	108651-01-01A	EA END CAP - FEATURE STRIP
19	P26220-01-J03	EA SIDEWALL - PASSENGER - W/O WINDOWS/TRIMS
19	P26220-01-J04	EA SIDEWALL - PASSENGER - W/O WINDOWS/TRIMS
20	099583-55-003	EA RAIL - AWNING - 120"
21	103334-03-02A	EA TRIM - BACKWALL/LOWER - 25.6"
22	103335-02-02A	EA TRIM - BACKWALL/LOWER - 46.2"
23	P25974-01-J03	EA BACKWALL - W/O WINDOW/TRIM
23	P25974-01-J04	EA BACKWALL - W/O WINDOW/TRIM
24	078580-02-000	EA TRIM - ROOF/FRONT/REAR CAP

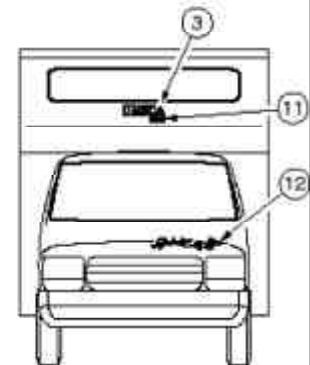
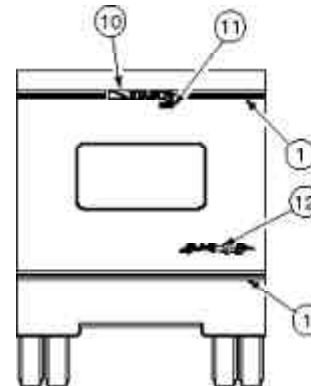


## EXTERIOR BODY GROUP (CONTINUED)

### DECALS, STRIPES & PAINT



KEY	PART NUMBER	U/M	DESCRIPTION
1	094443-49-01A	FT	FILM - MULTISTRIPE - 3.12"
2	115130-02-03A	EA	DECAL - LOGO/SPIRIT
3	124811-01-01A	EA	DECAL - LOGO -ITASCA
4	122770-01-04A	EA	DECAL - BUILT PROUDLY BY WINNEBAGO INDUSTRIES
5	124800-01-01A	EA	DECAL - ZIGZAG - SLEEPER/RIGHT HAND
6	124800-02-01A	EA	DECAL - ZIGZAG - SLEEPER/LEFT HAND
6	124799-01-01A	EA	DECAL - CAB DOOR - RIGHT HAND
6	124799-02-01A	EA	DECAL - CAB DOOR - LEFT HAND
7	094443-50-01A	FT	FILM - MULTISTRIPE - 7.3"
8	124797-01-01A	EA	DECAL - STRIPE - RIGHT HAND END CAP
8	124797-02-01A	EA	DECAL - STRIPE - LEFT HAND END CAP
9	124801-01-01A	EA	DECAL - ZIGZAG - RIGHT HAND
9	124801-02-01A	EA	DECAL - ZIGZAG - LEFT HAND
10	124806-01-02A	EA	DECAL - LOGO - ITASCA W/ICON
11	122770-02-04A	EA	DECAL - BUILT PROUDLY BY WINNEBAGO INDUSTRIES
12	124804-01-01A	EA	DECAL - LOGO - SPIRIT/ZIGZAG
	041561-03-000	EA	PAINT - 16 OUNCE SPRAY - OFF WHITE



#### DUPONT PAINT COLOR CODES

BRIGHT WHITE

DUPONT B8951U

#### DUPONT GRAPHICS COLOR CODES

VIOLET METALLIC

FILM #5041

DUPONT F2984

LIGHT GREEN METALLIC

FILM #4103

DUPONT GM185

DARK MARINE BLUE METALLIC

FILM #7116

DUPONT F4578

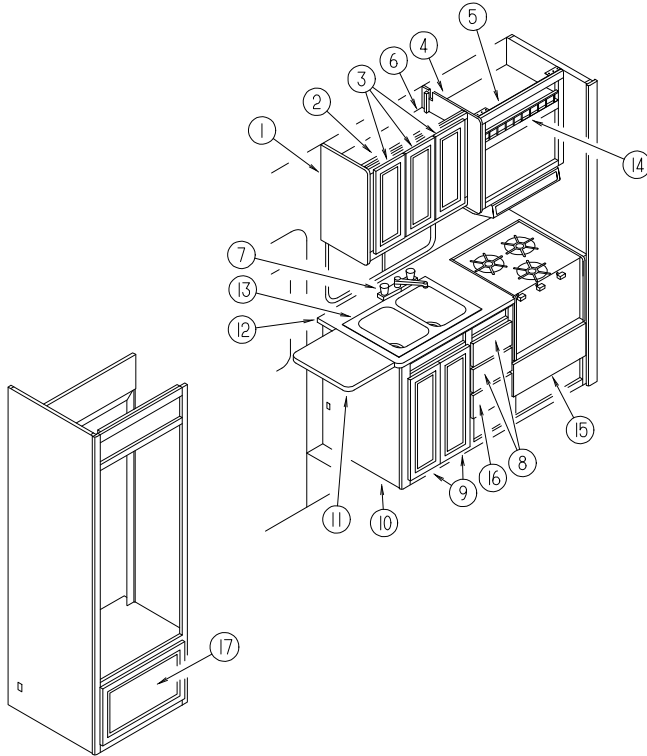
SHALE BLUE METALLIC

FILM #2520

DUPONT F0744

## GALLEY GROUP

### GALLEY CABINETS & FIXTURES



KEY	PART NUMBER	U/M DESCRIPTION
1	109908-59-J03	EA END CAP - OVERHEAD CABINET
2	127482-01-J03	EA CABINET - OVERHEAD - GALLEY - W/O DOORS/HARDWARE
3	M08758-45-J15	EA DOOR - MITERED CORNER/OGEE EDGE - 10" X 25.2" - W/O HDW
3	M08758-02-J01	EA DOOR - MITERED CORNER/OGEE EDGE - 10" X 25.2" - W/O HDW - RAISED PANEL
3	M05992-77-K04	EA DOOR - STRAIGHT CORNER/OGEE EDGE - 10" X 25.2" - W/O HDW - UPGRADE
4	109908-64-J03	EA END CAP - OVERHEAD CABINET
5	121971-05-J03	EA CABINET - OVERHEAD/MICROWAVE - W/O DOORS/HARDWARE
5	128617-03-J03	EA CABINET - MICROWAVE - W/O DOORS/HARDWARE FROM: 00-00-00 THRU: 11-09-97 FROM: 11-10-97 THRU: 99-99-99
6	127482-11-J03	EA SHELF ASM
7	104114-02-01A	EA FAUCET - GALLEY - SINGLE CONTROL
7	103243-01-000	EA FAUCET - DUAL CONTROL
8	M05971-CG-J03	EA DRAWER - OGEE EDGE - 9.9"W X 17.7"D - W/O SLIDES/HARDWARE
8	M05971-EM-J03	EA DRAWER - OGEE EDGE - 9.9"W X 17.7"D - W/O SLIDES/HARDWARE - UPGRADE
9	M08758-53-J03	EA DOOR - MITERED CORNER/OGEE EDGE - 11.4" X 16.1" - W/O HDW
9	M05992-AT-K04	EA DOOR - STRAIGHT CORNER/OGEE EDGE - 11.4" X 16.1" - W/O HDW - UPGRADE
10	127448-01-J03	EA CABINET - GALLEY - W/COUNTERTOP - W/O DOORS/DRAWERS/HDW
10	127448-01-J04	EA CABINET - GALLEY - W/COUNTERTOP - W/O DOORS/DRAWERS/HDW
	118200-01-01A	SF MESH - PLASTIC - 1/2 INCH
11	080812-04-G31	EA EXTENSION - GALLEY COUNTERTOP (J03)
11	080812-04-H04	EA EXTENSION - GALLEY COUNTERTOP (J04)
12	127448-13-J03	EA COUNTERTOP - GALLEY
12	127448-13-J04	EA COUNTERTOP - GALLEY
13	104113-01-000	EA SINK - DOUBLE - STAINLESS STEEL
	092303-01-000	EA STRAINER - SINK
	103610-03-H04	EA COVER - SINK - 15.2" X 11" (J03)
	103610-03-H05	EA COVER - SINK - 15.2" X 11" (J04)
14	075249-01-000	EA RAILING - OAK - 72" UNFINISHED
15	M05971-GV-J03	EA DRAWER - OGEE EDGE - 19.7"W X 11.8"D - W/O SLIDES/HARDWARE
15	M05971-ME-J03	EA DRAWER - OGEE EDGE - 19.8"W X 11.8"D - W/O SLIDES/HARDWARE - UPGRADE
16	M05971-LA-J03	EA DRAWER - OGEE EDGE - 9.8"W X 13.8"D - W/O SLIDES/HARDWARE
16	M05971-MF-J03	EA DRAWER - OGEE EDGE - 9.9"W X 13.8"D - W/O SLIDES/HARDWARE - UPGRADE
17	M08758-45-J15	EA DOOR - MITERED CORNER/OGEE EDGE - 10" X 25.2" - W/O HDW
17	M05992-81-K04	EA DOOR - STRAIGHT CORNER/OGEE EDGE - 10" X 25.2" - W/O HDW - UPGRADE
	090329-01-000	FT SEAL/T - REFRIGERATOR CABINET

**GALLEY GROUP (CONTINUED)****RANGE HOOD W/O MONITOR PANEL - U.S. - MODEL TPS-5009-SADLG**

KEY	PART NUMBER	U/M DESCRIPTION
*	100258-18-02A	EA HOOD - RANGE - W/O MONITOR PANEL - US
	100258-10-01A	EA GAUGE - HOUR METER W/SWITCH - SCREW ON STYLE

**\*COMPONENT PARTS FOUND IN SERVICE PARTS LIBRARY****RANGE HOOD W/O MONITOR PANEL - U.S. - MODEL TCS-5008-NADL**

KEY	PART NUMBER	U/M DESCRIPTION
*	100258-16-03A	EA HOOD - RANGE - W/O MONITOR PANEL - W/O HOUR METER & SWITCH

**\*COMPONENT PARTS FOUND IN SERVICE PARTS LIBRARY****RANGE HOOD W/O MONITOR PANEL - CANADIAN - MODEL TCS-5008-NACL**

KEY	PART NUMBER	U/M DESCRIPTION
*	100258-17-03A	EA HOOD - RANGE - W/O MONITOR PANEL
	100258-10-01A	EA GAUGE - HOUR METER W/SWITCH - SCREW ON STYLE

**\*COMPONENT PARTS FOUND IN SERVICE PARTS LIBRARY****NORCOLD REFRIGERATOR SMALL DOUBLE DOOR - MODEL 9162 L**

KEY	PART NUMBER	U/M DESCRIPTION
*	121568-02-01A	EA REFRIGERATOR - SMALL DOUBLE DOOR - LEFT HAND - 2-WAY
	093646-01-000	EA BRACKET - TIEDOWN/REFRIGERATOR - RIGHT HAND
	093646-02-000	EA BRACKET - TIEDOWN/REFRIGERATOR - LEFT HAND
	054450-01-000	EA LEVEL - REFRIGERATOR
	065225-02-000	EA PLATE - TIEDOWN - REFRIGERATOR
	116751-01-01A	EA TRAY - REFRIGERATOR

**\*COMPONENT PARTS FOUND IN SERVICE PARTS LIBRARY****MONITOR PANEL - LVS**

KEY	PART NUMBER	U/M DESCRIPTION
*	102765-04-01A	EA PANEL - MONITOR - 2 HOLDING TANKS - ADJUSTABLE

**\*COMPONENT PARTS FOUND IN SERVICE PARTS LIBRARY****GALLEY GROUP (CONTINUED)****RANGE W/OVEN - MAGIC CHEF - MODEL 16RA-3B49**

KEY	PART NUMBER	U/M DESCRIPTION
*	112881-02-02A	EA RANGE - 16" - 3 BURNER
	105458-03-000	EA BRACKET - STOVE TIEDOWN - RIGHT HAND
	105458-04-000	EA BRACKET - STOVE TIEDOWN - LEFT HAND

**\*COMPONENT PARTS FOUND IN SERVICE PARTS LIBRARY****MICROWAVE OVEN - FROM: 00-00-00 THRU: 11-09-97**

KEY	PART NUMBER	U/M DESCRIPTION
	115303-01-000	EA MICROWAVE OVEN - 14 1/8"H X 21 7/8"W X 13 1/4" - D.8 CU FT./700 WATT
	094750-07-000	EA BRACKET - MICROWAVE - 89 DEGREE
	094750-10-000	EA BRACKET - MICROWAVE - 89 DEGREE
	115401-01-01A	EA TRIM - MICROWAVE
	098916-12-01A	EA BRACE - MICROWAVE CABINET
	098916-13-01A	EA BRACE - MICROWAVE CABINET

**MICROWAVE OVEN - FROM: 11-10-97 THRU: 99-99-99**

KEY	PART NUMBER	U/M DESCRIPTION
	128527-01-000	EA OVEN - MICROWAVE - .9 CU FT - NON CONVECTION
	094750-10-000	EA BRACKET - MICROWAVE - 89 DEGREE
	128527-01-700	EA TRIM RING - F/9 CU.FT. SAMSUNG MICROWAVE
	128642-01-000	EA TRIM KIT W/VENT - MICROWAVE - .9 CU FT SAMSUNG
	098916-26-02B	EA BRACE - MICROWAVE CABINET - LEFT HAND
	098916-27-02B	EA BRACE - MICROWAVE CABINET - RIGHT HAND

## GENERATOR GROUP

### 4.0 KW ONAN GENERATOR

KEY	PART NUMBER	U/M	DESCRIPTION
	109982-03-000	EA	GENERATOR - 4.0 MICROLITE
	007125-04-000	EA	CLAMP - MUFFLER - 1.12" DIAMETER
	007131-01-000	EA	HANGER - TAILPIPE - 6 SLOTS
	105958-08-000	EA	PIPE - GENERATOR EXHAUST - 1.5" OD X 3.1" X 19.7"
	007067-01-000	SF	INSULATION - FIBERGLASS - 1" THICK X 4"-INCREMENTS 4 SF

NOTE: ADDITIONAL GENERATOR COMPONENTS ARE FOUND IN THE CHASSIS GROUP

## HEATING & AIR CONDITIONING GROUP

### ROOF AIR CONDITIONER - COLEMAN - MODEL TSR HO

KEY	PART NUMBER	U/M	DESCRIPTION
*	108889-01-05A	EA	A/C - ROOF - 13,500 TSR
	102289-01-000	EA	SPRING - SCREW - ROOF A/C GASKET

\*COMPONENT PARTS FOUND IN SERVICE PARTS LIBRARY

### CEILING A/C - COLEMAN

KEY	PART NUMBER	U/M	DESCRIPTION
*	108891-01-02A	EA	CEILING ASSEMBLY - A/C COOL
	084077-03-000	EA	COVER/BLANK - ROOF A/C 5.2" X 3.5" - IVORY

\*COMPONENT PARTS FOUND IN SERVICE PARTS LIBRARY

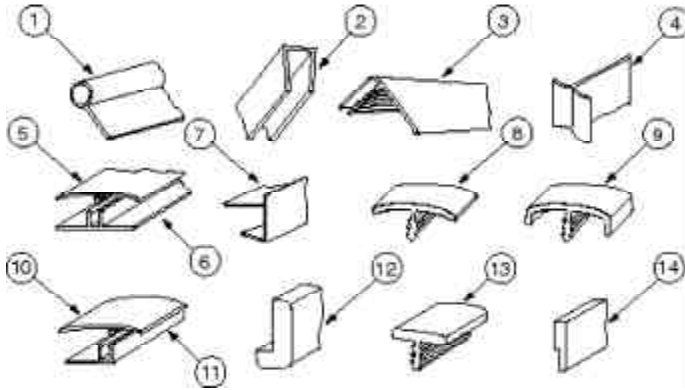
### FURNACE - 25,000 BTU - SUBURBAN - MODEL SF-25

KEY	PART NUMBER	U/M	DESCRIPTION
*	098668-19-000	EA	FURNACE - 25000 BTU
	115764-01-01A	EA	THERMOSTAT - FURNACE
	009200-01-000	EA	TAPE - FURNACE - 1 1/2"
	094600-05-01A	EA	REGISTER W/O DAMPER-3.6" X 11.3" FACE/2.1" X 9.9" RO-BEIGE
	056464-10-000	EA	REGISTER - 4" DIAMETER - PLASTIC - W/DAMPER - BEIGE
	040731-01-000	EA	NIPPLE - INLET MANIFOLD - GM
	098668-23-000	EA	DOOR - ACCESS - FURNACE - BRIGHT WHITE
	009198-01-000	FT	DUCT - HEAT - FLEXIBLE - 4" ID X 25'
	069636-02-000	EA	CONNECTOR - DUCT - 4" ID

\*COMPONENT PARTS FOUND IN SERVICE PARTS LIBRARY

## INTERIOR FINISH GROUP

### MOLDINGS & TRIMS



KEY	PART NUMBER	U/M DESCRIPTION
	117268-D2-134	EA MOLDING - VINYL WRAPPED - .7" X 1.6" X 84" - WATERFORD OAK
	100818-01-05A	EA MOLDING - VINYL WRAPPED - 1.65" X .4" X 84"-WATERFORD OAK
	100819-01-05A	EA MOLDING - VINYL WRAPPED - L-SHAPED-1.5" X 1.5" X 7" - WATERFORD OAK
	117268-F2-134	EA MOLDING - VINYL WRAPPED - .7" X 2.7" X 84" - WATERFORD OAK
	117267-E2-438	EA LUMBER - VINYL WRAPPED - .7" X 2" X 96" - WATERFORD OAK
	117267-D2-438	EA LUMBER - VINYL WRAPPED - .7" X 1.5" X 96" - WATERFORD OAK
	117267-G2-438	EA LUMBER - VINYL WRAPPED - .7" X 3" X 96" - WATERFORD OAK
	117267-J2-438	EA LUMBER - VINYL WRAPPED - .7" X 5.5" X 96" - WATERFORD OAK
	093673-01-01A	FT TRIM/MOLDING - 1.4" WIDE X 8' LONG
	075249-01-000	EA RAILING - OAK - 72" UNFINISHED
	100659-01-G09	EA MOLDING/TRIM - VINYL FLOOR
	120492-01-04A	FT STRIP - TRIM - WATERFORD OAK
	085746-04-000	FT TRIM-J - CARPET 1.2" X .5" ANGLE - 12' LONG - OFF WHITE
	093873-01-01A	EA TRIM - CARPET - L-ANGLE 1.1" X 1.3" X 12' - GRAY VINYL

KEY	PART NUMBER	U/M DESCRIPTION
1	009767-12-000	FT WELTING - SIDEWALL/CEILING/CABINET - OFF/WHIT
1	009767-15-000	FT WELTING - WATERFORD OAK
2	009778-21-000	FT U-CHANNEL - 1" - WATERFORD OAK
		FROM: 00-00-00 THRU: 11-09-97
2	009778-30-000	FT U-CHANNEL - 1" - VILLAGE OAK
		FROM: 11-10-97 THRU: 99-99-99
2	009778-22-000	FT U-CHANNEL - 1 1/4" - WATERFORD OAK
2	009778-11-000	FT U-CHANNEL - 1" - IVORY
2	070504-36-000	FT U-CHANNEL - PLASTIC - .13" X 72" - WATERFORD OAK
2	070504-37-000	FT U-CHANNEL - PLASTIC - .87" X 84" - WATERFORD OAK
2	070504-18-000	FT U-CHANNEL - PLASTIC - .13" X 84" - IVORY
3	009809-23-000	EA MOLDING - CORNER - OUTSIDE - 1" X 84" - MODERN IVORY
3	009809-28-000	EA MOLDING - CORNER - OUTSIDE - 1" X 84" - WATERFORD OAK
3	009812-29-000	EA MOLDING - PLASTIC - 1/2" O/S CORNER - WATERFORD OAK
4	022992-11-000	EA MOLDING - REVERSE COVE - T-SHAPED VINYL - IVORY
5	086229-13-000	EA BATTEN - 1" X 96" - IVORY
5	086229-20-000	EA BATTEN - 1" X 96" - BEIGE
6	086229-01-000	EA RETAINER - BATTEN - .75" X 92.3" - ANY COLOR
7	103186-01-05A	FT MOLDING - PLASTIC 3/8" U-CHANNEL 3/4" FACE - WATERFORD OAK
8	009815-09-000	FT MOLDING-T - .75" IVORY
9	083620-09-000	FT MOLDING-T - END CAP EDGE - W/EDGE LIPS - .75" - MODERN IVORY
9	083620-12-000	FT MOLDING-T - END CAP EDGE - W/EDGE LIP - .75" - WATERFORD OAK
9	119520-01-01A	FT MOLDING-T - 1" - W/EDGE LIPS (OFF/WHITE-CREAM)
9	104676-02-04A	FT MOLDING-T - 1/2" - WATERFORD OAK
10	086229-12-000	EA BATTEN - 1.5" OFFSET X 97.01" IVORY
11	086229-11-000	EA RETAINER - OFFSET - 97.01"
12	077840-01-G01	EA MOLDING - CAP/WALL - 8' WATERFORD OAK
13	104676-01-01A	FT T-MOLDING - 5/16" - RIGID GOLD
14	105004-01-05A	EA MOLDING - VINYL WRAPPED - 1" X 8' WATERFORD OAK

**INTERIOR FINISH GROUP (CONTINUED)**

**EDGE BAND MOLDING**

KEY	PART NUMBER	U/M	DESCRIPTION
	076325-46-000	FT	MOLDING - EDGE BAND - 1 5/16" X .001" - CLOUD (J03)
	076325-37-000	FT	MOLDING - EDGE BAND - 1 5/16" X .001" - NEUTRAL (J04)
	076325-43-000	FT	MOLDING - EDGE BAND .876" X .024" - CLOUD (J03)
	076325-38-000	FT	MOLDING - EDGE BAND .876" X .024" - NEUTRAL (J04)
	076325-73-000	FT	MOLDING - EDGE BAND - .93" X .024"
	076325-67-000	FT	MOLDING - EDGE BAND - .93" X .024" - WATERFORD OAK
	076325-68-000	FT	MOLDING - EDGE BAND - 1 5/16" X .038 - WATERFORD OAK

**BATT STRIPS**

KEY	PART NUMBER	U/M	DESCRIPTION
	079653-28-000	EA	BATT STRIP - KERFED - WOODGRAINED/WATERFORD OAK - 8'
	069733-83-000	EA	BATT STRIP - WOODGRAINED/WATERFORD OAK - 8'
	085284-B5-000	FT	BATT TAPE - ADHESIVE BACKED - WOODGRAINED - WATERFORD OAK
	088263-E1-000	EA	BATT STRIP - DECORATIVE - BOLERO/AQUA FROST - 8' LONG (J03)
	088263-D2-000	EA	BATT STRIP - DECORATIVE - WASH/VANILLA - 8' LONG (J04)
	085284-D4-000	FT	BATT TAPE - ADHESIVE BACKED - DECORATIVE-BOLERO/AQUA FROST (J03)
	085284-C5-000	FT	BATT TAPE - ADHESIVE BACKED - DECORATIVE - WASH/VANILLA (J04)
	088263-F7-000	EA	BATT STRIP - DECORATIVE - IMPACT PEARL TEXTRE - INC OF 8' FROM: 00-00-00 THRU: 10-05-97
	088263-F9-000	EA	BATT STRIP - CEILING - IMPACT PEARL - INC OF 9' FROM: 10-06-97 THRU: 99-99-99
	085284-F3-000	FT	BATT TAPE - ADHESIVE BACKED - IMPACT PEARL TEXTURE FROM: 00-00-00 THRU: 10-05-97
	085284-F6-000	FT	BATT TAPE - ADHESIVE BACKET - IMPACT PEARL FROM: 10-06-97 THRU: 99-99-99
	088263-E3-000	EA	BATT STRIP - DECORATIVE - PEBBLE EMBOSSED/ANTIQUE-8' LONG
	085284-D6-000	FT	BATT TAPE - ADHESIVE BACKED -DECORATIVE - EMBOSSED ANTIQUE

**INTERIOR FINISH GROUP (CONTINUED)**

**PANELING, LAMINATES & PLASTIC**

KEY	PART NUMBER	U/M	DESCRIPTION
	074497-28-000	SF	PANELING - WATERFORD OAK - 48" X 96"
	074497-37-000	SF	PANELING - IMPACT PEARL TEXTURE - 4' X 8' - ROUGH FROM: 00-00-00 THRU: 10-05-97
	074497-40-000	SF	PANELING - CEILING - IMPACT PEARL - 4' X 8' FROM: 10-06-97 THRU: 99-99-99
	080215-10-000	SF	PANELING - 2 SIDED - WATERFORD - 2' X 48" X 96"
	088272-G1-000	SF	PANELING - PEBBLE EMBOSSED - ANTIQUE WHITE - 4' X 7'
	088272-F8-000	SF	PANELING - BOLERO - AQUA FROST (J03)
	088272-F3-000	SF	PANELING - WASH/VANILLA (J04)
	074498-40-000	SF	LAMINATE - PLASTIC - OFF WHITE - 5' X 8' - INC OF 40 SF
	074498-62-000	SF	LAMINATE - PLASTIC - GREY FINESSE - 5' X 8' - INC OF 40SF (J03)
	074498-72-000	SF	LAMINATE - PLASTIC - PEBBLE SANTOS - 5' X 8' INC OF 40 SF (J04)
	000885-67-000	SF	LAMINATE - PLASTIC - ORCHID MIST - 5' X 8' - INC OF 40SF
	000885-77-000	SF	LAMINATE - PLASTIC - ART CABIN - 4' X 8' - INC OF 32 SF
	000885-76-000	SF	PARTICLE BOARD-3/8" X 48" X 96"-WATERFORD OAK/VINYL 1 SIDE
	000885-77-000	SF	PARTICLE BOARD-3/8" X 48" X 96"-WATERFORD OAK/VINYL 2 SIDE
	000885-78-000	SF	PARTICLE BOARD-1/2" X 48" X 96"-WATERFORD OAK/VINYL 2 SIDE
	000885-79-000	SF	PARTICLE BOARD-3/4" X 48" X 96"-WATERFORD OAK/VINYL 2 SIDE
	057882-04-700	EA	DOOR-TAMBOUR 4'X4' PC WINONA PART SALES
	000846-01-000	SF	PLYWOOD - 5/16" X 48" X 96" - CD GRADE
	000846-02-000	SF	PLYWOOD/UNDERLAYMENT - 5/16" X 48" X 96"
	126339-01-000	SF	BOARD - WHEAT - 60" X 72"
	093743-05-01A	SF	PLASTIC - ABS COIL - BRIGHT WHITE - 20" X 108"

**CARPETING & FLOOR MATS**

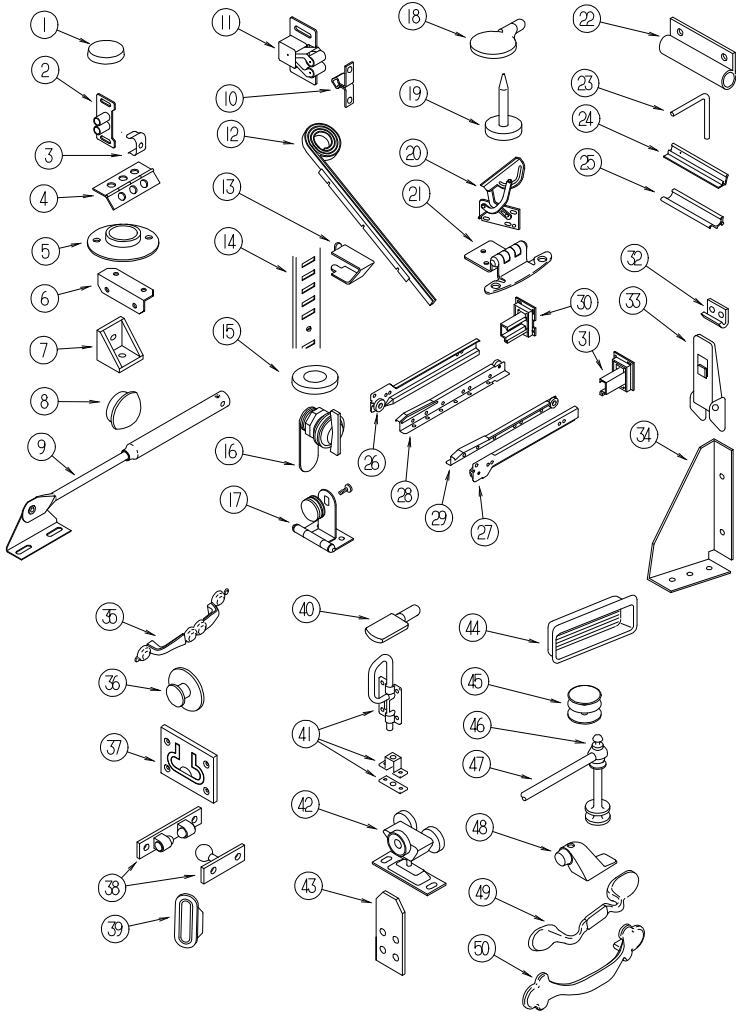
KEY	PART NUMBER	U/M	DESCRIPTION
	096060-96-000	SY	CARPET - JUBILATION - INCREMENTS OF 4 SQ YD (J03)
	096060-98-000	SY	CARPET - SILVER ASPEN - INCREMENTS OF 4 SQ YD (J04)
	093486-01-000	SY	CARPET - COMPARTMENT - 72" WIDE - DARK GRAY
	122755-01-01A	EA	TILE - RUBBER/ENTRANCE DOOR - 18.5" X 27.2"
	122755-03-01A	EA	TILE - RUBBER/ENTRANCE DOOR - 17.7" X 26.4"
	122755-05-01A	EA	TILE - RUBBER/ENTRANCE DOOR - 11.2" X 26.9"
	125780-03-000	EA	MAT - FLOOR - FRONT/PASSENGER - "I" - FORD
	125780-04-000	EA	MAT - FLOOR - FRONT/DRIVER - "I" - FORD
	124182-03-01A	EA	MAT - PASSENGER FRONT FLOOR - CHEVY
	124182-04-01A	EA	MAT - DRIVER FRONT FLOOR - ITASCA CHEVY
	102569-04-000	EA	MAT - ANTI SLIP

**FIRE EXTINGUISHER & DETECTORS**

KEY	PART NUMBER	U/M	DESCRIPTION	VENDOR NO.
	072852-02-000	EA	DETECTOR - SMOKE - W/9 VOLT BATTERY - CANADIAN	
	094499-02-000	EA	EXTINGUISHER/FIRE - DRY - 1A10BC - CANADIAN	
	094499-01-700	EA	BRACKET MTG. W/PLAS. STRAP	294039
	072852-01-000	EA	DETECTOR - SMOKE - W/9 VOLT BATTERY - US	
	094499-01-000	EA	EXTINGUISHER/FIRE - DRY W/MOUNTING BRACKET	
	094499-01-700	EA	BRACKET MTG. W/PLAS. STRAP	294039
	094499-01-701	EA	STRAP ONLY (METAL)	320351
	125136-01-000	EA	CO DETECTOR - GAS - ROUND W/2 SCREWS - 9 VOLT	

# INTERIOR FINISH GROUP (CONTINUED)

## CABINET & TABLE HARDWARE

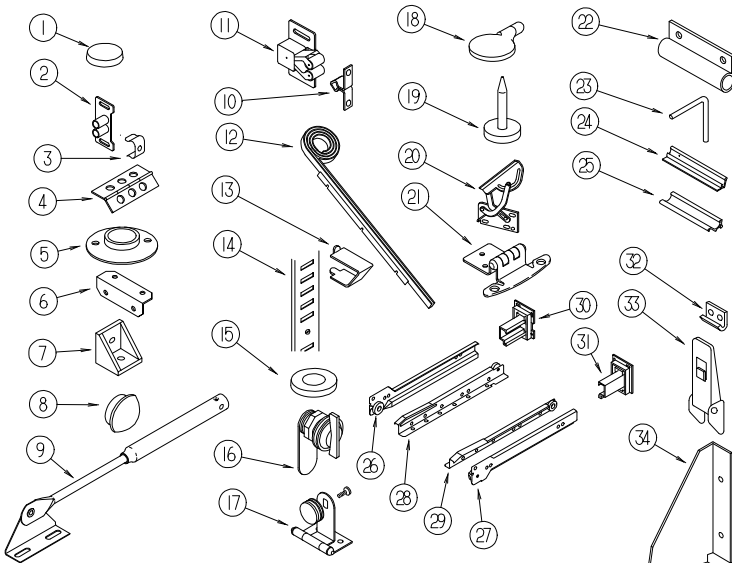


KEY	PART NUMBER	U/M DESCRIPTION
1	004354-01-000	EA BUMPER - RUBBER - .5" DIA - BROWN
2	009021-01-000	EA CATCH - GRILLE - NYLON
3	009021-02-000	EA STRIKE - SPRING STEEL
4	009059-01-000	EA HINGE - DOOR - 2" X 1.4" - BRASS
4	009059-02-000	EA HINGE - DOOR - 2" X 2.7" - BRASS
4	041389-35-000	EA HINGE - PIANO - OFF WHITE - 31"
5	009112-01-000	EA FLANGE - PLASTIC - 1" CLOTHES ROD - OFF WHITE
6	016604-01-000	EA BRACE - CABINET - ANGLE - 2.5" - UNPAINTED METAL
6	016604-05-000	EA BRACE - CABINET - ANGLE - 2.5" - OFF WHITE METAL
7	065740-01-000	EA BRACE - CABINET/CORNER - PLASTIC
8	074045-01-000	EA PLUG - OAK - 1/2" DIAMETER
9	074493-02-000	EA SUPPORT - PISTON SPRING - CABINET DOOR
10	093586-05-000	EA STRIKE - SPRING STEEL
11	093586-06-000	EA CATCH - SPRING - ROLLER
12	097141-02-700	EA KIT - TRACK - TAMBOUR DOOR - W/ONE RT & ONE LEFT TRACK
13	098979-01-000	EA CLIP - ADJUSTABLE SHELF
14	098980-06-000	EA PILASTER - ADJUSTABLE SHELF - 24"
15	100707-01-000	EA SPACER - GLASS DOOR - .8" DIA - .3" HOLE - PLASTIC
16	100710-01-01A	EA LOCK - GLASS DOOR/TWIST TYPE - BRASS
17	100711-01-01A	EA HINGE - GLASS DOOR
18	101766-01-000	EA PIN - SUPPORT/GLASS DOOR
19	102194-01-000	EA GUIDE - PLASTIC
20	108126-01-000	EA TRAY HINGE SET (QTY. 2 PER SET)
21	108138-01-000	EA HINGE - CABINET DOOR - BURNISHED BRASS
22	000G13-06-08G	EA SCREW - 6-20 X .50 PFH - ANTIQUE BRASS
22	108486-01-01A	EA BRACKET - PROP ROD/OVERHEAD - BLACK
23	108487-02-01A	EA SUPPORT - PROP ROD/OVERHEAD - BLACK
24	110107-01-04A	EA PULL - DOOR - TERRATONE
25	110108-01-04A	EA LATCH - DOOR - TERRATONE

## INTERIOR FINISH GROUP (CONTINUED)

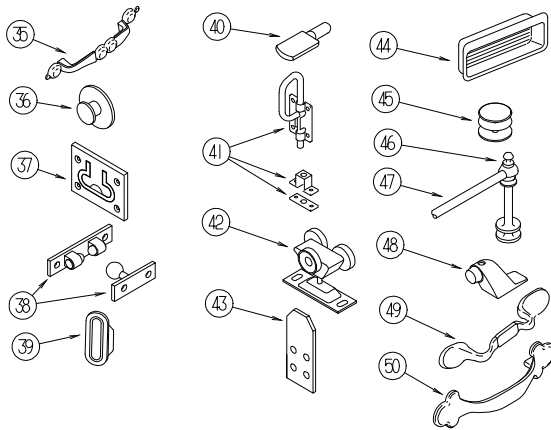
### CABINET & TABLE HARDWARE (CONTINUED)

CABINET DOOR SLIDES & BACKSOCKETS - FROM: 00-00-00 THRU: 02-22-98



KEY	PART NUMBER	U/M DESCRIPTION
26	114031-01-000	EA SLIDE - 12" - LEFT SIDE/CABINET
26	114031-05-000	EA SLIDE - 14" - LEFT SIDE/CABINET
26	114031-09-000	EA SLIDE - 16" - LEFT SIDE/CABINET
26	114031-13-000	EA SLIDE - 18" - LEFT SIDE/CABINET
26	114031-17-000	EA SLIDE - 20" - LEFT SIDE/CABINET
26	114031-25-000	EA SLIDE - 24" - LEFT SIDE/CABINET
27	114031-02-000	EA SLIDE - 12" - RIGHT SIDE/CABINET
27	114031-06-000	EA SLIDE - 14" - RIGHT SIDE/CABINET
27	114031-10-000	EA SLIDE - 16" - RIGHT SIDE/CABINET
27	114031-14-000	EA SLIDE - 18" - RIGHT SIDE/CABINET
27	114031-18-000	EA SLIDE - 20" - RIGHT SIDE/CABINET
27	114031-26-000	EA SLIDE - 24" - RIGHT SIDE/CABINET
28	114031-03-000	EA SLIDE - 12" - LEFT SIDE/DRAWER
28	114031-07-000	EA SLIDE - 14" - LEFT SIDE/DRAWER
28	114031-11-000	EA SLIDE - 16" - LEFT SIDE/DRAWER
28	114031-15-000	EA SLIDE - 18" - LEFT SIDE/DRAWER
28	114031-19-000	EA SLIDE - 20" - LEFT SIDE/DRAWER
28	114031-27-000	EA SLIDE - 24" - LEFT SIDE/DRAWER
29	114031-04-000	EA SLIDE - 12" - RIGHT SIDE/DRAWER
29	114031-08-000	EA SLIDE - 14" - RIGHT SIDE/DRAWER
29	114031-12-000	EA SLIDE - 16" - RIGHT SIDE/DRAWER
29	114031-16-000	EA SLIDE - 18" - RIGHT SIDE/DRAWER
29	114031-20-000	EA SLIDE - 20" - RIGHT SIDE/DRAWER
29	114031-28-000	EA SLIDE - 24" - RIGHT SIDE/DRAWER
30	114045-01-000	EA BACKSOCKET - ADJUSTABLE LEFT
31	114045-02-000	EA BACKSOCKET - ADJUSTABLE RIGHT

CABINET DOOR SLIDES & BACKSOCKETS - FROM: 02-23-98 THRU: 99-99-99

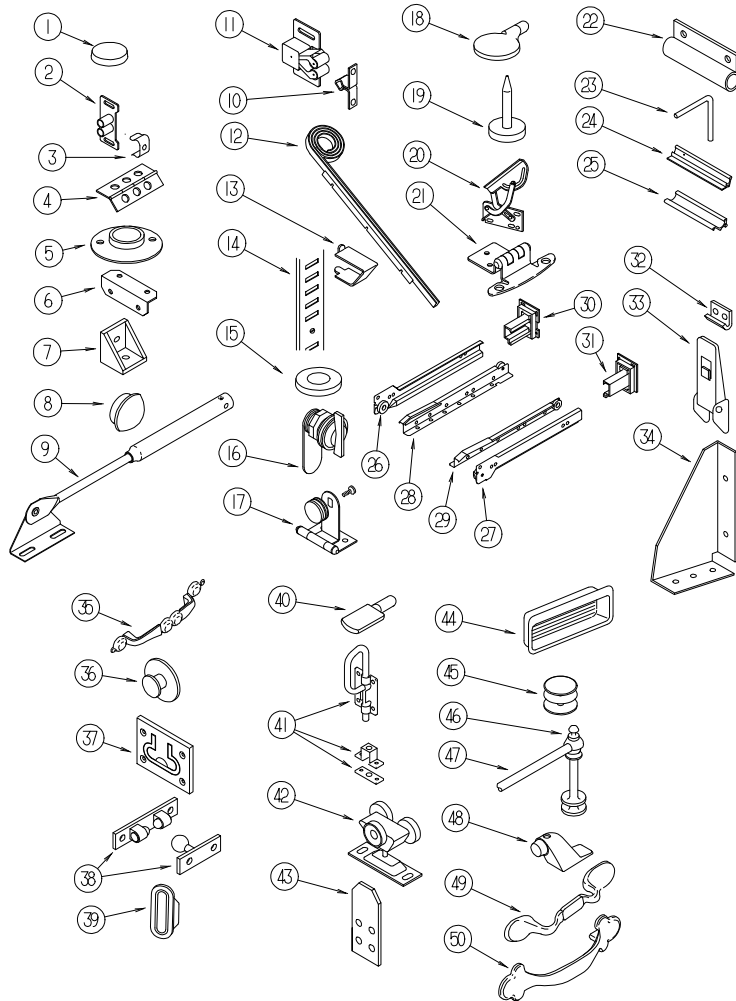


KEY	PART NUMBER	U/M DESCRIPTION
26	128810-01-01A	EA SLIDE - DRAWER - 12" - LEFT CABINET
26	128810-05-01A	EA SLIDE - DRAWER - 14" - LEFT CABINET
26	128810-09-01A	EA SLIDE - DRAWER - 16" - LEFT CABINET
26	128810-13-01A	EA SLIDE - DRAWER - 18" - LEFT CABINET
26	128810-17-01A	EA SLIDE - DRAWER - 20" - LEFT CABINET
26	128810-25-01A	EA SLIDE - DRAWER - 24" - LEFT CABINET
27	128810-02-01A	EA SLIDE - DRAWER - 12" - RIGHT CABINET
27	128810-06-01A	EA SLIDE - DRAWER - 14" - RIGHT CABINET
27	128810-10-01A	EA SLIDE - DRAWER - 16" - RIGHT CABINET
27	128810-14-01A	EA SLIDE - DRAWER - 18" - RIGHT CABINET
27	128810-18-01A	EA SLIDE - DRAWER - 20" - RIGHT CABINET
27	128810-26-01A	EA SLIDE - DRAWER - 24" - RIGHT CABINET
28	128810-03-01A	EA SLIDE - DRAWER - 12" - LEFT DRAWER
28	128810-07-01A	EA SLIDE - DRAWER - 14" - LEFT DRAWER
28	128810-11-01A	EA SLIDE - DRAWER - 16" - LEFT DRAWER
28	128810-15-01A	EA SLIDE - DRAWER - 18" - LEFT DRAWER
28	128810-19-01A	EA SLIDE - DRAWER - 20" - LEFT DRAWER
28	128810-27-01A	EA SLIDE - DRAWER - 24" - LEFT DRAWER
29	128810-04-01A	EA SLIDE - DRAWER - 12" - RIGHT DRAWER
29	128810-08-01A	EA SLIDE - DRAWER - 14" - RIGHT DRAWER
29	128810-12-01A	EA SLIDE - DRAWER - 16" - RIGHT DRAWER
29	128810-16-01A	EA SLIDE - DRAWER - 18" - RIGHT DRAWER
29	128810-20-01A	EA SLIDE - DRAWER - 20" - RIGHT DRAWER
29	128810-28-01A	EA SLIDE - DRAWER - 24" - RIGHT DRAWER
30	128811-01-01A	EA BACKSOCKET - ADJUSTABLE - LEFT
31	128811-02-01A	EA BACKSOCKET - ADJUSTABLE RIGHT



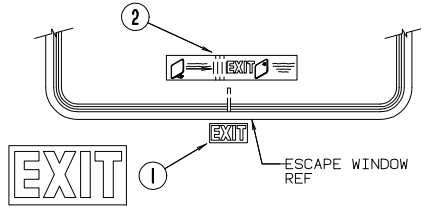
# INTERIOR FINISH GROUP (CONTINUED)

## CABINET & TABLE HARDWARE (CONTINUED)



KEY	PART NUMBER	U/M DESCRIPTION
32	116975-02-01A	EA KEEPER/STRIKE - BLACK - NEW STYLE
33	116975-01-01A	EA LATCH - W/O STRIKE - BLACK - NEW STYLE
34	116978-01-03B	EA GUSSET - SLIDEOUT ROOM - OFF/WHITE
35	121891-01-01A	EA PULL - CABINET - BRASS
36	125221-01-01A	EA PULL - MIRROR - W/ROUND HANDLE
37	072871-01-000	EA PULL - FLUSH - CHROME
38	084451-01-000	EA CATCH - BRASS
39	098410-01-01A	EA PULL - FINGER - OVAL - BRASS
40	101766-01-000	EA PIN - SUPPORT/GLASS DOOR
41	103256-01-000	EA LATCH - SLIDE
42	103874-01-000	EA HANGER - SLIDING DOOR
43	112053-01-01A	EA STOP - DRAWER - BLACK
44	124311-01-01A	EA HANDLE - RECESSED - BRASS
45	081114-02-000	EA CAP - INSERT - ROUND 1" DIAMETER - WHITE
46	084070-03-000	EA POST - END - 2.4" - BRASS
47	084071-12-000	EA ROD - BRASS - 4.08" LONG
47	084071-19-000	EA ROD - BRASS - 7.09" LONG
47	084071-23-000	EA ROD - BRASS - 13.12" LONG
48	103257-01-000	EA STOP - DOOR
49	117800-01-01A	EA PULL - CABINET - BRASS
50	125165-01-01A	EA PULL - CABINET - BRASS - EXPORT
	079921-01-000	EA ROLLER - NYLON - W/STEEL SHAFT - BARBED
	113236-01-01A	EA BRACKET - CLOTHES - ROD
	023320-01-000	EA PAD - FELT 3/8" DIAMETER
	042438-01-000	EA DOWEL - WOOD - CLOTHES ROD - 1" DIAMETER X 4"
	042438-02-000	EA DOWEL - WOOD - 2" X 2"

### LABELS GROUP

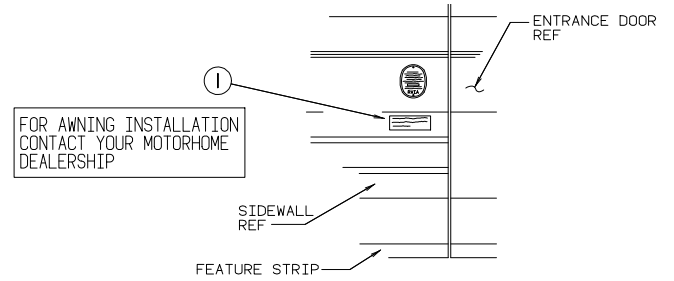


KEY	PART NUMBER	U/M DESCRIPTION
1	039290-01-000	EA LABEL - WARNING - EXIT
2	107571-01-000	EA LABEL - EXIT/ESCAPE WINDOW

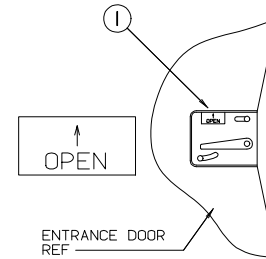


KEY	PART NUMBER	U/M DESCRIPTION
1	126612-01-000	EA LABEL - HANG TAG - AIR BAG - DASH

### LABELS GROUP (CONTINUED)



KEY	PART NUMBER	U/M DESCRIPTION
1	099509-01-000	EA LABEL - AWNING INSTALLATION

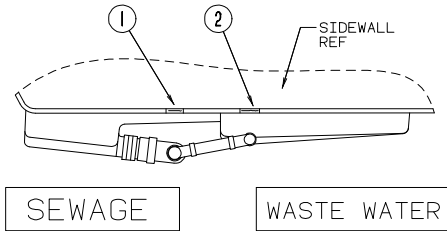


KEY	PART NUMBER	U/M DESCRIPTION
1	040944-01-000	EA LABEL - ENTRANCE DOOR - "OPEN"

## LABELS GROUP (CONTINUED)

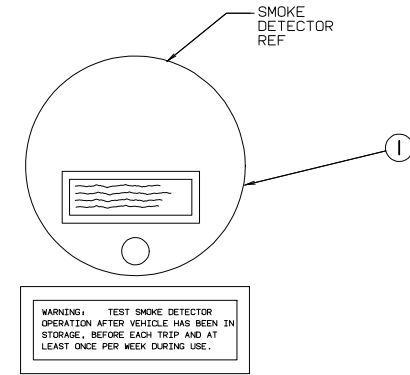
### MISCELLANEOUS LABELS

KEY	PART NUMBER	U/M DESCRIPTION
	006064-01-000	EA LABEL - SEAT W/O SEATBELT NOT INTENDE FOR USE WHILE COACH IN MOTION
	061417-01-000	EA LABEL - FUEL - ON FUEL FILL DOOR
	073998-01-000	EA LABEL - LPG ODOR WARNING
	087236-01-000	EA LABEL - CABLE - INPUT
	091243-01-000	EA LABEL - A/C COVER "AIR CONDITIONING CIRCUIT ETC."
	093236-08-000	EA LABEL - CIRCUIT BREAKER
	111104-01-000	EA LABEL - HITCH - READ MANUAL - WHITE
	111104-02-000	EA LABEL - HITCH - READ MANUAL - BLACK
	128218-01-01A	EA LABEL - WARNING - SLIPPERY ROOF
	128658-01-000	EA LABEL - PROP ROD - ENTRY DOOR

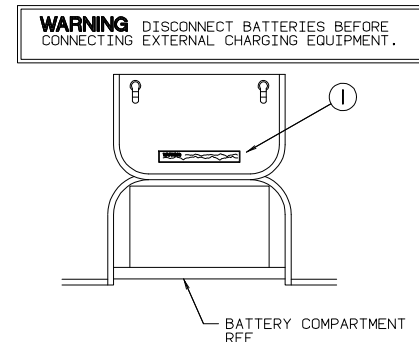


KEY	PART NUMBER	U/M DESCRIPTION
1	006187-01-000	EA LABEL - SEWAGE
2	006188-01-000	EA LABEL - WASTE WATER

## LABELS GROUP (CONTINUED)

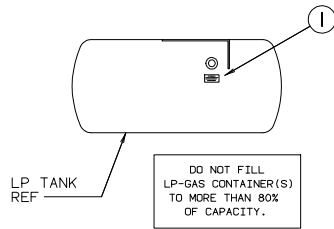


KEY	PART NUMBER	U/M DESCRIPTION
1	077956-01-000	EA LABEL - WARNING - SMOKE DETECTOR

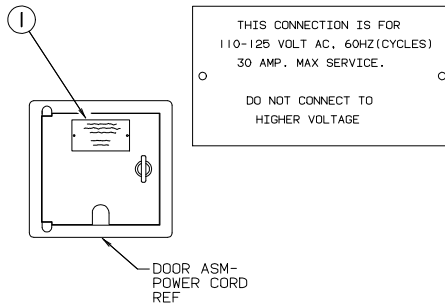


KEY	PART NUMBER	U/M DESCRIPTION
1	065748-01-000	EA LABEL - CAUTION - BATTERY CHARGING

**LABELS GROUP (CONTINUED)**

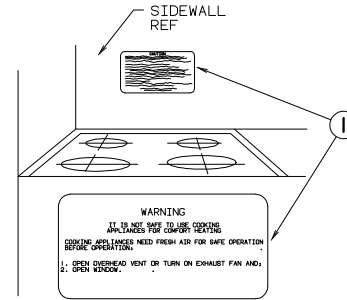


KEY	PART NUMBER	U/M DESCRIPTION
1	079965-01-000	EA LABEL - LPG - 80% CAPACITY



KEY	PART NUMBER	U/M DESCRIPTION
1	125306-01-01A	EA LABEL - ELECTRICAL ENTRANCE - 110VOLT 30AMP

**LABELS GROUP (CONTINUED)**

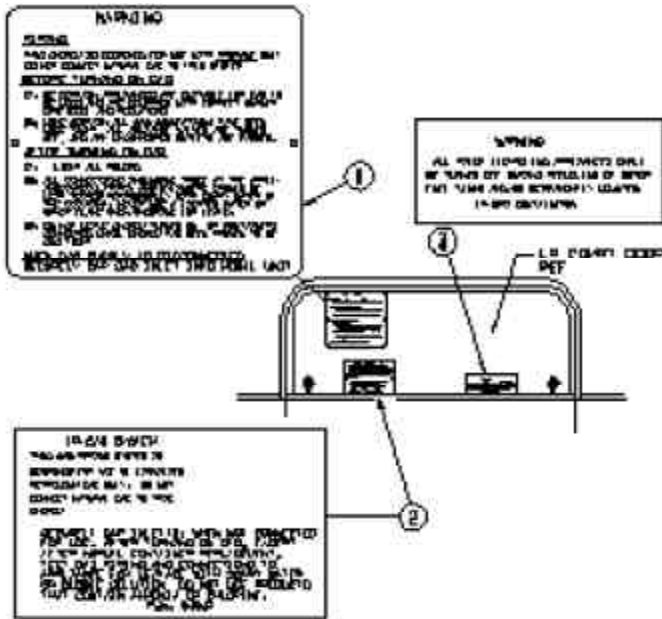


KEY	PART NUMBER	U/M DESCRIPTION
1	050222-01-000	EA LABEL - STOVE VENT - CANADIAN
1	050225-01-000	EA LABEL - STOVE VENT - US

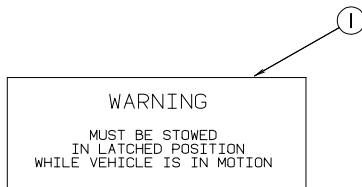


KEY	PART NUMBER	U/M DESCRIPTION
1	111802-01-000	EA LABEL - CFC WARNING
2	099689-01-000	EA LABEL - WARNING - CANCER/TOXICITY
3	056259-01-000	EA LABEL - SAFETY CHECK LIST
4	126611-01-000	EA LABEL - AIR BAG - VISOR

LABELS GROUP (CONTINUED)

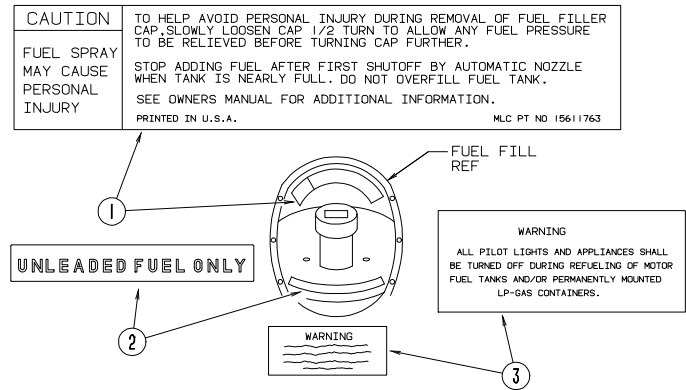


KEY	PART NUMBER	U/M DESCRIPTION
1	023769-01-000	EA LABEL - WARNING - LPG - CANADIAN
2	124520-01-01A	EA LABEL - LP GAS ONLY - BLACK ON CLEAR
3	124519-01-01A	EA LABEL - WARNING/REFUELING - BLACK ON CLEAR
3	124519-02-01A	EA LABEL - WARNING/REFUELING - CSA



KEY	PART NUMBER	U/M DESCRIPTION
1	079966-01-000	EA LABEL - WARNING - STOWED - MOTION

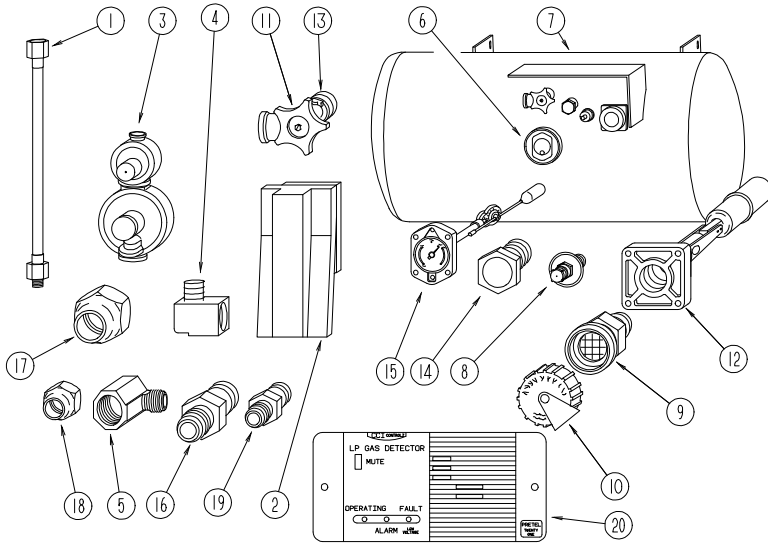
LABELS GROUP (CONTINUED)



KEY	PART NUMBER	U/M DESCRIPTION
1	087207-05-000	EA LABEL - FUEL CAP REMOVAL
2	062043-01-000	EA LABEL - FUEL - UNLEADED
3	124519-01-01A	EA LABEL - WARNING/REFUELING - BLACK ON CLEAR
3	124519-02-01A	EA LABEL - WARNING/REFUELING - CSA

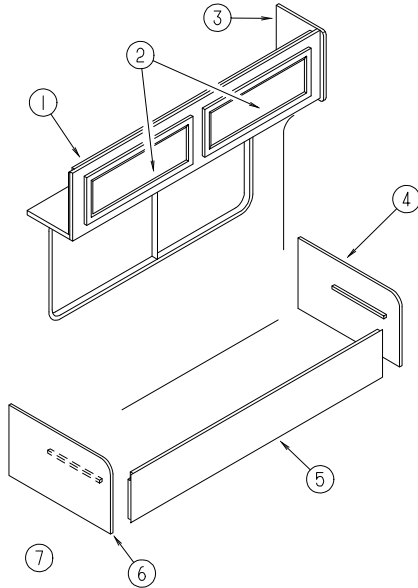
# LP GROUP

## LP TANK & COMPONENTS



KEY	PART NUMBER	U/M DESCRIPTION	VENDOR NO.
1	045703-01-000	EA HOSE - LP - 3/8"ID X 24" - 3/8"MPT X 1/2"F SWIVEL - U.S.	
1	045703-02-000	EA HOSE - LP - 3/8"ID X 24" - 3/8"MPT X 1/2"F SWIVEL - CANADA	
2	105658-01-000	EA COMPARTMENT - LP REGULATOR	
3	106150-01-000	EA REGULATOR - TWO STAGE -W/90 DEGREE ELBOW & 3/8" FPT OUTLET	
4	010252-01-000	EA ELBOW - BRASS - 90 DEGREE - 3/8"F X 1/2"MPT	
5	010265-01-000	EA ELBOW - BRASS - 90 DEGREE - 3/8"F X 1/2"FPT	
6	040440-02-000	EA TRANSMITTER - DIAL - 0-90 OHM -2 TERMINAL (POWER & GROUND)	
7	080450-01-000	EA TANK-LP - 42 LB - 13" DIAMETER X 24" LONG	
8	040421-01-700	EA VALVE-LIQUID LEVEL, 20%	G-1013
9	040421-01-701	EA VALVE-FILL-SHORT, LP	7547B
10	040421-01-702	EA CAP-FILL VALVE, PLASTIC	G-1014-A
11	040421-01-708	EA HANDWHEEL-SERVICE VALVE	G-1015-A
12	040421-01-711	EA VALVE-80% FILL W/AUTO STOP	LLL/TL3
13	040421-01-712	EA VALVE,SERV. W/O VAPOR RELIEF	29000853
14	040421-01-713	EA VALVE-RELIEF 1" W/SPRING 7"	29000587
15	074142-01-700	EA FLOAT ASM.SCREW ON F/13" TANK	13C-SCR
15	074142-01-701	EA FLOAT ASM.(SIGHT GAUGE) BOLT	13C-BLT
16	010329-01-000	EA ADAPTER - BRASS - 1/2" X 1/2" MPT	
17	010377-02-000	EA NUT - BRASS - 3/8" FLARE - FORGED	
18	010380-02-000	EA NUT - BRASS - 1/2" FLARE - FORGED	
19	010326-01-000	EA ADAPTER - FLARE - W/CONE GASKET - 3/8"F X 1/2"	
20	103613-03-000	EA DETECTOR - LP GAS - W/O SHUT-OFF VALVE	
20	010323-01-000	EA ADAPTER - BRASS - 3/8"F X 1/2" MPT	

## LOUNGE GROUP



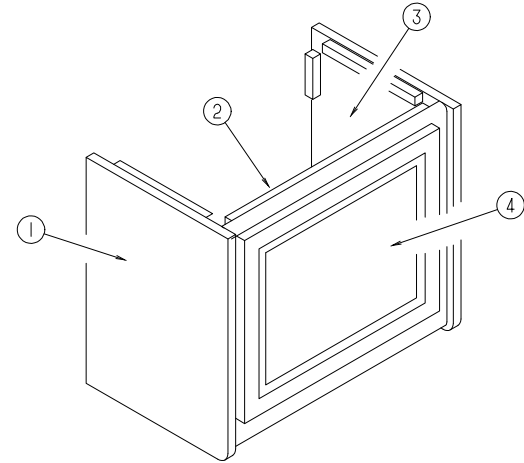
DRIVER SIDE COUCH CABINETS

KEY	PART NUMBER	U/M DESCRIPTION
1	122610-01-J03	EA CABINET - OVERHEAD/DINETTE - W/O DOORS/HARDWARE
2	M08758-43-J15	EA DOOR - MITERED CORNER/OGEE EDGE - 15.7" X 27.9" - W/O HDW
2	M08758-01-J05	EA DOOR - MITERED CORNER/OGEE EDGE - 15.7" X 27.9" - W/O HDW - RAISED PANEL
2	M05992-48-J15	EA DOOR - STRAIGHT CORNER/OGEE EDGE - 15.7" X 27.9" - W/O HDW - UPGRADE
3	104335-22-H04	EA END CAP - OVERHEAD CABINET
4	M08107-20-J03	EA PANEL - RIGHT END - SOFA/BED - FABRIC COVERED
4	M08107-20-J04	EA PANEL - RIGHT END - SOFA/BED - FABRIC COVERED
5	124540-12-J03	EA PANEL - DOOR - SOFA/BED - FABRIC COVERED
5	124540-12-J04	EA PANEL - DOOR - SOFA/BED - FABRIC COVERED
6	M08107-26-J03	EA PANEL - LEFT END - SOFA/BED - FABRIC COVERED
6	M08107-26-J04	EA PANEL - LEFT END - SOFA/BED - FABRIC COVERED
6	082525-01-000	EA BRACE - COUCH - FLOOR MOUNT - ANGLE 3" LONG

## ENTRANCE DOOR STEP COVER

KEY	PART NUMBER	U/M DESCRIPTION
	122755-05-01A	EA TILE - RUBBER/ENTRANCE DOOR - 11.2" X 26.9"
	P29778-02-01A	EA LINER - STEP - BRIGHT WHITE W/TAPE
	038327-01-000	EA TAPE - ANTI-SLIP - 2" X 60"
	129778-02-01A	EA LINER - STEP - BRIGHT WHITE

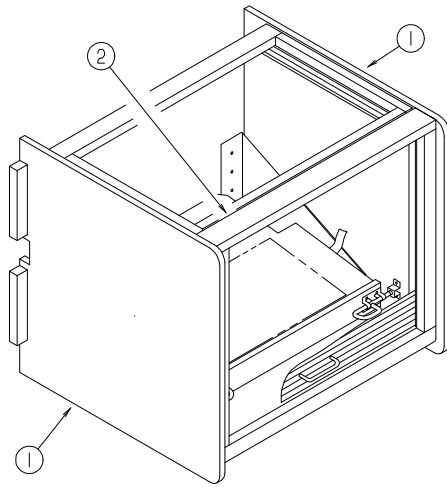
## LOUNGE GROUP (CONTINUED)



CABINET - OVERHEAD

KEY	PART NUMBER	U/M DESCRIPTION
1	104335-23-H04	EA END CAP - OVERHEAD - WATERFORD OAK
2	124390-01-H04	EA CABINET - OVERHEAD FRONT/RH - W/O DOORS/HARDWARE - WATERFORD OAK
3	104335-22-H04	EA END CAP - OVERHEAD - WATERFORD OAK
4	M08758-19-J03	EA DOOR-MITERED CRNR/OGEE EDGE-15.7" X 19.6"-W/O HDW-WATERFORD OAK
4	M08758-20-J03	EA DOOR - MITERED CORNER/OGEE EDGE - 15.7" X 19.6" - W/O HDW - RAISED PANEL
4	M05992-V3-K01	EA DOOR - STRAIGHT CORNER/OGEE EDGE - 15.7" X 19.6" - W/O HDW - UPGRADE

**LOUNGE GROUP (CONTINUED)**



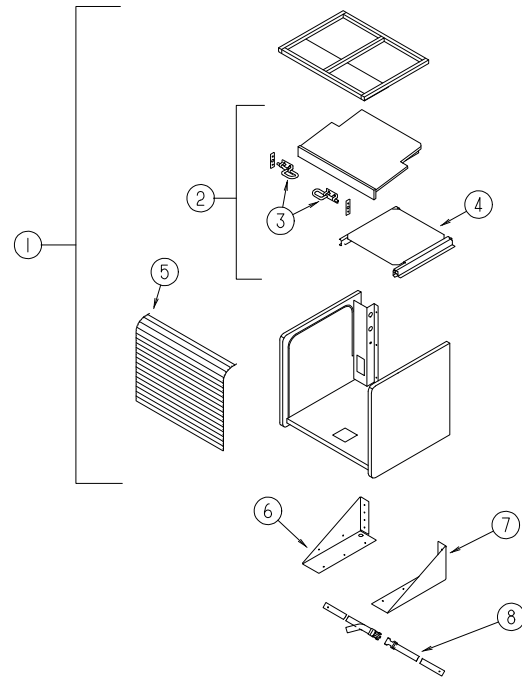
**CABINET - W/O TV/VCR OPTION**

KEY	PART NUMBER	U/M DESCRIPTION
1	109908-58-J01	EA END CAP - OVERHEAD CABINET
2	M08163-06-J01	EA CABINET - TV/VCP - W/SHELF-SLIDES/SWIVEL/TAMBOUR DOOR

**CABINET - W/TV/VCR OPTION**

KEY	PART NUMBER	U/M DESCRIPTION
1	109908-58-J01	EA END CAP - OVERHEAD CABINET - WATERFORD OAK
2	M08163-05-J01	EA CABINET-TV/VCP/W/O SHELF/SLIDES/SWIVEL/W/TAMBOUR DOOR

**LOUNGE GROUP (CONTINUED)**



**TV/VCR CABINETS**

KEY	PART NUMBER	U/M DESCRIPTION
1	M08163-06-J01	EA CABINET - TV/VCP - W/SHELF-SLIDES/SWIVEL/TAMBOUR DOOR
1	M08163-05-J01	EA CABINET-TV/VCP/W/O SHELF/SLIDES/SWIVEL/W/TAMBOUR DOOR
2	125722-13-J01	EA SHELF - W/SLIDE & SWIVEL
3	103256-01-000	EA LATCH - SLIDE
4	116773-02-000	EA SWIVEL/SLIDES - F/TV SHELF
5	057882-04-700	EA TAMBOUR - 48" X 48" SHEET - UNFINISHED
6	122298-03-02B	EA BRACKET - TV/VCR - RIGHT HAND
7	122298-02-02B	EA BRACKET - TV/VCR - LEFT HAND
8	099717-04-000	EA STRAP - TIE DOWN W/21.3" FEMALE STRAP & 27.2" MALE STRAP
	122469-02-02B	EA BRACKET - ZEE



## SEALANTS & FASTENERS GROUP

### ADHESIVES AND SEALERS

KEY	PART NUMBER	U/M DESCRIPTION
	004006-05-700	EA ADHESIVE-NAT. STARCH (5 GAL)
	004020-01-000	QT ADHESIVE - ABS CEMENT - QUART
	034552-02-000	EA SILICONE - TUBE - 300 ML - W/O NOZZLE - CLEAR
	039518-01-000	EA SILICONE - TUBE - 300 ML - BLACK - W/O NOZZLE
	053766-02-000	EA BEDDING COMPOUND - TUBE - WHITE
	053766-06-000	EA BEDDING COMPOUND - TUBE - CLEAR
	053766-08-000	EA BEDDING COMPOUND - TUBE - GRAY
	069640-01-000	FT SEALER - RIBBON - 1/4" DIAMETER X 30' - BLACK
	069640-02-000	FT SEALER - TAPE - .13"THICK X .5"WIDE X 60' - GRAY
	069640-03-000	FT SEALER - TAPE - .13"THICK X .75"WIDE X 60' - BLACK
	069640-10-000	FT SEALER - TAPE - .03"THICK X 1.50"WIDE X 90' - GRAY
	069640-11-000	FT SEALER - TAPE - .19"THICK X .38"WIDE X 40' - BLACK
	069640-17-000	FT SEALER - TAPE - .03"THICK X 1"WIDE X 90' - GRAY
	069640-18-000	FT SEALER - TAPE - .50"THICK X 1/8"WIDE X 60' - BRIGHT WHITE
	069640-21-000	FT SEALER - TAPE - .50" THICK X 1/16 X 100FT - BRIGHT WHITE
	069640-22-000	FT SEALER - TAPE - .25"THICK X 1/32 - BRIGHT WHITE
	072889-09-000	EA SEALANT - URETHANE - BLACK (TUBE)
	072889-10-000	EA SEALANT - URETHANE (HV) - BRIGHT WHITE
	072889-12-000	EA SEALANT - URETHANE (LV) BRIGHT WHITE
	076322-05-000	FT TAPE - DOUBLE COATED/ADHESIVE BACK - .045"THK X .75"W X 9'
	091255-02-000	FT SEAL - ADHESIVE BACKED/FOAM - .18" THICK X 1.5" WIDE
	102352-01-000	EA SEALER - PUMPABLE - BLACK
	102352-02-000	EA SEALER - PUMPABLE - CLEAR
	106206-01-000	EA SEALER - PUMPABLE - MANUS 30A - BLACK
	108716-03-000	EA SILICONE - TUBE - BRIGHT WHITE/SELF LEVELING - W/O NOZZLE
	120074-02-01A	EA SEALANT - SILICONE - OFF WHITE
	120534-01-01A	EA TAPE - SCOTCH - 3M - 1/2" FINE LINE
	123816-03-000	FT TAPE - DOUBLE SIDED - 1/2" X 3/4" - THICK
	900390-01-000	EA TIP - 2 1/2" X 1/8" ORIFICE
	900390-03-000	EA NOZZLE - SILICONE TUBE

### BOLTS

KEY	PART NUMBER	U/M DESCRIPTION
	000C12-05-16B	EA BOLT - HEX - 5/16-18 X 1 - ZINC 5
	000C12-06-16B	EA BOLT - HEX - 3/8-16 X 1 LG - ZINC 5
	000C12-08-24B	EA BOLT - HEX - 1/2-13 X 1.50 - ZINC 5
	000C13-07-48B	EA BOLT - HEX - 7/16-20 X 3 - ZINC 5
	000C18-05-40A	EA BOLT - ELEVATOR - 5/16-18 X 2.50 - PL
	000C18-06-48B	EA BOLT - ELEVATOR - 3/8-16 X 3 - ZINC - GRADE 5
	000C26-04-14B	EA BOLT - HEX - SERRATED FLANGE - 1/4-20 X 7/8 - ZINC
	000C26-05-16B	EA BOLT - HEX - SERRATED FLANGE - 5/16-18 X 1 - ZINC
	000C26-05-12B	EA BOLT - HEX - SERRATED FLANGE - 5/16-18 X 3/4 - ZINC
	000C26-06-12B	EA BOLT - HEX - SERRATED FLANGE - 3/8-16 X 3/4 - ZINC
	000C26-08-24B	EA BOLT - HEX - SERRATED FLANGE - 1/2-13 X 1 1/2 ZINC

## SEALANTS & FASTENERS GROUP (CONTINUED)

### NUTS AND RIVETS

KEY	PART NUMBER	U/M DESCRIPTION
	000D29-09-00B	EA NUT - HEX - SELF LOCKING - 9/16-12 - ZINC
	000D34-06-00B	EA NUT - HEX - LOCKING - 3/8-16 GRADE C - ZINC-PREVALING
	000D39-04-00B	EA NUT - HEX - LOCKING W/SERRATED FLANGE - 1/4-20 - ZINC
	000D39-05-00B	EA NUT - HEX - LOCKING W/SERRATED FLANGE - 5/16-18 - ZINC
	000D39-06-00B	EA NUT - HEX - LOCKING W/SERRATED FLANGE - 3/8-18 - ZINC
	000D39-07-00B	EA NUT - HEX - LOCKING W/SERRATED FLANGE - 7/16-14 - ZINC
	000D39-08-00B	EA NUT - HEX - LOCKING W/SERRATED FLANGE - 1/2-13 - ZINC
	000D44-07-00B	EA NUT - HEX - LOCKING W/SERRATED FLANGE - 7/16-20 - ZINC
	000D46-04-00A	EA NUT - HEX - WELD - 1/4-20 - PLAIN
	000D65-08-00B	EA NUT - HEX/SERRATED FLANGE - 8-32 ZINC
	040921-01-000	EA NUT - SPEED - U TYPE - 10-24 BLACK
	104369-01-000	EA NUT - HEX - HEAVY - 5/8-11 UNC
	000H16-04-06R	EA RIVET - POP ALUMINUM - 1/8 X .313 - .375
	069592-02-000	EA RIVET-T - POP - 1/4 X .093 - .156

### CLAMPS, TIES AND FASTENERS

KEY	PART NUMBER	U/M DESCRIPTION
	007161-01-000	EA CLAMP - HOSE - SPRING TYPE - 1/2"
	010495-01-000	EA CLAMP - CABLE - 9/16"
	010495-02-000	EA CLAMP - CABLE - 3/8
	010497-01-000	EA CLAMP - CLOSED - 5/8" ID
	010497-03-000	EA CLAMP - CLOSED - 1" ID - CUSHIONED
	010497-07-000	EA CLAMP - CLOSED - 3/8" ID
	010497-08-000	EA CLAMP - CLOSED - .125"
	010499-01-000	EA CLAMP - CLOSED - 3/8 ID
	056134-02-000	EA HOLDER - RING - 1.8" DIAMETER - METAL
	062401-01-000	EA CLAMP - HOSE - WORMGEAR - .25" - 1"
	062401-02-000	EA CLAMP - HOSE - WORMGEAR - 1.56" - 2.5"
	062401-03-000	EA CLAMP - HOSE - WORMGEAR - .22" - 1"
	062401-04-000	EA CLAMP - HOSE - WORMGEAR - .69" - 1.25"
	062401-06-000	EA CLAMP - HOSE - WORMGEAR - .22" - .62" ID
	062401-11-000	EA CLAMP - HOSE - WORMGEAR - 3.50" - 4.50"
	075148-02-000	EA CLAMP - GROUNDING - BRONZE SCREWS
	080734-02-000	EA CLIP - WIRE NYLON
	083609-01-000	EA CLAMP - WIRE - DUAL - EQUAL DIAMETERS - 5/8"
	083610-01-000	EA CLAMP - WIRE - DUAL - UNEQUAL DIAMETERS - 3/4" & 1 1/4"
	091952-02-000	EA CLIP - GRIPPER - 3/4"
	008343-01-000	EA TIE - WIRE - 6"
	008343-02-000	EA TIE - WIRE - 14"
	085774-01-000	FT FASTENER - DUAL HOOK - 1" WIDE - ADHESIVE BACK - BLACK
	085774-02-000	FT FASTENER - DUAL HOOK - 1" WIDE - ADHESIVE BACK - BLACK
	088792-01-000	YD VELCRO TAPE - HOOK - 5/8" - NON-ADHESIVE BACKED
	088792-02-000	YD VELCRO TAPE - LOOP - 3/4" - ADHESIVE BACKED - BEIGE
	088792-05-000	YD VELCRO TAPE - LOOP - 5/8" - NON-ADHESIVE BACKED - WHITE
	088792-06-000	YD VELCRO TAPE - LOOP - 3/4" - NON-ADHESIVE BACKED - BUFF
	108046-02-000	EA CABLE TIE - SCREW MOUNT 15"
	110943-02-000	FT FELTSTRIP - 3/8" - ADHESIVE BACK - WHITE
	115361-01-01A	EA PLUG - PLASTIC

## SEALANTS &amp; FASTENERS GROUP (CONTINUED)

## SCREWS

KEY	PART NUMBER	U/M DESCRIPTION
	0G3908-08-170	EA SCREW - SF/DR - 8-18 X .50 PPH - BRIGHT WHITE
	0G3908-20-170	EA SCREW - SF/DR - 8-18 X 1.25 PPH - BRIGHT WHITE
	0G3908-24-170	EA SCREW - SF/DR - 8-18 X 1.50 PPH - BRIGHT WHITE
	0G3910-12-170	EA SCREW - SF/DR - 10-16 X .75 PPH - BRIGHT WHITE
	0G5508-16-250	EA SCREW - SF/DR - 8-18 X 1.00 PWH
	0G6008-16-170	EA SCREW - SF/DR - 8-18 X 1.00 POH
	0G6710-08-170	EA SCREW - 10-12 X 1/2 PPH - BRIGHT WHITE
	000G11-05-08B	EA SCREW - 5-20 X .50 PPH - ZINC
	000G11-06-10J	EA SCREW - 6-20 X 5/8 PPH - BRASS
	000G11-06-10B	EA SCREW - 6-20 X 5/8 PPH - ZINC
	000G11-06-08B	EA SCREW - 6-20 X 1/2 PPH - ZINC
	000G11-06-06B	EA SCREW - 6-20 X 3/8 PPH - ZINC
	000G11-07-08B	EA SCREW - 7-19 X 1/2 PPH - ZINC
	000G11-08-12D	EA SCREW - 8-18 X 3/4 PPH - BLACK
	000G11-08-12B	EA SCREW - 8-18 X 3/4 PPH - ZINC
	000G11-08-08B	EA SCREW - 8-18 X 1/2 PPH - ZINC
	000G11-08-20B	EA SCREW - 8-18 X 1 1/4 PPH - ZINC
	000G11-08-16S	EA SCREW - 8-18 X 1 PPH - OFF WHITE
	000G11-08-12T	EA SCREW - 8-18 X 3/4 PPH - BLACK
	000G11-08-12P	EA SCREW - 8-18 X 3/4 PPH - DARK BROWN
	000G11-08-12P	EA SCREW - 8-18 X 3/4 PPH - DARK BROWN
	000G11-10-24P	EA SCREW - 10-16 X 1 1/2 PPH - DARK BROWN
	000G11-10-12D	EA SCREW - 10-16 X 3/4 PPH - BLACK
	000G12-06-08T	EA SCREW - 6-20 X 1/2 POH - BLACK
	000G12-08-12S	EA SCREW - 8-18 X .75 POH - OFF WHITE
	000G13-06-10G	EA SCREW - 6-20 X 5/8 PPH - ANTIQUE BRASS
	000G13-06-08G	EA SCREW - 6-20 X .50 PPH - ANTIQUE BRASS
	000G13-06-08B	EA SCREW - 6-20 X 1/2 PPH - ZINC
	000G13-07-12B	EA SCREW - 7-19 X 3/4 PPH - ZINC
	000G18-08-22B	EA SCREW - MACHINE - 8-32 X 1 3/8 PPH - ZINC
	000G19-10-12F	EA SCREW - MACHINE - 10-32 X 3/4 PPH - STAINLESS STEEL
	000G32-10-06B	EA SCREW - 10-32 X 3/8 PPH - ZINC
	000G39-06-10T	EA SCREW - SF/DR - 6-20 X 5/8 PPH - BLACK
	000G39-08-12B	EA SCREW - SF/DR - 8-18 X 3/4 PPH - ZINC
	000G39-08-08S	EA SCREW - SF/DR - 8-18 X 1/2 PPH - OFF WHITE
	000G39-08-08B	EA SCREW - SF/DR - 8-18 X 1/2 PPH - ZINC
	000G39-08-24B	EA SCREW - SF/DR - 8-18 X 1 1/2 PPH - ZINC
	000G39-08-16R	EA SCREW - SF/DR - 8-18 X 1 PPH - BEIGE
	000G39-10-12B	EA SCREW - SF/DR - 10-16 X 3/4 PPH - ZINC
	000G39-10-08B	EA SCREW - SF/DR - 10-16 X 1/2 PPH - ZINC
	000G39-10-20B	EA SCREW - SF/DR - 10-16 X 1 1/4 PPH - FLUOROCARBON SILVER
	000G39-10-20B	EA SCREW - SF/DR - 10-16 X 1 1/4 PPH - ZINC
	000G39-10-129	EA SCREW - SF/DR - 10-16 X 3/4 PPH - FLUOROCARBON SILVER
	000G39-10-12D	EA SCREW - SF/DR - 10-16 X 3/4 PPH - BLACK
	000G42-04-16B	EA SCREW - SF/DR - 1/4-14 X 1 HWH - ZINC
	000G42-04-12B	EA SCREW - SF/DR - 1/4-14 X 3/4 HWH - ZINC
	000G46-08-24T	EA SCREW - MACHINE - 8-32 X 1 1/2 PPH - BLACK
	000G52-08-18B	EA SCREW - MACHINE - 8-32 X 1 1/8 PTH - ZINC
	000G54-04-20B	EA SCREW - 1/4-20 X 1.25 PTH - TYPE 23 - ZINC PLATED
	000G55-08-12S	EA SCREW - SF/DR - 8-18 X 3/4 PWH - OFF WHITE
	000G56-12-48B	EA SCREW - WOOD - 12-11 X 3 POH - SPECIAL HARDENED
	000G60-10-20B	EA SCREW - SF/DR - 10-16 X 1 1/4 POH - ZINC
	000G60-10-28T	EA SCREW - SF/DR - 10-16 X 1 3/4 - BLACK
	000G67-10-10B	EA SCREW - 10-12 X 5/8 PPH - ZINC - TYPE A
	000G67-10-08R	EA SCREW - 10-12 X 1/2 PPH - BEIGE - TYPE A
	000G67-10-08B	EA SCREW - 10-12 X 1/2 PPH - ZINC
	000G67-10-16B	EA SCREW - 10-12 X 1 PPH - ZINC

## SEALANTS &amp; FASTENERS GROUP (CONTINUED)

## SCREWS (CONTINUED)

KEY	PART NUMBER	U/M DESCRIPTION
	000G67-10-120	EA SCREW - 10-12 X 3/4 PPH - TAN
	000G67-10-120	EA SCREW - 10-12 X 3/4 PPH - TAN
	000G67-10-12R	EA SCREW - 10-12 X .75 PPH - BEIGE
	000G67-10-12P	EA SCREW - 10-12 X 3/4 PPH - DARK BROWN
	000G67-10-12B	EA SCREW - 10-12 X 3/4 PPH - ZINC
	000G67-10-10S	EA SCREW - 10-12 X 5/8 PPH - OFF WHITE
	000G67-10-10D	EA SCREW - 10-12 X 5/8 PPH - BLACK - TYPE A
	000G67-10-36T	EA SCREW - 10-12 X 2 1/4 - PPH - BLACK
	000G67-10-32B	EA SCREW - 10-12 X 2 PPH - ZINC
	000G67-10-24B	EA SCREW - 10-12 X 1.50 PPH - ZINC
	000G68-06-10G	EA SCREW - 6-18 X 5/8 POH - ANTIQUE BRASS
	049465-03-000	EA SCREW - 10-16 X 1 POH W/WASHER - OFF WHITE
	049465-04-000	EA SCREW - 10-16 X 1 PTH W/WASHER - BEIGE
	054434-02-000	EA SCREW - SF/DR - 10-16 X 2 - ZINC
	057671-01-000	EA COVER - SCREW - #8 - PLASTIC - OFF WHITE
	076790-01-000	EA SCREW - 6-20 X 1 1/4 PPH - BLACK
	083554-01-000	EA SCREW - DRYWALL - 8 X 1.25
	087721-01-000	EA SCREW - FLAT HEAD - TAPPING - 1/4" X 1 1/4" LONG - ZINC
	101618-01-000	EA SCREW - 1/4-20 X 3/4 HEX - TAPPING - STALGARD TYPE F
	105126-01-000	EA SCREW - MACH - 8-32 X 1 PPH TAPIT

## GROMMETS

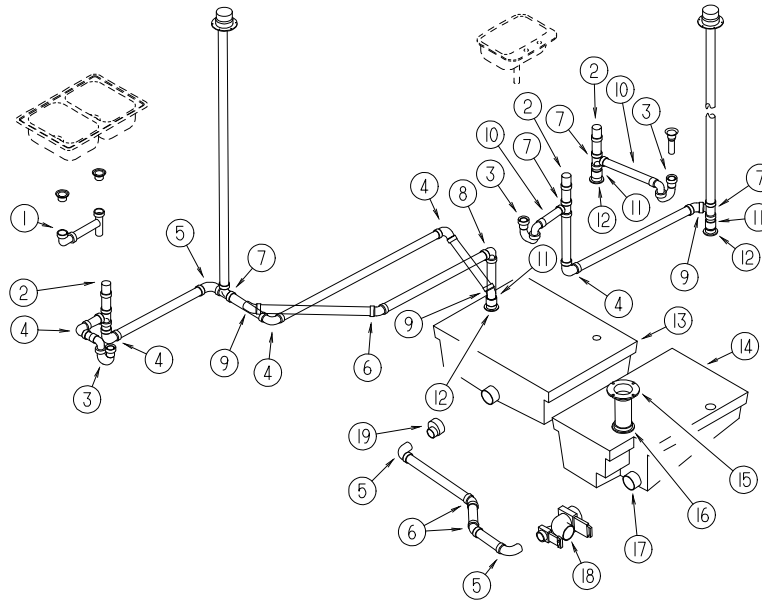
KEY	PART NUMBER	U/M DESCRIPTION
	016188-03-000	EA GROMMET - L/P LINE - 3/8" HOLE X 2 1/2" LONG - RUBBER
	016188-05-000	EA GROMMET - L/P LINE - 3/8" HOLE X 1 1/4" LONG - RUBBER
	023942-01-000	EA GROMMET - RUBBER - 2" OD
	071015-11-000	EA GROMMET - 1.00 ID - FITS .12 MATERIAL
	071015-26-000	EA GROMMET - RUBBER - 1.5" ID X 2.12" OD W/.06" GROOVE - BLK
	114208-02-000	EA GROMMET - EDGE LINER - FITS .625

## WASHERS

KEY	PART NUMBER	U/M DESCRIPTION
	000E11-07-00B	EA WASHER - LOCKING - 7/16 MED SPLIT - ZINC
	000E11-08-00B	EA WASHER - LOCKING - 1/2 MED SPLIT - ZINC
	000E13-14-00B	EA WASHER - FLAT - 1/4 WIDE - ZINC
	000E13-18-00B	EA WASHER - FLAT - 3/8 WIDE - ZINC
	000E13-20-00B	EA WASHER - FLAT - 7/16 WIDE - ZINC
	000E13-21-00B	EA WASHER - FLAT - 1/2 NARROW - ZINC
	044533-01-000	EA WASHER - PLASTIC - 1 3/8" OD - FOR BUTTONS
	077071-01-000	EA WASHER - FENDER - 3/16"ID X 1" OD

# WATER & SEWAGE GROUP

## DRAINAGE SYSTEM



KEY	PART NUMBER	U/M DESCRIPTION
1	011091-02-000	EA WASTE - CONTINUOUS - DOUBLE SINK
2	079968-01-000	EA VENT - MECHANICAL/TRAP ARM - ANTI-SIPHON-2" X 7.3" PLASTIC
3	107538-01-000	EA P TRAP - PLASTIC - 1 1/4" W/EXTENSION ARM
3	011071-01-000	EA P-TRAP - PLASTIC - 1 1/2" - CSA
4	010008-01-000	EA ELBOW - 90 DEGREE - 1 1/2" HUB X HUB - PLASTIC
5	033761-01-000	EA ELBOW - TURN - 90 DEGREE 1 1/2" HUB X 1 1/2" SPIGOT
6	010006-01-000	EA ELBOW - 45 DEGREE - 1 1/2" HUB X HUB - PLASTIC
7	010071-01-000	EA TEE - SANITARY - 1 1/2" HUB X HUB X HUB - PLASTIC
8	034250-01-000	EA ELBOW - 90 DEGREE - LONG TURN - 1 1/2" HUB X HUB - ABS
9	010051-01-000	EA ELBOW - 45 DEGREE - 1 1/2" SPIGOT & HUB - PLASTIC
10	109571-01-000	EA ADAPTER - P TRAP - 1 1/2" P X 1 1/4" MPT
11	010115-01-000	EA COUPLING - 1 1/2" HUB X HUB - PLASTIC
12	061607-01-000	EA GROMMET - HOLDING TANK - 1 1/2" NPS
13	074861-01-000	EA TANK - HOLDING - W/O GROMMETS - 35 GALLON - 35"X 11"X 27"
14	074870-01-000	EA TANK - HOLDING - W/O GROMMETS - 30 GALLON-36.5"X13.3"X23"
15	116644-01-000	EA FLANGE - CLOSET - 4" X 3"

KEY	PART NUMBER	U/M DESCRIPTION
16	061607-02-000	EA GROMMET - HOLDING TANK - 3" NPS
17	078406-01-000	EA COUPLER - RUBBER - W/CLAMPS - 3" X 3"
18	070916-01-000	EA VALVE - DUAL DUMP - W/CAP - 3" X 1 1/2"
	070916-01-700	EA VALVE ONLY (WASTE) 3"
	070916-01-701	EA VALVE ONLY (WASTE) 1 1/2"
	010201-01-000	EA HOSE - SEWER - 3" ID X 8'
	010201-02-000	EA HOSE - SEWER - 3" ID X 20 FEET
	062416-01-000	EA ADAPTER - SEWER HOSE TO 3" PIPE
19	062422-01-000	EA ADAPTER - OFFSET REDUCER - 3" X 1 1/2" - PLASTIC
	010005-01-000	EA ELBOW - 22.5 DEGREE - 1 1/2" HUB X HUB - PLASTIC
	010073-01-000	EA WYE - 45 DEGREE - 1 1/2" HUB X HUB X HUB - PLASTIC

VENDOR NO.

T1003BU  
T1001BU

## WATER & SEWAGE GROUP (CONTINUED)

### FRESH WATER TANK

KEY	PART NUMBER	U/M DESCRIPTION
	122778-02-000	EA TANK - WATER - 40 GALLON - W/FITTINGS
	122778-01-000	EA TANK - WATER - 40 GALLON - W/O FITTINGS
	042989-03-000	EA FITTING - SPINWELD - 1 1/4"NPT - PLASTIC
	042989-04-000	EA FITTING - SPINWELD - 3/8"FPT - WHITE PLASTIC
	042989-05-000	EA FITTING - SPINWELD - 1/2"FPT - PLASTIC
	049032-01-000	EA PATCH - SPINWELD - 3/8" - PLASTIC
	039861-01-000	EA SENDING UNIT - W/SCREW - WASHER - WELL NUT/TERMINAL RING
	077954-02-000	EA FILTER - WATER TANK - W/SCREEN IN TANK

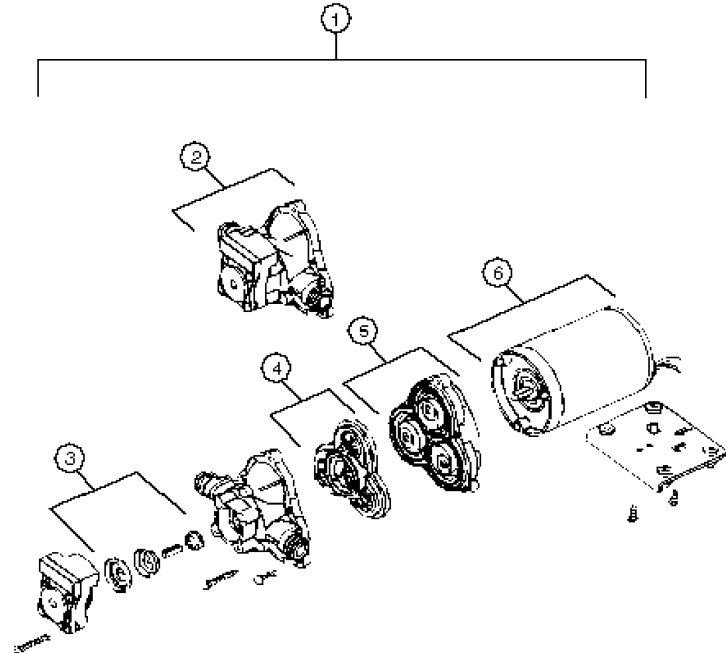
### WATER SYSTEM

KEY	PART NUMBER	U/M DESCRIPTION
	010224-01-000	EA ADAPTER - HOSE TO PIPE - 3/8 MPT X 3/8 BARB - PLASTIC
	044927-01-000	EA ADAPTER - HOSE TO PIPE-1 1/4 MPTX1 1/4 BARB-BLACK PLASTIC
	114430-02-000	EA ADAPTER - SWIVEL - 1/2"P X 1/2"FPT
	114430-03-000	EA ADAPTER - 1/2"P X 1/2"MPT
	114430-06-000	EA ADAPTER - 1/2"P X 3/8"FPT
	123152-01-000	EA ADAPTER - 1/2 FPT X 1/2 BARB - SWIVEL
	074462-02-000	FT TUBING - VINYL - 3/8 ID X 20' - CLEAR
	079381-01-000	FT TUBING - SMOOTH FLEXIBLE - 1 3/8"ID X 10'
	074462-02-000	FT TUBING - VINYL - 3/8 ID X 20' - CLEAR
	112176-01-000	FT TUBING - VINYL - REINFORCED - 1/2" ID
	124188-01-000	FT TUBING - PEX - 1/2" ID X 20' - BLUE
	124188-02-000	FT TUBING - PEX - 1/2" ID X 20' - RED
	114428-01-000	EA TEE - 1/2"P X 1/2"P X 1/2"P
	114428-02-000	EA TEE - SWIVEL - 1/2"P X 1/2"P X 1/2"FPT
	114428-03-000	EA TEE - 1/2"P X 1/2"P X 1/2"MPT
	114429-01-000	EA ELBOW - 1/2"P X 1/2"P
	114429-02-000	EA ELBOW - 1/2"P X 1/2"MPT
	114429-03-000	EA ELBOW - SWIVEL - 1/2"P X 1/2"FPT
	123150-01-000	EA ELBOW - 1/2 FPT X 1/2 BARB - SWIVEL
	110438-02-000	EA VALVE - CHECK - BRASS - 1/2 MPT X 1/2 MPT
	114431-01-000	EA VALVE - 180 DEGREE/CENTER DRAIN - 1/2"P - THREE WAY
	114431-02-000	EA VALVE - WATER BYPASS - 1/2"P - THREE WAY (WATER HEATER)
	114431-03-000	EA VALVE - 90 DEGREE DRAIN - 1/2"P
	110915-01-01A	EA FILL - CITY WATER - CHROME
	113697-01-000	EA CAP - 3/8 FTG
	115029-01-000	FT HOSE - WATER - 3/8 ID
	129787-01-000	EA REGULATOR - WATER PRESSURE - 45 PSI. - GARDEN HOSE

### EXTERIOR SHOWER

KEY	PART NUMBER	U/M DESCRIPTION	VENDOR NO.
	075241-05-000	EA FAUCET/SHOWER - BONE 3/4" MPT X 1.4" LONG INLET PIPES	
	103092-02-000	EA SHOWER HEAD - W/60" HOSE - CSA	
	103092-01-000	EA SHOWER HEAD - W/60" HOSE - WHITE	
	103092-01-700	EA BRACKET-F/SHOWER HEAD, CLEAR	2328028
	011048-03-700	EA BRACKET - F/SHOWER HEAD	2328029-I
	103092-01-702	EA SEALS-SPRAY HEAD	24466
	091952-02-000	EA CLIP - GRIPPER - 3/4"	
	114428-01-000	EA TEE - 1/2"P X 1/2"P X 1/2"P	
	114429-03-000	EA ELBOW - SWIVEL - 1/2"P X 1/2"FPT	
	081994-02-000	EA PLATE - SWITCH - EXTERIOR SHOWER	
	108356-02-01A	EA COVER/ACTUATOR SWITCH - 2 ROWS DIMPLES- CONTURA II - BLACK	
	108357-08-000	EA SWITCH - ROCKER DPDT - ON/NONE/ON - 6 TERMINAL	

## WATER & SEWAGE GROUP (CONTINUED)



### WATER PUMP-SHURFLOW

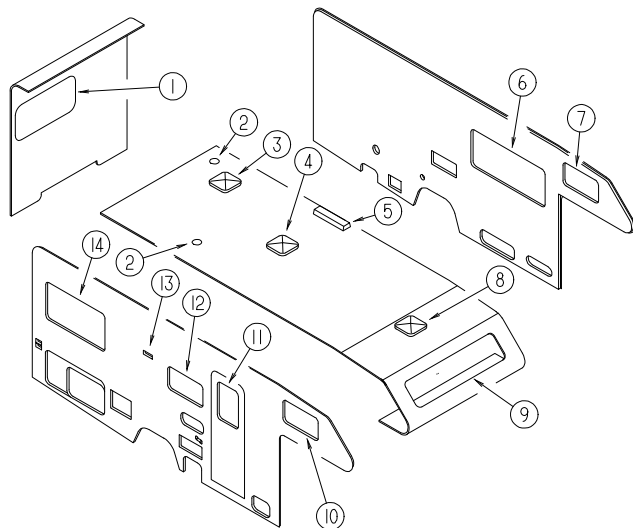
KEY	PART NUMBER	U/M DESCRIPTION	VENDOR NO.
	1 098607-01-000	EA PUMP - WATER - W/.5" MPT FITTING - FLOW 2.8 GPM	
	2 098607-01-706	EA HOUSING, W/SWITCH ONLY	94-231-20
	3 098607-01-705	EA VALVE-CHECK, KIT	94-237-00
	4 098607-01-703	EA VALVE KIT	94-232-00
	5 098607-01-702	EA DIAPHRAGM/DRIVE ASSEMBLY KIT	94-238-04
	6 098607-01-707	EA MOTOR W/BASEPLATE	11-148-04

### WATER HEATER W/O MOTOR AID - ATWOOD G6A-8E

KEY	PART NUMBER	U/M DESCRIPTION
*	051391-03-000	EA WATER HEATER G6A-8E ELECTRONIC IGNITION
	097967-01-000	EA SWITCH - WATER HEATER - REMOTE W/LIGHT

\*COMPONENT PARTS FOUND IN SERVICE PARTS LIBRARY

## WINDOW, VENT & EXTERIOR DOOR GROUP

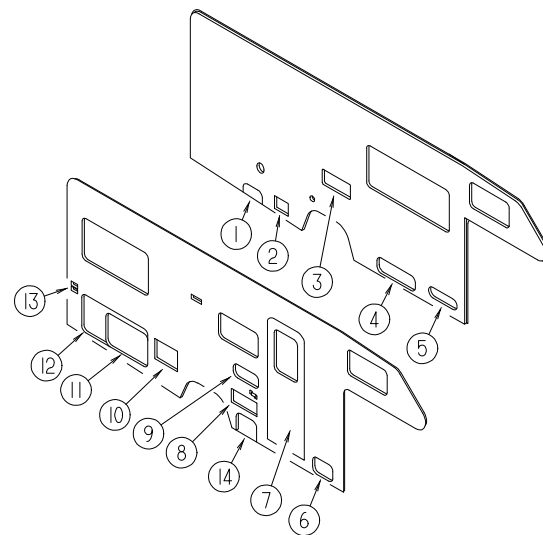


WINDOWS & VENTS

KEY	PART NUMBER	U/M DESCRIPTION
1*	078528-07-F15	EA WINDOW - ESCAPE W/O INSIDE TRIM - CLEAR - 24.5" X 48.5"
	074816-11-000	EA RETAINER - TRIM - ESCAPE WINDOW - OFF WHITE
1*	113502-01-01A	EA WINDOW - REAR/CENTER ESCAPE - THERMO - 24.8" X 48.7"
2	083558-03-000	EA VENT - PLUMBING - ROOF PIPE COVERED - OFF WHITE
3*	122882-02-01A	EA VENT - ROOF - W/FAN - W/O INSIDE GARNISH - UL
3*	122882-03-01A	EA VENT - ROOF - W/FAN - W/O INSIDE GARNISH - CSA
4*	122882-01-01A	EA VENT - ROOF - NONPOWERED - W/O INSIDE GARNISH
5	084073-04-000	EA BASE - ROOF VENT/REFRIGERATOR - BLACK - NORCOLD
5	084073-07-000	EA VENT - ROOF/REFRIGERATOR - BRIGHT WHITE - NORCOLD
6*	112795-15-01A	EA WINDOW - DRIVER HORIZONTAL SLIDER - THERMO - 26.4" X 60"
6*	098647-28-01A	EA WINDOW - DRVR HORIZ SLIDER W/TRIM - CLEAR - 26.1" X 59.7"
7*	098647-32-01A	EA WINDOW - DRVR HORIZ SLIDER W/TRIM - CLEAR - 15.7" X 28.5"
7*	112795-20-01A	EA WINDOW - DRIVER HORIZONTAL SLIDER - THERMO - 16" X 28.7"
8*	122882-01-01A	EA VENT - ROOF - NONPOWERED - W/O INSIDE GARNISH
8*	123780-01-01A	EA VENT - ROOF - 1" - W/FAN/POWER LIFT - W/O THERMOSTAT
9*	103313-03-F15	EA WINDOW - PICTURE - 16.7" X 71.3"
	117054-01-01A	EA RETAINER - TRIM - WHITE
9*	115630-01-01A	EA WINDOW - STATIONARY/THERMOPANE - 17.2" X 72"
10*	098647-31-01A	EA WINDOW - PASS HORIZ SLIDER W/TRIM - CLEAR - 15.7" X 28.5"
10*	112795-19-01A	EA WINDOW - PASSENGER HORIZ SLIDER - THERMO - 16" X 28.7"
11*	117053-04-FB1	EA WINDOW - PICTURE - CLEAR - 17" X 26.4"
	117054-02-02A	EA RETAINER - TRIM - BRIGHT WHITE
11*	113733-01-01A	EA WINDOW - STATIONARY THERMOPANE - 17" X 26.4"
12*	098647-31-01A	EA WINDOW - PASS HORIZ SLIDER W/TRIM - CLEAR - 15.7" X 28.5"
12*	112795-19-01A	EA WINDOW - PASSENGER HORIZ SLIDER - THERMO - 16" X 28.7"
13	084616-07-000	EA SHROUD - EXHAUST VENT/RANGE HOOD - BRIGHT WHITE
13	084878-09-000	EA VENT - EXHAUST/RANGE HOOD - OFF WHITE
14*	098647-38-01A	EA WINDOW - PASS HORIZ SLIDER W/TRIM - CLEAR - 30.5" X 57.5"
14*	112795-22-01A	EA WINDOW - PASSENGER HORIZ SLIDER - THERMO - 26.4" X 48"

\*COMPONENT PARTS FOUND IN SERVICE PARTS LIBRARY

## WINDOW, VENT & EXTERIOR DOOR GROUP (CONTINUED)



EXTERIOR DOORS

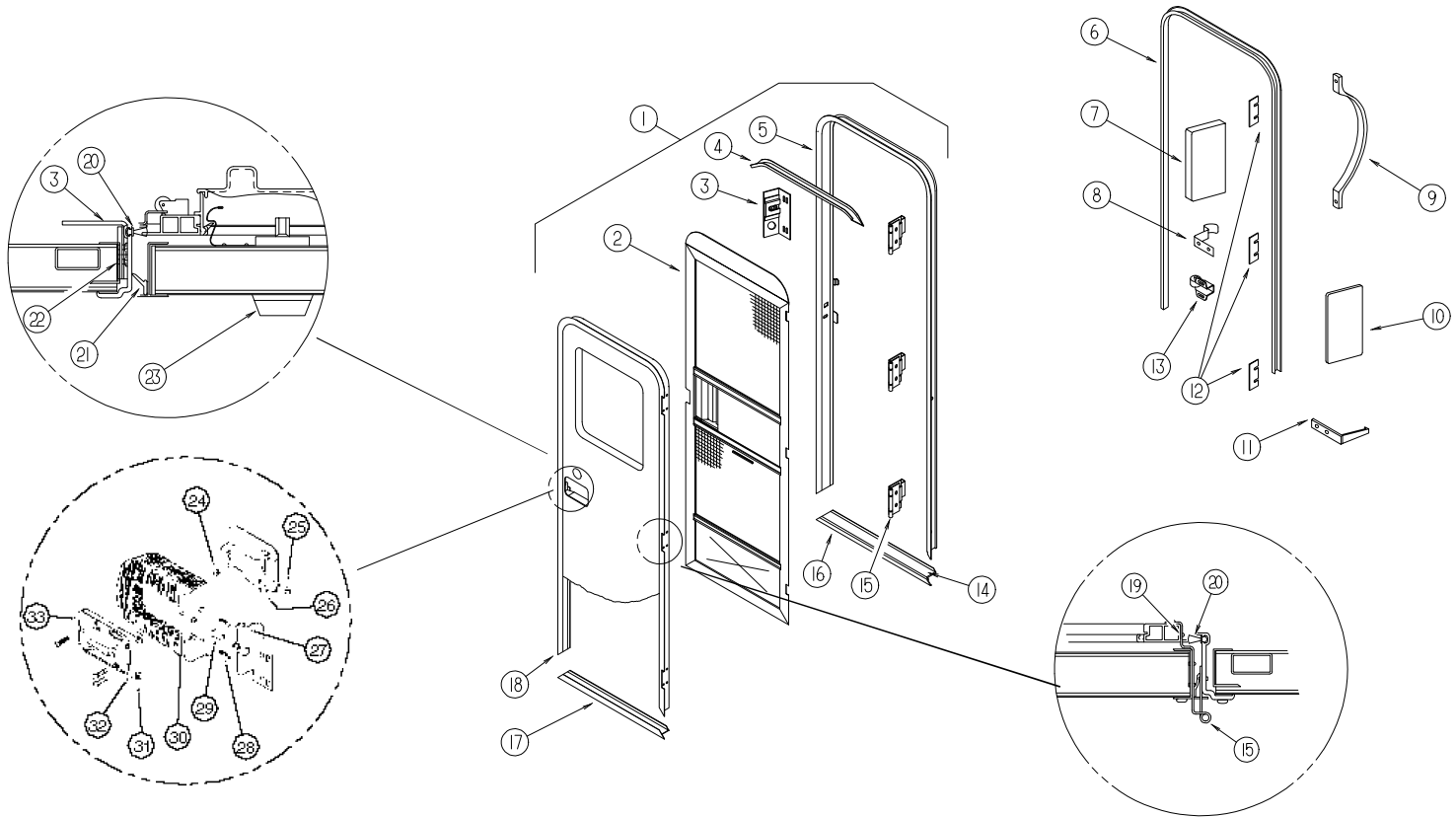
KEY	PART NUMBER	U/M DESCRIPTION
1	127278-01-J01	EA VALANCE/DOOR - W/O HARDWARE - 7.4" X 13.1" X 6.3"
2	088794-06-000	EA DOOR - POWER CORD W/HATCH - BRIGHT WHITE - 9.2" X 11"
3	084103-08-000	EA DOOR - VENT/REFRIGERATOR - W/O JAMB - BRIGHT WHITE
	084104-08-000	EA JAMB - VENT DOOR/REFRIGERATOR - BRIGHT WHITE
	084104-01-700	EA LOCK-MALE, FASTENER
	084104-01-701	EA LOCK-FEMALE, FASTENER
4	126946-05-J01	EA DOOR/STORAGE - W/O HARDWARE - 27.5" X 9.3"
5	126945-02-J01	EA DOOR/STORAGE - W/O HARDWARE - 18" X 8.3"
6	126945-07-J01	EA DOOR/STORAGE - W/O HARDWARE - 14.4" X 10"
	089329-02-000	EA CLIP - SPRING
7	115108-01-J03	EA DOOR - ENTRY - W/SCREEN DOOR - W/O WINDOW
7	115108-01-J04	EA DOOR - ENTRY - W/SCREEN DOOR - W/O WINDOW
8	052009-06-000	EA DOOR - WATER HEATER - BRIGHT WHITE - 18" X 14.6"
	116424-01-000	EA PROTECTOR - LATCH - WATER HEATER
9	126945-01-J22	EA DOOR/STORAGE - W/O HARDWARE - 18" X 8.3"
10	098668-23-000	EA DOOR - ACCESS - FURNACE - BRIGHT WHITE
11	126946-08-J01	EA DOOR/STORAGE - W/O HARDWARE - 30.1" X 20.4"
12	126946-07-J01	EA DOOR/STORAGE - W/O HARDWARE - 47.5" X 23.3"
13	081240-16-000	EA DOOR - WATER FILL - LOCKABLE W/O LOCK - 4" X 4 5/8"
14	127405-01-J01	EA VALANCE/DOOR - W/O HARDWARE - 14.6" X 11.8"
	121264-01-01A	EA BRACKET - F/PROP ROD - BRIGHT WHITE
	089329-02-000	EA CLIP - SPRING
	101667-05-000	EA PROP ROD

VENDOR NO.

201-721-010  
201-802-010

# WINDOW, VENT & EXTERIOR DOOR GROUP (CONTINUED)

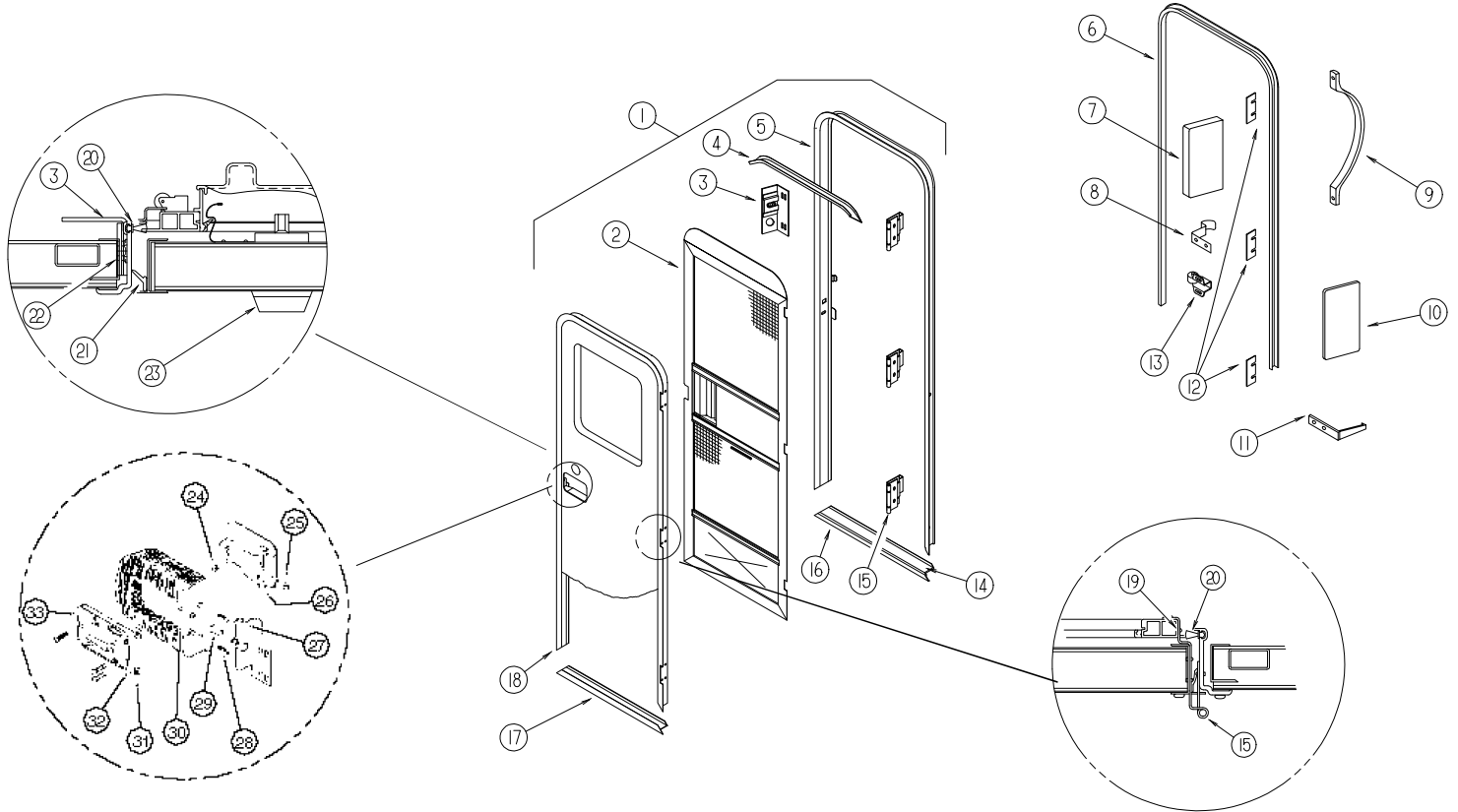
## ENTRANCE DOOR



KEY	PART NUMBER	U/M DESCRIPTION
1	115108-01-J03	EA DOOR - ENTRY - W/SCREEN DOOR - W/O WINDOW
1	115108-01-J04	EA DOOR - ENTRY - W/SCREEN DOOR - W/O WINDOW
2	121899-03-GB1	EA DOOR - SCREEN - W/O HARDWARE
3	041546-07-000	EA BRACKET - DOOR ANGLE - OFF WHITE
4	044582-44-000	EA CAP - DRIP - BRIGHT WHITE
5	121898-03-01A	EA JAMB - DOOR/ENTRANCE
6	115222-04-01A	EA GARNISH - ENTRY DOOR - RADIUS
7	077461-03-000	EA COVER - STRIKE - ENTRY DOOR - 6.5" X 2.5" - WHITE PLASTIC
8	100412-01-000	EA CATCH - SCREEN DOOR
9	009126-03-000	EA HANDLE - ASSIST - BLACK TEXTURED
10	076725-02-000	EA COVER - HINGE - ENTRY DOOR - 6" X 3.2" - OFF WHITE
11	102768-01-000	EA HOLDER - COMPARTMENT/ENTRY DOOR - METAL - MILL FINISH
12	102248-01-000	EA SHIM - DOOR
13	079087-03-000	EA STRIKE - SLIDER - SCREEN DOOR - BRIGHT WHITE

KEY	PART NUMBER	U/M DESCRIPTION	VENDOR NO.
14	038327-01-000	EA TAPE - ANTI SLIP - 2" X 60"	
15	106719-01-05A	EA HINGE - ENTRANCE DOOR - BRIGHT WHITE	
	106719-01-01A	EA HINGE - ENTRANCE DOOR - MILL	
	039715-01-000	EA NUT-SERT - 1/4" DIAMETER - 20 THREADS	
	116111-02-01A	EA SCREW - TAPTITE - 1/4-20 X 3/8 PPH - ZINC	
16	051049-01-000	EA JAMB - BOTTOM - ENTRY DOOR - 25.9" - UNPAINTED	
	036618-02-000	EA E RING - EXTERNAL - 3/16" SHAFT DIAMETER - LYNOR DOOR LOCK	
17	121893-01-01A	EA FRAME - ENTRY DOOR/BOTTOM - BRIGHT WHITE	
18	121894-07-01A	EA FRAME - ENTRY DOOR/BOTTOM - BRIGHT WHITE	
	098173-01-04A	EA STIFFENER - ENTRY DOOR - SUPPORTS LATCH/STRIKE - UNPAINTED	
	122241-01-01A	EA BUMPER - FOAM RUBBER W/ADH BACK - .5" X .5" X .25" - BLACK	

**WINDOW, VENT & EXTERIOR DOOR GROUP (CONTINUED)**  
**ENTRANCE DOOR (CONTINUED)**



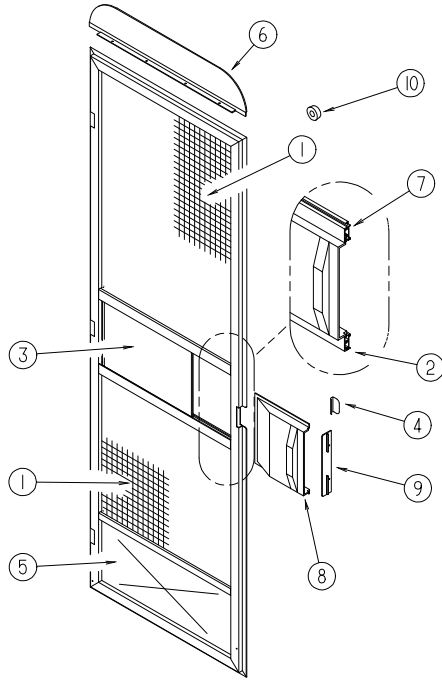
KEY	PART NUMBER	U/M DESCRIPTION
19	100128-02-000	EA SEAL - FOAM - ADHESIVE BACK - .37" WIDE X .37" THICK
20	118929-01-01A	FT SEAL - PILE - PUSH ON
21	075671-04-000	FT SEAL - SPONGE - LAZY T - W/ADHESIVE STRIP - .5" WIDE
22	104692-01-000	FT SEAL - FOAM/ADHESIVE BACK - .75"THICK X .75"WIDE X 25'
23	101145-01-06A	EA DEADBOLT - ENTRY DOOR W/O SECURITY BOLT W/2 KEYS - BLACK
	095229-01-700	EA KEY-BLANK, DEADBOLT
	101145-01-701	EA CYLINDER-LOCK ASM., W/KEY
	101147-01-000	EA BOLT - SECURITY - 4.12"
24	039984-01-000	EA CAP - ROUND - VINYL - .28" ID X .62" - BLACK
25	036618-02-000	EA E RING - EXTERNAL - 3/16" SHAFT DIAMETER - LYNOR DOOR LOCK
26	045017-13-000	EA LATCH - ENTRY DOOR - BLACK TEXTURED
	045017-11-701	EA KEY-BLANK, F1 SERIES
	045017-11-703	EA CYLINDER-LOCK ASM. W/KEYS

VENDOR NO.
81205-03
81306-03
81312-02
81266-09

KEY	PART NUMBER	U/M DESCRIPTION
27	064075-07-000	FT SEAL - BULB - W/WIRED U CHANNEL - .3" X .5" CHANNEL - BLK
28	000G54-04-20B	EA SCREW - 1/4-20 X 11/4 PTH TYP 23
29	039539-01-000	EA STRIKE - LOCK - ENTRY DOOR - ROUND W/THREADED WASHER
	039715-01-000	EA NUT-SERT - 1/4" DIAMETER - 20 THREADS
30	039540-01-000	EA LATCH MECHANISM - HOOK - ENTRY DOOR - INTERIOR
31	040921-01-000	EA NUT-SPEED-U TYPE 10-24 BLACK
32	096810-01-01A	EA PLATE - LATCH - ENTRY DOOR - BLACK
33	039979-06-000	EA COVER - LATCH PLATE - RIGHT HAND - BLACK TEXTURED
	086285-05-000	EA SPACER - NYLON - .7" X .56"
	104099-01-04A	EA CATCH - DOOR HOLDER - STRIKE - BRIGHT WHITE

VENDOR NO.

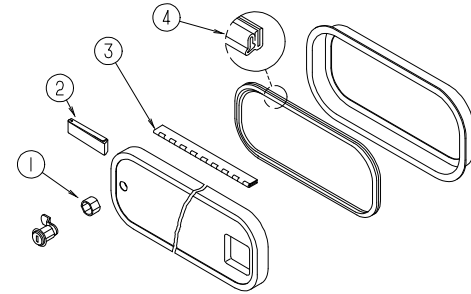
**WINDOW, VENT & EXTERIOR DOOR GROUP (CONTINUED)**



**SCREEN DOOR COMPONENTS**

KEY	PART NUMBER	U/M	DESCRIPTION
	121899-03-GB1	EA	DOOR - SCREEN - W/O HARDWARE
1	002293-02-000	SF	SCREENING - WINDOW/DOOR - 26" - CHARCOAL
2	002294-01-000	FT	SPLINE - SCREENING - .135" X .138"
3	016454-01-000	EA	INSERT - CENTER - LEATHER GRAIN ALUMINUM - UNPAINTED
	001014-01-013	EA	INSERT - CENTER - 10.25" X 16.31" - UNPAINTED
4	050712-06-000	EA	HANDLE - SCREEN DOOR - BRIGHT WHITE
5	078552-03-000	EA	KICK PANEL - SCREEN DOOR - LOWER INSERT - UNPAINTED
6	078595-01-000	EA	TOP PLATE - SCREEN DOOR - CURVED TOP - 4.7" X 25.35"
7	078777-01-000	EA	CHANNEL - SLIDE - SCREEN DOOR CENTER SLIDER COVER
			FROM: 00-00-00 THRU: 02-22-98
7	078777-08-000	FT	CHANNEL SLIDER
			FROM: 02-23-98 THRU: 99-99-99
8	079086-03-000	EA	SLIDER - SCREEN DOOR - BRIGHT WHITE
9	079087-03-000	EA	STRIKE - SLIDER - SCREEN DOOR - BRIGHT WHITE
10	120863-05-000	EA	BUMPER - RUBBER - 3/4" X 3/8"
			FROM: 00-00-00 THRU: 10-27-97
10	120863-06-000	EA	BUMPER - RUBBER - 3/4" X 3/8"
			FROM: 10-28-97 THRU: 99-99-99

**VENT & EXTERIOR DOOR GROUP (CONTINUED)**



**EXTERIOR COMPARTMENT DOOR COMPONENTS**

KEY	PART NUMBER	U/M	DESCRIPTION
1	107997-51-001	EA	SPACER - DOOR LOCK - .6" DEEP
	107997-51-002	EA	EXTRUDED - SPACER - 16'
2	102768-01-000	EA	HOLDER - COMPARTMENT/ENTRY DOOR - METAL - MILL FINISH
3	081801-V3-000	EA	HINGE - ALUMINUM - 2" X 96" - BRIGHT WHITE
4	064075-07-000	FT	SEAL - BULB - W/WIRED U CHANNEL - .3" X .5" CHANNEL - BLK
	091876-01-000	EA	RETAINER - DOOR - 1.9" X .8" - METAL
	102768-01-000	EA	HOLDER - COMPARTMENT/ENTRY DOOR - METAL - MILL FINISH
	104692-01-000	FT	SEAL - FOAM/ADHESIVE BACK - .75" THICK X .75" WIDE X 25'
	098408-01-000	FT	SEAL - SPONGE RUBBER - CLOSED CELL
	106850-02-000	FT	SEAL-E - SPONGE RUBBER - .43" X .75"
	009065-01-000	EA	HINGE - ALUMINUM - 1 1/2" X 96" - UNPAINTED