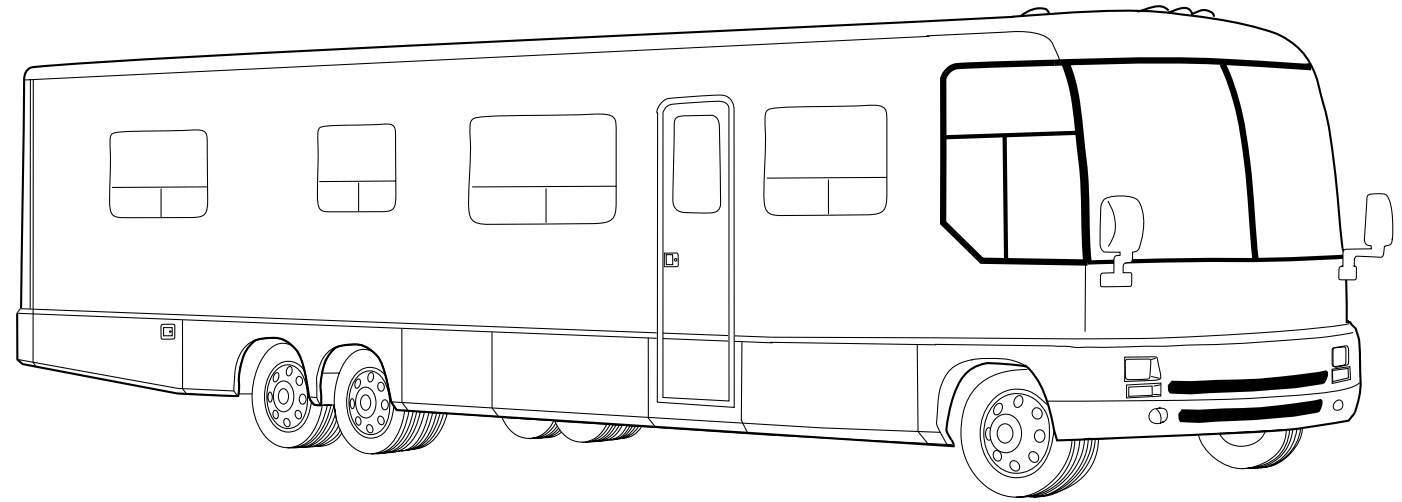


1997 WCM36WA



H 5 6 **KENTSHIRE(GREEN)**
SOLARMAPLE

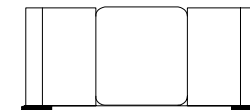
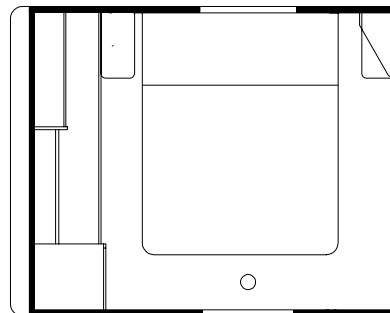
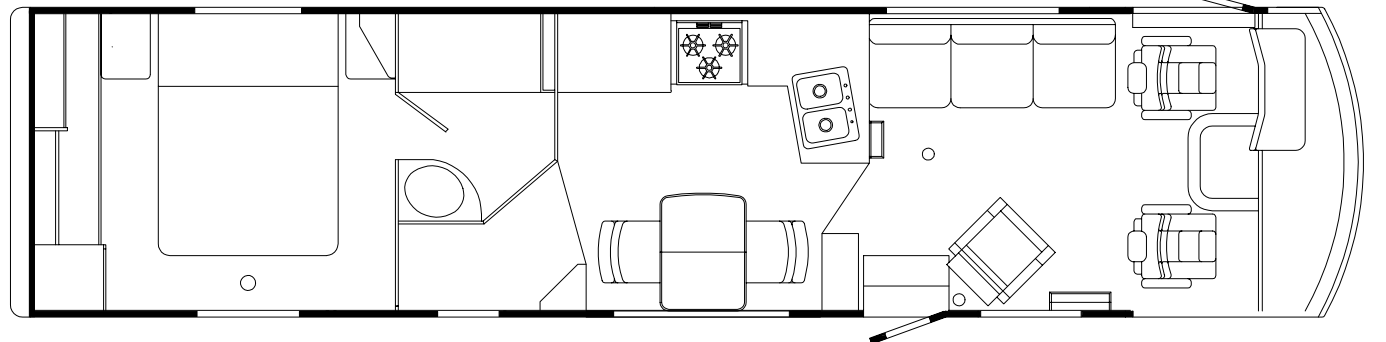
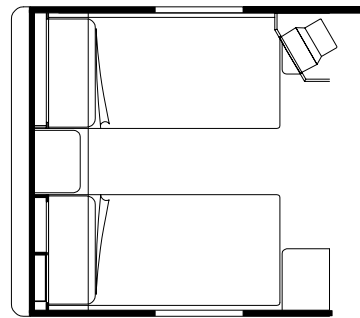
H 5 7 **KENTSHIRE(GREEN)**
SALEMCHERRY

H 5 8 **COVENTRY(STONE)**
SOLARMAPLE

H 5 9 **COVENTRY(STONE)**
SALEMCHERRY

H 6 0 **DEVON(BURGUNDY)**
SOLARMAPLE

H 6 1 **DEVON(BURGUNDY)**
SALEMCHERRY



ACCESSORIESGROUP

OPERATORSMANUAL

KEY	PARTNUMBER	U/M	DESCRIPTION
	054185-G3-000	EA	MANUAL-OPERATOR97VECTRA
	092318-01-000	EA	BINDER-3RING,MOTORHOMEMANUAL
	092319-01-000	EA	POCKETPAGE-3RINGBINDER,PLASTIC-(50PERPKG)
	123772-01-000	DW	TOPELVEL-M,1997

VACUUMCLEANER

KEY	PARTNUMBER	U/M	DESCRIPTION	VENDORNO.
	108186-01-000	EA	VACUUMCLEANER-BUILTIN	
				FROM: 00-00-00 THRU: 06-15-97
	092304-01-700	EA	BAG-VACUUM,REPLACEMENTPKG5	4908
	092304-02-704	EA	MOTORW/RELAY	5098
	092304-02-710	EA	SECONDARYFILTER	4929
	108186-02-000	EA	TOOLSET-VACUUM-W/OPOWERBRUSHW/30'HOSE	
	092304-02-701	EA	TOOL-DUSTING	1142
	092304-02-702	EA	TOOL-RUG	4982
	092304-02-707	EA	TOOL-UPHOLSTERY	7029
	092304-02-708	EA	WAND-PLASTIC	4978
	092304-02-709	EA	HOSEASM.,30"COMPLETE	4988-30
	108186-03-000	EA	VACUUMCLEANER-BUILTIN	
				FROM: 06-16-97 THRU: 99-99-99
	092304-02-700	EA	BRUSH-POWER,VACUUM(RUGRAT)	6970
	092304-02-701	EA	TOOL-DUSTING	1142
	092304-02-702	EA	TOOL-RUG	4982
	092304-02-707	EA	TOOL-UPHOLSTERY	7029
	092304-02-708	EA	WAND-PLASTIC	4978
	092304-02-709	EA	HOSEASM.,30"COMPLETE	4988-30
	092304-02-710	EA	SECONDARYFILTER	4929
	108186-03-700	EA	PAPERBAG-3-PKG	7767
	108186-03-701	EA	MOTORF/RV2000	7756
	108186-03-702	EA	REDUCER	5531

AUDIOVIDEOGROUP

RADIO&CDSYSTEM

KEY	PARTNUMBER	U/M	DESCRIPTION
	109053-02-000	EA	RADIO-AM/FMCASSETTE-WALLMOUNT
	087683-03-000	EA	RADIO-AM/FMSTEREO/CASSETTE-AUDIOVOX
	102080-05-000	EA	CHANGER-COMPACTDISCSonyCDX-52RF
			FROM: 00-00-00 THRU: 05-24-97
	127515-01-000	EA	CHANGER-COMPACTDISC
			FROM: 05-25-97 THRU: 99-99-99
	102080-01-700	EA	HOLDER-MAGAZINE,COMPACTDISC
	097460-08-000	EA	RADIO-AM/FMSTEREO/CASSETTE
			FROM: 00-00-00 THRU: 05-12-97
	127264-01-000	EA	RADIO-AM/FMSTEREO/CASSETTE
			FROM: 05-13-97 THRU: 99-99-99
	116148-03-000	EA	RADIO-AM/FMSTEREO-CDPLAYER(DELUXESOUND)
			FROM: 00-00-00 THRU: 02-09-97
	125322-01-000	EA	RADIO-AM-FMSTEREO-CASSETTE-AUDIOVOX
			FROM: 02-10-97 THRU: 07-06-97
	125322-02-000	EA	RADIO-AM-FMSTEREO-CASSETTE-AUDIOVOX
			FROM: 07-07-97 THRU: 99-99-99
	124881-01-000	EA	AMPLIFIER-AUDIO(DELUXESOUND)
	124882-01-000	EA	WIREASSEMBLY-AMPLIFIER(DELUXESOUND)
	123324-01-000	EA	FILTER-GROUNDLOOP(DELUXESOUND)
	124883-01-000	EA	SPEAKER-CUBE
			FROM: 00-00-00 THRU: 06-22-97
	124883-02-000	EA	SPEAKER-CUBE-W/BACKET
			FROM: 06-23-97 THRU: 99-99-99
	124884-01-000	EA	SPEAKER-6"X9"-SUB-WOOFER(DELUXESOUND)
	124885-01-000	EA	GRILLE-SPEAKER-6"X9"-SUB-WOOFER(DELUXESOUND)
	081059-02-000	EA	WIREASSEMBLY-9PIN-F/RADIO
	089340-02-000	EA	GRILLE-SPEAKER-6.5"SQUARE
			CANBEUSEDFORRADIOORTVSPEAKERINOVHDCABINETS
	094097-01-000	EA	SPEAKER-RADIO/TV-W/GRILLE-5.25"DIAMETER
	110469-01-000	EA	SPEAKER-4"X6"OVAL-COAXIAL
	110470-01-01A	EA	GRILLE-4"X6"OVAL-BLACK
	118165-01-GV0	EA	GRILLE-SPEAKER
			MOUNTEDOVERDR&PASSONSIDESOF CAB
	118144-01-02B	EA	GRILLE-SPEAKER

RADIO&CBANTENNA

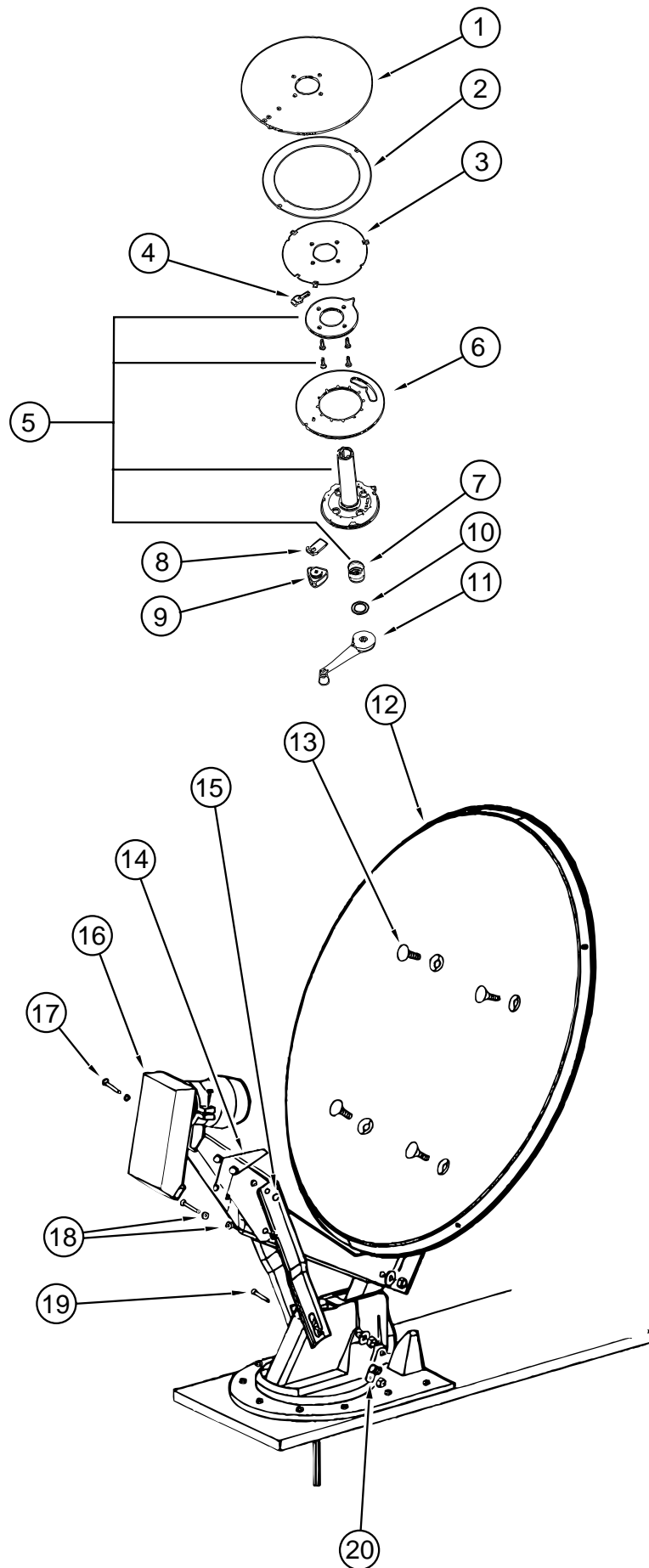
KEY	PARTNUMBER	U/M	DESCRIPTION
	123256-01-000	EA	ANTENNA-CB-W/OCABLE
	123256-02-000	EA	CABLE-CB-COAX
	090944-01-000	EA	ANTENNA-RADIO-16"RUBBER
	108847-01-000	EA	BRACKET-ANTENNAGROUND
	109889-04-000	EA	EXTENDER-ANTENNA SHAFT-3"
	077069-02-000	EA	CABLE-ANTENNA/EXTENSION-RADIO-96"

TELEPHONESYSTEM

KEY	PARTNUMBER	U/M	DESCRIPTION
	093253-01-01A	EA	PLATE-WALL-TELEPHONE-BEIGE
	093254-01-000	EA	HOUSING-TELEPHONE

AUDIOVIDEOGROUP(CONTINUED)

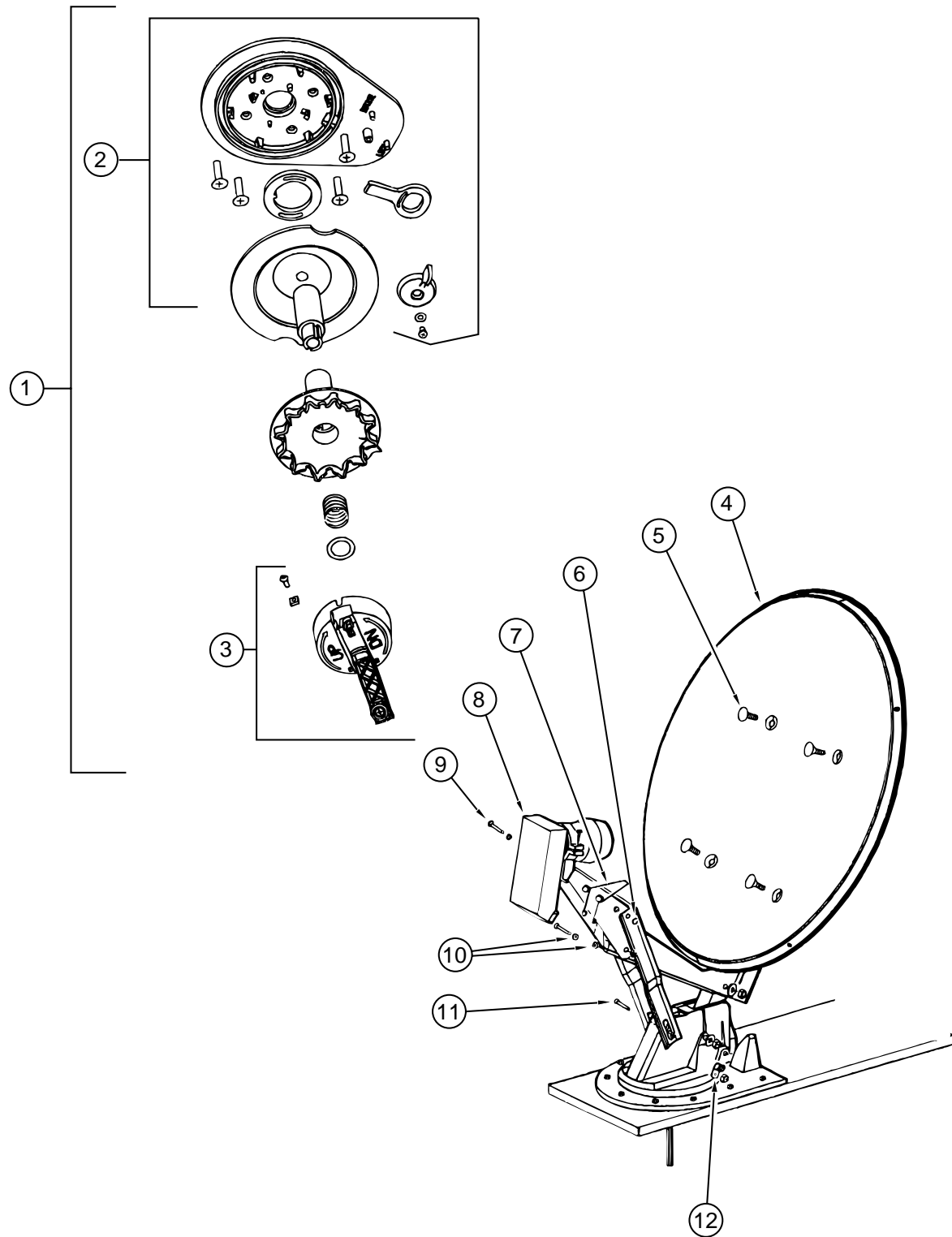
SATELLITEDISH-OLDSTYLE



KEY	PARTNUMBER	U/M	DESCRIPTION	VENDOR NO.
	120233-01-000	EA	ANTENNA-SATELLITEW/ORECEIVER(DISH&HDWKIT)MANUAL	
	120233-02-000	EA	RECEIVER-SATELLITEONLY	
	120233-02-700	EA	REMOTE	RC-0012
1	120233-01-700	EA	PLATE-FIXED	3750821
2	120233-01-701	EA	DIAL-DIRECTIONAL	2745056
3	120233-01-702	EA	PIVOT-DIAL,DIRECTIONAL	2745058
4	120233-01-703	EA	STOP-ROTATION	3711281
5	120233-01-704	EA	PLATE-CEILINGW/DIRECTIONALHANDLE	RP-6300
6	120233-01-705	EA	PLATE-ROTATE	3750820
7	120233-01-706	EA	SPRING	RP-6822
8	120233-01-707	EA	CLAMP-ROTATE	3711280
9	120233-01-708	EA	KNOB-CLAMP	2200061
10	120233-01-709	EA	WASHER-NYLON	RP-2658
11	120233-01-710	EA	HANDLE-CRANK	RP-6795
12	120233-01-711	EA	REFLECTOR-46CM	2745304
13	120233-01-712	EA	BOLT-FLATHEAD	2160253
14	120233-01-713	EA	SPRING	2160820
15	120233-01-714	EA	CLIP-E	5160818
16	120233-01-715	EA	RCALNB	278015
17	120233-01-716	EA	PIN	2160814
18	120233-01-717	EA	BEARING-NYLON	2200728
19	120233-01-718	EA	PIN	5160817
20	120233-01-719	EA	CLAMP-CABLE	2200060

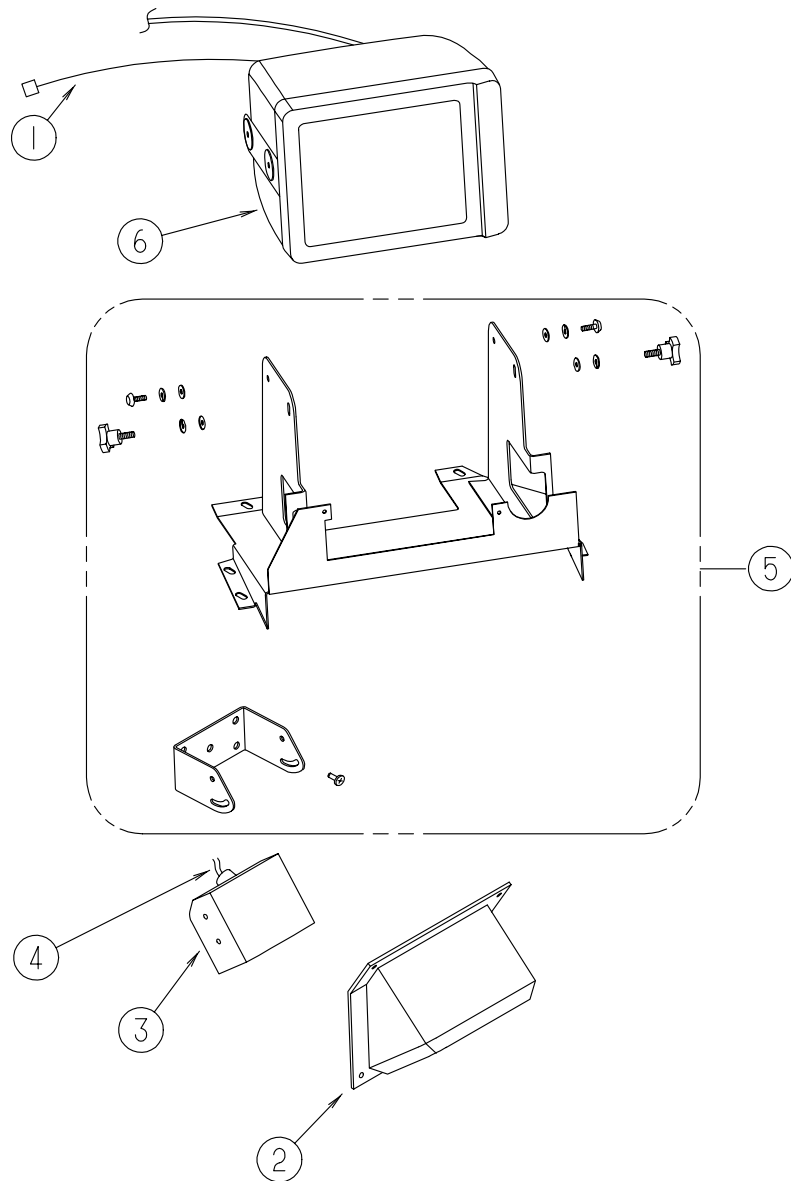
AUDIOVIDEOGROUP(CONTINUED)

SATELLITEDISH-NEWSTYLE



KEY	PARTNUMBER	U/M	DESCRIPTION	VENDORNO.
	120233-01-000	EA	ANTENNA-SATELLITEW/ORECEIVER(DISH&HDWKIT)MANUAL	
	120233-02-000	EA	RECEIVER-SATELLITEONLY	
	120233-02-700	EA	REMOTE	RC-0012
1	120233-01-720	EA	CEILINGPLATEASM(RETROFIT)	RP-4100
2	120233-01-722	EA	PLATEASSEMBLY(CEILING)	2762826
3	120233-01-721	EA	CRANKHANDLEASSEMBLY	2762825
4	120233-01-711	EA	REFLECTOR-46CM	2745304
5	120233-01-712	EA	BOLT-FLATHEAD	2160253
6	120233-01-714	EA	CLIP-E	5160818
7	120233-01-713	EA	SPRING	2160820
8	120233-01-715	EA	RCALNB	278015
9	120233-01-716	EA	PIN	2160814
10	120233-01-717	EA	BEARING-NYLON	2200728
11	120233-01-718	EA	PIN	5160817
12	120233-01-719	EA	CLAMP-CABLE	2200060

AUDIOVIDEOGROUP(CONTINUED)



AUDIOVIDEOGROUP(CONTINUED)

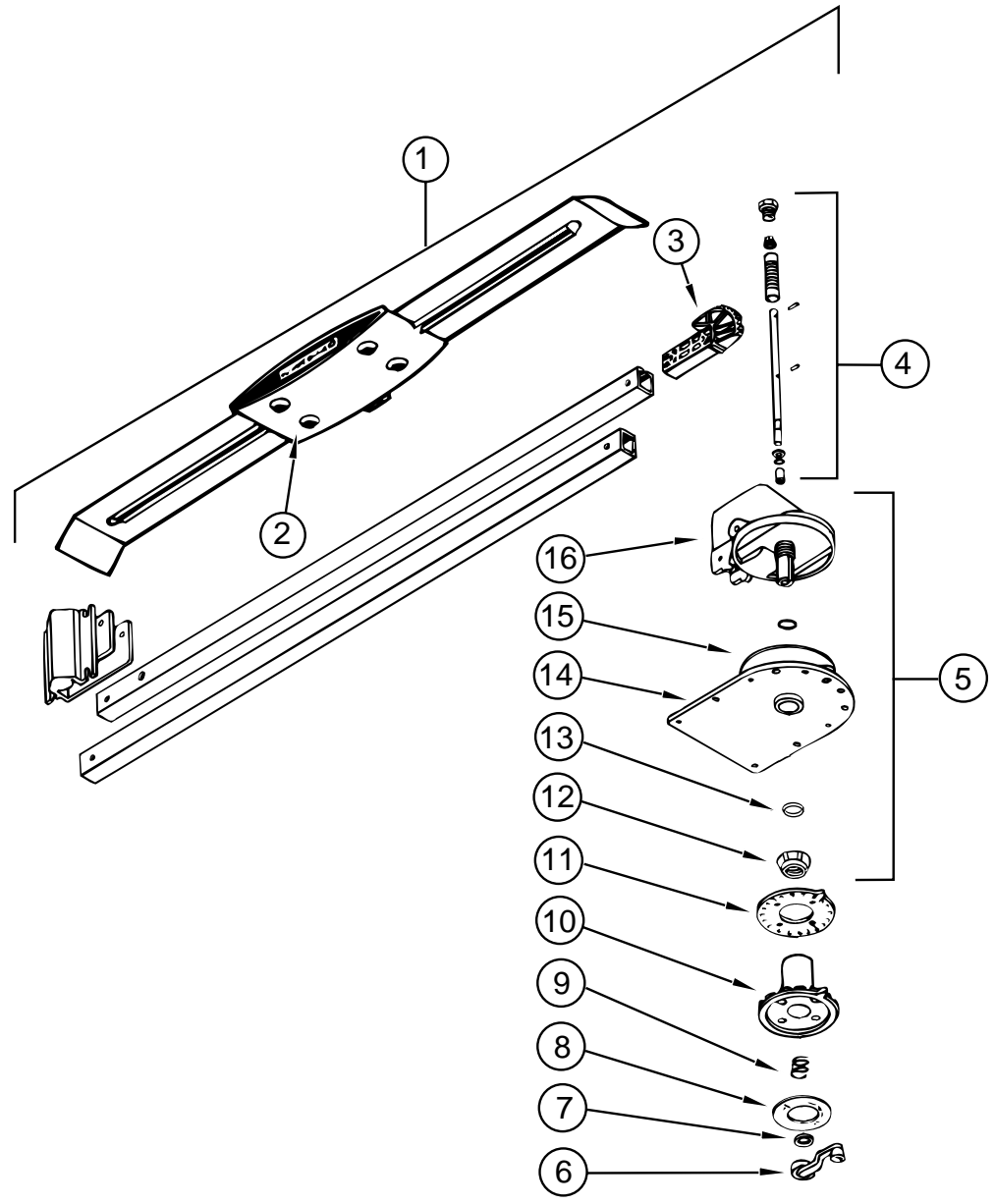
TV&VCRSYSTEMS

KEY	PARTNUMBER	U/M	DESCRIPTION	VENDOR NO.
	124075-01-000	EA	TV-19"COLORW/1/8"JACK-UL/CSA-RCA	
	124075-01-700	EA	REMOTE	227803
	124074-01-000	EA	TV-13"COLORW/1/8"JACK-UL/CSA-RC	
	124074-01-700	EA	REMOTE	226109
	125006-01-01B	EA	BRACKET-TIEDOWN-TV	
	124437-01-000	EA	SLIDE-TVSWIVEL	
	124073-01-000	EA	VCR-VHS-CABLEREADY-REMOTE-RCA	
			FROM: 00-00-00 THRU: 05-25-97	
	124073-01-700	EA	REMOTE	221347
	124073-03-000	EA	VCR-VHS-CABLEREADY-REMOTE-RCA	
			FROM: 05-26-97 THRU: 99-99-99	
	124073-01-700	EA	REMOTE	221347
	086757-03-000	EA	CONTROLCENTER-SWITCH-VCR/TV	
	093214-01-02A	EA	GRILLE-SPEAKER-4"BROWN	
	098819-01-000	EA	SPEAKER-4"-2WATT-8OHM	
	115540-01-000	EA	AMPLIFIER-TVSPEAKERS	
	115539-01-000	EA	RELAY-RADIO/TVSPEAKER-SWITCH	
	082134-01-000	EA	ADAPTER-TV-CABLETOCABLE	
	076319-03-000	FT	CABLE-COAXIAL-75OHM	
	076319-12-000	EA	CONNECTOR-COAXIAL-ONEPIECE	
	076319-09-000	EA	WALLPLATE-CABLERECEPTACLE-TV-SINGLE-BROWN	
	086777-02-000	EA	WALLPLATE-TV-CABLE-W/ANTENNASWITCH	
	086777-06-000	EA	WALLPLATE-ANTENNA1OUTPUT	
	082136-01-000	EA	NUT-HEXJAM-3/8-32	
	086756-01-000	EA	SPLITTER-TV-2WAY	
	093901-06-000	EA	PLATE-TV	
	114870-01-000	EA	PLUG-3.5MMAUDIOW/LEADS	
	114870-02-000	EA	PLUG-.14"AUDIOW/LEADS	
	099717-02-000	EA	STRAP-TV-TIEDOWNW/29.9"FEMALESTRAP&14.2"MALESTRP	
	099717-07-000	EA	STRAP-TV-TIEDOWNW/76.4"FEMALESTRAP&23.6"MALESTRAP	

REAR MONITOR SYSTEM

KEY	PARTNUMBER	U/M	DESCRIPTION	VENDOR NO.
	093040-10-000	EA	MONITOR-7"REARVIEW-W/BRACKET-SONY	
	093040-09-000	EA	CAMERA-REARVIEW-W/BRACKET-SONY	
1	096717-03-000	EA	WIRE-REARMONITOR-AFTERMARKETINSTALLATION	
	093040-06-000	EA	WIREASM-MONITOR-F/NONPREWIREDATERMARKETINSTALLATION	
2	117669-01-01A	EA	SHROUD-CAMERA-OUTER	
	108529-01-01A	EA	SHROUD-CAMERA-INNER	
3	093040-04-700	EA	CAMERA-REARVIEWW/BRKT	SSC-530AM
4	093041-01-000	EA	CABLE-MONITOR/CAMERA-INTERNALUSE-65.6'	
	093041-02-000	EA	CABLE-MONITOR/CAMERA-EXTERNALUSE-59.1'	
5	N/A		PARTSAREINCLUDEDW/TELEVISIONSYSTEM-SONY	
6	093040-05-700	EA	MONITOR-7"W/POWERHARNESS	SSM721AMR

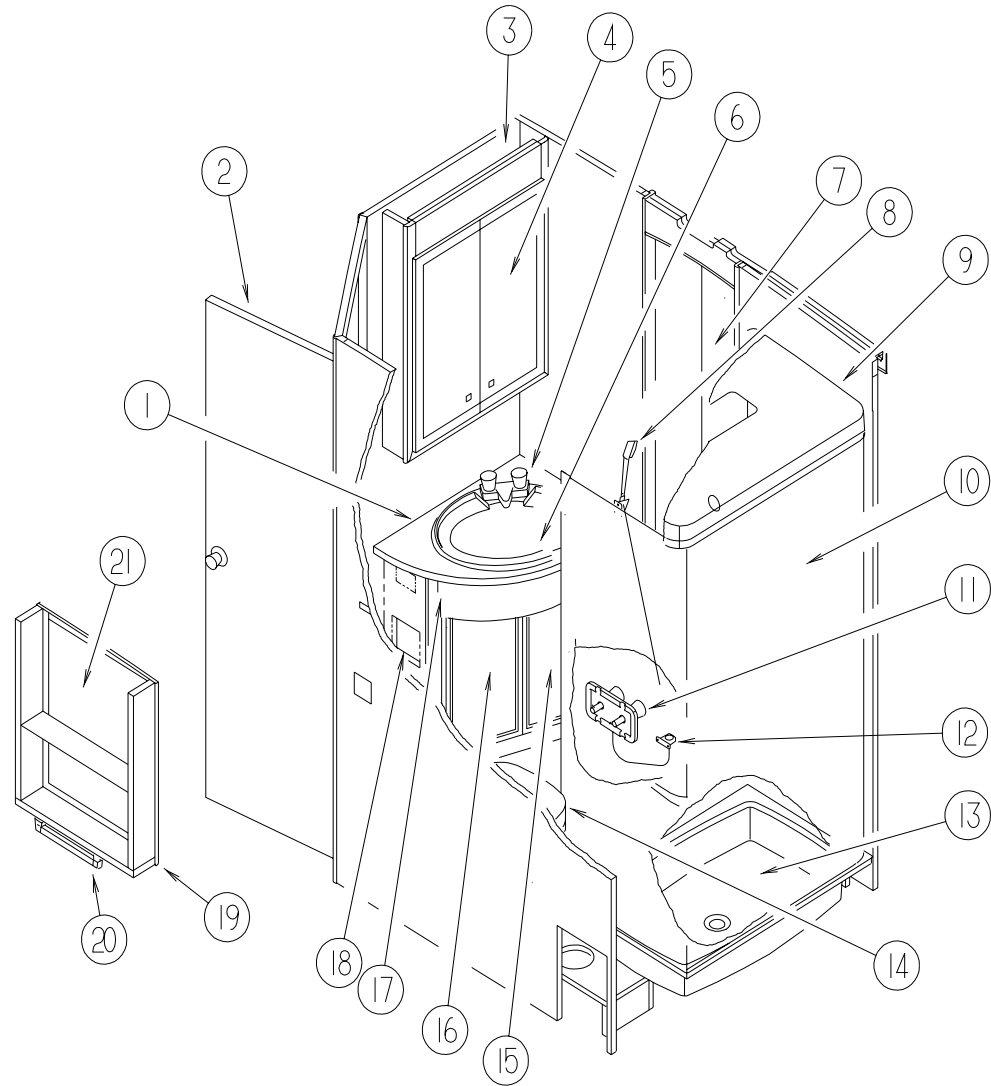
AUDIOVIDEOGROUP(CONTINUED)
TVANTENNA-WINEGARD



KEY	PARTNUMBER	U/M	DESCRIPTION	VENDOR NO.
1	076319-21-000	EA	ANTENNA-TVROOFMOUNTED,3"ROOF	
2	076319-01-700	EA	HEAD-ANTENNA,AMPLIFIED	RVSAU/V
3	076319-01-701	EA	GEAR-ELEVATING,PLASTIC	2200046
4	076319-01-702	EA	SHAFTASSEMBLY-ELEVATING	RVP-400A
5	076319-01-711	EA	BASE&LIFTASSEMBLY	2762802
6	076319-01-706	EA	CRANK-ELEVATING,W/SETSCREW	5755100
7	076319-01-705	EA	GROMMET-NYLON,7/8"ID	200658
8	076319-01-708	EA	DECAL-CRANK	5413002
9	076319-01-707	EA	SPRING-HANDLE	5160800
10	076319-01-709	EA	PLATE-DIRECTIONAL,FORHEAD	3200644
11	076319-01-712	EA	PLATE-CEILING	3200608
12	076319-01-715	EA	NUT(GEARHOUSING)	2200047
13	076319-01-704	EA	BEARING-NYLON,1.25"OD	3200657
14	076319-01-713	EA	PLATE-BASE,STEEL	3100523
15	076319-01-703	EA	BEARING-NYLON,5"OD	3200656
16	076319-01-714	EA	HOUSING-ROTATINGGEAR	2200049

BATHGROUP

BATHCABINETS&FIXTURES

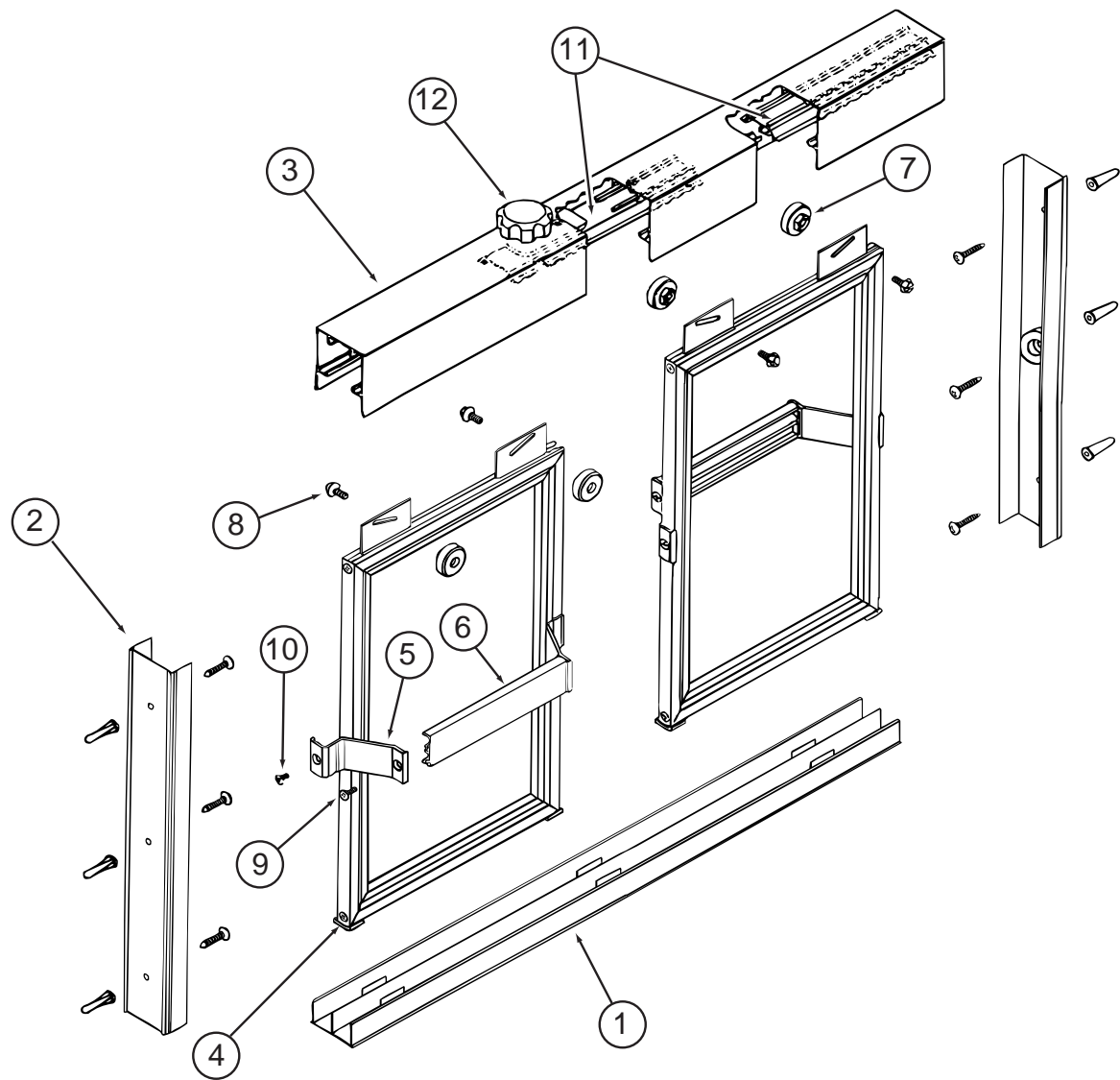


KEY	PARTNUMBER	U/M	DESCRIPTION
1	119642-11-H56	EA	COUNTERTOP-LAVATORY(H56,H58,H59)
1	119642-11-GV5	EA	COUNTERTOP-LAVATORY(H57)
1	119642-11-H60	EA	COUNTERTOP-LAVATORY(H60)
1	119642-11-H61	EA	COUNTERTOP-LAVATORY(H61)
2	121449-29-H56	EA	DOOR-BATH-W/OHARDWARE(SOLARMAPLE)
2	121449-29-H56	EA	DOOR-BATH-W/OHARDWARE(SALEMCHERRY)
	111155-01-01A	EA	LOCK-PRIVACY-POLISHEDBRASS
	121449-12-H37	EA	RACK-TOWEL-BATHDOOR(SOLARMAPLE)
	121449-12-G07	EA	RACK-TOWEL-BATHDOOR(SALEMCHERRY)
	100357-01-000	EA	ROD-F/TOWELBAR-BRASS

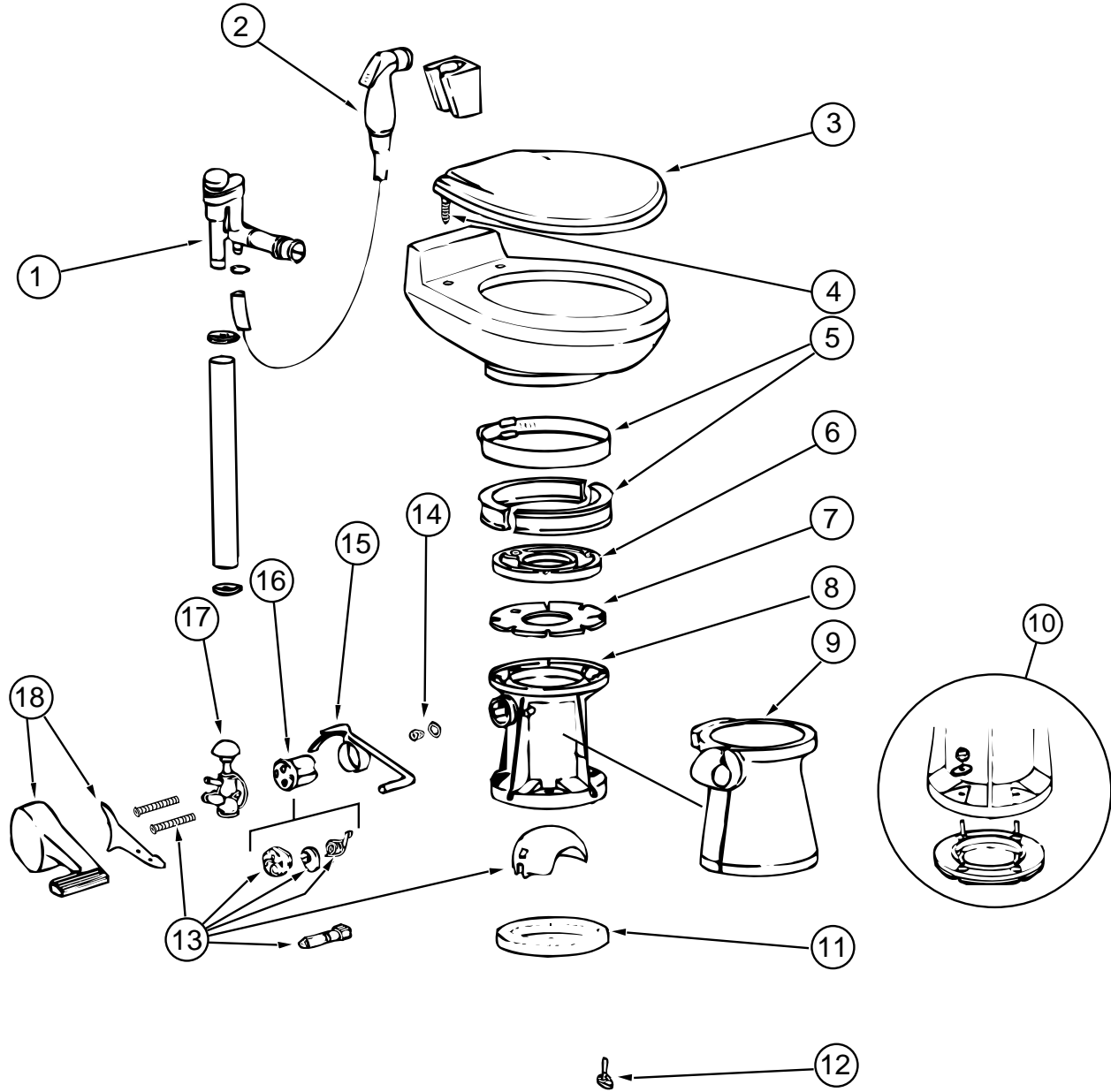
KEY	PARTNUMBER	U/M	DESCRIPTION	VENDORNO.
3	119721-01-H56	EA	CABINET-OVERHEADMEDICINE-W/ODOORS/HARDWARE(SOLARMAPLE)	
3	119721-01-GV1	EA	CABINET-OVERHEADMEDICINE-W/ODOORS/HARDWARE(SALEMCHERRY)	
	119721-11-H56	EA	SHELF-W/PLASTICEDGETRIM(SOLARMAPLE)	
	119721-11-GV1	EA	SHELF-W/PLASTICEDGETRIM(SALEMCHERRY)	
4	M08061-01-H56	EA	DOOR-MEDICINECABINET-12"X28"-SETOFTWO(SOLARMAPLE)	
4	M08061-01-GV1	EA	DOOR-MEDICINECABINET-12"X28"-SETOFTWO(SALEMCHERRY)	
	102327-01-01A	EA	PULL-MIRROR-W/SQUAREHANDLE	
5	075240-05-000	EA	FAUCET-LAVATORY-BRASS	
	091253-01-000	EA	GASKET-FAUCET-LAVATORY/GALLEY	
6	105921-01-01A	EA	SINK-LAVATORY-LARGE/OVAL-17"X20"PLASTIC/OFFWHITE	
	106116-01-01A	EA	STRAINER-SINK-W/STOPPER/TAILPIECE/GASKET&NUT-PLASTIC	
7	M87868-34-H56	EA	DOOR-BATH20.4"X73.5"-W/OHARDWARE(SOLARMAPLE)	
7	M87868-34-GV1	EA	DOOR-BATH20.4"X73.5"-W/OHARDWARE(SALEMCHERRY)	
	102920-01-01A	EA	HINGE-SPRINGLOADED/BRASS	
	110496-01-01A	EA	HINGE-BRASS	
	111155-01-01A	EA	LOCK-PRIVACY-POLISHEDBRASS	
8	103092-03-000	EA	SHOWERHEAD-W/HOSE/BRACKET-BRASS	
8	103092-02-000	EA	SHOWERHEAD-W/60"HOSE-CSA	
	103092-01-700	EA	BRACKET-F/SHOWERHEAD,CLEAR	2328028
	011048-03-700	EA	BRACKET-F/SHOWERHEAD	2328029-3
9	113671-01-01A	EA	CAP-TUB/SHOWER(NEWSTYLE)	
10	110541-01-01A	EA	SURROUND-SHOWER/TUBW/MOLDEDRODBRACKETS	
	104462-01-01A	EA	CADDY-SHOWER-O/W	
	115793-01-01A	EA	ANGLE-PLASTIC	
	111035-01-01A	EA	PANEL-FILLER-TUB/SHOWER	
11	075242-03-000	EA	FAUCET-TUB/SHOWER-BRASS	
	075606-01-000	EA	PANEL-PLASTIC-FAUCETBACK-5"X9"	
12	115363-01-01A	EA	RING-GUIDE-SHOWERHOSE	
13	M02630-33-GV0	EA	SHOWERPAN	
	066729-01-000	EA	STRAINER-TUB/SHOWER-W/PLUG	
14	085330-02-000	EA	TOILET-STANDARD,BONECHINA	
14	085330-06-000	EA	TOILET-STANDARD,CHINAW/SPRAYER,BONE	
15	M05992-G0-H56	EA	DOOR-OGEEEDGE-11.2"X19.7"-W/OHARDWARE(SOLARMAPLE)	
15	M05992-G0-GV1	EA	DOOR-OGEEEDGE-11.2"X19.7"-W/OHARDWARE(SALEMCHERRY)	
16	M05992-G1-H56	EA	DOOR-OGEEEDGE-11.2"X19.7"-W/OHARDWARE(SOLARMAPLE)	
16	M05992-G1-GV1	EA	DOOR-OGEEEDGE-11.2"X19.7"-W/OHARDWARE(SALEMCHERRY)	
17	119642-01-H56	EA	CABINET-LAVATORY-W/ODOORS/DRAWERS/HARDWARE(SOLARMAPLE)	
17	119642-01-GV5	EA	CABINET-LAVATORY-W/ODOORS/DRAWERS/HARDWARE(SALEMCHERRY)	
18	085278-01-000	EA	HOLDER-TOILETPAPER-RECESSED-BRASS	
19	119722-01-H56	EA	CABINET-OVERHEADMEDICINE-W/ODOORS/HARDWARE(SOLARMAPLE)	
19	119722-01-GV1	EA	CABINET-OVERHEADMEDICINE-W/ODOORS/HARDWARE(SALEMCHERRY)	
	119722-11-H56	EA	SHELF-W/PLASTICEDGETRIM(SOLARMAPLE)	
	119722-11-GV1	EA	SHELF-W/PLASTICEDGETRIM(SALEMCHERRY)	
20	075453-02-000	EA	BAR-TOWEL-18"BRASS	
21	M06803-G5-H56	EA	DOOR-MITEREDCORNERS/OGEEEDGE10"X25.2"W/OHDWR.(SOLARMAPLE)	
21	M06803-G5-GV1	EA	DOOR-MITEREDCORNERS/OGEEEDGE10"X25.2"W/OHDWR.(SALEMCHERRY)	
	122192-01-02A	EA	PANEL-SKYLITE-OUTER-16.4"X27.8"	
				FROM: 00-00-00 THRU: 02-13-97
	122192-01-02A	EA	PANEL-SKYLITE-OUTER-16.4"X27.8"	
				FROM: 02-14-97 THRU: 99-99-99
	122193-01-01A	EA	PANEL-SKYLITE-INNER	
				FROM: 00-00-00 THRU: 02-13-97
	122193-01-02A	EA	PANEL-SKYLITE-INNER	
				FROM: 02-14-97 THRU: 99-99-99

BATHGROUP(CONTINUED)

COASTALSHOWERDOOR

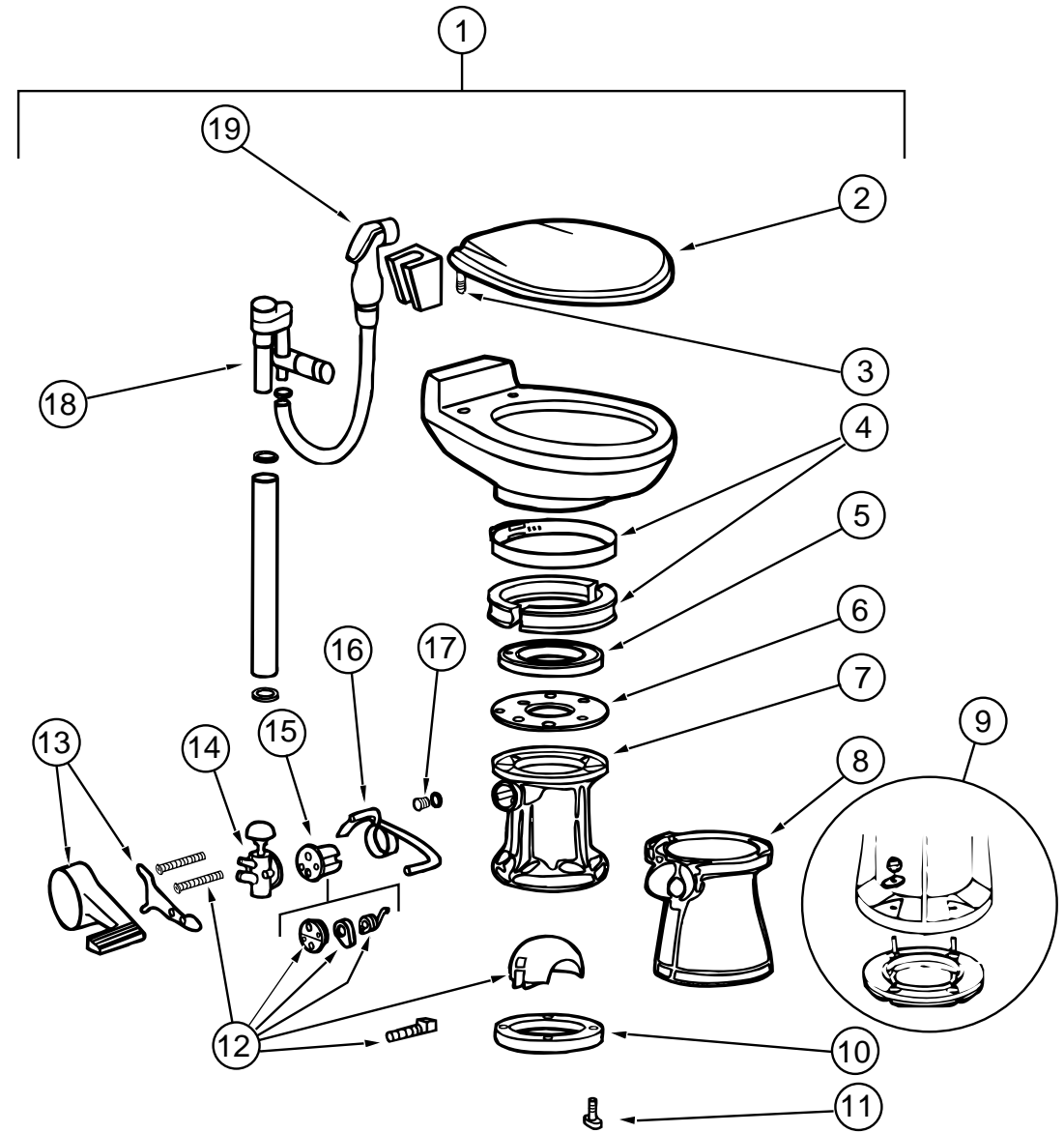


KEY	PARTNUMBER	U/M DESCRIPTION	VENDOR NO.
	115011-01-01A	EA SHOWERDOOR-BYPASSW/50"LOWERTRACK	
1	115011-01-709	EA TRACK-BOTTOM-50"	90
2	115011-01-713	EA JAMB-WALLSHOWERDOOR	126
3	115011-01-700	EA HEADER,W/OANTIJUMPGUARD	120G
4	115011-01-701	EA GUIDE-NYLON,(W-TRACK)	1104
5	115011-01-702	EA BRACKET-TOWELBAR	135
6	115011-01-703	EA BAR-TOWEL	136
7	115011-01-704	EA ROLLERS	PN193
8	115011-01-705	EA SCREW-ROLLER,(HEXHEAD)	832HEX
9	115011-01-707	EA SCREWF/TOWELBAR	612F
10	115011-01-708	EA SCREWF/TOWELBARBRKTS	638F
11	115011-01-710	EA GUARD-ANTIJUMP	130
12	115011-01-711	EA KNOB-TENSION,(HEADERW/BOLT)	1420K-1420S
	115011-01-712	EA BOLT-TENSION,(HEADER) USE#11501101711TENSIONKNOBW/TENSIONBOLT	1420S
	115011-01-706	EA GLAZINGVINYL	C 169



TOILET&COMPONENTS-SEALANDMODELML510

KEY	PARTNUMBER	U/M	DESCRIPTION	VENDORNO.
	085330-02-000	EA	TOILET-STANDARD BONE CHINA	
1	085330-04-700	EA	BREAKER-VACUUM,F/HANDSPRAY	230325
2	085330-04-701	EA	HANDSPRAY W/HOSE (500&900)	340683
3	085330-04-707	EA	SEAT ASSEMBLY, BONE	340816
4	085330-01-720	EA	HINGE HARDWARE, (BONE) SET	341707
5	085330-01-703	EA	RING & HALF CLAMPS, BONE	385310048
6	085330-01-704	EA	TEFLON & RUBBER SEAL KIT	385316140
7	085330-01-705	EA	SUPPORT-SEAL, PLASTIC	390346405
8	085330-02-700	EA	BASE ASM	310121
9	085330-02-702	EA	COVER-PEDESTAL, BONE 510	310112
10	085330-01-718	EA	SEAL & BASE W/MOUNTING HDW	3853100-63
11	085330-01-714	EA	SEAL-FLANGE, FLOOR	390343892
12	085330-01-717	EA	STOOL MTG., PKG. BOLT & SEAL	3100-64
13	085330-01-706	EA	BALL, SHAFT & CARTRIDGE	385318162
14	085330-01-710	EA	DRAIN-KIT, PLUG-CAP W/SEAL	230384
15	085330-06-703	EA	LEVER-FLUSH	340873
16	085330-01-707	EA	CARTRIDGE SPRING ASSEMBLY	381236096
17	085330-01-709	EA	VALVE-WATER	385314349
18	085330-02-703	EA	COVER-PEDAL, BONE-NEW STYLE	310115

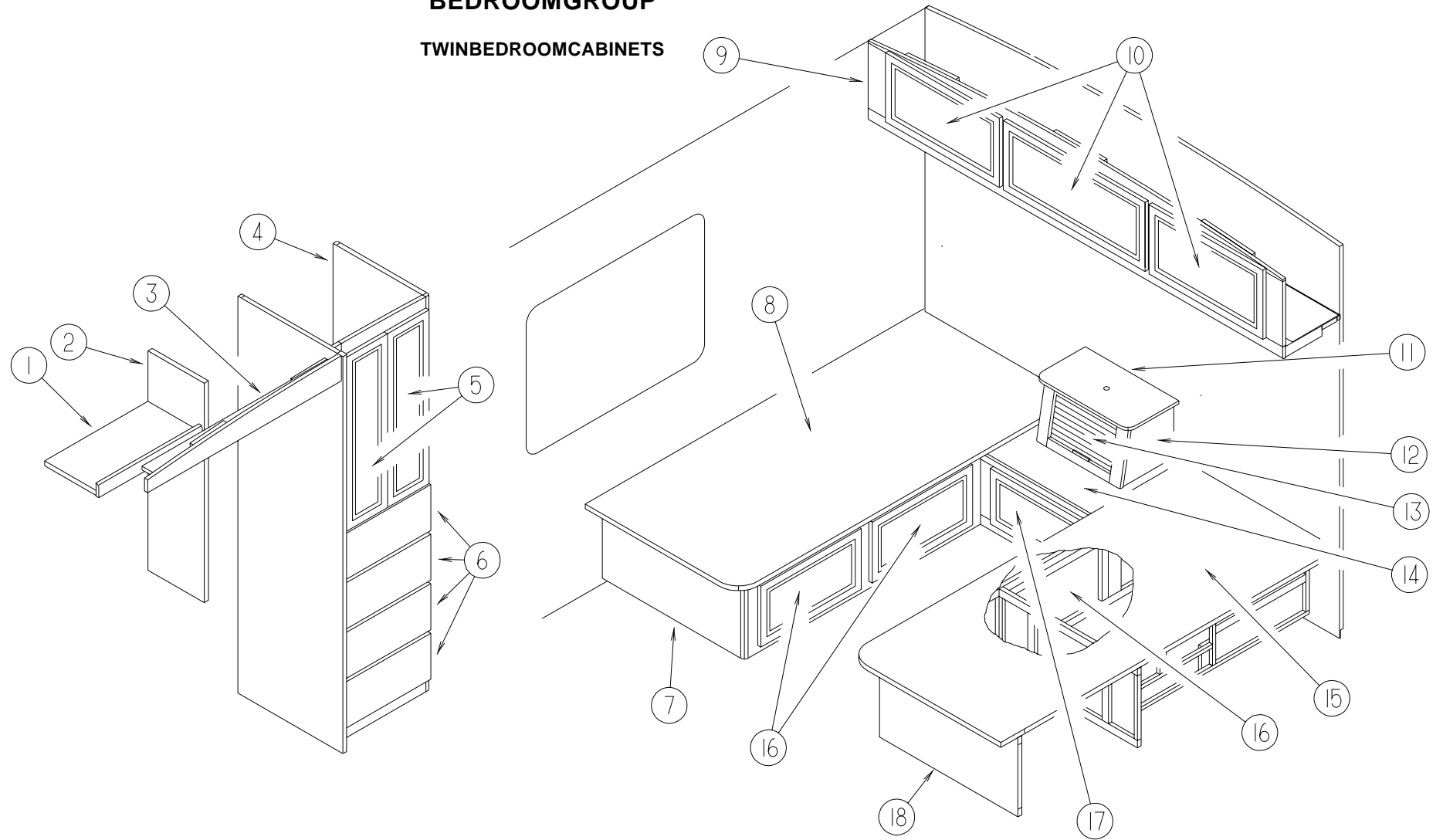


TOILET&COMPONENTS-SEALANDMODEL591003

KEY	PARTNUMBER	U/M	DESCRIPTION	VENDORNO.
1	085330-06-000	EA	TOILET-STANDARD CHINA W/SPRAYER-BONE	
2	085330-06-700	EA	SEAT ASSEMBLY, BONE	340591
3	085330-06-702	EA	HINGE HARDWARE (BONE) SET	342131
4	085330-01-703	EA	RING & HALF CLAMPS, BONE	385310048
5	085330-01-704	EA	TEFLON & RUBBER SEAL KIT	385316140
6	085330-01-705	EA	SUPPORT-SEAL, PLASTIC	390346405
7	085330-02-700	EA	BASE ASM	310121
8	085330-02-702	EA	COVER-PEDESTAL, BONE 510	310112
9	085330-01-718	EA	SEAL & BASE W/MOUNTING HDW	3853100-63
10	085330-01-714	EA	SEAL-FLANGE, FLOOR	390343892
11	085330-01-717	EA	STOOL MTG., PKG. BOLT & SEAL	3100-64
12	085330-01-706	EA	BALL, SHAFT & CARTRIDGE	385318162
13	085330-02-703	EA	COVER-PEDAL, BONE-NEW STYLE	310115
14	085330-01-709	EA	VALVE-WATER	385314349
15	085330-01-707	EA	CARTRIDGE SPRING ASSEMBLY	381236096
16	085330-06-703	EA	LEVER-FLUSH	340873
17	085330-01-710	EA	DRAIN-KIT, PLUG-CAP W/SEAL	230384
18	085330-06-701	EA	BREAKER-VACUUM/DIVERTER (900)	230335
19	085330-04-701	EA	HANDSPRAY W/HOSE (500&900)	340683

BEDROOMGROUP

TWINBEDROOMCABINETS

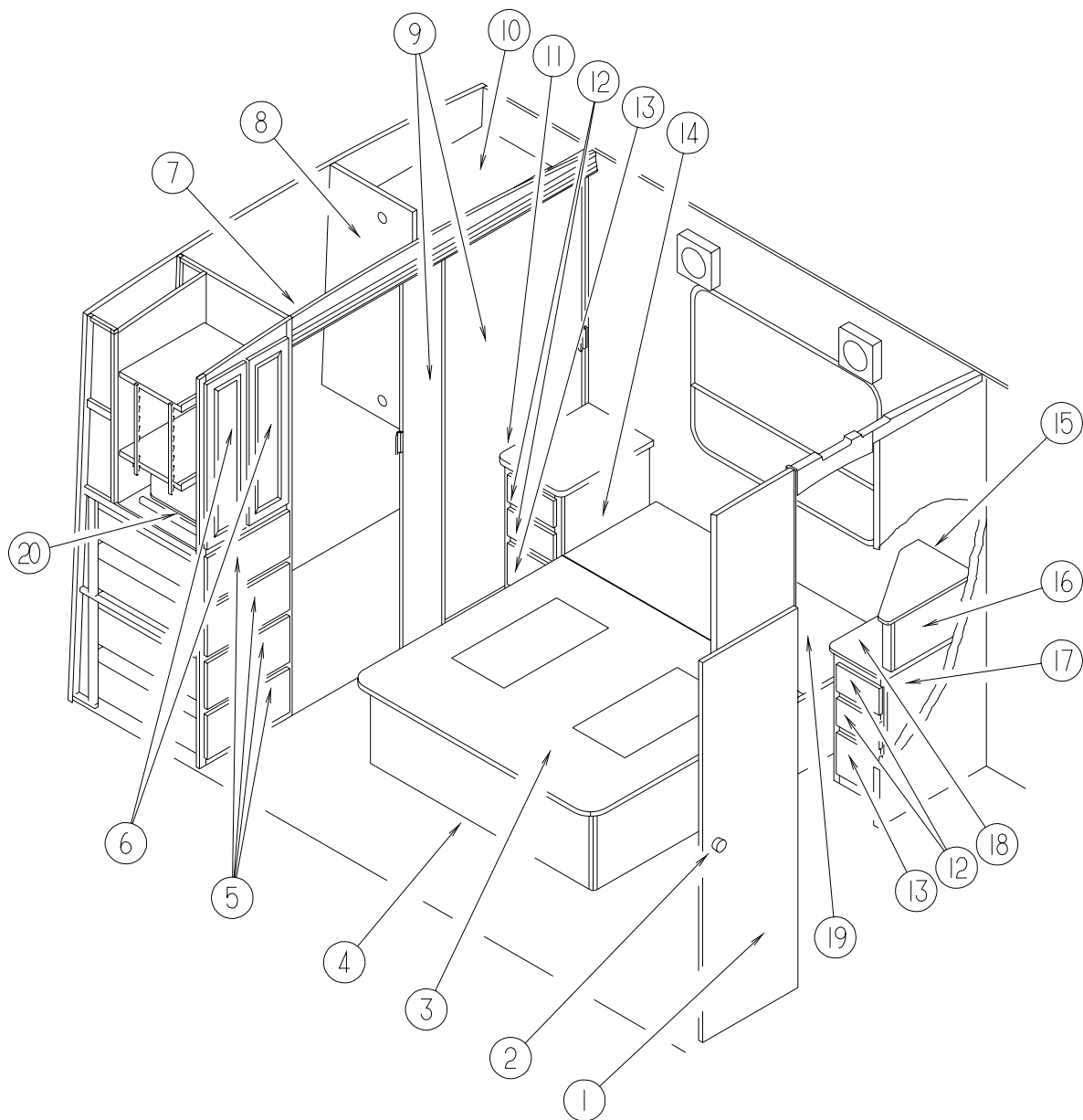


KEY	PARTNUMBER	U/M	DESCRIPTION
1	119897-02-H56	EA	SHELF/WARDROBE-W/PLASTICEDGEMOLDING(SOLARMAPLE)
1	119897-02-GV1	EA	SHELF/WARDROBE-W/PLASTICEDGEMOLDING(SALEMCHERRY)
2	119896-02-H56	EA	CABINETASM-DIVIDER,WARDROBE(SOLARMAPLE)
2	119896-02-GV1	EA	CABINETASM-DIVIDER,WARDROBE(SALEMCHERRY)
3	119921-01-H56	EA	HEADER-WARDROBE-TWINREAR-W/OHARDWARE(SOLARMAPLE)
3	119921-01-GV1	EA	HEADER-WARDROBE-TWINREAR-W/OHARDWARE(SALEMCHERRY)
4	P19951-02-H56	EA	CABINET-WARDROBE-REAR/TWIN-W/ODOORS/HARDWARE(SOLARMAPLE)
4	P19951-02-H57	EA	CABINET-WARDROBE-REAR/TWIN-W/ODOORS/HARDWARE(SALEMCHERRY)
5	M05992-H6-H56	EA	DOOR-OGEEEDGE-9.8"X33.4"-W/OHARDWARE(SOLARMAPLE)
5	M05992-H6-GV1	EA	DOOR-OGEEEDGE-9.8"X33.4"-W/OHARDWARE(SALEMCHERRY)
6	M05971-U3-H56	EA	DRAWER-OGEEEDGE-18.5"WX19.7"D-W/OSLIDES/HARDWARE(SOLARMAPLE)
6	M05971-U3-J71	EA	DRAWER-OGEEEDGE-18.5"WX19.7"D-W/OSLIDES/HARDWARE(SALEMCHERRY)
7	P19270-01-H56	EA	CABINET-BASE-TWINBED/RIGHTHAND-W/ODRS/DWRS/HDW(SOLARMAPLE)
7	P19270-01-GV1	EA	CABINET-BASE-TWINBED/RIGHTHAND-W/ODRS/DWRS/HDW(SALEMCHERRY)
8	M05087-26-000	EA	TOP-TWINBED-W/OHARDWARE
9	119758-01-H56	EA	CABINET-OVERHEADREARTWIN-W/ODOORS/HARDWARE(SOLARMAPLE)
9	119758-01-GV1	EA	CABINET-OVERHEADREARTWIN-W/ODOORS/HARDWARE(SALEMCHERRY)
10	M05990-01-H56	EA	DOOR-ARCHED/OGEEEDGE-14.3"X27.1"-W/OHARDWARE(SOLARMAPLE)
10	M05990-01-GV1	EA	DOOR-ARCHED/OGEEEDGE-14.3"X27.1"-W/OHARDWARE(SALEMCHERRY)
11	117872-13-H56	EA	COUNTERTOP-NIGHTSTAND(H56,H58)
11	117872-13-GV4	EA	COUNTERTOP-NIGHTSTAND(H57,H59)
11	117872-13-H60	EA	COUNTERTOP-NIGHTSTAND(H60)
11	117872-13-H61	EA	COUNTERTOP-NIGHTSTAND(H61)
12	P17872-01-H56	EA	CABINET-NIGHTSTAND-W/OSTEREO/DOORS/DRAWERS/HARDWARE(H56,H58)
12	P17872-01-H57	EA	CABINET-NIGHTSTAND-W/OSTEREO/DOORS/DRAWERS/HARDWARE(H57)
12	P17872-01-H59	EA	CABINET-NIGHTSTAND-W/OSTEREO/DOORS/DRAWERS/HARDWARE(H59)
12	P17872-01-H60	EA	CABINET-NIGHTSTAND-W/OSTEREO/DOORS/DRAWERS/HARDWARE(H60)

KEY	PARTNUMBER	U/M	DESCRIPTION
12	P17872-01-H61	EA	CABINET-NIGHTSTAND-W/OSTEREO/DOORS/DRAWERS/HARDWARE(H61)
12	P17872-02-H56	EA	CABINET-NIGHTSTANDF/STEREO-W/ODOORS/DRAWERS/HARDWARE(H56,H58)
12	P17872-02-H57	EA	CABINET-NIGHTSTANDF/STEREO-W/ODOORS/DRAWERS/HARDWARE(H57)
12	P17872-02-H59	EA	CABINET-NIGHTSTANDF/STEREO-W/ODOORS/DRAWERS/HARDWARE(H59)
12	P17872-02-H60	EA	CABINET-NIGHTSTANDF/STEREO-W/ODOORS/DRAWERS/HARDWARE(H60)
12	P17872-02-H61	EA	CABINET-NIGHTSTANDF/STEREO-W/ODOORS/DRAWERS/HARDWARE(H61)
13	057882-05-000	SF	DOOR-TAMBOUR(SOLARMAPLE)
13	057882-04-000	SF	DOOR-TAMBOUR(SALEMCHERRY)
14	117872-15-H56	EA	COUNTERTOP-NIGHTSTAND(H56,H58)
14	117872-15-GV4	EA	COUNTERTOP-NIGHTSTAND(H57,H59)
14	117872-15-H60	EA	COUNTERTOP-NIGHTSTAND(H60)
14	117872-15-H61	EA	COUNTERTOP-NIGHTSTAND(H61)
15	M05087-25-000	EA	TOP-TWINBED-W/OHARDWARE
16	M05971-P5-H56	EA	DRAWER-OGEEEDGE-21.4"X23.5"-W/OSLIDES/HARDWARE(SOLARMAPLE)
16	M05971-P5-GV1	EA	DRAWER-OGEEEDGE-21.4"X23.5"-W/OSLIDES/HARDWARE(SALEMCHERRY)
17	M05971-P6-H56	EA	DRAWER-OGEEEDGE-23.1"WX17.7"D-W/OSLIDES/HARDWARE(SOLARMAPLE)
17	M05971-P6-GV1	EA	DRAWER-OGEEEDGE-23.1"WX17.7"D-W/OSLIDES/HARDWARE(SALEMCHERRY)
18	P19271-01-H56	EA	CABINET-BASE-TWINBED/LEFTHAND-W/ODRS/DWRS/HDW(SOLARMAPLE)
18	P19271-01-GV1	EA	CABINET-BASE-TWINBED/LEFTHAND-W/ODRS/DWRS/HDW(SALEMCHERRY)

BEDROOMGROUP(CONTINUED)

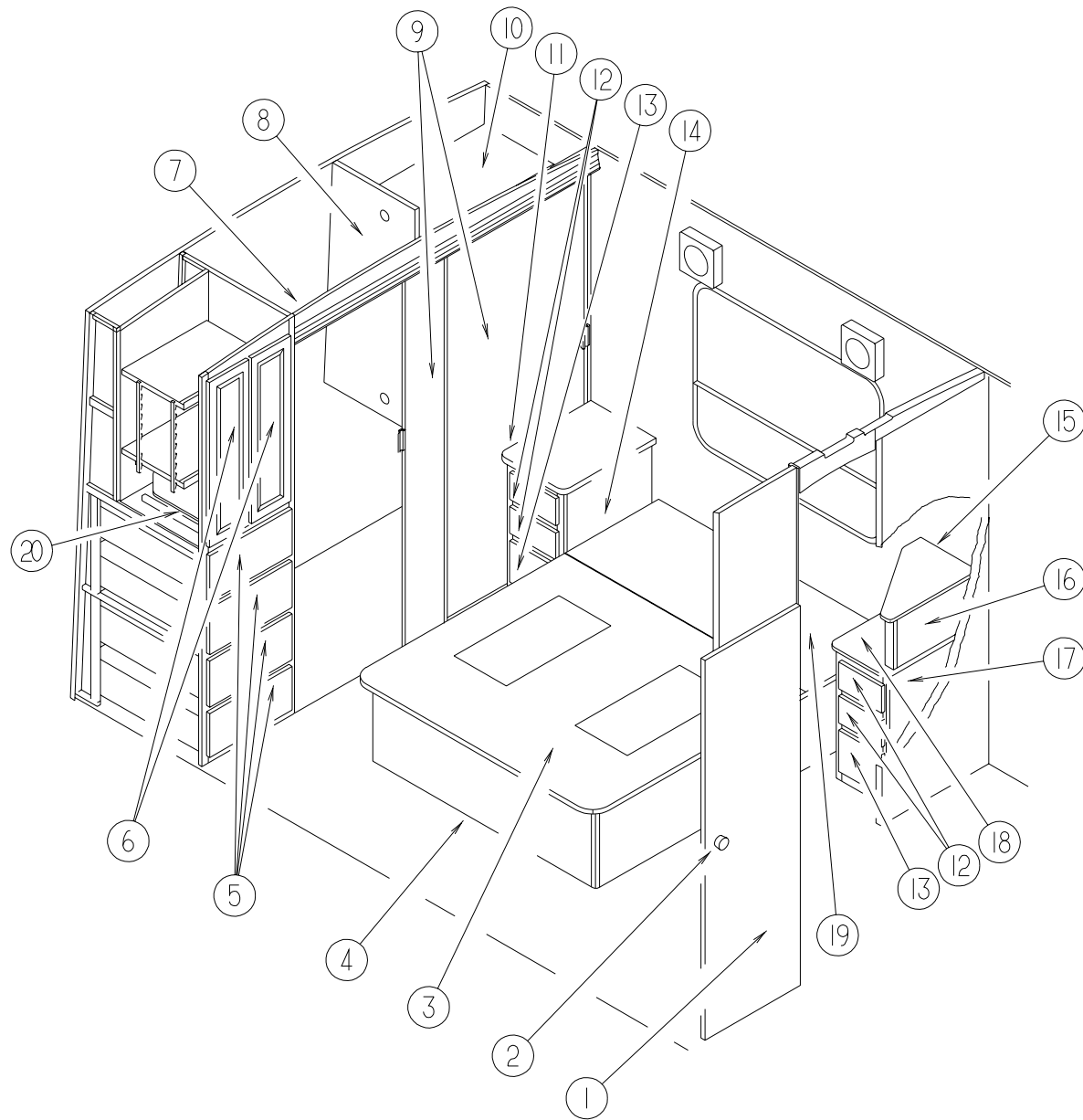
QUEENBEDROOMCABINETS



KEY	PARTNUMBER	U/M	DESCRIPTION
1	M87868-33-H56	EA	DOOR-BATH23"X73.7"-W/OHARDWARE
	102920-01-01A	EA	HINGE-SPRINGLOADED/BRASS
	110496-01-01A	EA	HINGE-BRASS
2	111155-01-01A	EA	LOCK-PRIVACY-POLISHEDBRASS
3	M05087-27-000	EA	TOP-QUEENBED-W/OHARDWARE
4	P19268-01-H56	EA	CABINET-BASE-QUEENBED-W/ODOORS/DRAWERS/HARDWARE (SOLARMAPLE)
4	P19268-01-GV1	EA	CABINET-BASE-QUEENBED-W/ODOORS/DRAWERS/HARDWARE (SALEMCHERRY)
	057460-04-000	EA	SPRING-GAS-BALLSTUDSTYLE "SPD6209"
	089025-01-000	EA	SUPPORT-SPRINGTOBED-ANGLE 1.5"X11.8"
	109645-01-000	EA	BRACKET-SUPPORTFLOORTOBED-F/GASSPRING
5	M05971-15-H56	EA	DRAWER-OGEEEDGE-17.4"WX21.6"D-W/OSLIDES/HARDWARE (SOLARMAPLE)
5	M05971-15-GV1	EA	DRAWER-OGEEEDGE-17.4"WX21.6"D-W/OSLIDES/HARDWARE (SALEMCHERRY)
6	M05990-01-H56	EA	DOOR-OGEEEDGE-14.3"X27.1"-W/OHARDWARE (SOLARMAPLE)
6	M05990-01-GV1	EA	DOOR-OGEEEDGE-14.3"X27.1"-W/OHARDWARE (SALEMCHERRY)
7	119543-01-H56	EA	HEADER-REARWARDROBE (SOLARMAPLE)
7	119543-01-GV1	EA	HEADER-REARWARDROBE (SALEMCHERRY)
8	119896-01-H56	EA	CABINET-DIVIDER-WARDROBE-W/ODOORS/HARDWARE (SOLARMAPLE)
8	119896-01-GV1	EA	CABINET-DIVIDER-WARDROBE-W/ODOORS/HARDWARE (SALEMCHERRY)
9	114149-08-GV0	EA	DOOR-WARDROBE/MIRRORED
10	119897-01-H56	EA	CABINET-SHELF/WARDROBE-W/ODOORS/HARDWARE (SOLARMAPLE)
10	119897-01-GV1	EA	CABINET-SHELF/WARDROBE-W/ODOORS/HARDWARE (SALEMCHERRY)
11	119288-12-H56	EA	COUNTERTOP-NIGHTSTAND (H56, H58)
11	119288-12-GV4	EA	COUNTERTOP-NIGHTSTAND (H57, H59)
11	119288-12-H60	EA	COUNTERTOP-NIGHTSTAND (H60)
11	119288-12-H61	EA	COUNTERTOP-NIGHTSTAND (H61)
12	M05971-33-H56	EA	DRAWER-OGEEEDGE-11.4"WX17.7"D-W/OSLIDES/HARDWARE (SOLARMAPLE)
12	M05971-33-GV1	EA	DRAWER-OGEEEDGE-11.4"WX17.7"D-W/OSLIDES/HARDWARE (SALEMCHERRY)
13	M05971-UO-H56	EA	DRAWER-OGEEEDGE-11.4"WX17.7"D-W/OSLIDES/HARDWARE (SOLARMAPLE)
13	M05971-UO-H57	EA	DRAWER-OGEEEDGE-11.4"WX17.7"D-W/OSLIDES/HARDWARE (SALEMCHERRY)
14	119288-01-H56	EA	CABINET-NIGHTSTANDQUEENREAR-W/ODOORS/DRAWER/HARDWARE (SOLARMAPLE)
14	119288-01-GV5	EA	CABINET-NIGHTSTANDQUEENREAR-W/ODOORS/DRAWER/HARDWARE (SALEMCHERRY)
15	118202-12-H56	EA	SHELF-W/PLASTICEDGETRIM (SOLARMAPLE)
15	118202-12-GV4	EA	SHELF-W/PLASTICEDGETRIM (SALEMCHERRY)
16	118202-01-H56	EA	CABINET-F/RADIO-W/ODOORS/HARDWARE (SOLARMAPLE)
16	118202-01-H57	EA	CABINET-F/RADIO-W/ODOORS/HARDWARE (SALEMCHERRY)
17	119289-01-H56	EA	CABINET-NIGHTSTAND-W/ODOORS/DRAWERS/HARDWARE-QNBED (SOLARMAPLE)
17	119289-01-GV4	EA	CABINET-NIGHTSTAND-W/ODOORS/DRAWERS/HARDWARE-QNBED (SALEMCHERRY)
18	119289-12-H56	EA	COUNTERTOP-NIGHTSTAND (H56, H58)
18	119289-12-GV4	EA	COUNTERTOP-NIGHTSTAND (H57, H59)
18	119289-12-H60	EA	COUNTERTOP-NIGHTSTAND (H60)
18	119289-12-H61	EA	COUNTERTOP-NIGHTSTAND (H61)
19	M05087-28-000	EA	TOP-QUEENBED-W/OHARDWARE
20	116773-02-000	EA	SWIVEL/SLIDES-F/TVSHELF

BEDROOMGROUP(CONTINUED)

KINGBEDROOMCABINETS



KEY	PARTNUMBER	U/M	DESCRIPTION
1	M87868-33-H56	EA	DOOR-BATH23"X73.7"-W/OHARDWARE
	102920-01-01A	EA	HINGE-SPRINGLOADED/BRASS
	110496-01-01A	EA	HINGE-BRASS
2	111155-01-01A	EA	LOCK-PRIVACY-POLISHEDBRASS
3	M05087-23-000	EA	TOP-KINGBED-W/OHARDWARE
4	P19269-01-H56	EA	CABINET-BASE-KINGBED-W/ODOORS/DRAWERS/HARDWARE (SOLARMAPLE)
4	P19269-01-GV1	EA	CABINET-BASE-KINGBED-W/ODOORS/DRAWERS/HARDWARE (SALEMCHERRY)
	057460-04-000	EA	SPRING-GAS-BALLSTUDSTYLE "SPD6209"
	089025-01-000	EA	SUPPORT-SPRINGTOBED-ANGLE1.5"X11.8"
	109645-01-000	EA	BRACKET-SUPPORTFLOORTOBED-F/GASSPRING
5	M05971-15-H56	EA	DRAWER-OGEEEDGE-W/OSLIDES/HARDWARE(SOLARMAPLE)
5	M05971-15-GV1	EA	DRAWER-OGEEEDGE-W/OSLIDES/HARDWARE(SALEMCHERRY)
6	M05990-01-H56	EA	DOOR-OGEEEDGE-14.3"X27.1"-W/OHARDWARE(SOLARMAPLE)
6	M05990-01-GV1	EA	DOOR-OGEEEDGE-14.3"X27.1"-W/OHARDWARE(SALEMCHERRY)
7	119543-01-H56	EA	HEADER-REARWARDROBE(SOLARMAPLE)
7	119543-01-GV1	EA	HEADER-REARWARDROBE(SALEMCHERRY)
8	119896-01-H56	EA	CABINET-DIVIDER-WARDROBE-W/ODOORS/HARDWARE(SOLARMAPLE)
8	119896-01-GV1	EA	CABINET-DIVIDER-WARDROBE-W/ODOORS/HARDWARE(SALEMCHERRY)
9	114149-08-GV0	EA	DOOR-WARDROBE/MIRRORED
10	119897-01-H56	EA	CABINET-SHELF/WARDROBE-W/ODOORS/HARDWARE(SOLARMAPLE)
10	119897-01-GV1	EA	CABINET-SHELF/WARDROBE-W/ODOORS/HARDWARE(SALEMCHERRY)
11	119291-12-H56	EA	COUNTERTOP-NIGHTSTAND(H56,H58)
11	119291-12-GV4	EA	COUNTERTOP-NIGHTSTAND(H57,H59)
11	119291-12-H60	EA	COUNTERTOP-NIGHTSTAND(H60)
11	119291-12-H61	EA	COUNTERTOP-NIGHTSTAND(H61)
12	M05971-U2-H56	EA	DRAWER-OGEEEDGE-W/OSLIDES/HARDWARE(SOLARMAPLE)
12	M05971-U2-GV1	EA	DRAWER-OGEEEDGE-W/OSLIDES/HARDWARE(SALEMCHERRY)
13	M05971-U1-H56	EA	DRAWER-OGEEEDGE-W/OSLIDES/HARDWARE(SOLARMAPLE)
13	M05971-U1-GV1	EA	DRAWER-OGEEEDGE-W/OSLIDES/HARDWARE(SALEMCHERRY)
14	119291-01-H56	EA	CABINET-NIGHTSTANDKINGREAR-W/ODOORS/DRAWERS/HARDWARE (SOLARMAPLE)
14	119291-01-GV5	EA	CABINET-NIGHTSTANDKINGREAR-W/ODOORS/DRAWERS/HARDWARE (SALEMCHERRY)
15	118202-12-H56	EA	SHELF-W/PLASTICEDGETRIM(SOLARMAPLE)
15	118202-12-GV4	EA	SHELF-W/PLASTICEDGETRIM(SALEMCHERRY)
16	118202-01-H56	EA	CABINET-F/RADIO-W/ODOORS/HARDWARE(SOLARMAPLE)
16	118202-01-H57	EA	CABINET-F/RADIO-W/ODOORS/HARDWARE(SALEMCHERRY)
17	119290-01-H56	EA	CABINET-NIGHTSTAND-W/ODOORS/DRAWERS/HARDWARE-KGBED (SOLARMAPLE)
17	119290-01-GV5	EA	CABINET-NIGHTSTAND-W/ODOORS/DRAWERS/HARDWARE-KGBED (SALEMCHERRY)
18	119290-12-H56	EA	COUNTERTOP-NIGHTSTAND(H56,H58)
18	119290-12-GV4	EA	COUNTERTOP-NIGHTSTAND(H57,H59)
18	119290-12-H60	EA	COUNTERTOP-NIGHTSTAND(H60)
18	119290-12-H61	EA	COUNTERTOP-NIGHTSTAND(H61)
19	M05087-24-000	EA	TOP-KINGBED/HEAD/AREA-W/OHARDWARE
20	116773-02-000	EA	SWIVEL/SLIDES-F/TVSHELF

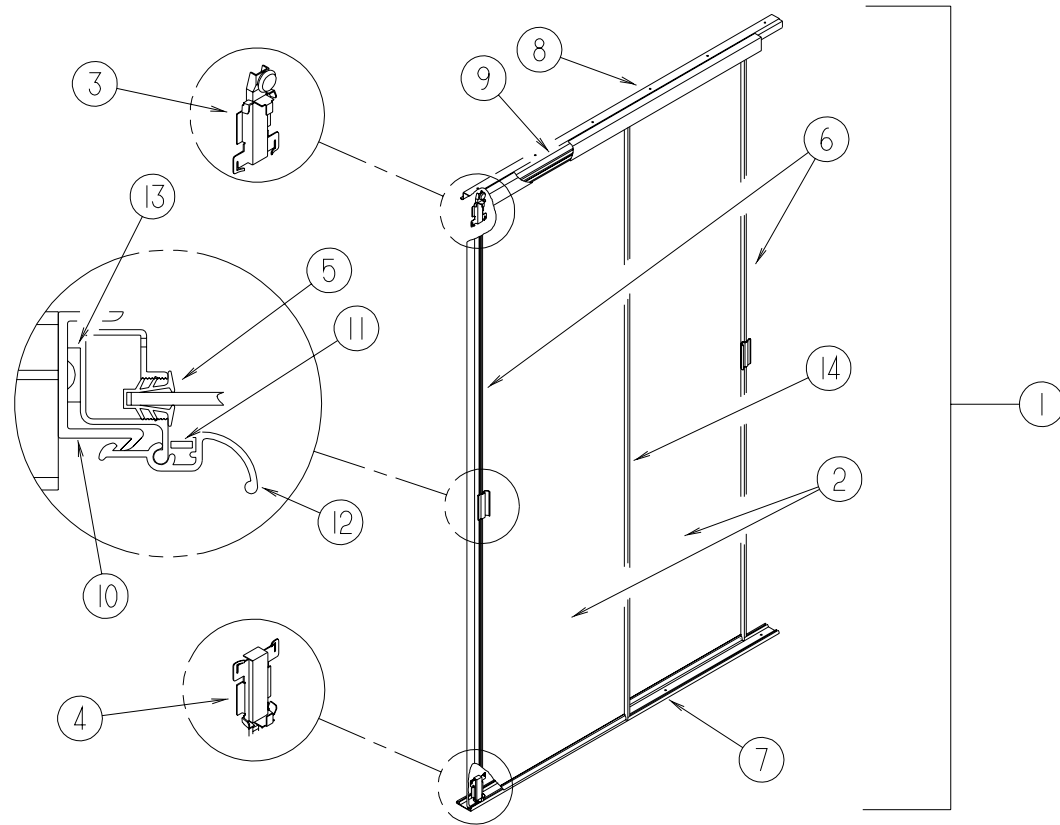
BEDROOMGROUP(CONTINUED)

TWINMIRROREDSLIDINGDOOR

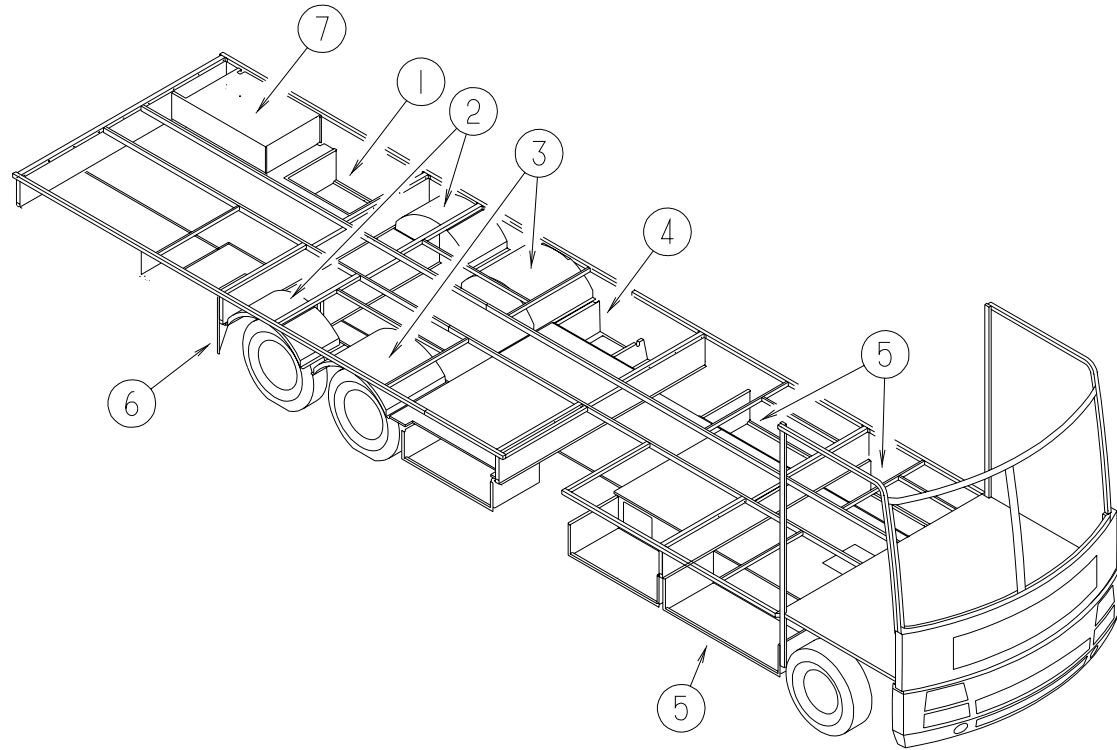
KEY	PARTNUMBER	U/M	DESCRIPTION
1	114149-10-GV0	EA	DOOR-WARDROBE/MIRRORED
2	058331-E4-000	EA	MIRROR-SAFETYGLASS-21.9"X73.7"
3	107390-01-000	EA	HANGER-CORNERCONNECT
4	107391-01-000	EA	GUIDE-BOTTOM-BY-PASS(PAIR)
5	111575-01-01A	FT	CHANNEL-GLAZING-SWINGDOOR
6	114104-06-01A	EA	STILE-DOOR-SLIDING
7	114105-08-01A	EA	TRACK-DOOR-SLIDING/LOWER
8	114106-08-01A	EA	TRACK-DOOR-SLIDING/UPPER
9	114107-07-01A	EA	RAIL-SLIDINGDOOR
10	115538-03-01A	EA	JAMB-DOOR-WARDROBE/MIRRORED
11	115541-01-000	EA	SPRING-DOOR-SLIDING
12	115553-01-01A	EA	LATCH-MIRROREDWARDROBEDOOR-TERRATONE
13	114104-02-01A	EA	STILE-DOOR-SLIDING
14	123655-01-000	FT	SEAL-CLOSEDCELL/FOAM
	120974-01-000	EA	SLIDE-POCKETDOOR-RIGHTHAND
	120974-02-000	EA	SLIDE-POCKETDOOR-LEFTHAND

KING&QUEENMIRROREDSLIDINGDOOR

KEY	PARTNUMBER	U/M	DESCRIPTION
1	114149-08-GV0	EA	DOOR-WARDROBE/MIRRORED
2	058331-E1-000	EA	MIRROR-SAFETYGLASS-36.6"X73.7"
3	107390-01-000	EA	HANGER-CORNERCONNECT
4	107391-01-000	EA	GUIDE-BOTTOM-BY-PASS(PAIR)
5	111575-01-01A	FT	CHANNEL-GLAZING,SWINGDOOR
6	114104-06-01A	EA	STILE-DOOR-SLIDING
7	114105-08-01A	EA	TRACK-DOOR-SLIDING/LOWER
8	114106-08-01A	EA	TRACK-DOOR-SLIDING/UPPER
9	114107-07-01A	EA	RAIL-SLIDINGDOOR
10	115538-03-01A	EA	JAMB-DOOR-WARDROBE/MIRRORED
11	115541-01-000	EA	SPRING-DOOR-SLIDING
12	115553-01-01A	EA	LATCH-MIRROREDWARDROBEDOOR-TERRATONE
13	114104-02-01A	EA	STILE-DOOR-SLIDING
14	123655-01-000	FT	SEAL-CLOSEDCELL/FOAM
	120974-01-000	EA	SLIDE-POCKETDOOR-RIGHTHAND
	120974-02-000	EA	SLIDE-POCKETDOOR-LEFTHAND



CHASSISGROUP



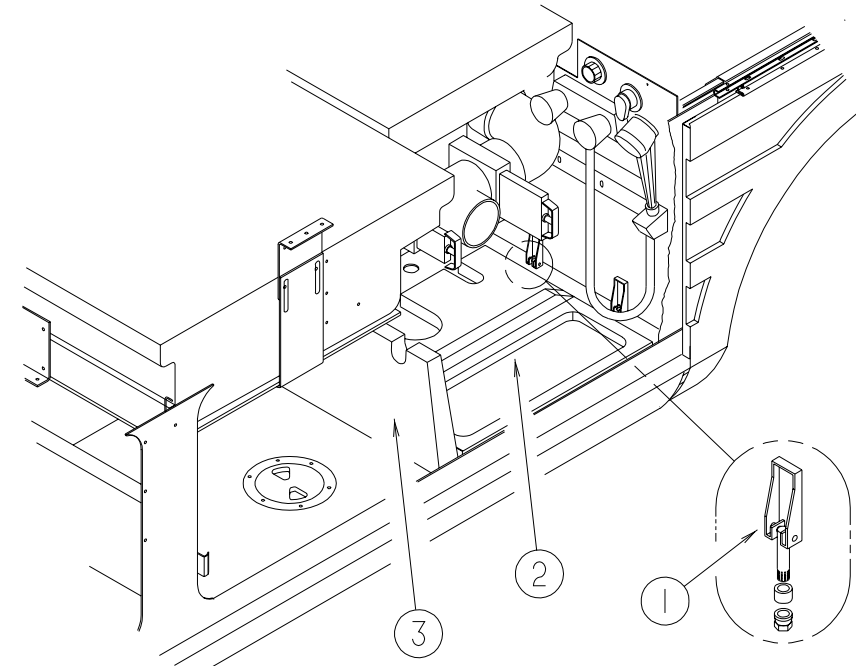
COMPARTMENTS, WHEELWELLS & MUDFLAPS

KEY	PARTNUMBER	U/M	DESCRIPTION
1	117595-01-01A	EA	COMPARTMENT-STORAGE GRAY
2	055374-05-000	EA	WHEELWELL-PLASTIC
3	055374-03-000	EA	WHEELWELL-PLASTIC
4	M07452-04-G38	EA	COMPARTMENT-STORAGE - 14.4" X 48.9"
5	117928-05-01A	EA	COMPARTMENT-STORAGE, 23.4" X 53.6"
6	017516-01-000	EA	FLAP-MUD, 14" X 18" - BLACK
6	020167-05-000	EA	DIRT GUARD-STEEL, 15" LONG
7	106152-01-000	EA	PANEL-COMPARTMENT-GENERATOR

AIR DUCT & ELBOWS - VORTEC 285 HP GAS ENGINE (CHEVY)

KEY	PARTNUMBER	U/M	DESCRIPTION
	123361-01-000	EA	DUCT-AIR INTAKE
	123362-01-000	EA	ELBOW-RUBBER, 90 DEGREE - 3.5" ID

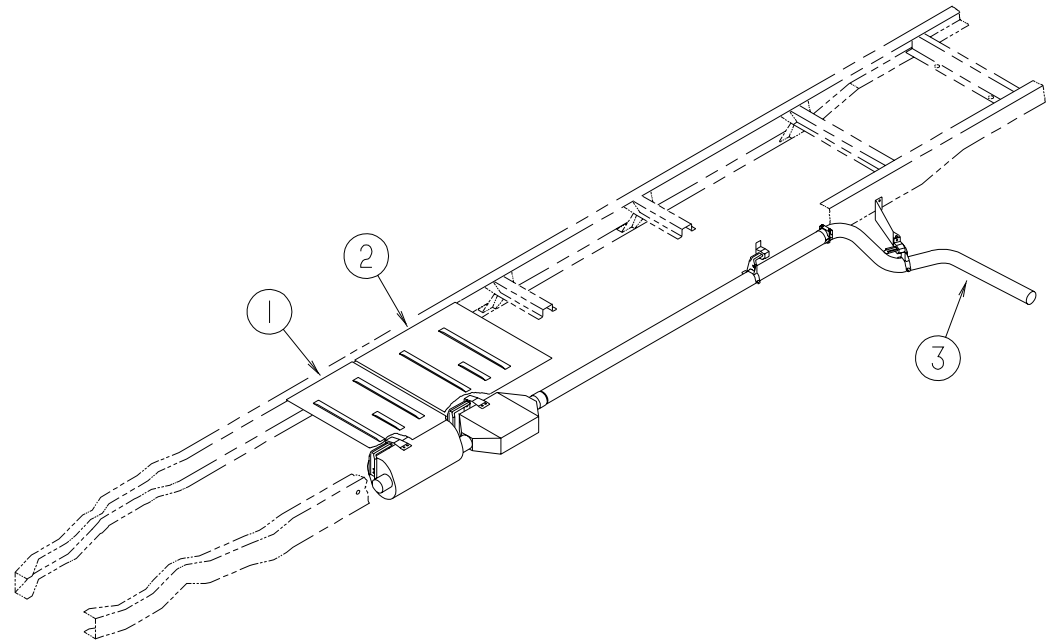
CHASSISGROUP (CONTINUED)



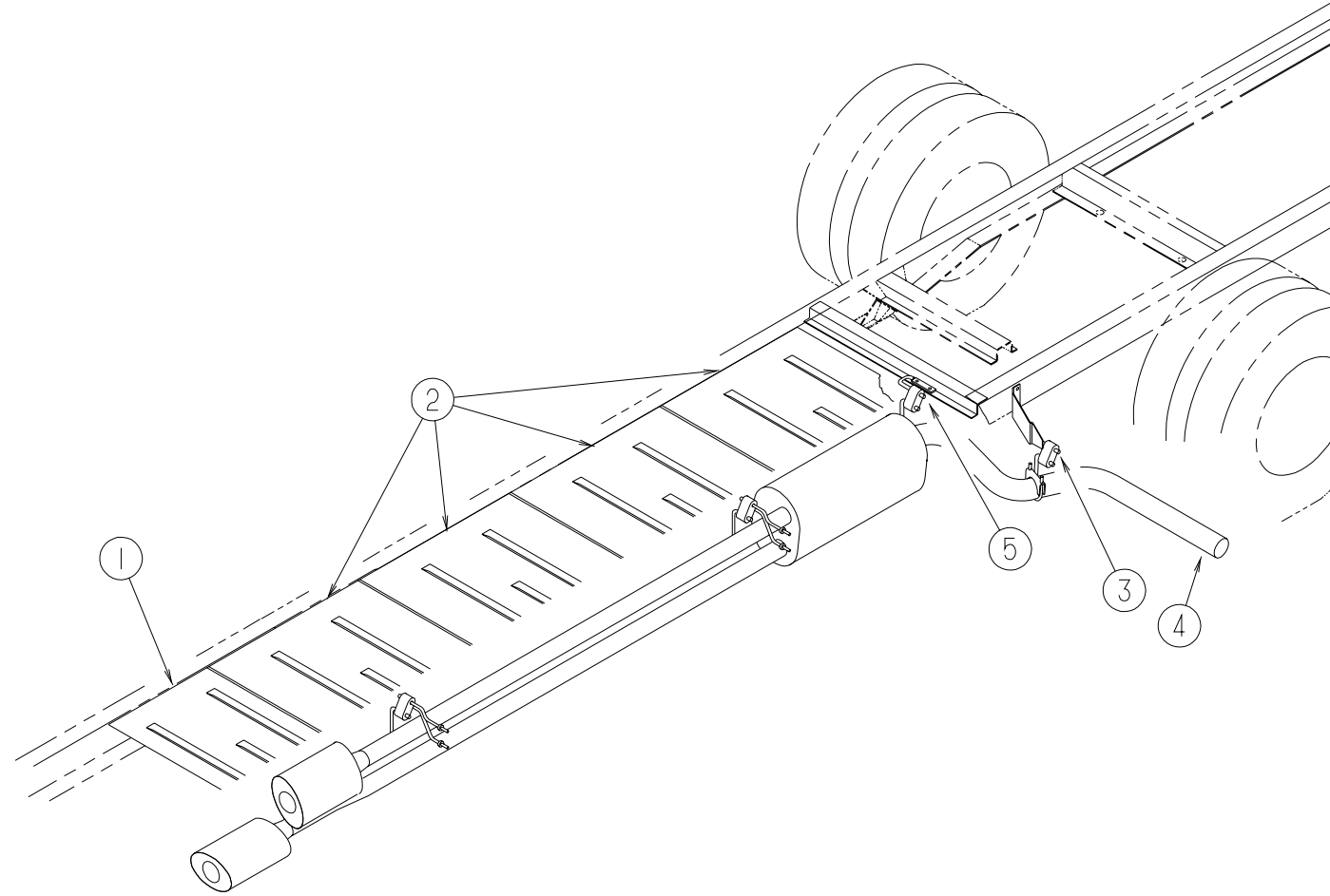
STORAGE COMPARTMENT

KEY	PARTNUMBER	U/M	DESCRIPTION
1	121175-01-01A	EA	LATCH-SWELL, BLACK
2	M06991-05-G38	EA	HATCH ASM-W/FOAM
3	117758-02-01A	EA	HATCH-COMPARTMENT, STORAGE BLACK

CHASSISGROUP(CONTINUED)



CHASSISGROUP(CONTINUED)



CHEVYEXHAUSTSYSTEM

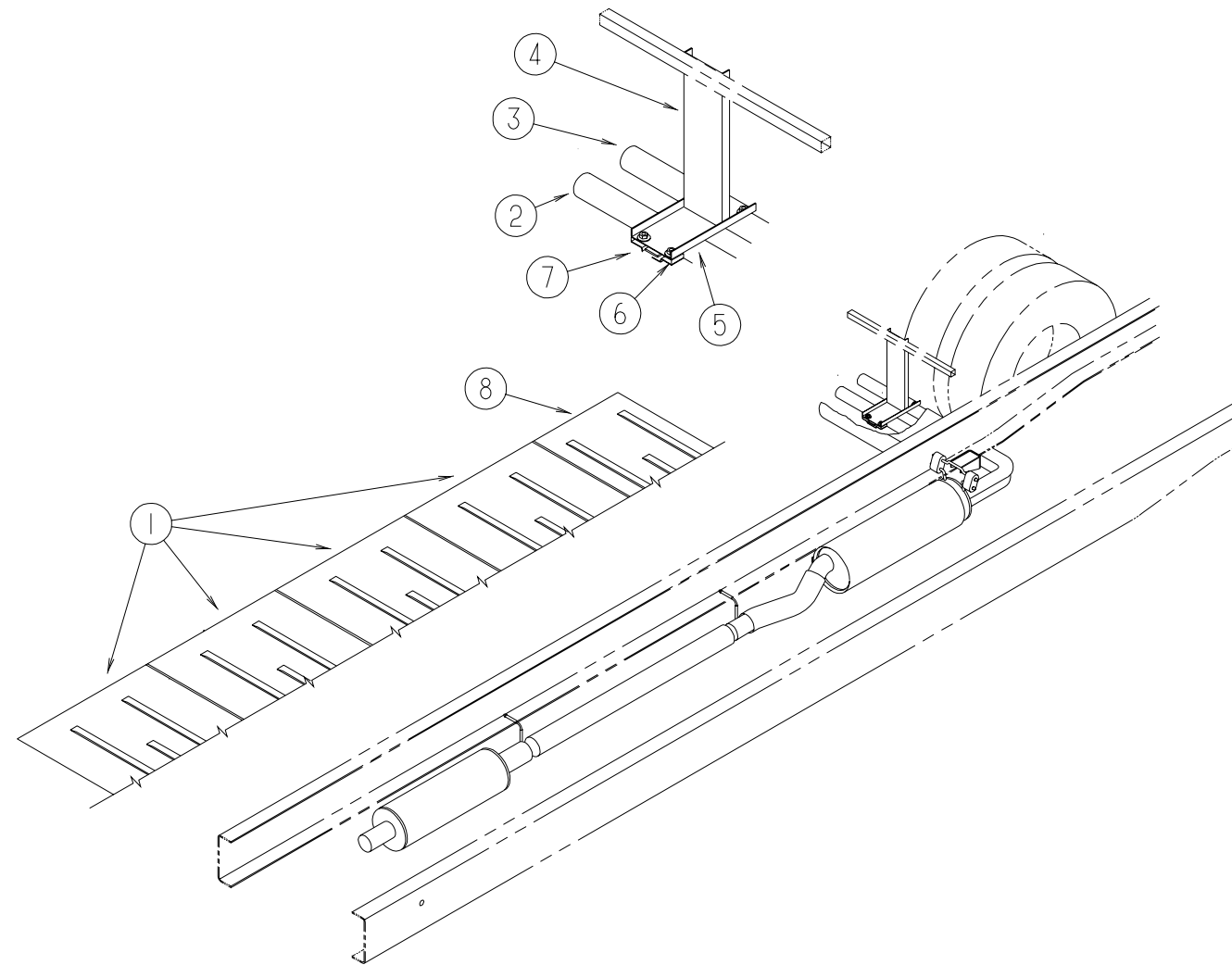
KEY	PARTNUMBER	U/M	DESCRIPTION
1	101544-01-000	EA	SHIELD-HEAT/EXHAUST-19.7"X29.1"
2	101544-02-000	EA	SHIELD-HEAT/EXHAUST-30"X29.1"
3	122529-01-000	EA	PIPE-EXHAUST

CHEVYEXHAUSTSYSTEM-285HPGASENGINE

KEY	PARTNUMBER	U/M	DESCRIPTION
1	101544-01-000	EA	SHIELD-HEAT/EXHAUST-19.7"X29.1"
2	101544-02-000	EA	SHIELD-HEAT/EXHAUST-30"X29.1"
3	122392-03-02B	EA	HANGER-TAILPIPE,REAR-E-COAT
4	122529-02-000	EA	PIPE-EXHAUST
5	122392-01-02B	EA	HANGER-TAILPIPE,E-COAT

CHASSISGROUP(CONTINUED)

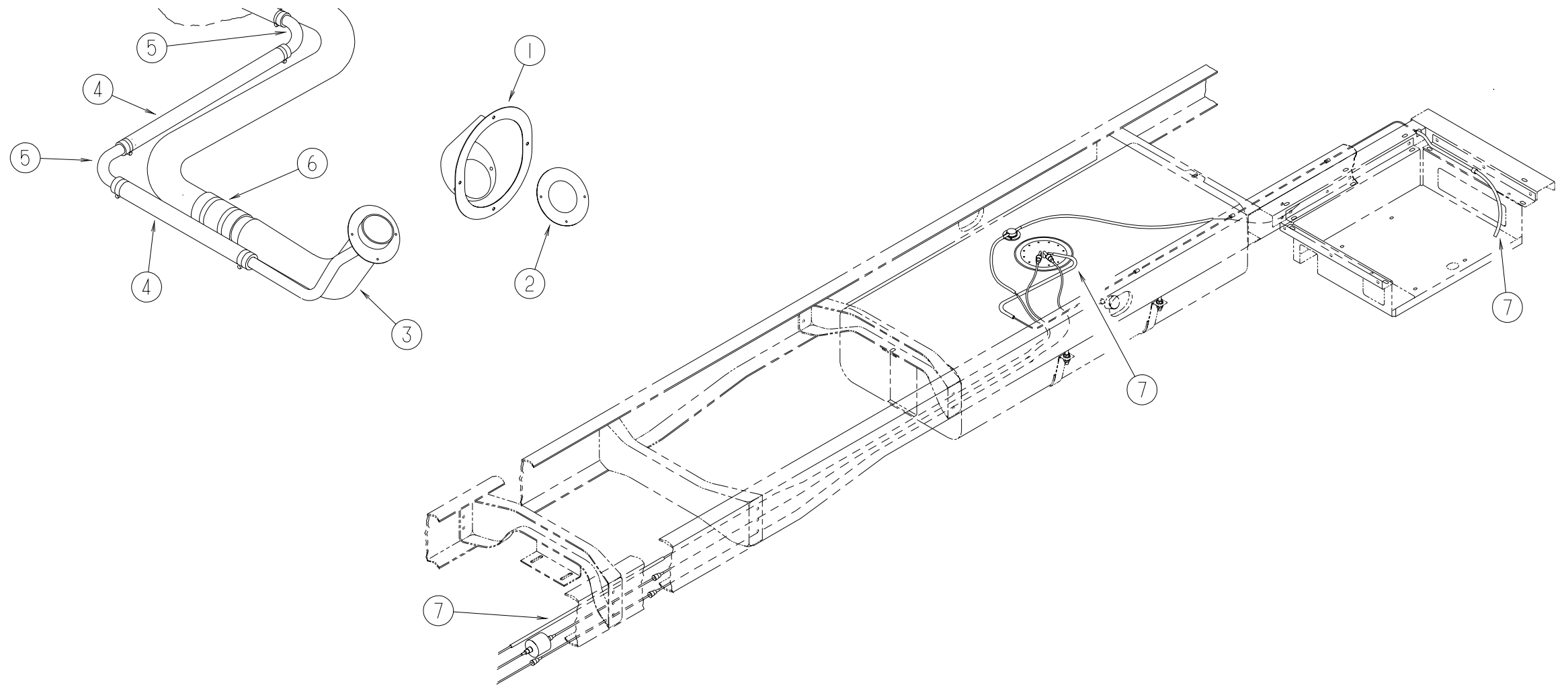
FOR EXHAUST SYSTEM



KEY	PARTNUMBER	U/M	DESCRIPTION
1	101544-06-000	EA	SHIELD-HEAT,EXHAUST
2	122242-02-000	EA	PIPE-EXHAUST/TAIL-FRONT-FORD
3	122243-02-000	EA	PIPE-EXHAUST/TAIL-REAR-FORD
4	118000-01-02B	EA	HANGER-TAILPIPE
5	120740-01-02B	EA	BRACKET-SUPPORT-SHIELD
6	095190-01-000	EA	HANGER-EXHAUST,4"X1.4"
7	096055-06-000	EA	SUPPORT-EXHAUSTPIPE
8	101544-01-000	EA	SHIELD-HEAT/EXHAUST-19.7"X29.1"
	094918-01-000	EA	CLAMP-EXHAUST,3"-GUILLOTINESTYLE

CHASSISGROUP(CONTINUED)

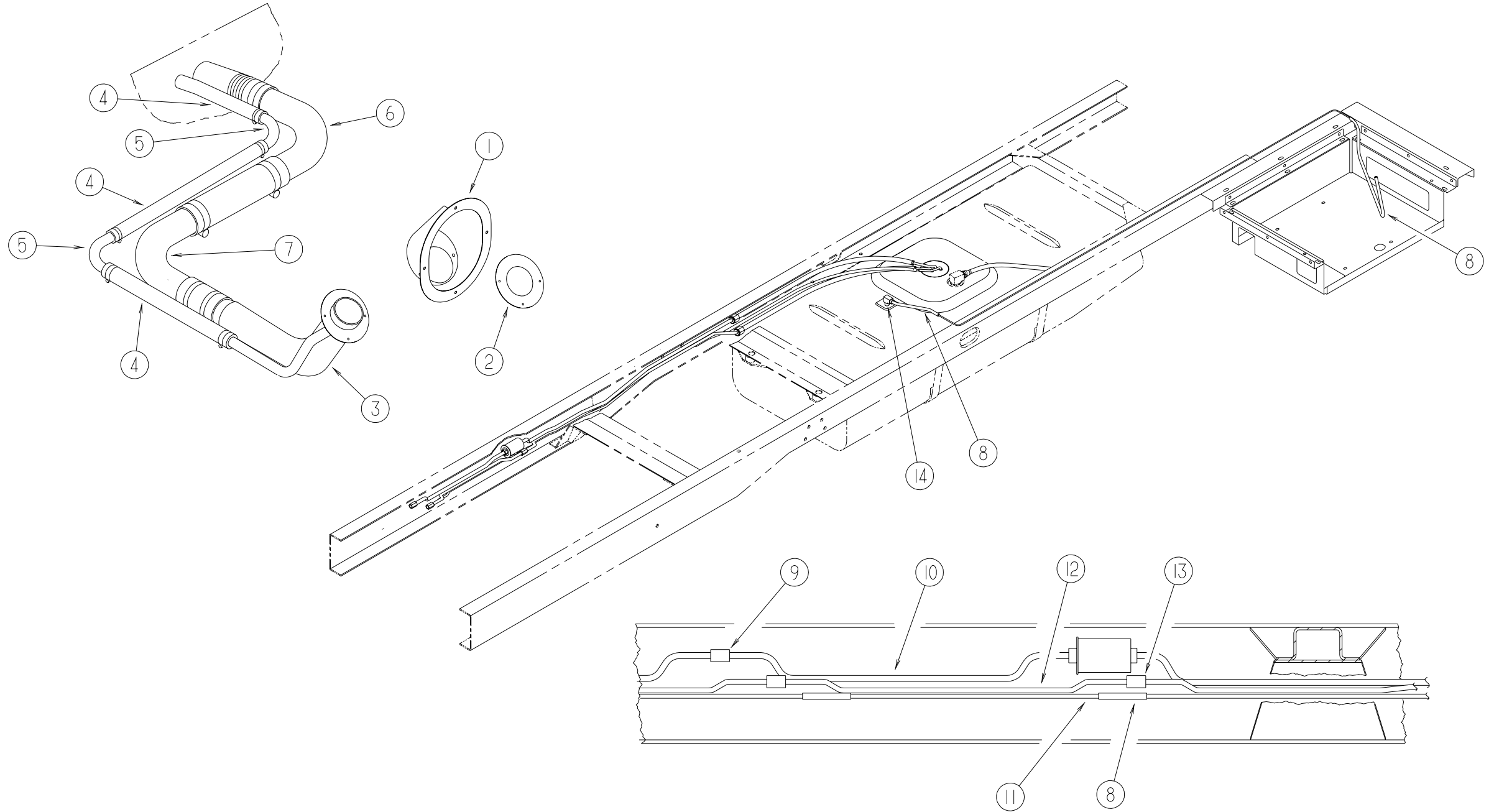
FORDFUELSYSTEM



KEY	PARTNUMBER	U/M	DESCRIPTION
	089310-01-000	EA	FUELFILLCAP-TURNTOVENT-STANT#AO-4403-01
1	102951-01-01A	EA	SHROUD-FUELFILL-UNFINISHED
2	078200-01-000	EA	GASKET-FUELFILL-3.5"ODX2"ID
3	087256-07-000	EA	NECK-FUELFILL
4	066732-01-000	FT	HOSE-FUELFILL-.62"ID
5	098806-01-000	EA	PIPE-FILLVENT-90DEGREEBEND-.625"OD-STEEL
6	007111-02-000	EA	HOSE-FUELFILL-2.00ID-IN3FTLENGTHS
7	007063-01-000	FT	HOSE-GAS-1/4"IDX1/2"OD
	084884-01-000	EA	PLUG-BRASS-3/8"

CHASSISGROUP(CONTINUED)

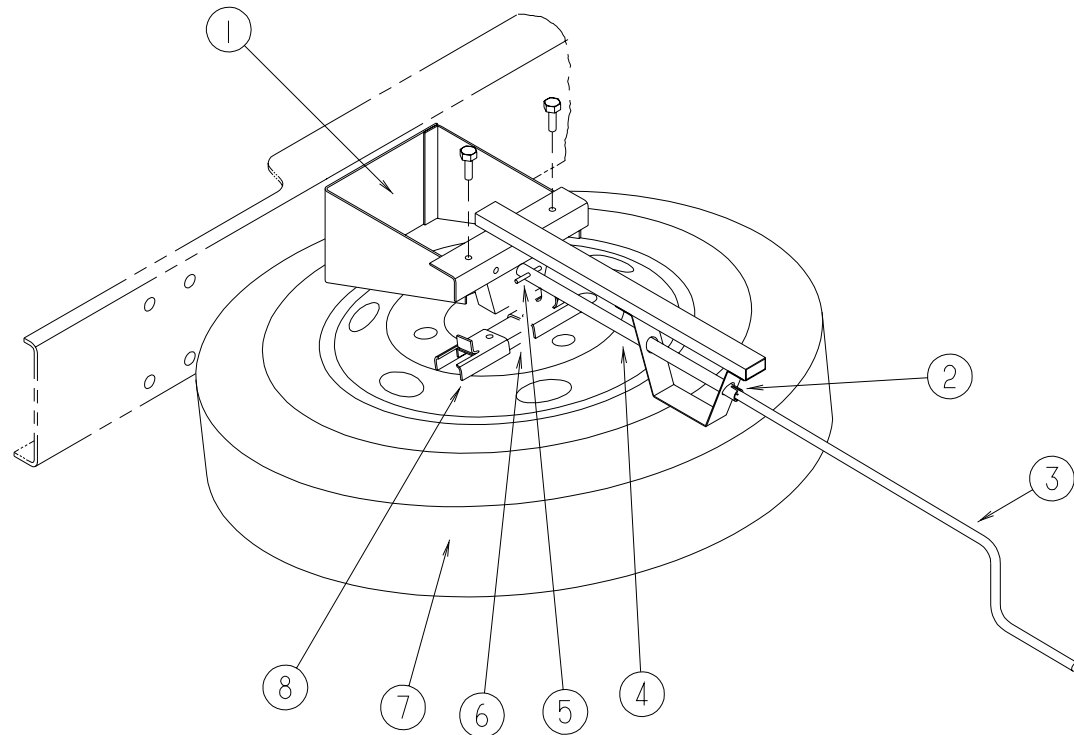
CHEVYFUELSYSTEM



KEY	PARTNUMBER	U/M	DESCRIPTION
	073220-02-000	EA	CAP-FUELFILL,CHEVY
1	102951-01-01A	EA	SHROUD-FUELFILL-UNFINISHED
2	078200-01-000	EA	GASKET-FUELFILL,3.5"ODX2"ID
3	087256-10-000	EA	NECK-FUELFILL
4	066732-01-000	FT	HOSE-FUELFILL,.62"ID
5	098806-01-000	EA	PIPE-FILLVENT,90DEGREEBEND-.625"OD-STEEL
6	098803-01-000	EA	PIPE-FUELFILL,90DEGREEBEND-13.2"-13/4"OD-STEEL
7	098807-01-000	EA	PIPE-FUELFILL,90DEGREEBEND-6.6"-13/4"OD-STEEL
8	007063-01-000	FT	HOSE-GAS,1/4"IDX1/2"OD
	084884-01-000	EA	PLUG-BRASS,3/8"
	062401-06-000	EA	CLAMP-HOSE,WORMGEAR.22"-.62"
9	098779-02-000	EA	COUPLER-FUELLINE

KEY	PARTNUMBER	U/M	DESCRIPTION
10	098759-02-000	EA	FUELLINEASM-SUPPLY,3/8-508LONG
11	074800-18-000	EA	TUBE-EXTENSION,MAINFUEL
12	098758-02-000	EA	FUELLINEASM-RETURN,5/16-508LONG
13	098779-01-000	EA	COUPLER-FUELLINE,M14X1.5-6H-GM15550219
14	114254-01-000	EA	ADAPTER-1/4SINGLEBARBX1/8MPT
	068382-06-000	EA	BUSHING-BRASS,3/8MPTX1/8FPT
	024138-01-000	FT	HOSE-FUEL,5/16"ID
	044317-01-000	FT	HOSE-FUEL,3/8"ID
	075466-01-000	EA	UNION-INVERTEDFLTUBE,1/4"

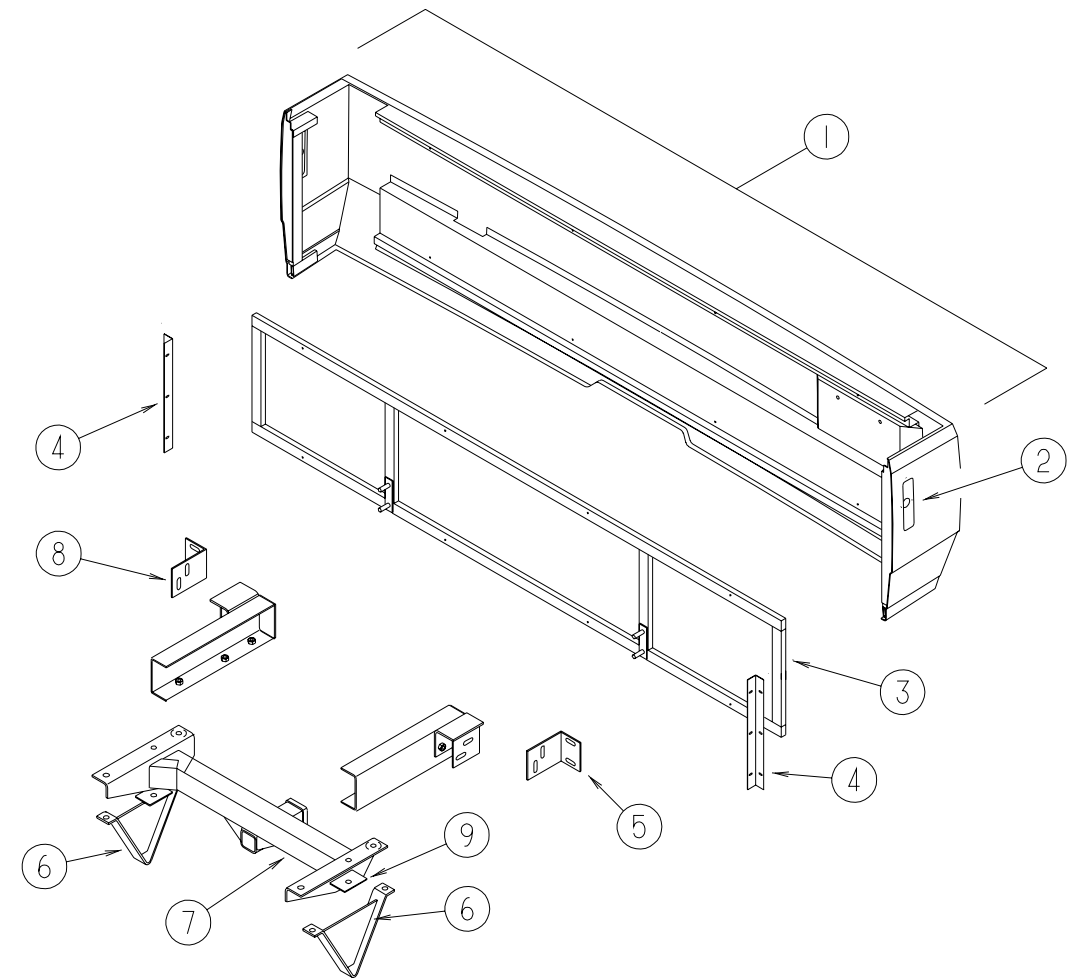
CHASSISGROUP(CONTINUED)



SPARE TIRE & HOIST

KEY	PARTNUMBER	U/M	DESCRIPTION
1	112534-01-E37	EA	BRACKET-TIREHOIST
2	112539-02-01B	EA	SUPPORT-HANDLE, TIREHOIST, ML
3	093376-02-000	EA	HANDLE-CRANK, TIREHOIST
4	093375-09-000	EA	EXTENSION-TIREHOIST
5	000F10-02-40B	EA	PIN-COTTER, 3/16X2.00-ZN
6	093267-03-000	EA	HOIST-SPARETIRE
7	095853-02-000	EA	WHEEL-STEEL, 16" X6K-F2TA-1015-NA-ACCURIDE28513-7(FORD ONLY)
7	064963-01-000	EA	WHEEL-STEEL, 19.5"6"-GM14005758
7	007324-03-000	EA	TIRE-8R19.5LRF, MICHELIN(CHEVY)
	051377-01-000	EA	STEM-VALVE, TR500
7	083425-05-000	EA	TIRE-MICHELIN, LT235/85R16LRE-XPSRIB(FORD)
	077030-02-000	EA	EXTENSION-VALVESTEM, 1.25"
	051377-05-000	EA	STEM-VALVE, VS938
	095012-03-000	EA	EXTENSION-VALVESTEM, DUALWHEEL(FORD)
	095012-04-000	EA	STABILIZER-VALVEEXTENSION
8	105499-01-000	EA	BRACKET-TIREHOIST
	080208-06-000	EA	WRENCH-LUG, DEEP1"X1.06"(CHEVY)
	080208-02-000	EA	BAR-LEVERAGE, LUGWRENCH(CHEVY)
			FORD LUG WRENCH & LEVERAGE BAR ARE CHASSIS PROVIDED

CHASSISGROUP(CONTINUED)



REAR BUMPER & TRAILER HITCH

KEY	PARTNUMBER	U/M	DESCRIPTION
1	P18217-02-GV0	EA	BUMPER-REAR, W/INNERFRAME-W/OHITCH
	117511-01-GV0	EA	PANEL-BUMPER, REAR W/OFRAME & ANGLE MOUNTS
	104319-51-007	EA	EXTRUDED-FRAME-GRILLE-4"
2	118374-01-01A	EA	POCKET-SIDEMARKERLIGHT, BLACK
3	118833-01-02B	EA	FRAMEASM-BUMPER, REAR, E-COAT
4	113041-03-02B	EA	ANGLE-MOUNT, BUMPER, E-COAT
5	107524-02-000	EA	ANGLE-BUMPER, INNER, LH
6	111742-01-000	EA	PLATE-SKID
7	107707-01-000	EA	HITCHRECEIVER-BOLT-ONCLASSII
	034512-01-000	EA	PIN-LOCKING, DRAWBAR
	034513-01-000	EA	PIN-HITCH, 3/16" WIRE
8	107524-01-000	EA	ANGLE-BUMPER, INNER, RH
9	070579-09-000	EA	PLATE-ANCHOR
	113588-02-01B	EA	BRACKET-CONNECTOR, TRAILER, MILL
	113589-01-000	EA	CONNECTOR-PLUG-TRAILER
	113589-02-000	EA	CONNECTOR-SOCKET-TRAILER

CHASSISGROUP(CONTINUED)

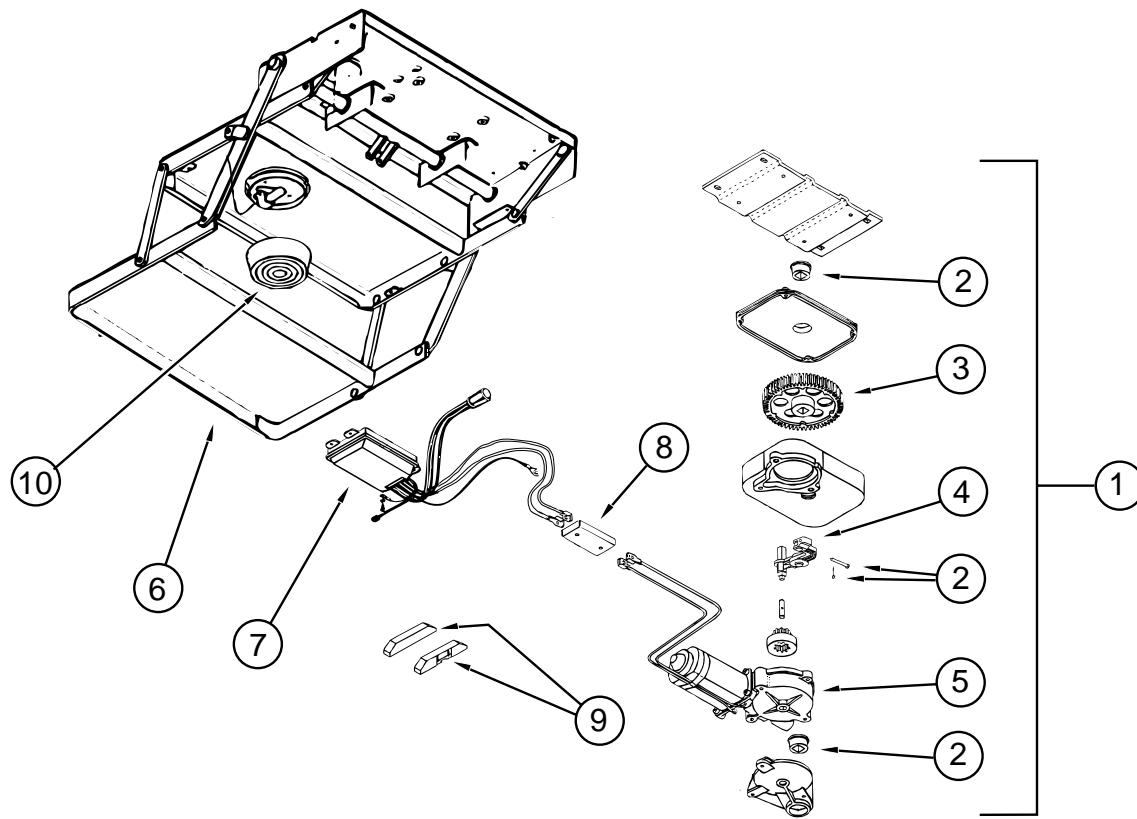
CHASSISGROUP(CONTINUED)

WHELLINERS-FORD-SETOF4

KEY	PARTNUMBER	U/M DESCRIPTION	VENDOR NO.
	110435-08-000	EA LINER-WHEELSET(SET=4)16"	
	110435-09-000	EA LINER-WHEELSET/S-REAR 16"	
	110435-02-702	EA STUDEXTENDER	V160SD-STX
	110435-02-703	EA NUT(JAMB)	V160SD-JNT
	110435-02-704	EA COVER-LUGNUT	V160F0-LNC
	110435-02-705	EA TOOLF/JAMBNUT,INSTALL.	V160F0-TOL
	110435-08-700	EA LINER-WHEEL,FRONT	V160SD-FWC
	110435-08-701	EA LINER-WHEEL,REAR	V160SD-RWC
	110435-01-711	EA DECAL-CENTERCAP,2"	

WHELLINERS-19.5STAINLESSSTEEL-SETOF4

KEY	PARTNUMBER	U/M DESCRIPTION	VENDOR NO.
	110435-06-000	EA LINER-WHEELSET(SET=4)19.5"R/GMW/LONGSTUDS USEDON1996&LATERGMCHASSISW/LONGWHEELSTUDS FROM:00-00-00THRU:05-06-97	
	110435-01-711	EA DECAL-CENTERCAP,2"	
	110435-02-703	EA NUT(JAMB)	V160SD-JNT
	110435-02-704	EA COVER-LUGNUT	V160F0-LNC
	110435-02-705	EA TOOLF/JAMBNUT,INSTALL.	V160F0-TOL
	110435-06-700	EA LINER-WHEEL,FRONT	V195P5-FWC
	110435-06-701	EA LINER-WHEEL,REAR	V195P5-RWC
	110435-06-702	EA BRACKET-BRIDGE	V195P5-BRK
	110435-06-703	EA NUT-JAM,BRIDGEBRKT11/16	V195P5-BJN
	110435-06-704	EA STUDEXTENDERS-P30	V195P5-STX
	110435-10-000	EA LINER-WHEEL-SET4-19.5"	
	110435-10-700	EA LINER-WHEEL-FRONT-1PC	FROM:05-07-97THRU:99-99-99 V195P7-FWC
	110435-10-701	EA LINER-WHEEL-REAR-1PC.	V195P7-RWC
	110435-10-702	EA JAMBNUT-ENCLOSED/LNC 2USEDPERWHEEL	V195P7-EJN
	110435-10-703	EA STUD-PLASTIC ALSOORDER#11043510704PLASTICNUTW/NUTCOVER 2USEDPEREACHFRONTWHEEL	V195P7-PST
	110435-10-704	EA JAMBNUT-PLASTIC/LNC ALSOORDER#11043510703PLASTICSTUD 2USEDPEREACHFRONTWHEEL	V195P7-PJN
	110435-10-705	EA TOOL-INSTALLATION	V195P7-TOL



ELECTRICSTEP-KWIKEE

KEY	PARTNUMBER	U/M DESCRIPTION	VENDOR NO.
1	094707-01-01A	EA STEP-DOUBLE,ELECTRICW/ORANGECONTROLBOX3218	
2	094707-02-703	EA PARTSKIT,(BEARINGS&PINS)	9530
3	094707-02-702	EA GEARKIT,W/BEARINGS,PIN&CASE	9525
4	094707-02-701	EA LINKAGEASM,W/BEARINGS&PINS	9523
5	094707-02-700	EA MOTORREPLACEMENTKIT,W/BEARINGS&PINS	9520
6	094707-01-702	EA FRAMEONLY,W/DOUBLESTEP	908032
7	094707-02-705	EA CONTROLUNIT,(ORANGE)	9513
8	094707-02-704	EA CONNECTORKIT-MOTOR,W/PLATES	9537
	094707-02-707	EA NON-SKIDTREADBLACK,6"X21"	909333
9	116995-01-000	EA SWITCH/MAGNET-STEP,ELECTRIC 905306	
	075723-02-000	EA SPACER-SWITCH,W/HOLE-.2"X.9"X2"-METAL-OFFWHITE FORELECTRICSTEPDOORJAMBSWITCH	
	041250-01-000	EA SWITCH-PUSHBUTTON,INDOORJAMB-METAL-CHROME	
10	088746-01-705	EA LIGHT-UNDERSTEP	9004
	088733-01-700	EA BULB	9004

CHASSISGROUP(CONTINUED)

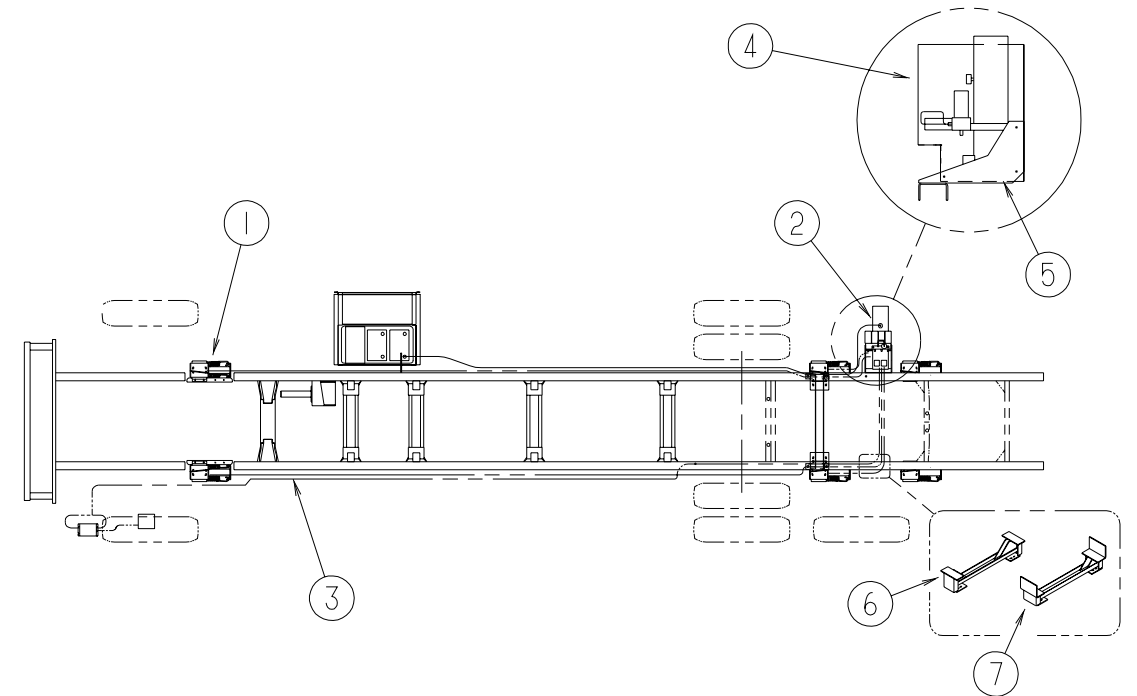
WHELLINERS-19.5"-SETOF2

KEY	PARTNUMBER	U/M	DESCRIPTION	
	110435-07-000	EA	LINER-WHEEL-SET/2-RR19.5"	FROM: 00-00-00 THRU: 05-06-97
	110435-01-711	EA	DECAL-CENTERCAP,2"	
	110435-11-000	EA	LINER-WHEEL-SET2-19.5"	FROM: 05-07-97 THRU: 99-99-99

CHEVYFRONTSHOCKS

KEY	PARTNUMBER	U/M	DESCRIPTION
	104993-02-000	EA	SHOCKABSORBER-GAS,P30FRONT-BILSTEINB46-2317(SINGLE-1)
	122756-01-000	EA	SHOCK&STABILIZER(REDBOOT)KIT-FRONTENDP30CHASSIS

CHASSISGROUP(CONTINUED)

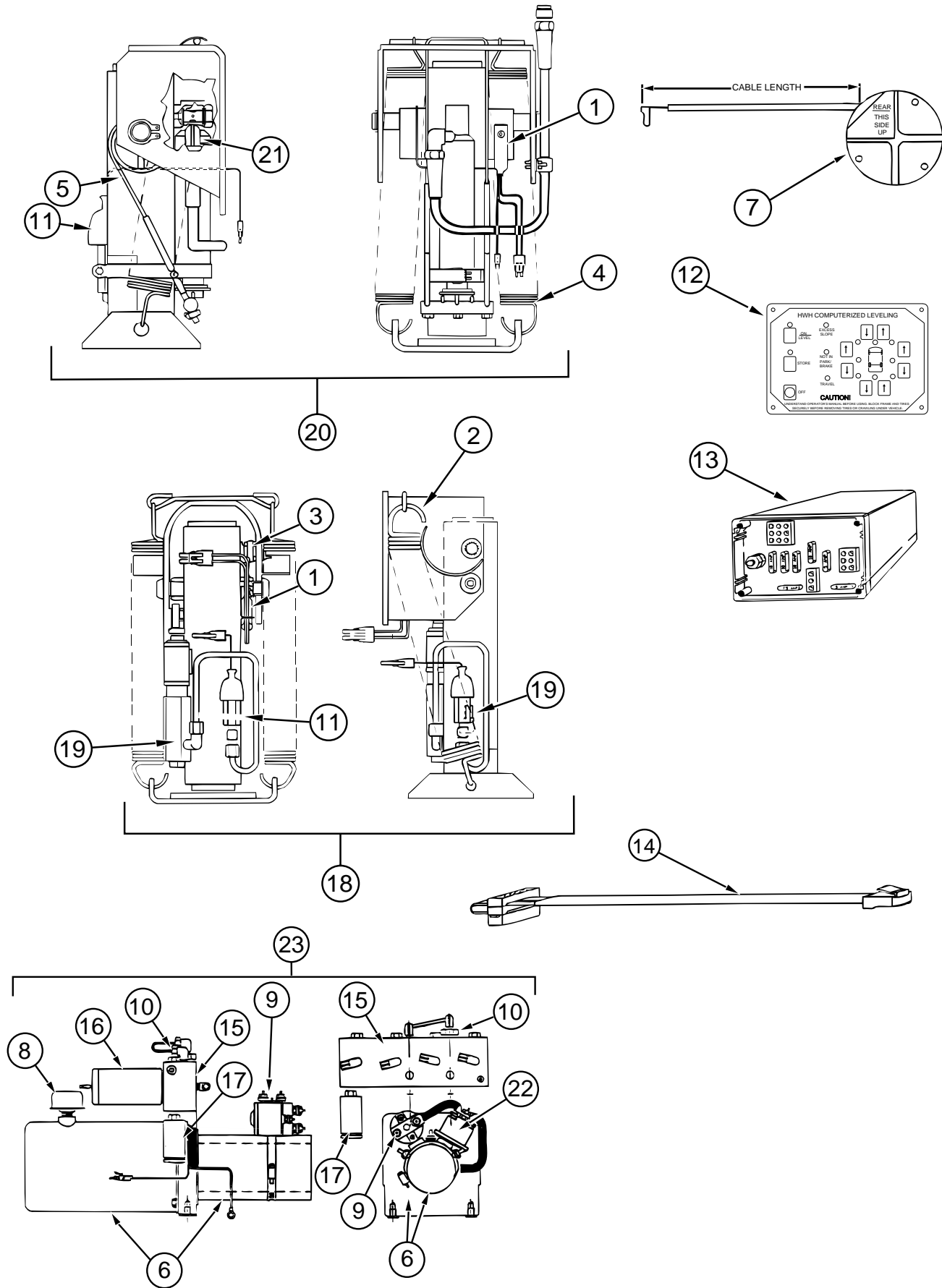


FRONT&REARHWHYDRAULICLEVELINGSYSTEM

KEY	PARTNUMBER	U/M	DESCRIPTION	VENDOR NO.
1	107890-01-000	EA	ELBOW-STEEL90D1/4X37DFLARE - PARKER4-C6X-S	
1	100533-05-000	EA	BRACKETS-FRONTLEVELINGJACK - HWHAP7107(GM)	
1	100533-06-000	EA	BRACKETS-FRONTLEVELINGJACK - HWHAP7160(FORD)	
2	100532-27-000	EA	LEVELINGSYSTEM-HYDRAULIC(FORD)	
2	100532-36-000	EA	LEVELINGSYSTEM-HYDRAULIC(GM)	
3	100536-36-000	EA	HOSEKIT-LEVELINGJACKS	
4	108629-01-000	EA	SHIELD-PUMP	
5	107938-07-000	EA	BRACKET-PUMP	
6	100534-12-000	EA	BRACKETS-REARLEVELINGJACKS(KICKDOWN)-CHEVY	
7	100534-06-000	EA	BRACKETS-REARLEVELJACK(FORDW/OTAGAXLE)	
	111619-01-000	EA	WIREASSEMBLY-HWHJACKS/JETAIRRIDE	
	100536-09-700	EA	HOSE-HYDRAULIC,324"	AP2464
	100536-09-701	EA	HOSE-HYDRAULIC,60"	RAP4073
	100536-09-702	EA	HOSE-HYDRAULIC,354"	RAP4311
	100536-09-703	EA	HOSE-HYDRAULIC,87"	RAP4905

CHASSISGROUP(CONTINUED)

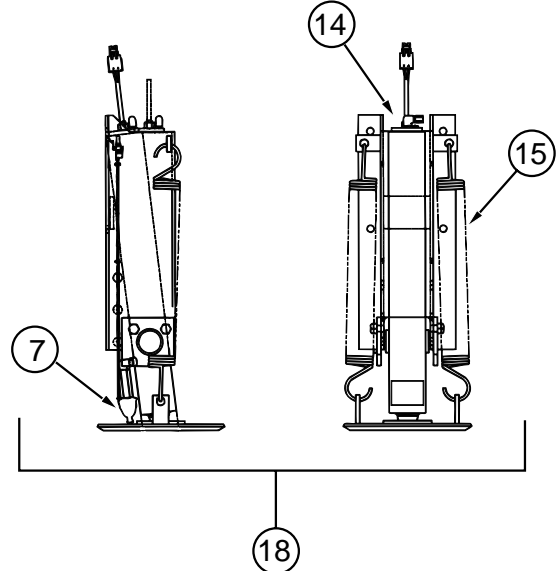
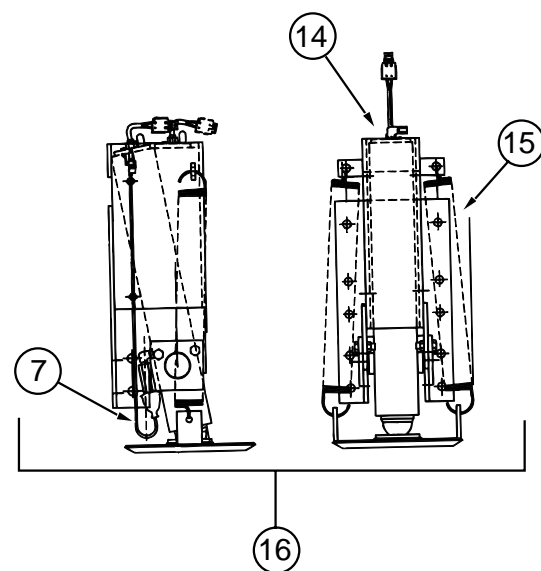
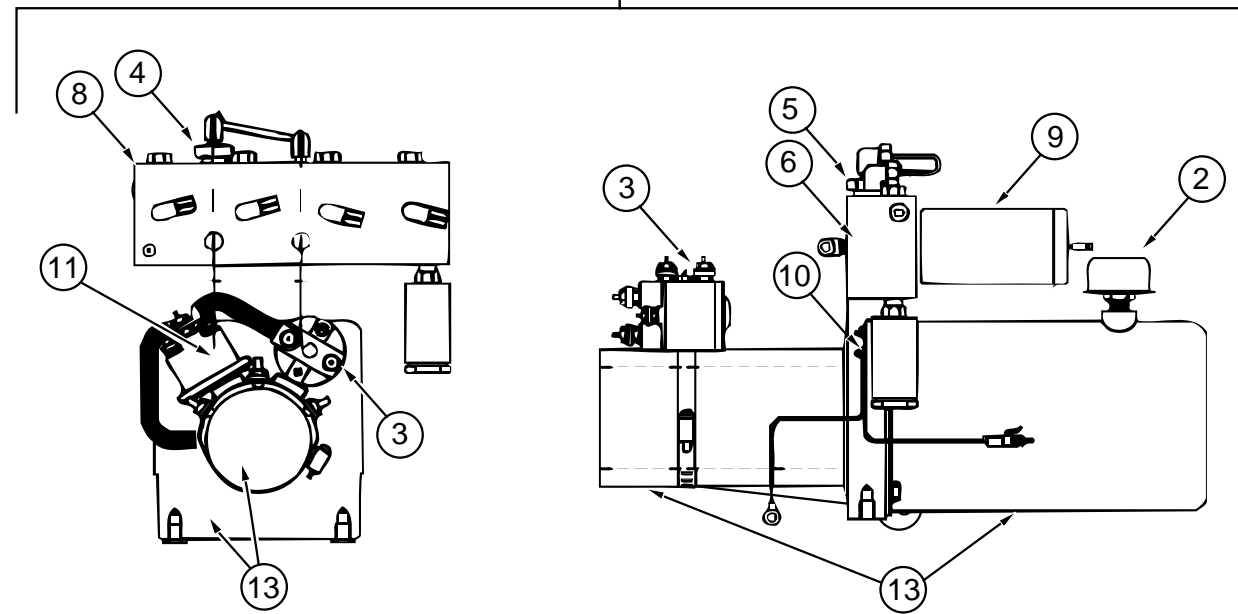
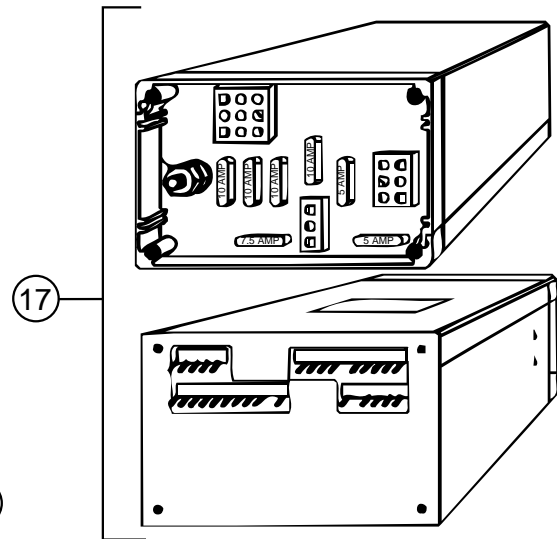
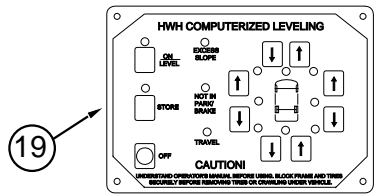
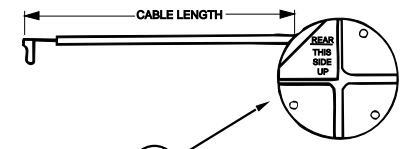
FRONT&REARHWHHYDRAULICLEVELINGSYSTEM(FORD)(FROM:00-00-00THRU:09-18-96)



KEY	PARTNUMBER	U/M DESCRIPTION	VENDOR NO.
	100532-09-000	EA LEVELINGSYSTEM-HYDRAULIC	
1	100532-01-704	EA SWITCH-MERCURY,6K&9KJACK	RAP1010
2	100532-01-705	EA SPRINGKIT-9KJACK	RAP1171
3	100532-01-707	EA BEARING-ROLLERKIT,9KJACK	R2527
4	100532-02-701	EA SPRINGKIT-6KJACK	RAP6824
5	100532-02-704	EA CABLE-ACTUATOR,6KJACK	RAP7194
6	100532-03-705	EA PUMP/MOTOR/TANK.75GAL	RAP0002
7	100532-03-710	EA SENSINGUNIT21'MTA	RAP6798
8	100532-03-715	EA CAP-BREATHER	RAP7876
9	100532-03-716	EA SOLENOID-SINGLE,ESSEX	RAP7505
10	100532-03-717	EA VALVE-PRESS.,RETURNSHUTTLE	RAP7964
11	100532-03-726	EA SWITCH-PRESSURE	RAP8003
12	100532-09-700	EA PANELASM.-TOUCHCONTROL	RAP1002
13	100532-09-701	EA CONTROLBOXASM.	RAP0984
14	100532-09-702	EA CABLE-MODULAR5'	AP1020
15	100532-09-703	EA MANIFOLDASM.-COMPLETE	RAP0959
16	100532-09-704	EA VALVE-PRESSURESOLENOID	RAP0642
17	100532-09-705	EA SWITCH-PRESSUREW/HEAD-3000	RAP0993
18	100532-09-706	EA JACKASM.9KTALL	RAP0980
19	100532-09-707	EA ACTUATORASM.-9K	RAP0547
20	100532-09-708	EA JACKASM.6KTALL-FRONTW/SW	RAP0992
21	100532-09-709	EA ACTUATORASM.-6K	RAP0448
22	100532-09-710	EA SOLENOID-4POST(INTERMITENT)	RAP0533
23	100532-09-711	EA POWERUNIT/MANIFOLDASM.	RAP0978
	100532-09-712	EA HARNESSHYDRAULICPUMP35.8'	RAP1024
	100532-09-713	EA HARNESSWARN.PRESS.35.11'	RAP1025

CHASSISGROUP(CONTINUED)

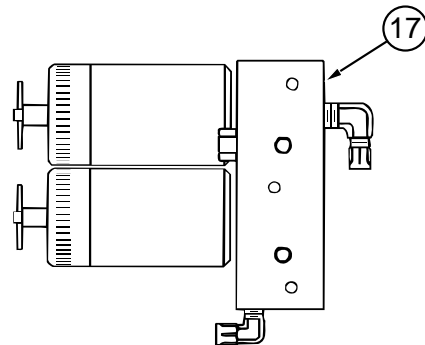
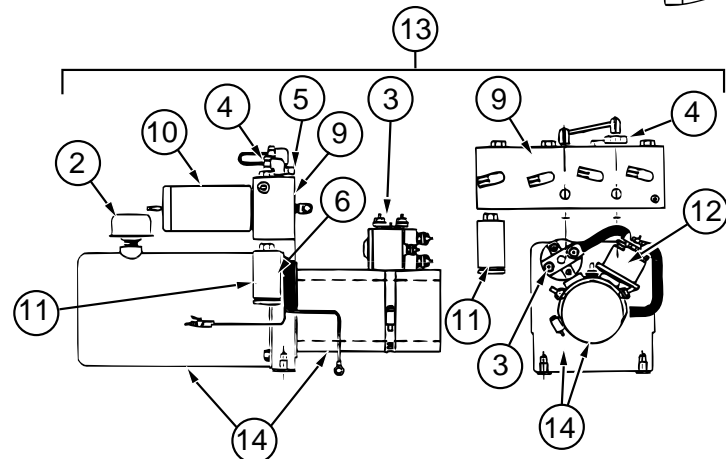
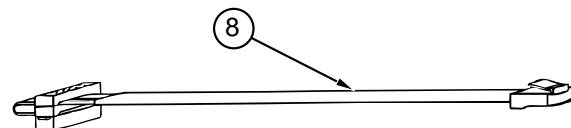
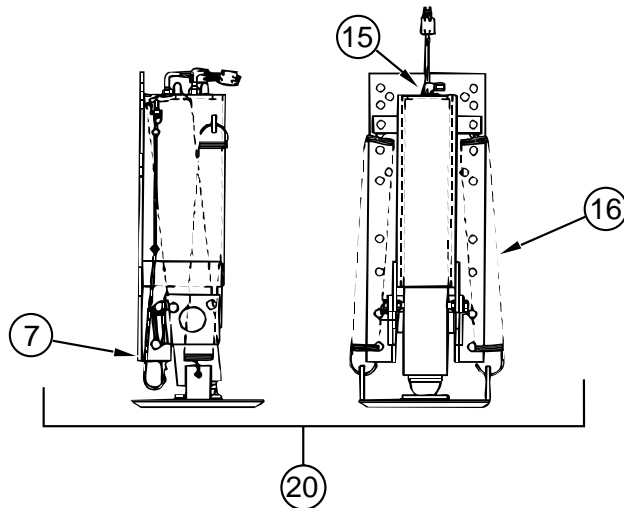
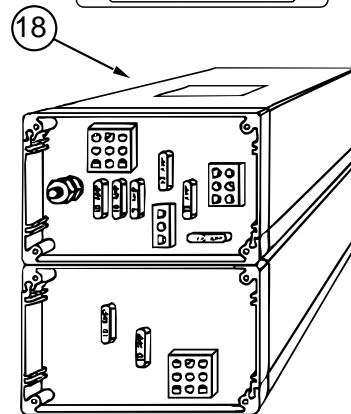
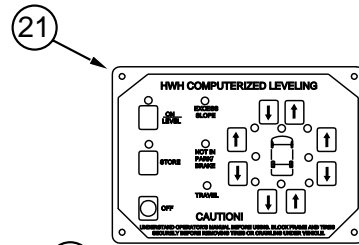
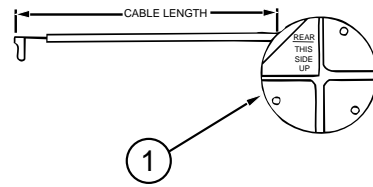
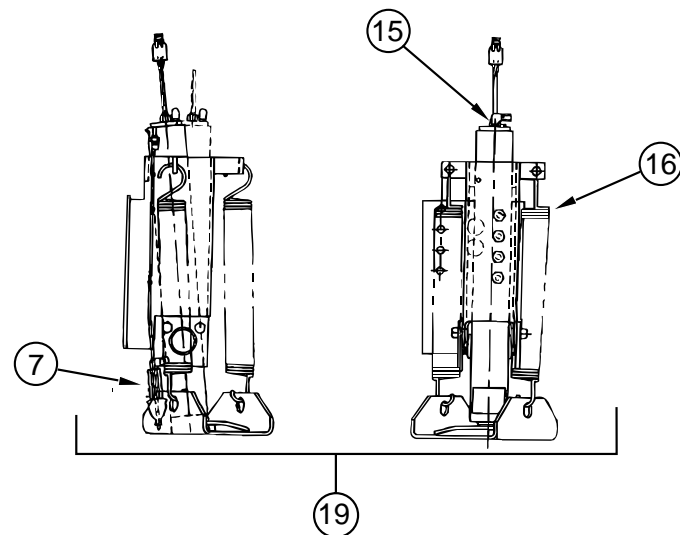
FRONT&REARHWHHYDRAULICLEVELINGSYSTEM(FORD)(FROM:09-19-96THRU:99-99-99)



KEY	PARTNUMBER	U/M DESCRIPTION	VENDOR NO.
	100532-27-000	EA LEVELINGSYSTEM-HYDRAULIC	
1	100532-03-710	EA SENSINGUNIT21'MTA	RAP6798
2	100532-03-715	EA CAP-BREATHERW/DIPSTICK	RAP7876
3	100532-03-716	EA SOLENOID-CONTINUOUSDUTY	RAP7505
4	100532-03-717	EA VALVE-PRESS.,RETURNSHUTTLE	RAP7964
5	100532-03-721	EA VALVE-CHECKKIT(SGL)	RAP7944
6	100532-03-723	EA MANIFOLDHDWEMTGKIT	RAP9171
7	100532-03-726	EA SWITCH-PRESSURE	RAP8003
8	100532-09-703	EA MANIFOLDASM.-COMPLETE	RAP0959
9	100532-09-704	EA VALVE-PRESSURESOLENOID	RAP0642
10	100532-09-705	EA SWITCH-PRESS-W/HEAD-3000#	RAP0993
11	100532-09-710	EA SOLENOID-INTERMITENTDUTY	RAP0533
12	100532-12-700	EA VALVEASM.18"-POWERUNIT	RAP1124
13	100532-12-701	EA PUMP&MOTORW/TANK1.7	RAP0588
14	100532-12-706	EA SWITCH-WARNING/MAGNETIC	RAP1008
15	100532-12-707	EA SPRINGKIT	R3847
16	100532-21-700	EA JACK-FRONT,W/SWITCHES6K	
17	100532-26-700	EA CONTROLBOXASM.	RAP1111
18	100532-27-700	EA JACK-9KSTRAIGHTACTING	RAP10793
19	100532-09-700	EA PANELASM.-TOUCHCONTROL	RAP1002
	100532-09-702	EA CABLE-MODULAR5'	RAP1020
	100532-01-714	EA SCREWKIT(LEVELINGJACKS)	R1280

CHASSISGROUP(CONTINUED)

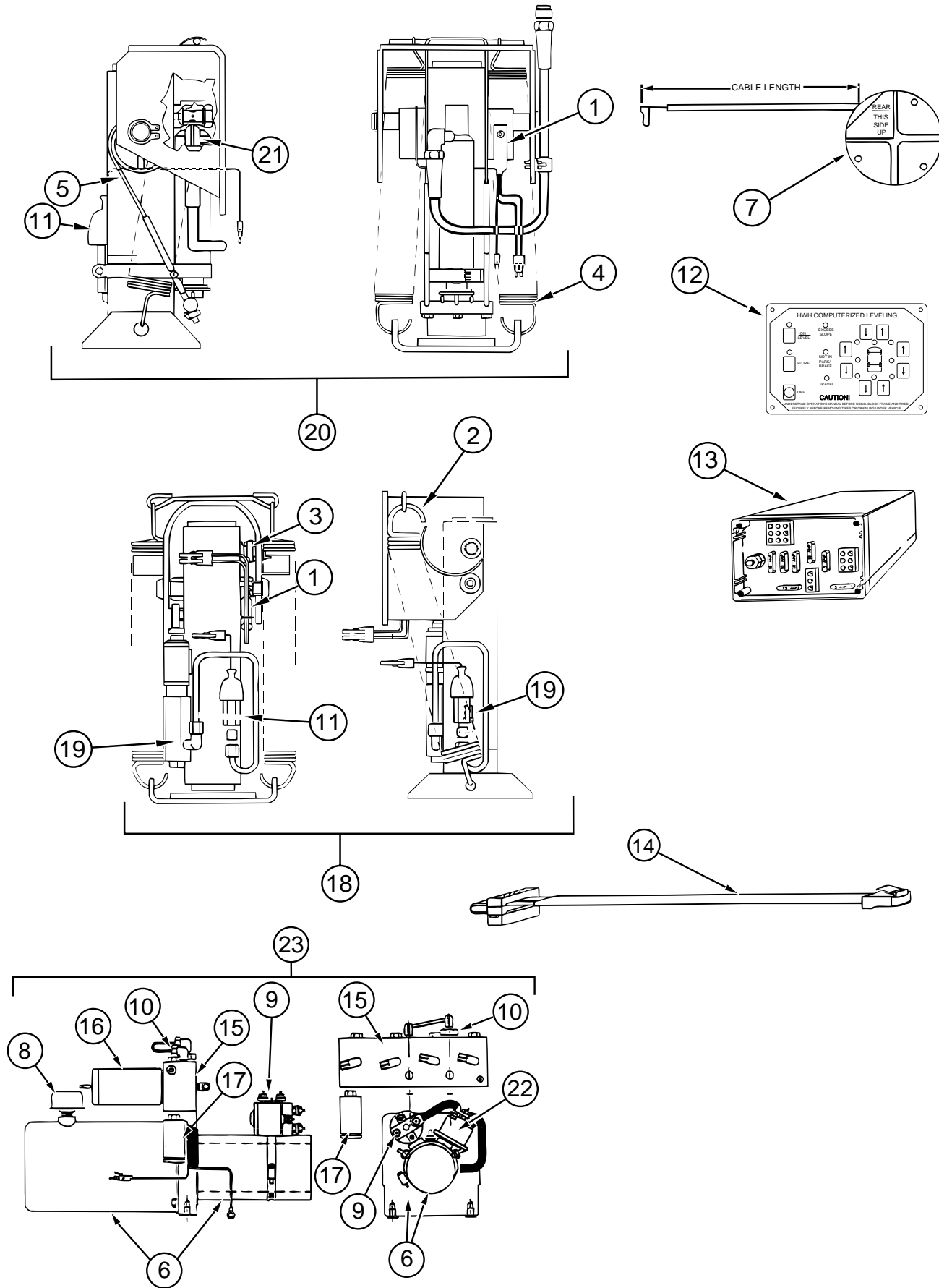
FRONT&REARHWHYDRAULICLEVELINGSYSTEM(CHEVY)(FROM:00-00-00THRU:10-22-96)



KEY	PARTNUMBER	U/M DESCRIPTION	VENDORNO.
	100532-20-000	EA LEVELINGSYSTEM-HYDRAULIC	
1	100532-03-710	EA SENSINGUNIT21'MTA	RAP6798
	117183-01-02B	EA COVER-SENSOR-LEVELING	
2	100532-03-715	EA CAP-BREATHERW/DIPSTICK	RAP7876
3	100532-03-716	EA SOLENOID-SINGLE,ESSEX	RAP7505
4	100532-03-717	EA VALVE-PRESS.,RETURNSHUTTLE	RAP7964
5	100532-03-721	EA VALVE-CHECKKIT(SGL)	RAP7944
6	100532-03-723	EA MANIFOLDHDWEMTKIT	RAP9171
7	100532-03-726	EA SWITCH-PRESSURE	RAP8003
8	100532-09-702	EA CABLE-MODULAR5'	AP1020
9	100532-09-703	EA MANIFOLDASM.-COMPLETE	RAP0959
10	100532-09-704	EA VALVE-PRESSURESOLENOID	RAP0642
11	100532-09-705	EA SWITCH-PRESSUREW/HEAD-3000	RAP0993
12	100532-09-710	EA SOLENOID-4POST(INTERMITENT)	RAP0533
13	100532-12-700	EA VALVEASM.18"-POWERUNIT	RAP1124
14	100532-12-701	EA PUMP&MOTORW/TANK1.7	RAP0588
15	100532-12-706	EA SWITCH-WARNING/MAGNETIC	RAP1008
16	100532-12-707	EA SPRINGKIT	R3847
17	100532-16-701	EA MANIFOLDASM.F/SLIDEOUT	RAP1716
18	100532-20-700	EA CONTROLBOX-JACKS&ROOMEXT	RAP90094
19	100532-20-702	EA JACK-FRONTRH-6K	RAP2024
20	100532-20-703	EA JACK-REAR9K	RAP10717
21	100532-09-700	EA PANELASM.-TOUCHCONTROL	RAP1002

CHASSISGROUP(CONTINUED)

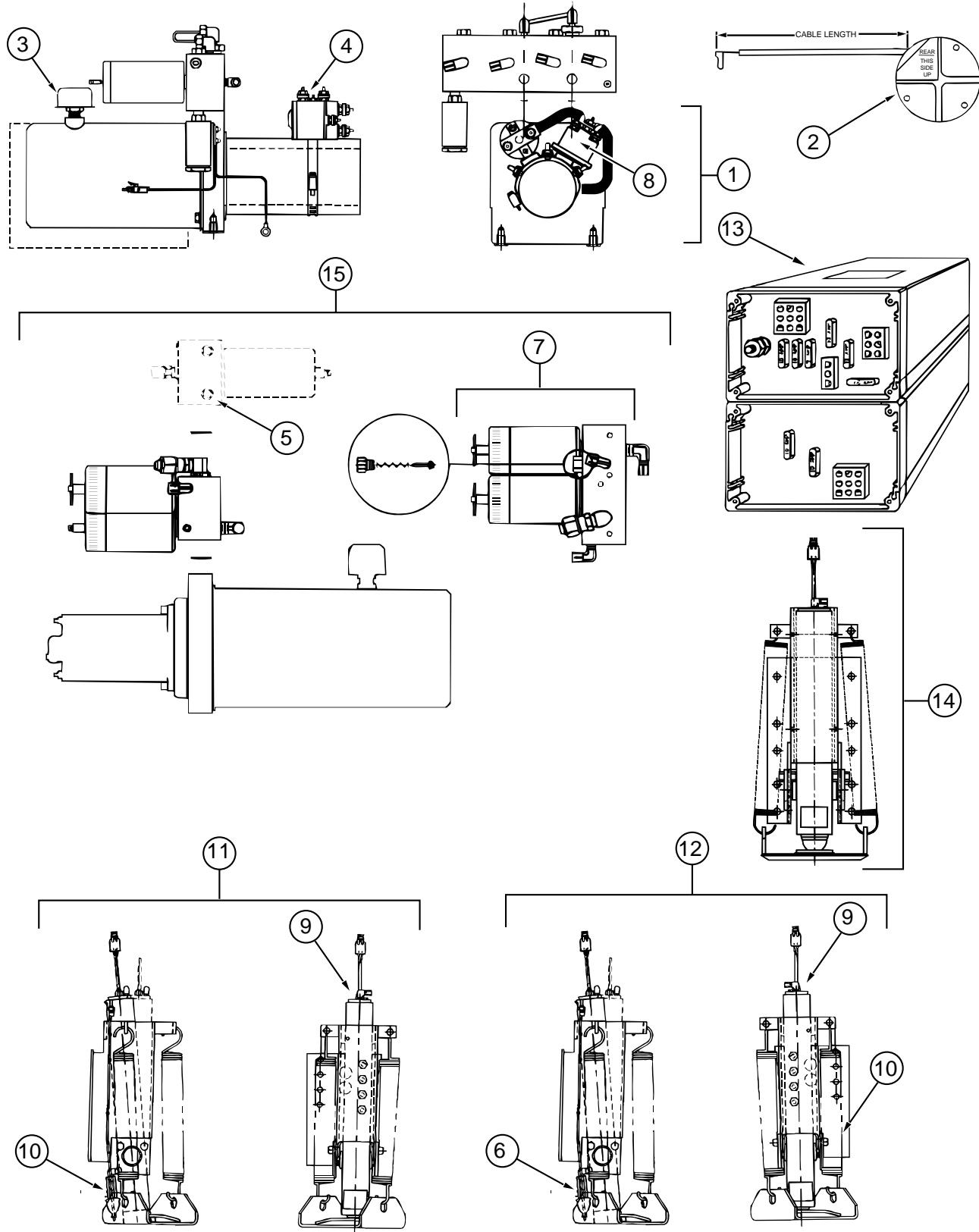
FRONT&REARHWHHYDRAULICLEVELINGSYSTEM(CHEVY)(FROM:10-23-96THRU:01-12-97)



KEY	PARTNUMBER	U/M DESCRIPTION	VENDOR NO.
	100532-09-000	EA LEVELINGSYSTEM-HYDRAULIC	
1	100532-01-704	EA SWITCH-MERCURY,6K&9KJACK	RAP1010
2	100532-01-705	EA SPRINGKIT-9KJACK	RAP1171
3	100532-01-707	EA BEARING-ROLLERKIT,9KJACK	R2527
4	100532-02-701	EA SPRINGKIT-6KJACK	RAP6824
5	100532-02-704	EA CABLE-ACTUATOR,6KJACK	RAP7194
6	100532-03-705	EA PUMP/MOTOR/TANK.75GAL	RAP0002
7	100532-03-710	EA SENSINGUNIT21'MTA	RAP6798
8	100532-03-715	EA CAP-BREATHER	RAP7876
9	100532-03-716	EA SOLENOID-SINGLE,ESSEX	RAP7505
10	100532-03-717	EA VALVE-PRESS.,RETURNSHUTTLE	RAP7964
11	100532-03-726	EA SWITCH-PRESSURE	RAP8003
12	100532-09-700	EA PANELASM.-TOUCHCONTROL	RAP1002
13	100532-09-701	EA CONTROLBOXASM.	RAP0984
14	100532-09-702	EA CABLE-MODULAR5'	AP1020
15	100532-09-703	EA MANIFOLDASM.-COMPLETE	RAP0959
16	100532-09-704	EA VALVE-PRESSURESOLENOID	RAP0642
17	100532-09-705	EA SWITCH-PRESSUREW/HEAD-3000	RAP0993
18	100532-09-706	EA JACKASM.9KTALL	RAP0980
19	100532-09-707	EA ACTUATORASM.-9K	RAP0547
20	100532-09-708	EA JACKASM.6KTALL-FRONTW/SW	RAP0992
21	100532-09-709	EA ACTUATORASM.-6K	RAP0448
22	100532-09-710	EA SOLENOID-4POST(INTERMITENT)	RAP0533
23	100532-09-711	EA POWERUNIT/MANIFOLDASM.	RAP0978
	100532-09-712	EA HARNESSHYDRAULICPUMP35.8'	RAP1024
	100532-09-713	EA HARNESSWARN.PRESS.35.11'	RAP1025

CHASSISGROUP(CONTINUED)

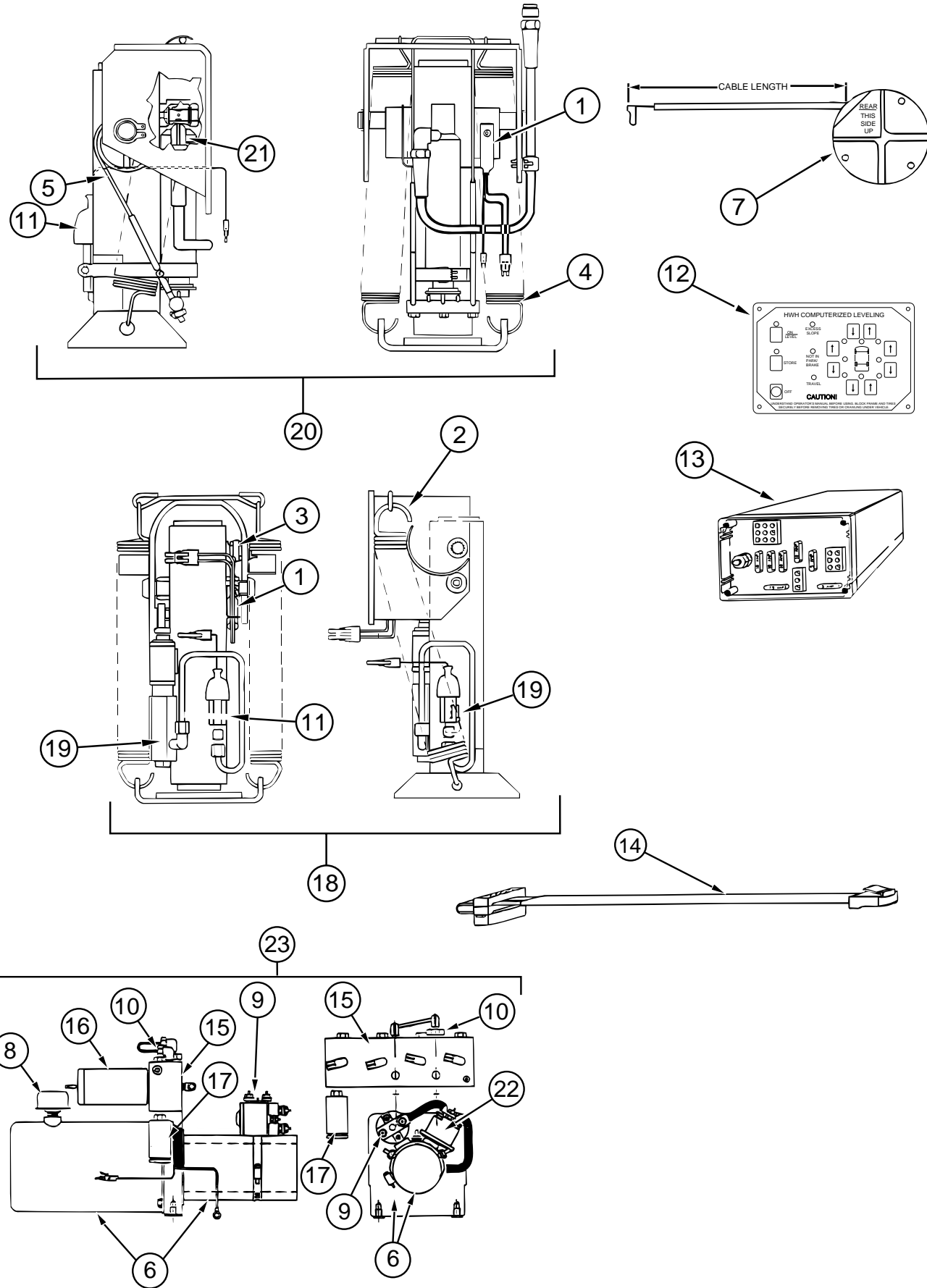
FRONT & REAR HWH HYDRAULIC LEVELING SYSTEM (CHEVY) (FROM:01-13-97THRU:99-99-99)



KEY	PARTNUMBER	U/M DESCRIPTION	VENDORN.
	100532-36-000	EA LEVELINGSYSTEM-HYDRAULIC	
1	100532-01-713	EA PUMP-RESERVOIRASM.-MONARCH	RAP90014
2	100532-03-710	EA SENSINGUNIT21'MTA	RAP6798
3	100532-03-715	EA CAP-BREATHERW/DIPSTICK	RAP7876
4	100532-03-716	EA SOLENOID-CONTINUOUSDUTY	RAP7505
5	100532-03-723	EA MANIFOLDHHDWEMTGKIT	RAP9171
6	100532-03-726	EA SWITCH-PRESSURE	RAP8003
7	100532-09-703	EA MANIFOLDASM.-COMPLETE	RAP0959
8	100532-09-710	EA SOLENOID-INTERMITENTDUTY	RAP0533
9	100532-12-706	EA SWITCH-WARNING/MAGNETIC	RAP1008
10	100532-12-707	EA SPRINGKIT	R3847
11	100532-20-701	EA JACK-FRONTLH-6K	RAP2023
12	100532-20-702	EA JACK-FRONTLH-6K	RAP2024
13	100532-26-700	EA CONTROLBOXASM.	RAP1111
14	100532-27-700	EA JACK-9KSTRAIGHTACTING	RAP10793
15	100532-32-701	EA BUZZER-JACKDOWNWARNING	RAP0325
	100532-36-700	EA PUMP/RESERVOIR/MANIFOLDASM	RAP10472
	100532-01-714	EA SCREWKIT(LEVELINGJACKS)	R1280

CHASSISGROUP(CONTINUED)

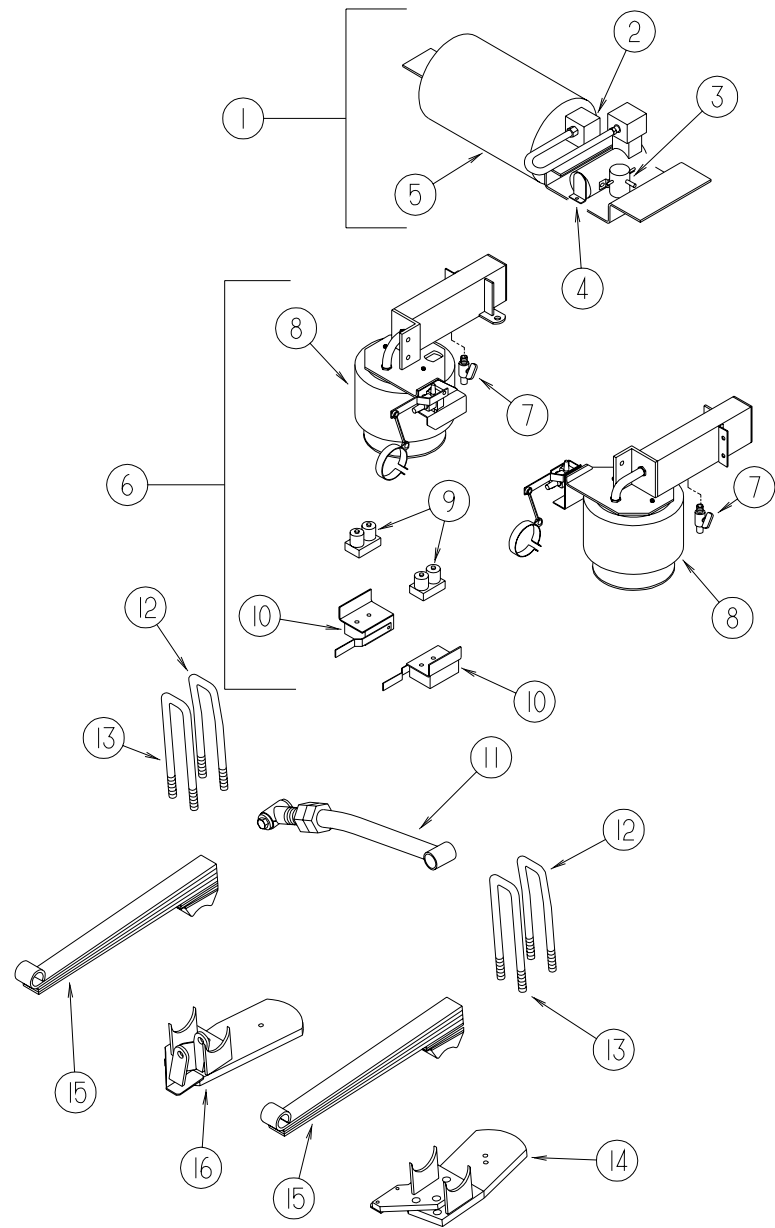
HWHYDRAULICLEVELINGSYSTEMFORFRONTWHEELSONLY



KEY	PARTNUMBER	U/M DESCRIPTION	VENDOR NO.
	100533-05-000	EA BRACKETS-FRONTLEVELINGJACK-CHEVY	
	100533-06-000	EA BRACKETS-FRONTLEVELINGJACK-FORD	
	100536-17-000	EA HOSEKIT-LEVELINGJACKS	
	100532-07-000	EA LEVELINGSYSTEM-HYDRAULIC	
1	100532-03-725	EA SWITCHWARNINGW/RESISTOR	RAP0995
4	100532-02-701	EA SPRINGKIT-6KJACK	RAP6824
5	100532-02-704	EA CABLE-ACTUATOR,6KJACK	RAP7194
6	100532-03-706	EA PUMPASM.HYD..75STONE3"	RAP0195
7	100532-03-710	EA SENSINGUNIT21'MTA	RAP6798
9	100532-03-716	EA SOLENOID-SINGLE,ESSEX	RAP7505
10	100532-03-717	EA VALVE-PRESS.,RETURNSHUTTLE	RAP7964
11	100532-03-726	EA SWITCH-PRESSURE	RAP8003
12	100532-03-711	EA PANELASM.,CONTROL-TOUCHMOD	RAP7868
13	100532-03-701	EA CONTROLBOX-W/JETAIR2JACK	RAP9800
14	100532-03-713	EA MODULARCABLE7'	RAP8002
15	100532-03-708	EA MANIFOLDASM.2VALVEW/JET	RAP0033
16	100532-03-718	EA VALVE-SOLENOID	RAP8034
17	100532-03-720	EA SWITCH-PRESS300PSIW/PIGTAL	RAP8355
20	100532-03-703	EA JACKASM-6K,W/PRESS.SW.TALL	RAP8130
21	100532-02-702	EA ACTUATORKIT,6KJACK	RAP7062
22	100532-03-727	EA SOLENOIDKIT	R7572
23	100532-06-700	EA PUMP/TANK/MANIFOLDASM	RAP0032
	100532-03-721	EA VALVE-CHECKKIT(SGL)	RAP7944
	100532-03-723	EA MANIFOLDHDWEMTGKIT	RAP9171
	111619-01-000	EA WIREASM-JACKS/AIRRIDE	

CHASSISGROUP(CONTINUED)

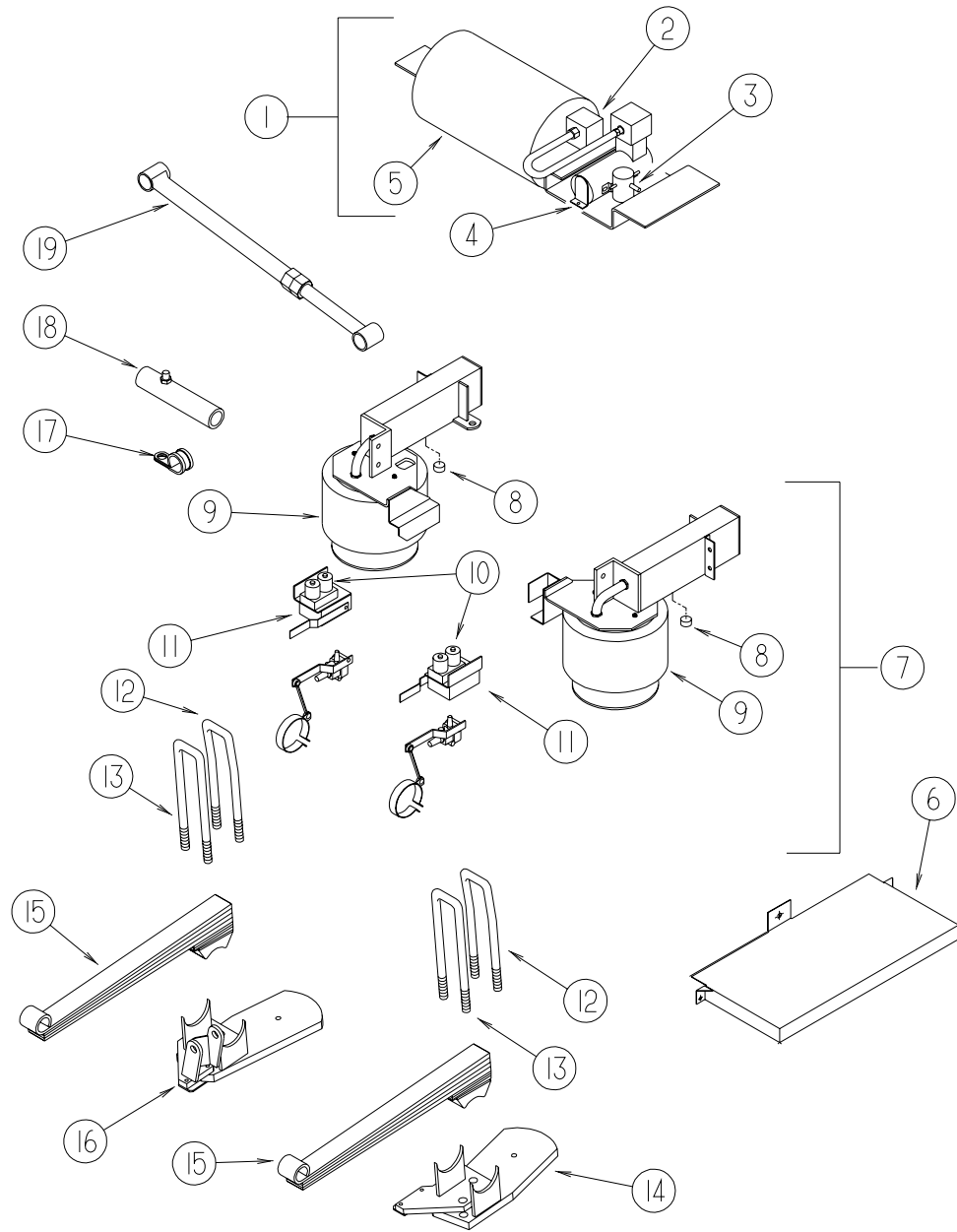
CHEVYJETAIRSUSPENSIONW/PARK&LEVEL



KEY	PARTNUMBER	U/M	DESCRIPTION	VENDOR NO.
1	090436-54-000	EA	COMPRESSOR-TANK-W/OWIRING	
2	090436-07-701	EA	SWITCH-AIRPRESSURE	50732
3	090436-07-704	EA	SOLENOID-ELECTRONIC	50702
4	090436-07-700	EA	COMPRESSORONLY	50701
	090436-07-703	EA	CONVERSION-SWITCHPRESSURE,AIRTANKP/S	
5	090436-07-702	EA	TANK-AIR,ALLMODELS	50703
	090436-40-000	EA	FILTER-AIRINTAKE,COMPRESSOR	
6	090436-74-000	EA	MOUNT-SPRING,CHEVY-RIGHT-UPPER	
6	090436-75-000	EA	MOUNT-SPRING,CHEVY-LEFT-UPPER	
7	090436-36-700	EA	PETCOCK-AIRTANKF/SPRING	50720
8	090436-15-704	EA	BAG-AIR,BELLOWS,1EA=1ONLY	50752
9	090436-15-710	EA	ELECTRONICVALVE-RH	55786
9	090436-15-709	EA	ELECTRONICVALVE-LH	55785
10	090436-15-712	EA	HEIGHTCONTROLBOX-R.H.W/LIGHT	50872
10	090436-15-711	EA	HEIGHTCONTROLBOX-L.H.W/LIGHT	50871
	090436-15-713	EA	WIRELoomF/AXLEPOS.LIGHT	50875
11	090436-47-000	EA	BAR-TRACK,W/PIVOTBOLTS	
	090436-52-000	EA	BRACKET-TRACKBAR,STANDARD3.25	
12	090436-12-000	EA	U-BOLT-STRAIGHT,7/8"55759	
	090436-12-700	EA	NUTF/U-BOLT1EA=1ONLY(2PERBOLT)	50760
13	090436-13-000	EA	U-BOLT-BENT,7/8"	
14	090436-10-000	EA	MOUNT-SPRING/AXLE,LOWERLEFT55753	
15	090436-80-000	EA	SPRING-14/16500	
16	090436-46-000	EA	MOUNT-SPRING-CHEVY-RIGHTHAND/LOWER	
	091250-03-000	EA	BUSHING-SWAYBAR-1.75" CUT	
	110114-01-000	EA	PLATE-BEEFUP-JETRIDESUSPENSION	
	110115-01-000	EA	PLATE-BEEFUP-JETRIDESUSPENSION	
	071374-04-000	EA	FITTING-BULKHEAD-1/8"X1/8"FNPT	
	111643-01-000	EA	WIRESASSEMBLY-PARK/LEVELWARNING	
	090436-67-000	EA	WIRINGHARNES-F/JETAIRSYSTEMW/WARNINGLIGHT	

CHASSISGROUP(CONTINUED)

FORDJETAIRSUSPENSIONW/PARK&LEVEL

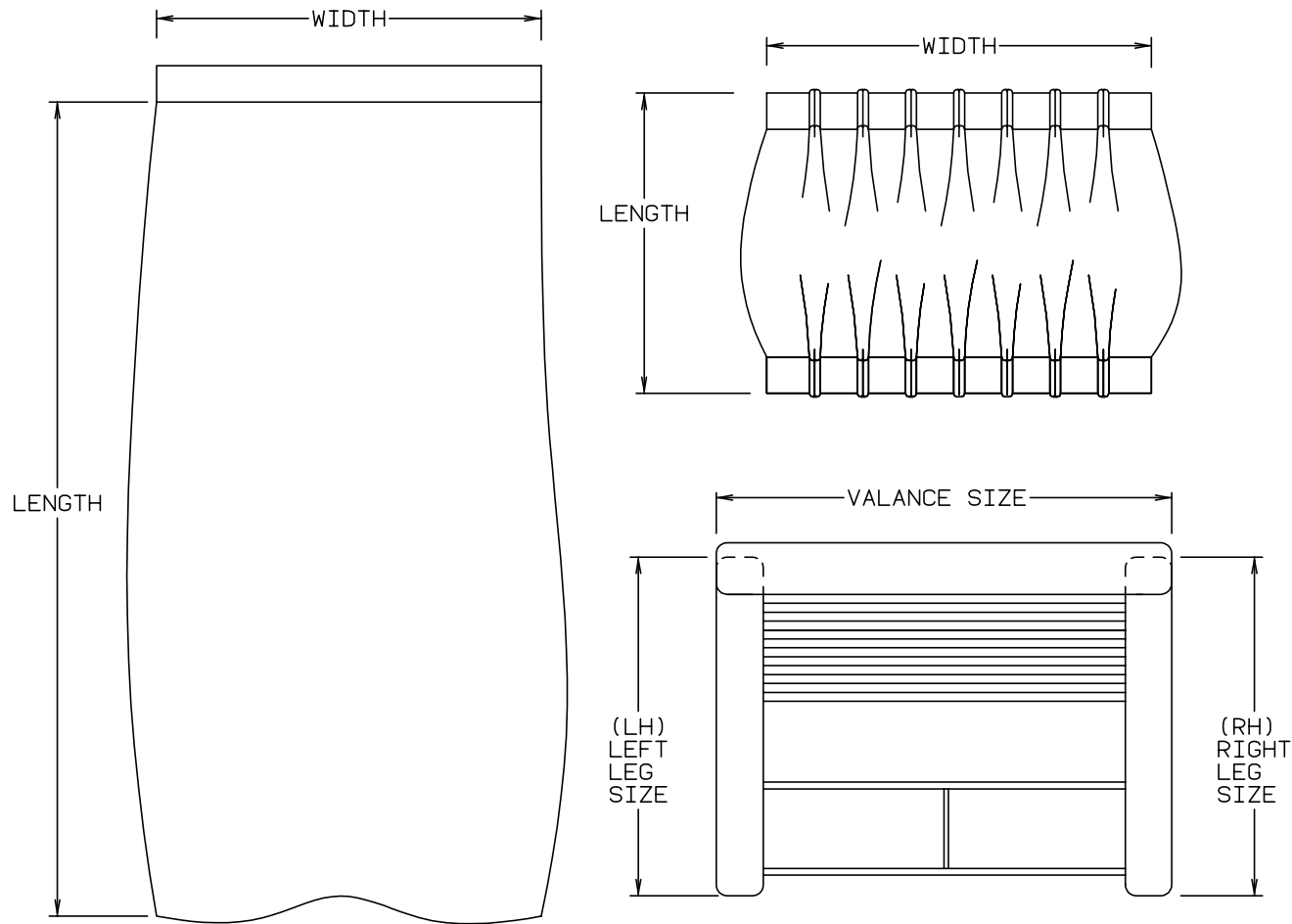


KEY	PARTNUMBER	U/M DESCRIPTION	VENDORNO.
1	090436-35-000	EA COMPRESSOR-TANK-W/O WIRING	
2	090436-07-701	EA SWITCH-AIRPRESSURE	50732
3	090436-07-704	EA SOLENOID-ELECTRONIC	50702
4	090436-07-700	EA COMPRESSOR ONLY	50701
	090436-07-703	EA CONVERSION-SWITCHPRESSURE,AIRTANK	
5	090436-07-702	EA TANK-AIR,ALLMODELS	50703
	090436-40-000	EA FILTER-AIRINTAKE-COMPRESSOR	
6	090436-28-000	EA SHIELD-HEAT-FUELTANK	
7	090436-60-000	EA MOUNT-SPRING-FORDTAG-LEFTUPPER	
7	090436-65-000	EA MOUNT-SPRING-FORDTAG-RIGHTUPPER	
8	090436-36-700	EA PETCOCK-AIRTANK/SPRING	50720
9	090436-15-704	EA BAG-AIR,BELLOWS-1EA=1ONLY	50752
10	090436-15-710	EA VALVE-ELECTRONIC-RH	50786
10	090436-15-709	EA VALVE-ELECTRONIC-LH	50785
11	090436-15-712	EA BOX-HEIGHTCONT.-RHW/LIGHT	50872
11	090436-15-711	EA BOX-HEIGHTCONT.-LHW/LIGHT	50871
	090436-15-713	EA LOOM-WIRE,F/AXLEPOS.LIGHT	50875
	090436-15-714	EA LOCKOUTKIT	
12	090436-25-000	EA U-BOLT-1-14X4"X15"-W/NUTS	
13	090436-22-000	EA U-BOLT-1-14X4"X14"-W/NUTS	
	031045-05-000	EA ADAPTER-1/4"IDBARBX1/8"MPT	
	071374-04-000	EA FITTING-BULKHEAD-1/8"X1/8"FNPT	
14	090436-20-000	EA MOUNT-SPRING/AXLE-LOWERDRIVER	
15	090436-23-000	EA SPRING-LEAF-SEMI-FORD	
16	090436-21-000	EA MOUNT-SPRING/AXLE-LOWERPASSENGER	
17	090436-29-000	EA BRACKET-BRAKEHOSE/FRAME	
18	090436-82-000	EA BRACKET-BRAKEHOSE/CALIPER	
19	090436-31-000	EA BAR-TRACK-W/BOLTS&BRKTS	
	090436-68-000	EA WIRINGASSEMBLY-ELECTRIC-W/TAG-LIGHT	
	111643-01-000	EA WIREASSEMBLY-PARK/LEVELWARNING	
	090436-79-000	EA STABILIZERBUSHINGKIT/FRONTANDREARBARS11/28/94&UP	
	091250-03-000	EA BUSHING-SWAYBAR-1.75"CUT	
	031045-05-000	EA ADAPTER-1/4"IDBARBX1/8"MPT	
	071374-04-000	EA FITTING-BULKHEAD-1/8"X1/8"FNPT	

CURTAIN & CUSHION GROUP NOTICE

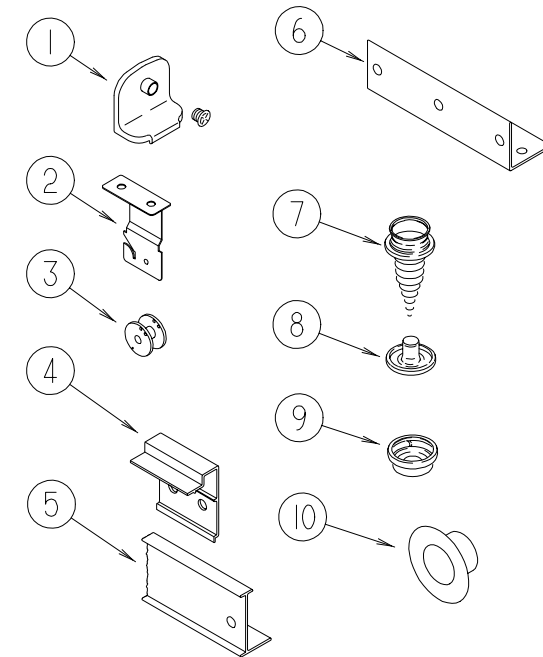
IN ORDER TO ASSIST OUR PARTS SALES DEPT. IN PROVIDING INTERIOR SOFTWARE ITEMS, PLEASE INCLUDE THE SERIAL NUMBER AND THE COLOR CODE NUMBER FROM THE VEHICLE CERTIFICATION LABEL WHEN ORDERING. THIS LABEL IS LOCATED ON THE LEFT SIDEWALL AT THE END OF THE DASH (A-BODY), OR ON THE DRIVER'S DOOR LATCH PLATE (C-BODY).

AN EXAMPLE OF A COLOR CODE NUMBER IS B07, WHICH DESIGNATES AN OVERALL COLOR SCHEME OF A PARTICULAR UNIT. THE COLOR LISTED AFTER THE ITEM DESCRIPTION ON THE MICROFICHE, INDICATES THE OVERALL UNIT COLOR. ORDER THE ITEM YOU DESIRE ACCORDING TO UNIT COLOR CODE. IF ALL COLORS USE THE SAME ITEM NO COLOR CODE WILL BE NOTED.



NOTE: USE THIS ILLUSTRATION WHEN DETERMINING LENGTH AND WIDTH MEASUREMENTS FOR CURTAINS. YOU WILL NOTE THE WIDTH MEASUREMENT IS TAKEN ON THE TOP OF THE CURTAIN WITH THE CURTAIN FULLY EXTENDED. THE LENGTH MEASUREMENT IS TAKEN FROM TOP TO BOTTOM. LEFT AND RIGHT WINDOW LEGS ARE DETERMINED WHEN FACING THE WINDOW.

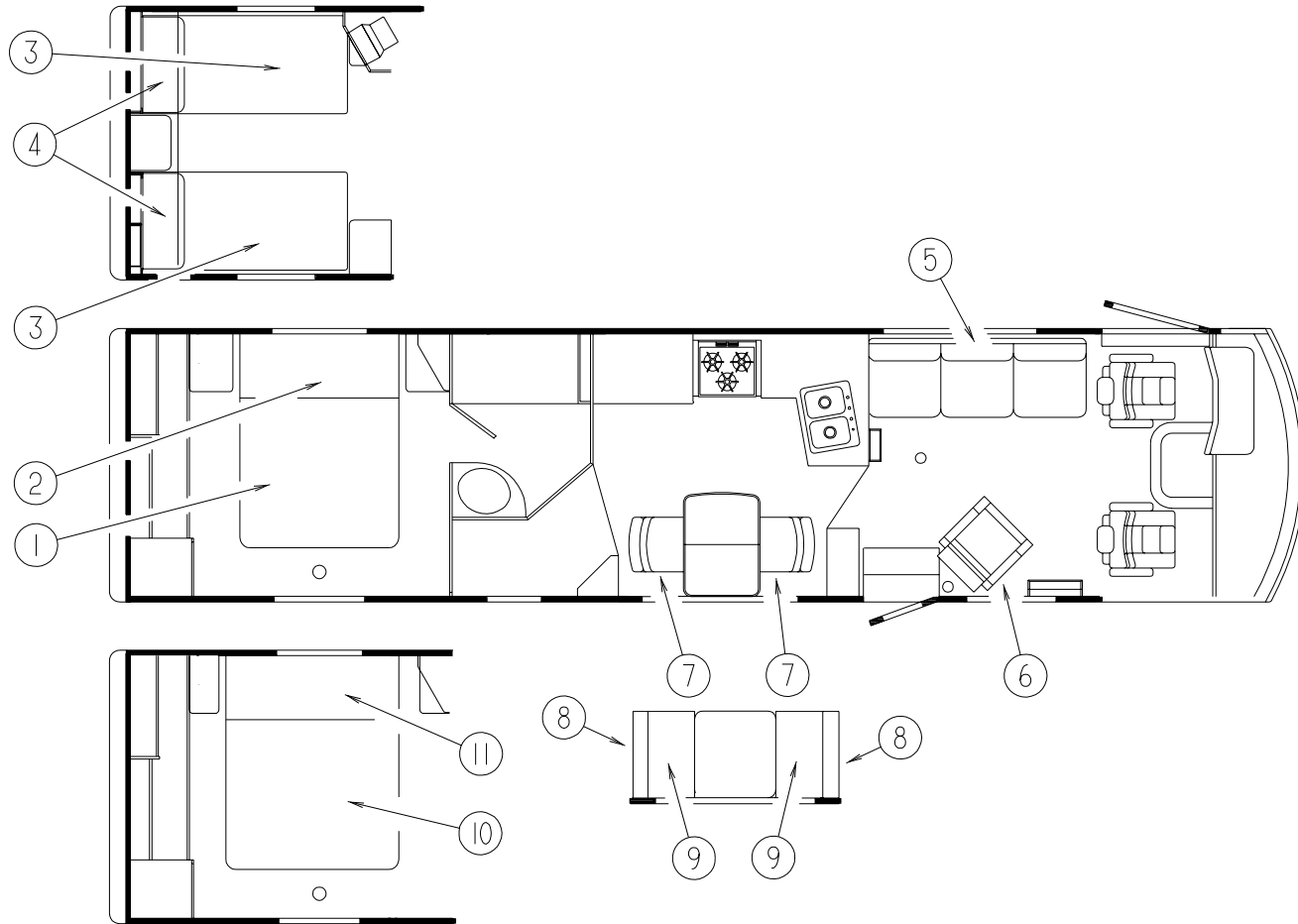
CURTAIN & CUSHION GROUP (CONTINUED)



CURTAIN HARDWARE

KEY	PART NUMBER	U/M	DESCRIPTION
1	106544-01-001	EA	SCREW - SHADE/BRASS
1	106544-01-000	EA	PULL - SHADE/BRASS
2	084434-01-000	EA	BRACKET - MOUNTING - ROLLER SHADE - 1 3/8"
3	097593-02-000	FT	CORD - BLIND/PLEATED - GRAY
4	097565-02-000	EA	BRACKET - MOUNTING PLEATED BLIND
4	097565-01-000	EA	BRACKET - MOUNTING/PLEATED BLIND FROM: 00-00-00 THRU: 10-23-96 FROM: 10-24-96 THRU: 99-99-99
5	118896-01-01A	EA	TRACK - CURTAIN - RIGHT HAND
5	118896-02-H56	EA	TRACK - RIGHT HAND CURTAIN
5	118897-01-01A	EA	TRACK - CURTAIN - LEFT HAND
6	105648-01-02A	EA	BRACE - VALANCE - OFF/WHITE - 14"
7	029130-01-000	EA	SCREW - SNAP SOCKET - #8 PH X 5/8"
8	029155-01-000	EA	CAP - SNAP - 5/32" O.D. OF PIN
9	029156-01-000	EA	SOCKET - SNAP - 9/16" O.D.
10	046867-03-000	EA	GROMMET - HANDY BUTTON #3
	048394-02-000	YD	VELCRO TAPE - HOOK - ADHESIVE BACK - .75" WIDE - BEIGE
	086276-01-000	EA	TAPE - DOUBLE SIDED - 1/2"
	088792-02-000	YD	VELCRO TAPE - LOOP - .75" - ADHESIVE BACKED - BEIGE
	094896-02-000	EA	GROMMET - CORD/PLEATED BLIND - NYLON - GRAY
	094907-05-701	EA	END CAP-LH BOTTOM BLIND PART SALES
	094907-05-700	EA	END CAP-RH BOTTOM BLIND PART SALES
	094907-05-000	EA	HARDWARE - END CAP - BOTTOM - PULL TYPE N/A ORDER #09490705700 RH CAP, #09490705701 LH CAP
	094907-06-000	EA	HARDWARE - END CAP - E-Z LIFT - TOP
	094908-03-000	FT	HARDWARE - SEMI-RIDGED PVC - EZ LIFT
	094908-04-000	FT	STRAP - FLAT POLY VINYL
	096843-01-000	EA	SPRING - REWIND/ROLLER SHADE
	097564-01-000	EA	HANDLE-T - EZ LIFT SHADE
	097591-01-000	EA	SPRING - EXTENSION/PLEATED BLIND
	097592-01-000	EA	SPOOL - CORD - ELEVATED BLIND HOLDUP - CLEAR PLASTIC

CURTAIN&CUSHIONGROUP(CONTINUED)



QUEENBEDSPREAD,PILLOWS&MATTRESS

KEY	PARTNUMBER	U/M DESCRIPTION
1	109588-24-GV4	EA BEDSPREAD/THROW-FITTED-60"X80"(H56,H57)
1	114222-01-H58	EA BEDSPREAD/THROW-60"X80"(H58,H59)
1	114222-01-H60	EA BEDSPREAD/THROW-60"X80"(H60,H61)
1	123015-07-000	EA MATTRESS-INNERSPRING-60"X79.5"
2	106727-05-H56	EA PILLOW-THROW-TOOTSIEROLL(H56,H57)
2	102161-55-H58	EA SHAM-2"FLANGE(H58,H59)
2	102161-56-H60	EA SHAM-2"FLANGE(H60,H61)

TWINBEDSPREAD,PILLOWS&MATTRESS

KEY	PARTNUMBER	U/M DESCRIPTION
3	109588-26-GV4	EA BEDSPREAD/THROW-FITTED-36"X80"(H56,H57)
3	114222-05-H58	EA BEDSPREAD/THROW-36"X80"(H58,H59)
3	114222-05-H60	EA BEDSPREAD/THROW-36"X80"(H60,H61)
3	123015-04-000	EA MATTRESS-INNERSPRING-36"X79.5"
4	106727-06-H56	EA PILLOW-THROW-TOOTSIEROLL(H56,H57)
4	102161-57-H58	EA SHAM-2"FLANGE(H58,H59)
4	102161-58-H60	EA SHAM-2"FLANGE(H60,H61)

BEDROOMTHROWPILLOWS

KEY	PARTNUMBER	U/M DESCRIPTION
	109785-05-H56	EA PILLOW-W/CORNERPLEATS-15"X15"(H56,H57)
	104166-05-H58	EA PILLOW-14"X14"(H58,H59)
	104166-06-H60	EA PILLOW-14"X14"(H60,H61)

LOUNGETHROWPILLOWS

KEY	PARTNUMBER	U/M DESCRIPTION
	106728-03-GV4	EA PILLOW-9"X20"(H56,H57)
	106728-02-H58	EA PILLOW-9"X20"(H58,H59)
	106728-03-H60	EA PILLOW-9"X20"(H60,H61)

COUCHLEATHER

KEY	PARTNUMBER	U/M DESCRIPTION
5	121885-04-000	EA SOFA-VILLA(H56,H57)
5	121885-05-000	EA SOFA-VILLA(H58,H59)
5	121885-06-000	EA SOFA-VILLA(H60,H61)

COUCHFABRIC

KEY	PARTNUMBER	U/M DESCRIPTION
5	119727-01-000	EA SOFA-VILLA80"-W/FLAIRARMREST/KICKBOARD(H56,H57)
5	119729-04-000	EA SOFA-VILLA80"-W/ARMRESTS/KICKBOARD(H58,H59)
5	119729-05-000	EA SOFA-VILLA80"-W/ARMRESTS/KICKBOARD(H60,H61)

LOUNGECHAIRFABRIC

KEY	PARTNUMBER	U/M DESCRIPTION
6	118821-01-H56	EA CHAIR-SWIVEL/RECLINERW/FOOTREST
6	118821-01-H57	EA CHAIR-SWIVEL/RECLINERW/FOOTREST
6	118821-01-H58	EA CHAIR-SWIVEL/RECLINERW/FOOTREST
6	118821-01-H59	EA CHAIR-SWIVEL/RECLINERW/FOOTREST
6	118821-01-H60	EA CHAIR-SWIVEL/RECLINERW/FOOTREST
6	118821-01-H61	EA CHAIR-SWIVEL/RECLINERW/FOOTREST

LOUNGECHAIRLEATHER

KEY	PARTNUMBER	U/M DESCRIPTION
6	121883-03-000	EA CHAIR-VILLA-GARRETCATHAM(H56,H57)
6	121883-06-000	EA CHAIR-VILLA-RICHARDPETTY(H58,H59)
6	121883-05-000	EA CHAIR-VILLA-DEVON(H60,H61)

DINETTECHAIRS

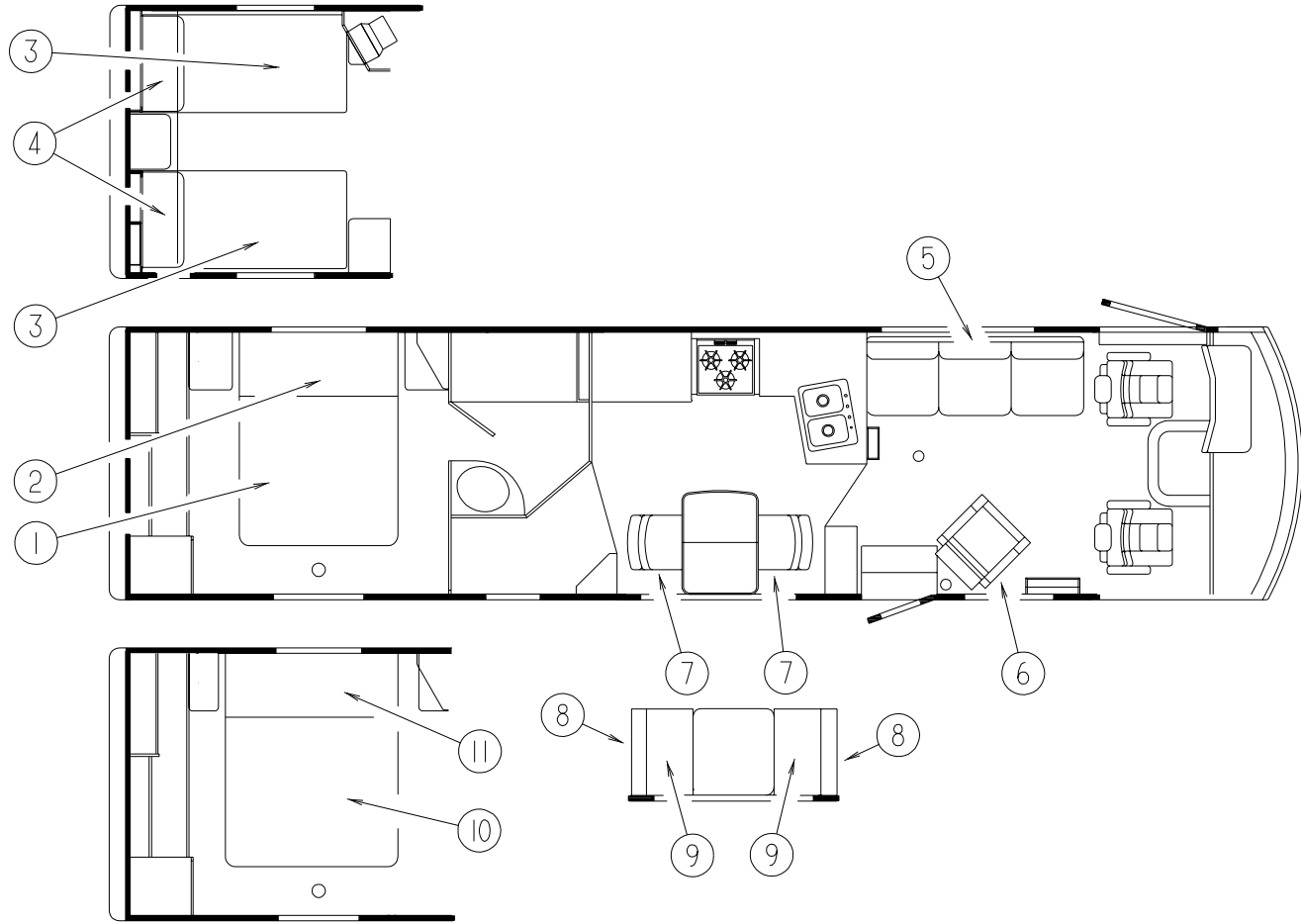
KEY	PARTNUMBER	U/M DESCRIPTION
7	116058-09-000	EA CHAIR-DINETTE,FLEXSTEEL(H56,H57)
7	116058-10-000	EA CHAIR-DINETTE,FLEXSTEEL(H58,H59)
7	116058-11-000	EA CHAIR-DINETTE,FLEXSTEEL(H60,H61)
	116080-03-H56	EA COVER-CHAIRLEG(SOLARMAPLE)
	116080-03-G39	EA COVER-CHAIRLEG(SALEMCHERRY)
	074045-10-000	EA PLUG-1/2"DIAMETER(SOLARMAPLE)
	074045-08-000	EA PLUG-1/2"DIAMETER(SALEMCHERRY)

FOLDINGCHAIRS

KEY	PARTNUMBER	U/M DESCRIPTION
	101604-01-04A	EA CHAIR-FOLDING,STACKMORE-W/OMATCHINGFABRIC(SOLARMAPLE)
	101604-01-02A	EA CHAIR-FOLDING,STACKMORE-W/OMATCHINGFABRIC(SALEMCHERRY)

CURTAIN&CUSHIONGROUP(CONTINUED)

DINETTEBOOTH

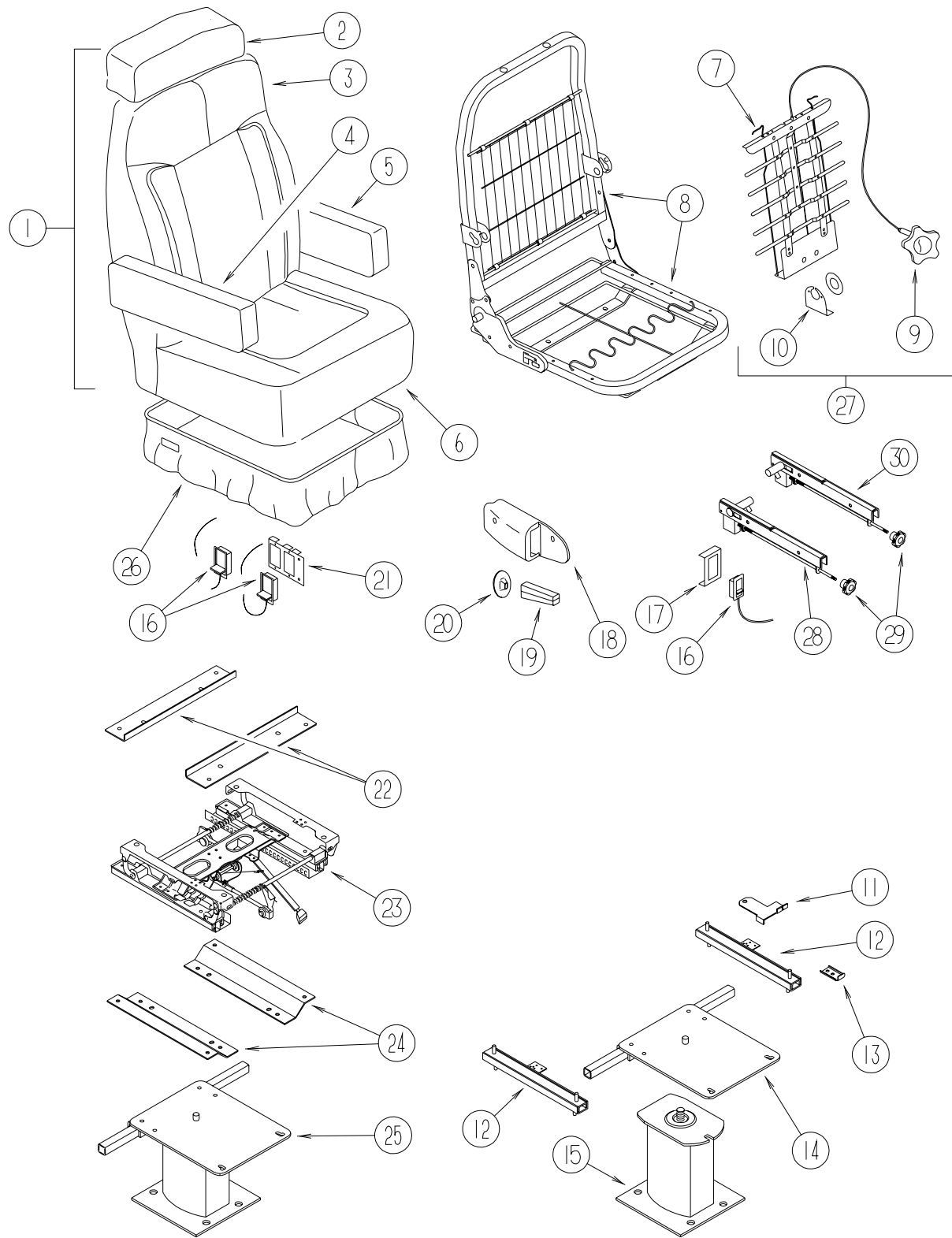


KEY	PARTNUMBER	U/M	DESCRIPTION
8	111897-07-GV4	EA	CUSHION-BACKREST-13.5"X30"X5"(H56,H57)
8	P11897-07-GV4	EA	COVER-BACKREST-13.5"X30"X5"(H56,H57)
8	111897-07-H58	EA	CUSHION-BACKREST-13.5"X30"X5"(H58)
8	P11897-07-H58	EA	COVER-BACKREST-13.5"X30"X5"(H58)
8	111897-07-H59	EA	CUSHION-BACKREST-13.5"X30"X5"(H59)
8	P11897-07-H59	EA	COVER-BACKREST-13.5"X30"X5"(H59)
8	111897-07-H60	EA	CUSHION-BACKREST-13.5"X30"X5"(H60)
8	P11897-07-H60	EA	COVER-BACKREST-13.5"X30"X5"(H60)
8	111897-07-H61	EA	CUSHION-BACKREST-13.5"X30"X5"(H61)
8	P11897-07-H61	EA	COVER-BACKREST-13.5"X30"X5"(H61)
8	078155-01-000	EA	STRAP-SNAP-BACKCUSHION
9	105603-17-GV4	EA	CUSHION-SEAT-23"X30.5"X5"(H56,H57)
9	P05603-17-GV4	EA	COVER-SEAT-23"X30.5"X5"(H56,H57)
9	105603-17-H58	EA	CUSHION-SEAT-23"X30.5"X5"(H58,H59)
9	P05603-17-H58	EA	COVER-SEAT-23"X30.5"X5"(H58,H59)
9	105603-17-H60	EA	CUSHION-SEAT-23"X30.5"X5"(H60,H61)
9	P05603-17-H60	EA	COVER-SEAT-23"X30.5"X5"(H60,H61)

KINGBEDSPREAD,PILLOWS&MATTRESS

KEY	PARTNUMBER	U/M	DESCRIPTION
10	109588-25-GV4	EA	BEDSPREAD/THROW-FITTED-72"X80"(H56,H57)
10	114222-04-H58	EA	BEDSPREAD/THROW-72"X80"(H58,H59)
10	114222-04-H60	EA	BEDSPREAD/THROW-72"X80"(H60,H61)
10	123015-09-000	EA	MATTRESS-INNERSPRING-72"X79.5"
11	106727-06-H56	EA	PILLOW-THROW-TOOTSIEROLL(H56,H57)
11	102161-57-H58	EA	SHAM-2"FLANGE(H58,H59)
11	102161-58-H60	EA	SHAM-2"FLANGE&BRAID(H60,H61)

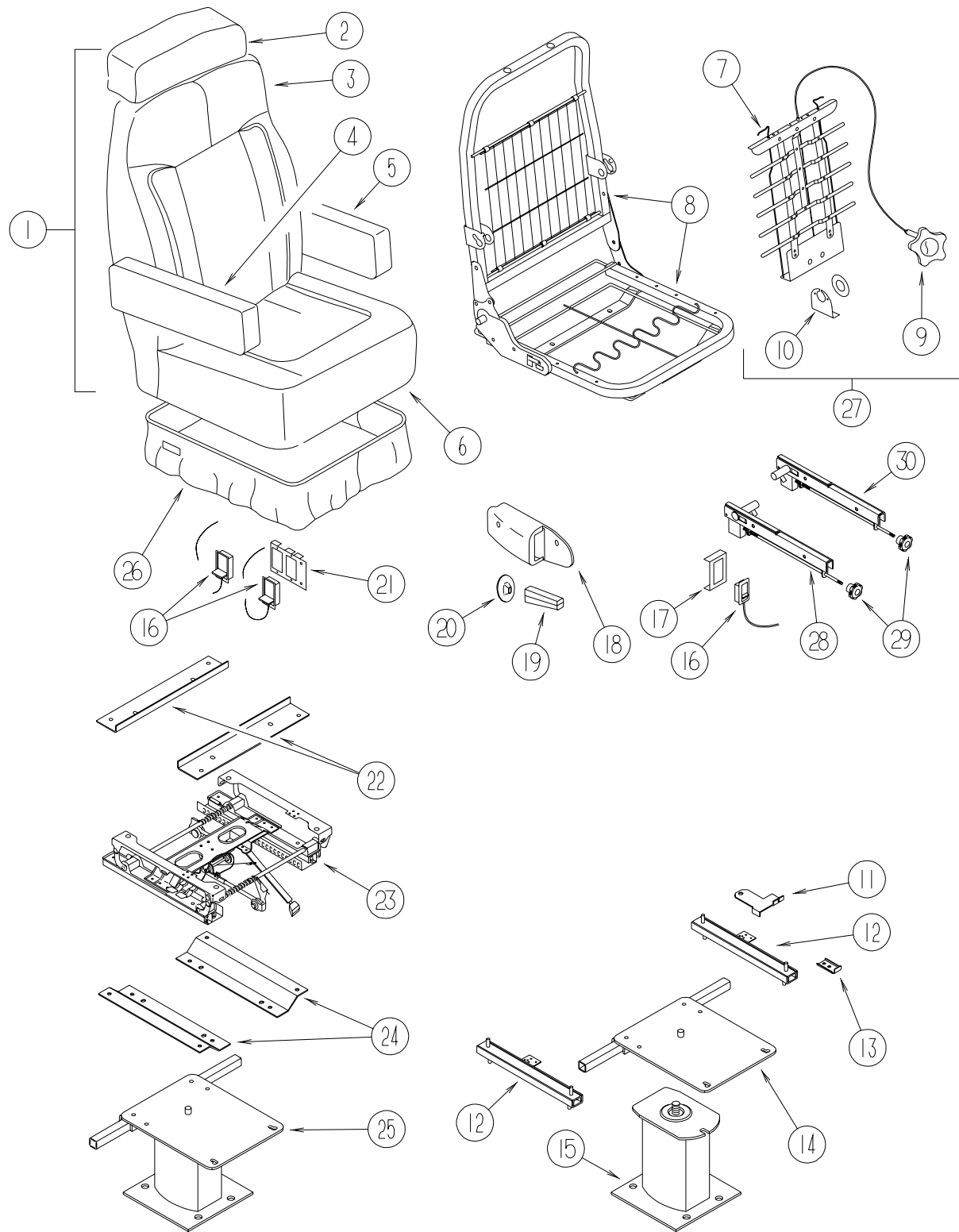
CURTAIN&CUSHIONGROUP(CONTINUED)
BUCKETSEATS



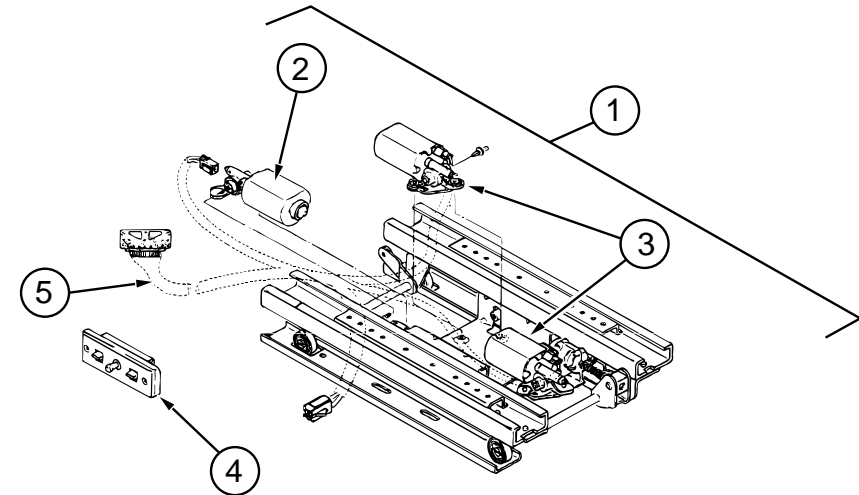
KEY	PARTNUMBER	U/M	DESCRIPTION
2	124682-01-H56	EA	HEADREST(H56,H57)
2	124682-01-H58	EA	HEADREST(H58,H59)
2	124682-01-H60	EA	HEADREST(H60,H61)
2	P24682-01-H56	EA	COVER-HEADREST(H56,H57)
2	P24682-01-H58	EA	COVER-HEADREST(H58,H59)
2	P24682-01-H60	EA	COVER-HEADREST(H60,H61)
2	113977-12-000	EA	HEADRESTINSERT-W/OLOCK
2	113977-13-000	EA	HEADRESTINSERT-W/LOCK
2	114791-03-000	EA	FRAME-HEADREST
3	M05962-47-H56	EA	COVER-BACK-BUCKET(H56,H57)
3	M05962-47-H58	EA	COVER-BACK-BUCKET(H58,H59)
3	M05962-47-H60	EA	COVER-BACK-BUCKET(H60,H61)
3	089323-01-000	FT	STRIP-POLYENTHYLENE-J-CHANNEL
4	123962-01-H56	EA	ARMREST-ADJUSTABLERIGHTHAND-BUCKETSEAT(DRIVER)(H56,H57)
4	123962-01-H58	EA	ARMREST-ADJUSTABLERIGHTHAND-BUCKETSEAT(DRIVER)(H58,H59)
4	123962-01-H60	EA	ARMREST-ADJUSTABLERIGHTHAND-BUCKETSEAT(DRIVER)(H60,H61)
4	P23962-01-H56	EA	COVER-ARMREST-RIGHTHAND(DRIVER)(H56,H57)
4	P23962-01-H58	EA	COVER-ARMREST-RIGHTHAND(DRIVER)(H58,H59)
4	P23962-01-H60	EA	COVER-ARMREST-RIGHTHAND(DRIVER)(H60,H61)
4	122780-01-H56	EA	ARMREST-RIGHTHAND(PASSENGER)(H56,H57)
4	122780-01-H58	EA	ARMREST-RIGHTHAND(PASSENGER)(H58,H59)
4	122780-01-H60	EA	ARMREST-RIGHTHAND(PASSENGER)(H60,H61)
4	P22780-01-H56	EA	COVER-ARMREST-RIGHTHAND(PASSENGER)(H56,H57)
4	P22780-01-H58	EA	COVER-ARMREST-RIGHTHAND(PASSENGER)(H58,H59)
4	P22780-01-H60	EA	COVER-ARMREST-RIGHTHAND(PASSENGER)(H60,H61)
4	115617-03-000	EA	ARMREST-W/OCOVER-RIGHTHAND(PASSENGER)
5	123962-02-H56	EA	ARMREST-ADJUSTABLELEFTHANDBUCKETSEAT(DRIVER)(H56,H57)
5	123962-02-H58	EA	ARMREST-ADJUSTABLELEFTHANDBUCKETSEAT(DRIVER)(H58,H59)
5	123962-02-H60	EA	ARMREST-ADJUSTABLELEFTHANDBUCKETSEAT(DRIVER)(H60,H61)
5	P23962-02-H56	EA	COVER-ARMREST-LEFTHAND(DRIVER)(H56,H57)
5	P23962-02-H58	EA	COVER-ARMREST-LEFTHAND(DRIVER)(H58,H59)
5	P23962-02-H60	EA	COVER-ARMREST,LEFTHAND(DRIVER)(H60,H61)
5	122780-02-H56	EA	ARMREST-LEFTHAND(PASSENGER)(H56,H57)
5	122780-02-H58	EA	ARMREST-LEFTHAND(PASSENGER)(H58,H59)
5	122780-02-H60	EA	ARMREST-LEFTHAND(PASSENGER)(H60,H61)
5	P22780-02-H56	EA	COVER-ARMREST-LEFTHAND(PASSENGER)(H56,H57)
5	P22780-02-H58	EA	COVER-ARMREST-LEFTHAND(PASSENGER)(H58,H59)
5	P22780-02-H60	EA	COVER-ARMREST-LEFTHAND(PASSENGER)(H60,H61)
5	115617-04-000	EA	ARMREST-W/OCOVER-LEFTHAND(PASSENGER)
6	M05962-48-H56	EA	COVER-BOTTOM(H56,H57)
6	M05962-48-H58	EA	COVER-BOTTOM(H58,H59)
6	M05962-48-H60	EA	COVER-BOTTOM(H60,H61)
6	089323-01-000	FT	STRIP-POLYENTHYLENE-J-CHANNEL
7	122611-01-700	EA	LUMBAR-MANUALACTUATOR#285LH(DRIVER)
8	122695-01-01B	EA	FRAME-SEAT/BACK
9	122611-01-701	EA	LUMBAR-KNOB#218(DRIVER)
10	122611-01-702	EA	LUMBAR-BRACKET#157C-90(DRIVER)
	122611-01-703	EA	LUMBAR-SCREW#210A(DRIVER)
11	117125-01-02B	EA	BRACKET-CABLEMOUNT-ADJUSTERW/LOCK
12	119952-06-000	EA	SLIDE-SEATHEAVYDUTYLOCKING-4STUDS
12	119952-07-000	EA	WIRE-LATCHRELEASE/ROTARY
12	007221-01-000	EA	SPACER-SEAT/ADJUSTER
13	114889-01-000	EA	STOPBAR-UNIVERSAL
14	107921-05-000	EA	PLATETOP-W/SEATBELTBAR
14	107921-06-000	EA	BEARINGKIT-PEDESTAL
15	107921-01-000	EA	PEDESTALFLOORMOUNTED-W/9.75"EXTENSION
16	108049-02-000	EA	CLIP-CABLE/PEDESTAL
16	108049-03-000	EA	CABLE-W/CONTROL25.5"SHEATH/28.5"CABLEW/DOGLEG
17	097683-03-000	EA	BRACKET-REMOTE/SIDEMOUNT-SINGLE
18	080730-09-000	EA	SHIELD-RECLINERHANDLE
19	080730-08-000	EA	HANDLE-RECLINER
20	080730-11-000	EA	SHIELD-RUBBERBOOT

KEY	PARTNUMBER	U/M	DESCRIPTION
1	123820-01-H56	EA	SEAT-BUCKETWIDEW/LUMBAR SUPPORT(DRIVER)(H56,H57)
1	123820-01-H58	EA	SEAT-BUCKETWIDEW/LUMBAR SUPPORT(DRIVER)(H58,H59)
1	123820-01-H60	EA	SEAT-BUCKETWIDEW/LUMBAR SUPPORT(DRIVER)(H60,H61)
1	123820-02-H56	EA	SEAT-BUCKETWIDE(PASSENGER)
1	123820-02-H57	EA	SEAT-BUCKETWIDE(PASSENGER)
1	123820-02-H58	EA	SEAT-BUCKETWIDE(PASSENGER)
1	123820-02-H59	EA	SEAT-BUCKETWIDE(PASSENGER)
1	123820-02-H60	EA	SEAT-BUCKETWIDE(PASSENGER)
1	123820-02-H61	EA	SEAT-BUCKETWIDE(PASSENGER)

CURTAIN&CUSHIONGROUP(CONTINUED)
BUCKETSEATS(CONTINUED)



KEY	PARTNUMBER	U/M DESCRIPTION
26	071126-58-H35	EA SKIRT-SINGLE-10.5"W/SEATBELTSLOT(H56,H57)
26	071126-58-H58	EA SKIRT-SINGLE-10.5"W/SEATBELTSLOT(H58,H59)
26	071126-58-H60	EA SKIRT-SINGLE-10.5"W/SEATBELTSLOT(H60,H61)
26	071126-60-H56	EA SKIRT-SINGLE,10.5"-6-WAYMANUALBUCKETSEAT(H56,H57)
26	071126-60-H58	EA SKIRT-SINGLE,10.5"-6-WAYMANUALBUCKETSEAT(H58,H59)
26	071126-60-H60	EA SKIRT-SINGLE,10.5"-6-WAYMANUALBUCKETSEAT(H60,H61)
27	122611-01-000	EA LUMBAR
28	122622-04-000	EA BRACKET-ADJUSTABLE/ARMREST-RIGHTHAND
29	122622-06-000	EA BRACKET-ADJUSTABLEKNOB-3/8"
30	122622-05-000	EA BRACKET-ADJUSTABLE/ARMREST-LEFTHAND



DELCOPOWERSEAT-6WAY

KEY	PARTNUMBER	U/M DESCRIPTION	VENDORNO.
1	081373-03-000	EA SEAT-POWER6WAY	
2	081373-02-704	EA MOTORPACKAGE-ADJUSTVERTICAL	22063238&H-196
3	081373-03-700	EA SWITCHASM-FLAT,BROWN-GRAY	22138182&H-441
	081373-02-700	EA SWITCHW/CLEARMOLDEDCONN.	22063234
4	081373-01-700	EA BRACKET-L,CONTROL SWITCH	H-171
	081373-03-701	EA WIREHARNESSASM.,LHSIDE	6000
	081373-03-702	EA WIREHARNESSASM.,RHSIDE	6001
5	081373-02-703	EA MOTORPACKAGE-ADJUSTHORIZONTAL	22063237&H-195

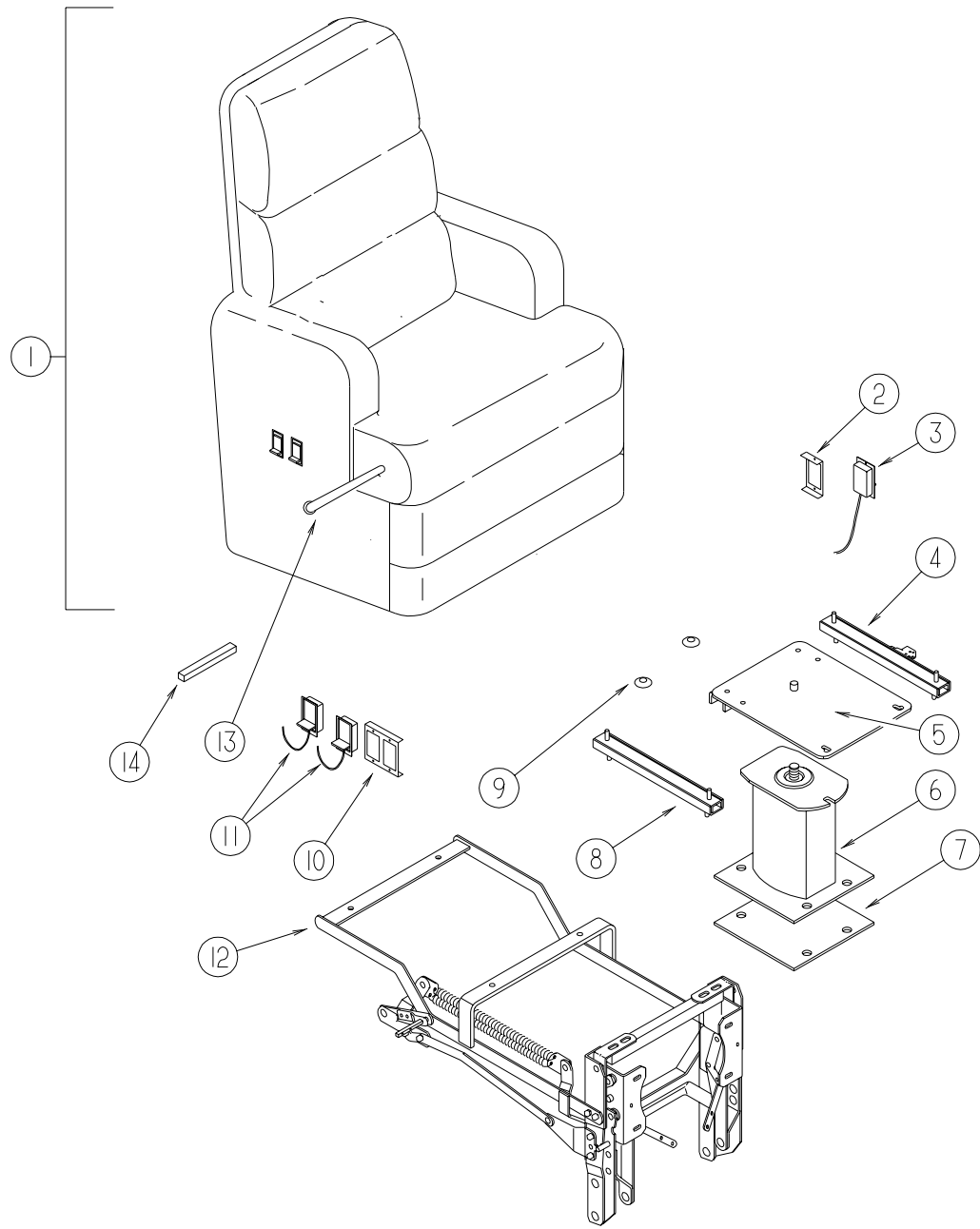
LEATHERBUCKETSEAT

KEY	PARTNUMBER	U/M DESCRIPTION
	123609-01-000	EA SEAT-BUCKET-DRIVER6WAY(H56,H57)
	123609-07-000	EA SEAT-BUCKET-DRIVER6WAY(H58,H59)
	123609-05-000	EA SEAT-BUCKET-DRIVER6WAY(H60,H61)
	123609-02-000	EA SEAT-BUCKET-PASSENGER(H56,H57)
	123609-08-000	EA SEAT-BUCKET-PASSENGER(H58,H59)
	123609-06-000	EA SEAT-BUCKET-PASSENGER(H60,H61)
	119730-90-000	EA TOPPLATE-F/VILLABUCKETSEAT
	119730-92-000	EA PEDESTAL-VILLA-6.2"
	119730-96-000	EA PEDESTAL-VILLA-8"
	113983-94-000	EA BEARINGKIT-VILLASEATPEDESTAL

KEY	PARTNUMBER	U/M DESCRIPTION
21	097683-02-000	EA BRACKET-REMOTESIDEMOUNT-DOUBLE
22	116215-02-000	EA PLATE-UPPER-6-WAYMANUALCONTROL
23	116215-01-000	EA SEAT-6-WAYMANUALCONTROL-DRIVER
24	116215-03-000	EA PLATE-LOWER-6-WAYMANUALCONTROL
25	107921-01-000	EA PEDESTALFLOORMOUNTED-W/9.75"EXTENSION
25	107921-14-000	EA PEDESTAL-SEATW/5.75"EXTENSION-MANUALSEATOPTION

CURTAIN&CUSHIONGROUP(CONTINUED)

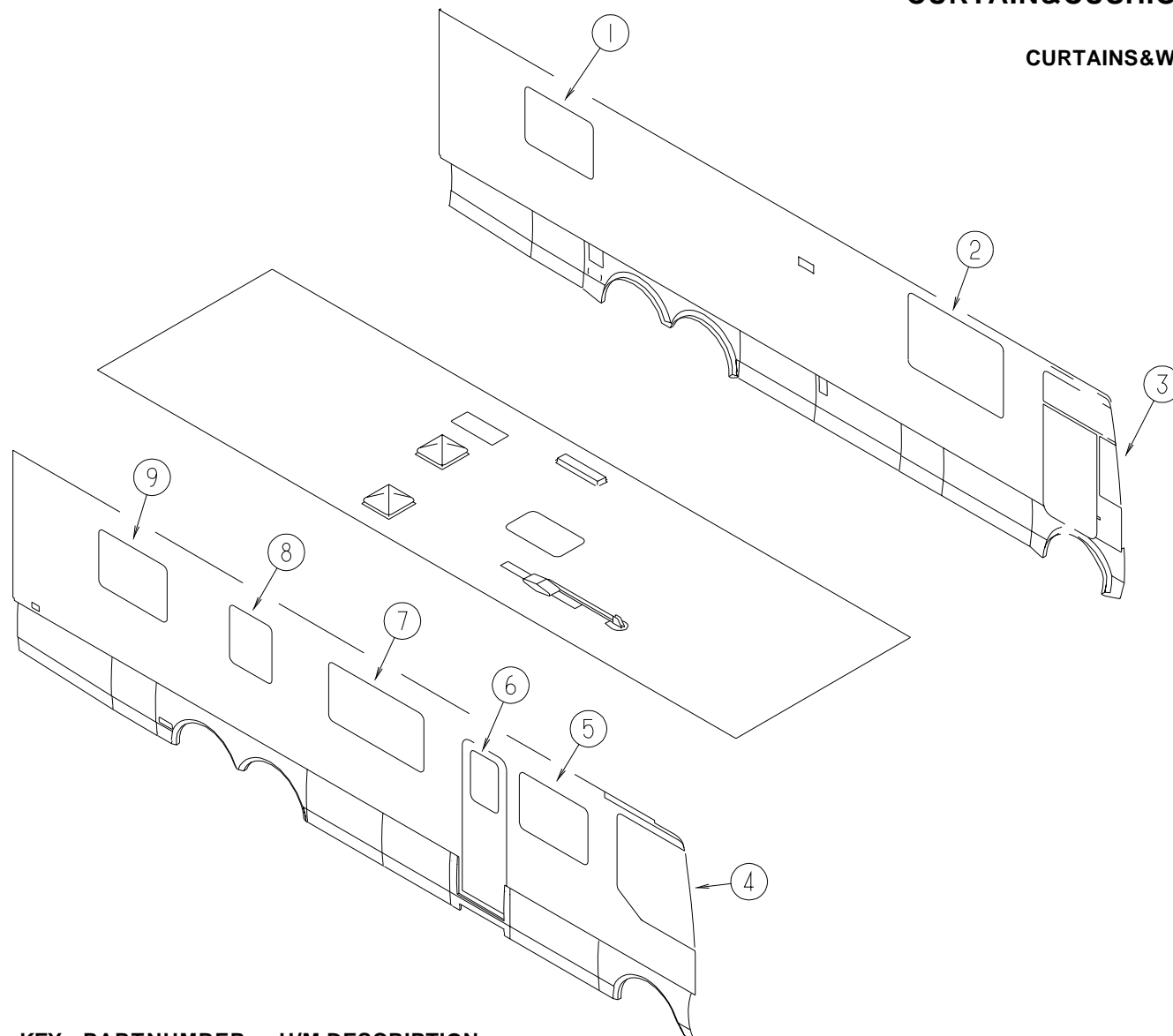
SWIVELCHAIR



KEY	PARTNUMBER	U/M	DESCRIPTION	VENDOR NO.
1	118821-01-H56	EA	CHAIR-SWIVEL/RECLINERW/FOOTREST	
1	118821-01-H57	EA	CHAIR-SWIVEL/RECLINERW/FOOTREST	
1	118821-01-H58	EA	CHAIR-SWIVEL/RECLINERW/FOOTREST	
1	118821-01-H59	EA	CHAIR-SWIVEL/RECLINERW/FOOTREST	
1	118821-01-H60	EA	CHAIR-SWIVEL/RECLINERW/FOOTREST	
1	118821-01-H61	EA	CHAIR-SWIVEL/RECLINERW/FOOTREST	
	P18821-01-H56	EA	COVER-CHAIR-W/RECLINER&FOOTREST(H56)	
	P18821-01-GV5	EA	COVER-CHAIR-W/RECLINER&FOOTREST(H57)	
	P18821-01-H58	EA	COVER-CHAIR-W/RECLINER&FOOTREST(H58,H59)	
	P18821-01-H60	EA	COVER-CHAIR-W/RECLINER&FOOTREST(H60,H61)	
	P18821-27-H56	EA	COVER-RIGHT/LEFTARMREST(H56,H57)	
	P18821-27-H58	EA	COVER-RIGHT/LEFTARMREST(H58,H59)	
	P18821-27-H60	EA	COVER-RIGHT/LEFTARMREST(H60,H61)	
2	097683-03-000	EA	BRACKET-REMOTE-SIDEMOUNT-SINGLE	
3	089368-05-000	EA	CABLE-W/SWITCH25.5"SHEATH-293/4"CABLEW/DOGLEG	
4	119952-04-000	EA	SLIDE/SEAT-HEAVYDUTYLOCKING-4STUDS	
	117125-01-02B	EA	BRACKET-CABLEMOUNT-ADJUSTERW/LOCK	
	108049-02-000	EA	CLIP-CABLE/PEDESTAL	
5	107921-08-000	EA	TOPPLATE-PEDESTAL-W/OSEATBELTBAR	
6	107921-01-000	EA	PEDESTAL/FLOORMOUNTED-W/9.75"EXTENSION	
7	108445-02-000	EA	PLATE/FLOORMOUNTED-PEDESTALSEAT	
	107921-06-000	EA	BEARINGKIT-PEDESTAL	
8	119952-02-000	EA	SLIDE/SEAT-HEAVYDUTYNONLOCKING	
9	007221-01-000	EA	SPACER-SEAT-ADJUSTER	
10	097683-02-000	EA	BRACKET-REMOTE/SIDEMOUNT-DOUBLE	
11	108049-03-000	EA	CABLE/CONTROL25.5"SHEATH/28.5"CABLEW/DOGLEG	
12	119106-01-000	EA	FRAME-FOOTRESTMECHANIC-COMPLETE	
13	119106-01-701	EA	HANDLE	92596
14	119106-01-700	EA	TUBE-EXTENSION-RECTANGULAR	92859

CURTAIN&CUSHIONGROUP(CONTINUED)

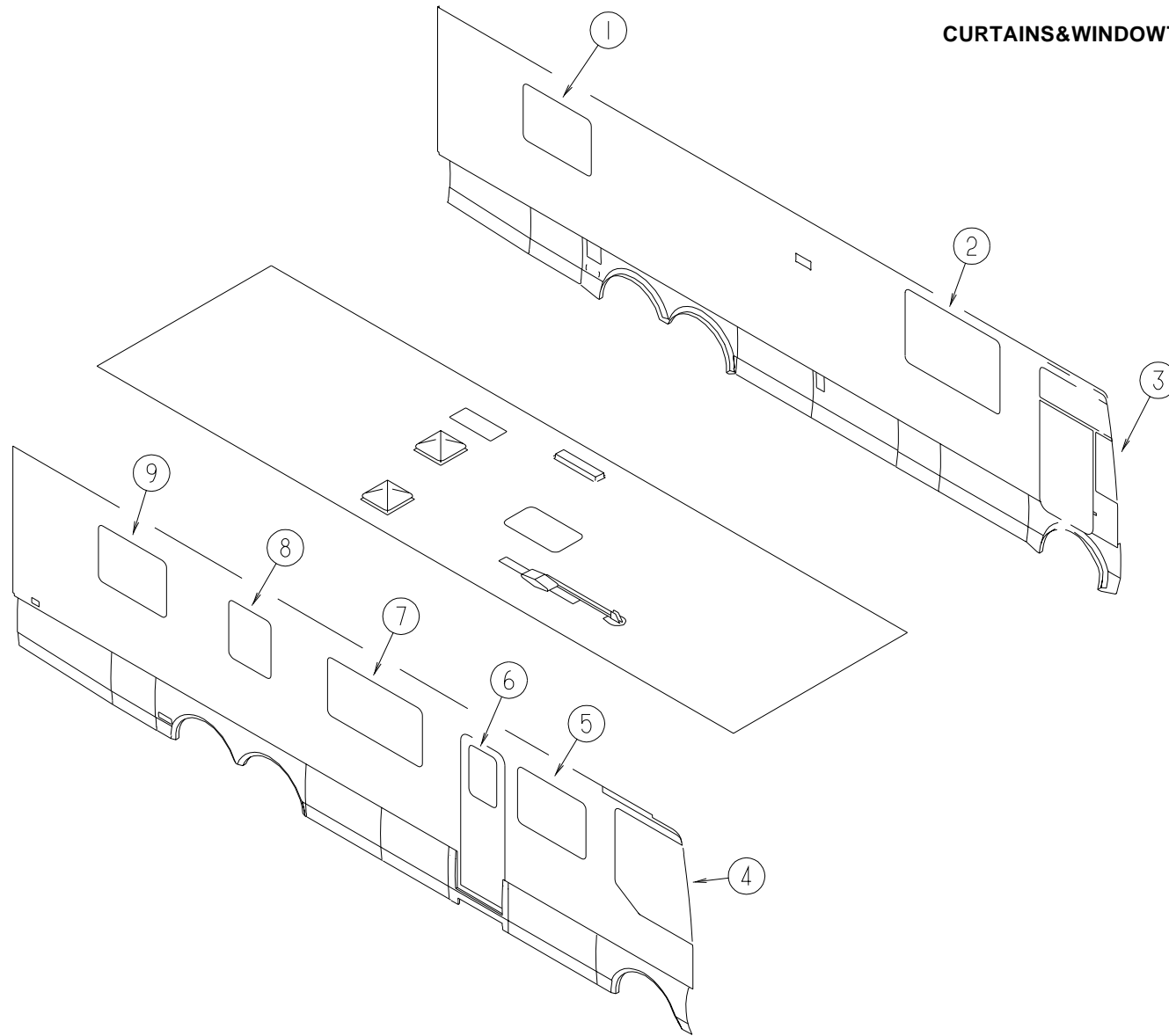
CURTAINS&WINDOWTREATMENT



KEY	PARTNUMBER	U/M DESCRIPTION
1	117657-09-H56	EA VALANCE-KINGSTON-34"(H56,H57)
	117844-05-GV4	EA COVER-KINGSTON-51"(H56,H57)
1	117657-09-H58	EA VALANCE-KINGSTON-34"(H58,H59)
	117844-05-H58	EA COVER-KINGSTON-51"(H58,H59)
1	119138-34-H60	EA VALANCE-BELLINI-34"(H60,H61)
1	117657-08-H56	EA VALANCE-KINGSTON-34"(H56,H57)(TWINBED)
	117844-06-H56	EA COVER-KINGSTON-40"(H56,H57)(TWINBED)
1	117657-08-H58	EA VALANCE-KINGSTON-34"(H58,H59)(TWINBED)
	117844-06-H58	EA COVER-KINGSTON-40"(H58,H59)(TWINBED)
1	119138-30-H60	EA VALANCE-BELLINI-34"(H60,H61)(TWINBED)
1	119333-89-H56	EA LEG-RIGHT-34"(H56,H57)
1	119333-89-H58	EA LEG-RIGHT-34"(H58,H59)
1	119333-93-H60	EA LEG-RIGHT-34"(H60,H61)
1	119333-90-H56	EA LEG-LEFT-34"(H56,H57)
1	119333-90-H58	EA LEG-LEFT-34"(H58,H59)
1	119333-94-H60	EA LEG-LEFT-34"(H60,H61)
1	123964-04-HA6	EA BLIND-MICRO-DAY/NIGHTER-29"X37"(H56,H57,H58,H59) FROM: 00-00-00 THRU: 09-17-96
1	123964-04-HB6	EA BLIND-MICRO-DAY/NIGHTER-29"X37"(H56,H57,H58,H59) FROM: 09-18-96 THRU: 99-99-99
1	123964-04-H60	EA BLIND-MICRO-DAY/NIGHTER-28"X37"(H60,H61) FROM: 00-00-00 THRU: 09-17-96
1	123964-04-HC6	EA BLIND-MICRO-DAY/NIGHTER-29"X37"(H60,H61) FROM: 09-18-96 THRU: 10-20-96
1	123964-04-HD6	EA BLIND-MICRO-DAY/NIGHTER-29"X37"(H60,H61) FROM: 10-21-96 THRU: 99-99-99

KEY	PARTNUMBER	U/M DESCRIPTION
2	119262-10-H56	EA VALANCE-MONACO-62.5"(H56)
2	119262-10-H57	EA VALANCE-MONACO-62.5"(H57)
2	121410-23-H58	EA VALANCE-MODERATE-62.5"(H58,H59)
2	121410-24-H60	EA VALANCE-MODERATE-62.5"(H60,H61)
2	119333-13-GV5	EA LEG-RIGHT-38"(H56,H57)
2	119333-13-H58	EA LEG-RIGHT-38"(H58,H59)
2	119333-95-H60	EA LEG-RIGHT-38"(H60,H61)
2	119333-14-GV5	EA LEG-LEFT-38"(H56,H57)
2	119333-14-H58	EA LEG-LEFT-38"(H58,H59)
2	119333-96-H60	EA LEG-LEFT-38"(H60,H61)
2	123964-03-H56	EA BLIND-MICRO-DAY/NIGHTER-59"X41"(H56,H57,H58,H59) FROM: 00-00-00 THRU: 09-17-96
2	123964-03-HB6	EA BLIND-MICRO-DAY/NIGHTER-59"X41"(H56,H57,H58,H59) FROM: 09-18-96 THRU: 99-99-99
2	123964-03-H60	EA BLIND-MICRO-DAY/NIGHTER-59"X41"(H60,H61) FROM: 00-00-00 THRU: 09-17-96
2	123964-03-HC6	EA BLIND-MICRO-DAY/NIGHTER-59"X41"(H60,H61) FROM: 09-18-96 THRU: 10-20-96
2	123964-03-HD6	EA BLIND-MICRO-DAY/NIGHTER-59"X41"(H60,H61) FROM: 10-21-96 THRU: 99-99-99
2	119262-31-H56	EA VALANCE-MONACO-62.5"(H56)(WINDOWEXCHANGE)
2	119262-31-H57	EA VALANCE-MONACO-62.5"(H57)(WINDOWEXCHANGE)
2	121410-27-H58	EA VALANCE-MODERATE-62.5"(H58,H59)(WINDOWEXCHANGE)
2	121410-28-H60	EA VALANCE-MODERATE-62.5"(H60,H61)(WINDOWEXCHANGE)
2	119333-45-GV4	EA LEG-RIGHT-30"(H56,H57)(WINDOWEXCHANGE)
2	119333-45-H58	EA LEG-RIGHT-30"(H58,H59)(WINDOWEXCHANGE)
2	123910-03-H60	EA LEG-RIGHT-30"(H60,H61)(WINDOWEXCHANGE)
2	119333-46-GV4	EA LEG-LEFT-30"(H56,H57)(WINDOWEXCHANGE)
2	119333-46-H58	EA LEG-LEFT-30"(H58,H59)(WINDOWEXCHANGE)
2	123910-04-H60	EA LEG-LEFT-30"(H60,H61)(WINDOWEXCHANGE)
2	123964-05-HA6	EA BLIND-MICRO-DAY/NIGHTER-59"X33"(H56,H57,H58,H59)(WINDOWEXCHANGE) FROM: 00-00-00 THRU: 09-17-96
2	123964-05-HB6	EA BLIND-MICRO-DAY/NIGHTER-59"X33"(H56,H57,H58,H59)(WINDOWEXCHANGE) FROM: 09-18-96 THRU: 99-99-99
2	123964-05-H60	EA BLIND-MICRO-DAY/NIGHTER-59"X33"(H60,H61)(WINDOWEXCHANGE) FROM: 00-00-00 THRU: 09-17-96
2	123964-05-HC6	EA BLIND-MICRO-DAY/NIGHTER-59"X33"(H60,H61)(WINDOWEXCHANGE) FROM: 09-18-96 THRU: 10-20-96
2	123964-05-HD6	EA BLIND-MICRO-DAY/NIGHTER-59"X33"(H60,H61)(WINDOWEXCHANGE) FROM: 10-21-96 THRU: 99-99-99
3	093487-08-03A	EA WRAPAROUND-FRONT-LEFTHANDPLEATED-51"X100" FROM: 00-00-00 THRU: 11-24-96
3	093487-12-01A	EA WRAPAROUND-FRONT-LEFTHANDPLEATED-51"X108" FROM: 11-25-96 THRU: 99-99-99
4	093487-07-03A	EA WRAPAROUND-FRONT-RIGHTHAND/PLEATED-51"X100" FROM: 00-00-00 THRU: 11-24-96
4	093487-11-01A	EA WRAPAROUND-FRONT-RIGHTHAND/PLEATED-51"X108" FROM: 11-25-96 THRU: 99-99-99

CURTAIN&CUSHIONGROUP(CONTINUED)



CURTAINS&WINDOWTREATMENT(CONTINUED)

KEY	PARTNUMBER	U/M	DESCRIPTION
7	119262-31-H56	EA	VALANCE-MONACO-62.5"(H56)
7	119262-31-H57	EA	VALANCE-MONACO-62.5"(H57)
7	121410-27-H58	EA	VALANCE-MODERATE-62.5"(H58,H59)
7	121410-28-H60	EA	VALANCE-MODERATE-62.5"(H60,H61)
7	119333-45-GV4	EA	LEG-RIGHT-30"(H56,H57)
7	119333-45-H58	EA	LEG-RIGHT-30"(H58,H59)
7	123910-03-H60	EA	LEG-RIGHT-30"(H60,H61)
7	119333-46-GV4	EA	LEG-LEFT-30"(H56,H57)
7	119333-46-H58	EA	LEG-LEFT-30"(H58,H59)
7	123910-04-H60	EA	LEG-LEFT-30"(H60,H61)
7	123964-05-HA6	EA	BLIND-MICRO-DAY/NIGHTER-59"X33"(H56,H57,H58,H59) FROM: 00-00-00 THRU: 09-17-96
7	123964-05-HB6	EA	BLIND-MICRO-DAY/NIGHTER-59"X33"(H56,H57,H58,H59) FROM: 09-18-96 THRU: 99-99-99
7	123964-05-H60	EA	BLIND-MICRO-DAY/NIGHTER-59"X33"(H60,H61) FROM: 00-00-00 THRU: 09-17-96
7	123964-05-HC6	EA	BLIND-MICRO-DAY/NIGHTER-59"X33"(H60,H61) FROM: 09-18-96 THRU: 10-20-96
7	123964-05-HD6	EA	BLIND-MICRO-DAY/NIGHTER-59"X33"(H60,H61) FROM: 10-21-96 THRU: 99-99-99
8	119262-52-GV4	EA	VALANCE-MONACO-30"(H56,H57)
8	121410-36-H58	EA	VALANCE-MODERATE-30"(H58,H59)
8	121410-37-H60	EA	VALANCE-MODERATE-30"(H60,H61)
8	123964-09-HA6	EA	BLIND-MICRO-DAY/NIGHTER-29"X31"(H56,H57,H58,H59) FROM: 00-00-00 THRU: 09-17-96
8	123964-09-HB6	EA	BLIND-MICRO-DAY/NIGHTER-29"X31"(H56,H57,H58,H59) FROM: 09-18-96 THRU: 99-99-99
8	123964-09-H60	EA	BLIND-MICRO-DAY/NIGHTER-29"X31"(H60,H61) FROM: 00-00-00 THRU: 09-17-96
8	123964-09-HC6	EA	BLIND-MICRO-DAY/NIGHTER-29"X31"(H60,H61) FROM: 09-18-96 THRU: 10-20-96
8	123964-09-HD6	EA	BLIND-MICRO-DAY/NIGHTER-29"X31"(H60,H61) FROM: 10-21-96 THRU: 99-99-99
9	117657-09-H56	EA	VALANCE-KINGSTON-34"(H56,H57)
9	117844-05-GV4	EA	COVER-KINGSTON-51"(H56,H57)
9	117657-09-H58	EA	VALANCE-KINGSTON-34"(H58,H59)
9	117844-05-H58	EA	COVER-KINGSTON-51"(H58,H59)
9	119138-34-H60	EA	VALANCE-BELLINI-34"(H60,H61)
9	117657-08-H56	EA	VALANCE-KINGSTON-34"(H56,H57)(TWINBED)
9	117844-06-H56	EA	COVER-KINGSTON-40"(H56,H57)(TWINBED)
9	117657-08-H58	EA	VALANCE-KINGSTON-34"(H58,H59)(TWINBED)
9	117844-06-H58	EA	COVER-KINGSTON-40"(H58,H59)(TWINBED)
9	119138-31-H60	EA	VALANCE-BELLINI-34"(H60,H61)(TWINBED)
9	119333-89-H56	EA	LEG-RIGHT-34"(H56,H57)
9	119333-89-H58	EA	LEG-RIGHT-34"(H58,H59)
9	119333-93-H60	EA	LEG-RIGHT-34"(H60,H61)
9	119333-90-H56	EA	LEG-LEFT-34"(H56,H57)
9	119333-90-H58	EA	LEG-LEFT-34"(H58,H59)
9	119333-94-H60	EA	LEG-LEFT-34"(H60,H61)
9	123964-04-HA6	EA	BLIND-MICRO-DAY/NIGHTER-29"X37"(H56,H57,H58,H59) FROM: 00-00-00 THRU: 09-17-96
9	123964-04-HB6	EA	BLIND-MICRO-DAY/NIGHTER-29"X37"(H56,H57,H58,H59) FROM: 09-18-96 THRU: 99-99-99
9	123964-04-H60	EA	BLIND-MICRO-DAY/NIGHTER-28"X37"(H60,H61) FROM: 00-00-00 THRU: 09-17-96
9	123964-04-HC6	EA	BLIND-MICRO-DAY/NIGHTER-29"X37"(H60,H61) FROM: 09-18-96 THRU: 10-20-96
9	123964-04-HD6	EA	BLIND-MICRO-DAY/NIGHTER-29"X37"(H60,H61) FROM: 10-21-96 THRU: 99-99-99

KEY	PARTNUMBER	U/M	DESCRIPTION
5	119262-12-H56	EA	VALANCE-MONACO-46.5"(H56)
5	119262-12-H57	EA	VALANCE-MONACO-46.5"(H57)
5	121410-29-H58	EA	VALANCE-MODERATE-46.5"(H58,H59)
5	121410-30-H60	EA	VALANCE-MODERATE-46.5"(H60,H61)
5	119333-45-GV4	EA	LEG-RIGHT-30"(H56,H57)
5	119333-45-H58	EA	LEG-RIGHT-30"(H58,H59)
5	123910-03-H60	EA	LEG-RIGHT-30"(H60,H61)
5	119333-46-GV4	EA	LEG-LEFT-30"(H56,H57)
5	119333-46-H58	EA	LEG-LEFT-30"(H58,H59)
5	123910-04-H60	EA	LEG-LEFT-30"(H60,H61)
5	123964-07-HA6	EA	BLIND-MICRO-DAY/NIGHTER-42.5"X32"(H56,H57,H58,H59) FROM: 00-00-00 THRU: 09-17-96
5	123964-07-HB6	EA	BLIND-MICRO-DAY/NIGHTER-42.5"X32"(H56,H57,H58,H59) FROM: 09-18-96 THRU: 99-99-99
5	123964-07-H60	EA	BLIND-MICRO-DAY/NIGHTER-42.5"X32"(H60,H61) FROM: 00-00-00 THRU: 09-17-96
5	123964-07-HC6	EA	BLIND-MICRO-DAY/NIGHTER-42.5"X32"(H60,H61) FROM: 09-18-96 THRU: 10-20-96
5	123964-07-HD6	EA	BLIND-MICRO-DAY/NIGHTER-42.5"X32"(H60,H61) FROM: 10-21-96 THRU: 99-99-99
6	120820-01-GV4	EA	VALANCE-FLAT-15"X30.5"-W/CLOCKCUTOOUT(H56,H57)
6	120820-01-H58	EA	VALANCE-FLATW/CLOCKOPENING-15"X30.5"(H58,H59)
6	120820-11-H60	EA	VALANCE-FLATW/CLOCKOPENING-15"X30.5"(H60,H61)
6	084755-57-E07	EA	SHADE-PULL-27.25"

CURTAIN & CUSHION GROUP (CONTINUED)

FABRICS

COLOR CODES	H56,H57	H58,H59	H60,H61
	KENTSHIRE	COVENTRY	DEVON
	GREEN	STONE	BURGUNDY
BUCKET SEAT	108446-59-000	108446-P5-000	108446-N8-000
BUCKET SEAT	108446-59-000	108446-P5-000	108446-N8-000
DINETTE	108446-F6-000	108446-N6-000	108446-N7-000
SWIVEL CHAIR	108446-J5-000	108446-P6-000	108446-N9-000
LOUNGE WINDOW	108446-F6-000	108446-N6-000	108446-N7-000
		084415-78-000	
BEDSPREAD	105745-C7-000	105745-F4-000	105745-F6-000
		084415-78-000	084415-79-000
BEDROOM	105745-C7-000	105745-F4-000	105745-F6-000
VALANCE & LEG	105745-C8-000	105745-F5-000	084415-79-000
BEDROOM PILLOW	105745-C8-000	105745-F5-000	105745-F6-000
	084415-76-000		084415-79-000
SHAMS	105745-C8-000	105745-F4-000	105745-F6-000
	084415-76-000	084415-78-000	084415-79-000
		105745-F5-000	
SOFA PILLOWS	108446-F6-000	108446-P6-000	108446-N7-000
	084415-75-000	084415-78-000	084415-79-000
DINETTE CHAIRS	108446-J5-000	108446-P6-000	108446-N9-000
DINETTE PADS	108446-59-000	108446-P5-000	108446-N8-000
BEDROOM	094911-44-000	094911-44-000	094911-48-000
DAY-NITERS	094911-42-000	094911-42-000	094911-42-000
HEADBOARD	105745-C8-000	105745-F4-000	105745-F6-000
	084415-76-000	084415-78-000	084415-79-000
LOUNGE	094911-44-000	094911-44-000	094911-48-000
DAY-NITERS	094911-42-000	094911-42-000	094911-42-000
BED BOARDS	105745-C8-000	105745-F5-000	105745-F6-000

NOTE: FABRIC LISTED FIRST IN A BLOCK, IS THE LARGEST QUANTITY OF FABRIC USED

CURTAIN & CUSHION GROUP (CONTINUED)

FABRIC TRIMS & BUTTONS

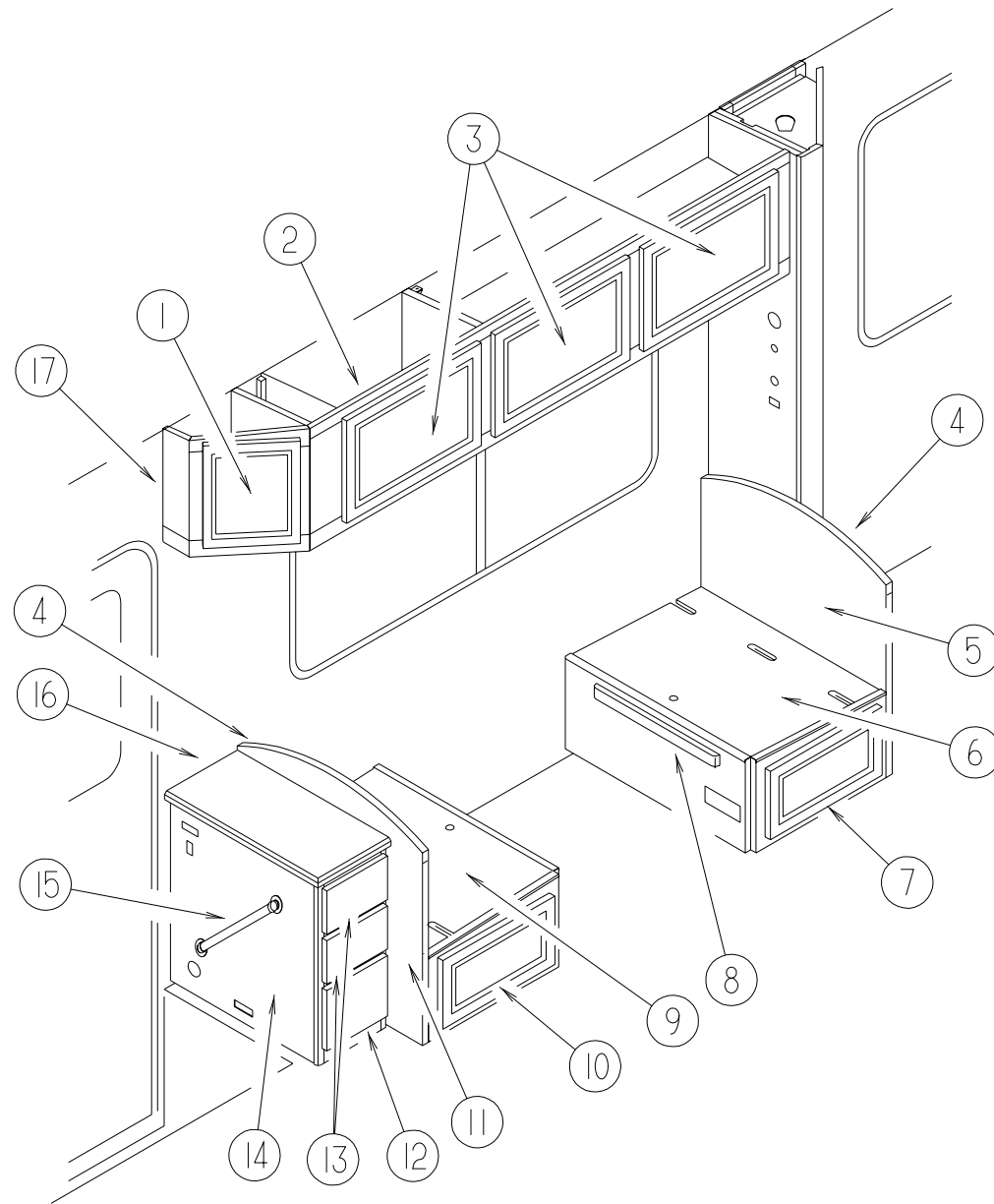
KEY	PART NUMBER	U/M	DESCRIPTION
	070578-02-FQ0	EA	BUTTON SCREW-STUD - #30 VINYL - TAN
	070578-02-E37	EA	BUTTON SCREW-STUD - #30 VINYL
	074494-02-000	EA	BUTTON - RETAINING PIVOT #60 (H58,H59)
	074494-03-000	EA	BUTTON - SERRATED PIVOT - W/3/8 TACK (H58,H59)
	074494-04-000	EA	BUTTON - JOINED/PIVOT - W 3/4 TACK
	118337-02-H58	EA	BUTTON - #60 - DOUBLE SIDED (H58,H59)
	079349-04-H35	YD	WELT - NARROW (H56,H57)
	079349-04-H58	YD	WELT - NARROW (H58,H59)
	079349-04-H60	YD	WELT - NARROW (H60,H61)
	084415-75-000	YD	TRIM-BRAID - FRINGE (H56,H57)
	084415-76-000	YD	TRIM-BRAID - CORD (H56,H57)
	084415-78-000	YD	TRIM-BRAID - CORD (H58,H59)
	084415-79-000	YD	TRIM-BRAID - CORD (H60,H61)
	057534-03-000	EA	TIEBACK-PLASTIC - 7.5" - CLEAR

SEATBELTS & ASSIST HANDLE

KEY	PART NUMBER	U/M	DESCRIPTION
	057759-01-000	EA	WASHER BRACKET-SEATBELT, 4" DIAMETER
	007021-01-000	EA	BELT-SEAT - 2" X 90" - BLACK
	069178-02-000	EA	BRACKET-MOUNTING, ASSIST HANDLE - L ANGLE - W/HOLES - STEEL
	000C16-07-16B	EA	BOLT-CARRIAGE - ASSIST HANDLE - 7/16" - 14 X 1" - ZINC
	000D20-07-00B	EA	NUT-ACORN - ASSIST HANDLE - 7/16" X 14 - ZINC
	053552-02-AA8	EA	HANDLE-ASSIST - INTERIOR - ENTRY DOOR - VINYL - OFF WHITE

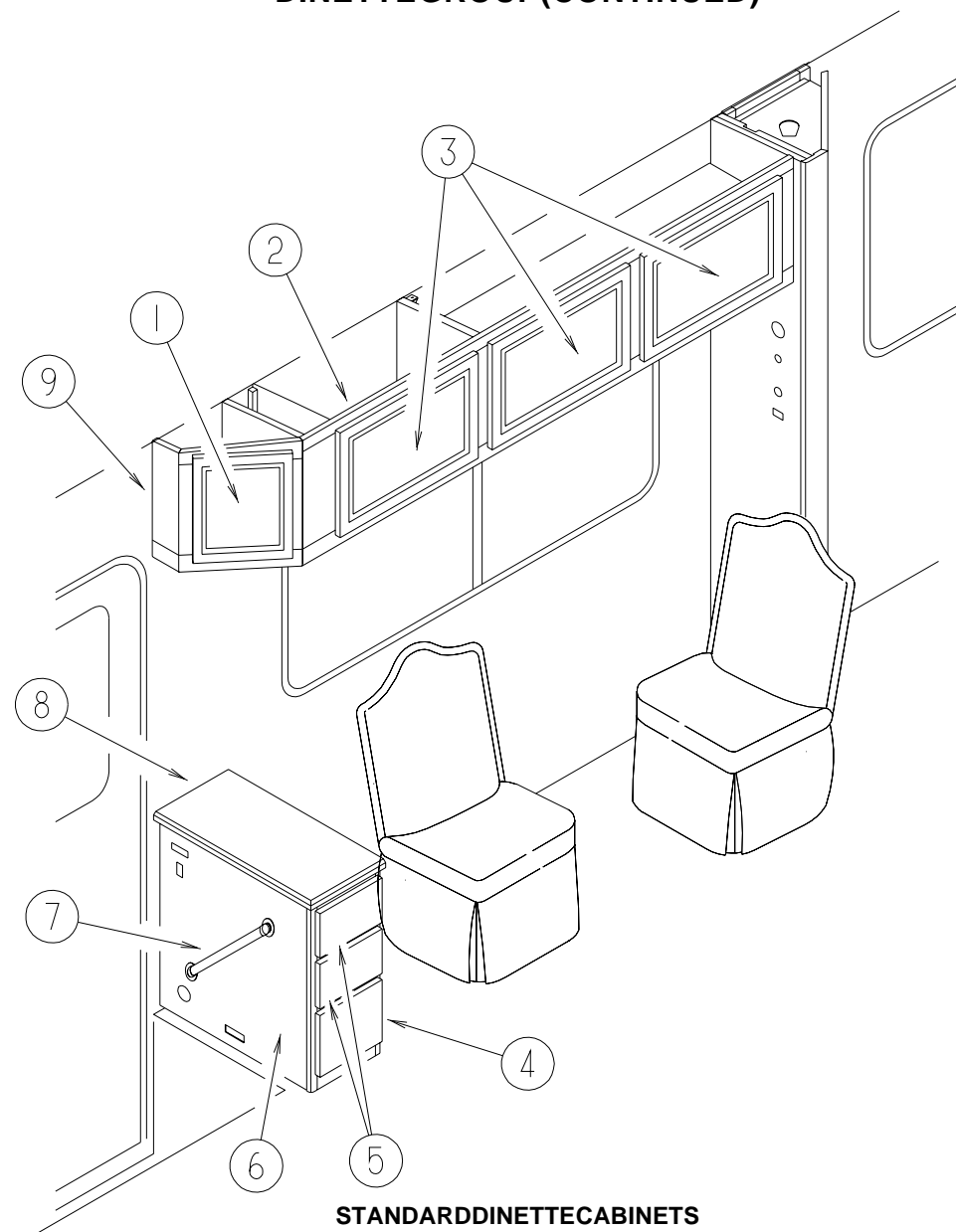
DINETTEGROUP

OPTIONAL DINETTE CABINETS



KEY	PARTNUMBER	U/M	DESCRIPTION
1	M05990-27-H56	EA	DOOR-OGEEEDGE-10.8"X14.3"-W/OHARDWARE (SOLARMAPLE)
1	M05990-27-H57	EA	DOOR-OGEEEDGE-10.8"X14.3"-W/OHARDWARE (SALEMCHERRY)
2	119694-01-H56	EA	CABINET-DINETTEOVERHEAD-W/ODOORS/HARDWARE(SOLARMAPLE)
2	119694-01-GV1	EA	CABINET-DINETTEOVERHEAD-W/ODOORS/HARDWARE(SALEMCHERRY)
3	M05990-03-H56	EA	DOOR-OGEEEDGE-14.3"X21.8"-W/OHARDWARE (SOLARMAPLE)
3	M05990-03-GV1	EA	DOOR-OGEEEDGE-14.3"X21.8"-W/OHARDWARE (SALEMCHERRY)
4	104787-11-H56	EA	PAD-DINETTE (H56,H57)
4	104787-11-H58	EA	PAD-DINETTE (H58,H59)
4	104787-11-H60	EA	PAD-DINETTE (H60,H61)
5	M04174-53-H56	EA	CABINET-SEATBACK/RIGHTHAND-W/OHARDWARE(SOLARMAPLE)
5	M04174-53-E41	EA	CABINET-SEATBACK/RIGHTHAND-W/OHARDWARE(SALEMCHERRY)
6	M04175-55-H56	EA	CABINET-SEATBOTTOM/RIGHTHAND-W/ODOORS/DRAWERS/HDW (SOLARMAPLE)
6	M04175-55-E41	EA	CABINET-SEATBOTTOM/RIGHTHAND-W/ODOORS/DRAWERS/HDW (SALEMCHERRY)
7	M05971-35-H56	EA	DRAWER-OGEEEDGE-17"WX21.6"D-W/OSLIDES/HARDWARE(SOLARMAPLE)
7	M05971-35-GV1	EA	DRAWER-OGEEEDGE-17"WX21.6"D-W/OSLIDES/HARDWARE(SALEMCHERRY)
8	081295-09-E37	EA	SUPPORT-BED/DINETTE-20"LONG(SOLARMAPLE)
8	081295-09-E41	EA	SUPPORT-BED/DINETTE-20"LONG(SALEMCHERRY)
9	M04175-88-H56	EA	CABINET-SEATBOTTOM/LEFTHAND-W/ODOORS/DRAWERS/HARDWARE (SOLARMAPLE)
9	M04175-88-GV1	EA	CABINET-SEATBOTTOM/LEFTHAND-W/ODOORS/DRAWERS/HARDWARE (SALEMCHERRY)
10	M05971-Y2-H56	EA	DRAWER-OGEEEDGE-16.9"WX15.7"D-W/OSLIDES/HARDWARE(SOLARMAPLE)
10	M05971-Y2-GV1	EA	DRAWER-OGEEEDGE-16.9"WX15.7"D-W/OSLIDES/HARDWARE (SALEMCHERRY)
11	M04174-88-H56	EA	CABINET-SEATBACK/LEFTHAND-W/OHARDWARE(SOLARMAPLE)
11	M04174-88-GV1	EA	CABINET-SEATBACK/LEFTHAND-W/OHARDWARE(SALEMCHERRY)
12	M05971-T9-H56	EA	DRAWER-OGEEEDGE-8.1"WX17.7"D-W/OSLIDES/HARDWARE(SOLARMAPLE)
12	M05971-T9-GV1	EA	DRAWER-OGEEEDGE-8.1"WX17.7"D-W/OSLIDES/HARDWARE(SALEMCHERRY)
13	M05971-T8-H56	EA	DRAWER-OGEEEDGE-8.1"WX17.7"D-W/OSLIDES/HARDWARE(SOLARMAPLE)
13	M05971-T8-GV1	EA	DRAWER-OGEEEDGE-8.1"WX17.7"D-W/OSLIDES/HARDWARE(SALEMCHERRY)
14	119581-01-H56	EA	CABINET-LOUNGE-W/ODRAWERS/HARDWARE(H56,H58)
14	119581-01-H57	EA	CABINET-LOUNGE-W/ODRAWERS/HARDWARE(H57,H59)
14	119581-01-H60	EA	CABINET-LOUNGE-W/ODRAWERS/HARDWARE(H60)
14	119581-01-H61	EA	CABINET-LOUNGE-W/ODRAWERS/HARDWARE(H61)
15	P02786-03-H56	EA	HANDRAILONLY-W/OBRACKETS(SOLARMAPLE)
15	P02786-03-E41	EA	HANDRAILONLY-W/OBRACKETS(SALEMCHERRY)
16	119581-12-GV4	EA	COUNTERTOP-LOUNGE CABINET(H56,H57,H58,H59)
16	119581-12-H60	EA	COUNTERTOP-LOUNGE CABINET(H60,H61)
17	107494-20-H56	EA	ENDCAP-LEFTHAND(SOLARMAPLE)
17	107494-20-GV1	EA	ENDCAP-LEFTHAND(SALEMCHERRY)

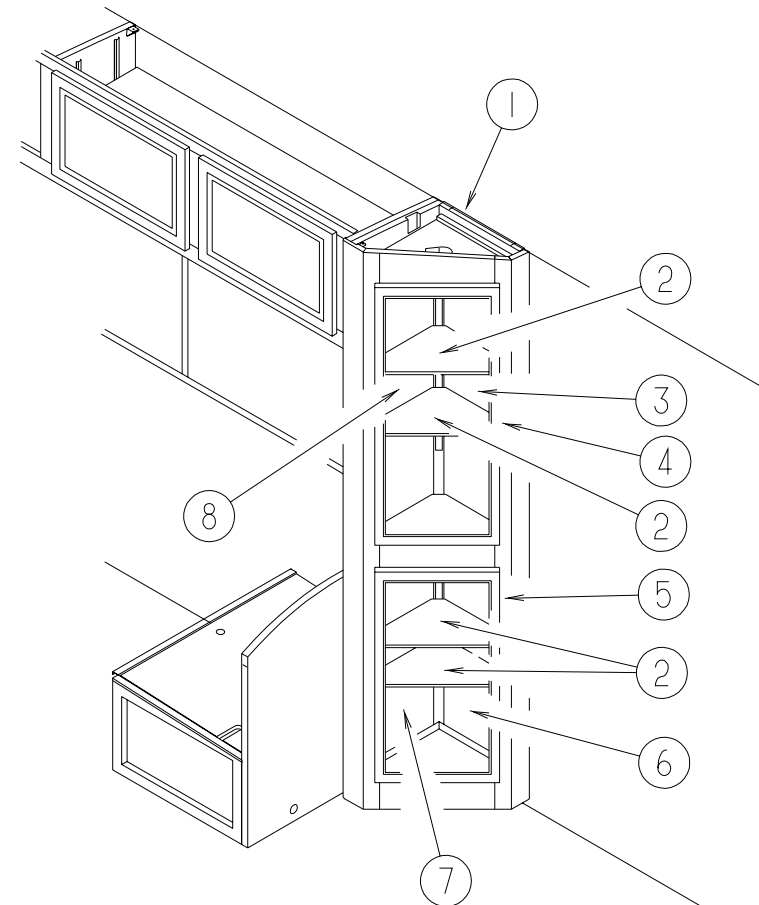
DINETTEGROUP(CONTINUED)



STANDARD DINETTE CABINETS

KEY	PARTNUMBER	U/M	DESCRIPTION
1	M05990-27-H56	EA	DOOR-OGEEEDGE-10.8"X14.3"-W/OHARDWARE(SOLARMAPLE)
1	M05990-27-H57	EA	DOOR-OGEEEDGE-10.8"X14.3"-W/OHARDWARE(SALEMCHERRY)
2	120348-02-H56	EA	CABINET-DINETTEOVERHEAD-W/ODOORS/HARDWARE(SOLARMAPLE)
2	120348-02-H57	EA	CABINET-DINETTEOVERHEAD-W/ODOORS/HARDWARE(SALEMCHERRY)
3	M05990-03-H56	EA	DOOR-OGEEEDGE-14.3"X21.8"-W/OHARDWARE(SOLARMAPLE)
3	M05990-03-GV1	EA	DOOR-OGEEEDGE-14.3"X21.8"-W/OHARDWARE(SALEMCHERRY)
4	M05971-T9-H56	EA	DRAWER-OGEEEDGE-8.1"WX17.7"D-W/OSLIDES/HARDWARE(SOLARMAPLE)
4	M05971-T9-GV1	EA	DRAWER-OGEEEDGE-8.1"WX17.7"D-W/OSLIDES/HARDWARE(SALEMCHERRY)
5	M05971-T8-H56	EA	DRAWER-OGEEEDGE-8.1"WX17.7"D-W/OSLIDES/HARDWARE(SOLARMAPLE)
5	M05971-T8-GV1	EA	DRAWER-OGEEEDGE-8.1"WX17.7"D-W/OSLIDES/HARDWARE(SALEMCHERRY)
6	119582-01-H56	EA	CABINET-LOUNGE-W/ODOORS/HARDWARE(H56,H58)
6	119582-01-H57	EA	CABINET-LOUNGE-W/ODOORS/HARDWARE(H57,H59)
6	119582-01-H60	EA	CABINET-LOUNGE-W/ODOORS/HARDWARE(H60)
6	119582-01-H61	EA	CABINET-LOUNGE-W/ODOORS/HARDWARE(H61)
7	P02786-03-H56	EA	HANDRAILONLY-W/OBRACKETS(SOLARMAPLE)
7	P02786-03-E41	EA	HANDRAILONLY-W/OBRACKETS(SALEMCHERRY)
8	119582-11-H56	EA	COUNTERTOP-LOUNGECABINET(H56,H57,H58,H59)
8	119582-11-H60	EA	COUNTERTOP-LOUNGECABINET(H60,H61)
9	107494-20-H56	EA	ENDCAP-LEFTHAND(SOLARMAPLE)
9	107494-20-GV1	EA	ENDCAP-LEFTHAND(SALEMCHERRY)

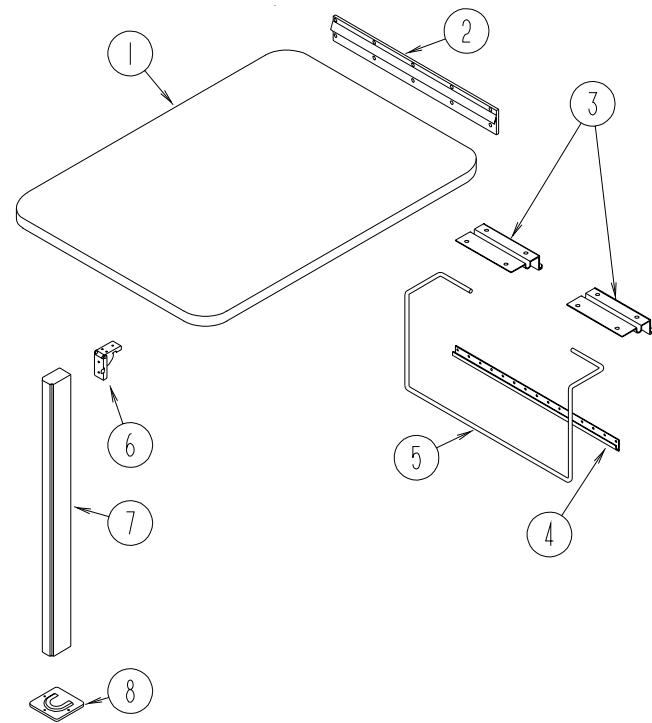
DINETTEGROUP(CONTINUED)



HUTCH

KEY	PARTNUMBER	U/M	DESCRIPTION
1	P19328-01-H56	EA	CABINET-HUTCH-W/ODOORS/DRAWERS/HARDWARE(SOLARMAPLE)
1	P19328-01-GV1	EA	CABINET-HUTCH-W/ODOORS/DRAWERS/HARDWARE(SALEMCHERRY)
2	119328-12-000	EA	SHELF
3	058331-98-000	EA	MIRROR-SAFETYGLASS-10.6"X37"
4	M06823-01-H56	EA	DOOR-HUTCHW/OGEEEDGE-13.9"X36.4"-W/OHARDWARE(SOLARMAPLE)
4	M06823-01-GV1	EA	DOOR-HUTCHW/OGEEEDGE-13.9"X36.4"-W/OHARDWARE(SALEMCHERRY)
5	M06823-02-H56	EA	DOOR-HUTCHW/OGEEEDGE-13.9"X29.7"-W/OHARDWARE(SOLARMAPLE)
5	M06823-02-GV1	EA	DOOR-HUTCHW/OGEEEDGE-13.9"X29.7"-W/OHARDWARE(SALEMCHERRY)
6	058331-99-000	EA	MIRROR-GLASS-SAFETY-10.6"X29.5"
7	058331-97-000	EA	MIRROR-GLASS-SAFETY-12.2"X29.5"
8	058331-96-000	EA	MIRROR-GLASS-SAFETY-12.2"X36.9"

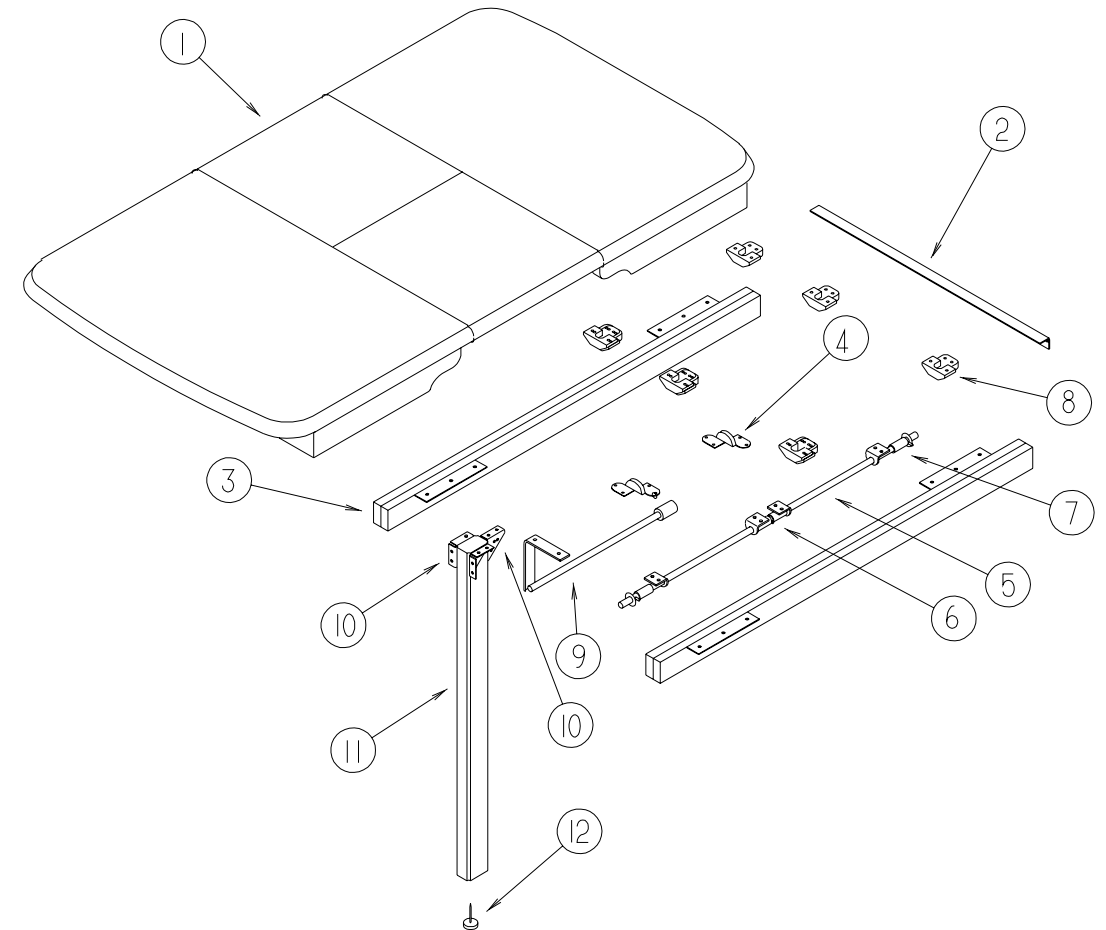
DINETTEGROUP(CONTINUED)



DINETTETABLE

KEY	PARTNUMBER	U/M	DESCRIPTION
1	M92743-25-H56	EA	TABLE-DINETTE(SOLARMAPLE)
1	M92743-24-GV5	EA	TABLE-DINETTE(SALEMCHERRY)
2	053200-12-000	EA	SUPPORT-TABLE-23.5"-OFFWHITE
3	088410-02-000	EA	HANGER-TABLE-OFFWHITE
4	024281-14-000	EA	BRACKET-TABLELEFT,22.12"-OFFWHITE
5	024275-12-000	EA	ROD-TABLELIFT-OFFWHITE
6	093550-01-000	EA	BRACKET-HINGE-MOUNTSTOLEG&TABLETOP-1.7"X2.6"
7	092708-11-H56	EA	LEG-TABLE-W/OHARDWARE(SOLARMAPLE)
	092707-04-06A	EA	MOLDING-TABLELEG-27"(SOLARMAPLE)
7	092708-11-E41	EA	LEG-TABLE-W/OHARDWARE(SALEMCHERRY)
	092707-04-04A	EA	MOLDING-TABLELEG-27"(SALEMCHERRY)
8	049493-12-000	EA	CATCH-TABLELEG/FLOORMOUNTED-OFFWHITE
	049493-11-700	EA	CATCH-LEG-FLOORMOUNTED-2.5"X2.7"-METAL-E-COAT

DINETTEGROUP(CONTINUED)

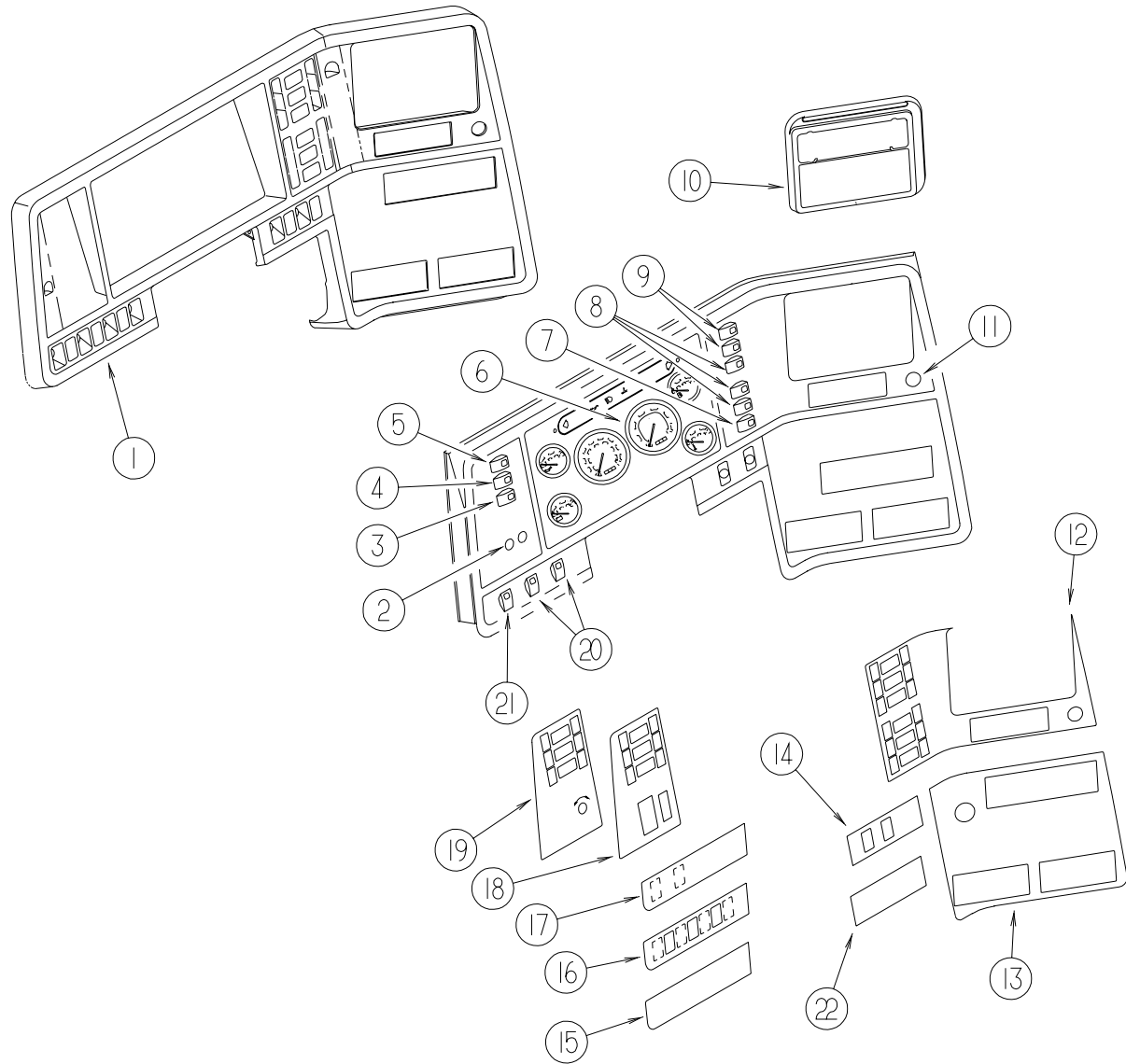


DINETTEPULLOUTTABLE

KEY	PARTNUMBER	U/M	DESCRIPTION
	P18322-01-H37	EA	TABLE-PULLOUT/SELFSTORING-W/OHARDWARE(SOLARMAPLE)
	P18322-01-H57	EA	TABLE-PULLOUT/SELFSTORING-W/OHARDWARE(SALEMCHERRY)
1	118322-11-H37	EA	TABLETOPONLY-PULLOUT(SOLARMAPLE)
1	118322-11-H57	EA	TABLETOPONLY-PULLOUT(SALEMCHERRY)
2	009063-01-000	EA	HINGE-CONTINUOUS,1 1/2"X72"-UNPAINTED
3	110749-01-000	EA	SLIDE-TABLE-19.75"LONG-2USED
4	108663-01-000	EA	HINGE-LEAF-FOLDING-2USED
5	108932-01-000	EA	ROD-PIVOT
	000F10-04-16B	EA	PIN-COTTER-1/8"X1"-ZINC
6	108874-01-000	EA	BRACKET-HINGE-TABLELEAF
7	108664-01-000	EA	SPRING-COMPRESSION-.51"X1.96"-4USED
8	009050-02-000	EA	LEVELER-TABLETOP-MALEENDW/4SCREWS-PLASTIC-6USED
8	009050-03-000	EA	LEVELER-TABLETOP-FEMALEENDW/4SCREWS-PLASTIC-6USED
9	108905-01-000	EA	SUPPORT-TABLELEAF
10	102810-01-04A	EA	BRACE-LEG-TABLE, BLACK
	102810-01-03A	EA	BRACE-LEG-TABLE, MILL
11	092708-12-H37	EA	LEG-TABLE(SOLARMAPLE)
	092707-07-06A	EA	MOLDING-TABLELEG-27.8"(SOLARMAPLE)
11	092708-12-E41	EA	LEG-TABLE(SALEMCHERRY)
	092707-07-03A	EA	MOLDING-TABLELEG-27.8"(SALEMCHERRY)
12	102194-01-000	EA	GUIDE-PLASTIC

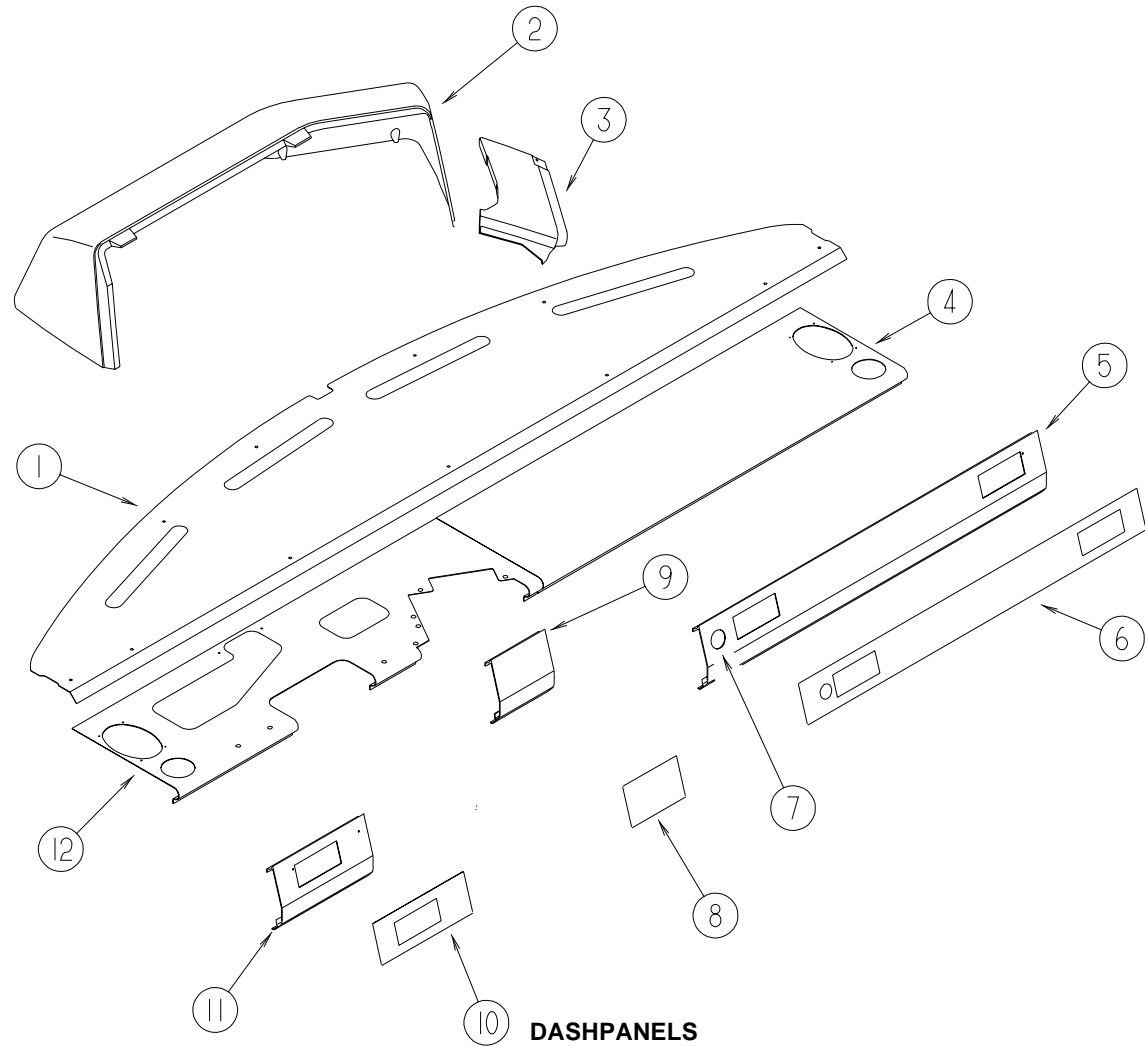
DRIVERSCOMPARTMENTGROUP

INSTRUMENTPANEL



KEY	PARTNUMBER	U/M	DESCRIPTION
1	107031-07-02A	EA	BEZEL-INSTRUMENTPANEL-FORD
1	107031-06-02A	EA	BEZEL-INSTRUMENTPANEL-GM
2			HEADLIGHT&DIMMERSWITCHESARECHASSISSUPPLIED
	096674-01-000	EA	NUT-HEADLAMPKNOB-BLACK
	096675-01-000	EA	KNOB-HEADLAMP,W/SHAFT-FORD
3	108357-06-000	EA	SWITCH-ROCKERDPDT-MOM/OFF/MOM-6TERMINAL
	108356-01-02A	EA	COVER/ACTUATORSWITCH-3GROOVES-CONTURAIIII-TAN
	108355-01-000	EA	HOUSING-SWITCH
4	108357-09-000	EA	SWITCH-ROCKERSPDT-ON/NONE/MOM-3TERMINAL
	108356-01-02A	EA	COVER/ACTUATORSWITCH-3GROOVES-CONTURAIIII-TAN
	108355-01-000	EA	HOUSING-SWITCH
5	108357-08-000	EA	SWITCH-ROCKERDPDT-ON/NONE/ON-6TERMINAL
	108356-01-02A	EA	COVER/ACTUATORSWITCH-3GROOVES-CONTURAIIII-TAN
	108355-01-000	EA	HOUSING-SWITCH
6	094796-07-000	EA	CLUSTER-INSTRUMENTPANEL,KILOMETERS-GAS-GM#16156355 FROM: 00-00-00 THRU: 10-26-96
6	125001-02-000	EA	CLUSTER-INSTRUMENTPANEL,KILOMETERS/MILES-CANADIAN FROM: 10-27-96 THRU: 99-99-99
6	N/A		STANDARDINSTRUMENTCLUSTERSARECHASSISSUPPLIED
6	094794-06-000	EA	CLUSTER-INSTRUMENTPANEL-KILOMETERS-FORD
7	108357-10-000	EA	SWITCH-ROCKERSPDTW/LIGHT-MOM/NONE/MOM-5TERMINAL
	108356-03-01A	EA	COVER/ACTUATORSWITCH-3GROOVESW/LENS-CONTURAIIII-BLACK
	108355-01-000	EA	HOUSING-SWITCH
8	108357-01-000	EA	SWITCH-ROCKERSPST-ON/OFF-2TERMINAL
8	096241-08-000	EA	SWITCH-BLANK
	108356-01-02A	EA	COVER/ACTUATORSWITCH-3GROOVES-CONTURAIIII-TAN
	108355-01-000	EA	HOUSING-SWITCH
9	108357-03-000	EA	SWITCH-ROCKERSPDT-ON/OFF/ON-3TERMINAL
9	096241-03-000	EA	SWITCH-BLANK
	108356-01-02A	EA	SWITCHCOVERW/3GROOVES-CARLINGHAMPTONTAN
	108355-01-000	EA	HOUSING-SWITCH
10	111337-01-01A	EA	POCKET-INSTRUMENTPANEL,RIGHTUPPER,BLACK
	096776-02-000	EA	BOX-CASSETTE-4TAPEHOLDER
11	089294-01-000	EA	LIGHTER-CIGARETTE-W/SOCKET&WIRE
12	104056-20-02A	EA	APPLIQUE-BEZEL,UPPERRH-6SWITCH,HAMPTONTAN
13	104056-14-02A	EA	APPLIQUE-BEZEL,LOWERRHWING,HAMPTONTAN
14	104056-28-02A	EA	APPLIQUE-BEZEL,LOWERRH,PARK&LEVEL-HAMPTONTAN
15	104056-09-02A	EA	APPLIQUE-BEZEL,LOWERLH,HAMPTONTAN
16	104056-10-02A	EA	APPLIQUE-BEZEL,LOWERLH,PARK&LEVEL-HAMPTONTAN
17	104056-29-01A	EA	APPLIQUE-BEZEL,LOWERLH,PARK&LEVEL-BLACKVELVET
18	104056-25-02A	EA	APPLIQUE-LIGHTSWITCHBEZEL-HAMPTONTAN-GM
19	104056-27-02A	EA	APPLIQUE-LIGHTSWITCHBEZEL-HAMPTONTAN-FORD
20	108357-07-000	EA	SWITCH-ROCKERSPDT-MOM/OFF/MOM-3TERMINAL
	108356-01-02A	EA	COVER/ACTUATORSWITCH-3GROOVES-CONTURAIIII-TAN
	108355-01-000	EA	HOUSING-SWITCH
21	108357-05-000	EA	SWITCH-ROCKERSPDT-ON/NONE/ON-3TERMINAL
	108356-01-02A	EA	COVER/ACTUATORSWITCH-3GROOVES-CONTURAIIII-TAN
	108355-01-000	EA	HOUSING-SWITCH
22	104056-11-02A	EA	APPLIQUE-BEZEL,LOWERRH,HAMPTONTAN
	100138-01-000	EA	MODULE-DAYTIMERUNNINGLIGHT
	103603-01-000	EA	BULB-12V,#74-.12AWEDGE-GE22-25-USEDINDASH

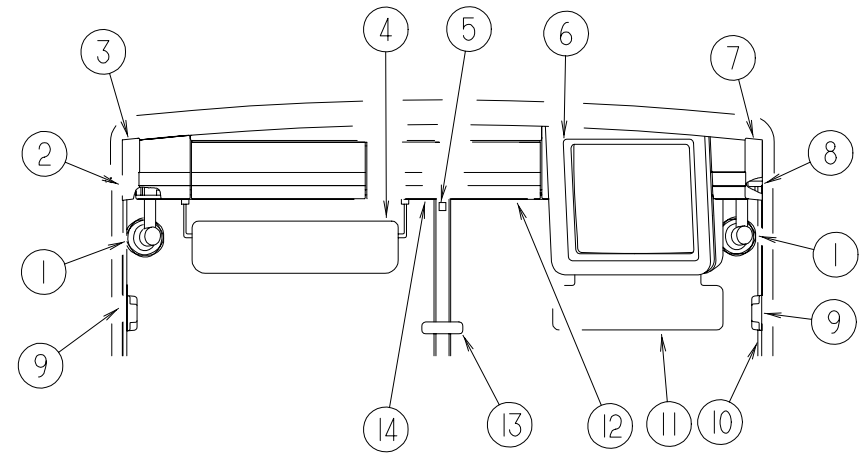
DRIVERSCOMPARTMENTGROUP(CONTINUED)



DASHPANELS

KEY	PARTNUMBER	U/M	DESCRIPTION
1	P18164-01-000	EA	DASH-W/OVINYL(FORD)
1	P18164-02-000	EA	DASH-W/OVINYL(GM)
	106569-09-01A	EA	VINYL-LAMINATE-MADRIDHAMPTONTAN-1/4"X25"X100"
	077539-01-000	EA	BRACKET-MOUNTING-DASHPANEL-L/SHAPED-2.5"X1"X1.5"
2	118256-01-01A	EA	POD-INSTRUMENTPANEL-HAMPTONTAN
2	118256-02-01A	EA	POD-INSTRUMENTPANEL-HAMPTONTAN-W/REARMONITOR
3	118292-01-01A	EA	POD-LOWERDASH-HAMPTONTAN
4	112297-02-000	EA	PANEL-DASH-BOTTOM
5	117991-01-01A	EA	EXTENSION-DASH-PASSENGER/LOWER
5	118024-01-01A	EA	TRIM-DASH-PASSENGER-LOWER
6	118377-01-01A	EA	APPLIQUE-LOWERDASH-PASSENGER
6	120059-01-01A	EA	DECAL-VECTRA-GRANDTOUR-DASH
7	111414-01-000	EA	RECEPTACLE-12V-W/OBIMETAL
8	118377-02-01A	EA	APPLIQUE-LOWERDASH-DRIVER(FORD)
8	118377-03-01A	EA	APPLIQUE-LOWERDASH-DRIVER-(GM)
9	117991-02-01A	EA	EXTENSION-DASH-DRIVER-LOWER/RIGHTHAND(FORD)
9	118024-02-01A	EA	TRIM-DASH-DRIVER-LOWER/RIGHTHAND(FORD)
9	117991-04-01A	EA	EXTENSION-DASH-DRIVER-LOWER/RIGHTHAND(GM)
9	118024-04-01A	EA	TRIM-DASH-DRIVER-LOWER/RIGHTHAND(GM)
10	118377-04-01A	EA	APPLIQUE-LOWERDASH-DRIVER(FORD)
10	118377-06-01A	EA	APPLIQUE-LOWERDASH-DRIVER-(GM/OSHGOSH/SPARTAN)
11	117991-03-01A	EA	EXTENSION-DASH-DRIVER-LOWER/LEFTHAND(FORD)
11	118024-03-01A	EA	TRIM-DASH-DRIVER-LOWER/LEFTHAND(FORD)
11	117991-05-01A	EA	EXTENSION-DASH-DRIVER-LOWER/LEFTHAND(GM)
11	118024-05-01A	EA	TRIM-DASH-DRIVER-LOWER/LEFTHAND(GM)
12	112296-04-000	EA	PANEL-DASH-BOTTOM
	077031-01-000	EA	FILM-BLACK-1"X1.75"
	077031-03-000	EA	FILM-WHITE.75X1.00-COLORART

DRIVERSCOMPARTMENTGROUP(CONTINUED)

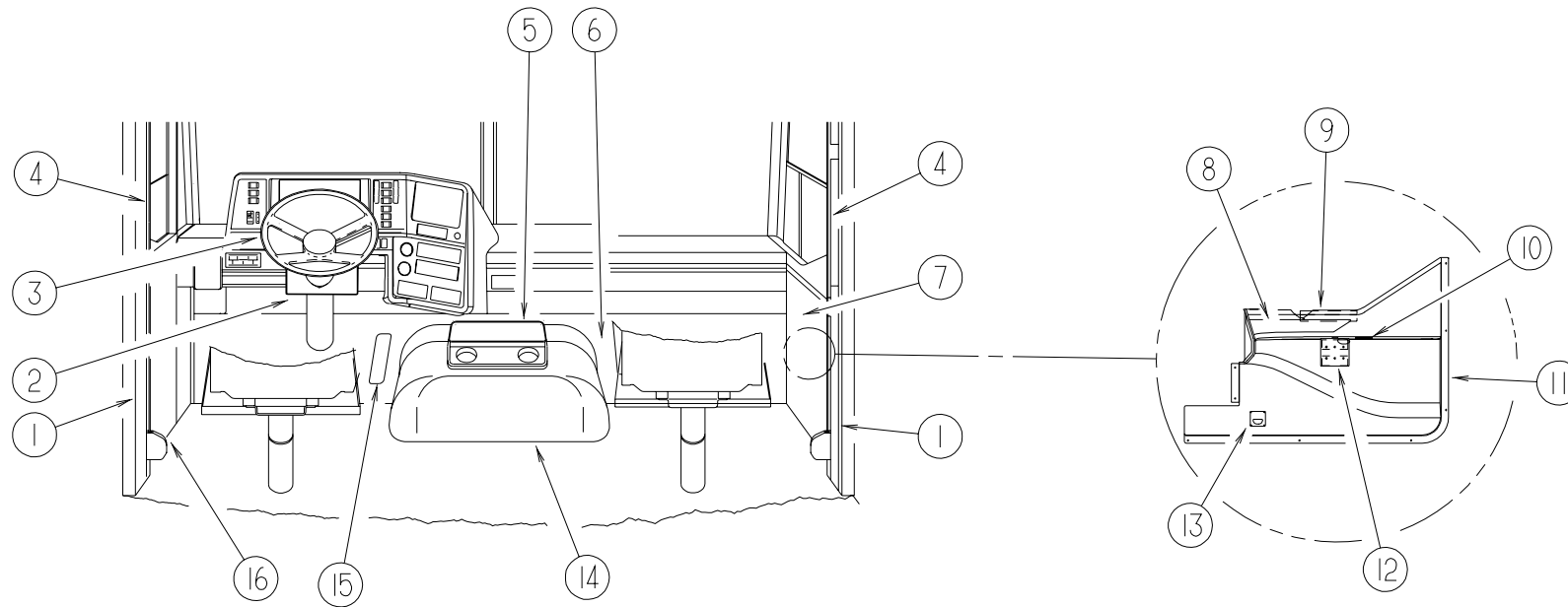


UPPERDRIVERSCOMPARTMENT

KEY	PARTNUMBER	U/M	DESCRIPTION
1	122856-01-01A	EA	FAN-DEFROSTER-2SPEEDW/SWIVELBASE-CHROME
2	118138-02-H56	EA	PANEL-HEADLINER
3	118466-02-01A	EA	PANEL-TRIMUPPERSIDE
4	123298-02-03A	EA	SUNVISOR-DRIVER-10.5"X28.5"
5	118452-01-01A	EA	TRIM-CENTERWINDSHIELD
6	116734-05-01A	EA	COVER-TVOVERHEADFRONT
7	118466-01-01A	EA	PANEL-TRIMUPPERSIDE
8	118693-02-H56	EA	PANEL-HEADLINER-LEFTHAND
9	103961-03-01A	EA	COVER-BRACKET-SEATBELTOFFWHITE-F/DRVRSDOOROPTION
	091990-04-01A	EA	SEATBELT-3POINT-BLACK-INTERTEKA8408
	091990-01-701	EA	EXTENDER-9"FORA84083POINT
	109146-01-000	EA	BOLT-SHOULDER,SEATBELT
10	118431-01-01A	EA	TRIM-A-PILLAR-INTERIOR/PASSENGER
10	118431-02-01A	EA	TRIM-A-PILLAR-INTERIOR/DRIVER
11	123450-01-01A	EA	SUNVISOR-W/PULLOUTS
12	118453-01-01A	EA	TRIM-WINDSHIELD-INTERIOR-TOP/PASSENGER
13	040714-01-000	EA	MIRROR-REARVIEW/ARMMOUNT&SETSCREW-GM#911722
	067490-01-000	EA	BUTTON-REARVIEWMIRROR
14	118453-02-01A	EA	TRIM-WINDSHIELD-INTERIOR-TOP/DRIVER

DRIVERSCOMPARTMENTGROUP(CONTINUED)

LOWERDRIVERSCOMPARTMENT

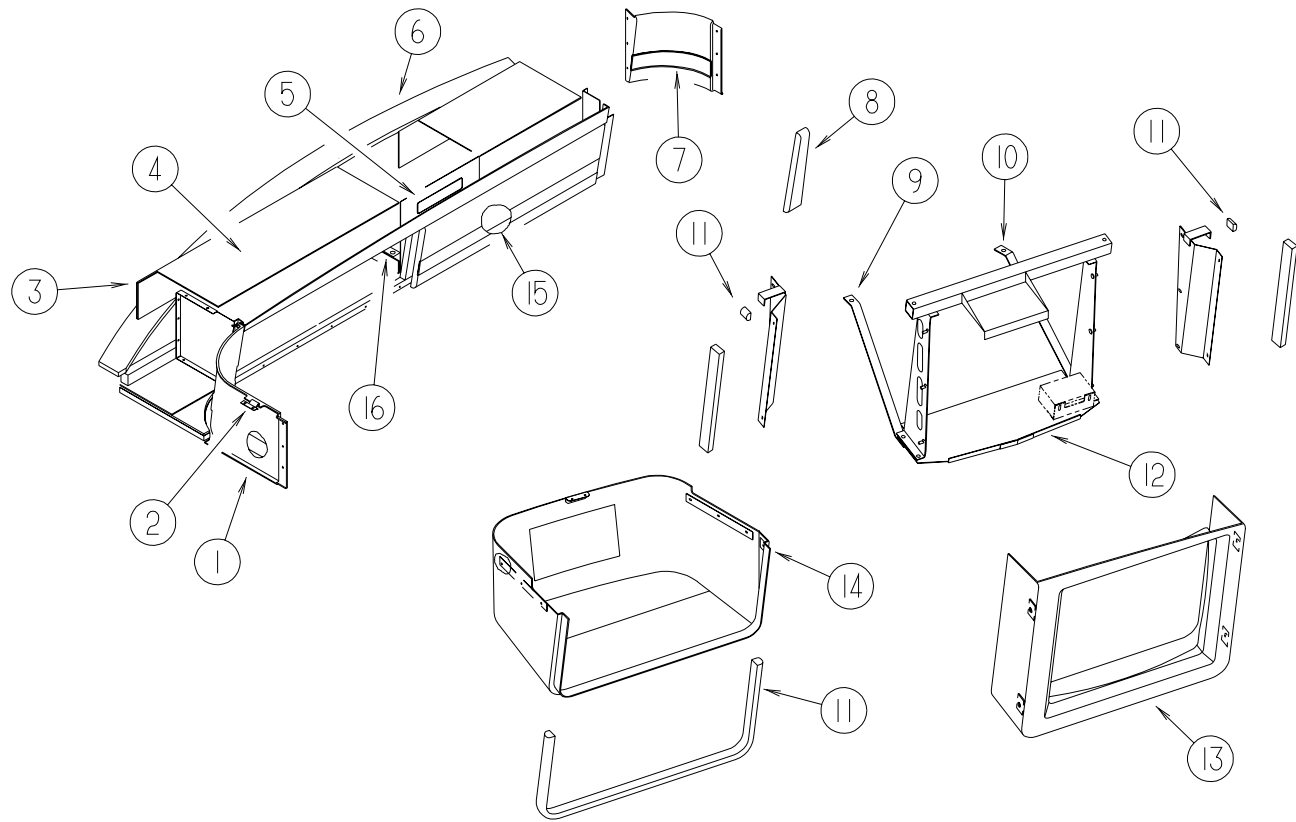


KEY	PARTNUMBER	U/M	DESCRIPTION
1	024700-44-000	EA	COVER-ROLLBAR-53"-LOWER-DRIVER/PASSENGER
2	109832-03-01A	EA	COVER-STEERINGCOLUMN
	110002-02-000	EA	PATCH-Q-SERIES-COLUMN-4.25"X7.5"
2	103498-06-000	EA	BOOT-STEERINGCOLUMN/UNIVERSAL
2	112832-01-01A	EA	COVER-STEERINGCOLUMN-LOWER(FORD)
2	117709-01-01A	EA	COVER-STEERINGCOMUMN-UPPER(FORD)
3	120340-01-01A	EA	WHEEL-STEERING-LEATHER/CHEVY
4	024700-55-000	EA	COVER-ROLLBAR-SIDEWALL-15"OFFWHITE
5	M06889-02-GV0	EA	TRAY-BEVERAGE-ABSPLASTIC
5	122681-01-H50	EA	LID-BEVERAGECOMPARTMENT
6	095757-06-GV4	EA	COVER-HEATER(H56,H57)
6	095757-06-H58	EA	COVER-HEATER(H58,H59)
6	095757-06-H60	EA	COVER-HEATER(H60,H61)
7	P18720-01-000	EA	PANEL-INNER-CAB/PASSENGER
8	118377-07-01A	EA	APPLIQUE-LOWERDASH-RIGHTHAND/INNERPANEL
9	106105-02-000	EA	CLIP-VALANCE/RETAINING

KEY	PARTNUMBER	U/M	DESCRIPTION
10	118719-01-01A	EA	ASHTRAY-TOPMOUNT,PLASTIC
11	118287-01-01A	EA	PANEL-TRIM-INNER/PASSENGER
12	118718-01-01A	EA	HOLDER-COLLAPSIBLEMUG/DRINK-BLACKPLASTIC
13	108354-01-01A	EA	LIGHT-COURTESY
14	115840-01-01A	EA	MOTORCOVER-W/OCARPETORPAD
14	115840-02-01A	EA	COVER-MOTOR-W/OCARPET
	115860-01-01A	EA	TRIM-MOTORCOVER
	115850-01-02B	EA	RETAINER-LATCH-MOTORCOVER-RIGHTHAND-E-COAT
	115850-02-02B	EA	REATINER-LATCH-MOTORCOVER-LEFTHAND-E-COAT
	116581-01-000	EA	LATCH-MOTORCOVER
	115852-01-02B	EA	STRIKE-LATCH-MOTORCOVER-E-COATED
	116833-01-02B	EA	WRENCH-HEXMOTORCOVER-E-COATED
15	116993-01-01A	EA	COVER-PEDALS,BLACK
16	118654-01-01A	EA	PANEL-TOEKICK-DRIVER

DRIVERSCOMPARTMENTGROUP(CONTINUED)

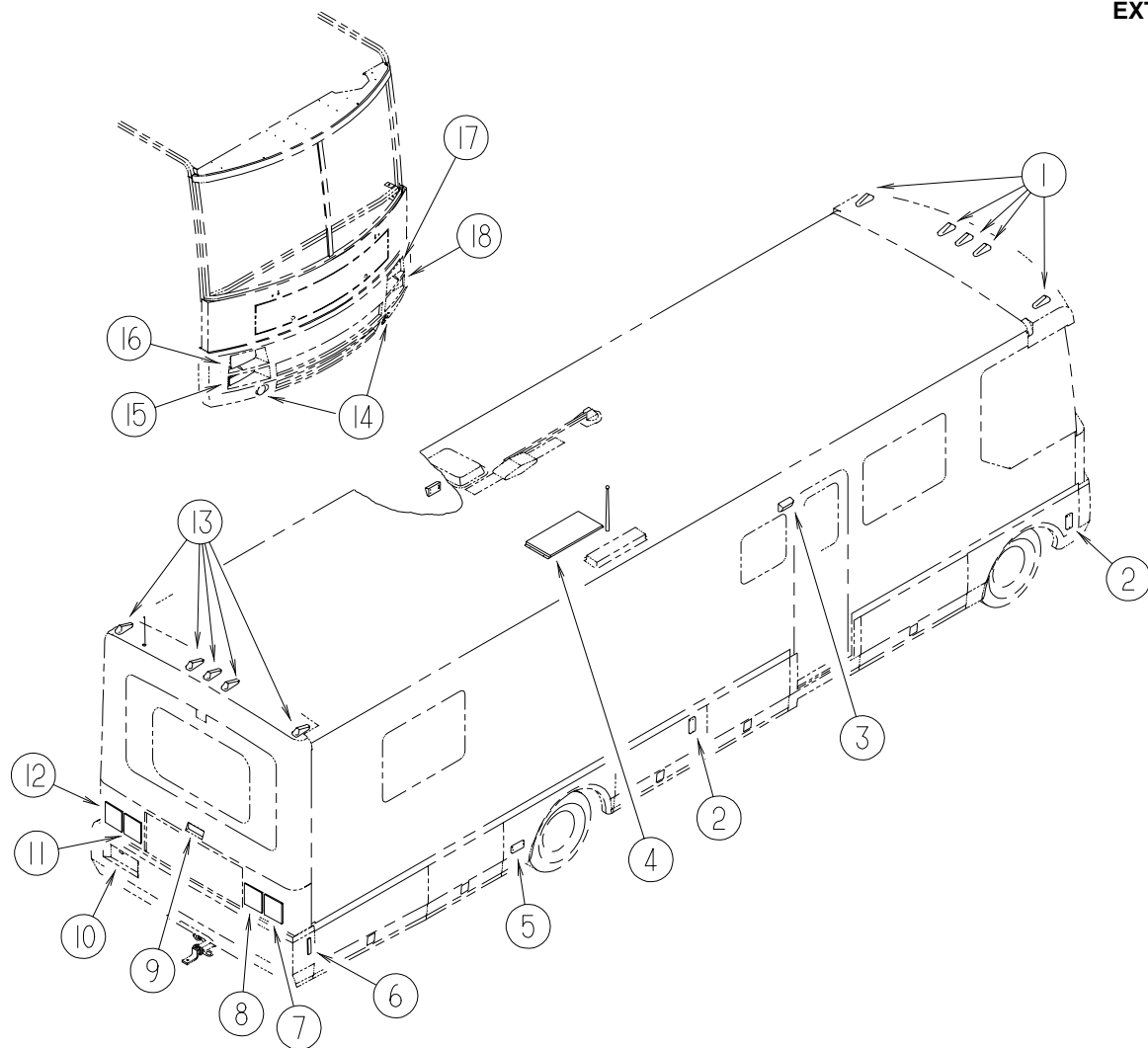
OVERHEADTV&VCR CABINETS



KEY	PART NUMBER	U/M	DESCRIPTION
1	118465-02-01A	EA	PANEL-TRIM-CORNER-UPPER-LH
2	073050-03-000	EA	MOUNTINGCLIP-VALANCEPANEL
3	118836-02-H56	EA	PANEL-BACK-VINYLCOVERED
4	118215-02-H56	EA	PANEL-TOP-VINYLCOVERED
5	118208-05-H56	EA	PANEL-VINYLCOVERED(STANDARDTV)
5	118208-06-H56	EA	PANEL-VINYLCOVERED(W/VCR)
5	118208-08-H56	EA	PANEL-VINYLCOVERED(W/CONVERTER)
5	118208-09-H56	EA	PANEL-VINYLCOVERED(W/CONVERTER&VCR)
6	118305-02-H56	EA	CABINET-FRONTOVERHEADW/ODOORS/HARDWARE
7	118852-02-01A	EA	PANEL-TRIM-INSERT/PASSENGER
8	120485-02-01A	EA	PANEL-TRIM-TRANSITION-TV
9	124090-03-02B	EA	SUPPORT-SHELF-TV
10	124090-02-02B	EA	SUPPORT-SHELF-TVE-COAT
11	112160-02-000	FT	SEAL-DSECTION-6X10-FOAMRUBBER
12	116747-05-02B	EA	SHELF-TV-W/OHARDWARE
13	116734-05-01A	EA	COVER-TVOVERHEADFRONT
14	118566-04-01A	EA	COVER-OVERHEADTVLOWER/RIGHTHAND
15	118836-03-H56	EA	PANEL-BACK-VINYLCOVERED
16	118835-01-H56	EA	PANEL-VINYLCOVERED/RIGHTHAND

ELECTRICALGROUP

EXTERIORLIGHTS

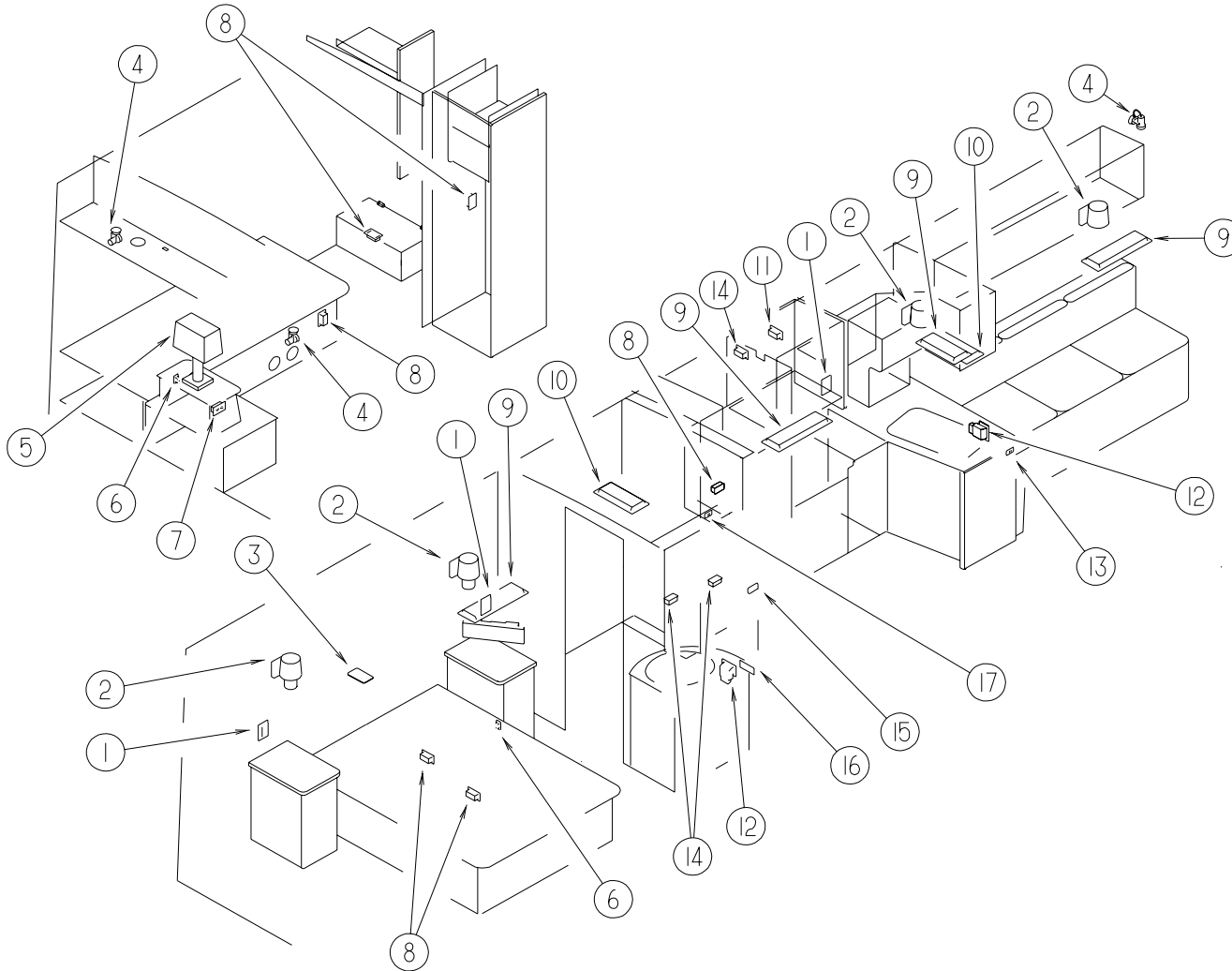


KEY	PARTNUMBER	U/M DESCRIPTION	VENDOR NO.
1	107749-01-000	EA LIGHT-CABMARKER-AMBER	
	036196-01-000	EA BULB-12VOLT-#194-.27AMP-BAYONETTE	
	037934-01-000	EA BULB-12V-#1156-2.1AMPCLEARGLASS	
2	117826-02-000	EA SIDEMARKERLAMPASSEMBLY-AMBER	
	036196-01-000	EA BULB-12VOLT-#194-.27AMP-BAYONETTE	
	067789-02-000	EA SOCKET-LAMP	
	117826-03-000	EA GASKET-MARKERLIGHT	
3	097917-01-07A	EA LIGHT-PORCH	
	008215-01-000	EA BULB-12VOLT-#1003-.94AMP	
	058028-01-000	EA CONNECTOR-ELECTRICALPIGTAIL-NYLON-CLEAR	
	097917-01-700	EA LENS-LIGHT-CLEAR	30-78-021
3	008089-02-000	EA LIGHT-PORCH-RECESSED-CANADIAN	
	008214-01-000	EA BULB-12VOLTNO67-0.59AMP	
	058028-01-000	EA CONNECTOR-ELECTRICALPIGTAIL-NYLON-CLEAR	
	008089-01-700	EA LENS-LIGHT-RECESSED-PORCH	
	091981-01-000	EA GASKET-PORCHLIGHT	
4	115504-01-000	EA PANEL-SOLAR10WATT	
	115504-01-700	EA PLUG&CABLE-10WATTPANEL	600-016
	115505-01-000	EA LIGHT-MONITOR/SOLARPANEL-REDLEDINDICATOR	
5	106688-04-000	EA LIGHT-CLEARAUXILIARY(LENS/BACKPAN)	
	037934-01-000	EA BULB-12V-#1156-2.1AMPCLEARGLASS	

KEY	PARTNUMBER	U/M DESCRIPTION
6	117826-01-000	EA SIDEMARKERLAMPASSEMBLY-RED
	036196-01-000	EA BULB-12VOLT-#194-.27AMP-BAYONETTE
	067789-02-000	EA SOCKET-LAMP
	117826-03-000	EA GASKET-MARKERLIGHT
7	117831-01-000	EA LAMP-STOP/TURN/TAI/BACKUP
	106687-01-000	EA SOCKET-LIGHT-2-WIRE
	106687-02-000	EA SOCKET-LIGHT-3-WIRE
	067789-02-000	EA SOCKET-LAMP
	119157-01-000	EA SOCKET-SINGLECONTACT
	119158-01-000	EA SOCKET-DOUBLECONTACT
	037934-01-000	EA BULB-12V-#1156-2.1AMPCLEARGLASS
	037935-01-000	EA BULB-12V-#1157OR#2057-2.1AMP-CLEARGLASS
8	117831-03-000	EA LAMP-TURN-AMBERRIGHTHAND
	106687-01-000	EA SOCKET-LIGHT-2-WIRE
	106687-02-000	EA SOCKET-LIGHT-3-WIRE
	067789-02-000	EA SOCKET-LAMP
	119157-01-000	EA SOCKET-SINGLECONTACT
	119158-01-000	EA SOCKET-DOUBLECONTACT
	037935-01-000	EA BULB-12V-#1157OR#2057-2.1AMP-CLEARGLASS
9	106688-03-000	EA LIGHT-REDSTOP/TURN(LENS/BACKPAN)
	037934-01-000	EA BULB-12V-#1156-2.1AMPCLEARGLASS
	107221-06-01A	EA COVER-LATCH-VALANCEDR.,BLK
10	087201-01-000	EA LIGHT-HALFROUND-1"X1.7"-PLASTIC-BLACK
11	117831-04-000	EA LAMP-TURN-AMBERLEFTHAND
	106687-01-000	EA SOCKET-LIGHT-2-WIRE
	106687-02-000	EA SOCKET-LIGHT-3-WIRE
	067789-02-000	EA SOCKET-LAMP
	119157-01-000	EA SOCKET-SINGLECONTACT
	119158-01-000	EA SOCKET-DOUBLECONTACT
	037935-01-000	EA BULB-12V-#1157OR#2057-2.1AMP-CLEARGLASS
12	117831-02-000	EA LAMP-STOP/TURN/TAI/BACKUP
	106687-01-000	EA SOCKET-LIGHT-2-WIRE
	106687-02-000	EA SOCKET-LIGHT-3-WIRE
	067789-02-000	EA SOCKET-LAMP
	119157-01-000	EA SOCKET-SINGLECONTACT
	119158-01-000	EA SOCKET-DOUBLECONTACT
	037934-01-000	EA BULB-12V-#1156-2.1AMPCLEARGLASS
	037935-01-000	EA BULB-12V-#1157OR#2057-2.1AMP-CLEARGLASS
13	107749-02-000	EA LIGHT-CABMARKER-RED
	036196-01-000	EA BULB-12VOLT-#194-.27AMP-BAYONETTE
14	117827-01-000	EA LAMP-FOG-CLEARLENS-RED
15	113294-03-000	EA LAMP-PARK/TURN-AMBER-RIGHTHAND
	037935-01-000	EA BULB-12V-#1157OR#2057-2.1AMP-CLEARGLASS
16	118056-01-000	EA HEADLAMPASSEMBLY-RIGHTHAND-(PASSENGERSIDE)
	118054-01-000	EA BULB-HEADLAMPREPLACEMENT-#9004G.E.,SYLVANIA,WESTINGHOUSE
	088758-01-000	EA HOUSING-HEADLAMP-CONNECTOR TERMINALW/3WIRES
17	118056-02-000	EA HEADLAMPASSEMBLY-LEFTHAND(DRIVERS)
	118054-01-000	EA BULB-HEADLAMPREPLACEMENT-#9004G.E.,SYLVANIA,WESTINGHOUSE
	088758-01-000	EA HOUSING-HEADLAMP-CONNECTOR TERMINALW/3WIRES
18	113294-04-000	EA LAMP-PARK/TURN-AMBER-LEFTHAND
	037935-01-000	EA BULB-12V-#1157OR#2057-2.1AMP-CLEARGLASS

ELECTRICAL GROUP (CONTINUED)

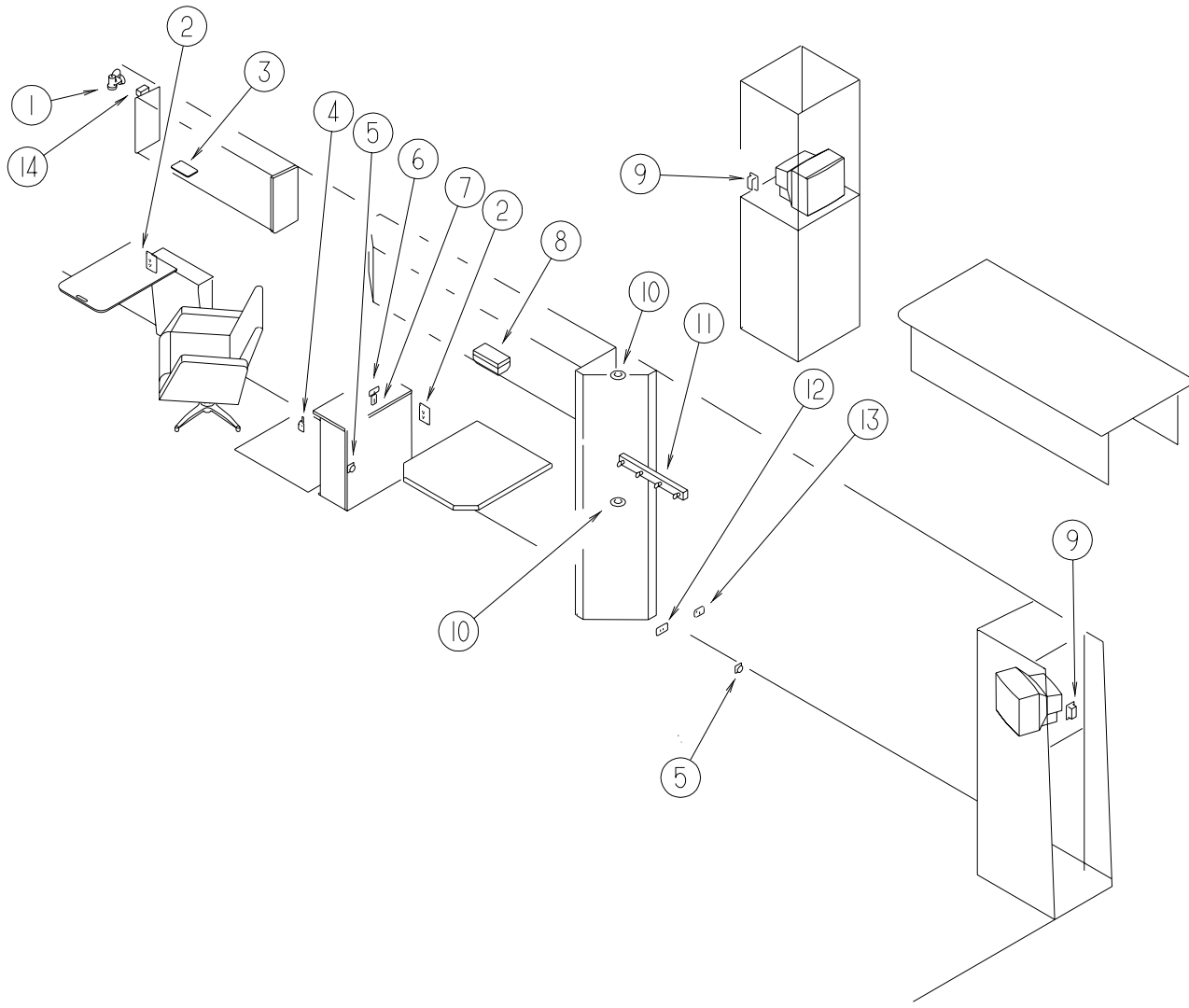
DRIVERSIDE INTERIOR LIGHTS, SWITCHES & RECEPTACLES



KEY	PART NUMBER	U/M	DESCRIPTION	VENDOR NO.
1	058708-02-000	EA	RECEPTACLE-ELECTRIC-DOUBLE-IVORY	
	102568-01-H37	EA	SPACER-RECEPTACLE-SIDEWALL(SOLARMAPLE)	
	102568-01-E41	EA	SPACER-RECEPTACLE-SIDEWALL(SALEMCHERRY)	
2	119258-01-01A	EA	LAMP-WALL	
	119258-01-700	EA	FINEAL	12-0322
	067479-01-000	EA	BULB-12VOLT-#1076-1.80AMP	
	119257-02-01A	EA	SHADE-LAMP-SKIPPLEAT(H56,H57)	
	119257-01-01A	EA	SHADE-LAMP-POTPOUM(H58,H59)	
3	065201-17-000	EA	SHADE-LAMP-SAHARASUNRISE(H60,H61)	
	098024-01-03A	EA	LIGHT-DOME-1BULB-WHITE	
	008218-01-000	EA	BULB-DOMELIGHT-12VOLT-NO.1141	807877
	098024-01-700	EA	LENS-LIGHT	
4	104173-01-01A	EA	LIGHT-DESIGNER-BRASS-US	
	104173-01-700	EA	BULB	81900
4	104172-01-01A	EA	LIGHT-BULLET-BULB#9312V-CSA	
	117806-01-000	EA	BULB-12VOLT#912-1.0AMPS	
	082686-13-000	EA	LAMP-TABLE-BRASSPIANO	
5	065201-11-000	EA	SHADE-LAMP-FABRIC-WHITE SWIRL	
	108357-10-000	EA	SWITCH-ROCKERSPTW/LIGHT-MOM/NONE/MOM-5TERMINAL	
6	098351-07-01A	EA	PLATE-SWITCH-GENERATOR-POLISHEDBRASS	
	108356-05-01A	EA	COVER/ACTUATORSWITCH-3GROOVESW/LENS-GENSET-CONTURAI	
	058708-01-000	EA	RECEPTACLE-ELECTRIC,DOUBLE-BROWN	
8	058707-01-000	EA	RECEPTACLE-ELECTRIC-SINGLE-BROWN	
	098024-03-02A	EA	LIGHT-DOME-2BULB-WHITE	
9	008218-01-000	EA	BULB-DOMELIGHT-12V-NUMBER1141	
	098024-01-700	EA	LENS-LIGHT	807877
	091937-04-000	EA	LIGHT-FLUORESCENT-12V/30WATT-20.8"LONG-THINLITE	
10	091937-05-000	EA	LIGHT-FLUORESCENT-12V/16WATT-15"LONG-THINLITE	
	091937-05-701	EA	LENS-LIGHT,FLUORESCENT	D-732
11	058708-05-000	EA	RECEPTACLE-SINGLE-BROWN	
12	084076-02-000	EA	RECEPTACLE-GFI-15AMP-125VOLT-BROWN	
	084077-02-000	EA	PLATE-COVER-RECEPTACLE-GFI-BROWN	
13	079364-03-000	EA	SWITCH-ON/OFFROCKER-3TERMINAL-BROWN	
	098351-01-01A	EA	PLATE-SWITCH-1GANGPOLISHEDBRASS	
14	058707-02-000	EA	RECEPTACLE-BLANKJUNCTIONBOX	
15	109294-01-01A	EA	SWITCHPANEL-W/SWITCHES-VENTFAN	
	095188-02-01A	EA	SPACER-SWITCH-2.3"X4.1"-PLASTIC-DARKBROWN	
16	108354-01-01A	EA	LIGHT-COURTESY	395-B
	108354-01-700	EA	BULB-COURTESYLIGHT	
17	079364-04-000	EA	SWITCH-ON/OFFROCKER-2TERMINAL-BLACK	
	098351-02-01A	EA	PLATE-SWITCH-2GANGPOLISHEDBRASS	

ELECTRICALGROUP(CONTINUED)

PASSENGERSIDEINTERIORLIGHTS,SWITCES&RECEPTACLES



KEY	PARTNUMBER	U/M	DESCRIPTION	VENDORNO.
1	104173-01-01A	EA	LIGHT-DESIGNER-BRASS-US	
	104173-01-700	EA	BULB	81900
1	104172-01-01A	EA	LIGHT-BULLET-BULB#9312V-CSA	
	117806-01-000	EA	BULB-12VOLT#912-1.0AMPS	
2	058708-02-000	EA	RECEPTACLE-ELECTRIC,DOUBLE-IVORY	
	102568-01-H37	EA	SPACER-RECEPTACLE,SIDEWALL(SOLARMAPLE)	
	102568-01-E41	EA	SPACER-RECEPTACLE,SIDEWALL(SALEMCHERRY)	
3	098024-03-02A	EA	LIGHT-DOME-2BULB-WHITE	
	008218-01-000	EA	BULB-DOMELIGHT-12VOLT-NO.1141	
	098024-01-700	EA	LENS-LIGHT	807877
4	116995-01-000	EA	SWITCH/MAGNET-ELECTRICSTEP	
5	108354-01-01A	EA	LIGHT-COURTESY	
	108354-01-700	EA	BULB-COURTESYLIGHT	395-B
6	079364-01-000	EA	SWITCH-ON/OFFROCKER,2PRONGS-BROWN	
6	098351-05-01A	EA	PLATE-SWITCH-3GANGPOLISHEDBRASS	
6	095188-02-01A	EA	SPACER-SWITCH-2.3"X4.1"-PLASTIC-DARKBROWN	
7	094086-01-01A	EA	PLATE-SWITCH-SINGLEGANG-1.8"X3"-BLACKPLASTIC	
7	093132-02-000	EA	SWITCH-ROCKER,5TERMW/KEYLOCK&ARROWF/POWERDOORLOCK	
8	093575-09-01A	EA	LIGHT-CEILING-DOUBLE	
	098024-01-03A	EA	LIGHT-DOME-1BULB-WHITE	
	008218-01-000	EA	BULB-DOMELIGHT-12VOLT-NO.1141	
9	058707-01-000	EA	RECEPTACLE-ELECTRIC-SINGLE-BROWN	
10	072353-14-000	EA	LIGHT-READING,SWIVEL,ROUND-INTERTEKY-605-20	
11	110235-02-01A	EA	LIGHT-MAKEUP-4BULBPANLESS	
	081633-01-700	EA	BULB-LIGHT,MAKE-UP	RP1041
12	079364-01-000	EA	SWITCH-ON/OFFROCKER-2TERMINAL-BROWN	
12	079364-03-000	EA	SWITCH-ON/OFFROCKER-3TERMINAL-BROWN	
12	098351-05-01A	EA	PLATE-SWITCH-3GANGPOLISHEDBRASS	
12	095188-02-01A	EA	SPACER-SWITCH-2.3"X4.1"-PLASTIC-DARKBROWN	
13	079364-01-000	EA	SWITCH-ON/OFFROCKER-2TERMINAL-BROWN	
13	079364-03-000	EA	SWITCH-ON/OFFROCKER-3TERMINAL-BROWN	
13	098351-02-01A	EA	PLATE-SWITCH-2GANGPOLISHEDBRASS	
13	095188-01-01A	EA	SPACER-SWITCH-2.3"X3.4"-PLASTIC-DARKBROWN	
14	058707-02-000	EA	RECEPTACLE-BLANKJUNCTIONBOX	

ELECTRICALGROUP(CONTINUED)

CIRCUITBREAKERS&FUSES

KEY	PARTNUMBER	U/M	DESCRIPTION
	062037-01-000	EA	HOUSING-AUTOFUSE-NATURAL
	062037-02-000	EA	HOUSING-AUTOFUSE-GREEN
	062037-06-000	EA	HOUSING-AUTOFUSE-BROWN
	062037-07-000	EA	HOUSING-AUTOFUSE-RED
	108669-01-000	EA	HOUSING-AUTOFUSEHOLDER
	062901-02-000	EA	FUSE-05AMPS-AUTOMOTIVE
	062901-05-000	EA	FUSE-15AMPS-AUTOMOTIVE
	083209-01-000	EA	CIRCUITBREAKER-15AMP-120VOLT-CANADIAN
	083209-02-000	EA	CIRCUITBREAKER-15/15AMP-120VOLT
	083209-03-000	EA	CIRCUITBREAKER-15/20AMP-120VOLT
	083209-04-000	EA	CIRCUITBREAKER-30AMP-120VOLT
	083209-06-000	EA	CIRCUITBREAKER-30/15AMP-120VOLT
	083209-07-000	EA	CIRCUITBREAKER-20/20AMP-120VOLT
	093654-01-000	EA	CIRCUITBREAKER-6AMP-12VOLT
	093654-02-000	EA	CIRCUITBREAKER-15AMP-12VOLT
	093654-03-000	EA	CIRCUITBREAKER-20AMP-12VOLT
	093655-01-000	EA	CIRCUITBREAKER-25AMP-12VOLT
	093655-02-000	EA	CIRCUITBREAKER-30AMP-12VOLT
	093655-03-000	EA	CIRCUITBREAKER-40AMP-12VOLT
	093674-01-000	EA	PLATE-CIRCUITBREAKER-HOUSE-8.4"X4.1"-STEEL
	097611-01-000	EA	CIRCUITBREAKER-10AMP-12VOLT
	113482-01-000	EA	CIRCUITBREAKER-55AMP
	122811-01-000	EA	CIRCUITBREAKER-20/50/50/20

CONVERTERS,INVERTER&LOADCENTERS

KEY	PARTNUMBER	U/M	DESCRIPTION
	099048-03-000	EA	INVERTER - 130 WATT DUI-12/130TL
	108915-02-000	EA	LOADCENTER-120/240VOLT-100AMP
	123058-01-000	EA	CONVERTER-55AMP-ELECTRONIC-41/8"HX7"WX123/8"L
	109677-01-000	EA	LOADCENTER-120V40AMP-WESCOTT120FLGNM
	113132-01-000	EA	LOADCENTER-120/240V60AMP-WESCO2460SGNM

FLASHER,SOLENOID,DIODE&RELAYS

KEY	PARTNUMBER	U/M	DESCRIPTION
	007093-01-000	EA	FLASHER-SIGNAL,STAT
	008188-01-000	EA	SOLENOID-3POST,BATTERYCHANGEOVER
	063910-01-000	EA	HOUSING-RELAY
	063912-02-000	EA	RELAY-CANISTER-SPDT
	086273-01-000	EA	RELAY-BATTERYDISCONNECT
	086233-01-000	EA	STUD-ISOLATED-3/8"X7/8"LONG

SOLARPANEL

KEY	PARTNUMBER	U/M	DESCRIPTION	VENDOR NO.
	115504-01-000	EA	PANEL-SOLAR10WATT	
	115504-01-700	EA	PLUG&CABLE,10WATTPANEL	600-016
	115505-01-000	EA	LIGHT-MONITOR/SOLARPANEL-REDLEDINDICATOR	

ELECTRICALGROUP(CONTINUED)

CONNECTORS&HOUSINGS

KEY	PARTNUMBER	U/M	DESCRIPTION
	008311-01-000	EA	CONNECTOR-WIRENUT-INSULATED-RED
	008312-01-000	EA	CONNECTOR-WIRENUT-INSULATED-BLUE
	008313-01-000	EA	CONNECTOR-WIRENUT-INSULATED-YELLOW
	008355-01-000	EA	CONNECTOR-CABLECLAMPING-3/4"
	008356-01-000	EA	CONNECTOR-PLASTIC-3/8"AVG
	041480-01-000	EA	CONNECTOR-STRAIGHT-1/2'FLEXCONDUIT
	058028-01-000	EA	CONNECTOR-ELECTRICALPIGTAIL-NYLON-CLEAR
	088475-01-000	EA	PIN-CONNECTOR-14-20AWG
	088475-02-000	EA	PIN-CONNECTOR-10-12AWG
	088476-02-000	EA	SOCKET-CONNECTOR-12-10GA-PRE-TIN
	098261-02-000	EA	SOCKET-CONNECTOR-WEATHERPACK
	098262-01-000	EA	SEAL-CONNECTOR-WEATHERPACK
	098262-05-000	EA	SEAL-CAVITY
	098262-06-000	EA	SEAL-CONNECTOR-M/P-10GAUGE
	098265-02-000	EA	PIN-CONNECTOR-WEATHERPACK
	115931-01-000	EA	COVER-CONNECTOR-W/LOCKRING
	115931-02-000	EA	COVER-CONNECTOR
	115932-01-000	EA	CONNECTOR-FEMALE-30AMP-120VOLT
	115932-02-000	EA	CONNECTOR-FEMALE-50AMP-240VOLT
	118571-01-000	EA	CONNECTOR-30WAY-MALE/SEALED
	118571-02-000	EA	CONNECTOR-30WAY-FEMALE/SEALED
	082109-01-000	EA	HOUSING-CONNECTOR-PACKARD
	088473-01-000	EA	HOUSING-PIN-12CAVITY
	088473-02-000	EA	HOUSING-PIN-15CAVITY
	088473-03-000	EA	HOUSING-PIN-9CAVITY
	088473-05-000	EA	HOUSING-PIN-6CAVITY

FROM: 00-00-00 THRU: 10-23-96

	088473-06-000	EA	HOUSING-PIN-6CAVITY
	088473-07-000	EA	HOUSING-PIN-5CAVITY
	088473-08-000	EA	HOUSING-PIN-4CAVITY
	088473-09-000	EA	HOUSING-PIN-3CAVITY
	088473-10-000	EA	HOUSING-PIN-2CAVITY
	088474-01-000	EA	HOUSING-SOCKET-12CAVITY
	088474-02-000	EA	HOUSING-SOCKET-15CAVITY
	088474-03-000	EA	HOUSING-SOCKET-9CAVITY
	088474-06-000	EA	HOUSING-SOCKET-6CAVITY
	088474-07-000	EA	HOUSING-SOCKET-5CAVITY
	088474-08-000	EA	HOUSING-SOCKET-4CAVITY
	088474-09-000	EA	HOUSING-ELECTRICAL-3TERMINAL
	088474-10-000	EA	HOUSING-SOCKET-2CAVITY
	098264-01-000	EA	HOUSING-2PIN-WEATHERPACK
	098264-02-000	EA	HOUSING-2PIN-WEATHERPACK
	100690-01-000	EA	HOUSING-5PIN-MALE-WEATHERPAK
	100690-02-000	EA	HOUSING-5POSITION-FEMALE-WEATHERPACK
	101571-01-000	EA	HOUSING-2POSITION-MALE
	104100-01-000	EA	HOUSING-1POSITION-75AMPS
	106006-01-000	EA	HOUSING-1POSITION-FEMALE
	110178-01-000	EA	HOUSING-WIPERMOTOR
	113131-01-000	EA	HOUSING-3PIN
	113468-01-000	EA	HOUSING-2POSITION-FEMALE USEDONWIPER/WASHERWIREASM
	117700-01-000	EA	HOUSING-2POSITION-METRI-PACK-FEMALE
	119221-01-000	EA	HOUSING-1POSITIONFEMALE-280-SERIES
	119248-02-000	EA	HOUSING-7POSITION-FEMALE
	125323-02-000	EA	HOUSING-8POSITION-MALE

FROM: 10-24-96 THRU: 99-99-99

	113468-01-000	EA	HOUSING-2POSITION-FEMALE USEDONWIPER/WASHERWIREASM
	117700-01-000	EA	HOUSING-2POSITION-METRI-PACK-FEMALE
	007954-01-000	EA	RECEPTACLE-HOUSING-6POSITION

ELECTRICALGROUP(CONTINUED)

TERMINALS&MISC.

KEY	PARTNUMBER	U/M	DESCRIPTION
	008326-01-000	EA	TERMINAL-RING-16/14WIRE-3/8"STUD
	008328-01-000	EA	TERMINAL-RING-12/10WIRE-#10STUDFIT
	008331-01-000	EA	TERMINAL-RING-TONGUE-#4WIRE-3/8"STUD-COPPER
	008348-01-000	EA	TERMINAL-RING-3/8"STUD2GA.WIRE
	035416-04-000	EA	TERMINAL-RING-#10STUDFIT-INSULATEDBARREL#16/14
	047443-01-000	EA	TERMINAL-.250RECEPTACLEFIT-INSULATED-16/14AWG
	047443-02-000	EA	TERMINAL-.250RECEPTACLEFIT-INSULATED-12/10AWG
	062036-01-000	EA	TERMINAL-PACK-CON-12/10AWG
	062036-02-000	EA	TERMINAL-PACK-CON-16/14AWG
	088267-01-000	EA	TERMINAL-FEMALE-1/4
	088476-01-000	EA	TERMINAL-ELECTRICAL
	098260-01-000	EA	TERMINAL-MALE-56SERIES
	102777-02-000	EA	TERMINAL-RING-#6STUD-10AWG
	104100-03-000	EA	TERMINAL-75AMP
	106007-01-000	EA	TERMINAL-FEMALE-14-16AWG
	113135-01-000	EA	TERMINAL-FEMALE-M/P-14-16
	113306-01-000	EA	TERMINAL-FEMALE-M/P-14-16
	113306-02-000	EA	TERMINAL-FEMALE-M/P-10-12-480
	113307-01-000	EA	TERMINAL-FEMALE-M/P-16-20
	113308-01-000	EA	TERMINAL-FEMALE-M/P-14-16-280
	118597-01-000	EA	TERMINAL-MALE-M/P-480-14-16
	118597-02-000	EA	TERMINAL-MALE-M/P-480-10-12
	118599-01-000	EA	TERMINAL-MALE-M/P-280-14-16
	125324-01-000	EA	TERMINAL-MALE
			FROM: 10-24-96 THRU: 99-99-99
	118820-01-000	EA	INSULATOR-TERMINAL
	007956-05-000	EA	INSULATOR-SHRINK-.25IDX1.50
	080015-02-000	EA	RECEPTACLE-FLAG-.185-16/14GAUGE
	085724-01-000	EA	SOCKET-DOUBLECONTACT-TAILLIGHT
	087225-01-000	FT	SLEEVING-1/2"-TYPEH
	087949-01-000	EA	BUSSBAR-2POSITION-.6"X1.5"
	087949-02-000	EA	BUSSBAR-3POSITION-.6"X2.4"
	087949-03-000	EA	BUSSBAR-4POSITION
	092786-03-000	EA	BUSSBAR-6.9"LONG
	103608-01-000	EA	SOCKET-WEDGEBASEW/LEADS
	112823-01-000	EA	SPLICE-REDUCER-16-14TO18-22
	118571-03-000	EA	BRACKET-MOUNTING
	118571-04-000	EA	GASKET - MACK120MF2136M
	118571-05-000	EA	LOCK-SECONDARY-FEMALE
	118571-06-000	EA	LOCK-SECONDARY-MALE
	125325-01-000	EA	SEAL-CAVITY
			FROM: 10-24-96 THRU: 99-99-99

ELECTRICALGROUP(CONTINUED)

CONDUIT

KEY	PARTNUMBER	U/M	DESCRIPTION
	041953-01-000	FT	CONDUIT-CONVOLUTESLIT-.5"ID
	041953-03-000	FT	CONDUIT-CONVOLUTESLIT-1"ID(CLOTHESRODCOVER)
	041953-05-000	FT	CONDUIT-CONVOLUTESOLID-.62"ID
	041953-06-000	FT	CONDUIT-CONVOLUTESLIT-.375"ID
	041953-07-000	FT	CONDUIT-CONVOLUTESLIT-.25"ID
	041953-08-000	FT	CONDUIT-CONVOLUTESLIT-1.50"ID
	041953-09-000	FT	CONDUIT-CONVOLUTESLIT-.50"ID
	041953-10-000	FT	CONDUIT-CONVOLUTESLIT-.75"ID
	041953-11-000	FT	CONDUIT-CONVOLUTESLIT-1.06"ID

BATTERYBOOT&STUD

KEY	PARTNUMBER	U/M	DESCRIPTION
	077479-01-000	EA	BOOT-BATTERYTERMINAL,DOUBLECABLE
	077479-02-000	EA	BOOT-BATTERYTERMINAL,SINGLECABLE
	086233-01-000	EA	STUD-ISOLATED,3/8"X7/8"LONG
	086273-01-000	EA	RELAY-BATTERYDISCONNECT

ELECTRICBOXES

KEY	PARTNUMBER	U/M	DESCRIPTION
	008289-01-000	EA	BOX-ELECTRIC/STEEL-1/2"&3/4"KNOCKOUTS-4"X4"
	008289-02-000	EA	BOX-ELECTRICAL-4"X4",W/1/2"&3/4"KNOCKOUTS,CANADIAN
	008294-01-000	EA	COVER-ELECTRICALBOX-BLANK/STEEL-4"X4"-GRAY
	008294-02-000	EA	COVER-ELECTRICALBOX-BLANKSTEEL-4"X4"-CANADIAN
	091910-01-000	EA	BOX-ELECTRICAL-3.75"X3.5"X1.75"-PLASTIC
	091910-02-000	EA	BOX-ELECTRICAL-PLASTIC-57X88MM
	113088-01-000	EA	BOX-ELECTRICAL-3.00X2.00X2.75-STEELCITYCW-1/2
	115932-01-000	EA	CONNECTOR-FEMALE-30AMP120V-MARINCO305CRC
	118507-01-01A	EA	BOX-ELECTRICALGRAY
	118653-01-02B	EA	DOOR-ELECTRICALBOX-E-COAT
	118905-02-02B	EA	DOORASM-ELECTRICAL-E-COAT

ELECTRICALGROUP(CONTINUED)**POWERCORDS**

KEY	PARTNUMBER	U/M	DESCRIPTION
	008054-01-000	EA	CORD-POWER-10/3-30AMP-25'
	113096-01-000	EA	CORD-POWER-50AMP,4WIRE,36',CSA-WESCO4243
	108934-01-000	EA	CORD-POWER-50AMP,4WIRE,36FT-WESCOK3536
	121470-01-000	EA	CORD/EXTENSION-6FOOT-16-2WIRE

WIREASSEMBLIES

KEY	PARTNUMBER	U/M	DESCRIPTION
	073328-B4-000	EA	CABLEASSEMBLY-BATTERY-W/TERMINALS
	090986-01-000	EA	WIREASSEMBLY-ELECTRICSTEP
	093057-05-000	EA	WIREASSEMBLY-POWERLOCK-ENTRANCE
	096449-01-000	EA	WIREASSEMBLY-WATERTANKTOMONITORPANEL
	096717-03-000	EA	WIRE-REARMONITOR-AFTERMARKETINSTALLATION
	097618-01-000	EA	WIREASSEMBLY-MONITORPANEL-W/3WIRES&ORANGERESISTOR ORANGERESISTORW/3(ORANGE-GREEN-BLUE)WIRES
	102636-03-000	EA	WIREASSEMBLY-CLEARANCELAMPS
	103330-02-000	EA	WIREASSEMBLY-OVERHEADSPEAKERS
	107306-01-000	EA	WIREASSEMBLY-INSTRUMENTPANEL-DOCKINGLAMPS
	107597-02-000	EA	WIREASSEMBLY-INSTRUMENTPANEL-FOGLAMPS
	108029-01-000	EA	WIREASSEMBLY-POWERDRIVERSEAT
	108242-01-000	EA	WIREASSEMBLY-CABDOOR-DRIVER
	108303-01-000	EA	WIREASSEMBLY-REARAUTOHEATER
	108304-01-000	EA	WIREASSEMBLY-INSTRUMENTPANEL-AUXILIARYFANS
	110256-01-000	EA	WIREASSEMBLY-INSTRUMENTPANEL-GENERATOR
	111581-01-000	EA	WIREASSEMBLY-AIRHORN
	111619-01-000	EA	WIREASSEMBLY-HWHJACKS/JETAIRRIDE USEDW/HWHFRONTJACKS-JETAIRW/PARK&LEVEL
	113134-03-000	EA	WIREASSEMBLY-WIPER/WASHER
	118649-01-000	EA	WIREASSEMBLY-AIRHORNS
	119131-01-000	EA	WIREASSEMBLY-SLIDEOUTCONTROL
	124336-01-000	EA	WIRE-REARSTEREO-12PIN

EXTERIORBODYGROUP**HADLEYAIRHORN**

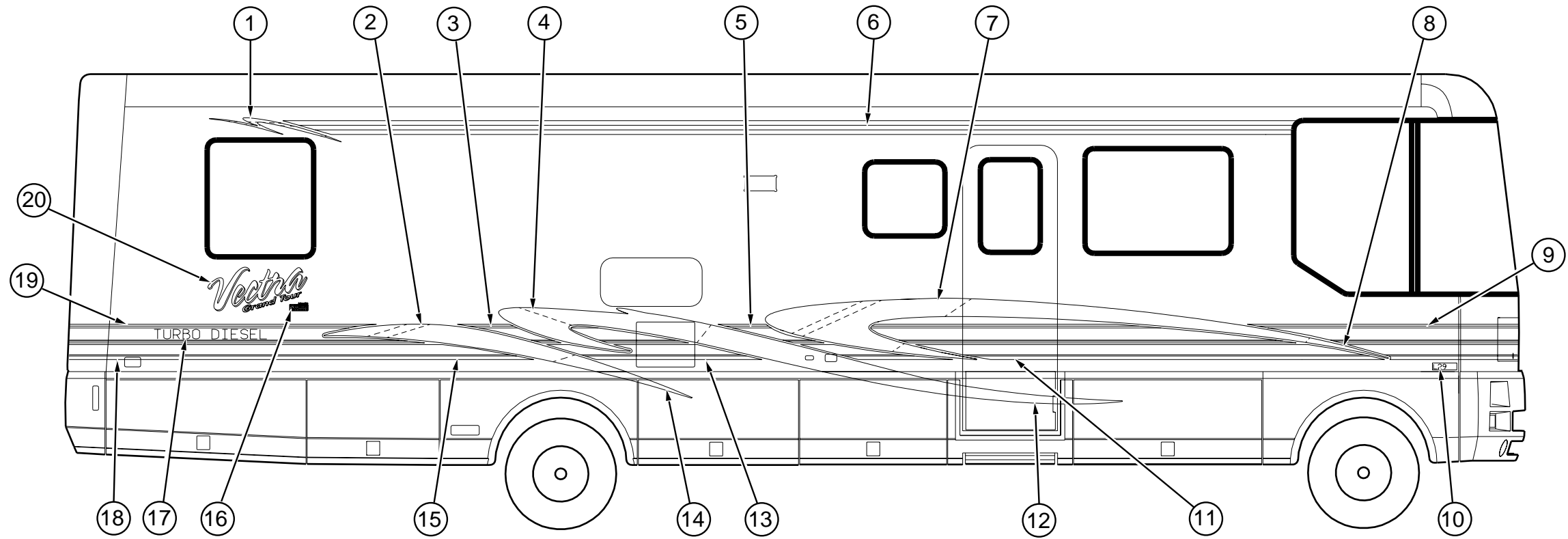
KEY	PARTNUMBER	U/M	DESCRIPTION	VENDORNO.
	077497-06-000	EA	HORN-AIR-CHROME-TWIN	
	077497-01-701	EA	SWITCH-COMPRESSOR	13940-S
	077497-01-702	EA	SWITCH-TOGGLE-W/WIRE	12949-S
	081407-01-000	EA	PLATE-MOUNTING-AIRHORN	
	071390-04-000	FT	TUBINGAIRBRAKE-1/4"OD-BLKWEATHERHEAD(BRAKES&HORN)	
	077497-03-000	EA	FITTINGKIT-HOSE/HOSEFITTING/AIRGAUGE-F/AUXHORN	
	077497-01-710	EA	GAUGE-AIRPRESSURE	14212S
	077497-05-000	EA	COMPRESSOR/TANK/SOLENOIDKIT	
	077497-01-700	EA	SOLENOID-AIRTANK	550B
	077497-01-703	EA	TANK-AIR	751-N
	077497-01-704	EA	COMPRESSORW/SWITCH	852EC
	077497-01-706	EA	VALVE&HEADREPAIR-COMPRESSOR	H00852HV
	077497-01-707	EA	BELT&SCREWCOVER-COMPRESSOR	H00852BR
	077497-01-708	EA	FILTER&MOUNTINGHARDWARE-COMPRESSOR	H00852FM
	077497-01-709	EA	PLUNGER&SPRING-SOLENOID	H136215
	077497-02-000	EA	HOSE-AUXILIARYAIRHORN 50'COILEDHOSE-AIRCHUCK-NEEDLE-NOZZLE&CARRIER	
	081404-01-000	EA	BRACKET-MOUNTING-COMPRESSOR-LSHAPED-4"X7.5"-ST	
	108114-01-000	EA	BRACKET-TANK/AIR(CHEV)	
	115024-01-02B	EA	BRACKET-TANK-AIRHORN(FORD)	
	115024-01-01B	EA	BRACKET-TANK-AIRHORN(FORD)	

FIBERGLASS,STYROFOAM&STEELCHANNEL

KEY	PARTNUMBER	U/M	DESCRIPTION
	076054-S7-000	EA	FIBERGLASSSHEET-38"X70.6"-SABLE
	108535-05-701	EA	FIBERGLASS-SHEET-110"X396"-SABLE
	076054-V9-000	EA	FIBERGLASS-SHEET-79.06"X425"-SABLE
	076054-Z2-000	EA	FIBERGLASS-SHEET-30"X69.9"
	076054-Z3-000	EA	FIBERGLASS-SHEET-4"X86"
	077517-63-000	EA	SHEET-FIBERGLASS-4'X8'SABLE,FLAT
	083574-06-000	SF	STYROFOAM-.75"X48"X108"
	115301-01-000	SF	STYROFOAM-.34"X48"X600"
	100619-01-000	BF	EXPANDEDFOAMSHEET-48"X96"X1.34"
	100619-02-000	BF	FOAM-EXPANDEDPOLYSTYRENE-48"X96"X1.5"
	100619-05-000	BF	FOAM-EXPANDEDPOLYSTYRENE-48"X96"X.75"
	100619-11-000	BF	FOAM-EXPANDEDPOLYSTYRENE-48"X96"X2"
	100619-13-000	BF	FOAM-EXPANDEDPOLYSTYRENE-48"X96"X.34"
	100619-16-000	BF	FOAM-EXPANDEDPOLYSTYRENE-.75"X48"X96"
	120107-03-000	EA	FOAM-PLUG-ROOFTUBE
	120107-01-000	EA	FOAM-COVE-ROOF
	120107-02-000	EA	FOAM-PLUG-ROOFTUBE
	000870-08-000	SF	STYROFOAM-.75"X48"X96"-PLANED
	065747-01-000	SF	INSULATION-MICROFOAM-.5"THICKX72"X112'ROLL
	089297-01-000	SF	PLYWOOD-LUAN-OVERLAYGRADE-4'X8'
	068716-01-001	EA	BRACE-90DEGREEEL-ANGLE,192"-EXTRUDEDALUMINUM
	002726-01-001	EA	GARNISH-UCHANNEL-1.38"X19'-SERRATED-MILLALUMINUM
	002754-01-001	EA	ANGLE-EXTRUDED-.75"X.75"X18'-MILLALUMINUM

EXTERIOR BODY GROUP (CONTINUED)

DECALS, STRIPES & PAINTS



KEY	PARTNUMBER	U/M	DESCRIPTION
1	119372-01-01A	EA	DECAL-SWEEP,#4-RH-MBLU/HGRN/MBRN/BRYWD
1	119372-02-01A	EA	DECAL-SWEEP,#4-LH-MBLU/HGRN/MBRN/BRYWD
2	119371-01-01A	EA	DECAL-SWEEP,#3-RH-MARBLU/HGRN/BRYWD
2	119371-02-01A	EA	DECAL-SWEEP,#3-LH-MARBLU/HGRN/BRYWD
3	124494-01-01A	EA	DECAL-E/GRAPHIC STRIPE-#5 RIGHTHAND
3	124494-02-01A	EA	DECAL-E/GRAPHIC STRIPE-#5 LEFTHAND
4	119370-01-01A	EA	DECAL-SWEEP,#2-RH-MARBLU/HGRN/BRYWD
4	119370-02-01A	EA	DECAL-SWEEP,#2-LH-MARBLU/HGRN/BRYWD
5	124492-01-01A	EA	DECAL-C/GRAPHIC STRIPE-#3 RIGHTHAND
5	124492-02-01A	EA	DECAL-C/GRAPHIC STRIPE-#3 LEFTHAND
6	093689-19-01A	FT	FILM-MULTISTRIPE,100.1MMX150-BRYWD/HTGRN/MBRN/MB
7	119369-01-01A	EA	DECAL-SWEEP,#1-RH-MRBLU/HGRN/MBRN/BRY
7	119369-02-01A	EA	DECAL-SWEEP,#1-LH-MRBLU/HGRN/MBRN/BRY
8	119373-01-01A	EA	DECAL-TIP, SWEEP-#1-RH-MEDBRN/HUNTGRN
8	119373-02-01A	EA	DECAL-TIP, SWEEP-#1-LH-MEDBRN/HUNTGRN
9	124490-01-01A	EA	DECAL-A/GRAPHIC STRIPE-#1 RIGHTHAND
9	124490-02-01A	EA	DECAL-A/GRAPHIC STRIPE-#1 LEFTHAND
10	122312-01-01A	EA	DECAL-VORTEC7400
11	124491-01-01A	EA	DECAL-B/GRAPHIC STRIPE-#2 RIGHTHAND
11	124491-02-01A	EA	DECAL-B/GRAPHIC STRIPE-#2 LEFTHAND
12	119374-01-01A	EA	DECAL-TIP, SWEEP-#2-RH(1996)-HUNTERGREEN
12	119374-02-01A	EA	DECAL-TIP, SWEEP-#2-LH(1996)-HUNTERGREEN
13	124493-01-01A	EA	DECAL-D/GRAPHIC STRIPE-#4 RIGHTHAND
13	124493-02-01A	EA	DECAL-D/GRAPHIC STRIPE-#4 LEFTHAND
14	119375-01-01A	EA	DECAL-TIP, SWEEP-#3-RH(1996)-HUNTERGREEN
14	119375-02-01A	EA	DECAL-TIP, SWEEP-#3-LH(1996)-HUNTERGREEN
15	124495-01-01A	EA	DECAL-F/GRAPHIC STRIPE-#6 RIGHTHAND
15	124495-02-01A	EA	DECAL-F/GRAPHIC STRIPE-#6 RIGHTHAND

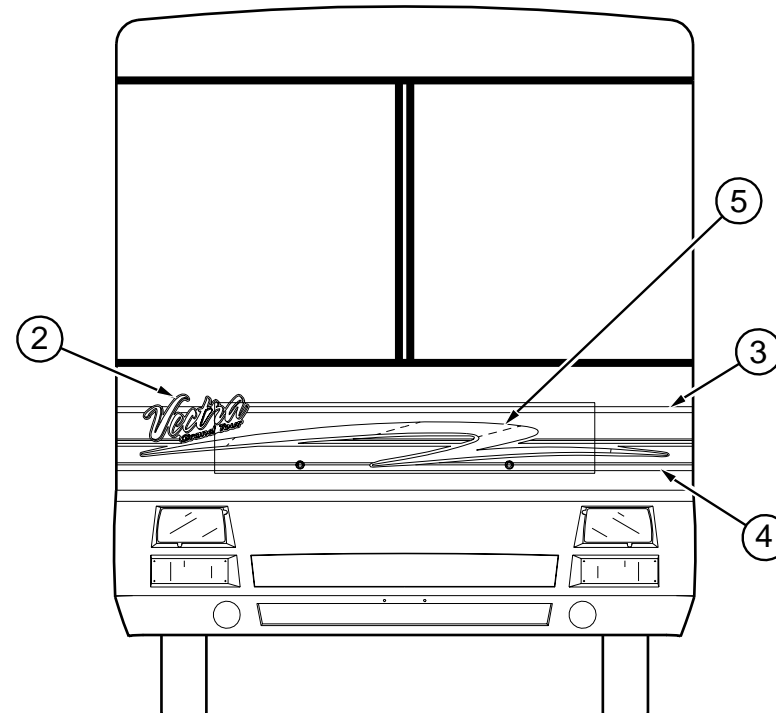
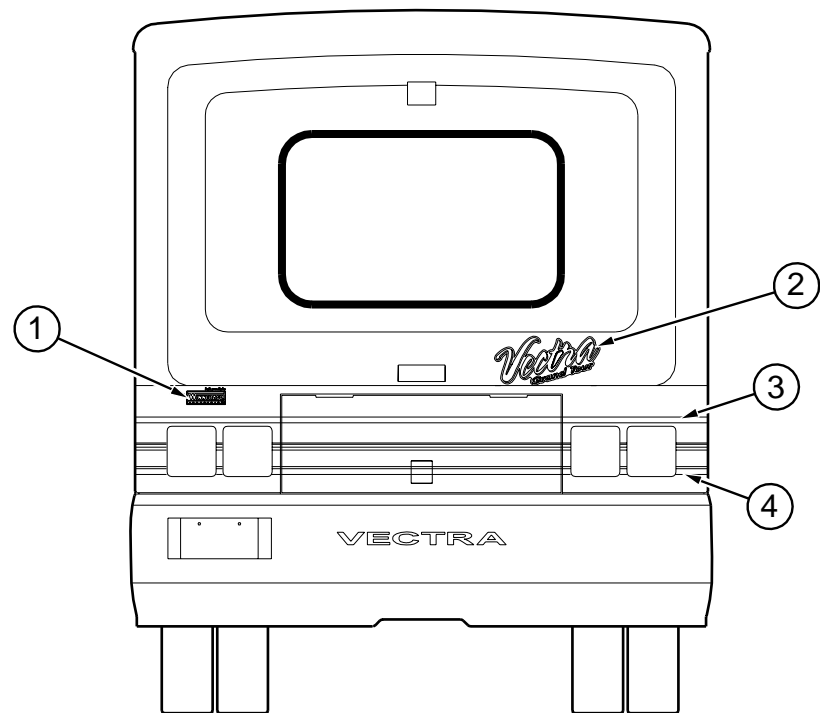
KEY	PARTNUMBER	U/M	DESCRIPTION
16	122770-02-02A	EA	DECAL-BUILT PROUD BY WINNIND-HUNTERGREEN
17	111318-03-02A	EA	DECAL-TURBODIESEL
18	105781-58-01A	FT	FILM-MULTISTRIPE 108.0MMX150-BRYWOOD/MARLINBLU
19	094423-09-01A	FT	FILM-OVERLAY, MULTISTRIPE 133.4-BRYWD/HTRGRN/MBRN
20	119377-01-01A	EA	DECAL-VECTRA, GRAND TOUR-LG-HTGRN/BRYWD/HTGRN/B
	041561-03-000	EA	PAINT-16OZ SPRAY-OFFWHITE

DUPONT PAINT COLOR CODES

MARLINBLUE MET.	BM500
HUNTERGREEN MET.	GM219
SABLE	F1529
MOCHA FROST PEARL	F1929
MEDIUM BROWN MET.	YM376
BERRYWOOD	F2983

EXTERIORBODYGROUP(CONTINUED)

DECALS,STRIPES&PAINTS(CONTINUED)



KEY	PARTNUMBER	U/M	DESCRIPTION
1	122770-01-02A	EA	DECAL-BUILTPROUDBYWINNIND-HUNTERGREEN
2	119377-03-01A	EA	DECAL-VECTRAGRANDTOUR,SML-SBL/HTRGRN/BRYWD
3	094423-09-01A	FT	FILM-OVERLAY-MULTISTRIPE-5.24"-BRYWD/HTRGRN/MDBRN
4	105781-58-01A	FT	FILM-MULTISTRIPE-4.2"-BRYWOOD/MARLINBLU
5	124496-01-01A	EA	DECAL-HOOD

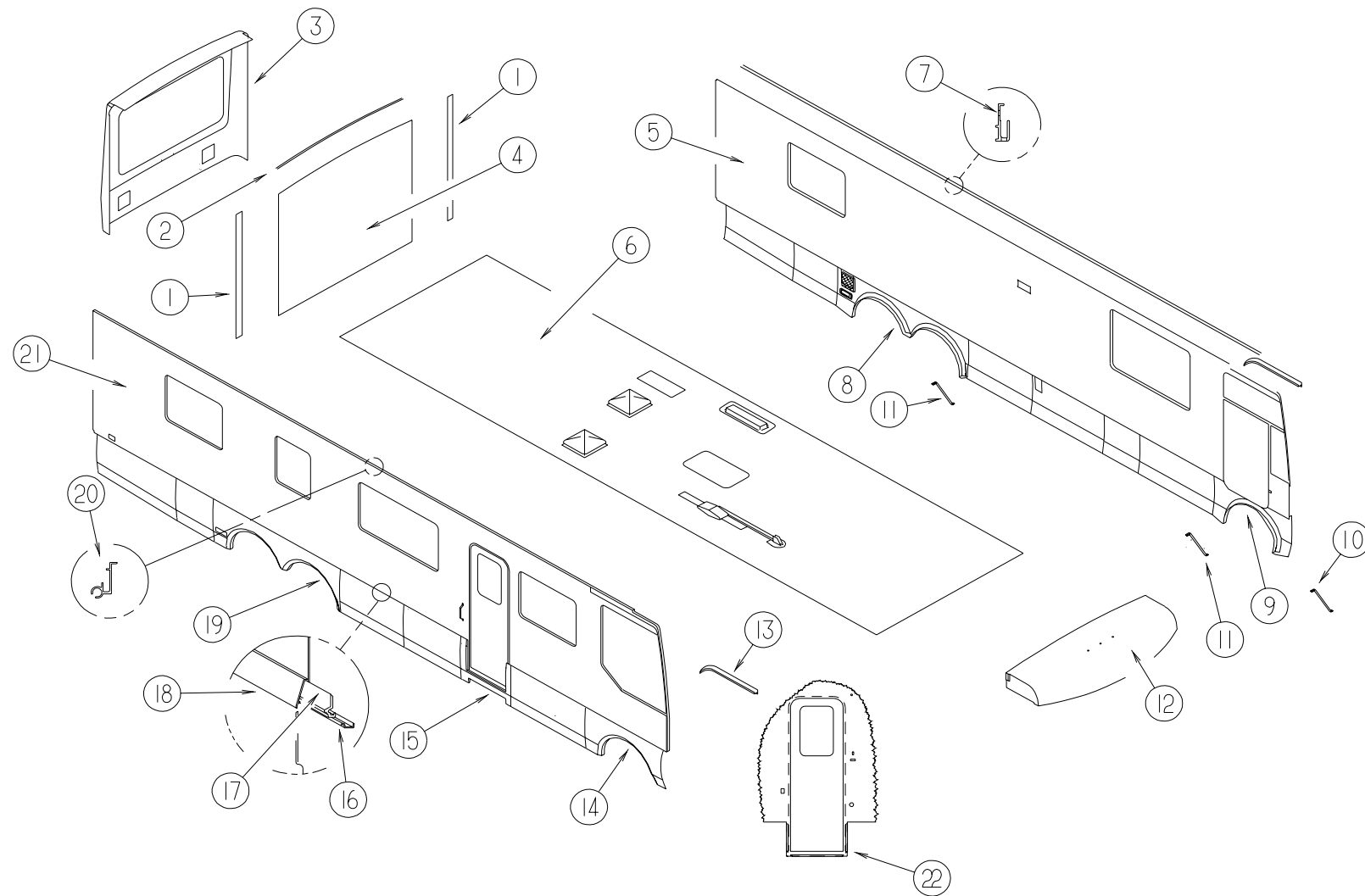
DUPONTPAINTCOLORCODES

MARLINBLUOMET.
HUNTERGREENMET.
SABLE
MOCHAFROSTPEARL
MEDIUMBROWNMET.
BERRYWOOD

BM500
GM219
F1529
F1929
YM376
F2983

EXTERIOR BODY GROUP (CONTINUED)

BODY PANELS & TRIM

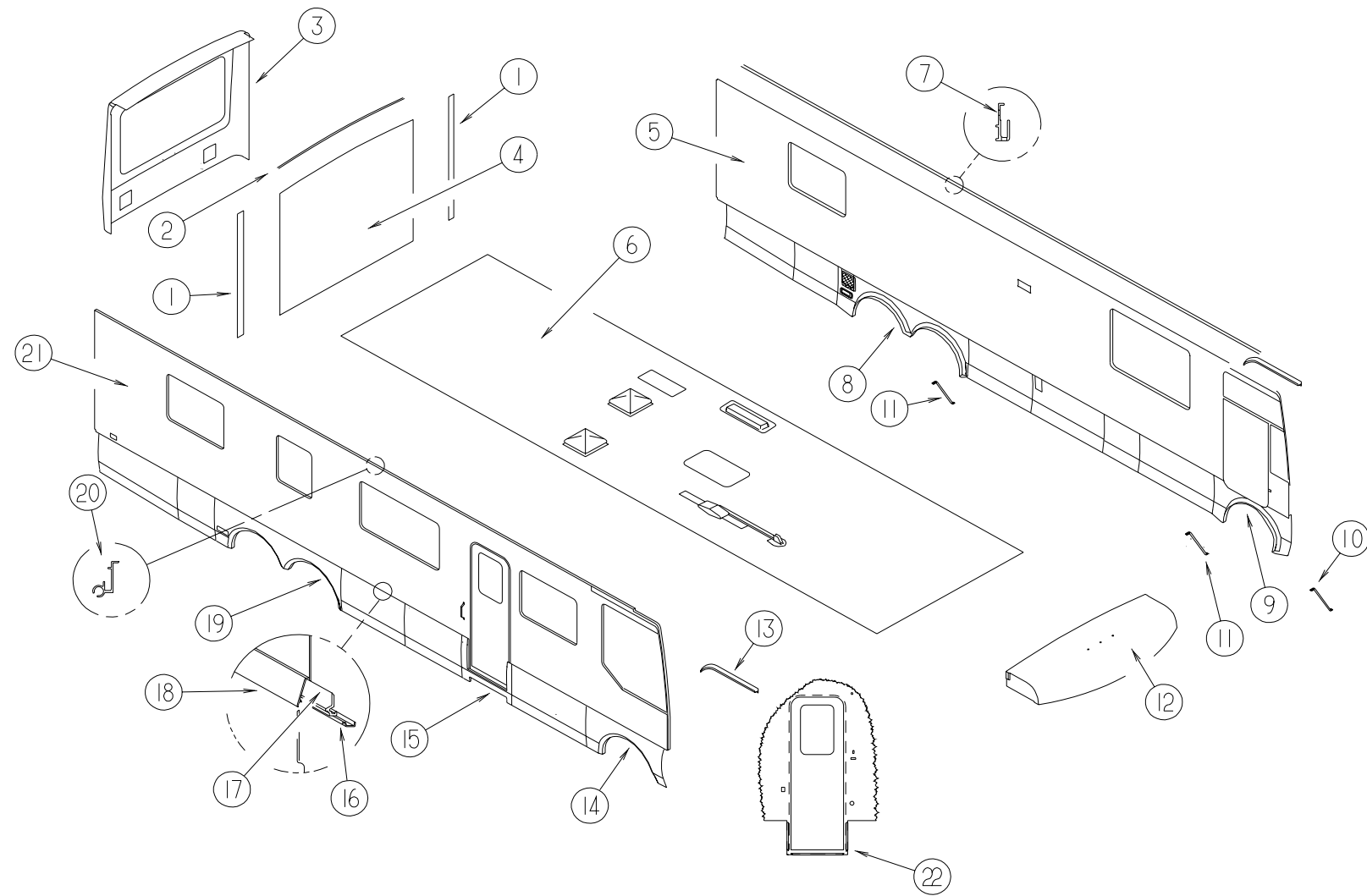


KEY	PARTNUMBER	U/M	DESCRIPTION
1	092041-02-02A	EA	TRIM-REAR-CAPTOSIDEWALL
2	083805-22-000	EA	TRIM-ROOFCAP
3	117513-01-01A	EA	CAP-REAR-W/OLIGHTS/DOOR(TWINBED)
3	117514-01-01A	EA	PANEL-REARCAP-W/DOOR(QUEENBED)
4	118883-01-H56	EA	BACKWALL-W/OWINDOW/TRIM(H56,H57)
4	118883-01-H58	EA	BACKWALL-W/OWINDOW/TRIM(H58,H59)
4	118883-01-H60	EA	BACKWALL-W/OWINDOW/TRIM(H60,H61)
5	M06901-16-H56	EA	SIDEWALL-DRIVER-W/OWINDOWS/TRIM-W/WAINSCOTING(QUEEN&KINGBED) (H56,H57)
5	M06901-16-H58	EA	SIDEWALL-DRIVER-W/OWINDOWS/TRIM-W/WAINSCOTING(QUEEN&KINGBED) (H58,H59)
5	M06901-16-H60	EA	SIDEWALL-DRIVER-W/OWINDOWS/TRIM-W/WAINSCOTING(QUEEN&KINGBED) (H60,H61)
5	M06901-17-H56	EA	SIDEWALL-DRIVER-W/OWINDOWS/TRIM-W/WAINSCOTING(TWINBED)(H56,H57)
5	M06901-17-H58	EA	SIDEWALL-DRIVER-W/OWINDOWS/TRIM-W/WAINSCOTING(TWINBED)(H58,H59)
5	M06901-17-H60	EA	SIDEWALL-DRIVER-W/OWINDOWS/TRIM-W/WAINSCOTING(TWINBED)(H60,H61)
6	P23793-01-H56	EA	ROOF-W/OLIGHTS/VENTS,W/WIRING
7	120091-02-03A	EA	TRIM-ROOF
8	P18962-01-GV0	EA	WHEELIP-TAGAXLE-DRIVER
9	107865-13-000	EA	ROD-SUPPORT,VALANCEPANEL
10	118842-01-GV0	EA	PANEL-WHEELWELL-FRONT/DRIVER
11	107865-06-000	EA	ROD-SUPPORT-VALANCEPANEL-14.3"
12	118027-01-01A	EA	CAP-ROOF

KEY	PARTNUMBER	U/M	DESCRIPTION
13	108274-07-01A	EA	RAIL-DRIP,FRONT/PASSENGER
13	108274-08-01A	EA	RAIL-DRIP,FRONT/DRIVER
14	118843-01-GV0	EA	PANEL-WHEELWELL-FRONT/PASSENGER
15	113119-01-01A	EA	PANEL-VALANCE,ENTRANCEDOOR,BLACK
	121091-09-01A	EA	ANGLE-DOOR,ENTRANCE-HAMPTONTAN
	121091-03-01A	EA	ANGLE-ENTRANCEDOOR,BOTTOM-HAMPTONTAN
	106105-03-000	EA	CLIP-VALANCE,RETAINING
	118394-01-GV0	EA	PANELASM-VALANCE,HORSESHOE
16	118547-01-01A	EA	RETAINER-TRIM
16	118547-02-01A	EA	RETAINER-TRIM
16	118547-03-01A	EA	RETAINER-TRIM
	118359-51-001	EA	EXTRUDED-RETAINER,TRIM191"
17	118546-01-01A	EA	HANGER-VALANCE
	118358-51-001	EA	EXTRUDED-SIDEWALL,LOWER 182"
18	113161-01-01A	EA	TRIM-PANEL,VALANCE,RIGHTHAND
18	113161-02-01A	EA	TRIM-PANEL,VALANCE,LEFTHAND
	118540-01-01A	EA	TRIM-COVER
	108497-01-01A	EA	CAP-END,TRIMCOVER-LH-LIGHTGRAY
	108497-02-01A	EA	CAP-END,TRIMCOVER-RH-LIGHTGRAY
19	118961-01-GV0	EA	WHEELIP-TAGAXLE-PASSENGER
20	120092-02-03A	EA	RAIL-AWNING

EXTERIORBODYGROUP(CONTINUED)

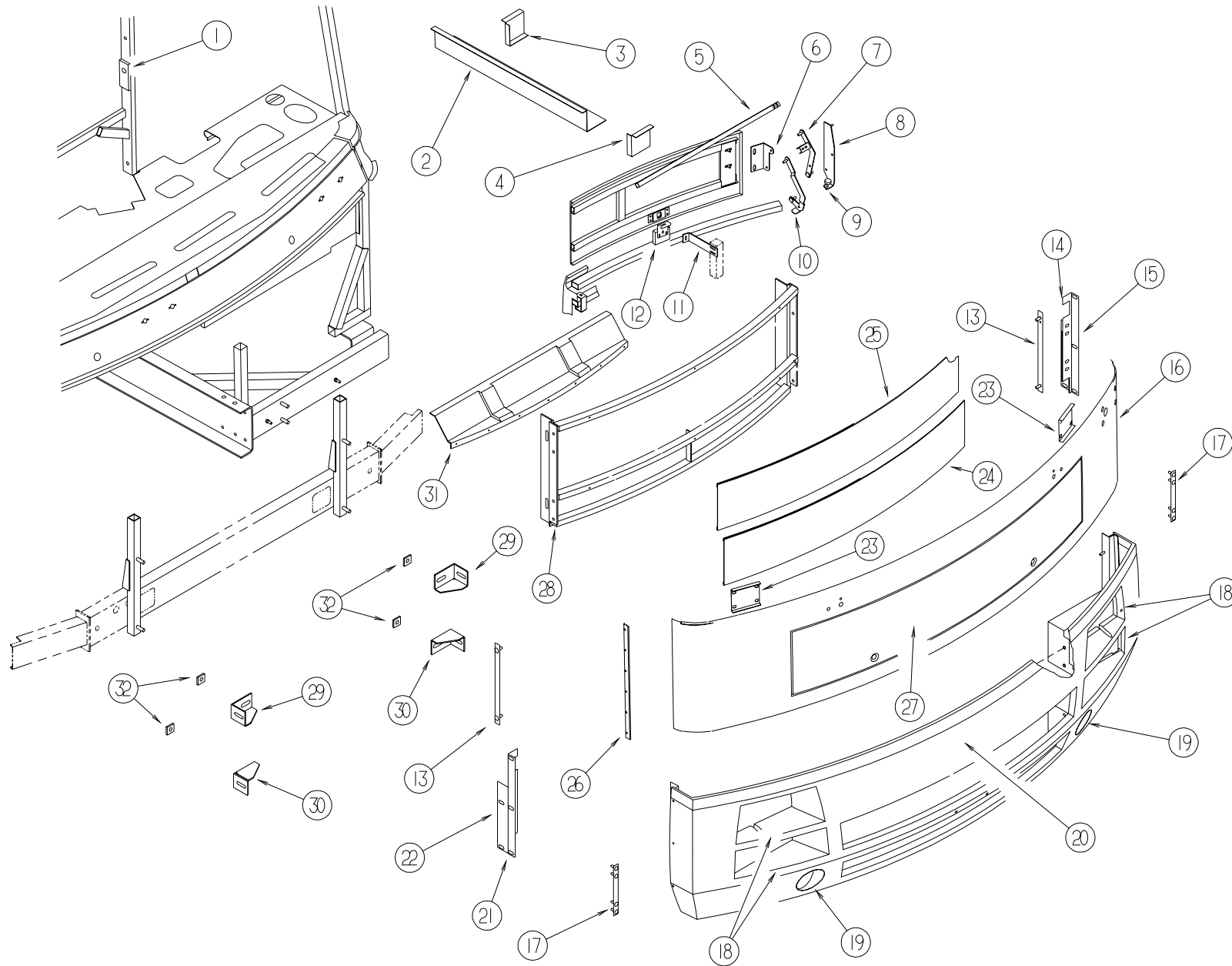
BODYPANELS&TRIM(CONTINUED)



KEY	PARTNUMBER	U/M	DESCRIPTION
21	M06901-14-H56	EA	SIDEWALL-PASSENGER-W/OWINDOWS/TRIM-W/WAINSCOTING(QUEEN&KING)
21	M06901-14-H57	EA	SIDEWALL-PASSENGER-W/OWINDOWS/TRIM-W/WAINSCOTING(QUEEN&KING)
21	M06901-14-H58	EA	SIDEWALL-PASSENGER-W/OWINDOWS/TRIM-W/WAINSCOTING(QUEEN&KING)
21	M06901-14-H59	EA	SIDEWALL-PASSENGER-W/OWINDOWS/TRIM-W/WAINSCOTING(QUEEN&KING)
21	M06901-14-H60	EA	SIDEWALL-PASSENGER-W/OWINDOWS/TRIM-W/WAINSCOTING(QUEEN&KING)
21	M06901-14-H61	EA	SIDEWALL-PASSENGER-W/OWINDOWS/TRIM-W/WAINSCOTING(QUEEN&KING)
21	M06901-15-H56	EA	SIDEWALL-PASSENGER-W/OWINDOWS/TRIM-W/WAINSCOTING(TWINBED)
			(H56,H57)
21	M06901-15-H58	EA	SIDEWALL-PASSENGER-W/OWINDOWS/TRIM-W/WAINSCOTING(TWINBED)
			(H58,H59)
21	M06901-10-H60	EA	SIDEWALL-PASSENGER-W/OWINDOWS/TRIM-W/WAINSCOTING(TWINBED)
			(H60,H61)
22	113119-01-01A	EA	PANEL-VALANCE, ENTRANCEDOOR, BLACK
	121091-09-01A	EA	ANGLE-DOOR, ENTRANCE-HAMPTONTAN
	121091-03-01A	EA	ANGLE-ENTRANCEDOOR, BOTTOM-HAMPTONTAN
	106105-03-000	EA	CLIP-VALANCE, RETAINING
	118394-01-GV0	EA	PANELASM-VALANCE, HORSESHOE

EXTERIORBODYGROUP(CONTINUED)

FRONTENDASSEMBLY

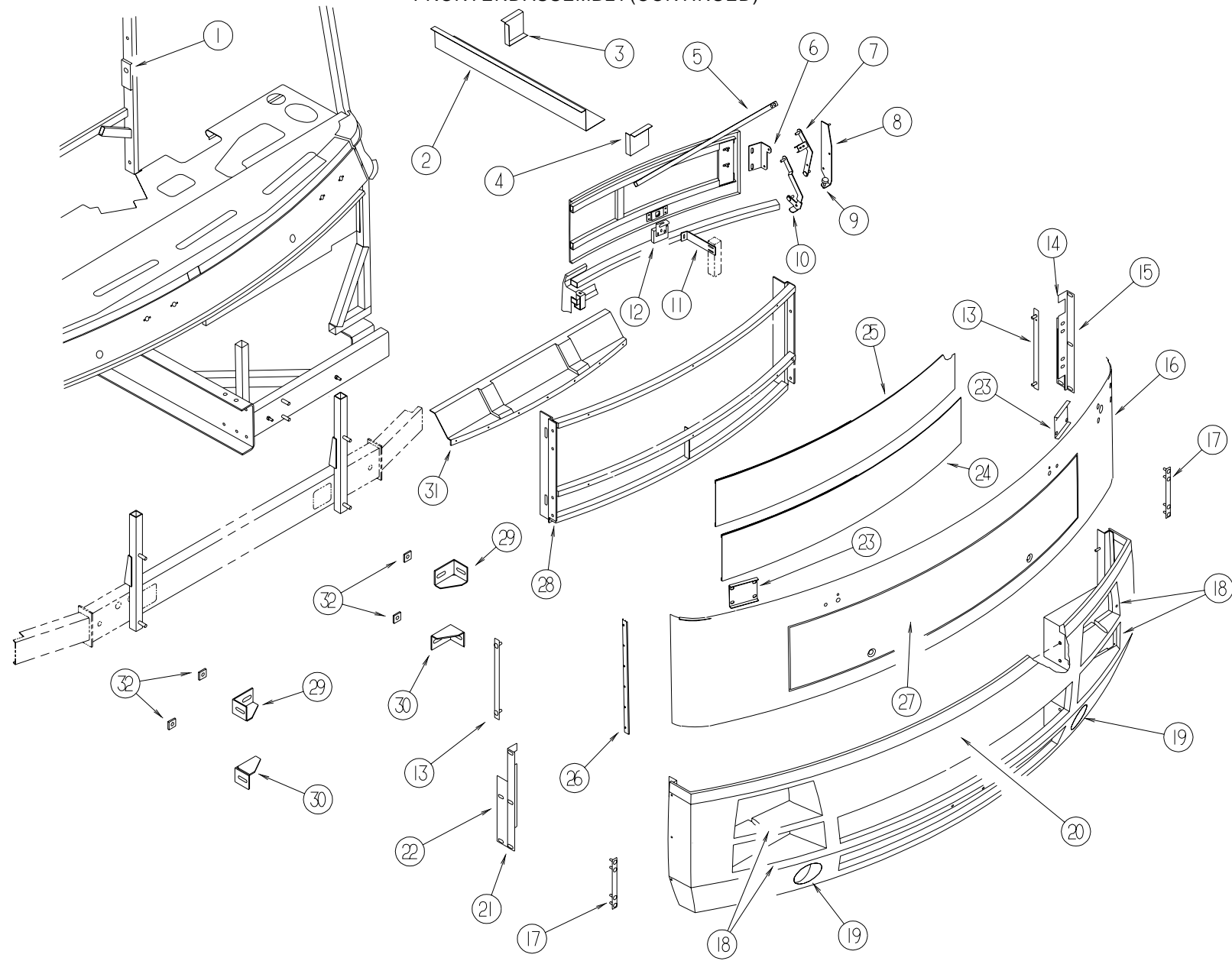


KEY	PARTNUMBER	U/M DESCRIPTION
1	070579-06-000	EA PLATE-ANCHOR,W/7/16WELDNUT-1.5"X3.3"
	070579-07-000	EA PLATEASM-ANCHORW/ONUT
2	106746-02-000	EA PANEL-STEPWELL
3	106747-03-000	EA PANEL-STEPWELL,ENDRH
4	106747-04-000	EA PANEL-STEPWELL,ENDLH
5	105096-10-000	EA TUBEASM-TIMING,HOODHINGE-CHEV
5	120466-02-02B	EA TUBEASM-TIMING,HOODHINGE-FORD
6	109927-05-000	EA ANGLE-LINK,HOOD-RH
6	109927-06-000	EA ANGLE-LINK,HOOD-LH
7	118156-01-02B	EA LINK-HOODHINGE-UPPER/RIGHTHAND
7	118156-02-02B	EA LINK-HOODHINGE-UPPER/LEFTHAND
8	109926-11-000	EA BRACKETASM-LINK,HINGE,RH
8	109926-12-000	EA BRACKETASM-LINK,HINGE,LH
9	058786-01-000	EA BOLT-ADJUSTING,HOOD-W/BLACKPAD-5/16"#18X2"
	106765-01-000	EA SUPPORT-BOLT,HOODADJUSTING
10	118154-03-02B	EA LINK-HOODHINGE-LOWER/RIGHTHAND
	118154-01-01B	EA LINK-HINGE,HOOD,LOWER,RH,MILL
10	118154-04-02B	EA LINK-HOODHINGE-LOWER/LEFTHAND
	118154-02-01B	EA LINK-HINGE,HOOD,LOWER,LH,MILL
11	118607-01-02B	EA BRACE-FRONTEND

KEY	PARTNUMBER	U/M DESCRIPTION
12	106748-03-000	EA LATCH-HOOD,FRONTEND
13	106730-02-000	EA PLATEASM-STUD
	106730-01-000	EA PLATE-STUD
14	120932-02-02B	EA ANGLE-WHEELIP,LH,E-COAT
15	120933-02-02B	EA ANGLE-BUMPER,LH,E-COAT
	117979-17-02B	EA SUPPORTASM-BUMPER,FORD-RH,E-CT
16	117499-02-GV0	EA FRONTEND-FIBERGLASS,SABLE
	117499-01-01A	EA PANEL-FRONT,LOWER-SABLE
	002328-02-000	EA BLOCK-WINDSHIELD,.062"X.5"X.98"
	119445-01-02B	EA PLATE-W/HOLES,E-COAT
17	120934-02-02B	EA PLATEASM-STUD,E-COAT
18	117777-01-02B	EA FRAMEASM-HEADLAMP,RH,E-COAT
18	117777-02-02B	EA FRAMEASM-HEADLAMP,LH,E-COAT
19	117503-01-01A	EA HOUSING-FOGLAMP,BLACK
	118650-01-02B	EA SUPPORT-FOGLAMP,E-COAT
	118651-03-02B	EA SUPPORT-BUMPER/FOGLAMP
	118651-04-02B	EA SUPPORT-BUMPER/FOGLAMP

EXTERIORBODYGROUP(CONTINUED)

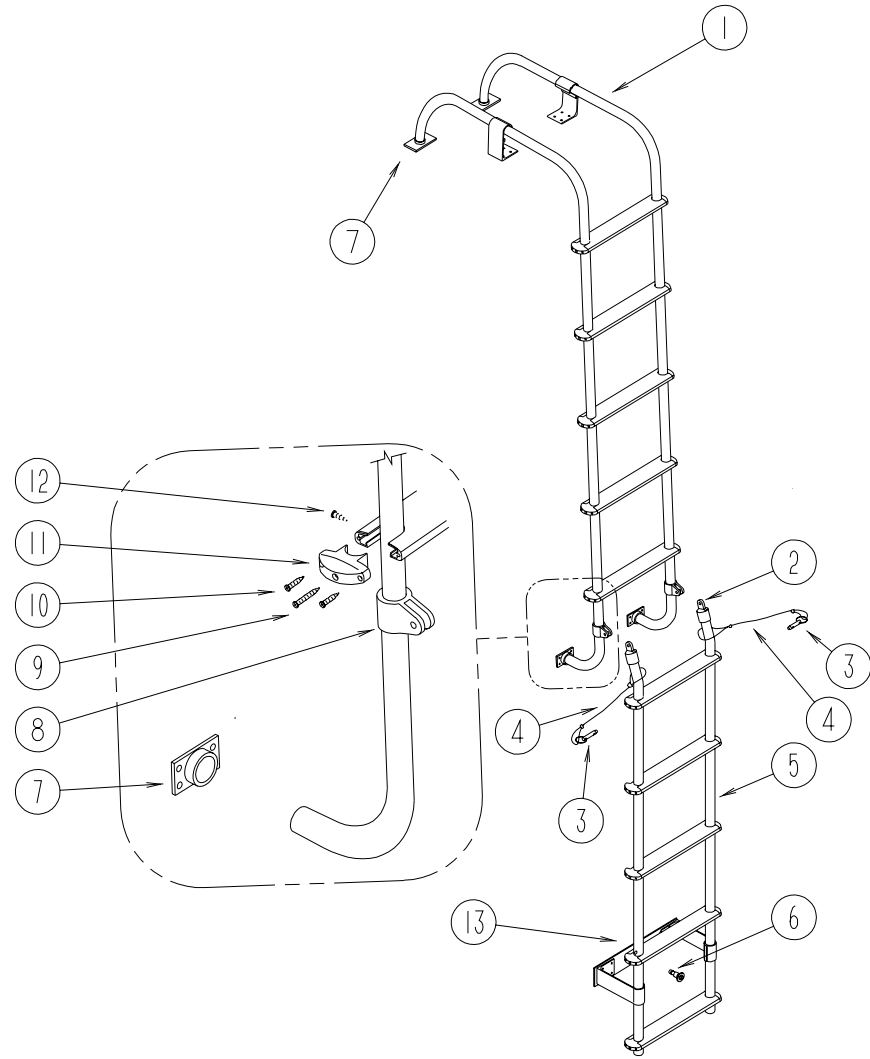
FRONTENDASSEMBLY(CONTINUED)



KEY	PARTNUMBER	U/M	DESCRIPTION
20	M08089-01-GV0	EA	PANEL-FRONTBUMPER-CHEV
20	M08089-02-GV0	EA	PANEL-FRONTBUMPER-FORD
	106730-06-000	EA	PLATE-STUD
	106730-05-000	EA	PLATE-STUD
21	120933-01-02B	EA	ANGLE-BUMPER-RIGHTHAND
22	120932-01-02B	EA	ANGLE-WHEELIP-RIGHTHAND
23	120331-01-02B	EA	BRACKET-SUPPORT-FRONTEND,E-COAT
24	115924-07-02A	EA	WIREMESH-F/GRILLE-FLATBLACK
25	115924-02-02A	EA	WIREMESH-F/GRILLE-FLATBLACK
26	114422-01-02A	EA	TRIM-PANEL,FIBERGLASS-SABLE
27	117496-01-GV0	EA	PANEL-OUTERHOOD
	106730-02-000	EA	PLATE-STUD
	102330-01-000	EA	LATCH-SINGLEHOLE-VISEACTION
	102328-01-000	EA	KEY-LATCH

KEY	PARTNUMBER	U/M	DESCRIPTION
28	118117-01-GV0	EA	FRAME-FRONTBUMPER
29	117611-01-02B	EA	BRACKET-BUMPER-RIGHTHANDUPPER/LEFTHANDLOWER
29	117611-02-02B	EA	BRACKET-BUMPER-LEFTHANDUPPER/RIGHTHANDLOWER
30	117611-01-02B	EA	BRACKET-BUMPER-RIGHTHANDUPPER/LEFTHANDLOWER
30	117611-02-02B	EA	BRACKET-BUMPER-LEFTHANDUPPER/RIGHTHANDLOWER
31	120665-02-01A	EA	SPOILER-RADIATOR-FRONT-FORD
31	P20665-01-01A	EA	SPOILER-RADIATOR-FRONT-CHEV
32	116617-02-02B	EA	SPACER-BUMPER
	120481-01-02B	EA	ANGLE-W/SLOTS

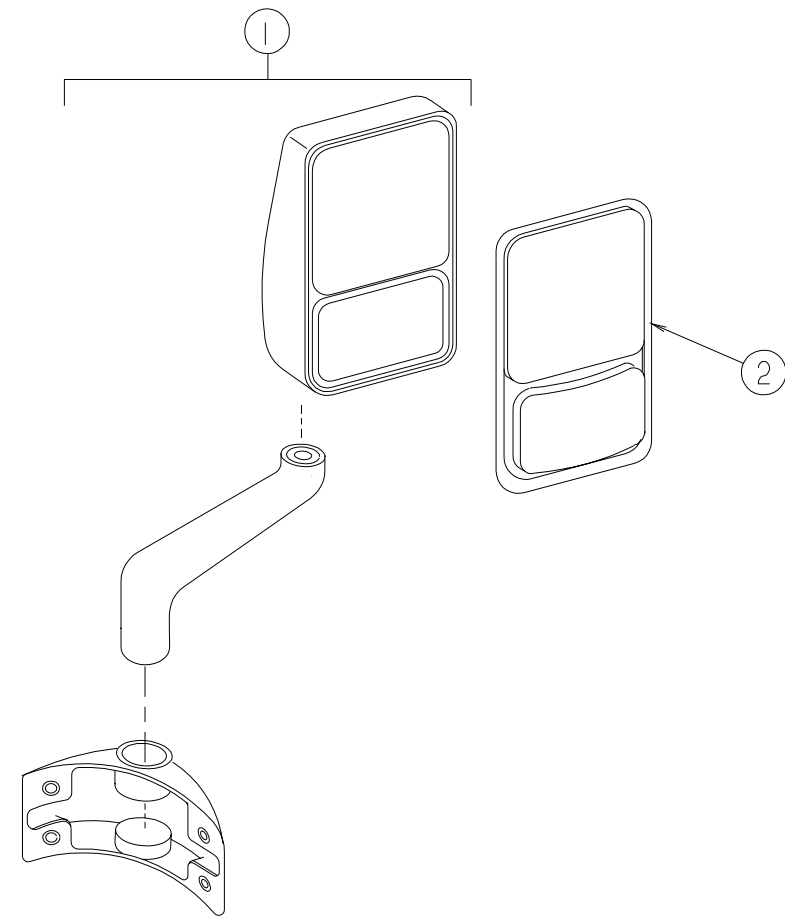
EXTERIORBODYGROUP(CONTINUED)



LADDER

KEY	PARTNUMBER	U/M DESCRIPTION
1	118841-01-GV0	EA LADDER-UPPER
2	081115-01-000	EA CAP-TOP-1INCH
3	081056-01-000	EA PIN-QUICKRELEASE-SINGLEACTION-LADDER
4	076767-11-000	EA CABLE-1/16"X5.9"
5	118840-01-GV0	EA LADDER-LOWER
6	114834-01-000	EA PIN-QUICKRELEASE
7	067165-01-000	EA MOUNTINGBRACKET-LADDER,LOWER
8	081116-01-000	EA SLIDE-TOP-RACK&LADDER-1"
9	000G67-10-36T	EA SCREW-10-12X2.25PPH-BLACK
10	000G39-06-10T	EA SCREW-SF/DR-6-20X5/8PPH
11	076980-02-000	EA ENDCAP-STEP-BLACK
12	000G39-10-16U	EA SCREW-SF/DR-10-16X1.00PPH
13	108423-01-02A	EA PLATE-BUMPER-LADDER-LOWER
	081114-01-000	EA CAP-INSERT-ROUND-1"DIAMETER-PLASTIC-BLACK
	038327-01-000	EA TAPE-ANTISLIP-2"X60'
	081055-01-000	EA SPRINGGRIP-INTERNALTOOTH-LADDER

EXTERIORBODYGROUP(CONTINUED)



VELVACEXTERIORMIRRORS

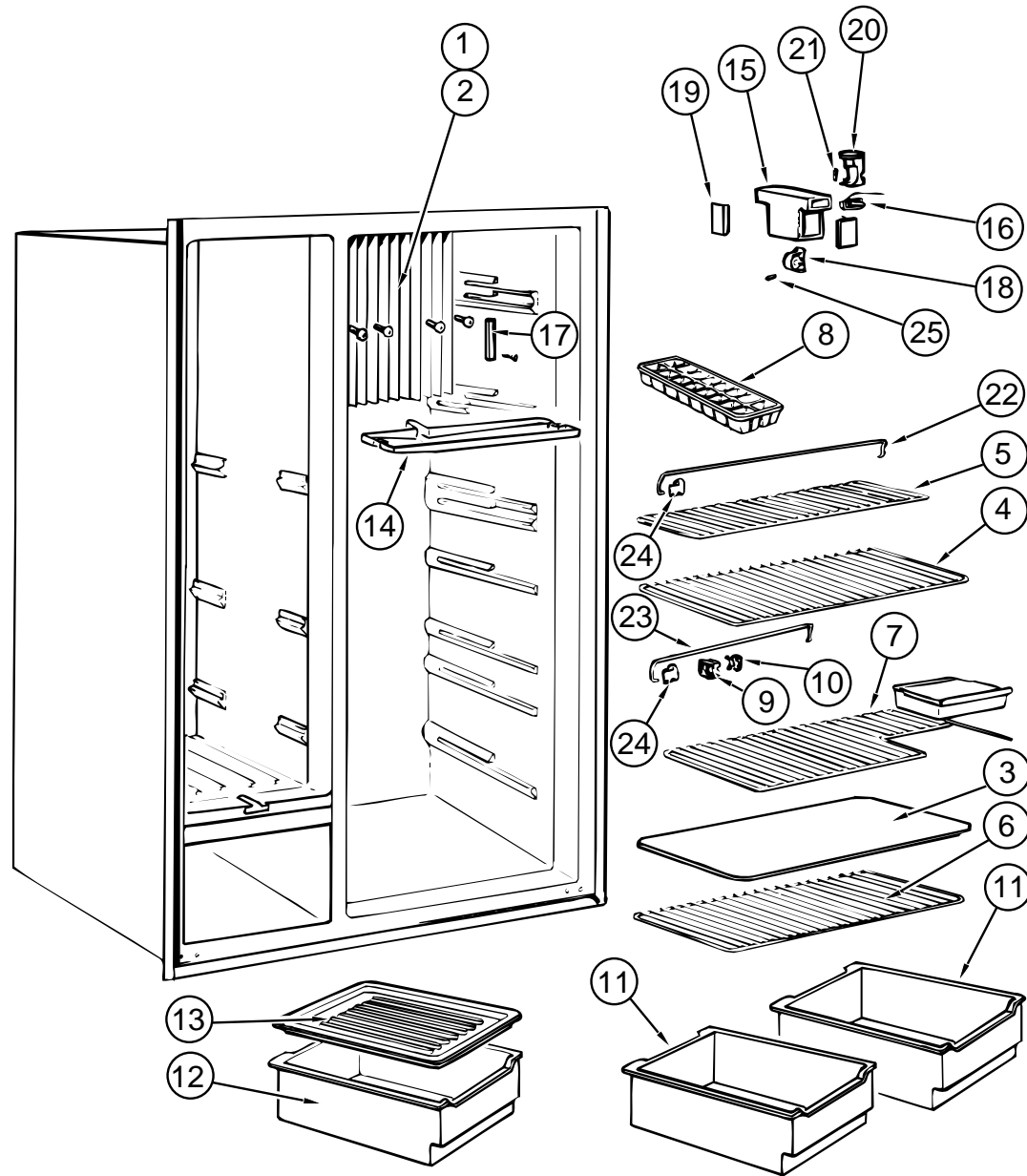
KEY	PARTNUMBER	U/M DESCRIPTION	VENDORNO.
1	119774-03-01A	EA MIRROR-EXTERIOR-REMOTE/HEAT-PASSENGER FROM: 00-00-00 THRU: 12-01-96	
2	086261-01-704	EA MIRRORKIT-EXTERIOR-PASS.SIDE KITCONTAINS:BEZEL-CONVEXGLASS-HEATEDFLATGLASS	709268
1	119774-04-01A	EA MIRROR-EXTERIOR-REMOTE/HEAT-DRIVER FROM: 00-00-00 THRU: 12-01-96	
2	086261-02-701	EA MIRRORKIT-EXTERIOR-DRIVERSIDE KITINCLUDES:BEZEL-CONVEXGLASS-HEATEDFLATGLASS	709269
1	119774-09-01A	EA MIRROR-EXTERIOR-REMOTE/HEAT-PASSENGER FROM: 12-02-96 THRU: 99-99-99	
2	086261-01-704	EA MIRRORKIT-EXTERIOR-PASS.SIDE KITCONTAINS:BEZEL-CONVEXGLASS-HEATEDFLATGLASS	709268
1	119774-10-01A	EA MIRROR-EXTERIORREMOTE/HEAT-DRIVER FROM: 12-02-96 THRU: 99-99-99	
2	086261-02-701	EA MIRRORKIT-EXTERIOR-DRIVERSIDE KITINCLUDES:BEZEL-CONVEXGLASS-HEATEDFLATGLASS	709269
	108825-02-000	EA GASKET-MIRROR	
	088246-01-000	EA SWITCH-REMOTE-EXTERIORMIRROR-SQUAREPUSH7471290	
	087695-02-000	EA SWITCH-MIRRORHEATER-DAV4720-12	
	087695-03-000	EA CONNECTOR-ASSEMBLY EURAMTECRT1048480	

SQUEEGEE

KEY	PARTNUMBER	U/M DESCRIPTION
	091955-02-000	EA SQUEEGEE-EXTENDHANDLE
	110429-03-D18	EA BRACKET-SQUEEGEE

GALLEYGROUP

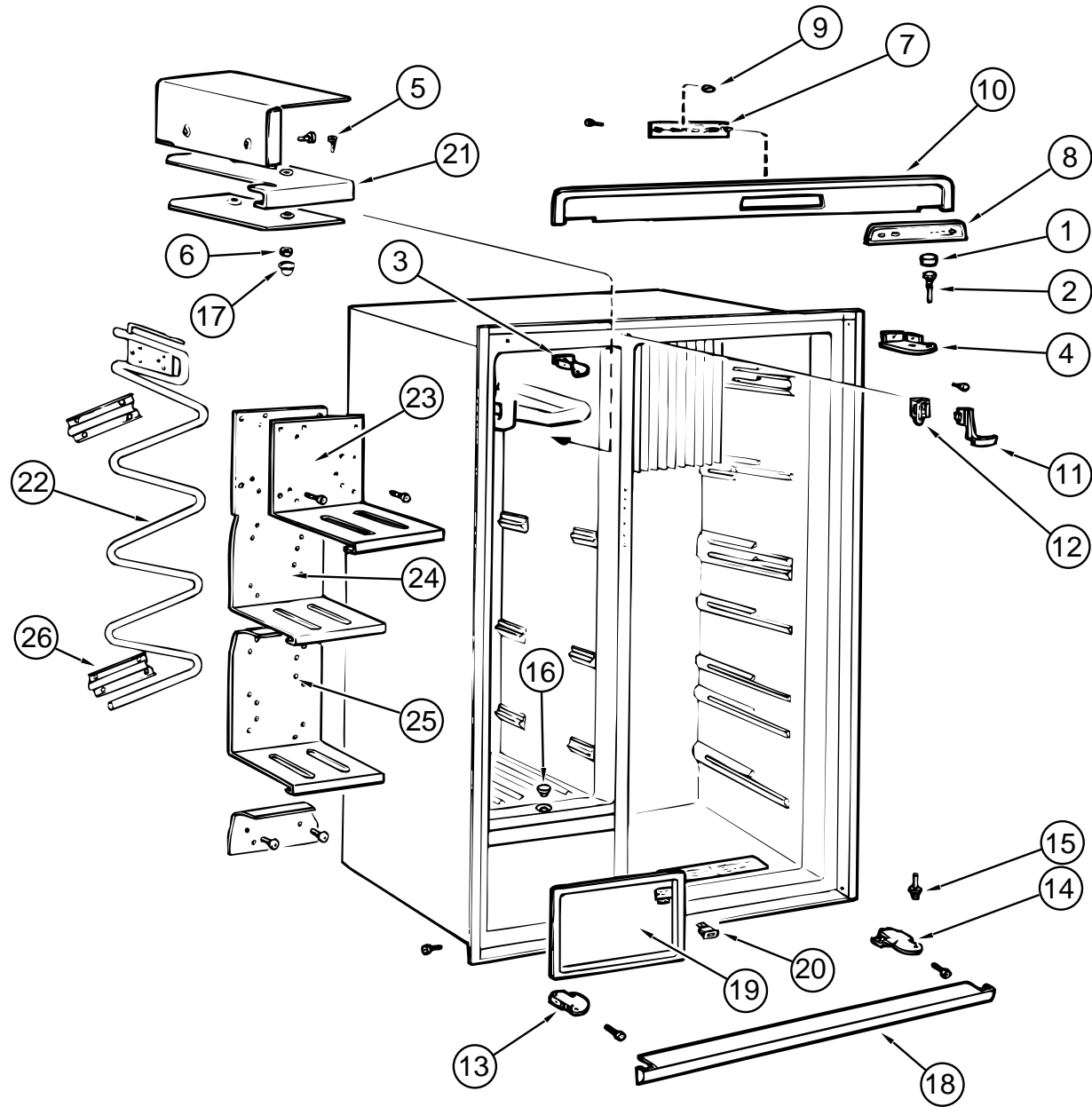
DOMETICSIDEBYSIDEREFRIGERATOR-RM7732IM



KEY	PARTNUMBER	U/M	DESCRIPTION	VENDORNNO.
	118367-01-01A	EA	REFRIGERATOR-SIDEBYSIDEDOOR2WAY	
1	118367-01-739	EA	FLANGE-COOLINGCOIL,LEFT	2931661-02/5
2	118367-01-740	EA	FLANGE-COOLINGCOIL,RIGHT	2931661-03/3
3	118367-01-741	EA	SHELF-UPPER,REFRIGERATOR	2931541-05/2
4	118367-01-742	EA	SHELF#2,REFRIGERATOR	2931541-04/5
5	118367-01-743	EA	SHELF#3,REFRIGERATOR	2931542-02/7
6	118367-01-744	EA	SHELF#4,REFRIGERATOR	2931117-06/9
7	118367-01-745	EA	SHELF#5,REFRIGERATOR	2931541-06/0
8	118367-01-746	EA	TRAY-ICE	2930400-00/3
9	118367-01-747	EA	LOCK-FLAP,INNER	2007392-02/6
10	118367-01-748	EA	LOCK-FLAP,OUTER	2007393-02/4
11	118367-01-749	EA	BOX-VEGETABLE	2931471-02/9
12	118367-01-750	EA	BOX-VEGETABLE	2931471-03/7
13	118367-01-751	EA	LID-VEGETABLE	2932693-01/9
14	118367-01-752	EA	PAN-DRIP	2936163-01/3
15	118367-01-753	EA	COVER-SWITCH&LIGHT	2004044-09/1
16	118367-01-754	EA	SWITCH-DOOR	294082500/9
17	118367-01-755	EA	RETAINER-PROBE	2931976-01/9
18	118367-01-756	EA	SUPPORT-THERMOSTAT	2004042-00/4
19	118367-01-757	EA	CAP-ENDLAMP PROTECTION	2004043-00/2
20	118367-01-758	EA	LIGHTING	2930744-01/2
21	118367-01-759	EA	LAMP,10W-12VOLT	2007290-00/6
22	118367-01-760	EA	RACK-UPPER	2007337-15/3
23	118367-01-761	EA	RACK-LOWER	2007337-16/1
24	118367-01-762	EA	RETAINER-RACKS	2930693-04/5
25	118367-01-763	EA	PIN-LOCKING	2001281-01/9
	118367-01-784	EA	BUCKET-ICE	3108702.998
	118367-01-785	EA	CONNECTION-WATER,COMPLETE	2930916024
	118367-01-787	EA	SHELF-ICEBUCKETWIRE	2931985010
	118367-01-788	EA	BLOCK-TERMINAL	2931963017
	118367-01-789	EA	ICEMAKER	3108703.517
	118367-01-790	EA	VALVE-WATER	2931972026
	120075-01-740	EA	COVER-BASE,POWERBOARD	618186
	120075-03-700	EA	CABINET-FOAMED	618285
	120075-03-701	EA	VALVEASM.,WATER,W/BRACKET	618253
	120075-03-702	EA	FITTING-NUT/COMPRESSION	61678722
	120075-03-703	EA	ARM-SHUTOFF	61656922
	120075-03-704	EA	BIN-ICECUBE	618154
	054450-01-000	EA	LEVEL-REFRIGERATOR	
	065225-02-000	EA	PLATE-TIEDOWN,REFRIGERATOR	
	090195-08-000	EA	BAFFLE-REFRIGERATOR,LOWER	
	093646-01-000	EA	BRACKETASM-TIEDOWN,REFRIGERATOR	
	093646-02-000	EA	BRACKET-TIEDOWN,REFRIGERATOR	
	103251-05-01A	EA	INSERT-ACRYLICBLACK-16.81X55.06	
	103251-06-01A	EA	INSERT-ACRYLICBLACK-10.44X55.06	
	114431-05-000	EA	VALVE-NEEDLE,COMP1/8MPTX1/4-FLAIR-IT64858	
	118871-02-01A	EA	TRAY-REFRIGERATOR-SIDE/SIDE-BLACK	
			FROM: 00-00-00 THRU: 11-24-96	
	118871-03-01A	EA	TRAY-REFRIGERATOR-SIDE/SIDE-BLACK	
			FROM: 11-25-96 THRU: 99-99-99	

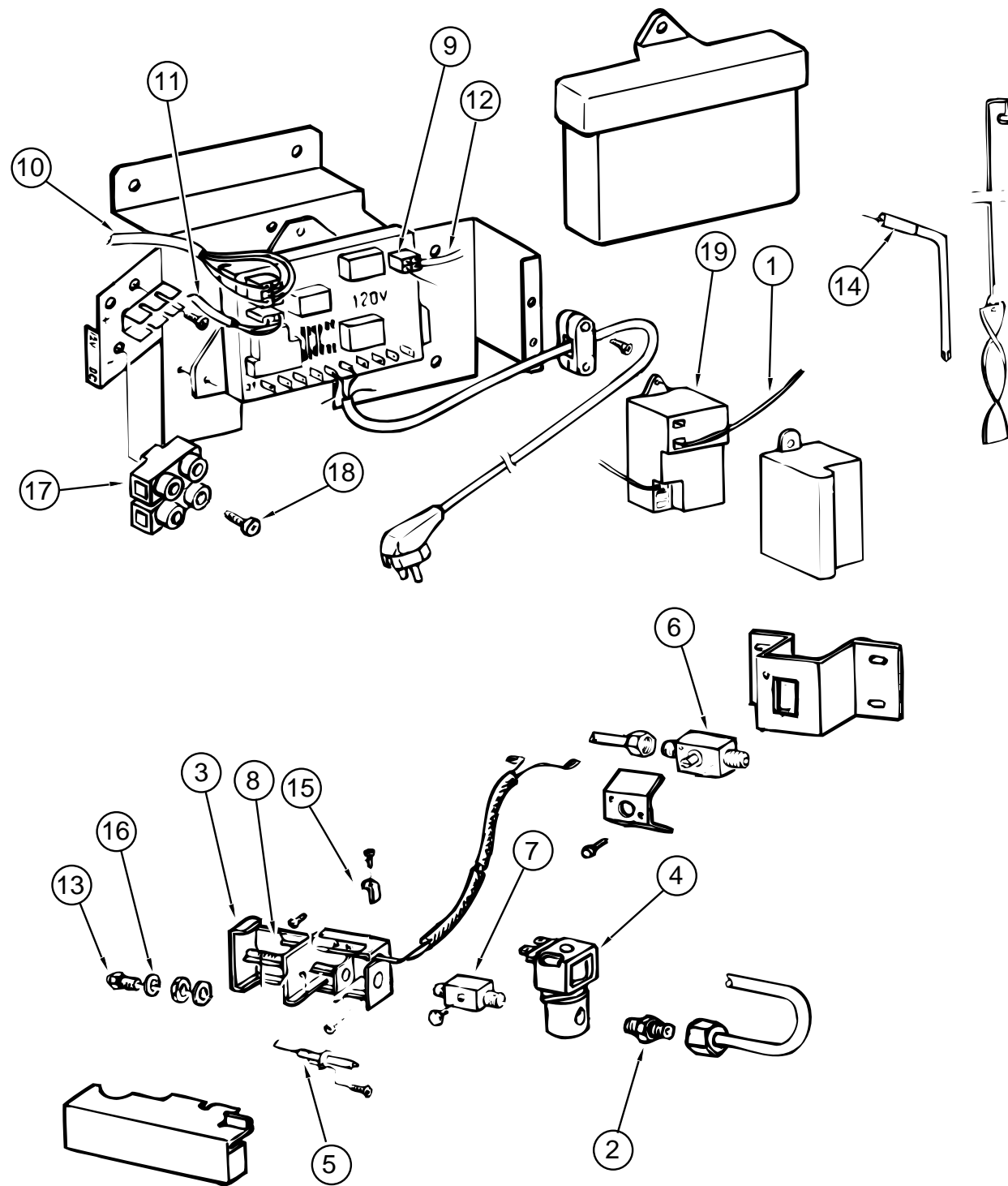
GALLEYGROUP(CONTINUED)

REFRIGERATORSHELVES&COMPONENTS-DOMETICRM7732IM



KEY	PARTNUMBER	U/M	DESCRIPTION	VENDORN.
1	118367-01-713	EA	PLUG	2932736-01/6
2	118367-01-714	EA	PIN-HINGE,UPPER	2932647-01/5
3	118367-01-715	EA	HINGE-UPPER,LEFT-FREEZER	2932646-01/7
4	118367-01-716	EA	HINGE-UPPER,RIGHT-REFRIGERATOR	2932646-02/5
5	118367-01-717	EA	SCREW,M6S,5X20,FINISHED	7252330-13/4
6	118367-01-718	EA	NUT,M5,BRASS,FINISHED	7314314-13/4
7	118367-01-719	EA	BOARD-CIRCUIT,AESASM.	2932697-05/1
8	118367-01-720	EA	DECORATION	955024-53/4
9	118367-01-721	EA	BUTTON	955024-13/8
10	118367-01-722	EA	DECORATION-FRONT	2932663-01/2
11	118367-01-723	EA	BOW-LOCKING	2932745-01/7
12	118367-01-724	EA	RETAINER	2932746-01/5
13	118367-01-725	EA	HINGE-LOWER,LEFT-FREEZER	2932645-01/9
14	118367-01-726	EA	HINGE-LOWER,RIGHT-REFRIGERATOR	2932645-02/7
15	118367-01-727	EA	PIN-HINGE,LOWER	2932649-02/9
16	118367-01-728	EA	LID-LOWER	2931715-01/1
17	118367-01-729	EA	LID-UPPER	2930487-00/0
18	118367-01-730	EA	STRIP-FRONT	2932664-01/0
19	118367-01-731	EA	FLAP	2932655-01/8
20	118367-01-732	EA	SWITCH-DOOR	2932680-01/6
21	118367-01-733	EA	SHELF-UPPER,FREEZER	2931477-02/6
22	118367-01-734	EA	COIL-FREEZER	2931474-01/5
23	118367-01-735	EA	SHELF-#2,FREEZER	2931983-02/3
24	118367-01-736	EA	SHELF-#3,FREEZER	2931982-02/5
25	118367-01-737	EA	SHELF-#4,FREEZER	2931482-02/6
26	118367-01-738	EA	BRACKET-SHELF,FREEZER	2931484-01/4

GALLEYGROUP(CONTINUED)



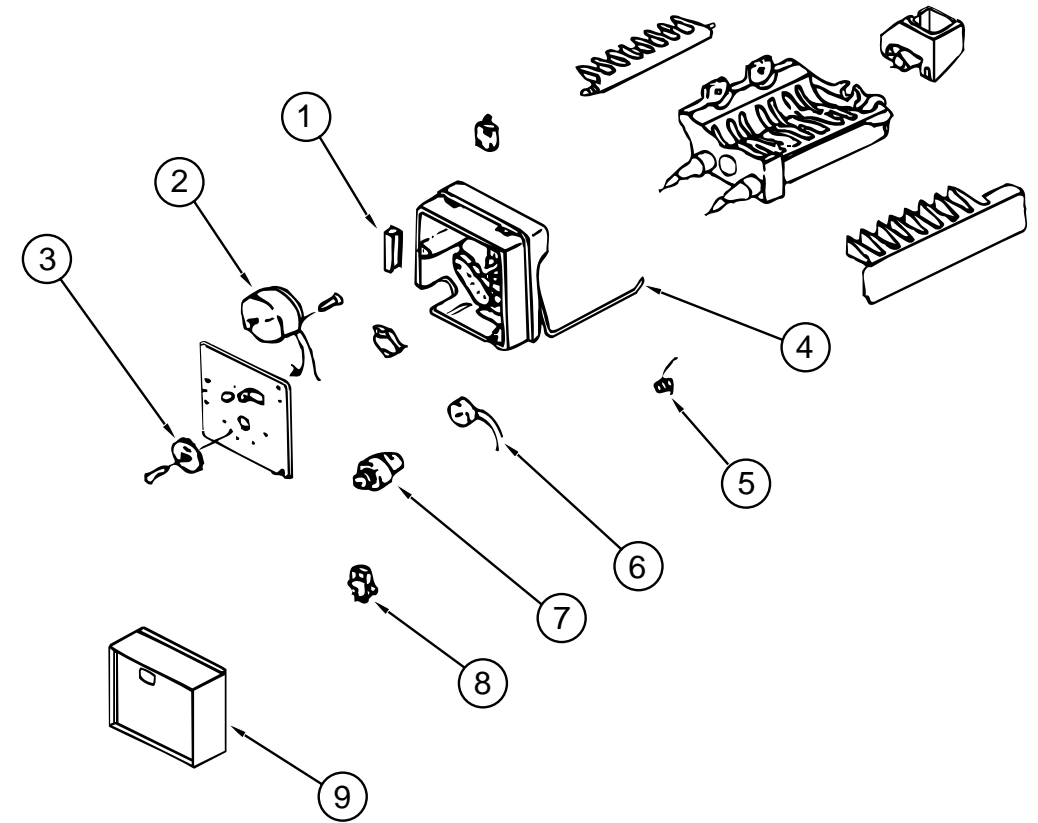
REFRIGERATORELECTRICALCOMPONENTS-DOMETICRM7732IM

KEY	PARTNUMBER	U/M DESCRIPTION	VENDORNO.
1	118367-01-764	EA CONDUCTOR-ELECTRODE	2007668-04/5
2	118367-01-765	EA NIPPLE	2932063-01/5
3	118367-01-766	EA HOUSING-BURNER	2932161-01/7
4	118367-01-767	EA VALVE-SOLENOID	2943298-03/0
5	118367-01-768	EA ELECTRODE	2931495-01/0
6	118367-01-769	EA GASSHUTOFF	2932616-01/0
7	118367-01-770	EA NIPPLE	2931824-01/1
8	118367-01-771	EA THERMOSTAT	2931826-01/6
9	118367-01-772	EA BOARD-CIRCUIT,COMPLETE	2931842-03/9
10	118367-01-773	EA CONDUCTOR-CIRCUITBOARD	2931862-02/9
11	118367-01-774	EA CONDUCTOR-THERMISTOR	2931863-02/7

GALLEYGROUP(CONTINUED)

REFRIGERATORELECTRICALCOMPONENTS-DOMETICRM7732IM(CONTINUED)

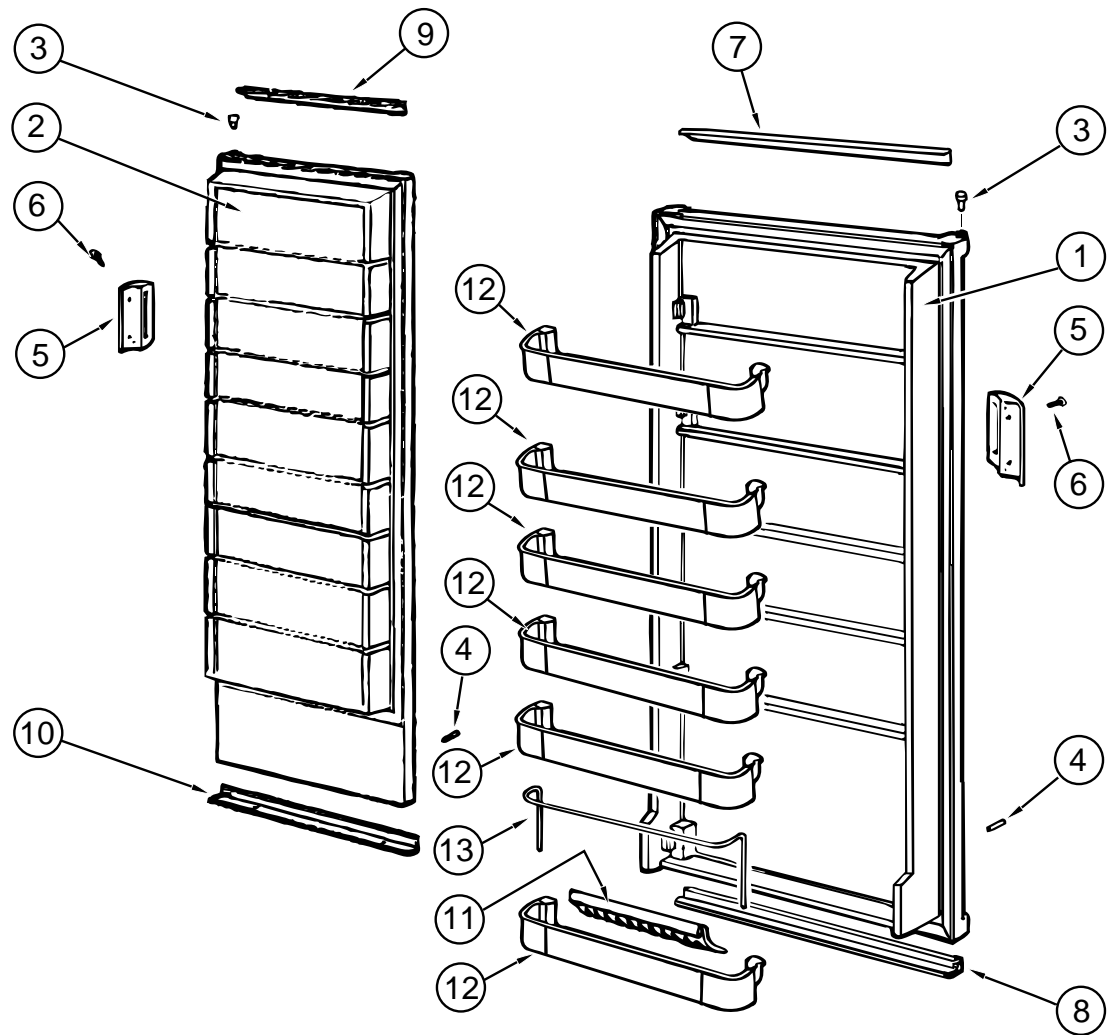
KEY	PARTNUMBER	U/M DESCRIPTION	VENDORNO.
12	118367-01-775	EA CONDUCTOR-GASVALVE	2954437-02/2
13	118367-01-776	EA ORFICE-JET,NR76	2007419-33/2
14	118367-01-777	EA HEATER-210WATT,120VOLT	173758-03/8
15	118367-01-778	EA RETAINER	2930660-01/0
16	118367-01-779	EA WASHER	2007457-00/1
17	118367-01-780	EA BLOCK-TERMINAL	2930463-01/9
18	118367-01-781	EA SCREW,RXS,B6X25,STAINLESS	7295287-40/8
19	118367-01-782	EA IGNITION-SPARK	2931132-01/9
	118367-01-800	EA BOARD-CIRCUIT	2932595-01/4



REFRIGERATORICEMAKERCOMPONENTS-DOMETICRM7732IM

KEY	PARTNUMBER	U/M DESCRIPTION	VENDORNO.
1	118367-01-799	EA PLUG,4PRONGFEMALE	3108702.907
2	118367-01-793	EA MOTOR	3108703.475
3	118367-01-795	EA GEAR	3108703.491
4	118367-01-797	EA ARM,SHUTOFF	3108702.881
5	118367-01-798	EA SPRING,SHUTOFFARM	3108702.899
6	118367-01-792	EA THERMOSTAT,MOLDING	3108703.467
7	118367-01-794	EA CAM	3108703.483
8	118367-01-791	EA SWITCH(3REQ)	8108703.459
9	118367-01-796	EA COVER,CYCLEFRONT	2930874025

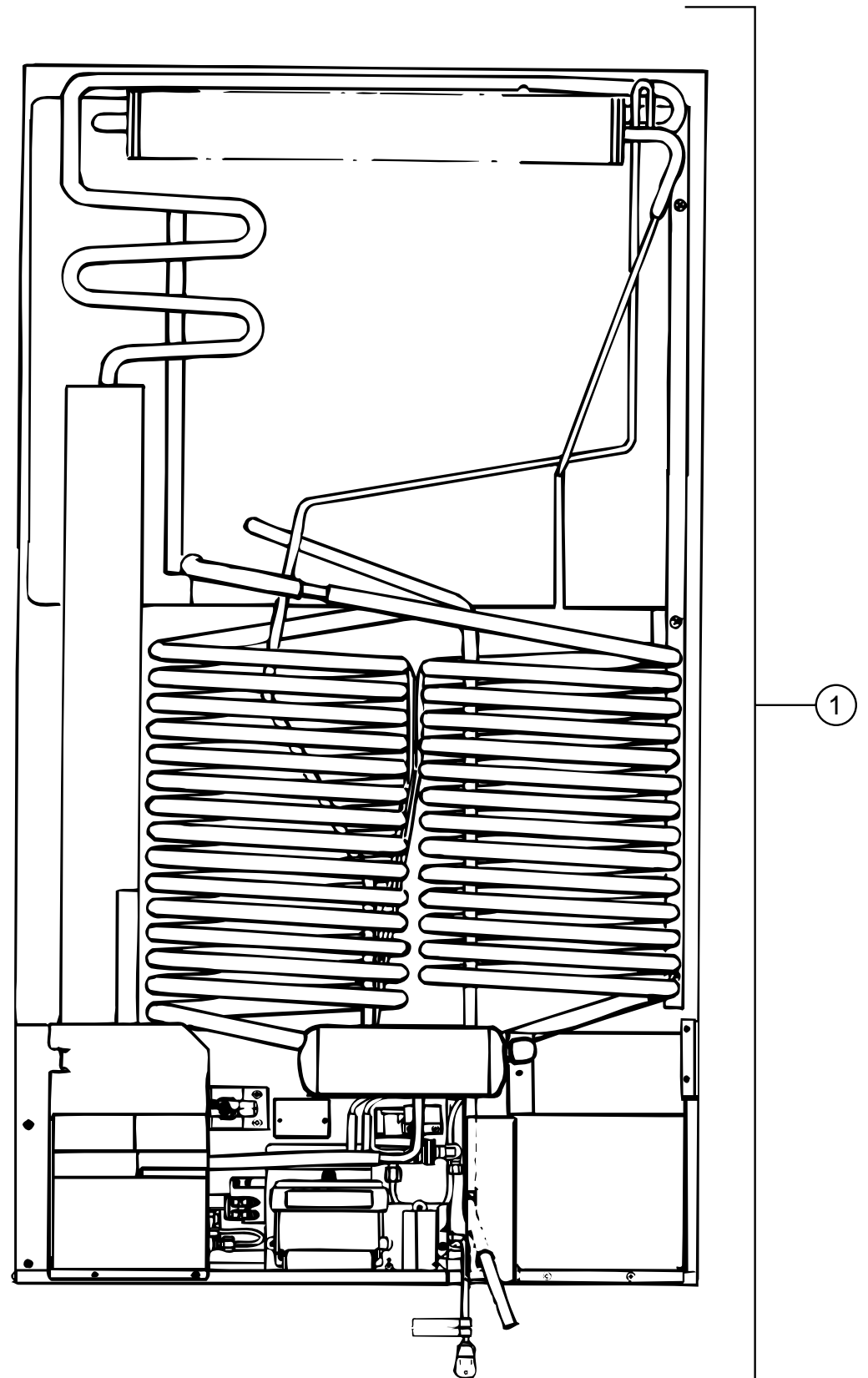
GALLEYGROUP(CONTINUED)



REFRIGERATORDOORS-DOMETICRM7732IM

KEY	PARTNUMBER	U/M DESCRIPTION	VENDORNO.
1	118367-01-700	EA DOOR-REFRIGERATOR	2932590-11/6
2	118367-01-701	EA DOOR-FREEZER	2932589-11/8
3	118367-01-702	EA BUSHING-HINGE,FREEZER/REFRIGERATOR	2931171-01/7
4	118367-01-703	EA STOP-LOWER,FREEZER/REFRIGERATOR	2932588-01/1
5	118367-01-704	EA HANDLE,FREEZER/REFRIGERATOR	2932729-01/1
6	118367-01-705	EA SCREW-HANDLE,FREEZER/REFRIGERATOR	7241323-61/2
7	118367-01-706	EA DECORATION-DOOR,REFRIGERATORUPPER	2932642-08/1
8	118367-01-707	EA DECORATION-DOOR,REFRIGERATORLOWER	2932642-03/2
9	118367-01-708	EA DECORATION-DOOR,FREEZER,UPPER	2932642-12/3
10	118367-01-709	EA DECORATION-DOOR,FREEZER,LOWER	2932642-02/4
11	118367-01-710	EA HOLDER-BOTTLE,DOOR,REFRIGERATOR	2932658-01/2
12	118367-01-711	EA SHELF-DOOR,REFRIGERATOR	2932583-02/0
13	118367-01-712	EA RACK-DOOR,REFRIGERATOR	2932585-04/1

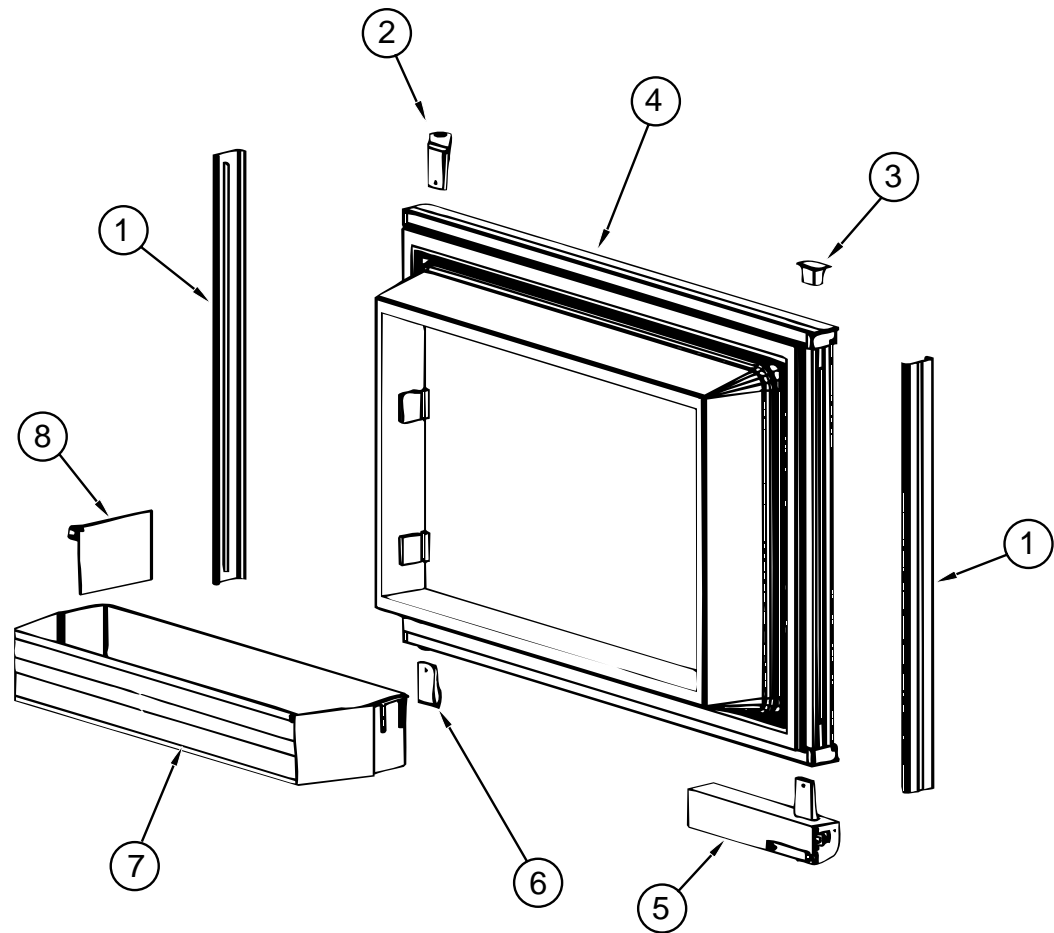
GALLEYGROUP(CONTINUED)



REFRIGERATORCOOLINGCOIL-DOMETICRM7732IM

KEY	PARTNUMBER	U/M DESCRIPTION	VENDORNO.
1	118367-01-783	EA COIL-COOLING	2934945-09/4

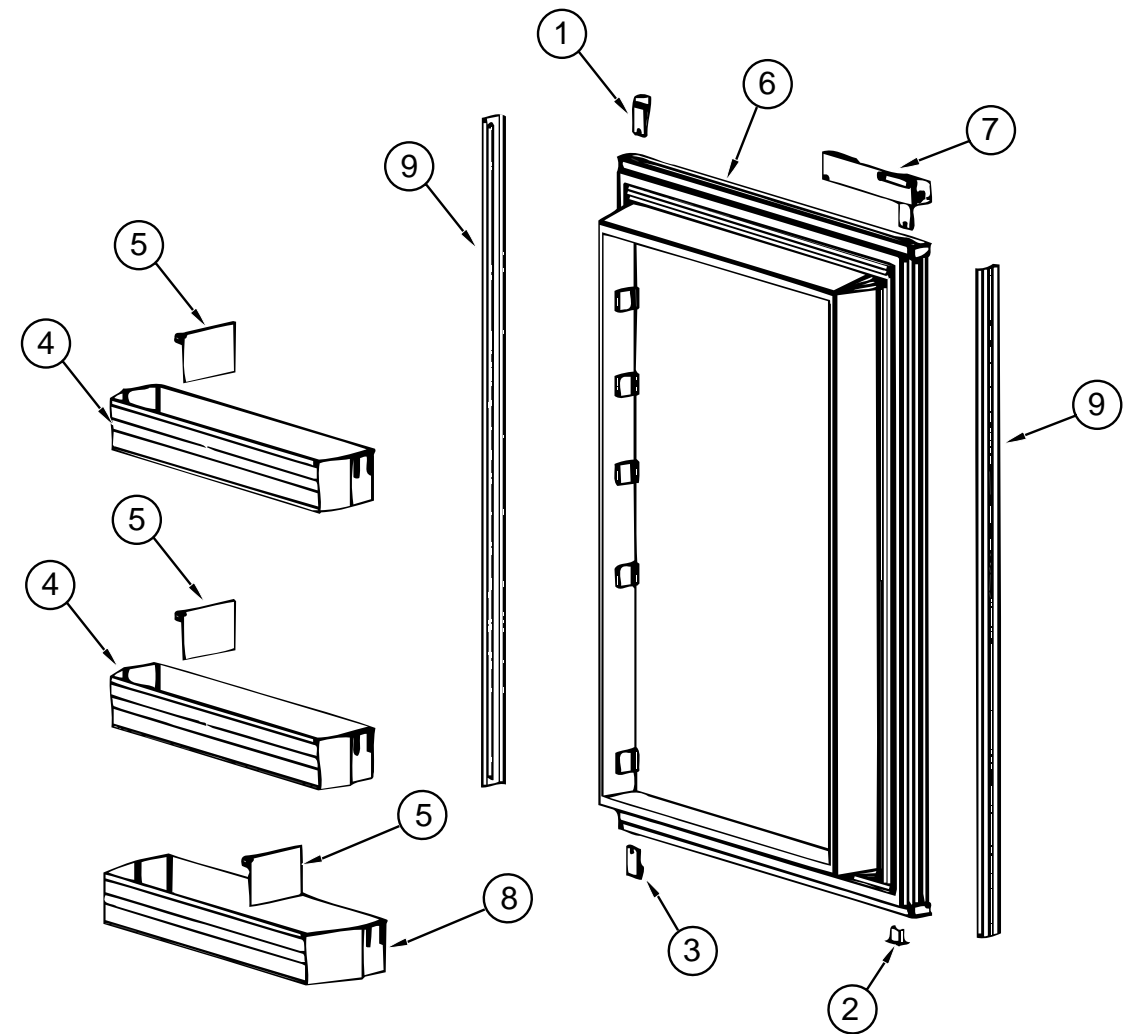
GALLEYGROUP(CONTINUED)



NORCOLD 982LIM REFRIGERATOR UPPER DOOR ASSEMBLY

KEY	PARTNUMBER	U/M DESCRIPTION	VENDORNO.
	120075-04-01A	EA REFRIGERATOR-LARGEDOUBLEDOOR-BLKW/ICEMAKER	
1	120075-01-700	EA RETAINER-DOORDECORPANEL	618128
2	120075-01-701	EA HINGE-TOPRH/BOTTOMLH	618511
3	120075-01-702	EA CAP,(HINGEPLUG)	618160
4	120075-01-703	EA DOORASM.,FOAMED,W/GASKET	618205
5	120075-01-704	EA DOORHANDLE-UPRRH/LWRLH	618230
6	120075-01-705	EA HINGE-TOPLH/BOTTOMRH	618510
7	120075-01-706	EA BIN-DOOR	618635
8	120075-01-707	EA DIVIDER-DOORBIN	618637

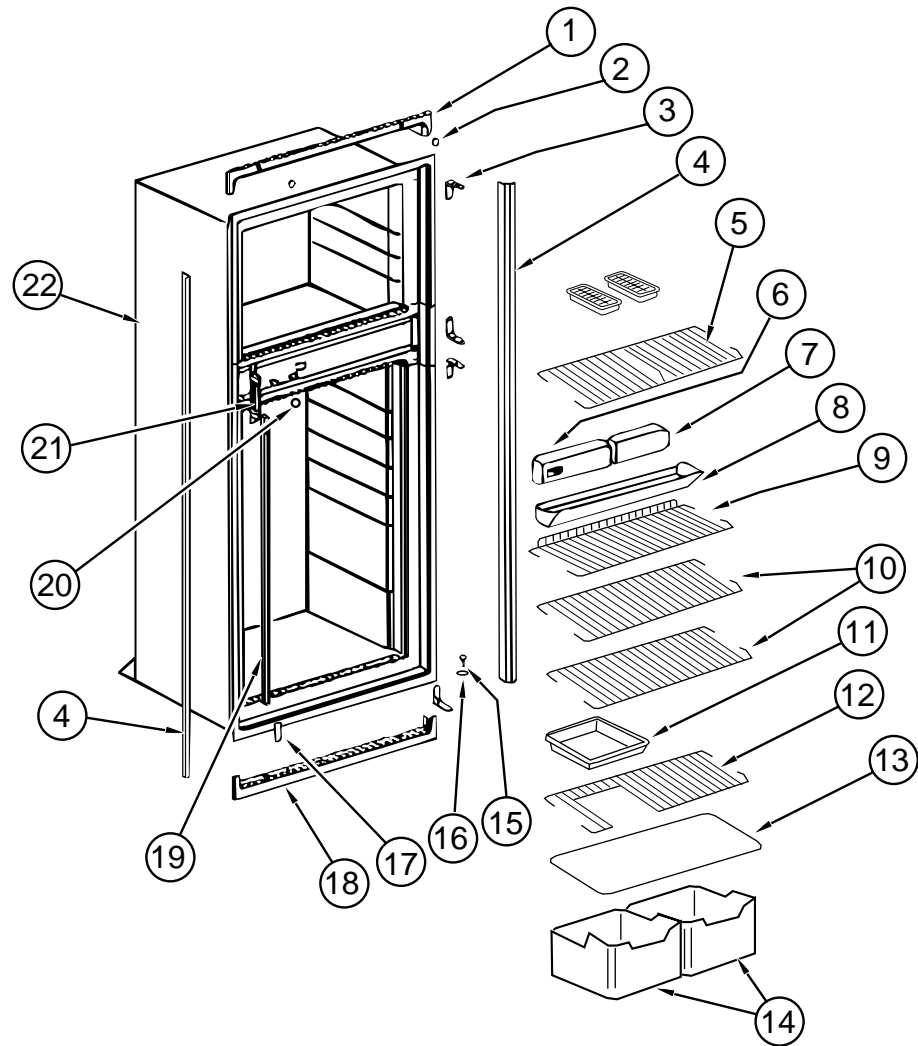
GALLEYGROUP(CONTINUED)



NORCOLD 982 LIM REFRIGERATOR LOWER DOOR ASSEMBLY

KEY	PARTNUMBER	U/M DESCRIPTION	VENDORNO.
	120075-04-01A	EA REFRIGERATOR-LARGEDOUBLEDOOR-BLKW/ICEMAKER	
1	120075-01-701	EA HINGE-TOPRH/BOTTOMLH	618511
2	120075-01-702	EA CAP,(HINGEPLUG)	618160
3	120075-01-705	EA HINGE-TOPLH/BOTTOMRH	618510
4	120075-01-706	EA BIN-DOOR	618635
5	120075-01-707	EA DIVIDER-DOORBIN	618637
6	120075-01-710	EA DOOR-LOWER-FOAMED,W/GASKET	618270
7	120075-01-704	EA DOORHANDLE-UPRRH/LWRLH	618230
8	120075-01-712	EA BIN-DOOR/BOTTOM-LARGE	618634
9	121568-01-703	EA RETAINER-PANELLOWERDOOR	618129

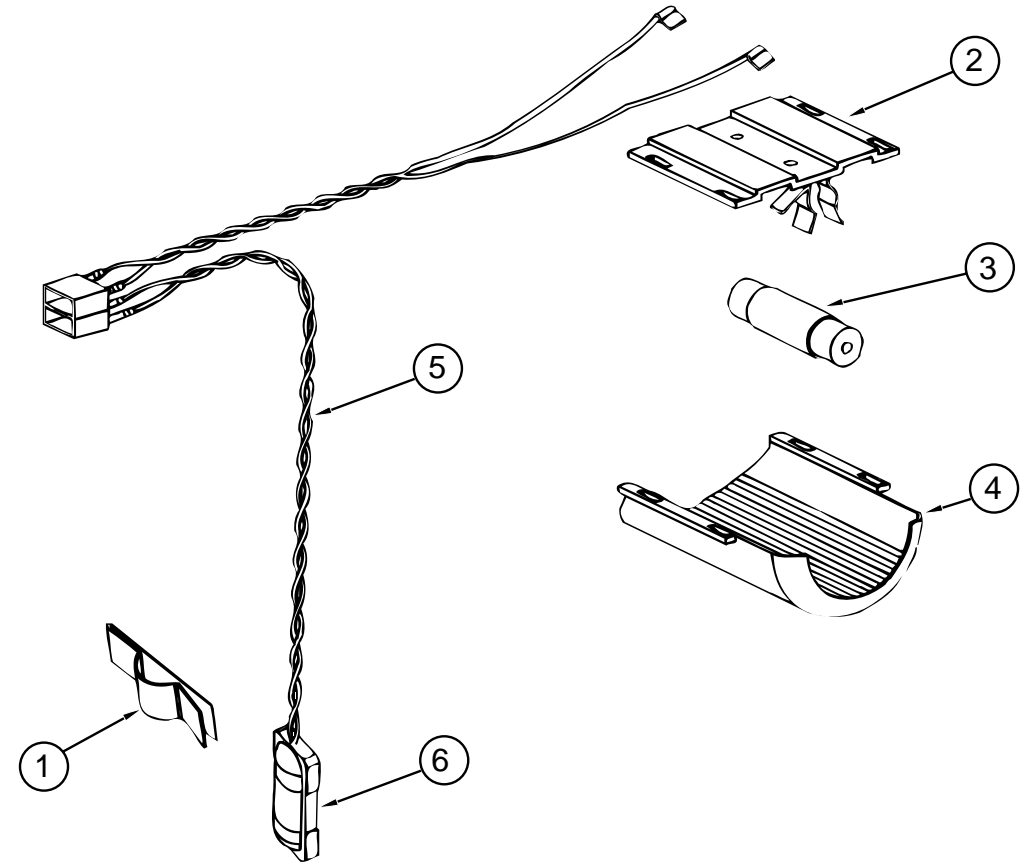
GALLEYGROUP(CONTINUED)



NORCOLD982LIMREFRIGERATORCABINETASSEMBLY

KEY	PARTNUMBER	U/M DESCRIPTION	VENDORNO.
	120075-04-01A	EA REFRIGERATOR-LARGEDOUBLEDOOR-BLKW/ICEMAKER	
1	120075-01-713	EA TRIM-TOPPIECE	618124
2	120075-01-714	EA PLUG-HOLE	618170
3	120075-01-715	EA HINGE-CABINET	618512
4	120075-01-716	EA TRIM-SIDEPiece	618134
5	120075-01-717	EA SHELF-FREEZER,WIRE	618172
6	120075-01-719	EA OPTICALCONTROLBOXASSEMBLY	618245
7	120075-01-718	EA BOX-FILLER	618112
8	120075-01-720	EA TRAY-DRIP	618137
	120075-01-721	EA LOUVER-DRIPTRAY	618176
9	120075-01-722	EA SHELF-WIRE,SHORT	618239
10	120075-01-723	EA SHELF-WIRE	618114
11	104137-06-718	EA SHELF-TRAY,WHITE,W/CUTOUT	617756
12	120075-01-724	EA SHELF-WIRE,W/CUTOUT	618177
13	120075-01-725	EA COVER-CRISPER	618158
14	120075-01-726	EA CRISPER	618154
15	120075-01-727	EA PIN-HINGE	618145
16	120075-01-708	EA BUSHING-DOORHINGE	618144
17	120075-01-728	EA COVER-HINGEHOLE	618171
18	120075-01-729	EA TRIM-BOTTOMPIECE	618136
19	120075-01-730	EA RETAINER-SHELF	618181
20	120075-01-731	EA PLUG-FACADE	618184
21	120075-01-732	EA PLATE-STRIKE	618167
22	120075-01-733	EA CABINET-FOAMED	618265

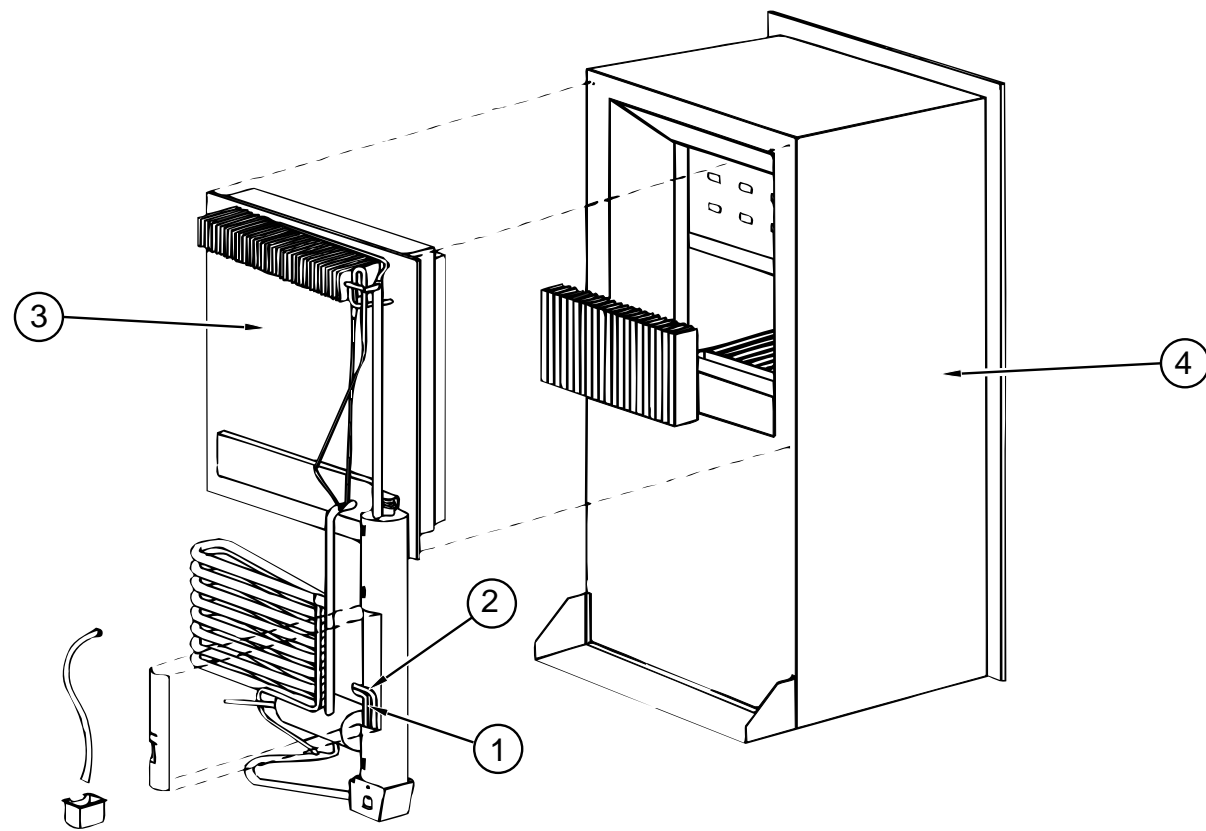
GALLEYGROUP(CONTINUED)



NORCOLD982LIMREFRIGERATORLIGHT&THERMISTER

KEY	PARTNUMBER	U/M DESCRIPTION	VENDORNO.
	120075-04-01A	EA REFRIGERATOR-LARGEDOUBLEDOOR-BLKW/ICEMAKER	
1	084880-01-760	EA CLIP(THERMISTER)	61889122
2	084880-03-705	EA BRACKET-LIGHT-INTERIOR	61629722
3	084880-03-706	EA BULB-LAMP	61628922
4	120075-01-734	EA COVER-LENS	618190
5	120075-01-735	EA THERMISTERW/LAMP&WIRE/ASM	618548
6	120075-01-742	EA THERMISTERONLY	618288

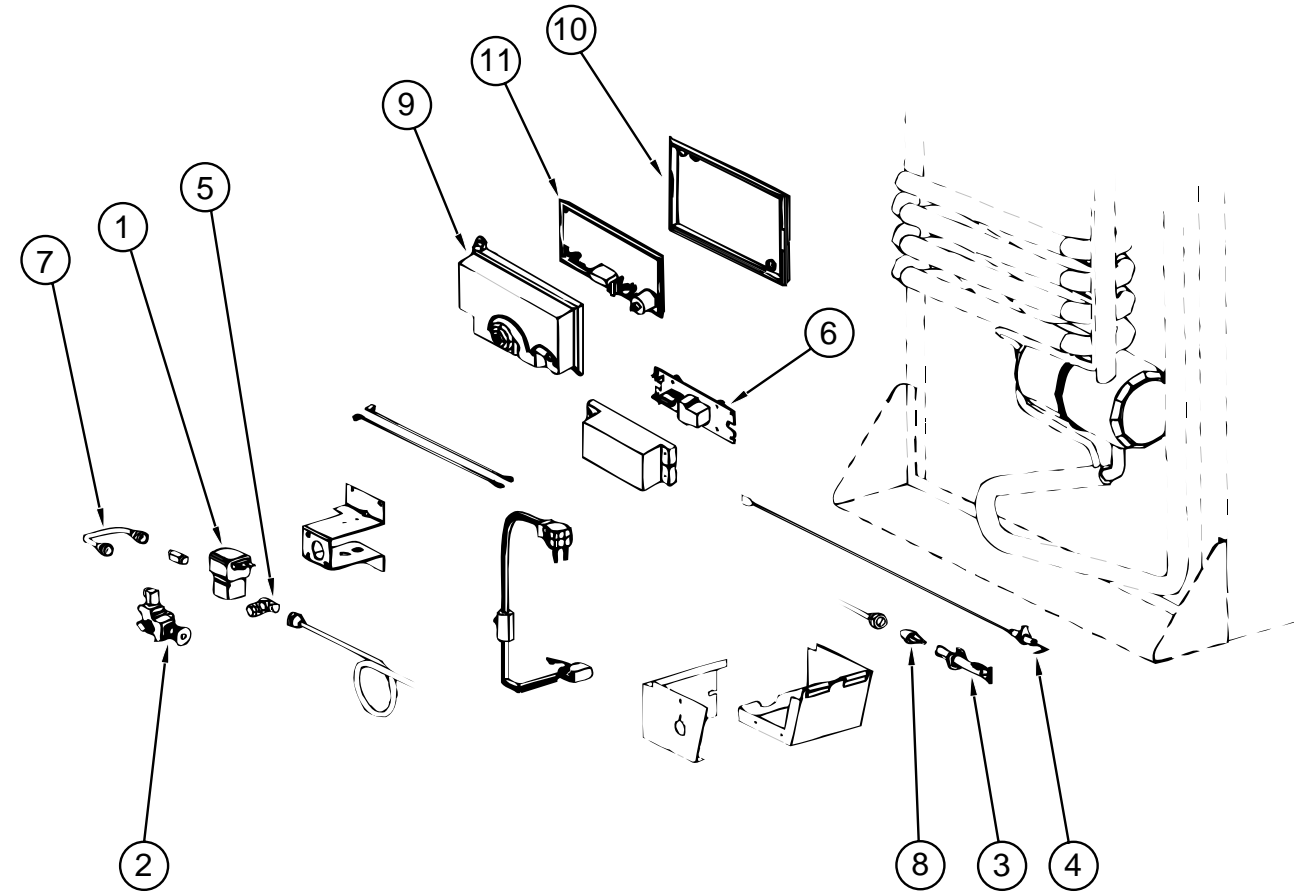
GALLEYGROUP(CONTINUED)



NORCOLD 982 LIM REFRIGERATOR COOLING UNIT ASSEMBLY

KEY	PARTNUMBER	U/M DESCRIPTION	VENDORNO.
	120075-04-01A	EA REFRIGERATOR-LARGEDOUBLEDOOR-BLKW/ICEMAKER	
1	088248-01-709	EA HEATER-AC(HORIZONTAL)	61562722
2	088248-01-710	EA HEATERDC(HORIZONTAL)	61562822
3	120075-01-736	EA COOLINGUNIT,SERVICEPACK	618542
4	120075-03-700	EA CABINET-FOAMED	618285

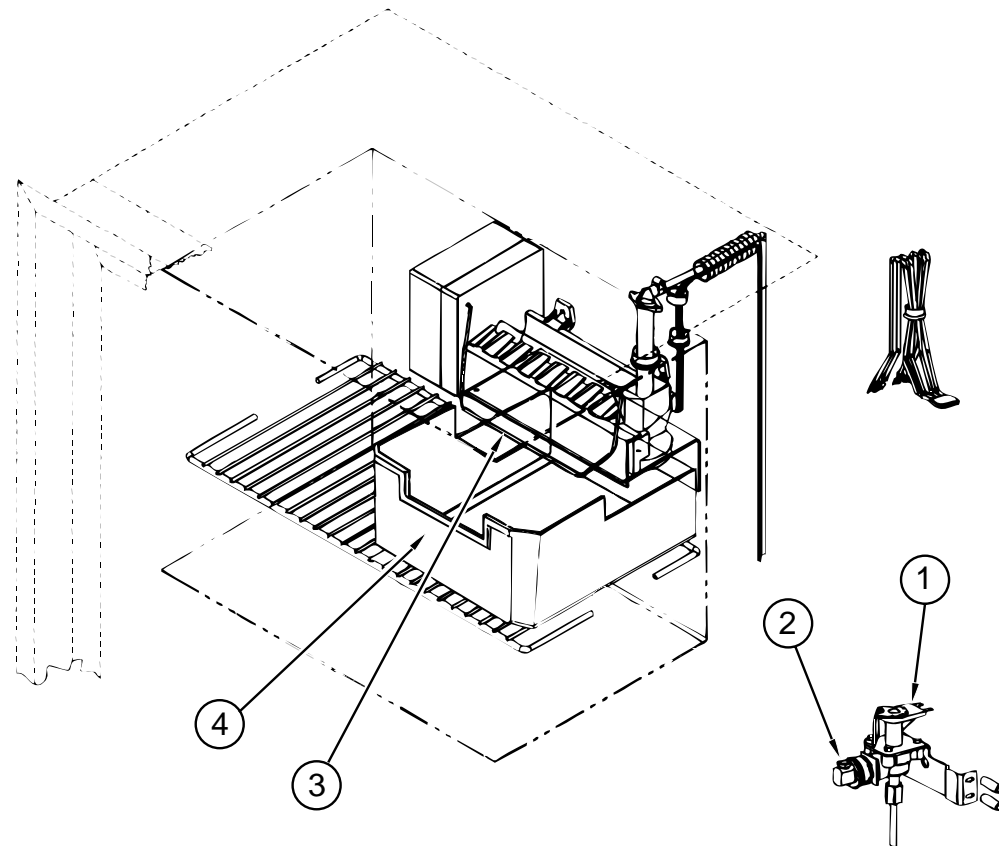
GALLEYGROUP(CONTINUED)



NORCOLD 982 LIM REFRIGERATOR GAS VALVES AND ELECTRICAL COMPONENTS

KEY	PARTNUMBER	U/M DESCRIPTION	VENDORNO.
	120075-04-01A	EA REFRIGERATOR-LARGEDOUBLEDOOR-BLKW/ICEMAKER	
1	084880-01-718	EA VALVE-GAS,(ASCO)	61551822
2	104137-06-709	EA VALVE-SHUTOFF,MANUAL	61694922
3	104137-06-714	EA BURNERASSEMBLY,5-SLOT	61705222
4	104137-06-715	EA ELECTRODE-SPARK/SENSOR,SGL	61692222
5	113737-01-702	EA PLUG1/8"F/PRESSURETAP	61445322
6	113737-01-716	EA TAP-PRESSURE	61594422
7	113737-01-750	EA TUBE-UNION	61694622
8	120075-01-737	EA ORFICE-JEWEL,.0155	618284
9	120075-01-738	EA COVER-POWERBOARD	618185
10	120075-01-739	EA BOARD-POWER,2-WAY	618198
11	120075-01-740	EA COVER-BASE,POWERBOARD	618186

GALLEYGROUP(CONTINUED)



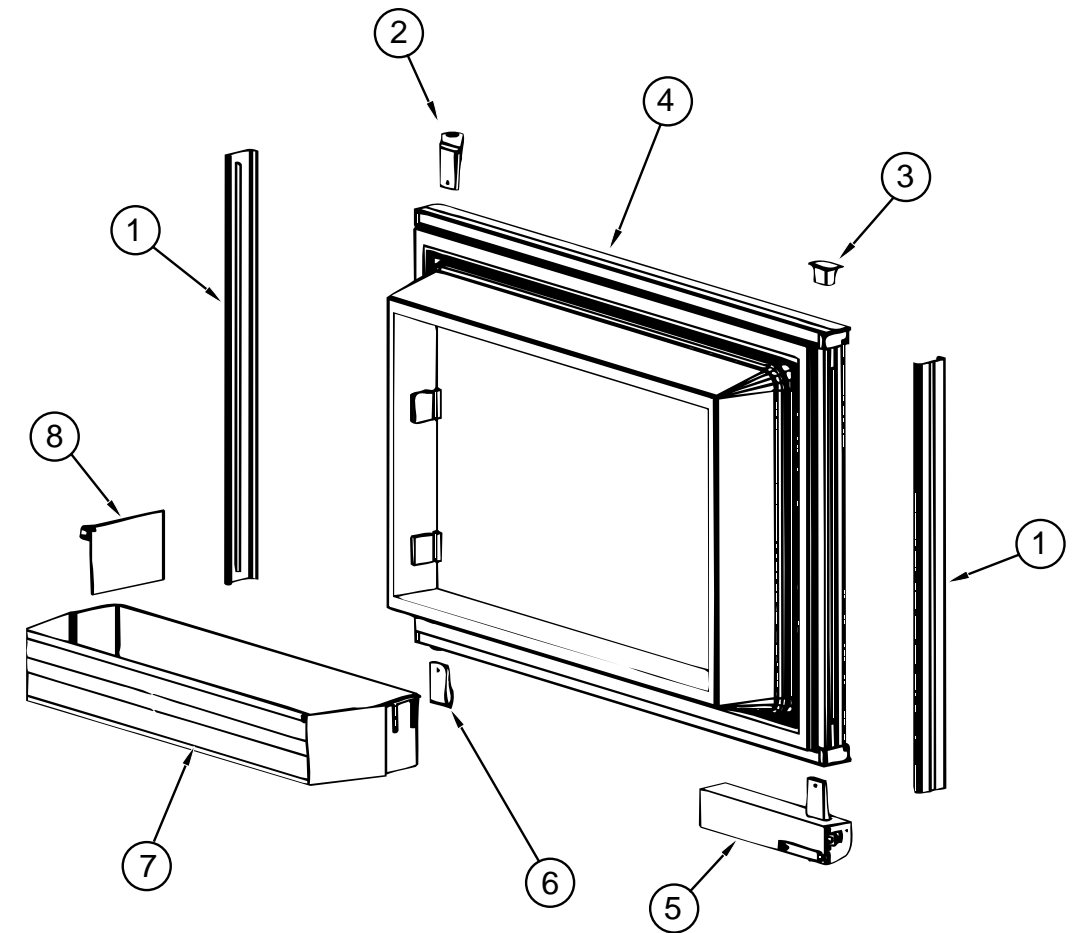
NORCOLD 982 LIM REFRIGERATOR WATER CONNECTIONS

KEY	PARTNUMBER	U/M DESCRIPTION	VENDORNO.
	120075-04-01A	EA REFRIGERATOR-LARGEDOUBLEDOOR-BLKW/ICEMAKER	
1	120075-03-701	EA VALVEASM.,WATER,W/BRACKET	618253
2	120075-03-702	EA NUT/COMPRESSION-FITTING	61678722
3	120075-03-703	EA ARM-SHUTOFF	61656922
4	120075-03-704	EA BIN-ICECUBE	618154

NORCOLD 982 LIM REFRIGERATOR TIEDOWNS, BAFFLE, TRAY & LEVEL

KEY	PARTNUMBER	U/M DESCRIPTION
	120075-04-01A	EA REFRIGERATOR-LARGEDOUBLEDOOR-BLKW/ICEMAKER
	093646-01-000	EA BRACKET-TIEDOWN/REFRIGERATOR-RIGHTHAND
	093646-02-000	EA BRACKET-TIEDOWN/REFRIGERATOR-LEFTHAND
	090195-08-000	EA BAFFLE-REFRIFERATOR-LOWER
	116751-02-01A	EA TRAY-REFRIGERATOR-BLACK
	065225-01-000	EA PLATE-TIEDOWN-REFRIGERATOR
	093369-03-000	EA STRAP-REFRIGERATOR
	054450-01-000	EA LEVEL-REFRIGERATOR

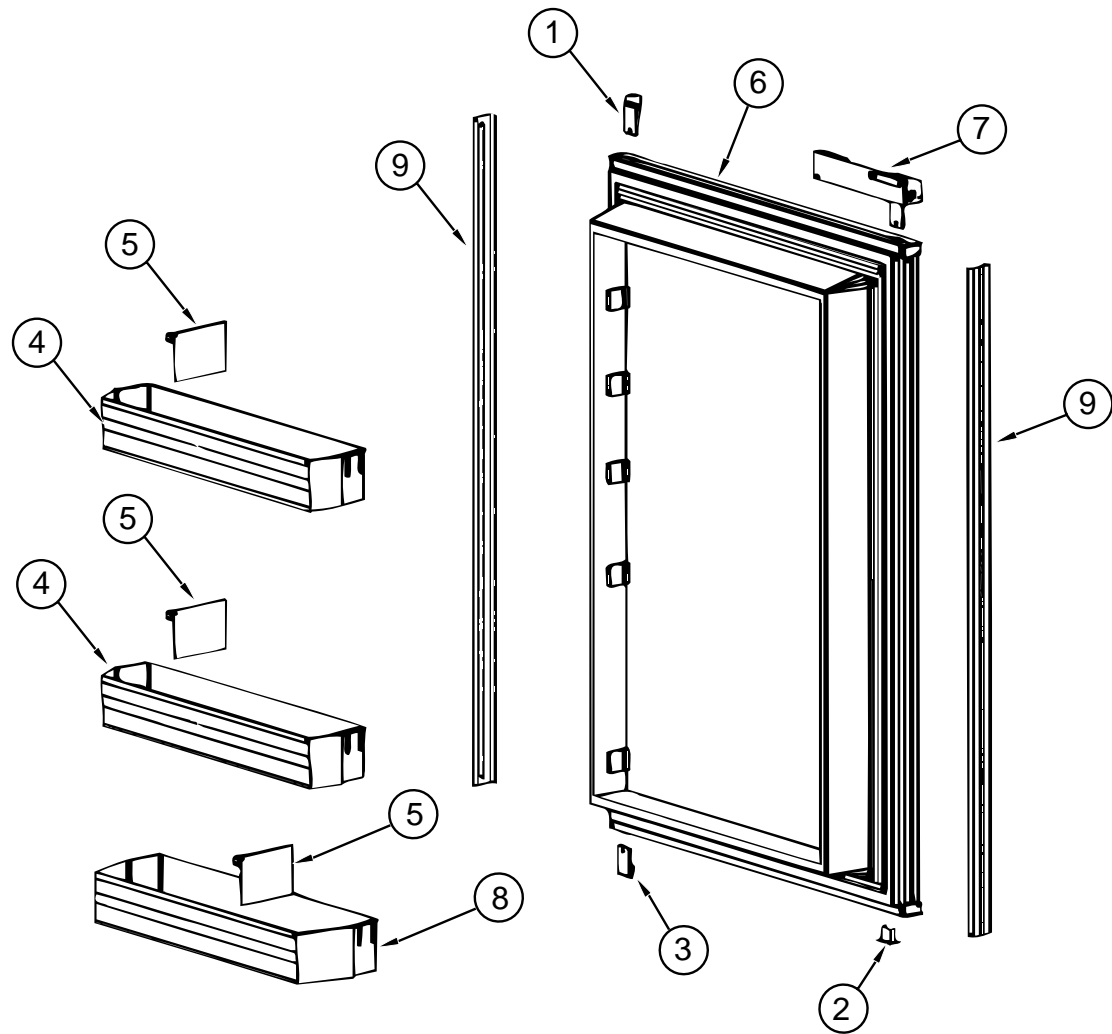
GALLEYGROUP(CONTINUED)



NORCOLD982LREFRIGERATORUPPERDOORASSEMBLY

KEY	PARTNUMBER	U/M DESCRIPTION	VENDORNO.
	120075-02-01A	EA REFRIGERATOR-LARGEDOUBLEDOOR-2WAY/BLACK	
1	120075-01-700	EA RETAINER-DOORDECORPANEL	618128
2	120075-01-701	EA HINGE-TOPRH/BOTTOMLH	618511
3	120075-01-702	EA CAP,(HINGEPLUG)	618160
4	120075-01-703	EA DOORASM.,FOAMED,W/GASKET	618205
5	120075-01-704	EA DOORHANDLE-UPRRH/LWRLH	618230
6	120075-01-705	EA HINGE-TOPLH/BOTTOMRH	618510
7	120075-01-706	EA BIN-DOOR	618635
8	120075-01-707	EA DIVIDER-DOORBIN	618637

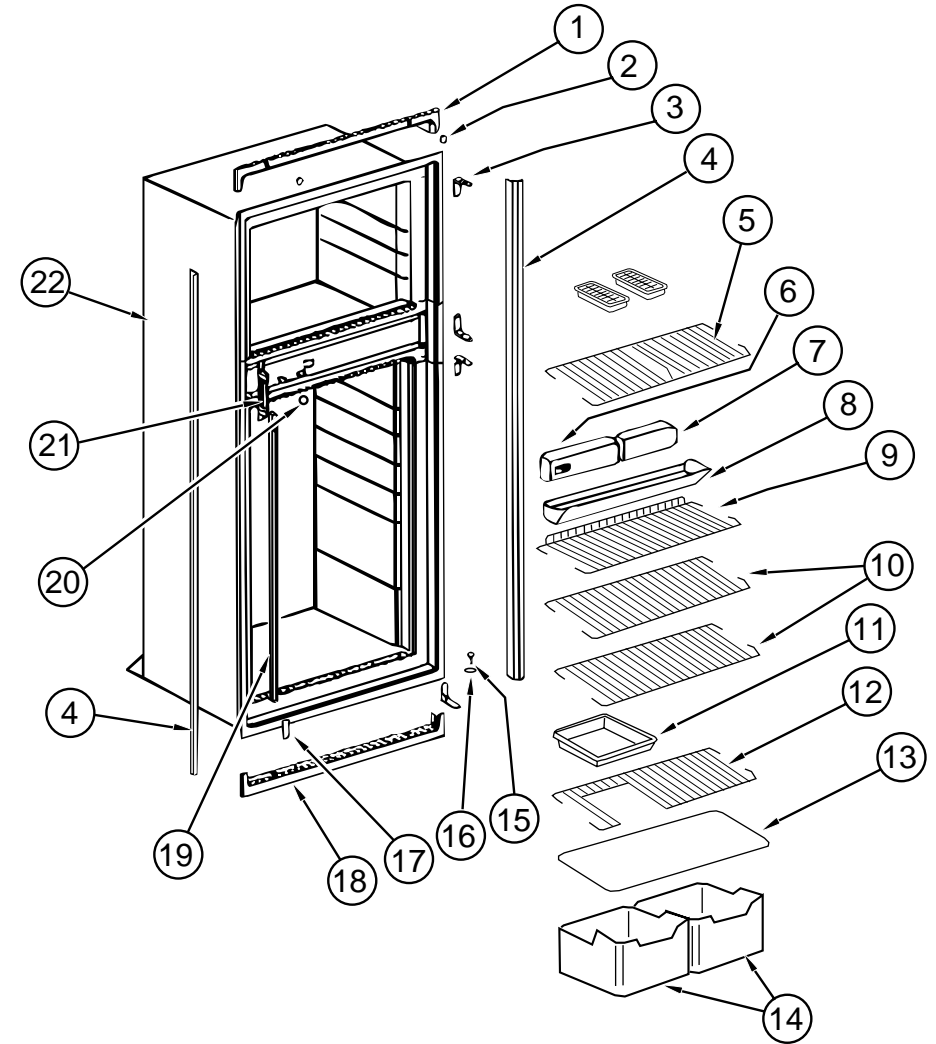
GALLEYGROUP(CONTINUED)



NORCOLD 982 L REFRIGERATOR LOWER DOOR ASSEMBLY

KEY	PARTNUMBER	U/M DESCRIPTION	VENDORNO.
	120075-02-01A	EA REFRIGERATOR-LARGEDOUBLEDOOR-2WAY/BLACK	
1	120075-01-701	EA HINGE-TOPRH/BOTTOMLH	618511
2	120075-01-702	EA CAP,(HINGEPLUG)	618160
3	120075-01-705	EA HINGE-TOPLH/BOTTOMRH	618510
4	120075-01-706	EA BIN-DOOR	618635
5	120075-01-707	EA DIVIDER-DOORBIN	618637
6	120075-01-710	EA DOOR-LOWER-FOAMED,W/GASKET	618270
7	120075-01-704	EA DOORHANDLE-UPRRH/LWRLH	618230
8	120075-01-712	EA BIN-DOOR/BOTTOM-LARGE	618634
9	121568-01-703	EA RETAINER-PANELLOWERDOOR	618129

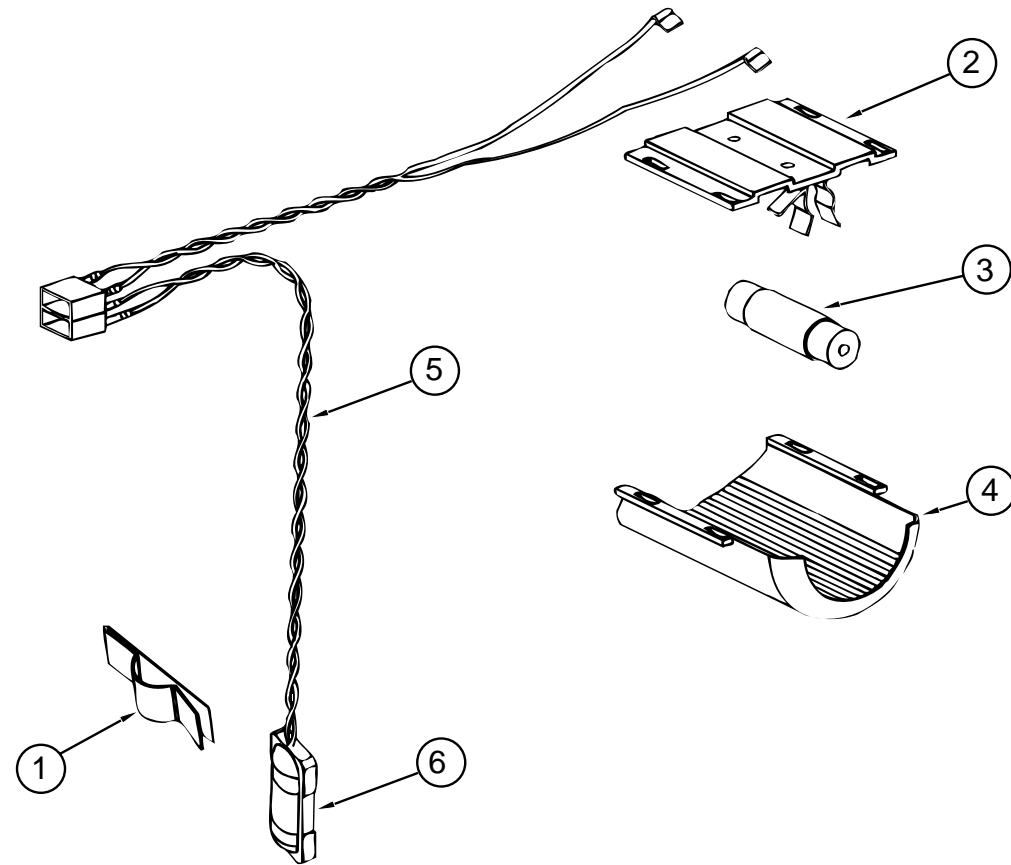
GALLEYGROUP(CONTINUED)



NORCOLD 982 L REFRIGERATOR CABINET ASSEMBLY

KEY	PARTNUMBER	U/M DESCRIPTION	VENDORNO.
	120075-02-01A	EA REFRIGERATOR-LARGEDOUBLEDOOR-2WAY/BLACK	
1	120075-01-713	EA TRIM-TOPPIECE	618124
2	120075-01-714	EA PLUG-HOLE	618170
3	120075-01-715	EA HINGE-CABINET	618512
4	120075-01-716	EA TRIM-SIDEPiece	618134
5	120075-01-717	EA SHELF-FREEZER,WIRE	618172
6	120075-01-719	EA OPTICALCONTROLBOXASSEMBLY	618245
7	120075-01-718	EA BOX-FILLER	618112
8	120075-01-720	EA TRAY-DRIP	618137
	120075-01-721	EA LOUVER-DRIPTRAY	618176
9	120075-01-722	EA SHELF-WIRE,SHORT	618239
10	120075-01-723	EA SHELF-WIRE	618114
11	104137-06-718	EA SHELF-TRAY,WHITE,W/CUTOUT	617756
12	120075-01-724	EA SHELF-WIRE,W/CUTOUT	618177
13	120075-01-725	EA COVER-CRISPER	618158
14	120075-01-726	EA CRISPER	618154
15	120075-01-727	EA PIN-HINGE	618145
16	120075-01-708	EA BUSHING-DOORHINGE	618144
17	120075-01-728	EA COVER-HINGEHOLE	618171
18	120075-01-729	EA TRIM-BOTTOMPIECE	618136
19	120075-01-730	EA RETAINER-SHELF	618181
20	120075-01-731	EA PLUG-FACADE	618184
21	120075-01-732	EA PLATE-STRIKE	618167
22	120075-01-733	EA CABINET-FOAMED	618265

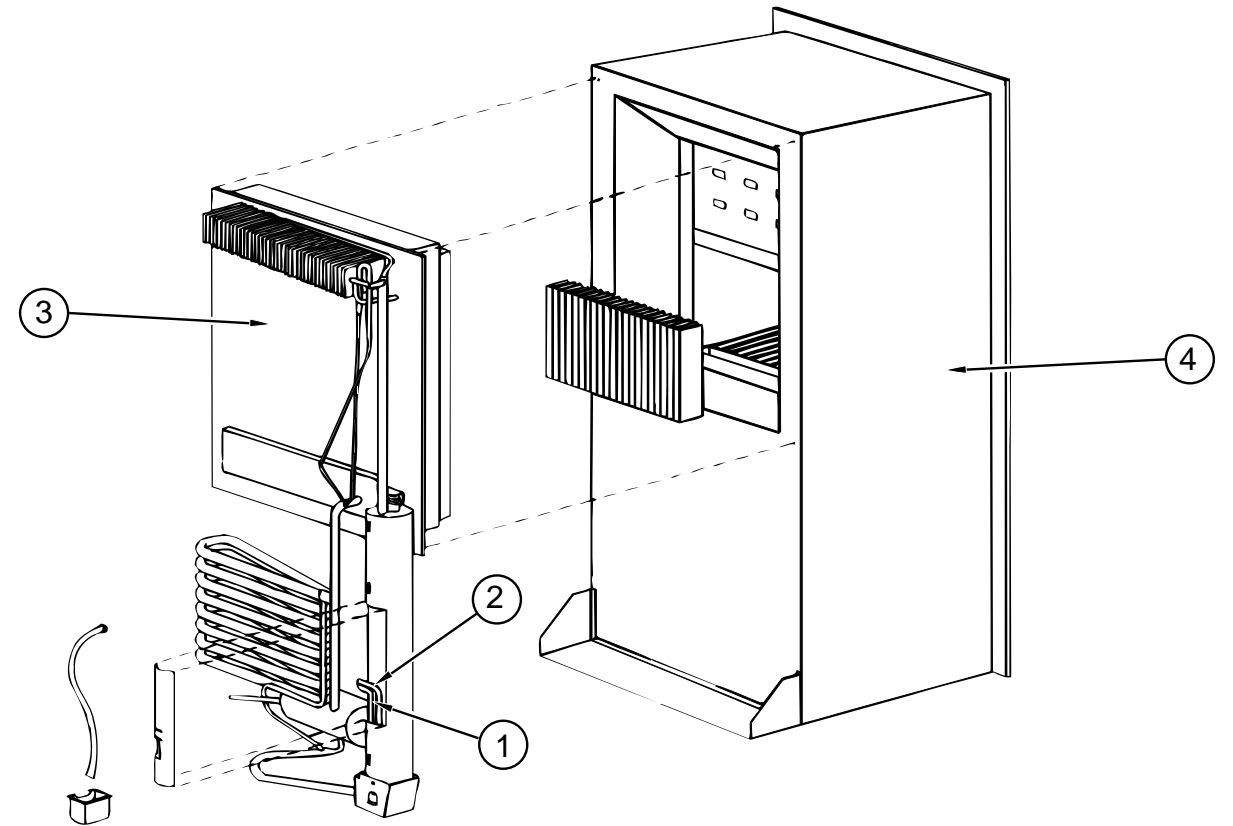
GALLEYGROUP(CONTINUED)



NORCOLD 982 L REFRIGERATOR LIGHT & THERMISTER

KEY	PARTNUMBER	U/M DESCRIPTION	VENDORNO.
	120075-02-01A	EA REFRIGERATOR-LARGEDOUBLEDOOR-2WAY/BLACK	
1	084880-01-760	EA CLIP(THERMISTER)	61689122
2	084880-03-705	EA BRACKET-LIGHT-INTERIOR	61629722
3	084880-03-706	EA BULB-LAMP	61628922
4	120075-01-734	EA COVER-LENS	618190
5	120075-01-735	EA THERMISTERW/LAMP&WIRE/ASM	618548
6	120075-01-742	EA THERMISTERONLY	618288

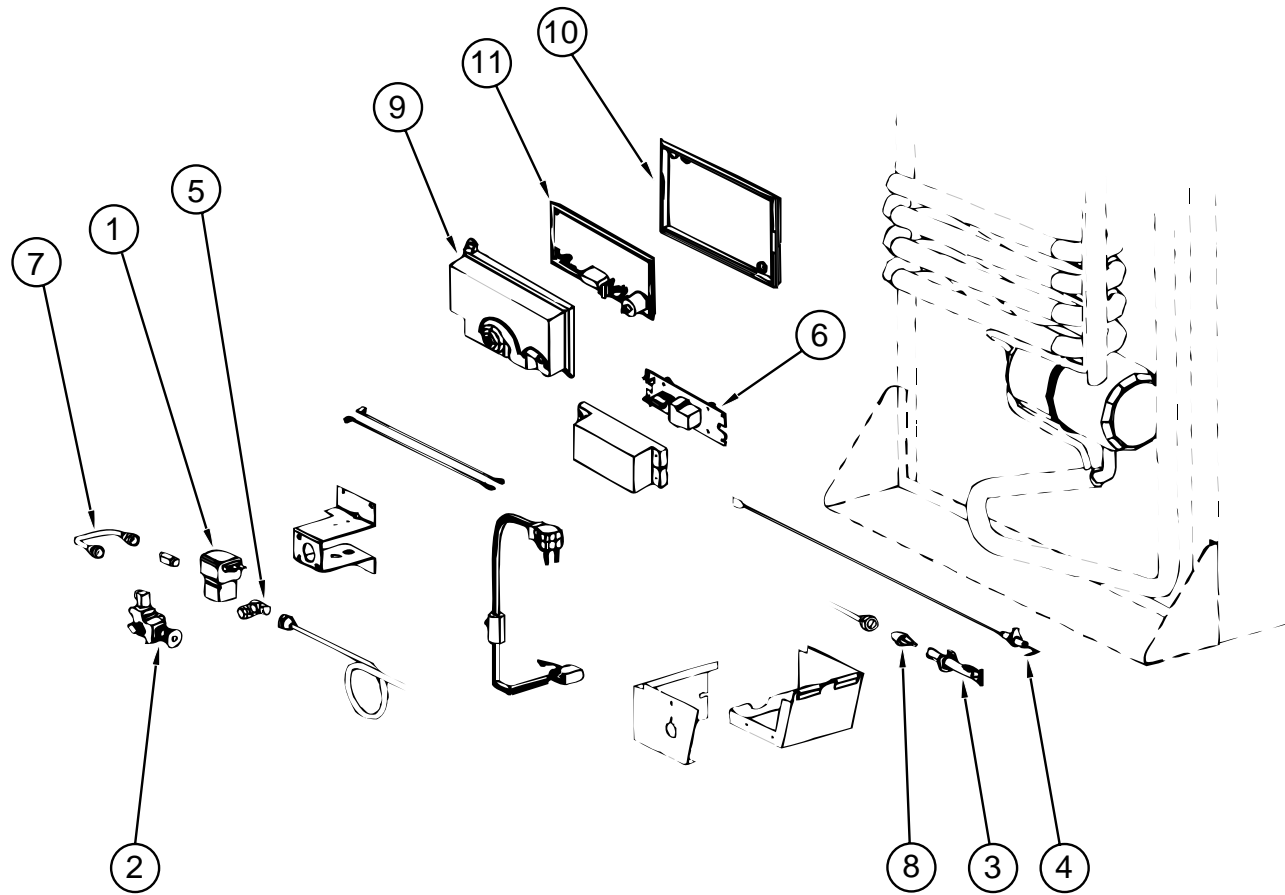
GALLEYGROUP(CONTINUED)



NORCOLD 982 L REFRIGERATOR COOLING UNIT ASSEMBLY

KEY	PARTNUMBER	U/M DESCRIPTION	VENDORNO.
	120075-02-01A	EA REFRIGERATOR-LARGEDOUBLEDOOR-2WAY/BLACK	
1	088248-01-709	EA HEATER-AC(HORIZONTAL)	61562722
2	088248-01-710	EA HEATERDC(HORIZONTAL)	61562822
3	120075-01-736	EA COOLINGUNIT,SERVICEPACK	618542
4	120075-03-700	EA CABINET-FOAMED	618285

GALLEYGROUP(CONTINUED)



NORCOLD 982 L REFRIGERATOR GAS VALVES AND ELECTRICAL COMPONENTS

KEY	PARTNUMBER	U/M DESCRIPTION	VENDORN.
	120075-02-01A	EA REFRIGERATOR-LARGEDOUBLEDOOR-2WAY/BLACK	
1	084880-01-718	EA VALVE-GAS,(ASCO)	61551822
2	104137-06-709	EA VALVE-SHUTOFF,MANUAL	61694922
3	104137-06-714	EA BURNERASSEMBLY,5-SLOT	61705222
4	104137-06-715	EA ELECTRODE-SPARK/SENSOR,SGL	61692222
5	113737-01-702	EA PLUG1/8" F/PRESSURETAP	61445322
6	113737-01-716	EA TAP-PRESSURE	61594422
7	113737-01-750	EA TUBE-UNION	61694622
8	120075-01-737	EA ORFICE-JEWEL,.0155	618284
9	120075-01-738	EA COVER-POWERBOARD	618185
10	120075-01-739	EA BOARD-POWER,2-WAY	618198
11	120075-01-740	EA COVER-BASE,POWERBOARD	618186

GALLEYGROUP(CONTINUED)

NORCOLD 982 L REFRIGERATOR TIEDOWNS, BAFFLE, TRAY & LEVEL

KEY	PARTNUMBER	U/M DESCRIPTION
	120075-02-01A	EA REFRIGERATOR-LARGEDOUBLEDOOR-2WAY/BLACK
	093646-01-000	EA BRACKET-TIEDOWN/REFRIGERATOR-RIGHTHAND
	093646-02-000	EA BRACKET-TIEDOWN/REFRIGERATOR-LEFTHAND
	090195-08-000	EA BAFFLE-REFRIFERATOR-LOWER
	116751-02-01A	EA TRAY-REFRIGERATOR-BLACK
	065225-01-000	EA PLATE-TIEDOWN-REFRIGERATOR
	093369-03-000	EA STRAP-REFRIGERATOR
	054450-01-000	EA LEVEL-REFRIGERATOR

GALLEYGROUP(CONTINUED)

STOVETOPCOVERS

KEY	PARTNUMBER	U/M DESCRIPTION
	M05904-01-GV4	EA COVER-STOVE-W/COUNTERTOP(H56,H57,H58,H59)
	M05904-01-H60	EA COVER-STOVE-W/COUNTERTOP(H60,H61)

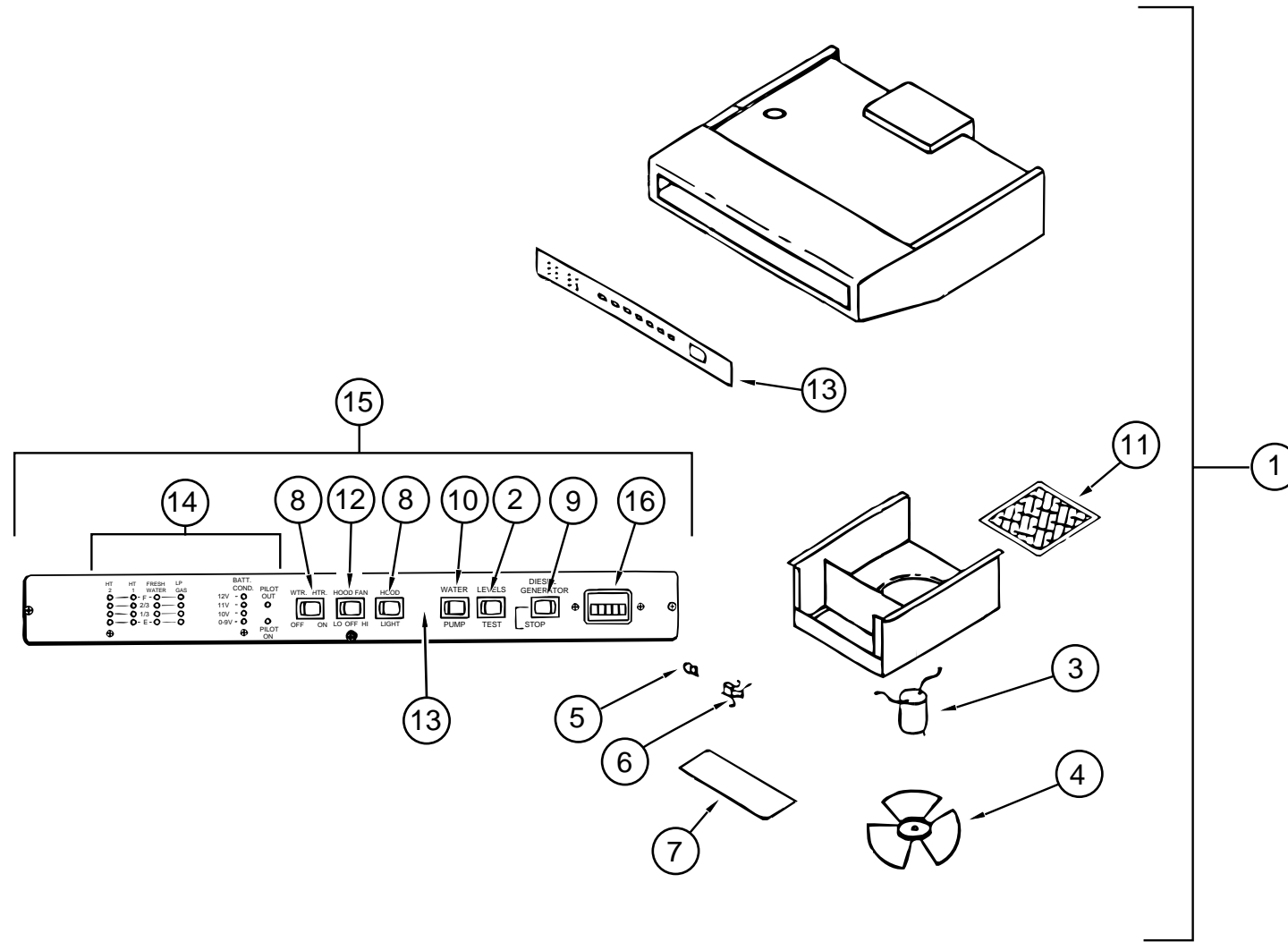
MICROWAVEOVEN

KEY	PARTNUMBER	U/M DESCRIPTION
	122753-01-000	EA OVEN-MICROWAVE-.9CU.FT.NONCONVECTION
	122753-02-000	EA OVEN-MICROWAVE-.9CU.FT.CONVECTION
	122753-03-000	EA OVEN-MICROWAVE-.9CU.FT.CSANONCONVECTION
	122753-04-000	EA OVEN-MICROWAVE-.9CU.FT.CSAONCONVECTION
	082227-06-000	EA TRIM-BOTTOMMICROWAVE-BLACK
	102486-13-01A	EA TRIM-MICROWAVE-VERTICALBLACK
	122884-01-01A	EA TRIM-MICROWAVEBLACK
	094756-03-G15	EA BRACKET-ANGLE-W/HOLES
	094756-01-02A	EA BRACKET-ANGLE-W/HOLES-MILL
	094756-02-01A	EA BRACKET-L-MICROWAVE-6.1"LONGX3.9"WIDE-STEEL-TAN

COFFEEMAKER

KEY	PARTNUMBER	U/M DESCRIPTION	VENDORNO.
	126019-01-01A	EA COFFEEMAKER-OPTIMA-W/BRACKETS	
	103799-01-701	EA BRACKETS-WHITEPAIR	164734-06 B&D
	103799-01-700	EA POT-CARAFE-GLASS	679420

GALLEYGROUP(CONTINUED)

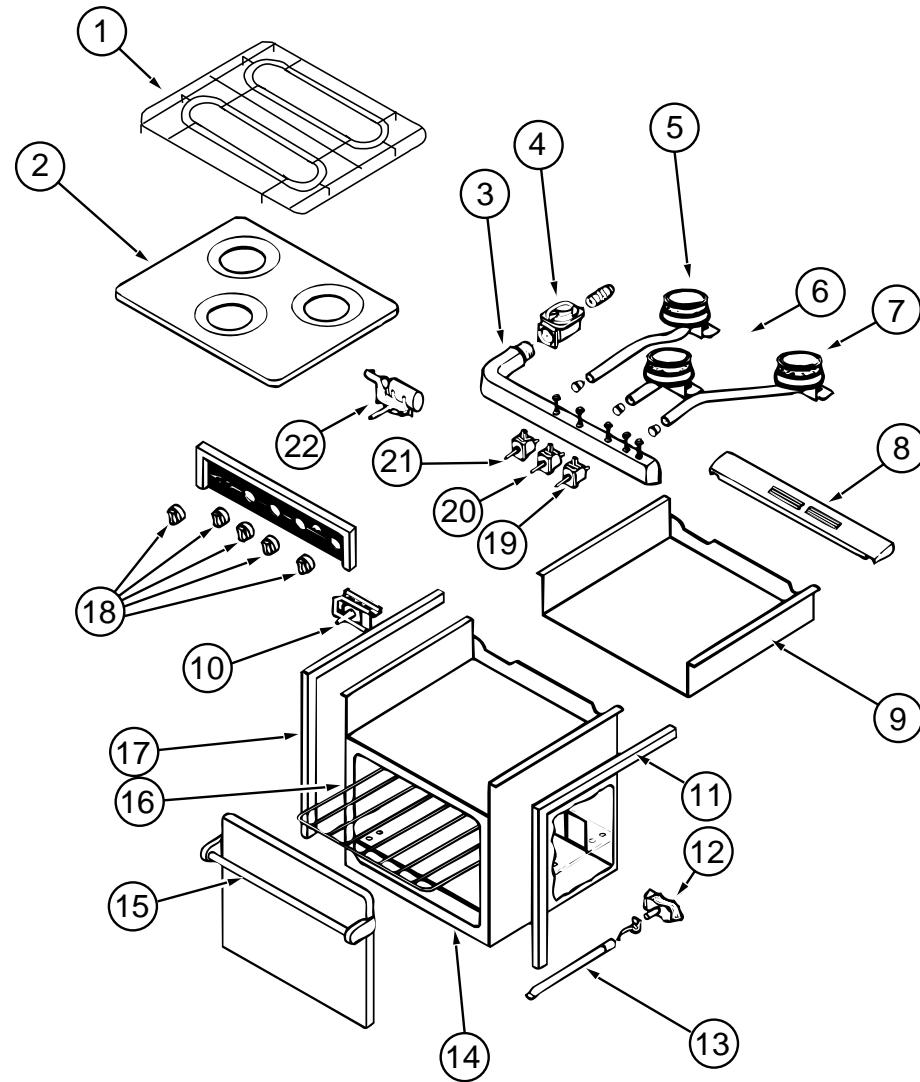


RANGEHOODS

KEY	PARTNUMBER	U/M DESCRIPTION	VENDORNO.
1	100258-21-02A	EA HOOD-RANGE-W/MONITORPANEL	
1	100258-24-02A	EA HOOD-RANGE-22"-W/MONITORPANEL	
2	096983-01-701	EA SWITCH-SPSTMOM.2TERM	L0111
3	090973-01-700	EA MOTOR-12VOLT,CSA&UL	CA508-1
4	090973-01-702	EA BLADE-FAN	VA183-1
5	117806-01-000	EA BULB-12VNO.9121.0AMPS	
6	092696-01-710	EA HOLDER-LAMP	CB267-2
7	092696-02-701	EA LENS-LAMP	CC179-2
8	096983-01-701	EA SWITCH-SPSTMOM.2TERM	L0111
9	096983-01-702	EA SWITCH-MOM/OFF/MOM,3TERM	112
10	096983-01-703	EA SWITCH-ON/ON	115
11	096983-01-707	EA FILTER-MESH	CC246
	100258-05-700	EA FILTER-CHARCOAL	CC248
12	100258-08-701	EA SWITCH-FAN,2-SPEED	122
13	100258-06-701	EA PLATE-FACE,METALSCREENED	9511
14	100258-11-700	EA BOARD-CIRCUIT	L5099-01
15	100258-11-701	EA PANEL-CONTROLASSEMBLY	LA9080
16	100258-10-701	EA GAUGE-HOURMETER,CLIPON	L0775-00
16	100258-10-01A	EA GAUGE-HOURMETERW/SWITCH-SCREWONSTYLE	

GALLEYGROUP(CONTINUED)

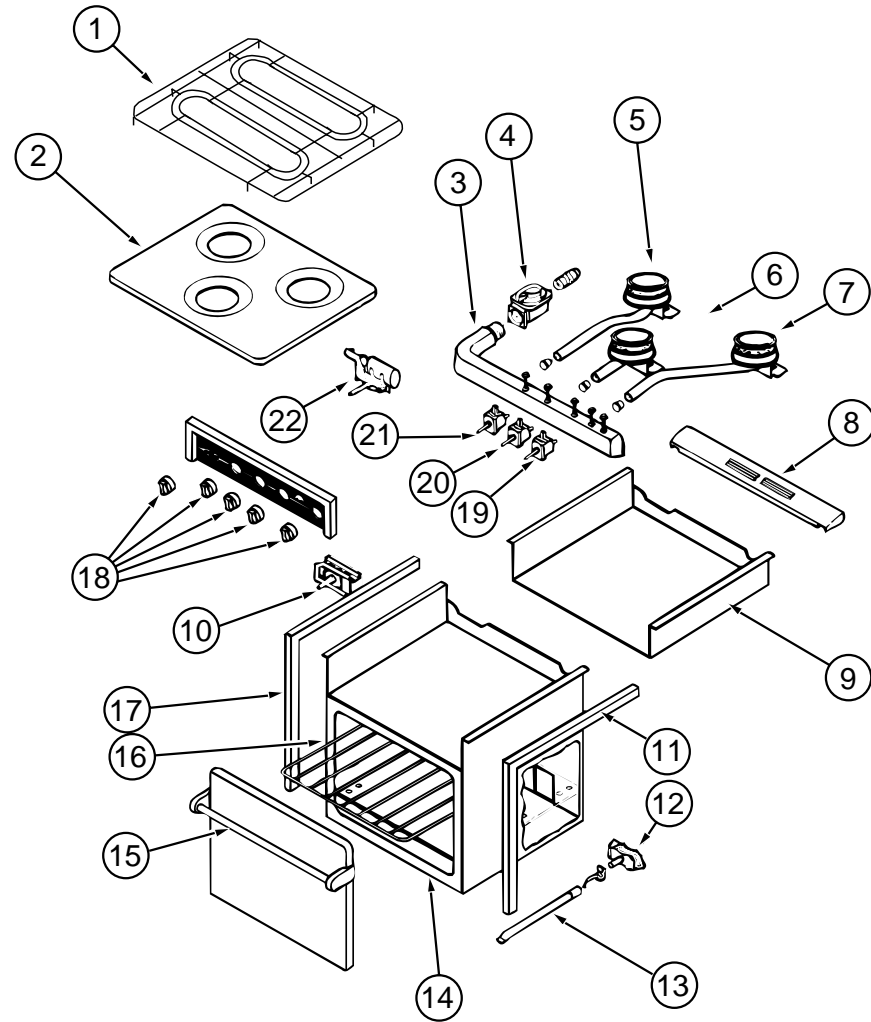
RANGE/OVEN-ATWOODR-2137BGP



KEY	PARTNUMBER	U/M	DESCRIPTION	VENDOR NO.
	121758-01-01A	EA	RANGE-W/OVEN-3BURNER-21"	
				FROM: 00-00-00 THRU: 11-26-96
1	121758-02-700	EA	GRATE-SINGLE	56261
	107323-01-711	EA	CUSHION-GRATE,RUBBER	53008
	121758-02-701	EA	CLIP-GRATE	56117
2	121758-01-714	EA	RANGE-TOP,ALMOND	53082
3	121758-01-709	EA	MANIFOLD-3BURNER	51272
	121758-01-713	EA	COVER-MANIFOLD	56107
4	106689-01-704	EA	REGULATOR-EXTREMEPRESSURE	51062
5	121758-01-707	EA	BURNER-LEFTREARPIEZO	56066
6	121758-01-708	EA	BURNER-CENTER(HIGHOUTPUT)	56068
7	121758-01-706	EA	BURNER-RIGHTREARPIEZO	56067
8	107323-01-705	EA	TRIM-VENT	53525
9	121758-01-711	EA	BURNERBOX	51684
10	107246-01-703	EA	THERMOSTAT,ROBERTSHAW	52122
11	107323-01-703	EA	TRIM-RIGHT	53024
12	107246-01-706	EA	PILOTASM,ONLY(OVEN)	51065
13	107246-01-721	EA	BURNER-OVEN	52017
14	107323-01-706	EA	TRIM-BOTTOM	53526
15	107323-01-714	EA	HANDLEASM.DESIGNERSTYLE	51112
	107323-01-713	EA	GLASS-BLACK,INSERTOVENDOOR	53426
16	107246-01-704	EA	RACK-OVEN	51069
	107246-01-708	EA	SHELF-OVEN,LOWER	51657
17	107323-01-702	EA	TRIM-LEFT	53023
18	121758-01-715	EA	KNOB-KIT	51128
19	121758-01-710	EA	VALVE,BURNER(2)	56086
20	121758-01-705	EA	VALVE-HIGHOUTPUT	56087
21	121758-01-710	EA	VALVE,BURNER(2)	56086
22	121758-01-701	EA	IGNITORPIEZO(ROTARY)	56096
	121758-01-704	EA	INSERT-PIEZO	56098
	121758-01-702	EA	ELECTRODEWIRE-PIEZOIGNITOR	56097
	107246-01-707	EA	VALVE-SAFETYW/PILOTCOMP.	51063
	107109-15-01A	EA	BRACKET-TIEDOWN,BLACK	
	106936-09-02A	EA	BRACKET-TIEDOWN-STOVEFRONT	
	106936-10-02A	EA	BRACKET-TIEDOWN-STOVEFRONT	

GALLEYGROUP(CONTINUED)

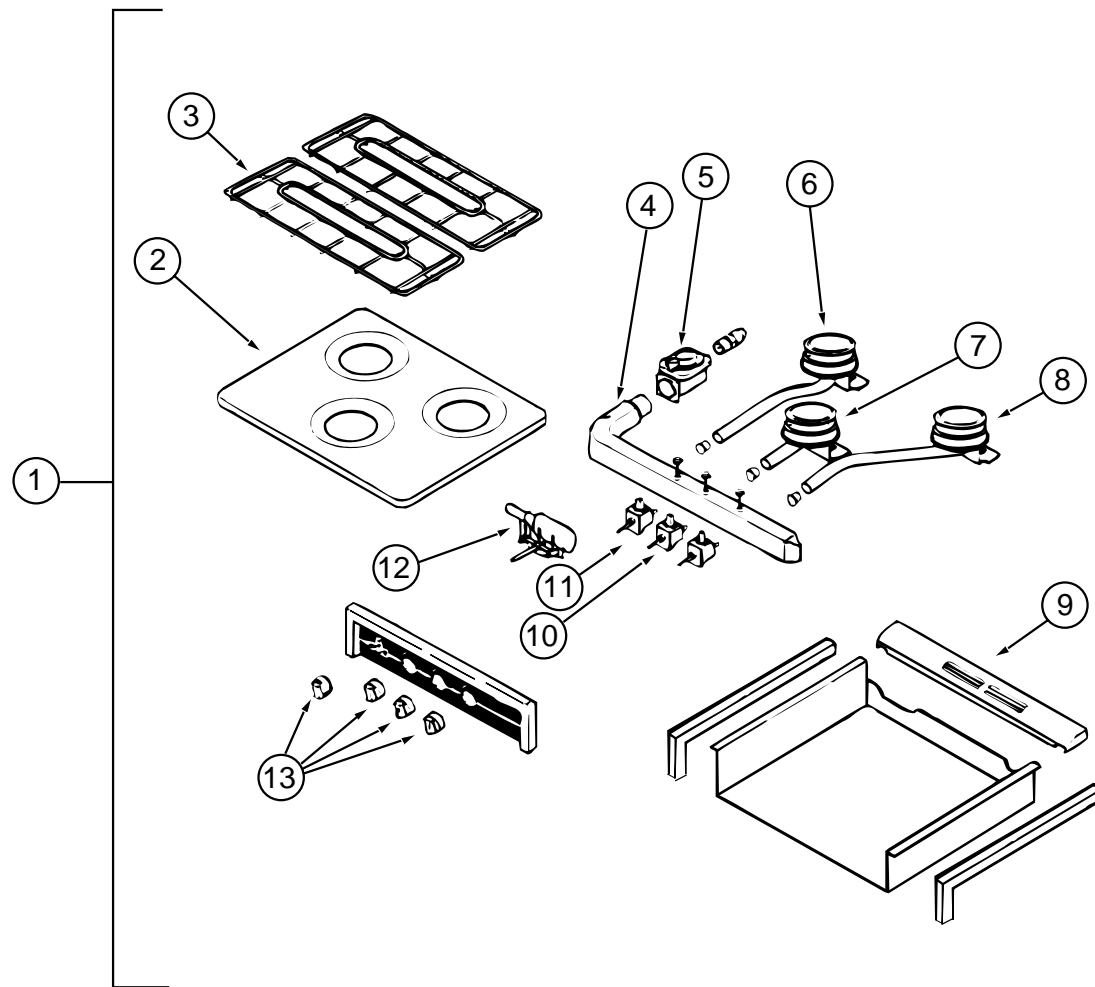
RANGE/OVEN-ATWOODR-2138BGP



KEY	PARTNUMBER	U/M	DESCRIPTION	VENDOR NO.
	121758-02-01A	EA	RANGE -W/OVEN-3BURNER-21"	
				FROM: 11-27-96 THRU: 99-99-99
1	121758-02-700	EA	GRATE-SINGLE	56261
	107323-01-711	EA	CUSHION-GRATE,RUBBER	53008
	121758-02-701	EA	CLIP-GRATE	56117
2	107246-01-700	EA	TOP-MAIN-BLK3-BURNER	53083
3	121758-01-709	EA	MANIFOLD-3BURNER	51272
	121758-01-713	EA	COVER-MANIFOLD	56107
4	106689-01-704	EA	REGULATOR-EXTREMEPRESSURE	51062
5	121758-01-707	EA	BURNER-LEFTREARPIEZO	56066
6	121758-01-708	EA	BURNER-CENTER(HIGHOUTPUT)	56068
7	121758-01-706	EA	BURNER-RIGHTREARPIEZO	56067
8	107323-01-705	EA	TRIM-VENT	53525
9	121758-01-711	EA	BURNERBOX	51684
10	121758-02-702	EA	THERMOSTAT,OVEN	56119
11	107323-01-703	EA	TRIM-RIGHT	53024
12	121758-02-705	EA	PILOT-OVEN	56121
13	121758-02-706	EA	BURNER-OVEN	56123
14	107323-01-706	EA	TRIM-BOTTOM	53526
15	107323-01-714	EA	HANDLEASM.DESIGNERSTYLE	51112
	107323-01-713	EA	GLASS-BLACK,INSERTOVENDOOR	53426
16	107246-01-704	EA	RACK-OVEN	51069
17	107323-01-702	EA	TRIM-LEFT	53023
18	121758-02-707	EA	KNOB-KIT	51127
19	121758-01-710	EA	VALVE,BURNER(2)	56086
20	121758-01-705	EA	VALVE-HIGHOUTPUT	56087
21	121758-01-710	EA	VALVE,BURNER(2)	56086
22	121758-01-701	EA	IGNITORPIEZO(ROTARY)	56096
	121758-01-704	EA	INSERT-PIEZO	56098
	121758-01-702	EA	ELECTRODEWIRE-PIEZOIGNITOR	56097
	121758-02-704	EA	VALVE-SAFETY	56120
	107109-15-01A	EA	BRACKET-TIEDOWN-BLACK	
	106936-09-02A	EA	BRACKET-TIEDOWN-STOVEFRONT	
	106936-10-02A	EA	BRACKET-TIEDOWN-STOVEFRONT	

GALLEYGROUP(CONTINUED)

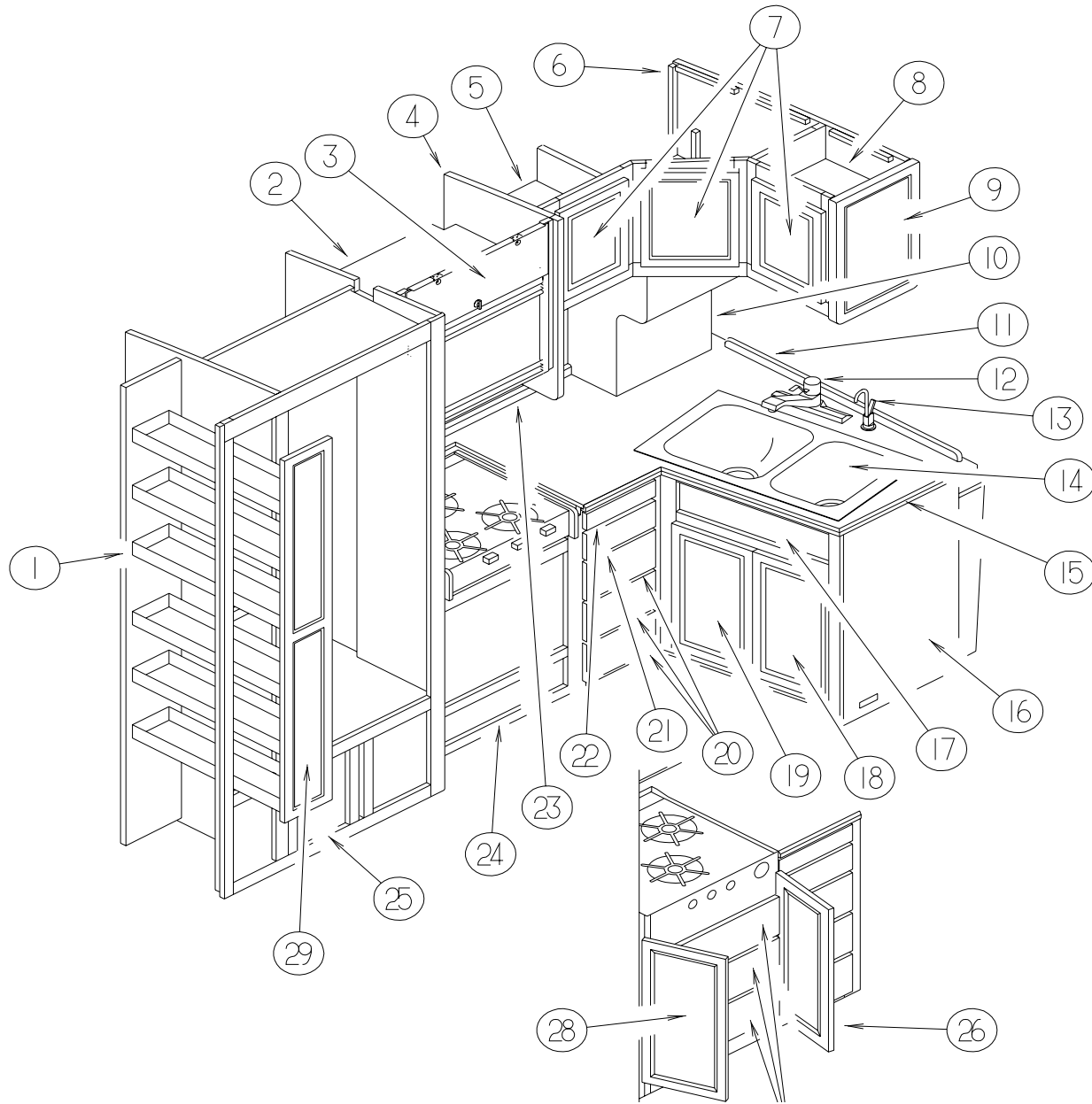
ATWOODRANGETOP-C-37BP



KEY	PARTNUMBER	U/M DESCRIPTION	VENDOR NO.
1	121757-01-01A	EA RANGETOP-3BURNER/BLACK	
2	107246-01-700	EA TOP-MAIN-BLK3-BURNER	53083
3	121758-02-700	EA GRATE-SINGLE	56261
	107323-01-711	EA CUSHION-GRATE,RUBBER	53008
	121758-02-701	EA CLIP-GRATE	56117
4	121757-01-700	EA MANIFOLD-3BURNER	56072
5	106689-01-704	EA REGULATOR-EXTREMEPRESSURE	51062
6	121758-01-707	EA BURNERLEFTREARPIEZO	56066
7	121758-01-708	EA BURNERCENTER(HIGHOUTPUT)	56068
8	121758-01-706	EA BURNERRIGHTREARPIEZO	56067
9	107323-01-705	EA TRIM-VENT	53525
10	121758-01-705	EA VALVEHIGHOUTPUT	56087
11	121758-01-710	EA VALVE,BURNER(2)	56086
12	121758-01-701	EA IGNITORPIEZO(ROTARY)	56096
13	121757-01-701	EA KNOBKIT	51129
	121758-01-702	EA ELECTRODEWIRE(PIEZOIGNITOR)	56097
	121758-01-704	EA INSERTPIEZO	56098

GALLEYGROUP(CONTINUED)

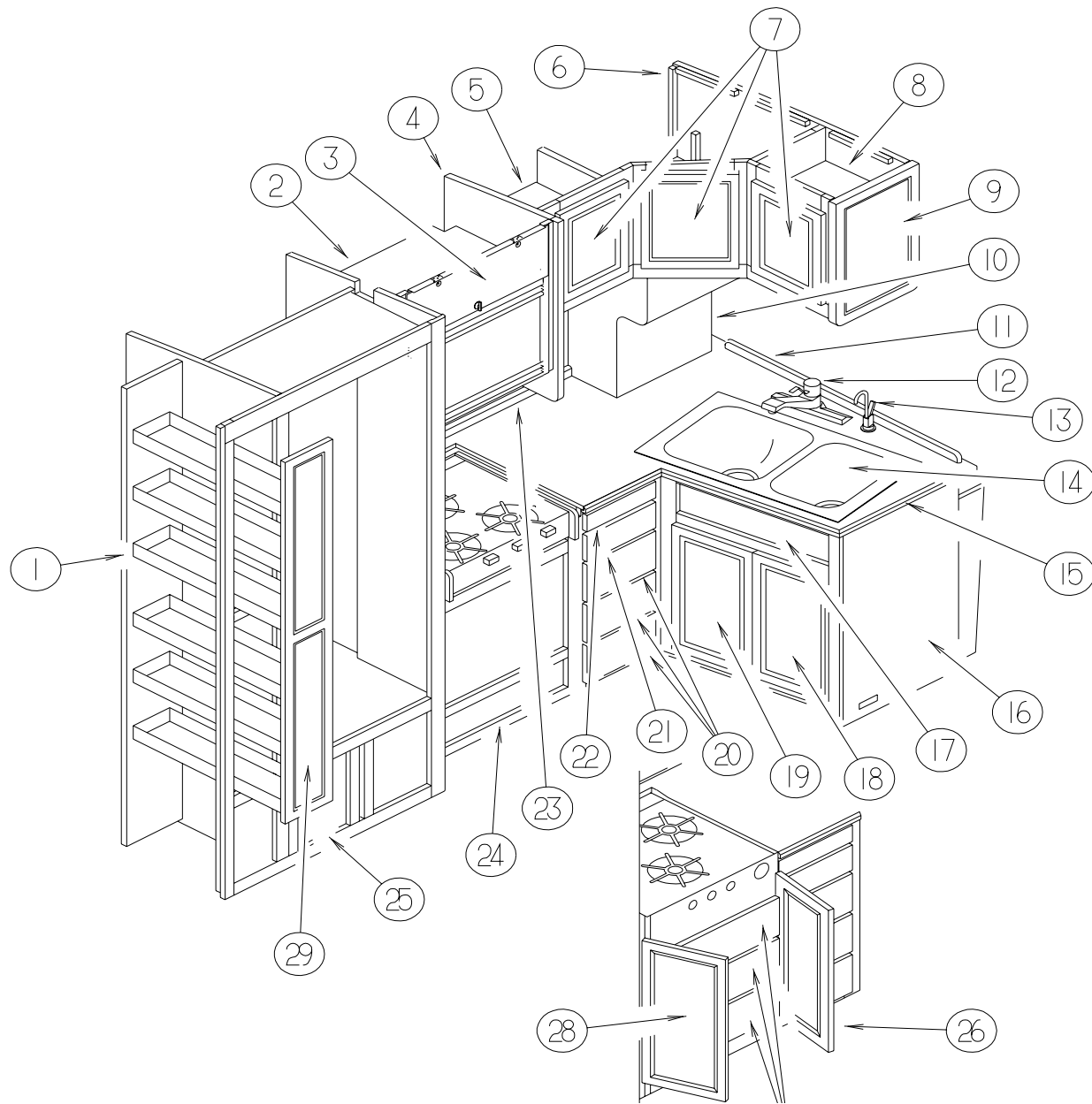
GALLEYCABINETS



KEY	PARTNUMBER	U/M	DESCRIPTION
1	122325-02-H56	EA	CABINET-PANTRY-SLIDING/LEFTHAND-W/OSLIDES/HDW(SOLARMAPLE)
1	122325-02-H57	EA	CABINET-PANTRY-SLIDING/LEFTHAND-W/OSLIDES/HDW(SALEMCHERRY)
	122325-11-H37	EA	SHELF-W/PLASTICEDGEMOLDING(SOLARMAPLE)
	122325-11-H57	EA	SHELF-W/PLASTICEDGEMOLDING(SALEMCHERRY)
	122360-01-000	EA	SLIDE-PANTRY-W/LOCK-LEFTHAND
	122360-02-000	EA	SLIDE-PANTRY-W/OLOCK-RIGHT&LEFTHAND
	122360-03-000	EA	SLIDE-PANTRY-W/LOCK-RIGHTHAND
	123673-01-01A	EA	KNOB-PANTRYSLIDE
2	P23975-01-H56	EA	CABINET-OVERHEAD/MICROWAVE-W/ODOORS/HARDWARE(SOLARMAPLE)
2	P23975-01-H57	EA	CABINET-OVERHEAD/MICROWAVE-W/ODOORS/HARDWARE(SALEMCHERRY)
	119685-01-H56	EA	CABINET-FUSEPANEL-W/OHARDWARE(SOLARMAPLE)
	119685-01-GV1	EA	CABINET-FUSEPANEL-W/OHARDWARE(SALEMCHERRY)
3	100708-05-000	EA	DOOR-GLASSTVCABINET,8.5"X23.4"-W/OHARDWARE
	100710-01-01A	EA	LOCK-GLASSDOOR,TWISTTYPE-BRASS
	100711-01-01A	EA	HINGE-DOOR,GLASS
	100707-01-000	EA	SPACER-DOOR,GLASS-.8"DIA-.3"HOLE-PLASTIC
4	107494-16-H56	EA	ENDCAP(SOLARMAPLE)
4	107494-16-GV1	EA	ENDCAP(SALEMCHERRY)
5	119659-19-H56	EA	SHELF-W/PLASTICEDGEMOLDING(SOLARMAPLE)
5	119659-19-GV1	EA	SHELF-W/PLASTICEDGEMOLDING(SALEMCHERRY)
6	P19659-03-H56	EA	CABINET-GALLEYOVERHEAD-W/ODOORS/HARDWARE
6	P19659-03-H57	EA	CABINET-GALLEYOVERHEAD-W/ODOORS/HARDWARE
6	P19659-03-H58	EA	CABINET-GALLEYOVERHEAD-W/ODOORS/HARDWARE
6	P19659-03-H59	EA	CABINET-GALLEYOVERHEAD-W/ODOORS/HARDWARE
6	P19659-03-H60	EA	CABINET-GALLEYOVERHEAD-W/ODOORS/HARDWARE
6	P19659-03-H61	EA	CABINET-GALLEYOVERHEAD-W/ODOORS/HARDWARE
6	P19659-04-H56	EA	CABINET-GALLEYOVERHEAD-W/ODOORS/HARDWARE(W/WINDOWEXCHANGE)
6	P19659-04-H57	EA	CABINET-GALLEYOVERHEAD-W/ODOORS/HARDWARE(W/WINDOWEXCHANGE)
6	P19659-04-H58	EA	CABINET-GALLEYOVERHEAD-W/ODOORS/HARDWARE(W/WINDOWEXCHANGE)
6	P19659-04-H59	EA	CABINET-GALLEYOVERHEAD-W/ODOORS/HARDWARE(W/WINDOWEXCHANGE)
6	P19659-04-H60	EA	CABINET-GALLEYOVERHEAD-W/ODOORS/HARDWARE(W/WINDOWEXCHANGE)
6	P19659-04-H61	EA	CABINET-GALLEYOVERHEAD-W/ODOORS/HARDWARE(W/WINDOWEXCHANGE)
7	M05990-26-H56	EA	DOOR-OGEEEDGE-11.4"X16.1"-W/OHARDWARE(SOLARMAPLE)
7	M05990-26-GV1	EA	DOOR-OGEEEDGE-11.4"X16.1"-W/OHARDWARE(SOLARMAPLE)
8	119659-18-H56	EA	SHELF-W/PLASTICEDGEMOLDING(SOLARMAPLE)
8	119659-18-GV1	EA	SHELF-W/PLASTICEDGEMOLDING(SALEMCHERRY)
9	119659-11-H56	EA	PANEL-GALLEYOVERHEADEND-W/OHARDWARE(SOLARMAPLE)
9	119659-11-GV1	EA	PANEL-GALLEYOVERHEADEND-W/OHARDWARE(SALEMCHERRY)
	113195-14-01A	EA	MIRROR-BEVELED-SAFETYGLASS-14.6"X19.2"
10	119785-01-H56	EA	CABINET-SPICERACK-W/ODOORS/HARDWARE(SOLARMAPLE)
			FROM: 00-00-00 THRU: 04-13-97
10	126047-01-H56	EA	CABINET-SPICERACK-W/ODOORS/HARDWARE(SOLARMAPLE)
			FROM: 04-14-97 THRU: 99-99-99
10	119785-01-GV1	EA	CABINET-SPICERACK-W/ODOORS/HARDWARE(SALEMCHERRY)
			FROM: 00-00-00 THRU: 04-13-97
10	126047-01-J71	EA	CABINET-SPICERACK-W/ODOORS/HARDWARE(SALEMCHERRY)
			FROM: 00-00-00 THRU: 04-13-97
11	119211-12-H56	EA	BACKSPLASH-GALLEYCOUNTERTOP-45.7"LONG(SOLARMAPLE)
11	119211-12-GV1	EA	BACKSPLASH-GALLEYCOUNTERTOP-45.7"LONG(SALEMCHERRY)
12	064952-01-000	EA	FAUCET-GALLEY,SINGLECONTROL-8"
13	103635-01-000	EA	FAUCET-SINGLECONTROL
14	110654-01-000	EA	SINK-STAINLESSSTEEL/DOUBLEBASIN(1LG-1SMBASIN)
	092303-01-000	EA	STRAINER-SINK
	108464-03-GV4	EA	COVER-SINK-15"X11"-SMALLSINK(H56,H57,H58,H59)
			NOTE:THESEWILLBEMADEWITHLAMINATEONBOTHSIDES
	108464-04-F32	EA	COVER-SINK-15"X15"-LARGE(H56,H57,H58,H59)
			NOTE:THESEWILLBEMADEWITHLAMINATEONBOTHSIDES
	108464-03-E39	EA	COVER-SINK-15"X11"-SMALLSINK(H60,H61)
			NOTE:THESEWILLBEMADEWITHLAMINATEONBOTHSIDES
	108464-04-E39	EA	COVER-SINK-15"X15"-LARGE(H60,H61)
			NOTE:THESEWILLBEMADEWITHLAMINATEONBOTHSIDES

GALLEYGROUP(CONTINUED)

GALLEYCABINETS(CONTINUED)



KEY	PARTNUMBER	U/M	DESCRIPTION
15	119211-11-H56	EA	COUNTERTOP-GALLEY(H56,H58,H57,H59)
15	119211-11-H60	EA	COUNTERTOP-GALLEY(H60,H61)
16	119211-03-H56	EA	CABINET-GALLEY-W/ODOORS/DRAWERS/HARDWARE-W/OVEN(H56,H58)
16	119211-03-H57	EA	CABINET-GALLEY-W/ODOORS/DRAWERS/HARDWARE-W/OVEN(H57,H59)
16	119211-03-H60	EA	CABINET-GALLEY-W/ODOORS/DRAWERS/HARDWARE-W/OVEN(H60)
16	119211-03-H61	EA	CABINET-GALLEY-W/ODOORS/DRAWERS/HARDWARE-W/OVEN(H61)
16	119211-04-H56	EA	CABINET-GALLEY-W/ODOORS/DRAWERS/HARDWARE-W/RANGETOP(H56,H58)
16	119211-04-H57	EA	CABINET-GALLEY-W/ODOORS/DRAWERS/HARDWARE-W/RANGETOP(H57,H59)
16	119211-04-H60	EA	CABINET-GALLEY-W/ODOORS/DRAWERS/HARDWARE-W/RANGETOP(H60)
16	119211-04-H61	EA	CABINET-GALLEY-W/ODOORS/DRAWERS/HARDWARE-W/RANGETOP(H61)
	116382-01-01A	EA	SHELF-ROUND-PLASTIC
	116590-01-02B	EA	BASE-SHELF
	116591-01-01A	EA	SPACER-NYLON
17	M06810-05-H56	EA	DRAWER-TIPOUT-W/OTRAY/HARDWARE(SOLARMAPLE)
17	M06810-05-FQ1	EA	DRAWER-TIPOUT-W/OTRAY/HARDWARE(SALEMCHERRY)
	100081-01-01A	EA	TRAY-SILVERWARE-9"X13.3"RUBBERMAIDALMONDPLASTIC
18	M05992-A9-H56	EA	DOOR-OGEEEDGE-11.4"X21.8"-W/OHARDWARE(SOLARMAPLE)
18	M05992-A9-FQ1	EA	DOOR-OGEEEDGE-11.4"X21.8"-W/OHARDWARE(SALEMCHERRY)
19	M05992-A8-H56	EA	DOOR-OGEEEDGE-11.4"X21.8"-W/OHARDWARE(SOLARMAPLE)
19	M05992-A8-FQ1	EA	DOOR-OGEEEDGE-11.4"X21.8"-W/OHARDWARE(SALEMCHERRY)
	102238-01-000	EA	CONTAINER-TRASH-W/HDW-8"X13"X15.2"-WIREBASKET
20	M05971-R8-H56	EA	DRAWER-OGEEEDGE-9.1"WX17.7"D-W/OSLIDES/HARDWARE(SOLARMAPLE)
20	M05971-R8-GV1	EA	DRAWER-OGEEEDGE-9.1"WX17.7"D-W/OSLIDES/HARDWARE(SALEMCHERRY)
21	M05971-R9-H56	EA	DRAWER-OGEEEDGE-9.1"WX17.7"D-W/OSLIDES/HARDWARE(SOLARMAPLE)
21	M05971-R9-GV1	EA	DRAWER-OGEEEDGE-9.1"WX17.7"D-W/OSLIDES/HARDWARE(SALEMCHERRY)
22	M05976-05-H56	EA	DRAWER-CUTTINGBOARD-W/OHARDWARE(SOLARMAPLE)
22	M05976-05-GV1	EA	DRAWER-CUTTINGBOARD-W/OHARDWARE(SALEMCHERRY)
23	119211-13-H56	EA	BACKSPLASH-GALLEYCOUNTERTOP/REAR-47.2"LONG(SOLARMAPLE)
23	119211-13-GV1	EA	BACKSPLASH-GALLEYCOUNTERTOP/REAR-47.2"LONG(SALEMCHERRY)
24	M05971-13-H56	EA	DRAWER-OGEEEDGE-19.2"X17.6"-W/OSLIDES/HARDWARE(SOLARMAPLE)
24	M05971-13-GV1	EA	DRAWER-OGEEEDGE-19.2"X17.6"-W/OSLIDES/HARDWARE(SALEMCHERRY)
25	M05992-09-H56	EA	DOOR-OGEEEDGE-13.6"X22.8"-W/OHARDWARE(SOLARMAPLE)
25	M05992-09-E41	EA	DOOR-OGEEEDGE-13.6"X22.8"-W/OHARDWARE(SALEMCHERRY)
26	M05992-04-H56	EA	DOOR-OGEEEDGE-10.8"X23.8"-W/OHARDWARE(SOLARMAPLE)
26	M05992-04-GV1	EA	DOOR-OGEEEDGE-10.8"X23.8"-W/OHARDWARE(SALEMCHERRY)
27	P18052-02-H56	EA	DRAWER-W/OSLIDES/HARDWARE(SOLARMAPLE)
27	P18052-02-GV1	EA	DRAWER-W/OSLIDES/HARDWARE(SALEMCHERRY)
28	M05992-03-H56	EA	DOOR-OGEEEDGE-10.8"X23.8"-W/OHARDWARE(SOLARMAPLE)
28	M05992-03-GV1	EA	DOOR-OGEEEDGE-10.8"X23.8"-W/OHARDWARE(SALEMCHERRY)
29	M05992-K1-H56	EA	DOOR-OGEEEDGE-8.5"X60.7"-W/OHARDWARE(SOLARMAPLE)
29	M05992-K1-H57	EA	DOOR-OGEEEDGE-8.5"X60.7"-W/OHARDWARE(SALEMCHERRY)

**GENERATORGROUP
7KWONANMARQUISGENERATOR(U.S.)**

KEY	PARTNUMBER	U/M DESCRIPTION
	105559-03-000	EA GENERATOR-7KWMARQUIS30/30
	109677-01-000	EA LOADCENTER-120VOLT-40AMP
	106071-01-000	EA SWITCH-AUTOMATICTRANSFER-30AMP
	083209-03-000	EA CIRCUITBREAKER-15/20AMP-120VOLT
	083209-06-000	EA CIRCUITBREAKER-30/15AMP-120VOLT
	008054-01-000	EA CORD-POWER,10/3-30AMP-25'
	106235-01-000	EA ADAPTOR-EXHAUST,GENERATOR
	007125-03-000	EA CLAMP-MUFFLER-1.5"DIAMETER
	007131-01-000	EA HANGER-TAILPIPE,6SLOTS
	008401-01-000	EA STRAP-CONDUIT,3/4"-1HOLE-GALVANIZEDSTEEL
	105958-04-000	EA PIPE-EXHAUST-1.4"INLETX1.5"O.D.-4.9"X66.9" FROM: 00-00-00 THRU: 08-29-97
	105958-15-000	EA PIPE-EXHAUST-GENERATOR FROM: 08-30-97 THRU: 99-99-99

7KWONANMARQUISGENERATOR(CANADIAN)

KEY	PARTNUMBER	U/M DESCRIPTION
	105559-03-000	EA GENERATOR-7KWMARQUIS30/30,ONANNHMFA/26105W/ONANTRAY403-2893
	109677-01-000	EA LOADCENTER-120V,40AMP-WESCOTT120FLGNM
	113132-01-000	EA LOADCENTER-120/240V,60AMP-WESCO2460SGNM
	106071-01-000	EA SWITCH-AUTOMATICTRANSFER,MAGNETEKATS30AMP
	083209-02-000	EA CIRCUITBREAKER,15/15AMP120V-BWH-15/15
	083209-03-000	EA CIRCUITBREAKER,15/20AMP120V-BW0-15/20
	083209-06-000	EA CIRCUITBREAKER,30/15AMP120V-BWD-30/15
	108916-01-000	EA CIRCUITBREAKER,50AMP120V,WESTINGHOUSEBR250
	008054-01-000	EA CORD-POWER,10/3-30AMP-25'
	106235-01-000	EA ADAPTOR-EXHAUST,GENERATOR
	007125-03-000	EA CLAMP-MUFFLER-1.5"DIAMETER
	007131-01-000	EA HANGER-TAILPIPE,6SLOTS
	008401-01-000	EA STRAP-CONDUIT,3/4"-1HOLE-GALVANIZEDSTEEL
	105958-04-000	EA PIPE-EXHAUST-1.4"INLETX1.5"O.D.-4.9"X66.9" FROM: 00-00-00 THRU: 08-29-97
	105958-15-000	EA PIPE-EXHAUST-GENERATOR FROM: 08-30-97 THRU: 99-99-99

**GENERATORGROUP(CONTINUED)
7KWONANMARQUISGENERATOR-50AMP(U.S.)**

KEY	PARTNUMBER	U/M DESCRIPTION
	105559-03-000	EA GENERATOR-7KWMARQUIS30/30,ONANNHMFA/26105W/ONANTRAY403-2893
	112365-03-000	EA BREAKER-30AMP,GENERATOR-ONAN320-1572
	083209-01-000	EA CIRCUITBREAKER,15AMP120V-BWG-15-CANADIAN
	083209-02-000	EA CIRCUITBREAKER,15/15AMP120V-BWH-15/15
	083209-03-000	EA CIRCUITBREAKER,15/20AMP120V-BW0-15/20
	108916-01-000	EA CIRCUITBREAKER,50AMP120V,WESTINGHOUSEBR250
	108915-01-000	EA LOADCENTER-120/240V,125AMP-WESTINGHOUSES816CG
	106071-01-000	EA SWITCH-AUTOMATICTRANSFER,MAGNETEKATS30AMP
	113132-01-000	EA LOADCENTER-120/240V,60AMP-WESCO2460SGNM
	108934-01-000	EA CORD-POWER,50AMP,4WIRE,36FT-WESCOK3536
	106235-01-000	EA ADAPTOR-EXHAUST,GENERATOR
	007125-03-000	EA CLAMP-MUFFLER-1.5"DIAMETER
	007131-01-000	EA HANGER-TAILPIPE,6SLOTS
	008401-01-000	EA STRAP-CONDUIT,3/4"-1HOLE-GALVANIZEDSTEEL
	105958-04-000	EA PIPE-EXHAUST-1.4"INLETX1.5"O.D.-4.9"X66.9" FROM: 00-00-00 THRU: 08-29-97
	105958-15-000	EA PIPE-EXHAUST-GENERATOR FROM: 08-30-97 THRU: 99-99-99

7KWONANMARQUISGENERATOR-50AMP(CANADIAN)

KEY	PARTNUMBER	U/M DESCRIPTION
	105559-03-000	EA GENERATOR-7KWMARQUIS30/30,ONANNHMFA/26105W/ONANTRAY403-2893
	083209-01-000	EA CIRCUITBREAKER,15AMP120V-BWG-15-CANADIAN
	083209-02-000	EA CIRCUITBREAKER,15/15AMP120V-BWH-15/15
	083209-03-000	EA CIRCUITBREAKER,15/20AMP120V-BW0-15/20
	108916-01-000	EA CIRCUITBREAKER,50AMP120V,WESTINGHOUSEBR250
	106071-01-000	EA SWITCH-AUTOMATICTRANSFER,MAGNETEKATS30AMP
	108915-01-000	EA LOADCENTER-120/240V,125AMP-WESTINGHOUSES816CG
	113132-01-000	EA LOADCENTER-120/240V,60AMP-WESCO2460SGNM
	112365-03-000	EA BREAKER-30AMP,GENERATOR-ONAN320-1572
	113096-01-000	EA CORD-POWER,50AMP,4WIRE,36',CSA-WESCO4243
	106235-01-000	EA ADAPTOR-EXHAUST,GENERATOR
	007125-03-000	EA CLAMP-MUFFLER-1.5"DIAMETER
	007131-01-000	EA HANGER-TAILPIPE,6SLOTS
	008401-01-000	EA STRAP-CONDUIT,3/4"-1HOLE-GALVANIZEDSTEEL
	105958-04-000	EA PIPE-EXHAUST-1.4"INLETX1.5"O.D.-4.9"X66.9" FROM: 00-00-00 THRU: 08-29-97
	105958-15-000	EA PIPE-EXHAUST-GENERATOR FROM: 08-30-97 THRU: 99-99-99

NOTE: ADDITIONAL GENERATOR COMPONENTS ARE FOUND IN THE CHASSIS GROUP

HEATING&AIRCONDITIONINGGROUP

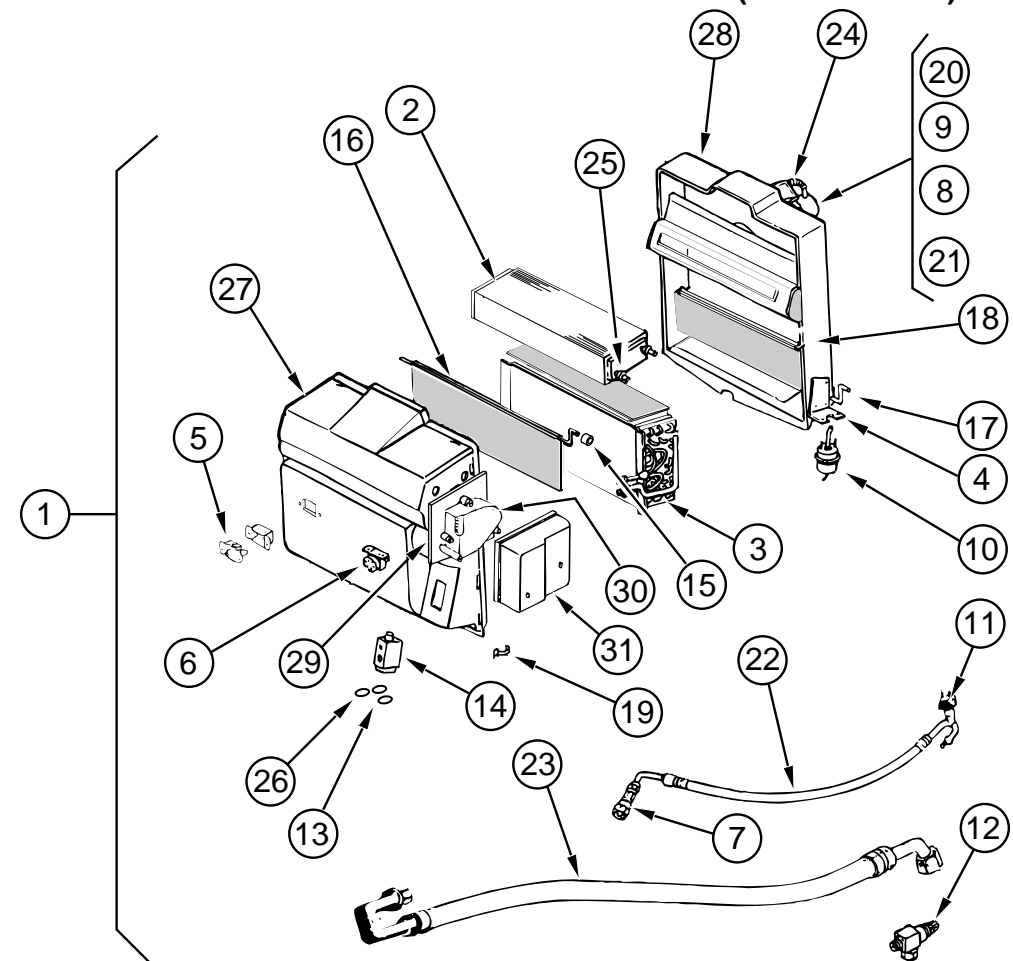
AUTOA/C&HEATSYSTEM

KEY	PARTNUMBER	U/M DESCRIPTION
	007281-01-000	EA HOSE-FLEXIBLEPVC-2.5"IDX50'
	024990-07-000	EA OUTLET-DEFROSTER,W/SWIVLE-2"-HAMPTONTAN
	056402-05-000	EA BRACKET-HEATERVENT,ROUND-W/BEND-BLACK
	056402-06-000	EA BRACKET-HEATER,BLACK
	103016-01-000	EA PLENUM-TRANSITION
	103558-01-08A	EA VENT-DEFROSTER-2"X14.4"X1.4"-HAMPTONTAN
	103796-01-01A	EA LOUVER-A/C
	077075-01-000	EA GASKET-INSTRUMENTPANELTODEFROSTERPLENUM-.6"X11.3" (CENTERTWOOPENINGS)
	077075-03-000	EA GASKET-INSTRUMENTPANELTODEFROSTERPLENUM
	103017-03-000	EA PLENUM-DEFROSTER

EVANSREARHEATERSYSTEM

KEY	PARTNUMBER	U/M DESCRIPTION	VENDORNO.
	084405-01-000	EA HEATER-REAR/DUCTED-W/MOTORAIID	
	084405-01-700	EA CORE-HEATER	FT200229
	084405-01-701	EA FANBLADES	HV029931
	084405-01-702	EA MOTORASSEMBLY-12VOLT	R0200180
	007076-01-000	EA HOSE-FLEXIBLEPVC-2"ID	
	007108-01-000	FT HOSE-HEATER-5/8"ID-HI-TEMP-FORD	
	079059-13-000	EA HOSE-90DEGREE-.61" I.D.X4"X48"	
	079059-01-000	EA HOSE-90DEGREE-5/8"IDX4"X36"	
	061673-01-000	EA BRACKET-MOTORAIIDTUBES-4"X1.5"-STEEL	
	076776-01-000	EA TEE-BEADED-5/8"X5/8"X5/8"	

HEATING&AIRCONDITIONINGGROUP(CONTINUED)

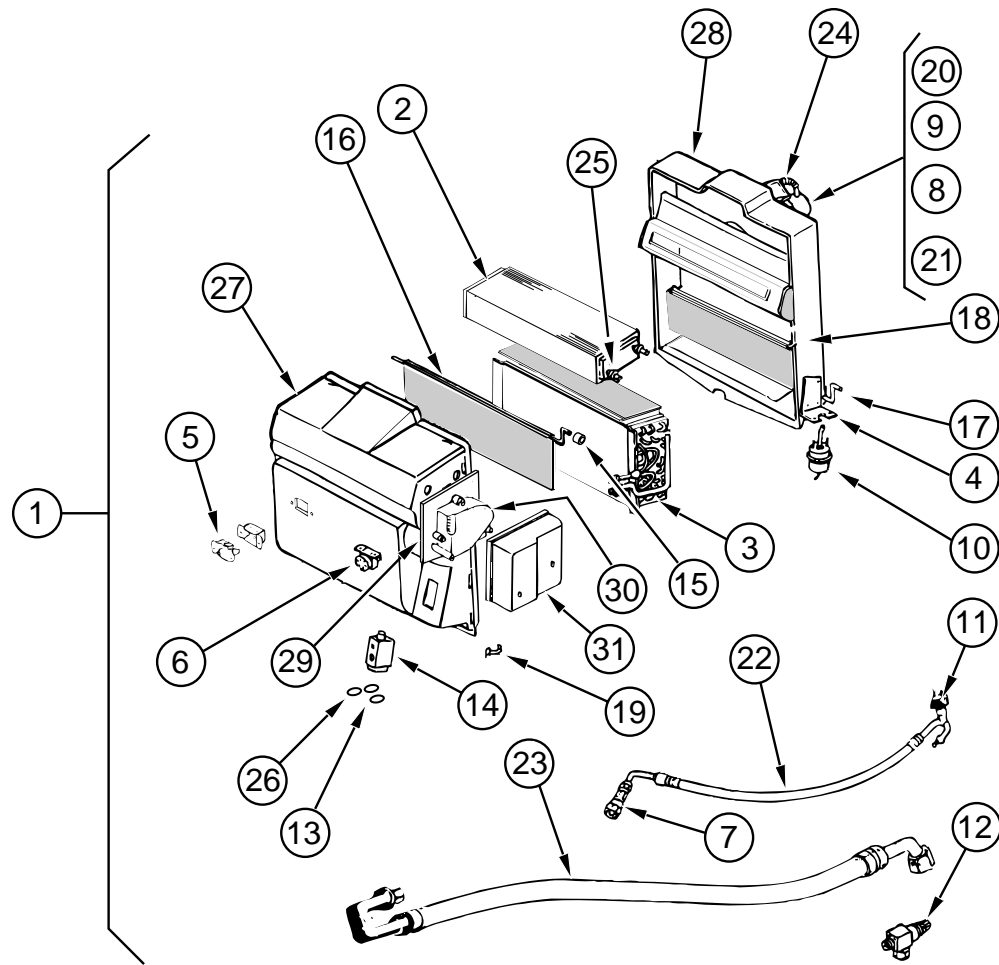


FOR EVAPORATOR/HEATER ASSEMBLY-SCS090-00084 (FROM: 00-00-00 THRU: 09-01-96)

KEY	PARTNUMBER	U/M DESCRIPTION	VENDORNO.
1	103930-21-000	EA EVAPORATOR/HEATERASSEMBLY	FROM: 00-00-00 THRU: 09-01-96
2	103930-01-703	EA COIL-HEATER	042-0010
3	103930-01-704	EA COIL-EVAPORATER	041-0017
4	103930-01-708	EA BRACKET-VACUUMMOTOR	070-0113
5	103930-01-710	EA RESISTOR-FUSED	035-0006
6	103930-01-711	EA THERMOSTAT	033-0003
7	103930-01-713	EA FITTING-QUICKCONNECT,#4	050-003
8	103930-01-717	EA WHEEL-CLOCKWISE	062-0010
9	103930-01-720	EA MOTOR	030-0004
10	103930-02-708	EA MOTOR-VACUUMSERVO,A/C	030-0002
11	103930-12-708	EA SWITCH,BINARY,R-134A	032-0048
12	103930-13-702	EA SERVICEVALVE/OC.P.	050-152
13	103930-17-702	EA GASKETORSAE015-#10-33-781	045-0127
14	103930-20-700	EA VALVEEXPANSIONBLOCK(2TON)	034-0032
15	103930-20-702	EA ROD-BLENDAIRDOOR	073-0039
16	103930-20-703	EA DOOR-BLENDAIR	071-0212
17	103930-20-704	EA ROD-DOOR,RECIRCULATING	073-0018
18	103930-20-705	EA DOORPANEL-RECIRCULATING	071-0213
19	103930-20-706	EA CLIP-RETAINER	022-0057
20	103930-20-707	EA BLOWERHOUSING	062-0145
21	103930-20-708	EA CLIPF/MOTORSHAFT	022-0001
22	103930-21-700	EA HOSEASM,#6-FORD	085-0139
23	103930-21-701	EA HOSEASM,#10-FORD	085-0149
24	110279-01-703	EA HOSEVENTMOTORBLOWER	051-0034
25	110279-01-712	EA HEATERFITTING	050-0076
26	113245-01-707	EA GASKET(#8)	045-0126
27	103930-20-710	EA CASE-FRONT,SUB-ASSEMBLY	062-0146
28	103930-20-711	EA CASE-BACK,SUB-ASSEMBLY	062-0147
	103930-23-000	EA VALVE-WATER-2PORT	
	103930-05-000	EA MANUAL-OWNERS,HEATER-A/C057-0049	

HEATING & AIR CONDITIONING GROUP (CONTINUED)

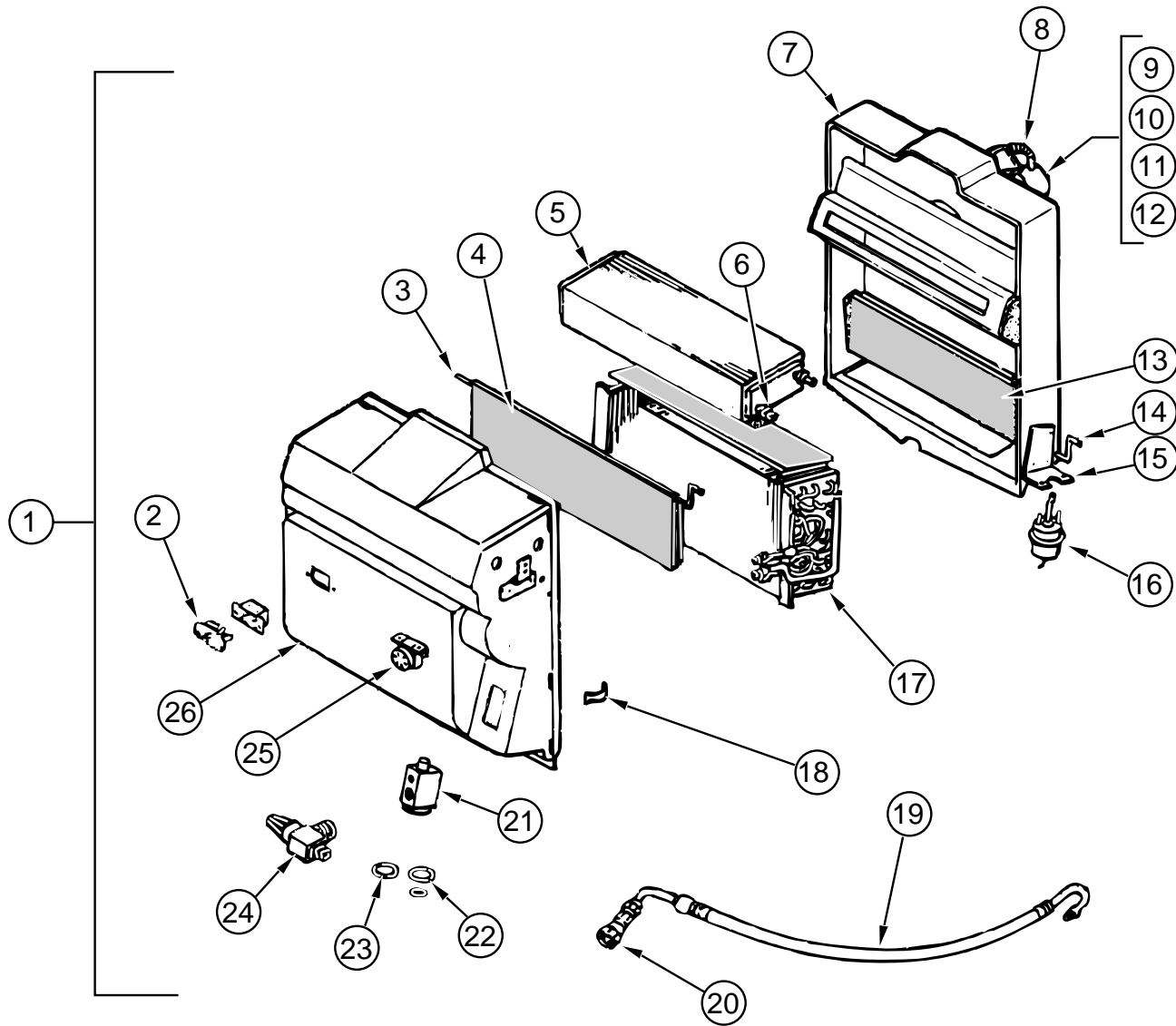
FOR EVAPORATOR/HEATER ASSEMBLY (FROM: 09-02-96 THRU: 99-99-99)



KEY	PART NUMBER	U/M DESCRIPTION	VENDOR NO.
1	103930-31-000	EA EVAPORATOR/HEATER-FORD-SERVOMOTORCONTROLLED	042-0010
			FROM: 09-02-96 THRU: 99-99-99
2	103930-01-703	EA CORE-HEATER	041-0017
3	103930-01-704	EA COIL-EVAPORATOR	070-0113
4	103930-01-708	EA BRACKET-VACUUMMOTOR	035-0006
5	103930-01-710	EA RESISTOR-FUSED, A/C	033-0003
6	103930-01-711	EA THERMOSTAT	050-0030
7	103930-01-713	EA FITTING-QUICKCONNECT, #4	062-0010
8	103930-01-717	EA WHEEL-BLOWER, CLOCKWISE	030-0004
9	103930-01-720	EA MOTOR-BLOWER, (PM105)	030-0025
10	103930-02-708	EA MOTOR-VACUUMSERVO, A/C	032-0048
11	103930-12-708	EA SWITCH-BINARY, HI-LOWCUTOUT	050-0152
12	103930-13-702	EA VALVE-SERVICE, W/OCOMP.	045-0127
13	103930-17-702	EA O'RING#10	034-0032
14	103930-20-700	EA VALVE-EXPANSION-BLOCK, 2TON	062-0168
15	103930-30-702	EA BUSHING-BLENDAIRDOOR	071-0212
16	103930-20-703	EA DOOR-BLENDAIR	073-0018
17	103930-20-704	EA ROD-DOOR-RECIRCULATING	071-0213
18	103930-20-705	EA PANEL-DOOR, RECIRCULATING	022-0057
19	103930-20-706	EA CLIP-RETAINER	062-0145
20	103930-20-707	EA HOUSING-BLOWER	022-0001
21	103930-20-708	EA CLIP-MOTORSHAFT	062-0147
22	103930-20-711	EA CASE-BACK, SUB-ASSEMBLY	085-0139
22	103930-21-700	EA HOSE ASM. #6 EXP. VALVE-DRIER	085-0149
23	103930-21-701	EA HOSE ASM#10, EXP. VALVE-COMP	051-0034
24	110279-01-703	EA HOSE-VENT, BLOWER MOTOR	050-0076
25	110279-01-712	EA FITTING-HEATER	045-0126
26	113245-01-707	EA O'RING#8	062-0542
27	103930-30-700	EA CASE-FRONT	062-0147
28	103930-20-711	EA CASE-BACK, SUB-ASSEMBLY	062-0544
29	103930-30-701	EA PLATE-MOTORMOUNT	030-0104
30	103930-30-703	EA MOTOR-SERVO	062-0545
31	103930-30-704	EA COVER-SERVO	
	103930-23-000	EA VALVE-WATER-2PORT	

HEATING & AIR CONDITIONING GROUP (CONTINUED)

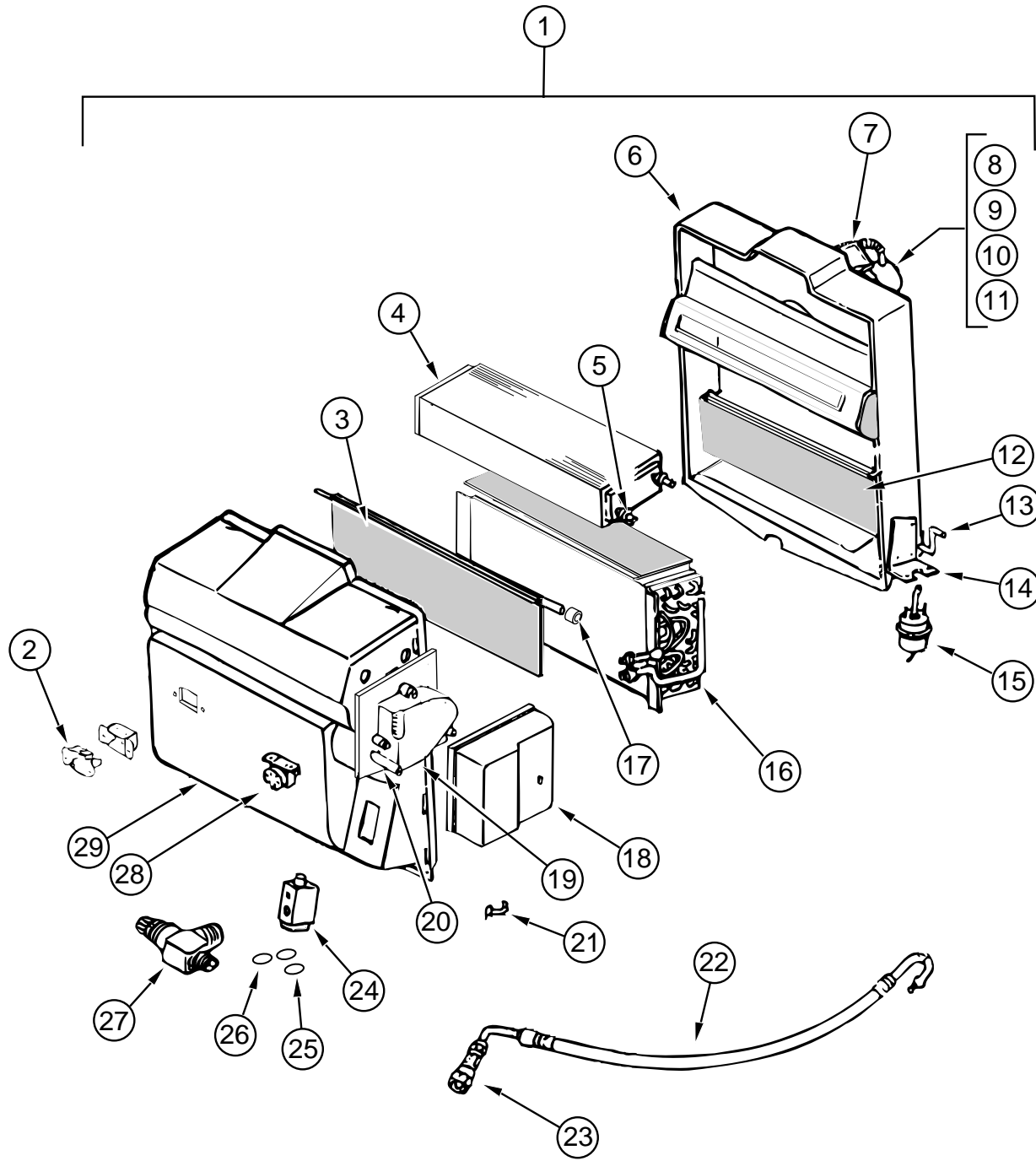
CHEVY EVAPORATOR/HEATER ASSEMBLY (FROM: 00-00-00 THRU: 09-01-96)



KEY	PART NUMBER	U/M	DESCRIPTION	VENDOR NO.
1	103930-25-000	EA	EVAPORATOR/HEATER-CHEVY-"96"	FROM: 00-00-00 THRU: 09-01-96
2	103930-01-710	EA	RESISTOR-FUSED, A/C	035-0006
3	103930-20-702	EA	ROD-DOOR, BLEND AIR	073-0039
4	103930-20-703	EA	DOOR-BLEND AIR	071-0212
5	103930-01-703	EA	CORE-HEATER	042-0010
6	110279-01-712	EA	FITTING-HEATER	050-0076
7	103930-20-711	EA	CASE-BACK, SUB-ASSEMBLY	062-0147
8	110279-01-703	EA	HOSE-VENT, BLOWER MOTOR	051-0034
9	103930-20-707	EA	HOUSING-BLOWER	062-0145
10	103930-01-720	EA	MOTOR-BLOWER, (PM105)	030-0004
11	103930-01-717	EA	WHEEL-BLOWER, CLOCKWISE	062-0010
12	103930-20-708	EA	CLIP-MOTOR SHAFT	022-0001
13	103930-20-705	EA	PANEL-DOOR, RECIRCULATING	071-0213
14	103930-20-704	EA	ROD-DOOR-RECIRCULATING	073-0018
15	103930-01-708	EA	BRACKET-VACUUM MOTOR	070-0113
16	103930-02-708	EA	MOTOR-VACUUM SERVO, A/C	030-0025
17	103930-01-704	EA	COIL-EVAPORATOR	041-0017
18	103930-20-706	EA	CLIP-RETAINER	022-0057
19	103930-25-700	EA	HOSE ASM., #6 EVAP TO DRIER	085-0350
20	103930-12-709	EA	FITTING-QUICK CONNECT	050-0120
21	103930-20-700	EA	VALVE-EXPANSION-BLOCK, 2 TON	034-0032
22	103930-17-702	EA	O'RING #10	045-0127
23	113245-01-707	EA	O'RING #8	045-0126
24	103930-20-709	EA	VALVE-SERVICE	050-0159
25	103930-01-711	EA	THERMOSTAT	033-0003
26	103930-20-710	EA	CASE-FRONT, SUB-ASSEMBLY	062-0146
	103930-02-714	EA	CLAMP-CLUTCH, BARREL	022-0006
	103930-23-000	EA	VALVE-WATER-2PORT	

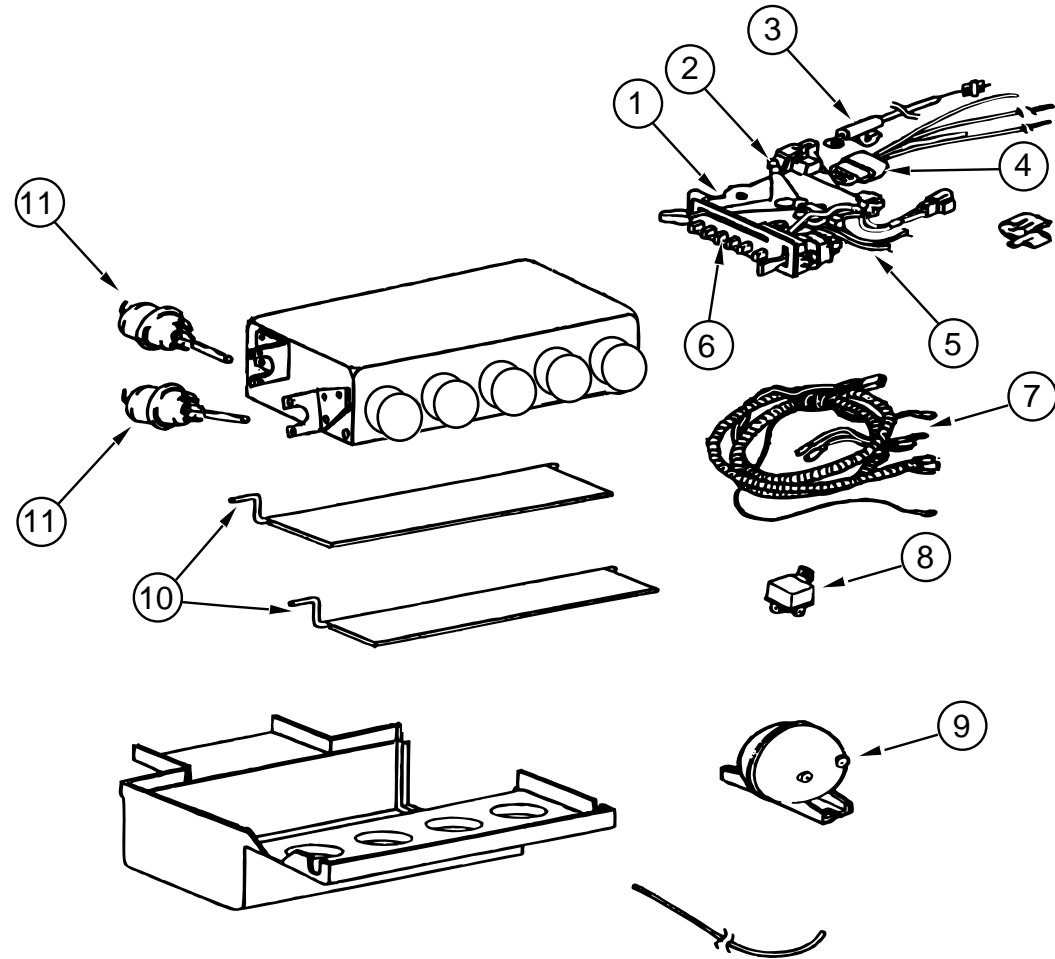
HEATING & AIR CONDITIONING GROUP (CONTINUED)

CHEVY EVAPORATOR/HEATER ASSEMBLY (FROM: 09-02-96 THRU: 99-99-99)



KEY	PART NUMBER	U/M DESCRIPTION	VENDOR NO.
1	103930-30-000	EA EVAPORATOR/HEATER-CHEVY-SERVOMOTORCONTROLLED	035-0006
			FROM: 09-02-96 THRU: 99-99-99
2	103930-01-710	EA RESISTOR-FUSED, A/C	071-0212
3	103930-20-703	EA DOOR-BLEND AIR	042-0010
4	103930-01-703	EA CORE-HEATER	050-0076
5	110279-01-712	EA FITTING-HEATER	062-0147
6	103930-20-711	EA CASE-BACK, SUB-ASSEMBLY	051-0034
7	110279-01-703	EA HOSE-VENT, BLOWER MOTOR	062-0145
8	103930-20-707	EA HOUSING-BLOWER	030-0004
9	103930-01-720	EA MOTOR-BLOWER, (PM105)	062-0010
10	103930-01-717	EA WHEEL-BLOWER, CLOCKWISE	022-0001
11	103930-20-708	EA CLIP-MOTOR SHAFT	071-0213
12	103930-20-705	EA PANEL-DOOR, RECIRCULATING	073-0018
13	103930-20-704	EA ROD-DOOR-RECIRCULATING	070-0113
14	103930-01-708	EA BRACKET-VACUUM MOTOR	030-0025
15	103930-02-708	EA MOTOR-VACUUM SERVO, A/C	041-0017
16	103930-01-704	EA COIL-EVAPORATOR	062-0168
17	103930-30-702	EA BUSHING-BLEND AIR DOOR	062-0545
18	103930-30-704	EA COVER-SERVO	030-0104
19	103930-30-703	EA MOTOR-SERVO	062-0544
20	103930-30-701	EA PLATE-MOTOR MOUNT	022-0057
21	103930-20-706	EA CLIP-RETAINER	085-0350
22	103930-25-700	EA HOSE ASM., #6 EVAP TO DRIER	050-0120
23	103930-12-709	EA FITTING-QUICK CONNECT	034-0032
24	103930-20-700	EA VALVE-EXPANSION-BLOCK, 2 TON	045-0127
25	103930-17-702	EA O-RING #10	045-0126
26	113245-01-707	EA O-RING #8	050-0159
27	103930-20-709	EA VALVE-SERVICE	033-0003
28	103930-01-711	EA THERMOSTAT	062-0542
29	103930-30-700	EA CASE-FRONT	
	103930-23-000	EA VALVE-WATER-2PORT	

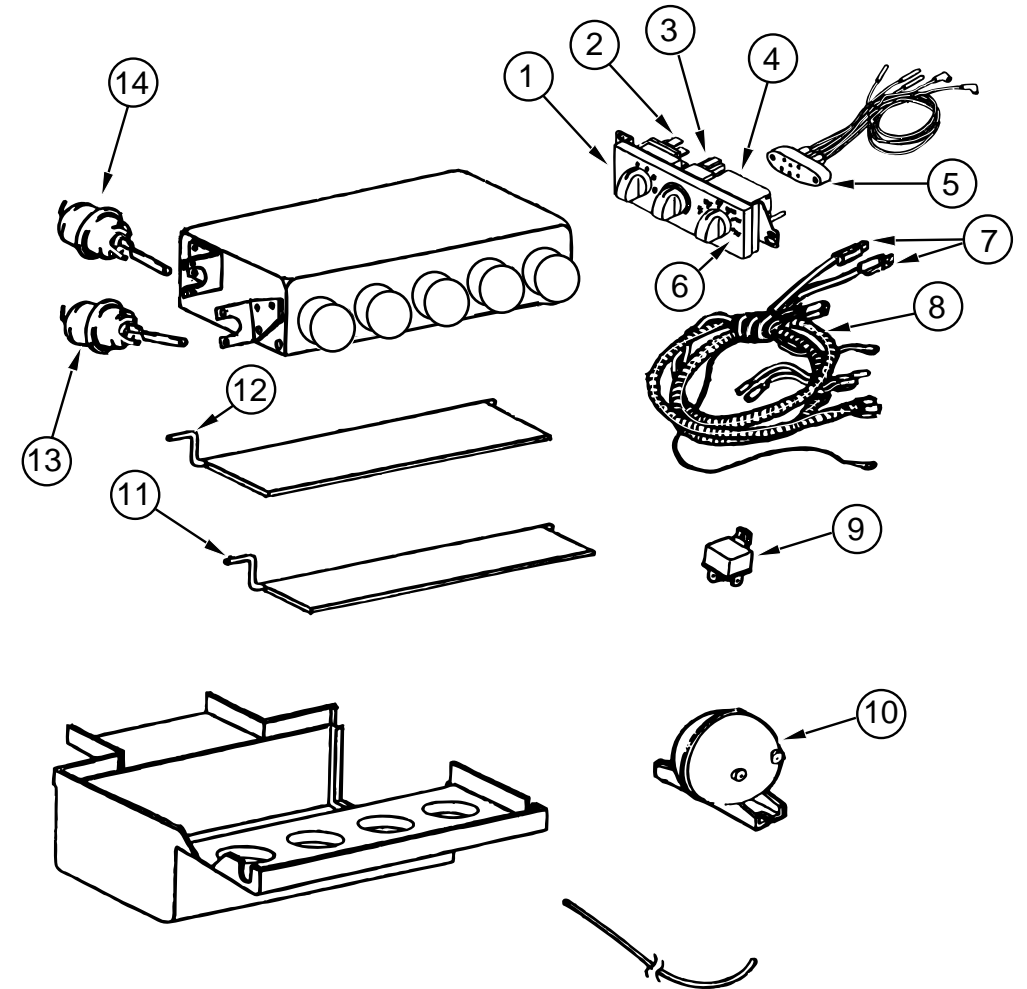
HEATING&AIRCONDITIONINGGROUP(CONTINUED)



CONTROL/PLENUMSET

KEY	PARTNUMBER	U/M	DESCRIPTION	VENDOR NO.
	103930-26-000	EA	CONTROL/PLENUMSET,M-BODY	
			FROM: 00-00-00 THRU: 09-01-96	
1	103930-02-712	EA	PANEL-CONT.A/CBLACKBEZEL	032-0054
	072341-06-700	EA	SWITCH-4SPEED,FAN	032-0043
2	103930-02-706	EA	CLIP-CABLECONTROL	022-0017
3	103930-02-705	EA	CABLE-BOWDENW/OLEVER89"	074-0011
4	103930-26-701	EA	HARNESS-VACUUMCONTROL	036-0456
5	103930-02-701	EA	SWITCH-VACUUM,CONTROLHEAD	034-0015
6	103930-02-702	EA	DECAL-CONTROLHEAD	058-0009
7	103930-26-700	EA	HARNESS-WIRECONTROL	036-0444
8	103930-02-707	EA	RELAY-BOSCHW/RESISTER	031-0001
9	103930-02-710	EA	CANISTER-VACUUM	054-0002
10	103930-33-700	EA	ROD-DOORDEFROSTER/AC	073-0028
11	103930-02-708	EA	MOTOR-VACUUMSERVO,A/C	030-0025

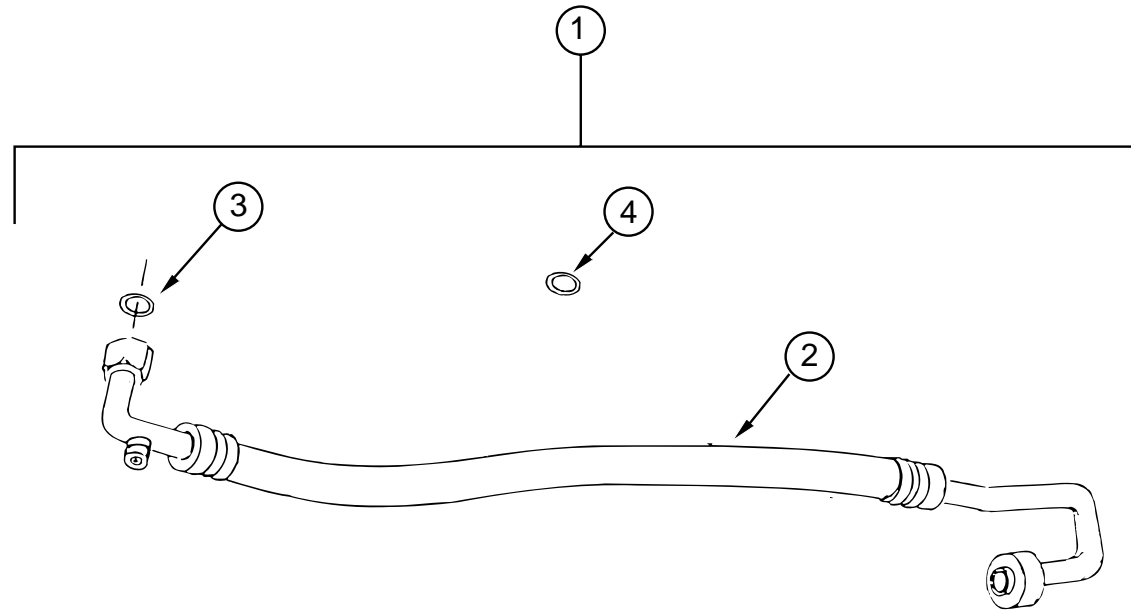
HEATING&AIRCONDITIONINGGROUP(CONTINUED)



CONTROL/PLENUM-ROTARYCONTROLHEAD

KEY	PARTNUMBER	U/M	DESCRIPTION	VENDOR NO.
	103930-35-000	EA	CONTROL/PLENUM-ROTARYCONTROLHEAD	
			FROM: 09-02-96 THRU: 99-99-99	
1	103930-33-702	EA	CONTROLPANEL	083-0169
2	103930-33-707	EA	SWITCH-BLOWER	032-0186
3	103930-33-708	EA	SWITCH-POTENTIOMETER	032-0184
4	103930-33-709	EA	SWITCH-VACUUM	032-0183
5	103930-33-703	EA	VACUUMHARNESS	036-0465
6	103930-33-710	EA	DECALF/CONTROLHEAD	058-0102
7	103930-33-705	EA	LIGHTBULBS	035-0030
8	103930-33-704	EA	WIREHARNESSW/BULBS	036-0466
9	103930-02-707	EA	RELAY-BOSCHW/RESISTER	031-0001
10	103930-02-710	EA	CANISTER-VACUUM	054-0002
11	103930-33-700	EA	ROD-DOORDEFROSTER/AC	073-0028
12	103930-33-706	EA	ROD-DOORAC/DEFROST	073-0060
13	103930-02-708	EA	MOTOR-VACUUMSERVO,A/C	030-0025
14	103930-33-701	EA	MOTOR-VACUUM,3STAGE	030-0105

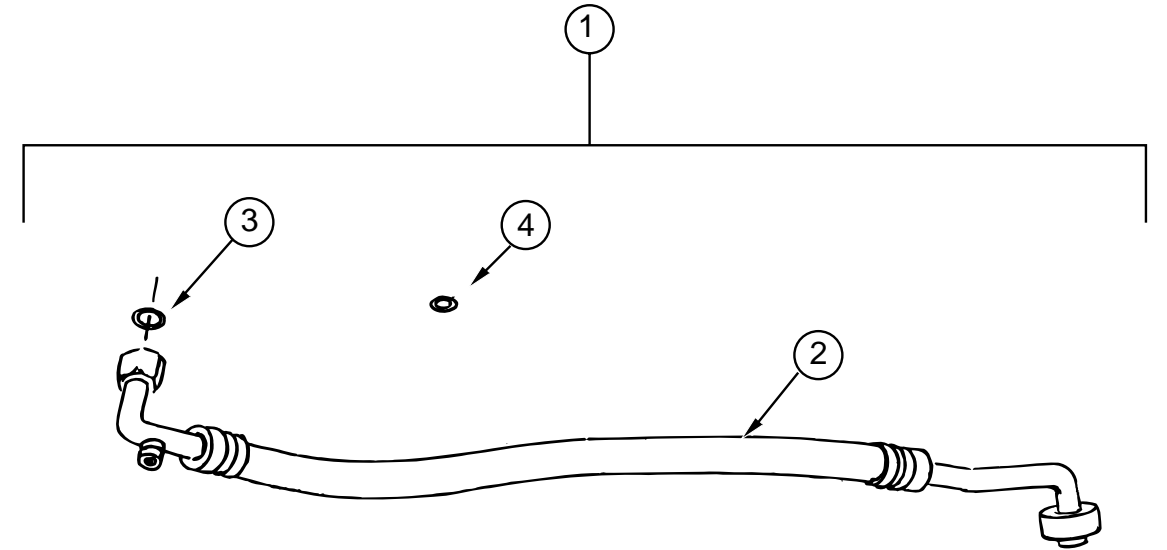
HEATING&AIRCONDITIONINGGROUP(CONTINUED)



CHEVYHOSEKIT-STANDARDGAS

KEY	PARTNUMBER	U/M	DESCRIPTION	VENDORNO.
1	103930-28-000	EA	HOSEKIT-#10W/GML-19CHASSIS	
2	103930-28-700	EA	HOSEASSM#10W/SELTECCOMP	085-0347
3	103930-17-702	EA	O'RING#10	045-0127
4	103930-29-701	EA	GASKET-GMLPSW1996	045-0483

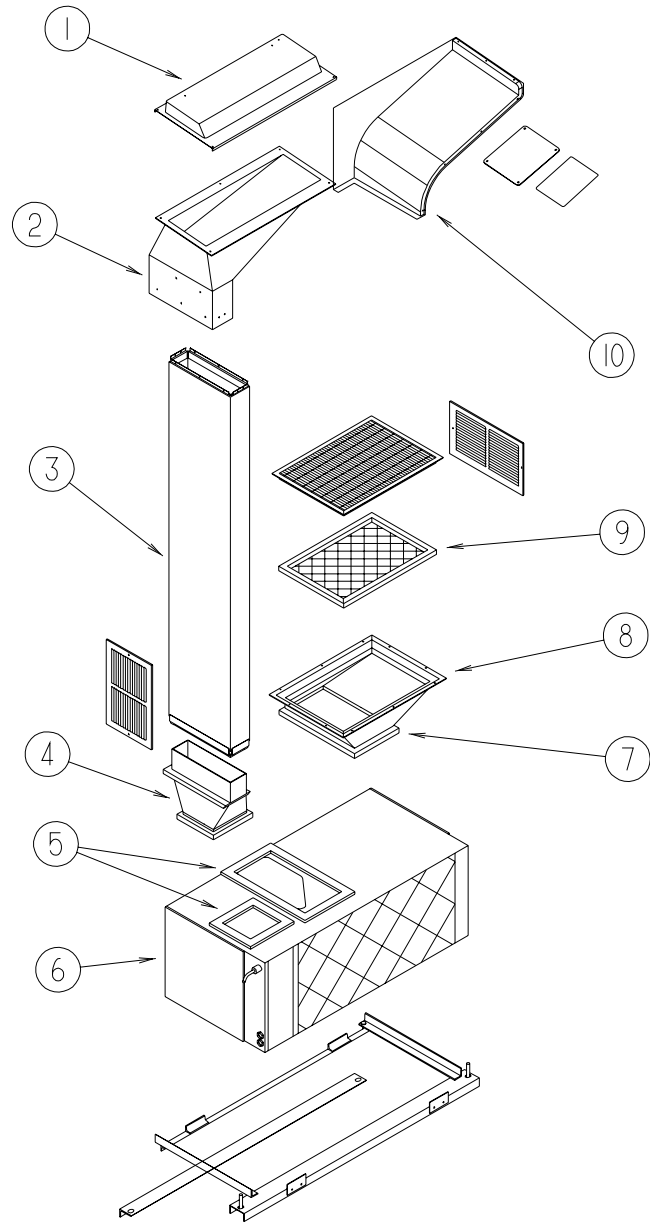
HEATING&AIRCONDITIONINGGROUP(CONTINUED)



CHEVYHOSEKIT-VORTECGASORDIESELOPTION

KEY	PARTNUMBER	U/M	DESCRIPTION	VENDORNO.
1	103930-29-000	EA	HOSEKIT-#10W/GML-29&L-65CHASSIS	
2	103930-29-700	EA	HOSEASSM#10W/HARRISONCOMP	085-0348
3	103930-17-702	EA	O'RING#10	045-0127
4	103930-29-701	EA	GASKET-GMLPSW1996	045-0483

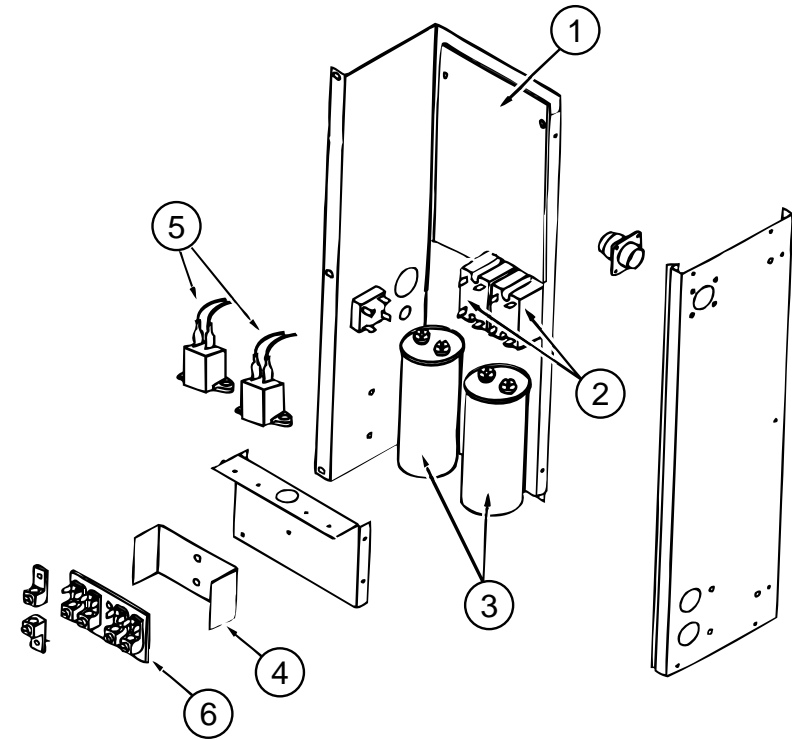
HEATING&AIRCONDITIONINGGROUP(CONTINUED)



CENTRALA/C&HEATINGSYSTEM-COLEMAN6795B832

KEY	PARTNUMBER	U/M	DESCRIPTION
1	109009-01-000	EA	DEFLECTOR-A/C-ROOF
	104692-01-000	FT	SEAL-3/4"X3/4"-ADHESIVE ON ONE SIDE
2	P18218-01-000	EA	PLENUM-A/C-SUPPLY-UPPERW/FOAM
	118218-01-000	EA	PLENUM-A/C-SUPPLY-UPPER
3	117870-01-01A	EA	PLENUM-A/C-67"
4	P17384-01-000	EA	PLENUM-LOWER A/C
	117384-01-000	EA	PLENUM-A/C-SUPPLY, LOWER
	105290-01-000	SF	INSULATION-AIRPOCKETW/FOIL-ASTRO-ROIL4'X125'
5	100128-02-000	FT	SEAL-FOAM-ADHESIVE BACK-.37"W X .37" THICK
6	105620-05-000	EA	A/C-CENTRAL PACKAGE UNIT-LEFTHAND
	105620-09-000	EA	THERMOSTAT-A/C&FURNACE-HORIZONTAL MOUNT 4.25" X 2.5"
	105620-07-000	EA	WIRE ASSEMBLY-THERMOSTAT
7	117389-01-000	EA	PLENUM-A/C-RETURN AIR
	105290-01-000	SF	INSULATION-AIRPOCKETW/FOIL
8	109050-02-000	EA	FILTER-FIBERGLASS-1"X14"X20"
9	109859-01-000	EA	FRAME ASSEMBLY-FILTER-A/C
10	117570-01-01A	EA	COVER-PLENUM-A/C-UPPER-OFFWHT

HEATING&AIRCONDITIONINGGROUP(CONTINUED)

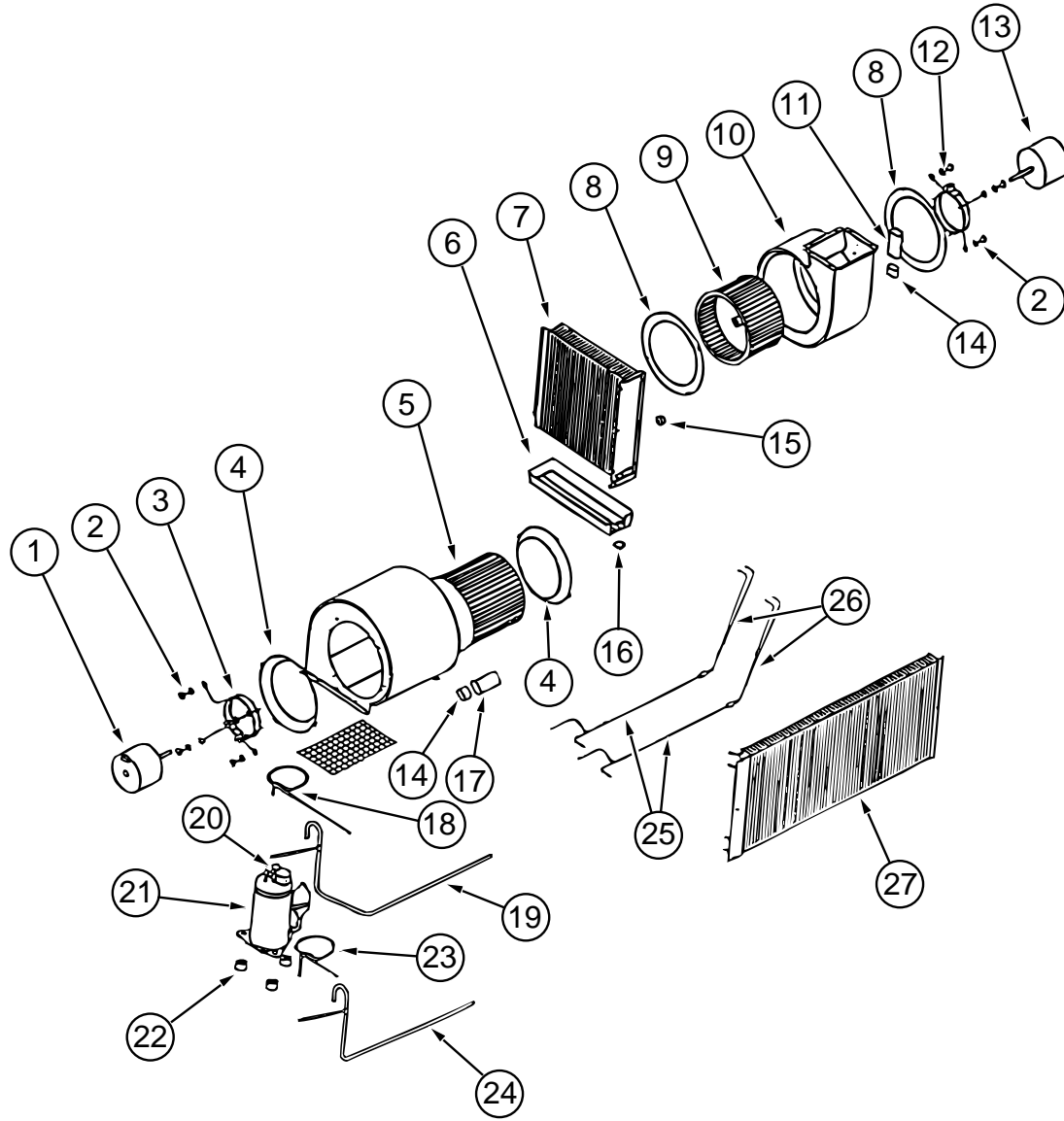


CENTRALA/C&HEATINGSYSTEM-COLEMAN6795B832(CONTINUED)

KEY	PARTNUMBER	U/M	DESCRIPTION	VENDOR NO.
1	105620-05-700	EA	BOARD-PRINTED CIRCUIT, 2TON	6795-3201
2	105620-01-729	EA	RELAY-COMPRESSOR	1460-1011
3	108889-01-707	EA	CAPACITOR-RUN, COMPRESSOR-25MFD/370	1499-5661
4	105620-01-733	EA	ISOLATOR-HIGH VOLTAGE	6795-117
5	105620-01-739	EA	START ASSIST	9011
6	105620-01-738	EA	HIGH VOLTAGE TERMINAL BOARD	6795-315

HEATING&AIRCONDITIONINGGROUP(CONTINUED)

CENTRALA/C&HEATINGSYSTEM-COLEMAN6795B832(CONTINUED)

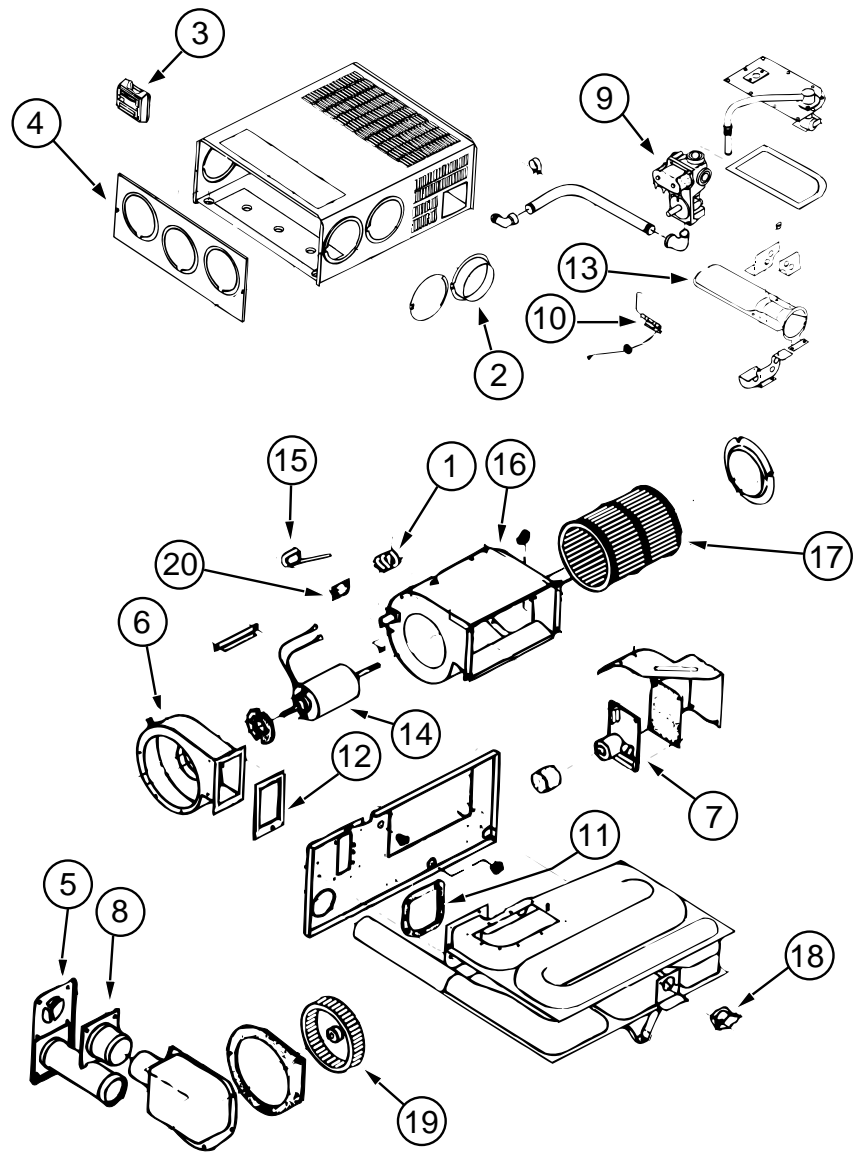


KEY	PART NUMBER	U/M	DESCRIPTION	VENDOR NO.
22	105620-01-706	EA	MOUNTINGPACKAGE,COMPRESSOR,3PER	6759-3081
23	105620-02-706	EA	LINEASM.-LIQUIDC K #1(LH)	6795-234
24	105620-02-705	EA	LINEASM.-SUCTIONC K #1(LH)	6795-508
25	105620-02-707	EA	LINEASM.-LIQUID,COMPRESSOR(LH)	6795-503
26	105620-01-712	EA	CAPTUBEASM-DISTRIBUTOR,R&L	6795-5141
27	105620-02-700	EA	COIL-CONDENSER,(LH)	1452-1421
	105620-07-000	EA	WIREASM-THERMOSTAT6795A4351	
	120134-01-02A	EA	REGISTER-4-5INDIAW/DAMPER	

KEY	PART NUMBER	U/M	DESCRIPTION	VENDOR NO.
1	105620-01-717	EA	MOTOR-BLOWER,O.D.	1468-302
2	105620-01-716	EA	PACKAGE-SLEEVE&GROMMET,4PERPKG	6795-3031
3	105620-01-715	EA	MOUNT-BLOWER,O.D.	6795-3011
4	105620-01-714	EA	VENTURI-BLOWER,O.D.	6795-150
5	105620-01-713	EA	WHEEL-BLOWER,O.D.	1472-1011
6	105620-02-702	EA	PAN-DRAIN,LH	6795-225
7	105620-02-701	EA	COIL-EVAPORATOR,LEFT	1452-1431
8	105620-01-722	EA	VENTURI-BLOWER,I.D.	6795-151
9	105620-02-709	EA	WHEEL-BLOWER,I.D.	1472-1021
10	105620-02-708	EA	HOUSING-BLOWER,I.D.	6795-519
11	108889-01-708	EA	CAPACITOR-BLOWER	1499-5461
12	105620-01-723	EA	MOUNT-MOTOR,BLOWER,I.D.	6795-3021
13	105620-01-724	EA	MOTOR-BLOWER,I.D.,	1468-3129
14	105620-01-719	EA	BOOT-CAPACITOR,RUBBER	1499-950
15	N/A	EA	SWITCH-FREEZE,COLEMAN6795A330(NOTUSEDONTHISMODEL)	
16	105620-01-703	EA	DRAINVALVE	6795-300
17	105620-01-718	EA	BLOWERCAPACITOR,O.D.(12.5)	1499-5631
18	105620-01-708	EA	LINE-DISCHARGE,2-LEFT	6795-133
19	105620-02-703	EA	LINEASM-SUCTION,2-LEFT	6795-507
20	105620-01-705	EA	OVERLOADPROTECTOR(RH&LH)	6759-3791
21	105620-01-704	EA	COMPRESSOR,TECUMSEH	RK157AT-010A4

HEATING & AIR CONDITIONING GROUP (CONTINUED)

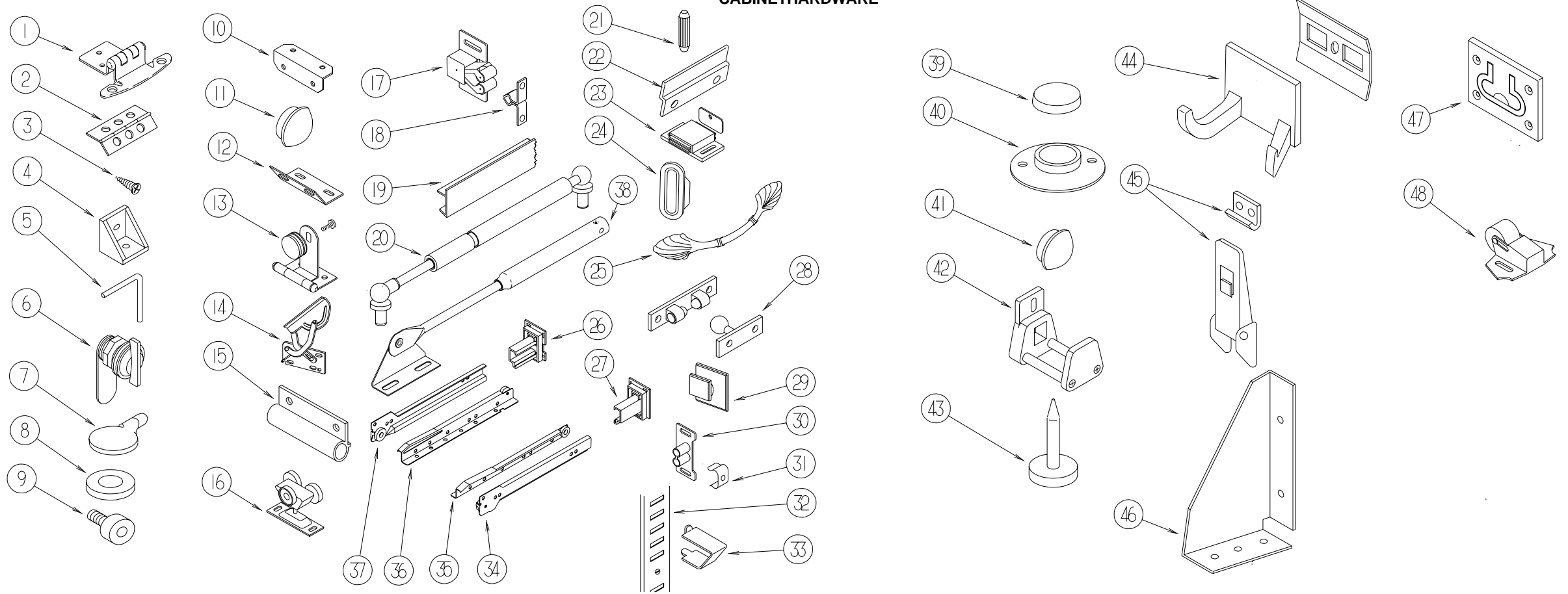
FURNACE-SUBURBAN-49,000BTU-SF-422275



KEY	PARTNUMBER	U/M	DESCRIPTION	VENDOR NO.
	098668-22-000	EA	FURNACE -49,000BTU	
1	074466-01-702	EA	RELAY, TIMEDELAY	230625
2	075696-02-703	EA	COLLAR-DUCT	050715
3	115764-01-01A	EA	THERMOSTAT-FURNACE, SUBURBAN160902	
4	098668-01-700	EA	CABINETFRONT	101242
5	098668-01-707	EA	TUBEASSEMBLY, EXHAUSTW/CAP	260231
6	098668-01-708	EA	HOUSING-BLOWER, COMBUSTION	390441
7	098668-01-712	EA	BOARD-MODULE	520741
8	098668-01-713	EA	TUBEASSEMBLY, INTAKE	051248
9	098668-01-714	EA	VALVE-GAS, SF	161070
10	098668-01-715	EA	ELECTRODEASM., SINGLEPROBE	232166
11	098668-01-716	EA	GASKET-FIREWALL, CHAMBERSIDE	070808
12	098668-01-717	EA	GASKET-FIREWALL, BLOWERSIDE	070809
13	098668-11-700	EA	ORIFICE-MAINBURNER, SF-42F	180216
14	098668-11-701	EA	BURNERASSEMBLY, SF-42F	010799
15	098668-11-702	EA	MOTORASSEMBLY, SF-42F	232212
16	098668-11-703	EA	SWITCH-SAIL, SF-42F	232216
17	098668-11-704	EA	BLOWERASM., ROOMAIRSF-42F	390698
18	098668-01-711	EA	WHEEL-BLOWER, ROOMAIR	350129
19	098668-11-706	EA	SWITCH-LIMIT, SF42&SF42F	232217
20	098668-22-702	EA	WHEEL-COMBUSTIONAIR	350183
	101990-01-714	EA	GASKET-MICROSWITCH	230877
	098668-14-000	EA	GASKET-FIBERGLASS, .5"X18"X18" 070976	
	094600-05-01A	EA	REGISTER-HEAT-W/ODAMPER-11.3"-BEIGE	
	094600-06-01A	EA	REGISTER-HEAT,W/DAMPER	
	056464-10-000	EA	REGISTER-W/ODAMPER,4"DIAMETER-DURA-BEIGE	
	120773-01-01A	EA	SHROUD-FURNACE,TITANIUM	
	009198-02-000	FT	DUCT-FLEXIBLE-2INIDX25FT	
	009198-01-000	FT	DUCT-HEAT,FLEXIBLE-4"IDX25FT	
	076776-01-000	EA	TEE-BARB, 5/8"X5/8"X5/8"	
	093614-06-02A	EA	GRILLE-RETURNAIR	
	093614-01-02A	EA	GRILLE-RETURNAIR-15.6"X7.6"-BEIGE	
	093614-03-02A	EA	GRILLE-RETURNAIR	
	009200-01-000	EA	TAPE-FURNACE,11/2"	

INTERIORFINISHGROUP

CABINETHARDWARE

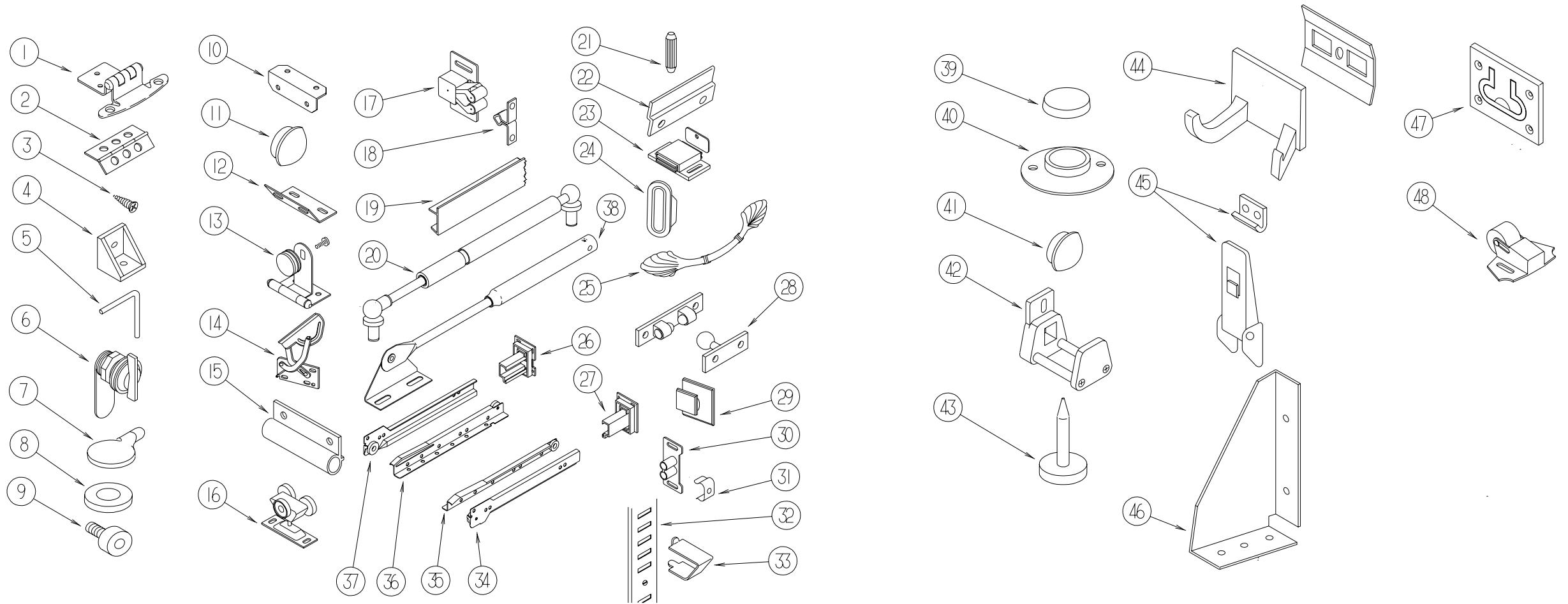


KEY	PARTNUMBER	U/M	DESCRIPTION
1	108138-01-000	EA	HINGE-CABINETDOOR-BURNISHEDBRASS
2	009059-01-000	EA	HINGE-DOOR-2"X1.4"-BRASS
2	009059-02-000	EA	HINGE-DOOR-2"X2.7"-BRASS
2	009065-01-000	EA	HINGE-ALUMINUM-1 1/2"X96"-UNPAINTED
2	112556-01-01A	EA	HINGE-BRASS-1 1/2"
3	000G13-06-10G	EA	SCREW-6-20X5/8PFH-ANTIQU BRASS
3	000G13-06-08G	EA	SCREW-6-20X.50PFH-ANTIQU BRASS
4	065740-01-000	EA	BRACE-CABINET/CORNER-PLASTIC
5	108487-01-01A	EA	SUPPORT-PROPROD-OVERHEAD-BLACK
6	100710-01-01A	EA	LOCK-GLASSDOOR/TWISTTYPE-BRASS
7	101766-02-000	EA	PIN-SUPPORT/GLASSDOOR
8	100707-01-000	EA	SPACER-GLASSDOOR-.8"DIA-.3"HOLE-PLASTIC
9	079921-01-000	EA	ROLLER-NYLON-W/STEELSHAFT-BARBED
10	016604-01-000	EA	BRACE-CABINET-ANGLE-2.5"-UNPAINTEDMETAL
10	016604-05-000	EA	BRACE-CABINET-ANGLE-2.5"-OFFWHITEMETAL
11	074045-10-000	EA	PLUG-OAK-1/2"DIA METER(SOLARMAPLE)
11	074045-08-000	EA	PLUG-OAK-1/2"DIA METER(SALEMCHERRY)
12	111866-01-01A	EA	BRACE-SEAT,ANGLE
13	100711-01-01A	EA	HINGE-GLASSDOOR
14	108126-01-000	EA	TRAYHINGESET(QTY.2PERSET)
15	108486-01-01A	EA	BRACKET-PROPROD/OVERHEAD-BLACK
16	103874-01-000	EA	HANGER-SLIDINGDOOR
17	093586-06-000	EA	CATCH-SPRING-ROLLER
18	093586-05-000	EA	STRIKE-SPRINGSTEEL
19	103186-01-03A	FT	MOLDING-PLASTIC/3/8"U-CHANNELW/3/4"FACE(SOLARMAPLE)
19	103186-02-03A	FT	MOLDING-PLASTIC/1"U-CHANNELW/13/8"FACE(SALEMCHERRY)
20	057460-04-000	EA	SPRING-GAS-BALLSTUDSTYLE"SPD6209"
21	110072-01-000	EA	DOWEL-5/16"X13/16",BIRCH
22	101272-01-000	EA	CATCH-DOOR, GLASS
23	088254-01-000	EA	CATCH-MAGNETIC-1.8"X.7"
24	098410-01-01A	EA	PULL-FINGER-OVAL-BRASS

KEY	PARTNUMBER	U/M	DESCRIPTION
25	113202-01-000	EA	PULL-CABINET-BRASS
26	114045-01-000	EA	BACKSOCKET-ADJUSTABLE-LEFT
27	114045-02-000	EA	BACKSOCKET-ADJUSTABLE-RIGHT
28	084451-02-000	EA	CATCH-TV SHELF-BRASS
29	102327-01-01A	EA	PULL-MIRROR-SQUARE
30	009021-01-000	EA	CATCH-GRILL-NYLON
31	009021-02-000	EA	STRIKE-SPRINGSTEEL
32	098980-01-000	EA	PILASTER-ADJUSTABLESHELF-18"LONG-WOODGRAIN
32	098980-02-000	EA	PILASTER-ADJUSTABLESHELF-12"LONG-WOODGRAIN
32	098980-03-000	EA	PILASTER-ADJUSTABLESHELF-9"LONG-WOODGRAIN
32	098980-04-000	EA	PILASTER-ADJUSTABLESHELF-48"LONG-WOODGRAIN
32	098980-06-000	EA	PILASTER-ADJUSTABLESHELF-24"LONG-WOODGRAIN
33	098979-01-000	EA	CLIP-PILASTER-ADJUSTABLESHELF
34	114031-02-000	EA	SLIDE-12"-RIGHTSIDE/CABINET
34	114031-10-000	EA	SLIDE-16"-RIGHTSIDE/CABINET
34	114031-14-000	EA	SLIDE-18"-RIGHTSIDE/CABINET
34	114031-18-000	EA	SLIDE-20"-RIGHTSIDE/CABINET
34	114031-22-000	EA	SLIDE-22"-RIGHTSIDE/CABINET
34	114031-26-000	EA	SLIDE-24"-RIGHTSIDE/CABINET
35	114031-04-000	EA	SLIDE-12"-RIGHTSIDE/DRAWER
35	114031-08-000	EA	SLIDE-14"-RIGHTSIDE/DRAWER
35	114031-12-000	EA	SLIDE-16"-RIGHTSIDE/DRAWER
35	114031-16-000	EA	SLIDE-18"-RIGHTSIDE/DRAWER
35	114031-24-000	EA	SLIDE-22"-RIGHTSIDE/DRAWER
35	114031-28-000	EA	SLIDE-24"-RIGHTSIDE/DRAWER
36	114031-03-000	EA	SLIDE-12"-LEFTSIDE/DRAWER
36	114031-07-000	EA	SLIDE-14"-LEFTSIDE/DRAWER
36	114031-11-000	EA	SLIDE-16"-LEFTSIDE/DRAWER
36	114031-15-000	EA	SLIDE-18"-LEFTSIDE/DRAWER
36	114031-23-000	EA	SLIDE-22"-LEFTSIDE/DRAWER
36	114031-27-000	EA	SLIDE-24"-LEFTSIDE/DRAWER

INTERIORFINISHGROUP(CONTINUED)

CABINETHARDWARE(CONTINUED)

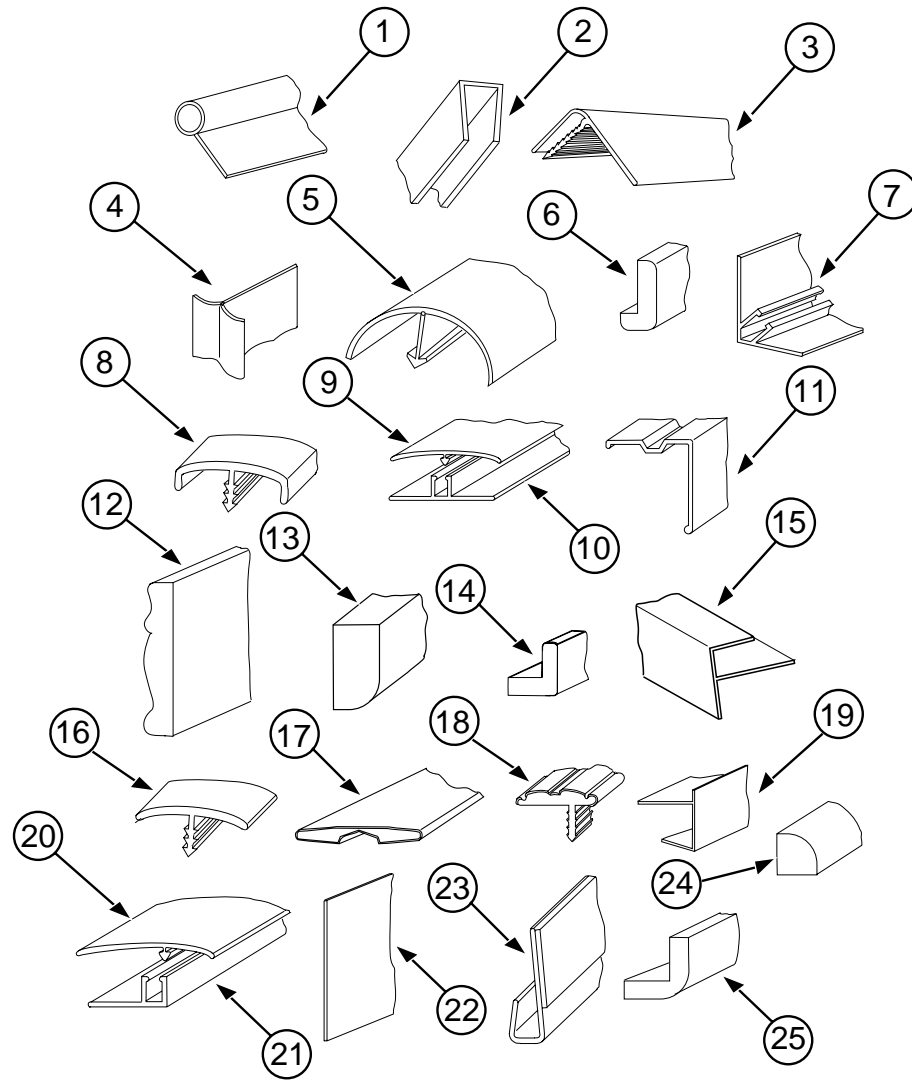


KEY	PARTNUMBER	U/M	DESCRIPTION
37	114031-01-000	EA	SLIDE-12"-LEFTHAND/CABINET
37	114031-05-000	EA	SLIDE-14"-LEFTHAND/CABINET
37	114031-09-000	EA	SLIDE-16"-LEFTHAND/CABINET
37	114031-13-000	EA	SLIDE-18"-LEFTHAND/CABINET
37	114031-17-000	EA	SLIDE-20"-LEFTHAND/CABINET
37	114031-21-000	EA	SLIDE-22"-LEFTHAND/CABINET
37	114031-25-000	EA	SLIDE-24"-LEFTHAND/CABINET
38	074493-02-000	EA	SUPPORT-PISTONSRING-CABINETDOOR
38	074493-03-000	EA	SUPPORT-DOOR-SPRUNG
39	004354-01-000	EA	BUMPER-RUBBER-.5"DIA-BROWN
40	009112-01-000	EA	FLANGE-ROD-1"-CLOTHESROD-PLASTIC-OFFWHITE
41	042356-01-000	EA	PLUG-BUTTON-MAHOGANY-3/8"DIA-METAL-WOOD
42	064467-01-000	EA	GUIDE-POCKET-SLIDINGDOOR-WALLMOUNTED
43	102194-01-000	EA	GUIDE-PLASTIC
44	104174-01-000	EA	HOOK-ROBE-TWIN
45	116975-01-01A	EA	LATCH-W/O STRIKE-BLACK-NEWSTYLE
	042541-05-000	EA	STRIKE-W/OLATCH-BRASS
46	116978-01-03B	EA	GUSSET-SLIDEOUTROOM-OFFWHITE
47	072871-01-000	EA	PULL-FLUSH-CHROME
48	109403-01-000	EA	CATCH-SINGLEROLLER
	076790-01-000	EA	SCREW-6-20X1 1/4PPH-BLACK
	M97191-01-E37	EA	HANDLE-DOOR-TAMBOUR
	023320-01-000	EA	PAD-FELT-3/8"DIA-METAL-BROWN
	042438-01-000	EA	DOWEL-WOOD-CLOTHESROD-1"DIA-METALX4'
	042438-06-000	EA	DOWEL-WOOD-1.5"X26"-OAK

KEY	PARTNUMBER	U/M	DESCRIPTION
	041389-18-000	EA	HINGE-PIANO-1.50"X482.6"-OFFWHITE
	041389-25-000	EA	HINGE-PIANO-1.50"X55"-MILL
	073151-02-000	EA	HINGE-CONTINUOUS-22.3"LONG-METAL-OFFWHITE
	097141-02-700	EA	TRACK-SPIRALKIT-(1)LH&(1)RH
	118802-01-02A	EA	HINGE-DOOR/CAB-OVERHEAD
	118802-01-01A	EA	HINGE-DOOR/CAB-OVERHEAD

INTERIORFINISHGROUP(CONTINUED)

MOLDINGS&TRIMS



KEY	PARTNUMBER	U/M	DESCRIPTION
7	081521-02-007	EA	MOUNT-METALMOLDING-FORRADIUSCORNERMOLDING-12.5'LONG
8	083620-14-000	FT	MOLDING-T-ENDCAPEDGE-W/EDGELIPS-.75"(SOLARMAPLE)
8	083620-11-000	FT	MOLDING-T-ENDCAPEDGE-W/EDGELIPS-.75"(SALEMCHERRY)
9	086229-14-000	EA	RETAINER-BATTEN-3/4
10	086229-13-000	EA	BATTEN-CEILING-1"WIDE-MODERNIVORY
10	086229-20-000	EA	BATTEN-CEILING-1"WIDE-BEIGE
11	093873-01-01A	EA	TRIM-CARPET-L-ANGLE-1.1"X1.3"X12'-VINYL
12	100182-10-H37	EA	TRIM-CHAIRRAIL-WOOD(SOLARMAPLE)
12	100182-10-E41	EA	TRIM-CHAIRRAIL-WOOD(SALEMCHERRY)
13	100818-01-06A	EA	MOLDING-VINYLRAPPED-1.65"X.4"X7'-SOLARMAPLE
13	100818-01-04A	EA	MOLDING-VINYLRAPPED-1.65"X.4"X7'-CHERRY-CHERRY
14	100819-01-06A	EA	MOLDING-VINYLRAPPED-L-SHAPED-1.5"X1.5"X7'-SOLARMAPLE
14	100819-01-04A	EA	MOLDING-VINYLRAPPED-L-SHAPED-1.5"X1.5"X7'-SALEMCHERRY
15	009812-30-000	EA	MOLDING-CORNER-OUTSIDE-.5"-PLASTIC(SOLARMAPLE)
15	009812-26-000	EA	MOLDING-CORNER-OUTSIDE-.5"-PLASTIC(SALEMCHERRY)
16	105709-01-000	FT	T-MOLDING-1"WIDE-MODERNIVORY
17	079653-35-000	EA	MOLDING-BATTSTRIP-TRANQUILGARDEN
18	109736-01-01A	FT	T-MOLDING-1"WIDE-OFFSET-BRASS/BLACK
19	103186-01-06A	FT	MOLDING-PLASTIC/3/8"U-CHANNELW/3/4"FACE-SOLARMAPLE
19	103186-01-04A	FT	MOLDING-PLASTIC/3/8"U-CHANNELW/3/4"FACE-CHERRY
19	103186-02-06A	FT	MOLDING-PLASTIC/1"U-CHANNELW/13/8"FACE-SOLARMAPLE
19	103186-02-04A	FT	MOLDING-PLASTIC/1"U-CHANNELW/13/8"FACE-CHERRY
20	086229-13-000	EA	BATTEN-CEILING-1.5"OFFSET-MODERNIVORY
21	086229-09-000	EA	RETAINER-BATTEN-CEILING-OFFSET
22	101957-01-05A	EA	EXTRUDED-PLASTIC(SOLARMAPLE)
22	101957-01-04A	EA	EXTRUDED-PLASTIC(SALEMCHERRY)
23	109332-02-01A	FT	TRIM-J-MIRROR-BRASS
24	109410-01-H37	EA	MOLDING-TRIM(SOLARMAPLE)
24	109410-01-E41	EA	MOLDING-TRIM(SALEMCHERRY)
25	080176-07-000	EA	CAP-TOP-RADIUSCORNERMOLDING-PLASTIC(SOLARMAPLE)
25	080176-06-000	EA	CAP-TOP-RADIUSCORNERMOLDING-PLASTIC(SALEMCHERRY)
	104676-01-01A	FT	T-MOLDING-5/16"-RIGID-GOLD
	009767-16-000	FT	WELTING(SOLARMAPLE)
	009767-14-000	FT	WELTING(SALEMCHERRY)
	109831-01-H56	EA	LUMBER-MIRRORSTOP-24"(SOLARMAPLE)
	109831-01-E41	EA	LUMBER-MIRRORSTOP-24"(SALEMCHERRY)
	120492-01-01A	FT	STRIP-TRIM-IVORY
	119217-01-H56	EA	MOLDING-ENTRANCEDOOR-RIGHTHAND(SOLARMAPLE)
	119217-01-GV1	EA	MOLDING-ENTRANCEDOOR-RIGHTHAND(SALEMCHERRY)
	119217-02-H56	EA	MOLDING-ENTRANCEDOOR-LEFTHAND(SOLARMAPLE)
	119217-02-GV1	EA	MOLDING-ENTRANCEDOOR-LEFTHAND(SALEMCHERRY)

KEY	PARTNUMBER	U/M	DESCRIPTION
1	009767-12-000	FT	MOLDING-SIDEWALLTOCEILING/CABINET-WELTING-OFFWHITE
2	009778-24-000	FT	UCHANNEL-PLASTIC-1"(SOLARMAPLE)
2	009778-18-000	FT	UCHANNEL-PLASTIC-1"(SALEMCHERRY)
2	070504-41-000	FT	UCHANNEL-PLASTIC-1.65"(SOLARMAPLE)
2	070504-30-000	FT	UCHANNEL-PLASTIC-1.65"(SALEMCHERRY)
2	070504-40-000	FT	UCHANNEL-PLASTIC-20.7"(SOLARMAPLE)
2	070504-31-000	FT	UCHANNEL-PLASTIC-20.7"(SALEMCHERRY)
3	009809-29-000	EA	MOLDING-CORNER-OUTSIDE-1"(SOLARMAPLE)
3	009809-27-000	EA	MOLDING-CORNER-OUTSIDE-1"(SALEMCHERRY)
4	022992-11-000	FT	MOLDING-REVERSECOVE-T-SHAPED-VINYL-IVORY
5	042357-21-000	EA	MOLDING-CORNER-RADIUS-1.5"X7'-PLASTIC(SOLARMAPLE)
5	042357-19-000	EA	MOLDING-CORNER-RADIUS-1.5"X7'-PLASTIC(SALEMCHERRY)
6	077840-01-H37	EA	MOLDING-CAP/WALL-8'SOLARMAPLE
6	077840-01-E41	EA	MOLDING-CAP/WALL-8'SALEMCHERRY

INTERIORFINISHGROUP(CONTINUED)

PANELING&LUMBER

KEY	PARTNUMBER	U/M	DESCRIPTION
	080215-11-000	SF	PANELING-2SIDED-SOLARMAPLE-.19"X48"X96"
	080215-09-000	SF	PANELING-2SIDED-.2"X48"X96"-CHERRY
	074497-35-000	SF	PANELING-SOLARMAPLE-4'X7'
	074497-23-000	SF	PANELING-CHERRY-.1"X48"X96"
	088272-G7-000	SF	PANELING-TRANQUILGARDEN-4'X7'-MAINWALL(H56,H57)
	088272-G8-000	SF	PANELING-BENTLEY-PATINA-MAINWALL(H58,H59)
	088272-G9-000	SF	PANELING-GAZEBO-PEARL-MAINWALL(H60,H61)
	088272-G1-000	SF	PANELING-PEBBLEEMBOSSSED-ANTIQUWHITE-4'X7'
	000885-82-000	SF	PARTICLEBOARD-1/2"X48"X96"-2SIDED(SOLARMAPLE)
	000885-72-000	SF	PARTICLEBOARD-1/2"X48"X96"-CHERRY/VINYL2SIDED
	000885-83-000	SF	PARTICLEBOARD-3/4"X48"X96"-2SIDED(SOLARMAPLE)
	000885-73-000	SF	PARTICLEBOARD-3/4"X48"X96"-CHERRY/VINYL2SIDED
	000885-80-000	SF	PARTICLEBOARD-3/8"X48"X96"-1SIDED(SOLARMAPLE)
	000885-71-000	SF	PARTICLEBOARD-3/8"X48"X96"-CHERRY/VINYL1SIDED
	098531-04-000	SF	PLYWOOD-1/2"(SOLARMAPLE)
	098531-02-000	SF	PLYWOOD-CHERRY1/2"
	083618-07-000	SF	PLYWOOD-MAPLE-1SIDE3/16"
	083618-04-000	SF	PLYWOOD-OAK,1SIDEFINISHED-3/16"X4'X8'(SALEMCHERRY)
	000846-01-000	SF	PLYWOOD-5/16"X48"X96"-CDGRADE
	000846-02-000	SF	PLYWOOD/UNDERLAYMENT-5/16"X48"X96"

LAMINATES&EDGE BAND

KEY	PARTNUMBER	U/M	DESCRIPTION
	074498-71-000	SF	LAMINATE-PLASTIC-NEUTRALSANTOS-5'X8'-INCOF40SF
	074498-72-000	SF	LAMINATE-PLASTIC-PEBBLE SANTOS-5'X8'INCOF40SF(H56,H57,H58,H59)
	074498-59-000	SF	LAMINATE-PLASTIC-5'X8'-SANDCHROMATIX(H60,H61)
	074498-78-000	SF	LAMINATE-PLASTIC-PEBBLE SANTOS-5'X8'-INCOF40SF(H56,H57,H58,H59)
	074498-68-000	SF	LAMINATE-FRPLASTIC-SANDCHROMATIX(H60,H61)
	074498-79-000	SF	LAMINATE-PLASTIC-SOLARMAPLE-5'X8'-INCOF40SF
	074498-58-000	SF	LAMINATE-PLASTIC-CHERRY-5'X8'-INCOF40SF
	076325-70-000	FT	MOLDING-EDGE BAND-15/16"X.038"-SOLARMAPLE
	076325-50-000	FT	MOLDING-EDGE BAND-15/16"X.030"-CHERRY
	076325-39-000	FT	MOLDING-EDGE BAND-15/16"X.030"

BATTSTRIPS

KEY	PARTNUMBER	U/M	DESCRIPTION
	088263-E9-000	EA	BATT-STRIP,DECORATIVE-TRANQUIL/GARDEN-8'LONGMAINWALL(H56,H57)
	088263-F0-000	EA	BATT-STRIP,DECORATIVE-BENTLEY/PATINA-8'LONGMAINWALL(H58,H59)
	088263-F1-000	EA	BATT-STRIP,DECORATIVE-GAZEBO/PEARL-8'LONGMAINWALL(H60,H61)
	088263-E3-000	EA	BATT-STRIP,WETBATH
	085284-E3-000	FT	BATT-TAPE,ADHESIVEBACKEDDECORATIVE-TRANQUIL/GARDEN(H56,H57)
	085284-E4-000	FT	BATT-TAPE,ADHESIVEBACKEDDECORATIVE-BENTLEY/PATINA(H58,H59)
	085284-E5-000	FT	BATT-TAPE,ADHESIVEBACKEDDECORATIVE-GAZEBO/PEARL(H60,H61)
	085284-D8-000	FT	BATTTAPE-ADHESIVEBACKED-WOODGRAINED-SOLARMAPLE
	085284-97-000	FT	BATTTAPE-ADHESIVEBACKED-WOODGRAINED/SALEMCHERRY

INTERIORFINISHGROUP(CONTINUED)

FIREEXTINGUISHER,DETECTORS&CLOCK

KEY	PARTNUMBER	U/M	DESCRIPTION	VENDOR NO.
	094499-01-000	EA	EXTINGUISHER-FIRE-DRYW/MOUNTINGBRACKET-10BC	
	094499-02-000	EA	EXTINGUISHER-FIRE-DRY-1A10BC-CANADIAN	
	094499-01-700	EA	BRACKET-MOUNTING-W/PLASTICSTRAP	294039
	094499-01-701	EA	STRAPONLY(METAL)	320351
	072852-01-000	EA	DETECTOR-SMOKE-W/9VOLT BATTERY-US	
	072852-02-000	EA	DETECTOR-SMOKE-W/9VOLT BATTERY-CANADIAN	
	112320-03-000	EA	DETECTOR-COGASMODEL9D-ICOSTAR946000001	
	112320-04-000	EA	DETECTOR-COSENSORASSEMBLYCOSTAR946001001	FROM: 00-00-00 THRU: 10-20-96
	125136-01-000	EA	DETECTOR-CO-GAS-MODEL9L-I	FROM: 00-00-00 THRU: 10-20-96
	100793-02-01A	EA	CLOCK-WALL-BRASSQUARTZ11"	FROM: 10-21-96 THRU: 99-99-99
	103613-03-000	EA	DETECTOR-LPGAS-W/OSHUT-OFFVALVE	

FLOORCOVERINGS

KEY	PARTNUMBER	U/M	DESCRIPTION
	096060-B8-000	SY	CARPET-EXCALIBUR-SPRUCE(H56,H57)
	096060-C6-000	SY	CARPET-EXCALIBUR-CHOCOLATE(H58,H59)
	096060-C7-000	SY	CARPET-EXCALIBUR-BAMBOO(H60,H61)
	124253-01-02A	SF	VINYL-FLOORPLANK-3"X12"-SOLARMAPLE
	124253-01-01A	SF	VINYL-FLOORPLANK-3"X12"-SALEMCHERRY
	093486-01-000	SY	CARPET-COMPARTMENT-54"WIDE-DARKGRAY
	075233-01-000	SY	PAD-CARPET-3/8"X6'ROLL
	047034-02-000	SF	PLASTIC-CARPET-4"WIDE-CLEARPOLY

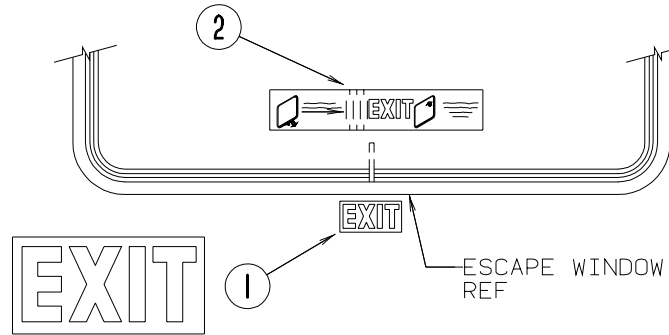
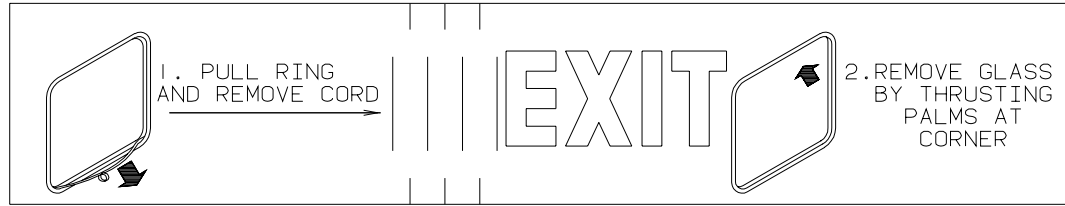
FLOORMATS

KEY	PARTNUMBER	U/M	DESCRIPTION
	108151-01-000	EA	MAT-FLOOR-ENTRANCE
	108152-01-000	EA	MAT-FLOOR-PASSENGER
	108152-02-000	EA	MAT-FLOOR-DRIVER

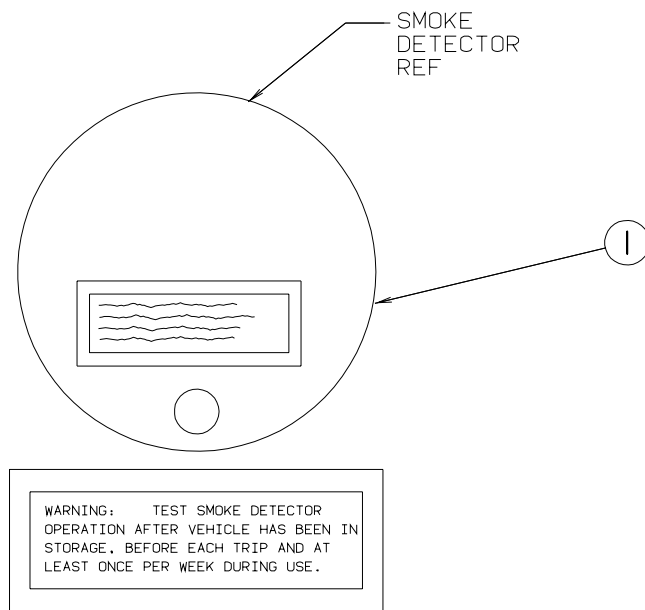
CEILINGMATERIAL

KEY	PARTNUMBER	U/M	DESCRIPTION
	113979-01-01A	SY	CEILINGMATERIAL-102"WIDEW/OFOAMBACK-PEARLCREAMPTRN

LABELSGROUP

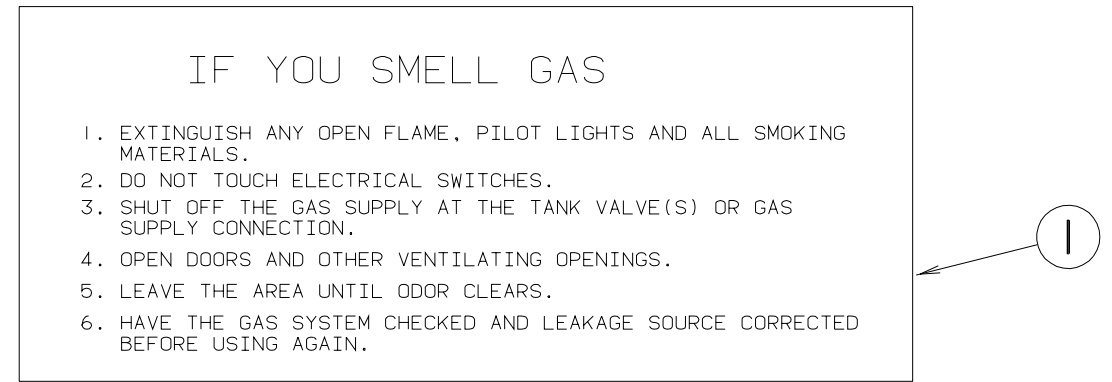


KEY	PARTNUMBER	U/M DESCRIPTION
1	039290-01-000	EA LABEL-WARNING-EXIT
2	107571-01-000	EA LABEL-ESCAPEEXIT-WINDOW

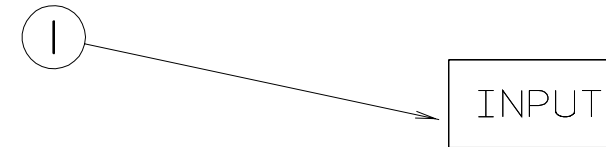


KEY	PARTNUMBER	U/M DESCRIPTION
1	077956-01-000	EA LABEL-WARNING-SMOKEDETECTOR

LABELSGROUP(CONTINUED)



KEY	PARTNUMBER	U/M DESCRIPTION
1	073998-01-000	EA LABEL-LPGODORWARNING



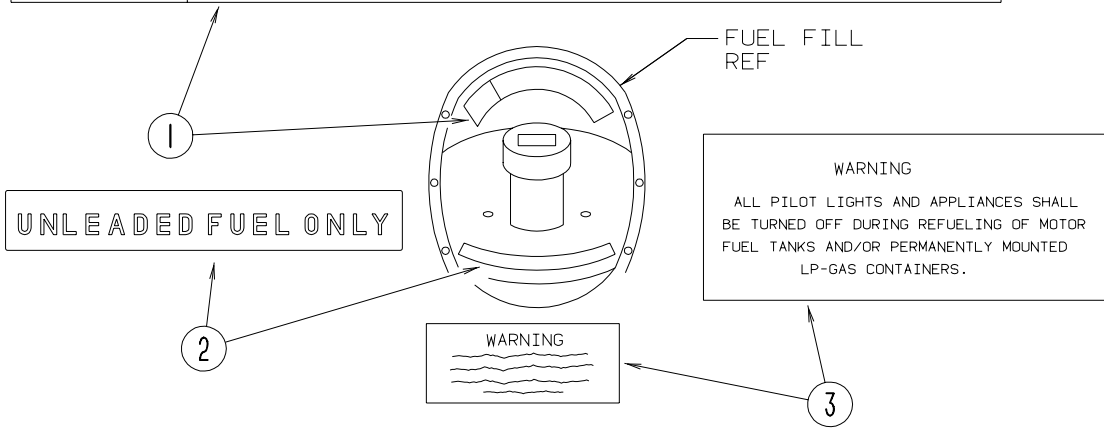
KEY	PARTNUMBER	U/M DESCRIPTION
1	087236-01-000	EA LABEL-CABLE-INPUT



KEY	PARTNUMBER	U/M DESCRIPTION
1	065748-01-000	EA LABEL-CAUTION-BATTERYCHARGING

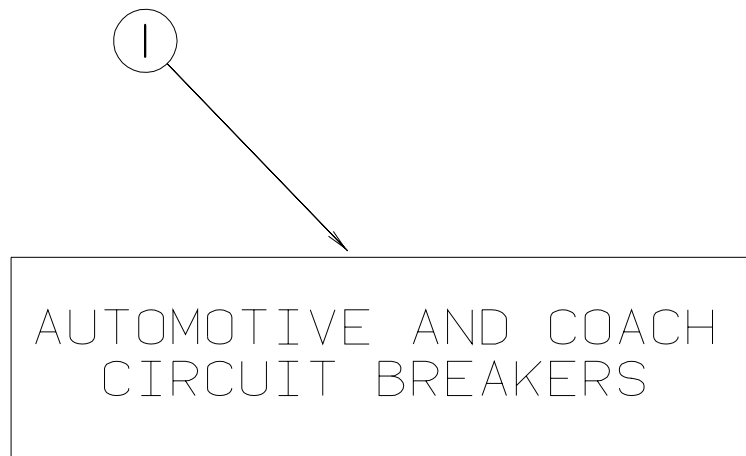
LABELSGROUP(CONTINUED)

CAUTION	TO HELP AVOID PERSONAL INJURY DURING REMOVAL OF FUEL FILLER CAP, SLOWLY LOOSEN CAP 1/2 TURN TO ALLOW ANY FUEL PRESSURE TO BE RELIEVED BEFORE TURNING CAP FURTHER.
FUEL SPRAY MAY CAUSE PERSONAL INJURY	STOP ADDING FUEL AFTER FIRST SHUTOFF BY AUTOMATIC NOZZLE WHEN TANK IS NEARLY FULL. DO NOT OVERFILL FUEL TANK. SEE OWNERS MANUAL FOR ADDITIONAL INFORMATION. PRINTED IN U.S.A. MLC PT NO 15611763



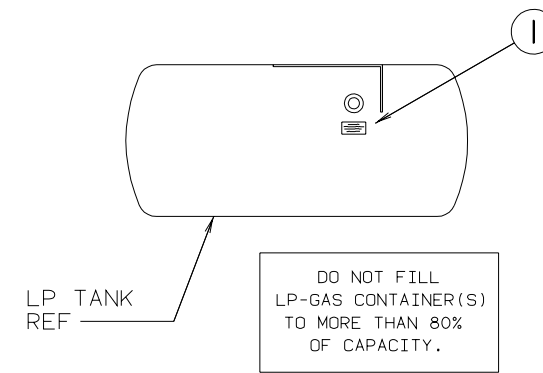
KEY	PARTNUMBER	U/M DESCRIPTION
1	087207-05-000	EA LABEL-FUELCAPREMOVAL
2	062043-01-000	EA LABEL-FUEL-UNLEADED
3	006040-01-000	EA TAG-GASREFUELINGWARNING
3	006040-02-000	EA TAG-GASREFUELWARNING-CANADIAN

FROM: 00-00-00 THRU: 08-11-96
FROM: 00-00-00 THRU: 09-01-96

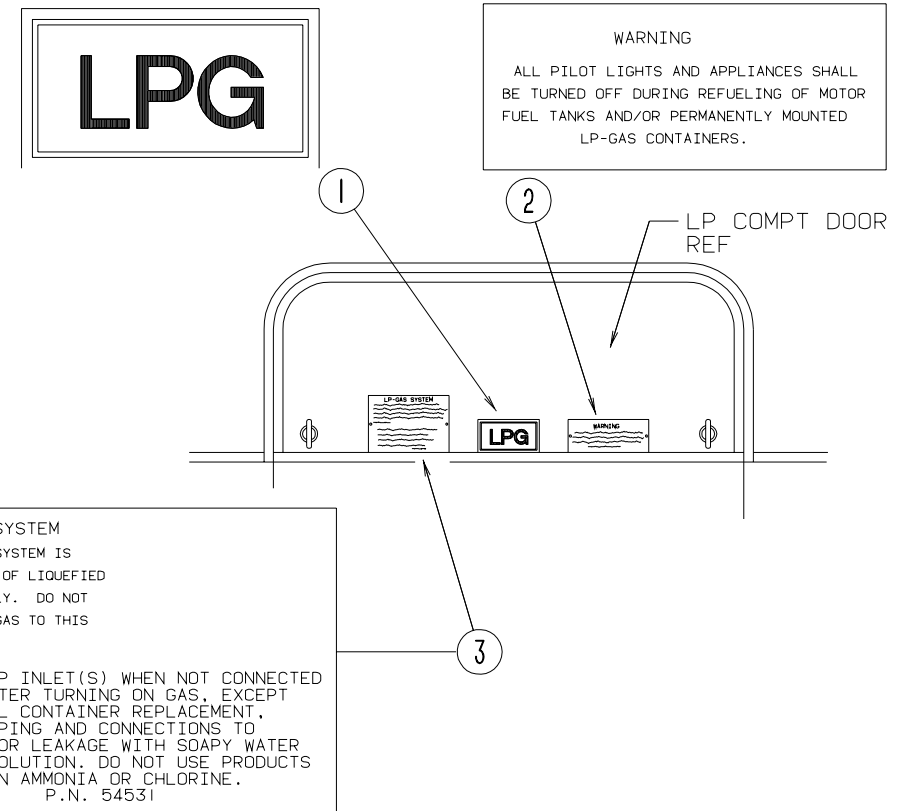


KEY	PARTNUMBER	U/M DESCRIPTION
1	098379-01-000	EA LABEL-FRONTBOX-CIRCUITBREAKER

LABELSGROUP(CONTINUED)



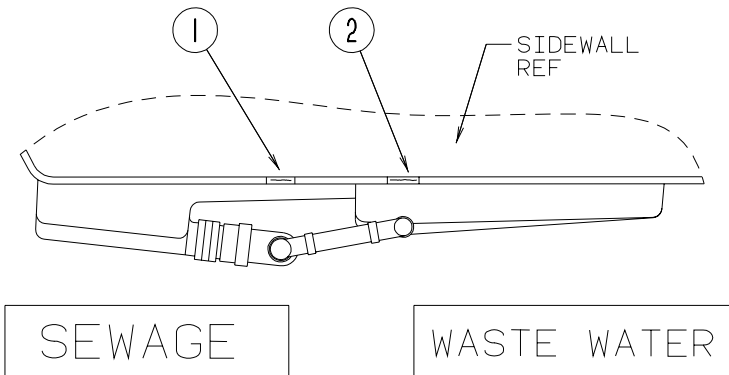
KEY	PARTNUMBER	U/M DESCRIPTION
1	079965-01-000	EA LABEL-LPG80CAPACITY



KEY	PARTNUMBER	U/M DESCRIPTION
1	074559-01-000	EA DECAL-LOGO-LPG-RED-CALIF.CODE
2	006040-01-000	EA TAG-GASREFUELINGWARNING
2	006040-02-000	EA TAG-GASREFUELWARNING-CANADIAN
3	054531-01-000	EA LABEL-LPGASONLY
3	023769-01-000	EA LABEL-WARNING-LPG-CANADIAN

FROM: 00-00-00 THRU: 08-11-96
FROM: 00-00-00 THRU: 09-01-96
FROM: 00-00-00 THRU: 08-11-96

LABELSGROUP(CONTINUED)



SEWAGE

WASTE WATER

KEY	PARTNUMBER	U/M DESCRIPTION
1	006187-01-000	EA LABEL-SEWAGE
2	006188-01-000	EA LABEL-WASTEWATER

NOTE: TUNE ANTENNA PER MANUFACTURER'S DIRECTIONS. FAILURE TO COMPLY COULD RESULT IN DAMAGE TO CB.

CB POWER PROVISION
 RED +12 V
 BLACK GROUND
 COAX ANTENNA
 (SEE REVERSE ALSO)

KEY	PARTNUMBER	U/M DESCRIPTION
1	104678-01-000	EA LABEL-CBPREP

WARNING

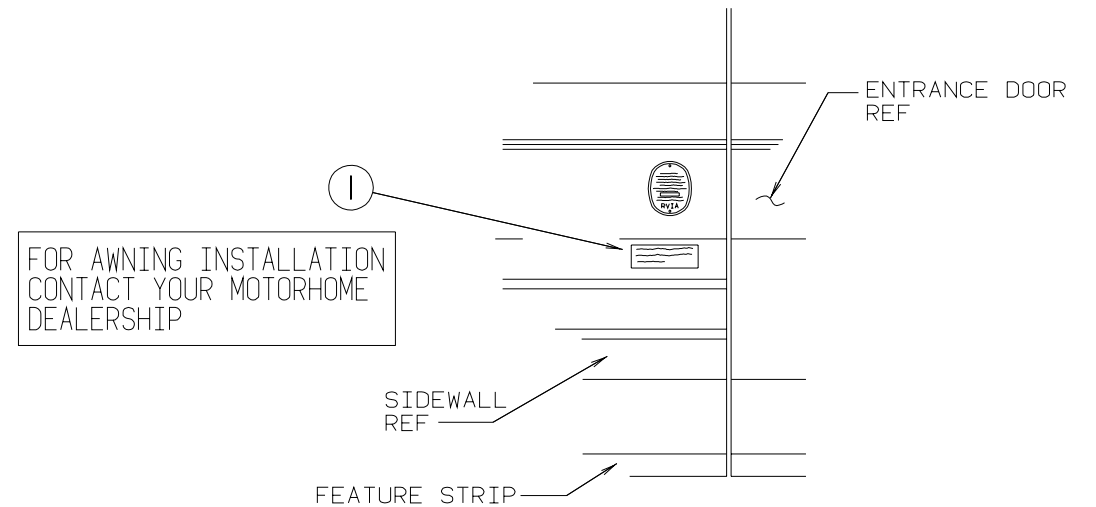
MUST BE STOWED IN LATCHED POSITION WHILE VEHICLE IS IN MOTION

KEY	PARTNUMBER	U/M DESCRIPTION
1	079966-01-000	EA LABEL-WARNING-STOWED-MOTION

DO NOT USE HITCH BEFORE READING OWNERS MANUAL REGARDING VEHICLE LOADING AND TOWING

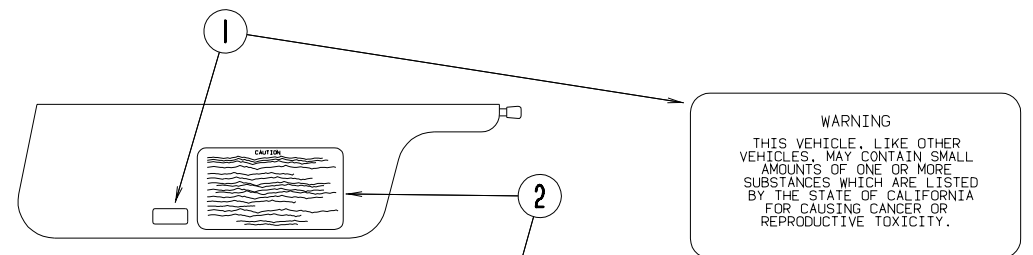
KEY	PARTNUMBER	U/M DESCRIPTION
1	111104-01-000	EA LABEL-HITCH-READMANUAL-WHITE
1	111104-02-000	EA LABEL-HITCH-READMANUAL-BLACK

LABELSGROUP(CONTINUED)



FOR AWNING INSTALLATION CONTACT YOUR MOTORHOME DEALERSHIP

KEY	PARTNUMBER	U/M DESCRIPTION
1	099509-01-000	EA LABEL-AWNINGINSTALLATION



WARNING

THIS VEHICLE, LIKE OTHER VEHICLES, MAY CONTAIN SMALL AMOUNTS OF ONE OR MORE SUBSTANCES WHICH ARE LISTED BY THE STATE OF CALIFORNIA FOR CAUSING CANCER OR REPRODUCTIVE TOXICITY.

CAUTION

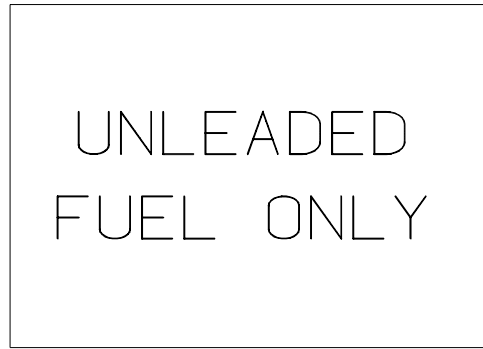
THIS MOTOR HOME HAS BEEN DESIGNED, MANUFACTURED AND TESTED WITH CONCERN FOR THE PROTECTION OF IT'S OCCUPANTS. WE RECOMMEND YOU PERFORM THE FOLLOWING INSPECTIONS FOR YOUR SAFETY AND THE SAFETY OF YOUR PASSENGERS BEFORE STARTING YOUR VEHICLE.

1. LP GAS SYSTEM- TURN OFF AT TANK FOR TRAVELING. TEST FOR LEAKS UPON ARRIVAL AT DESTINATION. BEFORE LIGHTING PILOTS.
2. WHEELS- INSPECT FOR DAMAGE AND CHECK LUG NUTS FOR TIGHTNESS.
3. TIRES- INSPECT FOR WEAR AND DAMAGE AND CHECK FOR RECOMMENDED AIR PRESSURE.
4. LIGHTING- TEST FOR PROPER OPERATION OF ALL INTERIOR AND EXTERIOR LIGHTS INCLUDING DASH LIGHTS, HEADLIGHTS, TAIL LIGHTS, BRAKE LIGHTS, CLEARANCE LIGHTS AND TURN SIGNALS.
5. EXITS- INSPECT RELEASE MECHANISM ON EMERGENCY EXIT WINDOW. TEST BOTH LOCKS ON MAIN ENTRANCE DOOR FOR EASE OF OPERATION AND INSTRUCT PASSENGERS HOW TO USE BOTH MEANS OF EXIT.
6. SEAT BELTS- DIRECT PASSENGERS TO DESIGNATED SEATS AND REQUIRE USE OF SEAT BELTS.
7. APPLIANCES- TURN OFF AND LATCH OR LOCK DOORS WHERE PROVIDED.
8. LOOSE PARCELS- STORE SECURELY.
9. UTILITY SUPPLY LINES- DISCONNECT ALL ELECTRIC, SEWER AND WATER LINES AND SECURE PROPERLY.
10. ENTRANCE DOOR STEP- PLACE IN RETRACTED POSITION FOR TRAVELING.

READ YOUR MOTOR HOME AND CHASSIS OWNER'S MANUAL FOR FURTHER PRECAUTIONS

KEY	PARTNUMBER	U/M DESCRIPTION
1	099689-01-000	EA LABEL-WARNING-CANCER/TOXICITY
2	056259-01-000	EA LABEL-SAFETYCHECKLIST

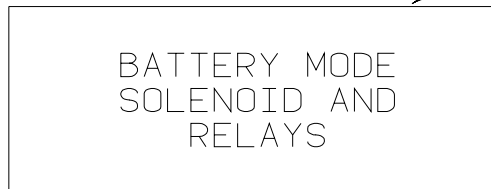
LABELSGROUP(CONTINUED)



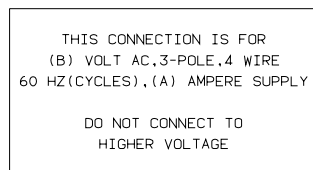
KEY PARTNUMBER U/M DESCRIPTION
 1 098641-01-000 EA LABEL-FUEL-UNLEADED-DASH



KEY PARTNUMBER U/M DESCRIPTION
 1 098379-03-000 EA LABEL-ELECTRICALBOX-FRONT

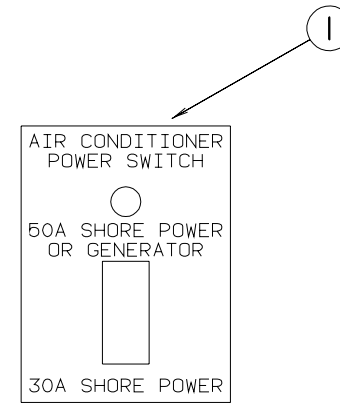


KEY PARTNUMBER U/M DESCRIPTION
 1 098379-04-000 EA LABEL-ELECTRICALBOX-SIDE

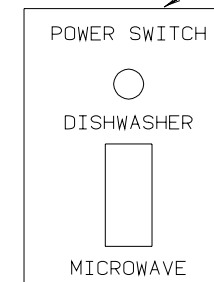


KEY PARTNUMBER U/M DESCRIPTION
 1 006062-04-000 EA LABEL-ELECTRIC-120/240VSERVICE

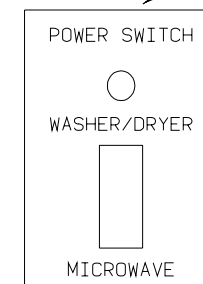
LABELSGROUP(CONTINUED)



KEY PARTNUMBER U/M DESCRIPTION
 1 109051-01-000 EA LABEL-SWITCH-50APOWER(SHORE)

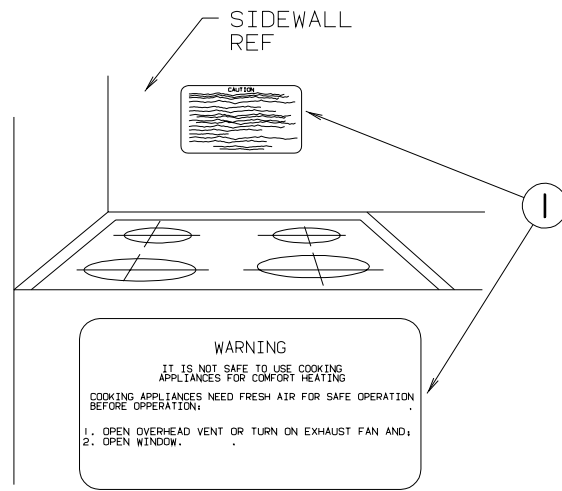


KEY PARTNUMBER U/M DESCRIPTION
 1 109051-02-000 EA LABEL-SWITCH-50APOWER(DISHWASHER)

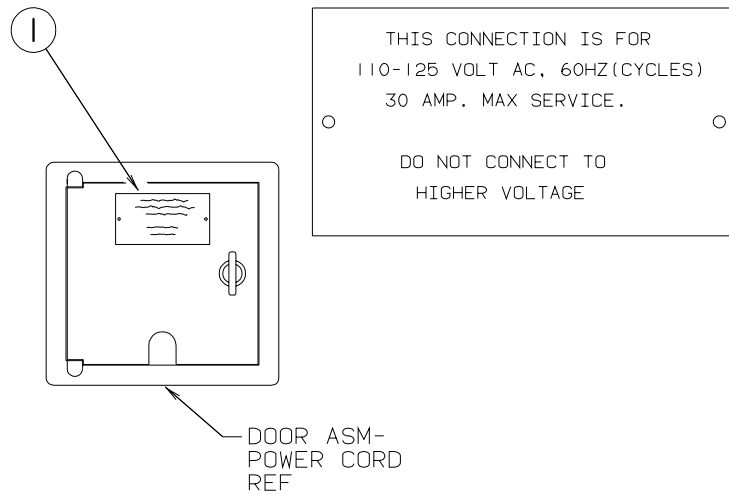


KEY PARTNUMBER U/M DESCRIPTION
 1 109051-03-000 EA LABEL-SWITCH-50APOWER(WASHER/DRYER)

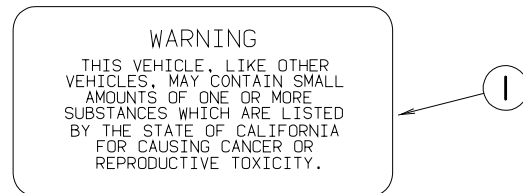
LABELSGROUP(CONTINUED)



KEY PARTNUMBER	U/M DESCRIPTION
1 050225-01-000	EA LABEL-WARNING-STOVEVENT-US
1 050222-01-000	EA LABEL-WARNING-STOVEVENT-CANADIAN

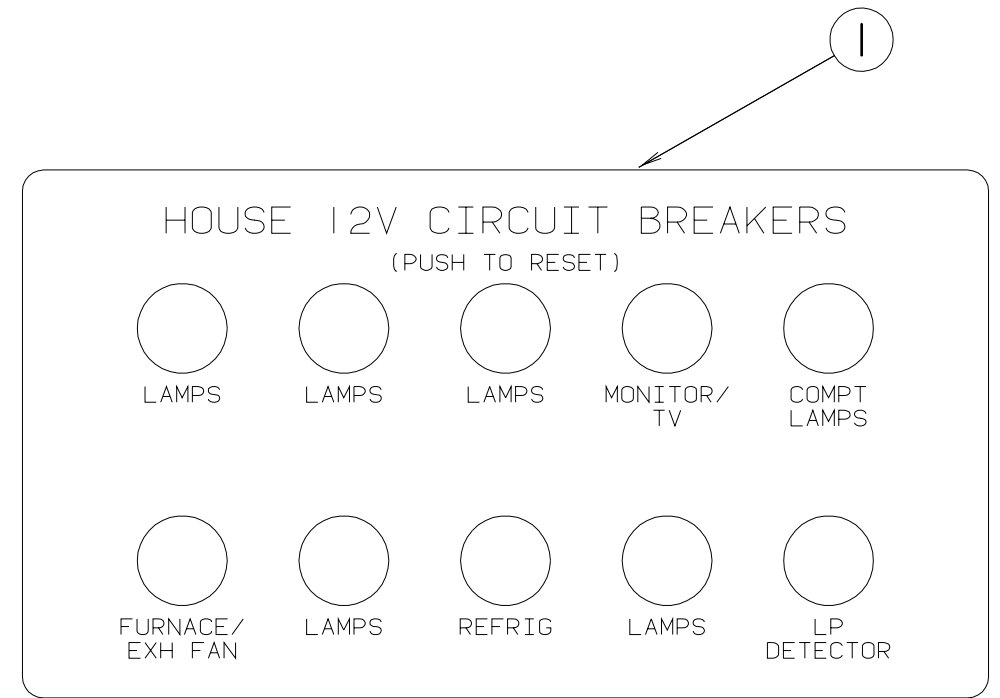


KEY PARTNUMBER	U/M DESCRIPTION
1 006062-01-000	EA TAG-ELECTRIC-110VCONNECTION

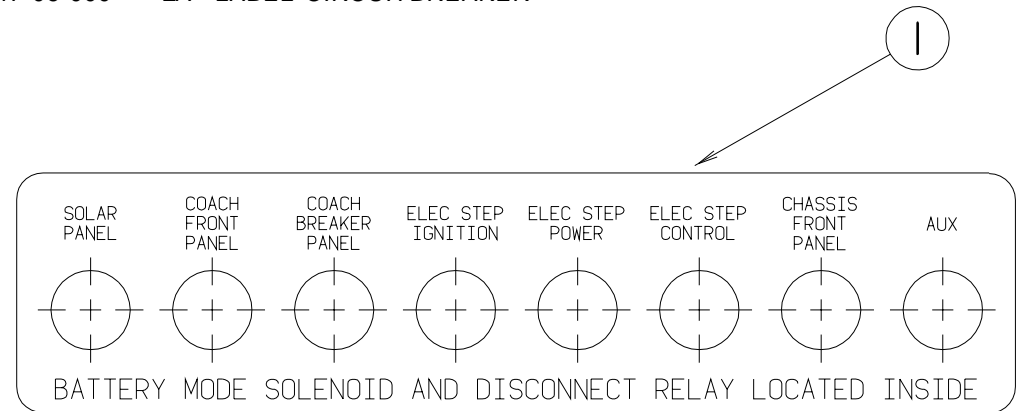


KEY PARTNUMBER	U/M DESCRIPTION
1 099689-01-000	EA LABEL-WARNING-CANCER/TOXICITY

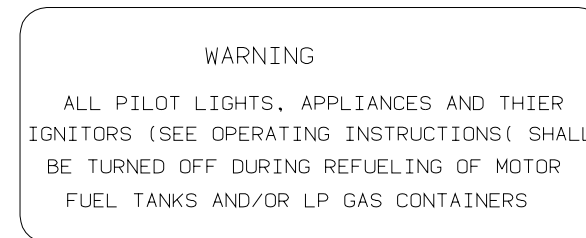
LABELSGROUP(CONTINUED)



KEY PARTNUMBER	U/M DESCRIPTION
1 092547-06-000	EA LABEL-CIRCUITBREAKER

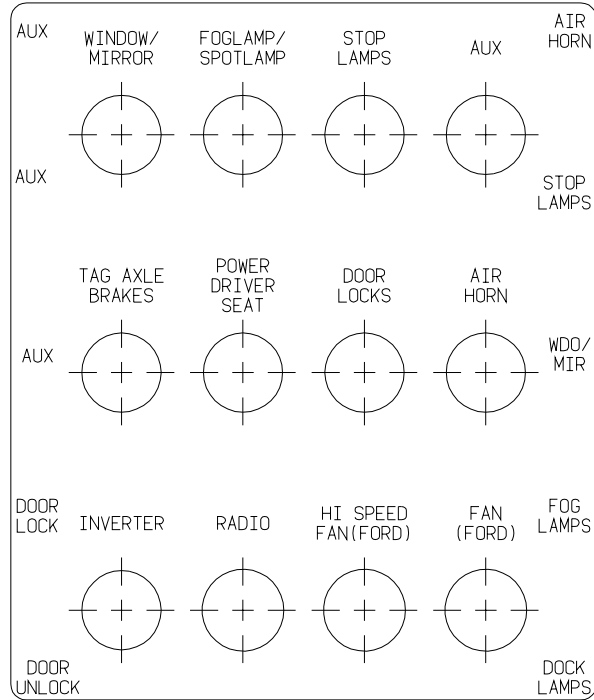


KEY PARTNUMBER	U/M DESCRIPTION
1 093236-13-000	EA LABEL-CIRCUITBREAKER

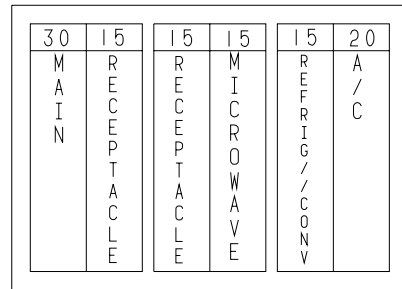


KEY PARTNUMBER	U/M DESCRIPTION
1 124519-01-01A	EA LABEL-WARNING/REFUELING

LABELSGROUP(CONTINUED)



KEY PARTNUMBER U/M DESCRIPTION
 1 093236-14-000 EA LABEL-CIRCUITBREAKER



KEY PARTNUMBER U/M DESCRIPTION
 1 095721-14-000 EA LABEL-CONTROLCENTER(30A)

WARNING: CONTAINS "CFC" A SUBSTANCE WHICH HARMS PUBLIC HEALTH AND ENVIRONMENT BY DESTROYING OZONE IN THE UPPER ATMOSPHERE.

KEY PARTNUMBER U/M DESCRIPTION
 1 111802-01-000 EA LABEL-CFCWARNING

LABELSGROUP(CONTINUED)

DTS ISICE SIEGE N/EST PAS DESTINE A ETRE OCCUPE LORSQUE LE VEHICULE EST EN MOUVEMENT ET IL FAUT QUE LE RANGER

THIS CHAIR IS NOT INTENDED FOR OCCUPANCY WHEN VEHICLE IS IN MOTION AND MUST BE RETURNED TO STOWED POSITION

KEY PARTNUMBER U/M DESCRIPTION
 1 102267-02-000 EA LABEL-NOOCCUPANCY-CSA

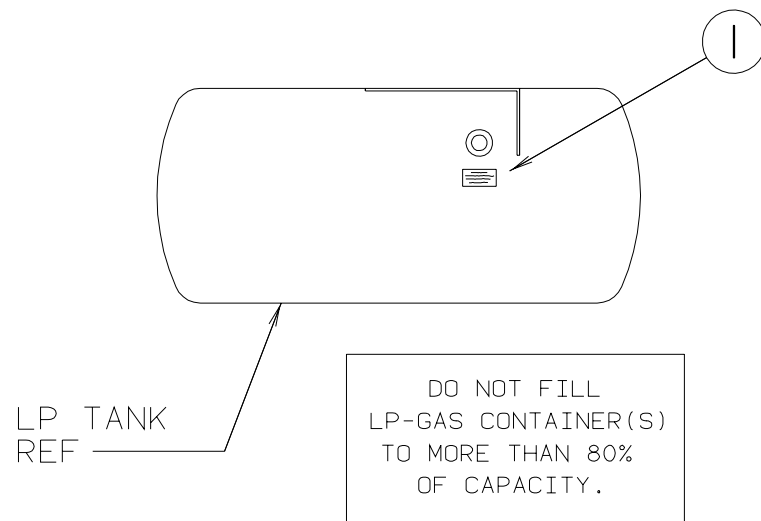
THIS CHAIR IS NOT INTENDED FOR OCCUPANCY WHEN VEHICLE IS IN MOTION AND MUST BE RETURNED TO STOWED POSITION

KEY PARTNUMBER U/M DESCRIPTION
 1 102267-01-000 EA LABEL-NOOCCUPANCY-US

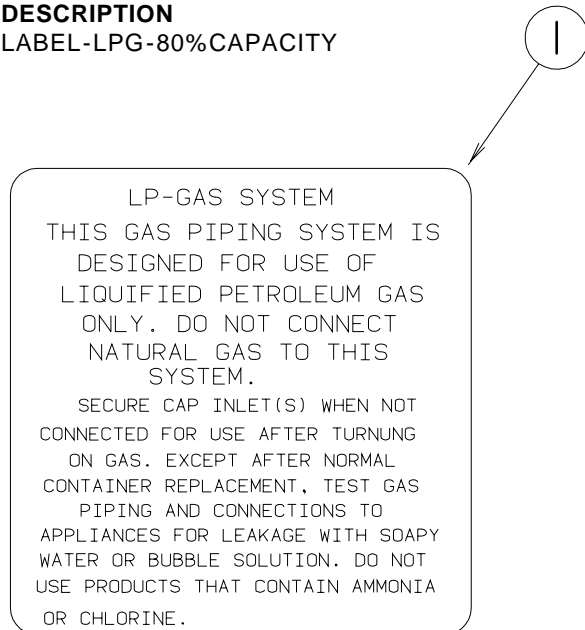
DO NOT USE HITCH BEFORE READING OWNERS MANUAL REGARDING VEHICLE LOADING AND TOWING

KEY PARTNUMBER U/M DESCRIPTION
 1 111104-02-000 EA LABEL-HITCH-READMANUAL-BLK

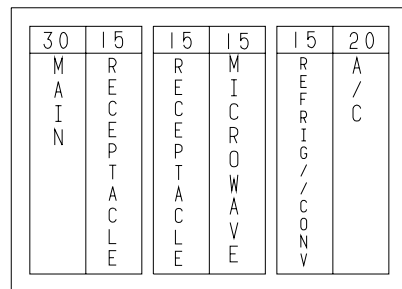
LABELSGROUP(CONTINUED)



KEY	PARTNUMBER	U/M DESCRIPTION
1	079965-01-000	EA LABEL-LPG-80%CAPACITY

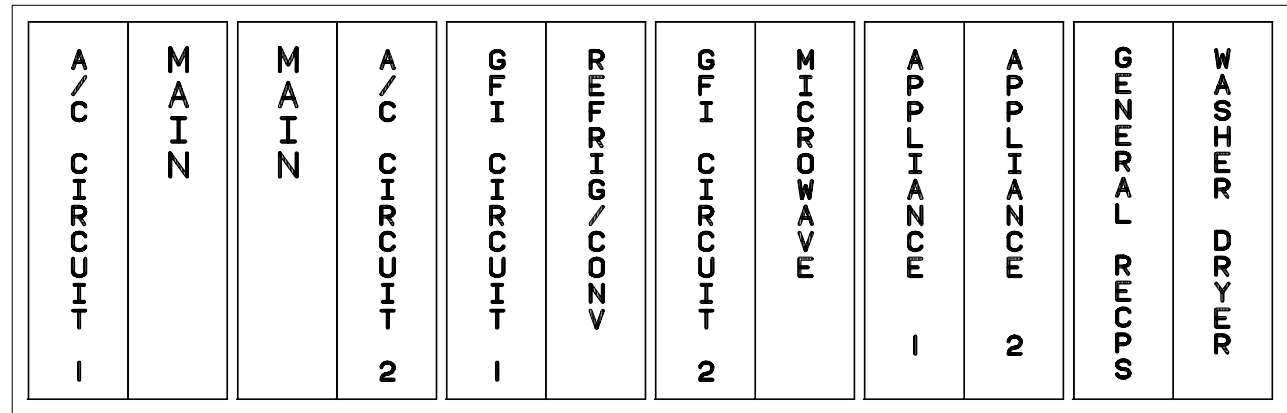


KEY	PARTNUMBER	U/M DESCRIPTION
1	124520-01-02A	EA LABEL-LPGASONLY

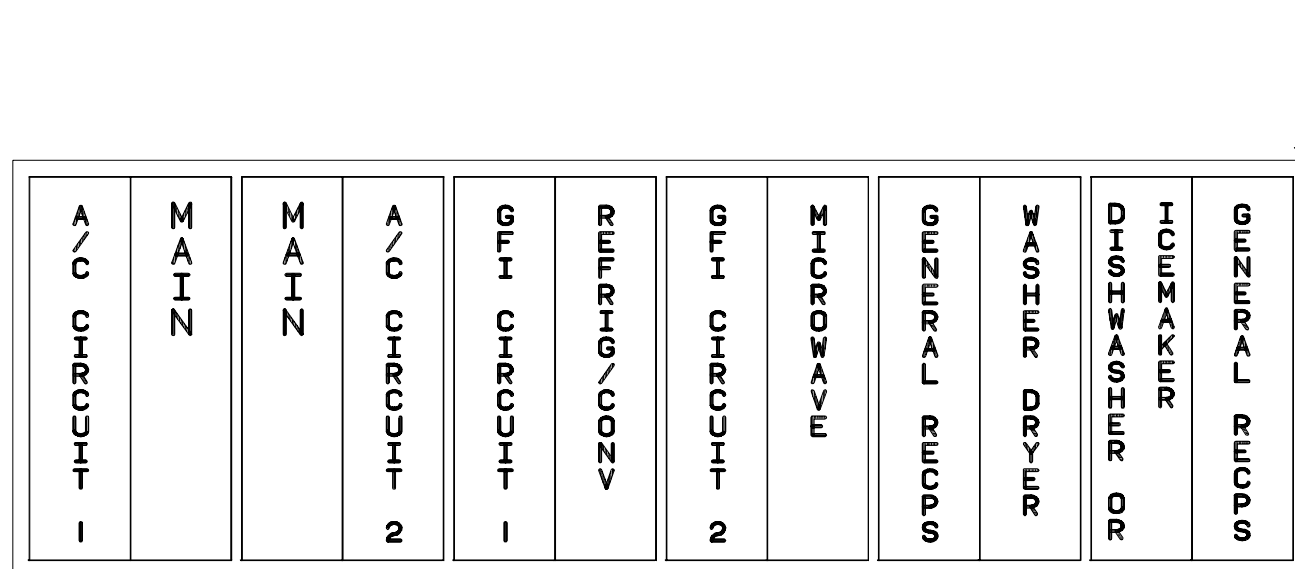


KEY	PARTNUMBER	U/M DESCRIPTION
1	095721-10-000	EA LABEL-CONTROLCENTER(30A)CSA

LABELSGROUP(CONTINUED)



KEY	PARTNUMBER	U/M DESCRIPTION
1	095721-18-000	EA LABEL-CONTROLCENTER-50AMP-CSA

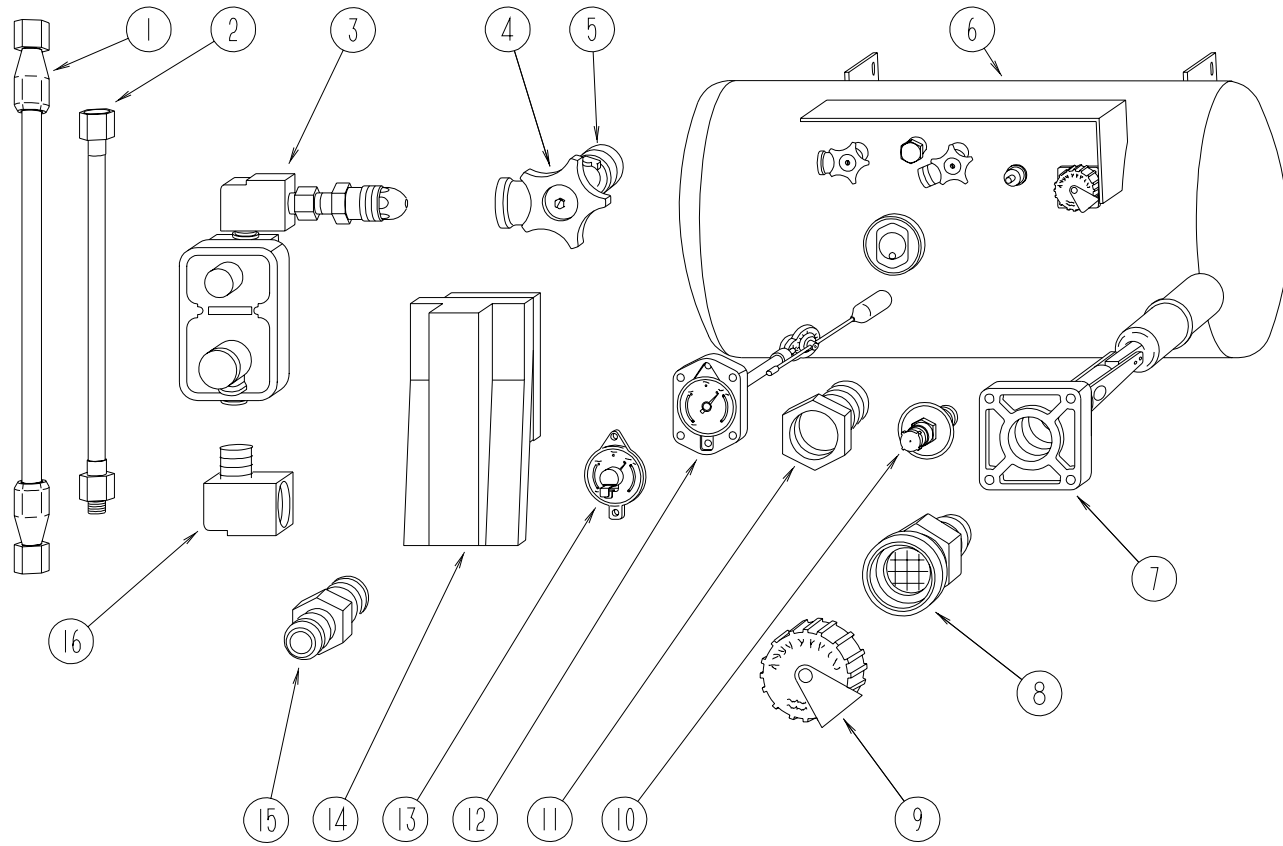


KEY	PARTNUMBER	U/M DESCRIPTION
1	095721-17-000	EA LABEL-CONTROLCENTER-50AMP-US

LABELS

KEY	PARTNUMBER	U/M DESCRIPTION
	056259-01-000	EA LABEL-SAFETYCHECKLIST
	065748-02-000	EA LABEL-WARNING-BATTERY/FRENCH
	095721-07-000	EA LABEL-CONTROLCENTER-US
	095721-09-000	EA LABEL-CONTROLCENTER(50A)
	124519-01-02A	EA LABEL-WARNING/REFUELING
	124519-02-02A	EA LABEL-WARNING/REFUELING-CSA
	125306-01-01A	EA LABEL-ELECTRICALENTRANCE-110VOLT30AMP
	125306-04-01A	EA LABEL-ELECTRICALENTRANCE-120VOLT240AMP
	126024-01-01A	EA LABEL-TIREHANGERREMOVAL

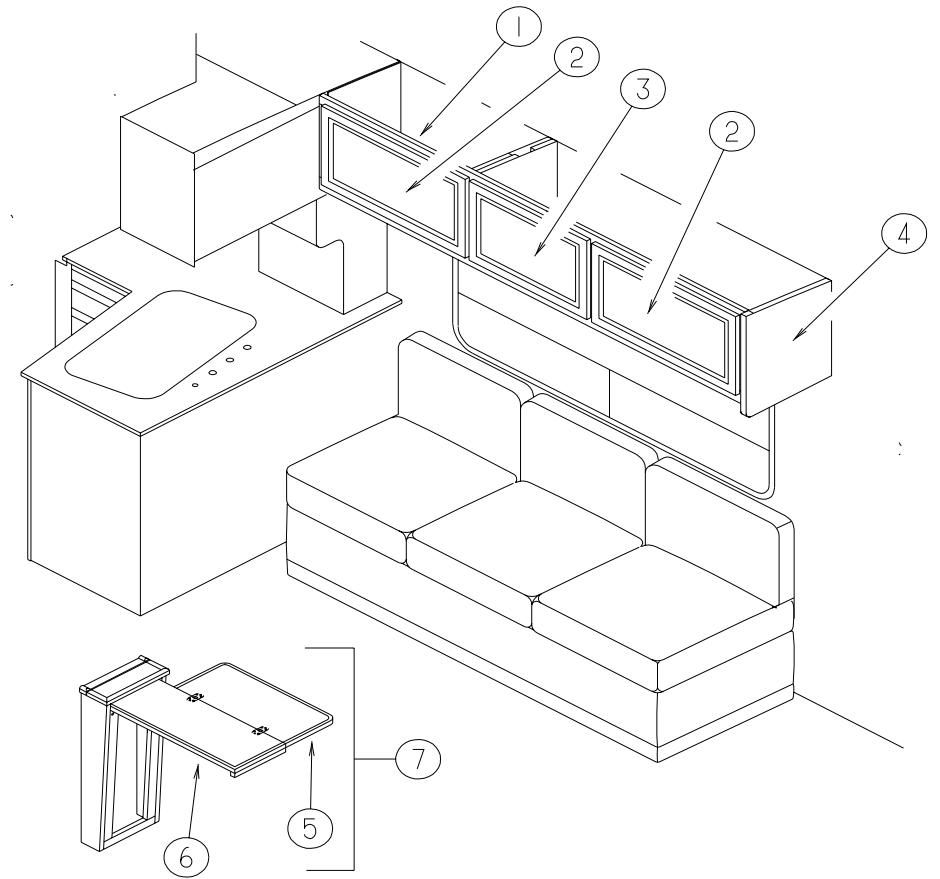
LP GROUP



BRUNNERLPTANK&COMPONENTS

KEY	PARTNUMBER	U/M	DESCRIPTION	VENDOR NO.
1	045703-02-000	EA	HOSE-LP, 3/8"ID X 24"-3/8" MPT X 1/2" FSWIVEL-CANADA	
2	045703-01-000	EA	HOSE-LP, 3/8"ID X 24" US-3/8 MPT X 1/2" FSWIVEL	
3	106150-01-000	EA	REGULATOR-TWOSTAGE	
4	040421-01-708	EA	HANDWHEEL-SERVICE VALVE	G-1015-A
5	040421-01-712	EA	VALVE-SERVICE, W/OVAPORRELIEF	29000853
6	117432-01-000	EA	TANK-LP, 100LB-20DIA X 27" LONG	
7	040421-01-711	EA	VALVE-80% FILL, W/AUTOSTOP	
8	040421-01-701	EA	VALVE-FILL, SHORT, LP	75478
9	040421-01-702	EA	CAP-FILL VALVE, PLASTIC	G-1014-A
10	040421-01-700	EA	VALVE-LIQUID LEVEL, 20%	G-1013
11	040421-01-713	EA	VALVE-VAPOR ONLY	29000587
12	091970-01-700	EA	FLOAT ASM-F/20" DIA TANK	20C
13	040440-02-000	EA	TRANSMITTER-DIAL, 0-90 OHM-2 TERMINAL (POWER & GROUND)	
14	105658-01-000	EA	COMPARTMENT-LP REGULATOR	
15	010323-01-000	EA	ADAPTER-BRASS, 3/8" FX 1/2" MPT	
15	010329-01-000	EA	ADAPTER-BRASS, 1/2" FX 1/2" MPT	
16	065318-02-000	EA	ELBOW-90 DEGREE, 3/8" MPT TO 3/8" FPT	
	010377-02-000	EA	NUT-BRASS, 3/8" FEMALE-FORGED	
	010380-02-000	EA	NUT-BRASS, 1/2" FEMALE-FORGED	
	103613-01-000	EA	DETECTOR-LPGAS	
	010252-01-000	EA	ELBOW-BRASS-90 DEGREE-3/8" FX 1/2" MPT	
	120867-01-02B	EA	MOUNT-LP TANK	
	109778-02-000	EA	SHIELD-TANK-LP	
	088253-01-700	EA	GAUGE-FLOAT ASSEMBLY, L.P.	16C
	103613-01-000	EA	DETECTOR-LPGAS	
			FROM: 00-00-00 THRU: 11-10-96	
	103613-02-000	EA	DETECTOR-LPGAS	
			FROM: 11-11-96 THRU: 04-27-97	
	103613-03-000	EA	DETECTOR-LPGAS	
			FROM: 04-28-97 THRU: 99-99-99	

LOUNGE GROUP

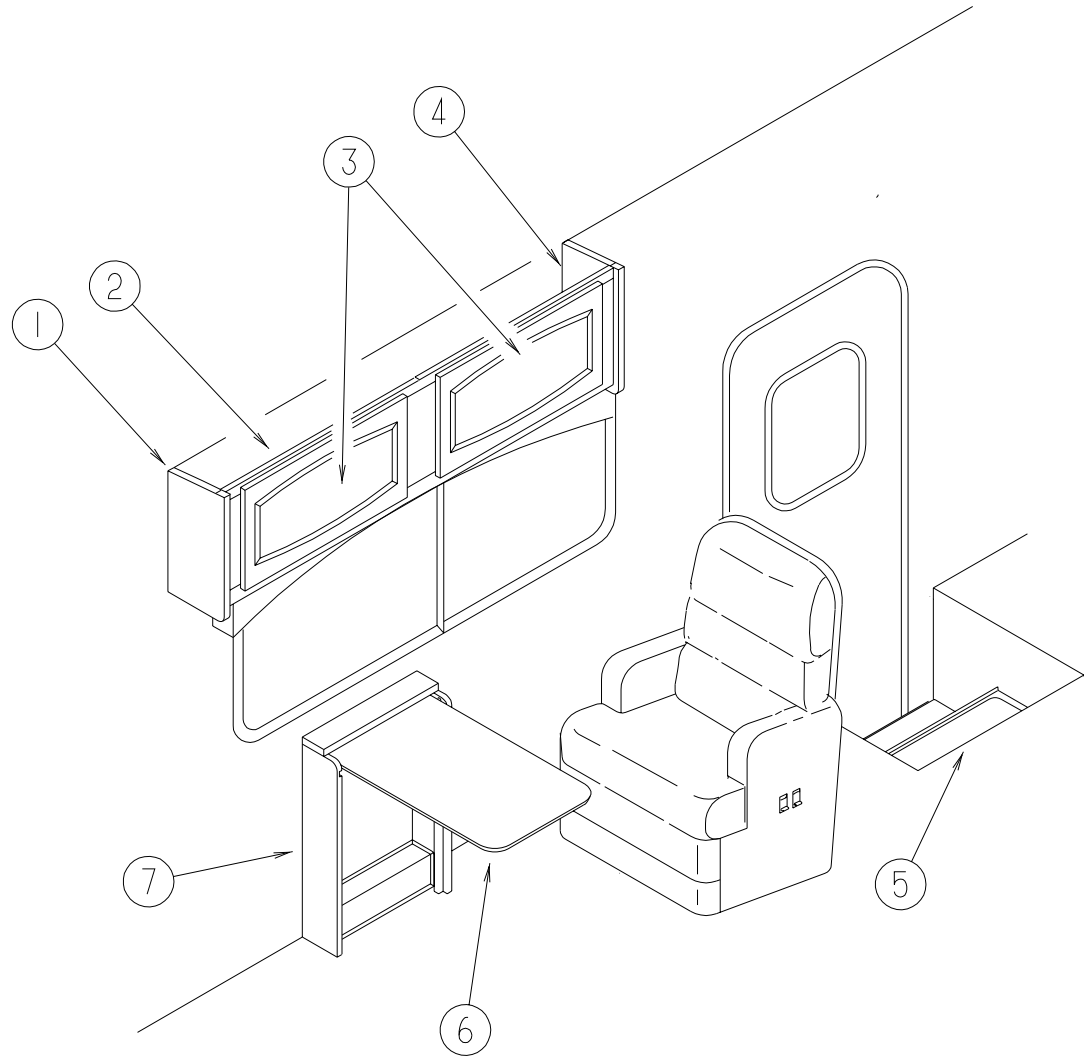


DRIVERSIDE LOUNGE CABINET

KEY	PARTNUMBER	U/M	DESCRIPTION
1	119676-01-H56	EA	CABINET-OVERHEAD FRONT LEFT HAND-W/O DOORS/HARDWARE (SOLAR MAPLE)
1	119676-01-GV1	EA	CABINET-OVERHEAD FRONT LEFT HAND-W/O DOORS/HARDWARE (SALEM CHERRY)
	119676-11-H56	EA	SHELF-W/PLASTIC T MOLDING (SOLAR MAPLE)
	119676-11-GV1	EA	SHELF-W/PLASTIC T MOLDING (SALEM CHERRY)
2	M05990-01-H56	EA	DOOR-OGEE EDGE-14.3" X 27.1"-W/O HARDWARE (SOLAR MAPLE)
2	M05990-01-GV1	EA	DOOR-OGEE EDGE-14.3" X 27.1"-W/O HARDWARE (SALEM CHERRY)
3	M05990-03-H56	EA	DOOR-OGEE EDGE-14.3" X 21.8"-W/O HARDWARE (SOLAR MAPLE)
3	M05990-03-GV1	EA	DOOR-OGEE EDGE-14.3" X 21.8"-W/O HARDWARE (SALEM CHERRY)
4	107494-18-H56	EA	ENDCAP-RIGHT HAND (SOLAR MAPLE)
4	107494-18-GV1	EA	ENDCAP-RIGHT HAND (SALEM CHERRY)
5	119751-15-H56	EA	TABLE-W/O HARDWARE (H56, H58)
5	119751-15-GV5	EA	TABLE-W/O HARDWARE (H57, H59)
5	119751-15-H60	EA	TABLE-W/O HARDWARE (H60)
5	119751-15-H61	EA	TABLE-W/O HARDWARE (H61)
6	119751-14-H56	EA	TABLE-W/O HARDWARE (H56, H58)
6	119751-14-GV5	EA	TABLE-W/O HARDWARE (H57, H59)
6	119751-14-H60	EA	TABLE-W/O HARDWARE (H60)
6	119751-14-H61	EA	TABLE-W/O HARDWARE (H61)
7	119751-01-H56	EA	CABINET/TABLE-W/O HARDWARE (H56, H58)
7	119751-01-GV5	EA	CABINET/TABLE-W/O HARDWARE (H57, H59)
7	119751-01-H60	EA	CABINET/TABLE-W/O HARDWARE (H60)
7	119751-01-H61	EA	CABINET/TABLE-W/O HARDWARE (H61)

LOUNGE GROUP (CONTINUED)

PASSENGER SIDE LOUNGE CABINET



KEY	PART NUMBER	U/M	DESCRIPTION
1	107494-22-H56	EA	ENDCAP-LEFTHAND(SOLARMAPLE)
1	107494-22-GV1	EA	ENDCAP-LEFTHAND(SALEMCHERRY)
2	123968-01-H56	EA	CABINET-FRONT OVERHEAD RIGHT HAND-W/O DOORS/HARDWARE (SOLARMAPLE)
2	123968-01-H57	EA	CABINET-FRONT OVERHEAD RIGHT HAND-W/O DOORS/HARDWARE (SALEMCHERRY)
3	M05990-03-H56	EA	DOOR-OGEE EDGE-14.3" X 21.8-W/O HARDWARE (SOLARMAPLE)
3	M05990-03-GV1	EA	DOOR-OGEE EDGE-14.3" X 21.8-W/O HARDWARE (SALEMCHERRY)
4	107494-21-H56	EA	ENDCAP-RIGHT HAND (SOLARMAPLE)
4	107494-21-GV1	EA	ENDCAP-RIGHT HAND (SALEMCHERRY)
5	120234-01-GV0	EA	LID-STEP/ENTRANCE
6	111431-13-H56	EA	TABLE TOP ONLY (SOLARMAPLE)
6	111431-13-E41	EA	TABLE TOP ONLY (SALEMCHERRY)
7	P11431-01-H56	EA	CABINET-COMPLETE W/PULL OUT TOP (SOLARMAPLE)
7	P11431-01-E41	EA	CABINET-COMPLETE W/PULL OUT TOP (SALEMCHERRY)

SEALANTS&FASTENERSGROUP

SEALANTS&ADHESIVES

KEY	PARTNUMBER	U/M DESCRIPTION
	004006-05-700	EA ADHESIVE-NAT.STARCH(5GAL) 0802
	004020-01-000	QT ADHESIVE-ABSCEMENT-QUART
	034552-02-000	EA SILICONE-TUBE-300ML-W/ONOZZLE-CLEAR ALSOORDERP.N.#900390-03-000NOZZLESEPARATELY
	034552-06-000	EA SILICONE-TUBE-300ML-W/ONOZZLE-OFFWHITE ALSOORDERP.N.#900390-03-000NOZZLESEPARATELY FROM: 00-00-00 THRU: 07-26-97
	034552-16-000	EA SILICONE-SABLEW/ONOZZLE-CSL302(TUBE) FROM: 00-00-00 THRU: 01-01-97
	039518-01-000	EA SILICONE-TUBE-300ML-BLACK-W/ONOZZLE ALSOORDERP.N.#900390-03-000NOZZLESEPARATELY
	053766-02-000	EA BEDDINGCOMPOUND-TUBE-WHITE
	053766-08-000	EA BEDDINGCOMPOUND-TUBE/GRAY
	067788-01-000	EA ADHESIVE-SPRAY-3M-19.5AEROSOLCAN
	069640-01-000	FT SEALER-RIBBON-1/4"DIAMETERX30'
	069640-02-000	FT SEALER-TAPE-1/8"THICKX.50"WIDEX60'
	069640-03-000	FT SEALER-TAPE-1/8"THICKX.75"WIDEX60'
	069640-09-000	FT SEALER-TAPE-1/32"THICKX2.50"WIDEX80'
	069640-11-000	FT SEALER-TAPE-3/16"THICKX3/8"WIDEX40'
	069640-14-000	FT SEALER-TAPE-1/16"THICKX1"WIDEX100'
	069640-15-000	FT SEALER-TAPE-1/16"THICKX3/8"WIDEX80'
	069640-18-000	FT SEALER-TAPE-1/2"THICKX1/8"X60' FROM: 04-22-97 THRU: 99-99-99
	072889-01-000	EA SEALANT-URETHANE-BLACK-1/10
	072889-09-000	EA SEALANT-URETHANE-BLACK(TUBE)
	072889-10-000	EA SEALANT-URETHANE(HV)-BRIGHTWHITE
	072889-11-000	EA SEALANT-URETHANE-(TUBE)-GRAY
	072889-14-000	EA SEALANT-URETHANE-TUBE-SABLE FROM: 00-00-00 THRU: 06-20-97
	076322-01-000	FT TAPE-DOUBLECOATED/ADHESIVEBACK-.025"THKX.75"WX18'
	076322-02-000	FT TAPE-DOUBLECOATED/ADHESIVEBACK-.045"THKX1"WX9'
	076322-03-000	FT TAPE-DOUBLECOATED/ADHESIVEBACK-.045THKX.50"WX9'
	076322-05-000	FT TAPE-DOUBLECOATED/ADHESIVEBACK-.045"THKX.75"WX9'
	076322-07-000	FT TAPE-DOUBLECOATED/ADHESIVEBACK-.045"THKX.50"WX9'
	076322-11-000	FT TAPE-DOUBLECOATED/ADHESIVEBACK-.020"THKX1"WX9'
	087211-01-000	GL PROMOTER-ADHESIVE
	091255-02-000	FT SEAL-ADHESIVEBACKED/FOAM-.18"THICKX1.5"WIDE
	102352-01-000	EA SEALER-PUMPABLE-BLACK
	102352-02-000	EA SEALER-PUMPABLE-CLEAR
	106206-01-000	EA SEALER-PUMPABLE-MANUS30A-BLACK
	107828-01-000	EA SEALANT-SB-190EVERSEAL
	108353-01-000	FT SEAL-FOAM-5/16"X1/2"-ADHESIVEBACKED
	108716-04-000	EA SILICONE-TUBE-SABLE/SELFLEVELING FROM: 00-00-00 THRU: 06-20-97
	108716-03-000	EA SILICONE-TUBE-BRIGHTWHITE/SELFLEVELING FROM: 06-21-97 THRU: 99-99-99
	110274-01-000	FT TAPE-DOUBLESIDEDFOAM-.45"X1"
	112901-02-000	EA ADHESIVE-PLEXUS-50ML
	118085-02-01A	FT TAPE-FOIL-1"
	120074-02-01A	EA SEALANT-SILICONE-OFFWHITE FROM: 07-27-97 THRU: 99-99-99
	123816-01-000	FT TAPE-DOUBLESIDED-1"
	123816-02-000	FT TAPE-DOUBLESIDED-1/2"
	123816-03-000	FT TAPE-DOUBLESIDED-1/2"
	900390-01-000	EA TIP-2 1/2"X1/8"ORIFICE
	900390-03-000	EA NOZZLE-SILICONETUBE

SEALANTS&FASTENERSGROUP(CONTINUED)

BOLTS,NUTS&WASHERS

KEY	PARTNUMBER	U/M DESCRIPTION
	0MC04K-06-016	EA BOLT-HEX-M06X1X016
	000C12-05-12B	EA BOLT-HEX-5/16-13X3/4ZINC5
	000C12-05-16B	EA BOLT-HEX-5/16-18X1-ZINC5 FROM: 07-08-96 THRU: 99-99-99
	000C12-06-20B	EA BOLT-HEX-3/8-16X1 1/4-ZINC#5
	000C12-06-16B	EA BOLT-HEX-3/8-16X1LG-ZINC5
	000C12-07-20B	EA BOLT-HEX-7/16-14X1 1/4-ZINC5
	000C12-08-28B	EA BOLT-HEX-1/2-13X1 3/4-ZINC5
	000C12-08-24B	EA BOLT-HEX-1/2-13X1.50-ZINC5
	000C12-10-24B	EA BOLT-HEX-5/8-11X1.50-ZINC5
	000C13-07-48B	EA BOLT-HEX-7/16-20X3-ZINC5
	000C18-05-40A	EA BOLT-ELEVATOR-5/16-18X2.50-PL
	000C18-06-48B	EA BOLT-ELEVATOR-3/8-16X3-ZINC-GRADE5
	000C26-04-10B	EA BOLT-HEX-SERRATEDFLANGE-1/4-20X5/8-ZINC
	000C26-04-18B	EA BOLT-HEX-SERRATEDFLANGE-1/4-20X1 1/8-ZINC
	000C26-05-20B	EA BOLT-HEX-SERRATEDFLANGE-5/16-18X1 1/4-ZINC
	000C26-05-16B	EA BOLT-HEX-SERRATEDFLANGE-5/16-18X3/4-ZINC
	000C26-05-12B	EA BOLT-HEX-SERRATEDFLANGE-5/16-18X3/4-ZINC
	000C26-06-40B	EA BOLT-HES-SERFLG3/8-16X2 1/2-ZINC
	000C26-06-16B	EA BOLT-HEX-SERRATEDFLANGE-3/8-16X1-ZINC
	000C26-06-12B	EA BOLT-HEX-SERRATEDFLANGE-3/8-16X3/4-ZINC
	051387-05-000	EA BOLT-CARRIAGEW/OHOLE-5/16-18X9.5-ZINC
	051387-06-000	EA BOLT-CARRIAGEW/OHOLE-5/16-18X9.5-ZINC
	091274-03-000	EA BOLT-J-3/8-16X12.0 FROM: 08-30-96 THRU: 99-99-99
	000D24-10-00B	EA NUT-HEX-SELFLOCKING-10-32ZINC
	000D29-05-00B	EA NUT-5/16-18UNC-SF/LOCKING-NYLONWASHERINSERT
	000D29-06-00B	EA NUT-HEX-W/NYLONLOCK-3/8-16-ZINC
	000D34-06-00B	EA NUT-HEX-LOCKING-3/8-16GRADEC-ZINC-PREVAILINGT
	000D39-04-00B	EA NUT-HEX-SERRATEDFLANGE-LOCKING-1/4-20-ZINC
	000D39-05-00B	EA NUT-HEX-SERRATEDFLANGE-LOCKING-5/16-18-ZINC
	000D39-06-00B	EA NUT-HEX-SERRATEDFLANGE-LOCKING-3/8-18-ZINC
	000D39-07-00B	EA NUT-HEX-SERRATEDFLANGE-LOCKING-7/16-14-ZINC
	000D39-08-00B	EA NUT-HEX-SERRATEDFLANGE-LOCKING-1/2-13-ZINC
	000D44-07-00B	EA NUT-HEX-SERRATEDFLANGE-LOCKING-7/16-20-ZINC
	000D46-04-00A	EA NUT-HEX-WELD-1/4-20-PLAIN
	000D60-05-00A	EA NUT-HEX-WELD/LOCK5/16-18UNCUT
	000D73-07-00C	EA NUT-HEXFLANGE-7/16-14-GRADEG
	000D73-08-00C	EA NUT-HEXFLANGE-1/2-13
	000D76-06-00B	EA NUT-HEXFLG-3/8-16 FROM: 08-30-96 THRU: 99-99-99
	106956-03-000	EA BOLT-HEXTAP-1/2-12NCX3-GRADE5-FULLTHREAD/ZINC
	040921-03-000	EA NUT-SPEED-UTYPE-#10
	040921-05-000	EA NUT-SPEED-U-TYPE#8-.67"X.44"WIDE
	044364-02-000	EA NUT-SPEED-FLAT-ROUND
	063253-07-000	EA NUT-J-#8A-.120-.130PNLTHK
	083163-06-000	EA PUSHNUT-FLATTYPE3/8STUD-FORDONLY TORETAINTHEAIRBAFFLEONTHEOILDIPSTICKTUBE
	087234-01-000	EA NUT-JACK-1/4X20THD-MOLLY MOUNTSLICENSEPLATES
	000E11-08-00B	EA WASHER-LOCKING-1/2MEDSPLIT-ZINC
	000E13-14-00B	EA WASHER-FLAT-1/4WIDE-ZINC
	000E13-17-00B	EA WASHER-FLAT-3/8"AR-ZINC
	000E13-18-00B	EA WASHER-FLAT-3/8WIDE-ZINC
	000E13-20-00B	EA WASHER-FLAT-7/16WIDE-ZINC
	000E13-22-00B	EA WASHER-FLAT-1/2WIDE-ZINC
	000E14-10-00B	EA WASHER-LOCKING-#10EXTERNALTOOTH-ZINC
	058716-02-000	EA WASHER-FLATNYLON
	107397-01-000	EA WASHER-FENDER-.25"IDX1"OD
	088787-12-000	EA STUD-WELD-1/4-20X1.0LG-MN
	108067-03-000	EA STUD-WELD-1/4-20X1/2CD
	120506-01-01A	EA RIVET-PLASTIC-3/16DIAMETER

SEALANTS&FASTENERSGROUP(CONTINUED)

SCREWS

KEY	PARTNUMBER	U/M	DESCRIPTION
	0G5508-12-110	EA	SCREW-SF/DR-8-18X.75PWH
	000G11-05-08B	EA	SCREW-5-20X.50PPH-ZINC
	000G11-06-08B	EA	SCREW-6-20X.50PPH-ZINC
	000G11-06-06B	EA	SCREW-6-20X3/8PPH-ZINC
	000G11-06-10J	EA	SCREW-6-20X5/8PPH-BRASS
	000G11-06-10B	EA	SCREW-6-20X5/8PPH-ZINC
	000G11-07-08B	EA	SCREW-7-19X.50PPH-ZINC
	000G11-08-06B	EA	SCREW-8-18X3/8PPH-ZINC
	000G11-08-12T	EA	SCREW-8-18X.75PPH-BLACK
	000G11-08-12P	EA	SCREW-8-18X3/4PPH-DARKBROWN
	000G11-08-12P	EA	SCREW-8-18X3/4PPH-DARKBROWN
	000G11-08-12D	EA	SCREW-8-18X.75PPH-BLACK
	000G11-08-12B	EA	SCREW-8-18X.75PPH-ZINC
	000G11-08-10B	EA	SCREW-8-18X.50PPH-ZINC
	000G11-08-08T	EA	SCREW-8-18X1/5PPH-FLUOROCARBONCOATING
	000G11-08-08B	EA	SCREW-8-18X.50PPH-ZINC
	000G11-08-20B	EA	SCREW-8-18X1.25PPH-ZINC
	000G11-08-16S	EA	SCREW-8-18X1PPH-OFFWHITE
	000G11-10-12S	EA	SCREW-10-16X.75PPH-OFFWHITE
	000G11-10-12D	EA	SCREW-10-16X.75PPH-BLACK
	000G11-10-40B	EA	SCREW-10-16X21/2PPHCAD-34927-01-000
	000G11-10-16B	EA	SCREW-10-16X1PPH-ZINC
	000G12-06-08T	EA	SCREW-6-20X1/2POH-BLACK
	000G13-06-08B	EA	SCREW-6-20X.50PFH-ZINC
	000G13-06-24J	EA	SCREW-6-20X1.50PFH-BRASS
	000G13-06-16J	EA	SCREW-6-20X1PFH-BRASS
	000G13-06-10G	EA	SCREW-6-20X5/8PFH-ANTIQUEBRASS
	000G13-06-08G	EA	SCREW-6-20X.50PFH-ANTIQUEBRASS
	000G13-07-12B	EA	SCREW-7-19X.75PFH-ZINC
	000G13-07-10H	EA	SCREW-7-19X5/8PFH-BLACK
	000G13-08-16B	EA	SCREW-8-18X1PFH-ZINC
	000G18-08-22B	EA	SCREW-MACHINE-8-32X13/8PPH-ZINC
	000G19-10-20B	EA	SCREW-MACHINE-10-32X1.25PPH-ZINC
	000G19-10-12F	EA	SCREW-MACHINE-10-32X.75-PPH-STAINLESSSTEEL
	000G19-10-10B	EA	SCREW-MACHINE-10-32X5/8-PPH-ZINC
	000G32-10-06B	EA	SCREW-10-32X3/8PPH-ZINC
	000G39-06-10T	EA	SCREW-SF/DR-6-20X5/8PPH-BLACK
	000G39-06-10T	EA	SCREW-SF/DR-6-20X5/8PPH-BLACK
	000G39-08-08B	EA	SCREW-SF/DR-8-18X1.50PPH-ZINC
	000G39-08-06B	EA	SCREW-SF/DR-8-18X3/8PPH-ZINC
	000G39-08-24B	EA	SCREW-SF/DR-8-18X11/2PPH-ZINC
	000G39-08-16T	EA	SCREW-SF/DR-6-20X1PPH-BLACK
	000G39-08-16R	EA	SCREW-SF/DR-8-18X1PPH-BEIGE
	000G39-08-16B	EA	SCREW-SF/DR-8-18X1PPH-ZINC
	000G39-08-12T	EA	SCREW-SF/DR-8-18X.75PPH-BLACK
	000G39-08-12B	EA	SCREW-SF/DR-8-18X.75PPH-ZINC
	000G39-08-08T	EA	SCREW-SF/DR-8-18X1/2PPH-BLACK
	000G39-08-08S	EA	SCREW-SF/DR-8-18X.50PPH-OFFWHITE
	000G39-08-32B	EA	SCREW-SF/DR-8-18X2PPH-ZINC
	000G39-10-10B	EA	SCREW-SF/DR-10-16X.625-ZINC
	000G39-10-088	EA	SCREW-SF/DR-10-16X1/2PPH-FLEXFLUOROCARBON
	000G39-10-08B	EA	SCREW-SF/DR-10-16X.50PPH-ZINC
	000G39-10-48T	EA	SCREW-SF/DR-10-16X3.00PPH-BLACK
	000G39-10-48B	EA	SCREW-SF/DR-10-16X3-PPH-ZINC
	000G39-10-40D	EA	SCREW-SF/DR-10-16X21/2PPH
	000G39-10-32B	EA	SCREW-SF/DR-10-16X2-PPH-ZINC
	000G39-10-209	EA	SCREW-SF/DR-10-16X11/4PPH-FLUOROCARBONSILVER
	000G39-10-20B	EA	SCREW-SF/DR-10-16X1.25PPH-ZINC
	000G39-10-129	EA	SCREW-SF/DR-10-16X.75PPH-FLUOROCARBONSILVER
	000G39-10-12D	EA	SCREW-SF/DR-10-16X.75PPH-BLACK

SEALANTS&FASTENERSGROUP(CONTINUED)

SCREWS(CONTINUED)

KEY	PARTNUMBER	U/M	DESCRIPTION
	000G39-10-12B	EA	SCREW-SF/DR-10-16X.75PPH-ZINC
	000G42-04-16B	EA	SCREW-SF/DR-1/4-14X1HWH-ZINC
	000G42-04-12B	EA	SCREW-SF/DR-1/4-14X.75HWH-ZINC
	000G50-04-12B	EA	SCREW-MACHINE-1/4-20X.75PPH-ZINC
	000G51-08-08B	EA	SCREW-8-18X1/2PTH-ZINC
	000G52-08-18B	EA	SCREW-MACHINE-8-32X11/8PTH-ZINC
	000G52-08-06B	EA	SCREW-MACHINE-8-32X3/8PTH-ZINC
	000G54-04-20B	EA	SCREW-1/4-20X1.25PTH-TYPE23-ZINCPLATED
	000G55-08-12S	EA	SCREW-SF/DR-8-18X.75PWH-OFFWHITE
	000G56-10-24J	EA	SCREW-WOOD-10-13X11/2POH-BRIGHTBRASS
	000G57-05-16J	EA	SCREW-5-20X1PFH-BRASS
	000G60-10-16J	EA	SCREW-SF/DR-10-16X1POH-BRIGHTBRASS
	000G60-10-20I	EA	SCREW-SF/DR,10-16X1.25POH -BLACK
	000G67-08-32B	EA	SCREW-8-15X2PPH-ZINC
	000G67-10-08B	EA	SCREW-10-12X.50PPH-ZINC
	000G67-10-16B	EA	SCREW-10-12X1PPH-ZINC
	000G67-10-12B	EA	SCREW-10-12X.75PPH-ZINC
	000G67-10-10D	EA	SCREW-10-12X5/8PPH-BLACK-TYPEA
	000G67-10-10B	EA	SCREW-10-12X5/8PPH-ZINC-TYPEA
	000G67-10-36T	EA	SCREW-10-12X2.25-PPH-BLACK
	000G67-10-32B	EA	SCREW-10-12X2PPH-ZINC
	000G67-10-20D	EA	SCREW-10-12X1.25PPH-BLACK
	000G68-06-10G	EA	SCREW-6-18X5/8POH-ANTIQUEBRASS
	000G68-06-12S	EA	SCREW-6-18X3/4POH
	049465-01-000	EA	SCREW-10-16W/WASHERPTH-DARKBROWN
	049465-04-000	EA	SCREW-10-16X1PTHW/WASHER-BEIGE
	049465-18-000	EA	SCREW-10-16X1POHW/WASHER*VWGRAY
	049465-22-000	EA	SCREW-10-16A11/2POHW/WASHER-SABLE
	057671-01-000	EA	COVER-SCREW-#8-PLASTIC-OFFWHITE
	057671-10-000	EA	COVER-SCREW-VWGRAY-#8
	057671-11-000	EA	COVER-SCREW-HAMPTONTAN-#8
	057671-15-000	EA	COVER-SCREW
			FROM: 02-06-97 THRU: 99-99-99
	075908-01-000	EA	SCREW-MACHINE-10-32X.56PTH-EXTERNALTOOTH-ZINC
	076790-01-000	EA	SCREW-6-20X11/4PPH-BLACK
	086256-01-000	EA	SCREW-SF/DR-8X3/4HWHLONG
	109152-03-000	EA	SCREW-3/8-16X2-FLATSOC-STAINLESSSTEEL-BLACK
	113563-01-01A	EA	SCREW-8X.62LONGSHOULDER/WASHERHD

SEALANTS&FASTENERSGROUP(CONTINUED)

GROMMETS,CLAMPS&CLIPS

KEY	PARTNUMBER	U/M DESCRIPTION
	000F10-06-32B	EA PIN-COTTER-3/16"X2"-ZINC
	000H14-06-03R	EA RIVET-MANDRELBLIND-3/16ALUMINUM
	000H16-04-06R	EA RIVET-POPALUMINUM-1/8"X.313-.375
	000H16-06-10R	EA RIVET-POPALUMINUM-3/16X.501-.625
	008380-01-000	EA GROMMET-RUBBER-5/8"HOLEX1 1/2"DIAMETER-BLACK
	016188-05-000	EA GROMMET-L/PLINE-3/8"HOLEX1 1/4"LONG-RUBBER
	023942-01-000	EA GROMMET-RUBBER-2"OD
	071015-11-000	EA GROMMET-1.00ID-FITS.12MATERIAL
	071015-19-000	EA GROMMET-.38ID-FITS.06MATERIAL
	071015-29-000	EA GROMMET-RUBBER-1/4IDX1 1/4ODW.12GROOVE-BLK
	071015-32-000	EA GROMMET-RUBBER-.75"IDX1.375"ODW/.187"GROOVE-BLK
	088756-01-000	EA GROMMET-WEB-1 1/8"ID.
	114208-02-000	EA GROMMET-EDGE LINER-FITS.625
	010495-01-000	EA CLAMP-CABLE-9/16"
	010495-02-000	EA CLAMP-CABLE-3/8
	010497-01-000	EA CLAMP-CLOSED-5/8"ID
	010497-03-000	EA CLAMP-CLOSED-1"ID-CUSHIONED
	010497-05-000	EA CLAMP-CLOSED-1/2ID
	010497-06-000	EA CLAMP-CLOSED-11/16"ID
	010499-01-000	EA CLAMP-CLOSED-3/8"ID
	062401-01-000	EA CLAMP-HOSE-WORMGEAR-.25"-1"
	062401-03-000	EA CLAMP-HOSE-WORMGEAR-.22"-1"
	062401-04-000	EA CLAMP-HOSE-WORMGEAR-.69"-1.25"
	062401-05-000	EA CLAMP-HOSE-WORMGEAR-2"TO3"ID
	062401-06-000	EA CLAMP-HOSE-WORMGEAR-.22-.62ID
	062401-09-000	EA CLAMP-HOSE-WORMGEAR-2.8"-3.75"
	062401-11-000	EA CLAMP-HOSE-WORMGEAR-3.50-4.50
	075148-02-000	EA CLAMP-GROUNDING-BRONZESCREWS
	075312-02-000	EA CLIP-U-.75LONGX.50WIDE-F/1/8"-3/16"THICKMATERIAL SLIGHTDESIGNCHANGEFROMTHEORIGINALCLIPSUSEDONTHE '84TO'86H-BODYAIRDAMS
	083609-01-000	EA CLAMP-WIRE-DUAL-EQUALDIAMETERS-5/8"
	083610-01-000	EA CLAMP-WIRE-DUAL-UNEQUALDIAMETERS-3/4"&1 1/4"
	083610-02-000	EA CLAMP-WIRE-DUAL-UNEQUALDIAMETERS
	083610-03-000	EA CLAMP-DUALWIRE
	091952-01-000	EA CLIP-GRIPPER-1"
	091952-02-000	EA CLIP-GRIPPER-3/4"
	094362-02-000	EA CLIP-XMASTREE-FLATHEAD-.5"X.95"
	101447-01-000	EA CLIP-UTYPE HOLDSSHOWERSURROUNDTOGETHER

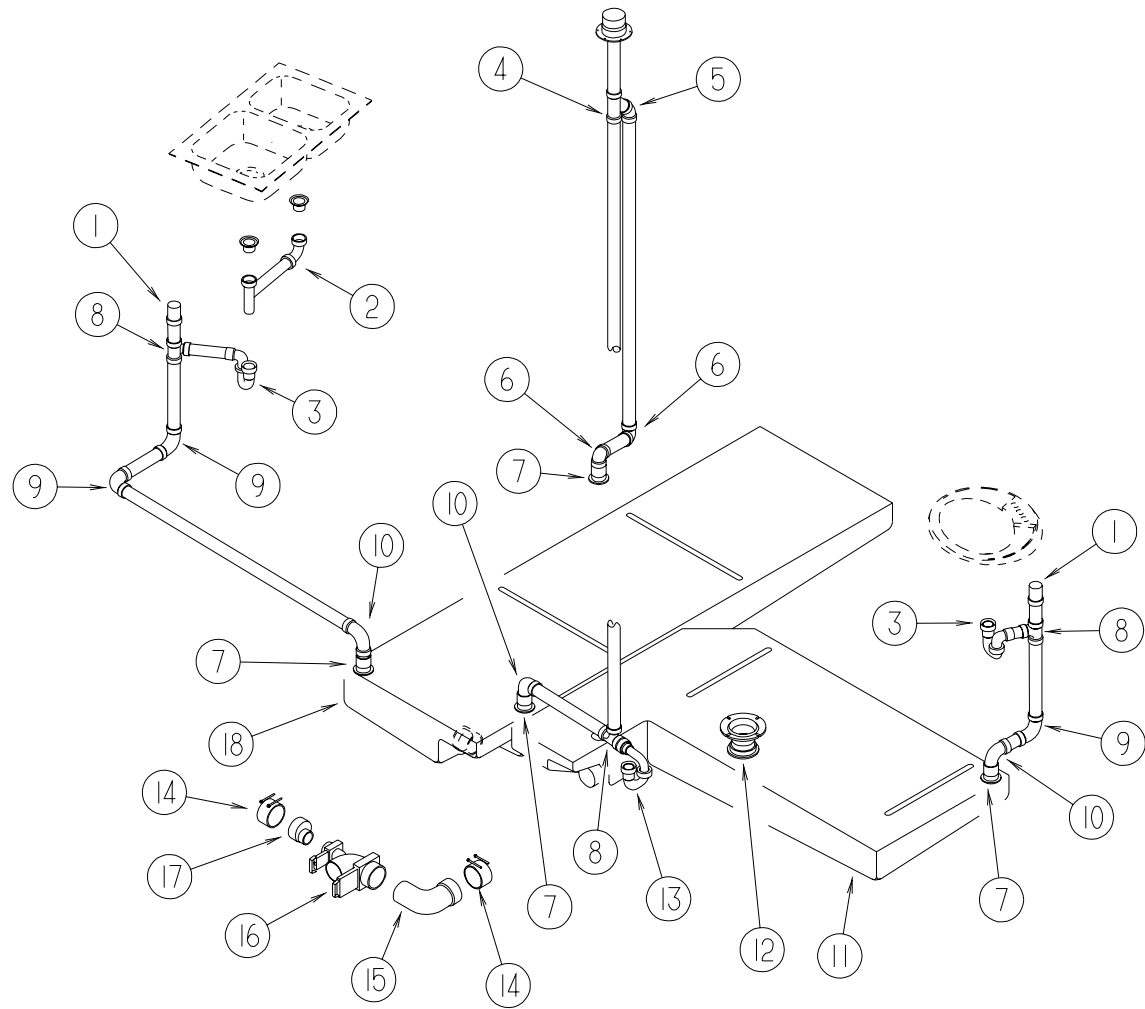
SEALANTS&FASTENERSGROUP(CONTINUED)

WIRETIES,FASTENERS,&VELCROTAPE

KEY	PARTNUMBER	U/M DESCRIPTION
	008343-01-000	EA TIE-WIRE-6"
	008343-02-000	EA TIE-WIRE-14"
	008343-03-000	EA TIE-WIRE-7 1/5"-BLACK
	029094-04-000	YD VELCROTAPE-LOOP-1"WIDE-BLACK
	029094-06-000	YD VELCROTAPE-LOOP-2"WIDE-BLACK
	029096-03-000	YD VELCROTAPE-HOOK-1"WIDE-BLACK
	029096-04-000	YD TAPE-HOOK-VELCRO-1"WIDE-BLACK
	061420-05-000	EA PLUG/PLASTIC-1.8"DIAMETER
	061420-10-000	EA PLUG/PLASTIC-1.50"DIAMETER-BLACK FROM: 06-02-97 THRU: 99-99-99
	081211-04-000	EA PLUG-PLASTIC-.46"DIAMETER-BLACK USEDINHOUSECIRCUITBREAKERPANELS
	085774-01-000	FT FASTENER-DUALHOOK-1"WIDE-ADHESIVEBACK-BLACK
	085774-02-000	FT FASTENER-DUALLOOP-1"WIDE-ADHESIVEBACK-BLACK
	085774-03-000	FT FASTENER-DUALLOOP-1/2"WIDE
	085774-04-000	FT FASTENER-DUALLOOP-1/2"WIDE
	086285-01-000	EA SPACER-NYLON-.5"ODX.257"ID
	110943-02-000	FT FELTSTRIP-3/8"-ADHESIVEBACK-WHITE

WATER & SEWAGE GROUP

DRAINAGE SYSTEM



KEY	PARTNUMBER	U/M	DESCRIPTION
1	079968-01-000	EA	VENT-MECHANICAL TRAP ARM, ANTI-SIPHON-2" DIA X 7.3"-PLASTIC
2	011091-02-000	EA	PIPE-DRAIN-DOUBLE SINK-BAFFLE TEE-1 1/2"-U.S. ONE PIPE W/TEE TO DRAIN BOTH SIDES OF SINK
2	011091-03-000	EA	PIPE-DRAIN-W/SEALS-DOUBLE SINK-EXTENDS 9" TO 16"-CANADIAN
3	107538-01-000	EA	P TRAP PLASTIC-1 1/4" W/EXT ARM
3	011066-03-700	EA	P TRAP 1 1/4 HUB X SLIP JOINT-W/UNION-ABS-CANADIAN
	109571-01-000	EA	ADAPTER-PTRAP, 1 1/2 X 1 1/4 MPT
4	010073-01-000	EA	WYE-45 DEGREE-1 1/2 HUB X HUB X HUB-PLASTIC-BLACK
5	010051-01-000	EA	ELBOW-45 DEGREE BEND-1 1/2 SPIGOT AND HUB-PLASTIC-BLACK
6	010006-01-000	EA	ELBOW-45 DEGREE-1/8 BEND-1 1/2 HUB X HUB-BLACK PLASTIC
7	061607-01-000	EA	GROMMET-HOLDING TANK-1 1/2 NPS
7	010115-01-000	EA	COUPLING 1 1/2 HUB X HUB, PLASTIC
8	010071-01-000	EA	TEE-SANITARY-1 1/2 HUB X HUB X HUB-PLASTIC-BLACK
9	010008-01-000	EA	ELBOW-90 DEGREE-1/4 BEND-1 1/2 HUB X HUB-BLACK PLASTIC
10	033761-01-000	EA	ELBOW-TURN-90 DEGREE 1 1/2" HUB X 1 1/2" SPIGOT
11	112789-01-000	EA	TANK-HOLDING-46 GALLON-W/O FITTINGS
12	061607-02-000	EA	GROMMET-HOLDING TANK-3" NPS
12	116644-01-000	EA	FLANGE-CLOSET-TOILET-4" X 3"
13	011069-02-000	EA	TAILPIECE-TUB/SHOWER-1 1/2" X 1 1/4" X 4"-BRASS
14	078406-01-000	EA	COUPLER-RUBBER-W/CLAMPS-3" X 3"
15	041956-01-000	EA	ELBOW-STREET-PLASTIC-1/4 BD 3 X 90 XLT
16	070916-01-000	EA	VALVE-DUAL DUMP-W/CAP-3" X 1 1/2"-PLASTIC-BLACK
	070916-01-700	EA	VALVE ONLY-3"
	070916-01-701	EA	VALVE ONLY-1 1/2"
	010201-01-000	EA	HOSE-SEWER-3" ID X 8'
	062416-01-000	EA	ADAPTER-SEWER HOSE TO 3" PIPE
17	062422-01-000	EA	ADAPTER-OFFSET REDUCER-3" X 1 1/2"-PLASTIC-BLACK
18	112788-01-000	EA	TANK-HOLDING-59 GALLON-W/O FITTINGS

WATER & SEWAGE GROUP (CONTINUED)

FRESHWATER TANK

KEY	PARTNUMBER	U/M	DESCRIPTION
	117217-04-000	EA	TANK-FRESHWATER-30GALLON-W/FITTINGS
	117217-01-000	EA	TANK-FRESHWATER-30GALLON-W/OFITTINGS
	116881-05-000	EA	TANK-FRESHWATER-48GALLON-W/NOTCHEDCRNR/FITTINGS
	116881-01-000	EA	TANK-FRESHWATER-48GAL-W/NOTCHEDCORNERW/OFITTINGS
	049032-01-000	EA	PATCH-SPINWELD-3/8"-PLASTIC
	042989-03-000	EA	FITTING-WATERTANK-SPINWELD-1 1/4"NPT-WHITEPLASTIC
	042989-05-000	EA	FITTING-WATERTANK-SPINWELD-1/2"FPT-WHITEPLASTIC
	077954-02-000	EA	FILTER-WATERTANK-SCREENINTANK
	079381-01-000	FT	TUBING-SMOOTHFLEXIBLE-1 3/8"IDX20'
	039861-01-000	EA	SENDINGUNIT-W/SCREW-WASHER-WELLNUT&TERMINALRING

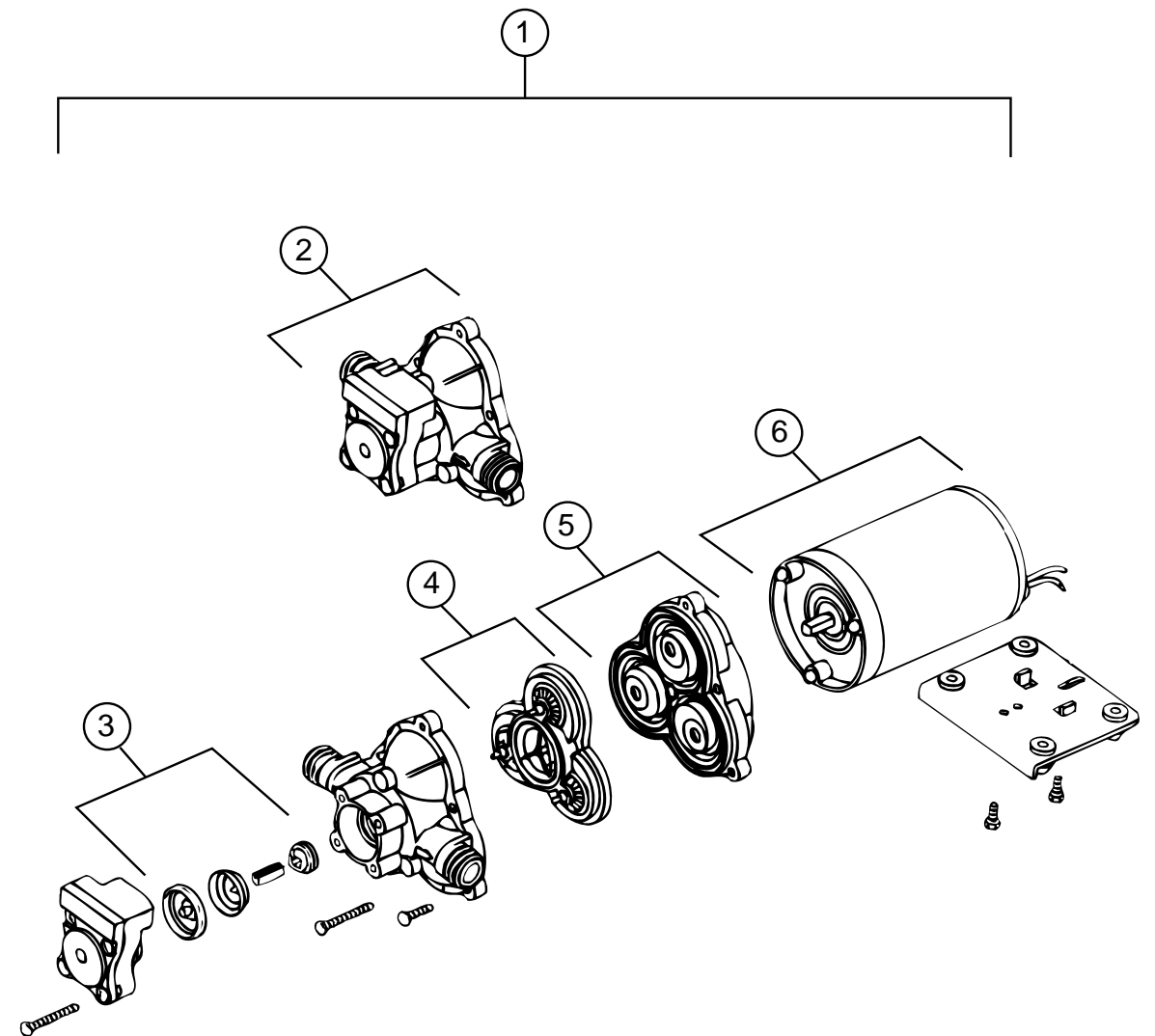
WATER SYSTEM

KEY	PARTNUMBER	U/M	DESCRIPTION
	114428-01-000	EA	TEE-1/2PX1/2PX1/2P-FLAIR-IT02820
	114428-03-000	EA	TEE-1/2PX1/2PX1/2MPT-FLAIR-IT02822
	114428-02-000	EA	TEE-SWIVEL,1/2PX1/2PX1/2FPT-FLAIR-IT02821
	118423-01-000	EA	TEEFITTING-BRASS-1/4"CX1/4"CX1/4"C
	114429-01-000	EA	ELBOW-1/2PX1/2P-FLAIR-IT02800
	114429-02-000	EA	ELBOW-1/2PX1/2MPT-FLAIR-IT02803
	114429-03-000	EA	ELBOW-SWIVEL1/2"PX1/2"FPT-FLAIR-IT
	114429-04-000	EA	ELBOW-1/2PX3/8MPT-FLAIR-IT02810
	111223-02-000	EA	ELBOW-PLASTIC-1/2MPTX3/8BARB-KEVCOTE-2086
	010219-01-000	EA	ELBOW-1 1/4"MPTX1 1/4"BARB,WATERFILL-PLASTIC
	039808-03-000	EA	ELBOW-1/2"MPTX1/2"MPT-PLASTIC
	123150-01-000	EA	ELBOW-1/2FPTX1/2BARB-SWIVEL
	114429-04-000	EA	ELBOW-1/2"PX3/8"MPT
	114430-08-000	EA	ADAPTER-1/2PX3/4MPT-FLAIR-IT02868
	114430-02-000	EA	ADAPTER-SWIVEL,1/2PX1/2FPT-FLAIR-IT02873
	114430-03-000	EA	ADAPTER-1/2PX1/2MPT-FLAIR-IT02842
	114430-06-000	EA	ADAPTER-1/2"PX3/8"FPT
	118809-01-000	EA	ADAPTER-PLASTIC-1/2MPTX3/8BARB
	118809-02-000	EA	ADAPTER-1/2"MPTX1/2"BARB-PLASTIC
	010224-01-000	EA	ADAPTER-HOSE TO PIPE-3/8MPTX3/8BARB-PLASTIC
	039800-02-000	FT	TUBING-POLYBUTYL-5/8"ODX20'-BLACK
	074462-02-000	FT	TUBING-VINYL-3/8IDX20'-CLEAR
	039800-05-000	FT	TUBING-POLYBUTYL-5/8"ODX20'
	124188-02-000	FT	TUBING-PEX1/2"IDX20'RED
	111888-01-000	EA	FERRULE-PLASTIC-.250IDX.375OD
	111888-02-000	EA	INSERT-BRASS-1/4COMP
	120868-01-000	EA	VALVE-NEEDLE-1/4"COMPRESSIONX1/4"COMPRESSION
	114431-01-000	EA	VALVE-180DEGREE/CENTERDRAIN-1/2P-THREEWAY
	114431-02-000	EA	WATERVALVE-2POSITION-"BYPASSVALVE"
	114431-05-000	EA	VALVE-NEEDLE-1/8"MPTX1/4"COMPRESSION(ICEMAKER)
	113697-01-000	EA	CAP-3/8FTG
	124184-01-000	EA	SUPPORT-WATERLINE-BEND
	077954-02-000	EA	FILTER-WATERTANK-W/SCREENINTANK

WATER & SEWAGE GROUP (CONTINUED)

WINTERIZATION KIT

KEY	PARTNUMBER	U/M	DESCRIPTION
	118569-01-000	EA	WINTERIZATIONSYSTEM-SWANRFQ314-W
	118569-01-700	EA	VALVE-ELECTRICCONTROL NOVDR#
	118569-01-701	EA	SWITCH-ELECTRIC NOVDR#
	118569-01-702	EA	PLATE-SWITCH NOVDR#
	118569-01-703	EA	TANK-2GALLON NOVDR#
	118569-01-704	EA	PLUG-3/4MPT NOVDR#
	118569-01-705	EA	PLUG-1/2MPT NOVDR#
	118569-01-706	EA	SCREEN-WHITE NOVDR#
	111223-03-000	EA	ELBOW-3/4"MPTX1/2"BARB-PLASTIC
	110438-01-000	EA	VALVE-CHECK-BRASS-1/2MPTX1/2FPT
	110438-02-000	EA	VALVE-CHECK-BRASS-1/2MPTX1/2MPT
	118809-01-000	EA	ADAPTER-PLAS-1/2MPTX3/8BARB-KEVCOTA-1086

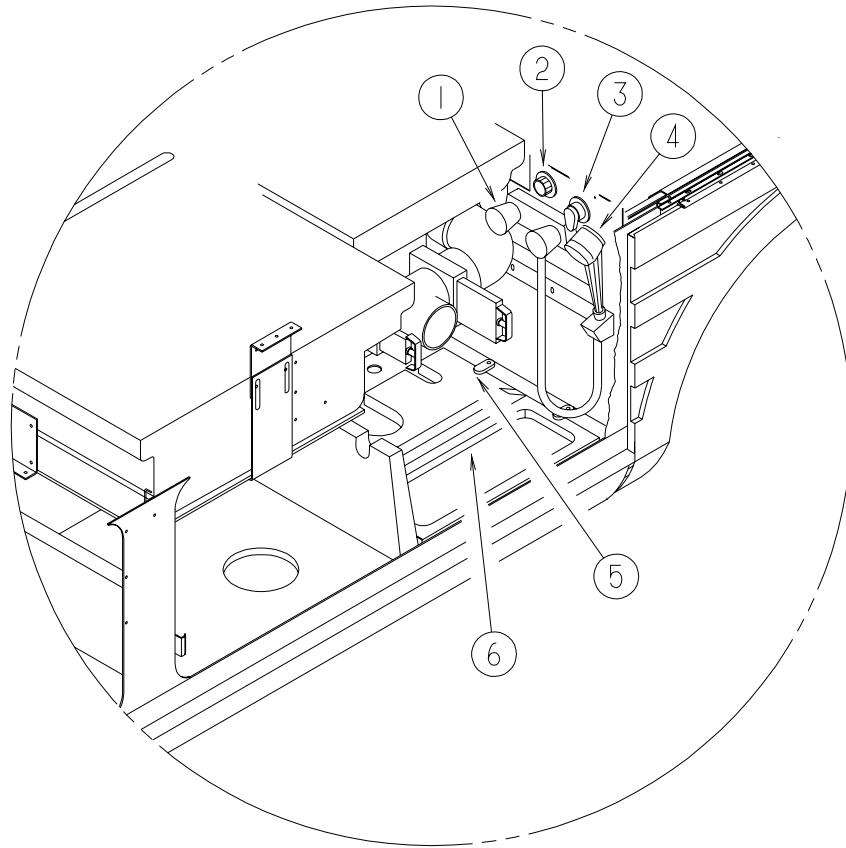


WATER PUMP-SHURFLO

KEY	PARTNUMBER	U/M	DESCRIPTION	VENDOR NO.
1	098607-01-000	EA	PUMP-WATER-W/.5"MPTFITTING-FLOW2.8GPM	
2	098607-01-706	EA	UPPERHOUSING/SWITCH-KIT	94-231-20
3	098607-01-705	EA	CHECKVALVE-KIT	94-237-00
4	098607-01-703	EA	VALVEASSEMBLY	94-232-00
5	098607-01-702	EA	DIAPHRAGM-KIT	94-238-04
6	098607-01-707	EA	MOTOR/BASEPLATEREPLACEMENT	94-235-03

WATER&SEWAGEGROUP(CONTINUED)

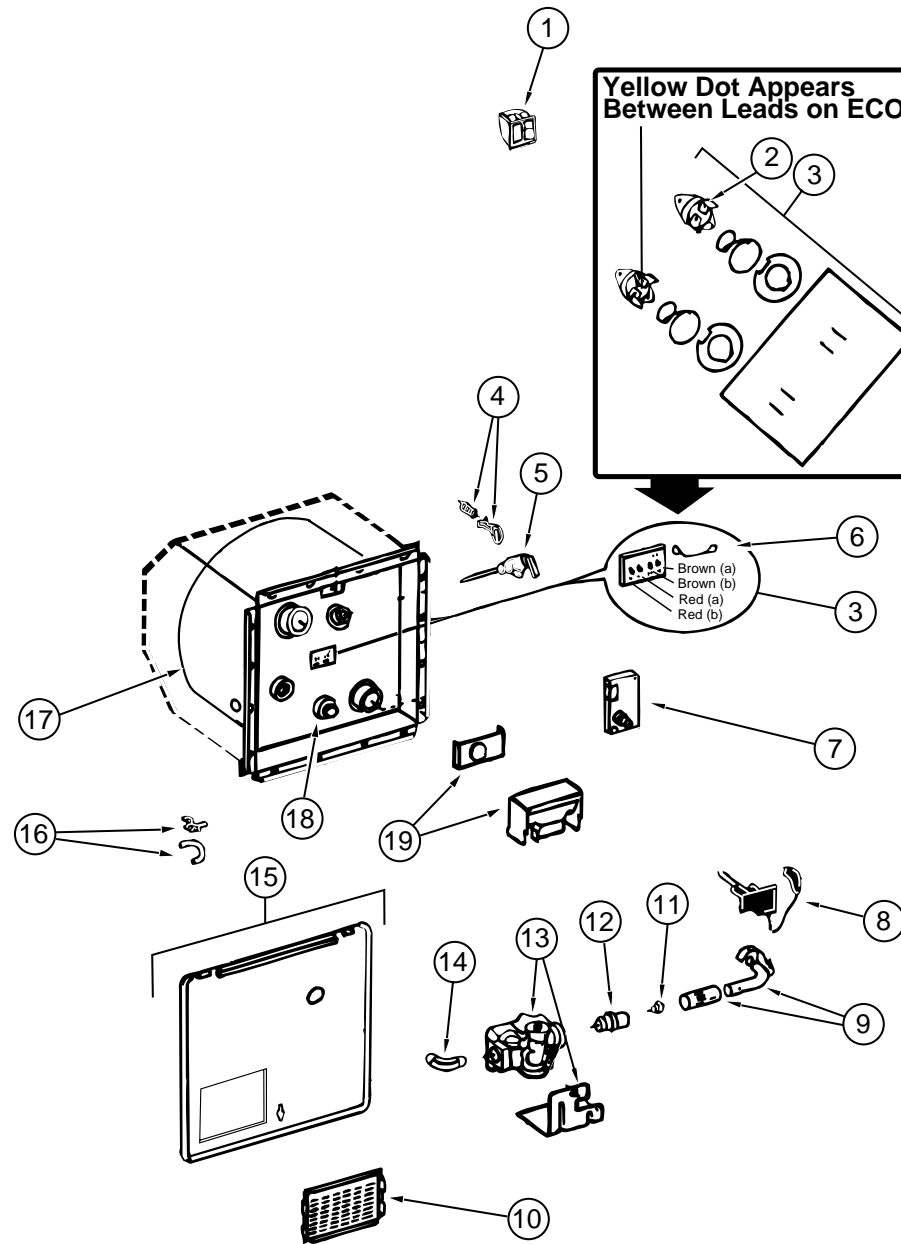
EXTERIORSHOWERCOMPONENTS



KEY	PARTNUMBER	U/M	DESCRIPTION	VENDOR NO.
1	075241-05-000	EA	FAUCET-SHOWER-BONEW/3/4"MPTX1.4"LONGINLETPIPES	
	114430-02-000	EA	ADAPTER-SWIVEL-1/2"PX1/2"FPT	
2	010230-05-000	EA	CITYWATERFILLW/CHECKVALVE	
				FROM: 00-00-00 THRU: 09-25-96
2	010230-06-000	EA	FILL-CITYWATER-W/CHECKVALVE-MPT	
				FROM: 09-26-96 THRU: 99-99-99
3	114431-02-000	EA	WATERVALVE-2POSITION-"BYPASSVALVE"	
	010497-03-000	EA	CLAMP-CLOSED-1"ID-CUSHIONED	
	114428-01-000	EA	TEE-1/2PX1/2PX1/2P-FLAIR-IT 02820	
4	103092-02-000	EA	SHOWERHEAD-W/60"HOSE-CSA	
4	103092-03-000	EA	SHOWERHEAD-W/HOSE/BRACKET-BRASS	
	103092-01-700	EA	BRACKET-SHOWERHEAD-CLEAR	2328028
	103092-01-702	EA	SEALS-SPRAYHEAD	24466
	011048-03-700	EA	BRACKET-SHOWERHEAD	2328029-3
5	121175-01-01A	EA	LATCH-SWELL-BLACK	
6	M06991-05-G38	EA	HATCH-W/FOAM	

WATER & SEWAGE GROUP (CONTINUED)

WATER HEATER W/ MOTOR AID - ATWOOD G6A-8E

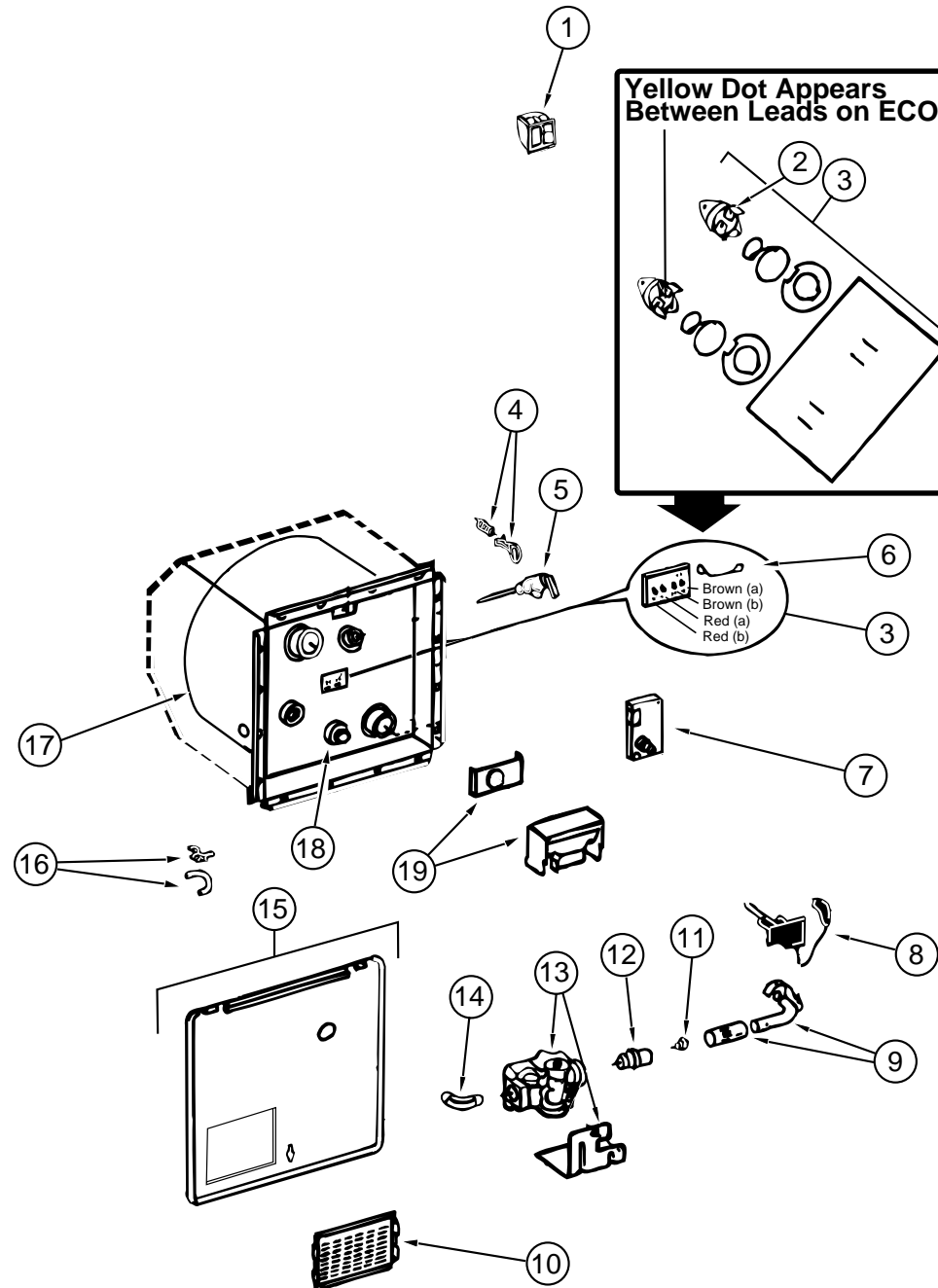


KEY	PART NUMBER	U/M	DESCRIPTION	VENDOR NO.
	051391-03-B00	EA	WATERHEATER G6A-8E ELECTRONIC IGNITION	
1	097967-01-000	EA	SWITCH-WATERHEATER, REMOTE W/LIGHT 91959	
2	051391-04-701	EA	THERMOSTAT-12VDC-120 PRESET	91470
3	051393-01-721	EA	THERMOSTAT-W/ECO, 140 FRONT MOUNT	91447
4	051391-01-705	EA	FASTENER-CAM LOCK	92609
5	051391-01-704	EA	VALVE-RELIEF, 1/2" FITTING	91604
6	051393-01-723	EA	SWITCH-THERMAL-CUTOFF 2/PKG	93866
7	051393-01-724	EA	BOARD-CIRCUIT, SPADE TERMINAL	93865
8	051393-01-725	EA	ELECTRODE-SINGLE SPADE CONNECTOR	93868
9	051391-04-703	EA	BURNER-MAIN	91638
10	051391-01-717	EA	GRILLE-WATERHEATER DOOR	92640
	051391-01-716	EA	GRILLE ONLY (GOES ON FLUE BOX)	91786
11	051391-01-710	EA	ORIFICE-MAIN BURNER	92742
12	051391-03-700	EA	HOLDER-ORIFICE	91563
13	051393-01-726	EA	VALVE-SOLENOID, W/BACKET	93870
14	051391-01-714	EA	FITTING-ELBOW, 45 DEGREE-3/8 F X 3/8 MPT	1044
15	052009-07-000	EA	DOOR-WATERHEATER, 18" X 14.6" - METAL-SABLE	
	116424-01-000	EA	PROTECTOR-WATERHEATER LATCH, ADHESIVE BACKED ROUND VINYL	
16	051391-01-700	EA	HINGE KIT, (PIN & CLIP)	92568 & 92559
17	051391-04-706	EA	TANK-INNER, G6A-4E & 6E - FRONT MOUNT	91641
18	051391-01-715	EA	PLUG-DRAIN, 1 EA = 2 PER PKG	91857
19	051391-04-707	EA	KIT-EXHAUST, (FLUE & GASKET)	90960
	111129-01-711	EA	BRACKET-CORNER, SET OF FOUR	91928

WATER & SEWAGE GROUP (CONTINUED)

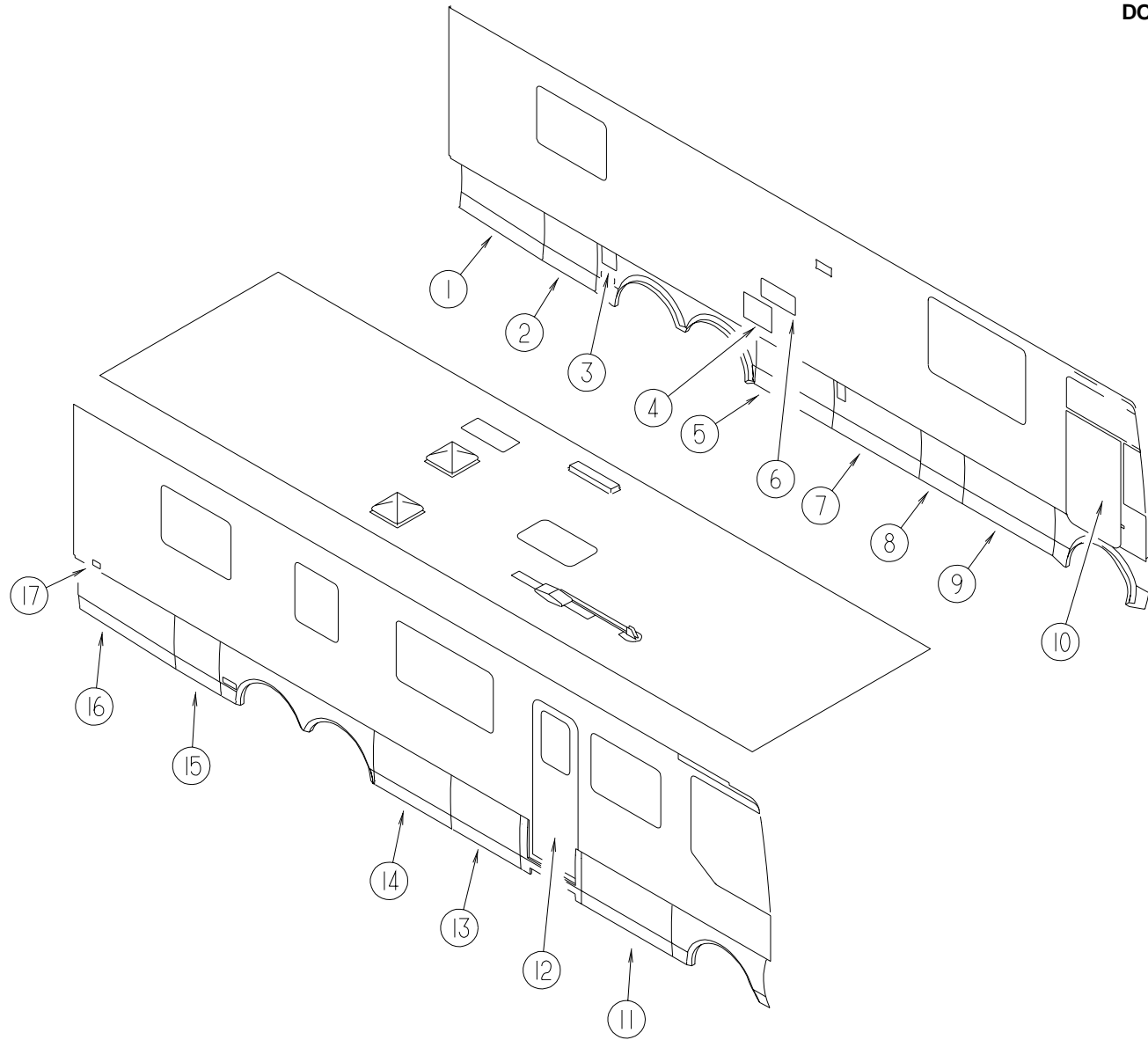
WATER HEATER W/MOTOR AID FOR REAR HEATER - ATWOOD GH6-8E

KEY	PART NUMBER	U/M	DESCRIPTION	VENDOR NO.
	051393-01-B00	EA	WATER HEATER GH6-8E ELECTRONIC IGNITION	
1	097967-01-000	EA	SWITCH-WATER HEATER, REMOTE W/LIGHT 91959	
2	051391-04-701	EA	THERMOSTAT 12VDC-120 PRESET	91470
3	051393-01-721	EA	THERMOSTAT W/ECO, 140 FRONT MOUNT	91447
4	051391-01-705	EA	FASTENER-CAM LOCK	92609
5	051391-01-704	EA	VALVE-RELIEF, 1/2" FITTING	91604
6	051393-01-723	EA	SWITCH-THERMAL CUTOFF 2/PKG	93866
7	051393-01-724	EA	BOARD-CIRCUIT, SPADE TERMINAL	93865
8	051393-01-725	EA	ELECTRODE-SINGLE SPADE CONNECTOR	93868
9	051391-04-703	EA	BURNER-MAIN	91638
10	051391-01-717	EA	GRILLE-WATER HEATER DOOR	92640
	051391-01-716	EA	GRILLE ONLY (GOES ON FLUE BOX)	91786
11	051391-01-710	EA	ORIFICE-MAIN BURNER	92742
12	051391-03-700	EA	HOLDER-ORIFICE	91563
13	051393-01-726	EA	VALVE-SOLENOID, W/BRACKET	93870
14	051391-01-714	EA	FITTING-ELBOW, 45 DEGREE-3/8 FX 3/8 MPT	1044
15	052009-07-000	EA	DOOR-WATER HEATER, 18" X 14.6" - METAL - SABLE	
	116424-01-000	EA	PROTECTOR-WATER HEATER LATCH, ADHESIVE BACKED ROUND VINYL	
16	051391-01-700	EA	HINGE KIT, (PIN & CLIP)	92568 & 92559
17	051391-04-704	EA	TANK-INNER (FRONT MOUNT)	91642
18	051391-01-715	EA	PLUG-DRAIN, 1 EA=2 PER PKG	91857
19	051391-04-707	EA	KIT-EXHAUST, (FLUE & GASKET)	90960
	111129-01-711	EA	BRACKET-CORNER, SET OF FOUR	91928



WINDOW, VENT & EXTERIOR DOOR GROUP

DOORS

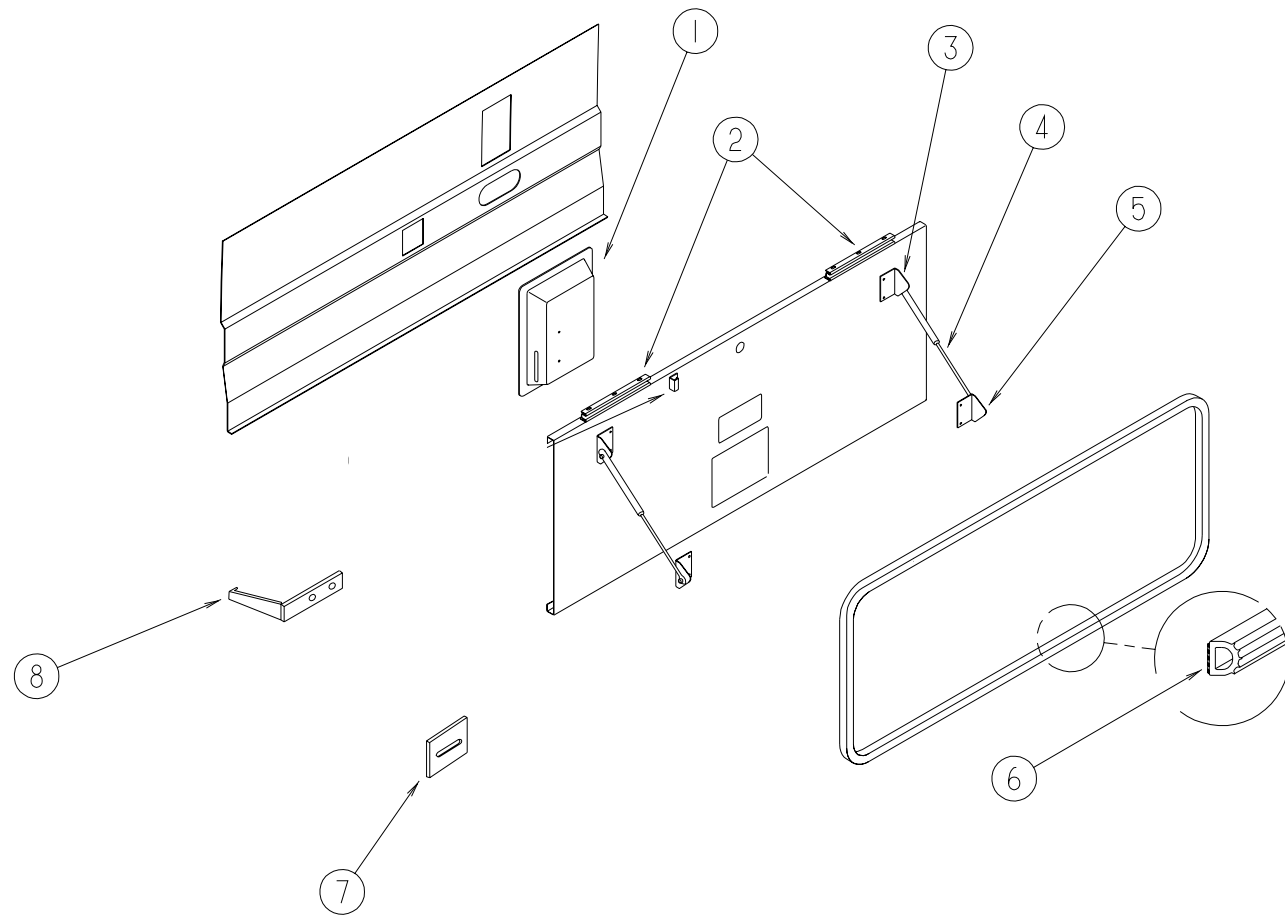


KEY	PARTNUMBER	U/M	DESCRIPTION
1	120152-02-GV0	EA	DOOR-VALANCE-W/LOCKINGLATCH-56.7"X21.2"X23.9"
	107796-02-000	EA	BRACKET-"L" MOUNTBRACKET-W/BALLSTUDF/GASSPRING
	118037-01-01A	EA	HINGE-DOUBLEPIVOT
	119443-01-01A	EA	COVER-LATCH-VALANCEDOOR
2	120151-04-GV0	EA	DOOR-VALANCE-W/LOCKINGPADDLE-31.5"X24.2"X23.8" LOCKINGPADDLELATCH#112949010?A
	107796-02-000	EA	BRACKET-"L" MOUNTBRACKET-W/BALLSTUDF/GASSPRING
3	118037-01-01A	EA	HINGE-DOUBLEPIVOT
	119443-01-01A	EA	COVER-LATCH-VALANCEDOOR
	118392-01-GV0	EA	DOOR-FUELFILL
	110506-04-000	EA	LOCKASM-KEYED,26.45MM
	076322-02-000	EA	TAPE-DOUBLECOATED,.045X1.0
	118036-01-01A	EA	HINGE-SINGLEPIVOT
	118037-02-02B	EA	HINGE-DOUBLEPIVOT-90DEGREE
118037-02-01A	EA	HINGE-DOUBLEPIVOT-90DEGREE	

KEY	PARTNUMBER	U/M	DESCRIPTION
4	052009-07-000	EA	DOOR-WATERHEATER-SABLE-18"X14.6"
	116424-01-000	EA	PROTECTOR-WATERHEATERLATCH,ATWOOD92611
5	120150-04-GV0	EA	DOOR-VALANCE-W/LIGHTCUTOUT/LOCKINGPADDLE-45.5"X24.2" LOCKINGPADDLELATCH#112949010?A-KEY#11294903000
	107796-02-000	EA	BRACKET-"L" MOUNTBRACKET-W/BALLSTUDF/GASSPRING
	118037-01-01A	EA	HINGE-DOUBLEPIVOT
	119443-01-01A	EA	COVER-LATCH-VALANCEDOOR
6	084103-09-000	EA	DOOR-VENT-REFRIGERATOR-SABLE
	084104-09-000	EA	JAMB-VENTDOOR-REFRIGERATOR-SABLE
	084104-01-700	EA	LOCK-MALE-FASTENER-REFRIGERATORDOOR
	084104-01-701	EA	LOCK-FEMALE-FASTENER-REFRIGERATORDOOR
6	118368-01-02A	EA	DOOR-VENT-REFRIGERATOR
	120153-01-GV0	EA	DOOR-A/C-44.6"TWX51.8"BWX16"X24.2"
	118037-01-01A	EA	HINGE-DOUBLEPIVOT
7	123783-01-01A	EA	STRIKER-DOOR-MILL
	120150-01-GV0	EA	DOOR-VALANCE-W/LOCKINGPADDLE-25.4"X24.2" LOCKINGPADDLELATCH#112949010?A,KEY#11294903000
8	107796-02-000	EA	BRACKET-"L" MOUNTBRACKET-W/BALLSTUDF/GASSPRING
	118037-01-01A	EA	HINGE-DOUBLEPIVOT
	119443-01-01A	EA	COVER-LATCH-VALANCEDOOR
	120150-05-GV0	EA	DOOR-VALANCE-W/LOCKINGPADDLE-53.4"X24.2" LOCKINGPADDLELATCH#112949010?A,KEY#11294903000
9	107796-02-000	EA	BRACKET-"L" MOUNTBRACKET-W/BALLSTUDF/GASSPRING
	118037-01-01A	EA	HINGE-DOUBLEPIVOT
	119443-01-01A	EA	COVER-LATCH-VALANCEDOOR
10	106469-10-01A	EA	DOOR-DRIVERS-POWERWINDOW
	106469-11-01A	EA	DOOR-DRIVERS-POWERWINDOWS/LOCKS
	120150-05-GV0	EA	DOOR-VALANCE-W/LOCKINGPADDLE-53.4"X24.2" LOCKINGPADDLELATCH#112949010?A,KEY#11294903000
	107796-02-000	EA	BRACKET-"L" MOUNTBRACKET-W/BALLSTUDF/GASSPRING
10	118037-01-01A	EA	HINGE-DOUBLEPIVOT
	119443-01-01A	EA	COVER-LATCH-VALANCEDOOR
	115108-08-H56	EA	DOOR-ENTRY-W/SCREENDOOR-W/OWINDOW(H56,H57)
12	115108-08-H58	EA	DOOR-ENTRY-W/SCREENDOOR-W/OWINDOW(H58,H59)
	115108-08-H60	EA	DOOR-ENTRY-W/SCREENDOOR-W/OWINDOW(H60,H61)
	115108-07-H56	EA	DOOR-ENTRY-W/POWERLOCKS-W/SCREENDOOR-W/OWINDOW(H56,H57)
	115108-07-H58	EA	DOOR-ENTRY-W/POWERLOCKS-W/SCREENDOOR-W/OWINDOW(H58,H59)
12	115108-07-H60	EA	DOOR-ENTRY-W/POWERLOCKS-W/SCREENDOOR-W/OWINDOW(H60,H61)
	120150-02-GV0	EA	DOOR-VALANCE-W/LOCKINGPADDLE-41.8"X24.2" LOCKINGPADDLELATCH#112949010?A,KEY#11294903000
13	107796-02-000	EA	BRACKET-"L" MOUNTBRACKET-W/BALLSTUDF/GASSPRING
	118037-01-01A	EA	HINGE-DOUBLEPIVOT
	119443-01-01A	EA	COVER-LATCH-VALANCEDOOR
14	120150-03-GV0	EA	DOOR-VALANCE-W/LIGHTCUTOUT/LOCKINGPADDLE-45.5"X24.2" LOCKINGPADDLELATCH#112949010?A-KEY#11294903000
	107796-02-000	EA	BRACKET-"L" MOUNTBRACKET-W/BALLSTUDF/GASSPRING
15	118037-01-01A	EA	HINGE-DOUBLEPIVOT
	119443-01-01A	EA	COVER-LATCH-VALANCEDOOR
	120151-03-GV0	EA	DOOR-VALANCE-W/NON-LOCKINGPADDLE-26.9"X23.9"X24.2" NON-LOCKINGPADDLELATCH#112949020?A
16	107796-02-000	EA	BRACKET-"L" MOUNTBRACKET-W/BALLSTUDF/GASSPRING
	118037-01-01A	EA	HINGE-DOUBLEPIVOT
	119443-01-01A	EA	COVER-LATCH-VALANCEDOOR
16	120152-01-GV0	EA	DOOR-VALANCE-W/LOCKINGLATCH-56.7"X21.2"X23.9" LOCKINGPADDLELATCH#112949010?A
	107796-02-000	EA	BRACKET-"L" MOUNTBRACKET-W/BALLSTUDF/GASSPRING
	118037-01-01A	EA	HINGE-DOUBLEPIVOT
	119443-01-01A	EA	COVER-LATCH-VALANCEDOOR
17	081240-17-000	EA	FILL-WATER-LOCKABLE-W/OLOCK
	110506-02-000	EA	LOCK-KEYED-13.64MM

WINDOW, VENT & EXTERIOR DOOR GROUP (CONTINUED)

EXTERIOR COMPARTMENT DOOR COMPONENTS

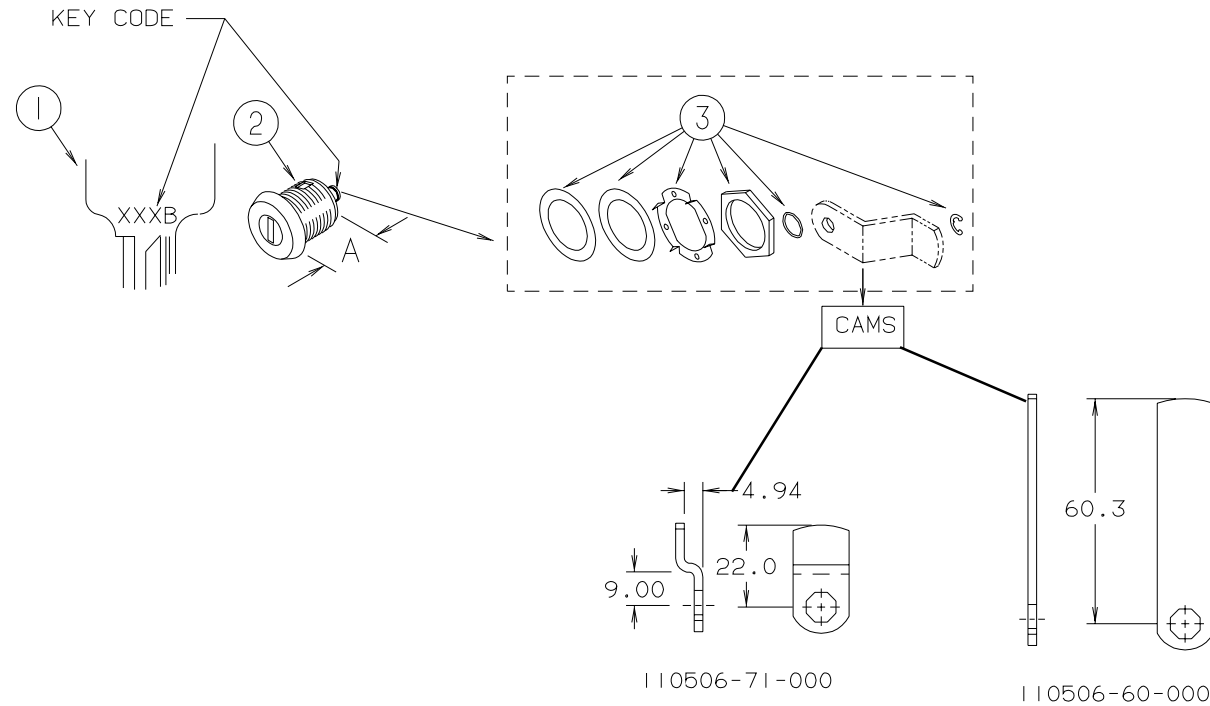


KEY	PART NUMBER	U/M	DESCRIPTION
1	119443-01-01A	EA	COVER-LATCH-VALANCEDOORBLK
	100128-02-000	FT	SEAL-FOAM-ADHESIVEBACK-.37"WX.37"THICK
2	118037-01-01A	EA	HINGE-DOUBLEPIVOT-90DEGMIL
2	118037-02-02B	EA	HINGE-DBLPVT-90DEG-W/TSECT(FUELDOR)
2	118037-02-01A	EA	HINGE-DBLPVT-90DEG-W/TSECT(MIL(FUELDOR)
3	107796-02-000	EA	BRACKET-"L" MOUNT BRACKET W/BALL STUD F/GASSPRING
4	107796-01-000	EA	GASSPRING-11" COMPRESSED/17" EXTENDED-40LB.
4	107796-08-000	EA	SPRING/GAS-11" COMPRESSED/17" EXTENDED-60LB
5	107796-05-000	EA	BRACKET-GASSPRING-FLAT-SPDISPD-1020
6	069640-03-000	FT	SEALER-TAPE-1/8" THICK X .75" WIDE X 60'
7	110415-01-01A	EA	SHIM-LATCH-VALANCEDOOR-BLACK
8	102768-01-000	EA	HOLDER-COMPARTMENT/ENTRYDOOR-METAL-MILLFINISH
	091876-01-000	EA	RETAINER-DOOR-1.9" X .8"-METAL
	107796-01-700	EA	ENDFITTING-SCREWON-SPD-EF-PS130

WINDOW, VENT & EXTERIOR DOOR GROUP (CONTINUED)

BRIGGS & STRATTON LOCKS & COMPONENTS

NOTE:
 WHEN ORDERING THE LOCK CASE, THE KEY CODE MUST MATCH THE LAST DIGIT OF THE VEHICLE'S SERIAL NUMBER AND PART NUMBER; WHEN ORDERING THE KEYS, THE THIRD DIGIT OF THE KEY CODE MUST MATCH THE LAST DIGIT OF THE VEHICLE'S SERIAL NUMBER AND PART NUMBER

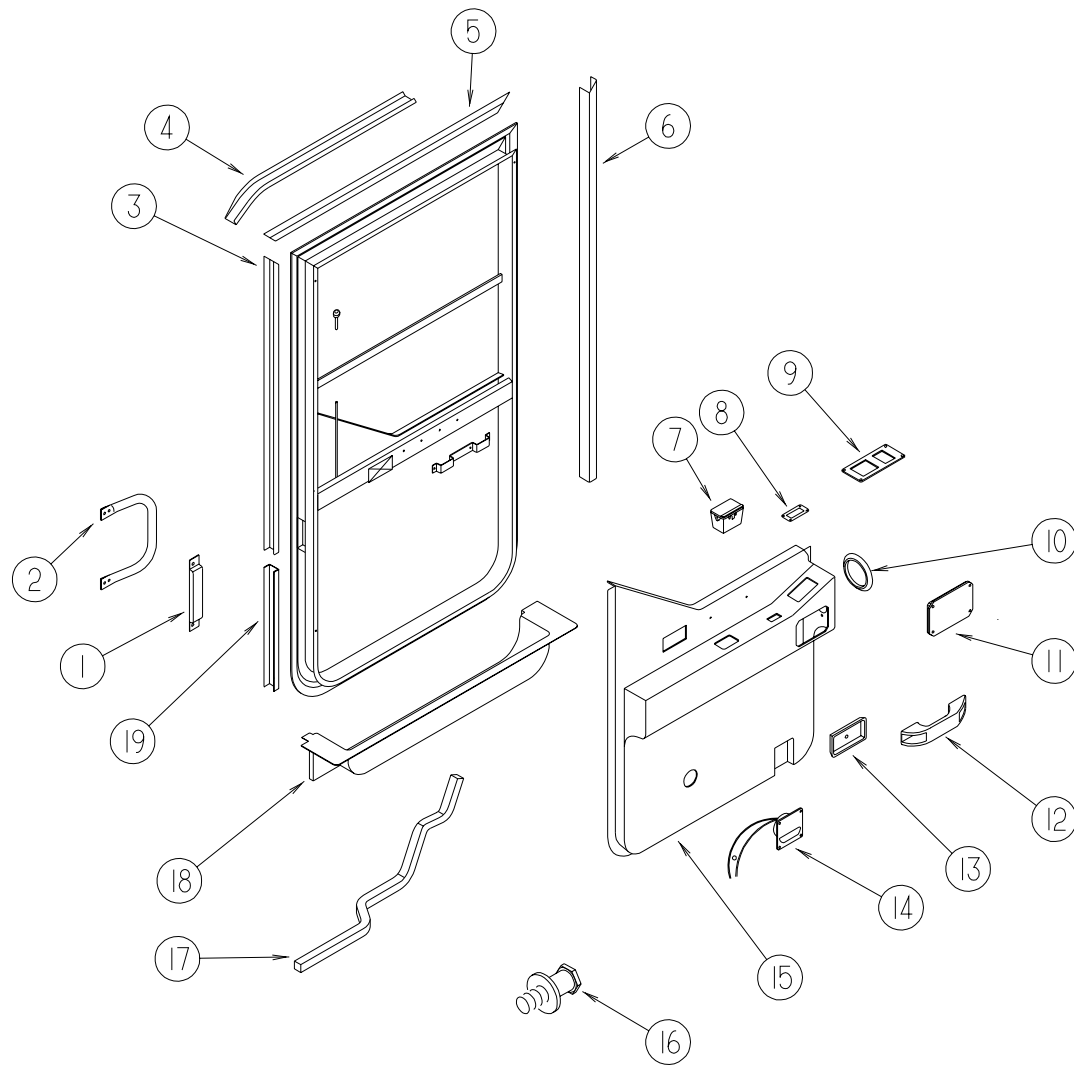


KEY	PARTNUMBER	U/M	DESCRIPTION	VENDOR NO.
1	110506-59-000	EA	KEYS-SETOFTWO	596720
2	110506-52-000	EA	CASE-LOCK, A=17MM	702370
2	110506-53-000	EA	CASE-LOCK, A=25MM	702380
1	110506-59-001	EA	KEYS-SETOFTWO	596721
2	110506-52-001	EA	CASE-LOCK, A=17MM	702371
2	110506-53-001	EA	CASE-LOCK, A=25MM	702381
1	110506-59-002	EA	KEYS-SETOFTWO	596722
2	110506-52-002	EA	CASE-LOCK, A=17MM	702372
2	110506-53-002	EA	CASE-LOCK, A=25MM	702382
1	110506-59-003	EA	KEYS-SETOFTWO	596723
2	110506-52-003	EA	CASE-LOCK, A=17MM	702373
2	110506-53-003	EA	CASE-LOCK, A=25MM	702383
1	110506-59-004	EA	KEYS-SETOFTWO	596724
2	110506-52-004	EA	CASE-LOCK, A=17MM	702374
2	110506-53-004	EA	CASE-LOCK, A=25MM	702384
1	110506-59-005	EA	KEYS-SETOFTWO	596725
2	110506-52-005	EA	CASE-LOCK, A=17MM	702375
2	110506-53-005	EA	CASE-LOCK, A=25MM	702385
1	110506-59-006	EA	KEYS-SETOFTWO	596726
2	110506-52-006	EA	CASE-LOCK, A=17MM	702376
2	110506-53-006	EA	CASE-LOCK, A=25MM	702386

KEY	PARTNUMBER	U/M	DESCRIPTION	VENDOR NO.
1	110506-59-007	EA	KEYS-SETOFTWO	596727
2	110506-52-007	EA	CASE-LOCK, A=17MM	702377
2	110506-53-007	EA	CASE-LOCK, A=25MM	702387
1	110506-59-008	EA	KEYS-SETOFTWO	596728
2	110506-52-008	EA	CASE-LOCK, A=17MM	702378
2	110506-53-008	EA	CASE-LOCK, A=25MM	702388
1	110506-59-009	EA	KEYS-SETOFTWO	596729
2	110506-52-009	EA	CASE-LOCK, A=17MM	702379
2	110506-53-009	EA	CASE-LOCK, A=25MM	702389
3	110506-40-700	EA	HARDWAREKIT, INCLUDES GASKET, WASHERS, NUT & CLIP	
	110506-60-000	EA	CAM-LOCK, BRIGGS & STRATTON 322276 (FUEL FILL)	
	110506-71-000	EA	CAM-LOCK, BRIGGS & STRATTON 322287 (WATER FILL)	
	110506-59-701	EA	KEY BLANK (GOLD)	

WINDOW, VENT & EXTERIOR DOOR GROUP (CONTINUED)

DRIVERS DOOR



KEY	PARTNUMBER	U/M	DESCRIPTION
	15	EA	PANEL-TRIM-INNER/LEFTHAND
	15	EA	PANEL-TRIM-INNER/LEFTHAND
	16	EA	STRIKERASSEMBLY,(SUPPLIEDW/DRIVERSDOOR)
	17	EA	STEP-DRIVERSDOOR-BLACK
	17	EA	STEP-DRIVERSDOOR-UNPAINTED
	18	EA	TRIM-STEP-DRIVERSDOOR-HAMPTONTAN
	102569-02-000	EA	MAT-ANTISLIP-LOWER
	109506-01-000	EA	FILM-URETHANE-PROTECTANT-4.25"X26.75
	109235-01-01A	FT	COVER-SCREW-MATBLACK
19	108897-02-01A	EA	GARNISH-DOOR-DRIVERS-BLACK
	109378-01-000	EA	STRAP-CHECK-DRIVERDOOR-12.8"
	064219-01-000	EA	RETAINER-CHECKSTRAP-DRIVERDOOR
	091162-55-005	EA	ANGLE,4900,V.W.GRAY

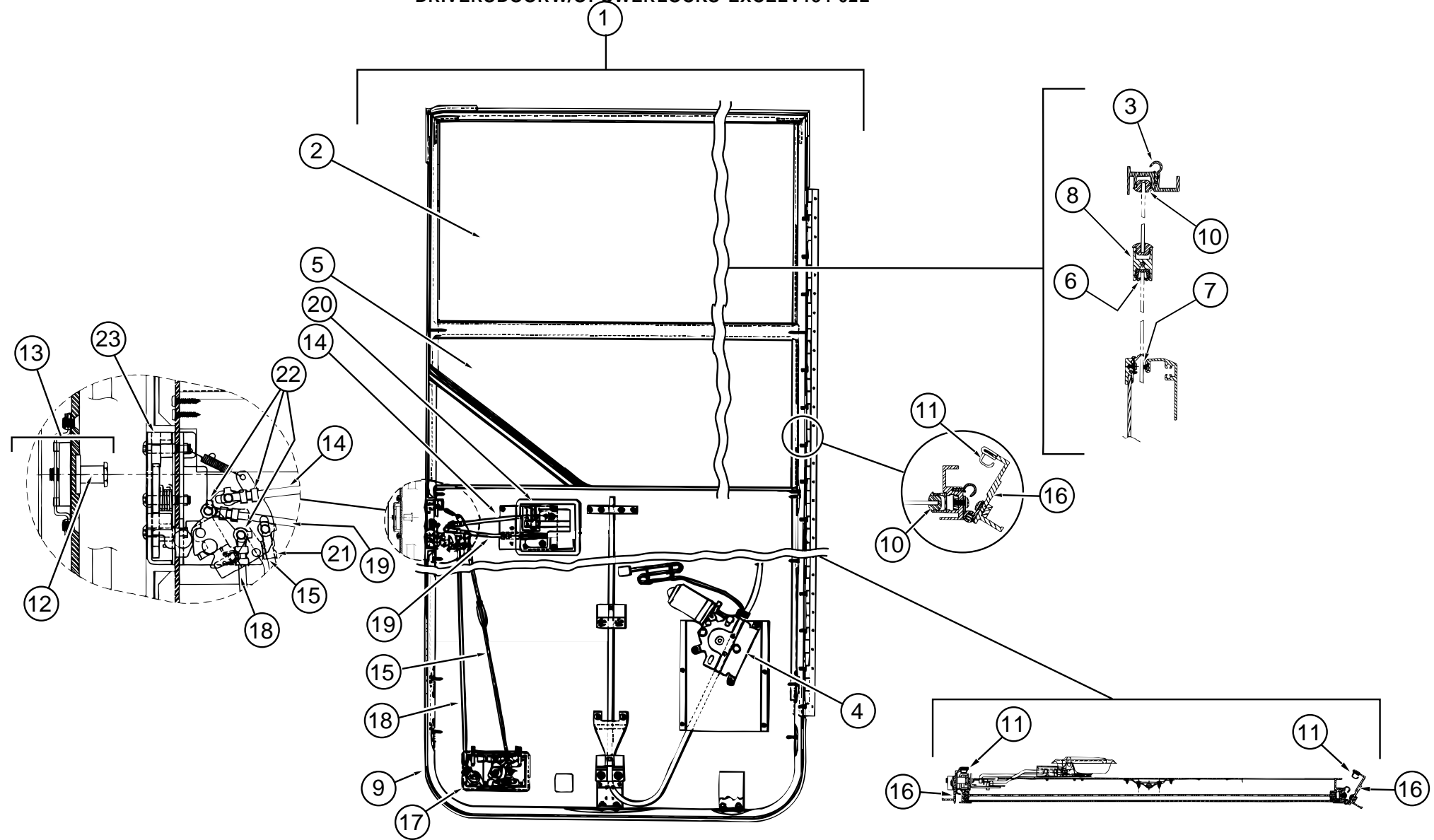
POWER DOOR LOCKS W/REMOTE

KEY	PARTNUMBER	U/M	DESCRIPTION	VENDOR NO.
	102756-02-000	EA	REMOTEKEYLESSENTRYSYSTEM	203-6638
	102756-01-704	EA	HARNES-MAIN	412-1036
	102756-02-700	EA	REMOTE(TRANSMITTER)KEYLESS	202-3153
	102756-02-701	EA	BOARD-MODULE,NEWSYSTEM	402-1004
	102756-01-701	EA	BATTERY-12VF/TRANSMITTER	

KEY	PARTNUMBER	U/M	DESCRIPTION	VENDOR NO.
	106469-10-01A	EA	DOOR-DRIVERS-POWERWINDOW	
	106469-11-01A	EA	DOOR-DRIVERS-POWERWINDOWS/LOCKS	
1	108654-01-01A	EA	COVER-STRIKE-DRIVERSDOOR	
2	108832-02-01A	EA	HANDLE-ASSIST-DRIVERSDOOR	
3	108129-01-01A	EA	GARNISH-DRIVERSDOOR-MILL	
4	108274-08-01A	EA	RAIL-DRIP-FRONT/DRIVER	
5	108107-01-01A	EA	GARNISH-DRIVERSDOOR-MILL	
6	108108-03-01A	EA	GARNISH-DRIVERSDOOR-MILL	
	108119-03-F36	EA	GARNISH-DRIVERDOOR	
7	118719-01-01A	EA	ASHTRAY-TOPMOUNT-BLACKPLASTIC	
8	093132-01-000	EA	SWITCH-ROCKER-5TERMINAL-W/ARROWSF/POWERWINDOWS	
	094086-01-01A	EA	PLATE-SWITCH-SINGLEGANG-1.8"X3"-PLASTIC-BLACK	
9	087695-02-000	EA	SWITCH-HEATER-EXTERIORMIRROR-POWERDOOR	
9	088246-01-000	EA	SWITCH-REMOTE-EXTERIORMIRROR-VELVAC7471290-POWERDOOR	
10	093145-01-000	EA	SLEEVE-WIRE-10"LONG-PLASTIC-BLACK-GM#15590724	
	093146-01-000	EA	GROMMET-WIRE-1.7"X3.1"-OVALSHAPED-PLASTIC-BLACK	
11	107889-02-000	EA	CONTROL PANEL KIT-ELECTRONIC SOFT TOUCH	
	100532-09-700	EA	PANEL ASM.-TOUCH CONTROL	RAP1002
	100532-09-702	EA	CABLE-MODULAR-5'	AP1020
12	102710-01-01A	EA	HANDLE-ASSIST-ENTRY DOOR-6.6"LONG-BLACK	
	118640-01-01B	EA	BRACKET-HANDLE	
13		EA	COVER-LATCH-DOOR(SUPPLIEDW/DRIVERSDOOR)	
14	108354-01-01A	EA	LIGHT-COURTESY-ITC81395-B	
	108354-01-700	EA	BULB-COURTESY LIGHT	395-B

WINDOW, VENT & EXTERIOR DOOR GROUP (CONTINUED)

DRIVERS DOOR W/O POWER LOCKS-EXCEL V134-02L

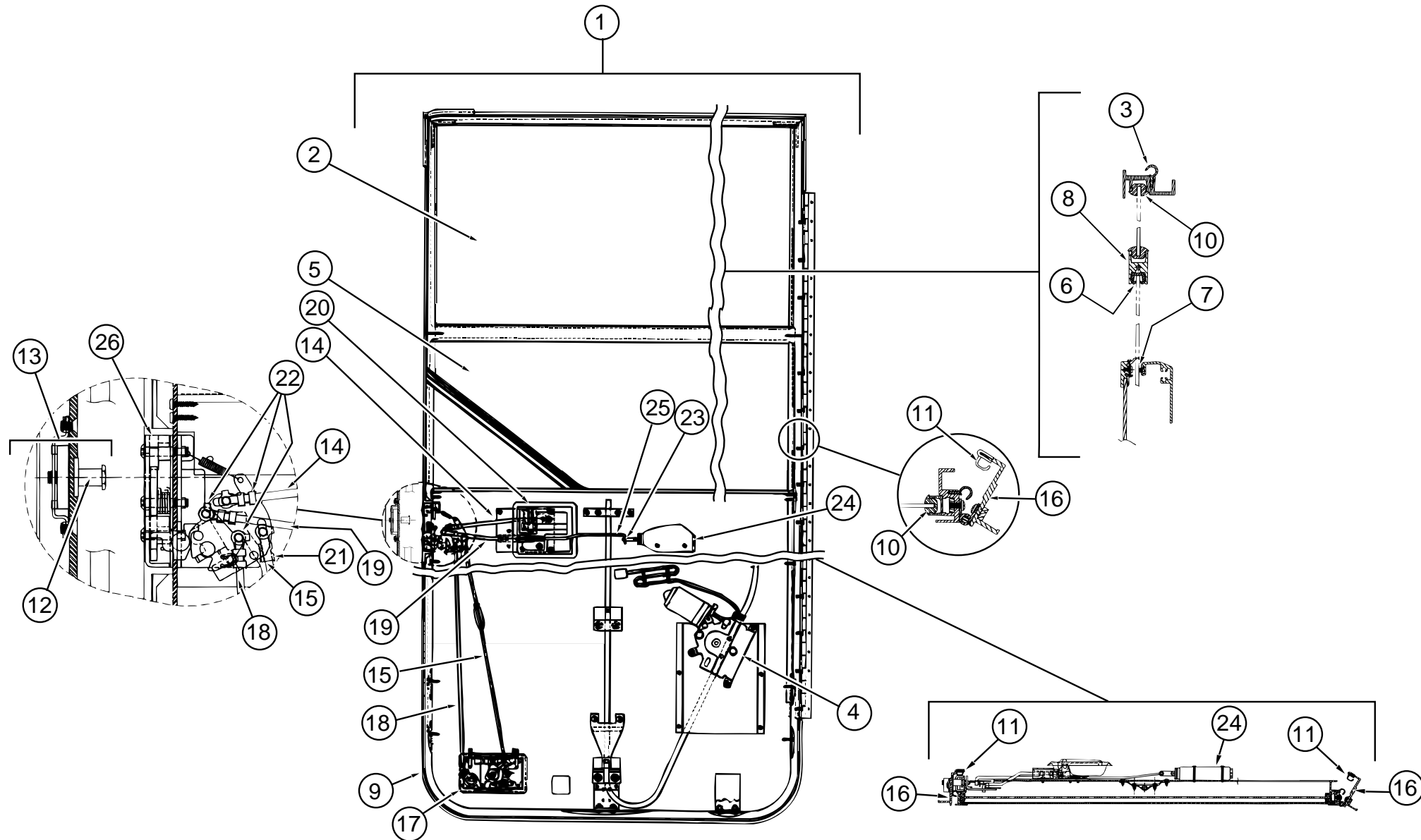


KEY	PARTNUMBER	U/M	DESCRIPTION	VENDOR NO.
1	106469-10-01A	EA	DOOR-DRIVERS-POWER WINDOW	
2	106469-01-700	EA	GLASS	106-040976
3	106469-01-702	EA	SEAL-DOOR, 1EA	122-040984
4	106469-10-700	EA	REGULATOR(ELECTRIC)MODIFIED	V134-89L
5	106469-10-702	EA	GLASS-ROLLUP	V134-65L
6	106469-01-705	FT	CHANNEL-RUN, SLIDING	122-010850
7	106469-01-709	FT	WEATHERSTRIPFUZZY	171-040630
8	106469-08-700	EA	MULLION-RAIL	V090-84
9	106469-10-705	EA	BELT-WEATHERSTRIP	V134-57
10	106469-01-722	EA	GLAZING-VINYL,HORIZONTAL	V103-87
11	106469-01-723	EA	SEAL-BULB, DRIVER DOOR (JAMB)	171-040985
	106469-04-701	EA	TUMBLER&KEYS, TRI-MARK	248-041179
	106469-04-715	EA	LATCH COMPLETE, W/TUMBLER&KEYS	V123-15
	045017-11-701	EA	KEY-BLANK, F1 SERIES	81312-02
12	106469-04-703	EA	BOLT-STRIKER, W/WASHER	248-041152
13	106469-04-704	EA	NUTASSEMBLY-CAGED W/STRIKER	248-041151

KEY	PARTNUMBER	U/M	DESCRIPTION	VENDOR NO.
14	106469-04-705	EA	ROD-LATCH, HORIZONTAL	203-041139
15	106469-10-701	EA	ROD-LATCH, VERTICAL (ADJUSTING)	203-041356
16	106469-10-704	EA	FRAME-MOUNTING, BLACK	V134-30L
	106469-05-702	EA	HINGE - 42"	211-041194
17	106469-04-700	EA	PADDLE ASSEMBLY, W/COLLAR	248-041237
18	106469-10-706	EA	ROD-LOCK, VERTICAL (ADJUSTING)	203-041357
19	106469-04-711	EA	ROD-LOCK, HORIZONTAL	203-041137
20	106469-04-712	EA	HARDWARE-INNER HANDLE, LH	248-041148
21	106469-04-713	EA	ROD-CLIP, LH	248-041154
22	106469-04-714	EA	ROD-CLIP, RH	248-041153
23	106469-05-706	EA	LATCH-ROTARY, W/LINKAGE	248-041150
	106469-10-703	EA	PARTSBAG	V123-17

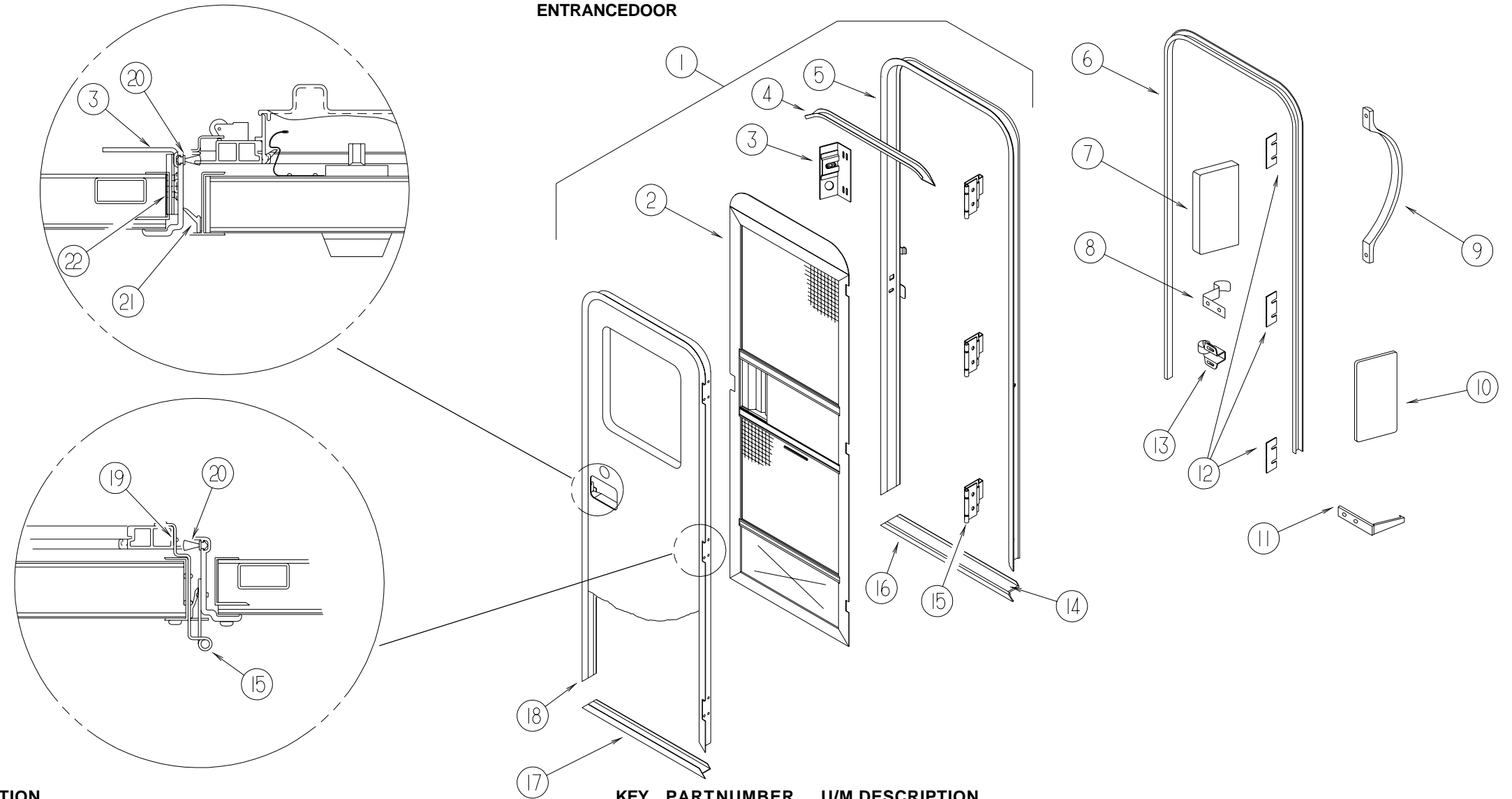
WINDOW, VENT & EXTERIOR DOOR GROUP (CONTINUED)

DRIVERS DOOR W/POWER LOCKS-EXCEL V134-03L



KEY	PARTNUMBER	U/M	DESCRIPTION	VENDORNO.	KEY	PARTNUMBER	U/M	DESCRIPTION	VENDORNO.
1	106469-11-01A	EA	DOOR-DRIVERS-POWERWINDOWS/LOCKS		14	106469-04-705	EA	ROD-LATCH,HORIZONTAL	203-041139
2	106469-01-700	EA	GLASS	106-040976	15	106469-10-701	EA	ROD-LATCH,VERTICAL(ADJUSTING)	203-041356
3	106469-01-702	EA	SEAL-DOOR,1EA	122-040984	16	106469-10-704	EA	FRAME-MOUNTING,BLACK	V134-30L
4	106469-10-700	EA	REGULATOR(ELECTRIC)MODIFIED	V134-89L		106469-05-702	EA	HINGE-42"	211-041194
5	106469-10-702	EA	GLASS-ROLLUP	V134-65L	17	106469-04-700	EA	PADDEASSEMBLY,W/COLLAR	248-041237
6	106469-01-705	FT	CHANNEL-RUN,SLIDING	122-010850	18	106469-10-706	EA	ROD-LOCK,VERTICAL(ADJUSTING)	203-041357
7	106469-01-709	EA	WEATHERSTRIPFUZZY	171-040630	19	106469-04-711	EA	ROD-LOCK,HORIZONTAL	203-041137
8	106469-08-700	EA	MULLION-RAIL,HORIZONTAL	V090-84	20	106469-04-712	EA	HARDWARE-INNERHANDLE,LH	248-041148
9	106469-10-705	EA	BELT-WEATHERSTRIP	V134-57	21	106469-04-713	EA	ROD-CLIP,LH	248-041154
10	106469-01-722	EA	GLAZING-VINYL,HORIZONTAL	V103-87	22	106469-04-714	EA	ROD-CLIP,RH	248-041153
11	106469-01-723	EA	SEAL-BULB-DRIVERDOOR(JAMB)	171-040985	23	106469-05-700	EA	RODCLIP	231-041095
	106469-04-701	EA	TUMBLER&KEYS,TRI-MARK	248-041179	24	106469-05-701	EA	ACTUATOR-ELECTRICLOCK	410-041096
	106469-04-715	EA	LATCHCOMPLETE,W/TUMBLER&KEYS	V123-15	25	106469-05-704	EA	ROD-LOCK,POWER	203-041141
	045017-11-701	EA	KEY-BLANK,F1SERIES	81312-02	26	106469-05-706	EA	LATCH-ROTARY,W/LINKAGE	248-041150
12	106469-04-703	EA	BOLT-STRIKER,W/WASHER	248-041152		106469-10-703	EA	PARTSBAG	V123-17
13	106469-04-704	EA	NUTASSEMBLY-CAGEDW/STRIKER	248-041151					

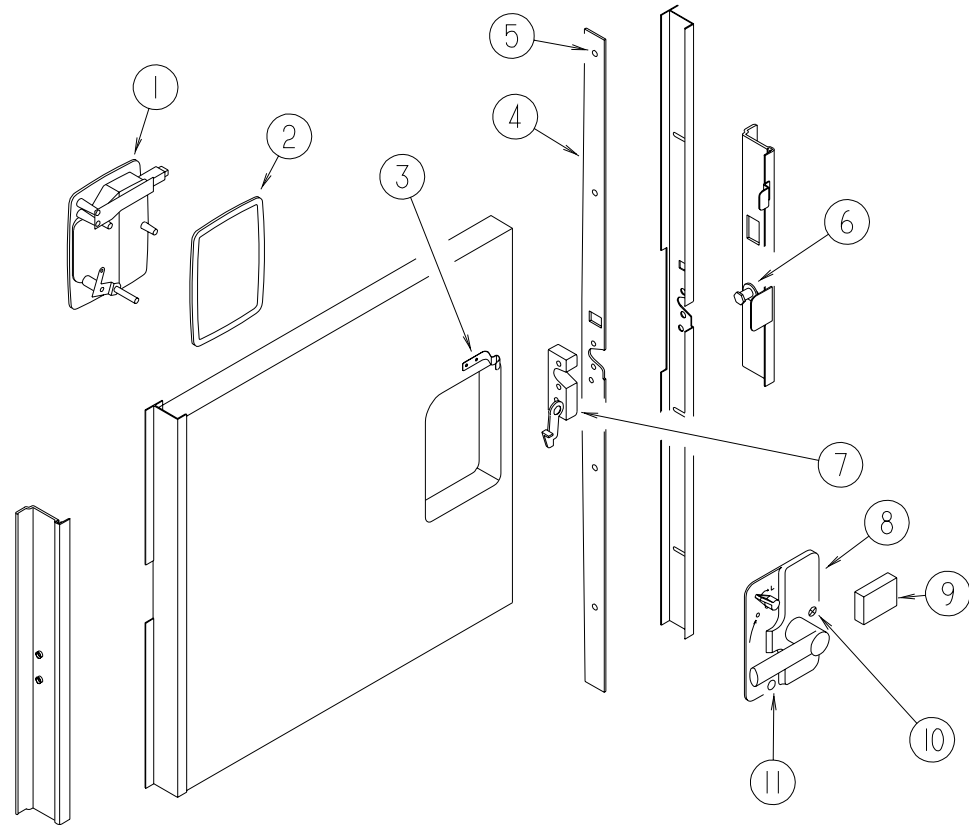
WINDOW, VENT & EXTERIOR DOOR GROUP (CONTINUED)
ENTRANCE DOOR



KEY	PARTNUMBER	U/M	DESCRIPTION
1	115108-08-H56	EA	DOOR-ENTRY-W/SCREENDOOR-W/OWINDOW(H56,H57)
1	115108-08-H58	EA	DOOR-ENTRY-W/SCREENDOOR-W/OWINDOW(H58,H59)
1	115108-08-H60	EA	DOOR-ENTRY-W/SCREENDOOR-W/OWINDOW(H60,H61)
1	115108-07-H56	EA	DOOR-ENTRY-W/POWERLOCK/SCREENDOOR-W/OWINDOW(H56,H57)
1	115108-07-H58	EA	DOOR-ENTRY-W/POWERLOCK/SCREENDOOR-W/OWINDOW(H58,H59)
1	115108-07-H60	EA	DOOR-ENTRY-W/POWERLOCK/SCREENDOOR-W/OWINDOW(H60,H61)
2	117077-02-GV0	EA	DOOR-SCREEN
3	041546-08-000	EA	BRACKET-DOORANGLE/W
4	044582-49-000	EA	CAP-DRIP-JAMBMITERED
5	121898-07-01A	EA	JAMB-ENTRYDOOR
5	121898-06-01A	EA	JAMB-ENTRYDOOR-POWEREDDOOR
	092927-03-000	EA	STRIKER-ROUND-JAMBMOUNTED
6	115222-02-01A	EA	GARNISH-RADIUS-ENTRYDOOR
6	115222-08-01A	EA	GARNISH-RADIUS-ENTRYDOOR-POWEREDDOOR
7	077461-03-000	EA	COVER-STRIKE,ENTRYDOOR-6.5"X2.5"-PLASTIC-WHITE
8	100412-01-000	EA	CATCH-SCREENDOOR
9	102710-01-01A	EA	HANDLE-ASSIST,ENTRYDOOR-6.6"LONG-BLACK
10	076725-02-000	EA	COVER-ACCESS-HINGE-ENTRYDOOR-6"X3.2"
11	102768-01-000	EA	HOLDER-COMPARTMENT/ENTRYDOOR,METAL-MILLFINISH
12	102248-01-000	EA	SHIM-DOOR
13	109403-01-000	EA	CATCH-SINGLEROLLER,SCREENDOOR
14	038327-01-000	EA	TAPE-ANTISLIP-2"X60'
15	106719-01-01A	EA	HINGE-ENTRANCEDOOR-UNPAINTED
	039715-01-000	EA	NUT-SERT-1/4"DIAMETER-20THREADS
	116111-02-01A	EA	SCREW-TAPTITE-1/4-20X3/8PPH-ZINC

KEY	PARTNUMBER	U/M	DESCRIPTION
16	051049-01-000	EA	JAMB-BOTTOM-ENTRYDOOR-25.9"-UNPAINTED
17	089748-23-000	EA	FRAME-BOTTOM-ENTRANCEDOOR
18	122102-02-01A	EA	FRAME-DOOR-ENTRANCE-SABLE
18	122102-01-01A	EA	FRAME-DOOR-ENTRANCE-SABLE-POWEREDDOOR
19	100128-02-000	FT	SEAL-FOAM-ADHESIVEBACK-.37"WX.37"THICK
20	118929-01-01A	FT	SEAL-PILE-PUSH-ON-AMESBURY5250148
21	075671-04-000	FT	SEAL-SPONGE-LAZYTSHAPE-W/ADHESIVESTRIP-.5"WIDE
22	104692-01-000	FT	SEAL-3/4"X3/4"-ADHESIVEBACKFOAMSEAL

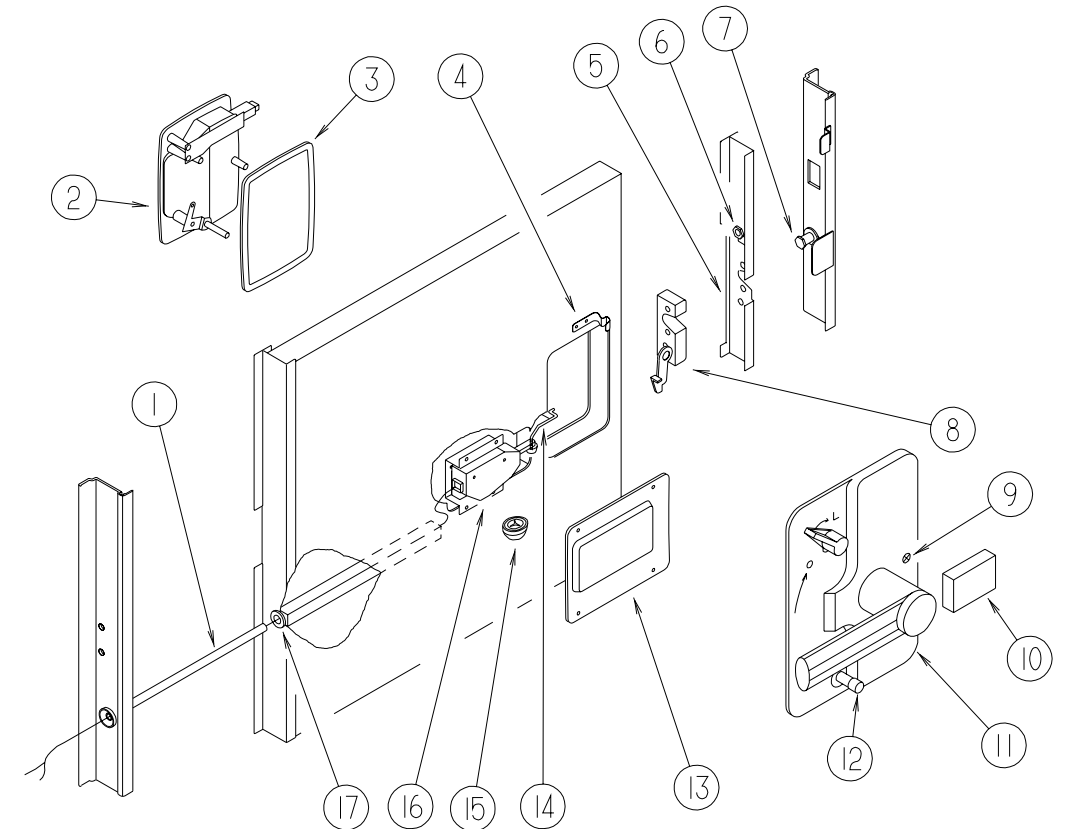
WINDOW, VENT & EXTERIOR DOOR GROUP (CONTINUED)



ENTRANCEDOORLATCHCOMPONENTSW/OPOWERLOCKS

KEY	PARTNUMBER	U/M DESCRIPTION	VENDORNO.
1	112782-01-01A	EA LATCH-EXTERIORHOUSING	
	112782-01-700	EA KEY-BLANK, DEADBOLT, TM100-150	81535
	112782-01-701	EA KEY-BLANK, DEADBOLT, TM151-200	81536
	112782-01-703	EA CYLINDER-LOCKASM.W/KEYS	081465-09
2	112782-04-01A	EA GASKET	
3	100412-01-000	EA CATCH-SCREENDOOR	
4	121334-03-01A	EA STIFFENER-DOOR, MILL	
5	072893-04-000	EA NUTSERT-10-32, ENTRANCEDOORSTIFFENER	
	075908-01-000	EA SCREW-MACHINE, 10-32X.56PTH-EXTERNALTOOTH-ZINC	
6	092927-03-000	EA STRIKER-ROUND-JAMB MOUNTED	
7	112782-03-01A	EA LATCH-SINGLEROTOR	
8	112782-02-01A	EA LATCH-INTERIORPLATE	
9	122241-01-01A	EA BUMPER-RUBBER, FOAM-BLACK	
10	112782-06-01A	EA SCREW-F/MOUNTINGPLATE-ZINC	
11	112782-05-01A	EA CAP-VINYL-RED	

WINDOW, VENT & EXTERIOR DOOR GROUP (CONTINUED)



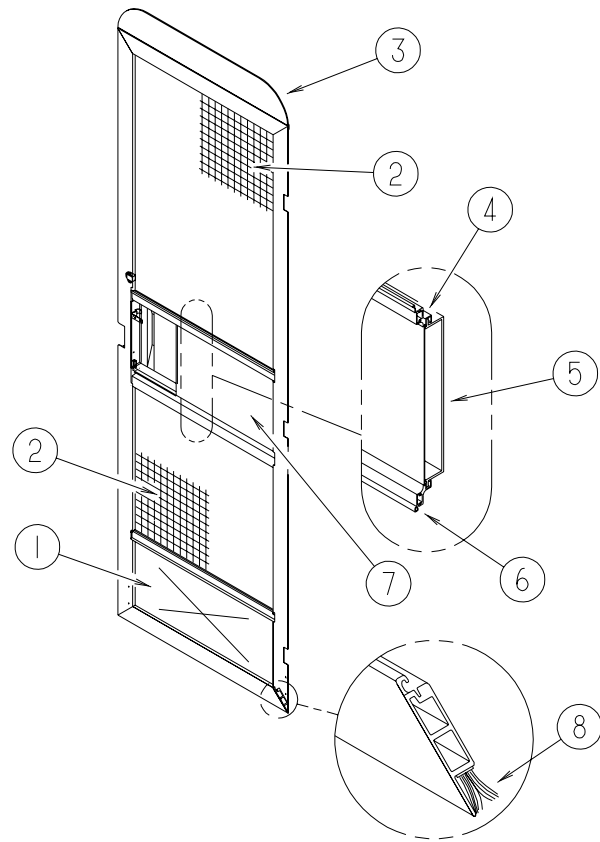
ENTRANCEDOORLATCHCOMPONENTSW/POWERLOCKS

KEY	PARTNUMBER	U/M DESCRIPTION	VENDORNO.
1	077222-01-000	EA SPRING-WIREGUARD-ENTRYDOOR	
	093057-05-000	EA WIREASSEMBLY-POWERLOCK-ENTRANCE	
2	112782-01-01A	EA LATCH-EXTERIORHOUSING	
	112782-01-700	EA KEY-BLANK, DEADBOLT, TM100-150	81535
	112782-01-701	EA KEY-BLANK, DEADBOLT, TM151-200	81536
	112782-01-703	EA CYLINDER-LOCKASM.W/KEYS	081465-09
3	112782-04-01A	EA GASKET	
4	100412-01-000	EA CATCH-SCREENDOOR	
5	121334-03-01A	EA STIFFENER-DOORMILL	
6	072893-04-000	EA NUTSERT-10-32, ENTRANCEDOORSTIFFENER	
7	092927-03-000	EA STRIKER-ROUND-JAMB MOUNTED	
8	112782-03-01A	EA LATCH-SINGLEROTOR	
9	112782-06-01A	EA SCREW-F/MOUNTINGPLATE-ZINC	
10	122241-01-01A	EA BUMPER-RUBBER-FOAM-BLACK	
11	112782-02-01A	EA LATCH-INTERIORPLATE	
12	112782-05-01A	EA CAP-VINYL-RED	
13	113960-01-01A	EA COVER-ACTUATOR-POWERLOCK-OFFWHITE	
14	113651-01-01A	EA ROD-CONTROL, MOTOR, LOCK	
15	114209-01-01A	EA PUSHNUT-CAP-1/8"-WHITE	
16	113638-01-000	EA POWERDOORLOCKMOTOR/ACTUATOR	
	113638-02-000	EA CONNECTOR-ACTUATOR	
17	008384-01-000	EA GROMMET-SNAP-3/4"DIAMETER-NYLON	

POWERDOORLOCKSW/REMOTE

KEY	PARTNUMBER	U/M DESCRIPTION	VENDORNO.
	102756-02-000	EA REMOTEKEYLESSENTRYSYSTEM	
	102756-01-701	EA BATTERY-12VF/TRANSMITTER	402-1004
	102756-01-704	EA HARNESS-MAIN	203-6638
	102756-02-700	EA REMOTE(TRANSMITTER)KEYLESS	412-1036
	102756-02-701	EA BOARD-MODULE,NEWSYSTEM	202-3153

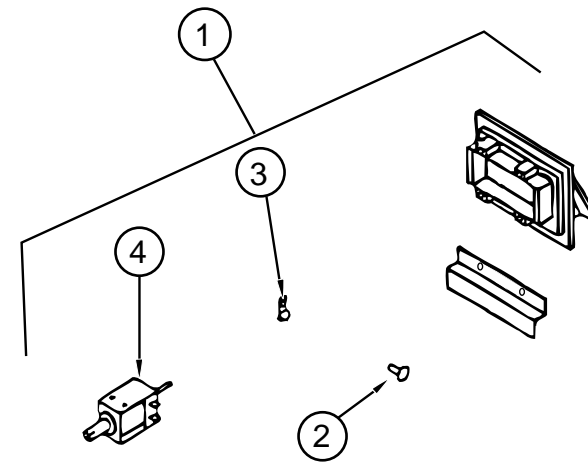
WINDOW, VENT & EXTERIOR DOOR GROUP (CONTINUED)



SCREEN DOOR COMPONENTS

KEY	PART NUMBER	U/M	DESCRIPTION
1	078552-03-000	EA	KICK PANEL-SCREEN DOOR-LOWER INSERT-UNPAINTED
2	002293-02-000	SF	SCREENING-WINDOW/DOOR-26"-CHARCOAL
3	078595-01-000	EA	TOP PLATE-SCREEN DOOR-CURVED TOP-4.7" X 25.35"
4	078777-01-000	EA	CHANNEL-SLIDE-SCREEN DOOR CENTER SLIDER COVER
5	079086-02-000	EA	SLIDER-SCREEN DOOR-OFF WHITE
6	002294-01-000	FT	SPLINE-SCREENING-.135" X .138"-BLACK
7	001014-01-013	EA	INSERT-CENTER-10.25" X 16.31"-UNPAINTED
8	075673-01-000	FT	SEAL-PILE-ADHESIVE BACK-GRAY

WINDOW, VENT & EXTERIOR DOOR GROUP (CONTINUED)



RANGE HOOD VENT

KEY	PART NUMBER	U/M	DESCRIPTION	VENDOR NO.
1	092698-03-05A	EA	VENT-W/DOOR & SOLENOID	
2	092698-02-700	EA	FASTENER-PUSH-EXTERIOR RANGE HOOD VENT	VB430
3	092698-02-701	EA	CLAMP-CONDUIT-EXTERIOR RANGE HOOD VENT	VB334
4	092698-03-706	EA	SOLENOID-RANGE HOOD-VENT LINE	UB530
	096983-01-709	EA	MODULE-SWITCH & LEVER-17 1/2"	CB547-4
	100258-04-702	EA	SWITCH-LEVER-W/CABLE	CB547-1
	092696-01-701	EA	KNOB-PLASTIC	CC225

PLUMBING & REFRIGERATOR ROOF VENTS

KEY	PART NUMBER	U/M	DESCRIPTION
	083558-06-000	EA	VENT-PLUMBING PIPE ROOF-W/COVER-VW WHITE
	084073-08-000	EA	CAP-ROOF VENT-REFRIGERATOR-SABLE-NORCOLD
	084073-04-000	EA	BASE-ROOF VENT-REFRIGERATOR-BLACK-NORCOLD
	118369-01-03A	EA	CAP-ROOF VENT-REFRIGERATOR-SABLE-DMETIC
	118369-02-03A	EA	BASE-ROOF VENT-REFRIGERATOR-SABLE-DMETIC

WINDOW, VENT & EXTERIOR DOOR GROUP (CONTINUED)

POWERED ROOF VENT - JENSEN - U.S.

KEY	PART NUMBER	U/M DESCRIPTION	VENDOR NO.
	122882-04-01A	EA VENT-ROOF-W/FAN&POWERLIFT-UL-W/OINSIDEGARNISH	
	048648-01-000	EA MOTOR-ROOFVENT-1/8SHAFT-12VOLT	
	048649-01-000	EA FAN-ROOFVENT-6BLADES-6"	
	064469-03-708	EA GEAR-DRIVE	RP-1024
	064469-03-709	EA GEAR-PINIONF-1/8"SHAFT	RP-1025
	064470-01-700	EA COVER-VENT-W/OSLIDEBAR	J7291
	064470-01-701	EA SLIDEBAR-VENTLID	JRP1291B
	110051-07-701	EA MOTOR-LIFT,W/BRKT-GEAR3/16 NEWSTYLEW/3/16"SHAFT-COMESWITHPINIONGEAR&MOUNT BRACKET	RP1099B
	122882-04-700	EA SCREEN	J29-670-01A
	122882-07-01A	EA GARNISH-ROOFVENT-2.50"TO4.12"	

POWERED ROOF VENT - JENSEN - CANADIAN

KEY	PART NUMBER	U/M DESCRIPTION	VENDOR NO.
	122882-05-01A	EA VENT-ROOF-W/FAN&POWERLIFT-CSA-W/OINSIDEGARNISH	
	048648-01-000	EA MOTOR-ROOFVENT-1/8SHAFT-12VOLT	
	048649-01-000	EA FAN-ROOFVENT-6BLADES-6"	
	064469-03-708	EA GEAR-DRIVE	RP-1024
	064469-03-709	EA GEAR-PINIONF-1/8"SHAFT	RP-1025
	064470-01-700	EA COVER-VENT-W/OSLIDEBAR	J7291
	064470-01-701	EA SLIDEBAR-VENTLID	JRP1291B
	110051-07-701	EA MOTOR-LIFT,W/BRKT-GEAR3/16 NEWSTYLEW/3/16"SHAFT-COMESWITHPINIONGEAR&MOUNT BRACKET	RP1099B
	122882-04-700	EA SCREEN	J29-670-01A
	122882-07-01A	EA GARNISH-ROOFVENT-2.50"TO4.12"	

POWERED EXHAUST VENT - FANTASTIC - U.S.

KEY	PART NUMBER	U/M DESCRIPTION	VENDOR NO.
	123780-05-01A	EA VENT-EXHAUST-3"CEILING-THERMOSTAT	
	084079-01-703	EA KNOB-LIFT,W/EXT.&SCREW	1140K-00
	084079-01-707	EA SWITCH-SAFETY	1122.05
	084079-01-709	EA SWITCH-MAIN-3SPEED	1031-05
	084079-01-710	EA THERMOSTAT,WALLMOUNT	9988-39
	084079-11-700	EA MOTOR,BRKT.,FANBLADE,KIT KITCONTAINS:MOTOR,MOTORMOUNT,ANDFANBLADE	4017K-09
	084079-11-701	EA ARM-LIFTASSEMBLY,AUTOMATIC	2011-05
	084079-11-703	EA MOTOR-LIFT,W/CAP&SCREWS	6050-05
	123780-01-700	EA COVER-VENTW/HINGE&SLIDE	1020K-81
	123780-03-700	EA GARNISH-INT.3"-4"BRT/WHT	2040-81
	123780-05-700	EA BASE-MAINBRIGHTWHITE	1010K-81
	123780-05-701	EA SCREENASM.,INTW/SWITCHES	2000TK-81

WINDOW, VENT & EXTERIOR DOOR GROUP (CONTINUED)

POWERED EXHAUST VENT - FANTASTIC - CANADIAN

KEY	PART NUMBER	U/M DESCRIPTION	VENDOR NO.
	123780-06-01A	EA VENT-EXHAUSTW/THERMOSTAT-F3/4"ROOF	
	084079-01-703	EA KNOB-LIFT,W/EXT.&SCREW	1140K-00
	084079-01-707	EA SWITCH-SAFETY	1122.05
	084079-01-709	EA SWITCH-MAIN-3SPEED	1031-05
	084079-01-710	EA THERMOSTAT,WALLMOUNT	9988-39
	084079-11-700	EA MOTOR,BRKT.,FANBLADE,KIT KITCONTAINS:MOTOR,MOTORMOUNT,ANDFANBLADE	4017K-09
	084079-11-701	EA ARM-LIFTASSEMBLY,AUTOMATIC	2011-05
	084079-11-703	EA MOTOR-LIFT,W/CAP&SCREWS	6050-05
	123780-01-700	EA COVER-VENTW/HINGE&SLIDE	1020K-81
	123780-03-700	EA GARNISH-INT.3"-4"BRT/WHT	2040-81
	123780-05-700	EA BASE-MAINBRIGHTWHITE	1010K-81
	123780-05-701	EA SCREENASM.,INTW/SWITCHES	2000TK-81

VENT - ROOF - NONPOWERED

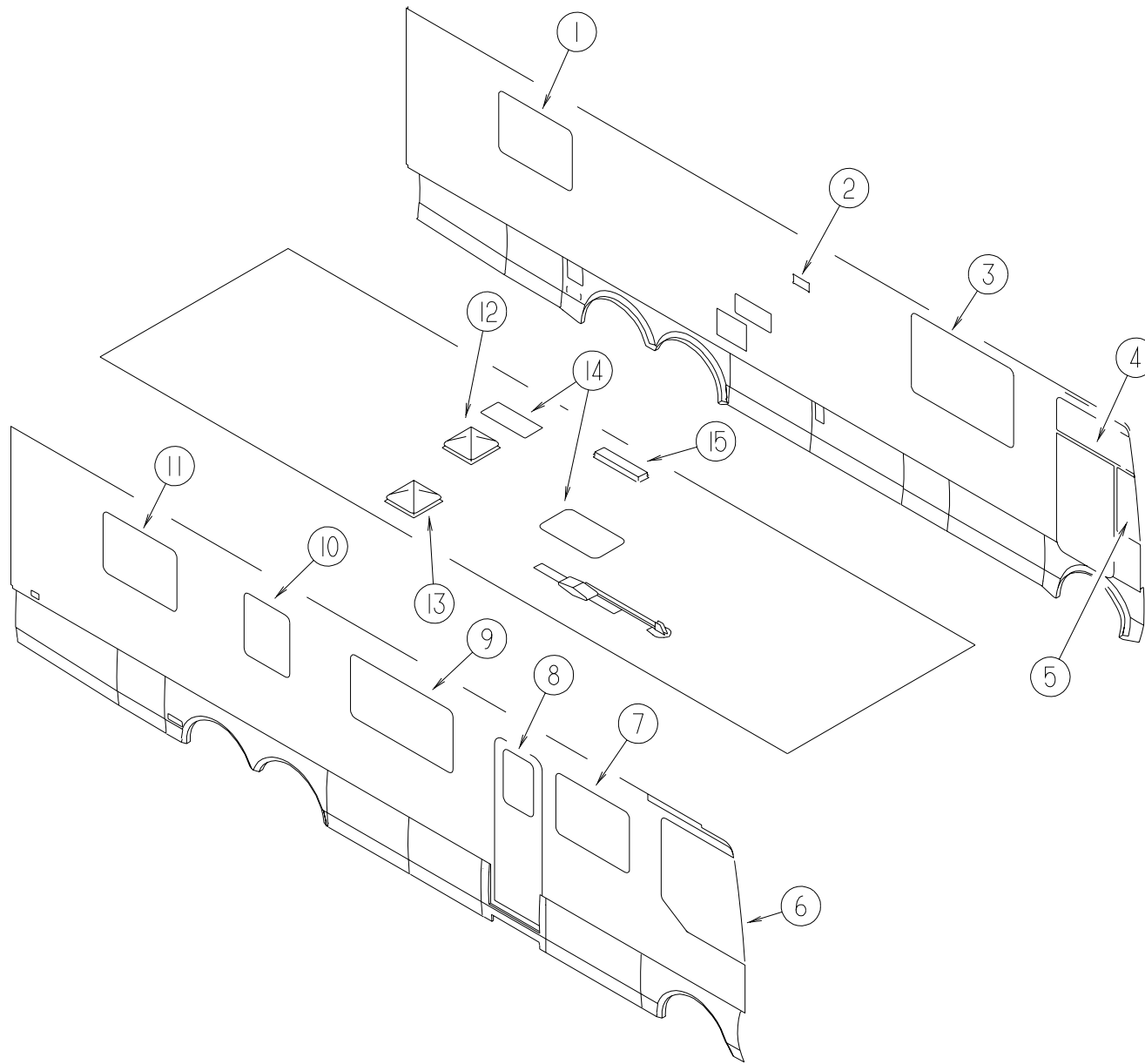
KEY	PART NUMBER	U/M DESCRIPTION	VENDOR NO.
	122882-01-01A	EA VENT-ROOF-NONPOWERED	
	009440-01-000	EA GEAR/ARM-LIFT-ROOFVENTCOVER	
	064470-01-700	EA COVER-VENT-W/OSLIDEBAR	J7291
	064470-01-701	EA SLIDEBAR-VENTLID	JRP1291B
	122882-01-700	EA HANDLE-CRANKBLACK	90128
	122882-01-701	EA SCREEN	JRP-1124-B
	122882-07-01A	EA GARNISH-ROOFVENT-2.50"TO4.12"	

RANGE HOOD EXHAUST VENT

KEY	PART NUMBER	U/M DESCRIPTION	VENDOR NO.
	092698-03-05A	EA VENT-W/DOOR&SOLENOID	
	092698-02-700	EA FASTENER-PUSH	VB430
	092698-02-701	EA CLAMP-CONDUIT	VB334
	092698-03-706	EA SOLENOID	VB0530-01
	092698-03-706	EA SOLENOID	VB0530-01

WINDOW, VENT & EXTERIOR DOOR GROUP (CONTINUED)

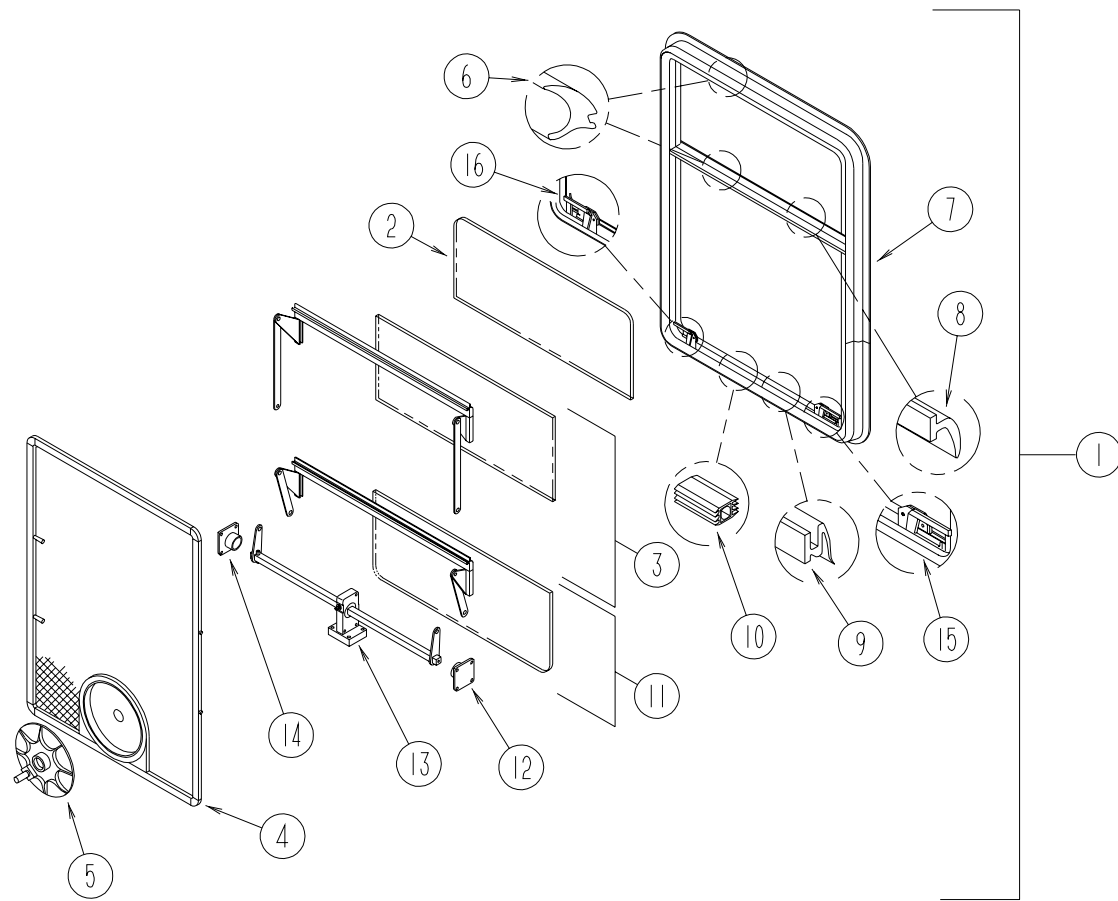
WINDOWS & VENTS



KEY	PARTNUMBER	U/M	DESCRIPTION	VENDOR NO.
1	113500-06-01A	EA	WINDOW-DOUBLE TIPOUT ESCAPE-33.3"X30.3"	
1	112898-18-01A	EA	WINDOW-VERTICAL SLIDER-THERMOPANE-33.2"X30.1"	
2	092698-03-05A	EA	VENT-W/DOOR & SOLENOID	
	092698-02-700	EA	FASTNER-PUSH	VB430
	092698-02-701	EA	CLAMP-CONDUIT	VB334
	092698-03-706	EA	SOLENOID	VB0530-01
3	115360-01-01A	EA	WINDOW-DOUBLE HORIZONTAL TIPOUT-30.75"X56.5"	
3	112795-33-01A	EA	WINDOW-DRIVER/HORIZONTAL SLIDER-THERMO-30.5"X57.75"	
3	115360-02-01A	EA	WINDOW-DOUBLE HORIZONTAL TIPOUT 38.7"X56 1/2" (WINDOW OPTION)	
3	112795-53-01A	EA	WINDOW-DRIVER HORIZONTAL SLIDER THERMO 38 3/4"X57 3/4" (WINDOW OPTION)	
4	106467-04-01A	EA	WINDOW-DR. VISTA (ABOVE DR. DOOR) 42.1"TX44.9"BX17.6"H	
5	106468-03-01A	EA	WINDOW-DRIVERS WING 10.9"TX14.2"BX32.2"H	
6	106466-04-01A	EA	WINDOW-PASSENGER CAB 42.1"TWX48.3"CWX50.3"H	
7	098647-40-01A	EA	WINDOW-PASSENGER HORIZONTAL SLIDER-29.5"X41.4"-TINTED	
7	112795-31-01A	EA	WINDOW-SLIDER-HORIZONTAL-THERMO-29.5"X41.2"	
8	117053-03-F31	EA	WINDOW-PICTURE, 17"X26.4"	
8	113733-01-01A	EA	WINDOW-STATIONARY-THERMOPANE-17"X26.4"	
9	115360-01-01A	EA	WINDOW-DOUBLE HORIZONTAL TIPOUT 30 3/4"X56 1/2"	
9	112795-50-01A	EA	WINDOW-PASSENGER/HORIZONTAL SLIDER-THERMO 30 3/4"X57 3/4"	
10	104691-15-01A	EA	WINDOW-STACKED TRIPLE TIPOUT	
10	112795-47-01A	EA	WINDOW-PASSENGER HORIZONTAL SLIDER THERMO 30 1/4"X25 3/4"	
11	113500-05-01A	EA	WINDOW-DOUBLE TIPOUT 33.3"X30.3"	
11	112898-17-01A	EA	WINDOW-VERTICAL SLIDER-THERMOPANE-33.1"X30.1"	
12	122882-04-01A	EA	VENT-ROOF-W/FAN & POWERLIFT-UL	
12	122882-05-01A	EA	VENT-ROOF-W/FAN & POWERLIFT-CSA	
13	122882-01-01A	EA	VENT-ROOF-NONPOWERED	
13	123780-05-01A	EA	VENT-EXHAUST-3"CEILING-THERMOSTAT	
13	123780-06-01A	EA	VENT-EXHAUST W/THERMOSTAT-F3/4"ROOF-CSA	
14	122192-01-02A	EA	PANEL-SKYLITE-OUTER-16.4"X27.8"	FROM: 00-00-00 THRU: 02-13-97
14	122192-01-02A	EA	PANEL-SKYLITE-OUTER-16.4"X27.8"	FROM: 02-14-97 THRU: 99-99-99
14	122193-01-01A	EA	PANEL-SKYLITE-INNER	FROM: 00-00-00 THRU: 02-13-97
14	122193-01-02A	EA	PANEL-SKYLITE-INNER	FROM: 02-14-97 THRU: 99-99-99
15	118369-01-03A	EA	CAP-REFRIGERATOR ROOF VENT	
15	118369-02-03A	EA	BASE-REFRIGERATOR ROOF VENT	
15	084073-08-000	EA	COVER-ROOF-REFRIGERATOR	
15	084073-04-000	EA	BASE-ROOF VENT-REFRIGERATOR	

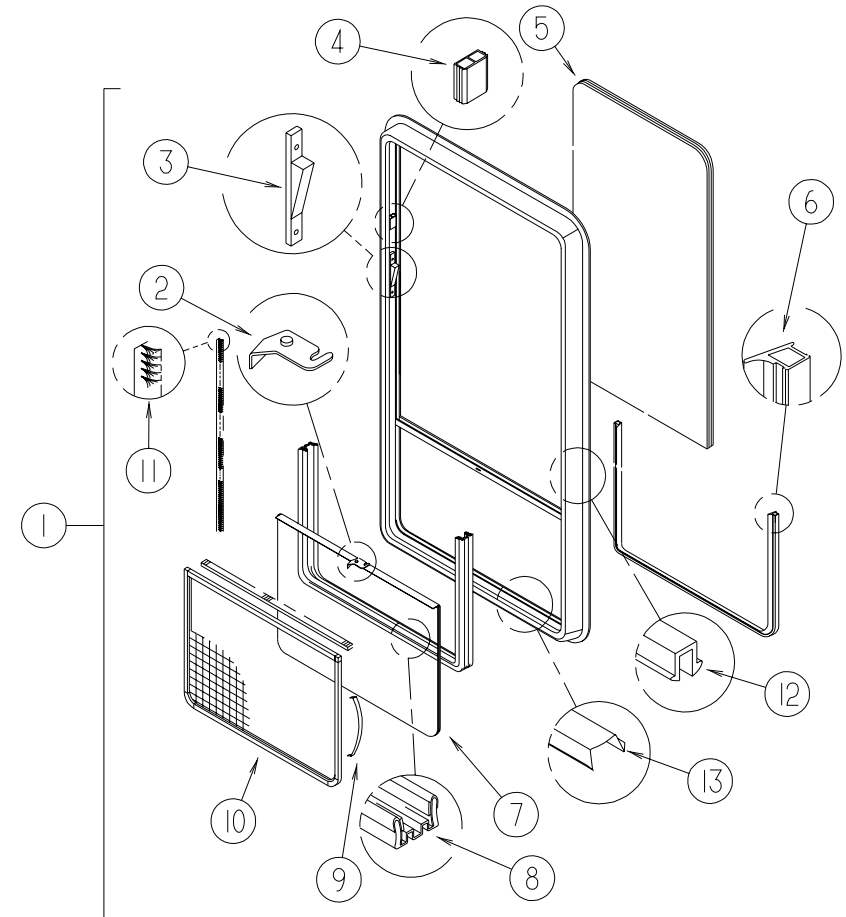
WINDOW, VENT & EXTERIOR DOOR GROUP (CONTINUED)

EXCEL DRIVERSIDE BEDROOM WINDOWS



DRIVERSIDE BEDROOM WINDOW-DOUBLE TIPOUT-EXCEL

KEY	PARTNUMBER	U/M	DESCRIPTION	VENDOR NO.
1	113500-06-01A	EA	WINDOW-DOUBLE TIPOUT ESCAPE-33.3"X30.3"	
2	113500-06-700	EA	GLASS(STATIONARY)	106-025658
	100322-01-704	FT	TAPE-BUTYL	154-016083
3	113500-06-701	EA	VENTASM.(UPPER)	CH105-D7
4	113500-06-704	EA	SCREENASM.,W/SEAL&CLIPS	410-025661
5	100322-01-718	EA	HANDLE-DIAL	410-016081
6	100322-01-703	FT	VINYL-GLAZING,BUTYL	132-010723
7	N/A	EA	WINDOWW/OTRIM	
8	100322-01-702	EA	WEATHERSTRIP-HORIZONTALRAIL	132-015976
9	100322-01-701	FT	SEAL-VENT	122-016071
10	098644-01-716	FT	PLUG-FILLER	132-014470
11	113500-06-705	EA	VENTASM.(LOWER)	CH105-D9
12	100322-01-714	EA	SUPPORT-TORQUEBAR,LH	130-015978
13	112519-01-702	EA	OPERATOR-VENT	410-016123
14	100322-01-715	EA	SUPPORT-TORQUEBAR,RH	130-015979
	113500-06-703	EA	OPERATOR&BARASSEMBLY	CH65-15
15	112898-06-705	EA	HANDLE-LATCH,RED-LH	182-11294
16	112898-06-704	EA	HANDLE-LATCH,RED-RH	182-11293
	113500-06-705	EA	RETAINER-TRIM	CW101-59
	100322-01-717	EA	E-RING	245-015975

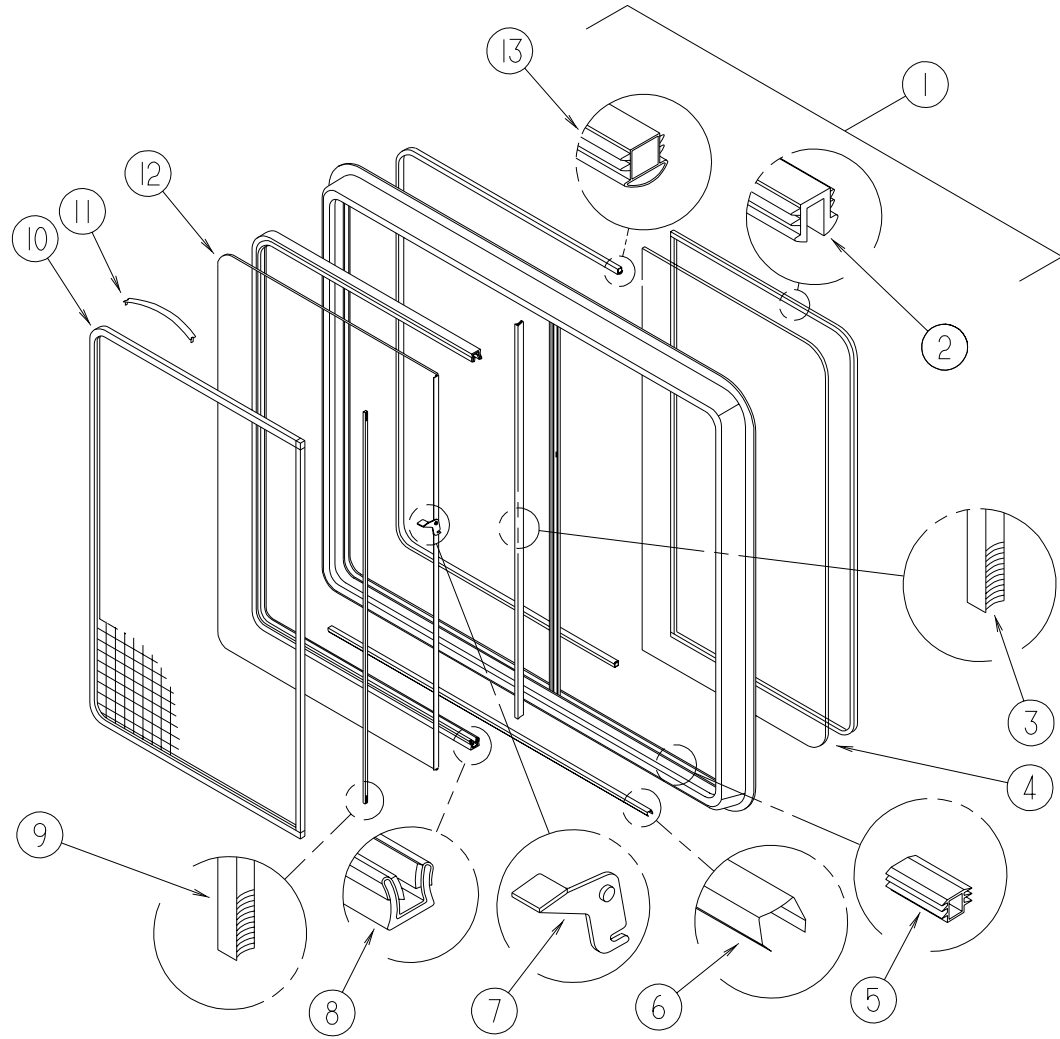


DRIVERSIDE BEDROOM WINDOW-SLIDER-THERMO

KEY	PARTNUMBER	U/M	DESCRIPTION	VENDOR NO.
1	112898-18-01A	EA	WINDOW-VERTICAL SLIDER-THERMOPANE-33.2"X30.1"	
	N/A	EA	WINDOWASM.W/OTRIM	
2	112795-01-700	EA	LATCHASM.,BLK.,(BOLTON)	DH287-CK
3	112898-04-703	EA	SASHLATCHKIT,RAISED	DH343-CK
4	112795-01-701	EA	SLIDE-STOP	132-019092
5	112898-18-701	EA	GLASS(STATIONARY)	390-025500
6	112795-01-704	FT	PLUGFILLER(DOUBLEGLAZED)	122-018737
7	112898-18-700	EA	GLASS-SLIDINGW/SASH&LATCH	DH511-G9
8	112795-01-703	IN	CHANNEL-RUN(INCHES)	122-018736
9	098644-01-713	EA	CLIP-SPRING,METAL	226-016966
10	112898-06-706	EA	SCREENASM.,W/SEAL&CLIPS	410-019189
11	098644-01-711	FT	WEATHERSTRIP-SCREEN,BLACK	171-016965
12	112795-01-705	FT	VINYL-GLAZING	132-019702
	112898-18-702	EA	RETAINER-TRIM	W511-64
13	098644-01-710	FT	TRACK-SCREENSPACER,12'	132-017135

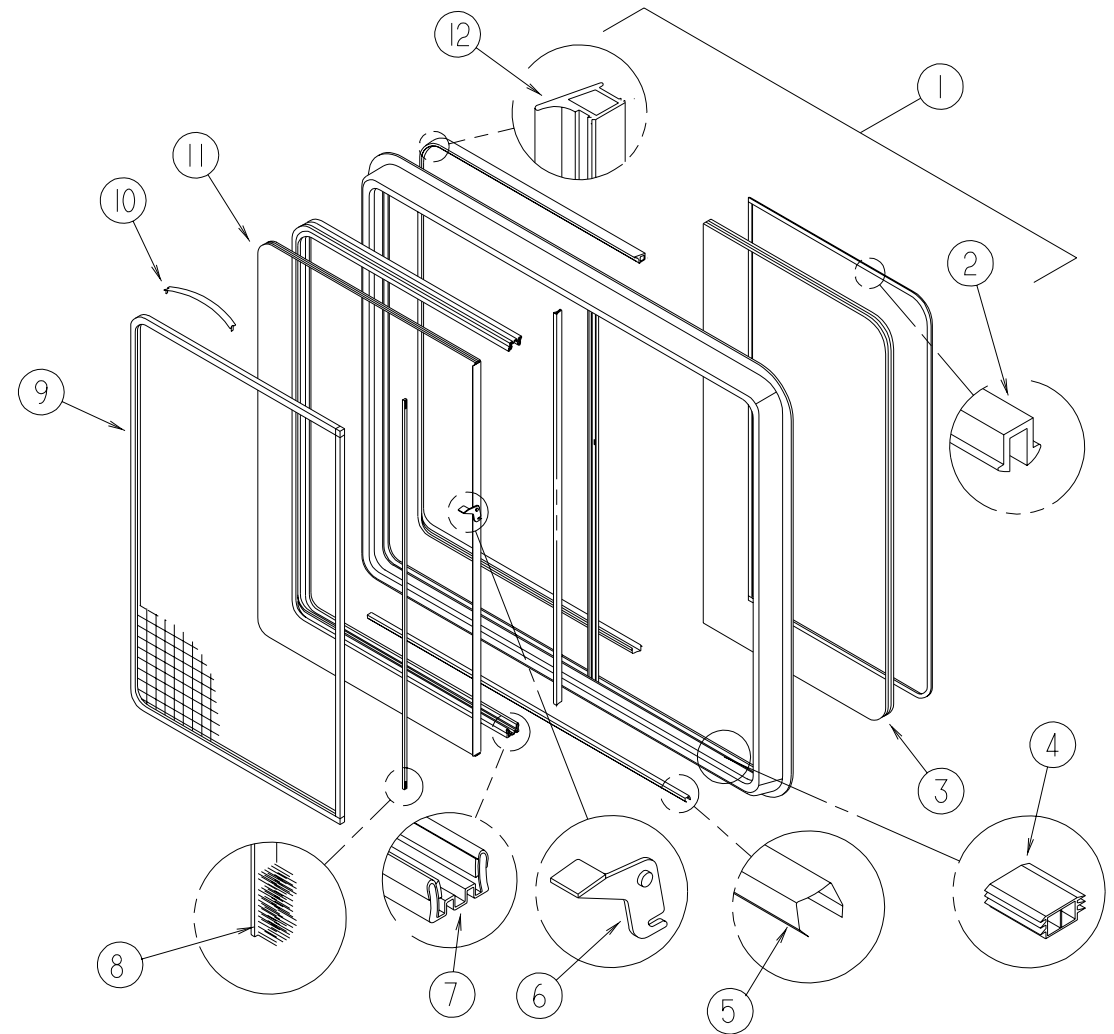
WINDOW, VENT & EXTERIOR DOOR GROUP (CONTINUED)

EXCEL DRIVERSIDE SLIDE OUT LOUNGE WINDOWS



PASSENGERSIDE LOUNGE WINDOW-EXCEL

KEY	PARTNUMBER	U/M	DESCRIPTION	VENDOR NO.
1	098647-40-01A	EA	WINDOW-PASSENGER HORIZONTAL SLIDER-29.5" X 41.4"-TINTED	
	098647-31-701	EA	RETAINER-TRIM	CW29-66
2	098644-01-705	FT	GLAZING-STRIP	132-010231
3	098644-01-706	FT	WEATHERSTRIP-GLASS	171-010668
4	098647-40-701	EA	GLASS-STATIONARY	106-019914
5	098644-01-719	EA	STOP-SLIDER GLASS	132-014203
6	098644-01-710	FT	TRACK-SCREEN SPACER 12'	132-017135
7	098644-01-700	EA	LATCH-REPAIR KIT (BLACK)	B801-CK
8	098644-01-708	FT	CHANNEL-RUN PIERCED	122-016543
9	098644-01-711	FT	WEATHERSTRIP-SCREEN BLACK	171-016965
10	098647-31-704	EA	SCREEN ASM-W/SEALS & CLIPS	410-019128
11	098644-01-713	EA	CLIP-SPRING, METAL	226-016966
12	098647-40-700	EA	GLASS-SLIDING W/SASH & LATCH	H291-G9
13	098644-01-716	FT	PLUG-FILLER	132-014470
	098644-01-717	FT	SPLINE-SCREEN	132-004716

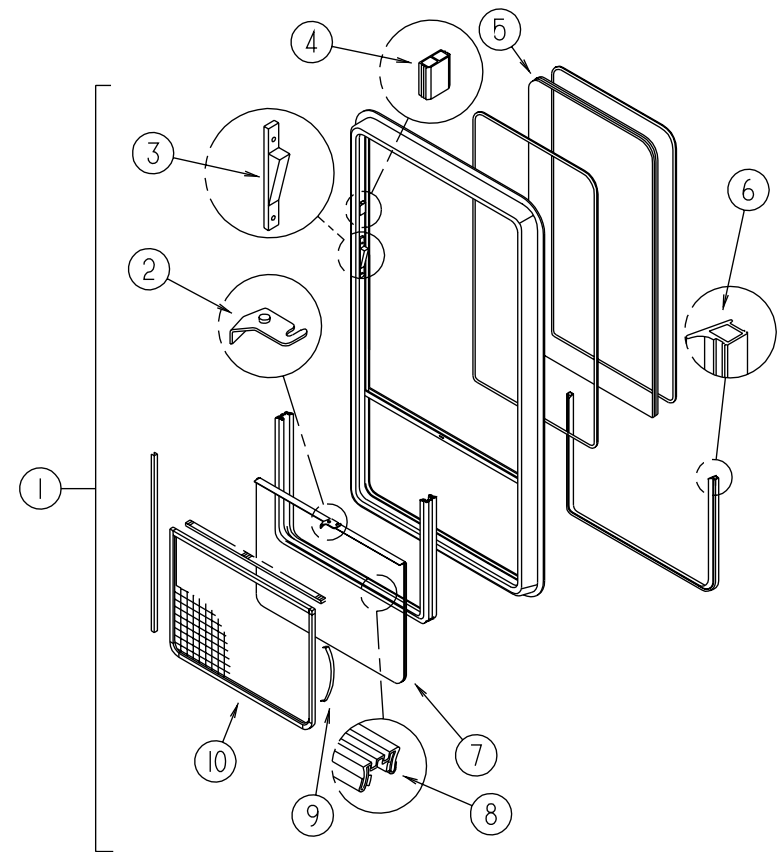
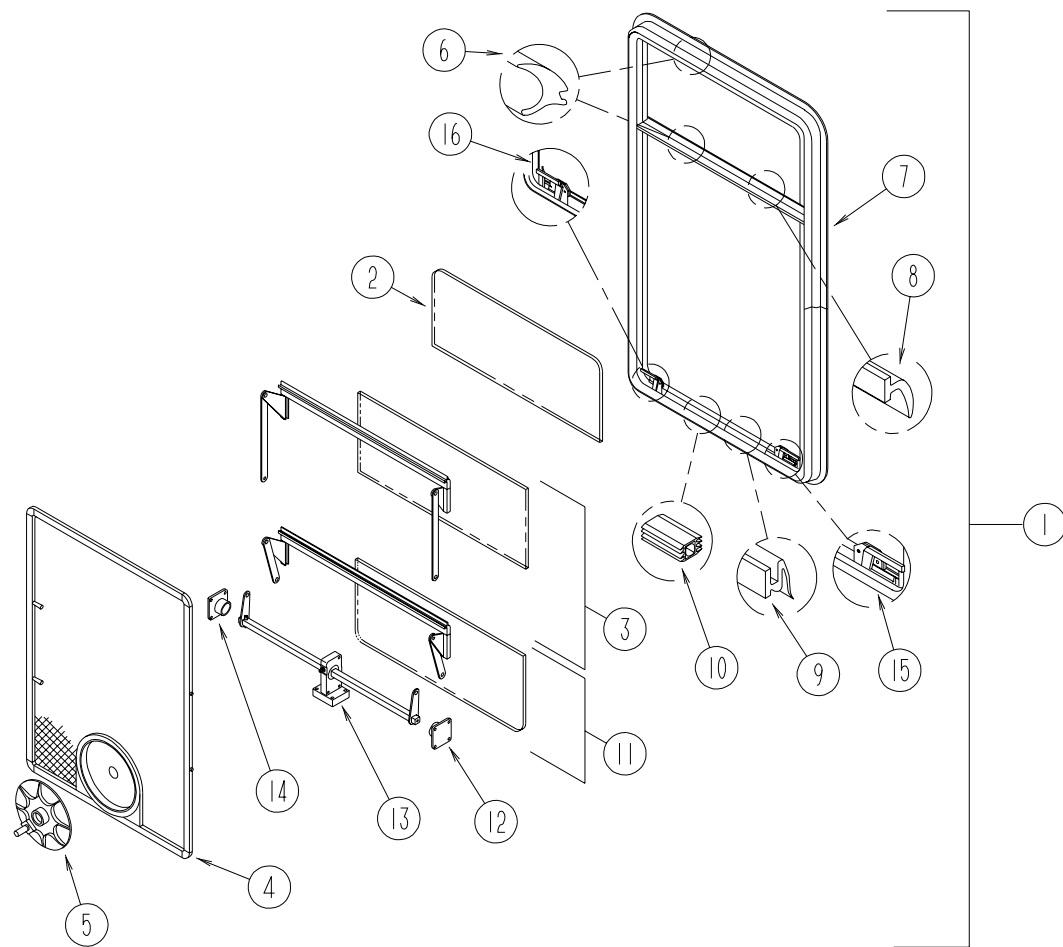


PASSENGERSIDE LOUNGE WINDOW-SLIDER-THERMO

KEY	PARTNUMBER	U/M	DESCRIPTION	VENDOR NO.
1	112795-31-01A	EA	WINDOW-SLIDER-HORIZONTAL-THERMO-29.5" X 41.2"	
	112795-31-700	EA	WINDOW W/OTRIM (RT)	DH291-G2R
	112795-31-701	EA	RETAINER-TRIM	W291-66
2	112795-01-704	FT	PLUG FILLER (DOUBLE GLAZED)	122-018737
3	112795-31-702	EA	GLASS (STATIONARY) (RT & LT)	390-019281
4	112795-01-701	EA	SLIDE-STOP	132-019092
5	098644-01-710	FT	TRACK-SCREEN SPACER, 12'	132-017135
6	112795-01-700	EA	LATCH ASM., BLK., (BOLTON)	DH287-CK
7	112795-01-703	IN	CHANNEL-RUN (INCHES)	122-018736
8	098644-01-711	FT	WEATHERSTRIP-SCREEN, BLACK	171-016965
9	112795-31-704	EA	SCREEN ASM., W/SEAL & CLIPS	410-019068
10	098644-01-713	EA	CLIP-SPRING, METAL	226-016966
11	112795-31-703	EA	GLASS-SLIDING, (SASH & LATCH)	DH291-G9
12	112795-01-705	FT	VINYL-GLAZING	132-019702

WINDOW, VENT & EXTERIOR DOOR GROUP (CONTINUED)

PASSENGERSIDE BEDROOM WINDOWS



PASSENGERSIDE BEDROOM WINDOW-EXCEL

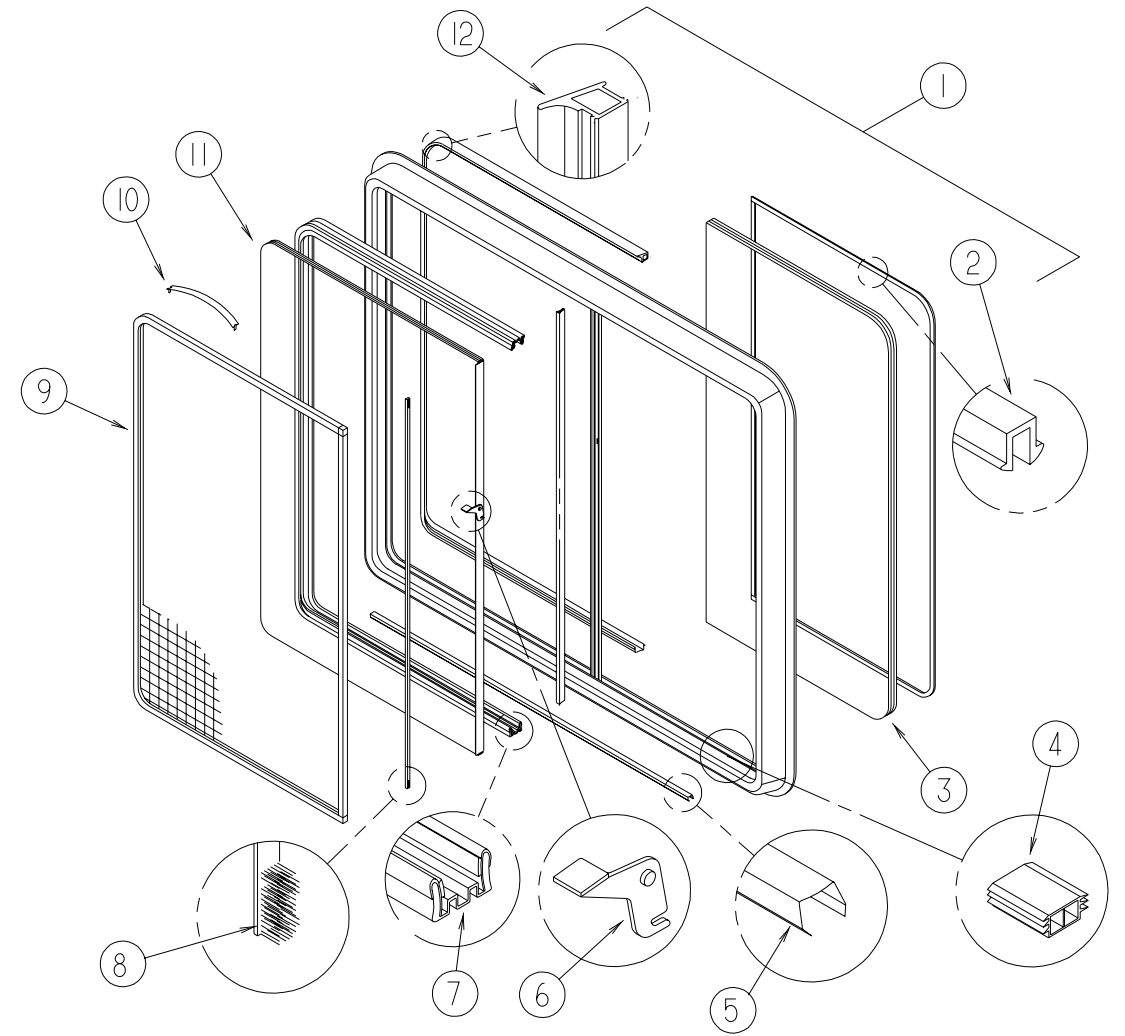
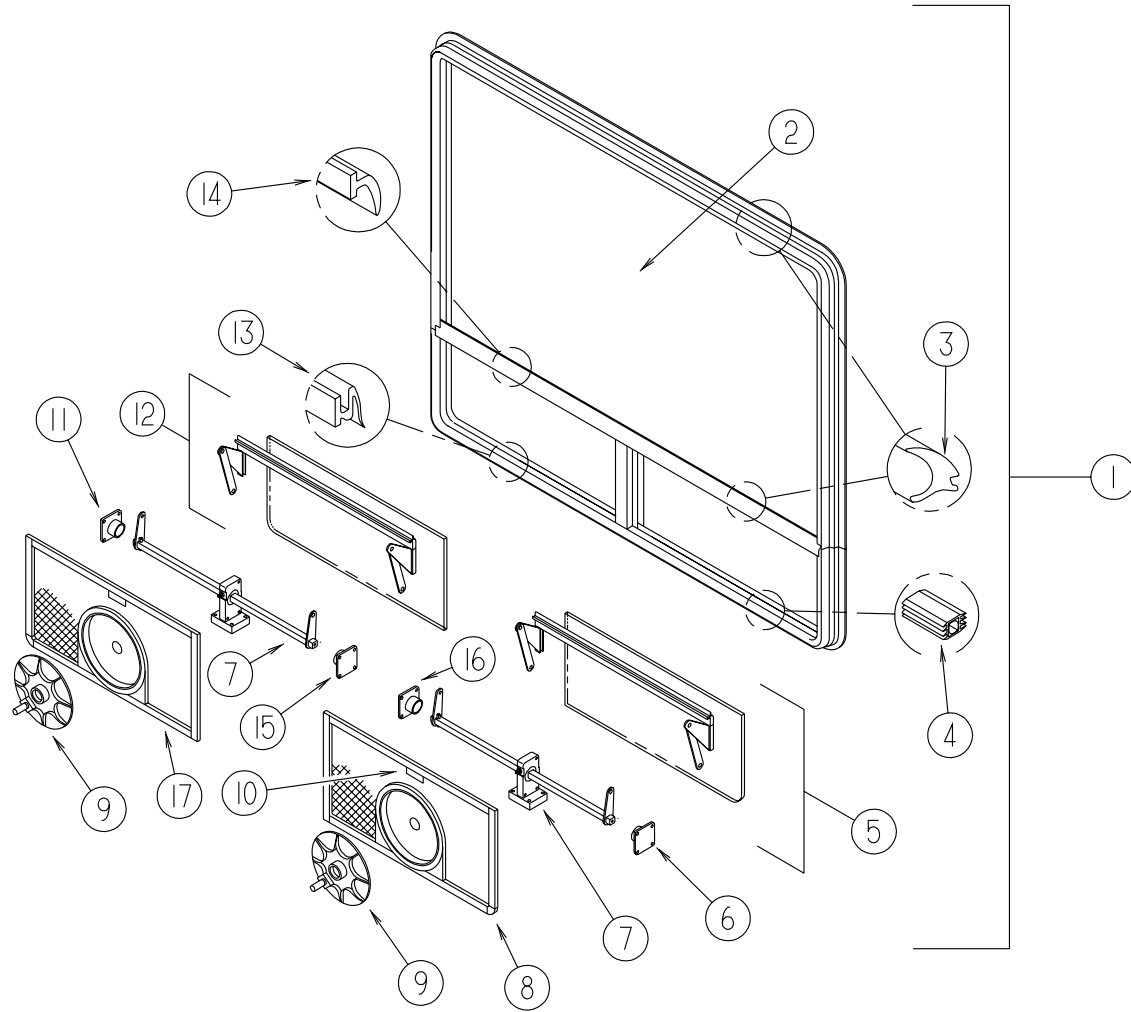
KEY	PARTNUMBER	U/M	DESCRIPTION	VENDOR NO.
1	113500-05-01A	EA	WINDOW-DOUBLE TIPOUT 33.3" X 30.3"	
2	113500-05-700	EA	GLASS (STATIONARY)	106-025654
	100322-01-704	FT	TAPE-BUTYL	154-016083
3	113500-05-701	EA	VENT ASM. (UPPER)	CH104-D7
4	113500-05-704	EA	SCREEN ASM-W/SEAL & CLIPS	410-025657
5	100322-01-718	EA	HANDLE-DIAL	410-016081
6	100322-01-703	FT	VINYL-GLAZING, BUTYL	132-010723
7	N/A	EA	WINDOW W/O TRIM	CH92-G1
	113500-05-705	EA	RETAINER-TRIM	CW100-59
8	100322-01-702	EA	WEATHERSTRIP-HORIZONTAL RAIL	132-015976
9	100322-01-701	FT	SEAL-VENT	122-016071
10	098644-01-716	FT	PLUG-FILLER	132-014470
11	113500-05-702	EA	VENT ASM. (LOWER)	CH104-D9
12	100322-01-714	EA	SUPPORT-TORQUE BAR, LH	130-015978
13	112519-01-702	EA	OPERATOR-VENT	410-016123
14	100322-01-715	EA	SUPPORT-TORQUE BAR, RH	130-015979
15	112898-06-705	EA	HANDLE-LATCH, RED-LH	182-11294
16	112898-06-704	EA	HANDLE-LATCH, RED-RH	182-11293
	100322-01-717	EA	E-RING	245-015975
	113500-05-703	EA	OPERATOR & BAR ASSEMBLY	CH10-15

PASSENGERSIDE BEDROOM THERMOPANE WINDOW

KEY	PARTNUMBER	U/M	DESCRIPTION	VENDOR NO.
1	112898-17-01A	EA	WINDOW-VERTICAL SLIDER-THERMOPANE-33.1" X 30.1"	
	N/A	EA	WINDOW TRIM-W/O RETAINER	
	112898-16-702	EA	RETAINER TRIM	100-66
2	112795-01-700	EA	LATCH ASM. LACK	DH287-CK
3	112898-04-703	EA	SASH LATCH KIT-RAISED	DH343-CK
4	112795-01-701	EA	SLIDE STOP	132-019092
5	112898-17-701	EA	GLASS-STATIONARY	390-025437
6	112795-01-704	FT	PLUG FILLER	122-018737
7	112898-17-700	EA	GLASS-SLIDING W/SASH & LATCH	DH510-EG9
8	112795-01-703	IN	CHANNEL RUN	122-018736
9	098644-01-713	EA	CLIP-SPRING-BLACK PLASTIC	226-016966
10	112898-05-704	EA	SCREEN ASM-W/SEALS & CLIPS	410-018862
	098644-01-710	FT	TRACK-SCREEN SPACER 12'	132-017135
	098644-01-711	FT	WEATHERSTRIP-SCREEN BLACK	171-016965
	112795-01-705	FT	VINYL-GLAZING	132-025736

WINDOW, VENT & EXTERIOR DOOR GROUP (CONTINUED)

EXCEL DRIVERSIDE LOUNGE WINDOWS



DRIVERSIDE LOUNGE WINDOW-DOUBLE TIP OUT-EXCEL

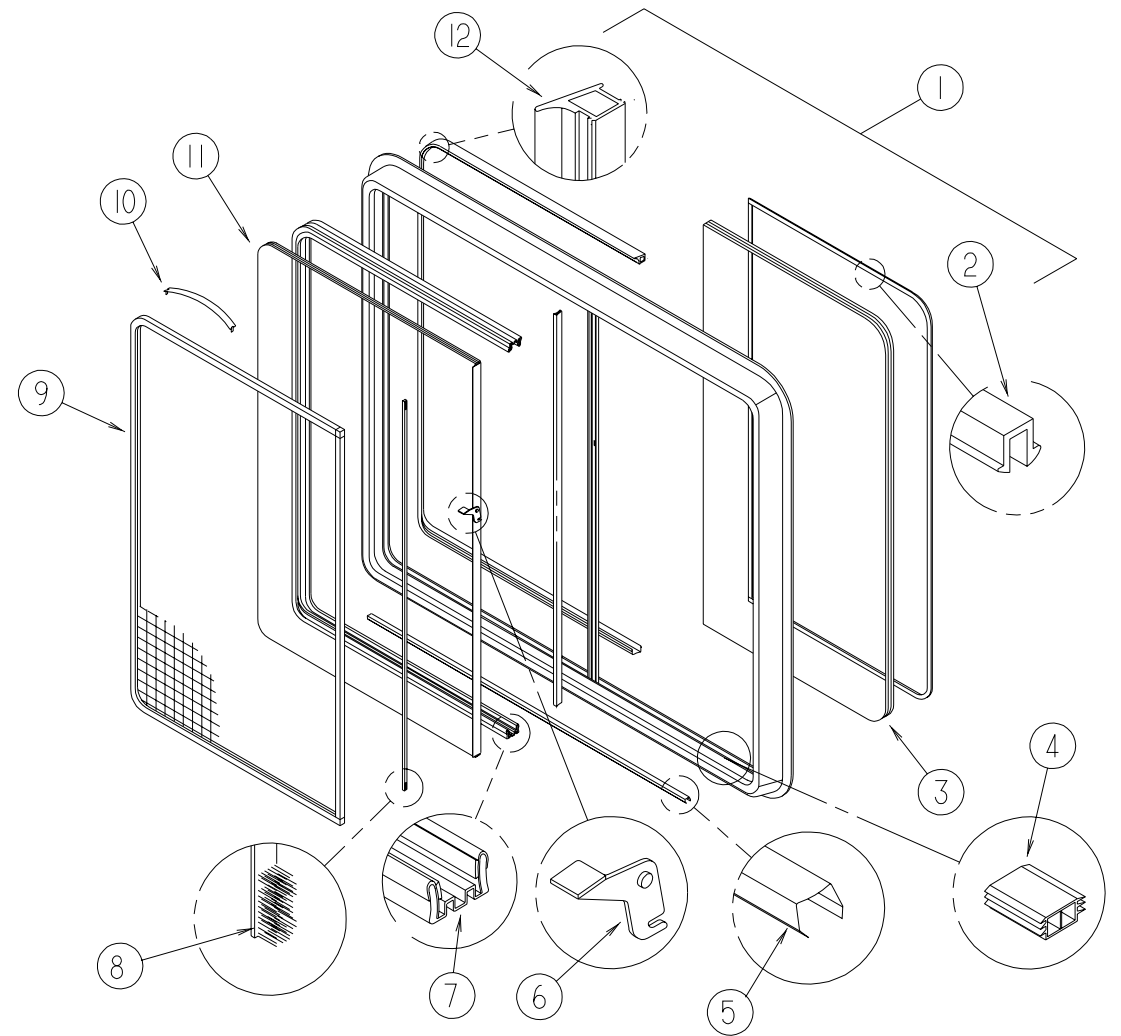
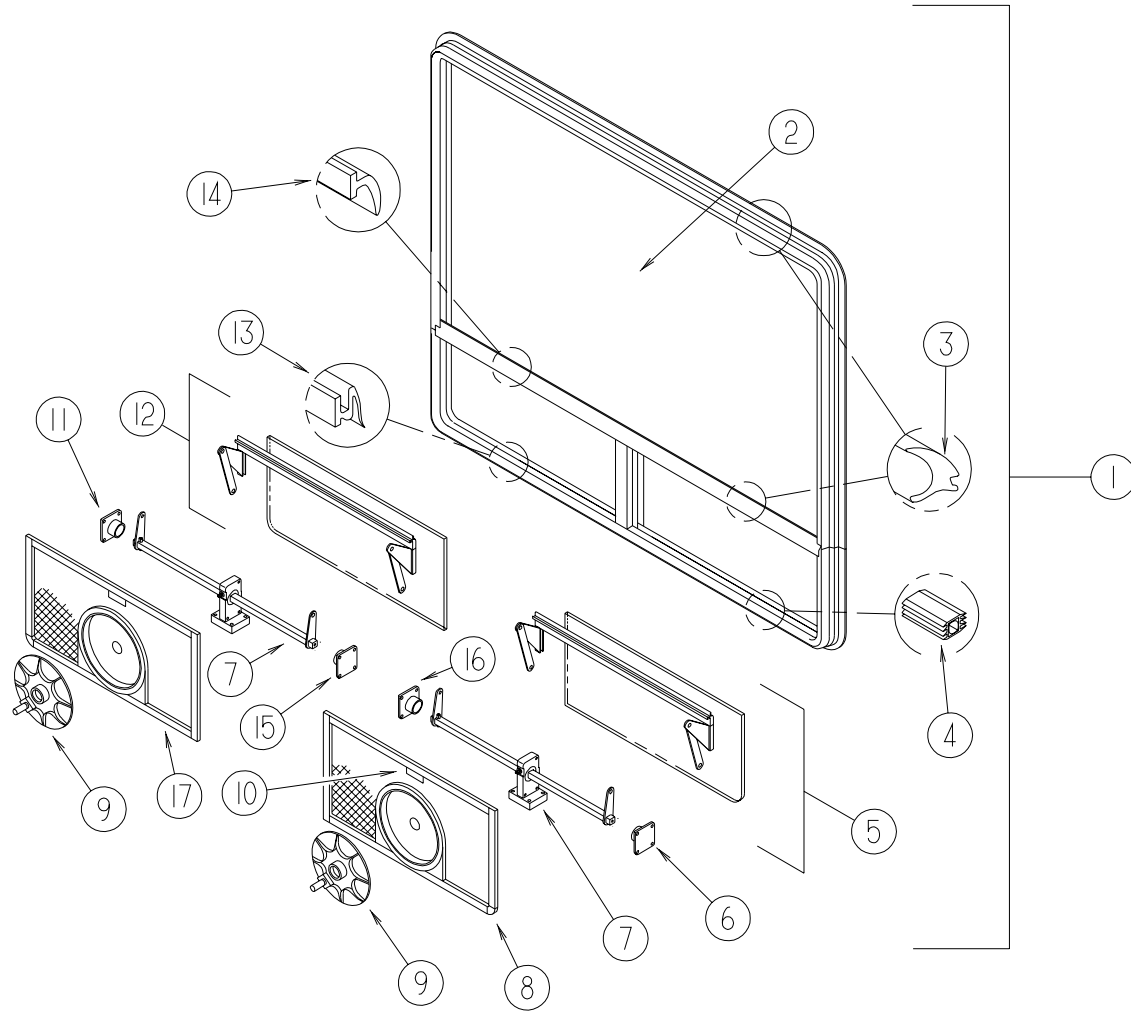
KEY	PART NUMBER	U/M	DESCRIPTION	VENDOR NO.
1	115360-01-01A	EA	WINDOW-DOUBLE HORIZONTAL TIP OUT 303/4" X 56 1/2"	
	115360-01-705	EA	RETAINER-TRIM	W112-59
	100322-01-704	FT	TAPE-BUTYL	154-016083
2	115360-01-700	EA	GLASS-STATIONARY-19.02 X 56.56	106-019446
	112864-01-000	FT	FOAM-BUTYL COVERED 3/8"-K3A20	
3	100322-01-703	FT	VINYL-GLAZING, BUTYL	132-010723
4	098644-01-716	FT	PLUG-FILLER	132-014470
5	115360-01-703	EA	GLASS-VENT ASM. (LH) TORQUE	CH90D9L
6	100322-01-714	EA	SUPPORT-TORQUE BAR, LH	130-015978
7	112519-01-702	EA	OPERATOR-VENT	410-016123
8	115360-01-701	EA	SCREEN ASM., W/SEAL & CLIPS	410-019477L
9	100322-01-718	EA	HANDLE-DIAL	410-016081
10	112519-01-706	EA	CLIP-SCREEN	CH21-50
11	100322-01-715	EA	SUPPORT-TORQUE BAR, RH	130-015979
12	115360-01-704	EA	GLASS-VENT ASM. (RH) TORQUE	CH90D9R
13	100322-01-701	FT	SEAL-VENT	122-016071
14	100322-01-702	EA	WEATHERSTRIP-HORIZONTAL RAIL	132-015976
15	100322-01-716	EA	SUPPORT-TORQUE BAR, CTR RAIL	130-015980
16	100322-01-716	EA	SUPPORT-TORQUE BAR, CTR RAIL	130-015980
17	115360-01-702	EA	SCREEN ASM., W/SEAL & CLIPS	410-019478R
	100322-01-717	EA	E-RING	245-015975
	100322-01-712	EA	RAIL-HORIZONTAL, RH OR LH	CH05-19
	100322-01-713	EA	BAR-DIVISION, VERT. RH & LH	HH19-20

DRIVERSIDE LOUNGE WINDOW-SLIDER-THERMO

KEY	PART NUMBER	U/M	DESCRIPTION	VENDOR NO.
1	112795-33-01A	EA	WINDOW-PASSENGER HORIZONTAL SLIDE THERMO 303/4" X 57 3/4"	
	112795-33-700	EA	WINDOW ASM. THERMO RH W/OTRIM	DH112G2R
	112795-33-701	EA	RETAINER, (TRIM) LH & RH	W11266
2	112795-01-705	FT	VINYL-GLAZING	132-019702
3	112795-33-702	EA	GLASS-STATIONARY	390-019225
4	112795-01-701	EA	SLIDE-STOP	132-019092
5	098644-01-710	FT	TRACK-SCREEN SPACER, 12"	132-017135
6	112795-01-700	EA	LATCH ASM., BLK., (BOLTON)	DH287-CK
7	112795-01-703	IN	CHANNEL-RUN (INCHES)	122-018736
8	098644-01-711	FT	WEATHERSTRIP-SCREEN, BLACK	171-016965
9	112795-33-704	EA	SCREEN ASM., W/SEAL & CLIPS	410-019247
10	098644-01-713	EA	CLIP-SPRING, METAL	226-016966
11	112795-33-703	EA	GLASS-SLIDING, (SASH & LATCH)	DH112-G29
12	112795-01-704	FT	PLUG FILLER (DOUBLE GLAZED)	122-018737

WINDOW, VENT & EXTERIOR DOOR GROUP (CONTINUED)

EXCEL DRIVERSIDE LOUNGE WINDOW EXCHANGE



DRIVERSIDE LOUNGE WINDOW-DOUBLE TIP OUT-EXCEL

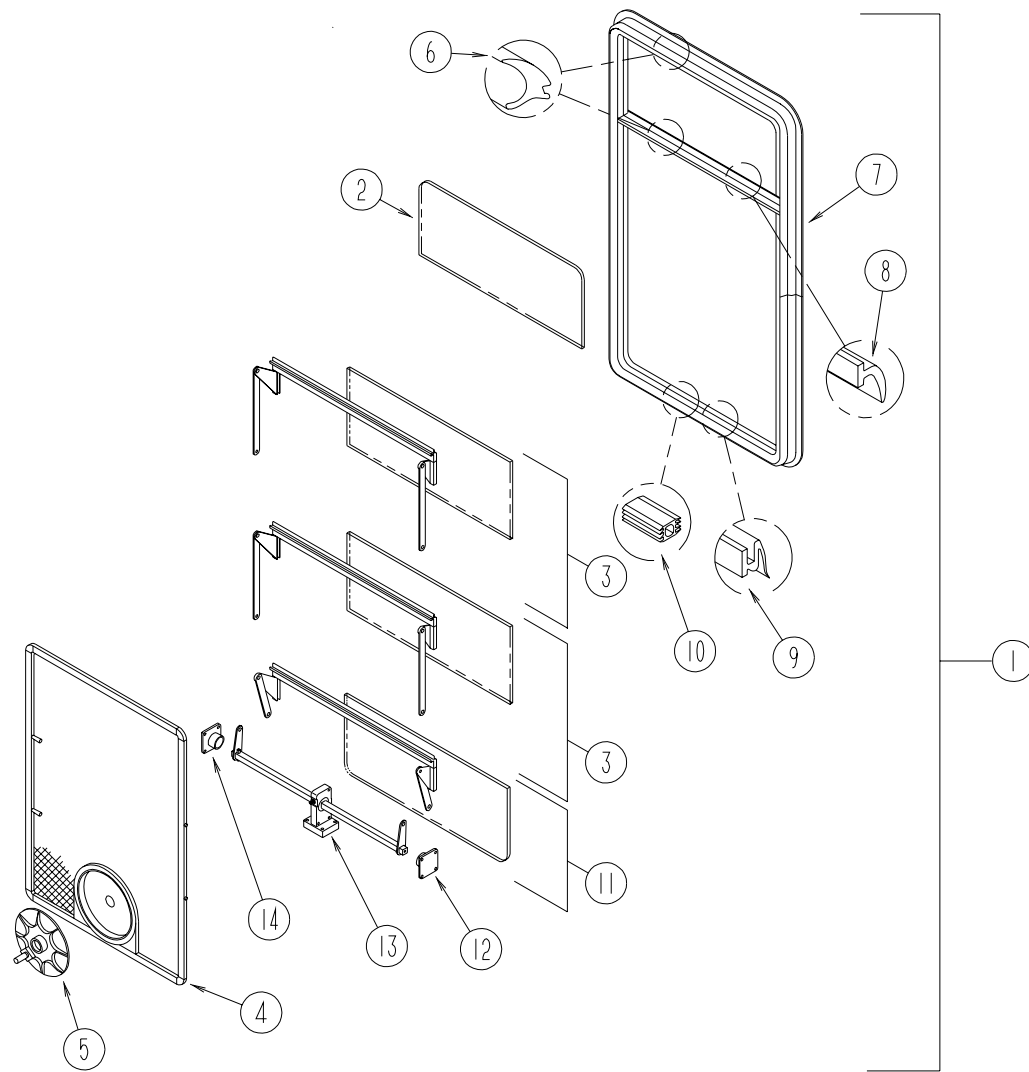
KEY	PART NUMBER	U/M	DESCRIPTION	VENDOR NO.
1	115360-02-01A	EA	WINDOW-DOUBLE HORIZONTAL TIP OUT 38.7" X 56 1/2"	
	115360-02-701	EA	RETAINER-TRIM	CW97-59
	100322-01-704	FT	TAPE-BUTYL	154-016083
2	115360-02-700	EA	GLASS-STATIONARY	106-025022
3	100322-01-703	FT	STRIP-GLAZING, BUTYL	132-010723
4	098644-01-716	FT	PLUG-FILLER	132-014470
5	115360-01-703	EA	GLASS-VENT ASM. LHTORQUE	CH90-D9L
6	100322-01-714	EA	SUPPORT-TORQUE BAR, LH	130-015978
7	112519-01-702	EA	OPERATOR-VENT	410-016123
8	115360-01-701	EA	SCREEN ASM-W/SEAL & CLIPS	
9	100322-01-718	EA	HANDLE-DIAL	410-016081
10	112519-01-706	EA	CLIP-SCREEN	CH21-50
11	100322-01-715	EA	SUPPORT-TORQUE BAR, RH	130-015979
12	115360-01-704	EA	GLASS-VENT ASM. RHTORQUE	CH90-D9R
13	100322-01-701	FT	SEAL-VENT	122-016071
14	100322-01-702	EA	WEATHERSTRIP-HORIZONTAL RAIL	132-015976
15	100322-01-716	EA	SUPPORT-TORQUE BAR, CENTER RAIL	130-015980
16	100322-01-716	EA	SUPPORT-TORQUE BAR, CENTER RAIL	130-015980
17	115360-01-702	EA	SCREEN ASM-W/SEAL & CLIPS	
	100322-01-717	EA	E-RING	245-015975
	100322-01-712	EA	RAIL-HORIZONTAL, RH OR LH	CH05-19
	100322-01-713	EA	BAR-DIVISION, VERTICAL-RH & LH	HH19-20

DRIVERSIDE LOUNGE WINDOW-SLIDER-THERMO

KEY	PART NUMBER	U/M	DESCRIPTION	VENDOR NO.
1	112795-53-01A	EA	WINDOW-DRIVER HORIZONTAL SLIDE THERMO 38 3/4" X 57 3/4"	
	N/A	EA	WINDOW ASM. THERMO RH W/OTRIM	
	112795-53-703	EA	RETAINER-TRIM	CW97-66
2	112795-01-705	FT	VINYL-GLAZING	132-019702
3	112795-53-702	EA	GLASS-STATIONARY	390-025207
4	112795-01-701	EA	SLIDE-STOP	132-019092
5	098644-01-710	FT	TRACK-SCREEN SPACER, 12'	132-017135
6	112795-01-700	EA	LATCH ASM., BLK., (BOLTON)	DH287-CK
7	112795-01-703	IN	CHANNEL-RUN (INCHES)	122-018736
8	098644-01-711	FT	WEATHERSTRIP-SCREEN, BLACK	171-016965
9	112795-53-700	EA	SCREEN ASM., W/SEAL & CLIPS	410-025209
10	098644-01-713	EA	CLIP-SPRING, METAL	226-016966
11	112795-53-701	EA	GLASS-SLIDING, (SASH & LATCH)	DC97-G9
12	112795-01-704	FT	PLUG FILLER (DOUBLE GLAZED)	122-018737

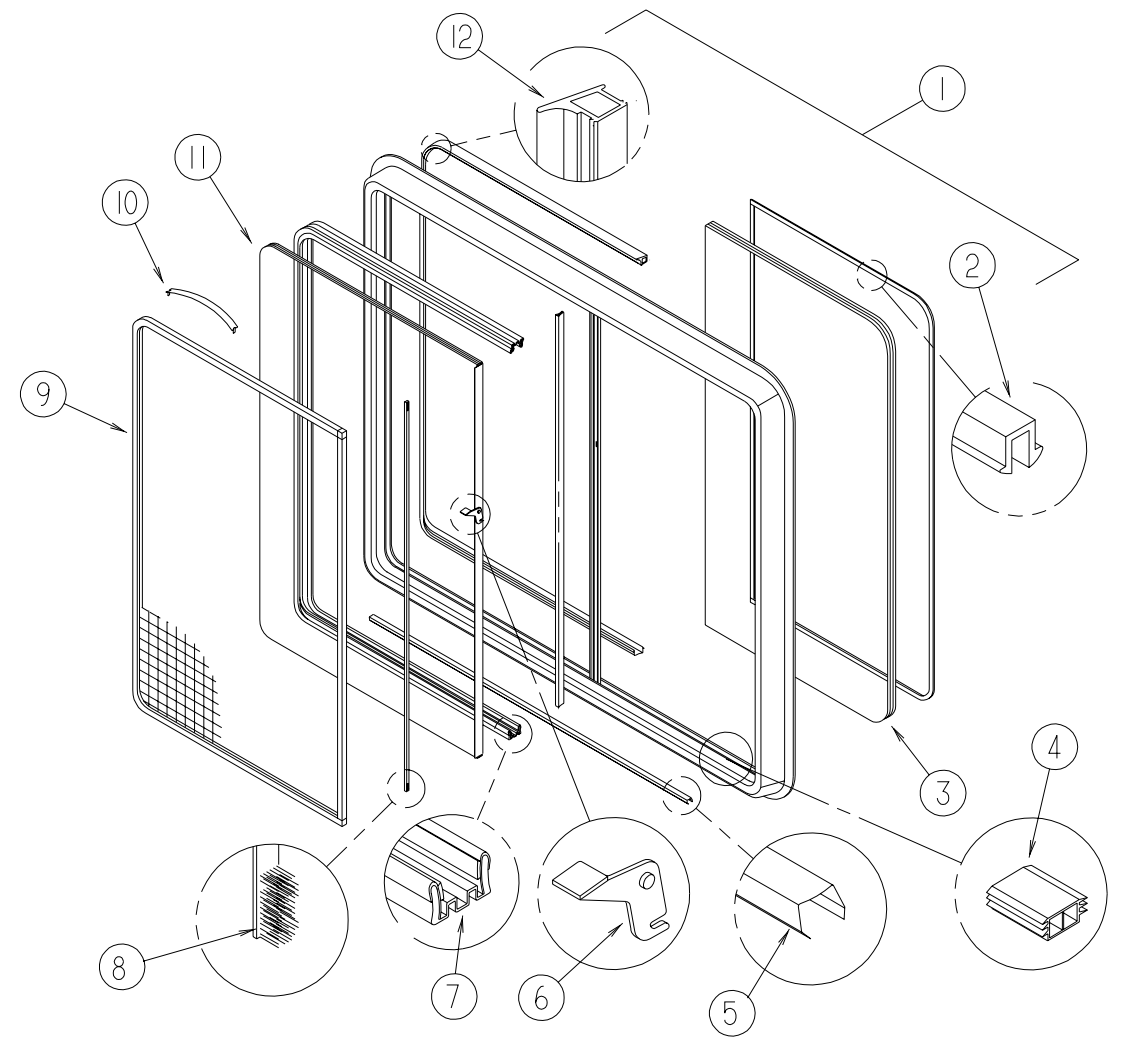
WINDOW, VENT & EXTERIOR DOOR GROUP (CONTINUED)

EXCEL PASSENGER SIDE HALL WINDOWS



EXCEL PASSENGER SIDE HALL WINDOWS

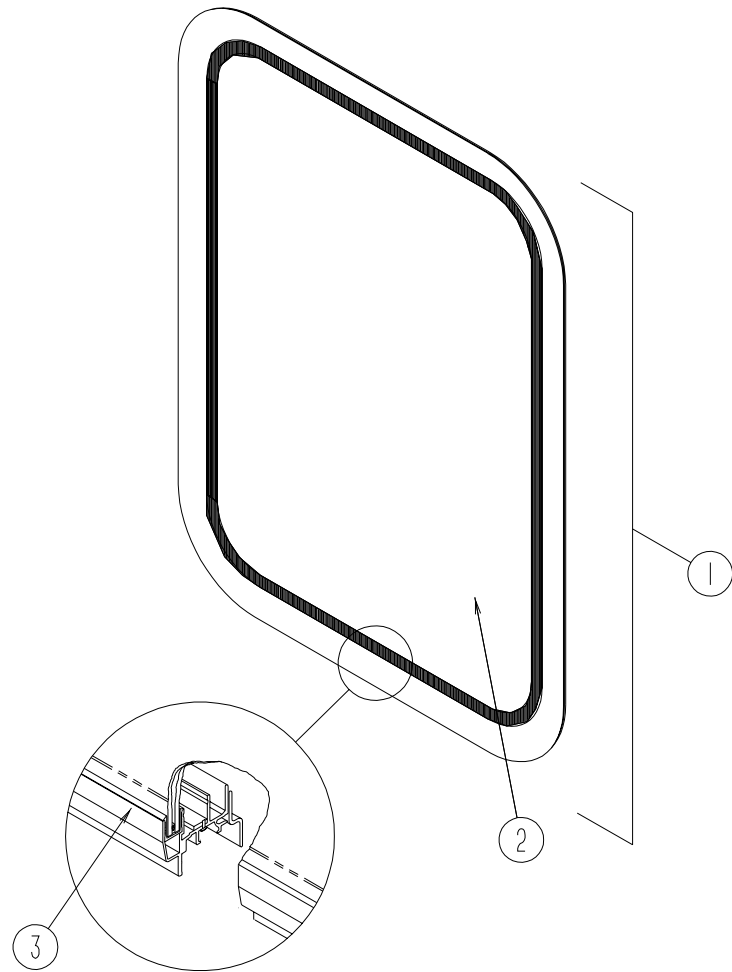
KEY	PARTNUMBER	U/M	DESCRIPTION	VENDOR NO.
1	104691-15-01A	EA	WINDOW-STACKED TRIPLE TIPOUT	
	104691-15-701	EA	RETAINER-TRIM	CW56-59
2	104691-15-702	EA	GLASS-STATIONARY	106-019456
3	104691-15-704	EA	GLASS-VENT ASSEMBLY, UPPER	CH56-G7
4	104691-15-706	EA	SCREEN ASM-W/SEALS & CLIPS	410-018330
	112519-01-706	EA	CLIP-SCREEN	CH21-50
5	100322-01-718	EA	HANDLE-DIAL	410-016081
6	100322-01-703	FT	VINYL-GLAZING, BUTYL	132-010723
7	104691-15-700	EA	WINDOW	CH56-G1
8	100322-01-702	EA	WEATHERSTRIP-HORIZONTAL RAIL	132-015976
9	100322-01-701	EA	SEAL-VENT	122-016071
10	116976-01-702	FT	FILLER PLUG	132-016065
11	104691-15-705	EA	GLASS-VENT ASSEMBLY, LOWER	CH56-G9
12	100322-01-714	EA	SUPPORT-TORQUE BAR, LH	130-015978
13	104691-15-703	EA	OPERATOR & BAR ASSEMBLY	CH56-15
	112519-01-702	EA	OPERATOR-VENT	410-016123
14	100322-01-715	EA	SUPPORT-TORQUE BAR, RH	130-015979



PASSENGER SIDE HALL WINDOW-SLIDER-THERMO

KEY	PARTNUMBER	U/M	DESCRIPTION	VENDOR NO.
1	112795-47-01A	EA	WINDOW-PASSENGER HORIZONTAL SLIDER THERMO 30 1/4" X 25 3/4"	
	N/A	EA	WINDOW ASM. THERMO RH W/OTRIM	
	112795-47-702	EA	RETAINER-TRIM	CW56-66
2	112795-01-705	FT	VINYL-GLAZING	132-019702
3	112795-47-701	EA	GLASS-STATIONARY	390-019218
4	112795-01-701	EA	SLIDE-STOP	132-019092
5	098644-01-710	FT	TRACK-SCREEN SPACER, 12'	132-017135
6	112795-01-700	EA	LATCH ASM., BLK., (BOLTON)	DH287-CK
7	112795-01-703	IN	CHANNEL-RUN (INCHES)	122-018736
8	098644-01-711	FT	WEATHERSTRIP-SCREEN, BLACK	171-016965
9	112898-05-704	EA	SCREEN ASM., W/SEAL & CLIPS	410-018862
10	098644-01-713	EA	CLIP-SPRING, METAL	226-016966
11	112795-47-700	EA	GLASS-SLIDING, (SASH & LATCH)	DC56-G9
12	112795-01-704	FT	PLUG FILLER (DOUBLE GLAZED)	122-018737

WINDOW, VENT & EXTERIOR DOOR GROUP (CONTINUED)



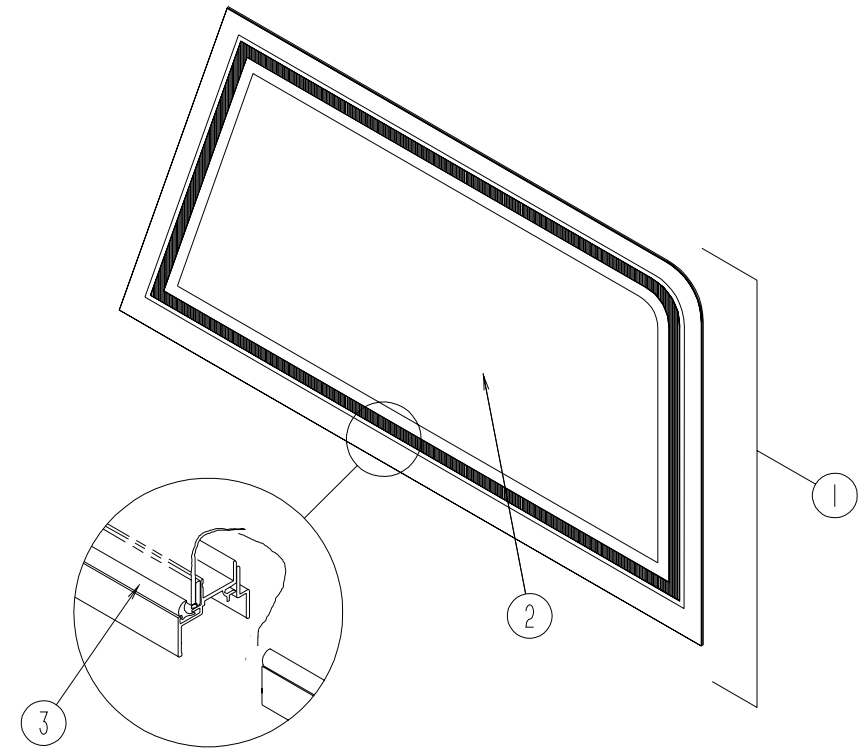
ENTRANCE DOOR WINDOW

KEY	PART NUMBER	U/M	DESCRIPTION
1	117053-03-F31	EA	WINDOW-PICTURE-17"X26.4"
2	002181-26-000	EA	GLASS-PICTURE-25.7"X16.39"
3	087561-01-000	FT	SEAL-GLASS, EXTERIOR-.5"WIDE-VINYL-BLACK
	117054-02-01A	EA	RETAINER-TRIM-ENTRY DOOR WINDOW

ENTRANCE DOOR WINDOW-THERMO

KEY	PART NUMBER	U/M	DESCRIPTION	VENDOR NO.
	113733-01-01A	EA	WINDOW-STATIONARY-THERMOPANE-17"X26.4"	
	112795-01-705	FT	VINYL-GLAZING	132-019702
	113733-01-700	EA	WINDOW ASM.W/OTRIM	DH416-G2
	113733-01-701	EA	RETAINER(TRIM)	W41666
	113733-01-702	EA	GLASS-STATIONARY	390-019187

WINDOW, VENT & EXTERIOR DOOR GROUP (CONTINUED)



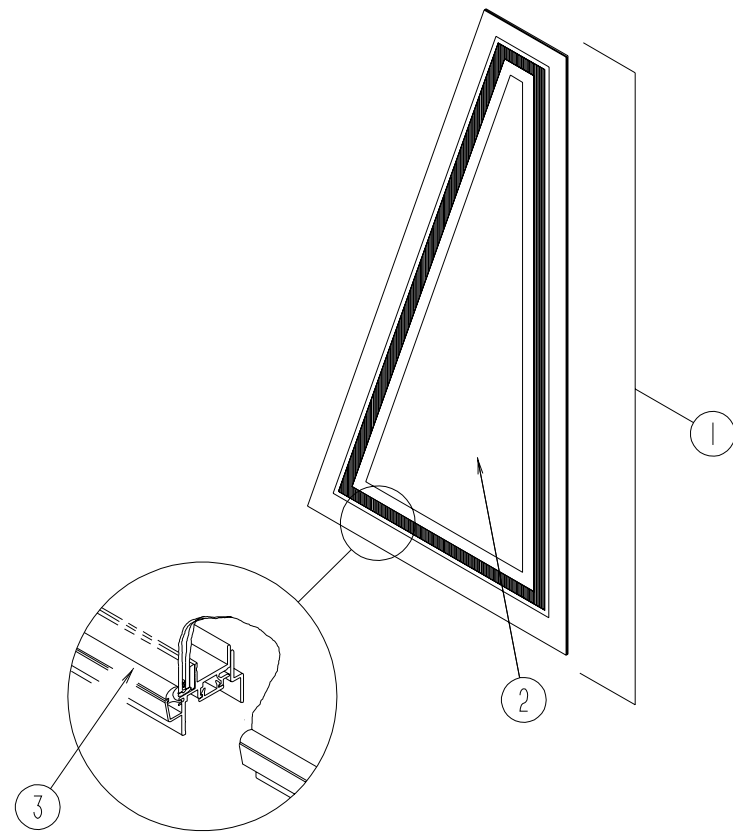
VISTA WINDOW OVER DRIVER'S DOOR

KEY	PART NUMBER	U/M	DESCRIPTION	VENDOR NO.
1	106467-04-01A	EA	WINDOW-DRIVER VISTA (ABOVE DR DOOR) 42.1"TX44.9"BX17.6"H	
	106467-01-700	EA	RETAINER-TRIM, BLACK	H359-27L
2	106467-01-701	EA	GLASS-STATIONARY	106-018272
3	100322-01-703	FT	STRIP-GLAZING, BUTYL	132-010723

DRIVER SIDE VISTA WINDOW-THERMO

KEY	PART NUMBER	U/M	DESCRIPTION
	116000-07-01A	EA	WINDOW-VISTA-LEFTHAND-THERMO

WINDOW, VENT & EXTERIOR DOOR GROUP (CONTINUED)



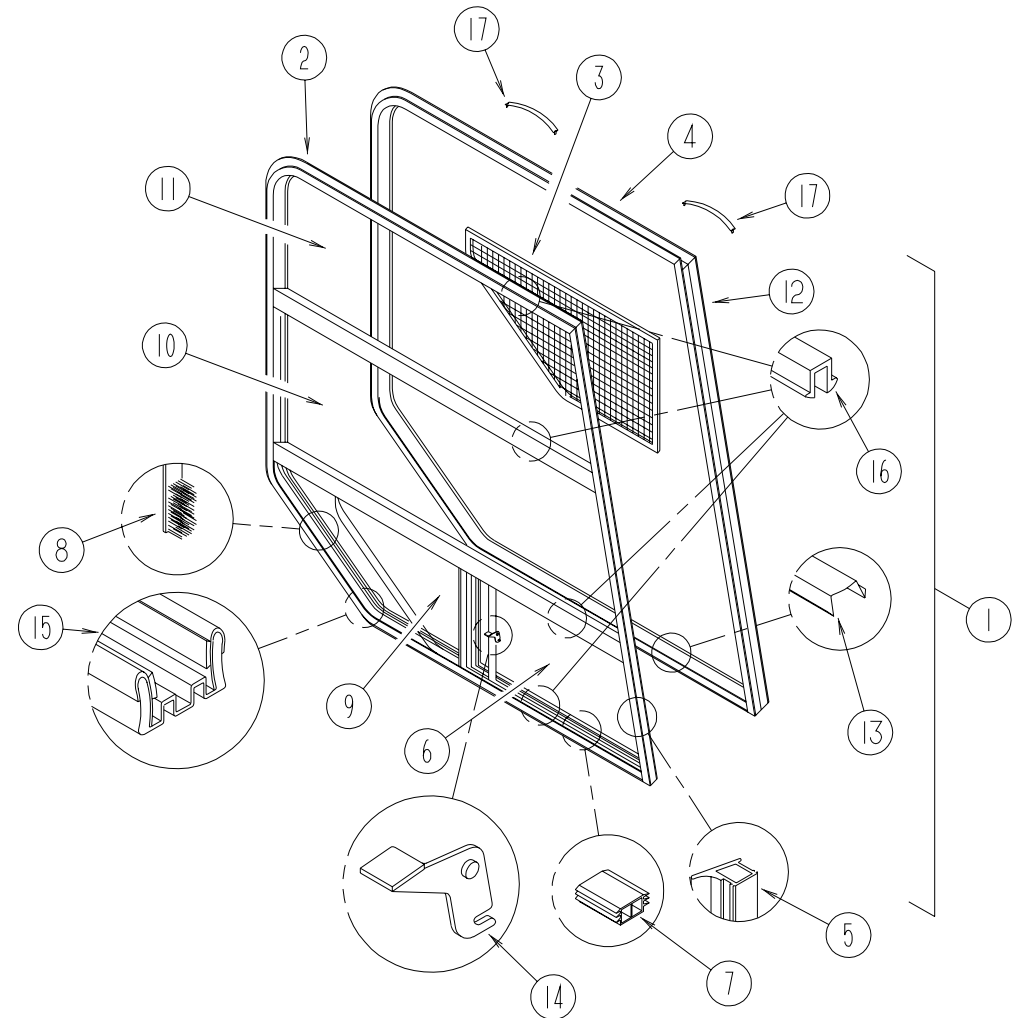
DRIVERSIDEFRONTSBLANTWINDOW

KEY	PARTNUMBER	U/M	DESCRIPTION	VENDOR NO.
1	106468-03-01A	EA	WINDOW-DRIVERWING-9"TX14.2"BX32.2"H	
	106468-01-700	EA	RETAINER-TRIM, BLACK	H358-27L
2	106468-01-701	EA	GLASS-STATIONARY	106-018271
3	100322-01-703	FT	STRIP-GLAZING, BUTYL	132-010723

DRIVERSIDEFRONTSBLANTWINDOW-THERMO

KEY	PARTNUMBER	U/M	DESCRIPTION	VENDOR NO.
	115999-05-01A	EA	WINDOW-FRONTSLANT-LEFTHAND-THERMO	
	116000-01-700	EA	WINDOW-W/OTRIM	DH359-G2L
	116000-01-701	EA	TRIM(B)	H35927L
	116000-01-702	EA	GLASS-STATIONARY	390-019459

WINDOW, VENT & EXTERIOR DOOR GROUP (CONTINUED)

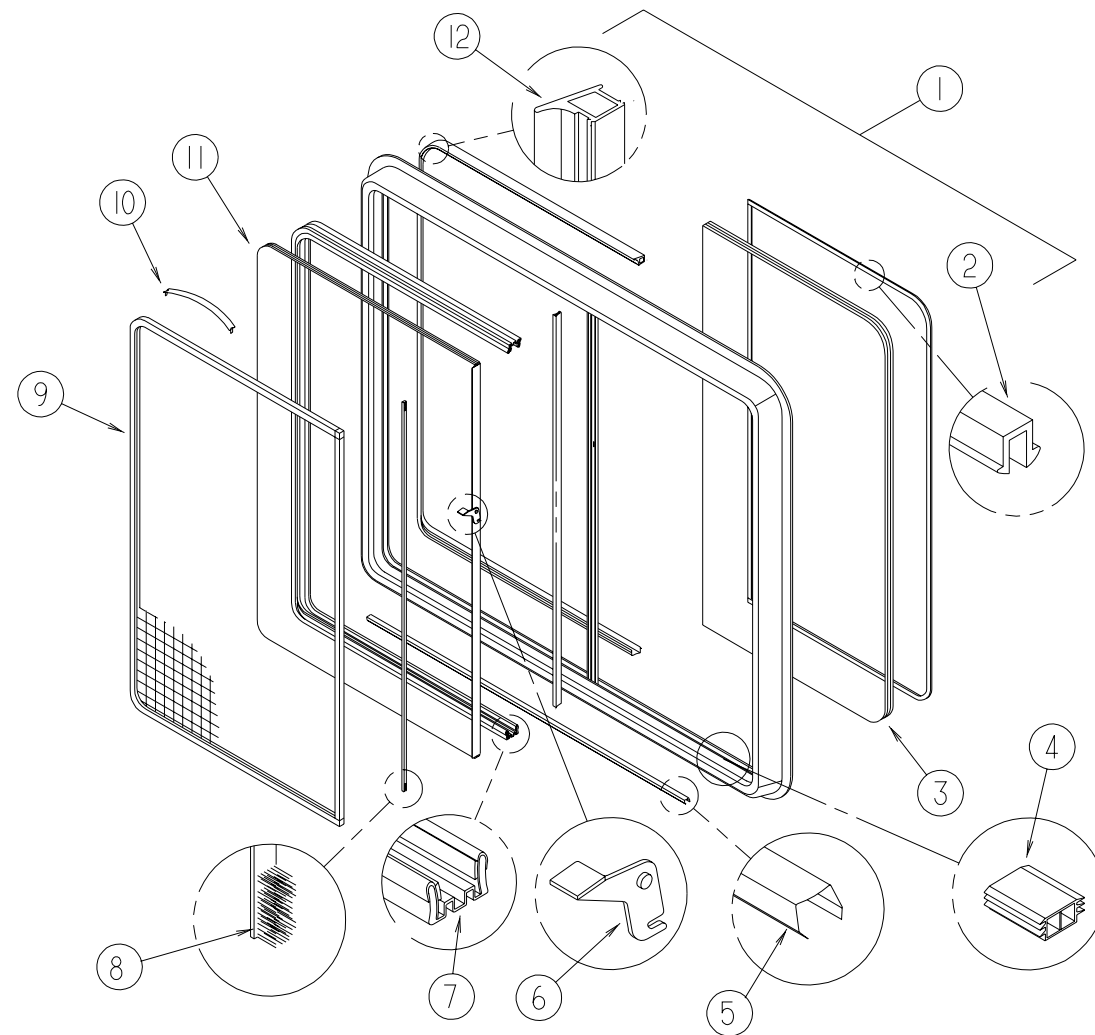
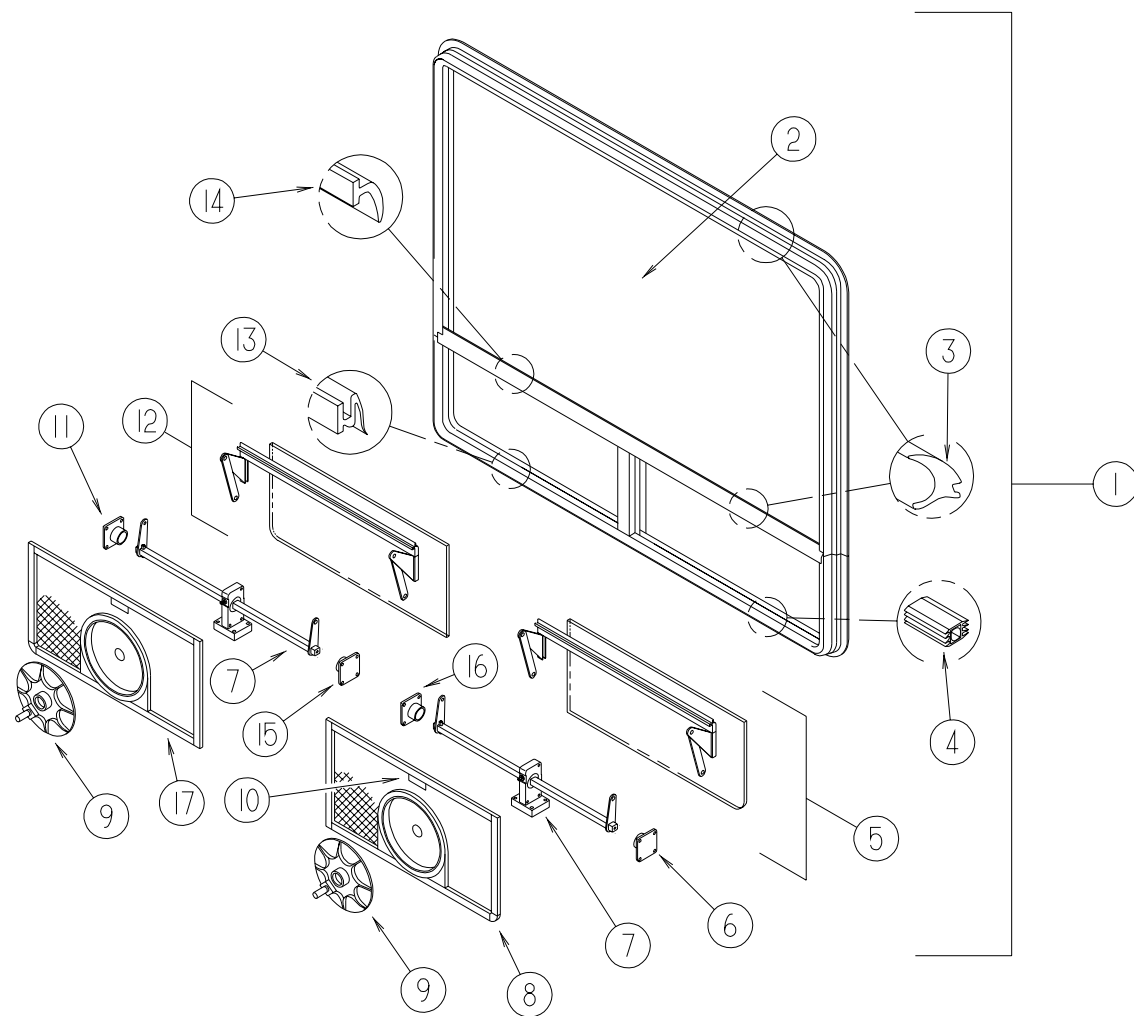


PASSENGERSIDECABWINDOW-EXCEL

KEY	PARTNUMBER	U/M	DESCRIPTION	VENDOR NO.
1	106466-04-01A	EA	WINDOW-PASSENGERCAB-42.1"TWX48.3"CWX50.3"H	
2	106466-03-700	EA	WINDOW	DH357-A2R
3	106466-01-705	EA	SCREENASM-W/SEALS&CLIPS	H357-03R
4	106466-03-701	EA	RETAINER-TRIM	H35777
5	112795-01-704	FT	PLUGFILLER(DOUBLEGLAZED)	122-018737
6	106466-03-705	EA	GLASS-STATIONARY, LOWER	390-019183
7	112795-01-701	EA	SLIDE-STOP	132-019092
8	098644-01-711	FT	WEATHERSTRIP-SCREEN, BLACK	171-016965
9	106466-03-706	EA	GLASS-SLIDINGW/SASH&LATCH	DH357-A9R
	098644-01-706	FT	WEATHERSTRIP-GLASS	171-010668
10	106466-03-704	EA	GLASS-STATIONARY, MIDDLE	390-019181
11	106466-03-703	EA	GLASS-STATIONARY, UPPER	390-019180
12	106466-03-702	EA	RETAINER-TRIM	H35767
13	098644-01-710	FT	TRACK-SCREENSPACER, 12'	132-017135
14	112795-01-700	EA	LATCHASM-BOLTON, BLACK	DH287-CK
15	112795-01-703	IN	CHANNEL-RUN (INCHES)	122-018736
16	112795-01-705	FT	VINYL-GLAZING	132-019702
17	098644-01-713	EA	CLIP-SPRING, BLACKPLASTIC	226-016966

WINDOW, VENT & EXTERIOR DOOR GROUP (CONTINUED)

PASSENGER SIDED INETTE WINDOW



PASSENGER SIDED INETTE WINDOW-DOUBLE TIP OUT-EXCEL

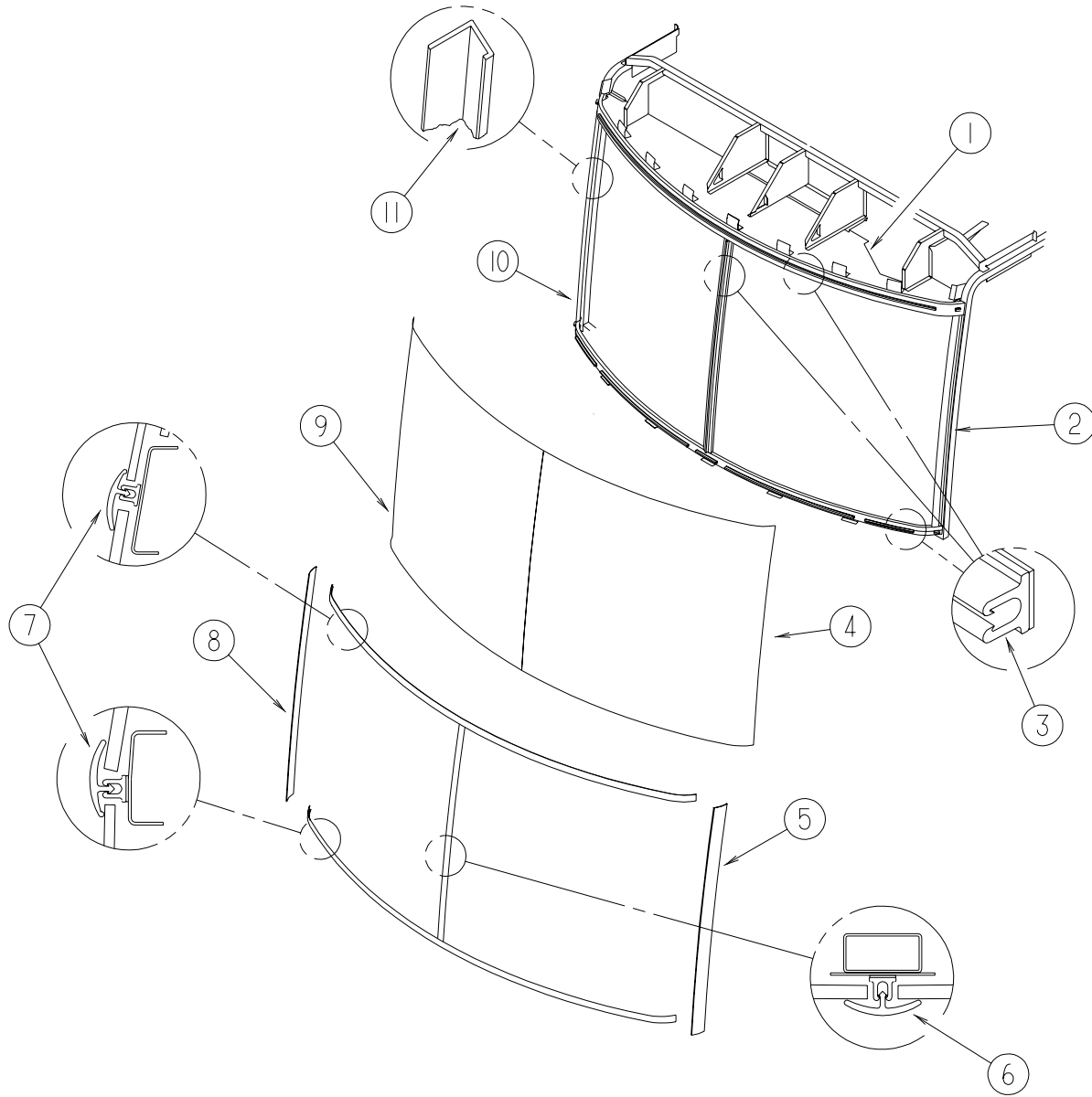
KEY	PARTNUMBER	U/M	DESCRIPTION	VENDOR NO.
1	115360-01-01A	EA	WINDOW-DOUBLE HORIZONTAL TIP OUT 30 3/4" X 56 1/2"	
	115360-01-705	EA	RETAINER-TRIM	W112-59
	100322-01-704	FT	TAPE-BUTYL	154-016083
2	115360-01-700	EA	GLASS-STATIONARY-19.02 X 56.56	106-019446
	112864-01-000	FT	FOAM-BUTYL COVERED 3/8" -K3A20	
3	100322-01-703	FT	VINYL-GLAZING, BUTYL	132-010723
4	098644-01-716	FT	PLUG-FILLER	132-014470
5	115360-01-703	EA	GLASS-VENT ASM. (LH) TORQUE	CH90D9L
6	100322-01-714	EA	SUPPORT-TORQUE BAR, LH	130-015978
7	112519-01-702	EA	OPERATOR-VENT	410-016123
8	115360-01-701	EA	SCREEN ASM., W/SEAL & CLIPS	410-019477L
9	100322-01-718	EA	HANDLE-DIAL	410-016081
10	112519-01-706	EA	CLIP-SCREEN	CH21-50
11	100322-01-715	EA	SUPPORT-TORQUE BAR, RH	130-015979
12	115360-01-704	EA	GLASS-VENT ASM. (RH) TORQUE	CH90D9R
13	100322-01-701	FT	SEAL-VENT	122-016071
14	100322-01-702	EA	WEATHERSTRIP-HORIZONTAL RAIL	132-015976
15	100322-01-716	EA	SUPPORT-TORQUE BAR, CTR RAIL	130-015980
16	100322-01-716	EA	SUPPORT-TORQUE BAR, CTR RAIL	130-015980
17	115360-01-702	EA	SCREEN ASM., W/SEAL & CLIPS	410-019478R
	100322-01-717	EA	E-RING	245-015975
	100322-01-712	EA	RAIL-HORIZONTAL, RH OR LH	CH05-19
	100322-01-713	EA	BAR-DIVISION, VERT. RH & LH	HH19-20

PASSENGER SIDED INETTE WINDOW-SLIDER-THERMO

KEY	PARTNUMBER	U/M	DESCRIPTION	VENDOR NO.
1	112795-50-01A	EA	WINDOW-PASSENGER HORIZONTAL SLIDE THERMO 30 3/4" X 57 3/4"	
	N/A	EA	WINDOW ASM. THERMO RH W/OTRIM	
	112795-33-701	EA	RETAINER-TRIM	W112-66
2	112795-01-705	FT	VINYL-GLAZING	132-019702
3	112795-50-701	EA	GLASS-STATIONARY	390-025131
4	112795-01-701	EA	SLIDE-STOP	132-019092
5	098644-01-710	FT	TRACK-SCREEN SPACER, 12'	132-017135
6	112795-01-700	EA	LATCH ASM., BLK., (BOLTON)	DH287-CK
7	112795-01-703	IN	CHANNEL-RUN (INCHES)	122-018736
8	098644-01-711	FT	WEATHERSTRIP-SCREEN, BLACK	171-016965
9	112795-33-704	EA	SCREEN ASM., W/SEAL & CLIPS	410-019247
10	098644-01-713	EA	CLIP-SPRING, METAL	226-016966
11	112795-50-700	EA	GLASS-SLIDING, (SASH & LATCH)	DH112-EG9
12	112795-01-704	FT	PLUG FILLER (DOUBLE GLAZED)	122-018737

WINDSHIELD&WIPERGROUP

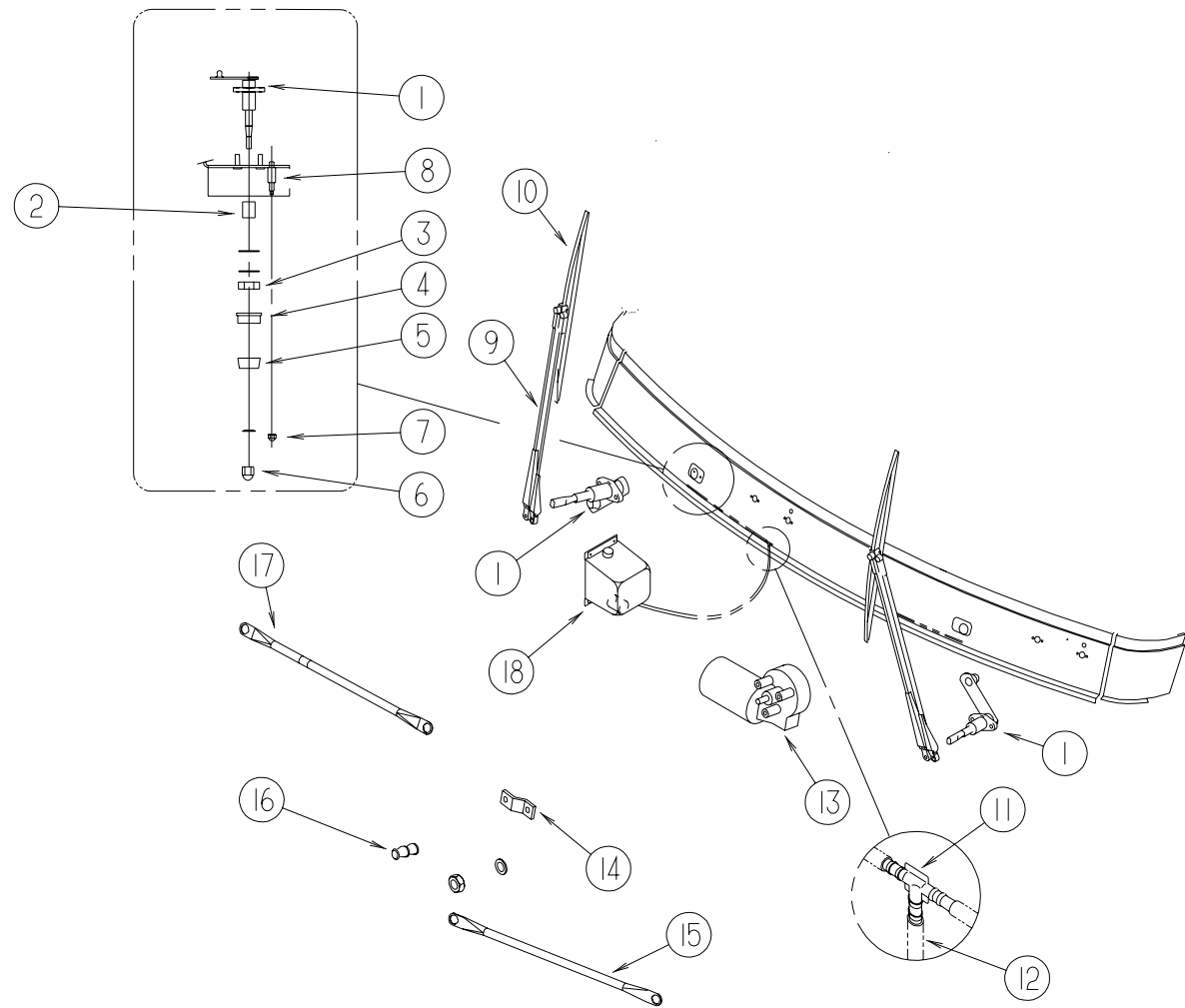
WINDSHIELD



KEY	PARTNUMBER	U/M	DESCRIPTION
1	117730-01-01B	EA	HEADER-WINDSHIELD
2	117203-02-01B	EA	FRAME-WINDSHIELD-APILLAR-LEFTHAND
3	117335-01-000	EA	REVEALCARRIER-94.6"
4	116996-04-000	EA	WINDSHIELD-DRIVERS-CURVED-52"WX49"H
5	120352-01-02A	EA	TRIM-WINDSHIELD-A-PILLAR-DRIVERSIDE
6	118586-01-000	FT	MOLDING-REVEAL-WINDSHIELD
7	120533-01-000	FT	MOLDING-REVEAL-WINDSHIELD
8	120352-02-02A	EA	TRIM-WINDSHIELD-A-PILLAR-PASSENGER
9	116996-03-000	EA	WINDSHIELD-PASSENGER-CURVED-52"WX49"H
10	117203-01-01B	EA	FRAME-WINDSHIELD-APILLAR-RIGHTHAND
11	098788-06-000	EA	CHANNEL-49"PVC
	107285-01-000	EA	BRACKET-SUPPORT-WINDSHIELD

WINDSHIELD & WIPER GROUP (CONTINUED)

WIPER & WASHER



KEY	PARTNUMBER	U/M	DESCRIPTION	VENDOR NO.
1	096505-09-000	EA	SHAFT/PIVOT-WINDSHIELDWIPER	
1	096505-05-000	EA	SHAFT/PIVOT-WINDSHIELDWIPER	
2	061603-01-000	EA	GROMMET-SNAP-3/16"ID-3/8"HOLE-PLASTICBLACK	
3	096505-02-701	EA	NUT-HEX,(HD)W/.687BARREL	NT721021
4	096505-02-702	EA	CAP-RUBBER,(HD)BARREL.687	CP721084
5	096505-02-700	EA	DRIVER-KNURLED,(HD)BARREL.687	NT721017
6	096505-02-703	EA	CAP-NUT(ACORN)HDW/.687BARREL	51065-40-NT27WC
7	077049-02-000	EA	NUT-ACORN-10-32BLACK/ANODIZED	
8	117768-01-000	EA	SHAFT-ADAPTER-PANTOGRAPHARM	
	107397-01-000	EA	WASHER-FENDER-.25"IDX1"OD	
9	117769-01-000	EA	ARM-WIPER-PANTOGRAPH-28"	
	096931-01-701	EA	NOZZLE-HARDWAREKIT(NOZZLE-NUT-LONGSCREW-SHORTSCREW)	
	096931-01-700	EA	HOSE-WASHER-1/8"ID	
10	095964-01-000	EA	BLADE-WINDSHIELDWIPER-24"	
11	110605-01-000	EA	TEE-PLASTIC-BARBED-1/8"X1/8"X3/16"	
	117765-03-000	EA	CONNECTOR-5/32"-WINDSHIELDWASHER	
12	045794-01-000	FT	HOSE-WASHER-WINDSHIELD-5/32"ID-BLACK	
13	104346-05-000	EA	MOTOR-WIPERW/INTERNALBREAKER-DYNAMICPARK(FORD)	
13	104346-04-000	EA	MOTOR-WIPERW/INTERNALBREAKER(CHEVY)	
14	104347-04-000	EA	ARM-DRIVE-WIPERMOTOR	
15	117770-01-000	EA	LINK-CONNECTING-DRIVERS-24"	
16	067188-01-000	EA	STUD-CRANK-WIPERMOTOR	
17	117770-02-000	EA	LINK-CONNECTING-PASSENGER-24"	
18	117766-02-000	EA	RESERVOIR/PUMP-WINDSHIELDWASHER	