

1997 WKM35WQ

**H56 KENTSHIRE(GREEN)
SOLAR MAPLE**

**H57 KENTSHIRE(GREEN)
SALEM CHERRY**

**H58 COVENTRY(STONE)
SOLAR MAPLE**

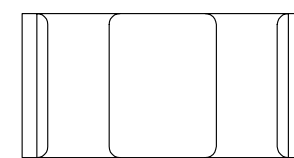
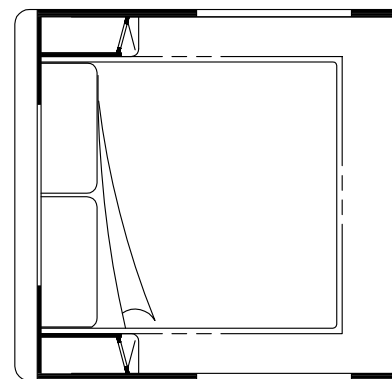
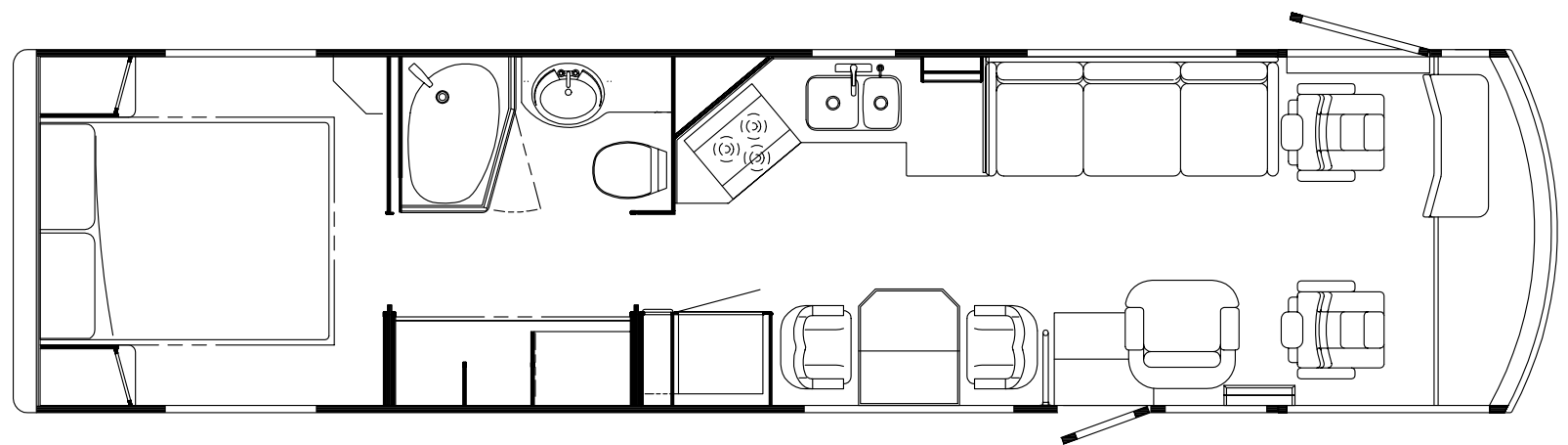
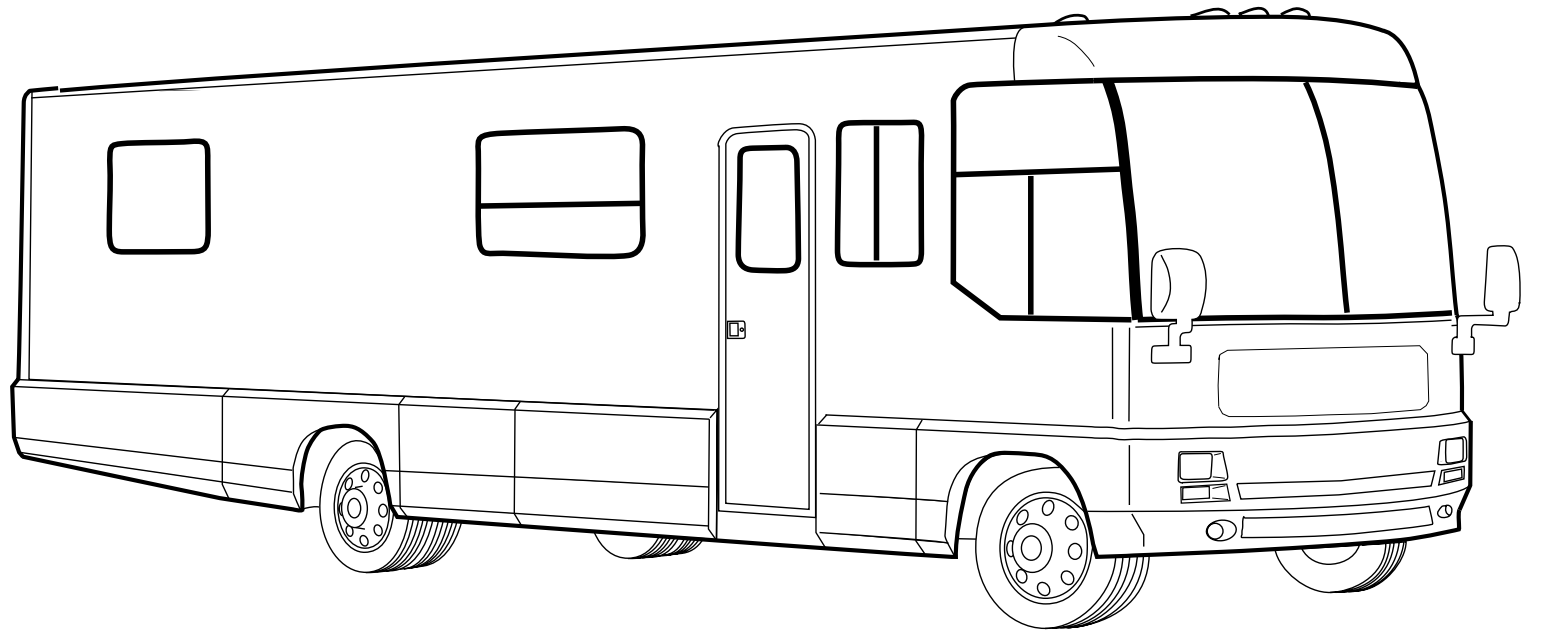
**H59 COVENTRY(STONE)
SALEM CHERRY**

**H60 DEVON(BURGUNDY)
SOLAR MAPLE**

**H61 DEVON(BURGUNDY)
SALEM CHERRY**

**H64 RICHARD PETTY(TAUPE)
SOLAR MAPLE**

**H65 RICHARD PETTY(TAUPE)
SALEM CHERRY**



ACCESSORIESGROUP

OPERATORSMANUAL

KEY	PARTNUMBER	U/M	DESCRIPTION
	054185-G3-000	EA	MANUAL-OPERATOR97VECTRA
	092318-01-000	EA	BINDER-3RING-MOTORHOMEMANUAL
	092319-01-000	EA	POCKETPAGE-3RINGBINDER-PLASTIC-(50PERPKG)
	123772-01-000	DW	TOPLEVEL-M-1997

VACUUMCLEANER

KEY	PARTNUMBER	U/M	DESCRIPTION	VENDORNO.
	108186-03-000	EA	VACUUMCLEANER-BUILTIN	
			FROM: 00-00-00 THRU: 06-15-97	
	092304-01-700	EA	BAG-VACUUM-REPLACEMENTPKG5	4908
	092304-02-704	EA	MOTORW/RELAY	5098
	092304-02-710	EA	SECONDARYFILTER	4929
	108186-02-000	EA	TOOLSET-VACUUM-W/OPOWERBRUSHW/30'HOSE	
	092304-02-701	EA	TOOL-DUSTING	1142
	092304-02-702	EA	TOOL-RUG	4982
	092304-02-707	EA	TOOL-UPHOLSTERY	7029
	092304-02-708	EA	WAND-PLASTIC	4978
	092304-02-709	EA	HOSEASM.-30'COMPLETE	4988-30-G
	108186-03-000	EA	VACUUMCLEANER-BUILTIN	
			FROM: 06-16-97 THRU: 99-99-99	
	092304-02-700	EA	BRUSH-POWER-VACUUM(RUGGRAT)	6970
	092304-02-701	EA	TOOL-DUSTING	1142
	092304-02-702	EA	TOOL-RUG	4982
	092304-02-707	EA	TOOL-UPHOLSTERY	7029
	092304-02-708	EA	WAND-PLASTIC	4978
	092304-02-709	EA	HOSEASM.-30'COMPLETE	4988-30-G
	092304-02-710	EA	SECONDARYFILTER	4929
	108186-03-700	EA	PAPERBAG-3-PKG	7767
	108186-03-701	EA	MOTORF/RV2000	7756
	108186-03-702	EA	REDUCER	5531
	099064-01-000	EA	STRAP-SUPPORT	

AUDIOVIDEOGROUP

RADIO&CDSYSTEM

KEY	PARTNUMBER	U/M	DESCRIPTION
	109053-02-000	EA	RADIO-AM/FM CASSETTE-WALLMOUNT
	087683-03-000	EA	RADIO-AM/FM STEREO/CASSETTE-AUDIOVOX
			FROM: 00-00-00 THRU: 02-09-97
	125322-01-000	EA	RADIO-AM-FM STEREO-CASSETTE-AUDIOVOX
			FROM: 02-10-97 THRU: 07-06-97
	125322-02-000	EA	RADIO-AM-FM STEREO-CASSETTE-AUDIOVOX
			FROM: 07-07-97 THRU: 99-99-99
	102080-03-000	EA	CHANGER-COMPACTDISC SONYCDX-71RF
			FROM: 00-00-00 THRU: 07-21-96
	102080-05-000	EA	CHANGER-COMPACTDISC SONYCDX-52RF
			FROM: 07-22-96 THRU: 05-24-97
	127515-01-000	EA	CHANGER-COMPACTDISC
			FROM: 05-25-97 THRU: 99-99-99
	102080-01-700	EA	HOLDER-MAGAZINE,COMPACTDISC
	097460-08-000	EA	RADIO-AM/FM STEREO/CASSETTE
			FROM: 00-00-00 THRU: 05-12-97
	127264-01-000	EA	RADIO-AM/FM STEREO/CASSETTE
			FROM: 05-13-97 THRU: 99-99-99
	124881-01-000	EA	AMPLIFIER-AUDIO (DELUXESOUND)
	124882-01-000	EA	WIREASSEMBLY-AMPLIFIER(DELUXESOUND)
	123324-01-000	EA	FILTER-GROUNDLOOP(DELUXESOUND)
	124883-01-000	EA	SPEAKER-CUBE
			FROM: 00-00-00 THRU: 06-22-97
	124883-02-000	EA	SPEAKER-CUBE-W/BRACKET
			FROM: 06-23-97 THRU: 99-99-99
	124884-01-000	EA	SPEAKER-6"X9"-SUB-WOOFER(DELUXESOUND)
	124885-01-000	EA	GRILLE-SPEAKER-6"X9"-SUB-WOOFER(DELUXESOUND)
	081059-02-000	EA	WIREASSEMBLY-9PIN-F/RADIO
	089340-02-000	EA	GRILLE-SPEAKER-6.5"SQUARE
			CANBEUSEDFORRADIOORTVSPEAKERINOVHDCABINETS
	094097-01-000	EA	SPEAKER-RADIO/TV-W/GRILLE-5.25"DIAMETER
	110469-01-000	EA	SPEAKER-4"X6"OVAL-COAXIAL
	110470-01-01A	EA	GRILLE-4"X6"OVAL-BLACK
	118165-01-GV0	EA	GRILLE-SPEAKER
	118144-01-02B	EA	GRILLE-SPEAKER

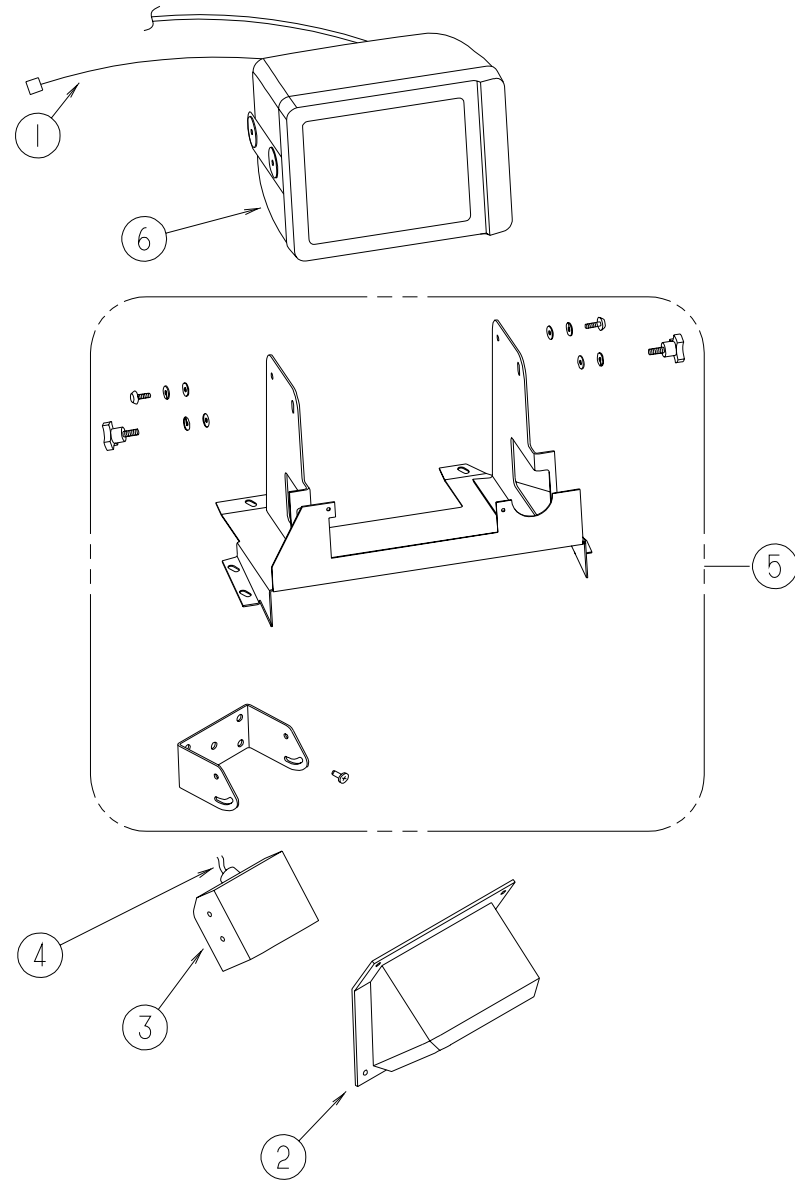
RADIO & CB ANTENNA

KEY	PARTNUMBER	U/M	DESCRIPTION
	123256-01-000	EA	ANTENNA-CB-W/OCABLE
	123256-02-000	EA	CABLE-CBCOAX
	090944-01-000	EA	ANTENNA-RADIO-16"RUBBER
	108847-01-000	EA	BRACKET-ANTENNAGROUND
	109889-04-000	EA	EXTENDER-ANTENNA SHAFT-3"
	077069-02-000	EA	CABLE-RADIOANTENNA,96"EXTENSION

TELEPHONE SYSTEM

KEY	PARTNUMBER	U/M	DESCRIPTION
	093253-01-01A	EA	PLATE-WALL-TELEPHONE-BEIGE
	093254-01-000	EA	HOUSING-TELEPHONE

AUDIOVIDEOGROUP(CONTINUED)



REAR MONITOR SYSTEM

KEY	PARTNUMBER	U/M DESCRIPTION	VENDOR NO.
	093040-10-000	EA MONITOR-7" REAR VIEW-W/BACKET-SONY	
	093040-09-000	EA CAMERA-REARVIEW-W/BACKET-SONY	
1	096717-03-000	EA WIRE-REAR MONITOR-AFTER MARKET INSTALLATION	
	093040-06-000	EA WIRE ASM-MONITOR-F/NONPREWIRED AFTER MARKET INSTALLATION	
2	117669-01-01A	EA SHROUD-CAMERA-OUTER	
	108529-01-01A	EA SHROUD-CAMERA-INNER	
3	093040-04-700	EA CAMERA-REARVIEW W/BRKT	SSC-530AM
4	093041-01-000	EA CABLE-MONITOR/CAMERA-INTERNAL USE-65.6'	
	093041-02-000	EA CABLE-MONITOR/CAMERA-EXTERNAL USE-59.1'	
5	N/A	PARTS ARE INCLUDED W/TELEVISION SYSTEM-SONY	
6	093040-05-700	EA MONITOR-7"W/POWER HARNESS	SSM721AMR

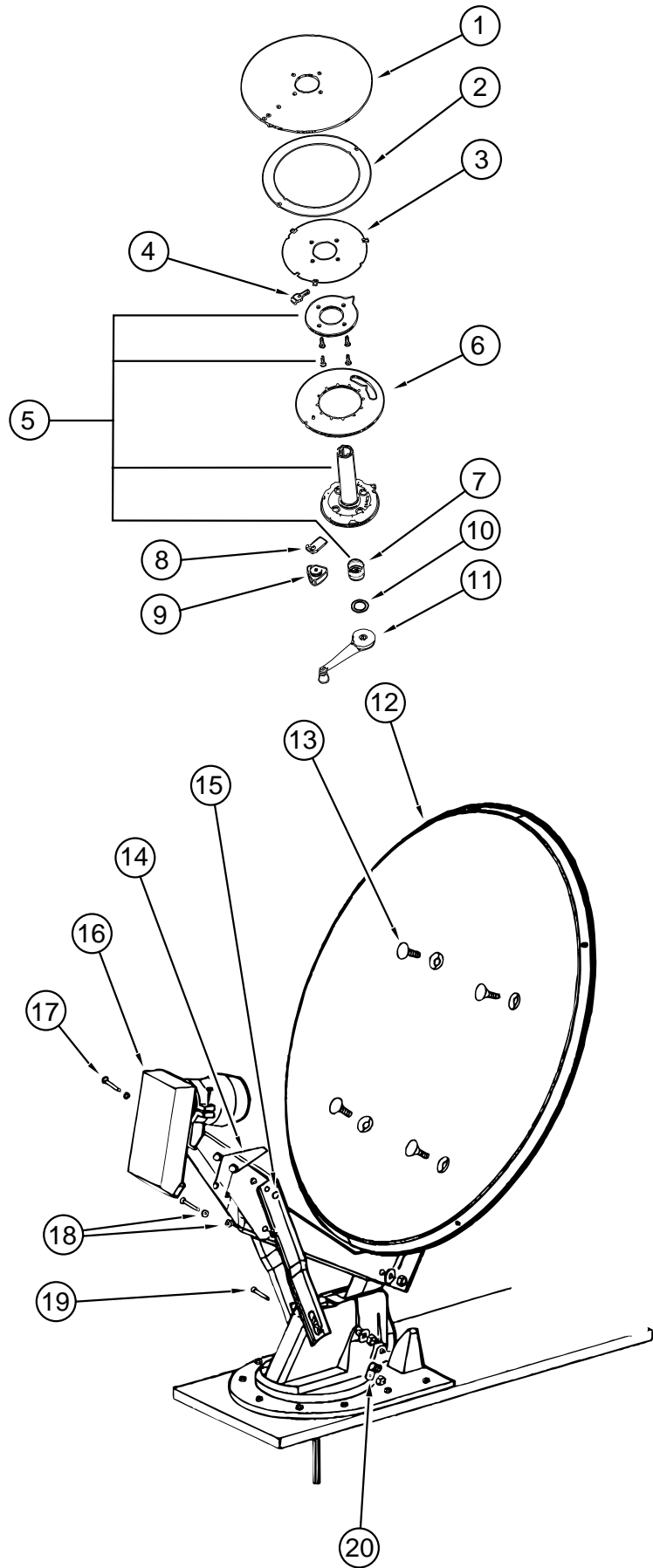
AUDIOVIDEOGROUP(CONTINUED)

TV & VCR SYSTEMS

KEY	PARTNUMBER	U/M DESCRIPTION	VENDOR NO.
	124075-01-000	EA TV-19" COLOR-1/8" JACK	
	124075-01-700	EA REMOTE	227803
	124074-01-000	EA TV-13" COLOR-1/8" JACK	
	124074-01-700	EA REMOTE	226109
	125006-01-01B	EA BRACKET-TIEDOWN-TV	
	124437-01-000	EA SLIDE-TV SWIVEL	
	124073-01-000	EA VCR-VHS-CABLE READY-REMOTE-RCA	
		FROM: 00-00-00 THRU: 05-25-97	
	124073-01-700	EA REMOTE	221347
	124073-03-000	EA VCR-VHS-CABLE READY-REMOTE-RCA	
		FROM: 05-26-97 THRU: 99-99-99	
	124073-01-700	EA REMOTE	221347
	086757-03-000	EA CONTROL CENTER-SWITCH-VCR/TV	
	093214-01-02A	EA GRILLE-SPEAKER-4" BROWN	
	098819-01-000	EA SPEAKER-2 WATT-8 OHM-4"	
	115540-01-000	EA AMPLIFIER-TV SPEAKERS	
	115539-01-000	EA RELAY-RADIO/TV SPEAKER-SWITCH	
	082134-01-000	EA ADAPTER-TV-CABLE TO CABLE	
	076319-03-000	FT CABLE-COAXIAL, 75 OHM	
	076319-12-000	EA CONNECTOR-COAXIAL-ONE PIECE	
	076319-09-000	EA WALLPLATE-CABLE RECEPTACLE-TV-SINGLE-BROWN	
	086777-02-000	EA WALLPLATE-TV CABLE-W/ANTENNA SWITCH	
	086777-06-000	EA WALLPLATE-ANTENNA 1 OUTPUT	
	082136-01-000	EA NUT-HEX JAM 3/8-32-WINEGARD	
	086756-01-000	EA SPLITTER-TV-2WAY	
	093901-06-000	EA PLATE-TV	
	114870-01-000	EA PLUG-3.5MM AUDIO W/LEADS	
	114870-02-000	EA PLUG-.14" AUDIO W/LEADS	

AUDIOVIDEOGROUP(CONTINUED)

SATELLITEDISH-OLDSTYLE

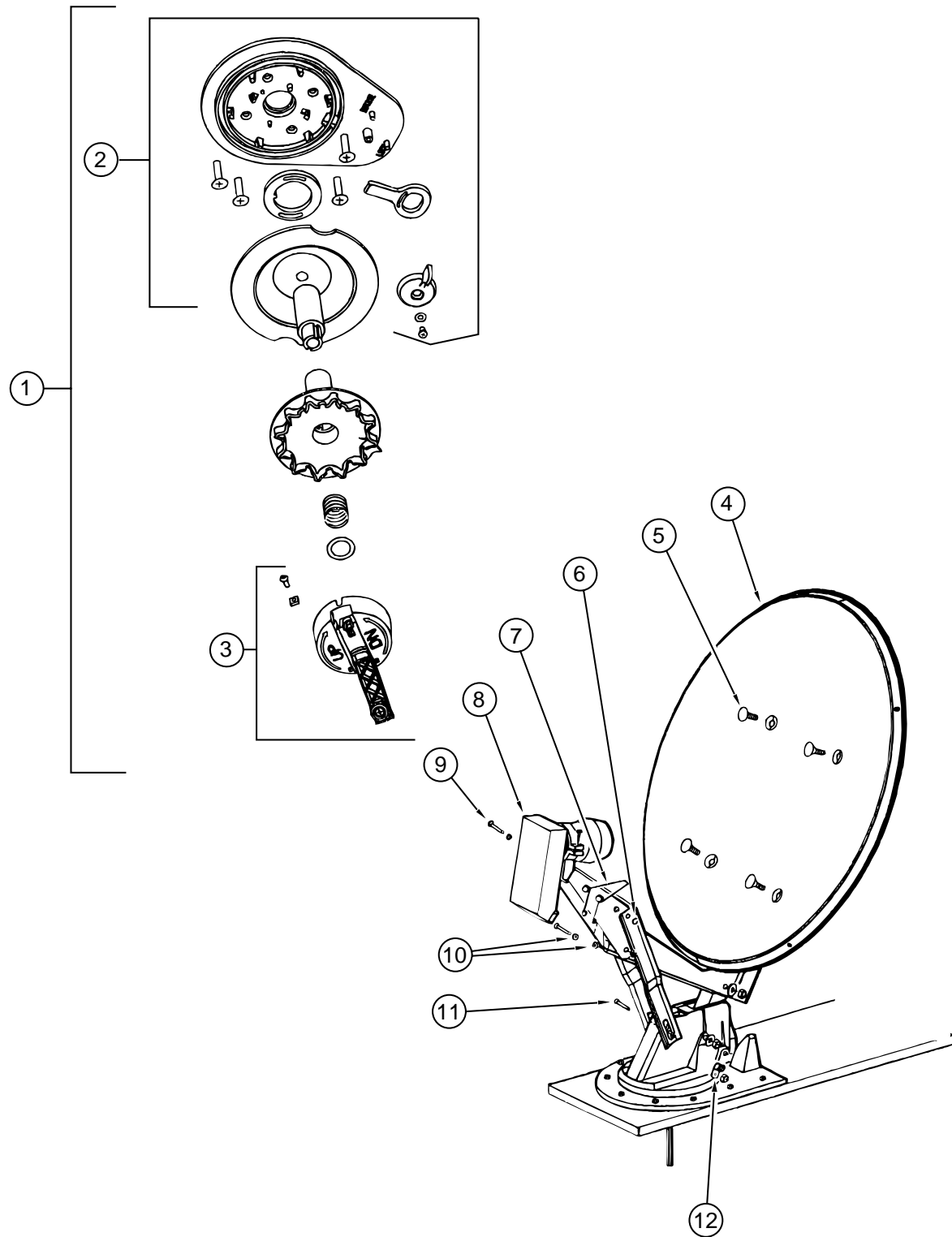


KEY	PARTNUMBER	U/M	DESCRIPTION	VENDORNO.
	120233-01-000	EA	ANTENNA-SATELLITEW/ORECEIVER(DISH&HDWKIT)MANUAL	
	120233-02-000	EA	RECEIVER-SATELLITEONLY	
	120233-02-700	EA	REMOTE	RC-0012
1	120233-01-700	EA	PLATE-FIXED	3750821
2	120233-01-701	EA	DIAL-DIRECTIONAL	2745056
3	120233-01-702	EA	PIVOT-DIAL-DIRECTIONAL	2745058
4	120233-01-703	EA	STOP-ROTATION	3711281
5	120233-01-704	EA	PLATE-CEILINGW/DIRECTIONALHANDLE	RP-6300
6	120233-01-705	EA	PLATE-ROTATE	3750820
7	120233-01-706	EA	SPRING	RP-6822
8	120233-01-707	EA	CLAMP-ROTATE	3711280
9	120233-01-708	EA	KNOB-CLAMP	2200061
10	120233-01-709	EA	WASHER-NYLON	RP-2658
11	120233-01-710	EA	HANDLE-CRANK	RP-6795
12	120233-01-711	EA	REFLECTOR-46CM	2745304
13	120233-01-712	EA	BOLT-FLATHEAD	2160253
14	120233-01-713	EA	SPRING	2160820
15	120233-01-714	EA	CLIP-E	5160818
16	120233-01-715	EA	RCALNB	278015
17	120233-01-716	EA	PIN	2160814
18	120233-01-717	EA	BEARING-NYLON	2200728
19	120233-01-718	EA	PIN	5160817
20	120233-01-719	EA	CLAMP-CABLE	2200060

FROM: 00-00-00 THRU: 01-26-97

AUDIOVIDEOGROUP(CONTINUED)

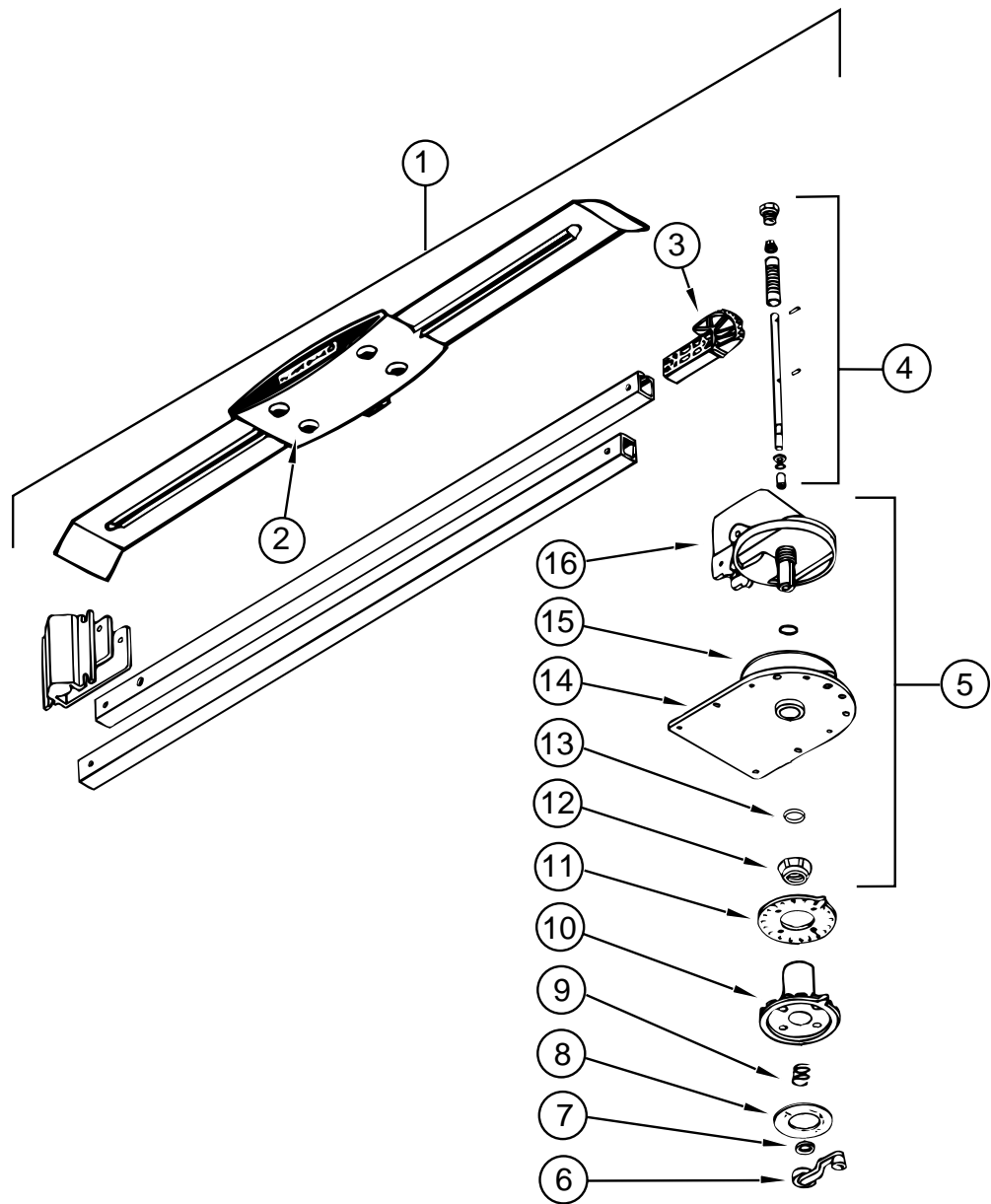
SATELLITE DISH-NEWSTYLE



KEY	PARTNUMBER	U/M	DESCRIPTION	VENDOR NO.
	120233-01-000	EA	ANTENNA-SATELLITEW/ORECEIVER(DISH&HDWKIT)MANUAL	
	120233-02-000	EA	RECEIVER-SATELLITEONLY	
	120233-02-700	EA	REMOTE	RC-0012
1	120233-01-720	EA	CEILINGPLATEASM(RETROFIT)	RP-4100
2	120233-01-722	EA	PLATEASSEMBLY(CEILING)	2762826
3	120233-01-721	EA	CRANKHANDLEASSEMBLY	2762825
4	120233-01-711	EA	REFLECTOR-46CM	2745304
5	120233-01-712	EA	BOLT-FLATHEAD	2160253
6	120233-01-714	EA	CLIP-E	5160818
7	120233-01-713	EA	SPRING	2160820
8	120233-01-715	EA	RCALNB	278015
9	120233-01-716	EA	PIN	2160814
10	120233-01-717	EA	BEARING-NYLON	2200728
11	120233-01-718	EA	PIN	5160817
12	120233-01-719	EA	CLAMP-CABLE	2200060

FROM: 00-00-00 THRU: 01-26-97

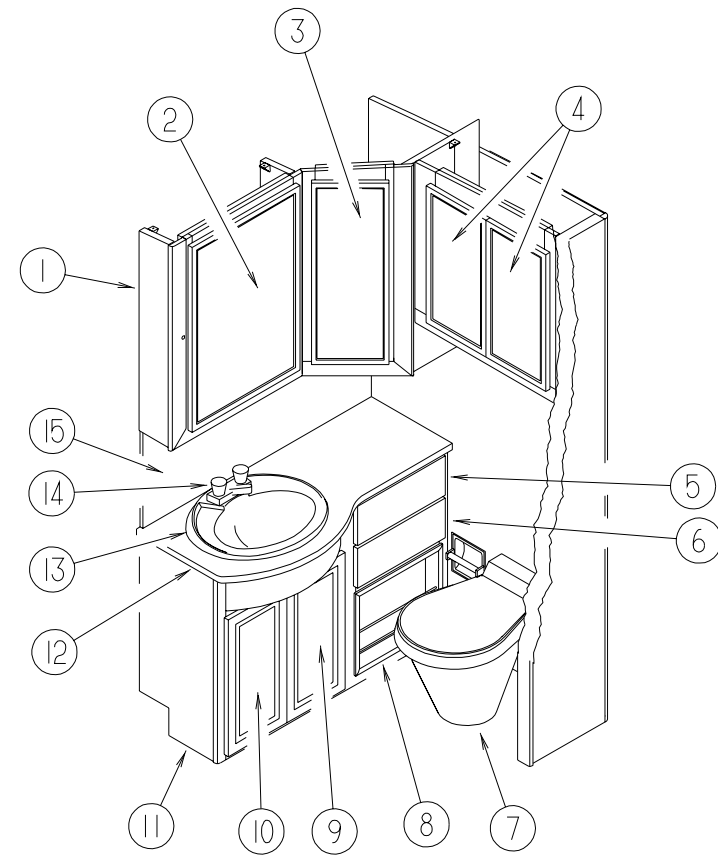
AUDIOVIDEOGROUP(CONTINUED)



TVANTENNA-WINEGARD

KEY	PARTNUMBER	U/M DESCRIPTION	VENDOR NO.
1	076319-21-000	EA ANTENNA-TVROOFMOUNTED-3" ROOF	
2	076319-01-700	EA HEAD-ANTENNA-AMPLIFIED	RVSAU/V
3	076319-01-701	EA GEAR-ELEVATING-PLASTIC	2200046
4	076319-01-702	EA SHAFTASSEMBLY-ELEVATING	RVP-400A
5	076319-01-711	EA BASE&LIFTASSEMBLY	2762802
6	076319-01-706	EA CRANK-ELEVATING-W/SETSCREW	5755100
7	076319-01-705	EA GROMMET-NYLON-7/8" ID	200658
8	076319-01-708	EA DECAL-CRANK	5413002
9	076319-01-707	EA SPRING-HANDLE	5160800
10	076319-01-709	EA PLATE-DIRECTIONAL-FORHEAD	3200644
11	076319-01-712	EA PLATE-CEILING	3200608
12	076319-01-715	EA NUT(GEARHOUSING)	2200047
13	076319-01-704	EA BEARING-NYLON-1.25" OD	3200657
14	076319-01-713	EA PLATE-BASE-STEEL	3100523
15	076319-01-703	EA BEARING-NYLON-5" OD	3200656
16	076319-01-714	EA HOUSING-ROTATINGGEAR	2200049

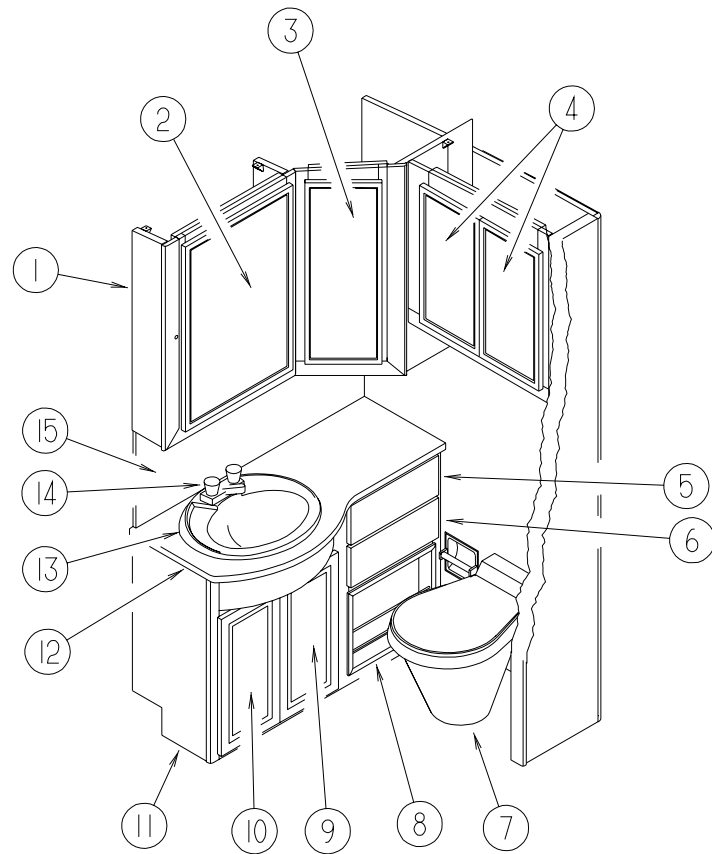
BATHGROUP



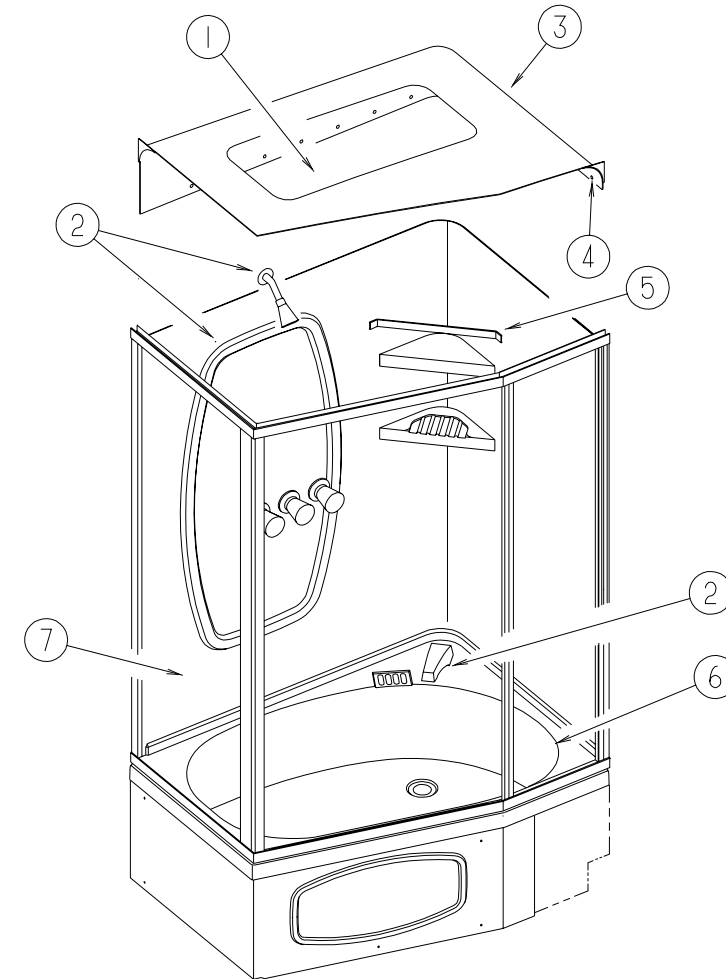
BATHCABINETS&FIXTURES

KEY	PARTNUMBER	U/M DESCRIPTION
1	124282-01-H56	EA CABINET-MEDICINE-W/ODOORS/HARDWARE(SOLARMAPLE)
1	124282-01-H57	EA CABINET-MEDICINE-W/ODOORS/HARDWARE(SALEMCHERRY)
2	M06803-P8-H56	EA DOOR-MIRROR/MTRDCRNR/OGEEEDGE-19.9"X29.5"-W/OHDW(SOLARMAPLE)
	113195-17-01A	EA MIRROR-BEVELED/SAFETYGLASS-16.6"X26.2"
2	M06803-P8-GV1	EA DOOR-MIRROR/MTRDCRNR/OGEEEDGE-19.9"X29.5"-W/OHDW(SALEMCHERRY)
	113195-17-01A	EA MIRROR-BEVELED/SAFETYGLASS-16.6"X26.2"
	124282-11-H56	EA SHELF-W/PLASTICEDGEMOLDING(SOLARMAPLE)
	124282-11-H57	EA SHELF-W/PLASTICEDGEMOLDING(SALEMCHERRY)
3	M06803-P9-H56	EA DOOR-MIRROR/MTRDCRNR/OGEEEDGE-10.1"X29.5"-W/OHDW(SOLARMAPLE)
	113195-18-01A	EA MIRROR-BEVELED/SAFETYGLASS-6.7"X26.2"
3	M06803-P9-GV1	EA DOOR-MIRROR/MTRDCRNR/OGEEEDGE-10.1"X29.5"-W/OHDW(SALEMCHERRY)
	113195-18-01A	EA MIRROR-BEVELED/SAFETYGLASS-6.7"X26.2"
	124282-13-H56	EA SHELF-W/PLASTICEDGEMOLDING(SOLARMAPLE)
	124282-13-H57	EA SHELF-W/PLASTICEDGEMOLDING(SALEMCHERRY)
4	M06803-R1-H56	EA DOOR-MIRROR/MTRDCRNR/OGEEEDGE-11"X21.8"-W/OHDW(SOLARMAPLE)
	113195-19-01A	EA MIRROR-BEVELED/SAFETYGLASS-7.7"X18.5
4	M06803-R1-GV1	EA DOOR-MIRROR/MTRDCRNR/OGEEEDGE-11"X21.8"-W/OHDW(SALEMCHERRY)
	113195-19-01A	EA MIRROR-BEVELED/SAFETYGLASS-7.7"X18.5
	124282-12-H56	EA SHELF-W/PLASTICEDGEMOLDING(SOLARMAPLE)
	124282-12-H57	EA SHELF-W/PLASTICEDGEMOLDING(SALEMCHERRY)
5	M05971-V4-H56	EA DRAWER-OGEEEDGE-14.3"WX11.7"D-W/OSLIDES/HDW(SOLARMAPLE)
5	M05971-V4-GV1	EA DRAWER-OGEEEDGE-14.3"WX11.7"D-W/OSLIDES/HDW(SALEMCHERRY)
6	M05971-BD-H56	EA DRAWER-OGEEEDGE-14.3"WX7.0"D-W/OSLIDES/HDW(SOLARMAPLE)
6	M05971-BD-H57	EA DRAWER-OGEEEDGE-14.3"WX7.0"D-W/OSLIDES/HDW(SALEMCHERRY)
7	085330-02-000	EA TOILET-STANDARD BONECHINA
7	085330-06-000	EA TOILET-STANDARDCHINAW/SPRAYER-BONE

BATHGROUP(CONTINUED)



BATHGROUP(CONTINUED)



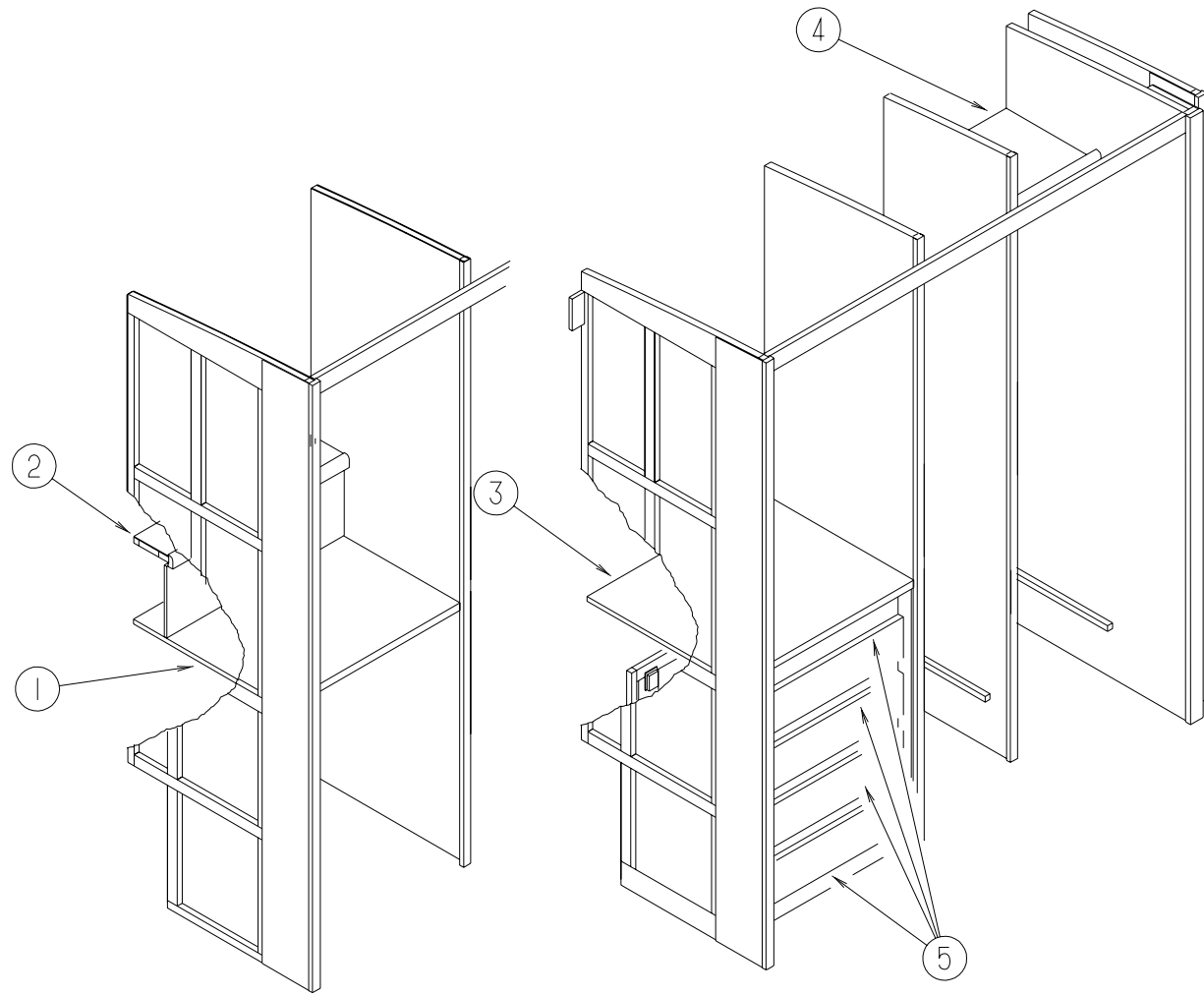
BATHCABINETS&FIXTURES(CONTINUED)

KEY	PARTNUMBER	U/M	DESCRIPTION
8	119960-11-H56	EA	RACKASM(SOLARMAPLE) FROM: 00-00-00 THRU: 01-19-97
8	097208-06-H56	EA	RACK-MAGAZINE(SOLARMAPLE) FROM: 01-20-97 THRU: 99-99-99
8	119960-11-GV1	EA	RACKASM(SALEMCHERRY) FROM: 00-00-00 THRU: 01-19-97
8	097208-06-H56	EA	RACK-MAGAZINE(SALEMCHERRY) FROM: 01-20-97 THRU: 99-99-99
9	M05992-G5-H56	EA	DOOR-OGEEEDGE-10.7"X21.7"-W/OHARDWARE(SOLARMAPLE)
9	M05992-G5-GV1	EA	DOOR-OGEEEDGE-10.7"X21.7"-W/OHARDWARE(SALEMCHERRY)
10	M05992-G6-H56	EA	DOOR-OGEEEDGE-10.7"X21.7"-W/OHARDWARE(SOLARMAPLE)
10	M05992-G6-GV1	EA	DOOR-OGEEEDGE-10.7"X21.7"-W/OHARDWARE(SALEMCHERRY)
11	119960-01-H56	EA	CABINET-LAVATORY-W/ODOORS/DRAWERS/HARDWARE(H56,H60)
11	119960-01-GV5	EA	CABINET-LAVATORY-W/ODOORS/DRAWERS/HARDWARE(H57,H61)
11	119960-01-H58	EA	CABINET-LAVATORY-W/ODOORS/DRAWERS/HARDWARE(H58,H64)
11	119960-01-GV1	EA	CABINET-LAVATORY-W/ODOORS/DRAWERS/HARDWARE(H59,H65)
12	119960-16-H56	EA	COUNTERTOP-LAVATORY(H56,H60)
12	119960-16-GV5	EA	COUNTERTOP-LAVATORY(H57,H61)
12	119960-16-H58	EA	COUNTERTOP-LAVATORY(H58,H64)
12	119960-16-GV1	EA	COUNTERTOP-LAVATORY(H59,H65)
13	105921-01-01A	EA	SINK-LAVATORY-LARGE/OVAL-17"X20"PLASTIC/OFFWHITE
	106116-01-01A	EA	STRAINER-SINK-W/STOPPER/TAILPIECE/GASKET&NUT-PLASTIC
14	075240-05-000	EA	FAUCET-LAVATORY-BRASS
	105218-01-01A	EA	SPACER-FAUCET/LAVATORYSINK-2"X5.9"-ABSPLASTIC
15	093606-25-000	EA	MIRROR-PANEL-BEVELED 1/8"-14"X42.4"
	075453-02-000	EA	BAR-TOWEL-18"BRASS
	085278-01-000	EA	HOLDER-TOILETPAPER-RECESSED-BRASS

SHOWER&FIXTURES

KEY	PARTNUMBER	U/M	DESCRIPTION
1	114496-01-01A	EA	PANEL-OUTERSKYLIGHT-22"X37" FROM: 00-00-00 THRU: 02-05-97
1	114496-01-02A	EA	PANEL-OUTERSKYLIGHT-22"X37" FROM: 02-06-97 THRU: 99-99-99
1	122191-01-01A	EA	PANEL-SKYLIGHT-INNERW/LIGHTCUTOUT-20.7"X35.4" FROM: 00-00-00 THRU: 02-05-97
1	122191-01-02A	EA	PANEL-SKYLIGHT-INNERW/LIGHTCUTOUT-20.7"X35.4" FROM: 02-06-97 THRU: 99-99-99
2	119677-01-01A	EA	SHOWER-3PIECES-HEAD/FAUCET/SPOUT
	075606-01-000	EA	PANEL-PLASTIC-FAUCETBACK-5"X9"
3	119338-01-01A	EA	CAP-TUB/SHOWER
4	057671-01-000	EA	COVER-SCREW-#8-PLASTIC-OFFWHITE
5	113714-01-01A	EA	RETAINER-SHELF/SHOWER
6	M02630-31-GV0	EA	TUB/SHOWER
	066436-01-000	EA	NUT-SLIP-TAILPIECE 1.5"
	066729-01-000	EA	STRAINER-TUB/SHOWER-W/PLUG
	120981-01-01A	EA	DRAIN-TIPTOE-BRASS
7	119336-01-01A	EA	ENCLOSURE-SHOWER
	104462-01-01A	EA	CADDY-SHOWER-O/W

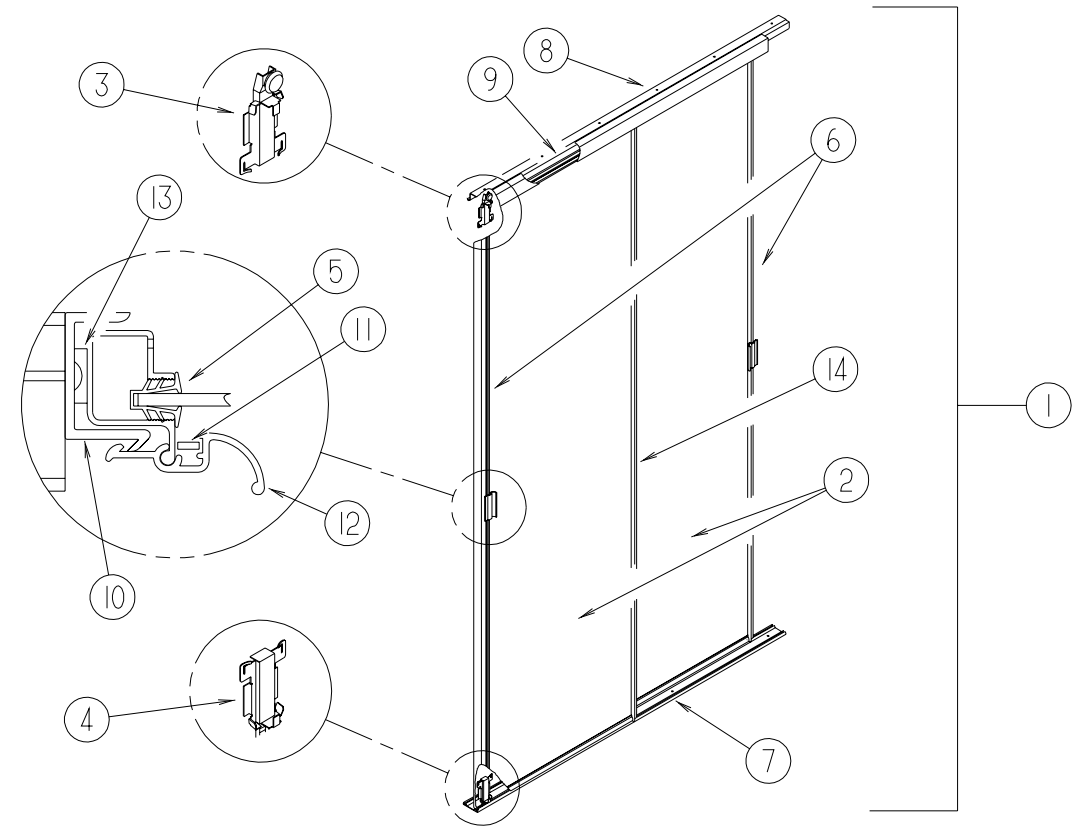
BATHGROUP(CONTINUED)



WARDROBECABINET

KEY	PARTNUMBER	U/M	DESCRIPTION
1	124283-19-H56	EA	COUNTERTOP-WARDROBE(WASHER/DRYER)(H56,H58,H64)
1	124283-19-H57	EA	COUNTERTOP-WARDROBE(WASHER/DRYER)(H57,H59,H65)
1	124283-19-H60	EA	COUNTERTOP-WARDROBE(WASHER/DRYER)(H60)
1	124283-19-H61	EA	COUNTERTOP-WARDROBE(WASHER/DRYER)(H61)
2	124283-17-H56	EA	SHELF-W/VINYLRAPPEDLUMBER(WASHER/DRYER)(SOLARMAPLE)
2	124283-17-H57	EA	SHELF-W/VINYLRAPPEDLUMBER(WASHER/DRYER)(SALEMCHERRY)
3	124283-12-H56	EA	COUNTERTOP-WARDROBE(H56,H58,H64)
3	124283-12-H57	EA	COUNTERTOP-WARDROBE(H57,H59,H65)
3	124283-12-H60	EA	COUNTERTOP-WARDROBE(H60)
3	124283-12-H61	EA	COUNTERTOP-WARDROBE(H61)
4	124283-11-H56	EA	SHELF-W/PLASTICEDGEMOLDING(SOLARMAPLE)
4	124283-11-H57	EA	SHELF-W/PLASTICEDGEMOLDING(SALEMCHERRY)
5	M05971-V3-H56	EA	DRAWER-OGEEEDGE-21.8"WX13.8"D-W/OSLIDES/HARDWARE(SOLARMAPLE)
5	M05971-V3-GV1	EA	DRAWER-OGEEEDGE-21.8"WX13.8"D-W/OSLIDES/HARDWARE(SALEMCHERRY)

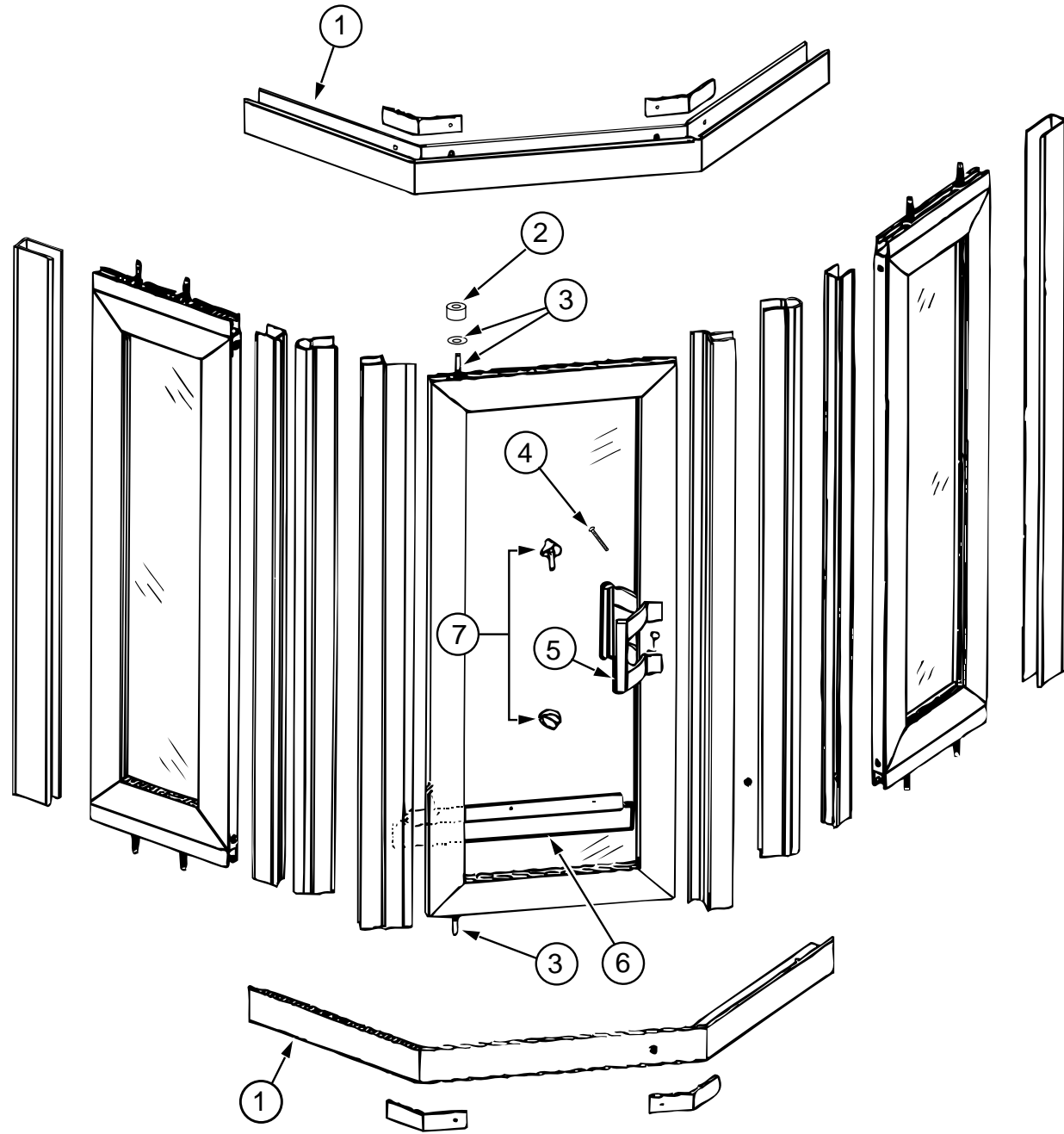
BATHGROUP(CONTINUED)



WARDROBEDOOR

KEY	PARTNUMBER	U/M	DESCRIPTION
1	114149-11-GV0	EA	DOOR-WARDROBE/MIRRORED
2	058331-E6-000	EA	MIRROR-SAFETYGLASS-32.1"X76.2"
3	107390-02-000	EA	CORNERHANGER(DOUBLEROLLERW/BRACKET)(SOLDASAPAIR)
4	107391-01-000	EA	GUIDE-BOTTOM-BY-PASS(PAIR)
5	111575-01-01A	FT	CHANNEL-GLAZING-SWINGDOOR
6	114104-06-01A	EA	STILE-DOOR-SLIDING
7	114105-08-01A	EA	TRACK-DOOR-SLIDING/LOWER
8	114106-08-01A	EA	TRACK-DOOR-SLIDING/UPPER
9	114107-07-01A	EA	RAIL-SLIDINGDOOR
10	115538-03-01A	EA	JAMB-DOOR-WARDROBE/MIRRORED
11	115541-01-000	EA	SPRING-DOOR-SLIDING
12	115553-01-01A	EA	LATCH-DOOR-WARDROBE/MIRRORED
13	114104-06-01A	EA	STILE-DOOR-SLIDING
14	114104-02-01A	EA	STILE-DOOR-SLIDING

BATHGROUP(CONTINUED)



BATHGROUP(CONTINUED)

BATHPRIVACYDOOR

KEY	PARTNUMBER	U/M	DESCRIPTION
	104013-03-H56	EA	DOOR-SLIDING (BATH/GALLEY)(SOLARMAPLE)
	104013-03-E41	EA	DOOR-SLIDING (BATH/GALLEY)(SALEMCHERRY)
	120510-02-H56	EA	HEADER-DOOR (PICKLEDASH)
	120510-02-GV1	EA	HEADER-DOOR (SALEMCHERRY)
	103868-03-01A	EA	TRACK-SLIDINGDOOR49.2"
	103874-01-000	EA	HANGER-SLIDINGDOOR
	098410-01-01A	EA	PULL-FINGER-BRASS
	057534-01-000	EA	TIEBACK/TIEDOWN-6" CLEARPLASTIC

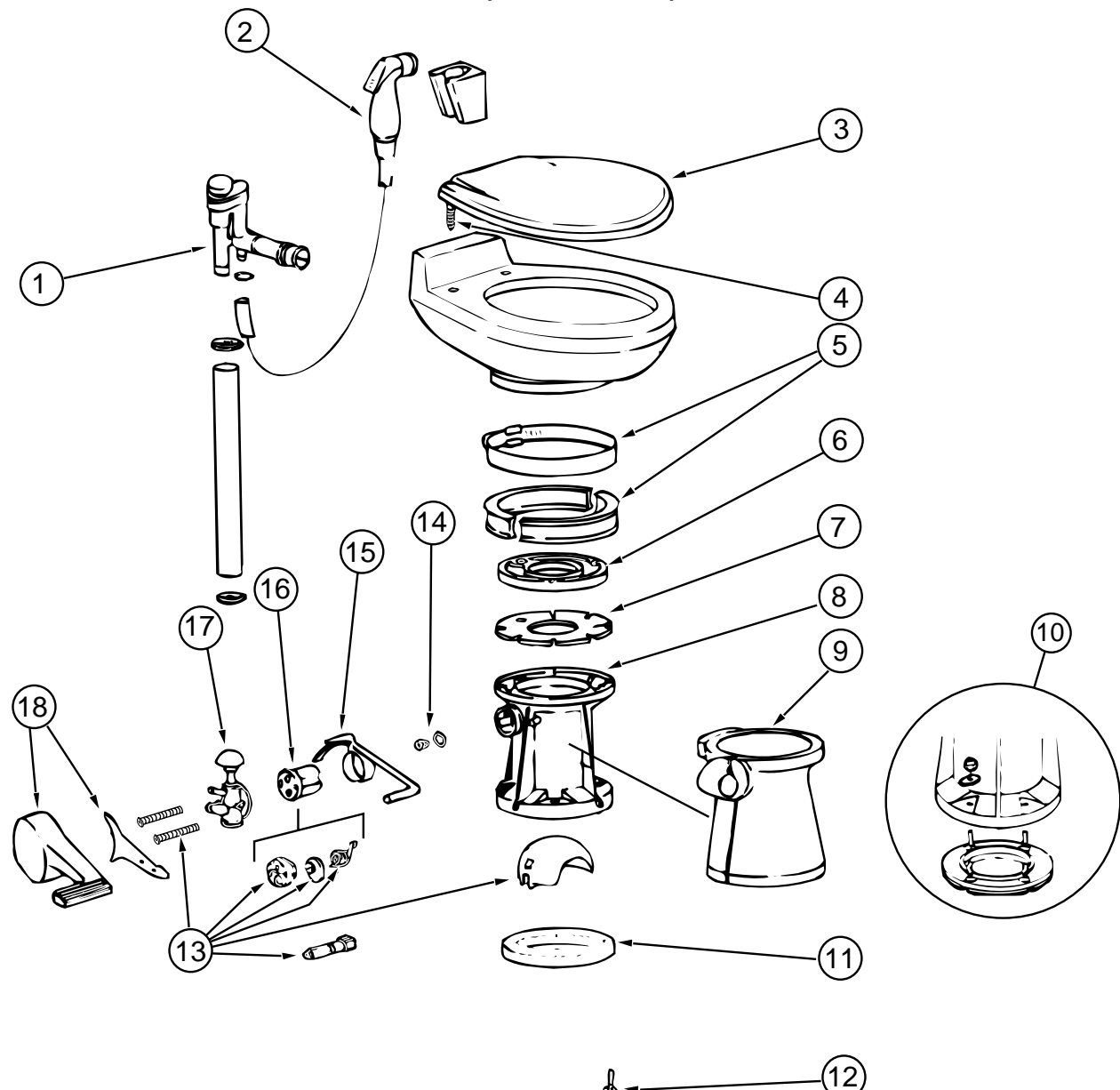
BEDROOM/BATHPRIVACYDOOR

KEY	PARTNUMBER	U/M	DESCRIPTION
	104013-08-H56	EA	DOOR-SLIDING (BATH/GALLEY)-W/OHARDWARE (SOLARMAPLE)
	104013-08-GV1	EA	DOOR-SLIDING (BATH/GALLEY)-W/OHARDWARE (SALEMCHERRY)
	120510-01-H56	EA	HEADER-DOOR (SOLARMAPLE)
	120510-01-GV1	EA	HEADER-DOOR (SALEMCHERRY)
	103874-01-000	EA	HANGER-SLIDINGDOOR
	098410-01-01A	EA	PULL-FINGER-BRASS
	103868-03-01A	EA	TRACK-SLIDINGDOOR49.2"
	057534-01-000	EA	TIEBACK/TIEDOWN-6" CLEARPLASTIC

COASTALSHOWERDOOR

KEY	PARTNUMBER	U/M	DESCRIPTION	VENDORNO.
	119622-01-01A	EA	DOOR-SOLIDPANELSHOWER	
1	107878-01-704	EA	HEADERORSILL	70
2	092574-01-707	EA	BUSHING-PIVOT-TOP	18712B
3	089318-01-704	EA	BOLT-PIVOT-TOPORBOTTOM	1428B
4	092574-01-710	EA	SCREW-GOLD-FORTOWELBAR	832G
5	092574-01-703	EA	PULL-DOOR-GOLD (INSIDE)	8149G
5	092574-01-711	EA	PULL-DOOR-GOLD (OUTSIDE)	8153G
6	089318-01-701	FT	SWEEP-VINYL500FTROLL	C171G
	107878-01-703	EA	CAP-DRIP-PLUGSET	DCP2
7	092574-01-700	EA	KNOB-SAFETY LATCH	9728G
	092574-01-705	EA	STRIP-MAGNETIC-567/8"	98-41G
	119622-01-700	EA	TOWELBARKIT	WINN-33TBL

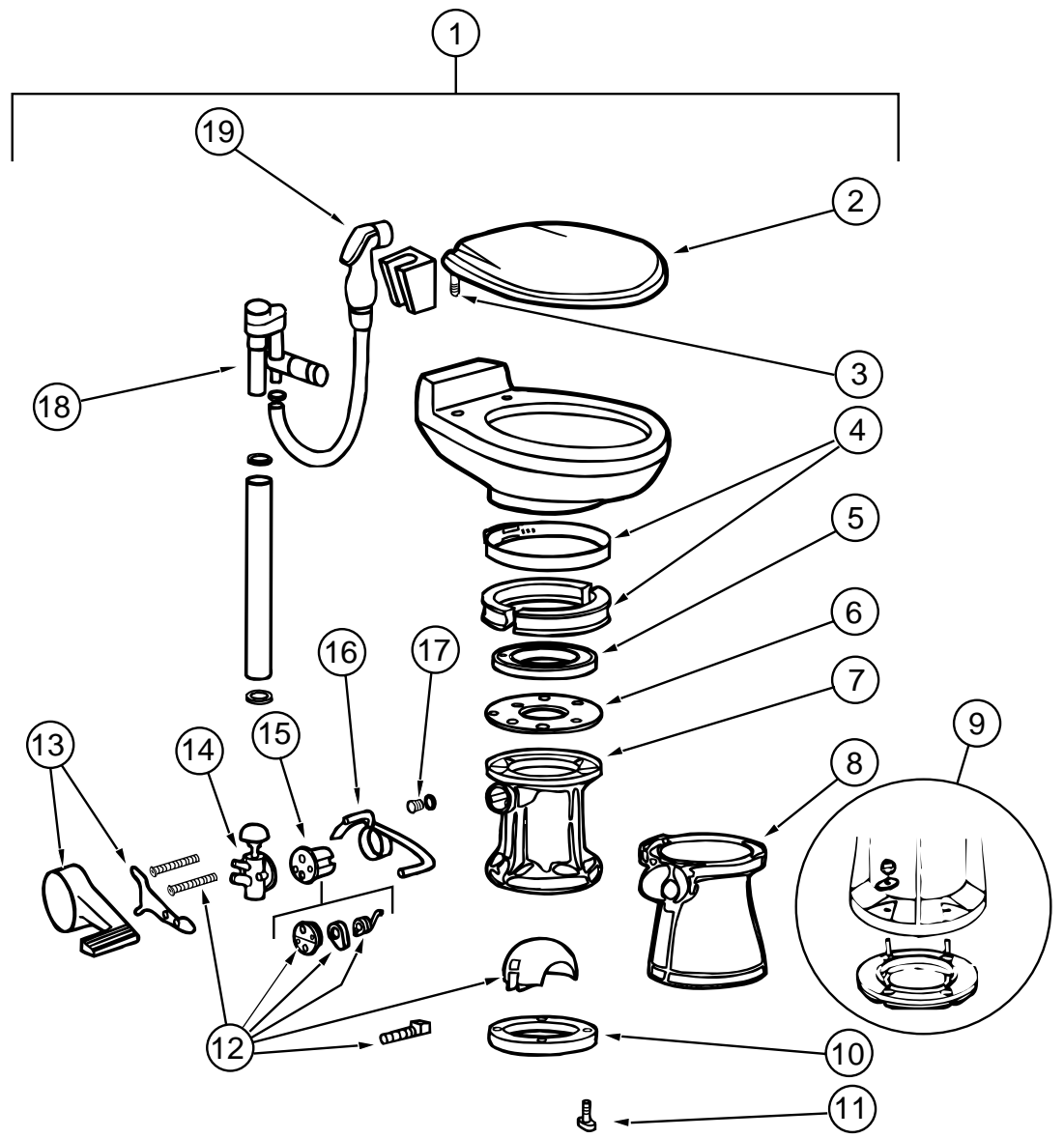
BATHGROUP(CONTINUED)



TOILET&COMPONENTS-SEALANDMODELML510

KEY	PARTNUMBER	U/M	DESCRIPTION	VENDORNO.
	085330-02-000	EA	TOILET-STANDBONECHINA	
1	085330-04-700	EA	BREAKER-VACUUM-F/HANDSPRAY	230325
2	085330-04-701	EA	HANDSPRAYW/HOSE (500&900)	340683
3	085330-04-707	EA	SEATASSEMBLY-BONE	340816
4	085330-01-720	EA	HINGEHARDWARE-(BONE)SET	341707
5	085330-01-703	EA	RING&HALFCLAMPS-BONE	385310048
6	085330-01-704	EA	TEFLON&RUBBERSEALKIT	385316140
7	085330-01-705	EA	SUPPORT-SEAL-PLASTIC	390346405
8	085330-02-700	EA	BASEASM	310121
9	085330-02-702	EA	COVER-PEDESTAL-BONE510	310112
10	085330-01-718	EA	SEAL&BASEW/MOUNTINGHDW	3853100-63
11	085330-01-714	EA	SEAL-FLANGE-FLOOR	390343892
12	085330-01-717	EA	STOOLMTG.-PKG.BOLT&SEAL	3100-64
13	085330-01-706	EA	BALL-SHAFT&CARTRIDGE	385318162
14	085330-01-710	EA	DRAIN-KIT-PLUG-CAPW/SEAL	230384
15	085330-06-703	EA	LEVER-FLUSH	340873
16	085330-01-707	EA	CARTRIDGESPRINGASSEMBLY	381236096
17	085330-01-709	EA	VALVE-WATER	385314349
18	085330-02-703	EA	COVER-PEDAL-BONE-NEWSTYLE	310115

BATHGROUP(CONTINUED)

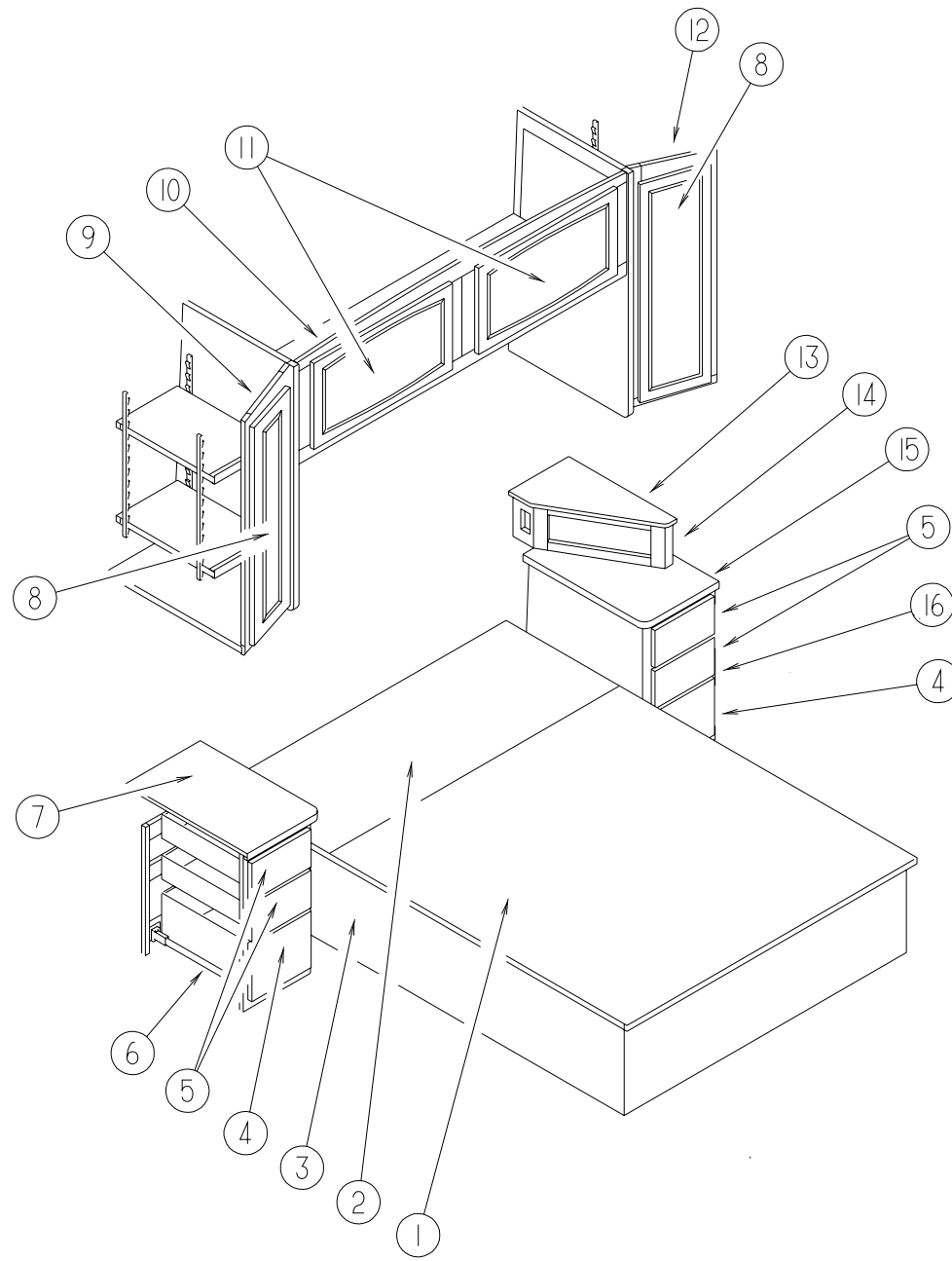


TOILET&COMPONENTS-SEALANDMODEL591003

KEY	PARTNUMBER	U/M	DESCRIPTION	VENDORNO.
1	085330-06-000	EA	TOILET-STANDARDCHINAW/SPRAYER-BONE	
2	085330-06-700	EA	SEATASSEMBLY-BONE	340591
3	085330-06-702	EA	HINGEHARDWARE(BONE)SET	342131
4	085330-01-703	EA	RING&HALFCLAMPS-BONE	385310048
5	085330-01-704	EA	TEFLON&RUBBERSEALKIT	385316140
6	085330-01-705	EA	SUPPORT-SEAL-PLASTIC	390346405
7	085330-02-700	EA	BASEASM	310121
8	085330-02-702	EA	COVER-PEDESTAL-BONE510	310112
9	085330-01-718	EA	SEAL&BASEW/MOUNTINGHDW	3853100-63
10	085330-01-714	EA	SEAL-FLANGE-FLOOR	390343892
11	085330-01-717	EA	STOOLMTG.-PKG.BOLT&SEAL	3100-64
12	085330-01-706	EA	BALL-SHAFT&CARTRIDGE	385318162
13	085330-02-703	EA	COVER-PEDAL-BONE-NEWSTYLE	310115
14	085330-01-709	EA	VALVE-WATER	385314349
15	085330-01-707	EA	CARTRIDGESPRINGASSEMBLY	381236096
16	085330-06-703	EA	LEVER-FLUSH	340873
17	085330-01-710	EA	DRAIN-KIT-PLUG-CAPW/SEAL	230384
18	085330-06-701	EA	BREAKER-VACUUM/DIVERTER(900)	230335
19	085330-04-701	EA	HANDSPRAYW/HOSE (500&900)	340683

BEDROOMGROUP

QUEEN BEDROOM CABINETS

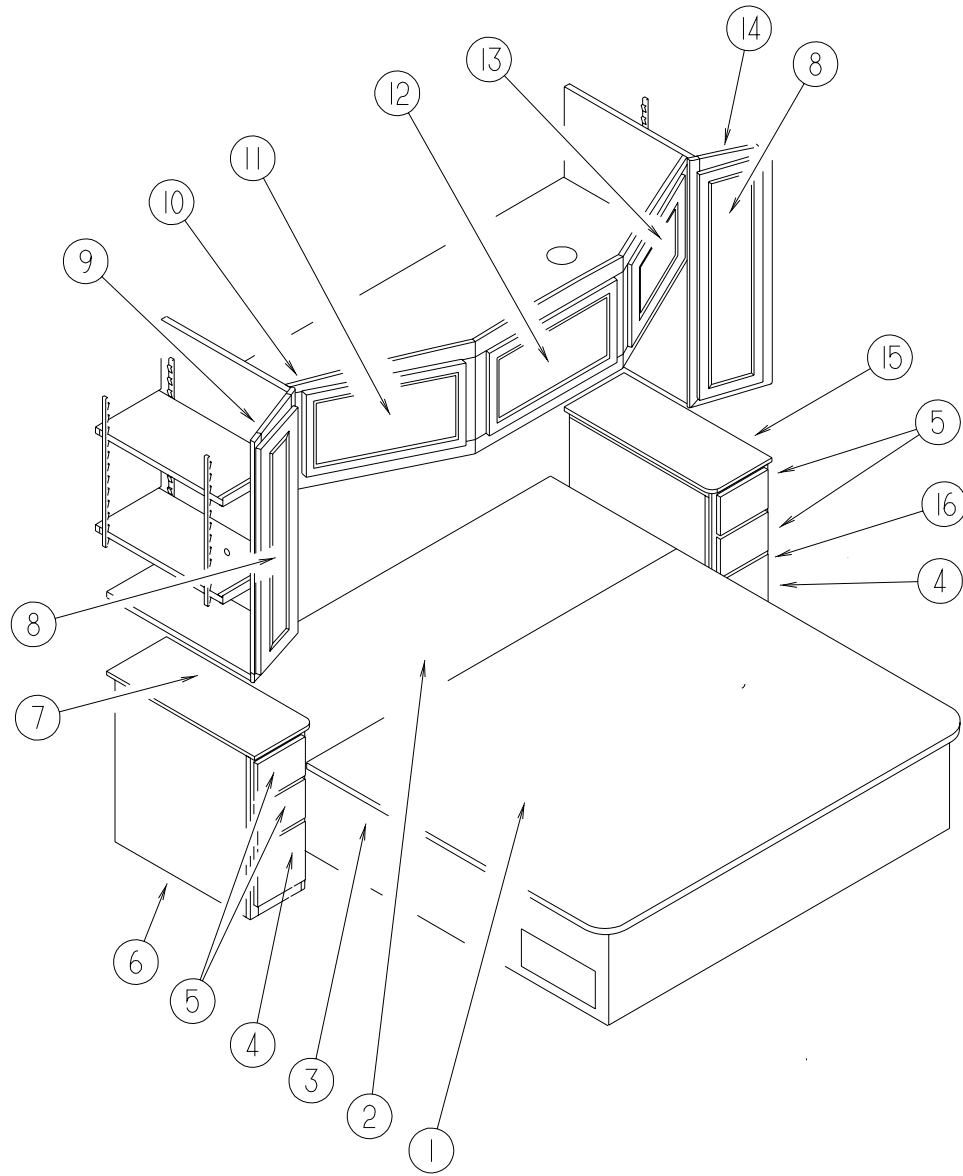


KEY	PARTNUMBER	U/M	DESCRIPTION
1	M05905-09-GV0	EA	TOP-BED/QUEEN-W/OHARDWARE
	112516-05-H56	EA	HEADBOARD-IMPERIAL-QUEEN(H56,H57)
	112732-04-H58	EA	HEADBOARD-WINDWARD-QUEEN-W/OHARDWARE(H58,H59)
	112516-04-H60	EA	HEADBOARD-IMPERIAL-QUEEN(H60,H61)
	114215-09-H64	EA	HEADBOARD-QUEENEMPRESS(H64,H65)
2	M05905-10-000	EA	TOP-BED/QUEENLOWER-W/OHARDWARE
	120414-11-H56	EA	PANEL-QUEENBEDPACKAGE(H56,H57)
	120414-11-H58	EA	PANEL-QUEENBEDPACKAGE(H58,H59)
	120414-11-H60	EA	PANEL-QUEENBEDPACKAGE(H60,H61)
	120414-11-H64	EA	PANEL-QUEENBEDPACKAGE(H64,H65)
3	P20414-01-H56	EA	CABINET-BASE-QUEENBED-W/ODOORS/DRAWERS/HARDWARE (SOLARMAPLE)
3	P20414-01-GV1	EA	CABINET-BASE-QUEENBED-W/ODOORS/DRAWERS/HARDWARE (SALEMCHERRY)
4	M05971-R0-H56	EA	DRAWER-OGEEEDGE-12.1"X23.5"-W/OSLIDES/HARDWARE(SOLARMAPLE)
4	M05971-R0-GV1	EA	DRAWER-OGEEEDGE-12.1"X23.5"-W/OSLIDES/HARDWARE (SALEMCHERRY)

KEY	PARTNUMBER	U/M	DESCRIPTION
5	M05971-P9-H56	EA	DRAWER-OGEEEDGE-12.1"X23.5"-W/OSLIDES/HARDWARE(SOLARMAPLE)
5	M05971-P9-GV1	EA	DRAWER-OGEEEDGE-12.1"X23.5"-W/OSLIDES/HARDWARE (SALEMCHERRY)
6	P18150-01-H56	EA	CABINET-NIGHTSTAND/RIGHTHAND-W/ODOORS/DRAWERS/HDW (H56,H58,H64)
6	P18150-01-GV5	EA	CABINET-NIGHTSTAND/RIGHTHAND-W/ODOORS/DRAWERS/HDW (H57,H59,H65)
6	P18150-01-H60	EA	CABINET-NIGHTSTAND/RIGHTHAND-W/ODOORS/DRAWERS/HDW(H60)
6	P18150-01-H61	EA	CABINET-NIGHTSTAND/RIGHTHAND-W/ODOORS/DRAWERS/HDW(H61)
7	118150-11-GV4	EA	COUNTERTOP-NIGHTSTAND(H56,H57,H58,H59,H64,H65)
7	118150-11-H60	EA	COUNTERTOP-NIGHTSTAND(H60)
7	118150-11-H61	EA	COUNTERTOP-NIGHTSTAND(H61)
8	M06803-P7-H56	EA	DOOR-MIRROR/MTRDCRNR/OGEEEDGE-14.3"X36.4"-W/OHDW (SOLARMAPLE)
	113195-16-01A	EA	MIRROR-BEVELED/SAFETYGLASS-11"X33"
8	M06803-P7-GV1	EA	DOOR-MIRROR/MTRDCRNR/OGEEEDGE-14.3"X36.4"-W/OHDW (SALEMCHERRY)
	113195-16-01A	EA	MIRROR-BEVELED/SAFETYGLASS-11"X33"
9	P18112-01-H56	EA	CABINET-SHIRT CLOSET-RIGHTHAND-W/ODOORS/HARDWARE (SOLARMAPLE)
9	P18112-01-GV1	EA	CABINET-SHIRT CLOSET-RIGHTHAND-W/ODOORS/HARDWARE (SALEMCHERRY)
	118112-12-H56	EA	SHELF-W/PLASTICEDGETRIM(SOLARMAPLE)
	118112-12-GV1	EA	SHELF-W/PLASTICEDGETRIM(SALEMCHERRY)
10	121548-01-H56	EA	CABINET-REAROVERHEAD/QUEENBED-W/ODOORS/HARDWARE (SOLARMAPLE)
10	121548-01-H57	EA	CABINET-REAROVERHEAD/QUEENBED-W/ODOORS/HARDWARE (SALEMCHERRY)
11	M05990-01-H56	EA	DOOR-ARCHED/OGEEEDGE-14.3"X27.1"-W/OHARDWARE(SOLARMAPLE)
11	M05990-01-GV1	EA	DOOR-ARCHED/OGEEEDGE-14.3"X27.1"-W/OHARDWARE(SALEMCHERRY)
12	P18111-01-H56	EA	CABINET-SHIRT CLOSET-LEFTHAND-W/ODOORS/HARDWARE (SOLARMAPLE)
12	P18111-01-GV1	EA	CABINET-SHIRT CLOSET-LEFTHAND-W/ODOORS/HARDWARE (SALEMCHERRY)
	118111-12-H56	EA	SHELF-W/PLASTICEDGETRIM(SOLARMAPLE)
	118111-12-GV1	EA	SHELF-W/PLASTICEDGETRIM(SALEMCHERRY)
13	118202-12-H56	EA	SHELF-W/PLASTICEDGETRIM(H56,H58,H64)
13	118202-12-GV4	EA	SHELF-W/PLASTICEDGETRIM(H57,H59,H65)
13	118202-12-H60	EA	SHELF-W/PLASTICEDGETRIM(H60)
13	118202-12-H61	EA	SHELF-W/PLASTICEDGETRIM(H61)
14	118202-01-H56	EA	CABINET-F/RADIO-W/ODOORS/HARDWARE(H56,H58,H64)
14	118202-01-H57	EA	CABINET-F/RADIO-W/ODOORS/HARDWARE(H57,H59,H65)
14	118202-01-H60	EA	CABINET-F/RADIO-W/ODOORS/HARDWARE(H60)
14	118202-01-H61	EA	CABINET-F/RADIO-W/ODOORS/HARDWARE(H61)
15	118149-11-GV4	EA	COUNTERTOP-RADIOCABINET(H56,H57,H58,H59,H64,H65)
15	118149-11-H60	EA	COUNTERTOP-RADIOCABINET(H60)
15	118149-11-H61	EA	COUNTERTOP-RADIOCABINET(H61)
16	P18149-01-H56	EA	CABINET-NIGHTSTAND/LEFTHAND-W/ODOORS/DRAWERS/HDW (H56,H58,H64)
16	P18149-01-GV5	EA	CABINET-NIGHTSTAND/LEFTHAND-W/ODOORS/DRAWERS/HDW (H57,H59,H65)
16	P18149-01-H60	EA	CABINET-NIGHTSTAND/LEFTHAND-W/ODOORS/DRAWERS/HDW(H60)
16	P18149-01-H61	EA	CABINET-NIGHTSTAND/LEFTHAND-W/ODOORS/DRAWERS/HDW(H61)
	057460-04-000	EA	SPRING-GAS-BALLSTUDSTYLE"SPD6209"
	089025-01-000	EA	SUPPORT-SPRINGTOBED-ANGLE1.5"X11.8"
	109645-01-000	EA	BRACKET-SUPPORTFLOORTOBED-F/GASSPRING

BEDROOMGROUP(CONTINUED)

KINGBEDROOMCABINETS

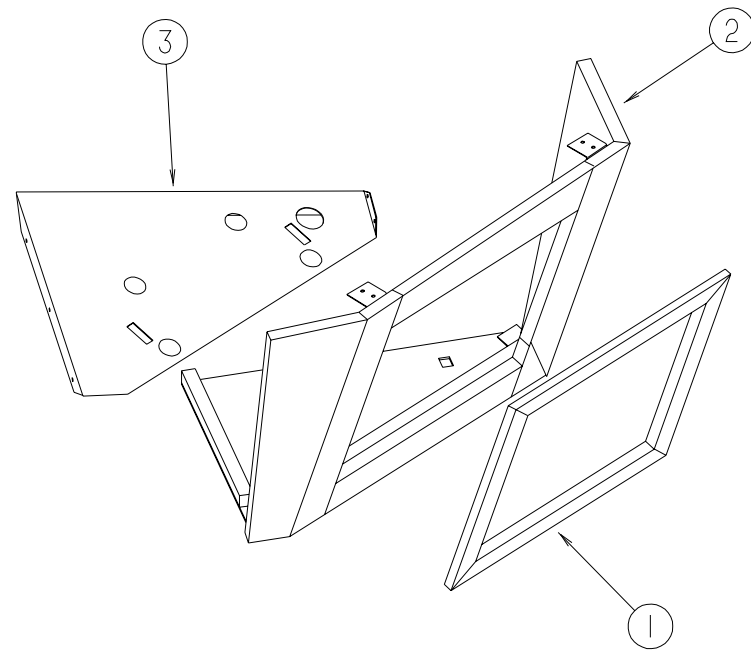


KEY	PARTNUMBER	U/M DESCRIPTION
1	M05905-11-GV0	EA TOP-KINGBED-W/OHARDWARE
	112516-06-GV4	EA HEADBOARD-IMPERIAL-KING(H56,H57)
	112732-06-H58	EA HEADBOARD-KINGWINDWARD(H58,H59)
	112516-07-H60	EA HEADBOARD-IMPERIAL-KING(H60,H61)
	114215-10-H64	EA HEADBOARD-KINGEMPRESS(H64,H65)
2	M05905-12-000	EA TOP-KINGBEDLOWER
	120416-11-GV4	EA PANEL-QUEENBEDPACKAGE(H56,H57)
	120416-11-H58	EA PANEL-QUEENBEDPACKAGE(H58,H59)
	120416-11-H60	EA PANEL-QUEENBEDPACKAGE(H60,H61)
	120416-11-H64	EA PANEL-QUEENBEDPACKAGE(H64,H65)
3	P20416-01-H56	EA CABINET-BASE-KINGBED-W/ODOORS/DRAWERS/HARDWARE(SOLARMAPLE)
3	P20416-01-GV1	EA CABINET-BASE-KINGBED-W/ODOORS/DRAWERS/HARDWARE(SALEMCHERRY)
4	M05971-R1-H56	EA DRAWER-OGEEEDGE-6.9"X28.5"-W/OSLIDES/HARDWARE(SOLARMAPLE)
4	M05971-R1-GV1	EA DRAWER-OGEEEDGE-6.9"X28.5"-W/OSLIDES/HARDWARE(SALEMCHERRY)
5	M05971-R2-H56	EA DRAWER-OGEEEDGE-6.9"X23.5"-W/OSLIDES/HARDWARE(SOLARMAPLE)
5	M05971-R2-GV1	EA DRAWER-OGEEEDGE-6.9"X23.5"-W/OSLIDES/HARDWARE(SALEMCHERRY)
6	P18225-01-H56	EA CABINET-NIGHTSTAND-RIGHTHAND-W/ODOORS/DRAWERS/HDW(H56,H58,H64)
6	P18225-01-GV5	EA CABINET-NIGHTSTAND-RIGHTHAND-W/ODOORS/DRAWERS/HDW(H57,H59,H65)
6	P18225-01-H60	EA CABINET-NIGHTSTAND-RIGHTHAND-W/ODOORS/DRAWERS/HDW(H60)
6	P18225-01-H61	EA CABINET-NIGHTSTAND-RIGHTHAND-W/ODOORS/DRAWERS/HDW(H61)

KEY	PARTNUMBER	U/M DESCRIPTION
7	118225-11-H56	EA COUNTERTOP-NIGHTSTAND(H56,H58,H64)
7	118225-11-GV4	EA COUNTERTOP-NIGHTSTAND(H57,H59,H65)
7	118225-11-H60	EA COUNTERTOP-NIGHTSTAND(H60)
7	118225-11-H61	EA COUNTERTOP-NIGHTSTAND(H61)
8	M06803-14-H56	EA DOOR-MIRROR/MTRDCRNR/OGEEEDGE-10.8"X36.4"-W/OHDW(SOLARMAPLE)
	088742-10-000	EA MIRROR-BEVELED-SAFETYGLASS-7.3"X32.9"
8	M06803-14-GV1	EA DOOR-MIRROR/MTRDCRNR/OGEEEDGE-10.8"X36.4"-W/OHDW(SALEMCHERRY)
	088742-10-000	EA MIRROR-BEVELED-SAFETYGLASS-7.3"X32.9"
9	P18229-01-H56	EA CABINET-SHIRT CLOSET-RIGHTHAND-W/ODOORS/DRAWERS/HDW(SOLARMAPLE)
9	P18229-01-GV1	EA CABINET-SHIRT CLOSET-RIGHTHAND-W/ODOORS/DRAWERS/HDW(SALEMCHERRY)
10	121549-01-H56	EA CABINET-REAROVERHEAD/KINGBED-W/ODOORS/HARDWARE(SOLARMAPLE)
10	121549-01-GV1	EA CABINET-REAROVERHEAD/KINGBED-W/ODOORS/HARDWARE(SALEMCHERRY)
11	120035-03-H56	EA DOOR-FABRICWRAPPED-14.3"X24.9"-W/OHARDWARE(H56)
11	120035-03-H57	EA DOOR-FABRICWRAPPED-14.3"X24.9"-W/OHARDWARE(H57)
11	120035-03-H58	EA DOOR-FABRICWRAPPED-14.3"X24.9"-W/OHARDWARE(H58,H64)
11	120035-03-H59	EA DOOR-FABRICWRAPPED-14.3"X24.9"-W/OHARDWARE(H59,H65)
11	120035-03-H60	EA DOOR-FABRICWRAPPED-14.3"X24.9"-W/OHARDWARE(H60)
11	120035-03-H61	EA DOOR-FABRICWRAPPED-14.3"X24.9"-W/OHARDWARE(H61)
12	120035-01-H56	EA DOOR-FABRICWRAPPED-14.3"X27"-W/OHARDWARE(H56)
12	120035-01-H57	EA DOOR-FABRICWRAPPED-14.3"X27"-W/OHARDWARE(H57)
12	120035-01-H58	EA DOOR-FABRICWRAPPED-14.3"X27"-W/OHARDWARE(H58,H64)
12	120035-01-H59	EA DOOR-FABRICWRAPPED-14.3"X27"-W/OHARDWARE(H59,H65)
12	120035-01-H60	EA DOOR-FABRICWRAPPED-14.3"X27"-W/OHARDWARE(H60)
12	120035-01-H61	EA DOOR-FABRICWRAPPED-14.3"X27"-W/OHARDWARE(H61)
13	120035-02-H56	EA DOOR-FABRICWRAPPED-14.3"X24.9"-W/OHARDWARE(H56)
13	120035-02-H57	EA DOOR-FABRICWRAPPED-14.3"X24.9"-W/OHARDWARE(H57)
13	120035-02-H58	EA DOOR-FABRICWRAPPED-14.3"X24.9"-W/OHARDWARE(H58,H64)
13	120035-02-H59	EA DOOR-FABRICWRAPPED-14.3"X24.9"-W/OHARDWARE(H59,H65)
13	120035-02-H60	EA DOOR-FABRICWRAPPED-14.3"X24.9"-W/OHARDWARE(H60)
13	120035-02-H61	EA DOOR-FABRICWRAPPED-14.3"X24.9"-W/OHARDWARE(H61)
14	P18230-01-H56	EA CABINET-SHIRT CLOSET-LEFTHAND-W/ODOORS/DRAWERS/HDW(SOLARMAPLE)
14	P18230-01-GV1	EA CABINET-SHIRT CLOSET-LEFTHAND-W/ODOORS/DRAWERS/HDW(SALEMCHERRY)
15	118226-11-H56	EA COUNTERTOP(H56,H58,H64)
15	118226-11-GV4	EA COUNTERTOP(H57,H59,H65)
15	118226-11-H60	EA COUNTERTOP(H60)
15	118226-11-H61	EA COUNTERTOP(H61)
16	P18226-01-H56	EA CABINET-NIGHTSTAND-LEFTHAND-W/ODOORS/DRAWERS/HDW(H56,H58,H64)
16	P18226-01-GV5	EA CABINET-NIGHTSTAND-LEFTHAND-W/ODOORS/DRAWERS/HDW(H57,H59,H65)
16	P18226-01-H60	EA CABINET-NIGHTSTAND-LEFTHAND-W/ODOORS/DRAWERS/HDW(H60)
16	P18226-01-H61	EA CABINET-NIGHTSTAND-LEFTHAND-W/ODOORS/DRAWERS/HDW(H61)
	057460-04-000	EA SPRING-GAS-BALLSTUDSTYLE"SPD6209"
	089025-01-000	EA SUPPORT-SPRINGTOBED-ANGLE1.5"X11.8"
	109645-01-000	EA BRACKET-SUPPORTFLOORTOBED-F/GASSPRING

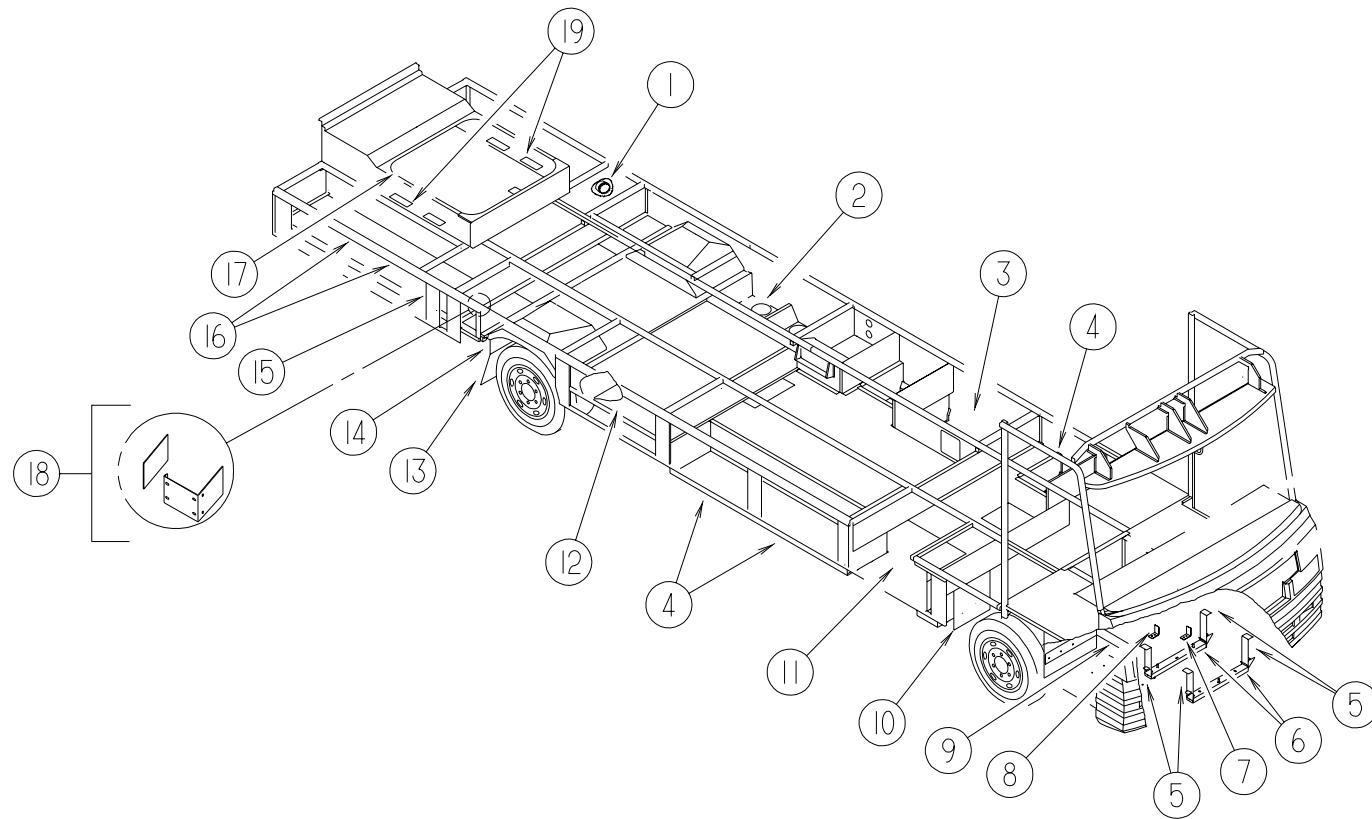
BEDROOMGROUP(CONTINUED)

REAROVERHEADTVCABINET

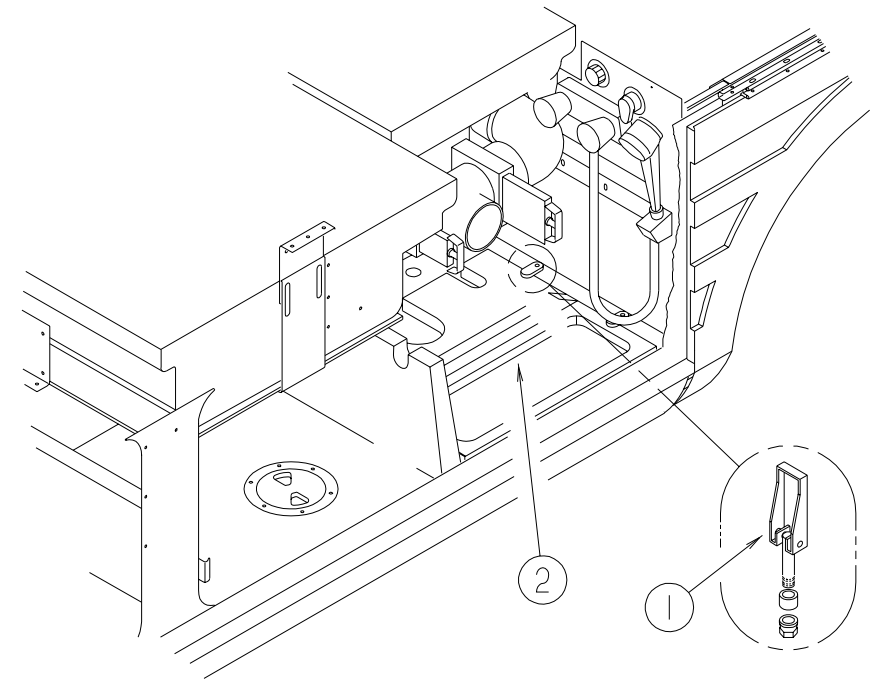


KEY	PARTNUMBER	U/M	DESCRIPTION
1	123709-11-H56	EA	TRIM-FACE(SOLARMAPLE)
	074045-10-000	EA	PLUG-OAK-1/2"DIAMETER(SOLARMAPLE)
1	123709-11-H57	EA	TRIM-FACE(SALEMCHERRY)
	074045-08-000	EA	PLUG-OAK-1/2"DIAMETER(SALEMCHERRY)
2	123709-01-H56	EA	CABINET-OVERHEAD-TV-W/ODOORS/HARDWARE(SOLARMAPLE)
2	123709-01-H57	EA	CABINET-OVERHEAD-TV-W/ODOORS/HARDWARE(SALEMCHERRY)
3	123710-01-02B	EA	SHELF-SUPPORT/TV-REAR-E-COATED
	123655-01-000	FT	SEAL-CLOSEDCELL/FOAM

CHASSISGROUP



CHASSISGROUP(CONTINUED)



COMPARTMENTS&COMPONENTS

KEY	PARTNUMBER	U/M	DESCRIPTION
1	098215-03-000	EA	COLLAR-CRIMPED-6" ROUND
2	M07452-05-GV0	EA	COMPARTMENT-STORAGE-14.4"X47.2"
3	117928-03-01A	EA	COMPARTMENT-STORAGE
4	117928-01-01A	EA	COMPARTMENT-STORAGE
5	115652-02-02B	EA	BRACKET-HANGERGENERATOR-E/COATED
6	115656-02-02B	EA	SUPPORTASM-GENERATOR
7	111756-04-000	EA	BRACKET-EXHAUST-HANGER
8	P11756-02-000	EA	BRACKET-EXHAUST-HANGER
9	106152-01-000	EA	PANEL-COMPARTMENT-GENERATOR
10	020167-03-000	EA	DIRTGUARD-STEEL-11" LONG
11	110063-01-000	EA	PLATE-STEP
11	065450-05-000	EA	TIEDOWN-BATTERY-8.4" TUBE
12	P13380-01-01A	EA	PANEL-COVERSEAL
13	017516-01-000	EA	MUDFLAP-14"X18"-BLACK
14	020167-05-000	EA	DIRTGUARD-STEEL-15" LONG
15	115392-01-01A	EA	STRAP-VELCRO(LUGWRENCHHOLDER)
16	108986-01-000	EA	TUBE-SUPPORT-LADDER/LOWER
16	112384-01-000	EA	SPONGE-BRACKET-RACK&LADDER
17	039623-01-000	EA	SEAL-MOTORCOVER-RUBBERBULBTYPE
18	115653-13-02B	EA	BRACKET-AIRDRYER/E-COATED
19	110277-02-000	EA	STRAP
	061420-10-000	EA	PLUG/PLASTIC-1.50"DIAMETER-BLACK
	119845-01-01A	EA	PLUG-PLASTIC-BLACK

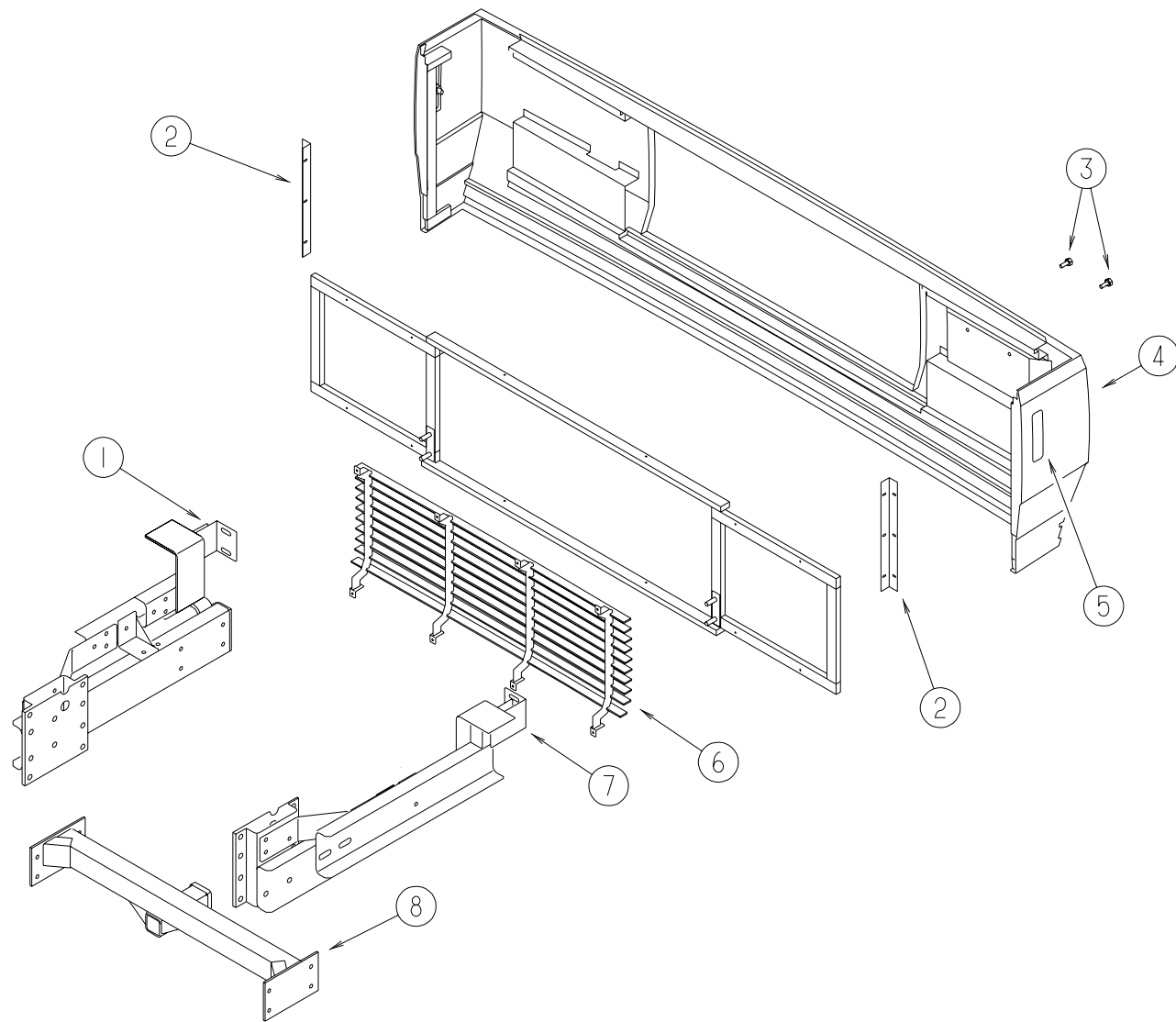
STORAGECOMPARTMENT

KEY	PARTNUMBER	U/M	DESCRIPTION
1	121175-01-01A	EA	LATCH-SWELL-BLACK
2	M06991-05-G38	EA	HATCH-W/FOAM

RADIATORBAFFLE

KEY	PARTNUMBER	U/M	DESCRIPTION
	076310-04-000	EA	SHEET-RUBBER-23"X50"

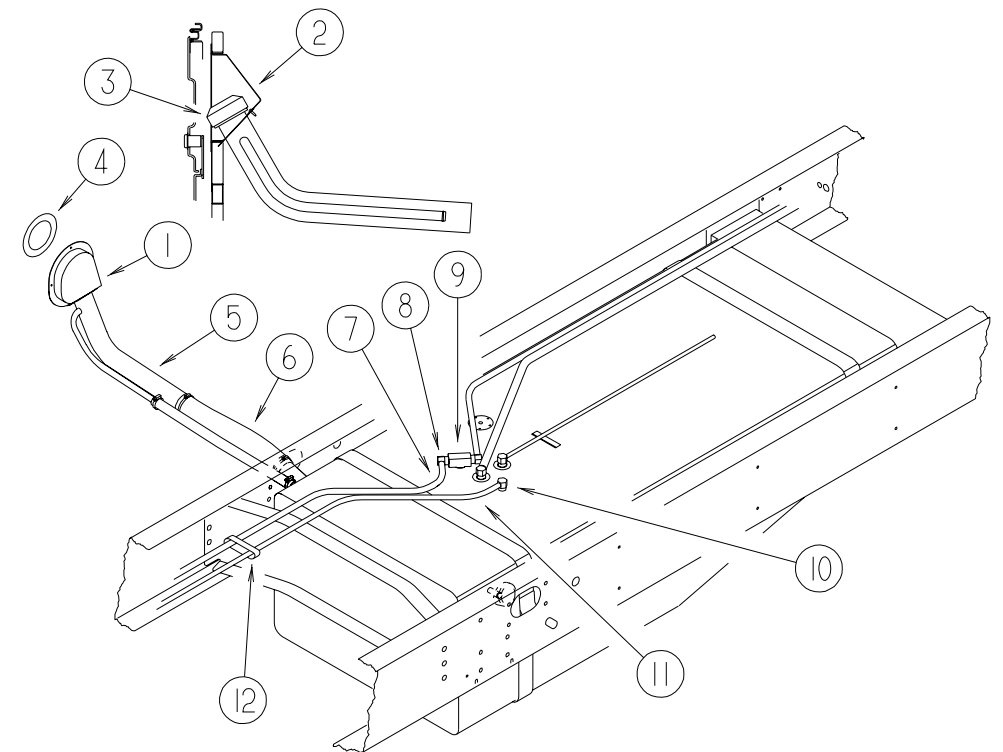
CHASSISGROUP(CONTINUED)



REAR BUMPER & TRAILER HITCH

KEY	PARTNUMBER	U/M	DESCRIPTION
1	107524-01-000	EA	ANGLE-BUMPER-INNER/RIGHTHAND
2	113041-06-02B	EA	ANGLE-MOUNT/BUMPER
3	087234-01-000	EA	NUT-JACK-1/4X20THD-MOLLY
4	M08020-01-GV0	EA	BUMPER-REAR-W/OHITCH
5	118374-01-01A	EA	POCKET-SIDEMARKERLIGHT
6	118730-01-GV0	EA	GRILLE-BUMPER-REAR/LOWER
7	104319-51-007	EA	EXTRUDED-FRAME-GRILLE-4"
8	107524-02-000	EA	ANGLE-BUMPER-INNER/LEFTHAND
	117313-01-02B	EA	DRAWBAR-HITCH-CLASSIII
	034512-01-000	EA	PIN-LOCKING-DRAWBAR
	113589-01-000	EA	CONNECTOR-PLUG-TRAILER
	113589-02-000	EA	CONNECTOR-SOCKET-TRAILER
	113588-02-01B	EA	BRACKET-CONNECTOR-TRAILERW/OLIP
			FROM: 00-00-00 THRU: 10-07-96
	113588-01-01B	EA	BRACKET-CONNECTOR-TRAILERW/LIP
			FROM: 10-08-96 THRU: 99-99-99
	034513-01-000	EA	PIN-HITCH-3/16" WIRE

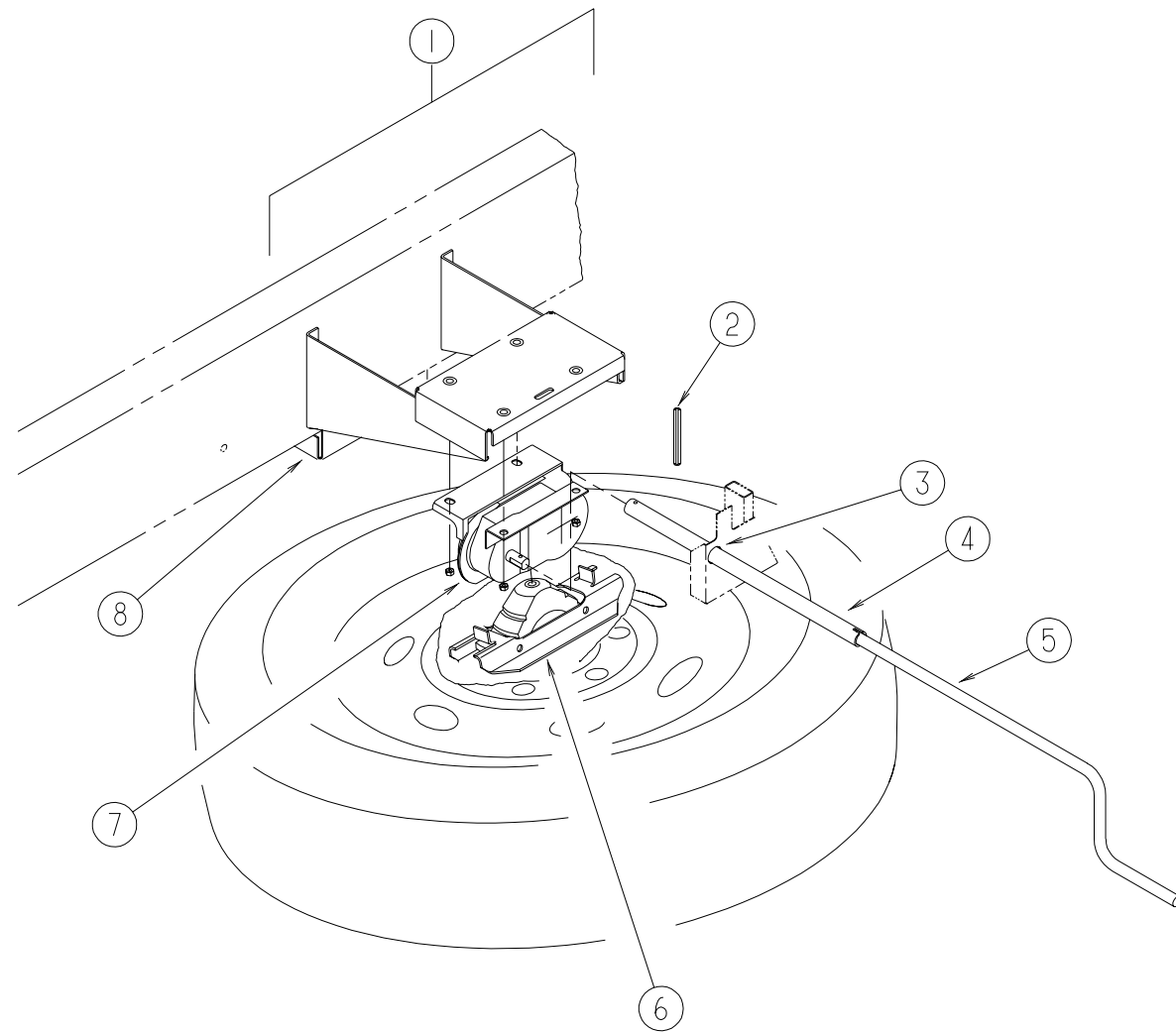
CHASSISGROUP(CONTINUED)



FUEL SYSTEM

KEY	PARTNUMBER	U/M	DESCRIPTION
1	095854-01-01A	EA	SHROUD-FUELFILL-PLASTIC
2	102951-01-01A	EA	SHROUD-FUELFILL-UNFINISHED
3	073220-03-000	EA	CAP-FUELFILL-NONLOCK-DIESEL
4	078200-01-000	EA	GASKET-FUELFILL-3.5"ODX2"ID
5	087256-09-000	EA	NECK-FUELFILL
6	007111-02-000	EA	HOSE-FUELFILL-2"ID
7	024138-01-000	FT	HOSE-FUEL-5/16"ID
8	114253-02-000	EA	ELBOW-5/16SINGLEBARBX1/4MPT
9	116457-01-000	EA	TEE-BRASS-BRANCE1/4NPT
10	114253-01-000	EA	ELBOW-1/4SINGLEBARBX1/8MPT
	068382-06-000	EA	BUSHING-BRASS-3/8MPTX1/8FPT
11	007063-01-000	FT	HOSE-FUEL-1/4"IDX1/2"OD
12	010497-01-000	EA	CLAMP-CLOSED-5/8"ID
	114254-01-000	EA	ADAPTER-1/4BARBX1/8MPT
	084884-01-000	EA	PLUG-BRASS-3/8"
	044317-01-000	EA	HOSE-FUEL-3/8"ID

CHASSISGROUP(CONTINUED)



SPARETIREHOIST

KEY	PARTNUMBER	U/M	DESCRIPTION
1	119968-18-02B	EA	SUPPORT-SPARETIREHOST-E/COATED
2	113007-04-000	EA	PIN-SPRING-.007"X1.25"
3	077953-01-000	EA	GROMMET-EDGELINER-FITS1"
4	093375-10-000	EA	EXTENSION-TIREHOIST
4	093375-16-000	EA	EXTENSION-TIREHOIST
			FROM: 00-00-00 THRU: 01-26-97
5	093376-04-000	EA	HANDLE-CRANK-TIREHOIST
	114376-02-000	EA	PIN-DRIVE,.156X1.000TYPEE
6	120752-01-02B	EA	SUPPORT-TIRE-SPARE
7	120877-01-000	EA	HOIST-SPARETIRE-#400LB
8	116242-03-02B	EA	SPACER-TIRE-SPARE
	080208-04-000	EA	WRENCH-LUG-30MM(13/16")
	080208-05-000	EA	BAR-LEVERAGE-LUGWRENCH3/4D

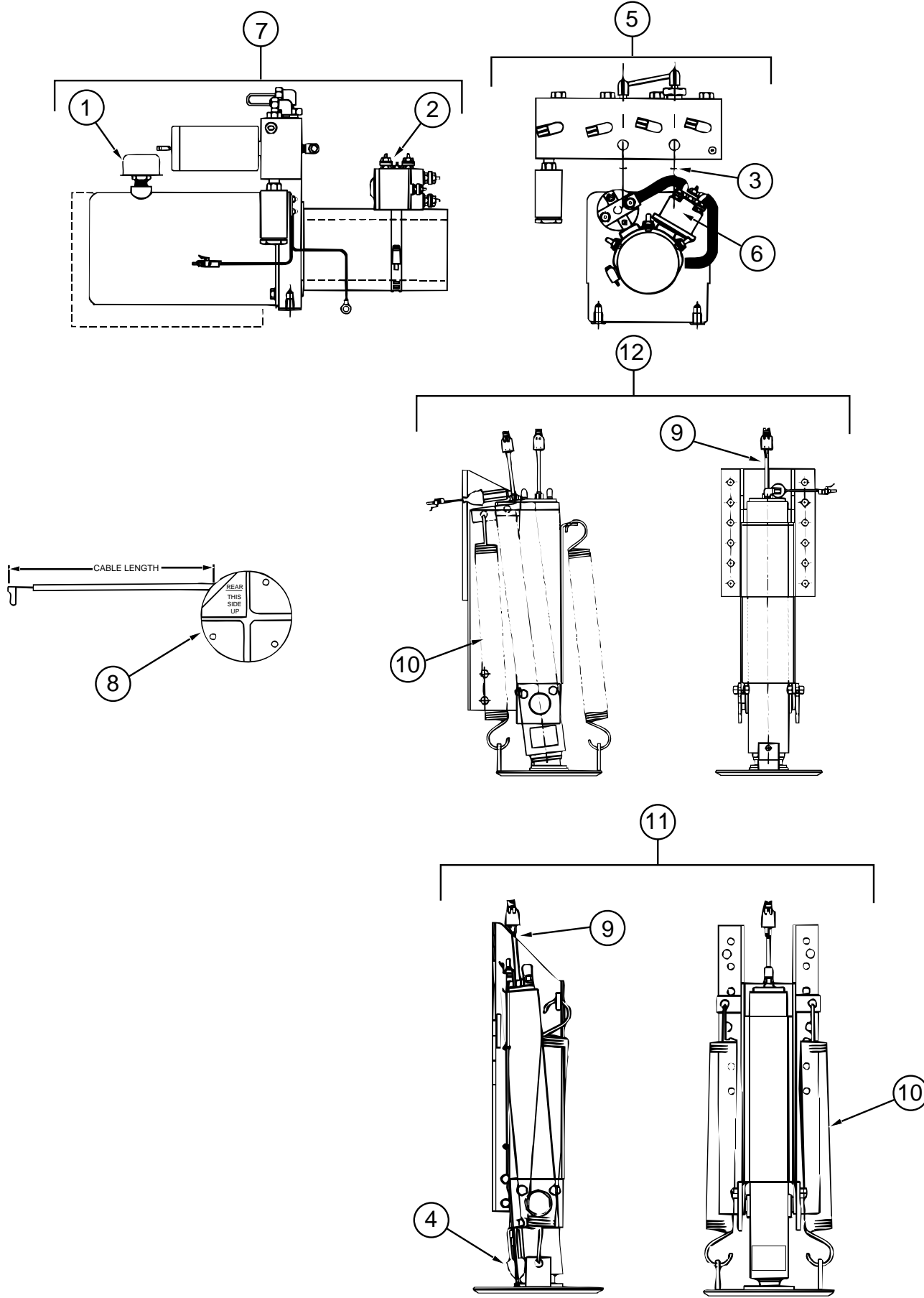
CHASSISGROUP(CONTINUED)

WHEELINERS-SETOF4

KEY	PARTNUMBER	U/M	DESCRIPTION	VENDOR NO.
	110435-05-000	EA	LINER-WHEEL-SET/4-22.5"	
	110435-05-700	EA	CAP-CENTER-POP-OUT	V22510-POC
	110435-05-701	EA	LINER-WHEEL-FRONT	V22508-FWC
	110435-05-702	EA	COVER-HUB-FRONT	V22508-FHC
	110435-05-703	EA	LINER-WHEEL-REAR	V22508-RWC
	110435-05-704	EA	COVER-HUB-REAR	V22508-RHC
	110435-05-705	EA	STUDEXTENDER-3/4"RIGHTHAND	N980-STX
	110435-05-710	EA	NUT-JAM-RIGHTHANDTHREAD	V22506-RJN
	110435-05-711	EA	COVER-LUGNUT	V22506-LNC
	110435-05-712	EA	TOOLINSTALLATION	V22506-TOL

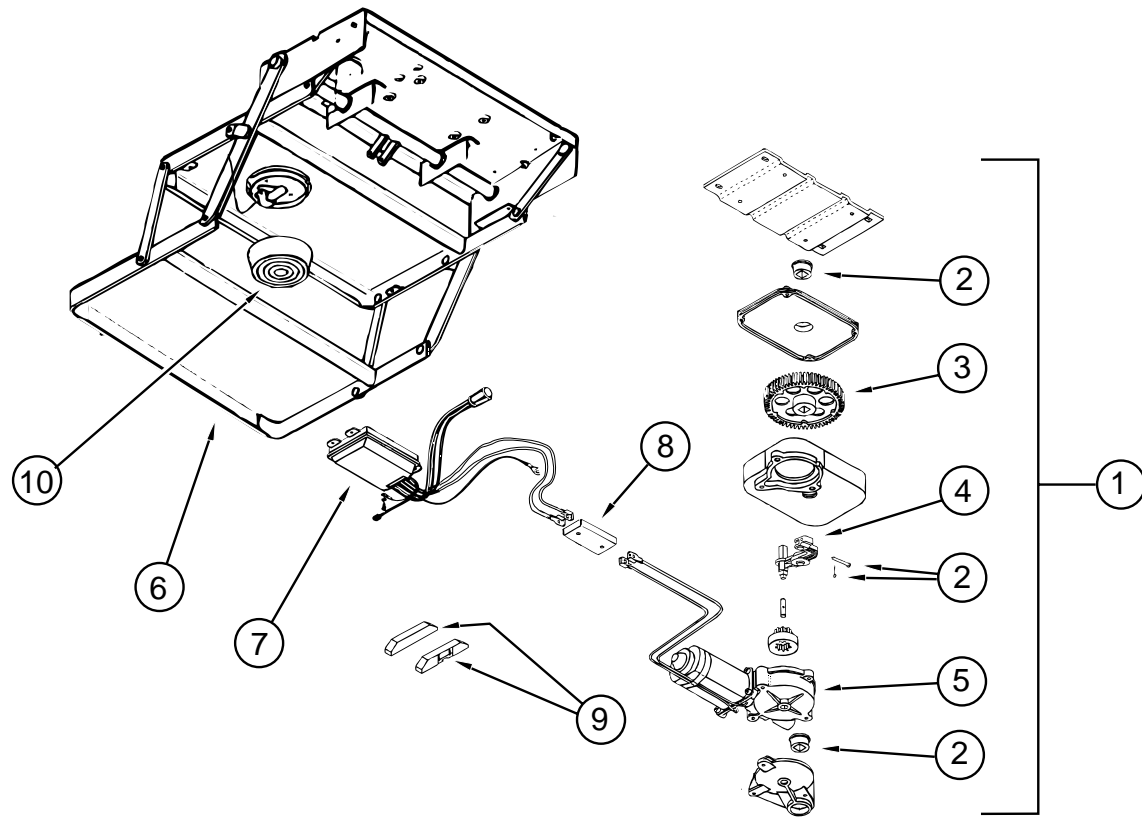
CHASSISGROUP(CONTINUED)

FRONT&REARHWHHYDRAULICLEVELINGSYSTEM



KEY	PARTNUMBER	U/M DESCRIPTION	VENDORN.
	100532-34-000	EA LEVELINGSYSTEM-HYDRAULIC	
1	100532-03-715	EA CAP-BREATHERW/DIPSTICK	RAP7876
2	100532-03-716	EA SOLENOID-CONTINUOUSDUTY	RAP7505
3	100532-03-723	EA MANIFOLDHDWMTGKIT	RAP9171
4	100532-03-726	EA SWITCH-PRESSURE	RAP8003
5	100532-09-703	EA MANIFOLDASM.-COMPLETE	RAP0959
6	100532-09-710	EA SOLENOID-INTERMITTENTDUTY	RAP0533
7	100532-12-701	EA PUMP&MOTORW/TANK1.7	RAP0588
8	100532-12-703	EA SENSINGUINBTI-AXIS-27'	RAP6800
9	100532-12-706	EA SWITCH-WARNING/MAGNETIC	RAP1008
10	100532-12-707	EA SPRINGKIT	R3847
11	100532-23-700	EA JACK-FRONTW/SWITCHES6K	RAP90176
12	100532-23-701	EA JACK-REARW/SWITCHES12K	RAP11375
	100532-09-702	EA CABLE-MODULAR5'	RAP1020
	085765-01-000	EA TEE-2F&1MALEENDS-1/4MPTX1/4-BRASS-WEATHERHEAD	
	100532-01-714	EA SCREWKIT(LEVELINGJACKS)	R1280
	100532-12-700	EA VALVEASM.18"-POWERUNIT	RAP1124
	100532-32-701	EA BUZZER-JACKDOWNWARNING	RAP0325
	100532-34-700	EA CONTROLBOX-610W/AIRDMP	RAP90304
	100536-26-000	EA HOSEKIT-LEVELINGJACKS	
	107890-01-000	EA ELBOW-STEEL-90D-1/4X37D-FLARE	
	114748-07-02B	EA CROSSMEMBER-REARJACKMOUNTING	FROM: 09-27-96 THRU: 06-15-97
	114748-05-02B	EA CROSSMEMBER-REARJACKMOUNTING	FROM: 06-16-97 THRU: 99-99-99
	114748-06-02B	EA CROSSMEMBER-REARJACKMOUNTING	
	116181-01-02B	EA BRACKET/PUMP-LEVELINGJACK-REARINNER-E-COAT	FROM: 00-00-00 THRU: 09-26-96
	116199-01-02B	EA SUPPORT-PUMP-LEVELINGJACK	FROM: 00-00-00 THRU: 10-02-96
	116200-01-09B	EA SHIELD-HEAT-PUMP-LEVELINGJACK	
	117183-01-02B	EA COVER-SENSOR-LEVELING	

CHASSISGROUP(CONTINUED)



ELECTRICSTEP-KWIKIEE

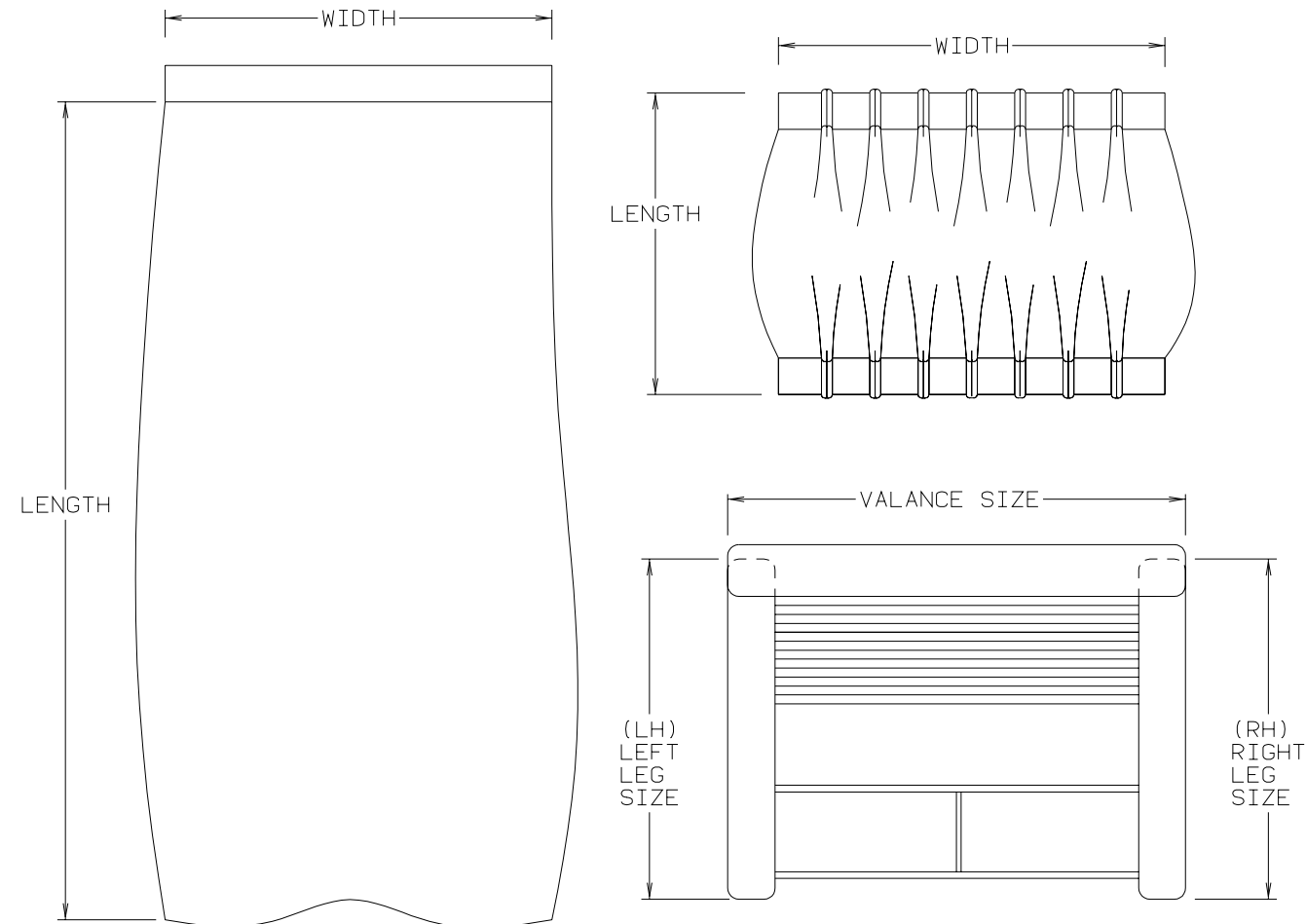
KEY	PARTNUMBER	U/M	DESCRIPTION	VENDORNO.
1	094707-01-01A	EA	STEP-DOUBLE-ELECTRIC-KWIKIEE	
2	094707-02-703	EA	BEARING&PINS	9530
3	094707-02-702	EA	GEARKIT-W/BEARINGS-PIN-CASE	9525
4	094707-02-701	EA	LINKAGEASM.-W/BEARINGS&PINS	9523
5	094707-02-700	EA	MOTORASM.-W/BEARINGS&PINS	9520
6	094707-01-702	EA	FRAMEW/DBLSTEP-3200SERIES	908032
7	094707-02-705	EA	CONTROLUNIT-WHITE	9513
8	094707-02-704	EA	CONNECTOR-MOTORASM.W/PLATES	9537
	094707-02-707	EA	TREAD-NON-SKID-BLACK6"X21"	909333
9	116995-01-000	EA	SWITCH/MAGNET-ELECTRICSTEP	
	075723-02-000	EA	SPACER-SWITCH-W/HOLE-.2"X.9"X2"-OFFWHITE	
	041250-01-000	EA	SWITCH-PUSHBUTTON-INDOORJAMB-METAL-CHROME	
10	088746-01-705	EA	LIGHT-UNDERSTEP	9004
	088733-01-700	EA	BULB	9004

CURTAIN&CUSHIONGROUP

NOTICE

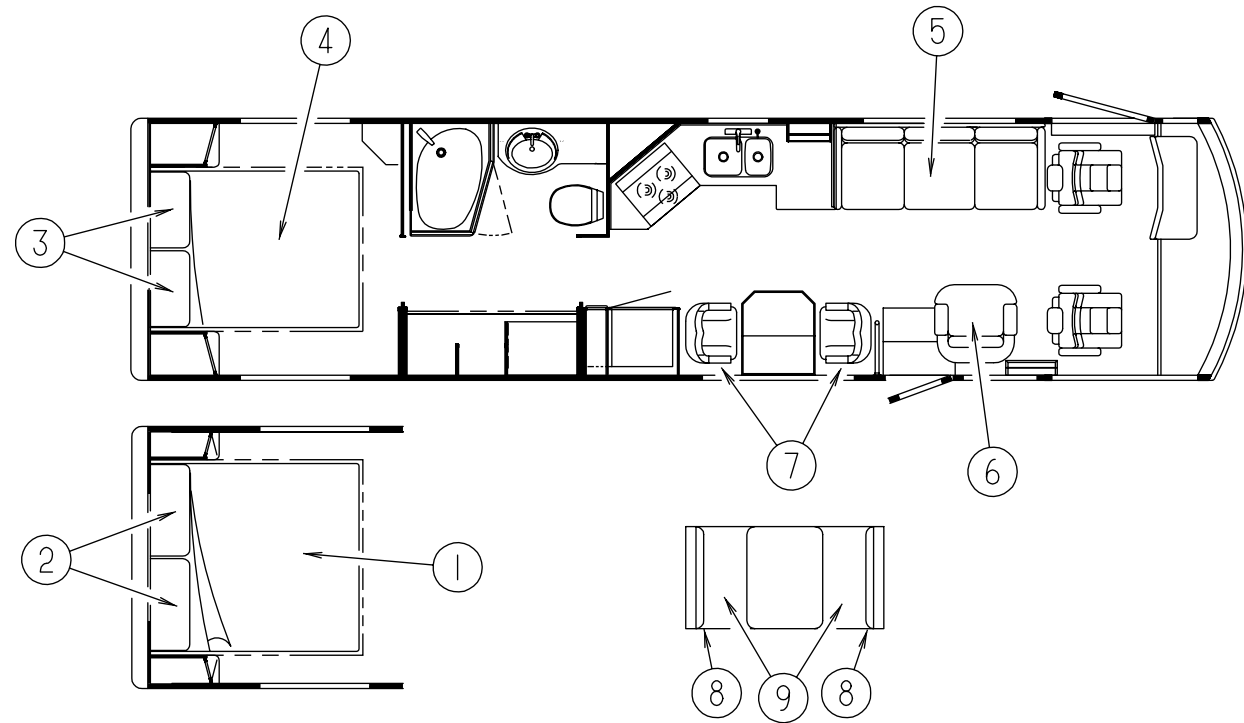
IN ORDER TO ASSIST OUR PARTS SALES DEPT. IN PROVIDING INTERIOR SOFTWARE ITEMS, PLEASE INCLUDE THE SERIAL NUMBER AND THE COLOR CODE NUMBER FROM THE VEHICLE CERTIFICATION LABEL WHEN ORDERING. THIS LABEL IS LOCATED ON THE LEFT SIDEWALL AT THE END OF THE DASH (A-BODY), OR ON THE DRIVER'S DOOR LATCH PLATE (C-BODY).

AN EXAMPLE OF A COLOR CODE NUMBER IS B07, WHICH DESIGNATES AN OVERALL COLOR SCHEME OF A PARTICULAR UNIT. THE COLOR LISTED AFTER THE ITEM DESCRIPTION ON THE MICROFICHE, INDICATES THE OVERALL UNIT COLOR. ORDER THE ITEM YOU DESIRE ACCORDING TO UNIT COLOR CODE. IF ALL COLORS USE THE SAME ITEM NO COLOR CODE WILL BE NOTED.



NOTE: USE THIS ILLUSTRATION WHEN DETERMINING LENGTH AND WIDTH MEASUREMENTS FOR CURTAINS. YOU WILL NOTE THE WIDTH MEASUREMENT IS TAKEN ON THE TOP OF THE CURTAIN WITH THE CURTAIN FULLY EXTENDED. THE LENGTH MEASUREMENT IS TAKEN FROM TOP TO BOTTOM. LEFT AND RIGHT WINDOW LEGS ARE DETERMINED WHEN FACING THE WINDOW.

CURTAIN&CUSHIONGROUP(CONTINUED)



SOFA

KEY	PARTNUMBER	U/M DESCRIPTION
5	119727-01-000	EA SOFA-VILLA80"W/FLAIRARMREST/KICKBOARD(H56,H57)
5	119728-06-000	EA SOFA-VILLA-W/ARMRESTS/KICKBOARD(H58,H59)
5	119728-07-000	EA SOFA-VILLA-W/ARMRESTS/KICKBOARD(H60,H61)
5	121884-04-000	EA SOFA-LEATHEROPTION(H56,H57)
5	121884-05-000	EA SOFA-COVENTRY-VILLA-LEATHEROPTION(H58,H59)
5	121884-06-000	EA SOFA-DEVON-VILLA-LEATHEROPTION(H60,H61)
5	121884-07-000	EA SOFA-VILLA-RICHARDPETTY(H64,H65)

LOUNGETHROWPILLOWS

KEY	PARTNUMBER	U/M DESCRIPTION
	106728-03-GV4	EA PILLOW-9"X20"(H56,H57)
	106728-02-H58	EA PILLOW-9"X20"(H58,H59)
	106728-03-H60	EA PILLOW-9"X20"(H60,H61)
	106728-06-H64	EA PILLOW-9"X20"(H64,H65)

SWIVELCHAIR

KEY	PARTNUMBER	U/M DESCRIPTION
6	118821-01-H56	EA CHAIR-SWIVEL/RECLINERW/FOOTREST
6	118821-01-H57	EA CHAIR-SWIVEL/RECLINERW/FOOTREST
6	118821-01-H58	EA CHAIR-SWIVEL/RECLINERW/FOOTREST
6	118821-01-H59	EA CHAIR-SWIVEL/RECLINERW/FOOTREST
6	118821-01-H60	EA CHAIR-SWIVEL/RECLINERW/FOOTREST
6	118821-01-H61	EA CHAIR-SWIVEL/RECLINERW/FOOTREST
6	121883-03-000	EA CHAIR-VILLA-GARRETCATHAM-LEATHEROPTION(H56,H57)
6	121883-06-000	EA CHAIR-VILLA-RICHARDPETTY-LEATHEROPTION(H58,H59)
6	121883-05-000	EA CHAIR-VILLA-DEVON-LEATHEROPTION(H60,H61)
6	121883-06-000	EA CHAIR-VILLA-RICHARDPETTY-RICHARDPETTYOPTION(H64,H65)

DINETTECHAIRS

KEY	PARTNUMBER	U/M DESCRIPTION
7	116058-09-000	EA CHAIR-DINETTE-FLEXSTEEL(H56,H57)
7	116058-10-000	EA CHAIR-DINETTE-FLEXSTEEL(H58,H59)
7	116058-11-000	EA CHAIR-DINETTE-FLEXSTEEL(H60,H61)
7	124149-05-000	EA CHAIR-DINETTE(H64,H65)
	116080-03-H56	EA COVER-CHAIRLEG-6.4"-SOLARMAPLE
	116080-03-G39	EA COVER-CHAIRLEG-6.4"-SALEMCHERRY
	074045-10-000	EA PLUG-OAK-1/2"DIAMETER-SOLARMAPLE
	074045-08-000	EA PLUG-OAK-1/2"DIAMETER-SALEMCHERRY

KINGBEDSPREAD,PILLOWS&MATTRESSES

KEY	PARTNUMBER	U/M DESCRIPTION
1	109588-25-GV4	EA BEDSPREAD/THROW-72"X80"(H56,H57)
1	114222-04-H58	EA BEDSPREAD/THROW-72"X80"(H58,H59)
1	114222-04-H60	EA BEDSPREAD/THROW-72"X80"(H60,H61)
1	119141-12-H64	EA BEDSPREAD/THROW-72"X80"(H64,H65)
	123015-09-000	EA MATTRESS-INNERSPRING-72"X79.5"
2	106727-06-H56	EA PILLOW-THROW-TOOTSIEROLL(H56,H57)
2	104565-06-H58	EA PILLOWSHAM-22"X37"(H58,H59)
2	104565-07-H60	EA PILLOWSHAM-22"X37"(H60,H61)
2	119249-02-000	EA PILLOWCASE-22"X37"-KING(H64,H65)

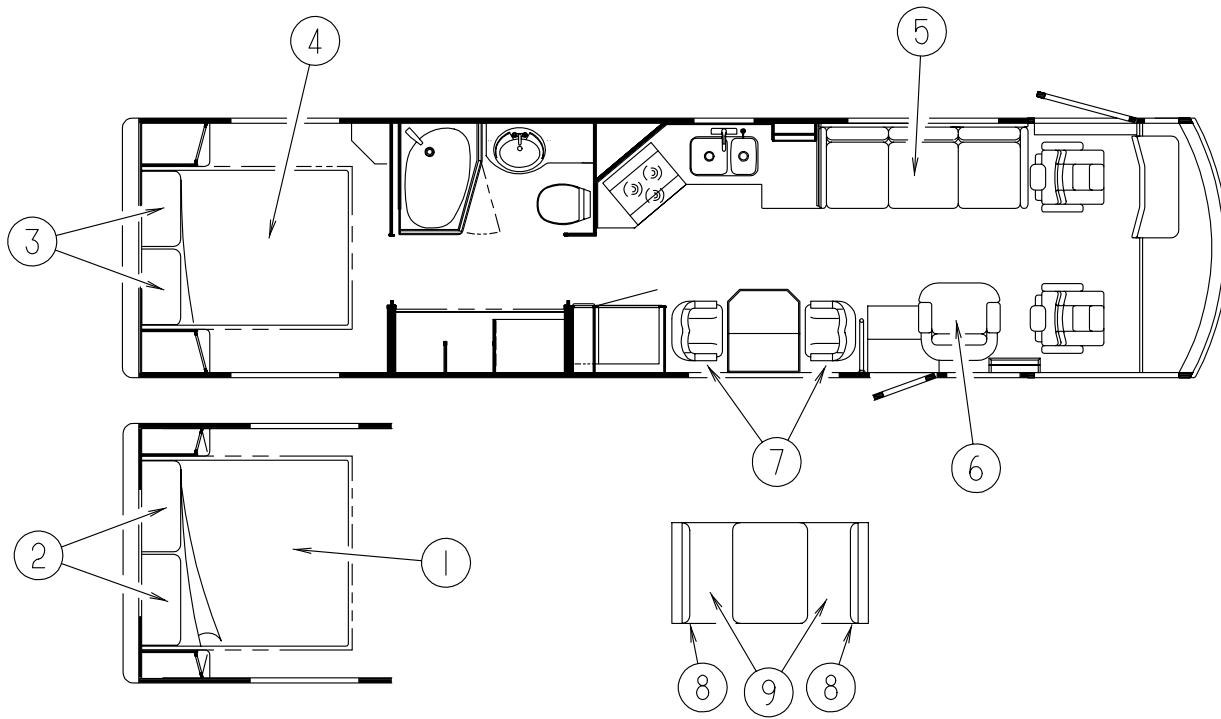
QUEENBEDSPREAD,PILLOWS&MATTRESSES

KEY	PARTNUMBER	U/M DESCRIPTION
3	106727-05-H56	EA PILLOW-THROW-TOOTSIEROLL(H56)
3	106727-05-H57	EA PILLOW-THROW-TOOTSIEROLL(H57)
3	104565-04-H58	EA PILLOWSHAM-2"FLANGE(H58,H59)
3	104565-05-H60	EA PILLOWSHAM-2"FLANGE&BRAID(H60,H61)
3	119249-01-000	EA PILLOWCASE-20"X33"-QUEEN(H64,H65)
4	109588-24-GV4	EA BEDSPREAD/THROW-FITTED-60"X80"(H56,H57)
4	114222-01-H58	EA BEDSPREAD/THROW-60"X80"(H58,H59)
4	114222-01-H60	EA BEDSPREAD/THROW-60"X80"(H60,H61)
4	119141-11-H64	EA BEDSPREAD/THROW-60"X80"(H64,H65)
	123015-07-000	EA MATTRESS-INNERSPRING-60"X79.5"

BEDROOMTHROWPILLOWS

KEY	PARTNUMBER	U/M DESCRIPTION
	109785-05-H56	EA PILLOW-W/CORNERPLEATS-15"X15"(H56,H57)
	104166-05-H58	EA PILLOW-14"X14"(H58,H59)
	104166-06-H60	EA PILLOW-14"X14"(H60,H61)
	111637-09-H64	EA PILLOW-16"X16"(H64,H65)

CURTAIN&CUSHIONGROUP(CONTINUED)



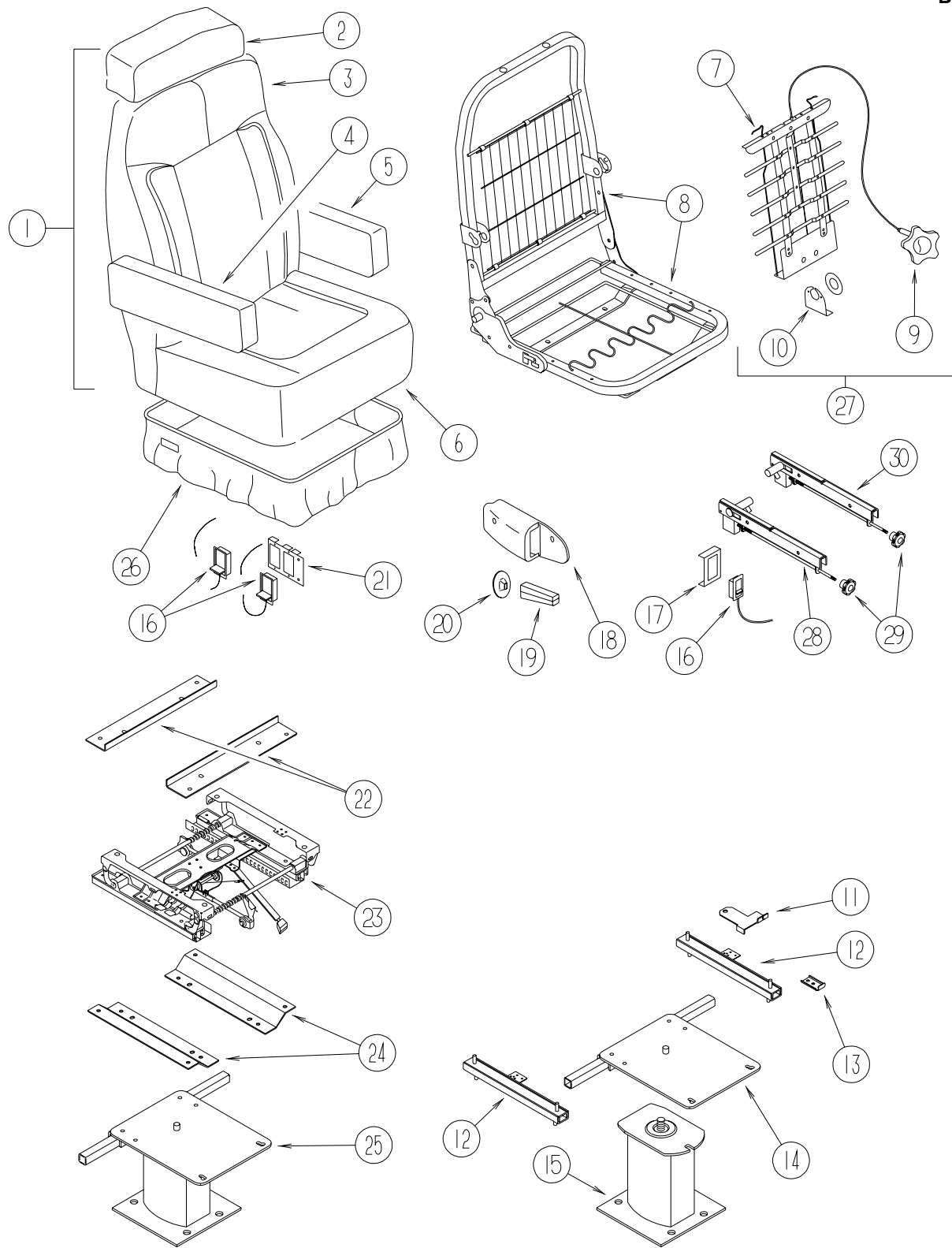
DINETTECUSHIONS

KEY	PARTNUMBER	U/M	DESCRIPTION
8	111897-07-GV4	EA	CUSHION-BACKREST-13.5"X30"X5"(H56,H57)
	P11897-07-GV4	EA	COVER-BACKREST-13.5"X30"X5"(H56,H57)
8	111897-07-H58	EA	CUSHION-BACKREST-13.5"X30"X5"(H58)
	P11897-07-H58	EA	COVER-BACKREST-13.5"X30"X5"(H58)
8	111897-07-H59	EA	CUSHION-BACKREST-13.5"X30"X5"(H59)
	P11897-07-H59	EA	COVER-BACKREST-13.5"X30"X5"(H59)
8	111897-07-H60	EA	CUSHION-BACKREST-13.5"X30"X5"(H60)
	P11897-07-H60	EA	COVER-BACKREST-13.5"X30"X5"(H60)
8	111897-07-H61	EA	CUSHION-BACKREST-13.5"X30"X5"(H61)
	P11897-07-H61	EA	COVER-BACKREST-13.5"X30"X5"(H61)
8	111897-07-H64	EA	CUSHION-BACKREST-13.5"X30"X5"(H64)
	P11897-07-H64	EA	COVER-BACKREST-13.5"X30"X5"(H64)
8	111897-07-H65	EA	CUSHION-BACKREST-13.5"X30"X5"(H65)
	P11897-07-H65	EA	COVER-BACKREST-13.5"X30"X5"(H65)
9	105603-17-GV4	EA	CUSHION-SEAT-23"X30.5"X5"(H56,H57)
	P05603-17-GV4	EA	COVER-SEAT-23"X30.5"X5"(H56,H57)
9	105603-17-H58	EA	CUSHION-SEAT-23"X30.5"X5"(H58,H59)
	P05603-17-H58	EA	COVER-SEAT-23"X30.5"X5"(H58,H59)
9	105603-17-H60	EA	CUSHION-SEAT-23"X30.5"X5"(H60,H61)
	P05603-17-H60	EA	COVER-SEAT-23"X30.5"X5"(H60,H61)
9	105603-17-H64	EA	CUSHION-SEAT-23"X30.5"X5"(H64,H65)
	P05603-17-H64	EA	COVER-SEAT-23"X30.5"X5"(H64,H65)
	078155-01-000	EA	STRAP-SNAP-BACKCUSHION

FOLDINGCHAIRS

KEY	PARTNUMBER	U/M	DESCRIPTION
	101604-01-04A	EA	CHAIR-FOLDING/DINETTE-W/OFABRIC-SOLARMAPLE
	101604-01-02A	EA	CHAIR-FOLDING/DINETTE-W/OFABRIC-SALEMCHERRY

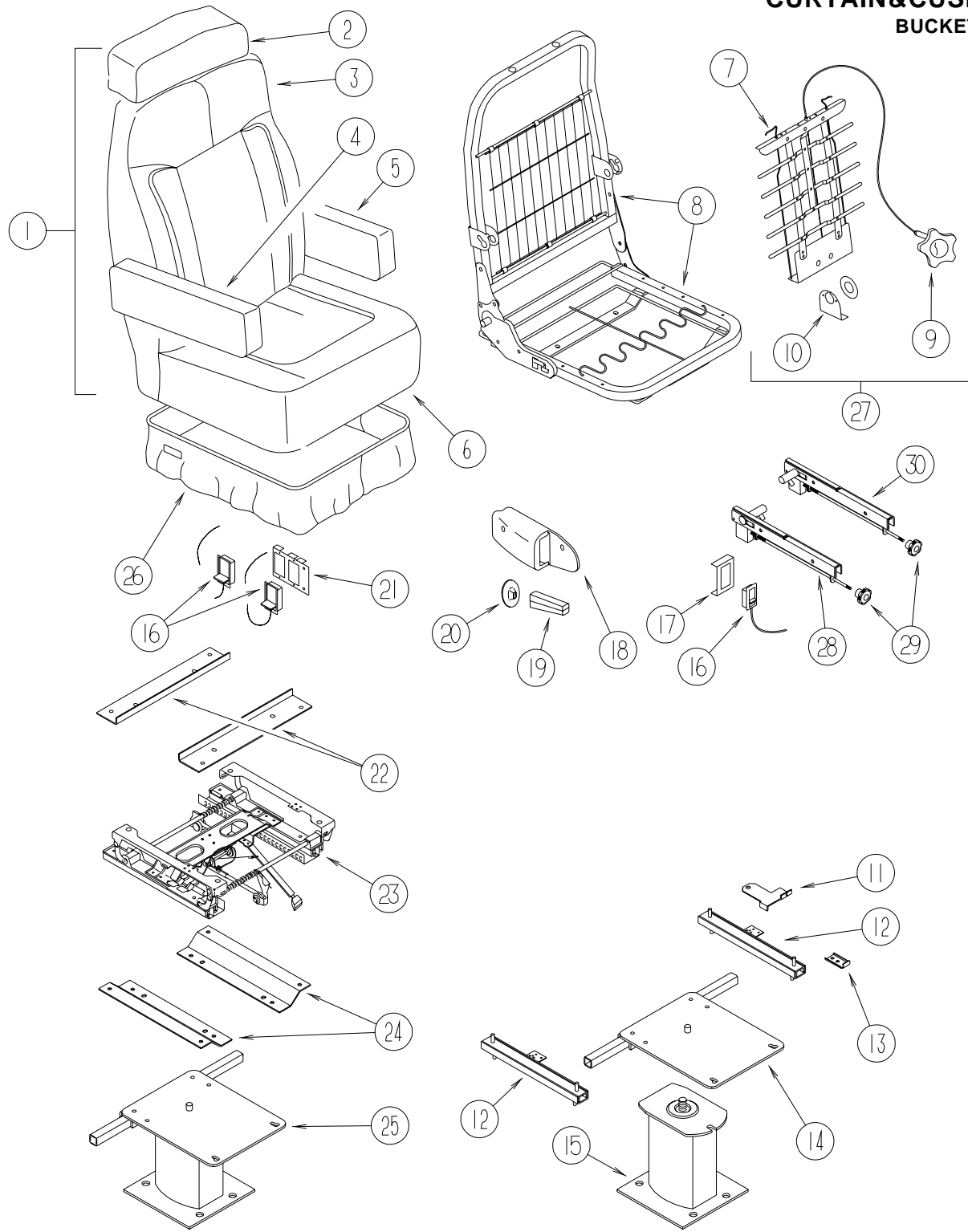
CURTAIN&CUSHIONGROUP(CONTINUED)
BUCKETSEATS



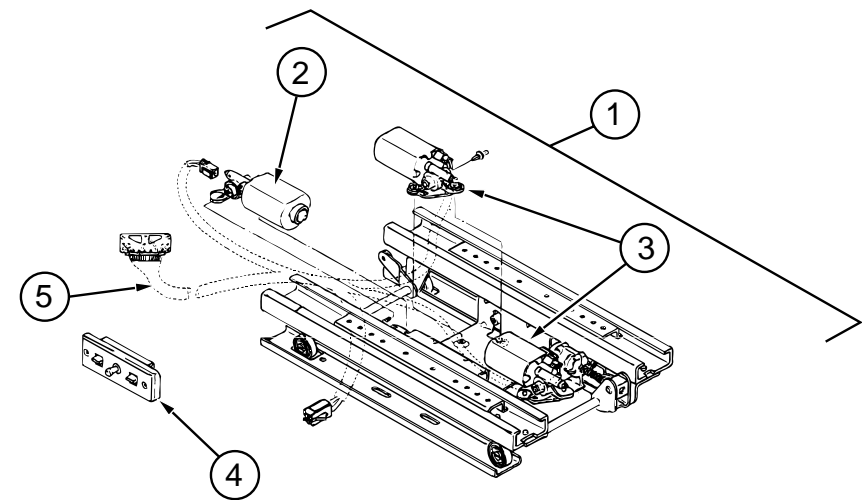
KEY	PARTNUMBER	U/M DESCRIPTION	VENDORNO.
1	123820-02-H58	EA SEAT-BUCKET(PASSENGER)(H58)	
1	123820-02-H59	EA SEAT-BUCKET(PASSENGER)(H59)	
1	123820-02-H60	EA SEAT-BUCKET(PASSENGER)(H60)	
1	123820-02-H61	EA SEAT-BUCKET(PASSENGER)(H61)	
1	123609-08-000	EA SEAT-BUCKET-RICHARDPETTY(PASSENGER)(H64,H65)	
1	123609-02-000	EA SEAT-BUCKET-PASSENGER-LEATHEROPTION(H56,H57)	
1	123609-08-000	EA SEAT-BUCKET-PASSENGER-LEATHEROPTION(H58,H59)	
1	123609-06-000	EA SEAT-BUCKET-PASSENGER-LEATHEROPTION(H60,H61)	
2	124682-01-H56	EA HEADREST(H56,H57)	
2	124682-01-H58	EA HEADREST(H58,H59)	
2	124682-01-H60	EA HEADREST(H60,H61)	
2	P24682-01-H56	EA COVER-HEADREST(H56,H57)	
2	P24682-01-H58	EA COVER-HEADREST(H58,H59)	
2	P24682-01-H60	EA COVER-HEADREST(H60,H61)	
2	113977-12-000	EA HEADRESTINSERT-W/OLOCK	
2	113977-13-000	EA HEADRESTINSERT-W/LOCK	
2	114791-03-000	EA FRAME-HEADREST	
3	M05962-47-H56	EA COVER-BACK(H56,H57)	
3	M05962-47-H58	EA COVER-BACK(H58,H59)	
3	M05962-47-H60	EA COVER-BACK(H60,H61)	
3	089323-01-000	FT STRIP-POLYENTHYLENE-J-CHANNEL	
4	123962-01-H56	EA ARMREST-ADJUSTABLE/RIGHTHAND(DRIVER)(H56,H57)	
4	123962-01-H58	EA ARMREST-ADJUSTABLE/RIGHTHAND(DRIVER)(H58,H59)	
4	123962-01-H60	EA ARMREST-ADJUSTABLE/RIGHTHAND(DRIVER)(H60,H61)	
4	P23962-01-H56	EA COVER-ARMREST-RIGHTHAND(DRIVER)(H56,H57)	
4	P23962-01-H58	EA COVER-ARMREST-RIGHTHAND(DRIVER)(H58,H59)	
4	P23962-01-H60	EA COVER-ARMREST-RIGHTHAND(DRIVER)(H60,H61)	
4	122780-01-H56	EA ARMREST-RIGHTHAND(PASSENGER)(H56,H57)	
4	122780-01-H58	EA ARMREST-RIGHTHAND(PASSENGER)(H58,H59)	
4	122780-01-H60	EA ARMREST-RIGHTHAND(PASSENGER)(H60,H61)	
4	P22780-01-H56	EA COVER-ARMREST-RIGHTHAND(PASSENGER)(H56,H57)	
4	P22780-01-H58	EA COVER-ARMREST-RIGHTHAND(PASSENGER)(H58,H59)	
4	P22780-01-H60	EA COVER-ARMREST-RIGHTHAND(PASSENGER)(H60,H61)	
4	115617-03-000	EA ARMREST-W/OCOVER-RIGHTHAND(PASSENGER)	
5	123962-02-H56	EA ARMREST-ADJUSTABLE/LEFTHAND(DRIVER)(H56,H57)	
5	123962-02-H58	EA ARMREST-ADJUSTABLE/LEFTHAND(DRIVER)(H58,H59)	
5	123962-02-H60	EA ARMREST-ADJUSTABLE/LEFTHAND(DRIVER)(H60,H61)	
5	P23962-02-H56	EA COVER-ARMREST-LEFTHAND(DRIVER)(H56,H57)	
5	P23962-02-H58	EA COVER-ARMREST-LEFTHAND(DRIVER)(H58,H59)	
5	P23962-02-H60	EA COVER-ARMREST-LEFTHAND(DRIVER)(H60,H61)	
5	122780-02-H56	EA ARMREST-LEFTHAND(PASSENGER)(H56,H57)	
5	122780-02-H58	EA ARMREST-LEFTHAND(PASSENGER)(H58,H59)	
5	122780-02-H60	EA ARMREST-LEFTHAND(PASSENGER)(H60,H61)	
5	P22780-02-H56	EA COVER-ARMREST-LEFTHAND(PASSENGER)(H56,H57)	
5	P22780-02-H58	EA COVER-ARMREST-LEFTHAND(PASSENGER)(H58,H59)	
5	P22780-02-H60	EA COVER-ARMREST-LEFTHAND(PASSENGER)(H60,H61)	
5	115617-04-000	EA ARMREST-W/OCOVER-LEFTHAND(PASSENGER)	
6	M05962-48-H56	EA COVER-BOTTOM(H56,H57)	
6	M05962-48-H58	EA COVER-BOTTOM(H58,H59)	
6	M05962-48-H60	EA COVER-BOTTOM(H60,H61)	
6	089323-01-000	FT STRIP-POLYENTHYLENE-J-CHANNEL	
7	122611-01-000	EA LUMBAR(DRIVER)	
8	122695-01-01B	EA FRAME-SEAT/BACK	
9	122611-01-701	EA LUMBAR-KNOB(DRIVER)	218
10	122611-01-702	EA LUMBAR-BRACKET(DRIVER)	157C-90
	122611-01-703	EA LUMBAR-SCREW(DRIVER)	210A
11	117125-01-02B	EA BRACKET-CABLEMOUNT-ADJUSTERW/LOCK	
12	119952-06-000	EA SLIDE/SEAT-HEAVYDUTYLOCKING-4STUDS	
12	119952-07-000	EA WIRE-LATCHRELEASE/ROTARY	
12	007221-01-000	EA SPACER-SEAT/ADJUSTER	
13	114889-01-000	EA STOPBAR-UNIVERSAL	

KEY	PARTNUMBER	U/M DESCRIPTION
1	123820-01-H56	EA SEAT-BUCKET-LUMBAR SUPPORT(DRIVER)(H56,H57)
1	123820-01-H58	EA SEAT-BUCKET-LUMBAR SUPPORT(DRIVER)(H58,H59)
1	123820-01-H60	EA SEAT-BUCKET-LUMBAR SUPPORT(DRIVER)(H60,H61)
1	123609-07-000	EA SEAT-BUCKET DRIVER 6-WAY-RICHARDPETTY(DRIVER)(H64,H65)
1	123609-01-000	EA SEAT-BUCKET-DRIVER 6WAY-LEATHEROPTION(H56,H57)
1	123609-07-000	EA SEAT-BUCKET-DRIVER 6WAY-LEATHEROPTION(H58,H59)
1	123609-05-000	EA SEAT-BUCKET-DRIVER 6WAY-LEATHEROPTION(H60,H61)
1	123820-02-H56	EA SEAT-BUCKET(PASSENGER)(H56)
1	123820-02-H57	EA SEAT-BUCKET(PASSENGER)(H57)

CURTAIN&CUSHIONGROUP(CONTINUED)
BUCKETSEATS(CONTINUED)



KEY	PARTNUMBER	U/M DESCRIPTION
22	116215-02-000	EA BRACKET-UPPERMOUNT-6-WAYMANUALSEAT
23	116215-01-000	EA ADJUSTER/SLIDE-DRIVERSSEAT-6-WAYMANUAL
24	116215-03-000	EA BRACKET-LOWERMOUNT-6-WAYMANUALSEAT
25	107921-01-000	EA PEDESTAL/FLOORMOUNTED-W/9.75"EXTENSION
25	107921-14-000	EA PEDESTAL-SEATW/5.75"EXTENSION-F/MANUALSEAT
25	119730-92-000	EA PEDESTAL-VILLA-6.2"-DRIVER-LEATHER&RICHARDPETTYOPTION
25	119730-96-000	EA PEDESTAL-VILLA-8"-PASSENGER-LEATHER&RICHARDPETTYOPTION
26	071126-58-H35	EA SKIRT-SINGLE-W/SEATBELTSLOT-BUCKETSEAT(H56,H57)
26	071126-58-H58	EA SKIRT-SINGLE-W/SEATBELTSLOT-BUCKETSEAT(H58,H59)
26	071126-58-H60	EA SKIRT-SINGLE-W/SEATBELTSLOT-BUCKETSEAT(H60,H61)
26	071126-60-H56	EA SKIRT-SINGLE-6-WAYMANUALBUCKETSEAT(H56,H57)
26	071126-60-H58	EA SKIRT-SINGLE-6-WAYMANUALBUCKETSEAT(H58,H59)
26	071126-60-H60	EA SKIRT-SINGLE-6-WAYMANUALBUCKETSEAT(H60,H61)
27	122611-01-000	EA LUMBAR
28	122622-01-000	EA BRACKET-ADJUSTABLE/ARMREST-RIGHTHAND FROM: 00-00-00 THRU: 08-17-96
28	122622-04-000	EA BRACKET-ADJUSTABLE/ARMREST-RIGHTHAND FROM: 08-18-96 THRU: 99-99-99
29	122622-03-000	EA BRACKET-ADJUSTABLEKNOB FROM: 00-00-00 THRU: 08-17-96
29	122622-06-000	EA BRACKET-ADJUSTABLEKNOB-3/8" FROM: 08-18-96 THRU: 99-99-99
30	122622-02-000	EA BRACKET-ADJUSTABLE/ARMREST-LEFTHAND FROM: 00-00-00 THRU: 08-17-96
30	122622-05-000	EA BRACKET-ADJUSTABLE/ARMREST-LEFTHAND FROM: 08-18-96 THRU: 99-99-99



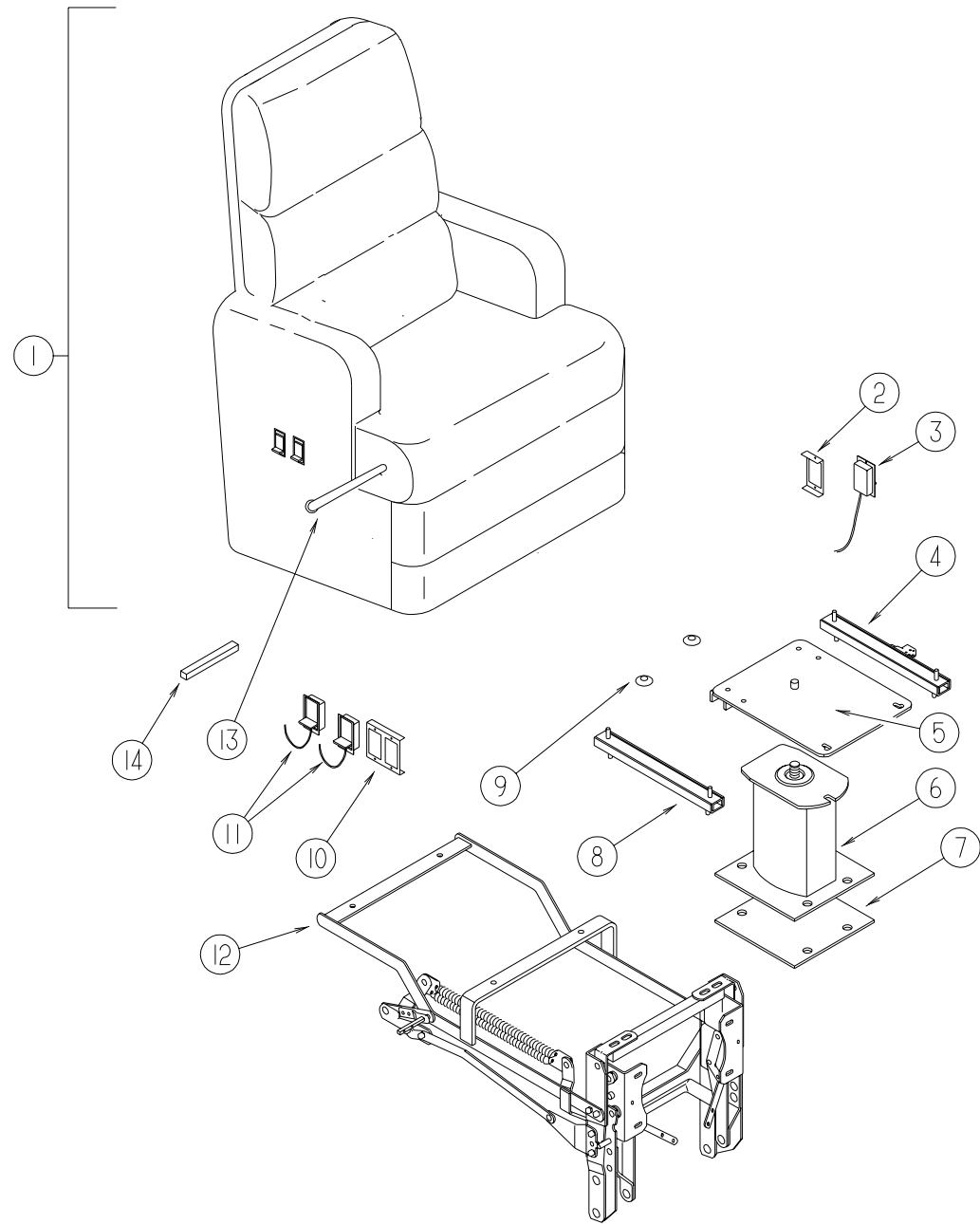
DELCOPOWERSEAT-6WAY

KEY	PARTNUMBER	U/M DESCRIPTION
14	107921-05-000	EA PLATE-TOP-W/SEATBELTBAR
14	119730-90-000	EA TOPPLATE-F/VILLABUCKETSEAT-LEATHER&RICHARDPETTYOPTION
14	107921-06-000	EA BEARINGKIT-PEDESTAL
14	113983-94-000	EA BEARINGKIT-VILLASEATPEDESTAL-LEATHER&RICHARDPETTYOPTION
15	107921-01-000	EA PEDESTAL/FLOORMOUNTED-W/9.75"EXTENSION
16	108049-02-000	EA CLIP-CABLE/PEDESTAL
16	108049-03-000	EA CABLE/CONTROL25.5"SHEATH/28.5"CABLEW/DOGLEG
17	097683-03-000	EA BRACKET-REMOTE/SIDEMOUNT-SINGLE
18	080730-09-000	EA SHIELD-RECLINERHANDLE
19	080730-08-000	EA HANDLE-RECLINER
20	080730-11-000	EA SHIELD-RUBBERBOOT
21	097683-02-000	EA BRACKET-REMOTE/SIDEMOUNT-DOUBLE

KEY	PARTNUMBER	U/M DESCRIPTION	VENDORN.
1	081373-03-000	EA SEAT-POWER-6WAY DELCORV620	
2	081373-02-704	EA MOTORPACKAGE-ADJUSTVERTICAL	22063238&H-196
3	081373-02-703	EA MOTORPACKAGE-ADJUSTHORIZONTAL	22063237&H-195
4	081373-03-700	EA SWITCHASM-FLAT-BROWN-GRAY	22138182&H-441
	081373-02-700	EA SWITCHW/CLEARMOLDEDCONN.	22063234
	081373-01-700	EA BRACKET-L-CONTROL SWITCH	H-171
5	081373-03-701	EA WIREHARNESSASM.-LHSIDE	6000
	081373-03-702	EA WIREHARNESSASM.-RHSIDE	6001

CURTAIN&CUSHIONGROUP(CONTINUED)

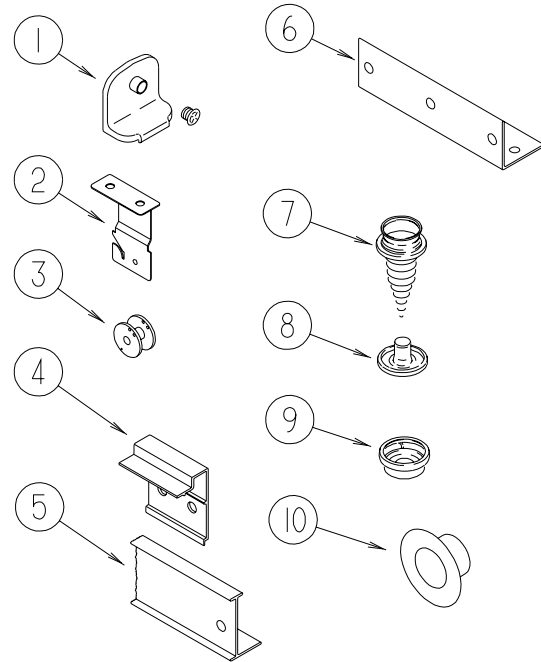
SWIVELCHAIR



KEY	PARTNUMBER	U/M	DESCRIPTION	VENDOR NO.
1	118821-01-H56	EA	CHAIR-SWIVEL/RECLINERW/FOOTREST	
1	118821-01-H57	EA	CHAIR-SWIVEL/RECLINERW/FOOTREST	
1	118821-01-H58	EA	CHAIR-SWIVEL/RECLINERW/FOOTREST	
1	118821-01-H59	EA	CHAIR-SWIVEL/RECLINERW/FOOTREST	
1	118821-01-H60	EA	CHAIR-SWIVEL/RECLINERW/FOOTREST	
1	118821-01-H61	EA	CHAIR-SWIVEL/RECLINERW/FOOTREST	
1	121883-03-000	EA	CHAIR-VILLA-GARRETCATHAM-LEATHEROPTION(H56,H57)	
1	121883-06-000	EA	CHAIR-VILLA-RICHARDPETTY-LEATHEROPTION(H58,H59)	
1	121883-05-000	EA	CHAIR-VILLA-DEVON-LEATHEROPTION(H60,H61)	
1	121883-06-000	EA	CHAIR-VILLA-RICHARDPETTY-RICHARDPETTYOPTION(H64,H65)	
	P18821-01-H56	EA	COVER-CHAIR-W/RECLINER&FOOTREST(H56)	
	P18821-01-GV5	EA	COVER-CHAIR-W/RECLINER&FOOTREST(H57)	
	P18821-01-H58	EA	COVER-CHAIR-W/RECLINER&FOOTREST(H58,H59)	
	P18821-01-H60	EA	COVER-CHAIR-W/RECLINER&FOOTREST(H60,H61)	
	P18821-27-H56	EA	COVER-RIGHT/LEFTARMREST(H56,H57)	
	P18821-27-H58	EA	COVER-RIGHT/LEFTARMREST(H58,H59)	
	P18821-27-H60	EA	COVER-RIGHT/LEFTARMREST(H60,H61)	
2	097683-03-000	EA	BRACKET-REMOTE/SIDEMOUNT-SINGLE	
3	089368-05-000	EA	CABLE-W/SWITCH25.5"SHEATH-293/4"CABLEW/DOGLEG	
4	119952-04-000	EA	SLIDE/SEAT-HEAVYDUTYLOCKING-4STUDS	
	117125-01-02B	EA	BRACKET-CABLEMOUNT-ADJUSTERW/LOCK	
	108049-02-000	EA	CLIP-CABLE/PEDESTAL	
5	107921-08-000	EA	TOPPLATE-PEDESTAL-W/OSEATBELTBAR	
5	113984-90-000	EA	TOPPLATE-14"-TTCHAIR-LEATHER&RICHARDPETTYOPTION	
6	107921-01-000	EA	PEDESTAL/FLOORMOUNTED-W/9.75"EXTENSION	
6	119730-94-000	EA	PEDESTAL-VILLA-LEATHER&RICHARDPETTYOPTION	
	107921-06-000	EA	BEARINGKIT-PEDESTAL	
	113983-94-000	EA	BEARINGKIT-VILLASEATPEDESTAL-LEATHER&RICHARDPETTYOPTION	
7	108445-02-000	EA	PLATE/FLOORMOUNTED-PEDESTALSEAT	
8	119952-02-000	EA	SLIDE/SEAT-HEAVYDUTYNONLOCKING	
9	007221-01-000	EA	SPACER-SEAT/ADJUSTER	
10	097683-02-000	EA	BRACKET-REMOTE/SIDEMOUNT-DOUBLE	
11	108049-03-000	EA	CABLE/CONTROL25.5"SHEATH/28.5"CABLEW/DOGLEG	
12	119106-01-000	EA	FRAME-FOOTRESTMECHANIC-COMPLETE	
13	119106-01-701	EA	HANDLE	92596
14	119106-01-700	EA	TUBE-EXTENSION-RECTANGULAR	92859

CURTAIN&CUSHIONGROUP(CONTINUED)

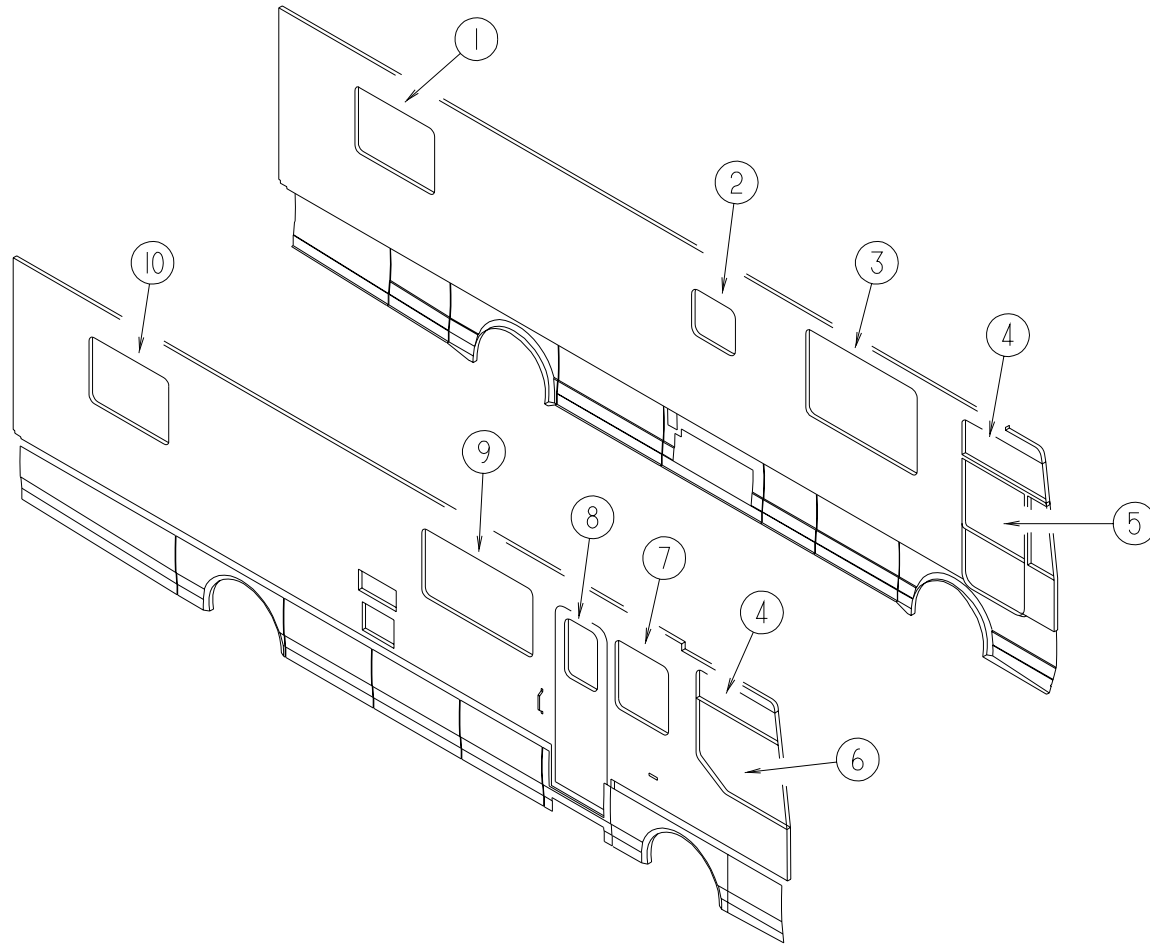
CURTAINHARDWARE



KEY	PARTNUMBER	U/M	DESCRIPTION
1	106544-01-001	EA	SCREW-SHADE/BRASS
1	106544-01-000	EA	PULL-SHADE/BRASS
2	084434-01-000	EA	BRACKET-MOUNTING-ROLLER SHADE - 1 3/8"
3	097592-01-000	EA	SPOOL-CORD-ELEVATED BLIND HOLDUP-CLEAR PLASTIC
	097593-02-000	FT	CORD-BLIND/PLEATED-GRAY
	097593-10-000	FT	CORD-.047" X 4.9"-VANILLA
4	097565-02-000	EA	BRACKET-MOUNTING PLEATED BLIND
			FROM: 00-00-00 THRU: 10-23-96
4	097565-01-000	EA	BRACKET-MOUNTING/PLEATED BLIND
			FROM: 10-24-96 THRU: 99-99-99
5	118896-01-01A	EA	TRACK-CURTAIN-RIGHTHAND
5	118896-02-H56	EA	TRACK-RIGHTHAND CURTAIN
5	118897-01-01A	EA	TRACK-CURTAIN-LEFTHAND
6	105648-01-02A	EA	BRACE-VALANCE-OFF/WHITE-14"
7	029130-01-000	EA	SCREW-SNAP SOCKET-#8 PH X 5/8"
8	029155-01-000	EA	CAP-SNAP-5/32" O.D. OF PIN
9	029156-01-000	EA	SOCKET-SNAP-9/16" O.D.
10	046867-03-000	EA	GROMMET-HANDY BUTTON #3
	048394-02-000	YD	VELCRO TAPE-HOOK-ADHESIVE BACK-.75" WIDE-BEIGE
	086276-01-000	EA	TAPE-DOUBLE SIDED-1/2"
	088792-02-000	YD	VELCRO TAPE-LOOP-.75"-ADHESIVE BACKED-BEIGE
	094896-02-000	EA	GROMMET-CORD/PLEATED BLIND-NYLON-GRAY
	094907-05-701	EA	ENDCAP-LH BOTTOM BLIND-PART SALES
	094907-05-700	EA	ENDCAP-RH BOTTOM BLIND-PART SALES
	094907-05-000	EA	HARDWARE-ENDCAP-BOTTOM-PULL TYPE
			N/A ORDER #09490705700 RH CAP, #09490705701 LH CAP
	094907-06-000	EA	HARDWARE-ENDCAP-E-ZLIFT-TOP
	094908-03-000	FT	HARDWARE-SEMI-RIDGED PVC-EZLIFT
	094908-04-000	FT	STRAP-FLAT POLY VINYL
	096843-01-000	EA	SPRING-REWIND/ROLLER SHADE
	097564-01-000	EA	HANDLE-T-EZLIFT SHADE
	097591-01-000	EA	SPRING-EXTENSION/PLEATED BLIND
	083170-01-000	EA	BRACKET-BLIND-LEFT SIDE WHEN FACING WINDOW
	083170-02-000	EA	BRACKET-BLIND-RIGHT SIDE WHEN FACING WINDOW

CURTAIN&CUSHIONGROUP(CONTINUED)

CURTAINS&WINDOWTREATMENT

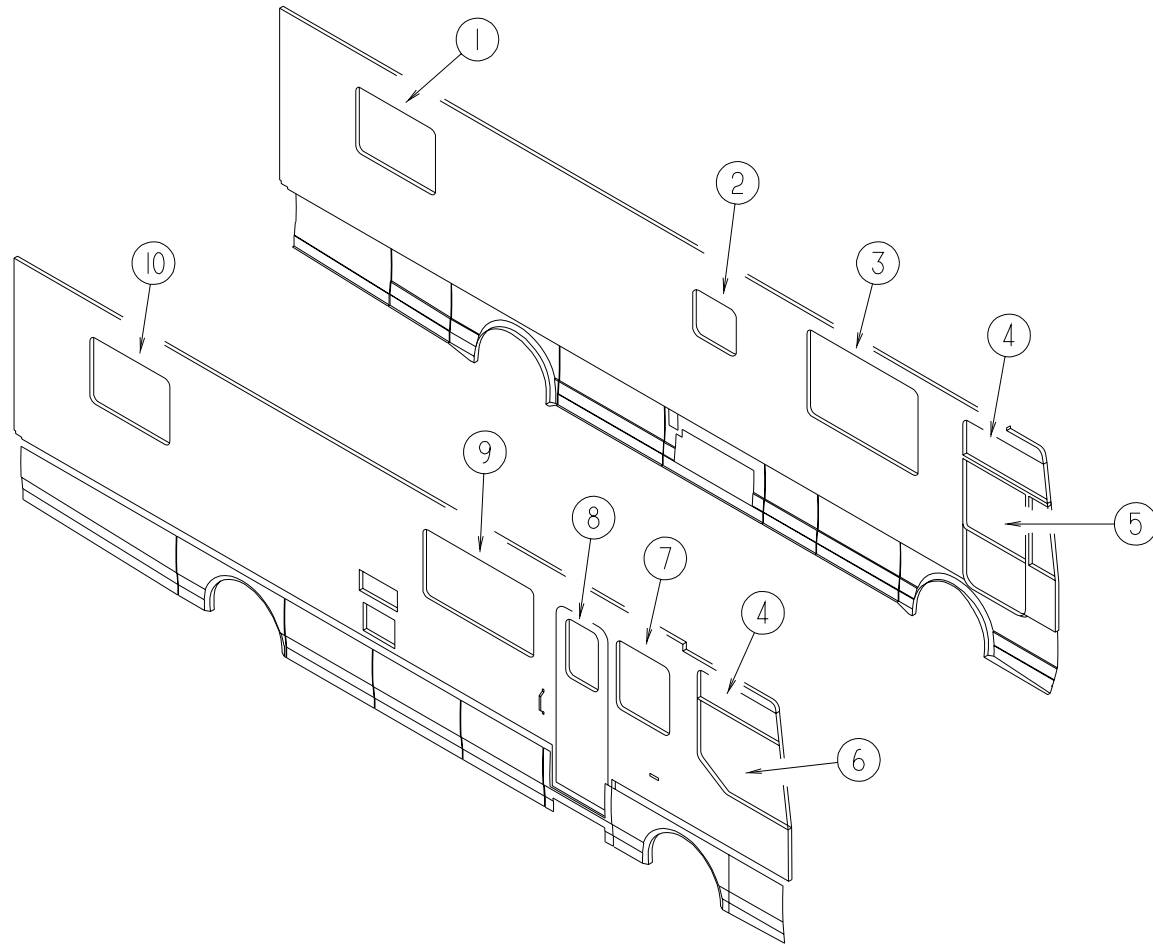


KEY	PARTNUMBER	U/M	DESCRIPTION
1	117657-08-H56	EA	VALANCE-KINGSTON-34"(H56,H57)
1	117844-06-H56	EA	COVER-KINGSTON-40"(H56,H57)
1	117657-08-H58	EA	VALANCE-KINGSTON-34"(H58,H59)
1	117844-06-H58	EA	COVER-KINGSTON-40"(H58,H59)
1	119138-31-H60	EA	VALANCE-BELLINI-34"(H60,H61)
1	119138-38-H64	EA	VALANCE-BELLINI-34"(H64,H65)
1	123964-04-H56	EA	BLIND-MICRO-DAY/NIGHTER-29"X37"(H56,H57,H58,H59,H64,H65) FROM: 00-00-00 THRU: 06-27-96
1	123964-04-HA6	EA	BLIND-MICRO-DAY/NIGHTER-29"X37"(H56,H57,H58,H59,H64,H65) FROM: 06-28-96 THRU: 09-17-96
1	123964-04-HB6	EA	BLIND-MICRO-DAY/NIGHTER-29"X37"(H56,H57,H58,H59,H64,H65) FROM: 09-18-96 THRU: 99-99-99
1	123964-04-H60	EA	BLIND-MICRO-DAY/NIGHTER-28"X37"(H60,H61) FROM: 00-00-00 THRU: 09-17-96
1	123964-04-HC6	EA	BLIND-MICRO-DAY/NIGHTER-29"X37"(H60,H61) FROM: 09-18-96 THRU: 10-20-96
1	123964-04-HD6	EA	BLIND-MICRO-DAY/NIGHTER-29"X37"(H60,H61) FROM: 10-21-96 THRU: 99-99-99
1	119333-89-H56	EA	LEG-RIGHT-34"(H56,H57)
1	119333-89-H58	EA	LEG-RIGHT-34"(H56,H57)
1	119333-93-H60	EA	LEG-RIGHT-34"(H60,H61)
1	119333-93-H64	EA	LEG-RIGHT-34"(H64,H65)
1	119333-90-H56	EA	LEG-LEFT-34"(H58,H59)
1	119333-90-H58	EA	LEG-LEFT-34"(H58,H59)
1	119333-94-H60	EA	LEG-LEFT-34"(H60,H61)
1	119333-94-H64	EA	LEG-LEFT-34"(H64,H65)

KEY	PARTNUMBER	U/M	DESCRIPTION
2	111861-02-01A	EA	BLIND-MICRO/MINI-24.5"X22"
3	119262-10-H56	EA	VALANCE-MONACO-62.5"(H56)
3	119262-10-H57	EA	VALANCE-MONACO-62.5"(H57)
3	121410-23-H58	EA	VALANCE-MODERATE-62.5"(H58,H59)
3	121410-24-H60	EA	VALANCE-MODERATE-62.5"(H60,H61)
3	119138-35-H64	EA	VALANCE-BELLINI-62.5"(H64,H65)
3	123964-03-H56	EA	BLIND-MICRO-DAY/NIGHTER-59"X41"(H56,H57,H58,H59.H64,H65) FROM: 00-00-00 THRU: 06-27-96
3	123964-03-HA6	EA	BLIND-MICRO-DAY/NIGHTER-59"X41"(H56,H57,H58,H59.H64,H65) FROM: 06-28-96 THRU: 09-17-96
3	123964-03-HB6	EA	BLIND-MICRO-DAY/NIGHTER-59"X41"(H56,H57,H58,H59.H64,H65) FROM: 09-18-96 THRU: 99-99-99
3	123964-03-H60	EA	BLIND-MICRO-DAY/NIGHTER-59"X41"(H60,H61) FROM: 00-00-00 THRU: 09-17-96
3	123964-03-HC6	EA	BLIND-MICRO-DAY/NIGHTER-59"X41"(H60,H61) FROM: 09-18-96 THRU: 10-20-96
3	123964-03-HD6	EA	BLIND-MICRO-DAY/NIGHTER-59"X41"(H60,H61) FROM: 10-21-96 THRU: 99-99-99
3	119333-13-GV5	EA	LEG-RIGHT-38"(H56,H57)
3	119333-13-H58	EA	LEG-RIGHT-38"(H58,H59)
3	119333-95-H60	EA	LEG-RIGHT-38"(H60,H61)
3	119333-31-H64	EA	LEG-RIGHT-38"(H64,H65)
3	119333-14-GV5	EA	LEG-LEFT-38"(H56,H57)
3	119333-14-H58	EA	LEG-LEFT-38"(H58,H59)
3	119333-96-H60	EA	LEG-LEFT-38"(H60,H61)
3	119333-32-H64	EA	LEG-LEFT-38"(H64,H65)
3	119262-31-H56	EA	VALANCE-MONACO-62.5"-WINDOWEXCHANGE(H56)
3	119262-31-H57	EA	VALANCE-MONACO-62.5"-WINDOWEXCHANGE(H57)
3	121410-27-H58	EA	VALANCE-MODERATE-62.5"-WINDOWEXCHANGE(H58,H59)
3	121410-28-H60	EA	VALANCE-MODERATE-62.5"-WINDOWEXCHANGE(H60,H61)
3	119262-37-H64	EA	VALANCE-BELLINI-62.5"-WINDOWEXCHANGE(H64,H65)
3	123964-05-H56	EA	BLIND-MICRO-DAY/NIGHTER-59"X33"-WINDOWEXCHANGE (H56,H57,H58,H59.H64,H65) FROM: 00-00-00 THRU: 06-27-96
3	123964-05-HA6	EA	BLIND-MICRO-DAY/NIGHTER-59"X33"-WINDOWEXCHANGE (H56,H57,H58,H59.H64,H65) FROM: 06-28-96 THRU: 09-17-96
3	123964-05-HB6	EA	BLIND-MICRO-DAY/NIGHTER-59"X33"-WINDOWEXCHANGE (H56,H57,H58,H59.H64,H65) FROM: 09-18-96 THRU: 99-99-99
3	123964-05-H60	EA	BLIND-MICRO-DAY/NIGHTER-59"X33"-WINDOWEXCHANGE(H64,H65) FROM: 00-00-00 THRU: 09-17-96
3	123964-05-HC6	EA	BLIND-MICRO-DAY/NIGHTER-59"X33"-WINDOWEXCHANGE(H64,H65) FROM: 09-18-96 THRU: 10-20-96
3	123964-05-HD6	EA	BLIND-MICRO-DAY/NIGHTER-59"X33"-WINDOWEXCHANGE(H64,H65) FROM: 10-21-96 THRU: 99-99-99
3	119333-45-GV4	EA	LEG-RIGHT-30"-WINDOWEXCHANGE(H56,H57)
3	119333-45-H58	EA	LEG-RIGHT-30"-WINDOWEXCHANGE(H58,H59)
3	123910-03-H60	EA	LEG-RIGHT-30"-WINDOWEXCHANGE(H60,H61)
3	119333-27-H64	EA	LEG-RIGHT-30"-WINDOWEXCHANGE(H64,H65)
3	119333-46-GV4	EA	LEG-LEFT-30"-WINDOWEXCHANGE(H56,H57)
3	119333-46-H58	EA	LEG-LEFT-30"-WINDOWEXCHANGE(H58,H59)
3	123910-04-H60	EA	LEG-LEFT-30"-WINDOWEXCHANGE(H60,H61)
3	119333-28-H64	EA	LEG-LEFT-30"-WINDOWEXCHANGE(H64,H65)

CURTAIN&CUSHIONGROUP(CONTINUED)

CURTAINS&WINDOWTREATMENT(CONTINUED)



KEY	PARTNUMBER	U/M DESCRIPTION
8	120820-01-GV4	EA VALANCE-FLAT-W/CLOCKCUTOUT-15"X30.5"(H56,H57)
8	120820-01-H58	EA VALANCE-FLAT-W/CLOCKCUTOUT-15"X30.5"(H58,H59)
8	120820-14-H60	EA VALANCE-FLAT-15"X30.5"(H60,H61)
8	120820-15-H64	EA VALANCE-FLAT-15"X30.5"-W/CLOCKCUTOUT(H64,H65)
8	084755-57-E07	EA SHADE-PULL-27.25"
9	119262-31-H56	EA VALANCE-MONACO-62.5"(H56)
9	119262-31-H57	EA VALANCE-MONACO-62.5"(H57)
9	121410-27-H58	EA VALANCE-MODERATE-62.5"(H58,H59)
9	121410-28-H60	EA VALANCE-MODERATE-62.5"(H60,H61)
9	119262-37-H64	EA VALANCE-BELLINI-62.5"(H64,H65)
9	123964-05-H56	EA BLIND-MICRO-DAY/NIGHTER-59"X33"(H56,H57,H58,H59.H60,H61) FROM: 00-00-00 THRU: 06-27-96
9	123964-05-HA6	EA BLIND-MICRO-DAY/NIGHTER-59"X33"(H56,H57,H58,H59.H60,H61) FROM: 06-28-96 THRU: 09-17-96
9	123964-05-HB6	EA BLIND-MICRO-DAY/NIGHTER-59"X33"(H56,H57,H58,H59.H60,H61) FROM: 09-18-96 THRU: 99-99-99
9	123964-05-H60	EA BLIND-MICRO-DAY/NIGHTER-59"X33"(H64,H65) FROM: 00-00-00 THRU: 09-17-96
9	123964-05-HC6	EA BLIND-MICRO-DAY/NIGHTER-59"X33"(H64,H65) FROM: 09-18-96 THRU: 10-20-96
9	123964-05-HD6	EA BLIND-MICRO-DAY/NIGHTER-59"X33"(H64,H65) FROM: 10-21-96 THRU: 99-99-99
9	119333-45-GV4	EA LEG-RIGHT-30"(H56,H57)
9	119333-45-H58	EA LEG-RIGHT-30"(H58,H59)
9	123910-03-H60	EA LEG-RIGHT-30"(H60,H61)
9	119333-27-H64	EA LEG-RIGHT-30"(H64,H65)
9	119333-46-GV4	EA LEG-LEFT-30"(H56,H57)
9	119333-46-H58	EA LEG-LEFT-30"(H58,H59)
9	123910-04-H60	EA LEG-LEFT-30"(H60,H61)
9	119333-28-H64	EA LEG-LEFT-30"(H64,H65)
10	117657-08-H56	EA VALANCE-KINGSTON-34"(H56,H57)
10	117844-06-H56	EA COVER-KINGSTON-40"(H56,H57)
10	117657-08-H58	EA VALANCE-KINGSTON-34"(H58,H59)
10	117844-06-H58	EA COVER-KINGSTON-40"(H58,H59)
10	119138-30-H60	EA VALANCE-BELLINI-34"(H60,H61)
10	119138-27-H64	EA VALANCE-BELLINI-34"(H64,H65)
10	123964-04-H56	EA BLIND-MICRO-DAY/NIGHTER-29"X37"(H56,H57,H58,H59,H64,H65) FROM: 00-00-00 THRU: 06-27-96
10	123964-04-HA6	EA BLIND-MICRO-DAY/NIGHTER-29"X37"(H56,H57,H58,H59,H64,H65) FROM: 06-28-96 THRU: 09-17-96
10	123964-04-HB6	EA BLIND-MICRO-DAY/NIGHTER-29"X37"(H56,H57,H58,H59,H64,H65) FROM: 09-18-96 THRU: 99-99-99
10	123964-04-H60	EA BLIND-MICRO-DAY/NIGHTER-28"X37"(H60,H61) FROM: 00-00-00 THRU: 09-17-96
10	123964-04-HC6	EA BLIND-MICRO-DAY/NIGHTER-29"X37"(H60,H61) FROM: 09-18-96 THRU: 10-20-96
10	123964-04-HD6	EA BLIND-MICRO-DAY/NIGHTER-29"X37"(H60,H61) FROM: 10-21-96 THRU: 99-99-99
10	119333-81-H56	EA LEG-RIGHT-34"(H56,H57)
10	119333-81-H58	EA LEG-RIGHT-34"(H58,H59)
10	119333-91-H60	EA LEG-RIGHT-34"(H60,H61)
10	119333-91-H64	EA LEG-RIGHT-34"(H64,H65)
10	119333-82-H56	EA LEG-LEFT-34"(H56,H57)
10	119333-82-H58	EA LEG-LEFT-34"(H58,H59)
10	119333-92-H60	EA LEG-LEFT-34"(H60,H61)
10	119333-92-H64	EA LEG-LEFT-34"(H64,H65)

KEY	PARTNUMBER	U/M DESCRIPTION
4	084755-90-000	EA SHADE-PULL-28.25"X60"
5	093487-08-03A	EA WRAPAROUND-FRONT-LEFTHANDPLEATED-51"X100" FROM: 00-00-00 THRU: 11-24-96
5	093487-12-01A	EA WRAPAROUND-FRONT-LEFTHANDPLEATED-51"X108" FROM: 11-25-96 THRU: 99-99-99
6	093487-07-03A	EA WRAPAROUND-FRONT-RIGHTHAND/PLEATED-51"X100" FROM: 00-00-00 THRU: 11-24-96
6	093487-11-01A	EA WRAPAROUND-FRONT-RIGHTHAND/PLEATED-51"X108" FROM: 11-25-96 THRU: 99-99-99
7	119262-19-GV4	EA VALANCE-MONACO-30"(H56,H57)
7	121410-36-H58	EA VALANCE-MODERATE-30"(H58,H59)
7	121410-37-H60	EA VALANCE-MODERATE-30"(H60,H61)
7	119138-36-H64	EA VALANCE-BELLINI-30"(H64,H65)
7	123964-09-H56	EA BLIND-MICRO-DAY/NIGHTER-29"X31"(H56,H57,H58,H59.H64,H65) FROM: 00-00-00 THRU: 06-27-96
7	123964-09-HA6	EA BLIND-MICRO-DAY/NIGHTER-29"X31"(H56,H57,H58,H59.H64,H65) FROM: 06-28-96 THRU: 09-17-96
7	123964-09-HB6	EA BLIND-MICRO-DAY/NIGHTER-29"X31"(H56,H57,H58,H59.H64,H65) FROM: 09-18-96 THRU: 99-99-99
7	123964-09-H60	EA BLIND-MICRO-DAY/NIGHTER-29"X31"(H60,H61) FROM: 00-00-00 THRU: 09-17-96
7	123964-09-HC6	EA BLIND-MICRO-DAY/NIGHTER-29"X31"(H60,H61) FROM: 09-18-96 THRU: 10-20-96
7	123964-09-HD6	EA BLIND-MICRO-DAY/NIGHTER-29"X31"(H60,H61) FROM: 10-21-96 THRU: 99-99-99

CURTAIN&CUSHIONGROUP(CONTINUED)
FABRICS

COLOR CODES	H56,H57	H58,H59	H60,H61	H64,H65
	KENTSHIRE GREEN	COVENTRY STONE	DEVON BURGUNDY	RICHARD PETTY TAUPE
BUCKET SEAT	108446-59-000	108446-P5-000	108446-N8-000	
DINETTE	108446-F6-000	108446-N6-000	108446-N7-000	
SWIVEL CHAIR	108446-J5-000	108446-P6-000	108446-N9-000	108446-P6-000
LOUNGE WINDOW	108446-F6-000	108446-N6-000 084415-78-000	108446-N7-000	108446-P6-000 108446-D6-000
BEDSPREAD	105745-C7-000	105745-F4-000 084415-78-000	105745-F6-000 084415-79-000	105745-D1-000 105745-D3-000
BEDROOM	105745-C7-000	105745-F4-000	105745-F6-000	105745-D1-000
VALANCE & LEG	105745-C8-000	105745-F5-000	084415-79-000	105745-D1-000 105745-D3-000
BEDROOM PILLOW	105745-C8-000 084415-76-000	105745-F5-000	105745-F6-000 048815-79-000	105745-D3-000
SHAMS	105745-C8-000 084415-76-000	105745-F4-000 084415-78-000 105745-F5-000	105745-F6-000 084415-79-000	
SOFA PILLOWS	108446-F6-000 084415-75-000	108446-P6-000 084415-78-000	108446-N7-000 084415-79-000	108446-D6-000
DINETTE CHAIRS	108446-J5-000	108446-P6-000	108446-N9-000	108446-P6-000
DINETTE PADS	108446-59-000	108446-P5-000	108446-N8-000	
BEDROOM	094911-44-000	094911-44-000	094911-48-000	
DAY-NITERS	094911-42-000	094911-42-000	094911-42-000	094911-42-000
HEAD BOARD	105745-C8-000 084415-76-000	105745-F4-000 084415-78-000	105745-F6-000 084415-79-000	105745-D3-000 084416-29-000
LOUNGE	094911-44-000	094911-44-000	094911-48-000	094911-42-000
BED BOARDS	105745-C8-000	105745-F5-000	105745-F6-000	105745-D3-000

NOTE: FABRIC LISTED FIRST BLOCK, IS THE LARGEST QUANTITY OF FABRIC USED

CURTAIN&CUSHIONGROUP(CONTINUED)

FABRIC TRIMS & BUTTONS

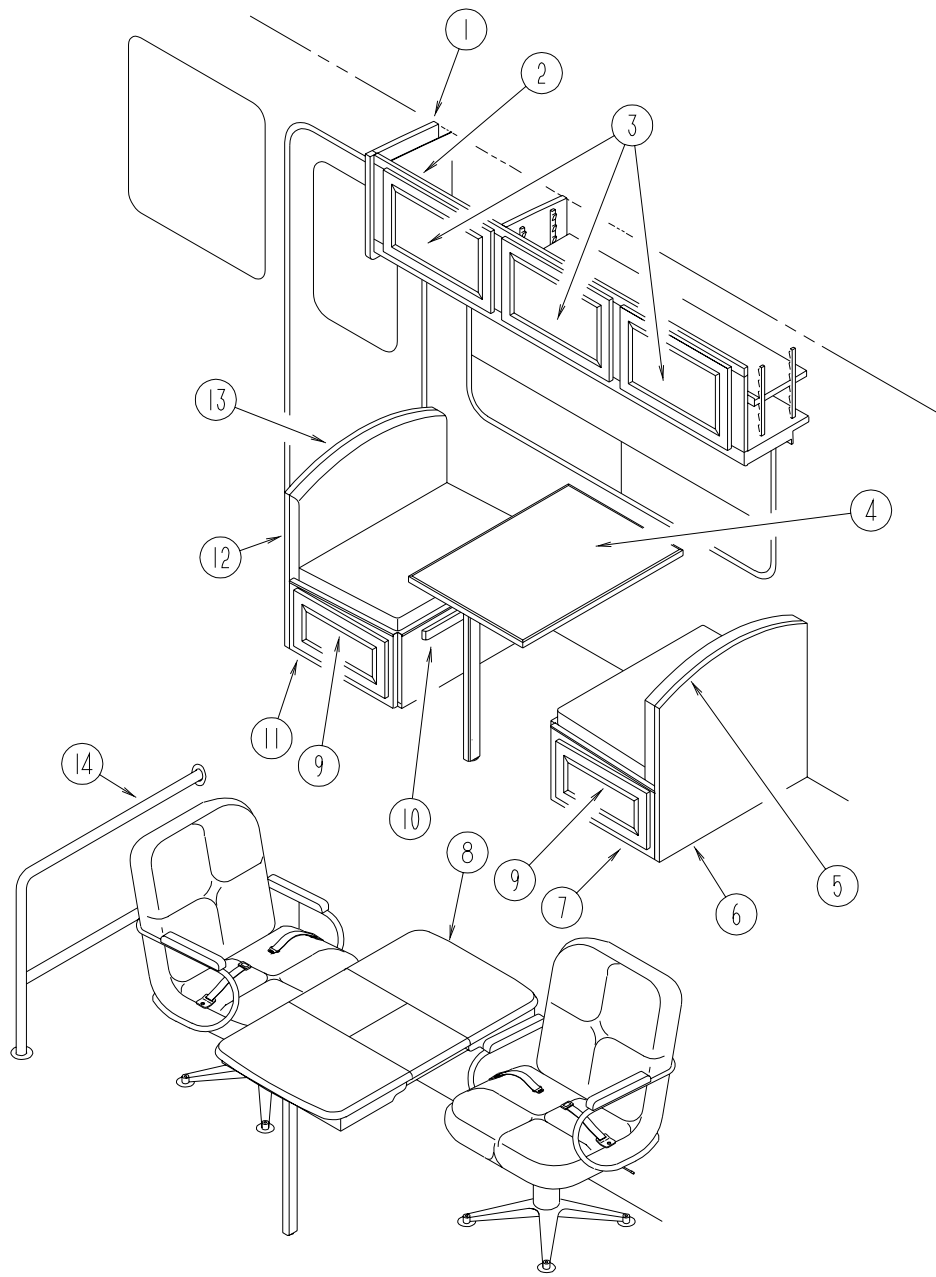
KEY	PARTNUMBER	U/M	DESCRIPTION
	070578-02-FQ0	EA	BUTTON-#30-VINYL-TAN
	070578-02-E37	EA	BUTTON-#30-VINYL
	074494-02-000	EA	BUTTON-RETAINING PIVOT-#60(H58,H59)
	074494-03-000	EA	BUTTON-SERRATED PIVOT-W/3/8 TACK(H58,H59)
	074494-04-000	EA	BUTTON-JOINED/PIVOT-W3/4 TACK
	118337-02-H58	EA	BUTTON-#60-DOUBLE SIDED(H58,H59)
	079349-04-H35	YD	WELT-NARROW(H56,H57,H64,H65)
	079349-04-H58	YD	WELT-NARROW(H58,H59)
	079349-04-H60	YD	WELT-NARROW(H60,H61)
	084415-75-000	YD	TRIM-BRAID-FRINGER(H56,H57,H64,H65)
	084415-76-000	YD	TRIM-BRAID-CORD(H56,H57)
	084415-78-000	YD	TRIM-BRAID-CORD(H58,H59)
	084415-79-000	YD	TRIM-BRAID-CORD(H60,H61)
	057534-03-000	EA	TIEBACK-PLASTIC-7.50"-CLEAR

SEATBELTS & ASSIST HANDLE

KEY	PARTNUMBER	U/M	DESCRIPTION
	057759-01-000	EA	WASHER BRACKET-SEATBELT-4" DIAMETER
	007021-01-000	EA	SEATBELT-2" X 90"-BLACK
	069178-02-000	EA	BRACKET-MOUNTING/ASSIST HANDLE
	000C16-07-16B	EA	BOLT-CARRIAGE-ASSIST HANDLE-7/16"-14 X 1"
	000D20-07-00B	EA	NUT-ACORN-ASSIST HANDLE-7/16-14
	053552-02-AA8	EA	HANDLE-ASSIST-INTERIOR/ENTRY DOOR-VINYL/OFFWHITE

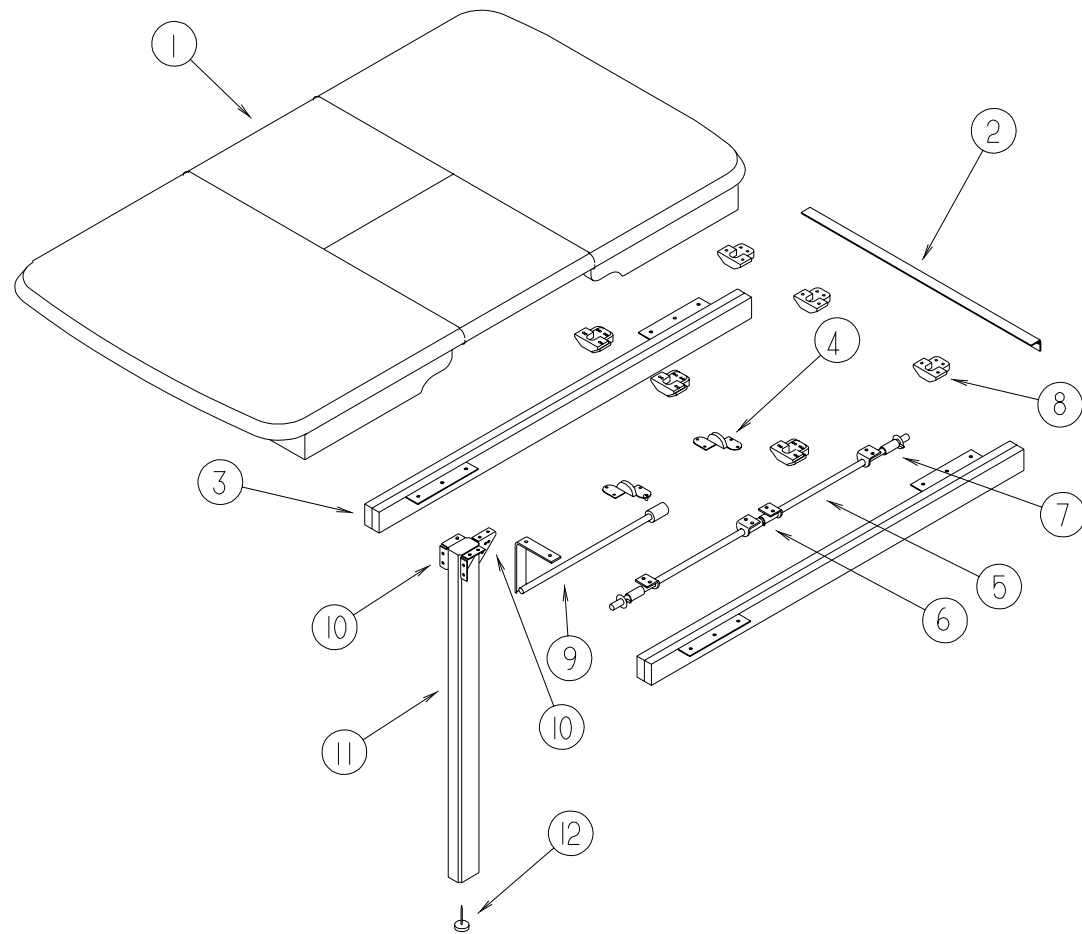
DINETTEGROUP

DINETTECABINETSWITHSWIVELCHAIRS



KEY	PARTNUMBER	U/M	DESCRIPTION
1	107494-20-H56	EA	ENDCAP-LEFTHAND(SOLARMAPLE)
1	107494-20-GV1	EA	ENDCAP-LEFTHAND(SALEMCHERRY)
2	120348-01-H56	EA	CABINET-DINETTEOVERHEAD-W/ODOORS/HARDWARE(SOLARMAPLE)
2	120348-01-GV1	EA	CABINET-DINETTEOVERHEAD-W/ODOORS/HARDWARE(SALEMCHERRY)
2	120348-02-H56	EA	CABINET-DINETTEOVERHEAD-W/ODOORS/HARDWARE (DELUXESOUNDSYSTEM)(SOLARMAPLE)
2	120348-02-H57	EA	CABINET-DINETTEOVERHEAD-W/ODOORS/HARDWARE (DELUXESOUNDSYSTEM)(SALEMCHERRY)
	120348-11-H56	EA	SHELF-W/PLASTICEDGEMOLDING(SOLARMAPLE)
	120348-11-GV1	EA	SHELF-W/PLASTICEDGEMOLDING(SALEMCHERRY)
3	M05990-03-H56	EA	DOOR-OGEEEDGE-14.3"X21.8"-W/OHARDWARE(SOLARMAPLE)
3	M05990-03-GV1	EA	DOOR-OGEEEDGE-14.3"X21.8"-W/OHARDWARE(SALEMCHERRY)
4	088913-07-H56	EA	TABLE-DINETTE-W/OHARDWARE(H56,H58,H64)
4	088913-07-GV5	EA	TABLE-DINETTE-W/OHARDWARE(H57,H59,H65)
4	088913-07-H60	EA	TABLE-DINETTE-W/OHARDWARE(H60)
4	088913-07-H61	EA	TABLE-DINETTE-W/OHARDWARE(H61)
5	104787-11-H56	EA	PAD-DINETTE(H56,H57)
5	104787-11-H58	EA	PAD-DINETTE(H58,H59)
5	104787-11-H60	EA	PAD-DINETTE(H60,H61)
5	104787-11-H64	EA	PAD-DINETTE(H64,H65)
6	M04174-97-H56	EA	CABINET-SEATBACK/RIGHTHAND-W/OHARDWARE(SOLARMAPLE)
6	M04174-97-H57	EA	CABINET-SEATBACK/RIGHTHAND-W/OHARDWARE(SALEMCHERRY)
	016604-01-000	EA	BRACE-CABINET-ANGLE-2.5"-UNPAINTEDMETAL
7	M04175-98-H56	EA	CABINET-SEATBASE/RIGHTHAND-W/ODOORS/DRAWERS/HDW(SOLARMAPLE)
7	M04175-98-H57	EA	CABINET-SEATBASE/RIGHTHAND-W/ODOORS/DRAWERS/HDW (SALEMCHERRY)
8	P18322-01-H56	EA	TABLE-PULLOUT/SELFSTORING-W/OHARDWARE(SOLARMAPLE)
8	P18322-01-H57	EA	TABLE-PULLOUT/SELFSTORING-W/OHARDWARE(SALEMCHERRY)
9	M05971-C5-H56	EA	DRAWER-OGEEEDGE-17"WX19.6"D-W/OSLIDES/HARDWARE(SOLARMAPLE)
9	M05971-C5-H57	EA	DRAWER-OGEEEDGE-17"WX19.6"D-W/OSLIDES/HARDWARE (SALEMCHERRY)
10	081295-09-E37	EA	SUPPORT-BED/DINETTE-20"LONG(SOLARMAPLE)
10	081295-09-E41	EA	SUPPORT-BED/DINETTE-20"LONG(SALEMCHERRY)
11	M04175-56-H56	EA	CABINET-SEATBOTTOMLEFTHAND-W/ODOORS/DRAWERS/HDW (SOLARMAPLE)
11	M04175-56-E41	EA	CABINET-SEATBOTTOMLEFTHAND-W/ODOORS/DRAWERS/HDW (SALEMCHERRY)
12	M04174-54-H56	EA	CABINET-SEATBACKLEFTHAND-W/OHARDWARE(SOLARMAPLE)
12	M04174-54-E41	EA	CABINET-SEATBACKLEFTHAND-W/OHARDWARE(SALEMCHERRY)
	016604-01-000	EA	BRACE-CABINET-ANGLE-2.5"-UNPAINTEDMETAL
	P02786-03-H56	EA	HANDRAILONLY-W/OBRACKETS(SOLARMAPLE)
	P02786-03-E41	EA	HANDRAILONLY-W/OBRACKETS(SALEMCHERRY)
	099682-01-01A	EA	BRACKET-MOUNTING/HANDRAIL-ROUNDBASE
13	104787-11-H56	EA	PAD-DINETTE(H56,H57)
13	104787-11-H58	EA	PAD-DINETTE(H58,H59)
13	104787-11-H60	EA	PAD-DINETTE(H60,H61)
13	104787-11-H64	EA	PAD-DINETTE(H64,H65)
14	108808-01-01A	EA	HANDRAIL-ENTRANCE-BRASS

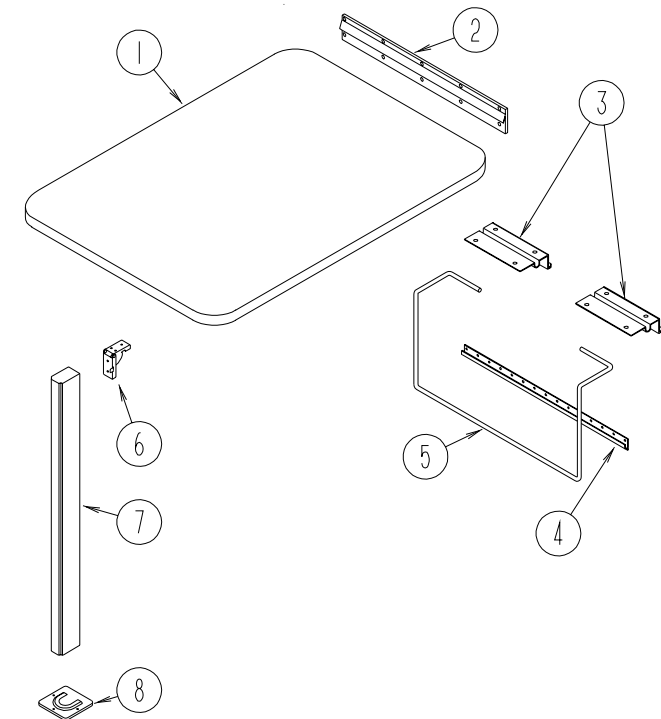
DINETTEGROUP(CONTINUED)



DINETTEPULLOUTTABLE

KEY	PARTNUMBER	U/M DESCRIPTION
	P18322-01-H56	EA TABLE-PULLOUT/SELFSTORING-W/OHARDWARE(SOLARMAPLE)
	P18322-01-H57	EA TABLE-PULLOUT/SELFSTORING-W/OHARDWARE(SALEMCHERRY)
1	118322-11-H56	EA TABLETOPONLY-PULLOUT(H56)
1	118322-11-H57	EA TABLETOPONLY-PULLOUT(H57,H59,H61,H65)
1	118322-11-H37	EA TABLETOPONLY-PULLOUT(H58,H60,H64)
2	009063-01-000	EA HINGE-CONTINUOUS-1 1/2" X 72"-UNPAINTED
3	110749-01-000	EA SLIDE-TABLE-193/4"LONG
4	108663-01-000	EA HINGE-LEAF-FOLDING
5	108932-01-000	EA ROD-PIVOT
	000F10-04-16B	EA PIN-COTTER-1/8" X 1"-ZINC
6	108874-01-000	EA BRACKET-HINGE-TABLELEAF
7	108664-01-000	EA SPRING-COMPRESSION-.51" X 1.96"
8	009050-02-000	EA LEVELER-TABLETOP-MALEENDW/4SCREWS-PLASTIC
8	009050-03-000	EA LEVELER-TABLETOP-FEMALEENDW/2SCREWS-PLASTIC
9	108905-01-000	EA SUPPORT-TABLELEAF
10	102810-01-04A	EA BRACE-TABLELEG-BLACK
	102810-01-03A	EA BRACE-TABLELEG-MILL
11	092708-12-H37	EA LEG-TABLE-W/OHARDWARE(SOLARMAPLE)
	092707-07-06A	EA MOLDING-TABLELEG-27.8"(SOLARMAPLE)
11	092708-12-GV1	EA LEG-TABLE-W/OHARDWARE(SALEMCHERRY)
	092707-07-03A	EA MOLDING-TABLELEG-27.8"(SALEMCHERRY)
12	102194-01-000	EA GUIDE-PLASTIC

DINETTEGROUP(CONTINUED)

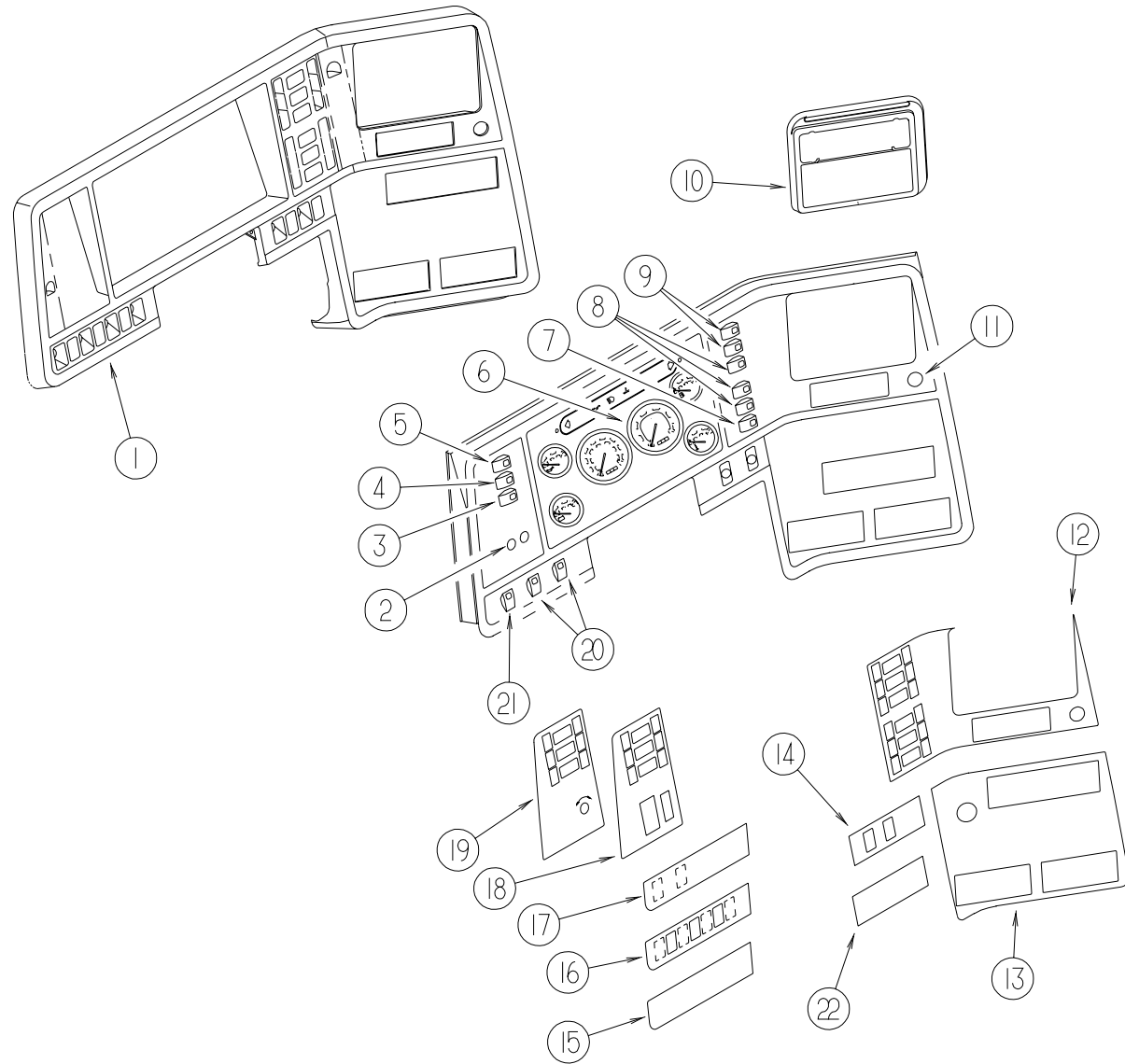


DINETTETABLE

KEY	PARTNUMBER	U/M DESCRIPTION
1	088913-07-H56	EA TABLE-DINETTE-W/OHARDWARE(H56,H58,H64)
1	088913-07-GV5	EA TABLE-DINETTE-W/OHARDWARE(H57,H59,H65)
1	088913-07-H60	EA TABLE-DINETTE-W/OHARDWARE(H60)
1	088913-07-H61	EA TABLE-DINETTE-W/OHARDWARE(H61)
	064781-06-000	EA HOLDER-CUP-TWOSTEP-OFFWHITE
2	053200-12-000	EA BRACKET-TABLESUPPORT-UPPERWALLMOUNTED-23.50"
3	088410-02-000	EA BRACKET-LIFT-TABLEMOUNTED
4	024281-14-000	EA BRACKET-LIFTRD/LOWERWALLMOUNTED-22.12"
5	024275-12-000	EA ROD-TABLELIFT
6	093550-01-000	EA BRACKET-HINGE-MOUNTSTOLEG&TABLETOP-1.7" X 2.6"
7	092708-11-H56	EA LEG-TABLE-W/OHARDWARE(SOLARMAPLE)
	092707-04-06A	EA MOLDING-TABLELEG-27"(SOLARMAPLE)
7	092708-11-E41	EA LEG-TABLE-W/OHARDWARE(SALEMCHERRY)
	092707-04-04A	EA MOLDING-TABLELEG-27"(SALEMCHERRY)
8	049493-12-000	EA CATCH-TABLELEG/FLOORMOUNTED-OFFWHITE
	049493-11-700	EA CATCH-TABLELEG/FLOORMOUNTED-ECOATED

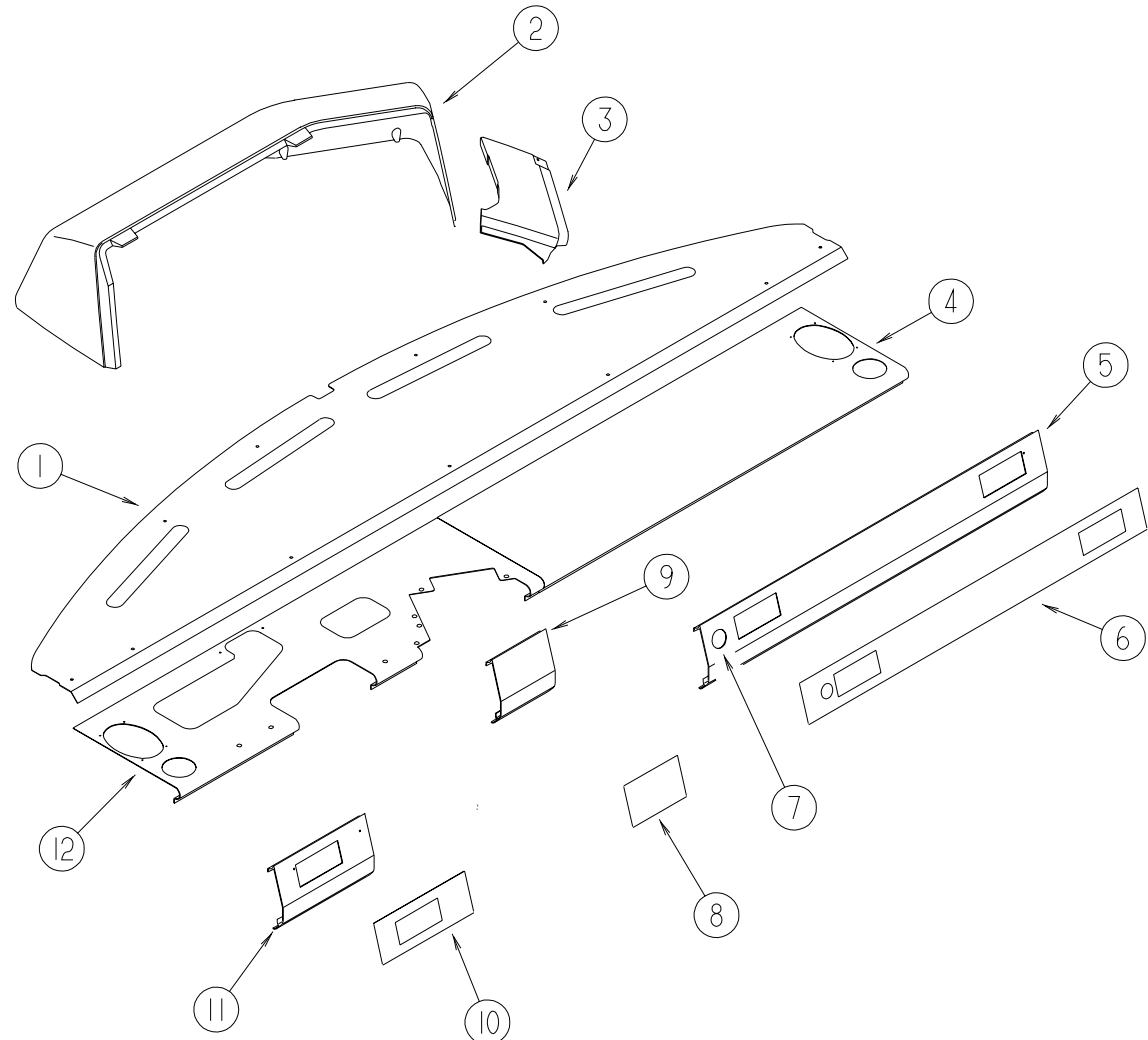
DRIVERSCOMPARTMENTGROUP

INSTRUMENTPANEL



KEY	PARTNUMBER	U/M	DESCRIPTION
1	107031-07-02A	EA	BEZEL-INSTRUMENTPANEL-FORD
1	107031-06-02A	EA	BEZEL-INSTRUMENTPANEL-GM
2			HEADLIGHT&DIMMERSWITCHESARECHASSISSUPPLIED
	096674-01-000	EA	NUT-HEADLAMPKNOB-BLACK
	096675-01-000	EA	KNOB-HEADLAMP-W/SHAFT-FORD
3	108357-06-000	EA	SWITCH-ROCKERDPDT-MOM/OFF/MOM-6TERMINAL
	108356-01-02A	EA	COVER/ACTUATORSWITCH-3GROOVES-CONTURAIIII-TAN
	108355-01-000	EA	HOUSING-SWITCH
4	108357-09-000	EA	SWITCH-ROCKERSPDT-ON/NONE/MOM-3TERMINAL
	108356-01-02A	EA	COVER/ACTUATORSWITCH-3GROOVES-CONTURAIIII-TAN
	108355-01-000	EA	HOUSING-SWITCH
5	108357-08-000	EA	SWITCH-ROCKERDPDT-ON/NONE/ON-6TERMINAL
	108356-01-02A	EA	COVER/ACTUATORSWITCH-3GROOVES-CONTURAIIII-TAN
	108355-01-000	EA	HOUSING-SWITCH
6	094796-07-000	EA	CLUSTER-INSTRUMENTPANEL-KILOMETERS-GAS-GM#16156355
			FROM: 00-00-00 THRU: 10-26-96
6	125001-02-000	EA	CLUSTER-INSTRUMENTPANEL-KILOMETERS/MILES-CANADIAN
			FROM: 10-27-96 THRU: 99-99-99
6	N/A		STANDARDINSTRUMENTCLUSTERSARECHASSISSUPPLIED
6	094794-06-000	EA	CLUSTER-INSTRUMENTPANEL-KILOMETERS-FORD
7	108357-10-000	EA	SWITCH-ROCKERSPDTW/LIGHT-MOM/NONE/MOM-5TERMINAL
	108356-03-01A	EA	COVER/ACTUATORSWITCH-3GROOVESW/LENS-CONTURAIIII-BLACK
	108355-01-000	EA	HOUSING-SWITCH
8	108357-01-000	EA	SWITCH-ROCKERSPST-ON/OFF-2TERMINAL
8	096241-08-000	EA	SWITCH-BLANK
	108356-01-02A	EA	COVER/ACTUATORSWITCH-3GROOVES-CONTURAIIII-TAN
	108355-01-000	EA	HOUSING-SWITCH
9	108357-03-000	EA	SWITCH-ROCKERSPDT-ON/OFF/ON-3TERMINAL
9	096241-03-000	EA	SWITCH-BLANK
	108356-01-02A	EA	SWITCHCOVERW/3GROOVES-CARLINGHAMPTONTAN
	108355-01-000	EA	HOUSING-SWITCH
10	111337-01-01A	EA	POCKET-INSTRUMENTPANEL-RIGHTUPPER-BLACK
	096776-02-000	EA	BOX-CASSETTE-4TAPEHOLDER
11	089294-01-000	EA	LIGHTER-CIGARETTE-W/SOCKET&WIRE
12	104056-20-02A	EA	APPLIQUE-BEZEL-UPPERRH-6SWITCH-HAMPTONTAN
13	104056-14-02A	EA	APPLIQUE-BEZEL-LOWERRHWING-HAMPTONTAN
14	104056-28-02A	EA	APPLIQUE-BEZEL-LOWERRH-PARK&LEVEL-HAMPTONTAN
15	104056-09-02A	EA	APPLIQUE-BEZEL-LOWERLH-HAMPTONTAN
16	104056-10-02A	EA	APPLIQUE-BEZEL-LOWERLH-PARK&LEVEL-HAMPTONTAN
17	104056-29-01A	EA	APPLIQUE-BEZEL-LOWERLH-PARK&LEVEL-BLACKVELVET
18	104056-25-02A	EA	APPLIQUE-LIGHTSWITCHBEZEL-HAMPTONTAN-GM
19	104056-27-02A	EA	APPLIQUE-LIGHTSWITCHBEZEL-HAMPTONTAN-FORD
20	108357-07-000	EA	SWITCH-ROCKERSPDT-MOM/OFF/MOM-3TERMINAL
	108356-01-02A	EA	COVER/ACTUATORSWITCH-3GROOVES-CONTURAIIII-TAN
	108355-01-000	EA	HOUSING-SWITCH
21	108357-05-000	EA	SWITCH-ROCKERSPDT-ON/NONE/ON-3TERMINAL
	108356-01-02A	EA	COVER/ACTUATORSWITCH-3GROOVES-CONTURAIIII-TAN
	108355-01-000	EA	HOUSING-SWITCH
22	104056-11-02A	EA	APPLIQUE-BEZEL-LOWERRH-HAMPTONTAN
	100138-01-000	EA	MODULE-DAYTIMERUNNINGLIGHT
	103603-01-000	EA	BULB-12V-#74-.12AWEDGE-GE22-25-USEDINDASH

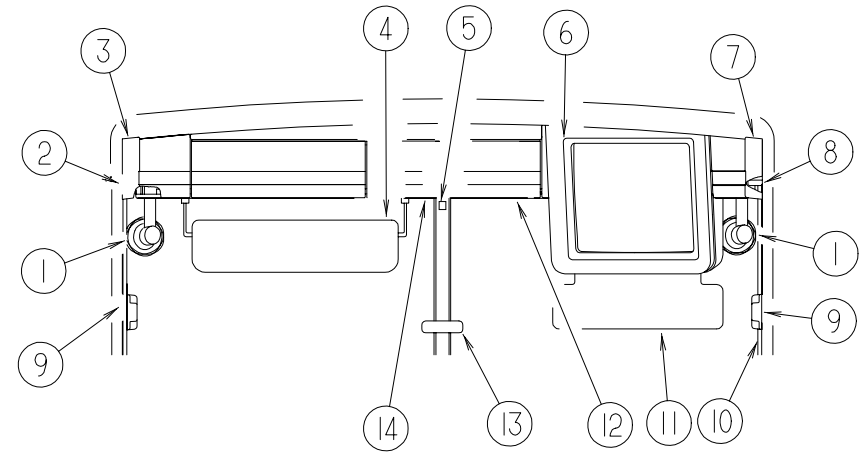
DRIVERSCOMPARTMENTGROUP(CONTINUED)



DASHPANELS

KEY	PARTNUMBER	U/M	DESCRIPTION
1	P18164-01-000	EA	DASH-W/OVINYL(FORD)
1	P18164-02-000	EA	DASH-W/OVINYL(GM)
	106569-09-01A	EA	VINYL-LAMINATE-MADRIDHAMPTONTAN-1/4"X25"X100"
	077539-01-000	EA	BRACKET-MOUNTING-DASHPANEL-L/SHAPED-2.5"X1"X1.5"
2	118256-01-01A	EA	POD-INSTRUMENTPANEL-HAMPTONTAN
2	118256-02-01A	EA	POD-INSTRUMENTPANEL-HAMPTONTAN-W/REARMONITOR
3	118292-01-01A	EA	POD-LOWERDASH-HAMPTONTAN
4	112297-02-000	EA	PANEL-DASH-BOTTOM
5	117991-01-01A	EA	EXTENSION-DASH-PASSENGER/LOWER
5	118024-01-01A	EA	TRIM-DASH-PASSENGER-LOWER
6	118377-01-01A	EA	APPLIQUE-LOWERDASH-PASSENGER
6	120059-01-01A	EA	DECAL-VECTRA-GRANDTOUR-DASH
7	111414-01-000	EA	RECEPTACLE-12V-W/OBIMETAL
8	118377-02-01A	EA	APPLIQUE-LOWERDASH-DRIVER(FORD)
8	118377-03-01A	EA	APPLIQUE-LOWERDASH-DRIVER-(GM)
9	117991-02-01A	EA	EXTENSION-DASH-DRIVER-LOWER/RIGHTHAND(FORD)
9	118024-02-01A	EA	TRIM-DASH-DRIVER-LOWER/RIGHTHAND(FORD)
9	117991-04-01A	EA	EXTENSION-DASH-DRIVER-LOWER/RIGHTHAND(GM)
9	118024-04-01A	EA	TRIM-DASH-DRIVER-LOWER/RIGHTHAND(GM)
10	118377-04-01A	EA	APPLIQUE-LOWERDASH-DRIVER(FORD)
10	118377-06-01A	EA	APPLIQUE-LOWERDASH-DRIVER-(GM/OSHGOSH/SPARTAN)
11	117991-03-01A	EA	EXTENSION-DASH-DRIVER-LOWER/LEFTHAND(FORD)
11	118024-03-01A	EA	TRIM-DASH-DRIVER-LOWER/LEFTHAND(FORD)
11	117991-05-01A	EA	EXTENSION-DASH-DRIVER-LOWER/LEFTHAND(GM)
11	118024-05-01A	EA	TRIM-DASH-DRIVER-LOWER/LEFTHAND(GM)
12	112296-04-000	EA	PANEL-DASH-BOTTOM
	077031-01-000	EA	FILM-BLACK-1"X1.75"
	077031-03-000	EA	FILM-WHITE-.75X1.00-COLORART

DRIVERSCOMPARTMENTGROUP(CONTINUED)

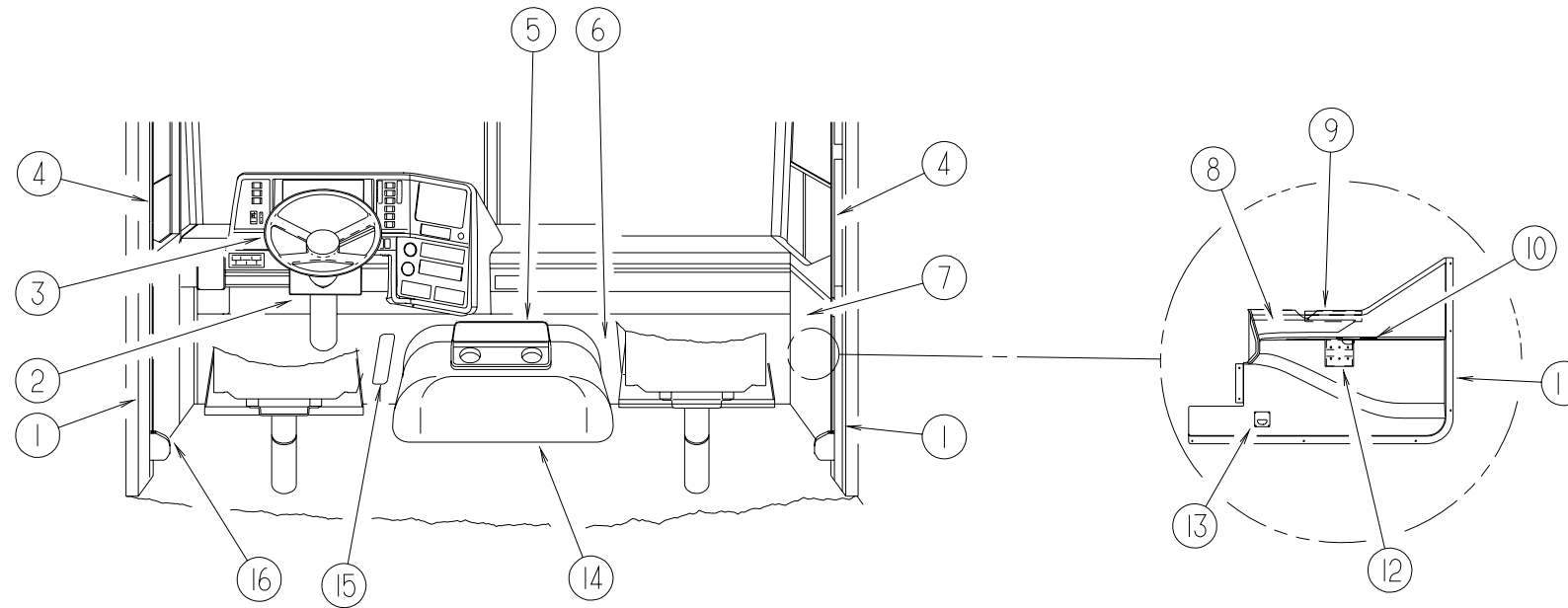


UPPERDRIVERSCOMPARTMENT

KEY	PARTNUMBER	U/M	DESCRIPTION
1	122856-01-01A	EA	FAN-DEFROSTER-2SPEEDW/SWIVELBASE-CHROME
2	118138-02-H56	EA	PANEL-HEADLINER
3	118466-02-01A	EA	PANEL-TRIMUPPERSIDE
4	123298-02-03A	EA	SUNVISOR-DRIVER-10.5"X28.5"
5	118452-01-01A	EA	TRIM-CENTERWINDSHIELD
6	116734-05-01A	EA	COVER-TVOVERHEADFRONT
7	118466-01-01A	EA	PANEL-TRIMUPPERSIDE
8	118693-02-H56	EA	PANEL-HEADLINER-LEFTHAND
9	103961-03-01A	EA	COVER-BRACKET-SEATBELTOFFWHITE-F/DRVRSDOOROPTION
	091990-04-01A	EA	SEATBELT/SHOULDERHARNESS-DRIVERS/PASSENGER-BLACK
	091990-01-701	EA	EXTENDER-9"FORA84083POINT
	109146-01-000	EA	BOLT-SHOULDER-SEATBELT
10	118431-01-01A	EA	TRIM-A-PILLAR-INTERIOR/PASSENGER
10	118431-02-01A	EA	TRIM-A-PILLAR-INTERIOR/DRIVER
11	123450-01-01A	EA	SUNVISOR-W/PULLOUTS
12	118453-01-01A	EA	TRIM-WINDSHIELD-INTERIOR-TOP/PASSENGER
13	040714-01-000	EA	MIRROR-REARVIEW/ARMMOUNT&SETSCREW-GM#911722
	067490-01-000	EA	BUTTON-REARVIEWMIRROR
14	118453-02-01A	EA	TRIM-WINDSHIELD-INTERIOR-TOP/DRIVER

DRIVERSCOMPARTMENTGROUP(CONTINUED)

LOWERDRIVERSCOMPARTMENT

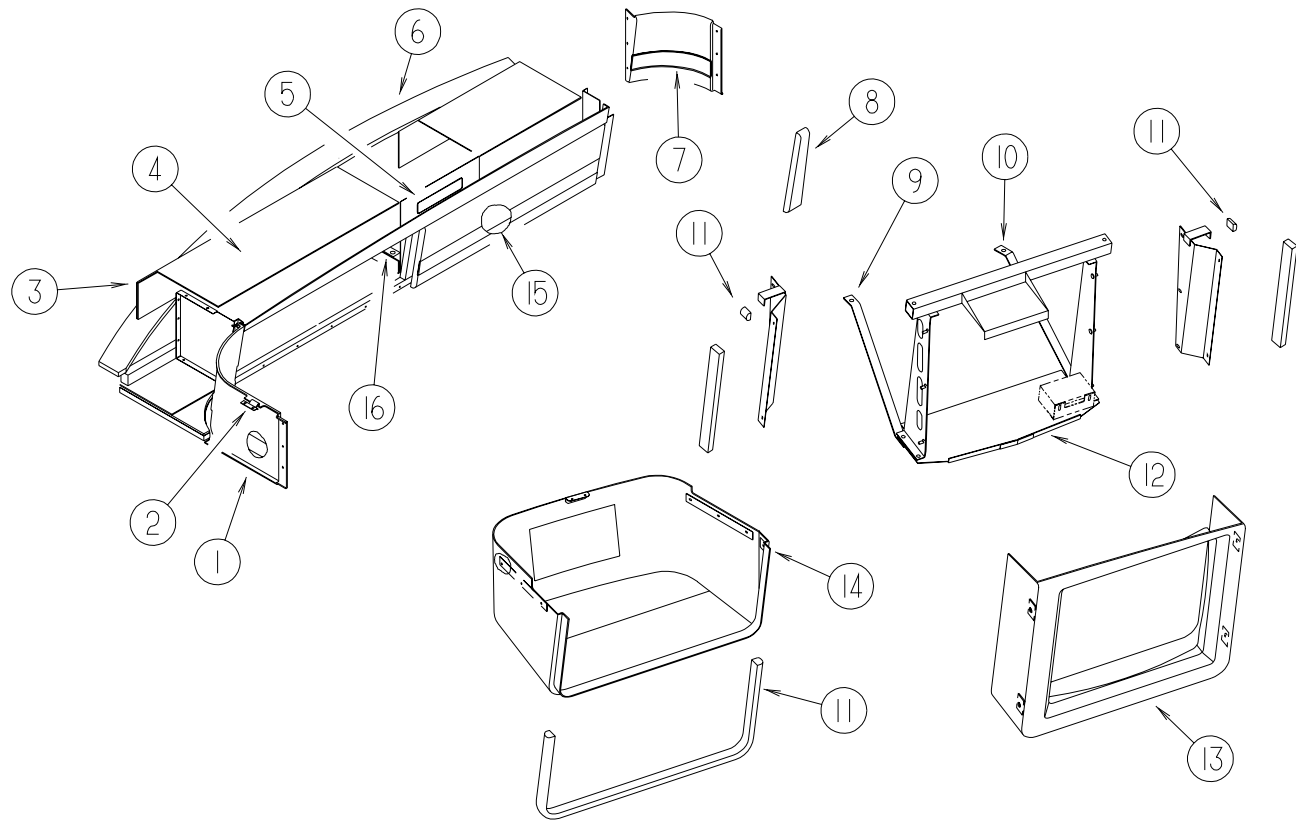


KEY	PARTNUMBER	U/M	DESCRIPTION
1	024700-44-000	EA	COVER-ROLLBAR-53"-LOWER-DRIVER/PASSENGER
2	109832-03-01A	EA	COVER-STEERINGCOLUMN
	110002-02-000	EA	PATCH-Q-SERIES-COLUMN-4.25"X7.5"
2	103498-06-000	EA	BOOT-STEERINGCOLUMN/UNIVERSAL
2	112832-01-01A	EA	COVER-STEERINGCOLUMN-LOWER(FORD)
2	117709-01-01A	EA	COVER-STEERINGCOMUMN-UPPER(FORD)
3	120340-01-01A	EA	WHEEL-STEERING-LEATHER/CHEVY
4	024700-55-000	EA	COVER-ROLLBAR-SIDEWALL-15"OFFWHITE
5	M06889-02-GV0	EA	TRAY-BEVERAGE-ABSPLASTIC
5	122681-01-H50	EA	LID-BEVERAGECOMPARTMENT
6	095757-06-GV4	EA	COVER-HEATER(H56,H57)
6	095757-06-H58	EA	COVER-HEATER(H58,H59)
6	095757-06-H60	EA	COVER-HEATER(H60,H61)
7	P18720-01-000	EA	PANEL-INNER-CAB/PASSENGER
8	118377-07-01A	EA	APPLIQUE-LOWERDASH-RIGHTHAND/INNERPANEL
9	106105-02-000	EA	CLIP-VALANCE/RETAINING

KEY	PARTNUMBER	U/M	DESCRIPTION
10	118719-01-01A	EA	ASHTRAY-TOPMOUNT-BLACKPLASTIC
11	118287-01-01A	EA	PANEL-TRIM-INNER/PASSENGER
12	118718-01-01A	EA	HOLDER-COLLAPSIBLEMUG/DRINK-BLACKPLASTIC
13	108354-01-01A	EA	LIGHT-COURTESY
14	115840-01-01A	EA	MOTORCOVER-W/OCARPETORPAD
14	115840-02-01A	EA	COVER-MOTOR-W/OCARPET
	115860-01-01A	EA	TRIM-MOTORCOVER
	115850-01-02B	EA	RETAINER-LATCH-MOTORCOVER-RIGHTHAND-E-COAT
	115850-02-02B	EA	REATINER-LATCH-MOTORCOVER-LEFTHAND-E-COAT
	116581-01-000	EA	LATCH-MOTORCOVER
	115852-01-02B	EA	STRIKE-LATCH-MOTORCOVER-E-COATED
	116833-01-02B	EA	WRENCH-HEXMOTORCOVER-E-COATED
15	116993-01-01A	EA	COVER-PEDALS-BLACK
16	118654-01-01A	EA	PANEL-TOEKICK-DRIVER

DRIVERSCOMPARTMENTGROUP(CONTINUED)

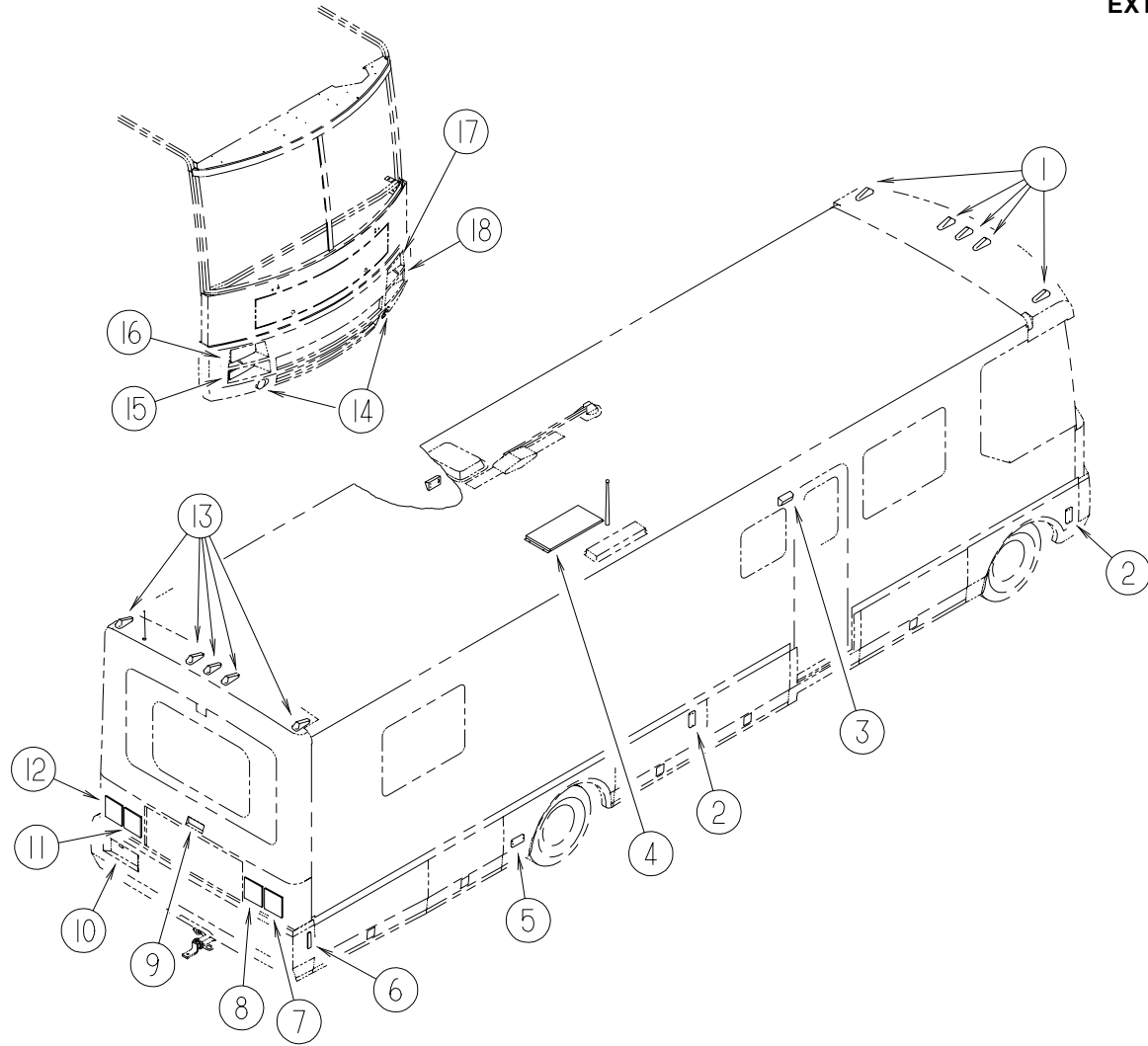
OVERHEADTV&VCR CABINETS



KEY	PARTNUMBER	U/M	DESCRIPTION
1	118465-02-01A	EA	PANEL-TRIM-CORNER-UPPER-LH
2	073050-03-000	EA	MOUNTINGCLIP-VALANCEPANEL
3	118836-02-H56	EA	PANEL-BACK-VINYLCOVERED
4	118215-02-H56	EA	PANEL-TOP-VINYLCOVERED
5	118208-05-H56	EA	PANEL-VINYLCOVERED(STANDARDTV)
5	118208-06-H56	EA	PANEL-VINYLCOVERED(W/VCR)
5	118208-08-H56	EA	PANEL-VINYLCOVERED(W/CONVERTER)
5	118208-09-H56	EA	PANEL-VINYLCOVERED(W/CONVERTER&VCR)
6	118305-02-H56	EA	CABINET-FRONTOVERHEADW/ODOORS/HARDWARE
7	118852-02-01A	EA	PANEL-TRIM-INSERT/PASSENGER
8	120485-02-01A	EA	PANEL-TRIM-TRANSITION-TV
9	124090-03-02B	EA	SUPPORT-SHELF-TV
10	124090-02-02B	EA	SUPPORT-SHELF-TVE-COAT
11	112160-02-000	FT	SEAL-DSECTION-6X10-FOAMRUBBER
12	116747-05-02B	EA	SHELF-TV-W/OHARDWARE
13	116734-05-01A	EA	COVER-TVOVERHEADFRONT
14	118566-04-01A	EA	COVER-OVERHEADTVLOWER/RIGHTHAND
15	118836-03-H56	EA	PANEL-BACK-VINYLCOVERED
16	118835-01-H56	EA	PANEL-VINYLCOVERED/RIGHTHAND

ELECTRICALGROUP

EXTERIORLIGHTS

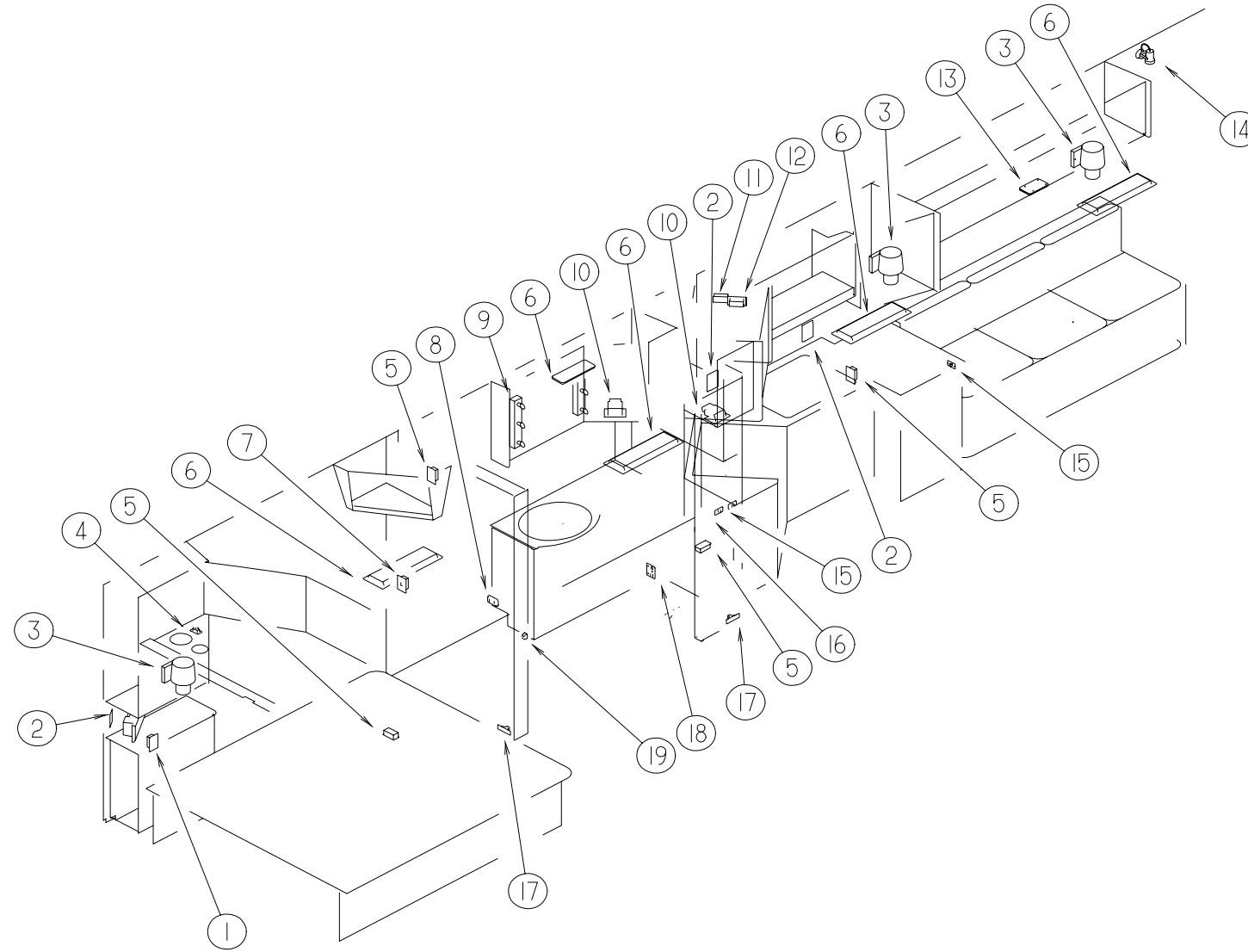


KEY	PARTNUMBER	U/M DESCRIPTION
6	117826-01-000	EA SIDEMARKERLAMPASSEMBLY-RED
	036196-01-000	EA BULB-12VOLT-#194-.27AMP-BAYONETTE
	067789-02-000	EA SOCKET-LAMP
7	117826-03-000	EA GASKET-MARKERLIGHT
	117831-01-000	EA LAMP-STOP/TURN/TAI/BACKUP
	106687-01-000	EA SOCKET-LIGHT-2-WIRE
	106687-02-000	EA SOCKET-LIGHT-3-WIRE
	067789-02-000	EA SOCKET-LAMP
	119157-01-000	EA SOCKET-SINGLECONTACT
	119158-01-000	EA SOCKET-DOUBLECONTACT
8	037934-01-000	EA BULB-12V-#1156-2.1AMPCLEARGLASS
	037935-01-000	EA BULB-12V-#1157OR#2057-2.1AMP-CLEARGLASS
	117831-03-000	EA LAMP-TURN-AMBERRIGHTHAND
	106687-01-000	EA SOCKET-LIGHT-2-WIRE
	106687-02-000	EA SOCKET-LIGHT-3-WIRE
	067789-02-000	EA SOCKET-LAMP
9	119157-01-000	EA SOCKET-SINGLECONTACT
	119158-01-000	EA SOCKET-DOUBLECONTACT
	037935-01-000	EA BULB-12V-#1157OR#2057-2.1AMP-CLEARGLASS
	106688-03-000	EA LIGHT-REDSTOP/TURN(LENS/BACKPAN)
	037934-01-000	EA BULB-12V-#1156-2.1AMPCLEARGLASS
	107221-06-01A	EA COVER-LATCH-VALANCEDR.,BLK
10	087201-01-000	EA LIGHT-HALFROUND-1"X1.7"-PLASTIC-BLACK
	117831-04-000	EA LAMP-TURN-AMBERLEFTHAND
11	106687-01-000	EA SOCKET-LIGHT-2-WIRE
	106687-02-000	EA SOCKET-LIGHT-3-WIRE
	067789-02-000	EA SOCKET-LAMP
	119157-01-000	EA SOCKET-SINGLECONTACT
	119158-01-000	EA SOCKET-DOUBLECONTACT
	037935-01-000	EA BULB-12V-#1157OR#2057-2.1AMP-CLEARGLASS
12	117831-02-000	EA LAMP-STOP/TURN/TAI/BACKUP
	106687-01-000	EA SOCKET-LIGHT-2-WIRE
	106687-02-000	EA SOCKET-LIGHT-3-WIRE
	067789-02-000	EA SOCKET-LAMP
	119157-01-000	EA SOCKET-SINGLECONTACT
	119158-01-000	EA SOCKET-DOUBLECONTACT
13	037934-01-000	EA BULB-12V-#1156-2.1AMPCLEARGLASS
	037935-01-000	EA BULB-12V-#1157OR#2057-2.1AMP-CLEARGLASS
	107749-02-000	EA LIGHT-CABMARKER-RED
14	036196-01-000	EA BULB-12VOLT-#194-.27AMP-BAYONETTE
	117827-01-000	EA LAMP-FOG-CLEARLENS-RED
15	113294-03-000	EA LAMP-PARK/TURN-AMBER-RIGHTHAND
	037935-01-000	EA BULB-12V-#1157OR#2057-2.1AMP-CLEARGLASS
	118056-01-000	EA HEADLAMPASSEMBLY-RIGHTHAND-(PASSENGERSIDE)
16	118054-01-000	EA BULB-HEADLAMPREPLACEMENT-#9004G.E.-SYLVANIA-WESTINGHOUSE
	088758-01-000	EA HOUSING-HEADLAMP-CONNECTOR TERMINALW/3WIRES
	118056-02-000	EA HEADLAMPASSEMBLY-LEFTHAND(DRIVERS)
17	118054-01-000	EA BULB-HEADLAMPREPLACEMENT-#9004G.E.-SYLVANIA-WESTINGHOUSE
	088758-01-000	EA HOUSING-HEADLAMP-CONNECTOR TERMINALW/3WIRES
	113294-04-000	EA LAMP-PARK/TURN-AMBER-LEFTHAND
18	113294-04-000	EA LAMP-PARK/TURN-AMBER-LEFTHAND
	037935-01-000	EA BULB-12V-#1157OR#2057-2.1AMP-CLEARGLASS

KEY	PARTNUMBER	U/M DESCRIPTION	VENDORNO.
1	107749-01-000	EA LIGHT-CABMARKER-AMBER	
	036196-01-000	EA BULB-12VOLT-#194-.27AMP-BAYONETTE	
	037934-01-000	EA BULB-12V-#1156-2.1AMPCLEARGLASS	
2	117826-02-000	EA SIDEMARKERLAMPASSEMBLY-AMBER	
	036196-01-000	EA BULB-12VOLT-#194-.27AMP-BAYONETTE	
	067789-02-000	EA SOCKET-LAMP	
	117826-03-000	EA GASKET-MARKERLIGHT	
	097917-01-07A	EA LIGHT-PORCH	
	008215-01-000	EA BULB-12VOLT-#1003-.94AMP	
3	058028-01-000	EA CONNECTOR-ELECTRICALPIGTAIL-NYLON-CLEAR	
	097917-01-700	EA LENS-LIGHT-CLEAR	30-78-021
	008089-02-000	EA LIGHT-PORCH-RECESSED-CANADIAN	
	008214-01-000	EA BULB-12VOLTNO67-0.59AMP	
	058028-01-000	EA CONNECTOR-ELECTRICALPIGTAIL-NYLON-CLEAR	
	008089-01-700	EA LENS-LIGHT-RECESSED-PORCH	
4	091981-01-000	EA GASKET-PORCHLIGHT	
	115504-01-000	EA PANEL-SOLAR10WATT	
	115504-01-700	EA PLUG&CABLE-10WATTPANEL	600-016
	115505-01-000	EA LIGHT-MONITOR/SOLARPANEL-REDLEDINDICATOR	
5	106688-04-000	EA LIGHT-CLEARAUXILIARY(LENS/BACKPAN)	
	037934-01-000	EA BULB-12V-#1156-2.1AMPCLEARGLASS	

ELECTRICALGROUP(CONTINUED)

DRIVERSIDEINTERIORLIGHTS,SWITCES&RECEPTACLES

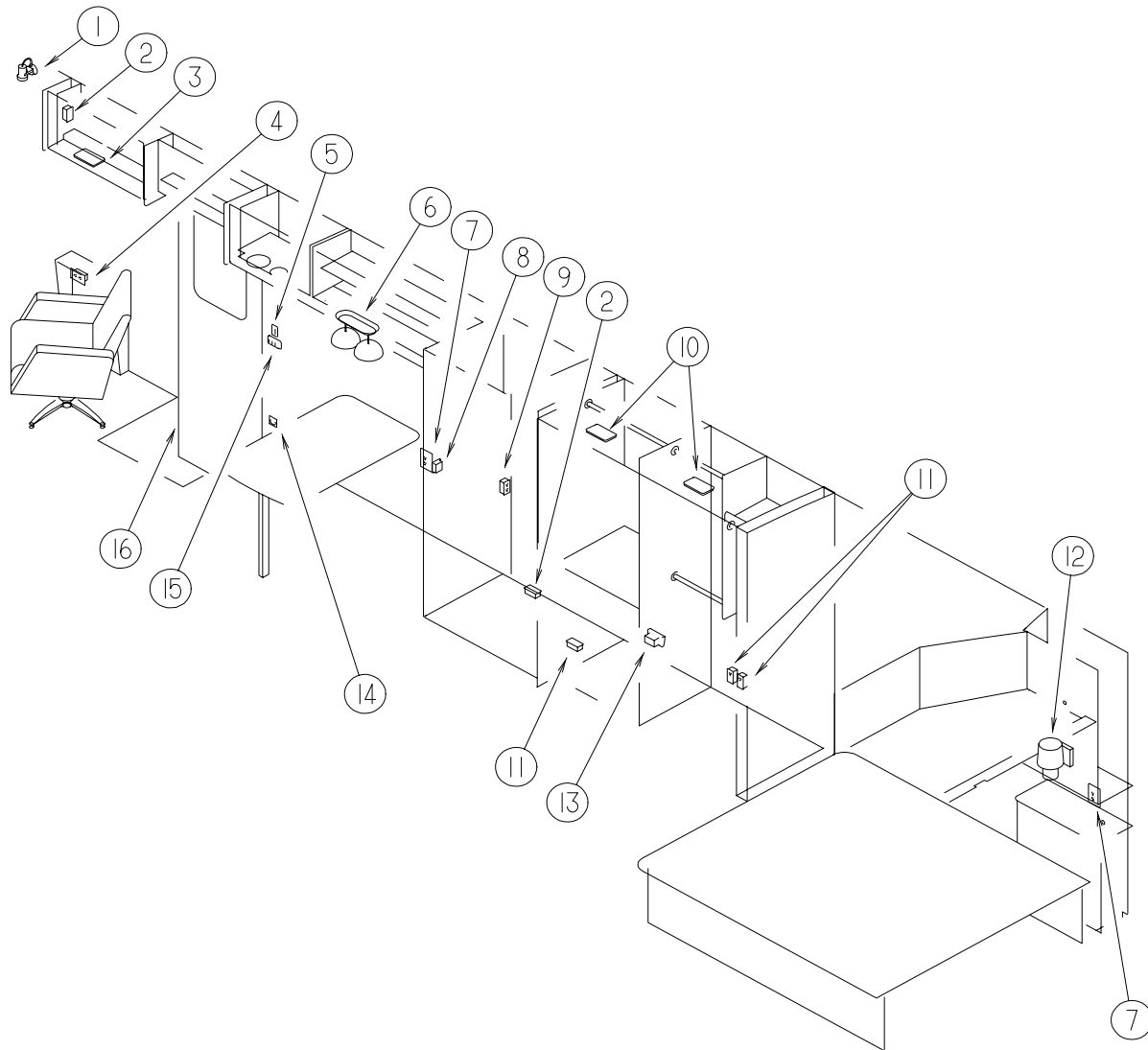


KEY	PARTNUMBER	U/M	DESCRIPTION	VENDORNO.
1	058708-01-000	EA	RECEPTACLE-ELECTRIC-DOUBLE-BROWN	
2	058708-02-000	EA	RECEPTACLE-ELECTRIC-DOUBLE-IVORY	
	102568-01-H37	EA	SPACER-RECEPTACLE-SIDEWALL(SOLARMAPLE)	
	102568-01-E41	EA	SPACER-RECEPTACLE-SIDEWALL(SALEMCHERRY)	
3	119258-01-01A	EA	LAMP-WALL	
	119258-01-700	EA	FINEAL	12-0322
	067479-01-000	EA	BULB-12VOLT-#1076-1.80AMP	
	119257-02-01A	EA	SHADE-LAMP-SKIPPLEAT(H56,H57)	
	119257-01-01A	EA	SHADE-LAMP-POTPOUM(H58,H59,H64,H65)	
	065201-17-000	EA	SHADE-LAMP-SAHARASUNRISE(H60,H61)	
4	098351-07-01A	EA	PLATE-SWITCH-GENERATOR-POLISHEDBRASS	
4	108357-10-000	EA	SWITCH-ROCKERSPDTW/LIGHT-MOM/NONE/MOM-5TERMINAL	
4	108356-05-01A	EA	COVER/ACTUATORSWITCH-3GROOVESW/LENS-GENSET-CONTURAI	
4	095188-01-01A	EA	SPACER-SWITCH-2.3"X3.4"-PLASTIC-DARKBROWN	
5	058707-01-000	EA	RECEPTACLE-ELECTRIC-SINGLE-BROWN	
6	098024-03-02A	EA	LIGHT-DOME-2BULB-WHITE	
	008218-01-000	EA	BULB-DOMELIGHT-12VOLT-NO.1141	
	098024-01-700	EA	LENS-LIGHT	807877
7	084420-01-000	EA	SWITCH-TOGGLE-15AMP-120VOLT-BROWN	
8	079364-03-000	EA	SWITCH-ON/OFFROCKER-3TERMINAL-BROWN	
8	079364-01-000	EA	SWITCH-ON/OFFROCKER-2TERMINAL-BROWN	
	098351-03-01A	EA	PLATE-SWITCH-3GANGPOLISHEDBRASS	
	095188-02-01A	EA	SPACER-SWITCH-2.3"X4.1"-PLASTIC-DARKBROWN	

KEY	PARTNUMBER	U/M	DESCRIPTION	VENDORNO.
9	110235-01-01A	EA	LIGHT-MAKEUP-3BULB	
	081633-01-700	EA	BULB-LIGHT-MAKE-UP	RP1041
10	084076-02-000	EA	RECEPTACLE-GFI-15AMP-125VOLT-BROWN	
11	058707-02-000	EA	RECEPTACLE-BLANKJUNCTIONBOX	
12	058708-05-000	EA	RECEPTACLE-SINGLE-BROWN	
13	098024-05-02A	EA	LIGHT-DOME-1BULB-SKYLITE-WHITE	
	008218-01-000	EA	BULB-DOMELIGHT-12VOLT-NO.1141	
	098024-01-701	EA	LENS-OPTICLEAR-SKYLITE	809902
14	104173-01-01A	EA	LIGHT-DESIGNER-BRASS	
	104173-01-700	EA	BULB	81900
14	104173-02-01A	EA	LIGHT-DESIGNER-BLACK	
15	079364-04-000	EA	SWITCH-ON/OFFROCKER-2TERMINAL-BLACK	
	098351-01-01A	EA	PLATE-SWITCH-1GANGPOLISHEDBRASS	
16	109294-01-01A	EA	SWITCHPANEL-W/SWITCHES-VENTFAN	
17	061424-01-000	EA	LIGHT-AISLE-12VOLT-RECTANGULAR	
	008103-01-000	EA	BULB-DASH/AISLELIGHT-#53-12VOLT-.12AMP	
18	079364-04-000	EA	SWITCH-ON/OFFROCKER-2TERMINAL-BLACK	
19	108357-08-000	EA	SWITCH-ROCKERDPDT-ON/NONE/ON-6TERMINAL	
	108356-02-01A	EA	COVER/ACTUATORSWITCH-2ROWSDIMPLES-CONTURAI	BLACK

ELECTRICALGROUP(CONTINUED)

PASSENGER SIDE INTERIOR LIGHTS, SWITCHES & RECEPTACLES



KEY	PARTNUMBER	U/M	DESCRIPTION	VENDOR NO.
1	104173-01-01A	EA	LIGHT-DESIGNER-BRASS	
	104173-01-700	EA	BULB	81900
1	104173-02-01A	EA	LIGHT-DESIGNER-BLACK	
2	058707-02-000	EA	RECEPTACLE-BLANKJUNCTIONBOX	
3	098024-05-02A	EA	LIGHT-DOME-1BULB-SKYLITE-WHITE	
	008218-01-000	EA	BULB-DOMELIGHT-12VOLT-NO.1141	
	098024-01-701	EA	LENS-OPTICLEAR-SKYLITE	809902
4	058708-01-000	EA	RECEPTACLE-ELECTRIC-DOUBLE-BROWN	
5	093132-02-000	EA	SWITCH-ROCKER-5TERM-KEYLOCK/ARROWF/POWERDOORLOCK	
	094086-01-01A	EA	PLATE-SWITCH-SINGLEGANG-1.8"X3"-BLACKPLASTIC	
6	093575-09-01A	EA	LIGHT-CEILING-DOUBLE	
	119252-01-01A	EA	SHADE-LAMP-GLASSSWIRL	
	067479-01-000	EA	BULB-12VOLT-#1076-1.80AMP	
7	058708-02-000	EA	RECEPTACLE-ELECTRIC-DOUBLE-IVORY	
	102568-01-H37	EA	SPACER-RECEPTACLE-SIDEWALL(SOLARMAPLE)	
	102568-01-E41	EA	SPACER-RECEPTACLE-SIDEWALL(SALEMCHERRY)	
8	079364-04-000	EA	SWITCH-ON/OFFROCKER-2TERMINAL-BLACK	
	098351-01-01A	EA	PLATE-SWITCH-1GANGPOLISHEDBRASS	
9	058708-01-000	EA	RECEPTACLE-ELECTRIC-DOUBLE-BROWN	
	058707-02-000	EA	RECEPTACLE-BLANKJUNCTIONBOX	
10	098024-01-03A	EA	LIGHT-DOME-1BULB-WHITE	
	008218-01-000	EA	BULB-DOMELIGHT-12VOLT-NO.1141	
	098024-01-700	EA	LENS-LIGHT	807877
	058707-01-000	EA	RECEPTACLE-ELECTRIC-SINGLE-BROWN	
12	119258-01-01A	EA	LAMP-WALL	
	119258-01-700	EA	FINEAL	12-0322
	067479-01-000	EA	BULB-12VOLT-#1076-1.80AMP	
	119257-02-01A	EA	SHADE-LAMP-SKIPPLEAT(H56,H57)	
	119257-01-01A	EA	SHADE-LAMP-POTPOUM(H58,H59,H64,H65)	
	065201-17-000	EA	SHADE-LAMP-SAHARASUNRISE(H60,H61)	
13	112822-01-01A	EA	RECEPTACLE-DUPLEX-IVORY	
	112824-01-03A	EA	COVER-RECEPTACLE-EXTERIORDUPLEX	
14	108354-01-01A	EA	LIGHT-COURTESY	
	108354-01-700	EA	BULB-COURTESYLIGHT	395-B
15	079364-04-000	EA	SWITCH-ON/OFFROCKER-2TERMINAL-BLACK	
	098351-05-01A	EA	PLATE-SWITCH-3GANGPOLISHEDBRASS	
16	095188-02-01A	EA	SPACER-SWITCH-2.3"X4.1"-PLASTIC-DARKBROWN	
	116995-01-000	EA	SWITCH/MAGNET-ELECTRICSTEP	

ELECTRICALGROUP(CONTINUED)

CIRCUITBREAKERS&FUSES

KEY	PARTNUMBER	U/M	DESCRIPTION
	083209-01-000	EA	CIRCUITBREAKER-15AMP-120VOLT-CANADIAN
	083209-02-000	EA	CIRCUITBREAKER-15/15AMP-120VOLT
	083209-03-000	EA	CIRCUITBREAKER-15/20AMP-120VOLT
	083209-04-000	EA	CIRCUITBREAKER-30AMP-120VOLT
	083209-05-000	EA	CIRCUITBREAKER-20A-120VOLT
	083209-06-000	EA	CIRCUITBREAKER-30/15AMP-120VOLT
	093654-01-000	EA	CIRCUITBREAKER-6AMP-12VOLT
	093654-02-000	EA	CIRCUITBREAKER-15AMP-12VOLT
	093655-01-000	EA	CIRCUITBREAKER-25AMP-12VOLT
	093655-02-000	EA	CIRCUITBREAKER-30AMP-12VOLT
	097611-01-000	EA	CIRCUITBREAKER-10AMP-12VOLT
			FROM: 11-01-96 THRU: 99-99-99
	108916-01-000	EA	CIRCUITBREAKER-50AMP-12VOLT-2POLE
	113482-01-000	EA	CIRCUITBREAKER-55AMP
	122811-01-000	EA	CIRCUITBREAKER-20/50/50/20
	093674-01-000	EA	PLATE-CIRCUITBREAKER-HOUSE-8.4"X4.1"-STEEL
	008235-01-000	EA	FUSE-15AMP/12VOLT-AUTOMOTIVE
	062901-05-000	EA	FUSE-15AMPS-AUTOMOTIVE
	100341-01-000	EA	FUSEHOLDER-INLINETYPE
	115187-01-000	EA	FUSE-300AMP-NON-DELAY
	115187-02-000	EA	FUSEHOLDER-BUSSANN/ANLBLOCK
	062037-01-000	EA	HOUSING-AUTOFUSE-NATURAL
	062037-02-000	EA	HOUSING-AUTOFUSE-GREEN
	062037-03-000	EA	HOUSING-AUTOFUSE-BLACK
	062037-04-000	EA	HOUSING-AUTOFUSE-BLUE
	062037-05-000	EA	HOUSING-AUTOFUSE-GRAY
	062037-06-000	EA	HOUSING-AUTOFUSE-BROWN

CONVERTER,INVERTER&LOADCENTERS

KEY	PARTNUMBER	U/M	DESCRIPTION
	123058-01-000	EA	CONVERTER-55AMP-ELECTRONIC-41/8"HX7"WX123/8"L
	099048-03-000	EA	INVERTER-130WATT
	113685-02-000	EA	REMOTEPANEL-INVERTER/CHARGER
	113685-04-000	EA	INVERTER-CHARGER-1500WAC
	106071-02-000	EA	SWITCH-AUTOMATICTRANSFER-50AMP
	106071-03-000	EA	SWITCH-AUTOMATICTRANSFER
	108915-02-000	EA	LOADCENTER-120/240VOLT-100AMP
	109677-01-000	EA	LOADCENTER-120VOLT-40AMP
	113132-01-000	EA	LOADCENTER-120/240VOLT-60AMP

FLASHER,SOLENOID&RELAYS

KEY	PARTNUMBER	U/M	DESCRIPTION
	007093-01-000	EA	SIGNALFLASHER
	008188-01-000	EA	SOLENOID-3POST-BATTERYCHANGEOVER
	063910-01-000	EA	HOUSING-RELAY
	063912-02-000	EA	RELAY-CANISTER-SPDT
	086233-01-000	EA	STUD-ISOLATED-3/8"X7/8"LONG
	086273-01-000	EA	RELAY-BATTERYDISCONNECT

ELECTRICALGROUP(CONTINUED)

WIREASSEMBLIES

KEY	PARTNUMBER	U/M	DESCRIPTION
	073328-B4-000	EA	CABLEASSEMBLY-BATTERY-W/TERMINALS
	081059-02-000	EA	WIREASSEMBLY-9PIN-F/RADIO
	093057-05-000	EA	WIREASSEMBLY-POWERLOCK-ENTRANCE
	096449-02-000	EA	WIREASSEMBLY-WATERTANKTOMONITORPANEL
	096717-03-000	EA	WIRE-REARMONITOR-AFTERMARKETINSTALLATION
	097618-01-000	EA	WIREASSEMBLY-MONITORPANEL-W/3WIRES&ORANGERESISTOR ORANGERESISTORW/3(ORANGE-GREEN-BLUE)WIRES
	103330-02-000	EA	WIREASSEMBLY-OVERHEADSPEAKERS
	107306-01-000	EA	WIREASSEMBLY-INSTRUMENTPANEL-DOCKINGLAMPS
	107597-02-000	EA	WIREASSEMBLY-INSTRUMENTPANEL-FOGLAMPS
	108029-01-000	EA	WIREASSEMBLY-POWERDRIVERSEAT
	108242-01-000	EA	WIREASSEMBLY-CABDOOR-DRIVER
	108304-01-000	EA	WIREASSEMBLY-INSTRUMENTPANEL-AUXILIARYFANS
	110256-01-000	EA	WIREASSEMBLY-INSTRUMENTPANEL-GENERATOR
	111581-01-000	EA	WIREASSEMBLY-AIRHORN
	113639-01-000	FT	CABLE-3/0AWGSTRAINED-RED
	113639-02-000	FT	CABLE-3/9AWGSTRAINED

ELECTRICBOXES

KEY	PARTNUMBER	U/M	DESCRIPTION
	008289-01-000	EA	BOX-ELECTRIC/STEEL-1/2"&3/4"KNOCKOUTS-4"X4"
	008294-01-000	EA	COVER-ELECTRICALBOX-BLANK/STEEL-4"X4"-GRAY
	091910-01-000	EA	BOX-ELECTRIC-3.8"X3.5"X1.8"-PLASTIC
	091910-02-000	EA	BOX-ELECTRIC-2.2"X3.5"X1.7"-PLASTIC
	092492-08-000	EA	SEAL-ELECTRICBOX
	092492-12-000	EA	SEAL-ELECTRICFUSEBOX-16"X9.4"
			FROM: 05-30-97 THRU: 99-99-99
	098196-01-000	EA	LATCH-1/4TURN-T-BAR
	109925-03-000	EA	DOOR-ELECTRICBOX
	113088-01-000	EA	BOX-ELECTRIC-3"X2"X2.75"

POWERCORDS

KEY	PARTNUMBER	U/M	DESCRIPTION
	108934-01-000	EA	CORD-POWER-50AMP-4WIRE-36'
	109172-01-000	EA	CORD-POWER-13AMP-3-WIRE-4'
	113096-01-000	EA	CORD-POWER-50AMP-4WIRE-36'-CSA
	121470-01-000	EA	CORD/EXTENSION-6FOOT-16-2WIRE

SOLARPANEL

KEY	PARTNUMBER	U/M	DESCRIPTION	VENDORNO.
	115504-01-000	EA	PANEL-SOLAR10WATT	
	115505-01-000	EA	LIGHT-MONITOR/SOLARPANEL-REDLEDINDICATOR	
	115504-01-700	EA	PLUG&CABLE-10WATT PANEL	600-016

ELECTRICALGROUP(CONTINUED)

CONNECTORS&HOUSINGS

KEY	PARTNUMBER	U/M	DESCRIPTION
	007942-01-000	EA	TAB-WIRE 10TO14AWG
	007956-05-000	EA	INSULATOR-SHRINK-.25IDX1.50
	008311-01-000	EA	CONNECTOR-WIRENUT-INSULATED-RED
	008312-01-000	EA	CONNECTOR-WIRENUT-INSULATED-BLUE
	008313-01-000	EA	CONNECTOR-WIRENUT-INSULATED-YELLOW
	008355-01-000	EA	CONNECTOR-CABLECLAMPING-3/4"
	008356-01-000	EA	CONNECTOR-PLASTIC-3/8"AVG
	041480-01-000	EA	CONNECTOR-STRAIGHT-1/2'FLEXCONDUIT
	058028-01-000	EA	CONNECTOR-ELECTRICALPIGTAIL-NYLON-CLEAR
	082741-01-000	EA	CONNECTORBODY-2CONNECTORMALE
	115932-02-000	EA	CONNECTOR-FEMALE-50AMP-240VOLT
	008326-01-000	EA	TERMINAL-RING-16/14WIRE-3/8"STUD
	008328-01-000	EA	TERMINAL-RING-12/10WIRE-#10STUDFIT
	008331-01-000	EA	TERMINAL-RING-TONGUE-#4WIRE-3/8"STUD-COPPER
	008348-01-000	EA	TERMINAL-RING-3/8"STUD2GA.WIRE
	035416-04-000	EA	TERMINAL-RING-#10STUDFIT-INSULATEDBARREL#16/14
	047443-01-000	EA	TERMINAL-.250RECEPTACLEFIT-INSULATED-16/14AWG
	047443-02-000	EA	TERMINAL-.250RECEPTACLEFIT-INSULATED-12/10AWG
	062036-01-000	EA	TERMINAL-PACK-CON-12/10AWG
	062036-02-000	EA	TERMINAL-PACK-CON-16/14AWG
	088267-01-000	EA	TERMINAL-FEMALE-1/4
	088476-01-000	EA	TERMINAL-ELECTRICAL
	098260-01-000	EA	TERMINAL-MALE-56SERIES
	102777-02-000	EA	TERMINAL-RING-#6STUD-10AWG
	104100-02-000	EA	TERMINAL-75AMP
	104100-03-000	EA	TERMINAL-75AMP
	106655-01-000	EA	TERMINAL-FUSEBLOCK-14-16AWG
	113308-01-000	EA	TERMINAL-FEMALE-M/P-14-16-280
	125324-01-000	EA	TERMINAL-MALE
			FROM: 10-24-96 THRU: 99-99-99
	077479-01-000	EA	BOOT-BATTERYTERMINAL-DOUBLECABLE
	077479-02-000	EA	BOOT-BATTERYTERMINAL-SINGLECABLE
	080015-02-000	EA	RECEPTACLE-FLAG-.185-16/14GAUGE
	085724-01-000	EA	SOCKET-DOUBLECONTACT-TAILLIGHT
	087225-01-000	FT	SLEEVING-1/2"-TYPEH
	087949-01-000	EA	BUSSBAR-2POSITION-.6"X1.5"
	087949-02-000	EA	BUSSBAR-3POSITION-.6"X2.4"
	087949-03-000	EA	BUSSBAR-4POSITION
	074017-02-000	EA	HOUSING-5POSITION-RIGHTANGLED
	082109-01-000	EA	HOUSING-CONNECTOR-PACKARD
	088473-01-000	EA	HOUSING-PIN-12CAVITY
	088473-02-000	EA	HOUSING-PIN-15CAVITY
	088473-03-000	EA	HOUSING-PIN-9CAVITY
	088473-05-000	EA	HOUSING-PIN-6CAVITY
			FROM: 00-00-00 THRU: 10-23-96
	088473-06-000	EA	HOUSING-PIN-6CAVITY
	088473-07-000	EA	HOUSING-PIN-5CAVITY
	088473-08-000	EA	HOUSING-PIN-4CAVITY
	088473-09-000	EA	HOUSING-PIN-3CAVITY
	088473-10-000	EA	HOUSING-PIN-2CAVITY
	088474-01-000	EA	HOUSING-SOCKET-12CAVITY
	088474-02-000	EA	HOUSING-SOCKET-15CAVITY
	088474-03-000	EA	HOUSING-SOCKET-9CAVITY
	088474-06-000	EA	HOUSING-SOCKET-6CAVITY
	088474-07-000	EA	HOUSING-SOCKET-5CAVITY
	088474-08-000	EA	HOUSING-SOCKET-4CAVITY
	088474-09-000	EA	HOUSING-ELECTRICAL-3TERMINAL
	088474-10-000	EA	HOUSING-SOCKET-2CAVITY
	098264-01-000	EA	HOUSING-2PIN-WEATHERPACK
	101571-01-000	EA	HOUSING-2POSITION-MALE
	104100-01-000	EA	HOUSING-1POSITION-75AMPS
	110178-01-000	EA	HOUSING-WIPERMOTOR

ELECTRICALGROUP(CONTINUED)

CONNECTORS&HOUSINGS(CONTINUED)

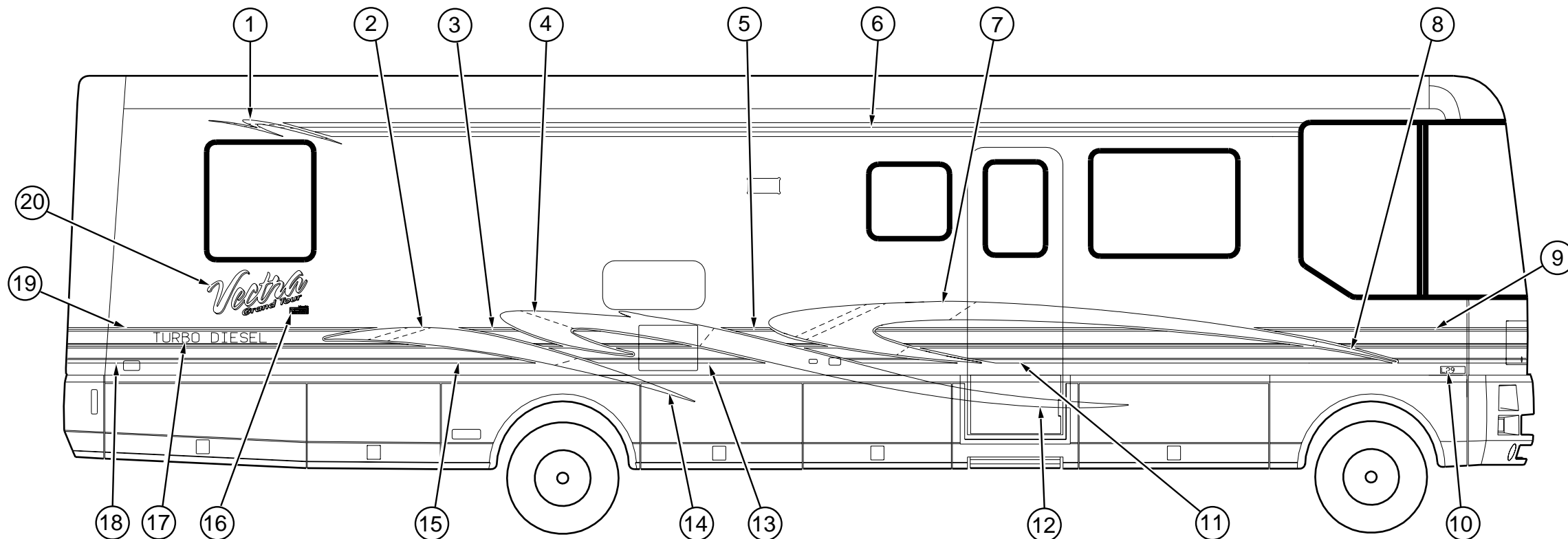
KEY	PARTNUMBER	U/M	DESCRIPTION
	113468-01-000	EA	HOUSING-2POSITION-FEMALE USEDONWIPER/WASHERWIREASM
	114442-01-000	EA	HOUSING-1POSITION-FEMALE
	117700-01-000	EA	HOUSING-2POSITION-METRI-PACK-FEMALE
	119221-01-000	EA	HOUSING-1POSITIONFEMALE-280-SERIES
	125323-01-000	EA	HOUSING-10POSITION-MALE
			FROM: 10-24-96 THRU: 99-99-99
	125323-02-000	EA	HOUSING-8POSITION-MALE
			FROM: 10-24-96 THRU: 99-99-99
	007954-01-000	EA	RECEPTACLE-HOUSING-6POSITION
	088475-01-000	EA	PIN-CONNECTOR-14-20AWG
	088475-02-000	EA	PIN-CONNECTOR-10-12AWG
	088476-02-000	EA	SOCKET-CONNECTOR-12-10GA-PRE-TIN
	092786-03-000	EA	BUSSBAR-6.9"LONG
	098261-02-000	EA	SOCKET-CONNECTOR-WEATHERPACK
	098262-01-000	EA	SEAL-CONNECTOR-WEATHERPACK
	103608-01-000	EA	SOCKET-WEDGEBASEW/LEADS
	112823-01-000	EA	SPLICE-REDUCER-16-14TO18-22
	115931-02-000	EA	COVER-CONNECTOR
	125323-03-000	EA	LOCK-SECONDARY8POSITION
	125323-04-000	EA	LOCK-SECONDARY10POSITION
			FROM: 06-16-97 THRU: 99-99-99
	125325-01-000	EA	SEAL-CAVITY
			FROM: 10-24-96 THRU: 99-99-99

CONDUIT

KEY	PARTNUMBER	U/M	DESCRIPTION
	041953-01-000	FT	CONDUIT-CONVOLUTESLIT-.5"ID
	041953-03-000	FT	CONDUIT-CONVOLUTESLIT-1"ID(CLOTHESRODCOVER)
	041953-05-000	FT	CONDUIT-CONVOLUTESOLID-.62"ID
	041953-06-000	FT	CONDUIT-CONVOLUTESLIT-.375"ID
	041953-07-000	FT	CONDUIT-CONVOLUTESLIT-.25"ID
	041953-08-000	FT	CONDUIT-CONVOLUTESLIT-1.50"ID
	041953-09-000	FT	CONDUIT-CONVOLUTESLIT-.50"ID
	041953-10-000	FT	CONDUIT-CONVOLUTESLIT-.75"ID
	041953-11-000	FT	CONDUIT-CONVOLUTESLIT-1.06"ID

EXTERIOR BODY GROUP

DECALS, STRIPES & PAINTS



KEY	PARTNUMBER	U/M	DESCRIPTION
1	119372-01-01A	EA	DECAL-SWEEP-#4-RH-MBLU/HGRN/MBRN/BRYWD
1	119372-02-01A	EA	DECAL-SWEEP-#4-LH-MBLU/HGRN/MBRN/BRYWD
2	119371-01-01A	EA	DECAL-SWEEP-#3-RH-MARBLU/HGRN/BRYWD
2	119371-02-01A	EA	DECAL-SWEEP-#3-LH-MARBLU/HGRN/BRYWD
3	124494-01-01A	EA	DECAL-E/GRAPHICSTRIPE-#5RIGHTHAND
3	124494-02-01A	EA	DECAL-E/GRAPHICSTRIPE-#5LEFTHAND
4	119370-01-01A	EA	DECAL-SWEEP-#2-RH-MARBLU/HGRN/BRYWD
4	119370-02-01A	EA	DECAL-SWEEP-#2-LH-MARBLU/HGRN/BRYWD
5	124492-01-01A	EA	DECAL-C/GRAPHICSTRIPE-#3RIGHTHAND
5	124492-02-01A	EA	DECAL-C/GRAPHICSTRIPE-#3LEFTHAND
6	093689-19-01A	FT	FILM-MULTISTRIPE-100.1MMX150-BRYWD/HTGRN/MBRN/MB
7	119369-01-01A	EA	DECAL-SWEEP-#1-RH-MRBLU/HGRN/MBRN/BRY
7	119369-02-01A	EA	DECAL-SWEEP-#1-LH-MRBLU/HGRN/MBRN/BRY
8	119373-01-01A	EA	DECAL-TIP-SWEEP-#1-RH-MEDBRN/HUNTGRN
8	119373-02-01A	EA	DECAL-TIP-SWEEP-#1-LH-MEDBRN/HUNTGRN
9	124490-01-01A	EA	DECAL-A/GRAPHICSTRIPE-#1RIGHTHAND
9	124490-02-01A	EA	DECAL-A/GRAPHICSTRIPE-#1LEFTHAND
10	122312-01-01A	EA	DECAL-VORTEC7400
11	124491-01-01A	EA	DECAL-B/GRAPHICSTRIPE-#2RIGHTHAND
11	124491-02-01A	EA	DECAL-B/GRAPHICSTRIPE-#2LEFTHAND
12	119374-01-01A	EA	DECAL-TIP-SWEEP-#2-RH(1996)-HUNTERGREEN
12	119374-02-01A	EA	DECAL-TIP-SWEEP-#2-LH(1996)-HUNTERGREEN
13	124493-01-01A	EA	DECAL-D/GRAPHICSTRIPE-#4RIGHTHAND
13	124493-02-01A	EA	DECAL-D/GRAPHICSTRIPE-#4LEFTHAND
14	119375-01-01A	EA	DECAL-TIP-SWEEP-#3-RH(1996)-HUNTERGREEN
14	119375-02-01A	EA	DECAL-TIP-SWEEP-#3-LH(1996)-HUNTERGREEN
15	124495-01-01A	EA	DECAL-F/GRAPHICSTRIPE-#6RIGHTHAND
15	124495-02-01A	EA	DECAL-F/GRAPHICSTRIPE-#6RIGHTHAND

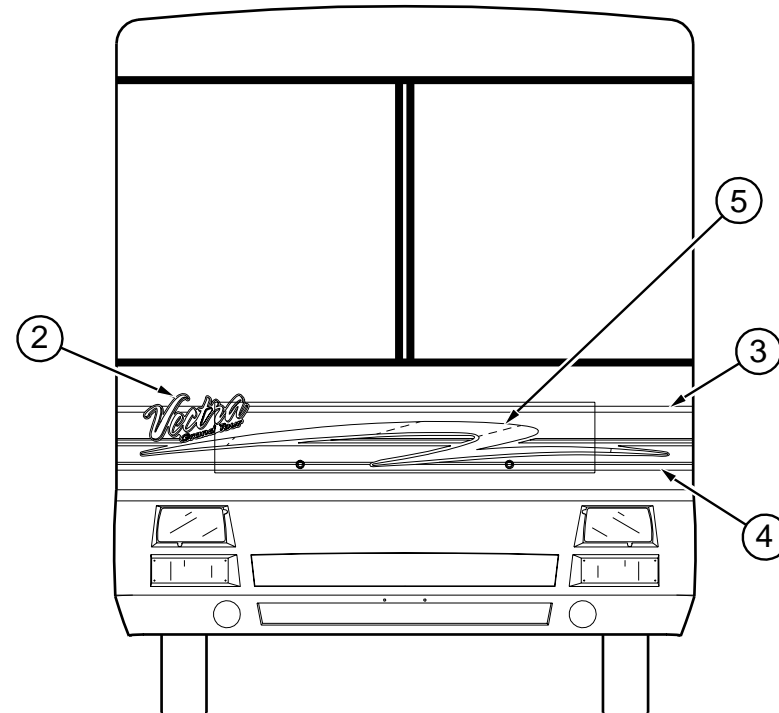
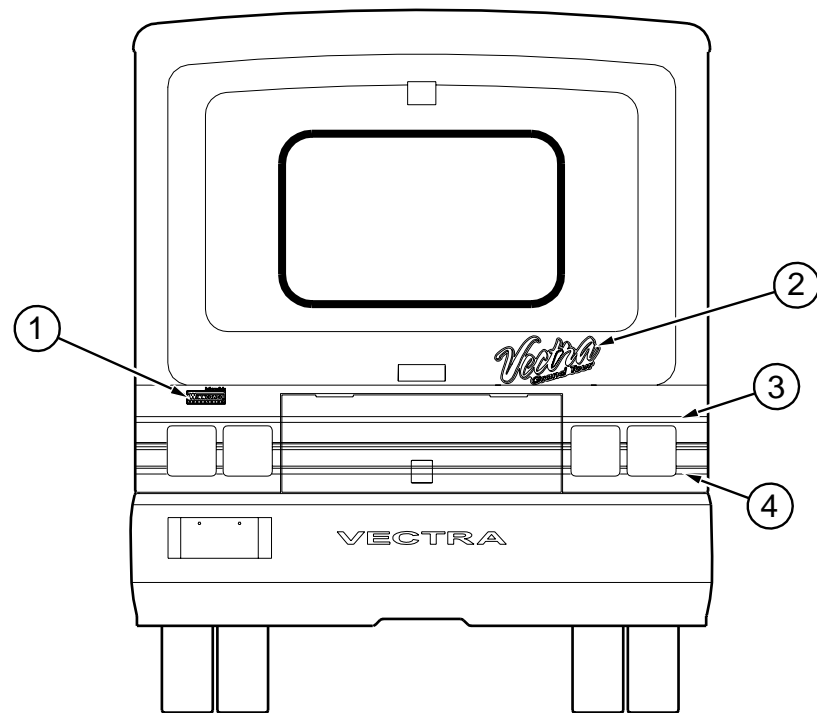
KEY	PARTNUMBER	U/M	DESCRIPTION
16	122770-02-02A	EA	DECAL-BUILTPROUDBYWINNIND-HUNTERGREEN
17	111318-03-02A	EA	DECAL-TURBODIESEL
18	105781-58-01A	FT	FILM-MULTISTRIPE 108.0MMX150-BRYWOOD/MARLINBLU
19	094423-09-01A	FT	FILM-OVERLAY-MULTISTRIPE 133.4-BRYWD/HTRGRN/MDBRN
20	119377-01-01A	EA	DECAL-VECTRA-GRANDTOUR-LG-HTGRN/BRYWD/HTGRN/B
	091828-61-000	GL	PAINT-CHROMABASEL8723-OFFWHITE
	041561-03-000	EA	PAINT-16OZSPRAY-OFFWHITE

DUPONT PAINT COLOR CODES

MARLINBLUEMET.	BM500
HUNTERGREENMET.	GM219
SABLE	F1529
MOCHAFROSTPEARL	F1929
MEDIUMBROWNMET.	YM376
BERRYWOOD	F2983

EXTERIOR BODY GROUP (CONTINUED)

DECALS, STRIPES & PAINTS (CONTINUED)



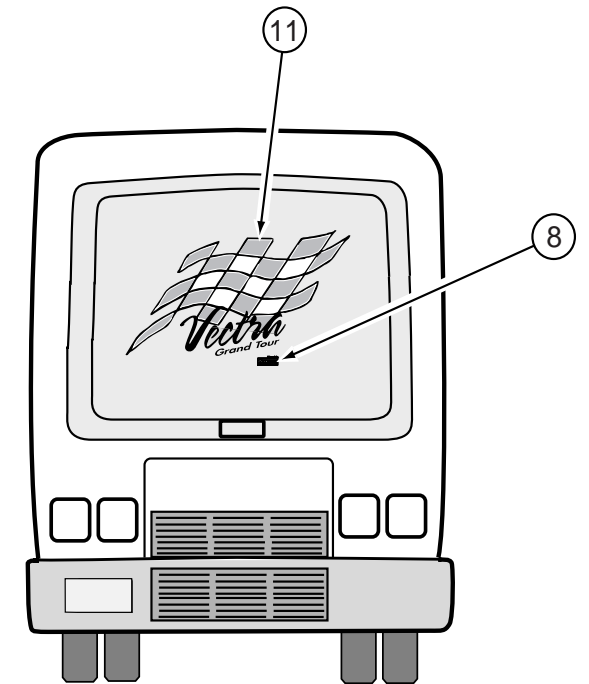
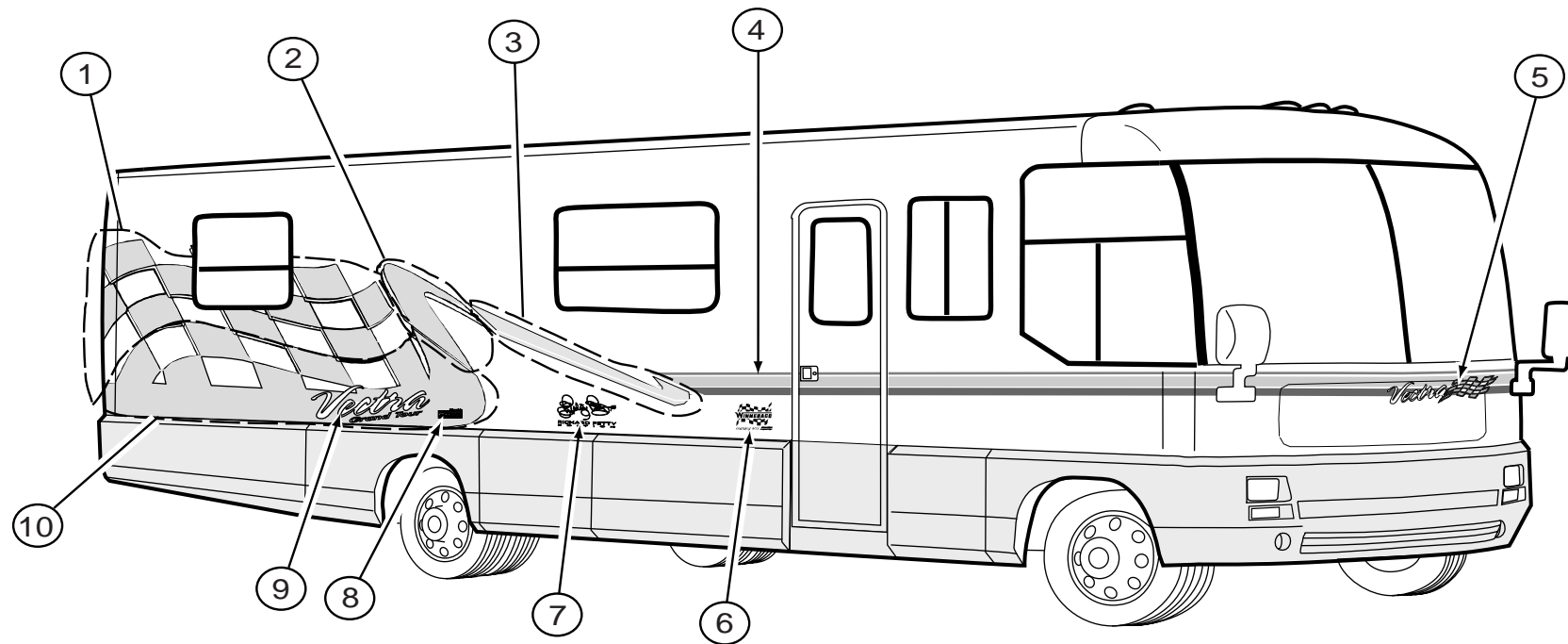
KEY	PART NUMBER	U/M	DESCRIPTION
1	122770-01-02A	EA	DECAL-BUILT PROUD BY WINNIND-HUNTER GREEN
2	119377-03-01A	EA	DECAL-VECTRA GRAND TOUR-SML-SBL/HTRGRN/BRYWD
3	094423-09-01A	FT	FILM-OVERLAY-MULTI STRIPE 133.4-BRYWD/HTRGRN/MDBRN
4	105781-58-01A	FT	FILM-MULTI STRIPE-4.2"
5	124496-01-01A	EA	DECAL-HOOD

DUPONT PAINT COLOR CODES

MARLIN BLUE MET.	BM500
HUNTER GREEN MET.	GM219
SABLE	F1529
MOCHA FROST PEARL	F1929
MEDIUM BROWN MET.	YM376
BERRY WOOD	F2983

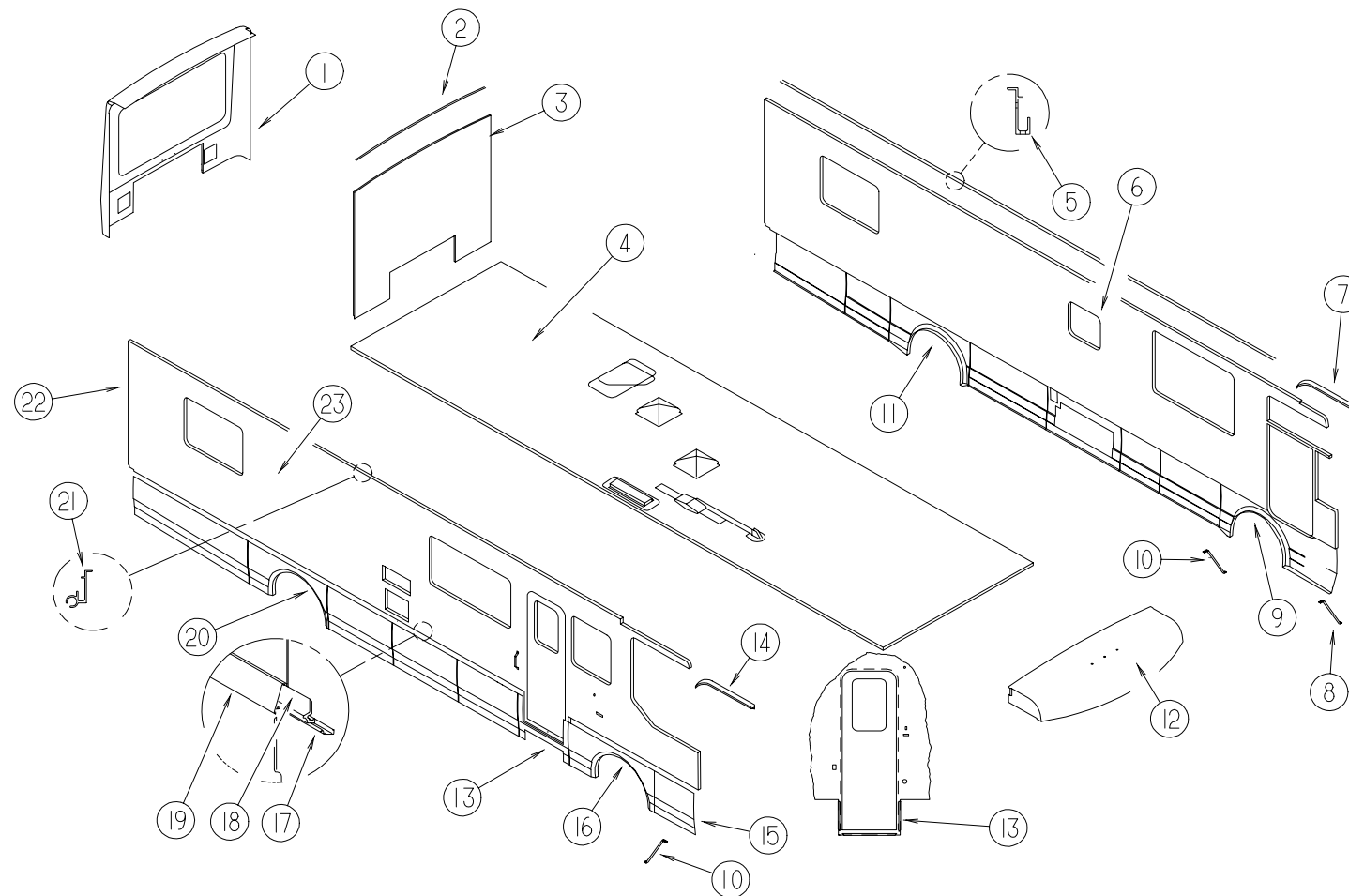
EXTERIOR BODY GROUP (CONTINUED)

DECALS, STRIPES & PAINTS (RICHARD PETTY)



KEY	PARTNUMBER	U/M	DESCRIPTION
1	126379-02-01A	EA	DECAL-TOPFLAG/LEFTHAND
1	126379-01-01A	EA	DECAL-TOPFLAG/RIGHTHAND
2	126378-02-01A	EA	DECAL-TOPSWEEP/LEFTHAND
2	126378-01-01A	EA	DECAL-TOPSWEEP/RIGHTHAND
3	126377-02-01A	EA	DECAL-DROPSTRIPE/LEFTHAND
3	126377-01-01A	EA	DECAL-DROPSTRIPE/RIGHTHAND
4	094443-54-01A	FT	FILM-MULTISTRIPE-6"
5	126376-01-01A	EA	DECAL-FRONTFLAG
6	121931-01-01A	EA	DECAL-MOTORSPORTSNASCAR
7	121932-01-01A	EA	DECAL-RICHARDPETTYEDITION
8	122770-02-09A	EA	DECAL-"BUILT PROUDLY BY WINNEBAGO INDUSTRIES"
9	126382-01-01A	EA	DECAL-LOGO-VECTRAGRANDTOUR
10	126380-02-01A	EA	DECAL-BOTTOMFLAG/LEFTHAND
10	126380-01-01A	EA	DECAL-BOTTOMFLAG/RIGHTHAND
11	126381-01-01A	EA	DECAL-REARFLAG

BODYPANELS&TRIM

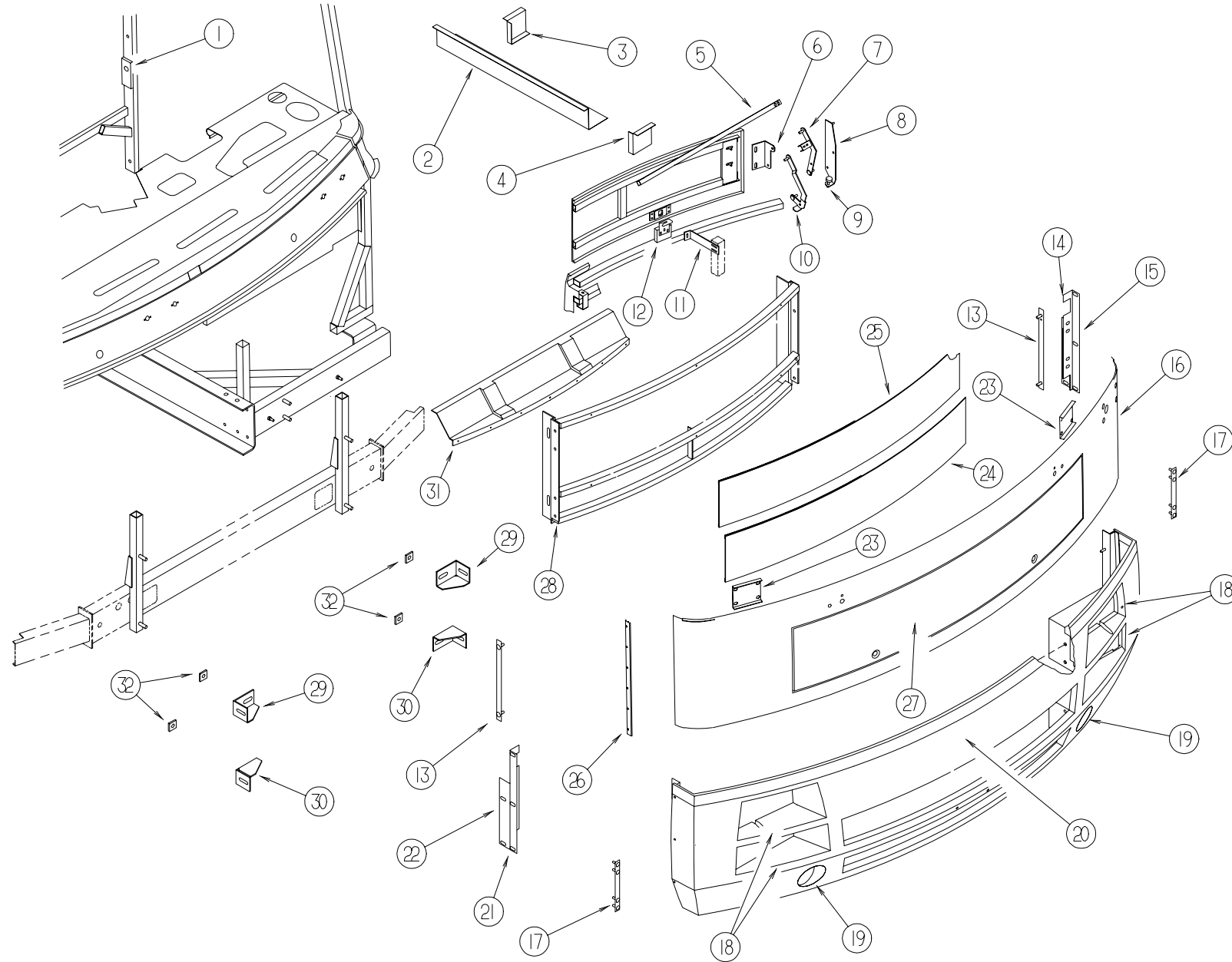


KEY	PARTNUMBER	U/M	DESCRIPTION
1	117514-02-01A	EA	PANEL - REARCAP -W/ODOOR -DIESEL -WIDEMSERIES
2	083805-22-000	EA	TRIM -ROOFCAP
3	P20236-01-H56	EA	BACKWALL -W/OWINDOW/TRIM(H56,H57)
3	P20236-01-H58	EA	BACKWALL -W/OWINDOW/TRIM(H58,H59,H64,H65)
3	P20236-01-H60	EA	BACKWALL -W/OWINDOW/TRIM(H60,H61)
4	123848-01-H56	EA	ROOF -W/OLIGHTS/VENTS -W/WIRING
5	120091-02-03A	EA	TRIM -ROOF
6	123847-01-H56	EA	SIDEWALL -DRIVER -W/OWINDOWS/TRIM(H56)
6	123847-01-H57	EA	SIDEWALL -DRIVER -W/OWINDOWS/TRIM(H57)
6	123847-01-H58	EA	SIDEWALL -DRIVER -W/OWINDOWS/TRIM(H58,H64)
6	123847-01-H59	EA	SIDEWALL -DRIVER -W/OWINDOWS/TRIM(H59,H65)
6	123847-01-H60	EA	SIDEWALL -DRIVER -W/OWINDOWS/TRIM(H60)
6	123847-01-H61	EA	SIDEWALL -DRIVER -W/OWINDOWS/TRIM(H61)
7	108274-08-01A	EA	RAIL -DRIP -FRONT/DRIVER
8	107865-07-000	EA	ROD -SUPPORT -VALANCEPANEL -14.3"
9	118842-02-GV0	EA	PANEL -WHEELWELL -FRONT/DRIVER
10	107865-14-000	EA	ROD -SUPPORT -VALANCEPANEL
11	119630-01-GV0	EA	PANEL -WHEELWELL -REAR/DRIVER
	106105-05-000	EA	CLIP -VALANCE/RETAINING
	106105-06-000	EA	CLIP -VALANCE/RETAINING
12	118027-01-01A	EA	CAP -ROOF
13	M05859-03-GV0	EA	DOOR -VALANCE -INNER
13	113119-01-01A	EA	PANEL -VALANCE -ENTRANCEDOOR
	121091-03-01A	EA	PANEL -VALANCE -ENTRANCEDOOR
	106105-03-000	EA	CLIP -VALANCE/RETAINING
	119700-01-GV0	EA	PANEL -VALANCE/HORSESHOE -W/OHARDWARE

KEY	PARTNUMBER	U/M	DESCRIPTION
14	108274-07-01A	EA	RAIL -DRIP -FRONT/PASSENGER
15	120896-01-GV0	EA	VALANCE -FRONT -PASSENGER -W/OHARDWARE
16	118843-02-H56	EA	PANEL -WHEELWELL -FRONT/PASSENGER
17	118547-01-01A	EA	RETAINER -TRIM -12"
17	118547-02-01A	EA	RETAINER -TRIM -4"
17	118547-03-01A	EA	RETAINER -TRIM -2"
	118359-51-001	EA	EXTRUDED -RETAINER -TRIM -191"
18	118546-01-01A	EA	HANGER -VALANCE
	118358-51-001	EA	EXTRUDED -SIDEWALL/LOWER -182"
19	113161-01-01A	EA	TRIM -PANEL -VALANCE -RIGHTHAND
19	113161-02-01A	EA	TRIM -PANEL -VALANCE -LEFTHAND
	118540-01-01A	EA	TRIM -COVER
	108497-01-01A	EA	ENDCAP -COVERTRIM -LIGHTGRAY
	108497-02-01A	EA	ENDCAP -COVERTRIM -LIGHTGRAY
20	119629-01-H56	EA	WHEELWELL -REAR/PASSENGER
	107865-05-000	EA	ROD -SUPPORT -VALANCEPANEL -9"
21	120092-02-03A	EA	RAIL -AWNING
22	092041-02-02A	EA	TRIM -REAR -CAPTO SIDEWALL
	091985-01-06A	FT	INSERT -TRIM -REARCAPTO SIDEWALL
23	123846-01-H56	EA	SIDEWALL -PASSENGER -W/OWINDOWS/TRIM(H56)
23	123846-01-H57	EA	SIDEWALL -PASSENGER -W/OWINDOWS/TRIM(H57)
23	123846-01-H58	EA	SIDEWALL -PASSENGER -W/OWINDOWS/TRIM(H58,H64)
23	123846-01-H59	EA	SIDEWALL -PASSENGER -W/OWINDOWS/TRIM(H59,H65)
23	123846-01-H60	EA	SIDEWALL -PASSENGER -W/OWINDOWS/TRIM(H60)
23	123846-01-H61	EA	SIDEWALL -PASSENGER -W/OWINDOWS/TRIM(H61)

EXTERIORBODYGROUP(CONTINUED)

FRONTENDASSEMBLY

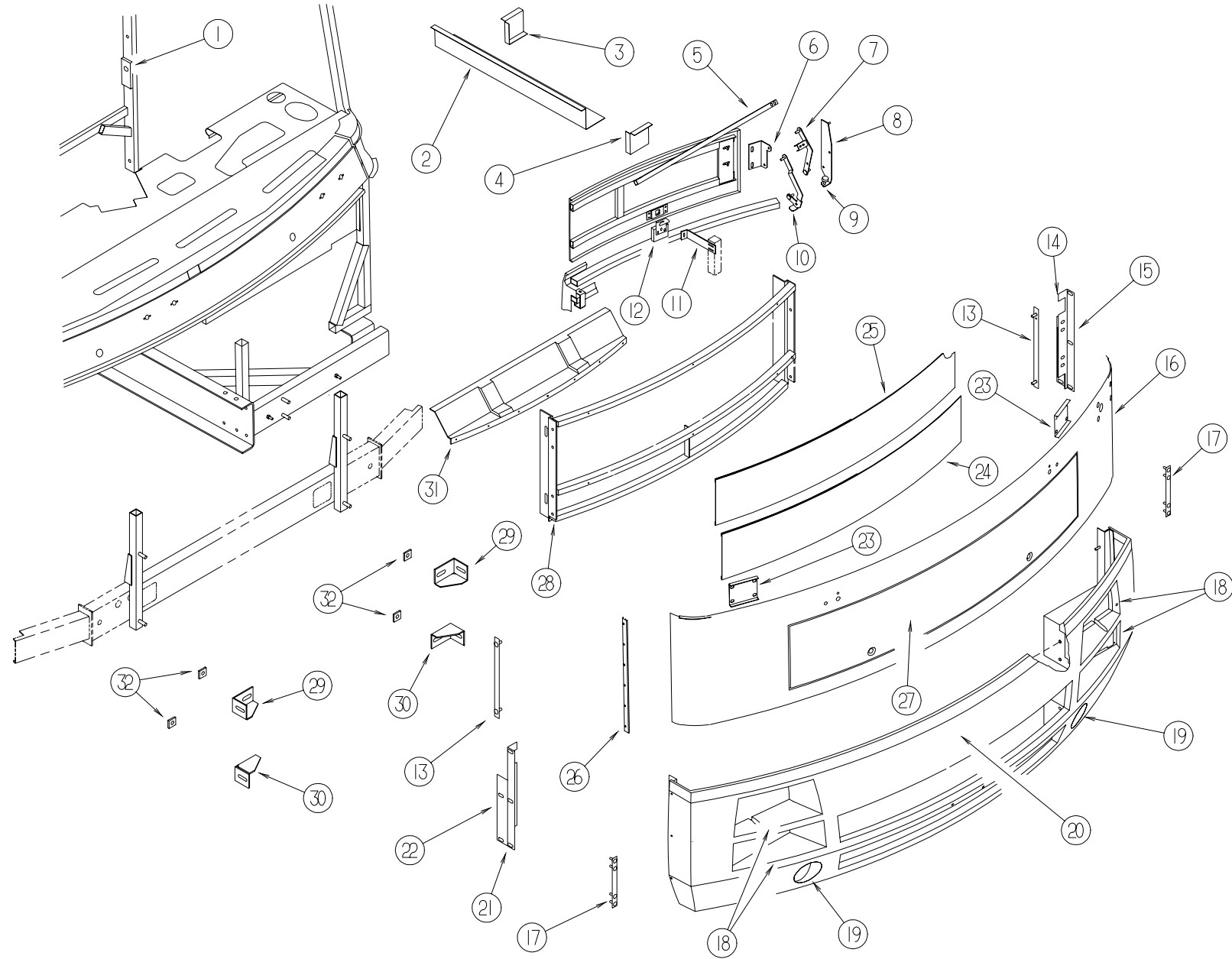


KEY	PARTNUMBER	U/M	DESCRIPTION
1	070579-06-000	EA	PLATE-ANCHOR-W/7/16WELDNUT-1.5"X3.3"
	070579-07-000	EA	PLATE-ANCHOR-W/OWELDNUT-1.5"X3.3"
2	106746-02-000	EA	PANEL-STEPWELL
3	106747-03-000	EA	PANEL-STEPWELL-RIGHTHANDEND
4	106747-04-000	EA	PANEL-STEPWELL-LEFTHANDEND
5	105096-10-000	EA	TUBE-HOODHINGETIMINGW/WELDNUTS
5	120466-02-02B	EA	TUBE-TIMING-HOOD/HING
6	109927-05-000	EA	ANGLE-LINK-HOOD
6	109927-06-000	EA	ANGLE-LINK-HOOD
7	118156-01-02B	EA	LINK-HOODHINGE-UPPER/RIGHTHAND
7	118156-02-02B	EA	LINK-HOODHINGE-UPPER/LEFTHAND
8	109926-11-000	EA	BRACKET-LINK-HINGE/RIGHTHAND
8	109926-12-000	EA	BRACKET-LINK-HINGE/LEFTHAND
9	058786-01-000	EA	BOLT-ADJUSTINGHOOD-W/BLACKPAD-5/16"#18X2"
	106765-01-000	EA	SUPPORT-BOLT-HOODADJUSTING
10	118154-03-02B	EA	LINK-HOODHINGE-LOWER/RIGHTHAND
	118154-01-01B	EA	LINK-HOODHINGE-LOWER/RIGHTHAND
10	118154-04-02B	EA	LINK-HOODHINGE-LOWER/LEFTHAND
	118154-02-01B	EA	LINK-HOODHINGE-LOWER/LEFTHAND
11	118607-01-02B	EA	BRACE-FRONTEND

KEY	PARTNUMBER	U/M	DESCRIPTION
12	106748-03-000	EA	LATCH-HOOD-FRONTEND
13	106730-02-000	EA	PLATEASM-STUD
	106730-01-000	EA	PLATE-STUD
14	120932-02-02B	EA	ANGLE-WHEELIP-LEFTHAND
15	120933-02-02B	EA	ANGLE-BUMPER-LEFTHAND
	117979-17-02B	EA	SUPPORT-BUMPER-RIGHTHAND/FORD
16	117499-02-GV0	EA	PANEL-FRONTLOWER-FIBERGLASS
	002328-02-000	EA	BLOCK-WINDSHIELD-.062"X.5"X.98"
	119445-01-02B	EA	PLATE-W/HOLES
17	120934-02-02B	EA	PLATE-STUD
18	117777-01-02B	EA	FRAME-HEADLAMP-PASSENGER
18	117777-02-02B	EA	FRAME-HEADLAMP-LEFTHAND
19	117503-01-01A	EA	HOUSING-FOGLAMP
	118650-01-02B	EA	SUPPORT-FOGLAMP
	118651-03-02B	EA	SUPPORT-BUMPER/FOGLAMP
	118651-04-02B	EA	SUPPORT-BUMPER/FOGLAMP

EXTERIORBODYGROUP(CONTINUED)

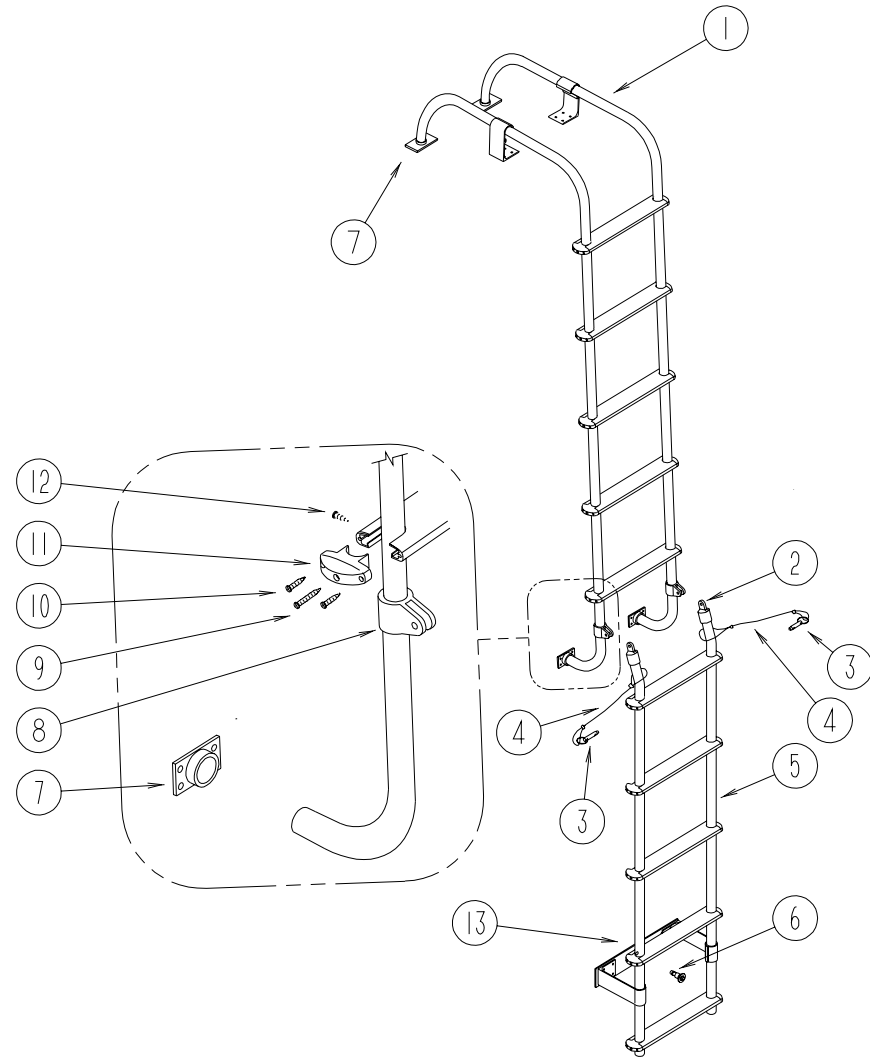
FRONTENDASSEMBLY(CONTINUED)



KEY	PARTNUMBER	U/M	DESCRIPTION
20	P17485-02-GV0	EA	BUMPERPANEL-FRONT-DIESELPUSHER
20	117493-02-01A	EA	PANEL-BUMPER-FRONT/OUTER
	106730-06-000	EA	PLATE-STUD
	106730-05-000	EA	PLATE-STUD
21	120933-01-02B	EA	ANGLE-BUMPER-RIGHTHAND
22	120932-01-02B	EA	ANGLE-WHEELIP-RIGHTHAND
23	120331-01-02B	EA	BRACKET-SUPPORT-FRONTEND
24	115924-07-02A	EA	WIREMESH-F/GRILLE-FLATBLACK
25	115924-02-02A	EA	WIREMESH-F/GRILLE-FLATBLACK
26	114422-01-02A	EA	TRIM-PANEL-FIBERGLASS
27	117496-01-GV0	EA	PANEL-OUTERHOOD
	106730-02-000	EA	PLATE-STUD
	102330-01-000	EA	LATCH-VISEACTION/KEYOPERATED
	102328-01-000	EA	KEY-BARREL-NICKELPLATED

KEY	PARTNUMBER	U/M	DESCRIPTION
28	118117-01-GV0	EA	FRAME-FRONTBUMPER
29	117611-01-02B	EA	BRACKET-BUMPER-RIGHTHANDUPPER/LEFTHANDLOWER
29	117611-02-02B	EA	BRACKET-BUMPER-LEFTHANDUPPER/RIGHTHANDLOWER
30	117611-01-02B	EA	BRACKET-BUMPER-RIGHTHANDUPPER/LEFTHANDLOWER
30	117611-02-02B	EA	BRACKET-BUMPER-LEFTHANDUPPER/RIGHTHANDLOWER
31	120665-02-01A	EA	SPOILER-RADIATOR-FRONT-FORD
31	P20665-01-01A	EA	SPOILER-RADIATOR-FRONT-CHEV
32	116617-02-02B	EA	SPACER-BUMPER
	120481-01-02B	EA	ANGLE-W/SLOTS

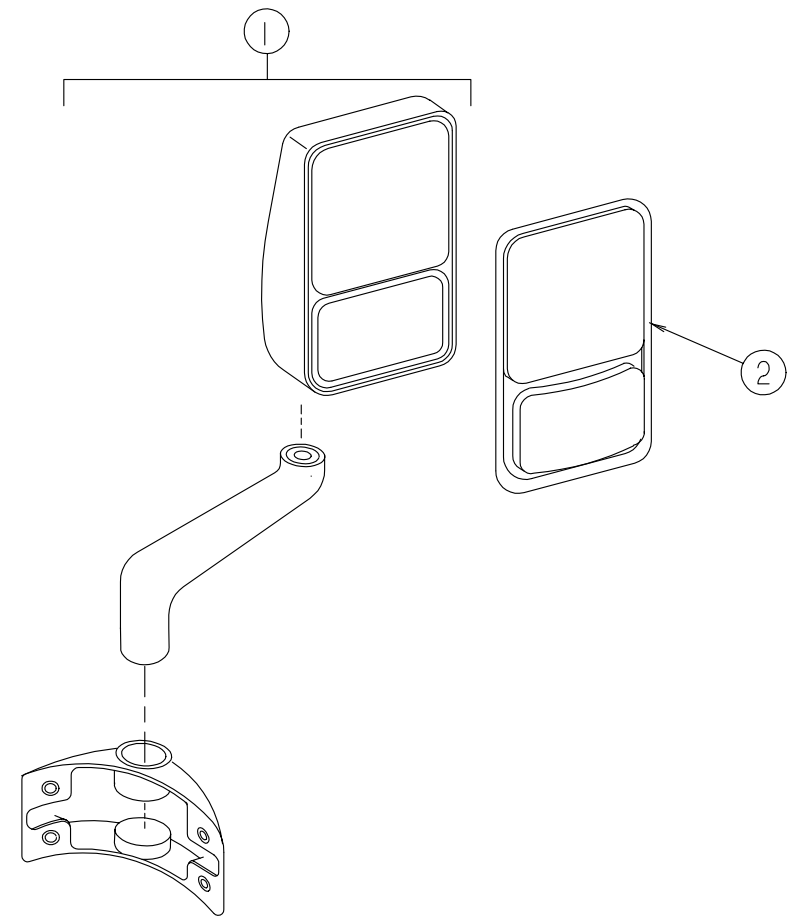
EXTERIORBODYGROUP(CONTINUED)



LADDER

KEY	PARTNUMBER	U/M DESCRIPTION
1	118841-01-GV0	EA LADDER-UPPER
2	081115-01-000	EA TOPCAP-RACK&LADDER-1"
3	081056-01-000	EA PIN-QUICKRELEASE-SINGLEACTION-LADDER
4	076767-11-000	EA CABLE-1/16"X5.9"
5	118840-01-GV0	EA LADDER-LOWER
6	114834-01-000	EA PIN-QUICKRELEASE
7	067165-01-000	EA BRACKET-MOUNTING-LOWERLADDER
8	081116-01-000	EA SLIDE-TOP-RACK&LADDER-1"
9	000G67-10-36T	EA SCREW-10-12X2.25PPH-BLACK
10	000G39-06-10T	EA SCREW-SF/DR-6-20X5/8PPH-BLACK
11	076980-02-000	EA ENDCAP-STEP-BLACK
12	000G39-10-16U	EA SCREW-SF/DR-10-16X1.00PPH
13	108423-01-02A	EA PLATE-BUMPER-LOWERLADDER
	081114-01-000	EA CAP-INSERT-ROUND-1"DIAMETER-BLACKPLASTIC
	038327-01-000	EA TAPE-ANTI-SLIP-2"X60'
	081055-01-000	EA SPRINGGRIP-INTERNALTOOTH-LADDER

EXTERIORBODYGROUP(CONTINUED)



VELVACEXTERIORMIRRORS

KEY	PARTNUMBER	U/M DESCRIPTION	VENDORNO.
1	119774-03-01A	EA MIRROR-EXTERIOR-REMOTE/HEAT-PASSENGER FROM: 00-00-00 THRU: 12-01-96	
2	086261-01-704	EA MIRRORKIT-EXTERIOR-PASS.SIDE KITCONTAINS:BEZEL-CONVEXGLASS-HEATEDFLATGLASS	709268
1	119774-04-01A	EA MIRROR-EXTERIOR-REMOTE/HEAT-DRIVER FROM: 00-00-00 THRU: 12-01-96	
2	086261-02-701	EA MIRRORKIT-EXTERIOR-DRIVERSIDE KITINCLUDES:BEZEL-CONVEXGLASS-HEATEDFLATGLASS	709269
1	119774-09-01A	EA MIRROR-EXTERIOR-REMOTE/HEAT-PASSENGER FROM: 12-02-96 THRU: 99-99-99	
2	106015-12-700	EA MIRROR-FLATHEATEDW/CLIP	709448
2	106015-12-701	EA MIRROR-CONVEXHEATEDW/CLIP	709449
1	119774-10-01A	EA MIRROR-EXTERIOR-REMOTE/HEAT-DRIVER FROM: 12-02-96 THRU: 99-99-99	
2	106015-12-700	EA MIRROR-FLATHEATEDW/CLIP	709448
2	106015-12-701	EA MIRROR-CONVEXHEATEDW/CLIP	709449
	108825-02-000	EA GASKET-MIRROR	
	088246-01-000	EA SWITCH-REMOTE-EXTERIOR-SQUAREPUSH	
	087695-02-000	EA SWITCH-HEATER-EXTERIORMIRROR	
	087695-03-000	EA CONNECTOR-ASSEMBLY	

SQUEEGEE

KEY	PARTNUMBER	U/M DESCRIPTION
	091955-02-000	EA SQUEEGEE-EXTENDHANDLE
	110429-03-D18	EA BRACKET-SQUEEGEE

EXTERIORBODYGROUP(CONTINUED)

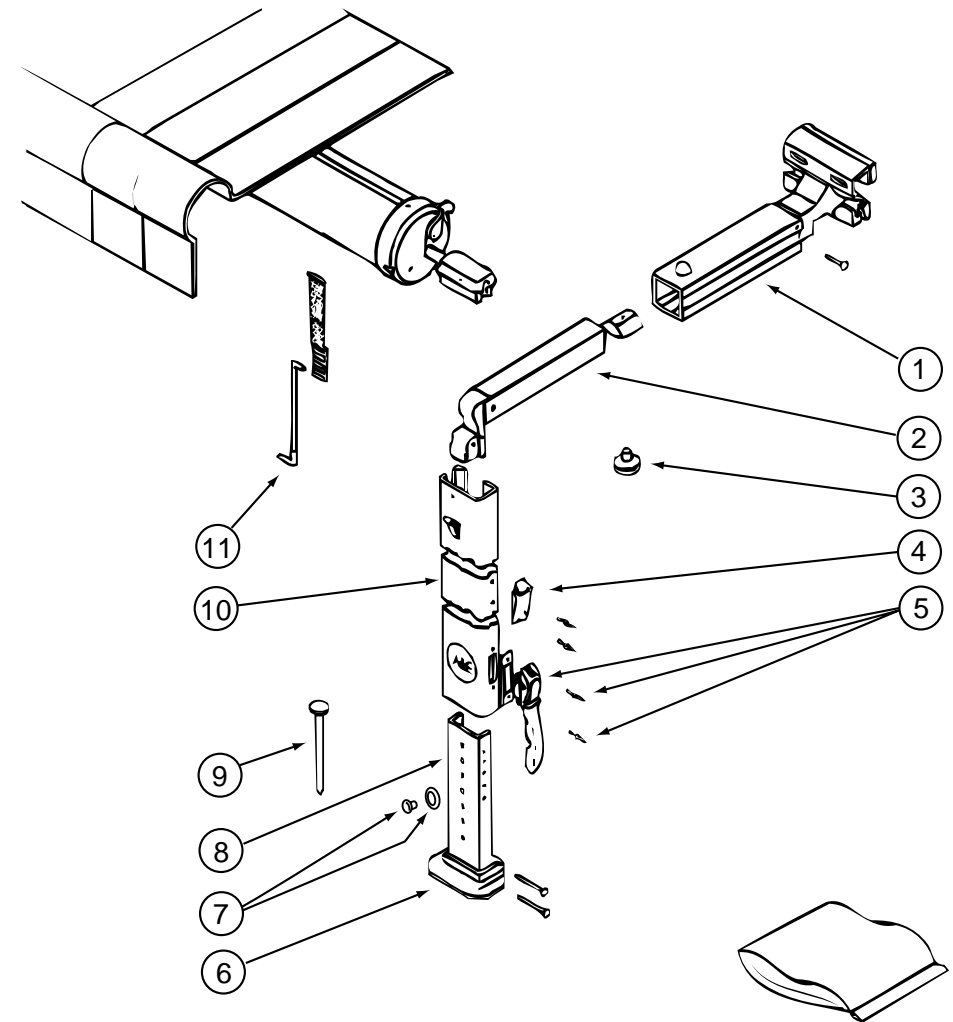
HADLEYAIRHORN

KEY	PARTNUMBER	U/M	DESCRIPTION	VENDORNO.
	077497-06-000	EA	HORN-AIR-CHROME-TWIN	
	077497-01-701	EA	SWITCH-COMPRESSOR	13940-S
	077497-01-702	EA	SWITCH-TOGGLE-W/WIRE	12949-S
	081407-01-000	EA	PLATE-MOUNTING-AIRHORN	
			FROM: 00-00-00 THRU: 10-09-96	
	071390-04-000	FT	TUBING-AIRBRAKE-1/4"OD-BLKWEATHERHEAD(BRKS&HORN)	
	077497-03-000	EA	FITTINGKIT-HOSE/HOSEFITTING/AIRGAUGE-F/AUXHORN	
	077497-01-710	EA	GAUGE-AIRPRESSURE	14212S
	077497-05-000	EA	COMPRESSOR/TANK/SOLENOIDKIT	
	077497-01-700	EA	SOLENOID-AIRTANK	50B
	077497-01-703	EA	TANK-AIR	751-N
	077497-01-704	EA	COMPRESSORW/SWITCH	852EC
	077497-01-706	EA	VALVE&HEADREPAIR-COMPRESSOR	H00852HV
	077497-01-707	EA	BELT&SCREWCOVER-COMPRESSOR	H00852BR
	077497-01-708	EA	FILTER&MOUNTINGHARDWARE-COMPRESSOR	H00852FM
	077497-01-709	EA	PLUNGER&SPRING-SOLENOID	H136215
	077497-02-000	EA	HOSE-AUXILIARYAIRHORN	
			50'COILEDHOSE-AIRCHUCK-NEEDLE-NOZZLE&CARRIER	
	071386-06-000	EA	CONNECTOR-MALE-1/4TUBE X 1/4	
	077497-09-000	EA	TANK-AIR-SOLENOIDKIT-AUXILIARYHORN	
	115024-01-01B	EA	BRACKET-TANK-AIRHORN	

FIBERGLASS,STYROFOAM&STEELCHANNEL

KEY	PARTNUMBER	U/M	DESCRIPTION	VENDORNO.
	076054-Z2-000	EA	FIBERGLASSSHEET-30"X69.9"	
			FROM: 03-01-97 THRU: 99-99-99	
	076054-Z3-000	EA	FIBERGLASSSHEET-4"X86"-BRIGHTWHITE	
			FROM: 03-01-97 THRU: 99-99-99	
	108535-05-701	EA	FIBERGLASSFLAT110"X396"SABLE	
	113192-01-701	EA	FIBERGLASSBDSABLE4'X8'HIGLOSS	
	113192-01-02A	EA	FIBERGLASS/LUANLAMINATEDSHEET-SABLE.200"X79"X422"	
			FROM: 00-00-00 THRU: 10-02-96	
	113192-02-02A	EA	FIBERGLASS/LUANLAMINATEDSHEET-SABLE.200"X94"X192"	
			FROM: 00-00-00 THRU: 01-14-97	
	113192-03-01A	EA	FIBERGLASS/LUANLAMINATEDSHEET-SABLE.200"X79.4"X403"	
	117754-01-03A	EA	FIBERGLASS-SHEET-12.6"X8'-SABLE	
			FROM: 02-19-97 THRU: 99-99-99	
	000870-08-000	SF	STYROFOAM-.75"X48"X96"PLANEEXPANDEDBEADBOARD	
	083574-06-000	SF	STYROFOAM-.75X48"X108"-INCREMENTSOF14SF	
	115301-01-000	SF	STYROFOAM-.34"X48"X600"	
	065747-01-000	SF	INSULATION-MICROFOAM-.5"THICKX72"X112'ROLL	
			FROM: 00-00-00 THRU: 07-07-96	
	089297-01-000	SF	PLYWOOD-LUAN-OVERLAYGRADE-48"X96"	
	100619-01-000	BF	FOAM-EXPANDEDPOLYSTYRENE-1.34"X48"X96"	
	100619-02-000	BF	FOAM-EXPANDEDPOLYSTYRENE-1.5"X48"X96"	
	100619-05-000	BF	FOAM-EXPANDEDPOLYSTYRENE-.75"X48"X96"	
	100619-10-000	BF	FOAM-EXPANDEDPOLYSTYRENE-1.5"X48"X96"	
			FROM: 01-02-96 THRU: 99-99-99	
	100619-11-000	BF	FOAM-EXPANDEDPOLYSTYRENE-2"X48"X96"	
	100619-13-000	BF	FOAM-EXPANDEDPOLYSTYRENE-.34"X34.65"X96"	
	100619-16-000	BF	FOAM-EXPANDEDPOLYSTYRENE-.75"X48"X96"	
	120107-01-000	EA	FOAM-COVE-ROOF-2.8"X96"LONG	
	120107-02-000	EA	FOAM-PLUG-ROOFTUBE-2.2"X2.9"X1.8"LONG	
	120107-03-000	EA	FOAM-PLUG-SIDEWALLTUBE-1.2"X2.1"X1.8"LONG	
	125838-01-002	EA	ACRYLIC SHEET-.125X1.8"X2"	
	002726-01-001	EA	GARNISH-U-CHANNEL-1.38"X19'-SERRATED	
	068716-01-001	EA	BRACE-90DEGREEL-ANGLE-16'	

EXTERIORBODYGROUP(CONTINUED)

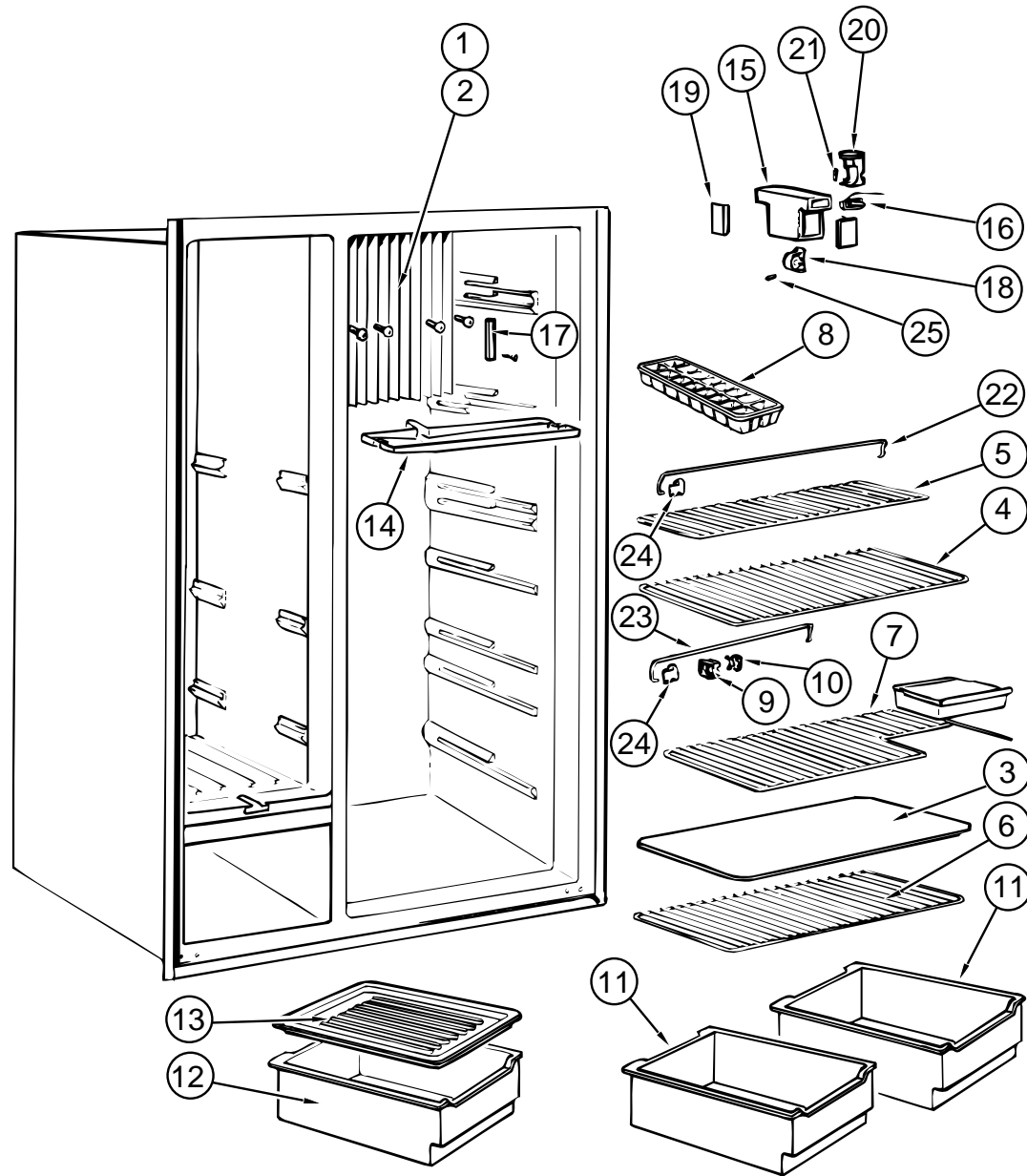


AWNING

KEY	PARTNUMBER	U/M	DESCRIPTION	VENDORNO.
	113874-09-01A	EA	AWNING-W/OHARDWARE-20'(BLACKCHERRY)ACRYLIC	
	111037-01-01A	EA	SPACER-AWNING-UPPER-BLACK	
	113874-01-03A	EA	HARDWAREKIT-AWNING-W/OSTANDOFFBRACKET-SABLE IFNEEDSTANDOFFBRACKETORDER#1138741001A	
1	113874-01-718	EA	RAFTER-MAINRH/LHSABLE	830295.036G
2	113874-01-719	EA	RAFTER-SECONDARYSABLE	830463.011G
3	113874-01-702	EA	KNOB-ADJUSTING	3105421.014
4	113874-01-706	EA	LOCK-TRAVEL	830587.001
5	113874-01-707	EA	HANDLE-LIFTW/RIVETS	830644
6	113874-01-712	EA	FOOT-PATIO	730366-001
7	113874-01-710	EA	PLUG-STOPKIT	830456
8	113874-01-721	EA	ARM-ADJUSTABLESABLE	830466.016G
9	113874-01-709	EA	NAIL-SPIKE-8"	113006
10	113874-01-720	EA	ARM-MAINSUPPORTSABLE	310452.277G
11	113874-01-703	EA	ROD-CENTERPULLW/ACCESSORY	830152.102
	113874-01-711	EA	ARM-ADJUSTABLE/TALLSATIN	830466.016
	119496-01-03A	EA	SPACER-ZEE-AWNING	

GALLEYGROUP

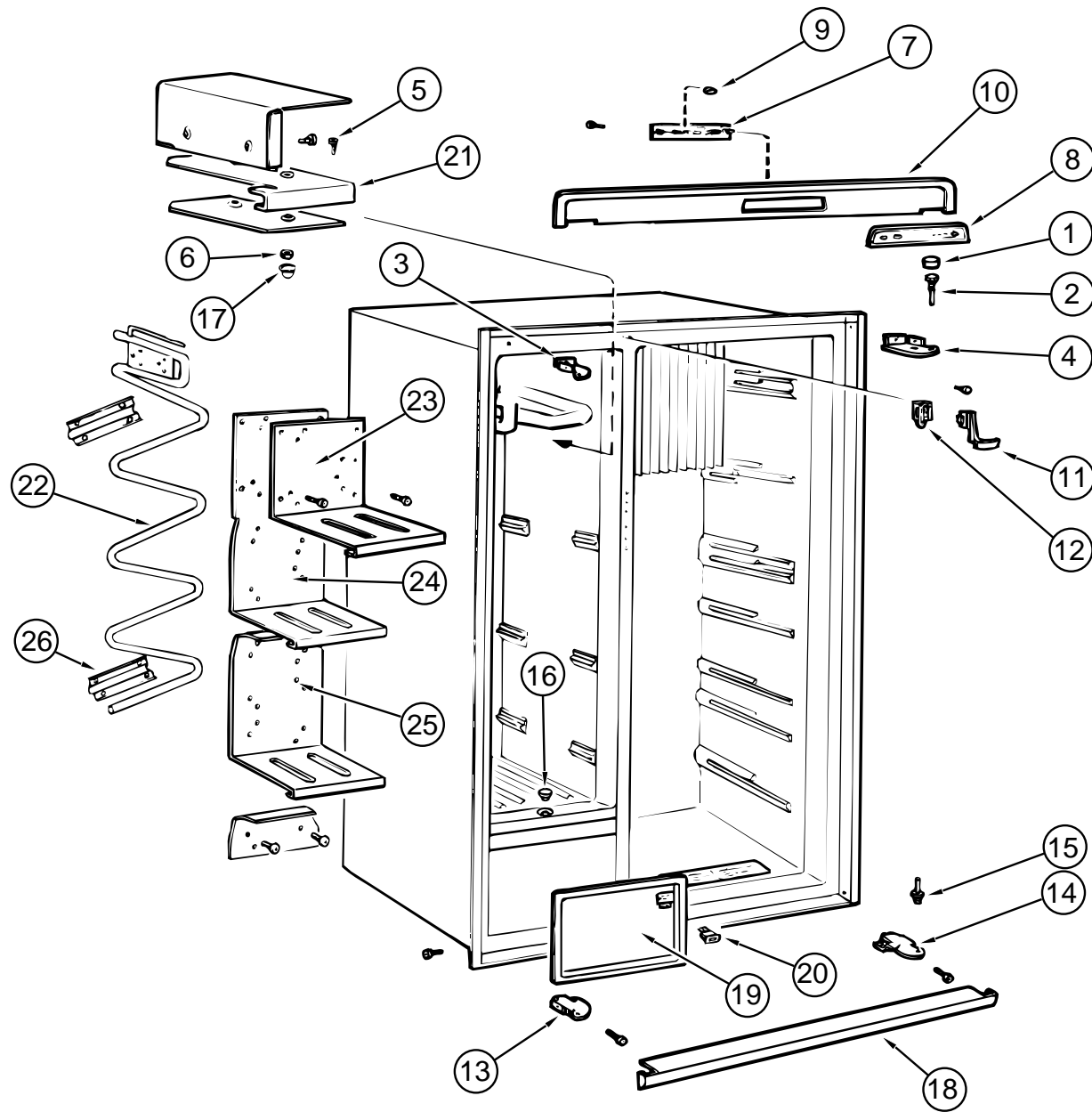
DOMETICSIDEBYSIDEREFRIGERATOR-RM7732IM



KEY	PARTNUMBER	U/M	DESCRIPTION	VENDORN.
	118367-01-01A	EA	REFRIGERATOR-SIDEBYSIDEDOOR-2WAY	
1	118367-01-739	EA	FLANGE-COOLINGCOIL-LEFT	2931661-02/5
2	118367-01-740	EA	FLANGE-COOLINGCOIL-RIGHT	2931661-03/3
3	118367-01-741	EA	SHELF-UPPER-REFRIGERATOR	2931541-05/2
4	118367-01-742	EA	SHELF#2-REFRIGERATOR	2931541-04/5
5	118367-01-743	EA	SHELF#3-REFRIGERATOR	2931542-02/7
6	118367-01-744	EA	SHELF#4-REFRIGERATOR	2931117-06/9
7	118367-01-745	EA	SHELF#5-REFRIGERATOR	2931541-06/0
8	118367-01-746	EA	TRAY-ICE	2930400-00/3
9	118367-01-747	EA	LOCK-FLAP-INNER	2007392-02/6
10	118367-01-748	EA	LOCK-FLAP-OUTER	2007393-02/4
11	118367-01-749	EA	BOX-VEGETABLE	2931471-02/9
12	118367-01-750	EA	BOX-VEGETABLE	2931471-03/7
13	118367-01-751	EA	LID-VEGETABLE	2932693-01/9
14	118367-01-752	EA	PAN-DRIP	2936163-01/3
15	118367-01-753	EA	COVER-SWITCH&LIGHT	2004044-09/1
16	118367-01-754	EA	SWITCH-DOOR	294082500/9
17	118367-01-755	EA	RETAINER-PROBE	2931976-01/9
18	118367-01-756	EA	SUPPORT-THERMOSTAT	2004042-00/4
19	118367-01-757	EA	CAP-ENDLAMP PROTECTION	2004043-00/2
20	118367-01-758	EA	LIGHTING	2930744-01/2
21	118367-01-759	EA	LAMP-10W-12VOLT	2007290-00/6
22	118367-01-760	EA	RACK-UPPER	2007337-15/3
23	118367-01-761	EA	RACK-LOWER	2007337-16/1
24	118367-01-762	EA	RETAINER-RACKS	2930693-04/5
25	118367-01-763	EA	PIN-LOCKING	2001281-01/9
	118367-01-784	EA	BUCKET-ICE	3108702.998
	118367-01-785	EA	CONNECTION-WATER-COMPLETE	2930916024
	118367-01-787	EA	SHELF-ICEBUCKETWIRE	2931985010
	118367-01-788	EA	BLOCK-TERMINAL	2931963017
	118367-01-789	EA	ICEMAKER	3108703.517
	118367-01-790	EA	VALVE-WATER	2931972026
	054450-01-000	EA	LEVEL-REFRIGERATOR	
	065225-01-000	EA	PLATE-TIEDOWN-REFRIGERATOR	
	090195-08-000	EA	BAFFLE-REFRIGERATOR-LOWER	
	093646-01-000	EA	BRACKET-TIEDOWN/REFRIGERATOR-RIGHTHAND	
	093646-02-000	EA	BRACKET-TIEDOWN/REFRIGERATOR-LEFTHAND	
	103251-05-01A	EA	INSERT-ACRYLICBLACK-16.81"X55.06"	
	103251-06-01A	EA	INSERT-ACRYLICBLACK-10.44"X55.06"	
	114431-05-000	EA	VALVE-NEEDLE-1/8"MPTX1/4"COMPRESSION(ICEMAKER)	
	118871-02-01A	EA	TRAY-REFRIGERATOR-SIDE/SIDE-BLACK	
			FROM: 00-00-00 THRU: 11-24-96	
	118871-03-01A	EA	TRAY-REFRIGERATOR-SIDE/SIDE	
			FROM: 11-25-96 THRU: 99-99-99	

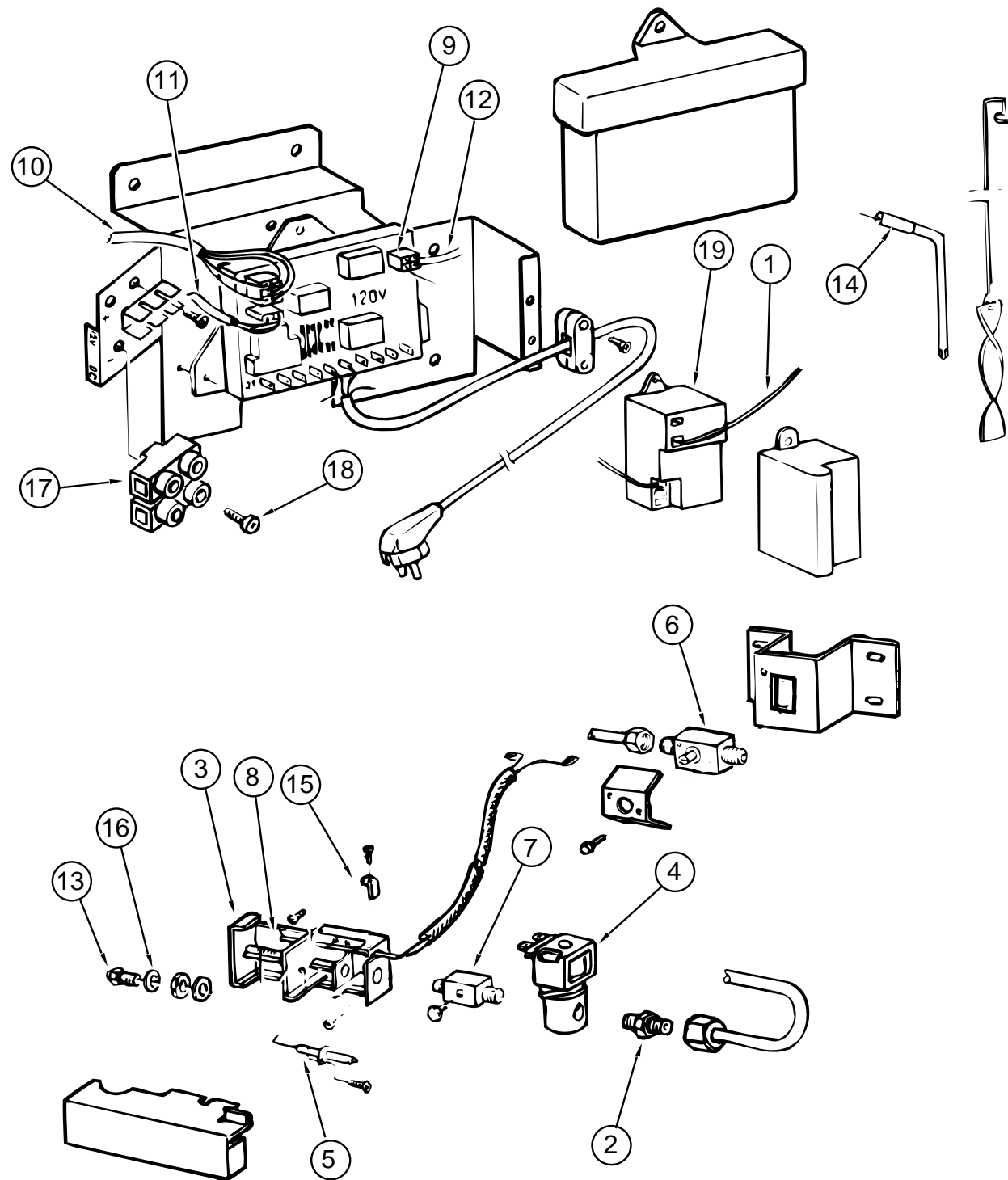
GALLEYGROUP(CONTINUED)

REFRIGERATORSHelves&COMPONENTS-DOMETICRM7732IM



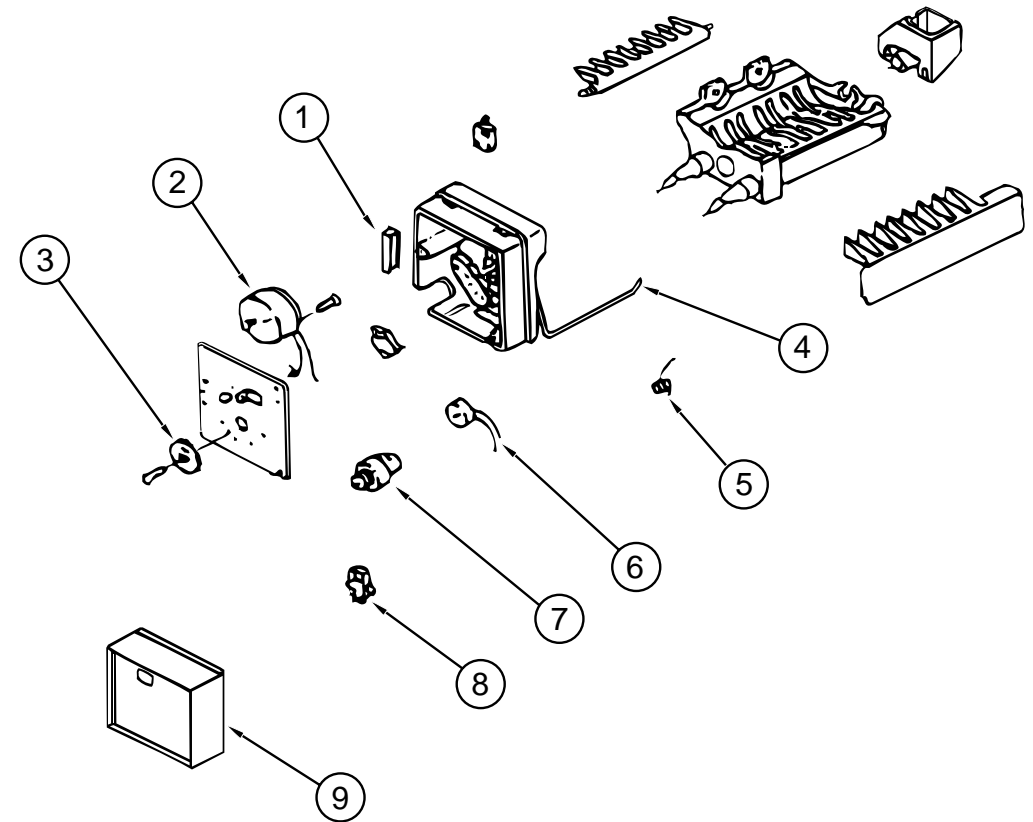
KEY	PARTNUMBER	U/M	DESCRIPTION	VENDORNO.
1	118367-01-713	EA	PLUG	2932736-01/6
2	118367-01-714	EA	PIN-HINGE-UPPER	2932647-01/5
3	118367-01-715	EA	HINGE-UPPER-LEFT-FREEZER	2932646-01/7
4	118367-01-716	EA	HINGE-UPPER-RIGHT-REFRIGERATOR	2932646-02/5
5	118367-01-717	EA	SCREW-M6S-5X20-FINISHED	7252330-13/4
6	118367-01-718	EA	NUT-M5-BRASS-FINISHED	7314314-13/4
7	118367-01-719	EA	BOARD-CIRCUIT-AESASM.	2932697-05/1
8	118367-01-720	EA	DECORATION	955024-53/4
9	118367-01-721	EA	BUTTON	955024-13/8
10	118367-01-722	EA	DECORATION-FRONT	2932663-01/2
11	118367-01-723	EA	BOW-LOCKING	2932745-01/7
12	118367-01-724	EA	RETAINER	2932746-01/5
13	118367-01-725	EA	HINGE-LOWER-LEFT-FREEZER	2932645-01/9
14	118367-01-726	EA	HINGE-LOWER-RIGHT-REFRIGERATOR	2932645-02/7
15	118367-01-727	EA	PIN-HINGE-LOWER	2932649-02/9
16	118367-01-728	EA	PLUG-LOWER	2931715-01/1
17	118367-01-729	EA	PLUG-UPPER	2930487-00/0
18	118367-01-730	EA	STRIP-FRONT	2932664-01/0
19	118367-01-731	EA	FLAP	2932655-01/8
20	118367-01-732	EA	SWITCH-DOOR	2932680-01/6
21	118367-01-733	EA	SHELF-UPPER-FREEZER	2931477-02/6
22	118367-01-734	EA	COIL-FREEZER	2931474-01/5
23	118367-01-735	EA	SHELF-#2-FREEZER	2931983-02/3
24	118367-01-736	EA	SHELF-#3-FREEZER	2931982-02/5
25	118367-01-737	EA	SHELF-#4-FREEZER	2931482-02/6
26	118367-01-738	EA	BRACKET-SHELF-FREEZER	2931484-01/4

GALLEYGROUP(CONTINUED)



REFRIGERATORELECTRICALCOMPONENTS-DOMETICRM7732IM(CONTINUED)

KEY	PARTNUMBER	U/M	DESCRIPTION	VENDORNO.
12	118367-01-775	EA	CONDUCTOR-GASVALVE	2954437-02/2
13	118367-01-776	EA	ORFICE-JET-NR76	2007419-33/2
14	118367-01-777	EA	HEATER-210WATT-120VOLT	173758-03/8
15	118367-01-778	EA	RETAINER	2930660-01/0
16	118367-01-779	EA	WASHER	2007457-00/1
17	118367-01-780	EA	BLOCK-TERMINAL	2930463-01/9
18	118367-01-781	EA	SCREW-RXS-B6X25-STAINLESS	7295287-40/8
19	N/A		ORDERDIRECTLYFROMDOMETIC	
	118367-01-800	EA	BOARD-CIRCUIT	2932595-01/4



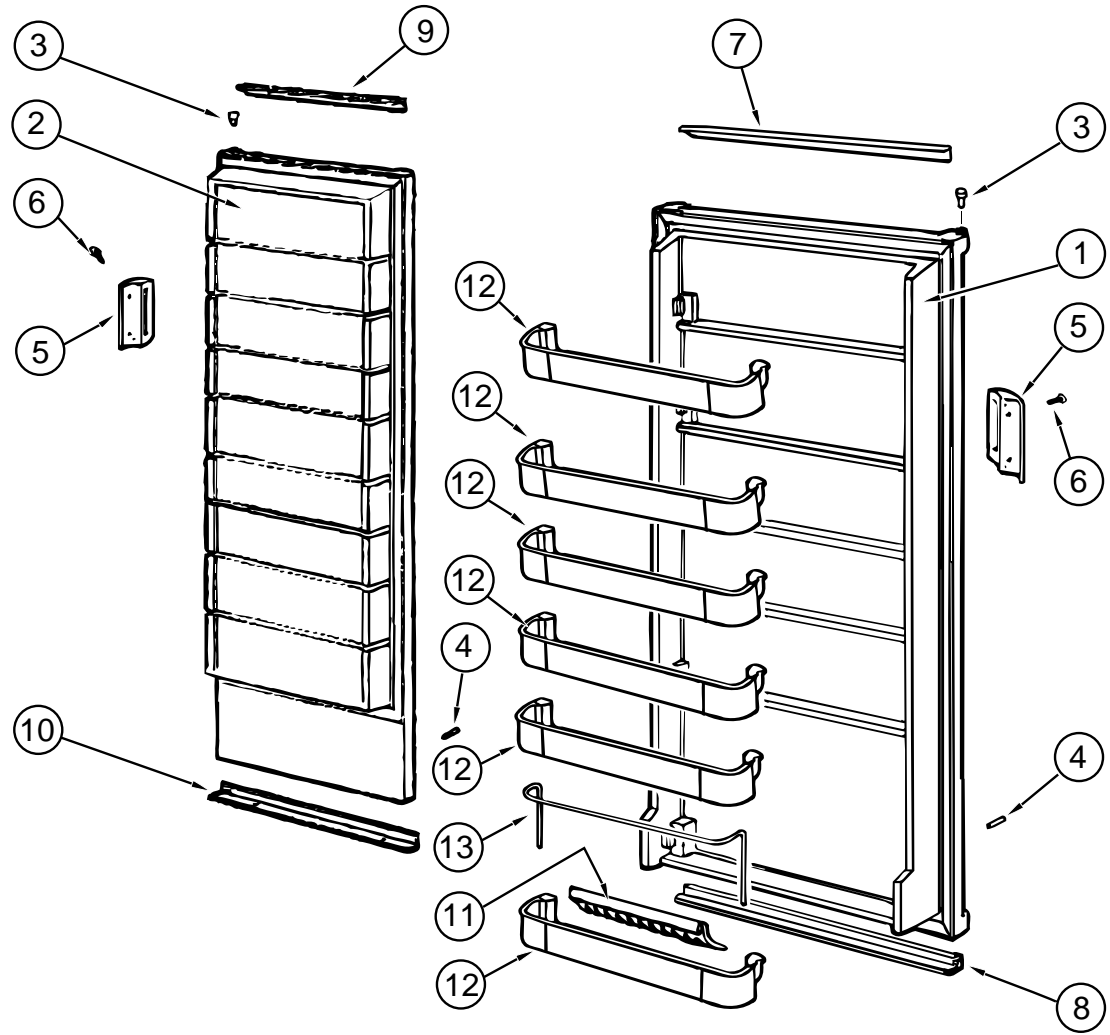
REFRIGERATORELECTRICALCOMPONENTS-DOMETICRM7732IM

KEY	PARTNUMBER	U/M	DESCRIPTION	VENDORNO.
1	118367-01-764	EA	CONDUCTOR-ELECTRODE	2007668-04/5
2	118367-01-765	EA	NIPPLE	2932063-01/5
3	118367-01-766	EA	HOUSING-BURNER	2932161-01/7
4	118367-01-767	EA	VALVE-SOLENOID	2943298-03/0
5	118367-01-768	EA	ELECTRODE	2931495-01/0
6	118367-01-769	EA	GASSHUTOFF	2932616-01/0
7	118367-01-770	EA	NIPPLE	2931824-01/1
8	118367-01-771	EA	THERMOSTAT	2931826-01/6
9	118367-01-772	EA	BOARD-CIRCUIT-COMPLETE	2931842-03/9
10	118367-01-773	EA	CONDUCTOR-CIRCUITBOARD	2931862-02/9
11	118367-01-774	EA	CONDUCTOR-THERMISTOR	2931863-02/7

REFRIGERATORICEMAKERCOMPONENTS-DOMETICRM7732IM

KEY	PARTNUMBER	U/M	DESCRIPTION	VENDORNO.
1	118367-01-799	EA	PLUG-4PRONGFEMALE	3108702.907
2	118367-01-793	EA	MOTOR	3108703.475
3	118367-01-795	EA	GEAR	3108703.491
4	118367-01-797	EA	ARM-SHUTOFF	3108702.881
5	118367-01-798	EA	SPRING-SHUTOFFARM	3108702.899
6	118367-01-792	EA	THERMOSTAT-MOLDING	3108703.467
7	118367-01-794	EA	CAM	3108703.483
8	118367-01-791	EA	SWITCH(3REQ)	8108703.459
9	118367-01-796	EA	COVER-CYCLEFRONT	2930874025

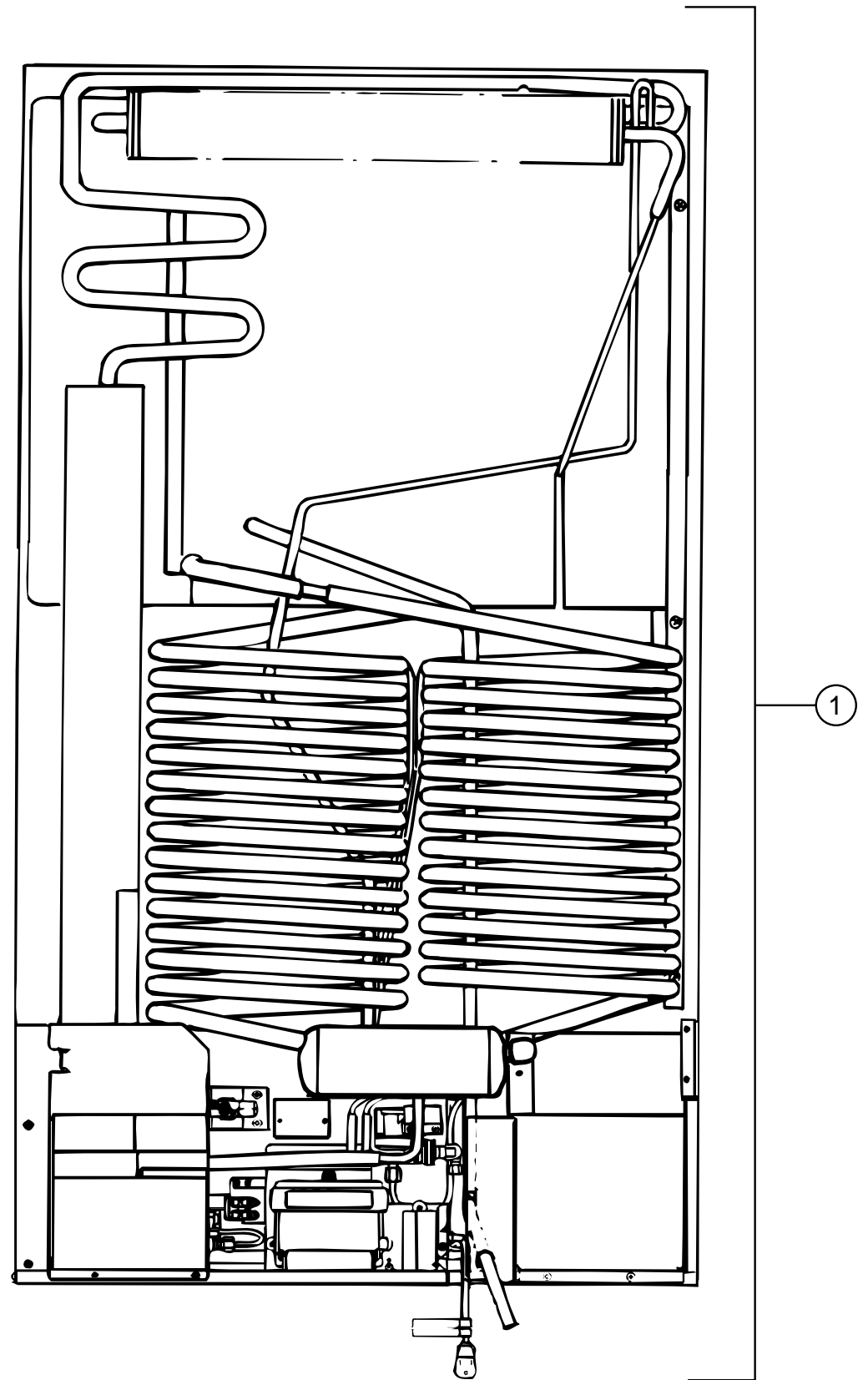
GALLEYGROUP(CONTINUED)



REFRIGERATORDOORS-DOMETICRM7732IM

KEY	PARTNUMBER	U/M DESCRIPTION	VENDORNO.
1	118367-01-700	EA DOOR-REFRIGERATOR	2932590-11/6
2	118367-01-701	EA DOOR-FREEZER	2932589-11/8
3	118367-01-702	EA BUSHING-HINGE-FREEZER/REFRIGERATOR	2931171-01/7
4	118367-01-703	EA STOP-LOWER-FREEZER/REFRIGERATOR	2932588-01/1
5	118367-01-704	EA HANDLE-FREEZER/REFRIGERATOR	2932729-01/1
6	118367-01-705	EA SCREW-HANDLE-FREEZER/REFRIGERATOR	7241323-61/2
7	118367-01-706	EA DECORATION-DOOR-REFRIGERATOR-UPPER	2932642-08/1
8	118367-01-707	EA DECORATION-DOOR-REFRIGERATOR-LOWER	2932642-03/2
9	118367-01-708	EA DECORATION-DOOR-FREEZER-UPPER	2932642-12/3
10	118367-01-709	EA DECORATION-DOOR-FREEZER-LOWER	2932642-02/4
11	118367-01-710	EA HOLDER-BOTTLE-DOOR-REFRIGERATOR	2932658-01/2
12	118367-01-711	EA SHELF-DOOR-REFRIGERATOR	2932583-02/0
13	118367-01-712	EA RACK-DOOR-REFRIGERATOR	2932585-04/1

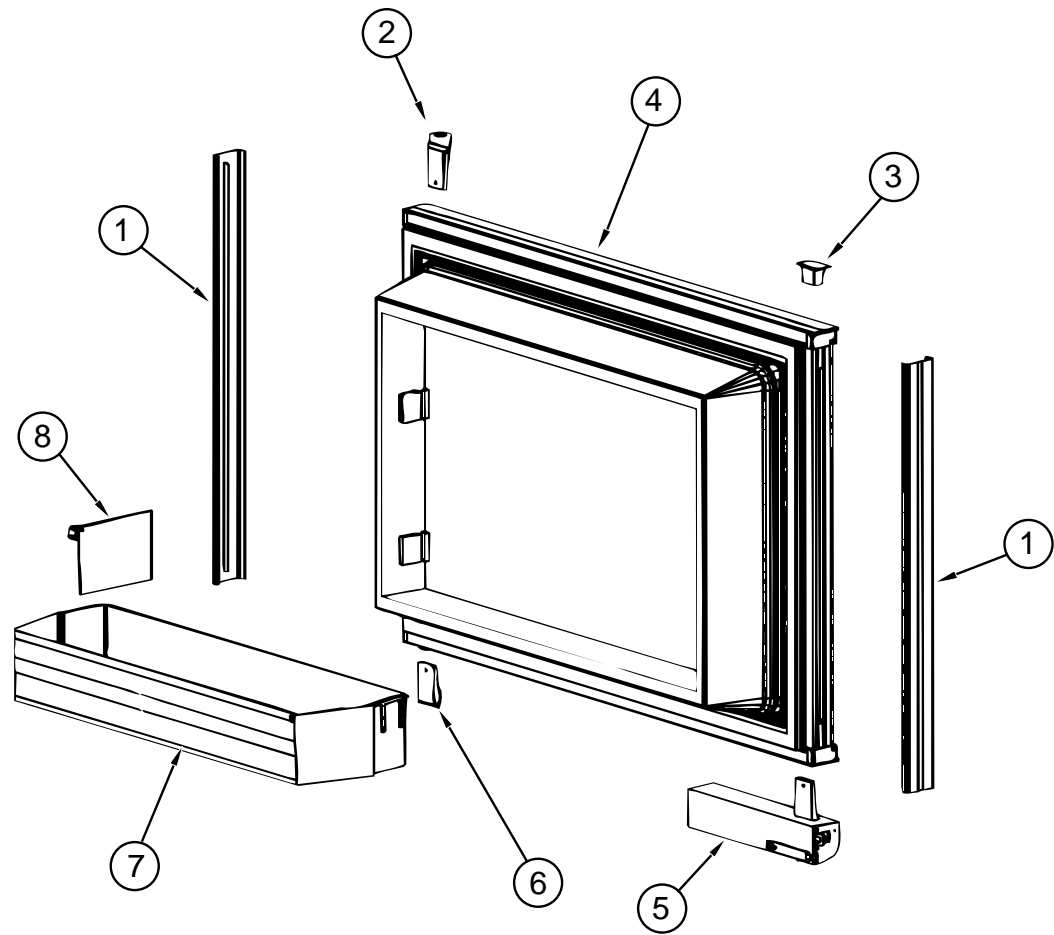
GALLEYGROUP(CONTINUED)



REFRIGERATORCOOLINGCOIL-DOMETICRM7732IM

KEY	PARTNUMBER	U/M DESCRIPTION	VENDORNO.
1	118367-01-783	EA COIL-COOLING	2934945-09/4

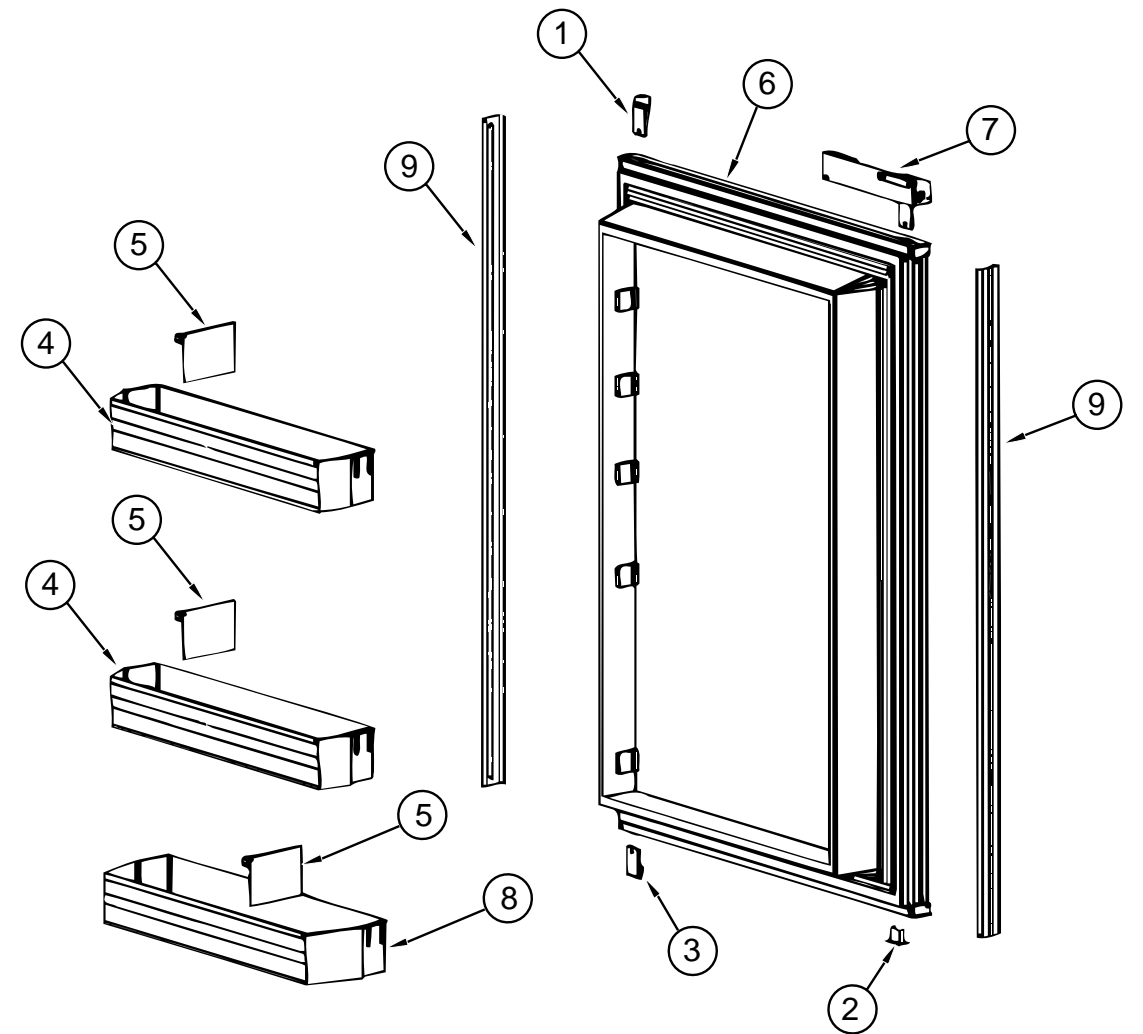
GALLEYGROUP(CONTINUED)



NORCOLD982RIMREFRIGERATORUPPERDOORASSEMBLY

KEY	PARTNUMBER	U/M	DESCRIPTION	VENDORNO.
	120075-03-01A	EA	REFRIGERATOR-LARGEDOUBLEDOOR/RIGHTHAND-2-WAYW/ICE	
1	120075-01-700	EA	RETAINER-DOORDECORPANEL	618128
2	120075-01-701	EA	HINGE-TOPRH/BOTTOMLH	618511
3	120075-01-702	EA	CAP-(HINGEPLUG)	618160
4	120075-01-703	EA	DOORASM.-FOAMED,W/GASKET	618205
5	120075-01-704	EA	DOORHANDLE-UPRRH/LWRLH	618230
6	120075-01-705	EA	HINGE-TOPLH/BOTTOMRH	618510
7	120075-01-706	EA	BIN-DOOR	618635
8	120075-01-707	EA	DIVIDER-DOORBIN	618637
	103251-07-01A	EA	INSERT-ACRYLIC/BLACK-21.60"X14.53"	

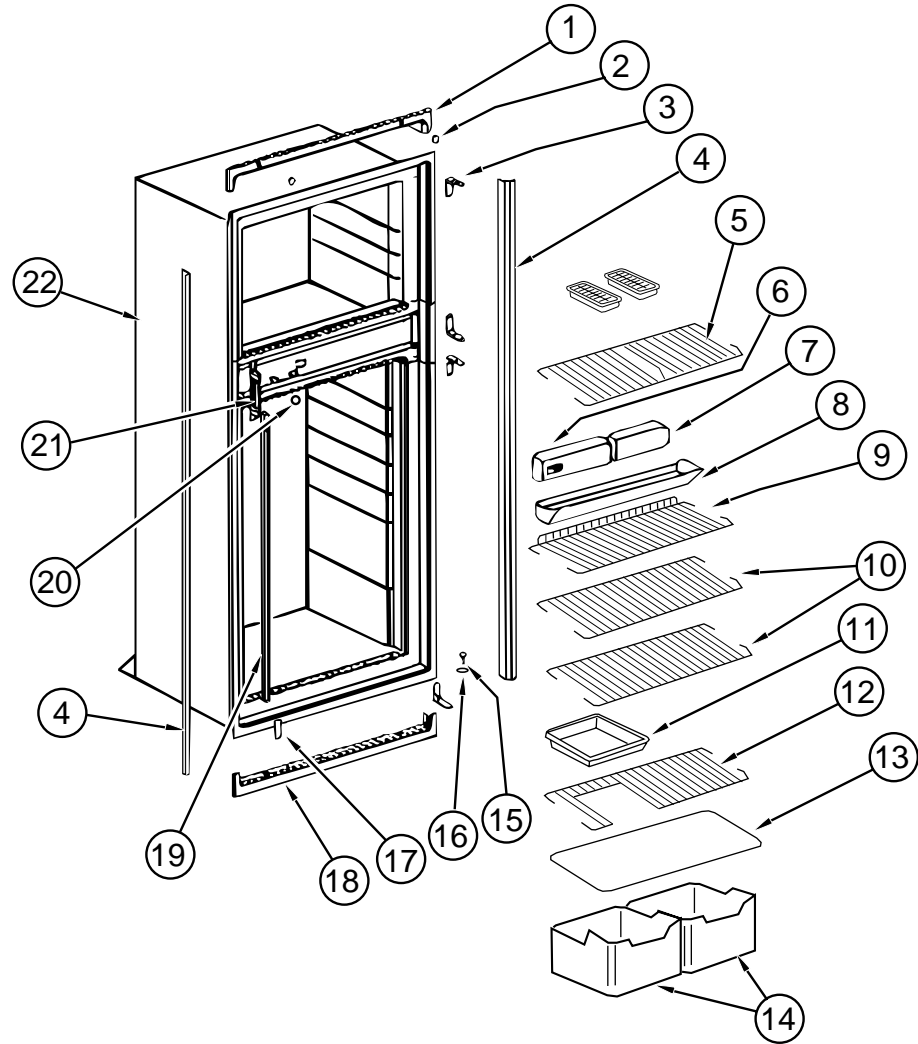
GALLEYGROUP(CONTINUED)



NORCOLD982RIMREFRIGERATORLOWERDOORASSEMBLY

KEY	PARTNUMBER	U/M	DESCRIPTION	VENDORNO.
	120075-03-01A	EA	REFRIGERATOR-LARGEDOUBLEDOOR/RIGHTHAND-2-WAYW/ICE	
1	120075-01-701	EA	HINGE-TOPRH/BOTTOMLH	618511
2	120075-01-702	EA	CAP-(HINGEPLUG)	618160
3	120075-01-705	EA	HINGE-TOPLH/BOTTOMRH	618510
4	120075-01-706	EA	BIN-DOOR	618635
5	120075-01-707	EA	DIVIDER-DOORBIN	618637
6	120075-01-710	EA	DOOR-LOWER-FOAMED-W/GASKET	618270
7	120075-01-704	EA	DOORHANDLE-UPRRH/LWRLH	618230
8	120075-01-712	EA	BIN-DOOR/BOTTOM-LARGE	618634
9	121568-01-703	EA	RETAINER-PANELLOWERDOOR	618129
	103251-09-01A	EA	INSERT-ACRYLIC/BLACK-21.60"X38.62"	

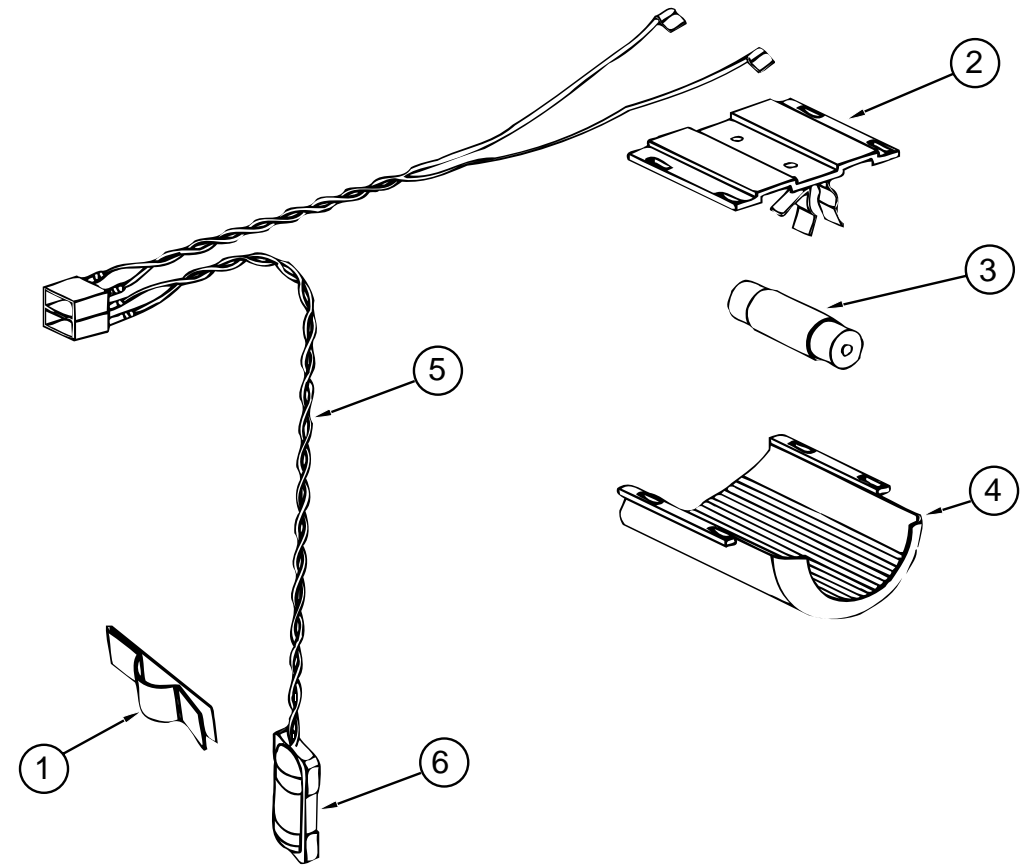
GALLEYGROUP(CONTINUED)



NORCOLD982RIMREFRIGERATORCABINETASSEMBLY

KEY	PARTNUMBER	U/M DESCRIPTION	VENDORNO.
	120075-03-01A	EA REFRIGERATOR-LARGEDOUBLEDOOR/RIGHTHAND-2-WAYW/ICE	
1	120075-01-713	EA TRIM-TOPPIECE	618124
2	120075-01-714	EA PLUG-HOLE	618170
3	120075-01-715	EA HINGE-CABINET	618512
4	120075-01-716	EA TRIM-SIDEPiece	618134
5	120075-01-717	EA SHELF-FREEZER-WIRE	618172
6	120075-01-719	EA OPTICALCONTROLBOXASSEMBLY	618245
7	120075-01-718	EA BOX-FILLER	618112
8	120075-01-720	EA TRAY-DRIP	618137
	120075-01-721	EA LOUVER-DRIPTRAY	618176
9	120075-01-722	EA SHELF-WIRE-SHORT	618239
10	120075-01-723	EA SHELF-WIRE	618114
11	104137-06-718	EA SHELF-TRAY-WHITE-W/CUTOUT	617756
12	120075-01-724	EA SHELF-WIRE-W/CUTOUT	618177
13	120075-01-725	EA COVER-CRISPER	618158
14	120075-01-726	EA CRISPER	618154
15	120075-01-727	EA PIN-HINGE	618145
16	120075-01-708	EA BUSHING-DOORHINGE	618144
17	120075-01-728	EA COVER-HINGEHOLE	618171
18	120075-01-729	EA TRIM-BOTTOMPIECE	618136
19	120075-01-730	EA RETAINER-SHELF	618181
20	120075-01-731	EA PLUG-FACADE	618184
21	120075-01-732	EA PLATE-STRIKE	618167
22	120075-01-733	EA CABINET-FOAMED	618265

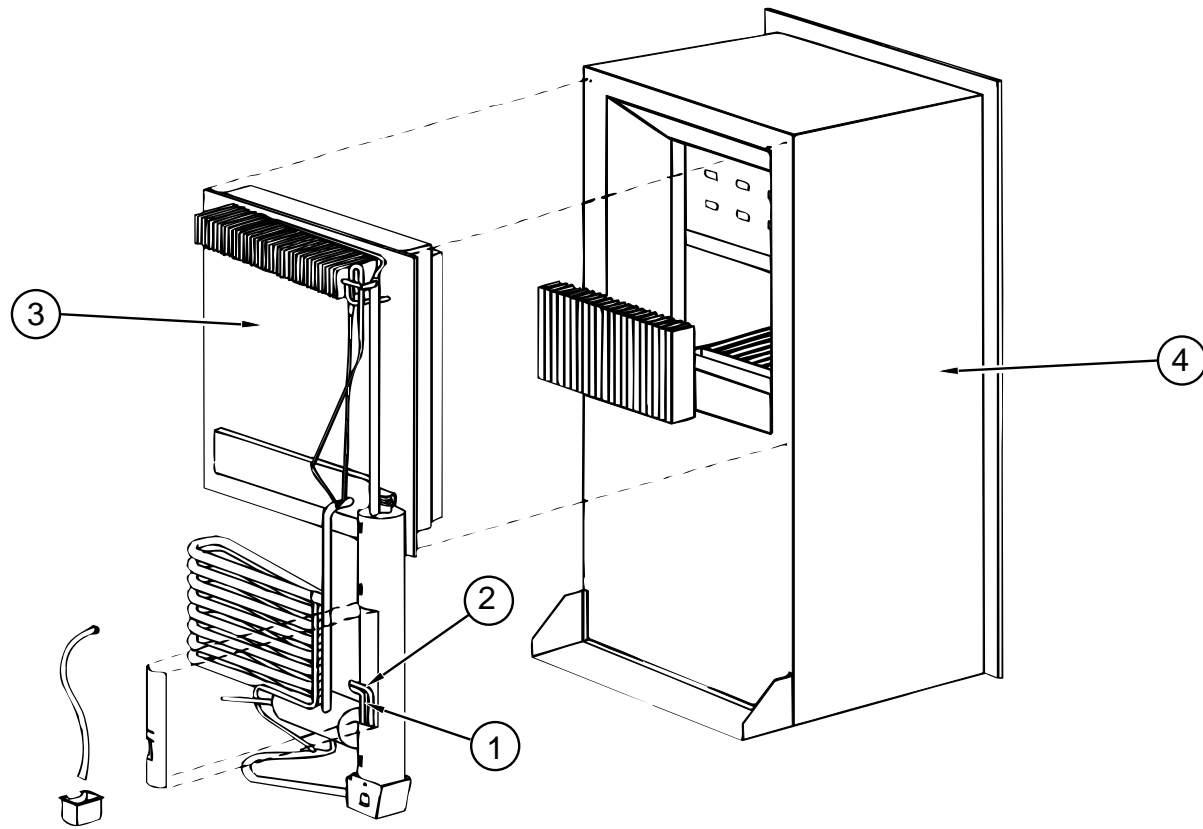
GALLEYGROUP(CONTINUED)



NORCOLD982RIMREFRIGERATORLIGHT&THERMISTER

KEY	PARTNUMBER	U/M DESCRIPTION	VENDORNO.
	120075-03-01A	EA REFRIGERATOR-LARGEDOUBLEDOOR/RIGHTHAND-2-WAYW/ICE	
1	084880-01-760	EA CLIP(THERMISTER)	61689122
2	084880-03-705	EA BRACKET-LIGHT-INTERIOR	61629722
3	084880-03-706	EA BULB-LAMP	61628922
4	120075-01-734	EA COVER-LENS	618190
5	120075-01-735	EA THERMISTERW/LAMP&WIRE/ASM	618548
6	120075-01-742	EA THERMISTERONLY	618288

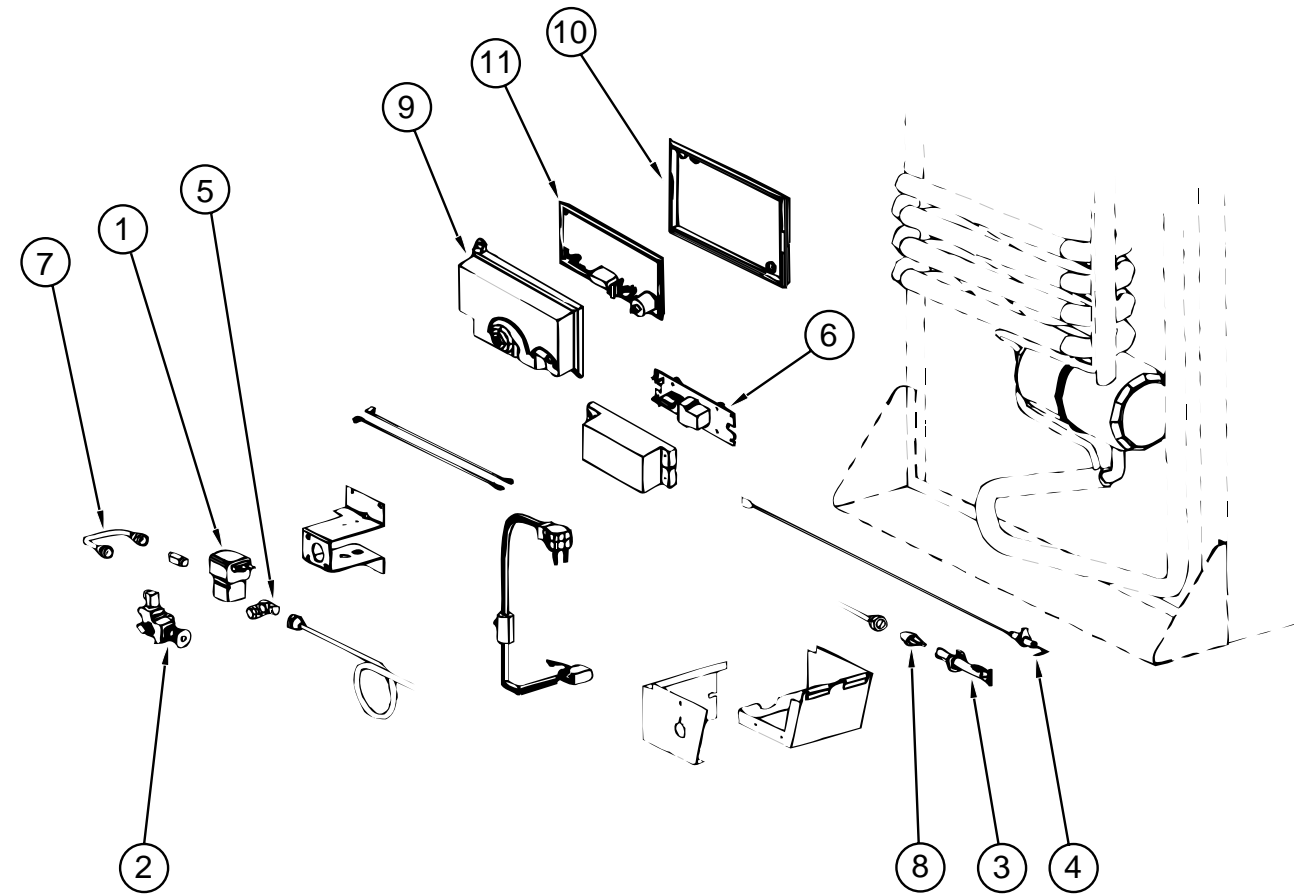
GALLEYGROUP(CONTINUED)



NORCOLD982RIMREFRIGERATORCOOLINGUNITASSEMBLY

KEY	PARTNUMBER	U/M DESCRIPTION	VENDORNO.
	120075-03-01A	EA REFRIGERATOR-LARGEDOUBLEDOOR/RIGHTHAND-2-WAYW/ICE	
1	088248-01-709	EA HEATER-AC(HORIZONTAL)	61562722
2	088248-01-710	EA HEATER-DC(HORIZONTAL)	61562822
3	120075-01-736	EA COOLINGUNIT-SERVICEPACK	618542
4	120075-03-700	EA CABINET-FOAMED	618285

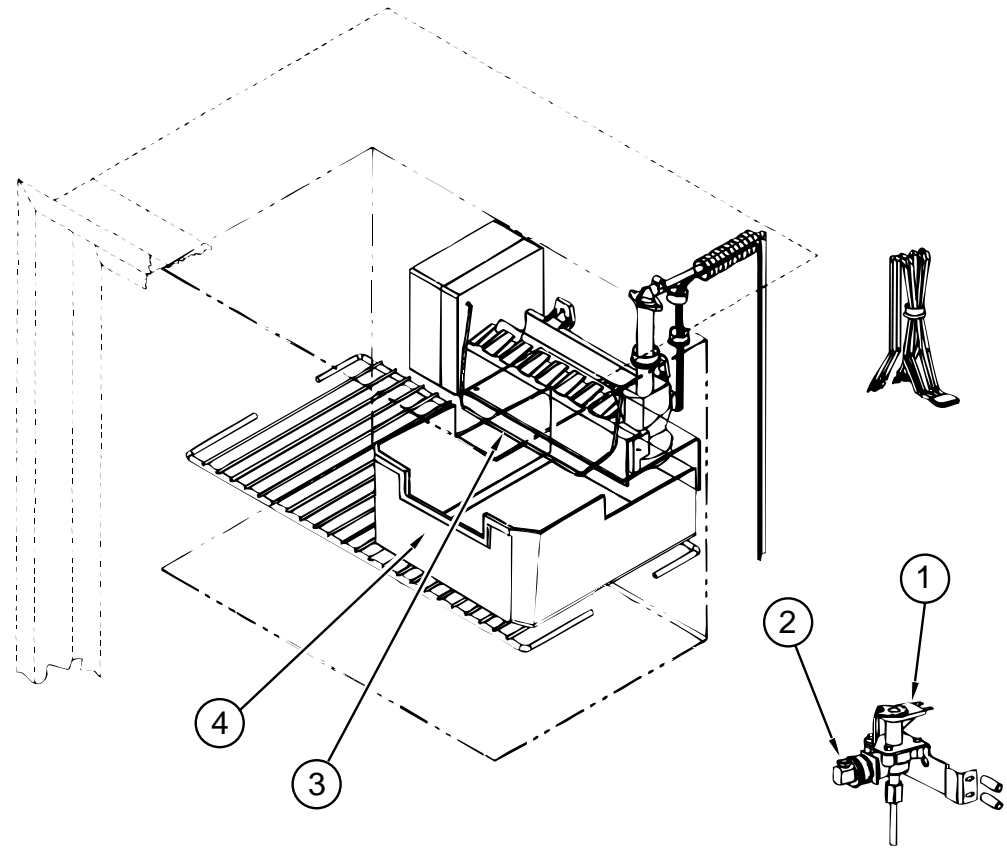
GALLEYGROUP(CONTINUED)



NORCOLD982RIMREFRIGERATORREAROFREFRIGERATOR

KEY	PARTNUMBER	U/M DESCRIPTION	VENDORNO.
	120075-03-01A	EA REFRIGERATOR-LARGEDOUBLEDOOR/RIGHTHAND-2-WAYW/ICE	
1	084880-01-718	EA VALVE-GAS-(ASCO)	61551822
2	104137-06-709	EA VALVE-SHUTOFF-MANUAL	61694922
3	104137-06-714	EA BURNERASSEMBLY-5-SLOT	61705222
4	104137-06-715	EA ELECTRODE-SPARK/SENSOR-SGL	61692222
5	113737-01-702	EA PLUG1/8"F/PRESSURETAP	61445322
6	113737-01-716	EA TAP-PRESSURE	61594422
7	113737-01-750	EA TUBE-UNION	61694622
8	120075-01-737	EA ORFICE-JEWEL-.0155	618284
9	120075-01-738	EA COVER-POWERBOARD	618185
10	120075-01-739	EA BOARD-POWER-2-WAY	618198
11	120075-01-740	EA COVER-BASE-POWERBOARD	618186

GALLEYGROUP(CONTINUED)



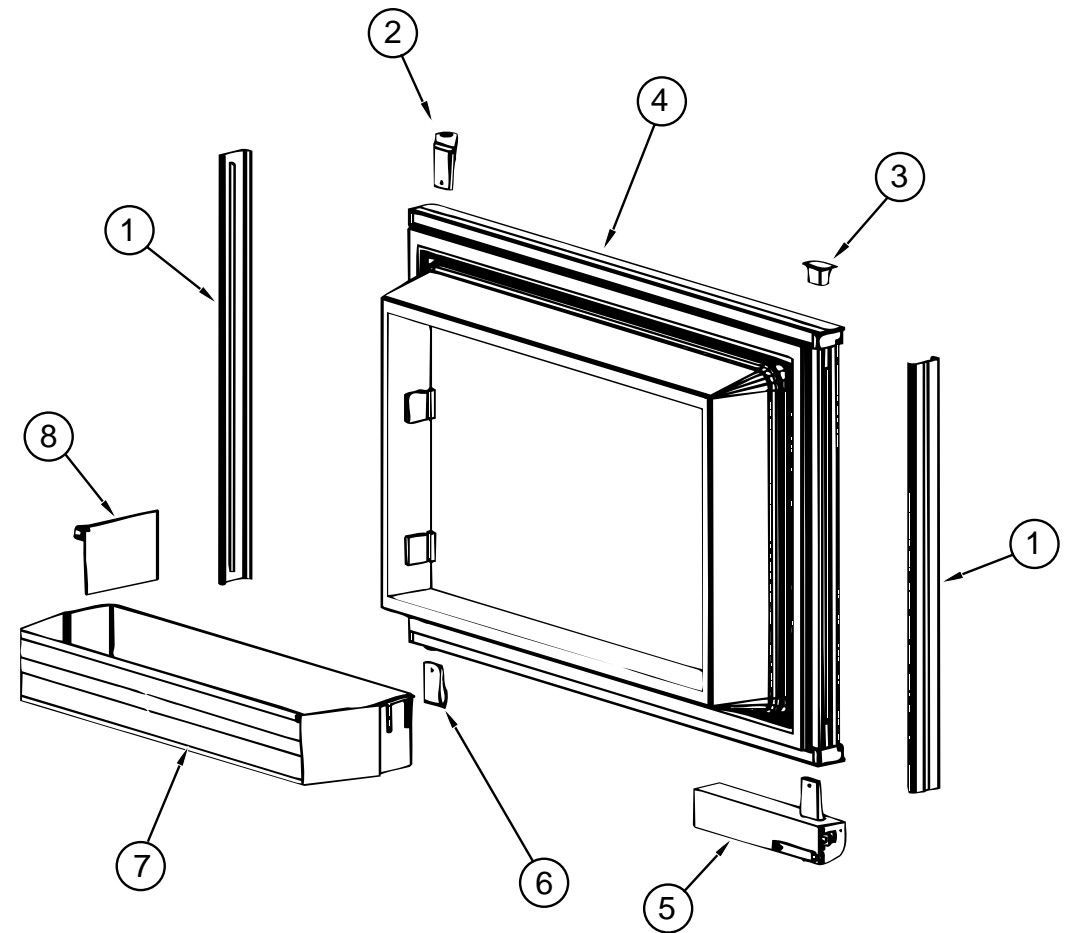
NORCOLD982RIMREFRIGERATORREAROFREFRIGERATOR

KEY	PARTNUMBER	U/M DESCRIPTION	VENDORNO.
	120075-03-01A	EA REFRIGERATOR-LARGEDOUBLEDOOR/RIGHTHAND-2-WAYW/ICE	
1	120075-03-701	EA VALVEASM.-WATER-W/BACKET	618253
2	120075-03-702	EA NUT/COMPRESSION-FITTING	61678722
3	120075-03-703	EA ARM-SHUTOFF	61656922
4	120075-03-704	EA BIN-ICECUBE	618154

NORCOLD982RIMREFRIGERATORRTIEDOWNS,BAFFLE,TRAY&LEVEL

KEY	PARTNUMBER	U/M DESCRIPTION
	120075-03-01A	EA REFRIGERATOR-LARGEDOUBLEDOOR/RIGHTHAND-2-WAYW/ICE
	093646-01-000	EA BRACKET-TIEDOWN/REFRIGERATOR-RIGHTHAND
	093646-02-000	EA BRACKET-TIEDOWN/REFRIGERATOR-LEFTHAND
	090195-08-000	EA BAFFLE-REFRIFERATOR-LOWER
	116751-02-01A	EA TRAY-REFRIGERATOR-BLACK
	065225-01-000	EA PLATE-TIEDOWN-REFRIGERATOR
	093369-03-000	EA STRAP-REFRIGERATOR
	054450-01-000	EA LEVEL-REFRIGERATOR

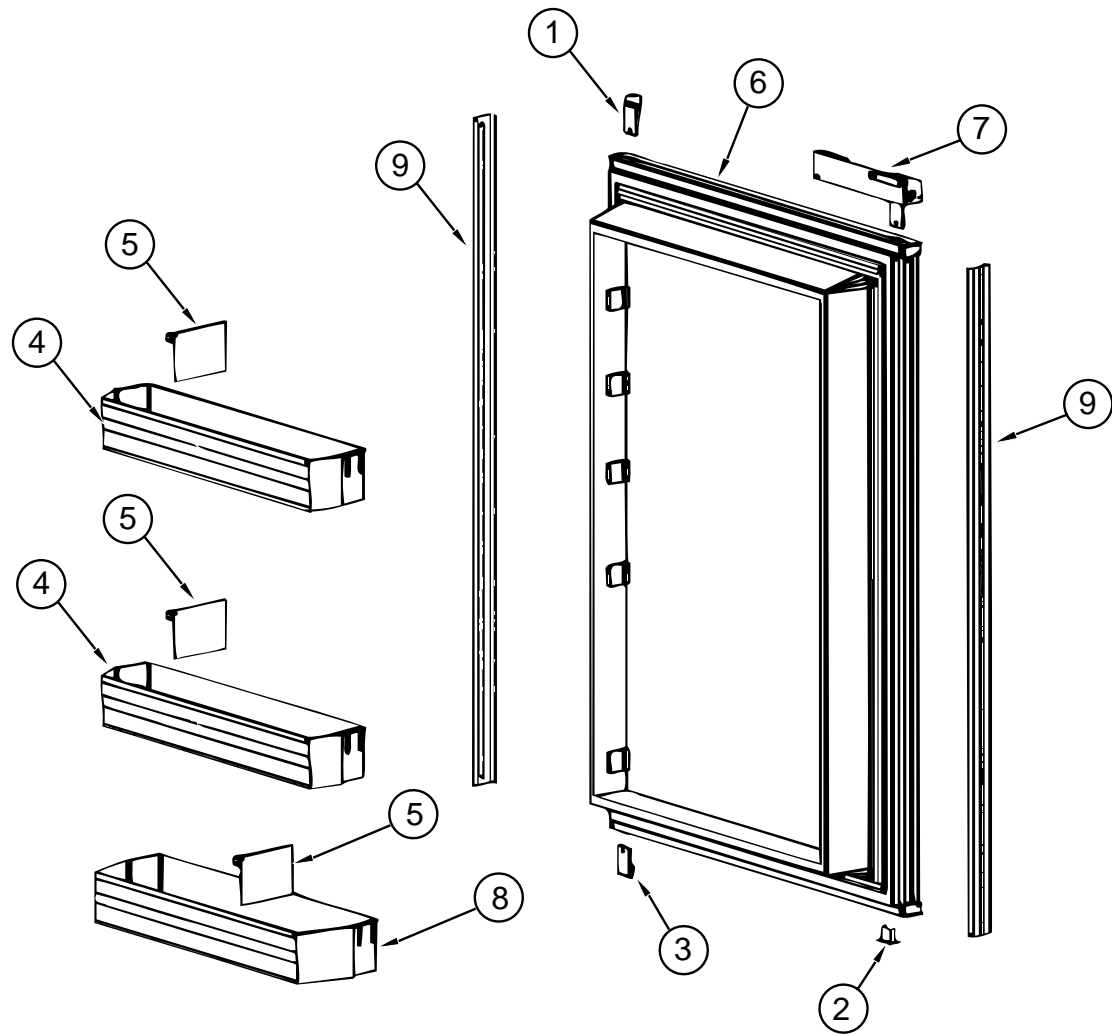
GALLEYGROUP(CONTINUED)



NORCOLD982RREFRIGERATORUPPERDOORASSEMBLY

KEY	PARTNUMBER	U/M DESCRIPTION	VENDORNO.
	120075-01-01A	EA REFRIGERATOR-LARGEDOUBLEDOOR/RIGHTHAND-2-WAY	
1	120075-01-700	EA RETAINER-DOORDECORPANEL	618128
2	120075-01-701	EA HINGE-TOPRH/BOTTOMLH	618511
3	120075-01-702	EA CAP-(HINGEPLUG)	618160
4	120075-01-703	EA DOORASM.-FOAMED-W/GASKET	618205
5	120075-01-704	EA DOORHANDLE-UPRRH/LWRLH	618230
6	120075-01-705	EA HINGE-TOPLH/BOTTOMRH	618510
7	120075-01-706	EA BIN-DOOR	618635
8	120075-01-707	EA DIVIDER-DOORBIN	618637

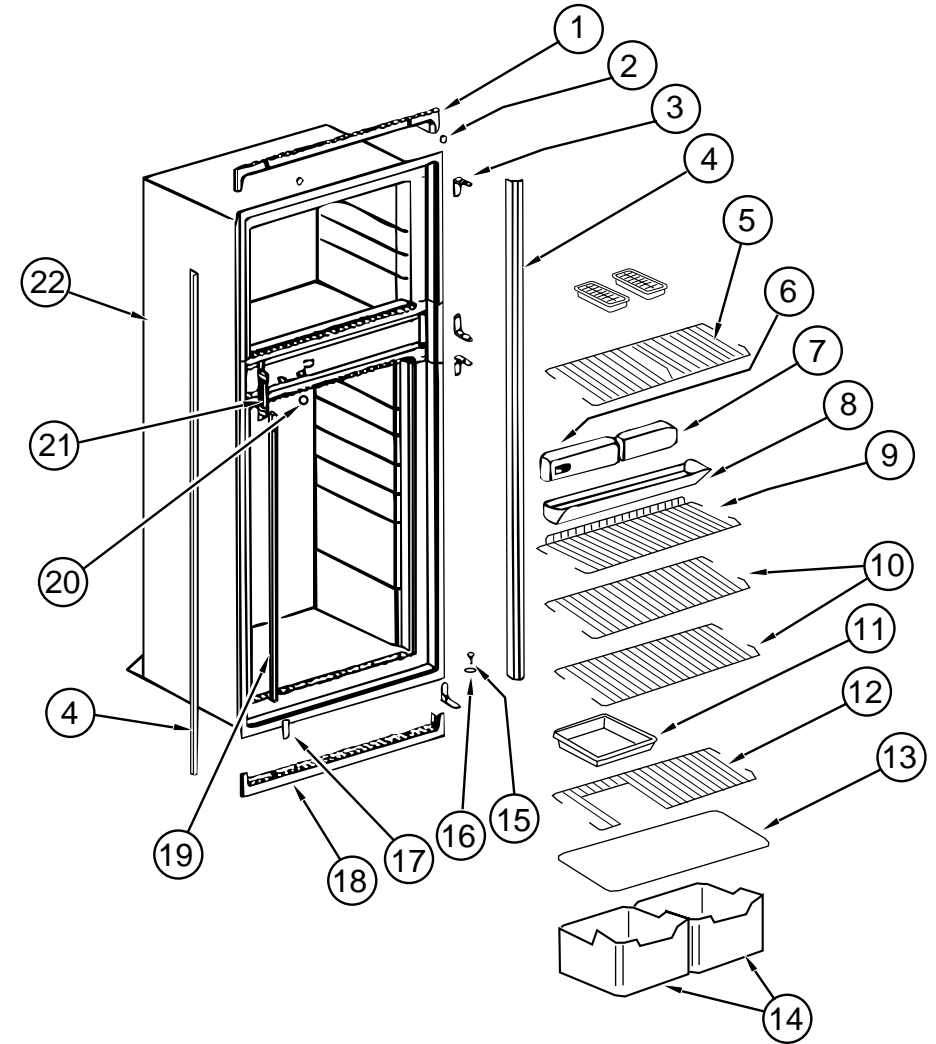
GALLEYGROUP(CONTINUED)



NORCOLD982R REFRIGERATOR LOWER DOOR ASSEMBLY

KEY	PARTNUMBER	U/M DESCRIPTION	VENDORNO.
	120075-01-01A	EA REFRIGERATOR-LARGEDOUBLEDOOR/RIGHTHAND-2-WAY	
1	120075-01-701	EA HINGE-TOPRH/BOTTOMLH	618511
2	120075-01-702	EA CAP-(HINGEPLUG)	618160
3	120075-01-705	EA HINGE-TOPLH/BOTTOMRH	618510
4	120075-01-706	EA BIN-DOOR	618635
5	120075-01-707	EA DIVIDER-DOORBIN	618637
6	120075-01-710	EA DOOR-LOWER-FOAMED-W/GASKET	618270
7	120075-01-704	EA DOORHANDLE-UPRRH/LWRLH	618230
8	120075-01-712	EA BIN-DOOR/BOTTOM-LARGE	618634
9	121568-01-703	EA RETAINER-PANELLOWERDOOR	618129

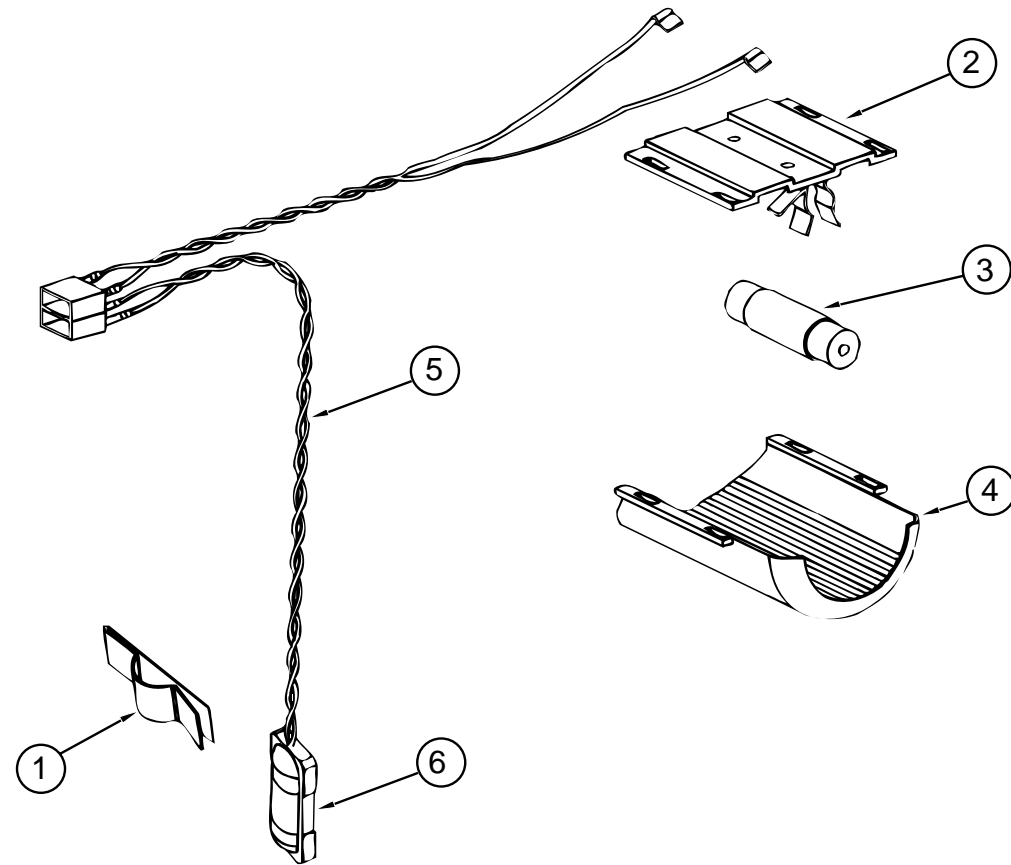
GALLEYGROUP(CONTINUED)



NORCOLD982R REFRIGERATOR CABINET ASSEMBLY

KEY	PARTNUMBER	U/M DESCRIPTION	VENDORNO.
	120075-01-01A	EA REFRIGERATOR-LARGEDOUBLEDOOR/RIGHTHAND-2-WAY	
1	120075-01-713	EA TRIM-TOPPIECE	618124
2	120075-01-714	EA PLUG-HOLE	618170
3	120075-01-715	EA HINGE-CABINET	618512
4	120075-01-716	EA TRIM-SIDEPiece	618134
5	120075-01-717	EA SHELF-FREEZER-WIRE	618172
6	120075-01-719	EA OPTICALCONTROLBOXASSEMBLY	618245
7	120075-01-718	EA BOX-FILLER	618112
8	120075-01-720	EA TRAY-DRIP	618137
	120075-01-721	EA LOUVER-DRIPTRAY	618176
9	120075-01-722	EA SHELF-WIRE-SHORT	618239
10	120075-01-723	EA SHELF-WIRE	618114
11	104137-06-718	EA SHELF-TRAY-WHITE-W/CUTOUT	617756
12	120075-01-724	EA SHELF-WIRE-W/CUTOUT	618177
13	120075-01-725	EA COVER-CRISPER	618158
14	120075-01-726	EA CRISPER	618154
15	120075-01-727	EA PIN-HINGE	618145
16	120075-01-708	EA BUSHING-DOORHINGE	618144
17	120075-01-728	EA COVER-HINGEHOLE	618171
18	120075-01-729	EA TRIM-BOTTOMPIECE	618136
19	120075-01-730	EA RETAINER-SHELF	618181
20	120075-01-731	EA PLUG-FACADE	618184
21	120075-01-732	EA PLATE-STRIKE	618167
22	120075-01-733	EA CABINET-FOAMED	618265

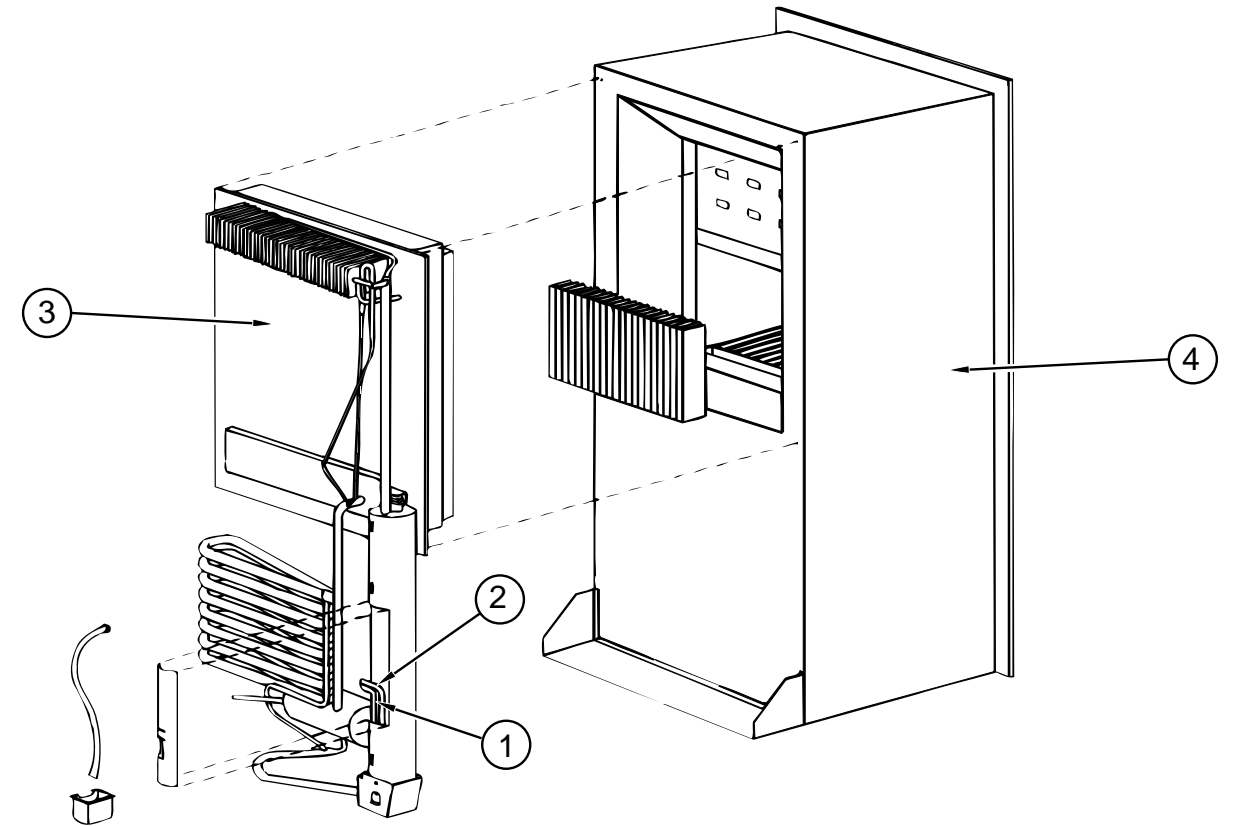
GALLEYGROUP(CONTINUED)



NORCOLD982RREFRIGERATORLIGHT&THERMISTER

KEY	PARTNUMBER	U/M DESCRIPTION	VENDORNO.
	120075-01-01A	EA REFRIGERATOR-LARGEDOUBLEDOOR/RIGHTHAND-2-WAY	
1	084880-01-760	EA CLIP(THERMISTER)	61689122
2	084880-03-705	EA BRACKET-LIGHT-INTERIOR	61629722
3	084880-03-706	EA BULB-LAMP	61628922
4	120075-01-734	EA COVER-LENS	618190
5	120075-01-735	EA THERMISTERW/LAMP&WIRE/ASM	618548
6	120075-01-742	EA THERMISTERONLY	618288

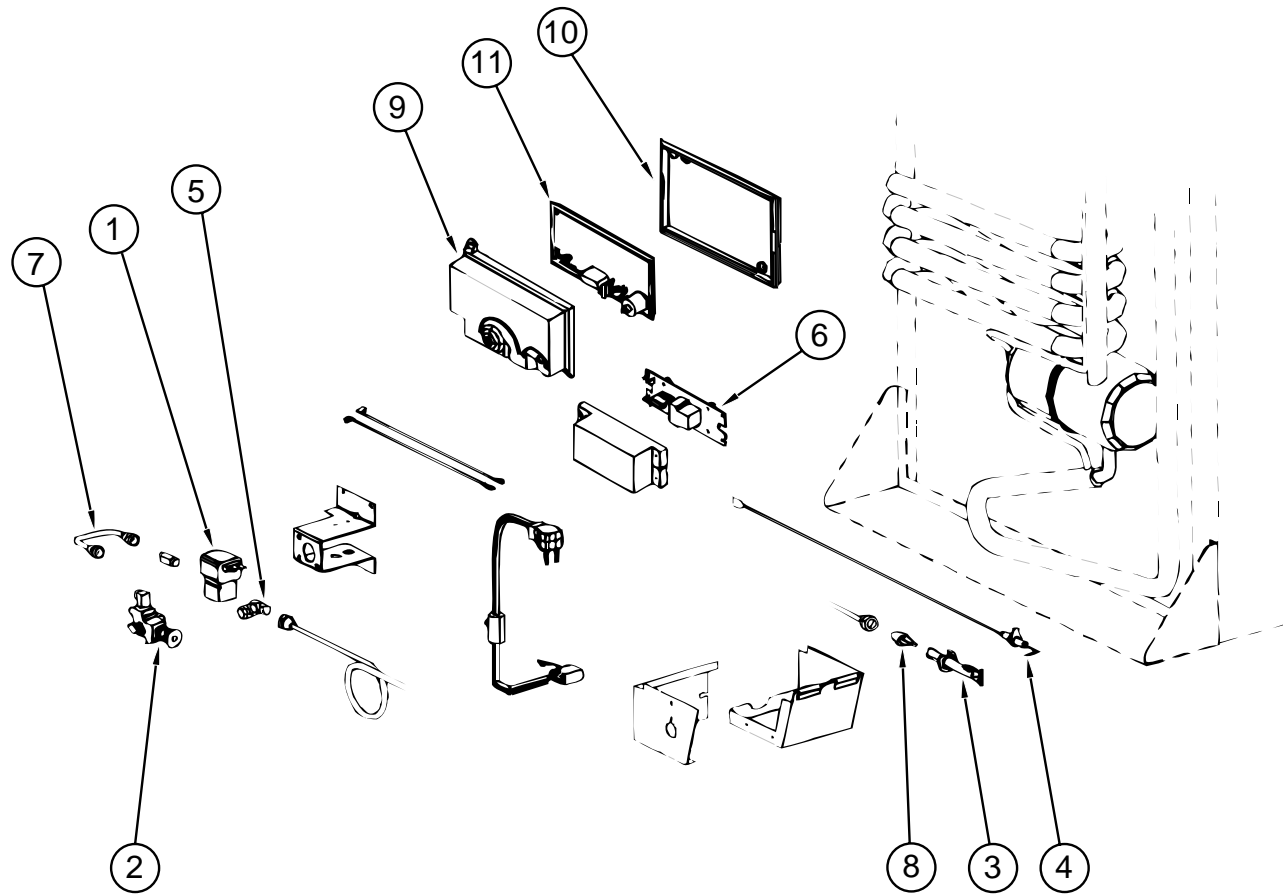
GALLEYGROUP(CONTINUED)



NORCOLD982RREFRIGERATORCOOLINGUNITASSEMBLY

KEY	PARTNUMBER	U/M DESCRIPTION	VENDORNO.
	120075-01-01A	EA REFRIGERATOR-LARGEDOUBLEDOOR/RIGHTHAND-2-WAY	
1	088248-01-709	EA HEATER-AC(HORIZONTAL)	61562722
2	088248-01-710	EA HEATERDC(HORIZONTAL)	61562822
3	120075-01-736	EA COOLINGUNIT-SERVICEPACK	618542
4	120075-03-700	EA CABINET-FOAMED	618285

GALLEYGROUP(CONTINUED)



GALLEYGROUP(CONTINUED) NORCOLD982RREFRIGERATORRTIEDOWNS,BAFFLE,TRAY&LEVEL

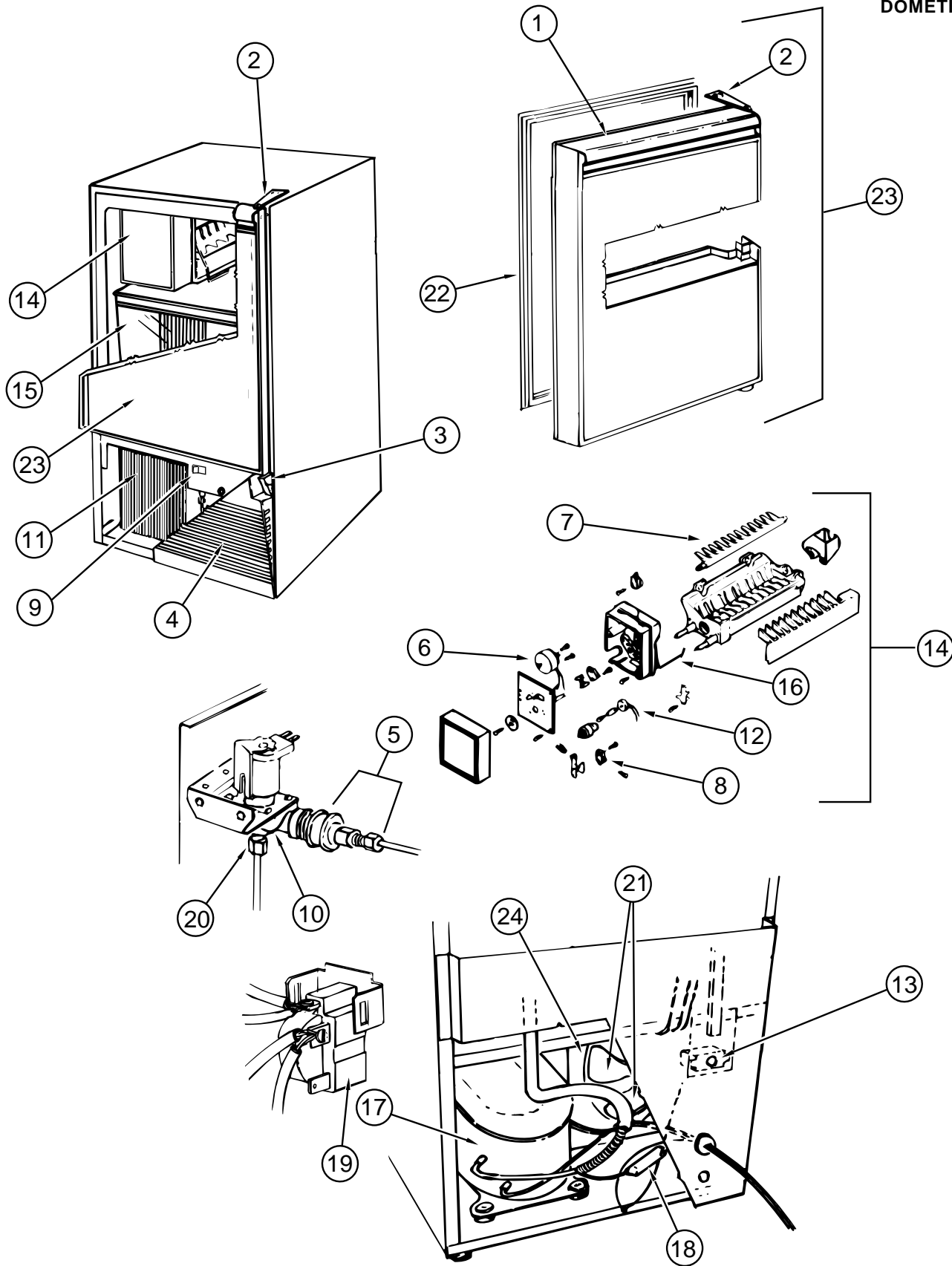
KEY	PARTNUMBER	U/M	DESCRIPTION
	120075-01-01A	EA	REFRIGERATOR-LARGEDOUBLEDOOR/RIGHTHAND-2-WAY
	093646-01-000	EA	BRACKET-TIEDOWN/REFRIGERATOR-RIGHTHAND
	093646-02-000	EA	BRACKET-TIEDOWN/REFRIGERATOR-LEFTHAND
	090195-08-000	EA	BAFFLE-REFRIFERATOR-LOWER
	116751-02-01A	EA	TRAY-REFRIGERATOR-BLACK
	065225-01-000	EA	PLATE-TIEDOWN-REFRIGERATOR
	093369-03-000	EA	STRAP-REFRIGERATOR
	054450-01-000	EA	LEVEL-REFRIGERATOR

NORCOLD982RREFRIGERATORREAROFREFRIGERATOR

KEY	PARTNUMBER	U/M	DESCRIPTION	VENDORNO.
	120075-01-01A	EA	REFRIGERATOR-LARGEDOUBLEDOOR/RIGHTHAND-2-WAY	
1	084880-01-718	EA	VALVE-GAS-(ASCO)	61551822
2	104137-06-709	EA	VALVE-SHUTOFF-MANUAL	61694922
3	104137-06-714	EA	BURNERASSEMBLY-5-SLOT	61705222
4	104137-06-715	EA	ELECTRODE-SPARK/SENSOR-SGL	61692222
5	113737-01-702	EA	PLUG1/8"F/PRESSURETAP	61445322
6	113737-01-716	EA	TAP-PRESSURE	61594422
7	113737-01-750	EA	TUBE-UNION	61694622
8	120075-01-737	EA	ORFICE-JEWEL-.0155	618284
9	120075-01-738	EA	COVER-POWERBOARD	618185
10	120075-01-739	EA	BOARD-POWER-2-WAY	618198
11	120075-01-740	EA	COVER-BASE-POWERBOARD	618186

GALLEYGROUP(CONTINUED)

DOMETIC ICE MAKER



KEY	PARTNUMBER	U/M DESCRIPTION	VENDOR NO.
	076799-01-000	EA ICE MAKER--14"X14.5"X24.5"	
1	076799-01-701	EA HANDLE-DOOR	31489-1
2	076799-01-704	EA HINGE-PIVOT-UPPER-BLACK	11697-S
3	076799-01-705	EA HINGE-PIVOT-LOWER-BLACK	11695-S
4	076799-01-706	EA GRILLE-VINYLCOATED-BLACK	11662
5	076799-01-707	EA CONNECTION-WATERLINE	405
	076799-01-710	EA TRAVELPINASSEMBLY	5000
6	076799-01-711	EA MOTOR	627973
7	076799-01-712	EA EJECTOR-12CAVITY	627375
8	076799-01-713	EA SWITCH-MICRO-SPDT	2506
9	076799-01-714	EA SWITCH-SPST	2053
10	076799-01-716	EA VALVE-SOLENOID	2552A
11	076799-01-717	EA CONDENSERASSEMBLY	2628S
12	076799-01-718	EA SWITCH-LIMIT	2579
13	076799-01-719	EA CONTROL	4548
14	076799-01-720	EA ICEMAKERASSEMBLY	402
15	076799-01-721	EA BUCKET-ICE	31429
16	076799-01-722	EA ARM-SHUTOFF	2603
17	076799-01-723	EA COMPRESSOR	5266-SU-LINE
		THISCOMPRESSORREPLACESBOTHTHETECHUMSEHANDMATSUSHITA COMPRESSORSUSEDINOEMINSTALLATIONS	
18	076799-01-724	EA DRYER	2544
19	076799-01-725	EA RELAY-OVERLOAD	5239
20	076799-01-726	EA PLASTICNUT&SLEEVEASM.	41254
21	076799-01-727	EA BLADE-FAN	5188
22	076799-01-728	EA GASKET-DOOR-GRAY(SVC3002)	31493-1
23	076799-01-729	EA DOORASSEMBLY-COMPLETE	95BG
24	076799-01-730	EA MOTOR-FAN	5263
	077841-01-000	EA BRACKET-TIEDOWN/RIGHTHAND-TRIANGULARSTEEL	
	077841-02-000	EA BRACKET-TIEDOWN/LEFTHAND-TRIANGULARSTEEL	

GALLEYGROUP(CONTINUED)

STOVETOPCOVERS

KEY	PARTNUMBER	U/M DESCRIPTION
	M05904-02-GV4	EA COVER-STOVE-W/SOLIDCOUNTERTOP(H56,H57,H60,H61)
	M05904-02-GV0	EA COVER-STOVE-W/SOLIDCOUNTERTOP(H58,H59,H64,H65)

MICROWAVEOVEN

KEY	PARTNUMBER	U/M DESCRIPTION
	122753-01-000	EA OVEN-MICROWAVE-.9CU.FT.NONCONVECTION
	122753-02-000	EA OVEN-MICROWAVE-.9CU.FT.CONVECTION
	122753-03-000	EA OVEN-MICROWAVE-.9CU.FT.CSANONCONVECTION
	122753-04-000	EA OVEN-MICROWAVE-.9CU.FT.CSAONCONVECTION
	082227-06-000	EA TRIM-BOTTOMMICROWAVE-BLACK
	102486-13-01A	EA TRIM-MICROWAVE-VERTICALBLACK
	122884-01-01A	EA TRIM-MICROWAVEBLACK
	094756-03-G15	EA BRACKET-ANGLE-W/HOLES
	094756-01-02A	EA BRACKET-ANGLE-W/HOLES-MILL
	094756-02-01A	EA BRACKET-L-MICROWAVE-6.1"LONGX3.9"WIDE-STEEL-TAN

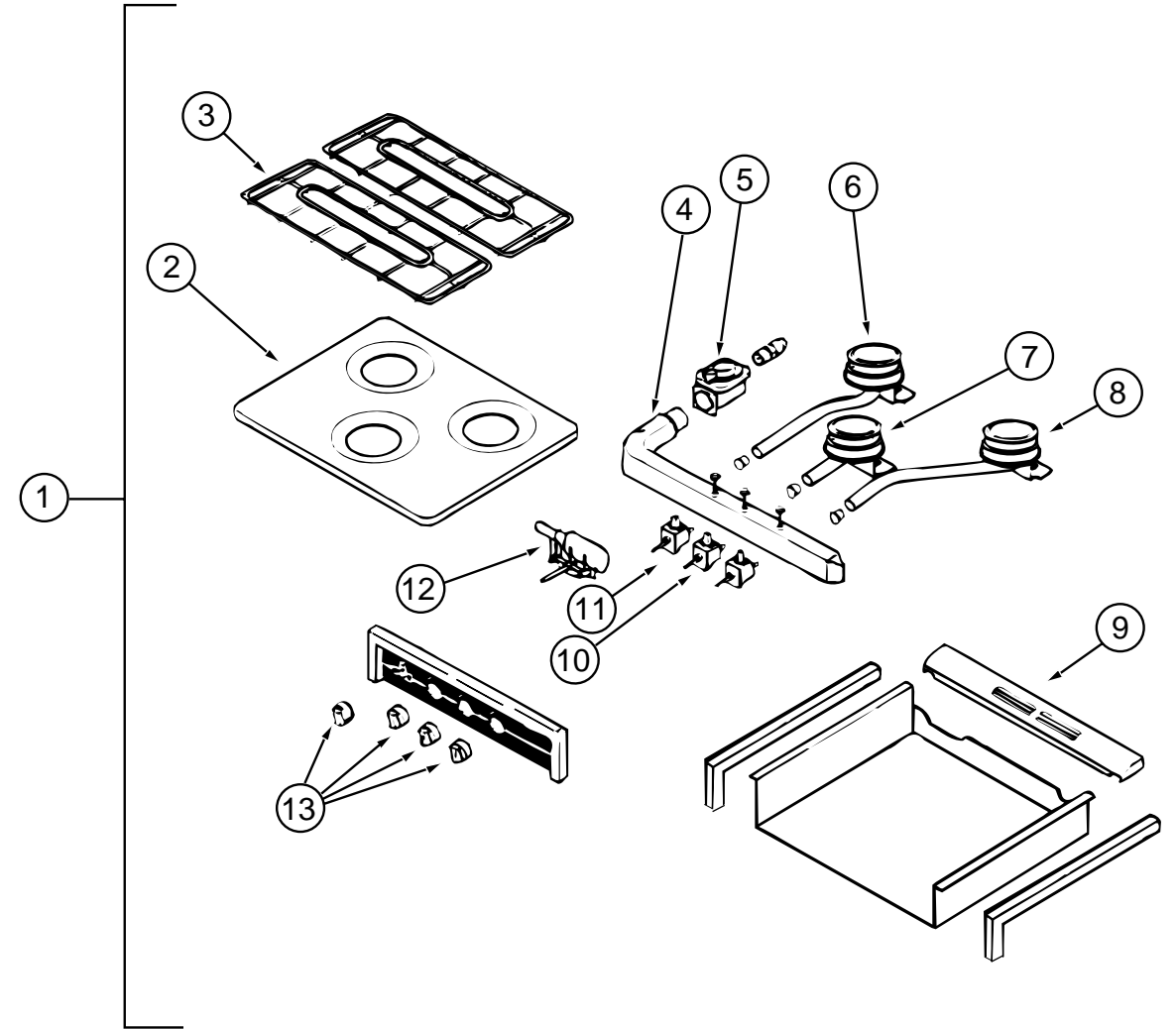
COFFEEMAKER

KEY	PARTNUMBER	U/M DESCRIPTION	VENDORNO.
	126019-01-01A	EA COFFEEMAKER-OPTIMA-W/BRACKETS	
	103799-01-701	EA BRACKETS-WHITEPAIR	164734-06B&D
	103799-01-700	EA POT-CARAFE-GLASS	679420

DISHWASHER

KEY	PARTNUMBER	U/M DESCRIPTION
	107752-03-01A	EA DISHWASHER18"BLACK-WESTINGHOMDR251RE
	111913-01-01A	EA BRACKET-WASHER-TIEDOWN

GALLEYGROUP(CONTINUED)

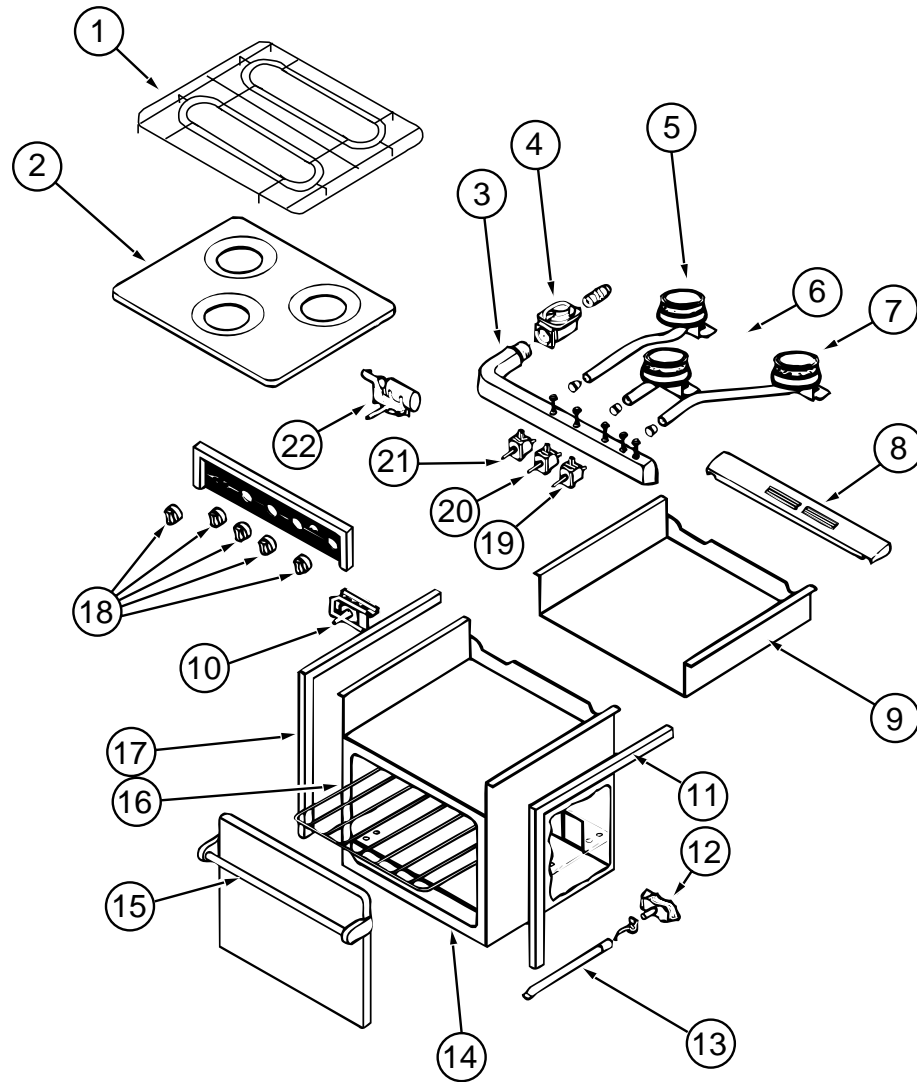


ATWOODRANGETOP-C-37BP

KEY	PARTNUMBER	U/M DESCRIPTION	VENDORNO.
1	121757-01-01A	EA RANGETOP-3BURNER/BLACK	
2	107246-01-700	EA TOP-MAIN-BLK3-BURNER	53083
3	121758-02-700	EA GRATE-SINGLE	56261
	107323-01-711	EA CUSHION-GRATE-RUBBER	53008
	121758-02-701	EA CLIP-GRATE	56117
4	121757-01-700	EA MANIFOLD-3BURNER	56072
5	106689-01-704	EA REGULATOR-EXTREMEPRESSURE	51062
6	121758-01-707	EA BURNERLEFTREARPIEZO	56066
7	121758-01-708	EA BURNERCENTER(HIGHOUTPUT)	56068
8	121758-01-706	EA BURNERRIGHTREARPIEZO	56067
9	107323-01-705	EA TRIM-VENT	53525
10	121758-01-705	EA VALVEHIGHOUTPUT	56087
11	121758-01-710	EA VALVE-BURNER(2)	56086
12	121758-01-701	EA IGNITORPIEZO(ROTARY)	56096
13	121757-01-701	EA KNOBKIT	51129
	121758-01-702	EA ELECTRODEWIRE(PIEZOIGNITOR)	56097
	121758-01-704	EA INSERTPIEZO	56098

GALLEYGROUP(CONTINUED)

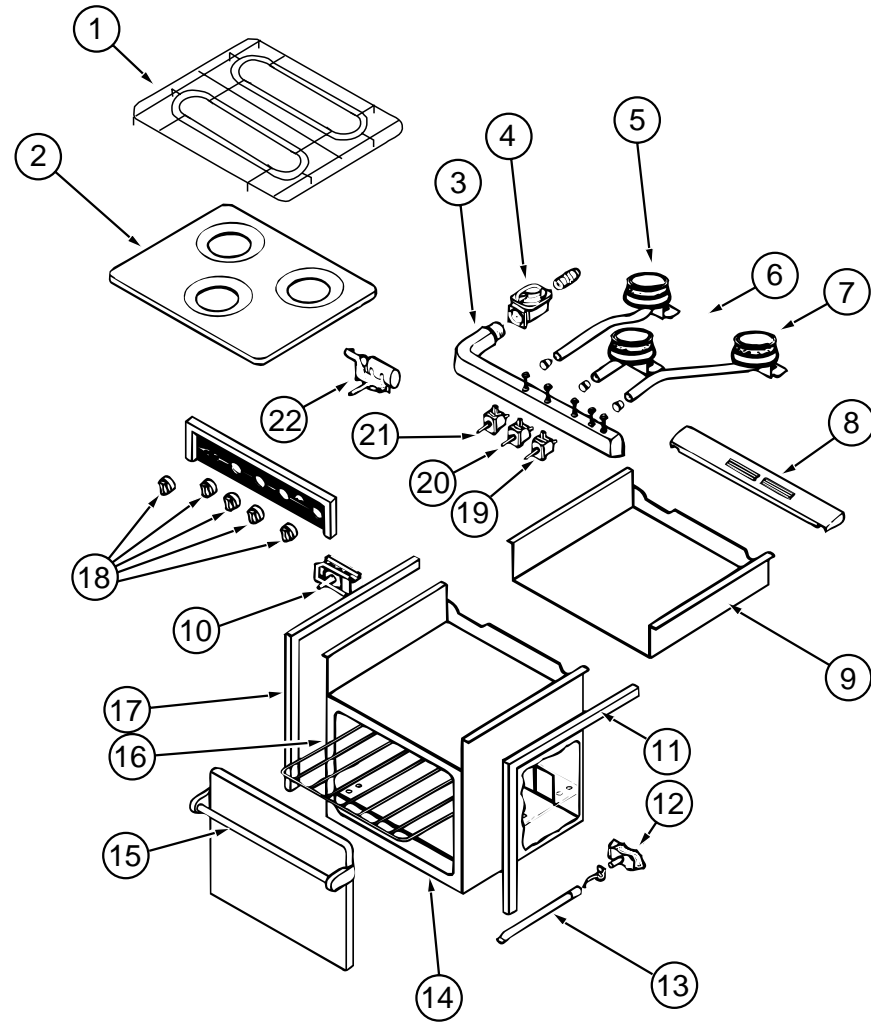
RANGEW/OVEN-ATWOODR-2137BGP



KEY	PARTNUMBER	U/M	DESCRIPTION	VENDORNO.
	121758-01-01A	EA	RANGE -W/OVEN-3BURNER-21"	
				FROM: 00-00-00 THRU: 11-26-96
1	121758-02-700	EA	GRATE-SINGLE	56261
	107323-01-711	EA	CUSHION-GRATE-RUBBER	53008
	121758-02-701	EA	CLIP-GRATE	56117
2	107246-01-700	EA	TOP-MAIN-BLK3-BURNER	53083
3	121758-01-709	EA	MANIFOLD-3BURNER	51272
	121758-01-713	EA	COVER-MANIFOLD	56107
4	106689-01-704	EA	REGULATOR-EXTREMEPRESSURE	51062
5	121758-01-707	EA	BURNERLEFTREARPIEZO	56066
6	121758-01-708	EA	BURNERCENTER(HIGHOUTPUT)	56068
7	121758-01-706	EA	BURNERRIGHTREARPIEZO	56067
8	107323-01-705	EA	TRIM-VENT	53525
9	121758-01-711	EA	BURNERBOX	51684
10	107246-01-703	EA	THERMOSTAT-ROBERTSHAW	52122
11	107323-01-703	EA	TRIM-RIGHT	53024
12	107246-01-706	EA	PILOTASM-ONLY(OVEN)	51065
13	107246-01-721	EA	BURNER-OVEN	52017
14	107323-01-706	EA	TRIM-BOTTOM	53526
15	107323-01-714	EA	HANDLEASM.DESIGNERSTYLE	51112
	107323-01-713	EA	GLASS-BLACK-INSERTOVENDOOR	53426
16	107246-01-704	EA	RACK-OVEN	51069
	107246-01-708	EA	SHELF-OVEN-LOWER	51657
17	107323-01-702	EA	TRIM-LEFT	53023
18	121758-01-715	EA	KNOB-KIT-MODELR37	51128
19	121758-01-710	EA	VALVE-BURNER	56086
20	121758-01-705	EA	VALVEHIGHOUTPUT	56087
21	121758-01-710	EA	VALVE-BURNER	56086
22	121758-01-701	EA	IGNITORPIEZO(ROTARY)	56096
	121758-01-704	EA	INSERTPIEZO	56098
	121758-01-702	EA	ELECTRODEWIRE-PIEZOIGNITOR	56097
	107246-01-707	EA	VALVE-SAFETY-MERCURY(RS)	51063
	107109-15-01A	EA	BRACKET-TIEDOWN-BLACK	
	106936-09-02A	EA	BRACKET-TIEDOWN-STOVEFRONT	
	106936-10-02A	EA	BRACKET-TIEDOWN-STOVEFRONT	

GALLEYGROUP(CONTINUED)

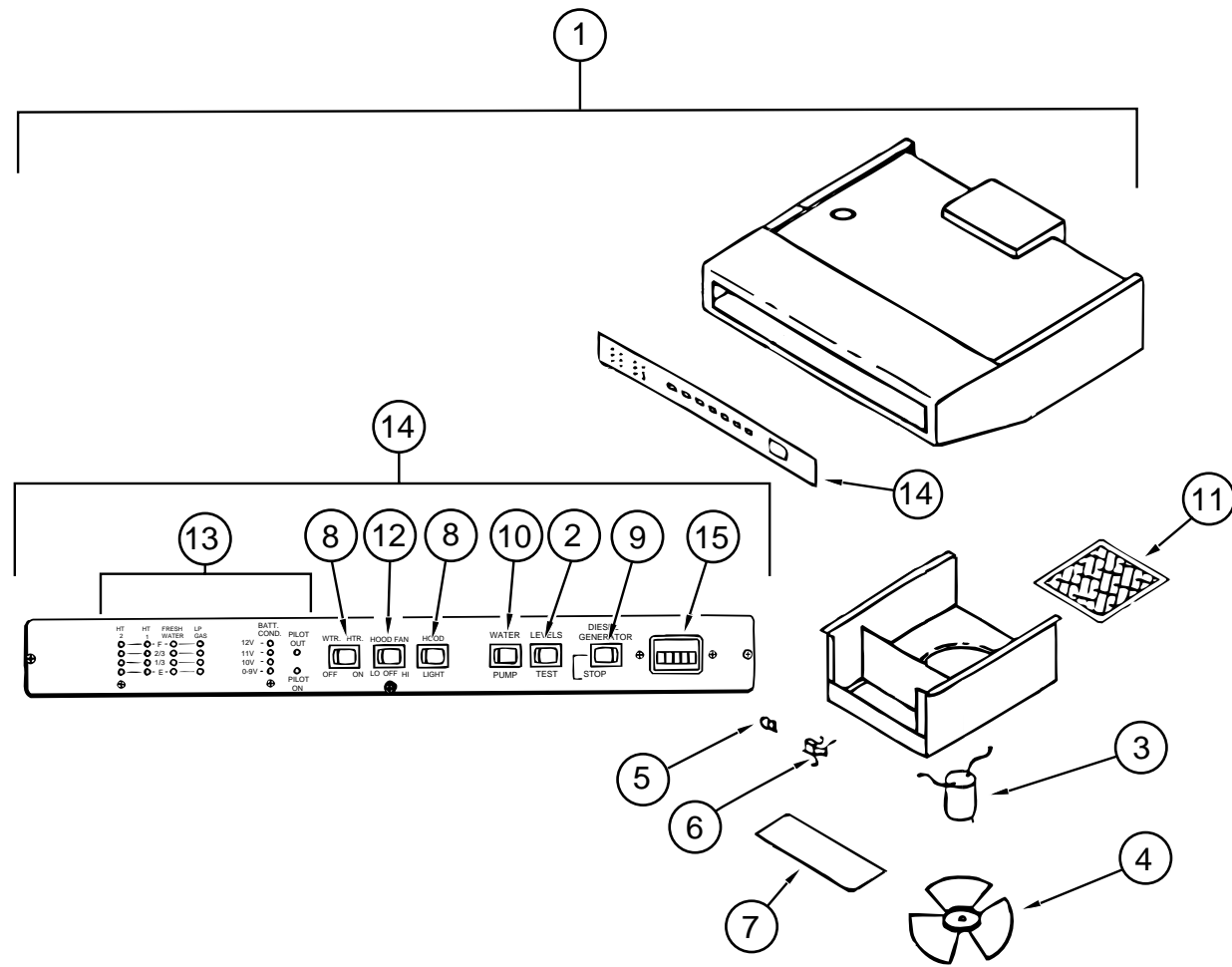
RANGE/OVEN-ATWOODR-2138BGP



KEY	PARTNUMBER	U/M DESCRIPTION	VENDOR NO.
	121758-02-01A	EA RANGE -W/OVEN-3BURNER-21"	
		FROM: 11-27-96 THRU: 99-99-99	
1	121758-02-700	EA GRATE-SINGLE	56261
	107323-01-711	EA CUSHION-GRATE-RUBBER	53008
	121758-02-701	EA CLIP-GRATE	56117
2	107246-01-700	EA TOP-MAIN-BLK3-BURNER	53083
3	121758-01-709	EA MANIFOLD-3BURNER	51272
	121758-01-713	EA COVER-MANIFOLD	56107
4	106689-01-704	EA REGULATOR-EXTREMEPRESSURE	51062
5	121758-01-707	EA BURNER-LEFTREARPIEZO	56066
6	121758-01-708	EA BURNER-CENTER(HIGHOUTPUT)	56068
7	121758-01-706	EA BURNER-RIGHTREARPIEZO	56067
8	107323-01-705	EA TRIM-VENT	53525
9	121758-01-711	EA BURNERBOX	51684
10	121758-02-702	EA THERMOSTAT-OVEN	56119
11	107323-01-703	EA TRIM-RIGHT	53024
12	121758-02-705	EA PILOT-OVEN	56121
13	121758-02-706	EA BURNER-OVEN	56123
14	107323-01-706	EA TRIM-BOTTOM	53526
15	107323-01-714	EA HANDLEASM.DESIGNERSTYLE	51112
	107323-01-713	EA GLASS-BLACK-INSERTOVENDOOR	53426
16	107246-01-704	EA RACK-OVEN	51069
17	107323-01-702	EA TRIM-LEFT	53023
18	121758-02-707	EA KNOBKIT-FITSR2138MODELSONLY	51127
19	121758-01-710	EA VALVE-BURNER	56086
20	121758-01-705	EA VALVE-HIGHOUTPUT	56087
21	121758-01-710	EA VALVE-BURNER	56086
22	121758-01-701	EA IGNITORPIEZO(ROTARY)	56096
	121758-01-704	EA INSERTPIEZO	56098
	121758-01-702	EA ELECTRODEWIRE-PIEZOIGNITOR	56097
	121758-02-704	EA VALVE-SAFETY	56120
	107109-15-01A	EA BRACKET-TIEDOWN-BLACK	
	106936-09-02A	EA BRACKET-TIEDOWN-STOVEFRONT	
	106936-10-02A	EA BRACKET-TIEDOWN-STOVEFRONT	

GALLEYGROUP(CONTINUED)

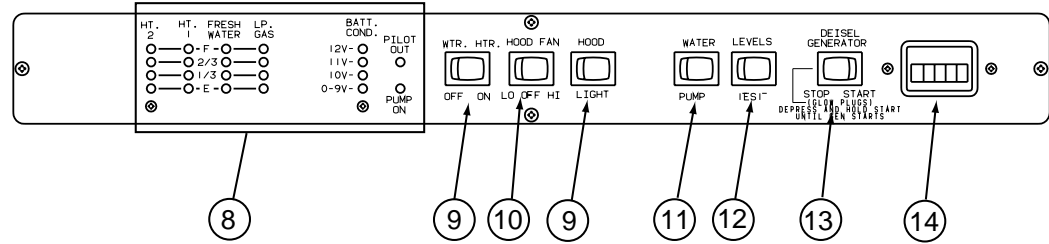
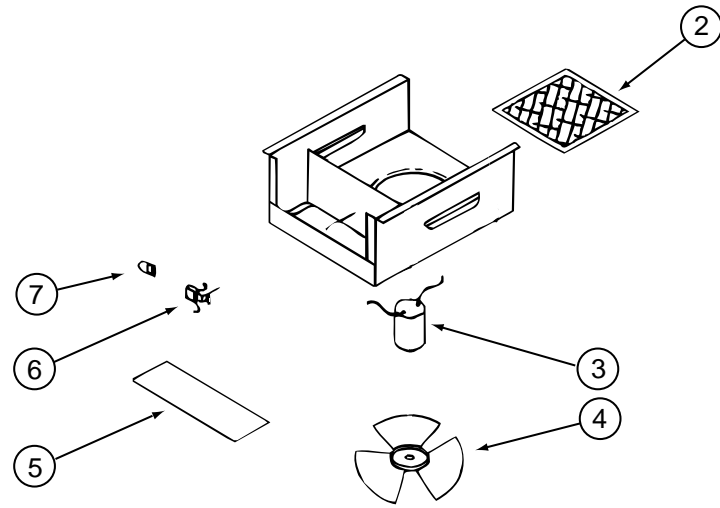
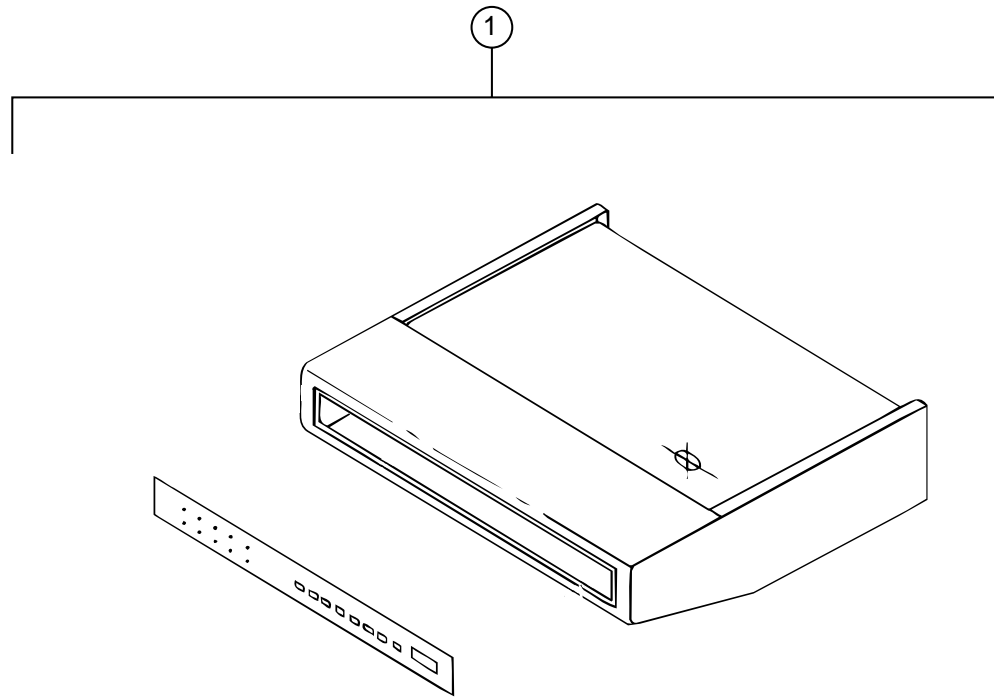
RANGEHOODS



KEY	PARTNUMBER	U/M	DESCRIPTION	VENDOR NO.
1	100258-25-02A	EA	HOOD-RANGE-22"W/MONITORPANEL	
1	100258-26-02A	EA	HOOD-RANGE-22"W/MONITORPANEL	
2	096983-01-701	EA	SWITCH-SPST/MOM2TERMINAL	L0111
3	090973-01-700	EA	MOTOR-12VOLT-CSA&UL	CA508-1
4	090973-01-702	EA	BLADE-FAN	VA183-1
5	117806-01-000	EA	BULB-12VOLT#912-1.0AMPS	
6	092696-01-710	EA	HOLDER-LAMP	CB267-2
7	092696-02-701	EA	LENS-LAMP	CC179-2
8	075470-01-702	EA	SWITCH-ON/OFF-(VARIOUS)	L108
9	096983-01-702	EA	SWITCH-MOM/OFF/MOM/3TERM	115
10	096983-01-703	EA	SWITCH-ON/ON	115
11	100258-05-700	EA	FILTER-CHARCOAL	CC248
12	100258-05-701	EA	SWITCH-2SPEEDFAN(3TERM)	117
13	100258-11-700	EA	BOARD-CIRCUIT-ADJUSTABLEPOTENTIOMETER	L5099-01
14	100258-14-701	EA	PANEL-CONTROLASSEMBLY	LA9078
15	100258-10-701	EA	GAUGE-HOURMETER-CLIPON	L0775-00

GALLEYGROUP(CONTINUED)

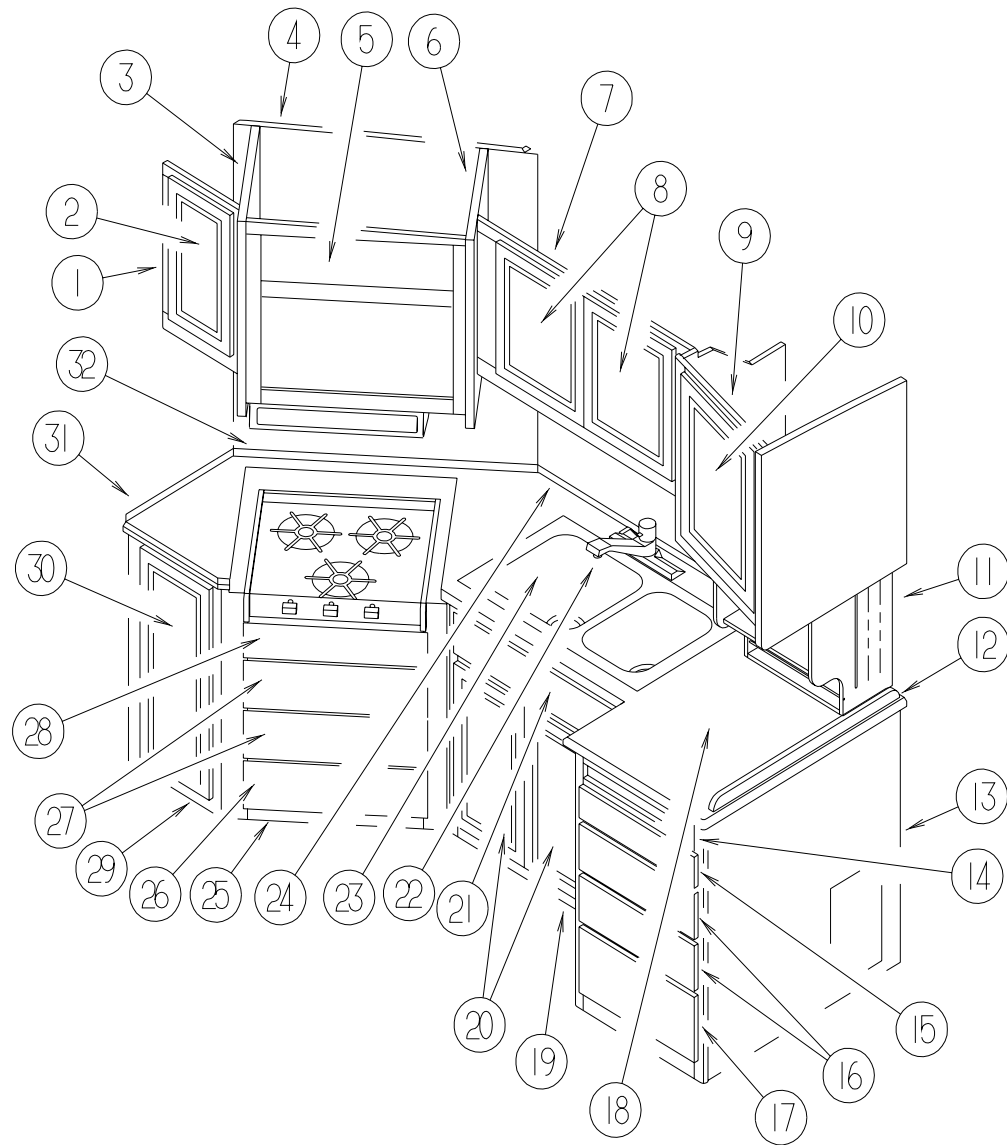
RANGEHOODS



KEY	PARTNUMBER	U/M	DESCRIPTION	VENDOR NO.
1	100258-38-01A	EA	HOOD-RANGE-22"W/MONITORPANEL	
1	100258-39-01A	EA	HOOD-RANGE-22"W/MONITORPANEL	
2	100258-05-700	EA	FILTER-CHARCOAL	CC248
3	090973-01-700	EA	MOTOR-12VOLT-CSA&UL	CA508-1
4	090973-01-702	EA	BLADE-FAN	VA183-1
5	092696-02-701	EA	LENS-LAMP	CC179-2
6	092696-01-710	EA	HOLDER-LAMP	CB267-2
7	092696-01-709	EA	LAMP#912	VA415
8	100258-11-700	EA	BOARD-CIRCUIT-ADJUSTABLEPOTENTIOMETER	L5099-01
9	096983-01-700	EA	SWITCH-ON/OFF	108
10	100258-05-701	EA	SWITCH-2SPEEDFAN(3TERM)	117
11	096983-01-703	EA	SWITCH-ON/ON	115
12	096983-01-701	EA	SWITCH-SPST/MOM2TERMINAL	L0111
13	096983-01-702	EA	SWITCH-MOM/OFF/MOM/3TERM	112
14	100258-10-701	EA	GAUGE-HOURMETER-CLIPON	L0775-00

GALLEYGROUP(CONTINUED)

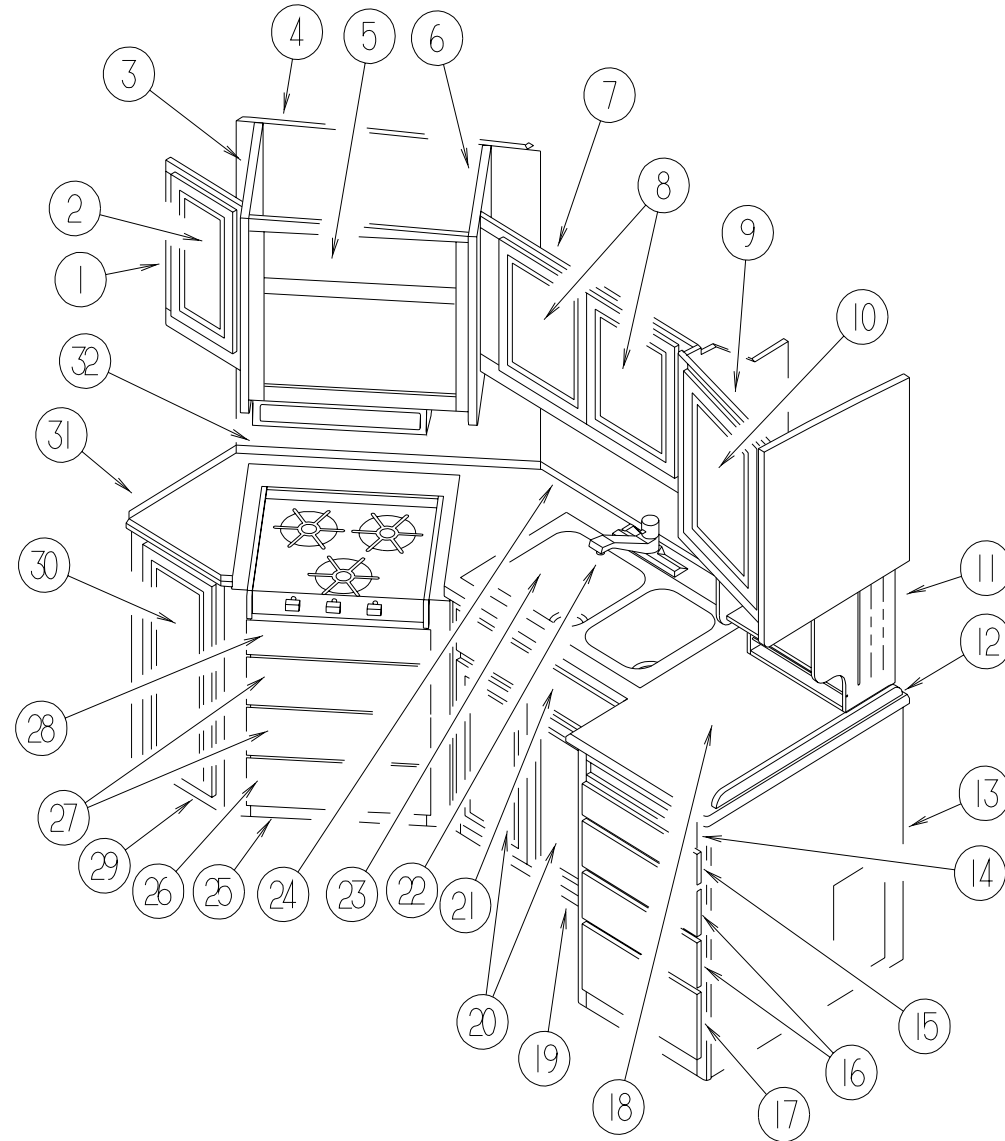
GALLEYCABINETS



KEY	PARTNUMBER	U/M	DESCRIPTION
1	119753-01-H56	EA	CABINET-OVERHEADGALLEYREAR-W/ODOORS/DRWS/HDW(SOLARMAPLE)
1	119753-01-GV1	EA	CABINET-OVERHEADGALLEYREAR-W/ODOORS/DRWS/HDW(SALEMCHERRY)
	119753-11-H56	EA	SHELF-W/PLASTICEDGEMOLDING(SOLARMAPLE)
	119753-11-GV1	EA	SHELF-W/PLASTICEDGEMOLDING(SALEMCHERRY)
2	M05990-30-H56	EA	DOOR-OGEEEDGE-19.1"X10.5"-W/OHARDWARE(SOLARMAPLE)
2	M05990-30-GV1	EA	DOOR-OGEEEDGE-19.1"X10.5"-W/OHARDWARE(SALEMCHERRY)
3	107494-27-H56	EA	ENDCAP-LEFTHAND-MICROWAVEOVERHEAD(SOLARMAPLE)
3	107494-27-GV1	EA	ENDCAP-LEFTHAND-MICROWAVEOVERHEAD(SALEMCHERRY)
4	P24252-01-H56	EA	CABINET-OVERHEAD/MICROWAVE-W/ODOORS/HARDWARE(SOLARMAPLE)
4	P24252-01-H57	EA	CABINET-OVERHEAD/MICROWAVE-W/ODOORS/HARDWARE(SALEMCHERRY)
5	100708-11-000	EA	DOOR-GLASSTVCABINET-6.1"X23.4"-W/OHARDWARE
	100710-01-01A	EA	LOCK-GLASSDOOR/TWISTTYPE-BRASS
	100711-01-01A	EA	HINGE-DOORGLASS
	100707-01-000	EA	SPACER-GLASSDOOR-.8"DIA-.3"HOLE-PLASTIC
6	107494-26-H56	EA	ENDCAP-RIGHTHAND-MICROWAVEOVERHEAD(SOLARMAPLE)
6	107494-26-GV1	EA	ENDCAP-RIGHTHAND-MICROWAVEOVERHEAD(SALEMCHERRY)
7	119754-01-H56	EA	CABINET-OVERHEADGALLEYW/ODOORS/HARDWARE(SOLARMAPLE)
7	119754-01-GV1	EA	CABINET-OVERHEADGALLEYW/ODOORS/HARDWARE(SALEMCHERRY)
	119754-11-H56	EA	SHELF-W/PLASTICEDGEMOLDING(SOLARMAPLE)
	119754-11-GV1	EA	SHELF-W/PLASTICEDGEMOLDING(SALEMCHERRY)
8	M05990-28-H56	EA	DOOR-OGEEEDGE-17.8"X14.5"-W/OHARDWARE(SOLARMAPLE)
8	M05990-28-GV1	EA	DOOR-OGEEEDGE-17.8"X14.5"-W/OHARDWARE(SALEMCHERRY)
9	P20479-01-H56	EA	CABINET-GALLEY-W/ODOORS/DRAWERS/HARDWARE(H56)
9	P20479-01-H57	EA	CABINET-GALLEY-W/ODOORS/DRAWERS/HARDWARE(H57)
9	P20479-01-H58	EA	CABINET-GALLEY-W/ODOORS/DRAWERS/HARDWARE(H58,H64)
9	P20479-01-H59	EA	CABINET-GALLEY-W/ODOORS/DRAWERS/HARDWARE(H59,H65)
9	P20479-01-H60	EA	CABINET-GALLEY-W/ODOORS/DRAWERS/HARDWARE(H60)
9	P20479-01-H61	EA	CABINET-GALLEY-W/ODOORS/DRAWERS/HARDWARE(H61)
	120479-16-H56	EA	SHELF-W/PLASTICEDGEMOLDING(SOLARMAPLE)
	120479-16-GV1	EA	SHELF-W/PLASTICEDGEMOLDING(SALEMCHERRY)
10	M05990-31-H56	EA	DOOR-OGEEEDGE-21.6"X17"-W/OHARDWARE(SOLARMAPLE)
10	M05990-31-GV1	EA	DOOR-OGEEEDGE-21.6"X17"-W/OHARDWARE(SALEMCHERRY)
11	119767-01-H56	EA	CABINET-COFFEEMAKER-W/ODOORS/HARDWARE(SOLARMAPLE)
			FROM: 00-00-00 THRU: 04-13-97
11	119767-01-GV1	EA	CABINET-COFFEEMAKER-W/ODOORS/HARDWARE(SALEMCHERRY)
			FROM: 00-00-00 THRU: 04-13-97
11	126046-01-H56	EA	CABINET-F/COFFEEMAKER-W/ODOORS/HARDWARE(SOLARMAPLE)
			FROM: 04-14-97 THRU: 99-99-99
11	126046-01-J71	EA	CABINET-F/COFFEEMAKER-W/ODOORS/HARDWARE(SALEMCHERRY)
			FROM: 04-14-97 THRU: 99-99-99
12	095080-04-GV4	EA	RAILGALLEY-COUNTERTOPLEDGE-28.2"LONG(H56,H57,H58,H59,H60,H61)
12	095080-04-GV0	EA	RAILGALLEY-COUNTERTOPLEDGE-28.2"LONG(H64,H65)
			LOWERGALLEYCABINETW/RANGETOP
13	124255-01-H56	EA	CABINET-GALLEY-W/ODOORS/DRAWERS/HARDWARE(H56)
13	124255-01-H57	EA	CABINET-GALLEY-W/ODOORS/DRAWERS/HARDWARE(H57)
13	124255-01-H58	EA	CABINET-GALLEY-W/ODOORS/DRAWERS/HARDWARE(H58,H64)
13	124255-01-H59	EA	CABINET-GALLEY-W/ODOORS/DRAWERS/HARDWARE(H59,H65)
13	124255-01-H60	EA	CABINET-GALLEY-W/ODOORS/DRAWERS/HARDWARE(H60)
13	124255-01-H61	EA	CABINET-GALLEY-W/ODOORS/DRAWERS/HARDWARE(H61)
			LOWERGALLEYCABINETW/RANGETOP&ICEMAKER
13	124255-02-H56	EA	CABINET-GALLEY-W/ODOORS/DRAWERS/HARDWARE(H56)
13	124255-02-H57	EA	CABINET-GALLEY-W/ODOORS/DRAWERS/HARDWARE(H57)
13	124255-02-H58	EA	CABINET-GALLEY-W/ODOORS/DRAWERS/HARDWARE(H58,H64)
13	124255-02-H59	EA	CABINET-GALLEY-W/ODOORS/DRAWERS/HARDWARE(H59,H65)
13	124255-02-H60	EA	CABINET-GALLEY-W/ODOORS/DRAWERS/HARDWARE(H60)
13	124255-02-H61	EA	CABINET-GALLEY-W/ODOORS/DRAWERS/HARDWARE(H61)

GALLEYGROUP(CONTINUED)

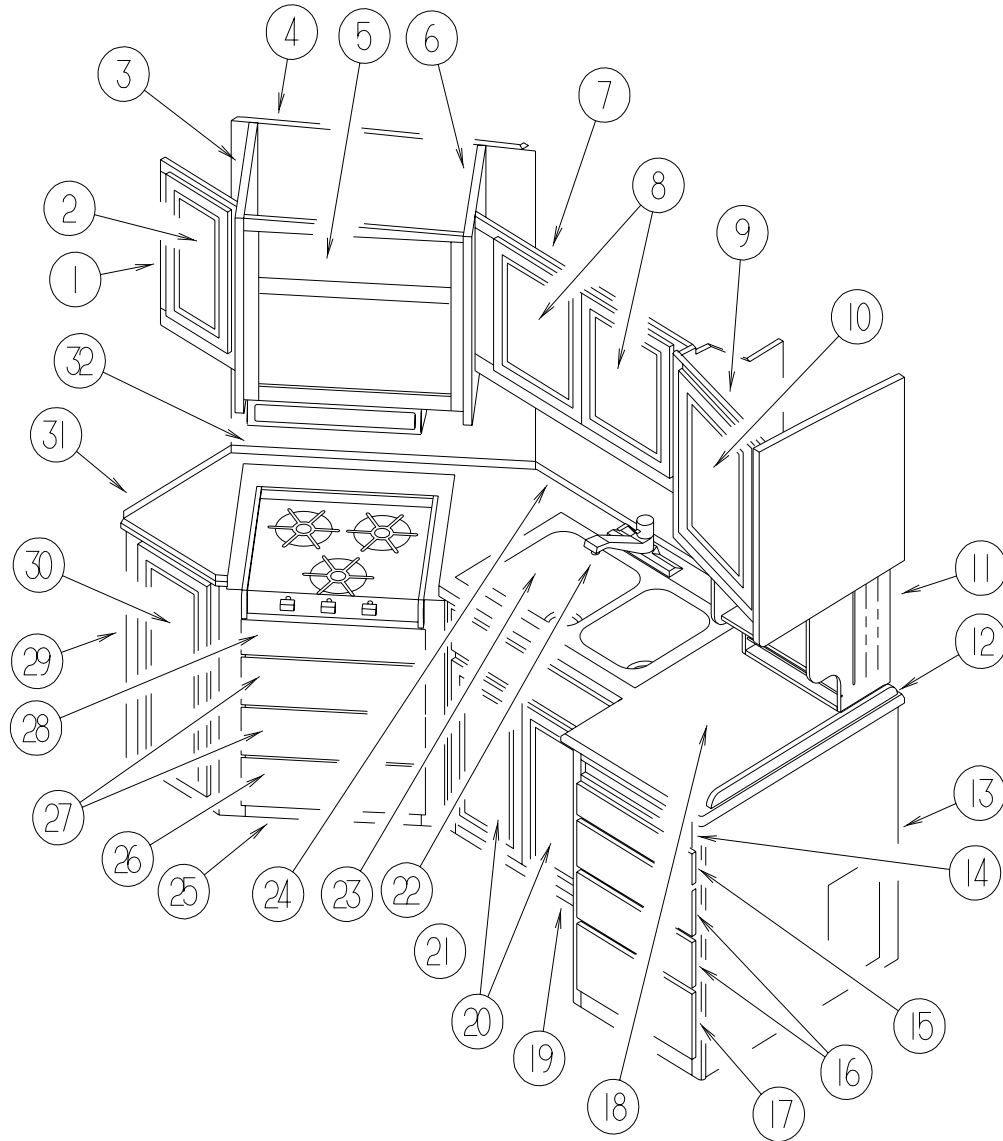
GALLEYCABINETS(CONTINUED)



KEY	PARTNUMBER	U/M	DESCRIPTION
LOWER GALLEY CABINET W/RANGE TOP & DISHWASHER			
13	124255-03-H56	EA	CABINET-GALLEY-W/ODOORS/DRAWERS/HARDWARE (H56)
13	124255-03-H57	EA	CABINET-GALLEY-W/ODOORS/DRAWERS/HARDWARE (H57)
13	124255-03-H58	EA	CABINET-GALLEY-W/ODOORS/DRAWERS/HARDWARE (H58,H64)
13	124255-03-H59	EA	CABINET-GALLEY-W/ODOORS/DRAWERS/HARDWARE (H59,H65)
13	124255-03-H60	EA	CABINET-GALLEY-W/ODOORS/DRAWERS/HARDWARE (H60)
13	124255-03-H61	EA	CABINET-GALLEY-W/ODOORS/DRAWERS/HARDWARE (H61)
LOWER GALLEY CABINET W/RANGE TOP & OVEN			
13	124255-04-H56	EA	CABINET-GALLEY-W/ODOORS/DRAWERS/HARDWARE (H56)
13	124255-04-H57	EA	CABINET-GALLEY-W/ODOORS/DRAWERS/HARDWARE (H57)
13	124255-04-H58	EA	CABINET-GALLEY-W/ODOORS/DRAWERS/HARDWARE (H58,H64)
13	124255-04-H59	EA	CABINET-GALLEY-W/ODOORS/DRAWERS/HARDWARE (H59,H65)
13	124255-04-H60	EA	CABINET-GALLEY-W/ODOORS/DRAWERS/HARDWARE (H60)
13	124255-04-H61	EA	CABINET-GALLEY-W/ODOORS/DRAWERS/HARDWARE (H61)
LOWER GALLEY CABINET W/RANGE TOP & OVEN & ICE MAKER			
13	124255-05-H56	EA	CABINET-GALLEY-W/ODOORS/DRAWERS/HARDWARE (H56)
13	124255-05-H57	EA	CABINET-GALLEY-W/ODOORS/DRAWERS/HARDWARE (H57)
13	124255-05-H58	EA	CABINET-GALLEY-W/ODOORS/DRAWERS/HARDWARE (H58,H64)
13	124255-05-H59	EA	CABINET-GALLEY-W/ODOORS/DRAWERS/HARDWARE (H59,H65)
13	124255-05-H60	EA	CABINET-GALLEY-W/ODOORS/DRAWERS/HARDWARE (H60)
13	124255-05-H61	EA	CABINET-GALLEY-W/ODOORS/DRAWERS/HARDWARE (H61)
LOWER GALLEY CABINET W/RANGE TOP & OVEN & DISHWASHER			
13	124255-06-H56	EA	CABINET-GALLEY-W/ODOORS/DRAWERS/HARDWARE (H56)
13	124255-06-H57	EA	CABINET-GALLEY-W/ODOORS/DRAWERS/HARDWARE (H57)
13	124255-06-H58	EA	CABINET-GALLEY-W/ODOORS/DRAWERS/HARDWARE (H58,H64)
13	124255-06-H59	EA	CABINET-GALLEY-W/ODOORS/DRAWERS/HARDWARE (H59,H65)
13	124255-06-H60	EA	CABINET-GALLEY-W/ODOORS/DRAWERS/HARDWARE (H60)
13	124255-06-H61	EA	CABINET-GALLEY-W/ODOORS/DRAWERS/HARDWARE (H61)
14	M05976-06-H56	EA	DRAWER-CUTTINGBOARD-OGEEEDGE (SOLARMAPLE)
14	M05976-06-GV1	EA	DRAWER-CUTTINGBOARD-OGEEEDGE (SALEMCHERRY)
15	M05971-87-H56	EA	DRAWER-OGEEEDGE-16.9"WX19.6"D-W/OSLIDES/HARDWARE (SOLARMAPLE)
15	M05971-87-FQ1	EA	DRAWER-OGEEEDGE-16.9"WX19.6"D-W/OSLIDES/HARDWARE (SALEMCHERRY)
	100081-01-01A	EA	TRAY-SILVERWARE-9"X13.3"RUBBERMAIDALMONDPLASTIC
16	M05971-89-H56	EA	DRAWER-OGEEEDGE-16.9"WX19.6"D-W/OSLIDES/HARDWARE (SOLARMAPLE)
16	M05971-89-FQ1	EA	DRAWER-OGEEEDGE-16.9"WX19.6"D-W/OSLIDES/HARDWARE (SALEMCHERRY)
17	M05971-V2-H56	EA	DRAWER-OGEEEDGE-16.9"WX19.6"D-W/OSLIDES/HARDWARE (SOLARMAPLE)
17	M05971-V2-GV1	EA	DRAWER-OGEEEDGE-16.9"WX19.6"D-W/OSLIDES/HARDWARE (SALEMCHERRY)
18	124255-27-H56	EA	COUNTERTOP-GALLEY (H56,H57,H60,H61)
18	124255-27-H58	EA	COUNTERTOP-GALLEY (H58,H59,H64,H65)
19	118200-03-01A	EA	MESH-PLASTIC-1/2INCHBLK
	118200-01-01A	SF	MESH-PLASTIC-1/2INCH
20	M06810-07-H56	EA	DRAWER-OGEEEDGE-W/OTRAY/HARDWARE (SOLARMAPLE)
20	M06810-07-GV1	EA	DRAWER-OGEEEDGE-W/OTRAY/HARDWARE (SALEMCHERRY)
	108127-01-01A	EA	CAP-TRAY
	108128-01-01A	EA	TRAY-HIDDEN
21	M05992-G7-H56	EA	DOOR-OGEEEDGE-13.3"X21.8"-W/OHARDWARE (SOLARMAPLE)
21	M05992-G7-GV1	EA	DOOR-OGEEEDGE-13.3"X21.8"-W/OHARDWARE (SALEMCHERRY)
	124255-14-H56	EA	SHELF-W/PLASTICEDGEMOLDING (SOLARMAPLE)
	124255-14-H57	EA	SHELF-W/PLASTICEDGEMOLDING (SALEMCHERRY)
	093605-02-01A	EA	RACK-TOWEL-WIRE-ALMOND
	102238-01-000	EA	CONTAINER-TRASH-W/HDW-8"X13"X15.2"-WIREBASKET
22	064952-01-000	EA	FAUCET-GALLEY-SINGLECONTROL-8"
	103635-01-000	EA	FAUCET-SINGLECONTROL (DRINKINGWATER)

GALLEYGROUP(CONTINUED)

GALLEYCABINETS(CONTINUED)

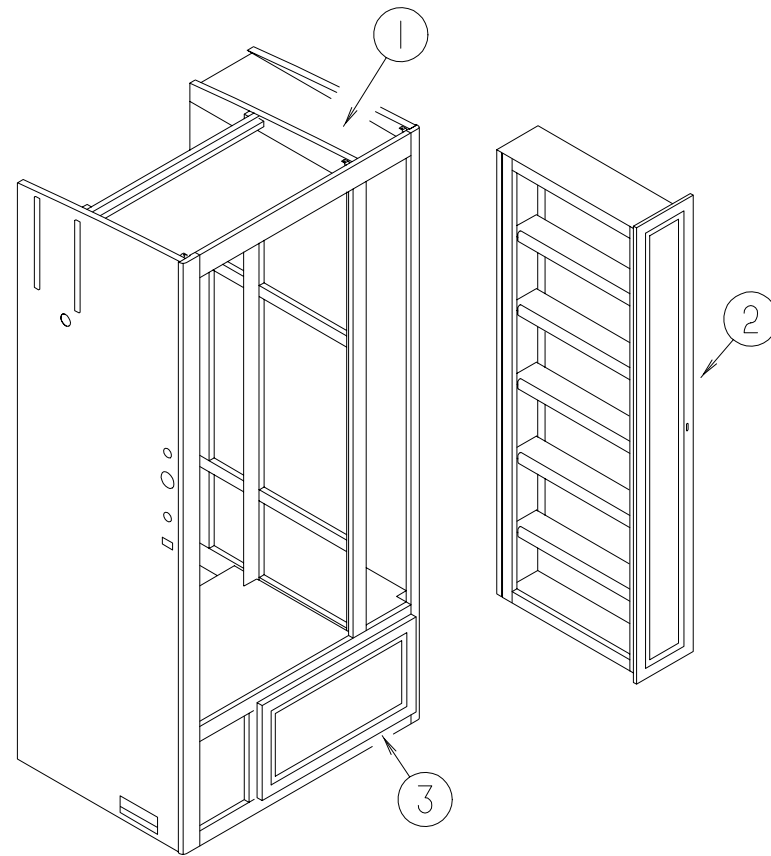


KEY	PARTNUMBER	U/M	DESCRIPTION
23	110654-01-000	EA	SINK-STAINLESSSTEEL/DOUBLEBASIN(1LG-1SMBASIN)
	092303-01-000	EA	STRAINER-SINK
	107044-05-GV4	EA	COVER-RECESSEDSINK-14.9"X11.1"(H56,H57,H60,H61)
	107044-05-GV0	EA	COVER-RECESSEDSINK-14.9"X11.1"(H58,H59,H64,H65)
	107044-06-GV4	EA	COVER-RECESSEDSINK-14.9"X15"(H56,H57,H60,H61)
	107044-06-GV0	EA	COVER-RECESSEDSINK-14.9"X15"(H58,H59,H64,H65)
24	124255-31-H56	EA	BACKSPLASH-GALLEYCABINET-REARBEHINDSINK(H56,H57,H58,H59,H64,H65)
24	124255-31-H60	EA	BACKSPLASH-GALLEYCABINET-REARBEHINDSINK(H60,H61)
25	118200-02-01A	EA	MESH-PLASTIC-1/2INCHBLK
	118200-01-01A	SF	MESH-PLASTIC-1/2INCH
26	M05971-13-H56	EA	DRAWER-OGEEEDGE-19.2"X17.6"-W/OSLIDES/HARDWARE(SOLARMAPLE) (USEDWITHRANGETOP&OVEN)
26	M05971-13-GV1	EA	DRAWER-OGEEEDGE-19.2"X17.6"-W/OSLIDES/HARDWARE(SALEMCHERRY) (USEDWITHRANGETOP&OVEN)
27	M05971-13-H56	EA	DRAWER-OGEEEDGE-19.2"X17.6"-W/OSLIDES/HARDWARE(SOLARMAPLE)
27	M05971-13-GV1	EA	DRAWER-OGEEEDGE-19.2"X17.6"-W/OSLIDES/HARDWARE(SALEMCHERRY)
28	M05971-88-H56	EA	DRAWER-OGEEEDGE-19.2"X17.6"-W/OSLIDES/HARDWARE(SOLARMAPLE)
28	M05971-88-GV1	EA	DRAWER-OGEEEDGE-19.2"X17.6"-W/OSLIDES/HARDWARE(SALEMCHERRY)
29	124255-15-H56	EA	TOEKICK-GALLEY(SOLARMAPLE)
29	124255-15-H57	EA	TOEKICK-GALLEY(SALEMCHERRY)
30	M05992-G9-H56	EA	DOOR-OGEEEDGE-11.4"X28.1"-W/OHARDWARE(SOLARMAPLE)
30	M05992-G9-GV1	EA	DOOR-OGEEEDGE-11.4"X28.1"-W/OHARDWARE(SALEMCHERRY)
	124255-13-H56	EA	SHELF-W/PLASTICEDGEMOLDING(SOLARMAPLE)
	124255-13-H57	EA	SHELF-W/PLASTICEDGEMOLDING(SALEMCHERRY)
31	124255-29-H56	EA	BACKSPLASH-GALLEYCABINET-OUTERLEFTEND(H56,H57,H58,H59,H64,H65)
31	124255-29-H60	EA	BACKSPLASH-GALLEYCABINET-OUTERLEFTEND(H60,H61)
32	124255-30-H56	EA	BACKSPLASH-GALLEYCABINET-LEFTREAR(H56,H57,H58,H59,H64,H65)
32	124255-30-H60	EA	BACKSPLASH-GALLEYCABINET-LEFTREAR(H60,H61)

RANGETOPLID

M05904-02-GV4	EA	COVER-STOVE-W/SOLIDCOUNPERTOP(H56,H57,H60,H61)
M05904-02-GV0	EA	COVER-STOVE-W/SOLIDCOUNPERTOP(H58,H59,H64,H65)
106693-03-01A	EA	COVER-FLUSHMOUNT-THINTOP
085217-18-000	SF	COUNTERTOP-SIERRAAURORA-1/4"(H56,H57,H60,H61)
085217-13-000	SF	COUNTERTOP-SIERRASANDSTONE(H58,H59,H64,H65)

GALLEYGROUP(CONTINUED)



REFRIGERATORCABINET

KEY	PARTNUMBER	U/M DESCRIPTION
1	122325-02-H56	EA CABINET-PANTRY-SLIDING/LEFTHAND-W/OSLIDES/HDW(SOLARMAPLE)
1	122325-02-H57	EA CABINET-PANTRY-SLIDING/LEFTHAND-W/OSLIDES/HDW(SALEMCHERRY)
2	M05992-K1-H56	EA DOOR-OGEEEDGE-8.5"X60.7"-W/OHARDWARE(SOLARMAPLE)
2	M05992-K1-H57	EA DOOR-OGEEEDGE-8.5"X60.7"-W/OHARDWARE(SALEMCHERRY)
	122360-01-000	EA SLIDE-PANTRY-W/LOCK-LEFTHAND
	122360-02-000	EA SLIDE-PANTRY-W/OLOCK-RIGHT/LEFTHAND
	122360-03-000	EA SLIDE-PANTRY-W/LOCK-RIGHTHAND
3	M05992-E7-H56	EA DOOR-OGEEEDGE-14.3"X33.4"-W/OHARDWARE(SOLARMAPLE)
3	M05992-E7-GV1	EA DOOR-OGEEEDGE-14.3"X33.4"-W/OHARDWARE(SALEMCHERRY)

GALLEYGROUP(CONTINUED)

MICROWAVEOVEN

KEY	PARTNUMBER	U/M DESCRIPTION
	122753-01-000	EA OVEN-MICROWAVE-.9CU.FT.NONCONVECTION
	122753-02-000	EA OVEN-MICROWAVE-.9CU.FT.CONVECTION
	122753-03-000	EA OVEN-MICROWAVE-.9CU.FT.CSANONCONVECTION
	122753-04-000	EA OVEN-MICROWAVE-.9CU.FT.CSACONVECTION
	082227-06-000	EA TRIM-BOTTOMMICROWAVE-BLACK
	102486-13-01A	EA TRIM-MICROWAVE-VERTICALBLACK
	122884-01-01A	EA TRIM-MICROWAVEBLACK
	094756-03-G15	EA BRACKET-ANGLE-W/HOLES
	094756-01-02A	EA BRACKET-ANGLE-W/HOLES-MILL
	094756-02-01A	EA BRACKET-L-MICROWAVE-6.1"LONGX3.9"WIDE-STEEL-TAN

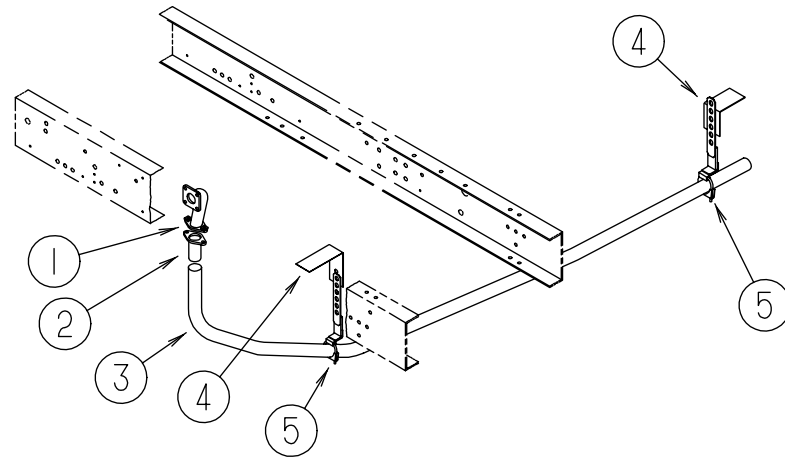
COFFEEMAKER

KEY	PARTNUMBER	U/M DESCRIPTION	VENDORNO.
	126019-01-01A	EA COFFEEMAKER-OPTIMA-W/BRACKETS	
	103799-01-701	EA BRACKETS-WHITEPAIR	164734-06B&D
	103799-01-700	EA POT-CARAFE-GLASS	679420

DISHWASHER

KEY	PARTNUMBER	U/M DESCRIPTION
	107752-03-01A	EA DISHWASHER18"BLACK-WESTINGHOMDR251RE
	111913-01-01A	EA BRACKET-WASHER-TIEDOWN

GENERATORGROUP



6.5KWONANMARQUISGENERATOR-LPFUELED-U.S.

KEY	PARTNUMBER	U/M DESCRIPTION
	105559-04-000	EA GENERATOR-6.5KW-LPFUEL-30/30 WITHONANTRAY#403-2893,W/MUFFLERLPFUELED
1	N/A	EA ADAPTOR-EXHAUST(SUPPLIEDWITHGENERATOR)
2	106235-01-000	EA ADAPTOR-GENERATOREXHAUST
3	116381-02-000	EA PIPE-EXHAUST-GENERATOR
4	007131-01-000	EA HANGER-TAILPIPE-6SLOTS
5	007125-03-000	EA CLAMP-MUFFLER-1.5"DIAMETER
	106071-02-000	EA SWITCH-AUTOMATICTRANSFER-50AMP
	010251-02-000	EA ELBOW-BRASS-90DEGREE-3/8FX1/4MMPT
	065820-09-000	EA HOSE-HIGHPRESSURE-28"
	007125-02-000	EA CLAMP-MUFFLER-1.25"DIAMETER

6.5KWONANMARQUISGENERATOR-LPFUELED-CANADIAN

KEY	PARTNUMBER	U/M DESCRIPTION
	105559-04-000	EA GENERATOR-6.5KW-LPFUEL-30/30 WITHONANTRAY#403-2893,W/MUFFLERLPFUELED
1	N/A	EA ADAPTOR-EXHAUST(SUPPLIEDWITHGENERATOR)
2	106235-01-000	EA ADAPTOR-GENERATOREXHAUST
3	116381-02-000	EA PIPE-EXHAUST-GENERATOR
4	007131-01-000	EA HANGER-TAILPIPE-6SLOTS
5	007125-03-000	EA CLAMP-MUFFLER-1.5"DIAMETER
	106071-02-000	EA SWITCH-AUTOMATICTRANSFER-50AMP
	007125-02-000	EA CLAMP-MUFFLER-1.25"DIAMETER
	010251-02-000	EA ELBOW-BRASS-90DEGREE-3/8FX1/4MMPT
	112365-04-000	EA BREAKER-20AMP

GENERATORGROUP(CONTINUED)

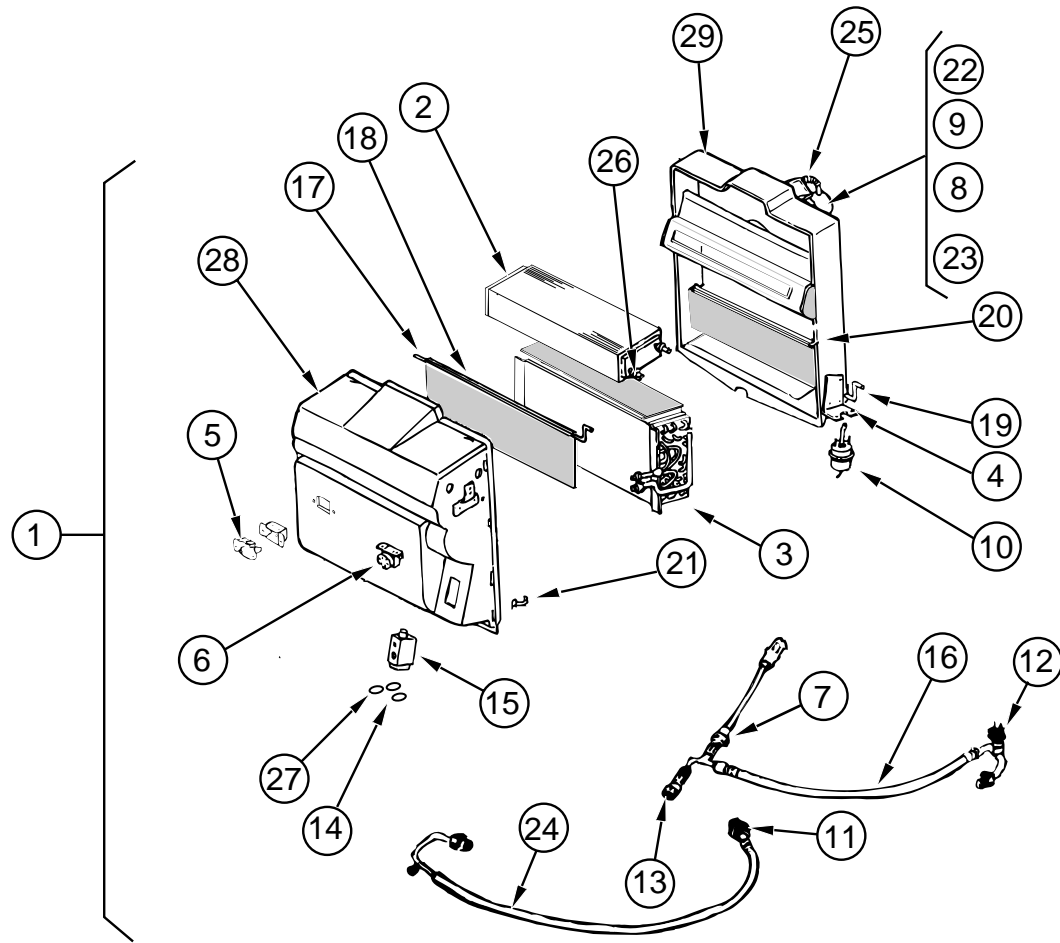
7.5KWONANGENERATOR-DIESELFUELED-UPGRADE

KEY	PARTNUMBER	U/M DESCRIPTION
	122425-01-000	EA GENERATOR-DIESEL7.5SQD
	116381-03-000	EA PIPE-EXHAUST-GENERATOR
	106071-02-000	EA SWITCH-AUTOMATICTRANSFER-MAGNETEKATS30(50AMP)
	007125-02-000	EA CLAMPASM-MUFFLER-1.25"DIAMETER
	007125-03-000	EA CLAMP-MUFFLER-1.5"DIA
	007131-01-000	EA HANGER-TAILPIPE-6SLOTS
	114172-01-000	EA COUPLER-11/4FPTX11/4FPT-BLACK
	115218-01-000	EA BOTTLE-OVERFLOWRECOVERKIT-ONAN130-2781
	116457-01-000	EA TEE-BRASS-BRANCH1/4NPT-W'HD3600X4
	068382-06-000	EA BUSHING-BRASS-3/8MPTX1/8FPT-PARKER209P-6-2
	114253-01-000	EA ELBOW-1/4SGLBARBX1/8MPT-WEATHERHEAD1582
	114253-02-000	EA ELBOW-5/16SGLBARBX1/4MPT-WEATHERHEAD1557

NOTE:ADDITIONALGENERATORCOMPONENTSAREFOUNDINTHECHASSISGROUP.

HEATING&AIRCONDITIONINGGROUP

DIESELEVAPORATOR/HEATERASSEMBLY



KEY	PARTNUMBER	U/M DESCRIPTION	VENDOR NO.
1	103930-22-000	EA EVAPORTER/HEATER-PUSHER-R134ABLOCK	
			FROM: 00-00-00 THRU: 09-01-96
2	103930-01-703	EA CORE-HEATER	042-0010
3	103930-01-704	EA COIL-EVAPORATOR	041-0017
4	103930-01-708	EA BRACKET-VACUUMMOTOR	070-0113
5	103930-01-710	EA RESISTOR-FUSED-A/C	035-0006
6	103930-01-711	EA THERMOSTAT	033-0003
7	103930-01-716	EA SWITCH-PRESSURE-FAN	032-0036
8	103930-01-717	EA WHEEL-BLOWER-CLOCKWISE	062-0010
9	103930-01-720	EA MOTOR-BLOWER-(PM105)	030-0004
10	103930-02-708	EA MOTOR-VACUUMSERVO-A/C	030-0025
11	103930-06-700	EA FITTING-QUICKCONNECT-#8	050-0082
12	103930-12-708	EA SWITCH-BINARY-HI-LOWCUTOUT	032-0048
13	103930-12-709	EA FITTING-QUICKCONNECT	050-0120
14	103930-17-702	EA O'RING#10	045-0127
15	103930-20-700	EA VALVE-EXPANSION-BLOCK-2TON	034-0032
16	103930-20-701	EA HOSEASM#6EVAPORATOR/DRIER	085-0138
17	103930-20-702	EA ROD-DOOR-BLENDAIR	073-0039
18	103930-20-703	EA DOOR-BLENDAIR	071-0212
19	103930-20-704	EA ROD-DOOR-RECIRCULATING	073-0018
20	103930-20-705	EA PANEL-DOOR-RECIRCULATING	071-0213
21	103930-20-706	EA CLIP-RETAINER	022-0057
22	103930-20-707	EA HOUSING-BLOWER	062-0145
23	103930-20-708	EA CLIP-MOTORSHAFT	022-0001
24	103930-22-700	EA HOSEASM#10EVAPORATOR/COMP	085-0141
25	110279-01-703	EA HOSE-VENT-BLOWER MOTOR	051-0034
26	110279-01-712	EA FITTING-HEATER	050-0076
27	113245-01-707	EA O'RING#8	045-0126
28	103930-20-710	EA CASE-FRONT-SUB-ASSEMBLY	062-0146
29	103930-20-711	EA CASE-BACK-SUB-ASSEMBLY	062-0147
	103930-05-000	EA MANUAL-OWNER-HEATER/A/C	
			FROM: 00-00-00 THRU: 02-23-97
	103930-37-000	EA MANUAL-OWNERS-HEATER/A/C	
			FROM: 02-24-97 THRU: 99-99-99

HEATING&AIRCONDITIONINGGROUP(CONTINUED)

DIESELEVAPORATOR/HEATERASSEMBLY

KEY	PARTNUMBER	U/M	DESCRIPTION	VENDORNO.
	103930-32-000	EA	EVAPORATOR/HEATER-FRTLINER/SPARTAN-SERVOMOTORCONTROLLED FROM: 09-02-96 THRU: 99-99-99	
	103930-01-703	EA	CORE-HEATER	042-0010
	103930-01-704	EA	COIL-EVAPORATOR	041-0017
	103930-01-708	EA	BRACKET-VACUUMMOTOR	070-0113
	103930-02-708	EA	MOTOR-VACUUMSERVO-A/C	030-0025
	103930-01-710	EA	RESISTOR-FUSED-A/C	035-0006
	103930-01-711	EA	THERMOSTAT	033-0003
	103930-01-716	EA	SWITCH-PRESSURE-FAN IFREPLACING#07579003701,TRANSFERTHEELECTRICAL CONNECTORTOTHISNEWSWITCH	032-0036
	103930-01-717	EA	WHEEL-BLOWER-CLOCKWISE	062-0010
	103930-06-700	EA	FITTING-QUICKCONNECT,#8	050-0082
	103930-12-708	EA	SWITCH-BINARY-HI/LOWCUTOUT	032-0048
	103930-12-709	EA	FITTING-QUICKCONNECT	050-0120
	103930-17-702	EA	O'RING#10	045-0127
	103930-20-700	EA	VALVE-EXPANSION-BLOCK-2TON	034-0032
	103930-20-701	EA	HOSEASM#6EVAPORATOR/DRIER	085-0138
	103930-20-703	EA	DOOR-BLENDAIR	071-0212
	103930-20-704	EA	ROD-DOOR-RECIRCULATING	073-0018
	103930-20-705	EA	PANEL-DOOR-RECIRCULATING	071-0213
	103930-20-706	EA	CLIP-RETAINER-CASEATTACH	022-0057
	103930-20-707	EA	HOUSING-BLOWER	062-0145
	103930-20-708	EA	CLIP-MOTORSHAFT	022-0001
	103930-20-711	EA	CASE-BACK-SUB-ASSEMBLY	062-0147
	103930-22-700	EA	HOSEASM#10EVAPORATOR/COMP	085-0141
	103930-30-700	EA	CASE-FRONT	062-0542
	103930-30-701	EA	PLATE-MOTORMOUNT	062-0544
	103930-30-702	EA	BUSHING-BLENDAIRDOOR	062-0168
	103930-30-703	EA	MOTOR-SERVO	030-0104
	103930-30-704	EA	COVER-SERVO	062-0545
	103930-30-706	EA	MOTOR-BLOWERPM147W/ADAPTER FROM: 12-22-96 THRU: 99-99-99	030-0109
	110279-01-703	EA	HOSE-VENTF/BLOWERMOTOR	051-0034
	110279-01-712	EA	FITTING-HEATER	050-0076
	113245-01-707	EA	O'RING#8	045-0126
	103930-16-000	EA	HOSEKIT#12389"R134A	

HEATING&AIRCONDITIONINGGROUP(CONTINUED)

AUTOA/C&HEATSYSTEM

KEY	PARTNUMBER	U/M	DESCRIPTION	VENDORNO.
	007281-01-000	EA	HOSE-FLEXIBLEPVC-2.5"IDX50'	
	024990-07-000	EA	OUTLET-DEFROSTER-W/SWIVEL-2"	
	056402-05-000	EA	BRACKET-HEATERVENT-ROUNDW/BEND-BLACK	
	056402-06-000	EA	BRACKET-HEATER/BLACK	
	103016-01-000	EA	PLENUM-TRANSITION	
	103558-01-08A	EA	VENT-DEFROSTER-2"X14.4"X1.4"-HAMPTONTAN	
	103796-01-01A	EA	LOUVER-A/C	
	077075-01-000	EA	GASKET-INSTRUMENTPANELTODEFROSTERPLENUM	
	077075-03-000	EA	GASKET-INSTRUMENTPANELTODEFROSTERPLENUM-.6"X10.2"	
	103017-03-000	EA	PLENUM-DEFROSTER	
	024990-05-000	EA	OUTLET-DEFROSTER-4"DIAMETERW/SWIVELDEFLECTORS	

AUTOA/CCONTROLPLENUM

KEY	PARTNUMBER	U/M	DESCRIPTION	VENDORNO.
	103930-26-000	EA	CONTROL/PLENUMSET-M-BODY FROM: 00-00-00 THRU: 09-01-96	
	103930-02-701	EA	SWITCH-VACUUM/CONTROLHEAD	034-0015
	103930-02-702	EA	DECAL-CONTROLHEAD	058-0009
	103930-02-704	EA	HARNESS-VACUUMCONTROL	036-0049
	072341-06-700	EA	SWITCH-4 SPEED-FAN	032-0043
	103930-02-705	EA	CABLE-BOWDENW/OLEVER89" CABLEBOWDENW/OLEVER-SHEATH=841/4-CABLE=89" SCSSERVICEBULLETIN#03-94-02CMAYBEINCORRECT?!	074-0011
	103930-02-714	EA	CLAMP-CLUTCH-BARREL	022-0006
	103930-02-707	EA	RELAY-BOSCHW/RESISTER	031-0001
	103930-02-708	EA	MOTOR-VACUUMSERVO-A/C	030-0025
	103930-02-710	EA	CANISTER-VACUUM	054-0002
	103930-02-712	EA	PANEL-CONT.A/CBLACKBEZEL THISCONTROLPANELHASABLACKFACE.THECHROMEFACE CONTROLPANELISN/AFROMTHEVENDOR	032-0054
	103930-26-700	EA	HARNESS-WIRECONTROL	036-0444
	103930-26-701	EA	HARNESS-VACUUMCONTROL	036-0456
	103930-33-700	EA	ROD-DOORDEFROSTER/AC	073-0028

AUTOA/CCONTROLPLENUM-ROTARYCONTROLHEAD

KEY	PARTNUMBER	U/M	DESCRIPTION	VENDORNO.
	103930-35-000	EA	CONTROL/PLENUM-ROTARYCONTROLHEAD FROM: 09-02-96 THRU: 99-99-99	
	103930-02-707	EA	RELAY-BOSCHW/RESISTER	031-0001
	103930-02-708	EA	MOTOR-VACUUMSERVO-A/C	030-0025
	103930-02-710	EA	CANISTER-VACUUM	054-0002
	103930-33-700	EA	ROD-DOORDEFROSTER/AC	073-0028
	103930-33-701	EA	MOTOR-VACUUM-3STAGE	030-0105
	103930-33-702	EA	CONTROLPANEL	083-0169
	103930-33-703	EA	VACUUMHARNESS	036-0466
	103930-33-704	EA	WIREHARNESSW/BULBS FROM: 00-00-00 THRU: 12-21-96	036-0465
	103930-33-705	EA	LIGHTBULBS	035-0030
	103930-33-706	EA	ROD-DOORAC/DEFROST	073-0060
	103930-33-707	EA	SWITCH-BLOWER	032-00066
	103930-33-708	EA	SWITCH-POTENTIOMETER	032-0184
	103930-33-709	EA	SWITCH-VACUUM	032-0183
	103930-33-710	EA	DECALF/CONTROLHEAD	058-0102
	103930-33-711	EA	WIREHARNESS-MAIN FROM: 12-22-96 THRU: 99-99-99	036-0496
	103930-33-712	EA	KNOB-BLOWER	062-00539
	103930-33-713	EA	KNOB	062-00540

HEATING&AIRCONDITIONINGGROUP(CONTINUED)

AUTOA/C&HEATERHOSEKIT

KEY	PARTNUMBER	U/M DESCRIPTION	VENDORNO.
	103930-16-000	EA HOSEKIT#12389"R134A	
	103930-07-704	EA FITTING-QUICKCONNECT-#8	050-0081
	103930-13-702	EA VALVE-SERVICE-W/OCOMP.	050-0152
	103930-16-700	EA HOSEASM.#12SPARTON	085-0120
	103930-17-702	EA O'RING#10	045-0127
	113245-01-710	EA GASKET-#12	045-0128
	117870-01-01A	EA PLENUM-A/C-67"	

AUTOA/C/HEATERCONDENSER

KEY	PARTNUMBER	U/M DESCRIPTION	VENDORNO.
	072342-12-000	EA CONDENSER-W/FANSIDE	
	072342-08-703	EA FANBLADE/MOTOR&SHROUD11"	062-0097
	072342-10-702	EA FITTING-QUICKCONNECT-#4MALE	050-0148
	072342-10-704	EA VALVE-SERVICE#8X8	050-0134
	072342-12-700	EA COIL-CONDENSER	040-0027
	072342-12-701	EA HOSEASSEMBLY#8X95	085-0142
	072342-12-702	EA HOSEASSEMBLY#6-EVAP-DRIER	085-0143
	072342-12-703	EA RECEIVERDRIER	054-0001
	113245-01-707	EA O'RING#8	045-0126
	113245-01-711	EA O'RING#6	045-0129

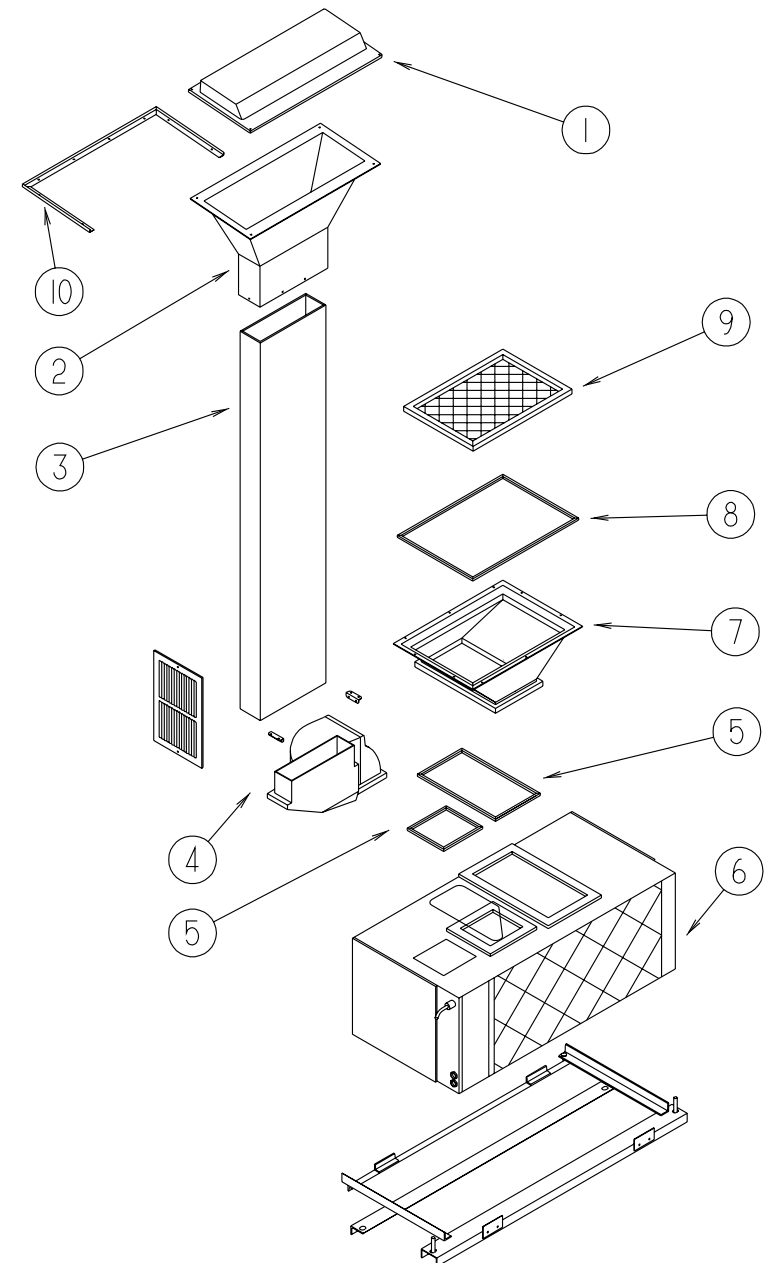
VACUUMPUMP

KEY	PARTNUMBER	U/M DESCRIPTION
	114802-01-000	EA PUMP-VACUUM-12V16"HG

REARHEATERCOMPONENTS

KEY	PARTNUMBER	U/M DESCRIPTION
	007108-01-000	FT HOSE-HEATER-5/8"ID-HI-TEMP-FORD
	089353-01-000	EA UNION-5/8"-TUBETOTUBE
	088753-01-000	FT TUBE-GALVANIZEDSTEEL-5/8"-18GAUGE
	007076-01-000	EA HOSE-FLEXIBLEPVC-2"ID-INCREMENTSOF50'
	079059-02-000	EA HOSE-90DEGREE-.61"IDX4"X6"

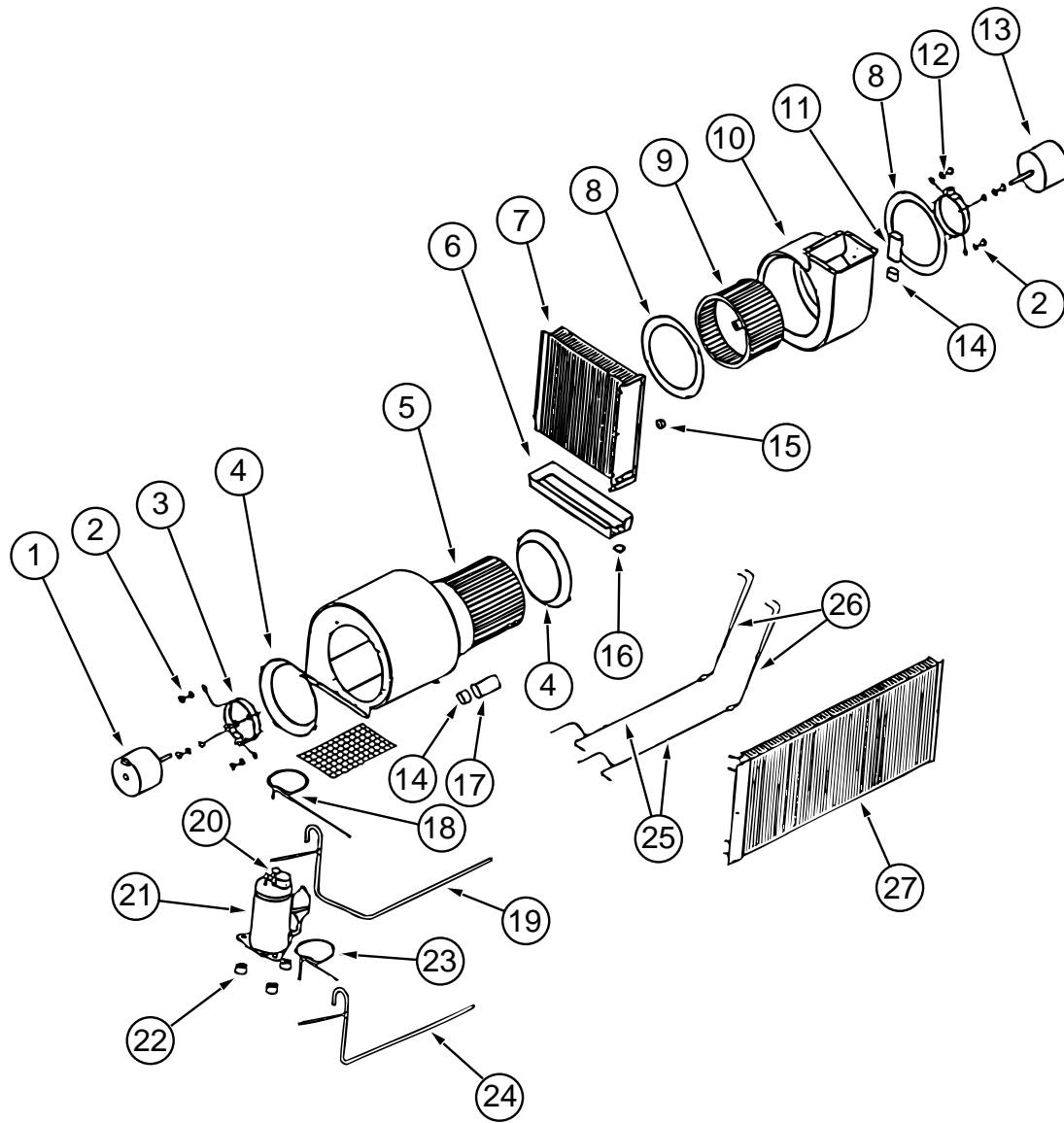
HEATING&AIRCONDITIONINGGROUP(CONTINUED)



CENTRALA/C&HEATINGSYSTEM

KEY	PARTNUMBER	U/M DESCRIPTION	
1	109009-02-000	EA DEFLECTOR-A/C-ROOF	FROM: 00-00-00 THRU: 08-20-97
1	109009-01-000	EA DEFLECTOR-A/C-ROOF	FROM: 08-21-97 THRU: 99-99-99
2	P12759-02-H56	EA PLENUM-A/C	
3	117870-01-01A	EA PLENUM-A/C-67"	
4	120476-01-01A	EA PLENUM-A/C-SUPPLY/LOWER	
	105290-01-000	SF INSULATION-AIRPOCKETW/FOIL	
5	100128-02-000	FT SEAL-FOAM-ADHESIVEBACK-.37"WIDEX.37"THICK	
6	105620-05-000	EA A/C-CENTRALPACKAGEUNIT-LEFTHAND	
7	120477-01-01A	EA PLENUM-A/C-RETURNAIR	
8	109859-01-000	EA FRAMEASSEMBLY-FILTER-A/C	
9	109050-02-000	EA FILTER-FIBERGLASS-1"X14"X20"	
10	104692-01-000	FT SEAL-FOAM/ADHESIVEBACK-.75"THICKX.75"WIDEX25'	
	105620-09-000	EA THERMOSTAT-A/C&FURNACE-HORIZONTALMOUNT4.25"X2.5"	
	105620-07-000	EA WIREASSEMBLY-THERMOSTAT	
	093614-03-02A	EA GRILLE-RETURNAIR	
	120134-01-02A	EA REGISTER-4"TO5"INDIAMETERW/DAMPER	

HEATING&AIRCONDITIONINGGROUP(CONTINUED)



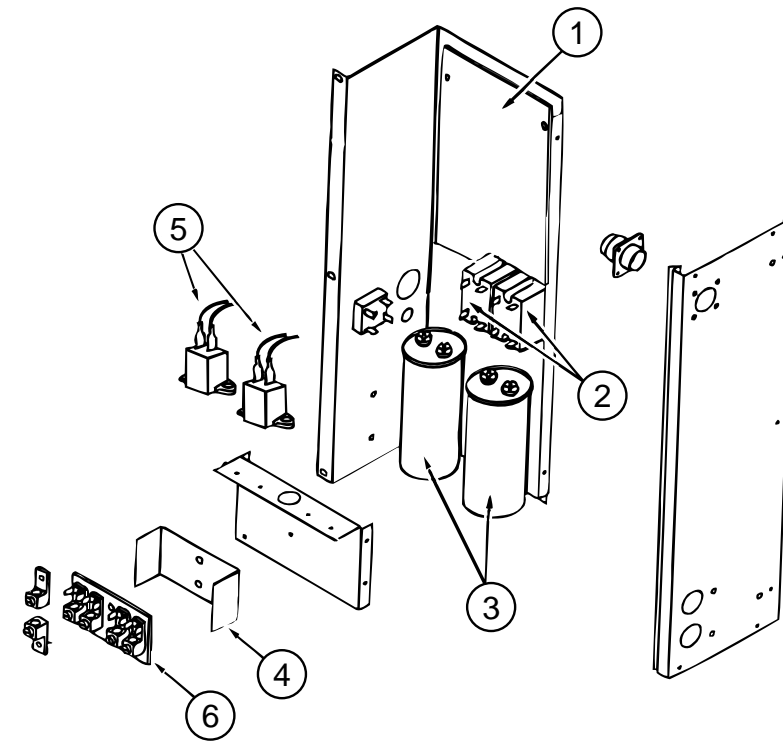
CENTRALA/C&HEATINGSYSTEM(CONTINUED)

KEY	PARTNUMBER	U/M DESCRIPTION	VENDORNO.
1	105620-01-717	EA MOTOR-BLOWER-O.D.	1468-3029
2	105620-01-716	EA SLEEVE&GROMMET-4PERPKG	6795-3031
3	105620-01-715	EA MOUNT-BLOWER-O.D.	6795-3011
4	105620-01-714	EA VENTURI-BLOWER-O.D.	6795-150
5	105620-01-713	EA WHEEL-BLOWER-O.D.	1472-1011
6	105620-02-702	EA PAN-DRAIN. (LH)	6795-225
7	105620-02-701	EA COIL-EVAPORATOR-(LH)	1452-1431
8	105620-01-722	EA VENTURI-BLOWER-I.D.	6795-151
9	105620-02-709	EA WHEEL-BLOWER-I.D.	1472-1021
10	105620-02-708	EA HOUSING-BLOWER-I.D.	6795-519
11	093763-01-704	EA CAPACITOR-FAN	1499-5461
12	105620-01-723	EA MOUNT-MOTOR-BLOWERI.D.	6795-3021
13	105620-01-724	EA MOTOR-BLOWER-I.D.-REVERSIBLE	1468-3129
14	105620-01-719	EA BOOT-CAPACITOR-RUBBER	1499-950
15	N/A	EA SWITCH-FREEZE-COLEMAN6795A330(NOTUSEDONTHISMODEL)	
16	105620-01-703	EA VALVE-DRAIN-RH&LH	6795-300
17	105620-01-718	EA CAPACITOR-FAN-12.5MFD/370V	1499-5631

HEATING&AIRCONDITIONINGGROUP(CONTINUED)

CENTRALA/C&HEATINGSYSTEM(CONTINUED)

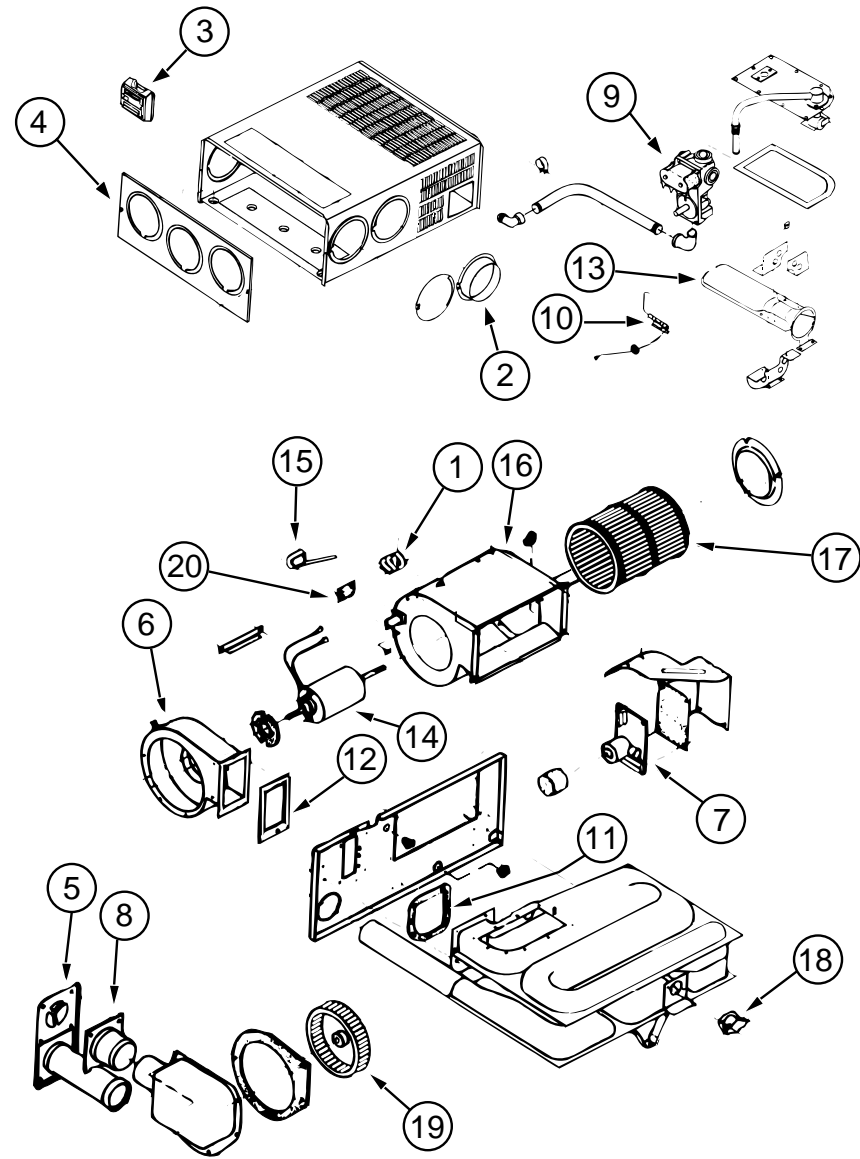
KEY	PARTNUMBER	U/M DESCRIPTION	VENDORNO.
18	105620-01-708	EA LINEASM.-DISCHARGE-CKT#2LH	6795-133
19	105620-02-703	EA LINEASM.-SUCTIONCKT#2LH	6795-507
20	105620-01-705	EA PROTECTOR-OVERLOAD-RH&LH	6759-3791
21	105620-01-704	EA COMPRESSOR-TECUMSEHA/C-2TON&CENTRALAIR	1450-2009
22	105620-01-706	EA MOUNTINGPKG.-COMP.-3PER	6759-3081
23	105620-02-706	EA LINEASM.-LIQUID-CKT#1LH	6795-234
24	105620-02-705	EA LINEASM.-SUCTION-CKT#1LH	6795-508
25	105620-02-707	EA LINEASM.-LIQUID-COMP.LH	6795-503
26	105620-01-712	EA CAPTUBEASM-DISTRIBUTORRH&LH	6795-5141
27	105620-02-700	EA COIL-CONDENSER-LH	1452-1421
	105620-07-000	EA WIREASSEMBLY-THERMOSTAT	
	056464-06-000	EA REGISTER-4"DIAMETER-PLASTIC-W/ODAMPENER-OFFWHT	



KEY	PARTNUMBER	U/M DESCRIPTION	VENDORNO.
1	105620-05-700	EA BOARD-PRINTEDCIRCUIT-2TON	6795-3201
2	105620-01-729	EA RELAY-COMPRESSOR	1460-1011
3	108889-01-707	EA CAPACITOR-RUN-COMP-25MFD/370	1499-5661
4	105620-01-733	EA ISOLATOR-HIGHVOLTAGE	6795-117
5	105620-01-739	EA ASSIST-START	1497-9011
6	105620-01-738	EA BOARD-TERMINAL-HIGHVOLTAGE	6795-315

HEATING & AIR CONDITIONING GROUP (CONTINUED)

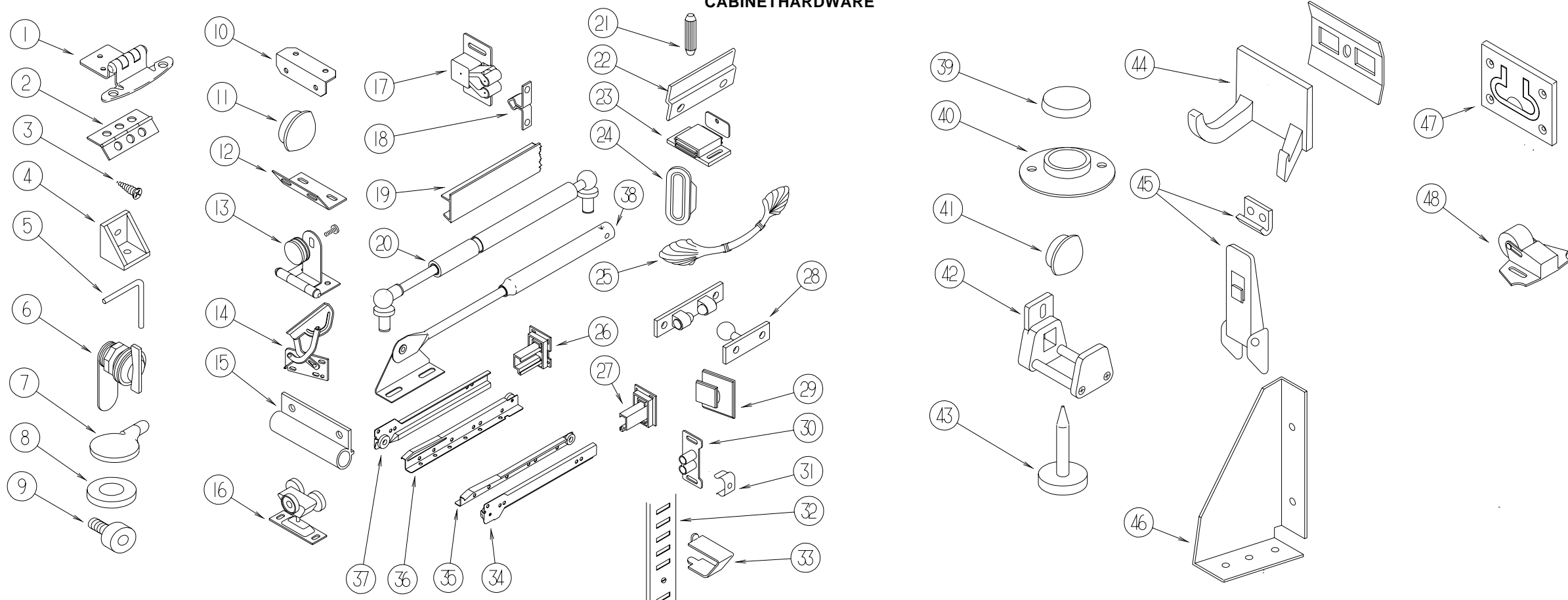
FURNACE-SUBURBAN-49,000BTU-SF-42227



KEY	PARTNUMBER	U/M	DESCRIPTION	VENDOR NO.
	098668-22-000	EA	FURNACE-49,000BTU	
1	074466-01-702	EA	RELAY-TIMEDELAY	230625
2	075696-02-703	EA	COLLAR-DUCT	050715
3	115764-01-01A	EA	THERMOSTAT-FURNACE	
4	098668-01-700	EA	CABINETFRONT	101242
5	098668-01-707	EA	TUBEASSEMBLY-EXHAUSTW/CAP	260231
6	098668-01-708	EA	HOUSING-BLOWER-COMBUSTION	390441
7	098668-01-712	EA	BOARD-MODULE	520741
8	098668-01-713	EA	TUBEASSEMBLY-INTAKE	051248
9	098668-01-714	EA	VALVE-GAS-SF	161070
10	098668-01-715	EA	ELECTRODEASM.-SINGLEPROBE	232166
11	098668-01-716	EA	GASKET-FIREWALL-CHAMBERSIDE	070808
12	098668-01-717	EA	GASKET-FIREWALL-BLOWERSIDE	070809
13	098668-11-700	EA	ORIFICE-MAINBURNER-SF-42F	180216
	098668-11-701	EA	BURNERASSEMBLY-SF-42F	010799
14	098668-11-702	EA	MOTORASSEMBLY-SF-42F	232212
15	098668-11-703	EA	SWITCH-SAIL-SF-42F	232216
16	098668-11-704	EA	BLOWERASM.-ROOMAIRSF-42F	390698
17	098668-01-711	EA	WHEEL-BLOWER-ROOMAIR	350129
18	098668-11-706	EA	SWITCH-LIMIT-SF42&SF42F	232217
19	098668-22-702	EA	WHEEL-COMBUSTIONAIR	350183
20	101990-01-714	EA	GASKET-MICROSWITCH	230877
	098668-14-000	EA	GASKET-FIBERGLASS-.5"X18"X18"	
	094600-05-01A	EA	REGISTER-HEAT-W/ODAMPER-11.3"-BEIGE	
	094600-06-01A	EA	REGISTER-HEAT-W/DAMPER	
	056464-12-000	EA	REGISTER-4"DIAMETER-PLASTIC-W/ODAMPENER-OFFWHT	
	120773-01-01A	EA	SHROUD-FURNACE	
	009198-02-000	FT	DUCT-FLEXIBLE-2"IDX25'	
	009198-01-000	FT	DUCT-HEAT-FLEXIBLE-4"IDX25'	
	009200-01-000	EA	TAPE-FURNACE-1 1/2"	
	093614-03-02A	EA	GRILLE-RETURNAIR	

INTERIORFINISHGROUP

CABINETHARDWARE

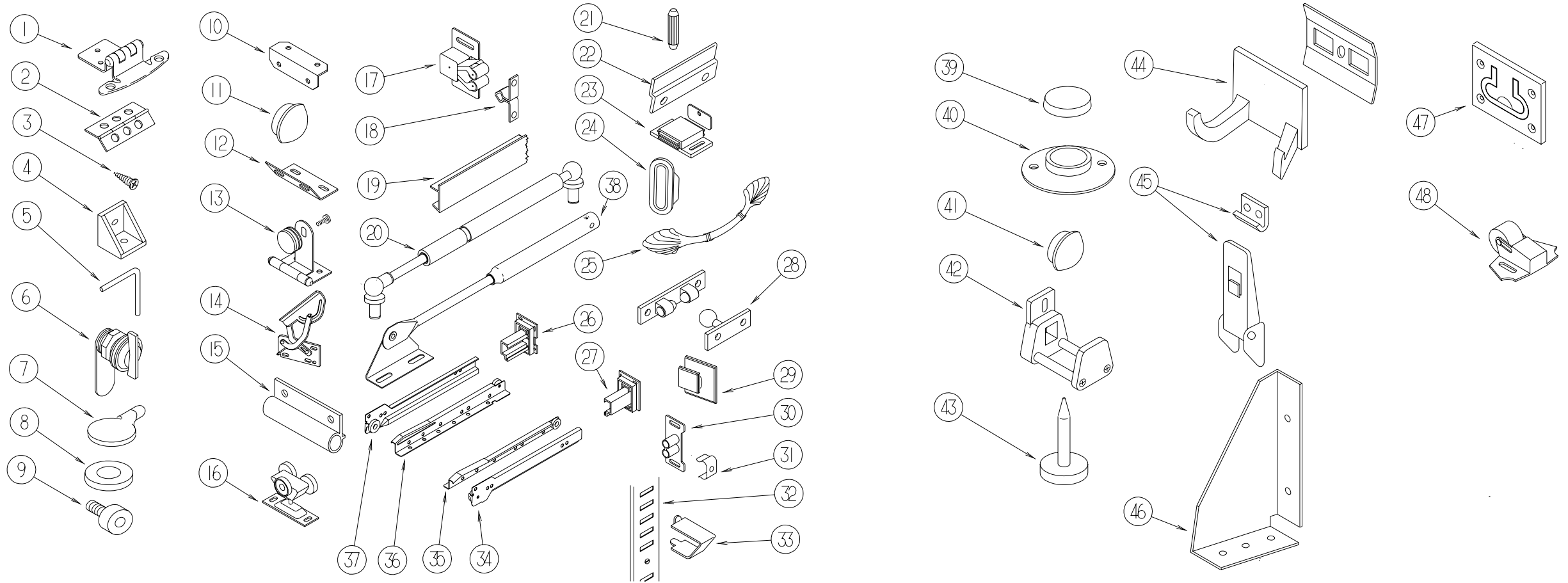


KEY	PARTNUMBER	U/M	DESCRIPTION
1	108138-01-000	EA	HINGE-CABINETDOOR-BURNISHEDBRASS
2	009059-01-000	EA	HINGE-DOOR-2"X1.4"-BRASS
2	009059-02-000	EA	HINGE-DOOR-2"X2.7"-BRASS
2	009065-01-000	EA	HINGE-ALUMINUM-1 1/2"X96"-UNPAINTED
2	112556-01-01A	EA	HINGE-BRASS-1 1/2"
3	000G13-06-10G	EA	SCREW-6-20X5/8PFH-ANTIQUENBRASS
3	000G13-06-08G	EA	SCREW-6-20X.50PFH-ANTIQUENBRASS
4	065740-01-000	EA	BRACE-CABINET/CORNER-PLASTIC
5	108487-01-01A	EA	SUPPORT-PROPROD-OVERHEAD-BLACK
6	100710-01-01A	EA	LOCK-GLASSDOOR/TWISTTYPE-BRASS
7	101766-02-000	EA	PIN-SUPPORT/GLASSDOOR
8	100707-01-000	EA	SPACER-GLASSDOOR-.8"DIA-.3"HOLE-PLASTIC
9	079921-01-000	EA	ROLLER-NYLON-W/STEELSHAFT-BARBED
10	016604-01-000	EA	BRACE-CABINET-ANGLE-2.5"-UNPAINTEDMETAL
10	016604-05-000	EA	BRACE-CABINET-ANGLE-2.5"-OFFWHITEMETAL
11	074045-10-000	EA	PLUG-OAK-1/2"DIAMETER(SOLARMAPLE)
11	074045-08-000	EA	PLUG-OAK-1/2"DIAMETER(SALEMCHERRY)
12	111866-01-01A	EA	BRACE-SEAT,ANGLE
13	100711-01-01A	EA	HINGE-GLASSDOOR
14	108126-01-000	EA	TRAYHINGESET(QTY.2PERSET)
15	108486-01-01A	EA	BRACKET-PROPROD/OVERHEAD-BLACK
16	103874-01-000	EA	HANGER-SLIDINGDOOR
17	093586-06-000	EA	CATCH-SPRING-ROLLER
18	093586-05-000	EA	STRIKE-SPRINGSTEEL
19	103186-01-03A	FT	MOLDING-PLASTIC/3/8"U-CHANNELW/3/4"FACE(SOLARMAPLE)
19	103186-02-03A	FT	MOLDING-PLASTIC/1"U-CHANNELW/13/8"FACE(SALEMCHERRY)
20	057460-04-000	EA	SPRING-GAS-QUEENBEDTOP
21	110072-01-000	EA	DOWEL-5/16"X13/16"-BIRCH
22	101272-01-000	EA	CATCH-DOOR-GLASS
23	088254-01-000	EA	CATCH-MAGNETIC-1.8"X.7"
24	098410-01-01A	EA	PULL-FINGER-OVAL-BRASS

KEY	PARTNUMBER	U/M	DESCRIPTION
25	113202-01-000	EA	PULL-CABINET-BRASS-AMEROCKD1333-074
26	114045-01-000	EA	BACKSOCKET-ADJUSTABLE-LEFT
27	114045-02-000	EA	BACKSOCKET-ADJUSTABLE-RIGHT
28	084451-02-000	EA	CATCH-TVSHLF-BRASS
29	102327-01-01A	EA	PULL-MIRROR-SQUARE
30	009021-01-000	EA	CATCH-GRILL-NYLON
31	009021-02-000	EA	STRIKE-SPRINGSTEEL
32	098980-01-000	EA	PILASTER-ADJUSTABLESHELF-18"LONG-WOODGRAIN
32	098980-02-000	EA	PILASTER-ADJUSTABLESHELF-12"LONG-WOODGRAIN
32	098980-03-000	EA	PILASTER-ADJUSTABLESHELF-9"LONG-WOODGRAIN
32	098980-04-000	EA	PILASTER-ADJUSTABLESHELF-48"LONG-WOODGRAIN
32	098980-06-000	EA	PILASTER-ADJUSTABLESHELF-24"LONG-WOODGRAIN
33	098979-01-000	EA	CLIP-PILASTER-ADJUSTABLESHELF
34	114031-02-000	EA	SLIDE-12"-RIGHTSIDE/CABINET
34	114031-06-000	EA	SLIDE-14"-RIGHTSIDE/CABINET
34	114031-10-000	EA	SLIDE-16"-RIGHTSIDE/CABINET
34	114031-14-000	EA	SLIDE-18"-RIGHTSIDE/CABINET
34	114031-18-000	EA	SLIDE-20"-RIGHTSIDE/CABINET
34	114031-22-000	EA	SLIDE-22"-RIGHTSIDE/CABINET
34	114031-26-000	EA	SLIDE-24"-RIGHTSIDE/CABINET
35	114031-04-000	EA	SLIDE-12"-RIGHTSIDE/DRAWER
35	114031-08-000	EA	SLIDE-14"-RIGHTSIDE/DRAWER
35	114031-12-000	EA	SLIDE-16"-RIGHTSIDE/DRAWER
35	114031-16-000	EA	SLIDE-18"-RIGHTSIDE/DRAWER
35	114031-20-000	EA	SLIDE-20"-RIGHTSIDE/DRAWER
35	114031-24-000	EA	SLIDE-22"-RIGHTSIDE/DRAWER
35	114031-28-000	EA	SLIDE-24"-RIGHTSIDE/DRAWER

INTERIORFINISHGROUP(CONTINUED)

CABINETHARDWARE(CONTINUED)

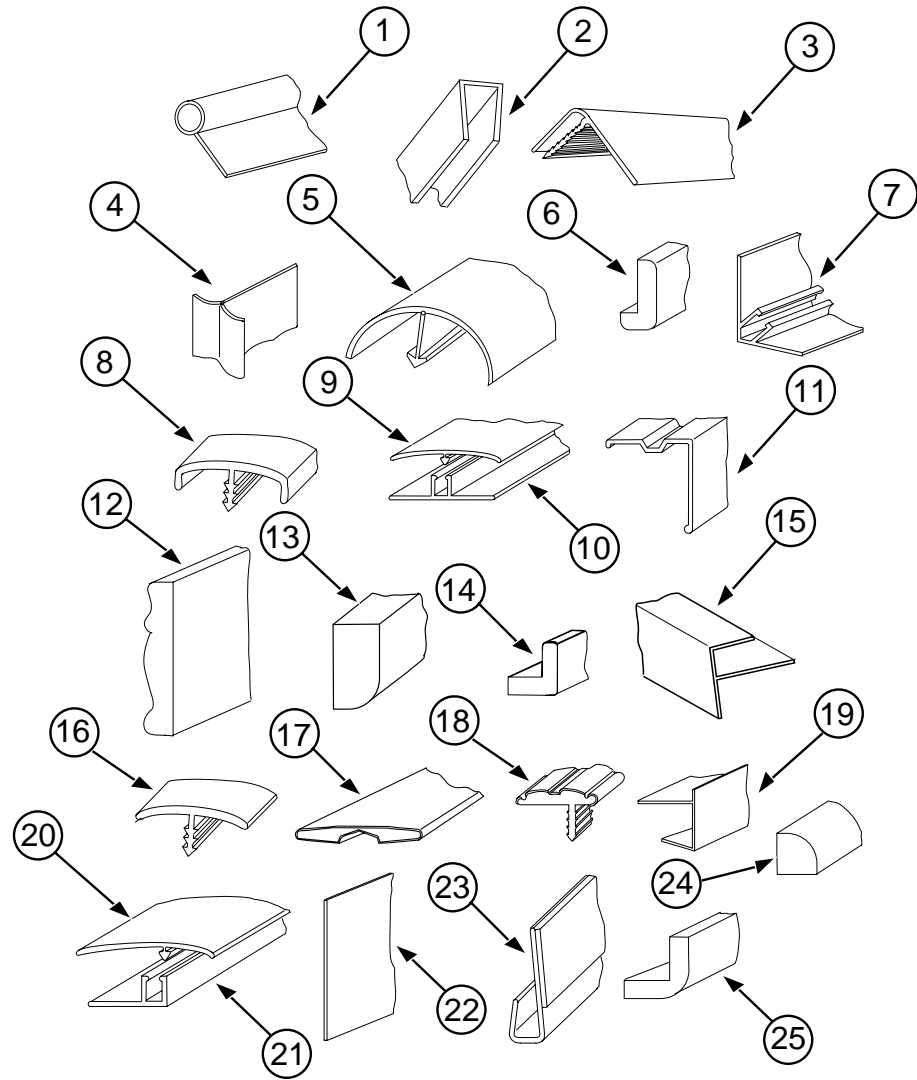


KEY	PARTNUMBER	U/M	DESCRIPTION
36	114031-03-000	EA	SLIDE-12"-LEFTSIDE/DRAWER
36	114031-07-000	EA	SLIDE-14"-LEFTSIDE/DRAWER
36	114031-11-000	EA	SLIDE-16"-LEFTSIDE/DRAWER
36	114031-15-000	EA	SLIDE-18"-LEFTSIDE/DRAWER
36	114031-19-000	EA	SLIDE-20"-LEFTSIDE/DRAWER
36	114031-23-000	EA	SLIDE-22"-LEFTSIDE/DRAWER
36	114031-27-000	EA	SLIDE-24"-LEFTSIDE/DRAWER
37	114031-01-000	EA	SLIDE-12"-LEFTSIDE/CABINET
37	114031-05-000	EA	SLIDE-14"-LEFTSIDE/CABINET
37	114031-09-000	EA	SLIDE-16"-LEFTSIDE/CABINET
37	114031-13-000	EA	SLIDE-18"-LEFTSIDE/CABINET
37	114031-17-000	EA	SLIDE-20"-LEFTSIDE/CABINET
37	114031-21-000	EA	SLIDE-22"-LEFTSIDE/CABINET
37	114031-25-000	EA	SLIDE-24"-LEFTSIDE/CABINET
38	074493-02-000	EA	SUPPORT-PISTONSRING-CABINETDOOR
38	074493-03-000	EA	SUPPORT-DOOR-SPRUNG
39	004354-01-000	EA	BUMPER-RUBBER-.5"DIA-BROWN
40	009112-01-000	EA	FLANGE-ROD-1"-CLOTHESROD-PLASTIC-OFFWHITE
41	042356-01-000	EA	PLUG-BUTTON-MAHOGANY-3/8"DIA-METAL-WOOD
42	064467-01-000	EA	GUIDE-POCKET-SLIDINGDOOR-WALLMOUNTED
43	102194-01-000	EA	GUIDE-PLASTIC
44	104174-01-000	EA	HOOK-ROBE-TWIN
45	116975-01-01A	EA	LATCH-W/OSTRIKE-BLACK-NEWSTYLE
	042541-05-000	EA	STRIKE-W/OLATCH-BRASS

KEY	PARTNUMBER	U/M	DESCRIPTION
46	116978-01-03B	EA	GUSSET-SLIDEOUTROOM-OFFWHITE
47	072871-01-000	EA	PULL-FLUSH-CHROME
48	109403-01-000	EA	CATCH-SINGLEROLLER
	076790-01-000	EA	SCREW-6-20X1 1/4PPH-BLACK
	M97191-01-E37	EA	HANDLE-DOOR-TAMBOUR
	023320-01-000	EA	PAD-FELT-3/8"DIA-METAL-BROWN
	042438-01-000	EA	DOWEL-WOOD-CLOTHESROD-1"DIA-METALX4'
	042438-06-000	EA	DOWEL-WOOD-1.5"X26"-OAK
	041389-18-000	EA	HINGE-PIANO-1.50"X482.6"-OFFWHITE
	041389-25-000	EA	HINGE-PIANO-1.50"X55"-MILL
	073151-02-000	EA	HINGE-CONTINUOUS-22.3"LONG-METAL-OFFWHITE
	097141-02-700	EA	TRACK-SPIRALKIT-(1)LH&(1)RH
	118802-01-02A	EA	HINGE-DOOR/CAB-OVERHEAD
	118802-01-01A	EA	HINGE-DOOR/CAB-OVERHEAD

INTERIORFINISHGROUP(CONTINUED)

MOLDINGS&TRIMS



KEY	PARTNUMBER	U/M	DESCRIPTION
7	081521-02-007	EA	MOUNT-METALMOLDING-FORRADIUSCORNERMOLDING-12.5'LONG
8	083620-14-000	FT	MOLDING-T-ENDCAPEDGE-W/EDGELIPS-.75"(SOLARMAPLE)
8	083620-11-000	FT	MOLDING-T-ENDCAPEDGE-W/EDGELIPS-.75"(SALEMCHERRY)
9	086229-13-000	EA	BATTEN-CEILING-1"WIDE-MODERNIVORY
9	086229-20-000	EA	BATTEN-CEILING-1"WIDE-BEIGE
10	086229-14-000	EA	RETAINER-BATTEN-3/4
11	093873-01-01A	EA	TRIM-CARPET-L-ANGLE-1.1"X1.3"X12'-VINYL
12	100182-10-H37	EA	TRIM-CHAIRRAIL-WOOD(SOLARMAPLE)
12	100182-10-E41	EA	TRIM-CHAIRRAIL-WOOD(SALEMCHERRY)
13	100818-01-06A	EA	TRIM-MOLDING-FLATVINYLWRAP-42WIDEX2134MMLONG(SOLARMAPLE)
13	100818-01-04A	EA	TRIM-MOLDING-FLATVINYLWRAP-42WIDEX2134MMLONG(SALEMCHERRY)
14	100819-01-06A	EA	TRIM-CORNER-VINYLWRAP-38MMWIDEX2134MMLONG(SOLARMAPLE)
14	100819-01-04A	EA	TRIM-CORNER-VINYLWRAP-38MMWIDEX2134MMLONG(SALEMCHERRY)
15	009812-30-000	EA	MOLDING-CORNER-OUTSIDE-.5"-PLASTIC(SOLARMAPLE)
15	009812-26-000	EA	MOLDING-CORNER-OUTSIDE-.5"-PLASTIC(SALEMCHERRY)
16	105709-01-000	FT	T-MOLDING-1"WIDE-MODERNIVORY
17	079653-35-000	EA	BATTSTRIP-KERFED-TRANQUIL-8'
18	109736-01-01A	FT	T-MOLDING-1"WIDE-OFFSET-BRASS/BLACK
19	103186-01-06A	FT	MOLDING-PLASTIC-9.5MMSHELFEDGING(SOLARMAPLE)
19	103186-01-04A	FT	MOLDING-PLASTIC-9.5MMSHELFEDGING(SALEMCHERRY)
19	103186-02-06A	FT	MOLDING-PLASTIC-25.4MMSHELFEDGING(SOLARMAPLE)
19	103186-02-04A	FT	MOLDING-PLASTIC-25.4MMSHELFEDGING(SALEMCHERRY)
20	086229-13-000	EA	BATTEN-CEILING-1.5"OFFSET-MODERNIVORY
21	086229-09-000	EA	RETAINER-BATTEN-CEILING-OFFSET
22	101957-01-05A	EA	EXTRUDED-PLASTIC(SOLARMAPLE)
22	101957-01-04A	EA	EXTRUDED-PLASTIC(SALEMCHERRY)
23	109332-02-01A	FT	TRIM-J-MIRROR-BRASS
24	109410-01-H37	EA	MOLDING-TRIM(SOLARMAPLE)
24	109410-01-E41	EA	MOLDING-TRIM(SALEMCHERRY)
25	080176-07-000	EA	CAP-TOP-RADIUSCORNERMOLDING-PLASTIC(SOLARMAPLE)
25	080176-06-000	EA	CAP-TOP-RADIUSCORNERMOLDING-PLASTIC(SALEMCHERRY)
	104676-01-01A	FT	T-MOLDING-5/16"-RIGID-GOLD
	009767-16-000	FT	WELTING(SOLARMAPLE)
	009767-14-000	FT	WELTING(SALEMCHERRY)
	109831-01-H56	EA	LUMBER-MIRRORSTOP-610LONG(SOLARMAPLE)
	109831-01-E41	EA	LUMBER-MIRRORSTOP-610LONG(SALEMCHERRY)
	120492-01-01A	FT	STRIP-TRIM-IVORY
	119217-01-H56	EA	MOLDING-ENTRANCEDOOR-RIGHTHAND(SOLARMAPLE)
	119217-01-GV1	EA	MOLDING-ENTRANCEDOOR-RIGHTHAND(SALEMCHERRY)
	119217-02-H56	EA	MOLDING-ENTRANCEDOOR-LEFTHAND(SOLARMAPLE)
	119217-02-GV1	EA	MOLDING-ENTRANCEDOOR-LEFTHAND(SALEMCHERRY)

KEY	PARTNUMBER	U/M	DESCRIPTION
1	009767-12-000	FT	MOLDING-SIDEWALLTOCEILING/CABINET-WELTING-OFFWHITE
2	009778-24-000	FT	UCHANNEL-PLASTIC-1"(SOLARMAPLE)
2	009778-18-000	FT	UCHANNEL-PLASTIC-1"(SALEMCHERRY)
2	070504-41-000	FT	UCHANNEL-PLASTIC-1.65"(SOLARMAPLE)
2	070504-30-000	FT	UCHANNEL-PLASTIC-1.65"(SALEMCHERRY)
2	070504-40-000	FT	UCHANNEL-PLASTIC-20.7"(SOLARMAPLE)
2	070504-31-000	FT	UCHANNEL-PLASTIC-20.7"(SALEMCHERRY)
3	009809-29-000	EA	MOLDING-CORNER-OUTSIDE-1"(SOLARMAPLE)
3	009809-27-000	EA	MOLDING-CORNER-OUTSIDE-1"(SALEMCHERRY)
4	022992-11-000	FT	MOLDING-REVERSECOVE-T-SHAPED-VINYL-IVORY
5	042357-21-000	EA	MOLDING-CORNER-RADIUS-1.5"X7'-PLASTIC(SOLARMAPLE)
5	042357-19-000	EA	MOLDING-CORNER-RADIUS-1.5"X7'-PLASTIC(SALEMCHERRY)
6	077840-01-H37	EA	MOLDING-WALLCAP-36MMX8'LONG-L-SHAPEDWOOD(SOLARMAPLE)
6	077840-01-E41	EA	MOLDING-WALLCAP-36MMX8'LONG-L-SHAPEDWOOD(SALEMCHERRY)

INTERIORFINISHGROUP(CONTINUED)

PANELING&LUMBER

KEY	PARTNUMBER	U/M	DESCRIPTION
	080215-11-000	SF	PANELING-2SIDED-SOLARMAPLE-.19"X48"X96"
	080215-09-000	SF	PANELING-2SIDED-.2"X48"X96"-CHERRY
	074497-35-000	SF	PANELING-SOLARMAPLE-4'X7'
	074497-23-000	SF	PANELING-CHERRY-.1"X48"X96"
	088272-G7-000	SF	PANELING-TRANQUILGARDEN-4'X7'-MAINWALL(H56,H57)
	088272-G8-000	SF	PANELING-BENTLEY-PATINA-MAINWALL(H58,H59)
	088272-G9-000	SF	PANELING-GAZEBO-PEARL-MAINWALL(H60,H61)
	088272-G1-000	SF	PANELING-PEBBLEEMBOSSSED-ANTIQUWHITE-4'X7'
	000885-82-000	SF	PARTICLEBOARD-1/2"X48"X96"-2SIDED(SOLARMAPLE)
	000885-72-000	SF	PARTICLEBOARD-1/2"X48"X96"-CHERRY/VINYL2SIDED
	000885-83-000	SF	PARTICLEBOARD-3/4"X48"X96"-2SIDED(SOLARMAPLE)
	000885-73-000	SF	PARTICLEBOARD-3/4"X48"X96"-CHERRY/VINYL2SIDED
	000885-80-000	SF	PARTICLEBOARD-3/8"X48"X96"-1SIDED(SOLARMAPLE)
	000885-71-000	SF	PARTICLEBOARD-3/8"X48"X96"-CHERRY/VINYL1SIDED
	098531-04-000	SF	PLYWOOD-1/2"(SOLARMAPLE)
	098531-02-000	SF	PLYWOOD-CHERRY1/2"
	083618-07-000	SF	PLYWOOD-MAPLE-1SIDE3/16"
	083618-04-000	SF	PLYWOOD-OAK-1SIDEFINISHED-3/16"X4'X8'(SALEMCHERRY)
	000846-01-000	SF	PLYWOOD-5/16"X48"X96"-CDGRADE
	000846-02-000	SF	PLYWOOD/UNDERLAYMENT-5/16"X48"X96"

LAMINATES&EDGE BAND

KEY	PARTNUMBER	U/M	DESCRIPTION
	074498-71-000	SF	LAMINATE-PLASTIC-NEUTRALSANTOS-5'X8'-INCOF40SF
	074498-72-000	SF	LAMINATE-PLASTIC-PEBBLE SANTOS-5'X8'-INCOF40SF(H56,H57,H58,H59)
	074498-59-000	SF	LAMINATE-PLASTIC-5'X8'-SANDCHROMATIX(H60,H61)
	074498-78-000	SF	LAMINATE-PLASTIC-PEBBLE SANTOS-5'X8'-INCOF40SF(H56,H57,H58,H59)
	074498-68-000	SF	LAMINATE-FRPLASTIC-SANDCHROMATIX(H60,H61)
	074498-79-000	SF	LAMINATE-PLASTIC-SOLARMAPLE-5'X8'-INCOF40SF
	074498-58-000	SF	LAMINATE-PLASTIC-CHERRY-5'X8'-INCOF40SF
	076325-70-000	FT	MOLDING-EDGE BAND-15/16"X.038"-SOLARMAPLE
	076325-50-000	FT	MOLDING-EDGE BAND-15/16"X.030"-CHERRY
	076325-39-000	FT	MOLDING-EDGE BAND-15/16"X.030"

BATTSTRIPS

KEY	PARTNUMBER	U/M	DESCRIPTION
	088263-E9-000	EA	BATTSTRIP-DECORATIVE-TRANQUIL/GARDEN-8'LONGMAINWALL(H56,H57)
	088263-F0-000	EA	BATTSTRIP-DECORATIVE-BENTLEY/PATINA-8'LONGMAINWALL(H58,H59)
	088263-F1-000	EA	BATTSTRIP-DECORATIVE-GAZEBO/PEARL-8'LONGMAINWALL(H60,H61)
	088263-E3-000	EA	BATTSTRIP-WETBATH
	085284-E3-000	FT	BATTTAPE-ADHESIVEBACKEDDECORATIVE-TRANQUIL/GARDEN(H56,H57)
	085284-E4-000	FT	BATTTAPE-ADHESIVEBACKEDDECORATIVE-BENTLEY/PATINA(H58,H59)
	085284-E5-000	FT	BATTTAPE-ADHESIVEBACKEDDECORATIVE-GAZEBO/PEARL(H60,H61)
	085284-D8-000	FT	BATTTAPE-ADHESIVEBACKED-WOODGRAINED-SOLARMAPLE
	085284-97-000	FT	BATTTAPE-ADHESIVEBACKED-WOODGRAINED/SALEMCHERRY

INTERIORFINISHGROUP(CONTINUED)

FIREEXTINGUISHER,DETECTORS&CLOCK

KEY	PARTNUMBER	U/M	DESCRIPTION	VENDOR NO.
	094499-01-000	EA	EXTINGUISHER-FIRE-DRYW/MOUNTINGBRACKET-10BC	
	094499-02-000	EA	EXTINGUISHER-FIRE-DRY-1A10BC-CANADIAN	
	094499-01-700	EA	BRACKET-MOUNTING-W/PLASTICSTRAP	294039
	094499-01-701	EA	STRAPONLY(METAL)	320351
	072852-01-000	EA	DETECTOR-SMOKE-W/9VOLT BATTERY-US	
	072852-02-000	EA	DETECTOR-SMOKE-W/9VOLT BATTERY-CANADIAN	
	112320-03-000	EA	DETECTOR-COGASMODEL9D-ICOSTAR946000001	
				FROM: 00-00-00 THRU: 10-20-96
	112320-04-000	EA	DETECTOR-COSENSORASSEMBLYCOSTAR946001001	
				FROM: 00-00-00 THRU: 10-20-96
	125136-01-000	EA	DETECTOR-CO-GAS-MODEL9L-I	
				FROM: 10-21-96 THRU: 99-99-99
	100793-02-01A	EA	CLOCK-WALL-BRASSQUARTZ11"	
	103613-03-000	EA	DETECTOR-LPGAS-W/OSHUT-OFFVALVE	

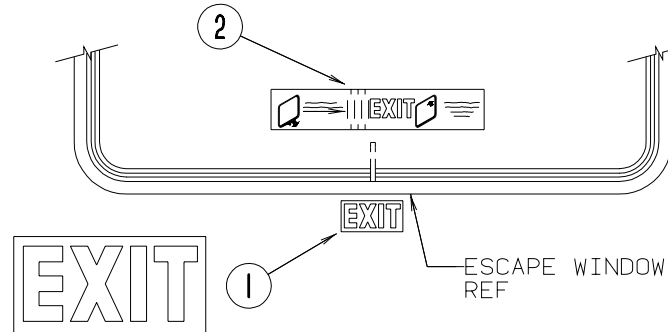
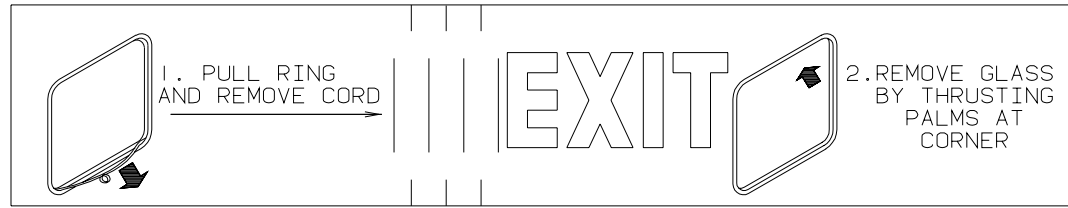
FLOORCOVERINGS

KEY	PARTNUMBER	U/M	DESCRIPTION
	096060-B8-000	SY	CARPET-EXCALIBUR-SPRUCE(H56,H57)
	096060-C6-000	SY	CARPET-EXCALIBUR-CHOCOLATE(H58,H59)
	096060-C7-000	SY	CARPET-EXCALIBUR-BAMBOO(H60,H61)
	124253-01-02A	SF	VINYL-FLOORPLANK-3"X12"-SOLARMAPLE
	124253-01-01A	SF	VINYL-FLOORPLANK-3"X12"-SALEMCHERRY
	093486-01-000	SY	CARPET-COMPARTMENT-54"WIDE-DARKGRAY
	075233-01-000	SY	PAD-CARPET-3/8"X6'ROLL
	047034-02-000	SF	PLASTIC-CARPET-4'WIDE-CLEARPOLY

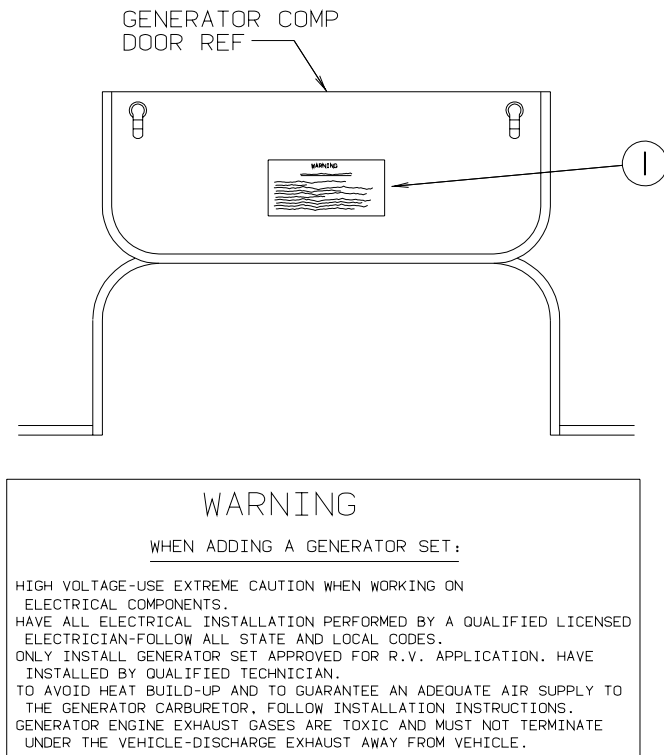
FLOORMATS

KEY	PARTNUMBER	U/M	DESCRIPTION
	108151-01-000	EA	MAT-FLOOR-ENTRANCE
	108152-01-000	EA	MAT-FLOOR-PASSENGER
	108152-03-000	EA	MAT-FLOOR-DRIVER

LABELSGROUP

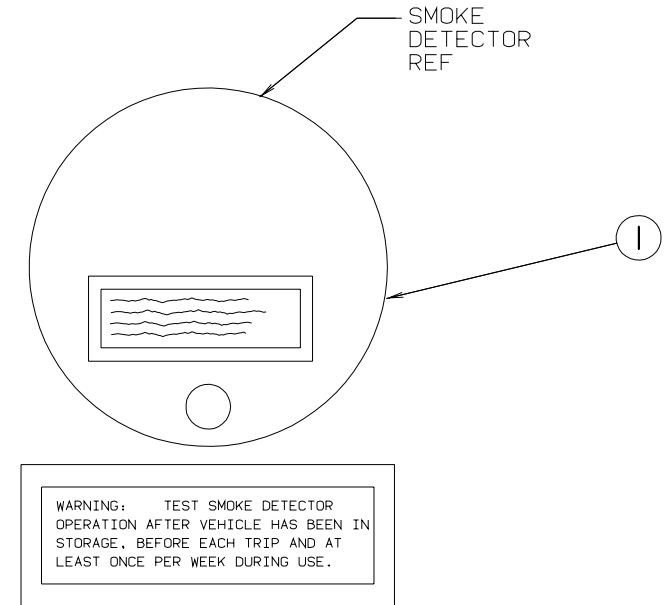


KEY	PARTNUMBER	U/M DESCRIPTION
1	039290-01-000	EA LABEL-WARNING-EXIT
2	107571-01-000	EA LABEL-EXIT/ESCAPEWINDOW

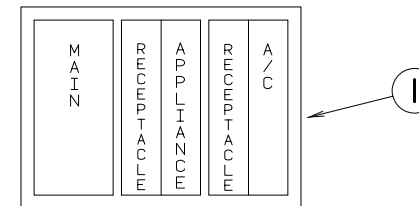


KEY	PARTNUMBER	U/M DESCRIPTION
1	077510-01-000	EA LABEL-GENERATORPREP

LABELSGROUP (CONTINUED)



KEY	PARTNUMBER	U/M DESCRIPTION
1	077956-01-000	EA LABEL-WARNING-SMOKEDETECTOR



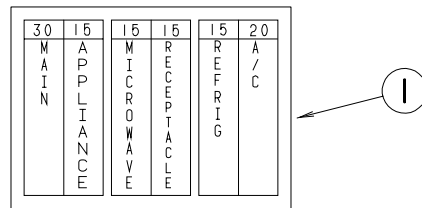
KEY	PARTNUMBER	U/M DESCRIPTION
1	095721-07-000	EA LABEL-CONTROLCENTER-(US)

1

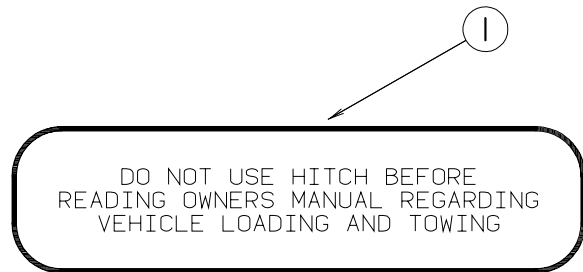
MAIN	REFRIG/MICRO
	A/C CIRCUIT 1
MAIN	A/C CIRCUIT 2
	GENERAL RECPS
GFI # 1	WASHER/DRYER
GFI # 2	
CONVERTER/ GENERAL RECPS	CONVERTER/ GENERAL RECPS
DISHWASHER	

KEY	PARTNUMBER	U/M DESCRIPTION
1	095721-09-000	EA LABEL-CONTROLCENTER(50A)

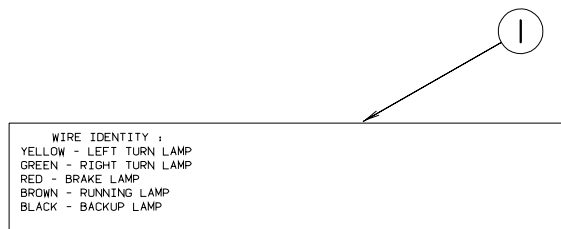
LABELSGROUP(CONTINUED)



KEY	PARTNUMBER	U/M	DESCRIPTION
1	095721-10-000	EA	LABEL-CONTROLCENTER(30A)(CANADIAN)

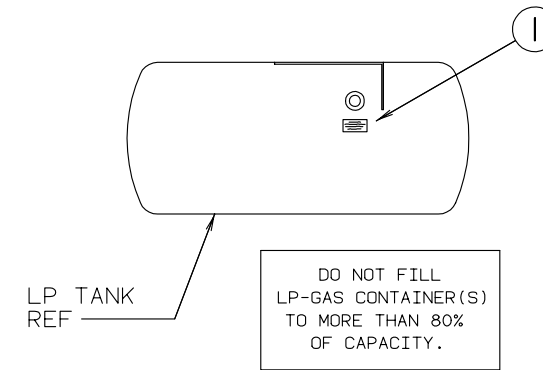


KEY	PARTNUMBER	U/M	DESCRIPTION
1	111104-01-000	EA	LABEL-HITCH-READMANUAL

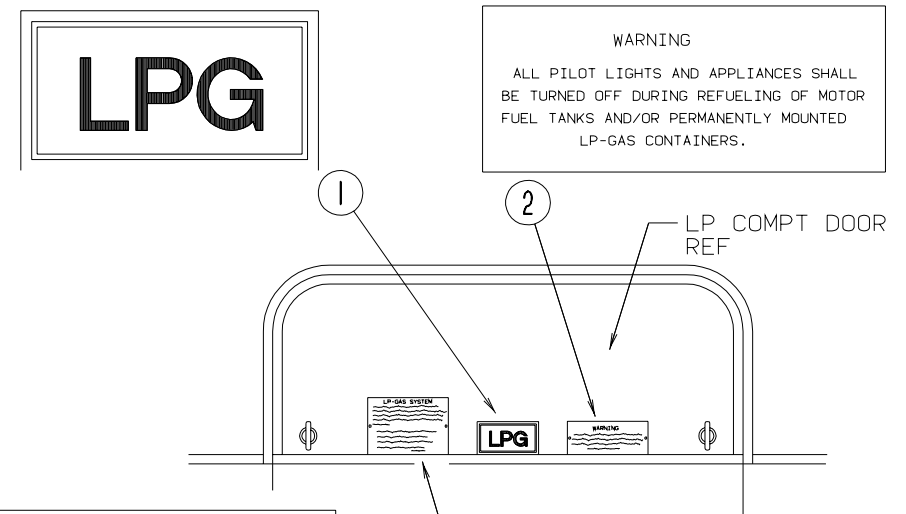


KEY	PARTNUMBER	U/M	DESCRIPTION
1	091224-02-000	EA	LABEL-TRAILERLIGHTING

LABELSGROUP(CONTINUED)



KEY	PARTNUMBER	U/M	DESCRIPTION
1	079965-01-000	EA	LABEL-LPG80CAPACITY

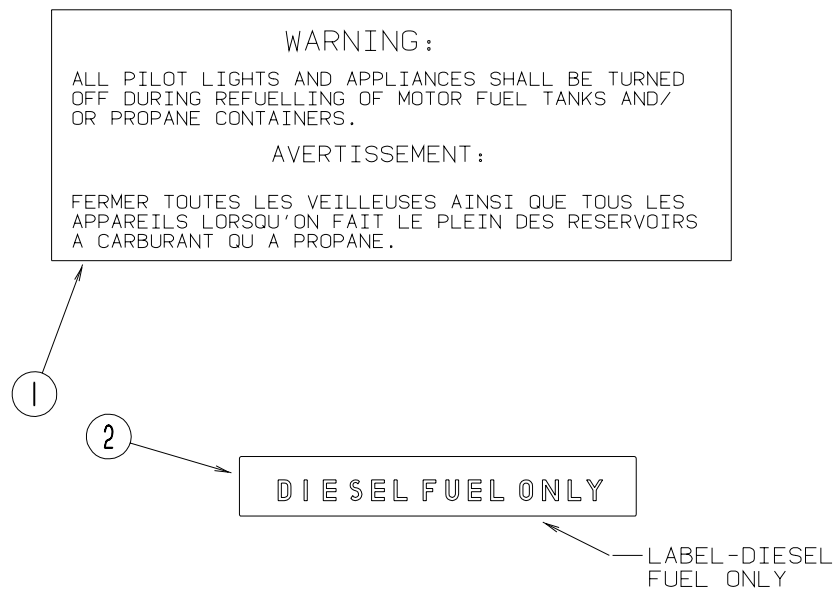


LP-GAS SYSTEM
 THIS GAS PIPING SYSTEM IS DESIGNED FOR USE OF LIQUEFIED PETROLEUM GAS ONLY. DO NOT CONNECT NATURAL GAS TO THIS SYSTEM.

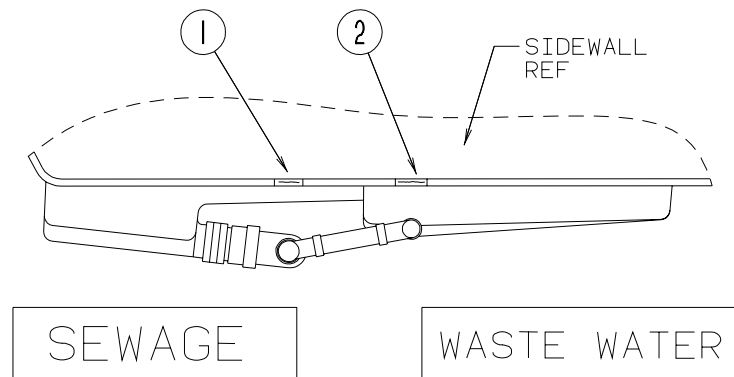
SECURELY CAP INLET(S) WHEN NOT CONNECTED FOR USE. AFTER TURNING ON GAS, EXCEPT AFTER NORMAL CONTAINER REPLACEMENT, TEST GAS PIPING AND CONNECTIONS TO APPLIANCE FOR LEAKAGE WITH SOAPY WATER OR BUBBLE SOLUTION. DO NOT USE PRODUCTS THAT CONTAIN AMMONIA OR CHLORINE.
 P.N. 54531

KEY	PARTNUMBER	U/M	DESCRIPTION
1	074559-01-000	EA	DECAL-LOGO-LPG-RED-CALIF.CODE
2	006040-01-000	EA	TAG-GASREFUELINGWARNING
2	006040-02-000	EA	TAG-GASREFUELINGWARNING-CANADIAN
3	054531-01-000	EA	LABEL-LPGASONLY
3	023769-01-000	EA	LABEL-WARNING-LPG-CANADIAN

LABELSGROUP(CONTINUED)

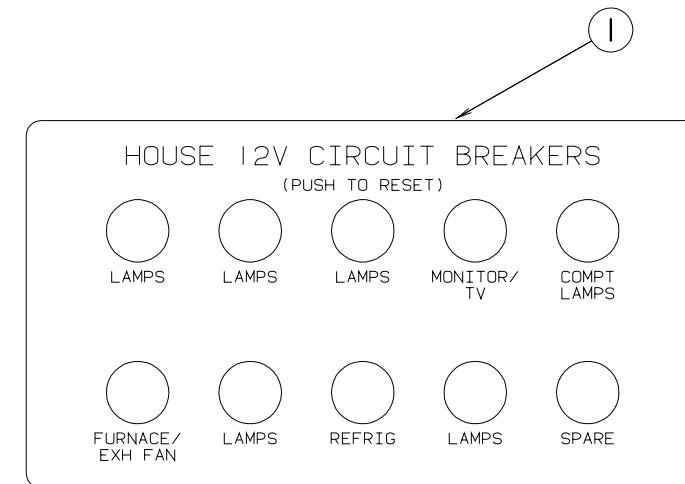


KEY	PARTNUMBER	U/M DESCRIPTION
1	006040-01-000	EA TAG-GASREFUELINGWARNING
1	006040-02-000	EA TAG-GASREFUELWARNING-CANADIAN
2	068383-01-000	EA LABEL-DIESELFUELONLY

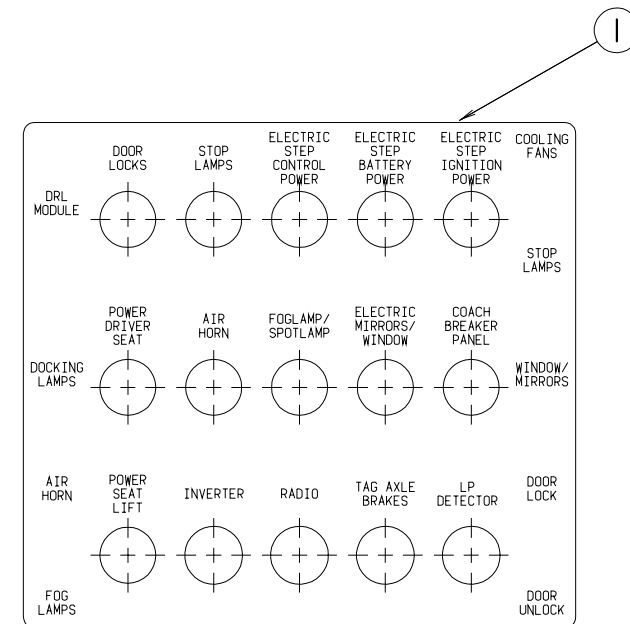


KEY	PARTNUMBER	U/M DESCRIPTION
1	006187-01-000	EA LABEL-SEWAGE
2	006188-01-000	EA LABEL-WASTEWATER

LABELSGROUP(CONTINUED)

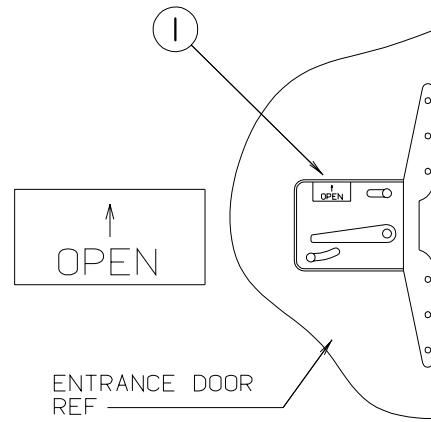


KEY	PARTNUMBER	U/M DESCRIPTION
1	092547-04-000	EA LABEL-CIRCUITBREAKER



KEY	PARTNUMBER	U/M DESCRIPTION
1	093236-12-000	EA LABEL-CIRCUITBREAKER

LABELSGROUP(CONTINUED)



KEY	PARTNUMBER	U/M DESCRIPTION
1	040944-01-000	EA LABEL-ENTRANCEDOOR-"OPEN"

NOTE: TUNE ANTENNA PER MANUFACTURER'S DIRECTIONS. FAILURE TO COMPLY COULD RESULT IN DAMAGE TO CB.

CB POWER PROVISION

RED	+12 V
BLACK	GROUND
COAX	ANTENNA

(SEE REVERSE ALSO)

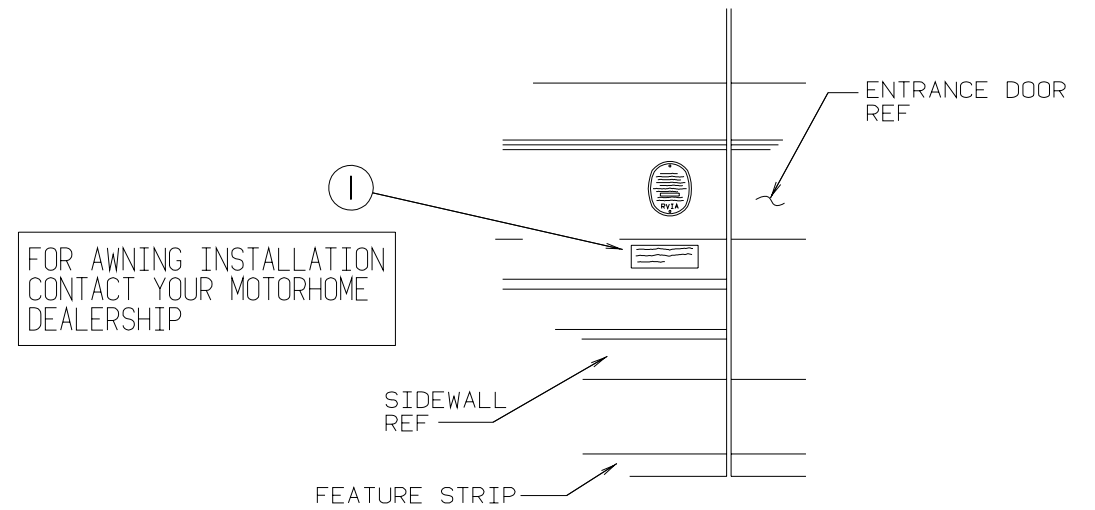
KEY	PARTNUMBER	U/M DESCRIPTION
1	104678-01-000	EA LABEL-CBPREP

WARNING

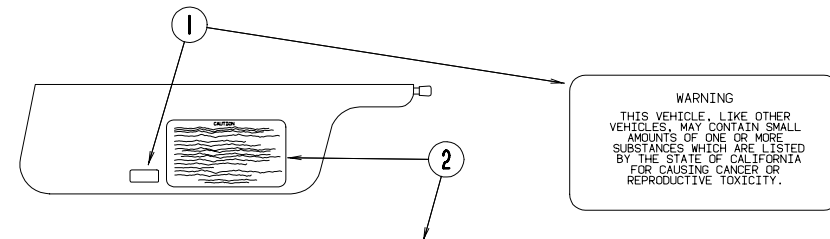
MUST BE STOWED IN LATCHED POSITION WHILE VEHICLE IS IN MOTION

KEY	PARTNUMBER	U/M DESCRIPTION
1	079966-01-000	EA LABEL-WARNING-STOWED-MOTION

LABELSGROUP(CONTINUED)



KEY	PARTNUMBER	U/M DESCRIPTION
1	099509-01-000	EA LABEL-AWNINGINSTALLATION



CAUTION

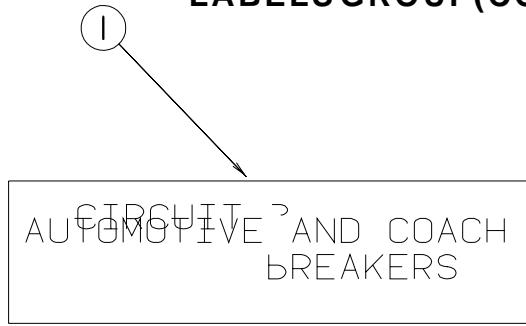
THIS MOTOR HOME HAS BEEN DESIGNED, MANUFACTURED AND TESTED WITH CONCERN FOR THE PROTECTION OF IT'S OCCUPANTS. WE RECOMMEND YOU PERFORM THE FOLLOWING INSPECTIONS FOR YOUR SAFETY AND THE SAFETY OF YOUR PASSENGERS BEFORE STARTING YOUR VEHICLE.

1. LP GAS SYSTEM- TURN OFF AT TANK FOR TRAVELING. TEST FOR LEAKS UPON ARRIVAL AT DESTINATION. BEFORE LIGHTING PILOTS.
2. WHEELS- INSPECT FOR DAMAGE AND CHECK LUG NUTS FOR TIGHTNESS.
3. TIRES- INSPECT FOR WEAR AND DAMAGE AND CHECK FOR RECOMMENDED AIR PRESSURE.
4. LIGHTING- TEST FOR PROPER OPERATION OF ALL INTERIOR AND EXTERIOR LIGHTS INCLUDING DASH LIGHTS, HEADLIGHTS, TAIL LIGHTS, BRAKE LIGHTS, CLEARANCE LIGHTS AND TURN SIGNALS.
5. EXITS- INSPECT RELEASE MECHANISM ON EMERGENCY EXIT WINDOW, TEST BOTH LOCKS ON MAIN ENTRANCE DOOR FOR EASE OF OPERATION AND INSTRUCT PASSENGERS HOW TO USE BOTH MEANS OF EXIT.
6. SEAT BELTS- DIRECT PASSENGERS TO DESIGNATED SEATS AND REQUIRE USE OF SEAT BELTS.
7. APPLIANCES- TURN OFF AND LATCH OR LOCK DOORS WHERE PROVIDED.
8. LOOSE PARCELS- STORE SECURELY.
9. UTILITY SUPPLY LINES- DISCONNECT ALL ELECTRIC, SEWER AND WATER LINES AND SECURE PROPERLY.
10. ENTRANCE DOOR STEP- PLACE IN RETRACTED POSITION FOR TRAVELING.

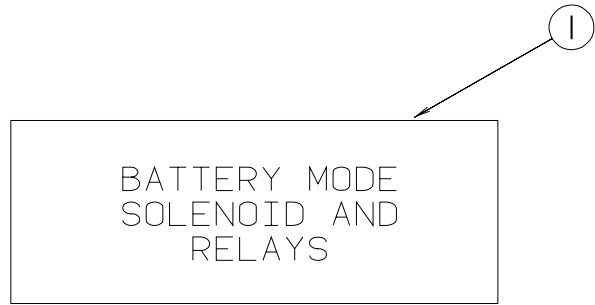
READ YOUR MOTOR HOME AND CHASSIS OWNER'S MANUAL FOR FURTHER PRECAUTIONS

KEY	PARTNUMBER	U/M DESCRIPTION
1	099689-01-000	EA LABEL-WARNING-CANCER/TOXICITY
2	056259-01-000	EA LABEL-SAFETYCHECKLIST

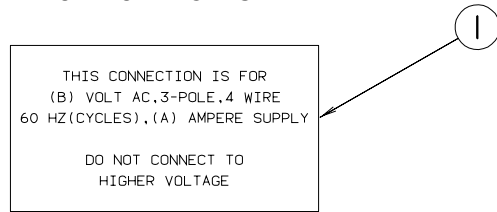
LABELSGROUP(CONTINUED)



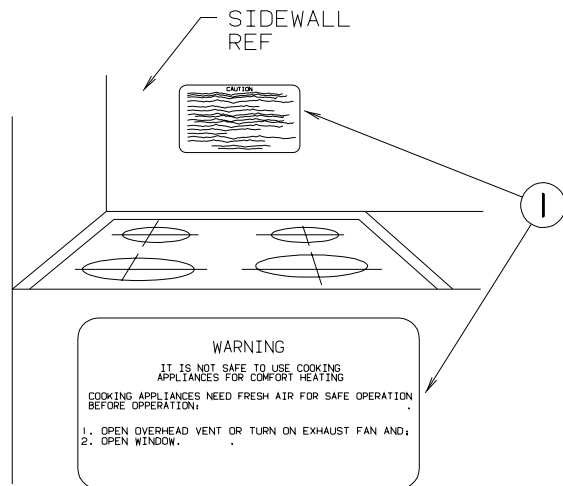
KEY	PARTNUMBER	U/M DESCRIPTION
1	098379-01-000	EA LABEL-FRONTBOX-CIRCUITBREAKER



KEY	PARTNUMBER	U/M DESCRIPTION
1	098379-04-000	EA LABEL-ELECTRICALBOX-SIDE

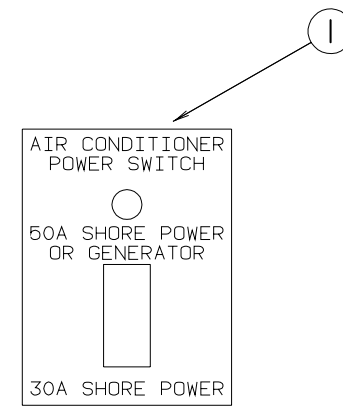


KEY	PARTNUMBER	U/M DESCRIPTION
1	006062-04-000	EA LABEL-ELECTRIC-120/240VSERVICE

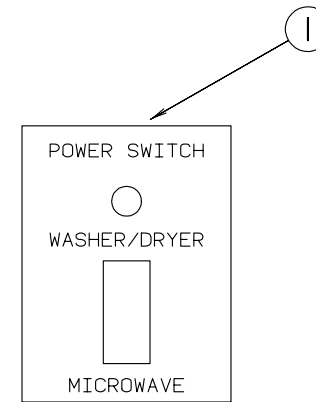


KEY	PARTNUMBER	U/M DESCRIPTION
1	050225-01-000	EA LABEL-WARNING-STOVEVENT-US
1	050222-01-000	EA LABEL-WARNING-STOVEVENT-CANADIAN

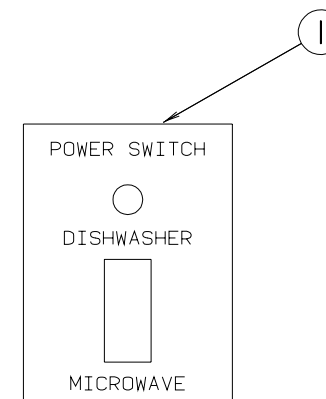
LABELSGROUP(CONTINUED)



KEY	PARTNUMBER	U/M DESCRIPTION
1	109051-01-000	EA LABEL-SWITCH-50APOWER(SHORE)

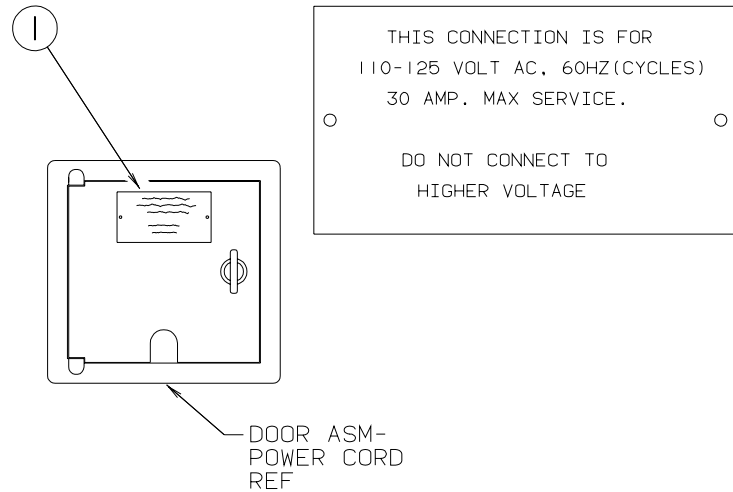


KEY	PARTNUMBER	U/M DESCRIPTION
1	109051-02-000	EA LABEL-SWITCH-50AMPPOWER



KEY	PARTNUMBER	U/M DESCRIPTION
1	109051-03-000	EA LABEL-SWITCH-30AMPPOWER

LABELSGROUP(CONTINUED)

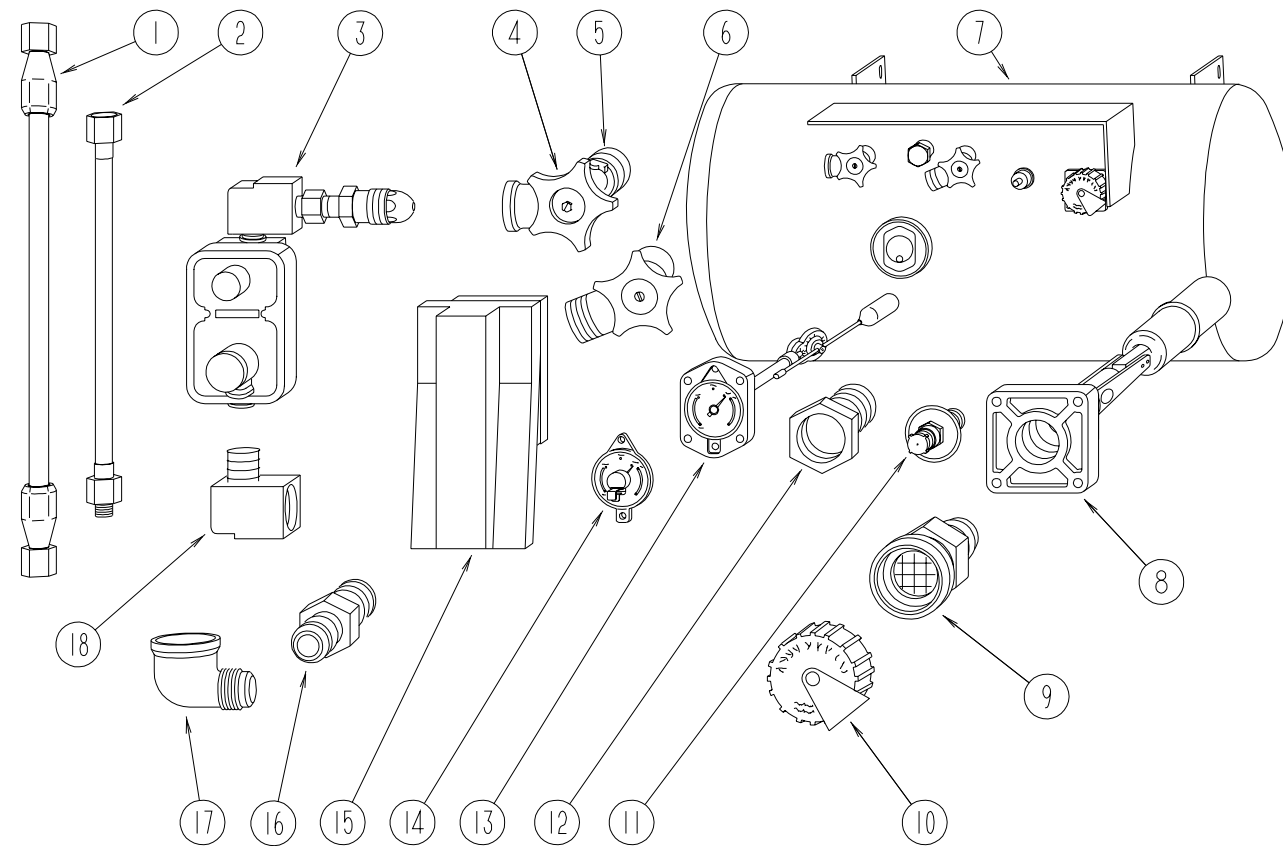


KEY	PARTNUMBER	U/M	DESCRIPTION
1	006062-01-000	EA	LABEL-ELECTRIC-110VOLTCONNECTION

MISCELLANEOUSLABELS

KEY	PARTNUMBER	U/M	DESCRIPTION
073998-01-000	EA	LABEL-LPGODORWARNING	
087236-01-000	EA	LABEL-CABLE-INPUT	
087236-02-000	EA	LABEL-TVOUTLET	
111802-01-000	EA	LABEL-CFCWARNING	
112518-01-000	EA	LABEL-HANGTAG-CODETECTOR	
065748-01-000	EA	LABEL-CAUTION-BATTERYCHARGING	
083588-02-000	EA	LABEL-ON/OFF-ENGINEHEATER	
092547-06-000	EA	LABEL-CIRCUITBREAKER	
093237-10-000	EA	LABEL-CIRCUITBREAKER-FRONT-COOLINGFANS	
095721-17-000	EA	LABEL-CONTROLCENTER-50AMP	
095721-18-000	EA	LABEL-CONTROLCENTER-50AMP-CSA	
095721-19-000	EA	LABEL-CONTROLCENTER-50AMP	
095721-20-000	EA	LABEL-CONTROLCENTERW/INVERTOR	
098641-01-000	EA	LABEL-FUEL-UNLEADED-DASH	
102267-01-000	EA	LABEL-NOOCCUPANCY-UL	
102267-02-000	EA	LABEL-NOOCCUPANCY-CSA	
111104-02-000	EA	LABEL-HITCH-READMANUAL-BLACK	
116549-01-000	EA	LABEL-WARNING-SLIDEOUT	
124519-01-02A	EA	LABEL-WARNING/REFUELING	
124519-01-01A	EA	LABEL-WARNING/REFUELING	
124519-02-02A	EA	LABEL-WARNING/REFUELING-CSA	
124520-01-02A	EA	LABEL-LPGASONLY	
125306-01-01A	EA	LABEL-ELECTRICALENTRANCE-110VOLT30AMP	
126024-01-01A	EA	LABEL-TIREHANGERREMOVAL	
128218-01-01A	EA	LABEL-WARNING-ROOFSLIPPERY	

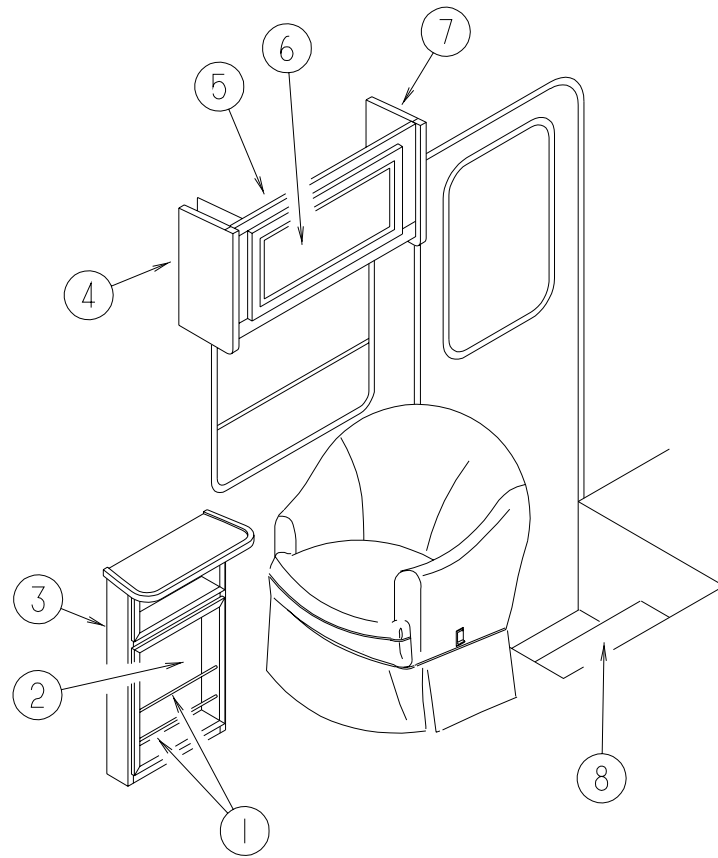
LPGROUP



BRUNNERLPTANK&COMPONENTS

KEY	PARTNUMBER	U/M	DESCRIPTION	VENDORNO.
1	045703-01-000	EA	HOSE-LP-3/8"IDX24"-3/8"MPTX1/2"FSWIVEL-U.S.	
1	045703-07-000	EA	HOSE-LP-3/8"IDX10"-3/8"MPTX1/2"FSWIVEL-U.S.	
2	045703-08-000	EA	HOSE-LP-3/8"IDX10"-3/8"MPTX1/2"FSWIVEL-CANADA	
2	045703-02-000	EA	HOSE-LP-3/8"IDX24"-3/8"MPTX1/2"FSWIVEL-CANADA	
3	106150-01-000	EA	REGULATOR-TWOSTAGE	
4	040421-01-708	EA	HANDWHEEL-SERVICEVALVE	G-1015-A
5	040421-01-712	EA	VALVE-SERVICE-W/OVAPORRELIEF	29000853
6	040421-01-710	EA	VALVE-SERVICE-LIQUID	910145
7	088253-06-000	EA	TANK-LP-130LB	
7	088253-05-000	EA	TANK-LP-130LB-LIQUIDDRAW	
8	040421-01-711	EA	VALVE-80%FILLW/AUTOSTOP	LLL/TL3
9	040421-01-701	EA	VALVE-FILL-SHORT-LP	75478
10	040421-01-702	EA	CAP-FILLVALVE-PLASTIC	G-1014-A
11	040421-01-700	EA	VALVE-LIQUIDLEVEL-20%	G-1013
12	040421-01-713	EA	VALVE-RELIEF1"W/SPRING7"	29000587
13	088253-01-700	EA	GAUGE-FLOATASSEMBLY-L.P.	16C
	040421-01-706	EA	DIAL-VISIBLEFACE-LPTANK	MA-8ROCHST
14	040440-02-000	EA	TRANSMITTER-DIAL-0-90OHM-2TERMINAL(POWER&GROUND)	
15	105658-01-000	EA	COMPARTMENT-LPREGULATOR	
16	010323-01-000	EA	ADAPTER-BRASS-3/8"FX1/2"MPT	
17	010265-01-000	EA	ELBOW-BRASS-90DEGREE-3/8"FX1/2"FPT	
18	065318-02-000	EA	ELBOW-90DEGREE-3/8"MPTTO3/8" FPT	
	106846-01-000	EA	VALVE-RELIEF	
	106871-01-000	EA	BUSHING-1/2X1/4-BLACK	
	010377-02-000	EA	NUT-BRASS-3/8"FLARE-FORGED	
	010380-02-000	EA	NUT-BRASS-1/2"FLARE-FORGED	
	010329-01-000	EA	ADAPTER-BRASS-1/2"FX1/2"MPT	
	010252-01-000	EA	ELBOW-BRASS-90DEGREE-3/8"FX1/2"MPT	
	120867-01-02B	EA	MOUNT-LPTANK	
	103613-03-000	EA	DETECTOR-LPGAS-W/OSHUT-OFFVALVE	

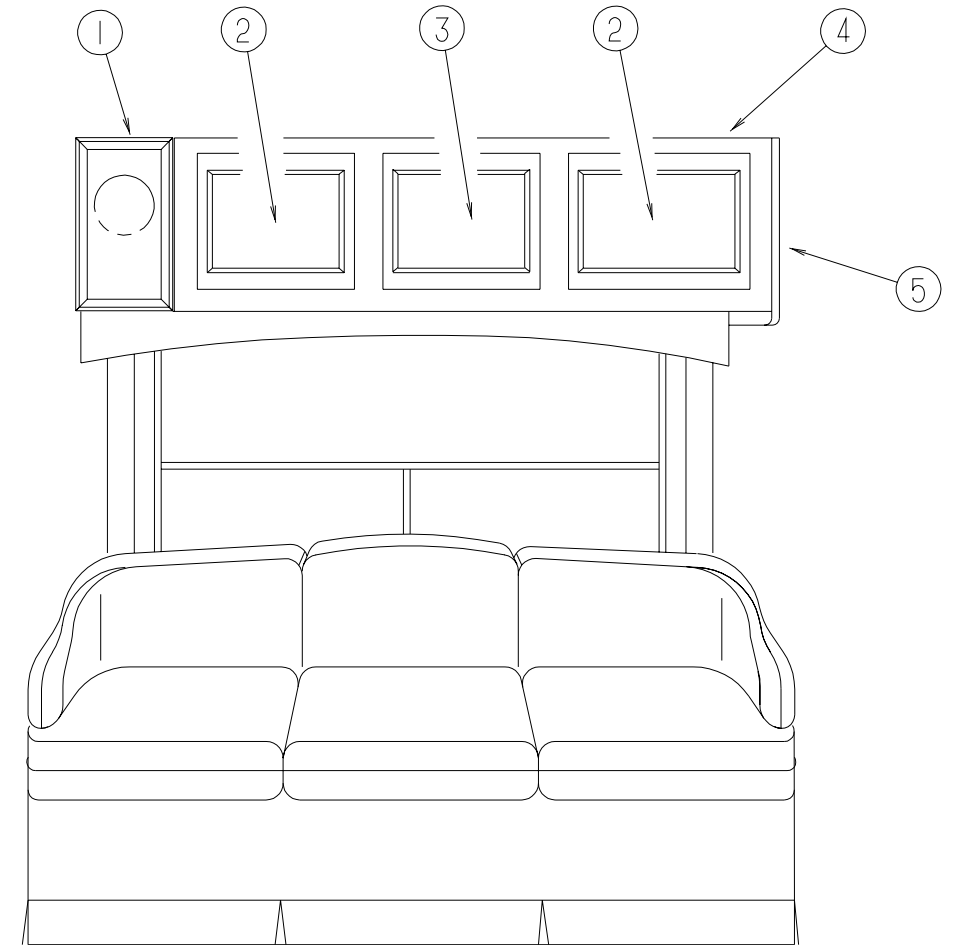
LOUNGE GROUP



PASSENGERSIDE CABINETS & TABLE

KEY	PARTNUMBER	U/M	DESCRIPTION
1	084071-04-000	EA	ROD-BRASS-11.9"
2	120381-01-H56	EA	CABINET-MAGAZINERACK-W/OHARDWARE(SOLARMAPLE)
2	120381-01-GV1	EA	CABINET-MAGAZINERACK-W/OHARDWARE(SALEMCHERRY)
3	120381-14-H56	EA	MAGAZINERACK(SOLARMAPLE)
3	120381-14-GV1	EA	MAGAZINERACK(SALEMCHERRY)
4	107494-30-H56	EA	ENDCAP-LEFTHAND-OVERHEADTTCHAIR(SOLARMAPLE)
4	107494-30-H57	EA	ENDCAP-LEFTHAND-OVERHEADTTCHAIR(SALEMCHERRY)
5	119733-01-H56	EA	CABINET-OVERHEAD/TTCHAIRS-W/ODOORS/HARDWARE(SOLARMAPLE)
5	119733-01-H57	EA	CABINET-OVERHEAD/TTCHAIRS-W/ODOORS/HARDWARE(SALEMCHERRY)
6	M05990-01-H56	EA	DOOR-ARCHED/OGEEEDGE-14.3"X27.1"-W/OHARDWARE(SOLARMAPLE)
6	M05990-01-GV1	EA	DOOR-ARCHED/OGEEEDGE-14.3"X27.1"-W/OHARDWARE(SALEMCHERRY)
7	107494-29-H56	EA	ENDCAP-RIGHTHAND-OVERHEADTTCHAIR(SOLARMAPLE)
7	107494-29-GV1	EA	ENDCAP-RIGHTHAND-OVERHEADTTCHAIR(SALEMCHERRY)
8	P14437-01-000	EA	CABINET-LID/ENTRANCESTEP-W/OCARPET
	120234-01-GV0	EA	LID-ENTRYSTEP
	120231-01-01A	EA	FLOORING-RUBBER
	101222-01-04A	EA	BRACKET-CATCH-LID
	107941-02-03B	EA	SUPPORT-LID-ENTRANCESTEP-OFFWHITE
	107941-02-01B	EA	SUPPORT-LID-ENTRANCESTEP-MILL

LOUNGE GROUP (CONTINUED)



DRIVERSIDE CABINETS

KEY	PARTNUMBER	U/M	DESCRIPTION
1	120351-01-H56	EA	CABINET-OVERHEAD/SPEAKER-LEFTHAND-W/ODRS/HDW(SOLARMAPLE)
1	120351-01-H57	EA	CABINET-OVERHEAD/SPEAKER-LEFTHAND-W/ODRS/HDW(SALEMCHERRY)
2	M05990-01-H56	EA	DOOR-ARCHED/OGEEEDGE-14.3"X27.1"-W/OHARDWARE(SOLARMAPLE)
2	M05990-01-GV1	EA	DOOR-ARCHED/OGEEEDGE-14.3"X27.1"-W/OHARDWARE(SALEMCHERRY)
3	M05990-03-H56	EA	DOOR-OGEEEDGE-14.3"X21.8"-W/OHARDWARE(SOLARMAPLE)
3	M05990-03-GV1	EA	DOOR-OGEEEDGE-14.3"X21.8"-W/OHARDWARE(SALEMCHERRY)
4	119676-01-H56	EA	CABINET-OVERHEADFRONTLEFTHAND-W/ODOORS/HARDWARE(SOLARMAPLE)
4	119676-01-GV1	EA	CABINET-OVERHEADFRONTLEFTHAND-W/ODOORS/HARDWARE(SALEMCHERRY)
5	107494-18-H56	EA	ENDCAP-RIGHTHAND(SOLARMAPLE)
5	107494-18-GV1	EA	ENDCAP-RIGHTHAND(SALEMCHERRY)

SEALANTS&FASTENERSGROUP

SEALANTS&ADHESIVES

KEY	PARTNUMBER	U/M DESCRIPTION
	004006-05-700	EA ADHESIVE-NAT.STARCH(5GAL) 0802
	004020-01-000	QT ADHESIVE-ABSCEMENT-QUART
	034552-02-000	EA SILICONE-TUBE-300ML-W/ONNOZZLE-CLEAR ALSOORDERP.N.#900390-03-000NOZZLESEPARATELY
	034552-06-000	EA SILICONE-TUBE-300ML-W/ONNOZZLE-OFFWHITE ALSOORDERP.N.#900390-03-000NOZZLESEPARATELY FROM: 00-00-00 THRU: 07-26-97
	034552-16-000	EA SILICONE-SABLEW/ONNOZZLE-CSL302(TUBE) FROM: 00-00-00 THRU: 01-01-97
	039518-01-000	EA SILICONE-TUBE-300ML-BLACK-W/ONNOZZLE ALSOORDERP.N.#900390-03-000NOZZLESEPARATELY
	108716-03-000	EA SILICONE-TUBE-BRIGHTWHITE/SELFLEVELING-W/ONNOZZLE FROM: 06-21-97 THRU: 99-99-99
	108716-04-000	EA SILICONE-TUBE-SABLE/SELFLEVELING FROM: 00-00-00 THRU: 06-20-97
	120074-02-01A	EA SEALANT-SILICONE-OFFWHITE FROM: 09-15-97 THRU: 99-99-99
	900390-01-000	EA TIP-2 1/2" X 1/8" ORIFICE
	900390-03-000	EA NOZZLE-SILICONETUBE
	053766-02-000	EA BEDDINGCOMPOUND-TUBE-WHITE
	063642-01-000	FT TAPE-ADHESIVE-.4" X 1.5" X 180"
	067788-01-000	EA ADHESIVE-SPRAY-3M-19.5AEROSOLCAN
	069640-01-000	FT SEALER-RIBBON-1/4"DIAMETERX30'
	069640-02-000	FT SEALER-TAPE-1/8"THICKX.50"WIDEX60'
	069640-03-000	FT SEALER-TAPE-1/8"THICKX.75"WIDEX60'
	069640-09-000	FT SEALER-TAPE-1/32"THICKX2.50"WIDEX80'
	069640-11-000	FT SEALER-TAPE-3/16"THICKX3/8"WIDEX40'
	069640-14-000	FT SEALER-TAPE-1/16"THICKX1"WIDEX100'
	069640-15-000	FT SEALER-TAPE-1/16"THICKX3/8"WIDEX80'
	069640-18-000	FT SEALER-TAPE-1/2"THICKX1/8" X 60' FROM: 04-22-97 THRU: 99-99-99
	069640-19-000	FT SEALER-TAPE-3/4" X 1/8" X 60'-BRIGHTWHITE
	102352-01-000	EA SEALER-PUMPABLE-BLACK
	102352-02-000	EA SEALER-PUMPABLE-CLEAR
	106206-01-000	EA SEALER-PUMPABLE-MANUS30A-BLACK
	072889-01-000	EA SEALANT-URETHANE-BLACK-1/10
	072889-09-000	EA SEALANT-URETHANE-BLACK(TUBE)
	072889-10-000	EA SEALANT-URETHANE(HV)-BRIGHTWHITE
	072889-11-000	EA SEALANT-URETHANE-(TUBE)-GRAY
	072889-14-000	EA SEALANT-URETHANE-TUBE-SABLE FROM: 00-00-00 THRU: 06-20-97
	107828-01-000	EA SEALANT-SB-190EVERSEAL
	076322-01-000	FT TAPE-DOUBLECOATED/ADHESIVEBACK-.025"THKX.75"WX18'
	076322-02-000	FT TAPE-DOUBLECOATED/ADHESIVEBACK-.045"THKX1"WX9'
	076322-03-000	FT TAPE-DOUBLECOATED/ADHESIVEBACK-.045"THKX.50"WX9'
	076322-05-000	FT TAPE-DOUBLECOATED/ADHESIVEBACK-.045"THKX.75"WX9'
	076322-05-000	FT TAPE-DOUBLECOATED/ADHESIVEBACK-.045"THKX.75"WX9'
	076322-07-000	FT TAPE-DOUBLECOATED/ADHESIVEBACK-.045"THKX.50"WX9'
	076322-11-000	FT TAPE-DOUBLECOATED/ADHESIVEBACK-.020"THKX1"WX9'
	110274-01-000	FT TAPE-DOUBLESIDEDFOAM-.45" X 1"
	120534-01-01A	EA TAPE-SCOTCH-3M-1/2"FINELINE
	123816-01-000	FT TAPE-DOUBLESIDED-1"
	123816-02-000	FT TAPE-DOUBLESIDED-1/2"
	123816-03-000	FT TAPE-DOUBLESIDED-1/2"
	087211-01-000	GL PROMOTER-ADHESIVE
	091255-02-000	FT SEAL-ADHESIVEBACKED/FOAM-.18"THICKX1.5"WIDE
	112901-02-000	EA ADHESIVE-PLEXUS-50ML

SEALANTS&FASTENERSGROUP(CONTINUED)

BOLTS,NUTS,&WASHERS

KEY	PARTNUMBER	U/M DESCRIPTION
	0MC04K-06-016	EA BOLT-HEX-M06X1X016
	000C12-04-12A	EA BOLT-HEX-1/4-20X.75-PLAIN5
	000C12-05-16B	EA BOLT-HEX-5/16-18X1-ZINC5
	000C12-06-16B	EA BOLT-HEX-3/8-16X1LG-ZINC5
	000C12-08-28B	EA BOLT-HEX-1/2-13X13/4-ZINC5
	000C12-08-24B	EA BOLT-HEX-1/2-13X1.50-ZINC5
	000C12-10-24B	EA BOLT-HEX-5/8-11X1.50-ZINC5
	000C13-07-48B	EA BOLT-HEX-7/16-20X3-ZINC5
	000C26-04-10B	EA BOLT-HEX-SERRATEDFLANGE-1/4-20X5/8-ZINC
	000C26-05-16B	EA BOLT-HEX-SERRATEDFLANGE-5/16-18X3/4-ZINC
	000C26-05-12B	EA BOLT-HEX-SERRATEDFLANGE-5/16-18X3/4-ZINC
	000C26-06-12B	EA BOLT-HEX-SERRATEDFLANGE-3/8-16X3/4-ZINC
	000G45-04-24B	EA BOLT-LAG-1/4-9X1.50ZINC
	051387-05-000	EA BOLT-CARRIAGEW/OHOLE-5/16-18X9.5-ZINC
	051387-06-000	EA BOLT-CARRIAGEW/OHOLE-5/16-18X9.5-ZINC
	091274-03-000	EA BOLT-J-3/8-16X12.0
	106956-03-000	EA BOLT-HEXTAP-1/2-12NCX3-GRADE5-FULLTHREAD/ZINC
	088787-12-000	EA STUD-WELD-1/4-20X1.0LG-MN
	108067-03-000	EA STUD-WELD-1/4-20X1/2CD
	000D24-10-00B	EA NUT-HEX-SELFLOCKING-10-32ZINC
	000D29-05-00B	EA NUT-5/16-18UNC-SF/LOCKING-NYLONWASHERINSERT
	000D29-06-00B	EA NUT-HEX-W/NYLONLOCK-3/8-16-ZINC
	000D34-06-00B	EA NUT-HEX-LOCKING-3/8-16GRADE-C-ZINC-PREVAILINGT
	000D39-04-00B	EA NUT-HEX-SERRATEDFLANGE-LOCKING-1/4-20-ZINC
	000D39-05-00B	EA NUT-HEX-SERRATEDFLANGE-LOCKING-5/16-18-ZINC
	000D39-06-00B	EA NUT-HEX-SERRATEDFLANGE-LOCKING-3/8-18-ZINC
	000D39-07-00B	EA NUT-HEX-SERRATEDFLANGE-LOCKING-7/16-14-ZINC
	000D39-08-00B	EA NUT-HEX-SERRATEDFLANGE-LOCKING-1/2-13-ZINC
	000D44-07-00B	EA NUT-HEX-SERRATEDFLANGE-LOCKING-7/16-20-ZINC
	000D46-04-00A	EA NUT-HEX-WELD-1/4-20-PLAIN
	000D60-05-00A	EA NUT-HEX-WELD/LOCK5/16-18UNCUT
	005081-01-000	EA NUT-SPEED-C-TYPE-#8SCREW
	040921-03-000	EA NUT-SPEED-U-TYPE-#10
	040921-05-000	EA NUT-SPEED-U-TYPE#8-.67" X .44"WIDE
	044364-02-000	EA NUT-SPEED-FLAT-ROUND
	063253-07-000	EA NUT-J-#8A-.120-.130PNLTHK
	087234-01-000	EA NUT-JACK-1/4X20THD-MOLLY MOUNTSLICENSEPLATES
	000E11-07-00B	EA WASHER-LOCKING-7/16MEDSPLIT-ZINC FROM: 01-31-96 THRU: 99-99-99
	000E11-08-00B	EA WASHER-LOCKING-1/2MEDSPLIT-ZINC
	000E13-14-00B	EA WASHER-FLAT-1/4WIDE-ZINC
	000E13-18-00B	EA WASHER-FLAT-3/8WIDE-ZINC
	000E13-22-00B	EA WASHER-FLAT-1/2WIDE-ZINC
	000E13-26-00B	EA WASHER-FLAT-5/8WIDE-ZINC
	000E14-10-00B	EA WASHER-LOCKING-#10EXTERNALTOOTH-ZINC
	058716-02-000	EA WASHER-FLATNYLON
	102378-01-02A	EA WASHER-BLACK FROM: 01-01-96 THRU: 02-09-96
	107397-01-000	EA WASHER-FENDER-.25"IDX1"OD
	102540-02-000	EA SEAL-SCREW
	106648-01-000	EA CAP-STUD-.120TO.130DIAMETER
	120506-01-01A	EA RIVET-PLASTIC-3/16DIAMETER

SEALANTS&FASTENERSGROUP(CONTINUED)

SCREWS

KEY	PARTNUMBER	U/M DESCRIPTION
	0G5508-12-110	EA SCREW-SF/DR-8-18X.75PWH
	000G11-05-08B	EA SCREW-5-20X.50PPH-ZINC
	000G11-06-08B	EA SCREW-6-20X.50PPH-ZINC
	000G11-06-06B	EA SCREW-6-20X3/8PPH-ZINC
	000G11-06-10J	EA SCREW-6-20X5/8PPH-BRASS
	000G11-07-08B	EA SCREW-7-19X.50PPH-ZINC
	000G11-08-08B	EA SCREW-8-18X.50PPH-ZINC
	000G11-08-06B	EA SCREW-8-18X3/8PPH-ZINC
	000G11-08-20B	EA SCREW-8-18X1.25PPH-ZINC
	000G11-08-16S	EA SCREW-8-18X1PPH-OFFWHITE
	000G11-08-12P	EA SCREW-8-18X.75PPH-DARKBROWN
	000G11-08-12P	EA SCREW-8-18X.75PPH-DARKBROWN
	000G11-08-12D	EA SCREW-8-18X.75PPH-BLACK
	000G11-08-12B	EA SCREW-8-18X.75PPH-ZINC
	000G11-08-10B	EA SCREW-8-18X.50PPH-ZINC
	000G11-08-08T	EA SCREW-8-18X1/5PPH-FLUOROCARBONCOATING
	000G11-10-40B	EA SCREW-10-16X21/2PPHCAD-34927-01-000
	000G11-10-16B	EA SCREW-10-16X1PPH-ZINC
	000G11-10-12S	EA SCREW-10-16X.75PPH-OFFWHITE
	000G11-10-12D	EA SCREW-10-16X.75PPH-BLACK
	000G12-06-08T	EA SCREW-6-20X1/2POH-BLACK
	000G13-06-16J	EA SCREW-6-20X1PFH-BRASS
	000G13-06-16E	EA SCREW-6-20X1.00PFH-CHROME
	000G13-06-10G	EA SCREW-6-20X5/8PFH-ANTIQUEBRASS
	000G13-06-24J	EA SCREW-6-20X1.50PFH-BRASS
	000G13-07-12B	EA SCREW-7-19X.75PFH-ZINC
	000G13-07-10H	EA SCREW-7-19X5/8PFH-BLACK
	000G13-08-16B	EA SCREW-8-18X1PFH-ZINC
	000G18-08-22B	EA SCREW-MACHINE-8-32X13/8PPH-ZINC
	000G18-08-12B	EA SCREW-MACHINE-8-32X3/4PPH-ZINC
	000G19-10-12F	EA SCREW-MACHINE-10-32X.75-PPH-STAINLESSSTEEL
	000G19-10-10B	EA SCREW-MACHINE-10-32X5/8-PPH-ZINC
	000G19-10-20B	EA SCREW-MACHINE-10-32X1.25PPH-ZINC
	000G32-10-06B	EA SCREW-10-32X3/8PPH-ZINC
	000G39-06-10T	EA SCREW-SF/DR-6-20X5/8PPH-BLACK
	000G39-06-16T	EA SCREW-SF/DR-6-20X1PPH-BLACK
	000G39-06-10T	EA SCREW-SF/DR-6-20X5/8PPH-BLACK
	000G39-08-08S	EA SCREW-SF/DR-8-18X.50PPH-OFFWHITE
	000G39-08-08B	EA SCREW-SF/DR-8-18X1.50PPH-ZINC
	000G39-08-06B	EA SCREW-SF/DR-8-18X3/8PPH-ZINC
	000G39-08-32B	EA SCREW-SF/DR-8-18X2PPH-ZINC
	000G39-08-24B	EA SCREW-SF/DR-8-18X11/2PPH-ZINC
	000G39-08-16T	EA SCREW-SF/DR-6-20X1PPH-BLACK
	000G39-08-16R	EA SCREW-SF/DR-8-18X1PPH-BEIGE
	000G39-08-16B	EA SCREW-SF/DR-8-18X1PPH-ZINC
	000G39-08-12T	EA SCREW-SF/DR-8-18X.75PPH-BLACK
	000G39-08-12B	EA SCREW-SF/DR-8-18X.75PPH-ZINC
	000G39-08-08T	EA SCREW-SF/DR-8-18X1/2PPH-BLACK
	000G39-10-209	EA SCREW-SF/DR-10-16X11/4PPH-FLUOROCARBONSILVER
	000G39-10-20B	EA SCREW-SF/DR-10-16X1.25PPH-ZINC
	000G39-10-129	EA SCREW-SF/DR-10-16X.75PPH-FLUOROCARBONSILVER
	000G39-10-12D	EA SCREW-SF/DR-10-16X.75PPH-BLACK
	000G39-10-12B	EA SCREW-SF/DR-10-16X.75PPH-ZINC
	000G39-10-10B	EA SCREW-SF/DR-10-16X.625-ZINC
	000G39-10-088	EA SCREW-SF/DR-10-16X1/2PPH-FLEXFLUOROCARBON
	000G39-10-08B	EA SCREW-SF/DR-10-16X.50PPH-ZINC
	000G39-10-48T	EA SCREW-SF/DR-10-16X3.00PPH-BLACK
	000G39-10-48B	EA SCREW-SF/DR-10-16X3-PPH-ZINC
	000G39-10-40D	EA SCREW-SF/DR-10-16X21/2PPH
	000G39-10-32B	EA SCREW-SF/DR-10-16X2-PPH-ZINC
	000G42-04-16B	EA SCREW-SF/DR-1/4-14X1HWH-ZINC

SEALANTS&FASTENERSGROUP(CONTINUED)

SCREWS(CONTINUED)

KEY	PARTNUMBER	U/M DESCRIPTION
	000G42-04-12B	EA SCREW-SF/DR-1/4-14X.75HWH-ZINC
	000G50-04-12B	EA SCREW-MACHINE-1/4-20X.75PPH-ZINC
	000G51-08-08B	EA SCREW-8-18X1/2PTH-ZINC
	000G52-08-18B	EA SCREW-MACHINE-8-32X11/8PTH-ZINC
	000G52-08-06B	EA SCREW-MACHINE-8-32X3/8PTH-ZINC
	000G54-04-20B	EA SCREW-1/4-20X1.25PTH-TYPE23-ZINCPLATED
	000G55-08-12S	EA SCREW-SF/DR-8-18X.75PWH-OFFWHITE
	000G55-08-12M	EA SCREW-SF/DR-8-19X.75PWH-GRAY
	000G57-05-16J	EA SCREW-5-20X1PFH-BRASS
	000G60-10-16J	EA SCREW-SF/DR-10-16X1POH-BRIGHTBRASS
	000G60-10-20I	EA SCREW-SF/DR-10-16X1.25POH-BLACK
	000G67-08-32B	EA SCREW-8-15X2PPH-ZINC
	000G67-10-08B	EA SCREW-10-12X.50PPH-ZINC
	000G67-10-36T	EA SCREW-10-12X2.25-PPH-BLACK
	000G67-10-32B	EA SCREW-10-12X2PPH-ZINC
	000G67-10-24B	EA SCREW-10-12X1.25PPH-ZINC
	000G67-10-20D	EA SCREW-10-12X1.25PPH-BLACK
	000G67-10-16B	EA SCREW-10-12X1PPH-ZINC
	000G67-10-12B	EA SCREW-10-12X.75PPH-ZINC
	000G67-10-10D	EA SCREW-10-12X5/8PPH-BLACK-TYPEA
	000G67-10-10B	EA SCREW-10-12X5/8PPH-ZINC-TYPEA
	000G68-06-12S	EA SCREW-6-18X3/4POH
		FROM: 03-18-96 THRU: 99-99-99
	000G68-06-10G	EA SCREW-6-18X5/8POH-ANTIQUEBRASS
	049465-01-000	EA SCREW-10-16W/WASHERPTH-DARKBROWN
	049465-04-000	EA SCREW-10-16X1PTHW/WASHER-BEIGE
	049465-18-000	EA SCREW-10-16X1POHW/WASHER *VWGRAY
	054434-02-000	EA SCREW-SF/DR-10-16X2-ZINC
	057671-01-000	EA COVER-SCREW-#8-PLASTIC-OFFWHITE
	057671-10-000	EA COVER-SCREW-VWGRAY-#8
	057671-11-000	EA COVER-SCREW-HAMPTONTAN-#8
	057671-15-000	EA COVER-SCREW
		FROM: 02-06-97 THRU: 99-99-99
	075908-01-000	EA SCREW-MACHINE-10-32X.56PTH-EXTERNALTOOTH-ZINC
	076790-01-000	EA SCREW-6-20X11/4PPH-BLACK
	083554-01-000	EA SCREW-DRYWALL-8X1.25
	086256-01-000	EA SCREW-SF/DR-8X3/4HWHLONG
	101618-01-000	EA SCREW-1/4-20X3/4HEX-TAPPING-STALGARDTYPEF
	109152-03-000	EA SCREW-3/8-16X2-FLATSOC-STAINLESSSTEEL-BLACK

SEALANTS&FASTENERSGROUP(CONTINUED)

CLAMPS,CLIPS,&GROMMETS

KEY	PARTNUMBER	U/M	DESCRIPTION
	007161-01-000	EA	CLAMP-HOSE-SPRINGTYPE-1/2" FROM: 01-06-97 THRU: 99-99-99
	010495-01-000	EA	CLAMP-CABLE-9/16"
	010495-02-000	EA	CLAMP-CABLE-3/8"
	010497-01-000	EA	CLAMP-CLOSED-5/8"ID
	010497-03-000	EA	CLAMP-CLOSED-1"ID-CUSHIONED
	010497-05-000	EA	CLAMP-CLOSED-1/2ID
	010497-07-000	EA	CLAMP-CLOSED-3/8"ID
	062401-01-000	EA	CLAMP-HOSE-WORMGEAR-.25"-1"
	062401-02-000	EA	CLAMP-HOSE-WORMGEAR-1.56"-2.5"
	062401-03-000	EA	CLAMP-HOSE-WORMGEAR-.22"-1"
	062401-04-000	EA	CLAMP-HOSE-WORMGEAR-.69"-1.25"
	062401-05-000	EA	CLAMP-HOSE-WORMGEAR-2"TO3"ID
	062401-06-000	EA	CLAMP-HOSE-WORMGEAR-.22"-.62"ID
	062401-11-000	EA	CLAMP-HOSE-WORMGEAR-3.50"-4.50"
	075148-02-000	EA	CLAMP-GROUNDING-BRONZESCREWS
	083609-01-000	EA	CLAMP-WIRE-DUAL-EQUALDIAMETERS-5/8"
	083610-02-000	EA	CLAMP-WIRE-DUAL-UNEQUALDIAMETERS
	075312-02-000	EA	CLIP-U-.75LONGX.50WIDE-F/1/8"-3/16"THICKMATERIAL SLIGHTDESIGNCHANGEFROMTHEORIGINALCLIPSUSEDONTHE '84TO'86H-BODYAIRDAMS
	091952-01-000	EA	CLIP-GRIPPER-1"
	091952-02-000	EA	CLIP-GRIPPER-3/4"
	094362-02-000	EA	CLIP-XMASTREE-BINDERHEAD-.9"LONG
	101447-01-000	EA	CLIP-UTYPE HOLDSSHOWERSURROUNDTOGETHER
	008384-01-000	EA	GROMMET-SNAP-3/4DIAMETER-NYLON FROM: 00-00-00 THRU: 07-20-96
	016188-05-000	EA	GROMMET-L/PLINE-3/8"HOLEX11/4"LONG-RUBBER
	023942-01-000	EA	GROMMET-RUBBER-2"OD
	071015-13-000	EA	GROMMET-RUBBER-.62"IDX1"ODW/.09"GROOVE-BLACK
	071015-19-000	EA	GROMMET-.38ID-FITS.06MATERIAL
	071015-29-000	EA	GROMMET-RUBBER-1/4IDX11/4ODW.12GROOVE-BLK
	077953-01-000	EA	GROMMET-EDGELINER-FITS1"
	088756-01-000	EA	GROMMET-WEB-11/8"ID.
	099637-01-000	EA	GROMMET-RUBBER-.37"X.94"DIAMETER-BLACK
	114208-02-000	EA	GROMMET-EDGELINER-FITS.625 FROM: 00-00-00 THRU: 08-19-97
	000F10-04-16B	EA	PIN-COTTER-1/8"X1"-ZINC
	000H14-06-03R	EA	RIVET-MANDRELBLIND-3/16ALUMINUM
	000H16-04-06R	EA	RIVET-POPALUMINUM-1/8"X.313-.375
	000H16-06-10R	EA	RIVET-POPALUMINUM-3/16X.501-.625

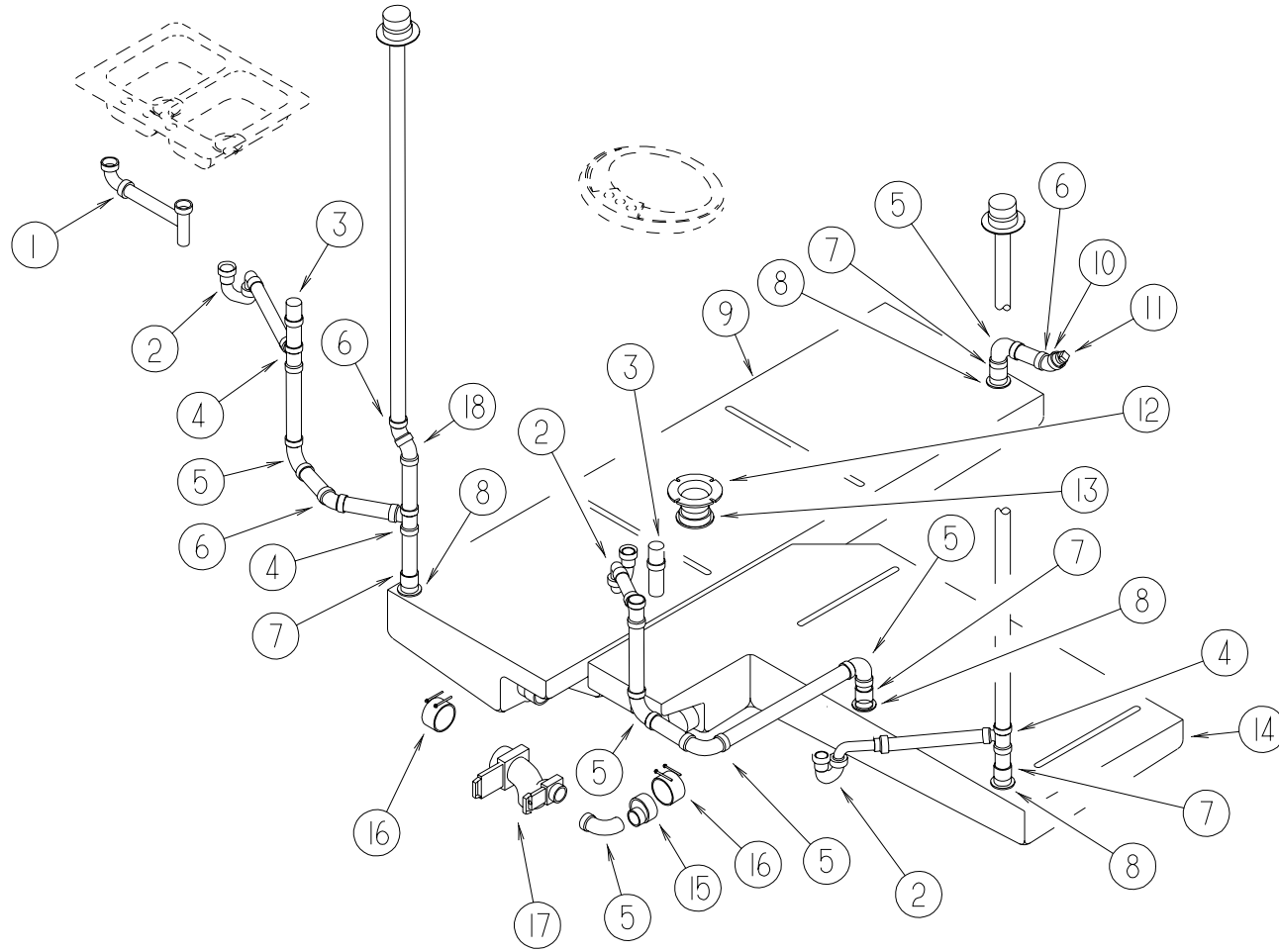
SEALANTS&FASTENERSGROUP(CONTINUED)

TIES&FASTENERS

KEY	PARTNUMBER	U/M	DESCRIPTION
	008343-01-000	EA	TIE-WIRE-6"
	008343-02-000	EA	TIE-WIRE-14"
	008343-03-000	EA	TIE-WIRE-71/5"-BLACK
	029096-04-000	YD	TAPE-HOOK-VELCRO-1"WIDE-BLACK
	085774-01-000	FT	FASTENER-DUALHOOK-1"WIDE-ADHESIVEBACK-BLACK
	085774-02-000	FT	FASTENER-DUALLOOP-1"WIDE-ADHESIVEBACK-BLACK
	085774-03-000	FT	FASTENER-DUALLOOP-1/2"WIDE
	085774-04-000	FT	FASTENER-DUALLOOP-1/2"WIDE
	086285-01-000	EA	SPACER-NYLON-.5"ODX.257"ID
	108046-01-000	EA	CABLETIE-SCREWMOUNT8"
	110943-02-000	FT	FELTSTRIP-3/8"-ADHESIVEBACK-WHITE

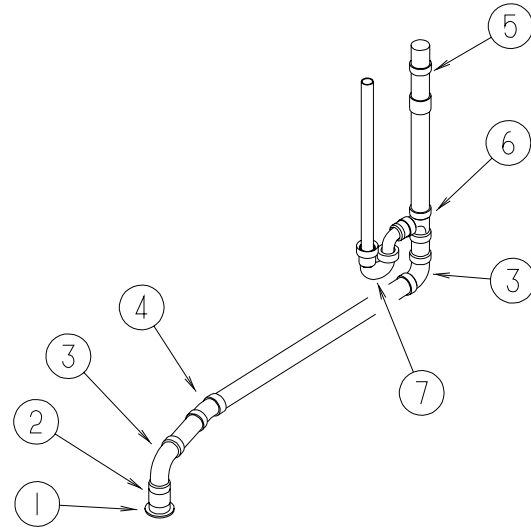
WATER & SEWAGE GROUP

DRAINAGE SYSTEM



KEY	PARTNUMBER	U/M	DESCRIPTION	VENDOR NO.
1	011091-02-000	EA	WASTE-CONTINUOUS-DOUBLE SINK	
1	011091-03-000	EA	WASTE-CONTINUOUS-DOUBLE SINK- CSA	
2	011066-03-700	EA	P TRAP KIT 1 1/2" X 1 1/2" P TRAP W/ 1 1/2"-1 1/4" REDUCER	
2	109571-01-000	EA	ADAPTER- PTRAP- 1 1/2" PX 1 1/4" MPT	
2	107538-01-000	EA	P TRAP- PLASTIC- 1 1/4" W/ EXTENSION ARM	
3	079968-01-000	EA	VENT- MECHANICAL/ TRAP ARM- ANTI- SIPHON- 2" X 7.3" PLASTIC	
4	010071-01-000	EA	TEE- SANITARY- 1 1/2" HUB X HUB X HUB- PLASTIC	
5	010008-01-000	EA	ELBOW- 90 DEGREE- 1 1/2" HUB X HUB- PLASTIC	
6	010006-01-000	EA	ELBOW- 45 DEGREE- 1 1/2" HUB X HUB- PLASTIC	
7	010115-01-000	EA	COUPLING- 1 1/2" HUB X HUB- PLASTIC	
8	061607-01-000	EA	GROMMET- HOLDING TANK- 1 1/2" NPS	
9	120376-01-000	EA	TANK- HOLDING- 59 GALLON- W/ OF FITTINGS	
10	109571-01-000	EA	ADAPTER- PTRAP- 1 1/2" PX 1 1/4" MPT	
11	010166-01-000	EA	PLUG- THREADED- 1 1/4" DIAMETER- PLASTIC- BLACK	
12	116644-01-000	EA	FLANGE- CLOSET- 4" X 3"	
13	061607-02-000	EA	GROMMET- HOLDING TANK- 3" NPS	
14	112789-01-000	EA	TANK- HOLDING- 46 GALLON- W/ OF FITTINGS	
15	011066-03-700	EA	P TRAP KIT 1 1/2" X 1 1/2" P TRAP W/ 1 1/2"-1 1/4" REDUCER	
15	107538-01-000	EA	P TRAP- PLASTIC- 1 1/4" W/ EXTENSION ARM (US)	
15	062422-01-000	EA	ADAPTER- OFFSET REDUCER- 3" X 1 1/2"- PLASTIC	
16	078406-01-000	EA	COUPLER- RUBBER- W/ CLAMPS- 3" X 3"	
17	070916-01-000	EA	VALVE- DUAL DUMP- W/ CAP- 3" X 1 1/2"	
	070916-01-700	EA	VALVE ONLY (WASTE) 3"	T1003BU
	070916-01-701	EA	VALVE ONLY (WASTE) 1 1/2"	T1001BU
	010201-01-000	EA	HOSE- SEWER- 3" ID X 8'	
	062416-01-000	EA	ADAPTER- SEWER HOSE TO 3" PIPE	
	103354-01-000	EA	CONNECTOR- HOSE- SEWER	
18	010051-01-000	EA	ELBOW- 45 DEGREE- 1 1/2" SPIGOT & HUB- PLASTIC	

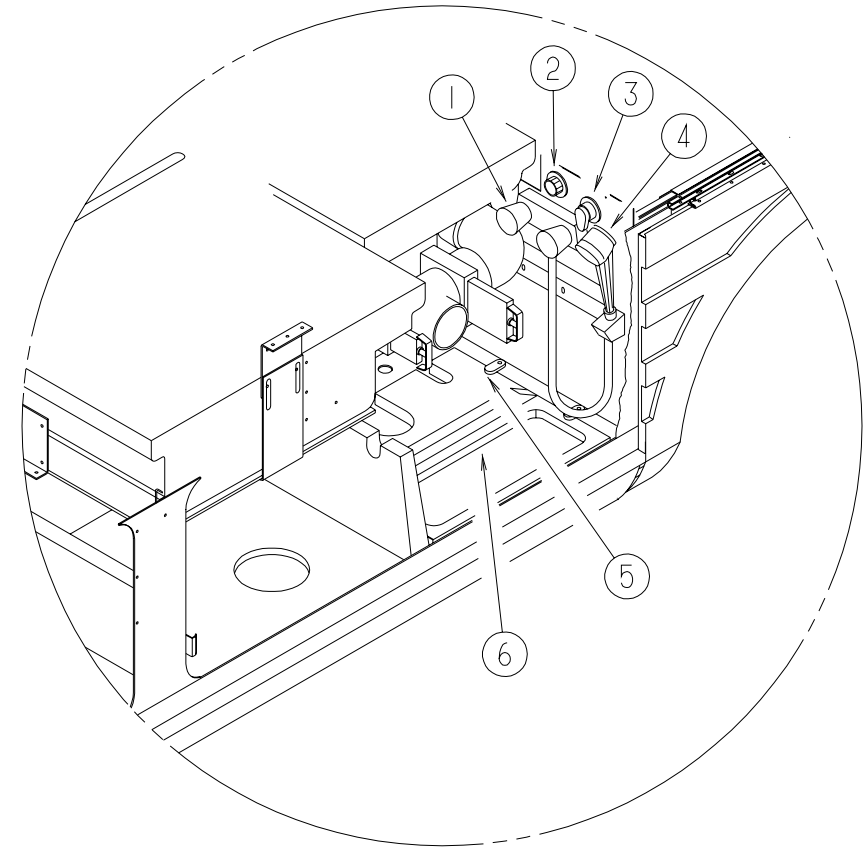
WATER&SEWAGEGROUP(CONTINUED)



WASHER/DRYER

KEY	PARTNUMBER	U/M	DESCRIPTION
	107753-02-01A	EA	WASHER-DRYER-WHITE
1	061607-01-000	EA	GROMMET-HOLDINGTANK-1 1/2"NPS
2	010115-01-000	EA	COUPLING-1 1/2"HUBXHUB-PLASTIC
3	010008-01-000	EA	ELBOW-90DEGREE-1 1/2"HUBXHUB-PLASTIC
4	010005-01-000	EA	ELBOW-22.5DEGREE-1 1/2"HUBXHUB-PLASTIC
5	079968-01-000	EA	VENT-MECHANICAL/TRAPARM-ANTI-SIPHON-2"X7.3"PLASTIC
6	010071-01-000	EA	TEE-SANITARY-1 1/2"HUBXHUBXHUB-PLASTIC
7	037763-01-000	EA	PTRAP-PLASTIC-1 1/2"HXHW/UNION-NIBCO5895
	069735-01-000	EA	WASHER-STRAINERTOTALPIECE-PLASTIC-1.5"
	098419-01-000	EA	FAUCET-WASHER-90DEGREE
	111842-01-01A	EA	BRACKET-FAUCET-WASHER
	113795-01-02B	EA	BRACKET-WASHER
	113795-02-02B	EA	BRACKET-WASHER
	010071-01-000	EA	TEE-SANITARY-1 1/2"HUBXHUBXHUB-PLASTIC
	114429-02-000	EA	ELBOW-1/2"PX1/2"MPT
	114429-01-000	EA	ELBOW-1/2"PX1/2"P
	114428-01-000	EA	TEE-1/2"PX1/2"PX1/2"P
	039800-02-000	FT	TUBING-POLYBUTYL-5/8"ODX20'-INCOF20'

WATER&SEWAGEGROUP(CONTINUED)

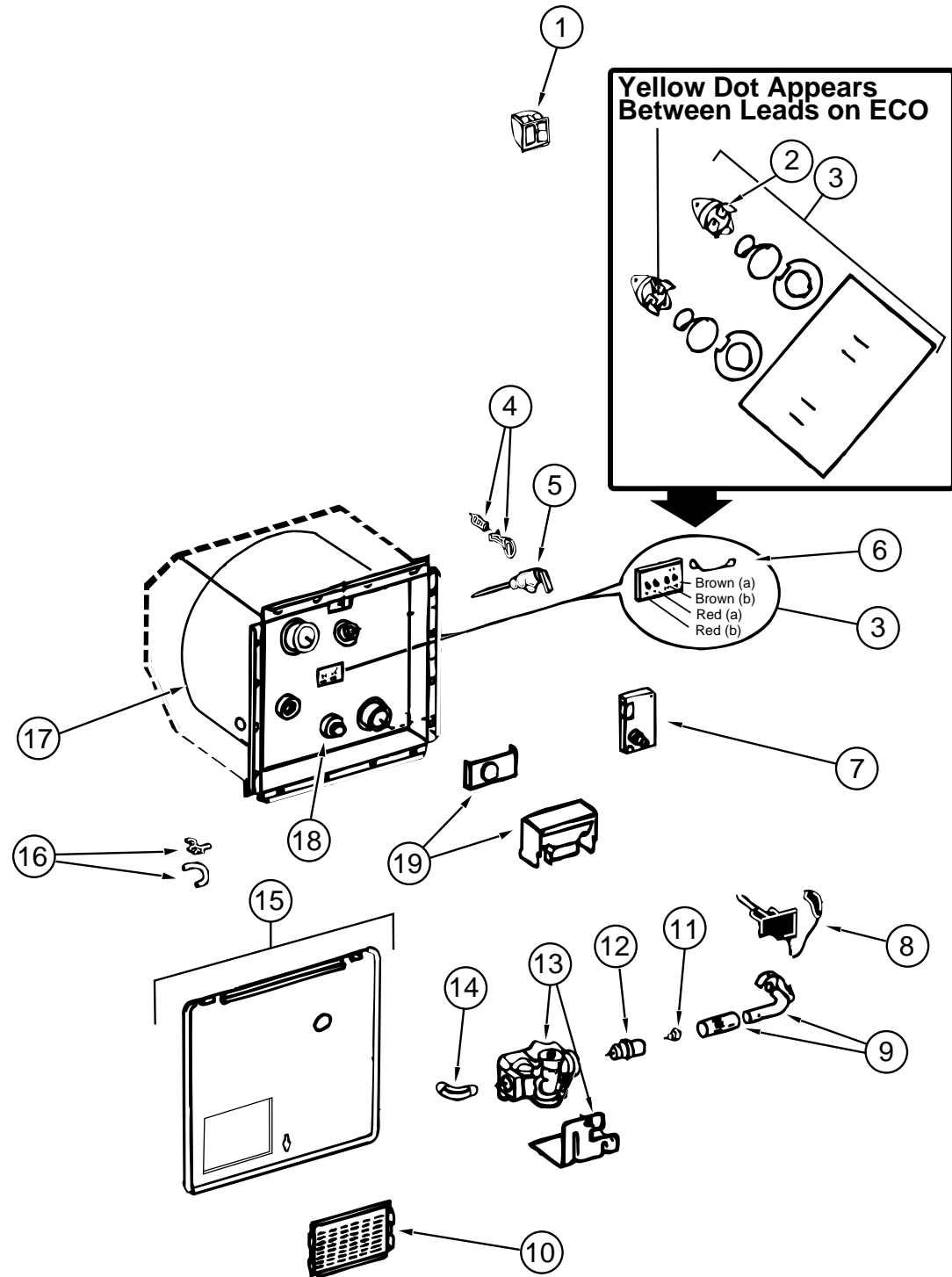


EXTERIORSHOWERCOMPONENTS

KEY	PARTNUMBER	U/M	DESCRIPTION	VENDORN.
1	075241-05-000	EA	FAUCET/SHOWER-BONE 3/4"MPTX1.4"LONGINLETPIPES	
	114430-02-000	EA	ADAPTER-SWIVEL-1/2"PX1/2"FPT	
2	010230-05-000	EA	FILL-CITYWATER-W/CHECKVALVE	
3	114431-02-000	EA	VALVE-WATERBYPASS-1/2"P-THREEWAY(WATERHEATER)	
	010497-03-000	EA	CLAMP-CLOSED-1"ID-CUSHIONED	
	114428-01-000	EA	TEE-1/2"PX1/2"PX1/2"P	
4	103092-02-000	EA	SHOWERHEAD-W/60"HOSE-CSA	
4	103092-03-000	EA	SHOWERHEAD-W/HOSE/BRACKET-BRASS	
	103092-01-700	EA	BRACKET-F/SHOWERHEAD-CLEAR	2328028
	011048-03-700	EA	BRACKET-F/SHOWERHEAD	2328029-3
5	121175-01-01A	EA	LATCH-SWELL-BLACK	
6	M06991-05-G38	EA	HATCH-W/FOAM	

WATER & SEWAGE GROUP (CONTINUED)

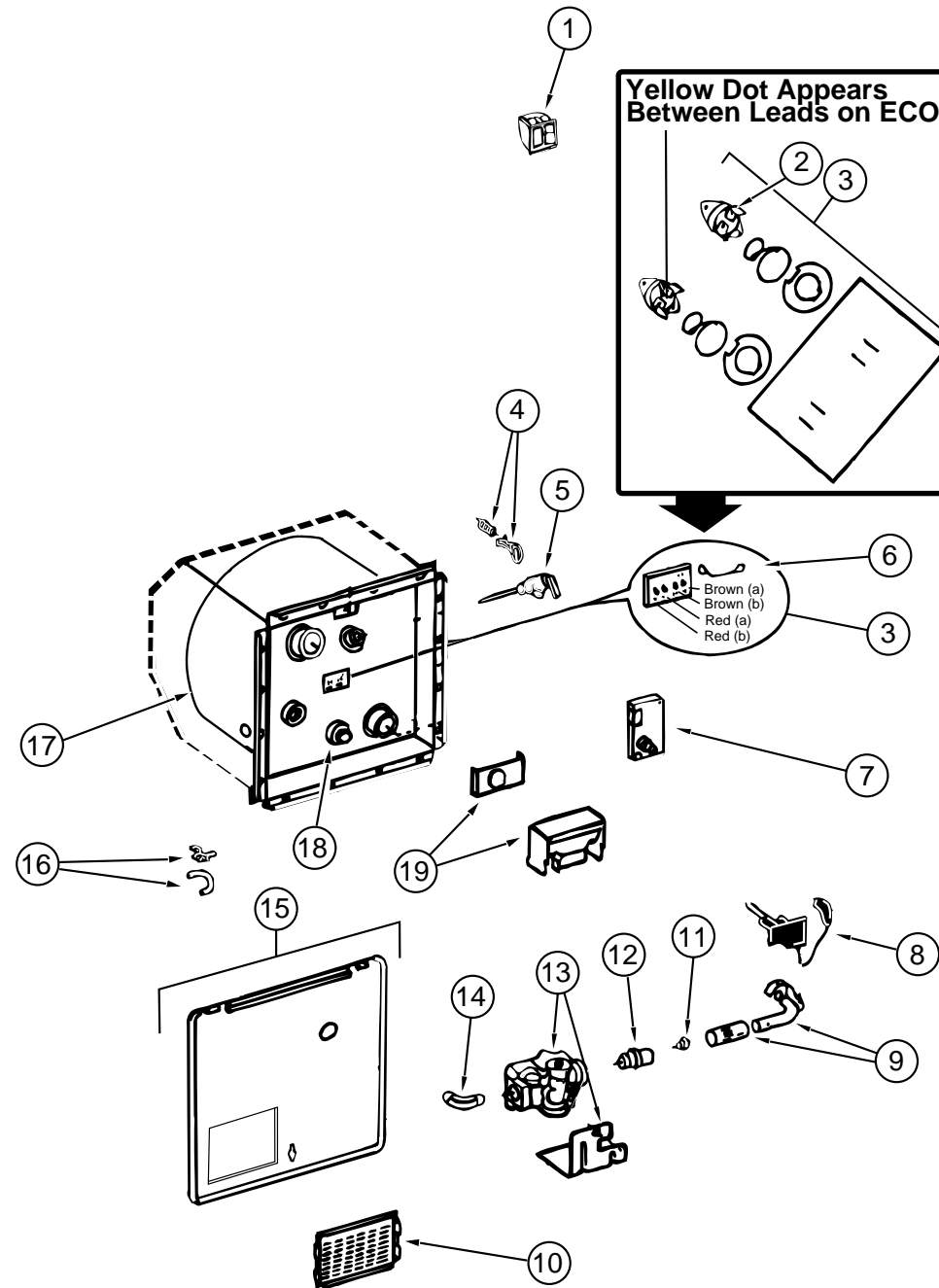
WATER HEATER W/O MOTOR AID - AT WOOD G6A-8E



KEY	PART NUMBER	U/M	DESCRIPTION	VENDOR NO.
	051391-03-B00	EA	WATER HEATER G6A-8E ELECTRONIC IGNITION	
1	097967-01-000	EA	SWITCH-WATER HEATER-REMOTE W/LIGHT	
2	051391-04-701	EA	THERMOSTAT-12VDC-120 PRESET	91470
3	051393-01-721	EA	THERMOSTAT-W/ECO-140 FRONT MOUNT	91447
4	051391-01-705	EA	FASTENER-CAM LOCK	92609
5	051391-01-704	EA	VALVE-RELIEF-1/2" FITTING	91604
6	051393-01-723	EA	SWITCH-THERMAL CUTOUT 2/PK	93866
7	051393-01-724	EA	BOARD-CIRCUIT-SPADE TERMINAL	93865
8	051393-01-725	EA	ELECTRODE-SINGLE SPADE CONNECTOR	93868
9	051391-04-703	EA	BURNER-MAIN	91638
10	051391-01-717	EA	GRILLE-WATER HEATER DOOR	92640
	051391-01-716	EA	GRILLE ONLY (GOES ON FLUE BOX)	91786
11	051391-01-710	EA	ORIFICE-MAIN BURNER	92742
12	051391-03-700	EA	HOLDER-ORIFICE	91563
13	051393-01-726	EA	VALVE-SOLENOID-W/BRACKET	93870
14	051391-01-714	EA	FITTING-ELBOW-45 DEGREE-3/8 FX 3/8 MPT	1044
15	052009-07-000	EA	DOOR-WATER HEATER, 18" X 14.6" - METAL - SABLE	
	116424-01-000	EA	PROTECTOR-WATER HEATER LATCH-ADHESIVE BACKED ROUND VINYL	
16	051391-01-700	EA	HINGE KIT - (PIN & CLIP)	92568 & 92559
17	051391-04-706	EA	TANK-INNER-G6A-4E & 6E - FRONT MOUNT	91641
18	051391-01-715	EA	PLUG-DRAIN-1 EA=2 PER PKG	91857
19	051391-04-707	EA	KIT-EXHAUST-(FLUE & GASKET)	90960
	111129-01-711	EA	BRACKET-CORNER-SET OF FOUR	91928

WATER & SEWAGE GROUP (CONTINUED)

WATER HEATER W/MOTOR AID FOR REAR HEATER - ATWOOD GH6-8E



KEY	PART NUMBER	U/M	DESCRIPTION	VENDOR NO.
	051393-01-B00	EA	WATER HEATER GH6-8E ELECTRONIC IGNITION	
1	097967-01-000	EA	SWITCH-WATER HEATER-REMOTE W/LIGHT	
2	051391-04-701	EA	THERMOSTAT 12VDC-120 PRESET	91470
3	051393-01-721	EA	THERMOSTAT W/ECO-140 FRONT MOUNT	91447
4	051391-01-705	EA	FASTENER-CAM LOCK	92609
5	051391-01-704	EA	VALVE-RELIEF-1/2" FITTING	91604
6	051393-01-723	EA	SWITCH-THERMAL CUTOFF 2/PKG	93866
7	051393-01-724	EA	BOARD-CIRCUIT-SPADE TERMINAL	93865
8	051393-01-725	EA	ELECTRODE-SINGLE SPADE CONNECTOR	93868
9	051391-04-703	EA	BURNER-MAIN	91638
10	051391-01-717	EA	GRILLE-WATER HEATER DOOR	92640
	051391-01-716	EA	GRILLE ONLY (GOES ON FLUE BOX)	91786
11	051391-01-710	EA	ORIFICE-MAIN BURNER	92742
12	051391-03-700	EA	HOLDER-ORIFICE	91563
13	051393-01-726	EA	VALVE-SOLENOID-W/BRACKET	93870
14	051391-01-714	EA	FITTING-ELBOW-45 DEGREE-3/8 FX 3/8 MPT	1044
15	052009-07-000	EA	DOOR-WATER HEATER, 18" X 14.6" - METAL - SABLE	
	116424-01-000	EA	PROTECTOR-WATER HEATER LATCH-ADHESIVE BACKED ROUND VINYL	
16	051391-01-700	EA	HINGE KIT-(PIN & CLIP)	92568 & 92559
17	051391-04-704	EA	TANK-INNER (FRONT MOUNT)	91642
18	051391-01-715	EA	PLUG-DRAIN-1 EA=2 PER PKG	91857
19	051391-04-707	EA	KIT-EXHAUST-(FLUE & GASKET)	90960
	111129-01-711	EA	BRACKET-CORNER-SET OF FOUR	91928

WATER & SEWAGE GROUP (CONTINUED)

FRESHWATER TANK

KEY	PARTNUMBER	U/M DESCRIPTION
	120291-01-000	EA TANK-WATER-90GALLON-W/O FITTINGS
	120291-02-000	EA TANK-WATER-90GALLON-W/FITTINGS
	039861-01-000	EA SENDING UNIT-W/SCREW-WASHER-WELLNUT/TERMINALRING
	044927-01-000	EA ADAPTER-HOSE TO PIPE-1 1/4 MPT X 1 1/4 BARB-BLK PLS
	077954-02-000	EA FILTER-WATER TANK-W/SCREEN INTANK
	079381-01-000	FT TUBING-SMOOTH FLEXIBLE-1 3/8 ID X 20'
	114429-02-000	EA ELBOW-1/2" PX 1/2" MPT
	042989-03-000	EA FITTING-WATER TANK-SPINWELD-1 1/4" NPT-PLASTIC
	042989-05-000	EA FITTING-WATER TANK-SPINWELD-1/2" FPT-PLASTIC
	049032-01-000	EA PATCH-SPINWELD-3/8"-PLASTIC
	105804-01-000	EA ANGLE-STEEL

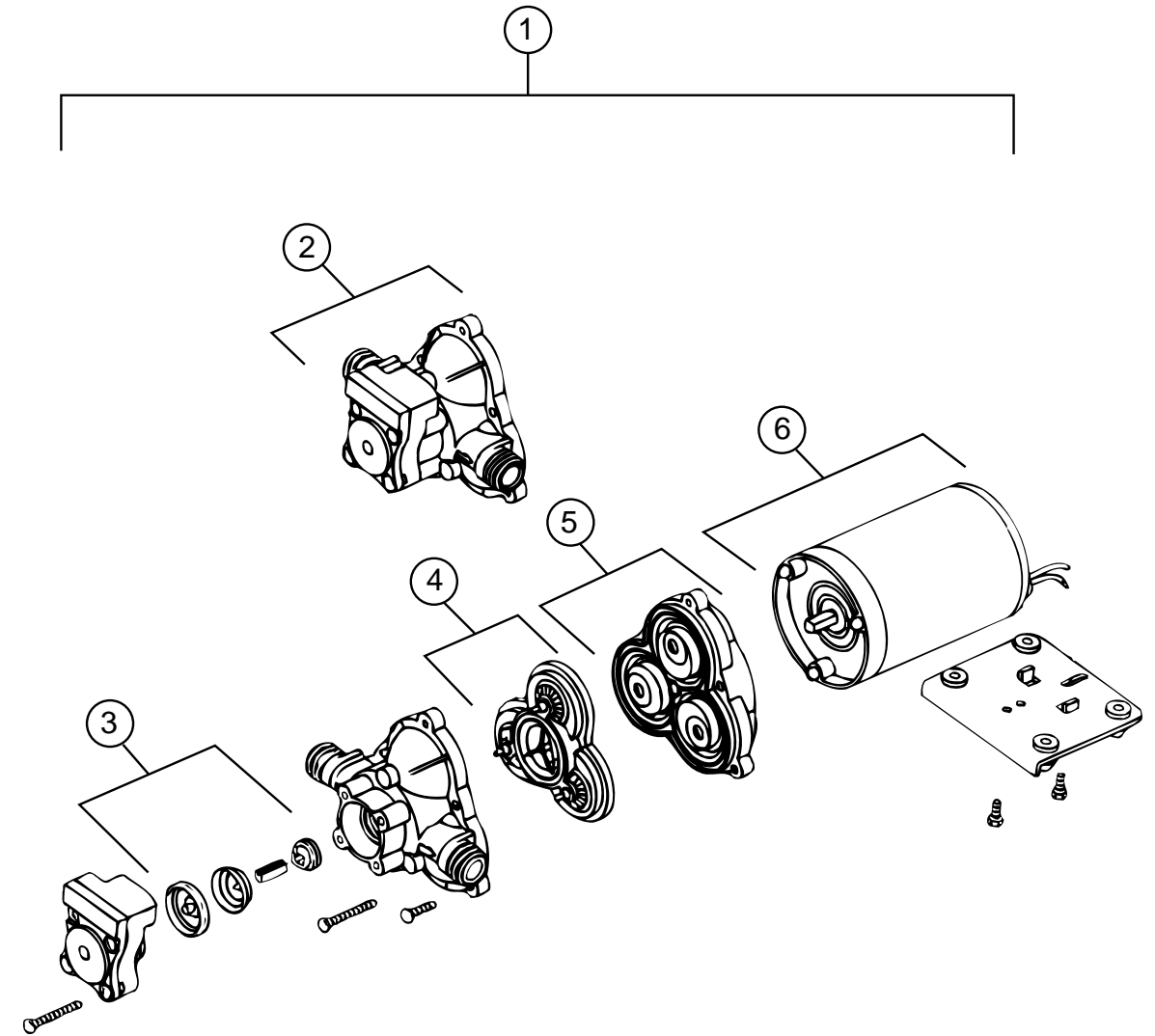
WATER SYSTEM

KEY	PARTNUMBER	U/M DESCRIPTION
	039800-04-000	FT TUBING-POLYBUTYL-1/4" OD
	039800-02-000	FT TUBING-POLYBUTYL-5/8" OD X 20'-INCOF 20'
	114429-01-000	EA ELBOW-1/2" PX 1/2" P
	114429-02-000	EA ELBOW-1/2" PX 1/2" MPT
	114429-03-000	EA ELBOW-FLAIR-ITSWIVEL-1/2" PX 1/2" FPT
	114429-04-000	EA ELBOW-1/2" PX 3/8" MPT
	114429-05-000	EA ELBOW-1/2" PX 3/4" MPT
	114429-06-000	EA ELBOW-SWIVEL-1/2" PX 3/4" FPT
	118424-01-000	EA ELBOW-BRASS-1/4 P X 1/4 P
	114430-08-000	EA ADAPTER-1/2 PX 3/4 MPT
	118809-01-000	EA ADAPTER-PLASTIC-1/2 MPT X 3/8 BARB
	114430-01-000	EA ADAPTER-1/2" PX 1/2" P
	114430-02-000	EA ADAPTER-SWIVEL-1/2" PX 1/2" FPT
	114430-03-000	EA ADAPTER-1/2" PX 1/2" MPT
	114428-01-000	EA TEE-1/2" PX 1/2" PX 1/2" P
	114428-03-000	EA TEE-1/2" PX 1/2" PX 1/2" MPT
	118423-01-000	EA FITTING-BRASS-TEE-1/4 CX 1/4 CX 1/4 C
	111888-02-000	EA INSERT-BRASS-1/4 COMP
	010230-05-000	EA FILL-CITY WATER-W/CHECK VALVE
		FROM: 00-00-00 THRU: 09-25-96
	010230-06-000	EA FILL-CITY WATER-W/CHECK VALVE-MPT
		FROM: 09-26-96 THRU: 99-99-99
	111888-01-000	EA FERRULE-PLASTIC-.250 ID X .375 OD
	114431-02-000	EA VALVE-WATER BYPASS-1/2" P-THREEWAY (WATER HEATER)
	114431-03-000	EA VALVE-90 DEGREE DRAIN-1/2" P
	121176-01-02B	EA BRACKET-WATER CENTER

WINTERIZATION KIT

KEY	PARTNUMBER	U/M DESCRIPTION
	118569-01-000	EA WINTERIZATION SYSTEM-SWANRFQ314-W
	118569-01-700	EA VALVE/SOLENOID-ELECT CONTROL
	118569-01-701	EA SWITCH-ELECTRIC
	118569-01-702	EA PLATE-SWITCH
	118569-01-703	EA TANK-2 GALLON
	118569-01-704	EA PLUG-3/4 MPT
	118569-01-705	EA PLUG-1/2 MPT
	118569-01-706	EA SCREEN-WHITE

WATER & SEWAGE GROUP (CONTINUED)

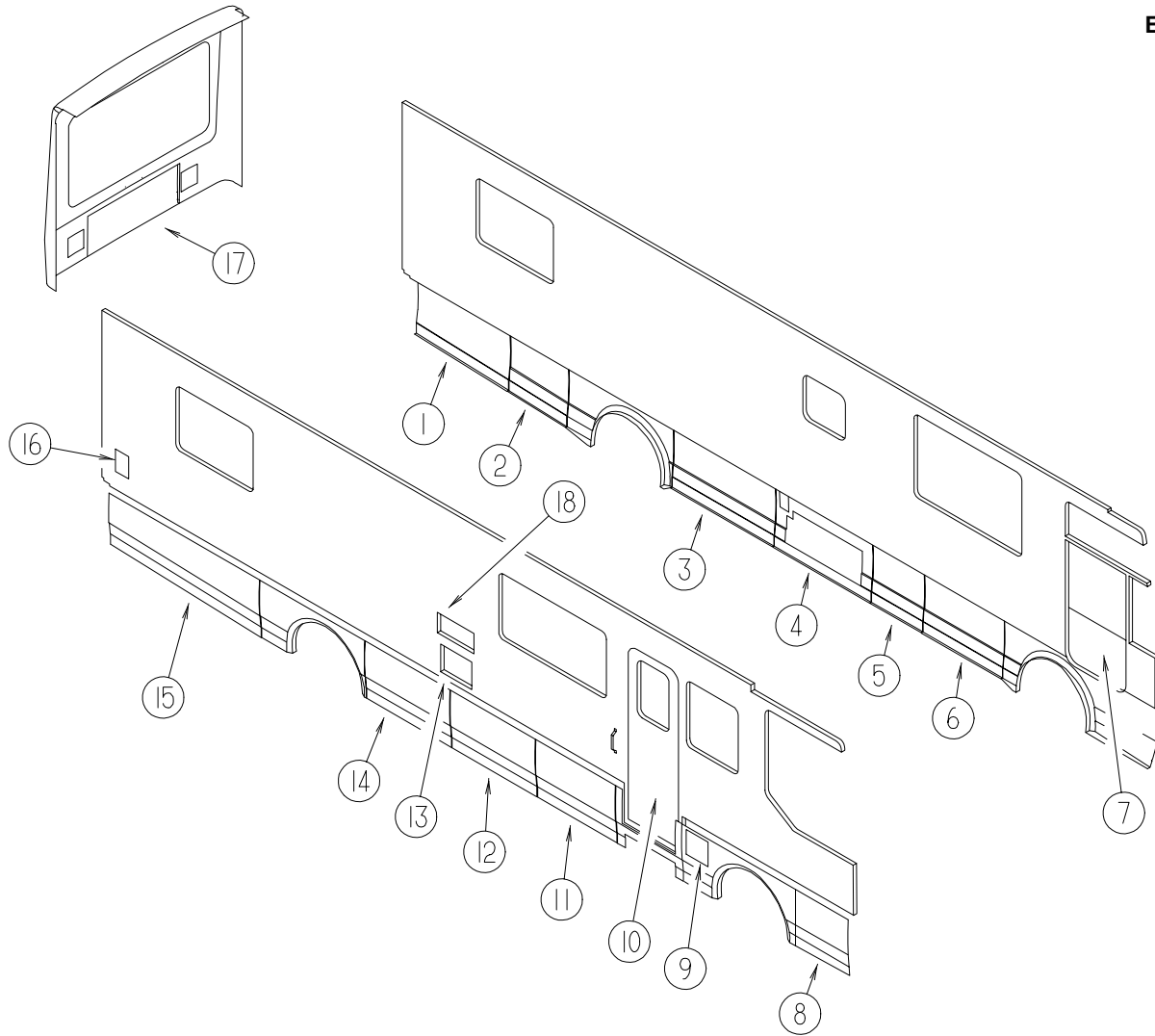


WATER PUMP-SHURFLO

KEY	PARTNUMBER	U/M DESCRIPTION	VENDOR NO.
1	098607-01-000	EA PUMP-WATER-W/.5" MPT FITTING-FLOW 2.8 GPM	
2	098607-01-706	EA HOUSING-W/SWITCH ONLY	94-231-20
3	098607-01-705	EA CHECK VALVE-KIT	94-237-00
4	098607-01-703	EA VALVE KIT	94-232-00
5	098607-01-702	EA DIAPHRAGM/DRIVE ASSEMBLY KIT	94-238-04
6	098607-01-707	EA MOTOR W/BASE PLATE	94-235-03

WINDOW, VENT & EXTERIOR DOOR GROUP

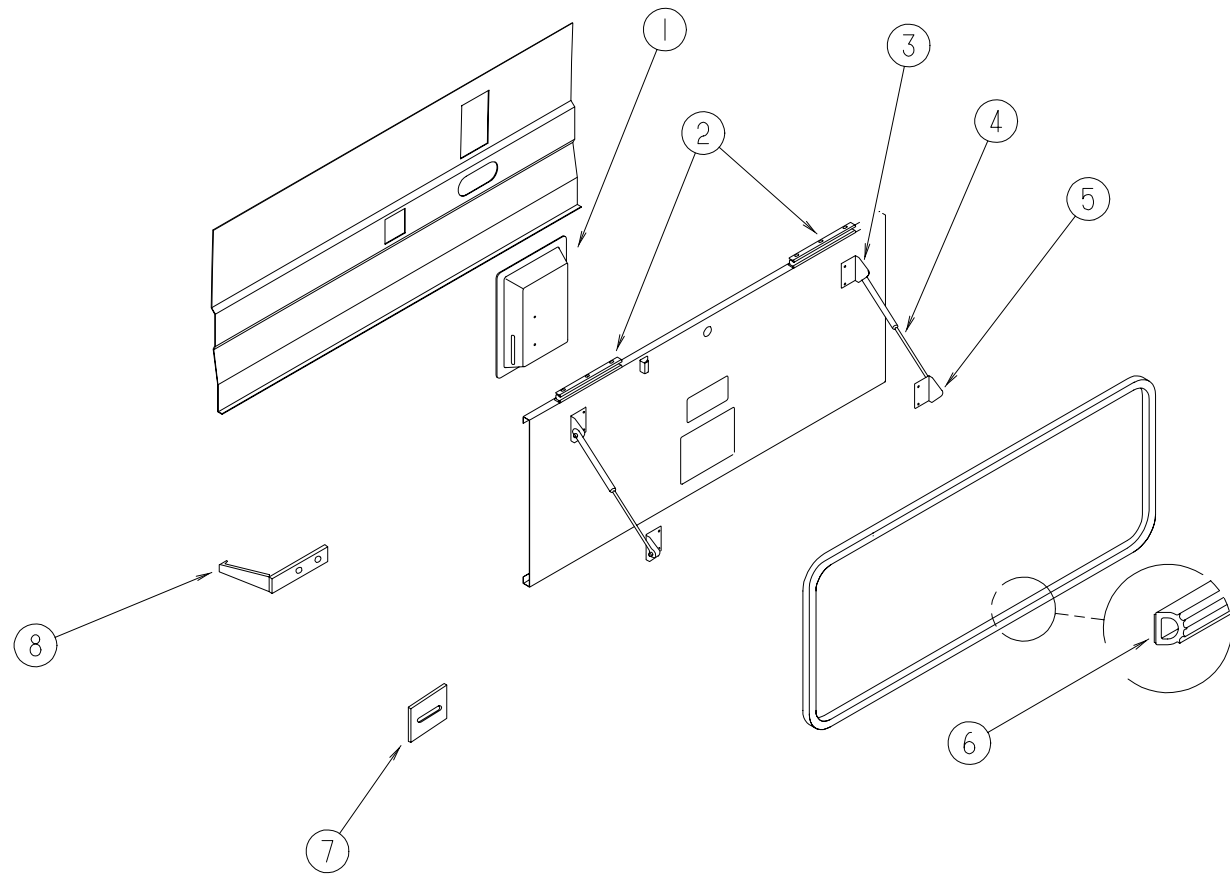
EXTERIOR DOORS



KEY	PARTNUMBER	U/M	DESCRIPTION
1	120249-01-GV0	EA	DOOR - VALANCE - DRIVER REAR W/FINS - 49.4" X 26" X 24.2"
	118037-01-01A	EA	HINGE - DOUBLE PIVOT
2	120252-02-GV0	EA	DOOR - VALANCE - DRIVER W/LOCKING PADDLE - 30.9" X 27.1" X 26"
	107796-02-000	EA	BRACKET - "L" MOUNT BRACKET - W/BALL STUD F/GASSPRING
			FROM: 00-00-00 THRU: 06-03-97
	118037-01-01A	EA	HINGE - DOUBLE PIVOT
	119443-01-01A	EA	COVER - LATCH - VALANCE DOOR
3	120251-05-GV0	EA	DOOR - VALANCE - DRVR W/LTCUTOUT/LOCKING PADDLE - 54.8" X 27.1"
	107796-02-000	EA	BRACKET - "L" MOUNT BRACKET - W/BALL STUD F/GASSPRING
			FROM: 00-00-00 THRU: 06-03-97
	118037-01-01A	EA	HINGE - DOUBLE PIVOT
	119443-01-01A	EA	COVER - LATCH - VALANCE DOOR
4	120250-01-GV0	EA	DOOR - VALANCE W/FINS - 44.6" WT X 54.8" WB X 18.9" X 27.1"
	104692-01-000	FT	SEAL - FOAM/ADHESIVE BACK - .75" THICK X .75" WIDE X 25'
			IF NEED "D" SHAPED SEAL W/ADHESIVE BACK ORDER #10772101000
			FROM: 00-00-00 THRU: 09-06-96
	104692-03-000	FT	SEAL - FOAM/ADHESIVE BACK - 1" THICK X 1.25" WIDE X 15'
			FROM: 09-07-96 THRU: 99-99-99
	118037-01-01A	EA	HINGE - DOUBLE PIVOT
5	120251-04-GV0	EA	DOOR - VALANCE - PASSENGER W/LOCKING PADDLE - 26.9" X 27.1"
	107796-02-000	EA	BRACKET - "L" MOUNT BRACKET - W/BALL STUD F/GASSPRING
			FROM: 00-00-00 THRU: 06-03-97
	118037-01-01A	EA	HINGE - DOUBLE PIVOT
	119443-01-01A	EA	COVER - LATCH - VALANCE DOOR

KEY	PARTNUMBER	U/M	DESCRIPTION	VENDOR NO.
6	120251-06-GV0	EA	DOOR - VALANCE - PASSENGER W/LOCKING PADDLE - 43.6" X 27.1"	
	107796-02-000	EA	BRACKET - "L" MOUNT BRACKET - W/BALL STUD F/GASSPRING	
			FROM: 00-00-00 THRU: 06-03-97	
	118037-01-01A	EA	HINGE - DOUBLE PIVOT	
	119443-01-01A	EA	COVER - LATCH - VALANCE DOOR	
7	106469-10-01A	EA	DOOR - DRIVERS - POWER WINDOW	
7	106469-11-01A	EA	DOOR - DRIVERS - POWER WINDOWS/LOCKS	
8	120896-01-GV0	EA	VALANCE - FRONT - PASSENGER - W/O HARDWARE	
9	120788-01-GV0	EA	DOOR ASM - FUEL FILL	
	110506-04-000	EA	LOCK ASM - KEYED - 26.45MM	
10	115108-08-H56	EA	DOOR - ENTRY - W/SCREEN DOOR - W/O WINDOW (H56, H57)	
10	115108-08-H58	EA	DOOR - ENTRY - W/SCREEN DOOR - W/O WINDOW (H58, H59, H64, H65)	
10	115108-08-H60	EA	DOOR - ENTRY - W/SCREEN DOOR - W/O WINDOW (H60, H61)	
10	115108-07-H56	EA	DOOR - ENTRY - W/POWER LOCK/SCREEN DOOR - W/O WINDOW (H56, H57)	
10	115108-07-H58	EA	DOOR - ENTRY - W/POWER LOCK/SCREEN DOOR - W/O WINDOW (H58, H59, H64, H65)	
10	115108-07-H60	EA	DOOR - ENTRY - W/POWER LOCK/SCREEN DOOR - W/O WINDOW (H60, H61)	
11	120251-01-GV0	EA	DOOR - VALANCE - PASSENGER W/LOCKING PADDLE 42.6" X 27.1"	
	107796-02-000	EA	BRACKET - "L" MOUNT BRACKET - W/BALL STUD F/GASSPRING	
			FROM: 00-00-00 THRU: 06-03-97	
	118037-01-01A	EA	HINGE - DOUBLE PIVOT	
	119443-01-01A	EA	COVER - LATCH - VALANCE DOOR	
12	120251-02-GV0	EA	DOOR - VALANCE - PASSENGER/LOCKING PADDLE 45.5" X 27.1"	
	107796-02-000	EA	BRACKET - "L" MOUNT BRACKET - W/BALL STUD F/GASSPRING	
			FROM: 00-00-00 THRU: 06-03-97	
	118037-01-01A	EA	HINGE - DOUBLE PIVOT	
	119443-01-01A	EA	COVER - LATCH - VALANCE DOOR	
13	052009-07-000	EA	DOOR - WATER HEATER - SABLE - 18" X 14.6"	
	116424-01-000	EA	PROTECTOR - LATCH - WATER HEATER	
14	120251-03-GV0	EA	DOOR - VALANCE - PASS W/LGT CUTOUT/NON-LOCK PADDLE - 45.5" X 27.1"	
	107796-02-000	EA	BRACKET - "L" MOUNT BRACKET - W/BALL STUD F/GASSPRING	
			FROM: 00-00-00 THRU: 06-03-97	
	118037-01-01A	EA	HINGE - DOUBLE PIVOT	
	119443-01-01A	EA	COVER - LATCH - VALANCE DOOR	
15	120252-01-GV0	EA	DOOR - VALANCE - PASSENGER W/LOCKING PADDLE - 80.7" X 24.2" X 27.1"	
	107796-02-000	EA	BRACKET - "L" MOUNT BRACKET - W/BALL STUD F/GASSPRING	
			FROM: 00-00-00 THRU: 06-03-97	
	118037-01-01A	EA	HINGE - DOUBLE PIVOT	
	119443-01-01A	EA	COVER - LATCH - VALANCE DOOR	
16	081240-17-000	EA	FILL - WATER - LOCKABLE - W/O LOCK	
	110506-02-000	EA	LOCK - KEYED - 13.64MM	
17	117507-02-GV0	EA	PANEL - DOOR - ENGINE - REAR	
	118533-01-GV0	EA	GRILLE - DOOR/TRUNK	
	114268-03-02B	EA	BRACKET - GASSPRING - 14 GAUGE	
	102325-02-06A	EA	HINGE - TRUNK DOOR	
18	118368-01-02A	EA	DOOR - VENT - REFRIGERATOR	
			FROM: 00-00-00 THRU: 01-05-97	
	125481-01-01A	EA	DOOR - REFRIGERATOR VENT	
			FROM: 01-06-97 THRU: 99-99-99	
	084103-09-000	EA	DOOR - VENT/REFRIGERATOR - SABLE	
	034104-09-000	EA	JAMB - VENT DOOR - REFRIGERATOR	
	084104-01-700	EA	LOCK - MALE - FASTENER	201-721-010
	084104-01-701	EA	LOCK - FEMALE - FASTENER	201-802-010

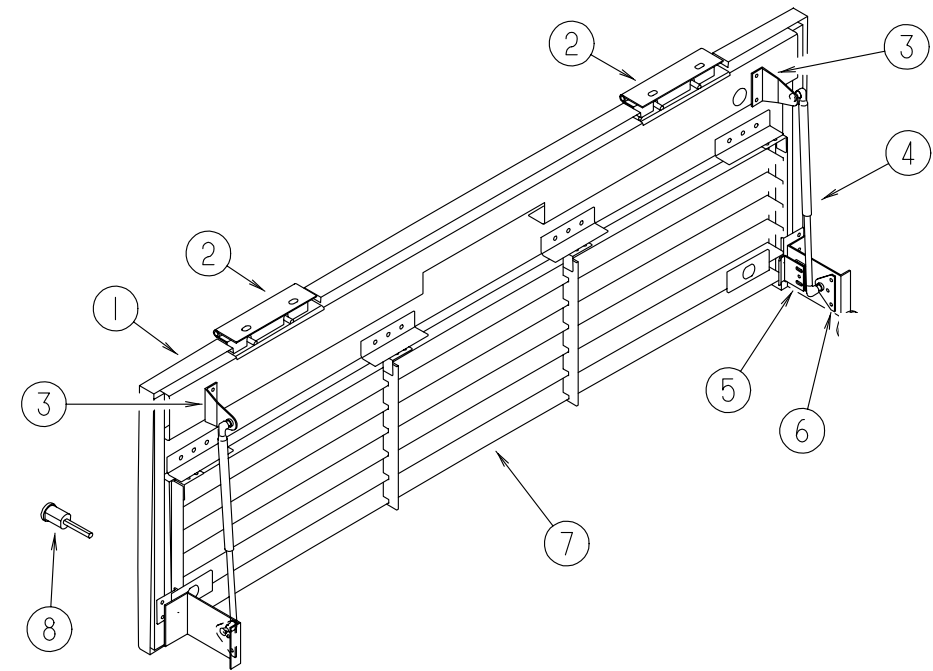
WINDOW, VENT & EXTERIOR DOOR GROUP (CONTINUED)



EXTERIOR DOOR COMPONENTS & HOLDER

KEY	PART NUMBER	U/M	DESCRIPTION	VENDOR NO.
1	119443-01-01A	EA	COVER-LATCH-VALANCEDOOR	
	100128-02-000	FT	SEAL-FOAM-ADHESIVEBACK-.37"WIDEX.37"THICK	
2	118037-01-01A	EA	HINGE-DOUBLEPIVOT	
2	118037-02-02B	EA	HINGE-DOUBLEPIVOT-90DEGREE (FUELDOOR)	
2	118037-02-01A	EA	HINGE-DOUBLEPIVOT-90DEGREE (FUELDOOR)	
3	107796-02-000	EA	BRACKET-"L" MOUNT BRACKET-W/BALLSTUDF/GASSPRING	
4	107796-01-000	EA	SPRING/GAS-11" COMPRESSED/17" EXTENDED-40LB.	
4	107796-08-000	EA	SPRING/GAS-11" COMPRESSED/17" EXTENDED-60LB	
5	107796-05-000	EA	BRACKET-SUPPORT-GASSPRING TO BED-FLAT (LOWER)	
6	107721-01-000	FT	BULBSEAL-"D" SHAPED W/ADHESIVE ON FLAT SIDE	
7	110415-01-01A	EA	SHIM-LATCH-VALANCEDOOR	
8	102768-01-000	EA	HOLDER-COMPARTMENT/ENTRY DOOR-METAL-MILL FINISH	
	091876-01-000	EA	RETAINER-DOOR-1.9"X.8"-METAL	
	107796-01-700	EA	END FITTING, SCREW ON	SPD-EF-PS130

WINDOW, VENT & EXTERIOR DOOR GROUP (CONTINUED)



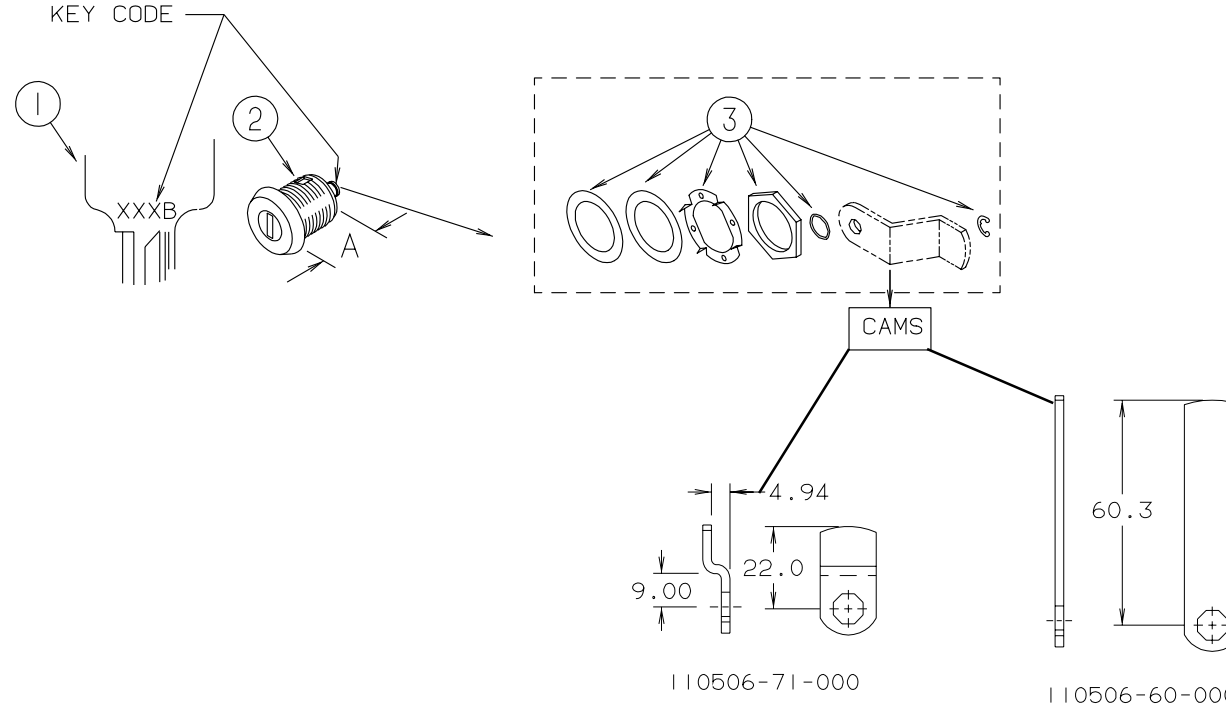
ENGINE DOOR COMPONENTS

KEY	PART NUMBER	U/M	DESCRIPTION
1	117507-02-GV0	EA	PANEL-DOOR-ENGINE-REAR
2	102325-02-06A	EA	HINGE-TRUNK DOOR
	057460-02-000	EA	STUDBALL-GASSPRING-.39"-5/16"-18
3	114268-03-02B	EA	BRACKET-GASSPRING-14 GAUGE
4	108998-01-000	EA	SPRING-GAS 12" COMPRESSED/20" EXTENDED-30LB
5	107719-01-01A	EA	STRIKE-VALANCEDOOR
	118931-01-02B	EA	SHIM-STRIKER-DOOR
6	107796-05-000	EA	BRACKET-SUPPORT-GASSPRING TO BED-FLAT (LOWER)
7	118533-01-GV0	EA	GRILLE-DOOR/TRUNK
8	102330-02-000	EA	LATCH-VISE ACTION/KEY OPERATED
	102328-01-000	EA	KEY-BARREL-NICKEL PLATED

WINDOW, VENT & EXTERIOR DOOR GROUP (CONTINUED)

BRIGGS & STRATTON LOCKS & COMPONENTS

NOTE:
 WHEN ORDERING THE LOCK CASE, THE KEY CODE MUST MATCH THE LAST DIGIT OF THE VEHICLE'S SERIAL NUMBER AND PART NUMBER; WHEN ORDERING THE KEYS, THE THIRD DIGIT OF THE KEY CODE MUST MATCH THE LAST DIGIT OF THE VEHICLE'S SERIAL NUMBER AND PART NUMBER

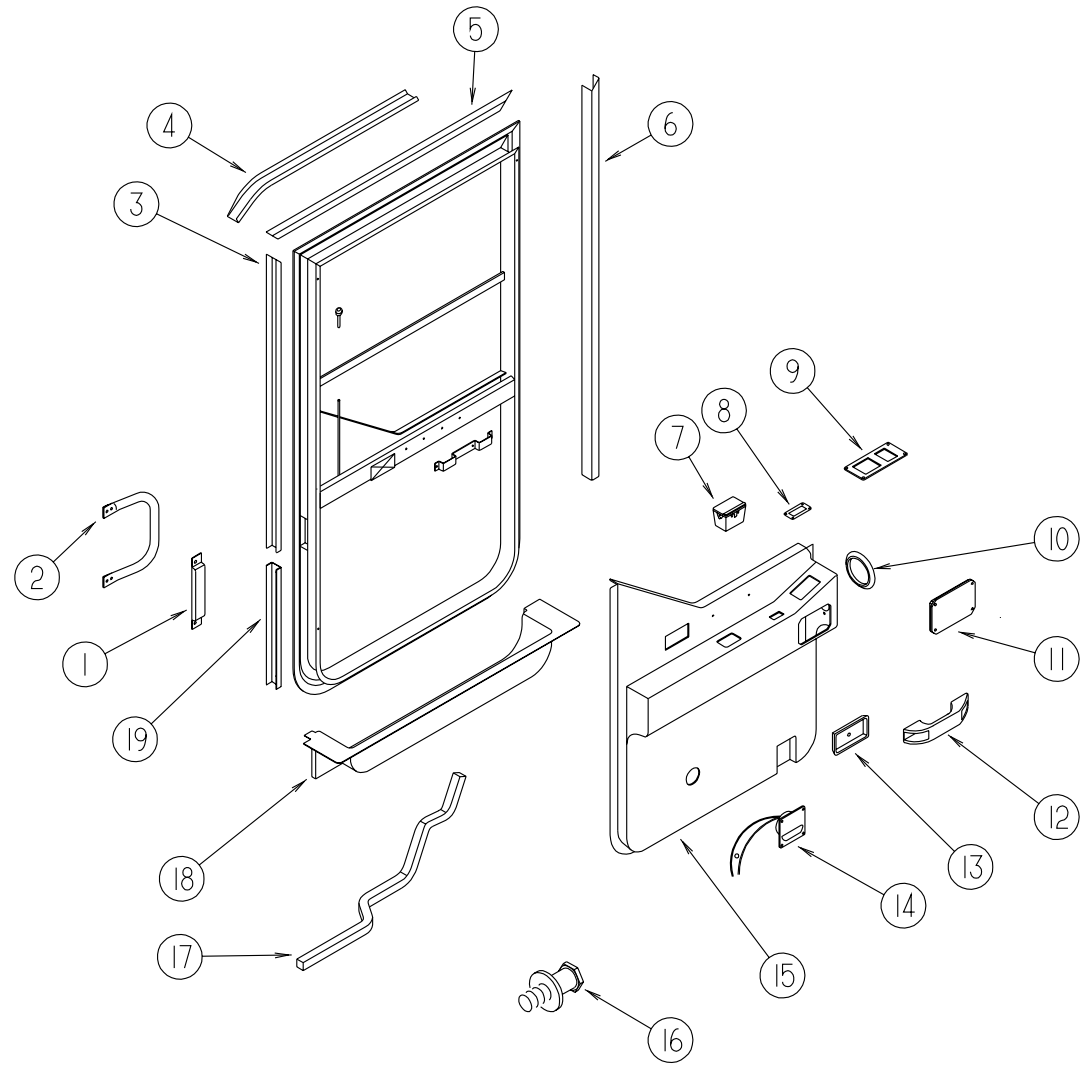


KEY	PARTNUMBER	U/M	DESCRIPTION	VENDORNO.
1	110506-59-000	EA	KEYS-SETOFTWO	596720
2	110506-52-000	EA	CASEASM-LOCK17MM	702370
2	110506-53-000	EA	CASEASM-LOCK25MM	702380
1	110506-59-001	EA	KEYS-SETOFTWO	596721
2	110506-52-001	EA	CASEASM-LOCK17MM	702371
2	110506-53-001	EA	CASEASM-LOCK25MM	702381
1	110506-59-002	EA	KEYS-SETOFTWO	596722
2	110506-52-002	EA	CASEASM-LOCK17MM	702372
2	110506-53-002	EA	CASEASM-LOCK25MM	702382
1	110506-59-003	EA	KEYS-SETOFTWO	596723
2	110506-52-003	EA	CASEASM-LOCK17MM	702373
2	110506-53-003	EA	CASEASM-LOCK25MM	702383
1	110506-59-004	EA	KEYS-SETOFTWO	596724
2	110506-52-004	EA	CASEASM-LOCK17MM	702374
2	110506-53-004	EA	CASEASM-LOCK25MM	702384
1	110506-59-005	EA	KEYS-SETOFTWO	596725
2	110506-52-005	EA	CASEASM-LOCK17MM	702375
2	110506-53-005	EA	CASEASM-LOCK25MM	702385
1	110506-59-006	EA	KEYS-SETOFTWO	596726
2	110506-52-006	EA	CASEASM-LOCK17MM	702376
2	110506-53-006	EA	CASEASM-LOCK25MM	702386

KEY	PARTNUMBER	U/M	DESCRIPTION	VENDORNO.
1	110506-59-007	EA	KEYS-SETOFTWO	596727
2	110506-52-007	EA	CASEASM-LOCK17MM	702377
2	110506-53-007	EA	CASEASM-LOCK25MM	702387
1	110506-59-008	EA	KEYS-SETOFTWO	596728
2	110506-52-008	EA	CASEASM-LOCK17MM	702378
2	110506-53-008	EA	CASEASM-LOCK25MM	702388
1	110506-59-009	EA	KEYS-SETOFTWO	596729
2	110506-52-009	EA	CASEASM-LOCK17MM	702379
2	110506-53-009	EA	CASEASM-LOCK25MM	702389
3	110506-40-700	EA	HARDWAREPACKAGE-CYLINDER/CASE	
	110506-60-000	EA	CAM-LATCHING-STRAIGHT2.4"(FUELFILL)	
	110506-71-000	EA	CAM-LATCHING-STRAIGHT2.4"(WATERFILL)	
	110506-59-701	EA	KEYBLANK(GOLD)	

WINDOW, VENT & EXTERIOR DOOR GROUP (CONTINUED)

DRIVERS DOOR



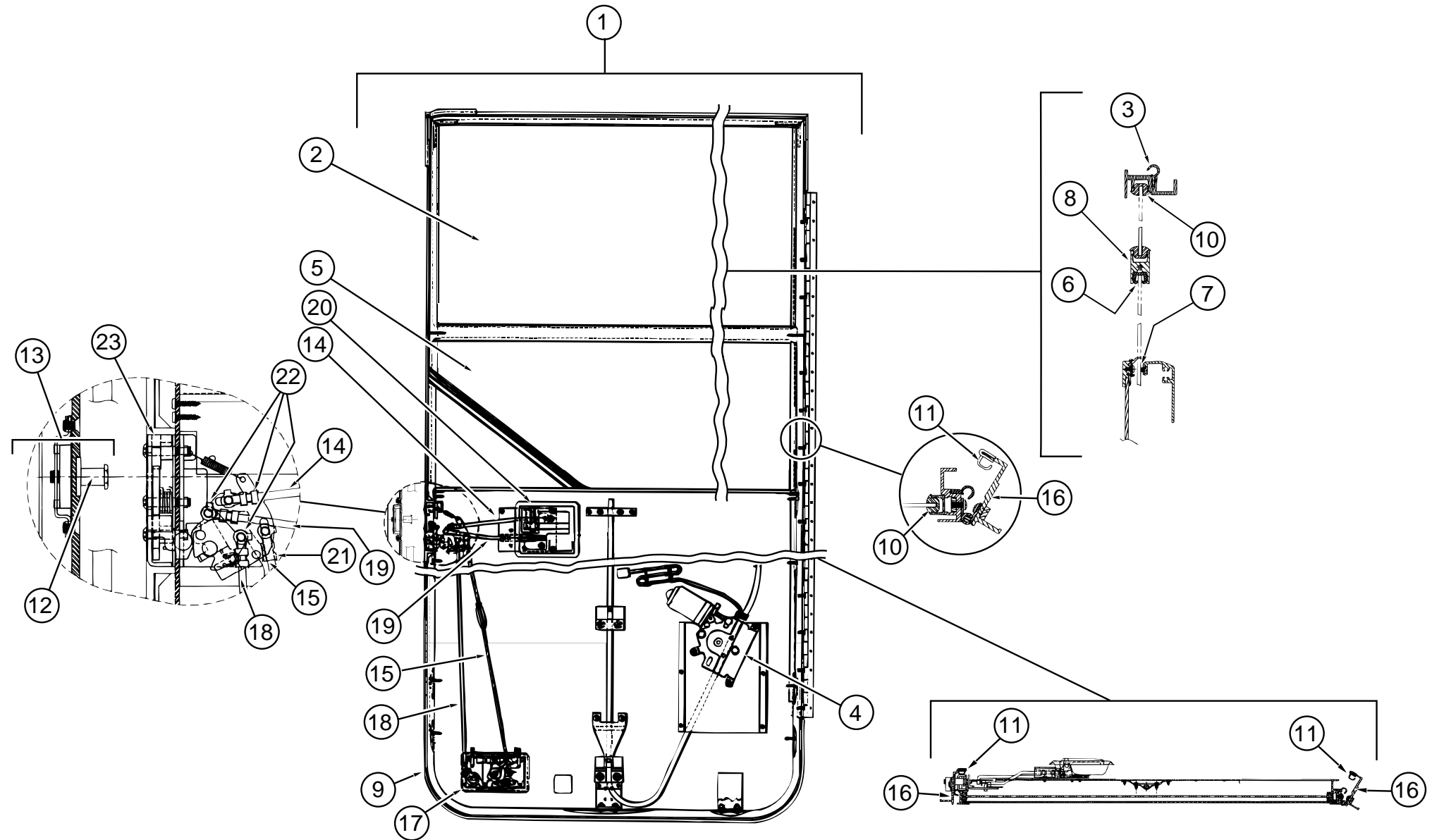
KEY	PARTNUMBER	U/M	DESCRIPTION	VENDOR NO.
	106469-10-01A	EA	DOOR-DRIVERS-POWERWINDOW	
	106469-11-01A	EA	DOOR-DRIVERS-POWERWINDOWS/LOCKS	
1	108654-01-01A	EA	COVER-STRIKE-DRIVERDOOR	
2	108832-02-01A	EA	HANDLE-ASSIST-DOOR/DRIVER	
3	N/A	EA	GARNISH-DRIVERSDOOR	
4	108274-08-01A	EA	RAIL-DRIP-FRONT/DRIVER	
5	N/A	EA	GARNISH-DRIVERSDOOR-MILL	
6	N/A	EA	GARNISH-DRIVERSDOOR-MILL	
	108119-03-F36	EA	GARNISH-DRIVERDOOR	
7	118719-01-01A	EA	ASHTRAY-TOPMOUNT-BLACKPLASTIC	
8	093132-01-000	EA	SWITCH-ROCKER-5TERMINAL-W/ARROWSF/POWERWINDOWS	
	094086-01-01A	EA	PLATE-SWITCH-SINGLE GANG-1.8"X3"-BLACKPLASTIC	
9	087695-02-000	EA	SWITCH-HEATER-EXTERIORMIRROR	
9	088246-01-000	EA	SWITCH-REMOTE-EXTERIOR-SQUAREPUSH	
	093145-01-000	EA	SLEEVE-WIRE-10"LONG	
10	093146-01-000	EA	GROMMET-WIRE-1.7"X3.1"-OVALSHAPED-BLACKPLASTIC	
11	107889-02-000	EA	CONTROL PANEL KIT-ELECTRONIC SOFT TOUCH	
	100532-09-700	EA	PANEL ASM.- TOUCH CONTROL	RAP1002
	100532-09-702	EA	CABLE-MODULAR-5'	AP1020
12	102710-01-01A	EA	HANDLE-ASSIST-ENTRY DOOR-6.6"LONG	
	118640-01-01B	EA	BRACKET-HANDLE	
13	106469-04-712	EA	HARDWARE-INNER HANDLE-LH	248-041402
14	108354-01-01A	EA	LIGHT-COURTESY	
	108354-01-700	EA	BULB-COURTESY LIGHT	395-B
15	118582-01-01A	EA	PANEL-TRIM-INNER/LEFTHAND	
15	118582-02-01A	EA	PANEL-TRIM-INNER/LEFTHAND-F/LEVELING JACKS	
16	106469-04-703	EA	BOLT-STRIKER-W/WASHER	248-041152
16	106469-04-704	EA	NUT ASSEMBLY-CAGED W/STRIKER	248-041151
17	063977-14-000	EA	STEP-DRIVER DOOR-LEFTHAND	
18	107818-02-01A	EA	TRIM-STEP-DRIVER DOOR	
	102569-02-000	EA	MAT-ANTISLIP-LOWER	
	109506-01-000	EA	FILM-URETHANE-PROTECTANT-4.25"X26.75"	
	109235-01-01A	FT	COVER-SCREW-MAT BLACK	
19	108897-02-01A	EA	GARNISH-DRIVER DOOR-REAR LOWER	
	109378-01-000	EA	STRAP-CHECK-DRIVER DOOR-12.8"	
	064219-01-000	EA	RETAINER-CHECK STRAP-DRIVER DOOR	
	091162-55-005	EA	ANGLE-4900-V.W. GRAY	

POWER DOOR LOCKS W/REMOTE

KEY	PARTNUMBER	U/M	DESCRIPTION	VENDOR NO.
	102756-02-000	EA	REMOTE KEYLESS ENTRY SYSTEM	
	102756-01-704	EA	HARNES-MAIN	203-6638
	102756-02-700	EA	REMOTE (TRANSMITTER) KEYLESS	412-1036
	102756-02-701	EA	BOARD-MODULE-NEW SYSTEM	202-3153
	102756-01-701	EA	BATTERY-12VF/TRANSMITTER	402-1004

WINDOW, VENT & EXTERIOR DOOR GROUP (CONTINUED)

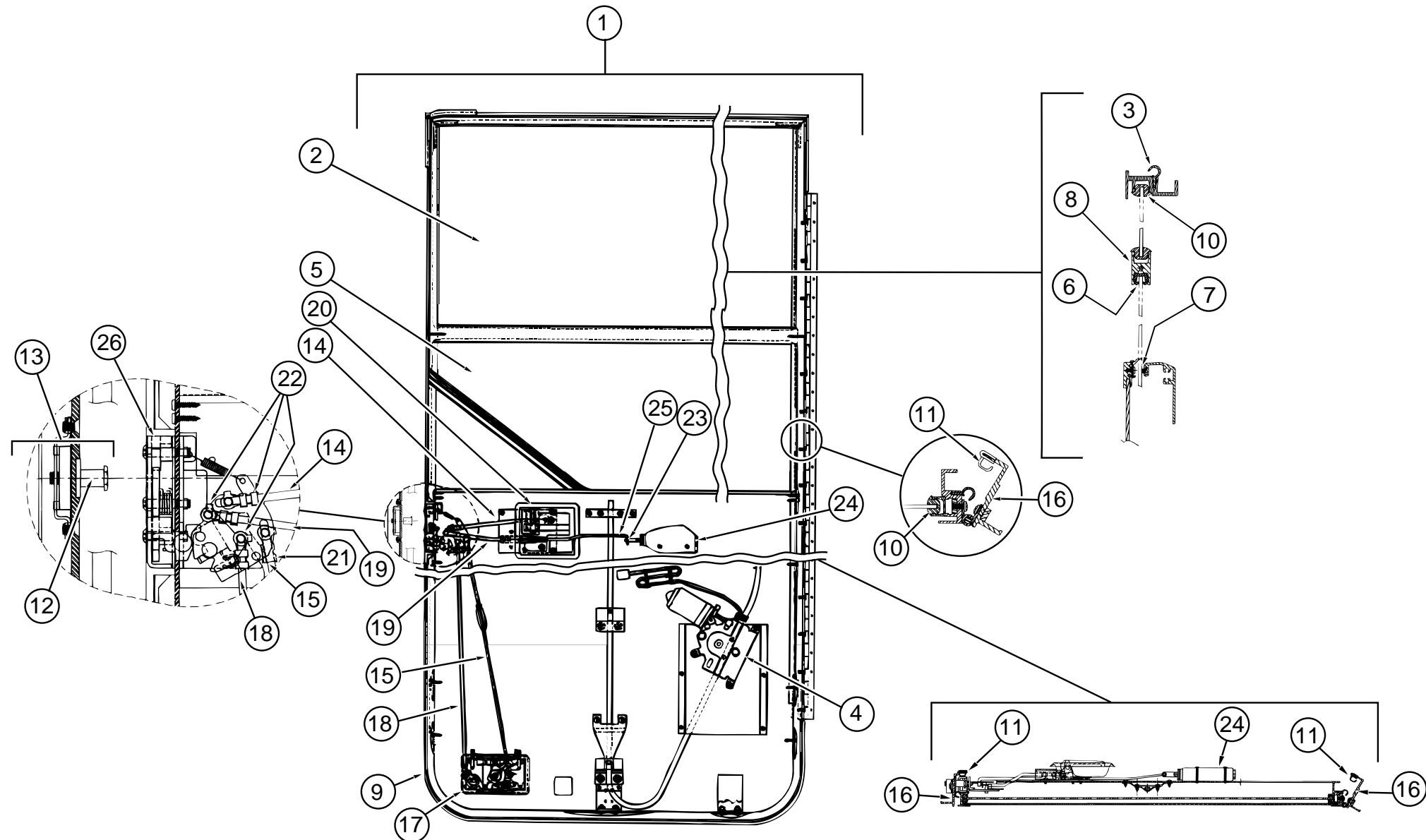
DRIVERS DOOR W/O POWER LOCKS - EXCEL V134-02L



KEY	PARTNUMBER	U/M	DESCRIPTION	VENDORNO.	KEY	PARTNUMBER	U/M	DESCRIPTION	VENDORNO.
1	106469-10-01A	EA	DOOR-DRIVERS-POWERWINDOW		14	106469-04-705	EA	ROD-LATCH-HORIZONTAL	203-041139
2	106469-01-700	EA	GLASS	106-040976	15	106469-10-701	EA	ROD-LATCH-VERTICAL(ADJUSTING)	203-041356
3	106469-01-702	EA	SEAL-DOOR-(FRAME)EA=1	122-040984	16	106469-10-704	EA	FRAME-MOUNTING-BLACK	V134-30L
4	106469-10-700	EA	REGULATOR(ELECTRIC)MODIFIED	V134-89L		106469-05-702	EA	HINGE-42"	211-041194
5	106469-10-702	EA	GLASS-ROLLUP	V134-65L	17	106469-04-700	EA	PADDEASSEMBLY-W/COLLAR	248-041237
6	106469-01-705	FT	CHANNEL-RUN-SLIDING	122-010850	18	106469-10-706	EA	ROD-LOCK-VERTICAL(ADJUSTING)	203-041357
7	106469-01-709	FT	WEATHERSTRIPFUZZY	171-040630	19	106469-04-711	EA	ROD-LOCK-HORIZONTAL	203-041137
8	106469-08-700	EA	MULLION-RAIL-HORIZONTAL	V090-84	20	106469-04-712	EA	HARDWARE-INNERHANDLE-LH	248-041148
9	106469-10-705	EA	BELT-WEATHERSTRIP	V134-57	21	106469-04-713	EA	ROD-CLIP-LH	248-041154
10	106469-01-722	EA	GLAZING-VINYL-HORIZONTAL	V103-87	22	106469-04-714	EA	ROD-CLIP-RH	248-041153
11	106469-01-723	EA	SEAL-BULB-DRIVERDOOR(JAMB)	171-040985	23	106469-05-706	EA	LATCH-ROTARY-W/LINKAGE	248-041150
	106469-04-701	EA	TUMBLER&KEYS-TRI-MARK	248-041179		106469-10-703	EA	PARTSBAG(STRAP-BRKTSMISC)	V123-17
	106469-04-715	EA	LATCHCOMPLETE-W/TUMBLER&KEYS	V123-15					
	045017-11-701	EA	KEY-BLANK(F1SERIES)"K-104"-DOORLOCK	81312-02					
12	106469-04-703	EA	BOLT-STRIKER-W/WASHER	248-041152					
13	106469-04-704	EA	NUTASSEMBLY-CAGEDW/STRIKER	248-041151					

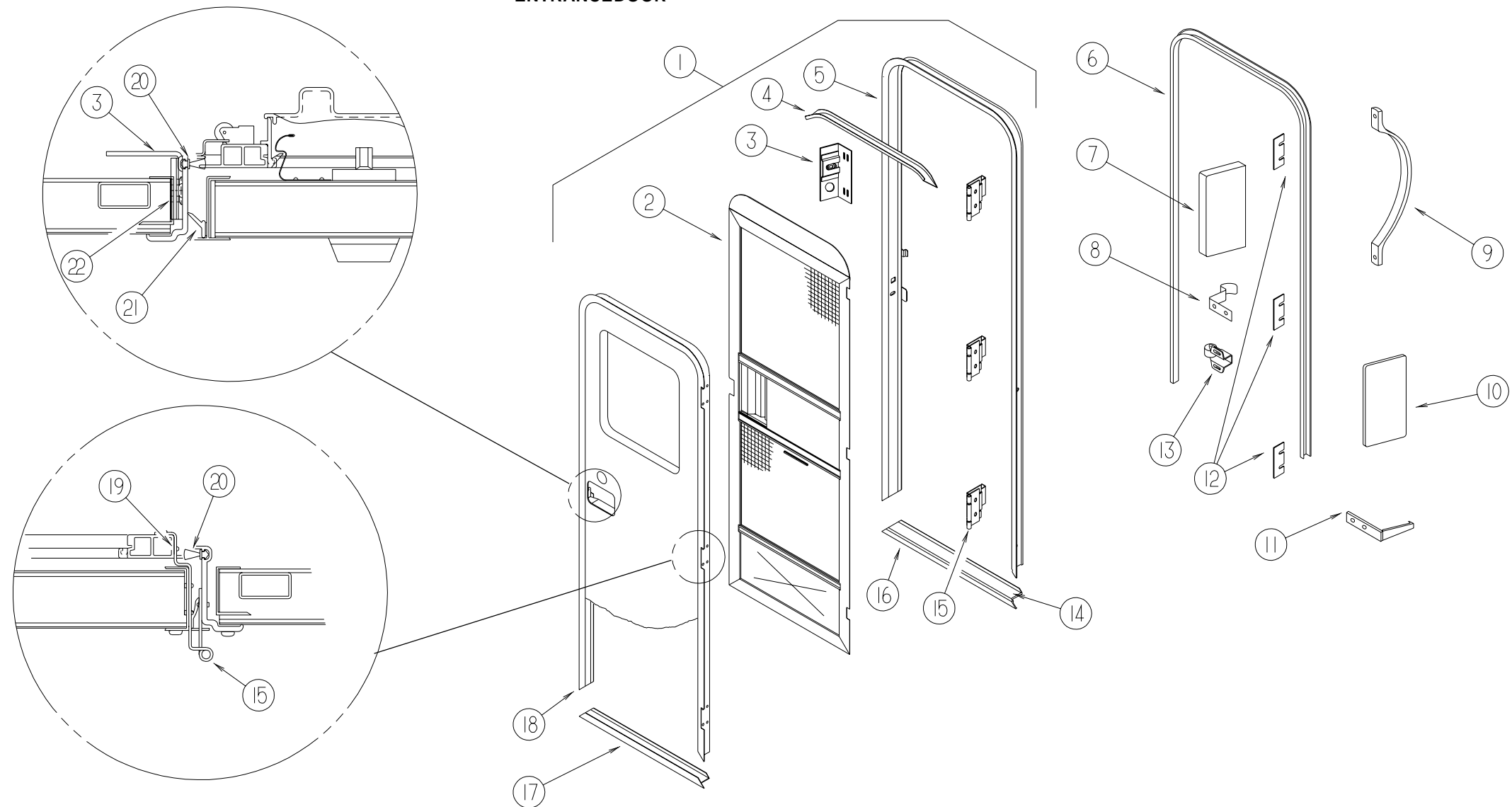
WINDOW, VENT & EXTERIOR DOOR GROUP (CONTINUED)

DRIVERS DOOR W/ POWER LOCKS - EXCEL V134-03L



KEY	PARTNUMBER	U/M	DESCRIPTION	VENDORNO.	KEY	PARTNUMBER	U/M	DESCRIPTION	VENDORNO.
1	106469-11-01A	EA	DOOR-DRIVERS-POWERWINDOWS/LOCKS		14	106469-04-705	EA	ROD-LATCH-HORIZONTAL	203-041139
2	106469-01-700	EA	GLASS	106-040976	15	106469-10-701	EA	ROD-LATCH-VERTICAL (ADJUSTING)	203-041356
3	106469-01-702	EA	SEAL - DOOR - 1 EA	122-040984	16	106469-10-704	EA	FRAME-MOUNTING-BLACK	V134-30L
4	106469-10-700	EA	REGULATOR (ELECTRIC) MODIFIED	V134-89L		106469-05-702	EA	HINGE - 42"	211-041194
5	106469-10-702	EA	GLASS - ROLLUP	V134-65L	17	106469-04-700	EA	PADDLE ASSEMBLY - W/COLLAR	248-041237
6	106469-01-705	FT	CHANNEL - RUN - SLIDING	122-010850	18	106469-10-706	EA	ROD-LOCK - VERTICAL (ADJUSTING)	203-041357
7	106469-01-709	EA	WEATHERSTRIP FUZZY	171-040630	19	106469-04-711	EA	ROD-LOCK - HORIZONTAL	203-041137
8	106469-08-700	EA	MULLION-RAIL-HORIZONTAL	V090-84	20	106469-04-712	EA	HARDWARE - INNER HANDLE - LH	248-041148
9	106469-10-705	EA	BELT-WEATHERSTRIP	V134-57	21	106469-04-713	EA	ROD - CLIP - LH	248-041154
10	106469-01-722	EA	GLAZING - VINYL - HORIZONTAL	V103-87	22	106469-04-714	EA	ROD - CLIP - RH	248-041153
11	106469-01-723	EA	SEAL - BULB - DRIVER DOOR (JAMB)	171-040985	23	106469-05-700	EA	ROD - CLIP	231-041095
	106469-04-701	EA	TUMBLER & KEYS - TRI-MARK	248-041179	24	106469-05-701	EA	ACTUATOR - ELECTRIC LOCK	410-041096
	106469-04-715	EA	LATCH COMPLETE - W/TUMBLER & KEYS	V123-15	25	106469-05-704	EA	ROD-LOCK-POWER	203-041141
	045017-11-701	EA	KEY - BLANK (F1 SERIES) "K-104" - DOOR LOCK	81312-02	26	106469-05-706	EA	LATCH - ROTARY - W/LINKAGE	248-041150
12	106469-04-703	EA	BOLT - STRIKER - W/WASHER	248-041152		106469-10-703	EA	PARTSBAG (STRAP-BRKTSMISC)	V123-17
13	106469-04-704	EA	NUT ASSEMBLY - CAGED W/STRIKER	248-041151					

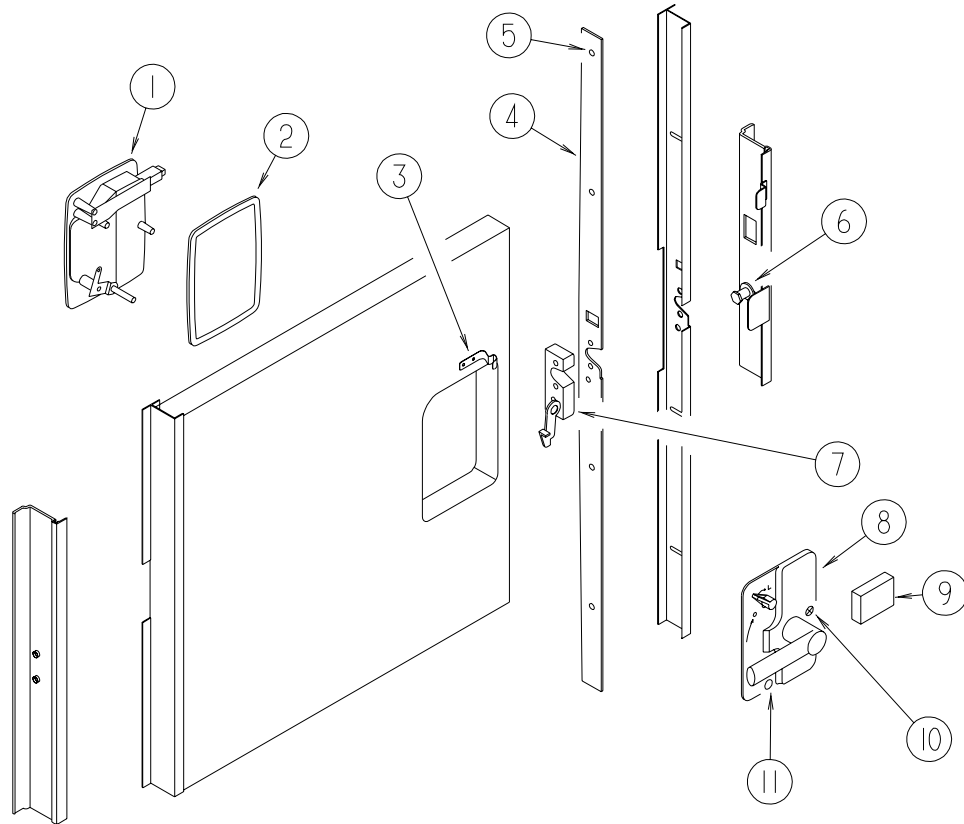
WINDOW, VENT & EXTERIOR DOOR GROUP (CONTINUED)
ENTRANCE DOOR



KEY	PARTNUMBER	U/M	DESCRIPTION
1	115108-08-H56	EA	DOOR-ENTRY-W/SCREENDOOR-W/O WINDOW (H56, H57)
1	115108-08-H58	EA	DOOR-ENTRY-W/SCREENDOOR-W/O WINDOW (H58, H59, H64, H65)
1	115108-08-H60	EA	DOOR-ENTRY-W/SCREENDOOR-W/O WINDOW (H60, H61)
1	115108-07-H56	EA	DOOR-ENTRY-W/POWERLOCK/SCREENDOOR-W/O WINDOW (H56, H57)
1	115108-07-H58	EA	DOOR-ENTRY-W/POWERLOCK/SCREENDOOR-W/O WINDOW (H58, H59, H64, H65)
1	115108-07-H60	EA	DOOR-ENTRY-W/POWERLOCK/SCREENDOOR-W/O WINDOW (H60, H61)
2	117077-02-GV0	EA	DOOR-SCREEN
3	041546-08-000	EA	BRACKET-DOOR ANGLE O/W
4	044582-49-000	EA	CAP-DRIP-JAMB MITERED
5	121898-07-01A	EA	JAMB-ENTRY DOOR
5	121898-06-01A	EA	JAMB-ENTRY DOOR-POWERED DOOR
	092927-03-000	EA	STRIKER-ROUND-JAMB MOUNTED
6	115222-02-01A	EA	GARNISH-RADIUS-ENTRY DOOR
6	115222-08-01A	EA	GARNISH-RADIUS-ENTRY DOOR-POWERED DOOR
7	077461-03-000	EA	COVER-STRIKE-ENTRY DOOR-6.5" X 2.5"-WHITE PLASTIC
8	100412-01-000	EA	CATCH-SCREENDOOR
9	102710-01-01A	EA	HANDLE-ASSIST-ENTRY DOOR-6.6" LONG
10	076725-02-000	EA	COVER-ACCESS-HINGE-ENTRY DOOR-6" X 3.2"
11	102768-01-000	EA	HOLDER-COMPARTMENT/ENTRY DOOR-METAL-MILL FINISH
12	102248-01-000	EA	SHIM-DOOR
13	109403-01-000	EA	CATCH-SINGLE ROLLER-SCREENDOOR
14	038327-01-000	EA	TAPE-ANTI-SLIP-2" X 60'
15	106719-01-01A	EA	HINGE-ENTRANCE DOOR-MILL
	039715-01-000	EA	NUT-SERT-1/4" DIAMETER-20 THREADS
	116111-02-01A	EA	SCREW-TAPTITE-1/4-20 X 3/8 PPH-ZINC

KEY	PARTNUMBER	U/M	DESCRIPTION
16	051049-01-000	EA	JAMB-BOTTOM-ENTRY DOOR-25.9"-UNPAINTED
17	089748-23-000	EA	FRAME-BOTTOM-ENTRANCE DOOR
18	122102-02-01A	EA	FRAME-ENTRY DOOR
18	122102-01-01A	EA	FRAME-ENTRY DOOR-W/POWERLOCK
19	100128-02-000	FT	SEAL-FOAM-ADHESIVE BACK-.37" WIDE X .37" THICK
20	118929-01-01A	FT	SEAL-PILE-PUSH ON
21	075671-04-000	FT	SEAL-SPONGE-LAZY T-W/ADHESIVE STRIP-.5" WIDE
22	104692-01-000	FT	SEAL-FOAM/ADHESIVE BACK-.75" THICK X .75" WIDE X 25'

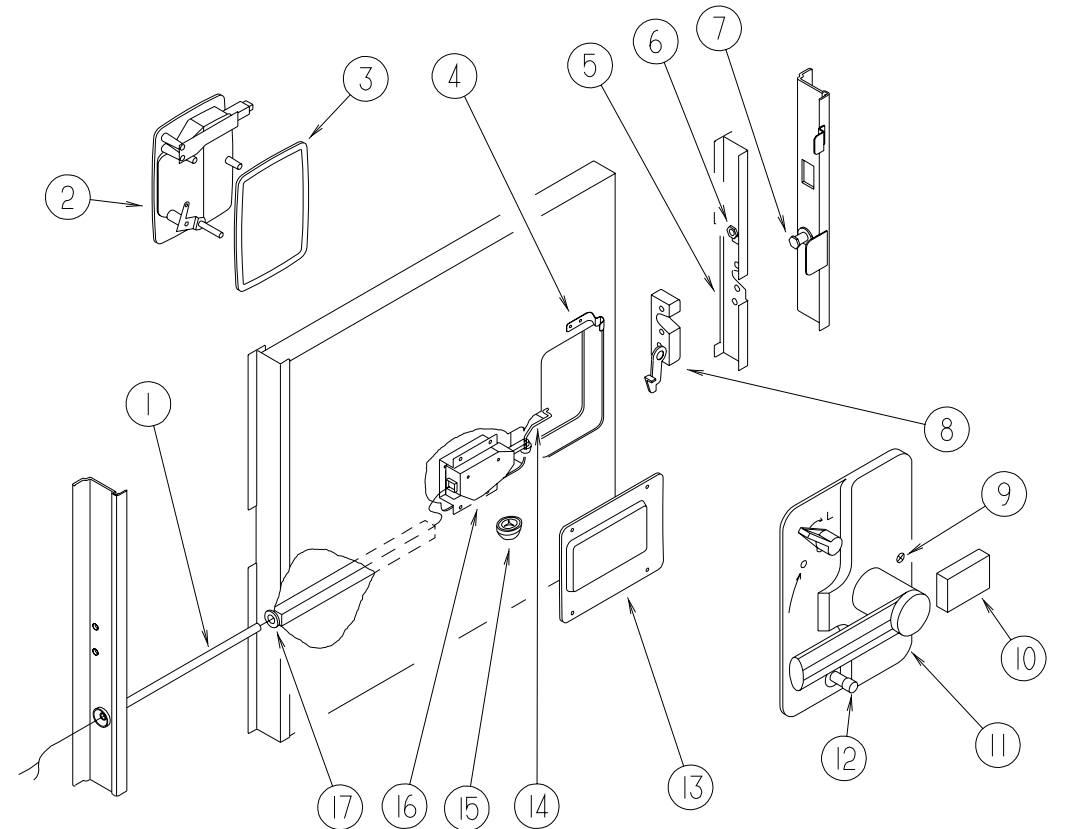
WINDOW, VENT & EXTERIOR DOOR GROUP (CONTINUED)



ENTRANCEDOORLATCHCOMPONENTSW/OPOWERLOCKS

KEY	PARTNUMBER	U/M DESCRIPTION	VENDOR NO.
1	112782-01-01A	EA LATCH-EXTERIORHOUSING	
	112782-01-700	EA KEY-BLANK-DEADBOLT-TM100-150	81535
	112782-01-701	EA KEY-BLANK-DEADBOLT-TM151-200	81536
	112782-01-703	EA CYLINDER-LOCKASM.W/KEYS	081465-09
2	112782-04-01A	EA GASKET	
3	100412-01-000	EA CATCH-SCREENDOOR	
4	121334-03-01A	EA STIFFENER-DOOR-MILL	
5	072893-04-000	EA NUTSERT-10-32	
	075908-01-000	EA SCREW-MACHINE-10-32X.56PTH-EXTERNALTOOTH-ZINC	
6	092927-03-000	EA STRIKER-ROUND-JAMB MOUNTED	
7	112782-03-01A	EA LATCH-SINGLEROTOR	
8	112782-02-01A	EA LATCH-INTERIORPLATE	
9	122241-01-01A	EA BUMPER-RUBBER-FOAM-BLACK	
10	112782-06-01A	EA SCREW-F/MOUNTINGPLATE-ZINC	
11	112782-05-01A	EA CAP-VINYL-RED	

WINDOW, VENT & EXTERIOR DOOR GROUP (CONTINUED)



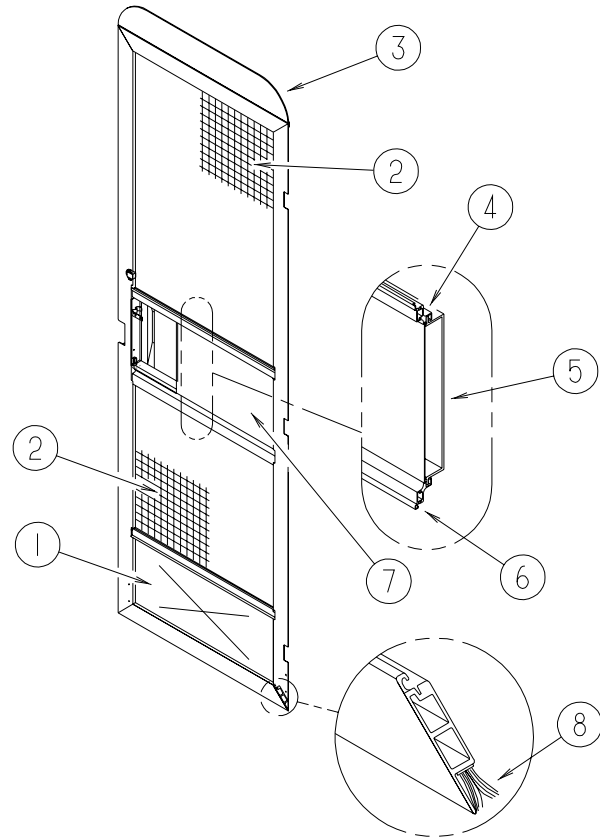
ENTRANCEDOORLATCHCOMPONENTSW/POWERLOCKS

KEY	PARTNUMBER	U/M DESCRIPTION	VENDOR NO.
1	072222-01-000	EA SPRING-WIREGUARD-ENTRYDOOR	
	093057-05-000	EA WIREASSEMBLY-POWERLOCK-ENTRANCE	
2	112782-01-01A	EA LATCH-EXTERIORHOUSING	
	112782-01-700	EA KEY-BLANK-DEADBOLT-TM100-150	81535
	112782-01-701	EA KEY-BLANK,DEADBOLT-TM151-200	81536
	112782-01-703	EA CYLINDER-LOCKASM.W/KEYS	081465-09
3	112782-04-01A	EA GASKET	
4	100412-01-000	EA CATCH-SCREENDOOR	
5	121334-03-01A	EA STIFFENER-DOORMILL	
6	072893-04-000	EA NUTSERT-10-32,ENTRANCEDOORSTIFFENER	
7	092927-03-000	EA STRIKER-ROUND-JAMB MOUNTED	
8	112782-03-01A	EA LATCH-SINGLEROTOR	
9	112782-06-01A	EA SCREW-F/MOUNTINGPLATE-ZINC	
10	122241-01-01A	EA BUMPER-RUBBER-FOAM-BLACK	
11	112782-02-01A	EA LATCH-INTERIORPLATE	
12	112782-05-01A	EA CAP-VINYL-RED	
13	113960-01-01A	EA COVER-ACTUATOR-POWERLOCK-OFFWHITE	
14	113651-01-01A	EA ROD-CONTROL-MOTOR-LOCK	
15	114209-01-01A	EA PUSHNUT-CAP-1/8"-WHITE	
16	113638-01-000	EA POWERDOORLOCKMOTOR/ACTUATOR	
	113638-02-000	EA CONNECTOR-ELECTRIC-ACTUATOR-EURAMETEC	
17	008384-01-000	EA GROMMET-SNAP-3/4"DIAMETER-NYLON	

POWERDOORLOCKSW/REMOTE

KEY	PARTNUMBER	U/M DESCRIPTION	VENDOR NO.
	102756-02-000	EA REMOTEKEYLESSENTRYSYSTEM	
	102756-01-701	EA BATTERY-12VF/TRANSMITTER	402-1004
	102756-01-704	EA HARNESS-MAIN	203-6638
	102756-02-700	EA REMOTE(TRANSMITTER)KEYLESS	412-1036
	102756-02-701	EA BOARD-MODULE-NEWSYSTEM	202-3153

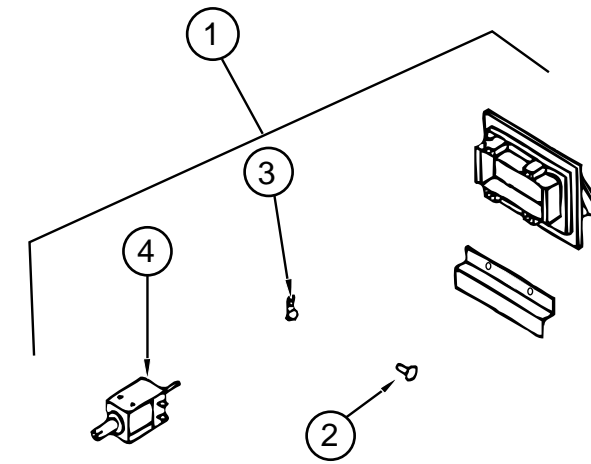
WINDOW, VENT & EXTERIOR DOOR GROUP (CONTINUED)



SCREEN DOOR COMPONENTS

KEY	PARTNUMBER	U/M	DESCRIPTION
1	078552-03-000	EA	KICK PANEL - SCREEN DOOR - LOWER INSERT - UNPAINTED
2	002293-02-000	SF	SCREENING - WINDOW/DOOR - 26" - CHARCOAL
3	078595-01-000	EA	TOP PLATE - SCREEN DOOR - CURVED TOP - 4.7" X 25.35"
4	078777-01-000	EA	CHANNEL - SLIDE - SCREEN DOOR CENTER SLIDER COVER
5	079086-02-000	EA	SLIDER - SCREEN DOOR
6	002294-01-000	FT	SPLINE - SCREENING - .135" X .138"
7	001014-01-013	EA	INSERT - CENTER - 10.25" X 16.31" - UNPAINTED
8	075673-01-000	FT	SEAL - PILE - ADHESIVE BACK - GRAY

WINDOW, VENT & EXTERIOR DOOR GROUP (CONTINUED)



RANGE HOOD VENT

KEY	PARTNUMBER	U/M	DESCRIPTION	VENDOR NO.
1	092698-03-05A	EA	VENT - W/DOOR & SOLENOID	
2	092698-02-700	EA	FASTENER - PUSH	VB430
3	092698-02-701	EA	CLAMP - CONDUIT	VB334
4	092698-03-706	EA	SOLENOID	VB0530-01
	096983-01-709	EA	MODULE - SWITCH & LEVER - 17 1/2"	CB547-4
	100258-04-702	EA	LEVER/CABLE - EXHAUST VENT - RANGE HOOD	CB547-1
	092696-01-701	EA	KNOB - PLASTIC	CC225

PLUMBING & REFRIGERATOR ROOF VENTS

KEY	PARTNUMBER	U/M	DESCRIPTION
	083558-06-000	EA	VENT - ROOF PLUMBING PIPE - COVERED
	084073-08-000	EA	COVER - ROOF/REFRIGERATOR - SABLE - NORCOLD
	084073-04-000	EA	BASE - ROOF VENT/REFRIGERATOR - BLACK - NORCOLD
	118369-01-03A	EA	CAP - REFRIGERATOR ROOF VENT
	118369-02-03A	EA	BASE - REFRIGERATOR ROOF VENT

WINDOW, VENT & EXTERIOR DOOR GROUP (CONTINUED)

POWERED ROOF VENT - JENSEN - U.S.

KEY	PARTNUMBER	U/M DESCRIPTION	VENDOR NO.
	122882-04-01A	EA VENT - ROOF - W/FAN/POWERLIFT - W/O INSIDE GARNISH - UL	
	048648-01-000	EA MOTOR - ROOF VENT - 1/8 SHAFT - 12VOLT	
	048649-01-000	EA FAN - ROOF VENT - 6 BLADES - 6"	
	064469-03-708	EA GEAR - DRIVE	RP-1024
	064469-03-709	EA GEAR - PINION F - 1/8" SHAFT	RP-1025
	064470-01-700	EA COVER - VENT - W/O SLIDE BAR	J7291
	064470-01-701	EA SLIDE BAR - VENT LID	JRP1291B
	110051-07-701	EA MOTOR - LIFT - W/BRKT - GEAR 3/16 NEW STYLE W/3/16" SHAFT - COMES WITH PINION GEAR & MOUNT BRACKET	RP1099B
	122882-04-700	EA SCREEN	J29-670-01A
	122882-07-01A	EA GARNISH - ROOF VENT - 2.50" TO 4.12"	

POWERED ROOF VENT - JENSEN - CANADIAN

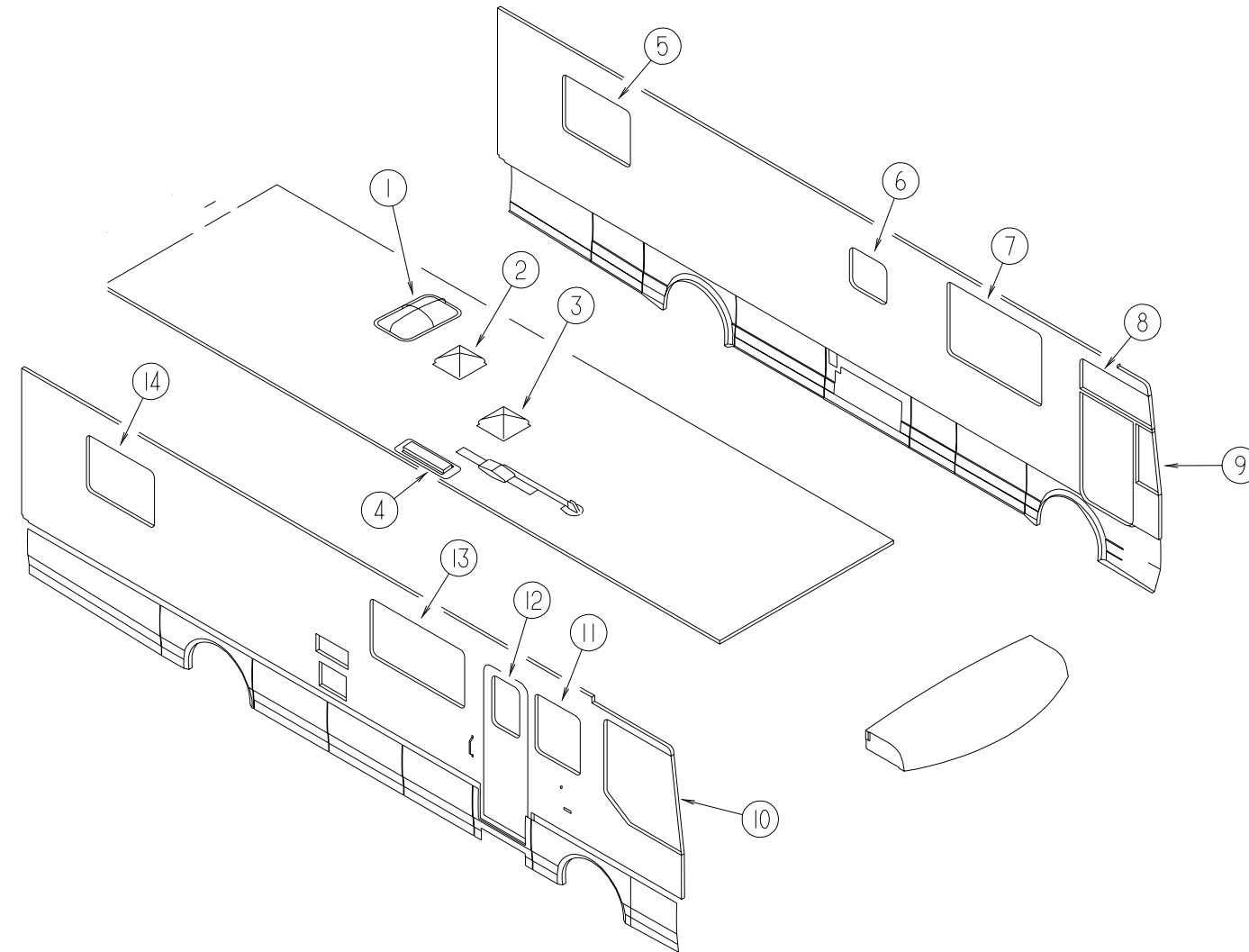
KEY	PARTNUMBER	U/M DESCRIPTION	VENDOR NO.
	122882-05-01A	EA VENT - ROOF - W/FAN & POWERLIFT - CSA - W/O INSIDE GARNISH	
	048648-01-000	EA MOTOR - ROOF VENT - 1/8 SHAFT - 12VOLT	
	048649-01-000	EA FAN - ROOF VENT - 6 BLADES - 6"	
	064469-03-708	EA GEAR - DRIVE	RP-1024
	064469-03-709	EA GEAR - PINION F - 1/8" SHAFT	RP-1025
	064470-01-700	EA COVER - VENT - W/O SLIDE BAR	J7291
	064470-01-701	EA SLIDE BAR - VENT LID	JRP1291B
	110051-07-701	EA MOTOR - LIFT - W/BRKT - GEAR 3/16 NEW STYLE W/3/16" SHAFT - COMES WITH PINION GEAR & MOUNT BRACKET	RP1099B
	122882-04-700	EA SCREEN	J29-670-01A
	122882-07-01A	EA GARNISH - ROOF VENT - 2.50" TO 4.12"	

POWERED EXHAUST VENT - FANTASTIC - U.S.

KEY	PARTNUMBER	U/M DESCRIPTION	VENDOR NO.
	123780-05-01A	EA VENT - EXHAUST - 3" CEILING - THERMOSTAT	
	084079-01-703	EA KNOB - LIFT - W/EXT. & SCREW	1140K-00
	084079-01-707	EA SWITCH - SAFETY	1122.05
	084079-01-709	EA SWITCH - MAIN - 3 SPEED	1031-05
	084079-01-710	EA THERMOSTAT - WALL MOUNT	9988-39
	084079-11-700	EA MOTOR - BRKT. - FAN BLADE - KIT KIT CONTAINS: MOTOR, MOTOR MOUNT, AND FAN BLADE	4017K-09
	084079-11-701	EA ARM - LIFT ASSEMBLY - AUTOMATIC	2011-05
	084079-11-703	EA MOTOR - LIFT - W/CAP & SCREWS	6050-05
	123780-01-700	EA COVER - VENT W/HINGE & SLIDE	1020K-81
	123780-03-700	EA GARNISH - INT. 3"-4" BRT/WHT	2040-81
	123780-05-700	EA BASE - MAIN BRIGHT WHITE	1010K-81
	123780-05-701	EA SCREEN ASM. - INT W/SWITCHES	2000TK-81

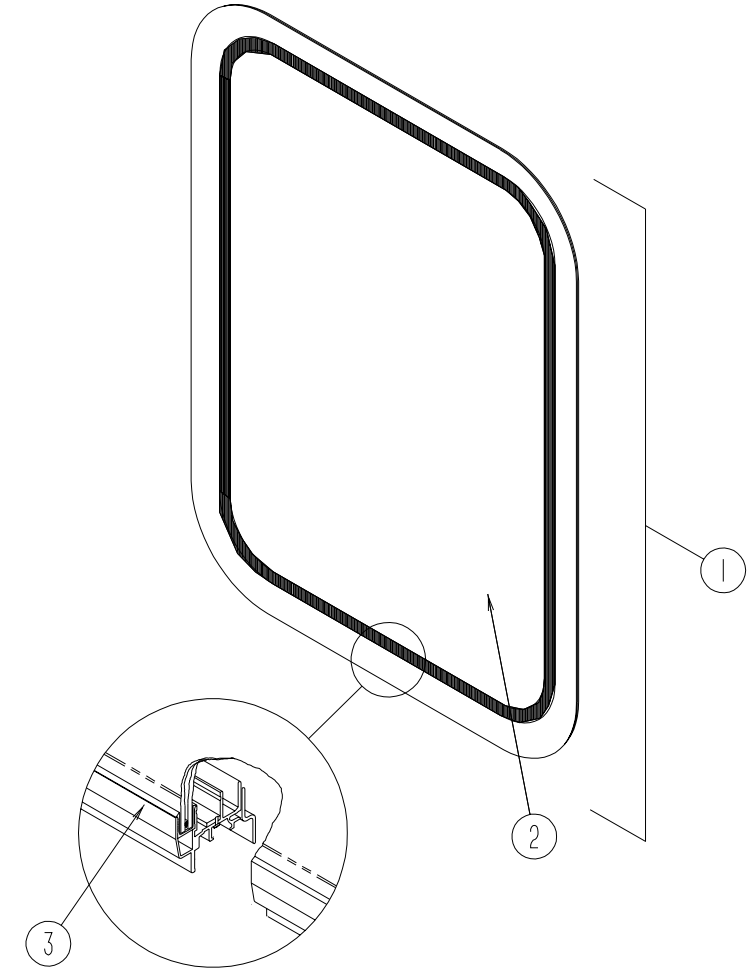
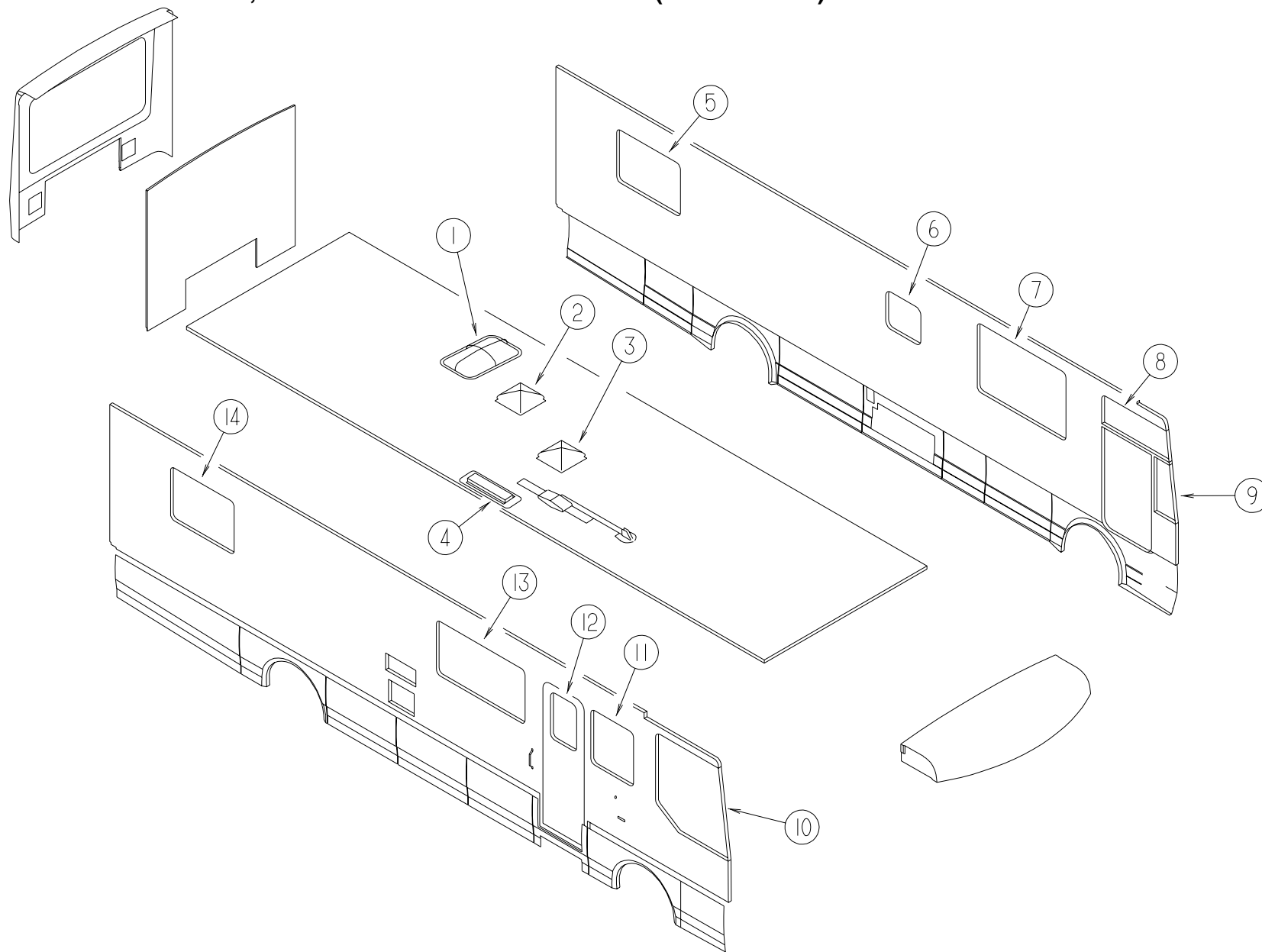
POWERED EXHAUST VENT - FANTASTIC - CANADIAN

KEY	PARTNUMBER	U/M DESCRIPTION	VENDOR NO.
	123780-06-01A	EA VENT - EXHAUST W/THERMOSTAT - F3/4" ROOF	
	084079-01-703	EA KNOB - LIFT - W/EXT. & SCREW	1140K-00
	084079-01-707	EA SWITCH - SAFETY	1122.05
	084079-01-709	EA SWITCH - MAIN - 3 SPEED	1031-05
	084079-01-710	EA THERMOSTAT - WALL MOUNT	9988-39
	084079-11-700	EA MOTOR - BRKT. - FAN BLADE - KIT KIT CONTAINS: MOTOR, MOTOR MOUNT, AND FAN BLADE	4017K-09
	084079-11-701	EA ARM - LIFT ASSEMBLY - AUTOMATIC	2011-05
	084079-11-703	EA MOTOR - LIFT - W/CAP & SCREWS	6050-05
	123780-01-700	EA COVER - VENT W/HINGE & SLIDE	1020K-81
	123780-03-700	EA GARNISH - INT. 3"-4" BRT/WHT	2040-81
	123780-05-700	EA BASE - MAIN BRIGHT WHITE	1010K-81
	123780-05-701	EA SCREEN ASM. - INT W/SWITCHES	2000TK-81



WINDOWS & VENTS

KEY	PARTNUMBER	U/M DESCRIPTION
1	114496-01-02A	EA PANEL - OUTER SKYLIGHT - 22" X 37" FROM: 00-00-00 THRU: 02-05-97
1	114496-01-02A	EA PANEL - OUTER SKYLIGHT - 22" X 37" FROM: 02-06-97 THRU: 99-99-99
1	122191-01-02A	EA PANEL - SKYLIGHT - INNER W/LIGHT CUTOUT - 20.7" X 35.4" FROM: 00-00-00 THRU: 02-05-97
1	122191-01-02A	EA PANEL - SKYLIGHT - INNER W/LIGHT CUTOUT - 20.7" X 35.4" FROM: 02-06-97 THRU: 99-99-99
2	122882-04-01A	EA VENT - ROOF - W/FAN/POWERLIFT - W/O INSIDE GARNISH - UL
2	122882-05-01A	EA VENT - ROOF - W/FAN & POWERLIFT - CSA - W/O INSIDE GARNISH
3	122882-01-01A	EA VENT - ROOF - NONPOWERED - W/O INSIDE GARNISH
3	123780-06-01A	EA VENT - EXHAUST W/THERMOSTAT - F3/4" ROOF (US)
3	123780-05-01A	EA VENT - EXHAUST - 3" CEILING - THERMOSTAT (CSA)
4	084073-08-000	EA COVER - ROOF/REFRIGERATOR - SABLE - NORCOLD
4	084073-04-000	EA BASE - ROOF VENT/REFRIGERATOR - BLACK - NORCOLD
4	118369-01-03A	EA CAP - REFRIGERATOR ROOF VENT - SIDE/SIDE - SABLE
4	118369-02-03A	EA BASE - REFRIGERATOR ROOF VENT - SIDE/SIDE - SABLE
5	112898-18-01A	EA WINDOW - VERTICAL SLIDER - THERMO PANE - 33.2" X 30.1"
5	113500-06-01A	EA WINDOW - DOUBLE TIPOUT ESCAPE - 33.3" X 30.3"
6	112898-07-01A	EA WINDOW - VERTICAL SLIDER - THERMO - 21.1" X 22.8"
6	104691-16-01A	EA WINDOW - TIPOUT - SINGLE



WINDOWS & VENTS (CONTINUED)

KEY	PARTNUMBER	U/M	DESCRIPTION
7	115360-01-01A	EA	WINDOW-DOUBLE HORIZONTAL TIPOUT-30.75"X56.5"
7	112795-34-01A	EA	WINDOW-DRIVER HORIZONTAL SLIDER-THERMO-30.7"X57.8"
7	115360-02-01A	EA	WINDOW-DOUBLE HORIZONTAL TIPOUT-38.7"X56.5"
7	112795-53-01A	EA	WINDOW-DRIVER HORIZONTAL SLIDER-THERMO-38 3/4"X57 3/4"
8	106467-04-01A	EA	WINDOW-DRIVER VISTA (ABOVE DR DOOR) 42.1"TX44.9"BX17.6"H
8	116000-07-01A	EA	WINDOW-VISTA-LEFT HAND-THERMO
9	106468-03-01A	EA	WINDOW-DRIVER WING-10.9"TX14.2"BX32.2"H
9	115999-05-01A	EA	WINDOW-FRONT SLANT-LEFT HAND-THERMO
10	106466-04-01A	EA	WINDOW-PASSENGER CAB-42.1"TWX48.3"CWX50.3"H
10	106466-06-01A	EA	WINDOW-PASSENGER CAB-THERMO-42.1"TWX48.3"CWX50.3"H
11	099480-03-000	EA	WINDOW-SLIDER-RIGHT HAND
11	112795-29-01A	EA	WINDOW-PASS HORIZONTAL SLIDER-THERMO-30.7"X27.8"
12	117053-03-F31	EA	WINDOW-PICTURE-17"X26.4"
12	113733-01-01A	EA	WINDOW-STATIONARY-THERMOPANE-17"X26.4"
13	115360-01-01A	EA	WINDOW-DOUBLE HORIZONTAL TIPOUT-30.75"X56.5"
13	112795-33-01A	EA	WINDOW-PASS HORIZONTAL SLIDER-THERMO 30.7"X57.8"
14	113500-05-01A	EA	WINDOW-DOUBLE TIPOUT-33.3"X30.3"
14	112898-17-01A	EA	WINDOW-PASSENGER HORIZONTAL SLIDE THERMO 29 3/4"X41 1/2"

ENTRANCE DOOR WINDOW

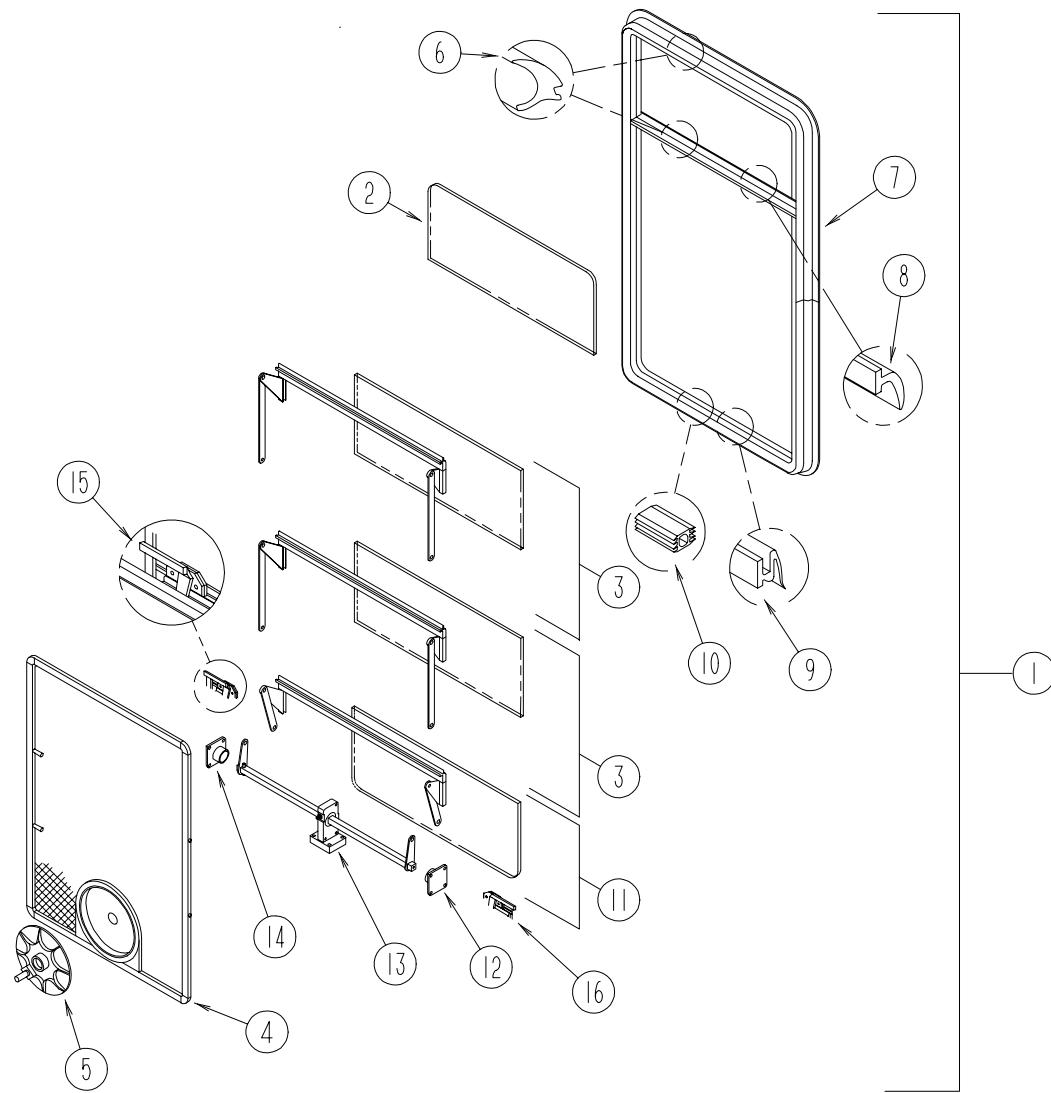
KEY	PARTNUMBER	U/M	DESCRIPTION
1	117053-03-F31	EA	WINDOW-PICTURE-17"X26.4"
2	002181-26-000	EA	GLASS-PICTURE-25.7"X16.39"
3	087561-01-000	FT	SEAL-GLASS-EXTERIOR-.5"WIDE-VINYL BLACK
	117054-02-01A	EA	RETAINER-TRIM-ENTRY DOOR WINDOW

ENTRANCE DOOR WINDOW-THERMO

KEY	PARTNUMBER	U/M	DESCRIPTION	VENDOR NO.
	113733-01-01A	EA	WINDOW-STATIONARY-THERMOPANE-17"X26.4"	
	112795-01-705	FT	VINYL-GLAZING	132-019702
	113733-01-701	EA	RETAINER-TRIM	W41666
	113733-01-702	EA	GLASS-STATIONARY	390-019187

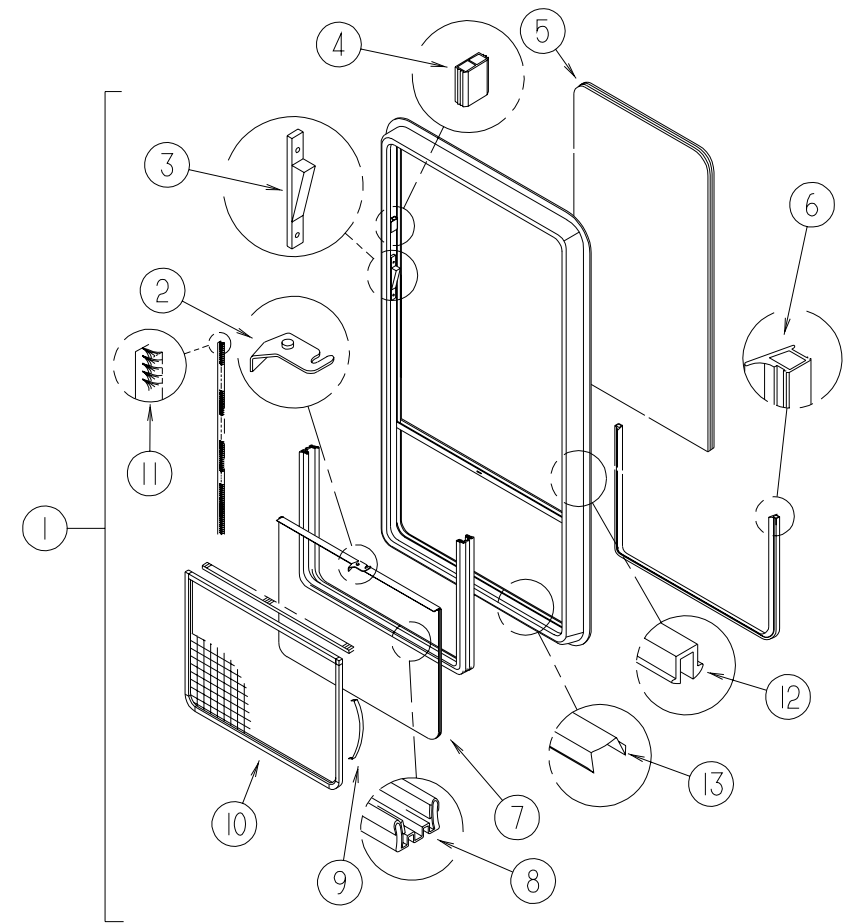
WINDOW, VENT & EXTERIOR DOOR GROUP (CONTINUED)

EXCEL DRIVER SIDE BEDROOM WINDOWS



DRIVERSIDE BEDROOM WINDOW-DOUBLE TIP OUT-EXCEL

KEY	PART NUMBER	U/M	DESCRIPTION	VENDOR NO.
1	113500-06-01A	EA	WINDOW-DOUBLE TIP OUT ESCAPE-33.3"X30.3"	
2	113500-06-700	EA	GLASS-STATIONARY	106-025658
	100322-01-704	FT	TAPE-BUTYL	154-016083
3	113500-06-701	EA	VENTASM (UPPER)	CH105-D7
4	113500-06-704	EA	SCREENASM-W/SEALS&CLIPS	410-025661
5	100322-01-718	EA	HANDLE-DIAL	410-016081
6	100322-01-703	FT	VINYL-GLAZING-BUTYL	132-010723
7	N/A	EA	WINDOWW/OTRIM	
8	100322-01-702	EA	WEATHERSTRIP-HORIZONTALRAIL	132-015976
9	100322-01-701	FT	SEAL-VENT	122-016071
10	098644-01-716	FT	PLUG-FILLER	132-014470
11	113500-06-702	EA	VENTASM (LOWER)	CH105-D9
12	113500-01-708	EA	SUPPORT-TORQUEBAR LH	130-015978
13	112519-01-702	EA	OPERATOR-VENT	410-016123
14	113500-01-707	EA	SUPPORT-TORQUEBAR RH	130-015979
	113500-06-703	EA	OPERATORBAR ASSEMBLY	CH65-15
15	112898-06-705	EA	HANDLE-LATCH-RED-LH	182-11294
16	112898-06-704	EA	HANDLE-LATCH-RED-RH	182-11293
	113500-06-705	EA	RETAINER-TRIM	CW101-59
	100322-01-717	EA	E-RING	245-015975

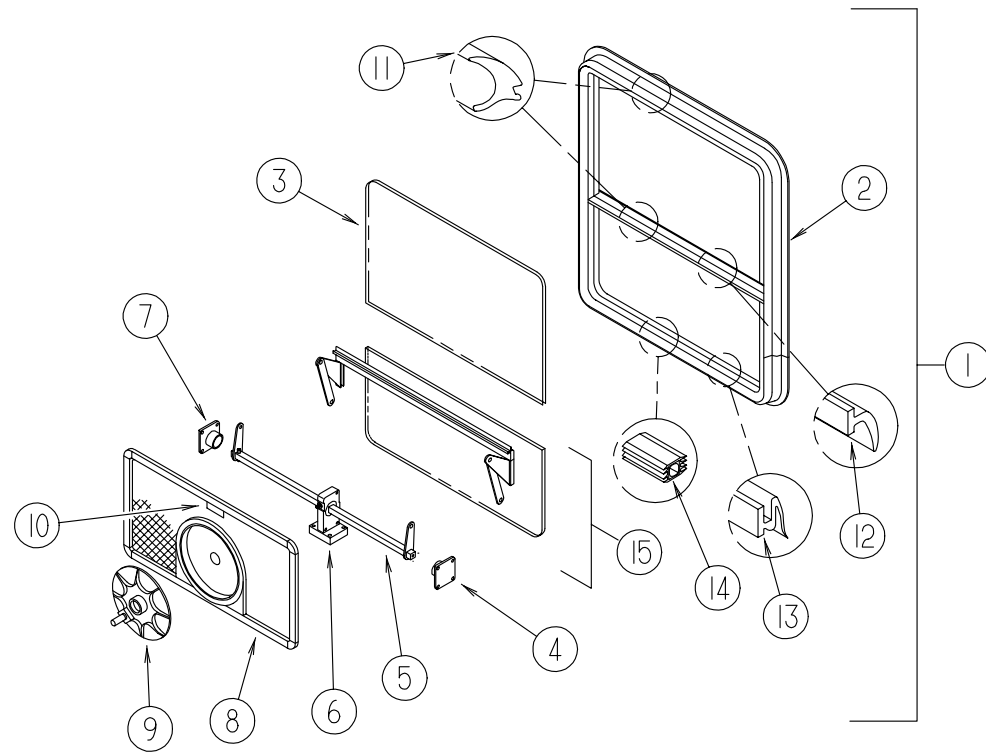


DRIVERSIDE BEDROOM WINDOW-VERTICAL SLIDER-THERMOPANE

KEY	PART NUMBER	U/M	DESCRIPTION	VENDOR NO.
1	112898-18-01A	EA	WINDOW-VERTICAL SLIDER-THERMOPANE-33.2"X30.2"	
2	112795-01-700	EA	LATCHASM.-BLK.-(BOLTON)	DH287-CK
3	112898-04-703	EA	SASH LATCH KIT, RAISED	DH343-CK
4	112795-01-701	EA	SLIDE-STOP	132-019092
5	112898-18-701	EA	GLASS-STATIONARY	390-025500
6	112795-01-704	FT	PLUG FILLER (DOUBLE GLAZED)	122-018737
7	112898-18-700	EA	GLASS-SLIDING W/SASH & LATCH	DH511-G9
8	112795-01-703	IN	CHANNEL-RUN (INCHES)	122-018736
9	098644-01-713	EA	CLIP-SPRING-METAL	226-016966
9	125582-01-701	EA	CLIP-SCREEN-PLASTIC	130005153
10	112898-06-706	EA	SCREENASM-W/SEALS&CLIPS	410-019189
	098644-01-717	FT	SPLINE-SCREEN	132-004716
11	098644-01-711	FT	WEATHERSTRIP-SCREEN BLACK	171-016965
12	112795-01-705	FT	VINYL-GLAZING	132-019702
	112898-18-702	EA	RETAINER-TRIM	W511-64
13	098644-01-710	FT	TRACK-SCREEN SPACER-12'	132-017135

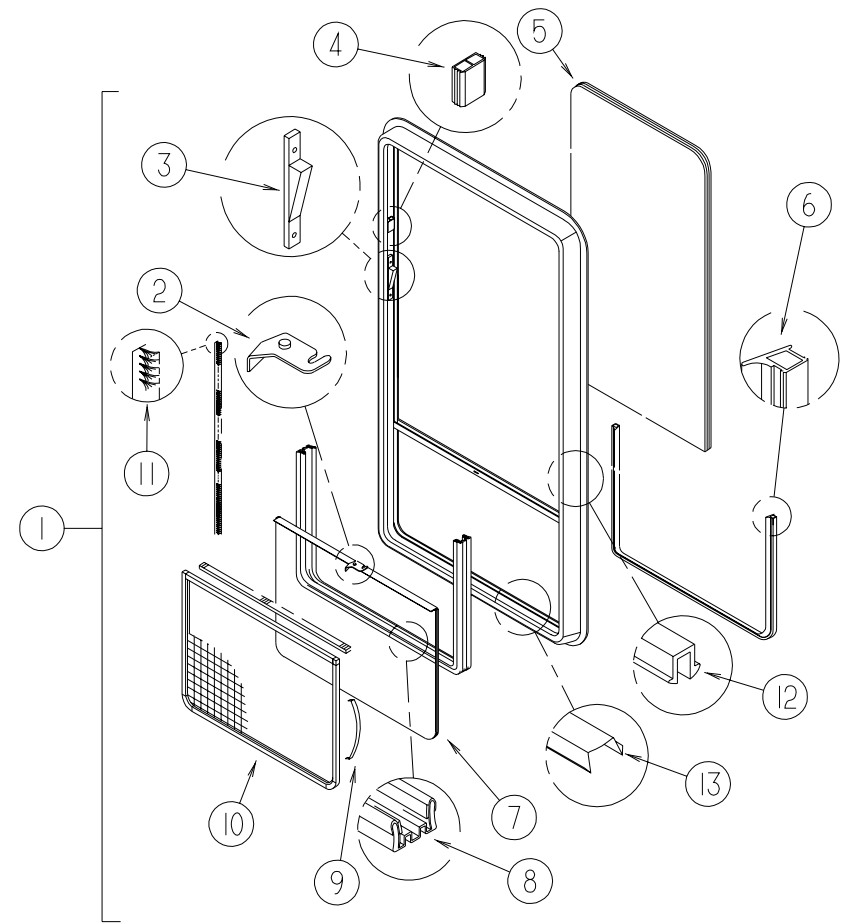
WINDOW, VENT & EXTERIOR DOOR GROUP (CONTINUED)

EXCEL GALLEY WINDOWS



GALLEY WINDOW - SINGLE TIPOUT - EXCEL

KEY	PARTNUMBER	U/M DESCRIPTION	VENDORNO.
1	104691-16-01A	EA WINDOW - TIPOUT - SINGLE	
2	N/A	EA WINDOW	CH91-G1
3	104691-16-702	EA GLASS - STATIONARY	106-019448
	100322-01-704	FT TAPE - BUTYL	154-016083
4	100322-01-714	EA SUPPORT - TORQUEBAR - LH	130-015978
5	104691-16-703	EA OPERATOR & BAR ASSEMBLY	CH91-18
6	112519-01-702	EA OPERATOR - VENT	410-016123
7	100322-01-715	EA SUPPORT - TORQUEBAR - RH	130-015979
8	104691-16-705	EA SCREEN ASM - W/SEAL & CLIPS	410-019479
9	100322-01-718	EA HANDLE - DIAL	410-016081
10	112519-01-706	EA CLIP - SCREEN	CH21-50
11	100322-01-703	FT VINYL - GLAZING - BUTYL	132-010723
12	100322-01-702	EA WEATHERSTRIP - HORIZONTAL RAIL	132-015976
13	100322-01-701	FT SEAL - VENT	122-016071
14	116976-01-702	FT FILLER PLUG	132-016065
15	104691-16-704	EA GLASS - VENT ASSEMBLY	CH91-D9
	104691-16-701	EA RETAINER - TRIM	CW9159
	112898-06-704	EA HANDLE - LATCH - RED - RH	182-11293
	112898-06-705	EA HANDLE - LATCH - RED - LH	182-11294
	100322-01-716	EA SUPPORT - TORQUEBAR - CTR RAIL	130-015980
	100322-01-717	EA E - RING	245-015975

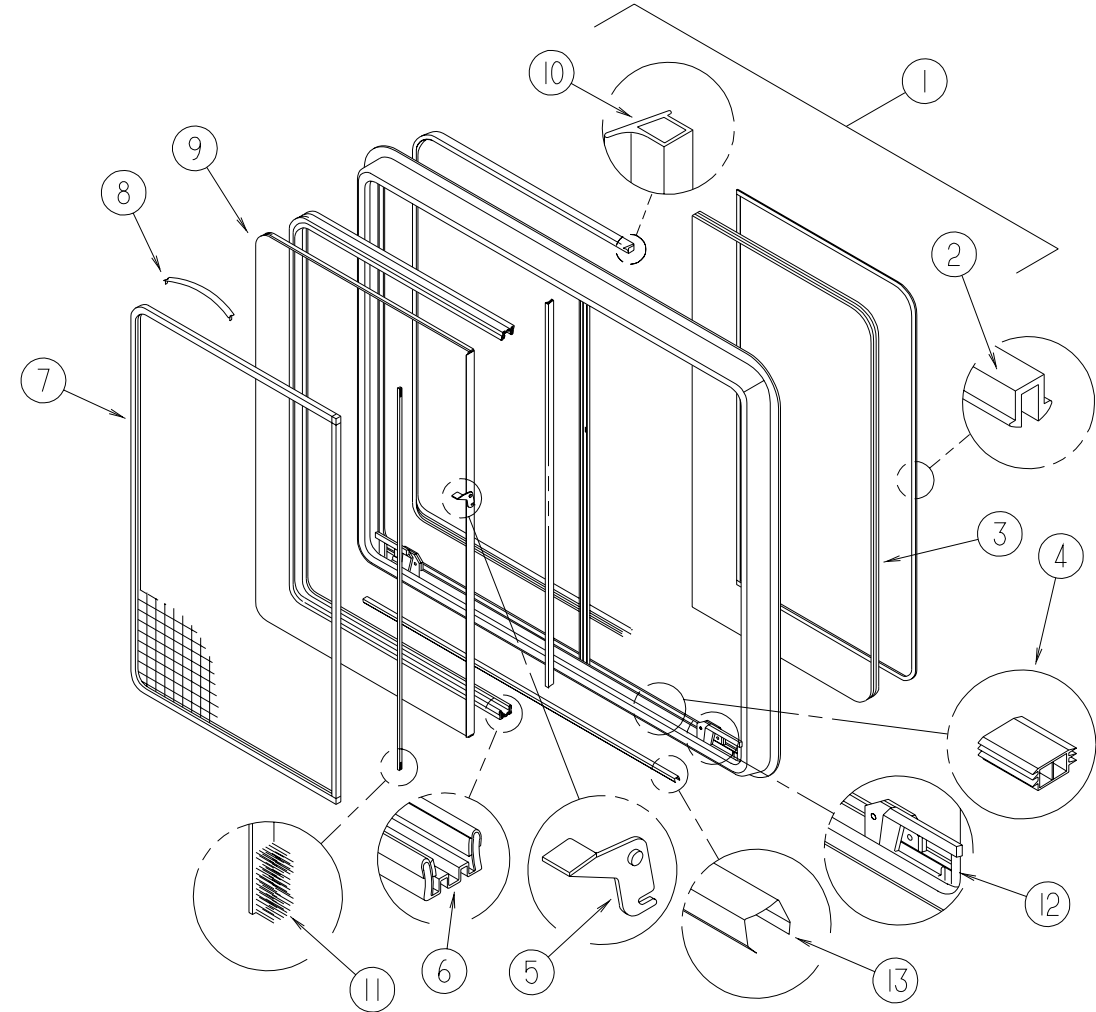
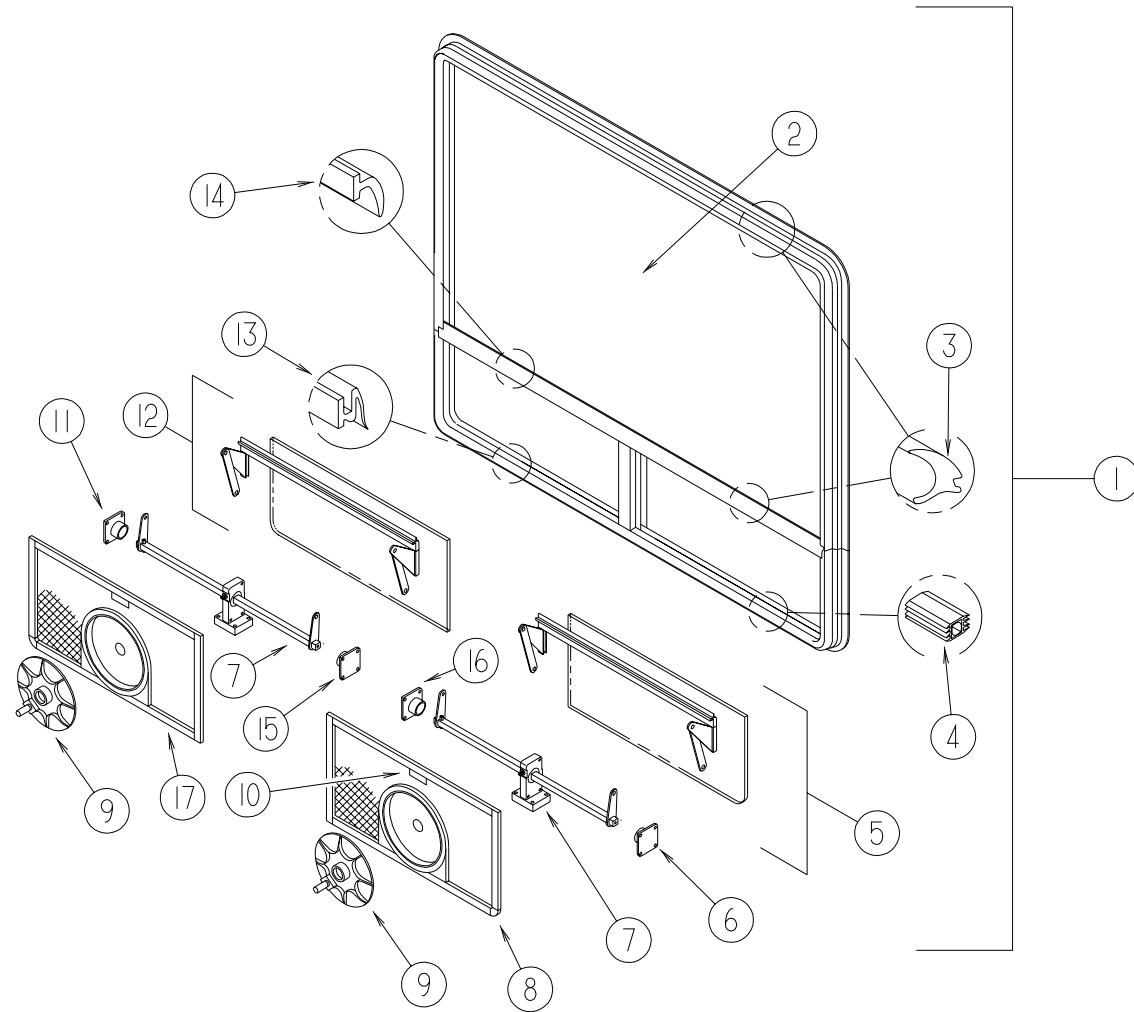


GALLEY WINDOW - SLIDER - THERMO

KEY	PARTNUMBER	U/M DESCRIPTION	VENDORNO.
1	112898-07-01A	EA WINDOW - VERTICAL SLIDER - THERMO - 21.1" X 22.8"	
	112898-07-700	EA WINDOW ASM. W/OTRIM	
2	112795-01-700	EA LATCH ASM. - BLK - (BOLTON)	DH287-CK
3	112898-04-703	EA SASH LATCH KIT - RAISED	DH343-CK
4	112795-01-701	EA SLIDE - STOP	132-019092
5	112898-07-702	EA GLASS (STATIONARY)	390-019468
6	112795-01-704	FT PLUG FILLER (DOUBLE GLAZED)	122-018737
7	112898-07-703	EA GLASS SLIDING W/SASH & LATCH	DH439-G9
8	112795-01-703	IN CHANNEL - RUN (INCHES)	122-018736
9	098644-01-713	EA CLIP - SPRING - METAL	226-016966
9	125582-01-701	EA CLIP - SCREEN - PLASTIC	130005153
10	112898-07-704	EA SCREEN ASM. - W/SEAL & CLIPS	410-019475
	098644-01-717	FT SPLINE - SCREEN	132-004716
11	098644-01-711	FT WEATHERSTRIP - SCREEN - BLACK	171-016965
12	112795-01-705	FT VINYL - GLAZING	132-019702
	112898-07-701	EA RETAINER - TRIM	CW9166
13	098644-01-710	FT TRACK - SCREEN SPACER - 12'	132-017135

WINDOW, VENT & EXTERIOR DOOR GROUP (CONTINUED)

EXCEL DRIVER SIDE LOUNGE WINDOWS



DRIVER SIDE LOUNGE WINDOW - DOUBLE TIP OUT - EXCEL

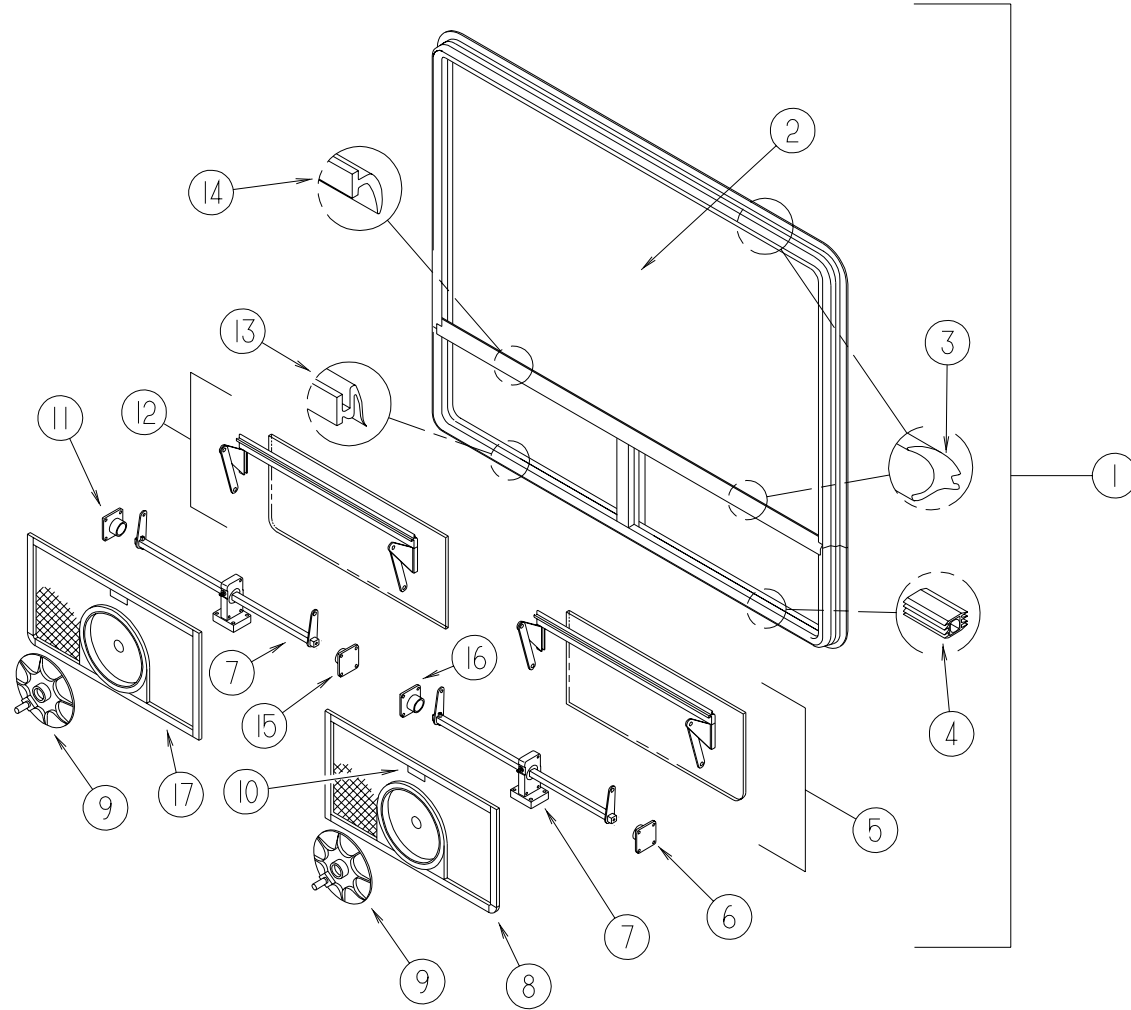
KEY	PART NUMBER	U/M	DESCRIPTION	VENDOR NO.
1	115360-01-01A	EA	WINDOW-DOUBLE HORIZONTAL TIP OUT-30.75" X 56.5"	
	115360-01-705	EA	RETAINER-TRIM	W112-59
	100322-01-704	FT	TAPE-BUTYL	154-016083
2	115360-01-700	EA	GLASS-STATIONARY-19.02 X 56.56	106-019446
3	100322-01-703	FT	VINYL-GLAZING-BUTYL	132-010723
4	098644-01-716	FT	PLUG-FILLER	132-014470
5	115360-01-703	EA	GLASS-VENT-LH INSIDE/RH OUTSIDE	CH90D9L
6	100322-01-714	EA	SUPPORT-TORQUEBAR, LH	130-015978
7	112519-01-702	EA	OPERATOR-VENT	410-016123
8	115360-01-701	EA	SCREEN-W/SEAL & CLIPS-LH INSIDE/RH OUTSIDE	410-019477L
9	100322-01-718	EA	HANDLE-DIAL	410-016081
10	112519-01-706	EA	CLIP-SCREEN	CH21-50
11	100322-01-715	EA	SUPPORT-TORQUEBAR-RH	130-015979
12	115360-01-704	EA	GLASS-VENT-RH INSIDE/LH OUTSIDE	CH90D9R
13	100322-01-701	FT	SEAL-VENT	122-016071
14	100322-01-702	EA	WEATHERSTRIP-HORIZONTAL RAIL	132-015976
15	100322-01-716	EA	SUPPORT-TORQUEBAR-CTR RAIL	130-015980
16	100322-01-716	EA	SUPPORT-TORQUEBAR-CTR RAIL	130-015980
17	115360-01-702	EA	SCREEN-W/SEAL & CLIPS-RH INSIDE/LH OUTSIDE	410-019478R
	100322-01-717	EA	E-RING	245-015975
	100322-01-712	EA	RAIL-HORIZONTAL-RH OR LH	CH05-19
	100322-01-713	EA	BAR-DIVISION-VERT. RH & LH	HH19-20

DRIVER SIDE LOUNGE WINDOW - SLIDER - THERMO

KEY	PART NUMBER	U/M	DESCRIPTION	VENDOR NO.
1	112795-34-01A	EA	WINDOW-DRIVER HORIZONTAL SLIDER-THERMO-30.7" X 57.8"	
	112795-34-700	EA	WINDOW ASM. LH THERMO W/OTRIM	DH112-G2L
	112795-33-701	EA	RETAINER-TRIM	W11266
2	112795-01-705	FT	VINYL-GLAZING	132-019702
3	112795-33-702	EA	GLASS-STATIONARY	390-019225
4	112795-01-701	EA	SLIDE-STOP	132-019092
5	112795-01-700	EA	LATCH ASM.-BLK-(BOLTON)	DH287-CK
6	112795-01-703	IN	CHANNEL-RUN (INCHES)	122-018736
7	112795-33-704	EA	SCREEN ASM.-W/SEAL & CLIPS	410-019247
	098644-01-717	FT	SPLINE-SCREEN	132-004716
8	098644-01-713	EA	CLIP-SPRING-METAL	226-016966
8	125582-01-701	EA	CLIP-SCREEN-PLASTIC	130005153
9	112795-33-703	EA	GLASS-SLIDING-W/SASH & LATCH	DH112-G29
10	112795-01-704	FT	PLUG FILLER (DOUBLE GLAZED)	122-018737
11	098644-01-711	FT	WEATHERSTRIP-SCREEN BLACK	171-016965
12	112898-06-705	EA	HANDLE-LATCH-RED-LH	182-11294
	112898-06-704	EA	HANDLE-LATCH-RED-RH	182-11293
13	098644-01-710	FT	TRACK-SCREEN SPACER-12'	132-017135

WINDOW, VENT & EXTERIOR DOOR GROUP (CONTINUED)

EXCEL DRIVER SIDE LOUNGE WINDOWS - WINDOW EXCHANGE OPTION



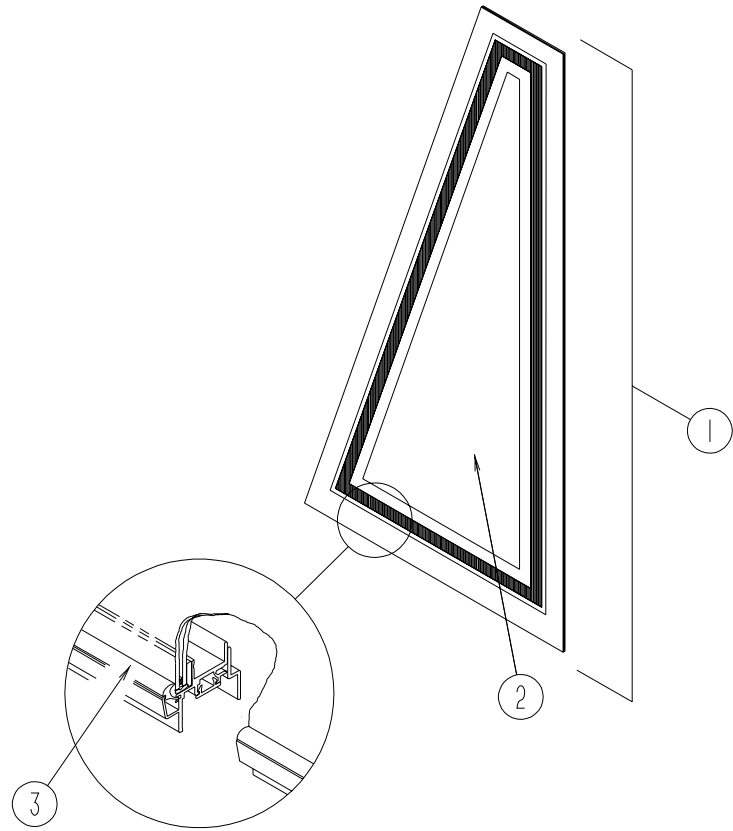
WINDOW, VENT & EXTERIOR DOOR GROUP (CONTINUED)
DRIVER SIDE LOUNGE WINDOW - SLIDER - THERMO - WINDOW EXCHANGE OPTION

KEY	PARTNUMBER	U/M	DESCRIPTION	VENDOR NO.
	112795-53-01A	EA	WINDOW - DRIVER HORIZONTAL SLIDE THERMO 38 3/4" X 57 3/4"	
	098644-01-706	FT	WEATHERSTRIP - GLASS	171-010668
	098644-01-710	FT	TRACK - SCREEN SPACER 12'	132-017135
	098644-01-711	FT	WEATHERSTRIP - SCREEN BLACK	171-016965
	098644-01-713	EA	CLIP - SPRING - METAL	226-016966
	098644-01-717	FT	SPLINE - SCREEN	132-004716
	112795-01-700	EA	LATCH ASM. - BLK - (BOLTON)	DH287-CK
	112795-01-701	EA	SLIDE - STOP	132-019092
	112795-01-703	IN	CHANNEL - RUN (INCHES)	122-018736
	112795-01-704	FT	PLUG FILLER (DOUBLE GLAZED)	122-018737
	112795-01-705	FT	VINYL - GLAZING	132-025736
	125582-01-701	EA	SPRING - SCREEN	130005153
	112795-53-700	EA	SCREEN ASM - W/SEALS & CLIPS	410-025209
	112795-53-701	EA	GLASS - SLIDING W/SASH & LATCH	DC97-G9
	112795-53-702	EA	GLASS - STATIONARY	390-025207
	112795-53-703	EA	RETAINER - TRIM	CW97-66

DRIVER SIDE LOUNGE WINDOW - DOUBLE TIPOUT - EXCEL - WINDOW EXCHANGE OPTION

KEY	PARTNUMBER	U/M	DESCRIPTION	VENDOR NO.
1	115360-02-01A	EA	WINDOW - DOUBLE HORIZONTAL TIPOUT - 38.7" X 56.5"	
	115360-02-701	EA	RETAINER - TRIM	CW97-59
	100322-01-704	FT	TAPE - BUTYL	154-016083
2	115360-02-700	EA	GLASS - STATIONARY	106-025022
3	100322-01-703	FT	VINYL - GLAZING - BUTYL	132-010723
4	098644-01-716	FT	PLUG - FILLER	132-014470
5	115360-01-703	EA	GLASS - VENT - LH INSIDE / RH OUTSIDE	CH90-D9L
6	100322-01-714	EA	SUPPORT - TORQUE BAR - LH	130-015978
7	112519-01-702	EA	OPERATOR - VENT	410-016123
8	115360-01-701	EA	SCREEN - W/SEAL & CLIPS - LH INSIDE / RH OUTSIDE	410-019477L
9	100322-01-718	EA	HANDLE - DIAL	410-016081
10	112519-01-706	EA	CLIP - SCREEN	CH21-50
11	100322-01-715	EA	SUPPORT - TORQUE BAR - RH	130-015979
12	115360-01-704	EA	GLASS - VENT - RH INSIDE / LH OUTSIDE	CH90-D9R
13	100322-01-701	FT	SEAL - VENT	122-016071
14	100322-01-702	EA	WEATHERSTRIP - HORIZONTAL RAIL	132-015976
15	100322-01-716	EA	SUPPORT - TORQUE BAR - CENTER RAIL	130-015980
16	100322-01-716	EA	SUPPORT - TORQUE BAR - CENTER RAIL	130-015980
17	115360-01-702	EA	SCREEN - W/SEAL & CLIPS - RH INSIDE / LH OUTSIDE	410-019478R
	100322-01-717	EA	E - RING	245-015975
	100322-01-712	EA	RAIL - HORIZONTAL - RH OR LH	CH05-19
	100322-01-713	EA	BAR - DIVISION - VERTICAL - RH & LH	HH19-20

WINDOW, VENT & EXTERIOR DOOR GROUP (CONTINUED)



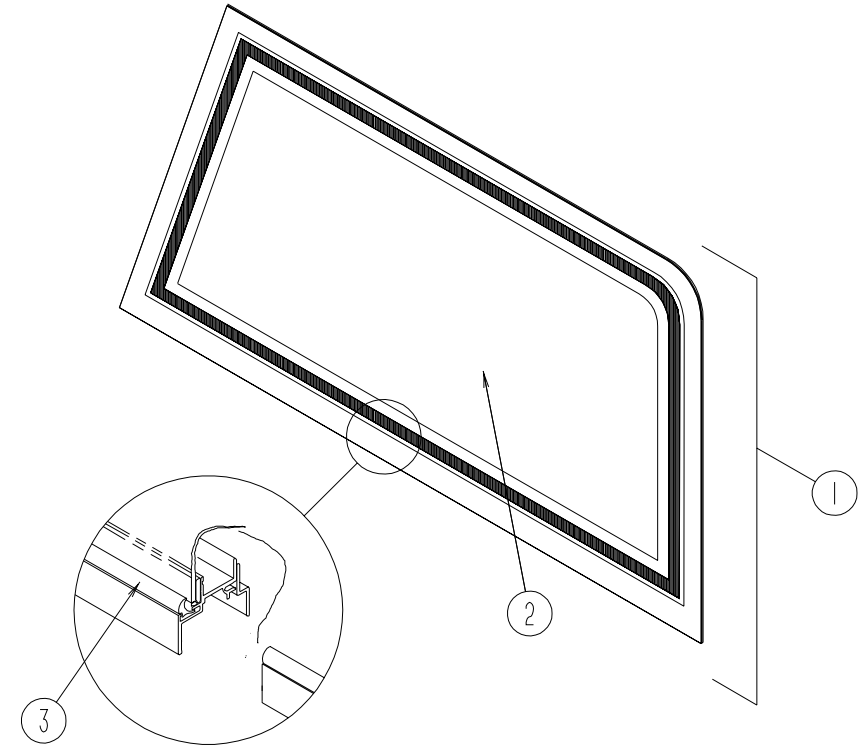
DRIVERSIDEFRONTSLANTWINDOW

KEY	PARTNUMBER	U/M	DESCRIPTION	VENDOR NO.
1	106468-03-01A	EA	WINDOW-DRIVERWING-10.9"TX14.2"BX32.2"H	
2	106468-01-701	EA	GLASS-STATIONARY	106-018271
3	098644-01-705	FT	GLAZING-STRIP	132-010231

DRIVERSIDEFRONTSLANTWINDOW-THERMO

KEY	PARTNUMBER	U/M	DESCRIPTION	VENDOR NO.
	115999-05-01A	EA	WINDOW-FRONTSLANT-LEFTHAND-THERMO	
	116000-01-700	EA	WINDOW-W/OTRIM	DH359-G2L
	116000-01-701	EA	RETAINER-TRIM	H359-27L
	116000-01-702	EA	GLASS-STATIONARY	390-019459

WINDOW, VENT & EXTERIOR DOOR GROUP (CONTINUED)



DRIVERSIDEVISTAWINDOW

KEY	PARTNUMBER	U/M	DESCRIPTION	VENDOR NO.
1	106467-04-01A	EA	WINDOW-DRIVERVISTA(ABOVEDRDOOR)42.1"TX44.9"BX17.6"H	
	106467-01-700	EA	RETAINER-TRIM	H359-27L
2	106467-01-701	EA	GLASS-STATIONARY	106-018272
3	100322-01-703	FT	VINYL-GLAZING-BUTYL	132-010723

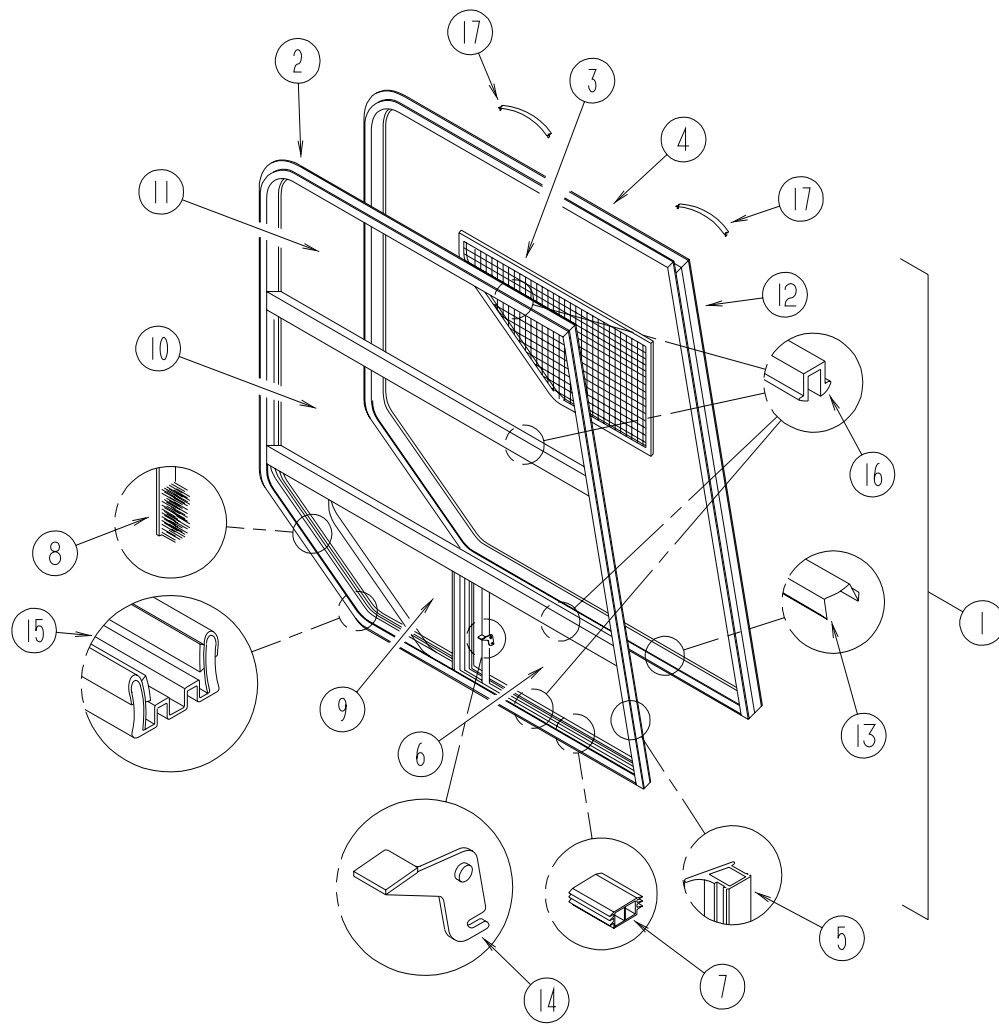
DRIVERSIDEVISTAWINDOW-THERMO

KEY	PARTNUMBER	U/M	DESCRIPTION	VENDOR NO.
	116000-07-01A	EA	WINDOW-VISTA-LEFTHAND-THERMO	
	116000-01-704	FT	VINYL-GLAZING	132-018161

WINDOW, VENT & EXTERIOR DOOR GROUP (CONTINUED)

WINDOW, VENT & EXTERIOR DOOR GROUP (CONTINUED)
PASSENGER SIDE CAB WINDOW-THERMO

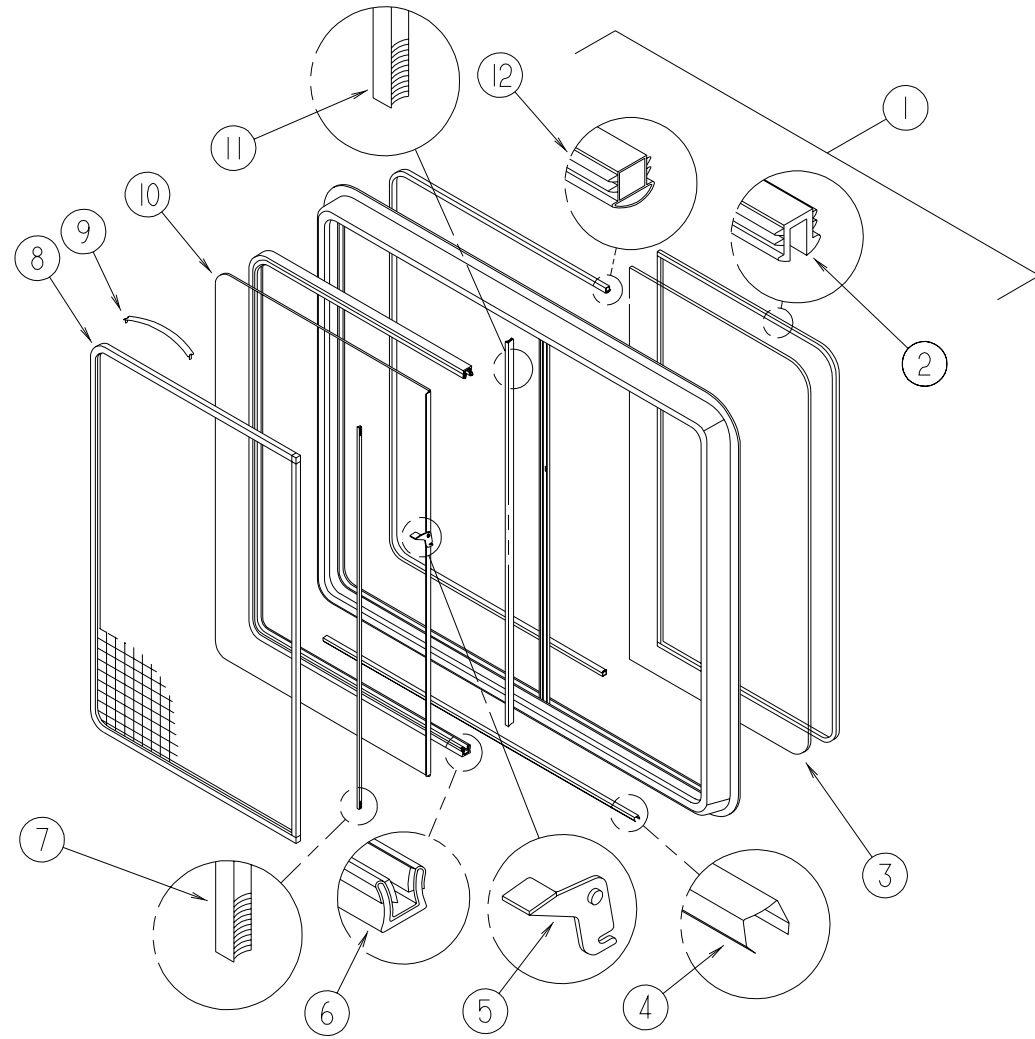
KEY	PARTNUMBER	U/M	DESCRIPTION	VENDOR NO.
	106466-06-01A	EA	WINDOW-PASSENGER CAB-THERMO-42.1"TWX48.3"CWX50.3"H	
	098644-01-706	FT	WEATHERSTRIP-GLASS	171-010668
	098644-01-710	FT	TRACK-SCREEN SPACER 12'	132-017135
	098644-01-711	FT	WEATHERSTRIP-SCREEN BLACK	171-016965
	098644-01-713	EA	CLIP-SCREEN-METAL	226-016966
	112795-01-700	EA	LATCH ASM.-BLK-(BOLTON)	DH287-CK
	112795-01-701	EA	SLIDE-STOP	132-019092
	112795-01-702	FT	VINYL-GLAZING	132-018780
	112795-01-703	IN	CHANNEL-RUN (INCHES)	122-018736
	112795-01-704	FT	PLUG FILLER (DOUBLE GLAZED)	122-018737
	112795-01-705	FT	VINYL-GLAZING	132-025736



PASSENGER SIDE CAB WINDOW

KEY	PARTNUMBER	U/M	DESCRIPTION	VENDOR NO.
1	106466-04-01A	EA	WINDOW-PASSENGER CAB-42.1"TWX48.3"CWX50.3"H	
2	106466-03-700	EA	WINDOW	DH357-A2R
3	106466-01-705	EA	SCREEN ASM-W/SEALS & CLIPS	H357-03R
4	106466-03-701	EA	RETAINER-TRIM	H35777
5	112795-01-704	FT	PLUG FILLER (DOUBLE GLAZED)	122-018737
6	106466-03-705	EA	GLASS-STATIONARY-LOWER	390-019183
7	112795-01-701	EA	SLIDE-STOP	132-019092
8	098644-01-711	FT	WEATHERSTRIP-SCREEN BLACK	171-016965
9	106466-03-706	EA	GLASS-SLIDING W/SASH & LATCH	DH357-A9R
	098644-01-706	FT	WEATHERSTRIP-GLASS	171-010668
10	106466-03-704	EA	GLASS-STATIONARY-MIDDLE	390-019181
11	106466-03-703	EA	GLASS-STATIONARY-UPPER	390-019180
12	106466-03-702	EA	RETAINER-TRIM	H35767
13	098644-01-710	FT	TRACK-SCREEN SPACER-12'	132-017135
14	112795-01-700	EA	LATCH ASM.-BLK-(BOLTON)	DH287-CK
15	112795-01-703	IN	CHANNEL-RUN (INCHES)	122-018736
16	112795-01-705	FT	VINYL-GLAZING	132-019702
17	098644-01-713	EA	CLIP-SPRING-METAL	226-016966

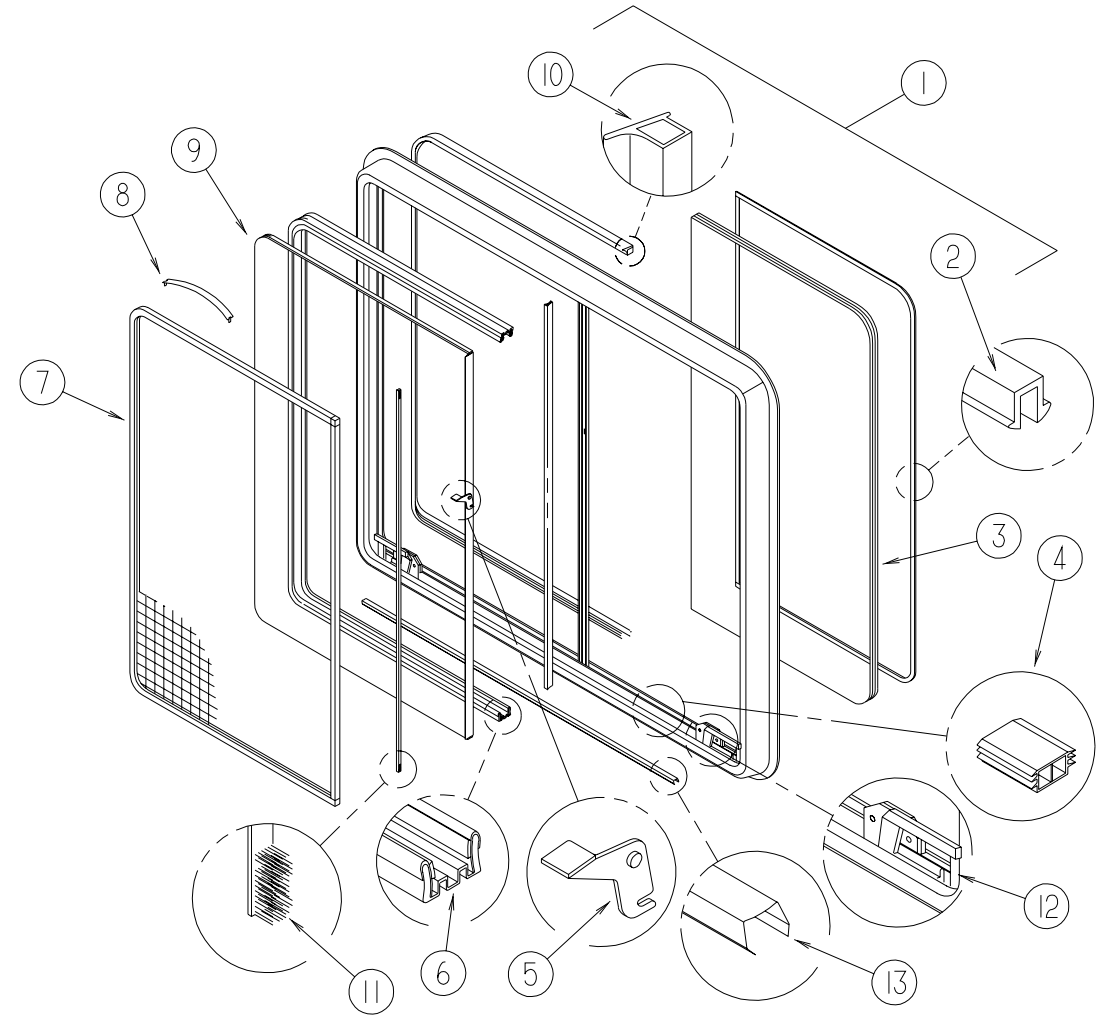
WINDOW, VENT & EXTERIOR DOOR GROUP (CONTINUED)



PASSENGER SIDE LOUNGE WINDOW

KEY	PARTNUMBER	U/M	DESCRIPTION	VENDOR NO.
1	099480-03-000	EA	WINDOW-SLIDER-RIGHTHAND	
	099480-03-700	EA	RETAINER-TRIM	W150-67
2	098644-01-705	FT	GLAZING-STRIP	132-010231
3	099480-03-701	EA	GLASS-STATIONARY	106-018291
4	098644-01-710	FT	TRACK-SCREENSPACER-12'	132-017135
5	099480-01-700	EA	LATCHREPAIRKIT	B801-CK
6	098644-01-708	FT	CHANNEL-RUNPIERCED	122-016543
7	098644-01-711	FT	WEATHERSTRIP-SCREENBLACK	171-016965
8	099480-03-703	EA	SCREENASSEMBLY	
	098644-01-717	FT	SPLINE-SCREEN	132-004716
9	098644-01-713	EA	CLIP-SPRING-METAL	226-016966
10	099480-03-702	EA	SLIDEASSEMBLY	H150-G8
11	098644-01-706	FT	WEATHERSTRIP-GLASS	171-010668
12	098644-01-716	FT	PLUG-FILLER	132-014470

WINDOW, VENT & EXTERIOR DOOR GROUP (CONTINUED)

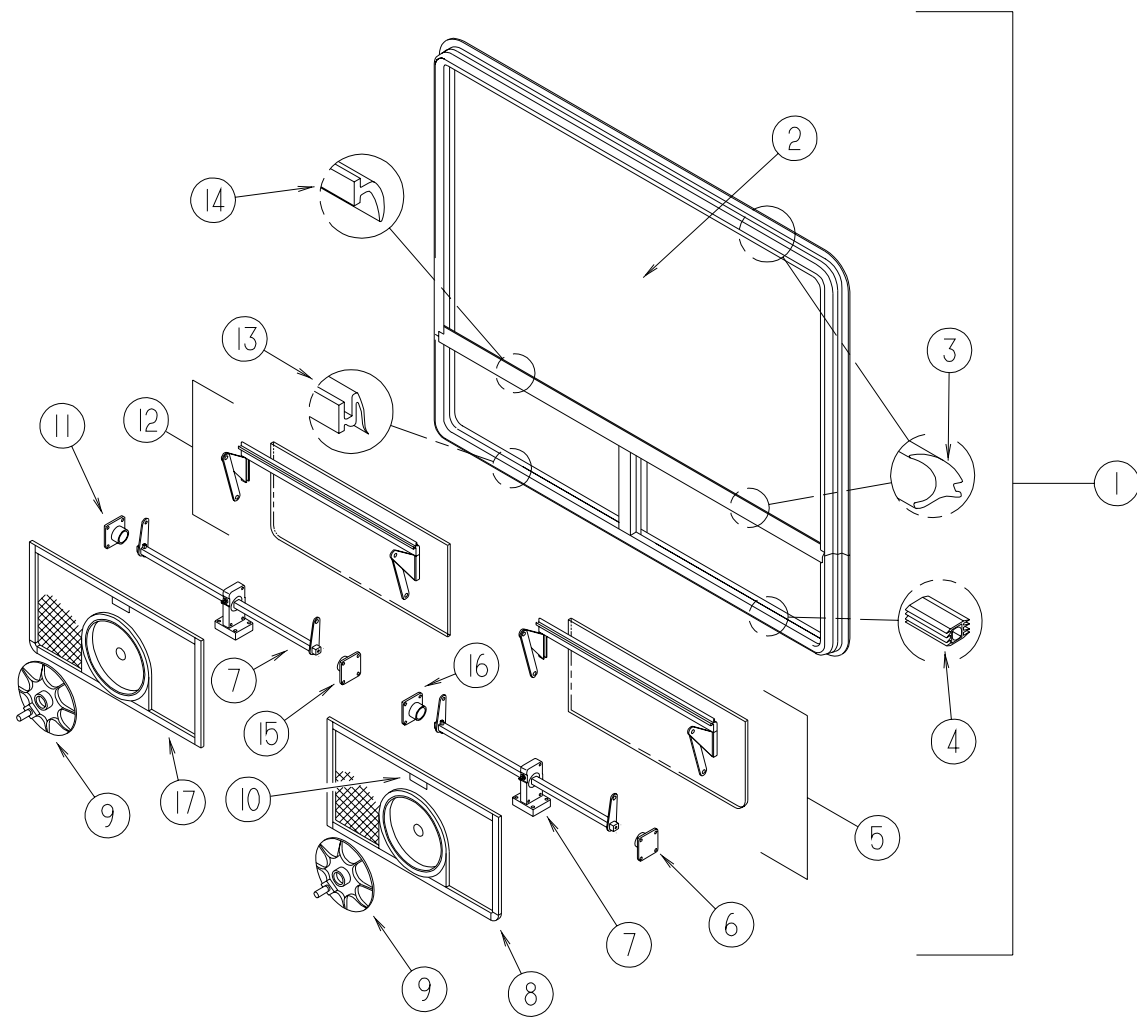


PASSENGER SIDE LOUNGE WINDOW-THERMO

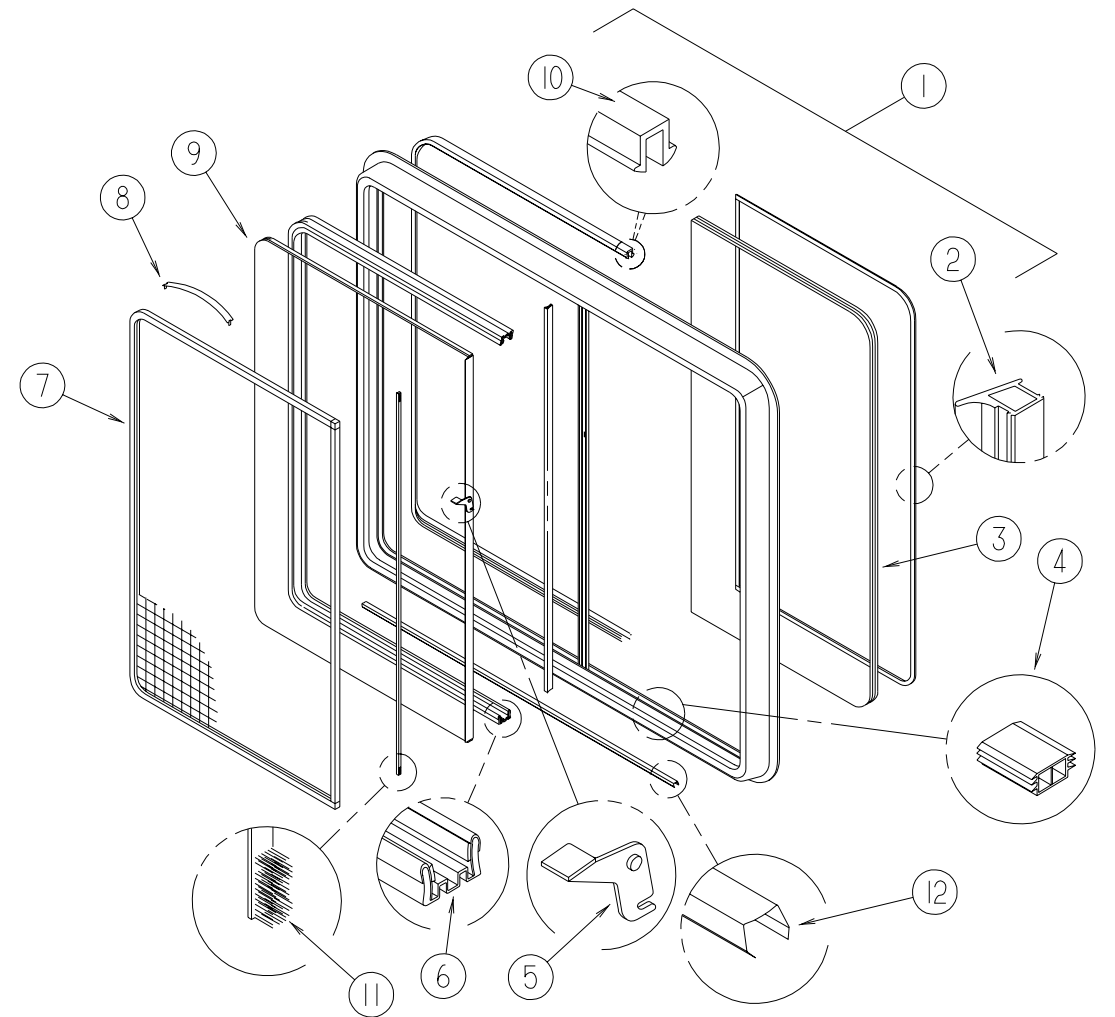
KEY	PARTNUMBER	U/M	DESCRIPTION	VENDOR NO.
1	112795-29-01A	EA	WINDOW-PASSHORIZONTALSLIDER-THERMO-30.7"X27.8"	
	112795-29-700	EA	WINDOWASMW/OTRIM	DH150-G2R
	112795-29-701	EA	RETAINER-TRIM	W15066
2	112795-01-705	FT	VINYL-GLAZING	132-019702
3	112795-29-702	EA	GLASS-STATIONARY	390-019178
4	112795-01-701	EA	SLIDE-STOP	132-019092
5	112795-01-700	EA	LATCHASM.-BLK-(BOLTON)	DH287-CK
6	112795-01-703	IN	CHANNEL-RUN(INCHES)	122-018736
7	112795-29-704	EA	SCREENASM-W/SEAL&CLIPS	410-019192
	098644-01-717	FT	SPLINE-SCREEN	132-004716
8	098644-01-713	EA	CLIP-SPRING-METAL	226-016966
8	125582-01-701	EA	CLIP-SCREEN-PLASTIC	130005153
9	112795-29-703	EA	GLASSSLIDINGW/SASH&LATCH	DH150-G9
10	112795-01-704	FT	PLUGFILLER(DOUBLEGLAZED)	122-018737
11	098644-01-711	FT	WEATHERSTRIP-SCREENBLACK	171-016965
12	112898-06-705	EA	HANDLE-LATCH-RED-LH	182-11294
	112898-06-704	EA	HANDLE-LATCH-RED-RH	182-11293
13	098644-01-710	FT	TRACK-SCREENSPACER-12'	132-017135

WINDOW, VENT & EXTERIOR DOOR GROUP (CONTINUED)

WINDOW, VENT & EXTERIOR DOOR GROUP (CONTINUED)



EXCEL PASSENGER SIDE INETTE WINDOW



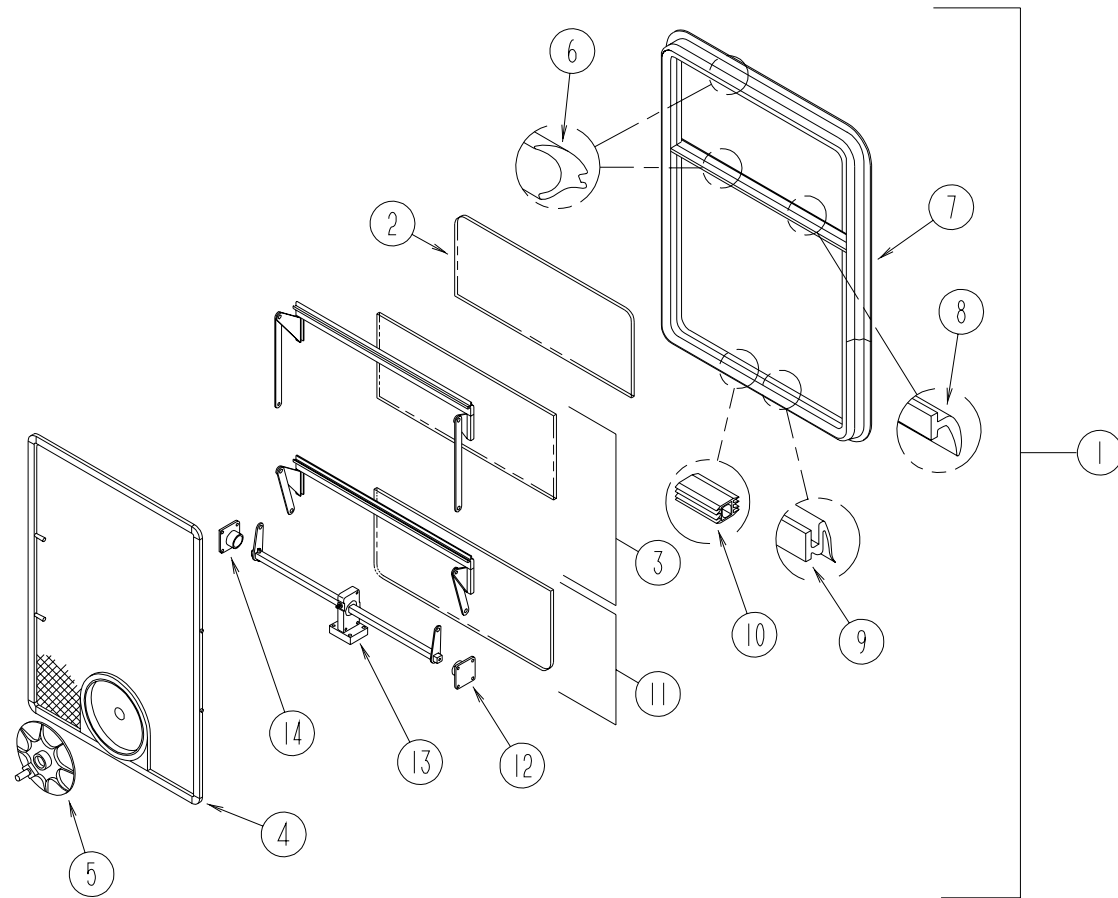
EXCEL PASSENGER SIDE INETTE WINDOW-THERMO

KEY	PART NUMBER	U/M DESCRIPTION	VENDOR NO.
1	115360-01-01A	EA WINDOW-DOUBLE HORIZONTAL TIPOUT-30.75"X56.5"	
	115360-01-705	EA RETAINER-TRIM	W112-59
	100322-01-704	FT TAPE-BUTYL	154-016083
2	115360-01-700	EA GLASS-STATIONARY-19.02X56.56	106-019446
3	100322-01-703	FT VINYL-GLAZING-BUTYL	132-010723
4	098644-01-716	FT PLUG-FILLER	132-014470
5	115360-01-703	EA GLASS-VENT-LHINSIDE/RHOUTSIDE	CH90D9L
6	100322-01-714	EA SUPPORT-TORQUEBAR, LH	130-015978
7	112519-01-702	EA OPERATOR-VENT	410-016123
8	115360-01-701	EA SCREEN-W/SEAL&CLIPS-LHINSIDE/RHOUTSIDE	410-019477L
9	100322-01-718	EA HANDLE-DIAL	410-016081
10	112519-01-706	EA CLIP-SCREEN	CH21-50
11	100322-01-715	EA SUPPORT-TORQUEBAR-RH	130-015979
12	115360-01-704	EA GLASS-VENT-RHINSIDE/LHOUTSIDE	CH90D9R
13	100322-01-701	FT SEAL-VENT	122-016071
14	100322-01-702	EA WEATHERSTRIP-HORIZONTAL RAIL	132-015976
15	100322-01-716	EA SUPPORT-TORQUEBAR-CTR RAIL	130-015980
16	100322-01-716	EA SUPPORT-TORQUEBAR-CTR RAIL	130-015980
17	115360-01-702	EA SCREEN-W/SEAL&CLIPS-RHINSIDE/LHOUTSIDE	410-019478R
	100322-01-717	EA E-RING	245-015975
	100322-01-712	EA RAIL-HORIZONTAL-RHORLH	CH05-19
	100322-01-713	EA BAR-DIVISION-VERT. RH&LH	HH19-20

KEY	PART NUMBER	U/M DESCRIPTION	VENDOR NO.
1	112795-33-01A	EA WINDOW-PASS HORIZONTAL SLIDER-THERMO 30.7"X57.8"	
	112795-33-700	EA WINDOW ASM.THERMO RHW/OTRIM	DH112G2R
	112795-33-701	EA RETAINER-TRIM	W11266
2	112795-01-704	FT PLUG FILLER (DOUBLE GLAZED)	122-018737
3	112795-33-702	EA GLASS-STATIONARY	390-019225
4	112795-01-701	EA SLIDE-STOP	132-019092
5	112795-01-700	EA LATCH ASM-BLK-(BOLTON)	DH287-CK
6	112795-01-703	IN CHANNEL-RUN (INCHES)	122-018736
7	112795-33-704	EA SCREEN ASM-W/SEALS&CLIPS	410-019247
	098644-01-717	FT SPLINE-SCREEN	132-004716
8	098644-01-713	EA CLIP-SPRING-METAL	226-016966
8	125582-01-701	EA CLIP-SCREEN-PLASTIC	130005153
9	112795-33-703	EA GLASS-SLIDING W/SASH&LATCH	DH112-G29
10	112795-01-705	FT VINYL-GLAZING	132-019702
11	098644-01-711	FT WEATHERSTRIP-SCREEN BLACK	171-016965
12	098644-01-710	FT TRACK-SCREEN SPACER-12'	132-017135

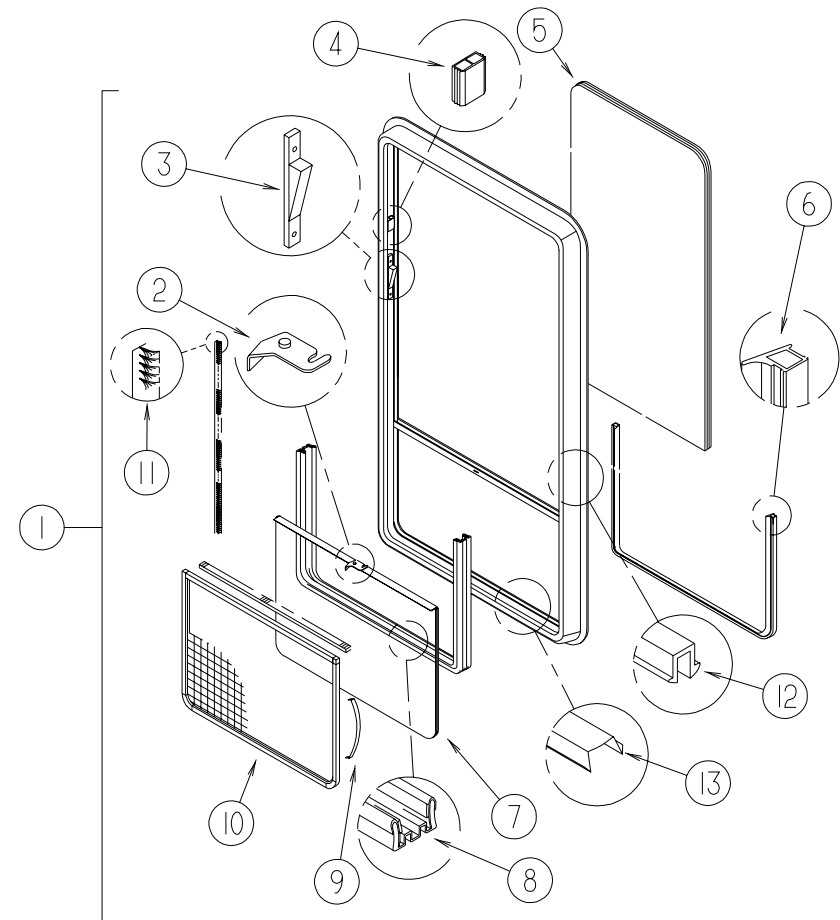
WINDOW, VENT & EXTERIOR DOOR GROUP (CONTINUED)

PASSENGER SIDE BEDROOM WINDOWS



PASSENGER SIDE BEDROOM WINDOW

KEY	PARTNUMBER	U/M	DESCRIPTION	VENDORNO.
1	113500-05-01A	EA	WINDOW-DOUBLE TIPOUT-33.3"X30.3"	
2	113500-05-700	EA	GLASS-STATIONARY	106-025654
	100322-01-704	FT	TAPE-BUTYL	154-016083
3	113500-05-701	EA	VENTASM.(UPPER)	CH104-D7
4	113500-05-704	EA	SCREENASM-W/SEAL&CLIPS	410-025657
5	100322-01-718	EA	HANDLE-DIAL	410-016081
6	100322-01-703	FT	VINYL-GLAZING-BUTYL	132-010723
7	N/A	EA	WINDOWW/OTRIM	
	113500-05-705	EA	RETAINER-TRIM	CW100-59
8	100322-01-702	EA	WEATHERSTRIP-HORIZONTALRAIL	132-015976
9	100322-01-701	FT	SEAL-VENT	122-016071
10	098644-01-716	FT	PLUG-FILLER	132-014470
11	113500-05-702	EA	VENTASM(LOWER)	CH104-D9
12	100322-01-714	EA	SUPPORT-TORQUEBAR-LH	130-015978
13	112519-01-702	EA	OPERATOR-VENT	410-016123
14	100322-01-715	EA	SUPPORT-TORQUEBAR-RH	130-015979
	100322-01-717	EA	E-RING	245-015975

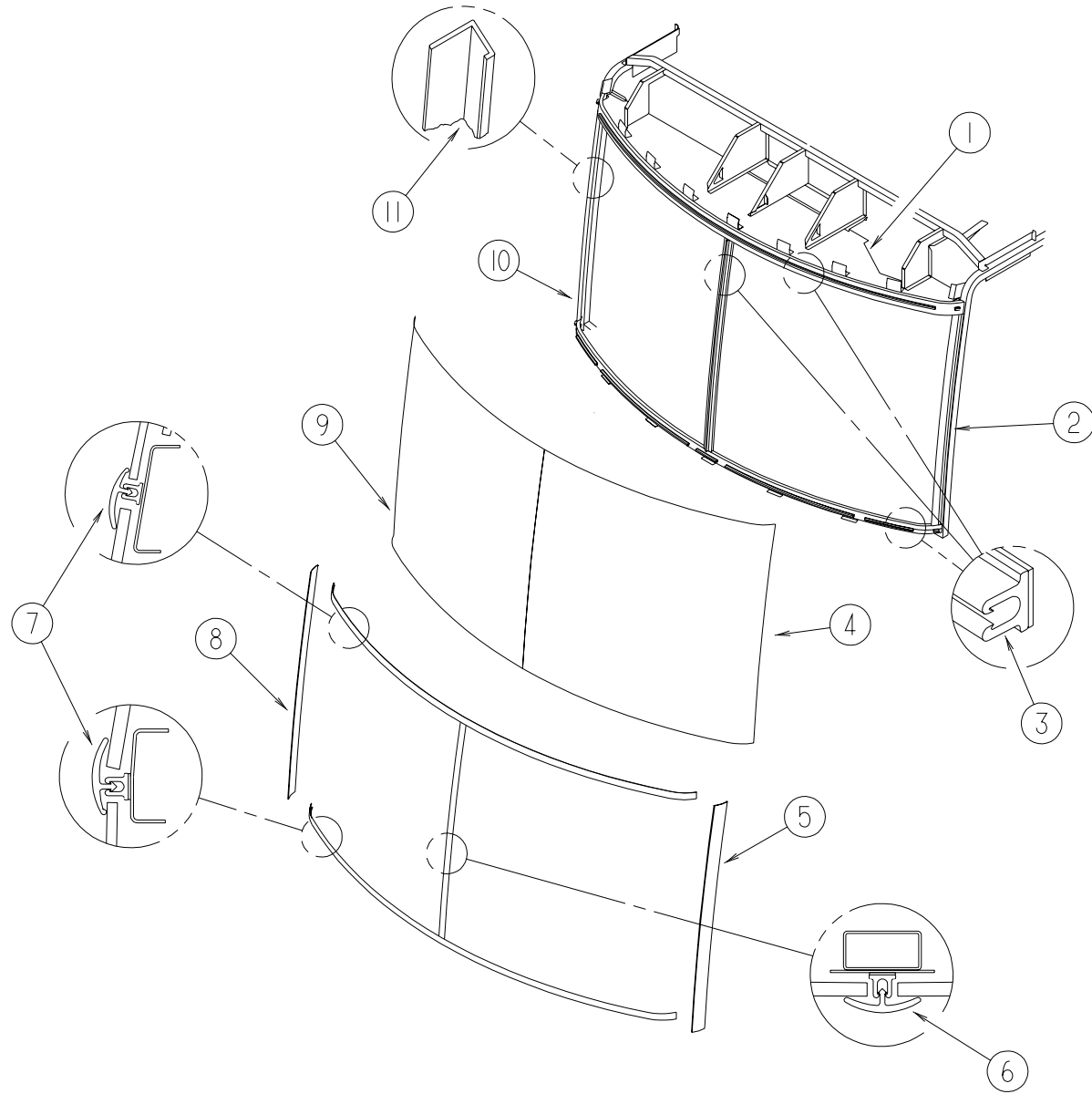


GALLEY WINDOW-SLIDER-THERMO

KEY	PARTNUMBER	U/M	DESCRIPTION	VENDORNO.
1	112898-17-01A	EA	WINDOW-VERTICALSLIDER-THERMOPANE-33.1"X30.1"	
	N/A	EA	WINDOWASM.W/OTRIM	
2	112795-01-700	EA	LATCHASM.-BLK-(BOLTON)	DH287-CK
3	112898-04-703	EA	SASHLATCHKIT-RAISED	DH343-CK
4	112795-01-701	EA	SLIDE-STOP	132-019092
5	112898-17-701	EA	GLASS-STATIONARY	390-025437
6	112795-01-704	FT	PLUGFILLER(DOUBLEGLAZED)	122-018737
7	112898-17-700	EA	GLASS-SLIDINGW/SASH&LATCH	DH510-EG9
8	112795-01-703	IN	CHANNEL-RUN(INCHES)	122-018736
9	098644-01-713	EA	CLIP-SPRING-METAL	226-016966
9	125582-01-701	EA	CLIP-SCREEN-PLASTIC	130005153
10	112898-05-704	EA	SCREENASM-W/SEALS&CLIPS	410-018862
	098644-01-717	FT	SPLINE-SCREEN	132-004716
11	098644-01-711	FT	WEATHERSTRIP-SCREEN-BLACK	171-016965
12	112795-01-705	FT	VINYL-GLAZING	132-019702
	112898-16-702	EA	RETAINER-TRIM	CW100-66
13	098644-01-710	FT	TRACK-SCREENSPACER-12'	132-017135

WINDSHIELD&WIPERGROUP

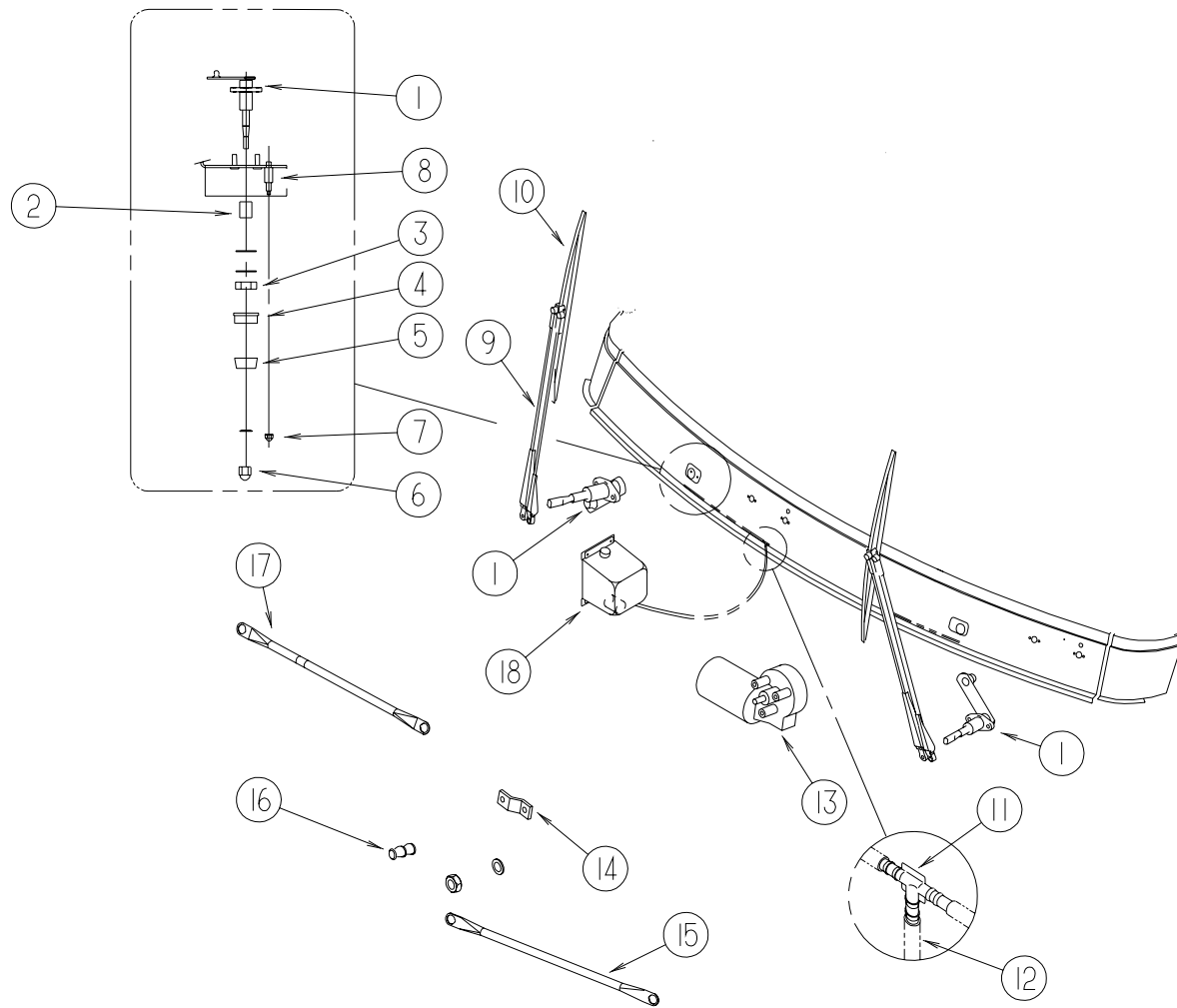
WINDSHIELD



KEY	PARTNUMBER	U/M	DESCRIPTION
1	117730-01-01B	EA	HEADER - WINDSHIELD
2	117203-02-01B	EA	FRAME - WINDSHIELD - ALH - MILL
3	117335-01-000	EA	REVEALCARRIER - 94.6"
4	116996-04-000	EA	WINDSHIELD - LHCURVED - 52" WX 49" H
5	120352-01-02A	EA	TRIM - WINDSHIELD - APILLAR - LH - BLACK
6	118586-01-000	FT	MOLDING - REVEAL - WINDSHIELD
7	120533-01-000	FT	MOLDING - REVEAL - WINDSHIELD
8	120352-02-02A	EA	TRIM - WINDSHIELD - APILLAR - RH - BLACK
9	116996-03-000	EA	WINDSHIELD - RHCURVED - 52" WX 49" H
10	117203-01-01B	EA	FRAME - WINDSHIELD - ARH - MILL
11	098788-06-000	EA	CHANNEL - 49" PVC
	107285-01-000	EA	BRACKET - WINDSHIELDSUPPORT

WINDSHIELD & WIPER GROUP (CONTINUED)

WIPER & WASHER



KEY	PARTNUMBER	U/M	DESCRIPTION	VENDOR NO.
1	096505-09-000	EA	SHAFT/PIVOT-WINDSHIELDWIPER	
1	096505-05-000	EA	SHAFT/PIVOT-WINDSHIELDWIPER	
2	061603-01-000	EA	GROMMET-SNAP-3/16"ID-3/8"HOLE-PLASTICBLACK	
3	096505-02-701	EA	NUT-HEX-(HD)W/.687BARREL	NT721021
4	096505-02-702	EA	CAP-RUBBER-(HD)BARREL.687	CP721084
5	096505-02-700	EA	DRIVER-KNURLED-(HD)BARREL.687	NT721017
6	096505-02-703	EA	CAP-NUT(ACORN)HDW/.687BARREL	51065-40-NT27WC
7	077049-02-000	EA	NUT-ACORN-10-32BLACK/ANODIZED	
8	117768-01-000	EA	SHAFT-ADAPTER-PANTOGRAPHARM	
	107397-01-000	EA	WASHER-FENDER-.25"IDX1"OD	
9	117769-01-000	EA	ARM-WIPER-PANTOGRAPH-28"	
	096931-01-701	EA	NOZZLE-HARDWAREKIT(NOZZLE-NUT-LONGSCREW-SHORTSCREW)	
10	095964-01-000	EA	BLADE-WINDSHIELDWIPER-24"	
11	110605-01-000	EA	TEE-PLASTIC-BARBED-1/8"X1/8"X3/16"	
	117765-03-000	EA	CONNECTOR-5/32"-WINDSHIELDWASHER	
12	045794-01-000	FT	HOSE-WASHER-WINDSHIELD-5/32"ID-BLACK	
13	104346-05-000	EA	MOTOR-WIPERW/INTERNALBREAKER-DYNAMICPARK	
14	104347-04-000	EA	ARM-DRIVE-WIPERMOTOR	
15	117770-01-000	EA	LINK-CONNECTING-PASSENGER-24"	
16	067188-01-000	EA	STUD-CRANK-WIPERMOTOR	
17	117770-02-000	EA	LINK-CONNECTING-DRIVER-24"	
18	117766-02-000	EA	RESERVOIR/PUMP-WINDSHIELDWASHER	