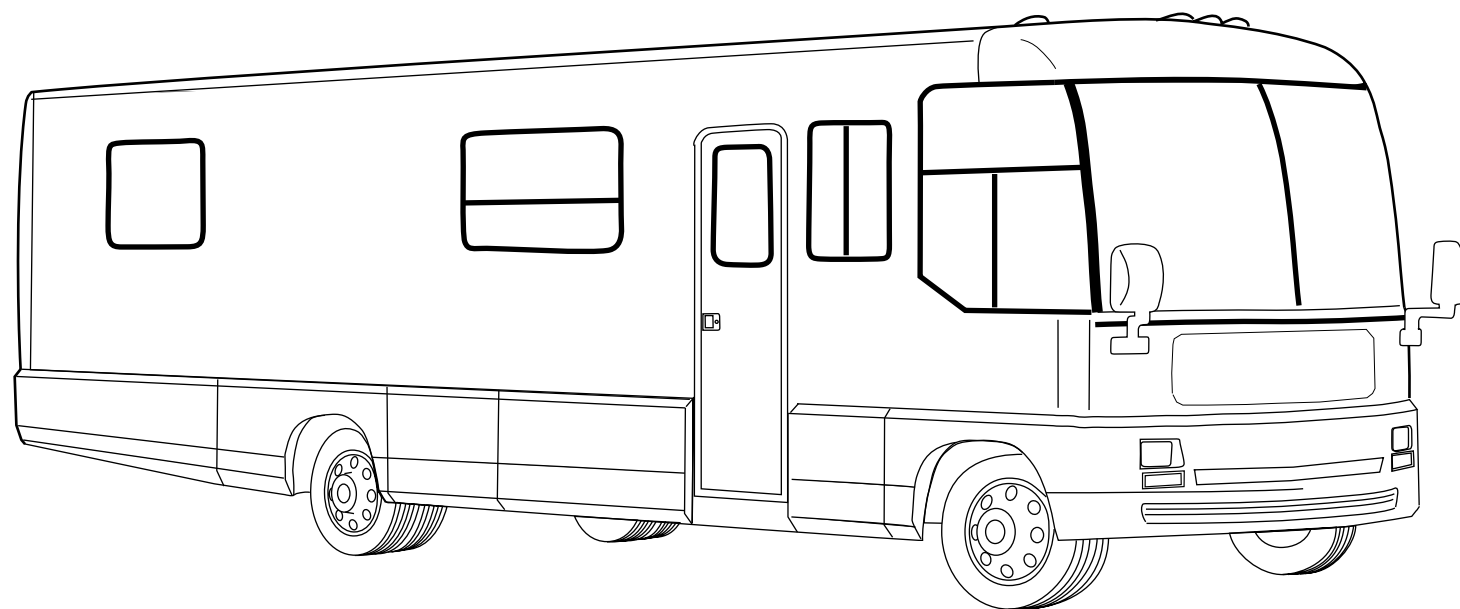


# 1997 WCM34WQ



**H 5 6**     **KENTSHIRE (GREEN)**  
**SOLAR MAPLE**

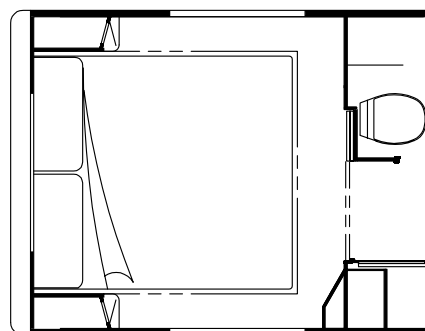
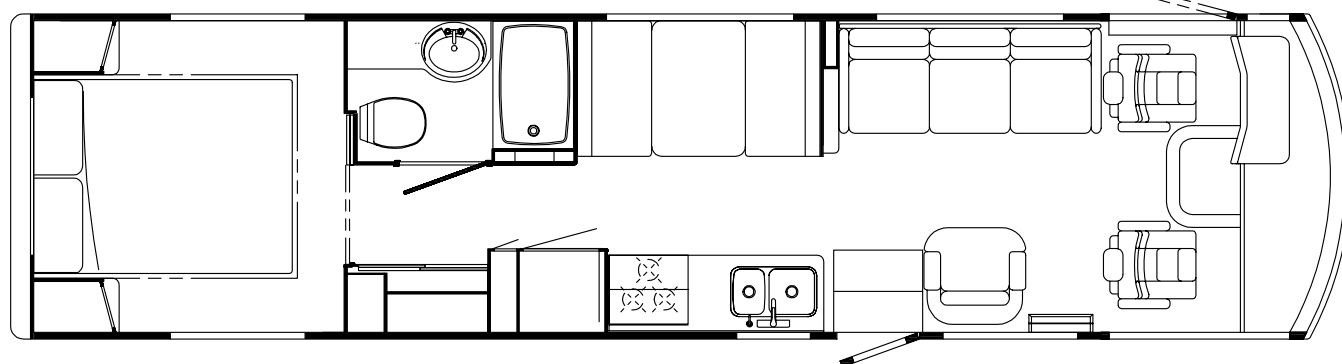
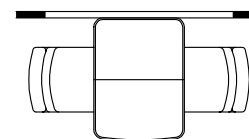
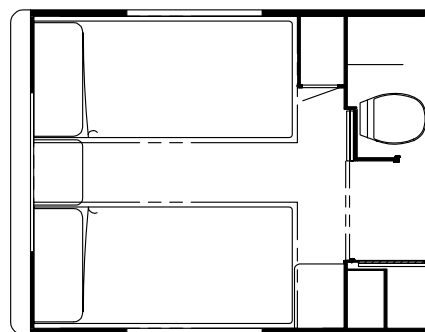
**H57**     **KENTSHIRE (GREEN)**  
**SALEM CHERRY**

**H58**     **COVENTRY (STONE)**  
**SOLARMAPLE**

**H59**     **COVENTRY(STONE)**  
**SALEM CHERRY**

**H60**     **DEVON (BURGUNDY)**  
**SOLAR MAPLE**

**H61**     **DEVON (BURGUNDY)**  
**SALEM CHERRY**



## ACCESSORIESGROUP

### OPERATORSMANUAL

KEY	PARTNUMBER	U/M	DESCRIPTION
	054185-G3-000	EA	MANUAL-OPERATOR97VECTRA
	092318-01-000	EA	BINDER-3RING,MOTORHOMEMANUAL
	092319-01-000	EA	POCKETPAGE-3RINGBINDER,PLASTIC-(50PERPKG)
	123772-01-000	DW	TOPLEVEL-M,1997

### VACUUMCLEANER

KEY	PARTNUMBER	U/M	DESCRIPTION	VENDORNO.
	108186-01-000	EA	VACUUMCLEANER-BUILTIN,HP19-1DELUXE	
	092304-01-700	EA	BAG-VACUUM,REPLACEMENTPKG5	4908
	092304-02-704	EA	MOTORW/RELAY	5098
	092304-02-710	EA	SECONDARYFILTER	4929
	108186-02-000	EA	TOOLSET-VACUUMW/OPOWERBRUSH,HPW/30"HOSE	
	092304-02-701	EA	TOOL-DUSTING	1142
	092304-02-702	EA	TOOL-RUG	4982
	092304-02-703	EA	TOOL-CREVICE	1141
	092304-02-707	EA	TOOL-UPHOLSTERY	7029
	092304-02-708	EA	WAND-PLASTIC	4978
	092304-02-709	EA	HOSEASM.,30"COMPLETE	4988-30

## AUDIOVIDEOGROUP

### RADIO&CDSYSTEM

KEY	PARTNUMBER	U/M	DESCRIPTION
	109053-02-000	EA	RADIO-WALLMOUNTAM/FMCASS AUDIOVOX AWM-300
	087683-03-000	EA	RADIO-AM/FMSTEREO/CASSETTE
	102080-05-000	EA	CHANGER-COMPACTDISCSOYCDX-52RF
	097460-08-000	EA	RADIO-AM/FMSTEREO/CASSETTE
	097460-07-000	EA	RADIO-AM/FMCASSETTE, CDCONT-RMT-SONYXR-340(DELUXESOUND)
	117424-01-000	EA	REMOTE-RADIO,SONYRM-X35(DELUXESOUND)
	124881-01-000	EA	AMPLIFIER-AUDIO,RIVERPKMTSAMP-03W(DELUXESOUND)
	124882-01-000	EA	WIREASM-AMPLIFIER,RIVERMTSHN1-07WN(DELUXESOUND)
	123324-01-000	EA	FILTER-GROUNDLOOP,RIVERPARKNS20(DELUXESOUND)
	124883-01-000	EA	SPEAKER-CUBE,RIVERPKSP25CUW(DELUXESOUND)
	124884-01-000	EA	SPEAKER-6"X9",SUB-WOOFER-RIVERPKSP6X90W(DELUXESOUND)
	124885-01-000	EA	GRILL-SPEAKER,6"X9"-SUB-WOOFER-RIVERPKGR6X90W(DELUXESOUND)
	116148-03-000	EA	RADIO-AM/FMSTEREO/CDPLAYER,RDB325D
	081059-02-000	EA	WIREASM-9-PIN,RADIO-AUDIOVOX112B-1761
	089340-02-000	EA	GRILLE-SPEAKER,6.5"SQUARE
			CANBEUSEDFORRADIOORTVSPEAKERINOVHDCABINETS
	094097-01-000	EA	SPEAKER-RADIO/TV,W/GRILLE,5.25"DIAMETER
			CANBEUSEDASTVORRADIO SPEAKERINOVHDCABINETS
	094097-01-000	EA	SPEAKER-RADIO/TV,W/GRILLE,5.25"DIAMETER
	110469-01-000	EA	SPEAKER-4"X6"OVAL,COAXIAL
	110470-01-01A	EA	GRILLE-SPEAKER,OVAL-4"X6"-BLACK
	118165-01-GV0	EA	GRILLEASM-SPEAKER
			MOUNTEDOVERDR&PASSONSIDESOF CAB
	118144-01-02B	EA	GRILLE-SPEAKER,E-COAT

### RADIO & CB ANTENNA

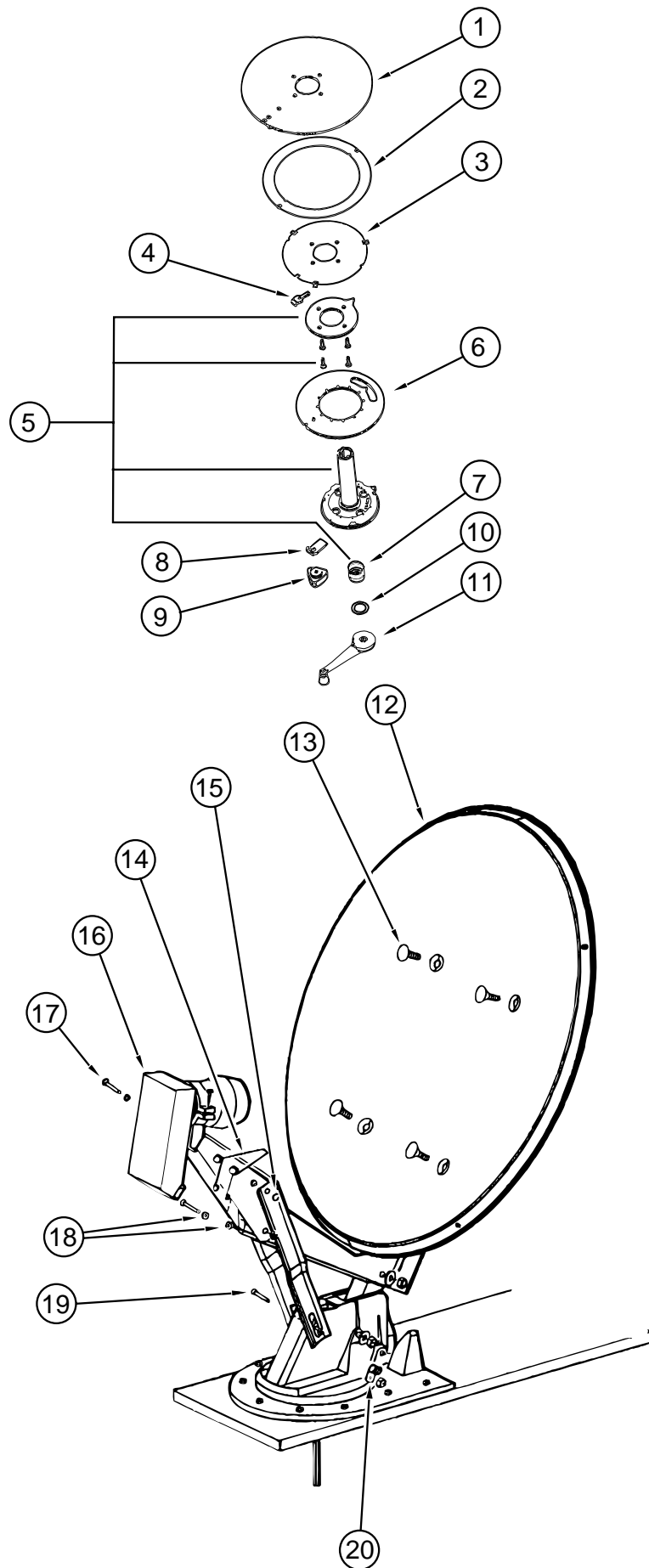
KEY	PARTNUMBER	U/M	DESCRIPTION
	123256-01-000	EA	ANTENNA-CB,W/OCABLE
	123256-02-000	EA	CABLE-CBCOAX
	090944-01-000	EA	ANTENNA-RADIO,16"RUBBER
	108847-01-000	EA	BRACKET-ANTENNAGROUND
	109889-04-000	EA	EXTENDER-SHAFT,ANTENNA,3"-MAGNADYNERV71EX3
	077069-02-000	EA	CABLE-RADIOANTENNA,96"EXTENSION

### TELEPHONE SYSTEM

KEY	PARTNUMBER	U/M	DESCRIPTION
	093253-01-01A	EA	PLATE-WALL,TELEPHONE-BEIGE-CAC625F2-4-50
	093254-01-000	EA	HOUSING-TELEPHONE,AMP554171-1

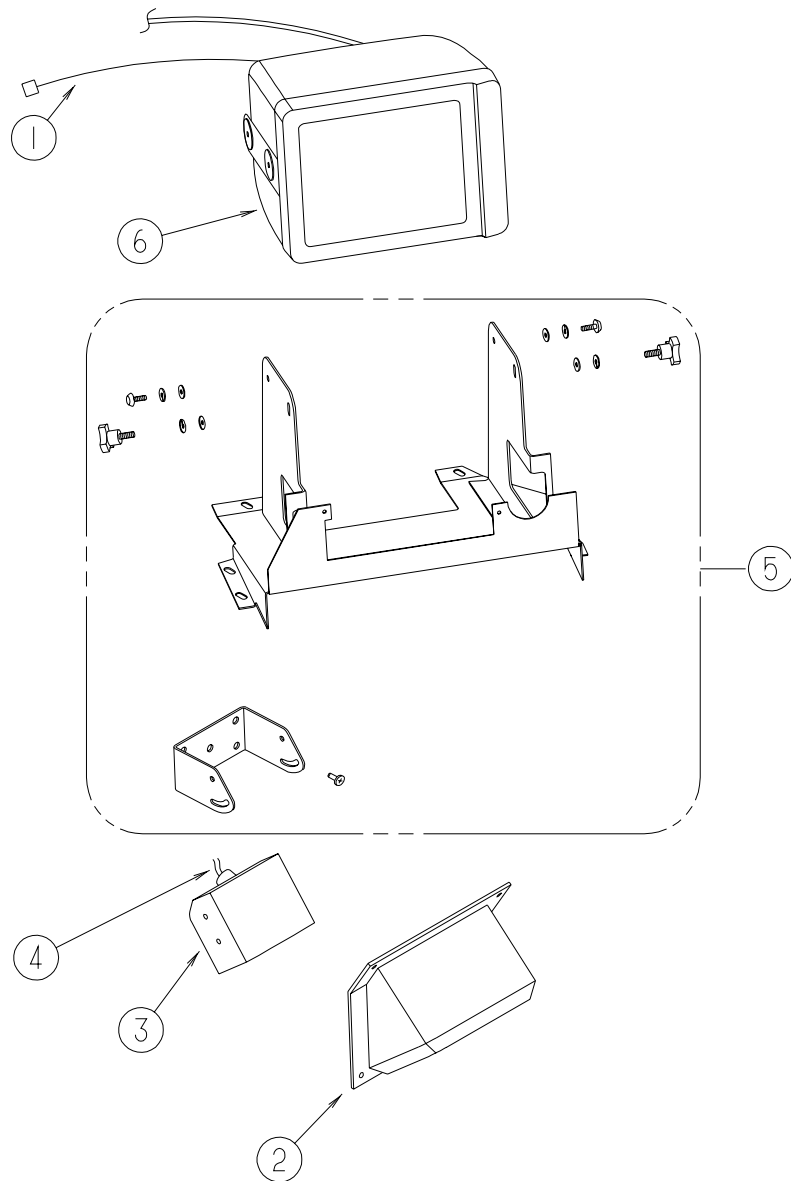
# AUDIOVIDEOGROUP(CONTINUED)

## SATELLITEDISH



KEY	PARTNUMBER	U/M	DESCRIPTION	VENDOR NO.
	120233-01-000	EA	ANTENNA-SATELLITEW/ORECEIVER(DISH&HDWKIT)MANUAL	
	120233-02-000	EA	RECEIVER-SATELLITEONLY	
1	120233-01-700	EA	PLATE-FIXED	3750821
2	120233-01-701	EA	DIAL-DIRECTIONAL	2745056
3	120233-01-702	EA	PIVOT-DIAL,DIRECTIONAL	2745058
4	120233-01-703	EA	STOP-ROTATION	3711281
5	120233-01-704	EA	PLATE-CEILINGW/DIRECTIONALHANDLE	RP-6300
6	120233-01-705	EA	PLATE-ROTATE	3750820
7	120233-01-706	EA	SPRING	RP-6822
8	120233-01-707	EA	CLAMP-ROTATE	3711280
9	120233-01-708	EA	KNOB-CLAMP	2200061
10	120233-01-709	EA	WASHER-NYLON	RP-2658
11	120233-01-710	EA	HANDLE-CRANK	RP-6795
12	120233-01-711	EA	REFLECTOR -46CM	2745304
13	120233-01-712	EA	BOLT-FLATHEAD	2160253
14	120233-01-713	EA	SPRING	2160820
15	120233-01-714	EA	CLIP-E	5160818
16	120233-01-715	EA	RCALNB	278015
17	120233-01-716	EA	PIN	2160814
18	120233-01-717	EA	BEARING-NYLON	2200728
19	120233-01-718	EA	PIN	5160817
20	120233-01-719	EA	CLAMP-CABLE	2200060

## AUDIOVIDEOGROUP(CONTINUED)



### REAR MONITOR SYSTEM

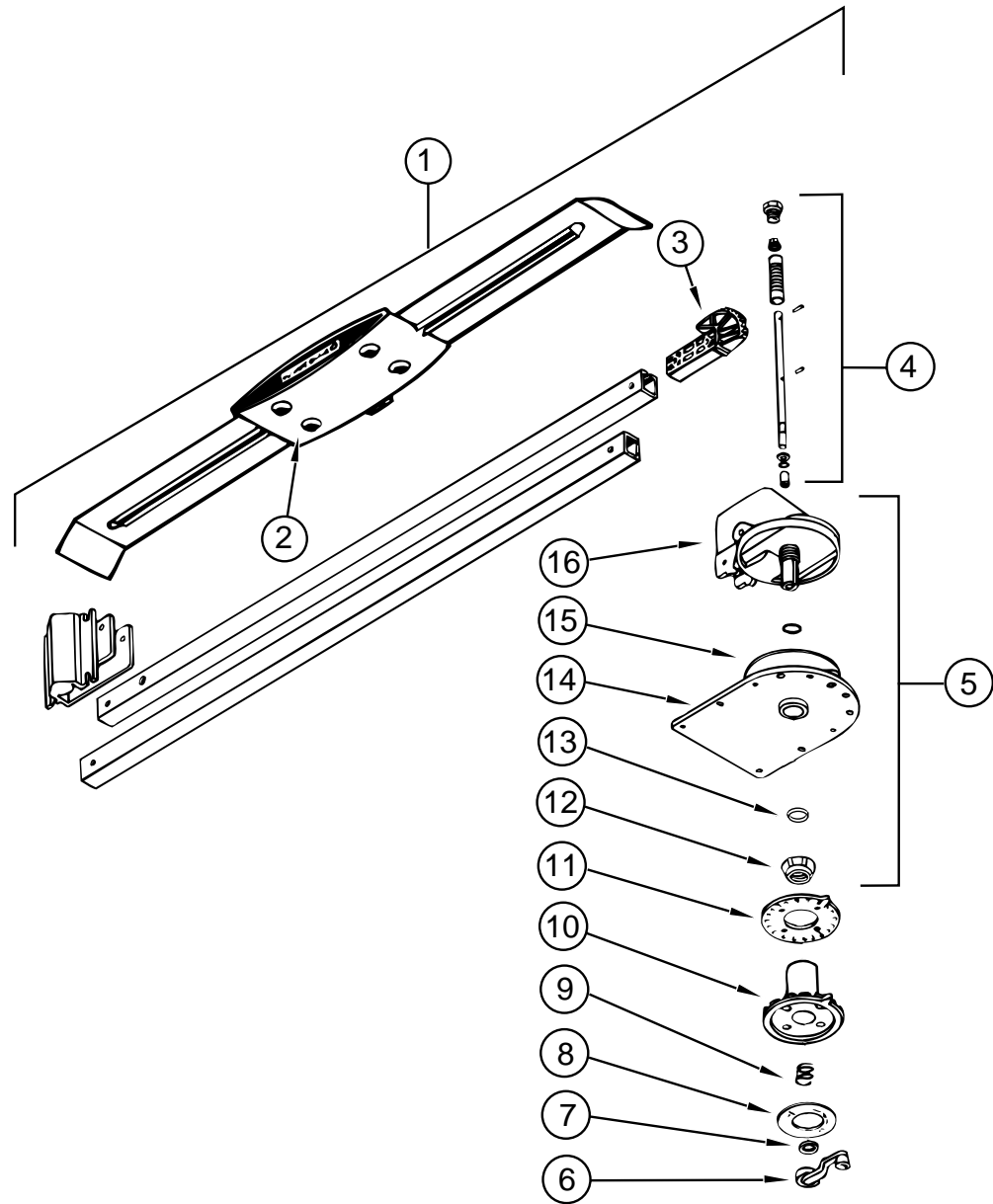
KEY	PARTNUMBER	U/M DESCRIPTION
	093040-08-000	EA TELEVISIONSYSTEM-REARVIEW,7",W/AUDIOJACK
1	096717-03-000	EA WIREASM-REARMONITOR,UPPER
	093040-06-000	EA WIREASM-MONITOR,SONYSM-HRN7
2	117669-01-01A	EA SHROUD-CAMERA,OUTER-SABLE
	108529-01-01A	EA SHROUD-CAMERA,INNER-BLACK
3	093040-04-700	EA CAMERA,BRACKET&WIRING
4	093041-01-000	EA CABLE-MONITOR/CAMERA,INTERNALUSE
	093041-02-000	EA CABLE-MONITOR/CAMERA,EXTERNALUSE
5	N/A	PARTSAREINCLUDEDW/TELEVISIONSYSTEM-SONY
6	093040-05-700	EA MONITOR-7",W/POWERHARNESS

## AUDIOVIDEOGROUP(CONTINUED)

### TV&VCRSYSTEMS

KEY	PARTNUMBER	U/M DESCRIPTION
	124075-01-000	EA TV-19"COLOR,1/8"JACK
	124074-01-000	EA TV-13"COLOR,1/8"JACK
	124073-01-000	EA VCR-VHSREMOTE,CABLEREADY
	086757-03-000	EA CONTROLCENTER-SWITCH,VCR/TV
	093214-01-02A	EA GRILLE-SPEAKER,4"-BROWN
	098819-01-000	EA SPEAKER-2WATT,8OHM-4"
	115540-01-000	EA AMPLIFIER-TVSPEAKERS-AMP335-94-SC
	115539-01-000	EA RELAY-RADIO/TVSPEAKER,SWITCHASAA1780100
	082134-01-000	EA ADAPTER-TV,CABLETOCABLE-WINEGARDF-81M
	076319-03-000	FT CABLE-COAXIAL,75OHM
	076319-12-000	EA CONNECTOR-COAXIAL,ONEPIECE
	076319-09-000	EA WALLPLATE-CABLERECEPTACLE,TV-SINGLE-BROWN
	086777-02-000	EA WALLPLATE-TV CABLE,W/ANTENNASWITCH-BROWN
	086777-06-000	EA PLATE-WALL,ANT1OUTPUTBROW-WINEGARDRV-0931
	082136-01-000	EA NUT-HEXJAM3/8-32,WINEGARD
	086756-01-000	EA SPLITTER-TV,2WAY
	093901-06-000	EA PLATE-TV
	114870-01-000	EA PLUGASM-3.5MMAUDIOW/LEADS,OWDONALD35-94-SC
	114870-02-000	EA PLUG-.14"AUDIOW/LEADS

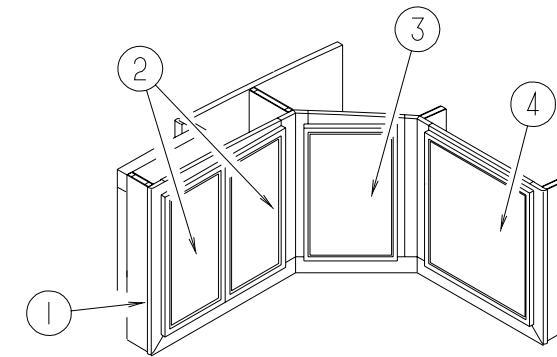
**AUDIOVIDEOGROUP(CONTINUED)**



**TV ANTENNA(WINEGARD)**

KEY	PARTNUMBER	U/M	DESCRIPTION	VENDOR NO.
1	076319-21-000	EA	ANTENNA-TVROOFMOUNT-3"ROOF	
2	076319-01-700	EA	HEAD-ANTENNA-AMPLIFIED	RVSAU/V
3	076319-01-701	EA	GEAR-ELEVATING-PLASTIC	2200046
4	076319-01-702	EA	SHAFTASM-ELEVATING	RVP-400A
5	076319-01-711	EA	BASE&LIFTASM	2762802
6	076319-01-706	EA	CRANK-ELEVATING-W/SETSCREW-UNIVERSAL	2750897
7	076319-01-705	EA	BEARING-NYLON-7/8"ID	3200658
8	076319-01-708	EA	CRANKCOVERDECAL	5413002
9	076319-01-707	EA	SPRING-HANDLE	5160822
10	076319-01-709	EA	PLATE-DIRECTIONAL-FORHEAD	3200621
11	076319-01-712	EA	CEILINGPLATE-WINEGARD	3200608
12	076319-01-715	EA	NUT(GEARHOUSING)	2200047
13	076319-01-704	EA	BEARING-NYLON-1.5"OD	3200657
14	076319-01-713	EA	BASEPLATE	3100523
15	076319-01-703	EA	BEARING-NYLON-5"OD	3200656
16	076319-01-714	EA	HOUSING-ROTATINGGEAR	2200049

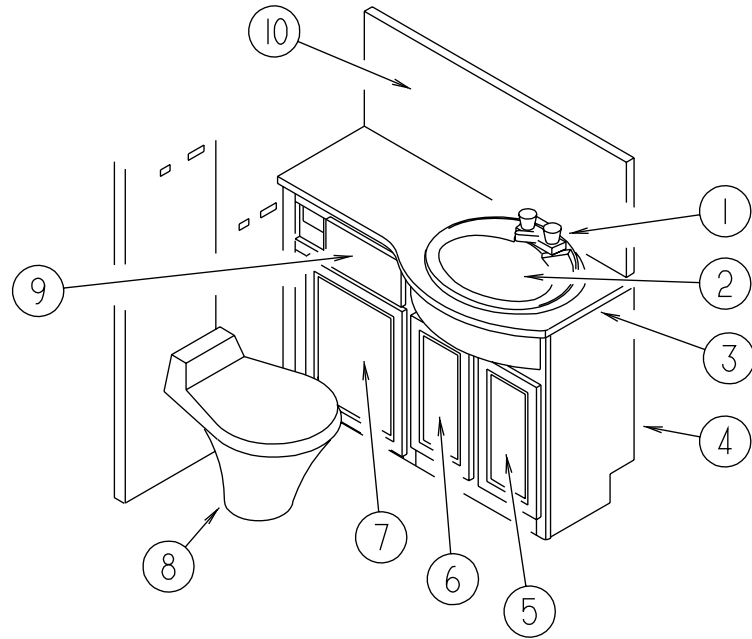
**BATHGROUP**



**BATHMEDICINECABINET**

KEY	PARTNUMBER	U/M	DESCRIPTION
1	P21318-01-H56	EA	CABINETASM-MEDICINE(SOLARMAPLE)
1	P21318-01-H57	EA	CABINETASM-MEDICINE(SALEMCHERRY)
	121318-12-H56	EA	SHELF-W/PLASTICEDGETRIM(SOLARMAPLE)
	121318-12-GV1	EA	SHELF-W/PLASTICEDGETRIM(SALEMCHERRY)
2	M06803-M2-H56	EA	DOOR-MIRROR/MITERED,CORNER/OGEEEDGE-12"X21.8"-W/OHDW(SOLARMAPLE)
	088742-08-000	EA	MIRROR-BEVELED,SAFETYGLASS
2	M06803-M2-GV1	EA	DOOR-RAIL,MTRD/OG-0305X0555(SALEMCHERRY)
	088742-08-000	EA	MIRROR-BEVELED,SAFETYGLASS
3	M06803-P9-H56	EA	DOOR-RAIL,MTRD/OG-0256X0750(SOLARMAPLE)
	113195-17-01A	EA	MIRROR-BEVELED,SAFETYGLASS-CLEAR-422X667
3	M06803-P9-GV1	EA	DOOR-RAIL,MTRD/OG0256X0750(SALEMCHERRY)
	113195-17-01A	EA	MIRROR-BEVELED,SAFETYGLASS-CLEAR-422X667
4	M06803-P8-H56	EA	DOOR-RAIL,MTRD/OG-0505X0750(SOLARMAPLE)
	113195-19-01A	EA	MIRROR-BEVELED,SAFETYGLASS-CLEAR-197X472
4	M06803-P8-GV1	EA	DOOR-RAIL,MTRD/OG-0505X0750(SALEMCHERRY)
	113195-19-01A	EA	MIRROR-BEVELED,SAFETYGLASS-CLEAR-197X472

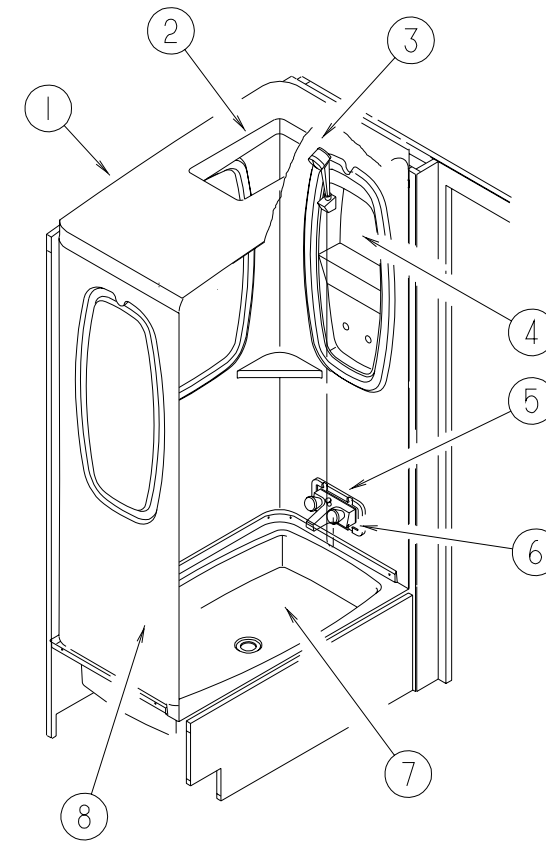
## BATHGROUP(CONTINUED)



### LOWERBATHCABINETS&FIXTURES

KEY	PARTNUMBER	U/M	DESCRIPTION
1	075240-05-000	EA	FAUCET-LAVATORY,BRASS
	105218-01-01A	EA	SPACER-FAUCET,LAVATORY SINK-2"X5.9"-ABSPLASTICO/W
	091253-01-000	EA	GASKET-FAUCET,LAVATORY/GALLEY
2	105921-01-01A	EA	SINK-LAVATORY,LARGE OVAL-17"X20"-PLASTIC-OFFWHITE
	106116-01-01A	EA	STRAINER-SINK,W/STOPPER TAILPIECE GASKET&NUT-PLASTIC
3	117939-11-H56	EA	COUNTERTOPASM(H56,H58)
3	117939-11-GV0	EA	COUNTERTOPASM(H57)
3	117939-11-GV4	EA	COUNTERTOPASM(H59)
3	117939-11-H60	EA	COUNTERTOPASM(H60)
3	117939-11-H61	EA	COUNTERTOPASM(H61)
4	117939-01-H56	EA	CABINETASM-LAVATORY(H56)
4	117939-01-GV1	EA	CABINETASM-LAVATORY(H57)
4	117939-01-H58	EA	CABINETASM-LAVATORY(H58)
4	117939-01-H59	EA	CABINETASM-LAVATORY(H59)
4	117939-01-H60	EA	CABINETASM-LAVATORY(H60)
4	117939-01-H61	EA	CABINETASM-LAVATORY(H61)
5	M05992-05-H56	EA	DOOR-OGEE EDGE, 10.02"X19.1"-W/OHDW(SOLARMAPLE)
5	M05992-05-GV1	EA	DOOR-RAIL,HDW,OGEE-0255X0485(SALEMCHERRY)
6	M05992-06-H56	EA	DOOR-OGEE EDGE, 10.02"X19.1"-W/OHDW(SOLARMAPLE)
6	M05992-06-GV1	EA	DOOR-RAIL,HDW,OGEE-0255X0485(SALEMCHERRY)
7	116237-02-H56	EA	DRAWERASM-HAMPER,W/OHDW(SOLARMAPLE)
7	116237-02-GV1	EA	DRAWERASM-HAMPER,W/OHDW(SALEMCHERRY)
8	085330-02-000	EA	TOILET-STANDARD,BONECHINA
8	085330-06-000	EA	TOILET-STANDARD,CHINAW/SPRAYER,BONE
9	M05971-P7-H56	EA	DRAWERCOMPL-SLIDEOGEE(SOLARMAPLE)
9	M05971-P7-GV1	EA	DRAWERCOMPL-SLIDEOGEE(SALEMCHERRY)
10	093606-26-000	EA	MIRROR-PANEL,BEVELED1/8"-12.9"X42.1"
	075452-02-000	EA	HOLDER-TOILETTISSUE,BRASS

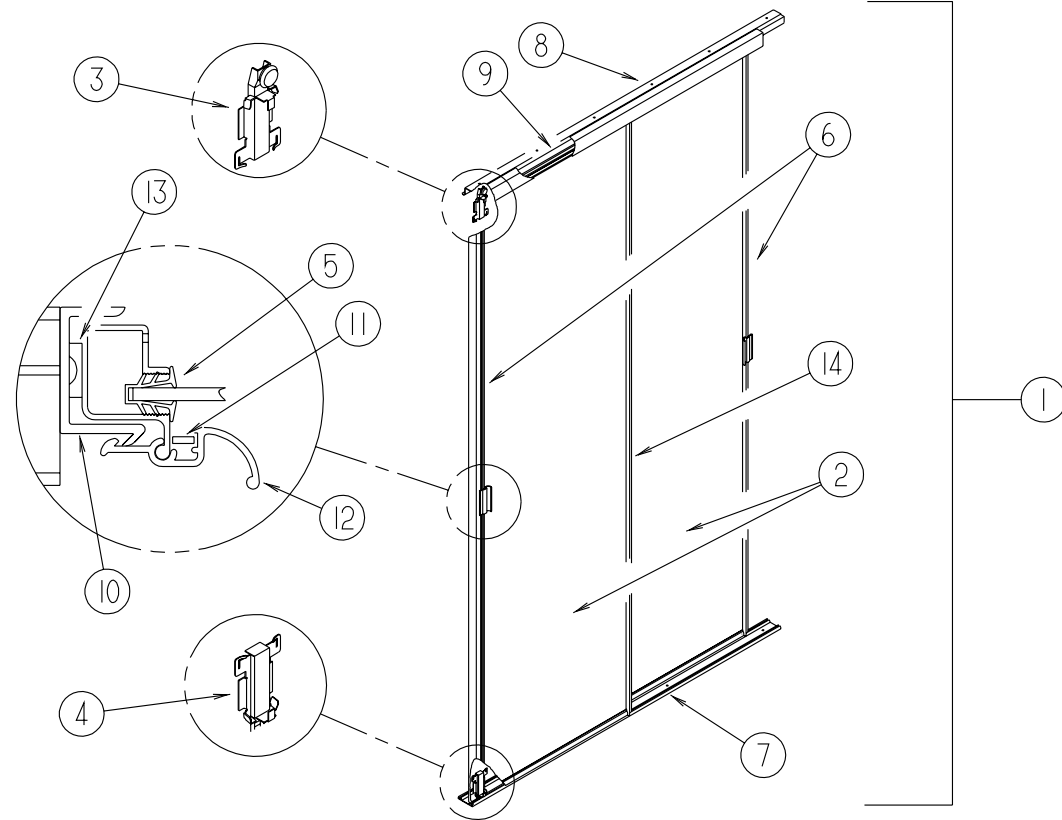
## BATHGROUP(CONTINUED)



### SHOWER&FIXTURES

KEY	PARTNUMBER	U/M	DESCRIPTION	VENDOR NO.
1	117526-01-01A	EA	CAP-SHOWER,OFFWHITE	
2	122193-01-01A	EA	PANEL-SKYLIGHT,INNER	
	122192-01-01A	EA	PANEL-SKYLIGHT,OUTER	
3	103092-03-000	EA	SHOWERHEAD-W/HOSE&BRACKETONDINE23263APB	
3	103092-02-000	EA	SHOWERHEAD-W/HOSE-CSA	
	103092-01-700	EA	BRACKET-F/SHOWERHEAD,CLEAR	2328028
	011048-03-700	EA	BRACKET-F/SHOWERHEAD	2328029-3
4	M06987-02-F11	EA	CADDY-SHOWERW/RETAINER	
4	104462-02-01A	EA	CADDY-SHOWER,OFFWHITE	
5	075242-03-000	EA	FAUCET-TUB/SHOWER,BRASS-U.S.	
5	075241-05-000	EA	FAUCET-SHOWER,BONEW/3/4"MPTX1.4"LONGINLETPIPES	
6	075606-01-000	EA	PANEL-FAUCETBACK,SHOWER-5"X9"-PLASTIC	
7	M02630-34-GV0	EA	SHOWERPANASM	
	066436-01-000	EA	NUT-SLIP,TAILPIECE-1.5"	
	066729-01-000	EA	STRAINER-TUB/SHOWER,W/PLUG	
	069735-01-000	EA	WASHER-STRAINERTOTALPIECEPLASTIC,1.5"	
	011069-02-000	EA	TAILPIECE,1 1/2X1 1/4X4-BRASS	
	120981-01-01A	EA	DRAIN-TIPTOE,BRASS-132-208BP	
8	115612-01-01A	EA	SURROUND-SHOWER,O/W	
	115363-01-01A	EA	RING-GUIDE,SHOWERHOSE,KEVCO47904-CLR	
	102075-14-01A	EA	ROD-CURTAIN,SHOWER-OFFWHITE	

**BATHGROUP(CONTINUED)**



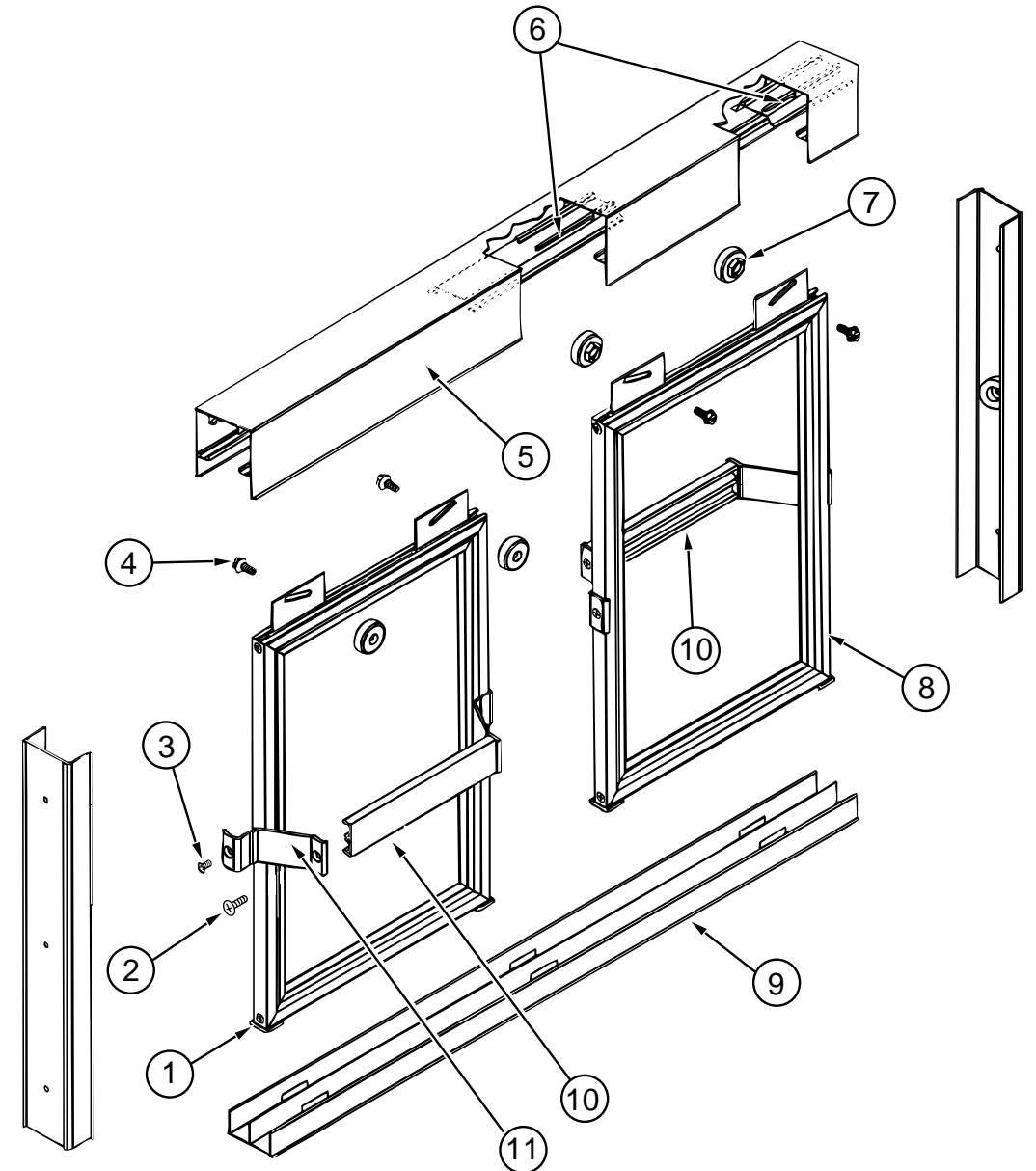
**MIRRORED SLIDING DOOR**

KEY	PARTNUMBER	U/M	DESCRIPTION
1	114149-07-GV0	EA	DOOR-SLIDINGMIRROR
2	058331-C5-000	EA	MIRROR-GLASS,SAFETY
3	107390-01-000	EA	HANGER-CORNERCONNECT
4	107391-01-000	EA	GUIDE-BOTTOM,BY-PASS
5	111575-01-01A	FT	CHANNEL-GLAZING,SWINGDOOR
6	114104-06-01A	EA	STILE-SLIDINGDOOR,LATCHSIDE-RIGHTORLEFT-TERRATONE
7	114105-08-01A	EA	TRACK-SLIDINGDOOR,LOWER-TERRATONE
8	114106-08-01A	EA	TRACK-SLIDINGDOOR,UPPER-TERRATONE
9	114107-07-01A	EA	RAIL-SLIDINGDOOR,TERRATONE
10	115538-03-01A	EA	JAMB-DOOR,MIRROREDWARDROBE
11	115541-01-000	EA	SPRING-DOOR,SLIDING
12	115553-01-01A	EA	LATCH-MIRROREDWARDROBEDOOR-TERRATONE
13	114104-06-01A	EA	STILE-SLIDINGDOOR,LATCHSIDE-RIGHTORLEFT-TERRATONE
14	123655-01-000	FT	SEAL-FOAM,CLOSEDCCELL

**BATH PRIVACY DOOR**

KEY	PARTNUMBER	U/M	DESCRIPTION
	121449-27-H56	EA	DOOR-BATH,W/OHDW(SOLARMAPLE)
	121449-27-H57	EA	DOOR-BATH,W/OHDW(SALEMCHERRY)
	100357-01-000	EA	ROD-TOWEL,BRASSW/ENDSBENTFORBACKOFBATHDOOR
	121449-12-H37	EA	RACK-TOWEL,FORBATHDOOR(SOLARMAPLE)
	121449-12-G07	EA	RACK-TOWEL,FORBATHDOOR(SALEMCHERRY)
	102920-01-01A	EA	HINGE-DOOR,SPRINGLOADED-BRASS
	110496-01-01A	EA	HINGE-BRASS
	111155-01-01A	EA	LOCK-PRIVACY,POLISHEDBRASS
	117978-01-01A	EA	KNOB-DOOR,BRIGHTBRASS

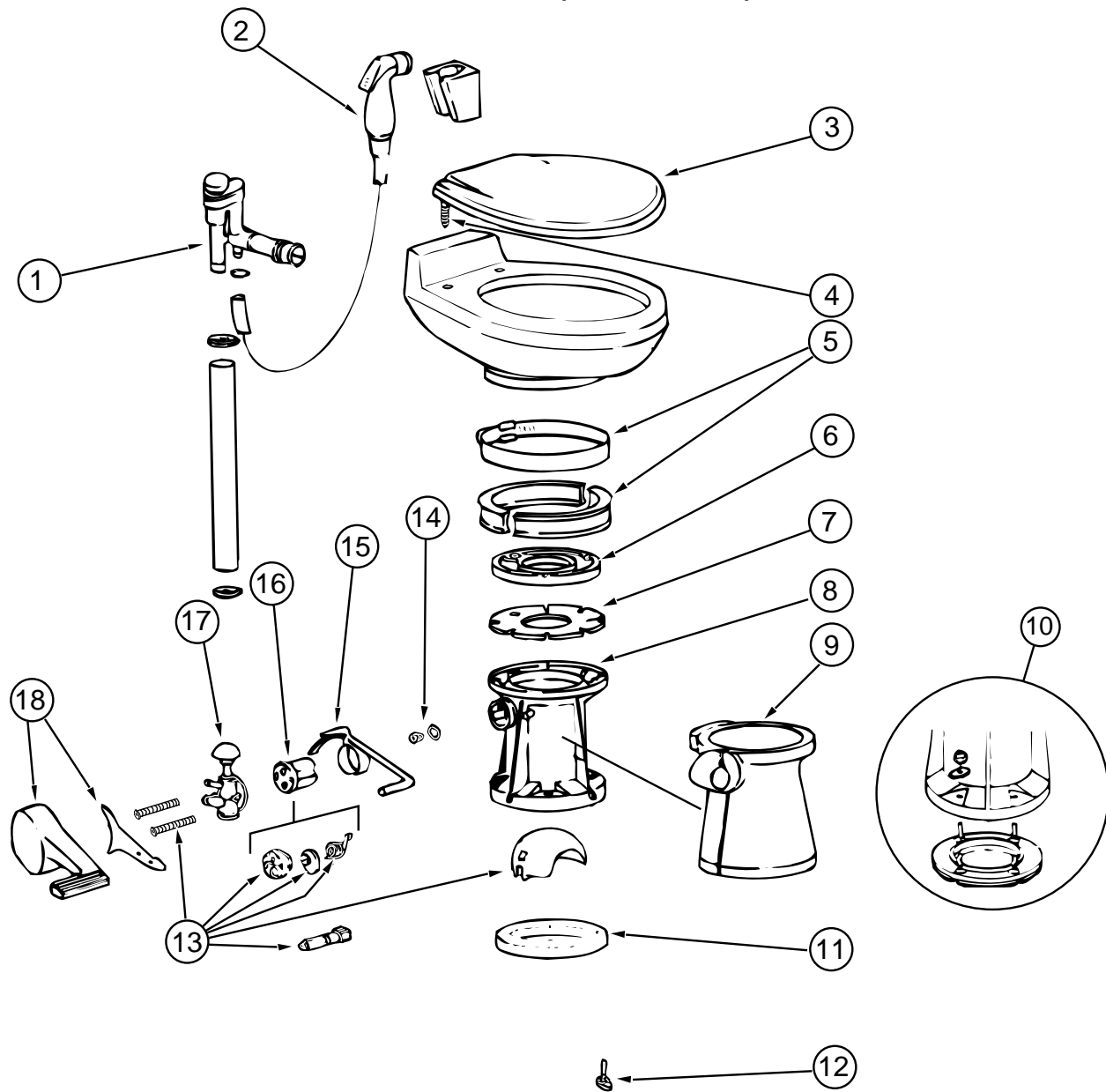
**BATHGROUP(CONTINUED)**



**SHOWER DOOR**

KEY	PARTNUMBER	U/M	DESCRIPTION	VENDOR NO.
	115011-02-01A	EA	SHOWERDOOR-BYPASSW/41"LOWERTRACK	
1	115011-01-701	EA	GUIDE-NYLON,(W-TRACK)	1104
2	115011-01-707	EA	SCREW-TOWELBAR	612F
3	115011-01-708	EA	SCREW-TOWELBARBRACKETS	638F
4	115011-01-705	EA	SCREW-ROLLER,(HEXHEAD)	832
5	115011-01-700	EA	HEADER,W/OANTI JUMP GUARD	120G
	115011-01-711	EA	KNOB-TENSION,(HEADERW/BOLT)	1420K-1420S
	115011-01-712	EA	BOLT-TENSION,(HEADER)	1420S
6	115011-01-710	EA	GUARD-ANTI JUMP	130
7	115011-01-704	EA	ROLLERS	PN193
8	115011-01-706	EA	GLAZING-VINYL	C169
9	115011-01-709	EA	TRACK-BOTTOM-50"	90
10	115011-01-703	EA	BAR-TOWEL	136
11	115011-01-702	EA	BRACKET-TOWELBAR	135
	115011-01-713	EA	JAMB-WALLSHOWERDOOR	126

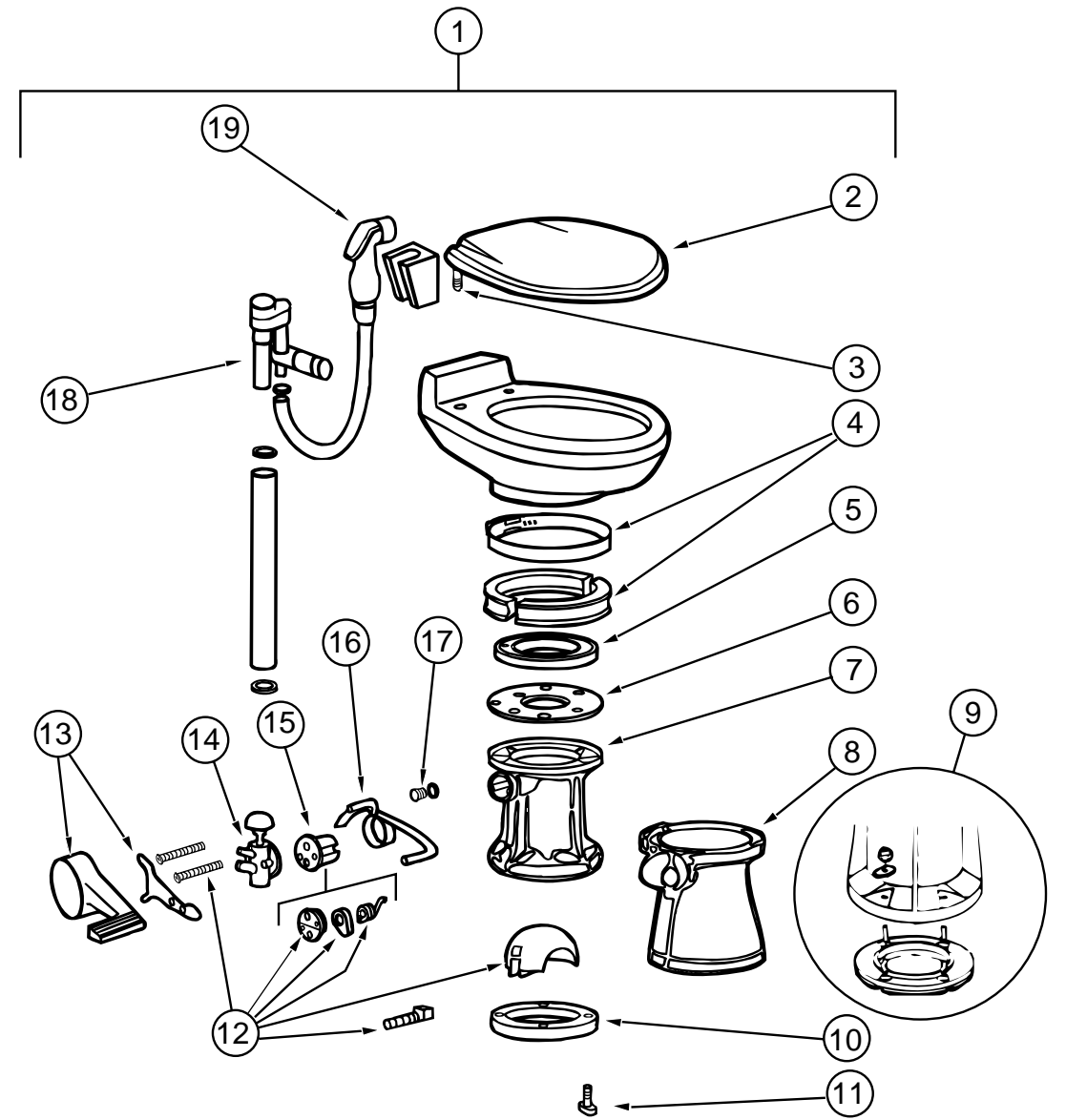
**BATHGROUP(CONTINUED)**



**TOILET&COMPONENTS-SEALANDMODELML510**

KEY	PARTNUMBER	U/M	DESCRIPTION	VENDORNO.
	085330-02-000	EA	TOILET-STANDARD,BONECHINA	
1	085330-04-700	EA	BREAKER-VACUUM,F/HANDSPRAY	230325
2	085330-04-701	EA	HANDSPRAYW/HOSE (500&900)	340683
3	085330-04-707	EA	SEATASSEMBLY,BONE	340816
4	085330-01-720	EA	HINGEHARDWARE,(BONE)SET	341707
5	085330-01-703	EA	RING&HALFCLAMPS,BONE	385310048
6	085330-01-704	EA	TEFLON&RUBBERSEALKIT	385316140
7	085330-01-705	EA	SUPPORT-SEAL,PLASTIC	390346405
8	085330-02-700	EA	BASEASM	310121
9	085330-02-702	EA	COVER-PEDESTAL,BONE510	310112
10	085330-01-718	EA	SEAL&BASEW/MOUNTINGHDW	3853100-63
11	085330-01-714	EA	SEAL-FLNGE,FLOOR	390343892
12	085330-01-717	EA	STOOLMTG.,PKG.BOLT&SEAL	3100-64
13	085330-01-706	EA	BALL,SHAFT&CARTRIDGE	385318162
14	085330-01-710	EA	DRAIN-KIT,PLUG-CAPW/SEAL	230384
15	085330-06-703	EA	LEVER-FLUSH	340873
16	085330-01-707	EA	CARTRIDGESPRINGASSEMBLY	381236096
17	085330-01-709	EA	VALVE-WATER	385314349
18	085330-02-703	EA	COVER-PEDAL,BONE-NEWSTYLE	310115

**BATHGROUP(CONTINUED)**

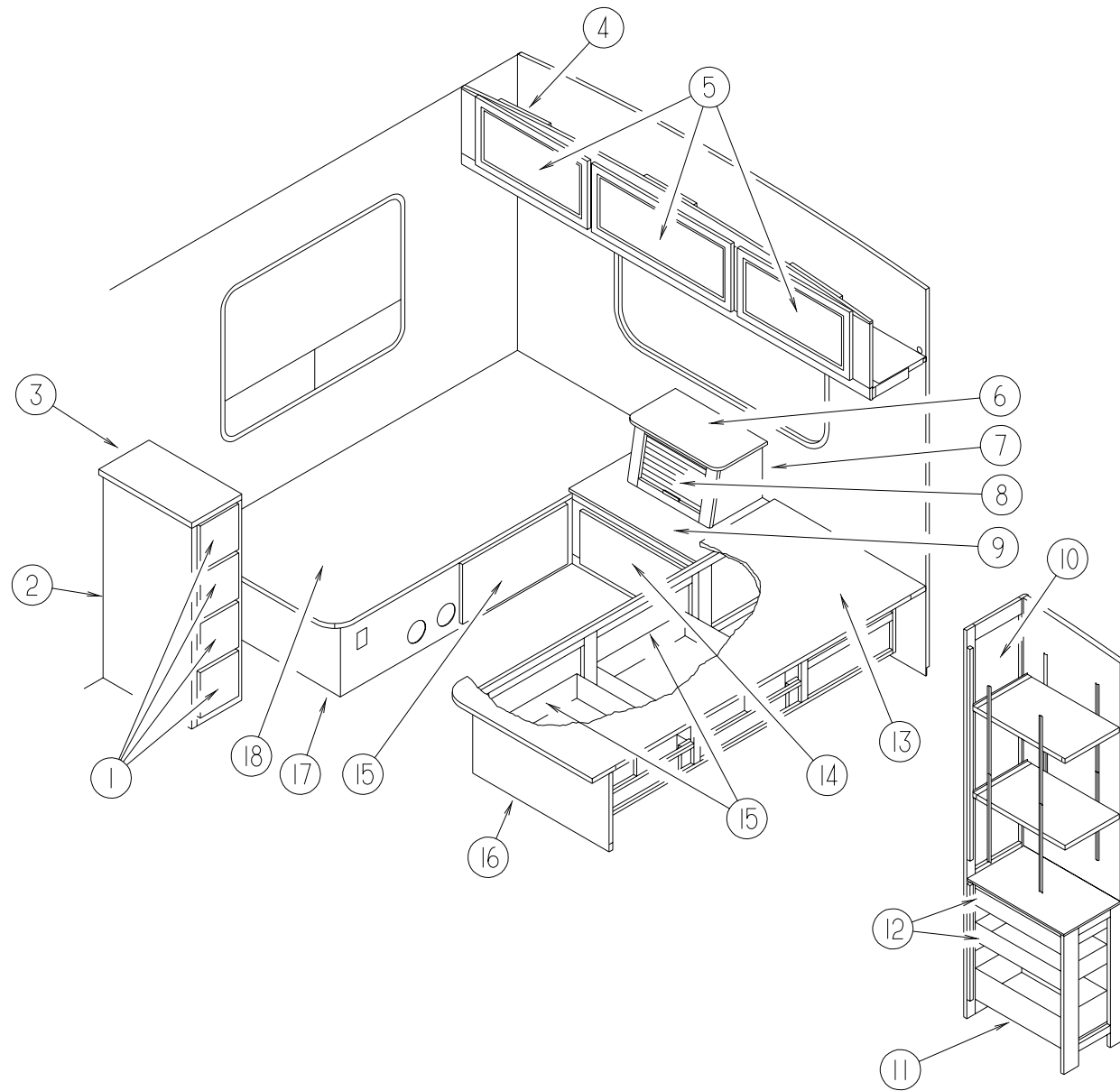


**TOILET&COMPONENTS-SEALANDMODEL591003**

KEY	PARTNUMBER	U/M	DESCRIPTION	VENDORNO.
1	085330-06-000	EA	TOILET-STANDARD,CHINAW/SPRAYER,BONE	
2	085330-06-700	EA	SEATASSEMBLY,BONE	340591
3	085330-06-702	EA	HINGEHARDWARE(BONE)SET	342131
4	085330-01-703	EA	RING&HALFCLAMPS,BONE	385310048
5	085330-01-704	EA	TEFLON&RUBBERSEALKIT	385316140
6	085330-01-705	EA	SUPPORT-SEAL,PLASTIC	390346405
7	085330-02-700	EA	BASEASM	310121
8	085330-02-702	EA	COVER-PEDESTAL,BONE510	310112
9	085330-01-718	EA	SEAL&BASEW/MOUNTINGHDW	3853100-63
10	085330-01-714	EA	SEAL-FLNGE,FLOOR	390343892
11	085330-01-717	EA	STOOLMTG.,PKG.BOLT&SEAL	3100-64
12	085330-01-706	EA	BALL,SHAFT&CARTRIDGE	385318162
13	085330-02-703	EA	COVER-PEDAL,BONE-NEWSTYLE	310115
14	085330-01-709	EA	VALVE-WATER	385314349
15	085330-01-707	EA	CARTRIDGESPRINGASSEMBLY	381236096
16	085330-06-703	EA	LEVER-FLUSH	340873
17	085330-01-710	EA	DRAIN-KIT,PLUG-CAPW/SEAL	230384
18	085330-06-701	EA	BREAKER-VACUUM/DIVERTER(900)	230335
19	085330-04-701	EA	HANDSPRAYW/HOSE(500&900)	340683



## BEDROOMGROUP



### TWINBEDROOMCABINETS&PRIVACYDOOR

KEY	PARTNUMBER	U/M DESCRIPTION
1	M05971-P4-H56	EA DRAWER-OGEEEDGE, W/OSLIDES/HARDWARE (SOLARMAPLE)
1	M05971-P4-GV1	EA DRAWER-OGEEEDGE, W/OSLIDES/HARDWARE (SALEMCHERRY)
2	P18047-01-H56	EA CABINET-WARDROBE, REARRHW/ODOORS/HARDWARE (H56, H58)
2	P18047-01-GV5	EA CABINET-WARDROBE, REARRHW/ODOORS/HARDWARE (H57, H59)
2	P18047-01-H60	EA CABINET-WARDROBE, REARRHW/ODOORS/HARDWARE (H60)
2	P18047-01-H61	EA CABINET-WARDROBE, REARRHW/ODOORS/HARDWARE (H61)
3	118047-11-GV4	EA COUNTERTOPASM (H56, H57, H58, H59)
3	118047-11-H60	EA COUNTERTOPASM (H60)
3	118047-11-H61	EA COUNTERTOPASM (H61)
4	117998-01-H56	EA CABINETASM-OVHD, REAR, TWIN (SOLARMAPLE)
4	117998-01-H57	EA CABINETASM-OVHD, REAR, TWIN (SALEMCHERRY)
5	M05990-01-H56	EA DOOR-W/OGEEEDGING, 14.3" X 27.1" (SOLARMAPLE)
5	M05990-01-GV1	EA DOOR-W/OGEEEDGING, 14.3" X 27.1" (SALEMCHERRY)
6	117872-13-H56	EA COUNTERTOPASM (H56, H57, H58, H59)
6	117872-13-H60	EA COUNTERTOPASM (H60)
6	117872-13-H61	EA COUNTERTOPASM (H61)
7	P17872-02-H56	EA CABINETASM-NIGHTSTAND, W/STEREO (H56, H58)
7	P17872-02-H57	EA CABINETASM-NIGHTSTAND, W/STEREO (H57)
7	P17872-02-H59	EA CABINETASM-NIGHTSTAND, W/STEREO (H59)
7	P17872-02-H60	EA CABINETASM-NIGHTSTAND, W/STEREO (H60)
7	P17872-02-H61	EA CABINETASM-NIGHTSTAND, W/STEREO (H61)

## BEDROOMGROUP(CONTINUED)

### TWINBEDROOMCABINETS&PRIVACYDOOR(CONTINUED)

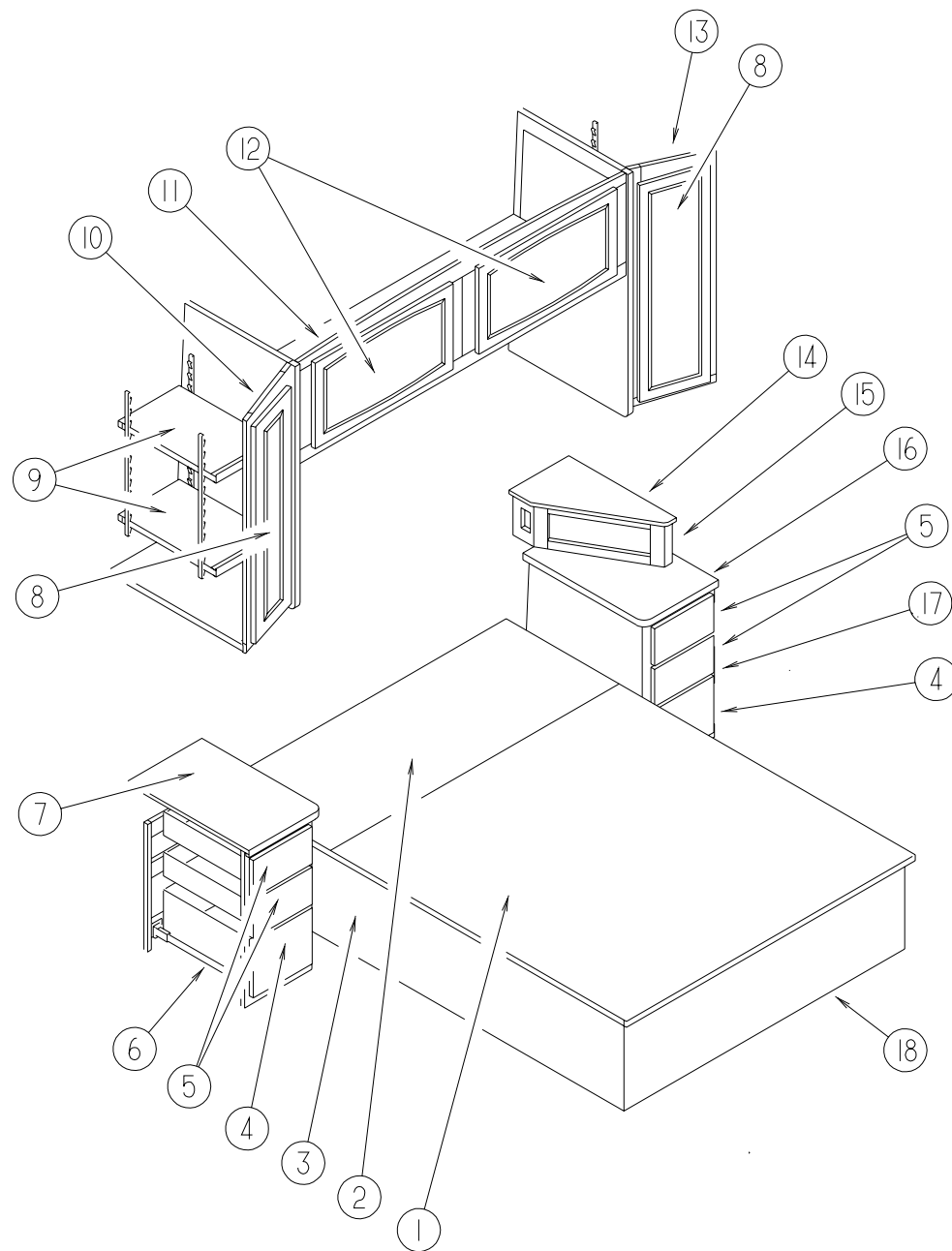
KEY	PARTNUMBER	U/M DESCRIPTION
7	P17872-01-H56	EA CABINETASM-NIGHTSTAND, W/OSTEREO (H56, H58)
7	P17872-01-H57	EA CABINETASM-NIGHTSTAND, W/OSTEREO (H57)
7	P17872-01-H59	EA CABINETASM-NIGHTSTAND, W/OSTEREO (H59)
7	P17872-01-H60	EA CABINETASM-NIGHTSTAND, W/OSTEREO (H60)
7	P17872-01-H61	EA CABINETASM-NIGHTSTAND, W/OSTEREO (H61)
8	117872-11-H56	EA DOORASM (SOLARMAPLE)
8	117872-11-GV1	EA DOORASM (SALEMCHERRY)
	M97191-01-H56	EA HANDLE-DOOR, TAMBOUR (SOLARMAPLE)
	M97191-01-E41	EA HANDLE-DOOR, TAMBOUR (SALEMCHERRY)
9	117872-15-H56	EA COUNTERTOPASM (H56, H57, H58, H59)
9	117872-15-H60	EA COUNTERTOPASM (H60)
9	117872-15-H61	EA COUNTERTOPASM (H61)
10	M05990-09-H56	EA DOOR-OGEEEDGE, 13.6" X 22.8" - W/OHARDWARE (SOLARMAPLE)
10	M05990-09-GV1	EA DOOR-OGEEEDGE, 13.6" X 22.8" - W/OHARDWARE (SALEMCHERRY)
11	M05971-40-H56	EA DRAWER-OGEEEDGE, W/OSLIDES/HARDWARE (SOLARMAPLE)
11	M05971-40-GV1	EA DRAWER-OGEEEDGE, W/OSLIDES/HARDWARE (SALEMCHERRY)
12	M05971-39-H56	EA DRAWER-OGEEEDGE, W/OSLIDES/HARDWARE (SOLARMAPLE)
12	M05971-39-GV1	EA DRAWER-OGEEEDGE, W/OSLIDES/HARDWARE (SALEMCHERRY)
13	M05808-02-000	EA CABINET-TWINBEDTOPLEFTHAND, W/OHARDWARE
14	M05971-P6-H56	EA DRAWER-OGEEEDGE, W/OSLIDES/HARDWARE (SOLARMAPLE)
14	M05971-P6-GV1	EA DRAWER-OGEEEDGE, W/OSLIDES/HARDWARE (SALEMCHERRY)
15	M05971-P5-H56	EA DRAWER-OGEEEDGE, 21.4" X 23.5" - W/OSLIDES/HARDWARE (SOLARMAPLE)
15	M05971-P5-GV1	EA DRAWER-OGEEEDGE, 21.4" X 23.5" - W/OSLIDES/HARDWARE (SALEMCHERRY)
16	P17871-02-H56	EA CABINET-BASE, TWINBED/LEFTHAND-W/ODRS/DWRS/HDW (SOLARMAPLE)
16	P17871-02-GV1	EA CABINET-BASE, TWINBED/LEFTHAND-W/ODRS/DWRS/HDW (SALEMCHERRY)
17	P17871-01-H56	EA CABINET-BASE, TWINBED/RIGHTHAND-W/ODRS/DWRS/HDW (SOLARMAPLE)
17	P17871-01-GV1	EA CABINET-BASE, TWINBED/RIGHTHAND-W/ODRS/DWRS/HDW (SALEMCHERRY)
18	M05807-02-000	EA CABINET-TWINBEDTOPRIGHTHAND, W/OHARDWARE
	P23455-01-H56	EA CABINET-OVERHEAD, TV (SOLARMAPLE)
	P23455-01-H57	EA CABINET-OVERHEAD, TV (SALEMCHERRY)
	123490-01-02B	EA SHELF-REARTVSUPPORT
	115466-04-02B	EA TIEDOWN-TV, STRAP-E-COAT
	124812-01-02B	EA STRAP-TVTIEDOWN

### BEDROOM/BATHPRIVACYDOOR

KEY	PARTNUMBER	U/M DESCRIPTION
	118044-01-H56	EA CABINET-BIFOLDDOOR, W/OHARDWARE (SOLARMAPLE)
	118044-01-GV1	EA CABINET-BIFOLDDOOR, W/OHARDWARE (SALEMCHERRY)
	093170-09-01A	EA HEADER-BATHDOOR, 43.2"
	118002-01-H56	EA HEADER-DOOR (SOLARMAPLE)
	118002-01-GV1	EA HEADER-DOOR (SALEMCHERRY)
	009059-01-000	EA HINGE-DOOR, 2" X 1.4" - BRASS
	009059-02-000	EA HINGE-DOOR, 2" X 2.7" - BRASS
	084451-02-000	EA CATCH-TV SHELF, BRASS
	092652-01-000	EA GUIDEWHEEL-DOOR, TOPMOUNT
	102920-01-01A	EA HINGE-DOOR, SPRINGLOADED-BRASS
	117978-01-01A	EA KNOB-DOOR, BRIGHTBRASS

## BEDROOMGROUP(CONTINUED)

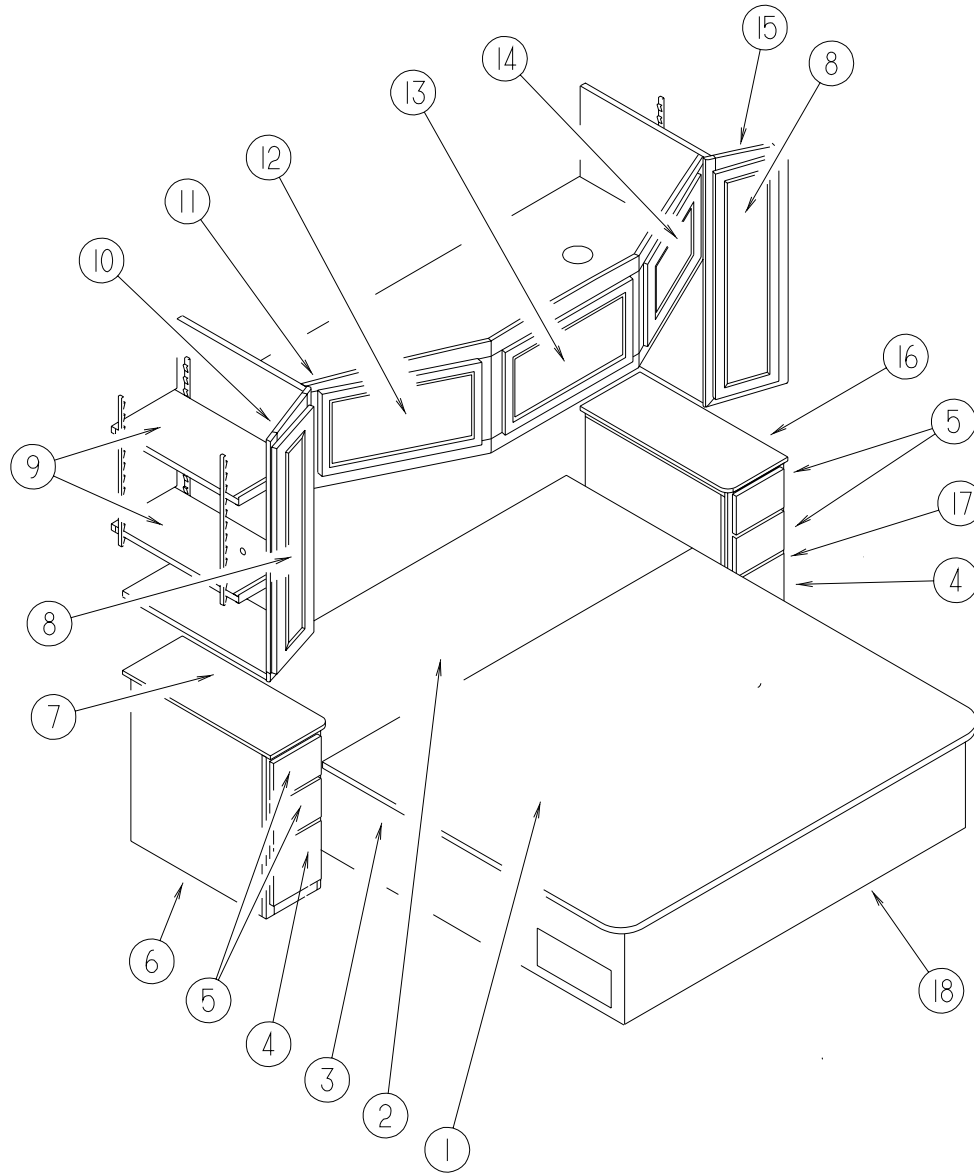
### QUEENBEDROOMCABINETS



KEY	PARTNUMBER	U/M	DESCRIPTION
1	M05087-20-000	EA	CABINETASM-QUEENBEDTOP
2	M05087-19-000	EA	CABINETASM-QUEENBEDTOP
3	P18148-01-H56	EA	CABINET-BASE,QUEENBED-W/ODOORS/DRAWERS/HDW(SOLARMAPLE)
3	P18148-01-GV1	EA	CABINET-BASE,QUEENBED-W/ODOORS/DRAWERS/HDW(SALEMCHERRY)
4	M05971-R0-H56	EA	DRAWERCOMPL-SLIDE,OGEE(SOLARMAPLE)
4	M05971-R0-GV1	EA	DRAWERCOMPL-SLIDE,OGEE(SALEMCHERRY)
5	M05971-P9-H56	EA	DRAWERCOMPL-SLIDE,OGEE(SOLARMAPLE)
5	M05971-P9-GV1	EA	DRAWERCOMPL-SLIDE,OGEE(SALEMCHERRY)
6	P18150-01-H56	EA	CABINETASM-NIGHTSTAND,RH(H56,H58)
6	P18150-01-GV5	EA	CABINETASM-NIGHTSTAND,RH(H57,H59)
6	P18150-01-H60	EA	CABINETASM-NIGHTSTAND,RH(H60)
6	P18150-01-H61	EA	CABINETASM-NIGHTSTAND,RH(H61)
7	118150-11-GV4	EA	COUNTERTOPASM(H56,H57,H58,H59)
7	118150-11-H60	EA	COUNTERTOPASM(H60)
7	118150-11-H61	EA	COUNTERTOPASM(H61)
8	M06803-P7-H56	EA	DOOR-RAIL,MTRD/OG-0365X0925(SOLARMAPLE)
	113195-16-01A	EA	MIRROR-BEVELED,SAFETYGLASS-CLEAR-282X842
8	M06803-P7-GV1	EA	DOOR-RAIL,MTRD/OG0365X0925(SALEMCHERRY)
	113195-16-01A	EA	MIRROR-BEVELED,SAFETYGLASS-CLEAR-282X842
9	118112-12-H56	EA	SHELFASMW/PLASTICEDGETRIM(SOLARMAPLE)
9	118112-12-GV1	EA	SHELFASMW/PLASTICEDGETRIM(SALEMCHERRY)
10	P18112-01-H56	EA	CABINETASM-SHIRT-CLOSET,RH(SOLARMAPLE)
10	P18112-01-GV1	EA	CABINETASM-SHIRT-CLOSET,RH(SALEMCHERRY)
11	118151-01-H56	EA	CABINET-OVHDREAR/QUEENBED(SOLARMAPLE)
11	118151-01-GV1	EA	CABINET-OVHDREAR/QUEENBED(SALEMCHERRY)
12	M05990-01-H56	EA	DOOR-W/OGEEEDGING,14.3"X27.1"-W/OHDW(SOLARMAPLE)
12	M05990-01-GV1	EA	DOOR-W/OGEEEDGING,14.3"X27.1"-W/OHDW(SALEMCHERRY)
13	P18111-01-H56	EA	CABINETASM-SHIRT-CLOSET,LH(SOLARMAPLE)
13	P18111-01-GV1	EA	CABINETASM-SHIRT-CLOSET,LH(SALEMCHERRY)
	118111-12-H56	EA	SHELF-W/PLASTICEDGETRIM(SOLARMAPLE)
	118111-12-GV1	EA	SHELF-W/PLASTICEDGETRIM(SALEMCHERRY)
14	118202-12-H56	EA	SHELF-W/PLASTICEDGETRIM(H56,H58)
14	118202-12-GV4	EA	SHELF-W/PLASTICEDGETRIM(H57,H59)
14	118202-12-H60	EA	SHELF-W/PLASTICEDGETRIM(H60)
14	118202-12-H61	EA	SHELF-W/PLASTICEDGETRIM(H61)
15	118202-01-H56	EA	CABINET-RADIO(H56,H58)
15	118202-01-H57	EA	CABINET-RADIO(H57,H59)
15	118202-01-H60	EA	CABINET-RADIO(H60)
15	118202-01-H61	EA	CABINET-RADIO(H61)
16	118149-11-GV4	EA	COUNTERTOPASM(H56,H57,H58,H59)
16	118149-11-H60	EA	COUNTERTOPASM(H60)
16	118149-11-H61	EA	COUNTERTOPASM(H61)
17	P18149-01-H56	EA	CABINETASM-NIGHTSTAND,LH(H56,H58)
17	P18149-01-GV5	EA	CABINETASM-NIGHTSTAND,LH(H57,H59)
17	P18149-01-H60	EA	CABINETASM-NIGHTSTAND,LH(H60)
17	P18149-01-H61	EA	CABINETASM-NIGHTSTAND,LH(H61)
18	118148-11-GV4	EA	FOOTBOARD-QUEENBED,FABRICCOVERED(H56,H57)
18	118148-11-H58	EA	FOOTBOARD-QUEENBED,FABRICCOVERED(H58,H59)
18	118148-11-H60	EA	FOOTBOARD-QUEENBED,FABRICCOVERED(H60,H61)
	057460-04-000	EA	SPRING-GAS
	089025-01-000	EA	SUPPORT-SPRING,TOBED-ANGLE1.5"X11.8"LONG-STEEL
	109645-01-000	EA	BRACKET-SUPPORT,FLOOR-TO-BED-FOR-GASSPRING
	041389-11-000	EA	HINGE-PIANO,QUEENBED
	107796-06-000	EA	GASSPRING-12"COMPRESSED/20"EXTENDED,120LB.
	107796-07-000	EA	BRACKET-GASSPRING,SPDISPD-1080

## BEDROOMGROUP(CONTINUED)

### KINGBEDROOMCABINETS

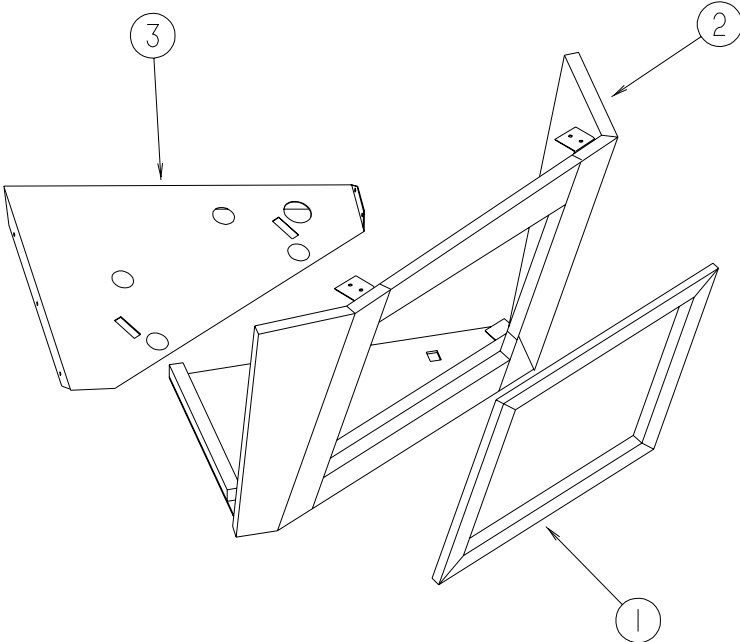


KEY	PARTNUMBER	U/M	DESCRIPTION
1	M05087-22-000	EA	CABINET-KINGBEDTOP, W/OHARDWARE
2	M05087-21-000	EA	CABINET-KINGBEDTOP, W/OHARDWARE
3	P18227-01-H56	EA	CABINET-BASE, KINGBED-W/ODOORS/DRAWERS/HDW(SOLARMAPLE)
3	P18227-01-GV1	EA	CABINET-BASE, KINGBED-W/ODOORS/DRAWERS/HDW(SALEMCHERRY)
4	M05971-R1-H56	EA	DRAWERCOMPL-SLIDE, OGEE(SOLARMAPLE)
4	M05971-R1-GV1	EA	DRAWERCOMPL-SLIDE, OGEE(SALEMCHERRY)
5	M05971-R2-H56	EA	DRAWERCOMPL-SLIDE, OGEE(SOLARMAPLE)
5	M05971-R2-GV1	EA	DRAWERCOMPL-SLIDE, OGEE(SALEMCHERRY)
6	P18225-01-H56	EA	CABINET-NIGHTSTAND, RH-W/ODOORS/DRAWERS/HDW(H56,H58)
6	P18225-01-GV5	EA	CABINET-NIGHTSTAND, RH-W/ODOORS/DRAWERS/HDW(H57,H59)
6	P18225-01-H60	EA	CABINET-NIGHTSTAND, RH-W/ODOORS/DRAWERS/HDW(H60)
6	P18225-01-H61	EA	CABINET-NIGHTSTAND, RH-W/ODOORS/DRAWERS/HDW(H61)

KEY	PARTNUMBER	U/M	DESCRIPTION
7	118225-11-H56	EA	COUNTERTOPASM(H56,H58)
7	118225-11-GV4	EA	COUNTERTOPASM(H57,H59)
7	118225-11-H60	EA	COUNTERTOPASM(H60)
7	118225-11-H61	EA	COUNTERTOPASM(H61)
8	M06803-14-H56	EA	DOOR-MIRROR/MITEREDCORNER/OGEEEDGE-10.8"X36.4"W/OHDW(SOLARMAPLE)
	088742-10-000	EA	MIRROR-BEVELED, SAFETYGLASS-186X836
8	M06803-14-GV1	EA	DOOR-MIRROR/MITEREDCORNER/OGEEEDGE-10.8"X36.4"W/OHDW(SALEMCHERRY)
	088742-10-000	EA	MIRROR-BEVELED, SAFETYGLASS-186X836
9	118229-12-H56	EA	SHELF-W/PLASTICEDGETRIM(SOLARMAPLE)
9	118229-12-GV1	EA	SHELF-W/PLASTICEDGETRIM(SALEMCHERRY)
10	P18229-01-H56	EA	CABINET-SHIRT CLOSET, RH-W/ODOORS/DRAWERS/HDW(SOLARMAPLE)
10	P18229-01-GV1	EA	CABINET-SHIRT CLOSET, RH-W/ODOORS/DRAWERS/HDW(SALEMCHERRY)
11	P18228-01-H56	EA	CABINETASM-OVHDREAR, KINGBED-W/ODOORS/HARDWARE
11	P18228-01-H57	EA	CABINETASM-OVHDREAR, KINGBED-W/ODOORS/HARDWARE
11	P18228-01-H58	EA	CABINETASM-OVHDREAR, KINGBED-W/ODOORS/HARDWARE
11	P18228-01-H59	EA	CABINETASM-OVHDREAR, KINGBED-W/ODOORS/HARDWARE
11	P18228-01-H60	EA	CABINETASM-OVHDREAR, KINGBED-W/ODOORS/HARDWARE
11	P18228-01-H61	EA	CABINETASM-OVHDREAR, KINGBED-W/ODOORS/HARDWARE
12	120035-03-H56	EA	DOOR-FABRICWRAPPED
12	120035-03-H57	EA	DOOR-FABRICWRAPPED
12	120035-03-H58	EA	DOOR-FABRICWRAPPED
12	120035-03-H59	EA	DOOR-FABRICWRAPPED
12	120035-03-H60	EA	DOOR-FABRICWRAPPED
12	120035-03-H61	EA	DOOR-FABRICWRAPPED
13	120035-01-H56	EA	DOOR-FABRICWRAPPED
13	120035-01-H57	EA	DOOR-FABRICWRAPPED
13	120035-01-H58	EA	DOOR-FABRICWRAPPED
13	120035-01-H59	EA	DOOR-FABRICWRAPPED
13	120035-01-H60	EA	DOOR-FABRICWRAPPED
13	120035-01-H61	EA	DOOR-FABRICWRAPPED
14	120035-02-H56	EA	DOOR-FABRICWRAPPED
14	120035-02-H57	EA	DOOR-FABRICWRAPPED
14	120035-02-H58	EA	DOOR-FABRICWRAPPED
14	120035-02-H59	EA	DOOR-FABRICWRAPPED
14	120035-02-H60	EA	DOOR-FABRICWRAPPED
14	120035-02-H61	EA	DOOR-FABRICWRAPPED
15	P18230-01-H56	EA	CABINET-SHIRT CLOSET, LH-W/ODOORS/DRAWERS/HDW(SOLARMAPLE)
15	P18230-01-GV1	EA	CABINET-SHIRT CLOSET, LH-W/ODOORS/DRAWERS/HDW(SALEMCHERRY)
16	118226-11-H56	EA	COUNTERTOPASM(H56,H58)
16	118226-11-GV4	EA	COUNTERTOPASM(H57,H59)
16	118226-11-H60	EA	COUNTERTOPASM(H60)
16	118226-11-H61	EA	COUNTERTOPASM(H61)
17	P18226-01-H56	EA	CABINET-NIGHTSTAND, LH-W/ODOORS/DRAWERS/HDW(H56,H58)
17	P18226-01-GV5	EA	CABINET-NIGHTSTAND, LH-W/ODOORS/DRAWERS/HDW(H57,H59)
17	P18226-01-H60	EA	CABINET-NIGHTSTAND, LH-W/ODOORS/DRAWERS/HDW(H60)
17	P18226-01-H61	EA	CABINET-NIGHTSTAND, LH-W/ODOORS/DRAWERS/HDW(H61)
	118230-12-H56	EA	SHELF-W/PLASTICEDGETRIM(SOLARMAPLE)
	118230-12-GV1	EA	SHELF-W/PLASTICEDGETRIM(SALEMCHERRY)
18	118227-11-GV4	EA	FOOTBOARD-KINGBED, FABRICCOVERED(H56,H57)
18	118227-11-H58	EA	FOOTBOARD-KINGBED, FABRICCOVERED(H58,H59)
18	118227-11-H60	EA	FOOTBOARD-KINGBED, FABRICCOVERED(H60,H61)
	057460-04-000	EA	SPRING-GAS
	089025-01-000	EA	SUPPORT-SPRING, TOBED-ANGLE1.5"X11.8"LONG-STEEL
	109645-01-000	EA	BRACKET-SUPPORT, FLOOR TOBED-FORGASSPRING
	041389-11-000	EA	HINGE-PIANO, QUEENBED
	107796-06-000	EA	GASSPRING-12" COMPRESSED/20" EXTENDED, 120LB.
	107796-07-000	EA	BRACKET-GASSPRING, SPDISPD-1080

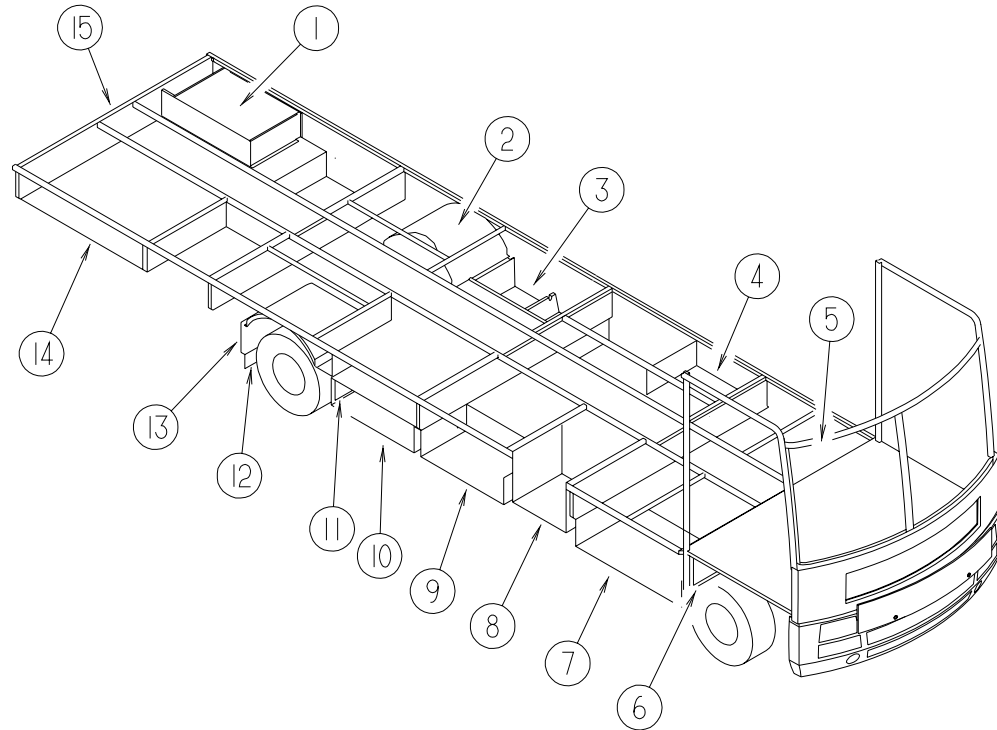
**BEDROOMGROUP(CONTINUED)**

**REAROVERHEADTVCABINET**



KEY	PARTNUMBER	U/M	DESCRIPTION
1	113106-17-H56	EA	TRIM(SOLARMAPLE)
	074045-10-000	EA	PLUG-OAK,1/2"DIA(SOLARMAPLE)
1	113106-17-FQ1	EA	TRIM(SALEMCHERRY)
	074045-08-000	EA	PLUG-OAK,1/2"DIA(SALEMCHERRY)
2	113106-01-H56	EA	CABINETASM-OVHD,TV,REAR(SOLARMAPLE)
2	113106-01-FQ1	EA	CABINETASM-OVHD,TV,REAR(SALEMCHERRY)
3	113107-01-02B	EA	SHELFASM-SUPPORT,TV,REAR
	123655-01-000	FT	SEAL-CLOSEDCELLFOAM

## CHASSISGROUP



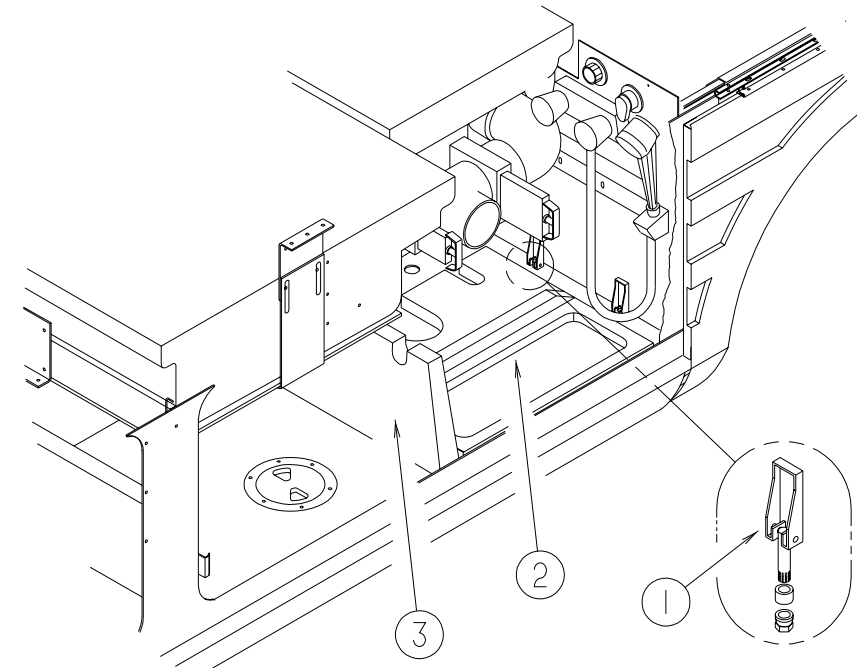
### COMPARTMENTS, WHEELWELLS & MUDFLAPS

KEY	PARTNUMBER	U/M DESCRIPTION
1	106152-01-000	EA PANEL-COMPARTMENT, GENERATOR
	107865-06-000	EA ROD-SUPPORT, VALANCE PANEL
2	055374-03-000	EA WHEELWELL-PLASTIC
3	M07452-04-G38	EA COMPARTMENT-STORAGE, 14.4"X48.9"
	117757-01-01A	EA COMPARTMENT-STORAGE, W/OPADDELELATCH
4	117928-03-01A	EA COMPARTMENT-STORAGE GRAY
5	117928-05-01A	EA COMPARTMENT-STORAGE GRAY
6	104147-02-000	EA SPLASHSHIELD-HEADLIGHT, RH-STEEL-E-COAT
7	117928-02-01A	EA COMPARTMENT-STORAGE GRAY
8	094707-01-01A	EA STEP-DOUBLE, ELECTRIC W/ORANGE CONTROL BOX-KWIKEE3218
8	065450-05-000	EA TIEDOWN-BATTERY, 8.4" TUBE
9	117928-01-01A	EA COMPARTMENT-STORAGE GRAY
10	117928-04-01A	EA COMPARTMENT-STORAGE GRAY
11	020167-05-000	EA DIRT GUARD-STEEL 15" LONG 15", CHEVY
11	020167-07-000	EA GUARD-DIRT, FORD
12	017516-01-000	EA FLAP-MUD, 14" X 18" - BLACK
13	020167-04-000	EA GUARD-DIRT
14	108986-01-000	EA TUBE-SUPPORT, LADDER, LOWER MOUNT SLADDER IN STORAGE COMPARTMENT
14	115392-01-01A	EA STRAP ASM-VELCRO, APLIXFF5026-008
14	112384-01-000	EA SPONGE-BRACKET, RACK & LADDER
15	078513-01-000	EA CHANNEL-FRAME, REAR
	102805-02-000	EA CHANNEL-FRONT FRAME EXTENSION (CHEVY)
	102805-04-000	EA CHANNEL-FRONT FRAME EXTENSION (FORD)
	056748-01-000	EA PLUG-CAP, 1.5" DIAMETER - BLACK
	119845-01-01A	EA PLUG-PLASTIC, BLACK - CAP LUG FP241
	115361-01-01A	EA PLUG-PLASTIC, CAP LUG NO. W5
	107719-01-01A	EA STRIKE-VALANCE DOOR, MILL

## CHASSISGROUP (CONTINUED)

### AIR DUCT & ELBOWS - VORTEC 285 HP GAS ENGINE (CHEVY)

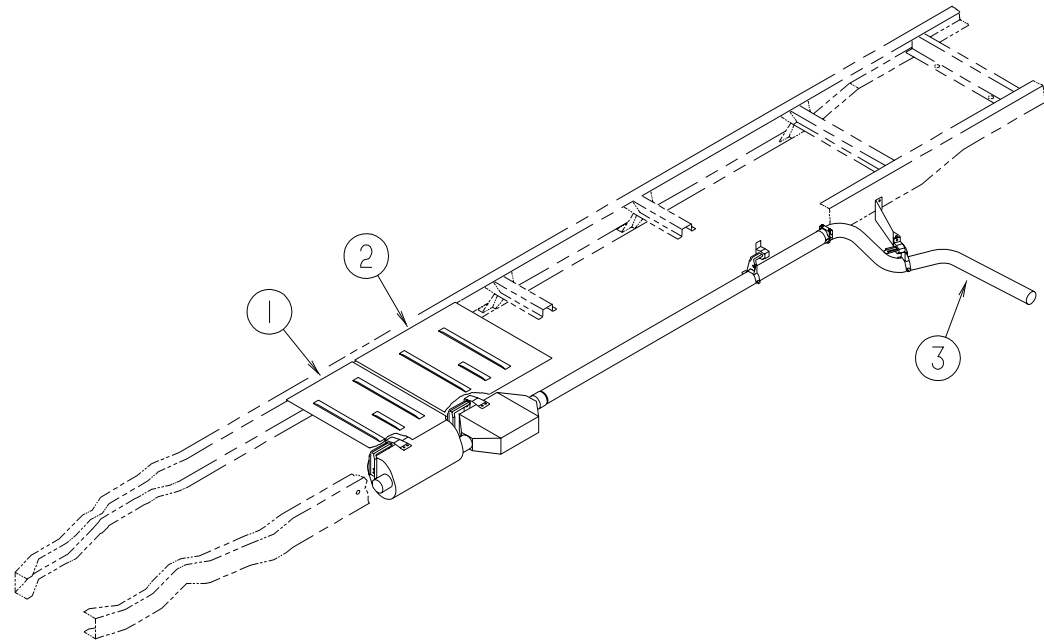
KEY	PARTNUMBER	U/M DESCRIPTION
	123361-01-000	EA DUCT-AIR INTAKE
	123362-01-000	EA ELBOW-RUBBER, 90 DEGREE - 3.5" ID



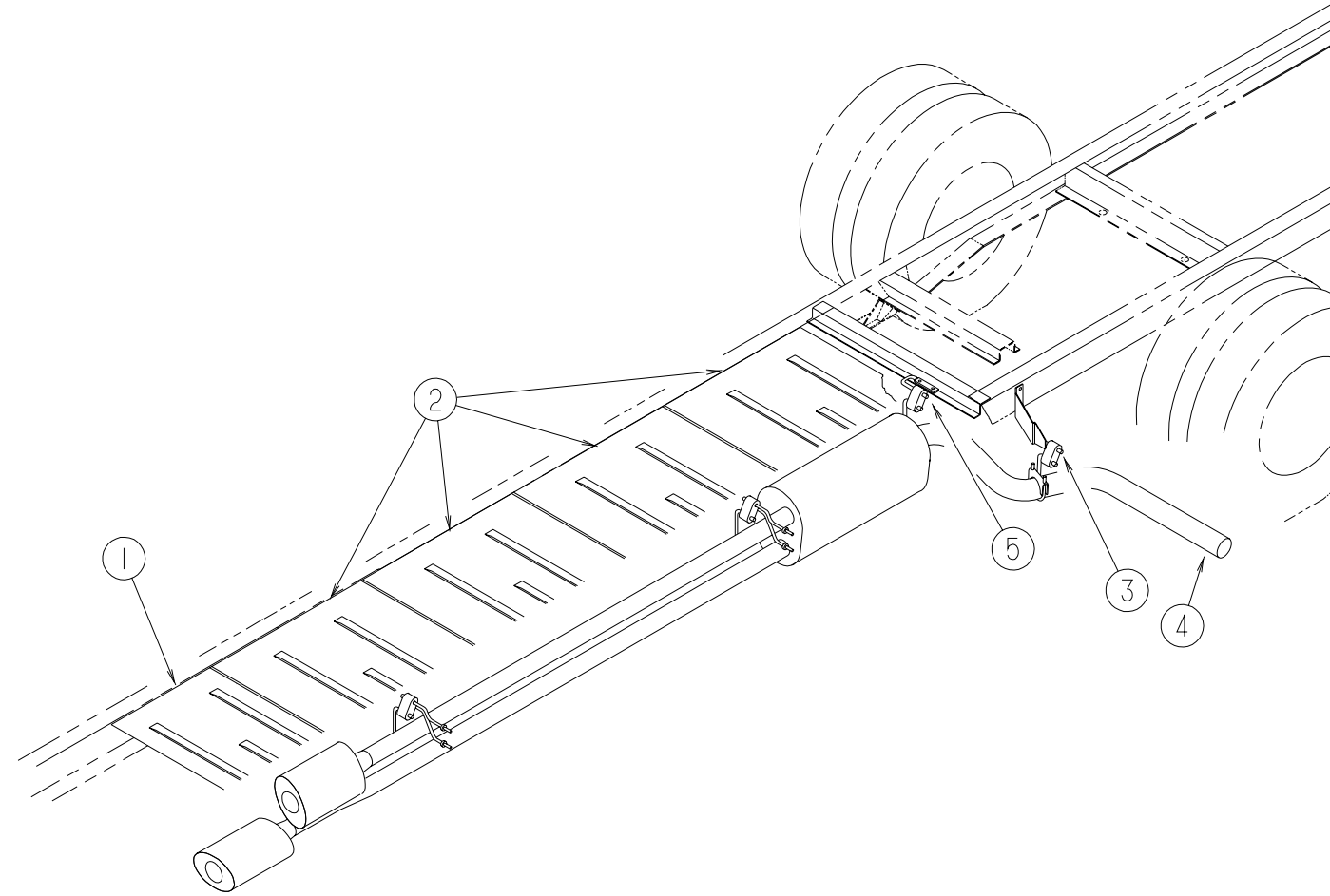
### STORAGE COMPARTMENT

KEY	PARTNUMBER	U/M DESCRIPTION
1	121175-01-01A	EA LATCH-SWELL, BLACK
2	M06991-05-G38	EA HATCH ASM-W/FOAM
3	117758-02-01A	EA HATCH-COMPARTMENT, STORAGE BLACK

**CHASSISGROUP(CONTINUED)**



**CHASSISGROUP(CONTINUED)**



**CHEVYEXHAUSTSYSTEM**

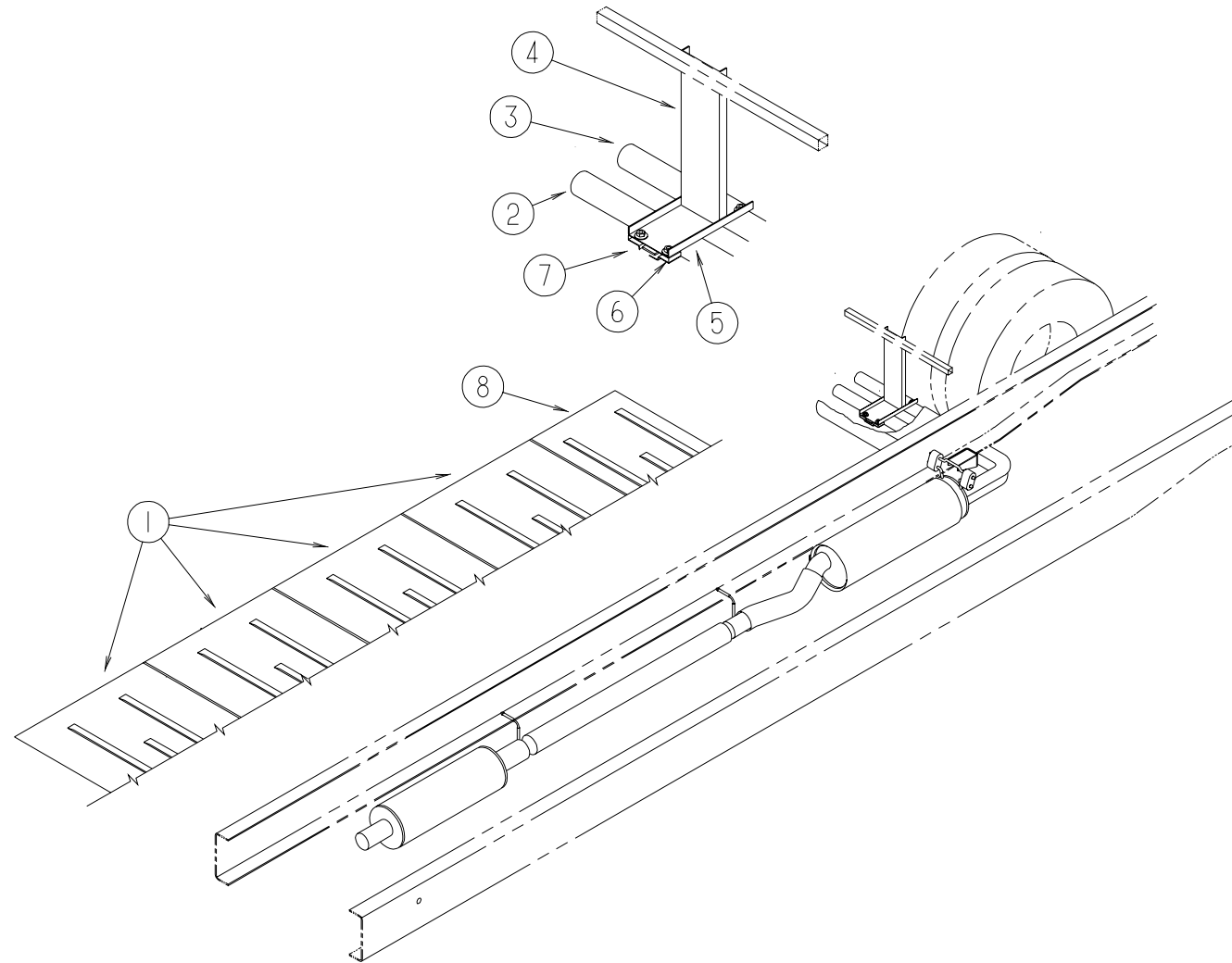
KEY	PARTNUMBER	U/M	DESCRIPTION
1	101544-01-000	EA	SHIELD-HEAT,EXHAUST-19.7"X28.9"-STEEL
2	101544-02-000	EA	SHIELD-HEAT,EXHAUST-30"X28.9"-STEEL
3	122529-01-000	EA	PIPE-EXHAUST

**CHEVYEXHAUSTSYSTEM-285HPGASENGINE**

KEY	PARTNUMBER	U/M	DESCRIPTION
1	101544-01-000	EA	SHIELD-HEAT,EXHAUST-19.7"X28.9"-STEEL
2	101544-02-000	EA	SHIELD-HEAT,EXHAUST-30"X28.9"-STEEL
3	122392-03-02B	EA	HANGER-TAILPIPE,REAR-E-COAT
4	122529-02-000	EA	PIPE-EXHAUST
5	122392-01-02B	EA	HANGER-TAILPIPE,E-COAT

# CHASSISGROUP(CONTINUED)

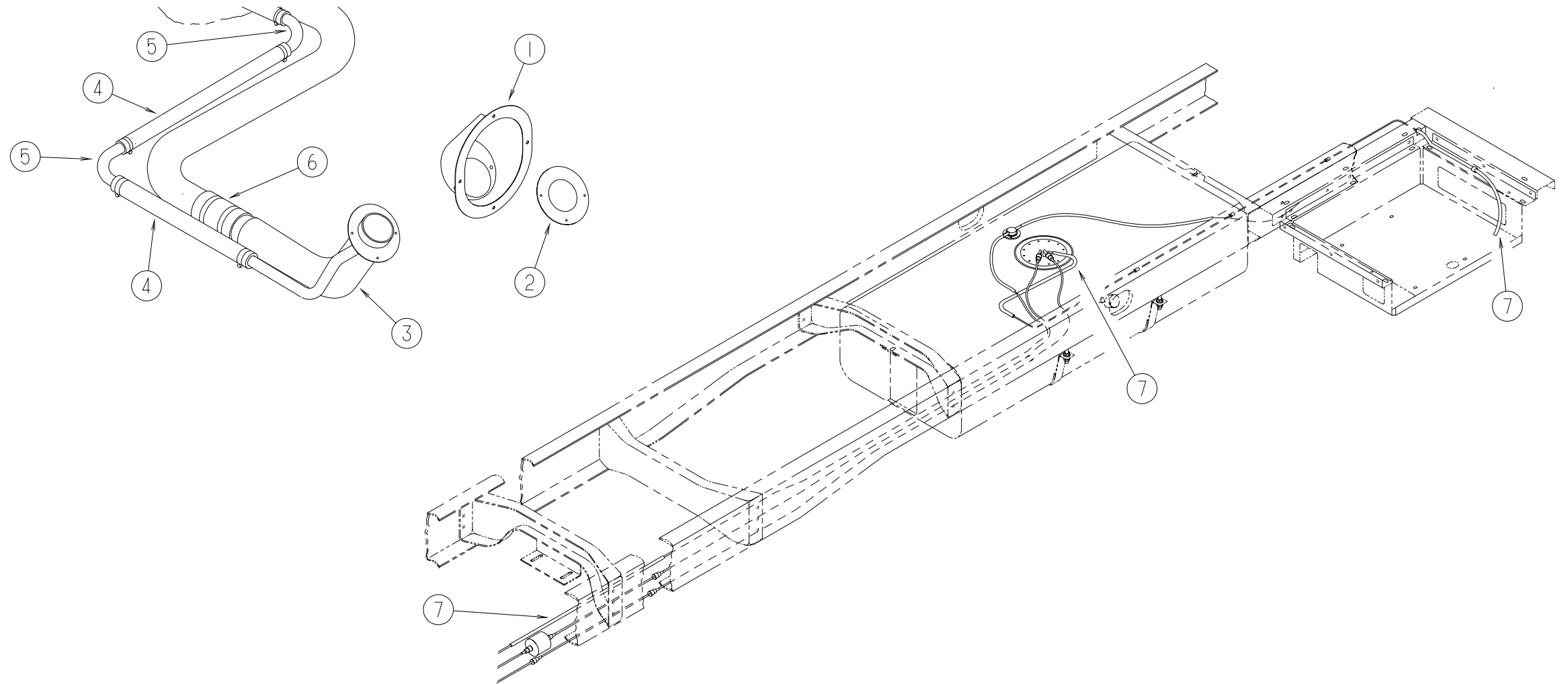
## FORDEXHAUSTSYSTEM



KEY	PARTNUMBER	U/M	DESCRIPTION
1	101544-06-000	EA	SHIELD-HEAT,EXHAUST
2	122242-02-000	EA	PIPE-EXHAUST, TAIL, FORD, FRONT
3	122243-02-000	EA	PIPE-EXHAUST, TAIL, FORD, REAR
4	118000-01-02B	EA	HANGERASM-TAILPIPE, E-COAT
5	120740-01-02B	EA	BRACKET-SUPPORT, SHIELD-E-COAT
6	095190-01-000	EA	HANGER-EXHAUST, 4" X 1.4"
7	096055-06-000	EA	SUPPORTASM-EXHAUSTPIPE
8	101544-01-000	EA	SHIELD-HEAT, EXHAUST-19.7X28.9
	094918-01-000	EA	CLAMP-EXHAUST, 3"-GUILLOTINESTYLE

# CHASSISGROUP(CONTINUED)

## FORD FUEL SYSTEM

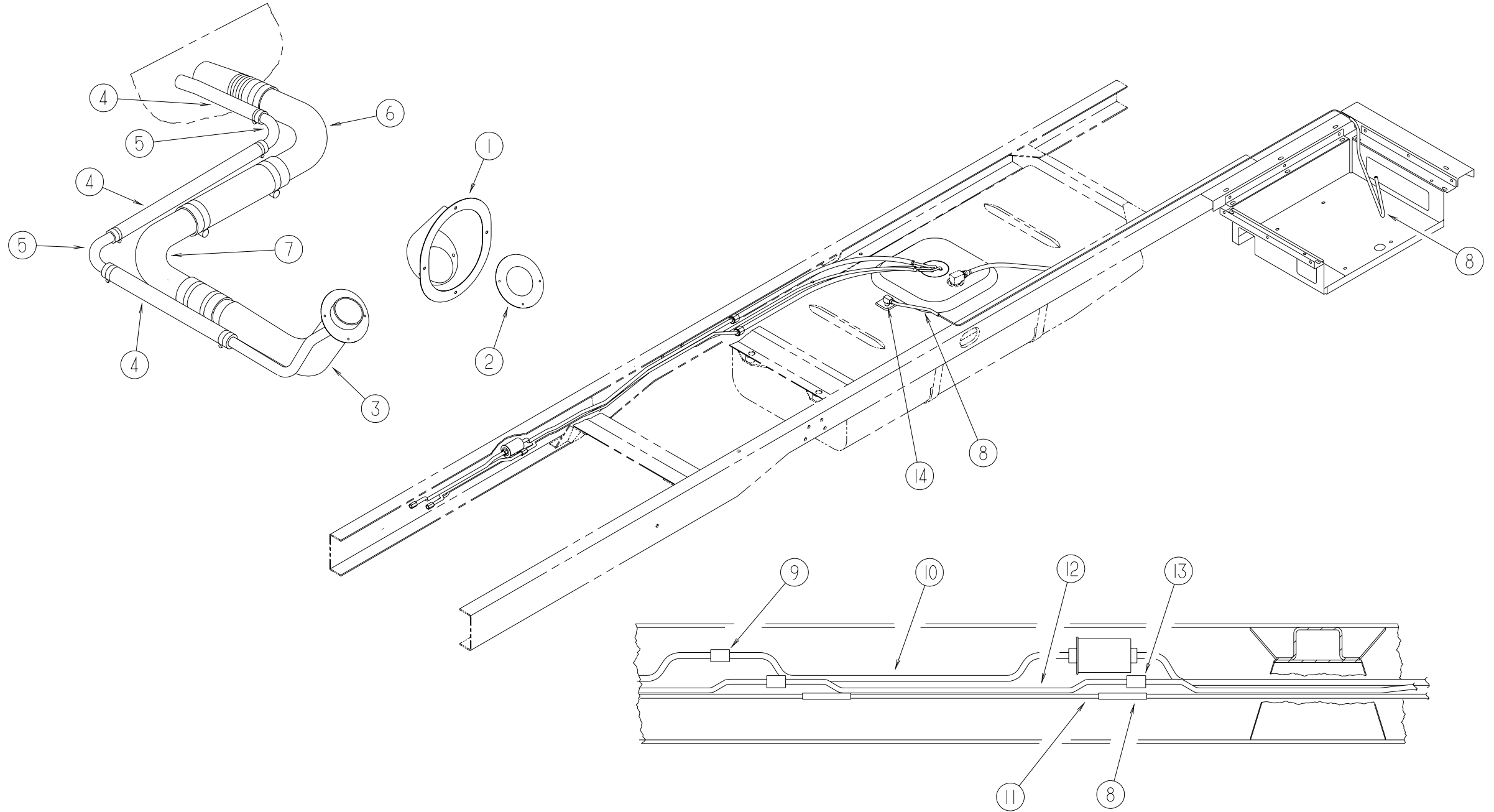


KEY	PARTNUMBER	U/M	DESCRIPTION
	089310-01-000	EA	FUELFILLCAP-TURNTOVENT-STANT#AO-4403-01
1	095854-01-01A	EA	SHROUD-FUELFILL,PLASTIC
2	078200-01-000	EA	GASKET-FUELFILL,3.5"ODX2"ID
3	087256-07-000	EA	NECK-FUELFILL
4	066732-01-000	FT	HOSE-FUELFILL,.62"ID
5	098806-01-000	EA	PIPE-FILLVENT,90DEGREEBEND-.625"OD-STEEL
6	007111-02-000	EA	HOSE-FUELFILL,2.00ID-IN3FTLENGTHS
7	007063-01-000	FT	HOSE-GAS,1/4"IDX1/2"OD
	084884-01-000	EA	PLUG-BRASS,3/8"



# CHASSISGROUP(CONTINUED)

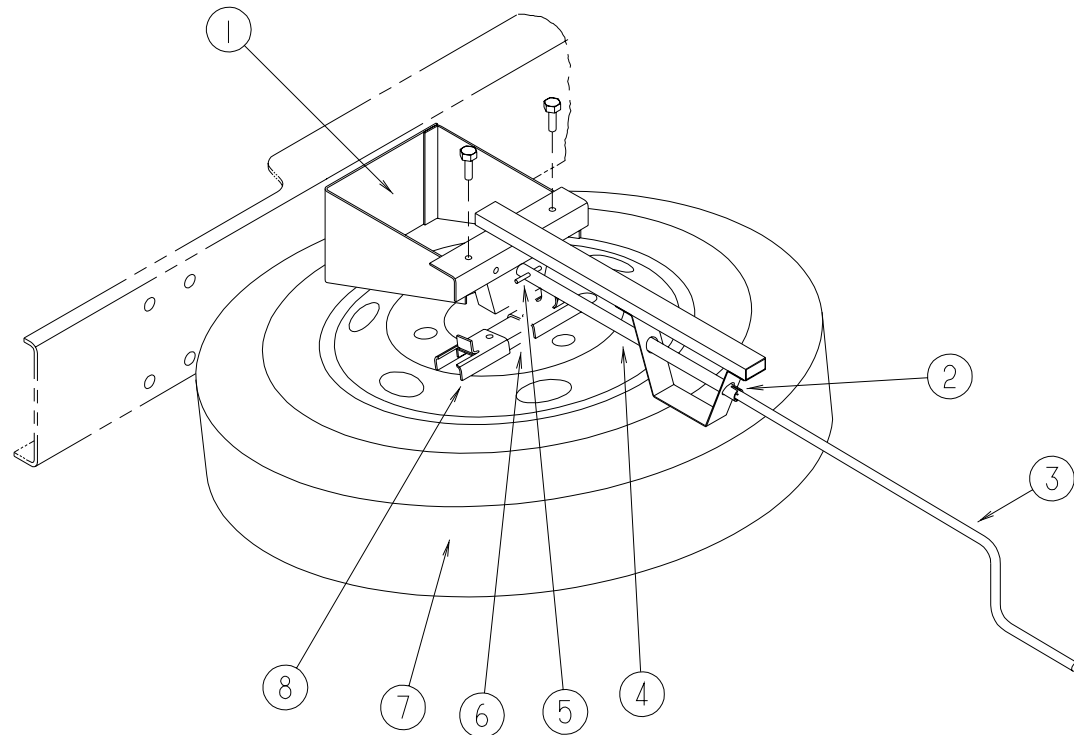
## CHEVYFUELSYSTEM



KEY	PARTNUMBER	U/M	DESCRIPTION
	073220-02-000	EA	CAP-FUELFILL,CHEVY
1	102951-01-01A	EA	SHROUD-FUELFILL-UNFINISHED
2	078200-01-000	EA	GASKET-FUELFILL,3.5"ODX2"ID
3	087256-10-000	EA	NECK-FUELFILL
4	066732-01-000	FT	HOSE-FUELFILL,.62"ID
5	098806-01-000	EA	PIPE-FILLVENT,90DEGREEBEND-.625"OD-STEEL
6	098803-01-000	EA	PIPE-FUELFILL,90DEGREEBEND-13.2"-13/4"OD-STEEL
7	098807-01-000	EA	PIPE-FUELFILL,90DEGREEBEND-6.6"-13/4"OD-STEEL
8	007063-01-000	FT	HOSE-GAS,1/4"IDX1/2"OD
	084884-01-000	EA	PLUG-BRASS,3/8"
	062401-06-000	EA	CLAMP-HOSE,WORMGEAR.22"-.62"
9	098779-02-000	EA	COUPLER-FUELLINE,M16X1.5-6H

KEY	PARTNUMBER	U/M	DESCRIPTION
10	098759-02-000	EA	FUELLINEASM-SUPPLY,3/8-508LONG
11	074800-18-000	EA	TUBE-EXTENSION,MAINFUEL
12	098758-02-000	EA	FUELLINEASM-RETURN,5/16-508LONG
13	098779-01-000	EA	COUPLER-FUELLINE,M14X1.5-6H-GM15550219
14	114254-01-000	EA	ADAPTER-1/4SINGLEBARBX1/8MPT-WEATHERHEAD1537
	068382-06-000	EA	BUSHING-BRASS,3/8MPTX1/8FPT-PARKER209P-6-2
	024138-01-000	FT	HOSE-FUEL,5/16"ID
	044317-01-000	FT	HOSE-FUEL,3/8"ID
	075466-01-000	EA	UNION-INVERTEDFLTUBE,1/4"

## CHASSISGROUP(CONTINUED)

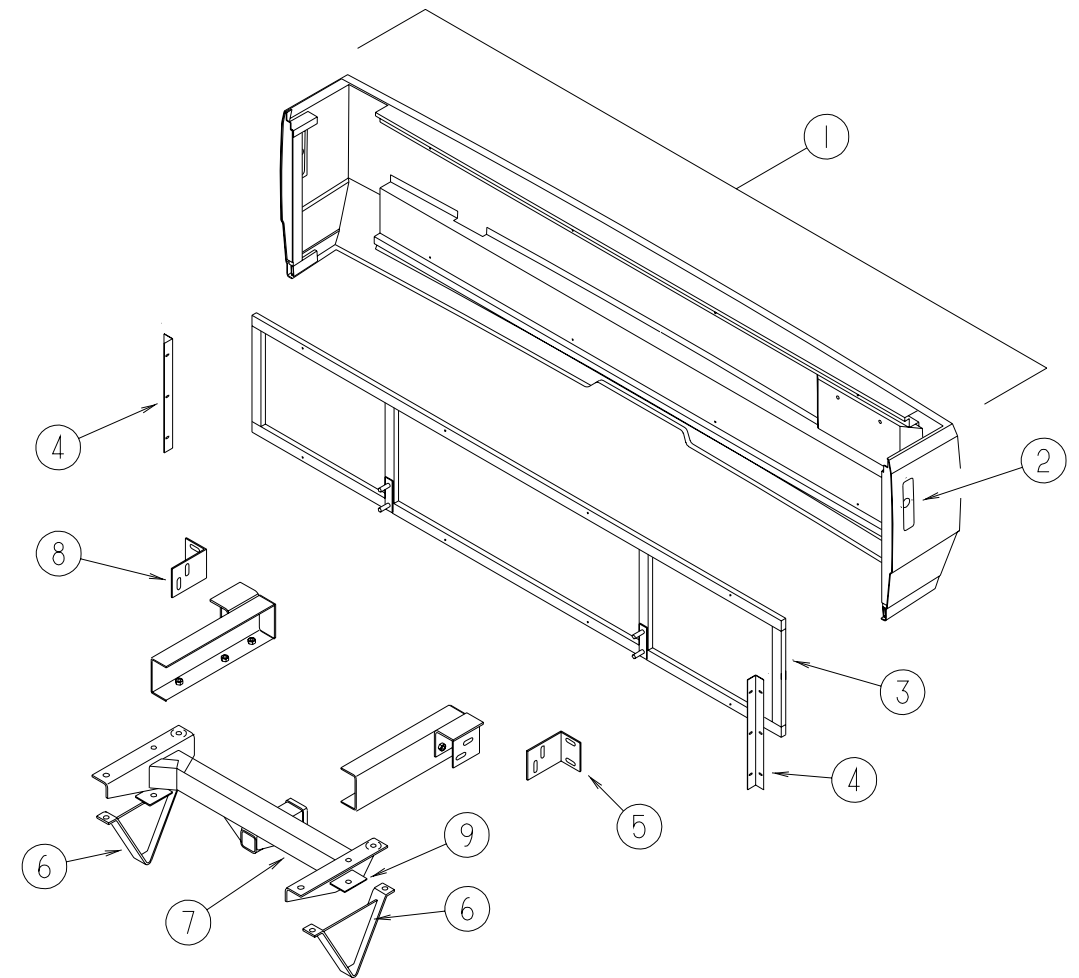


### SPARE TIRE & HOIST

KEY	PARTNUMBER	U/M	DESCRIPTION
1	112534-01-E37	EA	BRACKET ASM-TIRE HOIST
2	112539-02-01B	EA	SUPPORT-HANDLE, TIRE HOIST, ML
3	093376-02-000	EA	HANDLE-CRANK, TIRE HOIST
4	093375-09-000	EA	EXTENSION-TIRE HOIST
5	000F10-02-40B	EA	PIN-COTTER, 3/16X2.00-ZN
6	093267-03-000	EA	HOIST-SPARE TIRE
7	095853-02-000	EA	WHEEL-STEEL, 16"X6K-F2TA-1015-NA-ACCURIDE 28513-7(FORD ONLY)
7	064963-01-000	EA	WHEEL-STEEL, 19.5"6"-GM14005758
7	007324-03-000	EA	TIRE-8R19.5LRF, MICHELIN(CHEVY)
	051377-01-000	EA	STEM-VALVE, TR500
7	083425-05-000	EA	TIRE-MICHELIN, LT235/85R16LRE-XPSRIB(FORD)
	077030-02-000	EA	EXTENSION-VALVE STEM, 1.25"
	051377-05-000	EA	STEM-VALVE, VS938
	095012-03-000	EA	EXTENSION-VALVE STEM, DUAL WHEEL(FORD)
	095012-04-000	EA	STABILIZER-VALVE EXTENSION
8	105499-01-000	EA	BRACKET-TIRE HOIST
	080208-01-000	EA	LUG WRENCH, 1.06X1.00(CHEVY)
	080208-02-000	EA	BAR-LEVERAGE, LUG WRENCH(CHEVY)

FORD LUG WRENCH & LEVERAGE BAR ARE CHASSIS PROVIDED

## CHASSISGROUP(CONTINUED)

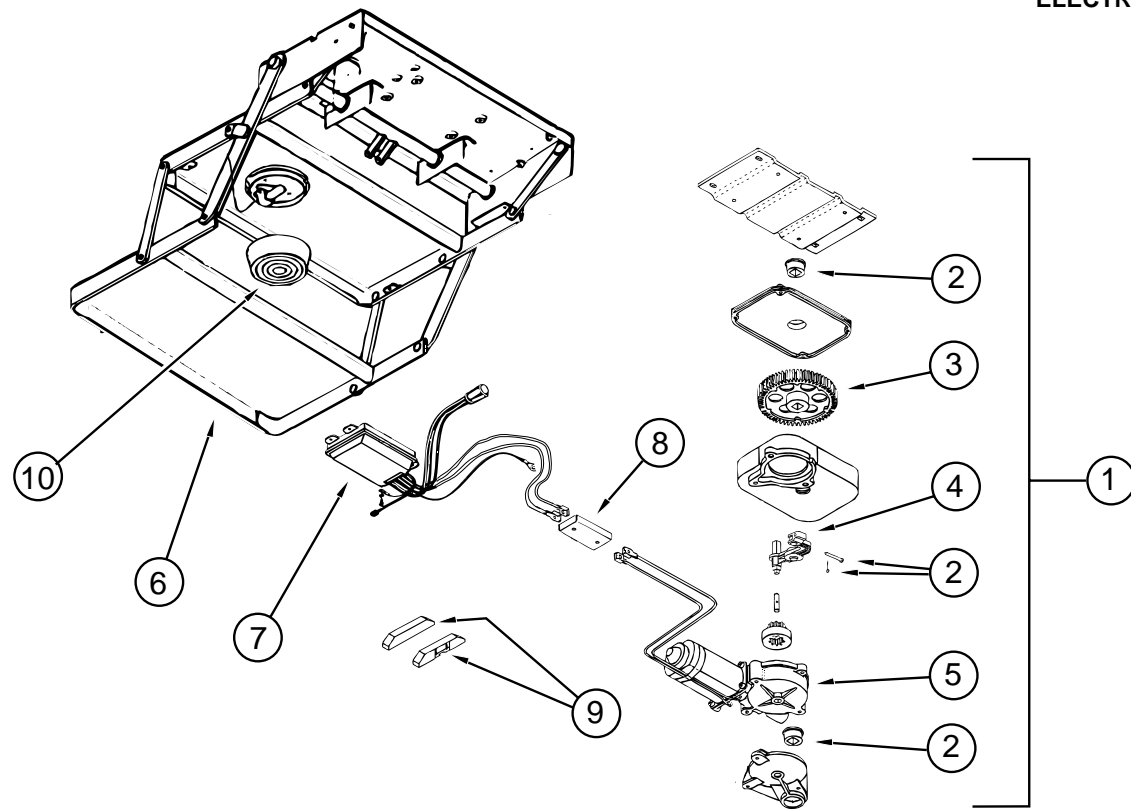


### REAR BUMPER & TRAILER HITCH

KEY	PARTNUMBER	U/M	DESCRIPTION
1	P18217-02-GV0	EA	BUMPER-REAR, W/INNER FRAME-W/O HITCH
	117511-01-GV0	EA	PANEL-BUMPER, REAR W/O FRAME & ANGLE MOUNTS
	104319-51-007	EA	EXTR-FRAME, GRILLE-100MM
2	118374-01-01A	EA	POCKET-SIDEMARKER LIGHT, BLACK
3	118833-01-02B	EA	FRAME ASM-BUMPER, REAR, E-COAT
4	113041-03-02B	EA	ANGLE-MOUNT, BUMPER, E-COAT
5	107524-02-000	EA	ANGLE-BUMPER, INNER, LH
6	111742-01-000	EA	PLATE-SKID
7	107707-01-000	EA	HITCH RECEIVER-BOLT-ON CLASS II
	034512-01-000	EA	PIN-LOCKING, DRAWBAR
	034513-01-000	EA	PIN-HITCH, 3/16" WIRE
8	107524-01-000	EA	ANGLE-BUMPER, INNER, RH
9	070579-09-000	EA	PLATE ASM ANCHOR
	113588-02-01B	EA	BRACKET-CONNECTOR, TRAILER, MILL
	113589-01-000	EA	CONNECTOR-PLUG, TRAILER-GENERAL 433501
	113589-02-000	EA	CONNECTOR-SOCKET, TRAILER-GENERAL 4733601

## CHASSIS GROUP (CONTINUED)

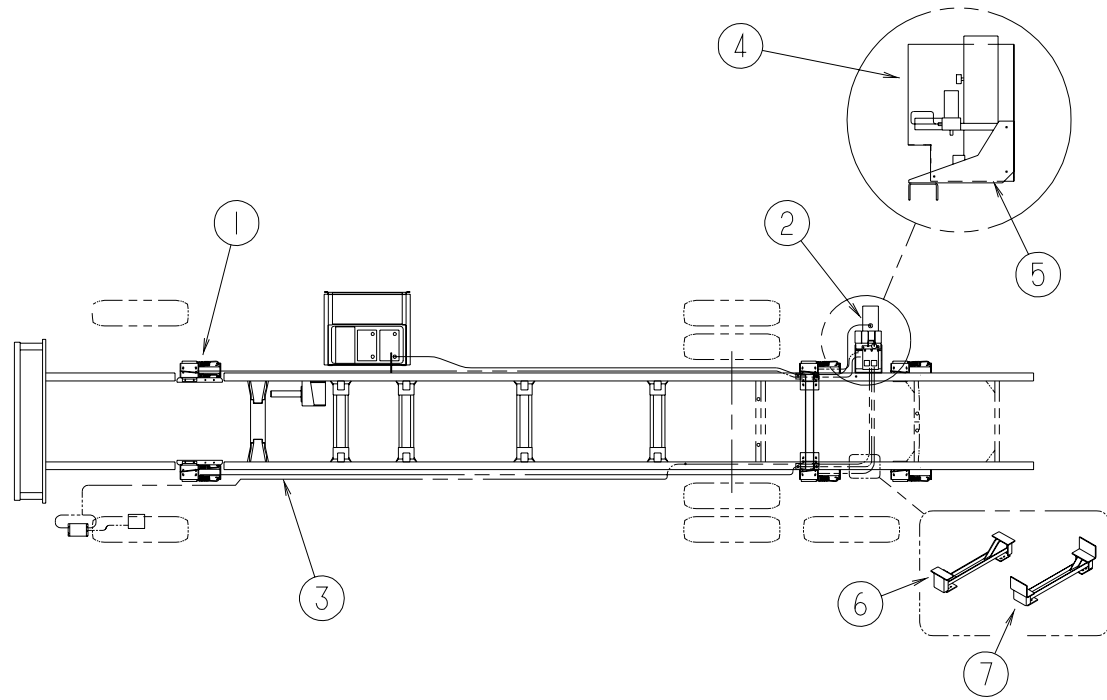
### ELECTRIC STEP - KWIKEE



KEY	PART NUMBER	U/M DESCRIPTION	VENDOR NO.
1	094707-01-01A	EA STEP-DOUBLE, ELECTRIC W/ORANGE CONTROL BOX	3218
2	094707-02-703	EA PARTS KIT, (BEARINGS & PINS)	9530
3	094707-02-702	EA GEAR KIT, W/BEARINGS, PIN & CASE	9525
4	094707-02-701	EA LINKAGE ASM, W/BEARINGS & PINS	9523
5	094707-02-700	EA MOTOR REPLACEMENT KIT, W/BEARINGS & PINS	9520
6	094707-01-702	EA FRAME ONLY, W/DOUBLE STEP	908032
7	094707-02-705	EA CONTROL UNIT, (ORANGE)	9513
8	094707-02-704	EA CONNECTOR KIT-MOTOR, W/PLATES	9537
	094707-02-707	EA NON-SKID TREAD BLACK, 6" X 21"	909333
9	116995-01-000	EA SWITCH/MAGNET-STEP, ELECTRIC	905306
	075723-02-000	EA SPACER-SWITCH, W/HOLE - .2" X .9" X 2" - METAL - OFF WHITE FOR ELECTRIC STEP DOOR JAMB SWITCH	
	041250-01-000	EA SWITCH-PUSH BUTTON, IN DOOR JAMB - METAL - CHROME	
10	088746-01-705	EA LIGHT-UNDER STEP	9004
	088733-01-700	EA BULB	9004

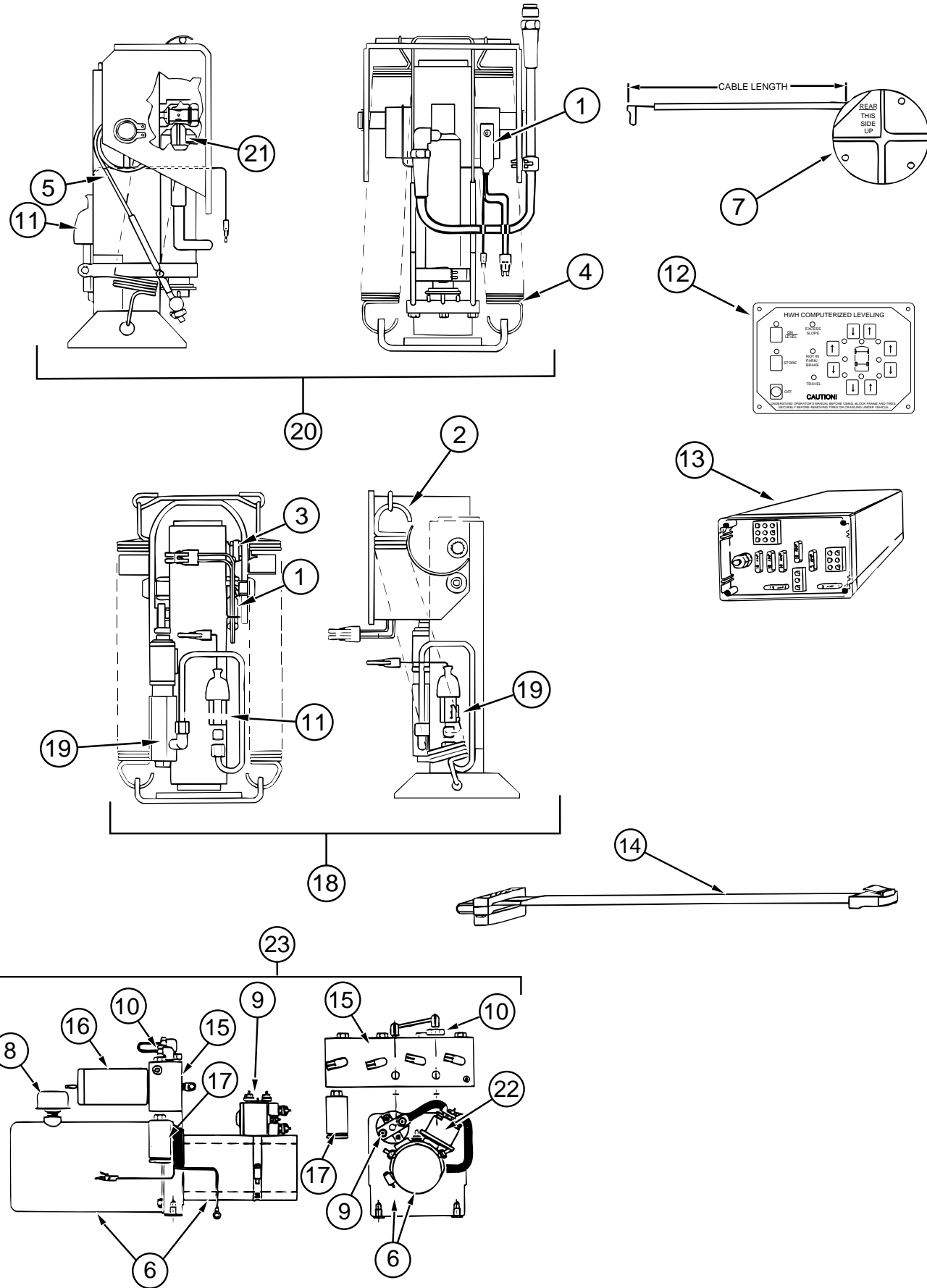
# CHASSISGROUP(CONTINUED)

## FRONT&REARHWHHYDRAULICLEVELINGSYSTEM



KEY	PARTNUMBER	U/M	DESCRIPTION	VENDORNO.
1	107890-01-000	EA	ELBOW-STEEL90D1/4X37DFLARE - PARKER4-C6X-S	
1	100533-05-000	EA	BRACKETS-FRONTLEVELINGJACK - HWHAP7107 (GM)	
1	100533-06-000	EA	BRACKETS-FRONTLEVELINGJACK - HWHAP7160 (FORD)	
2	100532-09-000	EA	LEVELINGSYSTEM-HYDRAULIC,HWHAP1017	
3	100536-08-000	EA	HOSEKIT-HWH#AP9446CONTAINS:(FRONTS-324"&354"),(REARS-116"&87")	
3	100536-17-000	EA	HOSEKIT-HWH#AP0408CONTAINS:(FRONTS-306"&336")(FRONTONLY)	
4	108629-01-000	EA	SHIELD-PUMP	
5	107938-01-000	EA	BRACKETASM-PUMP	
6	100534-12-000	EA	BRACKETS-REARLEVELINGJACKS(KICKDOWN)-CHEVY	
7	100534-06-000	EA	BRACKETS-REARLEVELJACK(FORDW/OTAGAXLE)	
	111619-01-000	EA	WIREASM-JACKS/AIRRIDE(FRONTONLY)	
	100536-09-700	EA	HOSE-HYDRAULIC,324"	AP2464
	100536-09-701	EA	HOSE-HYDRAULIC,60"	RAP4073
	100536-09-702	EA	HOSE-HYDRAULIC,354"	RAP4311
	100536-09-703	EA	HOSE-HYDRAULIC,87"	RAP4905

## CHASSISGROUP(CONTINUED)



## FRONT&REARHWHHYDRAULICLEVELINGSYSTEM

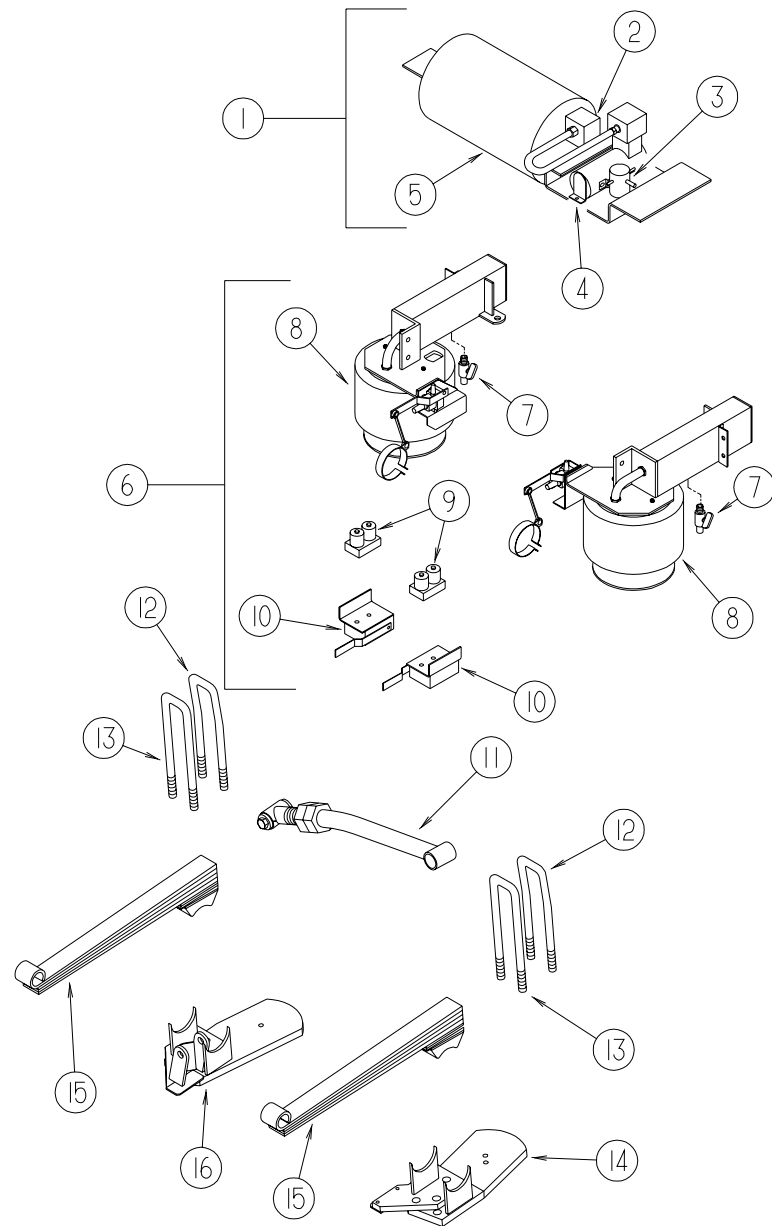
KEY	PARTNUMBER	U/M DESCRIPTION	VENDORN.O.
	100532-09-000	EA LEVELING SYSTEM-HYDRAULIC - HWHAP1017	
1	100532-01-704	EA SWITCH-MERCURY, 6K&9KJACK	RAP1010
2	100532-01-705	EA SPRINGKIT-9KJACK	RAP1171
3	100532-01-707	EA BEARING-ROLLERKIT, 9KJACK	R2527
4	100532-02-701	EA SPRINGKIT-6KJACK	RAP6824
5	100532-02-704	EA CABLE-ACTUATOR, 6KJACK	RAP7194
6	100532-03-705	EA PUMP/MOTOR/TANK, .75 GAL	RAP0002
7	100532-03-710	EA SENSING UNIT 21" MTA	RAP6798
8	100532-03-715	EA CAP-BREATHER	RAP7876
9	100532-03-716	EA SOLENOID-SINGLE, ESSEX	RAP7505
10	100532-03-717	EA VALVE-PRESS., RETURN SHUTTLE	RAP7964
11	100532-03-726	EA SWITCH-PRESSURE	RAP8003
12	100532-09-700	EA PANEL ASM.-TOUCH CONTROL	RAP1002
13	100532-09-701	EA CONTROL BOX ASM.	RAP0984
14	100532-09-702	EA CABLE-MODULAR 5'	AP1020
15	100532-09-703	EA MANIFOLD ASM.-COMPLETE	RAP0959
16	100532-09-704	EA VALVE-PRESSURE SOLENOID	RAP0642
17	100532-09-705	EA SWITCH-PRESSURE W/HEAD-3000	RAP0993
18	100532-09-706	EA JACK ASM. 9K TALL	RAP0980
19	100532-09-707	EA ACTUATOR ASM.-9K	RAP0547
20	100532-09-708	EA JACK ASM. 6K TALL-FRONT W/SW	RAP0992
21	100532-09-709	EA ACTUATOR ASM.-6K	RAP0448
22	100532-09-710	EA SOLENOID-4POST (INTERMITENT)	RAP0533
23	100532-09-711	EA POWER UNIT/MANIFOLD ASM.	RAP0978
	100532-09-712	EA HARNESS HYDRAULIC PUMP 35.8'	RAP1024
	100532-09-713	EA HARNESS WARN. PRESS. 35.11'	RAP1025

## HWHHYDRAULICLEVELINGSYSTEMFORFRONTWHEELSONLY

KEY	PARTNUMBER	U/M DESCRIPTION	VENDORN.O.
	100533-05-000	EA BRACKETS-FRONT LEVELING JACK, HWHAP7107 (CHEVY)	
	100533-06-000	EA BRACKETS-FRONT LEVELING JACK, HWHAP7160 (FORD)	
	100536-17-000	EA HOSE KIT - HWHAP0408	
	100532-07-000	EA LEVELING SYSTEM-HYDRAULIC - HWHAP0396	
1	100532-03-725	EA SWITCH WARNING W/RESISTOR	RAP0995
4	100532-02-701	EA SPRINGKIT-6KJACK	RAP6824
5	100532-02-704	EA CABLE-ACTUATOR, 6KJACK	RAP7194
6	100532-03-706	EA PUMP ASM. HYD. .75 STONE 3"	RAP0195
7	100532-03-710	EA SENSING UNIT 21" MTA	RAP6798
9	100532-03-716	EA SOLENOID-SINGLE, ESSEX	RAP7505
10	100532-03-717	EA VALVE-PRESS., RETURN SHUTTLE	RAP7964
11	100532-03-726	EA SWITCH-PRESSURE	RAP8003
12	100532-03-711	EA PANEL ASM., CONTROL-TOUCH MOD	RAP7868
13	100532-03-701	EA CONTROL BOX - W/JET AIR 2 JACK	RAP9800
14	100532-03-713	EA MODULAR CABLE 7'	RAP8002
15	100532-03-708	EA MANIFOLD ASM. 2 VALVE W/JET	RAP0033
16	100532-03-718	EA VALVE-SOLENOID	RAP8034
17	100532-03-720	EA SWITCH-PRESS 300 PSI W/PIGTAL	RAP8355
20	100532-03-703	EA JACK ASM-6K, W/PRESS. SW. TALL	RAP8130
21	100532-02-702	EA ACTUATOR KIT, 6KJACK	RAP7062
22	100532-03-727	EA SOLENOID KIT	R7572
23	100532-06-700	EA PUMP/TANK/MANIFOLD ASM	RAP0032
	100532-03-721	EA VALVE-CHECK KIT (SGL)	RAP7944
	100532-03-723	EA MANIFOLD HDWEMTG KIT	RAP9171
	111619-01-000	EA WIRE ASM-JACKS/AIR RIDE	

# CHASSISGROUP(CONTINUED)

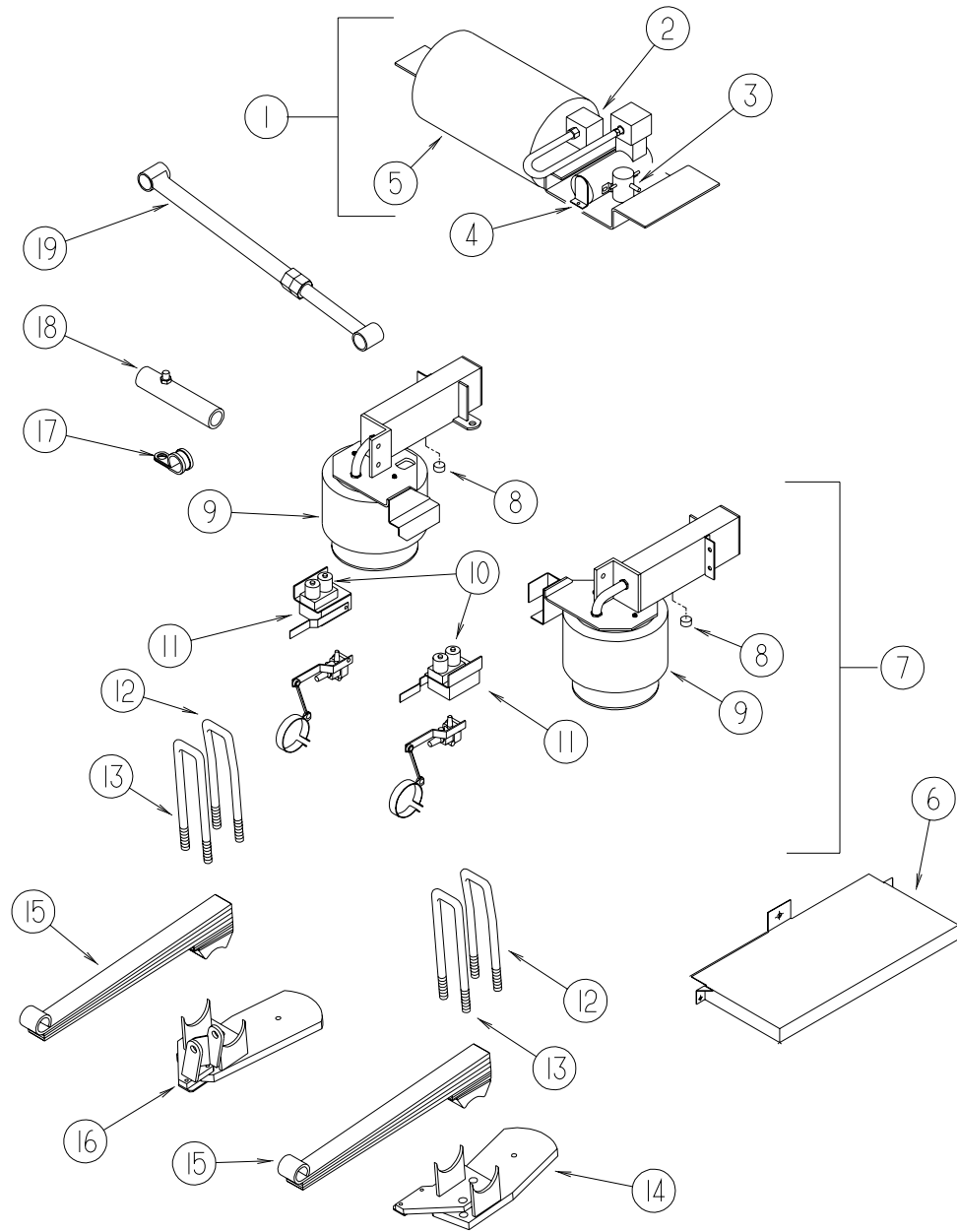
## CHEVY JETA AIR SUSPENSION W/PARK & LEVEL



KEY	PARTNUMBER	U/M	DESCRIPTION	VENDOR NO.
1	090436-35-000	EA	COMPRESSOR-TANK,W/OWIRING 60703	
2	090436-07-701	EA	SWITCH-AIRPRESSURE	50732
3	090436-07-704	EA	SOLENOID-ELECTRONIC	50702
4	090436-07-700	EA	COMPRESSORONLY	50701
5	090436-07-703	EA	CONVERSION-SWITCHPRESSURE,AIRTANKP/S	
5	090436-07-702	EA	TANK-AIR,ALLMODELS	50703
6	090436-40-000	EA	FILTER-AIRINTAKE,COMPRESSOR	
6	090436-72-000	EA	MOUNT-SPRING,CHEVY-RIGHT-UPPER	
6	090436-69-000	EA	MOUNT-SPRING,CHEVY-LEFT-UPPER	
7	090436-36-700	EA	PETCOCK-AIRTANKF/SPRING	50720
8	090436-15-704	EA	BAG-AIR,BELLOWS,1EA=1ONLY	50752
9	090436-15-710	EA	ELECTRONICVALVE-RH	55786
9	090436-15-709	EA	ELECTRONICVALVE-LH	55785
10	090436-15-712	EA	HEIGHTCONTROLBOX-R.H.W/LIGHT	50872
10	090436-15-711	EA	HEIGHTCONTROLBOX-L.H.W/LIGHT	50871
10	090436-15-713	EA	WIRELoomF/AXLEPOS.LIGHT	50875
11	090436-47-000	EA	BAR-TRACK,W/PIVOTBOLTS-CHEVY55765	
12	090436-52-000	EA	BRACKET-TRACKBAR,STANDARD 51354	
12	090436-12-000	EA	U-BOLT-STRAIGHT,7/8"55759	
12	090436-12-700	EA	NUTF/U-BOLT1EA=1ONLY(2PERBOLT)	50760
13	090436-13-000	EA	U-BOLT-BENT,7/8"55758	
14	090436-10-000	EA	MOUNT-SPRING/AXLE,LOWERLEFT55753	
15	090436-80-000	EA	SPRING-14/16500	
16	090436-46-000	EA	MOUNT-SPRING/AXLE,LOWERRIGHT51755	
	091250-03-000	EA	BUSHING-SWAYBAR,1.75" CUT-HELLWIGPB 732	
	110114-01-000	EA	PLATE-BEEFUP,JETRIDESUSPENSION	
	110115-01-000	EA	PLATE-BEEFUP,JETRIDESUSPENSION	
	071374-04-000	EA	FITTING-BULKHEAD,1/8"X1/8"FNPT	
	111643-01-000	EA	WIRESM-PARK&LEVEL,WARNING	
	090436-67-000	EA	WIRING-ELECTRONIC55864	

# CHASSISGROUP(CONTINUED)

## FORDJETAIRSUSPENSIONW/PARK&LEVEL

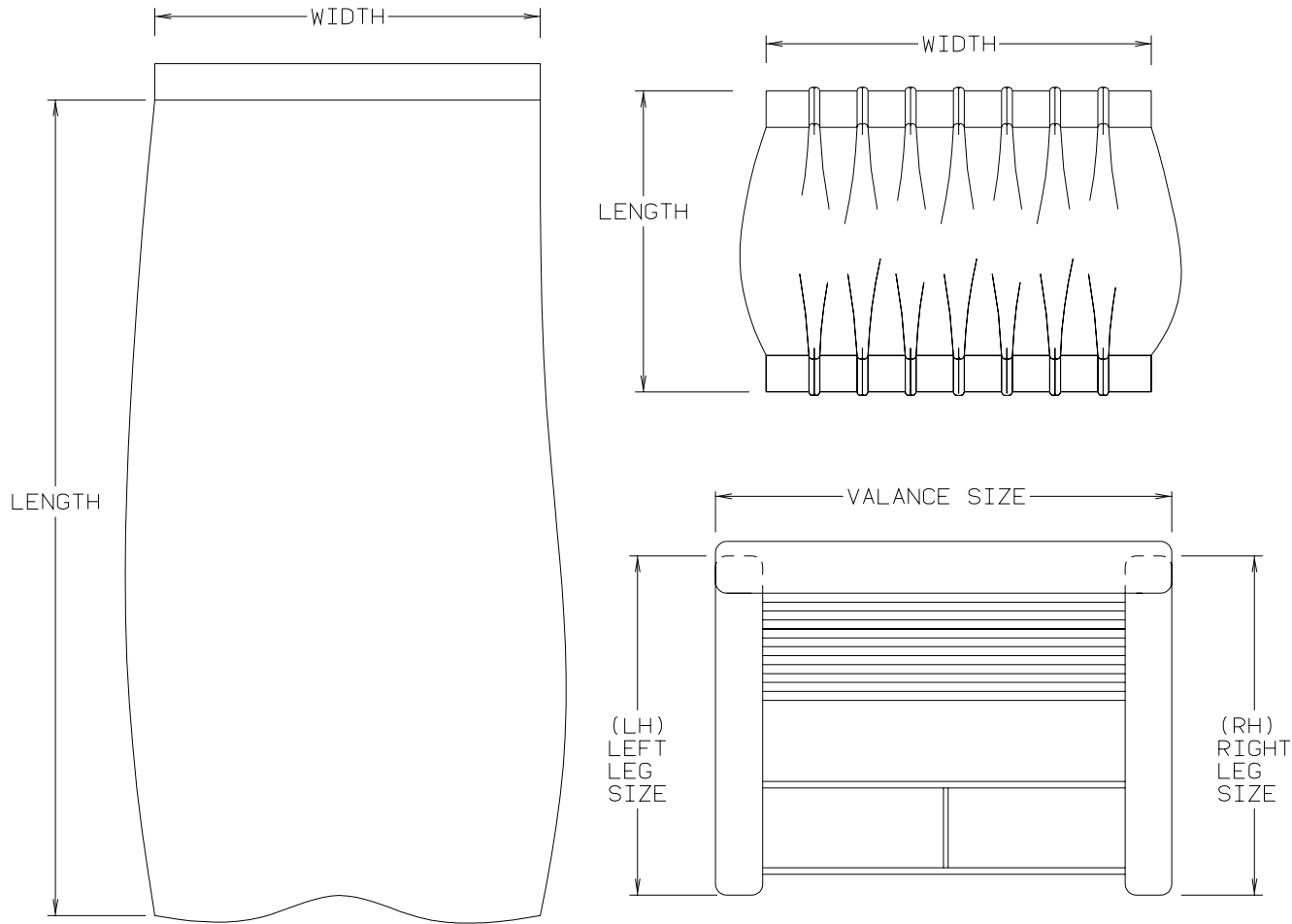


KEY	PARTNUMBER	U/M	DESCRIPTION	VENDOR NO.
1	090436-35-000	EA	COMPRESSOR-TANK,W/OWIRING	60703
2	090436-07-701	EA	SWITCH-AIRPRESSURE	50732
3	090436-07-704	EA	SOLENOID-ELECTRONIC	50702
4	090436-07-700	EA	COMPRESSOR ONLY	50701
5	090436-07-703	EA	CONVERSION-SWITCHPRESSURE,AIRTANK	
	090436-07-702	EA	TANK-AIR,ALLMODELS	50703
6	090436-28-000	EA	SHIELD-HEAT,FUELTANK60697	
7	090436-71-000	EA	MOUNT-SPRG,94W/LT-LHUPRFORD	
7	090436-72-000	EA	MOUNT-SPRG,94W/LT-RHUPRFORD	
8	090436-36-700	EA	PETCOCK-AIRTANKF/SPRING	50720
9	090436-15-704	EA	BAG-AIR,BELLOWS,1EA=1ONLY	50752
10	090436-15-710	EA	VALVE-ELECTRONIC,RH	50786
10	090436-15-709	EA	VALVE-ELECTRONIC,LH	50785
11	090436-15-712	EA	BOX-HEIGHTCONT.,RH/W/LIGHT	50872
11	090436-15-711	EA	BOX-HEIGHTCONT.,LH/W/LIGHT	50871
	090436-15-713	EA	LOOM-WIRE,F/AXLEPOS.LIGHT	50875
	090436-15-714	EA	LOCKOUTKIT	
12	090436-25-000	EA	U-BOLT,1-14X4"X15"-W/NUTS	60759
13	090436-22-000	EA	U-BOLT,1-14X4"X14"-W/NUTS	60758
	031045-05-000	EA	ADAPTER-1/4"IDBARBX1/8"MPT	
	071374-04-000	EA	FITTING-BULKHEAD,1/8"X1/8"FNPT	
14	090436-20-000	EA	MOUNT-SPRING/AXLE,LOWERDRIVER60753	
15	090436-23-000	EA	SPRING-LEAF,SEMI-FORD60762	
16	090436-21-000	EA	MOUNT-SPRING/AXLE,LOWERPASSENGER60754	
17	090436-29-000	EA	BRACKET-BRAKEHOSE/FRAME	60696
18	090436-30-000	EA	BRACKET-BRAKEHOSE/CALIPER	60695
19	090436-31-000	EA	BAR-TRACK,W/BOLTS&BRKTS	60770
	090436-67-000	EA	WIRINGASM-ELECTRW/LT94F/C	
	111643-01-000	EA	WIREASM-PARK/LEVELWARNING	
	090436-79-000	EA	STABILIZERBUSHINGKITF/FRONTANDREARBARBS11/28/94&UP	
	091250-03-000	EA	BUSHING-SWAYBAR,1.75"CUT-HELLWIG	PB732
	031045-05-000	EA	ADAPTER-1/4"IDBARBX1/8"MPT	
	071374-04-000	EA	FITTING-BULKHEAD,1/8"X1/8"FNPT	

**CURTAIN&CUSHIONGROUP  
NOTICE**

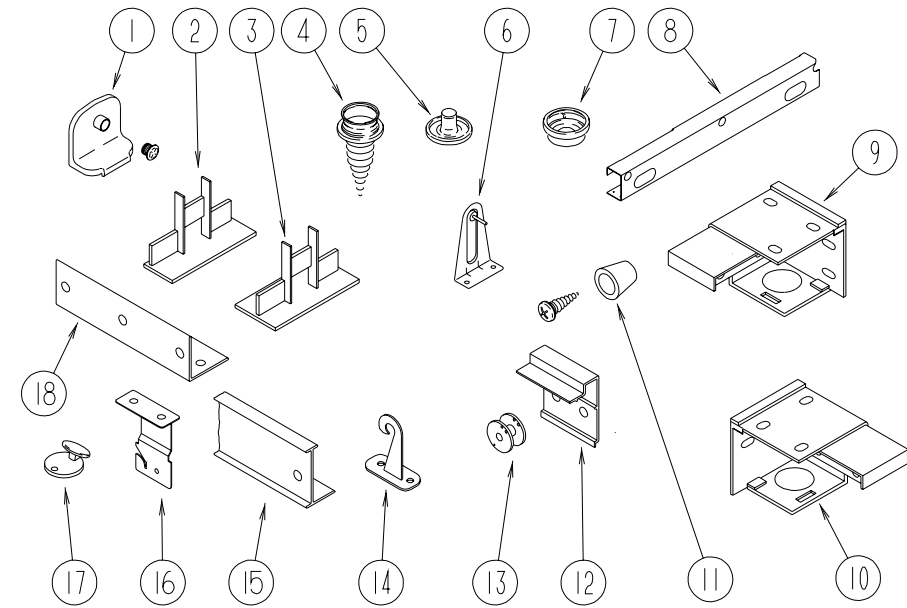
INORDERTOASSISTOURPARTSSALESDEPT.INPROVIDINGINTERIORSOFTWAREITEMS, PLEASEINCLUDETHESERIALNUMBERANDTHECOLORCODENUMBERFROMTHEVEHICLE CERTIFICATIONLABELWHENORDERING. THISLABELISLOCATEDONTHELEFTSIDEWALL ATTHEENDOFTHE DASH(A-BODY),ORONTHE DRIVER'SDOORLATCHPLATE(C-BODY).

ANEXAMPLEOFACOLORCODENUMBERISB07,WHICHDESIGNATESANOVERALLCOLOR SCHEMEOFPARTICULARUNIT. THECOLORLISTEDAFTERTHEITEMDESCRIPTIONONTHE MICROFICHE,INDICATESTHEOVERALLUNITCOLOR. ORDERTHEITEMYOUDESIREACCORD- INGTOUNITCOLORCODE. IFFALLCOLORSUSE THE SAMEITEMNOCOLORCODEWILLBENOTED.



NOTE: USE THIS ILLUSTRATION WHEN DETERMINING LENGTH AND WIDTH MEASUREMENTS FOR CURTAINS. YOU WILL NOTE THE WIDTH MEASUREMENT IS TAKEN ON THE TOP OF THE CURTAIN WITH THE CURTAIN FULLY EXTENDED. THE LENGTH MEASUREMENT IS TAKEN FROM TOP TO BOTTOM. LEFT AND RIGHT WINDOW LEGS ARE DETERMINED WHEN FACING THE WINDOW.

**CURTAIN&CUSHIONGROUP(CONTINUED)**

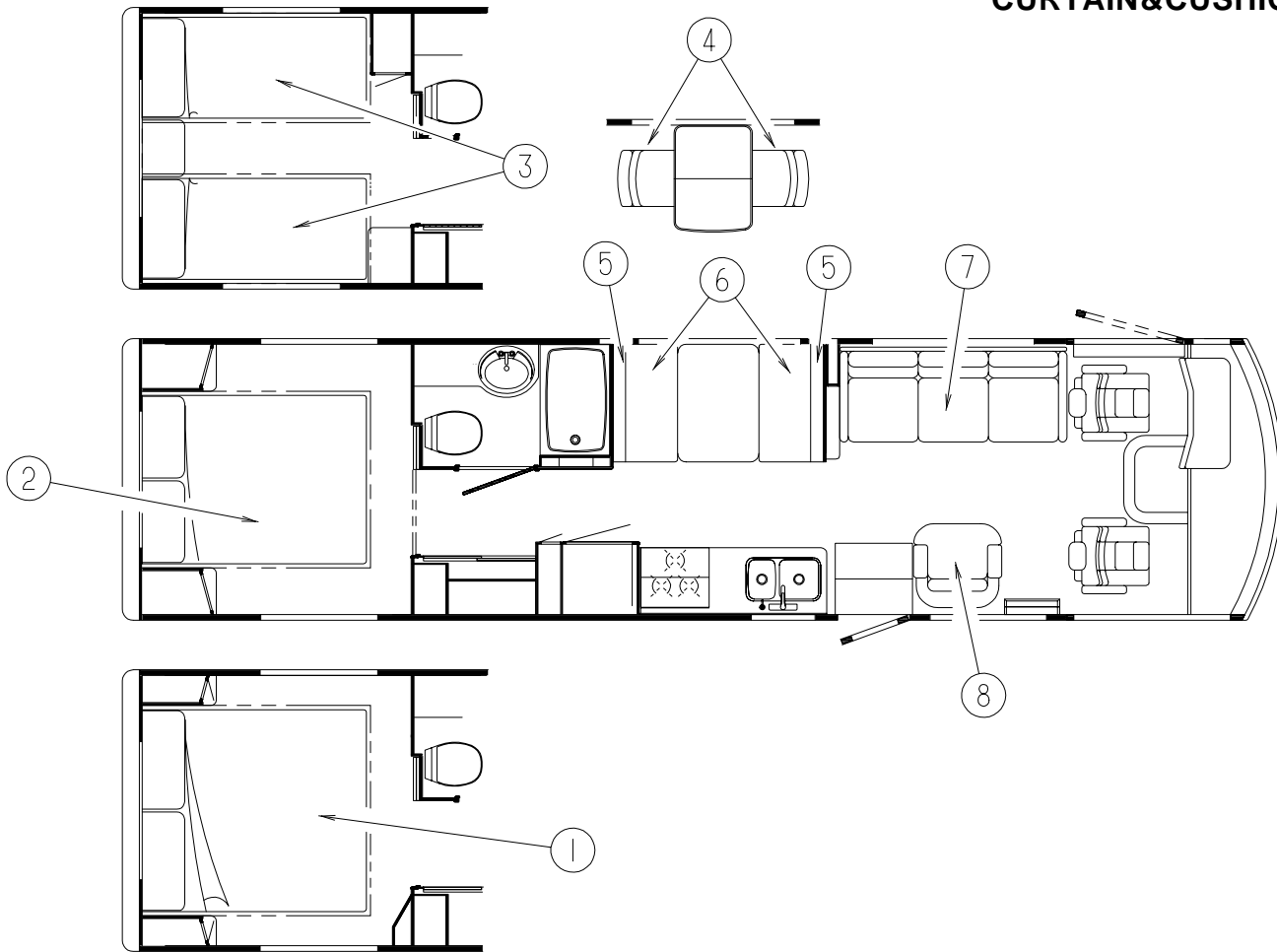


**CURTAIN HARDWARE**

KEY	PARTNUMBER	U/M	DESCRIPTION
1	106544-01-000	EA	PULL-SHADE, BRASS
	106544-01-001	EA	SCREW-BRASS, SHADE
2	094907-02-000	EA	ENDCAP-TOP, PLEATED BLIND-PLASTIC-GRAY
3	094907-05-000	EA	HARDWARE-ENDCAP, BTM-PULLTYPE
	094907-05-700	EA	ENDCAP-RH, BOTTOM BLIND
	094907-05-701	EA	ENDCAP-LH, BOTTOM BLIND
	094907-06-000	EA	HDW.-ENDCAP, E-ZLIFT-TOP
	094908-03-000	FT	HDW.-RIDGED PVC, E-ZLIFT
	094908-04-000	FT	STRAP-FLAT POLYVINYL
	097591-01-000	EA	SPRING-EXTENSION, PLEATED BLIND
	097593-02-000	FT	CORD-BLIND, PLEATED-GRAY (GV0/GV1/GV2/GV3)
	097593-10-000	FT	CORD-BLIND, PLEATED-VANILLA (GV4/GV5)
	094896-02-000	EA	GROMMET-CORD, PLEATED BLIND-NYLON-GRAY
4	029130-01-000	EA	SCREW-SNAP SOCKET, #8 PHX 5/8"
5	029155-01-000	EA	CAP-SNAP, 5/32" O.D. OF PIN
6	095591-02-000	EA	BRACKET-HOLDDOWN, W/PIN-BLIND-METAL
7	029156-01-000	EA	SOCKET-SNAP, 9/16" O.D.
8	110597-01-000	EA	BRACKET-SHADE, RIGHT SIDE
8	110597-02-000	EA	BRACKET-SHADE, LEFT SIDE
9	083170-01-000	EA	BRACKET-BLIND, LEFT SIDE WHEN FACING WINDOW
10	083170-02-000	EA	BRACKET-BLIND, RIGHT SIDE WHEN FACING WINDOW
11	097564-01-000	EA	HANDLE-T, EZLIFT SHADE
12	097565-01-000	EA	BRACKET-MOUNTING, PLEATED BLIND
13	097592-01-000	EA	SPOOL-CORD, ELEVATED BLIND HOLDUP-CLEAR PLASTIC
14	109441-03-000	EA	HOLDDOWN-BLIND (CLOUDY)
15	118896-01-01A	EA	TRACK-CURTAIN, RH-OFFWHITE
15	118897-01-01A	EA	TRACK-CURTAIN, LH-OFFWHITE
16	084434-01-000	EA	BRACKET-MOUNTING, ROLLERSHADE-13/8"
17	102555-01-000	EA	CLEAT-CORD, BLIND-CLEAR
	102555-03-000	EA	CLEAT-BLIND CORD, MILKY WHITE PLASTIC
18	105648-01-02A	EA	BRACE-VALANCE, 356MM LONG-EXTRUDED ALUMINUM-OFFWHITE
	046867-03-000	EA	GROMMET-HANDY BUTTON NO3
	048394-02-000	YD	VELCRO TAPE-HOOK, ADHESIVE BACK-.75"WIDE-BEIGE
	086276-01-000	EA	TAPE-DOUBLE SIDED, 1/2"
	088792-02-000	YD	VELCRO TAPE-LOOP, ADHESIVE BACKED-.75"WIDE-BEIGE
	096843-01-000	EA	SPRING-REWIND, ROLLERSHADE



## CURTAIN&CUSHIONGROUP(CONTINUED)



### KINGBEDSPREAD,PILLOWS&MATTRESS

KEY	PARTNUMBER	U/M	DESCRIPTION
1	109588-25-GV4	EA	BEDSPREAD-FITTEDW/CORNERPANEL-72"X80"(H56,H57)
1	114222-04-H58	EA	BEDSPREAD-DUVET,72"X80"(H58,H59)
1	114222-04-H60	EA	BEDSPREAD-DUVET,72"X80"(H60,H61)
	106727-06-H56	EA	PILLOW-TOOTSIE,KING(H56,H57)
	102161-57-H58	EA	SHAM-2"FLANGE(H58,H59)
	104565-07-H60	EA	PILLOWSHAM-BED(H60,H61)
	123015-09-000	EA	MATTRESS-INNERSPRING,72"X79.5"

### QUEENBEDSPREAD,PILLOWS&MATTRESS

KEY	PARTNUMBER	U/M	DESCRIPTION
2	109588-24-GV4	EA	BEDSPREAD-FITTEDW/CORNERPLEAT,60"X80"(H56,H57)
2	114222-01-H58	EA	BEDSPREAD-DUVET,60"X80"(H58,H59)
2	114222-01-H60	EA	BEDSPREAD-DUVET,60"X80"(H60,H61)
	106727-05-H56	EA	PILLOW-TOOTSIE,QUEEN(H56,H57)
	102161-55-H58	EA	SHAM-2"FLANGE(H58,H59)
	104565-05-H60	EA	PILLOWSHAM-2"FLANGE&BRAID(H60,H61)
	123015-07-000	EA	MATTRESS-INNERSPRING-60"X79.5"

### TWINBEDSPREAD,PILLOWS&MATTRESS

KEY	PARTNUMBER	U/M	DESCRIPTION
3	109588-26-GV4	EA	BEDSPREAD-FITTEDW/CORNERPANEL,36"X80"(H56,H57)
3	114222-05-H58	EA	BEDSPREAD-DUVET,36"X80"(H58,H59)
3	114222-05-H60	EA	BEDSPREAD-DUVET,36"X80"(H60,H61)
	106727-06-H56	EA	PILLOW-TOOTSIE,KING(H56,H57)
	102161-57-H58	EA	SHAM-2"FLANGE(H58,H59)
	104565-07-H60	EA	PILLOWSHAM-BED(H60,H61)
	123015-04-000	EA	MATTRESS-INNERSPRING,36"X79.5"

### BEDROOMTHROWPILLOWS

KEY	PARTNUMBER	U/M	DESCRIPTION
	109785-05-H56	EA	PILLOW-W/CORNERPLEATS-15"X15"(H56,H57)
	104166-05-H58	EA	PILLOW-14"X14"(H58,H59)
	104166-06-H60	EA	PILLOW-14"X14"(H60,H61)

### LOUNGETHROWPILLOWS

KEY	PARTNUMBER	U/M	DESCRIPTION
	106728-03-GV4	EA	PILLOW-9"X20"RECTANGLE(H56,H57)
	106728-02-H58	EA	PILLOW-9"X20"(H58,H59)
	106728-03-H60	EA	PILLOW-9"X20"(H60,H61)

### DINETTECHAIRS

KEY	PARTNUMBER	U/M	DESCRIPTION
4	116058-09-000	EA	CHAIR-DINETTE,FLEXSTEEL(H56,H57)
4	116058-10-000	EA	CHAIR-DINETTE,FLEXSTEEL(H58,H59)
4	116058-11-000	EA	CHAIR-DINETTE,FLEXSTEEL(H60,H61)
	116080-03-H56	EA	COVER-CHAIRLEG(SOLARMAPLE)
	116080-03-G39	EA	COVER-CHAIRLEG(SALEMCHERRY)
	074045-10-000	EA	PLUG-1/2"DIAMETER(SOLARMAPLE)
	074045-08-000	EA	PLUG-1/2"DIAMETER(SALEMCHERRY)

### FOLDINGCHAIRS

KEY	PARTNUMBER	U/M	DESCRIPTION
	101604-01-04A	EA	CHAIR-FOLDING,STACKMORE-W/OMATCHINGFABRIC(SOLARMAPLE)
	101604-01-02A	EA	CHAIR-FOLDING,STACKMORE-W/OMATCHINGFABRIC(SALEMCHERRY)

### DINETTECUSHIONS

KEY	PARTNUMBER	U/M	DESCRIPTION
5	111897-05-GV4	EA	CUSHION-BACK,13.5"X42"X5"(H56,H57)
	P11897-05-GV4	EA	COVER-BACK,13.5"X42"X5"(H56,H57)
5	111897-05-H58	EA	CUSHION-BACK,13.5"X42"X5"(H58,H59)
	P11897-05-H58	EA	COVER-BACK,13.5"X42"X5"(H58,H59)
5	111897-05-H60	EA	CUSHION-BACK,13.5"X42"X5"(H60,H61)
	P11897-05-H60	EA	COVER-BACK,13.5"X42"X5"(H60,H61)
	078155-01-000	EA	STRAP-SNAP,BACKRESTCUSHION
6	105603-15-GV4	EA	CUSHION-SEAT,23"X42"X5"(H56,H57)
	P05603-15-GV4	EA	COVER-SEAT,23"X42"X5"(H56,H57)
6	105603-15-H58	EA	CUSHION-SEAT,23"X42"X5"(H58,H59)
	P05603-15-H58	EA	COVER-SEAT,23"X42"X5"(H58,H59)
6	105603-15-H60	EA	CUSHION-SEAT,23"X42"X5"(H60,H61)
	P05603-15-H60	EA	COVER-SEAT,23"X42"X5"(H60,H61)

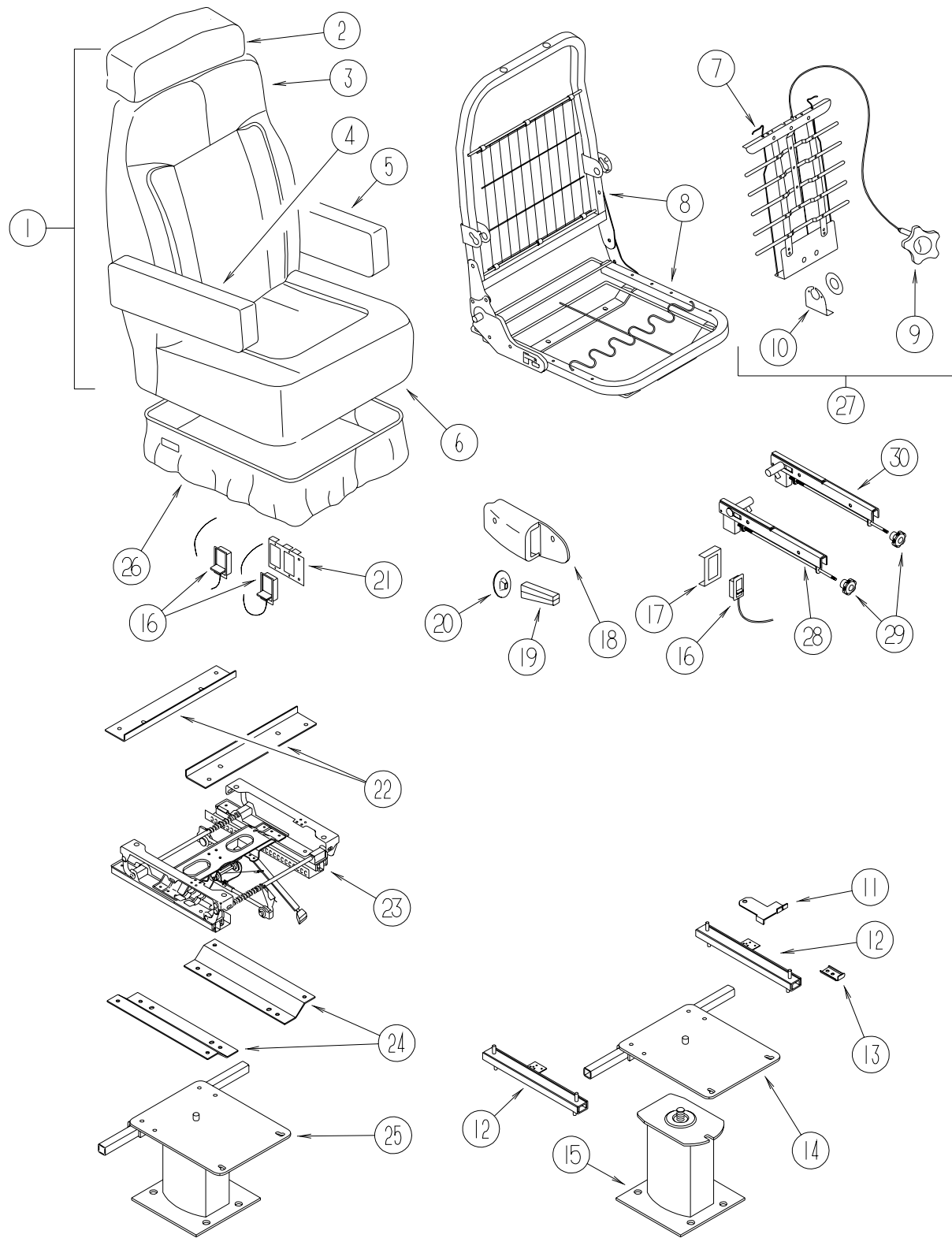
### COUCH

KEY	PARTNUMBER	U/M	DESCRIPTION
7	119728-01-000	EA	SOFA-VILLA,80"-W/FLAIRARMREST/KICKBOARD(H56,H57)
7	119728-06-000	EA	SOFA-VILLA,80"-W/FLAIRARMREST/KICKBOARD(H58,H59)
7	119728-07-000	EA	SOFA-VILLA,80"-W/FLAIRARMREST/KICKBOARD(H60,H61)

### SWIVELCHAIR

KEY	PARTNUMBER	U/M	DESCRIPTION
8	118821-01-H56	EA	CHAIR-SWIVEL/RECLINER&FOOTREST
8	118821-01-H57	EA	CHAIR-SWIVEL/RECLINER&FOOTREST
8	118821-01-H58	EA	CHAIR-SWIVEL/RECLINER&FOOTREST
8	118821-01-H59	EA	CHAIR-SWIVEL/RECLINER&FOOTREST
8	118821-01-H60	EA	CHAIR-SWIVEL/RECLINER&FOOTREST
8	118821-01-H61	EA	CHAIR-SWIVEL/RECLINER&FOOTREST

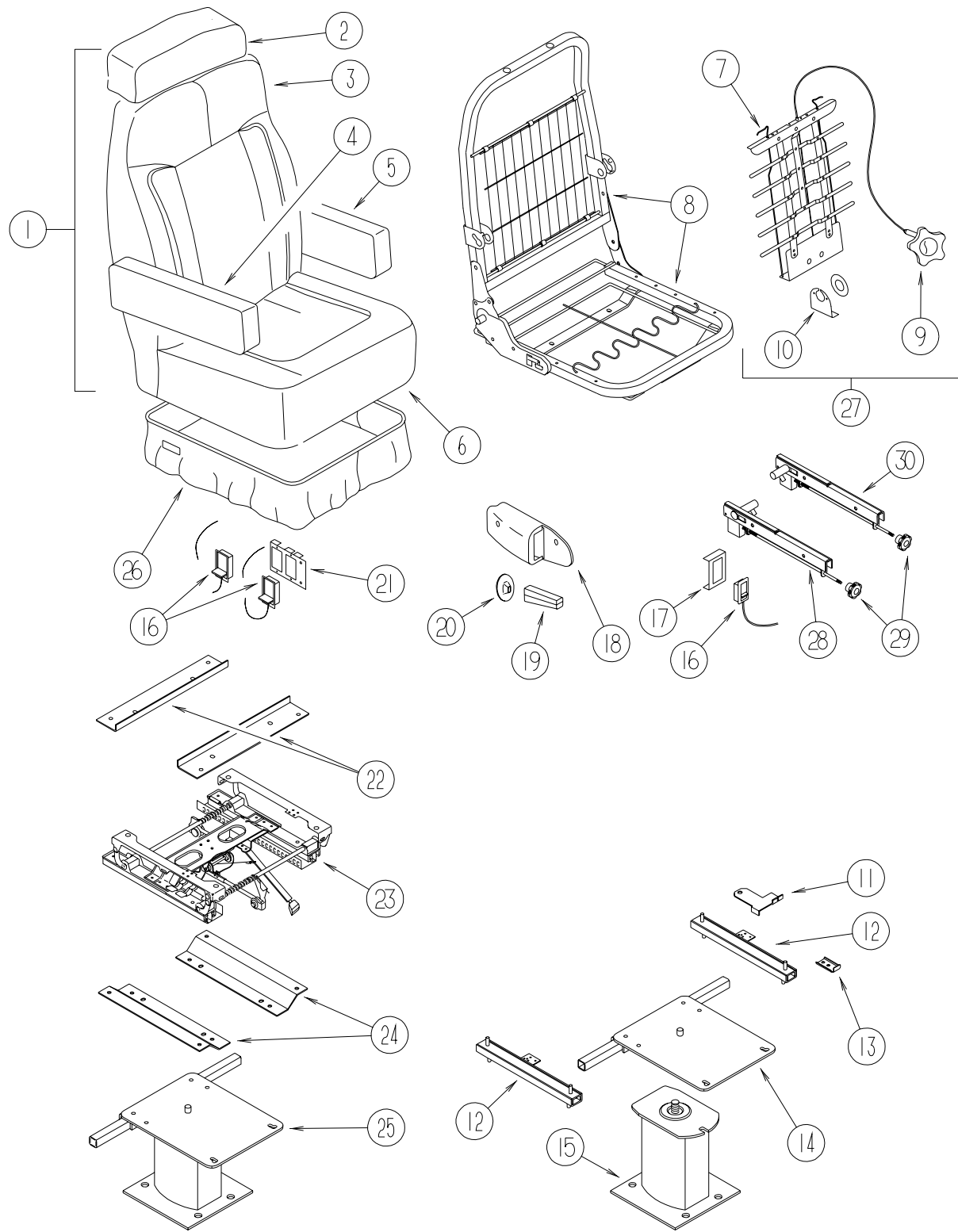
**CURTAIN&CUSHIONGROUP(CONTINUED)**  
**BUCKETSEATS**



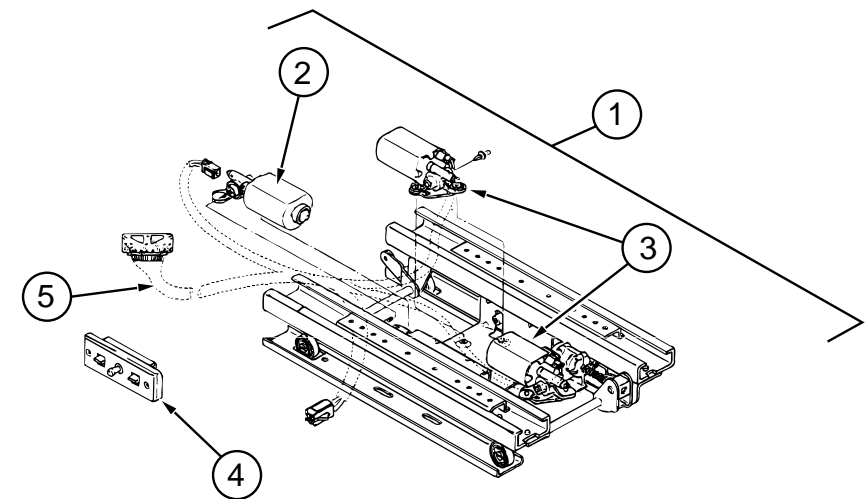
KEY	PARTNUMBER	U/M	DESCRIPTION
2	124682-01-H56	EA	HEADREST(H56,H57)
2	124682-01-H58	EA	HEADREST(H58,H59)
2	124682-01-H60	EA	HEADREST(H60,H61)
2	P24682-01-H56	EA	COVER-HEADREST(H56,H57)
2	P24682-01-H58	EA	COVER-HEADREST(H58,H59)
2	P24682-01-H60	EA	COVER-HEADREST(H60,H61)
2	113977-12-000	EA	HEADRESTINSERT-W/OLOCK
2	113977-13-000	EA	HEADRESTINSERT-W/LOCK
2	114791-03-000	EA	FRAME-HEADREST
3	M05962-47-H56	EA	COVER-BACK,BUCKET(H56,H57)
3	M05962-47-H58	EA	COVER-BACK,BUCKET(H58,H59)
3	M05962-47-H60	EA	COVER-BACK,BUCKET(H60,H61)
3	089323-01-000	FT	STRIP-POLYENTHYLENE,J-CHANNEL
4	123962-01-H56	EA	ARMREST-ADJUSTABLERIGHTHAND,BUCKETSEAT(DRIVER)(H56,H57)
4	123962-01-H58	EA	ARMREST-ADJUSTABLERIGHTHAND,BUCKETSEAT(DRIVER)(H58,H59)
4	123962-01-H60	EA	ARMREST-ADJUSTABLERIGHTHAND,BUCKETSEAT(DRIVER)(H60,H61)
4	P23962-01-H56	EA	COVER-ARMREST,RIGHTHAND(DRIVER)(H56,H57)
4	P23962-01-H58	EA	COVER-ARMREST,RIGHTHAND(DRIVER)(H58,H59)
4	P23962-01-H60	EA	COVER-ARMREST,RIGHTHAND(DRIVER)(H60,H61)
4	122780-01-H56	EA	ARMREST-RIGHT,520CHAIR(PASSENGER)(H56,H57)
4	122780-01-H58	EA	ARMREST-RIGHT,520CHAIR(PASSENGER)(H58,H59)
4	122780-01-H60	EA	ARMREST-RIGHT,520CHAIR(PASSENGER)(H60,H61)
4	P22780-01-H56	EA	COVER-ARMREST,RIGHTHAND(PASSENGER)(H56,H57)
4	P22780-01-H58	EA	COVER-ARMREST,RIGHTHAND(PASSENGER)(H58,H59)
4	P22780-01-H60	EA	COVER-ARMREST,RIGHTHAND(PASSENGER)(H60,H61)
4	115617-03-000	EA	BRACKET-ARMREST,RIGHT(PASSENGER)
5	123962-02-H56	EA	ARMREST-ADJUSTABLELEFTHANDBUCKETSEAT(DRIVER)(H56,H57)
5	123962-02-H58	EA	ARMREST-ADJUSTABLELEFTHANDBUCKETSEAT(DRIVER)(H58,H59)
5	123962-02-H60	EA	ARMREST-ADJUSTABLELEFTHANDBUCKETSEAT(DRIVER)(H60,H61)
5	P23962-02-H56	EA	COVER-ARMREST,LEFTHAND(DRIVER)(H56,H57)
5	P23962-02-H58	EA	COVER-ARMREST,LEFTHAND(DRIVER)(H58,H59)
5	P23962-02-H60	EA	COVER-ARMREST,LEFTHAND(DRIVER)(H60,H61)
5	122780-02-H56	EA	ARMREST-LEFT,520CHAIR(PASSENGER)(H56,H57)
5	122780-02-H58	EA	ARMREST-LEFT,520CHAIR(PASSENGER)(H58,H59)
5	122780-02-H60	EA	ARMREST-LEFT,520CHAIR(PASSENGER)(H60,H61)
5	P22780-02-H56	EA	COVER-ARMREST,LEFTHAND(PASSENGER)(H56,H57)
5	P22780-02-H58	EA	COVER-ARMREST,LEFTHAND(PASSENGER)(H58,H59)
5	P22780-02-H60	EA	COVER-ARMREST,LEFTHAND(PASSENGER)(H60,H61)
5	115617-04-000	EA	BRACKET-ARMREST,LEFT(PASSENGER)
6	M05962-48-H56	EA	COVER-SEAT,BUCKET(H56,H57)
6	M05962-48-H58	EA	COVER-SEAT,BUCKET(H58,H59)
6	M05962-48-H60	EA	COVER-SEAT,BUCKET(H60,H61)
6	089323-01-000	FT	STRIP-POLYENTHYLENE,J-CHANNEL
7	122611-01-700	EA	LUMBAR-MANUALACTUATOR#285LH(DRIVER)
8	122695-01-01B	EA	FRAME-SEAT/BACK
9	122611-01-701	EA	LUMBAR-KNOB#218(DRIVER)
10	122611-01-702	EA	LUMBAR-BRACKET#157C-90(DRIVER)
	122611-01-703	EA	LUMBAR-SCREW#210A(DRIVER)
11	117125-01-02B	EA	BRACKET-CABLEMOUNT,ADJUSTERW/LOCK
12	119952-06-000	EA	SLIDE-SEATHEAVYDUTYLOCKING,4STUDS
12	119952-07-000	EA	WIRE-LATCHRELEASE/ROTARY
12	007221-01-000	EA	SPACER-SEAT/ADJUSTER
13	114889-01-000	EA	STOPBAR-UNIVERSAL
14	107921-05-000	EA	PLATETOP-W/SEATBELTBAR
14	107921-06-000	EA	BEARINGKIT-PEDESTAL
15	107921-01-000	EA	PEDESTALFLOORMOUNTED-W/9.75"EXTENSION
16	108049-02-000	EA	CLIP-CABLE/PEDESTAL
16	108049-03-000	EA	CABLE-W/CONTROL25.5"SHEATH/28.5"CABLEW/DOGLEG
17	097683-03-000	EA	BRACKET-REMOTE/SIDEMOUNT,SINGLE
18	080730-09-000	EA	SHIELD-RECLINERHANDLE
19	080730-08-000	EA	HANDLE-RECLINER
20	080730-11-000	EA	SHIELD-RUBBERBOOT

KEY	PARTNUMBER	U/M	DESCRIPTION
1	123820-01-H56	EA	SEAT-BUCKETWIDE/LUMBAR SUPPORT(DRIVER)(H56,H57)
1	123820-01-H58	EA	SEAT-BUCKETWIDE/LUMBAR SUPPORT(DRIVER)(H58,H59)
1	123820-01-H60	EA	SEAT-BUCKETWIDE/LUMBAR SUPPORT(DRIVER)(H60,H61)
1	123820-02-H56	EA	SEAT-BUCKETWIDE(PASSENGER)
1	123820-02-H57	EA	SEAT-BUCKETWIDE(PASSENGER)
1	123820-02-H58	EA	SEAT-BUCKETWIDE(PASSENGER)
1	123820-02-H59	EA	SEAT-BUCKETWIDE(PASSENGER)
1	123820-02-H60	EA	SEAT-BUCKETWIDE(PASSENGER)
1	123820-02-H61	EA	SEAT-BUCKETWIDE(PASSENGER)

**CURTAIN&CUSHIONGROUP(CONTINUED)**  
**BUCKETSEATS(CONTINUED)**



KEY	PARTNUMBER	U/M DESCRIPTION
26	071126-58-H35	EA SKIRT-SINGLE-10.5"W/SEATBELTSLOT(H56,H57)
26	071126-58-H58	EA SKIRT-SINGLE-10.5"W/SEATBELTSLOT(H58,H59)
26	071126-58-H60	EA SKIRT-SINGLE-10.5"W/SEATBELTSLOT(H60,H61)
26	071126-60-H56	EA SKIRT-SINGLE, 10.5", 6-WAYMANUALBUCKETSEAT (H56,H57)
26	071126-60-H58	EA SKIRT-SINGLE, 10.5", 6-WAYMANUALBUCKETSEAT (H58,H59)
26	071126-60-H60	EA SKIRT-SINGLE, 10.5", 6-WAYMANUALBUCKETSEAT (H60,H61)
27	122611-01-000	EA LUMBAR
28	122622-01-000	EA BRACKET-ADJUST.ARM-RH-SHROCK#00TR-ARM-R- FROM: 00-00-00 THRU: 08-17-96
28	122622-04-000	EA BRACKET-ADJUSTABLERIGHTARM-3/8" FROM: 08-18-96 THRU: 99-99-99
29	122622-03-000	EA BRACKET-ADJUST.KNOB-SHROCK9AA-KNOB-000 FROM: 00-00-00 THRU: 08-17-96
29	122622-06-000	EA BRACKET-ADJUSTABLEKNOB-3/8" FROM: 08-18-96 THRU: 99-99-99
30	122622-02-000	EA BRACKET-ADJUST.ARMLH-SHROCK#00TR-ARM-L- FROM: 00-00-00 THRU: 08-17-96
30	122622-05-000	EA BRACKET-ADJUSTABLELEFTARM-3/8" FROM: 08-18-96 THRU: 99-99-99



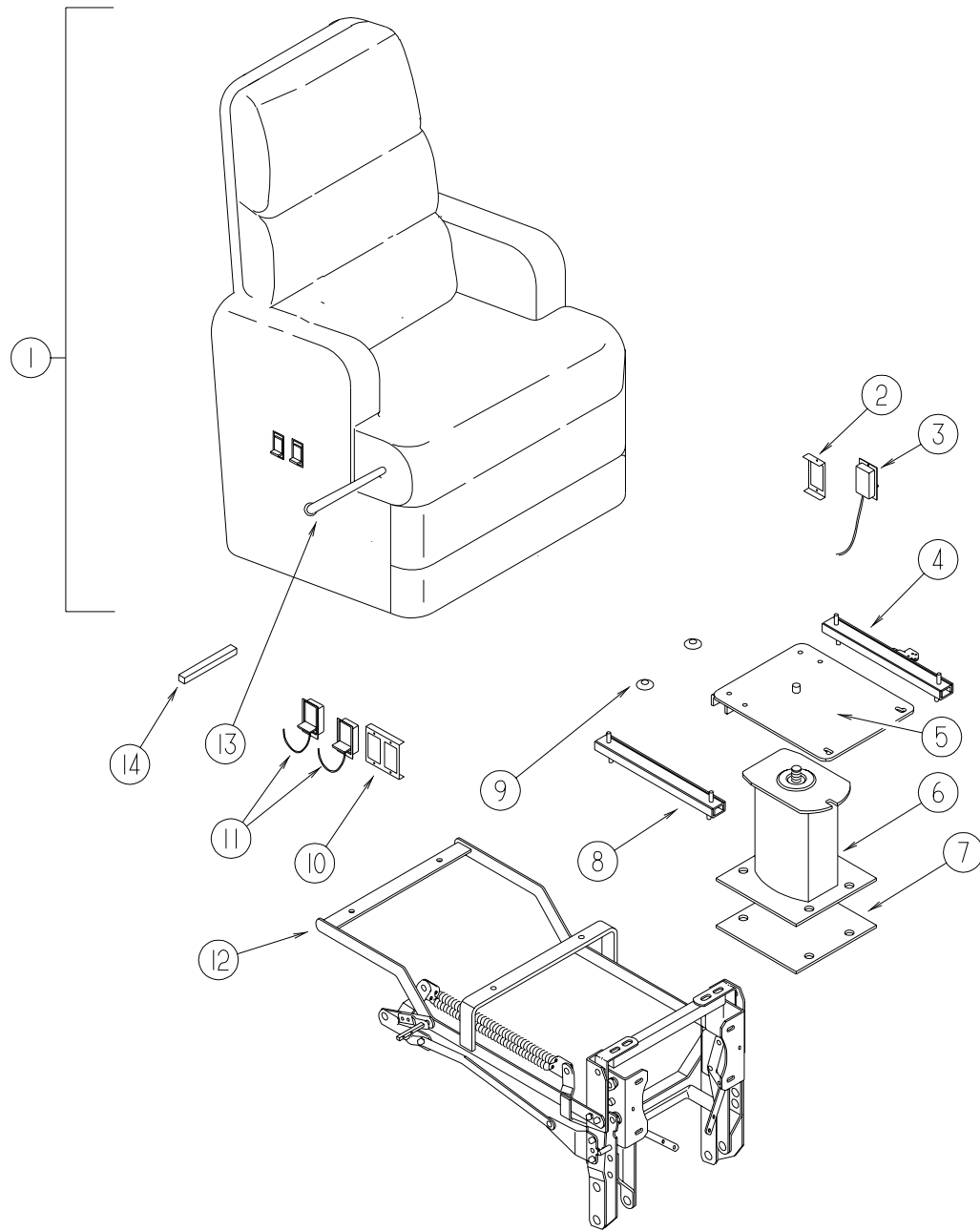
**DELCOPOWERSEAT-6WAY**

KEY	PARTNUMBER	U/M DESCRIPTION	VENDOR NO.
1	081373-03-000	EA SEAT-POWER, 6WAY DELCORV620	
2	081373-02-703	EA MOTORPACKAGE-ADJUSTHORIZONTAL	22063237&H-195
3	081373-02-704	EA MOTORPACKAGE-ADJUSTVERTICAL	22063238&H-196
4	081373-03-700	EA SWITCHASM-FLAT, BROWN-GRAY	22138182&H-441
	081373-02-700	EA SWITCHW/CLEARMOLDEDCONN.	22063234
	081373-01-700	EA BRACKET-L, CONTROL SWITCH	H-171
5	081373-03-701	EA WIREHARNESSASM., LHSIDE	6000
	081373-03-702	EA WIREHARNESSASM., RHSIDE	6001

KEY	PARTNUMBER	U/M DESCRIPTION
21	097683-02-000	EA BRACKET-REMOTESIDEMOUNT-DOUBLE
22	116215-02-000	EA PLATE-UPPER-6-WAYMANUALCONTROL
23	116215-01-000	EA SEAT-6-WAYMANUALCONTROL-DRIVER
24	116215-03-000	EA PLATE-LOWER-6-WAYMANUALCONTROL
25	107921-01-000	EA PEDESTALFLOORMOUNTED-W/9.75"EXTENSION
25	107921-14-000	EA PEDESTAL-SEATW/5.75"EXTENSION-MANUALSEATOPTION

# CURTAIN&CUSHIONGROUP(CONTINUED)

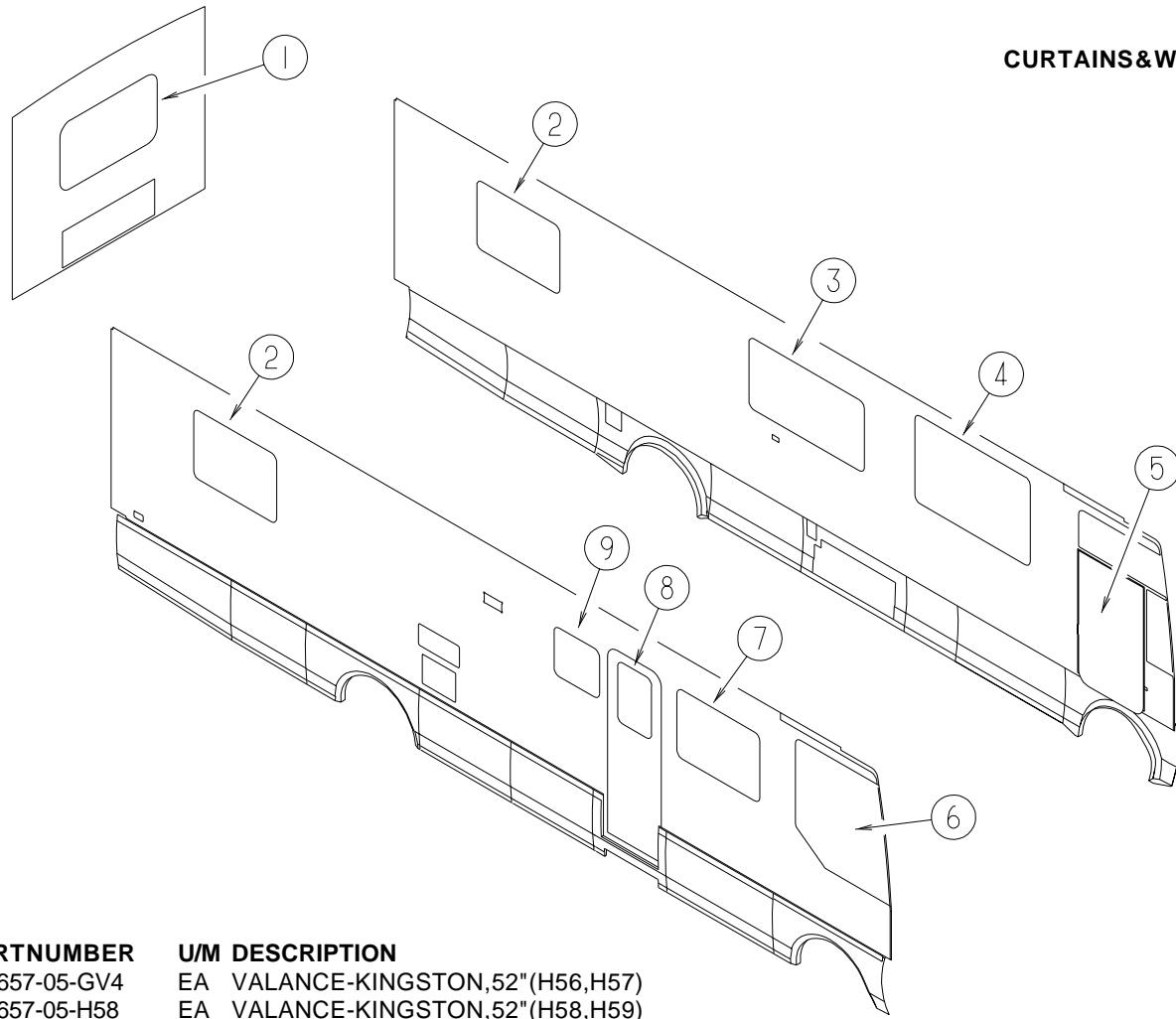
## SWIVELCHAIR



KEY	PARTNUMBER	U/M	DESCRIPTION	VENDOR NO.
1	118821-01-H56	EA	CHAIR-SWIVEL/RECLINING,W/FOOTREST	
1	118821-01-H57	EA	CHAIR-SWIVEL/RECLINING,W/FOOTREST	
1	118821-01-H58	EA	CHAIR-SWIVEL/RECLINING,W/FOOTREST	
1	118821-01-H59	EA	CHAIR-SWIVEL/RECLINING,W/FOOTREST	
1	118821-01-H60	EA	CHAIR-SWIVEL/RECLINING,W/FOOTREST	
1	118821-01-H61	EA	CHAIR-SWIVEL/RECLINING,W/FOOTREST	
	P18821-01-H56	EA	COVER-CHAIR,W/RECLINER&FOOTREST(H56)	
	P18821-01-GV5	EA	COVER-CHAIR,W/RECLINER&FOOTREST(H57)	
	P18821-01-H58	EA	COVER-CHAIR,W/RECLINER&FOOTREST(H58,H59)	
	P18821-01-H60	EA	COVER-CHAIR,W/RECLINER&FOOTREST(H60,H61)	
	P18821-27-H56	EA	COVER-RIGHT/LEFTARM(H56,H57)	
	P18821-27-H58	EA	COVER-RIGHT/LEFTARM(H58,H59)	
	P18821-27-H60	EA	COVER-RIGHT/LEFTARM(H60,H61)	
2	097683-03-000	EA	BRACKET-REMOTE,SIDEMOUNT-SINGLE	
3	089368-05-000	EA	CABLE-RECLINER,W/SWITCH	
4	119952-04-000	EA	SLIDE-SEAT,HD,LOCKING-4STUDS-ATWOOD83785	
	117125-01-02B	EA	BRACKET-CABLEHOLDER,E-COAT	
	108049-02-000	EA	CLIP-CABLE,PEDESTAL	
5	107921-08-000	EA	TOPPLATE-W/OSEATBELTBAR-FLEXSTEEL2759PDTP	
6	107921-01-000	EA	PEDESTALASM-SEAT,93/4IN-FLEXSTEEL3060MSPD	
7	108445-02-000	EA	PLATE-PEDESTAL,MOUNTSTOFLOOR	
	107921-06-000	EA	BEARINGKIT-PEDESTAL,FLEXSTEEL	
8	119952-02-000	EA	SLIDE-SEAT,HD,NONLOCKING-4STUDS-ATWOOD83785	
9	007221-01-000	EA	SPACER-SEAT,ADJUSTER	
10	097683-02-000	EA	BRACKET-REMOTE,SIDEMOUNT	
11	108049-03-000	EA	CABLE-REMOTE,26"W/ZEND-SWITCHLEVER	
12	119106-01-000	EA	FRAME-FOOTRESTMECHANICS&HANDLE-FLEXSTEEL	
13	119106-01-701	EA	HANDLE	92596
14	119106-01-700	EA	TUBE-EXTENSION,RECTANGULAR	92859

# CURTAIN&CUSHIONGROUP(CONTINUED)

## CURTAINS&WINDOWTREATMENT

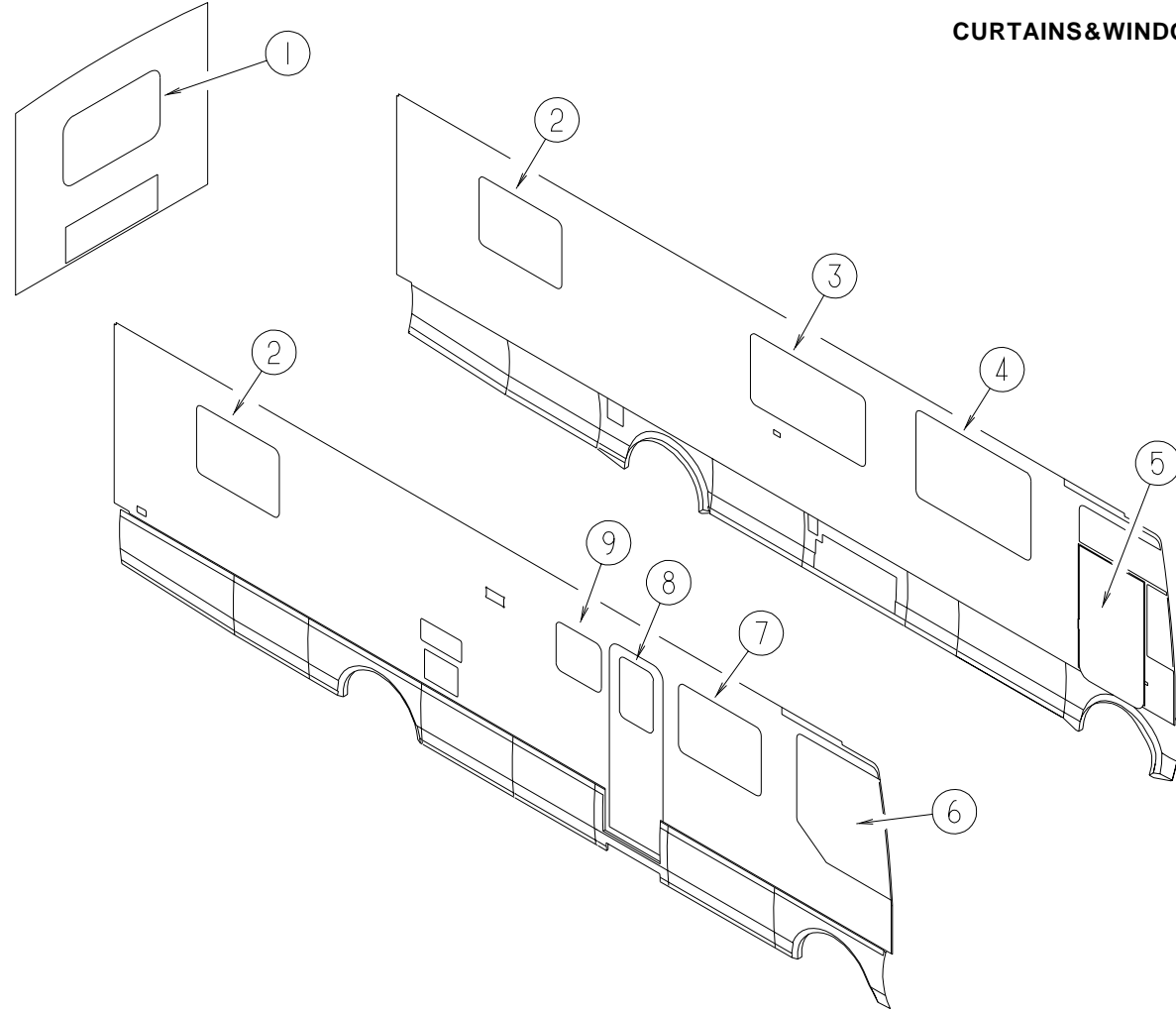


KEY	PARTNUMBER	U/M	DESCRIPTION
1	117657-05-GV4	EA	VALANCE-KINGSTON,52"(H56,H57)
1	117657-05-H58	EA	VALANCE-KINGSTON,52"(H58,H59)
1	119138-32-H60	EA	VALANCE-BELLINI,53"(H60,H61)
1	123964-08-HA6	EA	BLIND-MICRO,DAY/NIGHTER,49"X28.5"DROP(H56,H57,H58,H59) FROM: 00-00-00 THRU: 09-17-96
1	123964-08-HB6	EA	BLIND-MICRO,DAY/NIGHTER,49"X28.5"DROP(H56,H57,H58,H59) FROM: 09-18-96 THRU: 99-99-99
1	123964-08-H60	EA	BLIND-MICRO,DAY/NIGHTER,49"X28.5"DROP(H60,H61) FROM: 00-00-00 THRU: 09-17-96
1	123964-08-HC6	EA	BLIND-MICRO,DAY/NIGHTER,49"X28.5"DROP(H60,H61) FROM: 09-18-96 THRU: 10-20-96
1	123964-08-HD6	EA	BLIND-MICRO,DAY/NIGHTER,49"X28.5"DROP(H60,H61) FROM: 10-21-96 THRU: 99-99-99
1	119333-19-GV4	EA	LEG-RIGHT,30"(H56,H57)
1	119333-19-H58	EA	LEG-RIGHT,30"(H58,H59)
1	123910-05-H60	EA	LEG-RIGHT,30"(H60,H61)
1	119333-20-GV4	EA	LEG-LEFT,30"(H56,H57)
1	119333-20-H58	EA	LEG-LEFT,30"(H58,H59)
1	123910-06-H60	EA	LEG-LEFT,30"(H60,H61)
2	117657-08-H56	EA	VALANCE-KINGSTON,34"(H56,H57)
2	117657-08-H58	EA	VALANCE-KINGSTON,34"(H58,H59)
2	119138-30-H60	EA	VALANCE-BELLINI,34"(H60,H61)
2	123964-04-HA6	EA	BLIND-MICRO,DAY/NIGHTER,29"X37"DROP(H56,H57,H58,H59) FROM: 00-00-00 THRU: 09-17-96
2	123964-04-HB6	EA	BLIND-MICRO,DAY/NIGHTER,29"X37"DROP(H56,H57,H58,H59) FROM: 09-18-96 THRU: 99-99-99
2	123964-04-H60	EA	BLIND-MICRO,DAY/NIGHTER,29"X37"DROP(H60,H61) FROM: 00-00-00 THRU: 09-17-96
2	123964-04-HC6	EA	BLIND-MICRO,DAY/NIGHTER,29"X37"DROP(H60,H61) FROM: 09-18-96 THRU: 10-20-96
2	123964-04-HD6	EA	BLIND-MICRO,DAY/NIGHTER,29"X37"DROP(H60,H61) FROM: 10-21-96 THRU: 99-99-99

KEY	PARTNUMBER	U/M	DESCRIPTION
2	119333-81-H56	EA	LEG-RIGHT,34"(H56,H57)
2	119333-81-H58	EA	LEG-RIGHT,34"(H58,H59)
2	119333-91-H60	EA	LEG-RIGHT,34"(H60,H61)
2	119333-82-H56	EA	LEG-LEFT,34"(H56,H57)
2	119333-82-H58	EA	LEG-LEFT,34"(H58,H59)
2	119333-92-H60	EA	LEG-LEFT,34"(H60,H61)
3	119262-31-H56	EA	VALANCE-MONACO,62.5"(H56)
3	119262-31-H57	EA	VALANCE-MONACO,62.5"(H57)
3	121410-27-H58	EA	VALANCE-MODERATE,62.5"(H58,H59)
3	121410-28-H60	EA	VALANCE-MODERATE,62.5"(H60,H61)
3	123964-05-HA6	EA	BLIND-MICRO,DAY/NIGHTER,59"X35"DROP(H56,H57,H58,H59) FROM: 00-00-00 THRU: 09-17-96
3	123964-05-HB6	EA	BLIND-MICRO,DAY/NIGHTER,59"X33"DROP(H56,H57,H58,H59) FROM: 09-18-96 THRU: 99-99-99
3	123964-05-H60	EA	BLIND-MICRO,DAY/NIGHTER,59"X33"DROP(H60,H61) FROM: 00-00-00 THRU: 09-17-96
3	123964-05-HC6	EA	BLIND-MICRO,DAY/NIGHTER,59"X33"DROP(H60,H61) FROM: 09-18-96 THRU: 10-20-96
3	123964-05-HD6	EA	BLIND-MICRO,DAY/NIGHTER,59"X33"DROP(H60,H61) FROM: 10-21-96 THRU: 99-99-99
3	119333-45-GV4	EA	LEG-RIGHT,30"(H56,H57)
3	119333-45-H58	EA	LEG-RIGHT,30"(H58,H59)
3	123910-03-H60	EA	LEG-RIGHT,30"(H60,H61)
3	119333-46-GV4	EA	LEG-LEFT,30"(H56,H57)
3	119333-46-H58	EA	LEG-LEFT,30"(H58,H59)
3	123910-04-H60	EA	LEG-LEFT,30"(H60,H61)
4	119262-10-H56	EA	VALANCE-MONACO,62.5"(H56)
4	119262-10-H57	EA	VALANCE-MONACO,62.5"(H57)
4	121410-23-H58	EA	VALANCE-MODERATE,62.5"(H58,H59)
4	121410-24-H60	EA	VALANCE-MODERATE,62.5"(H60,H61)
4	123964-03-HA6	EA	BLIND-MICRO,DAY/NIGHTER-59"X41"DROP(H56,H57,H58,H59) FROM: 00-00-00 THRU: 09-17-96
4	123964-03-HB6	EA	BLIND-MICRO,DAY/NIGHTER-59"X41"DROP(H56,H57,H58,H59) FROM: 09-18-96 THRU: 99-99-99
4	123964-03-H60	EA	BLIND-MICRO,DAY/NIGHTER-59"X41"DROP(H60,H61) FROM: 00-00-00 THRU: 09-17-96
4	123964-03-HC6	EA	BLIND-MICRO,DAY/NIGHTER-59"X41"DROP(H60,H61) FROM: 09-18-96 THRU: 10-20-96
4	123964-03-HD6	EA	BLIND-MICRO,DAY/NIGHTER-59"X41"DROP(H60,H61) FROM: 10-21-96 THRU: 99-99-99
4	119333-13-GV5	EA	LEG-RIGHT,38"(H56,H57)
4	119333-13-H58	EA	LEG-RIGHT,38"(H58,H59)
4	119333-95-H60	EA	LEG-RIGHT,38"(H60,H61)
4	119333-14-GV5	EA	LEG-LEFT,38"(H56,H57)
4	119333-14-H58	EA	LEG-LEFT,38"(H58,H59)
4	119333-96-H60	EA	LEG-LEFT,38"(H60,H61)

**CURTAIN&CUSHIONGROUP(CONTINUED)**

**CURTAINS&WINDOWTREATMENT(CONTINUED)**



KEY	PARTNUMBER	U/M	DESCRIPTION
5	093487-08-03A	EA	WRAPAROUND-FRONT,LH-PLEATED-51"X100"-OFFWHITE FROM: 00-00-00 THRU: 11-24-96
5	093487-12-01A	EA	WRAPAROUND-FRONT,LEFTHANDPLEATED-51"X108" FROM: 11-25-96 THRU: 99-99-99
6	093487-07-03A	EA	WRAPAROUND-FRONT,RH-PLEATED-51"X100"-OFFWHITE FROM: 00-00-00 THRU: 11-24-96
6	093487-11-01A	EA	WRAPAROUND-FRONT,RIGHTHANDPLEATED-51"X108" FROM: 11-25-96 THRU: 99-99-99
	084755-90-000	EA	SHADEASM-PULL-28.25X60,SUNSCREEN
7	119262-12-H56	EA	VALANCE-MONACO,46.5"(H56)
7	119262-12-H57	EA	VALANCE-MONACO,46.5"(H57)
7	121410-29-H58	EA	VALANCE-MODERATE,46.5"(H58,H59)
7	121410-30-H60	EA	VALANCE-MODERATE,46.5"(H60,H61)
7	123964-07-H56	EA	BLIND-MICRO,DAY/NIGHTER,59"X26.5"DROP(H56,H57,H58,H59) FROM: 00-00-00 THRU: 09-17-96
7	123964-07-HA6	EA	BLIND-MICRO,DAY/NIGHTER,59"X26.5"DROP(H56,H57,H58,H59) FROM: 09-18-96 THRU: 99-99-99
7	123964-07-HB6	EA	BLIND-MICRO,DAY/NIGHTER,42.5"X32"DROP(H60,H61) FROM: 00-00-00 THRU: 09-17-96
7	123964-07-HC6	EA	BLIND-MICRO,DAY/NIGHTER,42.5"X32"DROP(H60,H61) FROM: 09-18-96 THRU: 10-20-96
7	123964-07-HD6	EA	BLIND-MICRO,DAY/NIGHTER,42.5"X32"DROP(H60,H61) FROM: 10-21-96 THRU: 99-99-99
7	119333-45-GV4	EA	LEG-RIGHT,30"(H56,H57)
7	119333-45-H58	EA	LEG-RIGHT,30"(H58,H59)
7	123910-03-H60	EA	LEG-RIGHT,30"(H60,H61)
7	119333-46-GV4	EA	LEG-LEFT,30"(H56,H57)
7	119333-46-H58	EA	LEG-LEFT,30"(H58,H59)
7	123910-04-H60	EA	LEG-LEFT,30"(H60,H61)
8	120820-03-H56	EA	VALANCE-FLATW/CLOCKOPENING,15X32.25(H56,H57)
8	120820-03-H58	EA	VALANCE-FLATW/CLOCKOPENING,15X32.25(H58,H59)
8	120820-09-H60	EA	VALANCE-FLATW/CLOCKOPENING,15X32.25(H60,H61)
8	084755-57-E07	EA	SHADEASM-PULL,27.25,W/OTRIM
9	111861-02-01A	EA	BLIND-MICROMINI,24.5"X22"-ALABASTER/PEARL

KEY	PARTNUMBER	U/M	DESCRIPTION
4	119262-31-H56	EA	VALANCE-MONACO,62.5"(H56)(OPTIONWINDOW)
4	119262-31-H57	EA	VALANCE-MONACO,62.5"(H57)(OPTIONWINDOW)
4	121410-27-H58	EA	VALANCE-MODERATE,62.5"(H58,H59)(OPTIONWINDOW)
4	121410-28-H60	EA	VALANCE-MODERATE,62.5"(H60,H61)(OPTIONWINDOW)
4	123964-05-HA6	EA	BLIND-MICRO,DAY/NIGHTER,59"X35"DROP(H56,H57,H58,H59) (OPTIONWINDOW) FROM: 00-00-00 THRU: 09-17-96
4	123964-05-HB6	EA	BLIND-MICRO,DAY/NIGHTER,59"X33"DROP(H56,H57,H58,H59) (OPTIONWINDOW) FROM: 09-18-96 THRU: 99-99-99
4	123964-05-H60	EA	BLIND-MICRO,DAY/NIGHTER,59"X33"DROP(H60,H61)(OPTIONWINDOW) FROM: 00-00-00 THRU: 09-17-96
4	123964-05-HC6	EA	BLIND-MICRO,DAY/NIGHTER,59"X33"DROP(H60,H61)(OPTIONWINDOW) FROM: 09-18-96 THRU: 10-20-96
4	123964-05-HD6	EA	BLIND-MICRO,DAY/NIGHTER,59"X33"DROP(H60,H61)(OPTIONWINDOW) FROM: 10-21-96 THRU: 99-99-99
4	119333-45-GV4	EA	LEG-RIGHT,30"(H56,H57)(OPTIONWINDOW)
4	119333-45-H58	EA	LEG-RIGHT,30"(H58,H59)(OPTIONWINDOW)
4	123910-03-H60	EA	LEG-RIGHT,30"(H60,H61)(OPTIONWINDOW)
4	119333-46-GV4	EA	LEG-LEFT,30"(H56,H57)(OPTIONWINDOW)
4	119333-46-H58	EA	LEG-LEFT,30"(H58,H59)(OPTIONWINDOW)
4	123910-04-H60	EA	LEG-LEFT,30"(H60,H61)(OPTIONWINDOW)

**CURTAIN & CUSHION GROUP (CONTINUED)**  
**FABRICS**

COLOR CODES	H56,H57	H58,H59	H60,H61
	KENTSHIRE	COVENTRY	DEVON
	GREEN	STONE	BURGUNDY
BUCKET SEAT	108446-59-000	108446-P5-000	108446-N8-000
BUCKET SEAT	108446-59-000	108446-P5-000	108446-N8-000
DINETTE	108446-F6-000	108446-N6-000	108446-N7-000
SWIVEL CHAIR	108446-J5-000	108446-P6-000	108446-N9-000
LOUNGE WINDOW	108446-F6-000	108446-N6-000	108446-N7-000
		084415-78-000	
BEDSPREAD	105745-C7-000	105745-F4-000	105745-F6-000
		084415-78-000	084415-79-000
BEDROOM	105745-C7-000	105745-F4-000	105745-F6-000
VALANCE & LEG	105745-C8-000	105745-F5-000	084415-79-000
BEDROOM PILLOW	105745-C8-000	105745-F5-000	105745-F6-000
	084415-76-000		084415-79-000
SHAMS	105745-C8-000	105745-F4-000	105745-F6-000
	084415-76-000	084415-78-000	084415-79-000
		105745-F5-000	
SOFA PILLOWS	108446-F6-000	108446-P6-000	108446-N7-000
	084415-75-000	084415-78-000	084415-79-000
DINETTE CHAIRS	108446-J5-000	108446-P6-000	108446-N9-000
DINETTE PADS	108446-59-000	108446-P5-000	108446-N8-000
BEDROOM	094911-44-000	094911-44-000	094911-48-000
DAY-NIGHTER	094911-42-000	094911-42-000	094911-42-000
HEADBOARD	105745-C8-000	105745-F4-000	105745-F6-000
	084415-76-000	084415-78-000	084415-79-000
LOUNGE	094911-44-000	094911-44-000	094911-48-000
DAY-NIGHTER	094911-42-000	094911-42-000	094911-42-000
BED BOARDS	105745-C8-000	105745-F5-000	105745-F6-000

**NOTE: FABRIC LISTED FIRST IN A BLOCK, IS THE LARGEST QUANTITY OF FABRIC USED**

**CURTAIN & CUSHION GROUP (CONTINUED)**

**FABRIC TRIMS & BUTTONS**

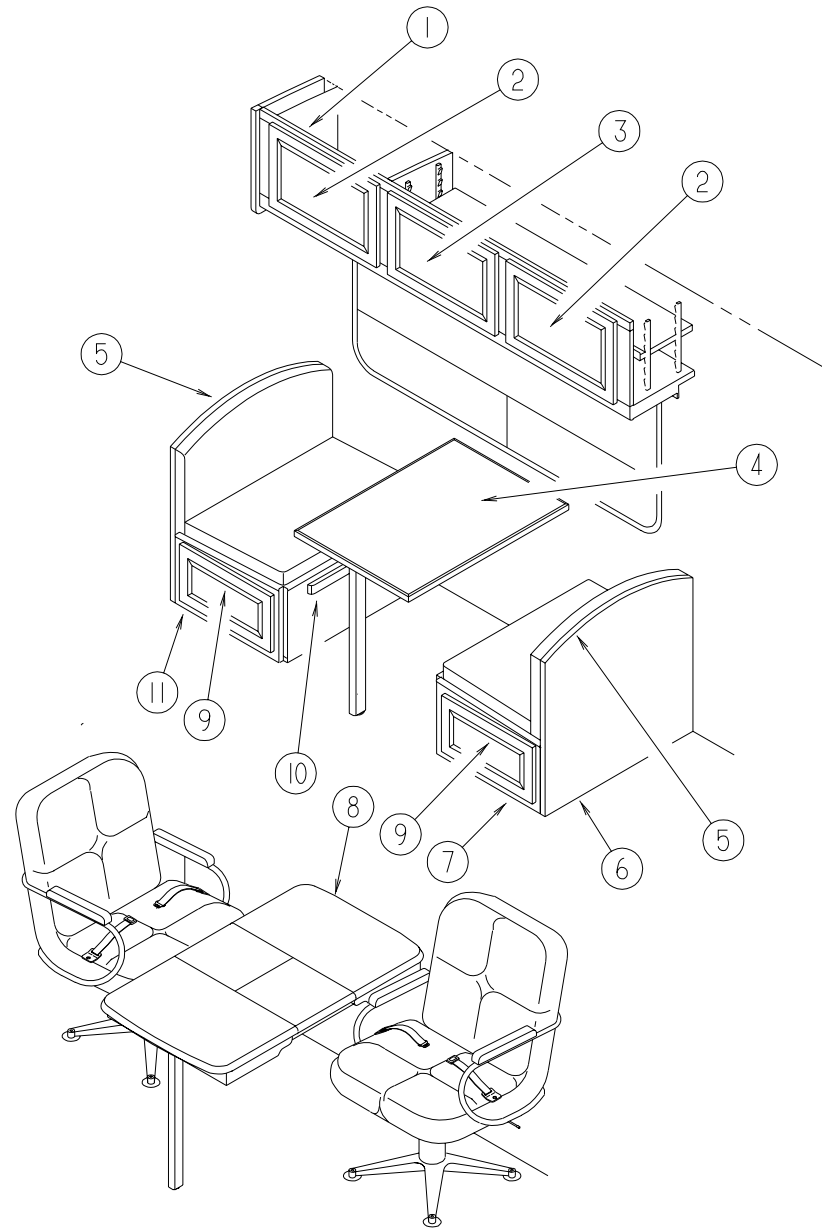
KEY	PART NUMBER	U/M	DESCRIPTION
	070578-02-FQ0	EA	BUTTON SCREW-STUD, #30 VINYL - TAN
	070578-02-E37	EA	BUTTON SCREW-STUD, #30 VINYL
	074494-02-000	EA	BUTTON-RETAINING PIVOT #60
	074494-03-000	EA	BUTTON-SERRATED PIVOT TACK, 3/8 - HANDY BUTTON
	074494-04-000	EA	BUTTON-JOINED PIVOT W/3/4 TACK
	118337-02-H58	EA	BUTTON ASM - #60, DOUBLE SIDED (H58,H59)
	079349-04-H35	YD	WELT ASM-ACCENT FABRIC (H56,H57)
	079349-04-H58	YD	WELT ASM-ACCENT FABRIC (H58,H59)
	079349-04-H60	YD	WELT ASM-ACCENT FABRIC (H60,H61)
	084415-75-000	YD	TRIM-BRAID, FRINGE (H56,H57)
	084415-76-000	YD	TRIM-BRAID, CORD (H56,H57)
	084415-78-000	YD	TRIM-BRAID, CORD (H58,H59)
	084415-79-000	YD	TRIM-BRAID, CORD (H60,H61)
	057534-03-000	EA	TIEBACK-PLASTIC, 7.5" - CLEAR

**SEATBELTS & ASSIST HANDLE**

KEY	PART NUMBER	U/M	DESCRIPTION
	057759-01-000	EA	WASHER BRACKET-SEAT BELT, 4" DIAMETER
	007021-01-000	EA	BELT-SEAT, 2" X 90" - BLACK
	069178-02-000	EA	BRACKET-MOUNTING, ASSIST HANDLE - L ANGLE - W/HOLES - STEEL
	000C16-07-16B	EA	BOLT-CARRIAGE, ASSIST HANDLE - 7/16" - 14 X 1" - ZINC
	000D20-07-00B	EA	NUT-ACORN, ASSIST HANDLE - 7/16" X 14 - ZINC
	053552-02-AA8	EA	HANDLE-ASSIST, INTERIOR - ENTRY DOOR - VINYL - OFF WHITE

# DINETTEGROUP

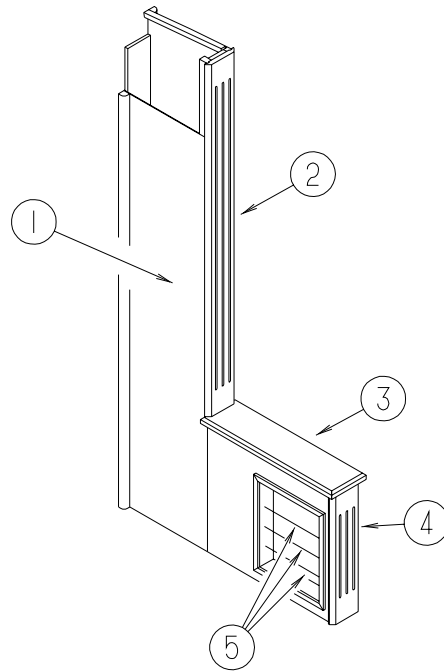
## DINETTECABINETS



KEY	PARTNUMBER	U/M	DESCRIPTION
1	117574-01-H56	EA	CABINET-OVERHEADDINETTE-W/ODOORS/HARDWARE(SOLARMAPLE)
1	117574-01-GV1	EA	CABINET-OVERHEADDINETTE-W/ODOORS/HARDWARE(SALEMCHERRY)
2	M05990-03-H56	EA	DOOR-W/OGEEEDGING14.3"X21.8"-W/OHARDWARE(SOLARMAPLE)
2	M05990-03-GV1	EA	DOOR-W/OGEEEDGING14.3"X21.8"-W/OHARDWARE(SALEMCHERRY)
3	M05990-01-H56	EA	DOOR-W/OGEEEDGING14.3"X27.1"-W/OHARDWARE(SOLARMAPLE)
3	M05990-01-GV1	EA	DOOR-W/OGEEEDGING14.3"X27.1"-W/OHARDWARE(SALEMCHERRY)
4	M92743-26-H56	EA	TABLE-DINETTE(H56,H58)
4	M92743-26-GV5	EA	TABLE-DINETTE(H57)
4	M92743-26-H59	EA	TABLE-DINETTE(H59)
4	M92743-26-H60	EA	TABLE-DINETTE(H60)
4	M92743-26-H61	EA	TABLE-DINETTE(H61)
5	104787-08-H56	EA	PADASM-DINETTE(H56,H57)
5	104787-08-H58	EA	PADASM-DINETTE(H58,H59)
5	104787-08-H60	EA	PADASM-DINETTE(H60,H61)
6	M04174-77-H56	EA	CABINET-SEATBACKRIGHTHAND,W/OHARDWARE(SOLARMAPLE)
6	M04174-77-GV1	EA	CABINET-SEATBACKRIGHTHAND,W/OHARDWARE(SALEMCHERRY)
7	M04175-77-H56	EA	CABINET-SEATBOTTOMRIGHTHAND-DINETTEBOOTH-W/OHARDWARE(SOLARMAPLE)
7	M04175-77-GV1	EA	CABINET-SEATBOTTOMRIGHTHAND-DINETTEBOOTH-W/OHARDWARE(SALEMCHERRY)
8	P18322-01-H37	EA	TABLEASM-PULLOUT(SOLARMAPLE)
8	P18322-01-H57	EA	TABLEASM-PULLOUT(SALEMCHERRY)
9	M05971-35-H56	EA	DRAWER-OGEEEDGE,W/OSLIDES/HARDWARE(SOLARMAPLE)
9	M05971-35-GV1	EA	DRAWER-OGEEEDGE,W/OSLIDES/HARDWARE(SALEMCHERRY)
10	081295-01-H56	EA	SUPPORT-BED,DINETTE,712LONG(SOLARMAPLE)
10	081295-01-E74	EA	SUPPORT-BED,DINETTE,712LONG(SALEMCHERRY)
11	M04175-78-H56	EA	CABINET-SEATBOTTOMLEFTHAND-DINETTEBOOTH-W/OHARDWARE(SOLARMAPLE)
11	M04175-78-GV1	EA	CABINET-SEATBOTTOMLEFTHAND-DINETTEBOOTH-W/OHARDWARE(SALEMCHERRY)



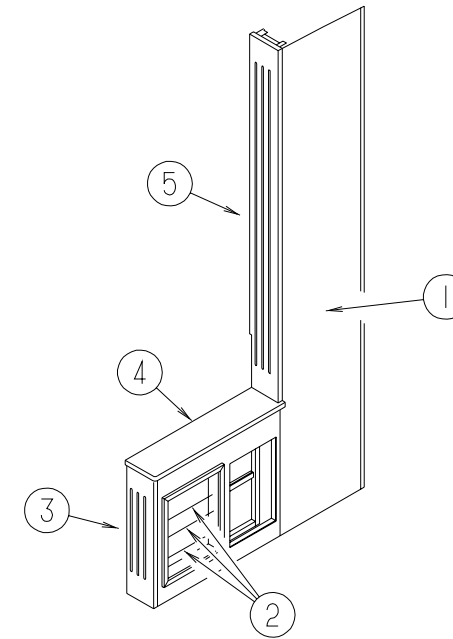
## DINETTEGROUP(CONTINUED)



### A/CCABINET-USEDW/TABLE&CHAIRS

KEY	PARTNUMBER	U/M	DESCRIPTION
1	117390-01-H56	EA	CABINET-A/CDUCTCOVER, W/OHARDWARE
1	117390-01-H57	EA	CABINET-A/CDUCTCOVER, W/OHARDWARE
1	117390-01-H58	EA	CABINET-A/CDUCTCOVER, W/OHARDWARE
1	117390-01-H59	EA	CABINET-A/CDUCTCOVER, W/OHARDWARE
1	117390-01-H60	EA	CABINET-A/CDUCTCOVER, W/OHARDWARE
1	117390-01-H61	EA	CABINET-A/CDUCTCOVER, W/OHARDWARE
2	117390-11-H56	EA	PANEL(SOLARMAPLE)
2	117390-11-GV1	EA	PANEL(SALEMCHERRY)
3	117390-13-H56	EA	COUNTERTOP-A/CDUCTCOVER(H56,H57)
3	117390-13-H57	EA	COUNTERTOP-A/CDUCTCOVER(H58,H59)
3	117390-13-H60	EA	COUNTERTOP-A/CDUCTCOVER(H60)
3	117390-13-H61	EA	COUNTERTOP-A/CDUCTCOVER(H61)
4	117390-12-H56	EA	PANEL(SOLARMAPLE)
4	117390-12-GV1	EA	PANEL(SALEMCHERRY)
5	084071-05-000	EA	ROD-BRASS, 15"LONG

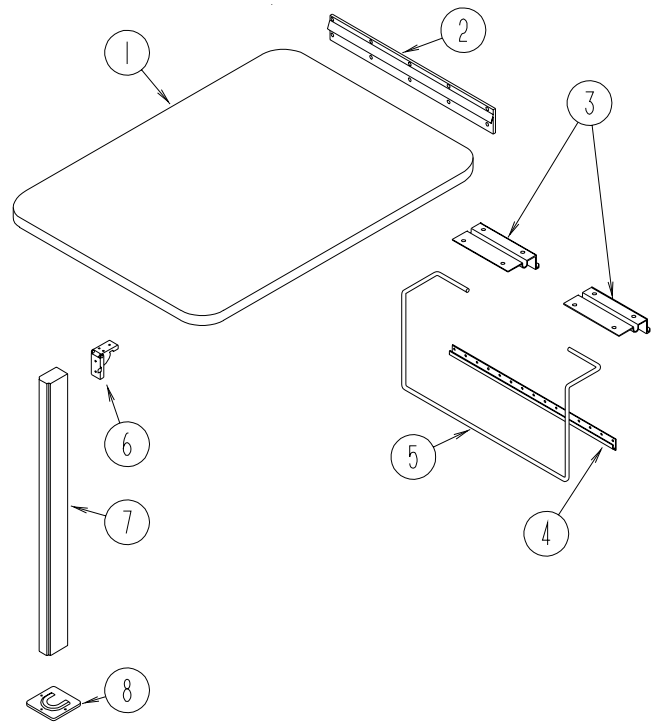
## DINETTEGROUP(CONTINUED)



### A/CCABINET-USEDW/DINETTE

KEY	PARTNUMBER	U/M	DESCRIPTION
1	117392-01-H56	EA	COVER-A/CDUCTW/EXTENSIONCABINET/COUNTERTOP
1	117392-01-H57	EA	COVER-A/CDUCTW/EXTENSIONCABINET/COUNTERTOP
1	117392-01-H58	EA	COVER-A/CDUCTW/EXTENSIONCABINET/COUNTERTOP
1	117392-01-H59	EA	COVER-A/CDUCTW/EXTENSIONCABINET/COUNTERTOP
1	117392-01-H60	EA	COVER-A/CDUCTW/EXTENSIONCABINET/COUNTERTOP
1	117392-01-H61	EA	COVER-A/CDUCTW/EXTENSIONCABINET/COUNTERTOP
2	084071-05-000	EA	ROD-BRASS, 15"LONG
3	117390-12-H56	EA	PANEL(SOLARMAPLE)
3	117390-12-GV1	EA	PANEL(SALEMCHERRY)
4	117392-13-H56	EA	COUNTERTOP-A/CCOVER(H56)
4	117392-13-GV5	EA	COUNTERTOP-A/CCOVER(H57,H59)
4	117392-13-H58	EA	COUNTERTOP-A/CCOVER(H58)
4	117392-13-H60	EA	COUNTERTOP-A/CCOVER(H60)
4	117392-13-H61	EA	COUNTERTOP-A/CCOVER(H61)
5	117390-11-H56	EA	PANEL(SOLARMAPLE)

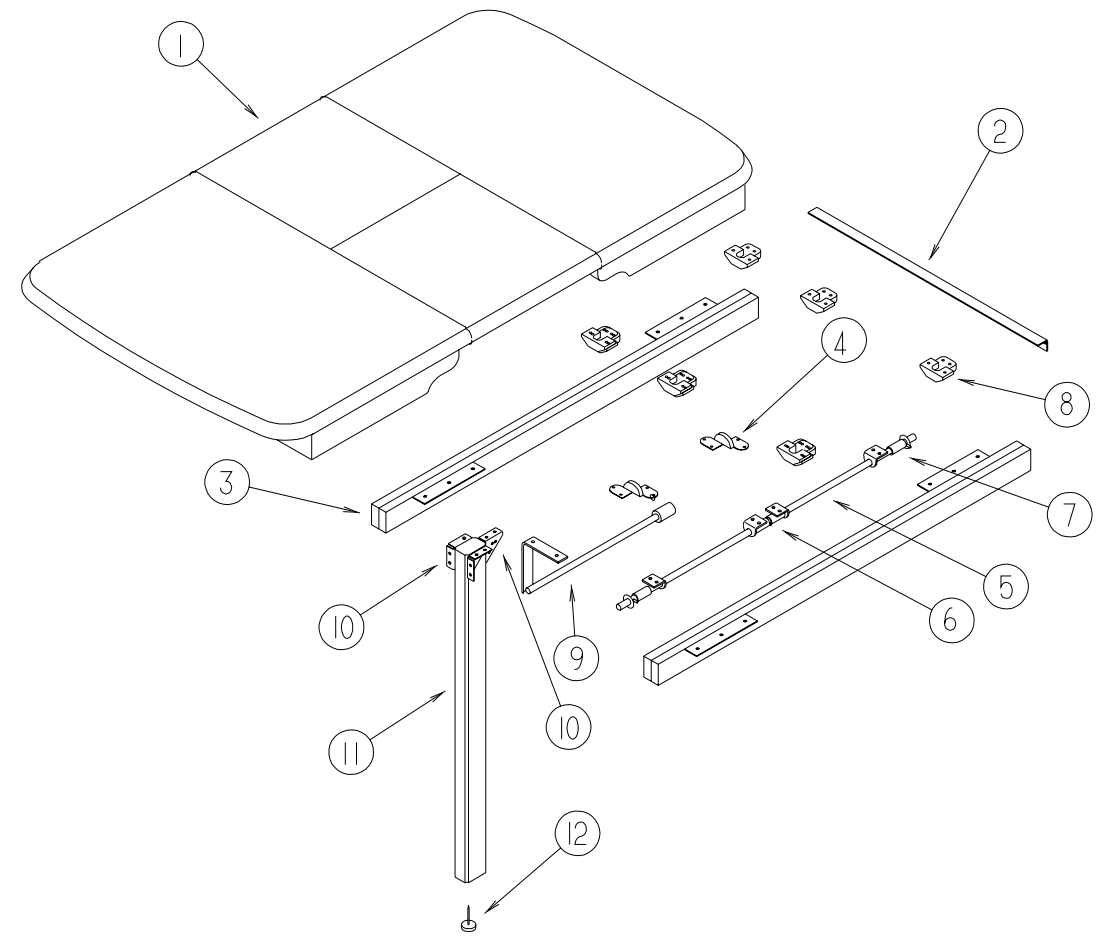
## DINETTEGROUP(CONTINUED)



**DINETTETABLE**

KEY	PARTNUMBER	U/M	DESCRIPTION
1	M92743-26-H56	EA	TABLE-DINETTE(H56,H58)
1	M92743-26-GV5	EA	TABLE-DINETTE(H57)
1	M92743-26-H59	EA	TABLE-DINETTE(H59)
1	M92743-26-H60	EA	TABLE-DINETTE(H60)
1	M92743-26-H61	EA	TABLE-DINETTE(H61)
2	053200-12-000	EA	SUPPORT-TABLE,23.5"-OFFWHITE
3	088410-02-000	EA	HANGER-TABLE,OFFWHITE
4	024281-14-000	EA	BRACKET-TABLELEFT,22.12"-OFFWHITE
5	024275-12-000	EA	ROD-TABLELIFT,OFFWHITE
6	093550-01-000	EA	BRACKET-HINGE,MOUNTSTOLEG&TABLETOP-1.7"X2.6"
7	092708-11-H56	EA	LEG-TABLE,WOOD(SOLARMAPLE)
	092708-11-E41	EA	LEG-TABLE,WOOD(SALEMCHERRY)
7	092707-04-06A	EA	MOLDING-WOOD, TABLELEG(SOLARMAPLE)
	092707-04-04A	EA	MOLDING-WOOD, TABLELEG(SALEMCHERRY)
8	049493-12-000	EA	CATCH-TABLELEG,OFFWHITE
	049493-11-700	EA	CATCH-LEG,FLOORMOUNTED-2.5"X2.7"-METAL-E-COAT

## DINETTEGROUP(CONTINUED)

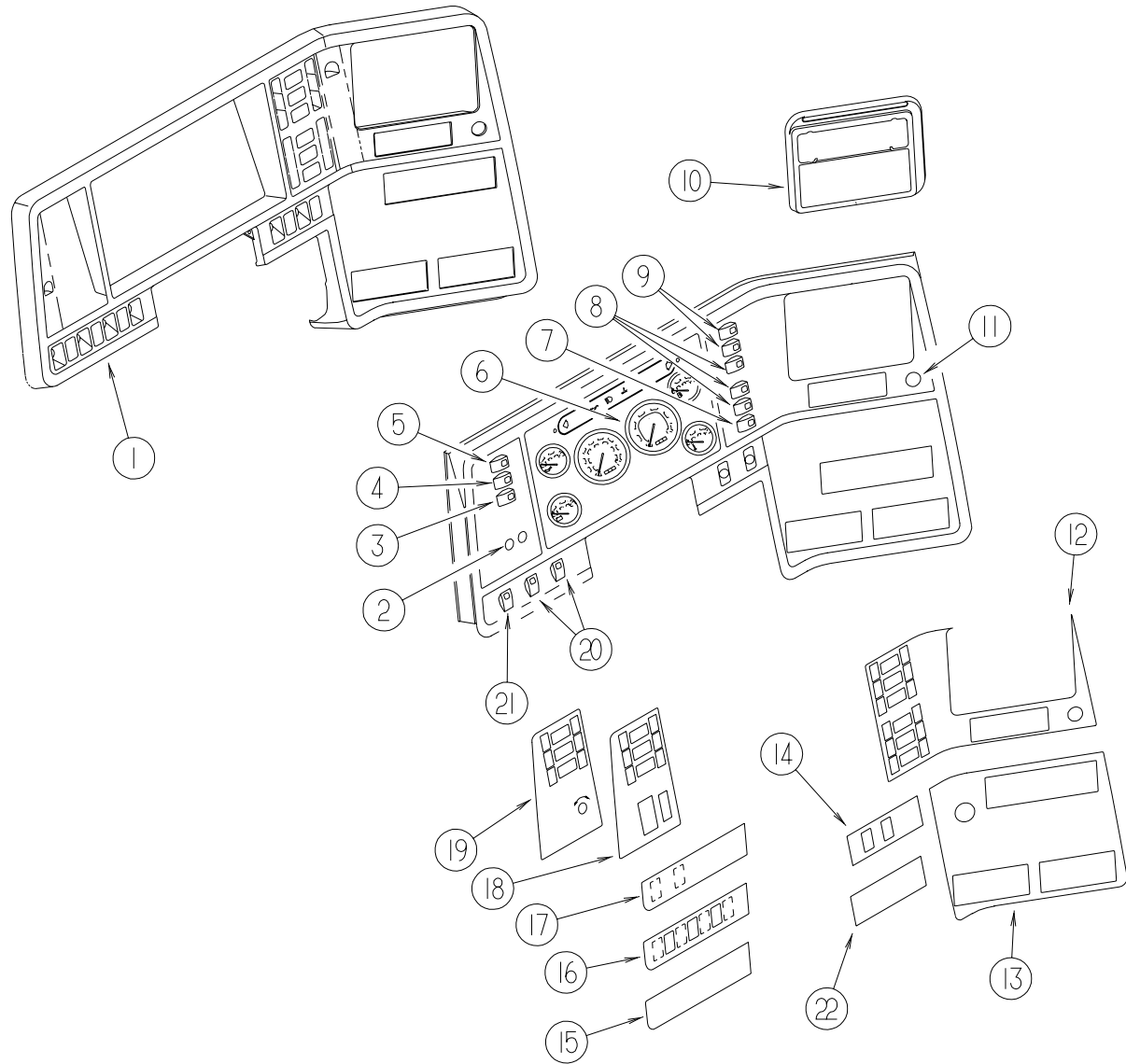


**DINETTEPULLOUTTABLE**

KEY	PARTNUMBER	U/M	DESCRIPTION
	P18322-01-H37	EA	TABLEASM-PULLOUT(SOLARMAPLE)
	P18322-01-H57	EA	TABLEASM-PULLOUT(SALEMCHERRY)
1	118322-11-H37	EA	TOP-PULLOUTTABLE(SOLARMAPLE)
1	118322-11-H57	EA	TOP-PULLOUTTABLE(SALEMCHERRY)
2	009063-01-000	EA	HINGE-CONTINUOUS,1 1/2"X72"-UNPAINTED
3	110749-01-000	EA	SLIDE-TABLE-19.75"LONG-2USED
4	108663-01-000	EA	HINGE-LEAF,FOLDING-HAFELE341.30.526-2USED
5	108932-01-000	EA	ROD-PIVOT
	000F10-04-16B	EA	PIN-COTTER,1/8"X1"-ZINC
6	108874-01-000	EA	BRACKET-HINGE, TABLELEAF
7	108664-01-000	EA	SPRING-COMPRESSION,13X50MM-4USED
8	009050-02-000	EA	LEVELER-TABLETOP,MALEENDW/4SCREWS-PLASTIC-6USED
8	009050-03-000	EA	LEVELER-TABLETOP,FEMALEENDW/4SCREWS-PLASTIC-6USED
9	108905-01-000	EA	SUPPORTASM-TABLELEAF
10	102810-01-04A	EA	BRACE-LEG, TABLE, BLACK
	102810-01-03A	EA	BRACE-LEG, TABLE, MILL
11	092708-12-H37	EA	LEG-TABLE(SOLARMAPLE)
	092707-07-06A	EA	MOLDING-WOOD, TABLELEG-27"(SOLARMAPLE)
11	092708-12-E41	EA	LEG-TABLE(SALEMCHERRY)
	092707-07-03A	EA	MOLDING-WOOD, TABLELEG-27"(SALEMCHERRY)
12	102194-01-000	EA	GUIDE-PLASTIC

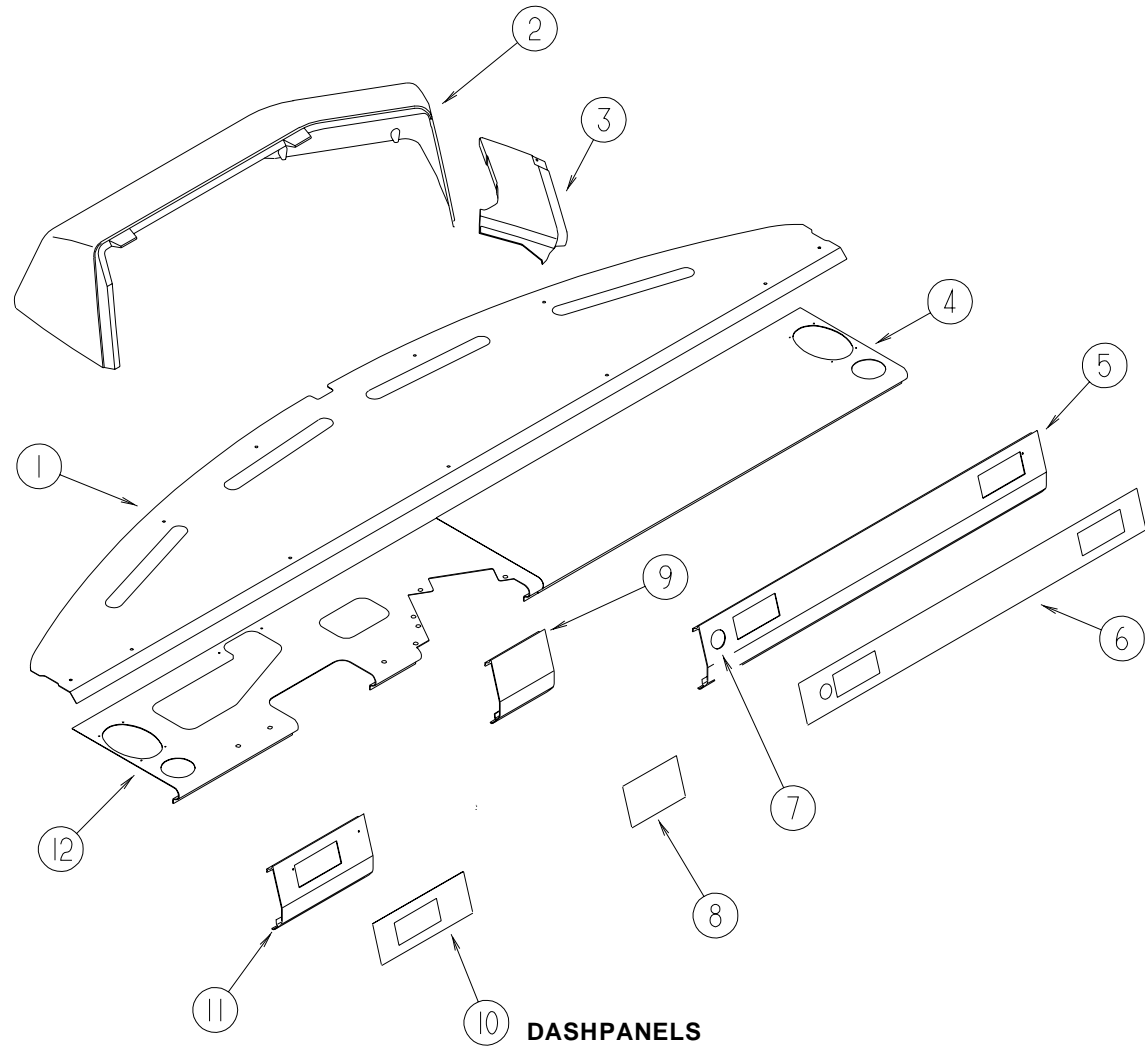
# DRIVERSCOMPARTMENTGROUP

## INSTRUMENTPANEL

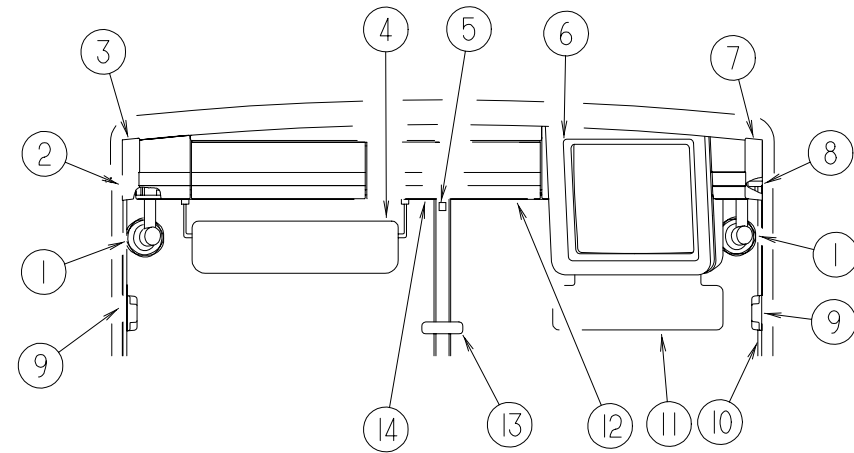


KEY	PARTNUMBER	U/M	DESCRIPTION
1	107031-07-02A	EA	BEZEL-INSTRUMENTPANEL-FORD
1	107031-06-02A	EA	BEZEL-INSTRUMENTPANEL-GM
2			HEADLIGHT&DIMMERSWITCHESARECHASSISSUPPLIED
	096674-01-000	EA	NUT-HEADLAMP,BLACK-FORD
	096675-01-000	EA	KNOB-HEADLAMP,W/SHAFT-FORD
3	108357-06-000	EA	SWITCH-ROCKER,DPDTMOM/OFF/MOM6TERM.CARLINGVLD1000B-0
	108356-01-02A	EA	SWITCHCOVER W/3GROOVES-CARLINGHAMPTONTAN
	108355-01-000	EA	HOUSING-SWITCH-CARLINVCH
4	108357-09-000	EA	SWITCH-ROCKER,SPDTON/NONE/MOM3TERM.CARLINGV5D1000B-0
	108356-01-02A	EA	SWITCHCOVER W/3GROOVES-CARLINGHAMPTONTAN
	108355-01-000	EA	HOUSING-SWITCH-CARLINVCH
5	108357-08-000	EA	ROCKERSWITCH,DPDTON/NONE/ON-CARLINGVDD1S00C-0
	108356-01-02A	EA	SWITCHCOVER W/3GROOVES-CARLINGHAMPTONTAN
	108355-01-000	EA	HOUSING-SWITCH-CARLINVCH
6	094796-07-000	EA	CLUSTER-INSTRUMENTPANEL,KILOMETERS-GAS-GM#16156355 FROM: 00-00-00THRU: 10-27-96
6	125001-02-000	EA	CLUSTER-INSTRUMENTPANEL,KILOMETERS/MILES-CANADIAN FROM: 10-28-96THRU: 99-99-99
6			STANDARDINSTRUMENTCLUSTERSARECHASSISSUPPLIED
6	094794-06-000	EA	CLUSTER-INSTRUMENT,KILOMETER-FORDF5TD-10849-BB
7	108357-10-000	EA	SWITCH-ROCKER,SPDTMOM/ONLIGHTED-5TERM(3SWITCH/2LIGHT)
	108356-03-01A	EA	SWITCHCOVER W/GROOVES-LIGHTED-CARLINGVVCGC00
	108355-01-000	EA	HOUSING-SWITCH-CARLINVCH
8	108357-01-000	EA	ROCKERSWITCH,SPSTON/OFF-CARLINGV1D1000B-0
8	096241-08-000	EA	SWITCH-BLANK
	108356-01-02A	EA	SWITCHCOVER W/3GROOVES-CARLINGHAMPTONTAN
	108355-01-000	EA	HOUSING-SWITCH-CARLINVCH
9	108357-03-000	EA	SWITCH-ROCKER,SPDTON/OFF/ON3TERM.CARLINGV6D1000B-0
9	096241-03-000	EA	SWITCH-BLANK
	108356-01-02A	EA	SWITCHCOVER W/3GROOVES-CARLINGHAMPTONTAN
	108355-01-000	EA	HOUSING-SWITCH-CARLINVCH
10	111337-01-01A	EA	POCKET-INSTRUMENTPANEL,RIGHTUPPER,BLACK
	096776-02-000	EA	BOX-CASSETTE,4-TAPE-DINMNT-FISHER215070403
11	089294-01-000	EA	CIGARETTELIGHTERASM-W/OWIRES-CASCO#C213275
12	104056-20-02A	EA	APPLIQUE-BEZEL,UPPERRH-6SWITCH,HAMPTONTAN
13	104056-14-02A	EA	APPLIQUE-BEZEL,LOWERRHWING,HAMPTONTAN
14	104056-28-02A	EA	APPLIQUE-BEZEL,LOWERRH,PARK&LEVEL-HAMPTONTAN
15	104056-09-02A	EA	APPLIQUE-BEZEL,LOWERLH,HAMPTONTAN
16	104056-10-02A	EA	APPLIQUE-BEZEL,LOWERLH,PARK&LEVEL-HAMPTONTAN
17	104056-29-01A	EA	APPLIQUE-BEZEL,LOWERLH,PARK&LEVEL-BLACKVELVET
18	104056-25-02A	EA	APPLIQUE-LIGHTSWITCHBEZEL-HAMPTONTAN-GM
19	104056-27-02A	EA	APPLIQUE-LIGHTSWITCHBEZEL-HAMPTONTAN-FORD
20	108357-07-000	EA	ROCKERSWITCH,SPDTMOM/OFF/MOM-CARLINGV8D1000B-0
	108356-01-02A	EA	SWITCHCOVER W/3GROOVES-CARLINGHAMPTONTAN
	108355-01-000	EA	HOUSING-SWITCH,CARLINVCH
21	108357-05-000	EA	SWITCH-ROCKER,SPDTON/NONE/ON3TERM.CARLINGV4D1000B-0
	108356-01-02A	EA	SWITCHCOVER W/3GROOVES-CARLINGHAMPTONTAN
	108355-01-000	EA	HOUSING-SWITCH-CARLINVCH
22	104056-11-02A	EA	APPLIQUE-BEZEL,LOWERRH,HAMPTONTAN
	100138-01-000	EA	MODULE-DAYTIMERUNNINGLIGHT
	103603-01-000	EA	BULB-12V,#74-.12AWEDGE-GE22-25-USEDINDASH

**DRIVERSCOMPARTMENTGROUP(CONTINUED)**



**DRIVERSCOMPARTMENTGROUP(CONTINUED)**



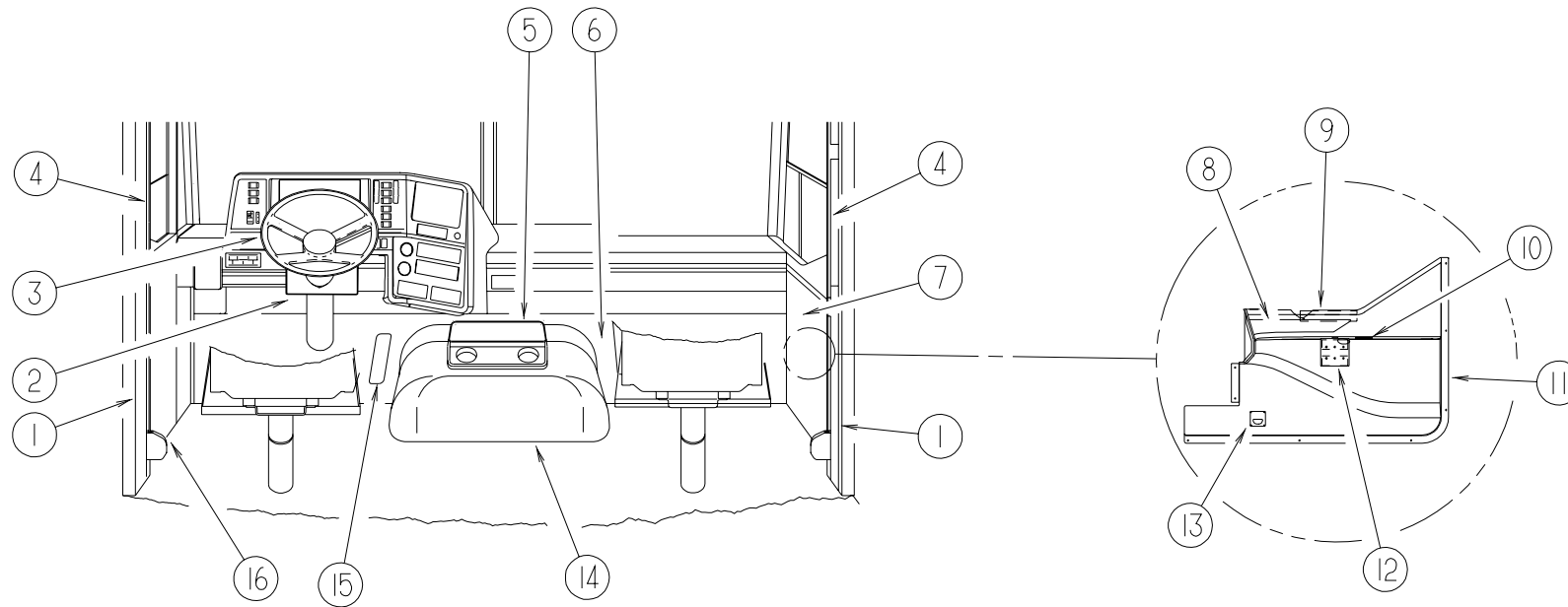
**UPPERDRIVERSCOMPARTMENT**

KEY	PARTNUMBER	U/M	DESCRIPTION
1	P18164-01-000	EA	DASHASM-W/OVINYL(FORD)
1	P18164-02-000	EA	DASHASM-W/OVINYL(GM)
	106569-08-01A	EA	VINYL-LAMINATE,MADRIDHAMPTONTAN-1/4"X20"X100"
	106569-09-01A	EA	VINYL-LAMINATE,MADRIDHAMPTONTAN-1/4"X25"X100"
	077539-01-000	EA	BRACKET-MOUNTING,DASHPANEL-L/SHAPED-2.5"X1"X1.5"
2	118256-01-01A	EA	POD-INSTRUMENTPANEL-HAMPTONTAN
2	118256-02-01A	EA	POD-INSTRUMENTPANEL-HAMPTONTAN-W/REARMONITOR
3	118292-01-01A	EA	POD-LOWERDASH-HAMPTONTAN
4	112297-02-000	EA	PANEL-DASH,BOTTOM
5	117991-01-01A	EA	EXTENSION-LOWERRHDASH,MILL
5	118024-01-01A	EA	TRIM-LOWERPASSENGERSIDEDASH,HAMPTONTAN
6	118377-01-01A	EA	APPLIQUE-LOWERRHDASH
6	120059-01-01A	EA	DECAL-VECTRAGRANDTOUR,DASH-CENTEREDONAPPLIQUE
7	111414-01-000	EA	RECEPTACLE-12VW/OBIMETAL,INTERTEK
8	118377-02-01A	EA	APPLIQUE-LOWERLHDASH(FORD)
8	118377-03-01A	EA	APPLIQUE-LOWERLHDASH(GM)
9	117991-02-01A	EA	EXTENSION-LOWERDRIVERSRHDASH-MILL(FORD)
9	118024-02-01A	EA	TRIM-LOWERDRIVERSDASH-HAMPTONTAN(FORD)
9	117991-04-01A	EA	EXTENSION-LOWERDRIVERSRHDASH-MILL(GM)
9	118024-04-01A	EA	TRIM-LOWERDRIVERSRHDASH-HAMPTONTAN(GM)
10	118377-04-01A	EA	APPLIQUE-LOWERLHDASH(FORD)
10	118377-06-01A	EA	APPLIQUE-LOWERLHDASH(GM)
11	117991-03-01A	EA	EXTENSION-LOWERDRIVERSLHDASH-MILL(FORD)
11	118024-03-01A	EA	TRIM-LOWERDRIVERSLHDASH-HAMPTONTAN(FORD)
11	117991-05-01A	EA	EXTENSION-LOWERDRIVERSLHDASH-MILL(GM)
11	118024-05-01A	EA	TRIM-LOWERDRIVERSLHDASH-HAMPTONTAN(GM)
12	112296-04-000	EA	PANEL-DASH,BOTTOM
	077031-01-000	EA	FILM-BLACK,1"X1.75"
	077031-03-000	EA	FILM-WHITE.75X1.00-COLORART

KEY	PARTNUMBER	U/M	DESCRIPTION
1	122856-01-01A	EA	FAN-DEFROSTER,2SPEED-CHROME ACARRV-480-W2
2	118138-02-H56	EA	PANEL-HEADLINER,LH
3	118466-02-01A	EA	PANEL-TRIM,SIDE,UPPER
4	123298-02-03A	EA	SUNVISORASM10.5"X28.5"
5	118452-01-01A	EA	TRIM-WINDSHIELD,CENTER
6	116734-05-01A	EA	COVER-TVOVERHEADFRONT
7	118466-01-01A	EA	PANEL-TRIM,SIDE,UPPER
8	118693-02-H56	EA	PANEL-HEADLINER,RH
9	103961-03-01A	EA	COVER-BRACKET,SEATBELT-OFFWHITE-DRIVERDOOROPT
	091990-04-01A	EA	SEATBELT-3POINT-BLACK-INTERTEKA8408
	091990-01-701	EA	EXTENDER-9"FORA84083POINT
	109146-01-000	EA	BOLT-SHOULDER,SEATBELT
10	118431-01-01A	EA	TRIM-APILLAR,INTERIOR,RH-HAMPTONTAN
10	118431-02-01A	EA	TRIM-APILLAR,INTERIOR,LH-HAMPTONTAN
11	123450-01-01A	EA	SUNVISOR-W/PULLOUTS
12	118453-01-01A	EA	TRIM-WINDSHIELD,INTERIOR,TOPRH-HAMPTONTAN
13	040714-01-000	EA	MIRROR-REARVIEW,W/ARMMOUNT&SETSCREW-GM#911722
	067490-01-000	EA	BUTTON-REARVIEWMIRROR
14	118453-02-01A	EA	TRIM-WINDSHIELD,INTERIOR,TOPLH-HAMPTONTAN

# DRIVERSCOMPARTMENTGROUP(CONTINUED)

## LOWERDRIVERSCOMPARTMENT

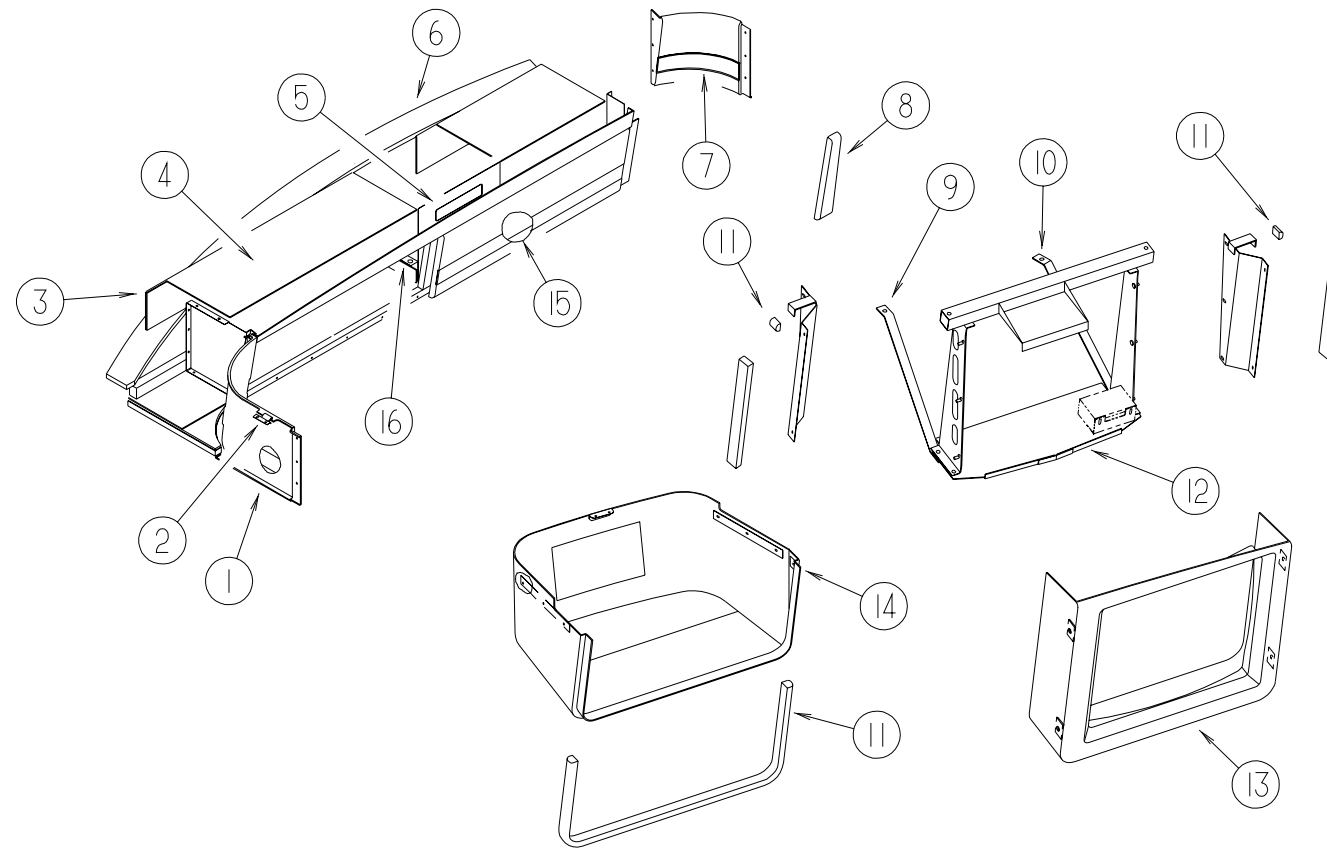


KEY	PARTNUMBER	U/M	DESCRIPTION
1	024700-44-000	EA	COVER-ROLLBAR,DRIVER/PASSENGERLOWER-53"
2	109832-03-01A	EA	COVER-STEERINGCOLUMN-HAMPTONTAN-CHEVY
	110002-02-000	EA	PATCH-Q-SERIES,COLUMN-4.25X7.5
2	103498-06-000	EA	BOOT-STEERINGCOLUMN,UNIVERSAL
2	112832-01-01A	EA	COVER-STEERINGCOLUMN,LOWER-BLACK(FORD)
2	117709-01-01A	EA	COVER-STEERINGCOLUMN,UPPER-BLACK(FORD)
3	120340-01-01A	EA	STEERINGWHEEL-LEATHER,CHEVY
4	024700-55-000	EA	COVER-ROLLBAR-SIDEWALL-15"-OFFWHITE
5	M06889-02-GV0	EA	TRAYASM-BEVERAGE,ABS
5	122681-01-H50	EA	LID-BEVERAGECOMPARTMENT
6	095757-06-GV4	EA	COVER-HEATER(H56,H57)
6	095757-06-H58	EA	COVER-HEATER(H58,H59)
6	095757-06-H60	EA	COVER-HEATER(H60,H61)
7	P18720-01-000	EA	PANELASM-INNER,CAB,RH
8	118377-07-01A	EA	APPLIQUE-LOWERINNERPANEL-RH
9	106105-02-000	EA	CLIP-TRIM,11.8"X1.87"-METAL

KEY	PARTNUMBER	U/M	DESCRIPTION
10	118719-01-01A	EA	ASHTRAY-TOPMOUNT,PLASTIC
11	118287-01-01A	EA	TRIMPANEL-INNERRH-BLACK
12	118718-01-01A	EA	HOLDER-DRINK,COLLAPSIBLE
13	108354-01-01A	EA	LIGHT-COURTESY,ITC81395-B
14	115840-01-01A	EA	MOTORCOVER-W/OCARPETORPAD
14	115840-02-01A	EA	COVER-MOTOR,GASENGINE-285
	115860-01-01A	EA	TRIM-MOTORCOVER,MILL
	115850-01-02B	EA	RETAINERASM-LATCH,RH-MOTORCOVER-E-COAT
	115850-02-02B	EA	RETAINERASM-LATCH,LH-MOTORCOVER-E-COAT
	116581-01-000	EA	LATCH-MOTORCOVER,SOUTHCO2710074088
	115852-01-02B	EA	STRIKEASM-MOTORCOVER,E-COAT
	116833-01-02B	EA	WRENCH-HEX,MOTORCOVER,E-COAT
15	116993-01-01A	EA	COVER-PEDALS,BLACK
16	118654-01-01A	EA	PANEL-TOEKICK,LH-HAMPTONTAN

## DRIVERSCOMPARTMENTGROUP(CONTINUED)

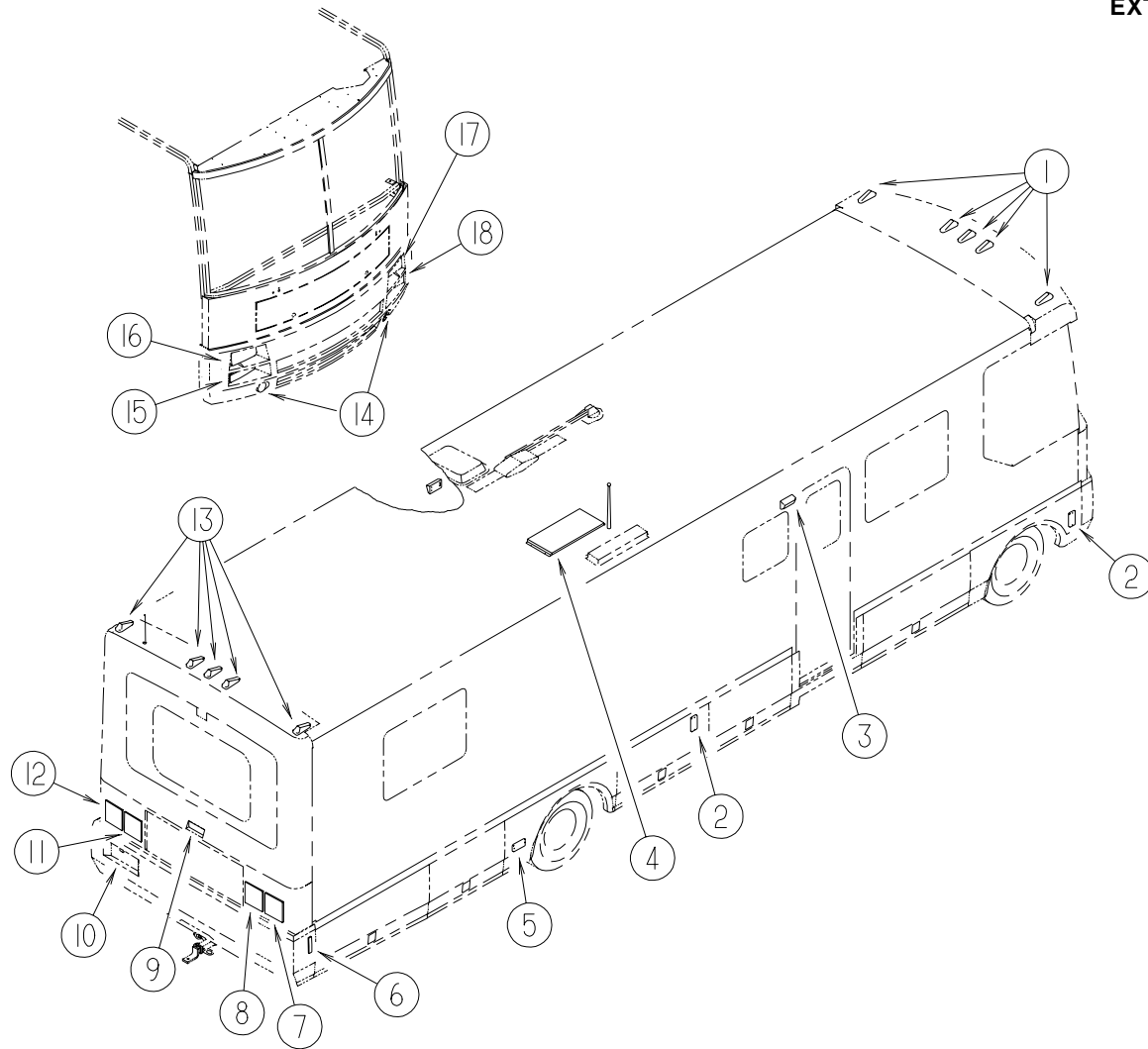
### OVERHEADTV&VCR CABINETS



KEY	PARTNUMBER	U/M	DESCRIPTION
1	118465-02-01A	EA	PANEL-TRIM,CORNER-UPPER-LH
2	073050-03-000	EA	MOUNTINGCLIP-VALANCEPANEL
3	118836-02-H56	EA	PANELASM-VINYLCOVERED, TOP
4	118215-02-H56	EA	PANELASM-VINYLCOVERED, TOP
5	118208-05-H56	EA	PANEL-VINYLCOVERED(STANDARDTV)
5	118208-06-H56	EA	PANEL-VINYLCOVERED(W/VCR)
5	118208-08-H56	EA	PANEL-VINYLCOVERED(W/CONVERTER)
5	118208-09-H56	EA	PANEL-VINYLCOVERED(W/CONVERTER&VCR)
6	118305-02-H56	EA	CABINET-FRONTOVERHEADW/ODOORS/HARDWARE
7	118852-02-01A	EA	PANEL-TRIM,INSERT
8	120485-02-01A	EA	PANEL-TRIM,TRANS-TVH.TAN
9	124090-03-02B	EA	SUPPORT-SHELF,TVE-COAT
10	124090-02-02B	EA	SUPPORT-SHELF,TVE-COAT
11	112160-02-000	FT	SEAL-DSECTION,6X10-FOAMRUBBER
12	116747-05-02B	EA	SHELF-TV,W/OHARDWARE
13	116734-05-01A	EA	COVER-TV,OVERHEADFRONT
14	118566-04-01A	EA	COVER-OVERHEADTV,LOWERRIGHTFRONT
15	118836-03-H56	EA	PANEL-BACK,VINYLCOVERED
16	118835-01-H56	EA	PANEL-VINYLCOVERED/RIGHTHAND

# ELECTRICALGROUP

## EXTERIORLIGHTS

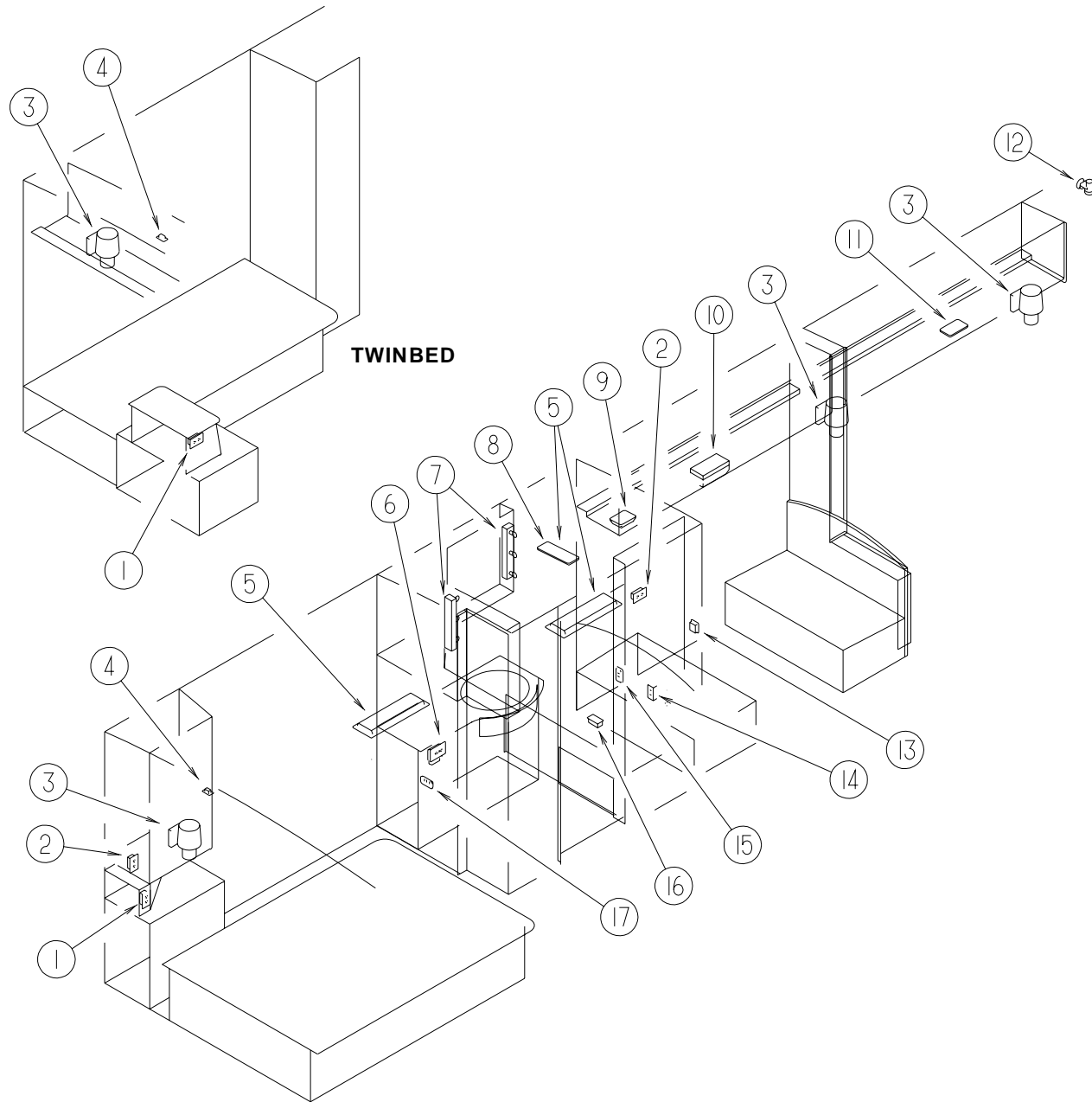


KEY	PARTNUMBER	U/M	DESCRIPTION
1	107749-01-000	EA	LIGHTASM-CABMARKER,AMBER-KD509-0-1
	036196-01-000	EA	BULB-12V,#194-.27AMP-BAYONETTE
	037934-01-000	EA	BULB-12V,#1156-2.1AMP-CLEARGLASS
2	117826-02-000	EA	SIDEMARKERLAMPASM.-AMBER
	036196-01-000	EA	BULB-12V,#194-.27AMP-BAYONETTE
	067789-02-000	EA	SOCKET-LAMP
	117826-03-000	EA	GASKET-MARKERLIGHT,TRIPLEX410-2
3	097917-01-07A	EA	LIGHT-PORCH,SABLE-BARGMAN30-78-535-U.S.
	008215-01-000	EA	BULB-12V,#1003-.94AMP
	058028-01-000	EA	CONNECTOR-ELECTRICALPIGTAIL,NYLON-CLEAR
	097917-01-700	EA	LENS-LIGHT,CLEAR 30-78-021
	008089-02-000	EA	LIGHT-PORCH,RECESSED-CANADIAN
3	008214-01-000	EA	BULB-12V,#67-.59AMP
	058028-01-000	EA	CONNECTOR-ELECTRICALPIGTAIL,NYLON-CLEAR
	008089-01-700	EA	LENS-LIGHT,RECESSED,PORCH
	091981-01-000	EA	GASKET-PORCHLIGHT
	4	115504-01-000	EA
115504-01-700		EA	PLUG&CABLE,10WATTPANEL 600-016
115505-01-000		EA	MONITORLIGHT-SOLARPANEL-REDLEDINDICATOR
5	106688-04-000	EA	LIGHTASM-AUXILIARY,CLEAR-TRIPLEX147W
	037934-01-000	EA	BULB-12V,#1156-2.1AMP-CLEARGLASS

KEY	PARTNUMBER	U/M	DESCRIPTION
6	117826-01-000	EA	SIDEMARKERLIGHTASM.-RED
	036196-01-000	EA	BULB-12V,#194-.27AMP-BAYONETTE
	067789-02-000	EA	SOCKET-LAMP
	117826-03-000	EA	GASKET-MARKERLIGHT,TRIPLEX410-2
7	117831-01-000	EA	LAMPASM-STOP/TURN/TAIL/BACKUP-TRIPLEX1060RH
	106687-01-000	EA	SOCKETASM-LIGHT,2WIRE-TRIPLEX375X
	106687-02-000	EA	SOCKETASM-LIGHT,3WIRE-TRIPLEX376
	067789-02-000	EA	SOCKET-LAMP
	119157-01-000	EA	SOCKET-SINGLECONTACT,GENERAL350501
	119158-01-000	EA	SOCKET-DOUBLECONTACT,GENERAL349301
	037934-01-000	EA	BULB-12V,#1156-2.1AMP-CLEARGLASS-BACKUP&TURNSIGNALBULB
	037935-01-000	EA	BULB-12V,#1157OR#2057-2.1AMP-CLEARGLASS-BRAKELIGHTBULB
8	117831-03-000	EA	LAMPASM-TURN,AMBER-RH-TRIPLEX1060A
	106687-01-000	EA	SOCKETASMLIGHT-2WIRE-TRIPLEX375X
	106687-02-000	EA	SOCKETASMLIGHT-3WIRE-TRIPLEX376
	067789-02-000	EA	SOCKET-LAMP
	119157-01-000	EA	SOCKET-SINGLECONTACT,GENERAL350501
	119158-01-000	EA	SOCKET-DOUBLECONTACT,GENERAL349301
	037935-01-000	EA	BULB-12V,#1157OR#2057-2.1AMP-CLEARGLASS-BRAKELIGHTBULB
	106688-03-000	EA	LIGHTASM-STOP/TURNRED,TRIPLEX141-W
9	037934-01-000	EA	BULB-12V,#1156-2.1AMP-CLEARGLASS-BACKUP&TURNSIGNALBULB
	107221-06-01A	EA	COVER-LATCHASM,VALANCEDOOR,BLACK
	108201-01-000	EA	LIGHT-HALFROUND,1"X1.7"-PLASTIC-BLACK
	117831-04-000	EA	LAMPASM-TURN,AMBER-LH-TRIPLEX1059A
10	106687-01-000	EA	SOCKETASM-LIGHT,2WIRE-TRIPLEX375X
	106687-02-000	EA	SOCKETASM-LIGHT,3WIRE-TRIPLEX376
	067789-02-000	EA	SOCKET-LAMP
	119157-01-000	EA	SOCKET-SINGLECONTACT,GENERAL350501
11	119158-01-000	EA	SOCKET-DOUBLECONTACT,GENERAL349301
	037935-01-000	EA	BULB-12V,#1157OR#2057-2.1AMP-CLEARGLASS-BRAKELIGHTBULB
	117831-02-000	EA	LAMPASM-STOP/TURN/TAIL/BACKUP,TRIPLEX1059LH
	106687-01-000	EA	SOCKETASM-LIGHT,2WIRE-TRIPLEX375X
12	106687-02-000	EA	SOCKETASM-LIGHT,3WIRE-TRIPLEX376
	067789-02-000	EA	SOCKET-LAMP
	119157-01-000	EA	SOCKET-SINGLECONTACT,GENERAL350501
	119158-01-000	EA	SOCKET-DOUBLECONTACT,GENERAL349301
13	037934-01-000	EA	BULB-12V,#1156-2.1AMP-CLEARGLASS-BACKUP&TURNSIGNALBULB
	037935-01-000	EA	BULB-12V,#1157OR#2057-2.1AMP-CLEARGLASS-BRAKELIGHTBULB
	107749-02-000	EA	LIGHTASM-CABMARKER,RED-KD509-0-6
	036196-01-000	EA	BULB-12V,#194-.27AMP-BAYONETTE
14	117827-01-000	EA	LAMPASM-FOG,CLEARLENS,RD-HELLA65099
	113294-03-000	EA	LAMPASM-PARK/TURN,AMBER-RH-TRIPLEX932A
15	037935-01-000	EA	BULB-12V,#1157OR#2057-2.1AMP-CLEARGLASS
	118056-01-000	EA	HEADLAMPASM.(PASSENGERSIDE)-HELLA#65025
16	118054-01-000	EA	BULB-HEADLAMPREPLACEMENT-#9004G.E.,SYLVANIA,WESTINGHOUSE
	088758-01-000	EA	HOUSING-HEADLAMP,CONNECTOR TERMINALW/3WIRES
17	118056-02-000	EA	HEADLAMPASM.(DRIVERS)-HELLA#65024
	118054-01-000	EA	BULB-HEADLAMPREPLACEMENT-#9004G.E.,SYLVANIA,WESTINGHOUSE
18	088758-01-000	EA	HOUSING-HEADLAMP,CONNECTOR TERMINALW/3WIRES
	113294-04-000	EA	LAMPASM-PARK/TURN,AMBER,LH-TRIPLEX930A
	037935-01-000	EA	BULB-12V,#1157OR#2057-2.1AMP-CLEARGLASS

# ELECTRICALGROUP(CONTINUED)

## DRIVERSIDELIGHTS,SWITCHES&RECEPTACLES

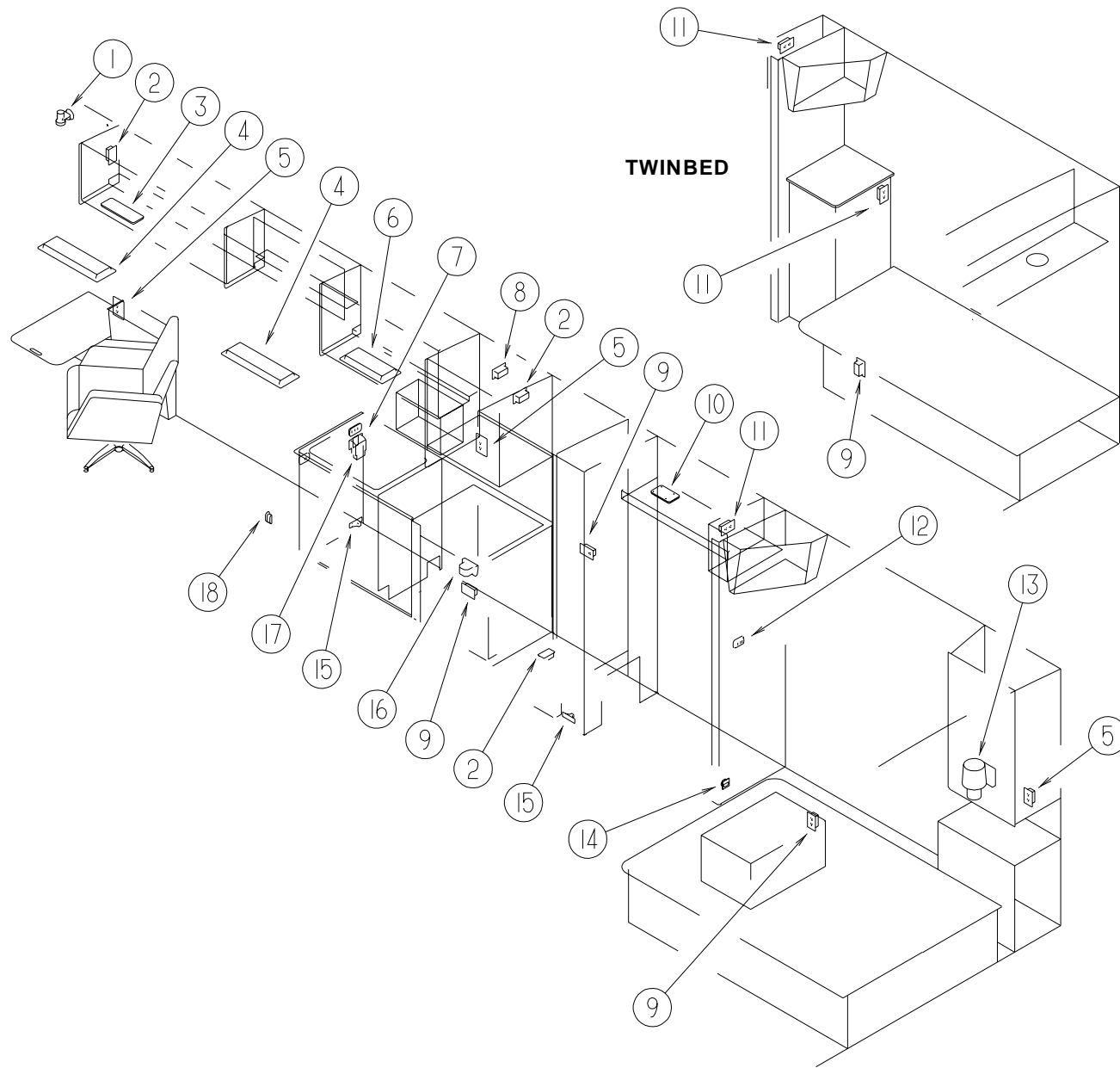


KEY	PARTNUMBER	U/M	DESCRIPTION	VENDORNO.
1	058708-01-000	EA	RECEPTACLE-ELECTRIC,DOUBLE-BROWN	
2	058708-02-000	EA	RECEPTACLE-ELECTRIC,DOUBLE-IVORY	
	102568-01-H37	EA	SPACER-RECEPTACLE,SIDEWALL(SOLARMAPLE)	
	102568-01-E41	EA	SPACER-RECEPTACLE,SIDEWALL(SALEMCHERRY)	
3	119258-01-01A	EA	LAMP-WALL,UL/CSA-53-507XB7YZ	
	119258-01-700	EA	FINIAL(PYRAMID)	12-0322
	067479-01-000	EA	BULB-12V,NUMBER1076	
	119257-02-01A	EA	SHADE-LAMP,SKIPPLEAT(H56,H57)	
	119257-01-01A	EA	SHADE-LAMP,POTPOUM(H58,H59)	
	065201-17-000	EA	SHADE-LAMP,SAHARASUNRISE(H60,H61)	
4	098351-07-01A	EA	PLATE-SWITCH,GENERATORSWITCH-JENSENPOLISHEDBRASS	
4	108357-10-000	EA	SWITCH-ROCKERSPDTMOM/ONLIGHTED-5TERM	
4	108356-05-01A	EA	SWITCHCOVERW/GROOVES-LIGHTED-GEN.SET-CARLINGVVLGCXX-XWB	
4	095188-01-01A	EA	SPACER-SWITCH,2.3"X3.4"-PLASTIC-DARKBROWN	
5	098024-03-02A	EA	LIGHT-DOME,2BULB-WHITE	
	008218-01-000	EA	BULB-DOMELIGHT,12V-NUMBER1141	
	098024-01-700	EA	LENS-LIGHT	807877
5	091937-05-000	EA	LIGHT-FLUORESCENT,12V/16WATT-15"LONG-THINLITE732	
	091937-05-701	EA	LENS-LIGHT,FLUORESCENT	D-732
6	084076-02-000	EA	RECEPTACLE-GFI,15A-125V-BROWN	
7	110235-01-01A	EA	LIGHT-MAKEUP,3BULBPANLESS-PDPD200-621-BRASS	
	081633-01-700	EA	BULB-LIGHT,MAKE-UP	RP1041
8	098024-03-02A	EA	LIGHT-DOME,2BULB-WHITE	
	008218-01-000	EA	BULB-DOMELIGHT,12V-NUMBER1141	
	098024-01-700	EA	LENS-LIGHT	807877
9	121935-01-01A	EA	LIGHT-DOME,SHOWER	
10	093575-09-01A	EA	LIGHT-CEILING,DOUBLEUL/CSA-GUSTAFSON56-550XZ	
	119252-01-01A	EA	SHADE-LAMP,GLASSSWIRL	
	067479-01-000	EA	BULB-12V,NUMBER1076	
11	098024-05-02A	EA	LIGHT-DOME,1BULB-SKYLITEWHITE	
	008218-01-000	EA	BULB-DOMELIGHT,12V-NUMBER1141	
	098024-01-701	EA	OPTICLEARLENS,4.5"X3.5"	809902
12	104173-01-01A	EA	LIGHT-DESIGNER,BRASS-#81-905BULB#9312V(US)	
	104173-01-700	EA	BULB	81900
12	104172-01-01A	EA	LIGHT-BULLET,BEIGE-#787SERIES-BULB#9312V(CSA)	
13	079364-04-000	EA	SWITCH-ON/OFF,ROCKER-BLACK	
	098351-01-01A	EA	PLATE-SWITCH,1GANG-POLISHEDBRASS-JENSEN	
14	079364-01-000	EA	SWITCH-ON/OFF,ROCKER-2PRONGS-BROWN	
15	079364-02-000	EA	SWITCH-ON/OFF,ROCKER-BLACK	
15	079364-01-000	EA	SWITCH-ON/OFF,ROCKER,2PRONGS-BROWN	
	098351-03-01A	EA	PLATE-SWITCH,3GANG-POLISHEDBRASS-JENSEN	
16	058707-02-000	EA	RECEPTACLE-BLANK,JUNCTION-WIRECONWDJ20BR	
17	109294-01-01A	EA	SWITCHPANELASM-VENTFAN,JRVJ8948BR-BRASS	
	095188-02-01A	EA	SPACER-SWITCH,2.3"X4.1"-PLASTIC-DARKBROWN	



# ELECTRICALGROUP(CONTINUED)

## PASSENGER SIDELIGHTS, SWITCHES & RECEPTACLES



KEY	PARTNUMBER	U/M	DESCRIPTION	VENDORNO.
1	104173-01-01A	EA	LIGHT-DESIGNER, BRASS-#81-905BULB#9312V(US)	
	104173-01-700	EA	BULB	81900
1	104172-01-01A	EA	LIGHT-BULLET, BEIGE-#787SERIES-BULB#9312V(CSA)	
2	058707-02-000	EA	RECEPTACLE-BLANK, JUNCTION-WIRECONWDJ20BR	
3	098024-06-02A	EA	LIGHT-DOME, 2BULB-SKYLITEWHITE	
	008218-01-000	EA	BULB-DOMELIGHT, 12V-NUMBER1141	
	098024-01-701	EA	OPTICLEARLENS, 4.5"X3.5"	809902
4	098024-03-02A	EA	LIGHT-DOME, 2BULB-WHITE	
	008218-01-000	EA	BULB-DOMELIGHT, 12V-NUMBER1141	
	098024-01-700	EA	LENS-LIGHT	807877
4	091937-04-000	EA	LIGHT-FLUORESCENT, 12V/30WATT-20.75"LONG-THINLITE	
5	058708-02-000	EA	RECEPTACLE-ELECTRIC, DOUBLE-IVORY	
	102568-01-H37	EA	SPACER-RECEPTACLE, SIDEWALL(SOLARMAPLE)	
	102568-01-E41	EA	SPACER-RECEPTACLE, SIDEWALL(SALEMCHERRY)	
6	091937-05-000	EA	LIGHT-FLUORESCENT, 12V/16WATT-15"LONG-THINLITE732	
	091937-05-701	EA	LENS-LIGHT, FLUORESCENT	D-732
7	084076-02-000	EA	RECEPTACLE-GFI, 15A-125V-BROWN	
8	058708-05-000	EA	RECEPTACLE-SINGLE, BROWN	
9	058707-01-000	EA	RECEPTACLE-ELECTRIC, SINGLE-BROWN	
10	098024-01-03A	EA	LIGHT-DOME, 1BULB-WHITE	
	008218-01-000	EA	BULB-DOMELIGHT, 12V-NUMBER1141	
	098024-01-700	EA	LENS-LIGHT	807877
11	058708-01-000	EA	RECEPTACLE-ELECTRIC, DOUBLE-BROWN	
12	079364-01-000	EA	SWITCH-ON/OFFROCKER, 2PRONGS-BROWN	
12	098351-01-01A	EA	PLATE-SWITCH, 2GANG-POLISHEDBRASS-JENSEN	
	095188-01-01A	EA	SPACER-SWITCH, 2.3"X3.4"-PLASTIC-DARKBROWN	
13	119258-01-01A	EA	LAMP-WALL, UL/CSA-53-507XB7YZ	
	119258-01-700	EA	FINIAL(PYRAMID)	12-0322
	067479-01-000	EA	BULB-12V, NUMBER1076	
	119257-02-01A	EA	SHADE-LAMP, SKIPPLEAT(H56,H57)	
	119257-01-01A	EA	SHADE-LAMP, POTPOUM(H58,H59)	
	065201-17-000	EA	SHADE-LAMP, SAHARASUNRISE(H60,H61)	
14	018354-01-01A	EA	LIGHT-COURTESY	
	108354-01-700	EA	BULB-COURTESYLIGHT	395-B
15	061424-01-000	EA	LIGHT-AISLE, 12V-RECTANGULAR	
	008103-01-000	EA	BULB-DASH/AISLELIGHT, #53-12V-.12AMP	
16	112822-01-01A	EA	RECEPTACLE-DUPLEX, IVORY-WIRECONWDRU15IV	
	112824-01-03A	EA	COVER-EXTERIORDUPLEXRECEPTACLE, WHITE-P&S3780-SC-WH	
17	094086-01-01A	EA	PLATE-SWITCH, SINGLEGANG-1.8"X3"-PLASTIC-BLACK	
17	093132-02-000	EA	SWITCH-ROCKER, 5TERMW/KEYLOCK&ARROWF/POWERDOORLOCK	
18	116995-01-000	EA	SWITCH/MAGNET-STEP, ELECTRIC, KWIKEE905306	

**ELECTRICALGROUP(CONTINUED)****CIRCUITBREAKERS&FUSES**

KEY	PARTNUMBER	U/M	DESCRIPTION
	108916-01-000	EA	CIRCUITBREAKER,50AMP120V,WESTINGHOUSEBR250
	083209-01-000	EA	CIRCUITBREAKER,15AMP120V-BWG-15-CANADIAN
	083209-02-000	EA	CIRCUITBREAKER,15/15AMP120V-BWH-15/15
	083209-03-000	EA	CIRCUITBREAKER,15/20AMP120V-BW0-15/20
	083209-06-000	EA	CIRCUITBREAKER,30/15AMP120V-BWD-30/15
	083209-07-000	EA	CIRCUITBREAKER,20/20AMP120V-BWK-20/20
	093654-01-000	EA	CIRCUITBREAKER,6AMP12V-USD17406-4E12A2A
	093654-02-000	EA	CIRCUITBREAKER,15AMP12V-USD17415-4E12A2A
	093654-03-000	EA	CIRCUITBREAKER,20AMP12V-USD17420-4E12A2A
	093655-01-000	EA	CIRCUITBREAKER,25AMP12V-USD17425-4E03A2A
	093655-02-000	EA	CIRCUITBREAKER,30AMP12V-USD17430-4E03A2A
	093655-03-000	EA	CIRCUITBREAKER,40AMP12V-USD17440-4E03A2A
	097611-01-000	EA	CIRCUITBREAKER,10AMP12V-VB3-A10-F57
	122811-01-000	EA	CIRCUITBREAKER-20/50/50/20
	093674-01-000	EA	PLATE-CIRCUITBREAKER,HOUSE-8.4"X4.1"-STEEL
	062037-01-000	EA	HOUSING-AUTOFUSE,NATURAL
	062037-02-000	EA	HOUSING-AUTOFUSE,GREEN
	062037-03-000	EA	HOUSING-AUTOFUSE,BLACK
	062037-04-000	EA	HOUSING-AUTOFUSE,BLUE
	062037-06-000	EA	HOUSING-AUTOFUSE,BROWN
	062037-07-000	EA	HOUSING-AUTOFUSE,RED-PACKARD12004883
	062901-02-000	EA	FUSE-5AMPS,AUTOMOTIVE
	062901-05-000	EA	FUSE-15AMPS,AUTOMOTIVE
	108669-01-000	EA	HOUSING-AUTOFUSEHOLDER,PACKARD12010105
	111683-01-000	EA	FUSEHOLDER-GLASS,1/4X11/4-BUSSHTB-861
	119248-02-000	EA	HOUSING-7POSITION-FEMMETRI-PAC-PACKARD12059472

**CONVERTERS,INVERTER&LOADCENTERS**

KEY	PARTNUMBER	U/M	DESCRIPTION
	099048-03-000	EA	INVERTER-130WATT DUI-12/130TL
	108915-01-000	EA	LOADCENTER-120/240V125AMP-WESTINGHOUSE816CG
	108915-02-000	EA	LOADCENTER-120/240VOLT-100AMP
	123058-02-000	EA	CONVERTER-45AMPELECTRONIC-41/8"HX7"WX123/8"L
	109677-01-000	EA	LOADCENTER-120V40AMP-WESCOTT120FLGNM
	113132-01-000	EA	LOADCENTER-120/240V60AMP-WESCO2460SGNM

**FLASHER,SOLENOID,DIODE&RELAYS**

KEY	PARTNUMBER	U/M	DESCRIPTION
	007093-01-000	EA	FLASHER-SIGNAL,STAT
	008188-01-000	EA	SOLENOID-3POST,BATTERYCHANGE OVER
	063910-01-000	EA	HOUSING-RELAY,BOSCH3334485008
	063912-02-000	EA	RELAY-CANISTER,SPDT-BOSCH0332204101
	086273-01-000	EA	RELAY-BATTERYDISCONNECT
	086233-01-000	EA	STUD-ISOLATED,3/8"X7/8"LONG

**ELECTRICALGROUP(CONTINUED)****CONNECTORS&HOUSINGS**

KEY	PARTNUMBER	U/M	DESCRIPTION
	007954-01-000	EA	RECEPTACLE-HOUSING,6POSITION
	007956-05-000	EA	INSULATOR-SHRINK,.25IDX1.50-BLACK
	008311-01-000	EA	CONNECTOR-WIRENUT,INSULATED-RED
	008312-01-000	EA	CONNECTOR-WIRENUT,INSULATED-BLUE
	008313-01-000	EA	CONNECTOR-WIRENUT,INSULATED-YELLOW
	008326-01-000	EA	TERMINAL-RING,16/14WIRE-3/8"STUD
	008328-01-000	EA	TERMINAL-RING,12/10WIRE-#10STUDFIT
	008331-01-000	EA	TERMINAL-RING,TONGUE-#4WIRE-3/8"STUD-COPPER
	008348-01-000	EA	TERMINAL-RING,3/8"STUD-#2WIRE
	008355-01-000	EA	CONNECTOR-CABLECLAMPING,3/4"
	008356-01-000	EA	CONNECTOR-PLASTIC,3/8"AVG
	035416-04-000	EA	TERMINAL-RING,#10STUDFIT,INSULATEDBARREL#16/14
	041480-01-000	EA	CONNECTOR-STRAIGHT,1/2"FLEXCONDUIT
	047443-01-000	EA	TERMINAL-.250RECEPTACLEFIT,INSULATED-16/14AWG
	047443-02-000	EA	TERMINAL-.250RECEPTACLEFIT,INSULATED-12/10AWG
	058028-01-000	EA	CONNECTOR-ELECTRICALPIGTAIL,NYLON-CLEAR
	062036-01-000	EA	TERMINAL-PACK-CON,12/10AWG-PACKARD12033817
	062036-02-000	EA	TERMINAL-PACK-CON,16/14AWG-PACKARD08917021
	074017-02-000	EA	HOUSING-5POSITION,RIGHT ANGLED
	077479-01-000	EA	BOOT-BATTERYTERMINAL,DOUBLECABLE
	077479-02-000	EA	BOOT-BATTERYTERMINAL,SINGLECABLE
	080015-02-000	EA	RECEPTACLE-FLAG,.185-16/14GA-AMP3
	082109-01-000	EA	HOUSING-CONNECTOR,PACKARD
	085724-01-000	EA	SOCKET-DOUBLECONTACT,TAILLIGHT
	087225-01-000	FT	SLEEVING-1/2",TYPEH-VARFLEX
	087949-01-000	EA	BUSSBAR-2POSITION,.6'X1.5"-ALUMINUM
	087949-02-000	EA	BUSSBAR-3POSITION-.6"2.4"-ALUMINUM
	087949-03-000	EA	BUSSBAR-4POSITION
	088267-01-000	EA	TERMINAL-FEMALE,1/4-PACKARD2962573
	088473-01-000	EA	HOUSING-PIN,12CAVITY-AMP1-480708-0
	088473-02-000	EA	HOUSING-PIN,15CAVITY-AMP1-480710-0
	088473-03-000	EA	HOUSING-PIN,9CAVITY-AMP1-480706-0
	088473-05-000	EA	HOUSING-PIN,6CAVITY-AMP640585-1
			FROM:00-00-00THRU:10-23-96
	088473-06-000	EA	HOUSING-PIN,6CAVITY-AMP1-480704-0
	088473-07-000	EA	HOUSING-PIN,5CAVITY-AMP1-480763-0
	088473-08-000	EA	HOUSING-PIN,4CAVITY-AMP1-480702-0
	088473-09-000	EA	HOUSING-PIN,3CAVITY-AMP1-480700-0
	088473-10-000	EA	HOUSING-PIN,2CAVITY-AMP1-480698-0
	088474-01-000	EA	HOUSING-SOCKET,12CAVITY-AMP1-480709-0
	088474-02-000	EA	HOUSING-SOCKET,12CAVITY-AMP1-480711-0
	088474-03-000	EA	HOUSING-SOCKET,9CAVITY-AMP1-480707-0
	088474-06-000	EA	HOUSING-SOCKET,6CAVITY-AMP1-480705-0
	088474-07-000	EA	HOUSING-SOCKET,5CAVITY-AMP1-480764-0
	088474-08-000	EA	HOUSING-SOCKET,4CAVITY-AMP1-480703-0
	088474-09-000	EA	HOUSING-SOCKET,3CAVITY-AMP1-480701-0
	088474-10-000	EA	HOUSING-SOCKET,2CAVITY-AMP1-480699-0
	088475-01-000	EA	PIN-CONNECTOR,14TO20AWG
	088475-02-000	EA	PIN-CONNECTOR,10TO12AWG
	088476-01-000	EA	SOCKET-CONNECTOR,BRASS-PRE-TIN
	088476-02-000	EA	SOCKET-CONNECTOR,12-10GA-PHOS.BRZ-PRE-TIN
	092786-03-000	EA	BUSSBAR-6.9"LONG
	098260-01-000	EA	TERMINAL-MALE,56SERIES-PACKARD02971962
	098261-02-000	EA	SOCKET-CONNECTOR,WEATHERPACK-PACKARD12124580
	098262-01-000	EA	SEAL-CONNECTOR,WEATHERPACK-PACKARD12010293
	098262-05-000	EA	SEAL-CAVITY,480-SERIESM/P-PACKARD12066082
	098262-06-000	EA	SEAL-CONNECTOR,M/P,10GA-PACKARD12034170
	098264-01-000	EA	HOUSING-2PIN,WEATHERPACK,M-PACKARD12015792

**ELECTRICALGROUP(CONTINUED)****CONNECTORS&HOUSINGS(CONTINUED)**

KEY	PARTNUMBER	U/M	DESCRIPTION
	098264-02-000	EA	HOUSING-2PIN,WEATHERPACK,F-PACKARD12010973
	098265-02-000	EA	PIN-CONNECTOR,WEATHERPACK-PACKARD12089305
	100690-02-000	EA	HOUSING-5POSITION,FEMALE-WEATHERPACK
	101571-01-000	EA	HOUSING-2POSITION,MALE
	101751-01-000	EA	HOUSING-1PIN,WEATHERPACK
	101751-02-000	EA	HOUSING-1PIN,WEATHERPACK
	102777-02-000	EA	TERMINAL-RING,#6STUD,10AWG
	103608-01-000	EA	SOCKET-WEDGEBASEW/LEADS,JKL2944-6OREQUIVILANT
	104100-01-000	EA	HOUSING-1POSITION,75AMP-AMP53884-1
	104100-03-000	EA	TERMINAL-75AMP-AMP53880-4LOOSE
	106006-01-000	EA	HOUSING-1POSITION,FEMALE-PACKARD12015952
	106007-01-000	EA	TERMINAL-FEMALE,14-16AWG-PACKARD12015861-L
	106655-01-000	EA	TERMINAL-FUSEBLOCK,14-16AWG-PACKARD12020321
	110178-01-000	EA	HOUSING-WIPERMOTOR-UT6237440-EC25WJ
	112823-01-000	EA	SPLICE-REDUCER16-14T018-22-ETCBA-631X
	113131-01-000	EA	HOUSING-3PIN,METRI-PACK,F-PACKARD12020397
	113135-01-000	EA	TERMINAL-FEM,M/P,280,14-16-PACKARD12066214
	113306-01-000	EA	TERMINAL-FEM,M/P,480,14-16-PACKARD12048451
	113306-02-000	EA	TERMINAL-FEM,M/P,480,10-12-PACKARD12052139
	113307-01-000	EA	TERMINAL-FEM,M/P,150,16-20-PACKARD12048074
	113308-01-000	EA	TERMINAL-FEM,M/P,280,14-16-PACKARD12077412
	113468-01-000	EA	HOUSING-2POSITION,FEMALE-56-SERIES-PACKARD02965981 USEDONWIPER/WASHERWIREASM
	115931-01-000	EA	COVER-CONNECTORW/LOCKRING,MARINCO103EL
	115931-02-000	EA	COVER-CONNECTOR,MARINCO7715ELN
	115932-01-000	EA	CONNECTOR-FEMALE,30A,120V-MARINCO305CRC
	115932-02-000	EA	CONNECTOR-FEMALE,50A,240V-MARINCO6364CRN
	117700-01-000	EA	HOUSING-2POSITION,METRI-PACK,FEM-PACKARD12124819
	118571-01-000	EA	CONNECTOR-30WAYMALESEALED-PACKARD12160959
	118571-02-000	EA	CONNECTOR-30WAYFEMSEALED-PACKARD12065850
	118571-03-000	EA	BRACKET-MOUNTING,MACK87RU55AM
	118571-04-000	EA	GASKET,MACK120MF2136M
	118571-05-000	EA	LOCK-SECONDARY,FEM-PACKARD12066050
	118571-06-000	EA	LOCK-SECONDARY,MALE-PACKARD12065848
	118597-01-000	EA	TERMINAL-MALE,M/P,480,14-16-PACKARD12020120
	118597-02-000	EA	TERMINAL-MALE,M/P,480,10-12-PACKARD12033820
	118599-01-000	EA	TERMINAL-MALE,M/P,280,14-16-PACKARD12020116
	119221-01-000	EA	HOUSING-1POSITION,FEM,280-SERIES-PACKARD12065172

**ELECTRICALGROUP(CONTINUED)****CONDUIT**

KEY	PARTNUMBER	U/M	DESCRIPTION
	041953-01-000	FT	CONDUIT-CONVOLUTE,SLIT-.5"ID
	041953-03-000	FT	CONDUIT-CONVOLUTE,SLIT-1"ID(CLOTHESRODCOVER)
	041953-05-000	FT	CONDUIT-CONVOLUTE,SOLID-.62"ID
	041953-06-000	FT	CONDUIT-CONVOLUTE,SLIT-.375"ID
	041953-07-000	FT	CONDUIT-CONVOLUTE,SLIT-.25"ID
	041953-08-000	FT	CONDUIT-CONVOLUTE,SLIT-1.50"ID
	041953-09-000	FT	CONDUIT-CONVOLUTE,SLIT-.50"ID
	041953-10-000	FT	CONDUIT-CONVOLUTE,SLIT-.75"ID
	041953-11-000	FT	CONDUIT-CONVOLUTE,SLIT-1.06"ID

**BATTERYBOOT&STUD**

KEY	PARTNUMBER	U/M	DESCRIPTION
	077479-01-000	EA	BOOT-BATTERYTERMINAL,DOUBLECABLE
	077479-02-000	EA	BOOT-BATTERYTERMINAL,SINGLECABLE
	086233-01-000	EA	STUD-ISOLATED,3/8"X7/8"LONG
	086273-01-000	EA	RELAY-BATTERYDISCONNECT

**ELECTRICBOXES**

KEY	PARTNUMBER	U/M	DESCRIPTION
	008289-01-000	EA	BOX-ELECTRICAL,STEEL-1/2"AND3/4"KNOCKOUTS-4"X4"
	008289-02-000	EA	BOX-ELECTRICAL,4"X4",W/1/2"&3/4"KNOCKOUTS,CANADIAN
	008294-01-000	EA	COVER-ELECTRICALBOX,BLANK/STEEL-4"X4"-GRAY
	008294-02-000	EA	COVER-ELECTRICALBOX,BLANKSTEEL-4"X4"-CANADIAN
	091910-01-000	EA	BOX-ELECTRICAL,3.75"X3.5"X1.75"-PLASTIC
	091910-02-000	EA	BOX-ELECTRICAL,PLASTIC-57X88MM
	113088-01-000	EA	BOX-ELECTRICAL,3.00X2.00X2.75-STEELCITYCW-1/2
	115932-01-000	EA	CONNECTOR-FEMALE,30AMP120V-MARINCO305CRC
	118507-01-01A	EA	BOX-ELECTRICALGRAY
	118653-01-02B	EA	DOOR-ELECTRICALBOX,E-COAT
	118905-02-02B	EA	DOORASM-ELECTRICAL,E-COAT

**ELECTRICALGROUP(CONTINUED)****POWERCORDS**

KEY	PARTNUMBER	U/M	DESCRIPTION
	008054-01-000	EA	CORD-POWER, 10/3-30AMP-25'
	113096-01-000	EA	CORD-POWER, 50AMP, 4WIRE, 36', CSA-WESCO4243
	108934-01-000	EA	CORD-POWER, 50AMP, 4WIRE, 36FT-WESCOK3536
	121470-01-000	EA	CORD-EXTENTION, 6FT16-2

**WIREASSEMBLIES**

KEY	PARTNUMBER	U/M	DESCRIPTION
	073328-B4-000	EA	CABLEASSEMBLY-BATTERY, W/TERMINALS
	090986-01-000	EA	WIREASM-ELECTRICSTEP, KWIKEE9009
	093057-05-000	EA	WIREASM-POWERLOCKENTRANCE
	096449-01-000	EA	WIREASM-WATERTANKTOMONITORPANEL
	097618-01-000	EA	WIREASM-MONITORPANEL, W/3WIRES&ORANGERESISTOR-LVS
	102636-03-000	EA	WIREASM-CLEARANCELAMPS
	103330-02-000	EA	WIREASM-OVERHEADSPEAKERS
	107306-01-000	EA	WIREASM-INSTRUMENTPANEL, DOCKINGLAMPS
	108029-01-000	EA	WIREASM-POWERDRIVERSEAT
	108242-01-000	EA	WIREASM-DOOR, CABLEFT
	108303-01-000	EA	WIREASM-REARAUTOHEATER
	108304-01-000	EA	WIREASM-INSTRUMENTPANEL, AUXILIARYFANS
	110256-01-000	EA	WIREASM-INSTRUMENTPANEL, GENERATOR
	111619-01-000	EA	WIREASM-JACKS/AIRRIDE
	111914-01-000	EA	WIREASM-DAYRUNLAMPS, FUSE
	111915-03-000	EA	WIREASM-DAYTIMERUNNINGLAMPS, FUSE
	113134-03-000	EA	WIREASM-WIPER/WASHER
	118649-01-000	EA	WIREASM-AIRHORN

**EXTERIORBODYGROUP****HADLEYAIRHORN**

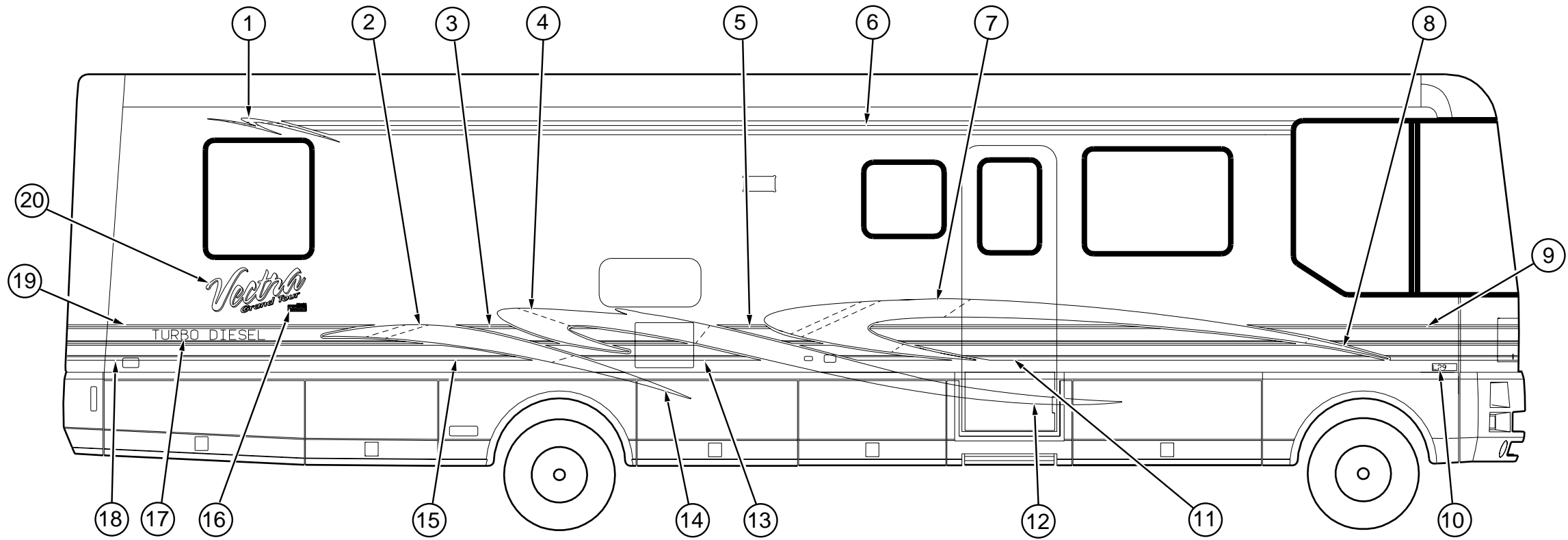
KEY	PARTNUMBER	U/M	DESCRIPTION	VENDORNO.
	077497-06-000	EA	HORN-AIR, CHROME-TWIN-HADLEY	977AW
	077497-01-701	EA	SWITCH-COMPRESSOR	13940-S
	077497-01-702	EA	SWITCH-TOGGLE, W/WIRE	12949-S
	081407-01-000	EA	PLATE-MOUNTING, AIRHORN	
	071390-04-000	FT	TUBINGAIRBRAKE, 1/4"OD-BLKWEATHERHEAD(BRAKES&HORN)	
	077497-03-000	EA	FITTINGKIT-HOSE, AUXILIARYAIRHORN PRESSURE GAUGE & HOSE FITTINGS	
	077497-01-710	EA	GAUGE-AIRPRESSURE	14212S
	077497-05-000	EA	COMPRESSOR/TANK/SOLENOIDKIT, HADLEY852EB	
	077497-01-700	EA	SOLENOID-AIRTANK	550B
	077497-01-703	EA	TANK-AIR	751-N
	077497-01-704	EA	COMPRESSORW/SWITCH	852EC
	077497-01-706	EA	VALVE&HEADREPAIR-COMPRESSOR	H00852HV
	077497-01-707	EA	BELT&SCREWCOVER-COMPRESSOR	H00852BR
	077497-01-708	EA	FILTER&MOUNTINGHARDWARE-COMPRESSOR	H00852FM
	077497-01-709	EA	PLUNGER&SPRING-SOLENOID	H136215
	077497-02-000	EA	HOSE-AUXILIARYAIRHORN, MIDLAND89ID 50' COILEDHOSE, AIRCHUCK, NEEDLE, NOZZLE & CARRIER	
	081404-01-000	EA	BRACKET-MOUNTING, COMPRESSOR-LSHAPED-4"X7.5"-ST	
	108114-01-000	EA	BRACKET-TANK, AIR(CHEV)	
	115024-01-02B	EA	BRACKET-TANK, AIRHORN, E-COAT(FORD)	
	115024-01-01B	EA	BRACKET-TANK, AIRHORN(FORD)	

**FIBERGLASS, STYROFOAM & STEEL CHANNEL**

KEY	PARTNUMBER	U/M	DESCRIPTION
	076054-U7-000	EA	FIBERGLASS SHEET, 79"X390"-SABLE
	108535-05-701	EA	FIBERGLASS-SHEET, 110"X396"-SABLE
	117754-01-02A	EA	FIBERGLASS-SHEET, 320"X2442MM-BRIGHTWHITE
	077517-63-000	EA	SHEET-FIBERGLASS, 4'X8'SABLE, FLAT
	083574-06-000	SF	STYROFOAM-.75"X48"X108"
	115301-01-000	SF	STYROFOAM-.34"X48"X600"
	100619-01-000	BF	EXPANDEDFOAMSHEET-48"X96"X1.34"
	100619-02-000	BF	FOAM-EXPANDEDPOLYSTYRENE, 48"X96"X1.5"
	100619-05-000	BF	FOAM-EXPANDEDPOLYSTYRENE, 48"X96"X.75"
	100619-11-000	BF	FOAM-EXPANDEDPOLYSTYRENE, 48"X96"X2"
	100619-13-000	BF	FOAM-EXPANDEDPOLYSTYRENE, 48"X96"X.34"
	120107-03-000	EA	FOAM-PLUG, ROOFTUBE
	120107-01-000	EA	FOAM-COVE, ROOF
	120107-02-000	EA	FOAM-PLUG, ROOFTUBE
	000870-08-000	SF	STYROFOAM-.75"X48"X96"-PLANED
	065747-01-000	SF	INSULATION-MICROFOAM, .5"THICKX72"X112'ROLL
	089297-01-000	SF	PLYWOOD-LUAN, OVERLAYGRADE-4'X8'
	068716-01-001	EA	BRACE-90DEGREEL-ANGLE, 192"-EXTRUDEDALUMINUM
	002726-01-001	EA	GARNISH-UCHANNEL, 1.38"X19'-SERRATED-MILLALUMINUM
	002754-01-001	EA	ANGLE-EXTRUDED, .75"X.75"X18'-MILLALUMINUM

## EXTERIOR BODY GROUP (CONTINUED)

### DECALS, STRIPES & PAINTS



KEY	PARTNUMBER	U/M	DESCRIPTION
1	119372-01-01A	EA	DECAL-SWEEP,#4-RH-MBLU/HGRN/MBRN/BRYWD
1	119372-02-01A	EA	DECAL-SWEEP,#4-LH-MBLU/HGRN/MBRN/BRYWD
2	119371-01-01A	EA	DECAL-SWEEP,#3-RH-MARBLU/HGRN/BRYWD
2	119371-02-01A	EA	DECAL-SWEEP,#3-LH-MARBLU/HGRN/BRYWD
3	124494-01-01A	EA	DECAL-E/GRAPHIC STRIPE-#5 RIGHTHAND
3	124494-02-01A	EA	DECAL-E/GRAPHIC STRIPE-#5 LEFTHAND
4	119370-01-01A	EA	DECAL-SWEEP,#2-RH-MARBLU/HGRN/BRYWD
4	119370-02-01A	EA	DECAL-SWEEP,#2-LH-MARBLU/HGRN/BRYWD
5	124492-01-01A	EA	DECAL-C/GRAPHIC STRIPE-#3 RIGHTHAND
5	124492-02-01A	EA	DECAL-C/GRAPHIC STRIPE-#3 LEFTHAND
6	093689-19-01A	FT	FILM-MULTISTRIPE,100.1MMX150-BRYWD/HTGRN/MBRN/MB
7	119369-01-01A	EA	DECAL-SWEEP,#1-RH-MRBLU/HGRN/MBRN/BRY
7	119369-02-01A	EA	DECAL-SWEEP,#1-LH-MRBLU/HGRN/MBRN/BRY
8	119373-01-01A	EA	DECAL-TIP, SWEEP-#1-RH-MEDBRN/HUNTGRN
8	119373-02-01A	EA	DECAL-TIP, SWEEP-#1-LH-MEDBRN/HUNTGRN
9	124490-01-01A	EA	DECAL-A/GRAPHIC STRIPE-#1 RIGHTHAND
9	124490-02-01A	EA	DECAL-A/GRAPHIC STRIPE-#1 LEFTHAND
10	122312-01-01A	EA	DECAL-VORTEC7400
11	124491-01-01A	EA	DECAL-B/GRAPHIC STRIPE-#2 RIGHTHAND
11	124491-02-01A	EA	DECAL-B/GRAPHIC STRIPE-#2 LEFTHAND
12	119374-01-01A	EA	DECAL-TIP, SWEEP-#2-RH-HUNTERGREEN
12	119374-02-01A	EA	DECAL-TIP, SWEEP-#2-LH-HUNTERGREEN
13	124493-01-01A	EA	DECAL-D/GRAPHIC STRIPE-#4 RIGHTHAND
13	124493-02-01A	EA	DECAL-D/GRAPHIC STRIPE-#4 LEFTHAND
14	119375-01-01A	EA	DECAL-TIP, SWEEP-#3-RH-HUNTERGREEN
14	119375-02-01A	EA	DECAL-TIP, SWEEP-#3-LH-HUNTERGREEN
15	124495-01-01A	EA	DECAL-F/GRAPHIC STRIPE-#6 RIGHTHAND
15	124495-02-01A	EA	DECAL-F/GRAPHIC STRIPE-#6 RIGHTHAND

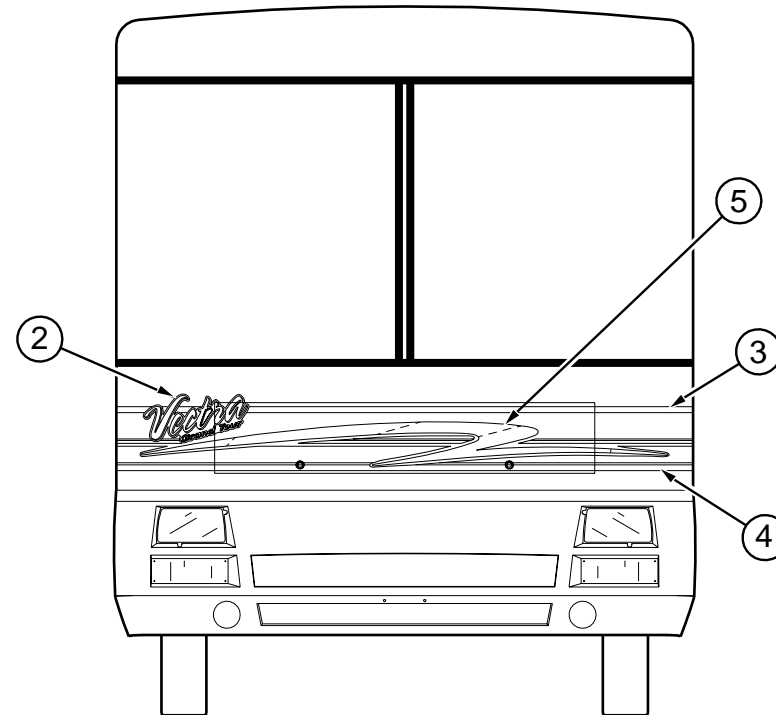
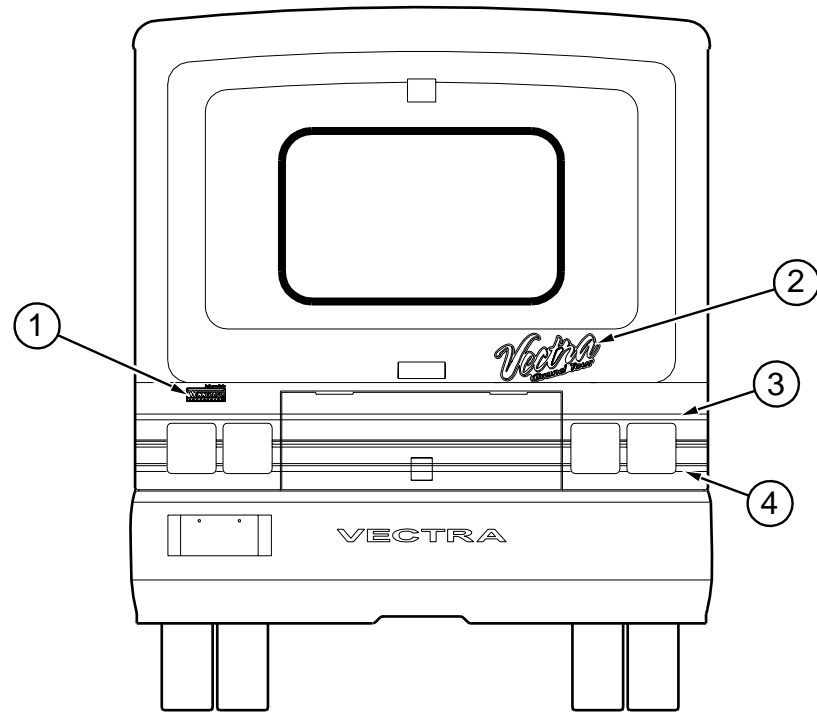
KEY	PARTNUMBER	U/M	DESCRIPTION
16	122770-02-02A	EA	DECAL-BUILT PROUD BY WINNIND-HUNTERGREEN
17	111318-03-02A	EA	DECAL-TURBODIESEL
18	105781-58-01A	FT	FILM-MULTISTRIPE 108.0MMX150-BRYWOOD/MARLINBLU
19	094423-09-01A	FT	FILM-OVERLAY, MULTISTRIPE 133.4-BRYWD/HTRGRN/MDBRN
20	119377-01-01A	EA	DECAL-VECTRA, GRAND TOUR-LG-HTGRN/BRYWD/HTGRN/B
	091828-61-000	GL	PAINT-CHROMABASE-OFFWHITE L8723
	041561-03-000	EA	PAINT-16OZ SPRAY-OFFWHITE

#### DUPONT PAINT COLOR CODES

MARLINBLUE MET.	BM500
HUNTERGREEN MET.	GM219
SABLE	F1529
MOCHA FROST PERAL	F1929
MEDIUM BROWN MET.	YM376
BERRYWOOD	F2983

## EXTERIOR BODY GROUP (CONTINUED)

### DECALS, STRIPES & PAINTS (CONTINUED)



KEY	PARTNUMBER	U/M	DESCRIPTION
1	122770-01-02A	EA	DECAL-BUILT PROUD BY WINNIND-HUNTERGREEN
2	119377-03-01A	EA	DECAL-VECTRA GRAND TOUR, SML-SBL/HTRGRN/BRYWD
3	094423-09-01A	FT	FILM-OVERLAY, MULTISTRIPE 133.4-BRYWD/HTRGRN/MDBRN
4	105781-58-01A	FT	FILM-MULTISTRIPE 108.0MMX150-BRYWOOD/MARLINBLU
5	124496-01-01A	EA	DECAL-HOOD

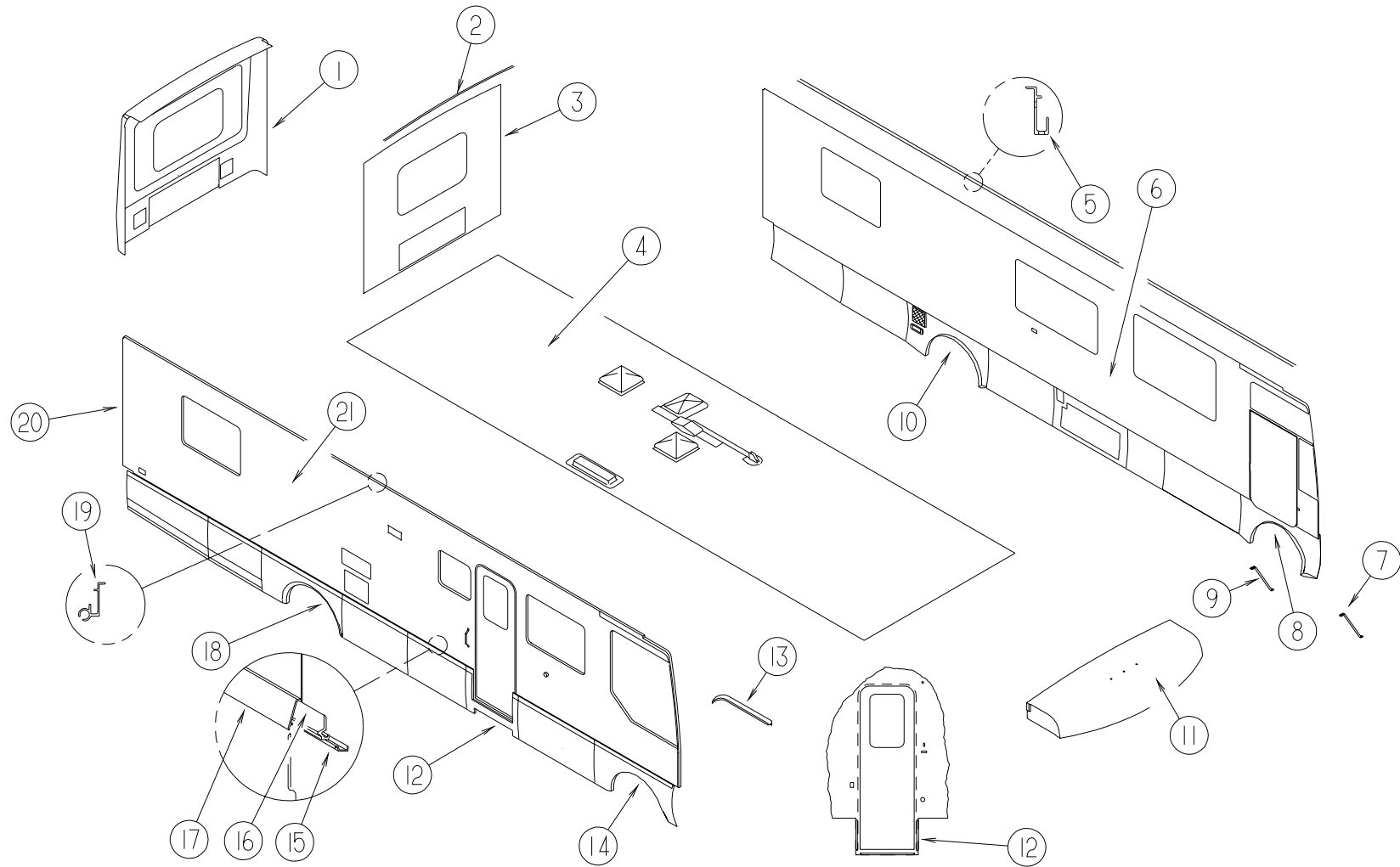
#### DUPONT PAINT COLOR CODES

MARLINBLUEMET.  
 HUNTERGREENMET.  
 SABLE  
 MOCHA FROST PERAL  
 MEDIUM BROWN MET.  
 BERRYWOOD

BM500  
 GM219  
 F1529  
 F1929  
 YM376  
 F2983

# EXTERIORBODYGROUP(CONTINUED)

## BODYPANELS&TRIM



KEY	PARTNUMBER	U/M	DESCRIPTION
1	117513-01-01A	EA	PANEL-REARCAP,W/ODOORSABLE(TWINBEDS)
1	117514-01-01A	EA	PANEL-REARCAP,W/DOORSABLE(QUEENORKINGBED)
2	083805-22-000	EA	TRIM-CAP,ROOF-SABLE
3	P17401-01-H56	EA	BACKWALL-W/OWINDOW/TRIM(QUEENORKINGBED)(H56,H57)
3	P17401-01-H58	EA	BACKWALL-W/OWINDOW/TRIM(QUEENORKINGBED)(H58,H59)
3	P17401-01-H60	EA	BACKWALL-W/OWINDOW/TRIM(QUEENORKINGBED)(H60,H61)
3	P17403-01-H56	EA	BACKWALL-W/OWINDOW/TRIM(TWINBEDS)(H56,H57)
3	P17403-01-H58	EA	BACKWALL-W/OWINDOW/TRIM(TWINBEDS)(H58,H59)
3	P17403-01-H60	EA	BACKWALL-W/OWINDOW/TRIM(TWINBEDS)(H60,H61)
4	P23346-01-H56	EA	ROOF-W/OLIGHTS/VENTS,W/WIRING
5	120091-01-03A	EA	TRIM-ROOF,SABLE
5	120091-02-03A	EA	TRIM-ROOF,SABLE
6	M06902-12-H56	EA	SIDEWALL-DR.W/OWINDOWS/TRIM,W/WAINSCOTING(QUEEN&KINGBED)
6	M06902-12-H57	EA	SIDEWALL-DR.W/OWINDOWS/TRIM,W/WAINSCOTING(QUEEN&KINGBED)
6	M06902-12-H58	EA	SIDEWALL-DR.W/OWINDOWS/TRIM,W/WAINSCOTING(QUEEN&KINGBED)
6	M06902-12-H59	EA	SIDEWALL-DR.W/OWINDOWS/TRIM,W/WAINSCOTING(QUEEN&KINGBED)
6	M06902-12-H60	EA	SIDEWALL-DR.W/OWINDOWS/TRIM,W/WAINSCOTING(QUEEN&KINGBED)
6	M06902-12-H61	EA	SIDEWALL-DR.W/OWINDOWS/TRIM,W/WAINSCOTING(QUEEN&KINGBED)
6	M06902-13-H56	EA	SIDEWALL-DR.W/OWINDOWS/TRIM/WAINSCOTING(TWINBED)
6	M06902-13-H57	EA	SIDEWALL-DR.W/OWINDOWS/TRIM/WAINSCOTING(TWINBED)
6	M06902-13-H58	EA	SIDEWALL-DR.W/OWINDOWS/TRIM/WAINSCOTING(TWINBED)
6	M06902-13-H59	EA	SIDEWALL-DR.W/OWINDOWS/TRIM/WAINSCOTING(TWINBED)
6	M06902-13-H60	EA	SIDEWALL-DR.W/OWINDOWS/TRIM/WAINSCOTING(TWINBED)
6	M06902-13-H61	EA	SIDEWALL-DR.W/OWINDOWS/TRIM/WAINSCOTING(TWINBED)
7	107865-07-000	EA	ROD-SUPPORT,VALANCEPANEL

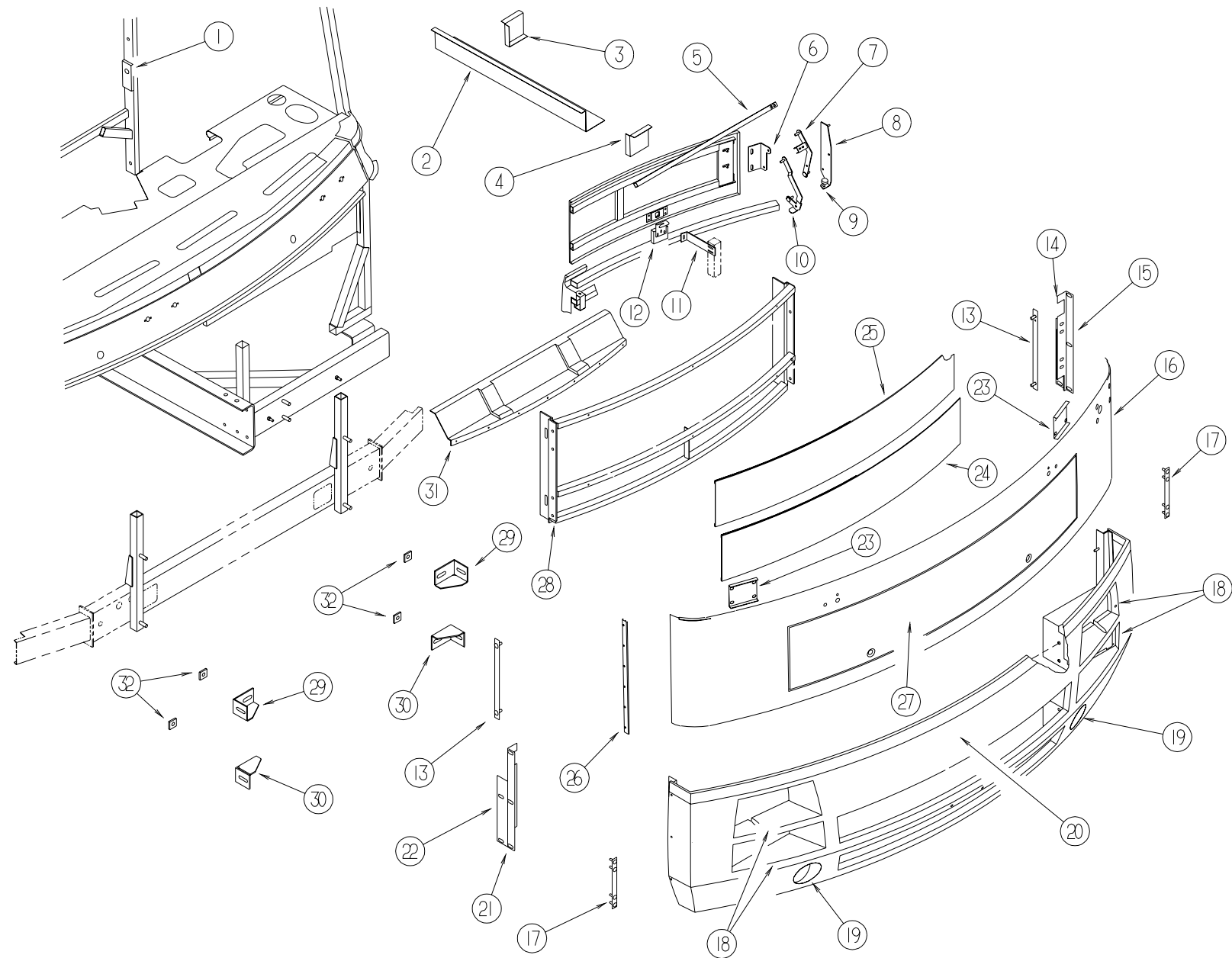
KEY	PARTNUMBER	U/M	DESCRIPTION
8	118842-01-GV0	EA	PANELASM-WHEELWELL,FRONT,LH
	106105-03-000	EA	CLIP-VALANCERETAINING
	120932-02-02B	EA	ANGLE-WHEELLIP,LH,E-COAT
9	107865-06-000	EA	ROD-SUPPORT,VALANCEPANEL
10	P18391-01-GV0	EA	WHEELLIPASM-REAR,LHW/OFUELDOOR
	118036-01-01A	EA	HINGE-SINGLEPIVOT,MILL
11	118027-01-01A	EA	CAP-ROOF,SABLE
12	113119-01-01A	EA	PANEL-VALANCE,ENTRANCEDOOR,BLACK
	121091-09-01A	EA	ANGLE-DOOR,ENTRANCE-HAMPTONTAN
	121091-03-01A	EA	ANGLE-ENTRANCEDOOR,BOTTOM-HAMPTONTAN
	106105-03-000	EA	CLIP-VALANCE,RETAINING
	118394-01-GV0	EA	PANELASM-VALANCE,HORSESHOE
13	108274-07-01A	EA	RAIL-DRIP,FRONT,RH-SABLE
13	108274-08-01A	EA	RAIL-DRIP,FRONT,LH-SABLE
14	118843-01-GV0	EA	PANELASM-WHEELWELL,FRONT,RH
	120932-01-02B	EA	ANGLE-WHEELLIP,RH-E-COAT
	107487-02-000	EA	ANGLE-ATTACHMENT,FRONT
	106105-05-000	EA	CLIP-VALANCE,RETAINING
15	118547-01-01A	EA	RETAINER-TRIM,MILL,305MM
15	118547-02-01A	EA	RETAINER-TRIM,MILL,100MM
15	118547-03-01A	EA	RETAINER-TRIM,MILL,50MM
	118359-51-001	EA	EXTR-RETAINER,TRIM4877MM
16	118546-01-01A	EA	HANGER-VALANCE,MILL
	118358-51-001	EA	EXTR-SIDEWALL,LOWER4623MM





# EXTERIORBODYGROUP(CONTINUED)

## FRONTENDASSEMBLY

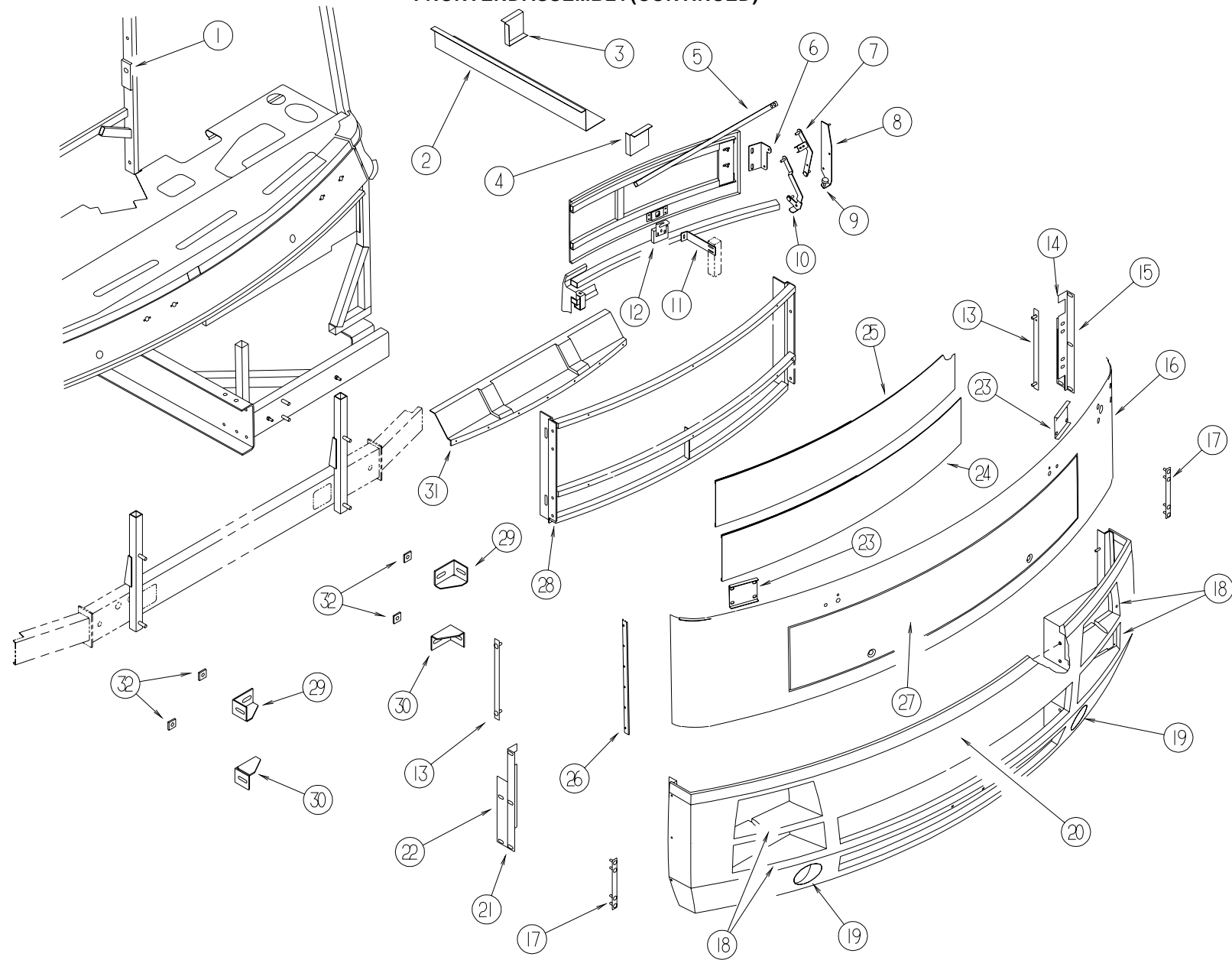


KEY	PARTNUMBER	U/M	DESCRIPTION
1	070579-06-000	EA	PLATE-ANCHOR,W/7/16WELDNUT-1.5"X3.3"
	070579-07-000	EA	PLATEASM-ANCHORW/ONUT
2	106746-02-000	EA	PANEL-STEPWELL
3	106747-03-000	EA	PANEL-STEPWELL,ENDRH
4	106747-04-000	EA	PANEL-STEPWELL,ENDLH
5	105096-10-000	EA	TUBEASM-TIMING,HOODHINGE-CHEV
5	120466-02-02B	EA	TUBEASM-TIMING,HOODHINGE-FORD
6	109927-05-000	EA	ANGLE-LINK,HOOD-RH
6	109927-06-000	EA	ANGLE-LINK,HOOD-LH
7	118156-01-02B	EA	LINKASM-HGE,HOOD,UPR,RH,E-COAT
7	118156-02-02B	EA	LINKASM-HGE,HOOD,UPR,LH,E-COAT
8	109926-11-000	EA	BRACKETASM-LINK,HINGE,RH
8	109926-12-000	EA	BRACKETASM-LINK,HINGE,LH
9	058786-01-000	EA	BOLT-ADJUSTING,HOOD-W/BLACKPAD-5/16"#18X2"
	106765-01-000	EA	SUPPORT-BOLT,HOODADJUSTING
10	118154-03-02B	EA	LINKASM-HGE,HOOD,LOWER,RH,E-COAT
	118154-01-01B	EA	LINK-HINGE,HOOD,LOWER,RH,MILL
10	118154-04-02B	EA	LINKASM-HGE,HOOD,LOWER,LH,E-COAT
	118154-02-01B	EA	LINK-HINGE,HOOD,LOWER,LH,MILL
11	118607-01-02B	EA	BRACE-FRONTEND

KEY	PARTNUMBER	U/M	DESCRIPTION
12	106748-03-000	EA	LATCH-HOOD,FRONTEND
13	106730-02-000	EA	PLATEASM-STUD
	106730-01-000	EA	PLATE-STUD
14	120932-02-02B	EA	ANGLE-WHEELIP,LH,E-COAT
15	120933-02-02B	EA	ANGLE-BUMPER,LH,E-COAT
	117979-17-02B	EA	SUPPORTASM-BUMPER,FORD-RH,E-CT
16	117499-02-GV0	EA	FRONTEND-FIBERGLASS,SABLE
	117499-01-01A	EA	PANEL-FRONT,LOWER-SABLE
	002328-02-000	EA	BLOCK-WINDSHIELD,.062"X.5"X.98"
	119445-01-02B	EA	PLATE-W/HOLES,E-COAT
17	120934-02-02B	EA	PLATEASM-STUD,E-COAT
18	117777-01-02B	EA	FRAMEASM-HEADLAMP,RH,E-COAT
18	117777-02-02B	EA	FRAMEASM-HEADLAMP,LH,E-COAT
19	117503-01-01A	EA	HOUSING-FOGLAMP,BLACK
	118650-01-02B	EA	SUPPORT-FOGLAMP,E-COAT
	118651-03-02B	EA	SUPPORTASM-BUMPER/FOGLAMP,E-COAT
	118651-04-02B	EA	SUPPORTASM-BUMPER/FOGLAMP,E-COAT

## EXTERIORBODYGROUP(CONTINUED)

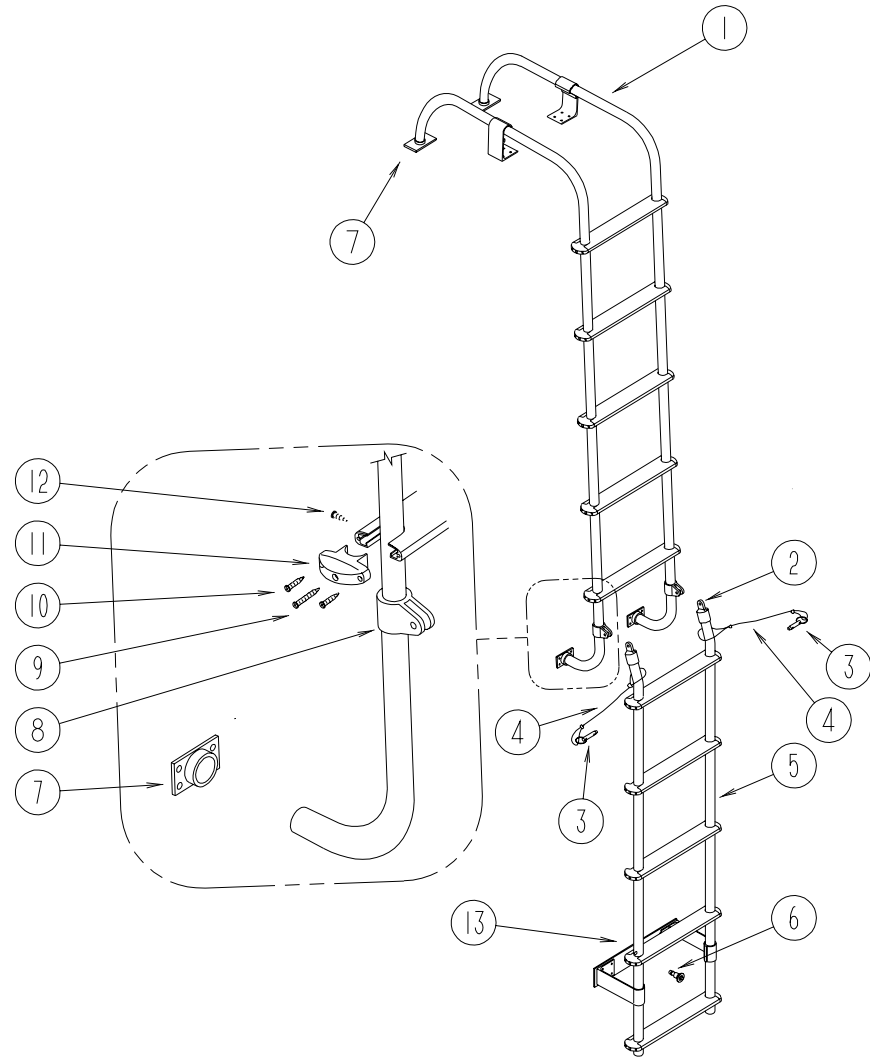
### FRONTENDASSEMBLY(CONTINUED)



KEY	PARTNUMBER	U/M	DESCRIPTION
20	M08089-01-GV0	EA	PANELASM-BUMPER,FRONT-CHEVY
20	M08089-02-GV0	EA	PANELASM-BUMPER,FRONT-FORD
	106730-06-000	EA	PLATE-STUD
	106730-05-000	EA	PLATE-STUD
21	120933-01-02B	EA	ANGLE-BUMPER,RH,E-COAT
22	120932-01-02B	EA	ANGLE-WHEELIP,RH,E-COAT
23	120331-01-02B	EA	BRACKET-SUPPORT,FRONTEND,E-COAT
24	115924-07-02A	EA	GRILLE-WOVENWIRE,FLATBLACK
25	115924-02-02A	EA	GRILLE-WOVENWIRE,FLATBLACK
26	114422-01-02A	EA	TRIM-PANEL,FIBERGLASS-SABLE
27	117496-01-GV0	EA	PANELASM-HOOD,SABLE
	106730-02-000	EA	PLATEASM-STUD(HOOD/INNER)
	106730-01-000	EA	PLATE-STUD
	102330-01-000	EA	LATCH-SINGLEHOLE,VISEACTION
	102328-01-000	EA	KEY-LATCH

KEY	PARTNUMBER	U/M	DESCRIPTION
28	118117-01-GV0	EA	FRAMEASM-BUMPER,FRONT
29	117611-01-02B	EA	BRACKETASM-BUMPER,E-COAT
29	117611-02-02B	EA	BRACKETASM-BUMPER,E-COAT
30	120665-02-01A	EA	SPOILER-RADIATOR,FRONT-BLACK-FORD
30	P20665-01-01A	EA	SPOILER-RADIATOR,FRONT-BLACK-CHEV
31	116617-02-02B	EA	SPACER-BUMPER,E-COAT
	120481-01-02B	EA	ANGLE-W/SLOTS

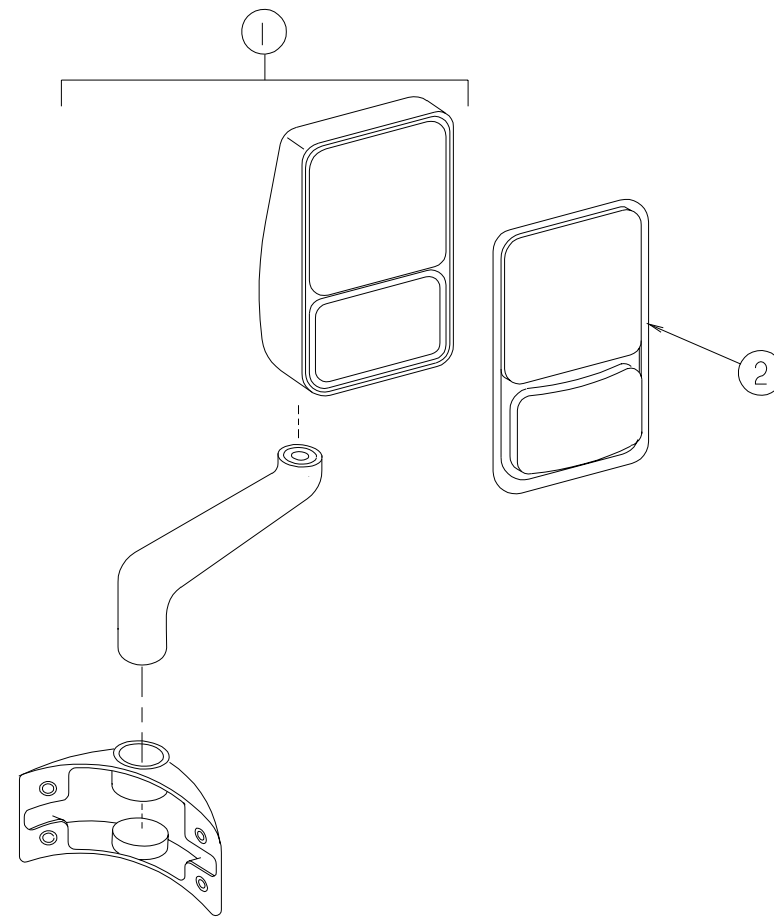
**EXTERIORBODYGROUP(CONTINUED)**



**LADDER**

KEY	PARTNUMBER	U/M	DESCRIPTION
1	118841-01-GV0	EA	LADDERASM-UPPER
2	081115-01-000	EA	CAP-TOP, 1INCH
3	081056-01-000	EA	PIN-QUICKRELEASE, SINGLEACTION-LADDER
4	076767-11-000	EA	CABLE -1/16"X5.9"
5	118840-01-GV0	EA	LADDERASM-LOWER
6	114834-01-000	EA	PIN-QUICKRELEASE, FASPINC4-6R303
7	067165-01-000	EA	MOUNTINGBRACKET-LADDER, LOWER
8	081116-01-000	EA	SLIDE-TOP, RACK&LADDER -1"
9	000G67-10-36T	EA	SCREW -10-12X2.25PPH, BLACK
10	000G39-06-10T	EA	SCREW-SF/DR, 6-20X5/8PPH
11	076980-02-000	EA	ENDCAP-STEP, BLACK
12	000G39-10-16U	EA	SCREW-SF/DR, 10-16X1.00PPH
13	108423-01-02A	EA	PLATE-BUMPER, LADDER, LOWER
	081114-01-000	EA	CAP-INSERT, ROUND-1"DIAMETER-PLASTIC-BLACK
	038327-01-000	EA	TAPE-ANTISLIP, 2"X60'
	081055-01-000	EA	SPRINGGRIP-INTERNALTOOTH-LADDER

**EXTERIORBODYGROUP(CONTINUED)**



**VELVACEXTERIORMIRRORS**

KEY	PARTNUMBER	U/M	DESCRIPTION	VENDORNO.
1	119774-03-01A	EA	MIRRORASM-EXTERIOR, REMOTEW/HEAT, RH713648-7	FROM: 00-00-00 THRU: 11-03-96
2	086261-01-704	EA	MIRRORKIT-EXTERIOR, PASS. SIDE	709268
			KITCONTAINS: BEZEL-CONVEXGLASS-HEATEDFLATGLASS	
1	119774-04-01A	EA	MIRRORASM-EXTERIOR, REMOTEW/HEAT, LH713649-7	FROM: 00-00-00 THRU: 11-03-96
2	086261-02-701	EA	MIRRORKIT-EXTERIOR, DRIVERSIDE	709269
			KITINCLUDES: BEZEL-CONVEXGLASS-HEATEDFLATGLASS	
1	119774-09-01A	EA	MIRROR-EXTERIORREMOTE/HEAT, RH	FROM: 11-04-96 THRU: 99-99-99
2	086261-01-704	EA	MIRRORKIT-EXTERIOR, PASS. SIDE	709268
			KITCONTAINS: BEZEL-CONVEXGLASS-HEATEDFLATGLASS	
1	119774-10-01A	EA	MIRROR-EXTERIORREMOTE/HEAT, DRIVER	FROM: 11-04-96 THRU: 99-99-99
2	086261-02-701	EA	MIRRORKIT-EXTERIOR, DRIVERSIDE	709269
			KITINCLUDES: BEZEL-CONVEXGLASS-HEATEDFLATGLASS	
	108825-02-000	EA	GASKET-MIRROR	
	088246-01-000	EA	SWITCH-REMOTE, EXTERIORMIRROR-SQUAREPUSH7471290	
	087695-02-000	EA	SWITCH-MIRRORHEATER, DAV4720-12	
	087695-03-000	EA	CONNECTOR-ASSEMBLY EURAMTECRT1048480	

**SQUEEGEE**

KEY	PARTNUMBER	U/M	DESCRIPTION
	091955-02-000	EA	SQUEEGEE-EXTENDHANDLE
	110429-03-D18	EA	BRACKETASM-SQUEEGEE
	110429-01-01A	EA	BRACKET-SQUEEGEE, MILL

**GALLEYGROUP**

**LARGENORCOLD982REFRIGERATORW/ICEMAKER**

KEY	PARTNUMBER	U/M	DESCRIPTION	VENDORNO.
	120075-03-01A	EA	REFRIG-LARGE DOUBLE DOOR 2WAY-BLACK982RIM	
	114431-05-000	EA	VALVE-NEEDLE,COMP 1/8MPTX1/4-FLAIR-IT64858	
	084880-01-718	EA	VALVE-GAS,(ASCO)	61551822
	084880-01-760	EA	CLIP(THERMISTER)	61689122
	084880-03-705	EA	BRACKET-LIGHT,INTERIOR	61629722
	084880-03-706	EA	BULB-LAMP	61628922
	088248-01-709	EA	HEATER-AC(HORIZONTAL)	61562722
	088248-01-710	EA	HEATER-DC(HORIZONTAL)3WAY	61562822
	104137-06-709	EA	VALVE-SHUTOFF,MANUAL	61694922
	104137-06-714	EA	BURNERASSEMBLY,5-SLOT	61705222
	104137-06-715	EA	ELECTRODE-SPARK/SENSOR,SINGLE	61692222
	104137-06-718	EA	SHELF-TRAY,WHITE,W/CUTOUT	617756
	113737-01-702	EA	PLUG-1/8",PRESSURE TAP	61445322
	113737-01-716	EA	TAP-PRESSURE	61594422
	113737-01-750	EA	TUBE-UNION	61694622
	120075-01-700	EA	RETAINER-DOOR,DECORPANEL	618128
	120075-01-701	EA	HINGE-TOPRH-BOTTOM LH,PAINTED	618511
	120075-01-702	EA	CAP,(HINGE PLUG)	618160
	120075-01-703	EA	DOORASM-FOAMEDW/GASKET	618205
	120075-01-704	EA	HANDLEASM,UPPER LH-BOTTOMRH	618230
	120075-01-705	EA	HINGE-PAINTED,TOPLH-BOTTOMRH	618510
	120075-01-706	EA	BIN-DOOR	618109
	120075-01-707	EA	DIVIDER-DOORBIN	618166
	120075-01-708	EA	BUSHING-DOORHINGE	618144
	120075-01-709	EA	RETAINER-LOWERDOORPANEL	618219
	120075-01-710	EA	DOOR-LOWER,FOAMED,W/GASKET	618270
	120075-01-711	EA	HANDLEASM,UPPER RH-LOWER LH	618235
	120075-01-712	EA	BIN-DOOR,BOTTOM-LARGE	618103
	120075-01-713	EA	TRIM-TOPPIECE	618124
	120075-01-714	EA	PLUG-HOLE	618170
	120075-01-715	EA	HINGE-CABINETSIDE-PAINTED	618512
	120075-01-716	EA	TRIM-SIDEPiece	618134
	120075-01-717	EA	SHELF-FREEZER,WIRE	618172
	120075-01-718	EA	BOX-FILLER	618112
	120075-01-719	EA	OPTICALCONTROLBOXASSEMBLY	618245
	120075-01-720	EA	TRAY-DRIP	618137
	120075-01-721	EA	LOUVER-DRIPTRAY	618176
	120075-01-722	EA	SHELF-WIRE,SHORT	618239
	120075-01-723	EA	SHELF-WIRE	618114
	120075-01-724	EA	SHELF-WIRE,W/CUTOUT	618177
	120075-01-725	EA	COVER-CRISPER	618158
	120075-01-726	EA	CRISPER	618154
	120075-01-727	EA	PIN-HINGE	618145
	120075-01-728	EA	COVER-HINGEHOLE	618171
	120075-01-729	EA	TRIM-BOTTOMPIECE	618136
	120075-01-730	EA	RETAINER-SHELF	618181
	120075-01-731	EA	PLUG-FACADE	618184
	120075-01-732	EA	PLATE-STRIKE	618167
	120075-01-734	EA	COVER-LENS	618190
	120075-01-735	EA	WIREASM.-LAMP	618548
	120075-01-736	EA	COOLINGUNIT,SERVICEPACK	618542
	120075-01-737	EA	ORFICE-JEWEL,.0155	618284
	120075-01-738	EA	COVER-POWERBOARD	618185
	120075-01-739	EA	BOARD-POWER,2-WAY	618198
	120075-01-740	EA	COVER-BASE,POWERBOARD	618186
	120075-03-700	EA	CABINET-FOAMED	618285
	120075-03-701	EA	VALVEASM.,WATER,W/BRACKET	618253
	120075-03-702	EA	FITTING-NUT/COMPRESSION	61678722
	120075-03-703	EA	ARM-SHUTOFF	61656922
	120075-03-704	EA	BIN-ICECUBE	618154
	054450-01-000	EA	LEVEL-REFRIGERATOR	
	103251-07-01A	EA	INSERT-ACRYLICBLACK-21.60X14.53	
	103251-09-01A	EA	INSERT-ACRYLICBLACK-21.60X38.62	
	116751-02-01A	EA	TRAY-REFRIGERATOR,BLACK	

**GALLEYGROUP(CONTINUED)**

**LARGENORCOLD982RREFRIGERATOR**

KEY	PARTNUMBER	U/M	DESCRIPTION	VENDORNO.
	120075-01-01A	EA	REFRIGERATOR-LARGE DOUBLE DOOR 2WAY-BLACK982R	
	084880-01-718	EA	VALVE-GAS,(ASCO)	61551822
	084880-01-760	EA	CLIP(THERMISTER)	61689122
	084880-03-705	EA	BRACKET-LIGHT-INTERIOR	61629722
	084880-03-706	EA	BULB-LAMP	61628922
	088248-01-709	EA	HEATER-AC(HORIZONTAL)	61562722
	088248-01-710	EA	HEATER DC(HORIZONTAL)3WAY	61562822
	104137-06-709	EA	VALVE-SHUTOFF,MANUAL	61694922
	104137-06-714	EA	BURNERASSEMBLY,5-SLOT	61705222
	104137-06-715	EA	ELECTRODE-SPARK/SENSOR,SINGLE	61692222
	104137-06-718	EA	SHELF-TRAY,WHITE,W/CUTOUT	617756
	113737-01-702	EA	PLUG-1/8",PRESSURE TAP	61445322
	113737-01-716	EA	TAP-PRESSURE	61594422
	113737-01-750	EA	TUBE-UNION	61694622
	120075-01-700	EA	RETAINER-DOOR,DECORPANEL	618128
	120075-01-701	EA	HINGE-TOPRH-BOTTOM LH,PAINTED	618511
	120075-01-702	EA	CAP,(HINGE PLUG)	618160
	120075-01-703	EA	DOORASM-FOAMED,W/GASKET	618205
	120075-01-704	EA	HANDLEASM,UPPER LH-BOTTOMRH	618230
	120075-01-705	EA	HINGE,PAINTED,TOPLH-BOTTOMRH	618510
	120075-01-706	EA	BIN-DOOR	618109
	120075-01-707	EA	DIVIDER-DOORBIN	618166
	120075-01-708	EA	BUSHING-DOORHINGE	618144
	120075-01-709	EA	RETAINER-LOWERDOORPANEL	618219
	120075-01-710	EA	DOOR-LOWER,FOAMED,W/GASKET	618270
	120075-01-711	EA	HANDLEASM,UPPER RH-LOWER LH	618235
	120075-01-712	EA	BIN-DOOR,BOTTOM-LARGE	618103
	120075-01-713	EA	TRIM-TOPPIECE	618124
	120075-01-714	EA	PLUG-HOLE	618170
	120075-01-715	EA	HINGE-CABINETSIDE-PAINTED	618512
	120075-01-716	EA	TRIM-SIDEPiece	618134
	120075-01-717	EA	SHELF-FREEZER,WIRE	618172
	120075-01-718	EA	BOX-FILLER	618112
	120075-01-719	EA	OPTICALCONTROLBOXASSEMBLY	618245
	120075-01-720	EA	TRAY-DRIP	618137
	120075-01-721	EA	LOUVER-DRIPTRAY	618176
	120075-01-722	EA	SHELF-WIRE,SHORT	618239
	120075-01-723	EA	SHELF-WIRE	618114
	120075-01-724	EA	SHELF-WIRE,W/CUTOUT	618177
	120075-01-725	EA	COVER-CRISPER	618158
	120075-01-726	EA	CRISPER	618154
	120075-01-727	EA	PIN-HINGE	618145
	120075-01-728	EA	COVER-HINGEHOLE	618171
	120075-01-729	EA	TRIM-BOTTOMPIECE	618136
	120075-01-730	EA	RETAINER-SHELF	618181
	120075-01-731	EA	PLUG-FACADE	618184
	120075-01-732	EA	PLATE-STRIKE	618167
	120075-01-733	EA	CABINET-FOAMED	618265
	120075-01-734	EA	COVER-LENS	618190
	120075-01-735	EA	WIREASM.-LAMP	618548
	120075-01-736	EA	COOLINGUNIT,SERVICEPACK	618542
	120075-01-737	EA	ORFICE-JEWEL,.0155	618284
	120075-01-738	EA	COVER-POWERBOARD	618185
	120075-01-739	EA	BOARD-POWER,2-WAY	618198
	120075-01-740	EA	COVER-BASE,POWERBOARD	618186
	065225-02-000	EA	PLATE-TIEDOWN,REFRIGERATOR	
	090195-08-000	EA	BAFFLE-REFRIGERATOR,LOWER	
	093646-01-000	EA	BRACKETASM-TIEDOWN,REFRIGERATOR	
	093646-02-000	EA	BRACKET-TIEDOWN,REFRIGERATOR	
	054450-01-000	EA	LEVEL-REFRIGERATOR	
	103251-07-01A	EA	INSERT-ACRYLICBLACK-21.60X14.53	
	103251-09-01A	EA	INSERT-ACRYLICBLACK-21.60X38.62	
	116751-02-01A	EA	TRAY-REFRIGERATOR,BLACK	

## GALLEYGROUP(CONTINUED)

### STOVETOPCOVERS

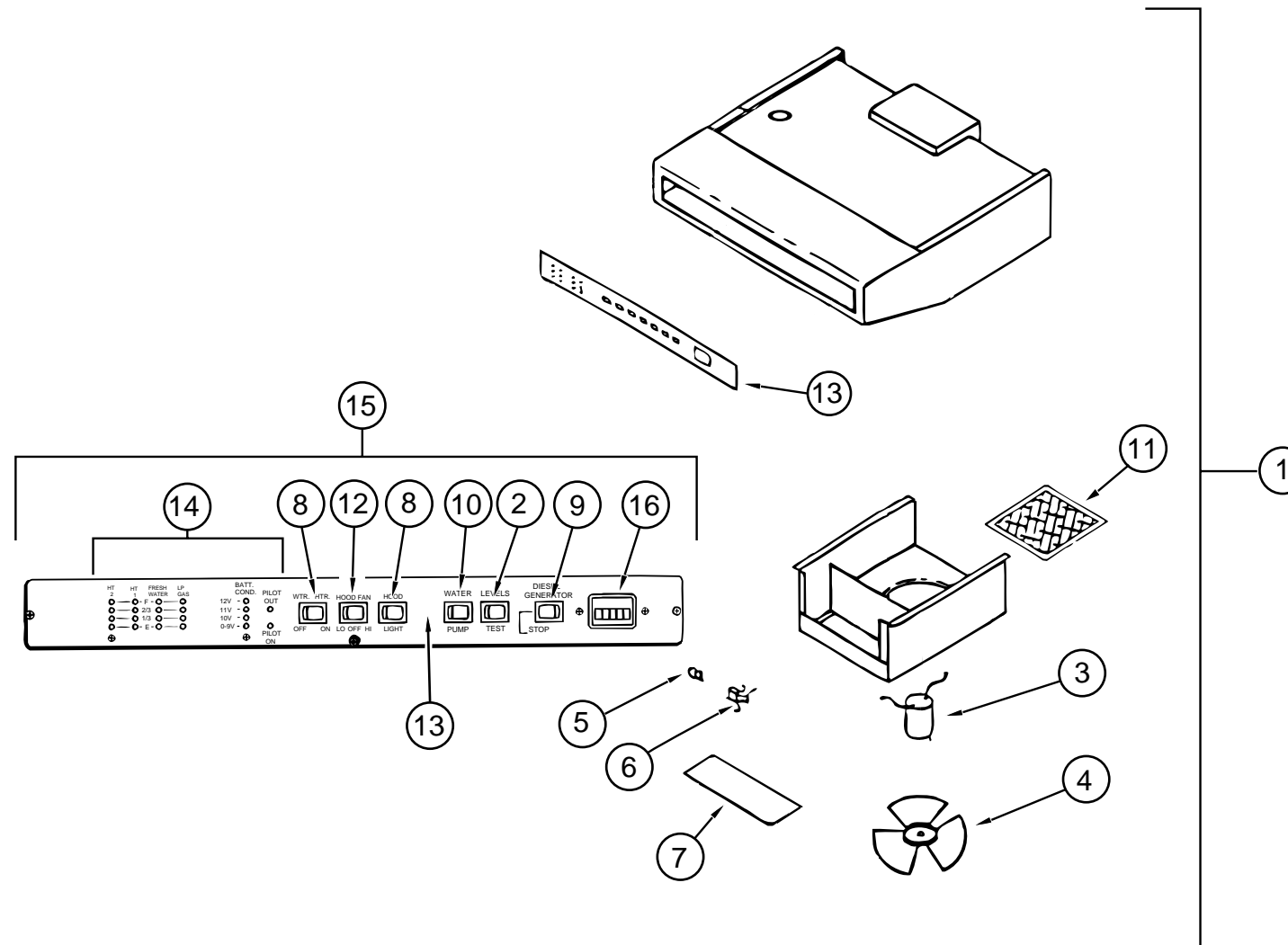
KEY	PARTNUMBER	U/M	DESCRIPTION
	M05904-01-GV4	EA	COVERASM-STOVE,W/COUNTERTOP(H56,H57,H58,H59)
	M05904-01-H60	EA	COVERASM-STOVE,W/COUNTERTOP(H60,H61)

### MICROWAVEOVEN

KEY	PARTNUMBER	U/M	DESCRIPTION
	122753-01-000	EA	OVEN-MICROWAVE,.9CU.FT.NONCONVECTION
	122753-02-000	EA	OVEN-MICROWAVE,.9CU.FT.CONVECTION
	122753-03-000	EA	OVEN-MICROWAVE,.9CU.FT.CSANONCONVECTION
	122753-04-000	EA	OVEN-MICROWAVE,.9CU.FT.CSAONCONVECTION
	082227-06-000	EA	TRIM-BOTTOMMICOWAVE,BLACK
	102486-13-01A	EA	TRIM-MICROWAVE,VERTICALBLACK
	122884-01-01A	EA	TRIM-MICROWAVEBLACK
	094756-03-G15	EA	BRACKET-ANGLE,W/HOLES
	094756-01-02A	EA	BRACKET-ANGLE,W/HOLES-MILL
	094756-02-01A	EA	BRACKET-L,MICROWAVE-6.1"LONGX3.9"WIDE-STEEL-TAN

### COFFEEMAKER-BLACK&DECKERSDC2B

KEY	PARTNUMBER	U/M	DESCRIPTION	VENDORNO.
	103799-02-01A	EA	COFFEEMAKERWITHCLOCK,WHITE-BLK&DKRSDC2B	
	103799-01-700	EA	POT-CARAFE,GLASS	679420
	103799-01-701	EA	BRACKETS,WHITEPAIR	164734-06B&D

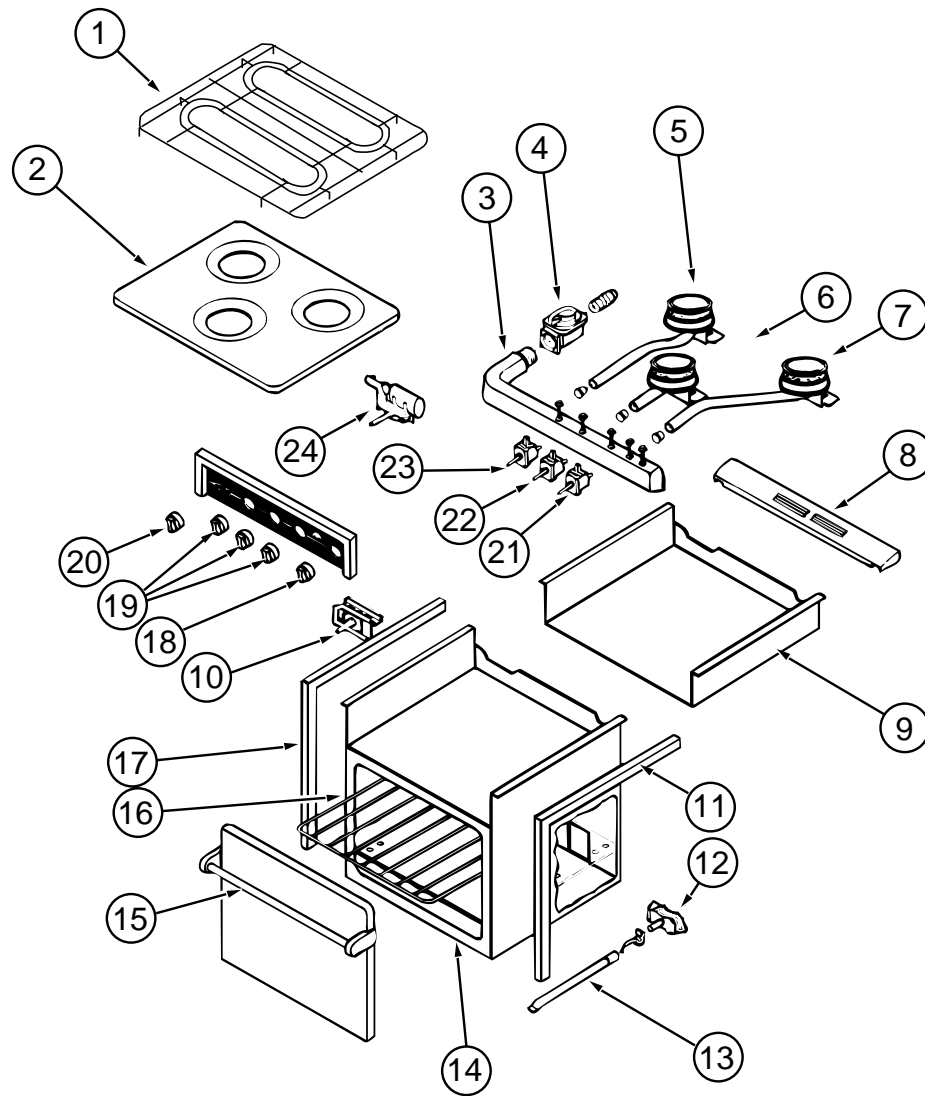


### RANGEHOODS

KEY	PARTNUMBER	U/M	DESCRIPTION	VENDORNO.
1	100258-21-02A	EA	HOOD-RANGE,W/MONITORPANELTEXTURED-U.S.TMS-5011-SBPLG	
1	100258-24-02A	EA	HOOD-RANGE,W/MONITORPANELTEXTURED-CSATMS-5011-SBCLG	
2	096983-01-701	EA	SWITCH-SPSTMOM.2TERM	L0111
3	090973-01-700	EA	MOTOR-12VOLT,CSA&UL	CA508-1
4	090973-01-702	EA	BLADE-FAN	VA183-1
5	117806-01-000	EA	BULB-12VNO.9121.0AMPS	
6	092696-01-710	EA	HOLDER-LAMP	CB267-2
7	092696-02-701	EA	LENS-LAMP	CC179-2
8	096983-01-701	EA	SWITCH-SPSTMOM.2TERM	L0111
9	096983-01-702	EA	SWITCH-MOM/OFF/MOM,3TERM	112
10	096983-01-703	EA	SWITCH-ON/ON	115
11	096983-01-707	EA	FILTER-MESH	CC246
	100258-05-700	EA	FILTER-CHARCOAL	CC248
12	100258-08-701	EA	SWITCH-FAN,2-SPEED	122
13	100258-06-701	EA	PLATE-FACE,METALSCREENED 9511	
14	100258-11-700	EA	BOARD-CIRCUIT	L5099-01
15	100258-11-701	EA	PANEL-CONTROLASSEMBLY	LA9080
16	100258-10-701	EA	GAUGE-HOURMETER,CLIPON	L0775-00
16	100258-10-01A	EA	GAUGE-HOURMETERW/SWITCH,SCREWONSTYLE	

# GALLEYGROUP(CONTINUED)

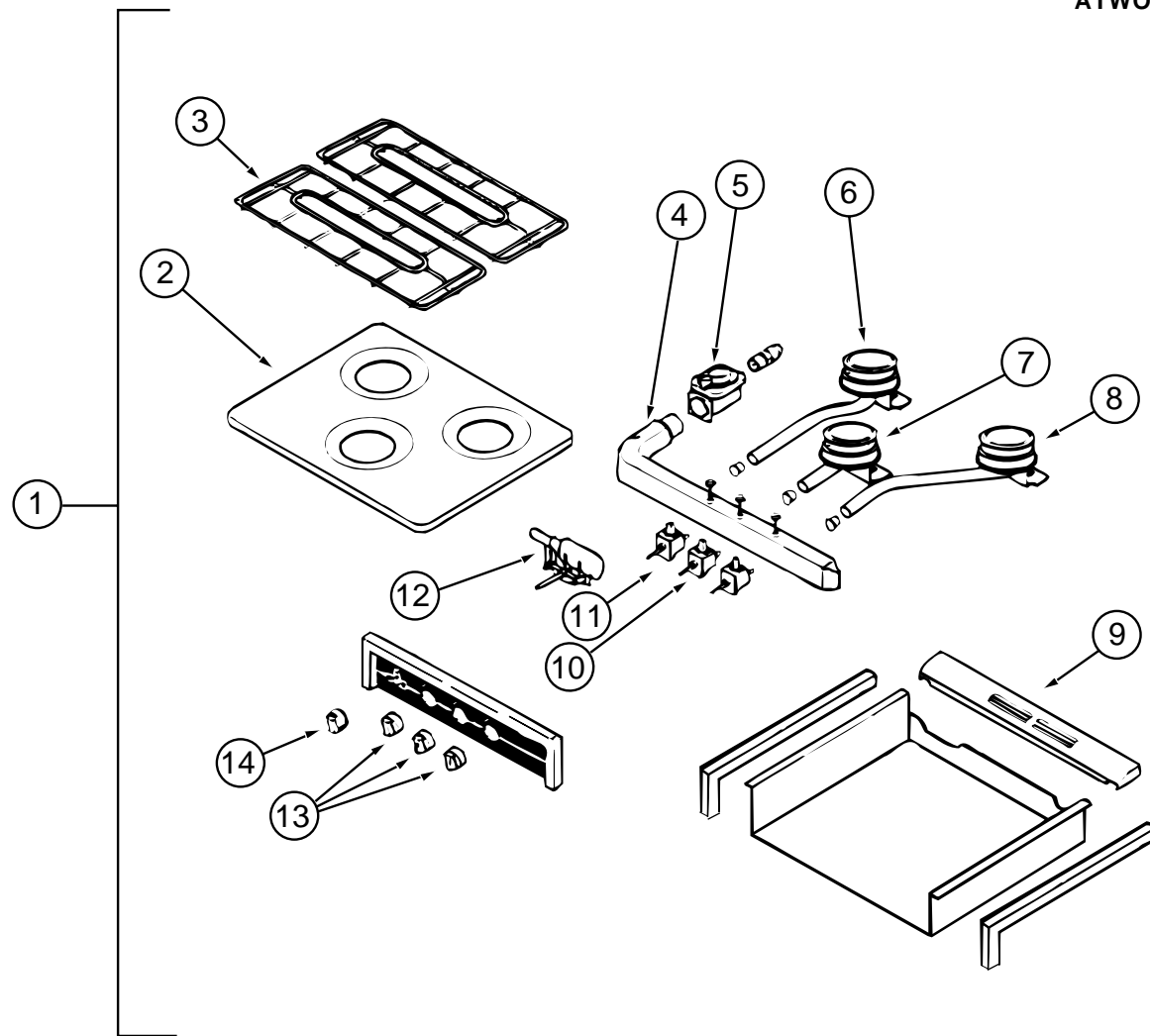
## RANGE/OVEN-ATWOODR-2137BGP



KEY	PARTNUMBER	U/M	DESCRIPTION	VENDOR NO.
	121758-01-01A	EA	RANGE-W/OVEN,21"3BURNER-BLACK	
1	107246-01-701	EA	GRATE-BURNER	53050
	107323-01-711	EA	CUSHION-GRATE,RUBBER	53008
	107323-01-716	EA	CLIP-GRATE,GREEN	50005
2	121758-01-714	EA	RANGE-TOP,ALMOND	53082
3	121758-01-709	EA	MANIFOLD-3BURNER	51272
	121758-01-713	EA	COVER-MANIFOLD	56107
4	106689-01-704	EA	REGULATOR-EXTREMEPRESSURE	51062
5	121758-01-707	EA	BURNER-LEFTREARPIEZO	56066
6	121758-01-708	EA	BURNER-CENTER(HIGHOUTPUT)	56068
7	121758-01-706	EA	BURNER-RIGHTREARPIEZO	56067
8	107323-01-705	EA	TRIM-VENT	53525
9	121758-01-711	EA	BURNERBOX	51684
10	107246-01-703	EA	THERMOSTAT,ROBERTSHAW	52122
11	107323-01-703	EA	TRIM-RIGHT	53024
12	107246-01-706	EA	PILOTASM,ONLY(OVEN)	51065
13	107246-01-721	EA	BURNER-OVEN	52017
14	107246-01-709	EA	TRIM-LOWER,BLACK	53526D
15	107323-01-714	EA	HANDLEASM.DESIGNERSTYLE	51112
	107323-01-713	EA	GLASS-BLACK,INSERTOVENDOOR	53426
16	107246-01-704	EA	RACK-OVEN	51069
	107246-01-708	EA	SHELF-OVEN,LOWER	51657
17	107323-01-702	EA	TRIM-LEFT	53023
18	121758-01-703	EA	KNOB-THERMOSTAT	56094
19	121758-01-712	EA	KNOB-BURNER(3)	56093
20	121758-01-700	EA	KNOB(TURNSTYLE)PIEZOIGNITOR	56095
21	121758-01-710	EA	VALVE,BURNER(2)	56086
22	121758-01-705	EA	VALVE-HIGHOUTPUT	56087
23	121758-01-710	EA	VALVE,BURNER(2)	56086
24	121758-01-701	EA	IGNITORPIEZO(ROTARY)	56096
	121758-01-704	EA	INSERT-PIEZO	56098
	121758-01-702	EA	ELECTRODEWIRE-PIEZOIGNITOR	56097
	107246-01-707	EA	VALVE-SAFETYW/PILOTCOMP.	51063
	107109-09-01A	EA	BRACKETASM-TIEDOWN,RH-BLACK	
	107109-10-01A	EA	BRACKET-TIEDOWN,LH-BLACK	

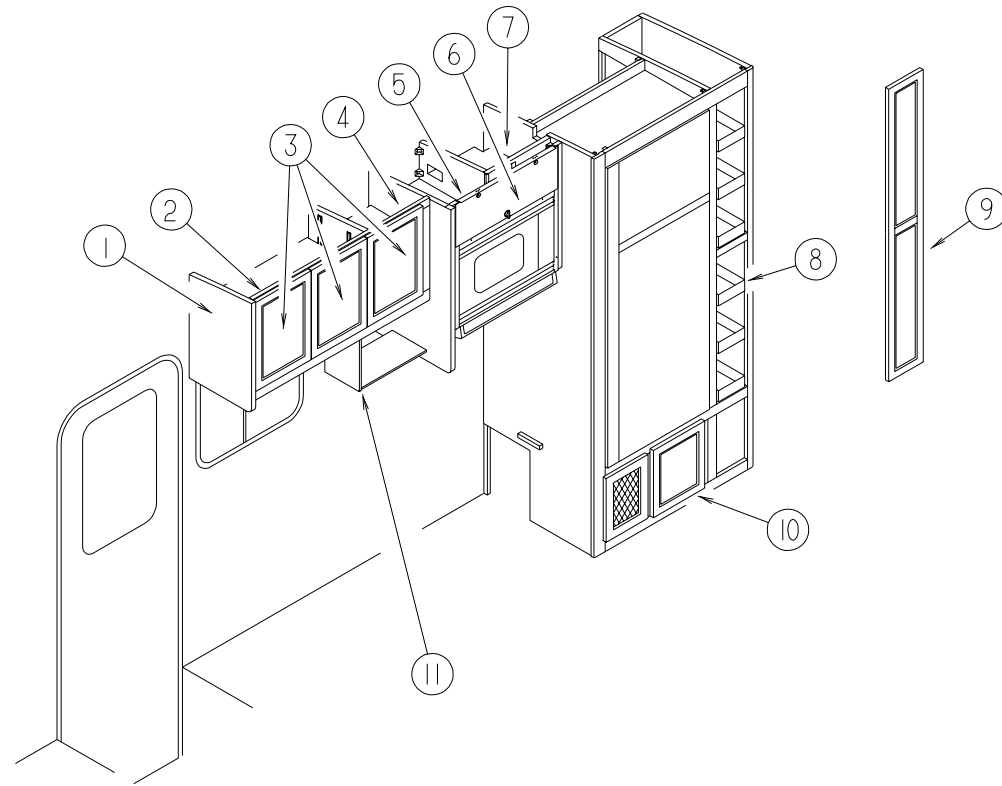
# GALLEYGROUP(CONTINUED)

## ATWOODRANGETOP-C-37BP



KEY	PARTNUMBER	U/M	DESCRIPTION	VENDOR NO.
1	121757-01-01A	EA	RANGETOP-3BURNERBLKHIGH	
2	121758-01-714	EA	RANGE-TOP,ALMOND	53082
3	107246-01-701	EA	GRATE-BURNER	53050
	107323-01-711	EA	CUSHION-GRATE,RUBBER	53008
	107323-01-716	EA	CLIP-GRATE,GREEN	50005
4	121757-01-700	EA	MANIFOLD-3BURNER	56072
5	106689-01-704	EA	REGULATOR-EXTREMEPRESSURE	51062
6	121758-01-707	EA	BURNERLEFTREARPZO	56066
7	121758-01-708	EA	BURNERCENTER(HIGHOUTPUT)	56068
8	121758-01-706	EA	BURNERRIGHTREARPZO	56067
9	107323-01-705	EA	TRIM-VENT	53525
10	121758-01-705	EA	VALVEHIGHOUTPUT	56087
11	121758-01-710	EA	VALVE,BURNER(2)	56086
12	121758-01-701	EA	IGNITORPIEZO(ROTARY)	56096
13	121758-01-712	EA	KNOB,BURNER(3)	56093
14	121758-01-700	EA	KNOB(TURNSTYLE)PIEZOIGNITOR	56095
	121758-01-702	EA	ELECTRODEWIRE(PIEZOIGNITOR)	56097
	121758-01-704	EA	INSERTPIEZO	56098

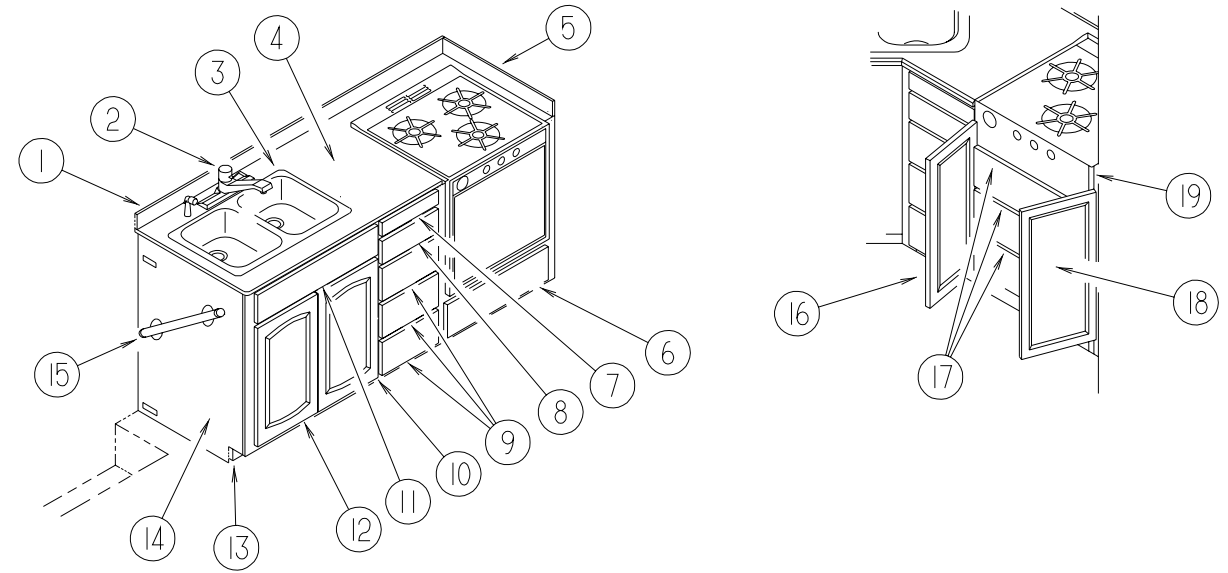
**GALLEYGROUP(CONTINUED)**



**UPPERGALLEYCABINETS**

KEY	PARTNUMBER	U/M	DESCRIPTION
1	107494-17-H56	EA	CAP-END(SOLARMAPLE)
1	107494-17-H57	EA	CAP-END(SALEMCHERRY)
2	P17346-01-H56	EA	CABINET-OVERHEAD,GALLEY-W/ODOORS/HARDWARE(SOLARMAPLE)
2	P17346-01-H57	EA	CABINET-OVERHEAD,GALLEY-W/ODOORS/HARDWARE(SALEMCHERRY)
3	M05990-08-H56	EA	DOOR-OGEEEDGE,17.7"X12.8"-W/OHARDWARE(SOLARMAPLE)
3	M05990-08-GV1	EA	DOOR-OGEEEDGE,17.7"X12.8"-W/OHARDWARE(SALEMCHERRY)
4	117372-02-H56	EA	CAP-END,LEFTHAND-MICROWAVECABT(SOLARMAPLE)
4	117372-02-H57	EA	CAP-END,LEFTHAND-MICROWAVECABT(SALEMCHERRY)
5	P23602-02-H56	EA	CABINET-OVHD,MICROWAVE-W/ODOORS/HARDWARE(SOLARMAPLE)
5	P23602-02-H57	EA	CABINET-OVHD,MICROWAVE-W/ODOORS/HARDWARE(SALEMCHERRY)
6	100708-05-000	EA	DOOR-GLASSTVCABINET,8.5"X23.4"-W/OHARDWARE
	100710-01-01A	EA	LOCK-GLASSDOOR,TWISTTYPE-BRASS
	100711-01-01A	EA	HINGE-DOOR,GLASS
	100707-01-000	EA	SPACER-DOOR,GLASS-.8"DIA-.3"HOLE-PLASTIC
7	117418-01-H56	EA	CABINET-FUSEPANEL,W/ODOORS/HARDWARE(SOLARMAPLE)
7	117418-01-GV1	EA	CABINET-FUSEPANEL,W/ODOORS/HARDWARE(SALEMCHERRY)
8	122325-01-H56	EA	CABINET-PANTRYSLIDINGPASS.,W/OHARDWARE(SOLARMAPLE)
8	122325-01-H57	EA	CABINET-PANTRYSLIDINGPASS.,W/OHARDWARE(SALEMCHERRY)
	122325-11-H37	EA	SHELFASM-W/EDGETRIM(SOLARMAPLE)
	122325-11-H57	EA	SHELFASM-W/EDGETRIM(SALEMCHERRY)
	122360-02-000	EA	SLIDE-PANTRY
	122360-03-000	EA	SLIDE-PANTRY,W/LOCK-RH
	123673-01-01A	EA	KNOB-SLIDE,PANTRY
9	M05992-K1-H56	EA	DOOR-OGEEEDGE,8.5"X60.7"-W/OHARDWARE(SOLARMAPLE)
9	M05992-K1-H57	EA	DOOR-OGEEEDGE,8.5"X60.7"-W/OHARDWARE(SALEMCHERRY)
10	M05992-09-H56	EA	DOOR-OGEEEDGE,13.6"X22.8"-W/OHARDWARE(SOLARMAPLE)
10	M05992-09-E41	EA	DOOR-OGEEEDGE,13.6"X22.8"-W/OHARDWARE(SALEMCHERRY)
11	117345-01-H56	EA	CABINETASM-COFFEEMAKER(SOLARMAPLE)
11	117345-01-GV1	EA	CABINETASM-COFFEEMAKER(SALEMCHERRY)
	090329-01-000	FT	SEAL-T,REFRIGERATORCABINET-.6"WIDETOPX2"TAIL

**GALLEYGROUP(CONTINUED)**

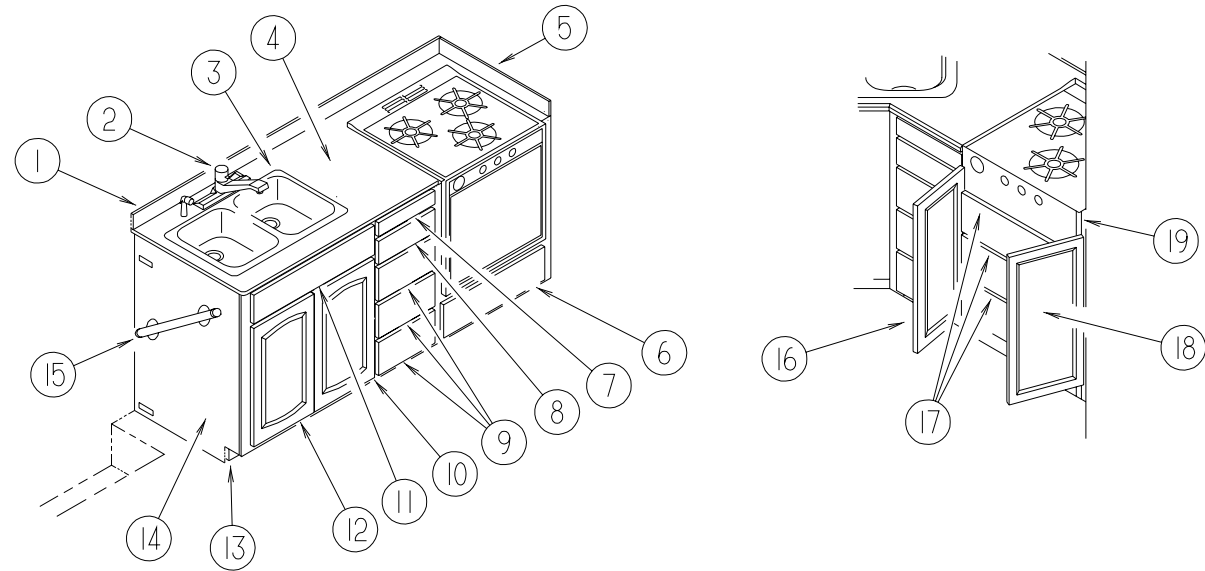


**LOWERGALLEYCABINETS&FIXTURES**

KEY	PARTNUMBER	U/M	DESCRIPTION
1	117337-18-H56	EA	BACKSPLASH-GALLEYCOUNTERTOP(H56,H58)
1	117337-18-GV5	EA	BACKSPLASH-GALLEYCOUNTERTOP(H57,H59)
1	117337-18-H60	EA	BACKSPLASH-GALLEYCOUNTERTOP(H60)
1	117337-18-H61	EA	BACKSPLASH-GALLEYCOUNTERTOP(H61)
2	064952-01-000	EA	FAUCET-GALLEY,SINGLECONTROL-MOEN#7650-8"
2	103635-01-000	EA	FAUCET-SINGLECONTROL,EVERPURE5435-00
3	110654-01-000	EA	SINK-STAINLESSSTEELDBLBASIN(1LARGE/1SMALLBASIN)
	092303-01-000	EA	STRAINER-SINK
	108464-03-GV4	EA	COVER-SINK,14.9"X11"-SMALLSINK(H56,H57,H58,H59)
	108464-03-E39	EA	COVER-SINK,14.9"X11"-SMALLSINK(H60,H61)
	108464-04-F32	EA	COVER-SINK,15"X15"(H56,H57,H58,H59)
	108464-04-E39	EA	COVER-SINK,15"X15"(H60,H61)
4	117337-15-H56	EA	COUNTERTOP-GALLEY(H56,H58)
4	117337-15-H57	EA	COUNTERTOP-GALLEY(H57,H59)
4	117337-15-H60	EA	COUNTERTOP-GALLEY(H60)
4	117337-15-H61	EA	COUNTERTOP-GALLEY(H61)
5	117337-16-GV4	EA	BACKSPLASH-GALLEYCOUNTERTOP,RIGHTSIDE(H56,H57,H58,H59)
5	117337-16-H60	EA	BACKSPLASH-GALLEYCOUNTERTOP,RIGHTSIDE(H60)
5	117337-16-H61	EA	BACKSPLASH-GALLEYCOUNTERTOP,RIGHTSIDE(H61)
6	M05971-13-H56	EA	DRAWER-OGEEEDGE-W/OSLIDES/HARDWARE(SOLARMAPLE)
6	M05971-13-GV1	EA	DRAWER-OGEEEDGE-W/OSLIDES/HARDWARE(SALEMCHERRY)
7	M05976-01-H56	EA	DRAWER-CUTTINGBOARDTOP,9.9"X17.7"-W/OHDW(SOLARMAPLE)
7	M05976-01-GV1	EA	DRAWER-CUTTINGBOARDTOP,9.9"X17.7"-W/OHDW(SALEMCHERRY)
8	M05971-12-H56	EA	DRAWER-OGEEEDGE-W/OSLIDES/HARDWARE(SOLARMAPLE)
8	M05971-12-GV1	EA	DRAWER-OGEEEDGE-W/OSLIDES/HARDWARE(SALEMCHERRY)
	102778-03-000	EA	BOARD-CUTTING
	100081-01-01A	EA	TRAY-SILVERWARE,9"X13.3"-PLASTIC-ALMOND-RUBBERMAID
9	M05971-11-H56	EA	DRAWER-OGEEEDGE-W/OSLIDES/HARDWARE(SOLARMAPLE)
9	M05971-11-GV1	EA	DRAWER-OGEEEDGE-W/OSLIDES/HARDWARE(SALEMCHERRY)



**GALLEYGROUP(CONTINUED)**



**LOWER GALLEY CABINETS & FIXTURES (CONTINUED)**

KEY	PARTNUMBER	U/M	DESCRIPTION
10	M05992-07-H56	EA	DOOR-OGEEEDGE, 12.8"X21.8"-W/OHARDWARE(SOLAR MAPLE)
10	M05992-07-GV1	EA	DOOR-OGEEEDGE, 12.8"X21.8"-W/OHARDWARE(SALEMCHERRY)
11	M06810-01-H56	EA	DRAWER-OGEEEDGE, W/OTRAY/HARDWARE(SOLARMAPLE)
11	M06810-01-E41	EA	DRAWER-OGEEEDGE, W/OTRAY/HARDWARE(SALEMCHERRY)
	108126-01-000	EA	TRAYHINGESET (QTY. 2PERSET)
	108127-01-01A	EA	CAP-TRAY, AMEROCKD8490-A
	108128-01-01A	EA	TRAY-HIDDEN, AMEROCKD8489
12	M05992-08-H56	EA	DOOR-OGEEEDGE, 12.8"X21.8"-W/OHARDWARE(SOLAR MAPLE)
12	M05992-08-GV1	EA	DOOR-OGEEEDGE, 12.8"X21.8"-W/OHARDWARE(SALEMCHERRY)
	102238-01-000	EA	CONTAINER-TRASH, W/HARDWARE-8"X13"X15.2"-WIREBASKET
	093605-02-01A	EA	RACK-WIRETOWEL-ALMOND
13	117337-13-H56	EA	TOEKICKASM(SOLARMAPLE)
13	117337-13-GV1	EA	TOEKICKASM(SALEMCHERRY)
14	117337-03-H56	EA	CABINET-GALLEY, W/OVEN-W/ODOORS/DRAWERS/HARDWARE(H56,H58)
14	117337-03-H57	EA	CABINET-GALLEY, W/OVEN-W/ODOORS/DRAWERS/HARDWARE(H57)
14	117337-03-H59	EA	CABINET-GALLEY, W/OVEN-W/ODOORS/DRAWERS/HARDWARE(H59)
14	117337-03-H60	EA	CABINET-GALLEY, W/OVEN-W/ODOORS/DRAWERS/HARDWARE(H60)
14	117337-03-H61	EA	CABINET-GALLEY, W/OVEN-W/ODOORS/DRAWERS/HARDWARE(H61)
15	P02786-03-H56	EA	HANDRAILASM-ENTRANCEDOOR(SOLARMAPLE)
15	P02786-03-E41	EA	HANDRAILASM-ENTRANCEDOOR(SALEMCHERRY)
	099682-01-01A	EA	BRACKET-MOUNTING, HANDRAIL-BRASS
16	M05992-07-H56	EA	DOOR-OGEEEDGE, 12.8"X21.8"-W/OHARDWARE(SOLAR MAPLE)
16	M05992-07-GV1	EA	DOOR-OGEEEDGE, 12.8"X21.8"-W/OHARDWARE(SALEMCHERRY)
17	P18052-02-H56	EA	DRAWER-W/OSLIDES/HARDWARE(SOLARMAPLE)
17	P18052-02-GV1	EA	DRAWER-W/OSLIDES/HARDWARE(SALEMCHERRY)
18	M05992-08-H56	EA	DOOR-OGEEEDGE, 12.8"X21.8"-W/OHARDWARE(SOLAR MAPLE)
18	M05992-08-GV1	EA	DOOR-OGEEEDGE, 12.8"X21.8"-W/OHARDWARE(SALEMCHERRY)
19	117337-04-H56	EA	CABINET-GALLEY, W/HOTPLATE-W/ODOORS/DRAWERS/HARDWARE(H56,H58)
19	117337-04-H57	EA	CABINET-GALLEY, W/HOTPLATE-W/ODOORS/DRAWERS/HARDWARE(H57)
19	117337-04-H59	EA	CABINET-GALLEY, W/HOTPLATE-W/ODOORS/DRAWERS/HARDWARE(H59)
19	117337-04-H60	EA	CABINET-GALLEY, W/HOTPLATE-W/ODOORS/DRAWERS/HARDWARE(H60)
19	117337-04-H61	EA	CABINET-GALLEY, W/HOTPLATE-W/ODOORS/DRAWERS/HARDWARE(H61)

**7KWONANMARQUISGENERATOR(U.S.)**

KEY	PARTNUMBER	U/M	DESCRIPTION
	105559-03-000	EA	GENERATOR-7KW MARQUIS30/30, ONANNHMFA/26105W/ONANTRAY403-2893
	109677-01-000	EA	LOADCENTER-120V, 40AMP-WESCOTT120FLGNM
	106071-01-000	EA	SWITCH-AUTOMATICTRANSFER, MAGNETEKATS30AMP
	083209-03-000	EA	CIRCUITBREAKER, 15/20AMP 120V-BW0-15/20
	083209-06-000	EA	CIRCUITBREAKER, 30/15AMP 120V-BWD-30/15
	008054-01-000	EA	CORD-POWER, 10/3-30AMP-25'
	106235-01-000	EA	ADAPTOR-EXHAUST, GENERATOR
	007125-03-000	EA	CLAMP-MUFFLER-1.5"DIAMETER
	007131-01-000	EA	HANGER-TAILPIPE, 6SLOTS
	008401-01-000	EA	STRAP-CONDUIT, 3/4"-1HOLE-GALVANIZEDSTEEL

**7KWONANMARQUISGENERATOR(CANADIAN)**

KEY	PARTNUMBER	U/M	DESCRIPTION
	105559-03-000	EA	GENERATOR-7KW MARQUIS30/30, ONANNHMFA/26105W/ONANTRAY403-2893
	109677-01-000	EA	LOADCENTER-120V, 40AMP-WESCOTT120FLGNM
	113132-01-000	EA	LOADCENTER-120/240V, 60AMP-WESCO2460SGNM
	106071-01-000	EA	SWITCH-AUTOMATICTRANSFER, MAGNETEKATS30AMP
	083209-02-000	EA	CIRCUITBREAKER, 15/15AMP 120V-BWH-15/15
	083209-03-000	EA	CIRCUITBREAKER, 15/20AMP 120V-BW0-15/20
	083209-06-000	EA	CIRCUITBREAKER, 30/15AMP 120V-BWD-30/15
	108916-01-000	EA	CIRCUITBREAKER, 50AMP 120V, WESTINGHOUSEBR250
	008054-01-000	EA	CORD-POWER, 10/3-30AMP-25'
	106235-01-000	EA	ADAPTOR-EXHAUST, GENERATOR
	007125-03-000	EA	CLAMP-MUFFLER-1.5"DIAMETER
	007131-01-000	EA	HANGER-TAILPIPE, 6SLOTS
	008401-01-000	EA	STRAP-CONDUIT, 3/4"-1HOLE-GALVANIZEDSTEEL

**7KWONANMARQUISGENERATOR-50AMP(U.S.)**

KEY	PARTNUMBER	U/M	DESCRIPTION
	105559-03-000	EA	GENERATOR-7KW MARQUIS30/30, ONANNHMFA/26105W/ONANTRAY403-2893
	112365-03-000	EA	BREAKER-30AMP, GENERATOR-ONAN320-1572
	083209-01-000	EA	CIRCUITBREAKER, 15AMP 120V-BWG-15-CANADIAN
	083209-02-000	EA	CIRCUITBREAKER, 15/15AMP 120V-BWH-15/15
	083209-03-000	EA	CIRCUITBREAKER, 15/20AMP 120V-BW0-15/20
	108916-01-000	EA	CIRCUITBREAKER, 50AMP 120V, WESTINGHOUSEBR250
	108915-01-000	EA	LOADCENTER-120/240V, 125AMP-WESTINGHOUSE S816CG
	106071-01-000	EA	SWITCH-AUTOMATICTRANSFER, MAGNETEKATS30AMP
	113132-01-000	EA	LOADCENTER-120/240V, 60AMP-WESCO2460SGNM
	108934-01-000	EA	CORD-POWER, 50AMP, 4WIRE, 36FT-WESCOK3536
	106235-01-000	EA	ADAPTOR-EXHAUST, GENERATOR
	007125-03-000	EA	CLAMP-MUFFLER-1.5"DIAMETER
	007131-01-000	EA	HANGER-TAILPIPE, 6SLOTS
	008401-01-000	EA	STRAP-CONDUIT, 3/4"-1HOLE-GALVANIZEDSTEEL

**7KWONANMARQUISGENERATOR-50AMP(CANADIAN)**

KEY	PARTNUMBER	U/M	DESCRIPTION
	105559-03-000	EA	GENERATOR-7KW MARQUIS30/30, ONANNHMFA/26105W/ONANTRAY403-2893
	083209-01-000	EA	CIRCUITBREAKER, 15AMP 120V-BWG-15-CANADIAN
	083209-02-000	EA	CIRCUITBREAKER, 15/15AMP 120V-BWH-15/15
	083209-03-000	EA	CIRCUITBREAKER, 15/20AMP 120V-BW0-15/20
	108916-01-000	EA	CIRCUITBREAKER, 50AMP 120V, WESTINGHOUSEBR250
	106071-01-000	EA	SWITCH-AUTOMATICTRANSFER, MAGNETEKATS30AMP
	108915-01-000	EA	LOADCENTER-120/240V, 125AMP-WESTINGHOUSE S816CG
	113132-01-000	EA	LOADCENTER-120/240V, 60AMP-WESCO2460SGNM
	112365-03-000	EA	BREAKER-30AMP, GENERATOR-ONAN320-1572
	113096-01-000	EA	CORD-POWER, 50AMP, 4WIRE, 36', CSA-WESCO4243
	106235-01-000	EA	ADAPTOR-EXHAUST, GENERATOR
	007125-03-000	EA	CLAMP-MUFFLER-1.5"DIAMETER
	007131-01-000	EA	HANGER-TAILPIPE, 6SLOTS
	008401-01-000	EA	STRAP-CONDUIT, 3/4"-1HOLE-GALVANIZEDSTEEL

**NOTE: ADDITIONAL GENERATOR COMPONENTS ARE FOUND IN THE CHASSIS GROUP**

## HEATING&AIRCONDITIONINGGROUP

### AUTOA/C&HEATSYSTEM

KEY	PARTNUMBER	U/M	DESCRIPTION
	007281-01-000	EA	HOSE-FLEXIBLEPVC,2.5"IDX50'-ATCOFLEXA-182-355
	024990-07-000	EA	OUTLET-DEFROSTER,W/SWIVEL-2"-HAMPTONTAN
	056402-05-000	EA	BRACKET-HEATERVENT,ROUND-W/BEND-BLACK
	056402-06-000	EA	BRACKET-HEATER,BLACK
	103016-01-000	EA	PLENUM-TRANSITION
	103558-01-08A	EA	VENT-DEFROSTER,ABS,KORAD-HAMPTONTAN
	103796-01-01A	EA	LOUVERASM-A/C,BLACK
	077075-01-000	EA	GASKET-INSTRUMENTPANELTODEFROSTERPLENUM-.6"X11.3" (CENTERTWOOPENINGS)
	077075-03-000	EA	GASKET-INSTRUMENTPANELTODEFROSTERPLENUM
	103017-03-000	EA	PLENUM-DEFROSTER

### AUTOA/CHOSEKIT-285ENGINE

KEY	PARTNUMBER	U/M	DESCRIPTION	VENDORNO.
	103930-29-000	EA	HOSEKIT,#10GM	
	103930-17-702	EA	GASKETORSAE015=#1033-781	045-0127
	103930-29-700	EA	HOSEASSM,#10W/HARRISONCOMPRESSOR	085-0348
	103930-29-701	EA	GASKET-GMLPSW	045-0483

### AUTOA/CHOSEKIT

KEY	PARTNUMBER	U/M	DESCRIPTION	VENDORNO.
	103930-28-000	EA	HOSEKIT#10GM,L-19	
	103930-17-702	EA	GASKETORSAE015=#1033-781	045-0127
	103930-28-700	EA	HOSEASSM#10W/SELTECCOMPRESSOR	085-0347
	103930-29-700	EA	HOSEASSM#10W/HARRISONCOMPRESSOR	085-0348
	103930-29-701E	EA	GASKET-GMLPSW045-0483	

## HEATING&AIRCONDITIONINGGROUP(CONTINUED)

### AUTOA/CCONTROLPLENUM

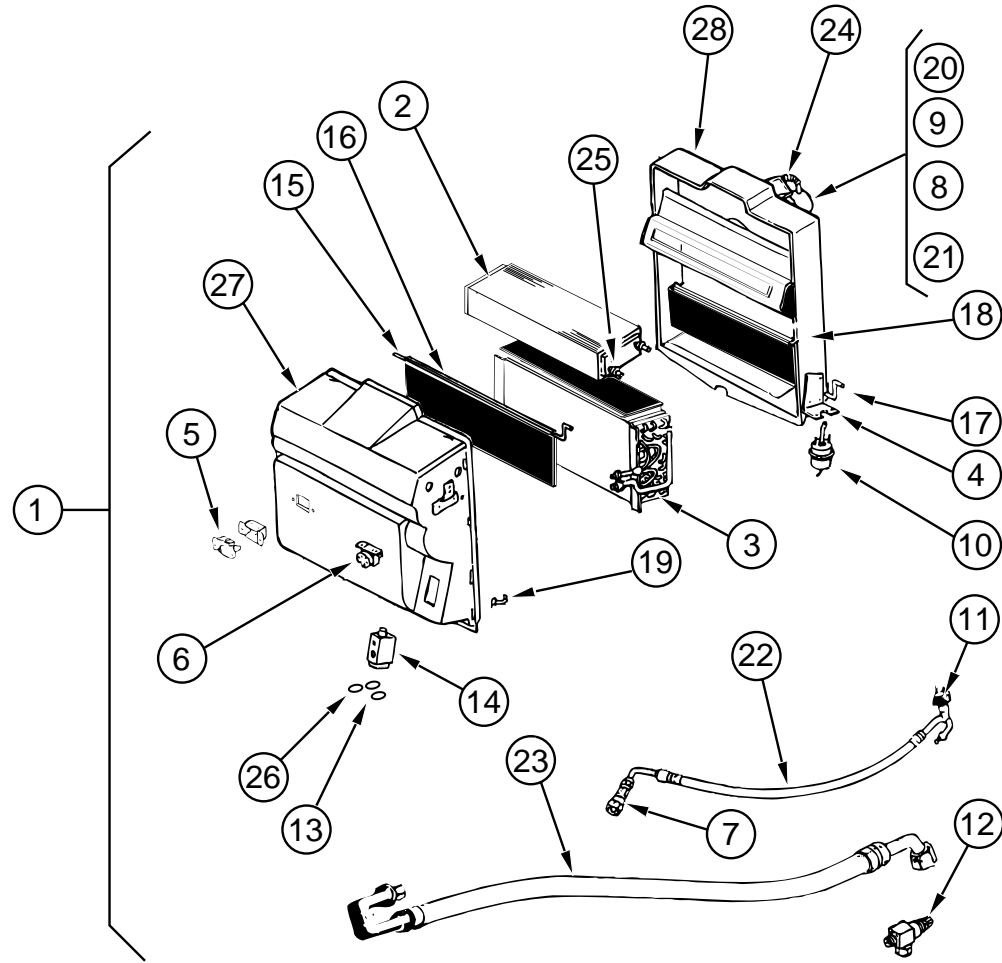
KEY	PARTNUMBER	U/M	DESCRIPTION	VENDORNO.
	103930-26-000	EA	CONTROL/PLENUMSET	
	094831-01-709	EA	CLAMP-ROD,3/16"	022-0025
	103930-01-724	EA	CLIP-SPRING,STYPE	022-00002
	103930-02-701	EA	SWITCH-VACUUM,CONTROLHEAD	034-0015
	103930-02-702	EA	DECAL-CONTROLHEAD	058-0009
	103930-02-704	EA	HARNESS-VACUUMCONTROL	036-0049
	103930-02-705	EA	CABLE-BOWDEN,W/OLEVER-89"	074-0011
	103930-02-707	EA	RELAY-BOSCHW/RESISTER	031-0001
	103930-02-708	EA	MOTOR-VACUUMSERVO,A/C	030-0025
	103930-02-710	EA	CANISTER-VACUUM	054-0002
	103930-02-712	EA	PANEL-CONTROLA/C,BLACKBEZEL	032-0054
	103930-02-714	EA	CLAMP-CLUTCH,BARREL	022-0006
	103930-26-700	EA	HARNESS-WIRECONTROL	036-0444
	103930-26-701	EA	HARNESS-VACUUMCONTROL	036-0456
	103930-33-700	EA	ROD-DOORDEFROSTER/AC	073-0028

### EVANSREARHEATERSYSTEM

KEY	PARTNUMBER	U/M	DESCRIPTION	VENDORNO.
	084405-01-000	EA	HEATERASM-REAR,DUCTED-W/MOTORAI	
	084405-01-700	EA	CORE-HEATER	FT200229
	084405-01-701	EA	FANBLADES	HV029931
	084405-01-702	EA	MOTORASSEMBLY,12VOLT	R0200180
	007076-01-000	EA	HOSE-FLEXIBLEPVC-2"ID	
	007108-01-000	FT	HOSE-HEATER,5/8"ID-HI-TEMP-FORDESE-M2D192-A	
	079059-02-000	EA	HOSE-90DEGREE,.61" I.D.X4"X6"	
	079059-01-000	EA	HOSE-90DEGREE,5/8"IDX4"X36"	
	061673-01-000	EA	BRACKET-MOTORAI DTUBES,4"X1.5"-STEEL	
	076776-01-000	EA	TEE-BEADED,5/8X5/8X5/8	

# HEATING&AIRCONDITIONINGGROUP(CONTINUED)

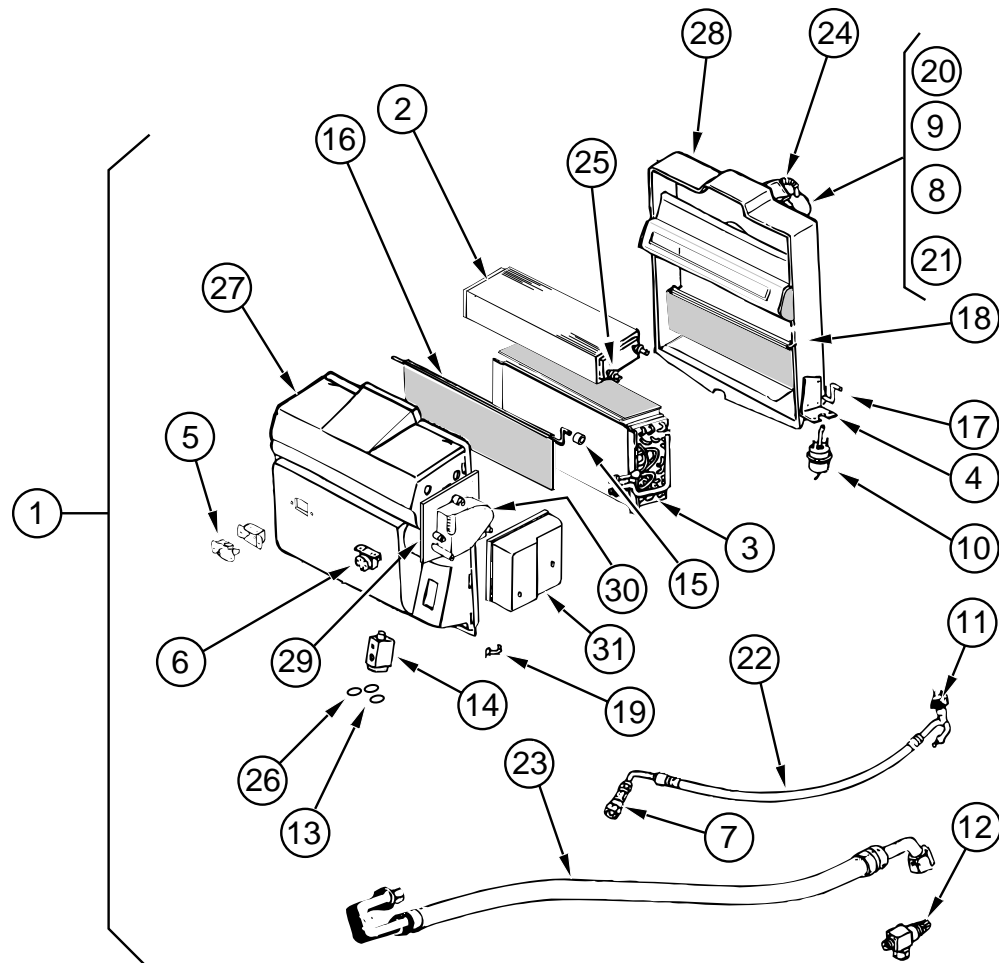
## FOR EVAPORATOR/HEATER ASSEMBLY-SCS090-00084



KEY	PARTNUMBER	U/M	DESCRIPTION	VENDOR NO.
1	103930-21-000	EA	EVAPORATOR/HEATER ASSEMBLY	042-0010
				FROM: 00-00-00 THRU: 09-01-96
2	103930-01-703	EA	COIL-HEATER	041-0017
3	103930-01-704	EA	COIL-EVAPORATER	070-0113
4	103930-01-708	EA	BRACKET-VACUUM MOTOR	035-0006
5	103930-01-710	EA	RESISTOR-FUSED	033-0003
6	103930-01-711	EA	THERMOSTAT	050-003
7	103930-01-713	EA	FITTING-QUICKCONNECT,#4	062-0010
8	103930-01-717	EA	WHEEL-CLOCKWISE	030-0004
9	103930-01-720	EA	MOTOR	030-0002
10	103930-02-708	EA	MOTOR-VACUUMSERVO,A/C	032-0048
11	103930-12-708	EA	SWITCH,BINARY,R-134A	050-152
12	103930-13-702	EA	SERVICE VALVE/OC.P.	045-0127
13	103930-17-702	EA	GASKET OR SAE 015-#10-33-781	034-0032
14	103930-20-700	EA	VALVE EXPANSION BLOCK(2TON)	073-0039
15	103930-20-702	EA	ROD-BLEND AIR DOOR	071-0212
16	103930-20-703	EA	DOOR-BLEND AIR	073-0018
17	103930-20-704	EA	ROD-DOOR,RECIRCULATING	071-0213
18	103930-20-705	EA	DOOR PANEL-RECIRCULATING	022-0057
19	103930-20-706	EA	CLIP-RETAINER	062-0145
20	103930-20-707	EA	BLOWER HOUSING	022-0001
21	103930-20-708	EA	CLIP/MOTOR SHAFT	085-0139
22	103930-21-700	EA	HOSE ASM,#6-FORD	085-0149
23	103930-21-701	EA	HOSE ASM,#10-FORD	051-0034
24	110279-01-703	EA	HOSE EVENT MOTOR BLOWER	050-0076
25	110279-01-712	EA	HEATER FITTING	045-0126
26	113245-01-707	EA	GASKET(#8)	062-0146
27	103930-20-710	EA	CASE-FRONT,SUB-ASSEMBLY	062-0147
28	103930-20-711	EA	CASE-BACK,SUB-ASSEMBLY	
	103930-05-000	EA	MANUAL-OWNERS,HEATER-A/C 057-0049	

# HEATING & AIR CONDITIONING GROUP (CONTINUED)

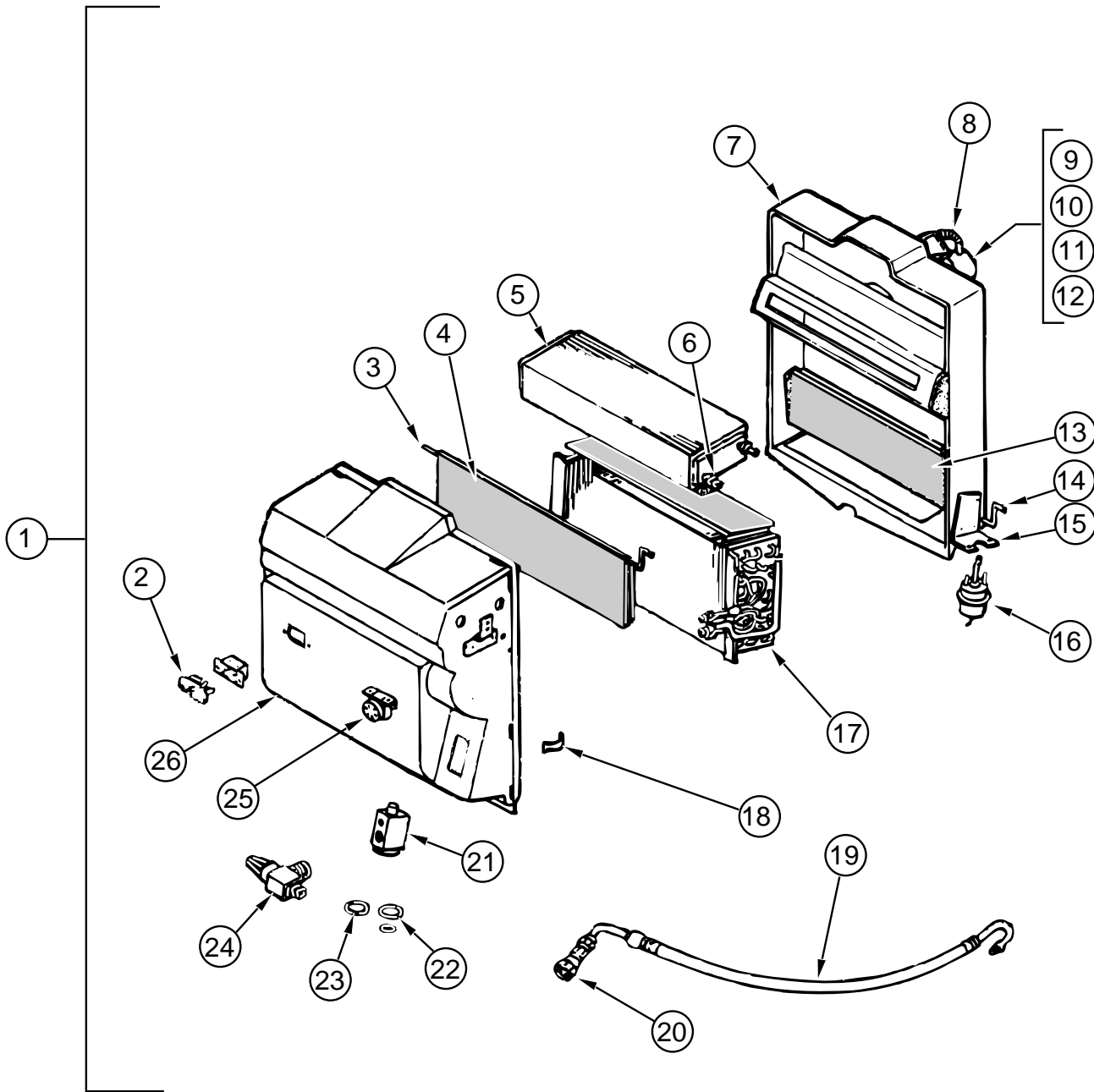
## FOR EVAPORATOR/HEATER ASSEMBLY



KEY	PART NUMBER	U/M	DESCRIPTION	VENDOR NO.
1	103930-31-000	EA	EVAPORATOR/HEATER-FORD-SERVOMOTOR CONTROLLED	042-0010
				FROM: 09-02-96 THRU: 99-99-99
2	103930-01-703	EA	CORE-HEATER	041-0017
3	103930-01-704	EA	COIL-EVAPORATOR	070-0113
4	103930-01-708	EA	BRACKET-VACUUM MOTOR	035-0006
5	103930-01-710	EA	RESISTOR-FUSED, A/C	033-0003
6	103930-01-711	EA	THERMOSTAT	050-0030
7	103930-01-713	EA	FITTING-QUICK CONNECT, #4	062-0010
8	103930-01-717	EA	WHEEL-BLOWER, CLOCKWISE	030-0004
9	103930-01-720	EA	MOTOR-BLOWER, (PM105)	030-0025
10	103930-02-708	EA	MOTOR-VACUUM SERVO, A/C	032-0048
11	103930-12-708	EA	SWITCH-BINARY, HI-LOW CUTOUT	050-0152
12	103930-13-702	EA	VALVE-SERVICE, W/O COMP.	045-0127
13	103930-17-702	EA	O'RING #10	034-0032
14	103930-20-700	EA	VALVE-EXPANSION-BLOCK, 2 TON	062-0168
15	103930-30-702	EA	BUSHING-BLEND AIR DOOR	071-0212
16	103930-20-703	EA	DOOR-BLEND AIR	073-0018
17	103930-20-704	EA	ROD-DOOR-RECIRCULATING	071-0213
18	103930-20-705	EA	PANEL-DOOR, RECIRCULATING	022-0057
19	103930-20-706	EA	CLIP-RETAINER	062-0145
20	103930-20-707	EA	HOUSING-BLOWER	022-0001
21	103930-20-708	EA	CLIP-MOTOR SHAFT	085-0139
22	103930-21-700	EA	HOSE ASM. #6 EXP. VALVE-DRIER	085-0149
23	103930-21-701	EA	HOSE ASM #10, EXP. VALVE-COMP	051-0034
24	110279-01-703	EA	HOSE-VENT, BLOWER MOTOR	050-0076
25	110279-01-712	EA	FITTING-HEATER	045-0126
26	113245-01-707	EA	O'RING #8	062-0542
27	103930-30-700	EA	CASE-FRONT	062-0147
28	103930-20-711	EA	CASE-BACK, SUB-ASSEMBLY	062-0544
29	103930-30-701	EA	PLATE-MOTOR MOUNT	030-0104
30	103930-30-703	EA	MOTOR-SERVO	062-0545
31	103930-30-704	EA	COVER-SERVO	

# HEATING & AIR CONDITIONING GROUP (CONTINUED)

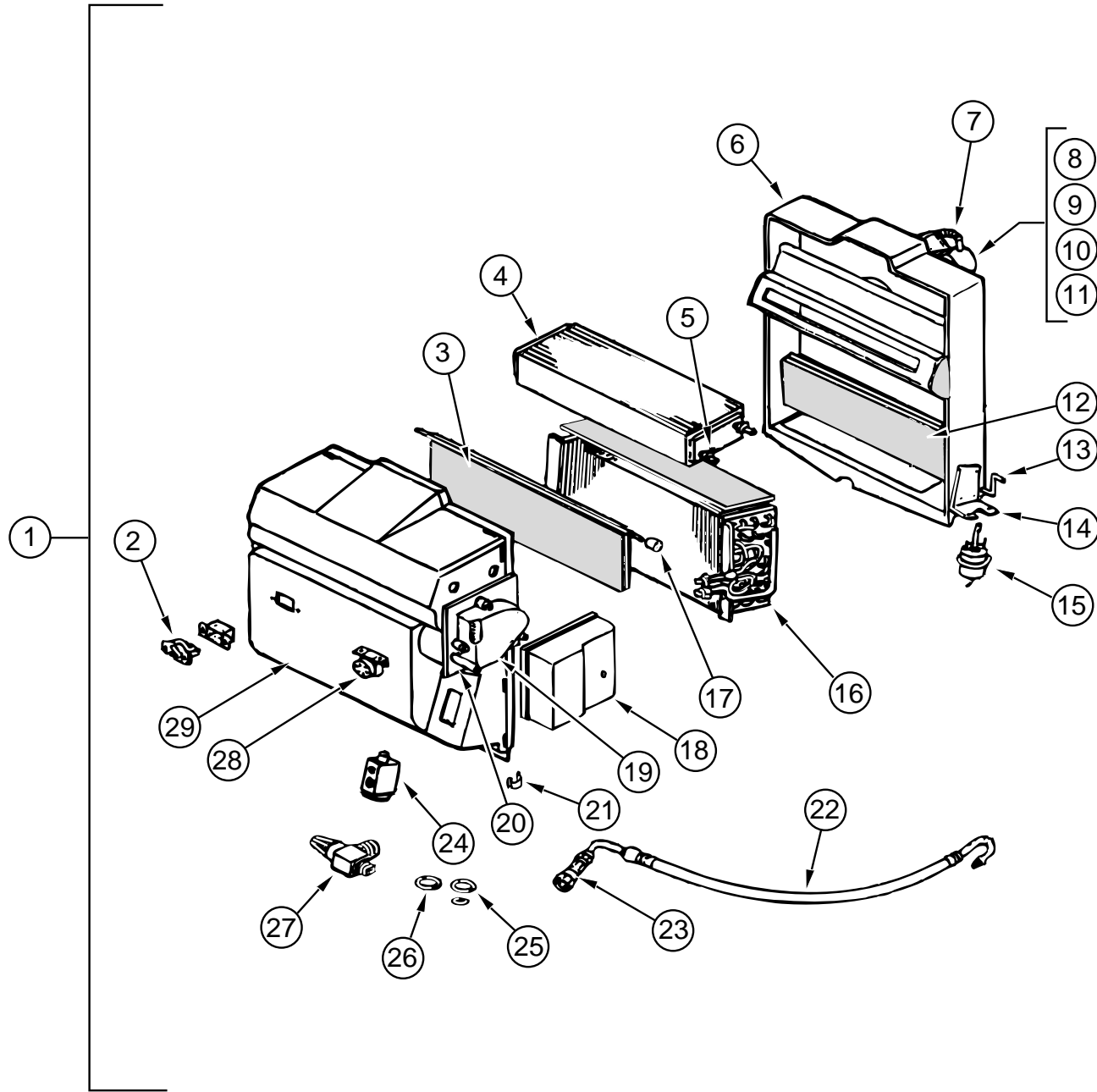
## CHEVY EVAPORATOR/HEATER ASSEMBLY



KEY	PART NUMBER	U/M	DESCRIPTION	VENDOR NO.
1	103930-25-000	EA	EVAPORATOR/HEATER-CHEVY-"96"	FROM: 00-00-00 THRU: 09-01-96
2	103930-01-710	EA	RESISTOR-FUSED, A/C	035-0006
3	103930-20-702	EA	ROD-DOOR, BLEND AIR	073-0039
4	103930-20-703	EA	DOOR-BLEND AIR	071-0212
5	103930-01-703	EA	CORE-HEATER	042-0010
6	110279-01-712	EA	FITTING-HEATER	050-0076
7	103930-20-711	EA	CASE-BACK, SUB-ASSEMBLY	062-0147
8	110279-01-703	EA	HOSE-VENT, BLOWER MOTOR	051-0034
9	103930-20-707	EA	HOUSING-BLOWER	062-0145
10	103930-01-720	EA	MOTOR-BLOWER, (PM105)	030-0004
11	103930-01-717	EA	WHEEL-BLOWER, CLOCKWISE	062-0010
12	103930-20-708	EA	CLIP-MOTOR SHAFT	022-0001
13	103930-20-705	EA	PANEL-DOOR, RECIRCULATING	071-0213
14	103930-20-704	EA	ROD-DOOR-RECIRCULATING	073-0018
15	103930-01-708	EA	BRACKET-VACUUM MOTOR	070-0113
16	103930-02-708	EA	MOTOR-VACUUM SERVO, A/C	030-0025
17	103930-01-704	EA	COIL-EVAPORATOR	041-0017
18	103930-20-706	EA	CLIP-RETAINER	022-0057
19	103930-25-700	EA	HOSE ASM., #6 EVAP TO DRIER	085-0350
20	103930-12-709	EA	FITTING-QUICK CONNECT	050-0120
21	103930-20-700	EA	VALVE-EXPANSION-BLOCK, 2TON	034-0032
22	103930-17-702	EA	O'RING#10	045-0127
23	113245-01-707	EA	O'RING#8	045-0126
24	103930-20-709	EA	VALVE-SERVICE	050-0159
25	103930-01-711	EA	THERMOSTAT	033-0003
26	103930-20-710	EA	CASE-FRONT, SUB-ASSEMBLY	062-0146
	103930-02-714	EA	CLAMP-CLUTCH, BARREL	022-0006

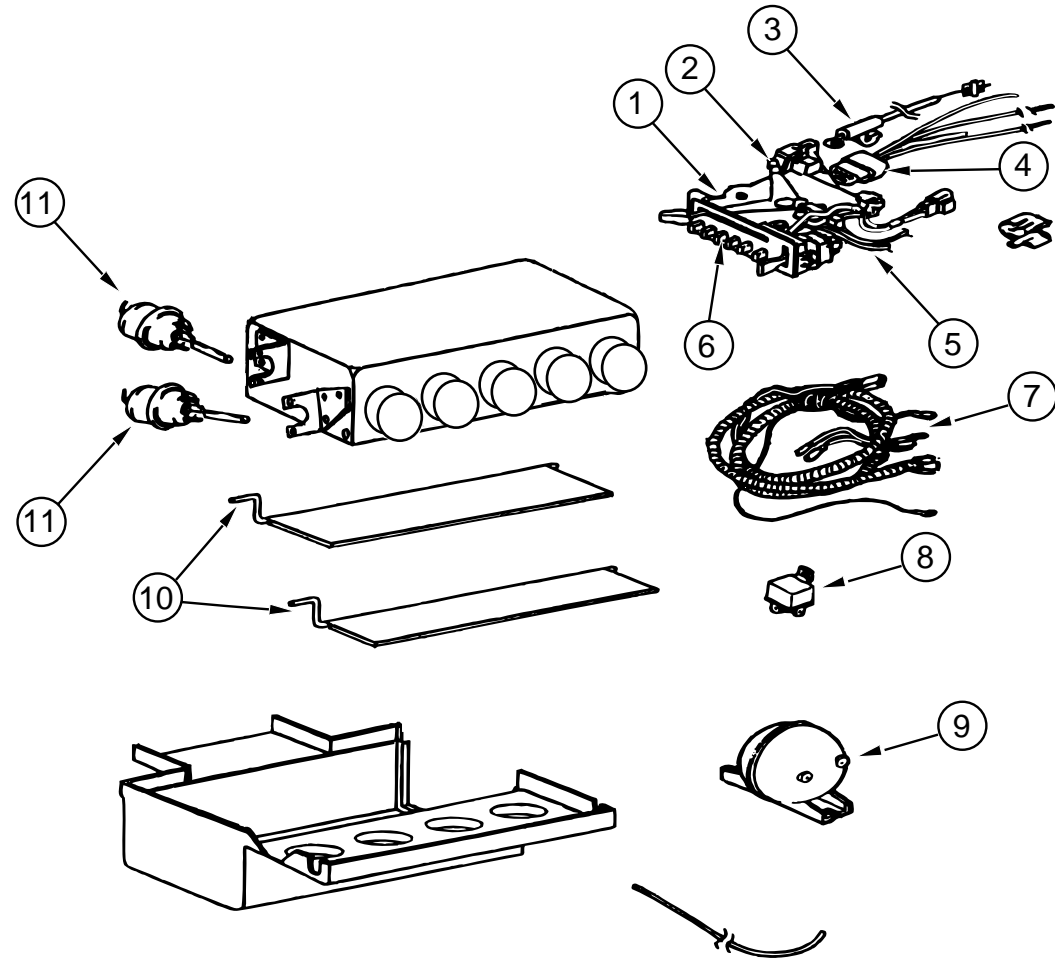
# HEATING & AIR CONDITIONING GROUP (CONTINUED)

## CHEVY EVAPORATOR/HEATER ASSEMBLY



KEY	PARTNUMBER	U/M	DESCRIPTION	VENDOR NO.
1	103930-30-000	EA	EVAPORATOR/HEATER-CHEVY-SERVOMOTORCONTROLLED	035-0006
			FROM: 09-02-96 THRU: 99-99-99	
2	103930-01-710	EA	RESISTOR-FUSED, A/C	071-0212
3	103930-20-703	EA	DOOR-BLEND AIR	042-0010
4	103930-01-703	EA	CORE-HEATER	050-0076
5	110279-01-712	EA	FITTING-HEATER	062-0147
6	103930-20-711	EA	CASE-BACK, SUB-ASSEMBLY	051-0034
7	110279-01-703	EA	HOSE-VENT, BLOWER MOTOR	062-0145
8	103930-20-707	EA	HOUSING-BLOWER	030-0004
9	103930-01-720	EA	MOTOR-BLOWER, (PM105)	062-0010
10	103930-01-717	EA	WHEEL-BLOWER, CLOCKWISE	022-0001
11	103930-20-708	EA	CLIP-MOTOR SHAFT	071-0213
12	103930-20-705	EA	PANEL-DOOR, RECIRCULATING	073-0018
13	103930-20-704	EA	ROD-DOOR-RECIRCULATING	070-0113
14	103930-01-708	EA	BRACKET-VACUUM MOTOR	030-0025
15	103930-02-708	EA	MOTOR-VACUUM SERVO, A/C	041-0017
16	103930-01-704	EA	COIL-EVAPORATOR	062-0168
17	103930-30-702	EA	BUSHING-BLEND AIR DOOR	062-0545
18	103930-30-704	EA	COVER-SERVO	030-0104
19	103930-30-703	EA	MOTOR-SERVO	062-0544
20	103930-30-701	EA	PLATE-MOTOR MOUNT	022-0057
21	103930-20-706	EA	CLIP-RETAINER	085-0350
22	103930-25-700	EA	HOSE ASM., #6 EVAP TO DRIER	050-0120
23	103930-12-709	EA	FITTING-QUICK CONNECT	034-0032
24	103930-20-700	EA	VALVE-EXPANSION-BLOCK, 2TON	045-0127
25	103930-17-702	EA	O'RING#10	045-0126
26	113245-01-707	EA	O'RING#8	050-0159
27	103930-20-709	EA	VALVE-SERVICE	033-0003
28	103930-01-711	EA	THERMOSTAT	062-0542
29	103930-30-700	EA	CASE-FRONT	

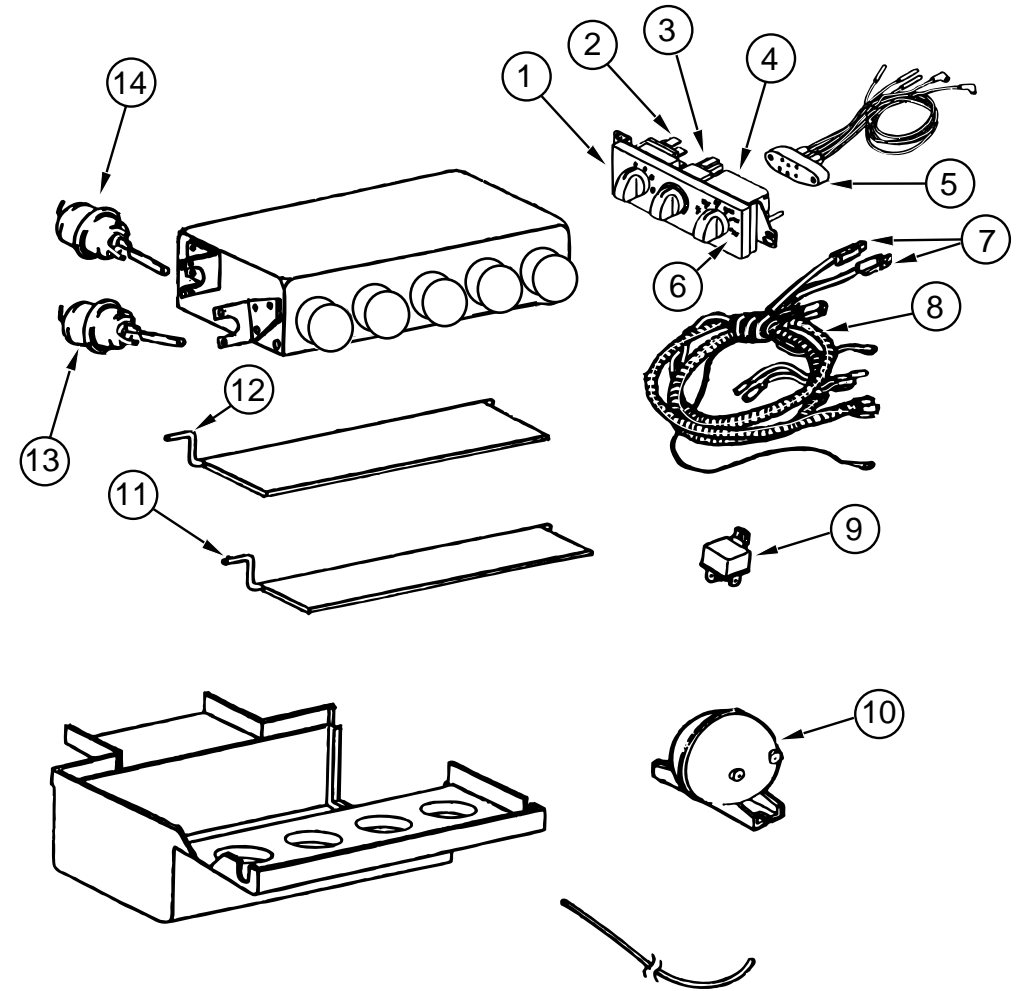
### HEATING&AIRCONDITIONINGGROUP(CONTINUED)



**CONTROL/PLENUMSET**

KEY	PARTNUMBER	U/M	DESCRIPTION	VENDORNO.
	103930-26-000	EA	CONTROL/PLENUMSET,M-BODY	
FROM: 00-00-00 THRU: 09-01-96				
1	103930-02-712	EA	PANEL-CONT.A/CBLACKBEZEL	032-0054
	072341-06-700	EA	SWITCH-4SPEED,FAN	032-0043
2	103930-02-706	EA	CLIP-CABLECONTROL	022-0017
3	103930-02-705	EA	CABLE-BOWDENW/OLEVER89"	074-0011
4	103930-26-701	EA	HARNESS-VACUUMCONTROL	036-0456
5	103930-02-701	EA	SWITCH-VACUUM,CONTROLHEAD	034-0015
6	103930-02-702	EA	DECAL-CONT.HEAD	058-0009
7	103930-26-700	EA	HARNESS-WIRECONTROL	036-0444
8	103930-02-707	EA	RELAY-BOSCHW/RESISTER	031-0001
9	103930-02-710	EA	CANISTER-VACUUM	054-0002
10	103930-33-700	EA	ROD-DOORDEFROSTER/AC	073-0028
11	103930-02-708	EA	MOTOR-VACUUMSERVO,A/C	030-0025

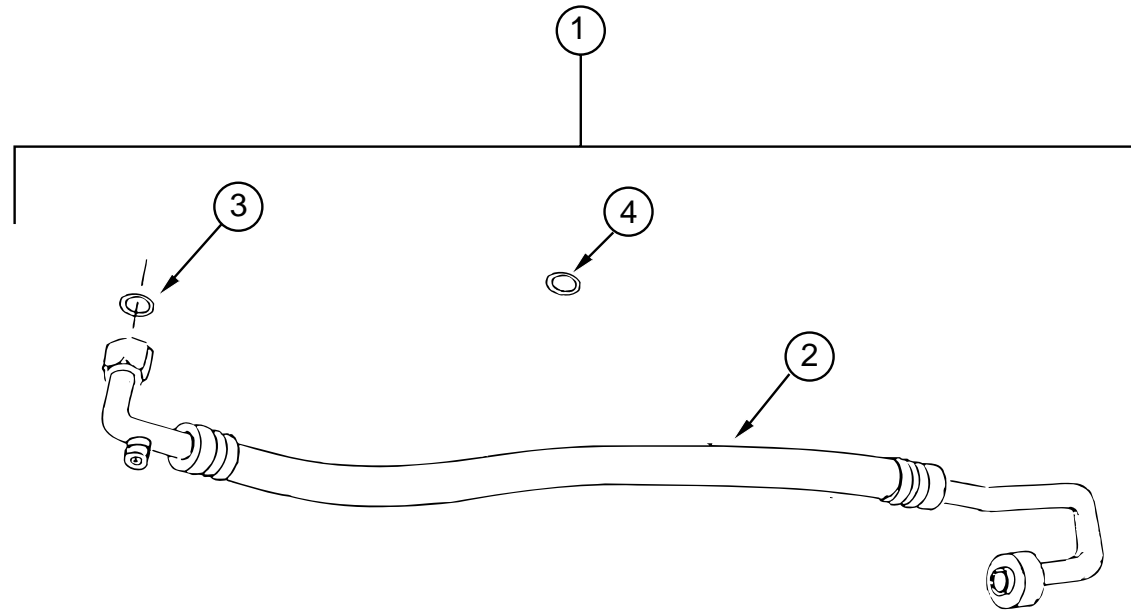
### HEATING&AIRCONDITIONINGGROUP(CONTINUED)



**CONTROL/PLENUM-ROTARYCONTROLHEAD**

KEY	PARTNUMBER	U/M	DESCRIPTION	VENDORNO.
	103930-35-000	EA	CONTROL/PLENUM-ROTARYCONTROLHEAD	
FROM: 09-02-96 THRU: 99-99-99				
1	103930-33-702	EA	CONTROLPANEL	083-0169
2	103930-33-707	EA	SWITCH-BLOWER	032-0186
3	103930-33-708	EA	SWITCH-POTENTIOMETER	032-0184
4	103930-33-709	EA	SWITCH-VACUUM	032-0183
5	103930-33-703	EA	VACUUMHARNESS	036-0465
6	103930-33-710	EA	DECALF/CONTROLHEAD	058-0102
7	103930-33-705	EA	LIGHTBULBS	035-0030
8	103930-33-704	EA	WIREHARNESSW/BULBS	036-0466
9	103930-02-707	EA	RELAY-BOSCHW/RESISTER	031-0001
10	103930-02-710	EA	CANISTER-VACUUM	054-0002
11	103930-33-700	EA	ROD-DOORDEFROSTER/AC	073-0028
12	103930-33-706	EA	ROD-DOORAC/DEFROST	073-0060
13	103930-02-708	EA	MOTOR-VACUUMSERVO,A/C	030-0025
14	103930-33-701	EA	MOTOR-VACUUM,3STAGE	030-0105

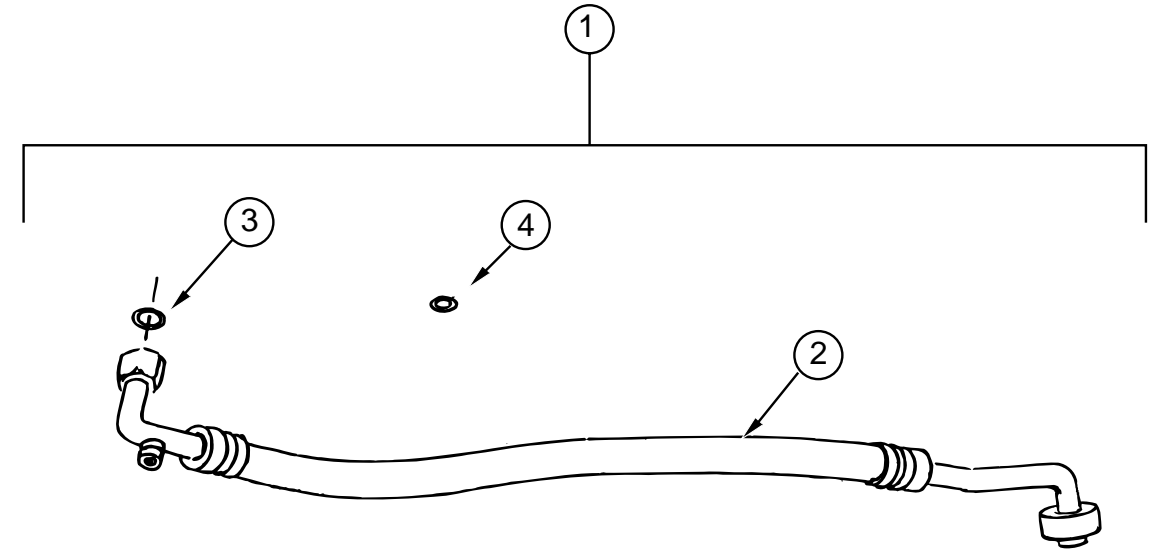
HEATING&AIRCONDITIONINGGROUP(CONTINUED)



CHEVYHOSEKIT-STANDARDGAS

KEY	PARTNUMBER	U/M	DESCRIPTION	VENDORNO.
1	103930-28-000	EA	HOSEKIT-#10W/GML-19CHASSIS	
2	103930-28-700	EA	HOSEASSM#10W/SELTECCOMP	085-0347
3	103930-17-702	EA	O'RING#10	045-0127
4	103930-29-701	EA	GASKET-GMLPSW1996	045-0483

HEATING&AIRCONDITIONINGGROUP(CONTINUED)

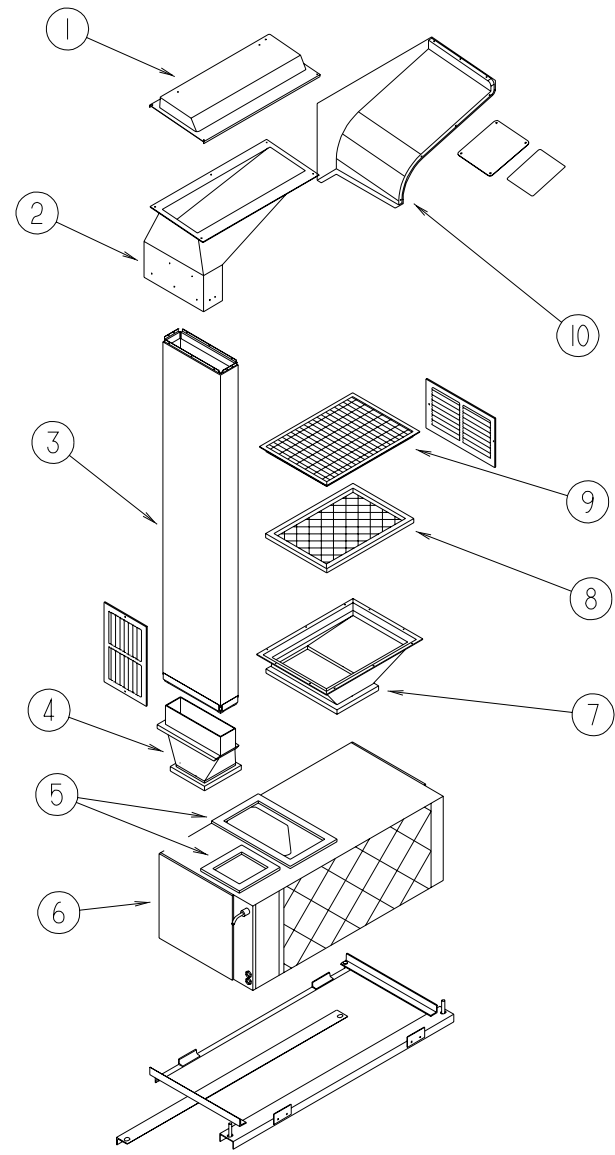


CHEVYHOSEKIT-VORTECGASORDIESELOPTION

KEY	PARTNUMBER	U/M	DESCRIPTION	VENDORNO.
1	103930-29-000	EA	HOSEKIT-#10W/GML-29&L-65CHASSIS	
2	103930-29-700	EA	HOSEASSM#10W/HARRISONCOMP	085-0348
3	103930-17-702	EA	O'RING#10	045-0127
4	103930-29-701	EA	GASKET-GMLPSW1996	045-0483



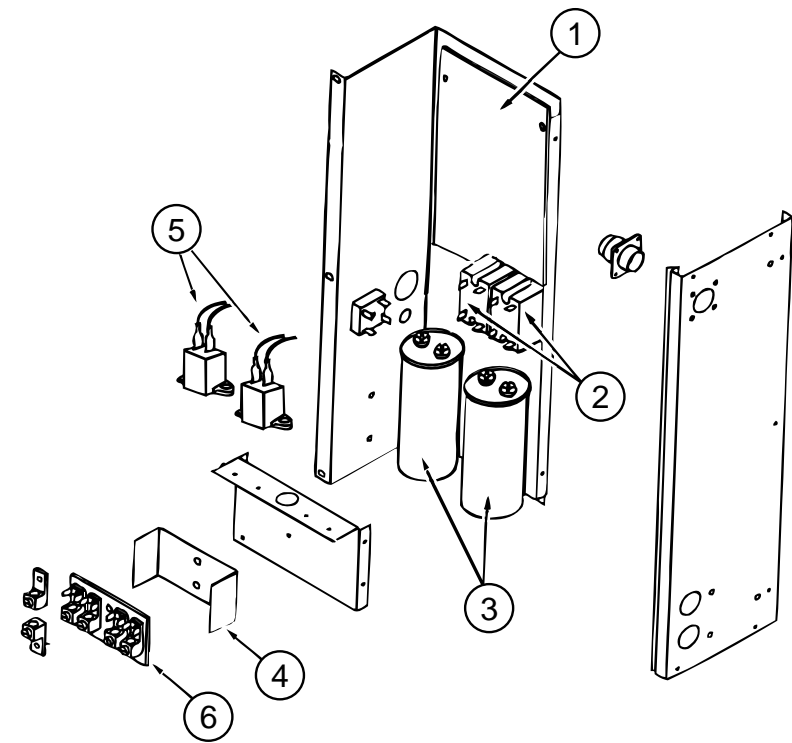
**HEATING&AIRCONDITIONINGGROUP(CONTINUED)**



**PLENUMS,INSULATION&FILTER-COLEMAN6795B832**

KEY	PARTNUMBER	U/M	DESCRIPTION
1	109009-01-000	EA	DEFLECTOR-A/C,ROOF
	104692-01-000	FT	SEAL -3/4" X3/4", ADHESIVE ON ONE SIDE
2	P18218-01-000	EA	PLENUM-A/C,SUPPLY,UPPERW/FOAM
	118218-01-000	EA	PLENUM-A/C,SUPPLY,UPPER
3	117870-01-01A	EA	PLENUM-A/C,1710
4	P17384-01-000	EA	PLENUM-LOWERA/C
	117384-01-000	EA	PLENUM-A/C,SUPPLY,LOWER
	105290-01-000	SF	INSULATION-AIRPOCKETW/FOIL-ASTRO-ROIL4'X125'
5	100128-02-000	FT	SEAL-FOAM,ADHESIVEBACK-.37"W X.37"THICK
6	105620-05-000	EA	A/C-CENTRALPACKAGEUNIT,LH
	105620-09-000	EA	THERMOSTAT-A/CANDFURNACE-6795-3451
	105620-07-000	EA	WIREASSEMBLY-THERMOSTAT,6795A4351
7	117389-01-000	EA	PLENUM-A/C,RETURNAIR
	105290-01-000	SF	INSULATION-AIRPOCKETW/FOIL-ASTRO-ROIL4'X125'
8	109050-02-000	EA	FILTER-FIBERGLASS,1"X14"X20"
9	109859-01-000	EA	FRAME-FILTER,A/C
10	117570-01-01A	EA	COVER-PLENUM,A/C,UPPOFFWHT

**HEATING&AIRCONDITIONINGGROUP(CONTINUED)**

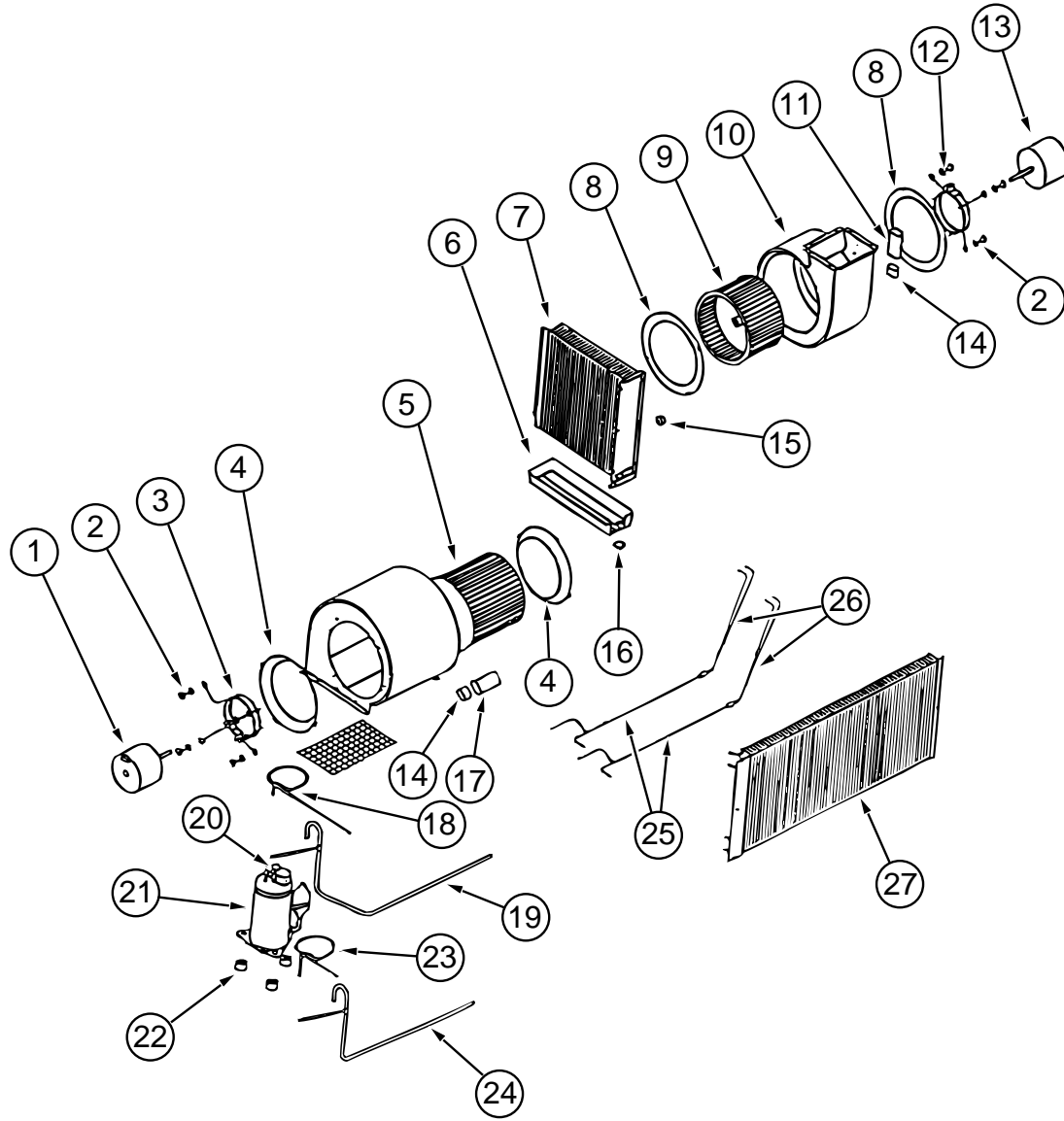


**ELECTRICALCOMPONENTS-COLEMAN6795B832(CONTINUED)**

KEY	PARTNUMBER	U/M	DESCRIPTION	VENDOR NO.
1	105620-05-700	EA	BOARD-PRINTEDCIRCUIT,2TON	6795-3201
2	105620-01-729	EA	RELAY-COMPRESSOR	1460-1011
3	108889-01-707	EA	CAPACITOR-RUN,COMPRESSOR-25MFD/370	1499-5661
4	105620-01-733	EA	ISOLATOR-HIGHVOLTAGE	6795-117
5	105620-01-739	EA	STARTASSIST	9011
6	105620-01-738	EA	HIGHVOLTAGETERMINALBOARD	6795-315

## HEATING&AIRCONDITIONINGGROUP(CONTINUED)

### BLOWER MOTOR, COMPRESSOR AND COMPONENTS-COLEMAN6795B832(CONTINUED)

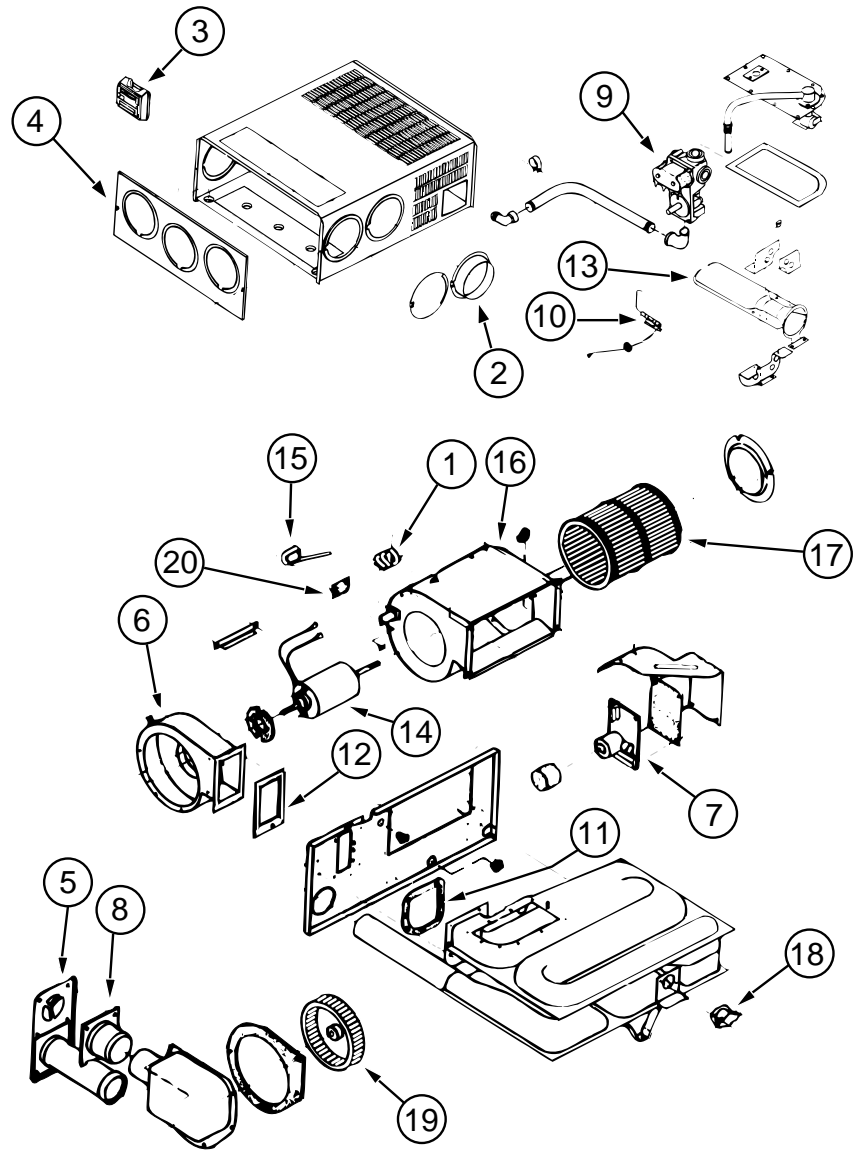


KEY	PARTNUMBER	U/M	DESCRIPTION	VENDORNO.
22	105620-01-706	EA	MOUNTINGPACKAGE,COMPRESSOR,3PER	6759-3081
23	105620-02-706	EA	LINEASM.-LIQUID,CKT#1(LH)	6795-234
24	105620-02-705	EA	LINEASM.-SUCTION,CKT#1(LH)	6795-508
25	105620-02-707	EA	LINEASM.-LIQUID,COMPRESSOR(LH)	6795-503
26	105620-01-712	EA	CAPTUBEASM-DISTRIBUTOR,R&L	6795-5141
27	105620-02-700	EA	COIL-CONDENSER,(LH)	1452-1421
	105620-07-000	EA	WIREASM-THERMOSTAT6795A4351	
	120134-01-02A	EA	REGISTER-4-5INDIAW/DAMPER	

KEY	PARTNUMBER	U/M	DESCRIPTION	VENDORNO.
1	105620-01-717	EA	MOTOR-BLOWER,O.D.	1468-302
2	105620-01-716	EA	PACKAGE-SLEEVE&GROMMET,4PERPKG6795-3031	
3	105620-01-715	EA	MOUNT-BLOWER,O.D.	6795-3011
4	105620-01-714	EA	VENTURI-BLOWER,O.D.	6795-150
5	105620-01-713	EA	WHEEL-BLOWER,O.D.	1472-1011
6	105620-02-702	EA	PAN-DRAIN,LH	6795-225
7	105620-02-701	EA	COIL-EVAPORATOR,LEFT	1452-1431
8	105620-01-722	EA	VENTURI-BLOWER,I.D.	6795-151
9	105620-02-709	EA	WHEEL-BLOWER,I.D.	1472-1021
10	105620-02-708	EA	HOUSING-BLOWER,I.D.	6795-519
11	108889-01-708	EA	CAPACITOR-BLOWER	1499-5461
12	105620-01-723	EA	MOUNT-MOTOR,BLOWER,I.D.	6795-3021
13	105620-01-724	EA	MOTOR-BLOWER,I.D.,	1468-3129
14	105620-01-719	EA	BOOT-CAPACITOR,RUBBER	1499-950
15	N/A	EA	SWITCH-FREEZE,COLEMAN6795A330(NOTUSEDONTHISMODEL)	
16	105620-01-703	EA	DRAINVALVE	6795-300
17	105620-01-718	EA	BLOWERCAPACITOR,O.D.(12.5)	1499-5631
18	105620-01-708	EA	LINE-DISCHARGE,2-LEFT	6795-133
19	105620-02-703	EA	LINEASM-SUCTION,2-LEFT	6795-507
20	105620-01-705	EA	OVERLOADPROTECTOR(RH&LH)	6759-3791
21	105620-01-704	EA	COMPRESSOR,TECUMSEH	RK157AT-010A4

# HEATING & AIRCONDITIONING GROUP (CONTINUED)

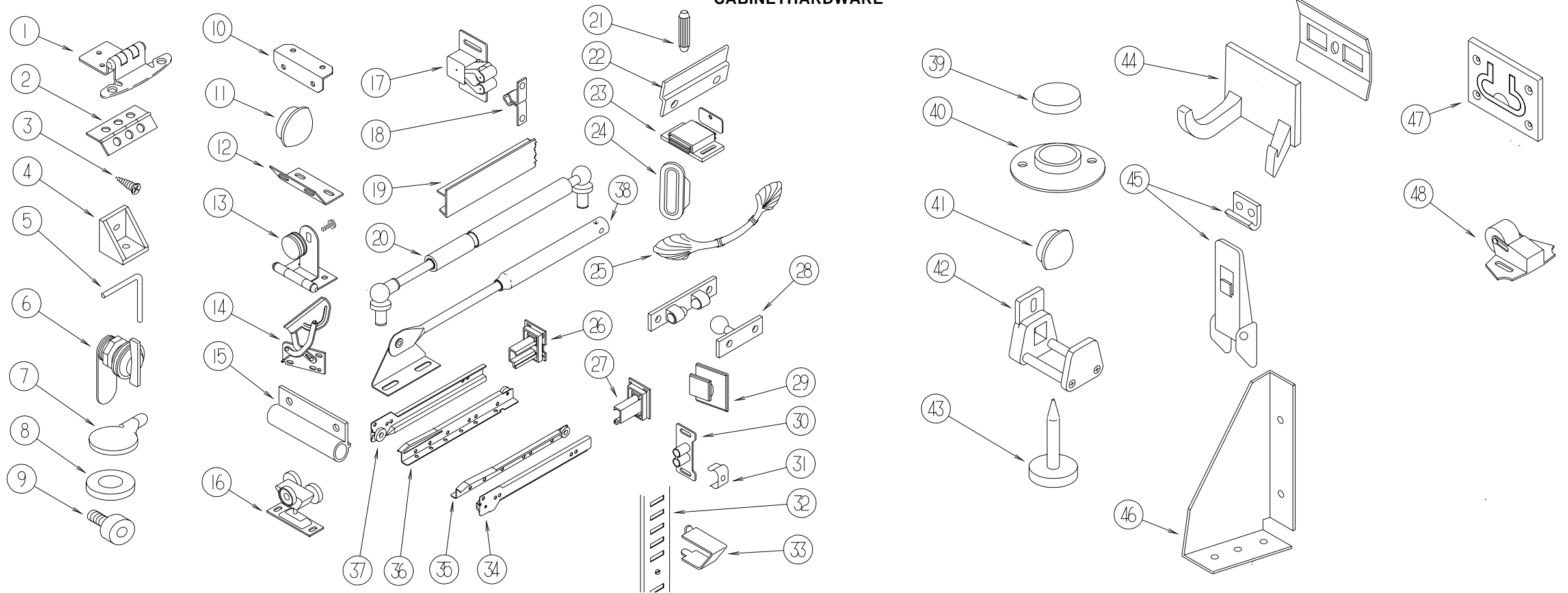
## FURNACE-SUBURBAN-40,000BTU-SF-422275



KEY	PARTNUMBER	U/M	DESCRIPTION	VENDOR NO.
	098668-22-000	EA	FURNACE, 40,000BTU., SUBURBAN SF-422275	
1	074466-01-702	EA	RELAY, TIMEDELAY	230625
2	075696-02-703	EA	COLLAR-DUCT	050715
3	115764-01-01A	EA	THERMOSTAT-FURNACE, SUBURBAN160902	
4	098668-01-700	EA	CABINETFRONT	101242
5	098668-01-707	EA	TUBEASSEMBLY, EXHAUSTW/CAP	260231
6	098668-01-708	EA	HOUSING-BLOWER, COMBUSTION	390441
7	098668-01-712	EA	BOARD-MODULE	520741
8	098668-01-713	EA	TUBEASSEMBLY, INTAKE	051248
9	098668-01-714	EA	VALVE-GAS, SF	161070
10	098668-01-715	EA	ELECTRODEASM., SINGLEPROBE	232166
11	098668-01-716	EA	GASKET-FIREWALL, CHAMBERSIDE	070808
12	098668-01-717	EA	GASKET-FIREWALL, BLOWERSIDE	070809
13	098668-11-700	EA	ORIFICE-MAINBURNER, SF-42F	180216
	098668-11-701	EA	BURNERASSEMBLY, SF-42F	010799
14	098668-11-702	EA	MOTORASSEMBLY, SF-42F	232212
15	098668-11-703	EA	SWITCH-SAIL, SF-42F	232216
16	098668-11-704	EA	BLOWERASM., ROOMAIR SF-42F	390698
17	098668-01-711	EA	WHEEL-BLOWER, ROOMAIR	350129
18	098668-11-706	EA	SWITCH-LIMIT, SF42&SF42F	232217
19	098668-22-702	EA	WHEEL-COMBUSTIONAIR	350183
20	101990-01-714	EA	GASKET-MICROSWITCH	230877
	098668-14-000	EA	GASKET-FIBERGLASS, .5" X 18" X 18" 070976	
	094600-05-01A	EA	REGISTER-HEAT, W/ODAMPER-LIMA41, DURA-BEIGE	
	094600-06-01A	EA	REGISTER-HEAT, W/DAMPER	
	056464-10-000	EA	REGISTER-W/ODAMPER, 4" DIAMETER-DURA-BEIGE	
	120773-01-01A	EA	SHROUD-FURNACE, TITANIUM	
	009198-02-000	FT	DUCT-FLEXIBLE-2INID X 25FT	
	009198-01-000	FT	DUCT-HEAT, FLEXIBLE-4" ID X 25FT	
	076776-01-000	EA	TEE-BARB, 5/8" X 5/8" X 5/8"	
	093614-06-02A	EA	GRILLE-RETURNAIR, DURA-BEIGE-LIMA35-10X14BR	
	093614-01-02A	EA	GRILLE-RETURNAIR, DURABEIGE	
	093614-03-02A	EA	GRILLE-RETURNAIR	
	009200-01-000	EA	TAPE-FURNACE, 1 1/2"	

# INTERIORFINISHGROUP

## CABINETHARDWARE

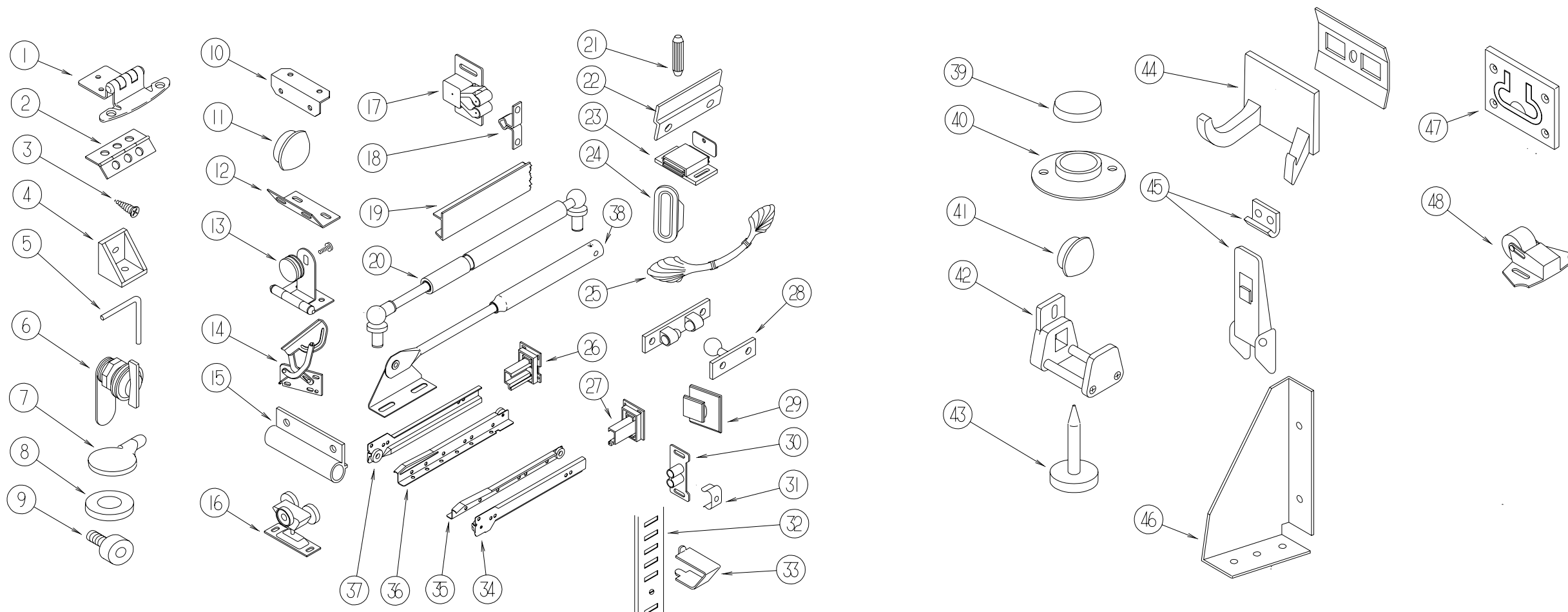


KEY	PARTNUMBER	U/M	DESCRIPTION
1	108138-01-000	EA	HINGE-DOOR,CABINET-BURNISHEDBRASS
2	009059-01-000	EA	HINGE-DOOR,2"X1.4"-BRASS
2	009059-02-000	EA	HINGE-DOOR,2"X2.7"-BRASS
2	009065-01-000	EA	HINGE-CONTINUOUS,1 1/2"X96"-UNPAINTED
2	112556-01-01A	EA	HINGE-BRASS,1 1/2IN
3	000G13-06-10G	EA	SCREW-6-20X5/8PFH,ANTIQUBRASS
3	000G13-06-08G	EA	SCREW-6-20X.50PFH,ANTIQUBRASS
4	065740-01-000	EA	BRACE-CABINETCORNER,PLASTIC
5	108487-01-01A	EA	SUPPORT-PROPROD,OVERHEAD-BLACK
6	100710-01-01A	EA	LOCK-GLASSDOOR,TWISTTYPE-BRASS
7	101766-02-000	EA	PIN-SUPPORT,GLASSDOOR
8	100707-01-000	EA	SPACER-DOOR,GLASS-.8"DIA-.3"HOLE-PLASTIC
9	079921-01-000	EA	ROLLER-NYLON,W/STEELSHAFT-BARBED
10	016604-01-000	EA	BRACE-CABINET,ANGLE-2.5"-METAL-UNPAINTED
10	016604-05-000	EA	BRACE-CABINET,LANGLE-2.5"-METAL-OFFWHITE
11	074045-10-000	EA	PLUG-OAK,1/2"DIAMETER(SOLARMAPLE)
11	074045-08-000	EA	PLUG-OAK,1/2"DIAMETER(SALEMCHERRY)
12	111866-01-01A	EA	BRACE-SEAT,ANGLE
13	100711-01-01A	EA	HINGE-DOOR,GLASS
14	108126-01-000	EA	HINGESET-TRAY,10IPOUT-2PERSET
15	108486-01-01A	EA	BRACKET-PROPROD,OVERHEAD-BLACK
16	103874-01-000	EA	HANGER-SLIDINGDOOR
17	093586-06-000	EA	CATCH-SPRING,ROLLER-FASTECC411-AC
18	093586-05-000	EA	STRIKE-SPRINGSTEEL,FASTECS411-AC
19	103186-01-03A	FT	MOLDING-PLASTIC,9.5MMSHELFEDGING(PICKLEDASH)
19	103186-02-03A	FT	MOLDING-PLASTIC,25.4MMSHELFEDGING(SALEMCHERRY)
20	057460-04-000	EA	SPRING-GAS,QUEENBEDTOP
21	110072-01-000	EA	DOWEL,5/16"X13/16",BIRCH
22	101272-01-000	EA	CATCH-DOOR,GLASS
23	088254-01-000	EA	CATCH-MAGNETIC,1.8"X.7"
24	098410-01-01A	EA	PULL-FINGER,OVAL-BRASS

KEY	PARTNUMBER	U/M	DESCRIPTION
25	113202-01-000	EA	PULL-CABINET,BRASS-AMEROCKD1333-074
26	114045-01-000	EA	BACKSOCKET-ADJUSTABLE,LEFT
27	114045-02-000	EA	BACKSOCKET-ADJUSTABLE,RIGHT
28	084451-02-000	EA	CATCH-TVSHLF,BRASS
29	102327-01-01A	EA	PULL-MIRROR,SQUARE
30	009021-01-000	EA	CATCH-GRILL,NYLON
31	009021-02-000	EA	STRIKE-SPRINGSTEEL
32	098980-01-000	EA	PILASTER-ADJUSTABLESHELF,18"LONG-WOODGRAIN
32	098980-02-000	EA	PILASTER-ADJUSTABLESHELF,12"LONG-WOODGRAIN
32	098980-03-000	EA	PILASTER-ADJUSTABLESHELF9"LONG-WOODGRAIN
32	098980-04-000	EA	PILASTER-ADJUSTABLESHELF48"LONG-WOODGRAIN
32	098980-06-000	EA	PILASTER-ADJUSTABLESHELF,24"LONG-WOODGRAIN
33	098979-01-000	EA	CLIP-PILASTER,ADJUSTABLESHELF
34	114031-02-000	EA	SLIDE-DRAWER,12"RIGHTCABINET
34	114031-14-000	EA	SLIDE-DRAWER,18"-RIGHT-CABINETMOUNTED
34	114031-18-000	EA	SLIDE-DRAWER,20"-RIGHT-CABINETMOUNTED
34	114031-22-000	EA	SLIDE-DRAWER,22"-RIGHT-CABINETMOUNTED
34	114031-26-000	EA	SLIDE-DRAWER,24"RHCABINET
35	114031-04-000	EA	SLIDE-DRAWER,12"-RIGHTDRAWER
35	114031-16-000	EA	SLIDE-DRAWER,18"-RIGHT-DRAWERMOUNTED
35	114031-24-000	EA	SLIDE-DRAWER,22"-RIGHT-DRAWERMOUNTED
35	114031-28-000	EA	SLIDE-DRAWER,24"-RIGHT-DRAWERMOUNTED
36	114031-03-000	EA	SLIDE-DRAWER,12"-LEFT-DRAWERMOUNTED
36	114031-15-000	EA	SLIDE-DRAWER,18"-LEFT-DRAWERMOUNTED
36	114031-23-000	EA	SLIDE-DRAWER,22"-LEFT-DRAWERMOUNTED
36	114031-27-000	EA	SLIDE-DRAWER,24"-LEFT-DRAWERMOUNTED
37	114031-01-000	EA	SLIDE-DRAWER,12"-LEFT-CABINETMOUNTED
37	114031-13-000	EA	SLIDE-DRAWER,18"-LEFT-CABINETMOUNTED
37	114031-17-000	EA	SLIDE-DRAWER,20"-LEFT-CABINETMOUNTED
37	114031-21-000	EA	SLIDE-DRAWER,22"-LEFT-CABINETMOUNTED
37	114031-25-000	EA	SLIDE-DRAWER,24"-LEFT-CABINETMOUNTED

# INTERIORFINISHGROUP(CONTINUED)

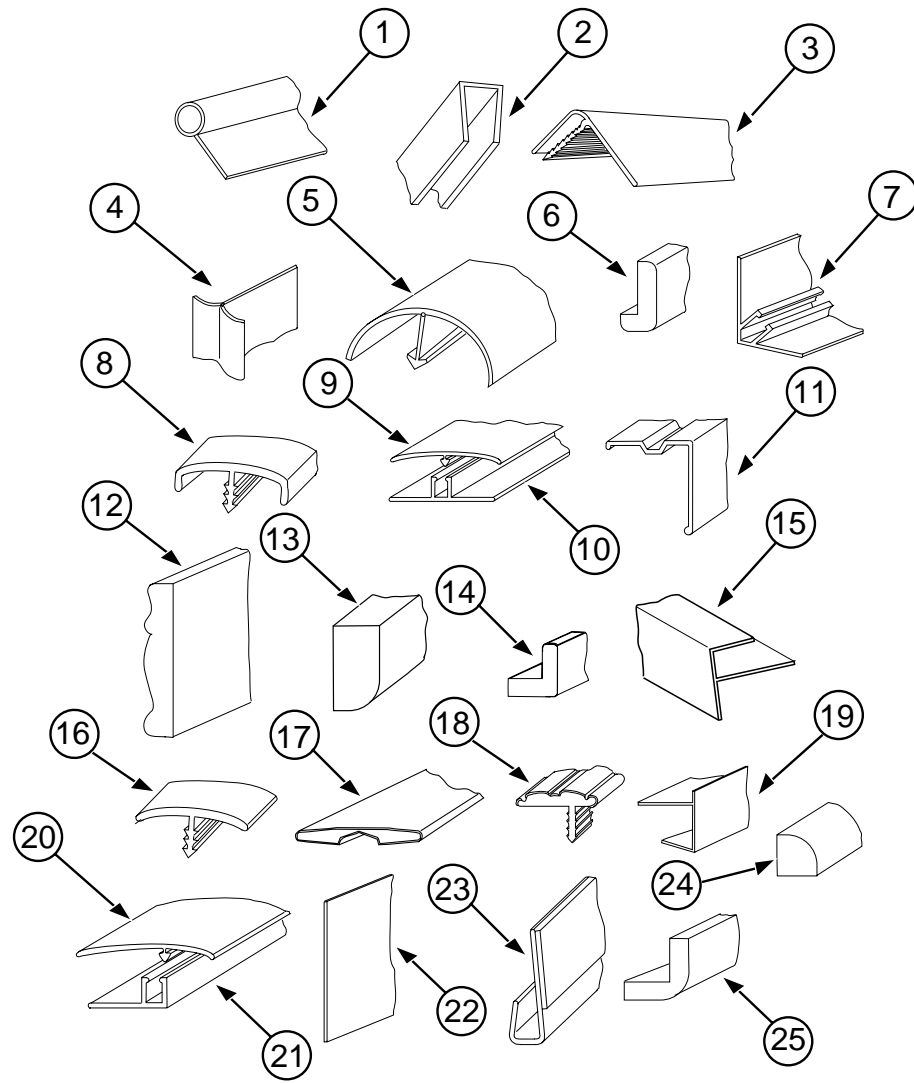
## CABINETHARDWARE(CONTINUED)



KEY	PARTNUMBER	U/M	DESCRIPTION
38	074493-02-000	EA	SUPPORT-PISTONSRING,CABINETDOOR
38	074493-03-000	EA	SUPPORT-DOOR,SPRUNGFASTECHMS33AE
39	004354-01-000	EA	BUMPER-RUBBER,.5"DIA-BROWN
40	009112-01-000	EA	FLANGE-ROD,1"-COTHESROD-PLASTIC-OFFWHITE
41	042356-01-000	EA	PLUG-BUTTON,MAHOGANY-3/8"DIAMETER-WOOD
42	064467-01-000	EA	GUIDE-POCKET,SLIDINGDOOR-WALLMOUNTED
43	102194-01-000	EA	GUIDE-PLASTIC
44	104174-01-000	EA	HOOK-ROBE,TWIN
45	116975-01-01A	EA	LATCHASM-UNDERCENTER,BLACKSTRIKE#042541-05-000
	042541-05-000	EA	STRIKE-W/OLATCH,BRASS
46	116978-01-03B	EA	GUSSET-SLIDEOUTROOM,OFFWHITE
47	072871-01-000	EA	PULL-FLUSH,CHROME
48	109403-01-000	EA	CATCH-SINGLEROLLER
	076790-01-000	EA	SCREW,6-20X1 1/4PPH-BLACK
	M97191-01-E37	EA	HANDLE-DOOR,TAMBOUR
	023320-01-000	EA	PAD-FELT,3/8"DIAMETER-BROWN
	042438-01-000	EA	DOWEL-WOOD,CLOTHESROD-1"DIAMETERX4'
	042438-06-000	EA	DOWEL-WOOD,1.5"X26"-OAK
	041389-18-000	EA	HINGE-PIANO,1.50X482.6-OFFWHITE
	041389-25-000	EA	HINGE-PIANO,1.50X55"-MILL
	073151-02-000	EA	HINGE-CONTINUOUS,22.3"LONG-METAL-OFFWHITE
	097141-02-700	EA	TRACK-SPIRALKIT,(1)LH&(1)RH
	118802-01-02A	EA	HINGEASM-DOOR,OVERHEADCABINET,HAMPTONTAN
	118802-01-01A	EA	HINGEASM-DOOR,OVERHEADCABINET

# INTERIORFINISHGROUP(CONTINUED)

## MOLDINGS&TRIMS



KEY	PARTNUMBER	U/M	DESCRIPTION
7	081521-02-007	EA	MOUNT-METALMOLDING,FORRADIUSCORNERMOLDING-12.5'LONG
8	083620-14-000	FT	MOLDING-T,ENDCAPEDGE-W/EDGELIPS-.75"(SOLARMAPLE)
8	083620-11-000	FT	MOLDING-T,ENDCAPEDGE-W/EDGELIPS-.75"(SALEMCHERRY)
9	086229-14-000	EA	RETAINER-BATTEN,3/4
10	086229-13-000	EA	BATTEN-CEILING,1"WIDE-MODERNIVORY
10	086229-20-000	EA	BATTEN-CEILING,1"WIDE-BEIGE
11	093873-01-01A	EA	TRIM-CARPET,L-ANGLE-1.1"X1.3"X12'-VINYL
12	100182-10-H37	EA	TRIM-CHAIRRAIL,WOOD(SOLARMAPLE)
12	100182-10-E41	EA	TRIM-CHAIRRAIL,WOOD(SALEMCHERRY)
13	100818-01-06A	EA	TRIM-MOLDING,FLATVINYLWRAP-42WIDEX2134MMLONG(SOLARMAPLE)
13	100818-01-04A	EA	TRIM-MOLDING,FLATVINYLWRAP-42WIDEX2134MMLONG(SALEMCHERRY)
14	100819-01-06A	EA	TRIM-CORNER,VINYLWRAP-38MMWIDEX2134MMLONG(SOLARMAPLE)
14	100819-01-04A	EA	TRIM-CORNER,VINYLWRAP-38MMWIDEX2134MMLONG(SALEMCHERRY)
15	009812-30-000	EA	MOLDING-CORNER,OUTSIDE-.5"-PLASTIC(SOLARMAPLE)
15	009812-26-000	EA	MOLDING-CORNER,OUTSIDE-.5"-PLASTIC(SALEMCHERRY)
16	105709-01-000	FT	T-MOLDING,1"WIDE-MODERNIVORY
17	079653-35-000	EA	MOLDING-BATTSTRIP,TRANQUILGARDEN
18	109736-01-01A	FT	T-MOLDING,1"WIDE-OFFSET-BRASS/BLACK
19	103186-01-06A	FT	MOLDING-PLASTIC,9.5MMSHELFEDGING(SOLARMAPLE)
19	103186-01-04A	FT	MOLDING-PLASTIC,9.5MMSHELFEDGING(SALEMCHERRY)
19	103186-02-06A	FT	MOLDING-PLASTIC,25.4MMSHELFEDGING(SOLARMAPLE)
19	103186-02-04A	FT	MOLDING-PLASTIC,25.4MMSHELFEDGING(SALEMCHERRY)
20	086229-10-000	EA	BATTEN-CEILING,1.5"OFFSET-MODERNIVORY
21	086229-09-000	EA	RETAINER-BATTEN,CEILING-OFFSET
22	101957-01-05A	EA	EXTRUDED-PLASTIC(SOLARMAPLE)
22	101957-01-04A	EA	EXTRUDED-PLASTIC(SALEMCHERRY)
23	109332-02-01A	FT	TRIM-J,MIRROR-BRASS
24	109410-01-H37	EA	MOLDING-TRIM(SOLARMAPLE)
24	109410-01-E41	EA	MOLDING-TRIM(SALEMCHERRY)
25	080176-07-000	EA	CAP-TOP,RADIUSCORNERMOLDING-PLASTIC(SOLARMAPLE)
25	080176-06-000	EA	CAP-TOP,RADIUSCORNERMOLDING-PLASTIC(SALEMCHERRY)
	104676-01-01A	FT	T-MOLDING,5/16-RIGID-GOLD
	009767-16-000	FT	WELTING(SOLARMAPLE)
	009767-14-000	FT	WELTING(SALEMCHERRY)
	109831-01-H56	EA	LUMBER-MIRRORSTOP,610LONG(SOLARMAPLE)
	109831-01-E41	EA	LUMBER-MIRRORSTOP,610LONG(SALEMCHERRY)
	120492-01-01A	FT	STRIP-TRIM,IVORY
	119217-01-H56	EA	MOLDING-DOOR,ENTRANCE-WOOD(SOLARMAPLE)
	119217-01-GV1	EA	MOLDING-DOOR,ENTRANCE-WOOD(SALEMCHERRY)
	119217-02-H56	EA	MOLDING-DOOR,ENTRANCE-WOOD(SOLARMAPLE)
	119217-02-GV1	EA	MOLDING-DOOR,ENTRANCE-WOOD(SALEMCHERRY)

KEY	PARTNUMBER	U/M	DESCRIPTION
1	009767-12-000	FT	MOLDING-SIDEWALLTOCEILING/CABINET-WELTING-OFFWHITE
2	009778-24-000	FT	UCHANNEL-PLASTIC,1"(SOLARMAPLE)
2	009778-18-000	FT	UCHANNEL-PLASTIC,1"(SALEMCHERRY)
2	070504-41-000	FT	UCHANNEL-PLASTIC,1.65"(SOLARMAPLE)
2	070504-30-000	FT	UCHANNEL-PLASTIC,1.65"(SALEMCHERRY)
2	070504-40-000	FT	UCHANNEL-PLASTIC,20.7"(SOLARMAPLE)
2	070504-31-000	FT	UCHANNEL-PLASTIC,20.7"(SALEMCHERRY)
3	009809-29-000	EA	MOLDING-CORNER,OUTSIDE-1"(SOLARMAPLE)
3	009809-27-000	EA	MOLDING-CORNER,OUTSIDE-1"(SALEMCHERRY)
4	022992-11-000	FT	MOLDING-REVERSECOVE,T-SHAPED-VINYL-IVORY
5	042357-21-000	EA	MOLDING-CORNER,RADIUS-1.5"X7'-PLASTIC(SOLARMAPLE)
5	042357-19-000	EA	MOLDING-CORNER,RADIUS-1.5"X7'-PLASTIC(SALEMCHERRY)
6	077840-01-H37	EA	MOLDING-WALLCAP,36MMX8'LONG-L-SHAPEDWOOD(SOLARMAPLE)
6	077840-01-E41	EA	MOLDING-WALLCAP,36MMX8'LONG-L-SHAPEDWOOD(SALEMCHERRY)

**INTERIORFINISHGROUP(CONTINUED)**

**PANELING&LUMBER**

KEY	PARTNUMBER	U/M	DESCRIPTION
	080215-11-000	SF	PANELING-WOODGRAIN,2SIDED-48"X96"(SOLARMAPLE)
	080215-09-000	SF	PANELING-WOODGRAIN,2SIDED-48"X96"(SALEMCHERRY)
	074497-35-000	SF	PANELING-WOODGRAIN,48"X96"(SOLARMAPLE)
	074497-23-000	SF	PANELING-WOODGRAIN,48"X96"(SALEMCHERRY)
	088272-G7-000	SF	PANELING-TRANQUIL,GARDEN-MAINWALL(H56,H57)
	088272-G8-000	SF	PANELING-BENTLEY,PATINA-MAINWALL(H58,H59)
	088272-G9-000	SF	PANELING-GAZEBO,PEARL-MAINWALL(H60,H61)
	088272-G1-000	SF	PANELING-PEBBLEEMBOSS,ANTIQUE-4'X7'-INCOF28SF-WETBATH
	000885-82-000	SF	PARTICLE-BOARD,1/2X60X96-VINYL2SIDED(SOLARMAPLE)
	000885-72-000	SF	PARTICLE-BOARD,1/2X60X96-VINYL2SIDED(SALEMCHERRY)
	000885-83-000	SF	PARTICLE-BOARD,3/4X60X96-VINYL2SIDED(SOLARMAPLE)
	000885-73-000	SF	PARTICLE-BOARD,3/4X60X96-VINYL2SIDED(SALEMCHERRY)
	000885-80-000	SF	PARTICLE-BOARD,3/8X60X96-VINYL1SIDED(SOLARMAPLE)
	000885-71-000	SF	PARTICLE-BOARD,3/8X60X96-VINYL1SIDED(SALEMCHERRY)
	098531-04-000	SF	PLYWOOD-1/2"(SOLARMAPLE)
	098531-02-000	SF	PLYWOOD-1/2"(SALEMCHERRY)
	083618-07-000	SF	PLYWOOD-OAK,1SIDEFINISHED-3/16"X4'X8'(SOLARMAPLE)
	083618-04-000	SF	PLYWOOD-OAK,1SIDEFINISHED-3/16"X4'X8'(SALEMCHERRY)
	000846-01-000	SF	PLYWOOD-5/16"X4'X8'
	000846-02-000	SF	PLYWOOD-UNDR-5/16"X4'X8'

**LAMINATES&EDGE BAND**

KEY	PARTNUMBER	U/M	DESCRIPTION
	074498-71-000	SF	LAMINATE-PLASTIC,NEUTRALSANTOS-5'X8'
	074498-72-000	SF	LAMINATE-PLASTIC,5'X8'-PEBBLESANTOS(H56,H57,H58,H59)
	074498-59-000	SF	LAMINATE-PLASTIC,5'X8'-SANDCHROMATIX(H60,H61)
	074498-78-000	SF	LAMINATE-FRPLASTIC,PEBBLESANTOS(H56,H57,H58,H59)
	074498-68-000	SF	LAMINATE-FRPLASTIC,SANDCHROMATIX(H60,H61)
	074498-79-000	SF	LAMINATE-PLASTIC,5'X8'-INCOF40SF(SOLARMAPLE)
	074498-58-000	SF	LAMINATE-PLASTIC,5'X8'-INCOF40SF(SALEMCHERRY)
	076325-70-000	FT	MOLDING-EDGE BAND,15/16X.30X600(SOLARMAPLE)
	076325-50-000	FT	MOLDING-EDGE BAND,15/16X.30X600(SALEMCHERRY)
	076325-39-000	FT	MOLDING-EDGE BAND,15/16X.30X600

**BATTSTRIPS**

KEY	PARTNUMBER	U/M	DESCRIPTION
	088263-E9-000	EA	BATT-STRIP,DECORATIVE-TRANQUIL/GARDEN-8'LONGMAINWALL(H56,H57)
	088263-F0-000	EA	BATT-STRIP,DECORATIVE-BENTLEY/PATINA-8'LONGMAINWALL(H58,H59)
	088263-F1-000	EA	BATT-STRIP,DECORATIVE-GAZEBO/PEARL-8'LONGMAINWALL(H60,H61)
	088263-E3-000	EA	BATT-STRIP,WETBATH
	085284-E3-000	FT	BATT-TAPE,ADHESIVEBACKEDDECORATIVE-TRANQUIL/GARDEN(H56,H57)
	085284-E4-000	FT	BATT-TAPE,ADHESIVEBACKEDDECORATIVE-BENTLEY/PATINA(H58,H59)
	085284-E5-000	FT	BATT-TAPE,ADHESIVEBACKEDDECORATIVE-GAZEBO/PEARL(H60,H61)
	085284-D8-000	FT	STRIP-TAPE(PICKLEDASH)
	085284-97-000	FT	STRIP-TAPE(SALEMCHERRY)

**INTERIORFINISHGROUP(CONTINUED)**

**FIREEXTINGUISHER,DETECTORS&CLOCK**

KEY	PARTNUMBER	U/M	DESCRIPTION
	094499-01-000	EA	EXTINGUISHER-FIRE,DRYW/MOUNTINGBRACKET-10BC
	094499-02-000	EA	EXTINGUISHER-FIRE,DRY-1A10BC-CANADIAN
	094499-01-700	EA	BRACKET-MOUNTING,W/PLASTICSTRAP 294039
	094499-01-701	EA	STRAP ONLY (METAL) 320351
	072852-01-000	EA	DETECTOR-SMOKE,W/9VOLT BATTERY-US
	072852-02-000	EA	DETECTOR-SMOKE,W/9VOLT BATTERY-CANADIAN
	112320-03-000	EA	DETECTOR-COGASMODEL9D-ICOSTAR946000001 FROM: 00-00-00 THRU: 10-20-96
	112320-04-000	EA	DETECTOR-COSENSORASSEMBLYCOSTAR946001001 FROM: 00-00-00 THRU: 10-20-96
	125136-01-000	EA	DETECTOR-CO,GAS-MODEL9L-I FROM: 10-21-96 THRU: 99-99-99
	100793-02-01A	EA	CLOCK-WALL,BRASSQUARTZ11"
	103613-02-000	EA	DETECTOR-LPGAS

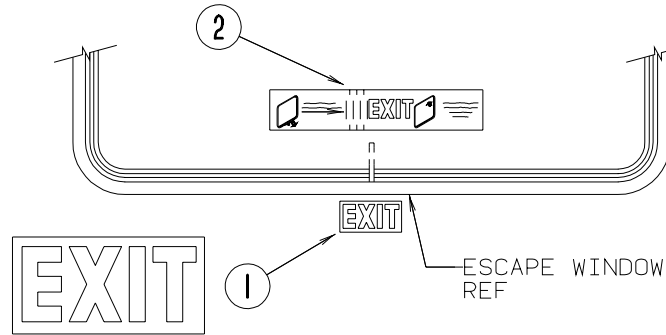
**FLOORCOVERINGS**

KEY	PARTNUMBER	U/M	DESCRIPTION
	096060-B8-000	SY	CARPET-EXCALIBUR,SPRUCE(H56,H57)
	096060-C6-000	SY	CARPET-EXCALIBUR,CHOCOLATE(H58,H59)
	096060-C7-000	SY	CARPET-EXCALIBUR,BAMBOO(H60,H61)
	124253-01-02A	SF	VINYL-FLOORPLANK,3"X12"-SOLARMAPLE
	124253-01-01A	SF	VINYL-FLOORPLANK,3"X12"-SALEMCHERRY
	093486-01-000	SY	CARPET-COMPARTMENT,54"WIDE-DARKGRAY
	075233-01-000	SY	PAD-CARPET,3/8"X6'ROLL
	047034-02-000	SF	PLASTIC-CARPET,4"WIDE-CLEARPOLY

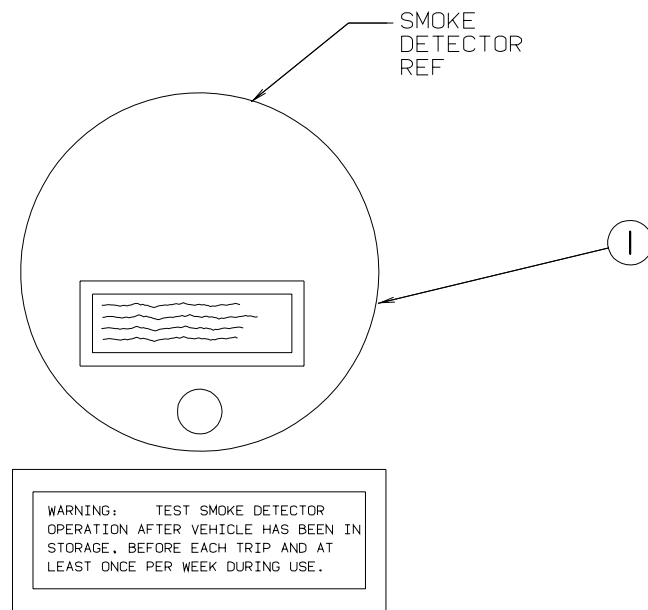
**FLOORMATS**

KEY	PARTNUMBER	U/M	DESCRIPTION
	108151-01-000	EA	MAT-FLOOR,ENTRANCE
	108152-01-000	EA	MAT-FLOOR,RH
	108152-02-000	EA	MAT-FLOOR,LH

**LABELSGROUP**

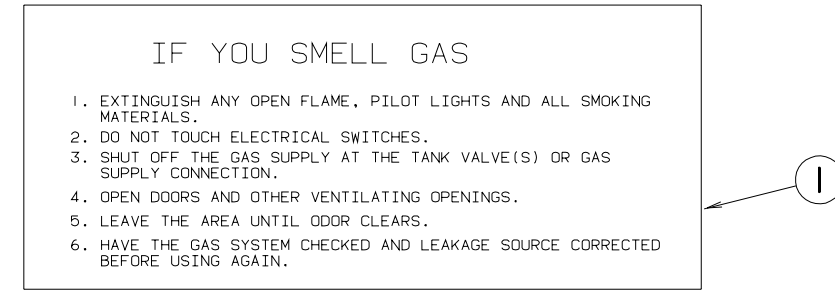


KEY	PARTNUMBER	U/M DESCRIPTION
1	039290-01-000	EA LABEL-WARNING,EXIT
2	107571-01-000	EA LABEL-ESCAPEEXIT,WINDOW

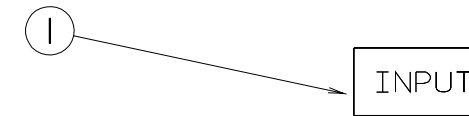


KEY	PARTNUMBER	U/M DESCRIPTION
1	077956-01-000	EA LABEL-WARNING,SMOKEDETECTOR

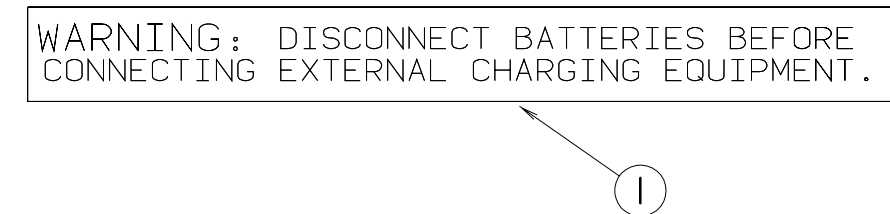
**LABELSGROUP(CONTINUED)**



KEY	PARTNUMBER	U/M DESCRIPTION
1	073998-01-000	EA LABEL-LPGODORWARNING



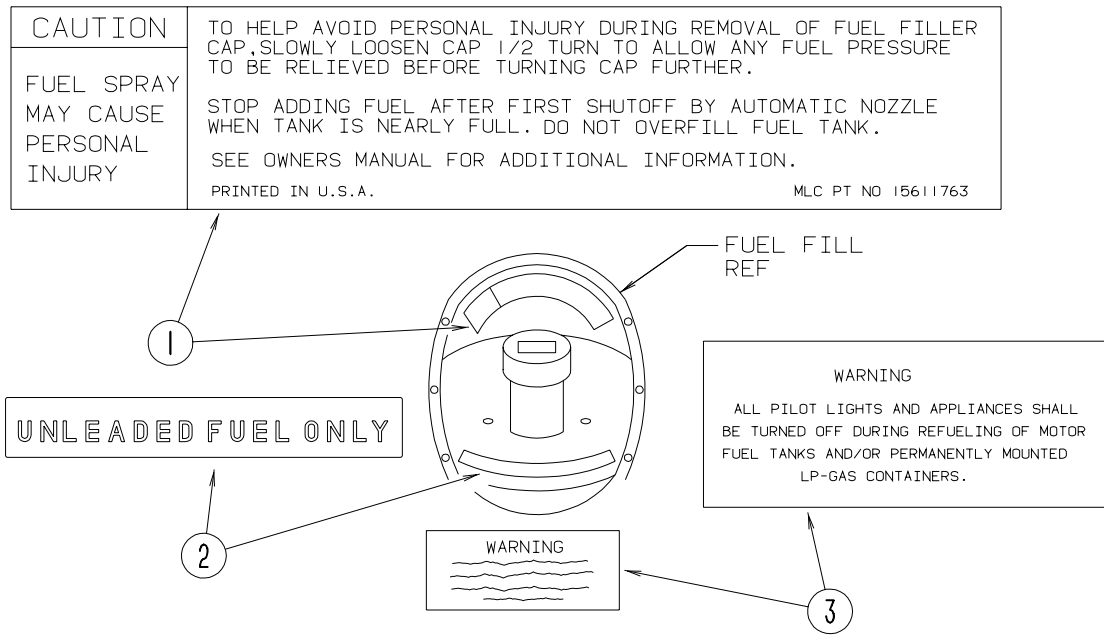
KEY	PARTNUMBER	U/M DESCRIPTION
1	087236-01-000	EA LABEL-CABLE,INPUT



KEY	PARTNUMBER	U/M DESCRIPTION
1	065748-01-000	EA LABEL-CAUTION,BATTERYCHARGING

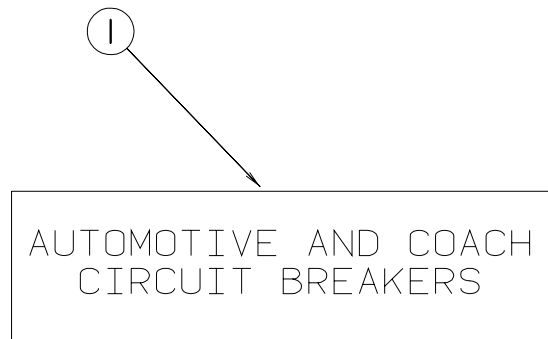


**LABELSGROUP(CONTINUED)**



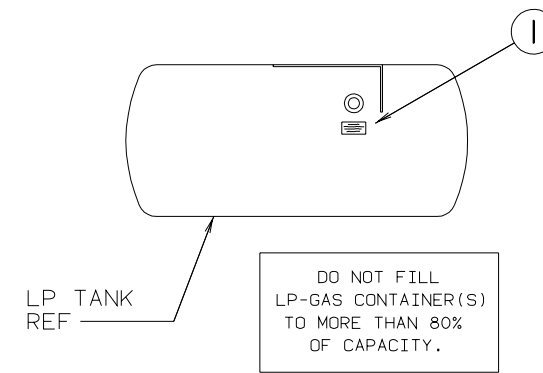
KEY	PARTNUMBER	U/M DESCRIPTION
1	087207-05-000	EA LABEL-FUELCAPREMOVAL
2	062043-01-000	EA LABEL-FUEL, UNLEADED
3	006040-01-000	EA TAG-GASREFUELINGWARNING
3	006040-02-000	EA TAG-GASREFUELWARNING, CANADIAN

FROM: 00-00-00 THRU: 08-11-96  
FROM: 00-00-00 THRU: 09-01-96

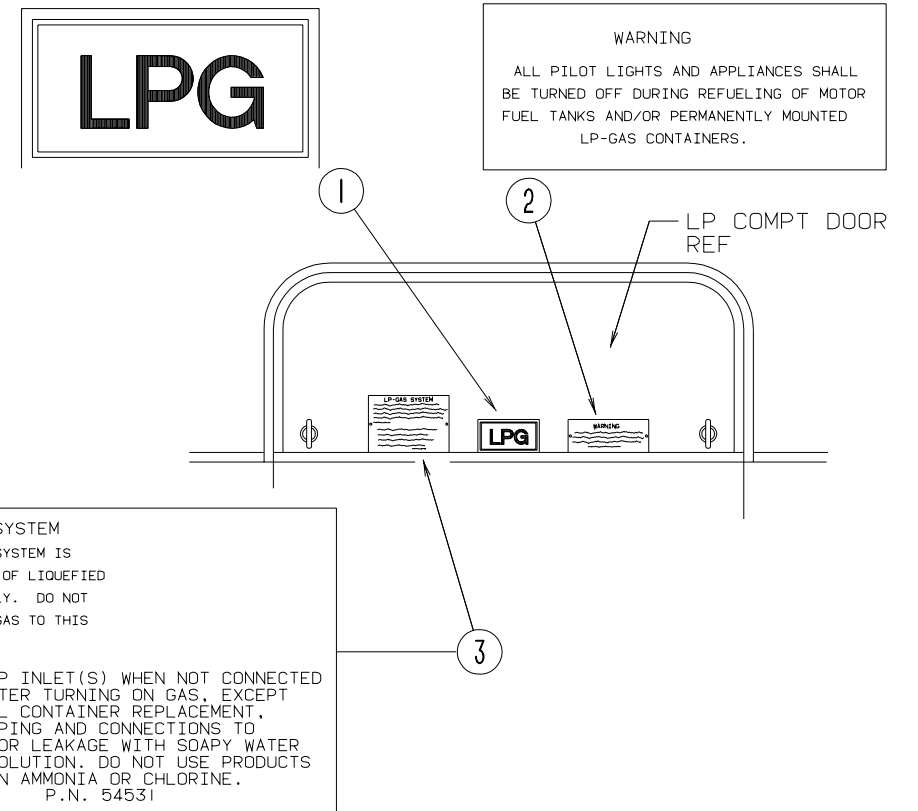


KEY	PARTNUMBER	U/M DESCRIPTION
1	098379-01-000	EA LABEL-FRONTBOX, CIRCUITBREAKER

**LABELSGROUP(CONTINUED)**



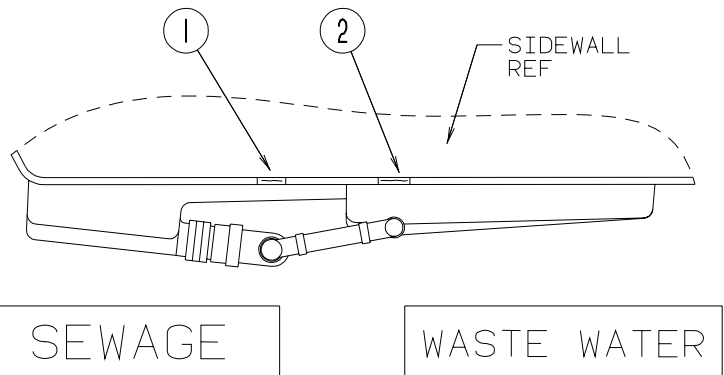
KEY	PARTNUMBER	U/M DESCRIPTION
1	079965-01-000	EA LABEL-LPG80CAPACITY



KEY	PARTNUMBER	U/M DESCRIPTION
1	074559-01-000	EA DECAL-LOGO, LPG-RED-CALIF.CODE
2	006040-01-000	EA TAG-GASREFUELINGWARNING
2	006040-02-000	EA TAG-GASREFUELWARNING, CANADIAN
3	054531-01-000	EA LABEL-LPGASONLY
3	023769-01-000	EA LABEL-WARNING, LPG-CANADIAN

FROM: 00-00-00 THRU: 08-11-96  
FROM: 00-00-00 THRU: 09-01-96  
FROM: 00-00-00 THRU: 08-11-96

**LABELSGROUP(CONTINUED)**



SEWAGE

WASTE WATER

KEY	PARTNUMBER	U/M DESCRIPTION
1	006187-01-000	EA LABEL-SEWAGE
2	006188-01-000	EA LABEL-WASTEWATER

NOTE: TUNE ANTENNA PER MANUFACTURER'S DIRECTIONS. FAILURE TO COMPLY COULD RESULT IN DAMAGE TO CB.

CB POWER PROVISION  
 RED +12 V  
 BLACK GROUND  
 COAX ANTENNA  
 (SEE REVERSE ALSO)

KEY	PARTNUMBER	U/M DESCRIPTION
1	104678-01-000	EA LABEL-CBPREP

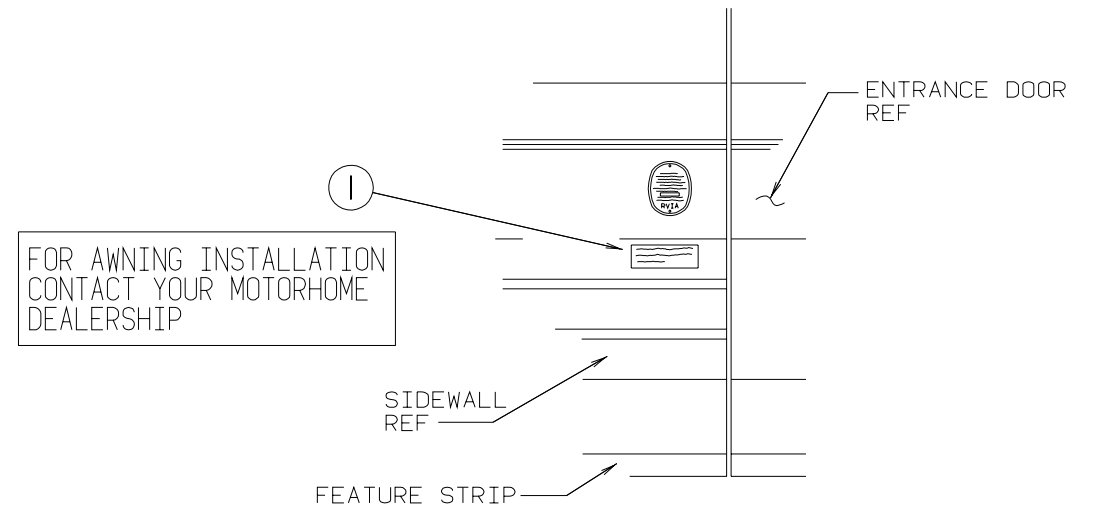
**WARNING**  
 MUST BE STOWED  
 IN LATCHED POSITION  
 WHILE VEHICLE IS IN MOTION

KEY	PARTNUMBER	U/M DESCRIPTION
1	079966-01-000	EA LABEL-WARNING,STOWED-MOTION

DO NOT USE HITCH BEFORE  
 READING OWNERS MANUAL REGARDING  
 VEHICLE LOADING AND TOWING

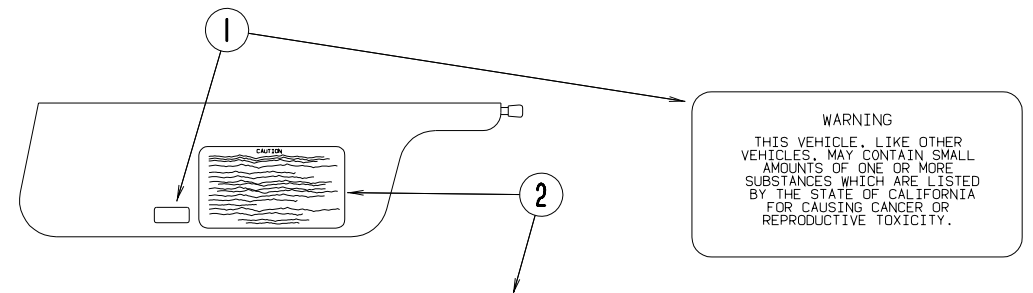
KEY	PARTNUMBER	U/M DESCRIPTION
1	111104-01-000	EA LABEL-HITCH,READMANUAL

**LABELSGROUP(CONTINUED)**



FOR AWNING INSTALLATION  
 CONTACT YOUR MOTORHOME  
 DEALERSHIP

KEY	PARTNUMBER	U/M DESCRIPTION
1	099509-01-000	EA LABEL-AWNINGINSTALLATION



**WARNING**  
 THIS VEHICLE, LIKE OTHER  
 VEHICLES, MAY CONTAIN SMALL  
 AMOUNTS OF ONE OR MORE  
 SUBSTANCES WHICH ARE LISTED  
 BY THE STATE OF CALIFORNIA  
 FOR CAUSING CANCER OR  
 REPRODUCTIVE TOXICITY.

**CAUTION**

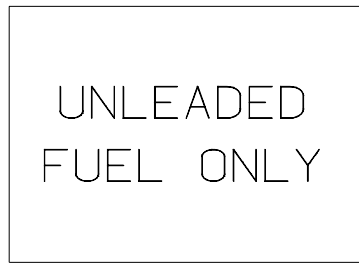
THIS MOTOR HOME HAS BEEN DESIGNED, MANUFACTURED AND TESTED WITH CONCERN FOR THE PROTECTION OF IT'S OCCUPANTS. WE RECOMMEND YOU PERFORM THE FOLLOWING INSPECTIONS FOR YOUR SAFETY AND THE SAFETY OF YOUR PASSENGERS BEFORE STARTING YOUR VEHICLE.

1. LP GAS SYSTEM- TURN OFF AT TANK FOR TRAVELING. TEST FOR LEAKS UPON ARRIVAL AT DESTINATION. BEFORE LIGHTING PILOTS.
2. WHEELS- INSPECT FOR DAMAGE AND CHECK LUG NUTS FOR TIGHTNESS.
3. TIRES- INSPECT FOR WEAR AND DAMAGE AND CHECK FOR RECOMMENDED AIR PRESSURE.
4. LIGHTING- TEST FOR PROPER OPERATION OF ALL INTERIOR AND EXTERIOR LIGHTS INCLUDING DASH LIGHTS, HEADLIGHTS, TAIL LIGHTS, BRAKE LIGHTS, CLEARANCE LIGHTS AND TURN SIGNALS.
5. EXITS- INSPECT RELEASE MECHANISM ON EMERGENCY EXIT WINDOW. TEST BOTH LOCKS ON MAIN ENTRANCE DOOR FOR EASE OF OPERATION AND INSTRUCT PASSENGERS HOW TO USE BOTH MEANS OF EXIT.
6. SEAT BELTS- DIRECT PASSENGERS TO DESIGNATED SEATS AND REQUIRE USE OF SEAT BELTS.
7. APPLIANCES- TURN OFF AND LATCH OR LOCK DOORS WHERE PROVIDED.
8. LOOSE PARCELS- STORE SECURELY.
9. UTILITY SUPPLY LINES- DISCONNECT ALL ELECTRIC, SEWER AND WATER LINES AND SECURE PROPERLY.
10. ENTRANCE DOOR STEP- PLACE IN RETRACTED POSITION FOR TRAVELING.

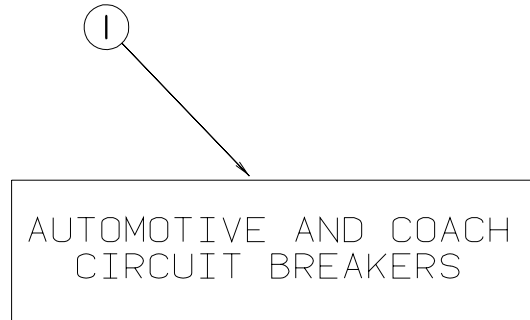
READ YOUR MOTOR HOME AND CHASSIS OWNER'S MANUAL FOR FURTHER PRECAUTIONS

KEY	PARTNUMBER	U/M DESCRIPTION
1	099689-01-000	EA LABEL-WARNING,CANCER/TOXICITY
2	056259-01-000	EA LABEL-SAFETYCHECKLIST

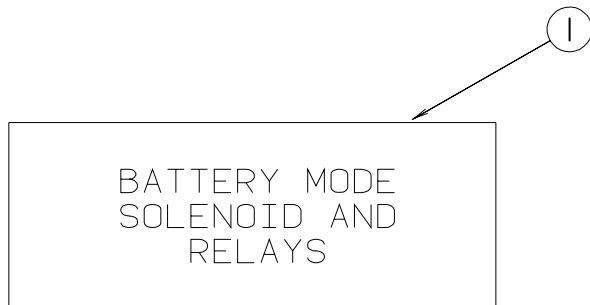
**LABELSGROUP(CONTINUED)**



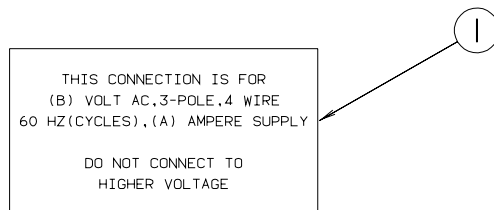
**KEY PARTNUMBER U/M DESCRIPTION**  
 1 098641-01-000 EA LABEL-FUEL,UNLEADED-DASH



**KEY PARTNUMBER U/M DESCRIPTION**  
 1 098379-03-000 EA LABEL-ELECTRICALBOX,FRONT

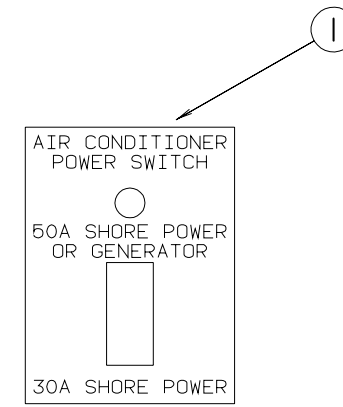


**KEY PARTNUMBER U/M DESCRIPTION**  
 1 098379-04-000 EA LABEL-ELECTRICALBOX,SIDE

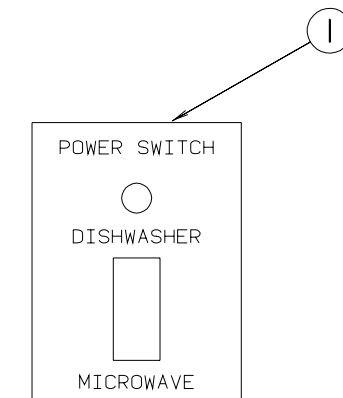


**KEY PARTNUMBER U/M DESCRIPTION**  
 1 006062-04-000 EA LABEL-ELECTRIC,120/240VSERVICE

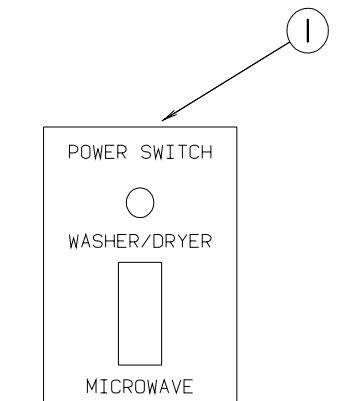
**LABELSGROUP(CONTINUED)**



**KEY PARTNUMBER U/M DESCRIPTION**  
 1 109051-01-000 EA LABEL-SWITCH,50APOWER(SHORE)

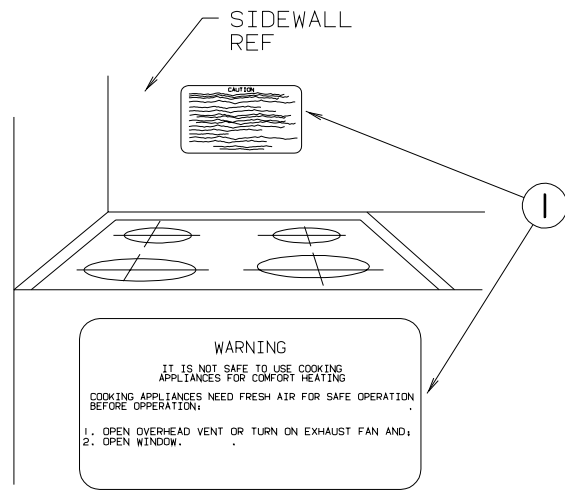


**KEY PARTNUMBER U/M DESCRIPTION**  
 1 109051-02-000 EA LABEL-SWITCH,50APOWER(DISHWASHER)

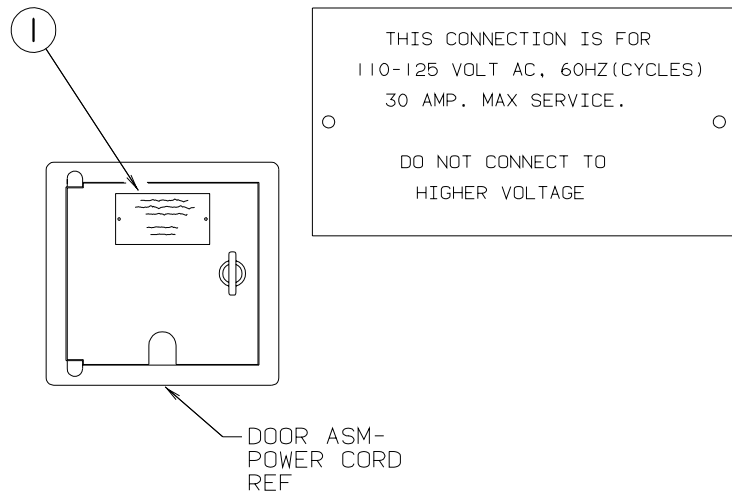


**KEY PARTNUMBER U/M DESCRIPTION**  
 1 109051-03-000 EA LABEL-SWITCH,50APOWER(WASHER/DRYER)

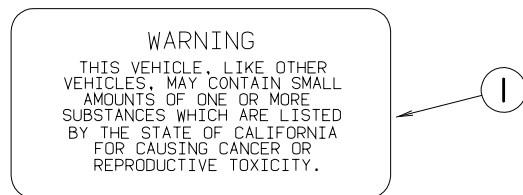
**LABELSGROUP(CONTINUED)**



KEY	PARTNUMBER	U/M DESCRIPTION
1	050225-01-000	EA LABEL-WARNING,STOVEVENT-US
1	050222-01-000	EA LABEL-WARNING,STOVEVENT-CANADIAN

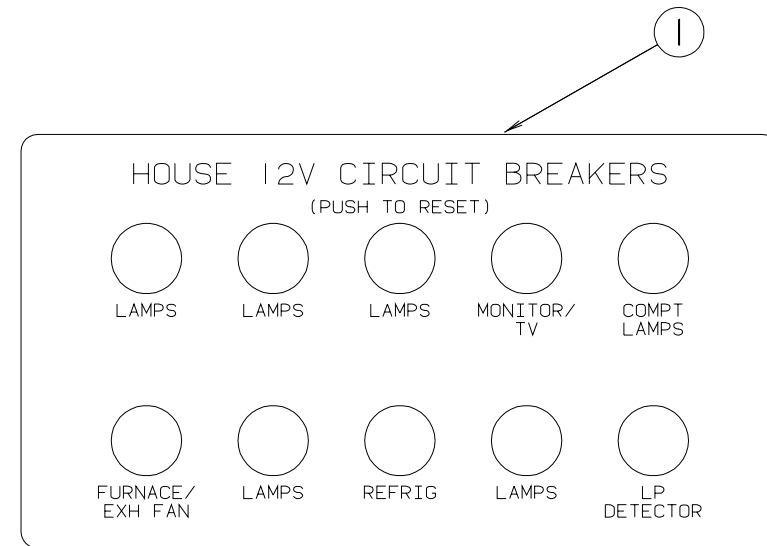


KEY	PARTNUMBER	U/M DESCRIPTION
1	006062-01-000	EA TAG-ELECTRIC,110VCONNECTION

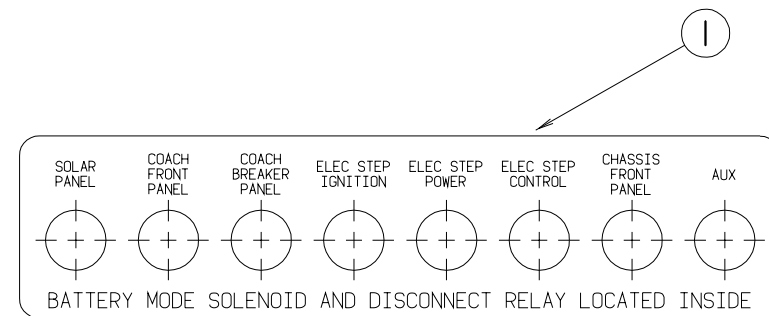


KEY	PARTNUMBER	U/M DESCRIPTION
1	099689-01-000	EA LABEL-WARNING,CANCER/TOXICITY

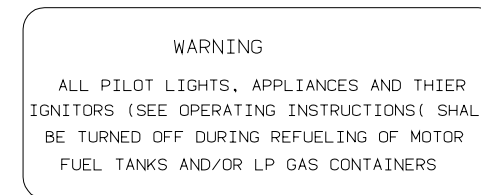
**LABELSGROUP(CONTINUED)**



KEY	PARTNUMBER	U/M DESCRIPTION
1	092547-06-000	EA LABEL-CIRCUITBREAKER

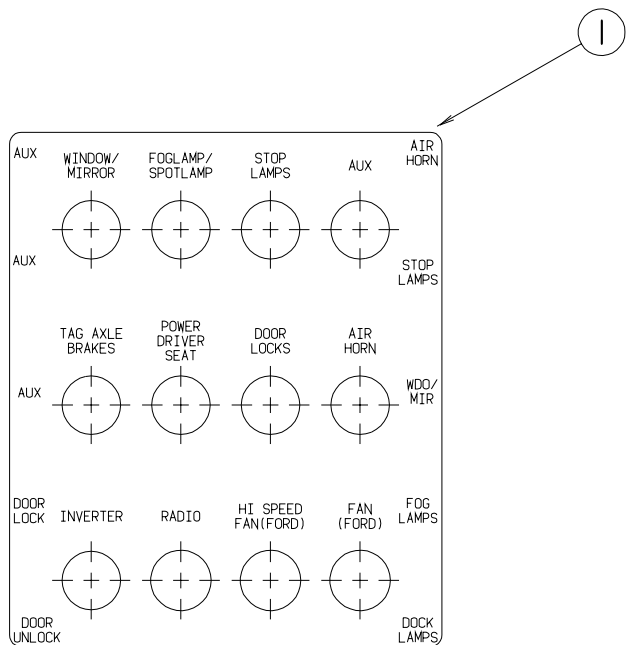


KEY	PARTNUMBER	U/M DESCRIPTION
1	093236-13-000	EA LABEL-CIRCUITBREAKER

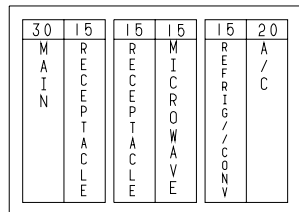


KEY	PARTNUMBER	U/M DESCRIPTION
1	124519-01-01A	EA LABEL-WARNING/REFUELING

**LABELSGROUP(CONTINUED)**



**KEY PARTNUMBER U/M DESCRIPTION**  
 1 093236-14-000 EA LABEL-CIRCUITBREAKER

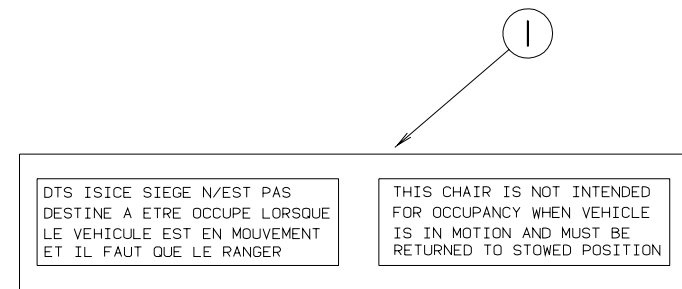


**KEY PARTNUMBER U/M DESCRIPTION**  
 1 095721-14-000 EA LABEL-CONTROLCENTER(30A)

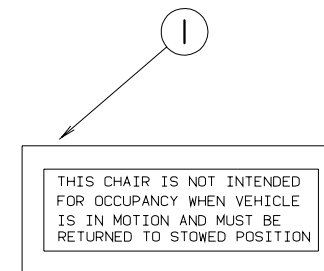
WARNING: CONTAINS "CFC" A SUBSTANCE WHICH HARMS PUBLIC HEALTH AND ENVIRONMENT BY DESTROYING OZONE IN THE UPPER ATMOSPHERE.

**KEY PARTNUMBER U/M DESCRIPTION**  
 1 111802-01-000 EA LABEL-CFCWARNING

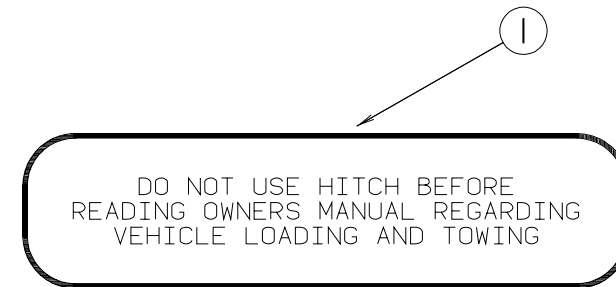
**LABELSGROUP(CONTINUED)**



**KEY PARTNUMBER U/M DESCRIPTION**  
 1 102267-02-000 EA LABEL-NOOCCUPANCY,CSA

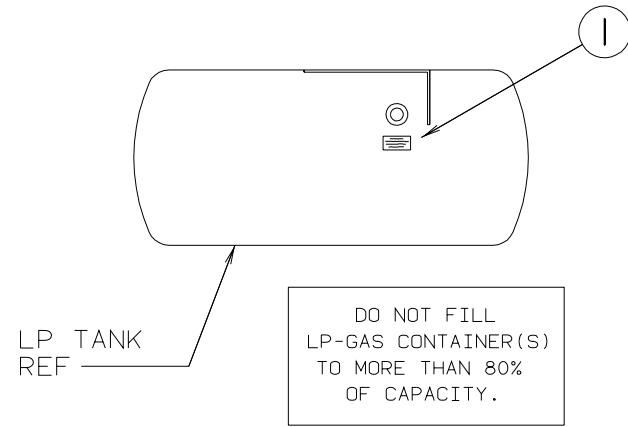


**KEY PARTNUMBER U/M DESCRIPTION**  
 1 102267-01-000 EA LABEL-NOOCCUPANCY,US

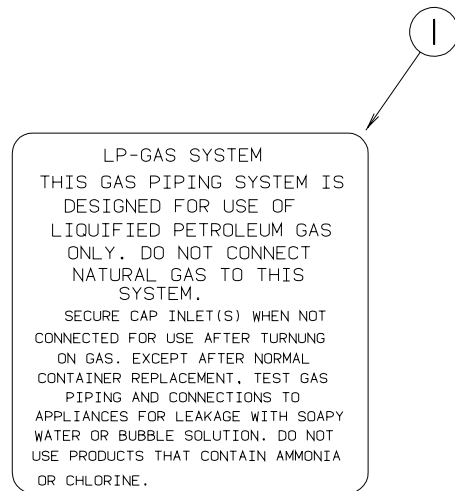


**KEY PARTNUMBER U/M DESCRIPTION**  
 1 111104-02-000 EA LABEL-HITCH,READMANUAL-BLK

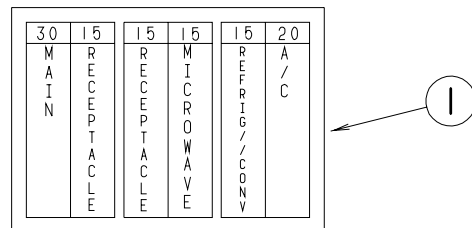
**LABELSGROUP(CONTINUED)**



**KEY PARTNUMBER U/M DESCRIPTION**  
 1 079965-01-000 EA LABEL-LPG,80%CAPACITY

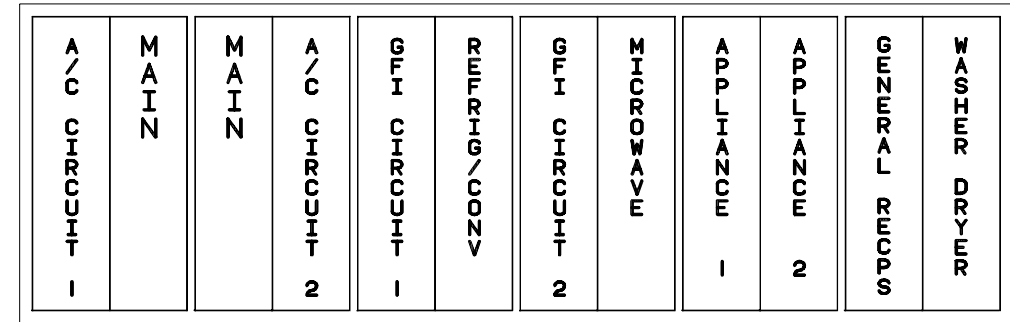


**KEY PARTNUMBER U/M DESCRIPTION**  
 1 124520-01-02A EA LABEL-LPGASONLY

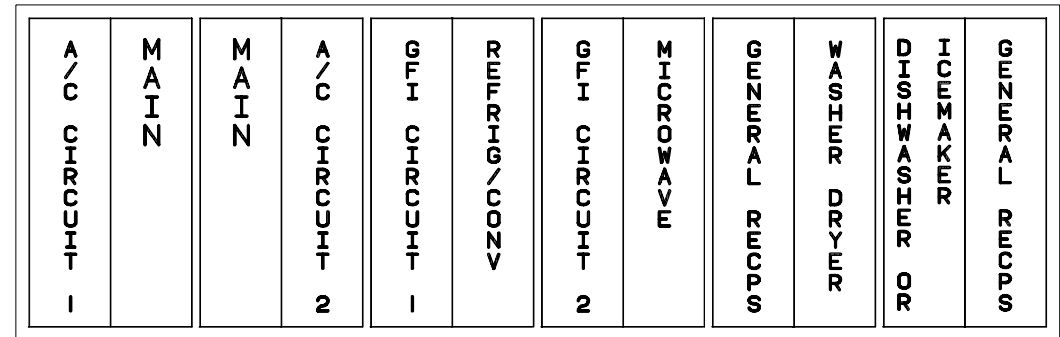


**KEY PARTNUMBER U/M DESCRIPTION**  
 1 095721-10-000 EA LABEL-CONTROLCENTER(30A)CSA

**LABELSGROUP(CONTINUED)**

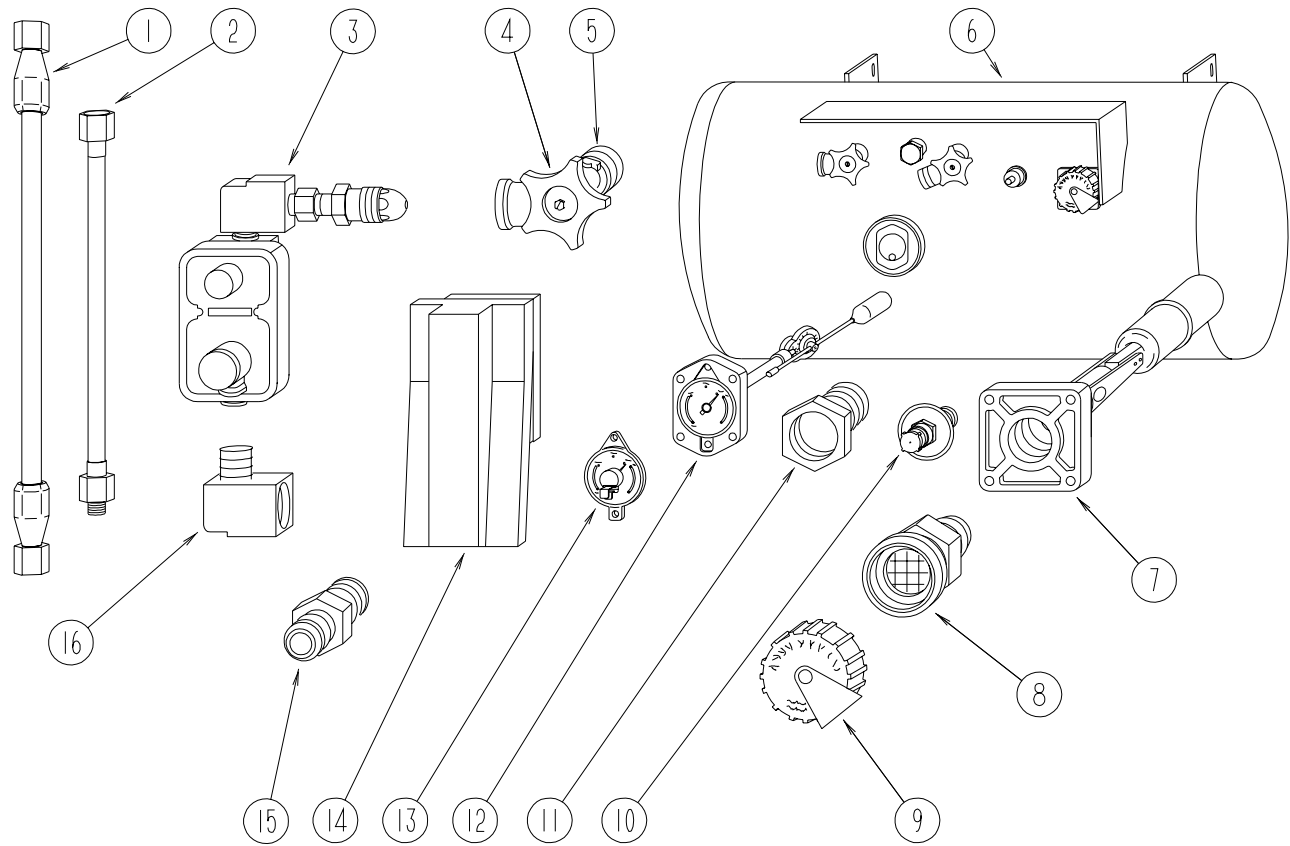


**KEY PARTNUMBER U/M DESCRIPTION**  
 1 095721-18-000 EA LABEL-CONTROLCENTER,50AMP-CSA



**KEY PARTNUMBER U/M DESCRIPTION**  
 1 095721-17-000 EA LABEL-CONTROLCENTER,50AMP-US

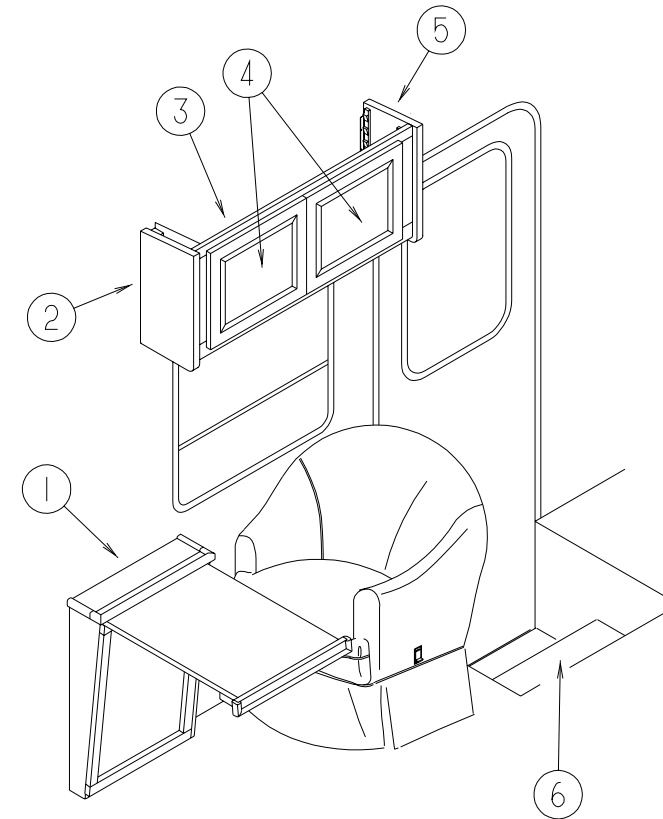
## LPGROUP



### BRUNNERLPTANK&COMPONENTS

KEY	PARTNUMBER	U/M	DESCRIPTION	VENDORN.
1	045703-02-000	EA	HOSE-LP, 3/8"IDX24"-3/8" MPTX1/2" FSWIVEL-CANADA	
2	045703-01-000	EA	HOSE-LP, 3/8"IDX24"US-3/8MPTX1/2FSWIVEL	
3	106150-01-000	EA	REGULATOR-TWOSTAGE	
4	040421-01-708	EA	HANDWHEEL-SERVICEVALVE	G-1015-A
5	040421-01-712	EA	VALVE-SERVICE,W/OVAPORRELIEF	29000853
6	117432-01-000	EA	TANK-LP, 100LB-20DIA X27LONG	
7	040421-01-711	EA	VALVE-80%FILL,W/AUTOSTOP	
8	040421-01-701	EA	VALVE-FILL,SHORT,LP	75478
9	040421-01-702	EA	CAP-FILLVALVE,PLASTIC	G-1014-A
10	040421-01-700	EA	VALVE-LIQUIDLEVEL,20%	G-1013
11	040421-01-713	EA	VALVE-VAPORONLY	29000587
12	091970-01-700	EA	FLOATASM-F/20"DIATANK	20C
13	040440-02-000	EA	TRANSMITTER-DIAL,0-90OHM-2TERMINAL(POWER&GROUND)	
14	105658-01-000	EA	COMPARTMENT-LPREGULATOR	
15	010323-01-000	EA	ADAPTER-BRASS,3/8FX1/2MPT	
15	010329-01-000	EA	ADAPTER-BRASS,1/2"FX1/2" MPT	
16	065318-02-000	EA	ELBOW-90DEGREE,3/8" MPTTO3/8" FPT	
	024250-01-000	EA	ADAPTER-BRASS,3/8"FX1/2" FPT	
	010377-02-000	EA	NUT-BRASS,3/8FEMALE-FORGED	
	010380-02-000	EA	NUT-BRASS,1/2FEMALE-FORGED	
	010495-01-000	EA	CLAMP-CABLE,9/16"	
	010497-03-000	EA	CLAMP-CLOSED,1"ID-CUSHIONED	
	016188-05-000	EA	GROMMET-LPLINE,3/8"HOLEX11/4"LONG-RUBBER	
	103613-01-000	EA	DETECTOR-LPGAS	

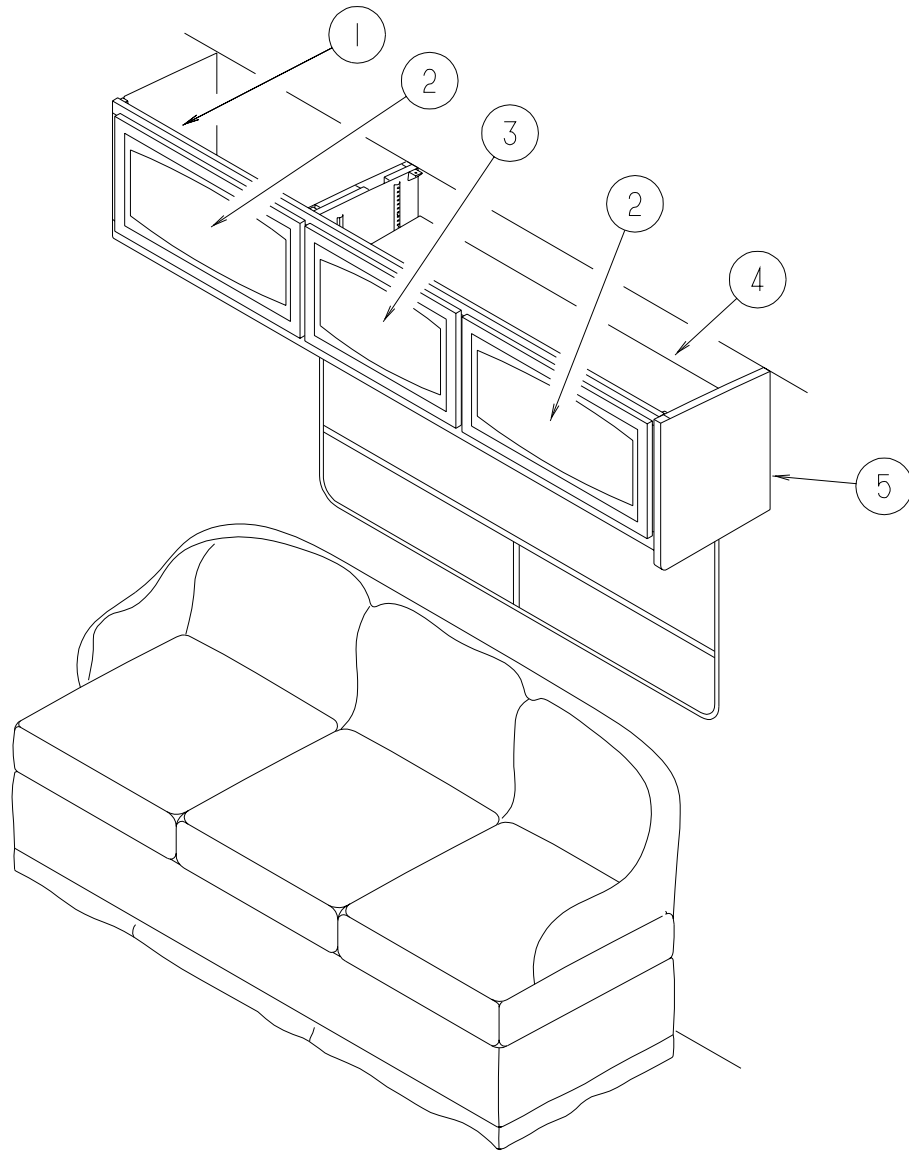
## LOUNGEGROUP



### PASSENGERSIDELOUNGECABINETS&TABLE

KEY	PARTNUMBER	U/M	DESCRIPTION
1	P11431-01-H56	EA	CABINETCOMPLETEW/PULLOUTTOP(SOLARMAPLE)
	P11431-13-H56	EA	TABLETOPONLY(SOLARMAPLE)
1	P11431-01-E41	EA	CABINETCOMPLETEW/PULLOUTTOP(SALEMCHERRY)
	111431-13-E41	EA	TABLETOPONLY(SALEMCHERRY)
2	107494-20-H56	EA	ENDCAP-CABINET,OVERHEAD(SOLARMAPLE)
2	107494-20-GV1	EA	ENDCAP-CABINET,OVERHEAD(SALEMCHERRY)
3	M05990-03-H56	EA	DOOR-W/OGEEEDGING-14.3"X21.8"-W/OHARDWARE(SOLARMAPLE)
3	M05990-03-GV1	EA	DOOR-W/OGEEEDGING-14.3"X21.8"-W/OHARDWARE(SALEMCHERRY)
4	117575-01-H56	EA	CABINETOVHDFRONTRIGHTHAND-W/ODOORS/HARDWARE(SOLARMAPLE)
4	117575-01-GV1	EA	CABINETOVHDFRONTRIGHTHAND-W/ODOORS/HARDWARE(SALEMCHERRY)
5	107494-19-H56	EA	ENDCAP-CABINET,OVERHEAD(SOLARMAPLE)
5	107494-19-GV1	EA	ENDCAP-CABINET,OVERHEAD(SALEMCHERRY)
6	P14437-01-000	EA	CABINETASM-LID,W/OCARPET
	120234-01-GV0	EA	LIDASM-STEP,ENTRANCE
	120231-01-01A	EA	FLOORING-RUBBER,NORAMENT925B
	101222-01-04A	EA	BRACKET-CATCH,LID-E-COAT
	107941-02-03B	EA	SUPPORT-LID,ENTRANCESTEP-OFFWHITE
	107941-02-01B	EA	SUPPORT-LID,ENTRANCESTEP-MILL

**LOUNGE GROUP (CONTINUED)**



**DRIVERSIDE LOUNGE CABINETS**

KEY	PARTNUMBER	U/M DESCRIPTION
1	117617-01-H56	EA CABINET-OVERHEADFRONTLEFTHAND- W/ODOOR&HDW (SOLARMAPLE)
1	117617-01-GV1	EA CABINET-OVERHEADFRONTLEFTHAND- W/ODOOR&HDW (SALEMCHERRY)
2	M05990-01-H56	EA DOOR-OGEEEDGE-14.3"X27.1"- W/OHARDWARE (SOLARMAPLE)
2	M05990-01-GV1	EA DOOR-OGEEEDGE-14.3"X27.1"- W/OHARDWARE (SALEMCHERRY)
3	M05990-03-H56	EA DOOR-OGEEEDGE-14.3"X21.8"- W/OHARDWARE (SOLARMAPLE)
3	M05990-03-GV1	EA DOOR-OGEEEDGE-14.3"X21.8"- W/OHARDWARE (SALEMCHERRY)
4	117617-11-H56	EA SHELFASM (SOLARMAPLE)
4	117617-11-GV1	EA SHELFASM (SALEMCHERRY)
5	107494-24-H56	EA CAP-ENDRIGHTHAND (SOLARMAPLE)
5	107494-24-GV1	EA CAP-ENDRIGHTHAND (SALEMCHERRY)

**SEALANTS & FASTENERS GROUP**

**SEALANTS & ADHESIVES**

KEY	PARTNUMBER	U/M DESCRIPTION
	004006-05-700	EA ADHESIVE-NAT.STARCH(5GAL) 0802
	034552-02-000	EA SILICONE-TUBE-300ML-W/ONNOZZLE-CLEAR ALSOORDERP.N.#900390-03-000NOZZLESEPARATELY
	034552-06-000	EA SILICONE-TUBE-300ML-W/ONNOZZLE-OFFWHITE ALSOORDERP.N.#900390-03-000NOZZLESEPARATELY
	053766-02-000	EA BEDDINGCOMPOUND-TUBE-WHITE
	053766-08-000	EA BEDDINGCOMPOUND-TUBE,GRAY-SCHNEE#5522
	062917-03-000	EA ADHESIVE-LOCTITE242-LOCTITE242,SIDE41
	067788-01-000	EA ADHESIVE-SPRAY-3M-19.5AEROSOLCAN
	069640-01-000	FT SEALER-RIBBON-1/4"DIAMETER-INCREMENTSOF30'
	069640-02-000	FT SEALER-RIBBON-1/2"X1/8"-INCREMENTSOF60'
	069640-03-000	FT SEALER-RIBBON-3/4"X1/8"-INCREMENTSOF60'
	069640-09-000	FT SEALER-RIBBON-1/32"X21/2"-INCREMENTSOF80'
	069640-11-000	FT SEALER-TAPE-3/16"X3/8",BLACK-MANUS
	069640-14-000	FT SEALER-TAPE-1/16"X1"X100'-GRAY
	069640-15-000	FT SEALER-RIBBON-1/16"X3/8"-GRAY
	072889-01-000	EA SEALANT-URETHANE-BLACK-1/10
	072889-09-000	EA SEALANT-URETHANE-BLACK(TUBE)
	072889-11-000	EA SEALANT-URETHANE(TUBE)GRAY-MANUS75AM
	072889-12-000	EA SEALANT-URETHANE(LV)BRIGHTWHITE
	072889-14-000	EA SEALANT-URETHANE(HV)SABLE-MANUS75AM
	076322-01-000	FT TAPE-DOUBLECOATEDADHESIVEBACKEDFOAM-.25"X216'
	076322-02-000	FT TAPE-FOAM,DOUBLECOATEDADHESIVEBACKED-1"X108'
	076322-03-000	FT TAPE-DOUBLECOATEDADHESIVEBACKEDFOAM-.5"X108'
	076322-05-000	FT TAPE-DOUBLECOATEDADHESIVEBACKEDFOAM.45"X.75"
	076322-11-000	FT TAPE-FOAM,DBLCOATED.020X1.0-3M4905(CLEAR)
	087211-01-000	GL PROMOTER-ADHESIVE
	091255-02-000	FT SEAL-ADHESIVEBACKEDFOAM-.18"THICKX1.5"WIDE
	106206-01-000	EA SEALER-PUMPABLE-MANUS30A-BLACK
	107828-01-000	EA SEALANT-SB-190EVERSEAL
	108716-01-000	EA SILICONE-TUBE OFFWHITE SELFLEVELING ALSOORDER#900390-03-000NOZZLE
	110274-01-000	FT TAPE-DOUBLESIDEDFOAM-.45"X1"
	112901-02-000	EA ADHESIVE- PLEXUSMA33050ML-P33500
	118085-02-01A	FT TAPE-FOIL,1INX150FT -*INNOV.ENERGY
	120534-01-01A	EA TAPE-SCOTCH-3M-1/2"FINELINE
	123816-02-000	FT TAPE-DOUBLESIDED-1/2"
	900390-01-000	EA TIP-21/2"X1/8"ORIFICE
	900390-03-000	EA NOZZLE-SILICONETUBE

**WASHERS**

KEY	PARTNUMBER	U/M DESCRIPTION
	000E11-05-00B	EA WASHER-LOCK,5/16MEDSPLIT-ZINC-05110-01-000
	000E11-07-00B	EA WASHER-LOCK,7/16MEDSPLIT-ZINC
	000E11-08-00B	EA WASHER-LOCK,1/2MEDSPLIT-ZINC
	000E13-14-00B	EA WASHER-FLAT,1/4"WIDE-ZINC
	000E13-17-00B	EA WASHER-FLAT,3/8"AR-ZINC
	000E13-18-00B	EA WASHER-FLAT,3/8"WIDE-ZINC
	000E13-20-00B	EA WASHER-FLAT,7/16"WIDE-ZINC
	000E13-21-00B	EA WASHER-FLAT,W/2NAR-ZINC
	000E13-22-00B	EA WASHER-FLAT,1/2"WIDE-ZINC-05117-01-000
	000E14-10-00B	EA WASHER-LOCK,NO10EXTTOOTH-ZINC
	107397-01-000	EA WASHER-FENDER,6.8"IDX32.0"OD
	058716-02-000	EA WASHER-FLAT,NYLON-.406X.750X.060
	110794-01-000	EA WASHER-FLAT,1"IDX13/4"OD



**SEALANTS&FASTENERSGROUP(CONTINUED)**

**BOLTS,NUTS&RIVETS**

KEY	PARTNUMBER	U/M	DESCRIPTION
	0MC04K-06-016	EA	BOLT-HEXM06X1,00X016-C-TECH
	000C12-05-12B	EA	BOLT-HEX-5/16-13X3/4ZINC5
	000C12-05-16B	EA	BOLT-HEX-5/16-18X1-ZINC5
	000C12-06-44B	EA	BOLT-HEX-3/8-16X23/4ZN5
	000C12-06-20B	EA	BOLT-HEX-3/8-16X11/4ZN5
	000C12-06-16B	EA	BOLT-HEX-3/8-16X1LG-ZINC5
	000C12-08-24B	EA	BOLT-HEX-1/2-13X1.50-ZINC5
	000C12-10-24B	EA	BOLT-HEX-5/8-11X1.50-ZINC-5
	000C13-07-48B	EA	BOLT-HEX-7/16-20X3-ZINC5
	000C14-06-32B	EA	BOLT-HEX-3/8-16X2.00GD8-ZN
	000C18-05-40A	EA	BOLT-ELEVATOR-5/16-18X2.50-PL
	000C26-04-14B	EA	BOLT-HEX-SERRATEDFLANGE-1/4X20X7/8-ZINC
	000C26-04-10B	EA	BOLT-HEX-SERRATEDFLANGE-1/4-20X5/8-ZINC
	000C26-04-18B	EA	BOLT-HEX-SERFLG1/4-20X11/8-ZINC
	000C26-05-20B	EA	BOLT-HEX-SERFLG5/16-18X11/4-ZINC
	000C26-05-16B	EA	BOLT-HEX-SERFLG-5/16-18X1-ZINC
	000C26-05-12B	EA	BOLT-HEX-SERRATEDFLANGE-5/16-18X3/4-ZINC
	000C26-06-16B	EA	BOLT-HEX-SERFLG3/8-16X1-ZN
	000C26-06-12B	EA	BOLT-HEX-SERRATEDFLANGE-3/8-16X3/4-ZINC
	000D24-10-00B	EA	NUT-HEX-SF/LOCKING-10-32ZINC
	000D29-05-00B	EA	NUT-5/16-18UNC-SF/LOCKING-NYLONWASHERINSERT
	000D29-06-00B	EA	NUT-HEX-W/NYLONLOCK-3/8-16-ZINC
	000D34-06-00B	EA	NUT-HEX-LOCKING-3/8-16GRADECZINC-PREVAILINGT
	000D39-04-00B	EA	NUT-HEX-SERRATEDFLANGELOCKING1/4-20-ZINC
	000D39-05-00B	EA	NUT-HEX-SERRATEDFLANGELOCKING-5/16-18-ZINC
	000D39-06-00B	EA	NUT-HEX-SERRATEDFLANGELOCKING-3/8-16-ZINC
	000D39-08-00B	EA	NUT-HEX-SERRATEDFLANGELOCKING-1/2-13-ZINC
	000D44-07-00B	EA	NUT-HEX-SERRATEDFLANGELOCKING-7/16-20-ZINC
	000D46-04-00A	EA	NUT-HEX-WELD-1/4-20-PLAIN
	000D60-05-00A	EA	NUT-HEXWELD,LOCK5/16-18UNC-SHORTPILOT
	040921-03-000	EA	NUT-SPEED,UTYPE-NO10
	040921-05-000	EA	NUT-SPEED,UTYPE-NO.8-.67"LENGTHX.44"WIDTH
	044364-02-000	EA	NUT-SPEED-FLAT-ROUND-T'MNC9186-014-1
	051387-05-000	EA	BOLT-CARR-5/16-18X8.5-ZINC-W/OHOLE
	051387-06-000	EA	BOLT-CARRIAGEW/OHOLE-5/16-18X9.5-ZINC
	063253-07-000	EA	NUT-J-#8A-.120-.130PNLTHK
	083163-06-000	EA	PUSHNUT-FLATTYPE3/8STUD-FORDONLY TORETAINTHEAIRBAFFLEONTHEOILDIPSTICKTUBE
	087234-01-000	EA	NUT-JACK-1/4X20THD-MOLLY MOUNTSLICENSEPLATES
	088787-12-000	EA	STUD-WELD-1/4-20X1.0LG-MN
	091274-03-000	EA	BOLT-J-3/8-16X12.0
			FROM:08-30-96THRU:99-99-99
	106956-03-000	EA	BOLT-HEXTAP1/2-13NCX3GR5-FULLTHREADZINC
	108067-03-000	EA	STUD-WELD-1/4-20X1/2CD
	120506-01-01A	EA	RIVET-PLASTIC-BL3/16DIA-FASTEX231-121041-0

**GROMMETS**

KEY	PARTNUMBER	U/M	DESCRIPTION
	008380-01-000	EA	GROMMET-RUBBER,5/8"HOLEX11/2"DIAMETER-BLACK
	008384-01-000	EA	GROMMET-SNAP,3/4"DIAMETER-NYLON
	071015-11-000	EA	GROMMET-1.00ID-FITS.12MATL-MINORRUBBERZ-3065
	071015-13-000	EA	GROMMET-RUBBER,.62"IDX1"ODW/.09"GROOVE-BLACK
	071015-21-000	EA	GROMMET-RUBBER,.5"IDX1.06"ODW/.19"GROOVE-BLACK
	071015-29-000	EA	GROMMET-RUBBER,.25"IDX1.25"ODW/.12"GROOVE-BLACK
	071015-32-000	EA	GROMMET-RUBBER,.75"IDX1.375"ODW/.187"GROOVE-BLACK
	016188-05-000	EA	GROMMET-LPLINE,3/8"HOLEX11/4"LONG-RUBBER
	023942-01-000	EA	GROMMET-RUBBER,2"OD
	114208-02-000	EA	GROMMET-EDGE LINER,FITS.625-HEYCO2073

**SEALANTS&FASTENERSGROUP(CONTINUED)**

**CLAMPS&CLIPS**

KEY	PARTNUMBER	U/M	DESCRIPTION
	000F10-04-16B	EA	PIN-COTTER-1/8"X1"-ZINC
	000H14-04-08R	EA	RIVET-MANDRELBLIND,4/32AL-CHERRYBSP-48
	000H14-06-14R	EA	RIVET-MANDRELBLIND-3/16"
	000H16-04-06R	EA	RIVET-POP,AL1/8X.313-.375
	000H16-06-10R	EA	RIVET-POP-ALUMINUM-3/16X.501-.625
	010495-01-000	EA	CLAMP-CABLE-9/16"
	010495-02-000	EA	CLAMP-CABLE,3/8"
	010497-01-000	EA	CLAMP-CLOSED-5/8"ID
	010497-03-000	EA	CLAMP-CLOSED-1"ID-CUSHIONED
	010497-05-000	EA	CLAMP-CLOSED,1/2"ID
	010499-01-000	EA	CLAMP-CLOSED-3/8"ID
	062401-01-000	EA	CLAMP-HOSE-WORMGEAR.25"-1"
	062401-02-000	EA	CLAMP-HOSE-WORMGEAR1.56"-2.5"
	062401-03-000	EA	CLAMP-HOSE-WORMGEAR-.22"-1"
	062401-04-000	EA	CLAMP-HOSE-WORMGEAR.69"-1.25"
	062401-05-000	EA	CLAMP-HOSE-WORMGEAR-2"X3"
	062401-06-000	EA	CLAMP-HOSE-WORMGEAR.22"-.62"
	062401-11-000	EA	CLAMP-HOSE-WORMGEAR3.56"-4.5"
	075148-02-000	EA	CLAMP-GROUNDING-BRONZESCREWS
	075312-02-000	EA	U-CLIP-3/4"LONGX1/2"WIDE-F/1/8"-3/16"THICKMATERIAL
	083609-01-000	EA	CLAMP-WIRE-DUALEQUAL-5/8"DIAMETER
	083610-01-000	EA	CLAMP-WIRE-DUAL-UNEQUALDIAMETERS-.75"&1.25"
	083610-02-000	EA	CLAMP-WIRE-DUALUNEQUALDIAMETER
	091952-01-000	EA	CLIP-GRIPPER-1"
	091952-02-000	EA	CLIP-GRIPPER-3/4"
	094362-02-000	EA	CLIP-CHRISTMASTREE-FLATHEAD-.5"X.95"
	101447-01-000	EA	CLIP-UTYPE-TINNERMAN HOLDSSHOWERSURROUNDTOGETHER

**MISCELLANEOUSFASTENERS**

KEY	PARTNUMBER	U/M	DESCRIPTION
	008343-01-000	EA	TIE-WIRE-6"
	008343-02-000	EA	TIE-WIRE-14"
	008343-03-000	EA	TIE-WIRE7.5INBLACK-DENNISON10003
	029094-04-000	YD	VELCROTAP-LOOP-1"WIDE-BLACK
	029096-03-000	YD	VELCROTAP-HOOK-1"WIDE-BLACK
	029096-04-000	YD	TAPE-HOOK,VELCRO-1"WIDE-BLACK
	085774-01-000	FT	FASTENER-DUALHOOK-1"WIDE-ADHESIVEBACK-BLACK
	085774-02-000	FT	FASTENER-DUALLOOP-1"WIDE-ADHESIVEBACK-BLACK
	085774-03-000	FT	FASTENER-DUALLOCK,1/2"WIDE-3M-3541
	085774-04-000	FT	FASTENER-DUALLOCK,1/2"WIDE-3M-3541
	086285-01-000	EA	SPACER-NYLON-.5"ODX.257"ID
	110943-02-000	FT	3/8"FELTSTRIPADHESIVE

FROM:09-02-96THRU:99-99-99

**SEALANTS&FASTENERSGROUP(CONTINUED)**

**SCREWS**

KEY	PARTNUMBER	U/M	DESCRIPTION
	0G5508-12-110	EA	SCREW-SF/DR-8-18X.75PWH-HAMPTONTAN
	000G11-05-08B	EA	SCREW-5-20X.50PPH-ZINC
	000G11-06-08B	EA	SCREW-6-20X.50PPH-ZINC
	000G11-06-06B	EA	SCREW-6-20X3/8PPH-ZINC
	000G11-06-10J	EA	SCREW-6-20X5/8PPH-BRASS
	000G11-06-10B	EA	SCREW-6-20X5/8PPH-ZINC
	000G11-07-08B	EA	SCREW-7-19X.50PPH-ZINC
	000G11-08-06B	EA	SCREW-8-18X3/8PPH-ZINC
	000G11-08-20B	EA	SCREW-8-18X1.25PPH-ZINC
	000G11-08-16S	EA	SCREW-8-18X1.00PPH-OFFWHITE
	000G11-08-12T	EA	SCREW-8-18X.75PPH-BLACK
	000G11-08-12S	EA	SCREW-8-18X.75PPH-OFFWHITE
	000G11-08-12P	EA	SCREW-8-18X.75PPH-DARKBROWN
	000G11-08-12D	EA	SCREW-8-18X.75PPH-BLACK
	000G11-08-12B	EA	SCREW-8-18X.75PPH-ZINC
	000G11-08-08T	EA	SCREW-8-18X1/5PPH-FLUOROCARBONCOATING
	000G11-08-08B	EA	SCREW-8-18X.50PPH-ZINC
	000G11-10-16B	EA	SCREW-10-16X1PPH-ZINC
	000G11-10-12S	EA	SCREW-10-16X.75PPH-OFFWHITE
	000G11-10-12D	EA	SCREW-10-16X3/4PPH-BLACK
	000G11-10-40B	EA	SCREW-10-16X21/2PPHCAD-34927-01-000
	000G12-06-08T	EA	SCREW-6-20X.50POH-BLACK
	000G13-06-08G	EA	SCREW-6-20X.50PFH-ANTIQUEBRASS
	000G13-06-24J	EA	SCREW-6-20X1.50PFH-BRASS
	000G13-06-16J	EA	SCREW-6-20X1.00PFH-BRASS
	000G13-06-16E	EA	SCREW-6-20X1.00PFHCHROME
	000G13-07-10H	EA	SCREW-7-19X5/8PFH,BLACK
	000G13-07-12B	EA	SCREW-7-19X.75PFH-ZINC
	000G13-08-16B	EA	SCREW-8-18X1PFH-ZINC
	000G18-08-22B	EA	SCREW-MACHINE-8-32X13/8PPH-ZINC
	000G19-10-10B	EA	SCREW-MACHINE-10-32X5/8-PPH-ZINC
	000G19-10-20B	EA	SCREW-MACHINE-10-32X11/14PPH-ZINC
	000G19-10-12F	EA	SCREW-MACHINE-10-32X.75-PPH-STAINLESSSTEEL
	000G32-10-06D	EA	SCREW-10-32X3/8PPHTYPE1-BLACK-05003-01-000
	000G32-10-06B	EA	SCREW-10-32X3/8"-PPH-ZINC
	000G39-06-10T	EA	SCREW-SF/DR-6-20X5/8PPH-BLACK
	000G39-08-08B	EA	SCREW-SF/DR-8-18X.50PPH-ZINC
	000G39-08-06B	EA	SCREW-SF/DR-8-18X3/8PPH-ZINC
	000G39-08-32B	EA	SCREW-SF/DR-8-18X2PPH-ZINC
	000G39-08-24B	EA	SCREW-SF/DR-8-18X1.50PPH-ZINC
	000G39-08-16T	EA	SCREW-SF/DR-6-20X1PPH-BLACK
	000G39-08-16R	EA	SCREW-SF/DR-8-18X1.00PPH-BEIGE
	000G39-08-16B	EA	SCREW-SF/DR-8-18Z1PPH-ZINC
	000G39-08-12T	EA	SCREW-SF/DR-8-18X3/4PPH-BLACK
	000G39-08-12B	EA	SCREW-SF/DR-8-18X.75PPH-ZINC
	000G39-08-08T	EA	SCREW-SF/DR-8-18X.50PPH-BLACK
	000G39-08-08S	EA	SCREW-SF/DR-8-18X.50PPH-OFFWHITE
	000G39-10-10B	EA	SCREW-SF/DR-10-16X.625-ZINC
	000G39-10-088	EA	SCREW-SF/DR-10-16XPPH-DRILL-FLEXF'CARBON
	000G39-10-08B	EA	SCREW-SF/DR-10-16X.50PPH-ZINC
	000G39-10-20B	EA	SCREW-SF/DR-10-16X1.25PPH-ZINC
	000G39-10-129	EA	SCREW-SF/DR-10-16X.75PPH-FLUOROCARBONSILVER
	000G39-10-12D	EA	SCREW-SF/DR-10-16X.75PPH-BLACK
	000G39-10-12B	EA	SCREW-SF/DR-10-16X.75PPH-ZINC
	000G39-10-48T	EA	SCREW-SF/DR-10-16X3.00PPH-BLACK-FLUROCARBON

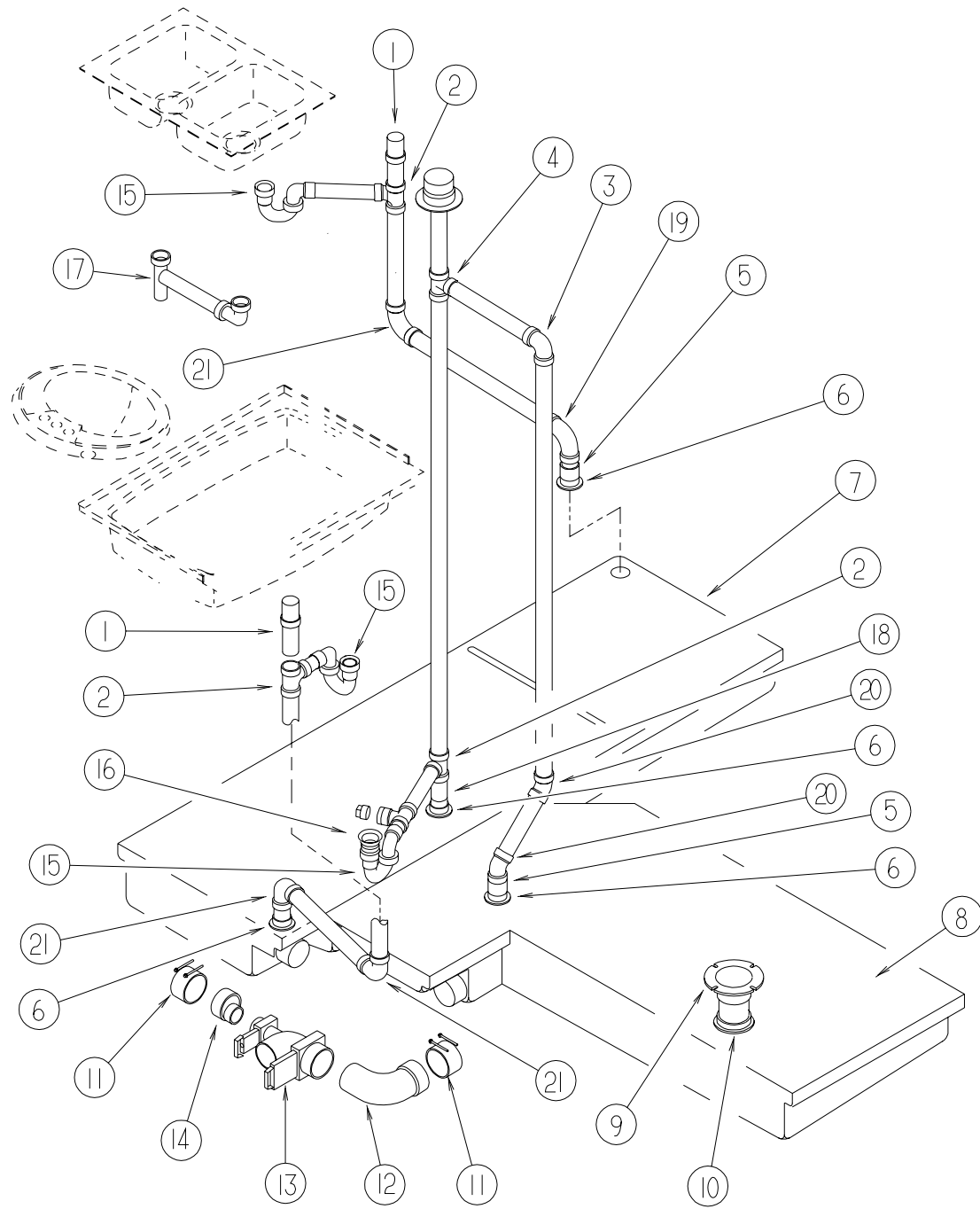
**SEALANTS&FASTENERSGROUP(CONTINUED)**

**SCREWS(CONTINUED)**

KEY	PARTNUMBER	U/M	DESCRIPTION
	000G39-10-48B	EA	SCREW-SF/DR-10-16X3.00-PPH-ZINC
	000G39-10-32B	EA	SCREW-SF/DR-10-16X2.00-PPH-ZINC
	000G39-10-209	EA	SCREW-SF/DR-10-16X1.25PPH-FLUOROCARBONSILVER
	000G42-04-16B	EA	SCREW-SF/DR-1/4"-14X1HWH-ZINC
	000G42-04-12B	EA	SCREW-SF/DR-1/4-14X3/4HWH-ZINC
	000G50-04-12B	EA	SCREW-MACHINE-1/4-20X3/4PPH-ZINC
	000G51-08-08B	EA	SCREW-8-18X1/2PTH-ZINC
	000G52-08-18B	EA	SCREW-MACHINE-8-32X11/8PTH-ZINC
	000G52-08-06B	EA	SCREW-MACHINE-8-32X3/8PTH-ZINC
	000G54-04-20B	EA	SCREW-1/4-20X11/4PTH-TYPE23-ZINCPLATED
	000G55-08-12S	EA	SCREW-SF/DR-8-18X.75PWH-OFFWHITE
	000G55-08-125	EA	SCREW-SF/DR-8-18X.75PWH-WILLOW
	000G56-10-24J	EA	SCREW-WOOD-10-13X1.5POH-BRIGHTBRASS
	000G57-05-16J	EA	SCREW-5-20X1PFH-BRASS
	000G60-10-16J	EA	SCREW-SF/DR-10-16X1POH-BRIGHTBRASS
	000G60-10-20I	EA	SCREW-SF/DR,10-16X1.25POH-BLACK
	000G67-08-32B	EA	SCREW-8-15X2PPH-ZINC
	000G67-10-08R	EA	SCREW-10-12X1/2PPH-BEIGE-TYPEA
	000G67-10-08B	EA	SCREW-10-12X1/2PPH-ZINC
	000G67-10-48B	EA	SCREW-10-12X3PPHZN
	000G67-10-36T	EA	SCREW-10-12X2.25PPH-BLACK-STALGARD
	000G67-10-32B	EA	SCREW-10-12X2PPH-ZINC
	000G67-10-24B	EA	SCREW-10-12X1.50PPH-ZINC
	000G67-10-20D	EA	SCREW-10-12X1.25PPH-BLACK
	000G67-10-16B	EA	SCREW-10-12X1PPH-ZINC
	000G67-10-12B	EA	SCREW-10-12X.75PPH-ZINC
	000G67-10-10D	EA	SCREW-10-12X5/8PPH-BLACK-TYPEA
	000G67-10-10B	EA	SCREW-10-12X5/8PPH-ZINC-TYPEA
	000G68-06-12S	EA	SCREW-6-18X.75-POH
	000G68-06-10G	EA	SCREW-6-18X5/8POH-ANTIQUEBRASS
	049465-01-000	EA	SCREW-10-16W/WASHERPTH-DARKBROWN
	049465-04-000	EA	SCREW-10-16X1PTHW/WASHER-BEIGE
	049465-18-000	EA	SCREW-10-16X1POHW/WASHER VWGRAY
	054434-02-000	EA	SCREW-SF/DR-10-16X2ZN-TORQ'S#25HEAD
	057671-01-000	EA	COVER-SCREW-#8-PLASTIC-OFFWHITE
	057671-10-000	EA	COVER-SCREW,VWGRAY,NO8-PRO-DECPRODUCT
	057671-11-000	EA	COVER-SCREW,HAMPTONTAN,NO8-PRO-DECPRODUCT
	075908-01-000	EA	SCREW-MACHINE-10-32X.56PTH-EXTERNALTOOTH-ZINC
	086256-01-000	EA	SCREW-SF/DR-8X.75HWHLONG-PLBODYPNLMT
	101618-01-000	EA	SCREW-1/4-20X.75HEX-TAPPING-STALGARDTYPEF
	109152-03-000	EA	SCREW-3/8-16X2"FLATSOC-STAINLESSSTEELBLK

# WATER & SEWAGE GROUP

## DRAINAGE SYSTEM



KEY	PARTNUMBER	U/M	DESCRIPTION
1	079968-01-000	EA	VENT-MECHANICALTRAPARM,ANTI-SIPHON-2"DIAX7.3"-PLASTIC
2	010071-01-000	EA	TEE-SANITARY,1 1/2"HUBXHUBXHUB-PLASTIC-BLACK
3	034250-01-000	EA	ELBOW,90DEG.,LONGTURN-1 1/2"HUBXHUBABS
4	010071-01-000	EA	TEE-SANITARY,1 1/2"HUBXHUBXHUB-PLASTIC-BLACK
5	010115-01-000	EA	COUPLING-1 1/2"HUBXHUB,PLASTIC
6	061607-01-000	EA	GROMMET-HOLDINGTANK,1 1/2"NPS
7	112788-01-000	EA	TANK-HOLDING,59GAL
8	112789-01-000	EA	TANK-HOLDING,46GAL
9	010024-01-000	EA	ELBOW-PLASTIC,1/8BD-3X45-HXH
10	061607-02-000	EA	GROMMET-HOLDINGTANK,3"NPS
11	078406-01-000	EA	COUPLER-RUBBER,W/CLAMPS-3"X3"
12	041956-01-000	EA	ELBOW-STREET,PLASTIC-1/4"BD3X90XLT
13	070916-01-000	EA	VALVE-DUALDUMP,W/CAP-3"X1 1/2"-PLASTIC-BLACK
	070916-01-700	EA	VALVEONLY,3"
	070916-01-701	EA	VALVEONLY,1 1/2"
	010201-01-000	EA	HOSE-SEWER,3"IDX8'
	062416-01-000	EA	ADAPTER-SEWERHOSE TO 3"PIPE
	103354-01-000	EA	CONNECTOR-HOSE,SEWER
14	062422-01-000	EA	ADAPTER-OFFSETReducer,3"X1 1/2"-PLASTIC-BLACK
15	011066-03-700	EA	PTRAP-1 1/4"HUBXSLIPJOINT,W/UNION-ABS-CANADIAN
15	109571-01-000	EA	ADAPTER-PTRAP,1 1/2"PX1 1/4"MPT(US)
15	107538-01-000	EA	PTRAP-PLASTIC,1 1/4"W/EXTARM(US)
16	011069-04-000	EA	TAILPIECE,1 1/2X1 1/4X8-BRASS
17	011091-02-000	EA	PIPE-DRAIN,DOUBLE SINK-BAFFLETEE-1 1/2"-U.S. ONE PIPEW/TEE TODRAINBOTH SIDES OF SINK
17	011091-03-000	EA	PIPE-DRAIN,W/SEALS-DOUBLE SINK-EXTENDS9"TO16"-CANADIAN
18	034250-01-000	EA	ELBOW,90DEG.,LONGTURN-1 1/2"HUBXHUBABS
	010115-01-000	EA	COUPLING-1 1/2"HUBXHUB,PLASTIC
19	010009-01-000	EA	ELBOW-90DEG,1/4BEND-1 1/2"-PLASTIC
20	010006-01-000	EA	ELBOW-45DEG,1/8BEND-1 1/2"HUBXHUB-BLACKPLASTIC
21	010008-01-000	EA	ELBOW-90DEG,1/4BEND-1 1/2"HUBXHUB-BLACKPLASTIC
	116644-01-000	EA	FLANGE-CLOSET,4X3-SEALAND345892
	031365-02-000	EA	TEE-PLASTIC,1 1/2EXTLONGTURN-NIBCO5812-LR-11/2

## WATER&SEWAGEGROUP(CONTINUED)

### FRESHWATERTANK

KEY	PARTNUMBER	U/M	DESCRIPTION
	117217-04-000	EA	TANKASM-WATER,30GAL-W/FITTINGS
	117217-01-000	EA	TANK-WATER,30GAL-W/OFITTINGS
	116881-05-000	EA	TANKASM-WATER,48GAL-W/FITTINGS
	116881-01-000	EA	FRESHWATERTANK-48GAL,W/KNOTCHEDCORNERF/WATERPUMP
	049032-01-000	EA	PATCH-SPINWELD,3/8"-PLASTIC
	042989-03-000	EA	FITTING-WATERTANK-SPINWELD-11/4"NPT-WHITEPLASTIC
	042989-05-000	EA	FITTING-WATERTANK-SPINWELD-1/2"FPT-WHITEPLASTIC
	077954-02-000	EA	FILTER-WATERTANK,SCREENINTANK
	079381-01-000	FT	TUBING-SMOOTHFLEXIBLE,13/8"IDX20'
	039861-01-000	EA	SENDINGUNIT-W/SCREW,WASHER,WELLNUT&TERMINALRING

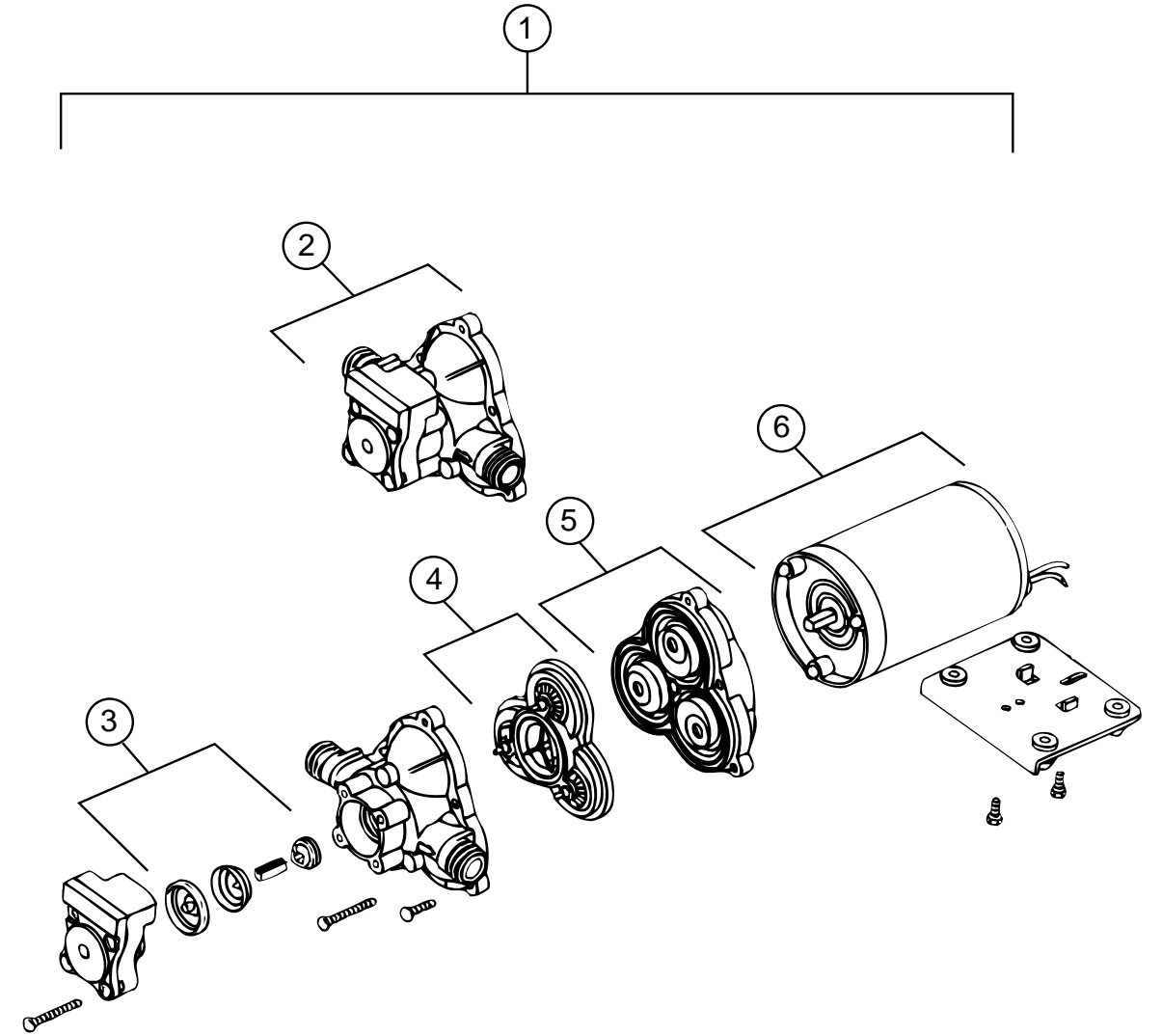
### WATERSYSTEM

KEY	PARTNUMBER	U/M	DESCRIPTION
	114428-01-000	EA	TEE-1/2PX1/2PX1/2P-FLAIR-IT02820
	114428-03-000	EA	TEE-1/2PX1/2PX1/2MPT-FLAIR-IT02822
	114428-02-000	EA	TEE-SWIVEL,1/2PX1/2PX1/2FPT-FLAIR-IT02821
	118423-01-000	EA	TEEFITTING-BRASS,1/4"CX1/4"CX1/4"C
	114429-01-000	EA	ELBOW-1/2PX1/2P-FLAIR-IT02800
	114429-02-000	EA	ELBOW-1/2PX1/2MPT-FLAIR-IT02803
	114429-03-000	EA	ELBOW-SWIVEL1/2"PX1/2"FPT-FLAIR-IT
	114429-04-000	EA	ELBOW-1/2PX3/8MPT-FLAIR-IT02810
	114429-06-000	EA	ELBOW-SWIVEL,1/2PX3/4FPT-FLAIR-IT02811
	111223-02-000	EA	ELBOW-PLASTIC,1/2MPTX3/8BARB-KEVCOTE-2086
	010219-01-000	EA	ELBOW-11/4"MPTX11/4"BARB,WATERFILL-PLASTIC
	039808-03-000	EA	ELBOW-1/2"MPTX1/2"MPT,PLASTIC-KEVCO17296
	114430-08-000	EA	ADAPTER-1/2PX3/4MPT-FLAIR-IT02868
	118809-01-000	EA	ADAPTER-PLASTIC,1/2MPTX3/8BARB-KEVCOTA-1086
	114430-01-000	EA	ADAPTER-1/2PX1/2P,FLAIR-IT02840
	114430-02-000	EA	ADAPTER-SWIVEL,1/2PX1/2FPT-FLAIR-IT02873
	114430-03-000	EA	ADAPTER-1/2PX1/2MPT-FLAIR-IT02842
	101814-01-000	EA	COUPLING-FEMALE,1/2"X1/2"FPTW/COMPRESSIONSLEEVE-GRAY
	039800-02-000	FT	TUBING-POLYBUTYL,5/8"ODX20'-BLACK
	039800-04-000	FT	TUBING-1/4"ODX20'POLYBUTYL
	111888-01-000	EA	FERRULE-PLASTIC,.250IDX.375OD
	111888-02-000	EA	INSERT-BRASS,1/4COMP
	114431-02-000	EA	WATERVALVE-2POSITION-"BYPASSVALVE"
	114431-03-000	EA	WATERVALVE-90DEGREEELBOW-"WATERDRAINVALVE"

### WINTERIZATIONKIT

KEY	PARTNUMBER	U/M	DESCRIPTION
	118569-01-000	EA	WINTERIZATIONSYSTEM-SWANRFQ314-W
	118569-01-700	EA	VALVE-ELECTRICCONTROL NOVDR#
	118569-01-701	EA	SWITCH-ELECTRIC NOVDR#
	118569-01-702	EA	PLATE-SWITCH NOVDR#
	118569-01-703	EA	TANK-2GALLON NOVDR#
	118569-01-704	EA	PLUG-3/4MPT NOVDR#
	118569-01-705	EA	PLUG-1/2MPT NOVDR#
	118569-01-706	EA	SCREEN-WHITE NOVDR#
	115029-01-000	FT	HOSE-3/8ID,WATER-LAVANTUREPR86
	099717-08-000	EA	TIEDOWNASM-STRAPW/BUCKLE
	039800-02-000	FT	TUBING-POLYBUTYL,5/8"OD-INCREMENTSOF20'-BLACK
	114428-01-000	EA	TEE-1/2PX1/2PX1/2P-FLAIR-IT02820
	114428-03-000	EA	TEE-1/2PX1/2PX1/2MPT-FLAIR-IT02822
	114429-02-000	EA	ELBOW-1/2PX1/2MPT-FLAIR-IT02803
	114429-06-000	EA	ELBOW-SWIVEL,1/2PX3/4FPT-FLAIR-IT02811
	101814-01-000	EA	COUPLING-FEMALE,1/2"X1/2"FPTW/COMP.SLEEVE-GRAY
	110438-01-000	EA	VALVE-BRASSCHECK
	114430-01-000	EA	ADAPTER-1/2PX1/2P-FLAIR-IT02840
	114430-03-000	EA	ADAPTER-1/2PX1/2MPT-FLAIR-IT02842
	114430-08-000	EA	ADAPTER-1/2PX3/4MPT FLAIR-IT02868
	118809-01-000	EA	ADAPTER-PLAS-1/2MPTX3/8BARB-KEVCOTA-1086

## WATER&SEWAGEGROUP(CONTINUED)

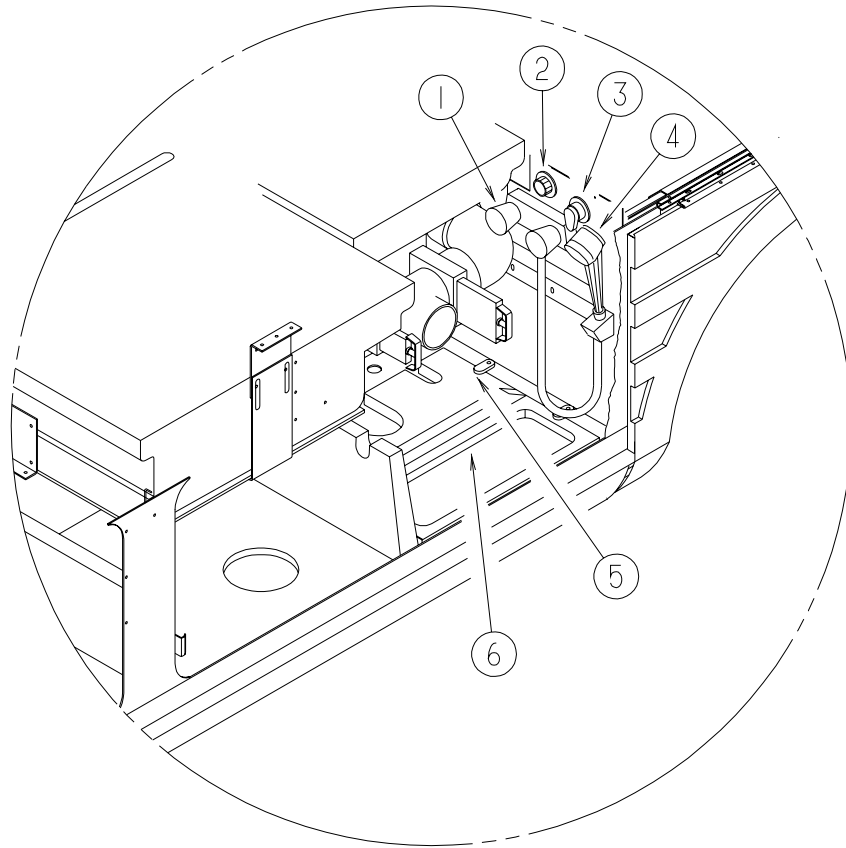


### WATERPUMP-SHURFLO

KEY	PARTNUMBER	U/M	DESCRIPTION	VENDORNO.
1	098607-01-000	EA	PUMP-WATER,W/.5"MPTFITTING-FLOW2.8GPM-UL	
2	098607-01-706	EA	UPPERHOUSING/SWITCH-KIT	94-231-20
3	098607-01-705	EA	CHECKVALVE-KIT	94-237-00
4	098607-01-703	EA	VALVEASSEMBLY	94-232-00
5	098607-01-702	EA	DIAPHRAGM-KIT	94-238-04
6	098607-01-707	EA	MOTOR/BASEPLATEREPLACEMENT	94-235-03

# WATER&SEWAGEGROUP(CONTINUED)

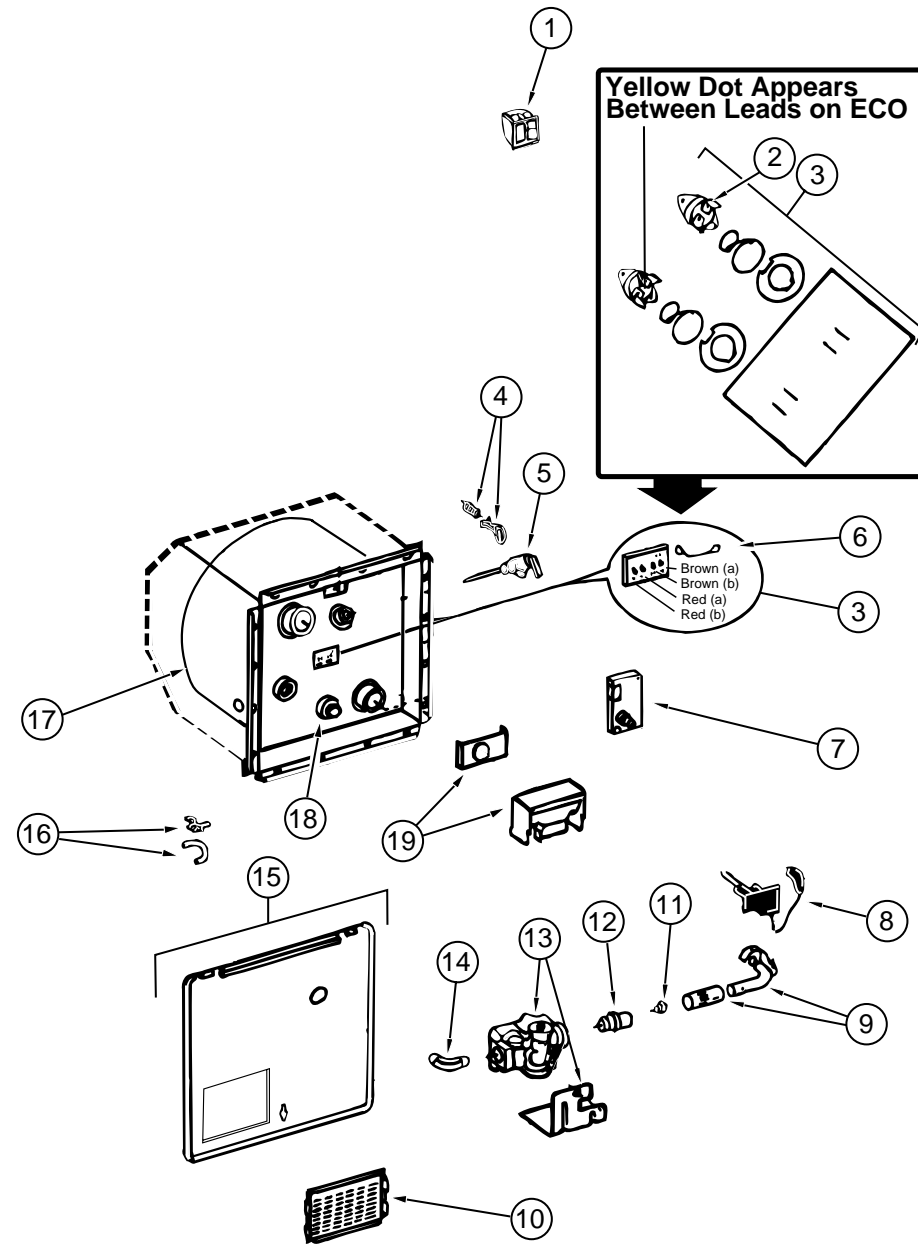
## EXTERIORSHOWERCOMPONENTS



KEY	PARTNUMBER	U/M	DESCRIPTION
1	075241-05-000	EA	FAUCET-SHOWER,BONEW/3/4"MPTX1.4"LONGINLETPIPES
	114430-02-000	EA	ADAPTER-SWIVEL,1/2PX1/2FPT-FLAIR-IT02873
2	010230-05-000	EA	CITYWATERFILLW/CHECKVALVE
			FROM:00-00-00THRU:09-25-96
2	010230-06-000	EA	FILL-CITYWATER-W/CHECKVALVE-MPT
			FROM:09-26-96THRU:99-99-99
3	114431-02-000	EA	WATERVALVE-2POSITION-"BYPASSVALVE"
	010497-03-000	EA	CLAMP-CLOSED,1"ID-CUSHIONED
	114428-01-000	EA	TEE-1/2PX1/2PX1/2P-FLAIR-IT02820
4	103092-02-000	EA	SHOWERHEAD-W/HOSE,ONDINE23213NYLONB
4	103092-03-000	EA	SHOWERHEAD-W/HOSE&BRACKETONDINE23263APB
	103092-01-700	EA	BRACKET-SHOWERHEAD,CLEAR 2328028
	011048-03-700	EA	BRACKET-SHOWERHEAD 2328029-3
5	121175-01-01A	EA	LATCH-SWELL,BLACK
6	M06991-05-G38	EA	HATCH-COMPARTMENT,SEWERHOSE-PLASTIC-BLACK

# WATER & SEWAGE GROUP (CONTINUED)

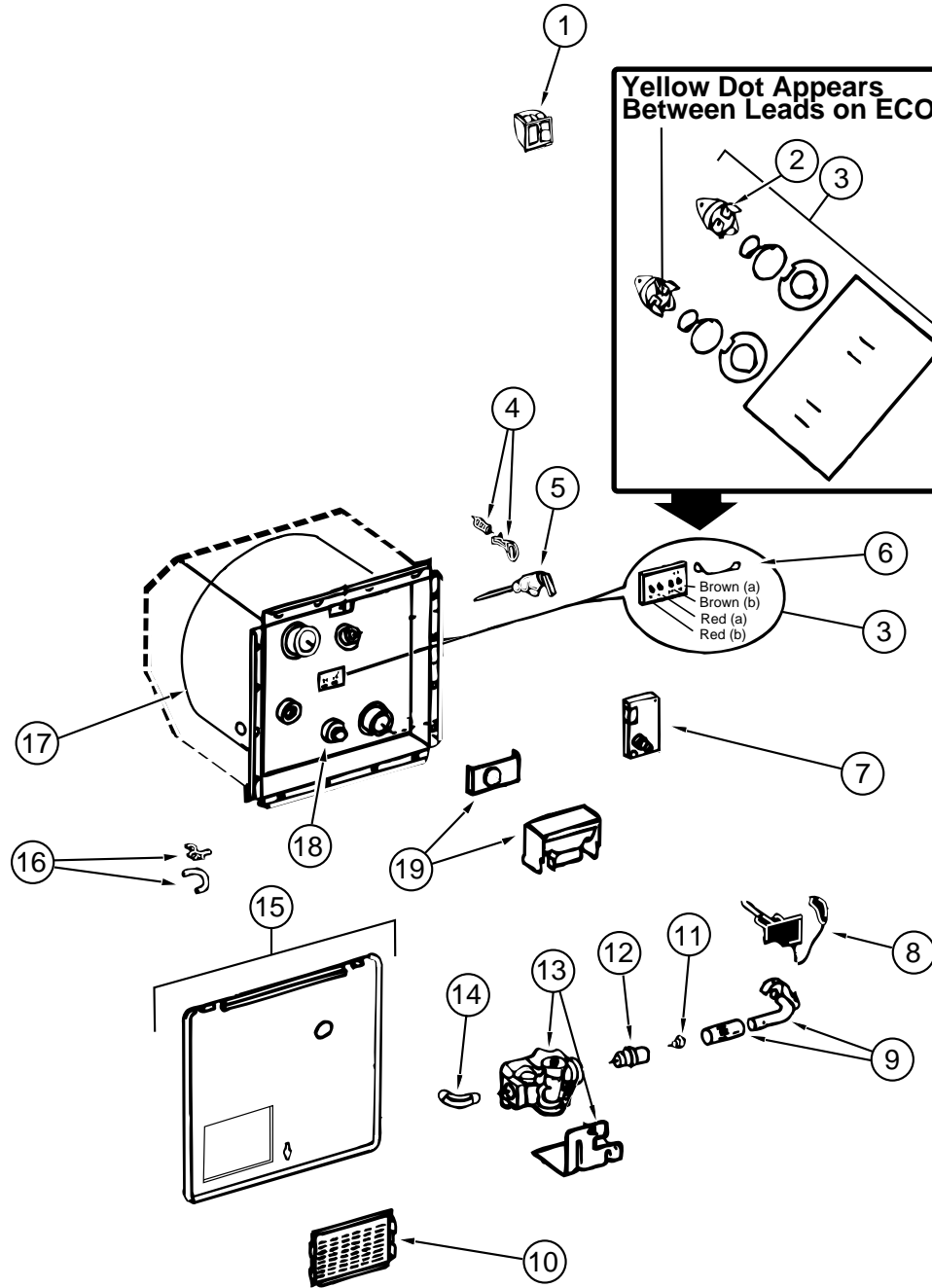
## WATER HEATER W/O MOTOR AID - ATWOOD G6A-8E



KEY	PARTNUMBER	U/M	DESCRIPTION	VENDOR NO.
	051391-03-B00	EA	WATERHEATER-ATWOODG6A-8EELECTRICIGNITION	
1	097967-01-000	EA	SWITCH-WATERHEATER, REMOTEW/LIGHT 91959	
2	051391-04-701	EA	THERMOSTAT-12VDC-120PRESET	91470
3	051393-01-721	EA	THERMOSTAT-W/ECO, 140FRONTMOUNT	91447
4	051391-01-705	EA	FASTENER-CAMLOCK	92609
5	051391-01-704	EA	VALVE-RELIEF, 1/2"FITTING	91604
6	051393-01-723	EA	SWITCH-THERMAL-CUTOFF2/PKG	93866
7	051393-01-724	EA	BOARD-CIRCUIT, SPADE TERMINAL	93865
8	051393-01-725	EA	ELECTRODE-SINGLE SPADE CONNECTOR	93868
9	051391-04-703	EA	BURNER-MAIN	91638
10	051391-01-717	EA	GRILLE-WATERHEATER DOOR	92640
	051391-01-716	EA	GRILL ONLY (GOES ON FLUE BOX)	91786
11	051391-01-710	EA	ORIFICE-MAIN BURNER	92742
12	051391-03-700	EA	HOLDER-ORIFICE	91563
13	051393-01-726	EA	VALVE-SOLENOID, W/BRACKET	93870
14	051391-01-714	EA	FITTING-ELBOW, 45 DEGREE-3/8FX3/8MPT	1044
15	052009-07-000	EA	DOOR-WATERHEATER, 18"X14.6"-METAL-SABLE	
	116424-01-000	EA	PROTECTOR-WATERHEATER LATCH, ADHESIVE BACKED ROUND VINYL	
16	051391-01-700	EA	HINGE KIT, (PIN & CLIP)	92568 & 92559
17	051391-04-706	EA	TANK-INNER, G6A-4E & 6E-FRONT MOUNT	91641
18	051391-01-715	EA	PLUG-DRAIN, 1 EA = 2 PER PKG	91857
19	051391-04-707	EA	KIT-EXHAUST, (FLUE & GASKET)	90960
	111129-01-711	EA	BRACKET-CORNER, SET OF FOUR	91928

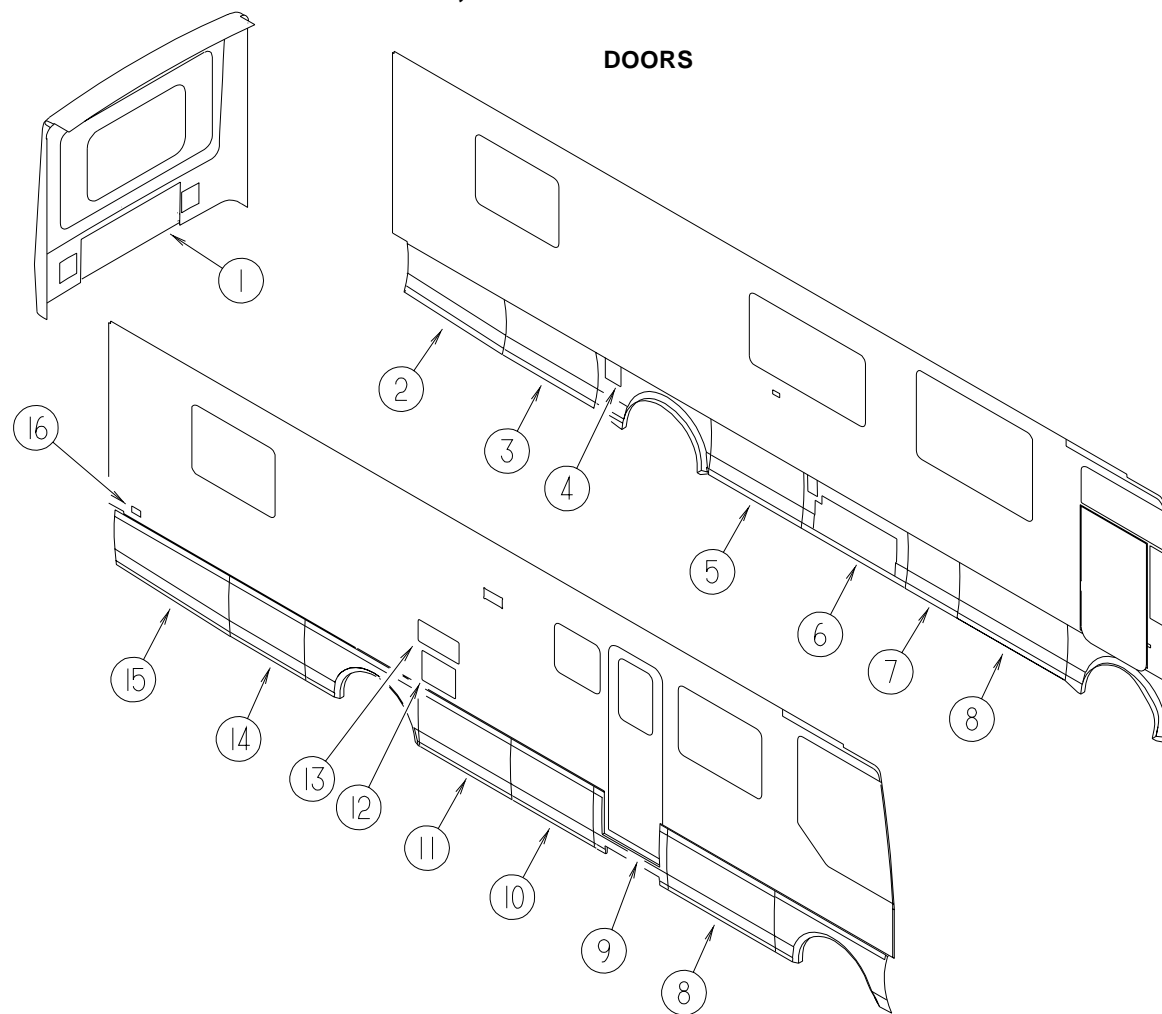
# WATER & SEWAGE GROUP (CONTINUED)

## WATER HEATER W/MOTOR AID FOR REAR HEATER - ATWOOD GH6-8E



KEY	PARTNUMBER	U/M	DESCRIPTION	VENDOR NO.
	051393-01-B00	EA	WATERHEATER-ATWOODGH6-8EELECTRICIGNITION	
1	097967-01-000	EA	SWITCH-WATERHEATER, REMOTEW/LIGHT 91959	
2	051391-04-701	EA	THERMOSTAT 12VDC-120PRESET	91470
3	051393-01-721	EA	THERMOSTAT W/ECO, 140FRONTMOUNT	91447
4	051391-01-705	EA	FASTENER-CAMLOCK	92609
5	051391-01-704	EA	VALVE-RELIEF, 1/2" FITTING	91604
6	051393-01-723	EA	SWITCH-THERMALCUTOFF 2/PKG	93866
7	051393-01-724	EA	BOARD-CIRCUIT, SPADE TERMINAL	93865
8	051393-01-725	EA	ELECTRODE-SINGLE SPADE CONNECTOR	93868
9	051391-04-703	EA	BURNER-MAIN	91638
10	051391-01-717	EA	GRILLE-WATERHEATER DOOR	92640
	051391-01-716	EA	GRILL ONLY (GOES ON FLUE BOX)	91786
11	051391-01-710	EA	ORIFICE-MAIN BURNER	92742
12	051391-03-700	EA	HOLDER-ORIFICE	91563
13	051393-01-726	EA	VALVE-SOLENOID, W/BRACKET	93870
14	051391-01-714	EA	FITTING-ELBOW, 45 DEGREE - 3/8 FX 3/8 MPT	1044
15	052009-07-000	EA	DOOR-WATERHEATER, 18" X 14.6" - METAL - SABLE	
	116424-01-000	EA	PROTECTOR-WATERHEATER LATCH, ADHESIVE BACKED ROUND VINYL	
16	051391-01-700	EA	HINGE KIT, (PIN & CLIP)	92568 & 92559
17	051391-04-704	EA	TANK-INNER (FRONT MOUNT)	91642
18	051391-01-715	EA	PLUG-DRAIN, 1 EA = 2 PER PKG	91857
19	051391-04-707	EA	KIT-EXHAUST, (FLUE & GASKET)	90960
	111129-01-711	EA	BRACKET-CORNER, SET OF FOUR	91928

# WINDOW, VENT & EXTERIOR DOOR GROUP



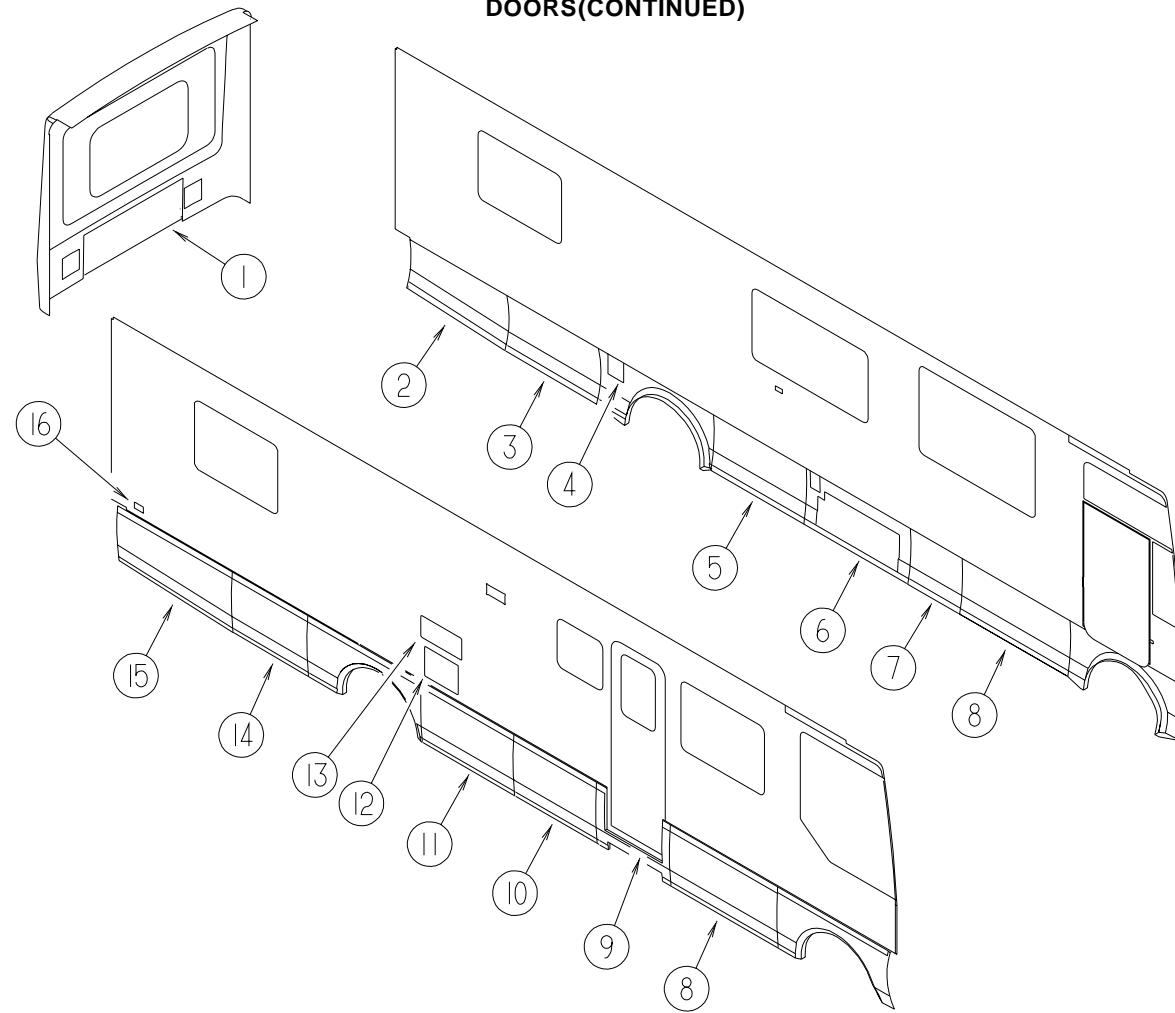
KEY	PARTNUMBER	U/M	DESCRIPTION
1	117593-01-GV0	EA	DOORASM-REAR, SABLE
	107721-01-000	FT	BULBSEAL-"D"SHAPED, W/ADHESIVEONFLATSIDE
	101348-01-000	EA	BOLT-SLIDE, LATCH-NYLON-W/SPRING&BRACKET
	102325-02-06A	EA	HINGE-TRUNKDOOR, SABLE
	108561-01-000	EA	TURNBUCKLE, 10-24THREAD
	108562-14-000	EA	ROD-LATCH, LEFTTHREADED-207MMLONG
	108562-28-000	EA	ROD-LATCH, THREADED, LEFT-9.6"LONG
	108562-29-000	EA	ROD-LATCH, THREADED, RIGHT-9.2"LONG
	108562-33-000	EA	ROD-LATCH, THREADED, RIGHT-8.4"LONG
	112949-01-02A	EA	LATCHASM-PADDLEW/LOCKW/OKEY
	114268-03-02B	EA	BRACKET-GASSPRING, UPPER-W/OBALLSTUD
	057460-02-000	EA	STUD-BALL, GASSPRING-10MM-5/16"-18
	108998-01-000	EA	SPRING-GAS12"COMPRESSED/20"EXTENDED-30LB.
	107796-05-000	EA	BRACKET-GASSPRING, FLAT SPDISPD-1020
	107719-01-01A	EA	STRIKE-VALANCEDOOR, MILL
	112949-03-000	EA	KEY-TRIMARK, 81030-03
2	120152-02-GV0	EA	DOOR-VALANCE, DR. RRW/LOCKINGLATCH56.7"X21.2"X23.9"
	107796-02-000	EA	BRACKET-"L" MOUNTBRACKETW/BALLSTUDF/GASSPING
	107796-01-000	EA	GASSPRING-11"COMPRESSED/17"EXTENDED-40LB.
	118037-01-01A	EA	HINGE-DOUBLEPIVOT, 90DEGREE-MILL
	119443-01-01A	EA	COVER-LATCH, VALANCEDOOR-BLACK
3	120151-02-GV0	EA	DOOR-VALANCE, W/LOCKINGPADDLE37.5"X23.9"X24.2"
	107796-02-000	EA	BRACKET-"L" MOUNTBRACKETW/BALLSTUDF/GASSPING
	107796-01-000	EA	GASSPRING-11"COMPRESSED/17"EXTENDED-40LB.
	118037-01-01A	EA	HINGE-DOUBLEPIVOT, 90DEGREE-MILL
	119443-01-01A	EA	COVER-LATCH, VALANCEDOOR-BLACK
4	118392-01-GV0	EA	DOORASM-FUELFILL
	110506-04-000	EA	LOCKASM-KEYED, 26.45MM
	076322-02-000	EA	TAPE-DOUBLECOATED, .045X1.0
	118036-01-01A	EA	HINGE-DOUBLEPIVOT, 90DEGREE-MILL
	118037-02-02B	EA	HINGE-DOUBLEPIVOT, 90DEGREE-W/TS-E-COAT
	118037-02-01A	EA	HINGE-DOUBLEPIVOT, 90DEGREE-W/TS-MILL

KEY	PARTNUMBER	U/M	DESCRIPTION
	118331-01-01A	EA	DOOR-FUELFILL, BLACK
5	120150-04-GV0	EA	DOOR-VALANCE, DR. W/LTCUTOUT/LOCKINGPADDLE45.5"X24.2"
	107796-02-000	EA	BRACKET-"L" MOUNTBRACKETW/BALLSTUDF/GASSPING
	107796-01-000	EA	GASSPRING-11"COMPRESSED/17"EXTENDED-40LB.
	118037-01-01A	EA	HINGE-DOUBLEPIVOT, 90DEGREE-MILL
	119443-01-01A	EA	COVER-LATCH, VALANCEDOOR-BLACK
6	120153-01-GV0	EA	DOOR-A/C44.6"TWX51.8"BWX16"X24.2"
	118037-01-01A	EA	HINGE-DOUBLEPIVOT, 90DEGREE-MILL
	123783-01-01A	EA	STRIKER-DOOR, MILL
	076767-04-000	EA	CABLE-SUPPORT, 5.9"-STAINLESSSTEEL
	104692-01-000	FT	SEAL-3/4"X3/4", ADHESIVEBACKFOAMSEAL
	107721-01-000	FT	BULBSEAL-"D"SHAPED, W/ADHESIVEONFLATSIDE
	108998-01-000	EA	SPRING-GAS SPD-5300-30
	114268-03-02B	EA	BRACKET-GASSPRING, E-COAT
7	120150-01-GV0	EA	DOOR-VALANCE, W/LOCKINGPADDLE25.4"X24.2"
	107796-02-000	EA	BRACKET-"L" MOUNTBRACKETW/BALLSTUDF/GASSPING
	118037-01-01A	EA	HINGE-DOUBLEPIVOT, 90DEGREE-MILL
	119443-01-01A	EA	COVER-LATCH, VALANCEDOOR-BLACK
8	120150-05-GV0	EA	DOOR-VALANCE, W/LOCKINGPADDLE-53.4"X24.2"
	107796-02-000	EA	BRACKET-"L" MOUNTBRACKETW/BALLSTUDF/GASSPING
	107796-08-000	EA	SPRING-GAS17"LENGTH, 60LBS DISPD-5200-60
	118037-01-01A	EA	HINGE-DOUBLEPIVOT, 90DEGREE-MILL
	120863-01-000	EA	BUMPER-RUBBER, 1.25DIAX1.25
	120495-01-01A	EA	STRIKER-DOOR, MILL
	120494-01-01B	EA	SHIM-STRIKER, DOOR, MILL
	107721-01-000	FT	BULBSEAL-"D"SHAPED, W/ADHESIVEONFLATSIDE
	069640-03-000	FT	SEALER-RIBBON-3/4"X1/8"-INCREMENTSOF60'
	119443-01-01A	EA	COVER-LATCH, VALANCEDOOR-BLACK



## WINDOW, VENT & EXTERIOR DOOR GROUP (CONTINUED)

### DOORS (CONTINUED)

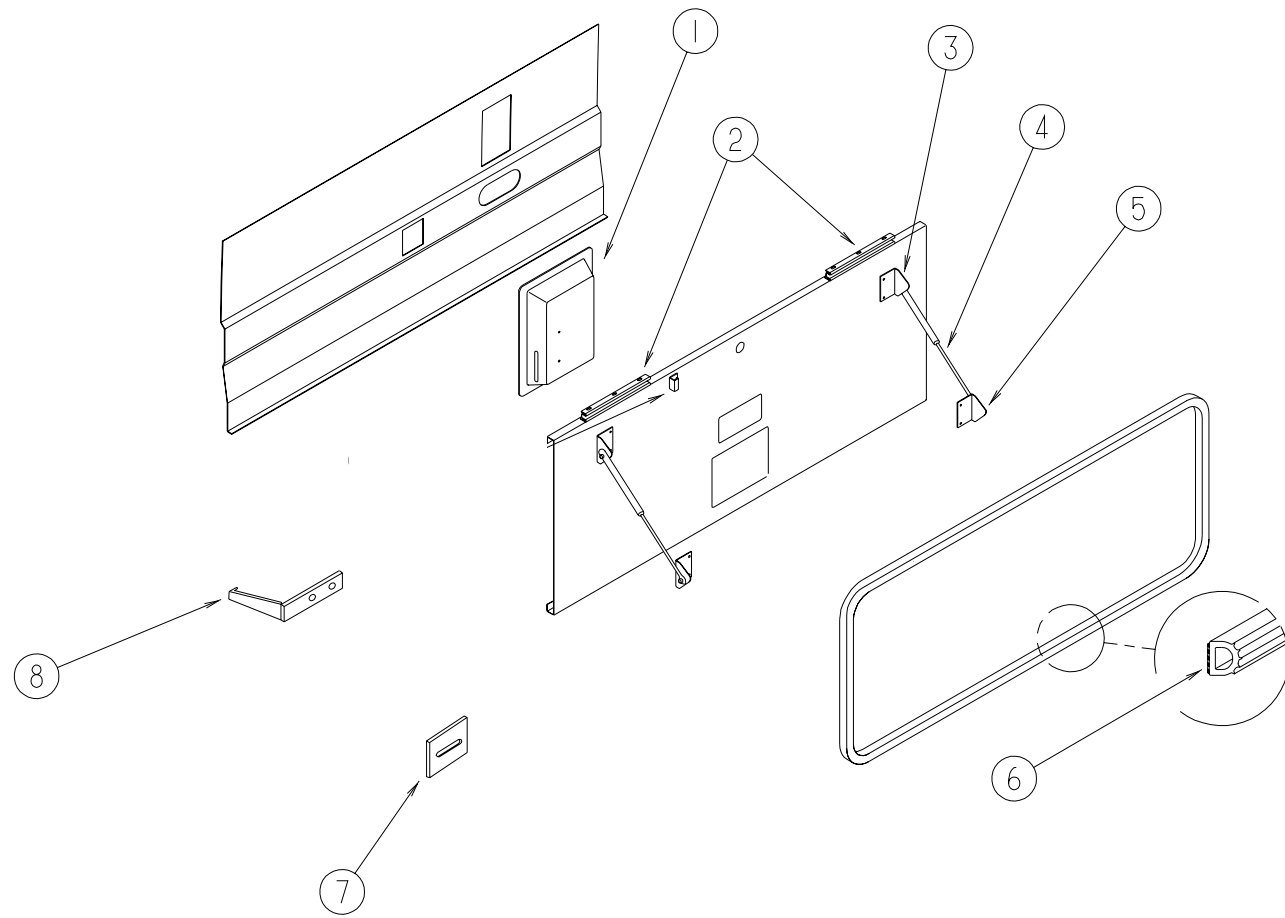


KEY	PARTNUMBER	U/M	DESCRIPTION
9	115108-08-H56	EA	DOOR-ENTRY, W/SCREENDOOR - W/OWINDOW (H56, H57)
9	115108-08-H58	EA	DOOR-ENTRY, W/SCREENDOOR - W/OWINDOW (H58, H59)
9	115108-08-H60	EA	DOOR-ENTRY, W/SCREENDOOR - W/OWINDOW (H60, H61)
9	115108-07-H56	EA	DOOR-ENTRY, W/POWERLOCKS - W/SCREENDOOR - W/OWINDOW (H56, H57)
9	115108-07-H58	EA	DOOR-ENTRY, W/POWERLOCKS - W/SCREENDOOR - W/OWINDOW (H58, H59)
9	115108-07-H60	EA	DOOR-ENTRY, W/POWERLOCKS - W/SCREENDOOR - W/OWINDOW (H60, H61)
10	120150-02-GV0	EA	DOOR-VALANCE, PASS. - W/LOCKINGPADDLE - 41.8" X 24.2"
	107796-02-000	EA	BRACKET - "L" MOUNT BRACKET W/BALLSTUDF/GASSPING
	107796-01-000	EA	GASSPRING - 11" COMPRESSED/17" EXTENDED - 40LB.
	118037-01-01A	EA	HINGE - DOUBLE PIVOT, 90 DEGREE - MILL
	119443-01-01A	EA	COVER - LATCH, VALANCE DOOR - BLK
11	120150-03-GV0	EA	DOOR-VALANCE, PASS. W/LTCUTOUT/LOCKINGPADDLE - 45.5" X 24.2"
	107796-02-000	EA	BRACKET - "L" MOUNT BRACKET W/BALLSTUDF/GASSPING
	107796-01-000	EA	GASSPRING - 11" COMPRESSED/17" EXTENDED - 40LB.
	107721-01-000	FT	BULBSEAL - "D" SHAPED, W/ADHESIVE ON FLAT SIDE
	069640-03-000	FT	SEALER - RIBBON - 3/4" X 1/8" - INCREMENTS OF 60'
	120495-01-01A	EA	STRIKER - DOOR, MILL
	120494-01-01B	EA	SHIM - STRIKER, DOOR, MILL
	118037-01-01A	EA	HINGE - DOUBLE PIVOT, 90 DEGREE - MILL
	119443-01-01A	EA	COVER - LATCH, VALANCE DOOR - BLACK

KEY	PARTNUMBER	U/M	DESCRIPTION
12	052009-07-000	EA	DOOR - WATER HEATER, SABLE AT WOOD
	116424-01-000	EA	PROTECTOR - WATER HEATER LATCH, AT WOOD 92611
13	084103-09-000	EA	DOOR-VENT, REFRIGERATOR - SABLE
	084104-09-000	EA	JAMB-VENT DOOR, REFRIGERATOR - SABLE
	084104-01-700	EA	LOCK-MALE, FASTENER - REFRIGERATOR DOOR
	084104-01-701	EA	LOCK-FEMALE, FASTENER - REFRIGERATOR DOOR
13	118368-01-02A	EA	DOOR-VENT, REFRIGERATOR - SABLE - DOMETIC 3103847.038
14	120151-01-GV0	EA	DOOR-VALANCE, W/NONLOCKINGPADDLE - 37.5" X 23.9" X 24.2"
	107796-02-000	EA	BRACKET - "L" MOUNT BRACKET W/BALLSTUDF/GASSPING
	107796-01-000	EA	GASSPRING - 11" COMPRESSED/17" EXTENDED - 40LB.
	118037-01-01A	EA	HINGE - DOUBLE PIVOT, 90 DEGREE - MILL
	119443-01-01A	EA	COVER - LATCH, VALANCE DOOR - BLACK
15	120152-01-GV0	EA	DOOR-VALANCE, PASS. RRW/LOCKING LATCH - 56.7" X 21.2" X 23.9"
	107796-02-000	EA	BRACKET - "L" MOUNT BRACKET W/BALLSTUDF/GASSPING
	107796-01-000	EA	GASSPRING - 11" COMPRESSED/17" EXTENDED - 40LB.
	118037-01-01A	EA	HINGE - DOUBLE PIVOT, 90 DEGREE - MILL
	119443-01-01A	EA	COVER - LATCH, VALANCE DOOR - BLACK
16	081240-17-000	EA	FILL - WATER, LOCKABLE - W/O LOCK - SABLE
	110506-02-000	EA	LOCK - KEYED, 13.64MM - BRIGGS & STRATTON

# WINDOW, VENT & EXTERIOR DOOR GROUP (CONTINUED)

## EXTERIOR COMPARTMENT DOOR COMPONENTS

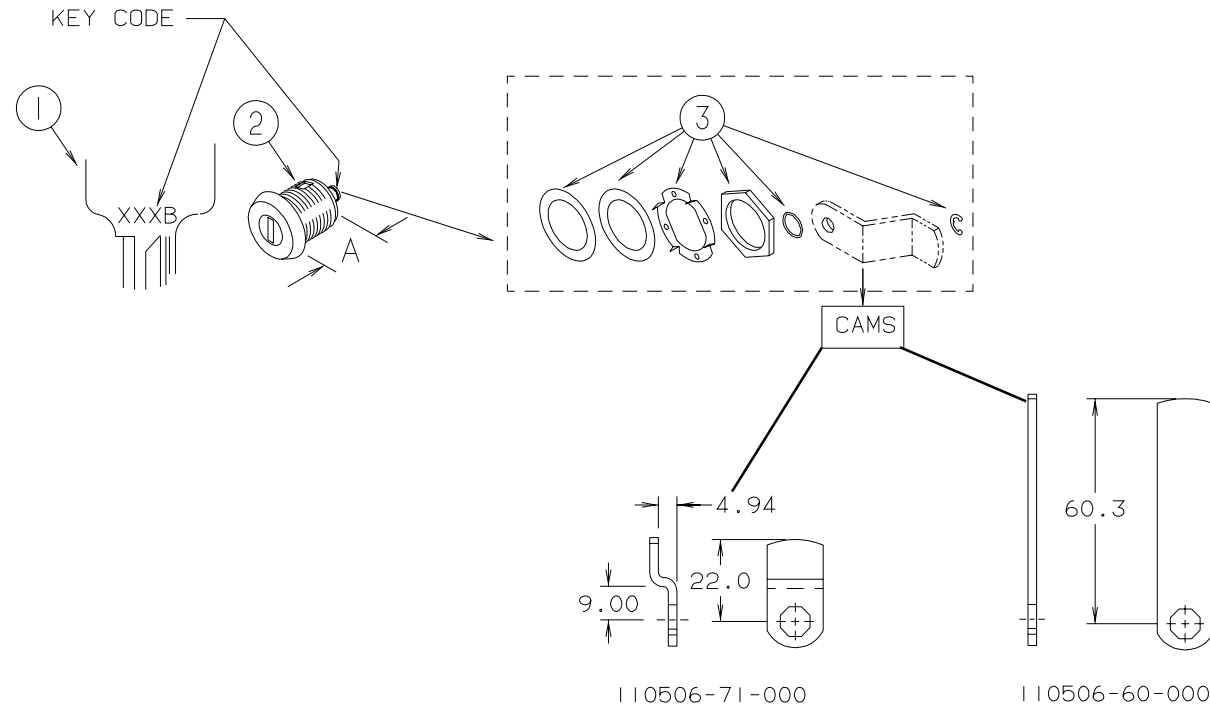


KEY	PARTNUMBER	U/M	DESCRIPTION
1	119443-01-01A	EA	COVER-LATCH, VALANCEDOORBLK
	100128-02-000	FT	SEAL-FOAM, ADHESIVEBACK- .37"W X .37" THICK
2	118037-01-01A	EA	HINGE-DOUBLEPIVOT, 90DEGMIL
2	118037-02-02B	EA	HINGE-DBLPVT, 90DEG, W/TS, ECT (FUELDOOR)
2	118037-02-01A	EA	HINGE-DBLPVT, 90DEG, W/TS, MIL (FUELDOOR)
3	107796-02-000	EA	BRACKET-"L" MOUNT BRACKET W/BALLSTUDF/GASSPRING
4	107796-01-000	EA	GASSPRING-11" COMPRESSED/17" EXTENDED-40LB.
4	107796-08-000	EA	SPRING-GAS-11" COMPRESSED/17" EXTENDED
5	107796-05-000	EA	BRACKET-GASSPRING, FLAT SPDISPD-1020
7	110415-01-01A	EA	SHIM-LATCH, VALANCEDOOR-BLACK
8	102768-01-000	EA	HOLDER-COMPARTMENT/ENTRYDOOR, METAL-MILLFINISH
	091876-01-000	EA	RETAINER-DOOR, 1.9" X .8" -METAL

# WINDOW, VENT & EXTERIOR DOOR GROUP (CONTINUED)

## BRIGGS & STRATTON LOCKS & COMPONENTS

NOTE:  
 WHEN ORDERING THE LOCK CASE, THE KEY CODE MUST MATCH THE LAST DIGIT OF THE VEHICLE'S SERIAL NUMBER AND PART NUMBER; WHEN ORDERING THE KEYS, THE THIRD DIGIT OF THE KEY CODE MUST MATCH THE LAST DIGIT OF THE VEHICLE'S SERIAL NUMBER AND PART NUMBER

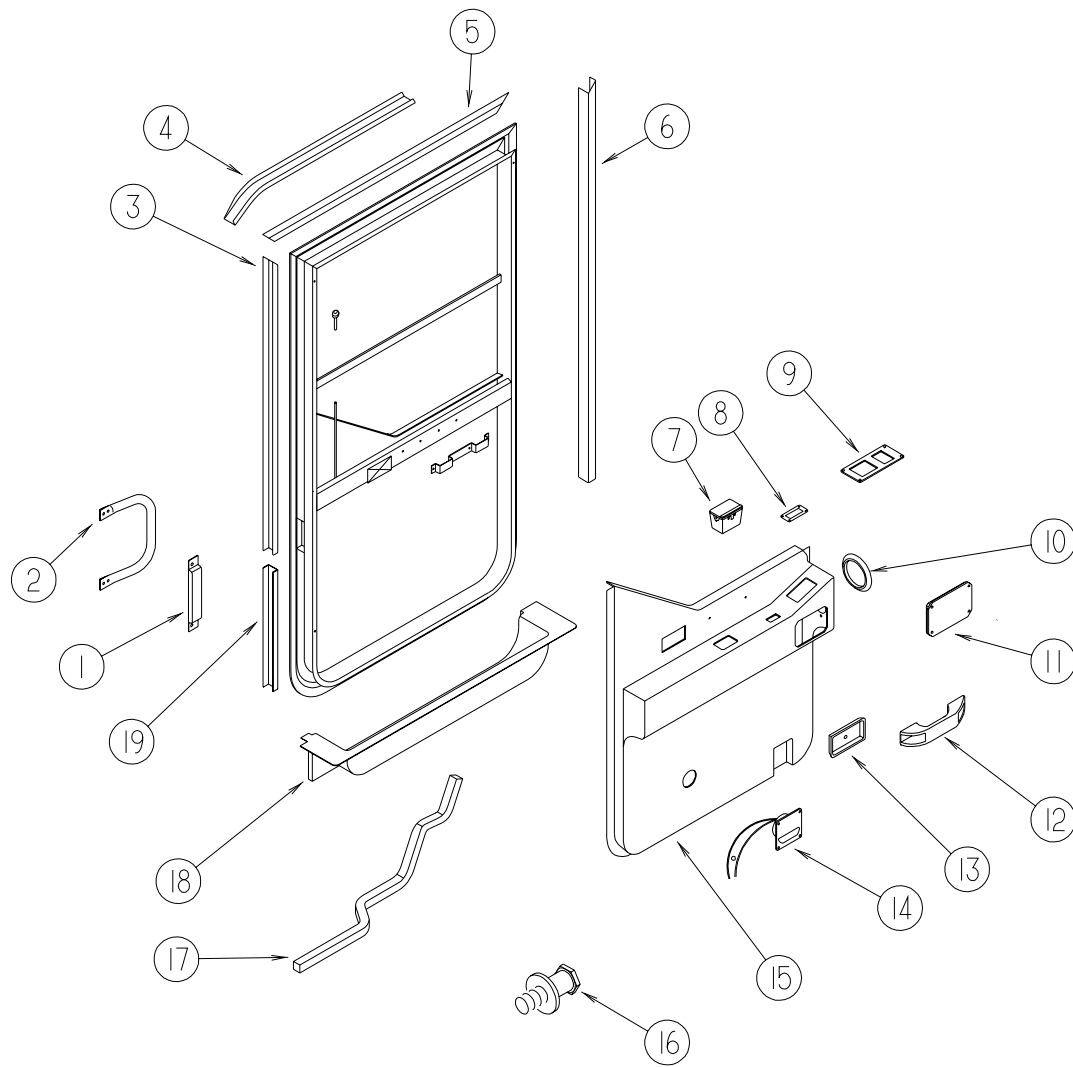


KEY	PARTNUMBER	U/M	DESCRIPTION	VENDORNO.
1	110506-59-000	EA	KEYS-SETOFTWO	596720
2	110506-52-000	EA	CASE-LOCK, A=17MM	702370
2	110506-53-000	EA	CASE-LOCK, A=25MM	702380
1	110506-59-001	EA	KEYS-SETOFTWO	596721
2	110506-52-001	EA	CASE-LOCK, A=17MM	702371
2	110506-53-001	EA	CASE-LOCK, A=25MM	702381
1	110506-59-002	EA	KEYS-SETOFTWO	596722
2	110506-52-002	EA	CASE-LOCK, A=17MM	702372
2	110506-53-002	EA	CASE-LOCK, A=25MM	702382
1	110506-59-003	EA	KEYS-SETOFTWO	596723
2	110506-52-003	EA	CASE-LOCK, A=17MM	702373
2	110506-53-003	EA	CASE-LOCK, A=25MM	702383
1	110506-59-004	EA	KEYS-SETOFTWO	596724
2	110506-52-004	EA	CASE-LOCK, A=17MM	702374
2	110506-53-004	EA	CASE-LOCK, A=25MM	702384
1	110506-59-005	EA	KEYS-SETOFTWO	596725
2	110506-52-005	EA	CASE-LOCK, A=17MM	702375
2	110506-53-005	EA	CASE-LOCK, A=25MM	702385
1	110506-59-006	EA	KEYS-SETOFTWO	596726
2	110506-52-006	EA	CASE-LOCK, A=17MM	702376
2	110506-53-006	EA	CASE-LOCK, A=25MM	702386

KEY	PARTNUMBER	U/M	DESCRIPTION	VENDORNO.
1	110506-59-007	EA	KEYS-SETOFTWO	596727
2	110506-52-007	EA	CASE-LOCK, A=17MM	702377
2	110506-53-007	EA	CASE-LOCK, A=25MM	702387
1	110506-59-008	EA	KEYS-SETOFTWO	596728
2	110506-52-008	EA	CASE-LOCK, A=17MM	702378
2	110506-53-008	EA	CASE-LOCK, A=25MM	702388
1	110506-59-009	EA	KEYS-SETOFTWO	596729
2	110506-52-009	EA	CASE-LOCK - A=17MM	702379
2	110506-53-009	EA	CASE-LOCK - A=25MM	702389
3	110506-40-700	EA	HARDWAREKIT	
3	110506-40-700	EA	HARDWAREKIT, INCLUDESGASKET, WASHERS, NUT & CLIP	
	110506-60-000	EA	CAM-LOCK, BRIGGS & STRATTON 322276 (FUEL FILL)	
	110506-71-000	EA	CAM-LOCK, BRIGGS & STRATTON 322287 (WATER FILL)	
	110506-59-000	EA	KEYS-SETOFTWO	

## WINDOW, VENT & EXTERIOR DOOR GROUP (CONTINUED)

### DRIVERS DOOR



KEY	PARTNUMBER	U/M DESCRIPTION
	15	118582-01-01A EA PANEL-TRIM, INNER, LH-HAMPTONTAN
	15	118582-02-01A EA PANEL-TRIM, INNER, LH-LEVELING JACKS-HAMPTONTAN
	16	EA STRIKER ASSEMBLY, (SUPPLIED W/DRIVERS DOOR)
	17	063977-14-000 EA STEP-DRIVERS DOOR-BLACK
	17	063977-13-000 EA STEP-DRIVERS DOOR-UNPAINTED
	18	107818-02-01A EA TRIM-STEP, DRIVERS DOOR-HAMPTONTAN
		102569-02-000 EA MAT-ANTI SLIP, LOWER
		109506-01-000 EA FILM-URETHANE, PROTECTANT-107.9X679.4MM
		109235-01-01A FT COVER-SCREW, MAT-BLACK DAWN#132-081046
19	108897-02-01A EA GARNISH-DOOR, DRIVERS-BLACK	
	109378-01-000 EA STRAP-CHECK, DRIVERS DOOR-BLACK	
	064219-01-000 EA RETAINER-CHECK STRAP, DRIVER DOOR	
	091162-55-005 EA ANGLE, 4900, V.W. GRAY	

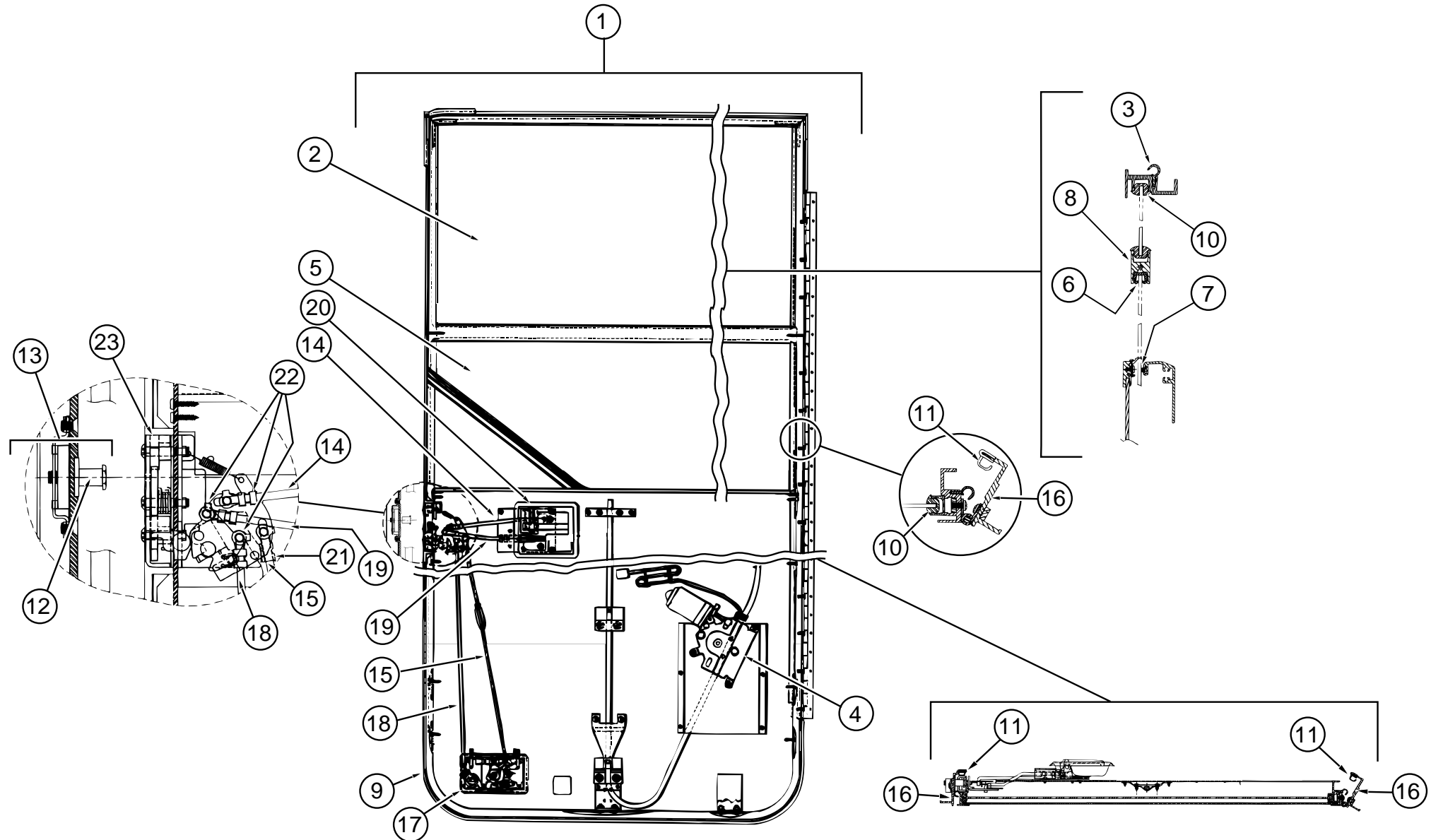
### POWER DOOR LOCK SW/REMOTE

KEY	PARTNUMBER	U/M DESCRIPTION	VENDOR NO.
	102756-02-000	EA REMOTE KEYLESS ENTRY SYSTEM SC5101-2287	
	102756-01-704	EA HARNESS-MAIN	203-6638
	102756-02-700	EA REMOTE (TRANSMITTER) KEYLESS	412-1036
	102756-02-701	EA BOARD-MODULE, NEW SYSTEM	202-3153

KEY	PARTNUMBER	U/M DESCRIPTION
	106469-10-01A	EA DOOR ASM-DRIVERS, BLACK EXCEL V134-02L
	106469-11-01A	EA DOOR ASM-DRIVERS, W/POWER-BLACK EXCEL V134-03L
1	108654-01-01A	EA COVER-STRIKE, DRIVERS DOOR-BLACK
2	108832-02-01A	EA HANDLE-ASSIST, DRIVERS DOOR-MILL
3	108129-01-01A	EA GARNISH-DRIVERS DOOR, MILL
4	108274-08-01A	EA RAIL-DRIP, FRONT, LH-SABLE
5	108107-01-01A	EA GARNISH-DRIVERS DOOR, MILL
6	108108-03-01A	EA GARNISH-DRIVERS DOOR, MILL
	108119-03-F36	EA GARNISH ASM-DRIVERS DOOR
7	118719-01-01A	EA ASH TRAY-TOP MOUNT, BLACK PLASTIC
8	093132-01-000	EA SWITCH-ROCKER, 5 TERMINAL W/ARROW GRAPHICS-TORRIX 1737
	094086-01-01A	EA PLATE-SWITCH, SINGLE GANG-1.8"X3"-PLASTIC-BLACK
9	087695-02-000	EA SWITCH-HEATER, EXTERIOR MIRROR-POWER DOOR
9	088246-01-000	EA SWITCH-REMOTE, EXTERIOR MIRROR-VELVAC 7471290-POWER DOOR
10	093145-01-000	EA SLEEVE-WIRE, 10" LONG-PLASTIC-BLACK-GM#15590724
	093146-01-000	EA GROMMET-WIRE, 1.7"X3.1"-OVAL SHAPED-PLASTIC-BLACK
11	107889-02-000	EA TOUCH CONTROL PANEL KIT-HWHAP1016
	100532-09-700	EA PANEL ASM.-TOUCH CONTROL RAP1002
	100532-09-702	EA CABLE-MODULAR, 5' AP1020
12	102710-01-01A	EA HANDLE-ASSIST, ENTRY DOOR-6.6" LONG-BLACK
	118640-01-01B	EA BRACKET-HANDLE
13		EA COVER-LATCH, DOOR (SUPPLIED W/DRIVERS DOOR)
14	108354-01-01A	EA LIGHT-COURTESY-ITC81395-B
	108354-01-700	EA BULB-COURTESY LIGHT, 395-B

# WINDOW, VENT & EXTERIOR DOOR GROUP (CONTINUED)

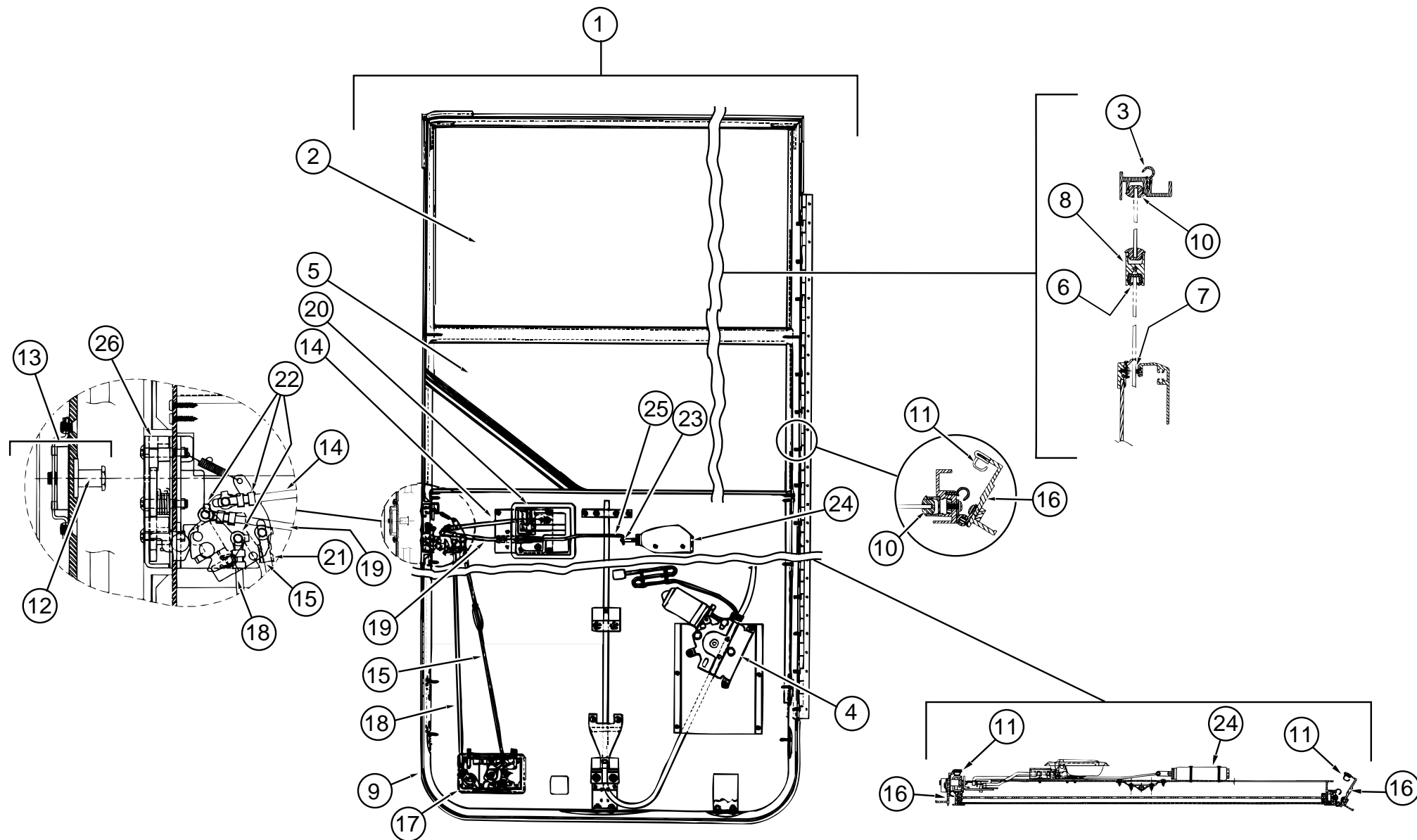
## DRIVER DOOR W/O POWER LOCKS-EXCEL V134-02L



KEY	PARTNUMBER	U/M	DESCRIPTION	VENDORN.O.	KEY	PARTNUMBER	U/M	DESCRIPTION	VENDORN.O.
1	106469-10-01A	EA	DOORASM-DRIVERS,BLACKEXCEL V134-02L		14	106469-04-705	EA	ROD-LATCH,HORIZONTAL	203-041139
2	106469-01-700	EA	GLASS	106-040976	15	106469-10-701	EA	ROD-LATCH,VERTICLE(ADJUSTING)	203-041356
3	106469-01-702	EA	SEAL-DOOR,1EA	122-040984	16	106469-10-704	EA	FRAME-MOUNTING,BLACK	V134-30L
4	106469-10-700	EA	REGULATOR(ELECTRIC)MODIFIED	V134-89L		106469-05-702	EA	HINGE-42"	211-041194
5	106469-10-702	EA	GLASS-ROLLUP	V134-65L	17	106469-04-700	EA	PADDLEASSEMBY,W/COLLAR	248-041237
6	106469-01-705	FT	CHANNEL-RUN,SLIDING	122-010850	18	106469-10-706	EA	ROD-LOCK,VERTICAL(ADJUSTING)	203-041357
7	106469-01-709	EA	WEATHERSTRIPFUZZY	171-040630	19	106469-04-711	EA	ROD-LOCK,HORIZONTAL	203-041137
8	106469-08-700	EA	MULLION-RAIL	V090-84	20	106469-04-712	EA	HARDWARE-INNERHANDLE,LH	248-041148
9	106469-10-705	EA	BELT-WEATHERSTRIP	V134-57	21	106469-04-713	EA	ROD-CLIP,LH	248-041154
10	106469-01-722	EA	GLAZING-VINYL,HORIZONTAL	V103-87	22	106469-04-714	EA	ROD-CLIP,RH	248-041153
11	106469-01-723	EA	SEAL-BULB,DRIVERDOOR	171-040985	23	106469-05-706	EA	LATCH-ROTARY,W/LINKAGE	248-041150
	106469-04-701	EA	TUMBLER&KEYS,TRI-MARK			106469-10-703	EA	PARTSBAG	V123-17
	106469-04-715	EA	LATCHCOMPLETE,W/TUMBLER&KEYS						
	045017-11-701	EA	KEY-BLANK,F1SERIES	81312-02					
12	106469-04-703	EA	BOLT-STRIKER,W/WASHER	248-041152					
13	106469-04-704	EA	NUTASSEMBLY-CAGEDW/STRIKER	248-041151					

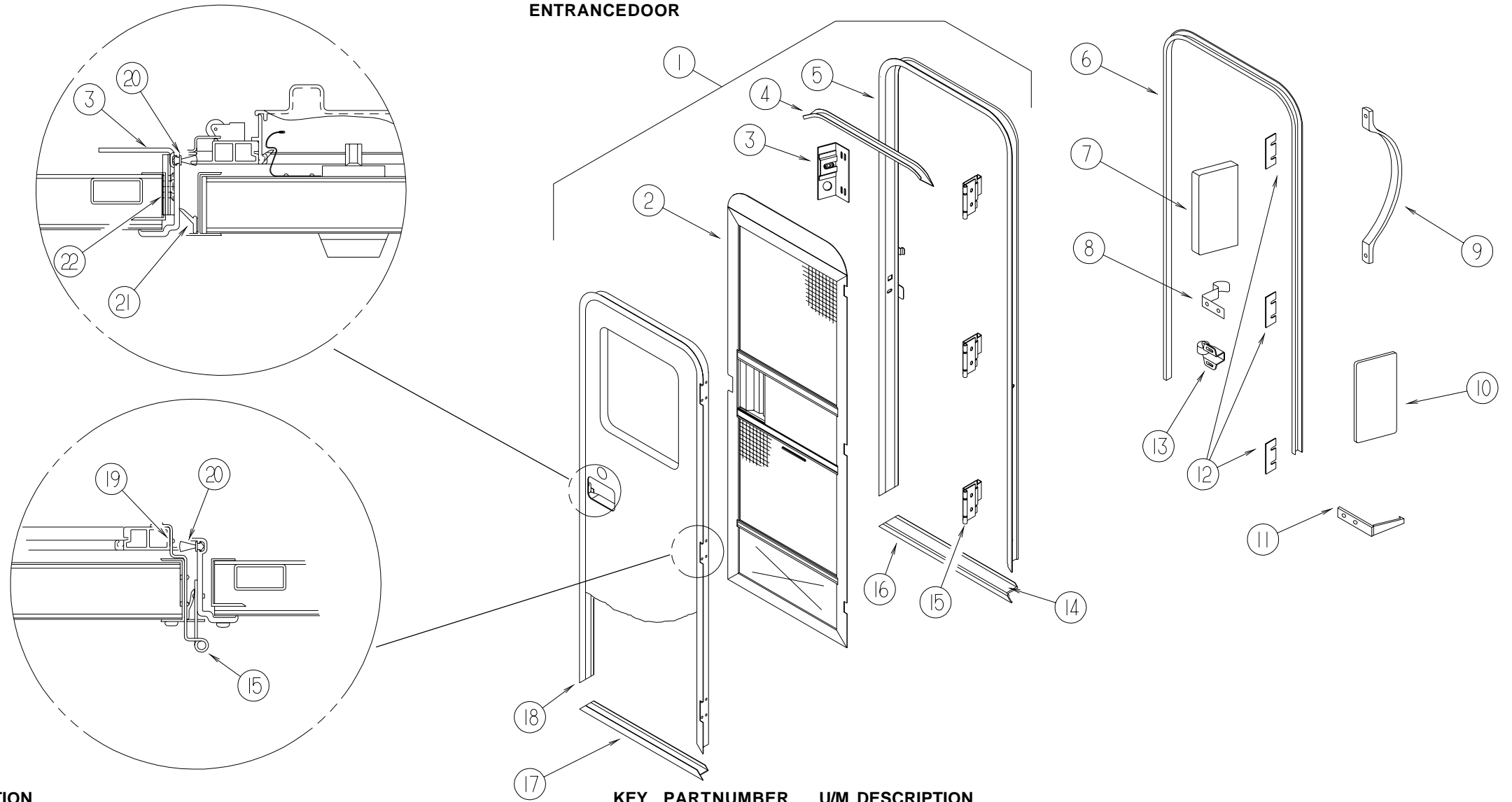
# WINDOW, VENT & EXTERIOR DOOR GROUP (CONTINUED)

## DRIVERS DOOR W/ POWER LOCKS - EXCEL V134-03L



KEY	PARTNUMBER	U/M	DESCRIPTION	VENDORNO.	KEY	PARTNUMBER	U/M	DESCRIPTION	VENDORNO.
1	106469-11-01A	EA	DOORASM-DRIVERS,POWERED-BLACK-EXCEL V134-03L		14	106469-04-705	EA	ROD-LATCH,HORIZONTAL	203-041139
2	106469-01-700	EA	GLASS	106-040976	15	106469-10-701	EA	ROD-LATCH,VERTICLE(ADJUSTING)	203-041356
3	106469-01-702	EA	SEAL-DOOR,1EA	122-040984	16	106469-10-704	EA	FRAME-MOUNTING,BLACK	V134-30L
4	106469-10-700	EA	REGULATOR(ELECTRIC)MODIFIED	V134-89L		106469-05-702	EA	HINGE -42"	211-041194
5	106469-10-702	EA	GLASS-ROLLUP	V134-65L	17	106469-04-700	EA	PADDLEASSEMBLY,W/COLLAR	248-041237
6	106469-01-705	FT	CHANNEL-RUN,SLIDING	122-010850	18	106469-10-706	EA	ROD-LOCK,VERTICAL(ADJUSTING)	203-041357
7	106469-01-709	EA	WEATHERSTRIPFUZZY	171-040630	19	106469-04-711	EA	ROD-LOCK,HORIZONTAL	203-041137
8	106469-08-700	EA	MULLION-RAIL,HORIZONTAL	V090-84	20	106469-04-712	EA	HARDWARE-INNERHANDLE,LH	248-041148
9	106469-10-705	EA	BELT-WEATHERSTRIP	V134-57	21	106469-04-713	EA	ROD-CLIP,LH	248-041154
10	106469-01-722	EA	GLAZING-VINYL,HORIZONTAL	V103-87	22	106469-04-714	EA	ROD-CLIP,RH	248-041153
11	106469-01-723	EA	SEAL-BULB-DRIVERDOOR	171-040985	23	106469-05-700	EA	RODCLIP	231-041095
	106469-04-701	EA	TUMBLER&KEYS,TRI-MARK		24	106469-05-701	EA	ACTUATOR-ELECTRICLOCK	410-041096
	106469-04-715	EA	LATCHCOMPLETE,W/TUMBLER&KEYS		25	106469-05-704	EA	ROD-LOCK,POWER	203-041141
	045017-11-701	EA	KEY-BLANK,F1SERIES	81312-02	26	106469-05-706	EA	LATCH-ROTARY,W/LINKAGE	248-041150
12	106469-04-703	EA	BOLT-STRIKER,W/WASHER	248-041152		106469-10-703	EA	PARTSBAG	V123-17
13	106469-04-704	EA	NUTASSEMBLY-CAGEDW/STRIKER	248-041151					

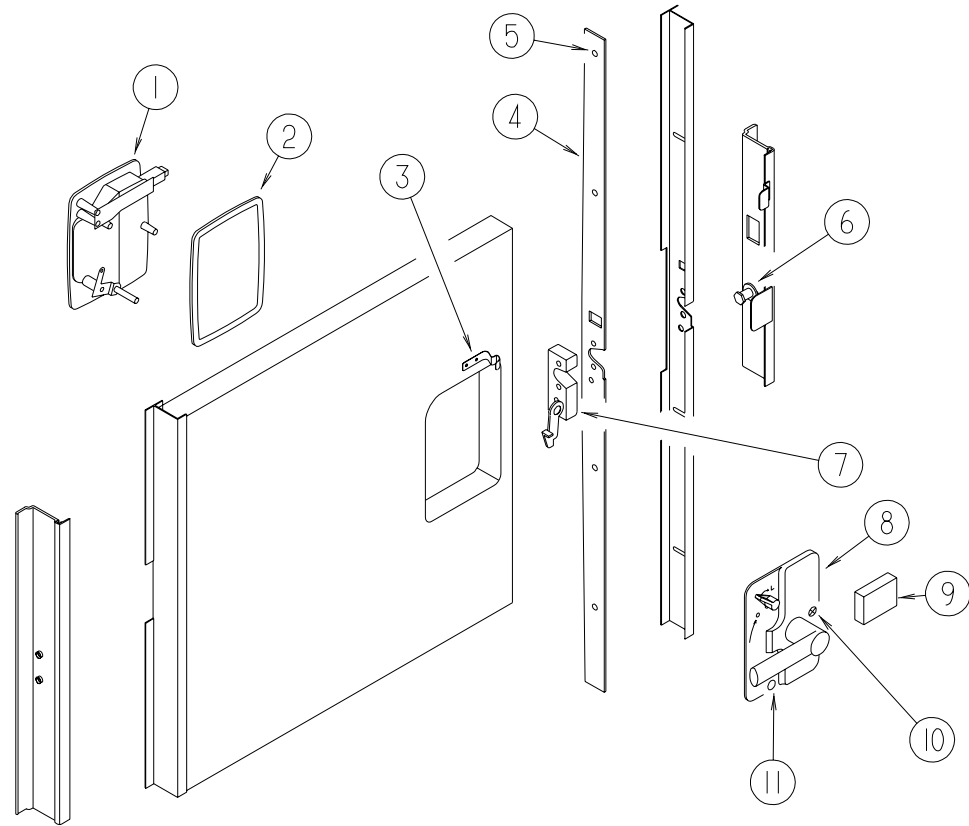
**WINDOW, VENT & EXTERIOR DOOR GROUP (CONTINUED)**  
**ENTRANCE DOOR**



KEY	PARTNUMBER	U/M	DESCRIPTION
1	115108-08-H56	EA	DOOR-ENTRY, W/SCREENDOOR - W/OWINDOW (H56, H57)
1	115108-08-H58	EA	DOOR-ENTRY, W/SCREENDOOR - W/OWINDOW (H58, H59)
1	115108-08-H60	EA	DOOR-ENTRY, W/SCREENDOOR - W/OWINDOW (H60, H61)
1	115108-07-H56	EA	DOOR-ENTRY, W/POWERLOCKS - W/SCREENDOOR - W/OWINDOW (H56, H57)
1	115108-07-H58	EA	DOOR-ENTRY, W/POWERLOCKS - W/SCREENDOOR - W/OWINDOW (H58, H59)
1	115108-07-H60	EA	DOOR-ENTRY, W/POWERLOCKS - W/SCREENDOOR - W/OWINDOW (H60, H61)
2	117077-02-GV0	EA	DOORASM-SCREEN
3	041546-08-000	EA	BRACKETASM-DOORANGLE, OFFWHITE
4	044582-49-000	EA	CAP-DRIP, DOORJAMB MOUNTED - SABLE
5	121898-07-01A	EA	JAMBASM-DOOR, ENTRANCE, SABLE
5	121898-06-01A	EA	JAMBASM-ENTRANCEDOOR, POWEREDDOOR - SABLE
	092927-03-000	EA	STRIKER-ROUND, JAMB MOUNTED - TRI/MARK 10335-16
6	115222-02-01A	EA	GARNISH-RADIUS, ENTRYDOOR - OFFWHITE
6	115222-08-01A	EA	GARNISH-RADIUS, POWEREDDOOR - OFFWHITE
7	077461-03-000	EA	COVER-STRIKE, ENTRYDOOR - 6.5" X 2.5" - PLASTIC - WHITE
8	100412-01-000	EA	CATCH-SCREENDOOR
9	102710-01-01A	EA	HANDLE-ASSIST, ENTRYDOOR - 6.6" LONG - BLACK
10	076725-02-000	EA	COVER-HINGE, ENTRYDOOR - 6" X 3.2" - PLASTIC - OFFWHITE
11	102768-01-000	EA	HOLDER-COMPARTMENT/ENTRYDOOR, METAL - MILLFINISH
12	102248-01-000	EA	SHIM-DOOR
13	109403-01-000	EA	CATCH-SINGLEROLLER, SCREENDOOR
14	038327-01-000	EA	TAPE-ANTISLIP, 2" X 60'
15	106719-01-01A	EA	HINGE-ENTRANCEDOOR, UNPAINTED
	039715-01-000	EA	NUT-SERT, 1/4" DIAMETER - 20 THREADS
	116111-02-01A	EA	SCREW-TAPTITE, 1/4-20 X 3/8 PPH - ZINC

KEY	PARTNUMBER	U/M	DESCRIPTION
16	051049-01-000	EA	JAMB-BOTTOM, ENTRYDOOR - 25.9" - UNPAINTED
17	089748-23-000	EA	FRAME-BOTTOM, ENTRANCEDOOR
18	122102-02-01A	EA	FRAME-DOOR, ENTRANCE, SABLE
18	122102-01-01A	EA	FRAME-DOOR, ENTRANCE, SABLE - POWEREDDOOR
19	100128-02-000	FT	SEAL-FOAM, ADHESIVEBACK - .37" W X .37" THICK
20	118929-01-01A	FT	SEAL-PILE, PUSH-ON - AMESBURY 5250148
21	075671-04-000	FT	SEAL-SPONGE, LAZY T SHAPE - W/ADHESIVE STRIP - .5" WIDE
22	104692-01-000	FT	SEAL - 3/4" X 3/4", ADHESIVEBACK FOAM SEAL

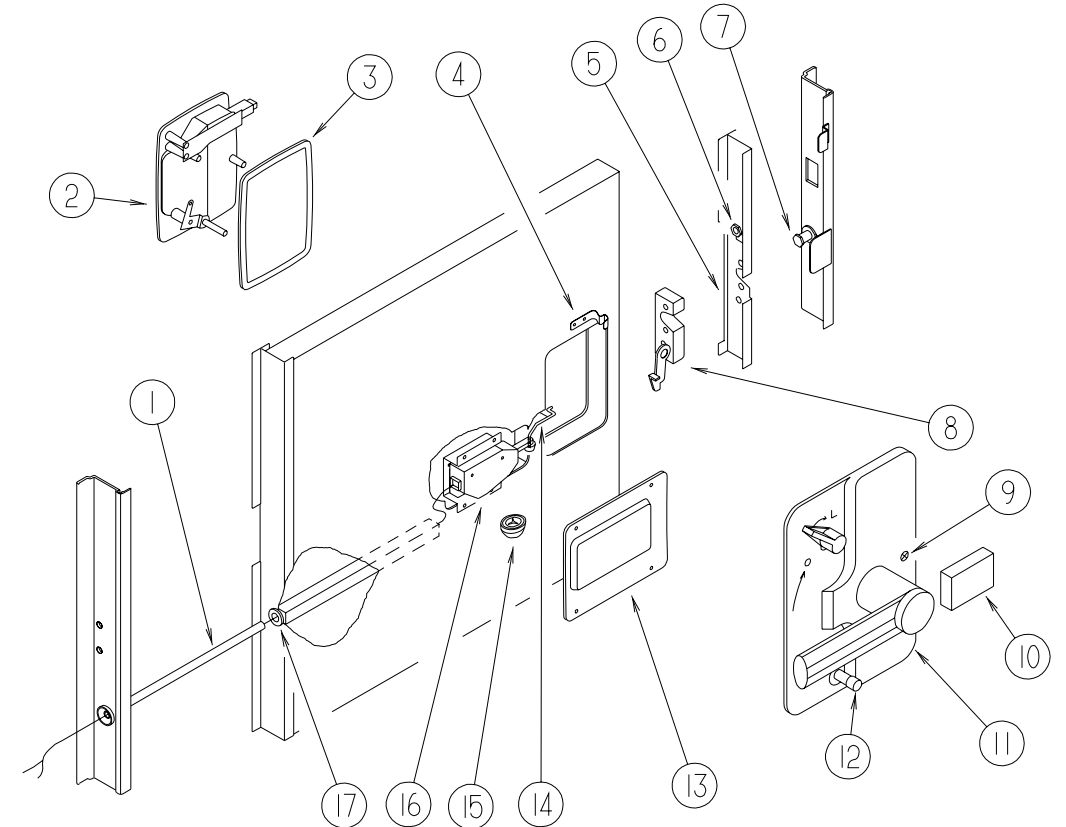
**WINDOW, VENT & EXTERIOR DOOR GROUP (CONTINUED)**



**ENTRANCEDOORLATCHCOMPONENTSW/OPOWERLOCKS**

KEY	PARTNUMBER	U/M DESCRIPTION	VENDORNO.
1	112782-01-01A	EA LATCHASM-EXTERIORHOUSING, TRI/MARK 11922-37	
	112782-01-700	EA KEY-BLANK, DEADBOLT, TM100-150	81535
	112782-01-701	EA KEY-BLANK, DEADBOLT, TM151-200	81536
	112782-01-703	EA CYLINDER-LOCKASM.W/KEYS	081465-09
2	112782-04-01A	EA GASKET, TRI/MARK 81480	
3	100412-01-000	EA CATCH-SCREENDOOR	
4	121334-03-01A	EA STIFFENER-DOOR, MILL	
5	072893-04-000	EA NUTSERT-10-32, ENTRANCEDOORSTIFFENER	
	075908-01-000	EA SCREW-MACHINE, 10-32X.56PTH-EXTERNALTOOTH-ZINC	
6	092927-03-000	EA STRIKER-ROUND, JAMB MOUNTED- TRI/MARK 10335-16	
7	112782-03-01A	EA LATCH-SINGLEROTOR, T/M 13426-01	
8	112782-02-01A	EA LATCHASM-INTERIORPLATE, TRI/MARK 13428-01	
9	122241-01-01A	EA BUMPER-RUBBER, FOAM-BLACK	
10	112782-06-01A	EA SCREW-MOUNTING, PLATE, ZINC- TRI/MARK 81096-15	
11	112782-05-01A	EA CAP-VINYL, RED- TRI/MARK 80844-99	

**WINDOW, VENT & EXTERIOR DOOR GROUP (CONTINUED)**



**ENTRANCEDOORLATCHCOMPONENTSW/POWERLOCKS**

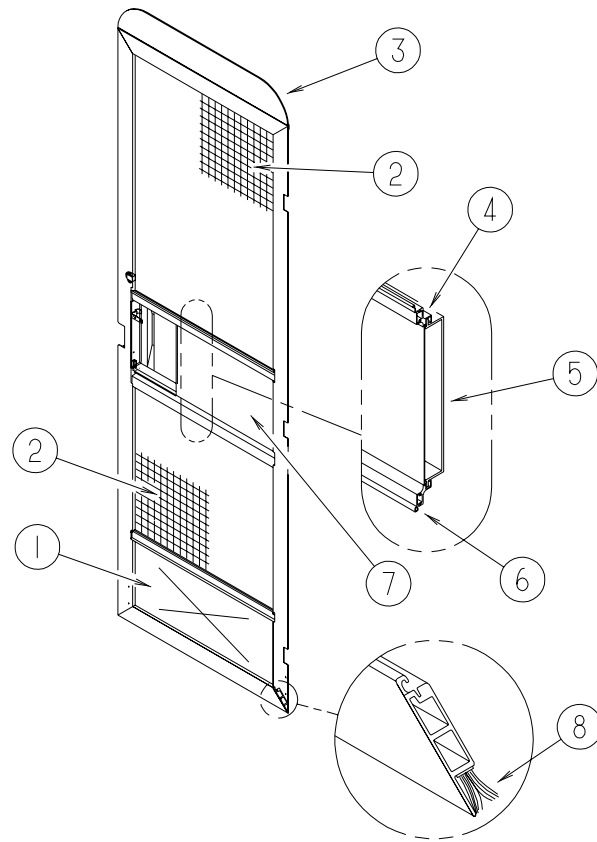
KEY	PARTNUMBER	U/M DESCRIPTION	VENDORNO.
1	077222-01-000	EA SPRING-WIREGUARD, ENTRYDOOR-GM08905080	
	093057-05-000	EA WIREASM-POWERLOCK	
2	112782-01-01A	EA LATCHASM-EXTERIORHOUSING, TRI/MARK-11922-37	
	112782-01-700	EA KEY-BLANK, DEADBOLT, TM100-150	81535
	112782-01-701	EA KEY-BLANK, DEADBOLT, TM151-200	81536
	112782-01-703	EA CYLINDER-LOCKASM.W/KEYS	081465-09
3	112782-04-01A	EA GASKET, TRI/MARK 81480	
4	100412-01-000	EA CATCH-SCREENDOOR	
5	121334-03-01A	EA STIFFENER-DOORMILL	
6	072893-04-000	EA NUTSERT-10-32, ENTRANCEDOORSTIFFENER	
7	092927-03-000	EA STRIKER-ROUND, JAMB MOUNTED- TRI/MARK-10335-16	
8	112782-03-01A	EA LATCH-SINGLEROTOR, T/M-13426-01	
9	112782-06-01A	EA SCREW-MOUNTING, PLATE, ZINC-T/M-81096-15	
10	122241-01-01A	EA BUMPER-RUBBER, FOAM-BLACK	
11	112782-02-01A	EA LATCHASM-INTERIORPLATE, TRI/MARK-13428-01	
12	112782-05-01A	EA CAP-VINYL, RED- TRI/MARK-80844-99	
13	113960-01-01A	EA COVER-ACTUATOR, POWERLOCK-OFFWHITE	
14	113651-01-01A	EA ROD-CONTROL, MOTOR, LOCK	
15	114209-01-01A	EA PUSHNUT-CAP, 1/8", WHITE- ARDENKPS125105	
16	113638-01-000	EA POWERDOORLOCKMOTOR/ACTUATOR	
	113650-01-02B	FT BRACKET-ACTUATOR, ELECTRIC-E-COAT	
	113638-02-000	EA CONNECTOR-ELECTRIC, ACTUATOR-EURAMETEC	
17	008384-01-000	EA GROMMET-SNAP, 3/4" DIAMETER-NYLON	

**POWERDOORLOCKSW/REMOTE**

KEY	PARTNUMBER	U/M DESCRIPTION	VENDORNO.
	102756-02-000	EA REMOTEKEYLESSENTRYSYSTEM -SCS101-2287	
	102756-01-700	EA REMOTE-KEYLESSENTRY	412-1016-011
	102756-01-701	EA BATTERY-12VF/TRANSMITTER	402-1004
	102756-01-704	EA HARNESS-MAIN	203-6638
	102756-02-700	EA REMOTE(TRANSMITTER)KEYLESS	412-1036
	102756-02-701	EA BOARD-MODULE, NEWSYSTEM	202-3153



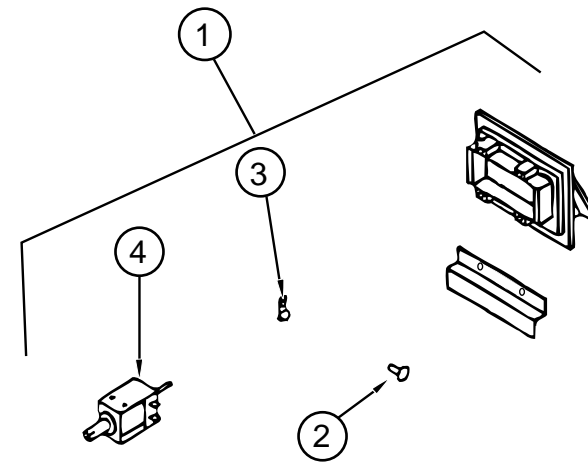
WINDOW, VENT & EXTERIOR DOOR GROUP (CONTINUED)



SCREEN DOOR COMPONENTS

KEY	PART NUMBER	U/M	DESCRIPTION
1	078552-03-000	EA	KICK PANEL-SCREEN DOOR, LOWER INSERT-UNPAINTED
2	002293-02-000	SF	SCREENING-WINDOW/DOOR, 26"-CHARCOAL
3	078595-01-000	EA	TOP PLATE-SCREEN DOOR, CURVED TOP-4.7" X 25.35"
4	078777-01-000	EA	CHANNEL-SLIDE, SCREEN DOOR CENTER SLIDER COVER
5	079086-02-000	EA	SLIDER-SCREEN DOOR, OFF WHITE
6	002294-01-000	FT	SPLINE-SCREENING, .135" X .138"-BLACK
7	001014-01-013	EA	INSERT-CENTER, 10.25" X 16.31"-UNPAINTED
8	075673-01-000	FT	SEAL-PILE, ADHESIVE BACK-GRAY

WINDOW, VENT & EXTERIOR DOOR GROUP (CONTINUED)



RANGE HOOD VENT

KEY	PART NUMBER	U/M	DESCRIPTION	VENDOR NO.
1	092698-03-05A	EA	VENT-RANGE HOOD, W/DOOR & SOLENOID-SABLE V2160-58	
2	092698-02-700	EA	FASTENER-PUSH, EXTERIOR RANGE HOOD VENT	VB430
3	092698-02-701	EA	CLAMP-CONDUIT, EXTERIOR RANGE HOOD VENT	VB334
4	092698-03-706	EA	SOLENOID-RANGE HOOD, VENT LINE	UB530
	096983-01-709	EA	MODULE-SWITCH & LEVER, 17 1/2"	CB547-4
	100258-04-702	EA	SWITCH-LEVER, W/CABLE	CB547-1
	092696-01-701	EA	KNOB-PLASTIC	CC225

PLUMBING & REFRIGERATOR ROOF VENTS

KEY	PART NUMBER	U/M	DESCRIPTION
	083558-06-000	EA	VENT-PLUMBING PIPE ROOF, W/COVER-VW WHITE
	084073-08-000	EA	CAP-ROOF VENT, REFRIGERATOR, SABLE-NORCOLD
	084073-04-000	EA	BASE-ROOF VENT, REFRIGERATOR-BLACK-NORCOLD
	118369-01-03A	EA	CAP-ROOF VENT, REFRIGERATOR-SABLE-DMETIC
	118369-02-03A	EA	BASE-ROOF VENT, REFRIGERATOR-SABLE-DMETIC

POWERED ROOF VENT-JENSEN-U.S.

KEY	PART NUMBER	U/M	DESCRIPTION	VENDOR NO.
	110051-11-01A	EA	ROOF VENT-POWER W/LIFT, FOR 2.5" TO 4" ROOF-ELIXIR X7248	
	048648-01-000	EA	MOTOR-ROOF VENT, 1/8" SHAFT-12V-JENSEN	
	048649-01-000	EA	FAN-ROOF VENT, 6 BLADES-6"-JENSEN	
	064469-03-707	EA	MOTOR-LIFT, W-1/8" SHAFT	RP-1023
	064469-03-708	EA	GEAR-DRIVE	RP-1024
	064469-03-709	EA	GEAR-MOTOR PINION, 1/8" SHAFT	RP-1025
	064470-01-700	EA	COVER-VENT, W/O (SLIDE BAR)	J7291
	064470-01-701	EA	SLIDE BAR, (VENT-LID)	JRP1291B
	110051-01-705	EA	SCREEN & FRAME-POWER LIFT, 4"	29-689-04A
	110051-11-700	EA	GARNISH-INTERIOR, 3"	

## WINDOW, VENT & EXTERIOR DOOR GROUP (CONTINUED)

### POWERED ROOF VENT - JENSEN - CANADIAN

KEY	PART NUMBER	U/M DESCRIPTION	VENDOR NO.
	110051-12-01A	EA ROOF VENT-POWER W/LIFT, FOR 2.5" TO 4" ROOF - ELIXIR	CX7248
	048648-01-000	EA MOTOR-ROOF VENT, 1/8" SHAFT - 12V - JENSEN	
	048649-01-000	EA FAN-ROOF VENT, 6 BLADES - 6" - JENSEN	
	064469-03-707	EA MOTOR-LIFT, W-1/8" SHAFT	RP-1023
	064469-03-708	EA GEAR-DRIVE	RP-1024
	064469-03-709	EA GEAR-MOTOR PINION, 1/8" SHAFT	RP-1025
	064470-01-700	EA COVER-VENT, W/O (SLIDEBAR)	J7291
	064470-01-701	EA SLIDEBAR, (VENT-LID)	JRP1291B
	110051-01-705	EA SCREEN & FRAME-POWER LIFT, 4"	29-689-04A
	110051-11-700	EA GARNISH-INTERIOR, 3"	

### JENSEN ROOF VENT - NON POWERED LIFT

KEY	PART NUMBER	U/M DESCRIPTION	VENDOR NO.
	110051-02-01A	EA VENT-ROOF, NON POWERED 4" ROOF, JENSEN 7727	
	064470-01-700	EA COVER-VENT, W/O (SLIDEBAR)	J7291
	064470-01-701	EA SLIDEBAR, (VENT-LID)	JRP1291B
	110051-01-702	EA ARM LIFT ASSEMBLY W/O HANDLE	RP-1000B
	110051-01-703	EA HANDLE-CRANK	RP-1031-B
	110051-01-704	EA SCREEN & FRAME, 4" ROOF	29-688-03
	110051-02-700	EA GARNISH-INTERIOR, 4" ROOF	

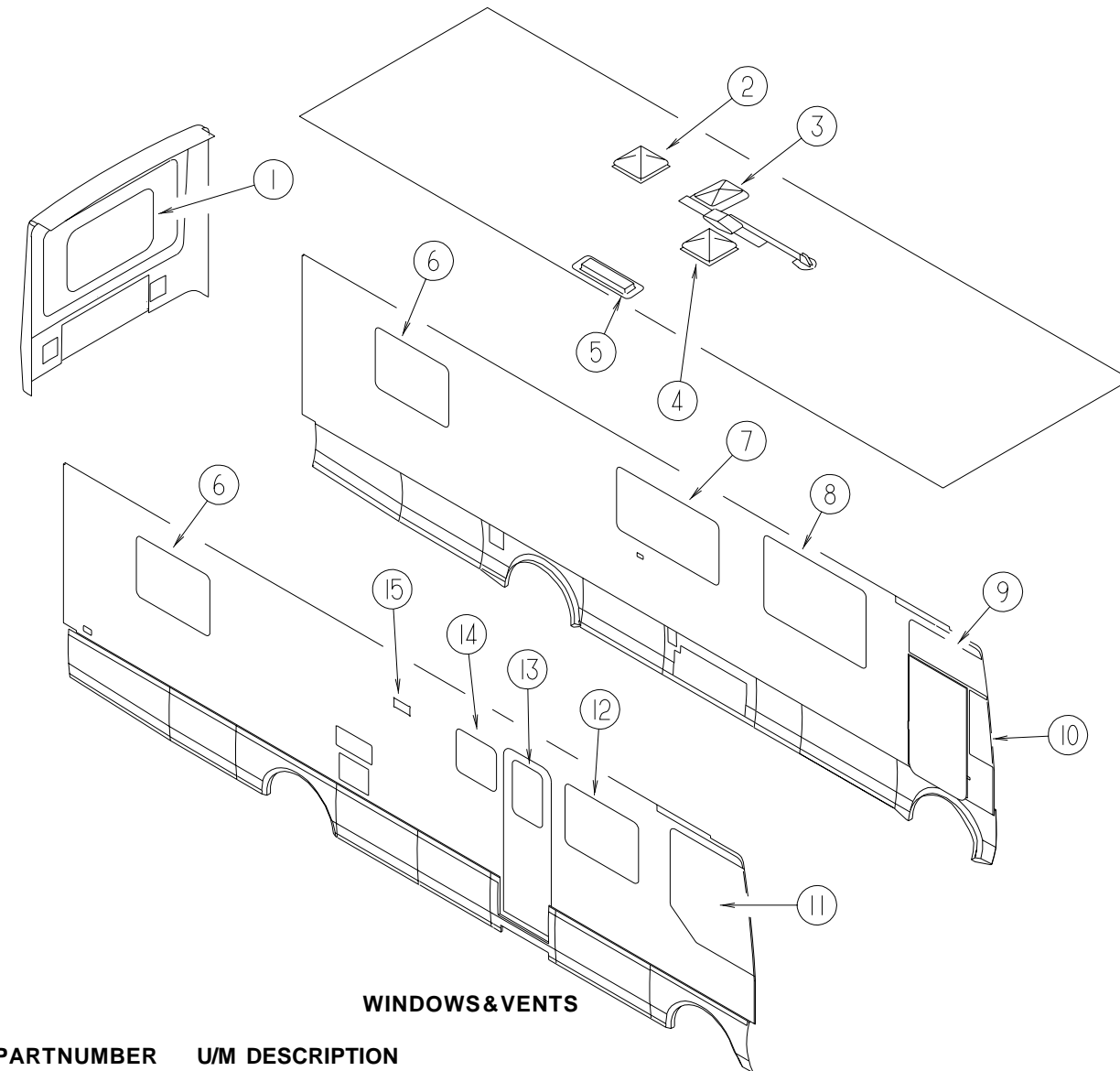
### POWERED EXHAUST VENT - FANTISTIC - U.S.

KEY	PART NUMBER	U/M DESCRIPTION	VENDOR NO.
	084079-16-000	EA VENT-CEILING, EXHAUST, 3.25T-STAT 2000 TUL-OFF WHITE	
	084079-01-700	EA COVER-VENT, W/HINGE & SLIDE	1020K-19
	084079-01-701	EA SCREEN ASM-INTERIOR W/SWITCHES	1030-80
	084079-01-703	EA KNOB-LIFT, W/EXTENSION & SCREW	1140K-00
	084079-01-707	EA SWITCH-SAFETY	1122.05
	084079-01-709	EA SWITCH-MAIN, 3SPEED	1031-05
	084079-01-710	EA THERMOSTAT, WALL MOUNT	9988-39
	084079-07-700	EA GARNISH-INTERIOR, 4" - OFF WHITE	2040-80
	084079-11-700	EA MOTOR, BRACKET & FAN BLADE KIT	4017K-09
	084079-11-701	EA ARM-LIFT ASSEMBLY, AUTOMATIC	2011-05
	084079-11-702	EA BASE-MAIN W/DOME SWITCH	1010K-81
	084079-11-703	EA MOTOR-LIFT, W/CAP & SCREWS	6050-05

### POWERED EXHAUST VENT - FANTISTIC - CANADIAN

KEY	PART NUMBER	U/M DESCRIPTION	VENDOR NO.
	084079-12-000	EA VENT-CEILING, EXHAUST, 4" ROOF - T-STAT CS - 4000 BT CSA - OFF WHITE	
	084079-01-700	EA COVER-VENT, W/HINGE & SLIDE	1020K-19
	009440-01-000	EA GEAR/ARM-VENT COVER, LIFT-705221K38	
	084079-01-703	EA KNOB-LIFT, W/EXTENSION & SCREW	1140K-00
	084079-01-707	EA SWITCH-SAFETY	1122.05
	084079-07-700	EA GARNISH-INTERIOR, 4" ROOF - OFF WHITE	2040-80
	084079-11-700	EA BRACKET-MOTOR, FAN BLADE, KIT	4017K-09
	084079-11-702	EA BASE-MAIN, W/DOME SWITCH	1010K-81
	084079-12-700	EA SCREEN ASM-INTERIOR W/SWITCHES	1030BT-80

## WINDOW, VENT & EXTERIOR DOOR GROUP (CONTINUED)

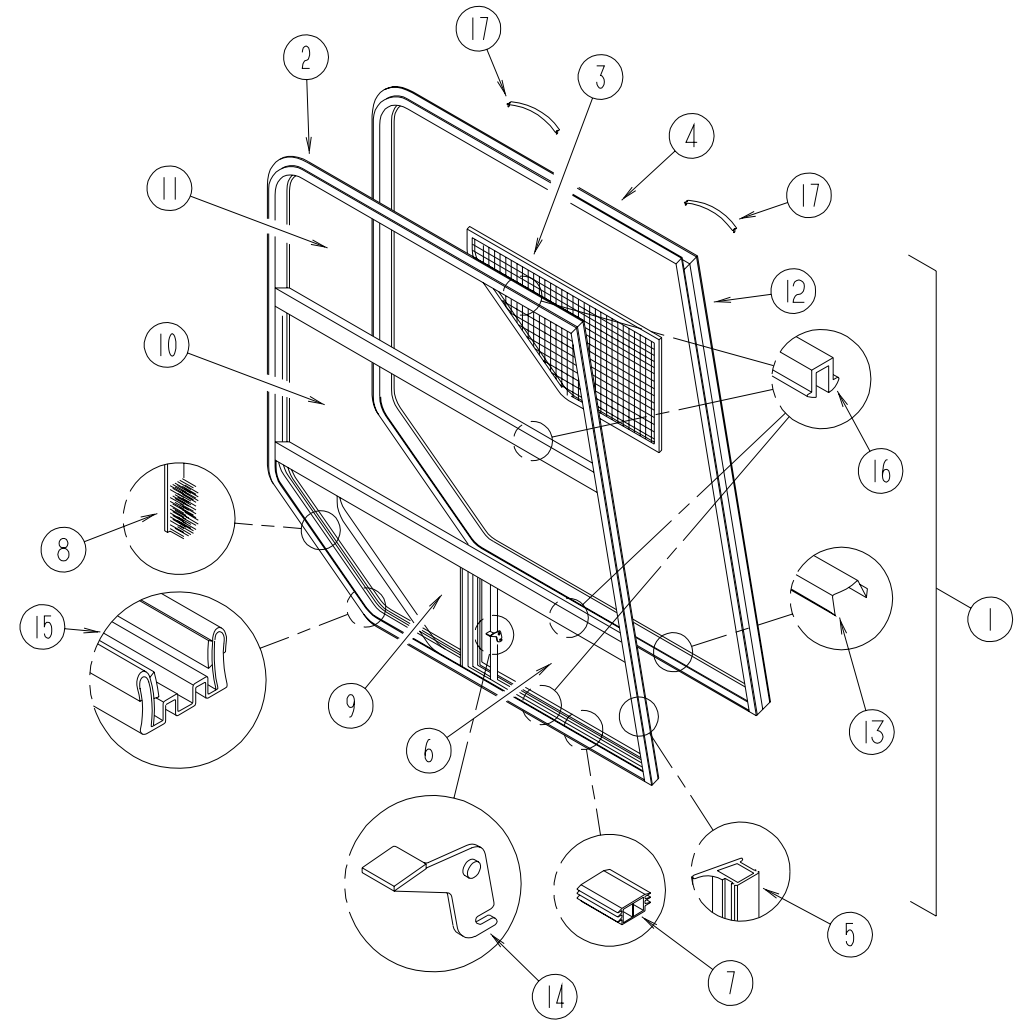
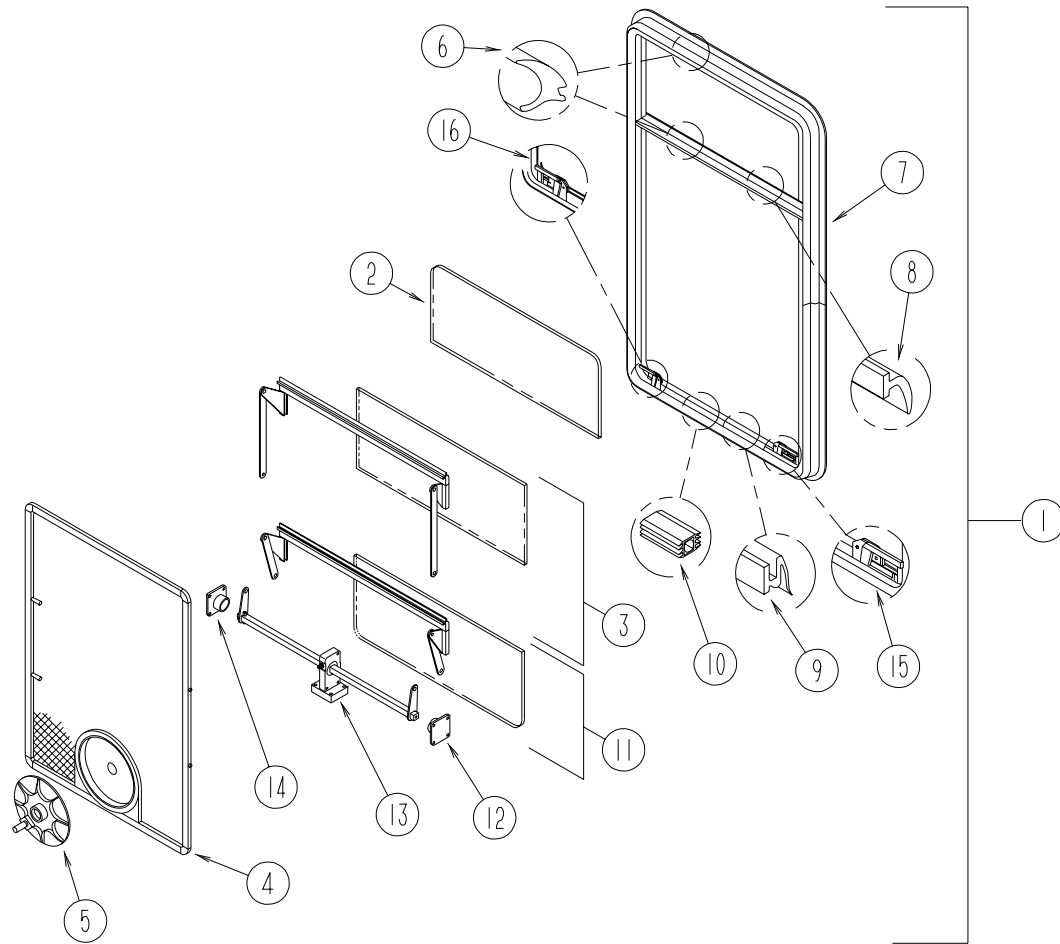


WINDOWS & VENTS

KEY	PART NUMBER	U/M DESCRIPTION
1	087985-08-GV0	EA WINDOW-ESCAPE, 28.5" X 47.5"
2	122882-04-01A	EA VENT-ROOF, POWER W/LIFT - US
2	122882-05-01A	EA VENT-ROOF, POWER W/LIFT - CSA
3	108662-01-01A	EA COVER-SKYLIGHT, WHITE
		FROM: 00-00-00 THRU: 02-13-97
3	122192-01-02A	EA PANEL-SKYLITE-OUTER-18.6" X 30" BASE MEASUREMENTS
		FROM: 02-14-97 THRU: 99-99-99
3	122193-01-02A	EA PANEL-SKYLITE-INNER-W/LIGHT INDENTATION
		FROM: 02-14-97 THRU: 99-99-99
4	122882-01-01A	EA VENT-ROOF, NON POWERED
4	123780-05-01A	EA VENT-EXHAUST, 3" CEILING-THERMSTAT (US)
4	123780-06-01A	EA VENT-EXHAUST, W/THERMOSTAT-F/3/4" ROOF (CSA)
5	084073-08-000	EA VENT-ROOF, REFRIGERATOR-NORCOLD
5	084073-04-000	EA BASE-ROOF VENT, REFRIGERATOR-NORCOLD
5	118369-01-03A	EA VENT-REFRIGERATOR-ROOF CAP-DOMETIC
5	118369-02-03A	EA VENT-REFRIGERATOR-ROOF BASE-DOMETIC
6	113500-05-01A	EA WINDOW-DOUBLE TIP OUT 33.3" X 30.3"
7	115360-01-01A	EA WINDOW-DOUBLE HORIZONTAL TIP OUT 303/4" X 561/2"
8	115360-01-01A	EA WINDOW-DOUBLE HORIZONTAL TIP OUT 303/4" X 561/2"
8	115360-02-01A	EA WINDOW-DOUBLE HORIZONTAL TIP OUT 38.7" X 561/2"
9	106467-04-01A	EA WINDOW-DR. VISTA (ABOVE DR. DOOR) 42.1" TX 44.9" BX 17.6" H
10	106468-03-01A	EA WINDOW-DRIVERS WING 10.9" TX 14.2" BX 32.2" H
11	106466-04-01A	EA WINDOW-PASSENGER CAB 42.1" TW X 48.3" CW X 50.3" H
12	098647-40-01A	EA WINDOW-PASSENGER HORIZONTAL SLIDER, 29.5" X 41.4" - TINTED
13	117053-03-F31	EA WINDOW-PICTURE, 17" X 26.4"
14	104691-16-01A	EA WINDOW ASM-TIPOUT, SINGLE-OFF WHITE-CH91-G1W59
15	092698-03-05A	EA VENT-W/DOOR & SOLENOID-SABLE-V2160-58

**WINDOW, VENT & EXTERIOR DOOR GROUP (CONTINUED)**

**WINDOW, VENT & EXTERIOR DOOR GROUP (CONTINUED)**



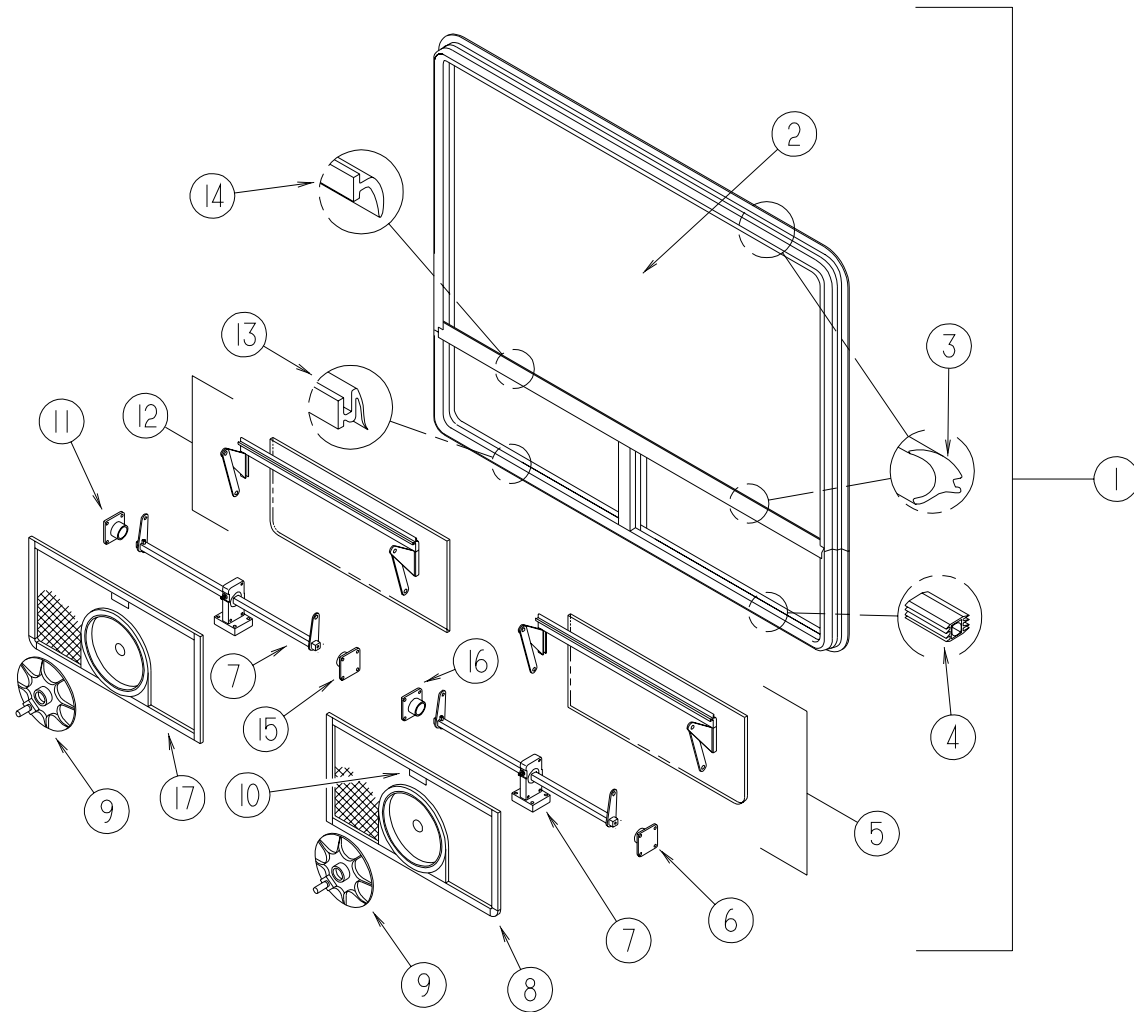
**PASSENGER SIDE BEDROOM WINDOW-EXCEL**

**PASSENGER SIDE CAB WINDOW-EXCEL**

KEY	PARTNUMBER	U/M	DESCRIPTION	VENDOR NO.
1	113500-05-01A	EA	WINDOW-DOUBLE TIPOUT 33.3"X30.3"	
2	113500-05-700	EA	GLASS (STATIONARY)	106-025654
	100322-01-704	FT	TAPE-BUTYL	154-016083
3	113500-05-701	EA	VENTASM. (UPPER)	CH104-D7
4	113500-05-704	EA	SCREENASM-W/SEAL&CLIPS	410-025657
5	100322-01-718	EA	HANDLE-DIAL	410-016081
6	100322-01-703	FT	VINYL-GLAZING, BUTYL	132-010723
7	N/A	EA	WINDOW W/OTRIM	CH92-G1
	113500-05-705	EA	RETAINER-TRIM	CW100-59
8	100322-01-702	EA	WEATHERSTRIP-HORIZONTAL RAIL	132-015976
9	100322-01-701	FT	SEAL-VENT	122-016071
10	098644-01-716	FT	PLUG-FILLER	132-014470
11	113500-05-702	EA	VENTASM. (LOWER)	CH104-D9
12	100322-01-714	EA	SUPPORT-TORQUEBAR, LH	130-015978
13	112519-01-702	EA	OPERATOR-VENT	410-016123
14	100322-01-715	EA	SUPPORT-TORQUEBAR, RH	130-015979
15	112898-06-705	EA	HANDLE-LATCH, RED-LH	182-11294
16	112898-06-704	EA	HANDLE-LATCH, RED-RH	182-11293
	100322-01-717	EA	E-RING	245-015975
	113500-05-703	EA	OPERATOR & BAR ASSEMBLY	CH10-15

KEY	PARTNUMBER	U/M	DESCRIPTION	VENDOR NO.
1	106466-04-01A	EA	WINDOW ASM-CAB, PASSENGER	
2	106466-03-700	EA	WINDOW	DH357-A2R
3	106466-01-705	EA	SCREENASM-W/SEALS&CLIPS	H357-03R
4	106466-03-701	EA	RETAINER-TRIM	H35777
5	112795-01-704	FT	PLUG-FILLER (DOUBLE GLAZED)	122-018737
6	106466-03-705	EA	GLASS-STATIONARY, LOWER	390-019183
7	112795-01-701	EA	SLIDE-STOP	132-019092
8	098644-01-711	FT	WEATHERSTRIP-SCREEN, BLACK	171-016965
9	106466-03-706	EA	GLASS-SLIDING W/SASH&LATCH	DH357-A9R
	098644-01-706	FT	WEATHERSTRIP-GLASS	171-010668
10	106466-03-704	EA	GLASS-STATIONARY, MIDDLE	390-019181
11	106466-03-703	EA	GLASS-STATIONARY, UPPER	390-019180
12	106466-03-702	EA	RETAINER-TRIM	H35767
13	098644-01-710	FT	TRACK-SCREEN SPACER, 12'	132-017135
14	112795-01-700	EA	LATCHASM-BOLTON, BLACK	DH287-CK
15	112795-01-703	IN	CHANNEL-RUN (INCHES)	122-018736
16	112795-01-705	FT	VINYL-GLAZING	132-019702
17	098644-01-713	EA	CLIP-SPRING, BLACK PLASTIC	226-016966

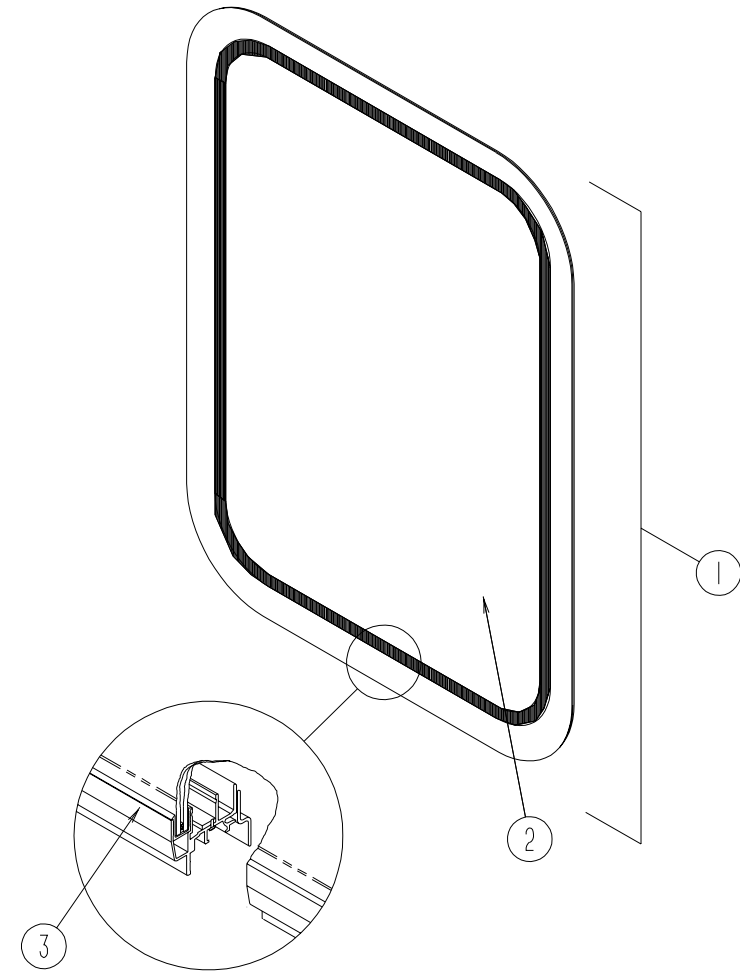
**WINDOW, VENT & EXTERIOR DOOR GROUP (CONTINUED)**



**DRIVERSIDE LOUNGE & DINETTE WINDOW-DOUBLE TIP OUT-EXCEL**

KEY	PART NUMBER	U/M	DESCRIPTION	VENDOR NO.
1	115360-01-01A	EA	WINDOW-DOUBLE HORIZONTAL TIP OUT 303/4" X 56 1/2"	
	115360-01-705	EA	RETAINER-TRIM	W112-59
	100322-01-704	FT	TAPE-BUTYL	154-016083
2	115360-01-700	EA	GLASS-STATIONARY-19.02 X 56.56	106-019446
	112864-01-000	FT	FOAM-BUTYL COVERED 3/8" -K3A20	
3	100322-01-703	FT	VINYL-GLAZING, BUTYL	132-010723
4	098644-01-716	FT	PLUG-FILLER	132-014470
5	115360-01-703	EA	GLASS-VENT ASM. (LH) TORQUE	CH90D9L
6	100322-01-714	EA	SUPPORT-TORQUE BAR, LH	130-015978
7	112519-01-702	EA	OPERATOR-VENT	410-016123
8	115360-01-701	EA	SCREEN ASM., W/SEAL & CLIPS	410-019477L
9	100322-01-718	EA	HANDLE-DIAL	410-016081
10	112519-01-706	EA	CLIP-SCREEN	CH21-50
11	100322-01-715	EA	SUPPORT-TORQUE BAR, RH	130-015979
12	115360-01-704	EA	GLASS-VENT ASM. (RH) TORQUE	CH90D9R
13	100322-01-701	FT	SEAL-VENT	122-016071
14	100322-01-702	EA	WEATHER STRIP-HORIZONTAL RAIL	132-015976
15	100322-01-716	EA	SUPPORT-TORQUE BAR, CTR RAIL	130-015980
16	100322-01-716	EA	SUPPORT-TORQUE BAR, CTR RAIL	130-015980
17	115360-01-702	EA	SCREEN ASM., W/SEAL & CLIPS	410-019478R
	100322-01-717	EA	E-RING	245-015975
	100322-01-712	EA	RAIL-HORIZONTAL, RH OR LH	CH05-19
	100322-01-713	EA	BAR-DIVISION, VERT. RH & LH	HH19-20

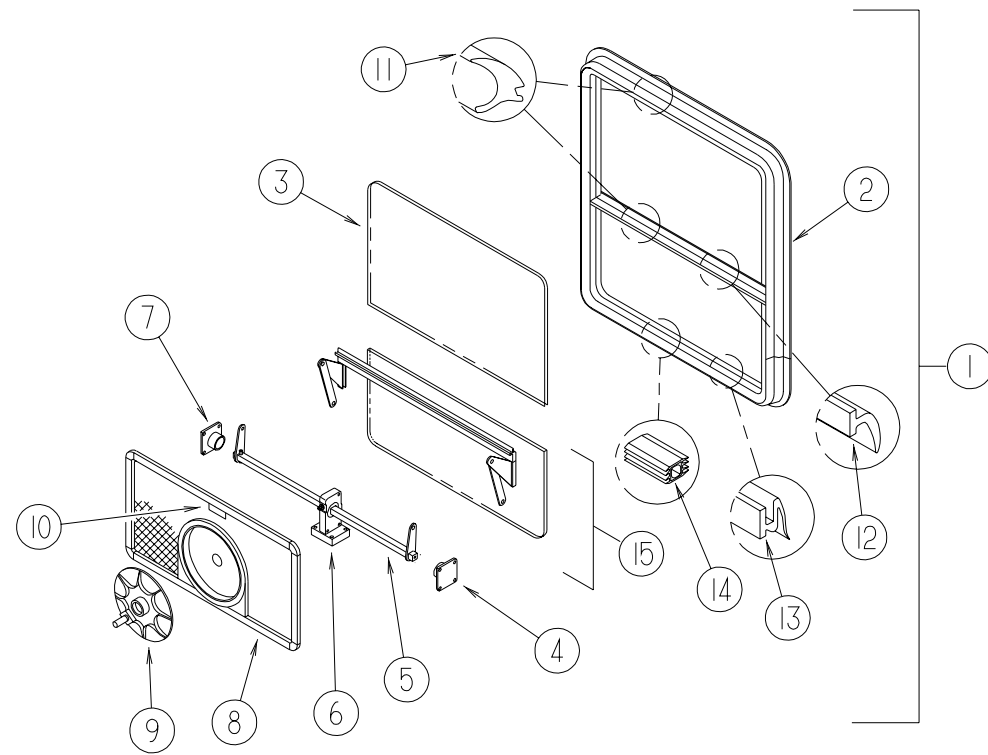
**WINDOW, VENT & EXTERIOR DOOR GROUP (CONTINUED)**



**ENTRANCE DOOR WINDOW**

KEY	PART NUMBER	U/M	DESCRIPTION
1	117053-03-F31	EA	WINDOW ASM-PICTURE, ENTRANCE DOOR
2	002181-26-000	EA	GLASS-PICTURE, 655 X 417 5/9 R-GRAY 31%
3	087561-01-000	FT	SEAL-GLASS, EXTERIOR-.5" WIDE-VINYL-BLACK
	117054-02-01A	EA	FRAME-WINDOW, INSIDE WHITE

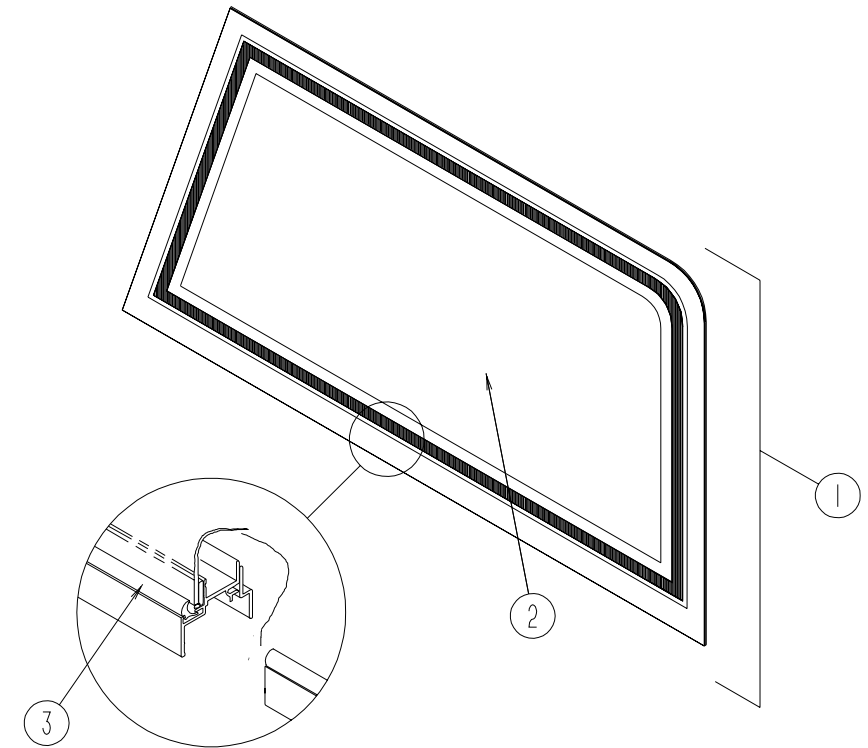
**WINDOW, VENT & EXTERIOR DOOR GROUP (CONTINUED)**



**GALLEY WINDOW - SINGLE TIPOUT - EXCEL**

KEY	PARTNUMBER	U/M	DESCRIPTION	VENDOR NO.
1	104691-16-01A	EA	WINDOW ASM-TIPOUT, SINGLE-OFFWHITE CH91-G1W59	CH91-G1
2	104691-16-700	EA	WINDOW	CH91-G1
	104691-16-701	EA	RETAINER-TRIM	CW9159
3	104691-16-702	EA	GLASS-STATIONARY	106-019448
	100322-01-704	FT	TAPE-BUTYL	154-016083
4	100322-01-714	EA	SUPPORT-TORQUEBAR, LH	130-015978
5	104691-16-703	EA	OPERATOR & BAR ASSEMBLY	CH91-18
6	112519-01-702	EA	OPERATOR-VENT	410-016123
7	100322-01-715	EA	SUPPORT-TORQUEBAR, RH	130-015979
8	104691-16-705	EA	SCREEN ASM-W/SEAL & CLIPS	410-019479
	098644-01-711	FT	WEATHERSTRIP-SCREEN, BLACK	171-016965
9	100322-01-718	EA	HANDLE-DIAL	410-016081
10	112519-01-706	EA	CLIP-SCREEN	CH21-50
11	100322-01-703	FT	STRIP-GLAZING, BUTYL	132-010723
12	100322-01-702	EA	WEATHERSTRIP-HORIZONTAL RAIL	132-015976
13	100322-01-701	FT	SEAL-VENT	122-016071
14	116976-01-702	FT	FILLER PLUG	132-016065
15	104691-16-704	EA	GLASS-VENT ASSEMBLY	CH91-D9
	112898-06-704	EA	HANDLE-LATCH, RED-RH	182-11293
	112898-06-705	EA	HANDLE-LATCH, RED-LH	182-11294

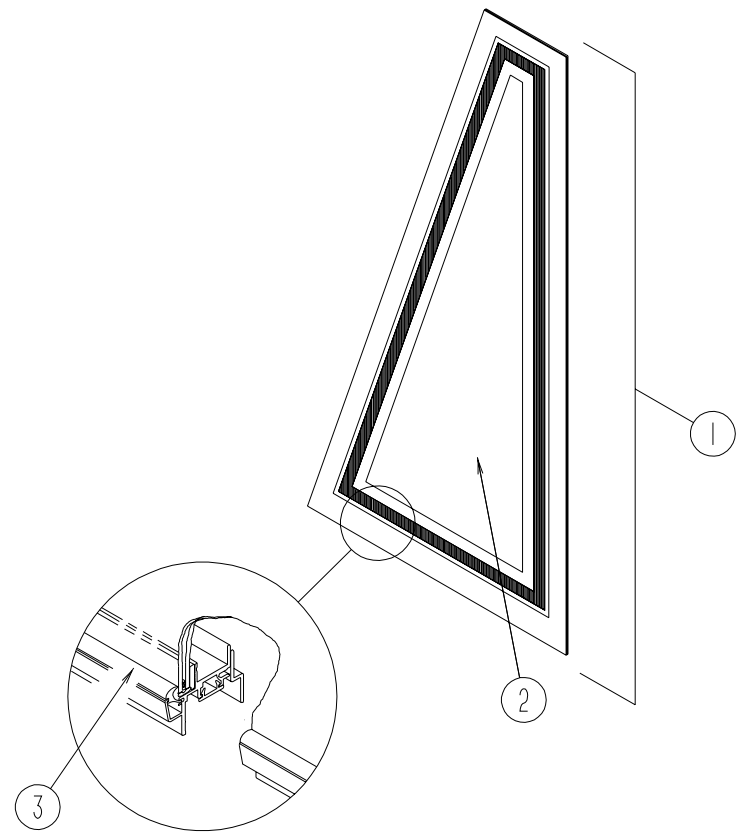
**WINDOW, VENT & EXTERIOR DOOR GROUP (CONTINUED)**



**VISTA WINDOW OVER DRIVERS DOOR**

KEY	PARTNUMBER	U/M	DESCRIPTION	VENDOR NO.
1	106467-04-01A	EA	WINDOW ASM-VISTA, LH	
	106467-01-700	EA	RETAINER-TRIM, BLACK	H359-27L
2	106467-01-701	EA	GLASS-STATIONARY	106-018272
3	100322-01-703	FT	STRIP-GLAZING, BUTYL	132-010723

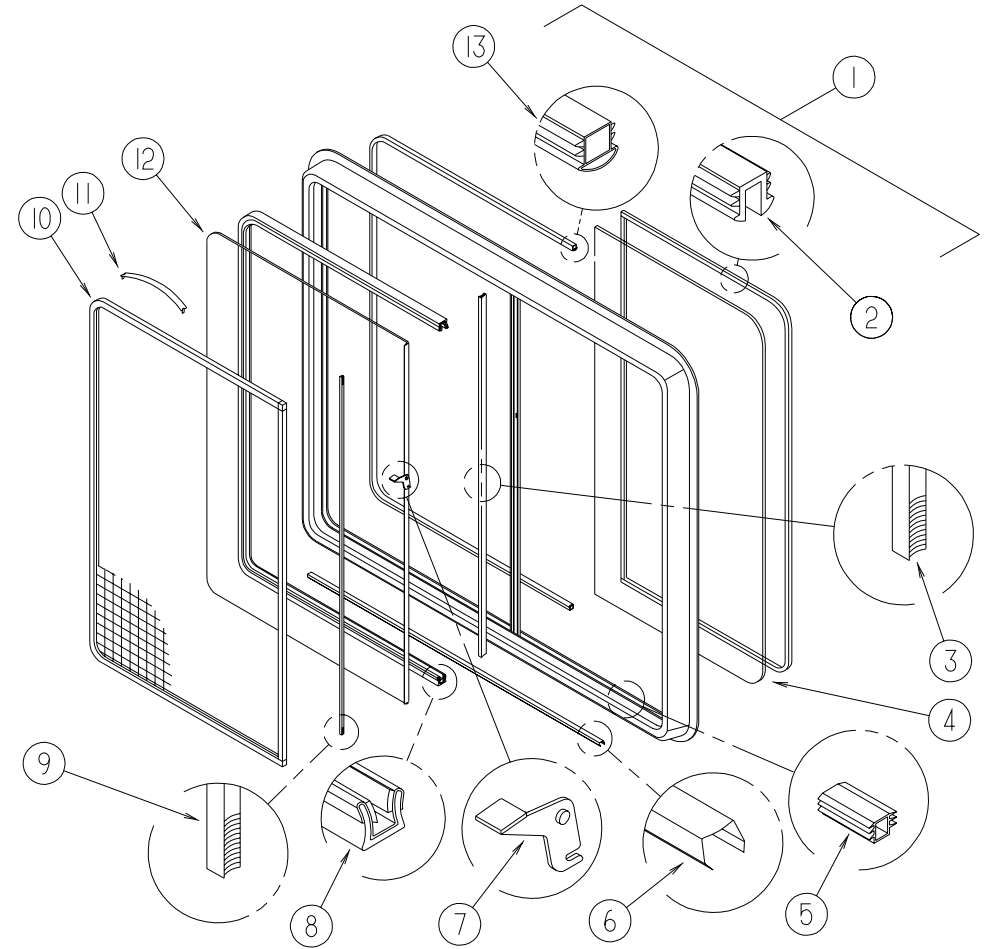
WINDOW, VENT & EXTERIOR DOOR GROUP (CONTINUED)



DRIVERSIDEFRONTSLANTWINDOW

KEY	PARTNUMBER	U/M	DESCRIPTION	VENDORNO.
1	106468-03-01A	EA	WINDOWASM-FRONTSLANT,LH	H358-27L
	106468-01-700	EA	RETAINER-TRIM,BLACK	106-018271
2	106468-01-701	EA	GLASS-STATIONARY	132-010723
3	100322-01-703	FT	STRIP-GLAZING,BUTYL	

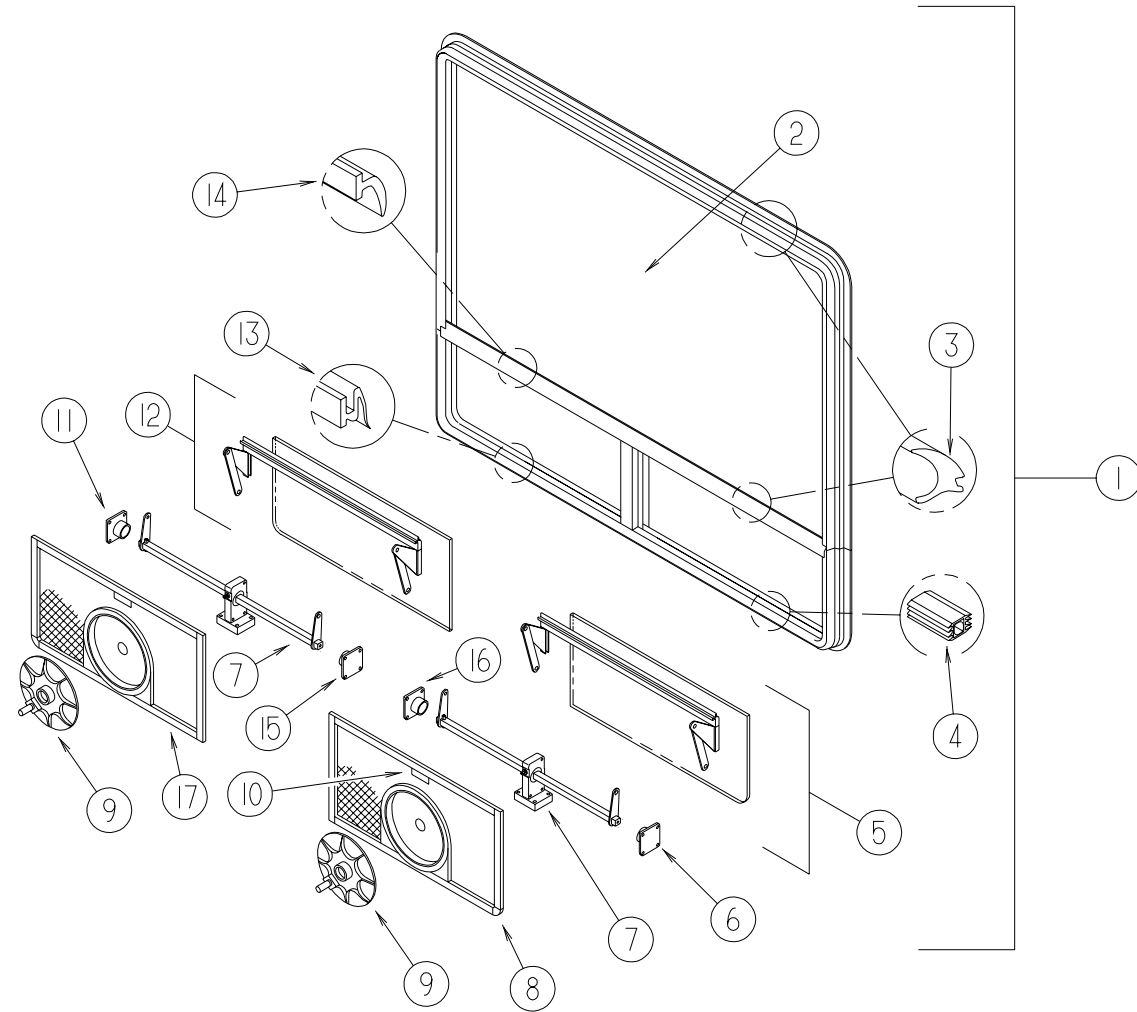
WINDOW, VENT & EXTERIOR DOOR GROUP (CONTINUED)



PASSENGERSIDELOUNGEWINDOW-EXCEL

KEY	PARTNUMBER	U/M	DESCRIPTION	VENDORNO.
1	098647-40-01A	EA	WINDOWASM-SLIDER,HORIZONTALH291-G1W66	
	098647-31-701	EA	RETAINER-TRIM	CW29-66
2	098644-01-705	FT	GLAZING-STRIP	132-010231
3	098644-01-706	FT	WEATHERSTRIP-GLASS	171-010668
4	098647-40-701	EA	GLASS-STATIONARY	106-019914
5	098644-01-719	EA	STOP-SLIDERGLASS	132-014203
6	098644-01-710	FT	TRACK-SCREENSPACER,12'	132-017135
7	098644-01-700	EA	LATCH-REPAIRKIT(BLACK)	B801-CK
8	098644-01-708	FT	CHANNEL-RUN,PIERCED	122-016543
9	098644-01-711	FT	WEATHERSTRIP-SCREEN,BLACK	171-016965
10	112795-31-704	EA	SCREENASM.,W/SEAL&CLIPS	410-019068
11	098644-01-713	EA	CLIP-SPRING,BLACKPLASTIC	226-016966
12	098647-40-700	EA	GLASS-SLIDING,W/SASH&LATCH	H291-G9
13	098644-01-716	FT	PLUG-FILLER	132-014470
	098644-01-717	FT	SPLINE-SCREEN	132-004716

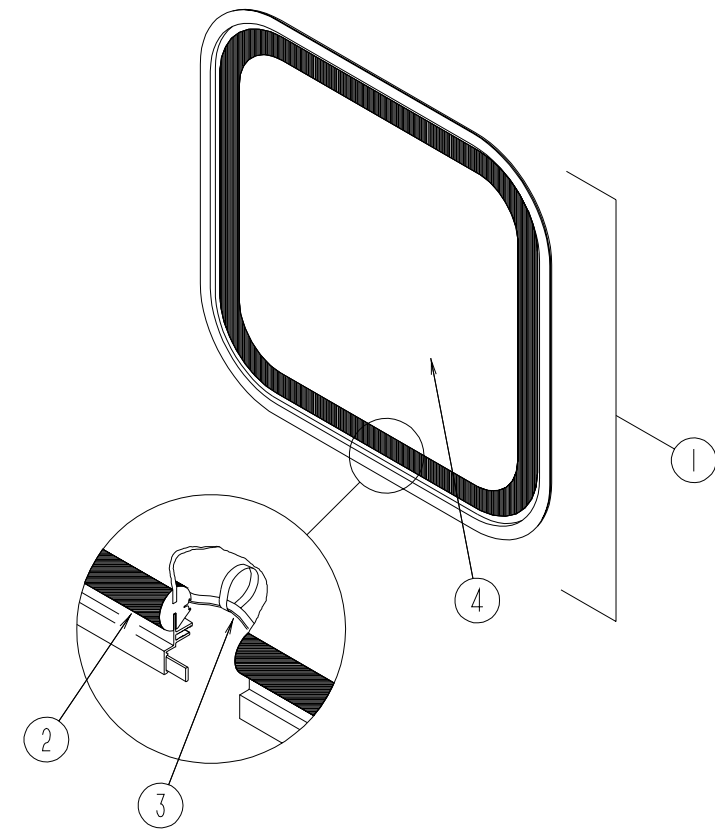
**WINDOW, VENT & EXTERIOR DOOR GROUP (CONTINUED)**



**DRIVERSIDE LOUNGE OPTION WINDOW-DOUBLE TIP OUT-EXCEL**

KEY	PARTNUMBER	U/M	DESCRIPTION	VENDOR NO.
1	115360-02-01A	EA	WINDOW-DOUBLE HORIZONTAL TIP OUT 38.7" 56 1/2"	
	115360-02-701	EA	RETAINER-TRIM	CW97-59
	100322-01-704	FT	TAPE-BUTYL	154-016083
2	115360-02-700	EA	GLASS-STATIONARY	106-025022
3	100322-01-703	FT	STRIP-GLAZING,BUTYL	132-010723
4	098644-01-716	FT	PLUG-FILLER	132-014470
5	115360-01-703	EA	GLASS-VENT ASM. LHTORQUE	CH90-D9L
6	100322-01-714	EA	SUPPORT-TORQUEBAR, LH	130-015978
7	112519-01-702	EA	OPERATOR-VENT	410-016123
8	115360-01-701	EA	SCREEN ASM-W/SEAL&CLIPS	
9	100322-01-718	EA	HANDLE-DIAL	410-016081
10	112519-01-706	EA	CLIP-SCREEN	CH21-50
11	100322-01-715	EA	SUPPORT-TORQUEBAR, RH	130-015979
12	115360-01-704	EA	GLASS-VENT ASM. RHTORQUE	CH90-D9R
13	100322-01-701	FT	SEAL-VENT	122-016071
14	100322-01-702	EA	WEATHERSTRIP-HORIZONTAL RAIL	132-015976
15	100322-01-716	EA	SUPPORT-TORQUEBAR, CENTER RAIL	130-015980
16	100322-01-716	EA	SUPPORT-TORQUEBAR, CENTER RAIL	130-015980
17	115360-01-702	EA	SCREEN ASM-W/SEAL&CLIPS	
	100322-01-717	EA	E-RING	245-015975
	100322-01-712	EA	RAIL-HORIZONTAL, RH OR LH	CH05-19
	100322-01-713	EA	BAR-DIVISION, VERTICAL-RH&LH	HH19-20

**WINDOW, VENT & EXTERIOR DOOR GROUP (CONTINUED)**

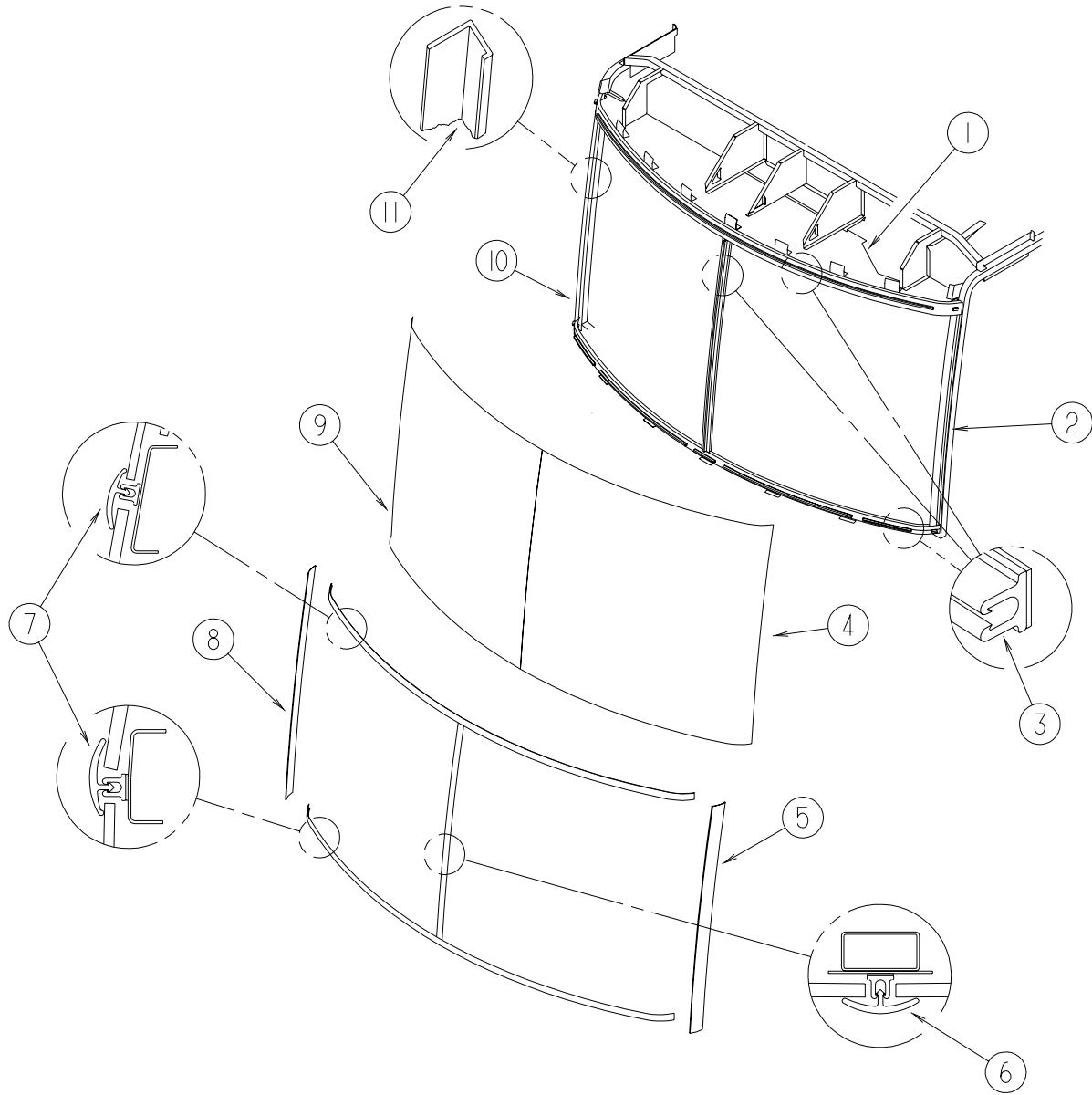


**BACK WALL ESCAPE WINDOW**

KEY	PARTNUMBER	U/M	DESCRIPTION
1	087985-08-GV0	EA	WINDOW ASM-ESCAPE
2	002282-11-000	EA	WEATHERSTRIP-WINDOW, .125 BLACK, 140.75-VULCANIZED
	002285-01-000	FT	FILLER-WEATHERSTRIP, RUBBER-BLACK
3	077066-01-702	EA	TAPE ASM-ESCAPE WINDOW
4	076337-16-000	EA	GLASS-EGRESS, 1156X672-GRAY
	121129-01-01A	EA	RETAINER-WINDOW, OFFWHITE

# WINDSHIELD&WIPERGROUP

## WINDSHIELD

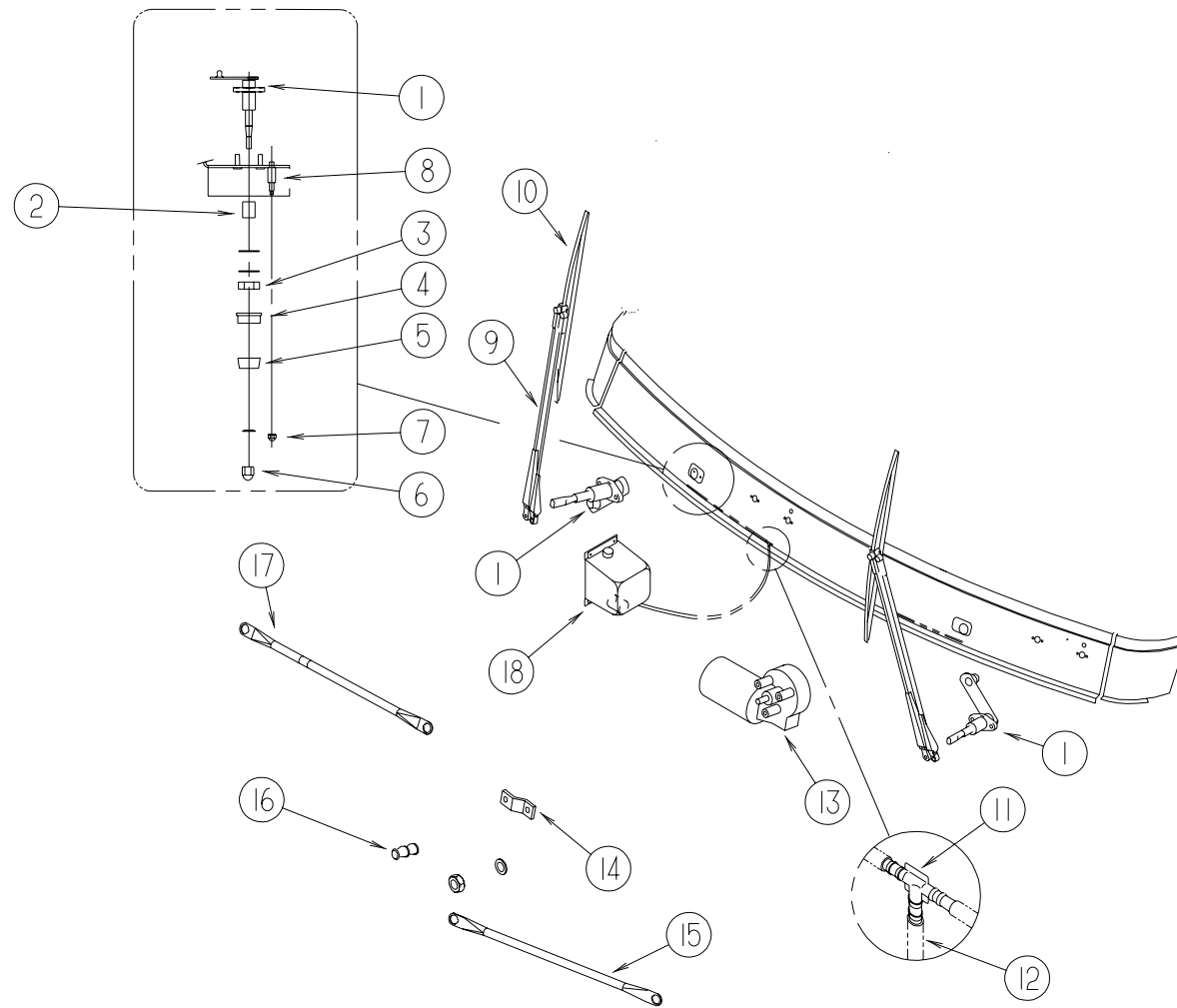


KEY	PARTNUMBER	U/M	DESCRIPTION
1	117730-01-01B	EA	HEADER-WINDSHIELD
2	117203-02-01B	EA	FRAME-WINDSHIELD,ALH,MILL
3	117335-01-000	EA	REVEALCARRIER-94.6"
4	116996-04-000	EA	WINDSHIELD-LHCURVED,52"WX49"H
5	120352-01-02A	EA	TRIM-WINDSHIELD,APILLAR,LH-BLACK
6	118586-01-000	FT	MOLDING-REVEAL,WINDSHIELD
7	120533-01-000	FT	MOLDING-REVEAL,WINDSHIELD
8	120352-02-02A	EA	TRIM-WINDSHIELD,APILLAR,RH-BLACK
9	116996-03-000	EA	WINDSHIELD-RHCURVED-52"WX49"H
10	117203-01-01B	EA	FRAME-WINDSHIELD,ARH,MILL
11	098788-06-000	EA	CHANNEL-49"PVC
	107285-01-000	EA	BRACKET-WINDSHIELDSUPPORT



# WINDSHIELD&WIPERGROUP(CONTINUED)

## WIPER & WASHER



KEY	PARTNUMBER	U/M	DESCRIPTION	VENDOR NO.
1	096505-09-000	EA	PIVOTSHAFTASM-PASS.SIDE-UT6706220SH25WJ	
1	096505-05-000	EA	PIVOTSHAFTASM-DRSIDE-62871-20-SH25WJ	
2	061603-01-000	EA	GROMMET-SNAP,3/16"ID-3/8"HOLE-PLASTIC-BLACK	
3	096505-02-701	EA	NUT-HEX,(HD)W/.687BARREL	NT721021
4	096505-02-702	EA	CAP-RUBBER,(HD)BARREL.687	CP721084
5	096505-02-700	EA	DRIVER-KNURLED,(HD)BARREL.687	NT721017
6	096505-02-703	EA	CAP-NUT(ACORN)HDW/.687BARREL	51065-40-NT27WC
7	077049-02-000	EA	NUT-ACORN,10-32-BLACK/ANODIZED-ANCO52486	
8	117768-01-000	EA	SHAFT-ADAPTER,PANTOGRAPHARM-ANCO52819	
	107397-01-000	EA	WASHER-FENDER,6.8"IDX32.0"OD	
9	117769-01-000	EA	ARM-WIPER,PANTOGRAPH,28IN-UT6701620LE25WJ	
	096931-01-701	EA	NOZZLE-HARDWAREKIT(NOZZLE-NUT-LONGSCREW-SHORTSCREW)	
10	095964-01-000	EA	BLADE-WIPER,WINDSHIELD-24"	
11	110605-01-000	EA	TEE-PLASTICBARBED,1/8X1/8X3/16-BAYLOCK3799721	
	117765-03-000	EA	CONNECTOR-5/32W/SWSH-ITTH-BAYLOCK116756	
12	045794-01-000	FT	HOSE-WASHER,WINDSHIELD-5/32"ID-BLACK	
13	104346-05-000	EA	WIPERMOTORW/INTERNALBREAKER-DYNAMICPARK(FORD)	
13	104346-04-000	EA	WIPERMOTORW/INTERNALBREAKER(CHEVY)UT65714M02025WJ	
14	104347-04-000	EA	ARM-DRIVE,WIPERMOTOR-UT6538520LE25WJ	
15	117770-01-000	EA	LINKASM-CONNECTING,DRIVER-UT6434320LK25WJ	
16	067188-01-000	EA	STUD-CRANK,WIPER-WINDSHIELD-AMBAC1903424SD27WC	
17	117770-02-000	EA	LINKASM-CONNECTING,PASS.-UT6434420LK25WJ	
18	117766-02-000	EA	RESERVOIR/PUMPASM,MCCORD600328	