

1997 WFG37RW

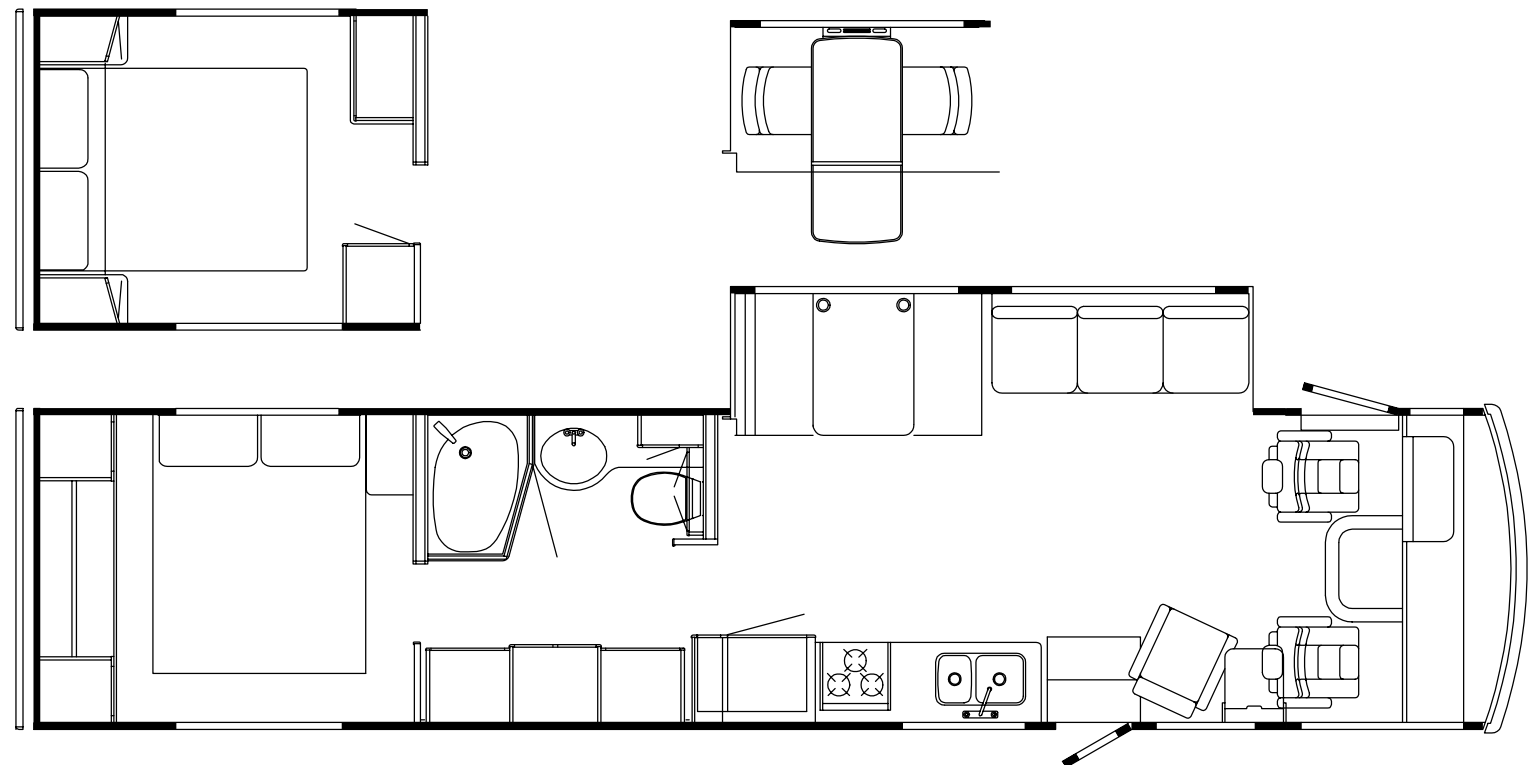
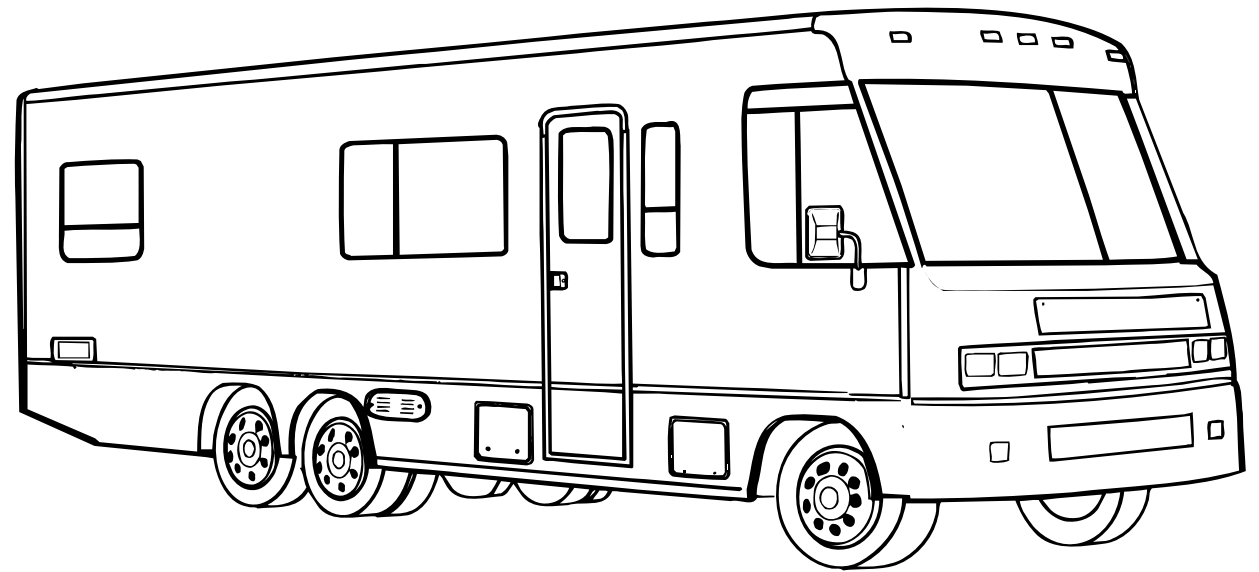
**H17 BOTANICAL (GREEN)
(OAK)**

**H18 NORTH SHORE (TAUPE)
(OAK)**

**H19 ZEPHYR (BLUE)
(OAK)**

**H40 OAK LEAF (TAUPE)
(WHITE GRANITE)**

**H41 EASTON (SAGE)
(WHITE GRANITE)**



ACCESSORIESGROUP

OPERATORMANUAL

KEY	PARTNUMBER	U/M	DESCRIPTION
	054185-F9-000	EA	MANUAL-OPERATOR97ADVENTURER
	092318-01-000	EA	BINDER-3RING-MOTORHOMEMANUAL
	092319-01-000	EA	POCKETPAGE-3RINGBINDER-PLASTIC-(50PERPKG)
	122567-01-000	EA	TOPLLEVEL-G-1997

AUDIOVIDEOGROUP

RADIOSYSTEMS&ANTENNA

KEY	PARTNUMBER	U/M	DESCRIPTION
	087683-03-000	EA	RADIO-AM/FMSTEREO-CASSETTE
	116148-03-000	EA	RADIO-AM/FMSTEREO-CDPLAYER FROM: 00-00-00 THRU: 02-09-97
	116148-04-000	EA	RADIO-AM/FMSTEREO-CDPLAYER FROM: 02-10-97 THRU: 99-99-99
	110267-03-000	EA	RADIO-AM/FMSTEREO-CDCOMPATIBLE FROM: 00-00-00 THRU: 08-13-96
	110267-04-000	EA	RADIO-AM/FMSTEREO-CDCOMPATIBLE FROM: 08-14-96 THRU: 99-99-99
	077069-02-000	EA	CABLE-EXTENSION-RADIOANTENNA-96"
	094097-01-000	EA	SPEAKER-RADIO/TV-W/ODGRILLE-5.25"DIAMETER
	115916-01-01B	EA	BRACKET-ANTENNAMOUNT
	123256-01-000	EA	ANTENNA-CB(W/OCABLE)
	123256-02-000	EA	CABLE-CBCOAX

REARMONITORSYSTEM

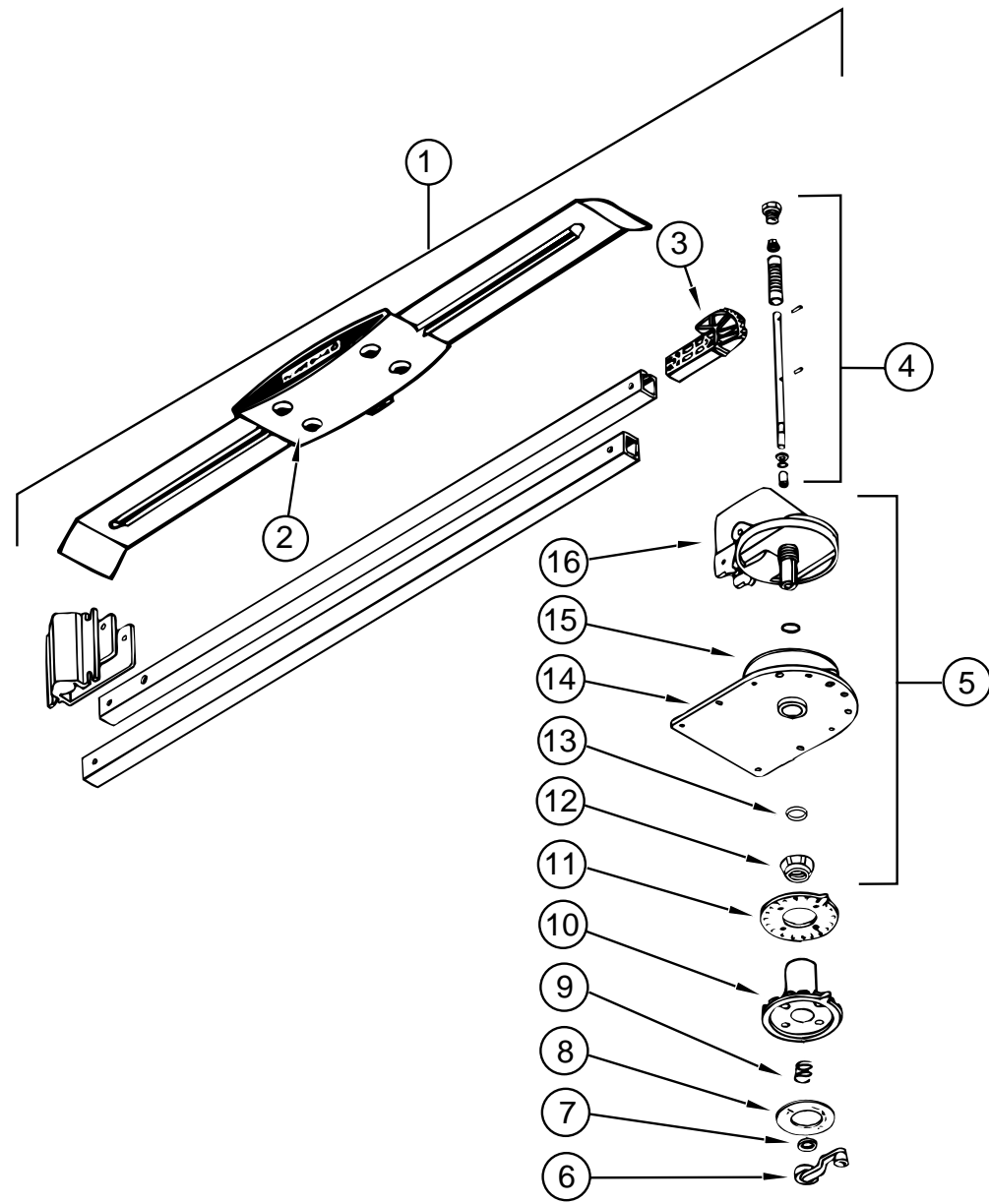
KEY	PARTNUMBER	U/M	DESCRIPTION	VENDORNO.
	093040-08-000	EA	MONITORSYSTEM-REARVIEW7"-W/AUDIOJACK	
	093040-04-700	EA	CAMERA-REARVIEWW/BRKT	SSC-530AM
	093040-05-700	EA	MONITOR-7"W/POWERHARNES	SSM721AMR
	093040-06-000	EA	WIREASM-MONITOR-F/NONPREWIREDATERMARKETINSTALLATION	
	096717-03-000	EA	WIRE-REARMONITOR-AFTERMARKETINSTALLATION	
	108885-02-000	EA	WIRE-REARMONITORPOWER(W/3PINHOUSINGF/FUSEBLOCK)	
	093041-01-000	EA	CABLE-MONITOR/CAMERAINTERNALUSE-65.6'	

PATIOENTERTAINMENTCENTER

KEY	PARTNUMBER	U/M	DESCRIPTION
	110469-01-000	EA	SPEAKER-OVAL-4"X6"-BLACK
	110470-01-01A	EA	GRILLE-SPEAKER-OVAL-4"X6"-BLACK
	077069-02-000	EA	CABLE-ANTENNA/EXTENSION-RADIO-96"
	087683-03-000	EA	RADIO-AM/FMSTEREOCASSETTE
	090944-01-000	EA	ANTENNA-RADIO-16"RUBBER
	108847-01-000	EA	BRACKET-ANTENNAGROUND
	109889-04-000	EA	EXTENDER-ANTENNASHAFT-3"

AUDIOVIDEOGROUP(CONTINUED)

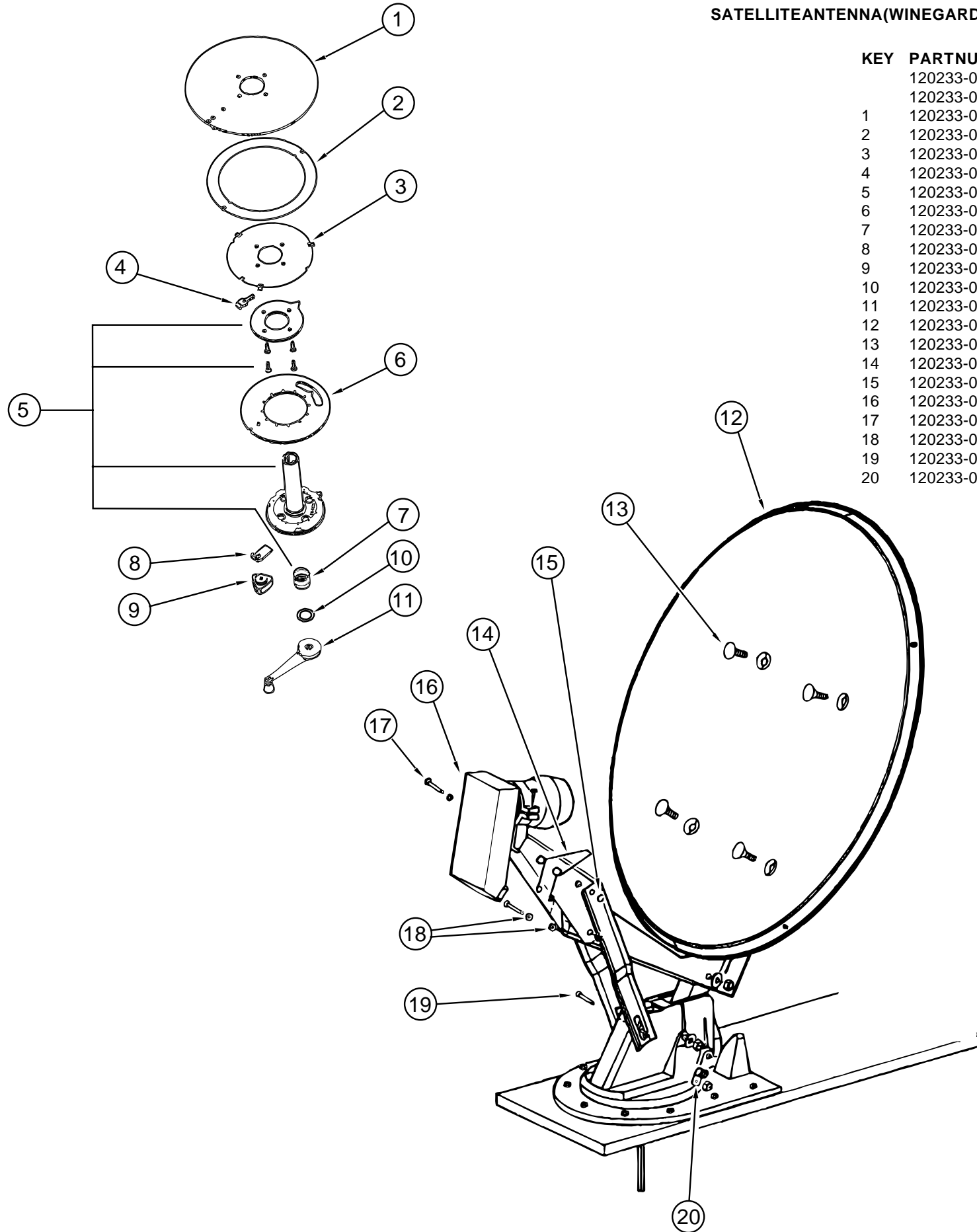
TV ANTENNA(WINEGARD)



KEY	PARTNUMBER	U/M	DESCRIPTION	VENDORNO.
1	076319-21-000	EA	ANTENNA-TVROOFMOUNT3"ROOF	
2	076319-01-700	EA	HEAD-ANTENNA,AMPLIFIED	RVSAU/V
3	076319-01-701	EA	GEAR-ELEVATING,PLASTIC	2200046
4	076319-01-702	EA	SHAFTASM-ELEVATING	RVP-400A
5	076319-01-711	EA	BASE&LIFTASM	2762802
6	076319-01-706	EA	CRANK-ELEVATING,W/SETSCREW	2750897UNIVERSAL
7	076319-01-705	EA	GROMMET-NYLON,7/8"ID	3200658
8	076319-01-708	EA	DECAL-CRANK	5413002
9	076319-01-707	EA	SPRING-HANDLE	5160822
10	076319-01-709	EA	PLATE-DIRECTIONAL,F/HEAD	3200621
11	076319-01-712	EA	PLATE-CEILING,DIRECTIONAL	3200608
12	076319-01-715	EA	NUT(GEARHOUSING)	2200047
13	076319-01-704	EA	BEARING-NYLON,1.25"OD	3200657
14	076319-01-713	EA	PLATE-BASE,STEEL	3100523
15	076319-01-703	EA	BEARING-NYLON,5"OD	3200656
16	076319-01-714	EA	HOUSING,ROTATINGGEAR	2200049

AUDIOVIDEOGROUP(CONTINUED)

SATELLITEANTENNA(WINEGARD)



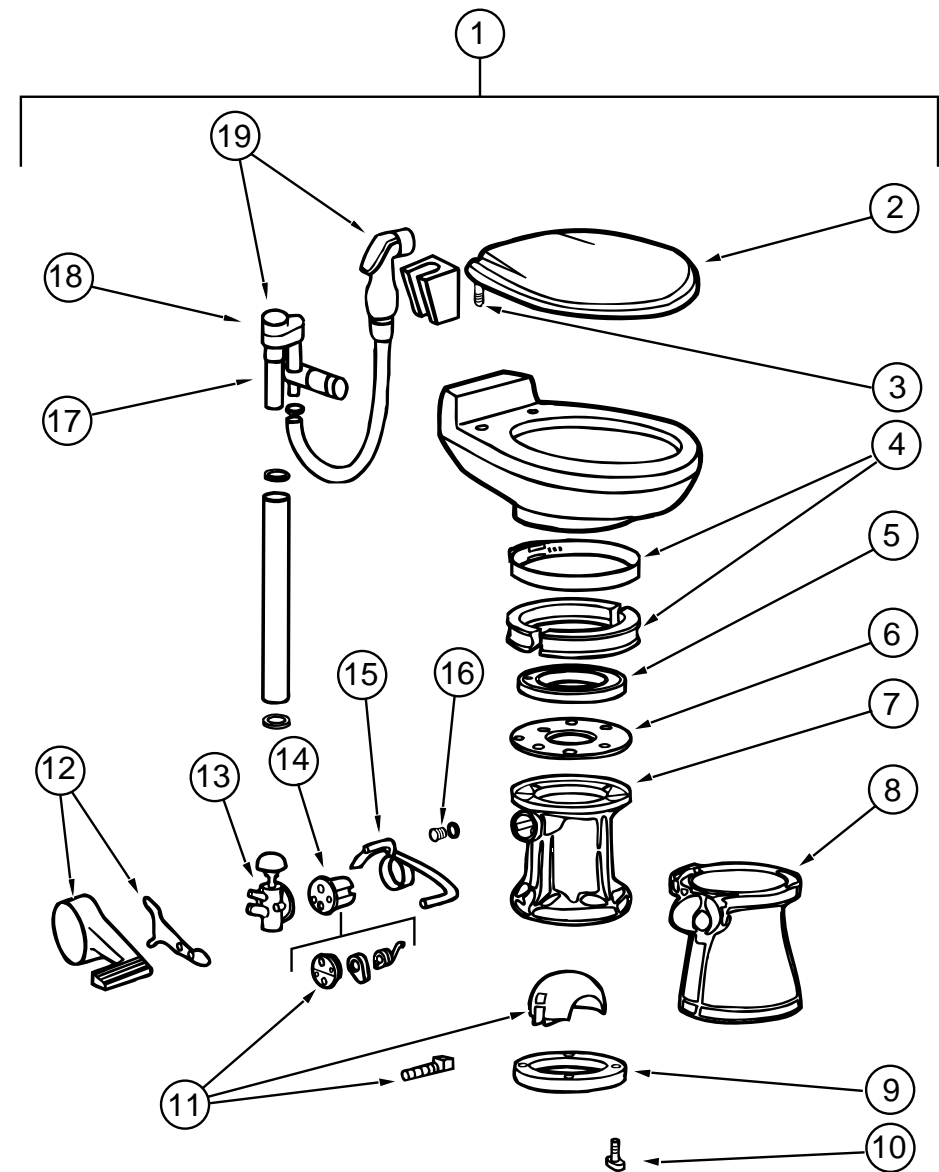
KEY	PARTNUMBER	U/M	DESCRIPTION	VENDOR NO.
	120233-02-000	EA	ANTENNA-SATELLITEW/RECEIVER-RD-1046	
	120233-01-000	EA	ANTENNA-SATELLITEDSS-RD-4600	
1	120233-01-700	EA	PLATE-FIXED	3750821
2	120233-01-701	EA	DIAL-DIRECTIONAL	2745056
3	120233-01-702	EA	PIVOT-DIAL-DIRECTIONAL	2745058
4	120233-01-703	EA	STOP-ROTATION	3711281
5	120233-01-704	EA	PLATE-CEILINGW/DIR.HANDLE	RP-6300
6	120233-01-705	EA	PLATE-ROTATE	3750820
7	120233-01-706	EA	SPRING	RP-6822
8	120233-01-707	EA	CLAMP-ROTATE	3711280
9	120233-01-708	EA	KNOB-CLAMP	160822
10	120233-01-709	EA	WASHER-NYLON	RP-2658
11	120233-01-710	EA	HANDLE-CRANK	RP-6795
12	120233-01-711	EA	REFLECTOR-46CM	2745304
13	120233-01-712	EA	BOLT-FLATHEAD	2160253
14	120233-01-713	EA	SPRING	2160820
15	120233-01-714	EA	CLIP-E	5160818
16	120233-01-715	EA	RCALNB	278015
17	120233-01-716	EA	PIN	2160814
18	120233-01-717	EA	BEARING-NYLON	2200728
19	120233-01-718	EA	PIN	5160817
20	120233-01-719	EA	CLAMP-CABLE	2200060

AUDIOVIDEOGROUP(CONTINUED)

TV-VCRSYSTEMS

KEY	PARTNUMBER	U/M	DESCRIPTION	VENDOR NO.
	113684-02-000	EA	TV - 19" COLOR W/1/8" JACK - 19 3/8" W X 17 3/16" H X 18 1/4" D	
	113684-02-700	EA	REMOTE - F/AUDIO VOX AVT - 1980	
	122863-01-000	EA	TV - 13" COLOR W/SPEAKER - CSA	
	122863-01-700	EA	REMOTE	0892345
	119120-02-000	EA	VCR/VHS - CABLE READY W/REMOTE	
	119120-02-700	EA	REMOTE	FROM: 00-00-00 THRU: 02-16-97 0994569
	119120-03-000	EA	VCR-VHS - CABLE READY - REMOTE	
				FROM: 02-17-97 THRU: 99-99-99
	086757-03-000	EA	CONTROL CENTER - SWITCH - VCR/TV	
	076319-03-000	FT	CABLE - COAXIAL - 75 OHM	
	076319-09-000	EA	WALL PLATE - CABLE RECEPTACLE - TV - SINGLE - BROWN	
	086777-01-000	EA	WALL PLATE - TV CABLE - W/ANTENNA SWITCH - IVORY	
	086756-01-000	EA	SPLITTER - TV - 2WAY	
	076319-12-000	EA	CONNECTOR - COAXIAL - ONEPIECE	
	093214-01-02A	EA	GRILLE - SPEAKER - 4" BROWN	
	098819-01-000	EA	SPEAKER - 4" - 2WATT - 8OHM	
	114870-02-000	EA	PLUG - .14" AUDIO W/LEADS	
	082136-01-000	EA	NUT - HEX JAM - 3/8 - 32	
	099717-01-000	EA	STRAP - TV TIEDOWN W/24" FEMALE STRAP & 14.2" MALE STRIP	
	099717-02-000	EA	STRAP - TV TIEDOWN W/29.9" FEMALE STRAP & 14.2" MALE STRIP	
	082134-01-000	EA	ADAPTER - TV - CABLE TO CABLE	

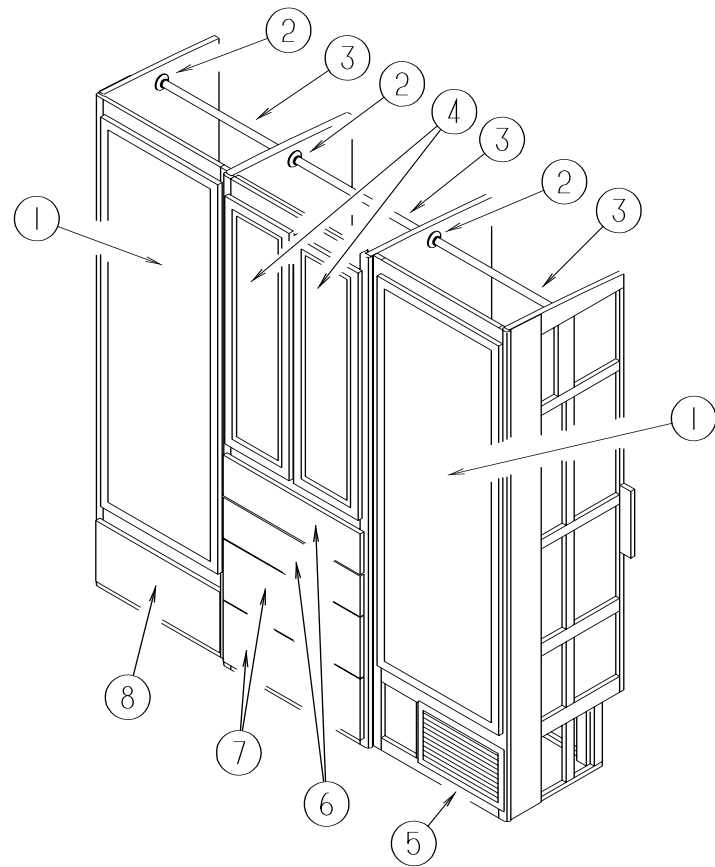
BATHGROUP



TOILET (SEAL AND MODEL 910W/SPRAYER)

KEY	PARTNUMBER	U/M	DESCRIPTION	VENDOR NO.
1	085330-06-000	EA	TOILET - CHINA - STANDARD (BONE) - 591003	
2	085330-06-700	EA	SEAT ASSEMBLY (BONE)	340591
3	085330-06-702	EA	HINGE HARDWARE (BONE) SET	342131
4	085330-01-703	EA	RING & HALF CLAMPS ASM (BONE)	385310048
5	085330-01-704	EA	TEFLON & RUBBER SEALS	385316140
6	085330-01-705	EA	SUPPORT - SEAL - PLASTIC	390346405
7	085330-02-700	EA	BASE ASM	310121
8	085330-02-702	EA	PEDESTAL COVER KIT (BONE)	510-310112
9	085330-01-714	EA	SEAL - FLANGE - FLOOR	390343892
10	085330-01-717	EA	BOLT MOUNTING PACKAGE	385310064
	085330-01-718	EA	SEAL & BOLT MOUNTING PACKAGE	385310063
11	085330-01-706	EA	BALL - SHAFT & CARTRIDGE	385318162
12	085330-02-703	EA	PEDAL COVER KIT (BONE) NEW STYLE	310115
13	085330-01-709	EA	VALVE - WATER	385314349
14	085330-01-707	EA	CARTRIDGE - SPRING	381236096
15	085330-06-703	EA	FLUSH LEVER	340873
16	085330-01-710	EA	PLUG - DRAIN - & CAP - W/SEAL	385316142
17	085330-06-701	EA	VALVE / DIVERTER (VACUUM BREAKER)	230335
18	085330-06-704	EA	VACUUM BREAKER KIT	316906
19	085330-04-701	EA	SPRAY - HAND - W/HOSE	340683

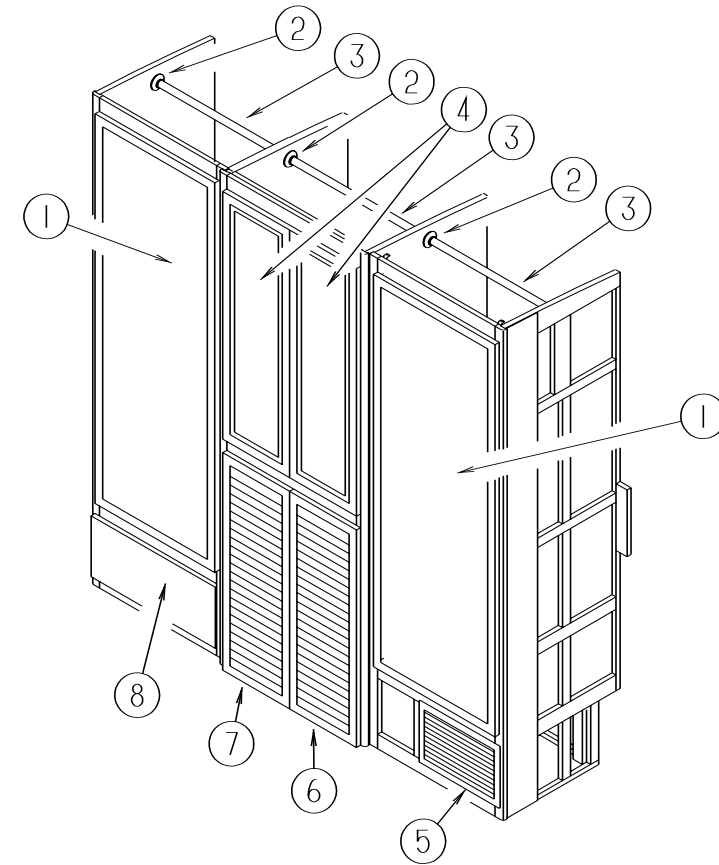
BATHGROUP(CONTINUED)



WARDROBECABINET

KEY	PARTNUMBER	U/M	DESCRIPTION
1	P13922-02-H37	EA	DOOR-MIRRORED
2	009112-01-000	EA	FLANGE-PLASTIC-1"CLOTHESROD-OFFWHITE
3	042438-01-000	EA	DOWEL-WOOD-CLOTHESROD-1"DIAMETERX4'
4	122715-47-01A	EA	DOOR-MOLDEDVINYL-12"X40"-W/OHARDWARE(WHITEGRANITE)
4	M06803-F3-H17	EA	DOOR-MITEREDCORNER/OGEEEDGE-12"X40"-W/OHARDWARE(OAK)
5	093614-03-02A	EA	GRILLE-RETURNAIR
6	P10163-DM-H40	EA	DRAWER-MOLDEDVINYL-23.1"WX19.7"D-W/OSLIDES/HDW(WHITEGRANITE)
6	M05971-BR-H17	EA	DRAWER-OGEEEDGE-23"WX19.7"D-W/OSLIDES/HARDWARE(OAK)
7	P10163-DL-H40	EA	DRAWER-MOLDEDVINYL-23.1"WX19.7"D-W/OSLIDES/HDW(WHITEGRANITE)
7	M05971-BS-H17	EA	DRAWER-OGEEEDGE-23"WX19.7"D-W/OSLIDES/HARDWARE(OAK)
8	P10163-DK-H40	EA	DRAWER-MOLDEDVINYL-20.8"WX15.7"D-W/OSLIDES/HDW(WHITEGRANITE)
8	M05971-BY-H17	EA	DRAWER-OGEEEDGE-20.8"WX15.7"D-W/OSLIDES/HARDWARE(OAK)

BATHGROUP(CONTINUED)

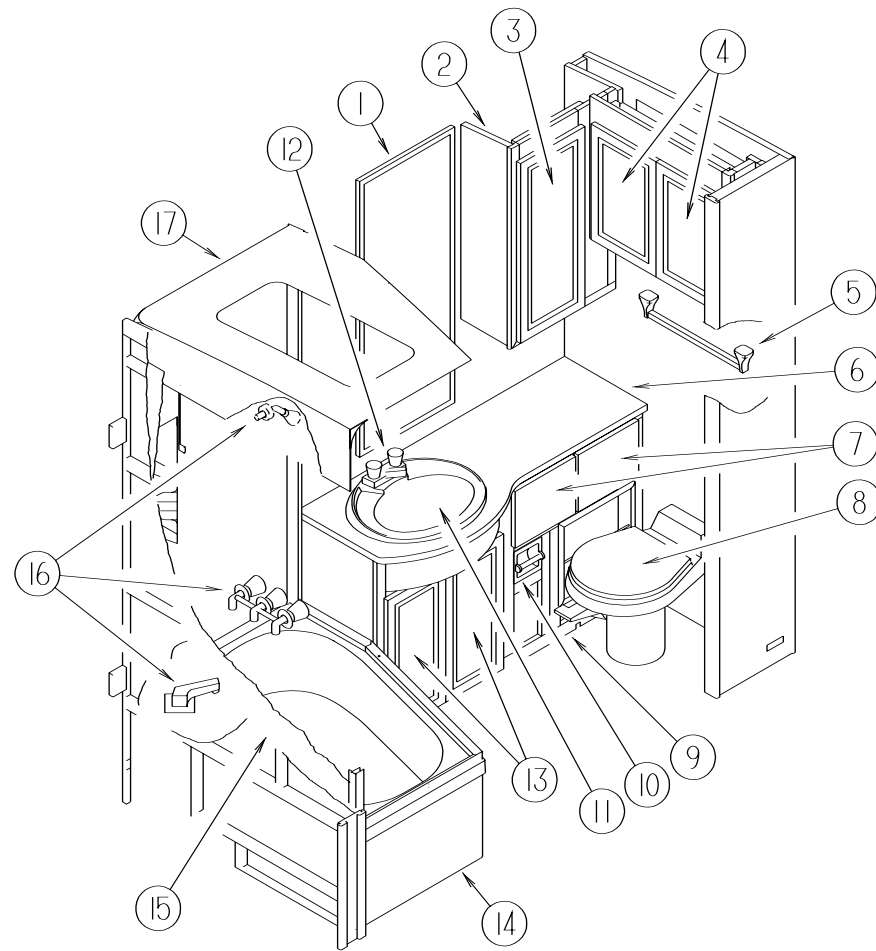


WARDROBECABINETW/WASHER/DRYER

KEY	PARTNUMBER	U/M	DESCRIPTION
1	P13922-02-H37	EA	DOOR-MIRRORED
2	009112-01-000	EA	FLANGE-PLASTIC-1"CLOTHESROD-OFFWHITE
3	042438-01-000	EA	DOWEL-WOOD-CLOTHESROD-1"DIAMETERX4'
4	122715-47-01A	EA	DOOR-MOLDEDVINYL-12"X40"-W/OHARDWARE(WHITEGRANITE)
4	M06803-F3-H17	EA	DOOR-MITEREDCORNER/OGEEEDGE-12"X40"-W/OHARDWARE(OAK)
5	093614-03-02A	EA	GRILLE-RETURNAIR
6	M07411-16-H40	EA	DOOR-LOUVERED/OGEEEDGE-33.4"X12.3"-W/OHARDWARE(WHITEGRANITE)
6	M07411-14-H17	EA	DOOR-OGEEEDGE/LOUVERED-33.4"X12.3"-W/OHARDWARE(OAK)
7	M07411-15-H40	EA	DOOR-LOUVERED/OGEEEDGE-33.4"X12.3"-W/OHARDWARE(WHITEGRANITE)
7	M07411-13-H17	EA	DOOR-OGEEEDGE/LOUVERED-33.4"X12.3"-W/OHARDWARE(OAK)
8	P10163-DK-H40	EA	DRAWER-MOLDEDVINYL-20.8"WX15.7"D-W/OSLIDES/HDW(WHITEGRANITE)
8	M05971-BY-H17	EA	DRAWER-OGEEEDGE-20.8"WX15.7"D-W/OSLIDES/HARDWARE(OAK)

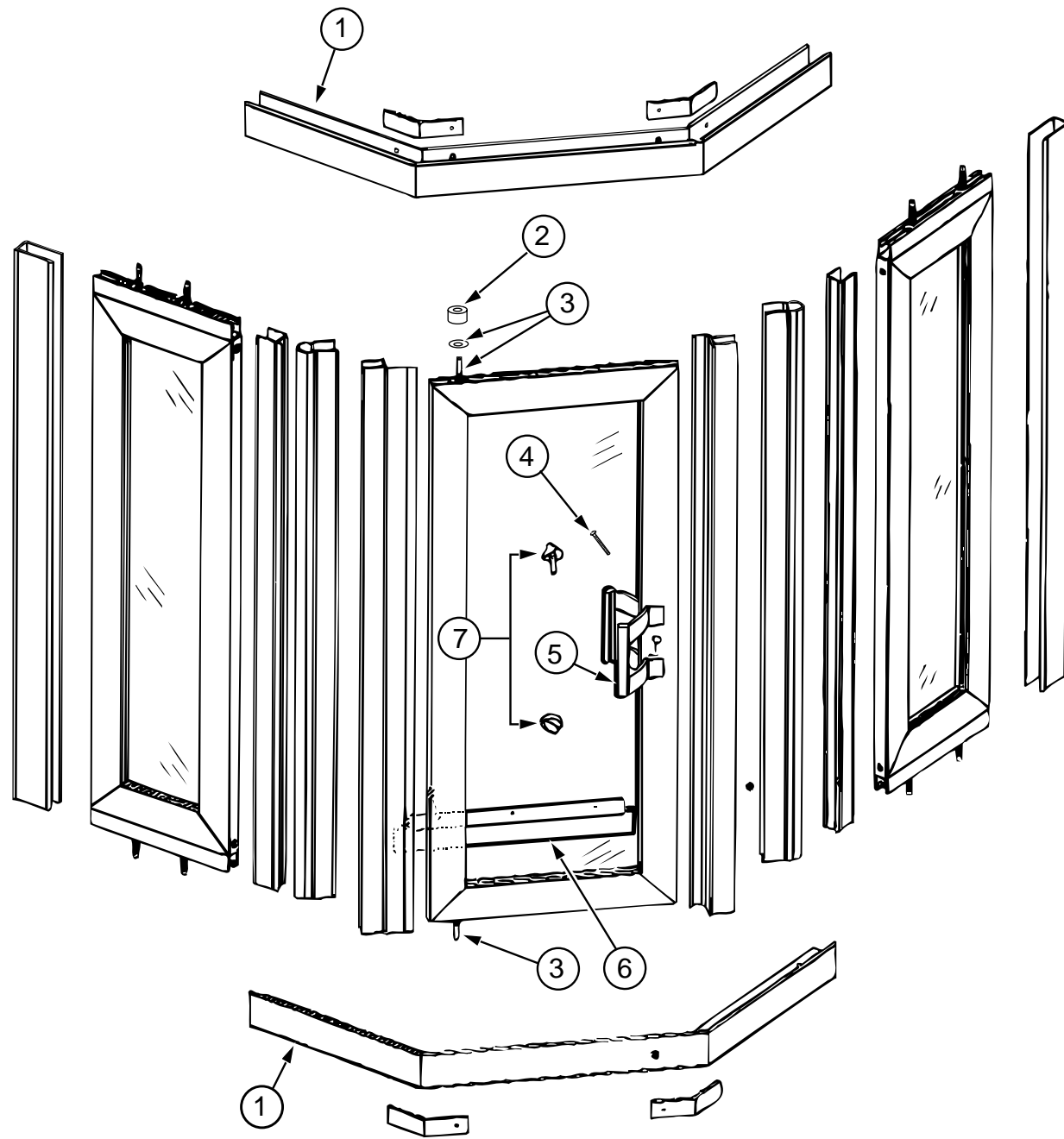
BATHGROUP(CONTINUED)

BATHCABINETS&SHOWERCOMPONENTS



KEY	PARTNUMBER	U/M	DESCRIPTION
1	058331-62-000	EA	MIRROR - SAFETYGLASS - 21.1" X 38.9"
2	P24022-01-H40	EA	CABINET - MEDICINE - W/ODOORS/HARDWARE (WHITE GRANITE)
2	P24022-01-H17	EA	CABINET - MEDICINE - W/ODOORS/HARDWARE (OAK)
	124022-12-H40	EA	SHELF - W/PLASTIC EDGETRIM (WHITE GRANITE)
	124022-12-H17	EA	SHELF - W/PLASTIC EDGETRIM (OAK)
3	122715-60-01A	EA	DOOR - MOLDED VINYL - 12" X 29" - W/O HARDWARE (WHITE GRANITE)
3	M06803-Y2-H17	EA	DOOR - MITERED CORNER/OGEE EDGE - 12" X 29" - W/O HARDWARE (OAK)
4	122715-32-01A	EA	DOOR - MOLDED VINYL - 12" X 18.7" - W/O HARDWARE (WHITE GRANITE)
4	M06803-G0-H17	EA	DOOR - MITERED CORNER/OGEE EDGE - 12" X 18.7" - W/O HARDWARE (OAK)
	124022-13-H40	EA	SHELF - W/PLASTIC EDGETRIM (WHITE GRANITE)
	124022-13-H17	EA	SHELF - W/PLASTIC EDGETRIM (OAK)
5	075453-02-000	EA	BAR - TOWEL - 18" BRASS
6	124021-15-H17	EA	COUNTERTOP - LAVATORY (H17, H18)
6	124021-15-H19	EA	COUNTERTOP - LAVATORY (H19)
6	124021-15-H40	EA	COUNTERTOP - LAVATORY (H40, H41)
7	P10163-EG-H40	EA	DRAWER - MOLDED VINYL - 9.1" WX 11.8" D - W/O SLIDES/HDW (WHITE GRANITE)
7	M05971-BP-H17	EA	DRAWER - OGEE EDGE - 9.1" WX 11.8" D - W/O SLIDES/HARDWARE (OAK)
8	085330-06-000	EA	TOILET - STANDARD CHINA W/SPRAYER - BONE
9	124021-01-H17	EA	CABINET - LAVATORY - W/ODOORS/DRAWERS/HARDWARE (H17, H18)
9	124021-01-H19	EA	CABINET - LAVATORY - W/ODOORS/DRAWERS/HARDWARE (H19)
9	124021-01-H40	EA	CABINET - LAVATORY - W/ODOORS/DRAWERS/HARDWARE (H40, H41)
	124021-11-H40	EA	SHELF - W/PLASTIC EDGETRIM (WHITE GRANITE)
	124021-11-H17	EA	SHELF - W/PLASTIC EDGETRIM (OAK)
10	085278-01-000	EA	HOLDER - TOILET PAPER - RECESSED - BRASS
11	105921-01-01A	EA	SINK - LAVATORY - LARGE/OVAL - 17" X 20" PLASTIC/OFFWHITE
	106116-01-01A	EA	STRAINER - SINK - W/STOPPER/TAILPIECE/GASKET&NUT - PLASTIC
12	075240-06-000	EA	FAUCET - LAVATORY/BONE
	105218-01-01A	EA	SPACER - FAUCET/LAVATORY SINK - 2" X 5.9" - ABS PLASTIC
13	122715-25-01A	EA	DOOR - MOLDED VINYL - 11" X 21.8" - W/O HARDWARE (WHITE GRANITE)
13	M06803-75-H17	EA	DOOR - MITERED CORNER/OGEE EDGE - 11" X 21.8" - W/O HDW (OAK)
14	119337-01-01A	EA	TUB - SHOWER
15	119336-01-01A	EA	ENCLOSURE - SHOWER
16	119677-01-01A	EA	SHOWER - 3PIECES - HEAD/FAUCET/SPOUT
	119677-01-700	EA	HANDLE - SHOWER/BATH CLEAR
	119677-01-701	EA	SHOWER HEAD ONLY 1/2"
	119677-01-702	EA	SPOUT - BATH
	119677-01-703	EA	DIVERTER KIT
	119677-01-704	EA	STEM & BONNET
	119677-01-705	EA	PLATE - STRAINER (SHOWER HEAD)
17	119338-01-01A	EA	CAP - TUB/SHOWER

BATHGROUP(CONTINUED)



COASTALSHOWERDOOR

KEY	PARTNUMBER	U/M DESCRIPTION	VENDORNO.
	119622-01-01A	EA DOOR-SOLIDPANELSHOWER-WINNEBAGO#33G-A	
1	107878-01-704	EA HEADERORSILL	70
2	092574-01-707	EA BUSHING-PIVOT, TOP	18712B
3	089318-01-704	EA BOLT-PIVOT, TOPORBOTTOM	1428B
4	092574-01-710	EA SCREW-GOLD, FORTOWELBAR	832G
5	092574-01-703	EA PULL-DOOR, GOLD(INSIDE)	8149G
5	092574-01-711	EA PULL-DOOR, GOLD(OUTSIDE)	8153G
6	089318-01-701	FT SWEEP-VINYL500FTROLL	C171G
7	107878-01-703	EA CAP-DRIP, PLUGSET	DCP2
	092574-01-700	EA KNOB-SAFETYLATCH	9728G
	092574-01-705	EA STRIP-MAGNETIC, 567/8"	98-41G

BATHGROUP(CONTINUED)

PRIVACYDOORS

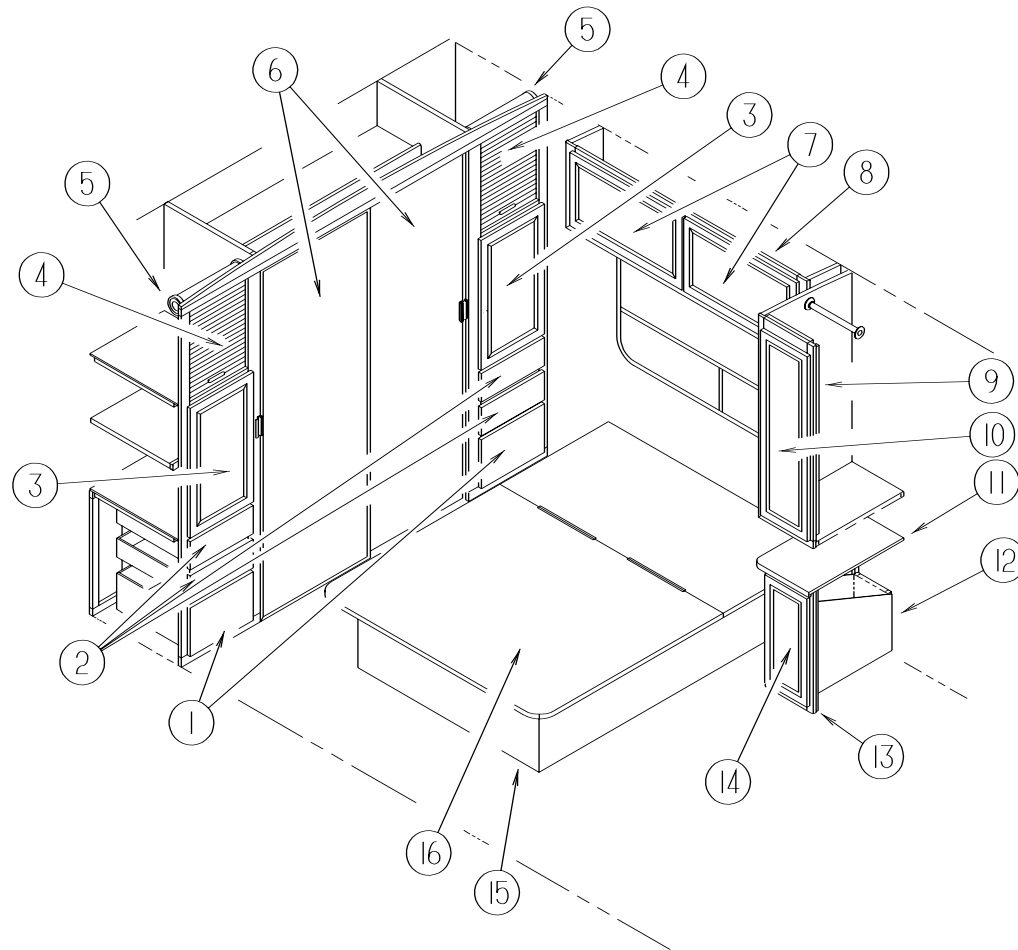
KEY	PARTNUMBER	U/M DESCRIPTION
	104013-07-H40	EA DOOR-SLIDING-W/OHARDWARE(WHITEGRANITE)
	104013-07-G15	EA DOOR-SLIDING-W/OHARDWARE(OAK)
	103868-08-01A	EA TRACK-DOOR-46"
	103874-01-000	EA HANGER-SLIDINGDOOR
	104013-09-H40	EA DOOR-SLIDING-W/OHARDWARE(WHITEGRANITE)
	104013-09-H17	EA DOOR-SLIDING-W/OHARDWARE(OAK)
	103868-03-01A	EA TRACK-SLIDINGDOOR49.2"
	103874-01-000	EA HANGER-SLIDINGDOOR

BATHMISCELLANEOUS

KEY	PARTNUMBER	U/M DESCRIPTION
	075452-02-000	EA HOLDER-TOILETTISSUE-BRASS
	075453-02-000	EA BAR-TOWEL-18"BRASS
	075454-02-000	EA RING-TOWEL-W/MOUNTINGHARDWARE-BRASS

BEDROOMGROUP

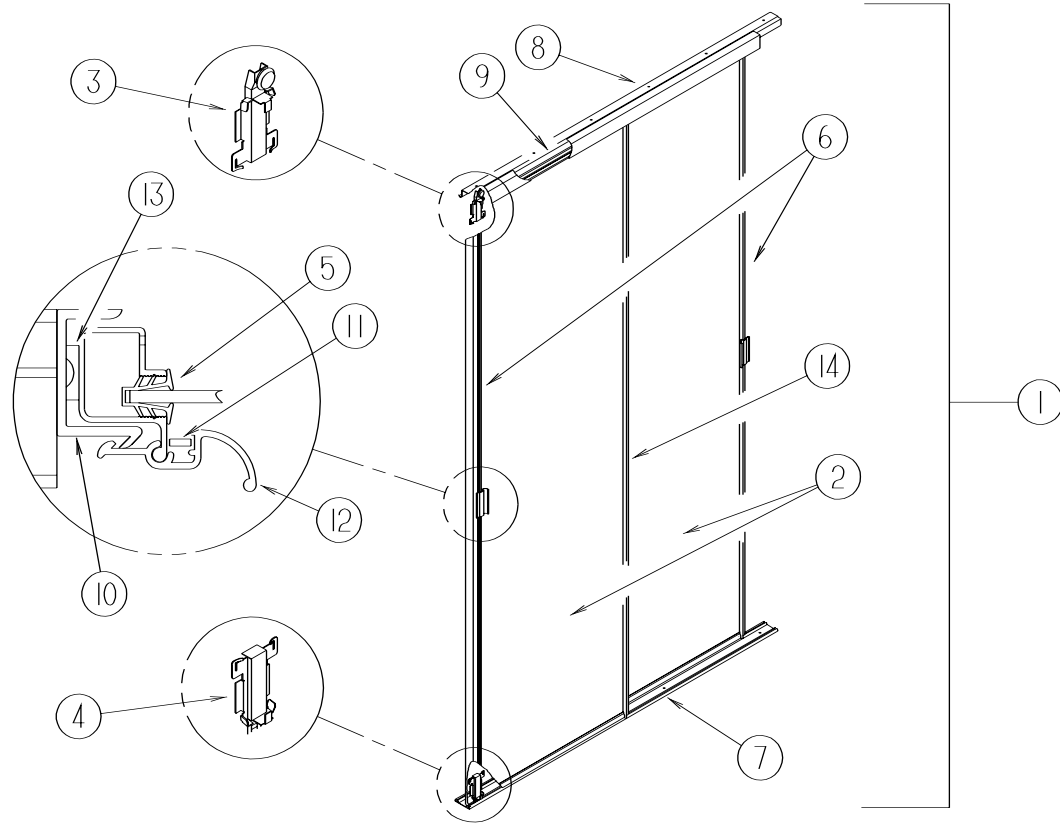
QUEENBED



KEY	PARTNUMBER	U/M	DESCRIPTION
1	P10163-DB-H40	EA	DRAWER-MOLDEDVINYL-14.3"WX17.7"D-W/OSLIDES/HDW(WHITE GRANITE)
1	M05971-CB-H17	EA	DRAWER-OGEEEDGE-14"WX17.7"D-W/OSLIDES/HARDWARE(OAK)
2	P10163-DC-H40	EA	DRAWER-MOLDEDVINYL-14.3"WX17.7"D-W/OSLIDES/HDW(WHITE GRANITE)
2	M05971-CC-H17	EA	DRAWER-OGEEEDGE-14.0"WX17.7"D-W/OSLIDES/HARDWARE(OAK)
3	122715-08-01A	EA	DOOR-MOLDEDVINYL-15.7"X28"-W/OHARDWARE(WHITEGRANITE)
3	M06803-82-H17	EA	DOOR-MITEREDCORNER/OGEEEDGE-15.7"X28"-W/OHDW(OAK)
4	108221-20-H40	EA	DOOR-TAMBOUR-W/OTRACK/HARDWARE(WHITEGRANITE)
4	108221-20-G35	EA	DOOR-TAMBOUR-W/OTRACK/HARDWARE(OAK)
	057882-04-000	SF	TAMBOUR-48"X72"SHEET-UNFINISHED
	097191-01-H40	EA	HANDLE-TAMBOURDOOR(WHITEGRANITE)
	M97191-01-E37	EA	HANDLE-TAMBOURDOOR(OAK)
5	097141-02-700	EA	KIT-TRACKTAMBOURDOOR-W/ONERIGHT&ONELEFTTRACK
6	114149-01-F31	EA	DOOR-MIRROREDWARDROBE-W/OHARDWARE
7	122715-51-01A	EA	DOOR-MOLDEDVINYL-9"X27"-W/OHARDWARE(WHITEGRANITE)
7	M06803-G7-H17	EA	DOOR-MITEREDCORNER/OGEEEDGE-9"X26.5"-W/OHARDWARE(OAK)
8	123473-02-H40	EA	CABINET-OVERHEADREAR-W/ODOORS/HARDWARE(WHITEGRANITE)
8	123473-02-H17	EA	CABINET-OVERHEADREAR-W/ODOORS/HARDWARE(OAK)
9	124105-01-H40	EA	CABINET-SHIRT CLOSET-W/ODOORS/HARDWARE(WHITEGRANITE)
9	124105-01-H17	EA	CABINET-SHIRT CLOSET-W/ODOORS/HARDWARE(OAK)
10	122715-47-01A	EA	DOOR-MOLDEDVINYL-12"X40"-W/OHARDWARE(WHITEGRANITE)
10	M06803-F3-H17	EA	DOOR-MITEREDCORNER/OGEEEDGE-12"X40"-W/OHARDWARE(OAK)
11	125163-11-H17	EA	COUNTERTOP-NIGHTSTAND(H17,H18)
11	125163-11-H19	EA	COUNTERTOP-NIGHTSTAND(H19)
11	125163-11-H40	EA	COUNTERTOP-NIGHTSTAND(H40,H41)
12	125164-03-H40	EA	CABINET-HAMPER-W/ODOORS/DRAWERS/HARDWARE(WHITEGRANITE)
12	125164-01-H17	EA	CABINET-HAMPER-W/ODOORS/DRAWERS/HARDWARE(OAK)
13	125163-01-H17	EA	CABINET-NIGHTSTAND-LEFTHAND/QNBED-W/ODRS/DWRS/HDW(H17,H18)
13	125163-01-H19	EA	CABINET-NIGHTSTAND-LEFTHAND/QNBED-W/ODRS/DWRS/HDW(H19)
13	125163-01-H40	EA	CABINET-NIGHTSTAND-LEFTHAND/QNBED-W/ODRS/DWRS/HDW(H40,H41)
14	122715-46-01A	EA	DOOR-MOLDEDVINYL-10"X23"-W/OHARDWARE(WHITEGRANITE)
14	M06803-D3-H17	EA	DOOR-MITEREDCORNER/OGEEEDGE-23.9"X10.4"-W/OHDW(OAK)
15	P09476-01-H40	EA	CABINET-BASE/QUEENBED-W/ODOORS/DRAWERS/HARDWARE(WHITEGRANITE)
15	P09476-01-G35	EA	CABINET-BASE/QUEENBED-W/ODOORS/DRAWERS/HARDWARE(OAK)
	057460-02-000	EA	STUD-BALL-GASSPRING-10MM-5/16"-18
	107796-06-000	EA	SPRING-GAS
	107796-07-000	EA	BRACKET-SUPPORT-GASSPRINGTOBED-ANGLE(UPPER)
	107796-05-000	EA	BRACKET-FLAT-GASSPRINGTOBED(LOWER)
	091952-01-000	EA	CLIP-GRIPPER-1"
	097872-04-000	EA	DOWEL-WOOD-1"DIA X 1.38"LONG
16	M05905-02-G35	EA	TOP-BED-QUEENW/OHARDWARE

BEDROOMGROUP(CONTINUED)

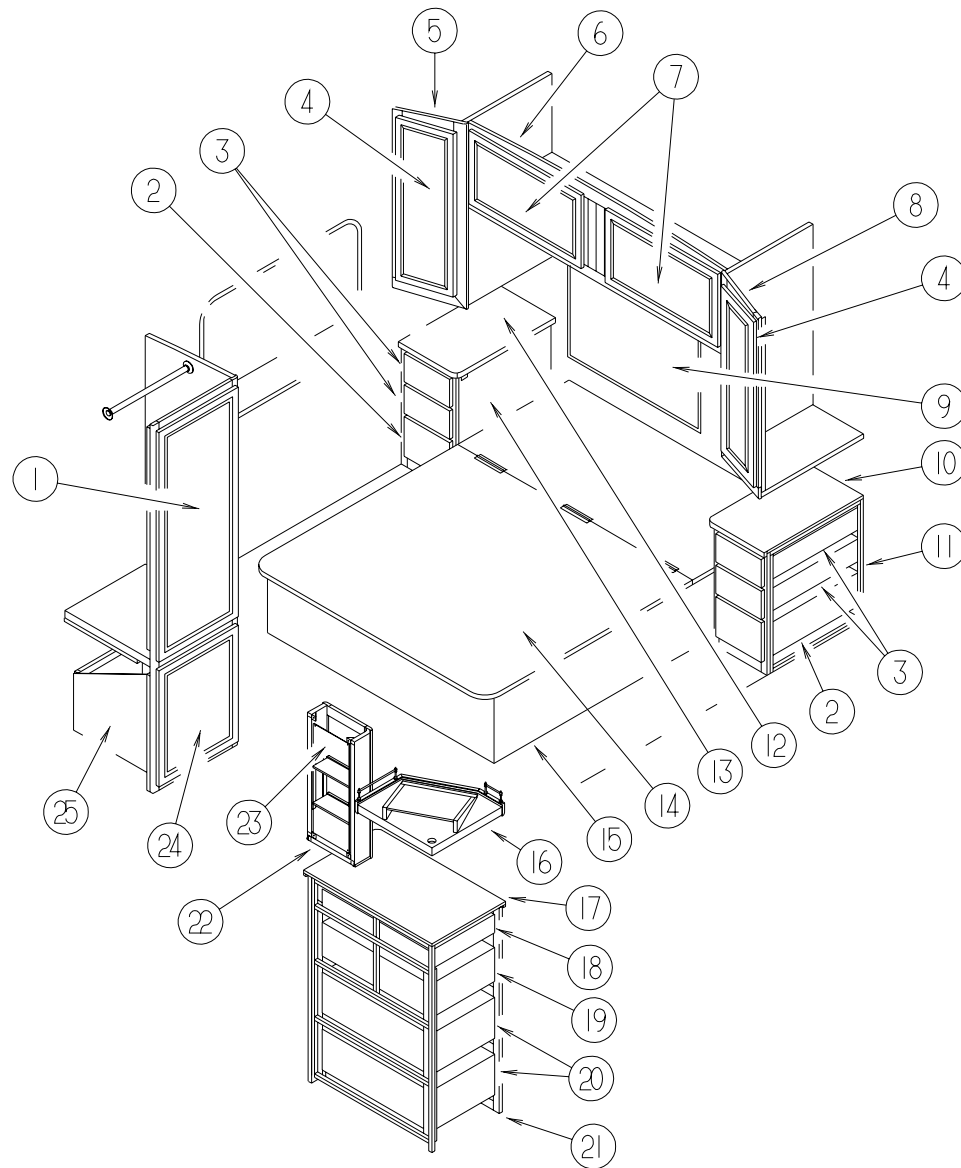
MIRROREDWARDROBEDOORS



KEY	PARTNUMBER	U/M	DESCRIPTION
1	114149-01-F31	EA	DOOR-MIRROREDWARDROBE-W/OHARDWARE
2	058331-C3-000	EA	MIRROR-WARDROBEDOOR-25.6"X74.6"
3	107390-01-000	EA	CORNERHANGER(SINGLEROLLERW/BRACKET)(1=PAIR)
4	107391-01-000	EA	GUIDE-BOTTOM-BY-PASS(PAIR)
5	111575-01-01A	FT	CHANNEL-GLAZING-SWINGDOOR
6	114104-05-01A	EA	STILE-DOOR-SLIDING
7	114105-01-01A	EA	TRACK-SLIDINGDOOR-LOWER
8	114106-01-01A	EA	TRACK-SLIDINGDOOR-UPPER
9	11410701-01A	EA	RAIL-DOOR-SLIDING
10	115538-03-01A	EA	JAMB-DOOR-WARDROBE/MIRRORED
11	115541-01-000	EA	SPRING-DOOR-SLIDING
12	115553-01-01A	EA	LATCH-DOOR-WARDROBE/MIRRORED
13	090340-01-000	EA	SEAL-FOAM-CLOSEDCELL-1/4"X1/2"X50'
14	114104-01-01A	EA	STILE-DOOR-SLIDING

BEDROOMGROUP(CONTINUED)

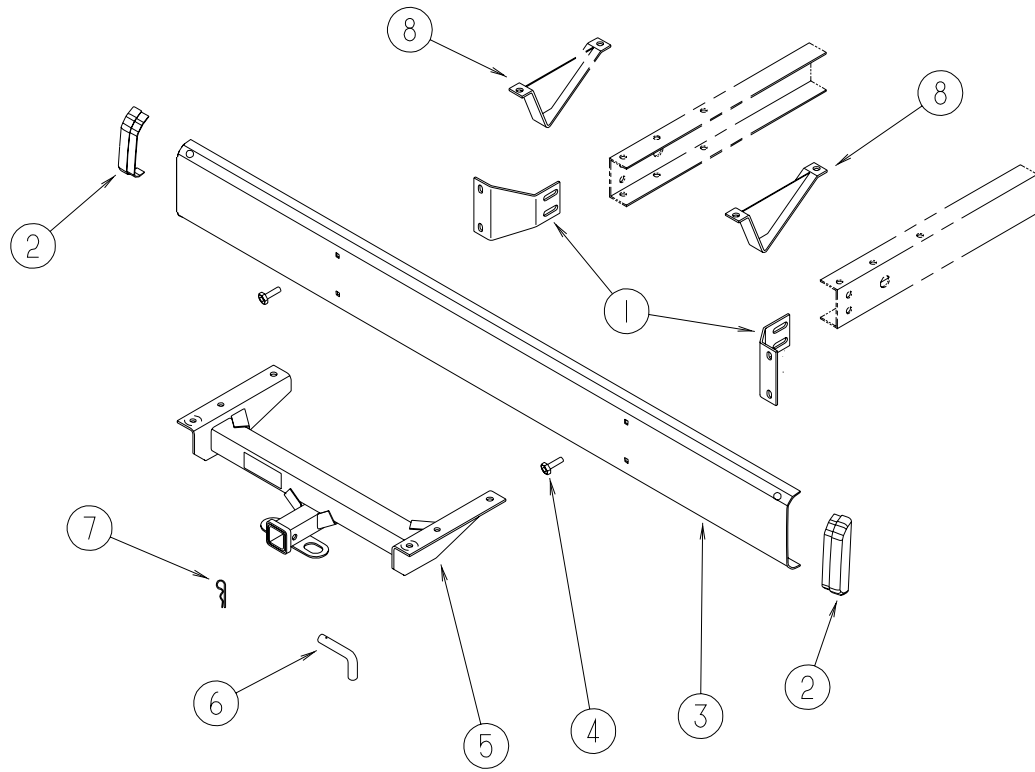
BACKWALLQUEENBED



KEY	PARTNUMBER	U/M	DESCRIPTION
1	122715-61-01A	EA	DOOR-MOLDEDVINYL-19.6"X49.6"-W/OHARDWARE(WHITEGRANITE)
1	M06803-Y5-H17	EA	DOOR-MITEREDCORNER/OGEEEDGE-MIRROR-19.7"X49.5"W/OHDW(OAK)
2	P10163-DR-H40	EA	DRAWER-MOLDEDVINYL-9.2"WX21.6"D-W/OSLIDES/HDW(WHITEGRANITE)
2	M05971-79-H17	EA	DRAWER-OGEEEDGE-9.2"WX21.6"D-W/OSLIDES/HARDWARE(OAK)
3	P10163-DP-H40	EA	DRAWER-MOLDEDVINYL-9.2"WX21.6"D-W/OSLIDES/HDW(WHITEGRANITE)
3	M05971-70-H17	EA	DRAWER-OGEEEDGE-9.2"WX21.6"D-W/OSLIDES/HARDWARE(OAK)
4	122715-16-01A	EA	DOOR-MOLDEDVINYL-10.8"X36.4"-W/OHARDWARE(WHITEGRANITE)
4	M06803-37-H17	EA	DOOR-MIRROR/MTRDCRNR/OGEEEDGE-10.8"X36.4"-W/OHDW(OAK)

KEY	PARTNUMBER	U/M	DESCRIPTION
5	110625-01-H40	EA	CABINET-SHIRT CLOSET/RIGHTHAND-W/ODOORS/HARDWARE(WHITEGRANITE)
5	110625-01-G35	EA	CABINET-SHIRT CLOSET/RIGHTHAND-W/ODOORS/HARDWARE(OAK)
6	106523-01-H23	EA	CABINET-OVERHEAD/REAR-W/ODOORS/HARDWARE(WHITEGRANITE)
6	106523-01-G09	EA	CABINET-OVERHEAD/REAR-W/ODOORS/HARDWARE(OAK)
7	122715-08-01A	EA	DOOR-MOLDEDVINYL-15.7"X28"-W/OHARDWARE(WHITEGRANITE)
7	M06803-82-H17	EA	DOOR-MITEREDCORNER/OGEEEDGE-15.7"X28"-W/OHDW(OAK)
8	110625-02-H40	EA	CABINET-SHIRT CLOSET/LEFTHAND-W/ODOORS/HARDWARE(WHITEGRANITE)
8	110625-02-G35	EA	CABINET-SHIRT CLOSET/LEFTHAND-W/ODOORS/HARDWARE(OAK)
9	058331-93-000	EA	MIRROR-SAFETYGLASS-27.6"X63"
10	104362-11-G35	EA	COUNTERTOP-NIGHTSTAND(H17,H18)
10	104362-11-F31	EA	COUNTERTOP-NIGHTSTAND(H19)
10	104362-11-H40	EA	COUNTERTOP-NIGHTSTAND(H40,H41)
11	104362-01-G35	EA	CABINET-NIGHTSTAND/LEFTHAND-W/ODOORS/DRAWERS/HDW(H17,H18)
11	104362-01-G45	EA	CABINET-NIGHTSTAND/LEFTHAND-W/ODOORS/DRAWERS/HDW(H19)
11	104362-01-H40	EA	CABINET-NIGHTSTAND/LEFTHAND-W/ODOORS/DRAWERS/HDW(H40,H41)
12	104361-11-G35	EA	COUNTERTOP-NIGHTSTAND(H17,H18)
12	104361-11-F31	EA	COUNTERTOP-NIGHTSTAND(H19)
12	104361-11-H40	EA	COUNTERTOP-NIGHTSTAND(H40,H41)
13	104361-01-G35	EA	CABINET-NIGHTSTAND/RIGHTHAND-W/ODOORS/DRAWERS/HDW(H17,H18)
13	104361-01-G45	EA	CABINET-NIGHTSTAND/RIGHTHAND-W/ODOORS/DRAWERS/HDW(H19)
13	104361-01-H40	EA	CABINET-NIGHTSTAND/RIGHTHAND-W/ODOORS/DRAWERS/HDW(H40,H41)
14	M05706-16-000	EA	TOP-QUEENBED-W/OHARDWARE
			FROM: 00-00-00 THRU: 10-09-96
14	M05706-21-000	EA	TOP-QUEENBED-W/OHARDWARE
			FROM: 10-10-96 THRU: 99-99-99
15	P19515-02-H23	EA	CABINET-BASE-QUEENBED-W/ODOORS/DRAWERS/HARDWARE(WHITEGRANITE)
			FROM: 00-00-00 THRU: 10-09-96
15	P25159-01-H40	EA	CABINET-BASE-QUEENBED-W/ODOORS/DRAWERS/HARDWARE(WHITEGRANITE)
			FROM: 10-10-96 THRU: 99-99-99
15	P19515-02-G35	EA	CABINET-BASE-QUEENBED-W/ODOORS/DRAWERS/HARDWARE(OAK)
			FROM: 00-00-00 THRU: 10-09-96
15	P25159-01-G35	EA	CABINET-BASE-QUEENBED-W/ODOORS/DRAWERS/HARDWARE(OAK)
			FROM: 10-10-96 THRU: 99-99-99
16	124026-01-H40	EA	SHELF-W/PLASTICEDGETRIM(WHITEGRANITE)
16	124026-01-H17	EA	SHELF-W/PLASTICEDGETRIM(OAK)
17	123936-11-H38	EA	COUNTERTOP-DRESSER(H17,H18)
17	123936-11-H19	EA	COUNTERTOP-DRESSER(H19)
17	123936-11-H40	EA	COUNTERTOP-DRESSER(H40,H41)
18	P10163-DS-H40	EA	DRAWER-MOLDEDVINYL-27"WX15.7"D-W/OSLIDES/HDW(WHITEGRANITE)
18	M05971-BT-H17	EA	DRAWER-OGEEEDGE-27.0"WX15.7"D-W/OSLIDES/HARDWARE(OAK)
19	P10163-DT-H40	EA	DRAWER-MOLDEDVINYL-26.8"WX15.7"D-W/OSLIDES/HDW(WHITEGRANITE)
19	M05971-BU-H17	EA	DRAWER-OGEEEDGE-26.8"WX15.7"D-W/OSLIDES/HARDWARE(OAK)
20	P10163-DU-H40	EA	DRAWER-MOLDEDVINYL-26.9"WX14.7"D-W/OSLIDES/HDW(WHITEGRANITE)
20	M05971-BV-H17	EA	DRAWER-OGEEEDGE-26.9"WX15.7"D-W/OSLIDES/HARDWARE(OAK)
21	123936-01-H17	EA	CABINET-CHESTOFDRAWERS-QUEEN-W/ODRAWERS/HARDWARE(H17,H18)
21	123936-01-H19	EA	CABINET-CHESTOFDRAWERS-QUEEN-W/ODRAWERS/HARDWARE(H19)
21	123936-01-H40	EA	CABINET-CHESTOFDRAWERS-QUEEN-W/ODRAWERS/HARDWARE(H40,H41)
22	124659-01-H40	EA	CABINET-LINEN-W/ODOORS/DRAWERS/HARDWARE(WHITEGRANITE)
22	124659-01-H17	EA	CABINET-LINEN-W/ODOORS/DRAWERS/HARDWARE(OAK)
23	122715-44-01A	EA	DOOR-MOLDEDVINYL-10"X25"-W/OHARDWARE(WHITEGRANITE)
23	M06803-P2-H17	EA	DOOR-MITEREDCORNER/OGEEEDGE-10"X25"-W/OHARDWARE(OAK)
24	122715-82-01A	EA	DOOR-MOLDEDVINYL-19.7"X25"-W/OHARDWARE(WHITEGRANITE)
24	M08603-Y3-H17	EA	DOOR-MITEREDCORNER/OGEEEDGE-19.7"X25"-W/OHARDWARE(OAK)
25	124081-01-H41	EA	CABINET-HAMPERW/OHARDWARE(WHITEGRANITE)
25	124081-01-H17	EA	CABINET-HAMPERW/OHARDWARE(OAK)

CHASSISGROUP



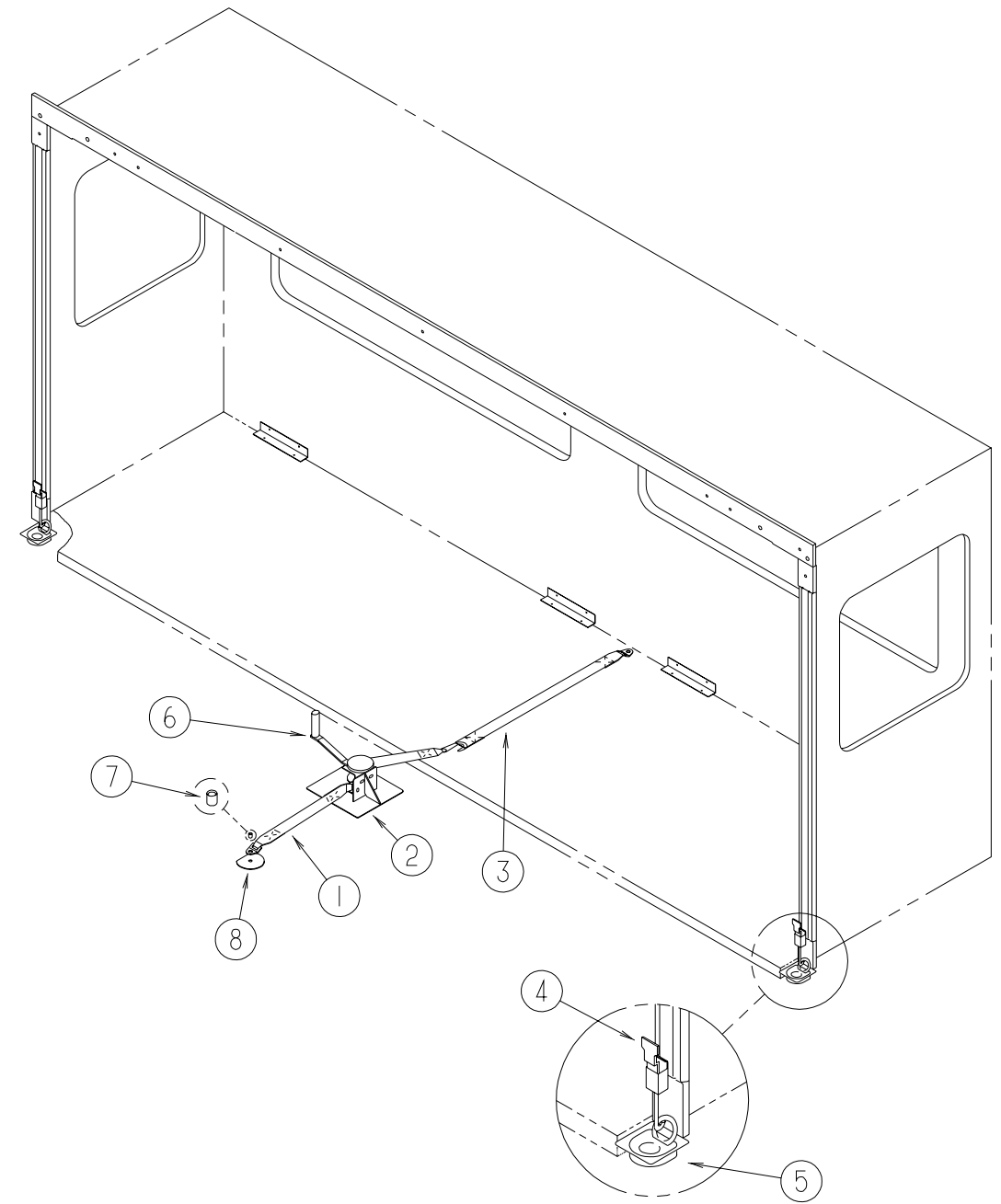
REAR BUMPER & COMPONENTS

KEY	PARTNUMBER	U/M	DESCRIPTION
1	104418-07-000	EA	ANGLE-BUMPERREARSUPPORT
2	103228-01-05A	EA	ENDCAP-REARBUMPER-DRIVER/PASSENGERSIDE
3	103099-01-06A	EA	BUMPER-REAR-BRIGHTWHITE
4	102333-01-05A	EA	BOLT-7/16"
5	107707-01-000	EA	HITCHRECEIVER-BOLT-ONCLASSII
	070579-09-000	EA	PLATE-ANCHOR
6	034512-01-000	EA	PIN-LOCKING-DRAWBAR
7	034513-01-000	EA	PIN-3/16"WIRE
8	111742-01-000	EA	PLATE-SKID
	113589-01-000	EA	CONNECTOR-PLUG-TRAILER
	113588-02-01B	EA	BRACKET-CONNECTOR-TRAILERW/OLIP

HYDRAULICSLIDEOUTSYSTEM(CHEVY,FORD)

KEY	PARTNUMBER	U/M	DESCRIPTION	VENDORNO.
	115767-01-000	EA	SLIDEOUT-HYDRAULIC	
FROM: 00-00-00 THRU: 04-02-97				
	115767-01-700	EA	MOTORF/PUMP	RAP0640
	115767-01-701	EA	CYLINDER-HYD.SLIDEOUT(RAM)	RAP90007
	115767-01-702	EA	HOSE-HYD.,17"F/SLIDEOUT	RAP90003
	115767-01-703	EA	HOSE-HYD.,.90"F/SLIDEOUT	RAP90001
	115767-01-704	EA	HOSE-HYD.,146"F/SLIDEOUT	RAP90004
	115767-01-705	EA	HOSE-HYD,60"F/SLIDEOUT	RAP4073
	115767-01-706	EA	VALVE-SENSOR,F/SLIDEOUT	RAP90012
	115767-01-707	EA	GUIDE-OUTERHOSE	RAP90008
	115767-01-708	EA	GUIDE-INNERHOSE	RAP90009
	115767-05-000	EA	SLIDEOUT-HYDRAULIC	
FROM: 04-03-97 THRU: 99-99-99				
	121665-02-000	EA	SHIM-1/16THICK-SLIDEOUTROOM	
	121665-03-000	EA	SHIM-1/8THICK	
	115105-06-02B	EA	BRACKET-SLIDEOUT	
	115105-05-01B	EA	BRACKET-SLIDEOUT	

CHASSISGROUP(CONTINUED)



SLIDEOUTHARDWARE

KEY	PARTNUMBER	U/M	DESCRIPTION
1	116101-01-F31	EA	STRAP-WINCH
2	116082-01-02B	EA	BRACKETASM-WINCH-E-COAT
3	116101-02-F31	EA	STRAP-WINCH
4	116737-01-01A	EA	LATCH-DRAW-ADJUSTABLE-ZINC
5	116736-01-01A	EA	TIEDOWN-DROP/D-ZINC
6	115767-02-000	EA	SLIDEOUT-WINCH
7	116743-01-01A	EA	CAP-LUGCOVER-THREAD-BLACK
8	057759-01-000	EA	WASHERBRACKET-SEATBELT-4"DIAMETER
8	064081-03-000	EA	NUT-WING3/8-16-W/WELDNUT
	077298-55-003	EA	EXTRUSION-TUBE-.275"

CHASSISGROUP(CONTINUED)

DRIVESHAFTPARTS

KEY	PARTNUMBER	U/M	DESCRIPTION
	088498-01-000	EA	UNION-INVERTEDFLARE-BRASS-3/16-3/8-24THD FROM: 11-18-96 THRU: 99-99-99
	085771-03-000	EA	NUT-HEX-FLARETORQUE-GRADEG-DRIVESHAFT FROM: 11-18-96 THRU: 99-99-99
	074833-01-000	EA	SPACER-BEARING-DRIVESHAFT-2"X8"X.5"THICK

CHASSISMISCELANEOUS

KEY	PARTNUMBER	U/M	DESCRIPTION
	117611-03-02B	EA	BRACKET-BUMPER-RIGHTHANDUPPER/LEFTHANDLOWER
	117611-04-02B	EA	BRACKET-BUMPER-LEFTHANDUPPER/RIGHTHANDLOWER
	102805-01-000	EA	CHANNEL-EXTENSION-FRONTFRAME
	102805-03-000	EA	CHANNEL-EXTENSION-FRONTFRAME
	113452-01-000	EA	SEAL/TRIM-FRONT-VINYLLW/WIRECARRIER FROM: 02-03-97 THRU: 99-99-99
	109778-03-000	EA	SHIELD-LPTANK
	104482-01-000	EA	ANGLE STEEL - 92 APV FROM: 11-18-96 THRU: 99-99-99

CHASSISGROUP(CONTINUED)

TIRE&WHEELHARDWARE

KEY	PARTNUMBER	U/M	DESCRIPTION
	077030-02-000	EA	EXTENSION-VALVESTEM-1.25"
	051377-05-000	EA	VALVESTEM
	083425-05-000	EA	TIRE-MICHELIN-LT235/85R16-LOADRANGEE
	095853-02-000	EA	WHEEL-STEEL-16X6K-F2TA-1015-NA
	113007-01-000	EA	PIN-SPRING-.375X3"
	112358-01-000	EA	WRENCH-LUG-7/8"-L-SHAPED

WHEELINERS

KEY	PARTNUMBER	U/M	DESCRIPTION	VENDORNO.
	110435-08-000	EA	LINER-WHEELSET(SET=4)16"	
	110435-09-000	EA	LINER-WHEEL-SET/2-REAR16"	
	110435-01-711	EA	DECAL-CENTERCAP,2"	2"DECAL
	110435-02-702	EA	STUDEXTENDER	V160SD-STX
	110435-02-703	EA	NUT(JAMB)	V160SD-JNT
	110435-02-704	EA	COVER-LUGNUT	V160FO-LNC
	110435-02-705	EA	TOOLF/JAMBNUT,INSTALL.	V160FO-TOL
	110435-08-700	EA	LINER-WHEEL,FRONT	V160SD-FWC
	110435-08-701	EA	LINER-WHEEL,REAR	V160SD-RWC

WHEELCOVERS

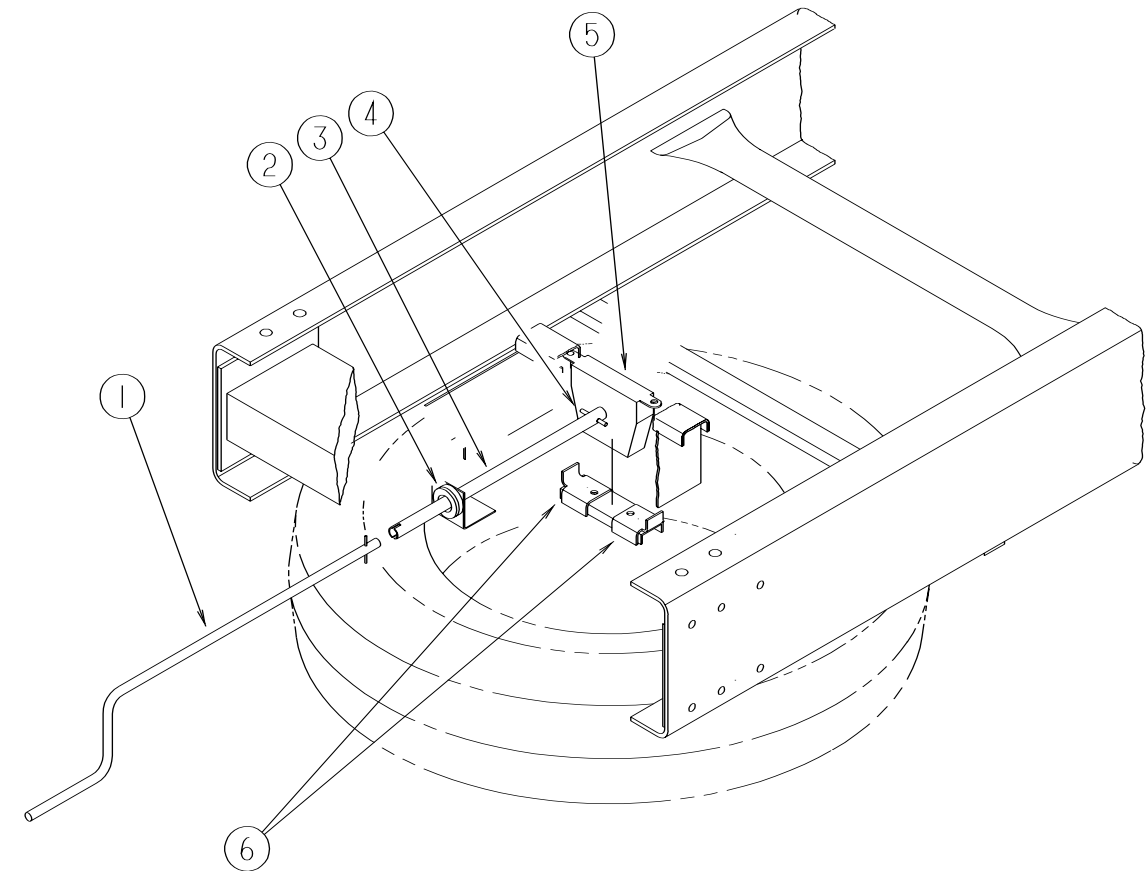
KEY	PARTNUMBER	U/M	DESCRIPTION	VENDORNO.
	098532-01-000	EA	COVER-WHEEL-FORD-16"-SETOF4DICORSH-SD-16	
	098532-02-000	EA	COVER-WHEEL-16" FORD-SETOF2	
	098532-01-700	EA	COVER-LUGNUT(CHROME)	SHAU-LNC
	098532-01-701	EA	COVER-WHEEL(FRT&REAR)	SH-SD-16COV1ONLY

CHASSISGROUP(CONTINUED)

HWHLEVELINGSYSTEM-SLIDEOUT(FORD)

KEY	PARTNUMBER	U/M	DESCRIPTION	VENDORNO.
	100532-17-000	EA	LEVELINGSYSTEM-HYDRAULIC-USEDW/SLIDEOUTROOM	
	100532-03-710	EA	SENSINGUNIT21'MTA	RAP6798
	100532-03-715	EA	CAP-BREATHERW/DIPSTICK	RAP7876
	100532-03-723	EA	MANIFOLDHDWEMTGKIT	RAP9171
	100532-08-702	EA	VALVE-BI-AXIS	RAP9589
	100532-08-703	EA	PANELASM.-200BI-AXISSYS.	RAP9755
	100532-08-705	EA	KNOB-3/4"BLACK-SETOFFOUR	RAP1379
	100532-08-706	EA	KNOB-13/16"BLACK	RAP9734
	100532-08-707	EA	BEZELW/GASKET-F/SYSTEM200	RAP9592
	100532-09-704	EA	VALVE-PRESSURESOLENOID	RAP0642
	100532-09-710	EA	SOLENOID-INTERMITENTDUTY	RAP0533
	100532-12-701	EA	PUMP&MOTORW/TANK1.7	RAP0588
	100532-12-706	EA	SWITCH-WARNING/MAGNETIC	RAP1008
	100532-12-707	EA	SPRINGKIT	R3847
	100532-16-700	EA	JACKASM.6K-STATIONARY	RAP0468
	100532-16-701	EA	MANIFOLDASM.F/SLIDEOUT	RAP1716
	100532-17-700	EA	JACKASM.-9KW/SWITCH-2WIRE	RAP10107
	100536-28-000	EA	HOSEKIT-LEVELINGJACKS	
	100536-09-701	EA	HOSE-HYDRAULIC-60"	RAP4073
	100536-10-701	EA	HOSE-HYDRAULIC-116"	RAP5384
	100536-25-700	EA	HOSE-HYDRAULIC-306"	RAP4904
	100536-25-701	EA	HOSE-HYDRAULIC-312"	RAP5216
	100536-28-700	EA	HOSE-HYDRAULIC-372"	RAP4391
	100536-29-000	EA	HOSEKIT-SLIDEOUTROOM	
	100536-14-700	EA	HOSE-HYDRAULIC-288"	RAP4063
	100536-29-700	EA	HOSE-HYDRAULIC-280"	RAP4729
	107938-01-000	EA	BRACKET-PUMP	
	108629-01-000	EA	SHIELD-PUMP	
	112236-02-G35	EA	BEZEL-F/MONITORSLIDEOUT	
	112235-02-04A	EA	BEZEL-F/MONITORSLIDEOUT	
	116735-02-01B	EA	BRACKET-CONTROLVALVE-SLIDEOUT	

CHASSISGROUP(CONTINUED)

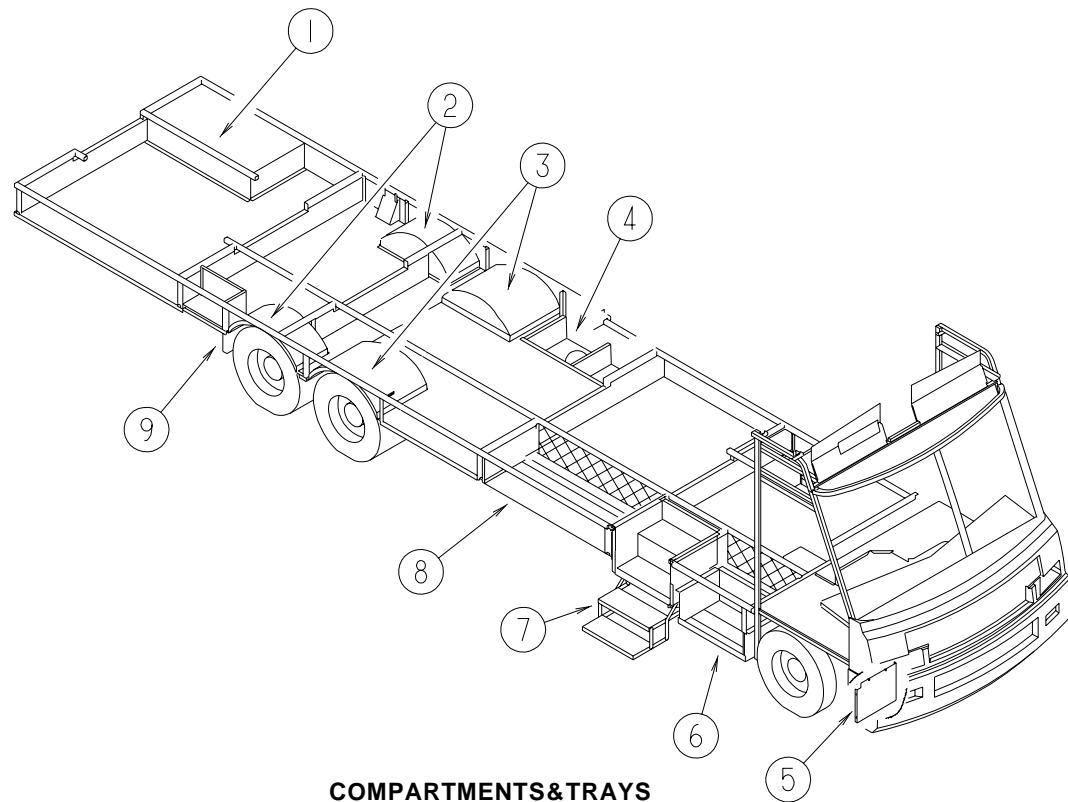


SPARETIRE&HOIST

KEY	PARTNUMBER	U/M	DESCRIPTION
1	093376-02-000	EA	HANDLE-CRANK-TIREHOIST
2	071015-11-000	EA	GROMMET-1.00ID
3	093375-06-000	EA	EXTENSION-TIREHOIST
	093362-06-000	EA	CHANNEL-TIREHOIST
4	114376-01-000	EA	PIN-DRIVE-.156X.750-TYPEE-TIREHOIST
5	093267-03-000	EA	HOIST-SPARETIRE-100#
6	105499-01-000	EA	BRACKET-TIREHOIST
	077030-02-000	EA	EXTENSION-VALVESTEM-1.25"
	124751-01-02B	EA	HANGER-SPARETIRE-E-COATED
	124754-01-02B	EA	CATCH-SPARETIRE

FROM: 08-30-96 THRU: 99-99-99

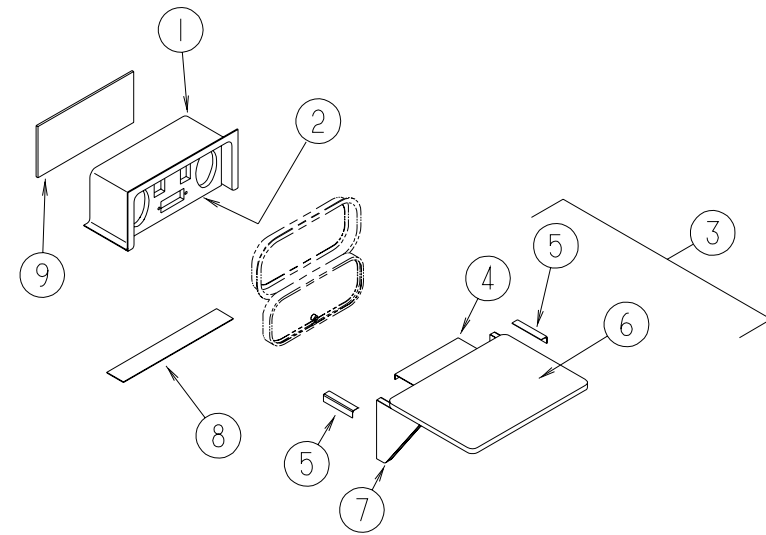
CHASSISGROUP(CONTINUED)



COMPARTMENTS&TRAYS

KEY	PARTNUMBER	U/M	DESCRIPTION
1	094657-02-000	EA	TRAY-GENERATOR-22.5"X30.4"X6.9"-W/ANGLE&NUTS
2	055374-02-000	EA	WHEELWELL-PLASTIC
3	055374-01-000	EA	WHEELWELL-PLASTIC
4	114676-05-GV0	EA	COMPARTMENT-STORAGE
4	M07452-05-GV0	EA	COMPARTMENT-STORAGE-14.4"X47.2"
4	M06991-05-G38	EA	HATCH-W/FOAM
4	121175-01-01A	EA	LATCH-SWELL-BLACK
5	104147-02-000	EA	SHIELD-SPLASH-RIGHTHAND
6	117595-01-01A	EA	COMPARTMENT-STORAGEGRAY
			FROM: 00-00-00 THRU: 09-22-96
6	117595-02-01A	EA	COMPARTMENT-STORAGEGRAY
			FROM: 09-23-96 THRU: 11-07-96
6	117595-03-01A	EA	COMPARTMENT-STORAGE
			FROM: 11-08-96 THRU: 99-99-99
7	094707-01-01A	EA	STEP-DOUBLE-ELECTRIC-KWIKIEE
8	117928-12-01A	EA	COMPARTMENT-STORAGE
9	020167-03-000	EA	DIRTGUARD-STEEL-11"LONG
			FROM: 00-00-00 THRU: 08-31-96
9	020167-05-000	EA	DIRTGUARD-STEEL-15"LONG
			FROM: 09-01-96 THRU: 03-09-97
9	020167-08-000	EA	DIRTGUARD
			FROM: 03-10-97 THRU: 99-99-99
9	017516-01-000	EA	MUDFLAP-14"X18"-BLACK
	065450-05-000	EA	TIEDOWN-BATTERY-8.4" TUBE
	112864-01-000	FT	SEAL-FOAM/BUTYLCOVERED-3/8"
	113452-01-000	FT	SEAL/TRIM-FRONT-POPTOP
			FROM: 02-03-97 THRU: 99-99-99
	102805-01-000	EA	CHANNEL-EXTENSION-FRONTFRAME
	102805-03-000	EA	CHANNEL-EXTENSION-FRONTFRAME
	119845-01-01A	EA	PLUG-PLASTIC-BLACK

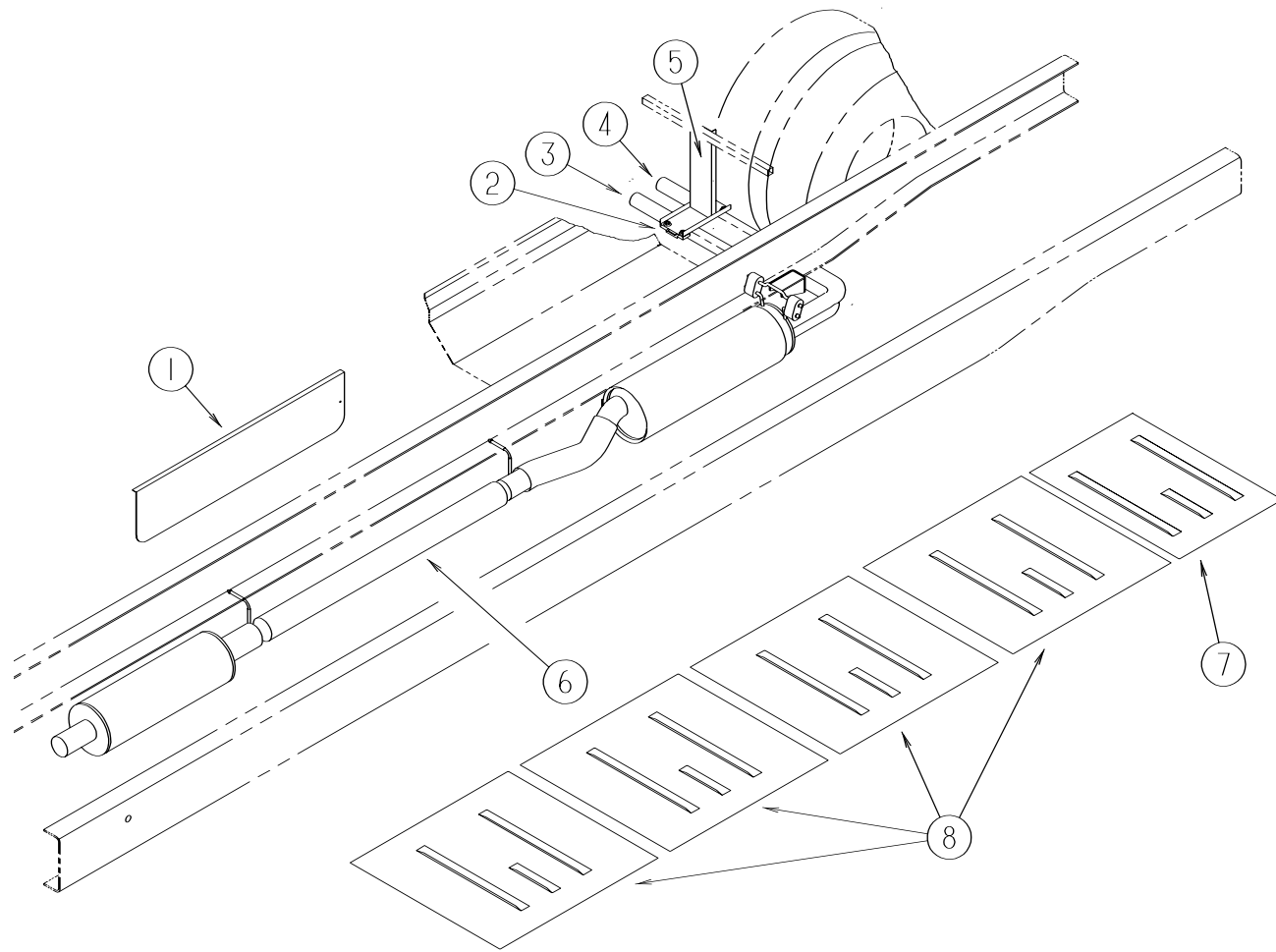
CHASSISGROUP(CONTINUED)



COMPARTMENT(ENTERTAINMENTCENTER)

KEY	PARTNUMBER	U/M	DESCRIPTION
1	124696-01-01A	EA	BOX-ENTERTAINMENTCENTER
2	104899-01-C05	EA	PLATE-RADIOMOUNTING
3	105230-01-G15	EA	SHELF-EXTERIORTV
4	105377-01-01A	EA	BRACKET-TABLEHANGER
			FROM: 00-00-00 THRU: 01-05-97
4	105377-01-04A	EA	BRACKET-TABLEHANGER
			FROM: 01-06-97 THRU: 99-99-99
5	105376-01-02A	EA	HINGE-CONTINUOUS-2"X5.5"
			FROM: 00-00-00 THRU: 01-05-97
5	105376-01-03A	EA	HINGE-CONTINUOUS-2"X5.5"
			FROM: 01-06-97 THRU: 99-99-99
6	105230-11-G15	EA	SHELF-EXTERIORENTERTAINMENTCENTER-W/OHARDWARE
7	105230-12-G15	EA	SUPPORT-EXTERIORSHELF
8	104898-01-02A	EA	PLATE-PLASTICBOTTOM
9	104898-02-02A	EA	PLATE-PLASTICBOTTOM

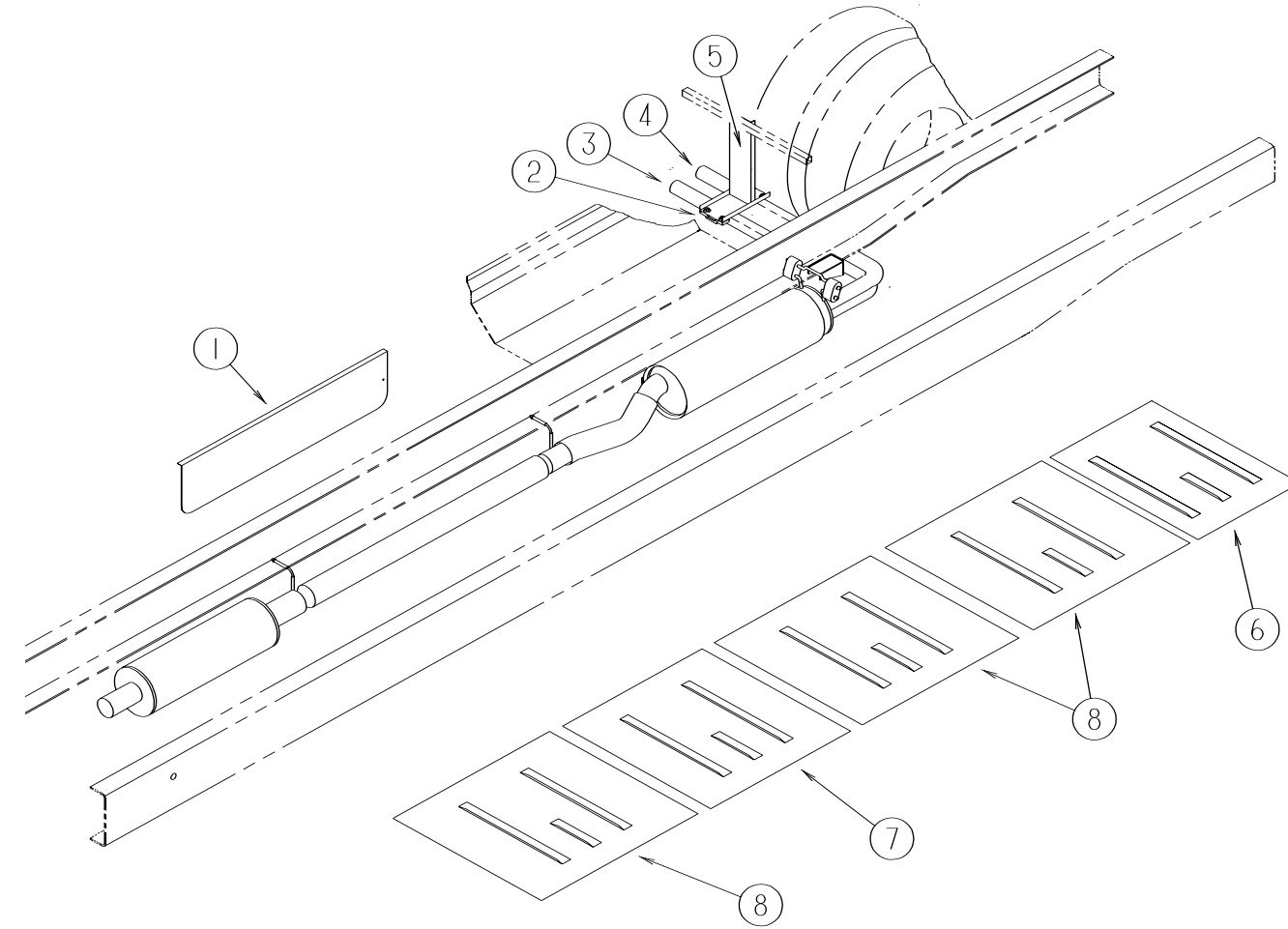
CHASSISGROUP(CONTINUED)



**FORDEXHAUSTSYSTEM
(FROM00-00-00THRU03-27-97)**

KEY	PARTNUMBER	U/M	DESCRIPTION
1	053322-21-000	EA	SHIELD-HEAT-EXHAUST
2	095190-06-000	EA	HANGER-EXHAUST-4"X1.4"
2	096055-06-000	EA	SUPPORT-EXHAUSTPIPE
2	000C26-05-20B	EA	BOLT-HEX-SERRATEDFLANGE-5/16-18X1 1/4-ZINC
3	122242-01-000	EA	PIPE-EXHAUST-TAIL/FRONT-FORD
4	122243-01-000	EA	PIPE-EXHAUST-TAIL/REAR-FORD
5	118000-01-02B	EA	HANGER-TAILPIPE
			FROM: 00-00-00 THRU: 03-04-97
5	118000-02-02B	EA	HANGER-TAILPIPE
			FROM: 03-05-97 THRU: 99-99-99
6	094918-06-000	EA	CLAMP-EXHAUST-3"-HEAVYDUTY
7	101544-01-000	EA	SHIELD-HEAT/EXHAUST-19.7"X29.1"
8	101544-06-000	EA	SHIELD-HEAT/EXHAUST-33.9"X29.1"

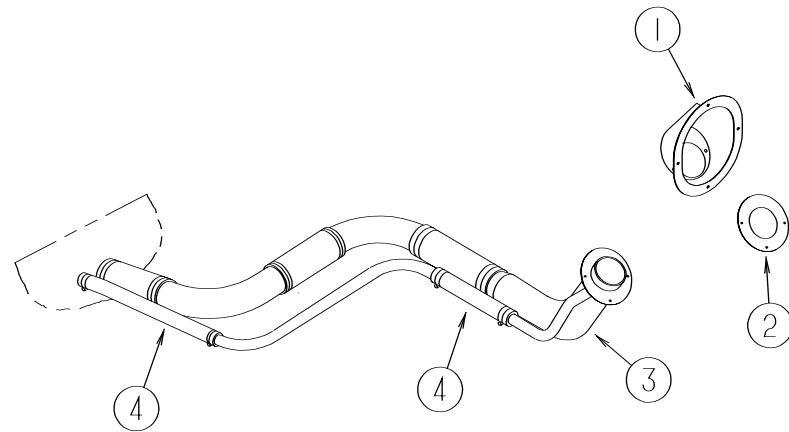
CHASSISGROUP(CONTINUED)



**FORDEXHAUSTSYSTEM
(FROM03-28-97THRU99-99-99)**

KEY	PARTNUMBER	U/M	DESCRIPTION
1	053322-21-000	EA	SHIELD-HEAT-EXHAUST
2	095190-06-000	EA	HANGER-EXHAUST-4"X1.4"
2	096055-06-000	EA	SUPPORT-EXHAUSTPIPE
2	000C26-05-20B	EA	BOLT-HEX-SERRATEDFLANGE-5/16-18X1 1/4-ZINC
3	122242-01-000	EA	PIPE-EXHAUST-TAIL/FRONT-FORD
4	122243-01-000	EA	PIPE-EXHAUST-TAIL/REAR-FORD
5	118000-01-02B	EA	HANGER-TAILPIPE
			FROM: 00-00-00 THRU: 03-04-97
5	118000-02-02B	EA	HANGER-TAILPIPE
			FROM: 03-05-97 THRU: 99-99-99
6	101544-01-000	EA	SHIELD-HEAT/EXHAUST-19.7"X29.1"
7	101544-02-000	EA	SHIELD-HEAT/EXHAUST-30"X29.1"
8	101544-06-000	EA	SHIELD-HEAT/EXHAUST-33.9"X29.1"

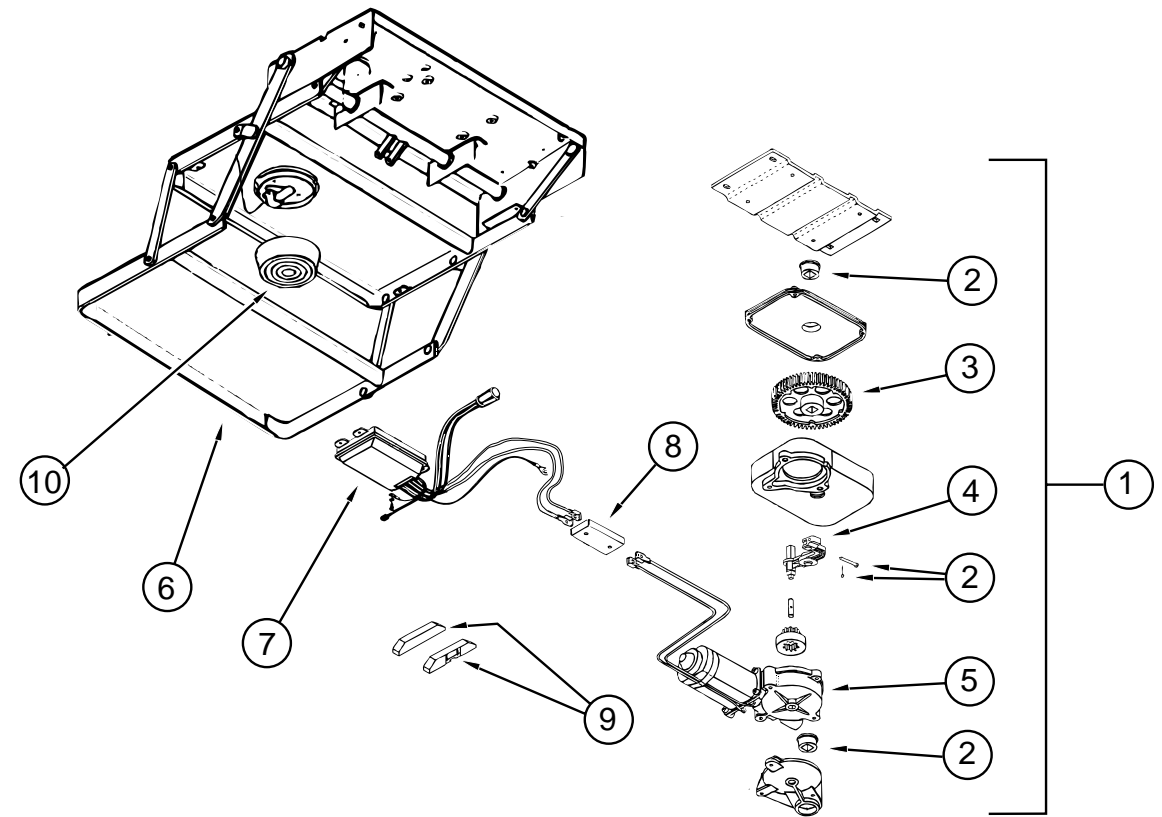
CHASSISGROUP(CONTINUED)



FUELSYSTEM(FORD)

KEY	PARTNUMBER	U/M	DESCRIPTION
1	095854-01-04A	EA	SHROUD-FUELFILL-BRIGHTWHITE
2	078200-01-000	EA	GASKET-FUELFILL-3.5"ODX2"ID
3	095607-01-000	EA	NECK-FUELFILL
4	066732-01-000	FT	HOSE-FUEL .62"ID
	104099-01-000	EA	CLAMP-CLOSED-3/8"ID
	007063-01-000	FT	HOSE-FUEL 1/4"ID X 1/2"OD
	084884-01-000	EA	PLUG-BRASS-3/8"
	007111-02-000	EA	HOSE-FUELFILL-2"ID
	104932-02-000	EA	PANEL-FUELFILL

CHASSISGROUP(CONTINUED)



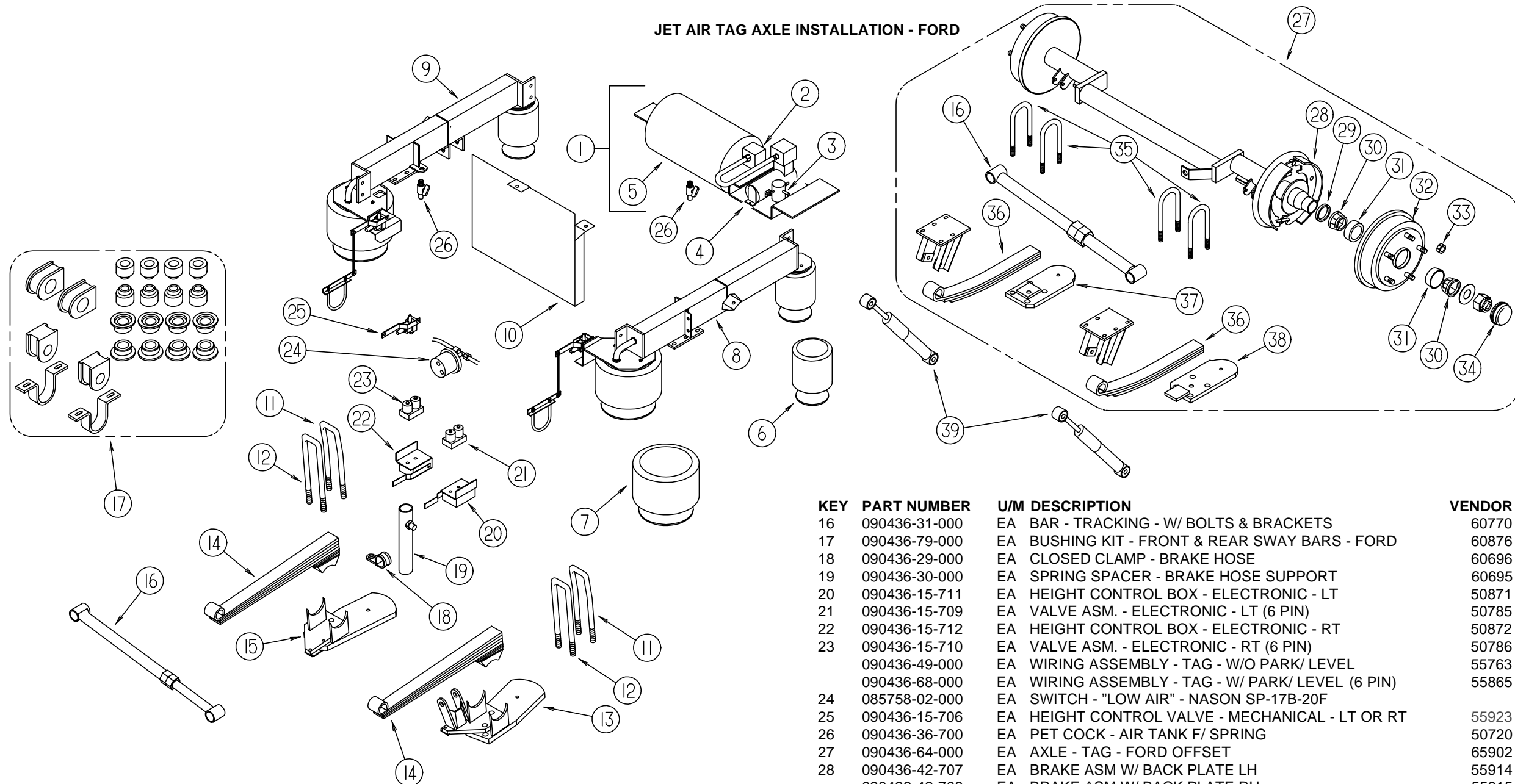
STEPASSEMBLY(3200SERIES)

KEY	PARTNUMBER	U/M	DESCRIPTION	VENDOR NO.
1	094707-01-01A	EA	STEP-DOUBLE-ELECTRIC-KWIKEE	
2	094707-02-703	EA	BEARING&PINS	909530
3	094707-02-702	EA	GEARKIT,W/BEARINGS,PIN-CASE	909525
4	094707-02-701	EA	LINKAGEASM.W/BEARINGS-PINS	909534
5	094707-02-700	EA	MOTORASM.,W/BEARINGS&PINS	909520
6	094707-01-702	EA	FRAMEW/DBLSTEP,3200SERIES	908032
7	094707-02-705	EA	CONTROLUNIT,WHITE	909513
8	094707-02-704	EA	CONNECTOR-MOTORASM.W/PLATES	909537
	094707-02-707	EA	TREAD-NONSKID,BLACK6"X21"	909333
9	116995-01-000	EA	SWITCH/MAGNET-ELECTRICSTEP	
10	088746-01-705	EA	LIGHT-UNDERSTEP	9004
	088733-01-700	EA	BULB	9004
	104452-03-000	EA	SUPPORT-STEP	

FROM: 12-20-96 THRU: 99-99-99

CHASSIS GROUP (CONTINUED)

JET AIR TAG AXLE INSTALLATION - FORD



KEY	PART NUMBER	U/M DESCRIPTION	VENDOR NO.
1	090436-35-000	EA COMPRESSOR & TANK ASM. - SINGLE COMPRESSOR	60703
1	090436-54-000	EA COMPRESSOR & TANK ASM. - DUAL COMPRESSOR	60803
2	090436-07-701	EA SWITCH - AIR PRESSURE	50732
3	090436-07-704	EA SOLENOID - ELECTRONIC	50702
4	090436-07-700	EA COMPRESSOR (ONLY)	50701
5	090436-07-702	EA TANK ONLY - ALL MODELS	50703
	090436-40-000	EA FILTER - AIR INTAKE - COMPRESSOR	50822
6	090436-42-716	EA AIR BAG - TAG AXLE	55930
7	090436-15-704	EA AIR BAG - F53 MAIN AXLE	60752
8	090436-60-000	EA MOUNT - SPRING - LH - W/O PARK/ LEVEL	50752
8	090436-76-000	EA MOUNT - SPRING - LH - W/ PARK/ LEVEL	65853
9	090436-65-000	EA MOUNT - SPRING - RH - W/O PARK/ LEVEL	65858
9	090436-78-000	EA MOUNT - SPRING - RH - W/ PARK/ LEVEL	65855
10	090436-28-000	EA SHIELD - HEAT - FUEL TANK	60697
11	090436-25-000	EA U-BOLT - 1" X 15" - W/ NUTS	60759
12	090436-22-000	EA U-BOLT - 1" X 14" - W/ NUTS	60758
13	090436-20-000	EA MOUNT - SPRING - MAIN AXLE - LOWER LH	60753
14	090436-23-000	EA SPRING - LEAF - MAIN AXLE - SEMI F53 FORD	60762
15	090436-21-000	EA MOUNT - SPRING - MAIN AXLE - LOWER RH	60754

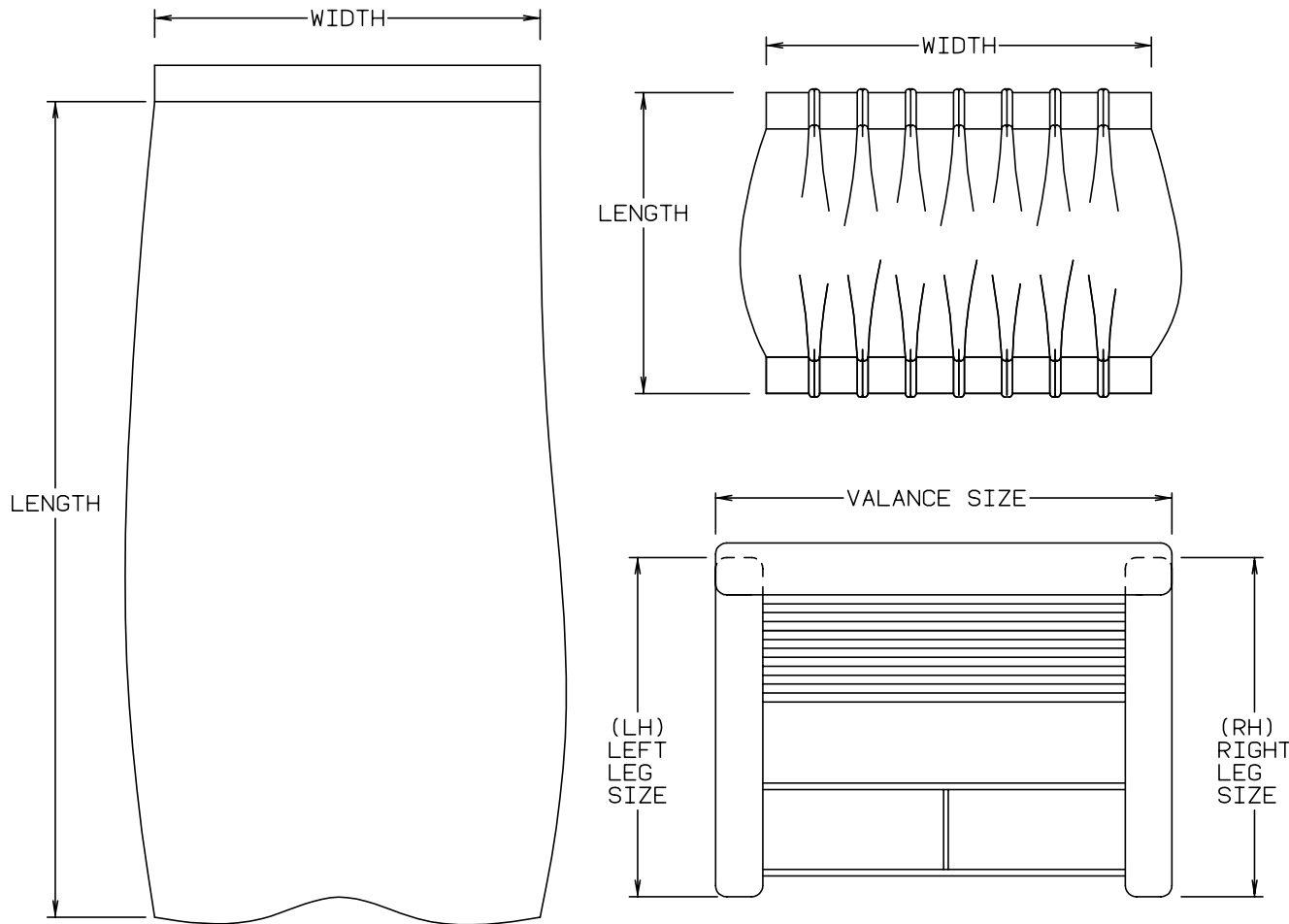
KEY	PART NUMBER	U/M DESCRIPTION	VENDOR NO.
16	090436-31-000	EA BAR - TRACKING - W/ BOLTS & BRACKETS	60770
17	090436-79-000	EA BUSHING KIT - FRONT & REAR SWAY BARS - FORD	60876
18	090436-29-000	EA CLOSED CLAMP - BRAKE HOSE	60696
19	090436-30-000	EA SPRING SPACER - BRAKE HOSE SUPPORT	60695
20	090436-15-711	EA HEIGHT CONTROL BOX - ELECTRONIC - LT	50871
21	090436-15-709	EA VALVE ASM. - ELECTRONIC - LT (6 PIN)	50785
22	090436-15-712	EA HEIGHT CONTROL BOX - ELECTRONIC - RT	50872
23	090436-15-710	EA VALVE ASM. - ELECTRONIC - RT (6 PIN)	50786
	090436-49-000	EA WIRING ASSEMBLY - TAG - W/O PARK/ LEVEL	55763
	090436-68-000	EA WIRING ASSEMBLY - TAG - W/ PARK/ LEVEL (6 PIN)	55865
24	085758-02-000	EA SWITCH - "LOW AIR" - NASON SP-17B-20F	
25	090436-15-706	EA HEIGHT CONTROL VALVE - MECHANICAL - LT OR RT	55923
26	090436-36-700	EA PET COCK - AIR TANK F/ SPRING	50720
27	090436-64-000	EA AXLE - TAG - FORD OFFSET	65902
28	090436-42-707	EA BRAKE ASM W/ BACK PLATE LH	55914
	090436-42-708	EA BRAKE ASM W/ BACK PLATE RH	55915
29	090436-42-706	EA GREASE SEAL - TAG AXLE	55913
30	090436-42-704	EA WHEEL BEARING - TAG AXLE	55911
31	090436-42-705	EA RACE - WHEEL BRG TAG AXLE	55912
32	090436-59-702	EA HUB & DRUM ASM - FORD TAG AXLE	65907
33	077043-03-000	EA LUG NUTS - FORD TAG AXLE	
	090436-59-701	EA WHEEL STUD - FORD TAG AXLE	65906
34	090436-59-703	EA DUST CAP - FORD TAG AXLE	65908
35	090436-42-711	EA U-BOLT - 7/8" X 8" TAG AXLE SPRING	55918
36	090436-59-706	EA LEAF SPRING - FORD TAG AXLE	65919
37	090436-59-705	EA SPRING HOLDER - RH LOWER - FORD	65917
38	090436-59-704	EA SPRING HOLDER - LH LOWER - FORD	65916
39	090436-42-714	EA SHOCK ABSORBER - TAG AXLE	55924
	085759-01-000	EA LIGHT - WARNING - "LOW AIR" - HENSCHEN	510633
	090436-42-715	EA BRAKE CONTROLLER - TAG AXLE	55928
	061673-01-000	EA CLAMP - MOTOR AID	
	077043-03-000	EA NUT - WHEEL 9/16-18 2 PC	
	000C12-07-20B	EA BOLT - HEX - 7/16-14 X 11/4 ZINC	
	000D39-06-00B	EA NUT - HEX - SERRATED FLANGE LOCK 3/8-16 ZINC	
	000D39-08-00B	EA NUT - HEX - SERRATED FLANGE LOCK 1/2-13 ZINC	
	000G39-10-12B	EA SCREW - SF/DR -10-16 X .75 PPH ZINC	

CURTAIN & CUSHION GROUP

NOTICE

IN ORDER TO ASSIST OUR PARTS SALES DEPT. IN PROVIDING INTERIOR SOFTGOODS ITEMS, PLEASE INCLUDE THE SERIAL NUMBER AND THE COLOR CODE NUMBER FROM THE VEHICLE CERTIFICATION LABEL WHEN ORDERING. THIS LABEL IS LOCATED ON THE LEFT SIDEWALL AT THE END OF THE DASH (A-BODY), OR ON THE DRIVER'S DOOR LATCH PLATE (C-BODY).

AN EXAMPLE OF A COLOR CODE NUMBER IS B07, WHICH DESIGNATES AN OVERALL COLOR SCHEME OF A PARTICULAR UNIT. THE COLOR LISTED AFTER THE ITEM DESCRIPTION ON THE MICROFICHE, INDICATES THE OVERALL UNIT COLOR. ORDER THE ITEM YOU DESIRE ACCORDING TO UNIT COLOR CODE.



NOTE: USE THIS ILLUSTRATION WHEN DETERMINING LENGTH AND WIDTH MEASUREMENTS FOR CURTAINS. YOU WILL NOTE THE WIDTH MEASUREMENT IS TAKEN ON THE TOP OF THE CURTAIN WITH THE CURTAIN FULLY EXTENDED. THE LENGTH MEASUREMENT IS TAKEN FROM TOP TO BOTTOM. LEFT AND RIGHT WINDOW LEGS ARE DETERMINED WHEN FACING THE WINDOW.

CURTAIN & CUSHION GROUP (CONTINUED)

ADVENTURER FABRICS					
COLOR CODES	H17	H18	H19	H40	H41
MARKETING COLORS	BOTANICAL (GREEN)	NORTH SHORE (TAUPE)	ZEPHYR (BLUE)	OAKLEAF (TAUPE)	EASTON (SAGE)
MAIN PLAIN	108446-F8-000	108446-N0-000	108446-M3-000	108446-P0-000	108446-P1-000
ACCENT	108446-G0-000	108446-J4-000	108446-M4-000	108446-R2-000	108446-P2-000
PATTERN ACCENT	108446-G1-000	108446-J3-000	108446-M4-000	108446-R2-000	108446-P2-000
BUCKET SEAT	108446-G0-000	108446-J4-000	108446-M4-000	108446-R2-000	108446-P2-000
DINETTE	108446-F8-000	108446-N0-000	108446-M3-000	108446-P0-000	108446-P1-000
DINETTE PAD	108446-G0-000	108446-J4-000	108446-M4-000	108446-R2-000	108446-P2-000
DINETTE SWIVEL CHAIR	108446-G1-000	108446-J3-000	108446-M4-000	108446-R2-000	108446-P2-000
SOFA	108446-F8-000	108446-N0-000	108446-M3-000	108446-P0-000	108446-P1-000
RECLINER CHAIR	108446-G1-000	108446-J3-000	108446-M4-000	108446-R2-000	108446-P2-000
LOUNGE WINDOW VALANCE	108446-F8-000	108446-N0-000	108446-M3-000	108446-P0-000	108446-P1-000
LOUNGE WINDOW LEGS	108446-G1-000	108446-J3-000	108446-M4-000	108446-R2-000	108446-P2-000
BEDSPREAD MAIN	105745-B0-000	105745-C5-000	105745-D9-000	105745-F0-000	105745-C6-000
BEDSPREAD ACCENT	105745-B2-000	105745-C6-000	105745-64-000	105745-E7-000	105745-F1-000
BEDSPREAD TRIM	084415-70-000	084415-72-000	084415-82-000	084415-83-000	084415-83-000
BEDROOM WINDOW VALANCE	105745-B0-000	105745-C5-000	105745-D9-000	105745-F0-000	105745-C6-000
BEDROOM WINDOW LEGS	105745-B2-000	105745-C6-000	105745-64-000	105745-E7-000	105745-F1-000
LOUNGE PILLOW TRIM BRAID	108446-B2-000 084415-70-000	108446-C6-000 084415-72-000	108446-64-000 084415-82-000	108446-E7-000 084415-83-000	108446-F1-000 084415-84-000
MAP POCKETS	108446-G1-000	108446-J3-000	108446-M4-000	108446-R2-000	108446-P2-000
FRONT WRAP AROUND	072333-85-000	072333-85-000	072333-85-000	072333-85-000	072333-85-000
CEILING	113979-01-99A	113979-01-99A	113979-01-99A	113979-01-99A	113979-01-99A

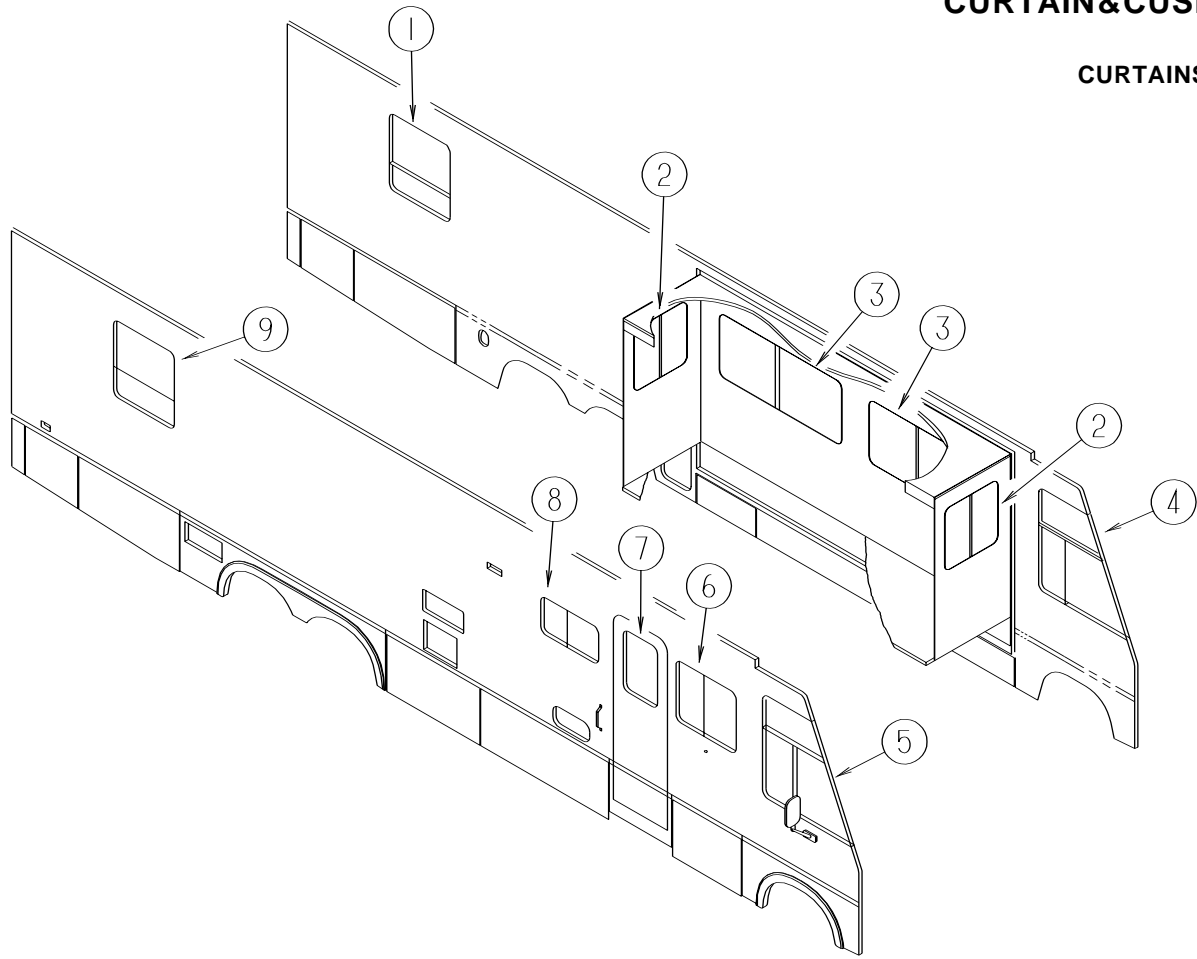
NOTE: THE FABRIC LISTED FIRST, IN A BLOCK, IS THE LARGEST QUANTITY OF FABRIC USED

ASSIST HANDLE, SEAT BELTS & BUTTONS

KEY	PART NUMBER	U/M	DESCRIPTION
	069178-02-000	EA	BRACKET - MOUNTING/ASSIST HANDLE
	000C16-07-16B	EA	BOLT - CARRIAGE - ASSIST HANDLE - 7/16" - 14 X 1"
	000D20-07-00B	EA	NUT - ACORN - ASSIST HANDLE - 7/16 - 14
	053552-02-AA8	EA	HANDLE - ASSIST - INTERIOR/ENTRY DOOR - VINYL/OFF WHITE
	070578-02-B29	EA	BUTTON - SCREW - STUD - #30 VINYL
	079349-04-H17	YD	WELT - NARROW
	079349-04-H18	YD	WELT - NARROW
	079349-04-H19	YD	WELT - NARROW
	007021-01-000	EA	SEAT BELT - 2" X 90" - BLACK
	057759-01-000	EA	WASHER BRACKET - SEAT BELT - 4" DIAMETER

CURTAIN&CUSHIONGROUP(CONTINUED)

CURTAINS&WINDOWTREATMENT

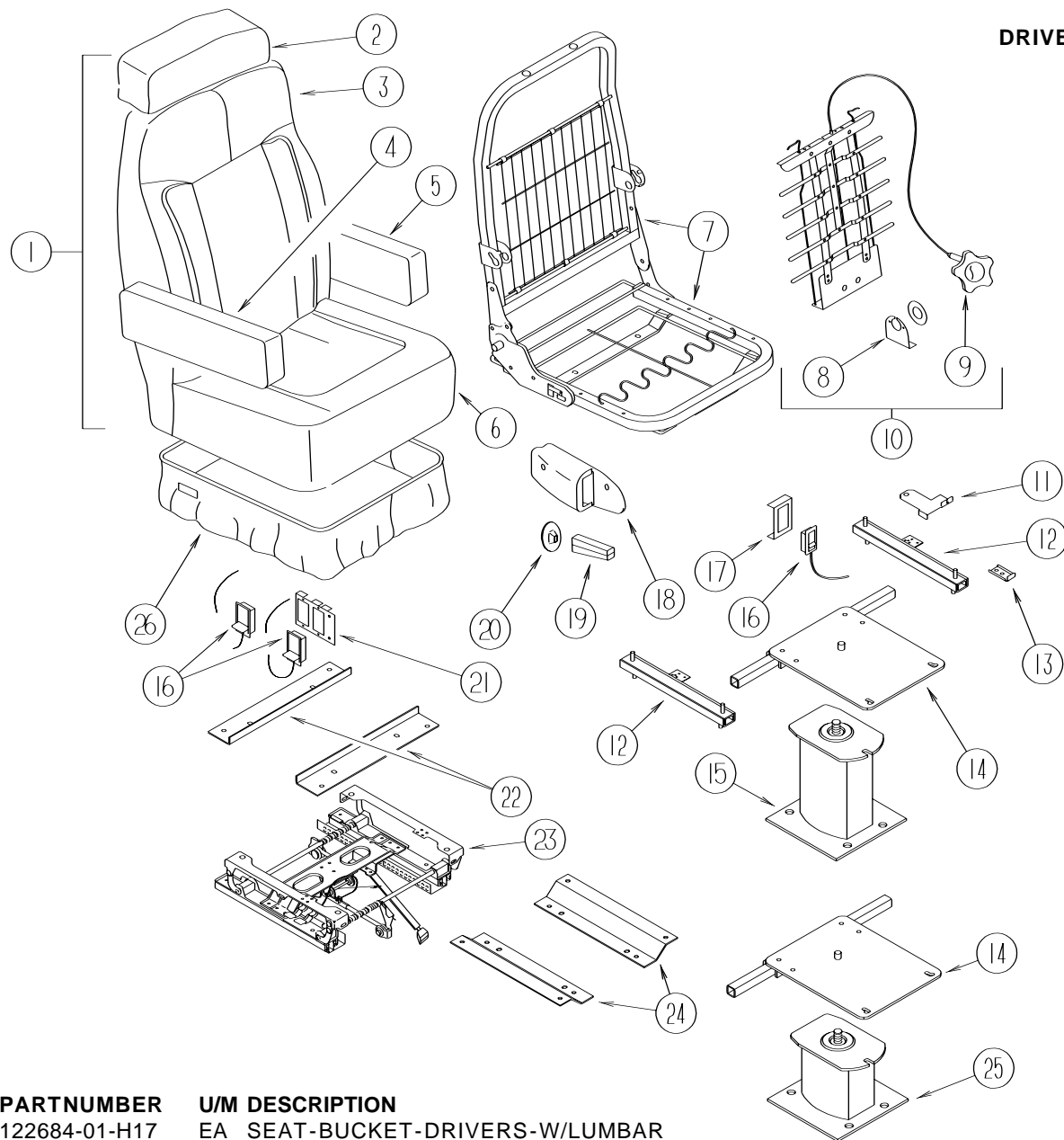


KEY	PARTNUMBER	U/M	DESCRIPTION
1	119262-53-H17	EA	VALANCE-MONACO-34"(H17)
1	119138-28-H18	EA	VALANCE-BELLINI-34"(H18)
1	119138-28-H19	EA	VALANCE-BELLINI-34"(H19)
1	119262-53-H23	EA	VALANCE-34"MONACO(H40)
1	119138-28-H41	EA	VALANCE-BELLINI-34"(H41)
1	119333-21-G07	EA	LEG-RIGHT-34"(H17)
1	119333-21-H18	EA	LEG-RIGHT-34"(H18)
1	119333-21-H19	EA	LEG-RIGHT-34"(H19)
1	119333-21-H23	EA	LEG-RIGHT-34"(H40)
1	119333-21-H25	EA	LEG-RIGHT-34"(H41)
1	119333-22-G07	EA	LEG-LEFT-34"(H17)
1	119333-22-H18	EA	LEG-LEFT-34"(H18)
1	119333-22-H19	EA	LEG-LEFT-34"(H19)
1	119333-22-H23	EA	LEG-LEFT-34"(H40)
1	119333-22-H25	EA	LEG-LEFT-34"(H41)
1	109802-50-H17	EA	BLIND-PLEATED,29"X37"
2	121410-06-G15	EA	VALANCE-MODERATE-29"(H17)
2	121410-03-GV7	EA	VALANCE-MODERATE-29"(H18)
2	121410-03-H19	EA	VALANCE-MODERATE-29"(H19)
2	121410-06-H23	EA	VALANCE-MODERATE-29"(H40)
2	121410-03-H25	EA	VALANCE-MODERATE-29"(H41)
2	119333-01-G15	EA	LEG-RIGHT-25"(H17)
2	119333-01-G37	EA	LEG-RIGHT-25"(H18)
2	119333-01-H19	EA	LEG-RIGHT-25"(H19)
2	119333-01-H23	EA	LEG-RIGHT-25"(H40)
2	119333-01-H25	EA	LEG-RIGHT-25"(H41)
2	119333-02-G15	EA	LEG-LEFT-25"(H17)
2	119333-02-G37	EA	LEG-LEFT-25"(H18)
2	119333-02-H19	EA	LEG-LEFT-25"(H19)
2	119333-02-H23	EA	LEG-LEFT-25"(H40)
2	119333-02-H25	EA	LEG-LEFT-25"(H41)
2	109802-49-G35	EA	BLIND-PLEATED-26"X27"

KEY	PARTNUMBER	U/M	DESCRIPTION
3	121410-04-G15	EA	VALANCE-MODERATE-62"(H17)
3	121410-01-GV7	EA	VALANCE-MODERATE-62"(H18)
3	121410-01-H19	EA	VALANCE-MODERATE-62"(H19)
3	121410-04-H23	EA	VALANCE-MODERATE-62"(H40)
3	121410-01-H25	EA	VALANCE-MODERATE-62"(H41)
3	119333-01-G15	EA	LEG-RIGHT-25"(H17)
3	119333-01-G37	EA	LEG-RIGHT-25"(H18)
3	119333-01-H19	EA	LEG-RIGHT-25"(H19)
3	119333-01-H23	EA	LEG-RIGHT-25"(H40)
3	119333-01-H25	EA	LEG-RIGHT-25"(H41)
3	119333-02-G15	EA	LEG-LEFT-25"(H17)
3	119333-02-G37	EA	LEG-LEFT-25"(H18)
3	119333-02-H19	EA	LEG-LEFT-25"(H19)
3	119333-02-H23	EA	LEG-LEFT-25"(H40)
3	119333-02-H25	EA	LEG-LEFT-25"(H41)
3	109802-48-G35	EA	BLIND-PLEATED-59"X26.5"
4	101668-46-E91	EA	CURTAIN-LEFT-48"X95"
4	084755-98-000	EA	SHADE-PULL-23.8"X60"
4	073260-42-C18	EA	TIEBACK-6"X18"
5	101668-45-E91	EA	CURTAIN-RIGHT-48"X95"
5	084755-98-000	EA	SHADE-PULL-23.8"X60"
5	073260-42-C18	EA	TIEBACK-6"X18"
6	121410-05-G15	EA	VALANCE-MODERATE-34.5"(H17)
6	121410-02-GV7	EA	VALANCE-MODERATE-34.5"(H18)
6	121410-02-H19	EA	VALANCE-MODERATE-34.5"(H19)
6	121410-05-H40	EA	VALANCE-MODERATE-34.5"(H40)
6	121410-02-H25	EA	VALANCE-MODERATE-34.5"(H41)
6	119333-01-G15	EA	LEG-RIGHT-25"(H17)
6	119333-01-G37	EA	LEG-RIGHT-25"(H18)
6	119333-01-H19	EA	LEG-RIGHT-25"(H19)
6	119333-01-H23	EA	LEG-RIGHT-25"(H40)
6	119333-01-H25	EA	LEG-RIGHT-25"(H41)
6	119333-02-G15	EA	LEG-LEFT-25"(H17)
6	119333-02-G37	EA	LEG-LEFT-25"(H18)
6	119333-02-H19	EA	LEG-LEFT-25"(H19)
6	119333-02-H23	EA	LEG-LEFT-25"(H40)
6	119333-02-H25	EA	LEG-LEFT-25"(H41)
6	109802-11-G15	EA	BLIND-PLEATED-29"X28.5"
7	119262-36-G15	EA	VALANCE-MONACO-31"(H17)
7	121410-17-H18	EA	VALANCE-MODERATE-31"(H18)
7	121410-17-H19	EA	VALANCE-MODERATE-31"(H19)
7	121410-16-H23	EA	VALANCE-MODERATE-31"(H40)
7	121410-17-H25	EA	VALANCE-MODERATE-31"(H41)
7	084755-57-E07	EA	SHADE-PULL-27.25"
8	109041-44-02A	EA	BLIND-MINI-30.5"X18"
9	119262-58-H17	EA	VALANCE-MONACO-34"(H17)
9	119138-33-H18	EA	VALANCE-BELLINI-34"(H18)
9	119262-33-H19	EA	VALANCE-BELLINI-34"(H19)
9	119262-58-H40	EA	VALANCE-MONACO-34"(H40)
9	119262-33-H41	EA	VALANCE-BELLINI-34"(H41)
9	123910-01-H17	EA	LEG-RIGHTHAND-34"
9	123910-01-H18	EA	LEG-RIGHTHAND-34"
9	123910-01-H19	EA	LEG-RIGHTHAND-34"
9	123910-01-H40	EA	LEG-RIGHTHAND-34"
9	123910-01-H41	EA	LEG-RIGHTHAND-34"
9	123910-02-H17	EA	LEG-LEFTHAND-34"
9	123910-02-H18	EA	LEG-LEFTHAND-34"
9	123910-02-H19	EA	LEG-LEFTHAND-34"
9	123910-02-H40	EA	LEG-LEFTHAND-34"
9	123910-02-H41	EA	LEG-LEFTHAND-34"
9	109802-50-H17	EA	BLIND-PLEATED-29"X37"

CURTAIN&CUSHIONGROUP(CONTINUED)

DRIVERBUCKETSEAT

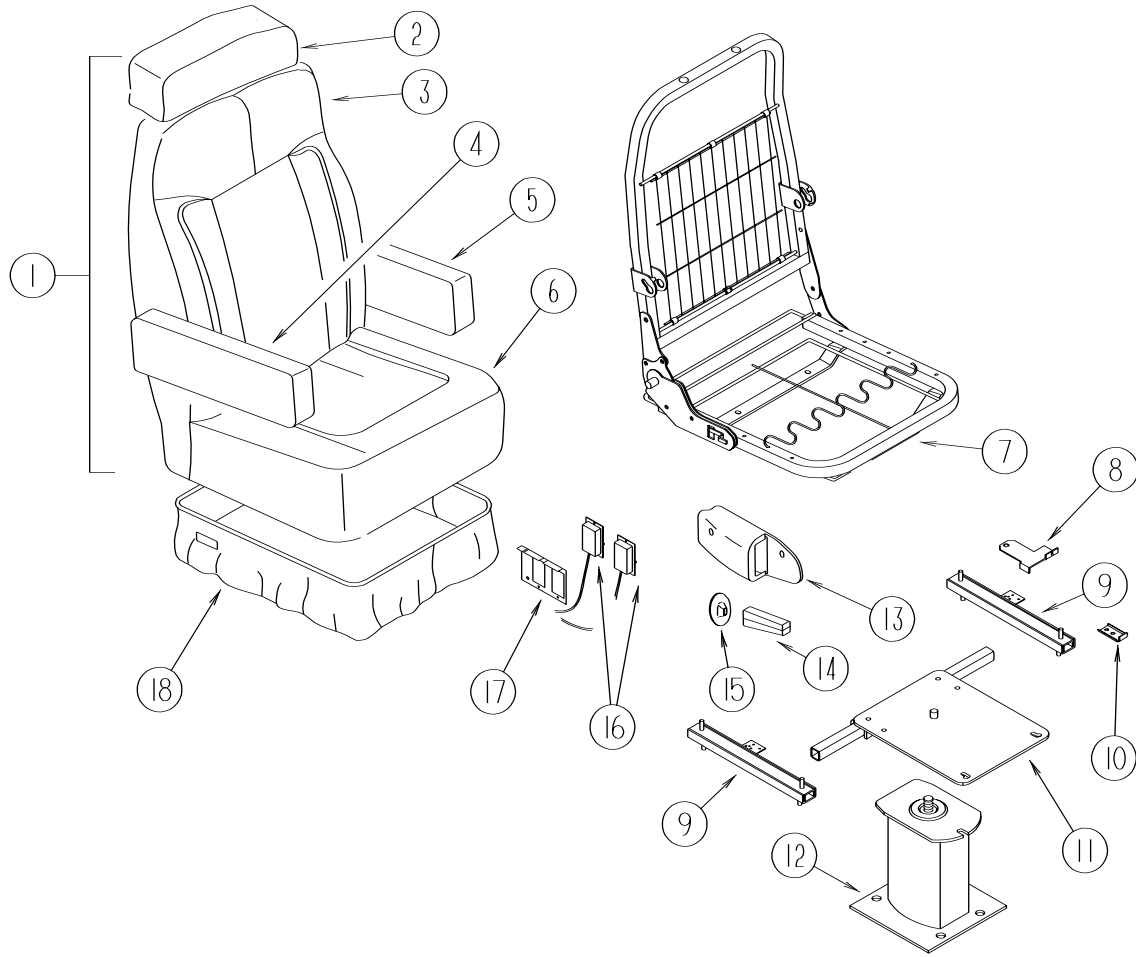


KEY	PARTNUMBER	U/M	DESCRIPTION
1	122684-01-H17	EA	SEAT-BUCKET-DRIVERS-W/LUMBAR
1	122684-01-H18	EA	SEAT-BUCKET-DRIVERS-W/LUMBAR
1	122684-01-H19	EA	SEAT-BUCKET-DRIVERS-W/LUMBAR
1	122738-01-H40	EA	SEAT-BUCKET-DRIVER-W/LUMBAR/HEADREST/ARMRESTS
1	122738-01-H41	EA	SEAT-BUCKET-DRIVER-W/LUMBAR/HEADREST/ARMRESTS
2	119509-01-G07	EA	HEADREST-BUCKETSEAT(H17)
2	119509-01-H18	EA	HEADREST-BUCKETSEAT(H18)
2	119509-01-H19	EA	HEADREST-BUCKETSEAT(H19)
2	119509-01-H23	EA	HEADREST-BUCKETSEAT(H40)
2	119509-01-H25	EA	HEADREST-BUCKETSEAT(H41)
2	P19509-01-G07	EA	COVER-HEADREST(H17)
2	P19509-01-H18	EA	COVER-HEADREST(H18)
2	P19509-01-H19	EA	COVER-HEADREST(H19)
2	P19509-01-H23	EA	COVER-HEADREST(H40)
2	P19509-01-H25	EA	COVER-HEADREST(H41)
	113977-12-000	EA	HEADRESTINSERT-W/OLOCK
	113977-13-000	EA	HEADRESTINSERT-W/LOCK
	114791-03-000	EA	FRAME-HEADREST
3	M05962-39-H17	EA	COVER-BACK(H17)
3	M05962-39-H18	EA	COVER-BACK(H18)
3	M05962-39-H19	EA	COVER-BACK(H19)
3	M05962-37-H23	EA	COVER-BACK(H40)
3	M05962-37-H25	EA	COVER-BACK(H41)

KEY	PARTNUMBER	U/M	DESCRIPTION	VENDORNO.
4	122780-01-H17	EA	ARMREST-RIGHTHAND(H17)	
4	122780-01-H18	EA	ARMREST-RIGHTHAND(H18)	
4	122780-01-H19	EA	ARMREST-RIGHTHAND(H19)	
4	122780-01-H23	EA	ARMREST-RIGHTHAND(H40)	
4	122780-01-H41	EA	ARMREST-RIGHTHAND(H41)	
4	P22780-01-H17	EA	COVER-ARMREST-RIGHTHAND(H17)	
4	P22780-01-H18	EA	COVER-ARMREST-RIGHTHAND(H18)	
4	P22780-01-H19	EA	COVER-ARMREST-RIGHTHAND(H19)	
4	P22780-01-H23	EA	COVER-ARMREST-RIGHTHAND(H40)	
4	P22780-01-H41	EA	COVER-ARMREST-RIGHTHAND(H41)	
4	115617-03-000	EA	ARMREST-W/OCOVER-RIGHTHAND	
5	122780-02-H17	EA	ARMREST-LEFTHAND(H17)	
5	122780-02-H18	EA	ARMREST-LEFTHAND(H18)	
5	122780-02-H19	EA	ARMREST-LEFTHAND(H19)	
5	122780-02-H54	EA	ARMREST-LEFTHAND(H40)	
5	122780-02-H25	EA	ARMREST-LEFTHAND(H41)	
5	P22780-02-H17	EA	COVER-ARMREST-LEFTHAND(H17)	
5	P22780-02-H18	EA	COVER-ARMREST-LEFTHAND(H18)	
5	P22780-02-H19	EA	COVER-ARMREST-LEFTHAND(H19)	
5	P22780-02-H54	EA	COVER-ARMREST-LEFTHAND(H40)	
5	P22780-02-H25	EA	COVER-ARMREST-LEFTHAND(H41)	
5	115617-04-000	EA	ARMREST-W/OCOVER-LEFTHAND	
6	M05962-40-H17	EA	COVER-SEAT(H17)	
6	M05962-40-H18	EA	COVER-SEAT(H18)	
6	M05962-40-H19	EA	COVER-SEAT(H19)	
6	M05962-38-H23	EA	COVER-SEAT(H40)	
6	M05962-38-H25	EA	COVER-SEAT(H41)	
7	122695-01-01B	EA	FRAME-SEAT/BACK	
8	122611-01-702	EA	LUMBAR-BRACKET	157C-90
	122611-01-703	EA	LUMBAR-SCREW	210
9	122611-01-701	EA	LUMBAR-KNOB	218
10	122611-01-000	EA	LUMBAR	
11	117125-01-02B	EA	BRACKET-CABLEMOUNT-ADJUSTERW/LOCK	
12	119952-06-000	EA	SLIDE/SEAT-HEAVYDUTYLOCKING-4STUDS	
	119952-07-000	EA	WIRE-LATCHRELEASE/ROTARY	
13	114889-01-000	EA	STOPBAR-UNIVERSAL	
14	107921-05-000	EA	PLATE-TOP-W/SEATBELTBAR	
	107921-06-000	EA	BEARINGKIT-PEDESTAL	
15	107921-01-000	EA	PEDESTAL/FLOORMOUNTED-W/9.75"EXTENSION	
16	108049-03-000	EA	CABLE/CONTROL25.5"SHEATH/28.5"CABLEW/DOGLEG	
	108049-02-000	EA	CLIP-CABLE/PEDESTAL	
17	097683-03-000	EA	BRACKET-REMOTE/SIDEMOUNT-SINGLE	
18	080730-09-000	EA	SHIELD-RECLINERHANDLE	
19	080730-08-000	EA	HANDLE-RECLINER	
20	080730-11-000	EA	SHIELD-RUBBERBOOT	
21	097683-02-000	EA	BRACKET-REMOTE/SIDEMOUNT-DOUBLE	
22	116215-02-000	EA	PLATE-UPPER-6-WAYMANUALCONTROL	
	007221-01-000	EA	SPACER-SEAT/ADJUSTER	
23	116215-01-000	EA	PLATE-UPPERPEDESTAL-6-WAYMANUAL-DRIVER	
24	116215-03-000	EA	PLATE-LOWER-6-WAYMANUALCONTROL	
25	107921-07-000	EA	PEDESTALBASE-POWER	
26	071126-58-H17	EA	SKIRT-SINGLE-10.5"-W/SEATBELTSLOT-BUCKET	
26	071126-58-H18	EA	SKIRT-SINGLE-10.5"-W/SEATBELTSLOT-BUCKET	
26	071126-58-H19	EA	SKIRT-SINGLE-10.5"-W/SEATBELTSLOT-BUCKET	
26	071126-59-H40	EA	SKIRT-SINGLE-10.5"-W/SEATBELTSLOT	
26	071126-59-H41	EA	SKIRT-SINGLE-10.5"-W/SEATBELTSLOT	
26	071126-60-H17	EA	SKIRT-SINGLE-10.5"-6WAY-MANUAL(H17)	
26	071126-60-H18	EA	SKIRT-SINGLE-10.5"-6WAY-MANUAL(H18)	
26	071126-60-H19	EA	SKIRT-SINGLE-10.5"-6WAY-MANUAL(H19)	
26	071126-61-H40	EA	SKIRT-SINGLE-10.5"-6WAY-MANUAL(H40)	
26	071126-61-H25	EA	SKIRT-SINGLE-10.5"-6WAY-MANUAL(H41)	

CURTAIN&CUSHIONGROUP(CONTINUED)

PASSENGER BUCKET SEAT

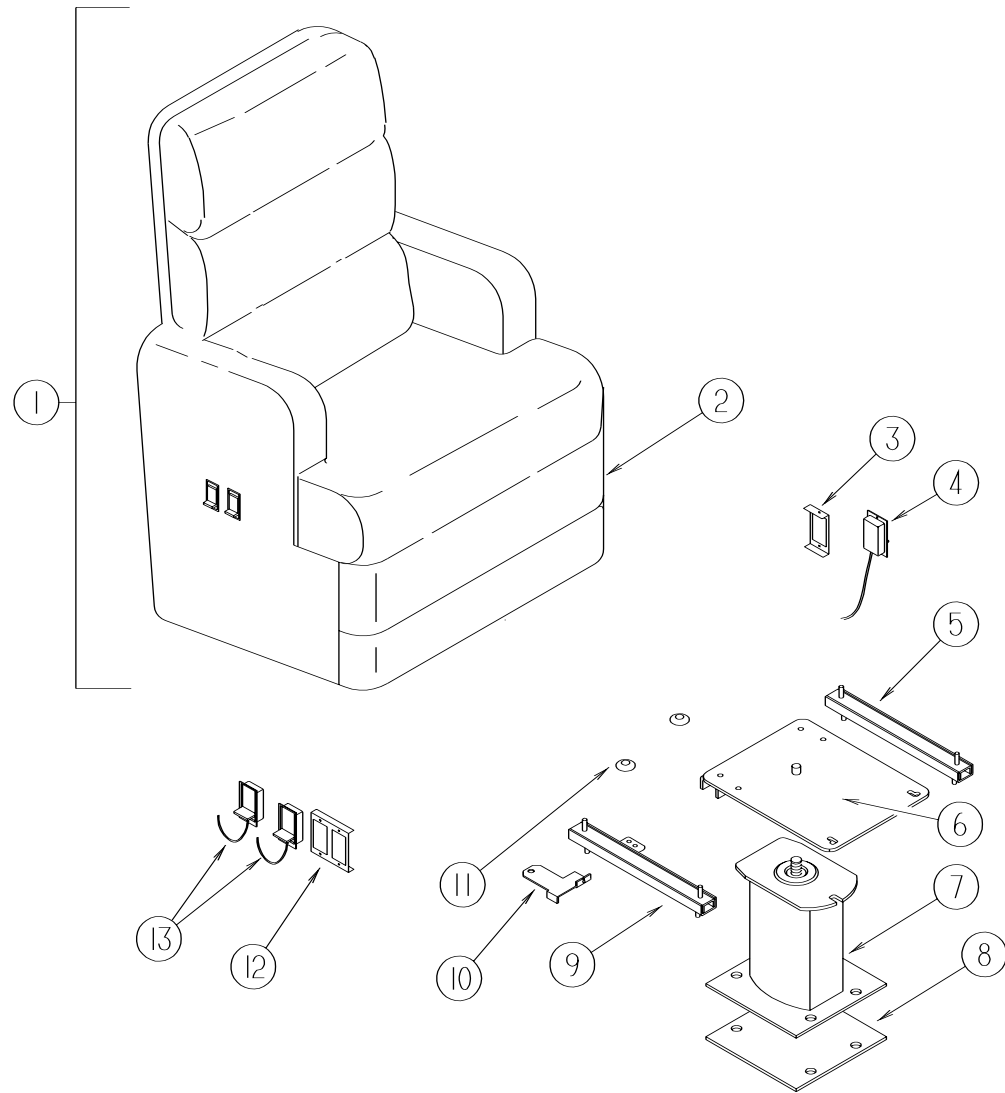


KEY	PARTNUMBER	U/M	DESCRIPTION
1	122684-02-H17	EA	SEAT-BUCKET-PASSENGER
1	122684-02-H18	EA	SEAT-BUCKET-PASSENGER
1	122684-02-H19	EA	SEAT-BUCKET-PASSENGER
1	122738-02-H40	EA	SEAT-BUCKET-PASSENGER/WIDE-W/HEADREST/ARMRESTS
1	122738-02-H41	EA	SEAT-BUCKET-PASSENGER/WIDE-W/HEADREST/ARMRESTS
2	119509-01-G07	EA	HEADREST-BUCKETSEAT(H17)
2	119509-01-H18	EA	HEADREST-BUCKETSEAT(H18)
2	119509-01-H19	EA	HEADREST-BUCKETSEAT(H19)
2	119509-01-H23	EA	HEADREST-BUCKETSEAT(H40)
2	119509-01-H25	EA	HEADREST-BUCKETSEAT(H41)
2	P19509-01-G07	EA	COVER-HEADREST(H17)
2	P19509-01-H18	EA	COVER-HEADREST(H18)
2	P19509-01-H19	EA	COVER-HEADREST(H19)
2	P19509-01-H23	EA	COVER-HEADREST(H40)
2	P19509-01-H25	EA	COVER-HEADREST(H41)
	113977-12-000	EA	HEADRESTINSERT-W/OLOCK
	113977-13-000	EA	HEADRESTINSERT-W/LOCK
	114791-03-000	EA	FRAME-HEADREST
3	M05962-39-H17	EA	COVER-BACK(H17)
3	M05962-39-H18	EA	COVER-BACK(H18)
3	M05962-39-H19	EA	COVER-BACK(H19)
3	M05962-37-H23	EA	COVER-BACK(H40)
3	M05962-37-H25	EA	COVER-BACK(H41)

KEY	PARTNUMBER	U/M	DESCRIPTION
4	122780-01-H17	EA	ARMREST-RIGHTHAND(H17)
4	122780-01-H18	EA	ARMREST-RIGHTHAND(H18)
4	122780-01-H19	EA	ARMREST-RIGHTHAND(H19)
4	122780-01-H23	EA	ARMREST-RIGHTHAND(H40)
4	122780-01-H41	EA	ARMREST-RIGHTHAND(H41)
4	P22780-01-H17	EA	COVER-ARMREST-RIGHTHAND(H17)
4	P22780-01-H18	EA	COVER-ARMREST-RIGHTHAND(H18)
4	P22780-01-H19	EA	COVER-ARMREST-RIGHTHAND(H19)
4	P22780-01-H23	EA	COVER-ARMREST-RIGHTHAND(H40)
4	P22780-01-H41	EA	COVER-ARMREST-RIGHTHAND(H41)
4	115617-03-000	EA	ARMREST-W/OCOVER-RIGHTHAND
5	122780-02-H17	EA	ARMREST-LEFTHAND(H17)
5	122780-02-H18	EA	ARMREST-LEFTHAND(H18)
5	122780-02-H19	EA	ARMREST-LEFTHAND(H19)
5	122780-02-H54	EA	ARMREST-LEFTHAND(H40)
5	122780-02-H25	EA	ARMREST-LEFTHAND(H41)
5	P22780-02-H17	EA	COVER-ARMREST-LEFTHAND(H17)
5	P22780-02-H18	EA	COVER-ARMREST-LEFTHAND(H18)
5	P22780-02-H19	EA	COVER-ARMREST-LEFTHAND(H19)
5	P22780-02-H54	EA	COVER-ARMREST-LEFTHAND(H40)
5	P22780-02-H25	EA	COVER-ARMREST-LEFTHAND(H41)
5	115617-04-000	EA	ARMREST-W/OCOVER-LEFTHAND
6	M05962-40-H17	EA	COVER-SEAT(H17)
6	M05962-40-H18	EA	COVER-SEAT(H18)
6	M05962-40-H19	EA	COVER-SEAT(H19)
6	M05962-38-H23	EA	COVER-SEAT(H40)
6	M05962-38-H25	EA	COVER-SEAT(H41)
7	122695-01-01B	EA	FRAME-SEAT/BACK
8	117125-01-02B	EA	BRACKET-CABLEMOUNT-ADJUSTERW/LOCK
9	119952-06-000	EA	SLIDE/SEAT-HEAVYDUTYLOCKING-4STUDS
	119952-07-000	EA	WIRE-LATCHRELEASE/ROTARY
10	114889-01-000	EA	STOPBAR-UNIVERSAL
11	107921-05-000	EA	PLATE-TOP-W/SEATBELTBAR
	107921-06-000	EA	BEARINGKIT-PEDESTAL
12	107921-01-000	EA	PEDESTAL/FLOORMOUNTED-W/9.75"EXTENSION
13	080730-09-000	EA	SHIELD-RECLINERHANDLE
14	080730-08-000	EA	HANDLE-RECLINER
15	080730-11-000	EA	SHIELD-RUBBERBOOT
16	108049-03-000	EA	CABLE/CONTROL25.5"SHEATH/28.5"CABLEW/DOGLEG
	108049-02-000	EA	CLIP-CABLE/PEDESTAL
17	097683-02-000	EA	BRACKET-REMOTE/SIDEMOUNT-DOUBLE
18	071126-58-H17	EA	SKIRT-SINGLE10.5"-W/SEATBELTSLOT
18	071126-58-H18	EA	SKIRT-SINGLE10.5"-W/SEATBELTSLOT
18	071126-58-H19	EA	SKIRT-SINGLE10.5"-W/SEATBELTSLOT
18	071126-59-H40	EA	SKIRT-SINGLE10.5"-W/SEATBELTSLOT
18	071126-59-H41	EA	SKIRT-SINGLE10.5"-W/SEATBELTSLOT

CURTAIN&CUSHIONGROUP(CONTINUED)

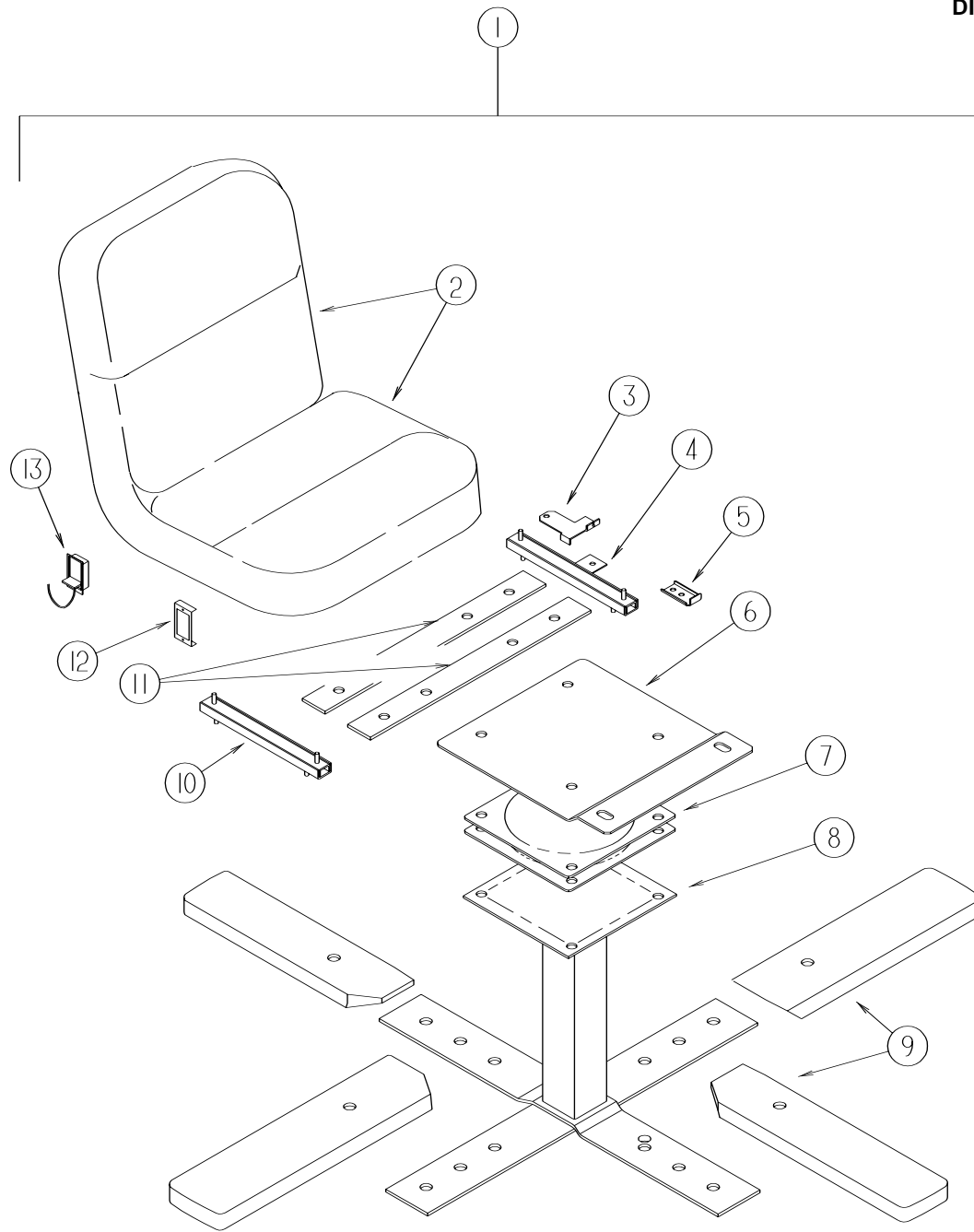
SWIVELCHAIR(RECLINER)



KEY	PARTNUMBER	U/M	DESCRIPTION
1	124067-01-H17	EA	CHAIR-RECLINER
1	124067-01-H18	EA	CHAIR-RECLINER
1	124067-01-H19	EA	CHAIR-RECLINER
1	123383-03-H40	EA	CHAIR-RECLINER
1	123383-03-H41	EA	CHAIR-RECLINER
1	P24067-01-H17	EA	COVER-CHAIR-RECLINER(H17)
1	P24067-01-H18	EA	COVER-CHAIR-RECLINER(H18)
1	P24067-01-H19	EA	COVER-CHAIR-RECLINER(H19)
1	P23383-02-H23	EA	COVER-CHAIR-RECLINER(H40)
1	P23383-02-H25	EA	COVER-CHAIR-RECLINER(H41)
2	118539-01-H17	EA	SKIRT-RECLINERCHAIR(H17)
2	118539-01-H18	EA	SKIRT-RECLINERCHAIR(H18)
2	118539-01-H19	EA	SKIRT-RECLINERCHAIR(H19)
	P18539-01-H17	EA	COVER-SKIRT-SWIVELCHAIR(H17)
	P18539-01-H18	EA	COVER-SKIRT-SWIVELCHAIR(H18)
	P18539-01-H19	EA	COVER-SKIRT-SWIVELCHAIR(H19)
	P18302-27-G15	EA	COVER-ARMREST-RIGHTHAND(H17)
	P18302-27-H18	EA	COVER-ARMREST-RIGHTHAND(H18)
	P18302-27-H19	EA	COVER-ARMREST-RIGHTHAND(H19)
	P18302-28-G15	EA	COVER-ARMREST-LEFTHAND(H17)
	P18302-28-H18	EA	COVER-ARMREST-LEFTHAND(H18)
	P18302-28-H19	EA	COVER-ARMREST-LEFTHAND(H19)
	P18302-27-H23	EA	COVER-ARMREST-UNIVERSAL(H40)
	P18302-27-H25	EA	COVER-ARMREST-UNIVERSAL(H41)
3	097683-03-000	EA	BRACKET-REMOTE/SIDEMOUNT-SINGLE
4	089368-05-000	EA	CABLE-W/SWITCH25.5"SHEATH-293/4"CABLEW/DOGLEG
	108049-02-000	EA	CLIP-CABLE/PEDESTAL
5	119952-02-000	EA	SLIDE/SEAT-HEAVYDUTYNONLOCKING
6	107921-08-000	EA	TOPPLATE-PEDESTAL-W/OSEATBELTBAR
7	107921-01-000	EA	PEDESTAL/FLOORMOUNTED-W/9.75"EXTENSION
8	108445-02-000	EA	SUBPLATE-FLOORMOUNTEDPEDESTAL
	107921-06-000	EA	BEARINGKIT-PEDESTAL
9	119952-04-000	EA	SLIDE/SEAT-HEAVYDUTYLOCKING-4STUDS
10	117125-01-02B	EA	BRACKET-CABLEMOUNT-ADJUSTERW/LOCK
11	007221-01-000	EA	SPACER-SEAT/ADJUSTER
12	097683-02-000	EA	BRACKET-REMOTE/SIDEMOUNT-DOUBLE
13	108049-03-000	EA	CABLE/CONTROL25.5"SHEATH/28.5"CABLEW/DOGLEG
	108049-02-000	EA	CLIP-CABLE/PEDESTAL
	057759-01-000	EA	WASHERBRACKET-SEATBELT-4"DIAMETER
	007021-01-000	EA	SEATBELT-2"X90"-BLACK

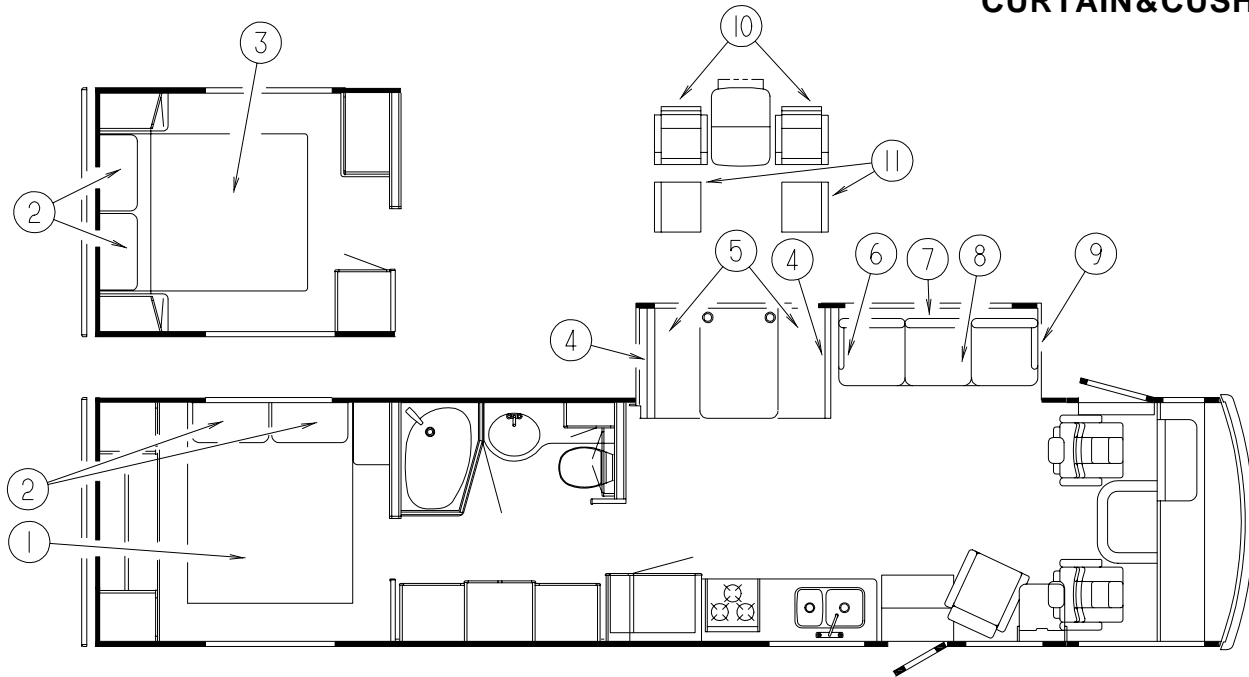
CURTAIN&CUSHIONGROUP(CONTINUED)

DINETTESWIVELCHAIRASM



KEY	PARTNUMBER	U/M	DESCRIPTION
1	122739-01-H17	EA	CHAIR-SWIVEL(H17)
1	122739-01-H07	EA	CHAIR-SWIVEL(H18)
1	122739-01-H19	EA	CHAIR-SWIVEL(H19)
1	122739-01-H23	EA	CHAIR-SWIVEL(H40)
1	122739-01-H25	EA	CHAIR-SWIVEL(H41)
2	P22739-01-H17	EA	COVER-BACK&SEAT-SWIVELCHAIR(H17)
2	P22739-01-H07	EA	COVER-BACK&SEAT-SWIVELCHAIR(H18)
2	P22739-01-H07	EA	COVER-BACK&SEAT-SWIVELCHAIR(H19)
2	P22739-01-H23	EA	COVER-BACK&SEAT-SWIVELCHAIR(H40)
2	P22739-01-H23	EA	COVER-BACK&SEAT-SWIVELCHAIR(H41)
3	117125-01-02B	EA	BRACKET-CABLEMOUNT-ADJUSTERW/LOCK
4	119952-04-000	EA	SLIDE/SEAT-HEAVYDUTYLOCKING-4STUDS
5	114889-01-000	EA	STOPBAR-UNIVERSAL
6	119705-11-02B	EA	PLATE-SEAT
7	119105-01-000	EA	PLATE-SWIVEL-RETURN-0-MATIC
8	119705-02-03B	EA	PEDESTAL
9	116080-02-G35	EA	COVER-CHAIRLEG(MAPLE)
9	116080-02-H23	EA	COVER-CHAIRLEG(WHITEGRANITE)
10	119952-02-000	EA	SLIDE/SEAT-HEAVYDUTYNONLOCKING
11	120109-01-02B	EA	ADAPTERBRACKET-DINETTESWIVELCHAIR
12	097683-03-000	EA	BRACKET-REMOTESIDEMOUNT-SINGLE
13	108049-03-000	EA	CABLE-W/CONTROL25.5" SHEATH/28.5" CABLEW/DOGLEG
	108049-02-000	EA	CLIP-PEDESTALCABLE

CURTAIN&CUSHIONGROUP(CONTINUED)



QUEENBEDS

KEY	PARTNUMBER	U/M DESCRIPTION
1	123015-06-000	EA MATTRESS-INNERSPRING-60"X74.5"
1	119141-06-H17	EA BEDSPREAD/THROW-60"X75"
1	109588-31-H18	EA BEDSPREAD/THROW-60"X75"
1	109588-31-H19	EA BEDSPREAD/THROW-60"X75"
1	119141-06-H40	EA BEDSPREAD/THROW-60"X75"
1	109588-31-H41	EA BEDSPREAD/THROW-60"X75"
2	119249-01-000	EA PILLOW/CASE-20"X33"(H17,H40)
2	106727-04-H18	EA PILLOW-TOOTSIE-QUEEN(H18)
2	106727-04-H19	EA PILLOW-TOOTSIE-QUEEN(H19)
2	106727-04-H25	EA PILLOW-TOOTSIE-QUEEN(H41)
3	123015-07-000	EA MATTRESS-INNERSPRING-60"X79.5"
3	119141-01-G15	EA BEDSPREAD/THROW-60"X80"(H17)
3	109588-20-H18	EA BEDSPREAD/THROW-60"X80"(H18)
3	109588-20-H19	EA BEDSPREAD/THROW-60"X80"(H19)
3	119141-01-H23	EA BEDSPREAD/THROW-60"X80"(H40)
3	109588-20-H25	EA BEDSPREAD/THROW-60"X80"(H41)
	111637-08-G15	EA PILLOW-16"X16"(H17)
	111637-08-H18	EA PILLOW-16"X16"(H18)
	111637-08-H19	EA PILLOW-16"X16"(H19)
	111637-08-H40	EA PILLOW-16"X16"(H40)
	111637-08-H41	EA PILLOW-16"X16"(H41)

DINETTECUSHIONS

KEY	PARTNUMBER	U/M DESCRIPTION
4	111897-05-G15	EA CUSHION-BACK-13.5"X42"X5"(H1 7)
4	111897-05-GV7	EA CUSHION-BACK-13.5"X42"X5"(H1 8)
4	111897-05-H19	EA CUSHION-BACK-13.5"X42"X5"(H1 9)
4	111880-05-H 4 0	EA CUSH-13.5"X42"X5"-CHANNELBACK(H40)
4	111880-05-H 4 1	EA CUSH-13.5"X42"X5"-CHANNELBACK(H4 1)
4	P11897-05-G15	EA COVER-BACK-13.5"X42"X5"(H1 7)
4	P11897-05-GV7	EA COVER-BACK-13.5"X42"X5"(H1 8)
4	P11897-05-H19	EA COVER-BACK-13.5"X42"X5"(H1 9)
4	P11880-05-H40	EA COVER-BACKCUSHION-13.5"X42"X5"(H4 0)
4	P11880-05-H41	EA COVER-BACKCUSHION-13.5"X42"X5"(H4 1)
5	105603-15-G15	EA CUSHION-SEAT-23"X42"X5"(H1 7)
5	105603-15-GV7	EA CUSHION-SEAT-23"X42"X8"(H15)
5	105603-15-H19	EA CUSHION-SEAT-23"X42"X5"(H1 9)
5	105603-15-H23	EA CUSHION-SEAT-23"X42"X5"(H40)
5	105603-15-H25	EA CUSHION-SEAT-23"X42"X5"(41)
5	P05603-15-G15	EA COVER-SEAT-23"X42"X5"(H1 7)

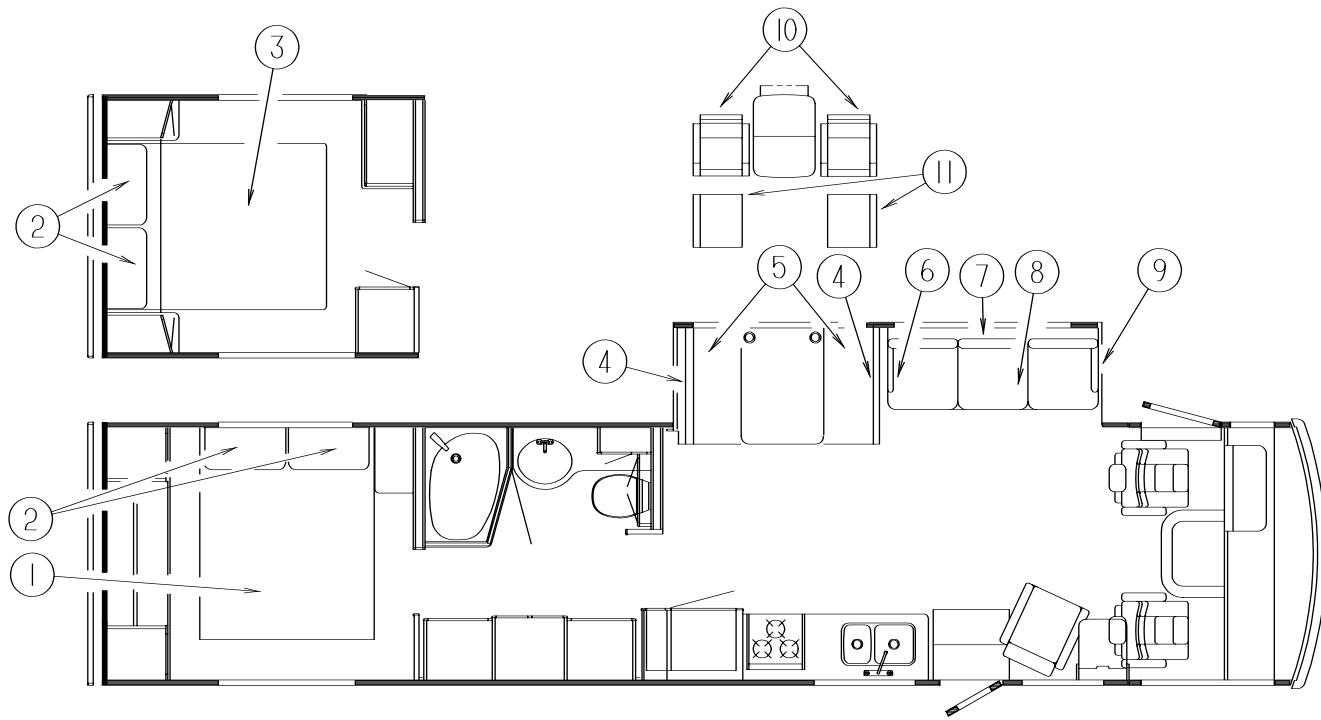
DINETTECUSHIONS(CONTINUED)

KEY	PARTNUMBER	U/M DESCRIPTION
5	P05603-15-GV7	EA COVER-SEAT-23"X42"X5"(H1 8)
5	P05603-15-H19	EA COVER-SEAT-23"X42"X5"(H1 9)
5	P05603-15-H23	EA COVER-SEAT-23"X42"X5"(H4 0)
5	P05603-15-H25	EA COVER-SEAT-23"X42"X5"(H4 1)
	078155-01-000	EA STRAP-SNAP-BACKRESTCUSHION

SOFA BED

KEY	PARTNUMBER	U/M DESCRIPTION
6	121222-01-G15	EA ARMREST-RIGHTHAND-SOFA/BED(H17)
6	121222-01-H18	EA ARMREST-RIGHTHAND-SOFA/BED(H18)
6	121222-01-H19	EA ARMREST-RIGHTHAND-SOFA/BED(H19)
6	121222-01-H23	EA ARMREST-RIGHTHAND-SOFA/BED(H40)
6	121222-01-H25	EA ARMREST-RIGHTHAND-SOFA/BED(H41)
6	P21222-01-G15	EA COVER-ARM-RIGHTHAND(H17)
6	P21222-01-H18	EA COVER-ARM-RIGHTHAND(H18)
6	P21222-01-H19	EA COVER-ARM-RIGHTHAND(H19)
6	P21222-01-H23	EA COVER-ARM-RIGHTHAND(H40)
6	P21222-01-H25	EA COVER-ARM-RIGHTHAND(H41)
7	111319-01-G15	EA BACK-74"SOFA/BEDJACKKNIFEEDGEW/FRA (H17)
7	112104-01-H18	EA BACK-SOFA/BED-74"-W/FRA (H18)
7	112104-01-H19	EA BACK-SOFA/BED-74"-W/FRA (H19)
7	123380-03-H40	EA BACK-SOFA/BED-74"-W/FRA (H40)
7	123380-03-H41	EA BACK-SOFA/BED-74"-W/FRA (H41)
7	P11319-01-G15	EA COVER-BACK-SOFA/BED-74"(H17)
7	P12104-01-H18	EA COVER-BACK-SOFA/BED-74"(H18)
7	P12104-01-H19	EA COVER-BACK-SOFA/BED-74"(H19)
7	P23380-03-H40	EA COVER-BACK-SOFA/BED-74"(H40)
7	P23380-03-H41	EA COVER-BACK-SOFA/BED-74"(H41)
8	100032-43-G15	EA SEAT-SOFA/BEDW/FRA (H17)
8	100032-43-H18	EA SEAT-SOFA/BEDW/FRA (H18)
8	100032-43-H19	EA SEAT-SOFA/BEDW/FRA (H19)
8	123380-04-H40	EA SEAT-SOFA/BEDW/FRA (H40)
8	123380-04-H41	EA SEAT-SOFA/BEDW/FRA (H41)
8	P00032-43-G15	EA COVER-SEAT-SOFA/BED-74"-W/OARMS(H17)
8	P00032-43-H18	EA COVER-SEAT-SOFA/BED-74"-W/OARMS(H18)
8	P00032-43-H19	EA COVER-SEAT-SOFA/BED-74"-W/OARMS(H19)
8	P23380-04-H40	EA COVER-SEAT-SOFA/BED-74"-W/OARMS(H40)
8	P23380-04-H41	EA COVER-SEAT-SOFA/BED-74"-W/OARMS(H41)
9	121222-02-G15	EA ARMREST-LEFTHAND-SOFA/BED(H17)
9	121222-02-H18	EA ARMREST-LEFTHAND-SOFA/BED(H18)
9	121222-02-H19	EA ARMREST-LEFTHAND-SOFA/BED(H19)
9	121222-02-H23	EA ARMREST-LEFTHAND-SOFA/BED(H40)
9	121222-02-H25	EA ARMREST-LEFTHAND-SOFA/BED(H41)
9	P21222-02-G15	EA COVER-ARM-LEFTHAND(H17)
9	P21222-02-H18	EA COVER-ARM-LEFTHAND(H18)
9	P21222-02-H19	EA COVER-ARM-LEFTHAND(H19)
9	P21222-02-H23	EA COVER-ARM-LEFTHAND(H40)
9	P21222-02-H25	EA COVER-ARM-LEFTHAND(H41)
	120992-02-G15	EA PANEL-COUCH/FRO (H17)
	120992-02-H18	EA PANEL-COUCH/FRO (H18)
	120992-02-H19	EA PANEL-COUCH/FRO (H19)
	120992-02-H23	EA PANEL-COUCH/FRO (H40)
	120992-02-H25	EA PANEL-COUCH/FRO (H41)
	101085-04-000	EA FRAME-SEAT-SOFA/BED-74.75"
	101085-06-000	EA FRAME-BASE-SOFA/BED-74.75"
	101085-10-000	EA FRAME-BACK-SOFA/BED-74.75"
	114763-08-000	EA FRAME-FORWARDFACINGLEGS
	111637-03-G15	EA PILLOW-22"X22"(H17)
	111637-03-H18	EA PILLOW-22"X22"(H18)
	111637-03-H19	EA PILLOW-22"X22"(H19)
	111637-03-H23	EA PILLOW-22"X22"(H40)
	111637-03-H41	EA PILLOW-22"X22"(H41)

CURTAIN&CUSHIONGROUP(CONTINUED)

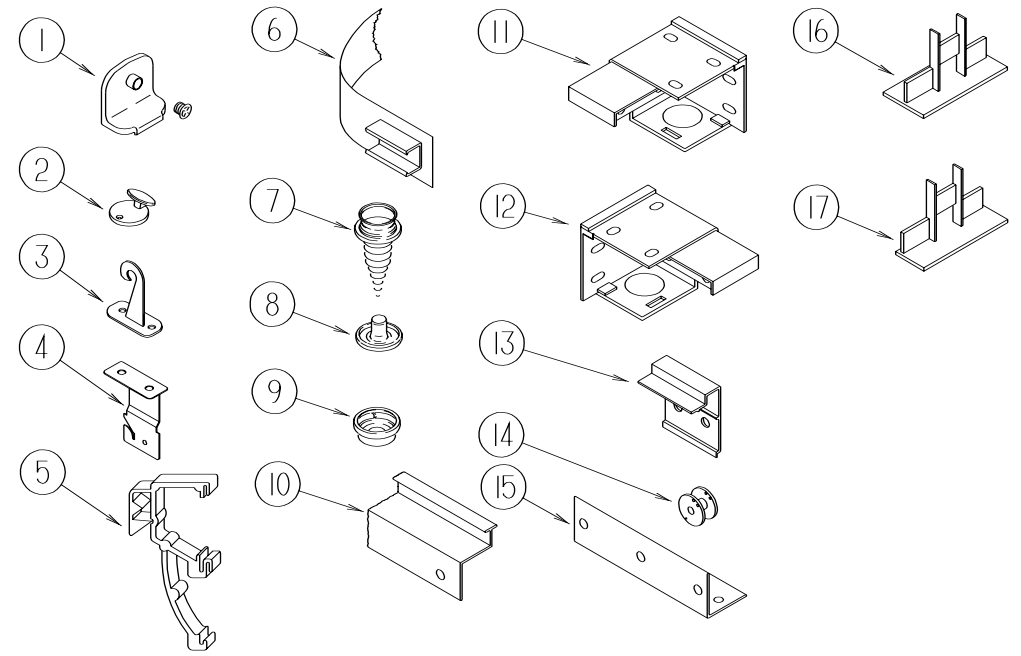


DINETTEOPTION

KEY	PARTNUMBER	U/M	DESCRIPTION
10	122739-01-H17	EA	CHAIR(H17)
10	122739-01-H07	EA	CHAIR(H18)
10	122739-01-H19	EA	CHAIR(H19)
10	122739-01-H23	EA	CHAIR(H40)
10	122739-01-H25	EA	CHAIR(H41)
	116080-02-H37	EA	COVER-CHAIRLEG(MAPLE)
	116080-02-G35	EA	COVER-CHAIRLEG(OAK)
11	101604-01-03A	EA	CHAIR-FOLDING/DINETTE-WATERFORDOAK-W/OFABRIC
11	101604-01-05A	EA	CHAIR-FOLDING/DINETTE-W/OFABRIC-WHITEGRANITE
	099717-04-000	EA	STRAP-TIEDOWNW/21.3" FEMALE STRAP & 27.2" MALE STRAP

FROM: 04-04-97 THRU: 99-99-99

CURTAIN&CUSHIONGROUP(CONTINUED)

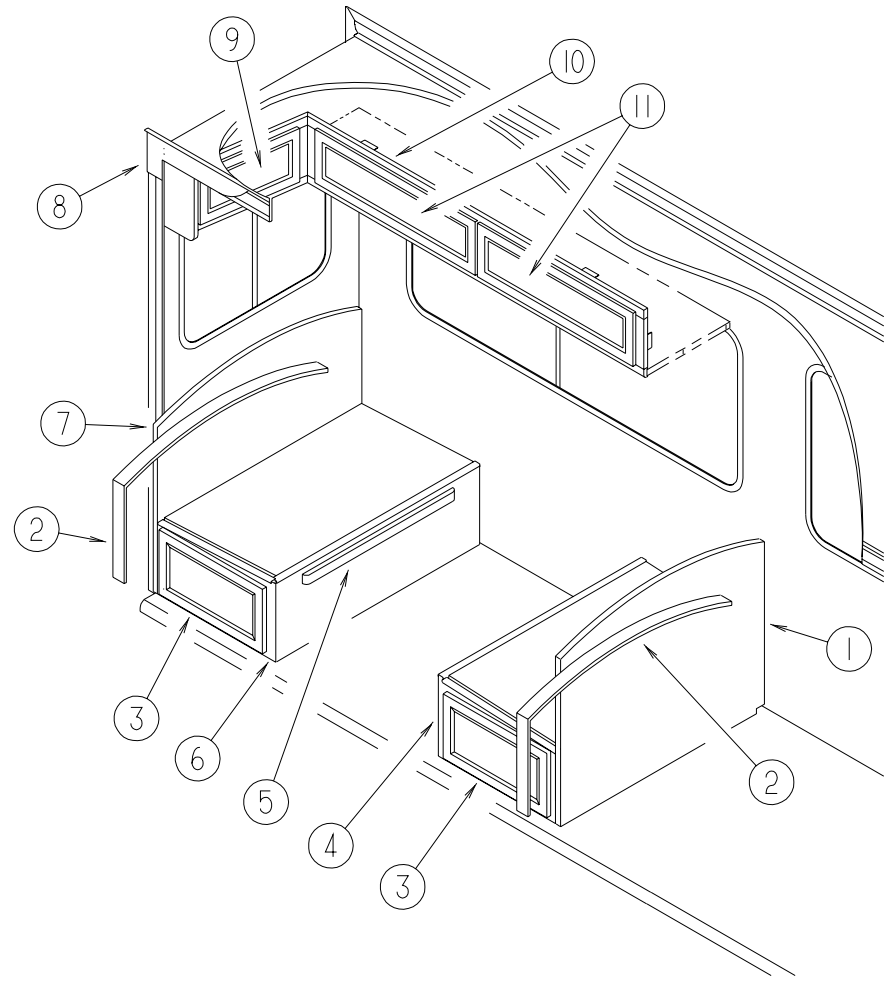


CURTAIN&BLINDHARDWARE

KEY	PARTNUMBER	U/M	DESCRIPTION
1	106544-01-000	EA	PULL-SHADE/BRASS
	106544-01-001	EA	SCREW-SHADE/BRASS
2	102555-03-000	EA	CLEAT-BLINDCORD-MILKYWHITEPLASTIC
3	109441-03-000	EA	HOLDDOWN-BLIND(CLOUDY)
4	084434-01-000	EA	BRACKET-MOUNTING-ROLLERSHADE-1 3/8"
	096843-01-000	EA	SPRING-REWIND/ROLLERSHADE
5	109353-04-000	EA	CLIP-VALANCESLATMOUNTING-CLEARPLASTIC
6	101031-01-000	YD	TAPE-GLIDE/CURTAIN-4.25" SPACING
7	029130-01-000	EA	SCREW-SNAP SOCKET-#8 PH X 5/8"
8	029155-01-000	EA	CAP-SNAP-5/32" O.D. OF PIN
	046867-03-000	EA	GROMMET-HANDYBUTTON#3
9	029156-01-000	EA	SOCKET-SNAP-9/16" O.D.
10	114641-12-H17	EA	TRACK-CURTAIN-WRAPAROUNDW/SPACERS-LEFTHAND
10	114641-13-H17	EA	TRACK-CURTAIN-WRAPAROUNDW/SPACERS-RIFTHAND
11	083170-02-000	EA	BRACKET-BLIND-RIGHTSIDEWHENFACINGWINDOW
12	083170-01-000	EA	BRACKET-BLIND-LEFTSIDEWHENFACINGWINDOW
13	097565-01-000	EA	BRACKET-MOUNTING/PLEATEDBLIND
14	097592-01-000	EA	SPOOL-CORD-ELEVATEDBLINDHOLDUP-CLEARPLASTIC
15	105648-01-02A	EA	BRACE-VALANCE-OFF/WHITE
16	094907-02-000	EA	ENDCAP-TOP/PLEATEDBLIND-PLASTIC-GRAY
17	094907-04-000	EA	HARDWARE-ENDCAPBOTTOM-PULLTYPE(RH&LH)
	094907-04-700	EA	ENDCAP-RHBOTTOMBLIND
	094907-04-701	EA	ENDCAP-LHBOTTOMBLIND
	088792-02-000	YD	VELCROTAPE-LOOP-.75"-ADHESIVEBACKED-BEIGE
	048394-02-000	YD	VELCROTAPE-HOOK-ADHESIVEBACK-.75" WIDE-BEIGE
	097591-01-000	EA	SPRING-EXTENSION/PLEATEDBLIND
	097593-02-000	FT	CORD-BLIND-PLEATED-GRAY(H17)
	086276-01-000	EA	TAPE-DOUBLESIDED-1/2"
	094896-02-000	EA	GROMMET-CORD/PLEATEDBLIND-NYLON-GRAY
	095567-01-000	EA	TACK-STRIP-.5" X 625' ROLL
	089275-01-000	EA	STRIP-3/4" X 96"-CLEARPOLYETHYLENE

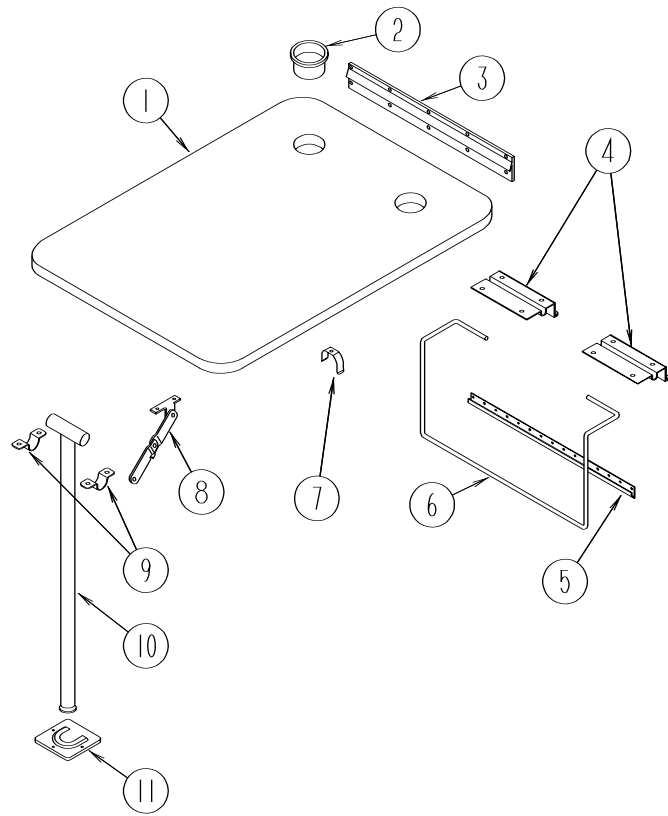
DINETTEGROUP

DINETTECABINERY



KEY	PARTNUMBER	U/M	DESCRIPTION
1	M07514-01-H23	EA	CABINET-SEATBACK/RIGHTHAND-W/OHARDWARE (WHITE)
1	M07514-01-H17	EA	CABINET-SEATBACK/RIGHTHAND-W/OHARDWARE (OAK)
2	104787-08-H17	EA	PAD-DINETTE (H17)
2	104787-08-H18	EA	PAD-DINETTE (H18)
2	104787-08-H19	EA	PAD-DINETTE (H19)
2	104787-08-H54	EA	PAD-DINETTE (H40)
2	104787-08-H41	EA	PAD-DINETTE (H41)
3	P10163-CS-H40	EA	DRAWER-16.9"WX21.6"D-W/OGLIDES/HARDWARE (WHITE)
3	M05971-35-H17	EA	DRAWER-OGEE EDGE-17.0"WX21.6"D-W/OGLIDES/HARDWARE (OAK)
4	M07515-01-H40	EA	CABINET-SEATBASE/RIGHTHAND-W/ODRAWER/HARDWARE (WHITE)
4	M07515-01-G15	EA	CABINET-SEATBASE/RIGHTHAND-W/ODRAWER/HARDWARE (OAK)
5	081295-01-H40	EA	SUPPORT-BED/DINETTE-28"LONG (WHITE)
5	081295-01-G01	EA	SUPPORT-BED/DINETTE-28"LONG (OAK)
6	M07515-08-H40	EA	CABINET-SEATBASE/LEFTHAND-W/ODRAWER/HARDWARE (WHITE)
6	M07515-08-G35	EA	CABINET-SEATBASE/LEFTHAND-W/ODRAWER/HARDWARE (OAK)
7	M07514-08-H23	EA	CABINET-SEATBACK/LEFTHAND-W/OHARDWARE (WHITE)
7	M07514-08-G35	EA	CABINET-SEATBACK/LEFTHAND-W/OHARDWARE (OAK)
8	115811-13-G15	EA	OVERLAY-7.5"X223/8" (H17)
8	115811-13-GV7	EA	OVERLAY-7.5"X223/8" (H18)
8	115811-13-H19	EA	OVERLAY-7.5"X223/8" (H19)
9	120035-05-G15	EA	DOOR-FABRICWRAPPED-8.6"X16.4"-W/OHARDWARE (H17)
9	120035-05-GV7	EA	DOOR-FABRICWRAPPED-8.6"X16.4"-W/OHARDWARE (H18)
9	120035-05-H19	EA	DOOR-FABRICWRAPPED-8.6"X16.4"-W/OHARDWARE (H19)
9	120035-05-H23	EA	DOOR-FABRICWRAPPED-8.6"X16.4"-W/OHARDWARE (H40)
9	120035-05-H25	EA	DOOR-FABRICWRAPPED-8.6"X16.4"-W/OHARDWARE (H41)
10	120978-01-H23	EA	CABINET-OVERHEADDINETTE-W/ODOORS/HARDWARE (WHITE)
10	120978-01-G35	EA	CABINET-OVERHEADDINETTE-W/ODOORS/HARDWARE (OAK)
11	120035-04-G15	EA	DOOR-FABRICWRAPPED-8.6"X29.9"-W/OHARDWARE (H17)
11	120035-04-GV7	EA	DOOR-FABRICWRAPPED-8.6"X29.9"-W/OHARDWARE (H18)
11	120035-04-H19	EA	DOOR-FABRICWRAPPED-8.6"X29.9"-W/OHARDWARE (H19)
11	120035-04-H23	EA	DOOR-FABRICWRAPPED-8.6"X29.9"-W/OHARDWARE (H40)
11	120035-04-H25	EA	DOOR-FABRICWRAPPED-8.6"X29.9"-W/OHARDWARE (H41)
	058331-08-000	EA	MIRROR-SAFETYGLASS-24"X30"
	105004-01-07A	EA	MOLDING-VINYLRAPPED-1"X8'-WHITEGRANITE
	105004-01-05A	EA	MOLDING-VINYLRAPPED-1"X8'-WATERFORDOAK

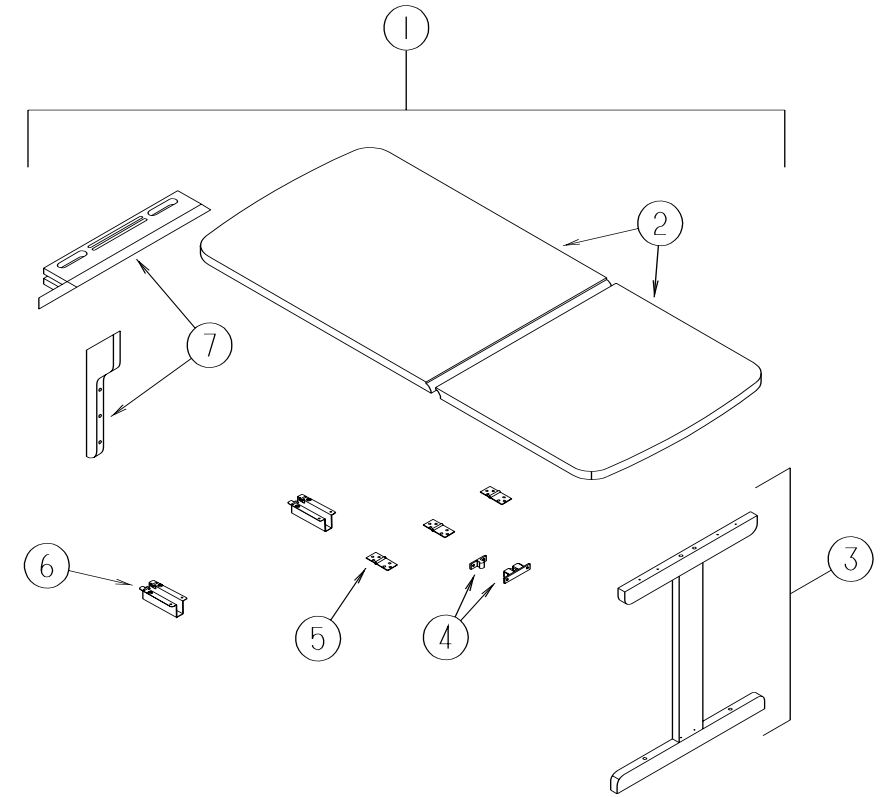
DINETTEGROUP (CONTINUED)



DINETTETABLEASM.

KEY	PARTNUMBER	U/M	DESCRIPTION
1	081322-12-F09	EA	TABLETOP ONLY (H17, H18)
1	081322-12-F02	EA	TABLETOP ONLY (H19)
1	081322-12-H23	EA	TABLETOP ONLY (H40, H41)
2	064781-06-000	EA	HOLDER-CUP-TWOSTEP-OFFWHITE
3	053200-12-000	EA	BRACKET-TABLESUPPORT-UPPERWALLMOUNTED 23.50"
4	088410-02-000	EA	BRACKET-LIFT-TABLEMOUNTED
5	024281-14-000	EA	BRACKET-LIFTROD/LOWERWALLMOUNTED-22.12"
6	024275-12-000	EA	ROD-TABLELIFT
7	024283-01-000	EA	CLIP-LEG-1" - 1.125" OD - BLACK
8	024282-01-000	EA	BRACE-TABLELEG-HINGED
9	064050-05-000	EA	HINGE-TABLELEG-OFFWHITE
10	024276-23-000	EA	LEG-TABLE-METAL-OFFWHITE
11	049493-12-000	EA	CATCH-LEG/FLOORMOUNTED-2.5" X 2.7"
11	049493-11-700	EA	CATCH-TABLELEG, E-COAT

DINETTEGROUP (CONTINUED)

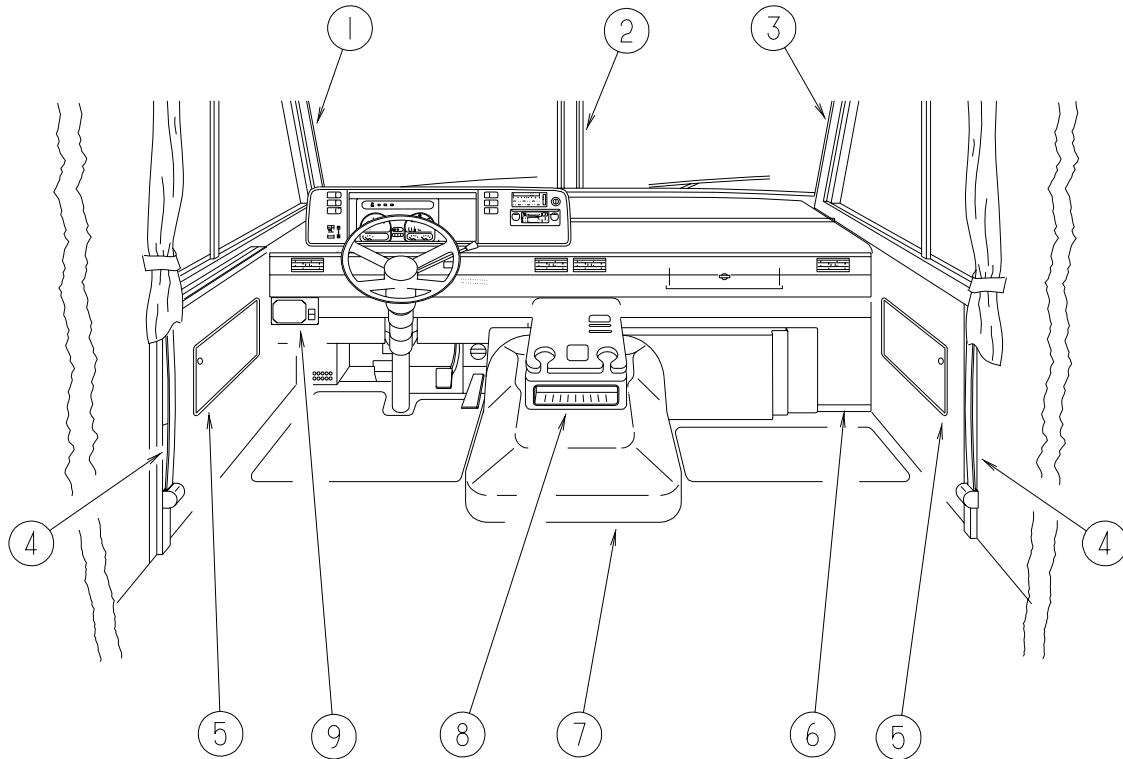


DINETTETABLEASM.W/DROPLEAF

KEY	PARTNUMBER	U/M	DESCRIPTION
1	120898-01-H40	EA	TABLE-DROPLEAF-W/OLEG (WHITE)
1	120898-01-H17	EA	TABLE-DROPLEAF-W/OLEG (OAK)
2	120898-11-H40	EA	TABLETOP-DROPLEAF (WHITE)
2	120898-11-H17	EA	TABLETOP-DROPLEAF (OAK)
3	120898-24-H23	EA	LEG-W/OHARDWARE (WHITE)
3	120898-24-H17	EA	LEG-W/OHARDWARE (OAK)
4	084451-01-000	EA	CATCH-BRASS
5	120972-01-01A	EA	HINGE-TABLE/DROPLEAF
6	120973-01-000	EA	SUPPORT-TABLE/DROPLEAF-PAIR
7	120898-25-H23	EA	MOUNT-WALL-DROPLEAFTABLE (WHITE)
7	120898-25-H19	EA	MOUNT-WALL-DROPLEAFTABLE (OAK)

DRIVERS COMPARTMENT GROUP

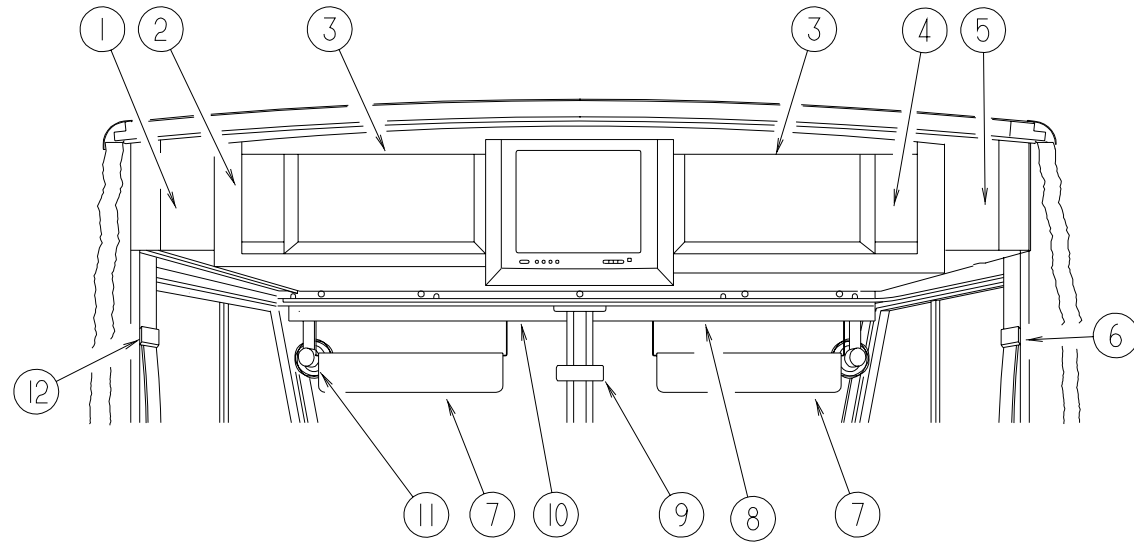
LOWERDRIVERCOMPARTMENT



KEY	PARTNUMBER	U/M	DESCRIPTION
1	103931-04-03A	EA	COVER-INTERIORA-PILLAR-DRIVERSIDE
2	079765-11-000	EA	TRIM-WINDSHIELDCENTER
3	103931-03-03A	EA	COVER-INTERIORA-PILLAR-PASSENGERSIDE
	024700-44-000	EA	COVER-ROLLBAR-DRIVER/PASSENGERLOWER-53"-W/ODRIVERDOOR
	024700-46-000	EA	COVER-ROLLBAR-DRIVER/PASSENGERUPPER-21.20"
	024700-47-000	EA	COVER-ROLLBAR-18.9"-W/DRIVERDOOR-OFFWHITE
	024700-48-000	EA	COVER-ROLLBAR-25"-W/DRIVERDOOR-OFFWHITE
4	091990-04-01A	EA	SEATBELT-SHOULDERHARNES-DRIVERS/PASSENGER-BLACK
	091990-01-701	EA	EXTENDER9"FORA84083PT
	109146-01-000	EA	BOLT-SHOULDER/SEATBELT
5	086120-10-G15	EA	PAD-MAPPOCKET-12"X16"(H17)
5	086120-10-G37	EA	PAD-MAPPOCKET-12"X16"(H18)
5	086120-10-H19	EA	PAD-MAPPOCKET-12"X16"(H19)
5	086120-10-H23	EA	PAD-MAPPOCKET-12"X16"(H40)
5	086120-10-H25	EA	PAD-MAPPOCKET-12"X16"(H41)
6	095757-03-F06	EA	COVER-HEATER(H17)
6	095757-03-G36	EA	COVER-HEATER(H18)
6	095757-03-H19	EA	COVER-HEATER(H19)
6	095757-03-H40	EA	COVER-HEATER(H40)
6	095757-03-G35	EA	COVER-HEATER(H41)
7	115840-01-01A	EA	COVER-MOTOR-W/OCARPET
	115852-01-02B	EA	STRIKE-LATCH-MOTORCOVER-E-COATED
	115860-01-01A	EA	TRIM-MOTORCOVER
	115850-01-02B	EA	RETAINER-LATCHMOTORCOVER-E-COAT
	116581-01-000	EA	LATCH-MOTORCOVER
	116833-01-02B	EA	WRENCH-HEXMOTORCOVER-E-COATED
	122772-02-02B	EA	BRACKET-MOUNTING-BEVERAGETRAY
8	122707-01-H40	EA	TRAYASM-BEVERAGE,W/ODRAWERORLOUVERS(WHITE) FROM: 00-00-00 THRU: 03-16-97
8	122707-01-H17	EA	TRAYASM-BEVERAGE,W/ODRAWERORLOUVERS(OAK) FROM: 00-00-00 THRU: 03-16-97
8	126680-01-H40	EA	TRAYASM-BEVERAGE,W/ODRAWERORLOUVERS(WHITE) FROM: 03-17-97 THRU: 99-99-99
8	126680-01-H17	EA	TRAYASM-BEVERAGE,W/ODRAWERORLOUVERS(OAK) FROM: 03-17-97 THRU: 99-99-99
9	112236-02-G15	EA	BEZEL-LEVELINGSYSTEM/SLIDEOUTCONTROL
9	108357-06-000	EA	SWITCH-ROCKER-DPDTMOM/OFF/MOM6TERM.CARLING-VLD1000B-0
9	108356-02-01A	EA	COVER/ACTUATORSWITCH-W/DIMPLES
9	116220-01-000	EA	APPLIQUE-SWITCH,SLIDEOUT
	112634-01-01A	EA	TRIM-STEERINGCOLUMN-RIGHTHAND-FORD
	112634-02-01A	EA	TRIM-STEERINGCOLUMN-LEFTHAND-FORD
	111521-03-01A	EA	COVER-STEERINGCOLUMN-FORD
	111521-04-01A	EA	COVER-STEERINGCOLUMN-FORD

DRIVERS COMPARTMENT GROUP(CONTINUED)

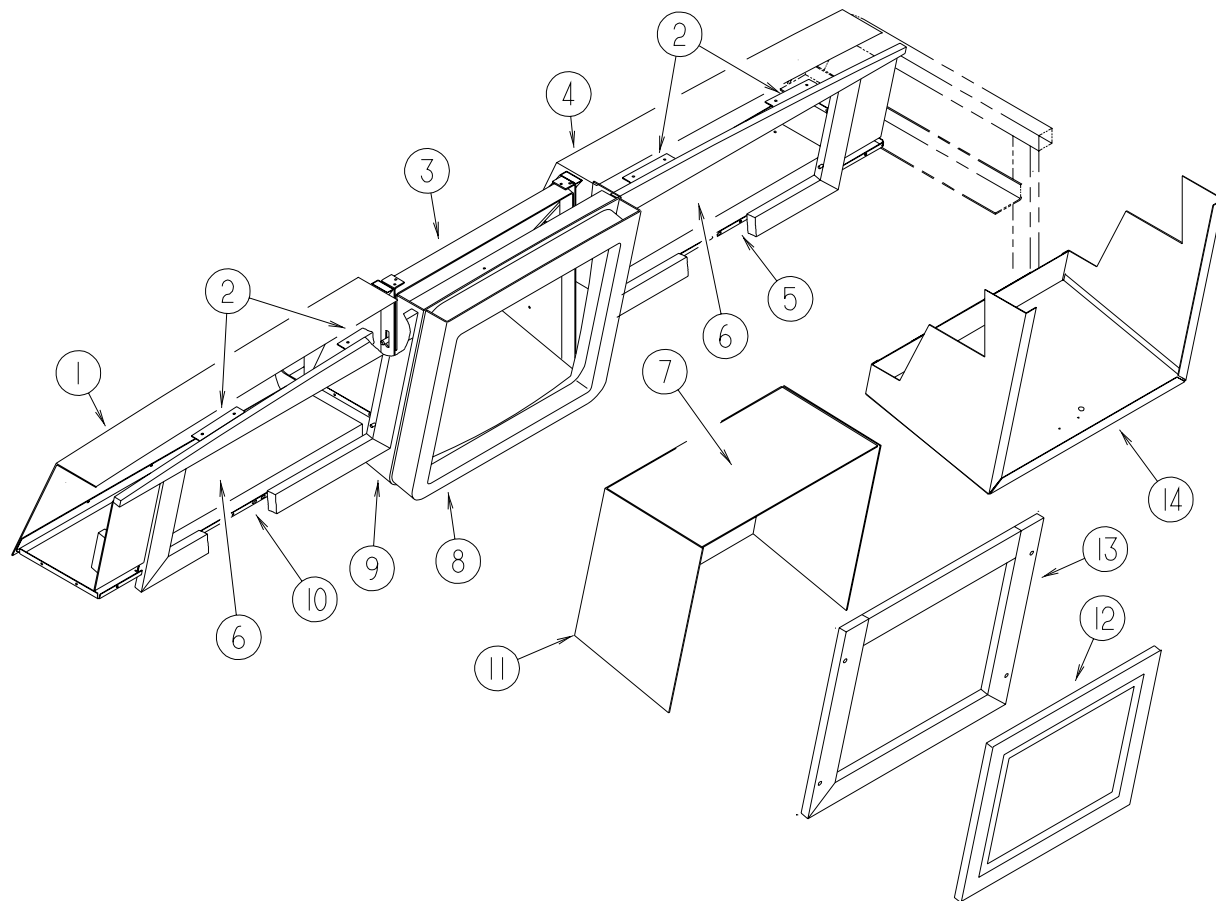
UPPERDRIVERCOMPARTMENT



KEY	PARTNUMBER	U/M	DESCRIPTION
1	104289-04-G09	EA	PANEL-VINYLCOVEREDOVERHEADDRIVERSIDE-ANGLED
2	114612-02-H23	EA	FACE-OVERHEAD/TV-LEFTHAND-15.4"X33.7"(WHITE)
2	114612-02-G32	EA	FACE-OVERHEAD/TV-LEFTHAND-15.4"X33.7"(OAK)
3	100708-12-000	EA	DOOR-GLASSTVCABINET-9.7"X23.2"-W/OHARDWARE
	100710-01-01A	EA	LOCKASSEMBLY-TWISTTYPE-BRASS
	100711-01-01A	EA	HINGE-GLASSDOOR
	100707-01-000	EA	SPACER-GLASSDOOR-.8"DIAMETER-.3"HOLE-PLASTIC
	101272-01-000	EA	CATCH-GLASSDOOR
	101766-01-000	EA	PIN-SUPPORT-GLASSDOOR
	108486-01-01A	EA	BRACKET-PROPROD/OVERHEAD-BLACK
	108487-02-01A	EA	SUPPORT-PROPROD/OVERHEAD-BLACK
4	114612-01-H23	EA	FACE-OVERHEAD/TV-RIGHTHAND-15.4"X33.7"(WHITE)
4	114612-01-G32	EA	FACE-OVERHEAD/TV-RIGHTHAND-15.4"X33.7"(OAK)
5	104289-03-G09	EA	PAD-VINYLCOVERED-OVERHEADTV-PASSENGER
6	103961-01-01A	EA	SEATBELTBACKETCOVER-OFFWHITE
7	123298-02-02A	EA	SUNVISOR-10.5"X28.5"
8	078579-15-000	EA	TRIM-WINDSHIELD-UPPERINNERPASSENGER
9	040714-01-000	EA	MIRROR-REARVIEW/ARMMOUNT&SETSCREW-GM#911722
	067490-01-000	EA	BUTTON-MIRROR/REARVIEW
10	078579-16-000	EA	TRIM-WINDSHIELD-UPPERINNERDRIVER
11	122856-01-01A	EA	FAN-DEFROSTER-2SPEED-CHROME-DRIVERORPASSENGERSIDE
12	103961-02-01A	EA	SEATBELTBACKETCOVER-OFFWHITE

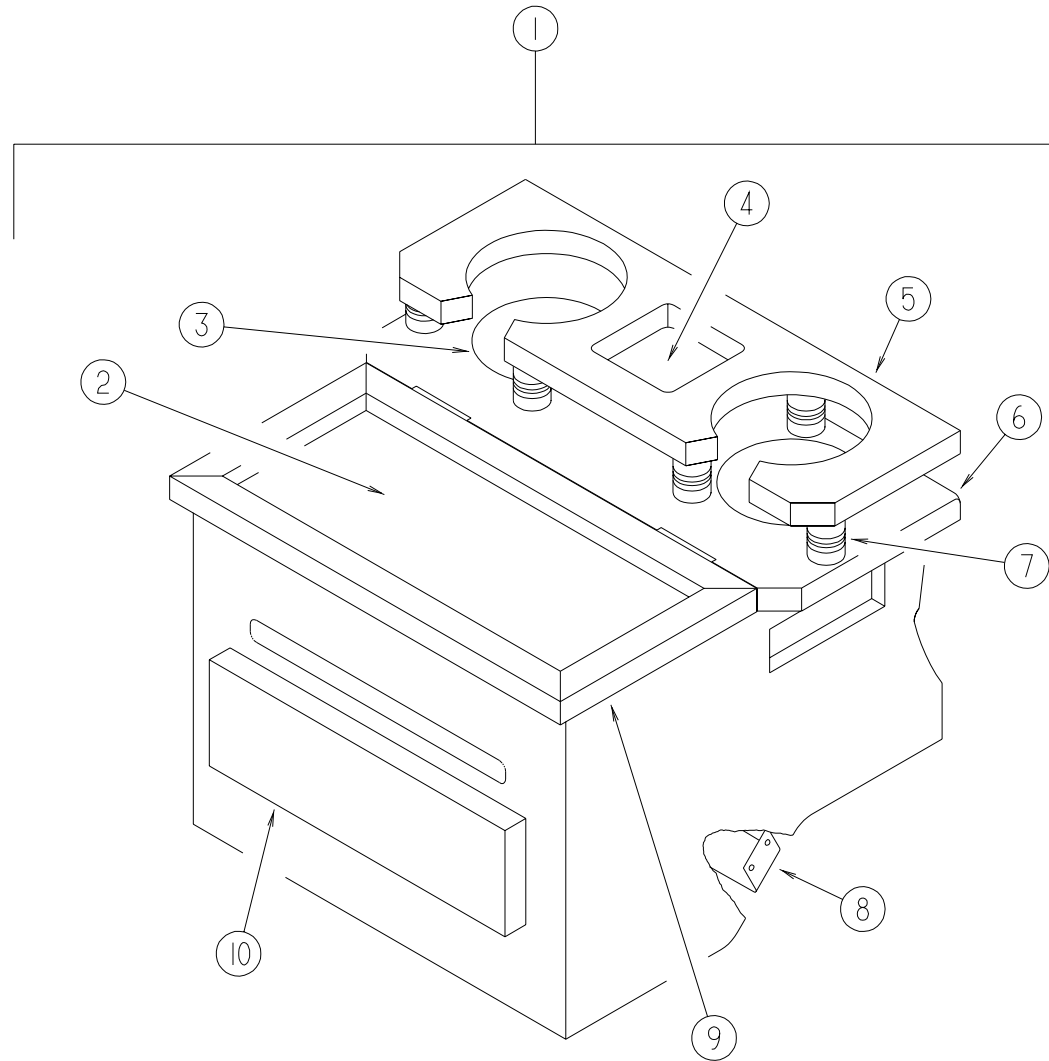
DRIVERSCOMPARTMENTGROUP(CONTINUED)

FRONTOVERHEADCOMPONENTS



KEY	PARTNUMBER	U/M	DESCRIPTION
1	114661-06-G15	EA	PANELASM.-LINER-DRIVEROVERHEAD-W/OTV
1	114661-12-G09	EA	PANELASM.-LINER-DRIVEROVERHEAD-W/TV
1	114661-24-G15	EA	PANELASM.-LINER-DRIVEROVERHEAD-W/SATELLITEDISH
2	106699-01-01A	EA	BRACKET-OVERHEADCABINET-W/TOFF WHITE
3	114706-02-02B	EA	SUPPORTASM.-SHELF-TV-E-COAT
4	114661-01-G15	EA	PANELASM.-LINER-PASSENGEROVERHEAD-W/OTV
4	114661-13-G09	EA	PANELASM.-LINER-PASSENGEROVERHEAD-W/TV
4	114661-14-G09	EA	PANELASM.-LINER-PASSENGEROVERHEAD-W/TV&VCR
4	114661-15-G09	EA	PANELASM.-LINER-PASSENGEROVERHEAD-W/TV-VCR/INVERTER
4	114661-16-G09	EA	PANELASM.-LINER-PASSENGEROVERHEAD-W/TV&INVERTER
5	P03077-04-G15	EA	SHELF-CABINET-OVERHEAD/RIGHTHAND-VINYLCOVEREDW/OTV FROM: 00-00-00 THRU: 11-07-96
5	P25357-01-H17	EA	SHELF/BASE-LOWER-RIGHTHAND-VINYLCOVEREDW/OTV FROM: 11-08-96 THRU: 99-99-99
5	125357-01-02B	EA	SHELF/BASE-LOWER-W/OVINYLW/OTV FROM: 11-08-96 THRU: 99-99-99
5	P03077-08-G15	EA	SHELF-CABINET-OVERHEAD/RIGHTHAND-VINYLCOVEREDW/TV FROM: 00-00-00 THRU: 11-07-96
5	P25357-03-H17	EA	SHELF/BASE-LOWER-RIGHTHAND-VINYLCOVEREDW/TV FROM: 11-08-96 THRU: 99-99-99
5	125357-03-02B	EA	SHELF/BASE-LOWER-W/OVINYLW/TV FROM: 11-08-96 THRU: 99-99-99
6	100676-02-000	EA	SHELF-OVERHEADCABINET-VCR/INVERTER
7	115638-01-G15	EA	PANELASM.-LINER-TOP-W/OTV
8	122881-01-01A	EA	INSERT-OVERHEADFRONTTV
9	118022-04-H17	EA	COVERASM-TV-OVERHEAD FRONT
9	118836-02-GV0	EA	PANEL-VINYLCOVERED,BACK-SATELLITEDISHPACKAGEW/ORECEIVER
10	P03077-03-G15	EA	SHELF-CABINET-OVERHEAD/LEFTHAND-VINYLCOVEREDW/OTV FROM: 00-00-00 THRU: 11-07-96
10	P25357-02-H17	EA	SHELF/BASE-LOWER-LEFTHAND-VINYLCOVEREDW/OTV FROM: 11-08-96 THRU: 99-99-99
10	125357-02-02B	EA	SHELF/BASE-LOWER-W/OVINYLW/OTV FROM: 11-08-96 THRU: 99-99-99
10	P03077-07-G15	EA	SHELF-CABINET-OVERHEAD/LEFTHAND-VINYLCOVEREDW/TV FROM: 00-00-00 THRU: 11-07-96
10	P25357-04-H17	EA	SHELF/BASE-LOWER-LEFTHAND-VINYLCOVEREDW/TV FROM: 11-08-96 THRU: 99-99-99
10	125357-04-02B	EA	SHELF/BASE-LOWER-W/OVINYLW/TV FROM: 11-08-96 THRU: 99-99-99
11	115639-01-G15	EA	PANELASM.-LINER-W/OTV-SIDE
12	122715-66-01A	EA	DOOR-MOLDEDVINYL-16.7"X18"-W/OHARDWARE(WHITE)
12	M06803-C1-H17	EA	DOOR-MITEREDCORNER/OGEEEDGE-16.7"X18.1"-W/OHARDWARE(OAK)
13	116791-01-H40	EA	FACEFRAME-TV-CABINET-20.6"X22.2"-W/OTV(WHITE)
13	116791-01-H33	EA	FACEFRAME-TV-CABINET-20.6"X22.2"-W/OTV(OAK)
14	P18192-01-G15	EA	COVERASM.-W/OTV-WITHVINYL
	099856-01-000	EA	TIEDOWN-STRAP-TV-W/BUCKLE-53.1"X1"-WEBBING-BLACK
	078811-08-G09	EA	PANEL-TRIM-HEADER-LOWER-BETWEENOVERHEADANDW/STRIM

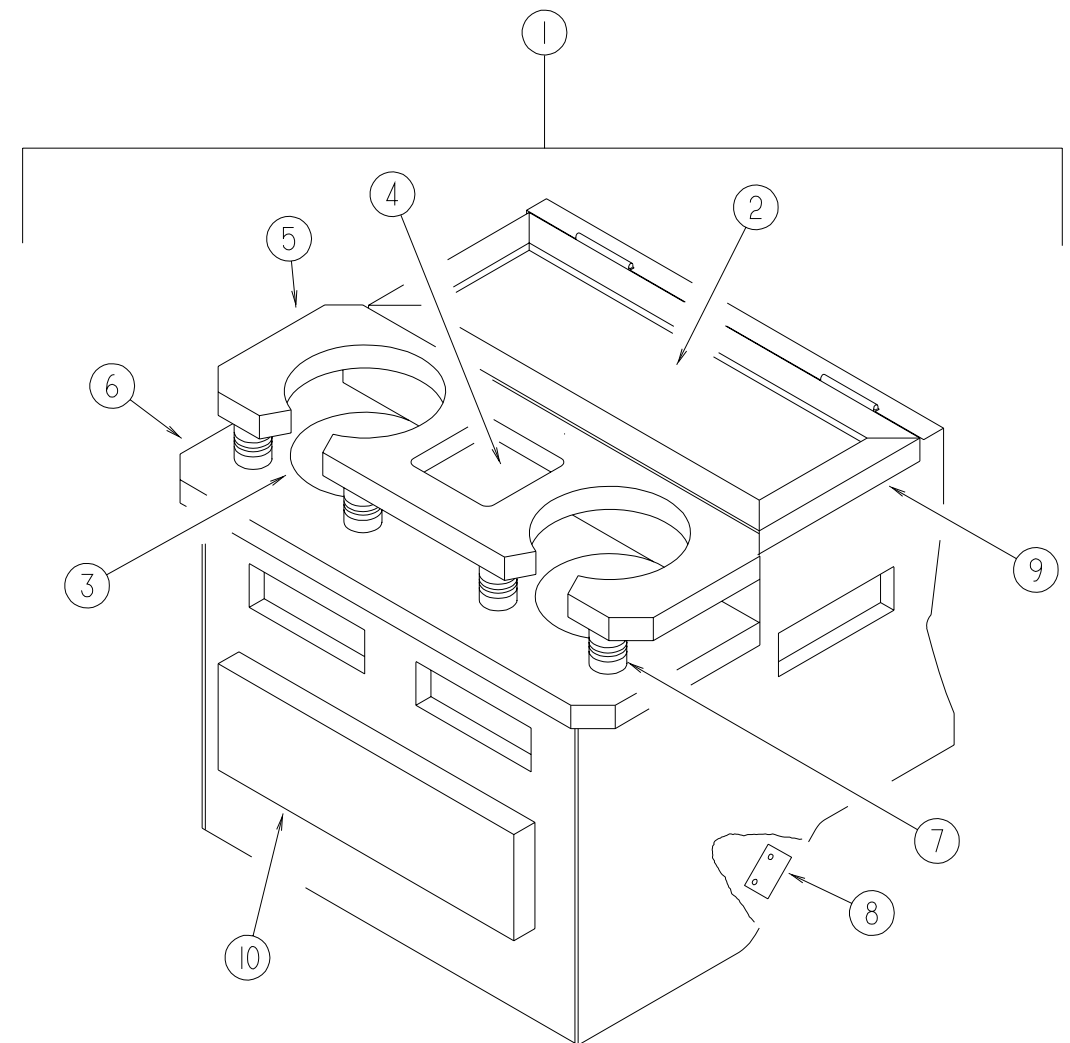
DRIVERS COMPARTMENT GROUP(CONTINUED)



BEVERAGETRAY, DRIVER COMPARTMENT (FROM: 00-00-00 THRU: 03-16-97)

KEY	PARTNUMBER	U/M	DESCRIPTION
1	122707-01-H40	EA	TRAYASM-BEVERAGE, W/ODRAWERORLOUVERS(WHITE)
1	122707-01-H17	EA	TRAYASM-BEVERAGE, W/ODRAWERORLOUVERS(OAK)
2	122717-03-01A	FT	PAD-NON-SKID, PSA-ROLL-6.5"X50"
3	122717-01-01A	EA	PAD-NONSKID, PSA-4"DIAMETERROUND
4	122717-02-01A	EA	PAD-NONSKID, PSA-4"X4"
5	122707-11-H40	EA	SHELFW/OPADORDOWELS(WHITE)
5	122707-11-H17	EA	SHELFW/OPADORDOWELS(OAK)
6	122707-12-H40	EA	SHELFASMW/PADSW/OHARDWAREORDOWELS(WHITE)
6	122707-12-H17	EA	SHELFASMW/PADSW/OHARDWAREORDOWELS(OAK)
7	097872-04-000	EA	DOWEL-WOOD, 1"DIAMETERX1.38"LONG-UNFINISHED
8	122832-01-02B	EA	BRACKET-MOUNT, BEVERAGETRAY-E-COAT
9	122707-13-H40	EA	LIDW/OPADORHARDWARE(WHITE)
9	122707-13-H17	EA	LIDW/OPADORHARDWARE(OAK)
10	P10163-DN-H40	EA	DRAWER-SQUAREEDGE-9.9"WX11.8"D-W/OGLIDES/HARDWARE(WHITE)
10	M05971-AZ-H17	EA	DRAWER-OGEEEDGE-10"WX11.8"D-W/OGLIDES/HARDWARE(OAK)
	100128-02-000	FT	SEAL-FOAM, ADHESIVEBACK-.37"WIDEX.37"THICKX60'ROLL

DRIVERSCOMPARTMENTGROUP(CONTINUED)

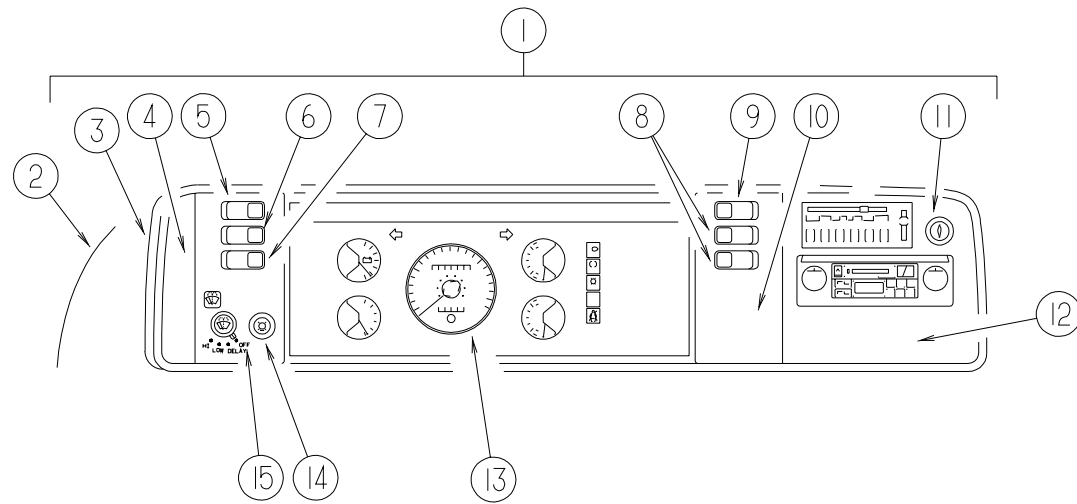


BEVERAGETRAY, DRIVER COMPARTMENT (FROM: 03-17-97 THRU: 99-99-99)

KEY	PARTNUMBER	U/M	DESCRIPTION
1	126680-01-H40	EA	TRAYASM-BEVERAGE, W/ODRAWERORLOUVERS(WHITE)
1	126680-01-H17	EA	TRAYASM-BEVERAGE, W/ODRAWERORLOUVERS(OAK)
2	122717-06-01A	FT	PAD-NON-SKID, PSA-6.5"X13.8"
3	122717-01-01A	EA	PAD-NONSKID, PSA-4"DIAMETERROUND
4	122717-02-01A	EA	PAD-NONSKID, PSA-4"X4"
5	126680-15-H40	EA	SHELFW/OPADORDOWELS(WHITE)
5	126680-15-H17	EA	SHELFW/OPADORDOWELS(OAK)
6	126680-14-H40	EA	SHELFASMW/PADSW/OHARDWAREORDOWELS(WHITE)
6	126680-14-H17	EA	SHELFASMW/PADSW/OHARDWAREORDOWELS(OAK)
7	097872-04-000	EA	DOWEL-WOOD, 1"DIAMETERX1.38"LONG-UNFINISHED
8	122832-01-02B	EA	BRACKET-MOUNT, BEVERAGETRAY-E-COAT
9	126680-16-H40	EA	LIDW/PADW/OHARDWARE(WHITE)
9	126680-16-H17	EA	LIDW/PADW/OHARDWARE(OAK)
10	M08168-DN-H40	EA	DRAWER-SQUAREEDGE-9.9"WX11.8"D-W/OGLIDES/HARDWARE(WHITE)
10	M05971-AZ-H17	EA	DRAWER-OGEEEDGE-10"WX11.8"D-W/OGLIDES/HARDWARE(OAK)
	100128-02-000	FT	SEAL-FOAM, ADHESIVEBACK-.37"WIDEX.37"THICKX60'ROLL

DRIVERS COMPARTMENT GROUP (CONTINUED)

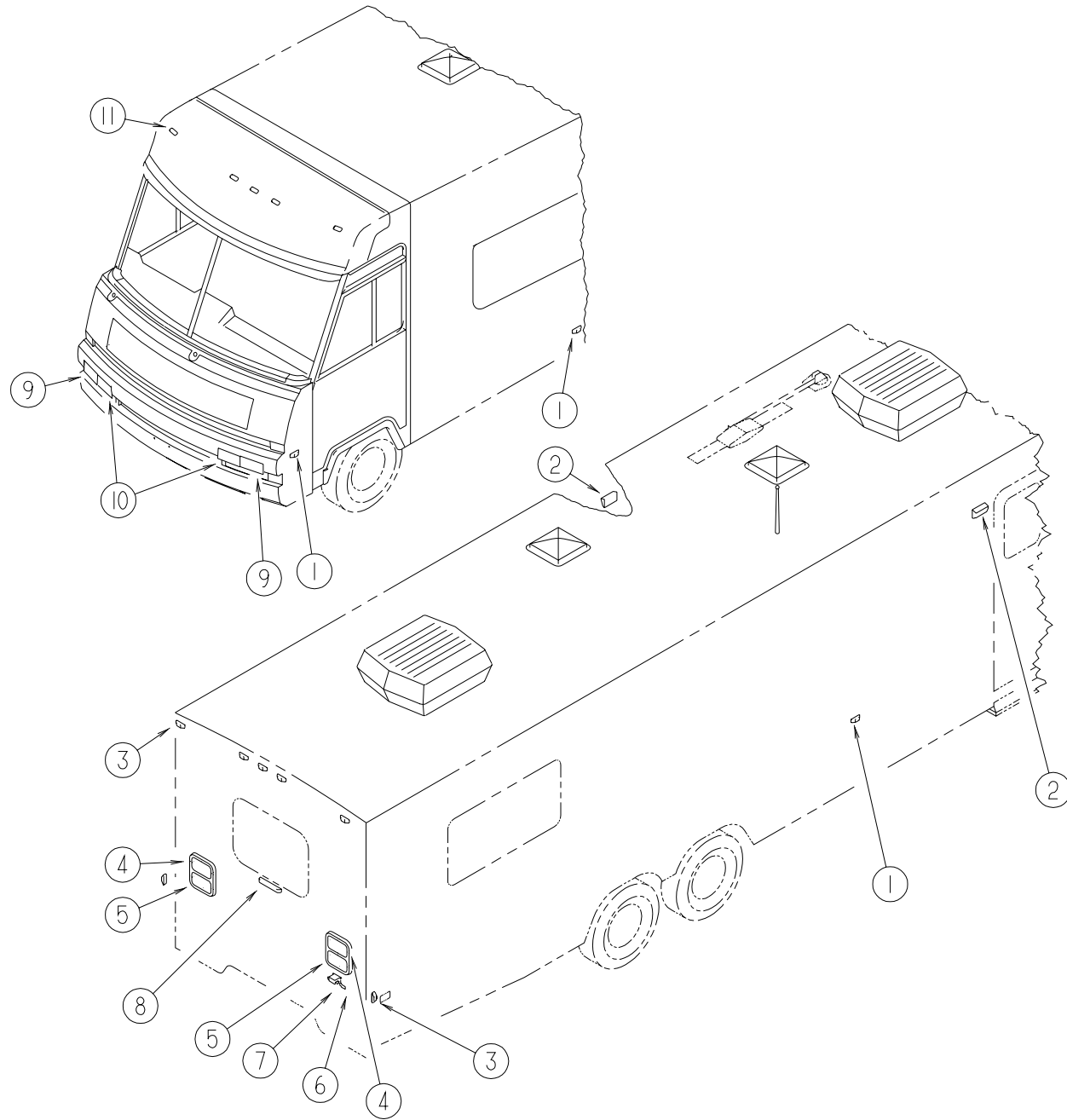
DASH, GAUGES & SWITCHES (FORD)



KEY	PARTNUMBER	U/M	DESCRIPTION
1	M05946-45-H17	EA	DASHPOD - FORD - W/OCLUSTER
2	111499-01-03A	EA	POD - INSTRUMENTPANEL
3	103662-04-01A	EA	BEZEL - INSTRUMENTPANEL
4	104056-01-05A	EA	APPLIQUE - BEZEL - DRIVERDRESSUP
5	108357-05-000	EA	SWITCH - ROCKER - SPDTON/NONE/ON3TERM. CARLING - V4D1000B-0
5	108356-02-01A	EA	COVER/ACTUATORSWITCH - W/DIMPLES
6	108357-09-000	EA	SWITCH - ROCKER - SPDTON/NONE/MOM3TERM. CARLING - V5D1000B-0
6	108356-02-01A	EA	COVER/ACTUATORSWITCH - W/DIMPLES
7	108357-06-000	EA	SWITCH - ROCKER - DPDTMOM/OFF/MOM6TERM. CARLING - VLD1000B-0
7	108356-02-01A	EA	COVER/ACTUATORSWITCH - W/DIMPLES
8	108357-03-000	EA	SWITCH - ROCKER - SPDTON/OFF/ON3TERM. CARLING - V6D1000B-0
8	108356-02-01A	EA	COVER/ACTUATORSWITCH - W/DIMPLES
9	108357-10-000	EA	SWITCH - ROCKERSPTD - MOM/OFF/MOM - LIGHTED5TERMINAL
9	108356-04-01A	EA	COVER/ACTUATORSWITCH - W/DIMPLES - LIGHTED
	096241-03-000	EA	SWITCH - BLANK
	077942-01-000	EA	SWITCH - DUMMY - BLACK
10	104056-21-01A	EA	APPLIQUE - BEZEL - PASSENGERDRESSUP
10	104056-08-01A	EA	APPLIQUE - BEZEL (W/FOGLAMPSOREXPORT)
11	089294-01-000	EA	LIGHTER - CIGARETTE - W/OWIRES
12	104056-06-05A	EA	APPLIQUE - BEZEL - PASSENGERDRESSUP
13	094794-06-000	EA	CLUSTER - INSTRUMENTPANEL - KILOMETERS - FORD
14	096675-01-000	EA	KNOB - HEADLAMP SWITCH - W/SHAFT
	096674-01-000	EA	NUT - HEADLAMP SWITCH - BLACK
15	104056-24-01A	EA	APPLIQUE - BEZEL - DRIVERSIDEDRESSUP
	100138-01-000	EA	MODULE - DAYTIMERUNNINGLIGHT (CSA)
	049176-01-000	EA	HEDLOCKII - 3/4DIAMETERSCREWMOUNT
	077031-01-000	EA	FILM - BLACK - 1" X 1.75"
	077031-03-000	EA	FILM - WHITE .75" X 1"
	104354-08-02A	EA	APPLIQUE - LOWERDASH
	111528-06-02A	EA	TRIM - DASH - FORD/LOWERRIGHTHAND
	117306-01-G09	EA	TRIM - DASH - LOWER - FORD
	P03817-17-000	EA	DASH - W/OVINYL - FORD
	106569-07-01A	EA	VINYL - MADRIDWILLOW - 1/4" X 17" X 100"
	105927-02-000	EA	PANEL - DASHTOP - W/STUD - W/OVINYL
	103603-01-000	EA	BULB - 12VOLT - #74 - .12AWEDGE - GE 22-25USEDINDASH
	111904-01-000	EA	INDICATOR - TRANSMISSION - FORD
	085759-01-000	EA	LIGHT - WARNING - "LOWAIR"
	085753-02-000	EA	BRAKECONTROL
	077539-01-000	EA	BRACKET - MOUNTING/DASHPANEL - L/SHAPED - 2.5" X 1" X 1.5"
	111417-01-01A	EA	DECAL - LOGO/3D - ADVENTURER

ELECTRICALGROUP

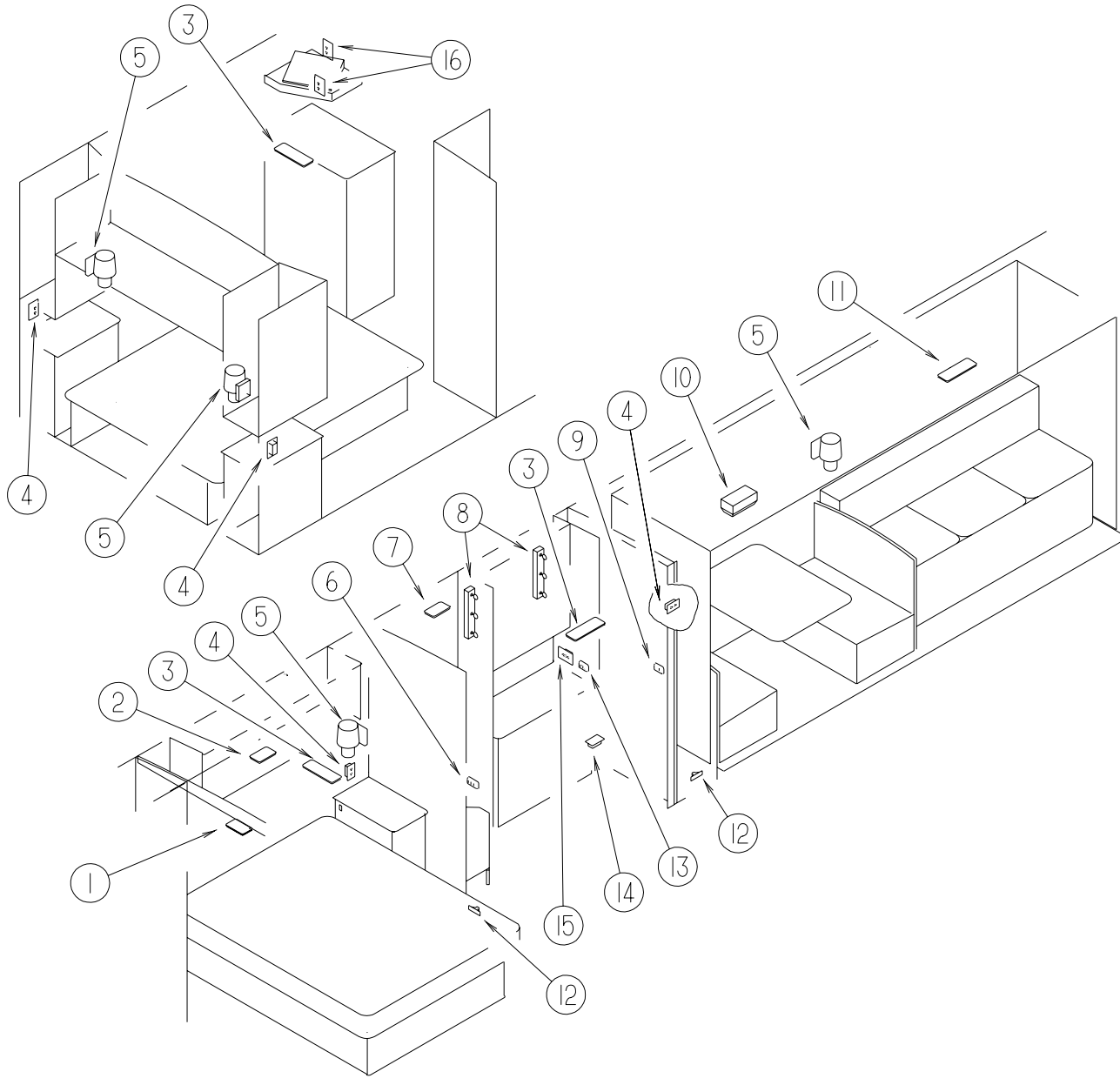
EXTERIORLIGHTS



KEY	PARTNUMBER	U/M	DESCRIPTION
1	111102-02-000	EA	LENS-MARKERLAMP-AMBER
1	111102-01-000	EA	LAMP-MARKER-BASE
1	036196-01-000	EA	BULB-12VOLT-#194-.27AMP-BAYONETTE
2	097917-01-06A	EA	LIGHT-PORCH-BRIGHTWHITE
2	008215-01-000	EA	BULB-12VOLT-#1003-.94AMP
2	097917-01-700	EA	LENS-LIGHT-CLEAR
3	111102-03-000	EA	LENS-MARKERLAMP-RED
3	111102-01-000	EA	LAMP-MARKER-BASE
3	036196-01-000	EA	BULB-12VOLT-#194-.27AMP-BAYONETTE
4	115632-01-02A	EA	LIGHT-STOP/TURN/TAILED
5	115632-03-02A	EA	LIGHT-STOP/TAI/BACKUP
6	066432-03-000	EA	BRACKET-LICENSEPLATE
7	066432-02-000	EA	LIGHT-LICENSE-BLACK
8	121950-01-000	EA	LIGHT-BRAKE-CENTERMOUNT
9	070907-04-000	EA	HEADLAMP-HIGH/LOWHALOGEN
9	049359-01-000	EA	SPRING-RETAINER-HEADLAMP
9	073308-01-000	EA	SCREW-ADJUSTING-HEADLAMP
	124215-01-000	EA	FOGLIGHT-RECTANGULAR/CLEARLENS
10	089292-01-000	EA	LIGHT-TURN-DRIVER/PASSENGER-W/AMBERLENS
10	037935-01-000	EA	BULB-12V-#1157OR#2057-2.1AMP-CLEARGLASS
11	102520-01-000	EA	LIGHT-CLEARANCE-W/OSOCKETCONNECTIONS-AMBER
11	036196-01-000	EA	BULB-12VOLT-#194-.27AMP-BAYONETTE
11	102540-01-000	EA	SEAL-SCREW-ROUND-RUBBER
11	102541-01-000	EA	GASKET-CLEARANCELIGHT
11	067789-02-000	EA	SOCKET-LAMP

ELECTRICALGROUP(CONTINUED)

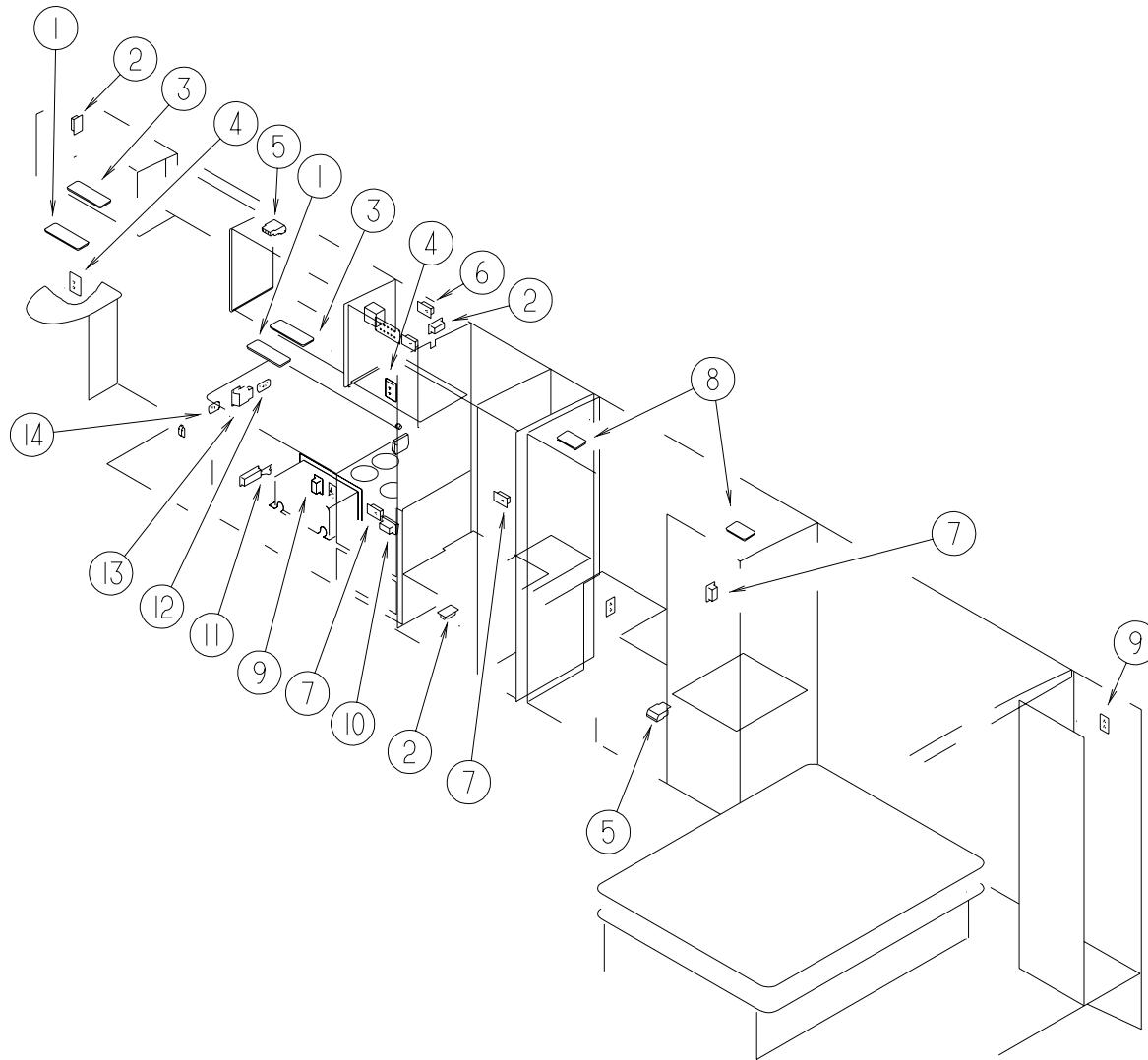
LIGHTS,RECEPTACLES,&SWITCHES(DRIVERSIDE)



KEY	PARTNUMBER	U/M	DESCRIPTION	VENDOR NO.
1	098024-01-03A	EA	LIGHT-DOME-1BULB-WHITE	
1	008218-01-000	EA	BULB-DOMELIGHT-12VOLT-NO.1141	807877
1	098024-01-700	EA	LENS-LIGHT	
2	098024-05-02A	EA	LIGHT-DOME-1BULB-SKYLITEWHITE	
2	008218-01-000	EA	BULB-DOMELIGHT-12VOLT-NO.1141	809902
2	098024-01-701	EA	LENS-OPTICLEAR-SKYLIGHT	
3	098024-03-02A	EA	LIGHT-DOME-2BULB-WHITE	
3	008218-01-000	EA	BULB-DOMELIGHT-12VOLT-NO.1141	807877
3	098024-01-700	EA	LENS-LIGHT	
4	058708-02-000	EA	RECEPTACLE-ELECTRIC-DOUBLE-IVORY	
4	102568-01-H23	EA	SPACER-RECEPTACLE-SIDEWALL(WHITE)	
4	102568-01-GB1	EA	SPACER-RECEPTACLE-SIDEWALL(OAK)	
5	065202-24-000	EA	LAMP-WALL/BRASS-W/OSHADE	
5	067479-01-000	EA	BULB-12VOLT-#1076-1.80AMP	
5	119257-01-01A	EA	SHADE-LAMP-POTPOUM	
6	079364-01-000	EA	SWITCH-ON/OFFROCKER-2PRONGS-BROWN-BEDROOMCEILINGLIGHT	
6	079364-03-000	EA	SWITCH-ON/OFFROCKER-3PRONGS-BROWN-COURTESY/REARBATHCEILING	
6	098351-03-01A	EA	PLATE-SWITCH-3GANGPOLISHEDBRASS	
6	095188-03-01A	EA	SPACER-SWITCH-PLASTIC-DARKBROWN	
7	121935-01-01A	EA	LIGHT-DOME-SHOWER	
8	110235-02-01A	EA	LIGHT-MAKEUP-4BULBPANLESS	
8	081633-01-700	EA	BULB-LIGHT,MAKE-UP	FROM: 00-00-00 THRU: 10-21-96 RP1041
8	110235-01-01A	EA	LIGHT-MAKEUP-3BULB	FROM: 10-22-96 THRU: 99-99-99 RP1041
8	081633-01-700	EA	BULB-LIGHT,MAKE-UP	FROM: 10-22-96 THRU: 99-99-99 RP1041
9	079364-01-000	EA	SWITCH-ON/OFFROCKER-2PRONGS-BROWN-SHOWERLIGHT	
9	079364-03-000	EA	SWITCH-ON/OFFROCKER-3PRONGS-BROWN-FRONTBATHCEILINGLIGHT	
9	098351-02-01A	EA	PLATE-SWITCH-2GANGPOLISHEDBRASS	
9	095188-01-01A	EA	SPACER-SWITCH-2.3"X3.4"-PLASTIC-DARKBROWN	
10	093575-06-01A	EA	LIGHT-CEILING-FLUTED	
11	098024-06-02A	EA	LIGHT-DOME-2BULB-SKYLITE	
11	008218-01-000	EA	BULB-DOMELIGHT-12VOLT-NO.1141	809902
11	098024-01-701	EA	LENS-OPTICLEAR-SKYLIGHT	
12	061424-01-000	EA	LIGHT-AISLE-12VOLT-RECTANGULAR	
12	008103-01-000	EA	BULB-DASH/AISLELIGHT-#53-12VOLT-.12AMP	
13	079364-01-000	EA	SWITCH-ON/OFFROCKER-2PRONGS-BROWN-VANITYLIGHT	
13	079364-03-000	EA	SWITCH-ON/OFFROCKER-3PRONGS-BROWN-PUMP	
13	098351-02-01A	EA	PLATE-SWITCH-2GANGPOLISHEDBRASS	
14	058707-02-000	EA	RECEPTACLE-BLANK-JUNCTION	
15	084076-01-000	EA	RECEPTACLE-GFI-15AMP-125VOLT-IVORY	
16	058708-01-000	EA	RECEPTACLE-ELECTRIC-DOUBLE-BROWN	
	086280-01-000	EA	LIGHT-SURFACEMOUNT-12VOLT	
	086280-01-700	EA	BULB-12V	ARP1089

ELECTRICALGROUP(CONTINUED)

LIGHTS,RECEPTACLES,&SWITCHES(PASSENGERSIDE)



KEY	PARTNUMBER	U/M	DESCRIPTION	VENDOR NO.
1	098024-03-02A	EA	LIGHT-DOME-2BULBWHITE	
1	008218-01-000	EA	BULB-DOMELIGHT-12VOLT-NO.1141	
1	098024-01-700	EA	LENS-LIGHT	807877
2	058707-02-000	EA	RECEPTACLE-BLANK-JUNCTION	
3	098024-06-02A	EA	LIGHT-DOME-2BULB-SKYLITE	
3	008218-01-000	EA	BULB-DOMELIGHT-12VOLT-NO.1141	
3	098024-01-701	EA	LENS-OPTICLEAR-SKYLIGHT	809902
4	058708-02-000	EA	RECEPTACLE-ELECTRIC-DOUBLE-IVORY	
4	102568-01-H23	EA	SPACER-RECEPTACLE-SIDEWALL(WHITE)	
4	102568-01-GB1	EA	SPACER-RECEPTACLE-SIDEWALL(OAK)	
5	091927-01-000	EA	COVER-RECEPTACLE-DOUBLE-IVORY-W/OROOFA/COPTION	
6	058708-05-000	EA	RECEPTACLE-SINGLE-BROWN	
7	058707-01-000	EA	RECEPTACLE-ELECTRIC-SINGLE-BROWN	
8	098024-01-03A	EA	LIGHT-DOME,1BULB-WHITE	
8	008218-01-000	EA	BULB-DOMELIGHT,12V-NO.1141	
8	098024-01-700	EA	LENS-LIGHT	807877
9	058708-01-000	EA	RECEPTACLE-ELECTRIC-DOUBLE-BROWN	
10	112822-01-01A	EA	RECEPTACLE-DUPLEX-IVORY	
10	112824-01-03A	EA	COVER-RECEPTACLE-EXTERIORDUPLEX	
11	061424-01-000	EA	LIGHT-AISLE-12VOLT-RECTANGULAR	
11	008103-01-000	EA	BULB-DASH/AISLELIGHT-#53-12VOLT-.12AMP	
12	098351-05-01A	EA	PLATE-SWITCH-3GANGPOLISHEDBRASS	
12	079364-01-000	EA	SWITCH-ON/OFFROCKER-2PRONGS-BROWN-STEP/CEILING/PORCHLIGHTS	
13	084076-02-000	EA	RECEPTACLE-GFI-15AMP-125VOLT-BROWN	
14	079364-03-000	EA	SWITCH-ON/OFFROCKER-3PRONGS-BROWN	
14	098351-01-01A	EA	PLATE-SWITCH-1GANGPOLISHEDBRASS	
	086280-01-000	EA	LIGHT-SURFACEMOUNT-12VOLT	
	086280-01-700	EA	BULB-12V	ARP1089

ELECTRICALGROUP(CONTINUED)**CONVERTER&LOADCENTER**

KEY	PARTNUMBER	U/M	DESCRIPTION
	083208-02-000	EA	CONVERTER-POWER-45A-120/12V
	123058-02-000	EA	CONVERTER-45AMP-ELECTRONIC-4 1/8"HX7"WX123/8" L
	099048-03-000	EA	INVERTER-130WATT
	108915-02-000	EA	LOADCENTER-120/240VOLT-100AMP
	109677-01-000	EA	LOADCENTER-120VOLT-40AMP
	113132-01-000	EA	LOADCENTER-120/240VOLT-60AMP

ELECTRICALSWITCHES

KEY	PARTNUMBER	U/M	DESCRIPTION
	106071-01-000	EA	SWITCH-AUTOMATICTRANSFER-MAGNETEK30AMP
	106071-02-000	EA	AUTOMATICTRANSFER SWITCH-50AMP-MAGNETEKATS100
	108355-01-000	EA	HOUSING-SWITCH
	108357-01-000	EA	SWITCH-ROCKERSPST-ON/OFF-2TERMINAL
	108357-08-000	EA	SWITCH-ROCKERSPDT-ON/NONE/ON-6TERMINAL

RECEPTACLES

KEY	PARTNUMBER	U/M	DESCRIPTION
	024924-02-000	EA	RECEPTACLE-POWERCORD-W/PARTIALPLATE
	115930-02-000	EA	INLET-50AMP-240VOLT-EXTERIOR

ELECTRICALBOXES&CORDS

KEY	PARTNUMBER	U/M	DESCRIPTION
	008052-01-000	EA	CORD-POWER-10/3-30AMP-25'-CANADIAN
	008054-01-000	EA	CORD-POWER-10/3-30AMP-25'
	008289-01-000	EA	BOX-ELECTRIC/STEEL-1/2"&3/4"KNOCKOUTS-4"X4"
	008289-02-000	EA	BOX-ELECTRICAL/STEEL-4"X4"-1/2"&3/4"KNOCKOUTS-CANADIAN
	008294-01-000	EA	COVER-ELECTRICALBOX-BLANKSTEEL-4"X4"-GRAY
	008294-02-000	EA	COVER-ELECTRICALBOX-BLANKSTEEL-4"X4"-CANADIAN
	069238-01-000	EA	COVER-ELECTRICALBOX-W/HOLE-4"X4"-GRAY
	074890-01-000	EA	BOX-EXTENSION/STEEL-OPENSIDES-4"X4"X1 1/2"
	074897-01-000	EA	COVER-ELECTRICALBOXW/HOLES-4"X4"
	091910-01-000	EA	BOX-ELECTRIC-3.75"X3.5"X1.75"-PLASTIC
	091910-02-000	EA	BOX-ELECTRIC-2.24"X3.45"X1.69"-PLASTIC
	108934-01-000	EA	CORD-POWER-50AMP-4WIRE-36'
	113096-01-000	EA	CORD-POWER-50AMP-4WIRE-36'-CSA
	111509-01-000	EA	BOX-ELECTRICAL-FRONT-E-COATED
	111510-01-000	EA	DOOR/ACCESSPANEL-ELECTRICALBOX-FRONT
	121470-01-000	EA	CORD-EXTENSION-6FOOT-16-2WIRE

ELECTRICALGROUP(CONTINUED)**WIREASSEMBLIES**

KEY	PARTNUMBER	U/M	DESCRIPTION
	073328-B4-000	EA	CABLEASSEMBLY-BATTERY-W/TERMINALS
	081059-02-000	EA	WIREASSEMBLY-9PIN-F/RADIO
	090986-01-000	EA	WIREASSEMBLY-ELECTRICSTEP-KWIKEE9009
	096449-01-000	EA	WIREASSEMBLY-WATERTANKTOMONITORPANEL
	093040-06-000	EA	WIREASM-MONITOR-F/NONPREWIREDAFTERMARKETINSTALLATION
	096717-03-000	EA	WIRE-REARMONITOR-AFTERMARKETINSTALLATION
	097618-01-000	EA	WIREASSEMBLY-MONITORPANEL-W/3WIRES&ORANGERESISTOR ORANGERESISTORW/3(ORANGE-GREEN-BLUE)WIRES
	100677-01-000	EA	WIREASSEMBLY-RADIO
	102636-02-000	EA	WIREASSEMBLY-CLEARANCELAMPS
	103330-02-000	EA	WIREASSEMBLY-OVERHEADSPEAKERS
	104271-02-000	EA	WIREASSEMBLY-TVSPEAKER
	108303-01-000	EA	WIREASSEMBLY-REARAUTOHEATER
	108304-01-000	EA	WIREASSEMBLY-INSTRUMENTPANEL-AUXILIARYFANS
	110256-01-000	EA	WIREASSEMBLY-INSTRUMENTPANEL-GENERATOR
	111915-03-000	EA	WIREASSEMBLY-DAYTIMERUNNINGLAMPS-FUSE
	124096-01-000	EA	WIRE-INSTRUMENTPANEL-FOGLAMPS

CIRCUITBREAKERS&FUSES

KEY	PARTNUMBER	U/M	DESCRIPTION
	062037-01-000	EA	HOUSING-AUTOFUSE-NATURAL
	108669-01-000	EA	HOUSING-AUTOFUSEHOLDER
	062901-02-000	EA	FUSE-5AMPS-AUTOMOTIVE
	062901-05-000	EA	FUSE-15AMPS-AUTOMOTIVE
	062901-06-000	EA	FUSE-20AMPS-AUTOMOTIVE
	062901-07-000	EA	FUSE-25AMPS-AUTOMOTIVE
	062901-08-000	EA	FUSE-30AMPS-AUTOMOTIVE
	083209-01-000	EA	CIRCUITBREAKER15AMP120V BWG-15-CANADIAN
	083209-02-000	EA	CIRCUITBREAKER15/15AMP120V BWH-15/15
	083209-03-000	EA	CIRCUITBREAKER15/20AMP120V BW0-15/20
	083209-04-000	EA	CIRCUITBREAKER30AMP120V BWL-30
	083209-06-000	EA	CIRCUITBREAKER30/15AMP120V BWD-30/15
	093654-01-000	EA	CIRCUITBREAKER6AMP12V USD17406-4E12A2A
	093654-02-000	EA	CIRCUITBREAKER15AMP12VUSD17415-4E12A2A
	093655-03-000	EA	CIRCUITBREAKER40AMP12V-USD17440-4E03A2A
	108916-01-000	EA	CIRCUITBREAKER50AMP120V-WESTINGHOUSEBR250
	112591-01-000	EA	CIRCUITBREAKER-16AMP240VOLT
	122811-01-000	EA	CIRCUITBREAKER-20/50/50/20
	093674-01-000	EA	PLATE-CIRCUITBREAKER-HOUSE-8.4"X4.1"-STEEL
	106656-01-000	EA	FUSEBLOCK-4CAVITY-AUTOFUSE

ELECTRICALGROUP(CONTINUED)

ELECTRICALCONNECTORS&CONDUIT

KEY	PARTNUMBER	U/M	DESCRIPTION
	007954-01-000	EA	RECEPTACLE-HOUSING-6POSITION
	007956-05-000	EA	INSULATOR-SHRINK-.25IDX1.50
	008311-01-000	EA	CONNECTOR-WIRENUT-INSULATED-RED
	008312-01-000	EA	CONNECTOR-WIRENUT-INSULATED-BLUE
	008313-01-000	EA	CONNECTOR-WIRENUT-INSULATED-YELLOW
	008314-01-000	EA	CONNECTOR-WIRENUT-INSULATED-GRAY
	115932-02-000	EA	CONNECTOR-FEMALE-50AMP-240VOLT
	008355-01-000	EA	CONNECTOR-CABLECLAMPING-3/4"
	008356-01-000	EA	CONNECTOR-PLASTIC-3/8"AVG
	008398-01-000	EA	CONNECTOR-1/2"X90DEGREE-FLEXCONDUIT-UL&CSA
	041480-01-000	EA	CONNECTOR-STRAIGHT-1/2'FLEXCONDUIT
	058028-01-000	EA	CONNECTOR-ELECTRICALPIGTAIL-NYLON-CLEAR
	008326-01-000	EA	TERMINAL-RING-16/14WIRE-3/8"STUD
	008328-01-000	EA	TERMINAL-RING-12/10WIRE-#10STUDFIT
	008331-01-000	EA	TERMINAL-RING-TONGUE-#4WIRE-3/8"STUD-COPPER
	008348-01-000	EA	TERMINAL-RING-3/8"STUD2GA.WIRE
	035416-04-000	EA	TERMINAL-RING-#10STUDFIT-INSULATEDBARREL#16/14
	047443-01-000	EA	TERMINAL-.250RECEPTACLEFIT-INSULATED-16/14AWG
	062036-02-000	EA	TERMINAL-PACK-CON-16/14AWG
	088267-01-000	EA	TERMINAL-FEMALE-1/4
	041953-01-000	FT	CONDUIT-CONVOLUTESLIT-.5"ID
	041953-03-000	FT	CONDUIT-CONVOLUTESLIT-1"ID(CLOTHESRODCOVER)
	041953-05-000	FT	CONDUIT-CONVOLUTESOLID-.62"ID
	041953-06-000	FT	CONDUIT-CONVOLUTESLIT-.375"ID
	041953-07-000	FT	CONDUIT-CONVOLUTESLIT-.25"ID
	041953-09-000	FT	CONDUIT-CONVOLUTESLIT-.50"ID
	041953-10-000	FT	CONDUIT-CONVOLUTESLIT-.75"ID
	041953-11-000	FT	CONDUIT-CONVOLUTESLIT-1.06"ID
	041953-12-000	FT	CONDUIT-CONVOLUTENONSLIT-1.1"ID
	077479-01-000	EA	BOOT-BATTERYTERMINAL-DOUBLECABLE
	077479-02-000	EA	BOOT-BATTERYTERMINAL-SINGLECABLE
	080015-02-000	EA	RECEPTACLE-FLAG-.185-16/14GAUGE
	087225-01-000	FT	SLEEVING-1/2"-TYPEH
	087225-02-000	FT	SLEEVING-5/8"-TYPEH
	087949-01-000	EA	BUSSBAR-2POSITION-.6"X1.5"
	087949-02-000	EA	BUSSBAR-3POSITION-.6"X2.4"
	088473-01-000	EA	HOUSING-PIN-12CAVITY
	088473-02-000	EA	HOUSING-PIN-15CAVITY
	088473-03-000	EA	HOUSING-PIN-9CAVITY
	088473-05-000	EA	HOUSING-PIN-6CAVITY
	088473-06-000	EA	HOUSING-PIN-6CAVITY
	088473-08-000	EA	HOUSING-PIN-4CAVITY
	088473-09-000	EA	HOUSING-PIN-3CAVITY
	088473-10-000	EA	HOUSING-PIN-2CAVITY
	088474-01-000	EA	HOUSING-SOCKET-12CAVITY
	088474-02-000	EA	HOUSING-SOCKET-15CAVITY
	088474-03-000	EA	HOUSING-SOCKET-9CAVITY
	088474-06-000	EA	HOUSING-SOCKET-6CAVITY
	088474-07-000	EA	HOUSING-SOCKET-5CAVITY
	088474-08-000	EA	HOUSING-SOCKET-4CAVITY
	088474-09-000	EA	HOUSING-SOCKET-3CAVITY
	088474-10-000	EA	HOUSING-SOCKET-2CAVITY
	088475-01-000	EA	PIN-CONNECTOR-14-20AWG
	088475-02-000	EA	PIN-CONNECTOR-10-12AWG
	088476-01-000	EA	SOCKET-CONNECTOR-BRASS-PRE-TIN

ELECTRICALGROUP(CONTINUED)

ELECTRICALCONNECTORS&CONDUIT(CONTINUED)

KEY	PARTNUMBER	U/M	DESCRIPTION
	092786-03-000	EA	BUSSBAR-6.9"LONG
	098261-02-000	EA	SOCKET-CONNECTOR-WEATHERPACK
	098262-01-000	EA	SEAL-CONNECTOR-WEATHERPACK
	098264-01-000	EA	HOUSING-2PIN-WEATHERPACK
	102777-02-000	EA	TERMINAL-RING-#6STUD-10AWG
	103608-01-000	EA	SOCKET-WEDGEBASE/LEADS
	103987-02-000	EA	SEAL-SOLENOIDACCESS
	104100-01-000	EA	HOUSING-1POSITION-75AMPS
	104100-03-000	EA	TERMINAL-75AMP
	106655-01-000	EA	TERMINAL-FUSEBLOCK-14-16AWG
	106655-02-000	EA	TERMINAL-FUSEBLOCK-10-12AWG
	110178-01-000	EA	HOUSING-WIPERMOTOR
	112823-01-000	EA	SPLICE-REDUCER-16-14TO18-22
	113468-01-000	EA	HOUSING-2POSITION-FEMALE(WIPER/WASHERWIREASM)
	115556-01-000	EA	HOUSING-3POSITION-FEM
	115931-02-000	EA	COVER-CONNECTOR
	125323-02-000	EA	HOUSING-8POSITION-MALE
			FROM: 10-25-96 THRU: 99-99-99
	125324-01-000	EA	TERMINAL-MALE
			FROM: 10-25-96 THRU: 99-99-99
	125325-01-000	EA	SEAL-CAVITY
			FROM: 10-25-96 THRU: 99-99-99

SOLARPANEL

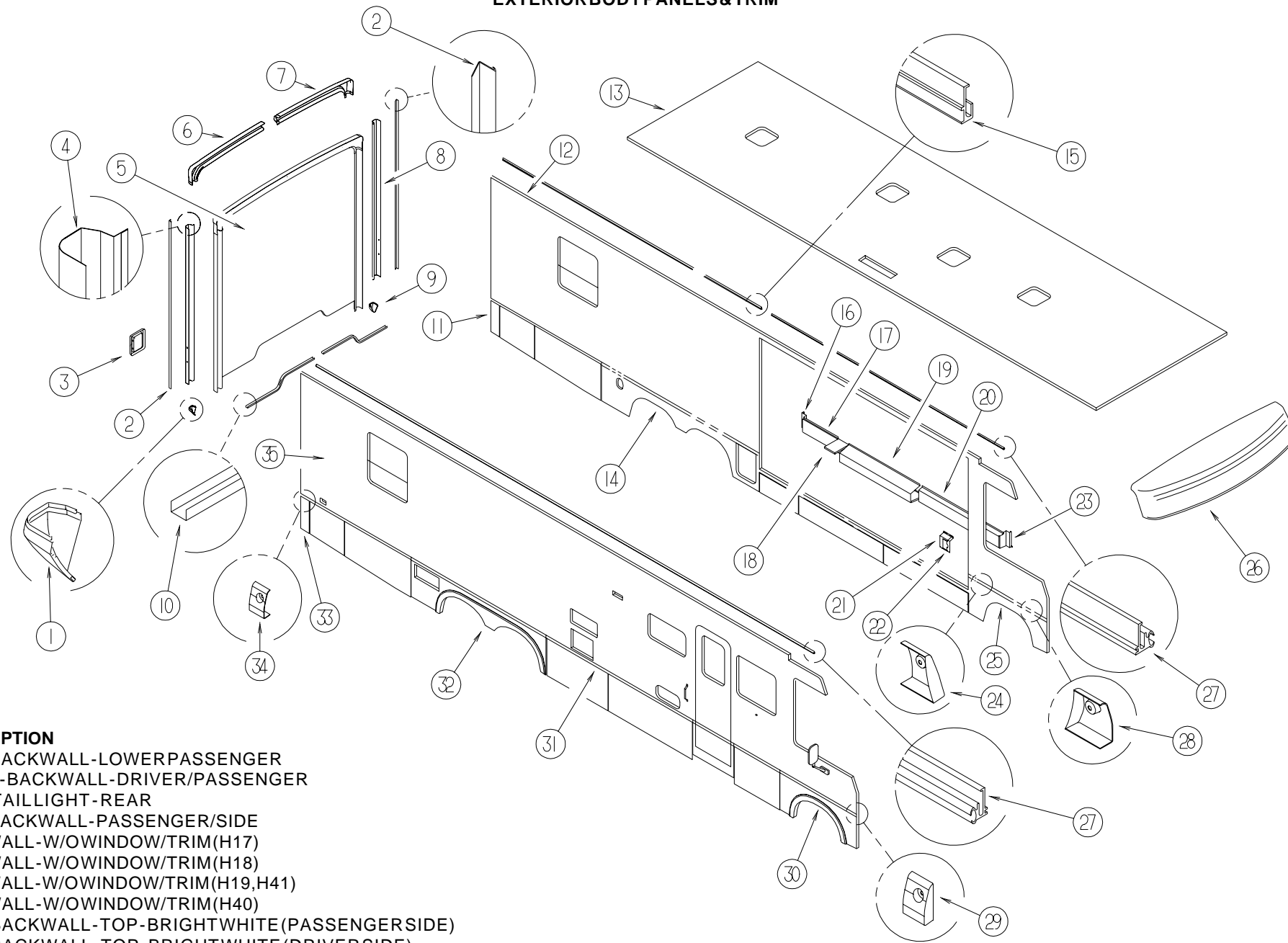
KEY	PARTNUMBER	U/M	DESCRIPTION	VENDORNO.
	115504-01-000	EA	PANEL-SOLAR10WATT	
	115504-01-700	EA	PLUG&CABLE-10WATTPANEL	600-016
	115505-01-000	EA	MONITORLIGHT-SOLARPANEL-REDLEDINDICATOR	

ELECTRICALMISCELLANEOUS

KEY	PARTNUMBER	U/M	DESCRIPTION
	008188-01-000	EA	SOLENOID-3POST-BATTERYCHANGEOVER
	022756-03-000	EA	COVER-A/CPLASTIC
	063910-01-000	EA	HOUSING-RELAY
	063912-02-000	EA	RELAY-CANISTER-SPDT
	073626-04-000	EA	COVER-ELECTRIC-10.4"X7.8"
	086233-01-000	EA	STUD-ISOLATED-3/8"X7/8"LONG
	086273-01-000	EA	RELAY-BATTERYDISCONNECT

EXTERIORBODYGROUP

EXTERIORBODYPANELS&TRIM

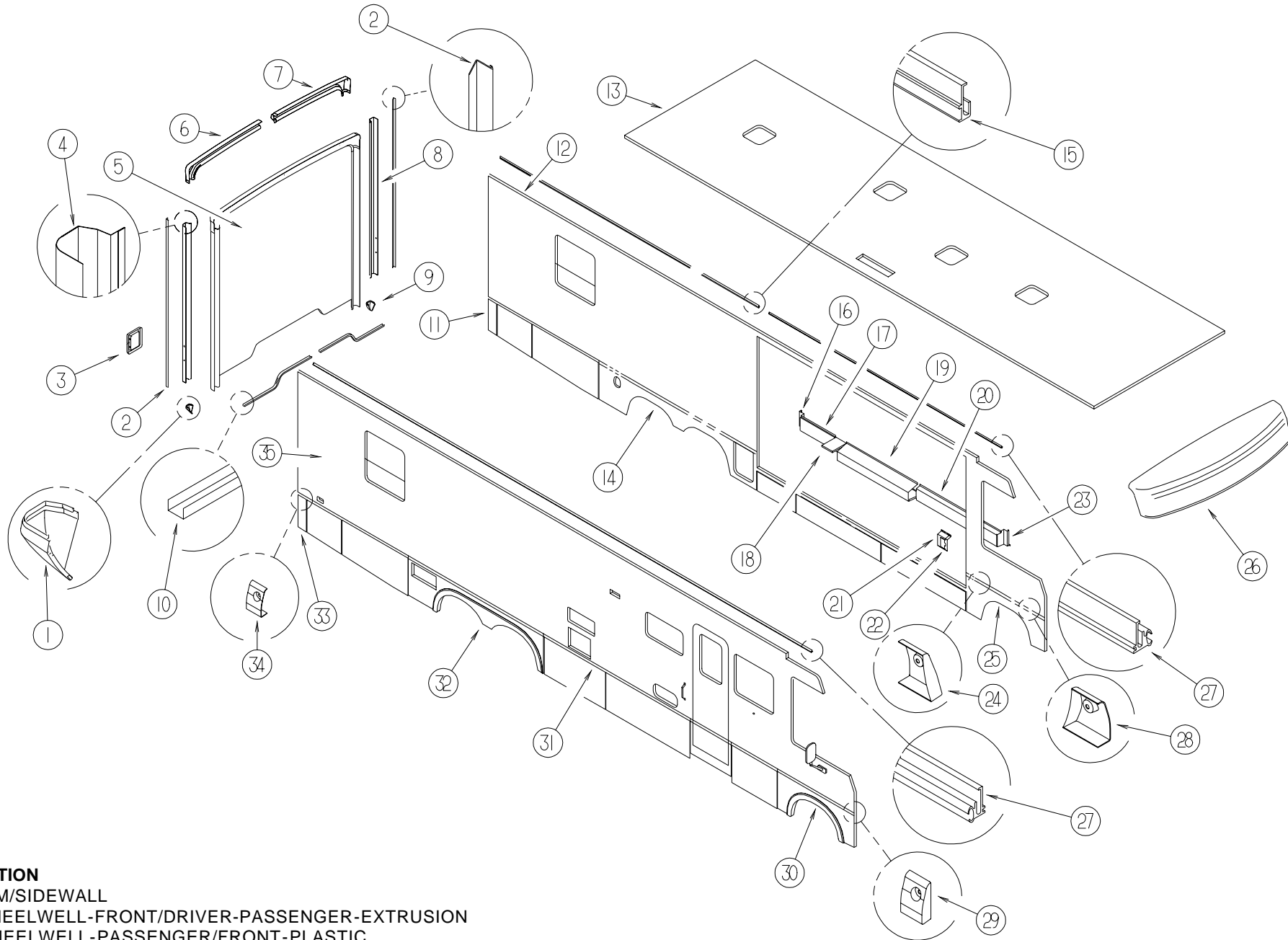


KEY	PARTNUMBER	U/M	DESCRIPTION
1	119212-01-01A	EA	TRIM-BACKWALL-LOWERPASSENGER
2	104033-18-01A	EA	TRIM-J-BACKWALL-DRIVER/PASSENGER
3	117379-01-03A	EA	TRIM-TAILLIGHT-REAR
4	114874-03-12B	EA	TRIM-BACKWALL-PASSENGER/SIDE
5	M08616-01-H17	EA	BACKWALL-W/OWINDOW/TRIM(H17)
5	M08616-01-H18	EA	BACKWALL-W/OWINDOW/TRIM(H18)
5	M08616-01-H19	EA	BACKWALL-W/OWINDOW/TRIM(H19,H41)
5	M08616-01-H40	EA	BACKWALL-W/OWINDOW/TRIM(H40)
6	114872-01-02A	EA	TRIM-BACKWALL-TOP-BRIGHTWHITE(PASSENGERSIDE)
7	114873-01-02A	EA	TRIM-BACKWALL-TOP-BRIGHTWHITE(DRIVERSIDE)
8	114874-04-12B	EA	TRIM-BACKWALL-DRIVER-BRIGHTWHITE
9	119212-02-01A	EA	TRIM-BACKWALL-LOWERDRIVER
10	050406-27-000	EA	TRIM-LOWERBACKWALL-EITHERSIDE
11	122732-10-H18	EA	PANEL-REARVALANCE-W/OHARDWARE
12	M08620-03-H17	EA	SIDEWALL-DRIVER-W/OWINDOWS/TRIM-W/SLIDEOUT
12	M08620-03-H18	EA	SIDEWALL-DRIVER-W/OWINDOWS/TRIM-W/SLIDEOUT
12	M08620-03-H19	EA	SIDEWALL-DRIVER-W/OWINDOWS/TRIM-W/SLIDEOUT
12	M08620-03-H40	EA	SIDEWALL-DRIVER-W/OWINDOWS/TRIM-W/SLIDEOUT
12	M08620-03-H41	EA	SIDEWALL-DRIVER-W/OWINDOWS/TRIM-W/SLIDEOUT
12	M08620-04-H17	EA	SIDEWALL-DRIVER-W/OWINDOWS/TRIM-W/SLIDEOUT/DRVRDR
12	M08620-04-H18	EA	SIDEWALL-DRIVER-W/OWINDOWS/TRIM-W/SLIDEOUT/DRVRDR
12	M08620-04-H19	EA	SIDEWALL-DRIVER-W/OWINDOWS/TRIM-W/SLIDEOUT/DRVRDR
12	M08620-04-H40	EA	SIDEWALL-DRIVER-W/OWINDOWS/TRIM-W/SLIDEOUT/DRVRDR
12	M08620-04-H41	EA	SIDEWALL-DRIVER-W/OWINDOWS/TRIM-W/SLIDEOUT/DRVRDR
13	P23894-01-H37	EA	ROOF-W/OLIGHTS/VENTS-W/WIRING

KEY	PARTNUMBER	U/M	DESCRIPTION
14	124517-03-01A	EA	TRIM-WHEELWELL-REAR/DRIVER-PASSENGER-EXTRUSION
14	124020-02-H37	EA	TRIM-WHEELWELL-REAR/DRIVER
15	120091-02-02A	EA	TRIM-ROOF
16	116096-01-02B	EA	PANEL-CLOSEOUT/SLIDEOUT
17	116098-01-02B	EA	PANEL-CLOSEOUT/SLIDEOUT
18	124126-01-02B	EA	PANEL-CLOSEOUT
19	116099-02-02B	EA	PANEL-CLOSEOUT/SLIDEOUT
20	116097-01-02B	EA	PANEL-CLOSEOUT/SLIDEOUT
21	116491-02-02B	EA	PANEL-SEAL/SLIDEOUT/LEFTHAND
22	116491-03-02B	EA	PANEL-SEAL/SLIDEOUT/RIGHTHAND
23	116095-01-02B	EA	PANEL-CLOSEOUT/SLIDEOUT
24	124178-02-01A	EA	CAP-TRIM/DRIVERDOOR
25	124518-01-01A	EA	TRIM-WHEELWELL-FRONT/DRIVER-PASSENGER-EXTRUSION
25	124019-03-01A	EA	TRIM-WHEELWELL-DRIVER/FRONT-PLASTIC-F/DRIVERDOOR
25	124019-02-01A	EA	TRIM-WHEELWELL-DRIVER/FRONT-PLASTIC
26	115042-01-02A	EA	PANEL-ROOFCAP-W/OLIGHTS/WIRING
27	120092-01-02A	EA	RAIL-AWNING
28	124178-01-01A	EA	CAP-TRIM/DRIVERDOOR

EXTERIOR BODY GROUP (CONTINUED)

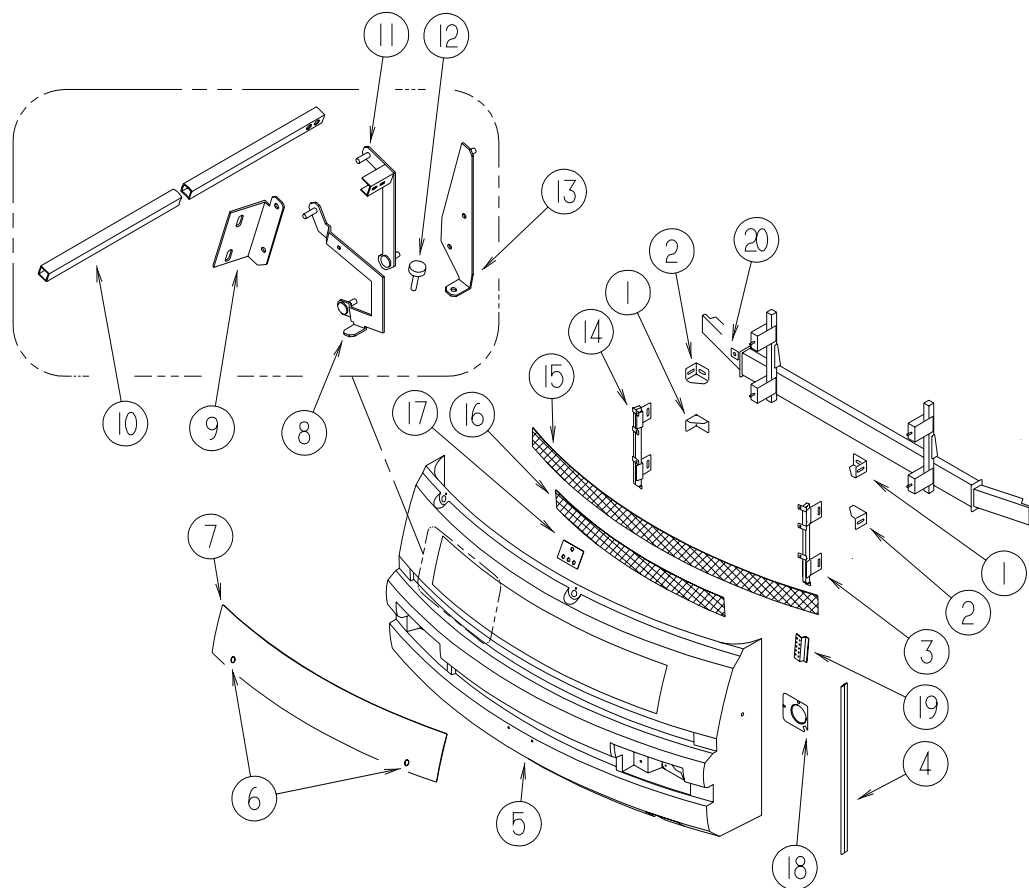
EXTERIOR BODY PANELS & TRIM (CONTINUED)



KEY	PARTNUMBER	U/M	DESCRIPTION
29	124132-01-01A	EA	CAP-TRIM/SIDEWALL
30	124518-01-01A	EA	TRIM-WHEELWELL-FRONT/DRIVER-PASSENGER-EXTRUSION
30	124019-01-01A	EA	TRIM-WHEELWELL-PASSENGER/FRONT-PLASTIC
31	124176-01-01A	EA	TRIM-SIDEWALL-BRIGHTWHITE
31	105312-01-03A	FT	INSERT-VINYLFEATURESTRIP-GRAYMETALLIC
32	124517-03-01A	EA	TRIM-WHEELWELL-REAR/DRIVER-PASSENGER-EXTRUSION
32	124020-04-H37	EA	TRIM-WHEELWELL-REAR/PASSENGER
33	122732-11-H37	EA	PANEL-REARVALANCE-W/OHARDWARE
34	124132-02-01A	EA	CAP-TRIM/SIDEWALL
35	M08619-02-H17	EA	SIDEWALL-PASSENGER-W/OWINDOWS/TRIM
35	M08619-02-H18	EA	SIDEWALL-PASSENGER-W/OWINDOWS/TRIM
35	M08619-02-H19	EA	SIDEWALL-PASSENGER-W/OWINDOWS/TRIM
35	M08619-02-H40	EA	SIDEWALL-PASSENGER-W/OWINDOWS/TRIM
35	M08619-02-H41	EA	SIDEWALL-PASSENGER-W/OWINDOWS/TRIM

EXTERIORBODYGROUP(CONTINUED)

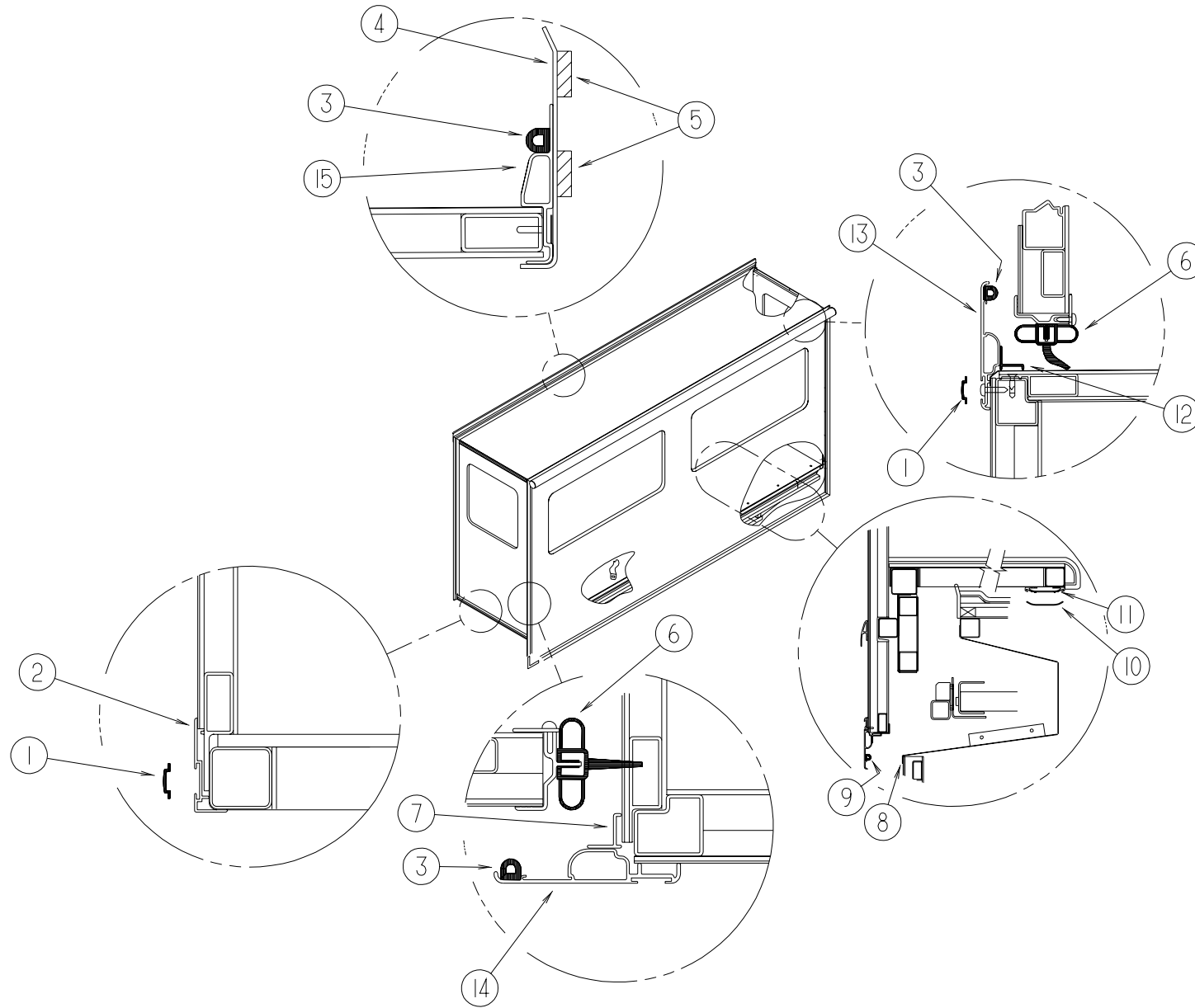
FRONT END ASM



KEY	PARTNUMBER	U/M	DESCRIPTION
1	117611-04-02B	EA	BRACKET-BUMPER-LEFTHANDUPPER/RIGHTHANDLOWER
2	117611-03-02B	EA	BRACKET-BUMPER-RIGHTHANDUPPER/LEFTHANDLOWER
3	118997-02-G35	EA	SUPPORT-GRILLE-DRIVERFRONT
4	123680-03-01A	EA	TRIM-FIBERGLASS
5	118999-01-G35	EA	PANEL-LOWERFRONT
6	102330-02-000	EA	LATCH-VISEACTION/KEYOPERATED
	102328-01-000	EA	KEY-BARREL-NICKELPLATED
7	115976-03-G35	EA	PANEL-HOOD
8	109930-11-000	EA	LINK-HINGE-HOOD/LOWERPASSENGERSIDE
	109930-12-000	EA	LINK-HINGE-HOOD/LOWERDRIVERSIDE
9	109927-03-000	EA	ANGLE-HOODLINK-RIGHTHAND
	109927-04-000	EA	ANGLE-HOODLINK-LEFTHAND
10	105096-10-000	EA	TUBE-HOODHINGETIMINGW/WELDNUTS
11	109929-05-000	EA	LINK-UPPERHOODHINGE-PASSENGERSIDE
	109929-06-000	EA	LINK-UPPERHOODHINGE-DRIVERSIDE
12	058786-01-000	EA	BOLT-ADJUSTING-HOOD-W/BLACKPAD-.31"#18X2"
13	109926-15-000	EA	BRACKET-HOODHINGELINK-PASSENGERSIDE
	109926-16-000	EA	BRACKET-HOODHINGELINK-DRIVERSIDE
14	118997-01-G35	EA	SUPPORT-GRILLE-PASSENGERFRONT
15	115924-05-02A	EA	GRILLE-WOVENWIRE-FLATBLACK
16	115924-11-02A	EA	GRILLE-WOVENWIRE
17	119445-01-02B	EA	PLATE-W/HOLES
18	115951-02-02B	EA	PLATE-HEADLAMP-DUAL/LEFTHAND
	115951-01-02B	EA	PLATE-HEADLAMP-DUAL/RIGHTHAND
19	070579-06-000	EA	PLATE-ANCHOR-W/7/16WELDNUT-1.5"X3.3"
	070579-07-000	EA	PLATE-ANCHOR-W/OWELDNUT
	116617-02-02B	EA	SPACER-BUMPER
	077001-01-000	EA	ANGLE-MOUNTING-ROOFPANEL-VANGLE-3"X2.4"X1.5"
	106746-01-000	EA	PANEL-STEPWELL
	106747-01-000	EA	PANEL-STEPWELL-RIGHTHANDEND
	106747-02-000	EA	PANEL-STEPWELL-LEFTHANDEND

EXTERIORBODYGROUP(CONTINUED)

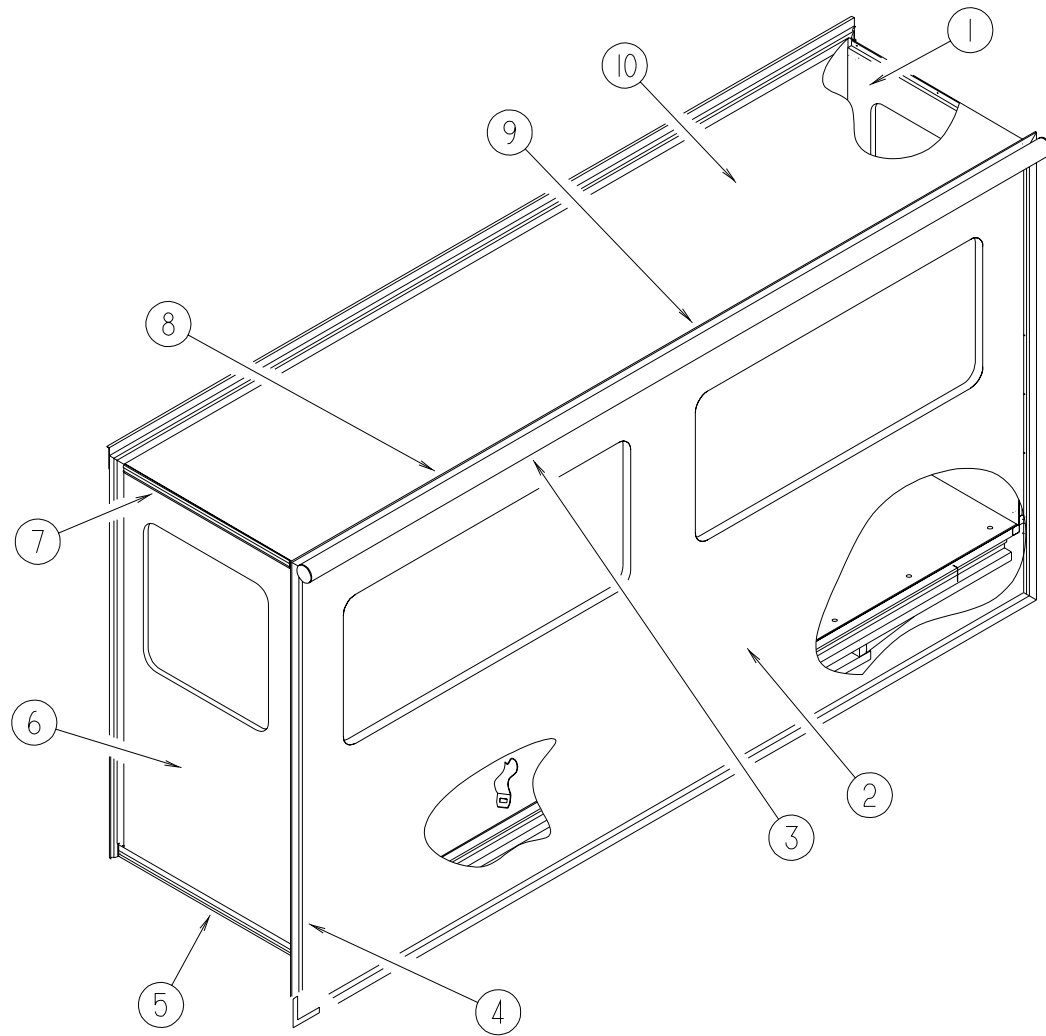
EXTERIORSLIDEOUTHARDWARE



KEY	PARTNUMBER	U/M	DESCRIPTION
1	105312-01-07A	FT	INSERT-FEATURESTRIP/VINYL-BRIGHTWHITE
2	108688-01-03A	EA	STRIP-FEATURE-15'
3	099418-01-000	FT	D-SECTIONSEALW/ADHESIVEBACK-.44"X.44"-BLKRUBBER
4	100128-02-000	FT	SEAL-FOAM-ADHESIVEBACK-.37"WIDEX.37"THICK
5	115076-01-000	FT	SEAL-SLIDEOUT
6	116933-01-02A	EA	TRIM/SEAL
7	115075-02-000	FT	SEAL-WIPE-.25"X3.15"
8	089275-02-000	FT	STRIP-3/4"X84"BLACKPOLYETHELENE
9	121283-01-000	FT	SEAL-P SHAPED-EPDMFOAM
10	115661-01-000	FT	POLYETHYLENE-HIGHDENSITY-1/16"X3'
11	115325-01-02A	EA	RAIL-FLOOR-SLIDEOUTROOM
12	116933-02-02A	EA	TRIM/SEAL-BRIGHTWHITE
13	116934-01-02A	EA	TRIM-SEAL-W/MITEREDENDSB/W
14	116934-02-02A	EA	TRIM-SEAL-W/MITEREDENDSB/W
15	117004-03-03A	EA	TRIM-SEAL-INNER
	117004-01-03A	EA	TRIM-SEAL-INNER(FORWARD)
	117004-02-03A	EA	TRIM-SEAL-INNER(REARWARD)

EXTERIORBODYGROUP(CONTINUED)

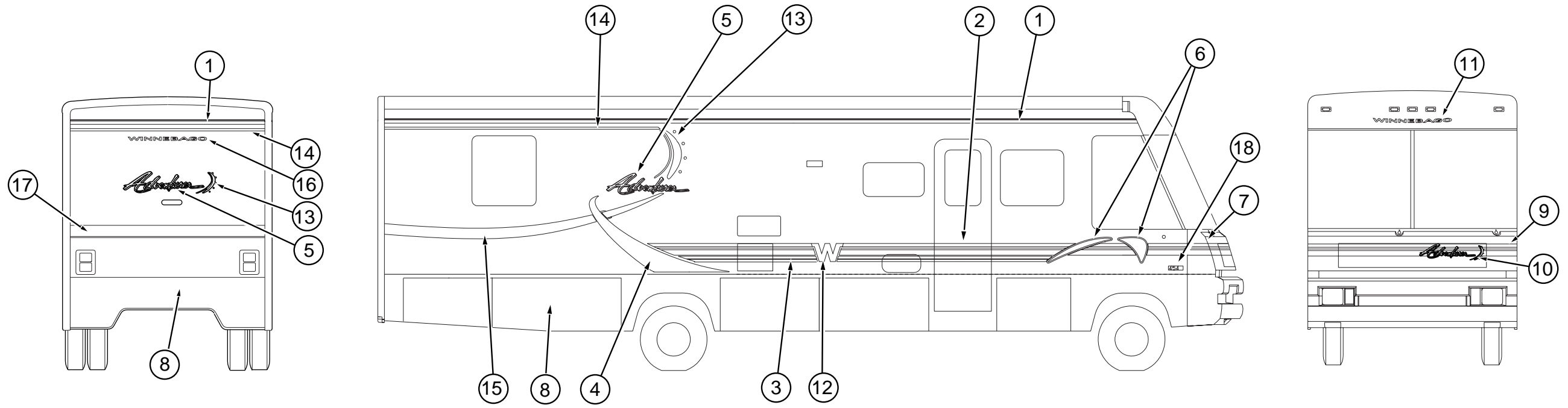
EXTERIOR SLIDEOUT PANELS & TRIMS



KEY	PART NUMBER	U/M	DESCRIPTION
1	115263-04-H17	EA	PANEL-SLIDEOUT/REAR(H17)
1	115263-04-G37	EA	PANEL-SLIDEOUT/REAR(H18)
1	115263-04-H25	EA	PANEL-SLIDEOUT/REAR(H19,H41)
1	115263-04-H23	EA	PANEL-SLIDEOUT/REAR(H40)
2	115264-01-H17	EA	PANEL-SLIDEOUT/OUTER(H17)
2	115264-01-H18	EA	PANEL-SLIDEOUT/OUTER(H18)
2	115264-01-G19	EA	PANEL-SLIDEOUT/OUTER(H19,H41)
2	115264-01-H23	EA	PANEL-SLIDEOUT/OUTER(H40)
3	122977-06-01A	EA	AWNING-SLIDEOUT-W/COVER-160.24"
4	116934-02-02A	EA	TRIM-SEAL,W/MITEREDENDS-B/W
	105312-01-07A	EA	INSERT-FEATURESTRIP/VINYL-BRIGHTWHITE
	116933-01-02A	EA	TRIM/SEAL
5	105312-01-07A	EA	INSERT-FEATURESTRIP/VINYL-BRIGHTWHITE
6	115265-04-H17	EA	PANEL-SLIDEOUT/FRONT(H17)
6	115265-04-G37	EA	PANEL-SLIDEOUT/FRONT(H18)
6	115265-04-H25	EA	PANEL-SLIDEOUT/FRONT(H19,H41)
6	115265-04-H23	EA	PANEL-SLIDEOUT/FRONT(H40)
7	108688-01-03A	EA	STRIP-FEATURE-15'
	105312-01-07A	EA	INSERT-FEATURESTRIP/VINYL-BRIGHTWHITE
8	117058-01-01A	EA	TAPE-LOOP-3/4"WIDE-ADHESIVEBACKED
9	116934-01-02A	EA	TRIM-SEAL,W/MITEREDENDS-B/W
	105312-01-07A	EA	INSERT-FEATURESTRIP/VINYL-BRIGHTWHITE
	116933-01-02A	EA	TRIM/SEAL
10	115266-01-H23	EA	ROOF-SLIDEOUT-W/OLIGHTS/VENTS-W/WIRING

EXTERIOR BODY GROUP (CONTINUED)

DECALS, FILM STRIPES & PAINT



SUPERBLUE EXTERIOR

UMBRA BROWN EXTERIOR

KEY	PART NUMBER	U/M	DESCRIPTION
1	105781-54-02A	FT	FILM-MULTISTRIPE 2.13"
2	094443-46-02A	FT	FILM-MULTISTRIPE 139.7MM X 150 -LTGRN/VILET/DKBLU
3	115335-07-02A	FT	FILM-MULTISTRIPE/OVERLAY 2.50"
4	121996-01-02A	EA	DECAL-SLASH-RIGHTHAND
4	121996-02-02A	EA	DECAL-SLASH-LEFTHAND
5	122001-01-02A	EA	DECAL-LOGO-ADVENTURER
6	121997-01-01A	EA	DECAL-SLASH-FRONT/RIGHTHAND
6	121997-02-01A	EA	DECAL-SLASH-FRONT/LEFTHAND
7	121998-01-02A	EA	DECAL-CORNER-RIGHTHAND
7	121998-02-02A	EA	DECAL-CORNER-LEFTHAND
8	NPN		PAINT-SUPERBLUE
9	121999-01-02A	EA	DECAL-HOOD-LTGRN/VILET/DKBLU
10	122000-01-02A	EA	DECAL-LOGO-ADVENTURER W/ARC
11	121510-02-02A	EA	DECAL-LOGO-WINNEBAGO SWEEP
12	120700-03-02A	EA	DECAL-LOGO-W
13	121994-01-02A	EA	DECAL-ARC-RIGHTHAND
13	121994-02-02A	EA	DECAL-ARC-LEFTHAND
14	093681-36-03A	FT	FILM-1"
15	121995-01-02A	EA	DECAL-SLASH-REAR/RIGHTHAND
15	121995-02-02A	EA	DECAL-SLASH-REAR/LEFTHAND
16	120702-03-03A	EA	DECAL-LOGO-WINNEBAGO/SMALL
17	093681-52-02A	FT	FILM-5.25
18	122312-01-01A	EA	DECAL-VORTEC 7400
	041561-03-000	EA	PAINT-16OZ SPRAY-OFFWHITE
	099399-12-700	EA	PAINT-16OZ SPRAY-ENAM/BUFFRAABE
	099399-12-701	EA	PAINT-BUFF-.6OZ BOTTLE-W/BRUSH

DUPONT PAINT COLOR CODES

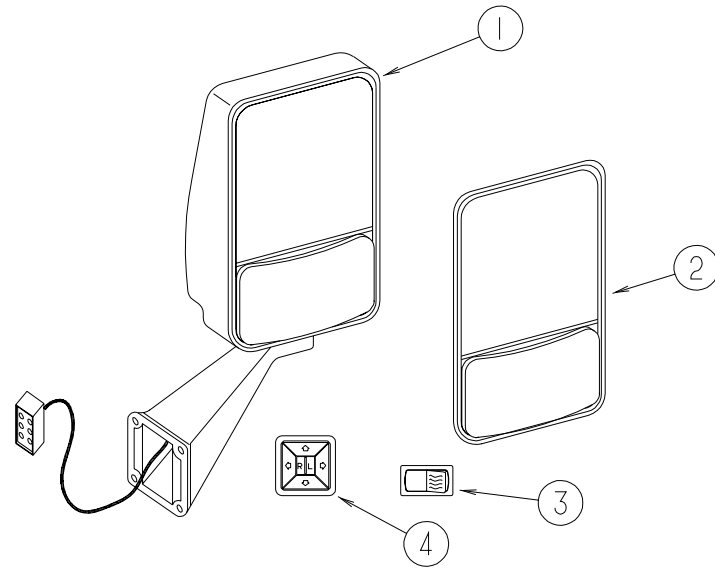
OFFWHITE	(INTERIOR)	DUPONT L8723
SUPERBLUE	(EXTERIOR)	DUPONT F1915U
BRIGHTWHITE	(EXTERIOR)	DUPONT B8951U
LIGHTGREEN	(FILM)	DUPONT GM185
VIOLET	(FILM)	DUPONT F2984
SMOKE	(FILM)	DUPONT MM328
DARKBLUE	(FILM)	DUPONT BM226

KEY	PART NUMBER	U/M	DESCRIPTION
1	105781-54-01A	FT	FILM-MULTISTRIPE 2.13"
2	094443-46-01A	FT	FILM-MULTISTRIPE 5.50"
3	115335-07-01A	FT	FILM-MULTISTRIPE/OVERLAY 2.50"
4	121996-01-01A	EA	DECAL-SLASH-RIGHTHAND
4	121996-02-01A	EA	DECAL-SLASH-LEFTHAND
5	122001-01-01A	EA	DECAL-LOGO-ADVENTURER
6	121997-01-01A	EA	DECAL-SLASH-FRONT/RIGHTHAND
6	121997-02-01A	EA	DECAL-SLASH-FRONT/LEFTHAND
7	121998-01-01A	EA	DECAL-CORNER-RIGHTHAND
7	121998-02-01A	EA	DECAL-CORNER-LEFTHAND
8	NPN		PAINT-UMBRA/BROWN
9	121999-01-01A	EA	DECAL-HOOD-WINNEBAGO SWEEP
10	122000-01-01A	EA	DECAL-LOGO-ADVENTURER W/ARC
11	121510-02-01A	EA	DECAL-LOGO-WINNEBAGO SWEEP
12	120700-03-01A	EA	DECAL-LOGO-W
13	121994-01-01A	EA	DECAL-ARC-RIGHTHAND
13	121994-02-01A	EA	DECAL-ARC-LEFTHAND
14	093681-36-03A	FT	FILM-1"
15	121995-01-01A	EA	DECAL-SLASH-REAR/RIGHTHAND
15	121995-02-01A	EA	DECAL-SLASH-REAR/LEFTHAND
16	120702-03-02A	EA	DECAL-LOGO-WINNEBAGO/SMALL
17	093681-52-01A	FT	FILM-5.25
18	122312-01-01A	EA	DECAL-VORTEC 7400
	041561-03-000	EA	PAINT-16OZ SPRAY-OFFWHITE
	099399-12-700	EA	PAINT-16OZ SPRAY-ENAM/BUFF RAABE
	099399-12-701	EA	PAINT-BUFF-.6OZ BOTTLE-W/BRUSH

DUPONT PAINT COLOR CODES

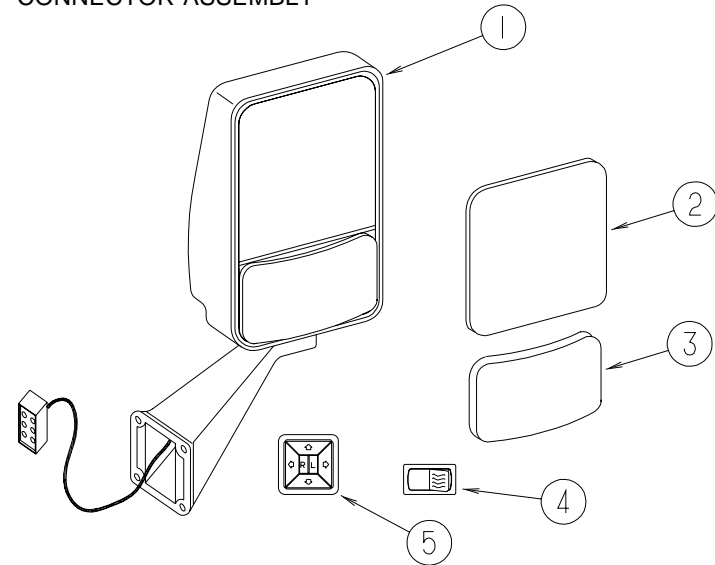
OFFWHITE	(INTERIOR)	DUPONT L8723
UMBRA/BROWN	(EXTERIOR)	DUPONT F2529U
BRIGHTWHITE	(EXTERIOR)	DUPONT B8951U
LIGHT BRIAR BROWN	(FILM)	DUPONT MM073
PINE GREEN	(FILM)	DUPONT GM256
IVY GREEN	(FILM)	DUPONT YM537
DARKBLUE	(FILM)	DUPONT BM226

EXTERIORBODYGROUP(CONTINUED)



EXTERIOR MIRROR OPTION(REMOTE&HEAT)(FROM:00-00-00THRU:11-05-96)

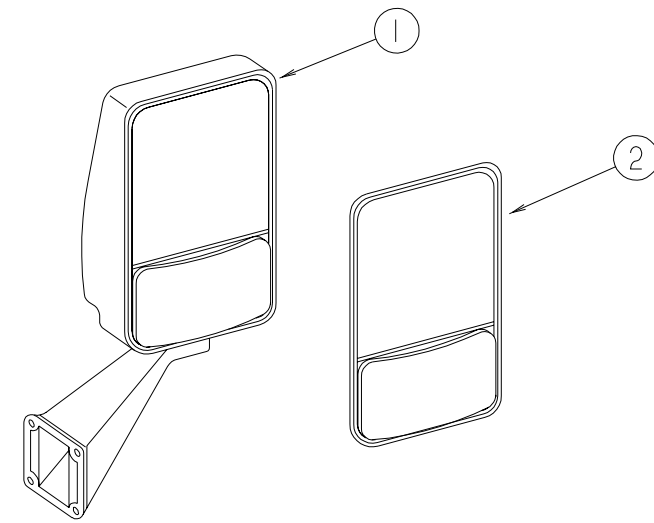
KEY	PARTNUMBER	U/M	DESCRIPTION
1	106015-05-01A	EA	MIRRORASM.RHW/WIREPIGTAIL-REMOTE/HEATED-W/OSWITCH
1	106015-06-01A	EA	MIRRORASMLHW/WIREPIGTAIL-REMOTE/HEATED-W/OSWITCH
2	086261-02-701	EA	KIT-EXTERIOR.MIRROR-W/BEZEL-FLAT&CONVEXGLASS-DRIVERSIDE
2	086261-01-704	EA	KIT-EXTERIOR.MIRROR-W/BEZEL-FLAT&CONVEXGLASS-PASS.SIDE
3	087695-02-000	EA	SWITCH-MIRRORHEATER
4	088246-01-000	EA	SWITCH-REMOTE,EXT.MIRROR-SQUAREPUSH-VELVAC7471290
	087695-03-000	EA	CONNECTOR-ASSEMBLY



EXTERIOR MIRROR OPTION(REMOTE&HEAT)(FROM:11-06-96THRU:99-99-99)

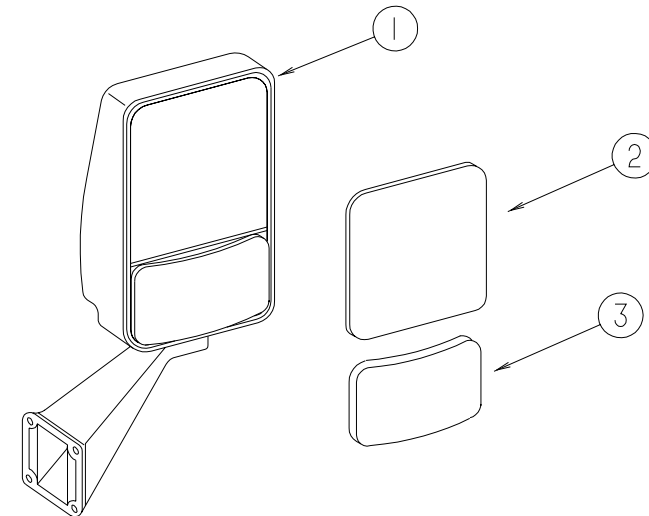
KEY	PARTNUMBER	U/M	DESCRIPTION
1	106015-12-01A	EA	MIRROR-EXTERIORREMOTE/HEAT-PASSENGER
1	106015-13-01A	EA	MIRROR-EXTERIORREMOTE/HEAT-DRIVER
2	106015-12-700	EA	MIRROR-FLATHEATEDW/CLIP
3	106015-12-701	EA	MIRROR-CONVEXHEATEDW/CLIP
4	087695-02-000	EA	SWITCH-HEATER-EXTERIORMIRROR
5	088246-01-000	EA	SWITCH-REMOTE-EXTERIOR-SQUAREPUSH
	087695-03-000	EA	CONNECTOR-ASSEMBLY

EXTERIORBODYGROUP(CONTINUED)



EXTERIOR MIRROR (FROM:00-00-00THRU:03-02-97)

KEY	PARTNUMBER	U/M	DESCRIPTION
1	106015-09-01A	EA	MIRROR-EXTERIORADJUSTABLEGLASS-PASSENGER
1	106015-10-01A	EA	MIRROR-EXTERIORADJUSTABLEGLASS-DRIVER
2	106015-01-703	EA	MIRRORKIT(BEZELW/MIRRORS)PASSENGERSIDE
2	106015-02-702	EA	MIRRORKIT(BEZELW/MIRRORS)DRIVERSIDE



EXTERIOR MIRROR (FROM:03-03-97THRU:99-99-99)

KEY	PARTNUMBER	U/M	DESCRIPTION
1	106015-14-01A	EA	MIRROR-EXTERIORADJUSTABLEGLASS-PASSENGER
1	106015-15-01A	EA	MIRROR-EXTERIORADJUSTABLEGLASS-DRIVER
2	106015-14-700	EA	MIRROR-FLATHEATEDW/CLIP
3	106015-14-701	EA	MIRROR-CONVEXHEATEDW/CLIP

EXTERIORBODYGROUP(CONTINUED)

STYROFOAM&FIBERGLASSSHEETING

KEY	PARTNUMBER	U/M	DESCRIPTION
	000870-08-000	SF	STYROFOAM-.75"X48"X96"-PLANED
	100619-01-000	BF	EXPANDEDFOAMSHEET-48"X96"X1.34"
	100619-02-000	BF	FOAM-EXPANDEDPOLYSTYRENE-48"X96"X1.5"
	100619-04-000	BF	FOAM-EXPANDEDPOLYSTYRENE-EPS48"X96"X.5
	100619-05-000	BF	FOAM-EXPANDEDPOLYSTYRENE-48"X96"X.75"
	100619-13-000	BF	FOAM-EXPANDEDPOLYSTYRENE-48"X96"X.34"
	100619-16-000	BF	FOAM-EXPANDEDPOLYSTYRENE-.75"X48"X96"
	108535-04-02A	SF	FIBERGLASSSHEET-104"X500'ROLL-BRIGHTWHITE
	108535-04-705	EA	FIBERGLASSSHEET-6"X34'BRIGHTWHITE
	108535-05-702	EA	FIBERGLASSSHEET-FLAT-110"X396"BRIGHTWHITE-ROOF
	120107-01-000	EA	FOAM-COVE-ROOF
	120107-02-000	EA	FOAM-PLUG-ROOFTUBE
	076054-R9-000	EA	FIBERGLASSSHEET-38.1"X70.6"BRIGHTWHITE
	076054-V3-000	EA	FIBERGLASSSHEET-94.2"X99.8"-BRIGHTWHITE
	076054-X3-000	EA	FIBERGLASSSHEET-6.5'X35'-BRIGHTWHITE
	076054-X4-000	EA	FIBERGLASSSHEET-26'X28'-BRIGHTWHITE
	076054-X5-000	EA	FIBERGLASSSHEET-25'X5'-BRIGHTWHITE
	076054-X6-000	EA	FIBERGLASSSHEET-22"X33"-BRIGHTWHITE
	076054-X7-000	EA	FIBERGLASSSHEET-25"X8.7'-BRIGHTWHITE
	077517-62-000	EA	FIBERGLASSSHEET-48X96-BRIGHTWHITE-FLAT
	077517-65-000	EA	FIBERGLASS-SHEET-48"X96"-BRIGHTWHITE
	077517-66-000	EA	FIBERGLASS-SHEET-48"X96"-GRAY
	089297-01-000	SF	PLYWOOD-LUAN-OVERLAYGRADE-4'X8'
	115661-01-000	FT	POLYETHYLENE-HIGHDENSITY-1/16"X3'

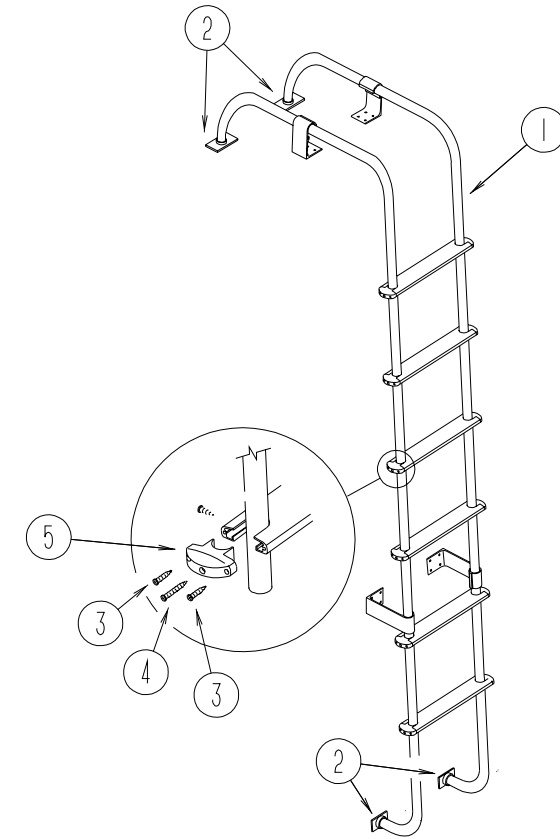
EXTERIORBODYHARDWARE

KEY	PARTNUMBER	U/M	DESCRIPTION
	002726-01-001	EA	GARNISH-U-CHANNEL-1.38"X19'-SERRATED-MILLALUMINUM
	002766-01-001	EA	ANGLE-EXTRUDED-1"X1.5"X17'
	033381-17-001	FT	STEEL-TUBE16GA1.5X1.5X288.00HOTFORMEDASTMA50
	116942-03-01A	EA	AL-.019X1028X4017,MILL
	055278-51-259	FT	TUBING-STEEL-.75"X1.5"X12.5'LONG
	058267-01-000	FT	CHANNEL-STEEL-W/HOLES-SIDEWALLSTIFFENER-2"X20'
	068716-01-001	EA	BRACE-90DEGREEL-ANGLE-192"-EXTRUDEDALUMINUM

EXTERIOR AWNING(A & E)

KEY	PARTNUMBER	U/M	DESCRIPTION	VENDOR NO.
	113874-08-04A	EA	AWNING-W/OHDW19'(POLARBLUE)VINYL	
	113874-01-02A	EA	AWNING-HARDWAREKIT-BRIGHTWHITE	
	111037-01-01A	EA	SPACER-AWNING-UPPER-BLACK	
	113874-01-702	EA	KNOB-ADJUSTING,W/HARDWARE	143249
	113874-01-703	EA	ROD-CENTERPULL,W/GRIP	830152.002
	113874-01-706	EA	LOCK-TRAVEL	830587
	113874-01-707	EA	HANDLE-LIFT	830644
	113874-01-709	EA	NAIL-SPIKE,8"	113006
	113874-01-710	EA	PLUG-STOPKIT	830456
	113874-01-712	EA	FOOT-PATIO	730366
	113874-01-714	EA	RAFTER-MAINRH/LHBRT/WHT	830295.036F
	113874-01-715	EA	RAFTER-SECONDARYBRT/WHT	830463.011F
	113874-01-716	EA	ARM-MAINSUPPORTBRT/WHT	3104502.293/F
	113874-01-717	EA	ARM-ADJUSTABLEBRT/WHT	830467.517/F
	119496-01-02A	EA	SPACER/ZEE-AWNING	

EXTERIORBODYGROUP(CONTINUED)

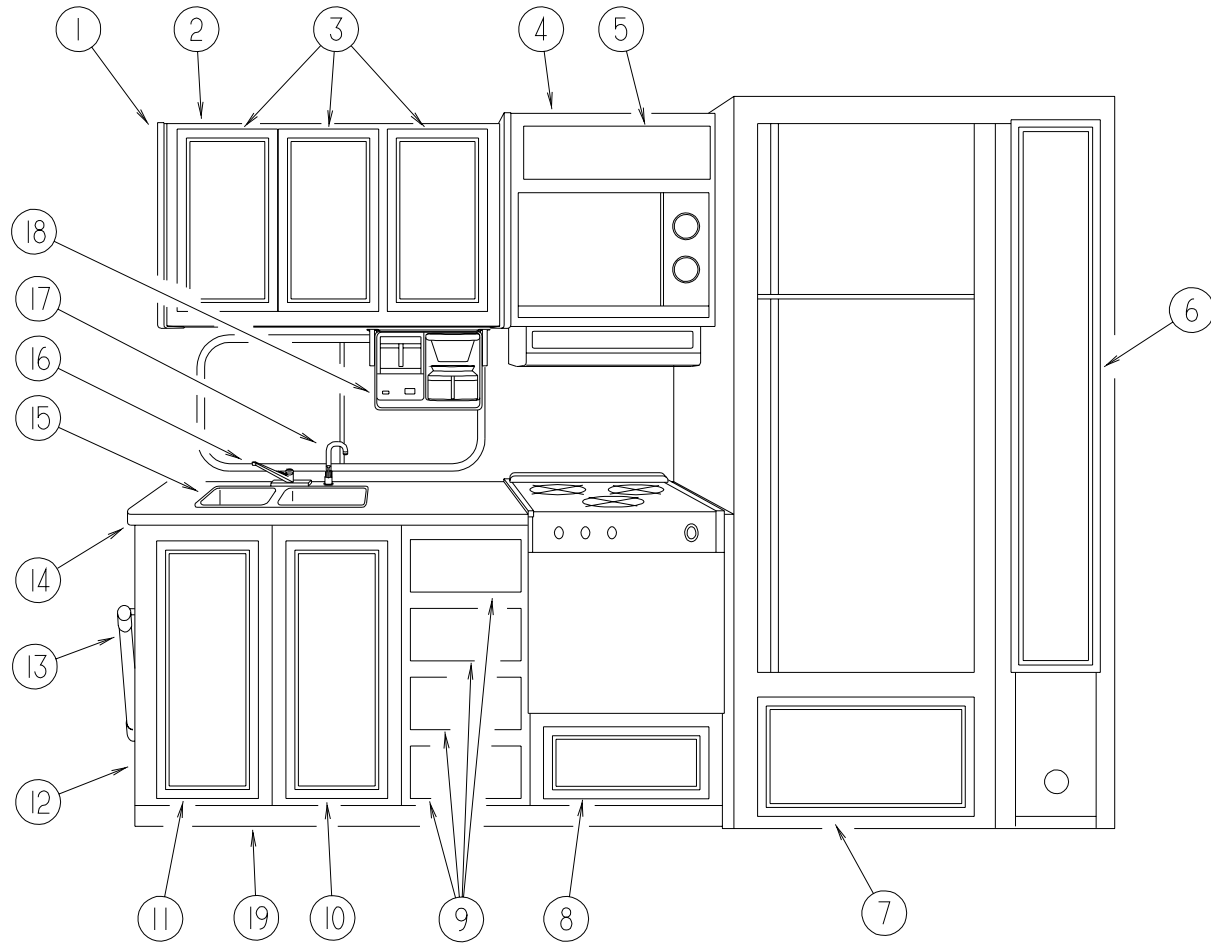


LADDER

KEY	PARTNUMBER	U/M	DESCRIPTION
1	102953-11-F31	EA	LADDER
2	067165-01-000	EA	MOUNTINGBRACKET-LADDER-LOWER
3	000G39-06-10T	EA	SCREW-SF/DR-6-20X5/8PPH-BLACK
4	000G68-10-36T	EA	SCREW-10-12X2.25POHBLACK
5	076980-02-000	EA	ENDCAP-STEP-BLACK
	038327-01-000	FT	TAPE-ANTISLIP-2"X60FT
	038327-04-000	EA	TAPE-ANTISLIP-12"X60'
	112384-01-000	EA	SPONGE-BRACKET-RACK&LADDER

GALLEYGROUP

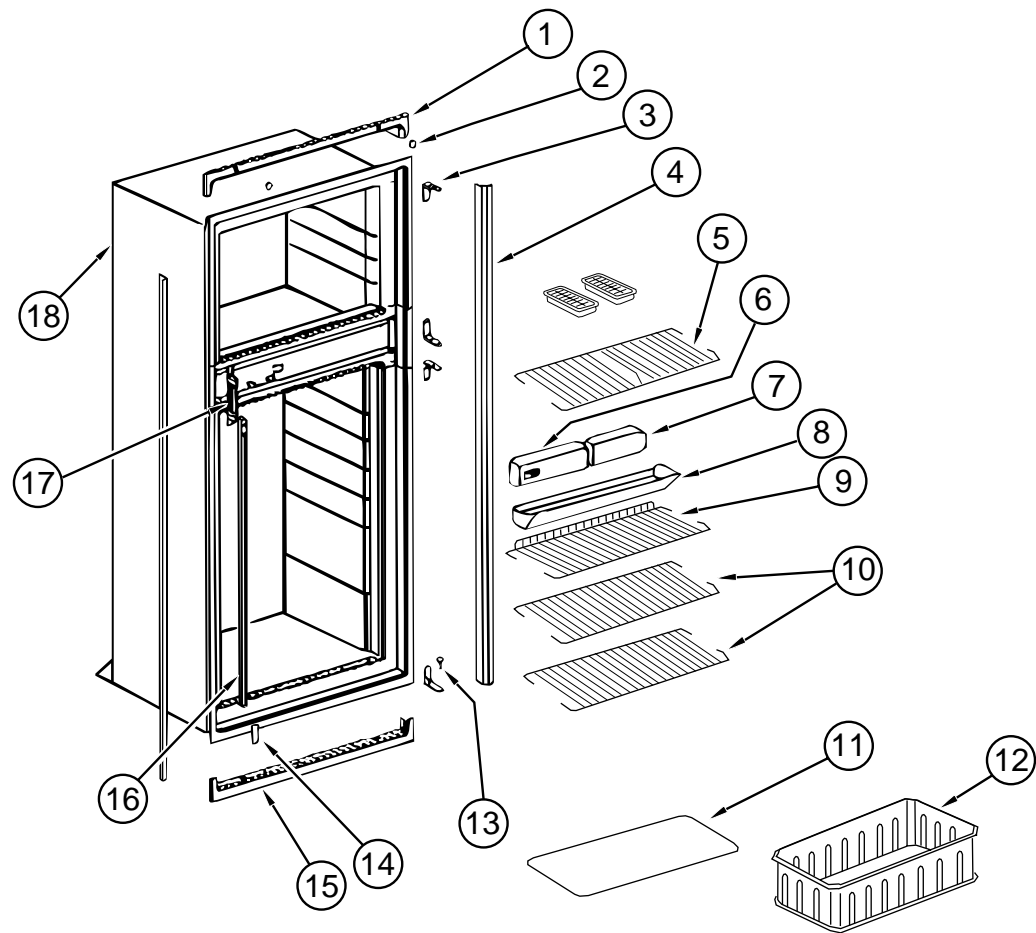
GALLEYCABINETRY&FIXTURES



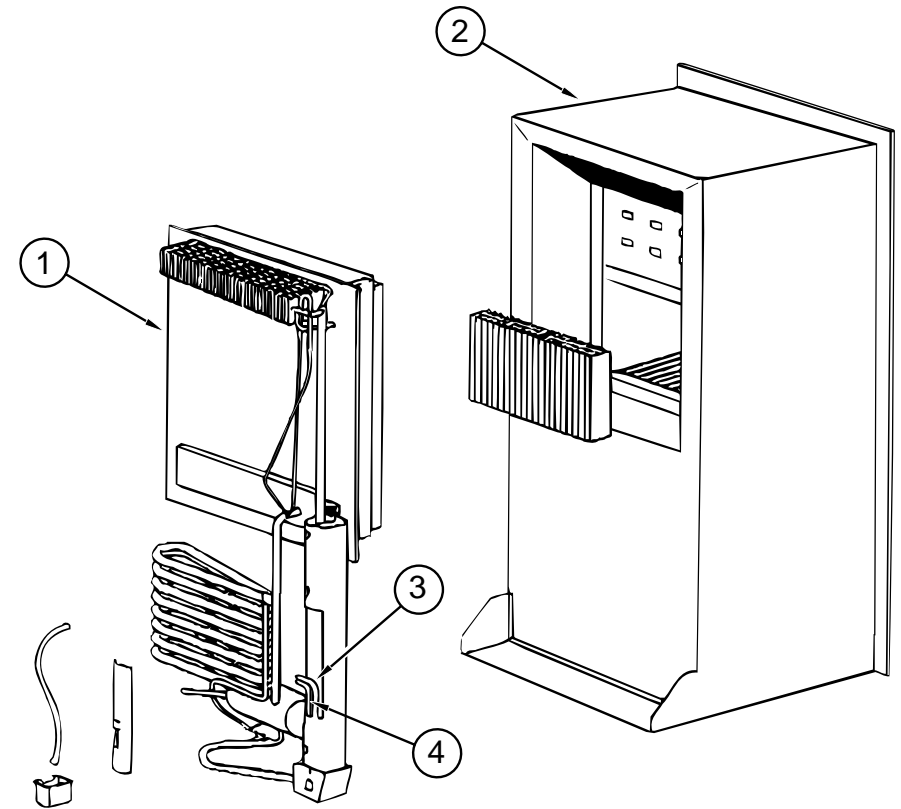
KEY	PARTNUMBER	U/M	DESCRIPTION
1	081319-17-H23	EA	ENDCAP-OVERHEADCABINET(WHITE)
1	081319-17-H17	EA	ENDCAP-OVERHEADCABINET(OAK)
2	P04372-03-H23	EA	CABINET-OVERHEAD-GALLEY-W/ODOORS-HARDWARE(WHITE)
2	P04372-03-H17	EA	CABINET-OVERHEAD-GALLEY-W/ODOORS-HARDWARE(OAK)
2	104372-11-H23	EA	SHELF-W/PLASTICEDGETRIM(WHITE)
2	104372-11-G35	EA	SHELF-W/PLASTICEDGETRIM(OAK)
2	104372-12-H23	EA	SHELF-W/PLASTICEDGETRIM(WHITE)
2	104372-12-G35	EA	SHELF-W/PLASTICEDGETRIM(OAK)
3	122715-04-01A	EA	DOOR-MOLDEDVINYL-12"X21.8"-W/OHARDWARE(WHITE)
3	M06803-29-H17	EA	DOOR-MITEREDCORNER/OGEEEDGE-12"X21.8"-W/OHDW(OAK)
4	121328-02-H40	EA	CABINET-OVERHEAD/MICROWAVE-W/ODOORS/HARDWARE(WHITE)
4	121328-02-H17	EA	CABINET-OVERHEADMICROWAVE-W/ODOORS/HARDWARE(OAK)
	119280-03-H40	EA	CABINET-A/CSWITCH-W/OHARDWARE(WHITE)
	119280-03-H17	EA	CABINET-A/CSWITCH-W/ODOORS/HARDWARE(OAK)

KEY	PARTNUMBER	U/M	DESCRIPTION	VENDOR NO.
5	122715-43-01A	EA	DOOR-MITEREDCORNER/SQUAREEDGE-5.11"X22.4"-W/OHDW(WHITE)	
5	M05992-J9-H17	EA	DOOR-MITEREDCORNER/OGEEEDGE-5.1"X22.4"-W/OHDW(OAK)	
6	122325-01-H40	EA	CABINET-PANTRY/RIGHTHANDSLIDING-W/OSLIDES/HARDWARE(WHITE)	
6	122325-01-H17	EA	CABINET-PANTRY/RIGHTHANDSLIDING-W/OSLIDES/HARDWARE(OAK)	
6	122325-11-H40	EA	SHELF-W/PLASTICEDGEMOLDING(WHITE)	
6	122325-11-H17	EA	SHELF-W/PLASTICEDGEMOLDING(OAK)	
6	1227152401A	EA	DOOR-MOLDEDVINYL-8.5"X60.7"-W/OHARDWARE(WHITE)	
6	M06803-Y9-H17	EA	DOOR-MITEREDCORNER/OGEEEDGE-8.5"X60.7"-W/OHDW(OAK)	
6	122360-02-000	EA	SLIDE-PANTRY-W/OLOCK-RIGHT&LEFTHAND	
6	122360-03-000	EA	SLIDE-PANTRY-W/LOCK-RIGHTHAND	
6	123673-01-01A	EA	KNOB-PANTRYSLIDE	
7	122715-26-01A	EA	DOOR-MOLDEDVINYL-13.8"X23"-W/OHARDWARE(WHITE)	
7	M06803-V0-H17	EA	DOOR-MITEREDCORNER/OGEEEDGE-13.9"X23"-W/OHDW(OAK)	
8	P10163DJH40	EA	DRAWER-MOLDEDVINYL-19.2"WX17.7"D-W/OSLIDES/HDW(WHITE)	
8	M05971T2H17	EA	DRAWER-OGEEEDGE-19.2"WX17.7"D-W/OSLIDES/HARDWARE(OAK)	
9	P10163CRH40	EA	DRAWER-9.9"WX17.7"D-W/OSLIDES/HARDWARE(WHITE)	
9	M05971-11-H17	EA	DRAWER-OGEEEDGE-9.9"WX17.7"D-W/OSLIDES/HARDWARE(OAK)	
10	122715-31-01A	EA	DOOR-MOLDEDVINYL-13.6"X27"-W/OHARDWARE(WHITE)	
10	M06803-N7-H17	EA	DOOR-MITEREDCORNER/OGEEEDGE-13.6"X27.1"-W/OHDW(OAK)	
11	122715-31-01A	EA	DOOR-MOLDEDVINYL-13.6"X27"-W/OHARDWARE(WHITE)	
11	M06803-N8-H17	EA	DOOR-MITEREDCORNER/OGEEEDGE-13.6"X27.1"-W/OHDW(OAK)	
12	118664-02-H40	EA	CABINET-GALLEY-W/ODOORS/DRAWERS/HARDWARE(H40,H41)	
12	118664-02-H17	EA	CABINET-GALLEY-W/ODOORS/DRAWERS/HARDWARE(H17,H18)	
12	118664-02-H19	EA	CABINET-GALLEY-W/ODOORS/DRAWERS/HARDWARE(H19)	
12	118664-11-H40	EA	SHELF-W/PLASTICEDGETRIM(WHITE)	
12	118664-11-G35	EA	SHELF-W/PLASTICEDGETRIM(OAK)	
13	102786-04-G15	EA	HANDRAIL-ENTRANCEDOORW/OBRACKETS(OAK)	
13	P02786-04-H23	EA	HANDRAIL-ENTRANCEDOORW/OBRACKETS(WHITE)	
13	099682-01-01A	EA	BRACKET-MOUNTING/HANDRAIL-ROUNDBASE	
14	118664-12-H40	EA	COUNTERTOP-GALLEY(H40,H41)	
14	118664-12-G35	EA	COUNTERTOP-GALLEY(H17,H18)	
14	118664-12-G45	EA	COUNTERTOP-GALLEY(H19)	
15	110654-01-000	EA	SINK-STAINLESSSTEEL/DOUBLEBASIN(1LG-1SMBASIN)	
	092303-01-000	EA	STRAINER-SINK	
16	104114-02-01A	EA	FAUCET-GALLEY-SINGLECONTROL	
17	103635-01-000	EA	FAUCET-SINGLECONTROL	
	108464-03-H40	EA	COVER-SINK-15"X11"-SMALLSINK(H40,H41)	
	108464-03-F40	EA	COVER-SINK-15"X11"-SMALLSINK(H17,H18)	
	108464-03-E38	EA	COVER-SINK-15"X11"-SMALLSINK(H19)	
	108464-04-E31	EA	COVER-SINK-15"X15"-LARGE(H40,H41)	
	108464-04-F40	EA	COVER-SINK-15"X15"-LARGE(H17,H18)	
	108464-04-E38	EA	COVER-SINK-15"X15"-LARGE(H19)	
18	103799-02-01A	EA	COFFEEMAKERW/CLOCK	FROM: 00-00-00 THRU: 04-13-97
18	103799-01-700	EA	POT-CARAFE-GLASS	679420
18	103799-01-701	EA	BRACKETS-WHITEPAIR	164734-06B&D
18	126019-01-01A	EA	COFFEEMAKER-OPTIMA	FROM: 04-14-97 THRU: 99-99-99
19	118664-13-H40	EA	TOEKICK-GALLEYCABINET(WHITE)	
19	118664-13-G35	EA	TOEKICK-GALLEYCABINET(OAK)	
	090329-01-000	FT	SEAL/T-REFRIGERATORCABINET	
	054450-01-000	EA	LEVEL-REFRIGERATOR	

GALLEYGROUP(CONTINUED)



GALLEYGROUP(CONTINUED)



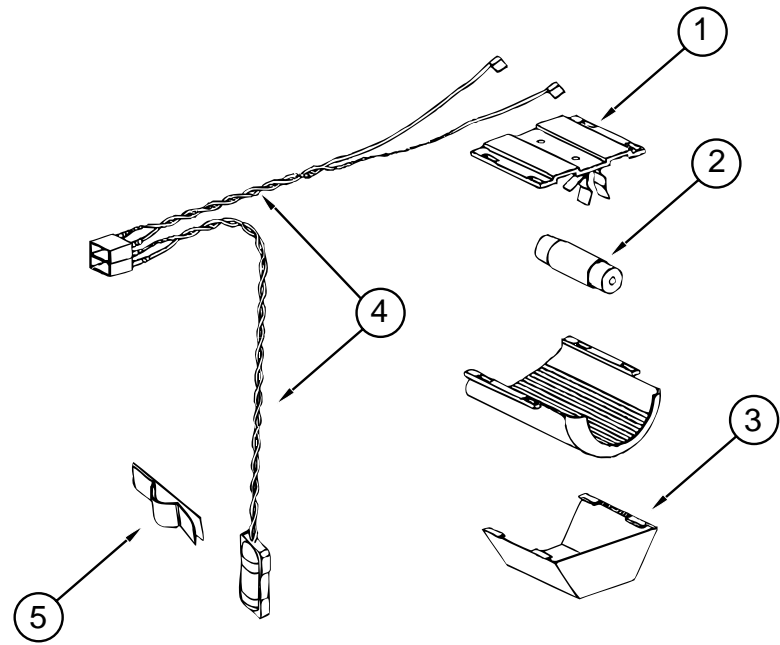
NORCOLDMODEL9182REFRIGERATORCABINETASMWITHTRAY,TIEDOWNS&LEVEL

KEY	PARTNUMBER	U/M	DESCRIPTION	VENDORNO.
	121569-01-01A	EA	REFRIGERATOR-LARGEDOUBLEDOOR-RIGHTHAND-2-WAY	
1	120075-01-713	EA	TRIM-TOPPIECE	618124
2	120075-01-714	EA	PLUG-HOLE	618170
3	120075-01-715	EA	HINGE-CABINETSIDE,PAINTED	618512
	120075-01-708	EA	BUSHING-DOORHINGE	618144
4	120075-01-716	EA	TRIM,SIDEPiece	618134
5	121568-01-705	EA	SHELF-WIRE,FREEZER	618620
6	121568-01-706	EA	CONTROLBOXASSEMBLY	618588
7	120075-01-718	EA	BOX-FILLER	618112
8	120075-01-720	EA	TRAY-DRIP	618137
	120075-01-721	EA	LOUVER-DRIPTRAY	618176
9	121568-01-707	EA	SHELF-WIRE,SHORT	618624
10	121568-01-708	EA	SHELF-WIRE	618589
11	120075-01-725	EA	COVER-CRISPER	618158
12	121568-01-709	EA	CRISPER	618571
13	120075-01-727	EA	PIN-HINGE	618145
14	120075-01-728	EA	COVER-HINGEHOLE	618171
15	120075-01-729	EA	TRIM-BOTTOMPIECE	618136
16	120075-01-730	EA	RETAINER-SHELF	618181
17	120075-01-732	EA	PLATE-STRIKE	618167
18	120076-01-733	EA	CABINET-FOAMED	618265
	120075-01-731	EA	PLUG-FACADE	618184
	116751-02-01A	EA	TRAY-REFRIGERATOR-BLACK	
	054450-01-000	EA	LEVEL-REFRIGERATOR	
	065225-02-000	EA	PLATE-TIEDOWN-REFRIGERATOR	
	090195-08-000	EA	BAFFLE-REFRIGERATOR-LOWER	
	093369-03-000	EA	STRAP-REFRIGERATOR	
	093646-01-000	EA	BRACKET-TIEDOWN-REFRIGERATOR-RIGHTHAND	
	093646-02-000	EA	BRACKET-TIEDOWN-REFRIGERATOR-LEFTHAND	

NORCOLDMODEL9182REFRIGERATORCOOLINGUNIT,CABINET,&HEATERS

KEY	PARTNUMBER	U/M	DESCRIPTION	VENDORNO.
	121569-01-01A	EA	REFRIGERATOR-LARGEDOUBLEDOOR-RIGHTHAND-2-WAY	
1	120075-01-736	EA	COOLINGUNIT-SERVICEPACK	618542
2	120076-01-733	EA	CABINET-FOAMED	618265
3	088248-01-710	EA	HEATER-DC-HORIZONTAL	61562822
4	088248-01-709	EA	HEATER-AC-HORIZONTAL	61562722

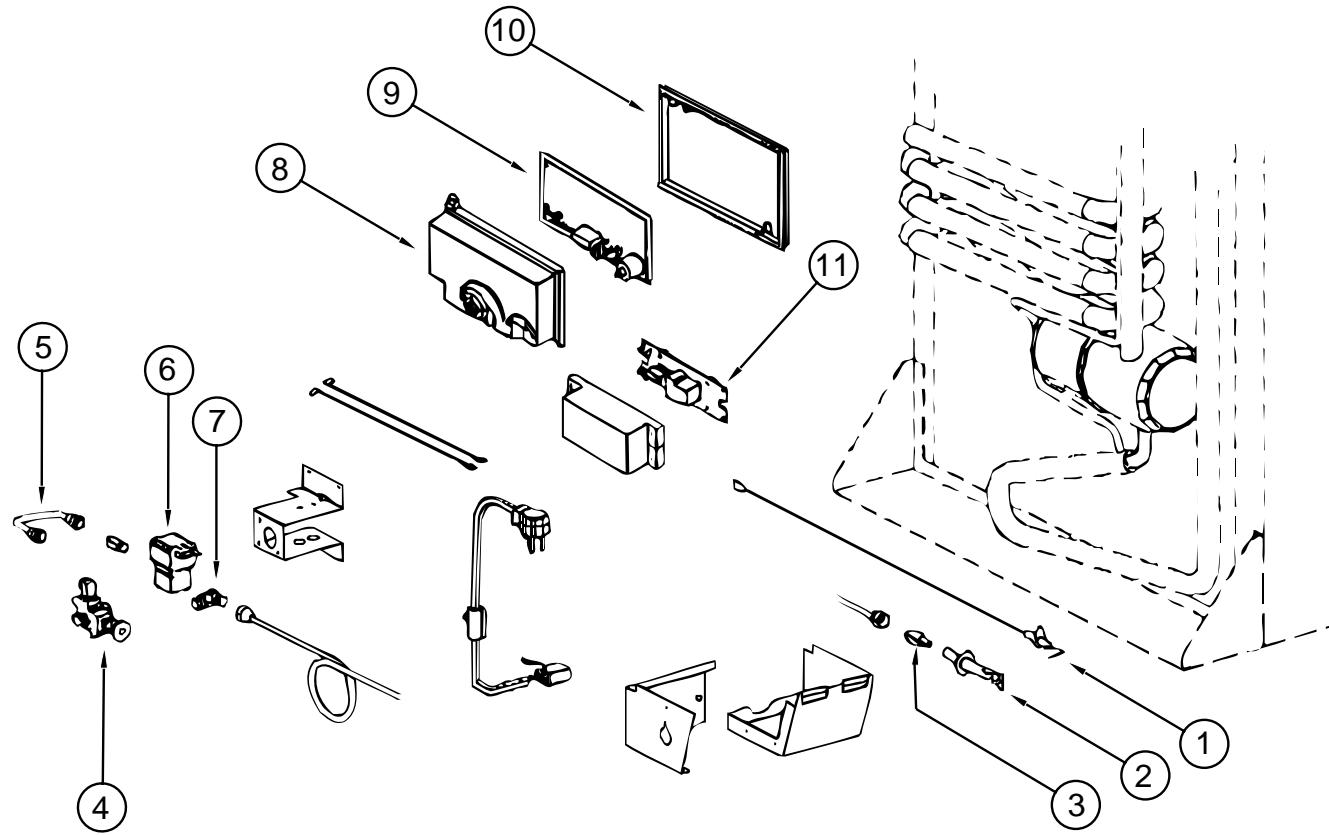
GALLEYGROUP(CONTINUED)



NORCOLDMODEL9182REFRIGERATORLAMPASM

KEY	PARTNUMBER	U/M	DESCRIPTION	VENDORNO.
	121569-01-01A	EA	REFRIGERATOR-LARGEDOUBLEDOOR-RIGHTHAND-2-WAY	
1	084880-03-705	EA	BRACKET-LIGHT,INTERIOR	61629722
2	084880-03-706	EA	BULB-LAMP	61628922
3	084880-03-707	EA	COVER-LAMP,LENS	61627922
4	120075-01-735	EA	WIREASSEMBLY-LAMP	618548
5	084880-01-760	EA	CLIP-THERMISTER	61689122

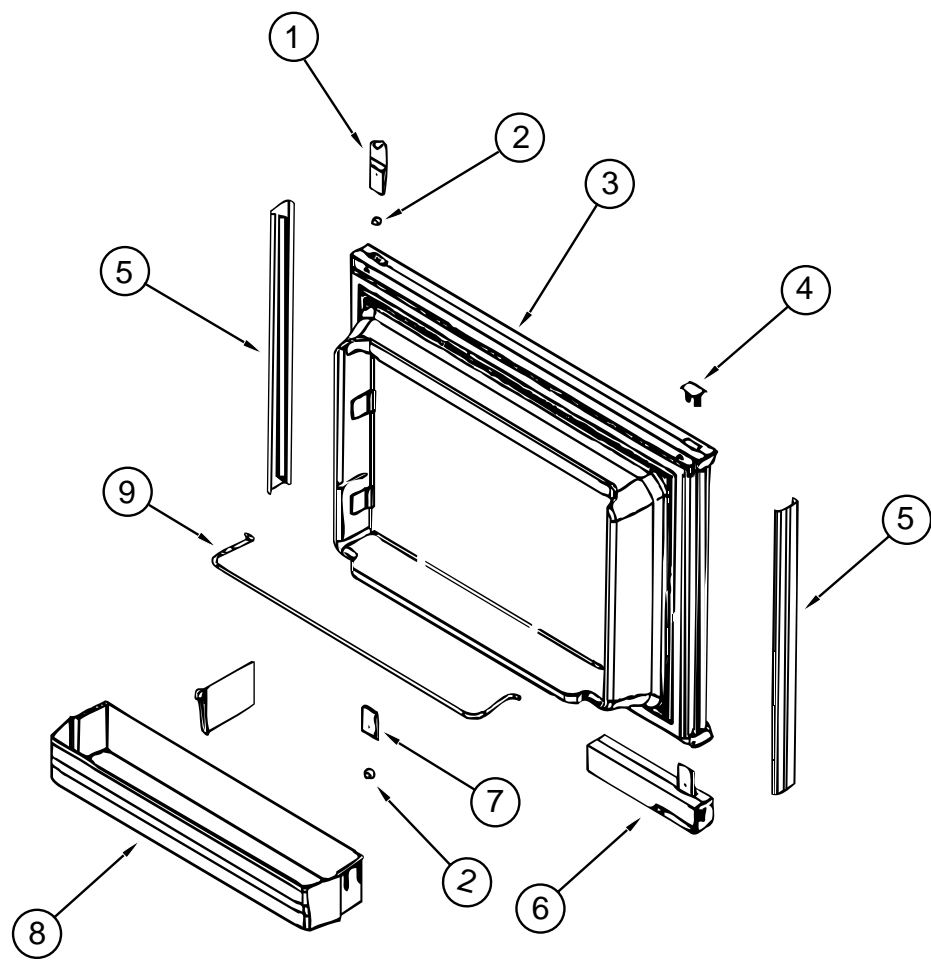
GALLEYGROUP(CONTINUED)



NORCOLDMODEL9182REFRIGERATORBURNER&POWERBOARDS

KEY	PARTNUMBER	U/M	DESCRIPTION	VENDORNO.
	121569-01-01A	EA	REFRIGERATOR-LARGEDOUBLEDOOR-RIGHTHAND-2-WAY	
1	104137-06-715	EA	ELECTRODE-SPARK/SENSOR,SGL	61692222
2	104137-06-714	EA	BURNERASSEMBLY,5SLOT	61705222
3	120075-01-737	EA	ORIFICE-JEWEL,.0155	618284
4	104137-06-709	EA	VALVE-SHUTOFF,MANUAL	61694922
5	113737-01-750	EA	TUBE-UNION	61694622
6	084880-01-718	EA	VALVE-GAS,ASCO	61551822
7	113737-01-716	EA	TAP-PRESSURE	61594422
8	120075-01-738	EA	COVER-POWERBOARD	618185
9	120075-01-741	EA	BOARD-POWER,2-WAY	618198
9	121568-01-710	EA	BOARD-POWER,3-WAY	618575
10	120075-01-740	EA	COVER-BASE,POWERBOARD	618186
11	121568-01-711	EA	BOARD-MODULE,DC	618561
	113737-01-702	EA	PLUG-1/8" F/PRESSURETAP	61445322

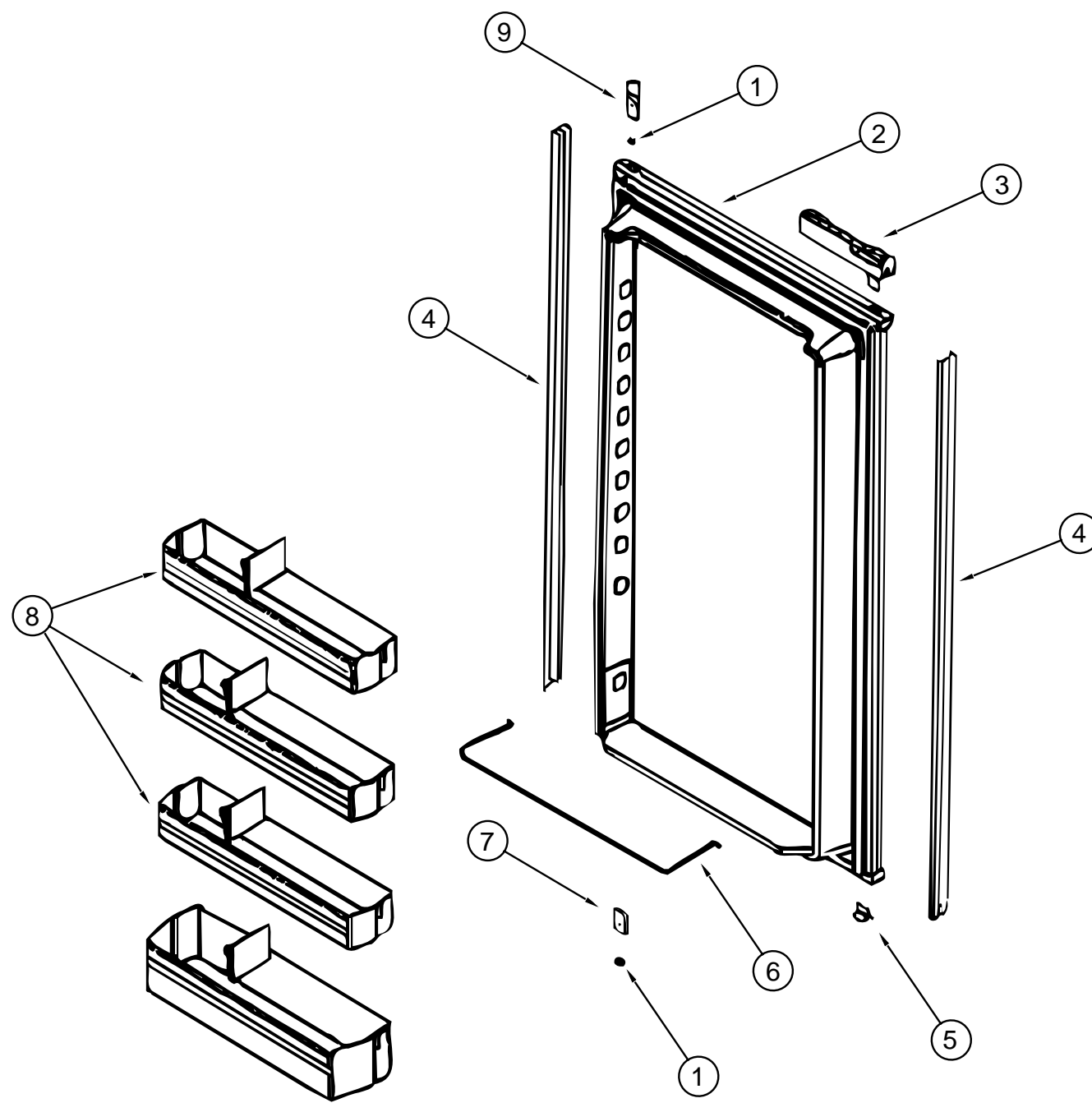
GALLEYGROUP(CONTINUED)



NORCOLDMODEL9182REFRIGERATORUPPERDOOR

KEY	PARTNUMBER	U/M	DESCRIPTION	VENDORNO.
	121569-01-01A	EA	REFRIGERATOR-LARGEDOUBLEDOOR-RIGHTHAND-2-WAY	
1	120075-01-701	EA	HINGE-TOPRH/BOTTOMLH,PAINTED	618511
2	120075-01-708	EA	BUSHING-DOORHINGE	618144
3	120075-01-703	EA	DOORASSEMBLY-FOAMED,W/GASKET	618205
4	120075-01-702	EA	CAP-HINGEPLUG	618160
5	120075-01-700	EA	RETAINER-DOOR,DECORPANEL	618128
6	121568-01-702	EA	HANDLEASSEMBLY-DOOR,LOWERLH/TOPRH	618230
7	120075-01-705	EA	HINGE-PAINTED,TOPLH/BOTTOMRH	618510
8	121568-01-701	EA	BIN-DOOR,WHITE	618619
9	121568-01-700	EA	RAIL-DOOR,UPPER	618618

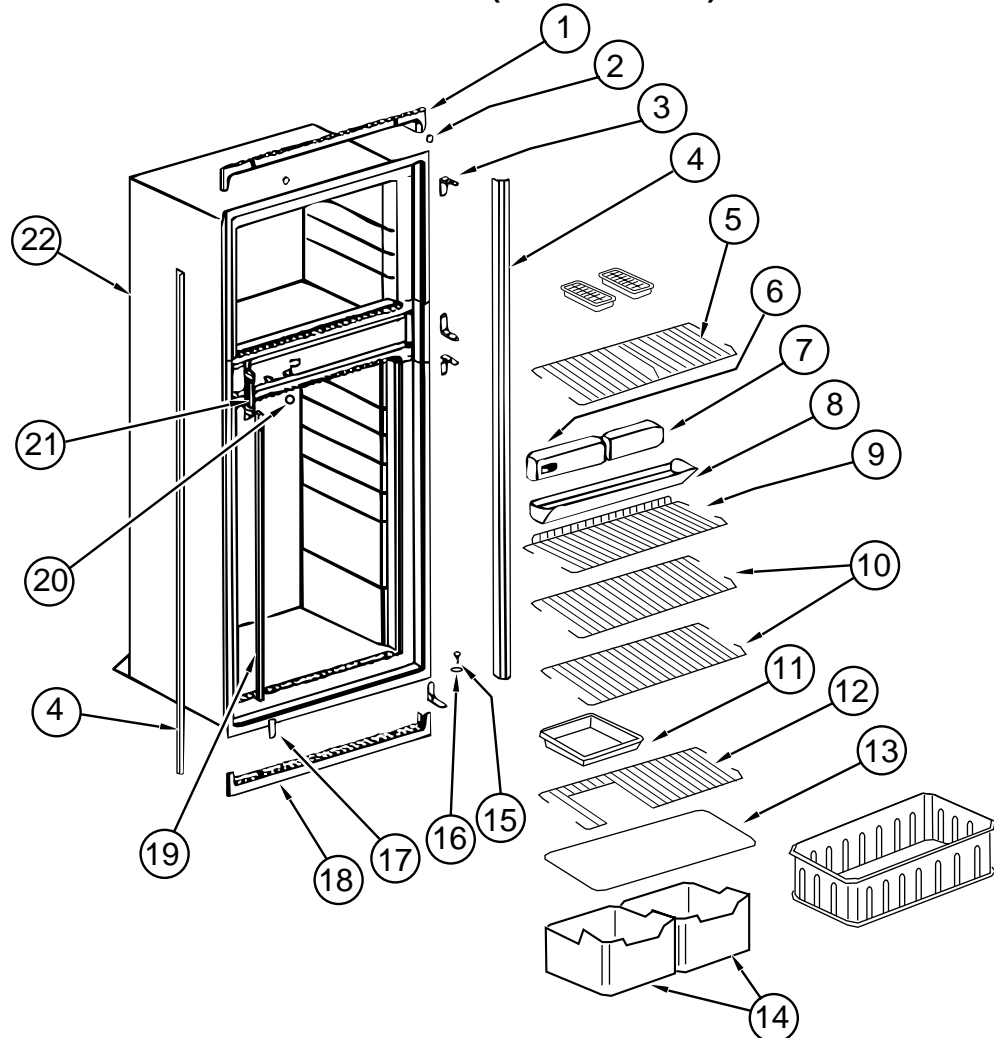
GALLEYGROUP(CONTINUED)



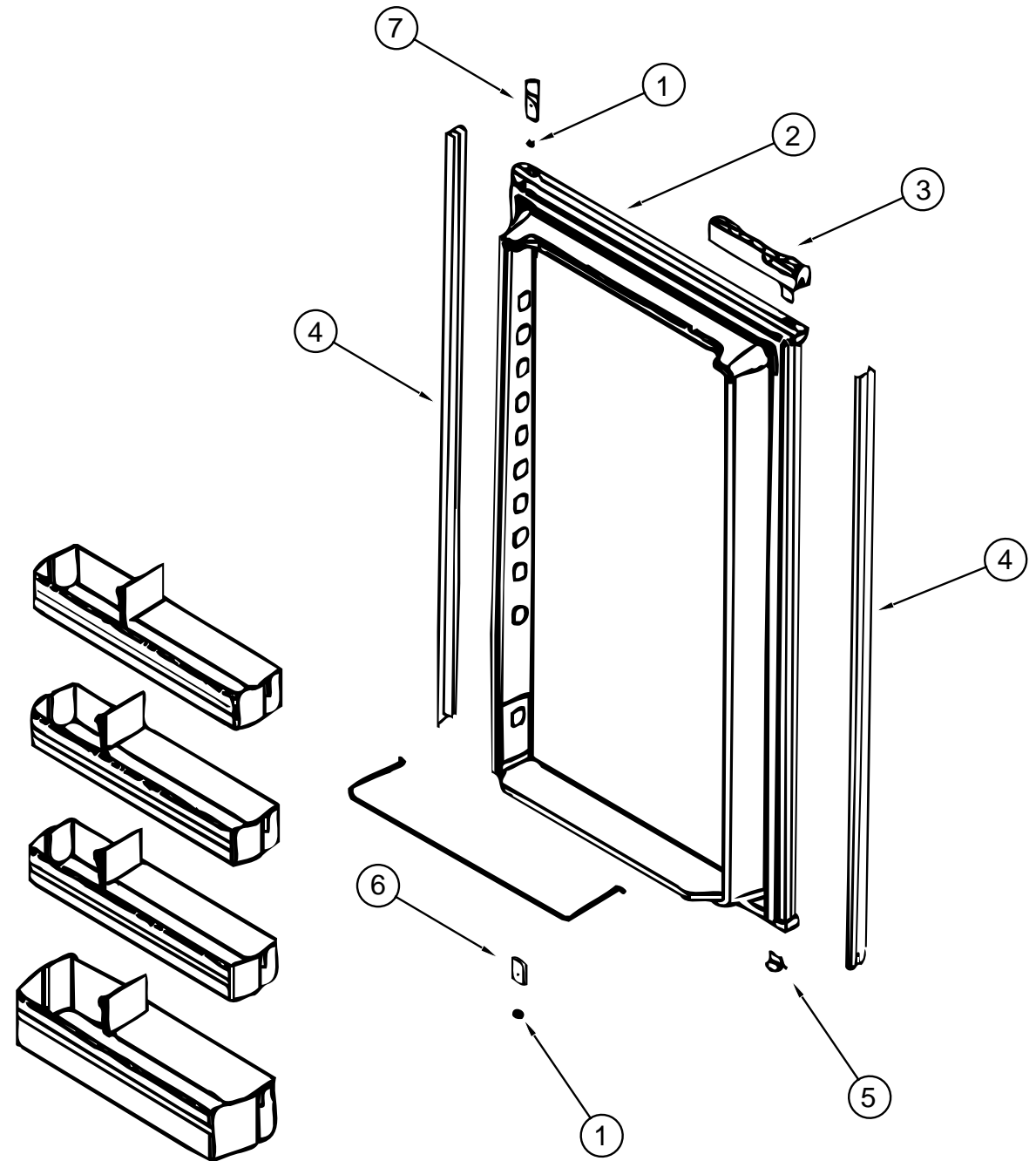
NORCOLDMODEL9182REFRIGERATORLOWERDOOR

KEY	PARTNUMBER	U/M	DESCRIPTION	VENDORNO.
	121569-01-01A	EA	REFRIGERATOR-LARGEDOUBLEDOOR-RIGHTHAND-2-WAY	
1	120075-01-708	EA	BUSHING-DOORHINGE	618144
2	120076-01-710	EA	DOOR-LOWER,FOAMEDW/GASKET	618270
3	120075-01-711	EA	HANDLEASSEMBLY-UPPERRH/LOWERLH	618235
4	121568-01-703	EA	RETAINER-LOWERDOORPANEL	618129
5	120075-01-702	EA	CAP-HINGEPLUG	618160
6	121568-01-704	EA	RAIL-DOOR,LOWER	618578
7	120075-01-705	EA	HINGE-PAINTED,TOPLH/BOTTOMRH	618510
8	121568-01-701	EA	BIN-DOOR,WHITE	618619
9	120075-01-701	EA	HINGE-TOPRH/BOTTOMLH,PAINTED	618511

GALLEYGROUP(CONTINUED)



GALLEYGROUP(CONTINUED)



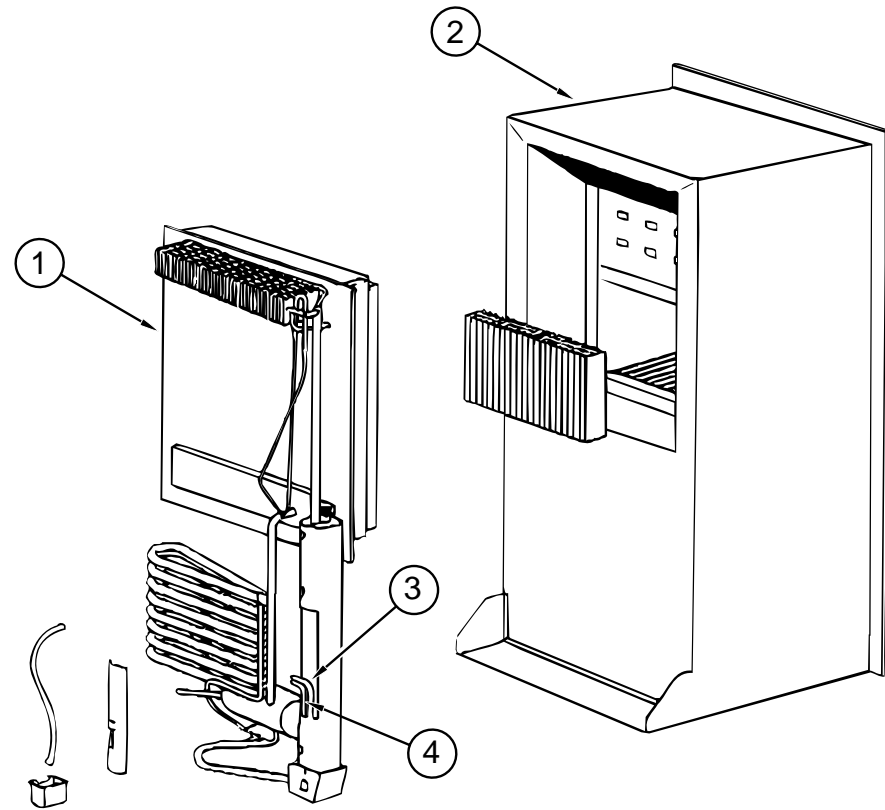
NORCOLDMODEL982REFRIGERATORCABINETASMWITHTRAY,TIEDOWNS,&LEVEL

KEY	PARTNUMBER	U/M	DESCRIPTION	VENDORNO.
	120075-03-01A	EA	REFRIGERATOR-LARGEDOUBLEDOOR/RIGHTHAND-2-WAYW/ICE	
1	120075-01-713	EA	TRIM-TOPPIECE	618124
2	120075-01-714	EA	PLUG-HOLE	618170
3	120075-01-715	EA	HINGE-CABINETSIDE-PAINTED	618512
4	120076-01-716	EA	TRIM,SIDEPiece	618134
5	120075-01-717	EA	SHELF-FREEZER,WIRE	618172
6	120075-01-719	EA	OPTICALCONTROLBOXASSEMBLY	618245
7	120075-01-718	EA	BOX-FILLER	618112
8	120075-01-720	EA	TRAY-DRIP	618137
	120075-01-721	EA	LOUVER-DRIPTRAY	618176
9	120075-01-722	EA	SHELF-WIRE,SHORT	618239
10	120075-01-723	EA	SHELF-WIRE	618114
11	104137-06-718	EA	SHELF-TRAY,WHITE,W/CUTOUT	617756
12	120075-01-724	EA	SHELF-WIRE,W/CUTOUT	618177
13	120075-01-725	EA	COVER-CRISPER	618158
14	120075-03-704	EA	BIN-ICECUBE	618154
15	120075-01-727	EA	PIN-HINGE	618145
16	120075-01-708	EA	BUSHING-DOORHINGE	618144
17	120075-01-728	EA	COVER-HINGEHOLE	618171
18	120075-01-729	EA	TRIM-BOTTOMPIECE	618136
19	120075-01-730	EA	RETAINER-SHELF	618181
20	120075-01-731	EA	PLUG-FACADE	618184
21	120075-01-732	EA	PLATE-STRIKE	618167
22	120075-03-700	EA	CABINET-FOAMED	618285
	093646-01-000	EA	BRACKET-TIEDOWN/REFRIGERATOR-RIGHTHAND	
	093646-02-000	EA	BRACKET-TIEDOWN/REFRIGERATOR-LEFTHAND	
	116751-05-01A	EA	TRAY-REFRIGERATORBLK	
	054450-01-000	EA	LEVEL-REFRIGERATOR	
	065225-02-000	EA	PLATE-TIEDOWN-REFRIGERATOR	

NORCOLDMODEL982REFRIGERATORLOWERDOOR

KEY	PARTNUMBER	U/M	DESCRIPTION	VENDORNO.
	120075-03-01A	EA	REFRIGERATOR-LARGEDOUBLEDOOR/RIGHTHAND-2-WAYW/ICE	
1	120075-01-708	EA	BUSHING-DOORHINGE	618144
2	120076-01-701	EA	DOOR-LOWER-FOAMED,W/GASKET618210	
3	120075-01-711	EA	HANDLEASM,UPPERRH/LOWERLH	618235
4	121568-01-703	EA	RETAINER-PANELLOWERDOOR	618129
4	120076-01-700	EA	RETAINER-LOWERDOORPANEL	618132
5	120075-01-702	EA	CAP,(HINGEPLUG)	618160
6	120075-01-705	EA	HINGE,PAINTED,TOPLH/BTMR	618510
7	120075-01-701	EA	HINGE-TOPRH/BTMLH,PAINTED	618511

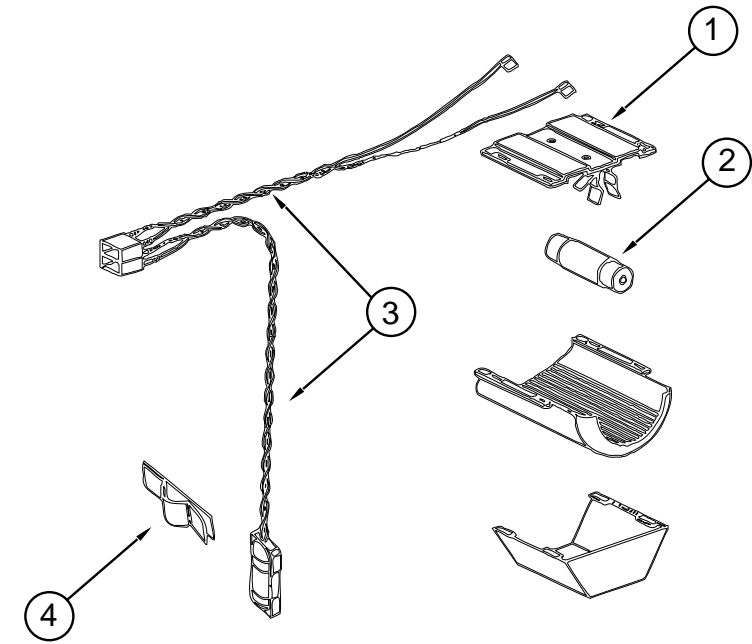
GALLEYGROUP(CONTINUED)



NORCOLDMODEL982REFRIGERATORCOOLINGUNIT,CABINET,&HEATERS

KEY	PARTNUMBER	U/M	DESCRIPTION	VENDORNO.
	120075-03-01A	EA	REFRIGERATOR-LARGEDOUBLEDOOR/RIGHTHAND-2-WAYW/ICE	
1	120075-01-736	EA	COOLINGUNIT-SERVICEPACK	618542
2	120075-01-733	EA	CABINET-FOAMED	618265
3	088248-01-710	EA	HEATERDC(HORIZONTAL)	61562822
4	088248-01-709	EA	HEATER-AC(HORIZONTAL)	61562722

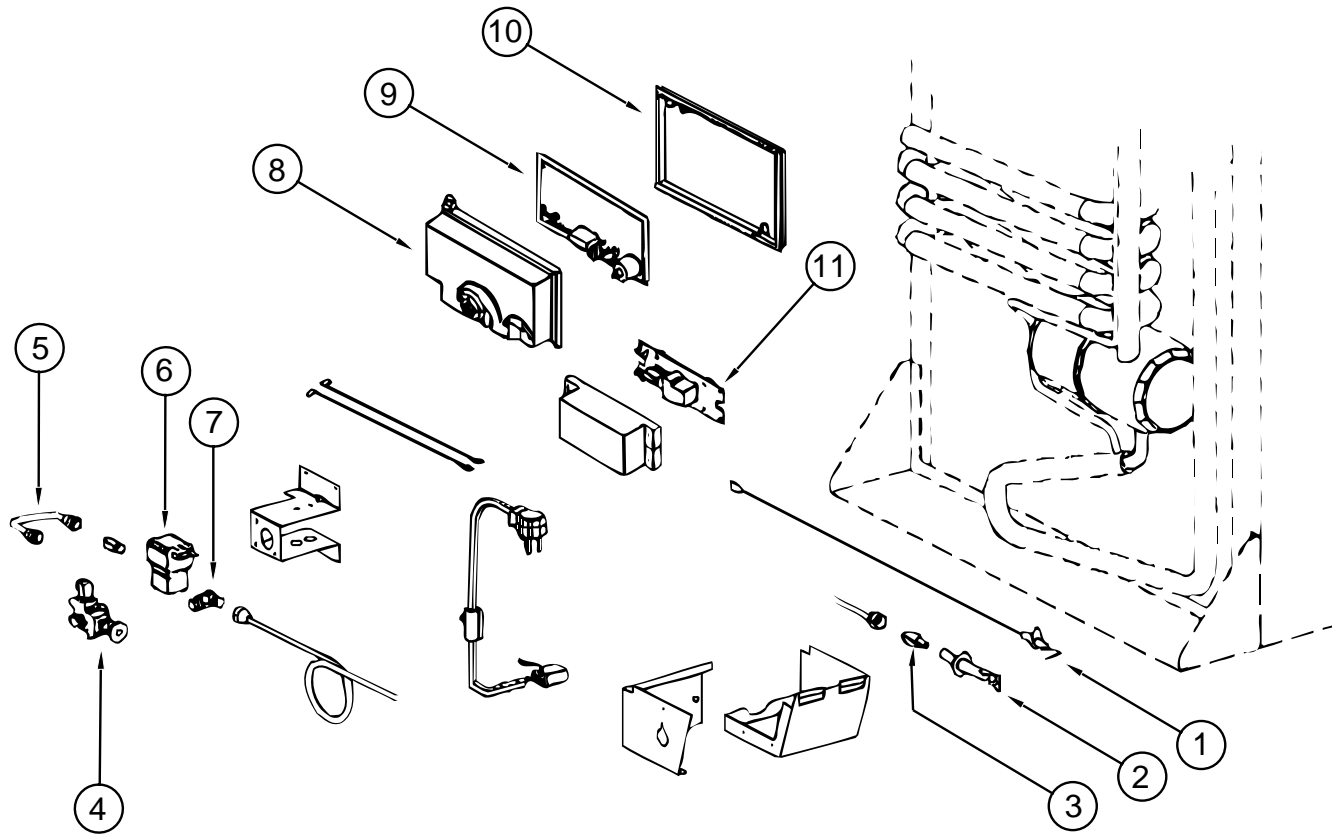
GALLEYGROUP(CONTINUED)



NORCOLDMODEL982REFRIGERATORLAMPASM

KEY	PARTNUMBER	U/M	DESCRIPTION	VENDORNO.
	120075-03-01A	EA	REFRIGERATOR-LARGEDOUBLEDOOR/RIGHTHAND-2-WAYW/ICE	
1	084880-03-705	EA	BRACKET-LIGHT-INTERIOR	61629722
2	084880-03-706	EA	BULB-LAMP	61628922
3	120075-01-735	EA	WIREASM.-LAMP	618548
4	084880-01-760	EA	CLIP(THERMISTER)	61689122

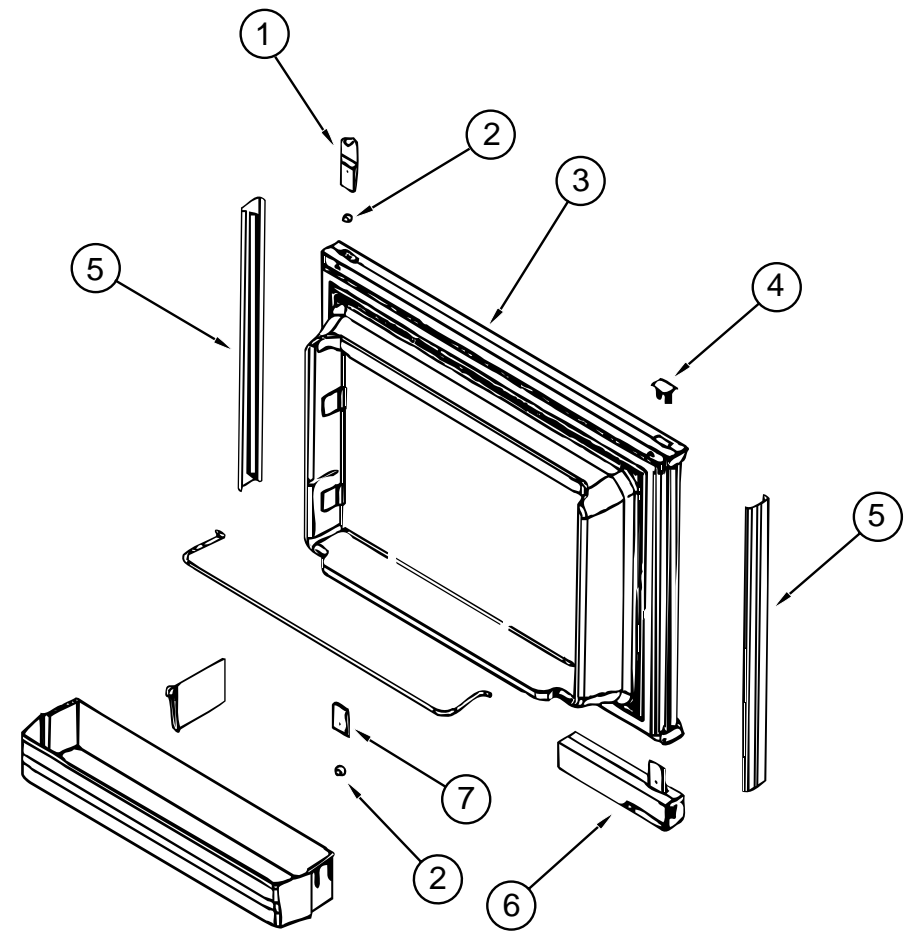
GALLEYGROUP(CONTINUED)



NORCOLDMODEL982REFRIGERATORBURNER&POWERBOARDS

KEY	PARTNUMBER	U/M	DESCRIPTION	VENDORNO.
	120075-03-01A	EA	REFRIGERATOR-LARGEDOUBLEDOOR/RIGHTHAND-2-WAYW/ICE	
1	104137-06-715	EA	ELECTRODE-SPARK/SENSOR-SGL	61692222
2	104137-06-714	EA	BURNERASSEMBLY-5-SLOT	61705222
3	120075-01-737	EA	ORFICE-JEWEL-.0155	618284
4	104137-06-709	EA	VALVE-SHUTOFF-MANUAL	61694922
5	113737-01-750	EA	TUBE-UNION	61694622
6	084880-01-718	EA	VALVE-GAS-(ASCO)	61551822
7	113737-01-716	EA	TAP-PRESSURE	61594422
	113737-01-702	EA	PLUG1/8"F/PRESSURETAP	61445322
8	120075-01-738	EA	COVER-POWERBOARD	618185
9	120075-01-739	EA	BOARD-POWER-2-WAY	618574
10	120075-01-740	EA	COVER-BASE-POWERBOARD	618186
11	121568-01-711	EA	BOARD-MODULE-DC	618561

GALLEYGROUP(CONTINUED)

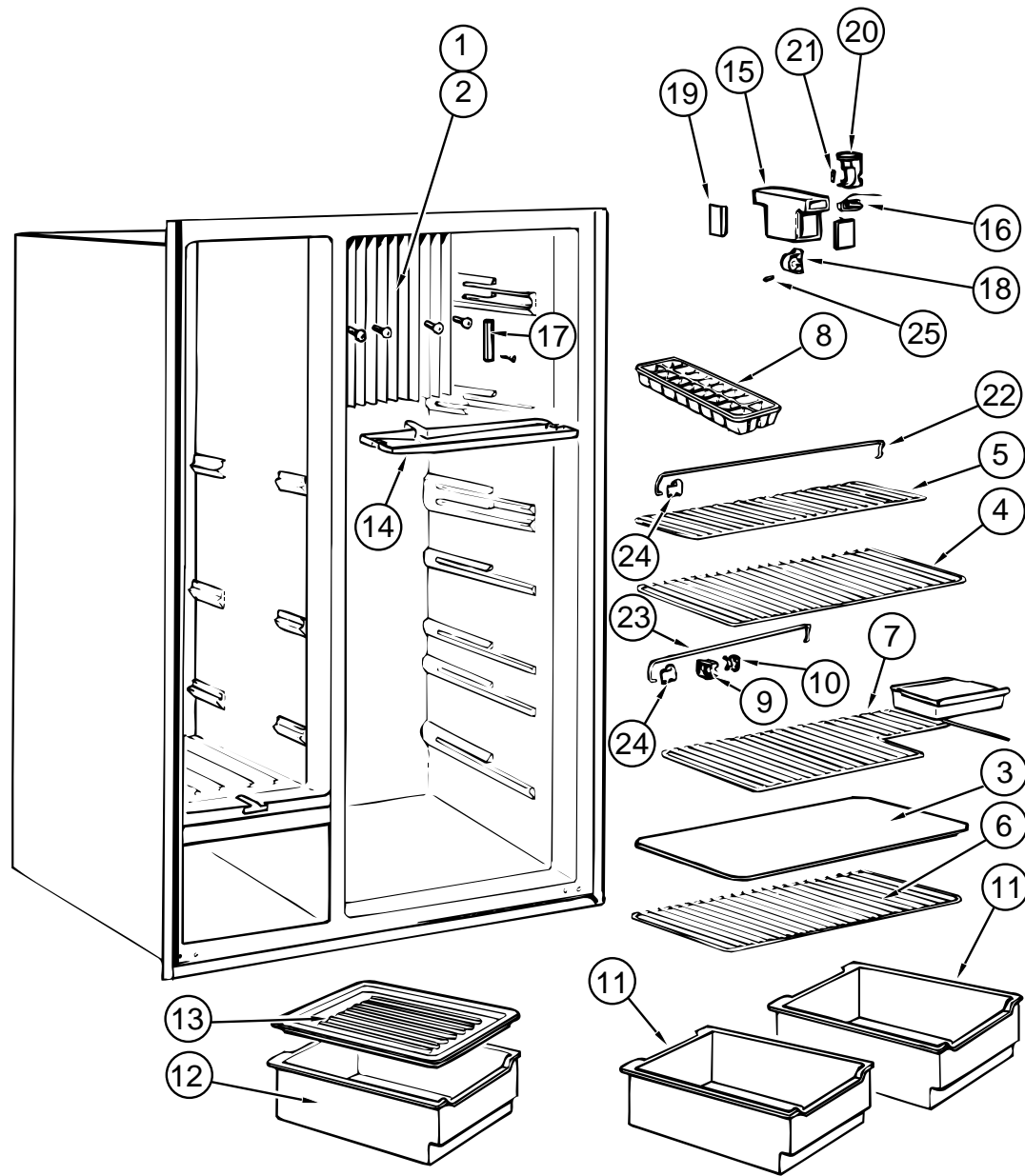


NORCOLDMODEL982REFRIGERATORUPPERDOOR

KEY	PARTNUMBER	U/M	DESCRIPTION	VENDORNO.
	120075-03-01A	EA	REFRIGERATOR-LARGEDOUBLEDOOR/RIGHTHAND-2-WAYW/ICE	
1	120075-01-701	EA	HINGE-TOPRH/BTMLH-PAINTED	618511
2	120075-01-708	EA	BUSHING-DOORHINGE	618144
3	120075-01-703	EA	DOORASM.-FOAMED-W/GASKET	618205
4	120075-01-702	EA	CAP-(HINGEPLUG)	618160
5	120075-01-700	EA	RETAINER-DOOR-DECORPANEL	618128
6	121568-01-702	EA	DOORHANDLEASMLWR/LH-TOP/R	618230
7	120075-01-705	EA	HINGE-TOPLH/BTMRH-PAINTED	618510

GALLEYGROUP(CONTINUED)

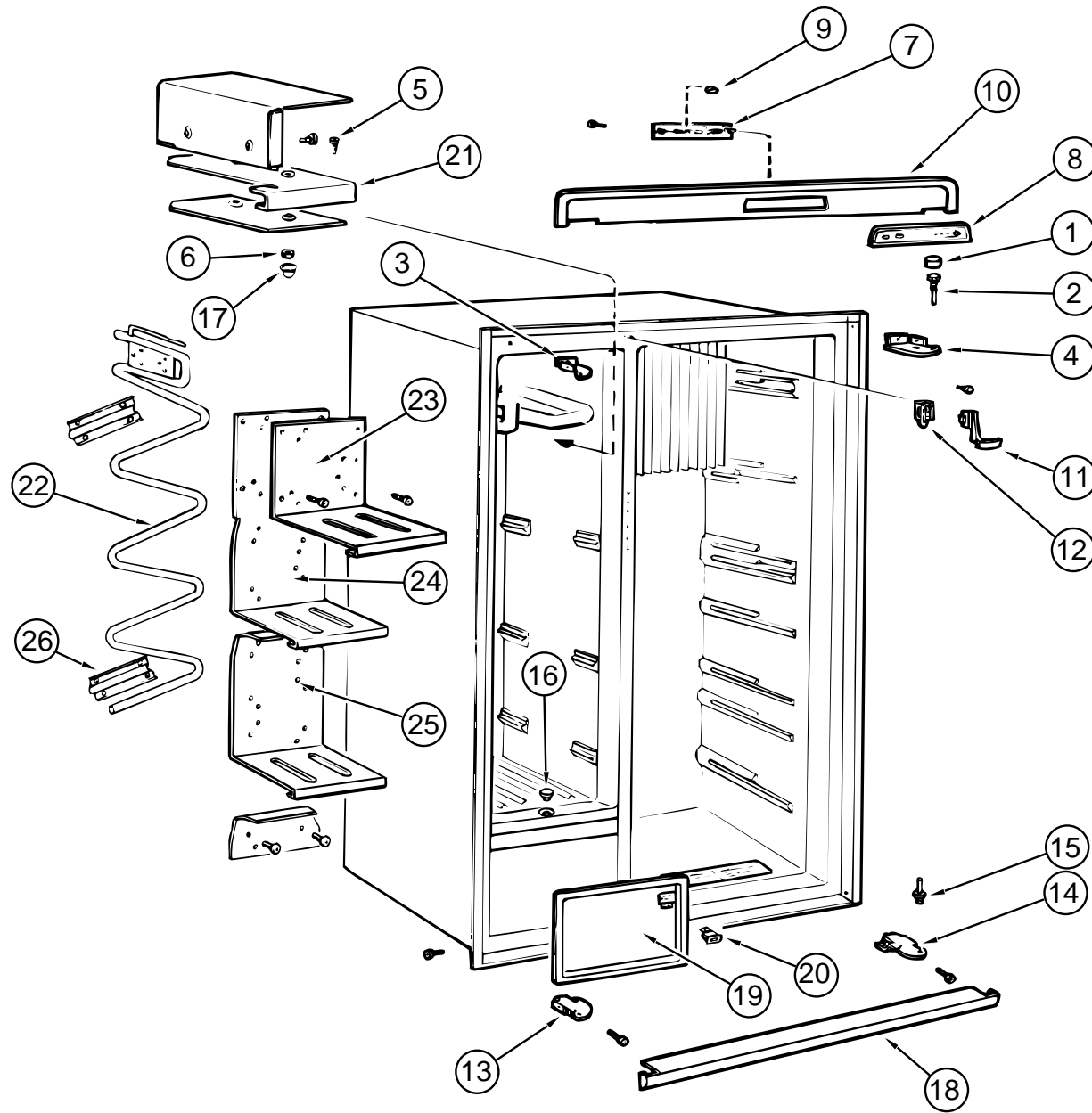
REFRIGERATORCABINETASM.&COMPONENTS(DOMETICRM7732IM)



KEY	PARTNUMBER	U/M	DESCRIPTION	VENDORNO.
	118367-01-01A	EA	REFRIGERATOR-SIDEBYSIDEDOOR-2WAY	
	065225-01-000	EA	PLATE-TIEDOWN-REFRIGERATOR	
	065225-03-000	EA	PLATE-TIEDOWN-REFRIGERATOR	
	103251-05-01A	EA	INSERT-DOOR-ACRYLICBLACK-16.81X55.06	
	103251-06-01A	EA	INSERT-DOOR-ACRYLICBLACK-10.44X55.06	
1	118367-01-739	EA	FLANGE-COOLINGCOIL-LEFT	2931661-02/5
2	118367-01-740	EA	FLANGE-COOLINGCOIL-RIGHT	2931661-03/3
3	118367-01-741	EA	SHELF-UPPER-(REFRIGERATOR)	2931541-05/2
4	118367-01-742	EA	SHELF-(REFRIGERATOR)	2931541-04/5
5	118367-01-743	EA	SHELF-(REFRIGERATOR)	2931542-02/7
6	118367-01-744	EA	SHELF-(REFRIGERATOR)	2931117-06/9
7	118367-01-745	EA	SHELF-(REFRIGERATOR)	2931541-06/0
8	118367-01-746	EA	TRAY-ICE	2930400-00/3
9	118367-01-747	EA	LOCK-FLAP-INNER	2007392-02/6
10	118367-01-748	EA	LOCK-FLAP-OUTER	2007393-02/4
11	118367-01-749	EA	BOX-VEGETABLE	2931471-03/7
12	118367-01-750	EA	BOX-VEGETABLE-UPPER	2931471-03/7
13	118367-01-751	EA	LID-VEGETABLE	2932693-01/9
14	118367-01-752	EA	PAN-DRIP	2936163-01/3
15	118367-01-753	EA	COVER-SWITCH&LIGHT	2004044-09/1
16	118367-01-754	EA	SWITCH-DOOR	294082500/9
17	118367-01-755	EA	RETAINER-PROBE	2931976-01/9
18	118367-01-756	EA	SUPPORT-THERMOSTAT	2004042-00/4
19	118367-01-757	EA	CAP-ENDLAMP PROTECTION	2004043-00/2
20	118367-01-758	EA	LIGHTING	2930744-01/2
21	118367-01-759	EA	LAMP-10W-12VOLT	2007290-00/6
22	118367-01-760	EA	RACK-UPPER	2007337-15/3
23	118367-01-761	EA	RACK-LOWER	2007337-16/1
24	118367-01-762	EA	RETAINER-RACKS	2930693-04/5
25	118367-01-763	EA	PIN-LOCKING	2001281-01/9
	118367-01-784	EA	BUCKET-ICE	2930880-02
	118367-01-785	EA	CONNECTION-WATER-COMPLETE	2930916-02
	118367-01-786	EA	STRIP-DOORDECORATION	2931163-11
	118367-01-787	EA	SHELF-ICEBUCKET	2931923-01
	118367-01-788	EA	BLOCK-TERMINAL	2931963-01
	118367-01-789	EA	ICEMAKER	2931971-02
	118367-01-790	EA	VALVE-WATER	2931972-02

GALLEYGROUP(CONTINUED)

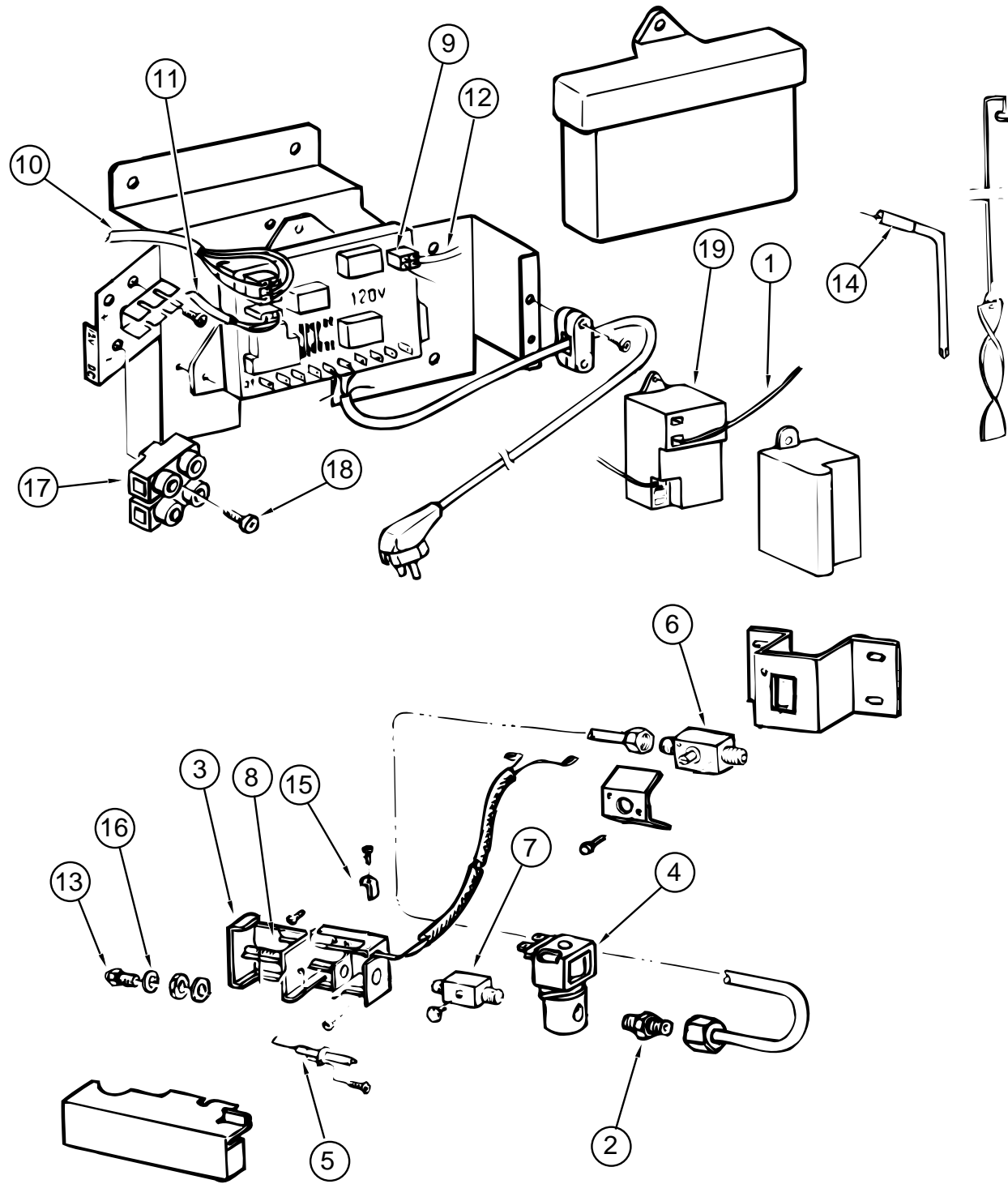
REFRIGERATORFREEZERSHELVES&COMPONENTS(DOMETICRM7732IM)



KEY	PARTNUMBER	U/M	DESCRIPTION	VENDORNO.
1	118367-01-713	EA	PLUG	2932736-01/6
2	118367-01-714	EA	PIN-HINGE-UPPER	2932647-01/5
3	118367-01-715	EA	HINGE-UPPER-LEFT(FREEZER)	2932646-01/7
4	118367-01-716	EA	HINGE-UPPER-RIGHT(REFRIGERATOR)	2932646-02/5
5	118367-01-717	EA	SCREW-M6S-5X20-FN	7252330-13/4
6	118367-01-718	EA	NUT-M5-BRASS-FN	7314314-13/4
7	118367-01-719	EA	BOARD-CIRCUIT-AESASM.	2932697-05/1
8	118367-01-720	EA	DECORATION	955024-53/4
9	118367-01-721	EA	BUTTON	955024-13/8
10	118367-01-722	EA	DECORATION-FRONT	2932663-01/2
11	118367-01-723	EA	BOW-LOCKING	2932745-01/7
12	118367-01-724	EA	RETAINER	2932746-01/5
13	118367-01-725	EA	HINGE-LOWER-LEFT(FREEZER)	2932645-01/9
14	118367-01-726	EA	HINGE-LOWER-RIGHT(REFRIGERATOR)	2932645-02/7
15	118367-01-727	EA	PIN-HINGE-LOWER	2932649-02/9
16	118367-01-728	EA	LID-LOWER	2931715-01/1
17	118367-01-729	EA	LID-UPPER	2930487-00/0
18	118367-01-730	EA	STRIP-FRONT	2932664-01/0
19	118367-01-731	EA	FLAP	2932655-01/8
20	118367-01-732	EA	SWITCH-DOOR	2932680-01/6
21	118367-01-733	EA	SHELF-UPPER-FREEZER	2931477-02/6
22	118367-01-734	EA	COIL-FREEZER	2931474-01/5
23	118367-01-735	EA	SHELF-#2-FREEZER	2931983-02/3
24	118367-01-736	EA	SHELF-#3-FREEZER	2931982-02/5
25	118367-01-737	EA	SHELF-#4-FREEZER	2931482-02/6
26	118367-01-738	EA	BRACKET-SHELF-FREEZER	2931484-01/4

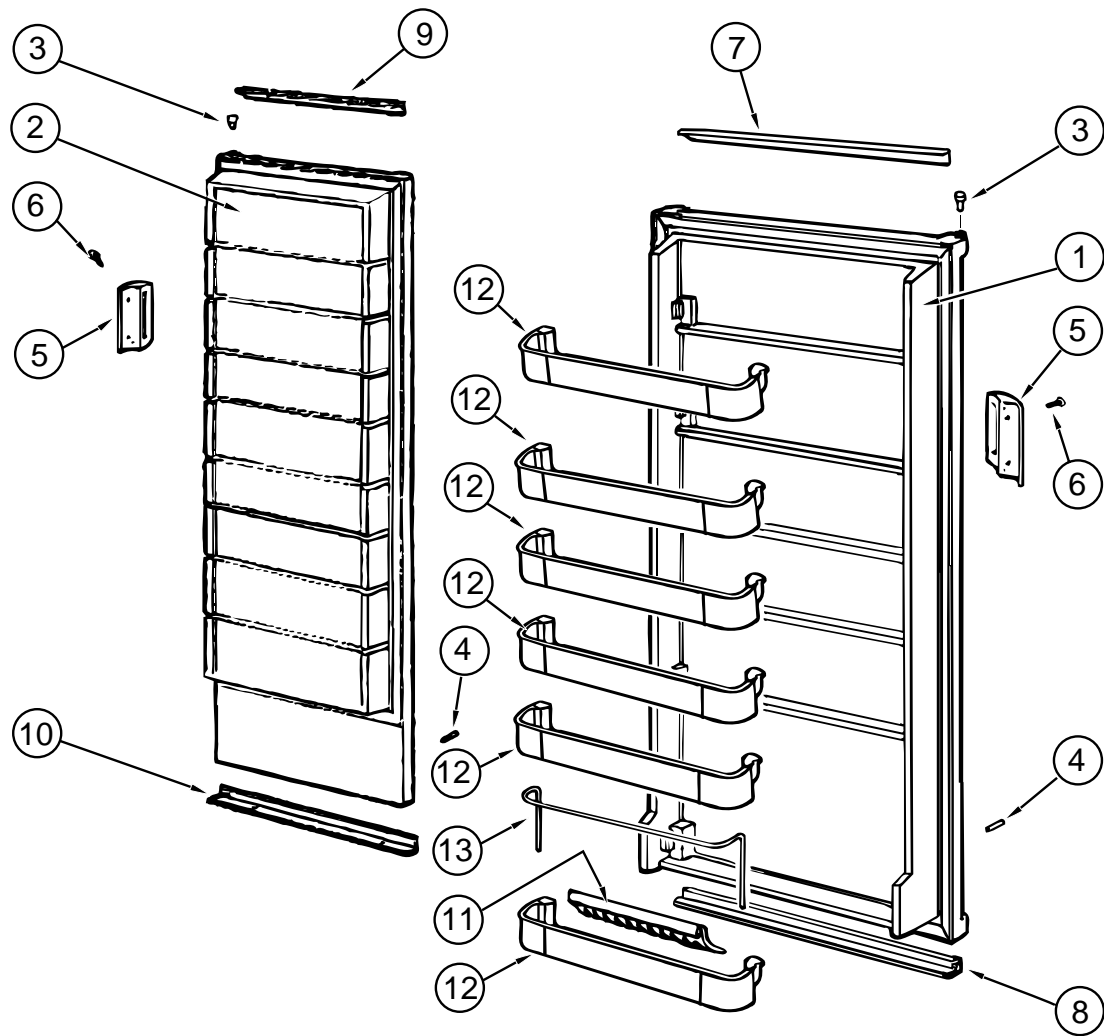
GALLEYGROUP(CONTINUED)

REFRIGERATORELECTRICALCOMPONENTS(DOMETICRM7732IM)



KEY	PARTNUMBER	U/M	DESCRIPTION	VENDORNO.
1	118367-01-764	EA	CONDUCTOR-ELECTRODE	2007668-04/5
2	118367-01-765	EA	NIPPLE	2932063-01/5
3	118367-01-766	EA	HOUSING-BURNER	2932161-01/7
4	118367-01-767	EA	VALVE-SOLENOID	2943298-03/0
5	118367-01-768	EA	ELECTRODE	2931495-01/0
6	118367-01-769	EA	GASSHUTOFF	2932616-01/0
7	118367-01-770	EA	NIPPLE	2931824-01/1
8	118367-01-771	EA	THERMOSTAT	2931826-01/6
9	118367-01-772	EA	BOARD-CIRCUIT-COMPLETE	2931842-03/9
10	118367-01-773	EA	CONDUCTOR-CIRCUITBOARD	2931862-02/9
11	118367-01-774	EA	CONDUCTOR-THERMISTOR	2931863-02/7
12	118367-01-775	EA	CONDUCTOR-GASVALVE	2954437-02/2
13	118367-01-776	EA	ORIFICE-JET-NR76	2007419-33/2
14	118367-01-777	EA	HEATER-210WATT-120VOLT	173758-03/8
15	118367-01-778	EA	RETAINER	2930660-01/0
16	118367-01-779	EA	WASHER	2007457-00/1
17	118367-01-780	EA	BLOCK-TERMINAL	2930463-01/9
18	118367-01-781	EA	SCREW-RXS-B6X25-STAINLESS	7295287-40/8
19	118367-01-782	EA	IGNITION-SPARK	2931132-01/9

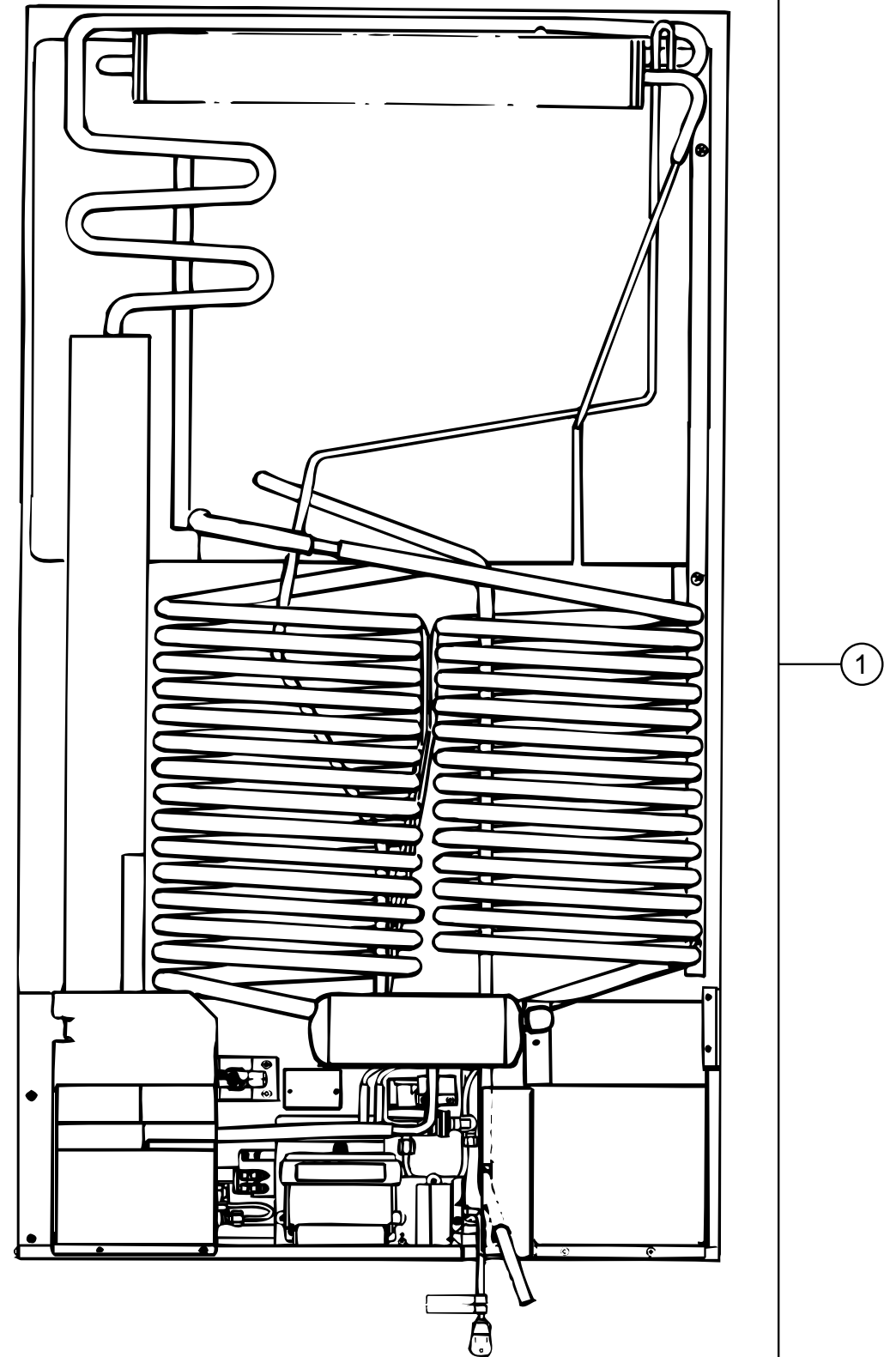
GALLEYGROUP(CONTINUED)



REFRIGERATORDOORS(DOMETICRM7732IM)

KEY	PARTNUMBER	U/M	DESCRIPTION	VENDORNO.
1	118367-01-700	EA	DOOR-REFRIGERATOR	2932590-11/6
2	118367-01-701	EA	DOOR-FREEZER	2932589-11/8
3	118367-01-702	EA	BUSHING-HINGE-FREEZER-REFRIGERATOR	2931171-01/7
4	118367-01-703	EA	STOP-LOWER-FREEZER-REFRIGERATOR	2932588-01/1
5	118367-01-704	EA	HANDLE-FREEZER-REFRIGERATOR	2932729-01/1
6	118367-01-705	EA	SCREW-HANDLE-FREEZER-REFRIGERATOR	7241323-61/2
7	118367-01-706	EA	DECORATION-DOOR-REFRIGERATOR-UPPER	2932642-08/1
8	118367-01-707	EA	DECORATION-DOOR-REFRIGERATOR-LOWER	2932642-03/2
9	118367-01-708	EA	DECORATION-DOORFREEZER-UPPER	2932642-12/3
10	118367-01-709	EA	DECORATION-DOOR-FREEZER-LOWER	2932642-02/4
11	118367-01-710	EA	HOLDER-BOTTLE-DOOR-REFRIGERATOR	2932658-01/2
12	118367-01-711	EA	SHELF-DOOR-REFRIGERATOR	2932583-02/0
13	118367-01-712	EA	RACK-DOOR-REFRIGERATOR	2932585-04/1

GALLEYGROUP(CONTINUED)

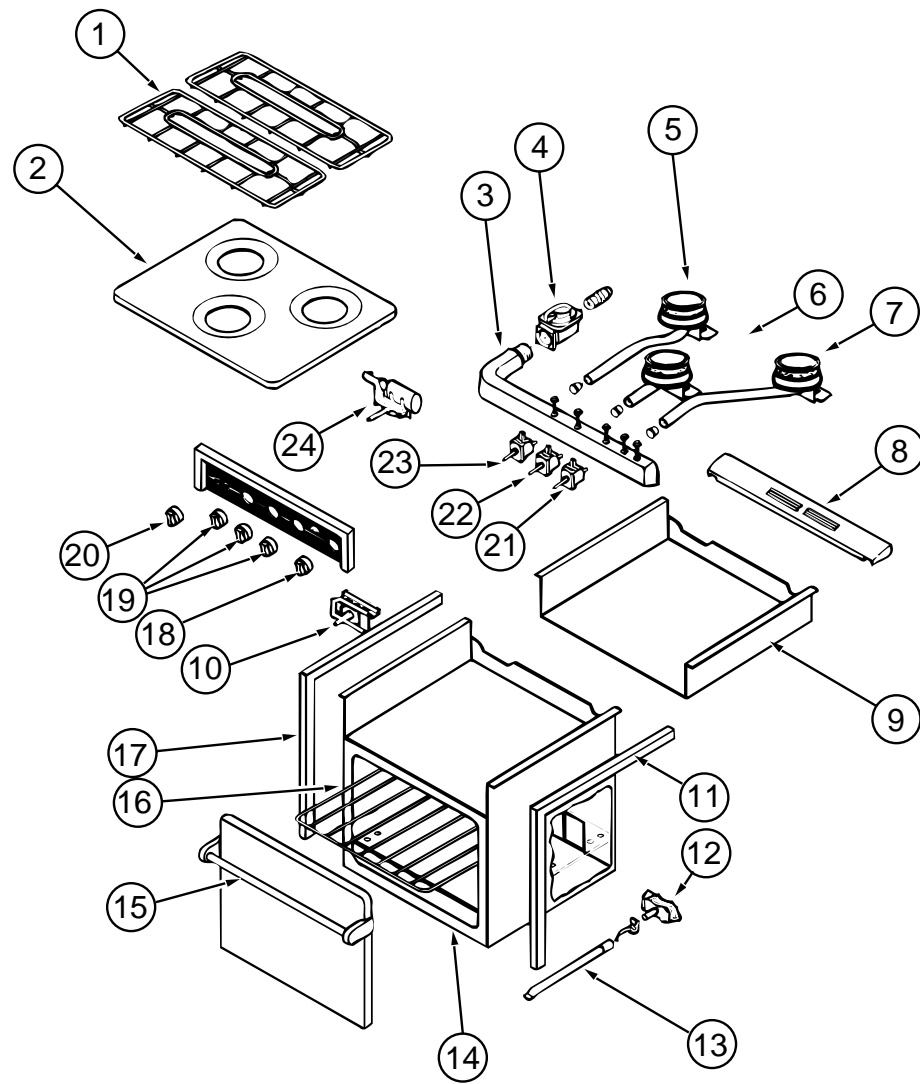


REFRIGERATORCOOLINGCOIL(DOMETICRM7732IM)

KEY	PARTNUMBER	U/M	DESCRIPTION	VENDORNO.
1	118367-01-783	EA	COIL-COOLING	2934945-09/4
	118871-02-01A	EA	TRAY-DRAIN-REFRIGERATOR-SIDE/SIDEBLACK	

GALLEYGROUP(CONTINUED)

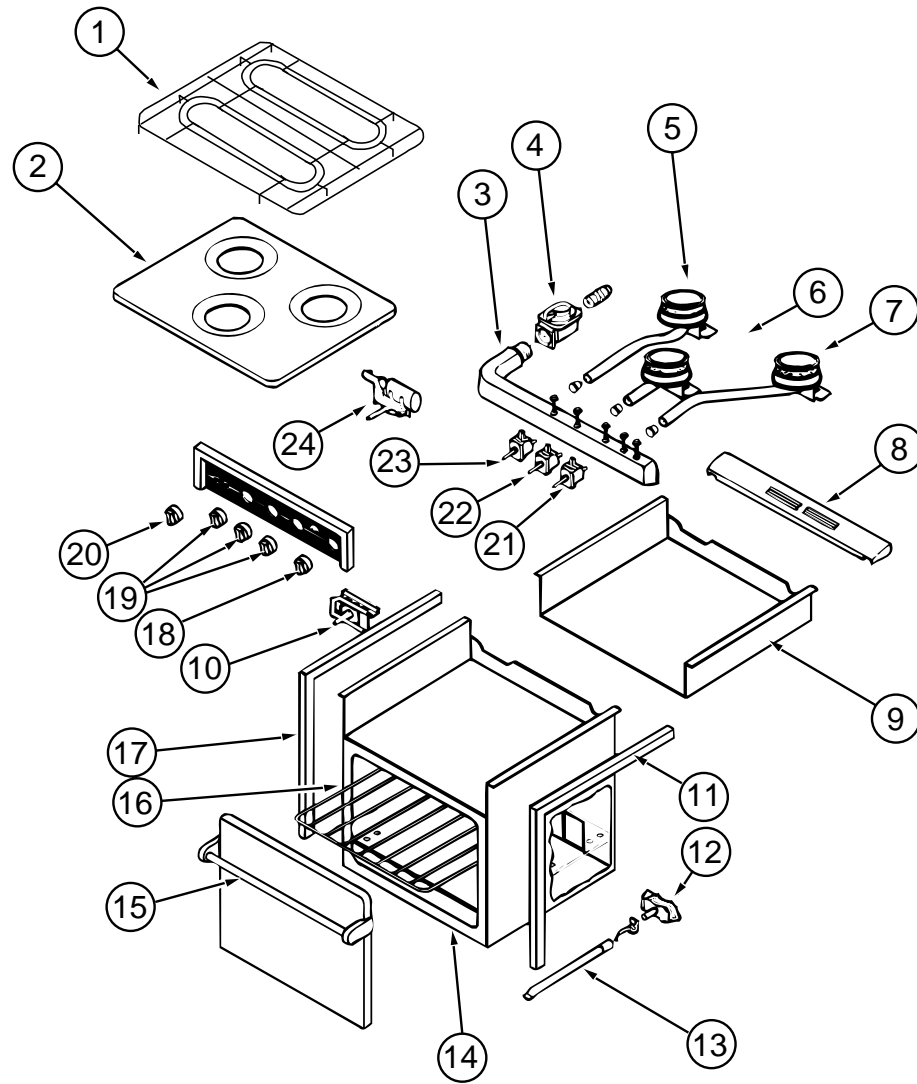
ATWOODRANGEW/OVEN,R-2137BGP(FROM: 00-00-00 THRU: 11-26-96)



KEY	PARTNUMBER	U/M	DESCRIPTION	VENDOR NO.
	121758-01-01A	EA	RANGE -W/OVEN-BLACK -R-2137BGP	
	105458-03-000	EA	BRACKET-TIEDOWN-STOVE-RIGHTHAND	
	105458-04-000	EA	BRACKET-TIEDOWN-STOVE-LEFTHAND	
1	107246-01-701	EA	GRATE-BURNER	53050
	107323-01-711	EA	CUSHION-GRATE-RUBBER	53008
	107323-01-716	EA	CLIP-GRATE-GREEN	50005
2	121758-01-714	EA	RANGE-TOP-ALMOND	53082
3	121758-01-709	EA	MANIFOLD3BURNER	51272
	121758-01-713	EA	COVER-MANIFOLD	56107
4	106689-01-704	EA	REGULATOR-EXTREMEPRESSURE	51062
5	121758-01-707	EA	BURNERLEFTREARPZO	56066
6	121758-01-708	EA	BURNERCENTER(HIGHOUTPUT)	56068
7	121758-01-706	EA	BURNERRIGHTREARPZO	56067
8	107323-01-705	EA	TRIM-VENT	53525
9	121758-01-711	EA	BURNERBOX	51684
10	107246-01-703	EA	THERMOSTAT-ROBERTSHAW	52122
11	107323-01-703	EA	TRIM-RIGHT	53024
12	107246-01-706	EA	PILOTASM.-ONLY(OVEN)	51065
13	107246-01-721	EA	BURNER-OVEN	52018
14	107323-01-706	EA	TRIM-LOWER-BLACK	53526
15	107323-01-714	EA	HANDLEASM.DESIGNERSTYLE	51112
	107323-01-713	EA	GLASS-BLACK-INSERTOVENDOOR	53426
16	107246-01-704	EA	RACK-OVEN	51069
	107246-01-708	EA	SHELF-OVEN-LOWER	51657
17	107323-01-702	EA	TRIM-LEFT	53023
18	121758-01-703	EA	KNOBTHERMOSTAT	56094
19	121758-01-712	EA	KNOB-BURNER(3)	56093
20	121758-01-700	EA	KNOB(TURNSTYLE)PIEZOIGN	56095
21	121758-01-710	EA	VALVE-BURNER	56086
22	121758-01-705	EA	VALVEHIGHOUTPUT	56087
23	121758-01-710	EA	VALVE-BURNER	56086
24	121758-01-701	EA	IGNITORPIEZO(ROTARY)	56096
	121758-01-702	EA	ELECTRODEWIRE(PIEZOIGNITOR)	56097
	107246-01-707	EA	VALVE-SAFETYW/PILOTCOMP	51063

GALLEYGROUP(CONTINUED)

ATWOODRANGEW/OVEN,R-2138BGP(FROM: 11-27-96 THRU: 99-99-99)



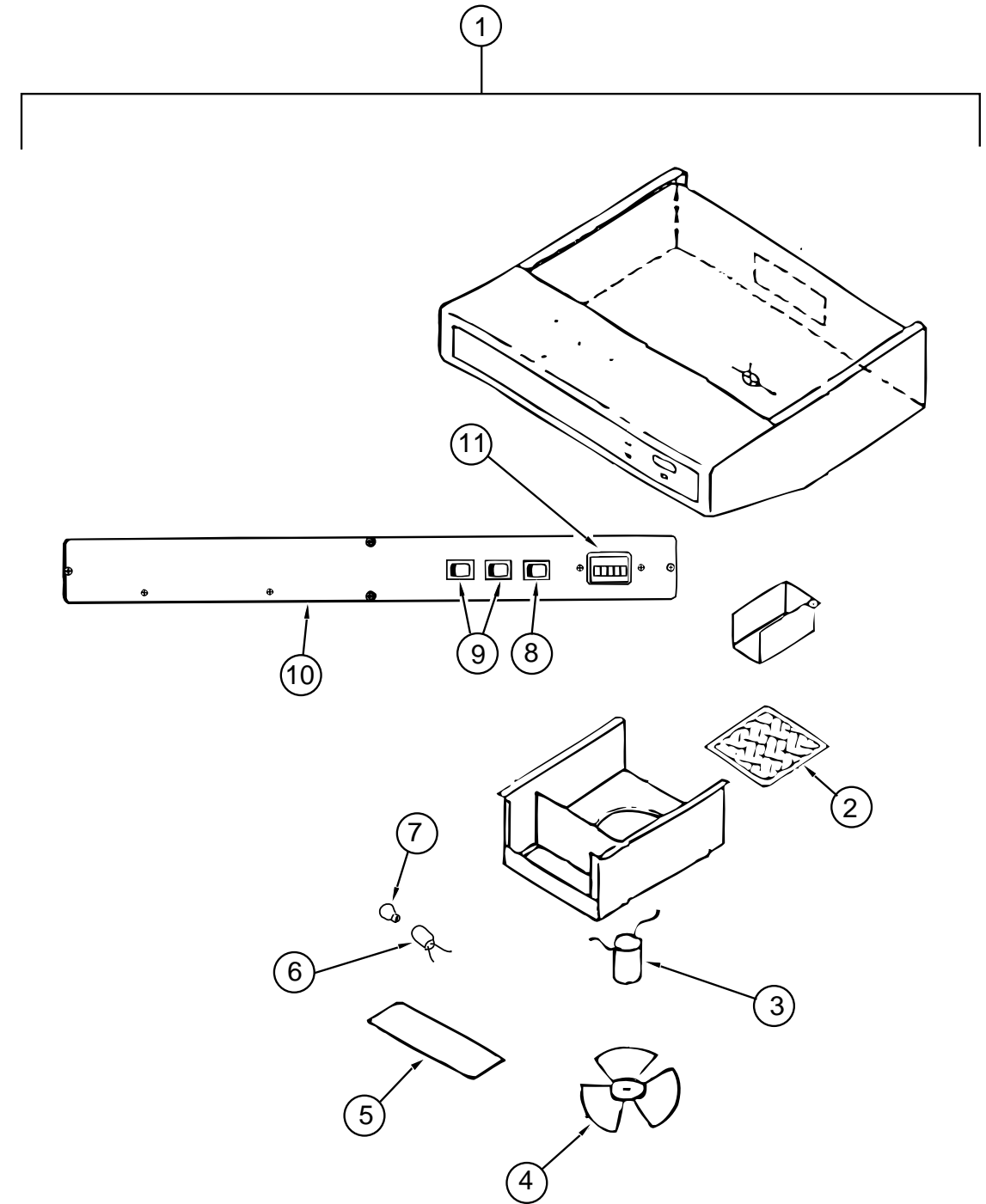
KEY	PARTNUMBER	U/M	DESCRIPTION	VENDOR NO.
	121758-02-01A	EA	RANGE-W/OVEN-BLACK-R-2138BGP	
	105458-03-000	EA	BRACKET-TIEDOWN-STOVE-RIGHTHAND	
	105458-04-000	EA	BRACKET-TIEDOWN-STOVE-LEFTHAND	
1	121758-02-700	EA	GRATE-SINGLE	56261
	121758-02-701	EA	CLIP-GRATE	56117
2	107246-01-700	EA	TOP-MAIN-BLACK-3-BURNER	53083
3	121758-01-709	EA	MANIFOLD3BURNER	51272
	121758-01-713	EA	COVER-MANIFOLD	56107
4	106689-01-704	EA	REGULATOR-EXTREMEPRESSURE	51062
5	121758-01-707	EA	BURNERLEFTREARPZO	56066
6	121758-01-708	EA	BURNERCENTER(HIGHOUTPUT)	56068
7	121758-01-706	EA	BURNERRIGHTREARPZO	56067
8	107323-01-705	EA	TRIM-VENT	53525
9	121758-01-711	EA	BURNERBOX	51684
10	121758-02-702	EA	THERMOSTAT-(OVEN)	56119
11	107323-01-703	EA	TRIM-RIGHT	53024
12	121758-02-705	EA	PILOTASM.-ONLY(OVEN)	56121
13	121758-02-706	EA	BURNER-OVEN	56123
14	107323-01-706	EA	TRIM-LOWER-BLACK	53526
15	107323-01-714	EA	HANDLEASM.DESIGNERSTYLE	51112
	107323-01-713	EA	GLASS-BLACK-INSERTOVENDOOR	53426
16	107246-01-704	EA	RACK-OVEN	51069
17	107323-01-702	EA	TRIM-LEFT	53023
18	121758-02-703	EA	KNOB-OVEN-THERMOSTAT	56124
19	121758-01-712	EA	KNOB-BURNER(3)	56093
20	121758-01-700	EA	KNOB(TURNSTYLE)PIEZOIGN	56095
21	121758-01-710	EA	VALVE-BURNER	56086
22	121758-01-705	EA	VALVEHIGHOUTPUT	56087
23	121758-01-710	EA	VALVE-BURNER	56086
24	121758-01-701	EA	IGNITORPIEZO(ROTARY)	56096
	121758-02-704	EA	VALVE-SAFETY	56120

GALLEY GROUP (CONTINUED)

MICROWAVE OVEN

KEY	PART NUMBER	U/M	DESCRIPTION
	115303-02-000	EA	OVEN - MICROWAVE 1.3 CU FT
	115401-02-01A	EA	TRIM - MICROWAVE
	098916-16-02B	EA	BRACE - MICROWAVE - LEFT HAND
	098916-17-02B	EA	BRACE - MICROWAVE - RIGHT HAND
	094756-02-01A	EA	BRACKET - MICROWAVE - 6.1" LONG X 3.9" WIDE - STEEL
	094756-01-02A	EA	BRACKET - ANGLE - W/ HOLES
	094750-07-000	EA	BRACKET - MICROWAVE - 89 DEGREE

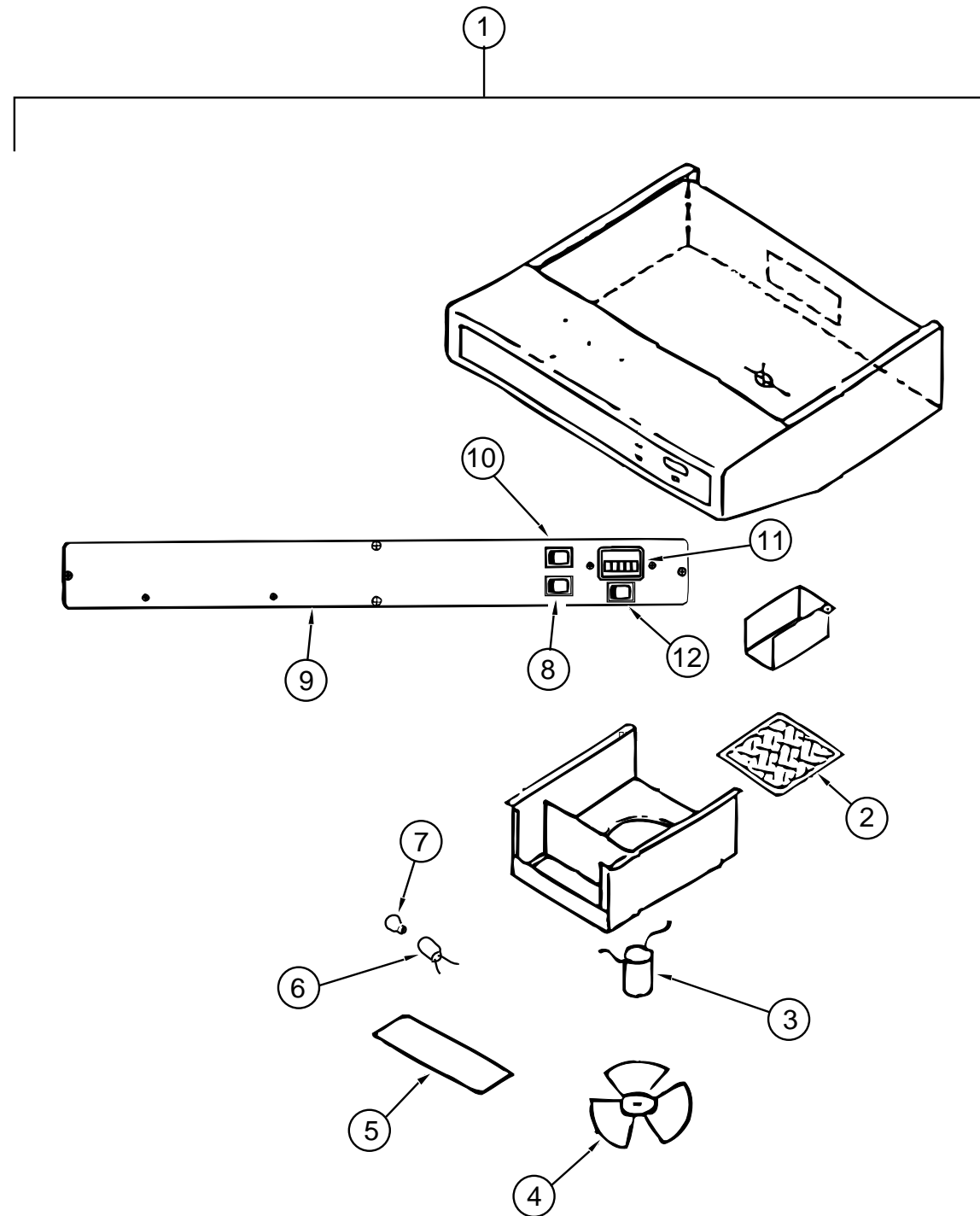
GALLEY GROUP (CONTINUED)



RANGE HOOD , W/HOUR METER, TPS-5009-SBDLG (USA)

KEY	PART NUMBER	U/M	DESCRIPTION	VENDOR NO.
1	100258-18-03A	EA	HOOD - RANGE 22W W/O MONITOR PANEL	
2	096983-01-707	EA	FILTER - GREASE - 8" X 8" - LVS	CC246
3	090973-01-700	EA	MOTOR - LVS	CA508-1
4	090973-01-702	EA	BLADE - FAN - LVS	VA183-1
5	092696-02-701	EA	LENS - LAMP	CC179-2
6	092696-01-710	EA	SOCKET - LIGHT	CB267-2
7	117806-01-000	EA	BULB - 12 VOLT #912 - 1.0 AMPS	
8	096983-01-702	EA	SWITCH - MOM / OFF / MOM / 3 TERM	L0112-00
9	096983-01-700	EA	SWITCH - ON/OFF	L0108-00
10	100258-01-700	EA	HOOD NOSE LABEL	CC428
11	100258-10-01A	EA	GAUGE - HOUR METER W/ SWITCH - SCREW ON - 150	
11	100258-10-701	EA	GAUGE - HOUR METER - CLIP ON	L0775-00

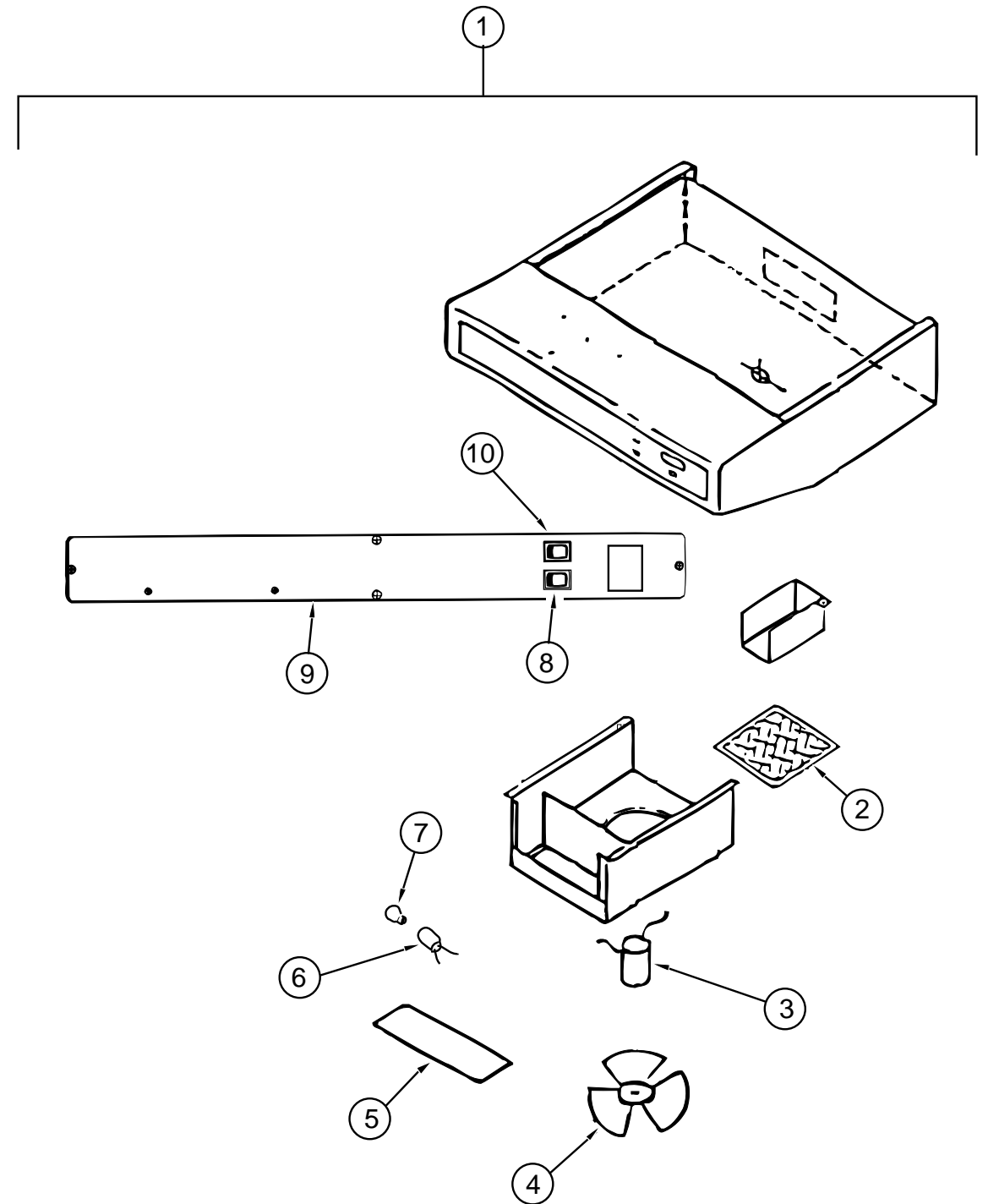
GALLEYGROUP(CONTINUED)



RANGEHOOD, W/O HOURMETER, TCS5008-NBCLG (CANADIAN)

KEY	PARTNUMBER	U/M	DESCRIPTION	VENDOR NO.
1	100258-17-04A	EA	HOOD-RANGE-W/OMONITORPANEL	
2	096983-01-707	EA	FILTER-GREASE-8"X8"-LVS	CC246
3	090973-01-700	EA	MOTOR-LVS	CA508-1
4	090973-01-702	EA	BLADE-FAN-LVS	VA183-1
5	092696-02-701	EA	LENS-LAMP	CC179-2
6	092696-01-710	EA	SOCKET-LIGHT	CB267-2
7	117806-01-000	EA	BULB-12VOLT#912-1.0AMPS	
8	096983-01-700	EA	SWITCH-ON/OFF	L0108-00
9	100258-01-700	EA	HOODNOSELABEL	CC428
10	096983-01-700	EA	SWITCH-ON/OFF	L0108-00
11	100258-10-01A	EA	GAUGE-HOURMETER-SCREWON(OPTION)-150	
11	100258-10-701	EA	GAUGE-HOURMETER-CLIPON(OPTION)	72367
12	096983-01-702	EA	SWITCH-TWOWAYMOMENTARY(OPTION)	L0112-00

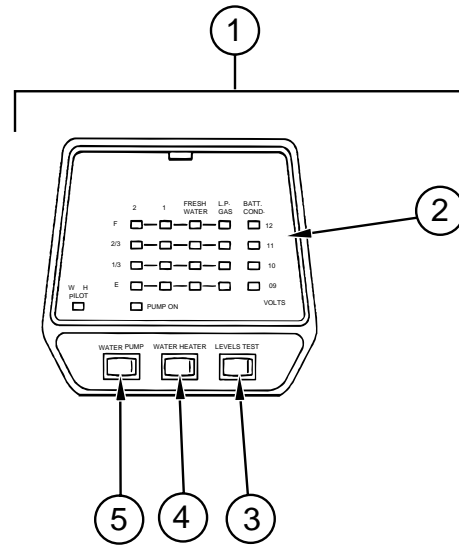
GALLEYGROUP(CONTINUED)



RANGEHOOD, W/O HOURMETER, TCS-5008-NBDLG (USA)

KEY	PARTNUMBER	U/M	DESCRIPTION	VENDOR NO.
1	100258-16-04A	EA	HOOD-RANGE-W/OMONITORPANEL	
2	096983-01-707	EA	FILTER-GREASE-8"X8"-LVS	CC246
3	090973-01-700	EA	MOTOR-LVS	CA508-1
4	090973-01-702	EA	BLADE-FAN-LVS	VA183-1
5	092696-02-701	EA	LENS-LAMP	CC179-2
6	092696-01-710	EA	SOCKET-LIGHT	CB267-2
7	117806-01-000	EA	BULB-12VOLT#912-1.0AMPS	
8	096983-01-700	EA	SWITCH-ON/OFF	L0108-00
9	100258-01-700	EA	HOODNOSELABEL	CC428
10	096983-01-702	EA	SWITCH-TWOWAYMOMENTARY	L0112-00

GALLEY GROUP (CONTINUED)



MONITOR PANEL (2 WATER TANKS & WATER HEATER)

KEY	PART NUMBER	U/M DESCRIPTION	VENDOR NO.
1	102765-04-01A	EA PANEL - MONITOR - W/ PLUG - 2 TANKS & WATER HEATER - LVS	
2	102765-04-700	EA CIRCUIT BOARD - 2 HOLDING TANKS	L5097-41
3	097617-01-702	EA SWITCH (ALMOND)	107
4	097617-01-701	EA SWITCH - ON/ OFF - ALMOND	106
5	102765-01-700	EA SWITCH - ON/ ON - ALMOND	110-01

GENERATOR GROUP

ONAN GENERATOR, 5.0 KW EMERALD PLUS

KEY	PART NUMBER	U/M DESCRIPTION
	109303-01-000	EA GENERATOR - 5 KW - EMERALD PLUS
	007125-03-000	EA CLAMP - MUFLER - 1.5" DIAMETER
	007125-04-000	EA CLAMP - MUFLER - 1.12" DIAMETER
	079654-05-000	EA PIPE - EXHAUST - ANGLED W/FLANGE - 2" ID
	082272-01-000	EA MUFLER - GENERATOR
	094059-01-000	EA SPACER - GENERATOR - ONAN
	105958-03-000	EA PIPE - GENERATOR EXHAUST 1.5" OD X 4.4" X 15.7" FROM: 00-00-00 THRU: 11-08-96
	105958-04-000	EA PIPE - EXHAUST - 1.4" INLET X 1.5" O.D. - 4.9" X 66.9" FROM: 11-09-96 THRU: 99-99-99

ONAN GENERATOR, 4.0 KW EMERALD PLUS (EXPORT)

KEY	PART NUMBER	U/M DESCRIPTION
	100974-04-000	EA GENERATOR - 4.0 KW EMERALD PLUS
	007125-03-000	EA CLAMP - MUFLER - 1.5" DIAMETER
	007125-04-000	EA CLAMP - MUFLER - 1.12" DIAMETER
	007131-01-000	EA HANGER - TAILPIPE - 6 SLOTS
	079654-05-000	EA PIPE - EXHAUST - ANGLED W/FLANGE - 2" ID
	081364-03-000	EA MUFLER - GENERATOR - ONAN
	094059-01-000	EA SPACER - GENERATOR - ONAN
	106602-01-000	EA PIPE - EXHAUST - GENERATOR
	106607-01-000	EA ANGLE - SUPPORT - EXHAUST

ONAN GENERATOR, 5.0 KW EMERALD PLUS (EXPORT)

KEY	PART NUMBER	U/M DESCRIPTION
	100975-03-000	EA GENERATOR - 5. KW EMERALD PLUS
	007125-03-000	EA CLAMP - MUFLER - 1.5" DIAMETER
	007125-04-000	EA CLAMP - MUFLER - 1.12" DIAMETER
	007131-01-000	EA HANGER - TAILPIPE - 6 SLOTS
	079654-05-000	EA PIPE - EXHAUST - ANGLED W/FLANGE - 2" ID
	081364-03-000	EA MUFLER - GENERATOR - ONAN
	094059-01-000	EA SPACER - GENERATOR - ONAN
	106602-01-000	EA PIPE - EXHAUST - GENERATOR
	106607-01-000	EA ANGLE - SUPPORT - EXHAUST

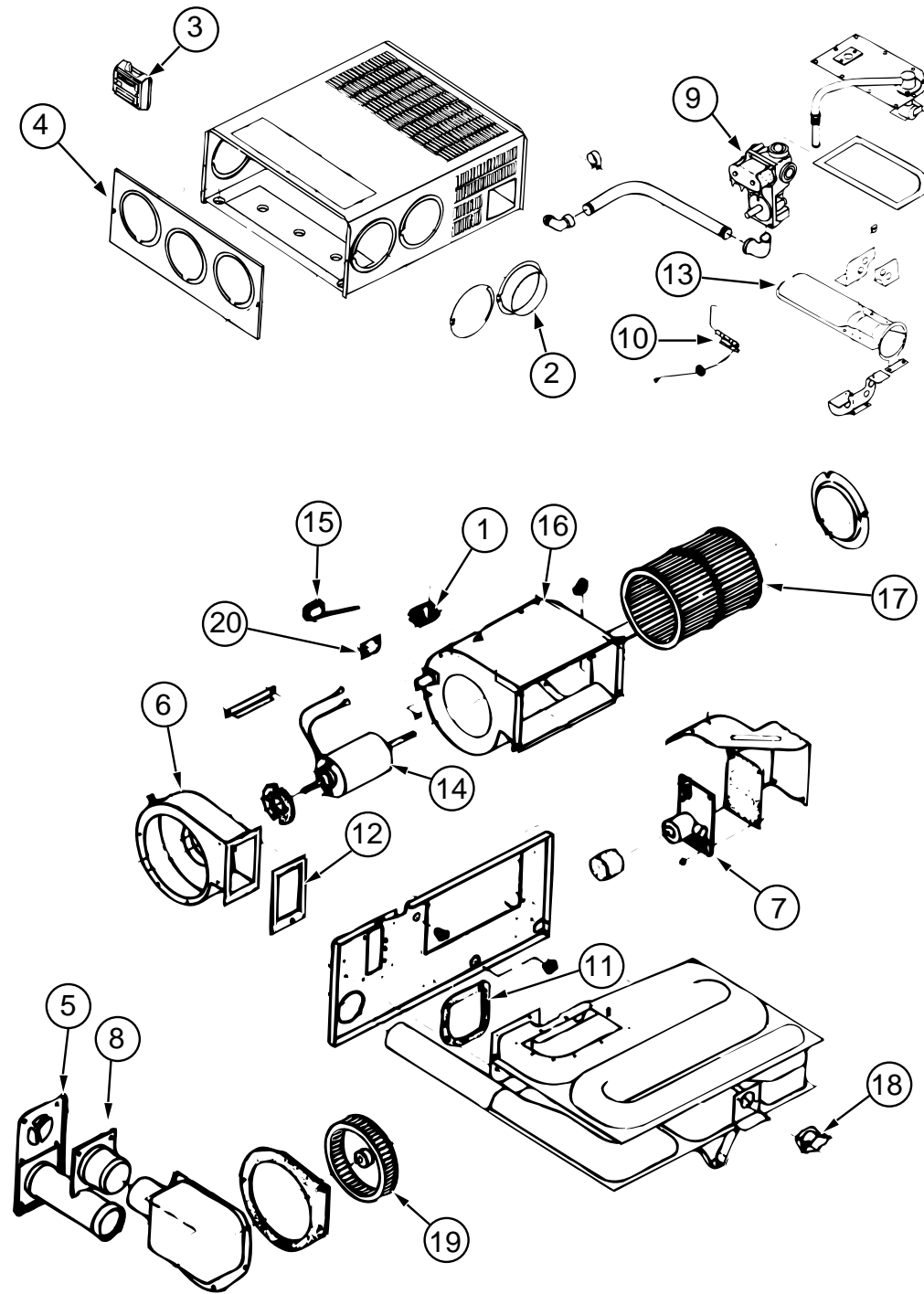
ONAN GENERATOR, 6.5 KW EMERALD PLUS

KEY	PART NUMBER	U/M DESCRIPTION
	100975-01-000	EA GENERATOR - 6.5 KW EMERALD PLUS
	007067-01-000	SF INSULATION - FIBERGLASS - 1" THICK X 4' - INCREMENTS/4 SF
	007125-03-000	EA CLAMP - MUFLER - 1.5" DIAMETER
	007125-04-000	EA CLAMP - MUFLER - 1.12" DIAMETER
	079654-05-000	EA PIPE - EXHAUST - ANGLED W/FLANGE - 2" ID
	082272-01-000	EA MUFLER - GENERATOR
	094059-01-000	EA SPACER - GENERATOR - ONAN
	105958-03-000	EA PIPE - GENERATOR EXHAUST 1.5" OD X 4.4" X 15.7" FROM: 00-00-00 THRU: 11-08-96
	105958-04-000	EA PIPE - EXHAUST - 1.4" INLET X 1.5" O.D. - 4.9" X 66.9" FROM: 11-09-96 THRU: 99-99-99

NOTE: ADDITIONAL GENERATOR COMPONENTS ARE FOUND IN THE CHASSIS GROUP

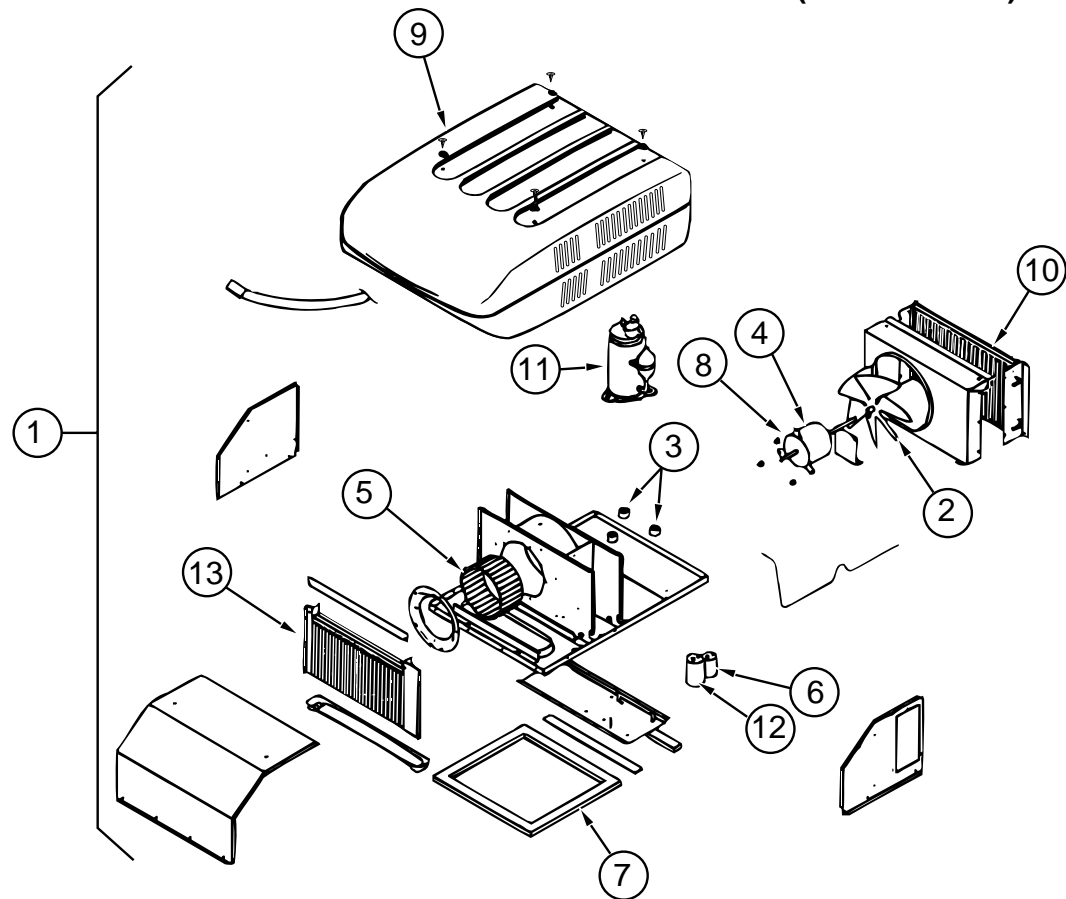
HEATING & AIR CONDITIONING GROUP

FURNACE (SUBURBANSF-42275)



KEY	PART NUMBER	U/M	DESCRIPTION	VENDOR NO.
	098668-22-000	EA	FURNACE - 49,000 BTU	
1	074466-01-702	EA	RELAY - TIME DELAY	230625
2	075696-02-703	EA	DUCT COLLAR	050715
3	115764-01-01A	EA	THERMOSTAT - WALL - FURNACE - 160902	
4	098668-01-700	EA	CABINET FRONT	101242
5	098668-01-707	EA	VENT CAP & EXHAUST TUBE ASM	260231
6	098668-01-708	EA	BLOWER ASM (COMBUSTION AIR)	390441
7	098668-01-712	EA	BOARD - MODULE	231741
8	098668-01-713	EA	INTAKE VENT TUBE ASM	051248
9	098668-01-714	EA	GAS VALVE (WHITEROGERS)	161070
10	098668-01-715	EA	ELECTRODE ASM. (SINGLE PROBE)	232166
11	098668-01-716	EA	GASKET FIREWALL (CHAMBERSIDE)	070808
12	098668-01-717	EA	GASKET FIREWALL (BLOWERSIDE)	070809
13	098668-11-701	EA	BURNER ASM COMP (SF-42F)	010799
14	098668-11-702	EA	MOTOR ASM COMP (SF-42F)	232212
15	098668-11-703	EA	SWITCH - SAIL ASM (SF-42F)	232216
16	098668-11-704	EA	BLOWER ASM ROOM AIR (SF-42F)	390698
17	098668-01-711	EA	WHEEL - ROOM AIR	350129
18	098668-11-706	EA	LIMIT SWITCH (SF-42F)	232217
19	098668-22-702	EA	WHEEL COMBUSTION AIR	350183
20	101990-01-714	EA	MICROSWITCH GASKET	230877
	098668-11-700	EA	ORIFICE - MAIN BURNERS SF-42F	180216
	009198-01-000	FT	DUCT - HEAT - FLEXIBLE - 4" ID X 25 FT	
	009200-01-000	EA	TAPE - FURNACE - 1 1/2"	
	098668-14-000	EA	GASKET - FIBERGLASS - .5" X 18" X 18" - 070976	
	098668-23-000	EA	DOOR - ACCESS - FURNACE - BRIGHT WHITE	
	092777-01-000	EA	ADAPTER - DUCT - 4"	
	093741-01-000	EA	BOX - BOOT - FLOOR REGISTER	
	093614-02-02A	EA	GRILL - RETURN AIR - DURA - 252 X 252 MM - BEIGE	
	093614-03-02A	EA	GRILL - RETURN AIR - DURA - 252 X 404 MM - BEIGE	
	094600-05-01A	EA	HEAT REGISTER - W/O DAMPER	
	094600-06-01A	EA	HEAT REGISTER - W/DAMPER	

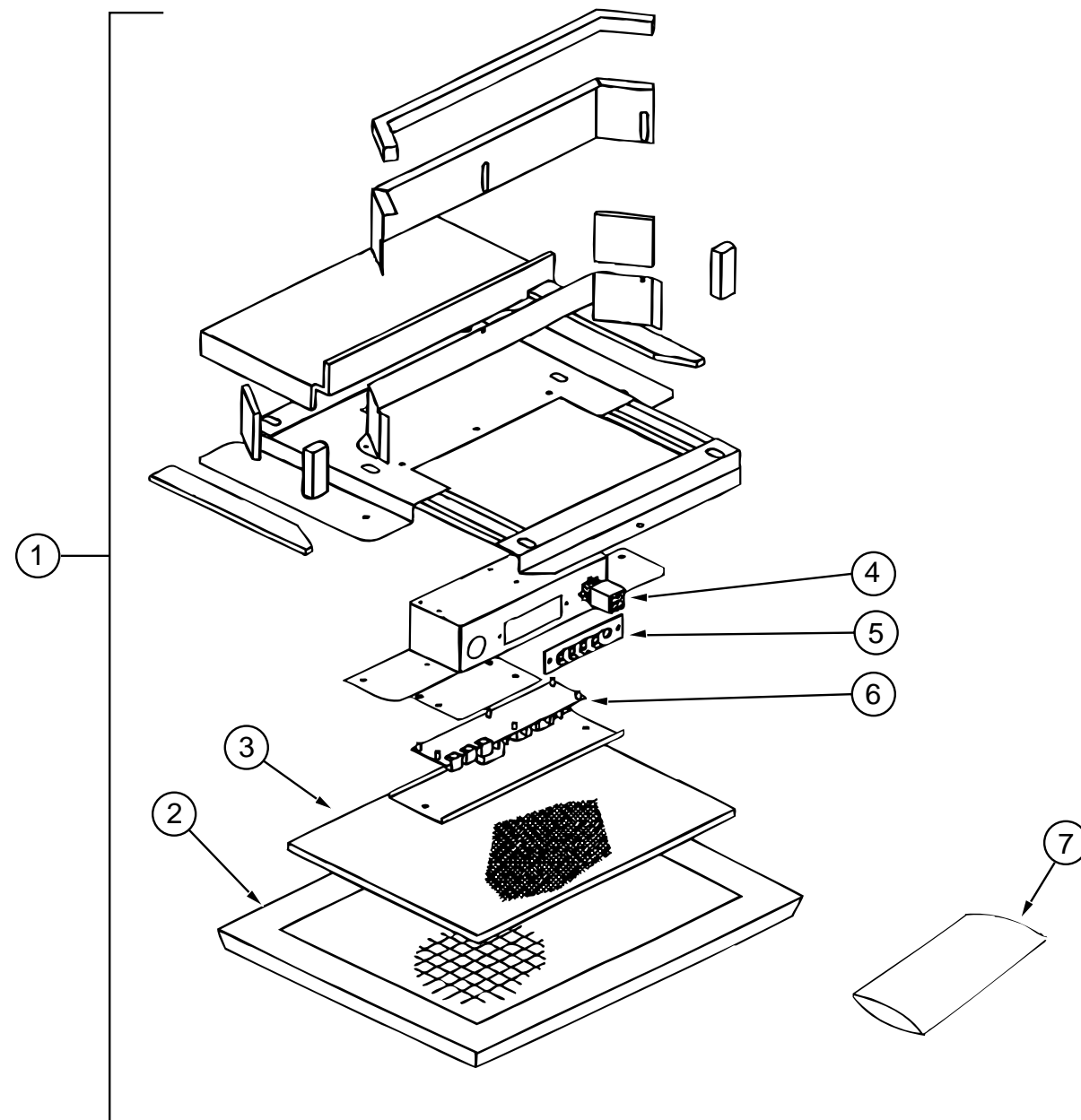
HEATING&AIRCONDITIONINGGROUP(CONTINUED)



COLEMANROOFAIR13,500BTU(EXPORT)

KEY	PARTNUMBER	U/M DESCRIPTION	VENDOR NO.
1	108889-02-03A	EA A/C-ROOF-13,500TSRHOIVORY-7373A891	
2	093763-01-712	EA FANBLADE-CONDENSER	6733-3221
3	105620-01-706	EA FOOTPKG-COMPRESSOR-3PERPACKAGE	6759-3081
4	108889-02-701	EA MOTOR	1468-3059
5	108889-01-706	EA IMPELLOR	1472-1041
6	093763-01-704	EA CAPACITOR-FAN	1499-3461
7	108889-01-711	EA GASKETPACKAGE	6792-3301
8	108889-01-715	EA MOTORMOUNT&SHAFTSEALKIT	6792-3361
9	108889-05-700	EA SHROUD(BRIGHTWHITE)LESSLOGO	7333-4601
10	108889-01-703	EA CONDENSERCOIL	1452A1301
11	108889-02-700	EA COMPRESSOR	1452-2029
	108889-01-704	EA OVERLOAD(MRA#98693)	6749-3541
12	108889-01-707	EA RUNCAPACITOR(COMP-25MFD/370)	1499-5661
13	108889-01-709	EA EVAPORATORCOIL	1452A1311
	108889-02-703	EA STARTRELAY	1497-4141
	093306-01-701	EA DECALPKG-LEFT&RIGHT	6798B3591
	108889-01-710	EA FILLERPAD-CONDAIRSEAL	6759A3971
	108889-01-713	EA SUCTIONLINE (3/8 ODX.032WALL)	6792-130
	108889-01-714	EA DISCHARGELINEASM.	6792-531
	102289-01-000	EA SPRING-SCREW-ROOFA/CGASKET-6757-150	
	110403-01-G09	EA SPACERASM-RETURNAIR-OAK	
	117238-02-01A	EA THERMOSTAT-A/ONLY-7330-3381	
	088238-01-000	EA COVER-SWITCH-A/CSELECTOR-FRONTTOREARA/C	
	073937-03-000	EA SWITCH-ROTARYSELECTOR-3DECK-A/C-CA20-USA892	
	088238-02-000	EA COVER-SWITCH-A/CSELECTORFORFRONTORREAR	
	120134-01-01A	EA REGISTER-4-5INDIAW/DAMPER-OFFWHITE	

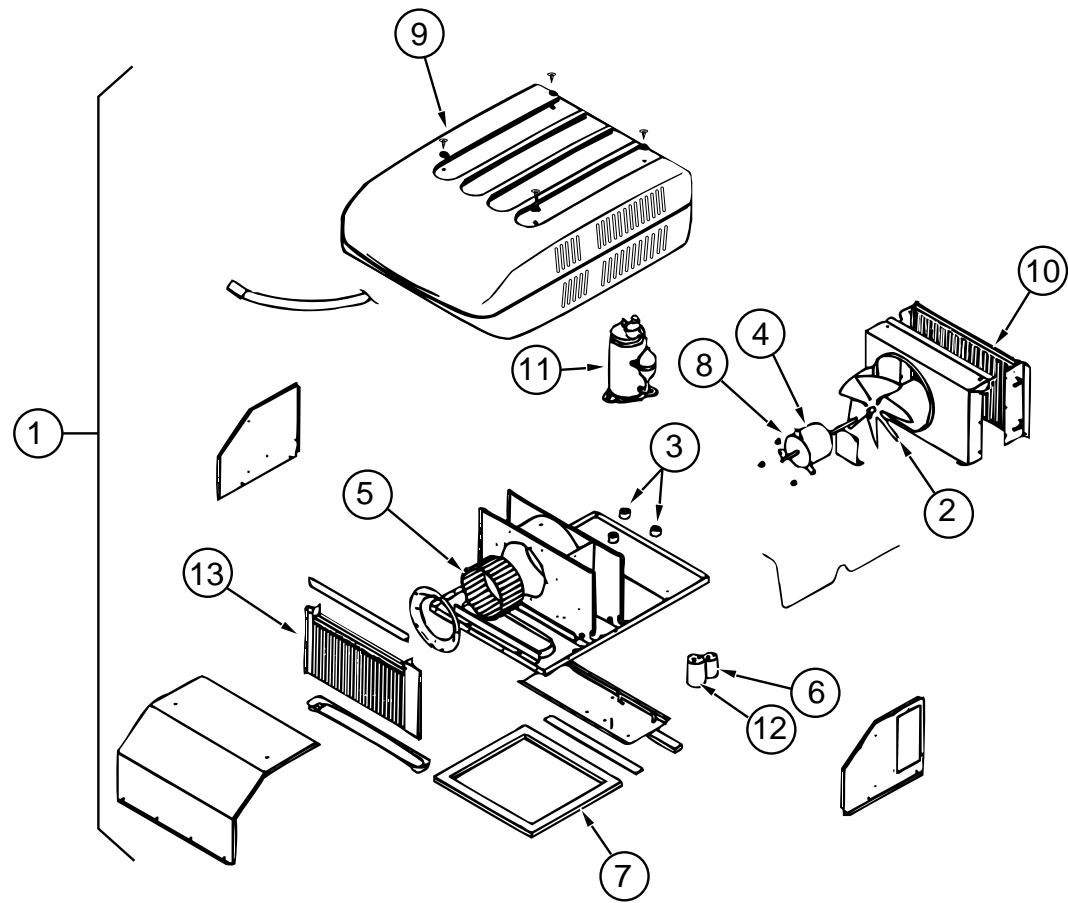
HEATING&AIRCONDITIONINGGROUP(CONTINUED)



CEILINGASM-A/CDUCTED(EXPORT)

KEY	PARTNUMBER	U/M DESCRIPTION	VENDOR NO.
1	108892-01-01A	EA CEILINGASSEMBLY-A/CDUCTED	
2	108892-01-704	EA GRILLE(PLASTIC)	6798-3041
3	108892-01-703	EA FILTER	6798A3761
4	108892-01-700	EA PLUGASSEMBLY	7330-540
5	108892-01-701	EA BOARD-TERMINAL	7330-3201
6	108892-01-702	EA BOARD-P.C.	7330A3211
7	108892-01-705	EA SMALLPARTSPKG	7330A6101

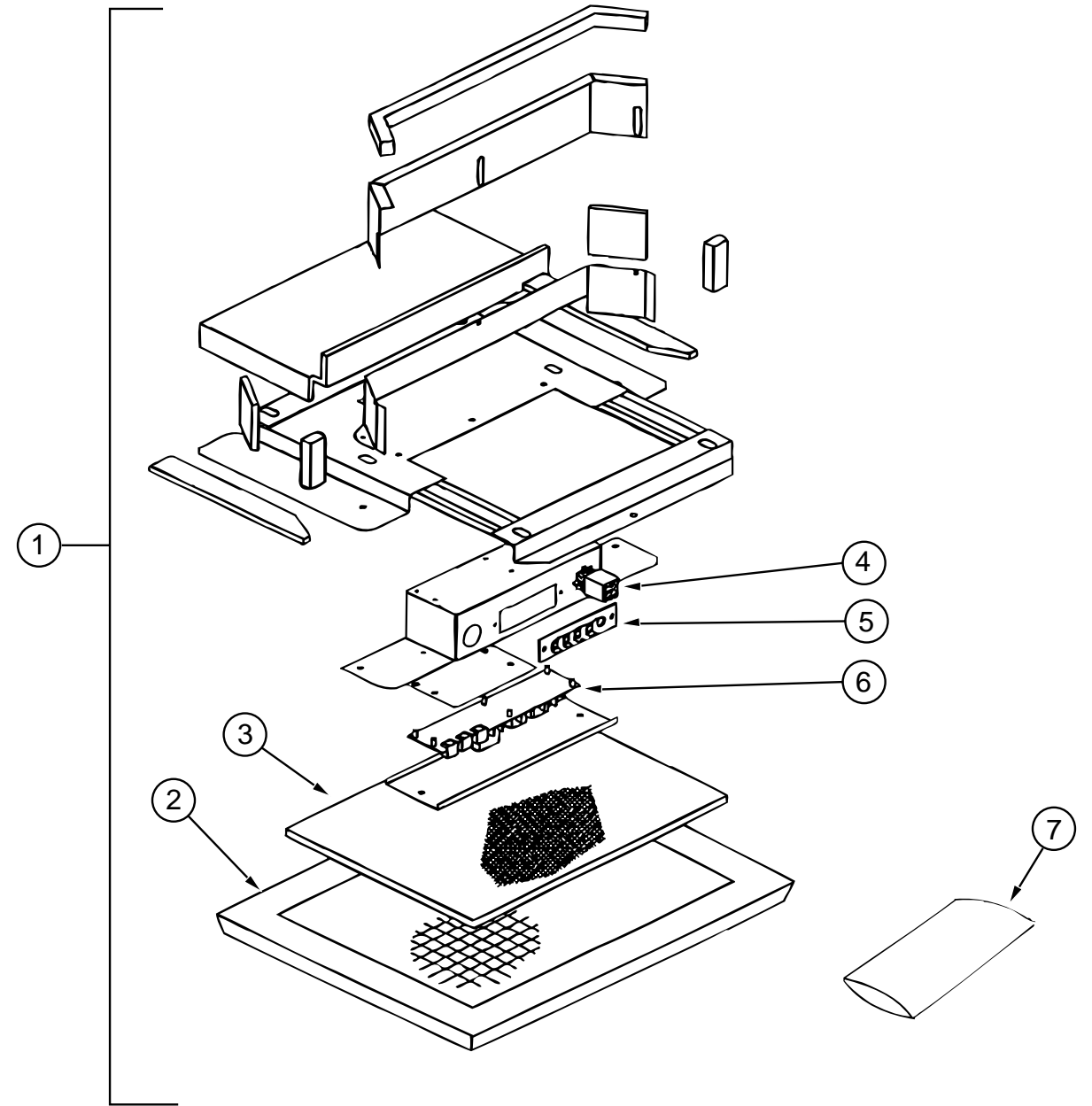
HEATING&AIRCONDITIONINGGROUP(CONTINUED)



COLEMANROOFAIR 13,500BTU(US,CSA)

KEY	PARTNUMBER	U/M	DESCRIPTION	VENDORNO.
1	108889-01-05A	EA	A/CROOF-13,500TSR	
2	093763-01-712	EA	BLADE-FAN-CONDENSER	6733-3221
3	105620-01-706	EA	MOUNTINGPKG.-COMP.-3PER	6759-3081
4	108889-01-705	EA	MOTOR(115-60HZ)	1468-3049
5	108889-01-706	EA	IMPELLOR	1472-1041
6	093763-01-704	EA	CAPACITOR-FAN	1499-5461
7	108889-01-711	EA	GASKETPKG	6792-3301
8	108889-01-715	EA	MOTORMOUNT&SHAFTSEALKIT	6792-3361
9	108889-05-700	EA	SHROUD-BRIGHT/WHT.W/OLOGO	7333-4601
10	108889-01-703	EA	COIL-CONDENSER	1452A1301
11	105620-01-704	EA	COMPRESSOR-TECUMSEH-RH&LH	1450-2009
12	108889-01-707	EA	CAPACITOR-RUN-COMP-25MFD/370	1499-5661
13	108889-01-709	EA	COIL-EVAPORATOR	1452A1311
	108889-01-710	EA	PAD-FILLER-CONDENSERSEAL	6759A3971
	108889-01-712	EA	LINE-SUCTION-REDUCER3/8X1/2	1215-2161
	108889-01-713	EA	LINE-SUCTION-3/8ODX032WALL	6792-130
	108889-01-714	EA	LINEASSEMBLY-DISCHARGE	6792-531
	108889-01-720	EA	TUBE-CAP	6792-1351
	108889-01-704	EA	OVERLOAD(MRA#98693)	6749-3541
	091225-01-709	EA	RELAY-START	1497-4131
	091225-01-710	EA	CAPACITOR-START	1497-0881
	093306-01-701	EA	DECALPACKAGE-LEFT&RIGHT	6798B3591
	110403-01-H37	EA	SPACERASM-RETURNAIR-OAK	
	117238-01-01A	EA	THERMOSTAT-A/CANDFURNACE	
	117238-02-01A	EA	THERMOSTAT-A/ONLY	
	120134-01-02A	EA	REGISTER-4-5INCHDIAMETERW/DAMPER	
	102289-01-000	EA	SPRING-SCREW-ROOFA/CGASKET	

HEATING&AIRCONDITIONINGGROUP(CONTINUED)

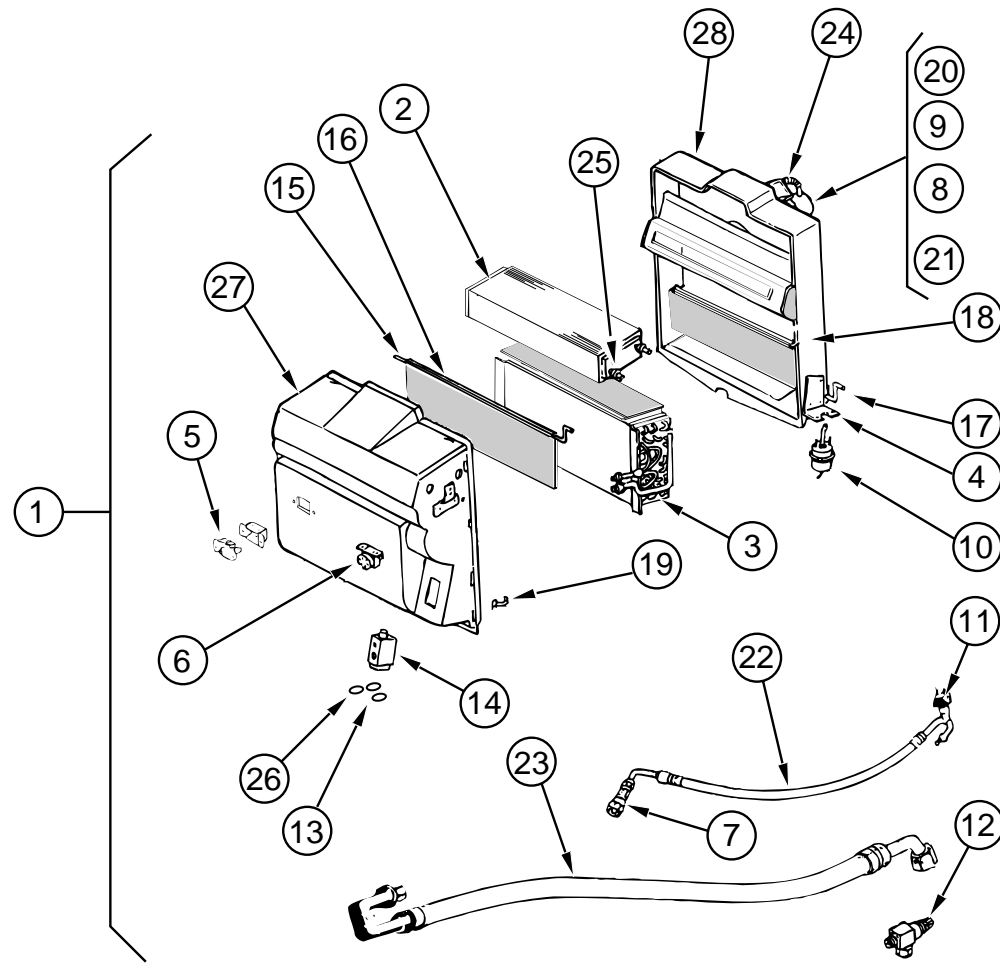


CEILINGASM-A/CDUCTED

KEY	PARTNUMBER	U/M	DESCRIPTION	VENDORNO.
1	108892-01-01A	EA	CEILINGASM-A/CDUCTED-COLEMAN7330-73	
2	108892-01-704	EA	GRILLE(PLASTIC)	6798-3041
3	108892-01-703	EA	FILTER	6798A3761
4	108892-01-700	EA	PLUGASSEMBLY	7330-540
5	108892-01-701	EA	BOARD-TERMINAL	7330-3201
6	108892-01-702	EA	BOARD-P.C.	7330A3211
7	108892-01-705	EA	SMALLPARTSPKG	7330A6101

HEATING & AIR CONDITIONING GROUP (CONTINUED)

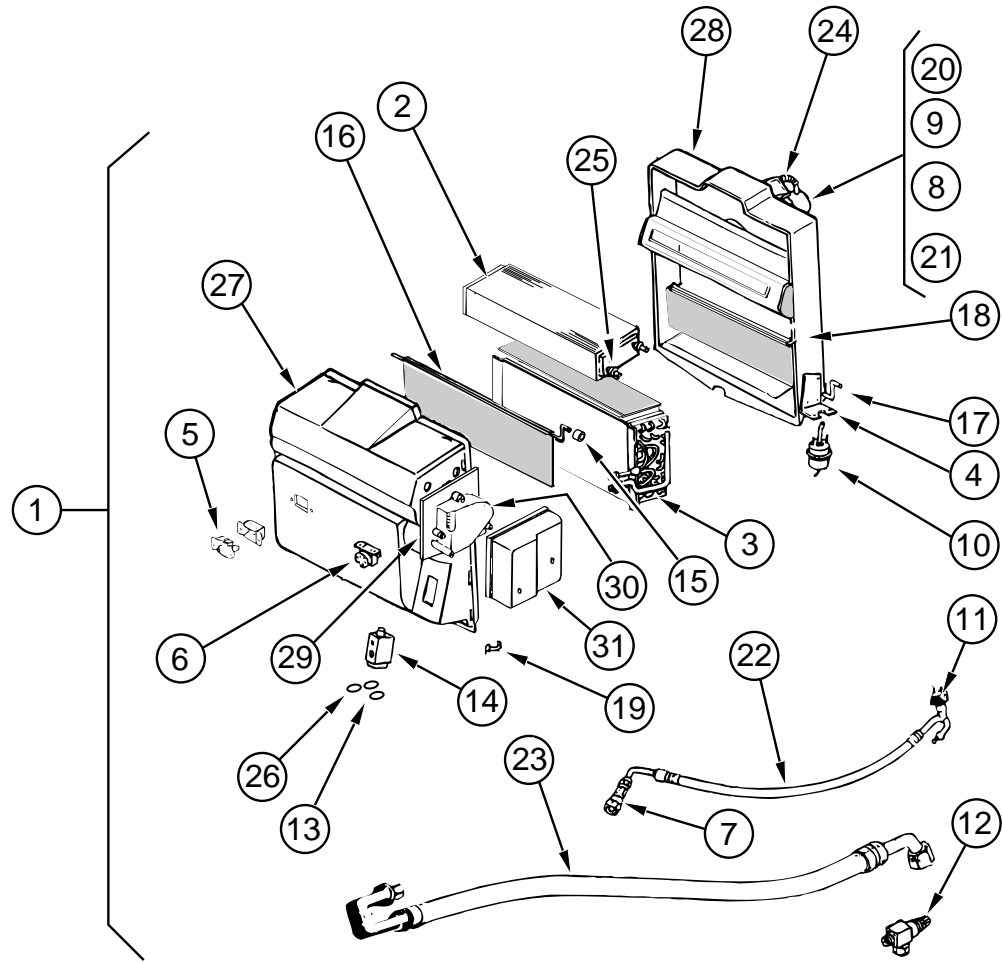
AUTOMOTIVE AIR CONDITIONING (FORD) (FROM: 00-00-00 THRU: 09-01-96)



KEY	PART NUMBER	U/M	DESCRIPTION	VENDOR NO.
1	103930-21-000	EA	EVAPORATER/HEATER-FORD-R134ABLOCK	
2	103930-01-703	EA	COIL-HEATER	042-0010
3	103930-01-704	EA	COILEVAPORATOR	041-0017
4	103930-01-708	EA	BRACKET-VACUUMMOTOR	070-0113
5	103930-01-710	EA	RESISTOR-FUSED	035-0006
6	103930-01-711	EA	THERMOSTAT	033-0003
7	103930-01-713	EA	FITTING-QUICKCONNECT-#4	050-003
8	103930-01-717	EA	WHEEL-CLOCKWISE	062-0010
9	103930-01-720	EA	MOTOR	030-0004
10	103930-02-708	EA	MOTOR-VACUUMSERVO-A/C	030-0025
11	103930-12-708	EA	SWITCH-BINARY-R-134A	032-0048
12	103930-13-702	EA	SERVICEVALVE/OC.P.	050-152
13	103930-17-702	EA	GASKETORSAE015#1033-781	045-0127
14	103930-20-700	EA	VALVEEXPANSIONBLOCK(2TON)	034-0032
15	103930-20-702	EA	RODF/BLENDAIRDOOR	073-0039
16	103930-20-703	EA	DOOR-BLENDAIR	071-0212
17	103930-20-704	EA	ROD-DOOR-RECIRCULATING	073-0018
18	103930-20-705	EA	DOORPANEL-RECIRCULATING	071-0213
19	103930-20-706	EA	CLIP-RETAINER	022-0057
20	103930-20-707	EA	BLOWERHOUSING	062-0145
21	103930-20-708	EA	CLIPF/MOTORSHAFT	022-0001
22	103930-21-700	EA	HOSEASM.-#6	085-0139
23	103930-21-701	EA	HOSEASM.-#10	085-0140
24	110279-01-703	EA	HOSE-VENT-MOTORBLOWER	70510034
25	110279-01-712	EA	HEATERFITTING	
26	113245-01-707	EA	GASKET	045-0126
27	103930-20-710	EA	CASE-FRONT-SUB-ASM.	062-0146
28	103930-20-711	EA	CASE-BACK-SUB-ASM.	062-0147

HEATING&AIRCONDITIONINGGROUP(CONTINUED)

AUTOMOTIVE AIR CONDITIONING (FORD)(FROM:09-02-96THRU:99-99-99)



KEY	PARTNUMBER	U/M	DESCRIPTION	VENDORNO.
1	103930-31-000	EA	EVAPORATOR/HEATER-FORD-SERVOMOTORCONTROLLED	
2	103930-01-703	EA	CORE-HEATER	042-0010
3	103930-01-704	EA	COIL-EVAPORATOR	041-0017
4	103930-01-708	EA	BRACKET-VACUUMMOTOR	070-0113
5	103930-01-710	EA	RESISTOR-FUSED-A/C	035-0006
6	103930-01-711	EA	THERMOSTAT	033-0003
7	103930-01-713	EA	FITTING-QUICKCONNECT-#4	050-0030
8	103930-01-717	EA	WHEEL-BLOWER-CLOCKWISE	062-0010
9	103930-01-720	EA	MOTOR-BLOWER-(PM105)	030-0004
			FROM: 09-02-96 THRU: 12-21-96	
9	103930-30-706	EA	MOTOR-BLOWER-(PM147)	030-0109
			FROM: 12-22-96 THRU: 99-99-99	
10	103930-02-708	EA	MOTOR-VACUUMSERVO-A/C	030-0025
11	103930-12-708	EA	SWITCH-BINARY-HI-LOWCUTOUT	032-0048
12	103930-13-702	EA	VALVE-SERVICE-W/COMP.	050-0152
13	103930-17-702	EA	O'RING#10	045-0127
14	103930-20-700	EA	VALVE-EXPANSION-BLOCK-2TON	034-0032
15	103930-30-702	EA	BUSHING-BLENDAIRDOOR	062-0168
16	103930-30-705	EA	DOOR-BLENDAIR	071-0568
17	103930-20-704	EA	ROD-DOOR-RECIRCULATING	073-0018
18	103930-20-705	EA	PANEL-DOOR-RECIRCULATING	071-0213
19	103930-20-706	EA	CLIP-RETAINER	022-0057
20	103930-20-707	EA	HOUSING-BLOWER	062-0145
21	103930-20-708	EA	CLIP-MOTORSHAFT	022-0001
22	103930-21-700	EA	HOSEASM.-#6EXP.VALVE-DRIER	085-0139
23	103930-21-701	EA	HOSEASM.-#10-EXP.VALVE-COMP	085-0149
24	110279-01-703	EA	HOSE-VENT-BLOWER MOTOR	051-0034
25	110279-01-712	EA	FITTING-HEATER	050-0076
26	113245-01-707	EA	O'RING#8	045-0126
27	103930-30-700	EA	CASE-FRONT	062-0542
28	103930-20-711	EA	CASE-BACK-SUB-ASSEMBLY	062-0147
29	103930-30-701	EA	PLATE-MOTORMOUNT	062-0544
30	103930-30-703	EA	MOTOR-SERVO	030-0104
31	103930-30-704	EA	COVER-SERVO	062-0545

HEATING&AIRCONDITIONINGGROUP(CONTINUED)

AUTOMOTIVEHEATERMISCELLANEOUS

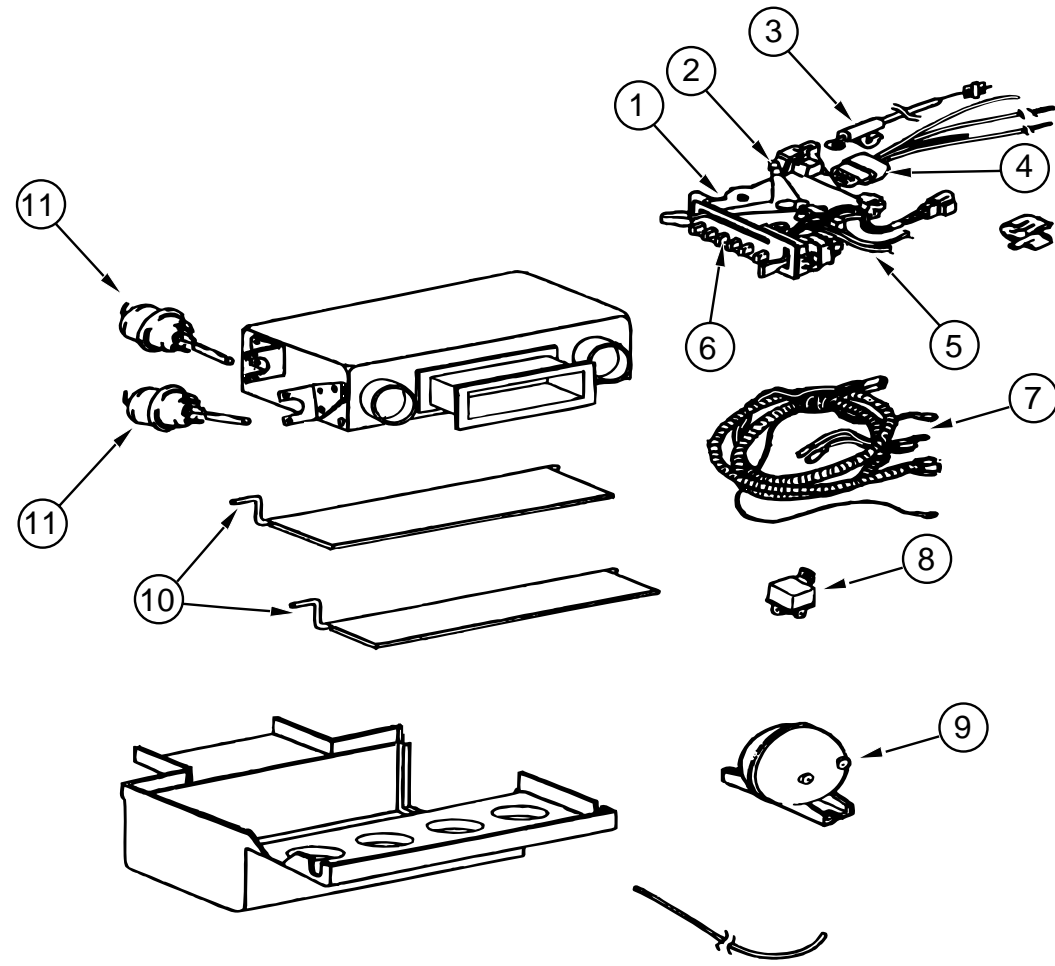
KEY	PARTNUMBER	U/M	DESCRIPTION
	007281-01-000	EA	HOSE - FLEXIBLE PVC - 2.5" ID X 50'
	024990-05-000	EA	OUTLET-DEFROSTER-4"DIAMETERW/SWIVELDEFLECTORS
	056402-05-000	EA	BRACKET-HEATERVENT-ROUNDW/BEND-BLACK
	077075-01-000	EA	GASKET-INSTRUMENTPANELTODEFROSTERPLENUM-.6"X11.3"
	077075-03-000	EA	GASKET-INSTRUMENTPANELTODEFROSTERPLENUM-.6"X10.2"
	103016-01-000	EA	PLENUM-TRANSITION
	103017-01-000	EA	PLENUM-DEFROSTER
	103558-01-06A	EA	VENT-DEFROSTER-ABSPLASTIC
	103796-01-01A	EA	LOUVER-A/C
	103930-37-000	EA	MANUAL-OWNERS-HEATER/A/C

HEATING&AIRCONDITIONINGGROUP(CONTINUED)

AUTOMOTIVEREARHEATERSYSTEM

KEY	PARTNUMBER	U/M	DESCRIPTION	VENDOR NO.
	084405-01-000	EA	HEATER-REAR-DUCTED-W/MOTORAIID-EVANS	
	084405-01-700	EA	CORE-HEATER	FT200229
	084405-01-701	EA	FANBLADES	HV029931
	084405-01-702	EA	MOTORASSEMBLY,12VOLT	R0200180
	007076-01-000	EA	HOSE-FLEXIBLEPVC-2"ID-INCREMENTSOF50'	
	007108-01-000	FT	HOSE-HEATER-5/8"ID-HI-TEMP-FORD	
	079059-03-000	EA	HOSE-90DEGREE-.61"IDX4"X18"	
	079059-01-000	EA	HOSE-90DEGREE-5/8"IDX4"X36"	
	061673-01-000	EA	BRACKET-MOTORAIIDTUBES-4"X1.5"-STEEL	
	089353-01-000	EA	UNION-5/8"-TUBETOTUBE	

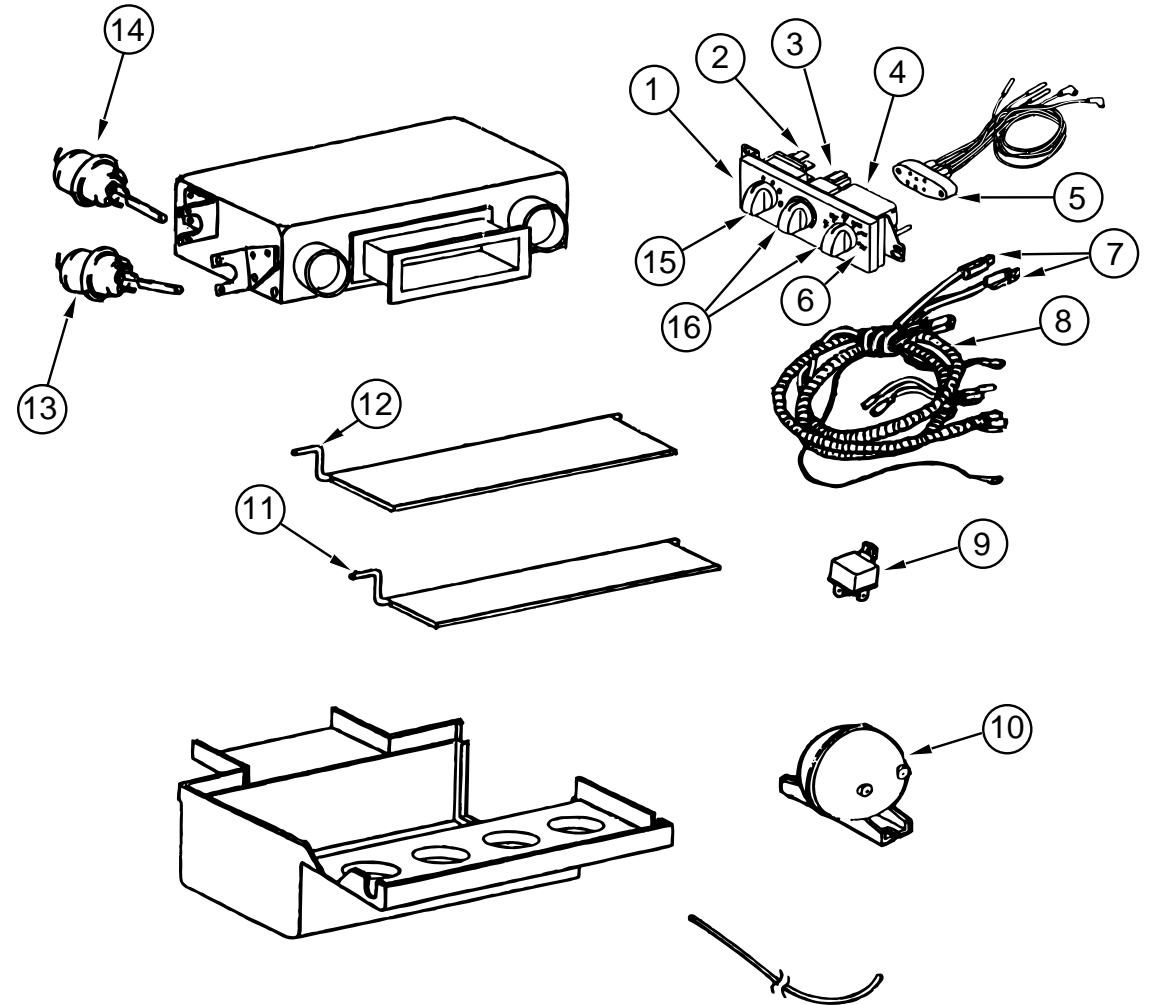
HEATING&AIRCONDITIONINGGROUP(CONTINUED)



SCSS CONTROL/PLENUM(FROM:00-00-00THRU:09-01-96)

KEY	PARTNUMBER	U/M DESCRIPTION	VENDORNO.
	103930-38-000	EA CONTROL/PLENUMSET	
1	103930-02-712	EA PANEL-CONT.A/C BLACKBEZEL	032-0054
	072341-06-700	EA SWITCH-4SPEED,FAN	032-0043
2	103930-02-706	EA CLIP-CABLECONTROL	022-0017
3	103930-02-705	EA CABLE-BOWDENW/OLEVER89"	074-0011
4	103930-02-704	EA HARNESS-VACUUMCONTROL	036-0049
5	103930-02-701	EA SWITCH-VACUUM,CONTROLHEAD	034-0015
6	103930-02-702	EA DECAL-CONT.HEAD-(N)SERIES	058-0009
7	103930-02-703	EA HARNESS-WIRECONTROL	036-0048
8	103930-02-707	EA RELAY-BOSCHW/RESISTER	031-0001
9	103930-02-710	EA CANISTER-VACUUM	054-0002
10	103930-33-700	EA ROD-DOORDEFROSTER/AC	073-0028
11	103930-02-708	EA MOTOR-VACUUMSERVO-A/C	030-0025
	094831-01-731	EA ADAPTER-2"	062-0001

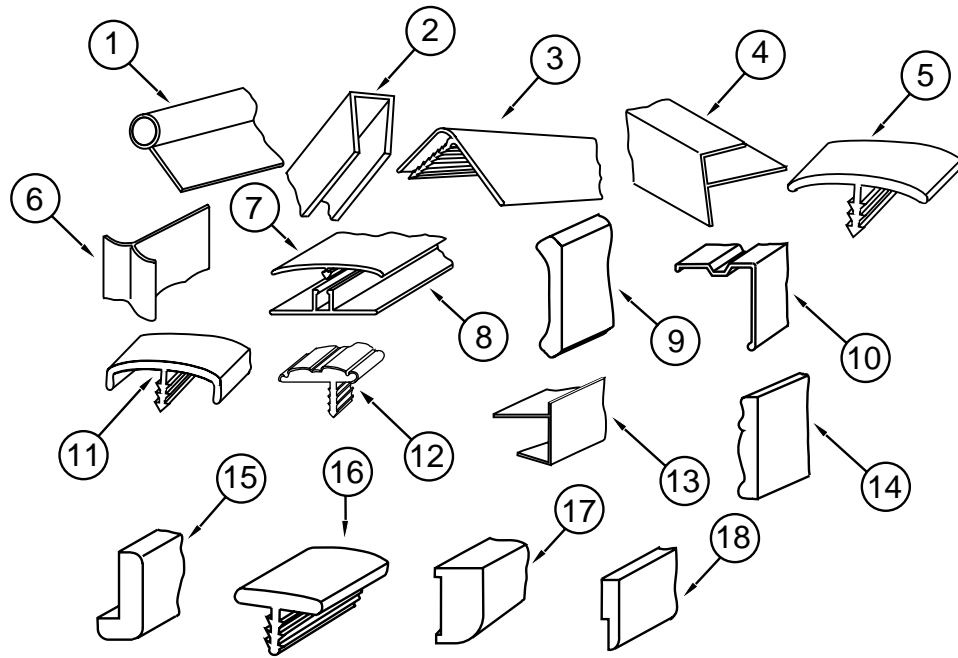
HEATING&AIRCONDITIONINGGROUP(CONTINUED)



SCSSCONTROL/PLENUM(FROM09-02-96THRU:99-99-99)

KEY	PARTNUMBER	U/M DESCRIPTION	VENDORNO.
	103930-34-000	EA CONTROL/PLENUM-ROTARYCONTROLHEAD	
1	103930-33-702	EA CONTROLPANEL	083-0169
2	103930-33-707	EA SWITCH-BLOWER	032-0186
3	103930-33-708	EA SWITCH-POTENTIOMETER	032-0184
4	103930-33-709	EA SWITCH-VACUUM	032-0183
5	103930-33-703	EA VACUUMHARNESS	036-0465
6	103930-33-710	EA DECALF/CONTROLHEAD	058-0102
7	103930-33-705	EA LIGHTBULBS	035-0030
8	103930-33-704	EA WIREHARNESSW/BULBS	036-0466
		FROM: 09-02-96 THRU: 12-21-96	
8	103930-33-711	EA WIREHARNESSMAIN	036-0466
		FROM: 12-22-96 THRU: 99-99-99	
9	103930-02-707	EA RELAY-BOSCHW/RESISTER	031-0001
10	103930-02-710	EA CANISTER-VACUUM	054-0002
11	103930-33-700	EA ROD-DOORDEFROSTER/AC	073-0028
12	103930-33-706	EA ROD-DOORAC/DEFROST	073-0060
13	103930-02-708	EA MOTOR-VACUUMSERVO,A/C	030-0025
14	103930-33-701	EA MOTOR-VACUUM,3STAGE	030-0105
15	103930-33-712	EA KNOB-BLOWER	062-00539
16	103930-33-713	EA KNOB	062-00540

INTERIORFINISHGROUP



INTERIORTRIM&MOLDINGS

KEY	PARTNUMBER	U/M	DESCRIPTION
1	009767-12-000	FT	WELTING-SIDEWALL/CEILING/CABINET-OFF/WHT
2	070504-37-000	FT	U-CHANNEL-EXTRUDEDPLASTIC-.81"X96"-WATERFORDOAK
2	070504-36-000	FT	U-CHANNEL-EXTRUDEDPLASTIC-.65"X72"-WATERFORDOAK
2	070504-43-000	FT	U-CHANNEL-EXTRUDEDPLASTIC-.81"X84"-BEIGE(H40,H41)
2	070504-45-000	FT	U-CHANNEL-EXTRUDEDPLASTIC-.65"X72"-WHITEGRANITE(H40,H41)
2	009778-21-000	FT	U-CHANNEL-1"X96"-INCREMENTS-PLASTIC-WATERFORDOAK
3	009809-23-000	EA	MOLDING-CORNER-OUTSIDE-1"X84"-MODERNIVORY
3	009809-28-000	EA	MOLDING-CORNER-OUTSIDE-1"X84"-WATERFORDOAK
3	009809-30-000	EA	MOLDING-PLASTIC-OUTSIDE-1"X84"-BEIGEILLUSION(H40,H41)
4	009812-29-000	EA	MOLDING-PLASTIC-OUTSIDECORNER-.50"-WATERFORDOAK
4	009812-31-000	EA	MOLDING-PLASTIC-OUTSIDECORNER-.50"-BEIGEILLUSION(H40,H41)
5	105709-01-000	FT	T-MOLDING-1"-MODERNIVORY
6	022992-11-000	FT	MOLDING-REVERSECOVE-T-SHAPEDVINYL-IVORY
7	086229-13-000	EA	BATTEN-1"X96"-IVORY
7	086229-19-000	EA	BATTEN-1"X98.43"-OFFWHITE
7	086229-20-000	EA	BATTEN-1"X96"-BEIGE
8	086229-01-000	EA	RETAINER-BATTEN-.75"X92.24"-IVORY
9	113794-01-01A	FT	MOLDING-CROWN-PICKLEDASH
10	093873-01-01A	EA	TRIM-CARPET-L-ANGLE 1.1"X1.3"X12'-GRAYVINYL
11	083620-12-000	FT	T-MOLDING-.75"-W/EDGELIPS-WATERFORDOAK
11	083620-07-000	FT	T-MOLDING-.75"-W/EDGELIPS-THORPECAN(H17,H18,H19)
11	083620-15-000	FT	T-MOLDING-.75"-W/EDGELIPS-BEIGEILLUSION(H40,H41)
12	109736-01-01A	FT	T-MOLDING-1"-BRASS/BLACK
13	103186-01-05A	FT	MOLDING-PLASTIC-SHELF-3/8"U-CHANNELW/3/4"FACE
13	103186-01-07A	FT	MOLDING-PLASTIC-SHELF-3/8"U-CHANNELW/3/4"FACE
13	103186-02-05A	FT	MOLDING-PLASTIC-SHELF-1"U-CHANNELW/13/8"FACE
13	103186-02-07A	FT	MOLDING-PLASTIC-SHELF-1"U-CHANNELW/13/8"FACE
14	100182-10-H40	EA	TRIM-RAIL(H40,H41)
15	077840-01-G01	EA	MOLDING-CAP-WALL-96"
15	077840-01-H23	EA	MOLDING-CAP-WALL-96"-WHITEMAPLE
15	077840-96-H40	EA	MOLDING-CAP-WALL-96"-MOONLIT

INTERIORFINISHGROUP(CONTINUED)

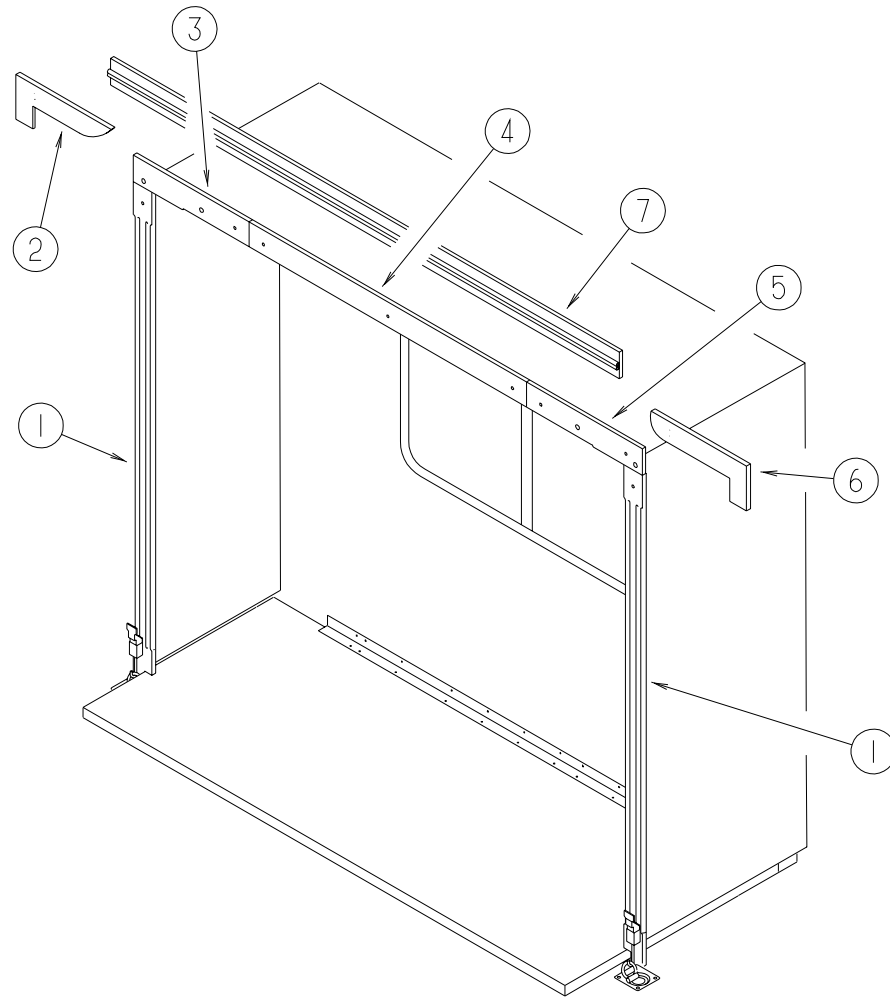
INTERIORTRIM&MOLDINGS(CONTINUED)

KEY	PARTNUMBER	U/M	DESCRIPTION
16	104676-01-01A	FT	T-MOLDING-5/16"-RIGIDGOLD
17	117268-D2-134	EA	MOLDING-VINYLWRAPPED-.7"X1.6"X84"-WATERFORDOAK
17	122668-D2-134	EA	MOLDING-VINYLWRAPPED-.7"X1.6"X84"-WHITEGRANITE
17	122668-F2-134	EA	MOLDING-VINYLWRAPPED-.7"X2.6"X84"-WHITEGRANITE
17	122668-F2-438	EA	MOLDING-VINYLWRAPPED-.7"X2.6"X96"-WHITEGRANITE
18	105004-01-04A	EA	MOLDING-VINYLWRAPPED-1"X96"-PICKLEDASH
18	105004-01-07A	EA	MOLDING-VINYLWRAP-WHITEGRANITE
	076325-53-000	FT	MOLDING-EDGE BAND-15/16"-NEUTRAL
	076325-39-000	FT	MOLDING-EDGE BAND-15/16"X.030"(H17,H18)
	076325-46-000	FT	MOLDING-EDGE BAND 15/16"X.030"-CLOUD(H19)
	076325-67-000	FT	MOLDING-EDGE BAND-.93"X.024"WATERFORDOAK
	076325-40-000	FT	MOLDING-EDGE BAND-.875"X.024"(H17,H18)
	076325-43-000	FT	MOLDING-EDGE BAND.876"X.024"-CLOUD(H19)
	076325-67-000	FT	MOLDING-EDGE BAND-.93"X.024"WATERFORDOAK(H17,H18,H19)
	076325-54-000	FT	MOLDING-EDGE BAND,NEUTRAL-.875"WIDE(H40,H41)

BATTSTRIPANDTAPE

KEY	PARTNUMBER	U/M	DESCRIPTION
	079653-13-000	EA	BATTSTRIP-TRAVERTINEWHITE
	069733-83-000	EA	BATTSTRIP-WOODGRAINED/WATERFORDOAK-8'
	085284-B5-000	FT	BATTTAPE-ADHESIVEBACKED-WOODGRAINED/WATERFORDOAK
	069733-85-000	EA	BATTSTRIP-WOODGRAINED/WHITEGRANITE-8'
	085284-E6-000	FT	BATTTAPE-ADHESIVEBACKED-DECORATIVE/WHITEGRANITE
	088263-C8-000	EA	BATTSTRIP-DECORATIVE-PAINTEDDESERT-96"(H17)
	085284-C2-000	FT	BATTTAPE-ADHESIVEBACKED-DECORATIVE/PAINTEDDESERT(H17)
	088263-D2-000	EA	BATTSTRIP-DECORATIVE-WASH/VANILLA-8'LONG(H18)
	085284-C5-000	FT	BATTTAPE-ADHESIVEBACKED-DECORATIVE-FRENCHWASH/VANILLA(H18)
	088263-E4-000	EA	BATTSTRIP-DECORATIVE-LAJOLLA/SEAMIST-8'LONG(H19,H41)
	085284-D7-000	FT	BATTTAPE-ADHESIVEBACKED-DECORATIVE-LAJOLLA/SEAMIST(H19,H41)
	088263-E7-000	EA	BATTSTRIP-DECORATIVE-GAZEBOSTRIPE/SAG-8'LONG(H40)
	085284-E1-000	FT	BATTTAPE-ADHESIVEBACKED-DECORATIVE-GAZEBO/STRIPE/SAG(H40)

INTERIORFINISHGROUP(CONTINUED)



SLIDEOUTINTERIORTRIMS

KEY	PARTNUMBER	U/M	DESCRIPTION
1	116951-01-G35	EA	MOLDING-WOOD-3"X70.5"(H17,H18,H19)
1	116951-01-H23	EA	MOLDING-WOOD-3"X70.5"(H40,H41)
2	115811-13-G15	EA	OVERLAY-7.5"X223/8"(H17)
2	115811-13-GV7	EA	OVERLAY-7.5"X223/8"(H18)
2	115811-13-H19	EA	OVERLAY-7.5"X223/8"(H19)
3	116968-01-G35	EA	TRIM-END/RIGHTHAND-WOOD-3.8"X19.1"(H17,H18,H19)
4	116967-01-G35	EA	TRIM-CENTER-WOOD-3.8"X119.7(H17,H18,H19)
5	116968-02-G35	EA	TRIM-END/LEFTHAND-WOOD-3.8"X19.1"(H17,H18,H19)
6	115811-12-G15	EA	OVERLAY-7.5"X223/8"(H17)
6	115811-12-GV7	EA	OVERLAY-7.5"X223/8"(H18)
6	115811-12-H19	EA	OVERLAY-7.5"X223/8"(H19)
7	123904-02-H40	EA	TRIM-SLIDEOUT-TOP
7	123904-02-H41	EA	TRIM-SLIDEOUT-TOP

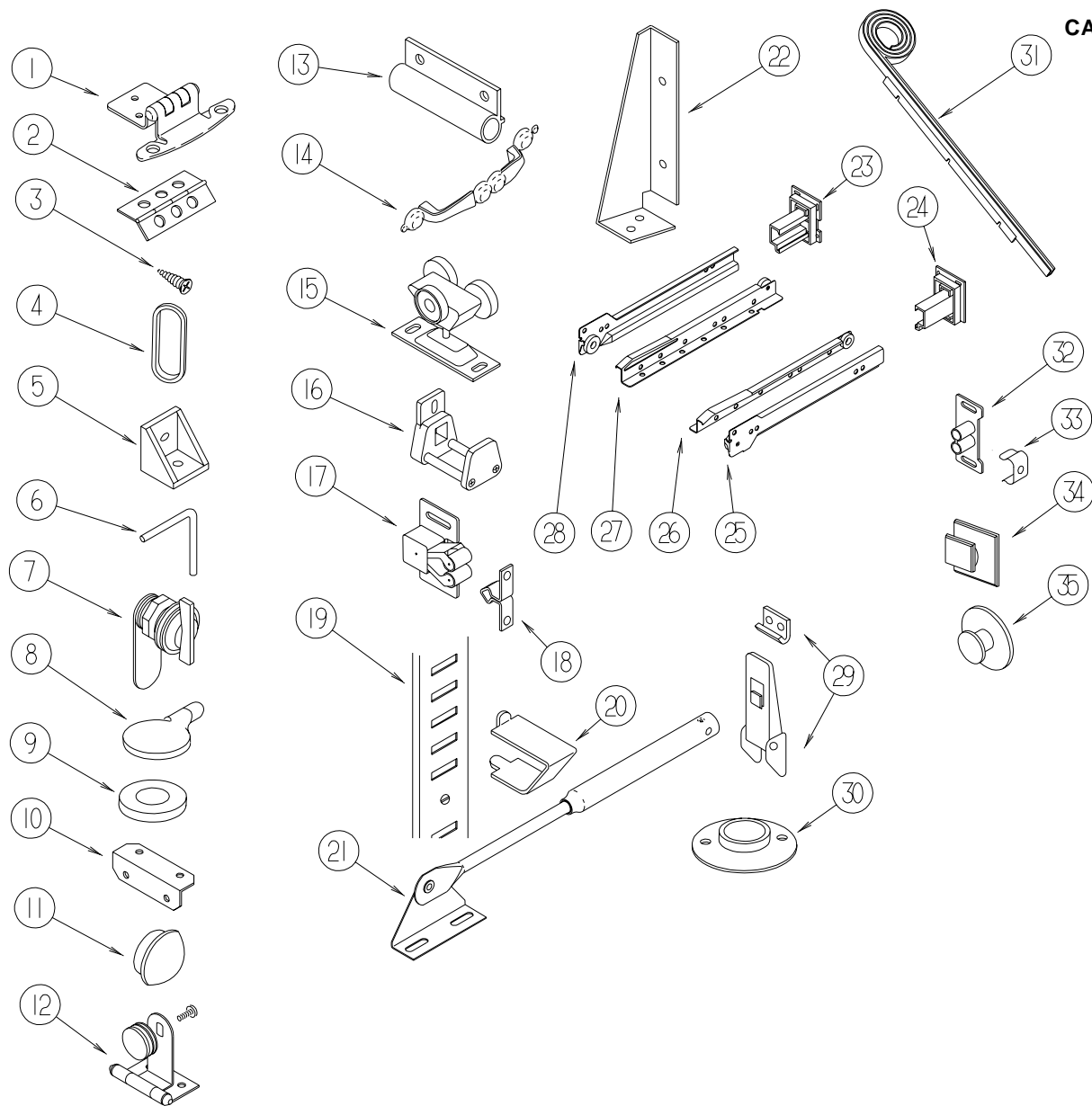
INTERIORFINISHGROUP(CONTINUED)

FIREEXTINGUISHER,DETECTORS,PICTURES&WALLCLOCK

KEY	PARTNUMBER	U/M	DESCRIPTION	VENDORNO.
	072852-01-000	EA	DETECTOR-SMOKE-W/9VOLT BATTERY-US	
	072852-02-000	EA	DETECTOR-SMOKE-W/9/VOLT BATTERY-CANADIAN	
	094499-02-000	EA	EXTINGUISHER/FIRE-DRY-1A10BC-CANADIAN	
	094499-01-000	EA	EXTINGUISHER/FIRE-DRYW/MOUNTINGBRACKET-10B:C	
	094499-01-700	EA	BRACKETMTG.W/PLAS.STRAP	294039
	094499-01-701	EA	STRAPONLY(METAL)	320351
	112320-03-000	EA	DETECTOR-COGASMODEL9D-I	
				FROM: 00-00-00 THRU: 10-20-96
	112320-04-000	EA	BATTERY/SENSORMODULE-CO(BLACKMODULE)F/9D-ISYSTEM	
				FROM: 00-00-00 THRU: 10-20-96
	125136-01-000	EA	DETECTOR-CO-GAS-MODEL9L-I	
				FROM: 10-21-96 THRU: 99-99-99
	118081-01-01A	EA	CLOCK-WALL-ROUND8"-BRASS	

INTERIORFINISHGROUP(CONTINUED)

CABINETHARDWARE



KEY	PARTNUMBER	U/M DESCRIPTION
1	108138-01-000	EA HINGE-CABINETDOOR-BURNISHEDBRASS
1	124647-01-01A	EA HINGE-WHITEW/BRASS FROM: 00-00-00 THRU: 01-12-97
1	108138-01-000	EA HINGE-BRIGHTBRASS FROM: 01-13-97 THRU: 99-99-99
2	041389-18-000	EA HINGE-PIANO-1.50X482.6-OFFWHITE
2	041389-25-000	EA HINGE-PIANO-1.50X55
2	009059-01-000	EA HINGE-DOOR-2"X1.4"-BRASS
2	009059-02-000	EA HINGE-DOOR-2"X2.7"-BRASS
3	000G13-06-10G	EA SCREW-6-20X5/8PFH-ANTIQUENBRASS
3	000G13-06-08G	EA SCREW
4	098410-01-01A	EA PULL-FINGER-BRASS
5	065740-01-000	EA BRACE-CABINET/CORNER-PLASTIC
6	108487-02-01A	EA SUPPORT-PROPROD/OVERHEAD-BLACK
7	100710-01-01A	EA LOCK-GLASSDOOR/TWISTTYPE-BRASS
	101272-01-000	EA CATCH-GLASSDOOR
8	101766-01-000	EA PIN-SUPPORT/GLASSDOOR
9	100707-01-000	EA SPACER-GLASSDOOR-.8"DIA-.3"HOLE-PLASTIC
10	016604-05-000	EA BRACE-CABINET-ANGLE-2.5"OFFWHITEMETAL
10	016604-01-000	EA BRACE-CABINET-ANGLE-2.5"-UNPAINTEDMETAL
11	042356-01-000	EA PLUG-BUTTON-MAHOGANY-3/8"DIAMETER-WOOD(H17,H18,H19)
11	074045-11-000	EA PLUG-OAK-3/8"DIAMETER(H40,H41)
11	074045-01-000	EA PLUG-OAK-1/2"DIAMETER-OAK

KEY	PARTNUMBER	U/M DESCRIPTION
12	100711-01-01A	EA HINGE-GLASSDOOR
13	108486-01-01A	EA BRACKET-PROPROD/OVERHEAD-BLACK
14	121890-01-01A	EA PULL-CABINET-BRASS(H17,H18,H19)
14	111093-01-000	EA PULL-CABINET-BRASS(H40,H41) FROM: 00-00-00 THRU: 09-08-96
14	121891-01-01A	EA PULL-CABINET-BRASS(H40,H41) FROM: 09-09-96 THRU: 99-99-99
15	103874-01-000	EA HANGER-SLIDINGDOOR
16	064467-01-000	EA GUIDE-POCKET-SLIDINGDOOR-WALLMOUNTED
	076790-01-000	EA SCREW-6-20X1 1/4 PPH-BLACK
17	093586-06-000	EA CATCH-SPRING-ROLLER
18	093586-05-000	EA STRIKE-SPRINGSTEEL
19	098980-01-000	EA PILASTER-ADJUSTABLESHELF-18"-WOODGRAINAPPEARANCE
19	098980-02-000	EA PILASTER-ADJUSTABLESHELF-12"-WOODGRAINAPPEARANCE
19	098980-04-000	EA PILASTER-ADJUSTABLESHELF-48"-WOODGRAINAPPEARANCE
20	098979-01-000	EA CLIP-ADJUSTABLESHELF
21	074493-02-000	EA SUPPORT-PISTONSRING-CABINETDOOR
22	116978-01-03B	EA GUSSET-SLIDEOUTROOM-OFF/WHITE
23	114045-01-000	EA BACKSOCKET-ADJUSTABLELEFT
24	114045-02-000	EA BACKSOCKET-ADJUSTABLERIGHT
25	114031-02-000	EA SLIDE-12"-RIGHTSIDE/CABINET
25	114031-10-000	EA SLIDE-16"-RIGHTSIDE/CABINET
25	114031-14-000	EA SLIDE-18"-RIGHTSIDE/CABINET
25	114031-18-000	EA SLIDE-20"-RIGHTSIDE/CABINET
25	114031-22-000	EA SLIDE-22"-RIGHTSIDE/CABINET
26	114031-04-000	EA SLIDE-12"-RIGHTSIDE/DRAWER
26	114031-12-000	EA SLIDE-16"-RIGHTSIDE/DRAWER
26	114031-16-000	EA SLIDE-18"-RIGHTSIDE/DRAWER
26	114031-20-000	EA SLIDE-20"-RIGHTSIDE/DRAWER
26	114031-24-000	EA SLIDE-22"-RIGHTSIDE/DRAWER
27	114031-03-000	EA SLIDE-12"-LEFTSIDE/DRAWER
27	114031-11-000	EA SLIDE-16"-LEFTSIDE/DRAWER
27	114031-15-000	EA SLIDE-18"-LEFTSIDE/DRAWER
27	114031-19-000	EA SLIDE-20"-LEFTSIDE/DRAWER
27	114031-23-000	EA SLIDE-22"-LEFTSIDE/DRAWER
28	114031-01-000	EA SLIDE-12"-LEFTSIDE/CABINET
28	114031-09-000	EA SLIDE-16"-LEFTSIDE/CABINET
28	114031-13-000	EA SLIDE-18"-LEFTSIDE/CABINET
28	114031-17-000	EA SLIDE-20"-LEFTSIDE/DRAWER
28	114031-21-000	EA SLIDE-22"-LEFTSIDE/CABINET
29	116975-01-01A	EA LATCH-W/OSTRIKE
29	042541-05-000	EA STRIKE
30	009112-01-000	EA FLANGE-1"CLOTHESROD-OFFWHITEPLASTIC
31	097141-02-700	EA KIT-TRACKTAMBOURDOOR-W/ONERIGHT&ONELEFTTRACK
32	009021-01-000	EA CATCH-GRILLE-NYLON
33	009021-02-000	EA STRIKE-SPRINGSTEEL
34	102327-01-01A	EA PULL-MIRROR-W/SQUAREHANDLE FROM: 00-00-00 THRU: 09-29-96
35	125221-01-01A	EA PULL-MIRROR-W/ROUNDHANDLE FROM: 09-30-96 THRU: 99-99-99
	004354-01-000	EA BUMPER-RUBBER-.5"DIA-BROWN
	092907-01-000	EA SUPPORT-SHELF-PIN-1/4"-CLEARPLASTIC
	042438-01-000	EA DOWEL-WOOD-CLOTHESROD-1"DIAMETERX4'
	042438-06-000	EA DOWEL-WOOD-1.5"X26"-OAK
	097191-01-E37	EA HANDLE-TAMBOURDOOR(H17,H18,H19)
	097191-01-H56	EA HANDLE-TAMBOURDOOR(H40,H41)

INTERIORFINISHGROUP(CONTINUED)

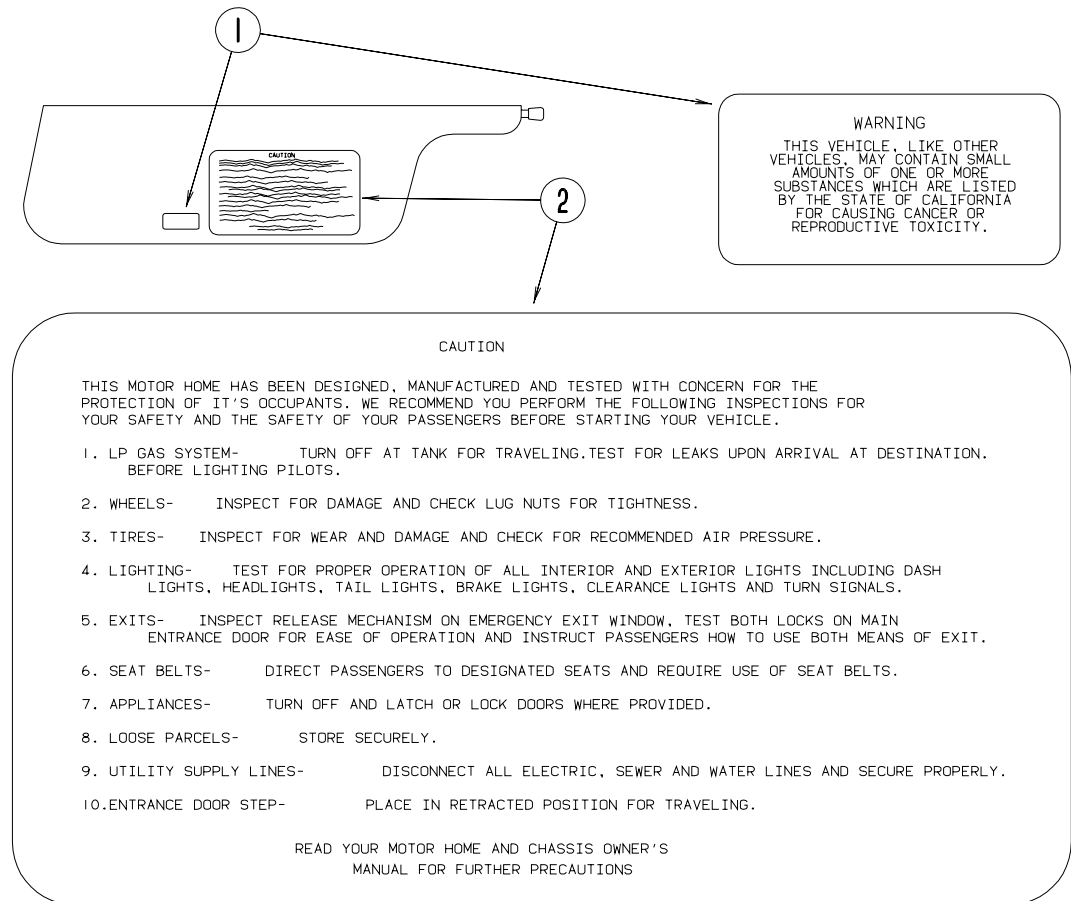
PANELING,PLASTICLAMINATE&FLOORCOVERING

KEY	PARTNUMBER	U/M	DESCRIPTION
	000846-01-000	SF	PLYWOOD-5/16"X48"X96"
	000846-02-000	SF	PLYWOOD-UNDR-5/16"X48"X96"
	000885-76-000	SF	PARTICLEBOARD-3/8"X48"X96"-WATERFORDOAK/VINYL1SIDE
	000885-78-000	SF	PARTICLEBOARD-1/2"X48"X96"-WATERFORDOAK/VINYL2SIDE
	000885-79-000	SF	PARTICLEBOARD-3/4"X48"X96"-WATERFORDOAK/VINYL2SIDE
	000885-80-000	SF	PARTICLEBOARD-3/8"X48"X96"-1SIDED
	000885-83-000	SF	PARTICLEBOARD-3/4"X48"X96"-2SIDED
	000885-84-000	SF	PARTICLEBOARD-3/8"X48"X96"-WHITEGRANITE/1SIDED
	000885-86-000	SF	PARTICLEBOARD-1/2"X48"X96"-WHITEGRANITE/2SIDED
	000885-87-000	SF	PARTICLEBOARD-3/4"X48"X96"-WHITEGRANITE/2SIDED
	074497-28-000	SF	PANELING-WATERFORDOAK-48"X96"
	074497-36-000	SF	PANELING-WHITEGRANITE-48"X96"
	074498-71-000	SF	LAMINATE-PLASTIC-NEUTRALSANTOS-5'X8'INCOF40SF(H17,H18)
	074498-62-000	SF	LAMINATE-PLASTIC-GREYFINESSE-5'X8'INCOF40SF(H19)
	074498-77-000	SF	LAMINATE-PLASTIC-ARTCABIN-5'X8'INCOF40SQFT(H17,H18,H19)
	074498-61-000	SF	LAMINATE-PLASTICNEUTRALMATRIX-5'X8'INCROF40SF(H40,H41)
	074498-61-000	SF	LAMINATE-PLASTICNEUTRALMATRIX-5'X8'INCROF40SF(EXT.ENTRTNT)
	080215-10-000	SF	PANELING-2SIDE-WATERFORD-48"X84"
	080215-12-000	SF	PANELING-2SIDE-WHITEGRANITE-48"X84"
	088272-E9-000	SF	PANELING-DECORATIVE-PAINTEDDESERT-4'X7'(H17)
	088272-F3-000	SF	PANELING-FRENCHWASH-VANILLA(H18)
	088272-G2-000	SF	PANELING-LAJOLLA-SEAMIST-4'X7'(H19,H41)
	088272-G5-000	SF	PANELING-GAZEBOSTRIPE-4'X7'(H40)
	088272-G1-000	SF	PANELING-PEBBLEEMBOSSSED-ANTIQUEWHITE-4'X7'(WETBATH)
	117267-D2-438	EA	LUMBER-VINYLRAPPED-.7"X1.5"X96"-WATERFORDOAK
	117267-E2-438	EA	LUMBER-VINYLRAPPED-.7"X2"X96"-WATERFORDOAK
	117267-G2-438	EA	LUMBER-VINYLRAPPED-.7"X3"X96"-WATERFORDOAK
			FROM: 00-00-00 THRU: 12-01-96
	117267-R2-438	EA	LUMBER-VINYLRAPPED-.7"X3"X96"-WATERFORDOAK
	122185-D2-438	EA	LUMBER-VINYLRAPPED-.7"X1.5"X96"-SOLARMAPLE
	122185-E2-438	EA	LUMBER-VINYLRAPPED-.7"X2"X96"-SOLARMAPLE
	122185-G2-438	EA	LUMBER-VINYLRAPPED-.7"X3"X96"-SOLARMAPLE
	057882-04-000	SF	TAMBOUR-48"X72"SHEET-UNFINISHED

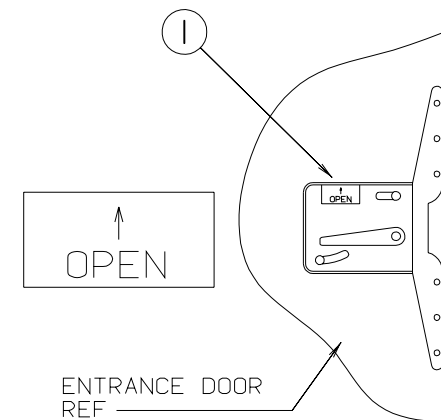
CARPET&FLOORCOVERING

KEY	PARTNUMBER	U/M	DESCRIPTION
	114129-01-02A	SF	LINER-CABINET-.02"X48"X96"
			FROM: 01-02-97 THRU: 99-99-99
	093486-01-000	SY	CARPET-COMPARTMENT-54"WIDE-DARKGRAY
	096060-98-000	SY	CARPET-SILVERASPEN-INCREMENTSOF4SQYD(H17)
	096060-95-000	SY	CARPET-DOESKIN(H18)
	096060-C2-000	SY	CARPET-BISCANYN-INCREMENTSOF4SQYD(H19)
	096060-C8-000	SY	CARPET-MOLLUSK-INCREMENTSOF4SQYD(H40)
	096060-B3-000	SY	CARPET-CASTILE-INCREMENTSOF4SQYD(H41)
	105924-01-F06	EA	MAT-FLOOR-18"X27"(H17)
	105924-01-G36	EA	MAT-FLOOR-18"X27"(H18)
	105924-01-H19	EA	MAT-FLOOR-18"X27"(H19)
	105924-01-H40	EA	MAT-FLOOR-18"X27"(H40)
	105924-01-G35	EA	MAT-FLOOR-18"X27"(H41)
	122755-01-01A	EA	TILE-RUBBER/ENTRANCEDOOR-18.5"X27.2"
	122755-03-01A	EA	TILE-RUBBER/ENTRANCEDOOR-17.7"X26.4"

LABELSGROUP

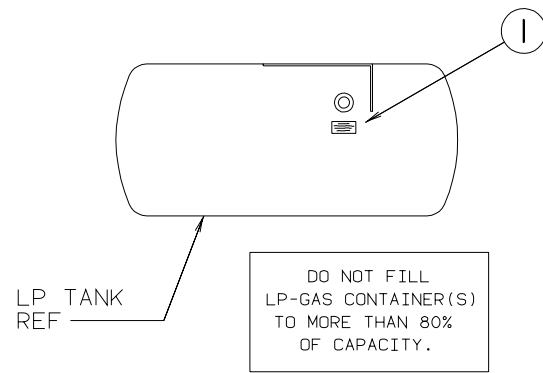


KEY	PARTNUMBER	U/M	DESCRIPTION
1	099689-01-000	EA	LABEL-WARNING-CANCER/TOXICITY
2	056259-01-000	EA	LABEL-SAFETYCHECKLIST

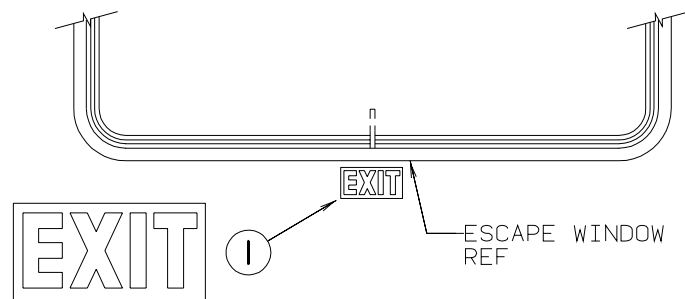


KEY	PARTNUMBER	U/M	DESCRIPTION
1	040944-01-000	EA	LABEL-ENTRANCEDOOR-"OPEN"

LABELSGROUP(CONTINUED)



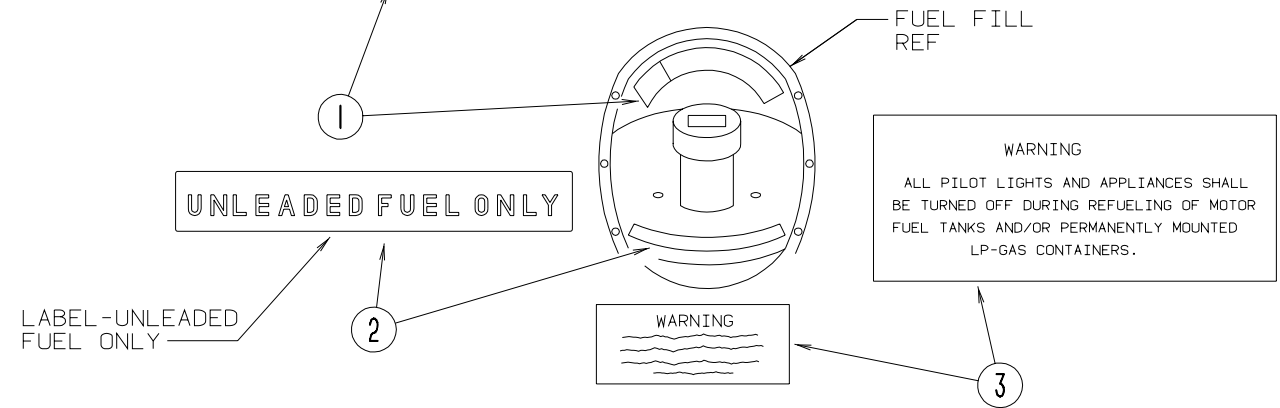
KEY	PARTNUMBER	U/M DESCRIPTION
1	079965-01-000	EA LABEL-LPG-80%CAPACITY



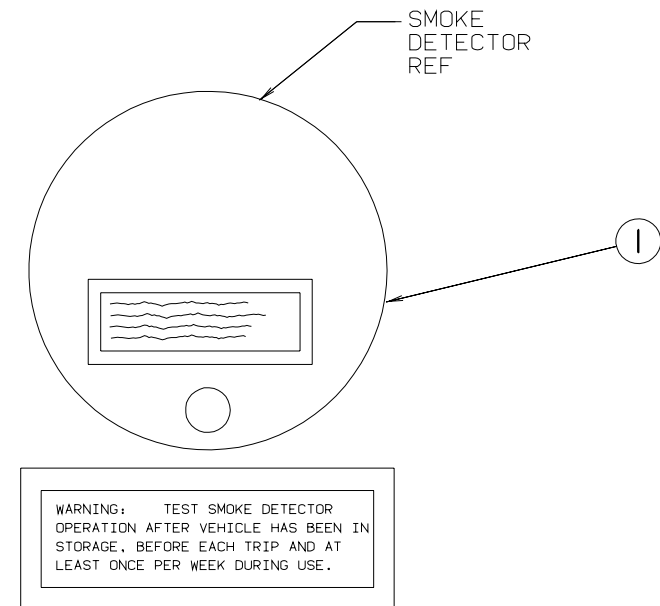
KEY	PARTNUMBER	U/M DESCRIPTION
1	107571-01-000	EA LABEL-EXIT/ESCAPEWINDOW

LABELSGROUP(CONTINUED)

CAUTION	TO HELP AVOID PERSONAL INJURY DURING REMOVAL OF FUEL FILLER CAP, SLOWLY LOOSEN CAP 1/2 TURN TO ALLOW ANY FUEL PRESSURE TO BE RELIEVED BEFORE TURNING CAP FURTHER.
FUEL SPRAY MAY CAUSE PERSONAL INJURY	STOP ADDING FUEL AFTER FIRST SHUTOFF BY AUTOMATIC NOZZLE WHEN TANK IS NEARLY FULL. DO NOT OVERFILL FUEL TANK. SEE OWNERS MANUAL FOR ADDITIONAL INFORMATION.
	PRINTED IN U.S.A. MLC PT NO 15611763

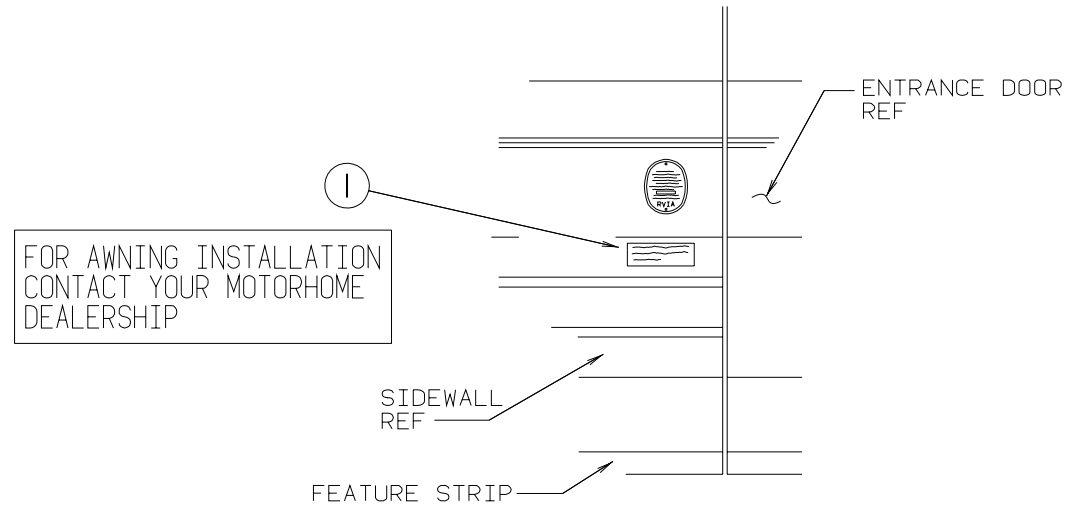


KEY	PARTNUMBER	U/M DESCRIPTION	
1	087207-05-000	EA LABEL-FUELCAPREMOVAL	
2	062043-01-000	EA LABEL-FUEL-UNLEADED	
3	006040-01-000	EA TAG-GASREFUELWARNING-US	FROM: 00-00-00 THRU: 09-02-96
3	006040-02-000	EA TAG-GASREFUELWARNING-CSA	FROM: 00-00-00 THRU: 09-02-96
3	124519-01-02A	EA LABEL-WARNING/REFUELING-US	FROM: 09-03-96 THRU: 99-99-99
3	124519-02-02A	EA LABEL-WARNING/REFUELING-CSA	FROM: 09-03-96 THRU: 99-99-99

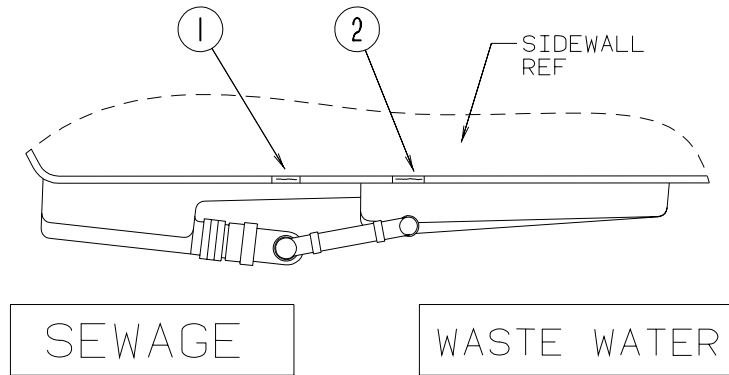


KEY	PARTNUMBER	U/M DESCRIPTION
1	077956-01-000	EA LABEL-WARNING-SMOKEDETECTOR

LABELSGROUP(CONTINUED)

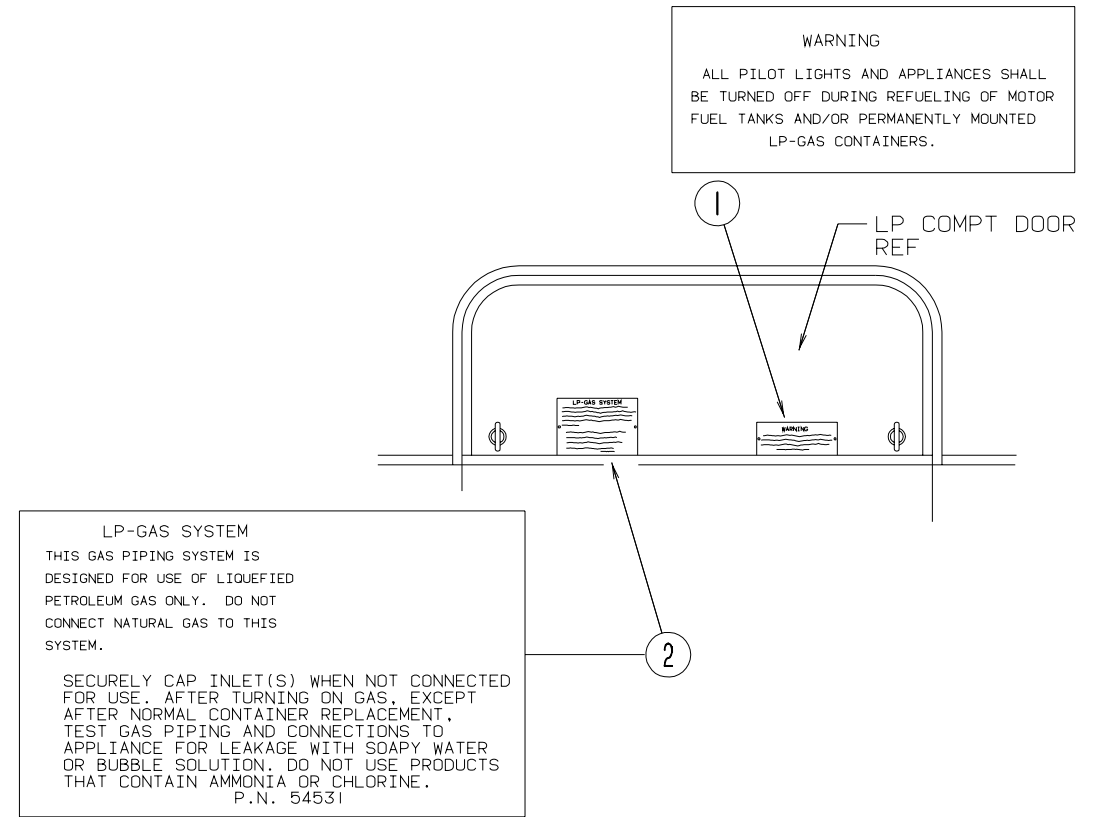


KEY	PARTNUMBER	U/M DESCRIPTION
1	099509-01-000	EA LABEL-AWNINGINSTALLATION

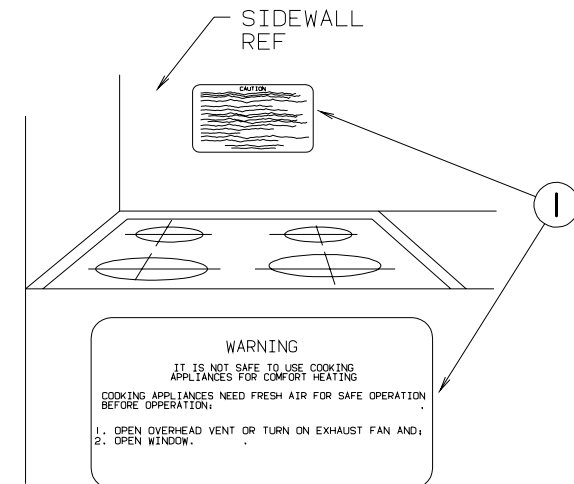


KEY	PARTNUMBER	U/M DESCRIPTION
1	006187-01-000	EA LABEL-SEWAGE
2	006188-01-000	EA LABEL-WASTEWATER

LABELSGROUP(CONTINUED)



KEY	PARTNUMBER	U/M DESCRIPTION
1	006040-01-000	EA TAG-GASREFUELINGWARNING
1	006040-02-000	EA TAG-GASREFUELINGWARNING(CANADIAN)
2	054531-01-000	EA LABEL-LPGASONLY
2	023769-01-000	EA LABEL-WARNING-LPG(CANADIAN)



KEY	PARTNUMBER	U/M DESCRIPTION
1	050225-01-000	EA LABEL-WARNING-STOVEVENT-US
1	050222-01-000	EA LABEL-WARNING-STOVEVENT-CSA

LABELSGROUP(CONTINUED)

LP-GAS SYSTEM
 THIS GAS PIPING SYSTEM IS DESIGNED FOR USE OF LIQUIFIED PETROLEUM GAS ONLY. DO NOT CONNECT NATURAL GAS TO THIS SYSTEM.
 SECURE CAP INLET(S) WHEN NOT CONNECTED FOR USE AFTER TURNING ON GAS. EXCEPT AFTER NORMAL CONTAINER REPLACEMENT, TEST GAS PIPING AND CONNECTIONS TO APPLIANCES FOR LEAKAGE WITH SOAPY WATER OR BUBBLE SOLUTION. DO NOT USE PRODUCTS THAT CONTAIN AMMONIA OR CHLORINE.

A/C CIRCUIT 1	MAIN	MAIN	A/C CIRCUIT 2	GF I CIRCUIT 1	REFRIG/COOLING	GF I CIRCUIT 2	MICROWAVE	APPLIANCE 1	APPLIANCE 2	GENERAL REFRIG	WASHER DRYER
---------------	------	------	---------------	----------------	----------------	----------------	-----------	-------------	-------------	----------------	--------------

KEY PARTNUMBER U/M DESCRIPTION
 124520-01-02A EA LABEL-LPGASONLY
 FROM: 09-03-96 THRU: 99-99-99

KEY PARTNUMBER U/M DESCRIPTION
 1 095721-18-000 EA LABEL-CONTROLCENTER-50AMP-CSA

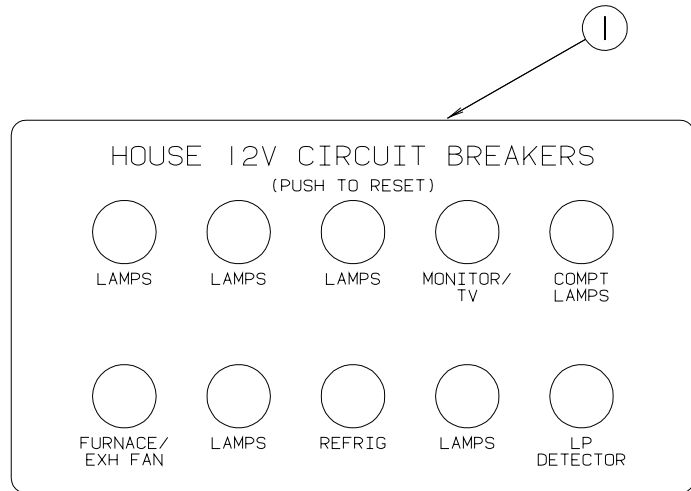
MISCELLANEOUSLABELS

KEY PARTNUMBER U/M DESCRIPTION
 006062-01-000 EA LABEL-ELECTRIC-110VOLTCONNECTION
 094675-01-000 EA LABEL-EXTERIORLIGHT-SERVICE
 073998-01-000 EA LABEL-LPGODORWARNING
 079966-01-000 EA LABEL-WARNING-STOWED-MOTION
 098379-04-000 EA LABEL-ELECTRICALBOXSIDE
 098641-01-000 EA LABEL-FUEL-UNLEADED-DASH
 104678-01-000 EA LABEL-CBPREP
 111104-01-000 EA LABEL-HITCH-READMANUAL
 111537-07-000 EA LABEL-FUSES
 111537-05-000 EA LABEL-SLIDEOUTCONTROLS
 111802-01-000 EA LABEL-CFCWARNING
 126024-01-01A EA LABEL-TIREHANGERREMOVAL
 FROM: 01-20-97 THRU: 99-99-99

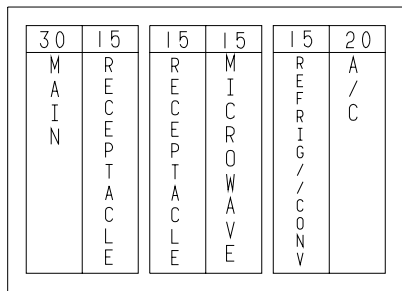
A/C CIRCUIT 1	MAIN	MAIN	A/C CIRCUIT 2	GF I CIRCUIT 1	REFRIG/COOLING	GF I CIRCUIT 2	MICROWAVE	GENERAL REFRIG	WASHER DRYER	DISHWASHER	ICE MAKER	GENERAL REFRIG
---------------	------	------	---------------	----------------	----------------	----------------	-----------	----------------	--------------	------------	-----------	----------------

KEY PARTNUMBER U/M DESCRIPTION
 1 095721-17-000 EA LABEL-CONTROLCENTER-50AMP

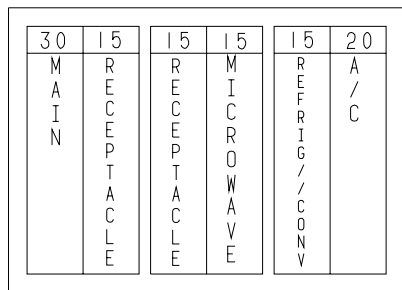
LABELSGROUP(CONTINUED)



KEY PARTNUMBER U/M DESCRIPTION
 1 092547-06-000 EA LABEL-CIRCUITBREAKER

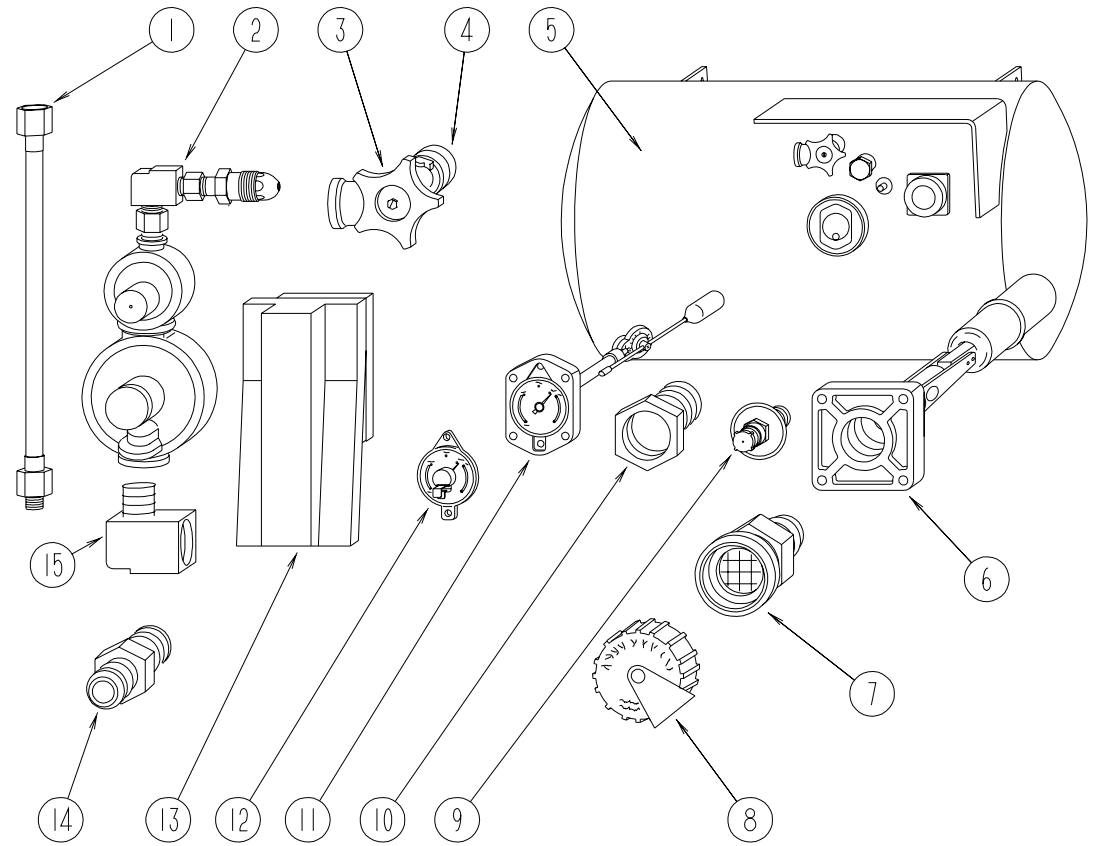


KEY PARTNUMBER U/M DESCRIPTION
 1 095721-10-000 EA LABEL-CONTROLCENTER(30A)(CANADIAN)



KEY PARTNUMBER U/M DESCRIPTION
 1 095721-14-000 EA LABEL-CONTROLCENTER(30A)

LPGROUP

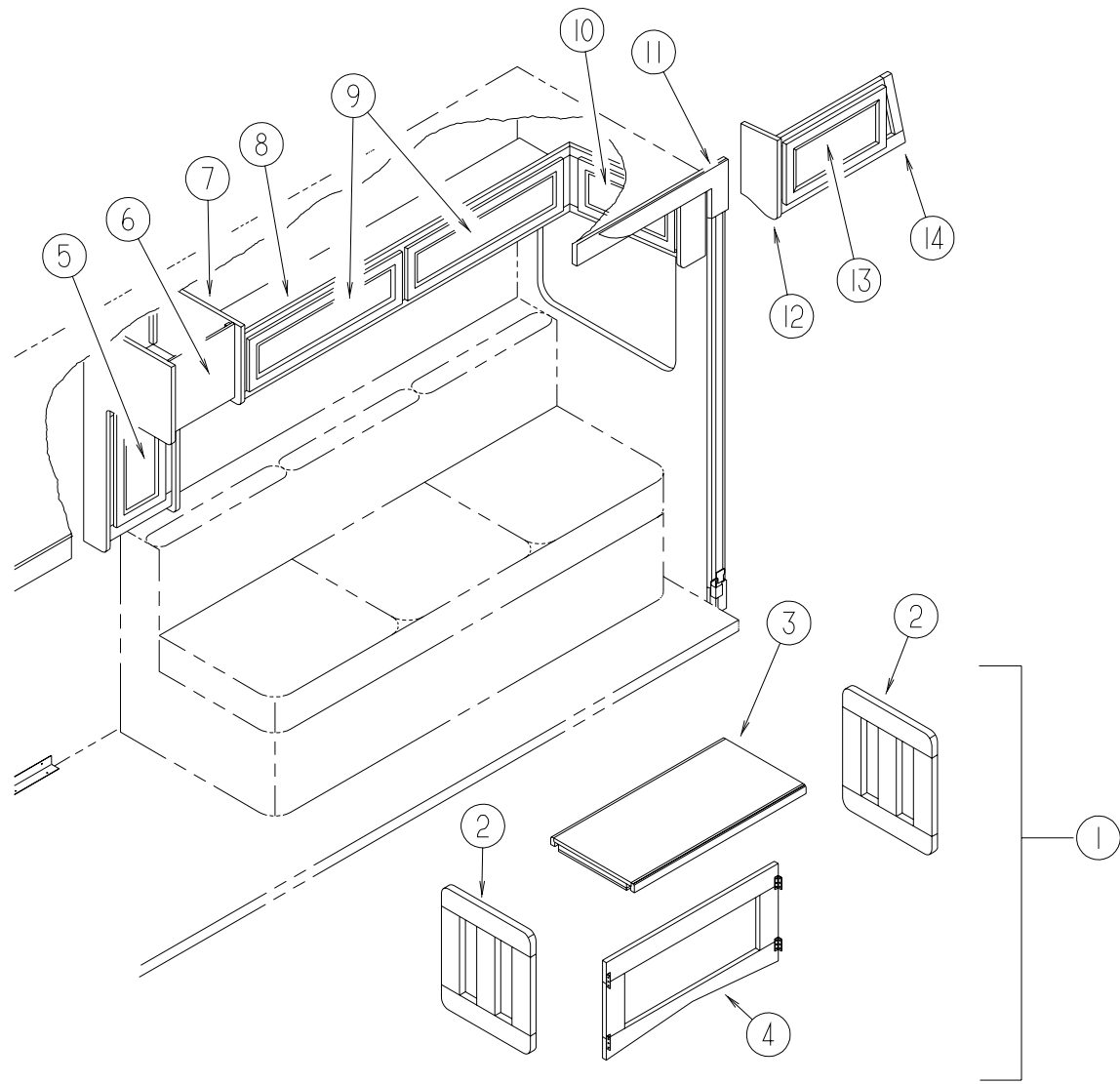


LPTANK&COMPONENTS

KEY	PARTNUMBER	U/M DESCRIPTION	VENDOR NO.
1	045703-05-000	EA HOSE-L/P-3/8"IDX28"-3/8"MPTX1/2"FSWIVEL-US	
1	045703-06-000	EA HOSE-LP-3/8"IDX28"-3/8"MPTX1/2"FSWIVEL-CANADA	
2	106150-01-000	EA REGULATOR-TWOSTAGE	
3	040421-01-708	EA HANDWHEEL-VAPORRELIEFVALVE	G-1015-A
4	040421-01-712	EA VALVE-SERVICE-W/HANDWHEEL	29000853
5	088253-03-000	EA TANK-LP-100LB-16"DIAMETERX36"-SPL	
6	040421-01-711	EA VALVE-80%W/FLOAT-PLATE-BOLTS&GASKET	
7	040421-01-701	EA VALVE-SHORTLPFILLER-W/YELLOWCAP	75478
8	040421-01-702	EA CAP-LPFILLERVALVE-PLASTIC-YELLOW	G-1014-A
9	040421-01-700	EA GAUGE-LIQUIDLEVEL-20%LP	G-1013
10	040421-01-713	EA VALVE-PRESSURERELIEF	29000587
11	088253-01-700	EA GAUGE-LPFLOAT-4MACHINESCREWSTYLE	
12	040440-02-000	EA TRANSMITTER-DIAL-0-90OHM-2TERMINAL(POWER&GROUND)	
13	105658-01-000	EA COMPARTMENT-LPREGULATOR	
14	010326-01-000	EA ADAPTER-FLARE-W/CONEGASKET-3/8"FEMALEX1/2"MALE	
15	065318-02-000	EA ELBOW-90DEGREE-3/8"MPTTO3/8"FP	
	010323-01-000	EA ADAPTER-BRASS-3/8"FX1/2"MPT	
	010329-01-000	EA ADAPTER-BRASS-1/2"FX1/2"MPT	
	010265-01-000	EA ELBOW-BRASS-90DEGREE-3/8"FX1/2"FP	
	103613-02-000	EA DETECTOR-LPGAS	
			FROM: 00-00-00 THRU: 04-27-97
	103613-03-000	EA DETECTOR-LPGAS	
			FROM: 04-28-97 THRU: 99-99-99
	113542-11-02B	EA MOUNTASM-LPTANK-E-COAT	
	010252-01-000	EA ELBOW-BRASS-90DEGREE-3/8"FX1/2"MPT	
	010377-02-000	EA NUT-BRASS-3/8"FLARE-FORGED	
	010380-02-000	EA NUT-BRASS-1/2"FLARE-FORGED	

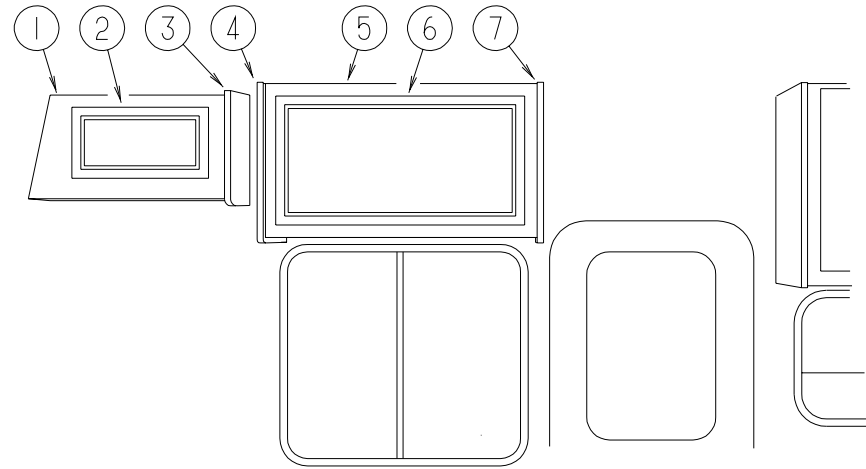
LOUNGE GROUP

DRIVERSIDE FRONT OVERHEAD AND LOUNGE CABINETS



KEY	PARTNUMBER	U/M	DESCRIPTION
1	116957-01-H23	EA	TABLE-FOLDING(WHITE)
1	116957-01-G15	EA	TABLE-FOLDING(OAK)
2	116957-15-H23	EA	LEG-TABLE(WHITE)
2	116957-15-F31	EA	LEG-TABLE(OAK)
3	116957-12-H23	EA	TOP-TABLE-FOLDING(WHITE)
3	116957-12-G15	EA	TOP-TABLE-FOLDING(OAK)
4	116957-11-H23	EA	BRACE-TABLE-FOLDING(WHITE)
4	116957-11-F31	EA	BRACE-TABLE-FOLDING(OAK)
5	122715-03-01A	EA	DOOR-MOLDEDVINYL-10"X19"-W/OHARDWARE(WHITE)
5	M06803-F8-H17	EA	DOOR-MITEREDCORNER/OGEEEDGE-10"X19.1"-W/OHARDWARE(OAK)
6	M08088-01-H17	EA	PANEL-FACE-FABRICCOVERED(BEHINDCLOCK)(H17)
6	M08088-01-H18	EA	PANEL-FACE-FABRICCOVERED(BEHINDCLOCK)(H18)
6	M08088-01-H19	EA	PANEL-FACE-FABRICCOVERED(BEHINDCLOCK)(H19)
6	M08088-01-H23	EA	PANEL-FACE-FABRICCOVERED(BEHINDCLOCK)(H40)
6	M08088-01-H25	EA	PANEL-FACE-FABRICCOVERED(BEHINDCLOCK)(H41)
7	120975-01-H23	EA	CABINET-OVERHEADSPEAKER-W/ODOOR/HARDWARE/FACEPANEL(WHITE)
7	120975-01-G35	EA	CABINET-OVERHEADSPEAKER-W/ODOOR/HARDWARE/FACEPANEL(OAK)
	120975-11-H23	EA	SHELF-W/PLASTICEDGETRIM(WHITE)
	120975-11-G35	EA	SHELF-W/PLASTICEDGETRIM(OAK)
	120975-13-H23	EA	ENDCAP-OVERHEAD/LEFTHAND-F/SLIDEOUT(WHITE)
	120975-13-G35	EA	ENDCAP-OVERHEAD/LEFTHAND-F/SLIDEOUT(OAK)
	120975-14-H23	EA	ENDCAP-OVERHEAD/RIGHTHAND-F/SLIDEOUT(WHITE)
	120975-14-G35	EA	ENDCAP-OVERHEAD/RIGHTHAND-F/SLIDEOUT(OAK)
8	120979-01-H23	EA	CABINET-OVERHEAD/FRONT-W/ODOORS/HARDWARE-SLIDEOUT(WHITE)
8	120979-01-G35	EA	CABINET-OVERHEAD/FRONT-W/ODOORS/HARDWARE-SLIDEOUT(OAK)
9	120035-04-G15	EA	DOOR-FABRICWRAPPED-8.6"X29.9"-W/OHARDWARE(H17)
9	120035-04-GV7	EA	DOOR-FABRICWRAPPED-8.6"X29.9"-W/OHARDWARE(H18)
9	120035-04-H19	EA	DOOR-FABRICWRAPPED-8.6"X29.9"-W/OHARDWARE(H19)
9	120035-04-H23	EA	DOOR-FABRICWRAPPED-8.6"X29.9"-W/OHARDWARE(H40)
9	120035-04-H25	EA	DOOR-FABRICWRAPPED-8.6"X29.9"-W/OHARDWARE(H41)
10	120035-05-G15	EA	DOOR-FABRICWRAPPED-8.6"X16.4"-W/OHARDWARE(H17)
10	120035-05-GV7	EA	DOOR-FABRICWRAPPED-8.6"X16.4"-W/OHARDWARE(H18)
10	120035-05-H19	EA	DOOR-FABRICWRAPPED-8.6"X16.4"-W/OHARDWARE(H19)
10	120035-05-H23	EA	DOOR-FABRICWRAPPED-8.6"X16.4"-W/OHARDWARE(H40)
10	120035-05-H25	EA	DOOR-FABRICWRAPPED-8.6"X16.4"-W/OHARDWARE(H41)
11	115811-12-G15	EA	OVERLAY-7.5"X223/8"(H17)
11	115811-12-GV7	EA	OVERLAY-7.5"X223/8"(H18)
11	115811-12-H19	EA	OVERLAY-7.5"X223/8"(H19)
12	103128-09-H23	EA	ENDCAP-OVERHEADFRONT-DRIVER(WHITE)
12	103128-09-G09	EA	ENDCAP-OVERHEADFRONT-DRIVER(OAK)
13	122715-11-01A	EA	DOOR-MOLDEDVINYL-9.8"X14.5"-W/OHARDWARE(WHITE)
13	M06803-D2-H17	EA	DOOR-MITEREDCORNER/OGEEEDGE-9.8"X14.5"-W/OHARDWARE(OAK)
14	M06838-31-H40	EA	CABINET-OVERHEAD-FRONT/LEFT-F/SLIDEOUT-W/ODOOR/HDW(WHITE)
14	M06838-31-H41	EA	CABINET-OVERHEAD-FRONT/LEFT-F/SLIDEOUT-W/ODOOR/HDW(WHITE)
14	M06838-31-H17	EA	CABINET-OVERHEAD-FRONT/LEFT-F/SLIDEOUT-W/ODOOR/HDW(OAK)
14	M06838-31-H18	EA	CABINET-OVERHEAD-FRONT/LEFT-F/SLIDEOUT-W/ODOOR/HDW(OAK)
14	M06838-31-H19	EA	CABINET-OVERHEAD-FRONT/LEFT-F/SLIDEOUT-W/ODOOR/HDW(OAK)
	082525-01-000	EA	BRACE-COUCH-FLOORMOUNT-ANGLE3"LONG

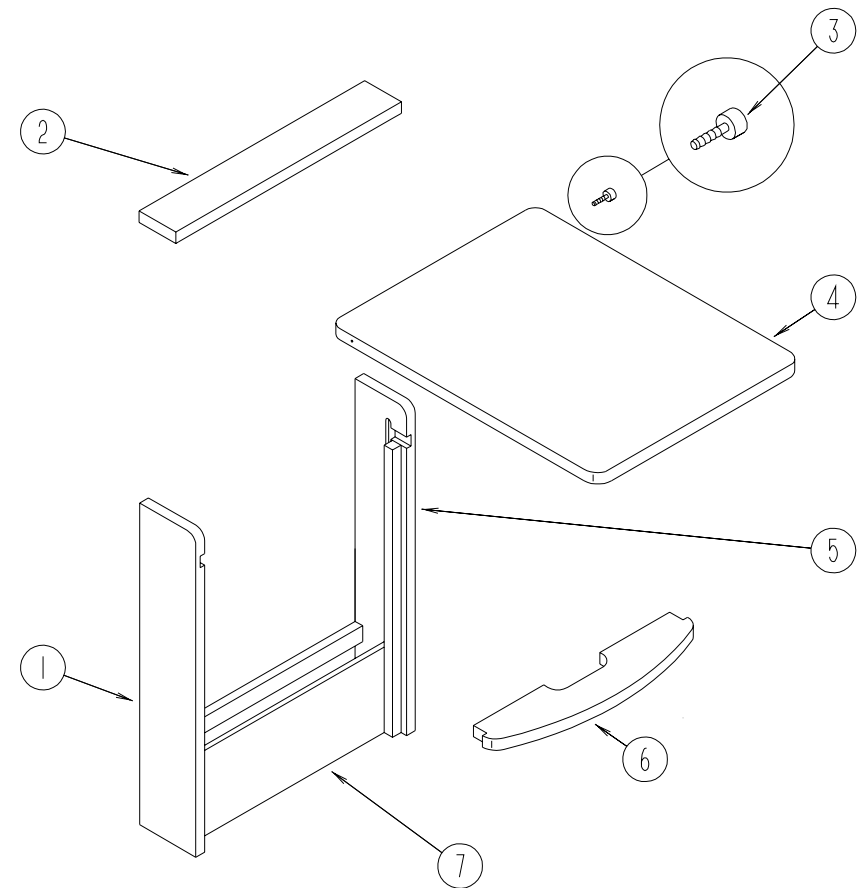
LOUNGE GROUP (CONTINUED)



PASSENGER SIDE FRONT OVERHEAD CABINetry

KEY	PART NUMBER	U/M	DESCRIPTION
1	M06838-01-H40	EA	CABINET-OVERHEAD-FRONT/RIGHTHAND-W/ODOOR/HARDWARE (WHITE)
1	M06838-01-H41	EA	CABINET-OVERHEAD-FRONT/RIGHTHAND-W/ODOOR/HARDWARE (WHITE)
1	M06838-01-H17	EA	CABINET-OVERHEAD-FRONT/RIGHTHAND-W/ODOOR/HARDWARE (OAK)
1	M06838-01-H18	EA	CABINET-OVERHEAD-FRONT/RIGHTHAND-W/ODOOR/HARDWARE (OAK)
1	M06838-01-H19	EA	CABINET-OVERHEAD-FRONT/RIGHTHAND-W/ODOOR/HARDWARE (OAK)
2	122715-03-01A	EA	DOOR-MOLDED VINYL-10"X19"-W/OHARDWARE (WHITE)
2	M06803-04-H17	EA	DOOR-MITERED CORNER/OGEE EDGE-10"X19"-W/OHARDWARE (OAK)
3	103128-08-H23	EA	ENDCAP-OVERHEADFRONT-PASSENGER (WHITE)
3	103128-08-G09	EA	ENDCAP-OVERHEADFRONT-PASSENGER (OAK)
4	103128-07-H23	EA	ENDCAP-OVERHEAD LOUNGE-LEFTHAND (WHITE)
4	103128-07-G15	EA	ENDCAP-OVERHEAD LOUNGE-LEFTHAND (OAK)
5	M06838-08-H40	EA	CABINET-OVERHEADFRONT-W/ODOOR/HARDWARE (WHITE)
5	M06838-08-H17	EA	CABINET-OVERHEAD/RIGHTHAND-W/ODOOR/HARDWARE (OAK)
6	122715-05-01A	EA	DOOR-MOLDED VINYL-15.5"X29.5"-W/OHARDWARE (WHITE)
6	M06803-30-H17	EA	DOOR-MITERED CORNER/OGEE EDGE-15.5"X29.5"-W/OHARDWARE (OAK)
7	103128-10-H23	EA	ENDCAP-OVERHEAD LOUNGE-RIGHTHAND (WHITE)
7	103128-10-G15	EA	ENDCAP-OVERHEAD LOUNGE-RIGHTHAND (OAK)
	104414-12-H23	EA	SHELF-W/PLASTIC EDGE MOLDING (WHITE)
	104414-12-G35	EA	SHELF-W/PLASTIC EDGE MOLDING (OAK)
	101222-01-04A	EA	BRACKET-CATCH-LID-E-COAT

LOUNGE GROUP (CONTINUED)



PULLOUT TABLE

KEY	PART NUMBER	U/M	DESCRIPTION
	P19559-01-H23	EA	CABINET-TABLE-W/OPULLOUTTOP (WHITE)
	P19559-01-G35	EA	CABINET-TABLE-W/OPULLOUTTOP (OAK)
1	119559-12-H23	EA	END-TABLE-LEFTSIDE-28.7"X5.7" (WHITE)
1	119559-12-G35	EA	END-TABLE-LEFTSIDE-28.7"X5.7" (OAK)
2	119559-13-H23	EA	TOP-SHELF/PULLOUTTABLE (WHITE)
2	119559-13-G35	EA	TOP-SHELF/PULLOUTTABLE (OAK)
3	079921-01-000	EA	NYLON ROLLER W/SHAFT
4	119559-17-H23	EA	TABLE-PULLOUTTOP (WHITE)
4	119559-17-G35	EA	TABLE-PULLOUTTOP (OAK)
5	119559-11-H23	EA	END-TABLE-RIGHTSIDE-28.7"X5.7" (WHITE)
5	119559-11-G35	EA	END-TABLE-RIGHTSIDE-28.7"X5.7" (OAK)
6	119559-14-H23	EA	SHELF-SUPPORT/PULLOUTTABLE (WHITE)
6	119559-14-G35	EA	SHELF-SUPPORT/PULLOUTTABLE (OAK)
7	119559-15-H23	EA	PANEL-BOTTOM/F/TABLE CABINET-18.1"X6.7" (WHITE)
7	119559-15-G35	EA	PANEL-BOTTOM/F/TABLE CABINET-18.1"X6.7" (OAK)
	080736-01-000	EA	PULL-RECESSED-1.25"X4"-OAK

SEALANTS&FASTENERSGROUP

SCREWS

KEY	PARTNUMBER	U/M	DESCRIPTION
	0G3908-08-170	EA	SCREW-SF/DR-8-18X1/2PPH-BRIGHTWHITE
	000G11-05-08B	EA	SCREW-5-20X1/2PPHZINC
	000G11-06-10J	EA	SCREW-6-20X5/8PPH-BRASS
	000G11-06-08B	EA	SCREW-6-20X1/2PPHZINC
	000G11-06-06B	EA	SCREW-6-20X3/8PPHZINC
	000G11-07-08B	EA	SCREW-7-19X1/2PPH-ZINC
	000G11-08-08T	EA	SCREW-8-18X1/2PPH
	000G11-08-08B	EA	SCREW-8-18X1/2PPH-ZINC
	000G11-08-06B	EA	SCREW-8-18X3/8PPHZINC
	000G11-08-20B	EA	SCREW-8-18X11/4PPHZINC
	000G11-08-16S	EA	SCREW-8-18X1.00PPH-OFFWHITE
	000G11-08-12T	EA	SCREW-8-18X3/4PPH-BLACK
	000G11-08-12P	EA	SCREW-8-18X.75PPH-DARKBROWN
	000G11-08-12D	EA	SCREW-8-18X3/4PPH-BLACK
	000G11-08-12B	EA	SCREW-8-18X3/4PPHZINC
	000G11-10-40B	EA	SCREW-10-16X21/2PPHCAD-34927-01-000
	000G11-10-16B	EA	SCREW-10-16X1-PPHZINC
	000G11-10-12S	EA	SCREW-10-16X.75PPHOFFWHT
	000G11-10-12D	EA	SCREW-10-16X3/4PPH-BLACK
	000G12-06-08T	EA	SCREW-6-20X.50POH-BLACK
	000G13-06-16J	EA	SCREW-6-20X1.00PFH-BRASS
	000G13-06-08B	EA	SCREW-6-20X1/2PFHZINC
	000G13-06-24J	EA	SCREW-6-20X1.50PFHBRASS
	000G13-07-12B	EA	SCREW-7-19X3/4PFHZINC
	000G13-08-16B	EA	SCREW-8-18X1PFH-ZINC
	000G18-08-22B	EA	SCREW-MACH-8-32X13/8PPHZINC
	000G19-10-20B	EA	SCREW-MACHINE-10-32X11/14PPHZINC
	000G19-10-08B	EA	SCREW-MACHINE-10-32X1/2PPHZINC
	000G19-10-12F	EA	SCREW-MACHINE-10-32X.75-PPH-STAINLESSSTEEL
	000G32-10-06B	EA	SCREW-10-32X3/8"-PPH-ZINC
	000G39-06-10T	EA	SCREW-SF/DR-6-20X5/8PPH-BLACK
	000G39-06-08B	EA	SCREW-DR-6-18X1/2ZINC
	000G39-08-08S	EA	SCREW-SF/DR-8-18X1/2PPH-OFFWHITE
	000G39-08-08B	EA	SCREW-SF/DR-8-18X1/2PPHZINC
	000G39-08-06B	EA	SCREW-SF/DR-8-18X3/8PPHZINC
	000G39-08-24B	EA	SCREW-SF/DR-8-18X11/2PPHZINC
	000G39-08-16T	EA	SCREW-SF/DR-8-18X1PPH-BLACK
	000G39-08-16B	EA	SCREW-SF/DR-8-18X1PPHZINC
	000G39-08-12T	EA	SCREW-SF/DR-8-18X3/4PPH-BLACK
	000G39-08-12B	EA	SCREW-SF/DR-8-18X3/4PPHZINC
	000G39-08-16R	EA	SCREW-SF/DR-8-18X1PPH-BEIGE
	000G39-08-08T	EA	SCREW-SF/DR-8-18X.50PPH-BLACK
	000G39-10-08B	EA	SCREW-SF/DR10-16X.50P&H-ZINC
	000G39-10-088	EA	SCREW-SF/DR10-16X.50P&H-FLEXFLUOROCARBON
	000G39-10-209	EA	SCREW-SF/DR-10-16X1.25PPH-FLATUOROCARBONSILVER
	000G39-10-20B	EA	SCREW-SF/DR-10-16X11/4PPHZINC
	000G39-10-32B	EA	SCREW-SF/DR-10-16X2PPHZINC
	000G39-10-10B	EA	SCREW-SF/DR-10-16X.625-ZINC
	000G39-10-129	EA	SCREW-SF/DR-10-16X3/4PPH-FLATUOROCARBONSILVER
	000G39-10-12D	EA	SCREW-SF/DR-10-16X3/4PPH-BLACK
	000G39-10-12B	EA	SCREW-SF/DR-10-16X.75PPHZINC
	000G42-04-12B	EA	SCREW-SF/DR1/4-14X3/4HWHZINC
	000G46-08-24T	EA	SCREW-MACHINE-8-32-1.50INPFH-BLACK
	000G50-04-12B	EA	SCREW-MACHINE-1/4-20X3/4PPHZINC
	000G50-04-08B	EA	SCREW-MACHINE-1/4-20X1/2PTH-2N
	000G52-08-18B	EA	SCREW-MACHINE-8-32X11/8PTH-ZINC
	000G54-04-20B	EA	SCREW-1/4-20X11/4PTH-TYPE23-ZINCPLATED
	000G55-08-12S	EA	SCREW-SF/DR-8-18X.75PWH-OFFWHITE
	000G55-08-125	EA	SCREW-SF/DR-8-18X.75PWH-WILLOW
	000G55-08-16S	EA	SCREW-SF/DR-8-18X1PWH-OFFWHITE

SEALANTS&FASTENERSGROUP(CONTINUED)

SCREWS(CONTINUED)

KEY	PARTNUMBER	U/M	DESCRIPTION
	000G57-05-16J	EA	SCREW-5-20X1PFH-BRASS
	000G60-10-28T	EA	SCREW-SF/DR-10-16X1.75-BLACK
	000G67-10-08B	EA	SCREW-10-12X1/2PPHZINC
	000G67-10-48B	EA	SCREW-10-12X3PPHZINC
	000G67-10-36T	EA	SCREW-10-12X2.25PPHBLACK-STALGARD
	000G67-10-20D	EA	SCREW-10-12X11/4PPH-BLACK
	000G67-10-120	EA	SCREW-10-12X.75"PPH-TAN
	000G67-10-12B	EA	SCREW-10-12X3/4"PPH-ZINC
	000G67-10-24B	EA	SCREW-10-12X1.25"PPH-ZINC
	000G67-10-16B	EA	SCREW-10-12X1"PPH-ZINC
	000G67-10-12P	EA	SCREW-10-12X.75"PPH-DARKBROWN
	000G67-10-10P	EA	SCREW-10-12X.62PPH-DARKBROWN
	000G67-10-10D	EA	SCREW-10-12X5/8PPH-BLACK-TYPEA
	000G67-10-10B	EA	SCREW-10-12X5/8PPHZINC-TYPEA
	000G68-06-10G	EA	SCREW-6-18X5/8POH-ANTIQUEBRASS
	000G68-06-12S	EA	SCREW-6-18X.75POH
	054434-03-000	EA	SCREW-SF/DR-10-16X2-PWHZINC-W/OWINGS
	083554-04-000	EA	SCREW-DRYWALL-8X2.50
	049465-01-000	EA	SCREW-10-16W/WASHERPTH-DARKBROWN
	049465-03-000	EA	SCREW-10-16X1POHW/WASHER-OFFWHITE
	075908-01-000	EA	SCREW-MACHINE-10-32X.56PTH-ZINCEXTERNALTOOTH
	086256-01-000	EA	SCREW-SF/DR-8X3/4HWHLONG
	097974-01-000	EA	SCREW-PARTBD7-9X.75PPH-FHM0543PLAIN
	057671-01-000	EA	COVER-SCREW-#8-PLASTIC-OFFWHITE
	057671-12-000	EA	COVER-SCREW-QUICKSILVER-#8

CLAMPS,CLIPS,&GROMMETS

KEY	PARTNUMBER	U/M	DESCRIPTION
	000F10-04-16B	EA	PIN-COTTER-1/8X1ZN
	000H14-04-04A	EA	RIVET-MANDRELBLIND-1/8X.400
	000H14-06-14R	EA	RIVET-MANDRELBLIND-3/16
	000H15-06-02R	EA	RIVET-POP-STEEL-3/16X.063-.125
	000H16-06-10R	EA	RIVET-POP-AL3/16X.501-.625
	010495-01-000	EA	CLAMP-CABLE-9/16"
	010497-01-000	EA	CLAMP-CLOSED-5/8"ID
	010497-03-000	EA	CLAMP-CLOSED-1"ID-CUSHIONED
	010499-01-000	EA	CLAMP-CLOSED-3/8"ID
	062401-01-000	EA	CLAMP-HOSE-WORMGEAR.25"-1"
	062401-02-000	EA	CLAMP-HOSE-WORMGEAR1.56"-2.5"
	062401-03-000	EA	CLAMP-HOSE-WORMGEAR-.22"-1"
	062401-04-000	EA	CLAMP-HOSE-WORMGEAR.69"-1.25"
	062401-05-000	EA	CLAMP-HOSE-WORMGEAR2"TO3"ID
	062401-06-000	EA	CLAMP-HOSE-WORMGEAR.22"-.62"
	062401-11-000	EA	CLAMP-HOSE-WORMGEAR3.56"-4.5"
	083609-01-000	EA	CLAMP-WIRE-DUALEQUAL-5/8"DIAMETER
	083610-01-000	EA	CLAMP-WIRE-DUAL-UNEQUALDIAMETERS-.75"&1.25"
	083610-02-000	EA	CLAMP-WIRE-DUALUNEQUALDIA
	008380-01-000	EA	GROMMET-RUBBER-5/8"HOLEX11/2"DIAMETER-BLACK
	016188-05-000	EA	GROMMET-L/PLINE-3/8"HOLEX11/4"LONG-RUBBER
	023942-01-000	EA	GROMMET-RUBBER-2"OD
	071015-11-000	EA	GROMMET-1.00ID-FITS.12MATL-MINORRUBBERZ-3065
	071015-29-000	EA	GROMMET-RUBBER-.25"IDX1.25"ODW/.12"GROOVE-BLACK
	071015-30-000	EA	GROMMET-RUBBER-.31"IDX.81"ODW/.12"GROOVE-BLACK
	088756-01-000	EA	GROMMET-WEB-11/8"ID
	077955-01-000	EA	CLIP-J-VINYLCOATED-3/8"
	091952-01-000	EA	CLIP-GRIPPER-1"
	091952-02-000	EA	CLIP-GRIPPER-3/4"
	094362-02-000	EA	CLIP-CHRISTMASTREE-FLATHEAD-.5"X.95"

SEALANTS&FASTENERSGROUP(CONTINUED)

BOLTS&NUTS

KEY	PARTNUMBER	U/M DESCRIPTION
	000C12-05-16B	EA BOLT-HEX-5/16-18X1-ZINC5
	000C12-05-12B	EA BOLT-HEX-5/16-18X3/4ZINC5
	000C12-06-16B	EA BOLT-HEX-3/8-16X1LG-ZINC5
	000C12-08-16B	EA BOLT-HEX-1/2-13X1-GD5-ZINC
	000C12-08-24B	EA BOLT-HEX-1/2-13X1 1/2-ZINC5
	000C12-10-24B	EA BOLT-HEX-5/8-11X1 1/2ZINC-5
	000C13-07-48B	EA BOLT-HEX-7/16-20X3-ZINC5
	000C26-04-10B	EA BOLT-HEX-SERRATEDFLANGE-1/4-20X5/8ZINC
	000C26-04-18B	EA BOLT-HEX-SERRATEDFLANGE 1/4-20X11/8-ZINC
	000C26-05-16B	EA BOLT-HEX-SERRATEDFLANGE 5/16-18X1-ZINC
	000C26-05-12B	EA BOLT-HEX-SERRATEDFLANGE 5/16-18X3/4-ZINC
	000C26-05-20B	EA BOLT-HEX-SERRATEDFLANGE 5/16-18X1 1/4ZINC
	000C26-06-12B	EA BOLT-HEX-SERRATEDFLANGE 3/8-16X3/4-ZINC
	000C26-06-28B	EA BOLT-HEX-SERRATEDFLANGE 3/8-16X1 3/4-ZINC
	000C26-06-16B	EA BOLT-HEX-SERRATEDFLANGE 3/8-16X1-ZINC
	102333-01-05A	EA BOLT-CARR-7/16-14SSTCAP
	051387-05-000	EA BOLT-CARRIAGE-W/OHOLE-5/16-18X9.5ZINC
	051387-06-000	EA BOLT-CARRIAGE-W/OHOLE-5/16-18X9.5ZINC
	000G45-04-24B	EA BOLT-LAG 1/4-9X1 1/2ZINC
	091274-03-000	EA BOLT-J3/8-16X12
	000D24-10-00B	EA NUT-HEX-SF/LK-10-32-ZINC
	000D29-05-00B	EA NUT-5/16-18UNC-SF/LOCKING-NYLONWASHERINSERT
	000D34-06-00B	EA NUT-HEX-LK-3/8-16GRADEZINC-PREVAILINGTORQUE
	000D39-04-00B	EA NUT-HEX-SERRATEDFLANGE LK1/4-20ZINC
	000D39-05-00B	EA NUT-HEX-SERRATEDFLANGE LK-5/16-18ZINC
	000D39-06-00B	EA NUT-HEX-SERRATEDFLANGE LK-3/8-16ZINC
	000D39-08-00B	EA NUT-HEX-SERRATEDFLANGE LK-1/2-13ZINC
	000D39-07-00B	EA NUT-HEX-SERRATEDFLANGE LK-7/16-14ZINC
	000D44-07-00B	EA NUT-HEX-SERRATEDFLANGE LK-7/16-20ZINC
	000D46-04-00A	EA NUT-HEX-WELD-1/4-20-PLAIN-SHORTPILOT
	000D73-07-00C	EA NUT-HEXFLANGE-7/16-14-GRADEG
	000E11-08-00B	EA WASHER-LOCKING1/2MEDSPLIT-ZINC
	000E13-14-00B	EA WASHER-FLAT-1/4"WIDEZINC
	000E13-18-00B	EA WASHER-FLAT-3/8WIDEZINC
	000E13-20-00B	EA WASHER-FLAT-7/16"WIDE-ZINC
	000E13-22-00B	EA WASHER-FLAT-1/2WIDEZINC
	000E13-26-00B	EA WASHER-FLAT-5/8WIDE-ZINC
	110794-01-000	EA WASHER-FLAT-1IDX1 3/4OD
	058716-02-000	EA WASHER-FLATNYLON-.406X.750X.060
	040921-01-000	EA NUT-SPEED-UTYPE-10-24BLACK
	040921-04-000	EA NUT-SPEED-UTYPE-NO.8-.59"LENGTHX.44"WIDTH
	040921-09-000	EA NUT-SPEED-UTYPE-NO8-T'MNC9812-8A
	044364-02-000	EA NUT-SPEED-FLAT-ROUND
	063253-07-000	EA NUT-J-#8A.120-.130PNLTHK
	083163-06-000	EA PUSHNUT-FLATTYPE3/8STUD-FORDONLY TORETAINTHEAIRBAFFLATEONTHEOILDIPSTICKTUBE
	087234-01-000	EA NUT-JACK-1/4X20THD-MOLLY-ARDEN8-L-JNBRASS MOUNTSLICENSEPLATES
	088787-12-000	EA STUD-WELD-1/4-20X1.0LGMN
	108067-03-000	EA STUD-WELD-1/4-20X1/2CD

SEALANTS&FASTENERSGROUP(CONTINUED)

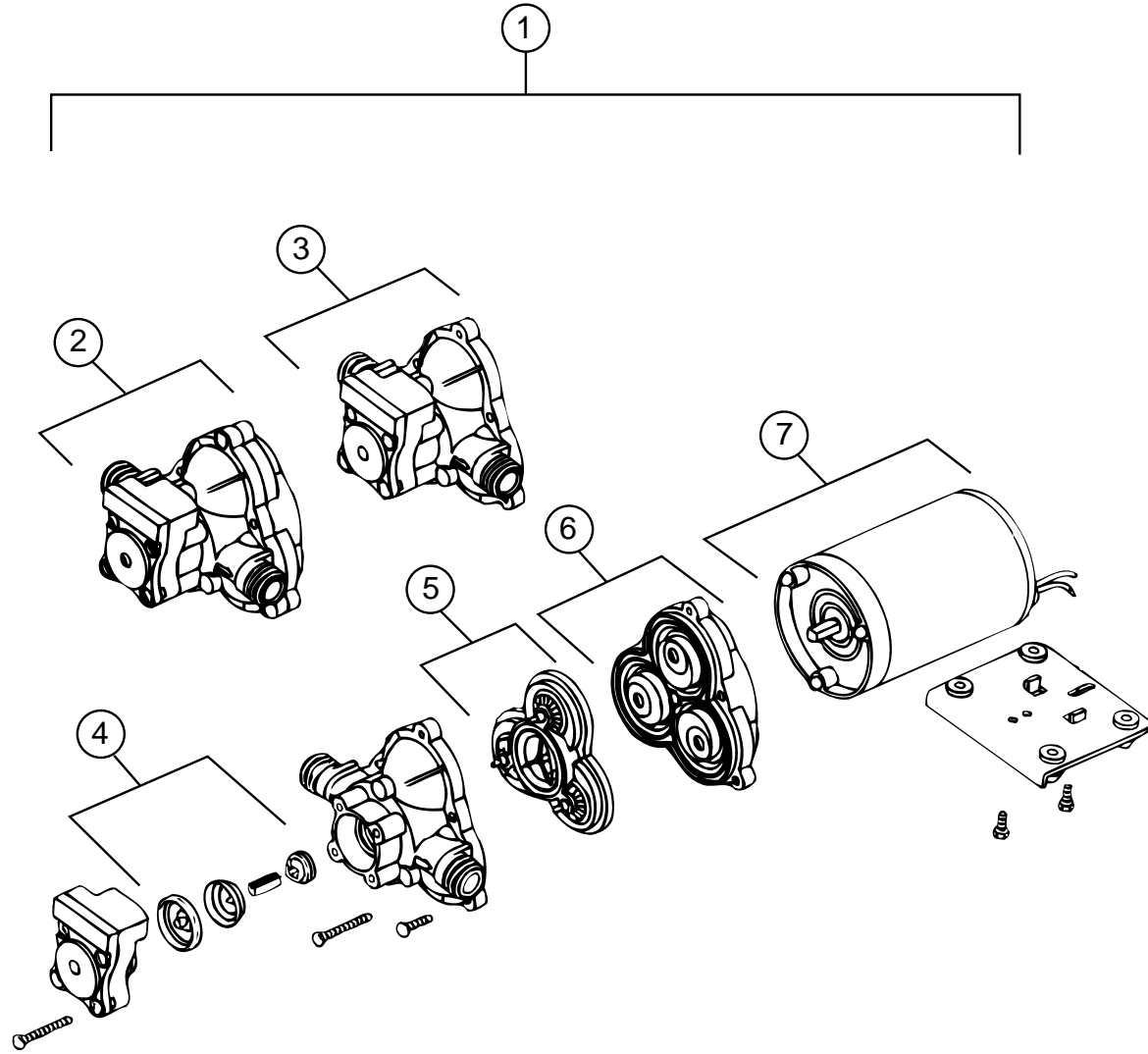
ADHESIVEANDTAPESEALERS

KEY	PARTNUMBER	U/M DESCRIPTION
	004006-05-700	EA ADHESIVE-NAT.STARCH(5GAL)
	004020-01-000	QT ADHESIVE-ABSCEMENT-QUART
	034552-02-000	EA SILICONE-TUBE-300ML-CLEAR-W/ONOZZLE ALSOORDERP.N.#900390-03-000NOZZLESEPARATELY
	034552-06-000	EA SILICONE-TUBE-300ML-OFFWHITE-W/ONOZZLE ALSOORDERP.N.#900390-03-000NOZZLESEPARATELY
	034552-15-000	EA SILICONE-TUBE300MLBRIGHTWHITE-W/ONOZZLE ALSOORDER#900390-03-000NOZZLE
	039518-01-000	EA SILICONE-TUBE-300ML-BLACK-W/ONOZZLE ALSOORDER#900390-03-000NOZZLE
	108716-03-000	EA SILICONE-TUBE-BRIGHTWHITE/SELFLEVELING
	053766-02-000	EA BEDDINGCOMPOUND-TUBE-WHITE
	053766-06-000	EA BEDDINGCOMPOUND-TUBE-CLEAR
	067788-01-000	EA ADHESIVESPRAY-3M74-19.5OZAEROSOLCAN
	069640-01-000	FT SEALERRIBBON-1/4"DIAMETER-INCREMENTSOF30'
	069640-02-000	FT SEALERRIBBON-1/2"X1/8"-INCREMENTSOF60'
	069640-03-000	FT SEALERRIBBON-3/4"X1/8"-INCREMENTSOF60'
	069640-07-000	FT SEALERRIBBON-2"X3/32"-INCREMENTSOF45'
	069640-09-000	FT SEALERRIBBON-1/32"X2 1/2"-INCREMENTSOF80'
	069640-15-000	FT SEALERRIBBON1/16"X3/8"GRY-MANUS
	072889-01-000	EA SEALER-URETHANE-BLACK-1/10-ESSEX552.2
	072889-09-000	EA SEALER-URETHANE(TUBE)BLACK-MANUS75AM
	072889-10-000	EA SEALER-URETHANE(HV)BRIGHTWHITE
	072889-12-000	EA SEALER-URETHANE(LV)BRIGHTWHITE
	107828-01-000	EA SEALANT-SB-190EVERSEAL
	063642-01-000	FT TAPE-ADHESIVE-10MILX1.5"X180"
	088479-01-000	EA TAPE-ALUMINUM-3"
	076322-01-000	FT TAPE-FOAM-DOUBLECOATEDADHESIVEBACKED-.75"X216"
	076322-05-000	FT TAPE-FOAM-DOUBLECOATED-.045"X.75"X108"
	076322-07-000	FT TAPE-FOAM-DOUBLECOATED.045X.50-NORTV2000
	120534-01-01A	EA TAPE-SCOTCH-3M-1/2"FINELINE
	123816-01-000	FT TAPE-DOUBLESIDED-1"
	123816-02-000	FT TAPE-DOUBLESIDED-1/2"
	123816-04-000	FT TAPE-DOUBLESIDED-6"
	087211-01-000	GL PROMOTED ADHESIVE
	091255-02-000	FT SEALADHESIVEBACKEDFOAM-.18"THICKX1.5"WIDE
	102352-01-000	EA SEALER-PUMPABLE-BLACK-COLORIMETRICMS101
	106206-01-000	EA SEALER-PUMPABLE-MANUS30ABLACK
	110274-01-000	FT TAPE-FOAM-DBLCOATED.045X1.0-NORTONV-2800
	900390-01-000	EA TIP-2 1/2"X1/8"ORIFICE-ELLSWORTH#TS216
	900390-03-000	EA NOZZLES-SILICONETUBE-CSL#D10

MISCELLANEOUSFASTENERS

KEY	PARTNUMBER	U/M DESCRIPTION
	008343-01-000	EA TIE-WIRE-6"
	008343-02-000	EA TIE-WIRE-14"
	008343-03-000	EA TIE-WIRE-7 1/5"-BLACK
	029094-04-000	YD VELCROTAPE-LOOP-1"WIDE-BLACK
	029096-03-000	YD VELCROTAPE-HOOK-1"WIDE-BLACK
	085774-01-000	FT FASTENER-DUALHOOK-1"WIDE-ADHESIVEBACK-BLACK
	085774-02-000	FT FASTENER-DUALLOOP-1"WIDE-ADHESIVEBACK-BLACK
	086285-01-000	EA SPACER-NYLON-.5"ODX.257"ID
	108046-02-000	EA CABLETIE-SCREWMOUNT15"-DENNISON10035
	081211-04-000	EA PLUG-PLASTIC-.46"DIA.-BLACK
	081211-05-000	EA PLUG-PLASTIC-.188DIA.-NATURAL
	110943-02-000	FT FELTSTRIP-3/8"-ADHESIVEBACKED-WHITE

WATER & SEWAGE GROUP



WATERPUMP(SHURFLO)

KEY	PARTNUMBER	U/M DESCRIPTION	VENDOR NO.
1	098607-01-000	EA PUMP-WATER-W/.5"MPTFITTING-FLOW2.8GPM-UL	
2	098607-01-700	EA PUMPHEAD-REPLACEMENT	94-236-08
3	098607-01-706	EA UPPERHOUSING/SWITCHKIT	94-231-20
4	098607-01-705	EA CHECKVALVE-KIT	94-237-00
5	098607-01-703	EA VALVEASM	94-232-00
6	098607-01-702	EA DRIVE/DIAPHRAGM-KIT	94-238-04
7	098607-01-707	EA MOTOR/BASEPLATEREPLACEMENT	94-235-03

FRESHWATERTANK

KEY	PARTNUMBER	U/M DESCRIPTION
	118645-03-000	EA TANK-WATER-17GALLON-W/FITTINGS
	118645-01-000	EA TANK-WATER-17GALLON-W/OFITTINGS
	116881-09-000	EA TANK-WATER-48GALLONW/NOTCHEDCORNER/FITTINGS
	116881-01-000	EA TANK-FRESHWATER-48GAL-W/NOTCHEDCORNERW/OFITTINGS
	123243-01-000	EA TANK-ACCUMULATOR-24OZ
	042989-03-000	EA FITTING-WATERTANK-SPINWELD-11/4"NPT-PLASTIC
	042989-05-000	EA FITTING-WATERTANK-SPINWELD-1/2"FPT-PLASTIC
	049032-01-000	EA PATCH-SPINWELD-3/8"-PLASTIC
	039861-01-000	EA SENDINGUNITW/SCREW-WASHER
	091208-01-000	EA WASHER-RUBBER-.06"X.75"X.5"
	077954-02-000	EA FILTER-WATERTANK-W/SCREENINTANK

WATER & SEWAGE GROUP (CONTINUED)

WATERSYSTEMCOMPONENTS(FLAIR-IT)

KEY	PARTNUMBER	U/M DESCRIPTION
	114427-01-000	EA CAP-1/2P-02860
	114427-02-000	EA PLUG-1/2P-02863
	114428-01-000	EA TEE-1/2PX1/2PX1/2P-02820
	114428-02-000	EA TEE-SWIVEL-1/2PX1/2PX1/2FPT-02821
	114428-03-000	EA TEE-1/2PX1/2PX1/2MPT-02822
	114429-01-000	EA ELBOW-1/2PX1/2P-02800
	114429-02-000	EA ELBOW-1/2PX1/2MPT-02803
	114429-03-000	EA ELBOW-SWIVEL-1/2PX1/2FPT-02816
	114429-04-000	EA ELBOW-1/2PX3/8MPT-02810
	114429-05-000	EA ELBOW-1/2PX3/4MPT-02812
	114429-06-000	EA ELBOW-SWIVEL-1/2PX3/4FPT-02811
	114430-01-000	EA ADAPTER-1/2PX1/2P-02840
	114430-02-000	EA ADAPTER-SWIVEL-1/2PX1/2FPT-02873
	114430-03-000	EA ADAPTER-1/2PX1/2MPT-02842
	114431-01-000	EA VALVE-LINEDRAIN1/2P-02914
	114431-02-000	EA VALVE-1/2P-BYPASS-02910
	114431-03-000	EA VALVE-1/2PX1/2P-02884
	114431-04-000	EA VALVE-STOP-1/2PX1/2P-02880

WATERSYSTEMCOMPONENTS

KEY	PARTNUMBER	U/M DESCRIPTION
	701069-01-000	EA WATERPURIFICATIONSYSTEM
	701069-03-700	EA CARTRIDGE-WATERFILTER-AC-EVERPURE9601-11
	079381-01-000	FT TUBING-SMOOTHFLEXIBLE-13/8"IDX20'
	039800-02-000	FT TUBING-POLYBUTYL-5/8"ODX20FT
	010219-01-000	EA ELBOW-11/4"MPTX11/4"BARB-WATERFILL-PLASTIC
	039798-01-000	EA TEE-1/2"MPTX1/2"MPTX1/2"MPT-PLASTIC
	101814-01-000	EA COUPLING-FEMALE-1/2"X1/2"FPT
	010230-05-000	EA FILL-CITYWATER-W/CHECKVALVE
		FROM: 00-00-00 THRU: 09-25-96
	010230-06-000	EA FILL-CITYWATER-W/CHECKVALVE-MPT
		FROM: 09-26-96 THRU: 99-99-99

EXTERIORSHOWERCOMPONENTS

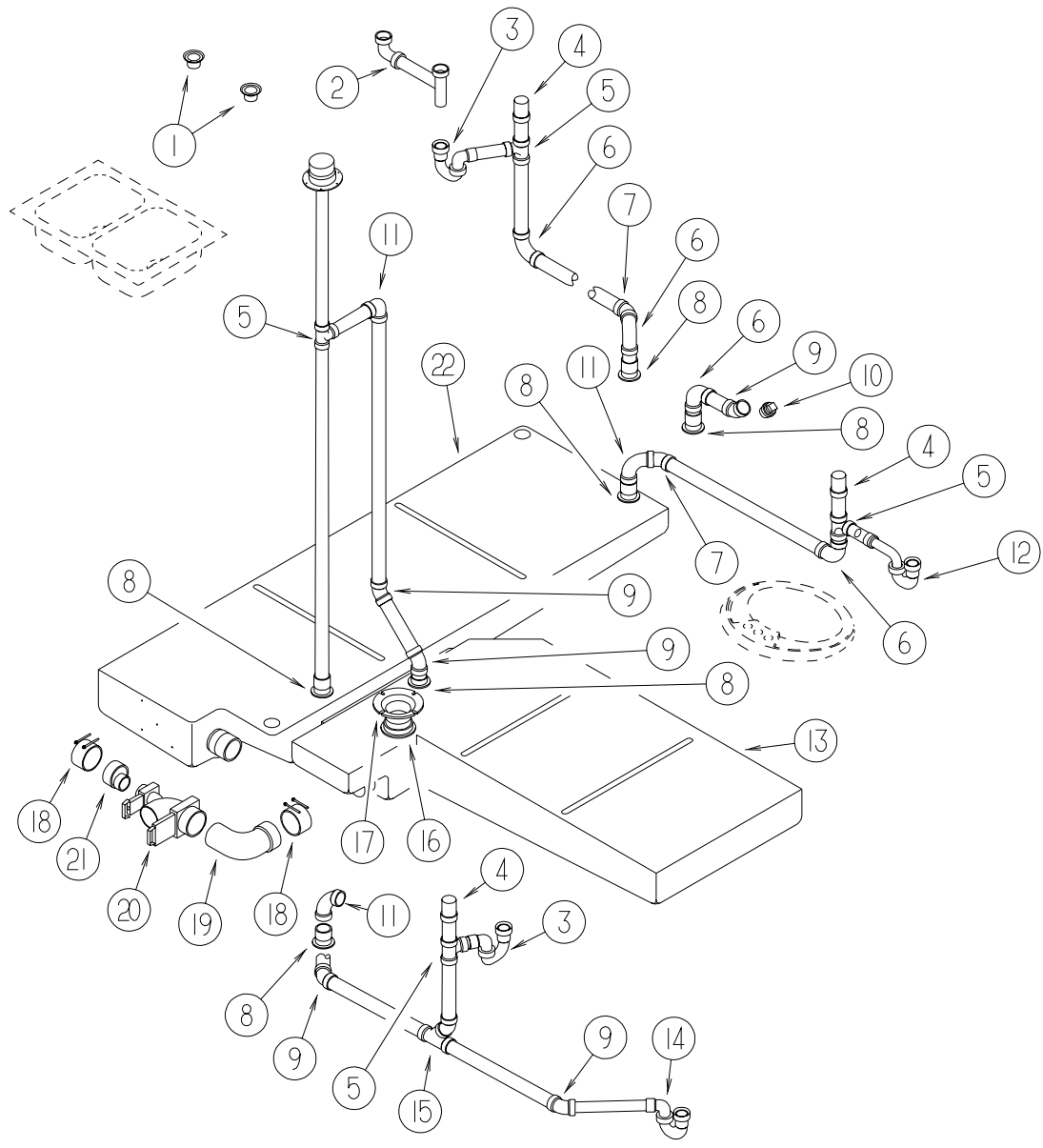
KEY	PARTNUMBER	U/M DESCRIPTION
	103092-01-000	EA SHOWERHEAD-W/60"HOSE(US)
	103092-02-000	EA SHOWERHEAD-W/HOSE(CSA)
	104044-01-000	EA BRACKET-SUPPORT-FAUCET
	103092-01-701	EA BRACKET(FORSHOWERHEAD)BONE
	075241-05-000	EA FAUCET/SHOWER-BONE3/4"MPTX1.4"LONGINLETPIPES

WASHER,DRYERCOMPONENTS

KEY	PARTNUMBER	U/M DESCRIPTION
	107753-02-01A	EA WASHER-DRYER-WHITEUL/CSA-KARIBAWDS1063
	110438-01-000	EA VALVE-CHECK-BRASS
	098419-01-000	EA FAUCET-WASHER-90DEGREE
	111842-01-01A	EA BRACKET-FAUCET-WASHER-E-COAT
	111913-01-01A	EA BRACKET-WASHER-TIEDOWN-BLACK

WATER & SEWAGE GROUP (CONTINUED)

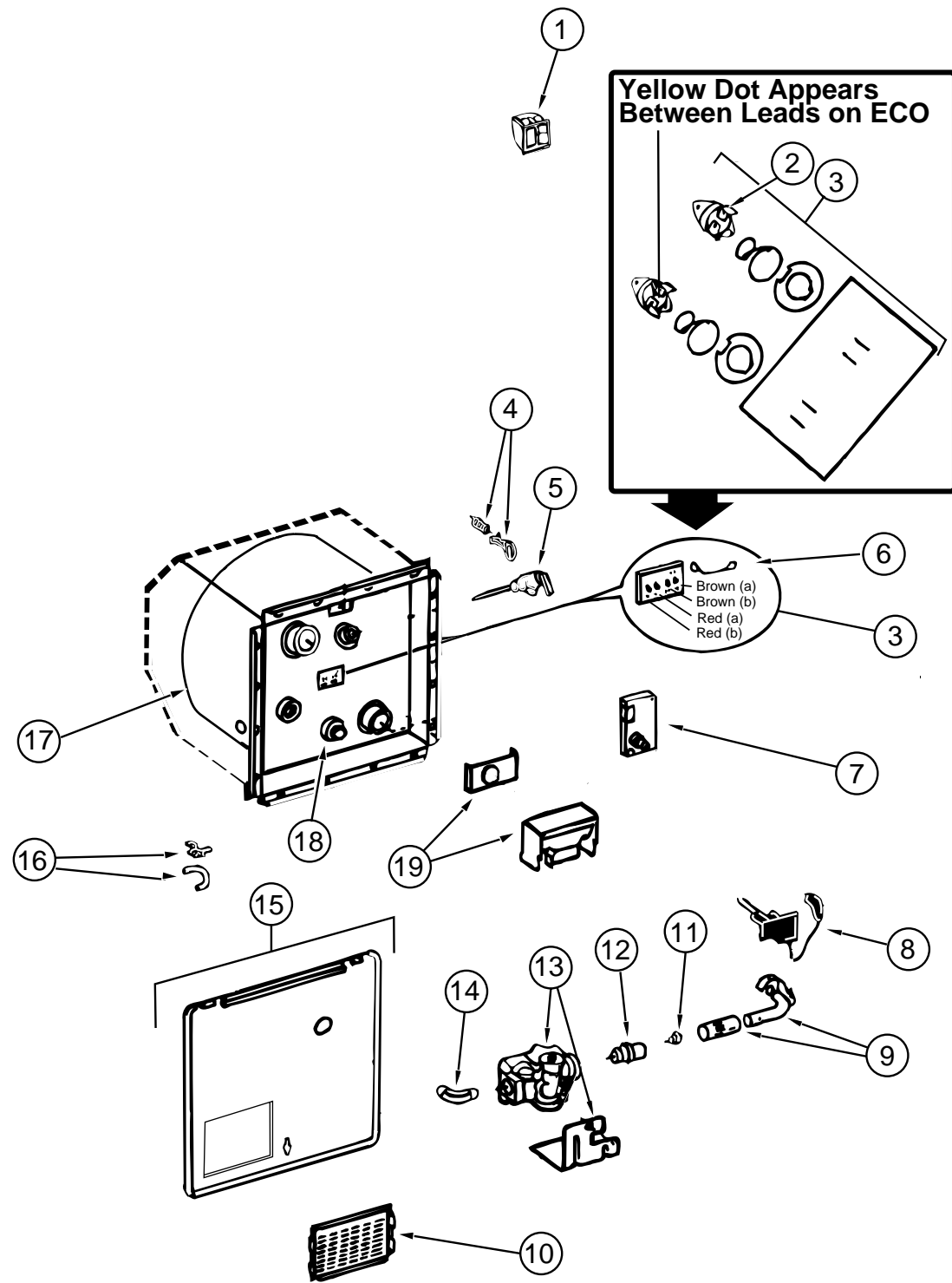
DRAINAGE SYSTEM



KEY	PART NUMBER	U/M	DESCRIPTION
1	092303-01-000	EA	STRAINER-SINK KEVCO48866
2	011091-02-000	EA	WASTE-CONTINUOUS-DOUBLE SINK
3	107538-01-000	EA	P-TRAP-PLASTIC-1 1/4 W/EXTENSION ARM
3	011066-03-700	EA	PTRAPKIT 1 1/2" X 1 1/2" P-TRAP W/1 1/2 TO 1 1/4 REDUCER- CSA
4	079968-01-000	EA	VENT-MECHANICAL/TRAP ARM-ANTI-SIPHON-2" X 7.3" PLASTIC
5	010071-01-000	EA	TEE-SANITARY-1 1/2 HUB X HUB X HUB-PLASTIC
6	010008-01-000	EA	ELBOW-90 DEGREE-1/4 BEND-1 1/2" HUB X HUB-PLASTIC
7	010051-01-000	EA	ELBOW-45 DEGREE-1 1/2" SPIGOT & HUB-PLASTIC
8	010115-01-000	EA	COUPLING-1 1/2" HUB X HUB-PLASTIC
8	061607-01-000	EA	GROMMET-HOLDING TANK-1 1/2" NPS
9	010006-01-000	EA	ELBOW-45 DEGREE-1/8 BEND-1 1/2" HUB X HUB-PLASTIC
10	010166-01-000	EA	PLUG-THREADED-1 1/4" DIAMETER-PLASTIC-BLACK
10	109571-01-000	EA	ADAPTER-PTRAP-1 1/2" PX 1 1/4" MPT
11	034250-01-000	EA	ELBOW-90 DEGREE-LONG TURN-1 1/2" HUB X HUB-ABS
12	037763-01-000	EA	PTRAP-PLAS 1 1/2 H X H W/UNION-NIBCO 5895
13	121386-01-000	EA	TANK-HOLDING-48 GALLON-W/O FITTINGS
14	011071-01-000	EA	PTRAP-PLASTIC 1 1/2"-CSA
14	109571-01-000	EA	ADAPTER-P-TRAP-1 1/2 PX 1 1/4 MPT
14	107538-01-000	EA	P-TRAP-PLASTIC-1 1/4 W/EXTENSION ARM
	011069-02-000	EA	TAILPIECE-TUB/SHOWER-1 1/2" X 1 1/4" X 4"-BRASS
	069735-01-000	EA	WASHER-STRAINER TOTAL PIECE-PLASTIC-1.5"
15	031365-02-000	EA	TEE-PLASTIC-1 1/2" EXT LG TURN
16	061607-02-000	EA	GROMMET-HOLDING TANK-3" NPS
17	063641-01-000	EA	FLANGE-CLOSET-4" X 3"
18	078406-01-000	EA	COUPLER-RUBBER-W/CLAMPS-3" X 3"
	103354-01-000	EA	CONNECTOR-HOSE-SEWER
19	041956-01-000	EA	ELBOW-STREET-PLASTIC-1/4 BEND-3" X 90 XLT
20	070916-01-000	EA	VALVE-DUAL DUMP-W/CAP-3" X 1 1/2"
	070916-01-700	EA	VALVE ONLY (WASTE) 3" T1003BU
	070916-01-701	EA	VALVE ONLY (WASTE) 1 1/2" T1001BU
20	062416-01-000	EA	ADAPTER-SEWER HOSE TO 3" PIPE
	010201-01-000	EA	HOSE-SEWER-3" ID X 8'
21	062422-01-000	EA	ADAPTER-OFFSET REDUCER-3" X 1 1/2"-PLASTIC
22	121385-01-000	EA	TANK-HOLDING-47 GALLON-W/O FITTINGS
	120981-01-01A	EA	DRAIN-TIPTOE-BRASS

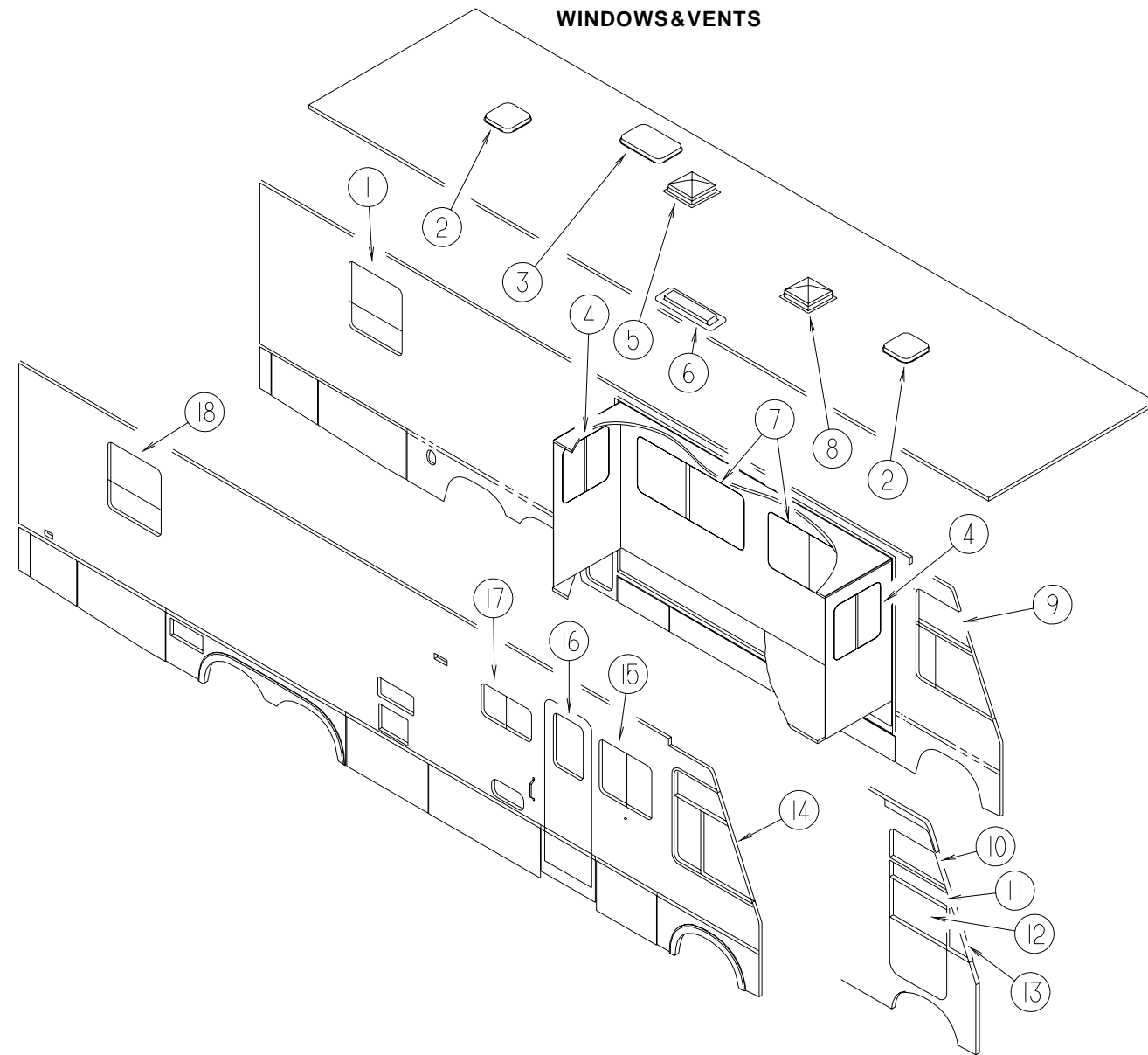
WATER & SEWAGE GROUP (CONTINUED)

WATER HEATER W/MOTOR AID AT WOOD (GH6-8E)



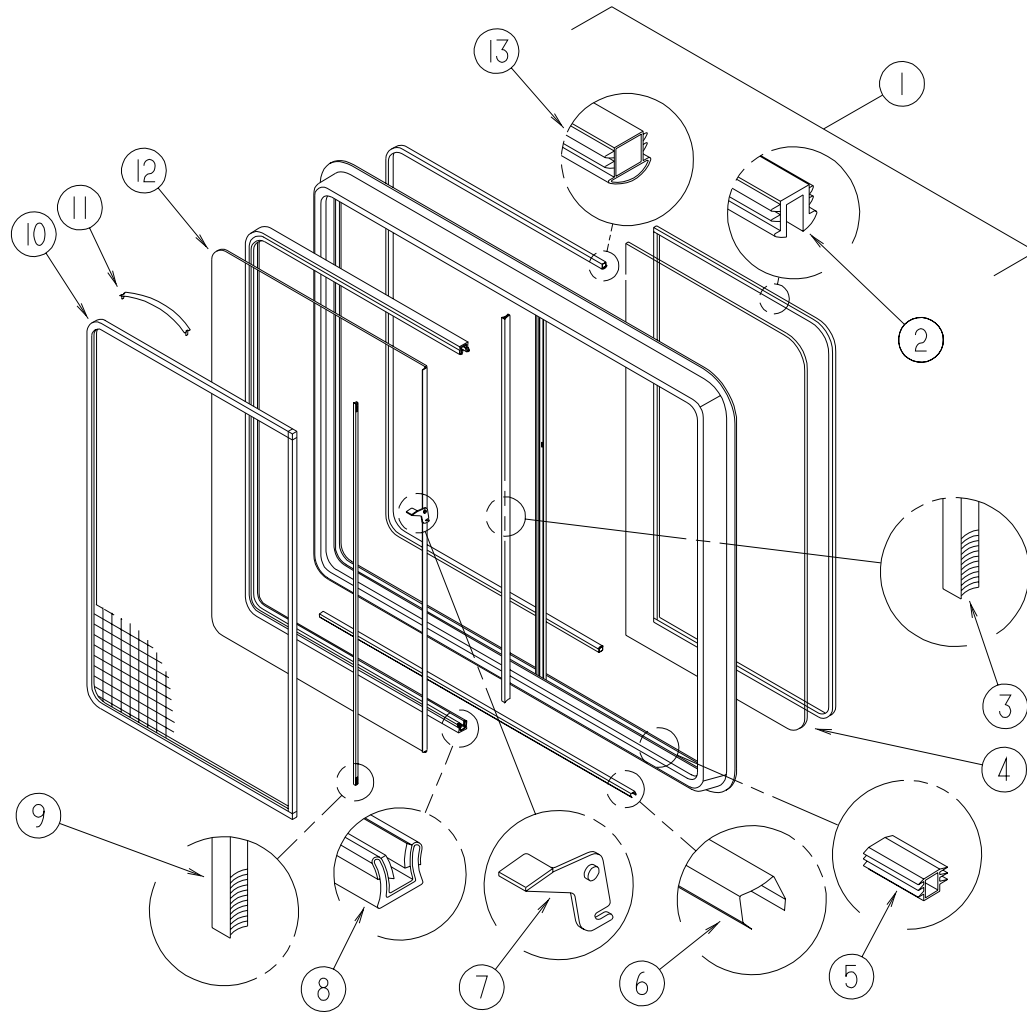
KEY	PART NUMBER	U/M	DESCRIPTION	VENDOR NO.
	051393-01-000	EA	WATER HEATER-W/MOTOR AID-PILOTLESS IGNITION	
1	097967-01-000	EA	SWITCH-WATER HEATER-REMOTE W/LIGHT-AT WOOD	91959
2	051391-04-701	EA	THERMOSTAT 12VDC-120 PRESET	91470
3	051393-01-721	EA	THERMOSTAT W/ECO-140 FRT MT	91447
4	051391-01-705	EA	FASTENER-CAM LOCK	92609
5	051391-01-704	EA	VALVE-RELIEF-1/2" FITTING	91604
6	051393-01-723	EA	SWITCH-THERMAL-CUTOFF 2/PKG	93866
7	051393-01-724	EA	BOARD-CIRCUIT-SPADE TERMINAL	93865
8	051393-01-725	EA	ELECTRODE-SGL SPADE CONNECT.	93868
9	051391-04-703	EA	BURNER-MAIN	91638
10	051391-01-717	EA	GRILLE-WATER HEATER DOOR	92640
11	051391-01-710	EA	ORIFICE-MAIN BURNER	92742
12	051391-03-700	EA	HOLDER-ORIFICE	91563
13	051393-01-726	EA	VALVE-SOLENOID-W/BACKET	93870
14	051391-01-714	EA	FITTING-ELBOW 45-3/8 F X 3/8 MPT	1044
15	052009-06-000	EA	DOOR-WATER HEATER	
16	051391-01-700	EA	HINGE KIT-(PIN & CLIP)	92568 & 92559
17	051391-04-704	EA	TANK-INNER (FRONT MOUNT)	91642
18	051391-01-715	EA	PLUG-DRAIN-1 EA=2 PER PKG	91857
19	051391-04-707	EA	KIT-EXHAUST-(FLUE & GASKET)	90960
	111129-01-711	EA	BRACKET-CORNER-SET OF FOUR	91928
	116424-01-000	EA	PROTECTOR-ROUND VINYL-WATER HEATER LATCH	

WINDOW, VENT & EXTERIOR DOOR GROUP



KEY	PARTNUMBER	U/M DESCRIPTION	KEY	PARTNUMBER	U/M DESCRIPTION	VENDOR NO.
1	112898-18-01A	EA WINDOW-SLIDER/VERTICAL-THERMOPANE-33.2"X30.1"	10	106467-03-01A	EA WINDOW-DRIVER VISTA (ABOVE DR DOOR) 26.5"TX35.5"BX15.8"H	
1	112463-05-01A	EA WINDOW-TIPOUT/ESCAPEW/RETAINER TRIM-33.3"X30.2"	10	116000-02-01A	EA WINDOW-DRIVER VISTA-THERMO-14.8"X25.7"X32.2"	
2	122882-01-01A	EA VENT-ROOF-NONPOWERED	11	106469-02-702	EA GLASS-STATIONARY HORIZONTAL	106-041104
2	122882-07-01A	EA GARNISH-ROOF VENT-2.50" TO 4.12"	12	106469-01-704	EA GLASS ASM., ROLL-UP, W/BRKT	V103-65L
3	122191-01-01A	EA PANEL-SKYLITE-INNER W/LIGHT CUT-OUT-20.7"X35.4"-114496-01-01A (OUTER)	13	106468-02-01A	EA WINDOW-DRIVER WING-TRIANGULAR	
		FROM: 00-00-00 THRU: 02-05-97	13	115999-02-01A	EA WINDOW-DRIVER WING-THERMOPANE-TRIANGULAR	
3	122191-01-02A	EA PANEL-SKYLITE-INNER-20.7"X35.4"-114496-01-02A (OUTER PANEL)	14	113501-02-01A	EA WINDOW-PASSENGER-CAB-THERMO (3 GLASS) 44.3"X24.4"X44.1"	
		FROM: 02-06-97 THRU: 99-99-99	14	103658-08-01A	EA WINDOW-PASSENGER-CAB (3 GLASS) 25.3"TX45.4"BX45.2"H	
4	098647-45-01A	EA WINDOW-PASSENGER HORIZONTAL SLIDER-23.6"X24.5"	15	112795-18-01A	EA WINDOW-PASSENGER-HORIZONTAL SLIDER-THERMO-26 3/8"X30"	
5	122882-02-01A	EA VENT-ROOF-W/FAN-UL	15	098647-25-01A	EA WINDOW-PASSENGER-HORIZONTAL SLIDER-26.1"X59.6"	
5	122882-07-01A	EA GARNISH-ROOF VENT-2.50" TO 4.12"	16	113733-01-01A	EA WINDOW-STATIONARY-THERMOPANE-17"X26.4"	
6	118369-01-02A	EA CAP-REFRIGERATOR ROOF VENT	16	117053-02-F36	EA WINDOW-PICTURE-ENTRANCE DOOR-17"X26.4"	
6	118369-02-02A	EA VENT-ROOF BASE-REFRIGERATOR	17	112795-19-01A	EA WINDOW-PASSENGER-HORIZONTAL SLIDER/THERMO-15.7"X28.5"	
7	112795-54-01A	EA WINDOW/DRIVER-HORIZONTAL SLIDER-THERMO-30"X57.75"	17	098647-33-01A	EA WINDOW-PASSENGER-HORIZONTAL SLIDER-15.7"X28.5"	
7	098647-47-01A	EA WINDOW-DRIVER HORIZONTAL SLIDER-23.6"X57.5"	18	112898-16-01A	EA WINDOW-SLIDER/VERTICAL-THERMOPANE-33.2"X30.2"	
8	122882-01-01A	EA VENT-ROOF-NONPOWERED	18	112463-03-01A	EA WINDOW-TIPOUT W/RETAINER TRIM-33.3"X30.2"	
8	122882-07-01A	EA GARNISH-ROOF VENT-2.50" TO 4.12"				
8	123780-03-01A	EA VENT-EXHAUST-3" ROOF				
8	123780-04-01A	EA VENT-EXHAUST-3" CEILING				
9	113501-01-01A	EA WINDOW-DRIVER CAB THERMO-3 WINDOW-44.3"X24.4"X44.1"				
9	103658-07-01A	EA WINDOW-DRIVER CAB-3 GLASS 25.3"TX45.4"BX45.2"H				

WINDOW, VENT & EXTERIOR DOOR GROUP (CONTINUED)



SINGLE SLIDER WINDOW (EXCEL) SLIDEOUT WALL (SIDE)

KEY	PART NUMBER	U/M DESCRIPTION	VENDOR NO.
1	098647-47-01A	EA WINDOW-DRIVERS HORIZONTAL SLIDER - 23.6" X 57.5"	
	098647-47-703	EA RETAINER-TRIM	W493-66
2	098644-01-705	FT GLAZING-STRIP	132-010231
3	098644-01-706	FT WEATHERSTRIP-GLASS	171-010668
4	098647-47-700	EA GLASS-STATIONARY	106-025224
5	098644-01-719	EA STOP-SLIDER GLASS	132-014203
6	098644-01-710	FT TRACK-SCREEN SPACER - 12' LENGTH	132-017135
7	098644-01-700	EA LATCH-REPAIR KIT	B801-CK
8	098644-01-708	FT CHANNEL-PIERCED RUN	122-016543
9	098644-01-711	FT WEATHERSTRIP-SCREEN-BLACK	171-016965
10	098647-47-702	EA SCREEN ASM - W/SEALS & CLIPS	410-025226
11	098644-01-713	EA CLIP-SPRING-METAL	226-016966
12	098647-47-701	EA GLASS-SLIDING W/SASH & LATCH	H493-G9
13	098644-01-716	FT PLUG-FILLER	132-014470
	098644-01-717	FT SPLINE-SCREEN	132-004716

WINDOW, VENT & EXTERIOR DOOR GROUP (CONTINUED)

SINGLE SLIDER WINDOW (EXCEL) SLIDEOUT WALL (ENDS)

KEY	PART NUMBER	U/M DESCRIPTION	VENDOR NO.
1	098647-45-01A	EA WINDOW-PASSENGER HORIZONTAL SLIDER - 23.6" X 24.5"	
	098647-45-704	EA RETAINER-TRIM	W467-66
2	098644-01-705	FT GLAZING-STRIP	132-010231
3	098644-01-706	FT WEATHERSTRIP-GLASS	171-010668
4	098647-45-700	EA GLASS-STATIONARY	106-025050
5	098644-01-719	EA STOP-SLIDER GLASS	132-014203
6	098644-01-710	FT TRACK-SCREEN SPACER - 12' LENGTH	132-017135
7	098644-01-700	EA LATCH-REPAIR KIT	B801-CK
8	098644-01-708	FT CHANNEL-PIERCED RUN	122-016543
9	098644-01-711	FT WEATHERSTRIP-SCREEN-BLACK	171-016965
10	098647-45-703	EA SCREEN ASM - W/SEALS & CLIPS	410-025050
11	098644-01-713	EA CLIP-SPRING-METAL	226-016966
12	098647-45-701	EA GLASS-SLIDING W/SASH & LATCH	H467-G9
13	098644-01-716	FT PLUG-FILLER	132-014470
	098644-01-717	FT SPLINE-SCREEN	132-004716

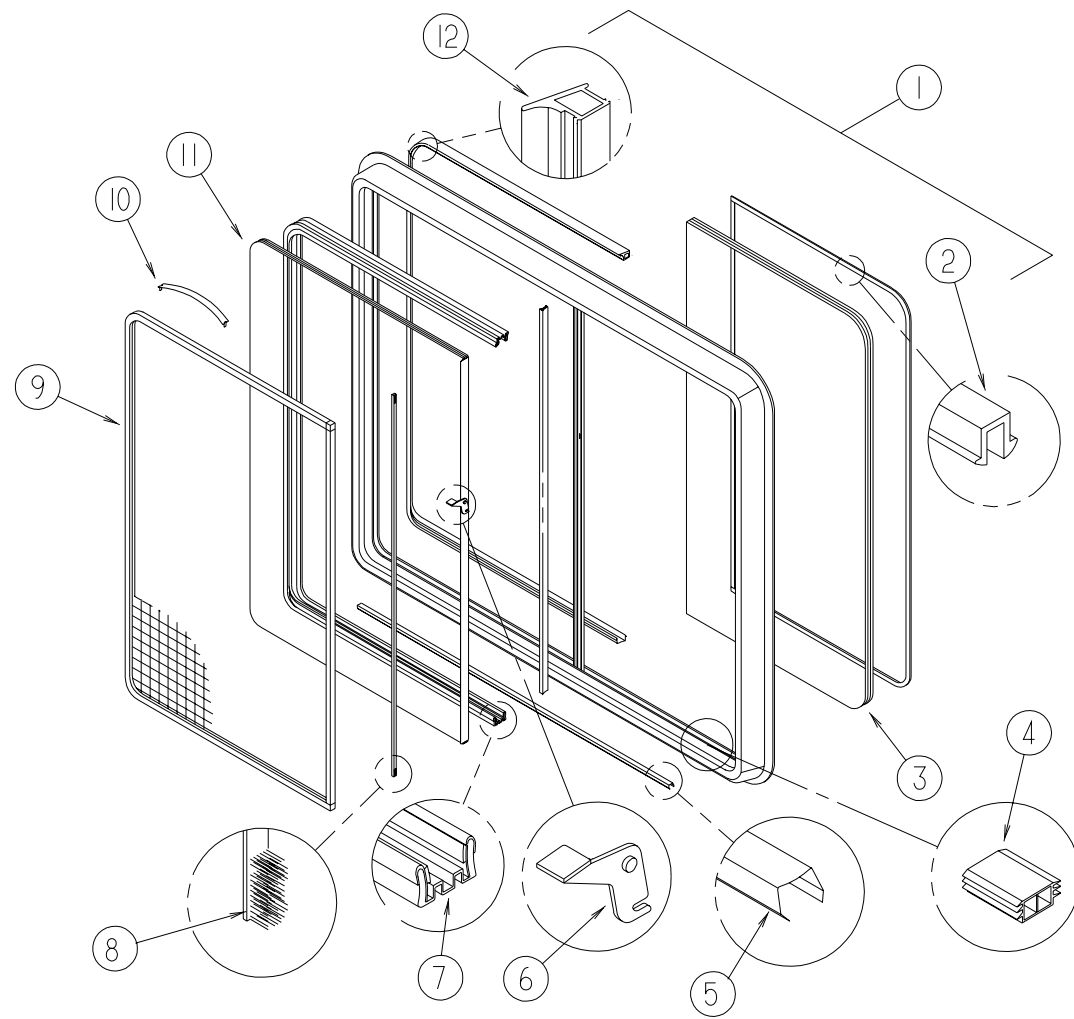
SINGLE SLIDER WINDOW (EXCEL) (PASSENGER SIDE, LOUNGE)

KEY	PART NUMBER	U/M DESCRIPTION	VENDOR NO.
	098647-25-01A	EA WINDOW-PASSENGER-HORIZONTAL SLIDER - 26.1" X 59.6"	
1	098647-25-700	EA WINDOW ASM - SLIDER - W/O INSIDE FRAME	H286-G2R
	098647-25-701	EA FRAME - INSIDE (OFF WHITE)	W28666
2	100322-01-703	FT GLAZING STRIP	132-010723
3	098644-01-706	FT WEATHERSTRIP	171-010668
4	098647-25-702	EA GLASS-STATIONARY	106-017657
5	098644-01-719	EA STOP-SLIDER GLASS	132-014203
6	098644-01-710	FT TRACK-SCREEN SPACER - 12' LENGTH	132-017135
7	098644-01-700	EA LATCH-REPAIR KIT	B801-CK
8	098644-01-708	FT CHANNEL-PIERCED RUN	122-016543
9	098644-01-711	FT WEATHERSTRIP-SCREEN-BLACK	171-016965
10	098647-25-704	EA SCREEN ASM - W/SPRINGS & WEATHERSTRIP	410-019065
11	098644-01-713	EA CLIP-SPRING-METAL	226-016966
12	098647-25-703	EA GLASS-SLIDING - W/SASH & LATCH	H286-G9
13	098644-01-716	FT PLUG-FILLER	132-014470
	098644-01-717	FT SPLINE-SCREEN	132-004716

SINGLE SLIDER WINDOW (EXCEL) (GALLEY)

KEY	PART NUMBER	U/M DESCRIPTION	VENDOR NO.
	098647-33-01A	EA WINDOW-PASSENGER-HORIZONTAL SLIDER - 15.7" X 28.5"	
1	098647-33-700	EA WINDOW ASM - SLIDER - W/O RETAINER TRIM	H425-G2R
	098647-33-701	EA RETAINER TRIM - INSIDE (OFF WHITE)	CW2966
2	100322-01-703	FT GLAZING STRIP	132-010723
3	098644-01-706	FT WEATHERSTRIP	171-010668
4	098647-33-702	EA GLASS-STATIONARY	106-019297
5	098644-01-719	FT STOP-SLIDER GLASS	132-014203
6	098644-01-710	FT TRACK-SCREEN SPACER - 12' LENGTH	132-017135
7	098644-01-700	EA LATCH-REPAIR KIT	B801-CK
8	098644-01-708	FT CHANNEL-PIERCED RUN	122-016543
9	098644-01-711	FT WEATHERSTRIP-SCREEN-BLACK	171-016965
10	098647-33-704	EA SCREEN ASM - W/SPRINGS & WEATHERSTRIP	410-019134
11	098644-01-713	EA CLIP-SPRING-METAL	226-016966
12	098647-33-703	EA GLASS-SLIDING - W/SASH & LATCH	H425-G9
13	098644-01-716	FT PLUG-FILLER	132-014470
	098644-01-717	FT SPLINE-SCREEN	132-004716

WINDOW, VENT & EXTERIOR DOOR GROUP (CONTINUED)



WINDOW, VENT & EXTERIOR DOOR GROUP (CONTINUED)

GALLEY WINDOW (THERMOINSULATED)

KEY	PARTNUMBER	U/M	DESCRIPTION	VENDOR NO.
	112795-19-01A	EA	WINDOW-PASSENGER-HORIZONTAL SLIDER/THERMO-26 3/8" X 60"	
1	112795-19-700	EA	WINDOW W/OTRIM	DC29-G2R
	098647-31-701	EA	RETAINER-TRIM	CW2966
2	112795-01-705	FT	VINYL-GLAZING	132-019702
3	112795-19-701	EA	GLASS-STATIONARY	390-019134
4	112795-01-701	EA	SLIDE-STOP	132-019092
5	098644-01-710	FT	TRACK-SCREENSPACER 12'	132-017135
6	112795-01-700	EA	LATCH ASM.-BLK.(BOLTON)	DH287-CK
7	112795-01-703	IN	CHANNEL-RUN (INCHES)	122-018736
8	098644-01-711	FT	WEATHERSTRIP-SCREENBLACK	171-016965
9	098647-31-704	EA	SCREEN ASM.-W/SEAL & SPRING CLIPS	410-019128
10	098644-01-713	EA	CLIP-SPRING-METAL	226-016966
11	112795-19-702	EA	GLASS-SLIDING-W/SASH & LATCH	DC29-G9
12	112795-01-704	FT	PLUG-FILLER (DOUBLE GLAZED)	122-018737

LOUNGE DRIVER SIDE (THERMOINSULATED)

KEY	PARTNUMBER	U/M	DESCRIPTION	VENDOR NO.
1	112795-54-01A	EA	WINDOW/DRIVER-HORIZONTAL SLIDER-THERMO-30" X 57.75"	
	098647-47-703	EA	RETAINER-TRIM	W493-66
2	112795-01-705	FT	VINYL-GLAZING	132-019702
3	112795-54-701	EA	GLASS-STATIONARY	390-025248
4	112795-01-701	EA	SLIDE-STOP	132-019092
5	098644-01-710	FT	TRACK-SCREENSPACER 12'	132-017135
6	112795-01-700	EA	LATCH ASM.-BLK.(BOLTON)	DH287-CK
7	112795-01-703	IN	CHANNEL-RUN (INCHES)	122-018736
8	098644-01-711	FT	WEATHERSTRIP-SCREENBLACK	171-016965
9	098647-47-702	EA	SCREEN ASM.-W/SEALS & CLIPS	410-025226
10	098644-01-713	EA	CLIP-SPRING-METAL	226-016966
11	112795-54-700	EA	GLASS-SLIDING W/SASH & LATCH	DH493-G9
12	112795-01-704	FT	PLUG-FILLER (DOUBLE GLAZED)	122-018737

PASSENGER SIDE LOUNGE WINDOW (THERMOINSULATED)

KEY	PARTNUMBER	U/M	DESCRIPTION	VENDOR NO.
	112795-18-01A	EA	WINDOW-PASSENGER HORIZONTAL SLIDER THERMO 26 3/8" X 30"	
1	112795-18-702	EA	WINDOW W/OTRIM	DH286-G2R
	098647-25-701	EA	RETAINER-TRIM	W286-66
2	112795-01-705	FT	VINYL-GLAZING	132-019702
3	112795-18-700	EA	GLASS-STATIONARY	390-019043
4	112795-01-701	EA	SLIDE-STOP	132-019092
5	098644-01-710	FT	TRACK-SCREENSPACER 12'	132-017135
6	112795-01-700	EA	LATCH ASM., BLK., (BOLTON)	DH287-CK
7	112795-01-703	IN	CHANNEL-RUN (INCHES)	122-018736
8	098644-01-711	FT	WEATHERSTRIP-SCREENBLACK	171-016965
9	098647-25-704	EA	SCREEN ASM.-W/SEALS & CLIPS	410-019065
10	098644-01-713	EA	CLIP-SPRING-METAL	226-016966
11	112795-18-701	EA	GLASS-SLIDING W/SASH & LATCH	DH286-G9
12	112795-01-704	FT	PLUG FILLER (DOUBLE GLAZED)	122-018737

WINDOW, VENT & EXTERIOR DOOR GROUP (CONTINUED)

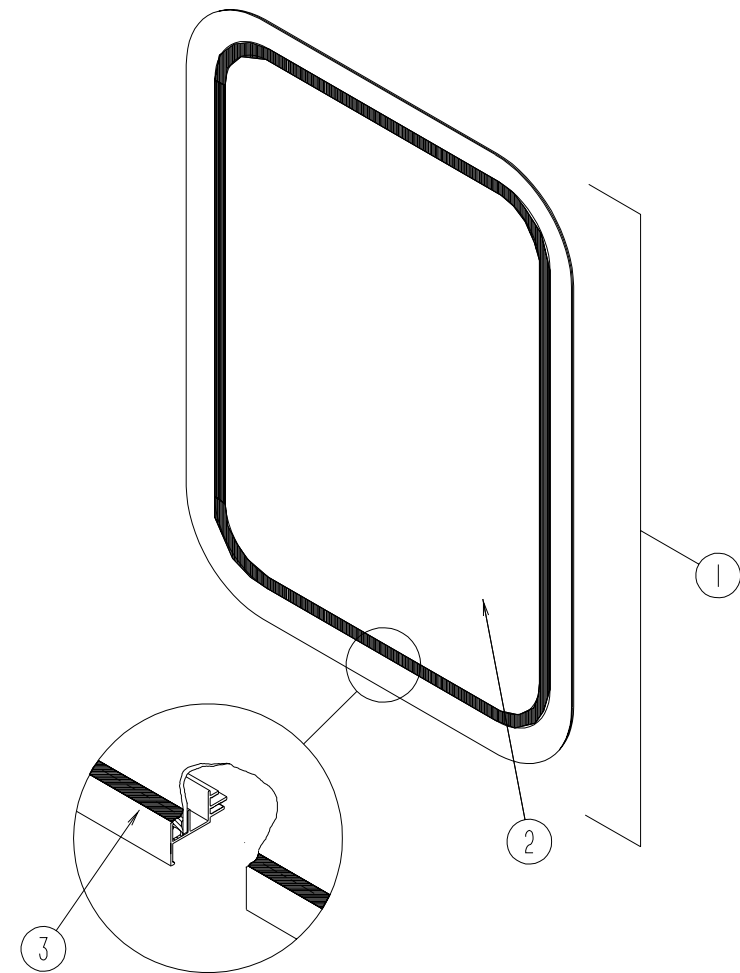
BEDROOM SIDE WINDOW

KEY	PART NUMBER	U/M DESCRIPTION	VENDOR NO.
	112898-16-01A	EA WINDOW-SLIDER/VERTICAL-THERMOPANE-33.2"X30.2"	
	098644-01-710	FT TRACK-SCREENSPACER12'	132-017135
	098644-01-711	FT WEATHERSTRIP-SCREENBLACK	171-016965
	098644-01-713	EA CLIP-SPRING-METAL	226-016966
	112795-01-700	EA LATCHASM.-BLK.-(BOLTON)	DH287-CK
	112795-01-701	EA SLIDE-STOP	132-019092
	112795-01-703	IN CHANNEL-RUN (INCHES)	122-018736
	112795-01-704	FT PLUGFILLER(DOUBLEGLAZED)	122-018737
	112795-01-705	FT VINYL-GLAZING	132-019702

BEDROOM SIDE WINDOW, THERMO (TWIN BED, DRIVER SIDE)

KEY	PART NUMBER	U/M DESCRIPTION	VENDOR NO.
	112898-18-01A	EA WINDOW-SLIDER/VERTICAL-THERMOPANE-33.2"X30.1"	
	098644-01-710	FT TRACK-SCREENSPACER12'	132-017135
	098644-01-711	FT WEATHERSTRIP-SCREENBLACK	171-016965
	098644-01-713	EA CLIP-SPRING-METAL	226-016966
	112795-01-700	EA LATCHASM.-BLK.-(BOLTON)	DH287-CK
	112795-01-701	EA SLIDE-STOP	132-019092
	112795-01-703	IN CHANNEL-RUN (INCHES)	122-018736
	112795-01-704	FT PLUGFILLER(DOUBLEGLAZED)	122-018737
	112795-01-705	FT VINYL-GLAZING	132-019702

WINDOW, VENT & EXTERIOR DOOR GROUP (CONTINUED)



ENTRY DOOR WINDOW

KEY	PART NUMBER	U/M DESCRIPTION
1	117053-02-F36	EA WINDOW-PICTURE-ENTRANCEDOOR-17"X26.4"
	117054-02-02A	EA RETAINER TRIM-BRIGHTWHITE
2	002181-25-000	EA GLASS-PICTURE 655X417MM
3	087561-01-000	FT SEAL-GLASS-EXTERIOR-.5"WIDE-VINYL-BLACK

ENTRY DOOR WINDOW (THERMOINSULATED)

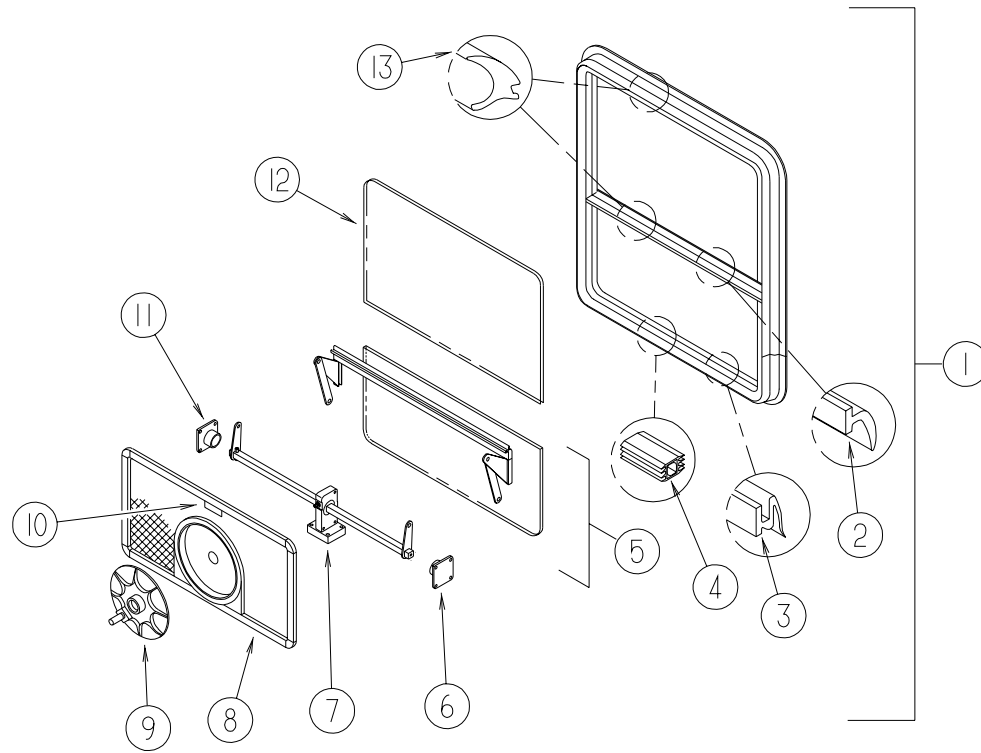
KEY	PART NUMBER	U/M DESCRIPTION
1	113733-01-01A	EA WINDOW-STATIONARY-THERMOPANE-17"X26.4"
	113733-01-701	EA RETAINER-TRIM W41666
	113733-01-700	EA WINDOWASM.W/OTRIM DH416-G2
2	113733-01-702	EA GLASS-STATIONARY 390-019187

WINDOW, VENT & EXTERIOR DOOR GROUP (CONTINUED)

WINDOW, VENT & EXTERIOR DOOR GROUP (CONTINUED)

EXCEL DOUBLE TIPOUT BEDROOM WINDOW (ESCAPE) (DRIVERSIDE)

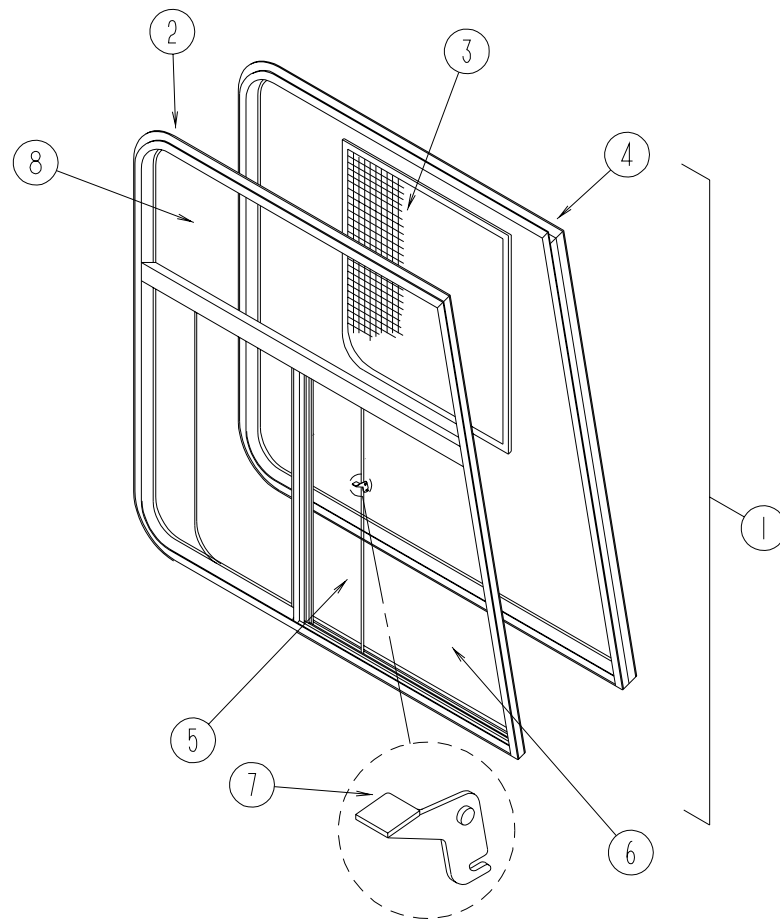
KEY	PARTNUMBER	U/M	DESCRIPTION	VENDOR NO.
	112463-05-01A	EA	WINDOW-TIPOUT/ESCAPEW/RETAINER TRIM-33.3"X30.2"	
	098644-01-716	FT	PLUG-FILLER	132-014470
	100322-01-701	FT	SEAL-VENT	122-016071
	100322-01-702	EA	WEATHERSTRIP-HORIZONTALRAIL	132-015976
	100322-01-703	FT	VINYL-GLAZING,BUTYL	132-010723
	100322-01-704	FT	TAPE-BUTYL	154-016083
	100322-01-717	EA	E-RING	245-015975
	100322-01-718	EA	HANDLE-DIAL	410-016081
	112898-06-704	EA	HANDLE-LATCH,RED-RH	182-11293
	112898-06-705	EA	HANDLE-LATCH,RED-LH	182-11294



EXCEL DOUBLE TIPOUT BEDROOM WINDOW (PASSENGER SIDE)

KEY	PARTNUMBER	U/M	DESCRIPTION	VENDOR NO.
1	112463-03-01A	EA	WINDOW-TIPOUTW/RETAINER TRIM-33.3"X30.2"	
	113500-05-705	EA	RETAINER-TRIM	CW100-59
2	100322-01-702	EA	WEATHERSTRIP-HORIZONTALRAIL	132-015976
3	100322-01-701	FT	SEAL-VENT	122-016071
4	098644-01-716	FT	PLUG-FILLER	132-014470
5	112463-03-700	EA	VENTASSEMBLY	CH100-G9
6	100322-01-714	EA	SUPPORT-TORQUEBAR,LH	130-015978
7	112463-03-702	EA	OPERATOR&BARASSEMBLY	CH10-18
8	112463-03-703	EA	SCREENASM-W/SEALS&CLIPS	410-018439
9	100322-01-718	EA	HANDLE-DIAL	410-016081
10	112519-01-706	EA	CLIP-SCREEN	CH21-50
11	100322-01-715	EA	SUPPORT-TORQUEBAR,RH	130-015979
12	112463-03-701	EA	GLASS-STATIONARY	106-025377
13	100322-01-703	FT	VINYL-GLAZING,BUTYL	132-010723
	100322-01-704	FT	TAPE-BUTYL	154-016083
	100322-01-716	EA	SUPPORT-TORQUEBAR,CTRRAIL	130-015980
	100322-01-717	EA	E-RING	245-015975

WINDOW, VENT & EXTERIOR DOOR GROUP (CONTINUED)

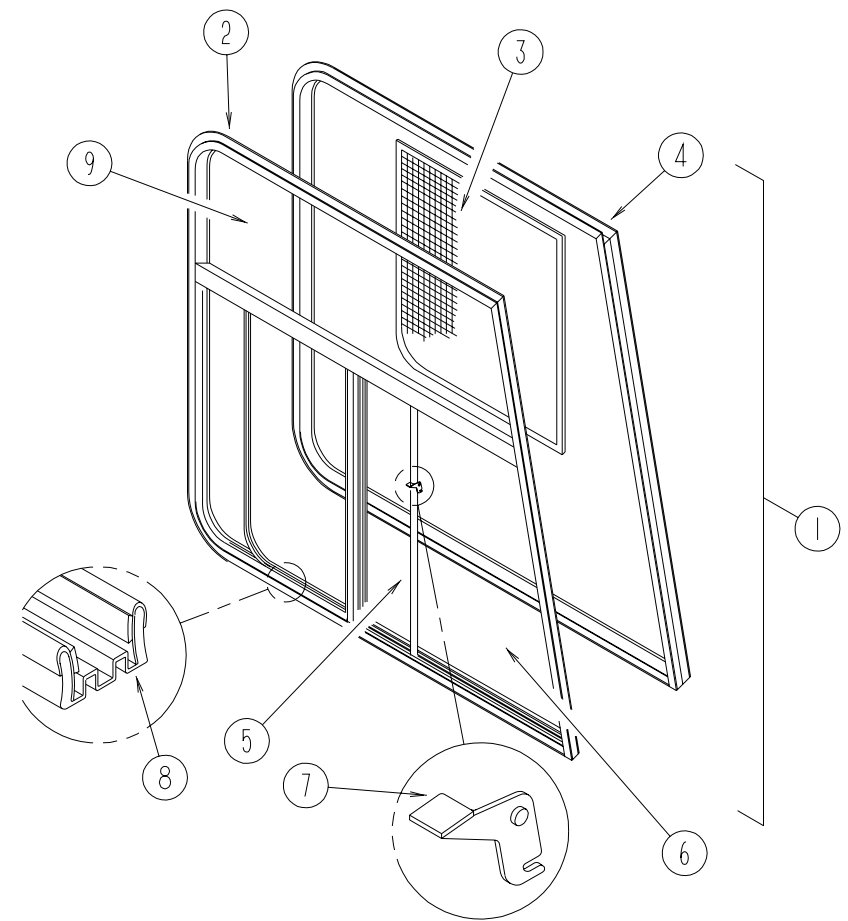


FRONT CAB WINDOWS (EXCEL)

KEY	PART NUMBER	U/M	DESCRIPTION
1	103658-07-01A	EA	WINDOW-DRIVER CAB 3 GLASS 25.3"TX45.4"BX45.2"H
1	103658-08-01A	EA	WINDOW-PASSENGER CAB 3 GLASS 25.3"TX45.4"BX45.2"H
2	103658-07-704	EA	WINDOW ASM.-W/OTRIM-DRIVERSIDE
2	103658-08-700	EA	WINDOW ASM.-W/OTRIM-PASSENGERSIDE
3	103658-01-700	EA	SCREEN ASM-W/SEALS&CLIPS-DRIVERSIDE
3	103658-02-700	EA	SCREEN ASM-W/SEALS&CLIPS-PASSENGERSIDE
4	103658-07-700	EA	RETAINER-TRIM-DRIVERSIDE
4	103658-08-701	EA	RETAINER-TRIM-PASSENGERSIDE
5	103658-01-703	EA	GLASS-SLIDING-W/SASH&LATCH LH-DRIVERSIDE
5	103658-02-701	EA	GLASS-SLIDING-W/SASH&LATCH RH-PASSENGERSIDE
6	103658-01-702	EA	GLASS-STATIONARY-BOTTOM-DRIVERSIDE
6	103658-01-702	EA	GLASS-STATIONARY-BOTTOM-PASSENGERSIDE
7	098644-01-700	EA	LATCH-REPAIR KIT (BLACK)
8	103658-07-701	EA	GLASS-STATIONARY TOP
	098644-01-706	FT	WEATHERSTRIP-GLASS
	098644-01-708	FT	CHANNEL-RUN PIERCED
	098644-01-710	FT	TRACK-SCREEN SPACER 12'
	098644-01-711	FT	WEATHERSTRIP-SCREEN BLACK
	098644-01-713	EA	CLIP-SPRING-METAL
	098644-01-716	FT	PLUG-FILLER
	098644-01-717	FT	SPLINE-SCREEN

VENDOR NO.
H374-A2L
H374-A2R
H322-03L
H322-03R
H374-66&76L
H374-66&76R
H322-A9L
322-A9R
106-017700
106-017700
B801-CK
106-018481
171-010668
122-016543
132-017135
171-016965
226-016966
132-014470
132-004716

WINDOW, VENT & EXTERIOR DOOR GROUP (CONTINUED)



FRONT CAB THERMOPANE WINDOWS (EXCEL)

KEY	PART NUMBER	U/M	DESCRIPTION	VENDOR NO.
1	113501-01-01A	EA	WINDOW-DRIVER CAB THERMO (3 WINDOW) 44.3"X24.4"X44.1"	
1	113501-02-01A	EA	WINDOW-PASS CAB THERMO (3 WINDOW) 44.3"X24.4"X44.1"	
2	113501-01-700	EA	WINDOW W/OTRIM-DRIVERSIDE	DH374-A2L
2	113501-02-700	EA	WINDOW W/OTRIM-PASSENGERSIDE	DH374-A2R
3	103658-01-700	EA	SCREEN ASM-W/SEALS&CLIPS-DRIVERSIDE	H322-03L
3	103658-02-700	EA	SCREEN ASM-W/SEALS&CLIPS-PASSENGERSIDE	H322-03R
	098644-01-717	FT	SPLINE-SCREEN	132-004716
	098644-01-713	EA	CLIP-SPRING-METAL	226-016966
4	103658-05-702	EA	RETAINER-TRIM-DRIVERSIDE	H373-66&76L
4	103658-10-701	EA	RETAINER-TRIM-PASSENGERSIDE	H373-66&76R
5	113501-01-703	EA	GLASS-SLIDING W/SASH&LATCH-DRIVERSIDE	DH374-A9L
5	113501-02-702	EA	GLASS-SLIDING W/SASH&LATCH-PASSENGERSIDE	DH374-A9R
6	113501-01-702	EA	GLASS-STATIONARY-LOWER-DRIVERSIDE	390-019139L
6	113501-02-701	EA	GLASS-STATIONARY-LOWER-PASSENGERSIDE	390-019138R
7	112795-01-700	EA	LATCH ASM.-BLACK (BOLTON)	DH287-CK
8	112795-01-703	IN	CHANNEL-RUN (INCHES)	122-018736
9	113501-01-701	EA	GLASS-STATIONARY-UPPER-DRIVER OR PASSENGERSIDE	390-019137
	098644-01-711	FT	WEATHERSTRIP-SCREEN BLACK	171-016965
	112795-01-701	EA	SLIDE-STOP	132-019092
	112795-01-704	FT	PLUG FILLER (DOUBLE GLAZED)	122-018737
	112795-01-705	FT	VINYL-GLAZING	132-019702
	112898-04-703	EA	SASH LATCH KIT-RAISED	DH343-CK

WINDOW, VENT & EXTERIOR DOOR GROUP (CONTINUED)

NONPOWERED ROOF VENT

KEY	PARTNUMBER	U/M DESCRIPTION	VENDOR NO.
	122882-01-01A	EA VENT-ROOF-NONPOWEREDELIXIRV971201WHT	
	009440-01-000	EA GEAR-ARM-ROOFVENT-705221K38	
	064470-01-700	EA COVER-VENT-W/O(SLIDEBAR)	J7291
	064470-01-701	EA SLIDEBAR(VENT-LID)	JRP1291B
	122882-01-700	EA HANDLE-CRANKBLACK	90128
	122882-01-701	EA SCREEN	JRP-1124-B
	122882-07-01A	EA GARNISH-ROOFVENT-2.50"TO4.12"	

POWERED ROOF VENT

KEY	PARTNUMBER	U/M DESCRIPTION	VENDOR NO.
	122882-02-01A	EA VENT-ROOF-W/FAN-ULELIXIRV971202WHT	
	009440-01-000	EA GEAR/ARM-LIFT-ROOFVENTCOVER-705221K38	
	048648-01-000	EA MOTOR-ROOFVENT-1/8SHAFT-12VOLT	
	048649-01-000	EA FAN-ROOFVENT-6BLADES-6"	
	064470-01-700	EA COVER-VENT-W/O(SLIDEBAR)	J7291
	064470-01-701	EA SLIDEBAR(VENT-LID)	JRP1291B
	110051-03-700	EA SWITCH-BLACK/PUSHBUTTON	27-0164
	122882-01-700	EA HANDLE-CRANKBLACK	90128
	122882-01-701	EA SCREEN	JRP-1124-B
	122882-07-01A	EA GARNISH-ROOFVENT-2.50"TO4.12"	

POWERED ROOF VENT

KEY	PARTNUMBER	U/M DESCRIPTION	VENDOR NO.
	123780-03-01A	EA VENTILATOR-ROOF78-100MM,WHT	
	009440-01-000	EA GEAR-ARM-ROOFVENT	705221K38
	084079-01-703	EA KNOB-LIFT,W/EXT.&SCREW	1140K-00
	084079-01-704	EA BLADE-FAN	1070-00
	084079-01-705	EA MOTOR	1080-00
	084079-01-706	EA PLUG,12VOLT	1090
	084079-01-707	EA SWITCH-SAFETY	1122.05
	084079-01-709	EA SWITCH-MAIN-3SPEED	1031-05
	084079-01-711	EA H-MOLDING,MOTORMOUNT	
	084079-11-700	EA MOTOR,BRKT.,FANBLADE,KIT	4017K-09
	123780-01-700	EA COVER-VENTW/HINGE&SLIDE	1020K-81
	123780-03-700	EA GARNISH-INT.3"-4"BRT/WHT	2040-81

POWERED ROOF VENT CSA

KEY	PARTNUMBER	U/M DESCRIPTION	VENDOR NO.
	123780-04-01A	EA VENTILATOR-ROOF78-100MM,WHT	
	009440-01-000	EA GEAR-ARM-ROOFVENT	705221K38
	084079-01-703	EA KNOB-LIFT,W/EXT.&SCREW	1140K-00
	084079-01-704	EA BLADE-FAN	1070-00
	084079-01-705	EA MOTOR	1080-00
	084079-01-706	EA PLUG,12VOLT	1090
	084079-01-707	EA SWITCH-SAFETY	1122.05
	084079-01-709	EA SWITCH-MAIN-3SPEED	1031-05
	084079-01-711	EA H-MOLDING,MOTORMOUNT	
	084079-11-700	EA MOTOR,BRKT.,FANBLADE,KIT	4017K-09
	123780-01-700	EA COVER-VENTW/HINGE&SLIDE	1020K-81
	123780-03-700	EA GARNISH-INT.3"-4"BRT/WHT	2040-81

WINDOW, VENT & EXTERIOR DOOR GROUP (CONTINUED)

ROOF VENTS

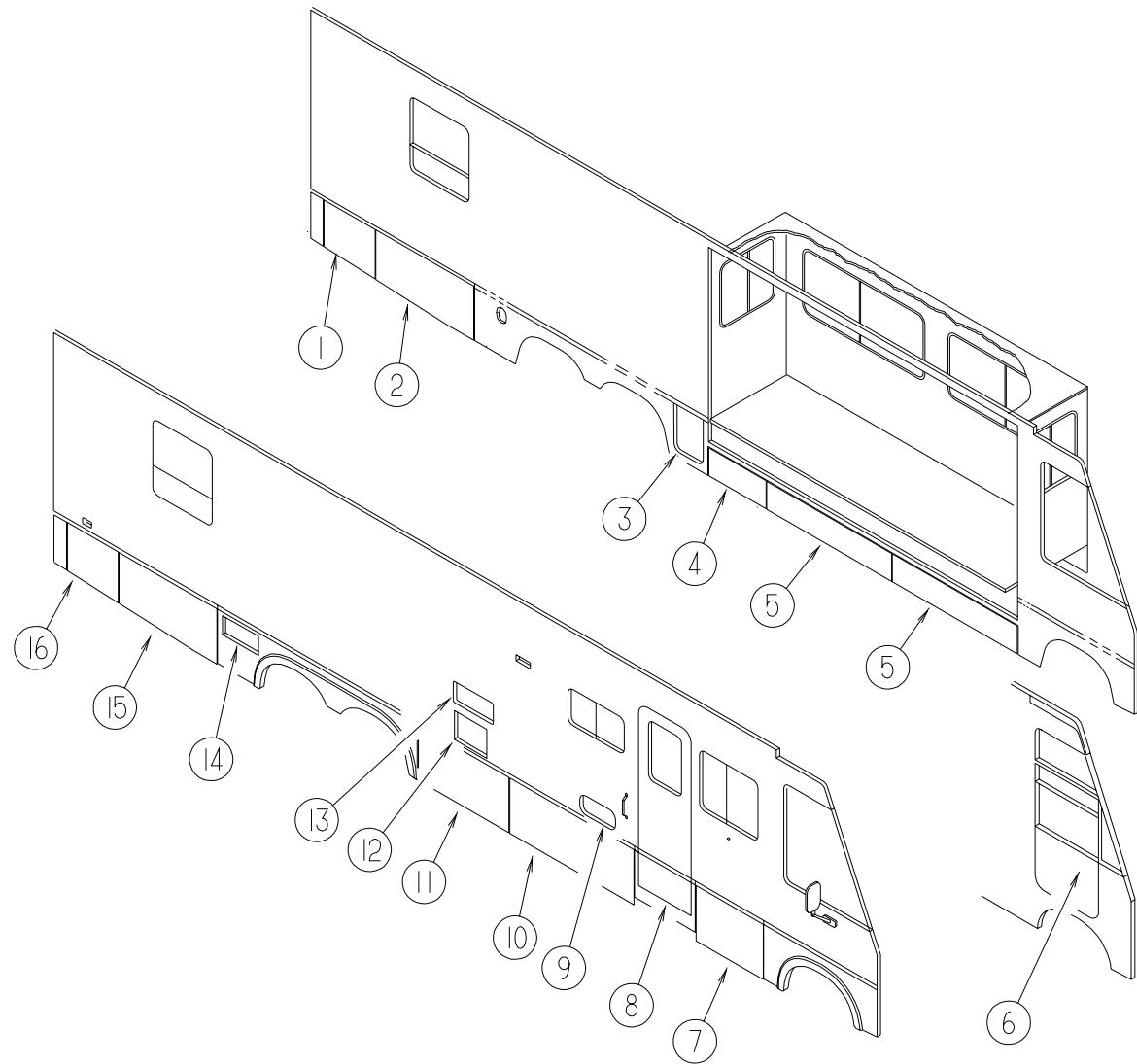
KEY	PARTNUMBER	U/M DESCRIPTION
	083558-03-000	EA VENT-PLUMBING-PIPEROOF-W/COVER-OFFWHITE
	084073-04-000	EA BASE-ROOFVENT-REFRIGERATOR
	084073-07-000	EA VENT-ROOF-REFRIGERATOR-BRIGHTWHITE
	118369-01-02A	EA CAP-REFRIGERATORROOFVENT
	118369-02-02A	EA VENT-ROOFBASE-REFRIGERATOR

SEAWALL VENTS

KEY	PARTNUMBER	U/M DESCRIPTION
	084616-07-000	EA VENT-SHROUD-RANGEHOOD-BRIGHTWHITE
	084878-09-000	EA VENT-HOOD-RANGE/SHORT-OFFWHITE

WINDOW, VENT & EXTERIOR DOOR GROUP (CONTINUED)

EXTERIOR DOORS

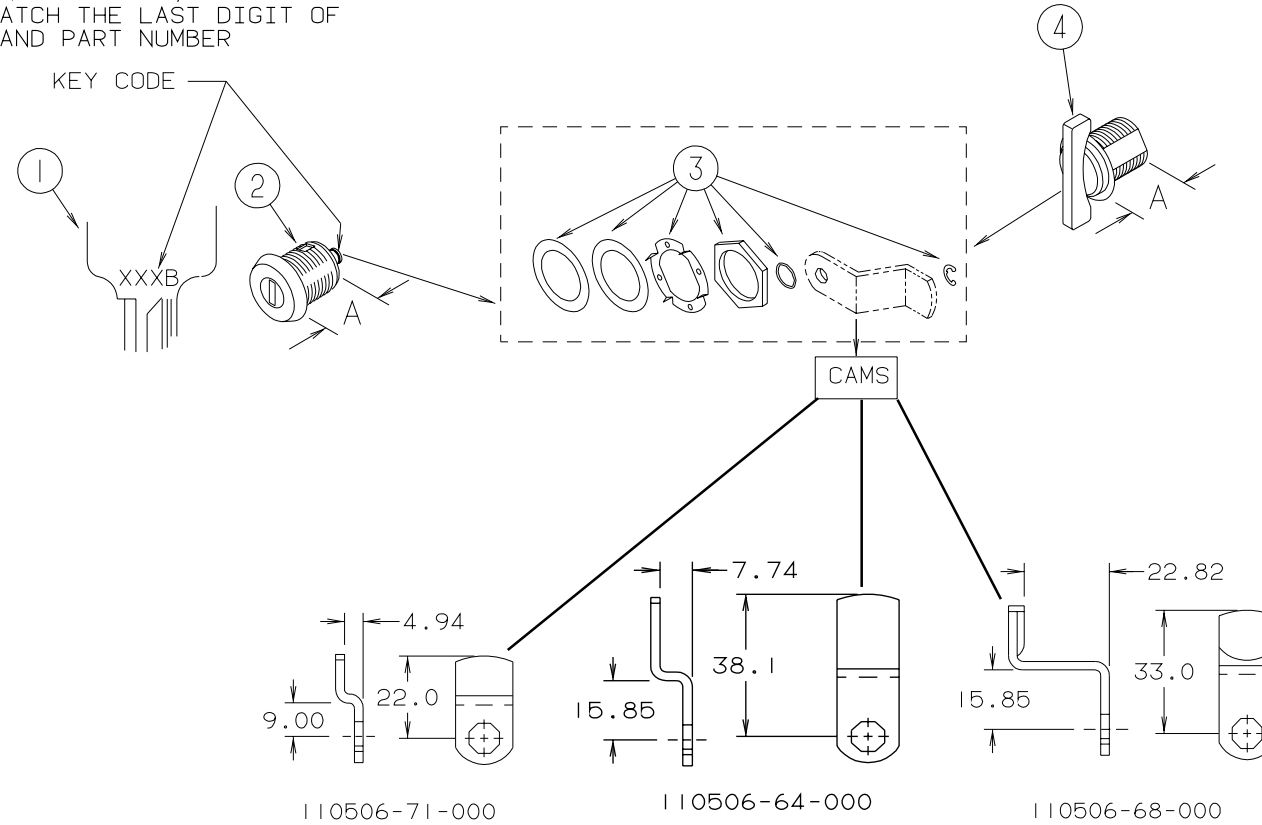


KEY	PARTNUMBER	U/M	DESCRIPTION	VENDOR NO.
1	122391-25-H17	EA	DOOR-STORAGE-TAPERED-W/OPADDLELATCH-26.04"UMBRA/BROWN	
1	122391-25-H18	EA	DOOR-STORAGE-TAPERED-W/OPADDLELATCH-26.04" SUPERBLUE	
2	122391-24-H17	EA	DOOR-STORAGE-TAPERED-W/OPADDLELATCH-49.9"UMBRA/BROWN	
2	122391-24-H18	EA	DOOR-STORAGE-TAPERED-W/OPADDLELATCH-49.9" SUPERBLUE	
3	123973-01-H17	EA	DOOR-DRAINAGEUMBRA/BROWN	
3	123973-01-H18	EA	DOOR-DRAINAGESUPERBLUE	
4	122239-27-H17	EA	DOOR-STORAGE-W/OPADDLELATCH-29.2"UMBRA/BROWN	
4	122239-27-H18	EA	DOOR-STORAGE-W/OPADDLELATCH-29.2" SUPERBLUE	
5	122239-26-H17	EA	DOOR-STORAGE-W/OPADDLELATCH-63.8"UMBRA/BROWN	
5	122239-26-H18	EA	DOOR-STORAGE-W/OPADDLELATCH-63.8" SUPERBLUE	
6	106469-07-01A	EA	DOOR-DRIVER-BLACK	
7	122239-28-H17	EA	DOOR-STORAGE-W/OPADDLELATCH-33.9"UMBRA/BROWN	
7	122239-28-H18	EA	DOOR-STORAGE-W/OPADDLELATCH-33.9" SUPERBLUE	
8	115108-02-H17	EA	DOOR-ENTRY-W/SCREENDOOR-W/OWINDOW(H17)	
8	115108-02-H18	EA	DOOR-ENTRY-W/SCREENDOOR-W/OWINDOW(H18)	
8	115108-02-H19	EA	DOOR-ENTRY-W/SCREENDOOR-W/OWINDOW(H19,H41)	
8	115108-02-H40	EA	DOOR-ENTRY-W/SCREENDOOR-W/OWINDOW(H40)	
9	111017-01-H23	EA	DOOR-PATIO/ENTERTAINMENTCENTER-W/OLATCH-17.8"X8.1"	
10	122239-29-H17	EA	DOOR-STORAGE-W/OPADDLELATCH-62.9"UMBRA/BROWN	
10	122239-29-H18	EA	DOOR-STORAGE-W/OPADDLELATCH-62.9" SUPERBLUE	
11	122239-35-H17	EA	DOOR-STORAGE-W/OPADDLELATCH-46.2"UMBRA/BROWN	
11	122239-35-H18	EA	DOOR-STORAGE-W/OPADDLELATCH-46.2" SUPERBLUE	
12	052009-06-000	EA	DOOR-WATERHEATER-BRIGHTWHITE-18"X14.6"	
12	116424-01-000	EA	PROTECTOR-WATERHEATERLATCH	
13	084103-08-000	EA	DOOR-REFRIGERATOR-VENTED-W/OJAMB	
	084104-01-700	EA	LOCK-MALE,FASTENER	201-721-010
	084104-01-701	EA	LOCK-FEMALE,FASTENER	201-802-010
13	084104-08-000	EA	JAMB-REFRIGERATORDOOR	
13	118368-01-03A	EA	DOOR-REFRIGERATOR-VENTED	
				FROM: 00-00-00 THRU: 01-05-97
13	125481-01-02A	EA	DOOR-REFRIGERATORVENT	
				FROM: 01-06-97 THRU: 99-99-99
14	098668-23-000	EA	DOOR-ACCESS-FURNACE	
15	122391-26-H17	EA	DOOR-STORAGE-TAPERED-W/OPADDLELATCH-49.9"UMBRA/BROWN	
15	122391-26-H18	EA	DOOR-STORAGE-TAPERED-W/OPADDLELATCH-49.9" SUPERBLUE	
16	122391-27-H17	EA	DOOR-STORAGE-TAPERED-W/OPADDLELATCH-26.04"UMBRA/BROWN	
	122391-27-H18	EA	DOOR-STORAGE-TAPERED-W/OPADDLELATCH-26.04" SUPERBLUE	
	081240-16-000	EA	DOOR-WATERFILL-LOCKABLEW/OLOCK-4"X45/8"-BRIGHTWHITE	

WINDOW, VENT & EXTERIOR DOOR GROUP (CONTINUED)

BRIGGS & STRATTON LOCKS & COMPONENTS

NOTE:
WHEN ORDERING THE LOCK CASE, THE KEY CODE MUST MATCH THE LAST DIGIT OF THE VEHICLE'S SERIAL NUMBER AND PART NUMBER; WHEN ORDERING THE KEYS, THE THIRD DIGIT OF THE KEY CODE MUST MATCH THE LAST DIGIT OF THE VEHICLE'S SERIAL NUMBER AND PART NUMBER

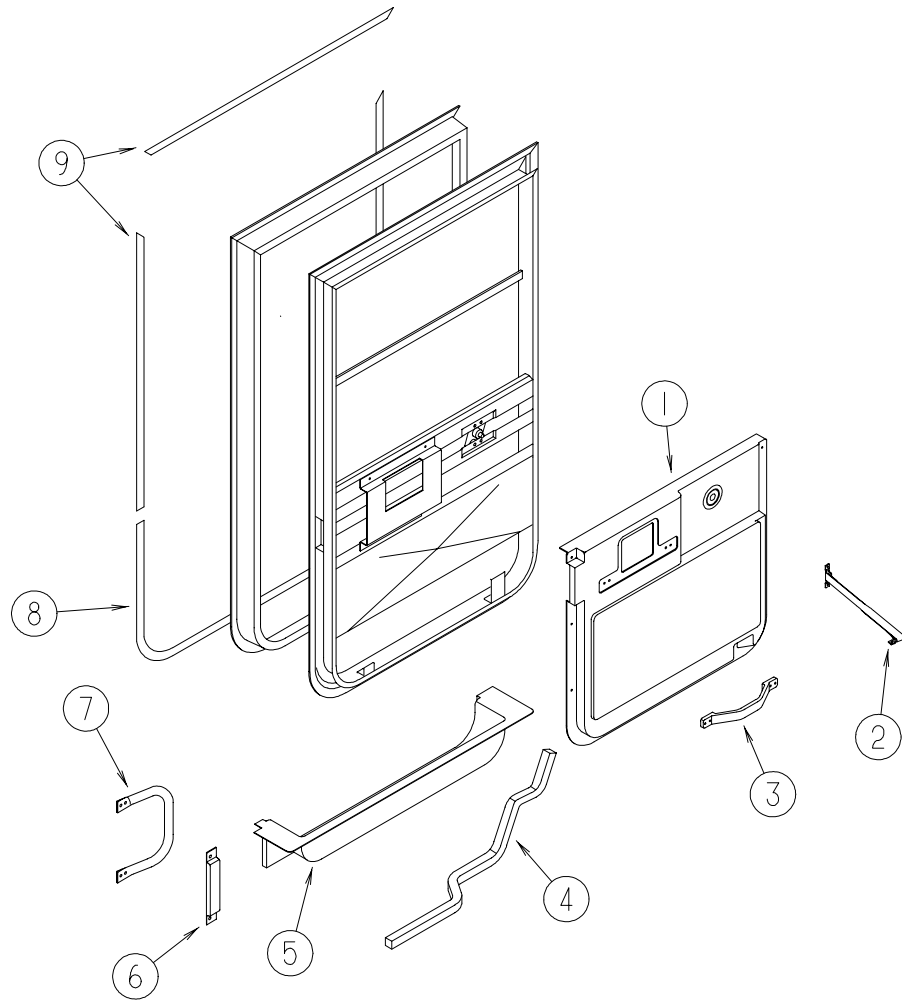


KEY	PARTNUMBER	U/M	DESCRIPTION	VENDOR NO.
1	110506-59-000	EA	KEYS-SETOFTWO	596720
2	110506-52-000	EA	CASE-LOCK-A=17MM	702370
2	110506-53-000	EA	CASE-LOCK-A=25MM	702380
1	110506-59-001	EA	KEYS-SETOFTWO	596721
2	110506-52-001	EA	CASE-LOCK-A=17MM	702371
2	110506-53-001	EA	CASE-LOCK-A=25MM	702381
1	110506-59-002	EA	KEYS-SETOFTWO	596722
2	110506-52-002	EA	CASE-LOCK-A=17MM	702372
2	110506-53-002	EA	CASE-LOCK-A=25MM	702382
1	110506-59-003	EA	KEYS-SETOFTWO	596723
2	110506-52-003	EA	CASE-LOCK-A=17MM	702373
2	110506-53-003	EA	CASE-LOCK-A=25MM	702383
1	110506-59-004	EA	KEYS-SETOFTWO	596724
2	110506-52-004	EA	CASE-LOCK-A=17MM	702374
2	110506-53-004	EA	CASE-LOCK-A=25MM	702384
1	110506-59-005	EA	KEYS-SETOFTWO	596725
2	110506-52-005	EA	CASE-LOCK-A=17MM	702375
2	110506-53-005	EA	CASE-LOCK-A=25MM	702385

KEY	PARTNUMBER	U/M	DESCRIPTION	VENDOR NO.
1	110506-59-006	EA	KEYS-SETOFTWO	596726
2	110506-52-006	EA	CASE-LOCK-A=17MM	702376
2	110506-53-006	EA	CASE-LOCK-A=25MM	702386
1	110506-59-007	EA	KEYS-SETOFTWO	596727
2	110506-52-007	EA	CASE-LOCK-A=17MM	702377
2	110506-53-007	EA	CASE-LOCK-A=25MM	702387
1	110506-59-008	EA	KEYS-SETOFTWO	596728
2	110506-52-008	EA	CASE-LOCK-A=17MM	702378
2	110506-53-008	EA	CASE-LOCK-A=25MM	702388
1	110506-59-009	EA	KEYS-SETOFTWO	596729
2	110506-52-009	EA	CASE-LOCK-A=17MM	702379
2	110506-53-009	EA	CASE-LOCK-A=25MM	702389
3	110506-40-700	EA	HARDWAREKIT	
4	110506-50-000	EA	CASE-TWISTLOCK-A=17MM	596952
4	110506-51-000	EA	CASE-TWISTLOCK-A=25MM	596669
	110506-40-000	EA	CLIP-E-LOCKASM.	93981
	110506-64-000	EA	CAM-LOCK	322280
	110506-68-000	EA	CAM-LOCK	322284
	110506-71-000	EA	CAM-LOCK	322287
	110506-59-701	EA	KEYBLANK-GOLD	

WINDOW, VENT & EXTERIOR DOOR GROUP (CONTINUED)

DRIVER DOOR INTERIOR COMPONENTS

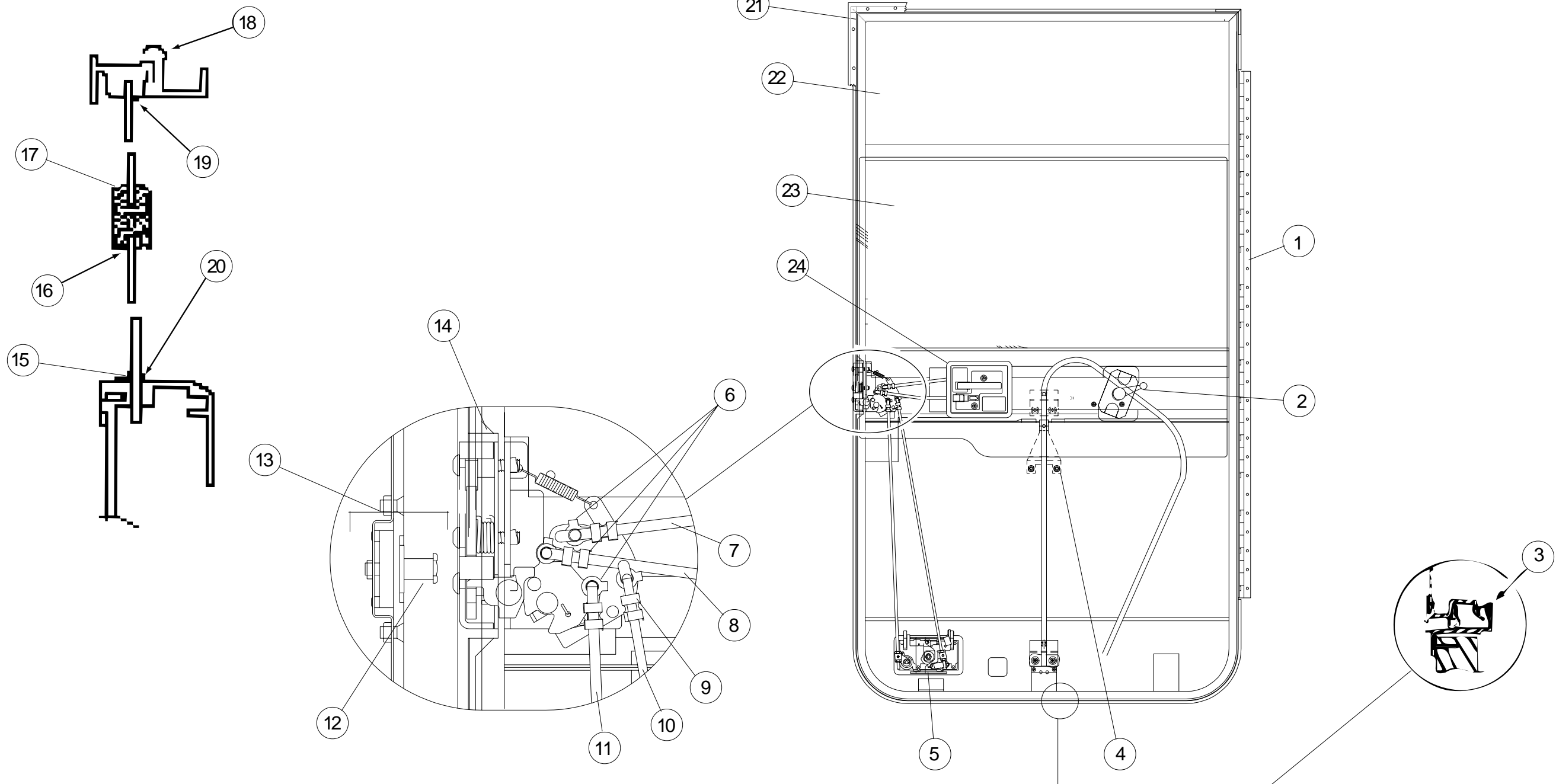


KEY	PART NUMBER	U/M	DESCRIPTION
1	114973-01-02A	EA	PANEL - DRIVER DOOR - INNER - WILLOW - PLASTIC
2	109378-01-000	EA	STRAP - CHECK - DRIVER DOOR - 12.8"
3	110604-01-01A	EA	HANDLE - ASSIST - DRIVERS DOOR
4	063977-12-000	EA	STEP - DRIVER DOOR - LEFT - PAINTED
4	063977-11-000	EA	STEP - DRIVER DOOR - LEFT - UNPAINTED
5	107818-01-01A	EA	TRIM - STEP - DRIVERS DOOR - PLASTIC - WILLOW
	106746-01-000	EA	PANEL - STEEL - STEPWELL
	106747-01-000	EA	PANEL - STEEL - STEPWELL - END RH
	106747-02-000	EA	PANEL - STEEL - STEPWELL - END LH
	102569-02-000	EA	MAT - ANTI SLIP - LOWER

KEY	PART NUMBER	U/M	DESCRIPTION
6	108654-01-01A	EA	COVER - STRIKE - DRIVERS DOOR - BLACK
7	108832-01-02A	EA	HANDLE - ASSIST - DRIVERS DOOR - METAL - OFF WHITE
	108833-01-01A	EA	COVER - HANDLE - ASSIST - OFF WHITE
8	109235-01-05A	FT	COVER - SCREW - BRIGHT WHITE - DAWN
9	109235-01-01A	FT	COVER - SCREW - MATTE BLACK - DAWN
	108129-02-02A	EA	GARNISH - DRIVERS DOOR - FRONT - BLACK
	108107-01-02A	EA	GARNISH - DRIVERS DOOR - TOP - BLACK
	108108-04-02A	EA	GARNISH - DRIVERS DOOR - REAR UPPER - BLACK
	108897-02-01A	EA	GARNISH - DRIVERS DOOR - REAR LOWER - BLACK
	P01713-01-000	EA	SWITCH - PUSH BUTTON - IN DOOR JAMB - METAL CHROME
	076725-06-000	EA	COVER - ACCESS - DOOR JAMB PUSH BUTTON - BLACK

WINDOW, VENT & EXTERIOR DOOR GROUP (CONTINUED)

DRIVER DOOR (EXCEL)

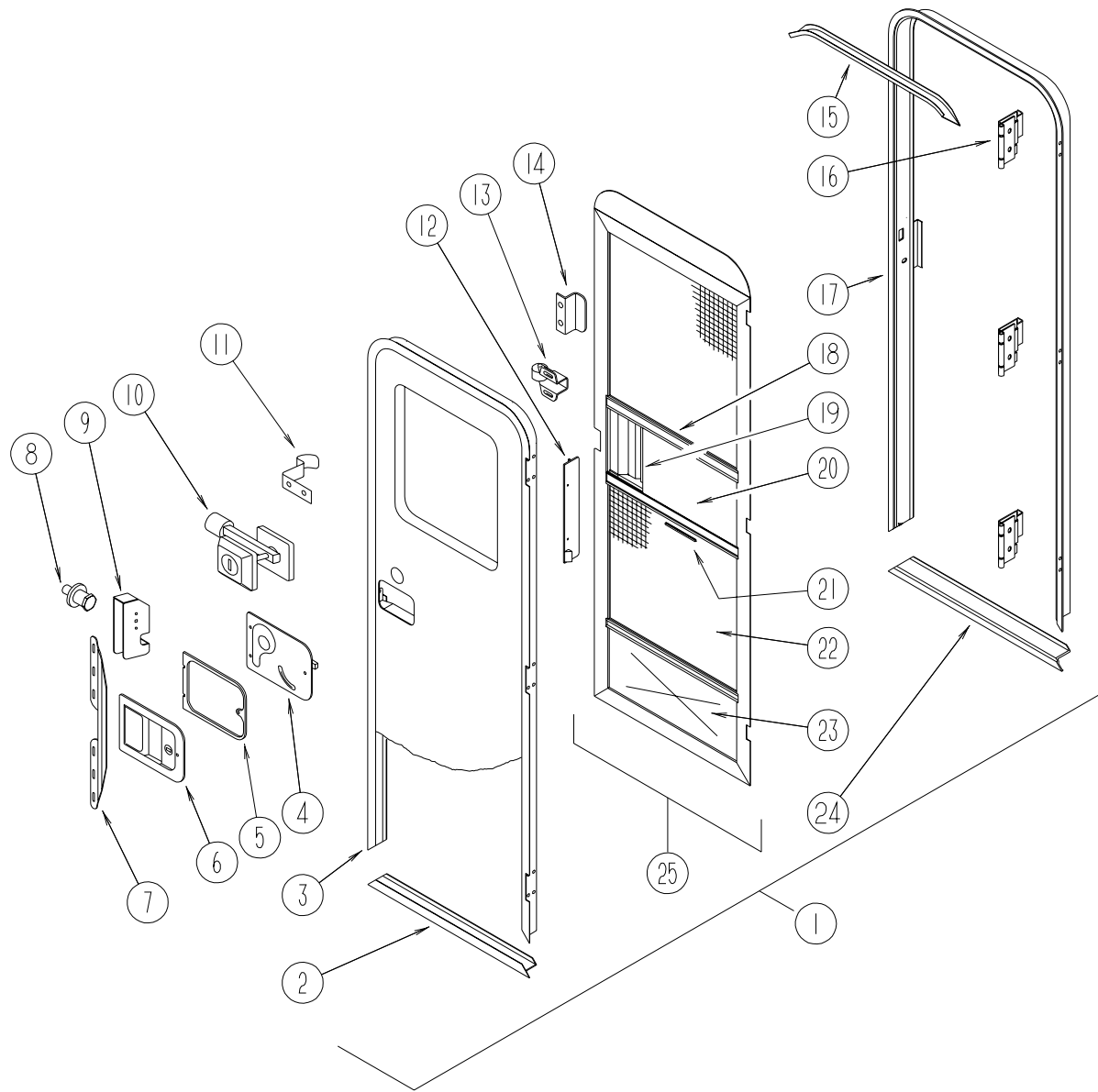


KEY	PART NUMBER	U/M	DESCRIPTION	VENDOR NO.
	106469-07-01A	EA	DOOR ASM. - DRIVERS - BLACK - V130-01L	
1	106469-05-702	EA	HINGE - 42"	211-041194
2	106469-02-704	EA	WINDOW HANDLE	V068-16
3	106469-01-723	EA	SEAL - BULB ASM. (JAMB)	171-040985
4	106469-02-701	EA	REGULATOR - MANUAL	V108-90L
5	106469-04-700	EA	PADDLE ASSEMBLY-W/COLLAR	248-041237
5	106469-04-715	EA	LATCH COMPLETE W/TUMBLER & KEYS	V123-15
6	106469-04-714	EA	ROD CLIP R.H.	248-041153
7	106469-04-705	EA	LATCH ROD - HORIZONTAL	203-041139
8	106469-04-711	EA	LOCK ROD - HORIZONTAL	203-041137
9	106469-04-713	EA	ROD CLIP L.H.	248-041154
10	106469-05-703	EA	ROD - LOCK/VERTICAL ADJUST.	203-041239
11	106469-05-705	EA	ROD - LATCH/VERTICAL ADJUST.	203-041279
12	106469-04-703	EA	BOLT - STRIKER (W/ WASHER)	248-041152
13	106469-04-704	EA	NUT ASSEMBLY - CAGED - W/STRIKER	248-041151

KEY	PART NUMBER	U/M	DESCRIPTION	VENDOR NO.
14	106469-05-706	EA	LATCH - ROTARY - W/LINKAGE	248-041150
15	106469-02-703	EA	BELT WEATHERSTRIP (EXT) WDO	V047-57
16	106469-01-705	FT	CHANNEL - RUN - SLIDING	122-010850
17	106469-08-700	EA	MULLION RAIL	V103-84
18	106469-01-702	EA	DOOR SEAL	122-040984
19	125581-02-705	EA	HORIZONTAL GLAZING - VINYL	V108-87
20	106469-01-709	FT	WEATHERSTRIP - FUZZY	171-040630
21	106469-07-700	EA	MOUNTING FRAME ASSEMBLY	V130-30L
22	106469-02-702	EA	GLASS - STATIONARY	106-041104
23	106469-01-704	EA	GLASS - ROLL-UP W/BACKET	V103-65L
24	106469-04-712	EA	HANDLE/DOOR - INNER W/HARDWARE	248-041402
24	106469-04-716	EA	LEVER - LOCKING - BLACK	80978-00
	106469-04-701	EA	TUMBLER & KEYS (TRI-MARK)	248-041179
	106469-04-702	EA	KEYS (BLANK)	248-041180
	125582-01-708	EA	WEEPHOLE COVER - RIGHT HAND	130-026598
	125582-01-709	EA	WEEPHOLE COVER - LEFT HAND	130-026599

WINDOW, VENT & EXTERIOR DOOR GROUP (CONTINUED)

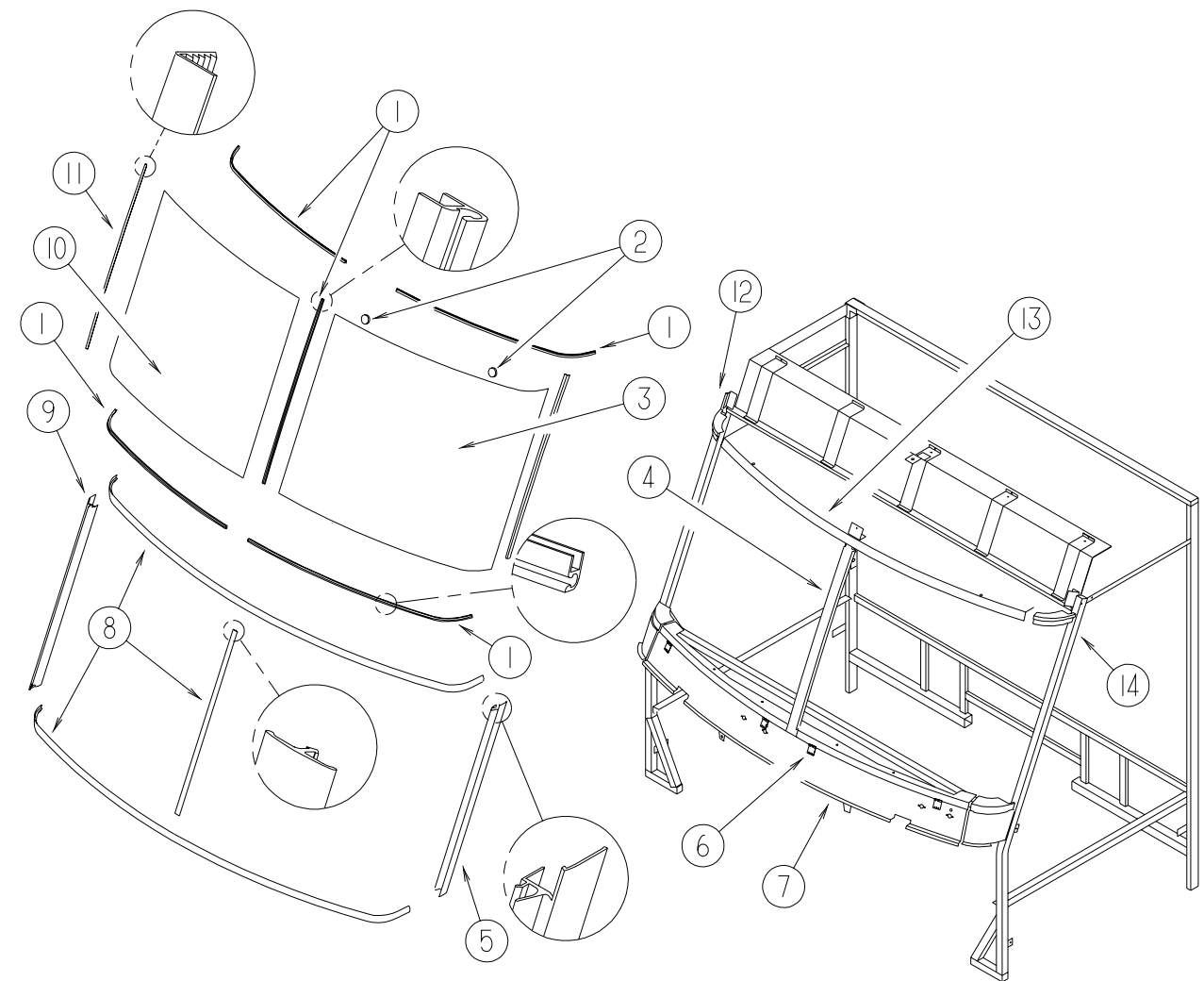
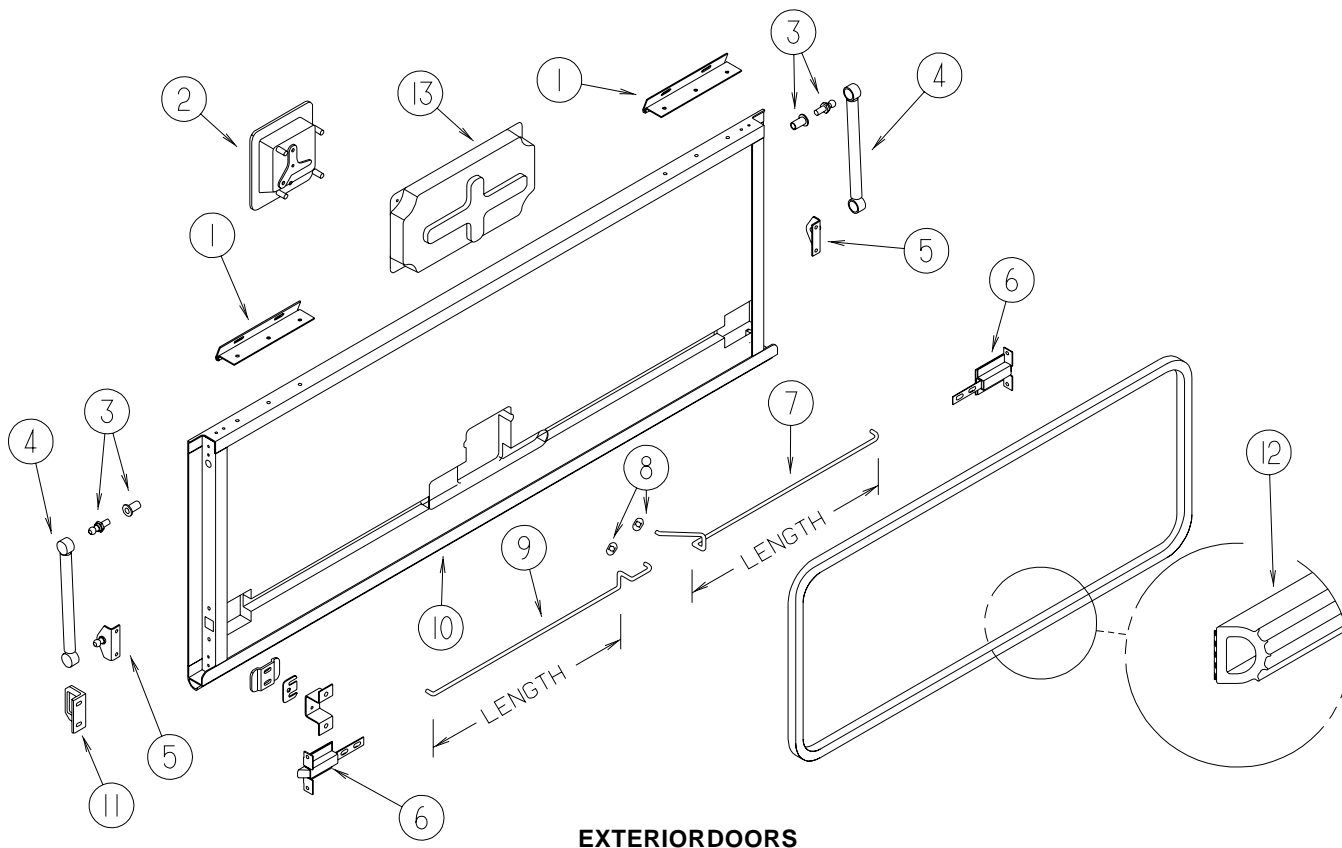
ENTRY DOOR W/O WINDOW



KEY	PARTNUMBER	U/M	DESCRIPTION
1	115108-02-H17	EA	DOOR-ENTRY-W/SCREENDOOR-W/OWINDOW(H17)
1	115108-02-H18	EA	DOOR-ENTRY-W/SCREENDOOR-W/OWINDOW(H18)
1	115108-02-H19	EA	DOOR-ENTRY-W/SCREENDOOR-W/OWINDOW(H19,H41)
1	115108-02-H40	EA	DOOR-ENTRY-W/SCREENDOOR-W/OWINDOW(H40)
	041546-07-000	EA	BRACKET-DOORANGLE
	115222-02-01A	EA	GARNISH-RADIUS-ENTRYDOOR-OFFWHITE
2	121893-01-01A	EA	FRAME-ENTRYDOOR-BOTTOM
3	121894-03-01A	EA	FRAME-ENTRYDOOR
4	039979-06-000	EA	COVER-LATCHPLATE-RIGHTHAND-BLACKTEXTURED
5	096810-01-01A	EA	SPACER-DOORLOCK-PLASTIC-BLACK
6	045017-13-000	EA	LATCH-ENTRYDOOR-BLACKTEXTURED
	045017-11-701	EA	KEYBLANK
7	098173-01-07A	EA	STIFFENER-ENTRYDOOR-SUPPORTSLATCH/STRIKEAREA
7	098173-01-04A	EA	STIFFENER-ENTRYDOOR-SUPPORTSLATCH/STRIKEAREA-MILL
8	039539-01-000	EA	STRIKE-LOCK-ENTRYDOOR-ROUNDW/THREADEDWASHER
	077461-03-000	EA	COVER-STRIKE-ENTRYDOOR-6.5"X2.5"-WHITEPLASTIC
9	039540-01-000	EA	LATCHMECHANISM-HOOK-ENTRYDOOR-INTERIOR
	039715-01-000	EA	NUT-SERT-1/4"DIAMETER-20THREADS
	039984-01-000	EA	CAP-ROUND-VINYL-.28"IDX.62"LONG-BLACK
	040944-01-000	EA	LABEL-ENTRANCEDOOR-"OPEN"
10	101145-01-06A	EA	DEADBOLT-ENTRYDOORW/OSECURITYBOLTW/2KEYS-BLACK
	095229-01-700	EA	KEYONLY-BLANK
	101147-01-000	EA	BOLT-SECURITY-4.12"
	101145-01-701	EA	CYLINDER-LOCKASM.-W/KEY
	102524-01-000	EA	BUMPER-RUBBER-FLAT-BLACK
11	100412-01-000	EA	CATCH-SCREENDOOR
12	079087-03-000	EA	STRIKE-SLIDER-SCREENDOOR-BRIGHTWHITE
13	109403-01-000	EA	CATCH-SCREENDOORROLLER
	063729-04-000	EA	RIVNUT-10-32UNF-.010-.080
	072893-01-000	EA	NUTSERT-M5X0-8
	075671-04-000	FT	SEAL-SPONGE-LAZYT-W/ADHESIVESTRIP-.5"WIDE
	118929-01-01A	FT	SEAL-PILE-PUSH-ON
14	050712-06-000	EA	HANDLE-SCREENDOOR-BRIGHTWHITE
15	044582-44-000	EA	CAP-DRIP-JAMB-BRIGHTWHITE
16	106719-01-05A	EA	HINGE-ENTRANCEDOOR
16	106719-01-01A	EA	HINGE-ENTRANCEDOOR-MILL
17	121898-01-01A	EA	JAMB-ENTRANCEDOOR
18	078777-01-000	EA	CHANNEL-SLIDE-SCREENDOORCENTERSLIDCOVER
19	079086-03-000	EA	SLIDER-SCREENDOOR-BRIGHTWHITE
	078595-01-000	EA	TOPPLATE-SCREENDOOR-CURVEDTOP-4.7"X25.35"
20	016454-01-000	EA	INSERT-CENTER-LEATHERGRAINALUMINUM-UNPAINTED
21	002294-01-000	FT	SPLINE-SCREENING-.135"X.138"-BLACK
22	002293-02-000	SF	SCREENING-26"-CHARCOAL
23	078552-03-000	EA	KICKPANEL-SCREENDOOR-LOWERINSERT-UNPAINTED
24	051049-01-000	EA	JAMB-BOTTOM-ENTRYDOOR-25.9"-UNPAINTED
25	079012-05-F01	EA	DOOR-SCREEN-W/OHARDWARE
			FROM: 00-00-00 THRU: 03-17-96
25	121899-01-G04	EA	DOOR-SCREEN-W/OHARDWARE
			FROM: 03-18-96 THRU: 99-99-99
	100128-02-000	FT	SEAL-SCREENDOOR
	009126-03-000	EA	HANDLE-ASSIST-BLACKTEXTURED

WINDOW, VENT & EXTERIOR DOOR GROUP (CONTINUED)

WINDSHIELD & WIPER GROUP



KEY	PARTNUMBER	U/M	DESCRIPTION
1	121755-01-04A	EA	HINGE-6.00INCH
2	112949-02-05A	EA	LATCH-PADDLE NON-LOCKING-BLACK
2	112949-01-04A	EA	LATCH-PADDLE W/LOCK W/OKEY-BLACK
3	057460-08-000	EA	BALL STUD-10MM BALL-5/16-18
4	107796-20-000	EA	SPRING/GAS-10" LENGTH-60LB
5	107796-19-000	EA	BRACKET-GASSPRING
6	121947-01-01A	EA	BOLT-SLIDE-LATCH-STEEL
7	122269-31-000	EA	ROD-LATCH-24.23"
7	122269-32-000	EA	ROD-LATCH-6.89"
7	122269-33-000	EA	ROD-LATCH-9.24"
7	122269-34-000	EA	ROD-LATCH-23.74"
7	122269-35-000	EA	ROD-LATCH-7.09"
7	122269-36-000	EA	ROD-LATCH-12.18"
7	122269-37-000	EA	ROD-LATCH-5.70"
7	122269-42-000	EA	ROD-LATCH-17.74"
8	124304-01-000	EA	CLIP-ROUND PUSH ON
9	122268-31-000	EA	ROD-LATCH-24.23"
9	122268-32-000	EA	ROD-LATCH-6.89"
9	122268-33-000	EA	ROD-LATCH-9.24"
9	122268-34-000	EA	ROD-LATCH-23.74"
9	122268-35-000	EA	ROD-LATCH-7.1"
9	122268-36-000	EA	ROD-LATCH-12.18"
9	122268-37-000	EA	ROD-LATCH-5.70"
9	122268-42-000	EA	ROD-LATCH-17.74"
10	122613-55-003	EA	EXTRUDED-ROCKER PANEL-192"-UMBRA
10	122613-55-002	EA	EXTRUDED-ROCKER PANEL-192"-SUPERBLUE
11	123783-01-01A	EA	STRIKER-DOOR-MILL
12	107721-04-000	FT	SEAL-ACCESS DOOR
12	107721-07-000	FT	SEAL-ACCESS DOOR
13	122277-01-01A	EA	COVER-LATCH-BLACK
13	122277-02-01A	EA	COVER-LATCH, BLACK

FROM: 00-00-00 THRU: 03-11-97

FROM: 03-12-97 THRU: 99-99-99

FROM: 00-00-00 THRU: 03-22-97

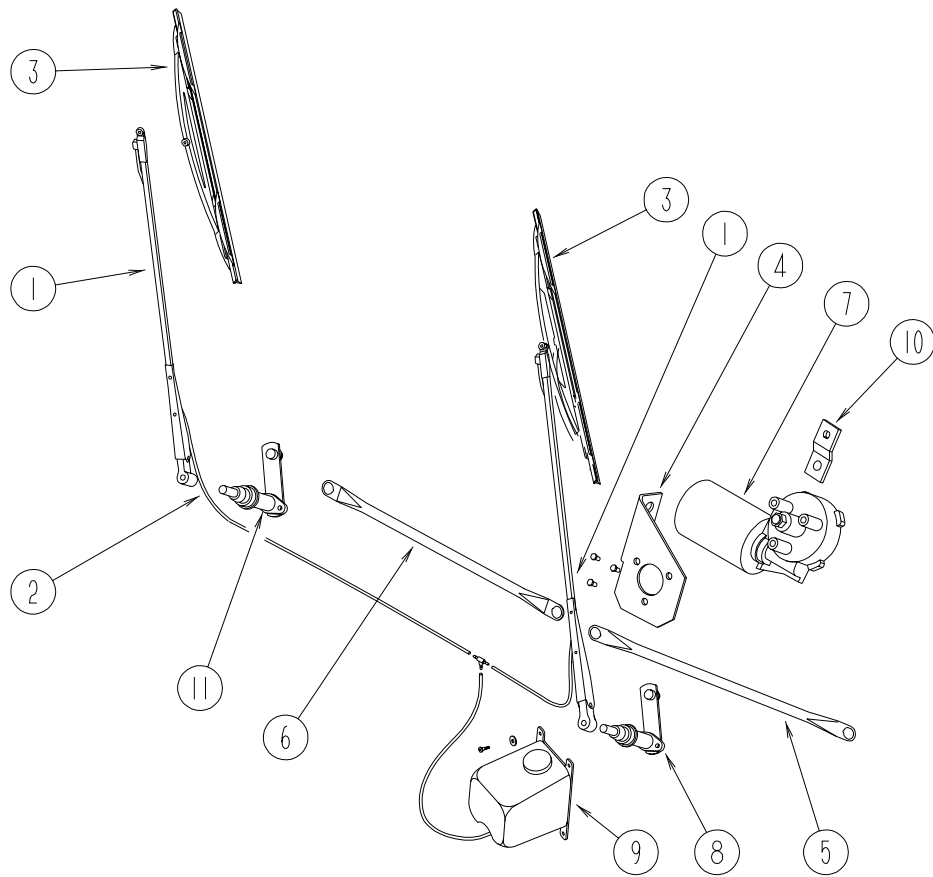
FROM: 03-23-97 THRU: 99-99-99

WINDSHIELD MOLDINGS & GLASS

KEY	PARTNUMBER	U/M	DESCRIPTION
1	110268-01-000	EA	CARRIER-REVEAL-1280MM
2	081914-01-000	EA	BUMPER-RUBBER-ROUND-.43" DIAMETER-BLACK
3	103788-02-000	EA	GLASS-WINDSHIELD-DRIVERSIDE
4	075710-01-000	EA	FRAME-WINDSHIELD-CENTER DIVIDER-INNER
5	103107-04-01A	EA	TRIM-WINDSHIELD-DRIVERSIDE-BLACK
6	104449-01-000	EA	BRACKET-WINDSHIELD SUPPORT
7	077847-02-000	EA	SUPPORT-WINDSHIELD-LOWER-W/O BRACKETS
8	102936-01-000	FT	MOLDING-REVEAL-WINDSHIELD
9	103107-03-01A	EA	TRIM-WINDSHIELD-PASSENGERSIDE-BLACK
10	103788-01-000	EA	GLASS-WINDSHIELD-PASSENGERSIDE
11	098788-06-000	EA	CARRIER-REVEAL-48.9" WINDSHIELD
12	077922-03-000	EA	HEADER WINDSHIELD END-PASSENGERSIDE
13	077922-05-000	EA	HEADER WINDSHIELD-CENTER
14	077922-04-000	EA	HEADER WINDSHIELD END-DRIVERSIDE

WINDSHIELD&WIPERGROUP(CONTINUED)

WINDSHIELDWIPERASM(FORD)



KEY	PARTNUMBER	U/M	DESCRIPTION
1	103671-01-000	EA	ARM-WIPER-24"
2	096931-01-700	FT	HOSE
3	095964-01-000	EA	BLADE-WIPER-WINDSHIELD-24"
	095964-01-700	EA	BLADE-REFILL24"(PAIR)
4	104549-01-000	EA	BRACKETASM-WIPERMOTOR
5	117008-01-000	EA	LINKASM-CONNECTING-21.85"-DRIVERSIDE
6	117008-02-000	EA	LINKASM-CONNECTING-21.85"-PASSENGERSIDE
7	104346-05-000	EA	WIPERMOTOR
	110178-01-000	EA	HOUSING-WIPERMOTOR
8	096505-06-000	EA	PIVOT&SHAFTASM-WIPER-DRIVERSIDE
9	117766-02-000	EA	RESERVOIR/PUMP-WINDSHIELDWASHER
	110605-01-000	EA	TEE-PLASTIC-BARBED-1/8"X1/8"X3/16"
9	117765-01-000	EA	CONNECTOR-5/32-1/4-3/8WINDSHIELDWASHER
10	104347-01-000	EA	ARM-DRIVE-WIPERMOTOR-1.54"
11	096505-05-000	EA	PIVOT&SHAFTASM-WIPER-PASSENGERSIDE
	061603-01-000	EA	GROMMET-SNAP-3/16"ID-3/8"HOLE-PLASTIC-BLACK
	110742-01-000	EA	WIPERGASKET
	067188-01-000	EA	STUD-WIPERCRANK