

1997 WCG34WK

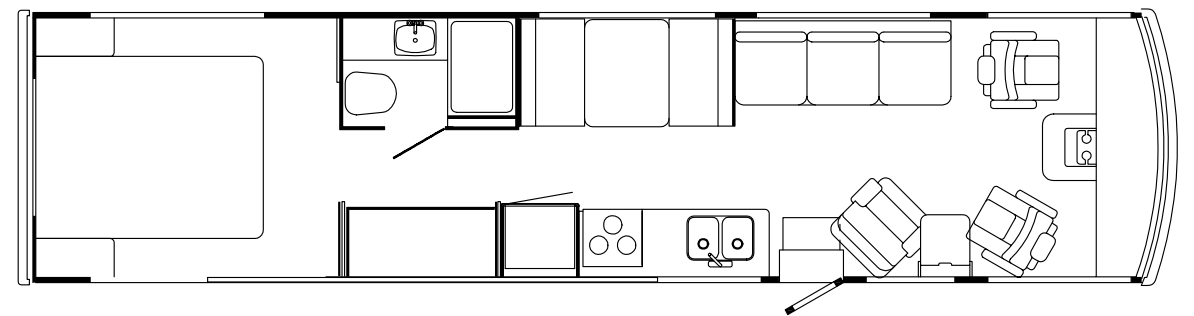
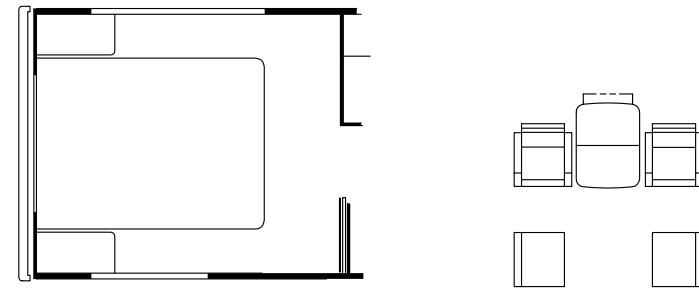
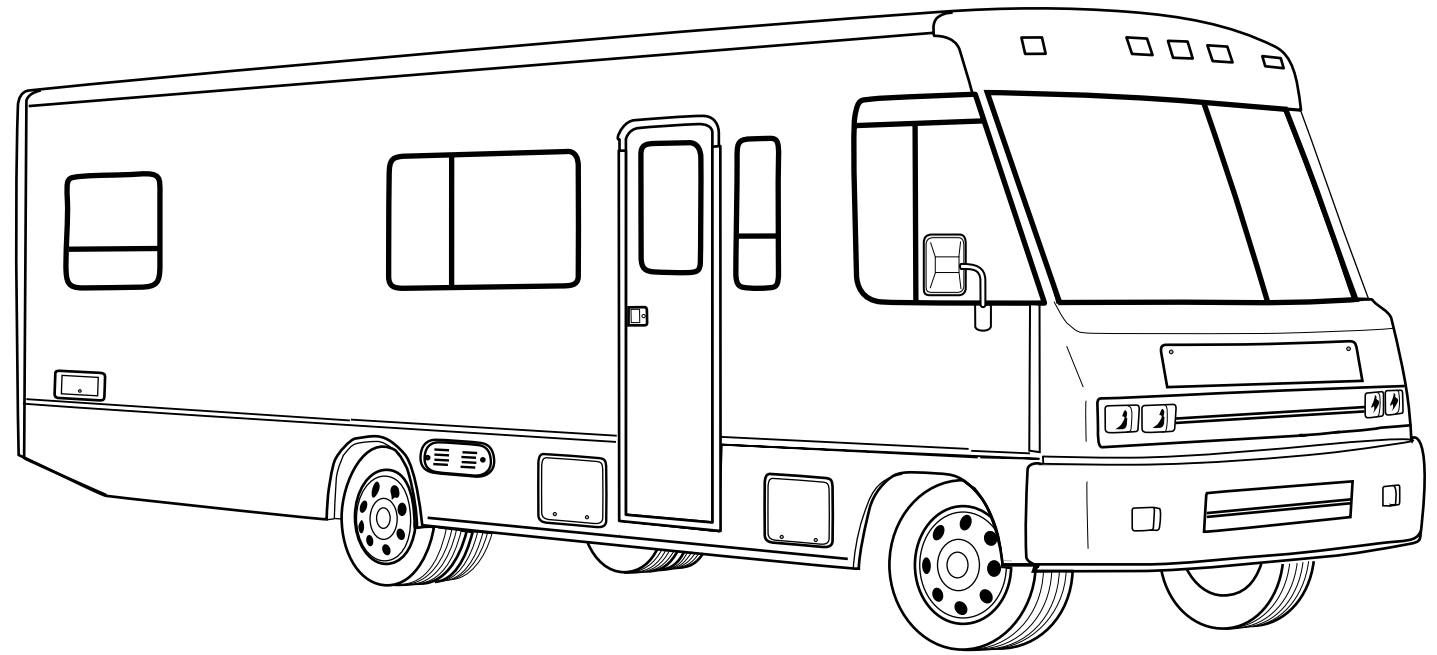
**H17 BOTANICAL(GREEN)
(OAK)**

**H18 NORTHSHORE(TAUPE)
(OAK)**

**H19 ZEPHYR(BLUE)
(OAK)**

**H40 OAKLEAF(TAUPE)
(WHITEGRANITE)**

**H41 EASTON(SAGE)
(WHITEGRANITE)**



ACCESSORIESGROUP**OPERATORMANUAL**

| KEY | PARTNUMBER | U/M | DESCRIPTION |
|-----|---------------|-----|---|
| | 054185-F9-000 | EA | MANUAL-OPERATOR97ADVENTURER |
| | 092318-01-000 | EA | BINDER-3RING-MOTORHOMEMANUAL |
| | 092319-01-000 | EA | POCKETPAGE-3RINGBINDER-PLASTIC-(50PERPKG) |

AUDIOVIDEOGROUP**RADIOSYSTEMS&ANTENNA**

| KEY | PARTNUMBER | U/M | DESCRIPTION |
|-----|---------------|-----|---|
| | 087683-03-000 | EA | RADIO-AM/FMSTEREO-CASSETTE |
| | 116148-03-000 | EA | RADIO-AM/FMSTEREO-CDPLAYER FROM: 00-00-00 THRU: 02-09-97 |
| | 116148-04-000 | EA | RADIO-AM/FMSTEREO-CDPLAYER FROM: 02-10-97 THRU: 99-99-99 |
| | 110267-03-000 | EA | RADIO-AM/FMSTEREO-CDCOMPATIBLE FROM: 00-00-00 THRU: 08-13-96 |
| | 110267-04-000 | EA | RADIO-AM/FMSTEREO-CDCOMPATIBLE FROM: 08-14-96 THRU: 99-99-99 |
| | 077069-02-000 | EA | CABLE-EXTENSION-RADIOANTENNA-96" |
| | 081059-02-000 | EA | WIREASSEMBLY-9PIN-F/RADIO |
| | 110469-01-000 | EA | SPEAKER-4"X6"OVAL-COAXIAL |
| | 110470-01-01A | EA | GRILLE-4"X6"OVAL-BLACK |
| | 089340-02-000 | EA | GRILLE-SPEAKER-6.5"SQUARE |
| | 089340-03-000 | EA | SPACER-SPEAKERGRILLE |
| | 094097-01-000 | EA | SPEAKER-RADIO/TV-W/OGRILLE-5.25"DIAMETER |
| | 090944-01-000 | EA | ANTENNA-RADIO-RUBBER-16" |
| | 108847-01-000 | EA | BRACKET-ANTENNAGROUND |
| | 109889-04-000 | EA | EXTENDER-ANTENNA SHAFT-3" |
| | 115916-01-01B | EA | BRACKET-ANTENNAMOUNT |
| | 123256-01-000 | EA | ANTENNA-CB(W/OCABLE) FROM: 06-15-96 THRU: 99-99-99 |
| | 123256-02-000 | EA | CABLE-CBCOAX FROM: 06-15-96 THRU: 99-99-99 |

REARMONITORSYSTEM

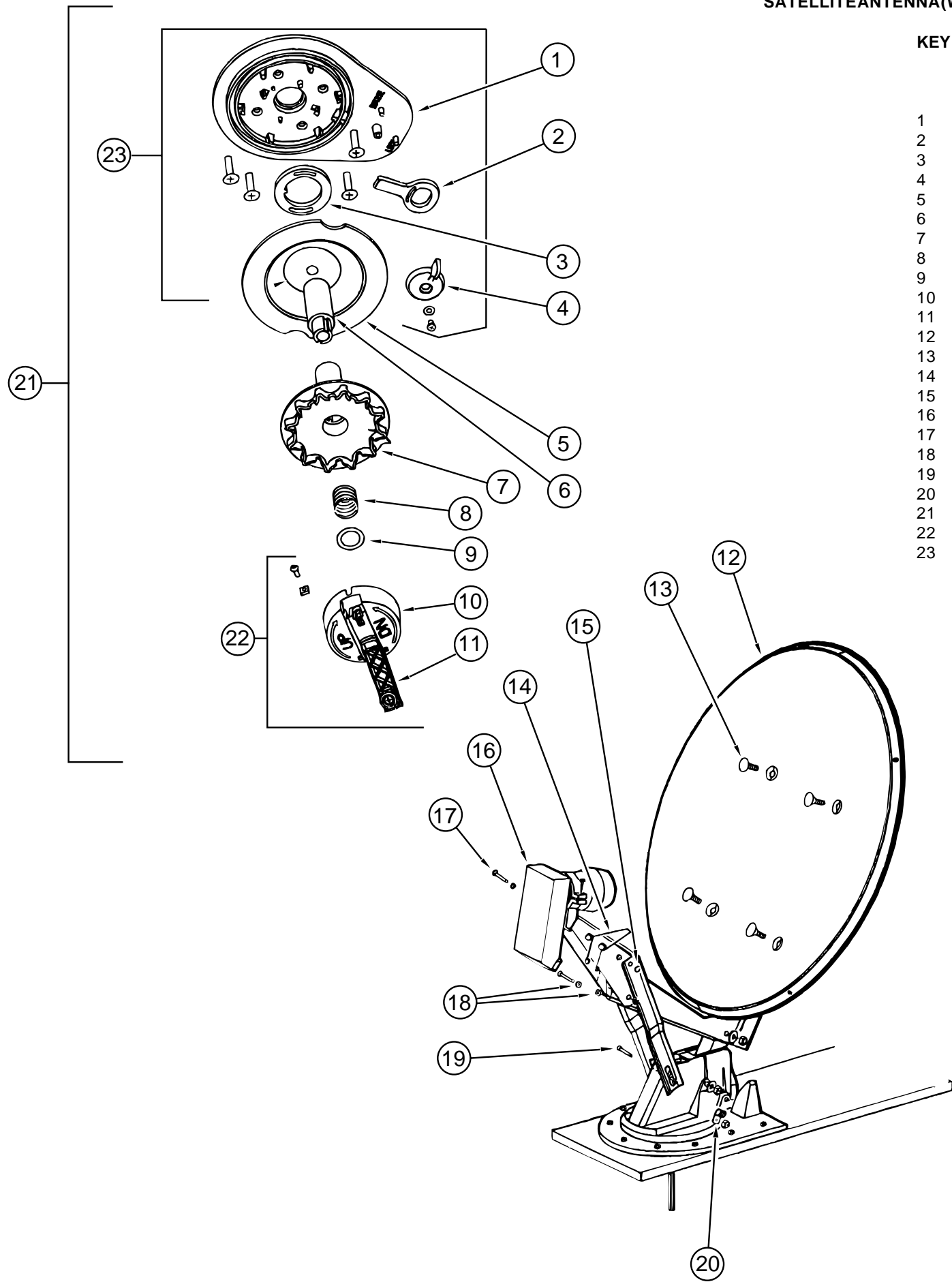
| KEY | PARTNUMBER | U/M | DESCRIPTION |
|-----|---------------|-----|--|
| | 093040-08-000 | EA | MONITORSYSTEM-REARVIEW7"-W/AUDIOJACK |
| | 093040-04-700 | EA | CAMERA-W/BRACKET&WIRING-SSC-530AMREARVIEW |
| | 093040-05-700 | EA | MONITOR-7"W/POWERHARNESS-SSM721AMR |
| | 093040-06-000 | EA | WIREASM-MONITOR-F/NONPREWIREDAFTERMARKETINSTALLATION |
| | 096717-03-000 | EA | WIREASM-REARMONITOR-UPPERF/PREWIREDAFTERMARKETINSTL |
| | 108885-02-000 | EA | WIRE-REARMONITORPOWER(W/3PINHOUSINGF/FUSEBLOCK) |
| | 093041-01-000 | EA | CABLE-MONITOR/CAMERA-INTERNALUSE-65.6' |

PATIOENTERTAINMENTCENTER

| KEY | PARTNUMBER | U/M | DESCRIPTION |
|-----|---------------|-----|---|
| | 110469-01-000 | EA | SPEAKER-OVAL-4"X6"-BLACK |
| | 110470-01-01A | EA | GRILLE-SPEAKER-OVAL-4"X6"-BLACK |
| | 077069-02-000 | EA | CABLE-ANTENNA-RADIO-EXTENSION96"-ARA6700667 |
| | 087683-03-000 | EA | RADIO-AM/FMSTEREOW/CASSETTE-AUDIOVOX |
| | 090944-01-000 | EA | ANTENNA-RADIO-16"RUBBER |
| | 108847-01-000 | EA | BRACKET-ANTENNAGROUND |
| | 109889-04-000 | EA | ANTENNA-3"SHAFTTEXTENDER-MAGNADYNERV71EX3 |

AUDIOVIDEOGROUP(CONTINUED)

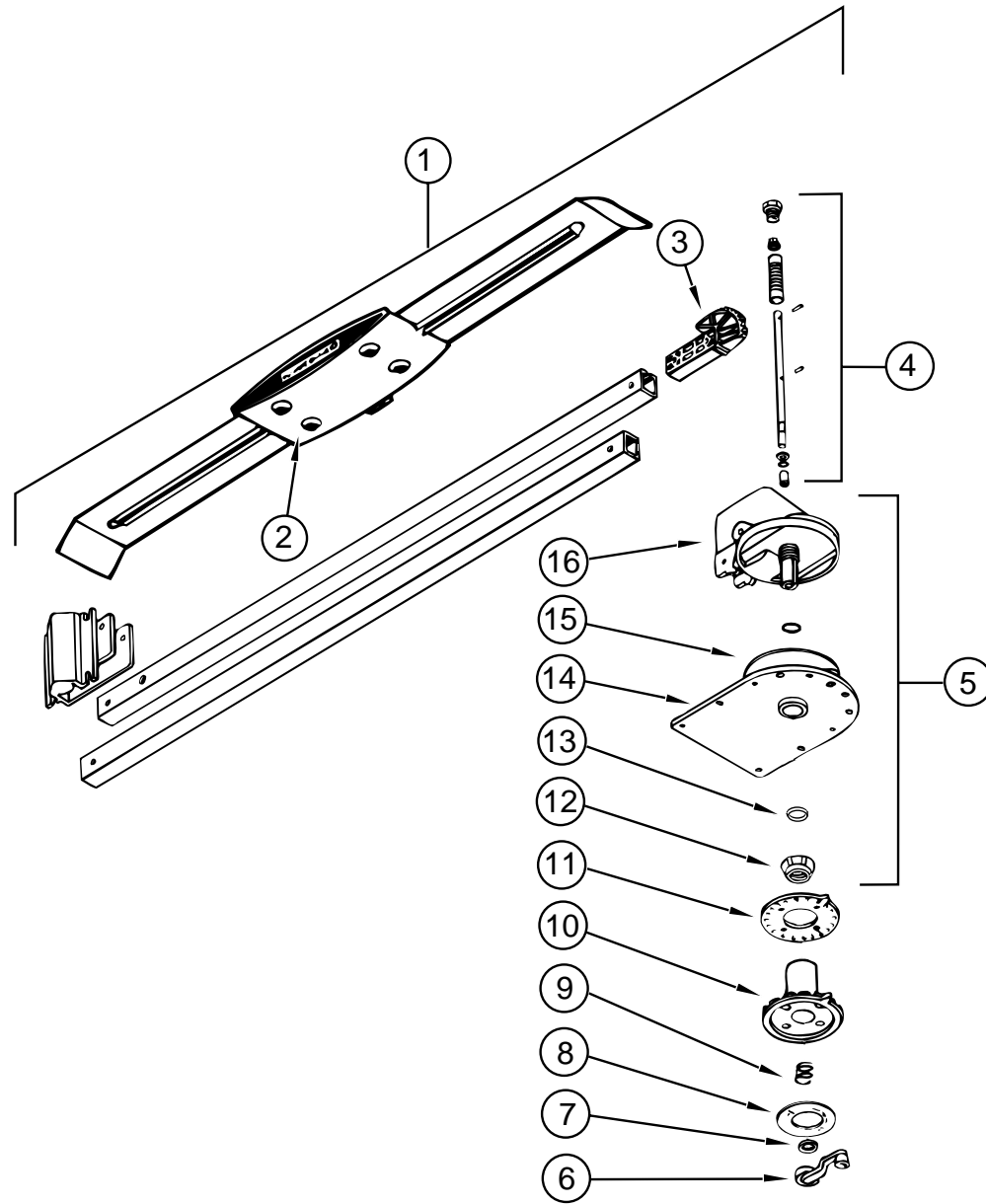
SATELLITEANTENNA(WINEGARD)



| KEY | PARTNUMBER | U/M | DESCRIPTION | VENDORNO. |
|-----|---------------|-----|---|-----------|
| | 120233-01-000 | EA | ANTENNA-SATELLITE(DISH&HDW)W/ORECEIVER-MANUAL | |
| | 120233-02-000 | EA | RECEIVER-SATELLITEONLY | |
| | 120233-02-700 | EA | REMOTE | RC-0012 |
| 1 | 120233-01-700 | EA | PLATE-FIXED | 3750821 |
| 2 | 120233-01-701 | EA | DIAL-DIRECTIONAL | 2745056 |
| 3 | 120233-01-702 | EA | PIVOT-DIAL-DIRECTIONAL | 2745058 |
| 4 | 120233-01-703 | EA | STOP-ROTATION | 3711281 |
| 5 | 120233-01-704 | EA | PLATE-CEILINGW/DIR.HANDLE | RP-6300 |
| 6 | 120233-01-705 | EA | PLATE-ROTATE | 3750820 |
| 7 | 120233-01-706 | EA | SPRING | RP-6822 |
| 8 | 120233-01-707 | EA | CLAMP-ROTATE | 3711280 |
| 9 | 120233-01-708 | EA | KNOB-CLAMP | 2200061 |
| 10 | 120233-01-709 | EA | WASHER-NYLON | RP-2658 |
| 11 | 120233-01-710 | EA | HANDLE-CRANK | RP-6795 |
| 12 | 120233-01-711 | EA | REFLECTOR-46CM | 2745304 |
| 13 | 120233-01-712 | EA | BOLT-FLATHEAD | 2160253 |
| 14 | 120233-01-713 | EA | SPRING | 2160820 |
| 15 | 120233-01-714 | EA | CLIP-E | 5160818 |
| 16 | 120233-01-715 | EA | RCALNB | 278015 |
| 17 | 120233-01-716 | EA | PIN | 2160814 |
| 18 | 120233-01-717 | EA | BEARING-NYLON | 2200728 |
| 19 | 120233-01-718 | EA | PIN | 5160817 |
| 20 | 120233-01-719 | EA | CLAMP-CABLE | 2200060 |
| 21 | 120233-01-720 | EA | CEILINGPLATEASM | RP-4100 |
| 22 | 120233-01-721 | EA | CRANKHANDLEASMBLY | 2762825 |
| 23 | 120233-01-722 | EA | PLATEASMBLY(CEILING) | 2762826 |

AUDIOVIDEOGROUP(CONTINUED)

TV ANTENNA(WINEGARD)



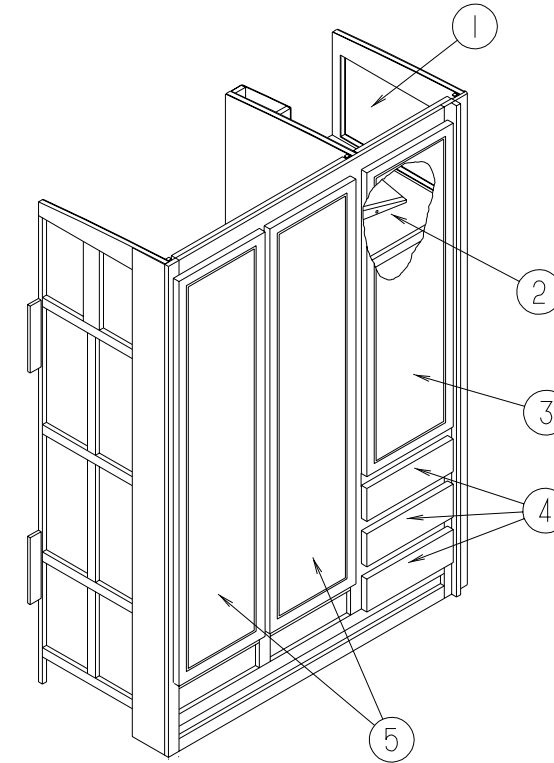
| KEY | PARTNUMBER | U/M | DESCRIPTION | VENDOR NO. |
|-----|---------------|-----|--------------------------------------|------------|
| 1 | 076319-21-000 | EA | ANTENNA-TVROOFMOUNT-3" ROOF | |
| 2 | 076319-01-700 | EA | HEAD-ANTENNA-AMPLIFIED | RVSAU/V |
| 3 | 076319-01-701 | EA | GEAR-ELEVATING-PLASTIC | 2200046 |
| 4 | 076319-01-702 | EA | SHAFTASM-ELEVATING | RVP-400A |
| 5 | 076319-01-711 | EA | BASE&LIFTASM | 2762802 |
| 6 | 076319-01-706 | EA | CRANK-ELEVATING-W/SETSCREW-UNIVERSAL | 2750897 |
| 7 | 076319-01-705 | EA | BEARING-NYLON-7/8"ID | 3200658 |
| 8 | 076319-01-708 | EA | CRANKCOVERDECAL | 5413002 |
| 9 | 076319-01-707 | EA | SPRING-HANDLE | 5160822 |
| 10 | 076319-01-709 | EA | PLATE-DIRECTIONAL-FORHEAD | 3200621 |
| 11 | 076319-01-712 | EA | CEILINGPLATE-WINEGARD | 3200608 |
| 12 | 076319-01-715 | EA | NUT(GEARHOUSING) | 2200047 |
| 13 | 076319-01-704 | EA | BEARING-NYLON-1.5"OD | 3200657 |
| 14 | 076319-01-713 | EA | BASEPLATE | 3100523 |
| 15 | 076319-01-703 | EA | BEARING-NYLON-5"OD | 3200656 |
| 16 | 076319-01-714 | EA | HOUSING-ROTATINGGEAR | 2200049 |

AUDIOVIDEOGROUP(CONTINUED)

TV-VCRSYSTEMS

| KEY | PARTNUMBER | U/M | DESCRIPTION | VENDORNO. |
|-----|---------------|-----|---|-----------|
| | 122863-01-000 | EA | TV-13"COLORW/SPEAKER-CSA | |
| | 122863-01-700 | EA | REMOTE | 0892345 |
| | 113684-02-000 | EA | TV-19"COLORW/1/8"JACK-193/8"WX173/16"HX181/4"D | |
| | 113684-02-700 | EA | REMOTE-F/AUDIOVOXAVT-1980 | |
| | 119120-02-000 | EA | VCR-VHS-CABLEREADYW/REMOTE | |
| | | | FROM: 12-11-95 THRU: 02-16-97 | |
| | 119120-02-700 | EA | REMOTE | 0994569 |
| | 119120-03-000 | EA | VCR-VHS-CABLEREADY-REMOTE | |
| | | | FROM: 02-17-97 THRU: 99-99-99 | |
| | 086757-03-000 | EA | CONTROLCENTER-SWITCH-VCR/TV | |
| | 076319-03-000 | FT | CABLE-COAXIAL-75OHM | |
| | 076319-09-000 | EA | WALLPLATE-CABLERECEPTACLE-TV-SINGLE-BROWN | |
| | 086777-01-000 | EA | WALLPLATE-TV CABLE-W/ANTENNASWITCH-IVORY | |
| | 086777-05-000 | EA | WALLPLATE-ANTENNA1OUTPUT | |
| | 076319-03-000 | FT | CABLE-COAXIAL-75OHM | |
| | 086756-01-000 | EA | SPLITTER-TV-2WAY | |
| | 076319-12-000 | EA | CONNECTOR-COAXIAL-ONEPIECE | |
| | 093214-01-02A | EA | GRILLE-SPEAKER-4"BROWN | |
| | 098819-01-000 | EA | SPEAKER-4"-2WATT-8OHM | |
| | 114870-02-000 | EA | PLUG-.14"AUDIOW/LEADS | |
| | 082136-01-000 | EA | NUT-HEXJAM-3/8-32 | |
| | 099717-01-000 | EA | STRAP-TV TIEDOWNW/24" FEMALE STRAP & 14.2" MALE STRAP | |
| | 082134-01-000 | EA | ADAPTER-TV-CABLE TO CABLE | |

BATHGROUP

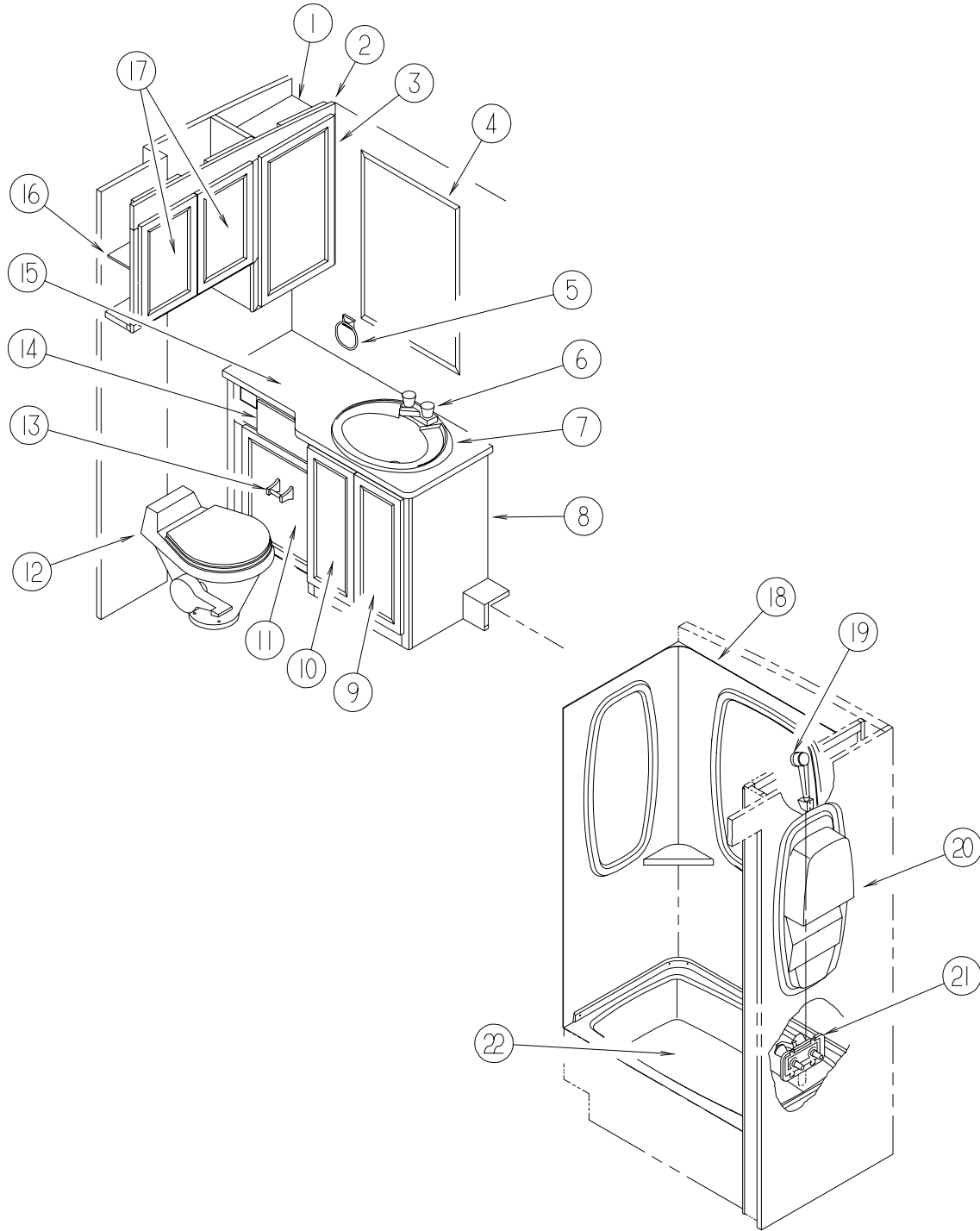


WARDROBECABINET

| KEY | PARTNUMBER | U/M | DESCRIPTION |
|-----|---------------|-----|--|
| 1 | 122715-07-01A | EA | DOOR-MOLDED VINYL-14.4"X21.8"-W/OHDW(WHITE) |
| 1 | M06803-05-H17 | EA | DOOR-MITERED CORNER/OGEE EDGE-21.8"X14.3"-W/OHDW(OAK) |
| 2 | 122643-12-H40 | EA | TV WEDGE-SHELF(WHITE) |
| 2 | 122643-12-H17 | EA | TV WEDGE-SHELF(OAK) |
| 3 | 122715-17-01A | EA | DOOR-MOLDED VINYL-16.7"X48.0"-W/OHDW(WHITE) |
| 3 | M06803-C6-H17 | EA | DOOR-MIRROR/MTRDCRNR/OGEE EDGE-16.7"X48.0"-W/OHDW(OAK) |
| 4 | P10163-CX-H40 | EA | DRAWER-14.4"WX17.7"D-W/OSLIDES/HARDWARE(WHITE) |
| 4 | M05971-L3-H17 | EA | DRAWER-OGEE EDGE-14.4"WX17.7"D-W/OSLIDES/HARDWARE(OAK) |
| 5 | 122715-15-01A | EA | DOOR-MOLDED VINYL-16"X65"-W/OHARDWARE(WHITE) |
| 5 | M06803-11-H17 | EA | DOOR-MIRROR/MTRDCRNR/OGEE EDGE-16"X65"-W/OHDW(OAK) |
| | 042438-01-000 | EA | DOWEL-WOOD-CLOTHES ROD-1" DIAMETER X 4' |
| | 009112-01-000 | EA | FLANGE-1" CLOTHES ROD-OFF WHITE PLASTIC |

BATHGROUP(CONTINUED)

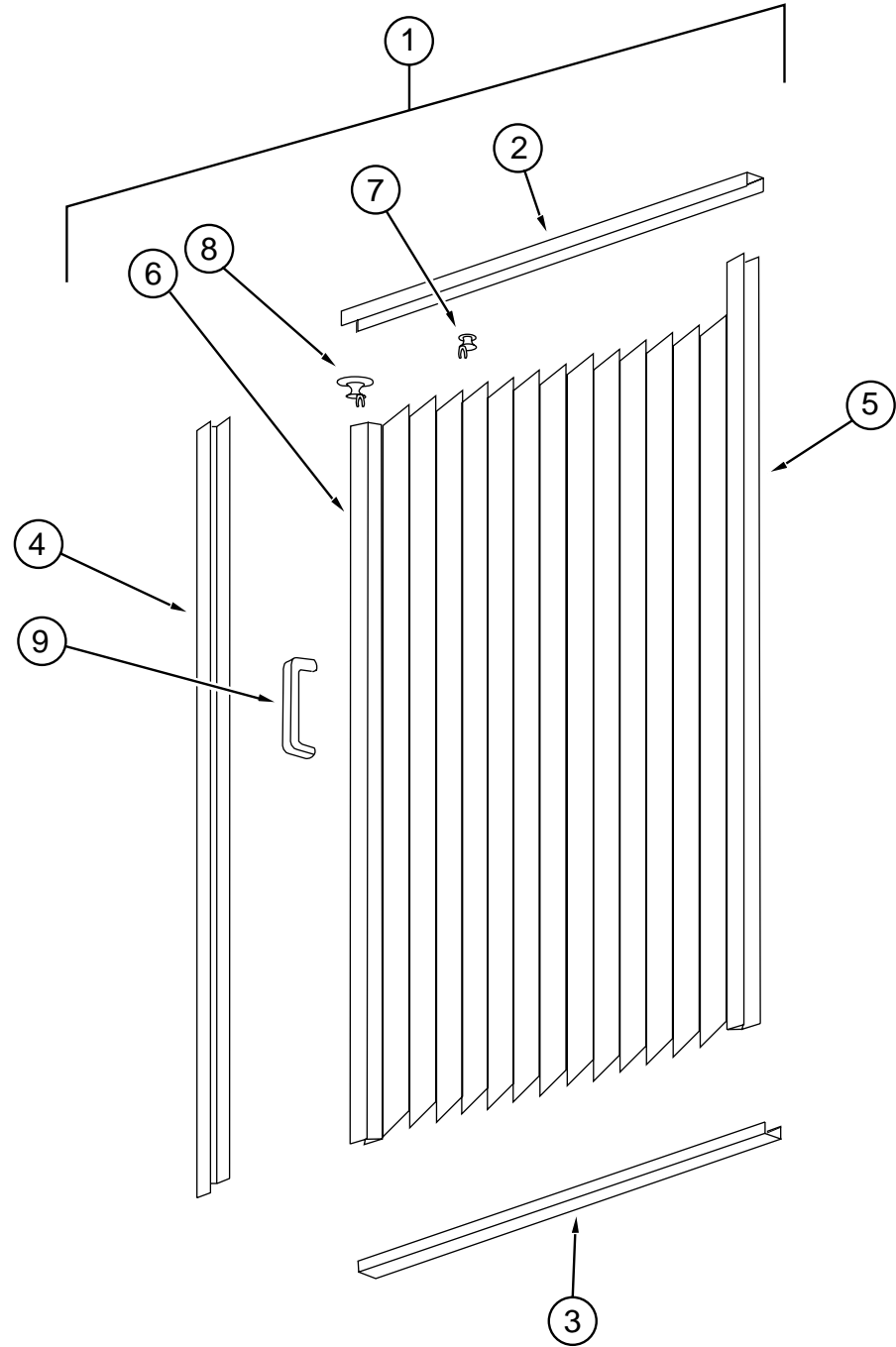
BATHCABINETS, PRIVACY DOOR & SHOWER COMPONENTS



| KEY | PARTNUMBER | U/M | DESCRIPTION |
|-----|---------------|-----|---|
| 1 | 116188-17-H40 | EA | SHELF-W/PLASTICEDGEMOLDING(WHITE) |
| 1 | 116188-17-G35 | EA | SHELF-W/PLASTICEDGEMOLDING(OAK) |
| 2 | P16188-01-H40 | EA | CABINET-MEDICINE-W/ODOORS/HARDWARE(WHITE) |
| 2 | P16188-01-G15 | EA | CABINET-MEDICINE-W/ODOORS/HARDWARE(OAK) |
| 3 | 122715-08-01A | EA | DOOR-MOLDEDVINYL-15.7"X28"-W/OHARDWARE(WHITE) |
| 3 | M06803-82-H17 | EA | DOOR-MITEREDCORNER/OGEEEDGE-15.7"X28"-W/OHDW(OAK) |
| 4 | 058331-51-000 | EA | MIRROR-SAFETYGLASS-25.9"X40" |

| KEY | PARTNUMBER | U/M | DESCRIPTION |
|-----|---------------|-----|--|
| 5 | 075454-02-000 | EA | RING-TOWEL-W/MOUNTINGHARDWARE-BRASS |
| 6 | 075240-06-000 | EA | FAUCET-LAVATORY-BONE |
| | 091253-01-000 | EA | GASKET-FAUCET-LAVATORY |
| | 105218-01-01A | EA | SPACER-FAUCET-LAVATORYSINK-2"X5.9"-PLASTIC-OFFWHITE |
| 7 | 105921-01-01A | EA | SINK-LAVATORY-LARGE OVAL-17"X20"-PLASTIC-OFFWHITE |
| | 106116-01-01A | EA | STRAINER-SINK-W/STOPPER/TAILPIECE/GASKET&NUT-PLASTIC |
| 8 | P16196-01-G35 | EA | CABINET-LAVATORY-W/ODOORS/DRAWERS/HARDWARE(H17,H18) |
| 8 | P16196-01-G45 | EA | CABINET-LAVATORY-W/ODOORS/DRAWERS/HARDWARE(H19) |
| 8 | P16196-01-H40 | EA | CABINET-LAVATORY-W/ODOORS/DRAWERS/HARDWARE(H40,H41) |
| | 116196-11-H40 | EA | SHELFASM-W/PLASTICEDGEMOLDING(WHITE) |
| | 116196-11-G35 | EA | SHELFASM-W/PLASTICEDGEMOLDING(OAK) |
| 9 | 122715-44-01A | EA | DOOR-MOLDEDVINYL-10"X25"-W/OHDW(WHITE) |
| 9 | M06803-20-H17 | EA | DOOR-MITEREDCORNER/OGEEEDGE-10"X25.2"-W/OHDW(OAK) |
| 10 | 122715-44-01A | EA | DOOR-MOLDEDVINYL-10"X25"-W/OHDW(WHITE) |
| 10 | M06803-D9-H17 | EA | DOOR-MITEREDCORNER/OGEEEDGE-10"X25.2"-W/OHDW(OAK) |
| 11 | 116237-05-H40 | EA | DRAWER-HAMPER-W/OHARDWARE(WHITE) |
| 11 | 116237-01-H17 | EA | DRAWER-HAMPER-W/OHARDWARE(OAK) |
| 12 | 085330-06-000 | EA | TOILET-CHINA-STANDARD(BONE) |
| 13 | 075452-02-000 | EA | HOLDER-TOILETTISSUE-BRASS |
| 14 | P10163-EH-H40 | EA | DRAWER-10.4"WX9.8"D-W/OSLIDES/HARDWARE(WHITE) |
| 14 | M05971-L3-H17 | EA | DRAWER-OGEEEDGE-10.4"WX9.8"D-W/OSLIDES/HARDWARE(OAK) |
| 15 | 116196-12-F12 | EA | COUNTERTOPLAVATORY(H17,H18) |
| 15 | 116196-12-G45 | EA | COUNTERTOPLAVATORY(H19) |
| 15 | 116196-12-H40 | EA | COUNTERTOPLAVATORY(H40,H41) |
| 16 | 116188-12-H40 | EA | SHELF-W/PLASTICEDGETRIM(WHITE) |
| 16 | 116188-12-G35 | EA | SHELF-W/PLASTICEDGETRIM(OAK) |
| 17 | 122715-32-01A | EA | DOOR-MOLDEDVINYL-12"X18.7"-W/OHARDWARE(WHITE) |
| 17 | M06803-G0-H17 | EA | DOOR-MITEREDCORNER/OGEEEDGE-12"X18.7"-W/OHDW(OAK) |
| 18 | 115612-01-01A | EA | SURROUND-SHOWER-OFFWHITE |
| 19 | 103092-01-000 | EA | SHOWERHEAD-W/60"HOSE(US) |
| 19 | 103092-02-000 | EA | SHOWERHEAD-W/HOSE-CSA |
| | 103092-01-700 | EA | BRACKET(FORSHOWERHEAD) |
| 20 | 104462-01-01A | EA | CADDY-SHOWER-OFFWHITE |
| | | | FROM: 00-00-00 THRU: 12-18-96 |
| 20 | 104462-02-01A | EA | CADDY-SHOWER-OFFWHITE |
| | | | FROM: 12-19-96 THRU: 99-99-99 |
| 21 | 075242-04-000 | EA | FAUCET-TUB/SHOWER-BONE |
| | 075606-01-000 | EA | PANEL-FAUCETBACK-SHOWER-5"X9"-PLASTIC |
| | 103092-03-700 | EA | BRACKET-SHOWERHEAD |
| 22 | M02630-27-F11 | EA | SHOWERPANASM |
| | 066436-01-000 | EA | NUT-SLIP-TAILPIECE-1.5" |
| | 066729-01-000 | EA | STRAINER-TUB/SHOWER-W/PLUG |
| | M03866-04-H23 | EA | DOOR-BI-FOLD-24"X96"-W/OHARDWARE(WHITE) |
| | M03866-04-G35 | EA | DOOR-BI-FOLD-24"X96"-W/OHARDWARE(OAK) |
| | 103908-10-H41 | EA | HEADER-DOOR(WHITE) |
| | 103908-10-H17 | EA | HEADER-DOOR(OAK) |
| | 104013-03-H40 | EA | DOOR-SLIDING(BATH/GALLEY)(WHITE) |
| | 104013-03-G15 | EA | DOOR-SLIDING(BATH/GALLEY)(OAK) |
| | 103908-07-H40 | EA | HEADER-DOOR-BATH/GALLEY(WHITE) |
| | 103908-07-G15 | EA | HEADER-DOOR-BATH/GALLEY(OAK) |
| | 093170-06-02A | EA | TRACK-BATHDOOR-SLIDING-OFFWHITE |
| | 117978-01-01A | EA | KNOB-DOOR(BIFOLDDOOR)BRIGHTBRASS |
| | 092652-01-000 | EA | GUIDEWHEEL(BIFOLDDOOR)TOPMOUNT |
| | 084451-01-000 | EA | CATCH(BIFOLDDOOR)BRASS |
| | 102920-01-01A | EA | HINGE-DOOR-SPRINGLOADED-BRASS |
| | 121449-09-H40 | EA | DOOR-BATHW/TOWELRACK-20.6"X73.2"(WHITE) |
| | 121449-09-H17 | EA | DOOR-BATHW/TOWELRACK-20.6"X73.2"(OAK) |
| | 094485-03-01A | EA | KNOB-DOOR-BRASS |
| | 100357-01-000 | EA | ROD-TOWEL-BRASSW/ENDSBENTFORBACKOFBATHDOOR |
| | 121449-12-H23 | EA | RACK-TOWEL-BATHDOOR(W/TOWELRODS)(WHITE) |
| | 121449-12-G04 | EA | RACK-TOWEL-BATHDOOR(W/TOWELRODS)(OAK) |

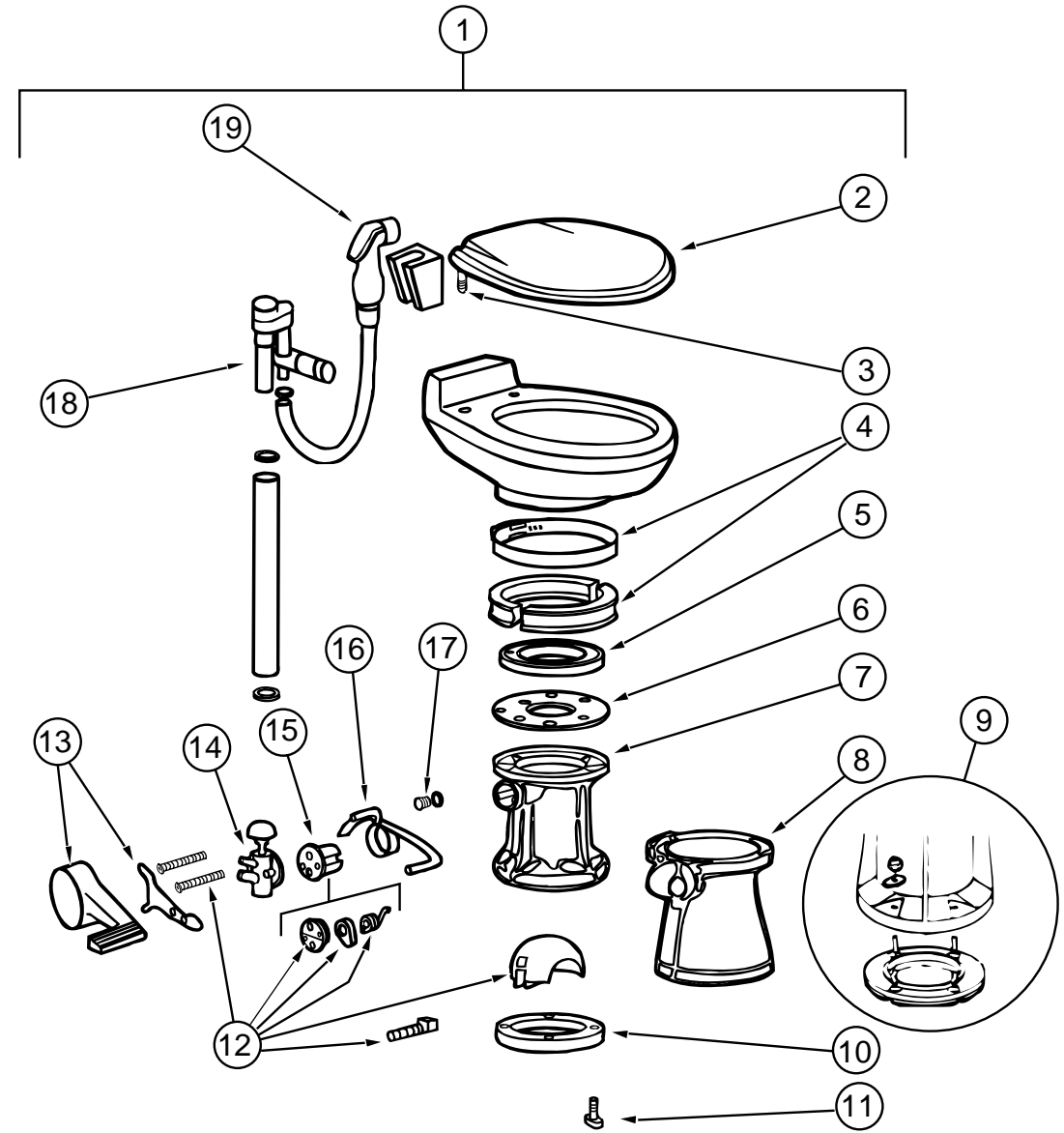
BATHGROUP(CONTINUED)



SHOWERDOOR

| KEY | PARTNUMBER | U/M DESCRIPTION |
|-----|---------------|-----------------------------------|
| 1 | 117431-03-01A | EA DOOR-SHOWER-PLEATEDFABRIC |
| 2 | 117431-01-700 | EA TRACK-TOP-ALUM.IVORYINSERT-48" |
| 3 | 117431-01-701 | EA TRACK-BOTTOM-40" |
| 4 | 117431-01-702 | EA RAIL-SIDE-67" |
| 5 | 117431-01-703 | EA RAIL-STATIONARY-67" |
| 6 | 117431-01-704 | EA RAIL-LEAD-67" |
| 7 | 117431-01-705 | EA GLIDE-IVORY-TRAVELER |
| 8 | 117431-01-706 | EA GLIDE-IVORYLEAD-TRAVELER |
| 9 | 117431-01-708 | EA HANDLES&SCREWS |
| | 117431-01-707 | EA LATCH |
| | 117431-03-700 | EA STRAP-VINYLSHOWER |

BATHGROUP(CONTINUED)

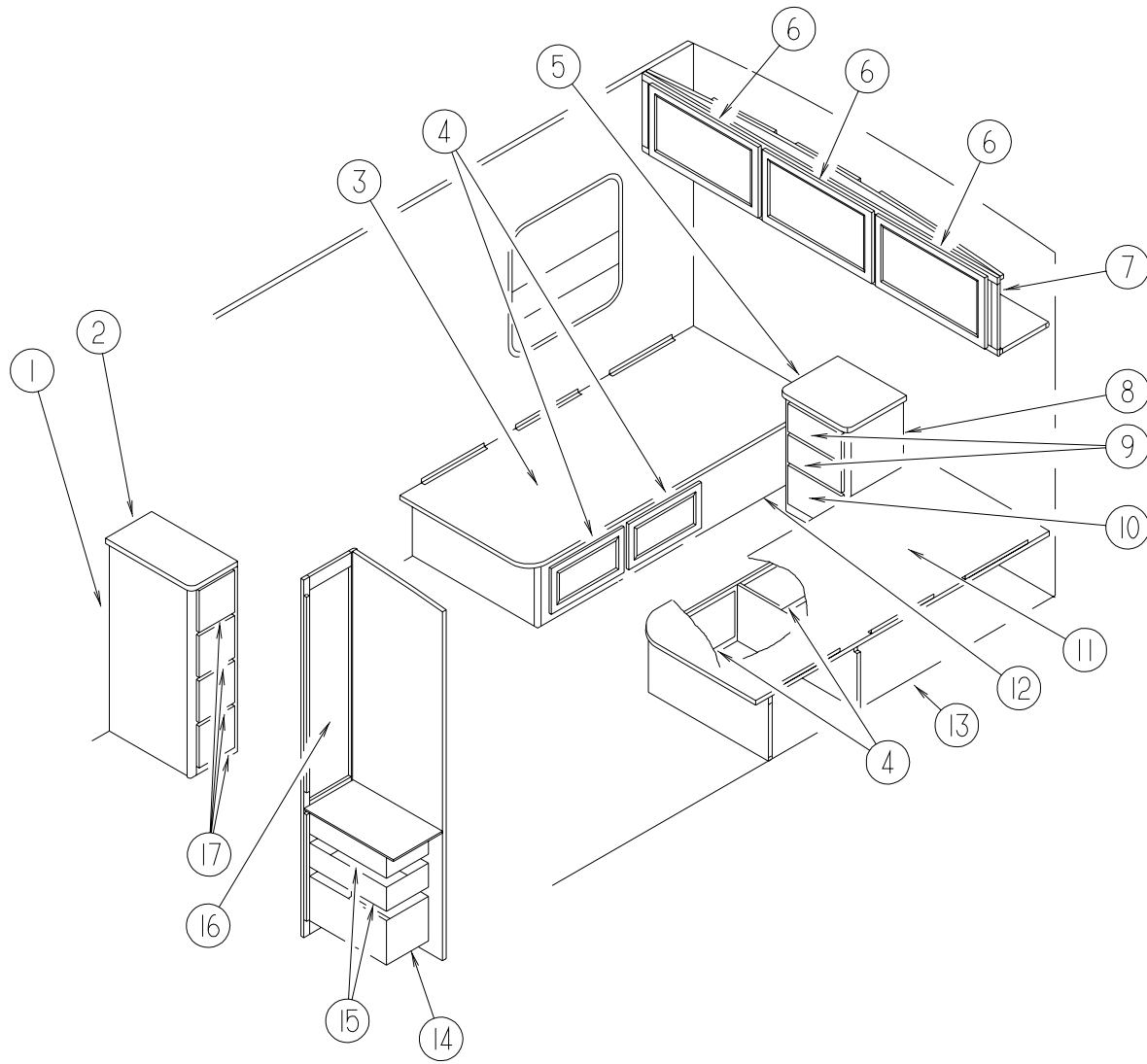


TOILET(SEALANDMODEL910W/SPRAYER)

| KEY | PARTNUMBER | U/M DESCRIPTION | VENDOR NO. |
|-----|---------------|---------------------------------------|------------|
| 1 | 085330-06-000 | EA TOILET-CHINA-STANDARD(BONE)-591003 | |
| 2 | 085330-06-700 | EA SEATASSEMBLY(BONE) | 340591 |
| 3 | 085330-06-702 | EA HINGEHARDWARE(BONE)SET | 342131 |
| 4 | 085330-01-703 | EA RING&HALFCLAMPSASM(BONE) | 385310048 |
| 5 | 085330-01-704 | EA TEFLON&RUBBERSEALKIT | 385316140 |
| 6 | 085330-01-705 | EA SUPPORT-SEAL-PLASTIC | 390346405 |
| 7 | 085330-02-700 | EA BASEASM | 310121 |
| 8 | 085330-02-702 | EA COVER-PEDESTAL-BONE510 | 310112 |
| 9 | 085330-01-718 | EA SEAL&BASEW/MOUNTINGHARDWARE | 3853100-63 |
| 10 | 085330-01-714 | EA SEAL-FLANGE-FLOOR | 390343892 |
| 11 | 085330-01-717 | EA STOOLMOUNTINGPACKAGE-BOLT&SEAL | 3100-64 |
| 12 | 085330-01-706 | EA BALL-SHAFT&CARTRIDGE | 385318162 |
| 13 | 085330-02-703 | EA COVER-PEDAL-BONENEWSTYLE | 310115 |
| 14 | 085330-01-709 | EA VALVE-WATER | 385314349 |
| 15 | 085330-01-707 | EA CARTRIDGE-SPRINGASM. | 381236096 |
| 16 | 085330-06-703 | EA LEVER-FLUSH | 340873 |
| 17 | 085330-01-710 | EA DRAIN-KIT-PLUG-CAPW/SEAL | 230384 |
| 18 | 085330-06-701 | EA BREAKER-VACUUM/DIVERTER(900) | 230335 |
| 19 | 085330-04-701 | EA HANDSPRAY-W/HOSE(500&900) | 340683 |

BEDROOMGROUP

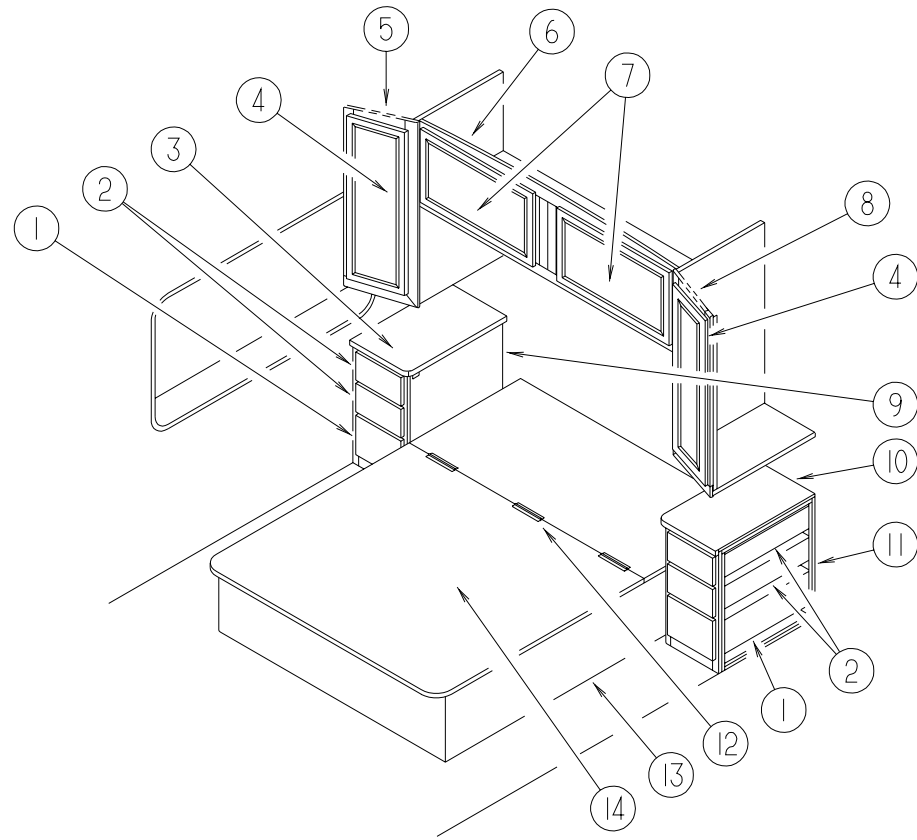
TWINBEDROOM



| KEY | PARTNUMBER | U/M | DESCRIPTION |
|-----|---------------|-----|---|
| 1 | 116192-01-G15 | EA | CABINET-CHEST-W/ODRAWERS/HARDWARE (H17,H18) |
| 1 | 116192-01-G45 | EA | CABINET-CHEST-W/ODRAWERS/HARDWARE (H19) |
| 1 | 116192-01-H40 | EA | CABINET-CHEST-W/ODRAWERS/HARDWARE (H40,H41) |
| 2 | 116192-11-F12 | EA | COUNTERTOP-CHESTOFDRAWERS (H17,H18) |
| 2 | 116192-11-G45 | EA | COUNTERTOP-CHESTOFDRAWERS (H19) |
| 2 | 116192-11-H40 | EA | COUNTERTOP-CHESTOFDRAWERS (H40,H41) |
| 3 | M07464-01-000 | EA | TOP-TWINBED-PASSENGERSIDE -W/OHARDWARE |
| 4 | 122715-04-01A | EA | DOOR-MOLDEDVINYL -12"X21.8"- W/OHARDWARE (WHITE) |
| 4 | M06803-68-H17 | EA | DOOR-MITEREDCORNER/OGEEEDGE -12.0"X21.9"- W/OHARDWARE (OAK) |
| 5 | 104507-11-F12 | EA | COUNTERTOP-NIGHTSTAND (H17,H18) |
| 5 | 104507-11-F31 | EA | COUNTERTOP-NIGHTSTAND (H19) |
| 5 | 104507-11-H40 | EA | COUNTERTOP-NIGHTSTAND (H40) |
| 5 | 104507-11-H41 | EA | COUNTERTOP-NIGHTSTAND (H41) |
| 6 | 122715-08-01A | EA | DOOR-MOLDEDVINYL -15.7"X28"- W/OHARDWARE (WHITE) |
| 6 | M06803-13-H17 | EA | DOOR-MIRROR/MITEREDCRNR/OGEEEDGE -15.7"X28.0"- W/OHDW (OAK) |
| 6 | M06803-82-H17 | EA | DOOR-MITEREDCORNER/OGEEEDGE -15.7"X28.0"- W/OHDW (OAK) |
| 7 | 116187-01-H40 | EA | CABINET-OVERHEADREAR -W/ODOORS/HARDWARE-TWINBEDS (WHITE) |
| 7 | 116187-01-H17 | EA | CABINET-OVERHEADREAR -W/ODOORS/HARDWARE-TWINBEDS (OAK) |
| 8 | 104507-01-G15 | EA | CABINET-NIGHTSTAND-W/ODRAWERS/HARDWARE (H17,H18) |
| 8 | 104507-01-G45 | EA | CABINET-NIGHTSTAND-W/ODRAWERS/HARDWARE (H19) |
| 8 | 104507-01-H40 | EA | CABINET-NIGHTSTAND-W/ODRAWERS/HARDWARE (H40) |
| 8 | 104507-01-H41 | EA | CABINET-NIGHTSTAND-W/ODRAWERS/HARDWARE (H41) |
| 9 | P10163-CZ-H40 | EA | DRAWER -12.2"WX11.8"D-W/OSLIDES/HARDWARE (WHITE) |
| 9 | M05971-65-H17 | EA | DRAWER-OGEEEDGE -11.8"WX12.2"D-W/OSLIDES/HARDWARE (OAK) |
| 10 | P10163-DA-H40 | EA | DRAWER -12.2"WX11.8"D-W/OSLIDES/HARDWARE (WHITE) |
| 10 | M05971-73-H17 | EA | DRAWER-OGEEEDGE -12.2"WX11.8"D-W/OSLIDES/HARDWARE (OAK) |
| 11 | M07464-02-000 | EA | TOP-TWINBED -DRIVERSIDE -W/OHARDWARE |
| 12 | P16194-01-H40 | EA | CABINET-TWINBEDBASE/RIGHTHAND -W/ODOORS/HARDWARE (WHITE) |
| 12 | P16194-01-G15 | EA | CABINET-TWINBEDBASE/RIGHTHAND -W/ODOORS/HARDWARE (OAK) |
| 13 | P16194-02-H40 | EA | CABINET-TWINBEDBASE/LEFTHAND -W/ODOORS/HARDWARE (WHITE) |
| 13 | P16194-02-G15 | EA | CABINET-TWINBEDBASE/LEFTHAND -W/ODOORS/HARDWARE (OAK) |
| 14 | P10163-DW-H40 | EA | DRAWER -9.6"WX21.6"D-W/OSLIDES/HARDWARE (WHITE) |
| 14 | M05971-W5-H17 | EA | DRAWER-OGEEEDGE -9.6"WX21.7"D-W/OSLIDES/HARDWARE (OAK) |
| 15 | P10163-DV-H40 | EA | DRAWER -9.6"WX21.6"D-W/OSLIDES/HARDWARE (WHITE) |
| 15 | M05971-58-H17 | EA | DRAWER-OGEEEDGE -9.6"WX21.6"D-W/OSLIDES/HARDWARE (OAK) |
| 16 | 122715-72-01A | EA | DOOR-MOLDEDVINYL -12"X48"- W/OHARDWARE (WHITE) |
| 16 | M06803-E9-H17 | EA | DOOR-MITEREDCORNER/OGEEEDGE -12.0"X47.9"- W/OHDW (OAK) |
| 17 | P10163-DE-H40 | EA | DRAWER -8.0"WX17.7"D-W/OSLIDES/HARDWARE (WHITE) |
| 17 | M05971-71-H17 | EA | DRAWER-OGEEEDGE -8.0"WX17.1"D-W/OSLIDES/HARDWARE (OAK) |

BEDROOMGROUP(CONTINUED)

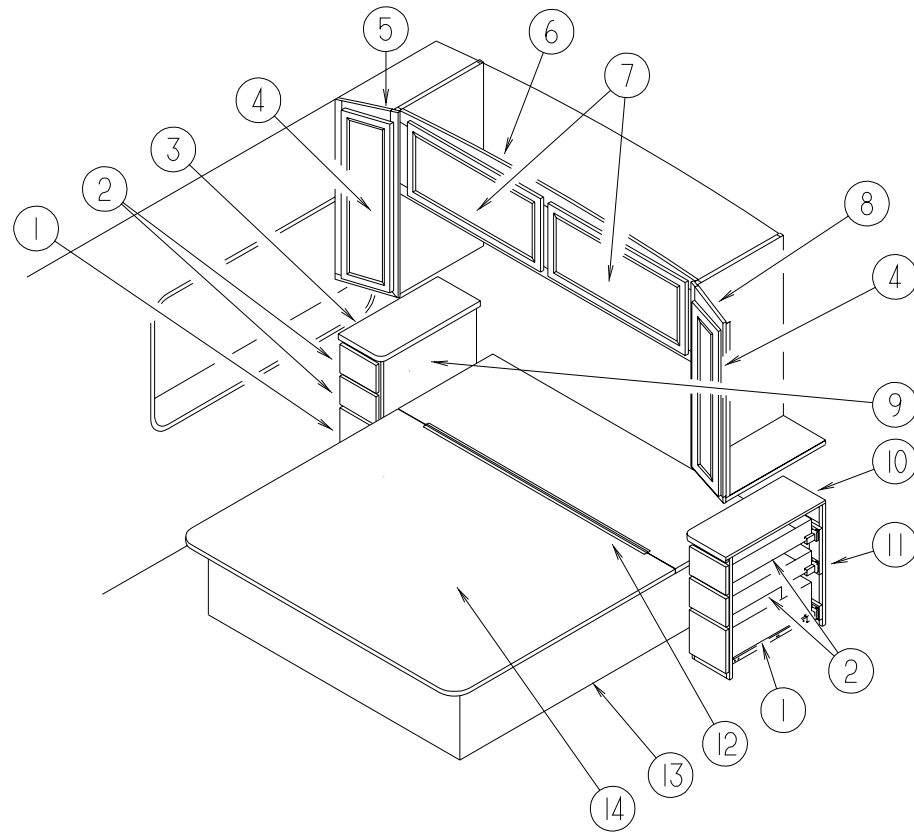
QUEENBEDROOM



| KEY | PARTNUMBER | U/M | DESCRIPTION |
|-----|---------------|-----|---|
| 1 | P10163-CW-H40 | EA | DRAWER-11.5"WX21.6"D-W/OSLIDES/HARDWARE(WHITE) |
| 1 | M05971-W3-H17 | EA | DRAWER-OGEEEDGE-11.5"WX21.6"D-W/OSLIDES/HDW(OAK) |
| 2 | P10163-CV-H40 | EA | DRAWER-11.5"WX21.6"D-W/OSLIDES/HARDWARE(WHITE) |
| 2 | M05971-L5-H17 | EA | DRAWER-OGEEEDGE-11.5"WX21.6"D-W/OSLIDES/HDW(OAK) |
| 3 | 116193-11-F12 | EA | COUNTERTOP-NIGHTSTAND(H17,H18) |
| 3 | 116193-11-G45 | EA | COUNTERTOP-NIGHTSTAND(H19) |
| 3 | 116193-11-H40 | EA | COUNTERTOP-NIGHTSTAND(H40,H41) |
| 4 | 122715-34-01A | EA | DOOR-MOLDEDVINYL-14.3"X36"-W/OHARDWARE(WHITE) |
| 4 | M06803-G1-H17 | EA | DOOR-MITEREDCORNER/OGEEEDGE-14.4"X36.4"-W/OHDW(OAK) |
| 5 | 116142-01-H40 | EA | CABINET-SHIRT CLOSET RIGHTHAND-W/ODOORS/HARDWARE(WHITE) |
| 5 | 116142-01-G35 | EA | CABINET-SHIRT CLOSET RIGHTHAND-W/ODOORS/HARDWARE(OAK) |
| 6 | 106523-01-H23 | EA | CABINET-OVERHEAD REAR-W/ODOORS/HARDWARE(WHITE) |
| 6 | 106523-01-G09 | EA | CABINET-OVERHEAD REAR-W/ODOORS/HARDWARE(OAK) |
| 7 | 122715-08-01A | EA | DOOR-MOLDEDVINYL-15.7"X28"-W/OHARDWARE(WHITE) |
| 7 | M06803-82-H17 | EA | DOOR-MITEREDCORNER/OGEEEDGE-15.7"X28.0"-W/OHDW(OAK) |
| 8 | 116142-02-H40 | EA | CABINET-SHIRT CLOSET LEFTHAND-W/ODOORS/HARDWARE(WHITE) |
| 8 | 116142-02-G35 | EA | CABINET-SHIRT CLOSET LEFTHAND-W/ODOORS/HARDWARE(OAK) |
| 9 | 116193-01-G15 | EA | CABINET-NIGHTSTAND RIGHTHAND-W/ODRAWERS/HDW(H17,H18) |
| 9 | 116193-01-G45 | EA | CABINET-NIGHTSTAND RIGHTHAND-W/ODRAWERS/HDW(H19) |
| 9 | 116193-01-H40 | EA | CABINET-NIGHTSTAND RIGHTHAND-W/ODRAWERS/HDW(H40,H41) |
| 10 | 116193-12-F12 | EA | COUNTERTOP-NIGHTSTAND(H17,H18) |
| 10 | 116193-12-G45 | EA | COUNTERTOP-NIGHTSTAND(H19) |
| 10 | 116193-12-H40 | EA | COUNTERTOP-NIGHTSTAND(H40,H41) |
| 11 | 116193-02-G15 | EA | CABINET-NIGHTSTAND LEFTHAND-W/ODRAWERS/HDW(H17,H18) |
| 11 | 116193-02-G45 | EA | CABINET-NIGHTSTAND LEFTHAND-W/ODRAWERS/HDW(H19) |
| 11 | 116193-02-H40 | EA | CABINET-NIGHTSTAND LEFTHAND-W/ODRAWERS/HDW(H40,H41) |
| 12 | 041389-25-000 | EA | HINGE-PIANO-1.50"X55" |
| 13 | P18758-01-H40 | EA | CABINET-BASE-QUEENBED-W/ODOORS/DRAWERS/HARDWARE(WHITE) |
| 13 | P18758-01-G15 | EA | CABINET-BASE-QUEENBED-W/ODOORS/DRAWERS/HARDWARE(OAK) |
| 14 | M07571-02-G15 | EA | TOP-QUEENBED-W/OHARDWARE |
| | 109645-02-000 | EA | BRACKET-FLOORSUPPORT |
| | 057460-02-000 | EA | STUDBALL-GASSPRING-.39"-5/16"-18 |
| | 057460-04-000 | EA | SPRING-GAS-BALLSTUDSTYLEEND |
| | 089025-01-000 | EA | SUPPORT-SPRING-TOBED-ANGLE1.5"X11.8"LONG-STEEL |
| | 097872-04-000 | EA | DOWEL-WOOD-1"DIAMETERX1.38"LONG |
| | 107796-05-000 | EA | BRACKET-GASSPRING-FLAT |
| | 091952-01-000 | EA | CLIP-GRIPPER-1" |

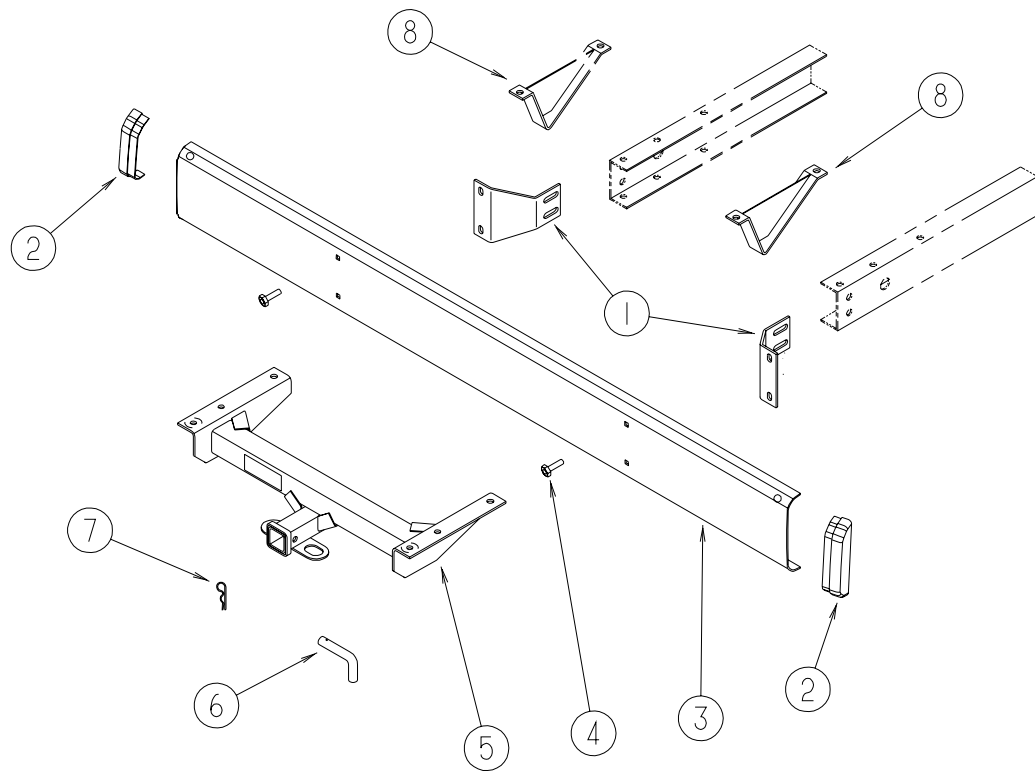
BEDROOMGROUP(CONTINUED)

KINGBEDROOM

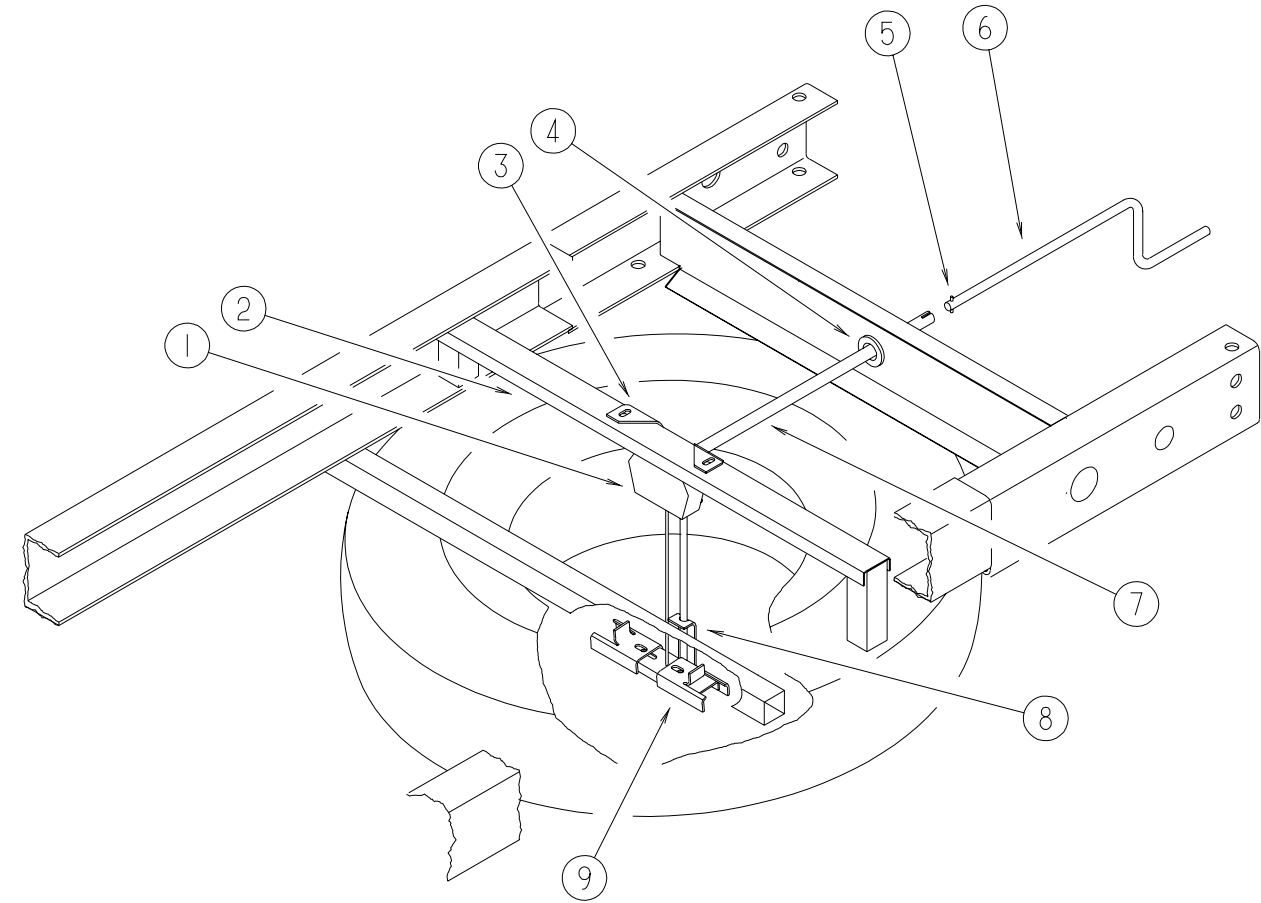


| KEY | PARTNUMBER | U/M | DESCRIPTION |
|-----|---------------|-----|--|
| 1 | P10163-CT-H40 | EA | DRAWER-6.3"WX21.6"D-W/OSLIDES/HARDWARE(WHITE) |
| 1 | M05971-W8-H17 | EA | DRAWER-OGEEEDGE-6.3"WX21.6"D-W/OSLIDES/HDW(OAK) |
| 2 | P10163-CN-H40 | EA | DRAWER-6.3"WX21.6"D-W/OSLIDES/HARDWARE(WHITE) |
| 2 | M05971-W9-H17 | EA | DRAWER-OGEEEDGE-6.3"WX21.6"D-W/OSLIDES/HDW(OAK) |
| 3 | 117173-11-F12 | EA | COUNTERTOP-NIGHTSTAND(H17,H18) |
| 3 | 117173-11-G45 | EA | COUNTERTOP-NIGHTSTAND(H19) |
| 3 | 117173-11-H40 | EA | COUNTERTOP-NIGHTSTAND(H40,H41) |
| 4 | 122715-16-01A | EA | DOOR-MOLDEDVINYL-10.8"X36.4"-W/OHARDWARE(WHITE) |
| 4 | M06803-37-H17 | EA | DOOR-MITEREDCORNER/OGEEEDGE-10.8"X36.4"-W/OHDW(OAK) |
| 4 | 058331-A7-000 | EA | MIRROR-SAFETY/GLASS-7.5"X33.1" |
| 5 | 117175-01-H40 | EA | CABINET-SHIRT-CLOSET-RIGHTHAND-W/ODOOR/HARDWARE(WHITE) |
| 5 | 117175-01-G15 | EA | CABINET-SHIRT-CLOSET-RIGHTHAND-W/ODOOR/HARDWARE(OAK) |
| 6 | 117240-01-H40 | EA | CABINET-OVERHEADREAR-W/ODOORS/HARDWARE(WHITE) |
| 6 | 117240-01-G15 | EA | CABINET-OVERHEADREAR-W/ODOORS/HARDWARE(OAK) |
| 7 | 122715-35-01A | EA | DOOR-MOLDEDVINYL-14.4"X33.4"-W/OHARDWARE(WHITE) |
| 7 | M06803-L7-H17 | EA | DOOR-MITEREDCORNER/OGEEEDGE-33.5"X14.4"-W/OHDW(OAK) |
| 8 | 117175-02-H40 | EA | CABINET-SHIRT-CLOSET-LEFTHAND-W/ODOORS/HARDWARE(WHITE) |
| 8 | 117175-02-G15 | EA | CABINET-SHIRT-CLOSET-LEFTHAND-W/ODOORS/HARDWARE(OAK) |
| 9 | 117173-01-G15 | EA | CABINET-NIGHTSTAND-RIGHTHAND-W/ODRAWERS/HDW(H17,H18) |
| 9 | 117173-01-G45 | EA | CABINET-NIGHTSTAND-RIGHTHAND-W/ODRAWERS/HDW(H19) |
| 9 | 117173-01-H40 | EA | CABINET-NIGHTSTAND-RIGHTHAND-W/ODRAWERS/HDW(H40,H41) |
| 10 | 117173-12-F12 | EA | COUNTERTOP-NIGHTSTAND(H17,H18) |
| 10 | 117173-12-F45 | EA | COUNTERTOP-NIGHTSTAND(H19) |
| 10 | 117173-12-H40 | EA | COUNTERTOP-NIGHTSTAND(H40,H41) |
| 11 | 117173-02-G15 | EA | CABINET-NIGHTSTAND-LEFTHAND-W/ODRAWERS/HDW(H17,H18) |
| 11 | 117173-02-G45 | EA | CABINET-NIGHTSTAND-LEFTHAND-W/ODRAWERS/HDW(H19) |
| 11 | 117173-02-H40 | EA | CABINET-NIGHTSTAND-LEFTHAND-W/ODRAWERS/HDW(H40,H41) |
| 12 | 041389-25-000 | EA | HINGE-PIANO-1.50"X55" |
| 13 | P18759-01-H40 | EA | CABINET-BASE-KINGBED-W/ODOORS/DRAWERS/HARDWARE(WHITE) |
| 13 | P18759-01-G15 | EA | CABINET-BASE-KINGBED-W/ODOORS/DRAWERS/HARDWARE(OAK) |
| 14 | M07571-01-G15 | EA | TOP-KINGBED-W/OHARDWARE |
| | 109645-02-000 | EA | BRACKET-FLOORSUPPORT |
| | 057460-02-000 | EA | STUDBALL-GASSPRING-.39"-5/16"-18 |
| | 057460-04-000 | EA | SPRING-GAS-BALLSTUDSTYLEEND |
| | 089025-01-000 | EA | SUPPORT-SPRING-TOBED-ANGLE1.5"X11.8"LONG-STEEL |
| | 097872-04-000 | EA | DOWEL-WOOD-1"DIAMETERX1.38"LONG |
| | 107796-05-000 | EA | BRACKET-GASSPRING-FLAT |
| | 091952-01-000 | EA | CLIP-GRIPPER-1" |

CHASSISGROUP



CHASSISGROUP(CONTINUED)



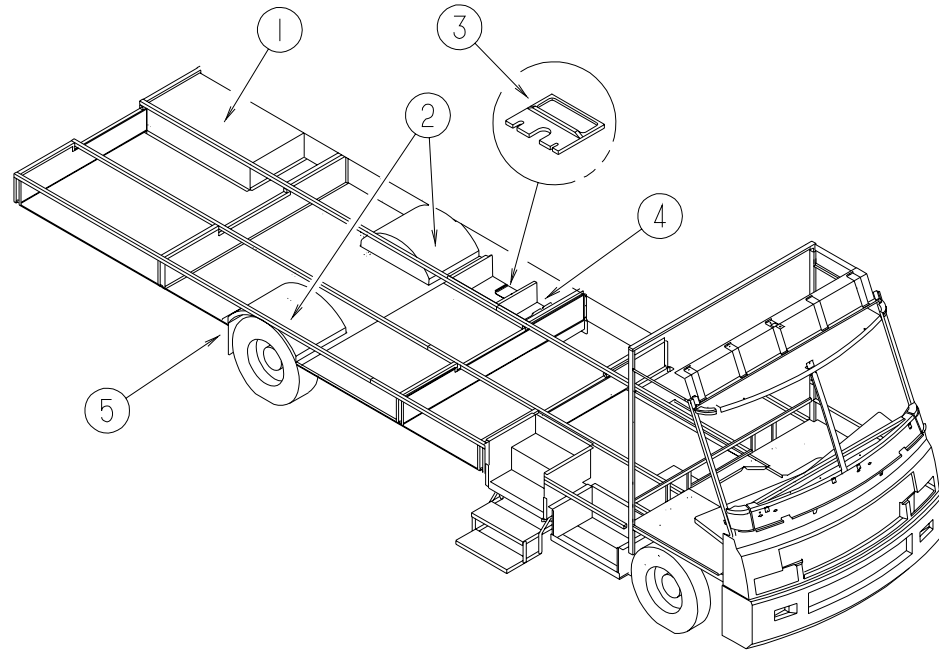
REAR BUMPER & COMPONENTS

| KEY | PARTNUMBER | U/M | DESCRIPTION |
|-----|---------------|-----|--|
| 1 | 104418-07-000 | EA | ANGLE-BUMPERREARSUPPORT |
| 2 | 103228-01-05A | EA | ENDCAP-REARBUMPER-DRIVER/PASSENGERSIDE |
| 3 | 103099-04-02A | EA | BUMPER-REAR-BRIGHTWHITE |
| 4 | 102333-01-05A | EA | BOLT-7/16" |
| 5 | 107707-01-000 | EA | HITCHRECEIVER-BOLT-ONCLASSII |
| 6 | 034512-01-000 | EA | PIN-LOCKING-DRAWBAR |
| 7 | 034513-01-000 | EA | PIN-3/16"WIRE |
| 8 | 111742-01-000 | EA | PLATE-SKID |
| | 113589-01-000 | EA | CONNECTOR-PLUG-TRAILER |
| | 113589-02-000 | EA | CONNECTOR-SOCKET-TRAILER |
| | 070579-09-000 | EA | PLATE-ANCHOR |
| | 113588-02-01B | EA | BRACKET-CONNECTORTRAILERW/OLIP |

SPARETIRE&HOIST

| KEY | PARTNUMBER | U/M | DESCRIPTION |
|-----|---------------|-----|---|
| 1 | 093267-03-000 | EA | HOIST-SPARETIRE-100# |
| 2 | 093362-06-000 | EA | CHANNEL-TIREHOIST |
| 3 | 124751-01-02B | EA | HANGER-SPARETIRE-E-COATED |
| 4 | 071015-11-000 | EA | GROMMET-1"ID |
| 5 | 114376-01-000 | EA | PIN-DRIVE-.156X.750-TYPE-E |
| 6 | 093376-02-000 | EA | HANDLE-CRANK-TIREHOIST |
| 7 | 093375-06-000 | EA | EXTENSION-TIREHOIST |
| 8 | 124754-01-02B | EA | CATCH-SPARETIRE |
| 9 | 105499-01-000 | EA | BRACKET-TIREHOIST |
| | 077030-02-000 | EA | EXTENSION-VALVESTEM-1.25" |
| | 051377-05-000 | EA | VALVESTEMASM-VS938 |
| | 083425-05-000 | EA | TIRE-MICHELIN-LT235/85R16LRE-XPSRIB(FORD) |
| | 095853-02-000 | EA | WHEEL-STEEL-16X6K-F2TA-1015-NA(FORD) |
| | 051377-01-000 | EA | VALVESTEM |
| | 091673-01-000 | EA | TIRE-225/70R19.5LRF,XZA-MICHELINXZA |
| | 064963-01-000 | EA | WHEEL-STEEL-19.5"X6"-GM14005758 |
| | 080208-01-000 | EA | LUGWRENCH-1"X1.06" |
| | | | FROM: 00-00-00 THRU: 09-26-96 |
| | 080208-06-000 | EA | LUGWRENCH-DEEP1"X1.06" |
| | | | FROM: 09-27-96 THRU: 99-99-99 |
| | 080208-02-000 | EA | BAR-LEVERAGE-LUGWRENCH(CHEVY) |

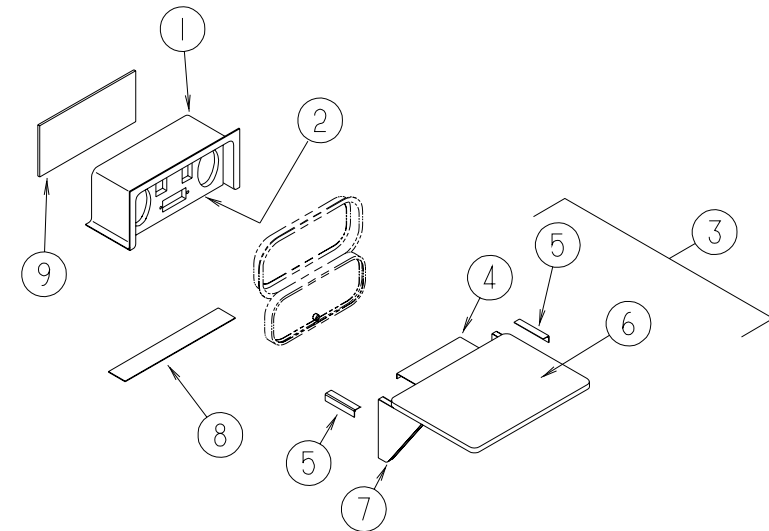
CHASSISGROUP(CONTINUED)



COMPARTMENTS&TRAYS

| KEY | PARTNUMBER | U/M | DESCRIPTION |
|-----|---------------|-----|---|
| 1 | 094657-02-000 | EA | TRAY-GENERATOR-22.5"X30.4"X6.9"W/ANGLE&NUTS |
| 2 | 055374-03-000 | EA | WHEELWELL-PLASTIC |
| 3 | M06991-05-G38 | EA | HATCH-W/FOAM |
| | 121175-01-01A | EA | LATCH-SWELL-BLACK |
| 4 | M07452-04-G38 | EA | COMPARTMENT-STORAGE-14.4"X48.9" |
| 5 | 020167-05-000 | EA | GUARD-DIRT |
| 5 | 017516-01-000 | EA | FLAP-MUD-14"X18"-BLACK |
| | 065450-05-000 | EA | TIEDOWN-BATTERY-8.4" TUBE |
| | 056748-01-000 | EA | PLUG-CAP-1.5" DIAMETER |
| | 119845-01-01A | EA | PLUG-PLASTIC-BLACK |
| | 115361-01-01A | EA | PLUG-PLASTIC |
| | 123361-01-000 | EA | DUCT-AIRINTAKE |
| | 123362-01-000 | EA | ELBOW-RUBBER-90DEGREE3.5" I.D. |
| | 119847-01-02B | EA | SHIELD-A/C COMPRESSOR |
| | 112864-01-000 | FT | FOAM-BUTYL COVERED 3/8" |
| | 112384-01-000 | EA | SPONGE-BRACKET-RACK&LADDER |

CHASSISGROUP(CONTINUED)



COMPARTMENT(ENTERTAINMENTCENTER)

| KEY | PARTNUMBER | U/M | DESCRIPTION | |
|-----|---------------|-----|------------------------------------|-------------------------------|
| 1 | 124696-01-01A | EA | BOX-ENTERTAINMENTCENTER-EXTERIOR | |
| 2 | 104899-01-C05 | EA | PLATE-RADIOMOUNTING | |
| 3 | 105230-01-H33 | EA | SHELF-EXTERIOR TV | |
| 4 | 105377-01-01A | EA | BRACKET-TABLEHANGER | |
| 4 | 105377-01-04A | EA | BRACKET-TABLEHANGER | FROM: 00-00-00 THRU: 01-05-97 |
| 5 | 105376-01-02A | EA | HINGE-CONTINUOUS-2"X5.5" | FROM: 01-06-97 THRU: 99-99-99 |
| 5 | 105376-01-03A | EA | HINGE-CONTINUOUS-2"X5.5" | FROM: 00-00-00 THRU: 01-05-97 |
| 5 | 105376-01-03A | EA | HINGE-CONTINUOUS-2"X5.5" | FROM: 01-06-97 THRU: 99-99-99 |
| 6 | 105230-11-G15 | EA | SHELF-EXTERIOR ENTERTAINMENTCENTER | |
| 7 | 105230-12-G15 | EA | SUPPORT-EXTERIOR SHELF | |
| 8 | 104898-01-02A | EA | PLATE-PLASTIC BOTTOM-BRIGHTWHITE | |
| 9 | 104898-02-02A | EA | PLATE-PLASTIC BACK-BRIGHTWHITE | |

CHASSISGROUP(CONTINUED)

HWHYDRAULICLEVELINGSYSTEM(FORD)
(FROM: 00-00-00THRU: 02-01-97)

| KEY | PARTNUMBER | U/M DESCRIPTION | VENDOR NO. |
|-----|---------------|----------------------------------|------------------------------|
| | 100532-33-000 | EA LEVELINGSYSTEM-HYDRAULIC | |
| | | | FROM: 00-00-00THRU: 02-01-97 |
| | 100532-01-714 | EA SCREWKIT(LEVELINGJACKS) | R1280 |
| | 100533-06-000 | EA BRACKETS-FRONTLEVELINGJACKS | |
| | 100534-06-000 | EA BRACKETS-REARLEVELINGJACKS | |
| | 107890-01-000 | EA ELBOW-STEEL-90D-1/4X37D-FLARE | |
| | 100536-28-000 | EA HOSEKIT-LEVELINGJACKS | |
| | 100536-09-701 | EA HOSE-HYDRAULIC-60" | RAP4073 |
| | 100536-10-701 | EA HOSE-HYDRAULIC-116" | RAP5384 |
| | 100536-25-700 | EA HOSE-HYDRAULIC-306" | RAP4904 |
| | 100536-25-701 | EA HOSE-HYDRAULIC-312" | RAP5216 |
| | 100536-28-700 | EA HOSE-HYDRAULIC-372" | RAP4391 |
| | 107938-07-000 | EA BRACKET-PUMP | |
| | 121651-01-02B | EA CROSSMEMBER-REARJACKMOUNTING | |
| | 121652-01-01B | EA GUSSET-JACKBRACKET | |
| | 121652-02-01B | EA GUSSET-BRACKET | |

HWHYDRAULICLEVELINGSYSTEM(FORD)
(FROM: 02-02-97THRU: 99-99-99)

| KEY | PARTNUMBER | U/M DESCRIPTION | VENDOR NO. |
|-----|---------------|--|------------------------------|
| | 100532-08-000 | EA LEVELINGSYSTEM-HYDRAULIC-JOYSTICK-HWH | |
| | | | FROM: 02-02-97THRU: 99-99-99 |
| | 100532-01-704 | EA SWITCH-MERCURY,6K&9KJACK | RAP1010 |
| | 100532-01-705 | EA SPRINGKIT-9KJACK | RAP1171 |
| | 100532-02-700 | EA JACKASSEMBLY,6KTALL | RAP7164 |
| | 100532-02-701 | EA SPRINGKIT-6KJACK | R6824 |
| | 100532-02-704 | EA CABLE-ACTUATOR,6KJACK | RAP7194 |
| | 100532-02-705 | EA PUMP/RESERVOIRASM-MONARCH | RAP8178 |
| | 100532-03-710 | EA SENSINGUNIT21'MTA | RAP6798 |
| | 100532-03-715 | EA CAP-BREATHERW/DIPSTICK | RAP7876 |
| | 100532-08-700 | EA POWERUNITASM. | RAP0595 |
| | 100532-08-701 | EA CONTROL,BI-AXIS-F/200SYSTEM | RAP0612 |
| | 100532-08-702 | EA VALVE,BI-AXIS | RAP9589 |
| | 100532-08-703 | EA PANELASM.-200BI-AXISSYS. | RAP9755 |
| | 100532-08-704 | EA JACKASM.-9KTALL200SYS. | RAP7002 |
| | 100532-08-705 | EA KNOB-3/4"BLACK,SETOFFOUR | RAP1379 |
| | 100532-08-706 | EA KNOB-13/16"BLACK | RAP9734 |
| | 100532-08-707 | EA BEZELW/GASKET,F/SYSTEM200 | RAP9592 |
| | 100532-09-707 | EA ACTUATORASM.-9K | RAP0547 |
| | 100532-09-709 | EA ACTUATORASM.-6K | RAP0448 |
| | 100532-09-710 | EA SOLENOID-INTERMITENTDUTY | RAP0533 |
| | 100533-06-000 | EA BRACKETS-FRONTLEVELINGJACKS | |
| | 100534-06-000 | EA BRACKETS-REARLEVELINGJACKS | |
| | 107890-01-000 | EA ELBOW-STEEL-90D-1/4X37D-FLARE | |
| | 100536-10-000 | EA HOSEKIT-HWH#AP0012 | |
| | 100536-09-700 | EA HOSE-HYDRAULIC-324" | AP2464 |
| | 100536-09-701 | EA HOSE-HYDRAULIC-60" | RAP4073 |
| | 100536-09-702 | EA HOSE-HYDRAULIC-354" | RAP4311 |
| | 100536-10-700 | EA HOSE-HYDRAULIC-84" | RAP1412 |
| | 100536-10-701 | EA HOSE-HYDRAULIC-116" | RAP5384 |

CHASSISGROUP(CONTINUED)

HWHYDRAULICLEVELINGSYSTEM(CHEVY)
(FROM: 00-00-00THRU: 02-01-97)

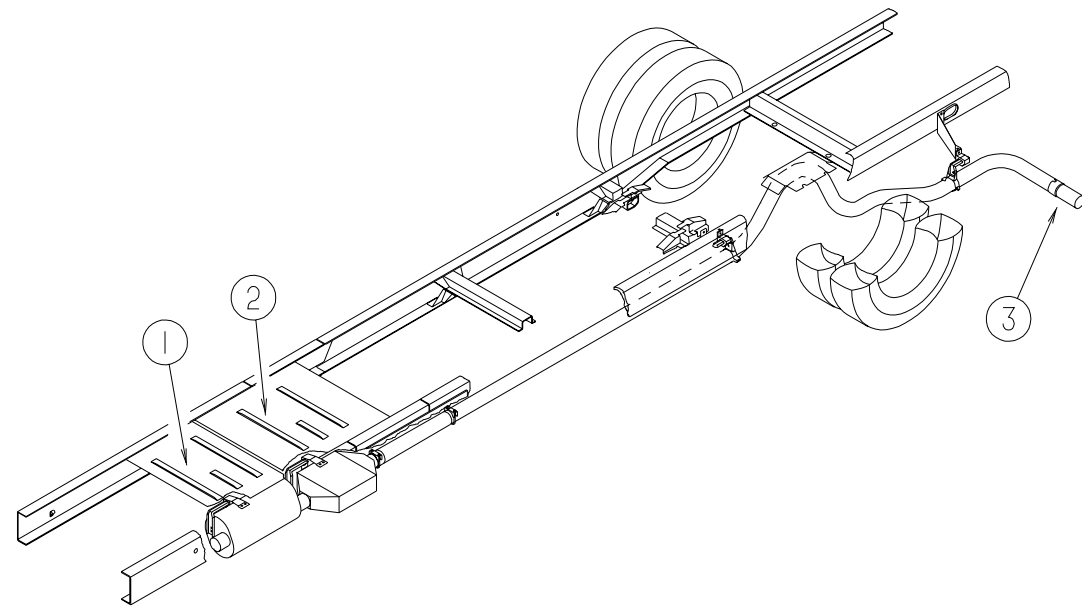
| KEY | PARTNUMBER | U/M DESCRIPTION | VENDOR NO. |
|-----|---------------|--|------------------------------|
| | 100532-32-000 | EA LEVELINGSYSTEM-HYDRAULIC | |
| | | | FROM: 00-00-00THRU: 02-01-97 |
| | 100532-01-714 | EA SCREWKIT(LEVELINGJACKS) | R1280 |
| | 100533-05-000 | EA BRACKETS-FRONTLEVELINGJACK-CHEVY | |
| | 100534-12-000 | EA BRACKETS-REARLEVELINGJACKS(KICKDOWN)-CHEVY | |
| | 107890-01-000 | EA ELBOW-STEEL-90D-1/4X37D-FLARE | |
| | 100536-28-000 | EA HOSEKIT-LEVELINGJACKS -HWHAP10164 | |
| | 100536-09-701 | EA HOSE-HYDRAULIC-60" | RAP4073 |
| | 100536-10-701 | EA HOSE-HYDRAULIC-116" | RAP5384 |
| | 100536-25-700 | EA HOSE-HYDRAULIC-306" | RAP4904 |
| | 100536-25-701 | EA HOSE-HYDRAULIC-312" | RAP5216 |
| | 100536-28-700 | EA HOSE-HYDRAULIC-372" | RAP4391 |
| | 107938-07-000 | EA BRACKET-PUMP | |
| | 121177-01-02B | EA BRACKET-PASS.REARLEVELJACK(STRAIGHT)-F/SLIDEOUTRM | |
| | 121177-02-02B | EA BRACKET-DRIVERSREARLEVELJACK(STRAIGHT)-F/SLIDEOUTRM | |
| | 126135-01-02B | EA BRACKET-JACKS-FRONT | |

FROM: 01-15-97 THRU: 99-99-99

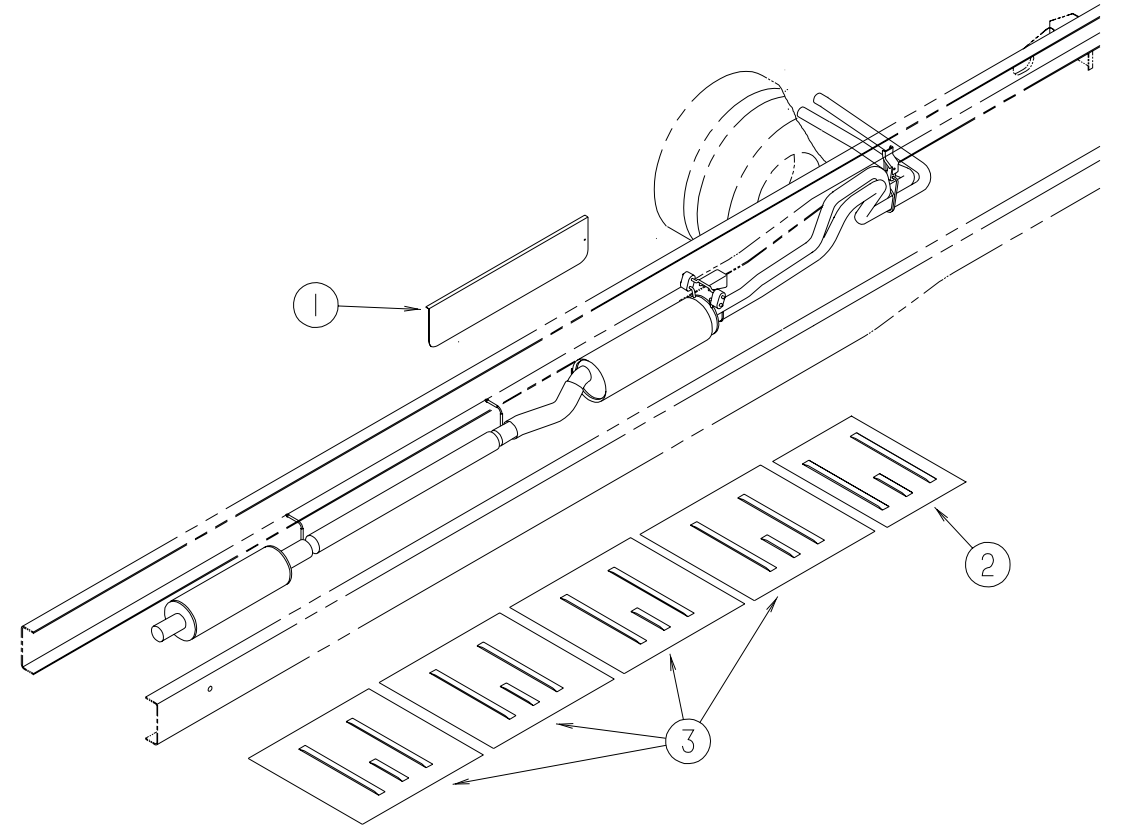
CHASSISMISCELANEOUS

| KEY | PARTNUMBER | U/M DESCRIPTION |
|-----|---------------|---|
| | 088498-01-000 | EA UNION-INVERTEDFLARE-BRASS-3/16-3/8-24THD-BRAKELINE |
| | 077298-55-003 | EA EXTRUSION-TUBE-.275" |
| | 076310-04-000 | EA SHEET-RUBBER,23"X50" |
| | 117611-03-02B | EA BRACKET-BUMPER-RIGHTHANDUPPER/LEFTHANDLOWER(FRONTBUMPER) |
| | 117611-04-02B | EA BRACKET-BUMPER-LEFTHANDUPPER/RIGHTHANDLOWER(FRONTBUMPER) |

CHASSISGROUP(CONTINUED)



CHASSISGROUP(CONTINUED)



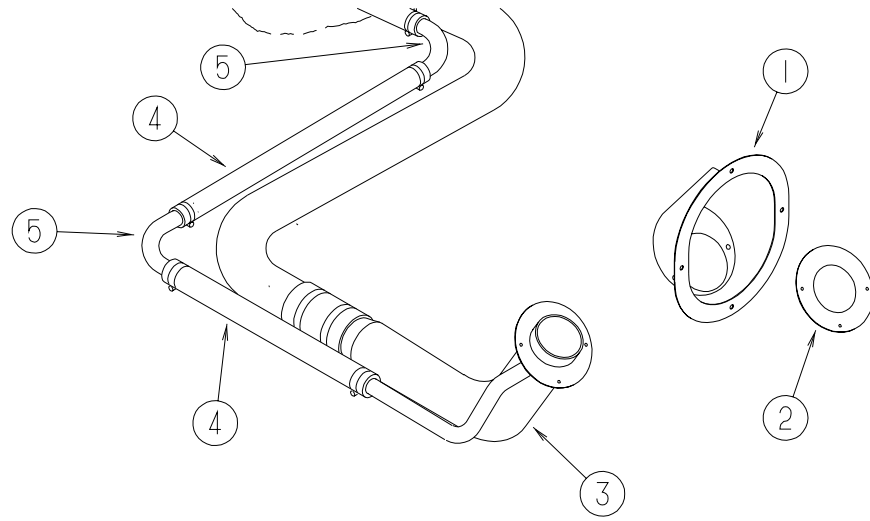
EXHAUSTSYSTEM(CHEVY)

| KEY | PARTNUMBER | U/M | DESCRIPTION |
|-----|---------------|-----|---------------------------------------|
| 1 | 101544-01-000 | EA | SHIELD-HEAT-EXHAUST-19.7"X28.9"-STEEL |
| 2 | 101544-02-000 | EA | SHIELD-HEAT-EXHAUST-30"X28.9"-STEEL |
| 3 | 094918-01-000 | EA | CLAMP-EXHAUST-3"-GUILLOTINESTYLE |
| 3 | 098762-11-000 | EA | PIPE-EXHAUST-STRAIGHT-3" |

EXHAUSTSYSTEM(FORD)

| KEY | PARTNUMBER | U/M | DESCRIPTION |
|-----|---------------|-----|---------------------------------|
| 1 | 075307-03-000 | EA | SHIELD-HEAT-LP |
| 2 | 101544-01-000 | EA | SHIELD-HEAT-EXHAUST-19.7"X28.9" |
| 3 | 101544-06-000 | EA | SHIELD-HEAT-EXHAUST |

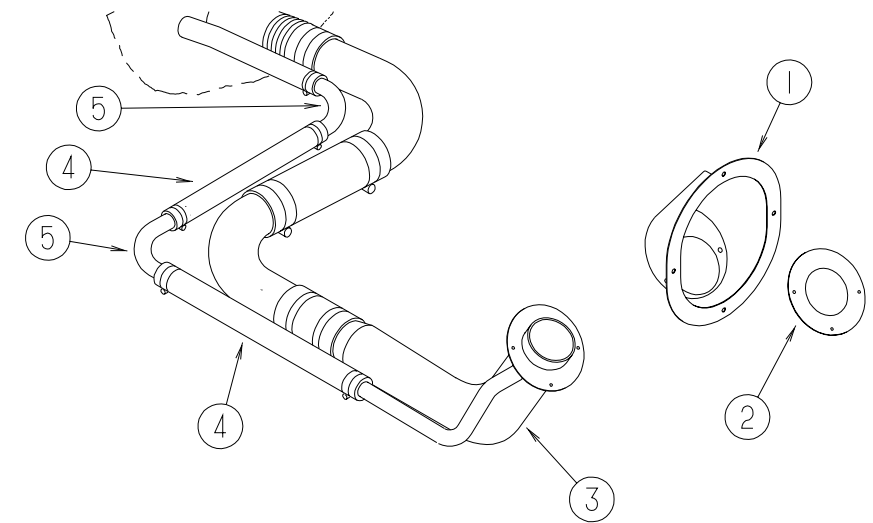
CHASSISGROUP(CONTINUED)



FUELSYSTEM(FORD)

| KEY | PARTNUMBER | U/M | DESCRIPTION |
|-----|---------------|-----|--|
| 1 | 095854-01-04A | EA | SHROUD-FUELFILL-BRIGHTWHITE |
| 2 | 078200-01-000 | EA | GASKET-FUELFILL-3.5"ODX2"ID |
| 3 | 087256-07-000 | EA | NECKASM-FUELFILL |
| 4 | 066732-01-000 | FT | HOSE-FUELFILL-.62"ID |
| 5 | 098806-01-000 | EA | PIPE-FILLVENT-90DEGREEBEND-.625"OD-STEEL |
| | 007063-01-000 | FT | HOSE-GAS1/4"IDX1/2"OD |
| | 084884-01-000 | EA | PLUG-BRASS-3/8" |
| | 007111-02-000 | EA | HOSE-FUELFILL-2"ID-IN3FTLENGTHS |
| | 100140-03-000 | EA | TUBE-FUELINLET |

CHASSISGROUP(CONTINUED)



FUEL SYSTEM (CHEVY)

| KEY | PARTNUMBER | U/M | DESCRIPTION |
|-----|---------------|-----|--|
| 1 | 095854-01-04A | EA | SHROUD-FUELFILL-BRIGHTWHITE |
| 2 | 078200-01-000 | EA | GASKET-FUELFILL-3.5"ODX2"ID |
| 3 | 087256-10-000 | EA | NECK-FUELFILL |
| 4 | 066732-01-000 | FT | HOSE-FUEL .62" ID |
| 5 | 098806-01-000 | EA | PIPE-FILLVENT-90DEGREEBEND-.635OD-STEEL |
| | 007063-01-000 | FT | HOSE-FUEL 1/4"IDX1/2"OD |
| | 084884-01-000 | EA | PLUG-BRASS-3/8" |
| | 098803-01-000 | EA | PIPE-FUELFILL-90DEGREEBEND-13.2"-13/4"OD |
| | 098807-01-000 | EA | PIPE-FUELFILL-90DEGREEBEND-6.6"-13/4OD |
| | 068382-06-000 | EA | BUSHING-BRASS-3/8MPTX1/8FPT |
| | 114254-01-000 | EA | ADAPTER-1/4SINGLEBARBX1/8MPT |
| | 044317-01-000 | FT | HOSE-FUEL-3/8"ID |

CHASSISGROUP(CONTINUED)

WHEELINERS,(FORD)

| KEY | PARTNUMBER | U/M DESCRIPTION | VENDORN. |
|-----|---------------|-----------------------------|------------|
| | 110435-08-000 | EA LINER-WHEELSET(SET=4)16" | |
| | 110435-01-711 | EA DECAL-CENTERCAP-2" | 2"DECAL |
| | 110435-02-702 | EA STUDEXTENDER | V160SD-STX |
| | 110435-02-703 | EA NUT(JAMB) | V160SD-JNT |
| | 110435-02-704 | EA COVER-LUGNUT | V160F0-LNC |
| | 110435-02-705 | EA TOOLF/JAMBNUIT-INSTALL. | V160FO-TOL |
| | 110435-08-700 | EA LINER-WHEEL-FRONT | V160SD-FWC |
| | 110435-08-701 | EA LINER-WHEEL-REAR | V160SD-RWC |

WHEELCOVERS,DICOR(FORD)

| KEY | PARTNUMBER | U/M DESCRIPTION | VENDORN. |
|-----|---------------|---|------------------|
| | 098532-01-000 | EA COVER-WHEEL-FORD-16"-SETOF4DICORSH-SD-16 | |
| | 098532-01-700 | EA COVER-LUGNUT(CHROME) | SHAU-LNC |
| | 098532-01-701 | EA COVER-WHEEL(FRT&REAR) | SH-SD-16COV1ONLY |

WHEELINERS(CHEVY)

| KEY | PARTNUMBER | U/M DESCRIPTION | VENDORN. |
|-----|---------------|--|------------|
| | 091209-01-000 | EA LINER-WHEEL-19.5"STAINLESSSTEEL-SET4F/GMCHASSIS | |
| | | FROM: 00-00-00 THRU: 07-14-96 | |
| | 091209-01-700 | EA LINER-WHEELFRT10LUG | 37N |
| | 091209-01-701 | EA LINER-WHEELRR10LUGEA=1 | 38N |
| | 091209-01-702 | EA COVER-AXLE-FRT19.510LUG | 34N |
| | 091209-01-703 | EA COVER-AXLE-REAR19.510LUG | 35N |
| | 091209-01-704 | EA COVER-LUGNUTW/OFLANGE | 36 |
| | 110435-06-000 | EA LINER-WHEELSET(SET=4)19.5"F/GMW/LONGSTUDS-DICOR | |
| | | FROM: 07-15-96 THRU: 99-99-99 | |
| | 110435-01-711 | EA DECAL-CENTERCAP-2" | 2"DECAL |
| | 110435-02-703 | EA NUT(JAMB) | V160SD-JNT |
| | 110435-02-704 | EA COVER-LUGNUT | V160F0-LNC |
| | 110435-02-705 | EA TOOLF/JAMBNUIT-INSTALL. | V160FO-TOL |
| | 110435-06-700 | EA LINER-WHEEL-FRONT | V195P5-FWC |
| | 110435-06-701 | EA LINER-WHEEL-REAR | V195P5-RWC |
| | 110435-06-702 | EA BRACKET-BRIDGE | V195P5-BRK |
| | 110435-06-703 | EA NUT-JAM-BRIDGEBRKT11/16 | V195P5-BJN |
| | 110435-06-704 | EA STUDEXTENDERS-P30 | V195P5-STX |

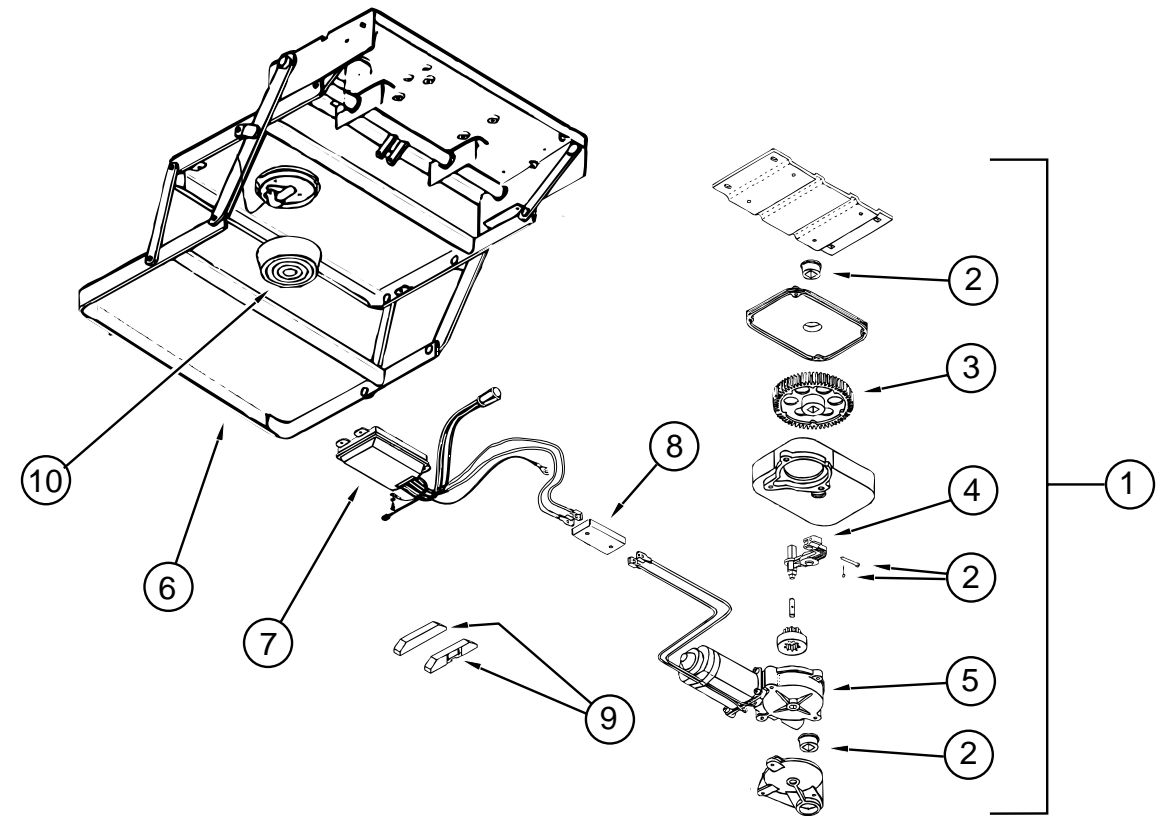
WHEELCOVERS,DICOR(CHEVY)

| KEY | PARTNUMBER | U/M DESCRIPTION | VENDORN. |
|-----|---------------|---|------------|
| | 109443-01-000 | EA WHEELCOVERSET-(EA=4WHEELCOVERSW/HARDWARE)19.5" | |
| | | FROM: 00-00-00 THRU: 12-20-96 | |
| | 109443-01-700 | EA COVER-WHEEL19.5FRT/RREA=1 | SHAG95 |
| | 109443-01-701 | EA BRACKET-RETENTIONFRONT | SHAG95-FBS |
| | 109443-01-702 | EA BRACKET-RETENTIONREAR | SHAG95-RBS |
| | 109443-01-703 | EA CAP-CENTER-HUB-DICOR | SP-AUCAP |
| | 109443-01-704 | EA CLIP-RETAINER | V160GM-PNT |
| | 109443-06-000 | EA WHEEL-COVER-4/SET-19.5" | |
| | | FROM: 12-21-96 THRU: 99-99-99 | |
| | 109443-01-700 | EA COVER-WHEEL19.5FRT/RREA=1 | SHAG95 |
| | 109443-01-701 | EA BRACKET-RETENTIONFRONT | SHAG95-FBS |
| | 109443-01-704 | EA CLIP-RETAINER | V160GM-PNT |
| | 109443-06-700 | EA CAP-CENTERHUB | SHAU95-CAP |
| | 109443-06-701 | EA BRACKET-RETENTIONREAR | SHG795-RBS |

SHOCKABSORBER(CHEVY)

| KEY | PARTNUMBER | U/M DESCRIPTION |
|-----|---------------|--|
| | 104993-02-000 | EA SHOCKABSORBER-GAS-P30FRONT |
| | 701390-29-000 | EA SHOCK&STABILIZERKIT-FRONTENDP-30CHASSIS |

CHASSISGROUP(CONTINUED)



STEPASSEMBLY(3200SERIES)

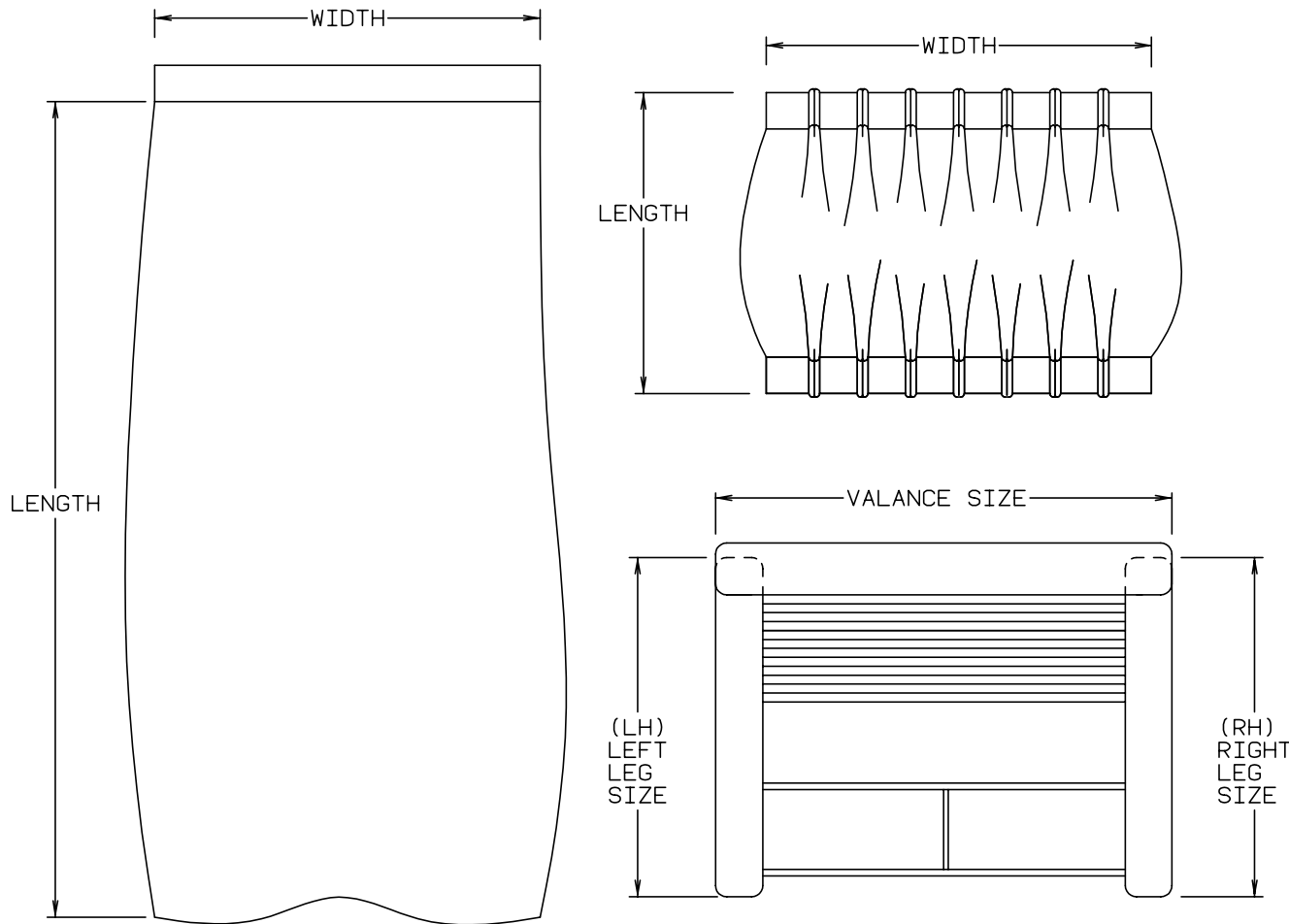
| KEY | PARTNUMBER | U/M DESCRIPTION | VENDOR NO. |
|-----|---------------|-------------------------------------|------------|
| 1 | 094707-01-01A | EA STEPASSEMBLYW/OSWITCH | |
| 2 | 094707-02-703 | EA BEARINGS&PINS | 909530 |
| 3 | 094707-02-702 | EA GEARKIT-W/BEARINGS&PIN-CASE | 909525 |
| 4 | 094707-02-701 | EA LINKAGEASSEMBLY-W/BEARINGS&PINS | 909523 |
| 5 | 094707-02-700 | EA MOTORASSEMBLY-W/BEARINGS&PINS | 909520 |
| 6 | 094707-01-702 | EA FRAMEW/DOUBLESTEP | 908032 |
| 7 | 094707-02-705 | EA CONTROLUNIT-WHITE | 909513 |
| 8 | 094707-02-704 | EA CONNECTOR-MOTORASSEMBLY-W/PLATES | 909537 |
| | 094707-02-707 | EA TREAD-NONSKID-BLACK-6"X21" | 909333 |
| 9 | 116995-01-000 | EA SWITCH/MAGNET-ELECTRIC | |
| 10 | 088746-01-705 | EA LIGHT-UNDERSTEP | 9004 |
| | 088733-01-700 | EA BULB | 9004 |

CURTAIN & CUSHION GROUP

NOTICE

IN ORDER TO ASSIST OUR PARTS SALES DEPT. IN PROVIDING INTERIOR SOFTGOODS ITEMS, PLEASE INCLUDE THE SERIAL NUMBER AND THE COLOR CODE NUMBER FROM THE VEHICLE CERTIFICATION LABEL WHEN ORDERING. THIS LABEL IS LOCATED ON THE LEFT SIDEWALL AT THE END OF THE DASH (A-BODY), OR ON THE DRIVER'S DOOR LATCH PLATE (C-BODY).

AN EXAMPLE OF A COLOR CODE NUMBER IS B07, WHICH DESIGNATES AN OVERALL COLOR SCHEME OF A PARTICULAR UNIT. THE COLOR LISTED AFTER THE ITEM DESCRIPTION ON THE MICROFICHE, INDICATES THE OVERALL UNIT COLOR. ORDER THE ITEM YOU DESIRE ACCORDING TO UNIT COLOR CODE.



NOTE: USE THIS ILLUSTRATION WHEN DETERMINING LENGTH AND WIDTH MEASUREMENTS FOR CURTAINS. YOU WILL NOTE THE WIDTH MEASUREMENT IS TAKEN ON THE TOP OF THE CURTAIN WITH THE CURTAIN FULLY EXTENDED. THE LENGTH MEASUREMENT IS TAKEN FROM TOP TO BOTTOM. LEFT AND RIGHT WINDOW LEGS ARE DETERMINED WHEN FACING THE WINDOW.

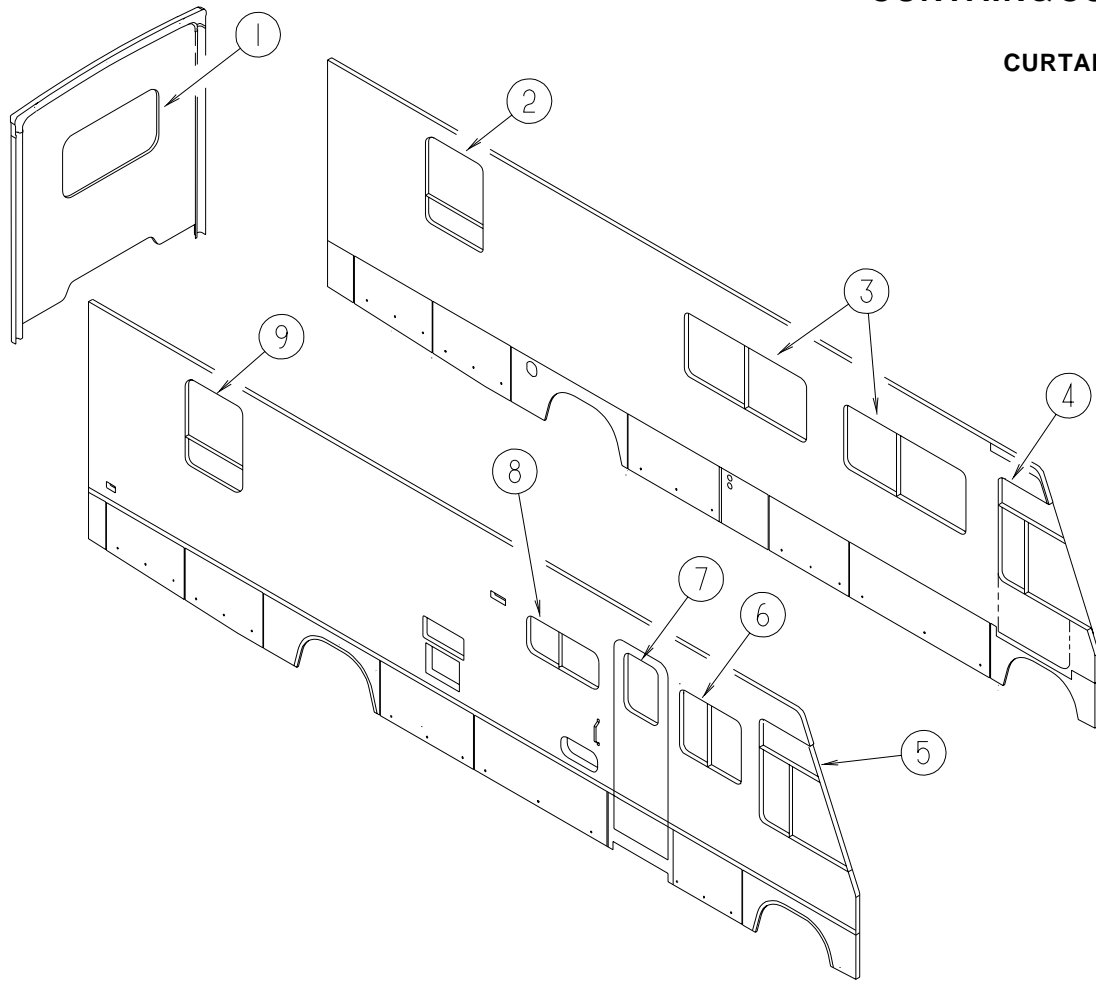
CURTAIN & CUSHION GROUP (CONTINUED)

| ADVENTURER FABRICS | | | | | |
|---------------------------------|--------------------------------|--------------------------------|--------------------------------|--------------------------------|--------------------------------|
| COLOR CODES | H17 | H18 | H19 | H40 | H41 |
| MARKETING COLORS | BOTANICAL (GREEN) | NORTH SHORE (TAUPE) | ZEPHYR (BLUE) | OAKLEAF (TAUPE) | EASTON (SAGE) |
| MAIN PLAIN | 108446-F8-000 | 108446-N0-000 | 108446-M3-000 | 108446-P0-000 | 108446-P1-000 |
| ACCENT | 108446-G0-000 | 108446-J4-000 | 108446-M4-000 | 108446-R2-000 | 108446-P2-000 |
| PATTERN ACCENT | 108446-G1-000 | 108446-J3-000 | 108446-M4-000 | 108446-R2-000 | 108446-P2-000 |
| BUCKET SEAT | 108446-G0-000 | 108446-J4-000 | 108446-M4-000 | 108446-R2-000 | 108446-P2-000 |
| DINETTE | 108446-F8-000 | 108446-N0-000 | 108446-M3-000 | 108446-P0-000 | 108446-P1-000 |
| DINETTE PAD | 108446-G0-000 | 108446-J4-000 | 108446-M4-000 | 108446-R2-000 | 108446-P2-000 |
| DINETTE SWIVEL CHAIR | 108446-G1-000 | 108446-J3-000 | 108446-M4-000 | 108446-R2-000 | 108446-P2-000 |
| SOFA | 108446-F8-000 | 108446-N0-000 | 108446-M3-000 | 108446-P0-000 | 108446-P1-000 |
| RECLINER CHAIR | 108446-G1-000 | 108446-J3-000 | 108446-M4-000 | 108446-R2-000 | 108446-P2-000 |
| LOUNGE WINDOW VALANCE | 108446-F8-000 | 108446-N0-000 | 108446-M3-000 | 108446-P0-000 | 108446-P1-000 |
| LOUNGE WINDOW LEGS | 108446-G1-000 | 108446-J3-000 | 108446-M4-000 | 108446-R2-000 | 108446-P2-000 |
| BEDSPREAD MAIN | 105745-B0-000 | 105745-C5-000 | 105745-D9-000 | 105745-F0-000 | 105745-C6-000 |
| BEDSPREAD ACCENT | 105745-B2-000 | 105745-C6-000 | 105745-64-000 | 105745-E7-000 | 105745-F1-000 |
| BEDSPREAD TRIM | 084415-70-000 | 084415-72-000 | 084415-82-000 | 084415-83-000 | 084415-83-000 |
| BEDROOM WINDOW VALANCE | 105745-B0-000 | 105745-C5-000 | 105745-D9-000 | 105745-F0-000 | 105745-C6-000 |
| BEDROOM WINDOW LEGS | 105745-B2-000 | 105745-C6-000 | 105745-64-000 | 105745-E7-000 | 105745-F1-000 |
| LOUNGE PILLOW TRIM BRAID | 108446-B2-000 084415-70-000 | 108446-C6-000 084415-72-000 | 108446-64-000 084415-82-000 | 108446-E7-000 084415-83-000 | 108446-F1-000 084415-84-000 |
| MAP POCKETS | 108446-G1-000 | 108446-J3-000 | 108446-M4-000 | 108446-R2-000 | 108446-P2-000 |
| FRONT WRAP AROUND | 072333-85-000 | 072333-85-000 | 072333-85-000 | 072333-85-000 | 072333-85-000 |
| CEILING | 113979-01-99A | 113979-01-99A | 113979-01-99A | 113979-01-99A | 113979-01-99A |

NOTE: THE FABRIC LISTED FIRST, IN A BLOCK, IS THE LARGEST QUANTITY OF FABRIC USED

CURTAIN & CUSHION GROUP (CONTINUED)

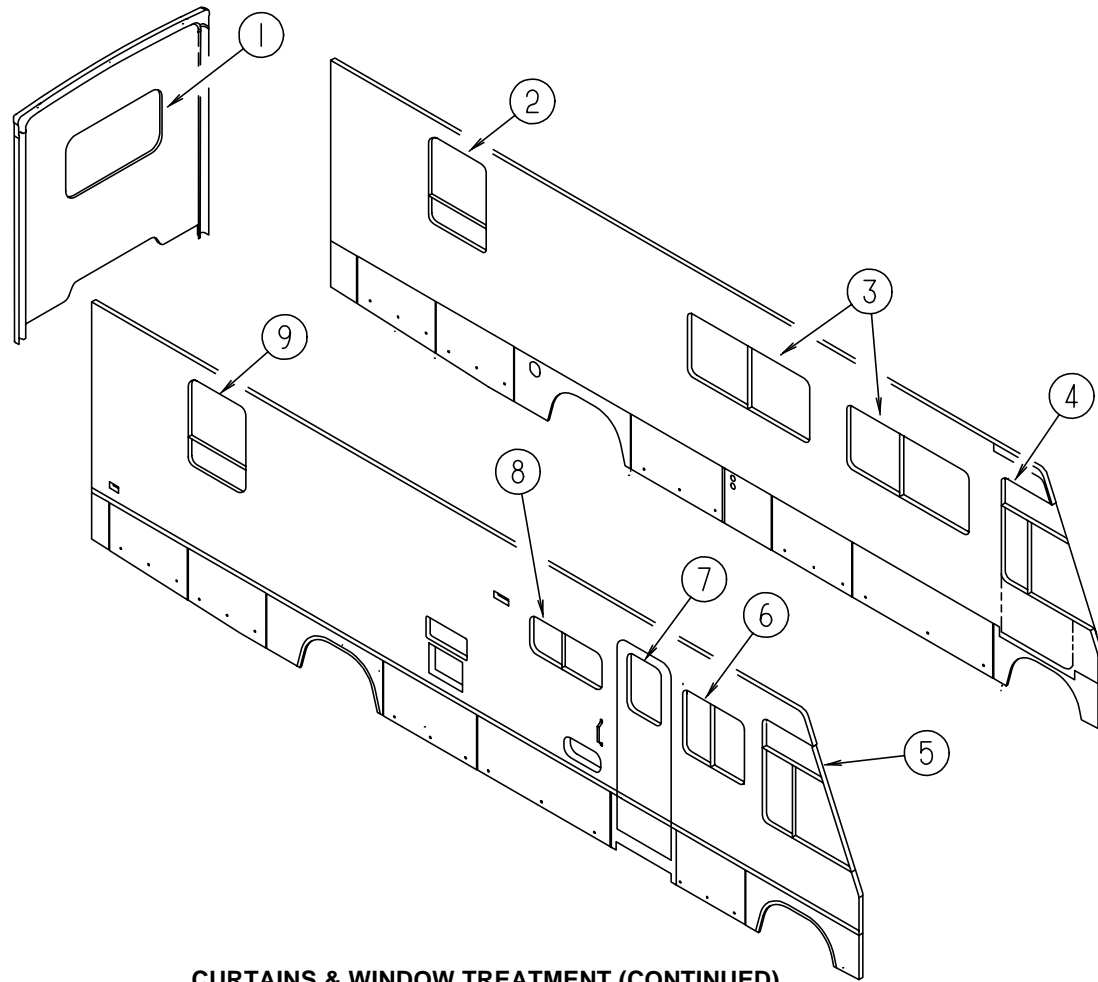
CURTAINS & WINDOW TREATMENT



| KEY | PARTNUMBER | U/M | DESCRIPTION |
|-----|---------------|-----|-------------------------------------|
| 1 | 119262-03-G07 | EA | VALANCE-MONACO-52.5"(H17) |
| 1 | 119138-03-G37 | EA | VALANCE-BELLINI-53"(H18) |
| 1 | 119138-03-H19 | EA | VALANCE-BELLINI-53"(H19) |
| 1 | 119262-03-H23 | EA | VALANCE-MONACO-52.5"(H40) |
| 1 | 119138-03-H25 | EA | VALANCE-BELLINI-53"(H41) |
| 1 | 119262-24-G15 | EA | VALANCE-MONACO-64.5"(H17)(TWINBED) |
| 1 | 118138-16-G37 | EA | VALANCE-BELLINI-64.5"(H18)(TWINBED) |
| 1 | 118138-16-H19 | EA | VALANCE-BELLINI-64.5"(H19)(TWINBED) |
| 1 | 119262-24-H23 | EA | VALANCE-MONACO-64.5"(H40)(TWINBED) |
| 1 | 118138-16-H25 | EA | VALANCE-BELLINI-64.5"(H41)(TWINBED) |
| 1 | 119333-03-G15 | EA | LEG-RIGHT-25"(H17) |
| 1 | 119333-03-G37 | EA | LEG-RIGHT-25"(H18) |
| 1 | 119333-03-G45 | EA | LEG-RIGHT-25"(H19) |
| 1 | 119333-03-H23 | EA | LEG-RIGHT-25"(H40) |
| 1 | 119333-03-H25 | EA | LEG-RIGHT-25"(H41) |
| 1 | 119333-04-G15 | EA | LEG-LEFT-25"(H17) |
| 1 | 119333-04-G37 | EA | LEG-LEFT-25"(H18) |
| 1 | 119333-04-G45 | EA | LEG-LEFT-25"(H19) |
| 1 | 119333-04-H23 | EA | LEG-LEFT-25"(H40) |
| 1 | 119333-04-H25 | EA | LEG-LEFT-25"(H41) |
| 1 | 109802-36-G15 | EA | BLIND-PLEATED-49"X29" |
| 1 | 109802-10-G01 | EA | BLIND-PLEATED-60"X28.5"(TWINBED) |
| 2 | 119262-53-H17 | EA | VALANCE-MONACO-34"(H17) |
| 2 | 119138-28-H18 | EA | VALANCE-BELLINI-34"(H18) |
| 2 | 119138-28-H19 | EA | VALANCE-BELLINI-34"(H19) |
| 2 | 119262-53-H23 | EA | VALANCE-34"MONACO(H40) |
| 2 | 119138-28-H41 | EA | VALANCE-BELLINI-34"(H41) |
| 2 | 119262-58-H17 | EA | VALANCE-MONACO-34"(H17)(TWINBED) |
| 2 | 119138-29-H18 | EA | VALANCE-BELLINI-34"(H18)(TWINBED) |
| 2 | 119138-29-H19 | EA | VALANCE-BELLINI-34"(H19)(TWINBED) |
| 2 | 119262-58-H40 | EA | VALANCE-34"MONACO(H40)(TWINBED) |
| 2 | 119138-28-H41 | EA | VALANCE-BELLINI-34"(H41)(TWINBED) |

| KEY | PARTNUMBER | U/M | DESCRIPTION |
|-----|---------------|-----|-------------------------------|
| 2 | 119333-21-G07 | EA | LEG-RIGHT-34"(H17) |
| 2 | 119333-21-H18 | EA | LEG-RIGHT-34"(H18) |
| 2 | 119333-21-H19 | EA | LEG-RIGHT-34"(H19) |
| 2 | 119333-21-H23 | EA | LEG-RIGHT-34"(H40) |
| 2 | 119333-21-H25 | EA | LEG-RIGHT-34"(H41) |
| 2 | 123910-01-H17 | EA | LEG-RIGHT-34"(H17)(TWINBED) |
| 2 | 123910-01-H18 | EA | LEG-RIGHT-34"(H18)(TWINBED) |
| 2 | 123910-01-H19 | EA | LEG-RIGHT-34"(H19)(TWINBED) |
| 2 | 123910-01-H40 | EA | LEG-RIGHT-34"(H40)(TWINBED) |
| 2 | 123910-01-H41 | EA | LEG-RIGHT-34"(H41)(TWINBED) |
| 2 | 119333-22-G07 | EA | LEG-LEFT-34"(H17) |
| 2 | 119333-22-H18 | EA | LEG-LEFT-34"(H18) |
| 2 | 119333-22-H19 | EA | LEG-LEFT-34"(H19) |
| 2 | 119333-22-H23 | EA | LEG-LEFT-34"(H40) |
| 2 | 119333-22-H25 | EA | LEG-LEFT-34"(H41) |
| 2 | 123910-02-H17 | EA | LEG-LEFT-34"(H17)(TWINBED) |
| 2 | 123910-02-H18 | EA | LEG-LEFT-34"(H18)(TWINBED) |
| 2 | 123910-02-H19 | EA | LEG-LEFT-34"(H19)(TWINBED) |
| 2 | 123910-02-H40 | EA | LEG-LEFT-34"(H40)(TWINBED) |
| 2 | 123910-02-H41 | EA | LEG-LEFT-34"(H41)(TWINBED) |
| 2 | 109802-50-H17 | EA | BLIND-PLEATED,29"X37" |
| 3 | 119262-01-G15 | EA | VALANCE-MONACO-64.5"(H17) |
| 3 | 119136-01-H18 | EA | VALANCE-STANWICK-64.5"(H18) |
| 3 | 119136-01-H19 | EA | VALANCE-STANWICK-64.5"(H19) |
| 3 | 121410-44-H40 | EA | VALANCE-MODERATE-64.5"(H40) |
| 3 | 121410-45-H41 | EA | VALANCE-MODERATE-64.5"(H41) |
| 3 | 119333-01-G15 | EA | LEG-RIGHT-25"(H17) |
| 3 | 119333-01-G37 | EA | LEG-RIGHT-25"(H18) |
| 3 | 119333-01-H19 | EA | LEG-RIGHT-25"(H19) |
| 3 | 119333-01-H23 | EA | LEG-RIGHT-25"(H40) |
| 3 | 119333-01-H25 | EA | LEG-RIGHT-25"(H41) |
| 3 | 119333-02-G15 | EA | LEG-LEFT-25"(H17) |
| 3 | 119333-02-G37 | EA | LEG-LEFT-25"(H18) |
| 3 | 119333-02-H19 | EA | LEG-LEFT-25"(H19) |
| 3 | 119333-02-H23 | EA | LEG-LEFT-25"(H40) |
| 3 | 119333-02-H25 | EA | LEG-LEFT-25"(H41) |
| 3 | 109802-10-G01 | EA | BLIND-PLEATED-60"X28.5" |
| 4 | 101668-46-E91 | EA | CURTAIN-LEFT-48"X95" |
| 4 | 073260-42-C18 | EA | TIEBACK-6"X18" |
| 5 | 101668-45-E91 | EA | CURTAIN-RIGHT-48"X95" |
| 5 | 073260-42-C18 | EA | TIEBACK-6"X18" |
| 6 | 119262-02-G15 | EA | VALANCE-MONACO-34.5"(H17) |
| 6 | 119136-02-H18 | EA | VALANCE-STARBUCK-34.5"(H18) |
| 6 | 119136-02-H19 | EA | VALANCE-STARBUCK-34.5"(H19) |
| 6 | 121410-05-H40 | EA | VALANCE-MODERATE-34.5"(H40) |
| 6 | 121410-02-H25 | EA | VALANCE-MODERATE-34.5"(H41) |
| 6 | 119333-01-G15 | EA | LEG-RIGHT-25"(H17) |
| 6 | 119333-01-G37 | EA | LEG-RIGHT-25"(H18) |
| 6 | 119333-01-H19 | EA | LEG-RIGHT-25"(H19) |
| 6 | 119333-01-H23 | EA | LEG-RIGHT-25"(H40) |
| 6 | 119333-01-H25 | EA | LEG-RIGHT-25"(H41) |
| 6 | 119333-02-G15 | EA | LEG-LEFT-25"(H17) |
| 6 | 119333-02-G37 | EA | LEG-LEFT-25"(H18) |
| 6 | 119333-02-H19 | EA | LEG-LEFT-25"(H19) |
| 6 | 119333-02-H23 | EA | LEG-LEFT-25"(H40) |
| 6 | 119333-02-H25 | EA | LEG-LEFT-25"(H41) |
| 6 | 109802-11-G15 | EA | BLIND-PLEATED-29"X28.5" |
| 7 | 119262-37-G15 | EA | VALANCE-MONACO-FLAT33"(H17) |
| 7 | 119136-19-GV7 | EA | VALANCE-STANWICK-15"X33"(H18) |
| 7 | 119136-19-H19 | EA | VALANCE-STANWICK-15"X33"(H19) |
| 7 | 119262-37-H40 | EA | VALANCE-FLATMONACO-33"(H40) |
| 7 | 119262-70-H41 | EA | VALANCE-FLATMONACO-33"(H41) |
| 7 | 084755-57-E07 | EA | SHADE-PULL-27.25" |

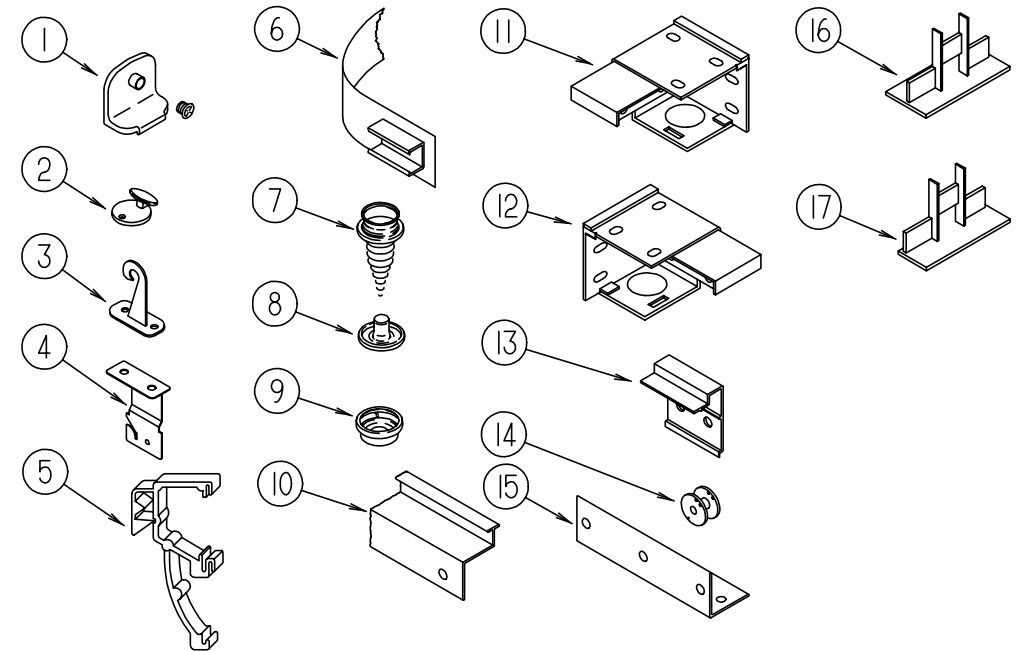
CURTAIN & CUSHION GROUP (CONTINUED)



CURTAINS & WINDOW TREATMENT (CONTINUED)

| KEY | PART NUMBER | U/M DESCRIPTION |
|-----|---------------|---|
| 8 | 109041-44-02A | EA BLIND - MINI - 30.5" X 18" (H17,H18,H40,H41) |
| 8 | 109041-44-01A | EA BLIND - MINI - 30.5" X 18" (H19) |
| 8 | 109353-10-02A | EA BLIND - SLAT - 30.5" (H17,H18,H40,H41) |
| 8 | 109353-10-01A | EA BLIND - SLAT - 30.5" (H19) |
| 9 | 119262-53-H17 | EA VALANCE - MONACO - 34"(H17) |
| 9 | 119138-28-H18 | EA VALANCE - BELLINI - 34"(H18) |
| 9 | 119138-28-H19 | EA VALANCE - BELLINI - 34"(H19) |
| 9 | 119262-53-H23 | EA VALANCE - 34" MONACO (H40) |
| 9 | 119138-28-H41 | EA VALANCE - BELLINI - 34" (H41) |
| 9 | 119333-21-G07 | EA LEG - RIGHT - 34" (H17) |
| 9 | 119333-21-H18 | EA LEG - RIGHT - 34" (H18) |
| 9 | 119333-21-H19 | EA LEG - RIGHT - 34" (H19) |
| 9 | 119333-21-H23 | EA LEG - RIGHT - 34" (H40) |
| 9 | 119333-21-H25 | EA LEG - RIGHT - 34" (H41) |
| 9 | 119333-22-G07 | EA LEG - LEFT - 34" (H17) |
| 9 | 119333-22-H18 | EA LEG - LEFT - 34" (H18) |
| 9 | 119333-22-H19 | EA LEG - LEFT - 34" (H19) |
| 9 | 119333-22-H23 | EA LEG - LEFT - 34" (H40) |
| 9 | 119333-22-H25 | EA LEG - LEFT - 34" (H41) |
| 9 | 109802-50-H17 | EA BLIND - PLEATED, 29" X 37" |

CURTAIN & CUSHION GROUP (CONTINUED)

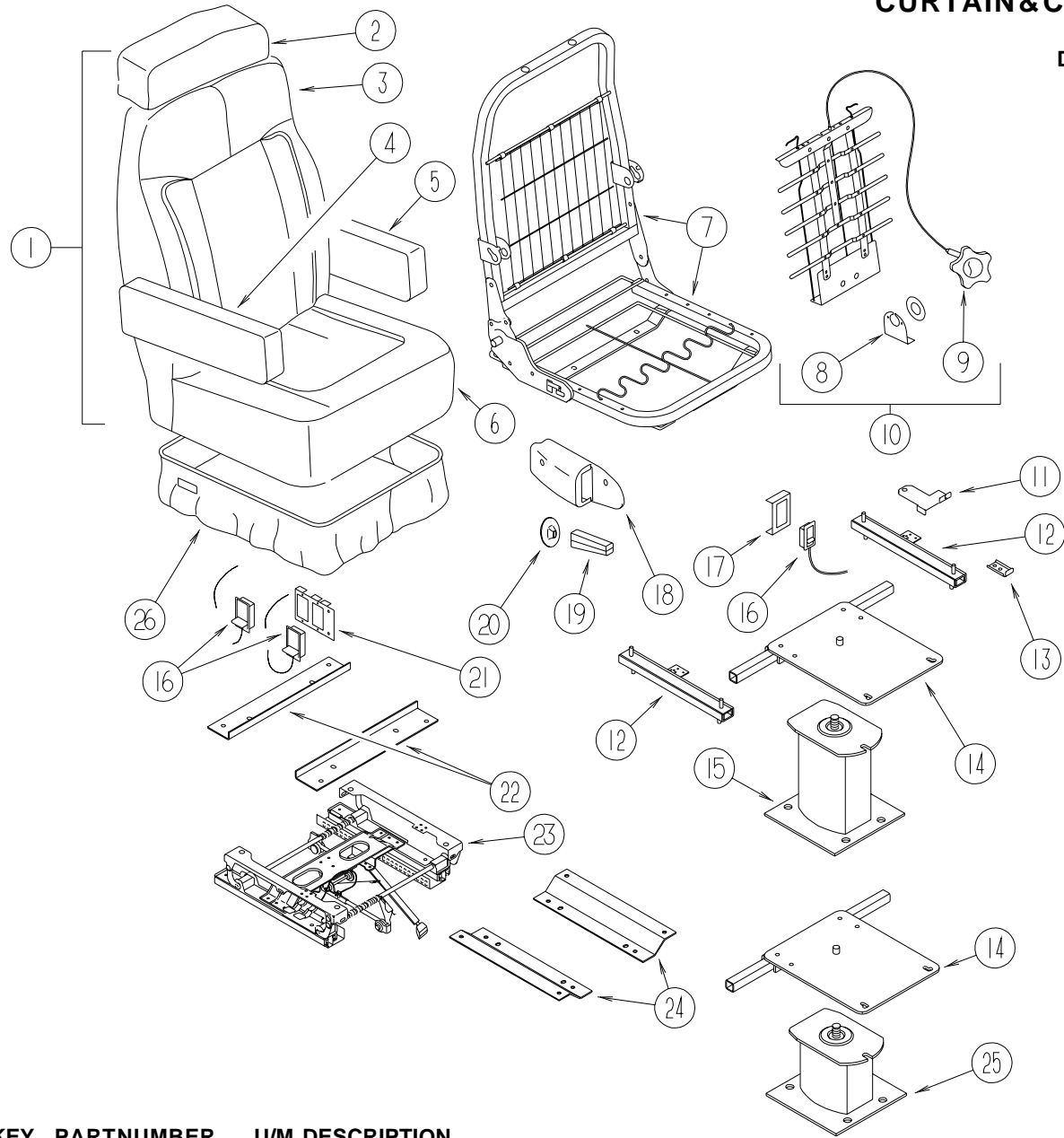


CURTAIN & BLIND HARDWARE

| KEY | PART NUMBER | U/M DESCRIPTION |
|-----|---------------|---|
| 1 | 106544-01-000 | EA PULL - SHADE/BRASS |
| | 106544-01-001 | EA SCREW - SHADE/BRASS |
| 2 | 102555-03-000 | EA CLEAT - BLIND CORD - MILKY WHITE PLASTIC |
| 3 | 109441-03-000 | EA HOLD DOWN - BLIND (CLOUDY) |
| 4 | 084434-01-000 | EA BRACKET - MOUNTING - ROLLER SHADE - 1 3/8" |
| | 096843-01-000 | EA SPRING - REWIND/ROLLER SHADE |
| 5 | 109353-04-000 | EA CLIP - VALANCE SLAT MOUNTING - CLEAR PLASTIC |
| 6 | 101031-01-000 | YD TAPE - GLIDE/CURTAIN - 4.25" SPACING |
| 7 | 029130-01-000 | EA SCREW - SNAP SOCKET - #8 PH X 5/8" |
| 8 | 029155-01-000 | EA CAP - SNAP - 5/32" O.D. OF PIN |
| | 046867-03-000 | EA GROMMET - HANDY BUTTON #3 |
| 9 | 029156-01-000 | EA SOCKET - SNAP - 9/16" O.D. |
| 10 | 114641-12-H17 | EA TRACK - CURTAIN - WRAPAROUND W/SPACERS - LEFT HAND |
| 10 | 114641-13-H17 | EA TRACK - CURTAIN - WRAPAROUND W/SPACERS - RIGHT HAND |
| 11 | 083170-02-000 | EA BRACKET - BLIND - RIGHT SIDE WHEN FACING WINDOW |
| 12 | 083170-01-000 | EA BRACKET - BLIND - LEFT SIDE WHEN FACING WINDOW |
| 13 | 097565-01-000 | EA BRACKET - MOUNTING - PLEATED BLIND |
| 13 | 105648-01-02A | EA BRACE - VALANCE - OFF/ WHITE |
| 14 | 097592-01-000 | EA SPOOL - CORD - ELEVATED BLIND HOLDUP - CLEAR PLASTIC |
| 15 | 083125-07-000 | EA BRACE - COUCH - 2.5" - CURTAIN LEGS |
| 16 | 094907-02-000 | EA END CAP - TOP/ PLEATED BLIND - PLASTIC - GRAY |
| 17 | 094907-04-700 | EA END CAP - RH BOTTOM BLIND |
| | 088792-02-000 | YD VELCRO TAPE - LOOP - ADHESIVE BACKED - .75" WIDE - BEIGE |
| | 048394-02-000 | YD VELCRO TAPE - HOOK - ADHESIVE BACK - .75" WIDE - BEIGE |
| | 097591-01-000 | EA SPRING - EXTENSION - PLEATED BLIND |
| | 097593-06-000 | FT CORD - BLIND - PLEATED - PEWTER |
| | 086276-01-000 | EA TAPE - DOUBLE SIDED - 1/2" |
| | 094896-02-000 | EA GROMMET - CORD - PLEATED BLIND - NYLON - GRAY |
| | 094907-04-000 | EA HARDWARE - END CAP BOTTOM - PULL TYPE (RH & LH) |
| | 094907-04-701 | EA END CAP - LH BOTTOM BLIND |
| | 097564-01-000 | EA HANDLE-T - EZ LIFT SHADE |

CURTAIN & CUSHION GROUP (CONTINUED)

DRIVER BUCKET SEAT

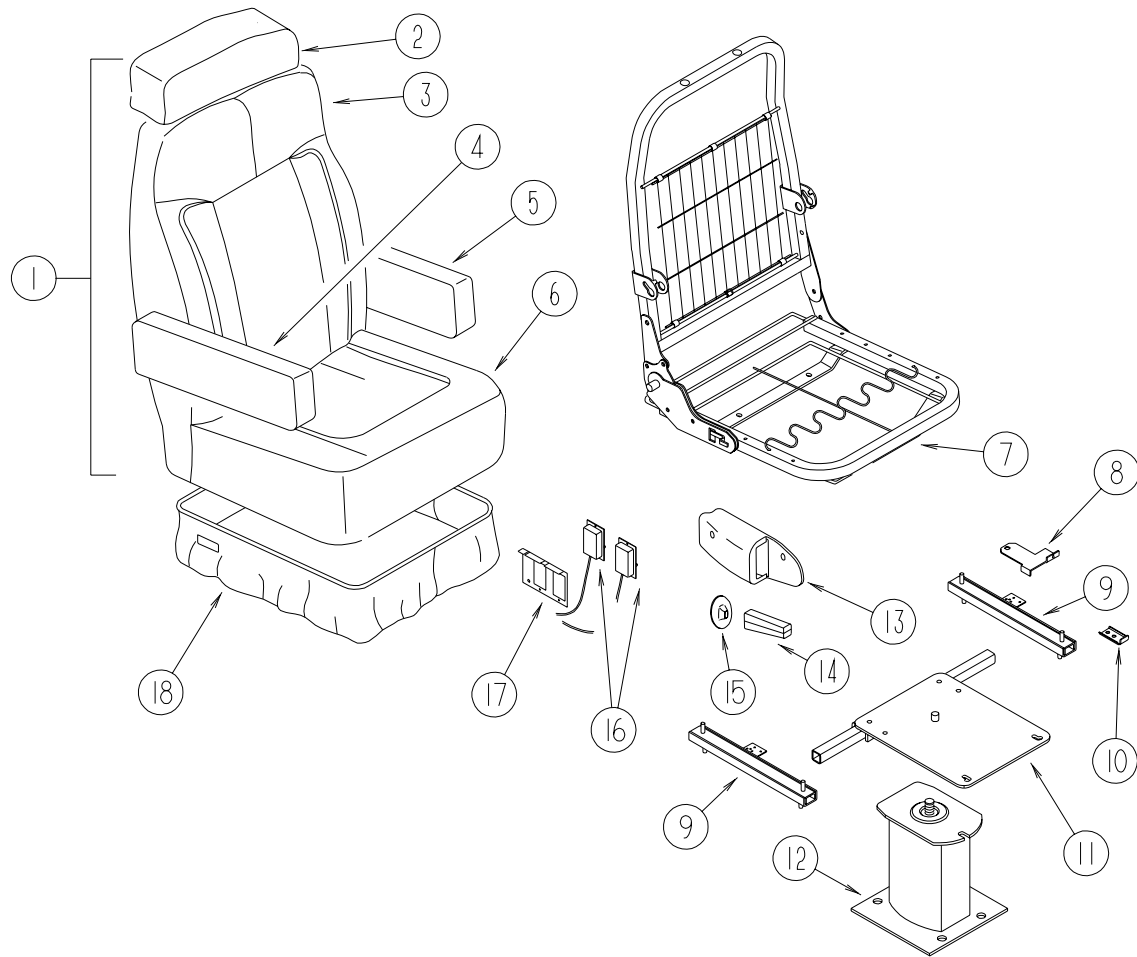


| KEY | PARTNUMBER | U/M DESCRIPTION |
|-----|---------------|--|
| 1 | 122684-01-H17 | EA SEAT-BUCKET-DRIVERS-W/LUMBAR |
| 1 | 122684-01-H18 | EA SEAT-BUCKET-DRIVERS-W/LUMBAR |
| 1 | 122684-01-H19 | EA SEAT-BUCKET-DRIVERS-W/LUMBAR |
| 1 | 122738-01-H40 | EA SEAT-BUCKET-DRIVER-W/LUMBAR/HEADREST/ARMRESTS |
| 1 | 122738-01-H41 | EA SEAT-BUCKET-DRIVER-W/LUMBAR/HEADREST/ARMRESTS |
| 2 | 119509-01-G07 | EA HEADREST-BUCKETSEAT(H17) |
| 2 | 119509-01-H18 | EA HEADREST-BUCKETSEAT(H18) |
| 2 | 119509-01-H19 | EA HEADREST-BUCKETSEAT(H19) |
| 2 | 119509-01-H23 | EA HEADREST-BUCKETSEAT(H40) |
| 2 | 119509-01-H25 | EA HEADREST-BUCKETSEAT(H41) |
| 2 | P19509-01-G07 | EA COVER-HEADREST(H17) |
| 2 | P19509-01-H18 | EA COVER-HEADREST(H18) |
| 2 | P19509-01-H19 | EA COVER-HEADREST(H19) |
| 2 | P19509-01-H23 | EA COVER-HEADREST(H40) |
| 2 | P19509-01-H25 | EA COVER-HEADREST(H41) |
| | 113977-12-000 | EA HEADRESTINSERT-W/OLOCK |
| | 113977-13-000 | EA HEADRESTINSERT-W/LOCK |
| | 114791-03-000 | EA FRAME-HEADREST |
| 3 | M05962-39-H17 | EA COVER-BACK(H17) |
| 3 | M05962-39-H18 | EA COVER-BACK(H18) |
| 3 | M05962-39-H19 | EA COVER-BACK(H19) |
| 3 | M05962-37-H23 | EA COVER-BACK(H40) |
| 3 | M05962-37-H25 | EA COVER-BACK(H41) |

| KEY | PARTNUMBER | U/M DESCRIPTION | VENDOR NO. |
|-----|---------------|---|------------|
| 4 | 122780-01-H17 | EA ARMREST-RIGHTHAND(H17) | |
| 4 | 122780-01-H18 | EA ARMREST-RIGHTHAND(H18) | |
| 4 | 122780-01-H19 | EA ARMREST-RIGHTHAND(H19) | |
| 4 | 122780-01-H23 | EA ARMREST-RIGHTHAND(H40) | |
| 4 | 122780-01-H41 | EA ARMREST-RIGHTHAND(H41) | |
| 4 | P22780-01-H17 | EA COVER-ARMREST-RIGHTHAND(H17) | |
| 4 | P22780-01-H18 | EA COVER-ARMREST-RIGHTHAND(H18) | |
| 4 | P22780-01-H19 | EA COVER-ARMREST-RIGHTHAND(H19) | |
| 4 | P22780-01-H23 | EA COVER-ARMREST-RIGHTHAND(H40) | |
| 4 | P22780-01-H41 | EA COVER-ARMREST-RIGHTHAND(H41) | |
| 4 | 115617-03-000 | EA ARMREST-W/OCOVER-RIGHTHAND | |
| 5 | 122780-02-H17 | EA ARMREST-LEFTHAND(H17) | |
| 5 | 122780-02-H18 | EA ARMREST-LEFTHAND(H18) | |
| 5 | 122780-02-H19 | EA ARMREST-LEFTHAND(H19) | |
| 5 | 122780-02-H54 | EA ARMREST-LEFTHAND(H40) | |
| 5 | 122780-02-H25 | EA ARMREST-LEFTHAND(H41) | |
| 5 | P22780-02-H17 | EA COVER-ARMREST-LEFTHAND(H17) | |
| 5 | P22780-02-H18 | EA COVER-ARMREST-LEFTHAND(H18) | |
| 5 | P22780-02-H19 | EA COVER-ARMREST-LEFTHAND(H19) | |
| 5 | P22780-02-H54 | EA COVER-ARMREST-LEFTHAND(H40) | |
| 5 | P22780-02-H25 | EA COVER-ARMREST-LEFTHAND(H41) | |
| 5 | 115617-04-000 | EA ARMREST-W/OCOVER-LEFTHAND | |
| 6 | M05962-40-H17 | EA COVER-SEAT(H17) | |
| 6 | M05962-40-H18 | EA COVER-SEAT(H18) | |
| 6 | M05962-40-H19 | EA COVER-SEAT(H19) | |
| 6 | M05962-38-H23 | EA COVER-SEAT(H40) | |
| 6 | M05962-38-H25 | EA COVER-SEAT(H41) | |
| 7 | 122695-01-01B | EA FRAME-SEAT/BACK | |
| 8 | 122611-01-702 | EA LUMBAR-BRACKET | 157C-90 |
| 9 | 122611-01-701 | EA LUMBAR-KNOB | 218 |
| 10 | 122611-01-000 | EA LUMBAR | |
| | 122611-01-703 | EA LUMBAR-SCREW | 210 |
| 11 | 117125-01-02B | EA BRACKET-CABLEMOUNT-ADJUSTERW/LOCK | |
| 12 | 119952-06-000 | EA SLIDE/SEAT-HEAVYDUTYLOCKING-4STUDS | |
| | 119952-07-000 | EA WIRE-LATCHRELEASE/ROTARY | |
| 13 | 114889-01-000 | EA STOPBAR-UNIVERSAL | |
| 14 | 107921-05-000 | EA PLATE-TOP-W/SEATBELTBAR | |
| | 107921-06-000 | EA BEARINGKIT-PEDESTAL | |
| 15 | 107921-01-000 | EA PEDESTAL/FLOORMOUNTED-W/9.75"EXTENSION | |
| 16 | 108049-03-000 | EA CABLE/CONTROL25.5"SHEATH/28.5"CABLEW/DOGLEG | |
| | 108049-02-000 | EA CLIP-CABLE/PEDESTAL | |
| 17 | 097683-03-000 | EA BRACKET-REMOTE/SIDEMOUNT-SINGLE | |
| 18 | 080730-09-000 | EA SHIELD-RECLINERHANDLE | |
| 19 | 080730-08-000 | EA HANDLE-RECLINER | |
| 20 | 080730-11-000 | EA SHIELD-RUBBERBOOT | |
| 21 | 097683-02-000 | EA BRACKET-REMOTE/SIDEMOUNT-DOUBLE | |
| 22 | 116215-02-000 | EA PLATE-UPPER-6-WAYMANUALCONTROL | |
| | 007221-01-000 | EA SPACER-SEAT/ADJUSTER | |
| 23 | 116215-01-000 | EA PLATE-UPPERPEDESTAL-MANUAL6-WAY-DRIVER | |
| 24 | 116215-03-000 | EA PLATE-LOWER-6-WAYMANUALCONTROL | |
| 25 | 107921-07-000 | EA PEDESTALBASE-POWER | |
| 26 | 071126-58-H17 | EA SKIRT-SINGLE 10.5"-W/SEATBELTSLOT-BUCKET | |
| 26 | 071126-58-H18 | EA SKIRT-SINGLE 10.5"-W/SEATBELTSLOT-BUCKET | |
| 26 | 071126-58-H19 | EA SKIRT-SINGLE 10.5"-W/SEATBELTSLOT-BUCKET | |
| 26 | 071126-59-H40 | EA SKIRT-SINGLE 10.5"-W/SEATBELTSLOT | |
| 26 | 071126-59-H41 | EA SKIRT-SINGLE 10.5"-W/SEATBELTSLOT0 | |
| 26 | 071126-60-H17 | EA SKIRT-SINGLE 10.5"-6-WAY-MANUALBUCKETSEAT(H17) | |
| 26 | 071126-60-H18 | EA SKIRT-SINGLE 10.5"-6-WAY-MANUALBUCKETSEAT(H18) | |
| 26 | 071126-60-H19 | EA SKIRT-SINGLE 10.5"-6-WAY-MANUALBUCKETSEAT(H19) | |
| 26 | 071126-61-H40 | EA SKIRT-SINGLE 10.5"-6WAY-MANUAL(H40) | |
| 26 | 071126-61-H25 | EA SKIRT-SINGLE 10.5"-6WAY-MANUAL(H41) | |

CURTAIN&CUSHIONGROUP(CONTINUED)

PASSENGERBUCKETSEAT

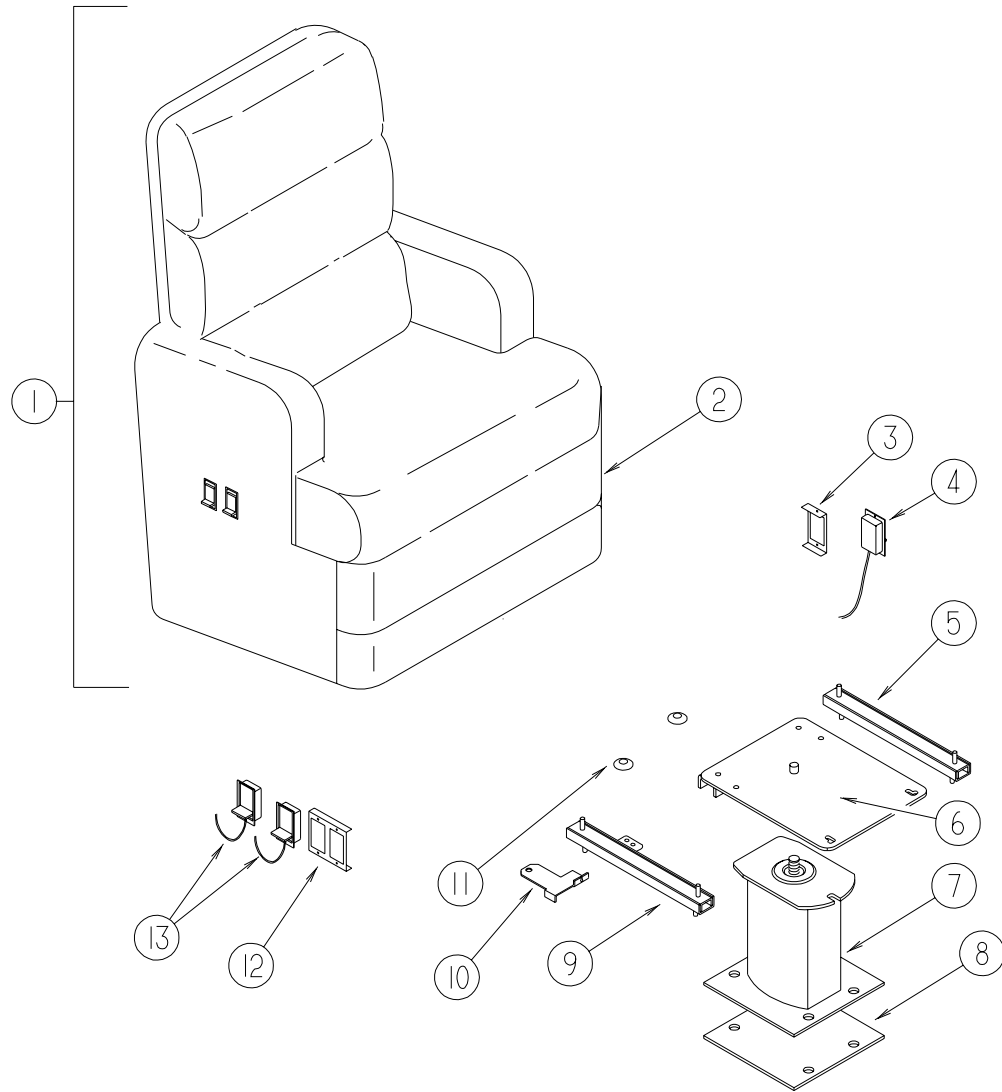


| KEY | PARTNUMBER | U/M DESCRIPTION |
|-----|---------------|---|
| 1 | 122684-02-H17 | EA SEAT-BUCKET-PASSENGER |
| 1 | 122684-02-H18 | EA SEAT-BUCKET-PASSENGER |
| 1 | 122684-02-H19 | EA SEAT-BUCKET-PASSENGER |
| 1 | 122738-02-H40 | EA SEAT-BUCKET-PASSENGER/WIDE-W/HEADREST/ARMRESTS |
| 1 | 122738-02-H41 | EA SEAT-BUCKET-PASSENGER/WIDE-W/HEADREST/ARMRESTS |
| 2 | 119509-01-G07 | EA HEADREST-BUCKETSEAT(H17) |
| 2 | 119509-01-H18 | EA HEADREST-BUCKETSEAT(H18) |
| 2 | 119509-01-H19 | EA HEADREST-BUCKETSEAT(H19) |
| 2 | 119509-01-H23 | EA HEADREST-BUCKETSEAT(H40) |
| 2 | 119509-01-H25 | EA HEADREST-BUCKETSEAT(H41) |
| 2 | P19509-01-G07 | EA COVER-HEADREST(H17) |
| 2 | P19509-01-H18 | EA COVER-HEADREST(H18) |
| 2 | P19509-01-H19 | EA COVER-HEADREST(H19) |
| 2 | P19509-01-H23 | EA COVER-HEADREST(H40) |
| 2 | P19509-01-H25 | EA COVER-HEADREST(H41) |
| | 113977-12-000 | EA HEADRESTINSERT-W/OLOCK |
| | 113977-13-000 | EA HEADRESTINSERT-W/LOCK |
| | 114791-03-000 | EA FRAME-HEADREST |
| 3 | M05962-39-H17 | EA COVER-BACK(H17) |
| 3 | M05962-39-H18 | EA COVER-BACK(H18) |
| 3 | M05962-39-H19 | EA COVER-BACK(H19) |
| 3 | M05962-37-H23 | EA COVER-BACK(H40) |
| 3 | M05962-37-H25 | EA COVER-BACK(H41) |

| KEY | PARTNUMBER | U/M DESCRIPTION |
|-----|---------------|--|
| 4 | 122780-01-H17 | EA ARMREST-RIGHTHAND(H17) |
| 4 | 122780-01-H18 | EA ARMREST-RIGHTHAND(H18) |
| 4 | 122780-01-H19 | EA ARMREST-RIGHTHAND(H19) |
| 4 | 122780-01-H23 | EA ARMREST-RIGHTHAND(H40) |
| 4 | 122780-01-H41 | EA ARMREST-RIGHTHAND(H41) |
| 4 | P22780-01-H17 | EA COVER-ARMREST-RIGHTHAND(H17) |
| 4 | P22780-01-H18 | EA COVER-ARMREST-RIGHTHAND(H18) |
| 4 | P22780-01-H19 | EA COVER-ARMREST-RIGHTHAND(H19) |
| 4 | P22780-01-H23 | EA COVER-ARMREST-RIGHTHAND(H40) |
| 4 | P22780-01-H41 | EA COVER-ARMREST-RIGHTHAND(H41) |
| 4 | 115617-03-000 | EA ARMREST-W/OCOVER-RIGHTHAND |
| 5 | 122780-02-H17 | EA ARMREST-LEFTHAND(H17) |
| 5 | 122780-02-H18 | EA ARMREST-LEFTHAND(H18) |
| 5 | 122780-02-H19 | EA ARMREST-LEFTHAND(H19) |
| 5 | 122780-02-H54 | EA ARMREST-LEFTHAND(H40) |
| 5 | 122780-02-H25 | EA ARMREST-LEFTHAND(H41) |
| 5 | P22780-02-H17 | EA COVER-ARMREST-LEFTHAND(H17) |
| 5 | P22780-02-H18 | EA COVER-ARMREST-LEFTHAND(H18) |
| 5 | P22780-02-H19 | EA COVER-ARMREST-LEFTHAND(H19) |
| 5 | P22780-02-H54 | EA COVER-ARMREST-LEFTHAND(H40) |
| 5 | P22780-02-H25 | EA COVER-ARMREST-LEFTHAND(H41) |
| 5 | 115617-04-000 | EA ARMREST-W/OCOVER-LEFTHAND |
| 6 | M05962-40-H17 | EA COVER-SEAT(H17) |
| 6 | M05962-40-H18 | EA COVER-SEAT(H18) |
| 6 | M05962-40-H19 | EA COVER-SEAT(H19) |
| 6 | M05962-38-H23 | EA COVER-SEAT(H40) |
| 6 | M05962-38-H25 | EA COVER-SEAT(H41) |
| 7 | 122695-01-01B | EA FRAME-SEAT/BACK |
| 8 | 117125-01-02B | EA BRACKET-CABLEMOUNT-ADJUSTERW/LOCK |
| 9 | 119952-06-000 | EA SLIDE/SEAT-HEAVYDUTYLOCKING-4STUDS |
| | 119952-07-000 | EA WIRE-LATCHRELEASE/ROTARY |
| 10 | 114889-01-000 | EA STOPBAR-UNIVERSAL |
| 11 | 107921-05-000 | EA PLATE-TOP-W/SEATBELTBAR |
| | 107921-06-000 | EA BEARINGKIT-PEDESTAL |
| 12 | 107921-01-000 | EA PEDESTAL/FLOORMOUNTED-W/9.75"EXTENSION |
| 13 | 080730-09-000 | EA SHIELD-RECLINERHANDLE |
| 14 | 080730-08-000 | EA HANDLE-RECLINER |
| 15 | 080730-11-000 | EA SHIELD-RUBBERBOOT |
| 16 | 108049-03-000 | EA CABLE/CONTROL25.5"SHEATH/28.5"CABLEW/DOGLEG |
| | 108049-02-000 | EA CLIP-CABLE/PEDESTAL |
| 17 | 097683-02-000 | EA BRACKET-REMOTE/SIDEMOUNT-DOUBLE |
| 18 | 071126-58-H17 | EA SKIRT-SINGLE10.5"W/SEATBELTSLOT-BUCKET |
| 18 | 071126-58-H18 | EA SKIRT-SINGLE10.5"W/SEATBELTSLOT-BUCKET |
| 18 | 071126-58-H19 | EA SKIRT-SINGLE10.5"W/SEATBELTSLOT-BUCKET |
| 18 | 071126-59-H40 | EA SKIRT-SINGLE10.5"-W/SEATBELTSLOT |
| 18 | 071126-59-H41 | EA SKIRT-SINGLE10.5"-W/SEATBELTSLOT |

CURTAIN&CUSHIONGROUP(CONTINUED)

SWIVELCHAIR(RECLINER)

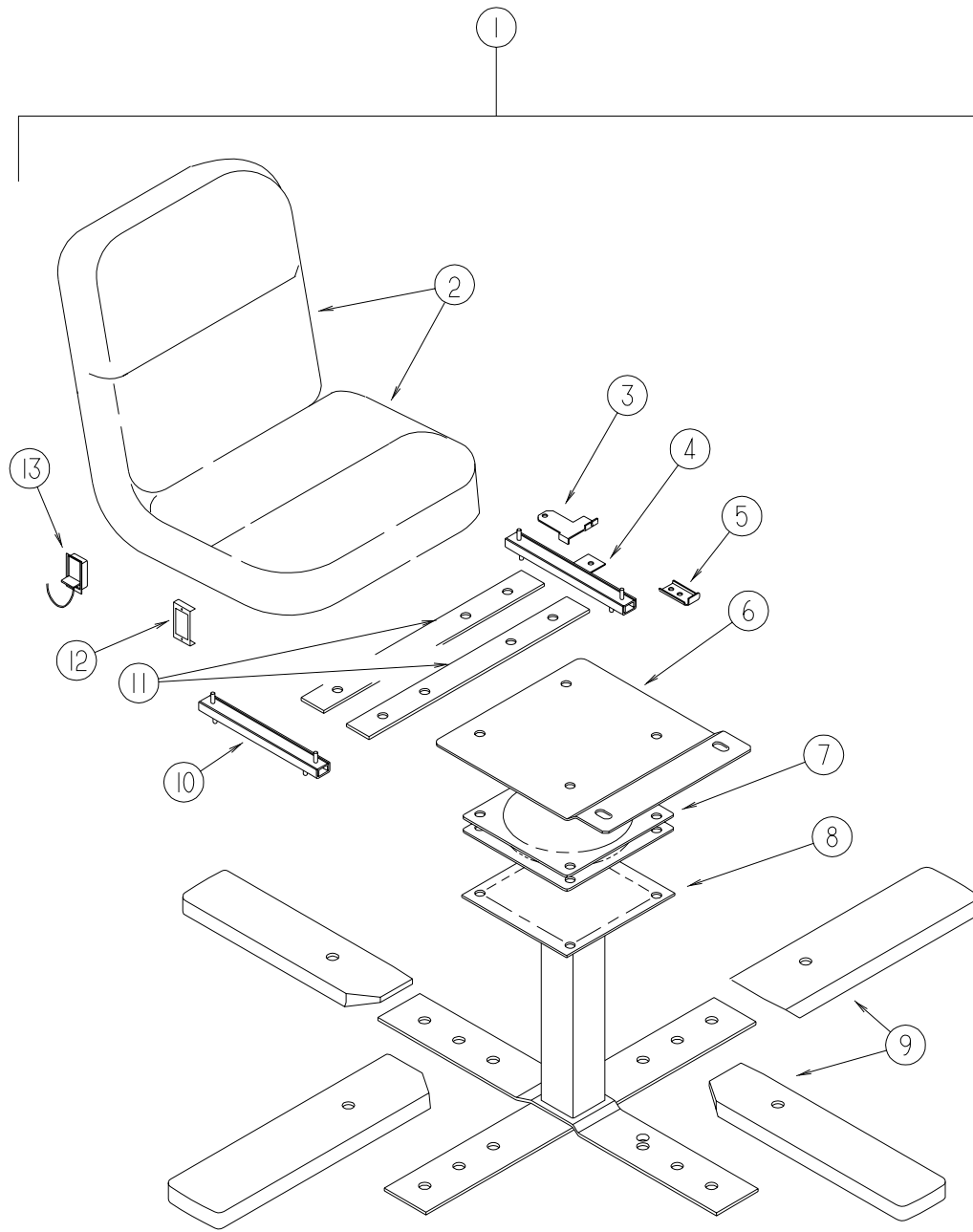


| KEY | PARTNUMBER | U/M | DESCRIPTION |
|-----|---------------|-----|--|
| 1 | 124067-01-H17 | EA | CHAIR-440RECLINER |
| 1 | 124067-01-H18 | EA | CHAIR-440RECLINER |
| 1 | 124067-01-H19 | EA | CHAIR-440RECLINER |
| 1 | 123383-03-H40 | EA | CHAIR-430RECLINER |
| 1 | 123383-03-H41 | EA | CHAIR-430RECLINER |
| 1 | P24067-01-H17 | EA | COVER-CHAIR-RECLINER(H17) |
| 1 | P24067-01-H18 | EA | COVER - CHAIR - RECLINER (H18) |
| 1 | P24067-01-H19 | EA | COVER-CHAIR-RECLINER(H19) |
| 1 | P23383-02-H23 | EA | COVER-CHAIR/RECLINERW/FOOTREST(H40) |
| 1 | P23383-02-H25 | EA | COVER-CHAIR/RECLINERW/FOOTREST(H41) |
| 2 | 118539-01-H17 | EA | SKIRT-RECLINERCHAIR(H17) |
| 2 | 118539-01-H18 | EA | SKIRT-RECLINERCHAIR(H18) |
| 2 | 118539-01-H19 | EA | SKIRT-RECLINERCHAIR(H19) |
| | P18539-01-H17 | EA | COVER-SKIRT-SWIVELCHAIR(H17) |
| | P18539-01-H18 | EA | COVER-SKIRT-SWIVELCHAIR(H18) |
| | P18539-01-H19 | EA | COVER-SKIRT-SWIVELCHAIR(H19) |
| | P18302-27-G15 | EA | COVER-ARM-SWIVELCHAIR(H17) |
| | P18302-27-H18 | EA | COVER-ARM-SWIVELCHAIR(H18) |
| | P18302-27-H19 | EA | COVER-ARM-SWIVELCHAIR(H19) |
| | P18302-27-H23 | EA | COVER-ARM-400CHAIR(H40) |
| | P18302-27-H25 | EA | COVER-ARM-400CHAIR(H41) |
| 3 | 097683-03-000 | EA | BRACKET-REMOTE/SIDEMOUNT-SINGLE |
| 4 | 089368-05-000 | EA | CABLE-W/SWITCH25.5" SHEATH-293/4"CABLEW/DOGLEG |
| | 108049-02-000 | EA | CLIP-CABLE/PEDESTAL |
| 5 | 119952-02-000 | EA | SLIDE/SEAT-HEAVYDUTYNONLOCKING |
| 6 | 107921-08-000 | EA | TOPPLATE-PEDESTAL-W/OSEATBELTBAR |
| 7 | 107921-01-000 | EA | PEDESTAL/FLOORMOUNTED-W/9.75"EXTENSION |
| 8 | 108445-02-000 | EA | SUBPLATE-FLOORMOUNTEDPEDESTAL |
| | 107921-06-000 | EA | BEARINGKIT-PEDESTAL |
| 9 | 119952-04-000 | EA | SLIDE/SEAT-HEAVYDUTYLOCKING-4STUDS |
| 10 | 117125-01-02B | EA | BRACKET-CABLEMOUNT-ADJUSTERW/LOCK |
| 11 | 007221-01-000 | EA | SPACER-SEAT/ADJUSTER |
| 12 | 097683-02-000 | EA | BRACKET-REMOTE/SIDEMOUNT-DOUBLE |
| 13 | 108049-03-000 | EA | CABLE/CONTROL25.5" SHEATH/28.5"CABLEW/DOGLEG |
| | 108049-02-000 | EA | CLIP-CABLE/PEDESTAL |
| | 057759-01-000 | EA | WASHERBRACKET-SEATBELT-4"DIAMETER |
| | 007021-01-000 | EA | SEATBELT-2"X90"-BLACK |

CURTAIN & CUSHION GROUP (CONTINUED)

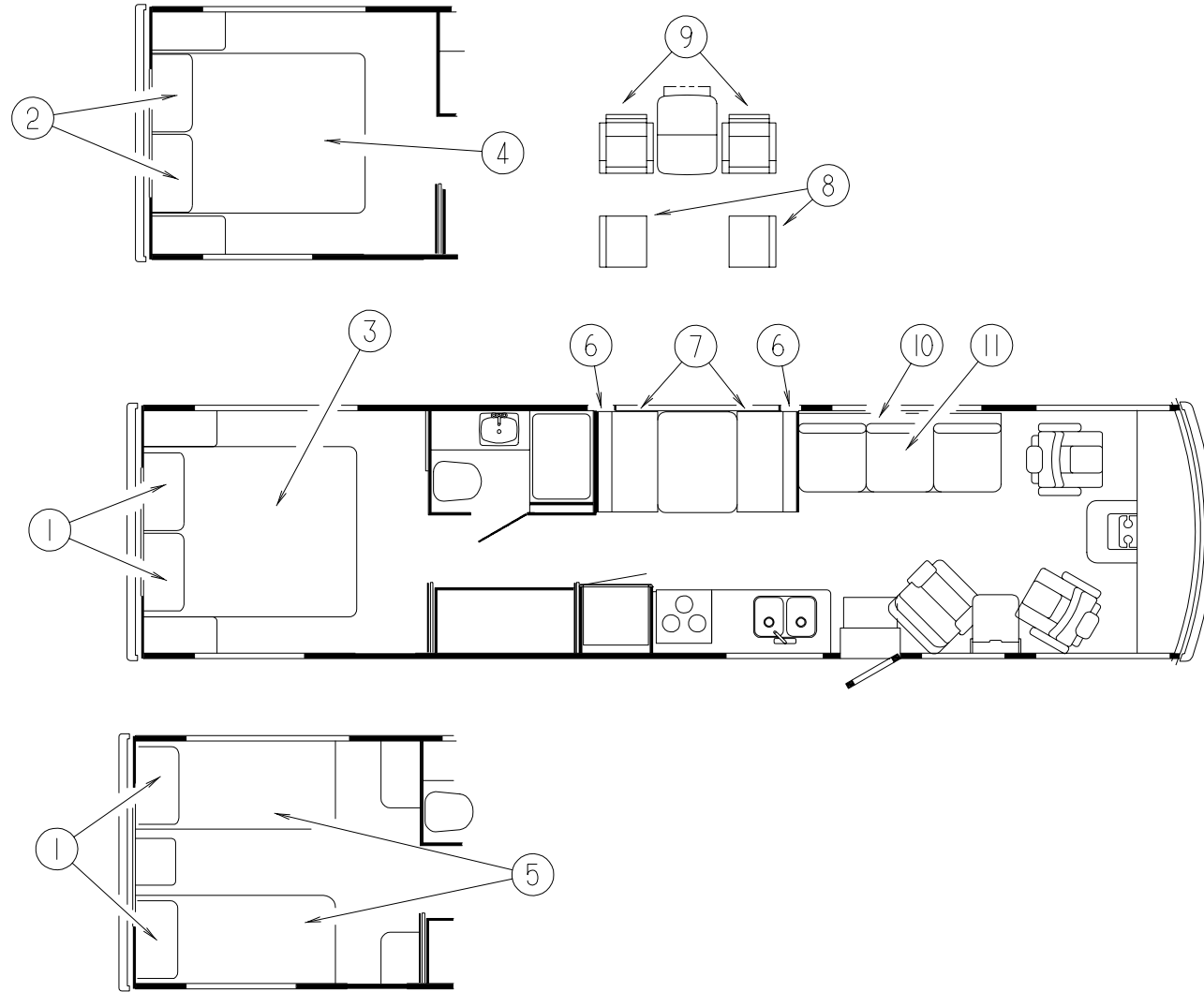
DINETTE SWIVEL CHAIR ASM (210KC)

| KEY | PARTNUMBER | U/M | DESCRIPTION |
|-----|---------------|-----|--|
| 1 | 122739-01-H17 | EA | CHAIR (H17) |
| 1 | 122739-01-H07 | EA | CHAIR (H18) |
| 1 | 122739-01-H19 | EA | CHAIR (H19) |
| 1 | 122739-01-H23 | EA | CHAIR (H40) |
| 1 | 122739-01-H25 | EA | CHAIR (H41) |
| 2 | P22739-01-H17 | EA | COVER - BACK & SEAT - KITCHEN CHAIR (H17) |
| 2 | P22739-01-H07 | EA | COVER - BACK & SEAT - KITCHEN CHAIR (H18) |
| 2 | P22739-01-H07 | EA | COVER - BACK & SEAT - KITCHEN CHAIR (H19) |
| 2 | P22739-01-H23 | EA | COVER - BACK & SEAT - KITCHEN CHAIR (H40) |
| 2 | P22739-01-H23 | EA | COVER - BACK & SEAT - KITCHEN CHAIR (H41) |
| 3 | 117125-01-02B | EA | BRACKET - CABLE MOUNT - ADJUSTER W/ LOCK |
| 4 | 119952-04-000 | EA | SLIDE / SEAT - HEAVY DUTY LOCKING - 4 STUDS |
| 5 | 114889-01-000 | EA | STOP BAR - UNIVERSAL |
| 6 | 119705-11-02B | EA | PLATE - SEAT |
| 7 | 119105-01-000 | EA | PLATE - SWIVEL - RETURN - 0 - MATIC |
| 8 | 119705-02-03B | EA | PEDESTAL |
| 9 | 116080-02-G35 | EA | COVER - CHAIR LEG (H17) |
| 9 | 116080-02-H23 | EA | COVER - CHAIR LEG (H40) |
| 10 | 119952-02-000 | EA | SLIDE / SEAT - HEAVY DUTY NON LOCKING |
| 11 | 120109-01-02B | EA | ADAPTER BRACKET - DINETTE SWIVEL CHAIR |
| 12 | 097683-03-000 | EA | BRACKET - REMOTE SIDE MOUNT - SINGLE |
| 13 | 108049-03-000 | EA | CABLE - W/ CONTROL 25.5" SHEATH / 28.5" CABLE W/ DOG LEG |
| | 108049-02-000 | EA | CLIP - PEDESTAL CABLE |



CURTAIN&CUSHIONGROUP(CONTINUED)

KING, QUEEN & TWIN BEDS



| KEY | PARTNUMBER | U/M | DESCRIPTION |
|-----|---------------|-----|--|
| 3 | 123015-09-000 | EA | MATTRESS-INNERSPRING-72"X79.5" |
| 3 | 119141-03-G15 | EA | BEDSPREAD/THROW-72"X80"(H17) |
| 3 | 109588-18-H18 | EA | BEDSP-72X80,FITTED,GUSS.CORN(H18) |
| 3 | 109588-18-H41 | EA | BEDSP-72X80,FITTED,GUSS.CORN(H19) |
| 3 | 119141-03-H40 | EA | BEDSPREAD/THROW-72"X80"(H40) |
| 3 | 109588-18-H41 | EA | BEDSPREAD-FITTED-72"X80"(H41) |
| 4 | 123015-07-000 | EA | MATTRESS-INNERSPRING-60"X79.5" |
| 4 | 119141-01-G15 | EA | BEDSPREAD/THROW-60"X80"(H17) |
| 4 | 109588-20-H18 | EA | BEDSP-60X80,FITTED,GUSS.CORN(H18) |
| 4 | 109588-20-H19 | EA | BEDSP-60X80,FITTED,GUSS.CORN(H19) |
| 4 | 119141-01-H23 | EA | BEDSPREAD/THROW-60"X80"(H40) |
| 4 | 109588-20-H25 | EA | BEDSPREAD-FITTEDW/GUSSETCORNER60"X80"(H41) |
| 5 | 123015-04-000 | EA | MATTRESS-INNERSPRING-36"X79.5" |
| 5 | 119141-04-G15 | EA | BEDSPREAD/THROW-36"X80"(H17) |
| 5 | 109588-19-H18 | EA | BEDSPREAD/THROW-36"X80"(H18) |
| 5 | 109588-19-H19 | EA | BEDSPREAD/THROW-36"X80"(H19) |
| 5 | 119141-04-H23 | EA | BEDSPREAD-THROW-36"X80"(H40) |
| 5 | 109588-19-H25 | EA | BEDSPREAD/THROW-36"X80"(H41) |

DINETTE CUSHIONS

| KEY | PARTNUMBER | U/M | DESCRIPTION |
|---------------|---------------|-----|--|
| 6 | 111897-05-G15 | EA | CUSHION-BACK-13.5"X42"X5" (H 1 7) |
| 6 | 111897-05-GV7 | EA | CUSHION-BACK-13.5"X42"X5"(H1 8) |
| 6 | 111897-05-H19 | EA | CUSHION-BACK-13.5"X42"X5"(H1 9) |
| 6 | 111880-05-H40 | EA | CUSH-13.5X42X5,CHANNELBACK(H40) |
| 6 | 111880-05-H41 | EA | CUSH-13.5X42X5,CHANNELBACK(H41) |
| 6 | P11897-05-G15 | EA | COVER-BACK-13.5"X42"X5"(H1 7) |
| 6 | P11897-05-GV7 | EA | COVER-BACK-13.5"X42"X 5 " (H 1 8) |
| 6 | P11897-05-H19 | EA | COVER-BACK-13.5"X42"X 5 " (H 1 9) |
| 6 | P11880-05-H40 | EA | COVER-BACKCUSHION-13.5"X42"X5"(H4 0) |
| 6 | P11880-05-H41 | EA | COVER-BACKCUSHION-13.5"X42"X5" (H 4 1) |
| 7 | 105603-15-G15 | EA | CUSHION-SEAT-23"X42"X 5 " (H 1 7) |
| 7 | 105603-15-GV7 | EA | CUSHION-SEAT-23"X42"X 5 " (H 1 8) |
| 7 | 105603-15-H19 | EA | CUSHION-SEAT-23"X42"X 5 " (H 1 9) |
| 7 | 105603-15-H23 | EA | CUSHION-SEAT-23"X42"X5"(H40) |
| 7 | 105603-15-H25 | EA | CUSHION-SEAT-23"X42"X5"(H41) |
| 7 | P05603-15-G15 | EA | COVER-SEAT-23"X42"X5"(H1 7) |
| 7 | P05603-15-GV7 | EA | COVER-SEAT-23"X42"X 5 " (H 1 8) |
| 7 | P05603-15-H19 | EA | COVER-SEAT-23"X42"X 5 " (H 1 9) |
| 7 | P05603-15-H23 | EA | COVER-SEAT-23"X42"X 5 " (H 4 0) |
| 7 | P05603-15-H25 | EA | COVER-SEAT-23"X42"X5"(H4 1) |
| 078155-01-000 | | EA | STRAP-SNAP-BACKRESTCUSHION |

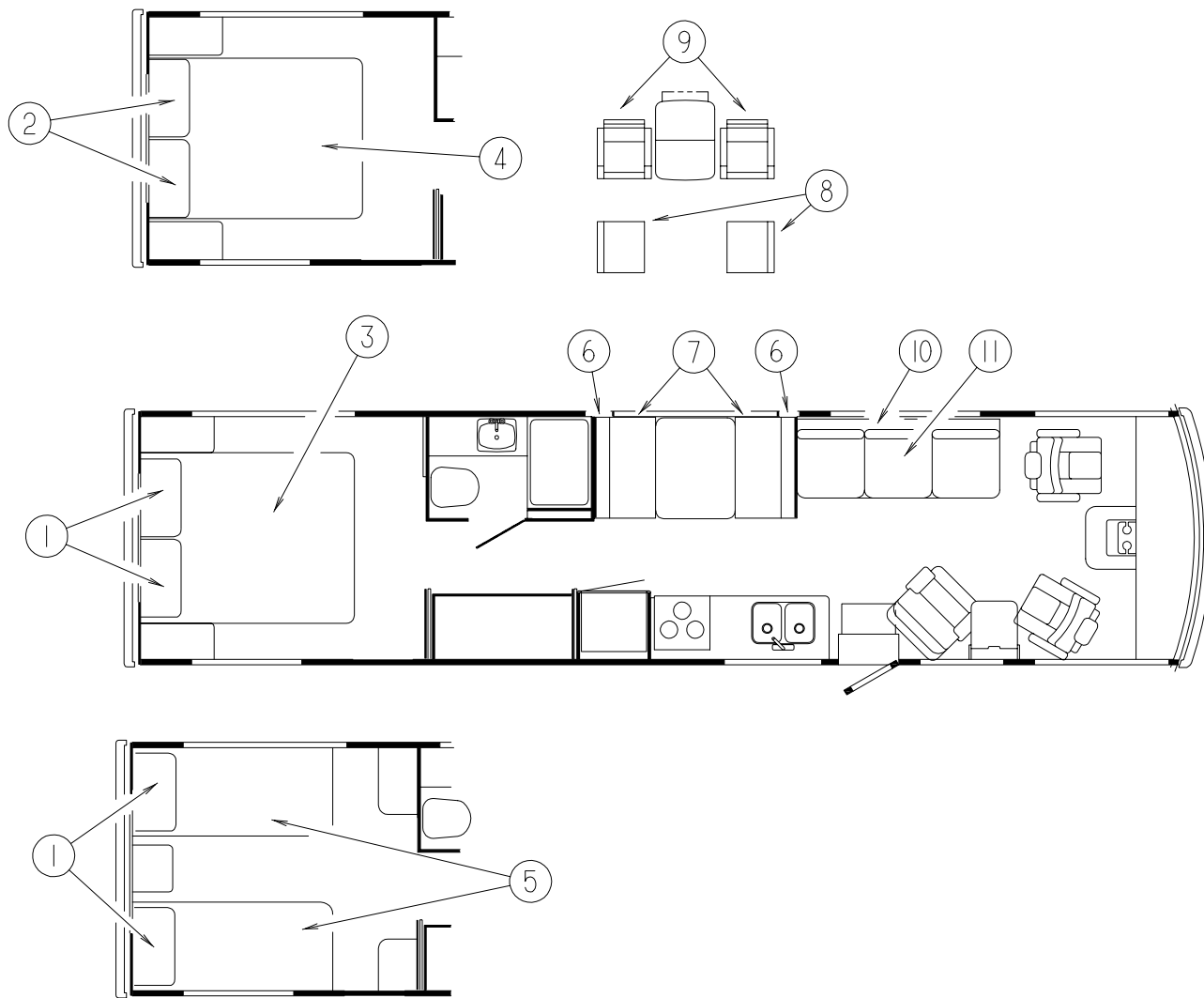
PILLOWS FOR KING, QUEEN & TWIN BEDS

| KEY | PARTNUMBER | U/M | DESCRIPTION |
|-----|---------------|-----|---|
| 1 | 119249-02-000 | EA | PILLOW/COVER-22"X37"-KING/TWIN(H17,H40) |
| 1 | 106727-03-H18 | EA | PILL-TOOTSIEW/.5"WELT,KING(H18) |
| 1 | 106727-03-H19 | EA | PILL-TOOTSIEW/.5"WELT,KING(H19) |
| 1 | 106727-03-H25 | EA | PILLOW-TOOTSIE-KINGBED(H41) |
| 2 | 119249-01-000 | EA | PILLOW/COVER-20"X33"-QUEEN(H17,H40) |
| 2 | 106727-04-H18 | EA | PILL-TOOTSIEW/.5"WELT,QUEEN(H18) |
| 2 | 106727-04-H19 | EA | PILL-TOOTSIEW/.5"WELT,QUEEN(H19) |
| 2 | 106727-04-H25 | EA | PILLOW-TOOTSIEW/.5"WELTING-QUEENSIZE(H41) |
| | 111637-08-G15 | EA | PILLOW-16"X16"(H17) |
| | 111637-08-H18 | EA | PILLOW-16"X16"(H18) |
| | 111637-08-H19 | EA | PILLOW-16"X16"(H19) |
| | 111637-08-H40 | EA | PILLOW-16"X16"(H40) |
| | 111637-08-H41 | EA | PILLOW-16"X16"(H41) |

DINETTE OPTION

| KEY | PARTNUMBER | U/M | DESCRIPTION |
|-----|---------------|-----|---|
| 8 | 101604-01-03A | EA | CHAIR-FOLDING/DINETTE-WATERFORDOAK-W/O FABRIC-OAK |
| 8 | 101604-01-05A | EA | CHAIR-FOLDING/DINETTE-W/O FABRIC-WHITE GRANITE |
| 9 | 122739-01-H17 | EA | CHAIR(H17) |
| 9 | 122739-01-H07 | EA | CHAIR(H18) |
| 9 | 122739-01-H19 | EA | CHAIR(H19) |
| 9 | 122739-01-H23 | EA | CHAIR(H40) |
| 9 | 122739-01-H25 | EA | CHAIR(H41) |

CURTAIN&CUSHIONGROUP(CONTINUED)



SOFABED

| KEY | PARTNUMBER | U/M DESCRIPTION |
|-----|---------------|---|
| 10 | 111319-01-G15 | EA BACK-74" SOFA/BED JACKKNIFE EDGE W/FRAME (H17) |
| 10 | 112104-01-H18 | EA BACK-SOFA/BED-74"-W/FRAME (H18) |
| 10 | 112104-01-H19 | EA BACK-SOFA/BED-74"-W/FRAME (H19) |
| 10 | 123380-03-H40 | EA BACK-SOFA/BED-74"-W/FRAME (H40) |
| 10 | 123380-03-H41 | EA BACK-SOFA/BED-74"-W/FRAME (H41) |
| 10 | P11319-01-G15 | EA COVER-BACK-SOFA/BED-74" (H17) |
| 10 | P12104-01-H18 | EA COVER-BACK-SOFA/BED-74" (H18) |
| 10 | P12104-01-H19 | EA COVER-BACK-SOFA/BED-74" (H19) |
| 10 | P23380-03-H40 | EA COVER-BACK-SOFA/BED-74" (H40) |
| 10 | P23380-03-H41 | EA COVER-BACK-SOFA/BED-74" (H41) |
| 11 | 100032-43-G15 | EA SEAT-SOFA/BED W/FRAME-74"-W/OARMS (H17) |
| 11 | 100032-43-H18 | EA SEAT-SOFA/BED W/FRAME-74"-W/OARMS (H18) |
| 11 | 100032-43-H19 | EA SEAT-SOFA/BED W/FRAME-74"-W/OARMS (H19) |
| 11 | 123380-04-H40 | EA SEAT-SOFA/BED-74" (H40) |
| 11 | 123380-04-H41 | EA SEAT-SOFA/BED-74" (H41) |
| 11 | P00032-43-G15 | EA COVER-SEAT-SOFA/BED-74"-W/OARMS (H17) |
| 11 | P00032-43-H18 | EA COVER-SEAT-SOFA/BED-74"-W/OARMS (H18) |
| 11 | P00032-43-H19 | EA COVER-SEAT-SOFA/BED-74"-W/OARMS (H19) |
| 11 | P23380-04-H40 | EA COVER-SEAT-SOFA/BED 74" (H40) |
| 11 | P23380-04-H41 | EA COVER-SEAT-SOFA/BED 74" (H41) |
| | 101085-04-000 | EA FRAME-SEAT-SOFA/BED-74.75" |
| | 101085-06-000 | EA FRAME-BASE-SOFA/BED-74.75" |
| | 101085-10-000 | EA FRAME-BACK-SOFA/BED-74.5" |
| | 111637-03-G15 | EA PILLOW-22" X 22" (H17) |
| | 111637-03-H18 | EA PILLOW-22" X 22" (H18) |
| | 111637-03-H19 | EA PILLOW-22" X 22" (H19) |
| | 111637-03-H23 | EA PILLOW-22" X 22" (H40) |
| | 111637-03-H41 | EA PILLOW-22" X 22" (H41) |

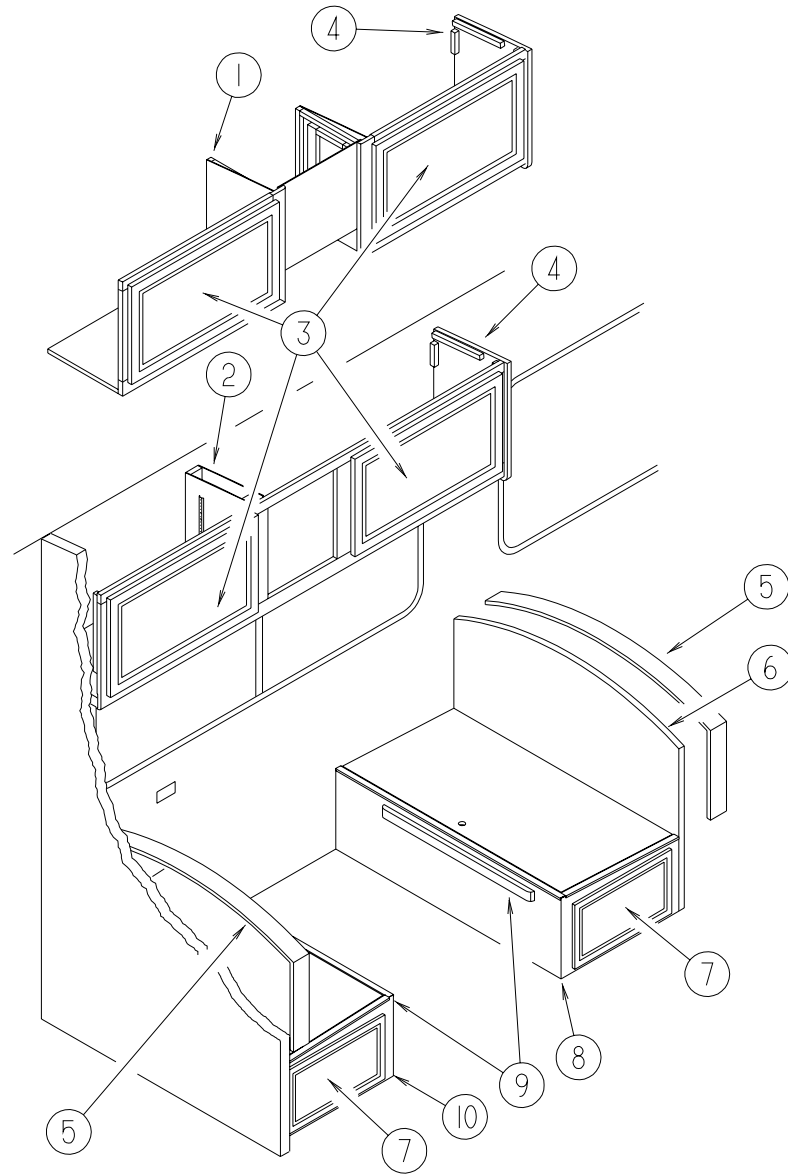
NOTE : COUCH FRONT AND SIDE PANELS ARE FOUND IN THE LOUNGE GROUP

ASSIST HANDLE & BUTTONS

| KEY | PARTNUMBER | U/M DESCRIPTION |
|-----|---------------|---|
| | 070578-02-B29 | EA BUTTON-SCREW-STUD-#30 VINYL |
| | 118337-04-GV7 | EA BUTTON ASM-#60 (H18) |
| | 118337-04-H19 | EA BUTTON ASM-#60 (H19) |
| | 074494-02-000 | EA BUTTON-RETAINING/PIVOT-#60 (H18, H19) |
| | 074494-03-000 | EA BUTTON-SERRATED PIVOT-W/3/4 TACK (H18, H19) |
| | 079349-04-H17 | YD WELT-NARROW (H17) |
| | 079349-04-H18 | YD WELT-NARROW (H18) |
| | 079349-04-H19 | YD WELT-NARROW (H19) |
| | 053552-02-AA8 | EA HANDLE-ASSIST-INTERIOR/ENTRY DOOR-VINYL/OFFWHITE |
| | 057759-01-000 | EA WASHER BRACKET-SEATBELT-4" DIAMETER |
| | 007021-01-000 | EA SEATBELT-2" X 90"-BLACK |
| | 069178-02-000 | EA BRACKET-MOUNTING/ASSIST HANDLE |
| | 000C16-07-16B | EA BOLT-CARRIAGE-ASSIST HANDLE-7/16"-14 X 1" |
| | 000D20-07-00B | EA NUT-ACORN-ASSIST HANDLE-7/16-14 |
| | 057534-02-000 | EA TIEBACK-CLEAR PLASTIC-3" |

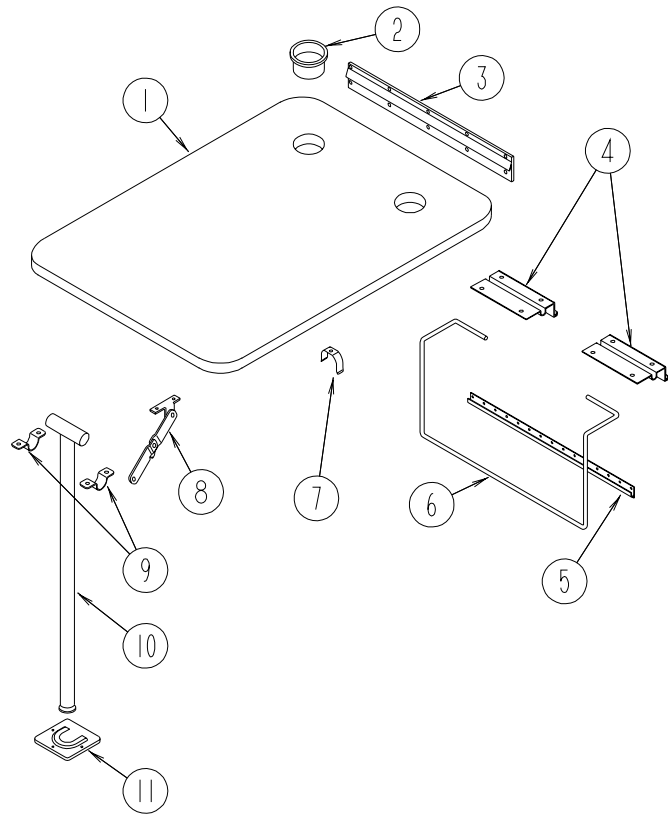
DINETTEGROUP

DINETTE&OVERHEADCABINetry



| KEY | PARTNUMBER | U/M | DESCRIPTION |
|-----|---------------|-----|---|
| 1 | 117579-06-G15 | EA | CABINET-OVERHEADDINETTE/COFFEEMAKEROPT-W/ODRS/HDW(OAK)(H17) |
| 1 | 117579-06-H18 | EA | CABINET-OVERHEADDINETTE/COFFEEMAKEROPT-W/ODRS/HDW(OAK)(H18) |
| 1 | 117579-06-H19 | EA | CABINET-OVERHEADDINETTE/COFFEEMAKEROPT-W/ODRS/HDW(OAK)(H19) |
| | 117579-13-G09 | EA | SHELF-W/PLASTICEDGETRIM(OAK) |
| 1 | 117579-06-H40 | EA | CABINET-OVERHEADDINETTE/COFFEEMAKEROPT-W/ODRS/HDW(WHITE)(H40) |
| 1 | 117579-06-H41 | EA | CABINET-OVERHEADDINETTE/COFFEEMAKEROPT-W/ODRS/HDW(WHITE)(H41) |
| | 117579-13-H40 | EA | SHELF-W/PLASTICEDGETRIM(WHITE) |
| 2 | 117922-02-H17 | EA | CABINET-OVERHEAD/DINETTE-W/ODOORS/HARDWARE(OAK)(H17) |
| 2 | 117922-02-H18 | EA | CABINET-OVERHEAD/DINETTE-W/ODOORS/HARDWARE(OAK)(H18) |
| 2 | 117922-02-H19 | EA | CABINET-OVERHEAD/DINETTE-W/ODOORS/HARDWARE(OAK)(H19) |
| | 117922-14-G35 | EA | SHELF-W/PLASTICEDGETRIM(OAK) |
| 2 | 117922-02-H40 | EA | CABINET-OVERHEAD/DINETTE-W/ODOORS/HARDWARE(WHITE)(H40) |
| 2 | 117922-02-H41 | EA | CABINET-OVERHEAD/DINETTE-W/ODOORS/HARDWARE(WHITE)(H41) |
| | 117922-14-H40 | EA | SHELF-W/PLASTICEDGETRIM(WHITE) |
| 3 | M06803-82-H17 | EA | DOOR-MITEREDCORNER/OGEEEDGE-15.7X28W/OHDW(OAK) |
| 3 | 122715-08-01A | EA | DOOR-MOLDEDVINYL-15.7"X28"-W/OHARDWARE(WHITE) |
| 4 | 103128-01-G09 | EA | ENDCAP-OVERHEADCABINET-RIGHTHAND(OAK) |
| 4 | 103128-01-H40 | EA | ENDCAP-OVERHEADCABINET-RIGHTHAND(WHITE) |
| 5 | 104787-08-H17 | EA | PAD-DINETTE(H17) |
| 5 | 104787-08-H18 | EA | PAD-DINETTE(H18) |
| 5 | 104787-08-H19 | EA | PAD-DINETTE(H19) |
| 5 | 104787-08-H54 | EA | PAD-DINETTE(H40) |
| 5 | 104787-08-H41 | EA | PAD-DINETTE(H41) |
| 6 | M07514-01-G15 | EA | SEATBACK-DINETTERIGHTHAND(OAK) |
| 6 | M07514-01-H23 | EA | SEATBACK-DINETTERIGHTHAND(WHITE) |
| 7 | M05971-81-H17 | EA | DRAWER-OGEEEDGE-16.9"WX21.6"D-W/OSLIDES/HARDWARE(OAK) |
| 7 | P10163-CS-H40 | EA | DRAWER-16.9"WX21.6"D-W/OSLIDES/HARDWARE(WHITE) |
| 8 | M07515-01-G15 | EA | CABINET-SEATBASE/RIGHTHAND-W/ODRAWER/HARDWARE(OAK) |
| 8 | M07515-01-H40 | EA | CABINET-SEATBASE/RIGHTHAND-W/ODRAWER/HARDWARE(WHITE) |
| 9 | 081295-01-G01 | EA | SUPPORT-BED/DINETTE-28"LONG(OAK) |
| 9 | 081295-01-H40 | EA | SUPPORT-BED/DINETTE-28"LONG(WHITE) |
| 10 | M07515-02-G15 | EA | CABINET-SEATBASE/LEFTHAND-W/ODRAWER/HARDWARE(OAK) |
| 10 | M07515-02-H40 | EA | CABINET-SEATBASE/LEFTHAND-W/ODRAWER/HARDWARE(WHITE) |

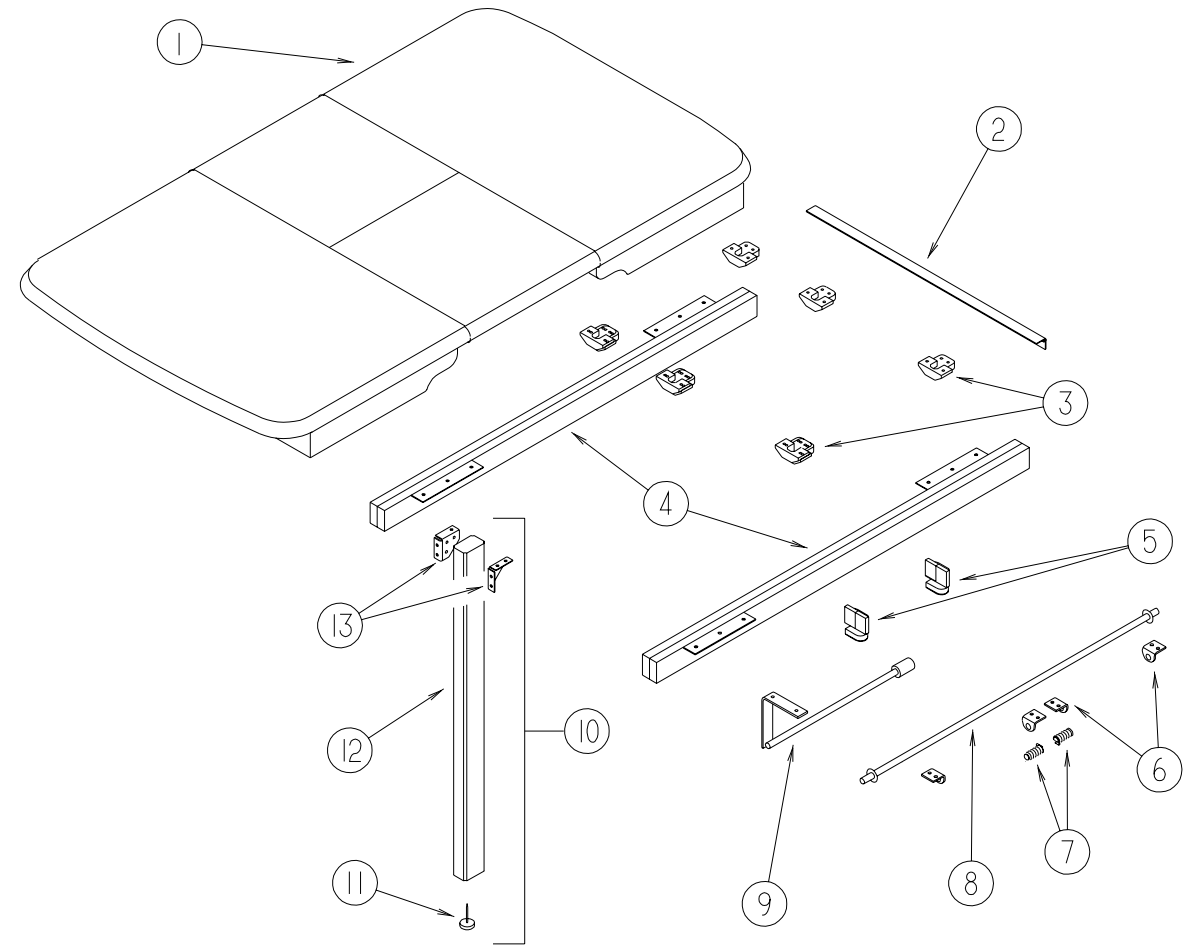
DINETTEGROUP (CONTINUED)



DINETTETABLEASM.

| KEY | PARTNUMBER | U/M | DESCRIPTION |
|-----|---------------|-----|---|
| 1 | 081322-15-H17 | EA | TABLE-DINETTE-W/OHARDWAREORCUPHOLDERS(H17,H18) |
| 1 | 081322-15-H19 | EA | TABLE-DINETTE-W/OHARDWAREORCUPHOLDERS(H19) |
| 1 | 081322-15-H40 | EA | TABLE-DINETTE-W/OHARDWAREORCUPHOLDERS(H40,H41) |
| 2 | 064781-06-000 | EA | HOLDER-CUP, TWOSTEP-OFFWHITE |
| 3 | 053200-12-000 | EA | BRACKET-TABLESUPPORT-UPPERWALLMOUNTED-23.50"(H17,H18,H19) |
| 3 | 053200-14-000 | EA | SUPPORT-TABLE-23.50"-BRIGHTWHITE(H40,H41) |
| 4 | 088410-02-000 | EA | BRACKET-LIFT-TABLEMOUNTED-OFFWHITE |
| 5 | 024281-14-000 | EA | BRACKET-LIFTROD-LOWERWALLMOUNTED-22.12"(H17,H18,H19) |
| 5 | 024281-16-000 | EA | BRACKET-TABLELIFT, 22.12"-BRIGHTWHITE(H40,H41) |
| 6 | 024275-12-000 | EA | ROD-TABLELIFT(H17,H18,H19) |
| 6 | 024275-14-000 | EA | ROD-TABLELIFT-BRIGHTWHITE(H40,H41) |
| 7 | 024283-01-000 | EA | CLIP-LEG-1"-1.125"OD-BLACK |
| 8 | 024282-01-000 | EA | BRACE-TABLELEG-HINGED |
| 9 | 064050-05-000 | EA | HINGE-TABLELEG-OFFWHITE |
| 10 | 024276-23-000 | EA | LEG-TABLE-OFFWHITEMETAL |
| 11 | 049493-12-000 | EA | CATCH-LEG-FLOORMOUNTED-2.5"X2.7"(H17,H18,H19) |
| 11 | 049493-14-000 | EA | CATCH-TABLELEG-BRIGHTWHITE(H40,H41) |
| 11 | 049493-11-700 | EA | CATCH-LEG,FLOORMOUNTED-2.5"X2.7"-METAL-E-COAT |

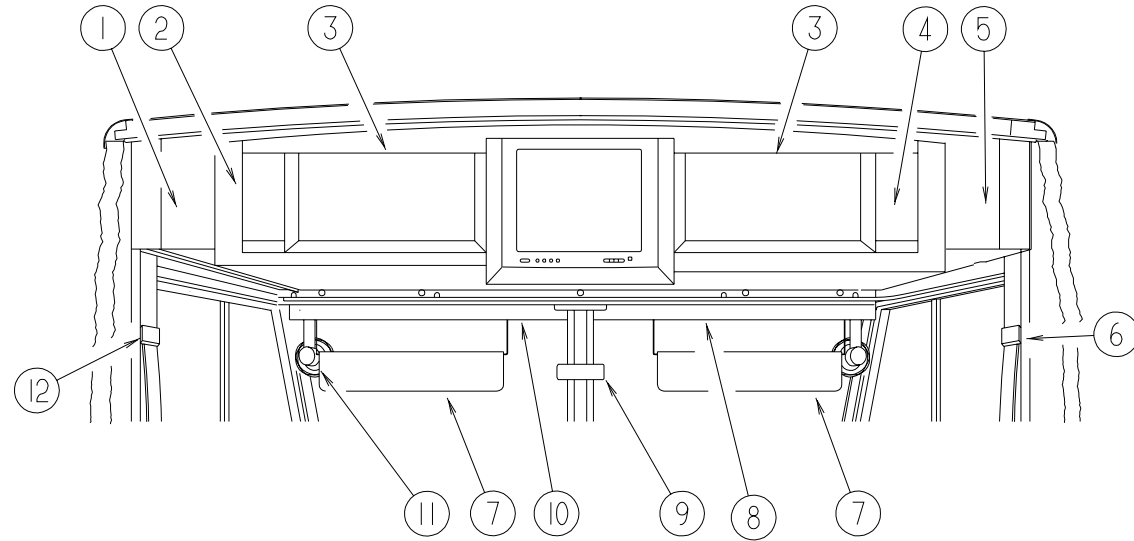
DINETTEGROUP (CONTINUED)



DINETTETABLEASM.W/DROPLEAF

| KEY | PARTNUMBER | U/M | DESCRIPTION |
|-----|---------------|-----|---|
| | P18322-01-H17 | EA | TABLE-PULLOUTW/SELFSTORINGLEAF(OAK) |
| | P18322-01-H40 | EA | TABLE-PULLOUTW/SELFSTORINGLEAF(WHITE) |
| 1 | 118322-11-H17 | EA | COUNTERTOP-TABLE-PULLOUT(OAK) |
| 1 | 118322-11-H40 | EA | COUNTERTOP-TABLE-PULLOUT(WHITE) |
| 2 | 041389-18-000 | EA | HINGE-PIANO-1.50X482.6-OFFWHITE |
| 3 | 009050-02-000 | EA | LEVELER-TABLETOP-MALEENDW/4SCREWS-PLASTIC |
| 3 | 009050-03-000 | EA | LEVELER-TABLETOP-FEMALEENDW/2SCREWS-PLASTIC |
| 4 | 110749-01-000 | EA | SLIDE-TABLE-193/4"LONG |
| 5 | 108663-01-000 | EA | HINGE-LEAF-FOLDING |
| 6 | 108874-01-000 | EA | BRACKET-HINGE-TABLELEAF |
| 7 | 108664-01-000 | EA | SPRING-COMPRESSION-.51"X1.96" |
| 8 | 108932-01-000 | EA | ROD-PIVOT |
| 9 | 108905-01-000 | EA | SUPPORT-TABLELEAF |
| 10 | 092708-12-G35 | EA | LEG-TABLE(OAK) |
| 10 | 092708-12-H40 | EA | LEG-TABLE(WHITE) |
| 11 | 102194-01-000 | EA | GUIDE-PLASTIC |
| 12 | 092707-07-05A | EA | MOLDING-TABLELEG-27.8"(OAK) |
| 12 | 092707-07-07A | EA | MOLDING-TABLELEG-27.8"(WHITE) |
| 13 | 102810-01-04A | EA | BRACE-LEG-TABLE-BLACK |
| 13 | 102810-01-03A | EA | BRACE-LEG-TABLE-MILL |

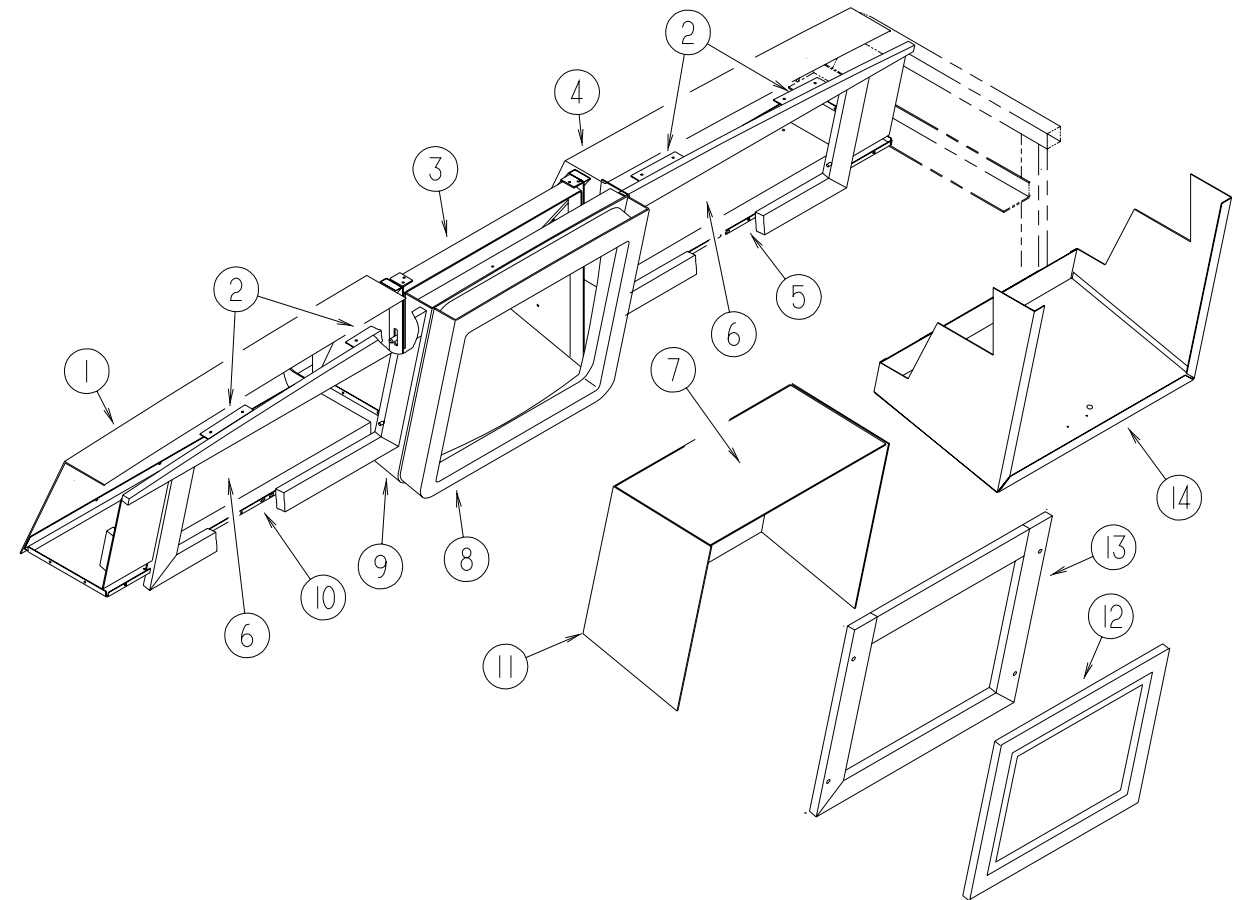
DRIVERS COMPARTMENT GROUP



UPPER DRIVER COMPARTMENT

| KEY | PARTNUMBER | U/M | DESCRIPTION |
|-----|---------------|-----|--|
| 1 | 104289-04-G09 | EA | PANEL-VINYL COVERED OVERHEAD DRIVER SIDE-ANGLED |
| 2 | 114612-04-H17 | EA | FACE-CABINET/DRIVER STV OVERHEAD-15.7"X36.4"(OAK) |
| 2 | 114612-04-H40 | EA | FACE-OVERHEAD-DRIVER TV CABINET-15.7"X36.4"(WHITE) |
| 3 | 100708-13-000 | EA | DOOR-CABINET-GLASS |
| | 100710-01-01A | EA | LOCK ASSEMBLY-TWIST TYPE-BRASS |
| | 100711-01-01A | EA | HINGE-GLASS DOOR |
| | 100707-01-000 | EA | SPACER-GLASS DOOR-.8" DIAMETER-.3" HOLE-PLASTIC |
| | 101272-01-000 | EA | CATCH-GLASS DOOR |
| | 101766-01-000 | EA | PIN-SUPPORT-GLASS DOOR |
| | 108486-01-01A | EA | BRACKET-PROP ROD/OVERHEAD-BLACK |
| | 108487-02-01A | EA | SUPPORT-PROP ROD/OVERHEAD-BLACK |
| 4 | 114612-03-H17 | EA | FACE-CABINET/PASSENGER TV OVERHEAD-15.7X36.4(OAK) |
| 4 | 114612-03-H40 | EA | FACE-TV OVERHEAD PASSENGER-15.7X36.4(WHITE) |
| 5 | 104289-03-G09 | EA | PAD-VINYL COVERED-OVERHEAD TV-PASSENGER |
| 6 | 103961-01-01A | EA | SEATBELT BRACKET COVER-OFF WHITE |
| 7 | 123298-02-02A | EA | SUNVISOR-10.5"X28.5" |
| 8 | 078579-17-000 | EA | TRIM-WINDSHIELD-UPPER INNER PASSENGER |
| 9 | 040714-01-000 | EA | MIRROR-REAR VIEW/ARM MOUNT & SET SCREW-GM#911722 |
| | 067490-01-000 | EA | BUTTON-MIRROR/REAR VIEW |
| 10 | 078579-18-000 | EA | TRIM-WINDSHIELD-UPPER INNER DRIVER |
| 11 | 122856-01-01A | EA | FAN-DEFROSTER-2 SPEED-CHROME |
| 12 | 103961-02-01A | EA | SEATBELT BRACKET COVER-OFF WHITE |

DRIVERS COMPARTMENT GROUP (CONTINUED)

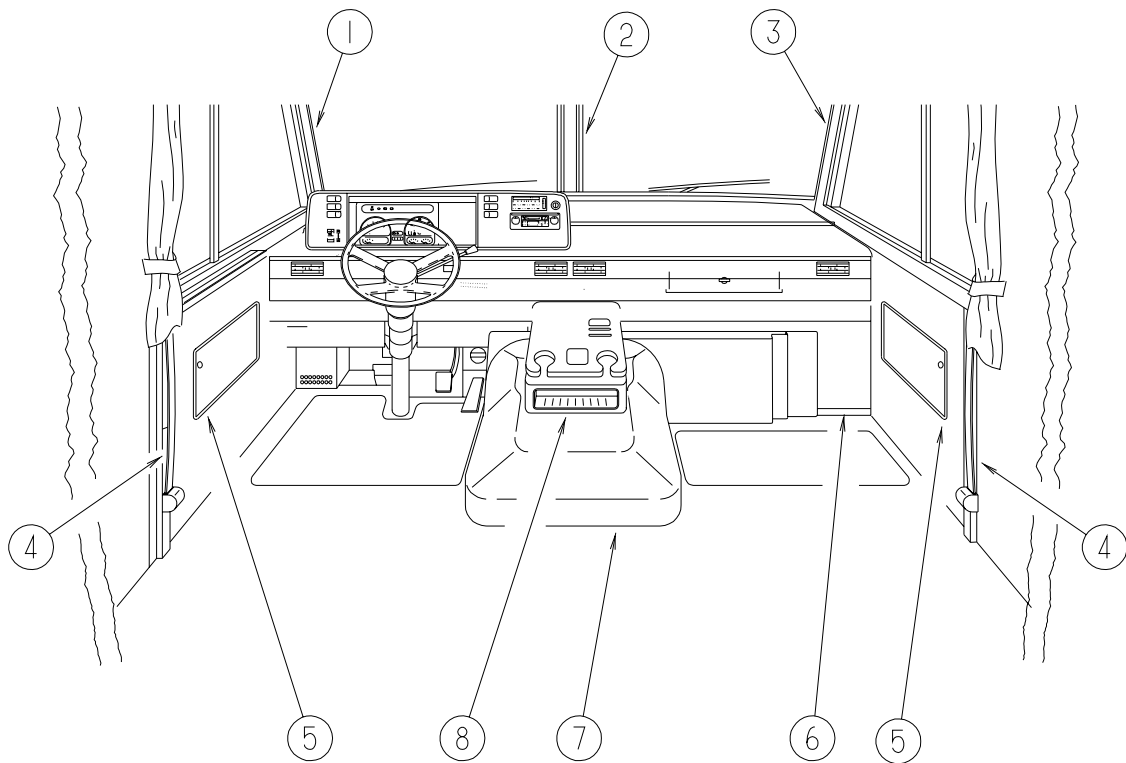


FRONT OVERHEAD COMPONENTS

| KEY | PARTNUMBER | U/M | DESCRIPTION |
|-----|---------------|-----|---|
| 1 | 114661-11-G15 | EA | PANEL ASM.-LINER-DRIVER OVERHEAD-W/OTV |
| 1 | 114661-17-G15 | EA | PANEL ASM.-LINER-DRIVER OVERHEAD-W/TV |
| 1 | 114661-23-G15 | EA | PANEL ASM.-LINER-DRIVER OVERHEAD-W/SATELLITE DISH |
| 2 | 106699-01-01A | EA | BRACKET-OVERHEAD CABINET W/TV-OFF WHITE |
| 3 | 114706-02-02B | EA | SUPPORT ASM.-SHELF-TV-E-COAT |
| 4 | 114661-22-G15 | EA | PANEL ASM.-LINER-PASSENGER OVERHEAD-W/OTV |
| 4 | 114661-18-G15 | EA | PANEL ASM.-LINER-PASSENGER OVERHEAD-W/TV |
| 4 | 114661-19-G15 | EA | PANEL ASM.-LINER-PASSENGER OVERHEAD-W/TV&VCR |
| 4 | 114661-20-G15 | EA | PANEL ASM.-LINER-PASSENGER OVERHEAD-W/TV-VCR/INVERTER |
| 4 | 114661-21-G15 | EA | PANEL ASM.-LINER-PASSENGER OVERHEAD-W/TV&INVERTER |
| 5 | P03077-06-G15 | EA | SHELF-BASE-PASSENGER SIDE OVERHEAD CABINET-W/OTV |
| 5 | P03077-10-G15 | EA | SHELF-BASE-PASSENGER SIDE OVERHEAD CABINET-W/TV |
| 6 | 100676-02-000 | EA | SHELF OVERHEAD CABINET-VCR/INVERTER |
| 7 | 115638-01-G15 | EA | PANEL ASM.-LINER-TOP-W/OTV |
| 8 | 122881-01-01A | EA | INSERT-OVERHEAD FRONT TV |
| 9 | 118022-04-H17 | EA | COVER ASM TV-OVERHEAD FRONT |
| | 118836-02-GV0 | EA | PANEL-VINYL COVERED, BACK-SATELLITE DISH PACKAGE W/O RECEIVER |
| | 120106-11-02B | EA | SHELF-TV,E-COAT STEEL |
| 10 | P03077-05-G15 | EA | SHELF-BASE-OVERHEAD CABINET-DRIVER SIDE-W/OTV |
| 10 | P03077-09-G15 | EA | SHELF-BASE-OVERHEAD CABINET-DRIVER SIDE-W/TV |
| 11 | 115639-01-G15 | EA | PANEL ASM.-LINER-W/OTV-SIDE |
| 12 | M06803-C1-H17 | EA | DOOR-MITERED CORNER/OGEE EDGE-16.7"X18.1"-W/OHDW(OAK) |
| 12 | 122715-66-01A | EA | DOOR-MOLDED VINYL-16.7"X18"-W/OHDW(WHITE) |
| 13 | 116791-01-F31 | EA | FACE FRAME-TV CABINET-20.6"X22.2"-W/OTV(OAK) |
| 13 | 116791-01-H40 | EA | FACE FRAME-TV CABINET-20.6"X22.2"-W/OTV(WHITE) |
| 14 | P18192-01-G15 | EA | COVER ASM.-W/OTV-WITH VINYL |
| | 099856-01-000 | EA | TIEDOWN-STRAP-TV-W/BUCKLE-53.1"X1"-WEBBING-BLACK |
| | 078811-09-G15 | EA | PANEL-TRIM-HEADER-LOWER-BETWEEN OVERHEAD AND W/STRIM |

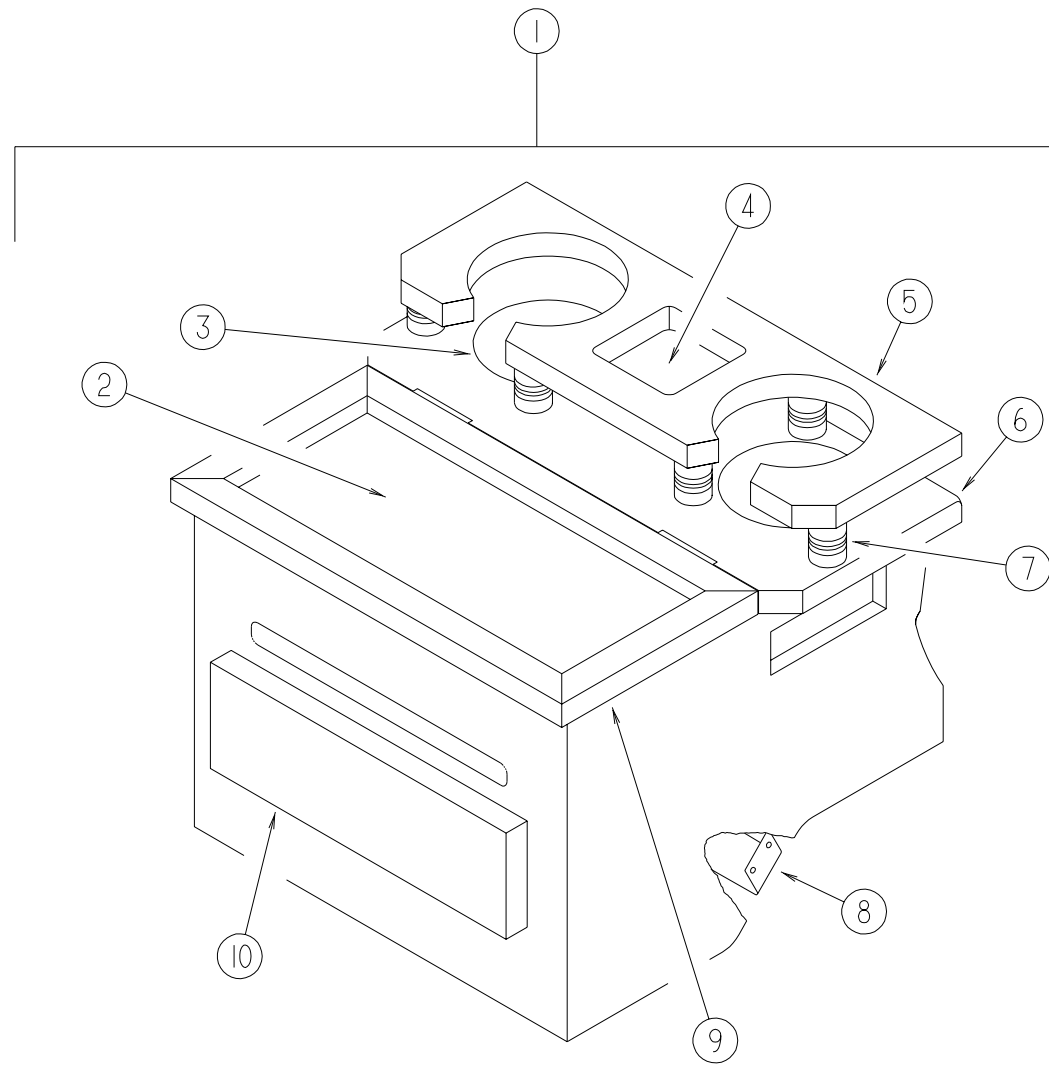
DRIVERS COMPARTMENT GROUP (CONTINUED)

LOWERDRIVERCOMPARTMENT



| KEY | PARTNUMBER | U/M | DESCRIPTION |
|-----|---------------|-----|--|
| 1 | 103931-04-03A | EA | COVER-INTERIORA-PILLAR-DRIVER |
| 2 | 079765-11-000 | EA | TRIM-WINDSHIELDCENTER |
| 3 | 103931-03-03A | EA | COVER-INTERIORA-PILLAR-PASSENGERSIDE |
| | 024700-44-000 | EA | COVER-ROLLBAR-DRIVER/PASSENGERLOWER-53"-W/ODRIVERDOOR |
| | 024700-46-000 | EA | COVER-ROLLBAR-DRIVER/PASSENGERUPPER-21.20" |
| | 024700-47-000 | EA | COVER-ROLLBAR-18.9"-W/DRIVERDOOR-OFFWHITE |
| | 024700-48-000 | EA | COVER-ROLLBAR-25"-W/DRIVERDOOR-OFFWHITE |
| 4 | 091990-04-01A | EA | SEATBELT-SHOULDERHARNESS-DRIVERS/PASSENGER-BLACK |
| | 091990-01-701 | EA | EXTENDER9"FORA84083PT |
| | 109146-01-000 | EA | BOLT-SHOULDER/SEATBELT |
| 5 | 086120-10-G15 | EA | PAD-MAPPOCKET-12"X16"(H17) |
| 5 | 086120-10-G37 | EA | PAD-MAPPOCKET-12"X16"(H18) |
| 5 | 086120-10-H19 | EA | PAD-MAPPOCKET-12"X16"(H19) |
| 5 | 086120-10-H23 | EA | PAD-MAPPOCKET-12"X16"(H40) |
| 5 | 086120-10-H25 | EA | PAD-MAPPOCKET-12"X16"(H41) |
| 6 | 095757-05-G15 | EA | COVER-HEATER(H17) |
| 6 | 095757-05-G17 | EA | COVER-HEATER(H18) |
| 6 | 095757-05-H19 | EA | COVER-HEATER(H19) |
| 6 | 095757-05-H40 | EA | COVER-HEATER(H40) |
| 6 | 095757-05-G35 | EA | COVER-HEATER(H41) |
| 7 | 115840-01-01A | EA | COVER-MOTOR-W/OCARPET |
| 7 | 115840-02-01A | EA | COVER-MOTOR-W/OCARPET-VORTECOPT. |
| | 115852-01-02B | EA | STRIKE-LATCH-MOTORCOVER-E-COATED |
| | 115860-01-01A | EA | TRIM-MOTORCOVER |
| | 115850-01-02B | EA | RETAINER-LATCHMOTORCOVER-E-COAT |
| | 116581-01-000 | EA | LATCH-MOTORCOVER |
| | 116833-01-02B | EA | WRENCH-HEXMOTORCOVER-E-COATED |
| | 122772-02-02B | EA | BRACKET-MOUNTING-BEVERAGETRAY |
| 8 | 122707-01-H17 | EA | TRAYASM-BEVERAGE-W/ODRAWERORLOUVERS(OAK) FROM: 00-00-00 THRU: 03-16-97 |
| 8 | 122707-01-H40 | EA | TRAYASM-BEVERAGE-W/ODRAWERORLOUVERS-(WHITE) FROM: 00-00-00 THRU: 03-16-97 |
| 8 | 122707-02-H17 | EA | TRAYASM-BEVERAGE-W/ODRAWERORLOUVERS-VORTECENGINE(OAK) FROM: 00-00-00 THRU: 03-16-97 |
| 8 | 122707-02-H40 | EA | TRAYASM-BEVERAGE-W/ODRAWERORLOUVERS-VORTECENGINE(WHITE) FROM: 00-00-00 THRU: 03-16-97 |
| 8 | 126680-01-H17 | EA | TRAYASM-BEVERAGE-W/ODRAWERORLOUVERS(OAK) FROM: 03-17-97 THRU: 99-99-99 |
| 8 | 126680-01-H40 | EA | TRAYASM-BEVERAGE-W/ODRAWERORLOUVERS(WHITE) FROM: 03-17-97 THRU: 99-99-99 |
| 8 | 126680-02-H17 | EA | TRAYASM-BEVERAGE-W/ODRAWERORLOUVERS-VORTECENGINE(OAK) FROM: 03-17-97 THRU: 99-99-99 |
| 8 | 126680-02-H40 | EA | TRAYASM-BEVERAGE-W/ODRAWERORLOUVERS-VORTECENGINE(WHITE) FROM: 03-17-97 THRU: 99-99-99 |
| | 103498-06-000 | EA | BOOT-STEERINGCOLUMN/UNIVERSAL FROM: 00-00-00 THRU: 12-18-96 |
| | 103498-09-000 | EA | BOOT-STEERINGCOLUMN-W/1/2CIRCLE FROM: 12-19-96 THRU: 99-99-99 |
| | 112634-01-01A | EA | TRIM-STEERINGCOLUMN-RIGHTHAND-FORD |
| | 112634-02-01A | EA | TRIM-STEERINGCOLUMN-LEFTHAND-FORD |
| | 111521-03-01A | EA | COVER-STEERINGCOLUMN-FORD |
| | 111521-04-01A | EA | COVER-STEERINGCOLUMN-FORD |

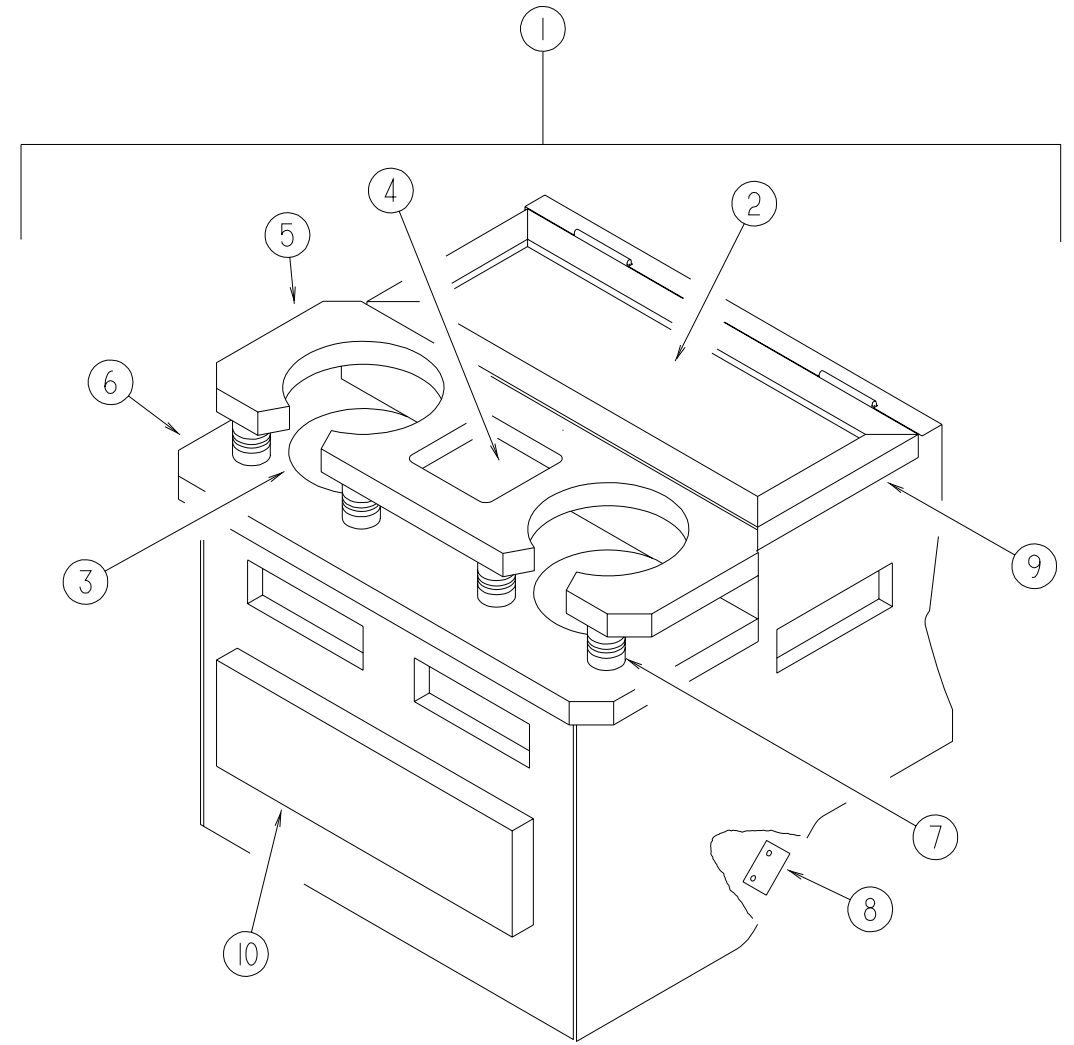
DRIVERS COMPARTMENT GROUP(CONTINUED)



BEVERAGETRAY,DRIVERCOMPARTMENT(FROM:00-00-00THRU:03-16-97)

| KEY | PARTNUMBER | U/M | DESCRIPTION |
|-----|---------------|-----|---|
| 1 | 122707-01-H17 | EA | TRAYASM-BEVERAGE-W/ODRAWERORLOUVERS(OAK) |
| 1 | 122707-01-H40 | EA | TRAYASM-BEVERAGE-W/ODRAWERORLOUVERS-(WHITE) |
| 1 | 122707-02-H17 | EA | TRAYASM-BEVERAGE-W/ODRAWERORLOUVERS-VORTECENGINE(OAK) |
| 1 | 122707-02-H40 | EA | TRAYASM-BEVERAGE-W/ODRAWERORLOUVERS-VORTECENGINE(WHITE) |
| 2 | 122717-03-01A | FT | PAD-NON-SKID-PSA-ROLL-6.5"X50' |
| 3 | 122717-01-01A | EA | PAD-NON-SKID-PSA |
| 4 | 122717-02-01A | EA | PAD-NON-SKID-PSA |
| 5 | 122707-11-H17 | EA | SHELFW/OPADORDOWELS(OAK) |
| 5 | 122707-11-H40 | EA | SHELFW/OPADORDOWELS(WHITE) |
| 6 | 122707-12-H17 | EA | SHELFASM-W/PADSW/OHARDWAREORDOWELS(OAK) |
| 6 | 122707-12-H40 | EA | SHELFASM-W/PADSW/OHARDWAREORDOWELS(WHITE) |
| 7 | 097872-04-000 | EA | DOWEL-WOOD-1"DIAMETERX1.38"LONG-UNFINISHED |
| 8 | 122832-01-02B | EA | BRACKET-MOUNT-BEVERAGETRAY-E-COAT |
| 9 | 122707-13-H17 | EA | LIDW/OPADORHARDWARE(OAK) |
| 9 | 122707-13-H40 | EA | LIDW/OPADORHARDWARE(WHITE) |
| 10 | M05971-AZ-H17 | EA | DRAWER-OGEEEDGE-W/OSLIDES/HARDWARE(OAK) |
| 10 | P10163-DN-H40 | EA | DRAWER-9.9"WX11.8"D-W/OSLIDES/HARDWARE(WHITE) |
| | 100128-02-000 | FT | SEAL-FOAM-ADHESIVEBACK-.37"WX.37"THICK |

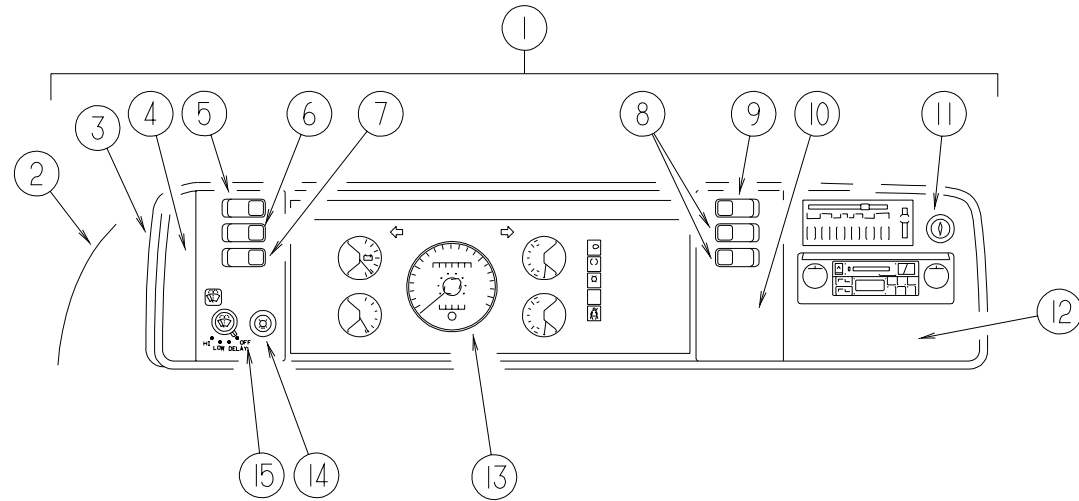
DRIVERSCOMPARTMENTGROUP(CONTINUED)



BEVERAGETRAY,DRIVERCOMPARTMENT(FROM:03-17-97THRU:99-99-99)

| KEY | PARTNUMBER | U/M | DESCRIPTION |
|-----|---------------|-----|---|
| 1 | 126680-01-H17 | EA | TRAYASM-BEVERAGE-W/ODRAWERORLOUVERS(OAK) |
| 1 | 126680-01-H40 | EA | TRAYASM-BEVERAGE-W/ODRAWERORLOUVERS(WHITE) |
| 1 | 126680-02-H17 | EA | TRAYASM-BEVERAGE-W/ODRAWERORLOUVERS-VORTECENGINE(OAK) |
| 1 | 126680-02-H40 | EA | TRAYASM-BEVERAGE-W/ODRAWERORLOUVERS-VORTECENGINE(WHITE) |
| 2 | 122717-06-01A | FT | PAD-NON-SKID-PSA-6.5"X13.8" |
| 3 | 122717-01-01A | EA | PAD-NON-SKID-PSA |
| 4 | 122717-02-01A | EA | PAD-NON-SKID-PSA |
| 5 | 126680-15-H17 | EA | SHELFW/OPADORDOWELS(OAK) |
| 5 | 126680-15-H40 | EA | SHELFW/OPADORDOWELS(WHITE) |
| 6 | 126680-14-H17 | EA | SHELFW/OPADSORDOWELS(OAK) |
| 6 | 126680-14-H40 | EA | SHELFW/OPADSORDOWELS(WHITE) |
| 7 | 097872-04-000 | EA | DOWEL-WOOD-1"DIAMETERX1.38"LONG-UNFINISHED |
| 8 | 122832-01-02B | EA | BRACKET-MOUNT-BEVERAGETRAY-E-COAT |
| 9 | 126680-16-H17 | EA | LIDW/PADW/OHARDWARE(OAK) |
| 9 | 126680-16-H40 | EA | LIDW/PADW/OHARDWARE(WHITE) |
| 10 | M05971-AZ-H17 | EA | DRAWER-OGEEEDGE-W/OSLIDES/HARDWARE(OAK) |
| 10 | P10163-DN-H40 | EA | DRAWER-9.9"WX11.8"D-W/OSLIDES/HARDWARE(WHITE) |
| | 100128-02-000 | FT | SEAL-FOAM-ADHESIVEBACK-.37"WX.37"THICK |

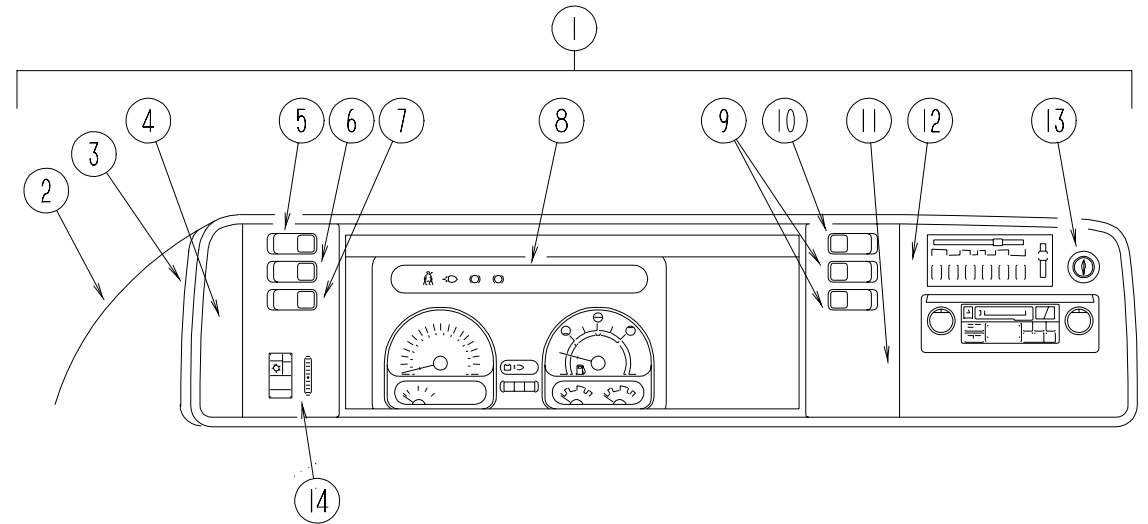
DRIVERSCOMPARTMENTGROUP(CONTINUED)



DASH,GAUGES&SWITCHES(FORD)

| KEY | PARTNUMBER | U/M | DESCRIPTION |
|-----|---------------|-----|---|
| 1 | M05946-43-H17 | EA | DASHPODASM. |
| 2 | 111499-01-03A | EA | POD-INSTRUMENTPANEL-WILLOW |
| 3 | 103662-04-01A | EA | BEZEL-INSTRUMENTPANEL |
| 4 | 104056-01-05A | EA | APPLIQUE-BEZEL-DRIVERDRESSUP |
| 5 | 108357-05-000 | EA | SWITCH-ROCKER-SPDT-ON/NONE/ON-3TERM |
| 5 | 108356-02-01A | EA | COVER/ACTUATORSWITCH-2DIMPLES |
| 6 | 108357-09-000 | EA | SWITCH-ROCKER-SPDT-ON/NONE/MOM-3TERMINAL |
| 6 | 108356-02-01A | EA | COVER/ACTUATORSWITCH-2DIMPLES |
| 7 | 108357-06-000 | EA | SWITCH-ROCKER-SPDT-MON/OFF/MOM-6TERMINAL |
| 7 | 108356-02-01A | EA | COVER/ACTUATORSWITCH-2DIMPLES |
| 8 | 108357-03-000 | EA | SWITCH-ROCKER-SPDT-ON/OFF/ON-3TERMINAL |
| 8 | 108356-02-01A | EA | COVER/ACTUATORSWITCH-2DIMPLES |
| 9 | 108357-10-000 | EA | SWITCH-ROCKER-SPDT-MOM/OFF/MOM-LIGHTED5TERMINAL |
| 9 | 108356-04-01A | EA | COVER/ACTUATORSWITCH-DIMPLESW/LIGHT |
| | 096241-03-000 | EA | SWITCH-BLANK |
| | 077942-01-000 | EA | SWITCH-DUMMY-BLACK |
| 10 | 104056-21-01A | EA | APPLIQUE-BEZEL-PASSENGERDRESSUP |
| 10 | 104056-08-01A | EA | APPLIQUE-BEZEL(W/FOGLAMPSONEXPORT) |
| 11 | 089294-01-000 | EA | LIGHTER-CIGARETTE-W/OWIRES |
| 12 | 104056-06-05A | EA | APPLIQUE-BEZEL-PASSENGERDRESSUP |
| 13 | 094794-06-000 | EA | CLUSTER-INSTRUMENTPANEL-KILOMETERS-FORD |
| 14 | 096675-01-000 | EA | KNOB-HEADLAMP SWITCH-W/SHAFT |
| | 096674-01-000 | EA | NUT-HEADLAMP SWITCH-BLACK |
| 15 | 104056-24-01A | EA | APPLIQUE-BEZEL-DRIVERSIDEDRESSUP |
| | 100138-01-000 | EA | MODULE-DAYTIMERUNNINGLIGHT(CSA) |
| | 077031-01-000 | EA | FILM-BLACK-1"X1.75" |
| | 077031-03-000 | EA | FILM-WHITE.75"X1" |
| | 104354-08-02A | EA | APPLIQUE-LOWERDASH |
| | 111528-07-02A | EA | TRIM-DASH-LOWERPASSENGER-FORD |
| | 111528-07-01A | EA | TRIM-DASH-LOWERPASSENGER-FORD |
| | 117306-02-F11 | EA | TRIM-DASH-LOWER-FORD |
| | 111528-04-01A | EA | TRIM-DASH-LOWERDRIVER |
| | P14614-02-000 | EA | DASH-W/OVINYL-FORD |
| | 106569-07-01A | EA | VINYL-MADRIDWILLOW-1/4"X17"X100" |
| | 103603-01-000 | EA | BULB-12VOLT-#74-.12AWEDGE-GE22-25USEDINDASH |
| | 112236-01-E10 | EA | MONITOR-LEVELING |
| | 112235-01-01A | EA | BEZEL-MONITOR-LEVELING |
| | 111904-01-000 | EA | INDICATOR-TRANSMISSION-FORD |
| | 111417-01-01A | EA | DECAL-LOGO/3D-ADVENTURER |

DRIVERS COMPARTMENT GROUP (CONTINUED)

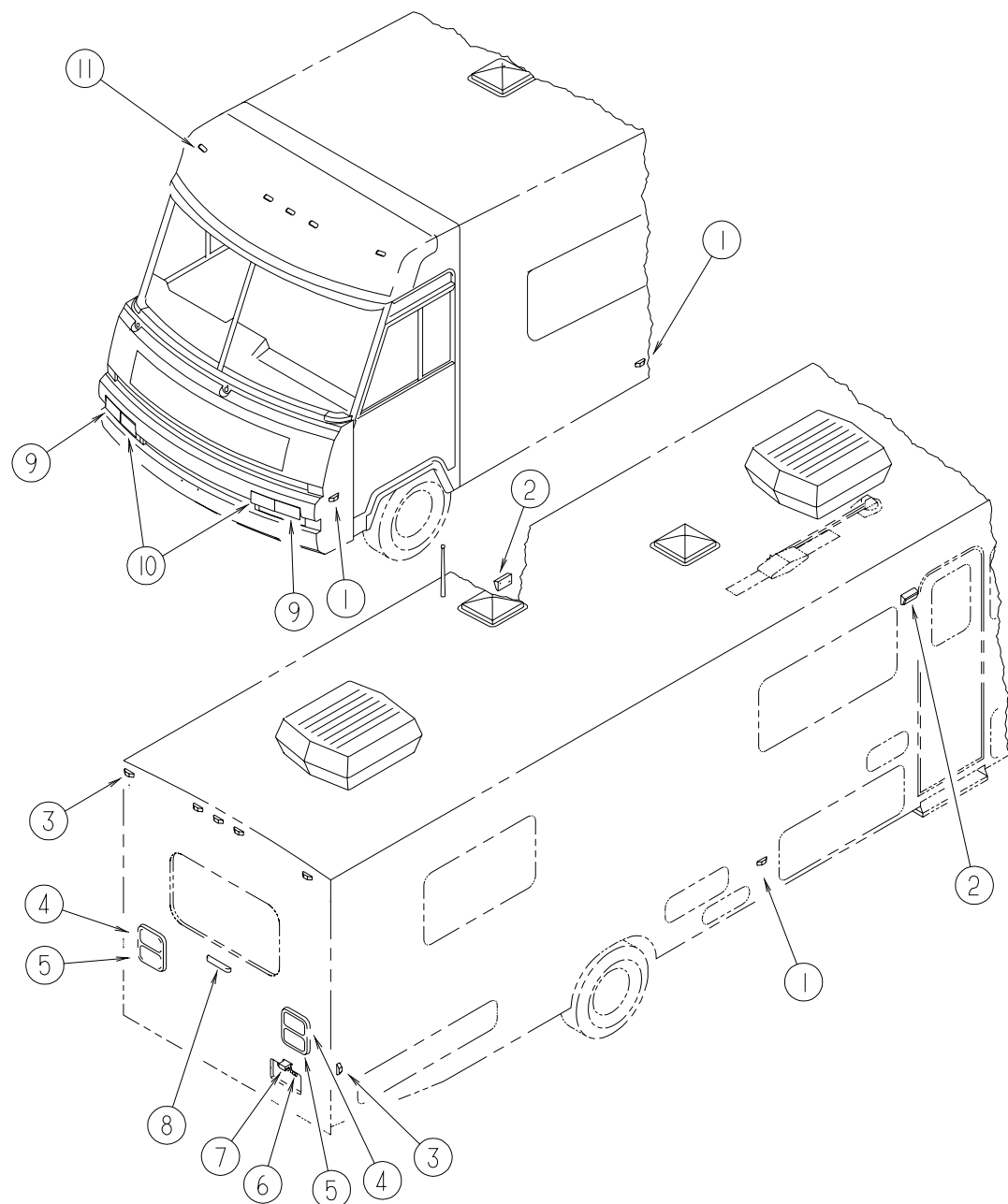


DASH,GAUGES&SWITCHES(CHEVY)

| KEY | PARTNUMBER | U/M | DESCRIPTION |
|-----|---------------|-----|---|
| 1 | M05946-42-H17 | EA | DASHPOD-CHEVY |
| 2 | 111499-01-03A | EA | POD-INSTRUMENTPANEL-WILLOW |
| 3 | 103662-01-01A | EA | BEZEL-INSTRUMENTPANEL |
| 4 | 104056-01-05A | EA | APPLIQUE-BEZEL-DRIVERDRESSUP |
| 5 | 108357-05-000 | EA | SWITCH-ROCKER-SPDT-ON/NONE/ON-3TERM |
| 5 | 108356-02-01A | EA | COVER/ACTUATORSWITCH-2DIMPLES |
| 6 | 108357-09-000 | EA | SWITCH-ROCKER-SPDT-ON/NONE/MOM-3TERMINAL |
| 6 | 108356-02-01A | EA | COVER/ACTUATORSWITCH-2DIMPLES |
| 7 | 108357-06-000 | EA | SWITCH-ROCKER-SPDT-MON/OFF/MOM-6TERMINAL |
| 7 | 108356-02-01A | EA | COVER/ACTUATORSWITCH-2DIMPLES |
| 8 | 094796-07-000 | EA | CLUSTER-INSTRUMENTPANEL-KILOMETER,GAS |
| | | | FROM: 00-00-00 THRU: 10-27-96 |
| 8 | 12500102000 | EA | CLUSTER-INSTRUMENTPANEL-KILOMETERS/MILES-CANADIAN |
| | | | FROM: 10-28-96 THRU: 99-99-99 |
| 9 | 108357-03-000 | EA | SWITCH-ROCKER-SPDT-ON/OFF/ON-3TERMINAL |
| 9 | 108356-02-01A | EA | COVER/ACTUATORSWITCH-2DIMPLES |
| 10 | 108357-10-000 | EA | SWITCH-ROCKER-SPDT-MOM/OFF/MOM-LIGHTED5TERMINAL |
| 10 | 108356-04-01A | EA | COVER/ACTUATORSWITCH-DIMPLESW/LIGHT |
| | 096241-03-000 | EA | SWITCH-BLANK |
| | 077942-01-000 | EA | SWITCH-DUMMY-BLACK |
| 11 | 104056-08-01A | EA | APPLIQUE-BEZEL |
| 11 | 104056-21-01A | EA | APPLIQUE-BEZEL-PASSENGERDRESSUP |
| 12 | 104056-06-05A | EA | APPLIQUE-BEZEL-PASSENGERDRESSUP |
| 13 | 089294-01-000 | EA | LIGHTER-CIGARETTE-W/OWIRES |
| 14 | 104056-22-01A | EA | APPLIQUE-BEZEL-DRIVERSWITCHES |
| | P14614-01-000 | EA | DASH-W/OVINYL-GM |
| | 106569-07-01A | EA | VINYL-MADRIDWILLOW-1/4"X17"X100" |
| | 103603-01-000 | EA | BULB-12VOLT-#74-.12AWEDGE-GE22-25USEDINDASH |
| | 077031-01-000 | EA | FILM-BLACK-1"X1.75" |
| | 077031-03-000 | EA | FILM-WHITE.75"X1" |
| | 114620-05-01A | EA | TRIM-DASH-LOWER-GM |
| | 114620-05-02A | EA | TRIM-DASH-LOWER-GM |
| | 104354-08-02A | EA | APPLIQUE-LOWERDASH |
| | 100138-01-000 | EA | MODULE-DAYTIMERUNNINGLIGHT |
| | 077539-01-000 | EA | BRACKET-MOUNTING/DASHPANEL-L/SHAPED-2.5"X1"X1.5" |
| | 112236-01-E10 | EA | MONITOR-LEVELING |
| | 112235-01-01A | EA | BEZEL-MONITOR-LEVELING |
| | 111417-01-01A | EA | DECAL-LOGO/3D-ADVENTURER |

ELECTRICALGROUP

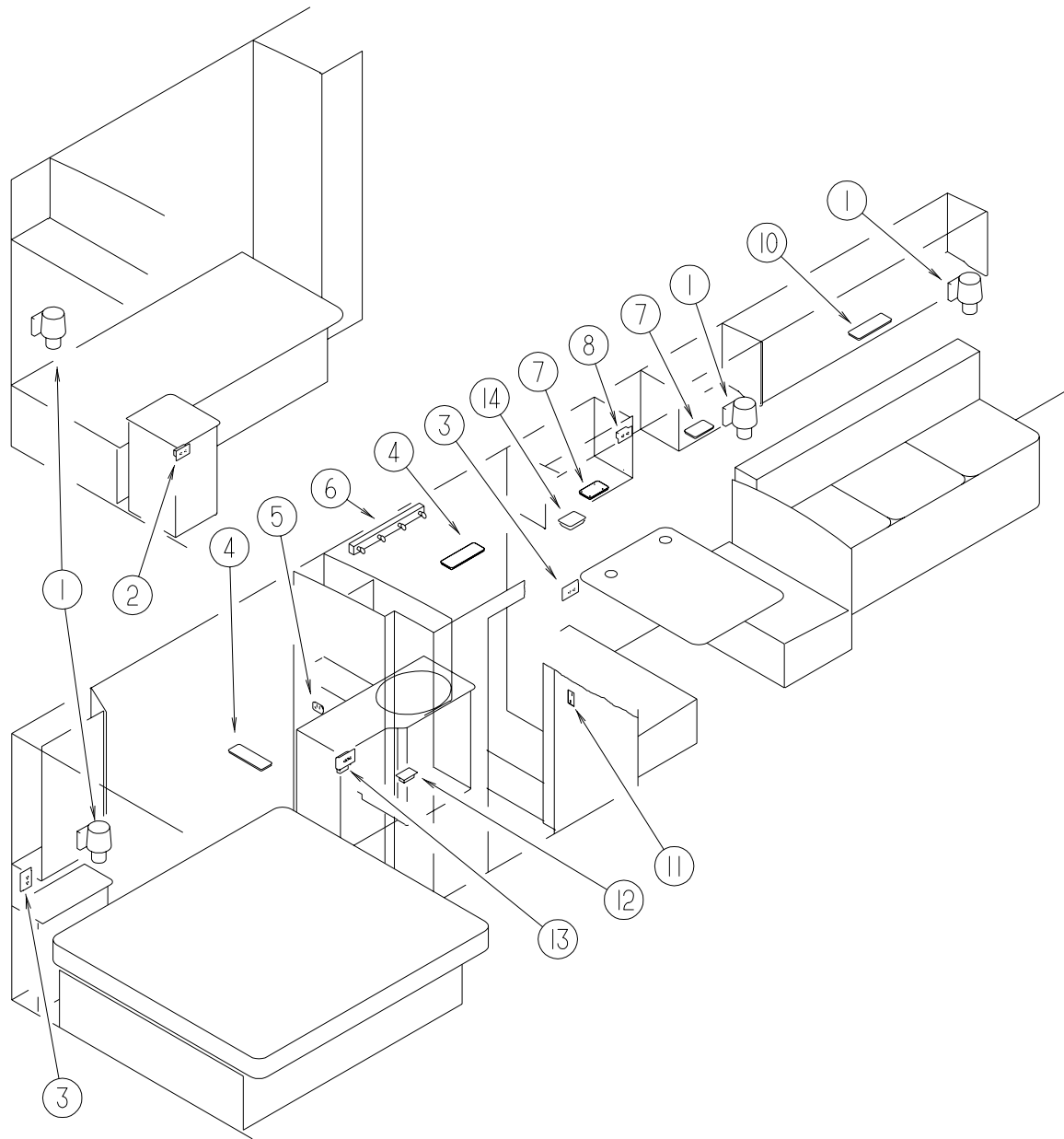
EXTERIORLIGHTS



| KEY | PARTNUMBER | U/M | DESCRIPTION |
|-----|---------------|-----|--|
| 1 | 111102-02-000 | EA | LENS-MARKERLAMP-AMBER |
| 1 | 111102-01-000 | EA | LAMP-MARKER-BASE |
| 1 | 036196-01-000 | EA | BULB-12VOLT-#194-.27AMP-BAYONETTE |
| 2 | 097917-01-06A | EA | LIGHT-PORCH-BRIGHTWHITE |
| 2 | 008215-01-000 | EA | BULB-12VOLT-#1003-.94AMP |
| 2 | 097917-01-700 | EA | LENS-LIGHT-CLEAR |
| 2 | 008089-02-000 | EA | LIGHT-PORCH-RECESSED-CANADIAN |
| 2 | 008089-01-700 | EA | LENS-LIGHT-RECESSED-PORCH-CANADIAN |
| 2 | 008214-01-000 | EA | BULB-12VOLTNO67-0.59AMP-CANADIAN |
| 2 | 091981-01-000 | EA | GASKET-PORCHLIGHT-CANADIAN |
| 3 | 111102-03-000 | EA | LENS-MARKERLAMP-RED |
| 3 | 111102-01-000 | EA | LAMP-MARKER-BASE |
| 3 | 036196-01-000 | EA | BULB-12VOLT-#194-.27AMP-BAYONETTE |
| 4 | 081638-01-000 | EA | TAILLIGHT/DOUBLEW/BLACKTRIM-DRIVER/PASSENGERSIDE FROM: 00-00-00 THRU: 08-11-96 |
| 4 | 037934-01-000 | EA | BULB-12V-#1156-2.1AMP-CLEARGLASS FROM: 00-00-00 THRU: 08-11-96 |
| 4 | 037935-01-000 | EA | BULB-12V-#1157OR#2057-2.1AMP-CLEARGLASS FROM: 00-00-00 THRU: 08-11-96 |
| 4 | 081638-01-700 | EA | LENS-TAILLIGHT,RED 30-84-010 FROM: 00-00-00 THRU: 08-11-96 |
| 4 | 081638-01-701 | EA | LENS-TAILLIGHT,W/BACKUP 30-84-700 FROM: 00-00-00 THRU: 08-11-96 |
| 4 | 115632-01-02A | EA | LIGHT-STOP/TURN/TAILRED FROM: 00-00-00 THRU: 08-11-96 |
| 5 | 081638-01-000 | EA | TAILLIGHT/DOUBLEW/BLACKTRIM-DRIVER/PASSENGERSIDE FROM: 08-12-96 THRU: 99-99-99 FROM: 00-00-00 THRU: 08-11-96 |
| 5 | 037934-01-000 | EA | BULB-12V-#1156-2.1AMP-CLEARGLASS FROM: 00-00-00 THRU: 08-11-96 |
| 5 | 037935-01-000 | EA | BULB-12V-#1157OR#2057-2.1AMP-CLEARGLASS FROM: 00-00-00 THRU: 08-11-96 |
| 5 | 081638-01-700 | EA | LENS-TAILLIGHT,RED 30-84-010 FROM: 00-00-00 THRU: 08-11-96 |
| 5 | 081638-01-701 | EA | LENS-TAILLIGHT,W/BACKUP 30-84-700 FROM: 00-00-00 THRU: 08-11-96 |
| 5 | 115632-01-02A | EA | LIGHT-STOP/TURN/TAILRED FROM: 00-00-00 THRU: 08-11-96 |
| 5 | 115632-03-02A | EA | LIGHT-STOP/TAIL/BACKUP FROM: 08-12-96 THRU: 99-99-99 |
| 6 | 066432-03-000 | EA | BRACKET-LICENSEPLATE |
| 7 | 066432-02-000 | EA | LIGHT-LICENSE-BLACK |
| 8 | 121950-01-000 | EA | LIGHT-BRAKE-CENTERMOUNT |
| 9 | 070907-04-000 | EA | HEADLAMP-HIGH/LOWHALOGEN |
| 9 | 049359-01-000 | EA | SPRING-RETAINER-HEADLAMP |
| 9 | 073308-01-000 | EA | SCREW-ADJUSTING-HEADLAMP |
| | 124215-01-000 | EA | FOGLIGHT-RECTANGULAR/CLEARLENS |
| 10 | 089292-01-000 | EA | LIGHT-TURN-DRIVER/PASSENGER-W/AMBERLENS |
| 10 | 037935-01-000 | EA | BULB-12V-#1157OR#2057-2.1AMP-CLEARGLASS |
| 11 | 102520-01-000 | EA | LIGHT-CLEARANCE-W/OSOCKETCONNECTINS-AMBER |
| 11 | 036196-01-000 | EA | BULB-12VOLT-#194-.27AMP-BAYONETTE |
| 11 | 102540-01-000 | EA | SEAL-SCREW-ROUND-RUBBER |
| 11 | 102541-01-000 | EA | GASKET-CLEARANCELIGHT |
| 11 | 067789-02-000 | EA | SOCKET-LAMP |

ELECTRICALGROUP(CONTINUED)

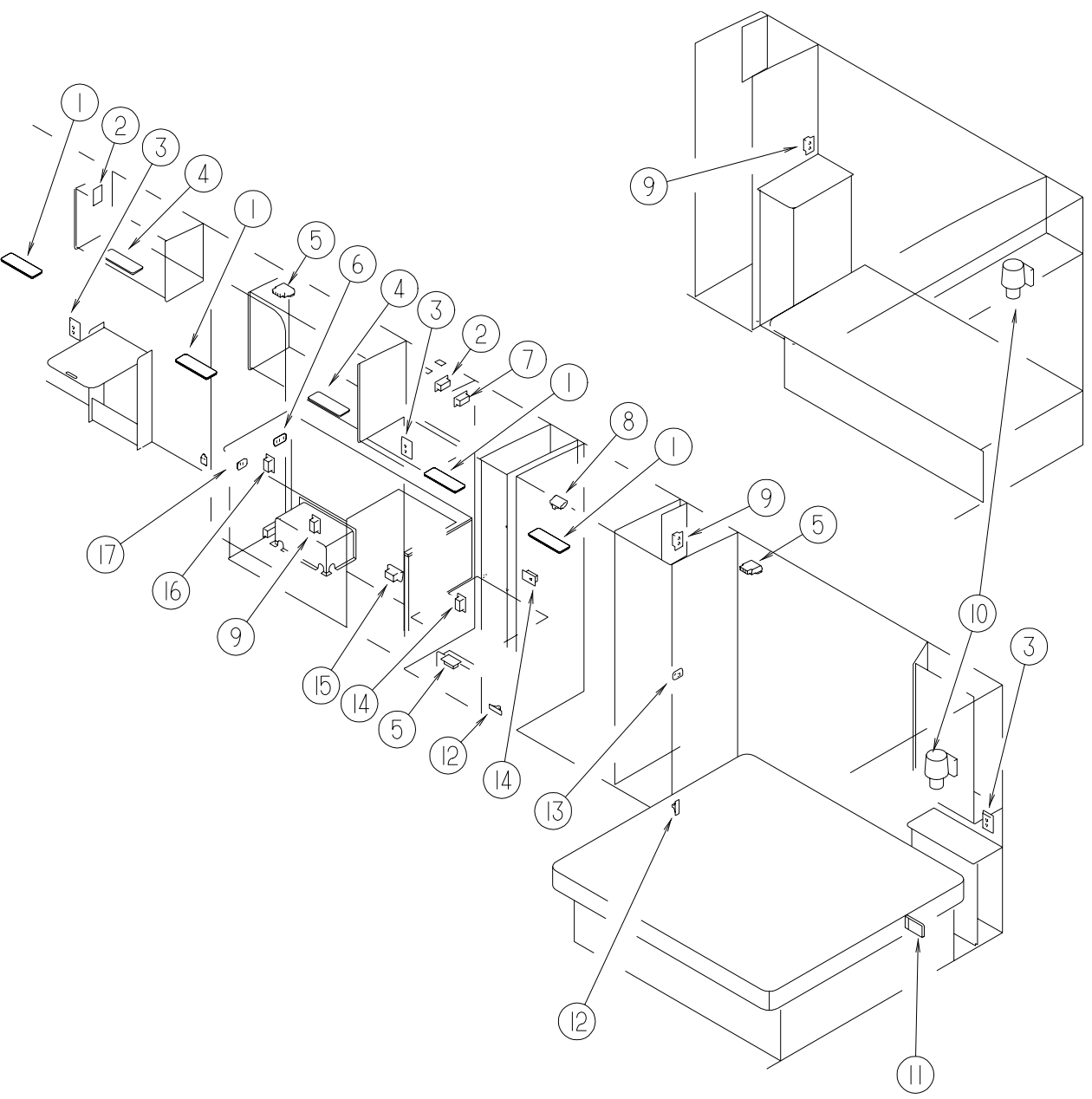
LIGHTS,RECEPTACLES,&SWITCHES(DRIVERSIDE)



| KEY | PARTNUMBER | U/M | DESCRIPTION | VENDORNO. |
|-----|---------------|-----|--|-----------|
| 1 | 065202-24-000 | EA | LAMP-WALL/BRASS-W/OSHADE | |
| 1 | 119257-01-01A | EA | SHADE-LAMP-POTPOUM | |
| 1 | 067479-01-000 | EA | BULB-12VOLT-#1076 | |
| 2 | 058708-01-000 | EA | RECEPTACLE-ELECTRIC-DOUBLE-BROWN | |
| 3 | 058708-02-000 | EA | RECEPTACLE-ELECTRIC-DOUBLE-IVORY | |
| 3 | 102568-01-GB1 | EA | SPACER-RECEPTACLE-SIDEWALL(OAK) | |
| 3 | 102568-01-H23 | EA | SPACER-RECEPTACLE-SIDEWALL(WHITE) | |
| 4 | 098024-03-02A | EA | LIGHT-DOME-2BULBWHITE | |
| 4 | 008218-01-000 | EA | BULB-DOMELIGHT-12VOLT-NO.1141 | |
| 4 | 098024-01-700 | EA | LENS-LIGHT | 807877 |
| 5 | 079364-01-000 | EA | SWITCH-ON/OFFROCKER-2PRONGS-BROWN-VANITYLAMP | |
| 5 | 098351-03-000 | EA | SWITCH-ON/OFFROCKER-3PRONGS-BROWN-PUMP | |
| 5 | 098351-02-01A | EA | PLATE-SWITCH-2GANGPOLISHEDBRASS | |
| 5 | 095188-02-01A | EA | SPACER-SWITCH-2.3"X4.1'-PLASTIC-DARKBROWN | |
| 6 | 110235-02-01A | EA | LIGHT-MAKEUP-4BULBPANLESS | |
| 6 | 081633-01-700 | EA | BULB-LIGHT,MAKE-UP | RP1041 |
| 7 | 098024-05-02A | EA | LIGHT-DOME-1BULB-SKYLITEWHITE | |
| 7 | 008218-01-000 | EA | BULB-DOMELIGHT-12VOLT-NO.1141 | |
| 7 | 098024-01-701 | EA | LENS-OPTICLEAR-SKYLIGHT | 809902 |
| 8 | 058708-05-000 | EA | RECEPTACLE-SINGLE-BROWN | |
| 10 | 098024-06-02A | EA | LIGHT-DOME-2BULB-SKYLITE | |
| 10 | 008218-01-000 | EA | BULB-DOMELIGHT-12VOLT-NO.1141 | |
| 10 | 098024-01-701 | EA | LENS-OPTICLEAR-SKYLIGHT | 809902 |
| 11 | 079364-01-000 | EA | SWITCH-ON/OFFROCKER-2PRONGS-BROWN | |
| 11 | 098351-02-01A | EA | PLATE-SWITCH-2GANGPOLISHEDBRASS | |
| 12 | 058707-02-000 | EA | RECEPTACLE-BLANK-JUNCTION | |
| 13 | 084076-02-000 | EA | RECEPTACLE-GFI-15AMP-125VOLT-BROWN | |
| 14 | 121935-01-01A | EA | LIGHT-DOME-SHOWER | |
| | 086280-01-000 | EA | LIGHT-SURFACEMOUNT-12VOLT | |
| | 086280-01-700 | EA | BULB-12V | ARP1089 |

ELECTRICALGROUP(CONTINUED)

LIGHTS,RECEPTACLES,&SWITCHES(PASSENGERSIDE)



| KEY | PARTNUMBER | U/M | DESCRIPTION | VENDOR NO. |
|-----|---------------|-----|---|------------|
| 1 | 098024-03-02A | EA | LIGHT-DOME-2BULBWHITE | |
| 1 | 008218-01-000 | EA | BULB-DOMELIGHT-12VOLT-NO.1141 | |
| 1 | 098024-01-700 | EA | LENS-LIGHT | 807877 |
| 2 | 058707-02-000 | EA | RECEPTACLE-BLANK-JUNCTION | |
| 3 | 058708-02-000 | EA | RECEPTACLE-ELECTRIC-DOUBLE-IVORY | |
| 3 | 102568-01-GB1 | EA | SPACER-RECEPTACLE-SIDEWALL(OAK) | |
| 3 | 102568-01-H23 | EA | SPACER-RECEPTACLE-SIDEWALL(WHITE) | |
| 4 | 098024-06-02A | EA | LIGHT-DOME-2BULB-SKYLITE | |
| 4 | 008218-01-000 | EA | BULB-DOMELIGHT-12VOLT-NO.1141 | |
| 4 | 098024-01-701 | EA | LENS-OPTICLEAR-SKYLIGHT | 809902 |
| 5 | 091927-01-000 | EA | COVER-RECEPTACLE-DOUBLE-IVORY-W/OROOFA/COPTION | |
| 6 | 098351-05-01A | EA | PLATE-SWITCH-3GANGPOLISHEDBRASS | |
| 6 | 079364-01-000 | EA | SWITCH-ON/OFFROCKER-2PRONGS-BROWN-STEP/CEILING/PORCH | |
| 7 | 058708-05-000 | EA | RECEPTACLE-SINGLE-BROWN-MICROWAVE | |
| 8 | 087694-01-000 | EA | LIGHT-WARDROBE/CLOSET-W/SWITCH | |
| | 087694-01-700 | EA | BULB | GE561 |
| 9 | 058708-01-000 | EA | RECEPTACLE-ELECTRIC-DOUBLE-BROWN | |
| 10 | 065202-24-000 | EA | LAMP-WALL/BRASS-W/OSHADE | |
| 10 | 119257-01-01A | EA | SHADE-LAMP-POTPOUM | |
| 10 | 067479-01-000 | EA | BULB-12VOLT-#1076 | |
| 11 | 098024-01-03A | EA | LIGHT-DOME,1BULB-WHITE(COMPARTMENTS) | |
| 11 | 008218-01-000 | EA | BULB-DOMELIGHT,12V-NUMBER1141 | |
| 11 | 098024-01-700 | EA | LENS-LIGHT | 807877 |
| 12 | 061424-01-000 | EA | LIGHT-AISLE-12VOLT-RECTANGULAR | |
| 12 | 008103-01-000 | EA | BULB-DASH/AISLELIGHT-#53-12VOLT-.12AMP | |
| 13 | 079364-01-000 | EA | SWITCH-ON/OFF-ROCKER-2PRONGS-BROWN | |
| 13 | 079364-03-000 | EA | SWITCH-ON/OFFROCKER-3PRONGS-BROWN | |
| 13 | 098351-02-01A | EA | PLATE-SWITCH-2GANGPOLISHEDBRASS | |
| 13 | 095188-01-01A | EA | SPACER-SWITCH-2.3"X3.4"-PLASTIC-DARKBROWN | |
| 14 | 058707-01-000 | EA | RECEPTACLE-ELECTRIC,SINGLE-BROWN-CONVERTER/REFRIGERATOR | |
| 15 | 112822-01-01A | EA | RECEPTACLE-DUPLEX-IVORY | |
| 15 | 112824-01-03A | EA | COVER-RECEPTACLE-EXTERIORDUPLEX | |
| 16 | 084076-02-000 | EA | RECEPTACLE-GFI-15AMP-125VOLT-BROWN | |
| 17 | 098351-01-01A | EA | PLATE-SWITCH-1GANGPOLISHEDBRASS | |
| 17 | 079364-03-000 | EA | SWITCH-ON/OFFROCKER-3PRONGS-BROWN | |
| | 086280-01-000 | EA | LIGHT-SURFACEMOUNT-12VOLT | |
| | 086280-01-700 | EA | BULB-12V | ARP1089 |

ELECTRICALGROUP(CONTINUED)**CONVERTER&LOADCENTER**

| KEY | PARTNUMBER | U/M | DESCRIPTION |
|-----|---------------|-----|--|
| | 083208-02-000 | EA | CONVERTER-POWER-45A-120/12V |
| | 099048-02-000 | EA | INVERTER-100WATT |
| | | | FROM: 00-00-00 THRU: 06-16-96 |
| | 099048-03-000 | EA | INVERTER-130WATT |
| | | | FROM: 06-17-96 THRU: 99-99-99 |
| | 108915-02-000 | EA | LOADCENTER-120/240VOLT-100AMP |
| | 109677-01-000 | EA | LOADCENTER-120VOLT-40AMP |
| | 113132-01-000 | EA | LOADCENTER-120/240VOLT-60AMP |
| | 123058-02-000 | EA | CONVERTER-45AMP-ELECTRONIC-4 1/8" HX 7" WX 12 3/8" L |

ELECTRICALSWITCHES

| KEY | PARTNUMBER | U/M | DESCRIPTION |
|-----|---------------|-----|---|
| | 073626-04-000 | EA | COVER-ELECTRIC-10.4'X7.8" |
| | 106071-01-000 | EA | SWITCH-AUTOMATICTRANSFER-MAGNETEK30AMP |
| | 106071-02-000 | EA | AUTOMATICTRANSFERSWITCH-50AMP.-MAGNETEKATS100 |
| | 108355-01-000 | EA | HOUSING-SWITCH |
| | 108356-01-01A | EA | COVER/ACTUATORSWITCH-3GROOVES |
| | 108357-01-000 | EA | SWITCH-ROCKER-SPST-ON/OFF2TERMINAL |
| | 108357-08-000 | EA | SWITCH-ROCKERDPDTON/NONE/ON6TERMINAL |

RECEPTACLES

| KEY | PARTNUMBER | U/M | DESCRIPTION |
|-----|---------------|-----|-------------------------------------|
| | 024924-02-000 | EA | RECEPTACLE-POWERCORD-W/PARTIALPLATE |
| | 115930-01-000 | EA | INLET-30AMP-120VOLT-EXTERIOR |
| | 115930-02-000 | EA | INLET-50AMP-240VOLTS-EXTERIOR |

ELECTRICALBOXES&CORDS

| KEY | PARTNUMBER | U/M | DESCRIPTION |
|-----|---------------|-----|---|
| | 008052-01-000 | EA | CORD-POWER-10/3-30AMP-25'-CANADIAN |
| | 008054-01-000 | EA | CORD-POWER-10/3-30AMP-25' |
| | 008289-01-000 | EA | BOX-ELECTRIC/STEEL-12" & 3/4" KNOCKOUTS-4" X 4" |
| | 008289-02-000 | EA | BOX-ELECTRICAL-4" X 4"-1/2" & 3/4" KNOCKOUTS-CANADIAN |
| | 008294-01-000 | EA | COVER-ELECTRICALBOX-BLANK/STEEL-4" X 4"-GRAY |
| | 008294-02-000 | EA | COVER-ELECTRICALBOX-BLANK/STEEL-4" X 4"-CANADIAN |
| | 069238-01-000 | EA | COVER-ELECTRICALBOX-W/HOLE-4" X 4"-GRAY |
| | 074890-01-000 | EA | BOX-EXTENSION/STEEL-OPENSIDES-4" X 4" X 1 1/2" |
| | 074897-01-000 | EA | COVER-ELECTRICALBOXW/HOLES-4" X 4" |
| | 091910-01-000 | EA | BOX-ELECTRIC-3.75" X 3.5" X 1.75"-PLASTIC |
| | 091910-02-000 | EA | BOX-ELECTRICAL-PLASTIC-2.24" X 3.45" |
| | 108934-01-000 | EA | CORD-POWER-50AMP-4WIRE-36' |
| | 113096-01-000 | EA | CORD-POWER-50AMP-4WIRE-4'-CSA |
| | 111509-01-000 | EA | BOX-ELECTRICAL-FRONT |
| | 111510-01-000 | EA | DOOR-ELECTRICALBOX-FRONT |
| | 121470-01-000 | EA | CORD-EXTENSION-6FOOT-16-2WIRE |

ELECTRICALGROUP(CONTINUED)**WIREASSEMBLIES**

| KEY | PARTNUMBER | U/M | DESCRIPTION |
|-----|---------------|-----|--|
| | 073328-B4-000 | EA | CABLEASSEMBLY-BATTERY-W/TERMINALS |
| | 090986-01-000 | EA | WIREASSEMBLY-ELECTRICSTEP-KWIKEE9009 |
| | 096449-01-000 | EA | WIREASSEMBLY-WATERTANKTOMONITORPANEL |
| | 097618-01-000 | EA | WIREASSEMBLY-MONITORPANEL-W/3WIRES&ORANGERESISTOR ORANGERESISTORW/3(ORANGE-GREEN-BLUE)WIRES |
| | 100677-01-000 | EA | WIREASSEMBLY-RADIO |
| | 102636-02-000 | EA | WIREASSEMBLY-CLEARANCELAMPS |
| | 103330-02-000 | EA | WIREASSEMBLY-OVERHEADSPEAKERS |
| | 108303-01-000 | EA | WIREASSEMBLY-REARAUTOHEATER |
| | 108304-01-000 | EA | WIREASSEMBLY-INSTRUMENTPANEL-AUXILARYFANS |
| | 110256-01-000 | EA | WIREASSEMBLY-INSTRUMENTPANEL-GENERATOR |
| | 111915-01-000 | EA | WIREASSEMBLY-DAYTIMERUNNINGLAMPS-FUSE |
| | 111915-03-000 | EA | WIREASSEMBLY-DAYTIMERUNNINGLAMPS-FUSE |
| | 113134-03-000 | EA | WIREASSEMBLY-WIPER/WASHER |
| | 124096-01-000 | EA | WIRE-INSTRUMENTPANEL-FOGLAMPS |

CIRCUITBREAKERS&FUSES

| KEY | PARTNUMBER | U/M | DESCRIPTION |
|-----|---------------|-----|--|
| | 062037-01-000 | EA | HOUSING-AUTOFUSE-NATURAL |
| | 062037-02-000 | EA | HOUSING-AUTOFUSE-GREEN |
| | 062037-03-000 | EA | HOUSING-AUTOFUSE-BLACK |
| | 062037-04-000 | EA | HOUSING-AUTOFUSE-BLUE |
| | 062037-06-000 | EA | HOUSING-AUTOFUSE-BROWN |
| | 062037-07-000 | EA | HOUSING-AUTOFUSE-RED |
| | 108669-01-000 | EA | HOUSING-AUTOFUSEHOLDER |
| | 062901-02-000 | EA | FUSE-5AMPS-AUTOMOTIVE |
| | 062901-05-000 | EA | FUSE-15AMPS-AUTOMOTIVE |
| | 062901-06-000 | EA | FUSE-20AMPS-AUTOMOTIVE |
| | 062901-07-000 | EA | FUSE-25AMPS-AUTOMOTIVE |
| | 062901-08-000 | EA | FUSE-30AMPS-AUTOMOTIVE |
| | 081211-04-000 | EA | PLUG-PLASTIC-.46"DIAMETER-BLACK |
| | 083209-01-000 | EA | CIRCUITBREAKER15AMP120V BWG-15-CANADIAN |
| | 083209-02-000 | EA | CIRCUITBREAKER15/15AMP120V BWH-15/15 |
| | 083209-03-000 | EA | CIRCUITBREAKER15/20AMP120V BW0-15/20 |
| | 083209-04-000 | EA | CIRCUITBREAKER30AMP120V BWL-30 |
| | 083209-06-000 | EA | CIRCUITBREAKER30/15AMP120V BWD-30/15 |
| | 093654-01-000 | EA | CIRCUITBREAKER6AMP12V USD17406-4E12A2A |
| | 093654-02-000 | EA | CIRCUITBREAKER15AMP12VUSD17415-4E12A2A |
| | 093655-03-000 | EA | CIRCUITBREAKER40AMP12V-USD17440-4E03A2A |
| | 108916-01-000 | EA | CIRCUITBREAKER50AMP120V-WESTINGHOUSEBR250 |
| | 112591-01-000 | EA | CIRCUITBREAKER-16AMP-240VOLT |
| | 122811-01-000 | EA | CIRCUITBREAKER-20/50/50/20 |
| | 093674-01-000 | EA | PLATE-CIRCUITBREAKER-HOUSE-8.4" X 4.1"-STEEL |
| | 106656-01-000 | EA | FUSEBLOCK-4CAVITY-AUTOFUSE |

ELECTRICALGROUP(CONTINUED)

ELECTRICALCONNECTORS&CONDUIT

| KEY | PARTNUMBER | U/M | DESCRIPTION |
|-----|---------------|-----|--|
| | 007954-01-000 | EA | RECEPTACLE-HOUSING-6POSITION |
| | 007956-05-000 | EA | INSULATOR-SHRINK-.25IDX1.50 |
| | 008311-01-000 | EA | CONNECTOR-WIRENUT-INSULATED-RED |
| | 008312-01-000 | EA | CONNECTOR-WIRENUT-INSULATED-BLUE |
| | 008313-01-000 | EA | CONNECTOR-WIRENUT-INSULATED-YELLOW |
| | 008314-01-000 | EA | CONNECTOR-WIRENUT-INSULATED-GRAY |
| | 115932-02-000 | EA | CONNECTOR-FEMALE-50AMP-240VOLT |
| | 008355-01-000 | EA | CONNECTOR-CABLECLAMPING-3/4" |
| | 008356-01-000 | EA | CONNECTOR-PLASTIC-3/8"AVG |
| | 008398-01-000 | EA | CONNECTOR-1/2"X90DEGREE-FLEXCONDUIT-UL&CSA |
| | 041480-01-000 | EA | CONNECTOR-STRAIGHT-1/2" FLEXCONDUIT |
| | 058028-01-000 | EA | CONNECTOR-ELECTRICALPIGTAIL-NYLON-CLEAR |
| | 008326-01-000 | EA | TERMINAL-RING16/14WIRE-3/8"STUD |
| | 008328-01-000 | EA | TERMINAL-RING-12/10WIRE-#10STUDFIT |
| | 008331-01-000 | EA | TERMINAL-RING-TONGUE-#4WIRE-3/8"STUD-COPPER |
| | 008348-01-000 | EA | TERMINAL-RING-3/8"STUD2GA.WIRE |
| | 035416-04-000 | EA | TERMINAL-RING-#10STUDFIT-INSULATEDBARREL#16/14 |
| | 047443-01-000 | EA | TERMINAL-.250RECEPTACLEFIT-INSULATED-16/14AWG |
| | 047443-02-000 | EA | TERMINAL-.250RECEPTACLEFIT-INSULATED-12/10AWG |
| | 062036-01-000 | EA | TERMINAL-PACK-CON-12/10AWG |
| | 062036-02-000 | EA | TERMINAL-PACK-CON-16/14AWG |
| | 088267-01-000 | EA | TERMINAL-FEMALE-1/4 |
| | 041953-01-000 | FT | CONDUIT-CONVOLUTESLIT-.5"ID |
| | 041953-03-000 | FT | CONDUIT-CONVOLUTESLIT-1"ID(CLOTHESRODCOVER) |
| | 041953-05-000 | FT | CONDUIT-CONVOLUTESOLID-.62"ID |
| | 041953-06-000 | FT | CONDUIT-CONVOLUTESLIT-.375"ID |
| | 041953-07-000 | FT | CONDUIT-CONVOLUTESLIT-.25"ID |
| | 041953-08-000 | FT | CONDUIT-CONVOLUTESLIT-1.50"ID |
| | 041953-09-000 | FT | CONDUIT-CONVOLUTESLIT-.50"ID |
| | 041953-10-000 | FT | CONDUIT-CONVOLUTESLIT-.75"ID |
| | 041953-11-000 | FT | CONDUIT-CONVOLUTESLIT-1.06"ID |
| | 041953-12-000 | FT | CONDUIT-CONVOLUTENONSLIT-1.1"ID |
| | 077479-01-000 | EA | BOOT-BATTERYTERMINAL-DOUBLECABLE |
| | 077479-02-000 | EA | BOOT-BATTERYTERMINAL-SINGLECABLE |
| | 080015-02-000 | EA | RECEPTACLE-FLAG-.185-16/14GAUGE-AMP3 |
| | 087225-01-000 | FT | SLEEVING-1/2"-TYPEH |
| | 087225-02-000 | FT | SLEEVING-5/8"-TYPEH |
| | 087949-01-000 | EA | BUSSBAR-2POSITION-.6"X1.5" |
| | 087949-02-000 | EA | BUSSBAR-3POSITION-.6"X2.4" |
| | 088473-01-000 | EA | HOUSING-PIN-12CAVITY |
| | 088473-02-000 | EA | HOUSING-PIN-15CAVITY |
| | 088473-03-000 | EA | HOUSING-PIN-9CAVITY |
| | 088473-05-000 | EA | HOUSING-PIN-6CAVITY |
| | 088473-06-000 | EA | HOUSING-PIN-6CAVITY |
| | 088473-08-000 | EA | HOUSING-PIN-4CAVITY |
| | 088473-09-000 | EA | HOUSING-PIN-3CAVITY |
| | 088473-10-000 | EA | HOUSING-PIN-2CAVITY |
| | 088474-01-000 | EA | HOUSING-SOCKET-12CAVITY |
| | 088474-02-000 | EA | HOUSING-SOCKET-12CAVITY |
| | 088474-03-000 | EA | HOUSING-SOCKET-9CAVITY |
| | 088474-06-000 | EA | HOUSING-SOCKET-6CAVITY |
| | 088474-07-000 | EA | HOUSING-SOCKET-5CAVITY |
| | 088474-08-000 | EA | HOUSING-SOCKET-4CAVITY |
| | 088474-09-000 | EA | HOUSING-SOCKET-3CAVITY |
| | 088474-10-000 | EA | HOUSING-SOCKET-2CAVITY |
| | 088475-01-000 | EA | PIN-CONNECTOR-14-20AWG |
| | 088475-02-000 | EA | PIN-CONNECTOR-10-12AWG |
| | 088476-01-000 | EA | SOCKET-CONNECTOR-BRASS-PRE-TIN |
| | 088476-02-000 | EA | SOCKET-CONNECTOR-12-10GA-PHOSBRZ-PRE-TIN |

ELECTRICALGROUP(CONTINUED)

ELECTRICALCONNECTORS&CONDUIT(CONTINUED)

| KEY | PARTNUMBER | U/M | DESCRIPTION | |
|-----|---------------|-----|---|-------------------------------|
| | 092786-03-000 | EA | BUSSBAR-6.9"LONG | |
| | 098260-01-000 | EA | TERMINAL-MALE-56SERIES | |
| | 098261-02-000 | EA | SOCKET-CONNECTOR-WHEATHERPACK | |
| | 098262-01-000 | EA | SEAL-CONNECTOR-WEATHERPACK | |
| | 098264-01-000 | EA | HOUSING-2PIN-WEATHERPACK | |
| | 101571-01-000 | EA | HOUSING-2POSITION-MALE | |
| | 103608-01-000 | EA | SOCKET-WEDGEBASEW/LEADS | |
| | 103987-02-000 | EA | SEAL-SOLENOIDACCESS | |
| | 104016-01-000 | EA | WIREASSEMBLY-AUXILARYFANS | |
| | 104100-01-000 | EA | HOUSING-1POSITION-75AMPS | |
| | 104100-03-000 | EA | TERMINAL-75AMP | |
| | 106006-01-000 | EA | HOUSING-1POSITION-FEMALE | |
| | 106007-01-000 | EA | TERMINAL-FEMALE-14-16AWG | |
| | 106655-01-000 | EA | TERMINAL-FUSEBLOCK-14-16AWG | |
| | 106655-02-000 | EA | TERMINAL-FUSEBLOCK-10-12AWG | |
| | 110178-01-000 | EA | HOUSING-WIPERMOTOR | |
| | 112823-01-000 | EA | SPLICE-REDUCER-16-14TO18-22 | |
| | 113131-01-000 | EA | HOUSING-3PIN-METRI-PACKF | |
| | 113135-01-000 | EA | TERMINAL-FEMALE-M/P-14-16 | |
| | 113306-01-000 | EA | TERMINAL-FEMALE-M/P-14-16 | |
| | 113307-01-000 | EA | TERMINAL-FEMALE-M/P-16-20 | |
| | 113468-01-000 | EA | HOUSING-2POSITION-FEMALE(WIPER/WASHERWIREASM) | |
| | 115556-01-000 | EA | HOUSING-3POSITION-FEM | |
| | 115556-02-000 | EA | HOUSING-2POSITION-FEM | |
| | 115931-02-000 | EA | COVER-CONNECTOR | |
| | 119248-02-000 | EA | HOUSING7POSNFEMMETRI-PAC-PACKARD12059472 | |
| | 125323-02-000 | EA | HOUSING-8POSITION-MALE | FROM: 10-25-96 THRU: 99-99-99 |
| | 125324-01-000 | EA | TERMINAL-MALE | FROM: 10-25-96 THRU: 99-99-99 |
| | 125325-01-000 | EA | SEAL-CAVITY | FROM: 10-25-96 THRU: 99-99-99 |

SOLARPANEL

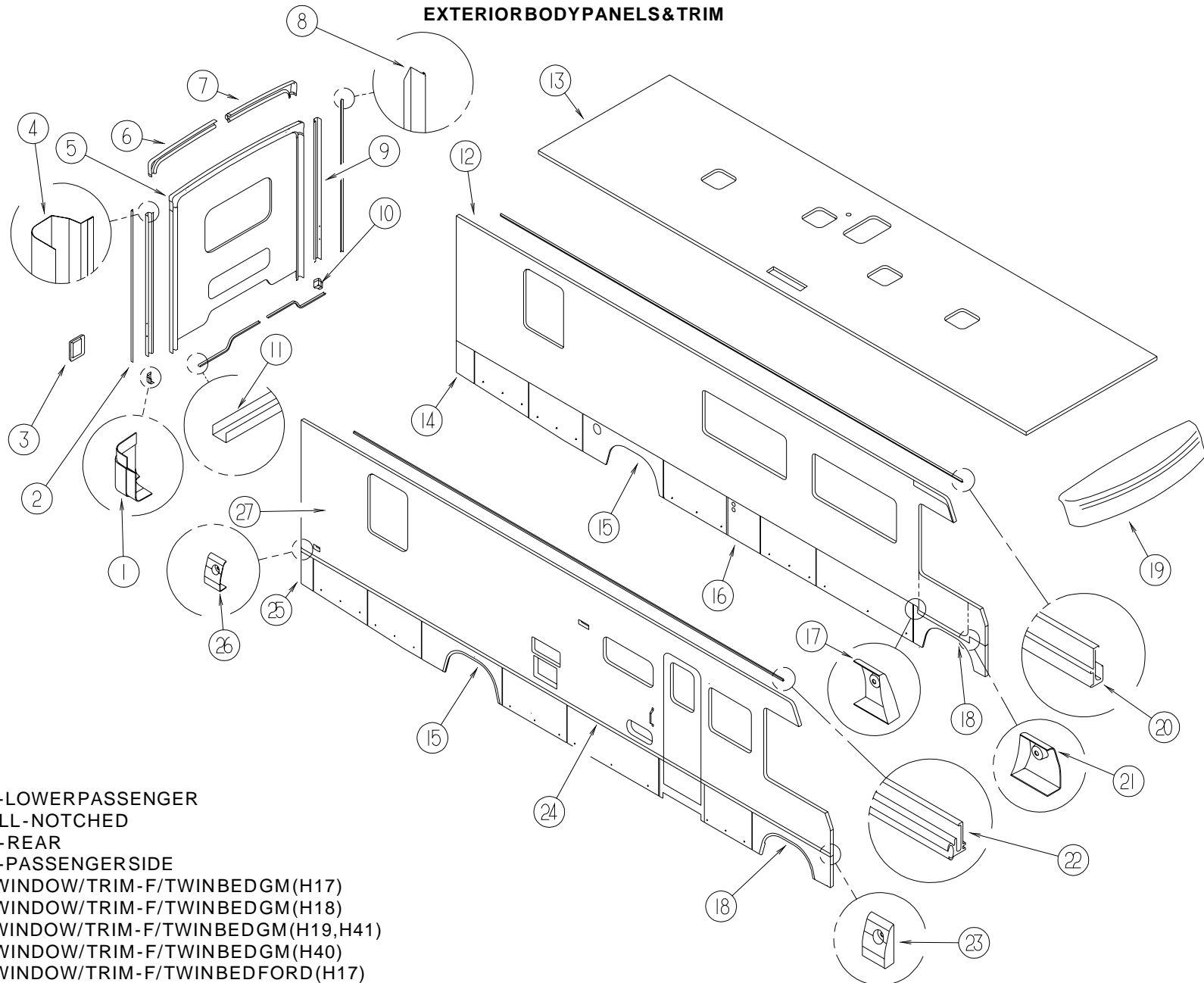
| KEY | PARTNUMBER | U/M | DESCRIPTION | VENDORNO. |
|-----|---------------|-----|---|-----------|
| | 115504-01-000 | EA | PANEL-SOLAR10WATT | |
| | 115504-01-700 | EA | PLUG&CABLE-10WATTPANEL | 600-016 |
| | 115505-01-000 | EA | MONITORLIGHT-SOLARPANEL-REDLEDINDICATOR | |

ELECTRICALMISCELLANEOUS

| KEY | PARTNUMBER | U/M | DESCRIPTION |
|-----|---------------|-----|---------------------------------|
| | 007093-01-000 | EA | FLASHER-SIGNAL |
| | 008188-01-000 | EA | SOLENOID-3POST-BATTERYCHANGEVER |
| | 063910-01-000 | EA | HOUSING-RELAY |
| | 063912-02-000 | EA | RELAY-CANISTER-SPDT |
| | 086233-01-000 | EA | STUD-ISOLATED-3/8"X7/8"LONG |
| | 086273-01-000 | EA | RELAY-BATTERYDISCONNECT |

EXTERIORBODYGROUP

EXTERIORBODYPANELS&TRIM

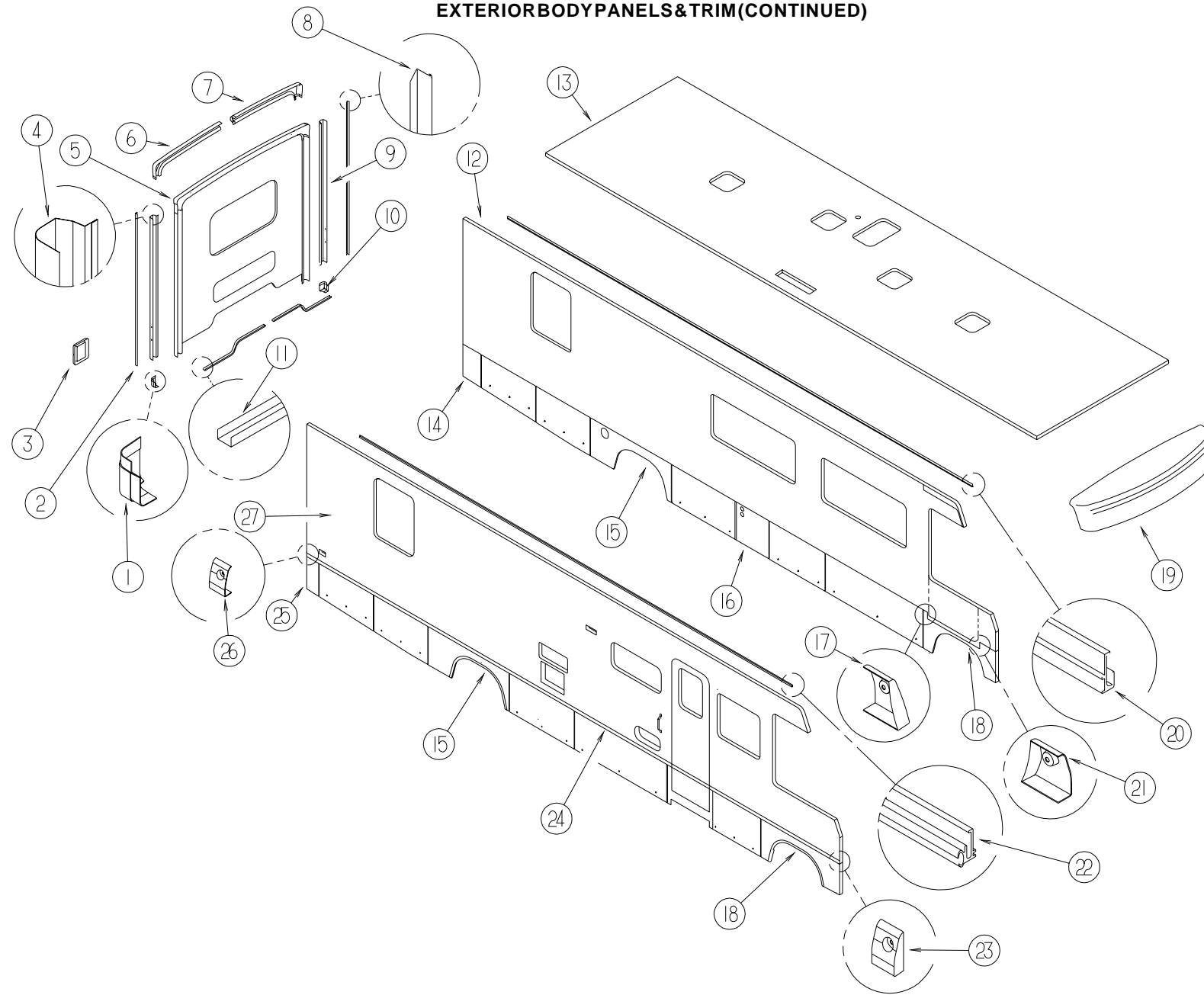


| KEY | PARTNUMBER | U/M | DESCRIPTION |
|-----|---------------|-----|---|
| 1 | 119212-01-01A | EA | TRIM-BACKWALL-LOWERPASSENGER |
| 2 | 120548-01-02A | EA | TRIM-J-BACKWALL-NOTCHED |
| 3 | 117379-01-03A | EA | TRIM-TAILLIGHT-REAR |
| 4 | 114874-03-12B | EA | TRIM-BACKWALL-PASSENGERSIDE |
| 5 | M08153-03-H17 | EA | BACKWALL-W/OWINDOW/TRIM-F/TWINBEDGM(H17) |
| 5 | M08153-03-H18 | EA | BACKWALL-W/OWINDOW/TRIM-F/TWINBEDGM(H18) |
| 5 | M08153-03-H19 | EA | BACKWALL-W/OWINDOW/TRIM-F/TWINBEDGM(H19,H41) |
| 5 | M08153-03-H40 | EA | BACKWALL-W/OWINDOW/TRIM-F/TWINBEDGM(H40) |
| 5 | M08154-03-H17 | EA | BACKWALL-W/OWINDOW/TRIM-F/TWINBEDFORD(H17) |
| 5 | M08154-03-H18 | EA | BACKWALL-W/OWINDOW/TRIM-F/TWINBEDFORD(H18) |
| 5 | M08154-03-H19 | EA | BACKWALL-W/OWINDOW/TRIM-F/TWINBEDFORD(H19,H41) |
| 5 | M08154-03-H40 | EA | BACKWALL-W/OWINDOW/TRIM-F/TWINBEDFORD(H40) |
| 5 | M08153-02-H17 | EA | BACKWALL-W/OWINDOW/TRIM-F/QUEENBEDGM(H17) |
| 5 | M08153-02-H18 | EA | BACKWALL-W/OWINDOW/TRIM-F/QUEENBEDGM(H18) |
| 5 | M08153-02-H19 | EA | BACKWALL-W/OWINDOW/TRIM-F/QUEENBEDGM(H19,H41) |
| 5 | M08153-02-H40 | EA | BACKWALL-W/OWINDOW/TRIM-F/QUEENBEDGM(H40) |
| 5 | M08154-02-H17 | EA | BACKWALL-W/OWINDOW/TRIM-F/QUEENBEDFORD(H17) |
| 5 | M08154-02-H18 | EA | BACKWALL-W/OWINDOW/TRIM-F/QUEENBEDFORD(H18) |
| 5 | M08154-02-H19 | EA | BACKWALL-W/OWINDOW/TRIM-F/QUEENBEDFORD(H19,H41) |
| 5 | M08154-02-H40 | EA | BACKWALL-W/OWINDOW/TRIM-F/QUEENBEDFORD(H40) |
| 5 | M08153-01-H17 | EA | BACKWALL-W/OWINDOW/TRIM-F/KINGBEDGM(H17) |
| 5 | M08153-01-H18 | EA | BACKWALL-W/OWINDOW/TRIM-F/KINGBEDGM(H18) |
| 5 | M08153-01-H19 | EA | BACKWALL-W/OWINDOW/TRIM-F/KINGBEDGM(H19,H41) |
| 5 | M08153-01-H40 | EA | BACKWALL-W/OWINDOW/TRIM-F/KINGBEDGM(H40) |
| 5 | M08154-01-H17 | EA | BACKWALL-W/OWINDOW/TRIM-F/KINGBEDFORD(H17) |
| 5 | M08154-01-H18 | EA | BACKWALL-W/OWINDOW/TRIM-F/KINGBEDFORD(H18) |
| 5 | M08154-01-H19 | EA | BACKWALL-W/OWINDOW/TRIM-F/KINGBEDFORD(H19,H41) |
| 5 | M08154-01-H40 | EA | BACKWALL-W/OWINDOW/TRIM-F/KINGBEDFORD(H40) |
| 6 | 114872-02-02A | EA | TRIM-BACKWALLTOP-PASSENGERSIDE |

| KEY | PARTNUMBER | U/M | DESCRIPTION |
|-----|---------------|-----|---|
| 7 | 114873-02-02A | EA | TRIM-BACKWALLTOP-DRIVERSIDE |
| 8 | 120548-02-02A | EA | TRIM-J-BACKWALL-NOTCHED |
| 9 | 114874-04-12B | EA | TRIM-BACKWALL-SIDE-LH-B/W |
| 10 | 119212-02-01A | EA | TRIM-BACKWALL-LOWERDRIVER |
| 11 | 050406-25-000 | EA | TRIM-BACKWALL-LOWER |
| 12 | M08158-02-H17 | EA | SIDEWALL-DRIVER-W/OWINDOWS/TRIM-F/DRIVERDOOR(H17) |
| 12 | M08158-02-H18 | EA | SIDEWALL-DRIVER-W/OWINDOWS/TRIM-F/DRIVERDOOR(H18) |
| 12 | M08158-02-H19 | EA | SIDEWALL-DRIVER-W/OWINDOWS/TRIM-F/DRIVERDOOR(H19,H41) |
| 12 | M08158-02-H40 | EA | SIDEWALL-DRIVER-W/OWINDOWS/TRIM-F/DRIVERDOOR(H40) |
| 12 | M08158-01-H17 | EA | SIDEWALL-DRIVER-W/OWINDOWS/TRIMS/DRIVERDOOR(H17) |
| 12 | M08158-01-H18 | EA | SIDEWALL-DRIVER-W/OWINDOWS/TRIMS/DRIVERDOOR(H18) |
| 12 | M08158-01-H19 | EA | SIDEWALL-DRIVER-W/OWINDOWS/TRIMS/DRIVERDOOR(H19,H41) |
| 12 | M08158-01-H40 | EA | SIDEWALL-DRIVER-W/OWINDOWS/TRIMS/DRIVERDOOR(H40) |
| 13 | M08156-01-H17 | EA | ROOF-W/OLIGHTS/VENTS-KINGBED |
| 13 | M08156-02-H17 | EA | ROOF-W/OLIGHTS/VENTS-QUEENBED |
| 13 | M08156-03-H17 | EA | ROOF-W/OLIGHTS/VENTS-TWINBED |

EXTERIORBODYGROUP(CONTINUED)

EXTERIORBODYPANELS&TRIM(CONTINUED)

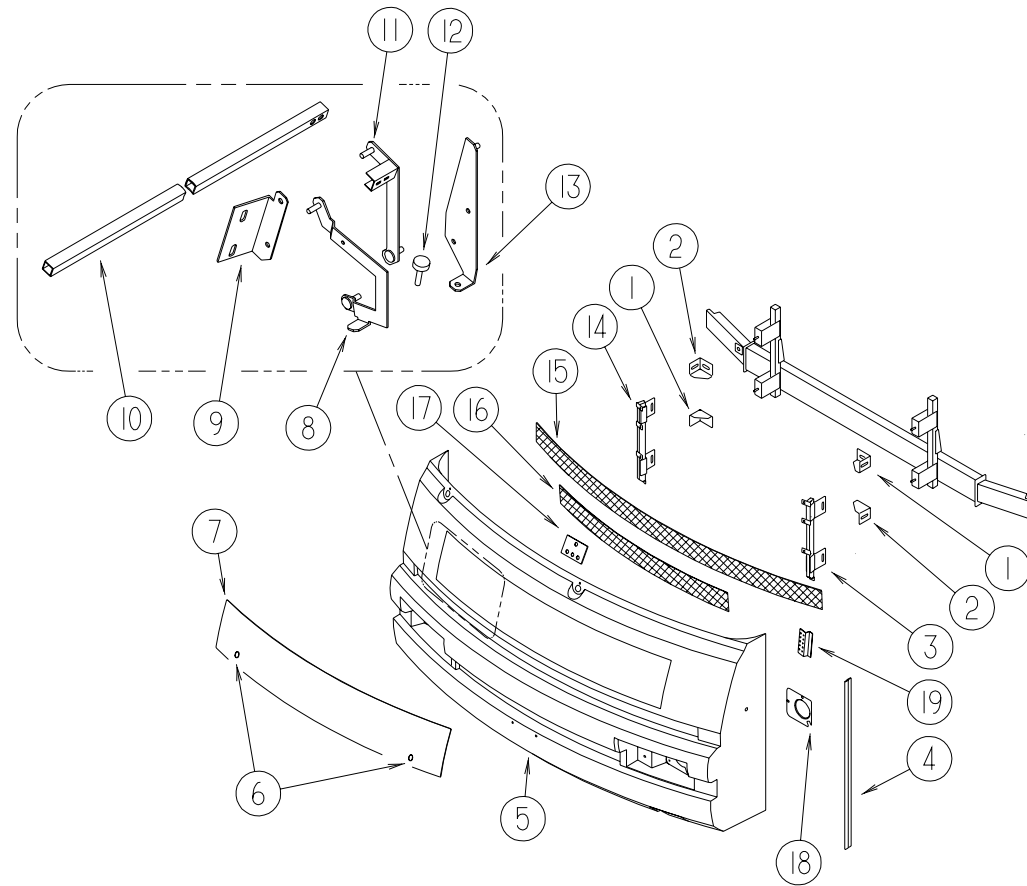


| KEY | PARTNUMBER | U/M | DESCRIPTION |
|-----|---------------|-----|-----------------------------------|
| 14 | 122732-02-H17 | EA | PANEL-VALANCEREAR-W/OHARDWARE |
| 15 | 122700-01-01A | EA | TRIM-WHEELWELL-REAR-BRIGHTWHITE |
| | | | FROM: 00-00-00 THRU: 09-02-96 |
| 15 | 124517-01-01A | EA | TRIM-WHEELWELL-REAR-BRIGHTWHITE |
| | | | FROM: 09-03-96 THRU: 99-99-99 |
| 16 | 122776-05-H17 | EA | PANEL-VALANCE-FURNACE-W/OHARDWARE |
| 17 | 124178-02-01A | EA | CAP-TRIM/DRIVERDOOR(REAR) |
| 18 | 122699-01-01A | EA | TRIM-WHEELWELL-FRONT-BRIGHTWHITE |
| | | | FROM: 00-00-00 THRU: 09-02-96 |
| 18 | 124518-01-01A | EA | TRIM-WHEELWELL-FRONT |
| | | | FROM: 09-03-96 THRU: 99-99-99 |
| 19 | 115001-01-02A | EA | CAP-ROOF |
| 20 | 120091-02-02A | EA | TRIM-ROOF |
| 21 | 124178-01-01A | EA | CAP-TRIM/DRIVERDOOR(FRONT) |

| KEY | PARTNUMBER | U/M | DESCRIPTION |
|-----|---------------|-----|---|
| 22 | 120092-01-02A | EA | RAIL-AWNING |
| 23 | 124132-01-01A | EA | CAP-SIDEWALLTRIM |
| 24 | 124176-01-01A | EA | TRIM-SIDEWALL-BRIGHTWHITE |
| 24 | 122802-01-01A | EA | TRIM-RETAINER-MILL |
| 24 | 105312-01-03A | FT | INSERT-FEATURESTRIPVINYL |
| 25 | 122732-01-H17 | EA | PANEL-VALANCEREAR-W/OHARDWARE |
| 26 | 124132-02-01A | EA | CAP-SIDEWALLTRIM |
| 27 | M08159-01-H17 | EA | SIDEWALL-PASSENGER-W/OWINDOWS/TRIM/WAINSCOTING(H17) |
| 27 | M08159-01-H18 | EA | SIDEWALL-PASSENGER-W/OWINDOWS/TRIM/WAINSCOTING(H18) |
| 27 | M08159-01-H19 | EA | SIDEWALL-PASSENGER-W/OWINDOWS/TRIM/WAINSCOTING(H19,H41) |
| 27 | M08159-01-H40 | EA | SIDEWALL-PASSENGER-W/OWINDOWS/TRIM/WAINSCOTING(H40) |

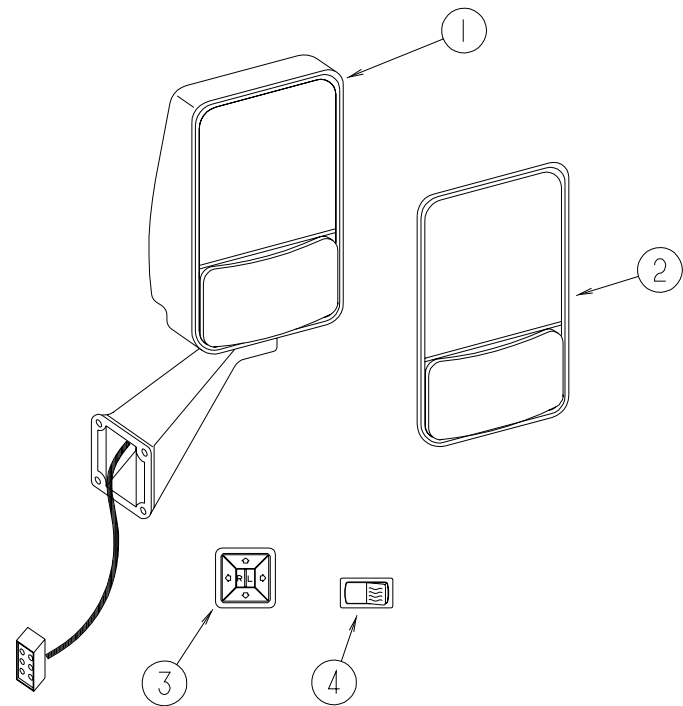
EXTERIORBODYGROUP(CONTINUED)

FRONTENDASM



| KEY | PARTNUMBER | U/M | DESCRIPTION |
|-----|---------------|-----|---|
| 1 | 117611-04-02B | EA | BRACKET-BUMPER |
| 2 | 117611-03-02B | EA | BRACKET-BUMPER |
| | 116617-02-02B | EA | SPACER-BUMPER |
| 3 | 118997-02-G35 | EA | SUPPORT-GRILLE-DRIVERFRONT |
| 4 | 089922-34-000 | EA | TRIM-FIBERGLASS-PANELB/W |
| | | | FROM: 00-00-00 THRU: 11-17-96 |
| 4 | 123680-03-01A | EA | TRIM-FIBERGLASS |
| | | | FROM: 11-18-96 THRU: 99-99-99 |
| 5 | 118999-03-G35 | EA | PANEL-LOWERFRONT |
| 6 | 102330-02-000 | EA | HOODLOCK-SINGLEHOLE-VISEACTION |
| | 102328-01-000 | EA | BARRELKEY-HOODLOCK |
| 7 | 115976-03-G35 | EA | PANEL-HOOD |
| 8 | 109930-11-000 | EA | LINK-HINGE-HOOD/LOWERPASSENGERSIDE |
| | 109930-12-000 | EA | LINK-HINGE-HOOD/LOWERDRIVERSIDE |
| 9 | 109927-03-000 | EA | ANGLE-LINK-HOODRIGHTHAND |
| | 109927-04-000 | EA | ANGLE-LINK-HOODLEFTHAND |
| 10 | 105096-10-000 | EA | TUBE-HOODHINGETIMINGW/WELDNUTS |
| | 106748-04-000 | EA | LATCH-HOOD-FRONTEND |
| 11 | 109929-05-000 | EA | LINK-UPPERHOODHINGE-PASSENGERSIDE |
| | 109929-06-000 | EA | LINK-UPPERHOODHINGE-DRIVERSIDE |
| 12 | 058786-01-000 | EA | BOLT-ADJUSTINGHOOD-W/BLACKPAD-.31"-18X2 |
| 13 | 109926-15-000 | EA | BRACKET-HOODHINGELINK-PASSENGERSIDE |
| | 109926-16-000 | EA | BRACKET-HOODHINGELINK-DRIVERSIDE |
| 14 | 118997-01-G35 | EA | SUPPORT-GRILLE-PASSENGERFRONT |
| 15 | 115924-05-02A | EA | GRILLE-WOVENWIRE-FLATBLACK |
| 16 | 115924-11-01A | EA | GRILLE-WOVENWIRE |
| 17 | 119445-01-02B | EA | PLATE-W/HOLES |
| 18 | 115951-02-02B | EA | PLATE-HEADLAMP-DUAL/LEFTHAND |
| | 115951-01-02B | EA | PLATE-HEADLAMP-DUAL/RIGHTHAND |
| 19 | 113495-02-02B | EA | SUPPORT-HINGE |
| | 070579-06-000 | EA | PLATE-ANCHOR-W/7/16WELDNUT-1.5"X3.3" |
| | 070579-07-000 | EA | PLATE-ANCHORW/ONUT |
| | 077001-01-000 | EA | ANGLE-MOUNTINGROOF PANEL V ANGLE-3"X2.4"X1.5" |

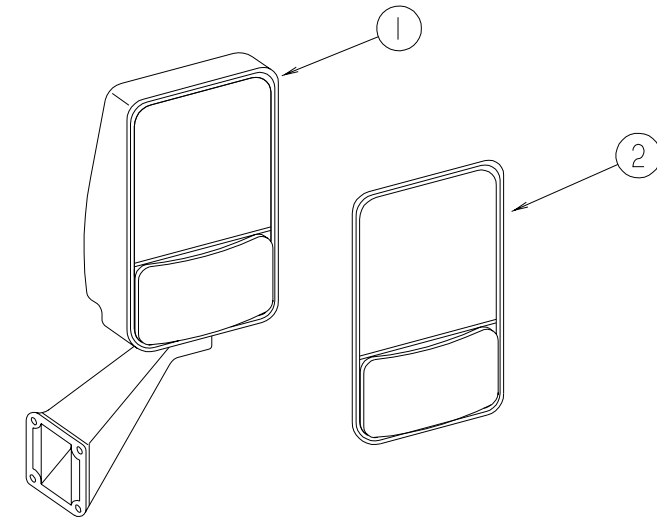
EXTERIORBODYGROUP(CONTINUED)



EXTERIOR MIRROR OPTION(REMOTE & HEAT)

| KEY | PARTNUMBER | U/M | DESCRIPTION | VENDOR NO. |
|-----|---------------|-----|--|------------|
| 1 | 106015-05-01A | EA | MIRRORASM.-RHW/WIREPIGTAIL-REMOTE/HEATED-W/OSWITCH | |
| 1 | 106015-06-01A | EA | MIRRORASM.-LHW/WIREPIGTAIL-REMOTE/HEATED-W/OSWITCH | |
| 2 | 086261-02-701 | EA | MIRRORKIT.-EXT.-DRIVERSIDE | 709269 |
| 2 | 086261-01-704 | EA | MIRRORKIT.-EXT.-PASS.SIDE | 709268 |
| 3 | 088246-01-000 | EA | SWITCH-REMOTE-EXT.-MIRROR-SQUAREPUSH-VELVAC7471290 | |
| 4 | 087695-02-000 | EA | SWITCH-MIRRORHEATER | |
| | 087695-03-000 | EA | CONNECTORASSEMBLY | |

EXTERIORBODYGROUP(CONTINUED)

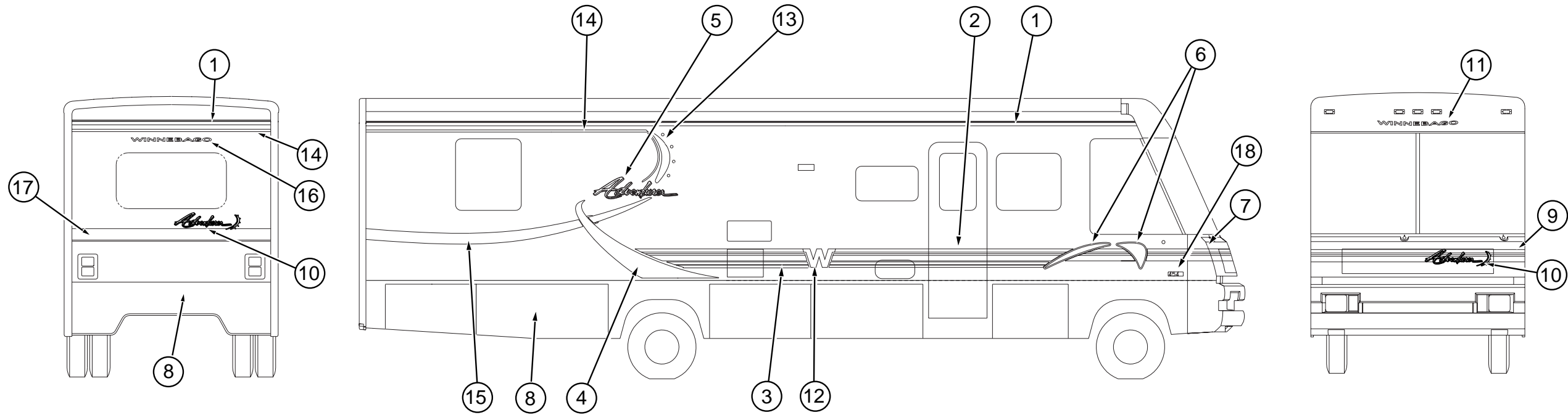


EXTERIORMIRROR

| KEY | PARTNUMBER | U/M | DESCRIPTION | VENDOR NO. |
|-----|---------------|-----|--|------------|
| 1 | 106015-09-01A | EA | MIRRORASM.-EXTGLSRH-VELVAC713126BLACK | |
| 1 | 106015-10-01A | EA | MIRRORASM.-EXTADJGLSLH-VELVAC713125BLACK | |
| 2 | 106015-01-703 | EA | MIRROR-REPLKITPASSENGER | 709266 |
| 2 | 106015-02-702 | EA | MIRROR-REPLKITDRIVER | 709267 |

EXTERIOR BODY GROUP (CONTINUED)

DECALS, FILM STRIPES & PAINT



SUPERBLUE EXTERIOR

UMBRA BROWN EXTERIOR

| KEY | PART NUMBER | U/M | DESCRIPTION |
|-----|---------------|-----|---|
| 1 | 105781-54-02A | FT | FILM-MULTISTRIPE 2.13" |
| 2 | 094443-46-02A | FT | FILM-MULTISTRIPE 139.7MM X 150 -LTGRN/VILET/DKBLU |
| 3 | 115335-07-02A | FT | FILM-MULTISTRIPE/OVERLAY 2.50" |
| 4 | 121996-01-02A | EA | DECAL-SLASH-RIGHTHAND |
| 4 | 121996-02-02A | EA | DECAL-SLASH-LEFTHAND |
| 5 | 122001-01-02A | EA | DECAL-LOGO-ADVENTURER |
| 6 | 121997-01-01A | EA | DECAL-SLASH-FRONT/RIGHTHAND |
| 6 | 121997-02-01A | EA | DECAL-SLASH-FRONT/LEFTHAND |
| 7 | 121998-01-02A | EA | DECAL-CORNER-RIGHTHAND |
| 7 | 121998-02-02A | EA | DECAL-CORNER-LEFTHAND |
| 8 | NPN | | PAINT-SUPERBLUE |
| 9 | 121999-01-02A | EA | DECAL-HOOD-LTGRN/VILET/DKBLU |
| 10 | 122000-01-02A | EA | DECAL-LOGO-ADVENTURER W/ARC |
| 11 | 121510-02-02A | EA | DECAL-LOGO-WINNEBAGO SWEEP |
| 12 | 120700-03-02A | EA | DECAL-LOGO-W |
| 13 | 121994-01-02A | EA | DECAL-ARC-RIGHTHAND |
| 13 | 121994-02-02A | EA | DECAL-ARC-LEFTHAND |
| 14 | 093681-36-03A | FT | FILM-1" |
| 15 | 121995-01-02A | EA | DECAL-SLASH-REAR/RIGHTHAND |
| 15 | 121995-02-02A | EA | DECAL-SLASH-REAR/LEFTHAND |
| 16 | 120702-03-03A | EA | DECAL-LOGO-WINNEBAGO/SMALL |
| 17 | 093681-52-02A | FT | FILM-5.25 |
| 18 | 122312-01-01A | EA | DECAL-VORTEC 7400 |
| | 041561-03-000 | EA | PAINT-16OZ SPRAY-OFFWHITE |
| | 099399-12-700 | EA | PAINT-16OZ SPRAY-ENAM/BUFF RAABE |
| | 099399-12-701 | EA | PAINT-BUFF-.6OZ BOTTLE-W/BRUSH |

DUPONT PAINT COLOR CODES

| | | |
|-------------|------------|---------------|
| OFFWHITE | (INTERIOR) | DUPONT L8723 |
| SUPERBLUE | (EXTERIOR) | DUPONT F1915U |
| BRIGHTWHITE | (EXTERIOR) | DUPONT B8951U |
| LIGHTGREEN | (FILM) | DUPONT GM185 |
| VIOLET | (FILM) | DUPONT F2984 |
| SMOKE | (FILM) | DUPONT MM328 |
| DARKBLUE | (FILM) | DUPONT BM226 |

| KEY | PART NUMBER | U/M | DESCRIPTION |
|-----|---------------|-----|----------------------------------|
| 1 | 105781-54-01A | FT | FILM-MULTISTRIPE 2.13" |
| 2 | 094443-46-01A | FT | FILM-MULTISTRIPE 5.50" |
| 3 | 115335-07-01A | FT | FILM-MULTISTRIPE/OVERLAY 2.50" |
| 4 | 121996-01-01A | EA | DECAL-SLASH-RIGHTHAND |
| 4 | 121996-02-01A | EA | DECAL-SLASH-LEFTHAND |
| 5 | 122001-01-01A | EA | DECAL-LOGO-ADVENTURER |
| 6 | 121997-01-01A | EA | DECAL-SLASH-FRONT/RIGHTHAND |
| 6 | 121997-02-01A | EA | DECAL-SLASH-FRONT/LEFTHAND |
| 7 | 121998-01-01A | EA | DECAL-CORNER-RIGHTHAND |
| 7 | 121998-02-01A | EA | DECAL-CORNER-LEFTHAND |
| 8 | NPN | | PAINT-UMBRA/BROWN |
| 9 | 121999-01-01A | EA | DECAL-HOOD-WINNEBAGO SWEEP |
| 10 | 122000-01-01A | EA | DECAL-LOGO-ADVENTURER W/ARC |
| 11 | 121510-02-01A | EA | DECAL-LOGO-WINNEBAGO SWEEP |
| 12 | 120700-03-01A | EA | DECAL-LOGO-W |
| 13 | 121994-01-01A | EA | DECAL-ARC-RIGHTHAND |
| 13 | 121994-02-01A | EA | DECAL-ARC-LEFTHAND |
| 14 | 093681-36-03A | FT | FILM-1" |
| 15 | 121995-01-01A | EA | DECAL-SLASH-REAR/RIGHTHAND |
| 15 | 121995-02-01A | EA | DECAL-SLASH-REAR/LEFTHAND |
| 16 | 120702-03-02A | EA | DECAL-LOGO-WINNEBAGO/SMALL |
| 17 | 093681-52-01A | FT | FILM-5.25 |
| 18 | 122312-01-01A | EA | DECAL-VORTEC 7400 |
| | 041561-03-000 | EA | PAINT-16OZ SPRAY-OFFWHITE |
| | 099399-12-700 | EA | PAINT-16OZ SPRAY-ENAM/BUFF RAABE |
| | 099399-12-701 | EA | PAINT-BUFF-.6OZ BOTTLE-W/BRUSH |

DUPONT PAINT COLOR CODES

| | | |
|-------------------|------------|---------------|
| OFFWHITE | (INTERIOR) | DUPONT L8723 |
| UMBRA/BROWN | (EXTERIOR) | DUPONT F2529U |
| BRIGHTWHITE | (EXTERIOR) | DUPONT B8951U |
| LIGHT BRIAR BROWN | (FILM) | DUPONT MM073 |
| PINE GREEN | (FILM) | DUPONT GM256 |
| IVY GREEN | (FILM) | DUPONT YM537 |
| DARKBLUE | (FILM) | DUPONT BM226 |

EXTERIORBODYGROUP(CONTINUED)

STYROFOAM&FIBERGLASSSHEETING

| KEY | PARTNUMBER | U/M | DESCRIPTION |
|-----|---------------|-----|---|
| | 000870-08-000 | SF | STYROFOAM-.75"X4'X8'-PLANED |
| | 002726-01-001 | EA | GARNISH-U-CHANNEL-1.38"X19'-SERRATED-MILLALUMINUM |
| | 002766-01-001 | EA | ANGLE-EXTRUDED-1"X1.5"X17' |
| | 033381-17-001 | FT | STEEL-TUBE-16GAUGE1.5"X1.5"X16' |
| | 068716-01-001 | EA | BRACE-90DEGREEL-ANGLE-16' |
| | 076054-V7-000 | EA | FIBERGLASS-SHEET-79"X385"-BRIGHTWHITE |
| | 076054-U4-000 | EA | FIBERGLASS-SHEET-101"X104"-BRIGHTWHITE(SIDEWALL) |
| | 076054-W3-000 | EA | FIBERGLASS-SHEET-6.5'X30'-BRIGHTWHITE(SIDEWALL) |
| | 077517-62-000 | EA | FIBERGLASS-SHEET-4'X8'BRIGHTWHITEFLAT(SIDEWALL) |
| | 077517-65-000 | EA | FIBERGLASS-SHEET-4'X8'BRIGHTWHITE |
| | 077517-66-000 | EA | FIBERGLASS-SHEET-4'X8'-GRAY |
| | 089297-01-000 | SF | PLYWOOD-LUAN-OVERLAYGRADE-4'X8' |
| | 100619-01-000 | BF | EXPANDEDFOAMSHEET-4'X8'X1.34" |
| | 100619-02-000 | BF | FOAM-EXPANDEDPOLYSTYRENE-48"X96"X1.5" |
| | 100619-04-000 | BF | FOAM-EXPANDEDPOLYSTYRENE-.5"X4'X8' |
| | 100619-11-000 | BF | FOAM-EXPANDEDPOLYSTYRENE-4'X8'X2" |
| | 100619-13-000 | BF | FOAM-EXPANDEDPOLYSTYRENE-34.65"X8'X.34" |
| | 100619-16-000 | BF | FOAM-EXPANDEDPOLYSTYRENE-.75"X48"X96" |
| | 108535-05-03A | SF | FRPFLAT110"X500'BRIGHTWHITE(ROOFSKIN) |
| | 108535-05-702 | EA | FRPFLAT110"X396"BRIGHTWHITE F/PARTSDEPT(ROOFSKIN) |
| | 117754-01-02A | EA | FIBERGLASS-SHEET-320X2442MM-BRIGHTWHITE |
| | 120107-01-000 | EA | FOAM-COVE-ROOF |
| | 120107-02-000 | EA | FOAM-PLUG-ROOFTUBE |
| | 120107-03-000 | EA | FOAM-PLUG-ROOFTUBE |

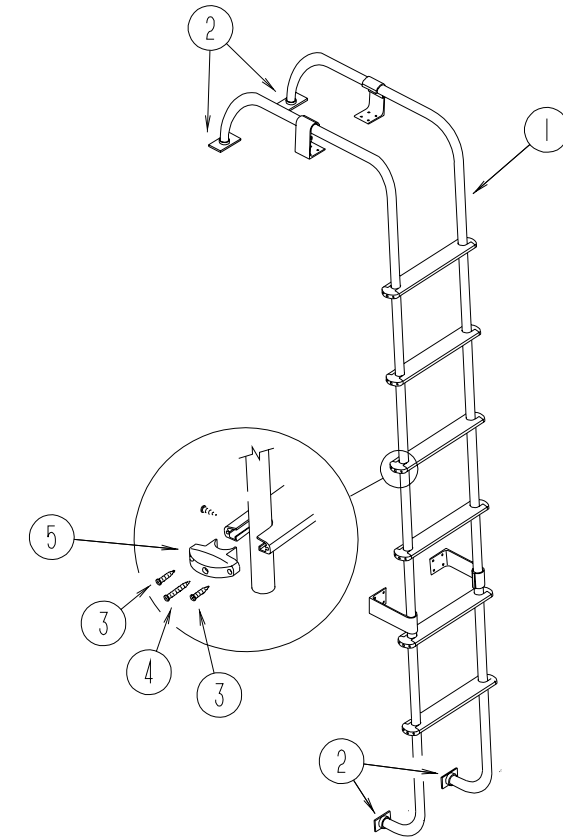
EXTERIORBODYHARDWARE

| KEY | PARTNUMBER | U/M | DESCRIPTION |
|-----|---------------|-----|---|
| | 002726-01-001 | EA | GARNISH-U-CHANNEL-1.38"X19'-SERRATED-MILLALUMINUM |
| | 055278-01-001 | FT | TUBING-STEEL-.75"X1.5"X288" |
| | 033381-17-001 | FT | STEEL-TUBE16GA1.5X1.5X288.00HOTFORMEDASTMA50 |
| | 044487-01-001 | LB | ALUMINUM-019X96.00X300"MILLFINISH |
| | 058267-01-000 | FT | CHANNEL-STEEL-W/HOLES-SIDEWALLSTIFFENER-2"X20' |
| | 068716-01-001 | EA | BRACE-90DEGREEL-ANGLE-192"-EXTRUDEDALUMINUM |

EXTERIORAWNING(A&E)

| KEY | PARTNUMBER | U/M | DESCRIPTION | VENDORNO. |
|-----|---------------|-----|---------------------------------------|--------------|
| | 113874-08-04A | EA | AWNING-W/OHDW19'POLARBLUE(VINYL) | |
| | 113874-08-03A | EA | AWNING-19'(ALOEGREEN)VINYLV/OHARDWARE | |
| | 119496-01-02A | EA | SPACER/ZEE-AWNING | |
| | 111037-01-01A | EA | SPACER-AWNING-UPPER-BLACK | |
| | 113874-01-02A | EA | AWNING-HARDWAREKIT-BRIGHTWHITE | |
| | 113874-01-702 | EA | KNOB-ADJUSTING-W/HARDWARE | 143249 |
| | 113874-01-703 | EA | ROD-CENTERPULL-W/GRIP | 830152.002 |
| | 113874-01-706 | EA | LOCK-TRAVEL | 830587 |
| | 113874-01-707 | EA | HANDLE-LIFT | 830644 |
| | 113874-01-709 | EA | NAIL-SPIKE-8" | 113006 |
| | 113874-01-710 | EA | PLUG-STOPKIT | 830456 |
| | 113874-01-711 | EA | ARM-ADJUSTABLE/TALLSATIN | 830466.016 |
| | 113874-01-712 | EA | FOOT-PATIO | 730366 |
| | 113874-01-714 | EA | RAFTER-MAINRH/LHBRT/WHT | 830295.036F |
| | 113874-01-715 | EA | RAFTER-SECONDARYBRT/WHT | 830463.011F |
| | 113874-01-716 | EA | ARM-MAINSUPPORTBRT/WHT | 3104502.277F |
| | 113874-01-717 | EA | ARM-ADJUSTABLEBRT/WHT | 830466.016/F |

EXTERIORBODYGROUP(CONTINUED)

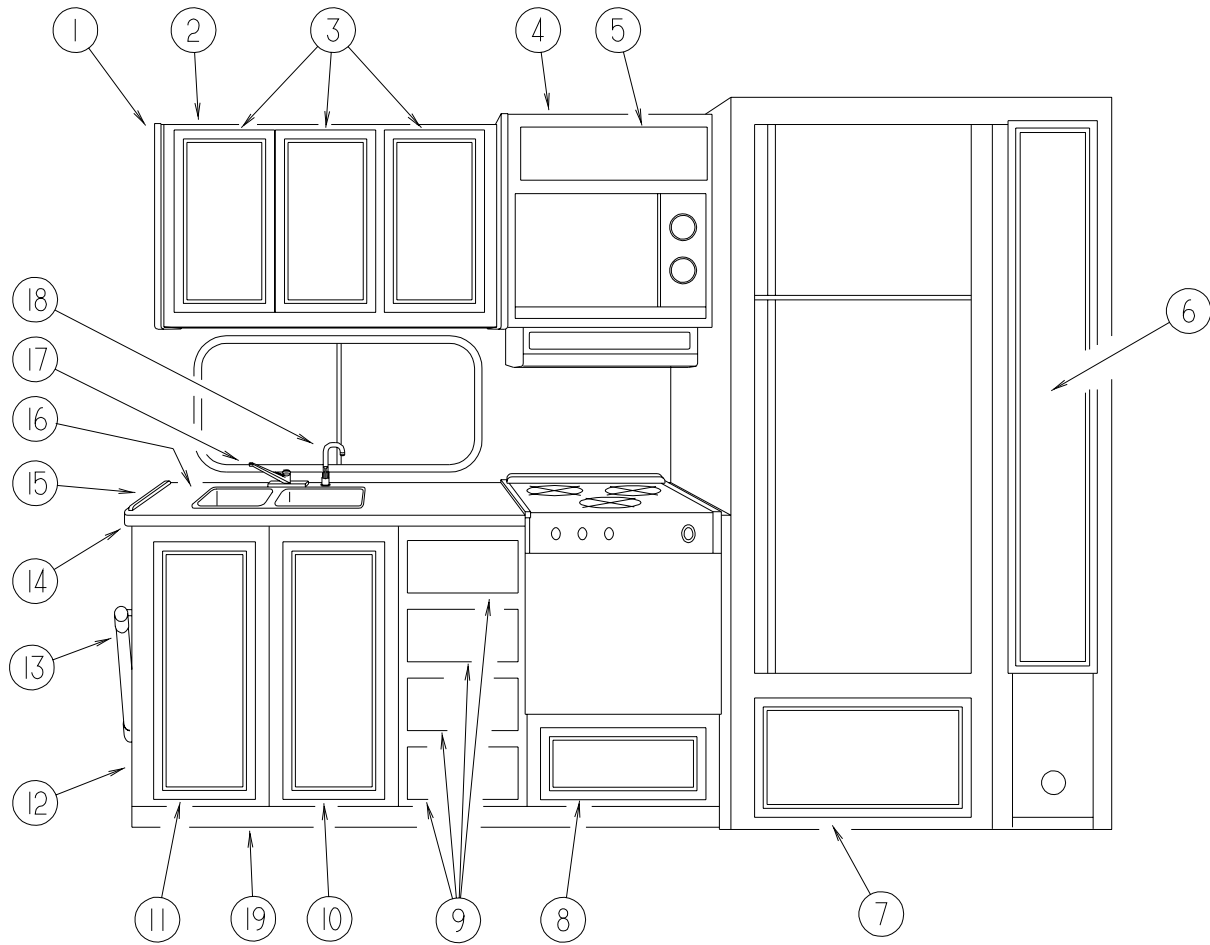


LADDER

| KEY | PARTNUMBER | U/M | DESCRIPTION |
|-----|---------------|-----|-------------------------------|
| 1 | 102953-11-F31 | EA | LADDER |
| 2 | 067165-01-000 | EA | MOUNTINGBRACKET-LADDER-LOWER |
| 3 | 000G39-06-10T | EA | SCREW-SF/DR-6-20X5/8PPH-BLACK |
| 4 | 000G68-10-36T | EA | SCREW-10-12X2.25POHBLACK |
| 5 | 076980-02-000 | EA | ENDCAP-STEP-BLACK |
| | 038327-01-000 | FT | TAPE-ANTISLIP-2"X60FT |

GALLEYGROUP

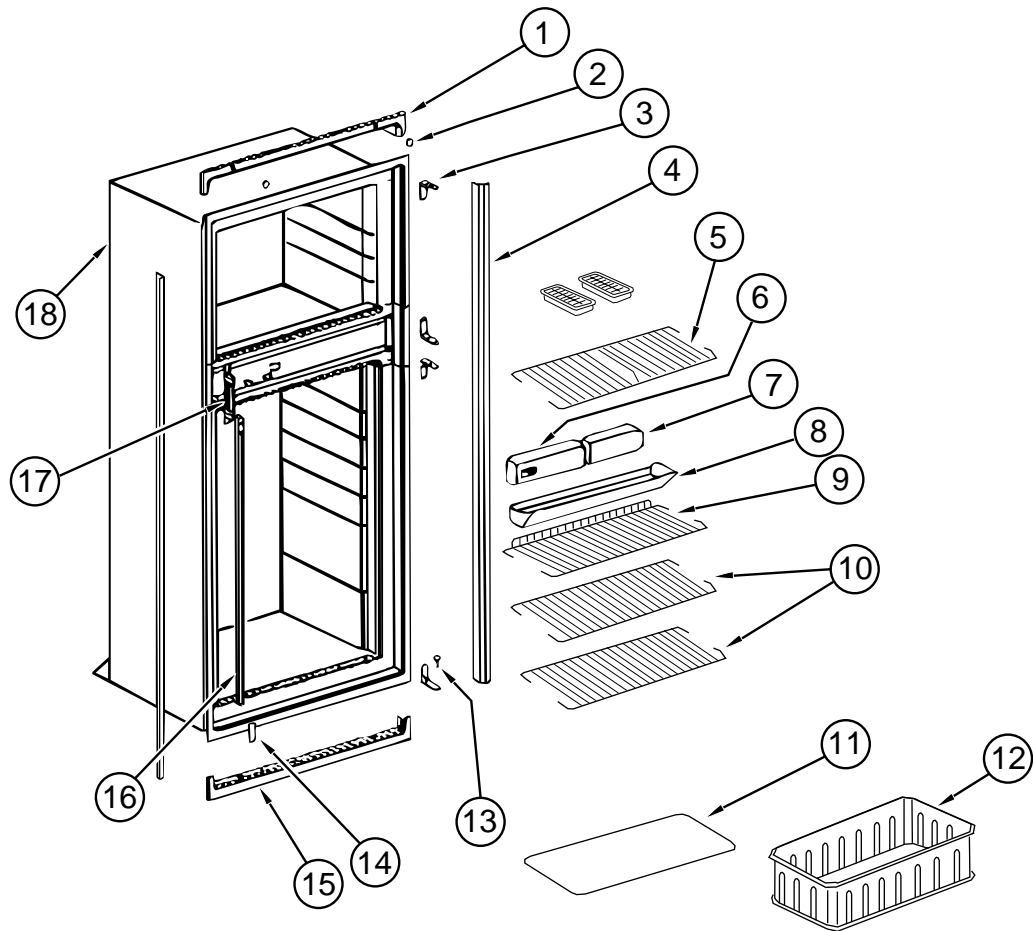
GALLEYCABINETRY&FIXTURES



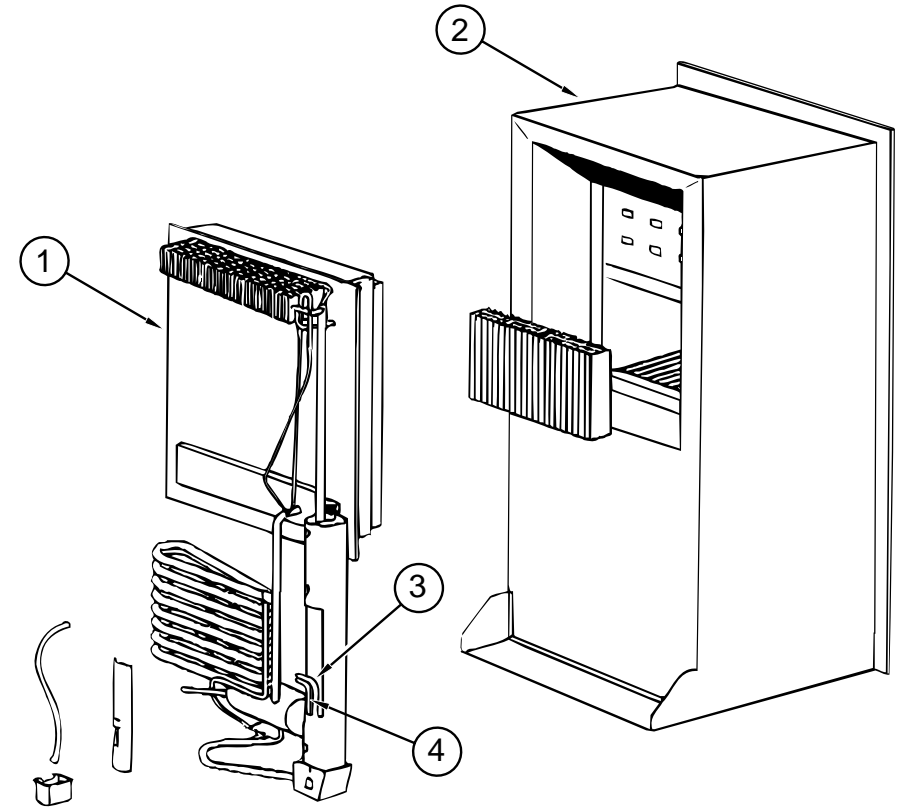
| KEY | PARTNUMBER | U/M | DESCRIPTION |
|-----|---------------|-----|--|
| 1 | 081319-20-G15 | EA | ENDCAP-OVERHEAD(OAK) |
| 1 | 081319-20-H40 | EA | ENDCAP-OVERHEAD(WHITE) |
| 2 | P22393-01-H17 | EA | CABINET-OVERHEAD-GALLEY-W/ODOORS/HARDWARE(OAK) |
| 2 | P22393-01-H41 | EA | CABINET-OVERHEAD-GALLEY-W/ODOORS/HARDWARE(WHITE) |
| 2 | 122393-11-H17 | EA | SHELF-W/PLASTICEDGEMOLDING(OAK) |
| 2 | 122393-11-H40 | EA | SHELF-W/PLASTICEDGEMOLDING(WHITE) |
| 2 | 122393-12-H17 | EA | SHELF-W/PLASTICEDGEMOLDING(OAK) |
| 2 | 122393-12-H40 | EA | SHELF-W/PLASTICEDGEMOLDING(WHITE) |
| 3 | M06803-29-H17 | EA | DOOR-MITEREDCORNER/OGEEEDGE-12"X21.8"-W/OHDW(OAK) |
| 3 | 122715-04-01A | EA | DOOR-MOLDEDVINYL-12"X21.8"-W/OHARDWARE(WHITE) |
| 4 | 121328-07-H17 | EA | CABINET-OVERHEAD/MICROWAVE-W/ODOOR/HARDWARE(OAK) |
| 4 | 121328-07-H40 | EA | CABINET-OVERHEAD/MICROWAVE-W/ODOOR/HARDWARE(WHITE) |
| | 119280-03-H17 | EA | CABINETASM-A/CSWITCH(OAK) |
| | 119280-03-H40 | EA | CABINETASM-A/CSWITCH(WHITE) |

| KEY | PARTNUMBER | U/M | DESCRIPTION |
|-----|---------------|-----|---|
| 5 | M05992-J9-H17 | EA | DOOR-OGEEEDGE-5.11"X22.4"-W/OHARDWARE(OAK) |
| 5 | 122715-43-01A | EA | DOOR-MOLDEDVINYL-5.11"X22.4"-W/OHARDWARE(WHITE) |
| 6 | 122325-01-H17 | EA | CABINET-PANTRY/RIGHTHANDSLIDING-W/OSLIDES/HARDWARE(OAK) |
| 6 | 122325-01-H40 | EA | CABINET-PANTRY/RIGHTHANDSLIDING-W/OSLIDES/HARDWARE(WHITE) |
| | 122325-11-H17 | EA | SHELFASM(OAK) |
| | 122325-11-H40 | EA | SHELFASM(WHITE) |
| 6 | M06803-Y9-H17 | EA | DOOR-MITEREDCORNER/OGEEEDGE-8.5"X60.5"-W/OHDW(OAK) |
| 6 | 122715-24-01A | EA | DOOR-MOLDEDVINYL-8.5"X60.7"-W/OHARDWARE(WHITE) |
| | 122360-02-000 | EA | SLIDE-PANTRY |
| | 122360-03-000 | EA | SLIDE-PANTRY-W/LOCK-RIGHTHAND |
| | 123673-01-01A | EA | NOB-PANTRYSLIDE |
| 7 | M06803-V0-H17 | EA | DOOR-MITEREDCORNER/OGEEEDGE-13.9"X23"-W/OHDW(OAK) |
| 7 | 122715-26-01A | EA | DOOR-MOLDEDVINYL-13.8"X23"-W/OHARDWARE(WHITE) |
| 8 | M05971-V1-H17 | EA | DRAWER-OGEEEDGE-19.2"WX11.8"D-W/OSLIDES/HARDWARE(OAK) |
| 8 | P10163-CP-H40 | EA | DRAWER-W/OSLIDES/HARDWARE(WHITE) |
| 9 | M05971-11-H17 | EA | DRAWER-OGEEEDGE-9.9"WX17.7"D-W/OSLIDES/HARDWARE(OAK) |
| 9 | P10163-CR-H40 | EA | DRAWER-W/OSLIDES/HARDWARE(WHITE) |
| 10 | M06803-N7-H17 | EA | DOOR-MITEREDCORNER/OGEEEDGE-13.6"X27.1"-W/OHDW(OAK) |
| 10 | 122715-31-01A | EA | DOOR-MOLDEDVINYL-13.6"X27.1"-W/OHARDWARE(WHITE) |
| 11 | M06803-N8-H17 | EA | DOOR-MITEREDCORNER/OGEEEDGE-13.6"X27.1"-W/OHDW(OAK) |
| 11 | 122715-31-01A | EA | DOOR-MOLDEDVINYL-13.6"X27.1"-W/OHARDWARE(WHITE) |
| 12 | 122621-01-H17 | EA | CABINET-GALLEY-W/ODOORS/DRAWERS/HARDWARE(H17,H18) |
| 12 | 122621-01-H19 | EA | CABINET-GALLEY-W/ODOORS/DRAWERS/HARDWARE(H19) |
| 12 | 122621-01-H40 | EA | CABINET-GALLEY-W/ODOORS/DRAWERS/HARDWARE(H40,H41) |
| 12 | 122621-12-H17 | EA | SHELF-W/PLASTICEDGETRIM-GALLEY(OAK) |
| 12 | 122621-12-H40 | EA | SHELF-W/PLASTICEDGETRIM-GALLEY(WHITE) |
| 13 | 102786-04-G15 | EA | HANDRAIL-ENTRANCEDOORW/OBRACKETS(OAK) |
| 13 | P02786-04-H23 | EA | HANDRAIL-ENTRANCEDOORW/OBRACKETS(WHITE) |
| 13 | 099682-01-01A | EA | BRACKET-MOUNTING/HANDRAIL-ROUNDBASE |
| 14 | 122621-11-H17 | EA | COUNTERTOP(H17,H18) |
| 14 | 122621-11-H19 | EA | COUNTERTOP(H19) |
| 14 | 122621-11-H40 | EA | COUNTERTOP(H40,H41) |
| 15 | 098335-07-F40 | EA | RAIL-GALLEY-22.2"(H17,H18) |
| 15 | 098335-07-E38 | EA | RAIL-GALLEY-22.2"(H19) |
| 15 | 098335-07-H40 | EA | RAIL-GALLEY-22.2"(H40,H41) |
| 16 | 110654-01-000 | EA | SINK-STAINLESSSTEEL-DOUBLEBASIN(1LG-1SMBASIN) |
| | 092303-01-000 | EA | STRAINER-SINK |
| 17 | 104114-02-01A | EA | FAUCET-GALLEY-SINGLECONTROL |
| 18 | 103635-01-000 | EA | FAUCET-SINGLECONTROL |
| | 108464-04-F40 | EA | COVER-SINK-15"X15"(H17,H18) |
| | 108464-04-E38 | EA | COVER-SINK-15"X15"(H19) |
| | 108464-04-E31 | EA | COVER-SINK-15"X15"(H40,H41) |
| | 108464-03-F40 | EA | COVER-SINK-15"X11"(H17,H18) |
| | 108464-03-E38 | EA | COVER-SINK-15"X11"(H19) |
| | 108464-03-H40 | EA | COVER-SINK-15"X11"(H40,H41) |
| 19 | 122621-14-H17 | EA | TOEKICK-GALLEYCABINET(OAK) |
| 19 | 122621-14-H40 | EA | TOEKICK-GALLEYCABINET(WHITE) |
| | 103799-02-01A | EA | COFFEEMAKERWITHCLOCK |
| | 126019-01-01A | EA | COFFEEMAKER-OPTIMA |
| | | | FROM: 00-00-00 THRU: 04-13-97 |
| | | | FROM: 04-14-97 THRU: 99-99-99 |
| | 103799-01-700 | EA | POT-CARAFE-GLASS |
| | 103799-01-701 | EA | BRACKETS-WHITEPAIR |
| | 090329-01-000 | FT | T-SEAL-REFRIGERATORCABINET-.6"WIDETOPX2"TAIL |
| | 054450-01-000 | EA | LEVEL-REFRIGERATOR |

GALLEYGROUP(CONTINUED)



GALLEYGROUP(CONTINUED)



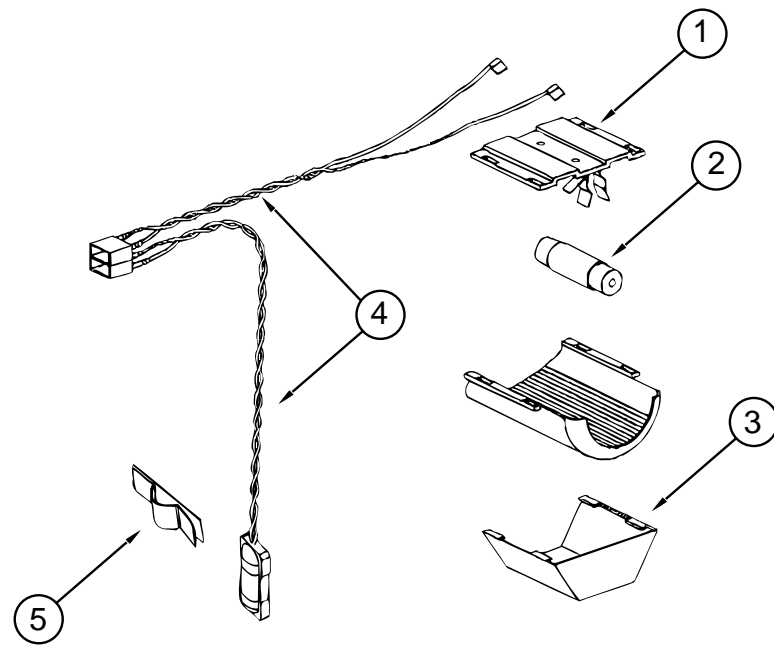
NORCOLDMODEL9182REFRIGERATORCABINETASMWITHTRAY,TIEDOWNS&LEVEL

NORCOLDMODEL9182REFRIGERATORCOOLINGUNIT,CABINET,&HEATERS

| KEY | PARTNUMBER | U/M | DESCRIPTION | VENDORNO. |
|-----|---------------|-----|--|-----------|
| | 121569-01-01A | EA | REFRIGERATOR-LARGEDOUBLEDOOR-RIGHTHAND-2-WAY | |
| 1 | 120075-01-713 | EA | TRIM-TOPPIECE | 618124 |
| 2 | 120075-01-714 | EA | PLUG-HOLE | 618170 |
| 3 | 120075-01-715 | EA | HINGE-CABINETSIDE,PAINTED | 618512 |
| | 120075-01-708 | EA | BUSHING-DOORHINGE | 618144 |
| 4 | 120075-01-716 | EA | TRIM,SIDEPiece | 618134 |
| 5 | 121568-01-705 | EA | SHELF-WIRE,FREEZER | 618620 |
| 6 | 121568-01-706 | EA | CONTROLBOXASSEMBLY | 618588 |
| 7 | 120075-01-718 | EA | BOX-FILLER | 618112 |
| 8 | 120075-01-720 | EA | TRAY-DRIP | 618137 |
| | 120075-01-721 | EA | LOUVER-DRIPTRAY | 618176 |
| 9 | 121568-01-707 | EA | SHELF-WIRE,SHORT | 618624 |
| 10 | 121568-01-708 | EA | SHELF-WIRE | 618589 |
| 11 | 120075-01-725 | EA | COVER-CRISPER | 618158 |
| 12 | 121568-01-709 | EA | CRISPER | 618571 |
| 13 | 120075-01-727 | EA | PIN-HINGE | 618145 |
| 14 | 120075-01-728 | EA | COVER-HINGEHOLE | 618171 |
| 15 | 120075-01-729 | EA | TRIM-BOTTOMPIECE | 618136 |
| 16 | 120075-01-730 | EA | RETAINER-SHELF | 618181 |
| 17 | 120075-01-732 | EA | PLATE-STRIKE | 618167 |
| 18 | 120076-01-733 | EA | CABINET-FOAMED | 618265 |
| | 120075-01-731 | EA | PLUG-FACADE | 618184 |
| | 116751-02-01A | EA | TRAY-REFRIGERATOR-BLACK | |
| | 054450-01-000 | EA | LEVEL-REFRIGERATOR | |
| | 065225-02-000 | EA | PLATE-TIEDOWN-REFRIGERATOR | |
| | 090195-08-000 | EA | BAFFLE-REFRIGERATOR-LOWER | |
| | 093369-03-000 | EA | STRAP-REFRIGERATOR | |
| | 093646-01-000 | EA | BRACKET-TIEDOWN-REFRIGERATOR-RIGHTHAND | |
| | 093646-02-000 | EA | BRACKET-TIEDOWN-REFRIGERATOR-LEFTHAND | |

| KEY | PARTNUMBER | U/M | DESCRIPTION | VENDORNO. |
|-----|---------------|-----|--|-----------|
| | 121569-01-01A | EA | REFRIGERATOR-LARGEDOUBLEDOOR-RIGHTHAND-2-WAY | |
| 1 | 120075-01-736 | EA | COOLINGUNIT-SERVICEPACK | 618542 |
| 2 | 120076-01-733 | EA | CABINET-FOAMED | 618265 |
| 3 | 088248-01-710 | EA | HEATER-DC-HORIZONTAL | 61562822 |
| 4 | 088248-01-709 | EA | HEATER-AC-HORIZONTAL | 61562722 |

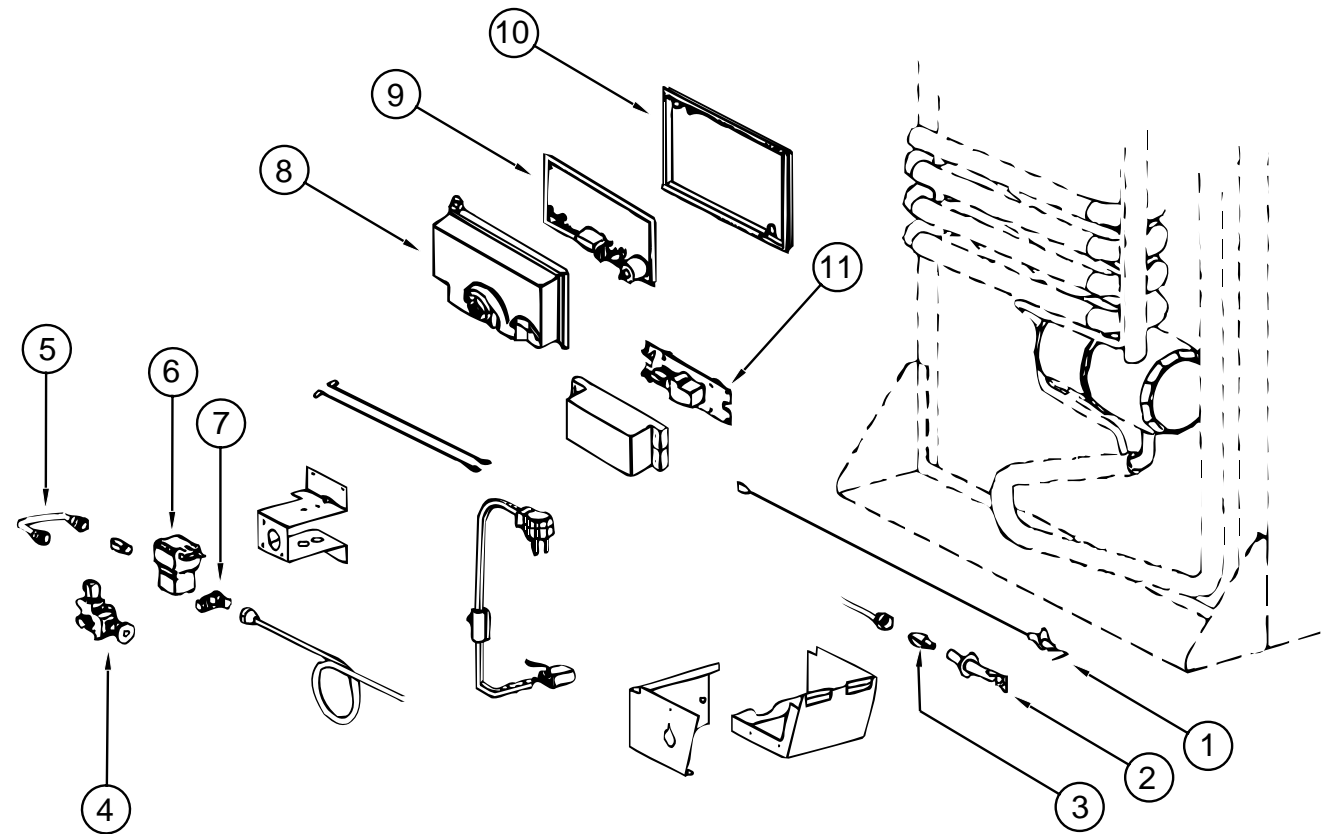
GALLEYGROUP(CONTINUED)



NORCOLDMODEL9182REFRIGERATORLAMPASM

| KEY | PARTNUMBER | U/M | DESCRIPTION | VENDORNO. |
|-----|---------------|-----|--|-----------|
| | 121569-01-01A | EA | REFRIGERATOR-LARGEDOUBLEDOOR-RIGHTHAND-2-WAY | |
| 1 | 084880-03-705 | EA | BRACKET-LIGHT,INTERIOR | 61629722 |
| 2 | 084880-03-706 | EA | BULB-LAMP | 61628922 |
| 3 | 084880-03-707 | EA | COVER-LAMP,LENS | 61627922 |
| 4 | 120075-01-735 | EA | WIREASSEMBLY-LAMP | 618548 |
| 5 | 084880-01-760 | EA | CLIP-THERMISTER | 61689122 |

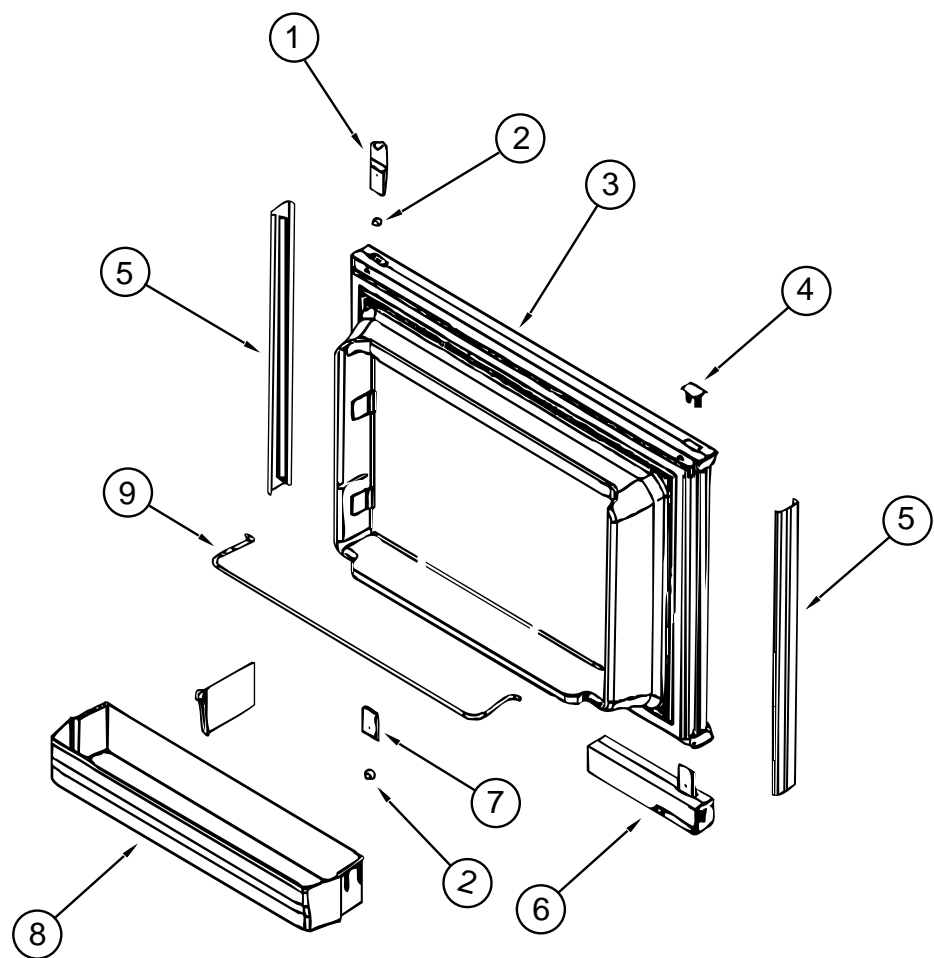
GALLEYGROUP(CONTINUED)



NORCOLDMODEL9182REFRIGERATORBURNER&POWERBOARDS

| KEY | PARTNUMBER | U/M | DESCRIPTION | VENDORNO. |
|-----|---------------|-----|--|-----------|
| | 121569-01-01A | EA | REFRIGERATOR-LARGEDOUBLEDOOR-RIGHTHAND-2-WAY | |
| 1 | 104137-06-715 | EA | ELECTRODE-SPARK/SENSOR,SGL | 61692222 |
| 2 | 104137-06-714 | EA | BURNERASSEMBLY,5SLOT | 61705222 |
| 3 | 120075-01-737 | EA | ORIFICE-JEWEL,.0155 | 618284 |
| 4 | 104137-06-709 | EA | VALVE-SHUTOFF,MANUAL | 61694922 |
| 5 | 113737-01-750 | EA | TUBE-UNION | 61694622 |
| 6 | 084880-01-718 | EA | VALVE-GAS,ASCO | 61551822 |
| 7 | 113737-01-716 | EA | TAP-PRESSURE | 61594422 |
| 8 | 120075-01-738 | EA | COVER-POWERBOARD | 618185 |
| 9 | 120075-01-739 | EA | BOARD-POWER,2-WAY | 618198 |
| 9 | 121568-01-710 | EA | BOARD-POWER,3-WAY | 618575 |
| 10 | 120075-01-740 | EA | COVER-BASE,POWERBOARD | 618186 |
| 11 | 121568-01-711 | EA | BOARD-MODULE,DC | 618561 |
| | 113737-01-702 | EA | PLUG-1/8"F/PRESSURETAP | 61445322 |

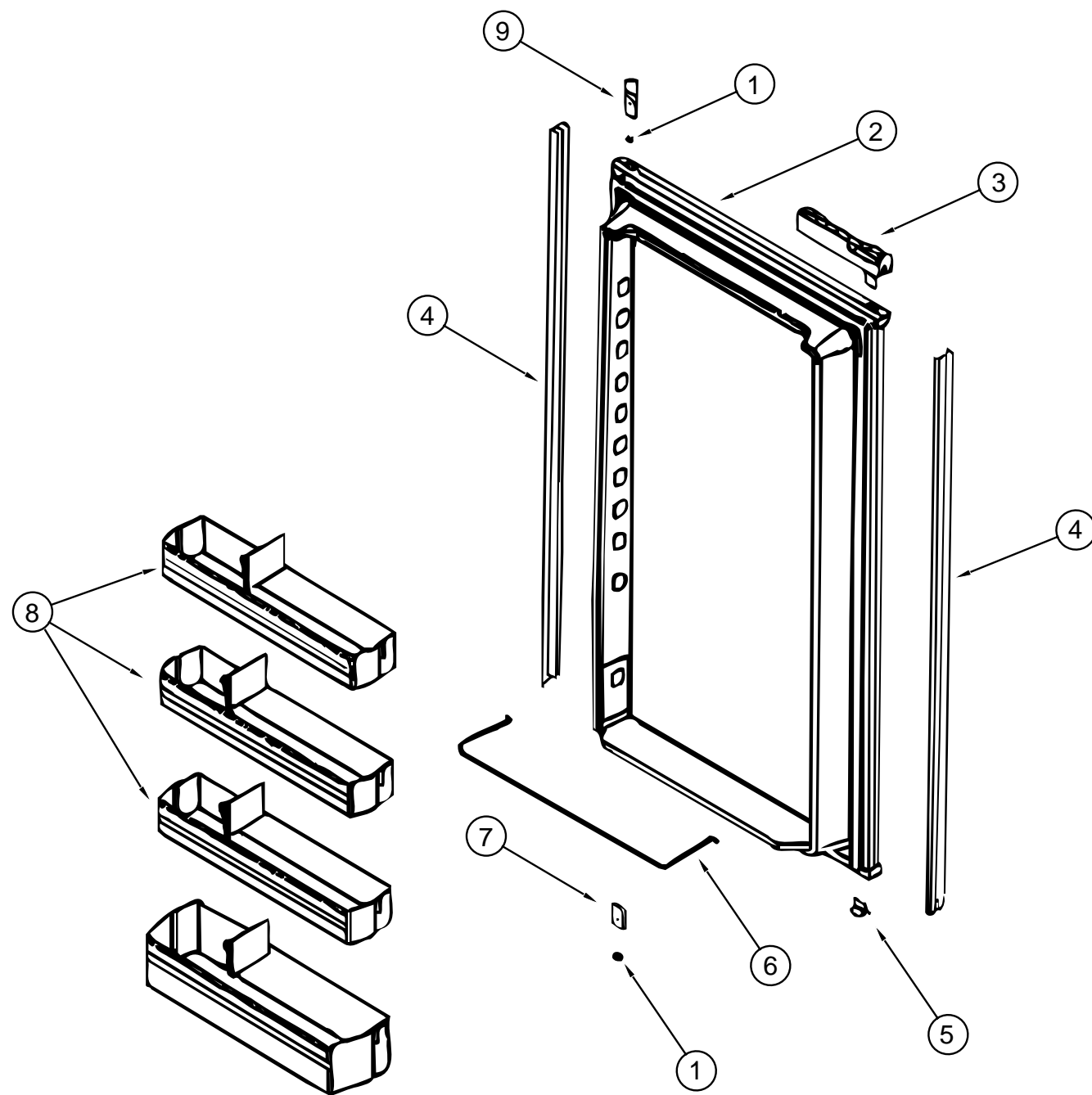
GALLEYGROUP(CONTINUED)



NORCOLDMODEL9182REFRIGERATORUPPERDOOR

| KEY | PARTNUMBER | U/M | DESCRIPTION | VENDORNO. |
|-----|---------------|-----|--|-----------|
| | 121569-01-01A | EA | REFRIGERATOR-LARGEDOUBLEDOOR-RIGHTHAND-2-WAY | |
| 1 | 120075-01-701 | EA | HINGE-TOPRH/BOTTOMLH,PAINTED | 618511 |
| 2 | 120075-01-708 | EA | BUSHING-DOORHINGE | 618144 |
| 3 | 120075-01-703 | EA | DOORASSEMBLY-FOAMED,W/GASKET | 618205 |
| 4 | 120075-01-702 | EA | CAP-HINGEPLUG | 618160 |
| 5 | 120075-01-700 | EA | RETAINER-DOOR,DECORPANEL | 618128 |
| 6 | 121568-01-702 | EA | HANDLEASSEMBLY-DOOR,LOWERLH/TOPRH | 618230 |
| 7 | 120075-01-705 | EA | HINGE-PAINTED,TOPLH/BOTTOMRH | 618510 |
| 8 | 121568-01-701 | EA | BIN-DOOR,WHITE | 618619 |
| 9 | 121568-01-700 | EA | RAIL-DOOR,UPPER | 618618 |

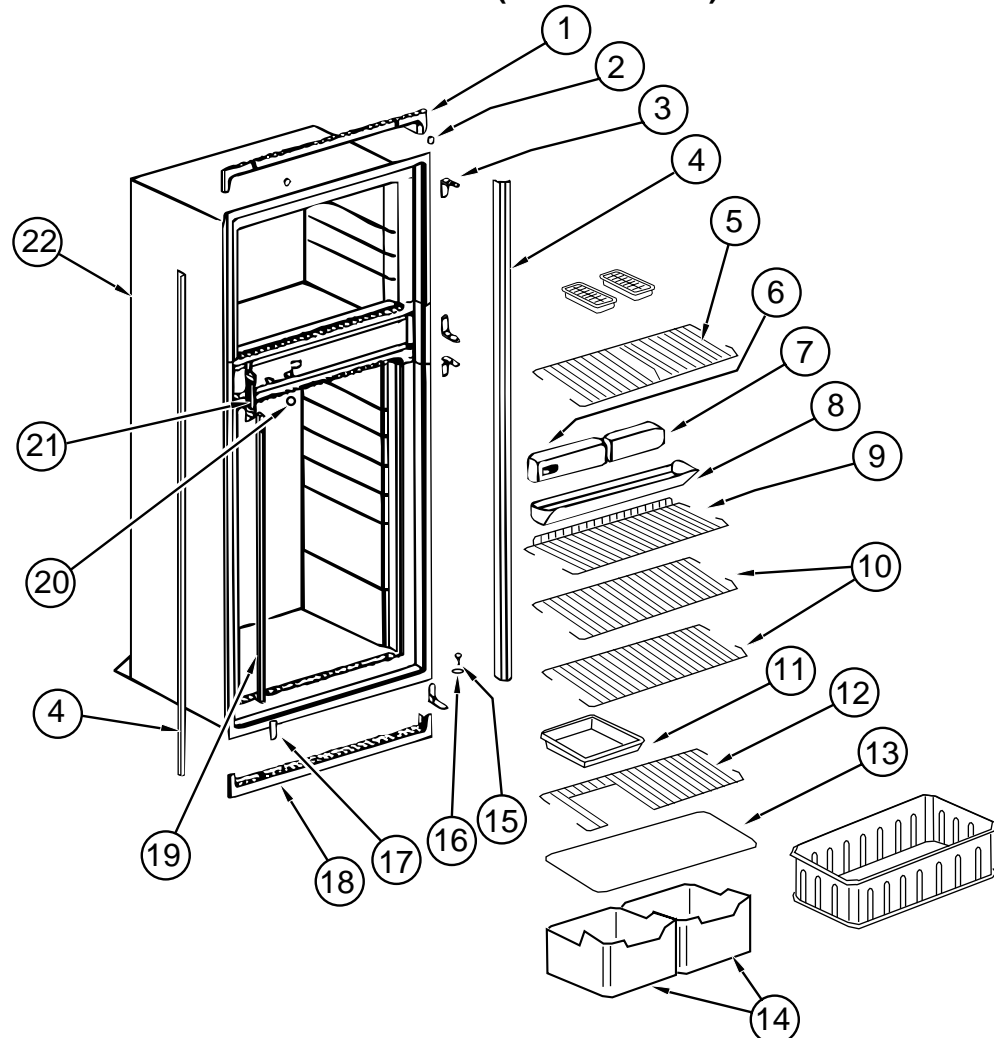
GALLEYGROUP(CONTINUED)



NORCOLDMODEL9182REFRIGERATORLOWERDOOR

| KEY | PARTNUMBER | U/M | DESCRIPTION | VENDORNO. |
|-----|---------------|-----|--|-----------|
| | 121569-01-01A | EA | REFRIGERATOR-LARGEDOUBLEDOOR-RIGHTHAND-2-WAY | |
| 1 | 120075-01-708 | EA | BUSHING-DOORHINGE | 618144 |
| 2 | 120076-01-701 | EA | DOOR-LOWER,FOAMEDW/GASKET | 618210 |
| 3 | 120075-01-711 | EA | HANDLEASSEMBLY-UPPERRH/LOWERLH | 618235 |
| 4 | 121568-01-703 | EA | RETAINER-LOWERDOORPANEL | 618129 |
| 5 | 120075-01-702 | EA | CAP-HINGEPLUG | 618160 |
| 6 | 121568-01-704 | EA | RAIL-DOOR,LOWER | 618578 |
| 7 | 120075-01-705 | EA | HINGE-PAINTED,TOPLH/BOTTOMRH | 618510 |
| 8 | 121568-01-701 | EA | BIN-DOOR,WHITE | 618619 |
| 9 | 120075-01-701 | EA | HINGE-TOPRH/BOTTOMLH,PAINTED | 618511 |

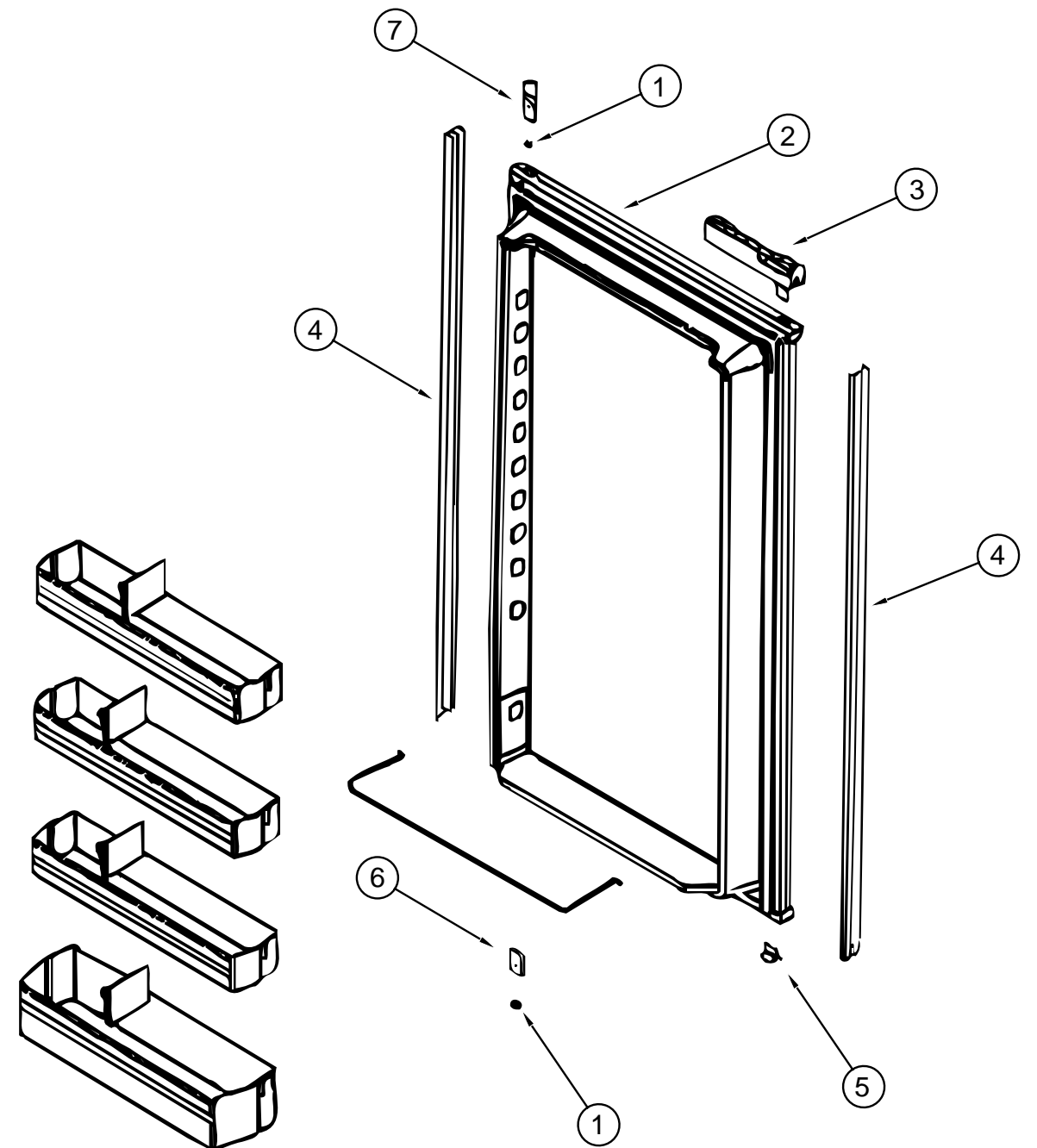
GALLEYGROUP(CONTINUED)



NORCOLDMODEL982REFRIGERATORCABINETASMWITHTRAY,TIEDOWNS,&LEVEL

| KEY | PARTNUMBER | U/M | DESCRIPTION | VENDORNNO. |
|-----|---------------|-----|---|------------|
| | 120075-03-01A | EA | REFRIGERATOR-LARGEDOUBLEDOOR/RIGHTHAND-2-WAYW/ICE | |
| 1 | 120075-01-713 | EA | TRIM-TOPPIECE | 618124 |
| 2 | 120075-01-714 | EA | PLUG-HOLE | 618170 |
| 3 | 120075-01-715 | EA | HINGE-CABINETSIDE-PAINTED | 618512 |
| 4 | 120076-01-716 | EA | TRIM,SIDEPIECE | 618134 |
| 5 | 120075-01-717 | EA | SHELF-FREEZER,WIRE | 618172 |
| 6 | 120075-01-719 | EA | OPTICALCONTROLBOXASSEMBLY | 618245 |
| 7 | 120075-01-718 | EA | BOX-FILLER | 618112 |
| 8 | 120075-01-720 | EA | TRAY-DRIP | 618137 |
| | 120075-01-721 | EA | LOUVER-DRIPTRAY | 618176 |
| 9 | 120075-01-722 | EA | SHELF-WIRE,SHORT | 618239 |
| 10 | 120075-01-723 | EA | SHELF-WIRE | 618114 |
| 11 | 104137-06-718 | EA | SHELF-TRAY,WHITE,W/CUTOUT | 617756 |
| 12 | 120075-01-724 | EA | SHELF-WIRE,W/CUTOUT | 618177 |
| 13 | 120075-01-725 | EA | COVER-CRISPER | 618158 |
| 14 | 120075-03-704 | EA | BIN-ICECUBE | 618154 |
| 15 | 120075-01-727 | EA | PIN-HINGE | 618145 |
| 16 | 120075-01-708 | EA | BUSHING-DOORHINGE | 618144 |
| 17 | 120075-01-728 | EA | COVER-HINGEHOLE | 618171 |
| 18 | 120075-01-729 | EA | TRIM-BOTTOMPIECE | 618136 |
| 19 | 120075-01-730 | EA | RETAINER-SHELF | 618181 |
| 20 | 120075-01-731 | EA | PLUG-FACADE | 618184 |
| 21 | 120075-01-732 | EA | PLATE-STRIKE | 618167 |
| 22 | 120075-03-700 | EA | CABINET-FOAMED | 618285 |
| | 093646-01-000 | EA | BRACKET-TIEDOWN/REFRIGERATOR-RIGHTHAND | |
| | 093646-02-000 | EA | BRACKET-TIEDOWN/REFRIGERATOR-LEFTHAND | |
| | 116751-05-01A | EA | TRAY-REFRIGERATORBLK | |
| | 054450-01-000 | EA | LEVEL-REFRIGERATOR | |
| | 065225-02-000 | EA | PLATE-TIEDOWN-REFRIGERATOR | |

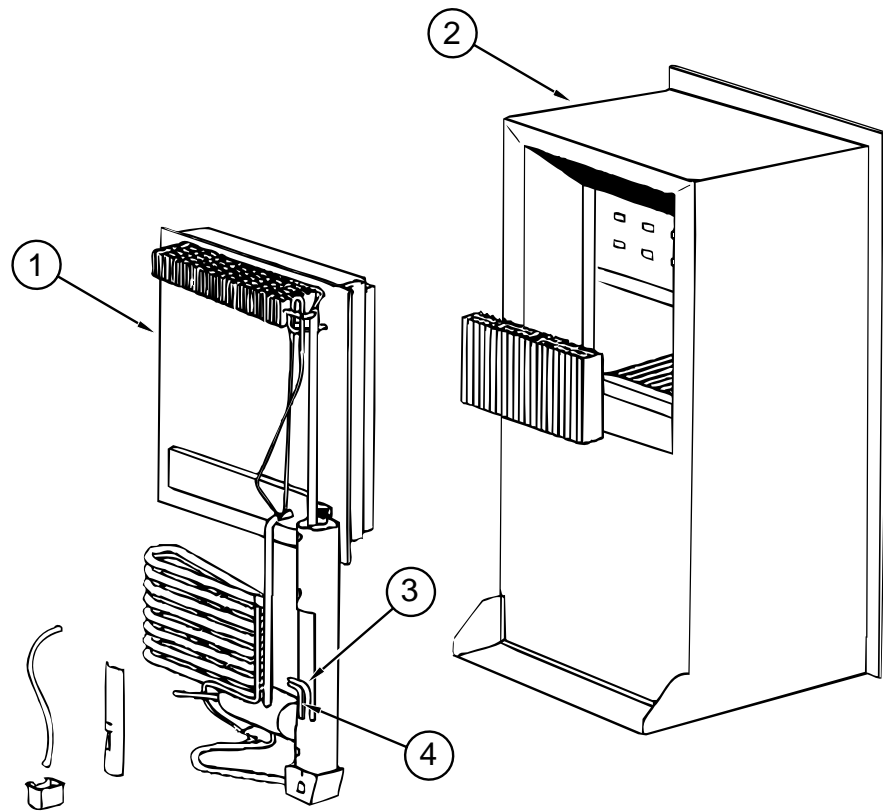
GALLEYGROUP(CONTINUED)



NORCOLDMODEL982REFRIGERATORLOWERDOOR

| KEY | PARTNUMBER | U/M | DESCRIPTION | VENDORNNO. |
|-----|---------------|-----|---|------------|
| | 120075-03-01A | EA | REFRIGERATOR-LARGEDOUBLEDOOR/RIGHTHAND-2-WAYW/ICE | |
| 1 | 120075-01-708 | EA | BUSHING-DOORHINGE | 618144 |
| 2 | 120076-01-701 | EA | DOOR-LOWER-FOAMED,W/GASKET | 618210 |
| 3 | 120075-01-711 | EA | HANDLEASM,UPPERRH/LOWERLH | 618235 |
| 4 | 121568-01-703 | EA | RETAINER-PANELLOWERDOOR | 618129 |
| 4 | 120076-01-700 | EA | RETAINER-LOWERDOORPANEL | 618132 |
| 5 | 120075-01-702 | EA | CAP,(HINGEPLUG) | 618160 |
| 6 | 120075-01-705 | EA | HINGE,PAINTED,TOPLH/BTMRT | 618510 |
| 7 | 120075-01-701 | EA | HINGE-TOPRH/BTMLH,PAINTED | 618511 |

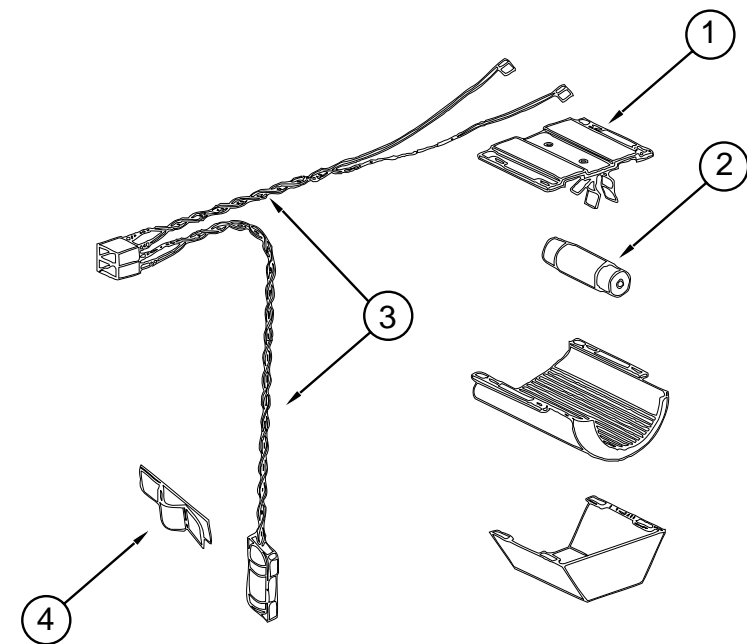
GALLEYGROUP(CONTINUED)



NORCOLDMODEL982REFRIGERATORCOOLINGUNIT,CABINET,&HEATERS

| KEY | PARTNUMBER | U/M | DESCRIPTION | VENDNO. |
|-----|---------------|-----|---|----------|
| | 120075-03-01A | EA | REFRIGERATOR-LARGEDOUBLEDOOR/RIGHTHAND-2-WAYW/ICE | |
| 1 | 120075-01-736 | EA | COOLINGUNIT-SERVICEPACK | 618542 |
| 2 | 120075-01-733 | EA | CABINET-FOAMED | 618265 |
| 3 | 088248-01-710 | EA | HEATERDC(HORIZONTAL) | 61562822 |
| 4 | 088248-01-709 | EA | HEATER-AC(HORIZONTAL) | 61562722 |

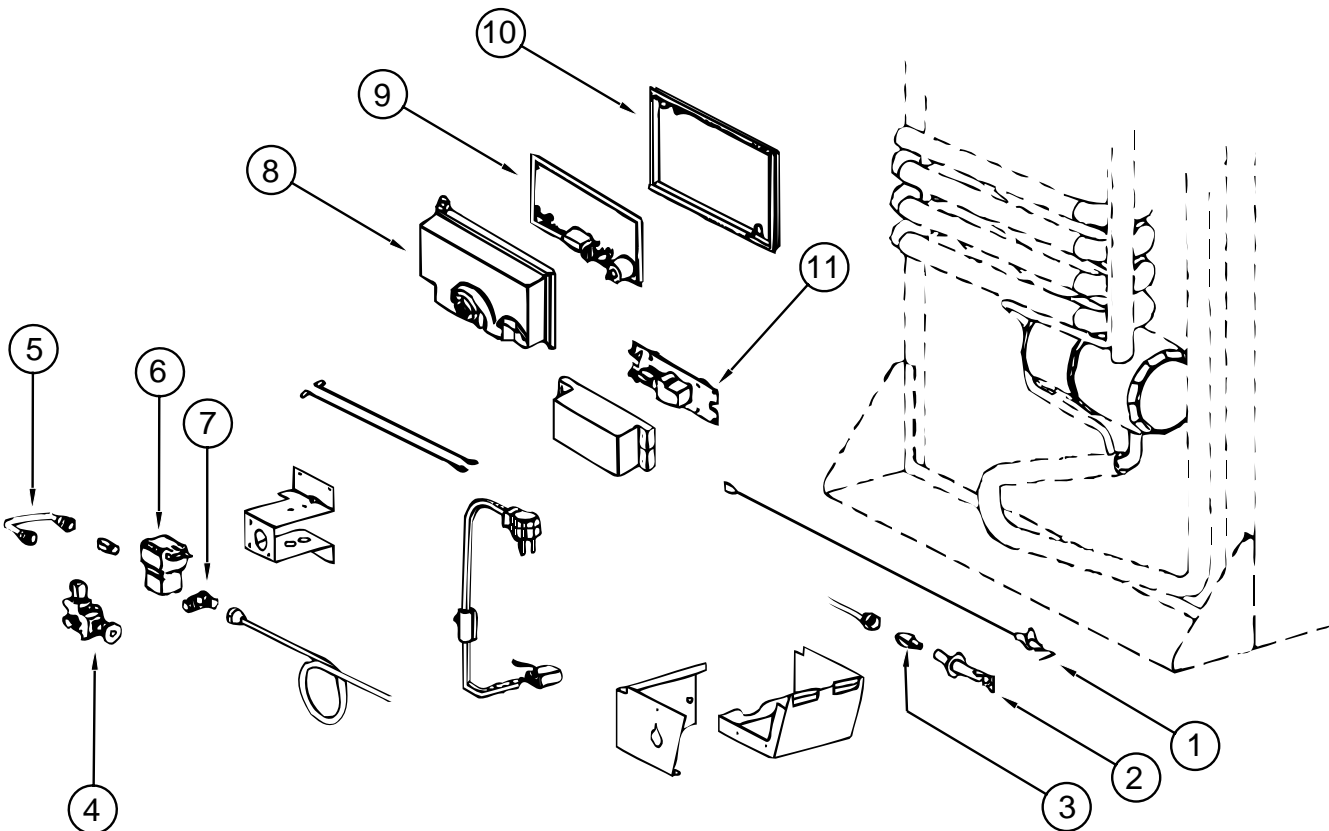
GALLEYGROUP(CONTINUED)



NORCOLDMODEL982REFRIGERATORLAMPASM

| KEY | PARTNUMBER | U/M | DESCRIPTION | VENDNO. |
|-----|---------------|-----|---|----------|
| | 120075-03-01A | EA | REFRIGERATOR-LARGEDOUBLEDOOR/RIGHTHAND-2-WAYW/ICE | |
| 1 | 084880-03-705 | EA | BRACKET-LIGHT-INTERIOR | 61629722 |
| 2 | 084880-03-706 | EA | BULB-LAMP | 61628922 |
| 3 | 120075-01-735 | EA | WIREASM.-LAMP | 618548 |
| 4 | 084880-01-760 | EA | CLIP(THERMISTER) | 61689122 |

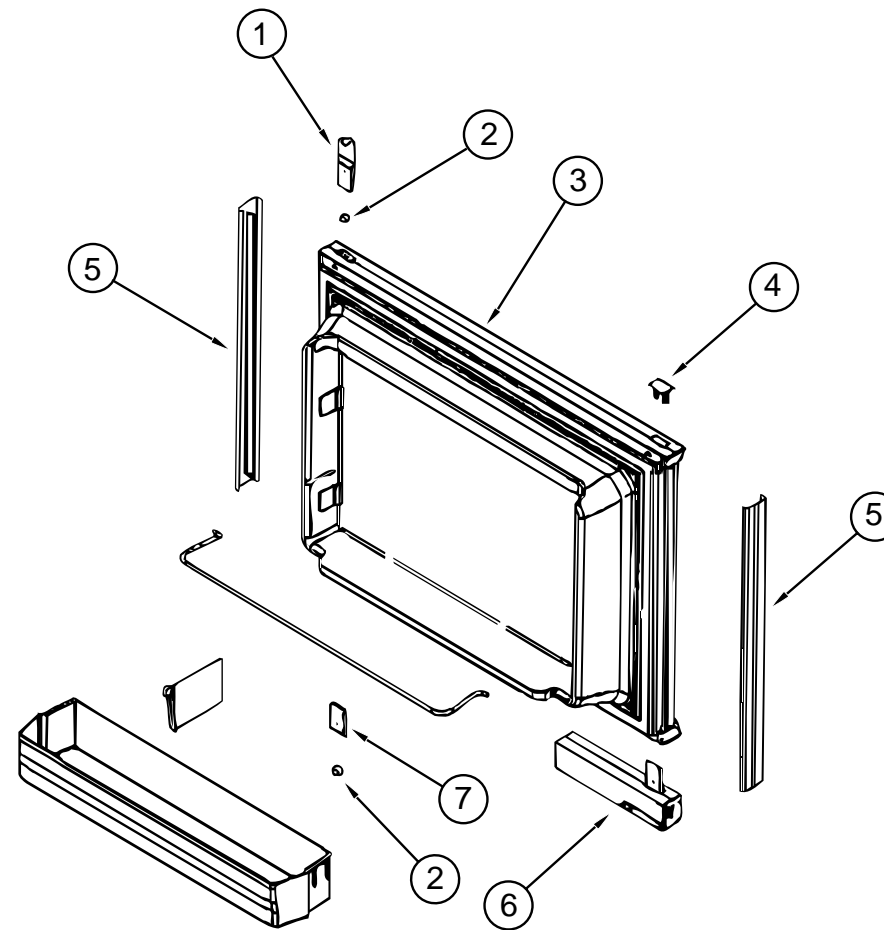
GALLEYGROUP(CONTINUED)



NORCOLDMODEL982REFRIGERATORBURNER&POWERBOARDS

| KEY | PARTNUMBER | U/M | DESCRIPTION | VENDORNO. |
|-----|---------------|-----|---|-----------|
| | 120075-03-01A | EA | REFRIGERATOR-LARGEDOUBLEDOOR/RIGHTHAND-2-WAYW/ICE | |
| 1 | 104137-06-715 | EA | ELECTRODE-SPARK/SENSOR-SGL | 61692222 |
| 2 | 104137-06-714 | EA | BURNERASSEMBLY-5-SLOT | 61705222 |
| 3 | 120075-01-737 | EA | ORFICE-JEWEL-.0155 | 618284 |
| 4 | 104137-06-709 | EA | VALVE-SHUTOFF-MANUAL | 61694922 |
| 5 | 113737-01-750 | EA | TUBE-UNION | 61694622 |
| 6 | 084880-01-718 | EA | VALVE-GAS-(ASCO) | 61551822 |
| 7 | 113737-01-716 | EA | TAP-PRESSURE | 61594422 |
| | 113737-01-702 | EA | PLUG1/8"F/PRESSURETAP | 61445322 |
| 8 | 120075-01-738 | EA | COVER-POWERBOARD | 618185 |
| 9 | 120075-01-739 | EA | BOARD-POWER-2-WAY | 618574 |
| 10 | 120075-01-740 | EA | COVER-BASE-POWERBOARD | 618186 |
| 11 | 121568-01-711 | EA | BOARD-MODULE-DC | 618561 |

GALLEYGROUP(CONTINUED)

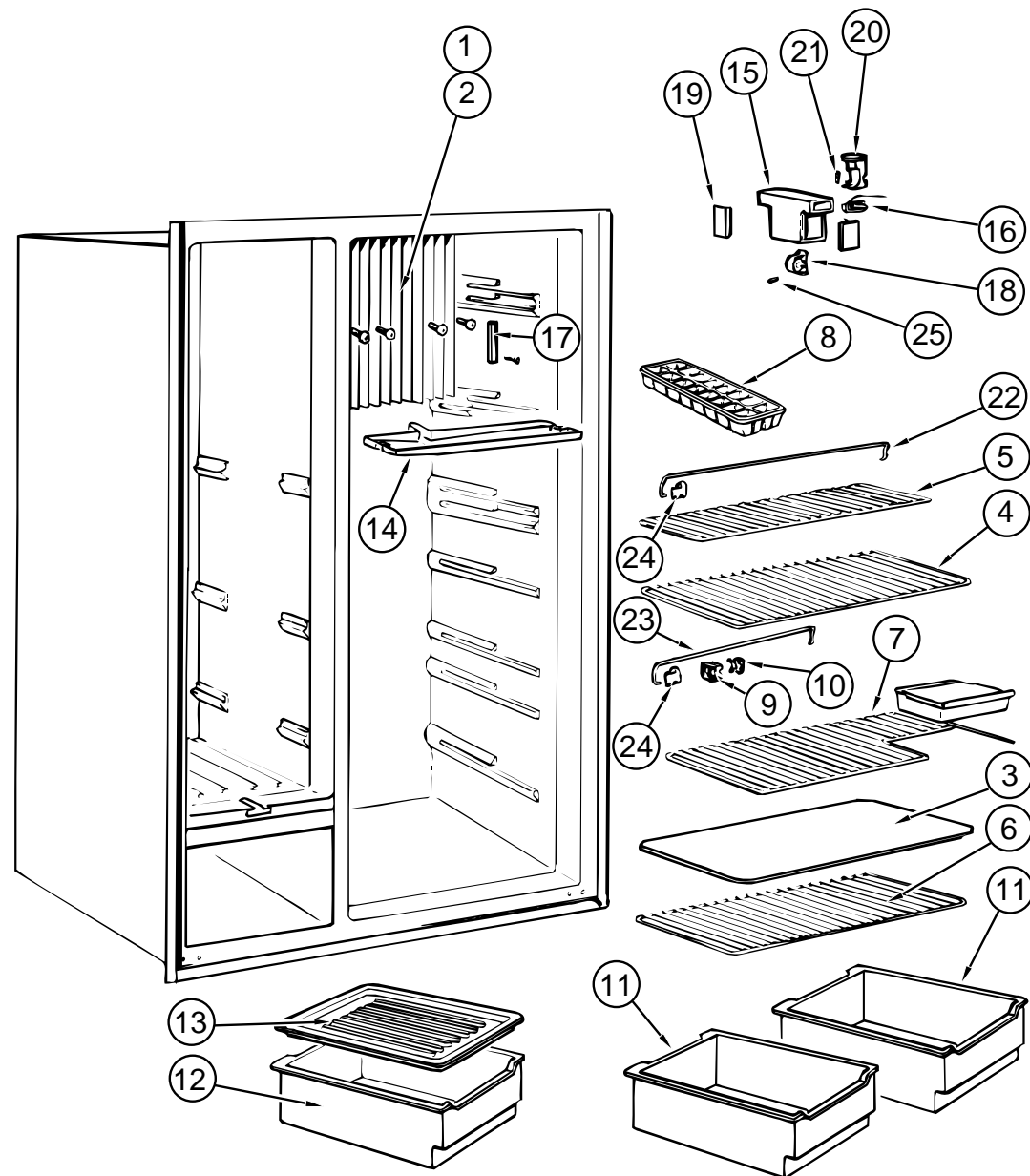


NORCOLDMODEL982REFRIGERATORUPPERDOOR

| KEY | PARTNUMBER | U/M | DESCRIPTION | VENDORNO. |
|-----|---------------|-----|---|-----------|
| | 120075-03-01A | EA | REFRIGERATOR-LARGEDOUBLEDOOR/RIGHTHAND-2-WAYW/ICE | |
| 1 | 120075-01-701 | EA | HINGE-TOPRH/BTMLH-PAINTED | 618511 |
| 2 | 120075-01-708 | EA | BUSHING-DOORHINGE | 618144 |
| 3 | 120075-01-703 | EA | DOORASM.-FOAMED-W/GASKET | 618205 |
| 4 | 120075-01-702 | EA | CAP-(HINGEPLUG) | 618160 |
| 5 | 120075-01-700 | EA | RETAINER-DOOR-DECORPANEL | 618128 |
| 6 | 121568-01-702 | EA | DOORHANDLEASMLWR/LH-TOP/R | 618230 |
| 7 | 120075-01-705 | EA | HINGE-TOPLH/BTMRH-PAINTED | 618510 |

GALLEYGROUP(CONTINUED)

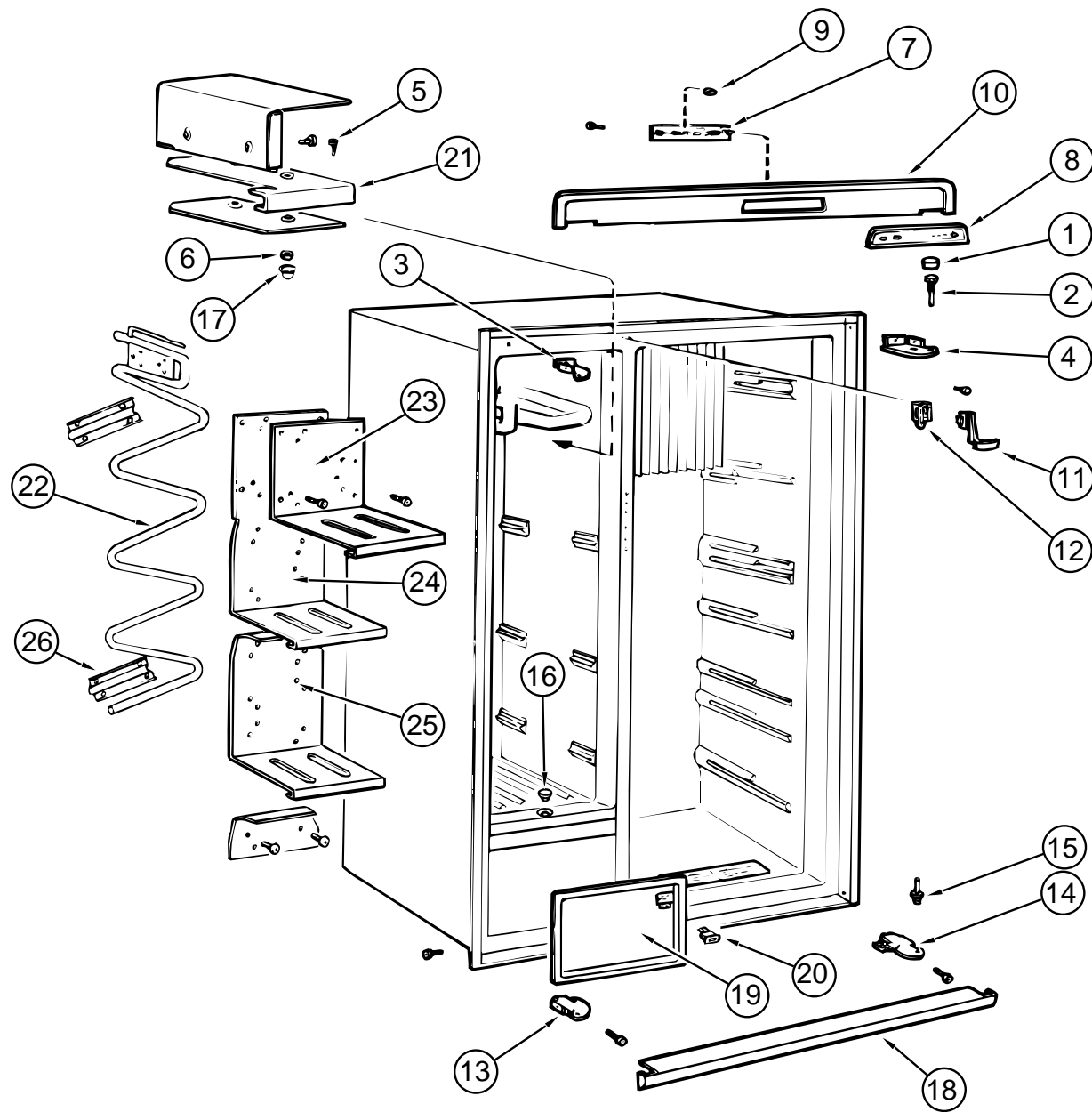
REFRIGERATORCABINETASM.&COMPONENTS(DOMETICRM7732IM)



| KEY | PARTNUMBER | U/M | DESCRIPTION | VENDORNO. |
|-----|---------------|-----|--------------------------------------|--------------|
| | 118367-01-01A | EA | REFRIGERATOR-SIDE BY SIDE DOOR-2WAY | |
| | 065225-01-000 | EA | PLATE-TIEDOWN-REFRIGERATOR | |
| | 065225-03-000 | EA | PLATE-TIEDOWN-REFRIGERATOR | |
| | 103251-05-01A | EA | INSERT-DOOR-ACRYLICBLACK-16.81X55.06 | |
| | 103251-06-01A | EA | INSERT-DOOR-ACRYLICBLACK-10.44X55.06 | |
| 1 | 118367-01-739 | EA | FLANGE-COOLING COIL-LEFT | 2931661-02/5 |
| 2 | 118367-01-740 | EA | FLANGE-COOLING COIL-RIGHT | 2931661-03/3 |
| 3 | 118367-01-741 | EA | SHELF-UPPER-(REFRIGERATOR) | 2931541-05/2 |
| 4 | 118367-01-742 | EA | SHELF-(REFRIGERATOR) | 2931541-04/5 |
| 5 | 118367-01-743 | EA | SHELF-(REFRIGERATOR) | 2931542-02/7 |
| 6 | 118367-01-744 | EA | SHELF-(REFRIGERATOR) | 2931117-06/9 |
| 7 | 118367-01-745 | EA | SHELF-(REFRIGERATOR) | 2931541-06/0 |
| 8 | 118367-01-746 | EA | TRAY-ICE | 2930400-00/3 |
| 9 | 118367-01-747 | EA | LOCK-FLAP-INNER | 2007392-02/6 |
| 10 | 118367-01-748 | EA | LOCK-FLAP-OUTER | 2007393-02/4 |
| 11 | 118367-01-749 | EA | BOX-VEGETABLE | 2931471-03/7 |
| 12 | 118367-01-750 | EA | BOX-VEGETABLE-UPPER | 2931471-03/7 |
| 13 | 118367-01-751 | EA | LID-VEGETABLE | 2932693-01/9 |
| 14 | 118367-01-752 | EA | PAN-DRIP | 2936163-01/3 |
| 15 | 118367-01-753 | EA | COVER-SWITCH&LIGHT | 2004044-09/1 |
| 16 | 118367-01-754 | EA | SWITCH-DOOR | 294082500/9 |
| 17 | 118367-01-755 | EA | RETAINER-PROBE | 2931976-01/9 |
| 18 | 118367-01-756 | EA | SUPPORT-THERMOSTAT | 2004042-00/4 |
| 19 | 118367-01-757 | EA | CAP-END LAMP PROTECTION | 2004043-00/2 |
| 20 | 118367-01-758 | EA | LIGHTING | 2930744-01/2 |
| 21 | 118367-01-759 | EA | LAMP-10W-12VOLT | 2007290-00/6 |
| 22 | 118367-01-760 | EA | RACK-UPPER | 2007337-15/3 |
| 23 | 118367-01-761 | EA | RACK-LOWER | 2007337-16/1 |
| 24 | 118367-01-762 | EA | RETAINER-RACKS | 2930693-04/5 |
| 25 | 118367-01-763 | EA | PIN-LOCKING | 2001281-01/9 |
| | 118367-01-784 | EA | BUCKET-ICE | 2930880-02 |
| | 118367-01-785 | EA | CONNECTION-WATER-COMPLETE | 2930916-02 |
| | 118367-01-786 | EA | STRIP-DOOR DECORATION | 2931163-11 |
| | 118367-01-787 | EA | SHELF-ICEBUCKET | 2931923-01 |
| | 118367-01-788 | EA | BLOCK-TERMINAL | 2931963-01 |
| | 118367-01-789 | EA | ICEMAKER | 2931971-02 |
| | 118367-01-790 | EA | VALVE-WATER | 2931972-02 |

GALLEYGROUP(CONTINUED)

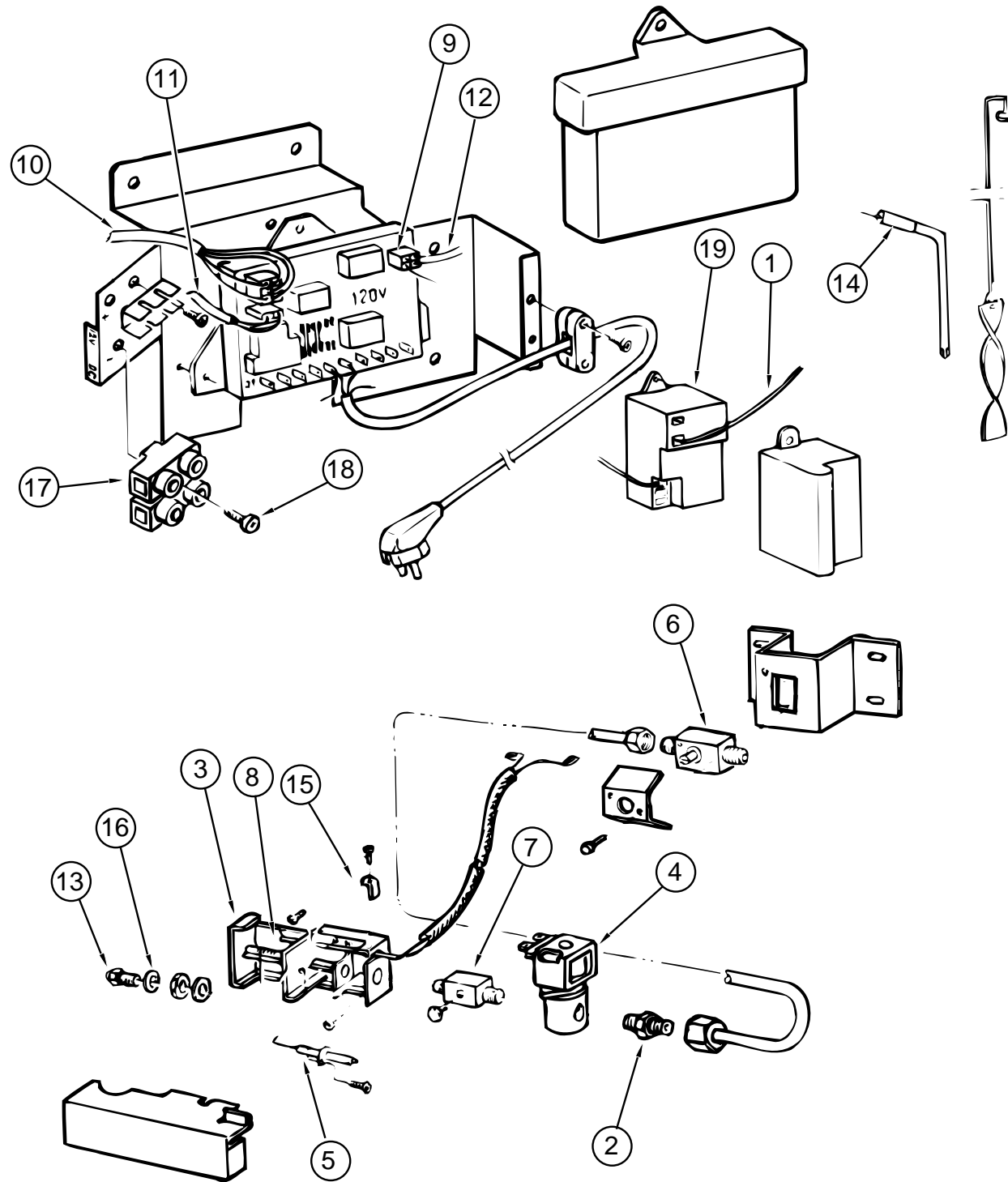
REFRIGERATORFREEZERSHELVES&COMPONENTS(DOMETICRM7732IM)



| KEY | PARTNUMBER | U/M | DESCRIPTION | VENDORNO. |
|-----|---------------|-----|---------------------------------|--------------|
| 1 | 118367-01-713 | EA | PLUG | 2932736-01/6 |
| 2 | 118367-01-714 | EA | PIN-HINGE-UPPER | 2932647-01/5 |
| 3 | 118367-01-715 | EA | HINGE-UPPER-LEFT(FREEZER) | 2932646-01/7 |
| 4 | 118367-01-716 | EA | HINGE-UPPER-RIGHT(REFRIGERATOR) | 2932646-02/5 |
| 5 | 118367-01-717 | EA | SCREW-M6S-5X20-FN | 7252330-13/4 |
| 6 | 118367-01-718 | EA | NUT-M5-BRASS-FN | 7314314-13/4 |
| 7 | 118367-01-719 | EA | BOARD-CIRCUIT-AESASM. | 2932697-05/1 |
| 8 | 118367-01-720 | EA | DECORATION | 955024-53/4 |
| 9 | 118367-01-721 | EA | BUTTON | 955024-13/8 |
| 10 | 118367-01-722 | EA | DECORATION-FRONT | 2932663-01/2 |
| 11 | 118367-01-723 | EA | BOW-LOCKING | 2932745-01/7 |
| 12 | 118367-01-724 | EA | RETAINER | 2932746-01/5 |
| 13 | 118367-01-725 | EA | HINGE-LOWER-LEFT(FREEZER) | 2932645-01/9 |
| 14 | 118367-01-726 | EA | HINGE-LOWER-RIGHT(REFRIGERATOR) | 2932645-02/7 |
| 15 | 118367-01-727 | EA | PIN-HINGE-LOWER | 2932649-02/9 |
| 16 | 118367-01-728 | EA | LID-LOWER | 2931715-01/1 |
| 17 | 118367-01-729 | EA | LID-UPPER | 2930487-00/0 |
| 18 | 118367-01-730 | EA | STRIP-FRONT | 2932664-01/0 |
| 19 | 118367-01-731 | EA | FLAP | 2932655-01/8 |
| 20 | 118367-01-732 | EA | SWITCH-DOOR | 2932680-01/6 |
| 21 | 118367-01-733 | EA | SHELF-UPPER-FREEZER | 2931477-02/6 |
| 22 | 118367-01-734 | EA | COIL-FREEZER | 2931474-01/5 |
| 23 | 118367-01-735 | EA | SHELF-#2-FREEZER | 2931983-02/3 |
| 24 | 118367-01-736 | EA | SHELF-#3-FREEZER | 2931982-02/5 |
| 25 | 118367-01-737 | EA | SHELF-#4-FREEZER | 2931482-02/6 |
| 26 | 118367-01-738 | EA | BRACKET-SHELF-FREEZER | 2931484-01/4 |

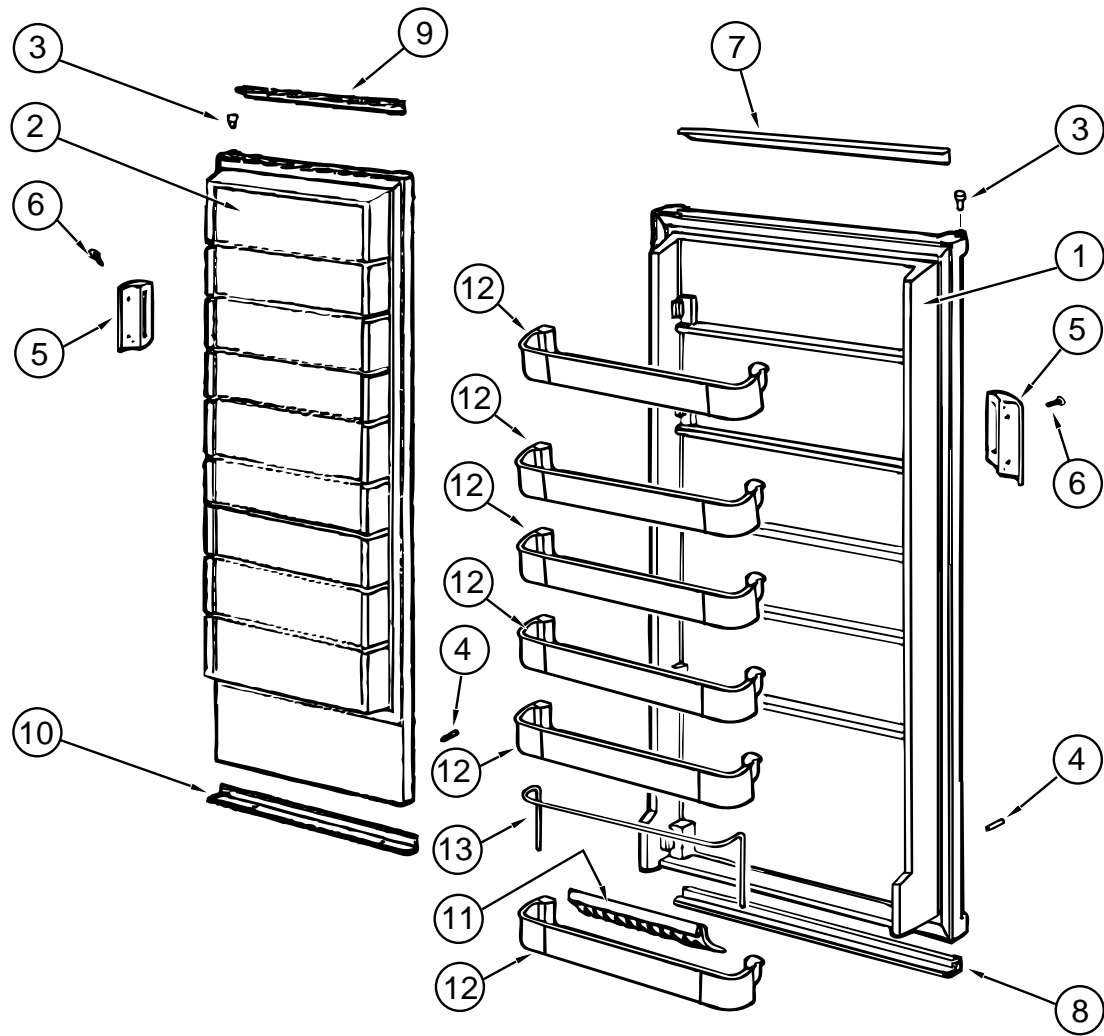
GALLEYGROUP(CONTINUED)

REFRIGERATORELECTRICALCOMPONENTS(DOMETICRM7732IM)



| KEY | PARTNUMBER | U/M | DESCRIPTION | VENDORNO. |
|-----|---------------|-----|---------------------------|--------------|
| 1 | 118367-01-764 | EA | CONDUCTOR-ELECTRODE | 2007668-04/5 |
| 2 | 118367-01-765 | EA | NIPPLE | 2932063-01/5 |
| 3 | 118367-01-766 | EA | HOUSING-BURNER | 2932161-01/7 |
| 4 | 118367-01-767 | EA | VALVE-SOLENOID | 2943298-03/0 |
| 5 | 118367-01-768 | EA | ELECTRODE | 2931495-01/0 |
| 6 | 118367-01-769 | EA | GASSHUTOFF | 2932616-01/0 |
| 7 | 118367-01-770 | EA | NIPPLE | 2931824-01/1 |
| 8 | 118367-01-771 | EA | THERMOSTAT | 2931826-01/6 |
| 9 | 118367-01-772 | EA | BOARD-CIRCUIT-COMPLETE | 2931842-03/9 |
| 10 | 118367-01-773 | EA | CONDUCTOR-CIRCUITBOARD | 2931862-02/9 |
| 11 | 118367-01-774 | EA | CONDUCTOR-THERMISTOR | 2931863-02/7 |
| 12 | 118367-01-775 | EA | CONDUCTOR-GASVALVE | 2954437-02/2 |
| 13 | 118367-01-776 | EA | ORFICE-JET-NR76 | 2007419-33/2 |
| 14 | 118367-01-777 | EA | HEATER-210WATT-120VOLT | 173758-03/8 |
| 15 | 118367-01-778 | EA | RETAINER | 2930660-01/0 |
| 16 | 118367-01-779 | EA | WASHER | 2007457-00/1 |
| 17 | 118367-01-780 | EA | BLOCK-TERMINAL | 2930463-01/9 |
| 18 | 118367-01-781 | EA | SCREW-RXS-B6X25-STAINLESS | 7295287-40/8 |
| 19 | 118367-01-782 | EA | IGNITION-SPARK | 2931132-01/9 |

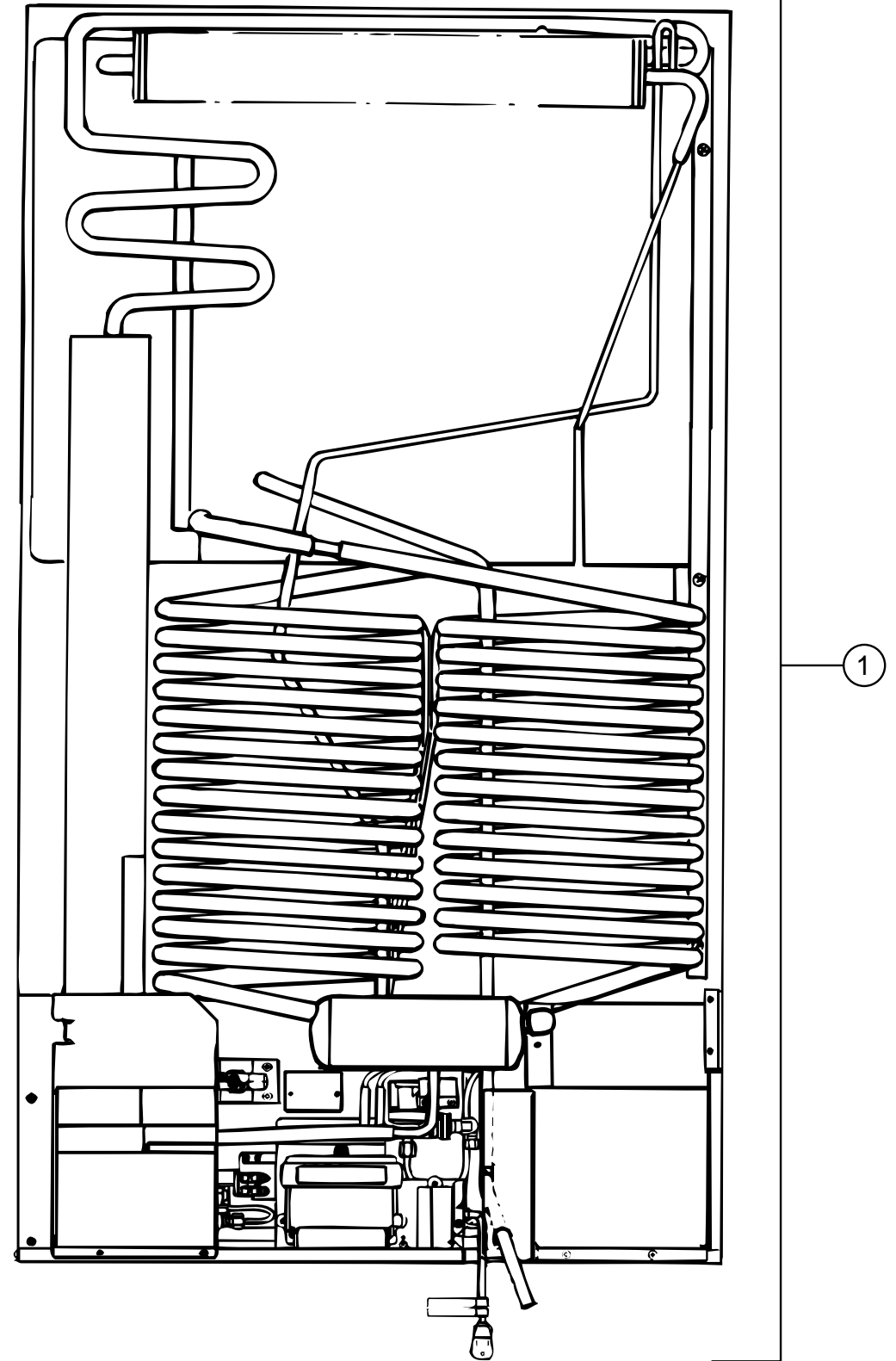
GALLEYGROUP(CONTINUED)



REFRIGERATORDOORS(DOMETICRM7732IM)

| KEY | PARTNUMBER | U/M | DESCRIPTION | VENDORNO. |
|-----|---------------|-----|------------------------------------|--------------|
| 1 | 118367-01-700 | EA | DOOR-REFRIGERATOR | 2932590-11/6 |
| 2 | 118367-01-701 | EA | DOOR-FREEZER | 2932589-11/8 |
| 3 | 118367-01-702 | EA | BUSHING-HINGE-FREEZER-REFRIGERATOR | 2931171-01/7 |
| 4 | 118367-01-703 | EA | STOP-LOWER-FREEZER-REFRIGERATOR | 2932588-01/1 |
| 5 | 118367-01-704 | EA | HANDLE-FREEZER-REFRIGERATOR | 2932729-01/1 |
| 6 | 118367-01-705 | EA | SCREW-HANDLE-FREEZER-REFRIGERATOR | 7241323-61/2 |
| 7 | 118367-01-706 | EA | DECORATION-DOOR-REFRIGERATOR-UPPER | 2932642-08/1 |
| 8 | 118367-01-707 | EA | DECORATION-DOOR-REFRIGERATOR-LOWER | 2932642-03/2 |
| 9 | 118367-01-708 | EA | DECORATION-DOORFREEZER-UPPER | 2932642-12/3 |
| 10 | 118367-01-709 | EA | DECORATION-DOOR-FREEZER-LOWER | 2932642-02/4 |
| 11 | 118367-01-710 | EA | HOLDER-BOTTLE-DOOR-REFRIGERATOR | 2932658-01/2 |
| 12 | 118367-01-711 | EA | SHELF-DOOR-REFRIGERATOR | 2932583-02/0 |
| 13 | 118367-01-712 | EA | RACK-DOOR-REFRIGERATOR | 2932585-04/1 |

GALLEYGROUP(CONTINUED)

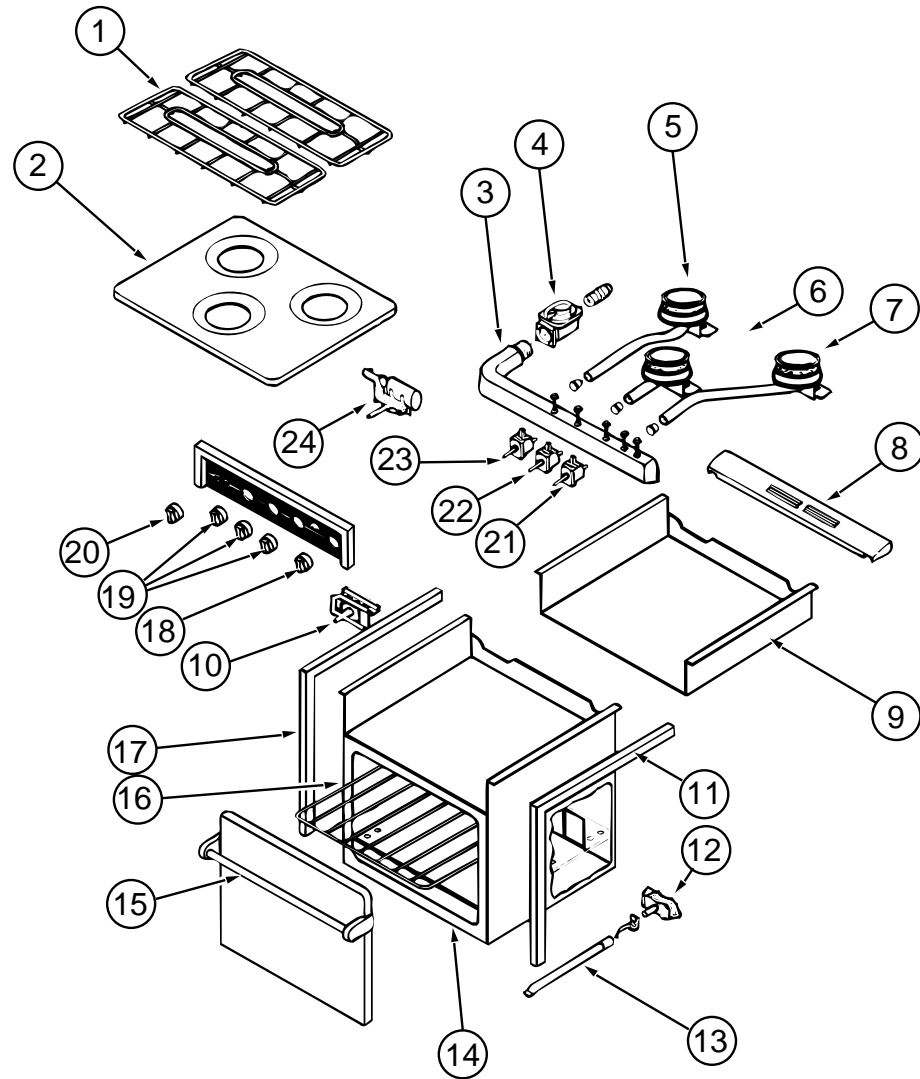


REFRIGERATORCOOLINGCOIL(DOMETICRM7732IM)

| KEY | PARTNUMBER | U/M | DESCRIPTION | VENDORNO. |
|-----|---------------|-----|--|--------------|
| 1 | 118367-01-783 | EA | COIL-COOLING | 2934945-09/4 |
| | 118871-02-01A | EA | TRAY-DRAIN-REFRIGERATOR-SIDE/SIDEBLACK | |

GALLEYGROUP(CONTINUED)

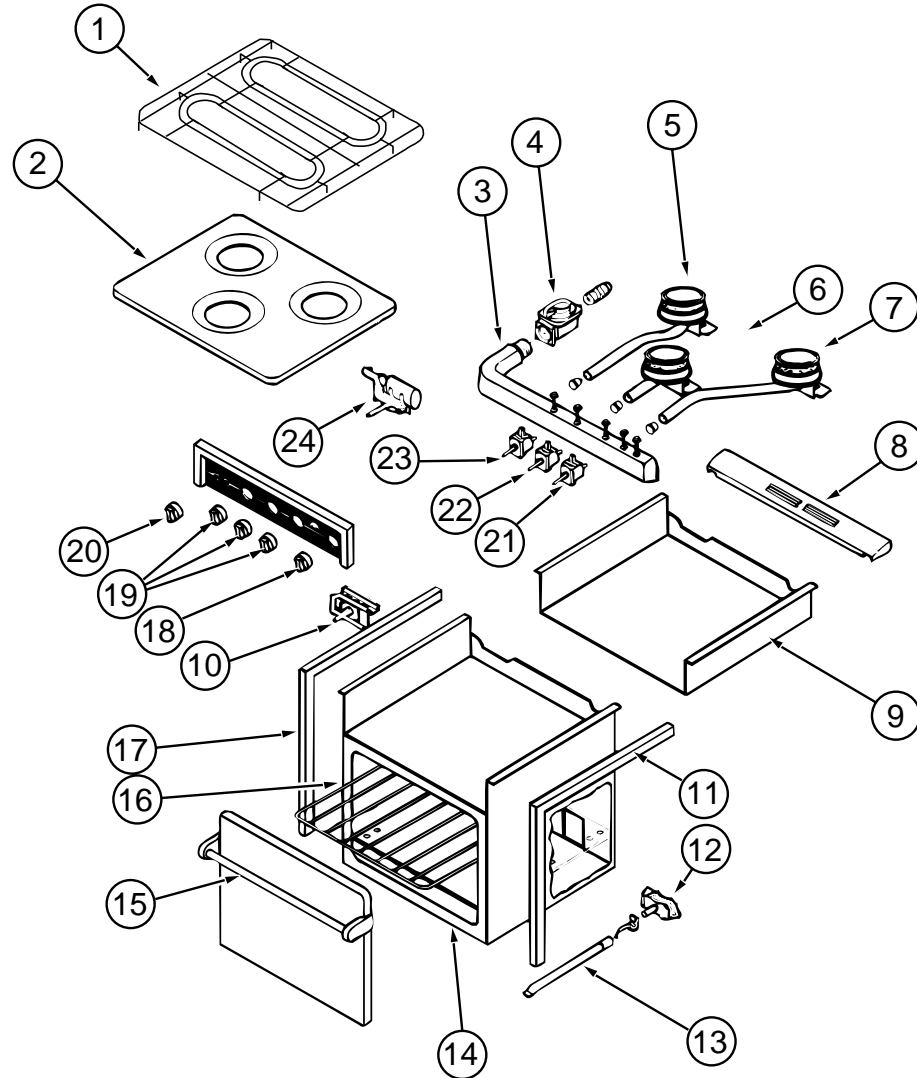
ATWOODRANGEW/OVEN,R-2137BGP(FROM:00-00-00THRU:11-26-96)



| KEY | PARTNUMBER | U/M | DESCRIPTION | VENDOR NO. |
|-----|---------------|-----|---------------------------------|------------|
| | 121758-01-01A | EA | RANGE -W/OVEN-BLACK -R-2137BGP | |
| | 105458-03-000 | EA | BRACKET-TIEDOWN-STOVE-RIGHTHAND | |
| | 105458-04-000 | EA | BRACKET-TIEDOWN-STOVE-LEFTHAND | |
| 1 | 107246-01-701 | EA | GRATE-BURNER | 53050 |
| | 107323-01-711 | EA | CUSHION-GRATE-RUBBER | 53008 |
| | 107323-01-716 | EA | CLIP-GRATE-GREEN | 50005 |
| 2 | 121758-01-714 | EA | RANGE-TOP-ALMOND | 53082 |
| 3 | 121758-01-709 | EA | MANIFOLD3BURNER | 51272 |
| | 121758-01-713 | EA | COVER-MANIFOLD | 56107 |
| 4 | 106689-01-704 | EA | REGULATOR-EXTREMEPRESSURE | 51062 |
| 5 | 121758-01-707 | EA | BURNERLEFTREARPZO | 56066 |
| 6 | 121758-01-708 | EA | BURNERCENTER(HIGHOUTPUT) | 56068 |
| 7 | 121758-01-706 | EA | BURNERRIGHTREARPZO | 56067 |
| 8 | 107323-01-705 | EA | TRIM-VENT | 53525 |
| 9 | 121758-01-711 | EA | BURNERBOX | 51684 |
| 10 | 107246-01-703 | EA | THERMOSTAT-ROBERTSHAW | 52122 |
| 11 | 107323-01-703 | EA | TRIM-RIGHT | 53024 |
| 12 | 107246-01-706 | EA | PILOTASM.-ONLY(OVEN) | 51065 |
| 13 | 107246-01-721 | EA | BURNER-OVEN | 52018 |
| 14 | 107323-01-706 | EA | TRIM-LOWER-BLACK | 53526 |
| 15 | 107323-01-714 | EA | HANDLEASM.DESIGNERSTYLE | 51112 |
| | 107323-01-713 | EA | GLASS-BLACK-INSERTOVENDOOR | 53426 |
| 16 | 107246-01-704 | EA | RACK-OVEN | 51069 |
| | 107246-01-708 | EA | SHELF-OVEN-LOWER | 51657 |
| 17 | 107323-01-702 | EA | TRIM-LEFT | 53023 |
| 18 | 121758-01-703 | EA | KNOBTHERMOSTAT | 56094 |
| 19 | 121758-01-712 | EA | KNOB-BURNER(3) | 56093 |
| 20 | 121758-01-700 | EA | KNOB(TURNSTYLE)PIEZOIGN | 56095 |
| 21 | 121758-01-710 | EA | VALVE-BURNER | 56086 |
| 22 | 121758-01-705 | EA | VALVEHIGHOUTPUT | 56087 |
| 23 | 121758-01-710 | EA | VALVE-BURNER | 56086 |
| 24 | 121758-01-701 | EA | IGNITORPIEZO(ROTARY) | 56096 |
| | 121758-01-702 | EA | ELECTRODEWIRE(PIEZOIGNITOR) | 56097 |
| | 107246-01-707 | EA | VALVE-SAFETYW/PILOTCOMP | 51063 |

GALLEYGROUP(CONTINUED)

ATWOODRANGEW/OVEN,R-2138BGP(FROM: 11-27-96 THRU: 99-99-99)



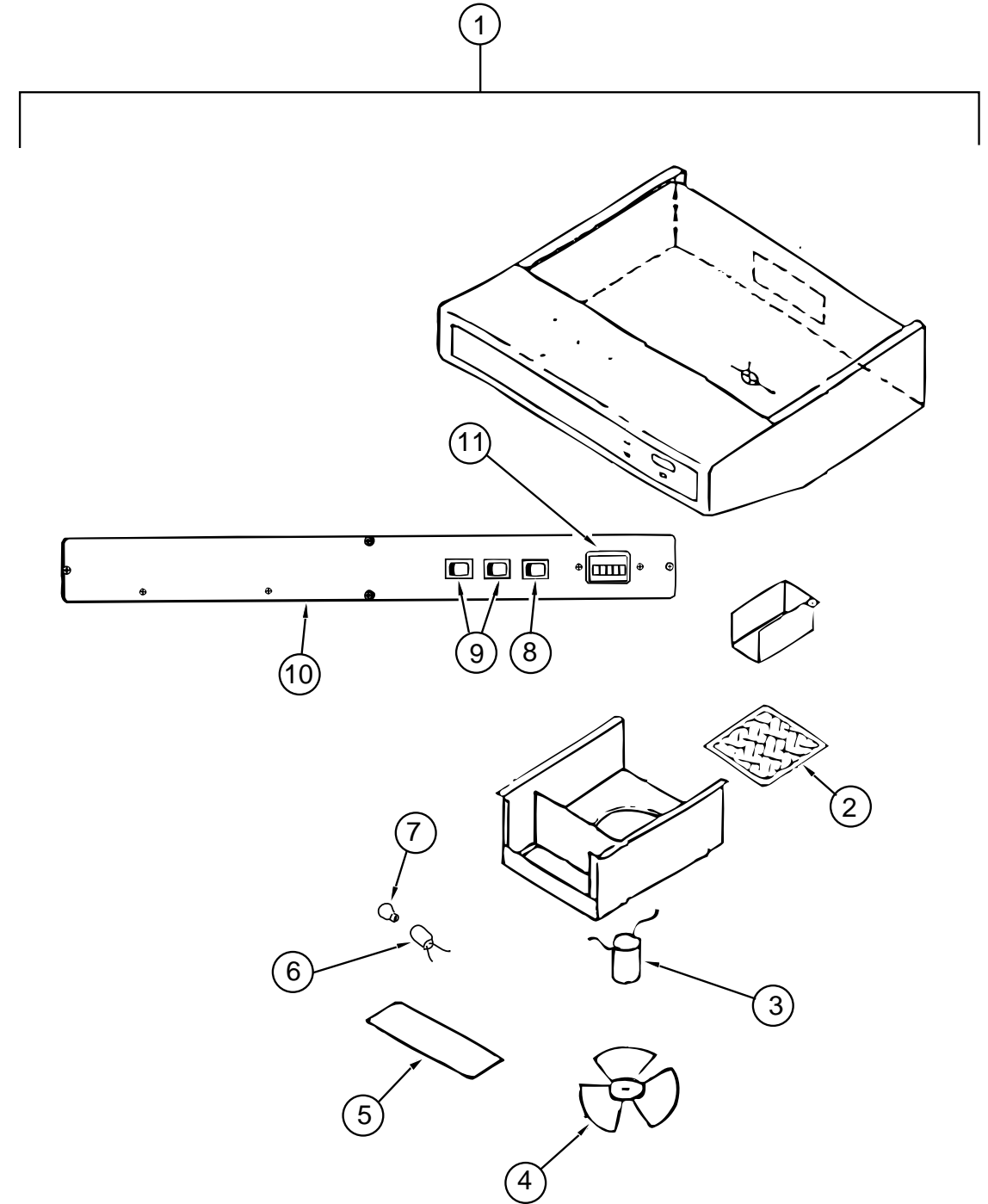
| KEY | PARTNUMBER | U/M | DESCRIPTION | VENDOR NO. |
|-----|---------------|-----|---------------------------------|------------|
| | 121758-02-01A | EA | RANGE-W/OVEN-BLACK-R-2138BGP | |
| | 105458-03-000 | EA | BRACKET-TIEDOWN-STOVE-RIGHTHAND | |
| | 105458-04-000 | EA | BRACKET-TIEDOWN-STOVE-LEFTHAND | |
| 1 | 121758-02-700 | EA | GRATE-SINGLE | 56261 |
| | 121758-02-701 | EA | CLIP-GRATE | 56117 |
| 2 | 107246-01-700 | EA | TOP-MAIN-BLACK-3-BURNER | 53083 |
| 3 | 121758-01-709 | EA | MANIFOLD3BURNER | 51272 |
| | 121758-01-713 | EA | COVER-MANIFOLD | 56107 |
| 4 | 106689-01-704 | EA | REGULATOR-EXTREMEPRESSURE | 51062 |
| 5 | 121758-01-707 | EA | BURNERLEFTREARPZO | 56066 |
| 6 | 121758-01-708 | EA | BURNERCENTER(HIGHOUTPUT) | 56068 |
| 7 | 121758-01-706 | EA | BURNERRIGHTREARPZO | 56067 |
| 8 | 107323-01-705 | EA | TRIM-VENT | 53525 |
| 9 | 121758-01-711 | EA | BURNERBOX | 51684 |
| 10 | 121758-02-702 | EA | THERMOSTAT-(OVEN) | 56119 |
| 11 | 107323-01-703 | EA | TRIM-RIGHT | 53024 |
| 12 | 121758-02-705 | EA | PILOTASM.-ONLY(OVEN) | 56121 |
| 13 | 121758-02-706 | EA | BURNER-OVEN | 56123 |
| 14 | 107323-01-706 | EA | TRIM-LOWER-BLACK | 53526 |
| 15 | 107323-01-714 | EA | HANDLEASM.DESIGNERSTYLE | 51112 |
| | 107323-01-713 | EA | GLASS-BLACK-INSERTOVENDOOR | 53426 |
| 16 | 107246-01-704 | EA | RACK-OVEN | 51069 |
| 17 | 107323-01-702 | EA | TRIM-LEFT | 53023 |
| 18 | 121758-02-703 | EA | KNOB-OVEN-THERMOSTAT | 56124 |
| 19 | 121758-01-712 | EA | KNOB-BURNER(3) | 56093 |
| 20 | 121758-01-700 | EA | KNOB(TURNSTYLE)PIEZOIGN | 56095 |
| 21 | 121758-01-710 | EA | VALVE-BURNER | 56086 |
| 22 | 121758-01-705 | EA | VALVEHIGHOUTPUT | 56087 |
| 23 | 121758-01-710 | EA | VALVE-BURNER | 56086 |
| 24 | 121758-01-701 | EA | IGNITORPIEZO(ROTARY) | 56096 |
| | 121758-02-704 | EA | VALVE-SAFETY | 56120 |

GALLEY GROUP (CONTINUED)

MICROWAVE OVEN

| KEY | PART NUMBER | U/M DESCRIPTION |
|-----|---------------|--|
| | 115303-02-000 | EA OVEN - MICROWAVE 1.3 CU FT |
| | 115401-02-01A | EA TRIM - MICROWAVE |
| | 098916-16-02B | EA BRACE - MICROWAVE |
| | 098916-17-02B | EA BRACE - MICROWAVE |
| | 094756-02-01A | EA BRACKET - MICROWAVE - 6.1" LONG X 3.9" WIDE - STEEL |
| | 094756-01-02A | EA BRACKET - ANGLE - W/ HOLES |
| | 094750-07-000 | EA BRACKET - MICROWAVE - 89 DEGREE |

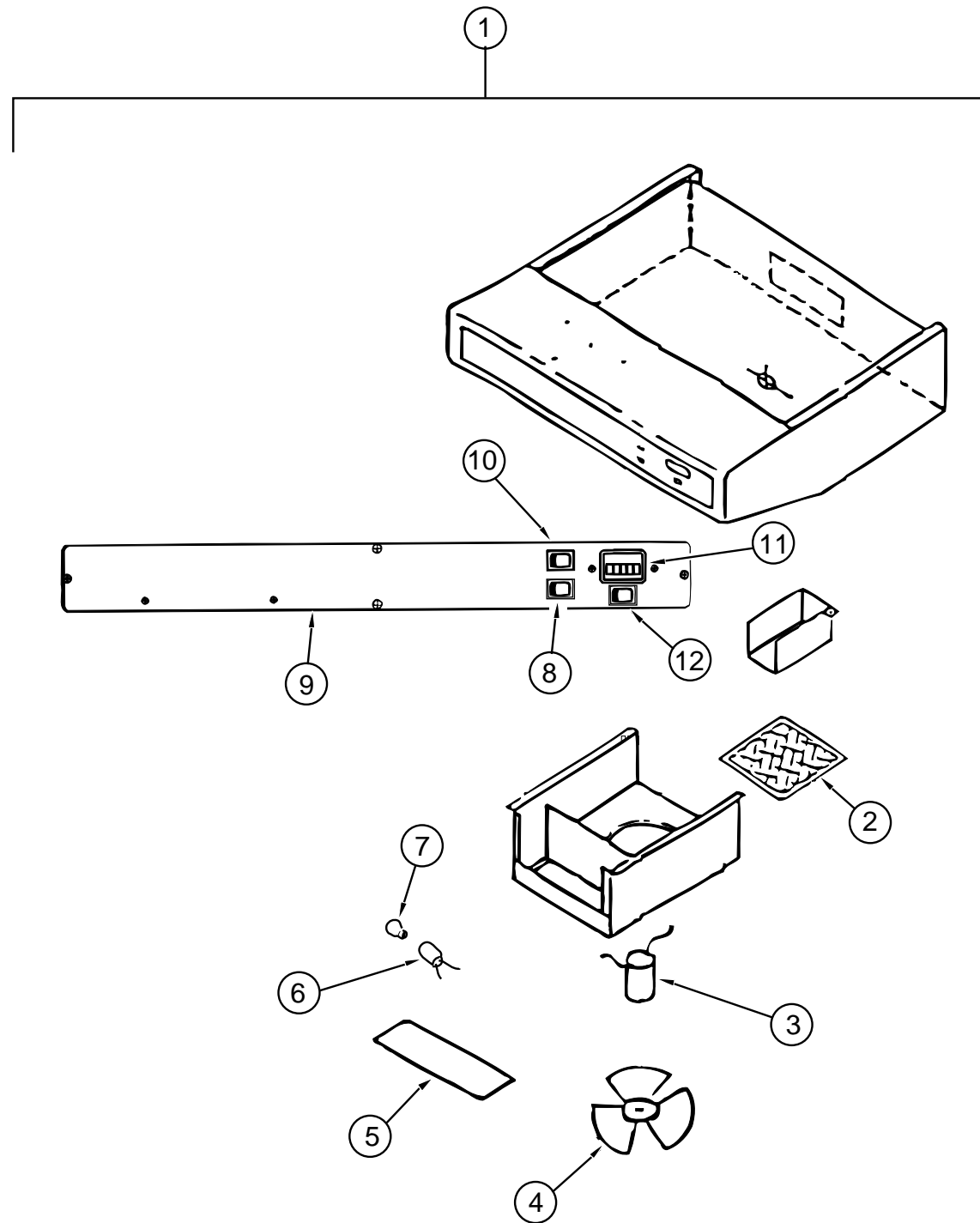
GALLEY GROUP (CONTINUED)



RANGE HOOD , W/HOUR METER, TPS-5009-SBDLG (USA)

| KEY | PART NUMBER | U/M DESCRIPTION | VENDOR NO. |
|-----|---------------|--|------------|
| 1 | 100258-18-03A | EA HOOD - RANGE 22W W/O MONITOR PANEL | |
| 2 | 096983-01-707 | EA FILTER - GREASE - 8" X 8" - LVS | CC246 |
| 3 | 090973-01-700 | EA MOTOR - LVS | CA508-1 |
| 4 | 090973-01-702 | EA BLADE - FAN - LVS | VA183-1 |
| 5 | 092696-02-701 | EA LENS - LAMP | CC179-2 |
| 6 | 092696-01-710 | EA SOCKET - LIGHT | CB267-2 |
| 7 | 092696-01-709 | EA BULB - 912 | VA415 |
| 8 | 096983-01-702 | EA SWITCH - MOM / OFF / MOM / 3 TERM | L0112-00 |
| 9 | 096983-01-700 | EA SWITCH - ON/OFF | L0108-00 |
| 10 | 100258-01-700 | EA HOOD NOSE LABEL | CC428 |
| 11 | 100258-10-01A | EA GAUGE - HOUR METER W/ SWITCH - SCREW ON - 150 | |
| 11 | 100258-10-701 | EA GAUGE - HOUR METER - CLIP ON | L0775-00 |

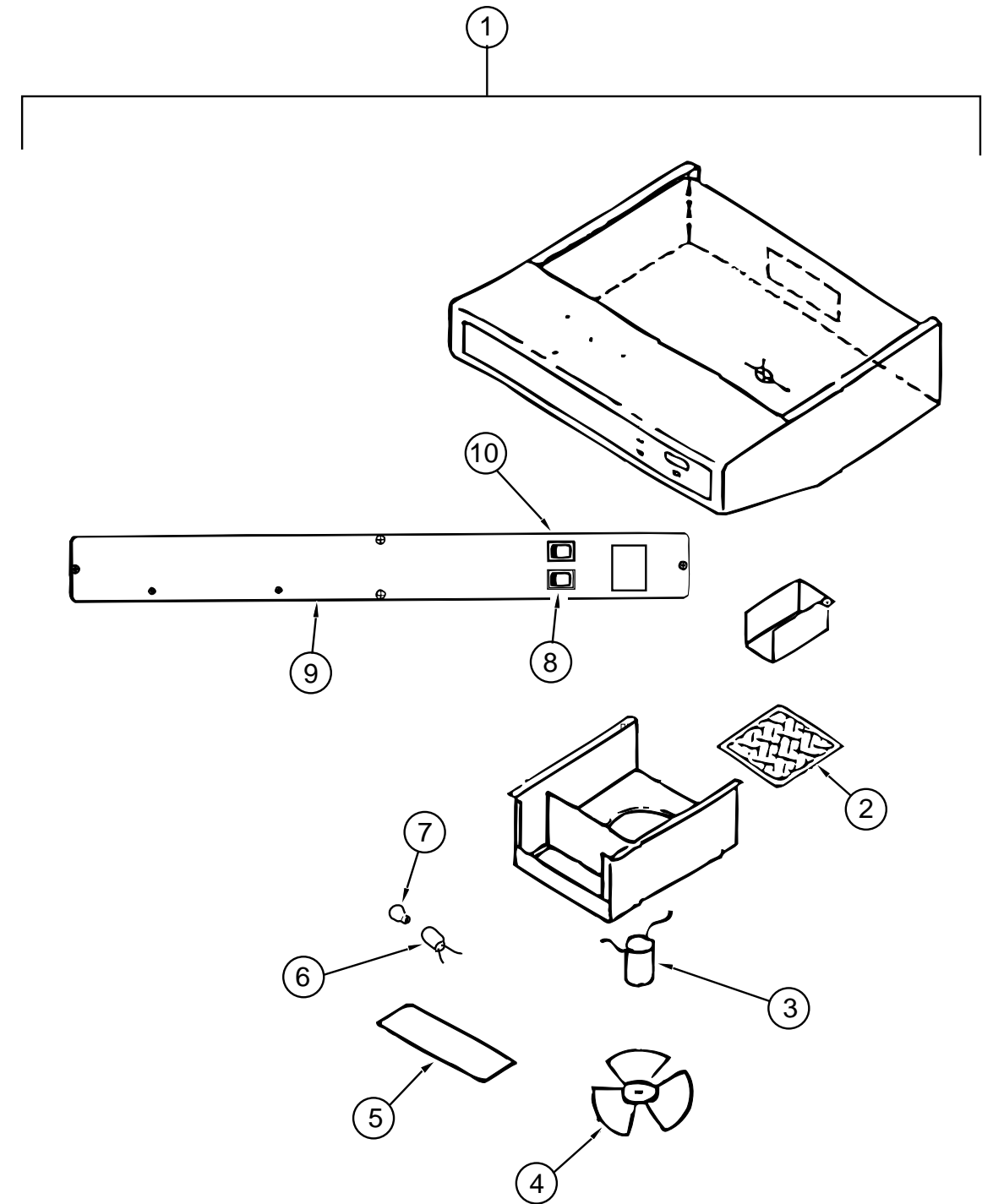
GALLEYGROUP(CONTINUED)



RANGEHOOD, W/O HOURMETER, TCS5008-NBCLG (CANADIAN)

| KEY | PARTNUMBER | U/M | DESCRIPTION | VENDOR NO. |
|-----|---------------|-----|-------------------------------------|------------|
| 1 | 100258-17-04A | EA | HOOD-RANGE-W/OMONITORPANEL | |
| 2 | 096983-01-707 | EA | FILTER-GREASE-8"X8"-LVS | CC246 |
| 3 | 090973-01-700 | EA | MOTOR-LVS | CA508-1 |
| 4 | 090973-01-702 | EA | BLADE-FAN-LVS | VA183-1 |
| 5 | 092696-02-701 | EA | LENS-LAMP | CC179-2 |
| 6 | 092696-01-710 | EA | SOCKET-LIGHT | CB267-2 |
| 7 | 117806-01-000 | EA | BULB-912 | |
| 8 | 096983-01-700 | EA | SWITCH-ON/OFF | L0108-00 |
| 9 | 100258-01-700 | EA | HOODNOSELABEL | CC428 |
| 10 | 096983-01-700 | EA | SWITCH-ON/OFF | L0108-00 |
| 11 | 100258-10-01A | EA | GAUGE-HOURMETER-SCREWON(OPTION)-150 | |
| 11 | 100258-10-701 | EA | GAUGE-HOURMETER-CLIPON(OPTION) | 72367 |
| 12 | 096983-01-702 | EA | SWITCH-TWOWAYMOMENTARY(OPTION) | L0112-00 |

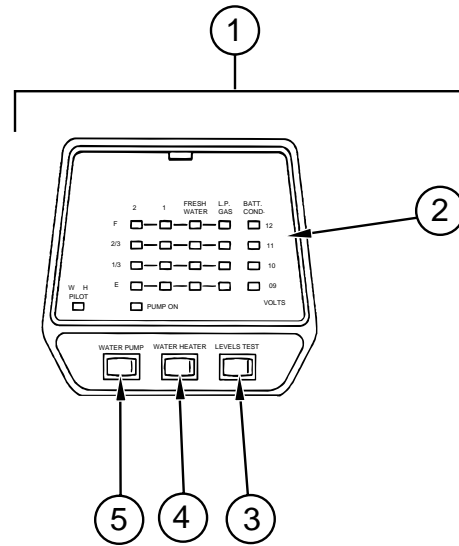
GALLEYGROUP(CONTINUED)



RANGEHOOD, W/O HOURMETER, TCS-5008-NBDLG (USA)

| KEY | PARTNUMBER | U/M | DESCRIPTION | VENDOR NO. |
|-----|---------------|-----|----------------------------|------------|
| 1 | 100258-16-04A | EA | HOOD-RANGE-W/OMONITORPANEL | |
| 2 | 096983-01-707 | EA | FILTER-GREASE-8"X8"-LVS | CC246 |
| 3 | 090973-01-700 | EA | MOTOR-LVS | CA508-1 |
| 4 | 090973-01-702 | EA | BLADE-FAN-LVS | VA183-1 |
| 5 | 092696-02-701 | EA | LENS-LAMP | CC179-2 |
| 6 | 092696-01-710 | EA | SOCKET-LIGHT | CB267-2 |
| 7 | 117806-01-000 | EA | BULB-912 | |
| 8 | 096983-01-700 | EA | SWITCH-ON/OFF | L0108-00 |
| 9 | 100258-01-700 | EA | HOODNOSELABEL | CC428 |
| 10 | 096983-01-702 | EA | SWITCH-TWOWAYMOMENTARY | L0112-00 |

GALLEYGROUP(CONTINUED)



MONITOR PANEL(2WATERTANKS&WATERHEATER)

| KEY | PARTNUMBER | U/M | DESCRIPTION | VENDOR NO. |
|-----|---------------|-----|---|------------|
| 1 | 102765-04-01A | EA | PANEL-MONITOR-W/PLUG-2TANKS&WATERHEATER-LVS | |
| 2 | 102765-04-700 | EA | CIRCUITBOARD-2HOLDINGTANKS | L5097-41 |
| 3 | 097617-01-702 | EA | SWITCH(ALMOND) | 107 |
| 4 | 097617-01-701 | EA | SWITCH-ON/OFF(ALMOND) | 106 |
| 5 | 102765-01-700 | EA | SWITCH-ON/OFF(ALMOND) | 110-01 |

GENERATORGROUP

ONANGENERATOR,5.0KWEMERALDPLUS

| KEY | PARTNUMBER | U/M | DESCRIPTION |
|-----|---------------|-----|--|
| | 109303-01-000 | EA | GENERATOR-5KW-EMERALDPLUS |
| | 007125-03-000 | EA | CLAMP-MUFFLER-1.5"DIAMETER |
| | 007125-04-000 | EA | CLAMP-MUFFLER-1.12"DIAMETER |
| | 007131-01-000 | EA | HANGER-TAILPIPE-6SLOTS |
| | 079654-05-000 | EA | PIPE-EXHAUST-ANGLEDW/FLANGE-2"ID |
| | 081364-03-000 | EA | MUFFLER-GENERATOR-ONAN |
| | 094059-01-000 | EA | SPACER-GENERATOR-ONAN |
| | 106602-01-000 | EA | PIPE-EXHAUST-GENERATOR |
| | 106607-01-000 | EA | ANGLE-SUPPORT-EXHAUST |
| | 008401-01-000 | EA | STRAP-CONDUIT-3/4"-1HOLE-GALVANIZEDSTEEL |
| | 105958-04-000 | EA | PIPE-EXHAUST-1.4"INLETX1.5"O.D.-4.9"X66.9" |

ONANGENERATOR,5.0KWEMERALDPLUS(NHE-FN/29236G)(EXPORT)

| KEY | PARTNUMBER | U/M | DESCRIPTION |
|-----|---------------|-----|----------------------------------|
| | 100975-03-000 | EA | GENERATOR-5.KWEMERALDPLUS |
| | 007125-03-000 | EA | CLAMP-MUFFLER-1.5"DIAMETER |
| | 007125-04-000 | EA | CLAMP-MUFFLER-1.12"DIAMETER |
| | 007131-01-000 | EA | HANGER-TAILPIPE-6SLOTS |
| | 079654-05-000 | EA | PIPE-EXHAUST-ANGLEDW/FLANGE-2"ID |
| | 081364-03-000 | EA | MUFFLER-GENERATOR-ONAN |
| | 094059-01-000 | EA | SPACER-GENERATOR-ONAN |
| | 106602-01-000 | EA | PIPE-EXHAUST-GENERATOR |
| | 106607-01-000 | EA | ANGLE-SUPPORT-EXHAUST |

ONANGENERATOR,4.0KWEMERALDPLUS(BGE-FN/29236G)(EXPORT)

| KEY | PARTNUMBER | U/M | DESCRIPTION |
|-----|---------------|-----|--|
| | 100974-04-000 | EA | GENERATOR-4.0KWEMERALDPLUS |
| | 007125-03-000 | EA | CLAMP-MUFFLER-1.50"DIAMETER |
| | 007125-04-000 | EA | CLAMP-MUFFLER-1.12"DIAMETER |
| | 079654-05-000 | EA | PIPE-EXHAUST-ANGLEDW/FLANGE-2"ID |
| | 094059-01-000 | EA | SPACER-GENERATOR-ONAN |
| | 105958-03-000 | EA | PIPE-GENERATOREXHAUST1.5"ODX4.4"X15.7" |
| | 082272-01-000 | EA | MUFFLER-GENERATOR |

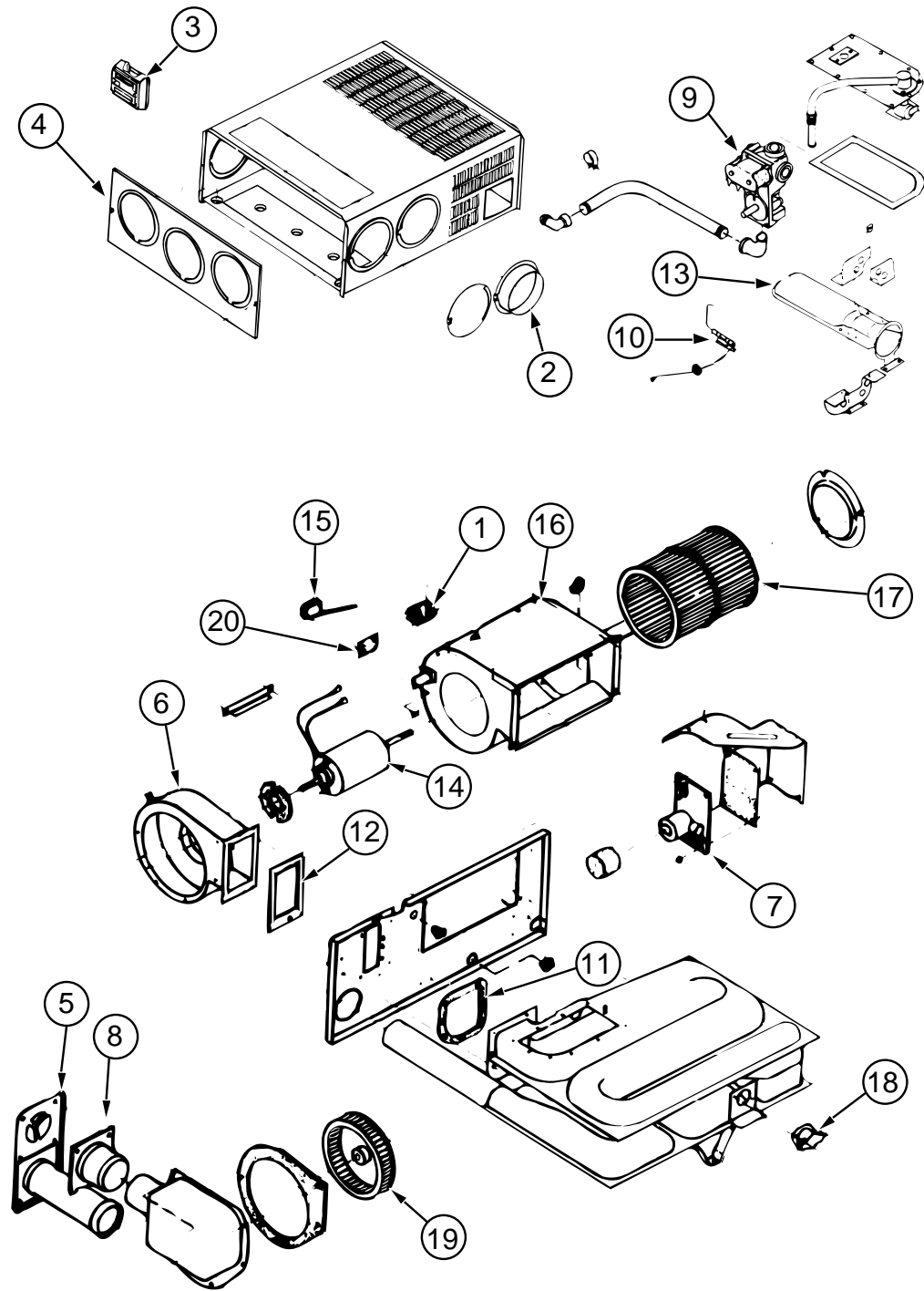
ONANGENERATOR,6.5KWEMERALDPLUS(NHE-FA/26100G)

| KEY | PARTNUMBER | U/M | DESCRIPTION |
|-----|---------------|-----|---|
| | 100975-01-000 | EA | GENERATOR-6.5KWEMERALDPLUS |
| | 106602-01-000 | EA | PIPE-EXHAUST-GENERATOR |
| | 106607-01-000 | EA | ANGLE-SUPPORT-EXHAUST |
| | 007125-03-000 | EA | CLAMP-MUFFLER-1.5"DIAMETER |
| | 007125-04-000 | EA | CLAMP-MUFFLER-1.12"DIAMETER |
| | 007131-01-000 | EA | HANGER-TAILPIPE-6SLOTS |
| | 079654-05-000 | EA | PIPE-EXHAUST-ANGLEDW/FLANGE-2"ID |
| | 081364-03-000 | EA | MUFFLER-GENERATOR-ONAN |
| | 094059-01-000 | EA | SPACER-GENERATOR-ONAN |
| | 007067-01-000 | SF | INSULATION-FIBERGLASS-1"THICKX4'-INCREMENTS/4SF |
| | 105958-04-000 | EA | PIPE-EXHAUST-1.4"INLETX1.5"O.D.-4.9"X66.9" |

NOTE: ADDITIONALGENERATORCOMPONENTSAREFOUNDINTHECHASSISGROUP

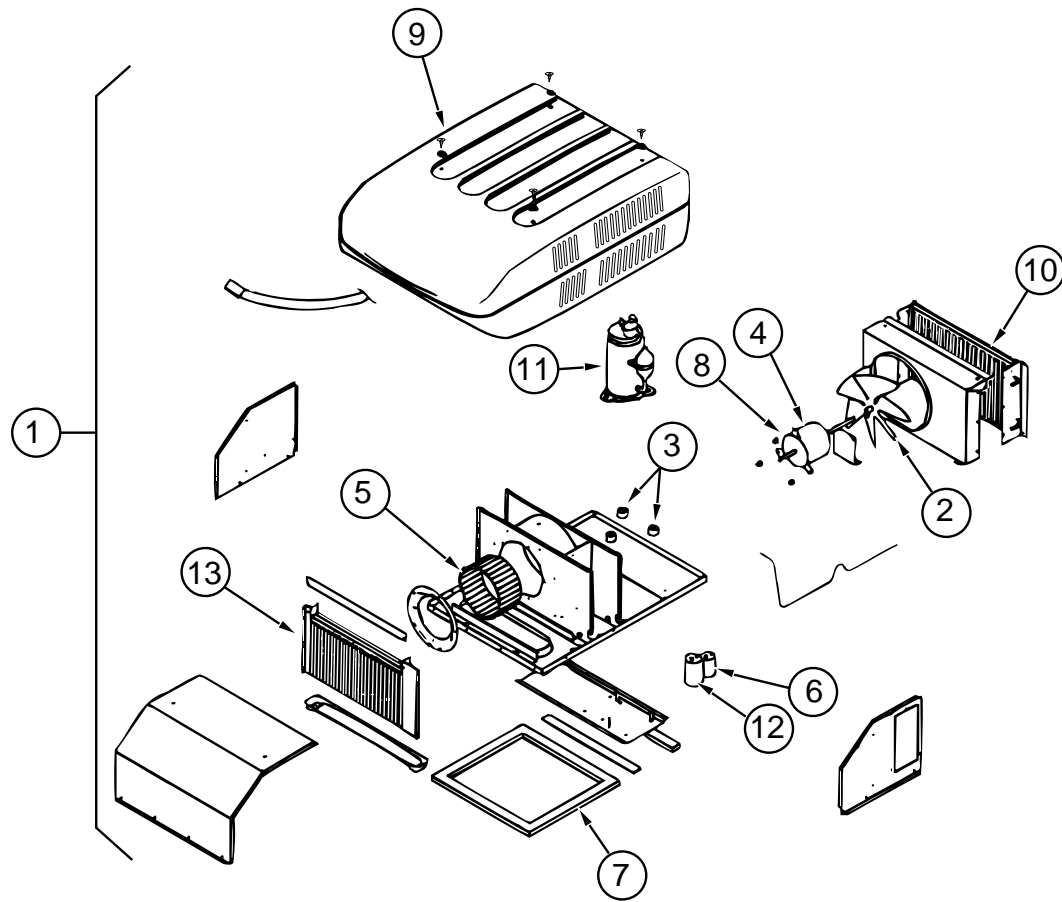
HEATING & AIR CONDITIONING GROUP

FURNACE (SUBURBAN SF-422275)



| KEY | PARTNUMBER | U/M | DESCRIPTION | VENDOR NO. |
|-----|---------------|-----|---|------------|
| | 098668-22-000 | EA | FURNACE-40,000BTU | |
| 1 | 074466-01-702 | EA | RELAY-TIMEDELAY | 230625 |
| 2 | 075696-02-703 | EA | DUCTCOLLAR | 050715 |
| 3 | 115764-01-01A | EA | THERMOSTAT-WALL-FURNACE-160902 | |
| 4 | 098668-01-700 | EA | CABINETFRONT | 101242 |
| 5 | 098668-01-707 | EA | VENTCAP&EXHAUSTTUBEASM | 260231 |
| 6 | 098668-01-708 | EA | BLOWERASM(COMBUSTIONAIR) | 390441 |
| 7 | 098668-01-712 | EA | BOARD-MODULE | 231741 |
| 8 | 098668-01-713 | EA | INTAKEVENTTUBEASM | 051248 |
| 9 | 098668-01-714 | EA | GASVALVE(WHITEROGERS) | 161070 |
| 10 | 098668-01-715 | EA | ELECTRODEASM.(SINGLEPROBE) | 232166 |
| 11 | 098668-01-716 | EA | GASKETFIREWALL(CHAMBERSIDE) | 070808 |
| 12 | 098668-01-717 | EA | GASKETFIREWALL(BLOWERSIDE) | 070809 |
| 13 | 098668-11-701 | EA | BURNERASMCOMP(SF-42F) | 010799 |
| 14 | 098668-11-702 | EA | MOTORASMCOMP(SF-42F) | 232212 |
| 15 | 098668-11-703 | EA | SWITCH-SAILASM(SF-42F) | 232216 |
| 16 | 098668-11-704 | EA | BLOWERASMROOMAIR(SF-42F) | 390698 |
| 17 | 098668-01-711 | EA | WHEEL-ROOMAIR | 350129 |
| 18 | 098668-11-706 | EA | LIMITSWITCH(SF-42F) | 232217 |
| 19 | 098668-22-702 | EA | WHEELCOMBUSTIONAIR | 350183 |
| 20 | 101990-01-714 | EA | MICROSWITCHGASKET | 230877 |
| | 098668-11-700 | EA | ORIFICE-MAINBURNERSF-42F | 180216 |
| | 009198-01-000 | FT | DUCT-HEAT-FLEXIBLE-4"ID X 25 FT | |
| | 009200-01-000 | EA | TAPE-FURNACE-1 1/2" | |
| | 098668-14-000 | EA | GASKET-FIBERGLASS-.5" X 18" X 18" | |
| | 093741-01-000 | EA | BOX-BOOT-FLOORREGISTER | |
| | 093614-04-02A | EA | GRILL-RETURNAIR-DURA-BEIGE-LIMA,35-14X8BR | |
| | 094600-05-01A | EA | REGISTER-HEAT-W/ODAMPER | |

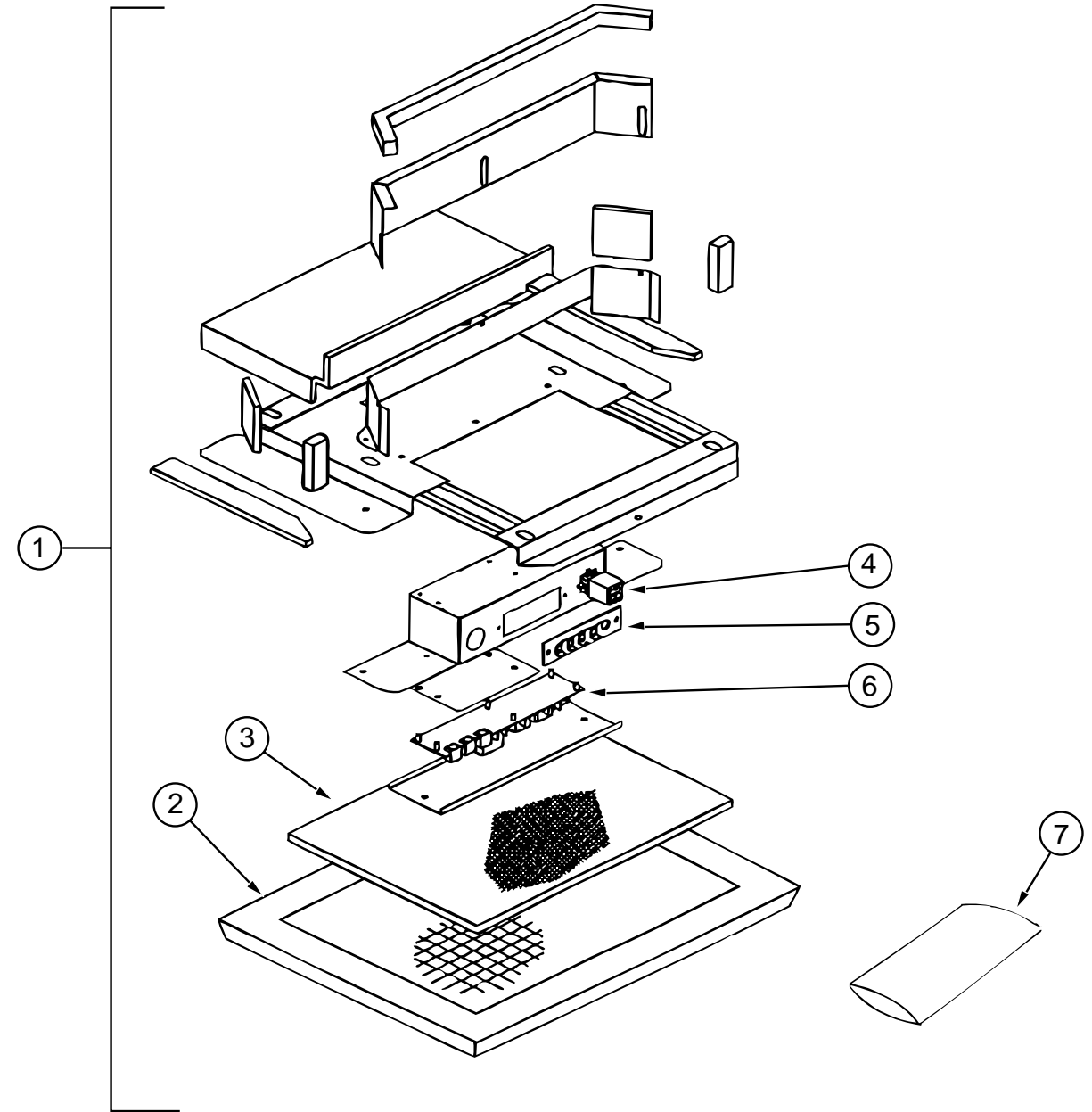
HEATING&AIRCONDITIONINGGROUP(CONTINUED)



COLEMANROOFAIR13,500BTU(EXPORT)

| KEY | PARTNUMBER | U/M | DESCRIPTION | VENDOR NO. |
|-----|---------------|-----|----------------------------------|------------|
| 1 | 108889-02-03A | EA | AIRCONDITIONER-13,500BTU/220VOLT | |
| 2 | 093763-01-712 | EA | BLADE-FAN-CONDENSER | 6733-3221 |
| 3 | 105620-01-706 | EA | MOUNTINGPKG.,COMP.,3PER | 6759-3081 |
| 4 | 108889-02-701 | EA | MOTOR | 1468-3059 |
| 5 | 108889-01-706 | EA | IMPELLOR | 1472-1041 |
| 6 | 093763-01-704 | EA | CAPACITOR-FAN | 1499-5461 |
| 7 | 108889-01-711 | EA | GASKETPKG | 6792-3301 |
| 8 | 108889-01-715 | EA | MOTORMOUNT&SHAFTSEALKIT | 6792-3361 |
| 9 | 108889-05-700 | EA | SHROUD-BRIGHT/WHT.W/OLOGO | 7333-4601 |
| 10 | 108889-01-703 | EA | COIL-CONDENSER | 1452A1301 |
| 11 | 108889-02-700 | EA | COMPRESSOR-TECUMSEH | 1450A2029 |
| 12 | 108889-01-707 | EA | CAPACITOR-RUN,COMP-25MFD/370 | 1499-5661 |
| 13 | 108889-01-709 | EA | COIL-EVAPORATOR | 1452A1311 |
| | 102289-01-000 | EA | SPRING-SCREW-ROOFA/CGASKET | |
| | 108889-01-710 | EA | PAD-FILLER,CONDENSERSEAL | 6759A3971 |
| | 108889-01-713 | EA | LINE-SUCTION,3/8ODX032WALL | 6792-130 |
| | 108889-01-714 | EA | LINEASSEMBLY-DISCHARGE | 6792-531 |
| | 105620-01-705 | EA | PROTECTOR-OVERLOAD,RH&LH | 6759-3791 |
| | 093306-01-701 | EA | DECALPACKAGE,LEFT&RIGHT | 6798B3591 |
| | 108889-02-702 | EA | CAPACITOR-START | 1497-0891 |
| | 108889-02-703 | EA | RELAY-START | 1497-4141 |
| | 117238-02-01A | EA | THERMOSTAT-A/CONLY | |
| | 120134-01-02A | EA | REGISTER-4-5INCHDIAMETERW/DAMPER | |

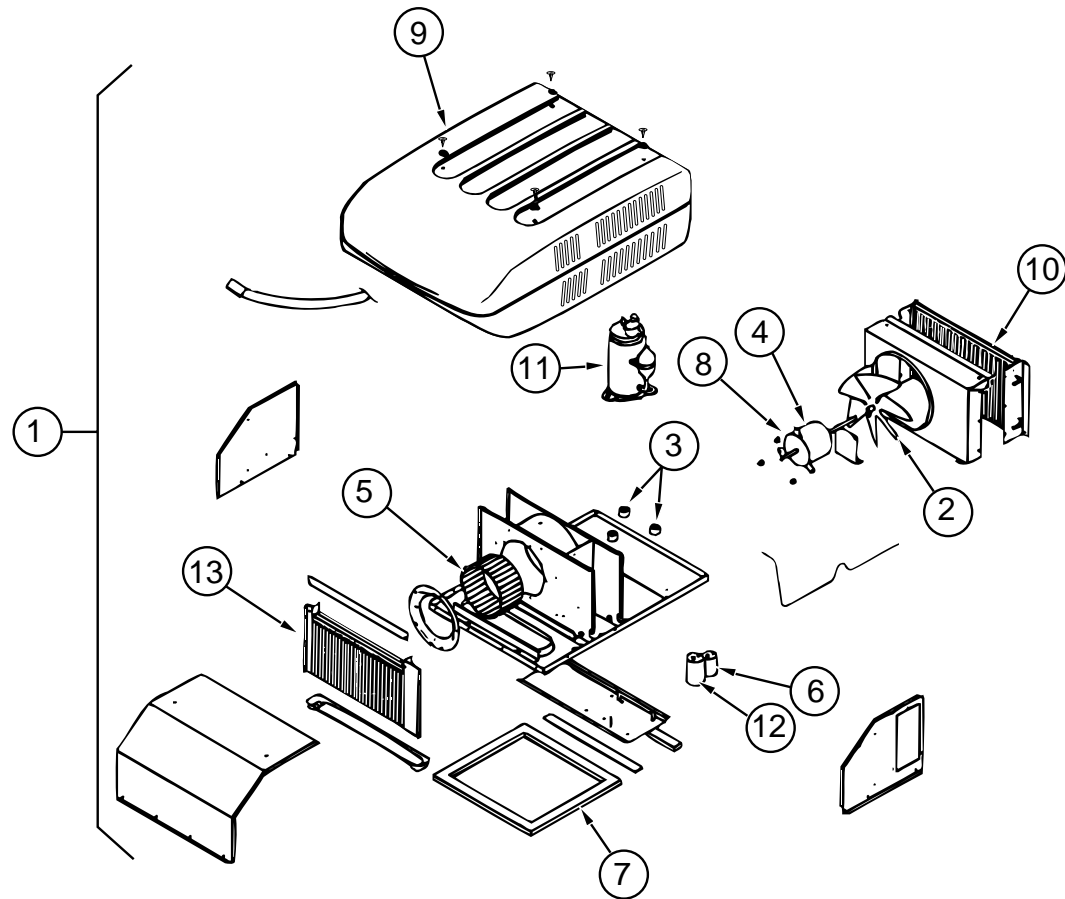
HEATING&AIRCONDITIONINGGROUP(CONTINUED)



CEILINGASM-A/CDUCTED(EXPORT)

| KEY | PARTNUMBER | U/M | DESCRIPTION | VENDOR NO. |
|-----|---------------|-----|-------------------------------------|------------|
| 1 | 108892-01-01A | EA | CEILINGASM-A/CDUCTED-COLEMAN7330-73 | |
| 2 | 108892-01-704 | EA | GRILLE(PLASTIC) | 6798-3041 |
| 3 | 108892-01-703 | EA | FILTER | 6798A3761 |
| 4 | 108892-01-700 | EA | PLUGASSEMBLY | 7330-540 |
| 5 | 108892-01-701 | EA | BOARD-TERMINAL | 7330-3201 |
| 6 | 108892-01-702 | EA | BOARD-P.C. | 7330A3211 |
| 7 | 108892-01-705 | EA | SMALLPARTSPKG | 7330A6101 |

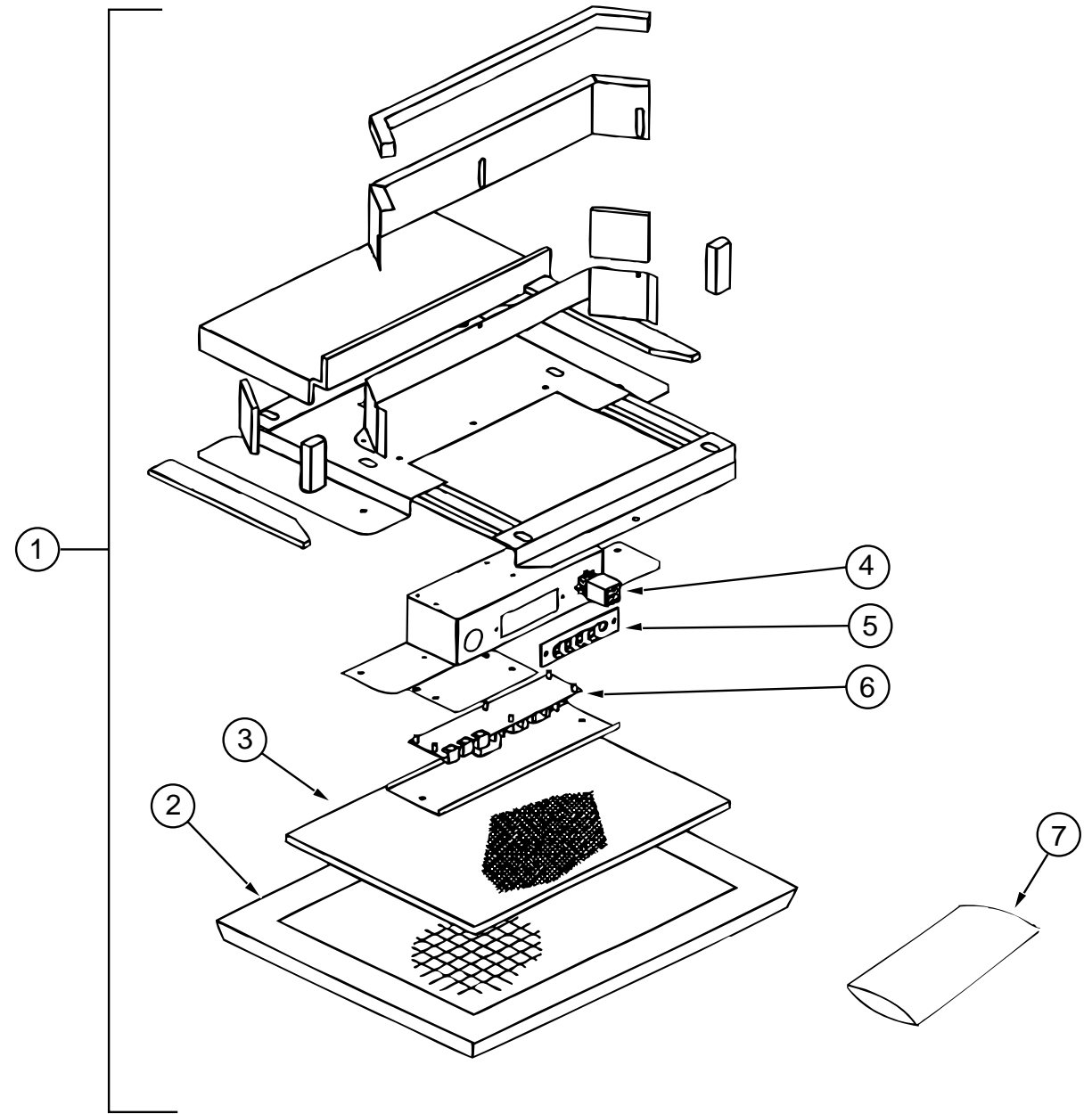
HEATING&AIRCONDITIONINGGROUP(CONTINUED)



COLEMANROOFAIR13,500BTU(US,CSA)

| KEY | PARTNUMBER | U/M DESCRIPTION | VENDOR NO. |
|-----|---------------|-------------------------------------|------------|
| 1 | 108889-01-05A | EA A/CROOF-13,500TSR | |
| 2 | 093763-01-712 | EA BLADE-FAN-CONDENSER | 6733-3221 |
| 3 | 105620-01-706 | EA MOUNTINGPKG.-COMP.-3PER | 6759-3081 |
| 4 | 108889-01-705 | EA MOTOR(115-60HZ) | 1468-3049 |
| 5 | 108889-01-706 | EA IMPELLOR | 1472-1041 |
| 6 | 093763-01-704 | EA CAPACITOR-FAN | 1499-5461 |
| 7 | 108889-01-711 | EA GASKETPKG | 6792-3301 |
| 8 | 108889-01-715 | EA MOTORMOUNT&SHAFTSEALKIT | 6792-3361 |
| 9 | 108889-05-700 | EA SHROUD-BRIGHT/WHT.W/OLOGO | 7333-4601 |
| 10 | 108889-01-703 | EA COIL-CONDENSER | 1452A1301 |
| 11 | 105620-01-704 | EA COMPRESSOR-TECUMSEH-RH&LH | 1450-2009 |
| 12 | 108889-01-707 | EA CAPACITOR-RUN-COMP-25MFD/370 | 1499-5661 |
| 13 | 108889-01-709 | EA COIL-EVAPORATOR | 1452A1311 |
| | 108889-01-710 | EA PAD-FILLER-CONDENSERSEAL | 6759A3971 |
| | 108889-01-712 | EA LINE-SUCTION-REDUCER3/8X1/2 | 1215-2161 |
| | 108889-01-713 | EA LINE-SUCTION-3/8ODX032WALL | 6792-130 |
| | 108889-01-714 | EA LINEASSEMBLY-DISCHARGE | 6792-531 |
| | 108889-01-720 | EA TUBE-CAP | 6792-1351 |
| | 108889-01-704 | EA OVERLOAD(MRA#98693) | 6749-3541 |
| | 091225-01-709 | EA RELAY-START | 1497-4131 |
| | 091225-01-710 | EA CAPACITOR-START | 1497-0881 |
| | 093306-01-701 | EA DECALPACKAGE-LEFT&RIGHT | 6798B3591 |
| | 110403-01-H37 | EA SPACERASM-RETURNAIR-OAK | |
| | 117238-01-01A | EA THERMOSTAT-A/CANDFURNACE | |
| | 117238-02-01A | EA THERMOSTAT-A/ONLY | |
| | 120134-01-02A | EA REGISTER-4-5INCHDIAMETERW/DAMPER | |
| | 102289-01-000 | EA SPRING-SCREW-ROOFA/CGASKET | |

HEATING&AIRCONDITIONINGGROUP(CONTINUED)

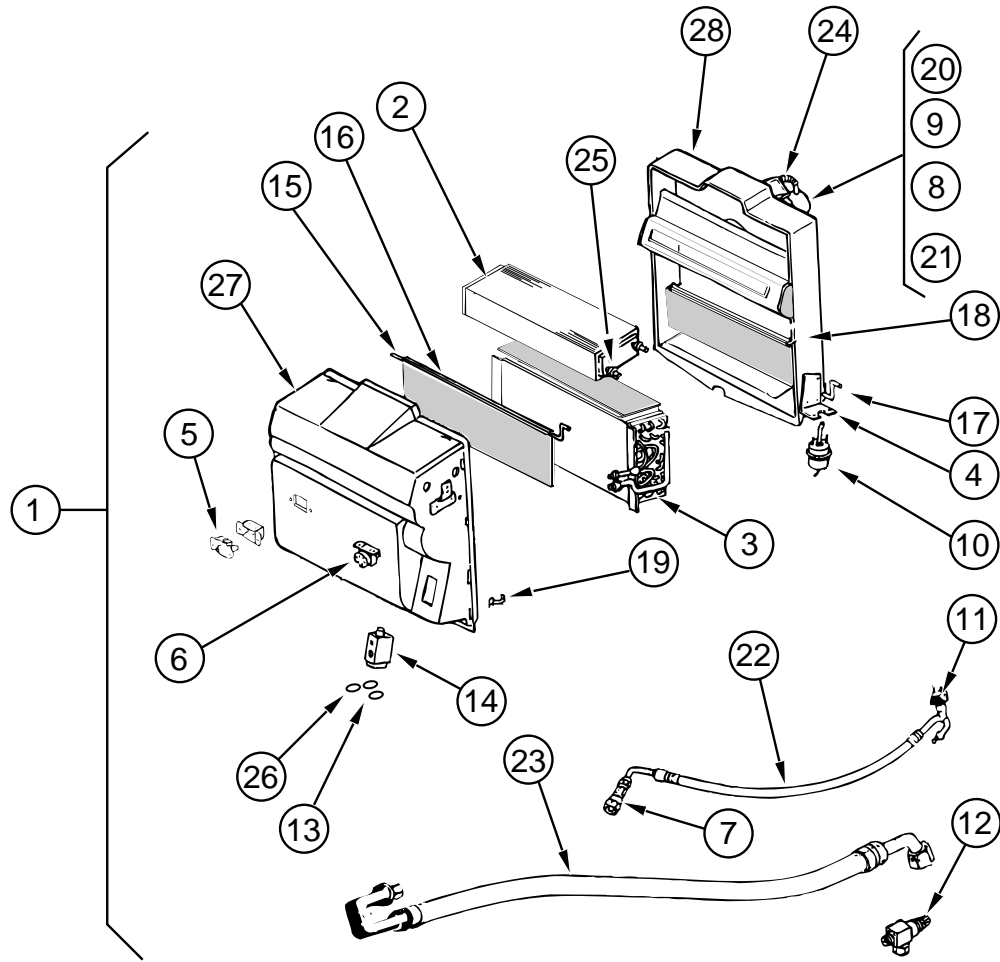


CEILINGASM-A/CDUCTED

| KEY | PARTNUMBER | U/M DESCRIPTION | VENDOR NO. |
|-----|---------------|--|------------|
| 1 | 108892-01-01A | EA CEILINGASM-A/CDUCTED-COLEMAN7330-73 | |
| 2 | 108892-01-704 | EA GRILLE(PLASTIC) | 6798-3041 |
| 3 | 108892-01-703 | EA FILTER | 6798A3761 |
| 4 | 108892-01-700 | EA PLUGASSEMBLY | 7330-540 |
| 5 | 108892-01-701 | EA BOARD-TERMINAL | 7330-3201 |
| 6 | 108892-01-702 | EA BOARD-P.C. | 7330A3211 |
| 7 | 108892-01-705 | EA SMALLPARTSPKG | 7330A6101 |

HEATING&AIRCONDITIONINGGROUP(CONTINUED)

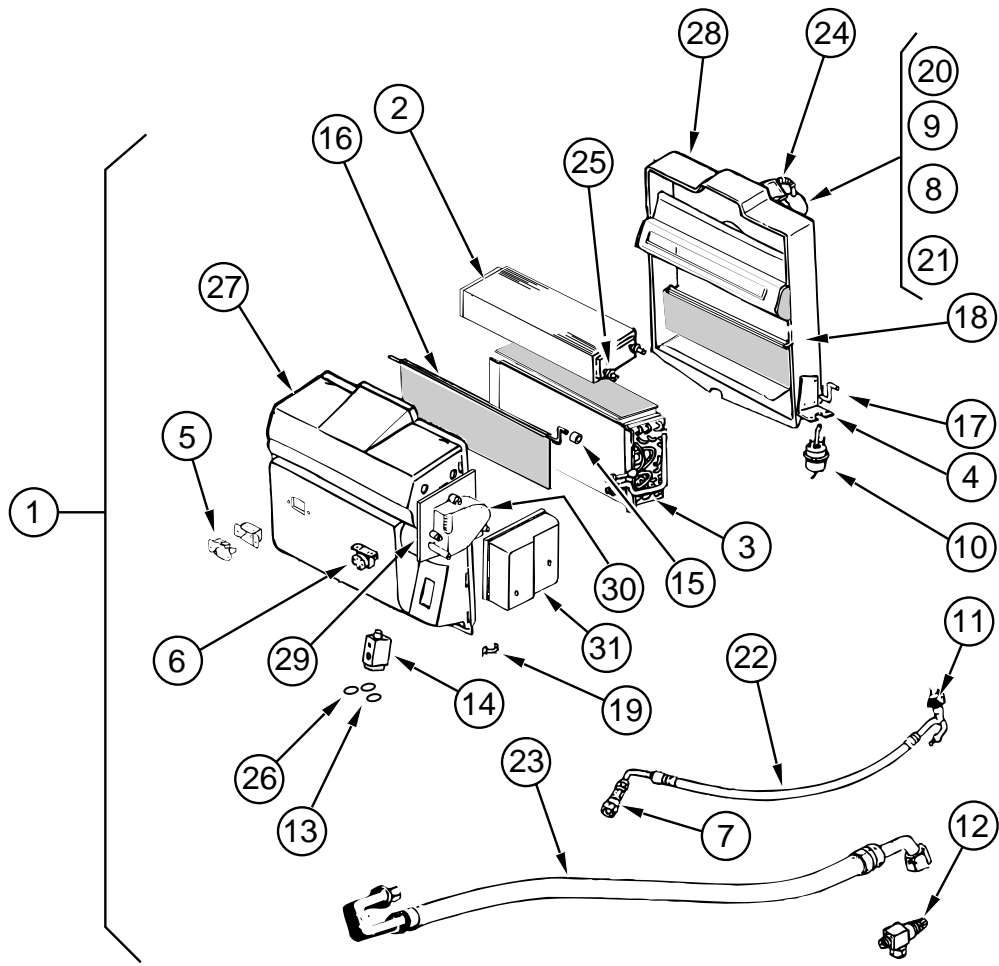
AUTOMOTIVE AIR CONDITIONING (FORD)(FROM00-00-00THRU:09-01-96)



| KEY | PARTNUMBER | U/M DESCRIPTION | VENDOR NO. |
|-----|---------------|--------------------------------------|------------|
| 1 | 103930-21-000 | EA EVAPORATER/HEATER-FORD-R134ABLOCK | |
| 2 | 103930-01-703 | EA COIL-HEATER | 042-0010 |
| 3 | 103930-01-704 | EA COILEVAPORATOR | 041-0017 |
| 4 | 103930-01-708 | EA BRACKET-VACUUMMOTOR | 070-0113 |
| 5 | 103930-01-710 | EA RESISTOR-FUSED | 035-0006 |
| 6 | 103930-01-711 | EA THERMOSTAT | 033-0003 |
| 7 | 103930-01-713 | EA FITTING-QUICKCONNECT-#4 | 050-003 |
| 8 | 103930-01-717 | EA WHEEL-CLOCKWISE | 062-0010 |
| 9 | 103930-01-720 | EA MOTOR | 030-0004 |
| 10 | 103930-02-708 | EA MOTOR-VACUUMSERVO-A/C | 030-0025 |
| 11 | 103930-12-708 | EA SWITCH-BINARY-R-134A | 032-0048 |
| 12 | 103930-13-702 | EA SERVICEVALVE/OC.P. | 050-152 |
| 13 | 103930-17-702 | EA GASKETORSAE015#1033-781 | 045-0127 |
| 14 | 103930-20-700 | EA VALVEEXPANSIONBLOCK(2TON) | 034-0032 |
| 15 | 103930-20-702 | EA RODF/BLENDAIRDOOR | 073-0039 |
| 16 | 103930-20-703 | EA DOOR-BLENDAIR | 071-0212 |
| 17 | 103930-20-704 | EA ROD-DOOR-RECIRCULATING | 073-0018 |
| 18 | 103930-20-705 | EA DOORPANEL-RECIRCULATING | 071-0213 |
| 19 | 103930-20-706 | EA CLIP-RETAINER | 022-0057 |
| 20 | 103930-20-707 | EA BLOWERHOUSING | 062-0145 |
| 21 | 103930-20-708 | EA CLIPF/MOTORSHAFT | 022-0001 |
| 22 | 103930-21-700 | EA HOSEASM.-#6 | 085-0139 |
| 23 | 103930-21-701 | EA HOSEASM.-#10 | 085-0140 |
| 24 | 110279-01-703 | EA HOSE-VENT-MOTORBLOWER | 70510034 |
| 25 | 110279-01-712 | EA HEATERFITTING | |
| 26 | 113245-01-707 | EA GASKET | 045-0126 |
| 27 | 103930-20-710 | EA CASE-FRONT-SUB-ASM. | 062-0146 |
| 28 | 103930-20-711 | EA CASE-BACK-SUB-ASM. | 062-0147 |

HEATING&AIRCONDITIONINGGROUP(CONTINUED)

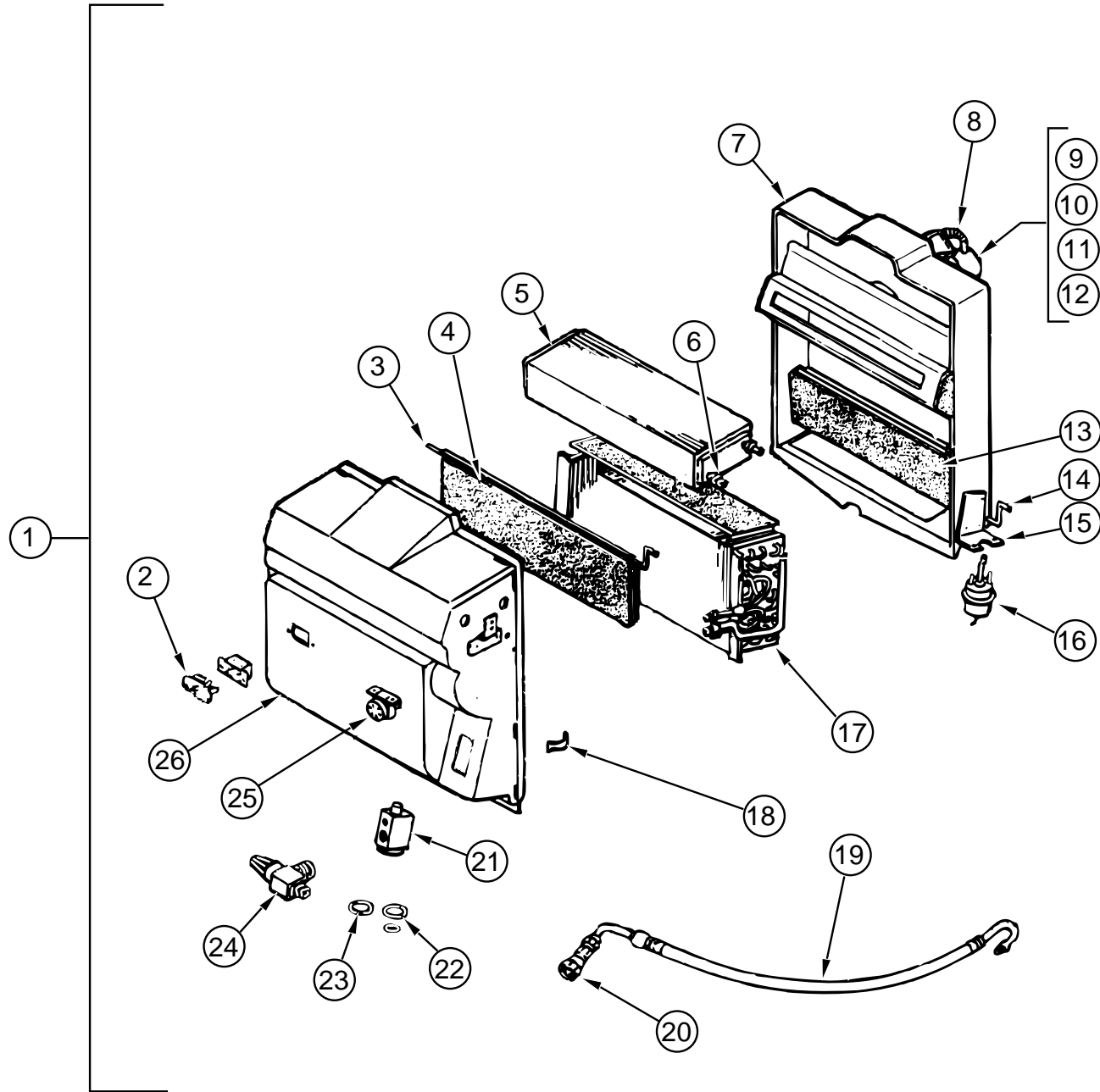
AUTOMOTIVE AIR CONDITIONING (FORD)(FROM09-02-96THRU:99-99-99)



| KEY | PARTNUMBER | U/M DESCRIPTION | VENDOR NO. |
|-----|---------------|--|------------|
| 1 | 103930-31-000 | EA EVAPORATOR/HEATER-FORD-SERVOMOTORCONTROLLED | |
| 2 | 103930-01-703 | EA CORE-HEATER | 042-0010 |
| 3 | 103930-01-704 | EA COIL-EVAPORATOR | 041-0017 |
| 4 | 103930-01-708 | EA BRACKET-VACUUMMOTOR | 070-0113 |
| 5 | 103930-01-710 | EA RESISTOR-FUSED-A/C | 035-0006 |
| 6 | 103930-01-711 | EA THERMOSTAT | 033-0003 |
| 7 | 103930-01-713 | EA FITTING-QUICKCONNECT-#4 | 050-0030 |
| 8 | 103930-01-717 | EA WHEEL-BLOWER-CLOCKWISE | 062-0010 |
| 9 | 103930-01-720 | EA MOTOR-BLOWER-(PM105) | 030-0004 |
| | | FROM: 09-02-96 THRU: 12-21-96 | |
| 9 | 103930-30-706 | EA MOTOR-BLOWER-(PM147) | 030-0109 |
| | | FROM: 12-22-96 THRU: 99-99-99 | |
| 10 | 103930-02-708 | EA MOTOR-VACUUMSERVO-A/C | 030-0025 |
| 11 | 103930-12-708 | EA SWITCH-BINARY-HI-LOWCUTOUT | 032-0048 |
| 12 | 103930-13-702 | EA VALVE-SERVICE-W/OCOMP. | 050-0152 |
| 13 | 103930-17-702 | EA O'RING#10 | 045-0127 |
| 14 | 103930-20-700 | EA VALVE-EXPANSION-BLOCK-2TON | 034-0032 |
| 15 | 103930-30-702 | EA BUSHING-BLENDAIRDOOR | 062-0168 |
| 16 | 103930-20-703 | EA DOOR-BLENDAIR | 071-0212 |
| 17 | 103930-20-704 | EA ROD-DOOR-RECIRCULATING | 073-0018 |
| 18 | 103930-20-705 | EA PANEL-DOOR-RECIRCULATING | 071-0213 |
| 19 | 103930-20-706 | EA CLIP-RETAINER | 022-0057 |
| 20 | 103930-20-707 | EA HOUSING-BLOWER | 062-0145 |
| 21 | 103930-20-708 | EA CLIP-MOTORSHAFT | 022-0001 |
| 22 | 103930-21-700 | EA HOSEASM.-#6EXP.VALVE-DRIER | 085-0139 |
| 23 | 103930-21-701 | EA HOSEASM.-#10-EXP.VALVE-COMP | 085-0149 |
| 24 | 110279-01-703 | EA HOSE-VENT-BLOWERMOTOR | 051-0034 |
| 25 | 110279-01-712 | EA FITTING-HEATER | 050-0076 |
| 26 | 113245-01-707 | EA O'RING#8 | 045-0126 |
| 27 | 103930-30-700 | EA CASE-FRONT | 062-0542 |
| 28 | 103930-20-711 | EA CASE-BACK-SUB-ASSEMBLY | 062-0147 |
| 29 | 103930-30-701 | EA PLATE-MOTORMOUNT | 062-0544 |
| 30 | 103930-30-703 | EA MOTOR-SERVO | 030-0104 |
| 31 | 103930-30-704 | EA COVER-SERVO | 062-0545 |

HEATING&AIRCONDITIONINGGROUP(CONTINUED)

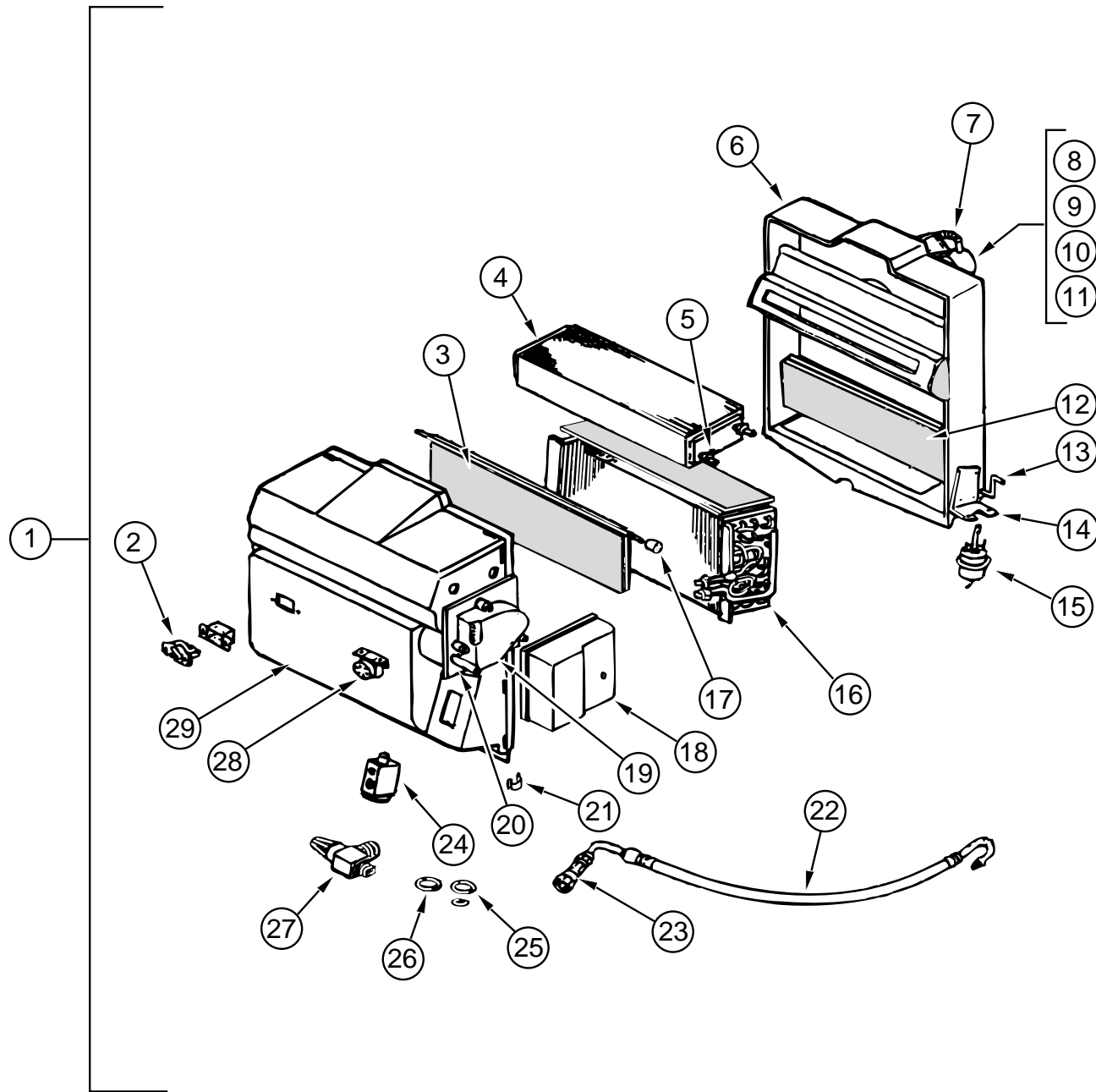
SCSEVAPORATOR/HEATER-CHEVY(FROM:00-00-00THRU:09-01-96)



| KEY | PARTNUMBER | U/M DESCRIPTION | VENDOR NO. |
|-----|---------------|---------------------------------|------------|
| 1 | 103930-25-000 | EA EVAPORATOR/HEATER-CHEVY-"96" | |
| 2 | 103930-01-710 | EA RESISTOR-FUSED-A/C | 035-0006 |
| 3 | 103930-20-702 | EA ROD-DOOR-BLENDAIR | 073-0039 |
| 4 | 103930-20-703 | EA DOOR-BLENDAIR | 071-0212 |
| 5 | 103930-01-703 | EA CORE-HEATER | 042-0010 |
| 6 | 110279-01-712 | EA FITTING-HEATER | 050-0076 |
| 7 | 103930-20-711 | EA CASE-BACK-SUB-ASSEMBLY | 062-0147 |
| 8 | 110279-01-703 | EA HOSE-VENT-BLOWER MOTOR | 051-0034 |
| 9 | 103930-20-707 | EA HOUSING-BLOWER | 062-0145 |
| 10 | 103930-01-720 | EA MOTOR-BLOWER-(PM105) | 030-0004 |
| 11 | 103930-01-717 | EA WHEEL-BLOWER-CLOCKWISE | 062-0010 |
| 12 | 103930-20-708 | EA CLIP-MOTOR SHAFT | 022-0001 |
| 13 | 103930-20-705 | EA PANEL-DOOR-RECIRCULATING | 071-0213 |
| 14 | 103930-20-704 | EA ROD-DOOR-RECIRCULATING | 073-0018 |
| 15 | 103930-01-708 | EA BRACKET-VACUUM MOTOR | 070-0113 |
| 16 | 103930-02-708 | EA MOTOR-VACUUMSERVO-A/C | 030-0025 |
| 17 | 103930-01-704 | EA COIL-EVAPORATOR | 041-0017 |
| 18 | 103930-20-706 | EA CLIP-RETAINER | 022-0057 |
| 19 | 103930-25-700 | EA HOSE ASM.-#6EVAPTODRIER | 085-0350 |
| 20 | 103930-12-709 | EA FITTING-QUICKCONNECT | 050-0120 |
| 21 | 103930-20-700 | EA VALVE-EXPANSION-BLOCK-2TON | 034-0032 |
| 22 | 103930-17-702 | EA O'RING#10 | 045-0127 |
| 23 | 113245-01-707 | EA O'RING#8 | 045-0126 |
| 24 | 103930-20-709 | EA VALVE-SERVICE | 050-0159 |
| 25 | 103930-01-711 | EA THERMOSTAT | 033-0003 |
| 26 | 103930-20-710 | EA CASE-FRONT-SUB-ASSEMBLY | 062-0146 |
| | 103930-02-714 | EA CLAMP-CLUTCH-BARREL | 022-0006 |

HEATING&AIRCONDITIONINGGROUP(CONTINUED)

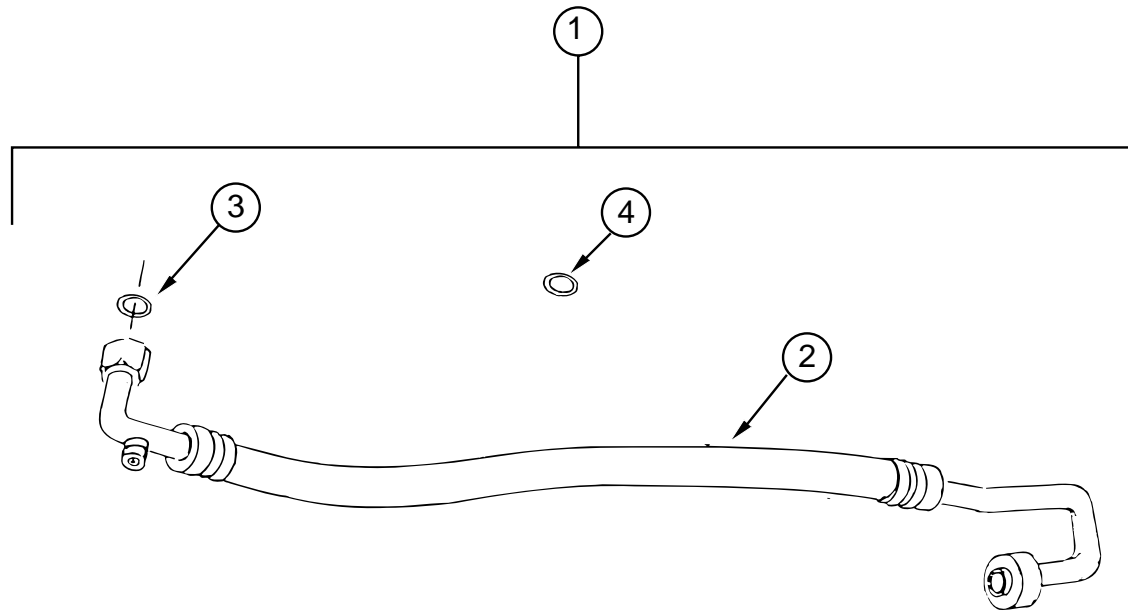
SCSEVAPORATOR/HEATER-CHEVY(FROM: 09-02-96 THRU: 99-99-99)



| KEY | PARTNUMBER | U/M | DESCRIPTION | VENDOR NO. |
|-----|---------------|-----|--|------------|
| 1 | 103930-30-000 | EA | EVAPORATOR/HEATER-CHEVY-SERVOMOTORCONTROLLED | |
| 2 | 103930-01-710 | EA | RESISTOR-FUSED-A/C | 035-0006 |
| 3 | 103930-30-705 | EA | DOOR-BLENDAIR | 071-0568 |
| 4 | 103930-01-703 | EA | CORE-HEATER | 042-0010 |
| 5 | 110279-01-712 | EA | FITTING-HEATER | 050-0076 |
| 6 | 103930-20-711 | EA | CASE-BACK | 062-0147 |
| 7 | 110279-01-703 | EA | HOSE-VENT-BLOWERMOTOR | 051-0034 |
| 8 | 103930-20-707 | EA | HOUSING-BLOWER | 062-0145 |
| 9 | 103930-30-706 | EA | MOTOR-BLOWER-(PM147) | 030-0109 |
| 10 | 103930-01-717 | EA | WHEEL-BLOWER-CLOCKWISE | 062-0010 |
| 11 | 103930-20-708 | EA | CLIP-MOTORSHAFT | 022-0001 |
| 12 | 103930-20-705 | EA | PANEL-DOOR-RECIRCULATING | 071-0213 |
| 13 | 103930-20-704 | EA | ROD-DOOR-RECIRCULATING | 073-0018 |
| 14 | 103930-01-708 | EA | BRACKET-VACUUMMOTOR | 070-0113 |
| 15 | 103930-02-708 | EA | MOTOR-VACUUMSERVO-A/C | 030-0025 |
| 16 | 103930-01-704 | EA | COIL-EVAPORATOR | 041-0017 |
| 17 | 103930-30-702 | EA | BUSHING-BLENDAIRDOOR | 062-0168 |
| 18 | 103930-30-704 | EA | COVER-SERVO | 062-0545 |
| 19 | 103930-30-703 | EA | MOTOR-SERVO | 030-0104 |
| 20 | 103930-30-701 | EA | PLATE-MOTORMOUNT | 062-0544 |
| 21 | 103930-20-706 | EA | CLIP-RETAINER | 022-0057 |
| 22 | 103930-25-700 | EA | HOSEASM.-#6EVAPTODRIER | 085-0350 |
| 23 | 103930-12-709 | EA | FITTING-QUICKCONNECT | 050-0120 |
| 24 | 103930-20-700 | EA | VALVE-EXPANSION-BLOCK-2TON | 034-0032 |
| 25 | 103930-17-702 | EA | O'RING#10 | 045-0127 |
| 26 | 113245-01-707 | EA | O'RING#8 | 045-0126 |
| 27 | 103930-20-709 | EA | VALVE-SERVICE | 050-0159 |
| 28 | 103930-01-711 | EA | THERMOSTAT | 033-0003 |
| 29 | 103930-30-700 | EA | CASE-FRONT | 062-0542 |

HEATING&AIRCONDITIONINGGROUP(CONTINUED)

HEATING&AIRCONDITIONINGGROUP(CONTINUED)



CHEVYHOSEKIT-STANDARDGAS

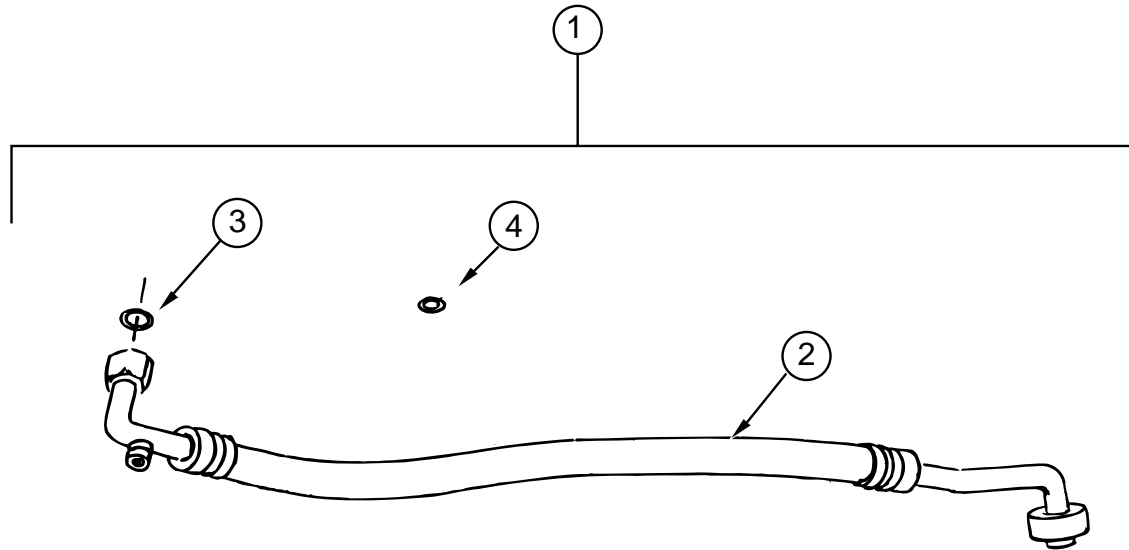
| KEY | PARTNUMBER | U/M DESCRIPTION | VENDOR NO. |
|-----|---------------|--------------------------------|------------|
| 1 | 103930-28-000 | EA HOSEKIT-#10 W/GML-19CHASSIS | |
| 2 | 103930-28-700 | EA HOSEASSM#10W/SELTECCOMP | 085-0347 |
| 3 | 103930-17-702 | EA O'RING#10 | 045-0127 |
| 4 | 103930-29-701 | EA GASKET-GMLPSW1996 | 045-0483 |

AUTOMOTIVEHEATERMISCELLANIOUS

| KEY | PARTNUMBER | U/M DESCRIPTION |
|-----|---------------|--|
| | 007281-01-000 | EA HOSE-FLEXIBLEPVC-2.5"IDX50' |
| | 024990-05-000 | EA OUTLET-DEFROSTER-4"DIAMETERW/SWIVELDEFLECTORS |
| | 056402-05-000 | EA BRACKET-HEATERVENT-ROUNDW/BEND-BLACK |
| | 077075-01-000 | EA GASKET-INSTRUMENTPANELTODEFROSTERPLENUM-.6"X11.3" |
| | 077075-03-000 | EA GASKET-INSTRUMENTPANELTODEFROSTERPLENUM |
| | 103016-01-000 | EA PLENUM-TRANSITION |
| | 103017-01-000 | EA PLENUM-DEFROSTER |
| | 103558-01-06A | EA VENT-DEFROSTER-ABSPLASTIC |
| | 103796-01-01A | EA LOUVER-A/C |
| | 103930-37-000 | EA MANUAL-OWNERS-HEATER/A/C |

AUTOMOTIVEREARHEATERSYSTEM

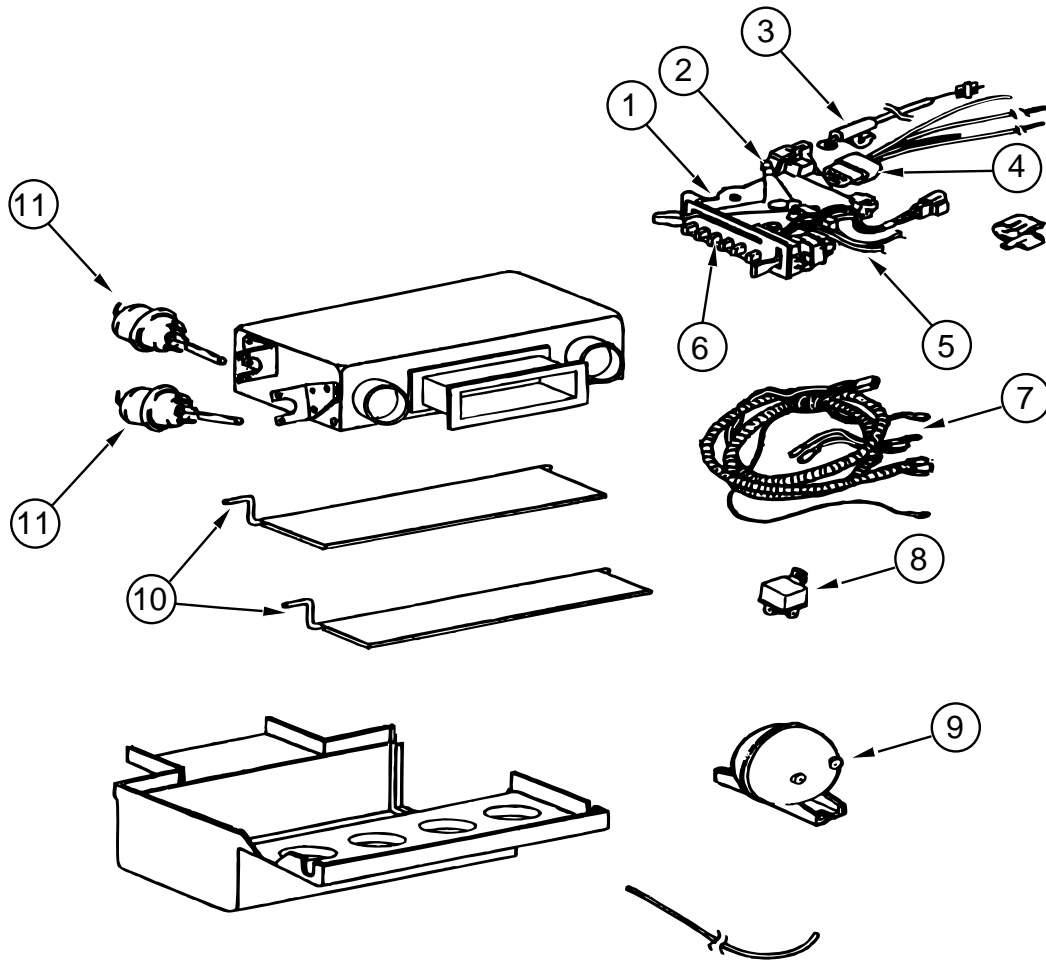
| KEY | PARTNUMBER | U/M DESCRIPTION | VENDOR NO. |
|-----|---------------|--|------------|
| | 084405-01-000 | EA HEATER-REAR-DUCTED-W/MOTORAIID-EVANS | |
| | 084405-01-700 | EA CORE-HEATER | FT200229 |
| | 084405-01-701 | EA FANBLADES | HV029931 |
| | 084405-01-702 | EA MOTORASSEMBLY,12VOLT | R0200180 |
| | 007076-01-000 | EA HOSE-FLEXIBLEPVC-2"ID-INCREMENTSOF50' | |
| | 007108-01-000 | FT HOSE-HEATER-5/8"ID-HI-TEMP-FORD | |
| | 079059-03-000 | EA HOSE-90DEGREE-.61"IDX4"X18" | |
| | 079059-01-000 | EA HOSE-90DEGREE-5/8"IDX4"X36" | |
| | 061673-01-000 | EA BRACKET-MOTORAIIDTUBES-4"X1.5"-STEEL | |
| | 089353-01-000 | EA UNION-5/8"-TUBETOTUBE | |



CHEVYHOSEKIT-VORTECGASORDIESELOPTION

| KEY | PARTNUMBER | U/M DESCRIPTION | VENDOR NO. |
|-----|---------------|-------------------------------------|------------|
| 1 | 103930-29-000 | EA HOSEKIT-#10 W/GML-29&L-65CHASSIS | |
| 2 | 103930-29-700 | EA HOSEASSM#10W/HARRISONCOMP | 085-0348 |
| 3 | 103930-17-702 | EA O'RING#10 | 045-0127 |
| 4 | 103930-29-701 | EA GASKET-GMLPSW1996 | 045-0483 |

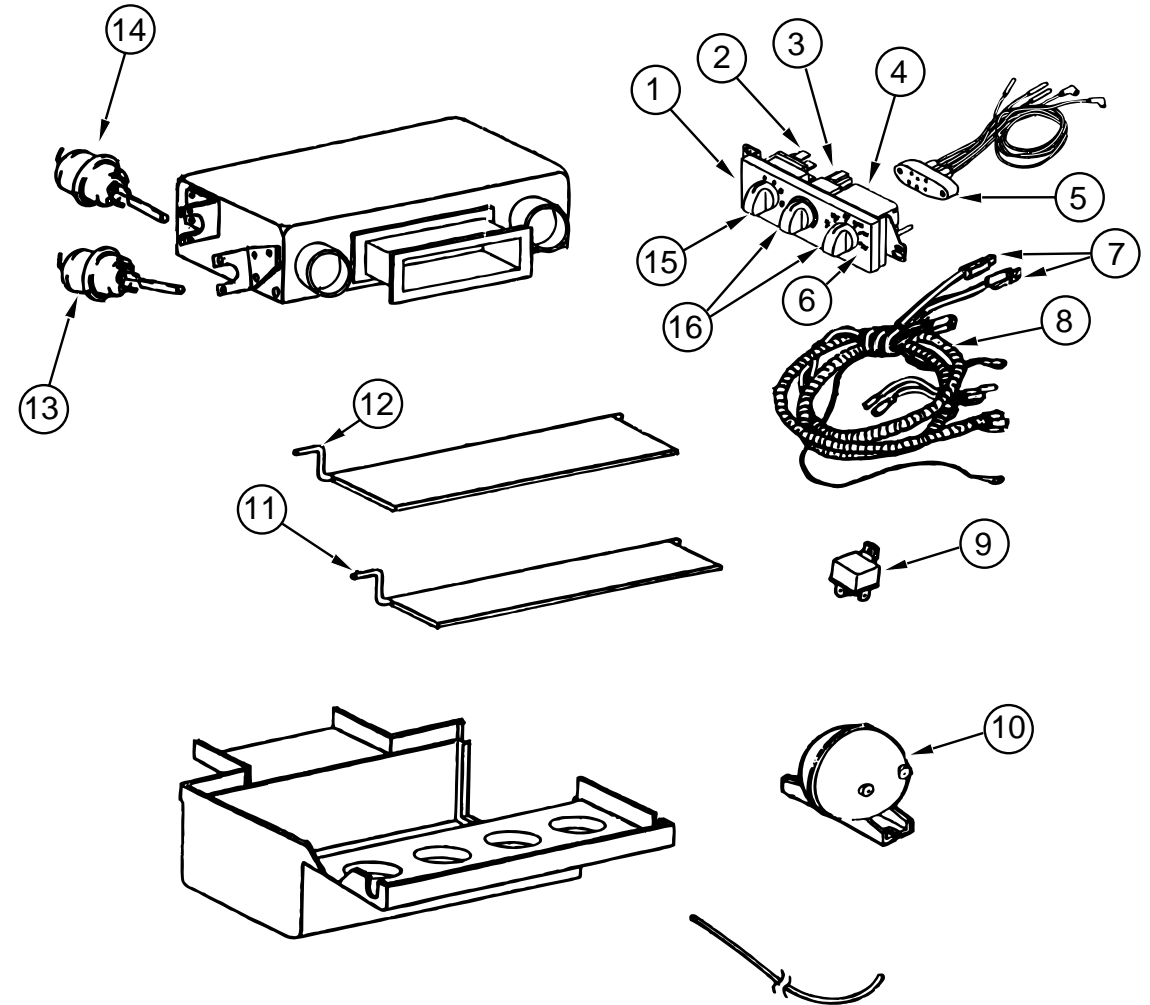
HEATING&AIRCONDITIONINGGROUP(CONTINUED)



SCS CONTROL/PLENUM (FROM:00-00-00THRU:09-01-96)

| KEY | PARTNUMBER | U/M DESCRIPTION | VENDOR NO. |
|-----|---------------|------------------------------|------------|
| | 103930-38-000 | EA CONTROL/PLENUMSET | |
| 1 | 103930-02-712 | EA PANEL-CONT.A/CBLACKBEZEL | 032-0054 |
| | 072341-06-700 | EA SWITCH-4SPEED,FAN | 032-0043 |
| 2 | 103930-02-706 | EA CLIP-CABLECONTROL | 022-0017 |
| 3 | 103930-02-705 | EA CABLE-BOWDENW/OLEVER 89" | 074-0011 |
| 4 | 103930-02-704 | EA HARNESS-VACUUMCONTROL | 036-0049 |
| 5 | 103930-02-701 | EA SWITCH-VACUUM,CONTROLHEAD | 034-0015 |
| 6 | 103930-02-702 | EA DECAL-CONT.HEAD-(N)SERIES | 058-0009 |
| 7 | 103930-02-703 | EA HARNESS-WIRECONTROL | 036-0048 |
| 8 | 103930-02-707 | EA RELAY-BOSCHW/RESISTER | 031-0001 |
| 9 | 103930-02-710 | EA CANISTER-VACUUM | 054-0002 |
| 10 | 103930-33-700 | EA ROD-DOORDEFROSTER/AC | 073-0028 |
| 11 | 103930-02-708 | EA MOTOR-VACUUMSERVO-A/C | 030-0025 |
| | 094831-01-731 | EA ADAPTER-2" | 062-0001 |

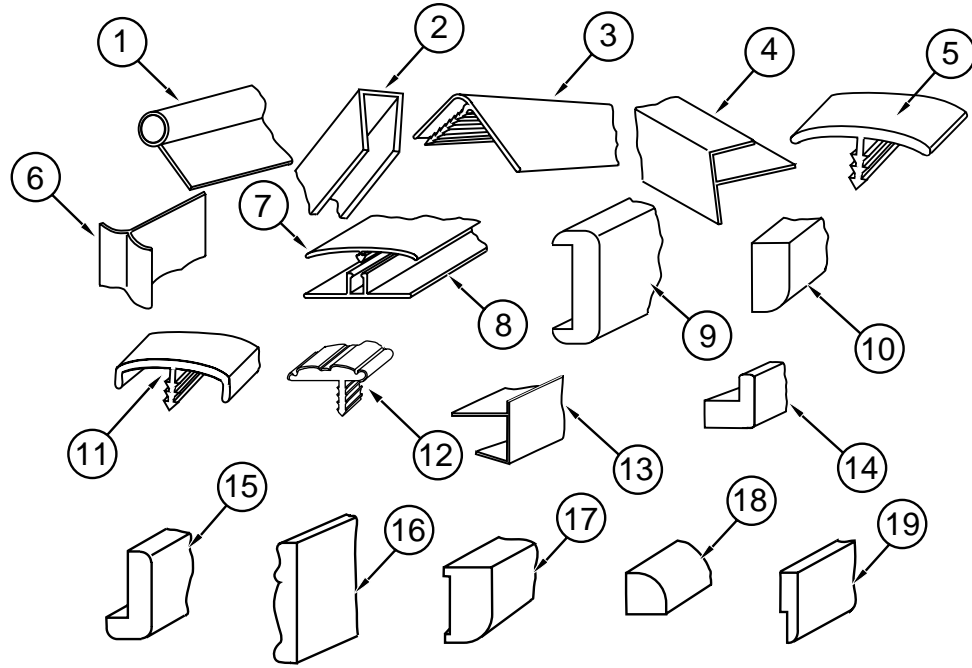
HEATING&AIRCONDITIONINGGROUP(CONTINUED)



SCS CONTROL/PLENUM (FROM:09-02-96 THRU: 99-99-99)

| KEY | PARTNUMBER | U/M DESCRIPTION | VENDOR NO. |
|-----|---------------|-------------------------------------|------------|
| | 103930-34-000 | EA CONTROL/PLENUM-ROTARYCONTROLHEAD | |
| | | FROM: 09-02-96 THRU: 99-99-99 | |
| 1 | 103930-33-702 | EA CONTROLPANEL | 083-0169 |
| 2 | 103930-33-707 | EA SWITCH-BLOWER | 032-0186 |
| 3 | 103930-33-708 | EA SWITCH-POTENTIOMETER | 032-0184 |
| 4 | 103930-33-709 | EA SWITCH-VACUUM | 032-0183 |
| 5 | 103930-33-703 | EA VACUUMHARNESS | 036-0465 |
| 6 | 103930-33-710 | EA DECALCONTROLHEAD | 058-0102 |
| 7 | 103930-33-705 | EA LIGHTBULBS | 035-0030 |
| 8 | 103930-33-704 | EA WIREHARNESSW/BULBS | 036-0466 |
| | | FROM: 09-02-96 THRU: 12-21-96 | |
| 8 | 103930-33-711 | EA WIREHARNESSMAIN | 036-0466 |
| | | FROM: 12-22-96 THRU: 99-99-99 | |
| 9 | 103930-02-707 | EA RELAY-BOSCHW/RESISTER | 031-0001 |
| 10 | 103930-02-710 | EA CANISTER-VACUUM | 054-0002 |
| 11 | 103930-33-700 | EA ROD-DOORDEFROSTER/AC | 073-0028 |
| 12 | 103930-33-706 | EA ROD-DOORAC/DEFROST | 073-0060 |
| 13 | 103930-02-708 | EA MOTOR-VACUUMSERVO,A/C | 030-0025 |
| 14 | 103930-33-701 | EA MOTOR-VACUUM,3STAGE | 030-0105 |
| 15 | 103930-33-712 | EA KNOB-BLOWER | 062-00539 |
| 16 | 103930-33-713 | EA KNOB | 062-00540 |

INTERIORFINISHGROUP



INTERIORTRIM&MOLDINGS

| KEY | PARTNUMBER | U/M | DESCRIPTION |
|-----|---------------|-----|--|
| 1 | 009767-12-000 | FT | WELTING-SIDEWALL/CEILING/CABINET-OFF/WHT |
| 1 | 009767-15-000 | FT | WELTING-WATERFORDOAK(H17,H18,H19) |
| 2 | 070504-37-000 | FT | U-CHANNEL-EXTRUDEDPLASTIC-.81"X84"-WATERFORDOAK(H17,H18,H19) |
| 2 | 070504-36-000 | FT | U-CHANNEL-EXTRUDEDPLASTIC-.65"X72"-WATERFORDOAK(H17,H18,H19) |
| 2 | 070504-43-000 | FT | U-CHANNEL-EXTRUDEDPLASTIC-.81"X84"-BEIGE(H40,H41) |
| 2 | 070504-45-000 | FT | U-CHANNEL-EXTRUDEDPLASTIC-.65"X72"-WHITEGRANITE(H40,H41) |
| 2 | 009778-21-000 | FT | U-CHANNEL-1"X96"-INCREMENTS-PLASTIC-WATERFORDOAK |
| 3 | 009809-23-000 | EA | MOLDING-CORNER-OUTSIDE-1"X84"-IVORYPLASTIC |
| 3 | 009809-28-000 | EA | MOLDING-CORNER-OUTSIDE-1"X84"-WATERFORDOAK(H17,H18,H19) |
| 3 | 009809-30-000 | EA | MOLDING-PLASTIC-OUTSIDE-1"X84"-BEIGEILLUSION(H40,H41) |
| 3 | 009809-30-001 | EA | MOLDING-PLASTIC-OUTSIDE-84"-BEIGEILLUSION(H40,H41) |
| 4 | 009812-29-000 | EA | MOLDING-PLASTIC-OUTSIDECORNER-.50"-WATERFORDOAK(H17,H18,H19) |
| 4 | 009812-31-001 | EA | MOLDING-O/SSMCABT,2133MM(H40,H41) |
| 4 | 009812-31-000 | EA | MOLDING-PLAS-CORNER-O/S1/2"-BEIGEILLUSIONS(H40,H41) |
| 5 | 105709-01-000 | FT | T-MOLDING-1"-MODERNIVORY |
| 6 | 022992-11-000 | FT | MOLDING-REVERSECOVE-T-SHAPEDVINYL-IVORY |
| 7 | 086229-13-000 | EA | BATTEN-1"X96"-IVORY |
| 7 | 086229-19-000 | EA | BATTEN-1"X98.43"-OFFWHITE |
| 7 | 086229-20-000 | EA | BATTEN-1"X96"-BEIGE |
| 8 | 086229-01-000 | EA | RETAINER-BATTEN-.75"X92.24"-IVORY |
| 9 | 100659-01-G09 | EA | MOLDING-TRIM-VINYLFLOOR |
| 10 | 100818-01-05A | EA | MOLDING-VINYLRAPPED-1.65"X.4"X7'-WATERFORDOAK |
| 10 | 100818-01-07A | EA | MOLDING-VINYLRAPPED-1.65"X.4"X7'-WHITEGRANITE |
| 11 | 083620-12-000 | FT | T-MOLDING-.75"W/EDGELIPS-WATERFORDOAK |
| 11 | 083620-15-000 | FT | T-MOLDING-W/EDGELIP-.75"-BEIGEILLUSION |
| 12 | 109736-01-01A | FT | T-MOLDING-1"-BRASS/BLACK |
| 13 | 103186-01-05A | FT | MOLDING-PLASTIC-SHELF-3/8"U-CHANNELW/3/4"FACE |
| 13 | 103186-01-07A | FT | MOLDING-PLASTIC-SHELF-3/8"U-CHANNELW/3/4"FACE |
| 13 | 103186-02-05A | FT | MOLDING-PLASTIC-SHELF-1"U-CHANNELW/13/8"FACE |
| 13 | 103186-02-07A | FT | MOLDING-PLASTIC-SHELF-1"U-CHANNELW/13/8"FACE |
| 14 | 100819-01-05A | EA | MOLDING-VINYLRAPPED-DOOR-WATERFORDOAK |
| 14 | 100819-01-07A | EA | MOLDING-VINYLRAPPED-DOOR-WHITEGRANITE |
| 15 | 077840-01-G01 | EA | MOLDING-CAP-WALL-96"-WATERFORDOAK |
| 15 | 077840-01-H23 | EA | MOLDING-CAP-WALL2438-WHITEMAPLE |

INTERIORFINISHGROUP(CONTINUED)

INTERIORTRIM&MOLDINGS(CONTINUED)

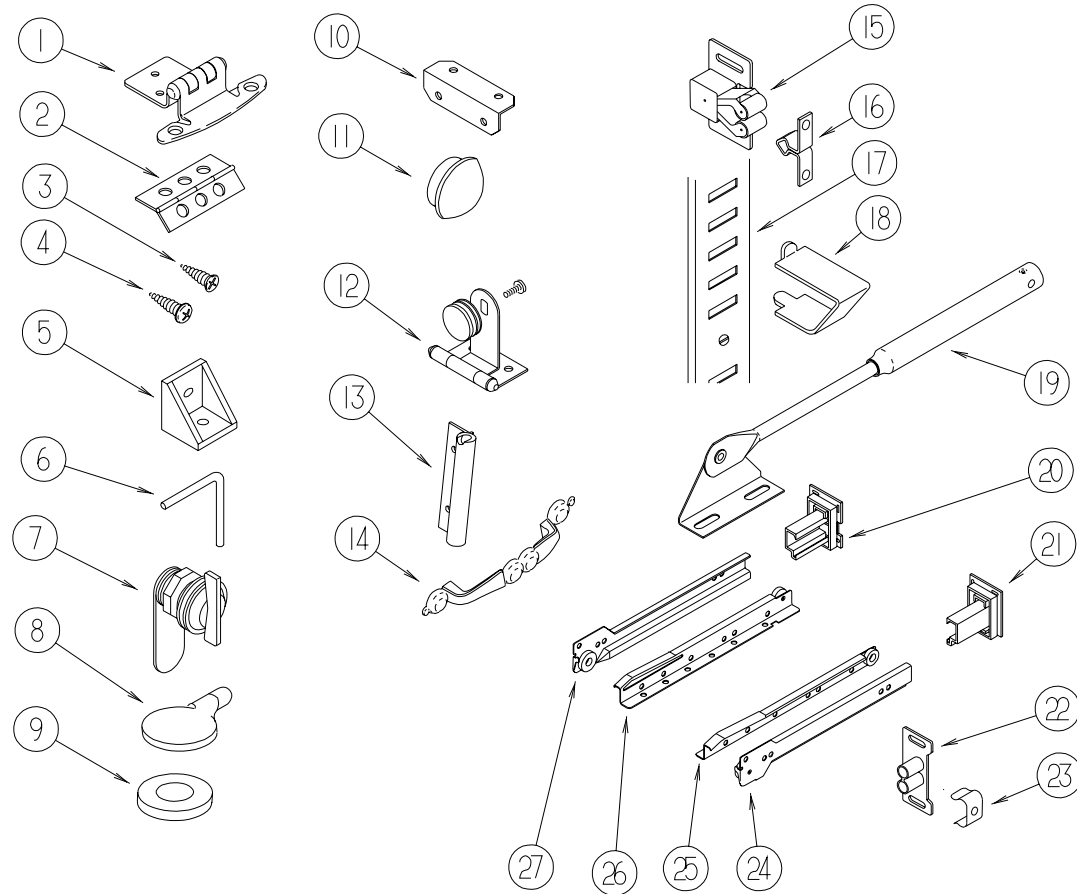
| KEY | PARTNUMBER | U/M | DESCRIPTION |
|-----|---------------|-----|--|
| 16 | 100182-01-G29 | EA | TRIM-RAIL-WATERFORDOAK |
| 16 | 100182-01-H40 | EA | TRIM-RAIL-WHITEMAPLE |
| 17 | 117268-F2-134 | EA | MOLDING-VINYLRAPPED-.7"X2.6"X84"-WATERFORD |
| 17 | 117268-D2-134 | EA | MOLDING-VINYLRAPPED-.7"X1.6"X84"-WATERFORDOAK |
| 17 | 117268-F2-438 | EA | MOLDING-VINYLRAPPED-.7"X2.6"X96"-WATERFORD |
| 17 | 117268-J2-134 | EA | MOLDING-.0005"X3.26"X7'-VINYLRAPPED |
| 17 | 122668-B2-438 | EA | MOLDING-018X025X2438MVINYL-WHITEGRANITE |
| 17 | 122668-D2-134 | EA | MOLDING-018X040X2134MVINYL-WHITEGRANITE |
| 17 | 122668-F2-134 | EA | MOLDING-018X065X2134MVINYL-WHITEGRANITE |
| 17 | 122668-F2-438 | EA | MOLDING-018X065X2438MVINYL-WHITEGRANITE |
| 18 | 109410-01-G15 | EA | MOLDING-TRIM-8'-WATERFORDOAK |
| 18 | 109410-01-H40 | EA | MOLDING-TRIM-8'-WHITEMAPLE |
| 19 | 105004-01-05A | EA | MOLDING-VINYLRAPPED-1"X8'WATERFORDOAK |
| 19 | 105004-01-07A | EA | MOLDING-VINYLRAP-WHITEGRANITE |
| | 104676-01-01A | FT | T-MOLDING-5/16"-RIGIDGOLD |
| | 076325-53-000 | FT | MOLDING-EDGE BAND-15/16"-NEUTRAL |
| | 076325-39-000 | FT | MOLDING-EDGE BAND-15/16"X.030"(H17,H18) |
| | 076325-46-000 | FT | MOLDING-EDGE BAND 15/16"X.030"-CLOUD(H19) |
| | 076325-67-000 | FT | MOLDING-EDGE BAND-.93"X.024" WATERFORDOAK(H17) |
| | 076325-40-000 | FT | MOLDING-EDGE BAND-.875"X.024"(H17,H18) |
| | 076325-43-000 | FT | MOLDING-EDGE BAND.876"X.024"-CLOUD(H19) |
| | 076325-54-000 | FT | MOLDING-EDGE BAND-NEUTRAL-.875"WIDE |
| | 076325-67-000 | FT | MOLDING-EDGE BAND-.93"X.024" WATERFORDOAK |
| | 117267-D2-438 | EA | LUMBER-VINYLRAPPED-.7"X1 1/2"X96"-WATERFORDOAK |
| | 117267-R2-438 | EA | LUMBER-VINYLRAPPED-.7"X3"X96"-WATERFORDOAK |
| | 117267-E2-438 | EA | LUMBER-VINYLRAPPED.7"X2"X96" WATERFORDOAK |
| | 117267-G2-438 | EA | LUMBER-VINYLRAPPED-.7"X3"X96" WATERFORDOAK |

BATTSTRIPANDTAPE

| KEY | PARTNUMBER | U/M | DESCRIPTION |
|-----|---------------|-----|---|
| | 069733-83-000 | EA | BATTSTRIP-WOODGRAINED/WATERFORDOAK-8' |
| | 085284-B5-000 | FT | BATTTAPE-ADHESIVEBACKED-WOODGRAINED/WATERFORDOAK |
| | 069733-85-000 | EA | BATTSTRIP-WOODGRAINED/WHITEGRANITE-8' |
| | 085284-E6-000 | FT | BATTTAPE-ADHESIVEBACKED-DECORATIVE/WHITEGRANITE |
| | 088263-C8-000 | EA | BATTSTRIP-DECORATIVE-PAINTEDDESERT-96"(H17) |
| | 085284-C2-000 | FT | BATTTAPE-ADHESIVEBACKED-DECORATIVE/PAINTEDDESERT(H17) |
| | 088263-D2-000 | EA | BATTSTRIP-DECORATIVE-WASH/VANILLA-8'LONG(H18) |
| | 085284-C5-000 | FT | BATTTAPE-ADHESIVEBACKED-DECORATIVE-FRENCHWASH/VANILLA(H18) |
| | 088263-E4-000 | EA | BATTSTRIP-DECORATIVE-LAJOLLA/SEAMIST-8'LONG(H19,H41) |
| | 085284-D7-000 | FT | BATTTAPE-ADHESIVEBACKED-DECORATIVE-LAJOLLA/SEAMIST(H19,H41) |
| | 088263-E7-000 | EA | BATTSTRIP-DECORATIVE-GAZEBOSTRIPE/SAG-8'LONG(H40) |
| | 085284-E1-000 | FT | BATTTAPE-ADHESIVEBACKED-DECORATIVE-GAZEBO/STRIPE/SAG(H40) |
| | 088263-E3-000 | EA | BATTSTRIP-DECORATIVE-PEBBLEEMBOSS/ANTIQUE-8'LONG(WETBATH) |
| | 085284-D6-000 | EA | BATTTAPE-ADHESIVEBACKED-DECORATIVE-EMBOSS/ANTIQUE(WETBATH) |
| | 093873-01-01A | EA | TRIM-CARPET-L-ANGLE1.1"X1.3"X12'-GRAYVINYL |

INTERIORFINISHGROUP(CONTINUED)

CABINETHARDWARE



| KEY | PARTNUMBER | U/M DESCRIPTION |
|-----|---------------|--|
| 1 | 108138-01-000 | EA HINGE-CABINETDOOR-BURNISHEDBRASS |
| 2 | 009059-01-000 | EA HINGE-DOOR-2"X1.4"-BRASS |
| 2 | 009059-02-000 | EA HINGE-DOOR-2"X2.7"-BRASS |
| 3 | 000G13-06-10G | EA SCREW-6-20X5/8PFH-ANTIQUBRASS |
| 4 | 000G68-06-10G | EA SCREW-6-18X5/8"-PHILLIPOVALHEAD-ANTIQUBRASS |
| 5 | 065740-01-000 | EA BRACE-CABINET/CORNER-PLASTIC |
| 6 | 108487-02-01A | EA SUPPORT-PROPROD/OVERHEAD-BLACK |
| | 039984-01-000 | EA CAP-ROUND-VINYL-.28"IDX.62"-BLACK(PROPROD) |
| 7 | 100710-01-01A | EA LOCK-GLASSDOOR/TWISTTYPE-BRASS |
| | 101272-01-000 | EA CATCH-GLASSDOOR |
| 8 | 101766-01-000 | EA PIN-SUPPORT/GLASSDOOR |
| 9 | 100707-01-000 | EA SPACER-GLASSDOOR-.8"DIA-.3"HOLE-PLASTIC |
| 10 | 016604-05-000 | EA BRACE-CABINET-ANGLE-2.5"OFFWHITEMETAL |
| 11 | 042356-01-000 | EA PLUG-BUTTON-MAHOGANY-3/8"DIAMETER-WOOD |
| 11 | 074045-10-000 | EA PLUG-OAK-1/2"DIAMETER |
| 12 | 100711-01-01A | EA HINGE-GLASSDOOR |
| 13 | 108486-01-01A | EA BRACKET-PROPROD/OVERHEAD-BLACK |
| 14 | 121891-01-01A | EA PULL-CABINET-BRASS(MAPLE) |
| 14 | 121890-01-01A | EA PULL-CABINET-BRASS(OAK) |
| 15 | 093586-06-000 | EA CATCH-SPRING-ROLLER |
| 16 | 093586-05-000 | EA STRIKE-SPRINGSTEEL |

| KEY | PARTNUMBER | U/M DESCRIPTION |
|-----|---------------|---|
| 17 | 098980-01-000 | EA PILASTER-ADJUSTABLESHELF-18" |
| 17 | 098980-02-000 | EA PILASTER-ADJUSTABLESHELF-12" |
| 17 | 098980-03-000 | EA PILASTER-ADJUSTABLESHELF-9" |
| 17 | 098980-04-000 | EA PILASTER-ADJUSTABLESHELF-48" |
| 18 | 098979-01-000 | EA CLIP-ADJUSTABLESHELF |
| 19 | 074493-02-000 | EA SUPPORT-PISTONSRING-CABINETDOOR |
| 20 | 114045-01-000 | EA BACKSOCKET-ADJUSTABLELEFT |
| 21 | 114045-02-000 | EA BACKSOCKET-ADJUSTABLERIGHT |
| 22 | 009021-01-000 | EA CATCH-GRILLE-NYLON |
| 23 | 009021-02-000 | EA STRIKE-SPRINGSTEEL |
| 24 | 114031-02-000 | EA SLIDE-12"-RIGHTSIDE/CABINET |
| 24 | 114031-14-000 | EA SLIDE-18"-RIGHTSIDE/CABINET |
| 24 | 114031-18-000 | EA SLIDE-20"-RIGHTSIDE/CABINET |
| 24 | 114031-22-000 | EA SLIDE-22"-RIGHTSIDE/CABINET |
| 25 | 114031-04-000 | EA SLIDE-12"-RIGHTSIDE/DRAWER |
| 25 | 114031-16-000 | EA SLIDE-18"-RIGHTSIDE/DRAWER |
| 25 | 114031-20-000 | EA SLIDE-20"-RIGHTSIDE/DRAWER |
| 25 | 114031-24-000 | EA SLIDE-22"-RIGHTSIDE/DRAWER |
| 26 | 114031-03-000 | EA SLIDE-12"-LEFTSIDE/DRAWER |
| 26 | 114031-15-000 | EA SLIDE-18"-LEFTSIDE/DRAWER |
| 26 | 114031-19-000 | EA SLIDE-20"-LEFTSIDE/DRAWER |
| 26 | 114031-23-000 | EA SLIDE-22"-LEFTSIDE/DRAWER |
| 27 | 114031-01-000 | EA SLIDE-12"-LEFTSIDE/CABINET |
| 27 | 114031-13-000 | EA SLIDE-18"-LEFTSIDE/CABINET |
| 27 | 114031-17-000 | EA SLIDE-20"-LEFTSIDE/CABINET |
| 27 | 114031-21-000 | EA SLIDE-22"-LEFTSIDE/CABINET |
| | 004354-01-000 | EA BUMPER-RUBBER-.5"DIA-BROWN |
| | 099682-01-01A | EA BRACKET-MOUNTING/HANDRAIL-ROUNDBASE |
| | P02786-04-H37 | EA HANDRAIL-ENTRANCEDOORW/OBRACKET(MAPLE) |
| | P02786-04-G15 | EA HANDRAIL-ENTRANCEDOORW/OBRACKETS(OAK) |
| | 102786-04-H37 | EA HANDRAIL-ENTRANCEDOOR(MAPLE) |
| | 102786-04-G15 | EA HANDRAIL-ENTRANCEDOOR(OAK) |
| | 041389-18-000 | EA HINGE-PIANO-1.50X482.60O/WHITE |
| | 041389-25-000 | EA HINGE-PIANO-1.50"X55" |
| | 042438-01-000 | EA DOWEL-WOOD-CLOTHESROD-1"DIAMETERX4' |
| | 042438-06-000 | EA DOWEL-WOOD-1.5"X26"-OAK |
| | 009112-01-000 | EA FLANGE-1"CLOTHESROD-OFFWHITEPLASTIC |
| | 102194-01-000 | EA GUIDE-PLASTIC |

INTERIORFINISHGROUP(CONTINUED)

PANELING,PLASTICLAMINATE&FLOORCOVERING

| KEY | PARTNUMBER | U/M | DESCRIPTION |
|-----|---------------|-----|---|
| | 000846-01-000 | SF | PLYWOOD -5/16' X48" X96" |
| | 000846-02-000 | SF | PLYWOOD -UNDR -5/16" X48" X96" |
| | 000885-76-000 | SF | PARTICLEBOARD-3/8"X48"X96"-WATERFORDOAK/VINYL1 SIDE |
| | 000885-77-000 | SF | PARTICLEBOARD-3/8"X48"X96"-WATERFORDOAK/VINYL2 SIDE |
| | 000885-79-000 | SF | PARTICLEBOARD-3/4"X48"X96"-WATERFORDOAK/VINYL2 SIDE |
| | 000885-84-000 | SF | PARTBD,3/8X48X96WHTGRANIT |
| | 000885-85-000 | SF | PARTBD-3/8X48X96WHTGRANIT |
| | 000885-87-000 | SF | PARTBD-3/4X48X96WHTGRANIT |
| | 074497-28-000 | SF | PANELING -WATERFORDOAK -48" X96" |
| | 074497-36-000 | SF | PANELING -WHITE GRANITE -48" X96" |
| | 074498-71-000 | SF | LAMINATE -PLASTIC -NEUTRALSANTOS -5'X8' INCOF40SF (H17,H18) |
| | 074498-62-000 | SF | LAMINATE -PLASTIC -GREYFINESSE -5'X8' INCOF40SF (H19) |
| | 074498-77-000 | SF | LAMINATE -PLASTIC -ARTCABIN -5'X8' INCOF40SQFT (H17,H18,H19) |
| | 074498-61-000 | SF | LAMINATE -PLASTIC NEUTRALMATRIX -5'X8' INCOF40SF (H40,H41) |
| | 074498-61-000 | SF | LAMINATE -PLASTIC NEUTRALMATRIX -5'X8' INCOF40SF (EXT. ENTRTNT) |
| | 080215-10-000 | SF | PANELING -2SIDE -WATERFORD -48" X84" |
| | 080215-12-000 | SF | PANELING -2SIDE -WHITE GRANITE -48" X84" |
| | 088272-E9-000 | SF | PANELING -DECORATIVE -PAINTEDDESERT -4'X7' (H17) |
| | 088272-F3-000 | SF | PANELING -FRENCH WASH -VANILLA (H18) |
| | 088272-G2-000 | SF | PANELING -LAJOLLA, SEAMIST (H19,H41) |
| | 088272-G5-000 | SF | PANELING -GAZEBOSTRIPE, SAGE (H40) |
| | 088272-G1-000 | SF | PANELING -PEBBLE EMBOSSED -ANTIQUE WHITE -4'X7' (WETBATH) |
| | 052372-02-000 | BF | LUMBER -CLASSII -1" X48" XRL |

CARPET&FLOORCOVERING

| KEY | PARTNUMBER | U/M | DESCRIPTION |
|-----|---------------|-----|---|
| | 114129-01-02A | SF | LINER -CABINET -.02" X48" X96" FROM: 01-02-97 THRU: 99-99-99 |
| | 093486-01-000 | SY | CARPET -COMPARTMENT -54" WIDE -DARKGRAY |
| | 096060-98-000 | SY | CARPET -SILVER ASPEN -INCREMENTSOFSOF4SQYD (H17) |
| | 096060-95-000 | SY | CARPET -DOESKIN (H18) |
| | 096060-C2-000 | SY | CARPET -JUBILATION,BISCANYN.B-CARRIAGE (H19) |
| | 096060-C8-000 | SY | CARPET -JUBILATION,MOLLUSK-CARRIAGE (H40) |
| | 096060-B3-000 | SY | CARPET -JUBILATION,CASTILE -SAGE,CARRIAGECARP (H41) |
| | 105924-01-F06 | EA | MAT -FLOOR -18" X27" (H17) |
| | 105924-01-G36 | EA | MAT -FLOOR -18" X27" (H18) |
| | 105924-01-H19 | EA | MAT -FLOOR -18" X27" (H19) |
| | 122755-01-01A | EA | TILE -RUBBER/ENTRANCEDOOR -18.5" X27.2" |
| | 122755-03-01A | EA | TILE -RUBBER/ENTRANCEDOOR -17.7" X26.4" |

INTERIORFINISHGROUP(CONTINUED)

FIREEXTINGUISHER, DETECTORS, PICTURES&WALLCLOCK

| KEY | PARTNUMBER | U/M | DESCRIPTION | VENDORNO. |
|-----|---------------|-----|--|-----------|
| | 094499-01-700 | EA | BRACKETMTG.W/PLAS.STRAP | 294039 |
| | 094499-01-701 | EA | STRAPONLY (METAL) | 320351 |
| | 072852-01-000 | EA | DETECTOR -SMOKE -W/9VOLT BATTERY -US | |
| | 072852-02-000 | EA | DETECTOR -SMOKE -W/9VOLT BATTERY -CANADIAN | |
| | 094499-02-000 | EA | EXTINGUISHER/FIRE -DRY -1A10BC -CANADIAN | |
| | 094499-01-000 | EA | EXTINGUISHER/FIRE -DRYW/MOUNTING BRACKET -10B:C | |
| | 112320-03-000 | EA | DETECTOR -COGAS MODEL9D-I | |
| | 112320-04-000 | EA | BATTERY/SENSORMODULE -CO (BLACKMODULE) F/9D -ISYSTEM | |
| | 125136-01-000 | EA | DETECTOR -CO -GAS -MODEL9L-I | |
| | 118081-01-01A | EA | CLOCK -WALL -ROUND8" -BRASS | |
| | 112515-02-05A | EA | PICTURE -DECORATIVE -16" X20" -LANDSCAPE (H17,H18,H19) | |
| | 112515-02-03A | EA | PICTURE -DECORATIVE -16" X20" -FLORAL (H17) | |
| | 112515-02-07A | EA | PICTURE -DECORATIVE -ABSTRACT16" X20" (H18,H19) | |
| | 112515-02-07A | EA | PICTURE -DECORATIVE -ABSTRACT16" X20" (H40,H41) | |

FROM: 00-00-00 THRU: 10-20-96

FROM: 00-00-00 THRU: 10-20-96

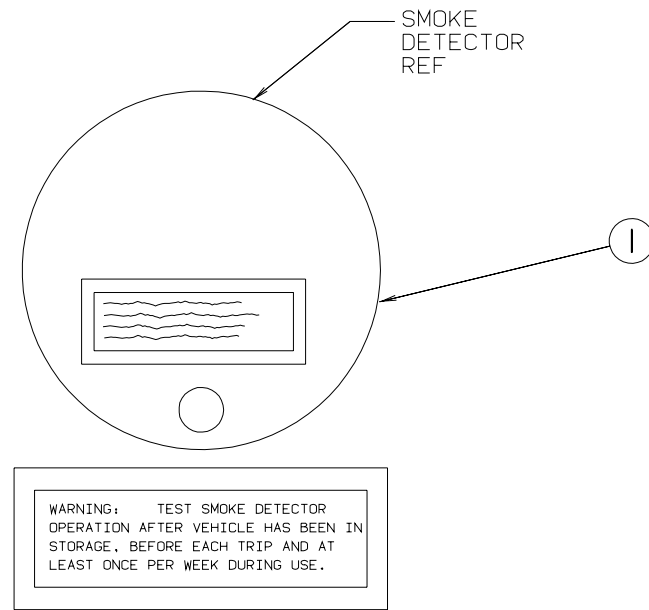
FROM: 10-21-96 THRU: 99-99-99

FROM: 00-00-00 THRU: 08-25-96

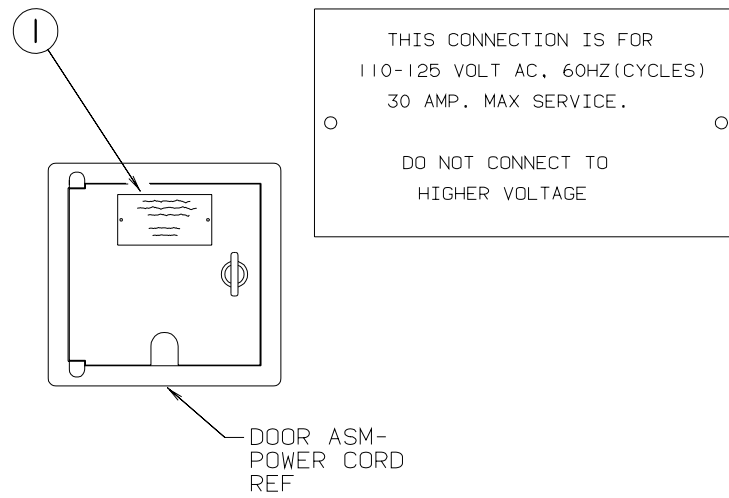
FROM: 08-26-96 THRU: 99-99-99

FROM: 08-26-96 THRU: 99-99-99

LABELSGROUP

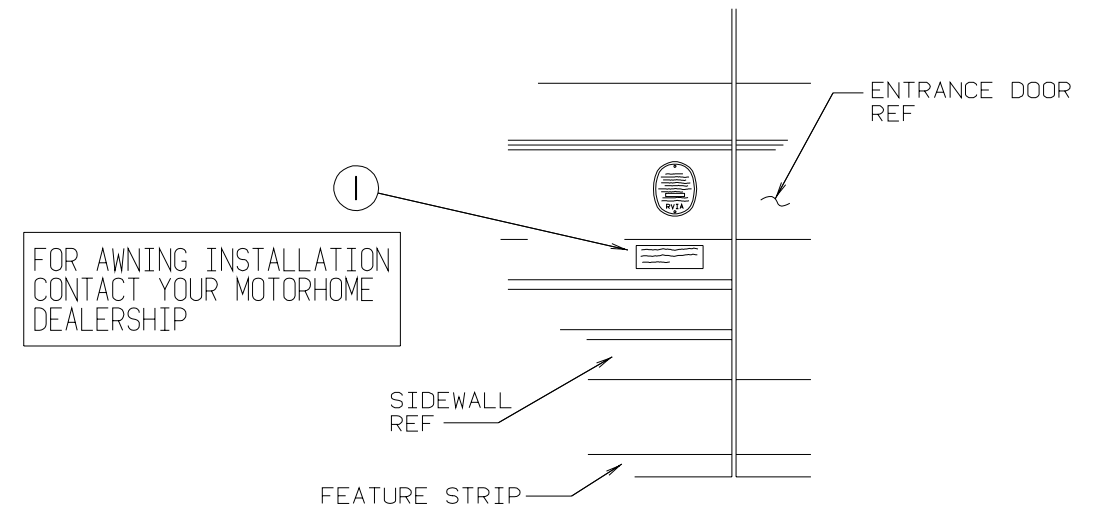


| KEY | PARTNUMBER | U/M | DESCRIPTION |
|-----|---------------|-----|-----------------------------|
| 1 | 077956-01-000 | EA | LABEL-WARNING-SMOKEDETECTOR |

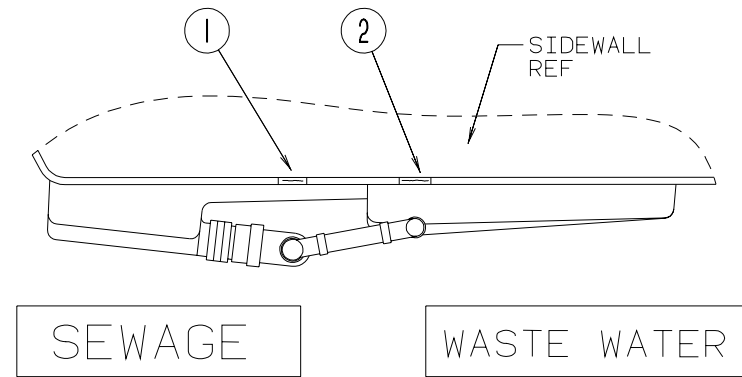


| KEY | PARTNUMBER | U/M | DESCRIPTION |
|-----|---------------|-----|-----------------------------|
| 1 | 006062-01-000 | EA | TAG-ELECTRIC-110VCONNECTION |

LABELSGROUP(CONTINUED)

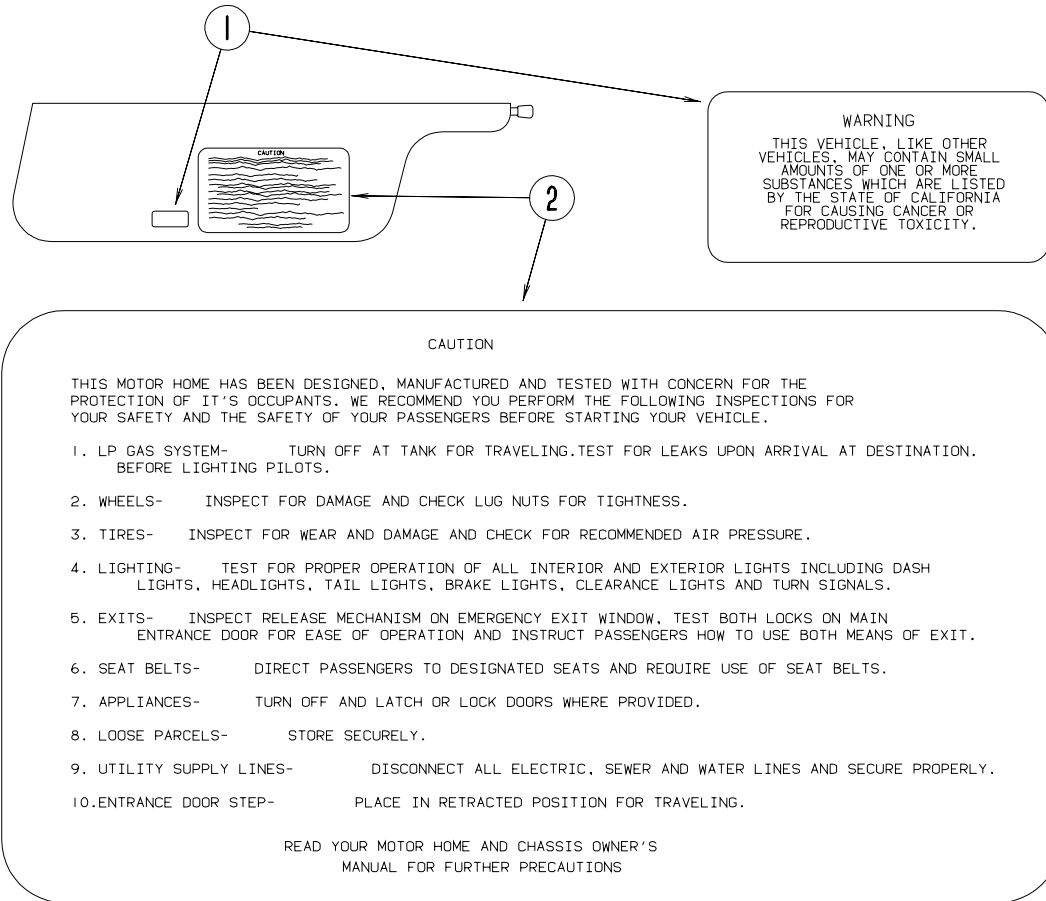


| KEY | PARTNUMBER | U/M | DESCRIPTION |
|-----|---------------|-----|--------------------------|
| 1 | 099509-01-000 | EA | LABEL-AWNINGINSTALLATION |

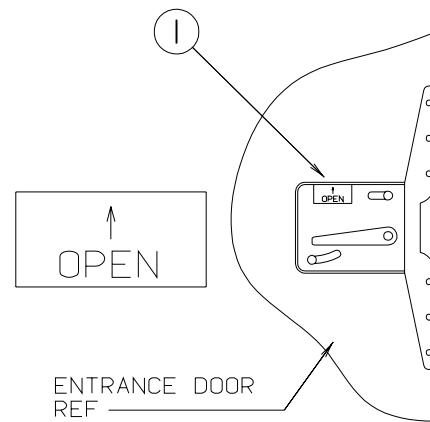


| KEY | PARTNUMBER | U/M | DESCRIPTION |
|-----|---------------|-----|------------------|
| 1 | 006187-01-000 | EA | LABEL-SEWAGE |
| 2 | 006188-01-000 | EA | LABEL-WASTEWATER |

LABELSGROUP(CONTINUED)

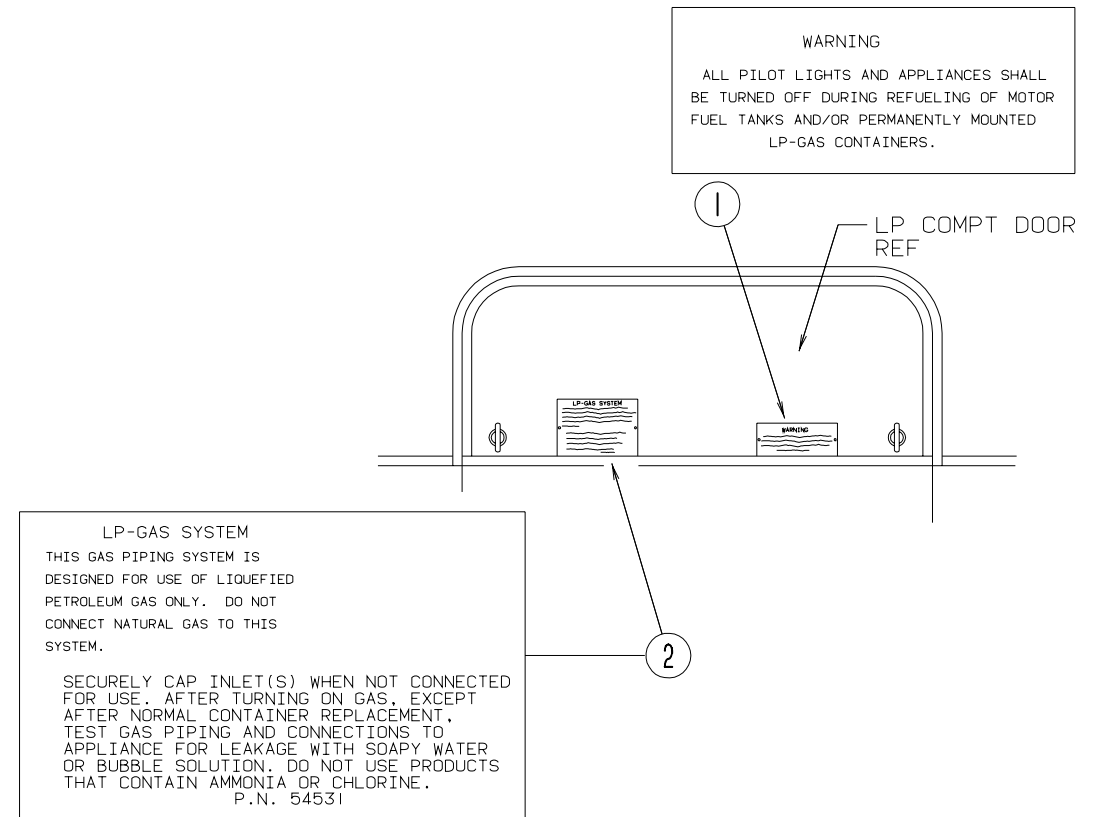


| KEY | PARTNUMBER | U/M DESCRIPTION |
|-----|---------------|----------------------------------|
| 1 | 099689-01-000 | EA LABEL-WARNING-CANCER/TOXICITY |
| 2 | 056259-01-000 | EA LABEL-SAFETYCHECKLIST |

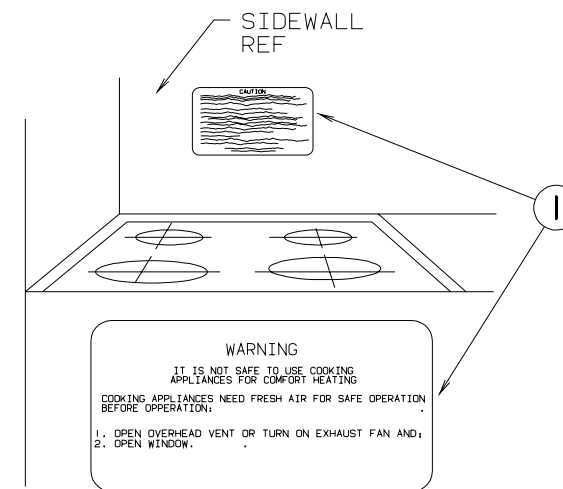


| KEY | PARTNUMBER | U/M DESCRIPTION |
|-----|---------------|------------------------------|
| 1 | 040944-01-000 | EA LABEL-ENTRANCEDOOR-"OPEN" |

LABELSGROUP(CONTINUED)

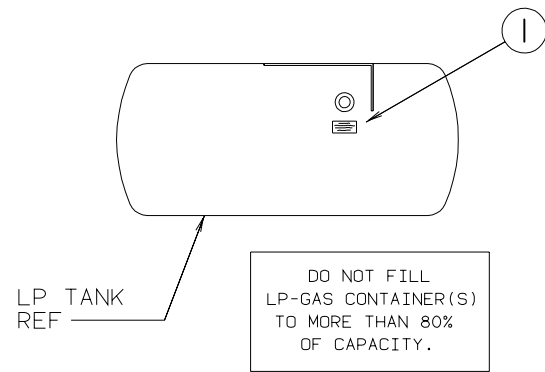


| KEY | PARTNUMBER | U/M DESCRIPTION |
|-----|---------------|--------------------------------------|
| 1 | 006040-01-000 | EA TAG-GASREFUELINGWARNING |
| 1 | 006040-02-000 | EA TAG-GASREFUELINGWARNING(CANADIAN) |
| 2 | 054531-01-000 | EA LABEL-LPGASONLY |
| 2 | 023769-01-000 | EA LABEL-WARNING-LPG(CANADIAN) |

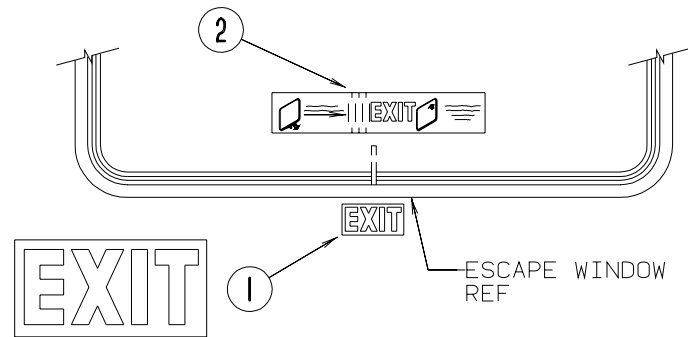


| KEY | PARTNUMBER | U/M DESCRIPTION |
|-----|---------------|--------------------------------|
| 1 | 050225-01-000 | EA LABEL-WARNING-STOVEVENT-US |
| 1 | 050222-01-000 | EA LABEL-WARNING-STOVEVENT-CSA |

LABELSGROUP(CONTINUED)



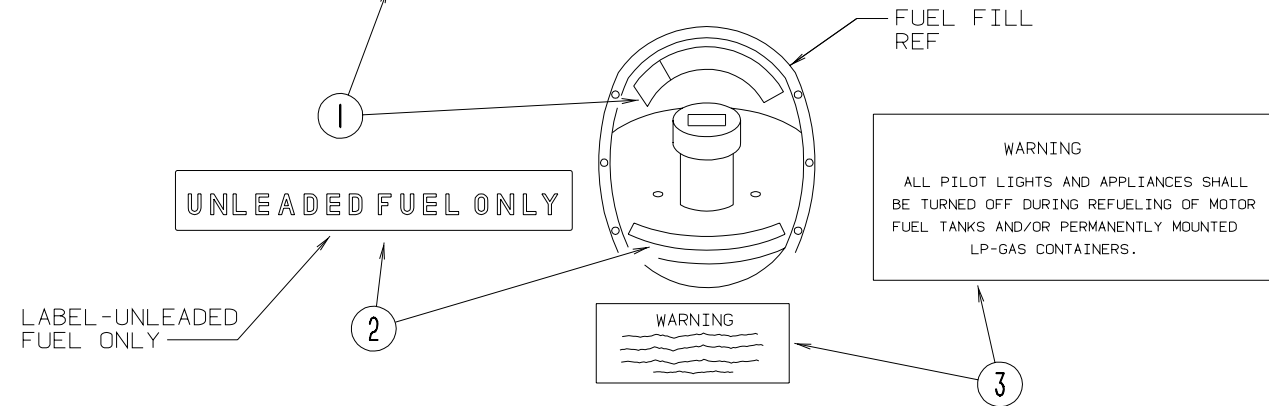
| KEY | PARTNUMBER | U/M DESCRIPTION |
|-----|---------------|--------------------------|
| 1 | 079965-01-000 | EA LABEL-LPG-80%CAPACITY |



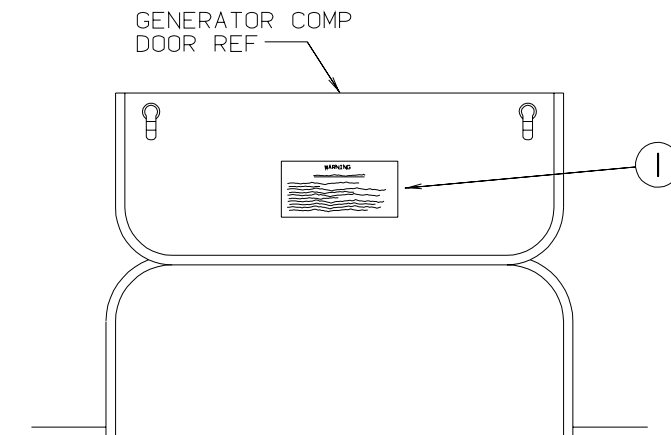
| KEY | PARTNUMBER | U/M DESCRIPTION |
|-----|---------------|----------------------------|
| 1 | 107571-01-000 | EA LABEL-EXIT/ESCAPEWINDOW |
| 2 | 039290-01-000 | EA LABEL-EXITWARNING |

LABELSGROUP(CONTINUED)

| | |
|---|---|
| CAUTION | TO HELP AVOID PERSONAL INJURY DURING REMOVAL OF FUEL FILLER CAP, SLOWLY LOOSEN CAP 1/2 TURN TO ALLOW ANY FUEL PRESSURE TO BE RELIEVED BEFORE TURNING CAP FURTHER. |
| FUEL SPRAY MAY CAUSE PERSONAL INJURY | STOP ADDING FUEL AFTER FIRST SHUTOFF BY AUTOMATIC NOZZLE WHEN TANK IS NEARLY FULL. DO NOT OVERFILL FUEL TANK. SEE OWNERS MANUAL FOR ADDITIONAL INFORMATION. PRINTED IN U.S.A. MLC PT NO 15611763 |



| KEY | PARTNUMBER | U/M DESCRIPTION |
|-----|---------------|--------------------------------------|
| 1 | 087207-05-000 | EA LABEL-FUELCAPREMOVAL |
| 2 | 062043-01-000 | EA LABEL-FUEL-UNLEADED |
| 3 | 006040-01-000 | EA TAG-GASREFUELINGWARNING |
| 3 | 006040-02-000 | EA TAG-GASREFUELINGWARNING(CANADIAN) |



WARNING

WHEN ADDING A GENERATOR SET:

HIGH VOLTAGE-USE EXTREME CAUTION WHEN WORKING ON ELECTRICAL COMPONENTS.
HAVE ALL ELECTRICAL INSTALLATION PERFORMED BY A QUALIFIED LICENSED ELECTRICIAN-FOLLOW ALL STATE AND LOCAL CODES.
ONLY INSTALL GENERATOR SET APPROVED FOR R.V. APPLICATION. HAVE INSTALLED BY QUALIFIED TECHNICIAN.
TO AVOID HEAT BUILD-UP AND TO GUARANTEE AN ADEQUATE AIR SUPPLY TO THE GENERATOR CARBURETOR, FOLLOW INSTALLATION INSTRUCTIONS.
GENERATOR ENGINE EXHAUST GASES ARE TOXIC AND MUST NOT TERMINATE UNDER THE VEHICLE-DISCHARGE EXHAUST AWAY FROM VEHICLE.

| KEY | PARTNUMBER | U/M DESCRIPTION |
|-----|---------------|------------------------|
| 1 | 077510-01-000 | EA LABEL-GENERATORPREP |

LABELSGROUP(CONTINUED)

MISCELLANEOUSLABELS

| KEY | PARTNUMBER | U/M DESCRIPTION |
|-----|---------------|---|
| | 094675-01-000 | EA LABEL-EXTERIORLIGHT-SERVICE |
| | 073998-01-000 | EA LABEL-LPGODORWARNING |
| | 079966-01-000 | EA LABEL-WARNING-STOWED-MOTION |
| | 087236-01-000 | EA LABEL-CABLE,INPUT |
| | 091243-01-000 | EA LABEL-A/CCOVER-"AIRCONDITIONINGCIRCUIT.ETC." |
| | 098379-04-000 | EA LABEL-ELECTRICALBOXSIDE |
| | 098641-01-000 | EA LABEL-FUEL-UNLEADED-DASH |
| | 104678-01-000 | EA LABEL-CBPREP |
| | 111104-01-000 | EA LABEL-HITCH-READMANUAL |
| | 111537-07-000 | EA LABEL-FUSES |
| | 111802-01-000 | EA LABEL-CFCWARNING |
| | 124519-01-02A | EA LABEL-WARNING/REFUELING-US |
| | 124519-02-02A | EA LABEL-WARNING/REFUELING-CSA |
| | 126024-01-01A | EA LABEL-TIREHANGERREMOVAL |

| | | | | | | | | | | | |
|---------------------|------|------|---------------------|------------------------------|----------------------|------------------------------|-----------|----------------|----------------|--------------------|-----------------|
| A/C CIRCUIT 1 | MAIN | MAIN | A/C CIRCUIT 2 | GLT HITCH CIRCUIT 1 | REF FUEL /CONV | GLT HITCH CIRCUIT 2 | MICROWAVE | APPLIANCE 1 | APPLIANCE 2 | GENERAL RECORDS | WASHER DRYER |
|---------------------|------|------|---------------------|------------------------------|----------------------|------------------------------|-----------|----------------|----------------|--------------------|-----------------|

| KEY | PARTNUMBER | U/M DESCRIPTION |
|-----|---------------|----------------------------------|
| 1 | 095721-18-000 | EA LABEL-CONTROLCENTER,50AMP-CSA |

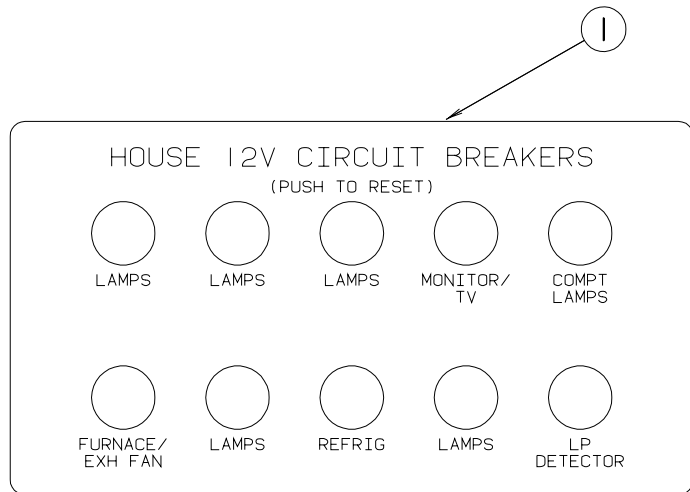
LP-GAS SYSTEM
 THIS GAS PIPING SYSTEM IS
 DESIGNED FOR USE OF
 LIQUIFIED PETROLEUM GAS
 ONLY. DO NOT CONNECT
 NATURAL GAS TO THIS
 SYSTEM.
 SECURE CAP INLET(S) WHEN NOT
 CONNECTED FOR USE AFTER TURNING
 ON GAS. EXCEPT AFTER NORMAL
 CONTAINER REPLACEMENT, TEST GAS
 PIPING AND CONNECTIONS TO
 APPLIANCES FOR LEAKAGE WITH SOAPY
 WATER OR BUBBLE SOLUTION. DO NOT
 USE PRODUCTS THAT CONTAIN AMMONIA
 OR CHLORINE.

| KEY | PARTNUMBER | U/M DESCRIPTION |
|-----|---------------|--------------------|
| 1 | 124520-01-02A | EA LABEL-LPGASONLY |

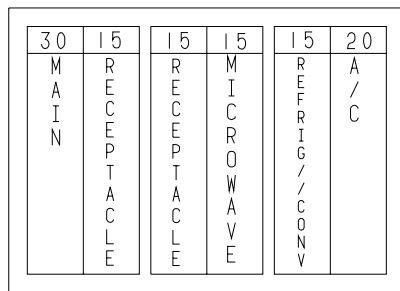
| | | | | | | | | | | | |
|---------------------|------|------|---------------------|------------------------------|----------------------|------------------------------|-----------|--------------------|-----------------|----------------------------------|--------------------|
| A/C CIRCUIT 1 | MAIN | MAIN | A/C CIRCUIT 2 | GLT HITCH CIRCUIT 1 | REF FUEL /CONV | GLT HITCH CIRCUIT 2 | MICROWAVE | GENERAL RECORDS | WASHER DRYER | DISHWASHER OR ICE MAKER | GENERAL RECORDS |
|---------------------|------|------|---------------------|------------------------------|----------------------|------------------------------|-----------|--------------------|-----------------|----------------------------------|--------------------|

| KEY | PARTNUMBER | U/M DESCRIPTION |
|-----|---------------|---------------------------------|
| 1 | 095721-17-000 | EA LABEL-CONTROLCENTER,50AMP-US |

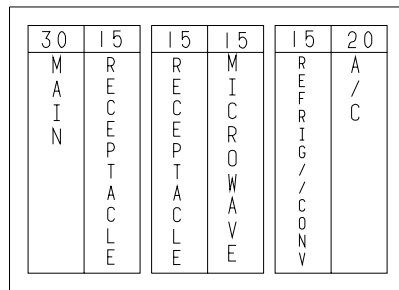
LABELSGROUP(CONTINUED)



KEY PARTNUMBER U/M DESCRIPTION
 1 092547-06-000 EA LABEL-CIRCUITBREAKER

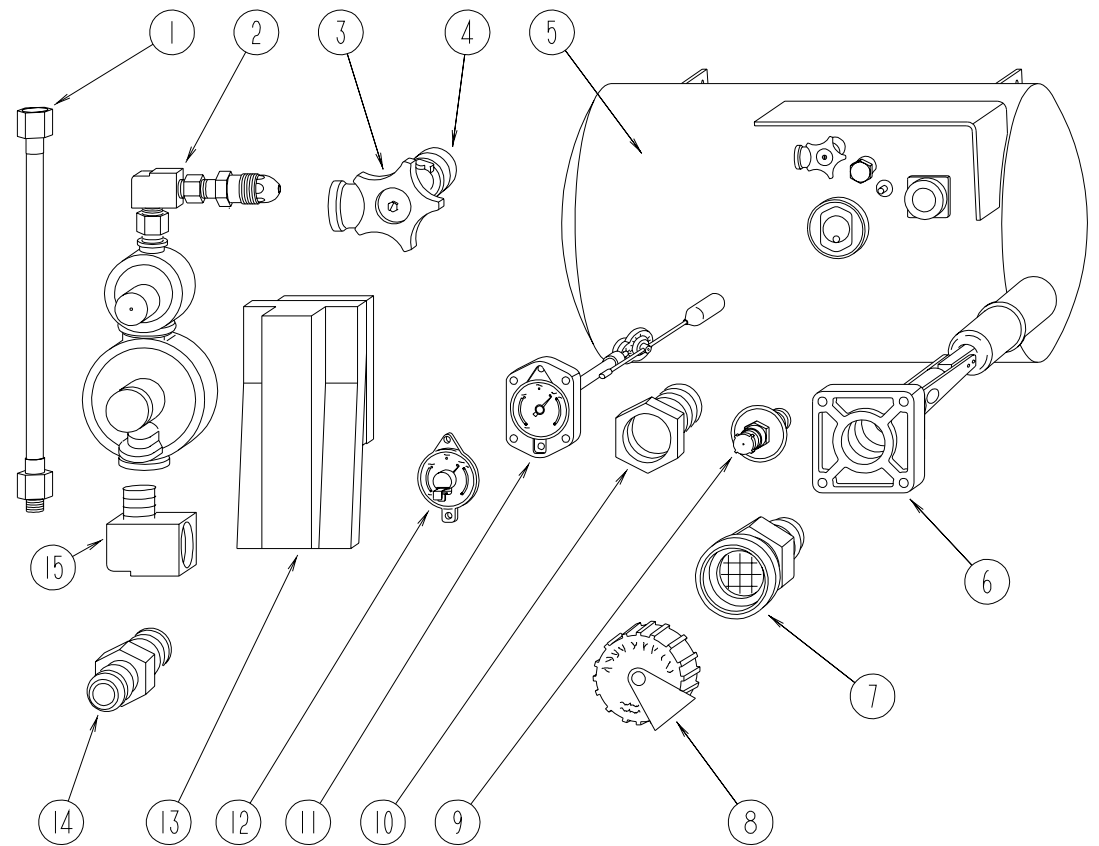


KEY PARTNUMBER U/M DESCRIPTION
 1 095721-10-000 EA LABEL-CONTROLCENTER(30A)CSA



KEY PARTNUMBER U/M DESCRIPTION
 1 095721-14-000 EA LABEL-CONTROLCENTER(30A)

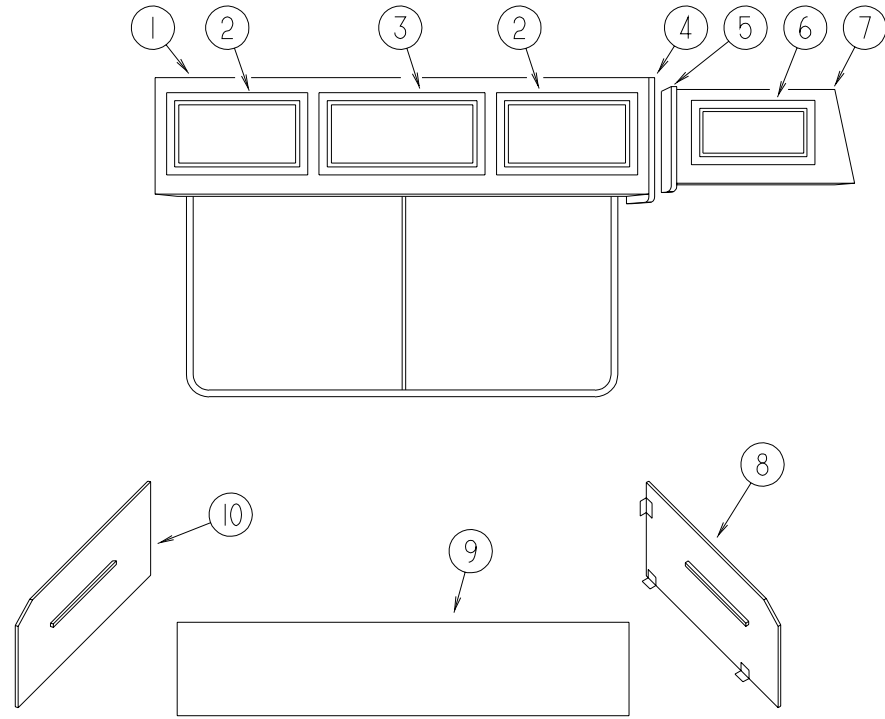
LPGROUP



LPTANK&COMPONENTS

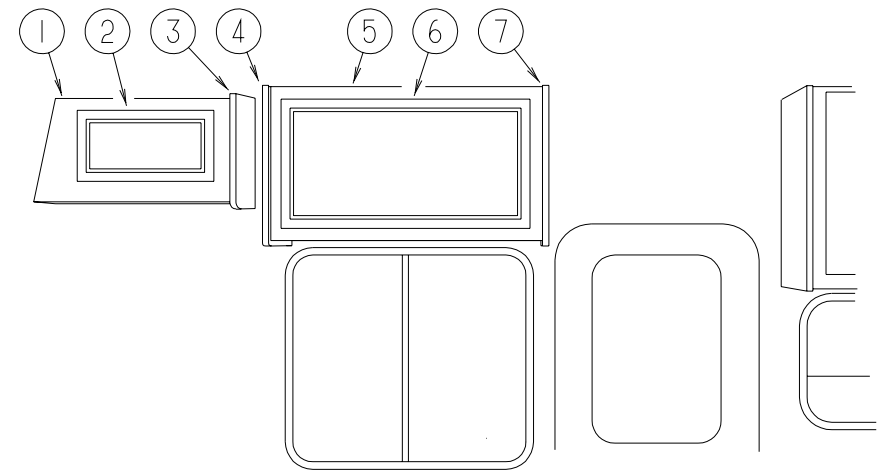
| KEY | PARTNUMBER | U/M | DESCRIPTION | VENDOR NO. |
|-----|---------------|-----|--|------------|
| 1 | 045703-01-000 | EA | HOSE-L/P-3/8"IDX24"-3/8"MPTX1/2"FSWIVEL-US | |
| 1 | 045703-02-000 | EA | HOSE-LP-3/8"IDX24"-3/8"MPTX1/2"FSWIVEL-CANADA | |
| 2 | 106150-01-000 | EA | REGULATOR-TWOSTAGE | |
| 3 | 040421-01-708 | EA | HANDWHEEL-SERVICEVALVE | G-1015-A |
| 4 | 040421-01-712 | EA | VALVE-SERV.W/OVAPORRELIEF | 29000853 |
| 5 | 088253-03-000 | EA | TANK-LP-100LB-16"DX36"-SPL | |
| 6 | 040421-01-711 | EA | VALVE-80%FILLW/AUTOSTOP | LLL/TL3 |
| 7 | 040421-01-701 | EA | VALVE-FILL-SHORT-LP | 75478 |
| 8 | 040421-01-702 | EA | CAP-FILLVALVE-PLASTIC | G-1014-A |
| 9 | 040421-01-700 | EA | VALVE-LIQUIDLEVEL-20% | G-1013 |
| 10 | 040421-01-713 | EA | VALVE-VAPORONLY | 29000587 |
| 11 | 088253-01-700 | EA | GAUGE-FLOATASSEMBLY-L.P. | 16C |
| 12 | 040440-02-000 | EA | TRANSMITTER-DIAL-0-90OHM-2TERMINAL(POWER&GROUND) | |
| 13 | 105658-01-000 | EA | COMPARTMENT-LPREGULATOR | |
| 14 | 010326-01-000 | EA | ADAPTER-FLARE-W/CONEGASKET-3/8"FEMALEX1/2"MALE | |
| 15 | 065318-02-000 | EA | ELBOW-90DEGREE-3/8"MPTTO3/8"FPT | |
| | 010329-01-000 | EA | ADAPTER-BRASS-1/2"FX1/2"MPT | |
| | 010265-01-000 | EA | ELBOW-BRASS-90DEGREE-3/8"FX1/2"FPT | |
| | 103613-01-000 | EA | DETECTOR-LPGAS | |
| | 113542-11-02B | EA | MOUNTASM-LPTANK-E-COAT | |
| | 010252-01-000 | EA | ELBOW-BRASS-90DEGREE-3/8"FX1/2"MPT | |
| | 010377-02-000 | EA | NUT-BRASS-3/8"FLARE-FORGED | |

LOUNGE GROUP



LOUNGE & FRONT OVERHEAD CABINET (DRIVER SIDE)

LOUNGE GROUP (CONTINUED)

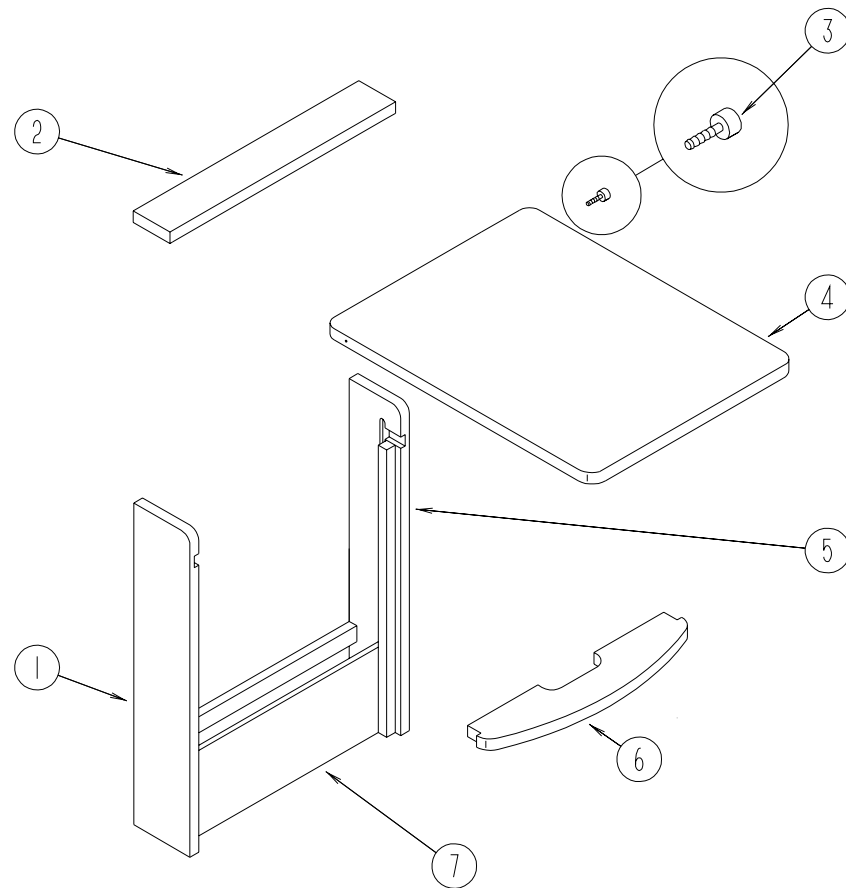


FRONT OVERHEAD CABINET (PASSENGER SIDE)

| KEY | PARTNUMBER | U/M | DESCRIPTION |
|-----|---------------|-----|---|
| 1 | M06838-07-H17 | EA | CABINET-OVERHEAD-W/ODOORS/HARDWARE (OAK) |
| 1 | M06838-07-H40 | EA | CABINET-OVERHEAD-W/ODOORS/HARDWARE (WHITE) |
| 1 | M06852-04-H17 | EA | CABINET-OVERHEAD-W/ODOORS/HARDWARE (OAK) (DECORATOR DOOR OPT.) |
| | 104312-11-G35 | EA | SHELF-W/PLASTIC EDGE TRIM (OAK) |
| | 104312-11-H40 | EA | SHELF-W/PLASTIC EDGE TRIM (WHITE) |
| 2 | M06803-03-H17 | EA | DOOR-MIRROR/MTRDCRNR/OGEE EDGE-15.7"X20.4"-W/OHARDWARE (OAK) |
| 2 | 122715-27-01A | EA | DOOR-MOLDED VINYL-15.7"X20.4"-W/OHARDWARE (WHITE) |
| 2 | M06803-B1-H17 | EA | DOOR-MITERED CORNER/OGEE EDGE-15.7"X20.4"-W/OHARDWARE (OAK) (DECORATOR DOOR OPTION) |
| 3 | M06803-13-H17 | EA | DOOR-MIRROR/MTRDCRNR/OGEE EDGE-15.7"X28"-W/OHARDWARE (OAK) |
| 3 | 122715-08-01A | EA | DOOR-MOLDED VINYL-15.7"X28"-W/OHARDWARE (WHITE) |
| 3 | M06803-82-H17 | EA | DOOR-MITERED CORNER/OGEE EDGE-15.7"X28"-W/OHARDWARE (OAK) (DECORATOR DOOR OPTION) |
| 4 | 103128-01-G09 | EA | ENDCAP-OVERHEAD CABINET-RIGHTHAND (OAK) |
| 4 | 103128-01-H40 | EA | ENDCAP-OVERHEAD CABINET-RIGHTHAND (WHITE) |
| 5 | 103128-09-G09 | EA | ENDCAP-OVERHEAD FRONT-DRIVER (OAK) |
| 5 | 103128-09-H23 | EA | ENDCAP-OVERHEAD FRONT-DRIVER (WHITE) |
| 6 | M06803-04-H17 | EA | DOOR-MITERED CORNER/OGEE EDGE-10"X19"-W/OHARDWARE (OAK) |
| 6 | 122715-03-01A | EA | DOOR-MOLDED VINYL-10"X19"-W/OHARDWARE (WHITE) |
| 7 | M06838-02-H17 | EA | CABINET-OVERHEAD/FRONT LEFTHAND-W/ODOORS/HARDWARE (OAK) |
| 7 | M06838-02-H18 | EA | CABINET-OVERHEAD/FRONT LEFTHAND-W/ODOORS/HARDWARE (OAK) |
| 7 | M06838-02-H19 | EA | CABINET-OVERHEAD/FRONT LEFTHAND-W/ODOORS/HARDWARE (OAK) |
| 7 | M06838-02-H40 | EA | CABINET-OVERHEAD/FRONT LEFTHAND-W/ODOORS/HARDWARE (WHITE) |
| 7 | M06838-02-H41 | EA | CABINET-OVERHEAD/FRONT LEFTHAND-W/ODOORS/HARDWARE (WHITE) |
| 8 | M04187-34-G15 | EA | PANEL-COUCH/LEFTHAND-FABRIC COVERED (H17) |
| 8 | M04187-34-H18 | EA | PANEL-COUCH/LEFTHAND-FABRIC COVERED (H18) |
| 8 | M04187-34-H19 | EA | PANEL-COUCH/LEFTHAND-FABRIC COVERED (H19) |
| 8 | M04187-34-H23 | EA | PANEL-COUCH/LEFTHAND-FABRIC COVERED (H40) |
| 8 | M04187-34-H25 | EA | PANEL-COUCH/LEFTHAND-FABRIC COVERED (H41) |
| 9 | M04187-37-H17 | EA | PANEL-COUCH FRONT KICK-FABRIC COVERED |
| 9 | M04187-37-H18 | EA | PANEL-COUCH FRONT KICK-FABRIC COVERED |
| 9 | M04187-37-H19 | EA | PANEL-COUCH FRONT KICK-FABRIC COVERED |
| 9 | M04187-37-H40 | EA | PANEL-COUCH FRONT KICK-FABRIC COVERED |
| 9 | M04187-37-H41 | EA | PANEL-COUCH FRONT KICK-FABRIC COVERED |
| 10 | M04187-36-G15 | EA | PANEL-COUCH/RIGHT END-FABRIC COVERED (H17) |
| 10 | M04187-36-H18 | EA | PANEL-COUCH/RIGHT END-FABRIC COVERED (H18) |
| 10 | M04187-36-H19 | EA | PANEL-COUCH/RIGHT END-FABRIC COVERED (H19) |
| 10 | M04187-36-H23 | EA | PANEL-COUCH/RIGHT END-FABRIC COVERED (H40) |
| 10 | M04187-36-H25 | EA | PANEL-COUCH/RIGHT END-FABRIC COVERED (H41) |

| KEY | PARTNUMBER | U/M | DESCRIPTION |
|-----|---------------|-----|---|
| 1 | M06838-01-H17 | EA | CABINET-OVERHEAD/FRONT RIGHTHAND-W/ODOORS/HARDWARE (OAK) |
| 1 | M06838-01-H18 | EA | CABINET-OVERHEAD/FRONT RIGHTHAND-W/ODOORS/HARDWARE (OAK) |
| 1 | M06838-01-H19 | EA | CABINET-OVERHEAD/FRONT RIGHTHAND-W/ODOORS/HARDWARE (OAK) |
| 1 | M06838-01-H40 | EA | CABINET-OVERHEAD/FRONT RIGHTHAND-W/ODOORS/HARDWARE (WHITE) |
| 1 | M06838-01-H41 | EA | CABINET-OVERHEAD/FRONT RIGHTHAND-W/ODOORS/HARDWARE (WHITE) |
| 2 | M06803-04-H17 | EA | DOOR-MITERED CORNER/OGEE EDGE-10"X19"-W/OHARDWARE (OAK) |
| 2 | 122715-03-01A | EA | DOOR-MOLDED VINYL-10"X19"-W/OHARDWARE (WHITE) |
| 3 | 103128-08-G09 | EA | ENDCAP-OVERHEAD FRONT-PASSENGER (OAK) |
| 3 | 103128-08-H23 | EA | ENDCAP-OVERHEAD FRONT-PASSENGER (WHITE) |
| 4 | 103128-07-G15 | EA | ENDCAP-OVERHEAD LOUNGE-LEFTHAND (OAK) |
| 4 | 103128-07-H23 | EA | ENDCAP-OVERHEAD LOUNGE-LEFTHAND (WHITE) |
| 5 | M06838-08-H17 | EA | CABINET-OVERHEAD-W/ODOOR/HARDWARE (OAK) |
| 5 | M06838-08-H40 | EA | CABINET-OVERHEAD-W/ODOOR/HARDWARE (WHITE) |
| | 104414-12-G35 | EA | SHELF-W/PLASTIC EDGE TRIM (OAK) |
| | 104414-12-H23 | EA | SHELF-W/PLASTIC EDGE TRIM (WHITE) |
| 6 | M06803-30-H17 | EA | DOOR-MITERED CORNER/OGEE EDGE-15.5"X29.5"-W/OHARDWARE (OAK) |
| 6 | 122715-05-01A | EA | DOOR-MOLDED VINYL-15.5"X29.5"-W/OHARDWARE (WHITE) |
| 7 | 103128-10-G15 | EA | ENDCAP-OVERHEAD LOUNGE-RIGHTHAND (OAK) |
| 7 | 103128-10-H23 | EA | ENDCAP-OVERHEAD LOUNGE-RIGHTHAND (WHITE) |
| | 101222-01-04A | EA | BRACKET-CATCH-LID-E-COAT |

LOUNGE GROUP (CONTINUED)



PULLOUT TABLE

| KEY | PARTNUMBER | U/M | DESCRIPTION |
|-----|---------------|-----|--|
| | P19559-01-G35 | EA | CABINET-TABLE-W/OPULLOUTTOP(OAK) |
| | P19559-01-H23 | EA | CABINET-TABLE-W/OPULLOUTTOP(WHITE) |
| 1 | 119559-12-G35 | EA | END-TABLE-LEFTSIDE-28.7"X5.7"(OAK) |
| 1 | 119559-12-H23 | EA | END-TABLE-LEFTSIDE-28.7"X5.7"(WHITE) |
| 2 | 119559-13-G35 | EA | SHELF-TOPF/PULLOUTTABLE(OAK) |
| 2 | 119559-13-H23 | EA | SHELF-TOPF/PULLOUTTABLE(WHITE) |
| 3 | 079921-01-000 | EA | NYLONROLLERW/SHAFT |
| 4 | 119559-17-G35 | EA | TABLE-PULLOUTTOP(OAK) |
| 4 | 119559-17-H23 | EA | TABLE-PULLOUTTOP(WHITE) |
| 5 | 119559-11-G35 | EA | END-TABLE-RIGHTSIDE-28.7"X5.7"(OAK) |
| 5 | 119559-11-H23 | EA | END-TABLE-RIGHTSIDE-28.7"X5.7"(WHITE) |
| 6 | 119559-14-G35 | EA | SHELF-SUPPORTF/PULLOUTTABLE(OAK) |
| 6 | 119559-14-H23 | EA | SHELF-SUPPORTF/PULLOUTTABLE(WHITE) |
| 7 | 119559-15-G35 | EA | PANEL-BOTTOMF/TABLECABINET-18.1"X6.7"(OAK) |
| 7 | 119559-15-H23 | EA | PANEL-BOTTOMF/TABLECABINET-18.1"X6.7"(WHITE) |
| | 080736-01-000 | EA | PULL-RECESSED-1.25"X4"-OAK |

SEALANTS & FASTENERS GROUP

ADHESIVE AND TAPE SEALERS

| KEY | PARTNUMBER | U/M | DESCRIPTION |
|-----|---------------|-----|---|
| | 004006-05-700 | EA | ADHESIVE-NAT.STARCH(5GAL) |
| | 004020-01-000 | QT | ADHESIVE-ABSCEMENT-QUART |
| | 034552-02-000 | EA | SILICONE TUBE - 300ML - CLEAR - W/ONNOZZLE ALSO ORDER P.N.#900390-03-000 NOZZLE SEPARATELY |
| | 034552-06-000 | EA | SILICONE TUBE - 300ML - OFF WHITE - W/ONNOZZLE ALSO ORDER P.N.#900390-03-000 NOZZLE SEPARATELY |
| | 034552-15-000 | EA | SILICONE - TUBE 300ML BRIGHT WHITE - W/ONNOZZLE ALSO ORDER #900390-03-000 NOZZLE |
| | 039518-01-000 | EA | SILICONE - TUBE - 300ML - BLACK - W/ONNOZZLE ALSO ORDER #900390-03-000 NOZZLE |
| | 108716-03-000 | EA | SILICONE - TUBE - BRIGHT WHITE / SELF LEVELING |
| | 053766-02-000 | EA | BEDDING COMPOUND - TUBE - WHITE |
| | 053766-06-000 | EA | BEDDING COMPOUND - TUBE - CLEAR |
| | 067788-01-000 | EA | ADHESIVE SPRAY - 3M74 - 19.5 OZ AEROSOL CAN |
| | 069640-01-000 | FT | SEALER RIBBON - 1/4" DIAMETER - INCREMENTS OF 30' |
| | 069640-02-000 | FT | SEALER RIBBON - 1/2" X 1/8" - INCREMENTS OF 60' |
| | 069640-03-000 | FT | SEALER RIBBON - 3/4" X 1/8" - INCREMENTS OF 60' |
| | 069640-07-000 | FT | SEALER RIBBON - 2" X 3/32" - INCREMENTS OF 45' |
| | 069640-09-000 | FT | SEALER RIBBON - 1/32" X 2 1/2" - INCREMENTS OF 80' |
| | 069640-15-000 | FT | SEALER RIBBON 1/16" X 3/8" GRY - MANUS |
| | 072889-01-000 | EA | SEALANT-URETHANE-BLACK-1/10-ESSEX552.2 |
| | 072889-09-000 | EA | SEALANT-URETHANE(TUBE)BLACK-MANUS75AM |
| | 072889-10-000 | EA | SEALANT-URETHANE(HV)BRIGHTWHITE |
| | 072889-12-000 | EA | SEALANT-URETHANE(LV)BRIGHTWHITE |
| | 107828-01-000 | EA | SEALANT-SB-190EVERSEAL |
| | 063642-01-000 | FT | TAPE-ADHESIVE-10MILX1.5"X180" |
| | 088479-01-000 | EA | TAPE-ALUMINUM-3" |
| | 076322-01-000 | FT | TAPE-FOAM-DOUBLECOATEDADHESIVEBACKED-.75"X216' |
| | 076322-05-000 | FT | TAPE-FOAM-DOUBLECOATED-.045"X.75"X108' |
| | 076322-07-000 | FT | TAPE-FOAM-DOUBLECOATED.045X.50-NORTV2000 |
| | 120534-01-01A | EA | TAPE-SCOTCH-3M-1/2"FINELINE |
| | 123816-01-000 | FT | TAPE-DOUBLESIDED-1" |
| | 123816-02-000 | FT | TAPE-DOUBLESIDED-1/2" |
| | 123816-04-000 | FT | TAPE-DOUBLESIDED-6" |
| | 087211-01-000 | GL | PROMOTER ADHESIVE |
| | 091255-02-000 | FT | SEALADHESIVEBACKEDFOAM-.18"THICKX1.5"WIDE |
| | 102352-01-000 | EA | SEALER-PUMPABLE-BLACK-COLORIMETRICMS101 |
| | 106206-01-000 | EA | SEALER-PUMPABLE-MANUS30ABLACK |
| | 110274-01-000 | FT | TAPE-FOAM-DBLCOATED.045X1.0-NORTONV-2800 |
| | 900390-01-000 | EA | TIP-2 1/2"X1/8"ORIFICE-ELLSWORTH#TS216 |
| | 900390-03-000 | EA | NOZZLES-SILICONE TUBE-CSL#D10 |

MISCELLANEOUS FASTENERS

| KEY | PARTNUMBER | U/M | DESCRIPTION |
|-----|---------------|-----|---|
| | 008343-01-000 | EA | TIE-WIRE-6" |
| | 008343-02-000 | EA | TIE-WIRE-14" |
| | 008343-03-000 | EA | TIE-WIRE-7 1/5"-BLACK |
| | 029094-04-000 | YD | VELCRO TAPE-LOOP-1"WIDE-BLACK |
| | 029096-03-000 | YD | VELCRO TAPE-HOOK-1"WIDE-BLACK |
| | 085774-01-000 | FT | FASTENER-DUALHOOK-1"WIDE-ADHESIVEBACK-BLACK |
| | 085774-02-000 | FT | FASTENER-DUALLOOP-1"WIDE-ADHESIVEBACK-BLACK |
| | 086285-01-000 | EA | SPACER-NYLON-.5"ODX.257"ID |
| | 108046-02-000 | EA | CABLETIE-SCREWMOUNT15"-DENNISON10035 |
| | 081211-04-000 | EA | PLUG-PLASTIC-.46"DIA.-BLACK |
| | 081211-05-000 | EA | PLUG-PLASTIC-.188"DIA.-NATURAL |
| | 110943-02-000 | FT | FELTSTRIP-3/8"-ADHESIVEBACKED-WHITE |

SEALANTS&FASTENERSGROUP(CONTINUED)

SCREWS

| KEY | PARTNUMBER | U/M | DESCRIPTION |
|-----|---------------|-----|--|
| | 0G3908-08-170 | EA | SCREW-SF/DR-8-18X1/2PPH-BRIGHTWHITE |
| | 000G11-05-08B | EA | SCREW-5-20X1/2PPHZINC |
| | 000G11-06-10J | EA | SCREW-6-20X5/8PPH-BRASS |
| | 000G11-06-08B | EA | SCREW-6-20X1/2PPHZINC |
| | 000G11-06-06B | EA | SCREW-6-20X3/8PPHZINC |
| | 000G11-07-08B | EA | SCREW-7-19X1/2PPH-ZINC |
| | 000G11-08-08T | EA | SCREW-8-18X1/2PPH |
| | 000G11-08-08B | EA | SCREW-8-18X1/2PPH-ZINC |
| | 000G11-08-06B | EA | SCREW-8-18X3/8PPHZINC |
| | 000G11-08-20B | EA | SCREW-8-18X11/4PPHZINC |
| | 000G11-08-16S | EA | SCREW-8-18X1.00PPH-OFFWHITE |
| | 000G11-08-12T | EA | SCREW-8-18X3/4PPH-BLACK |
| | 000G11-08-12P | EA | SCREW-8-18X.75PPH-DARKBROWN |
| | 000G11-08-12D | EA | SCREW-8-18X3/4PPH-BLACK |
| | 000G11-08-12B | EA | SCREW-8-18X3/4PPHZINC |
| | 000G11-10-40B | EA | SCREW-10-16X21/2PPHCAD-34927-01-000 |
| | 000G11-10-16B | EA | SCREW-10-16X1-PPHZINC |
| | 000G11-10-12S | EA | SCREW-10-16X.75PPHOFFWHT |
| | 000G11-10-12D | EA | SCREW-10-16X3/4PPH-BLACK |
| | 000G12-06-08T | EA | SCREW-6-20X.50POH-BLACK |
| | 000G13-06-16J | EA | SCREW-6-20X1.00PFH-BRASS |
| | 000G13-06-08B | EA | SCREW-6-20X1/2PFHZINC |
| | 000G13-06-24J | EA | SCREW-6-20X1.50PFHBRASS |
| | 000G13-07-12B | EA | SCREW-7-19X3/4PFHZINC |
| | 000G13-08-16B | EA | SCREW-8-18X1PFH-ZINC |
| | 000G18-08-22B | EA | SCREW-MACH-8-32X13/8PPHZINC |
| | 000G19-10-20B | EA | SCREW-MACHINE-10-32X11/14PPHZINC |
| | 000G19-10-08B | EA | SCREW-MACHINE-10-32X1/2PPHZINC |
| | 000G19-10-12F | EA | SCREW-MACHINE-10-32X.75-PPH-STAINLESSSTEEL |
| | 000G32-10-06B | EA | SCREW-10-32X3/8"-PPH-ZINC |
| | 000G39-06-10T | EA | SCREW-SF/DR-6-20X5/8PPH-BLACK |
| | 000G39-06-08B | EA | SCREW-DR-6-18X1/2ZINC |
| | 000G39-08-08S | EA | SCREW-SF/DR-8-18X1/2PPH-OFFWHITE |
| | 000G39-08-08B | EA | SCREW-SF/DR-8-18X1/2PPHZINC |
| | 000G39-08-06B | EA | SCREW-SF/DR-8-18X3/8PPHZINC |
| | 000G39-08-24B | EA | SCREW-SF/DR-8-18X11/2PPHZINC |
| | 000G39-08-16T | EA | SCREW-SF/DR-8-18X1PPH-BLACK |
| | 000G39-08-16B | EA | SCREW-SF/DR-8-18X1PPHZINC |
| | 000G39-08-12T | EA | SCREW-SF/DR-8-18X3/4PPH-BLACK |
| | 000G39-08-12B | EA | SCREW-SF/DR-8-18X3/4PPHZINC |
| | 000G39-08-16R | EA | SCREW-SF/DR-8-18X1PPH-BEIGE |
| | 000G39-08-08T | EA | SCREW-SF/DR-8-18X.50PPH-BLACK |
| | 000G39-10-08B | EA | SCREW-SF/DR10-16X.50P&H-ZINC |
| | 000G39-10-088 | EA | SCREW-SF/DR10-16X.50P&H-FLEXFLUOROCARBON |
| | 000G39-10-209 | EA | SCREW-SF/DR-10-16X1.25PPH-FLATUOROCARBONSILVER |
| | 000G39-10-20B | EA | SCREW-SF/DR-10-16X11/4PPHZINC |
| | 000G39-10-32B | EA | SCREW-SF/DR-10-16X2PPHZINC |
| | 000G39-10-10B | EA | SCREW-SF/DR-10-16X.625-ZINC |
| | 000G39-10-129 | EA | SCREW-SF/DR-10-16X3/4PPH-FLATUOROCARBONSILVER |
| | 000G39-10-12D | EA | SCREW-SF/DR-10-16X3/4PPH-BLACK |
| | 000G39-10-12B | EA | SCREW-SF/DR-10-16X.75PPHZINC |
| | 000G42-04-12B | EA | SCREW-SF/DR1/4-14X3/4HWHZINC |
| | 000G46-08-24T | EA | SCREW-MACHINE-8-32-1.50INPFH-BLACK |
| | 000G50-04-12B | EA | SCREW-MACHINE-1/4-20X3/4PPHZINC |
| | 000G50-04-08B | EA | SCREW-MACHINE-1/4-20X1/2PTH-2N |
| | 000G52-08-18B | EA | SCREW-MACH-8-32X11/8PTHZINC |
| | 000G54-04-20B | EA | SCREW-1/4-20X11/4PTH-TYPE23-ZINCPLATED |
| | 000G55-08-12S | EA | SCREW-SF/DR-8-18X.75PWH-OFFWHITE |
| | 000G55-08-125 | EA | SCREW-SF/DR-8-18X.75PWH-WILLOW |
| | 000G55-08-16S | EA | SCREW-SF/DR-8-18X1PWH-OFFWHITE |

SEALANTS&FASTENERSGROUP(CONTINUED)

SCREWS(CONTINUED)

| KEY | PARTNUMBER | U/M | DESCRIPTION |
|-----|---------------|-----|--|
| | 000G57-05-16J | EA | SCREW-5-20X1PFH-BRASS |
| | 000G60-10-28T | EA | SCREW-SF/DR-10-16X1.75-BLACK |
| | 000G67-10-08B | EA | SCREW-10-12X1/2PPHZINC |
| | 000G67-10-48B | EA | SCREW-10-12X3PPHZINC |
| | 000G67-10-36T | EA | SCREW-10-12X2.25PPHBLACK-STALGARD |
| | 000G67-10-20D | EA | SCREW-10-12X11/4PPH-BLACK |
| | 000G67-10-120 | EA | SCREW-10-12X.75"PPH-TAN |
| | 000G67-10-12B | EA | SCREW-10-12X3/4"PPH-ZINC |
| | 000G67-10-24B | EA | SCREW-10-12X1.25"PPH-ZINC |
| | 000G67-10-16B | EA | SCREW-10-12X1"PPH-ZINC |
| | 000G67-10-12P | EA | SCREW-10-12X.75"PPH-DARKBROWN |
| | 000G67-10-10P | EA | SCREW-10-12X.62PPH-DARKBROWN |
| | 000G67-10-10D | EA | SCREW-10-12X5/8PPH-BLACK-TYPEA |
| | 000G67-10-10B | EA | SCREW-10-12X5/8PPHZINC-TYPEA |
| | 000G68-06-10G | EA | SCREW-6-18X5/8POH-ANTIQUEBRASS |
| | 000G68-06-12S | EA | SCREW-6-18X.75POH |
| | 054434-03-000 | EA | SCREW-SF/DR-10-16X2-PWHZINC-W/OWINGS |
| | 083554-04-000 | EA | SCREW-DRYWALL-8X2.50 |
| | 049465-01-000 | EA | SCREW-10-16W/WASHERPTH-DARKBROWN |
| | 049465-03-000 | EA | SCREW-10-16X1POHW/WASHER-OFFWHITE |
| | 075908-01-000 | EA | SCREW-MACHINE-10-32X.56PTH-ZINCEXTERNALTOOTH |
| | 086256-01-000 | EA | SCREWASM-SF/DR8X.75HWHLG-PLBODYPNLMT |
| | 097974-01-000 | EA | SCREW-PARTBD7-9X.75PPH-FHM0543PLAIN |
| | 057671-01-000 | EA | COVER-SCREW-#8-PLASTIC-OFFWHITE |
| | 057671-12-000 | EA | COVER-SCREW-QUICKSILVER-#8 |

CLAMPS,CLIPS,&GROMMETS

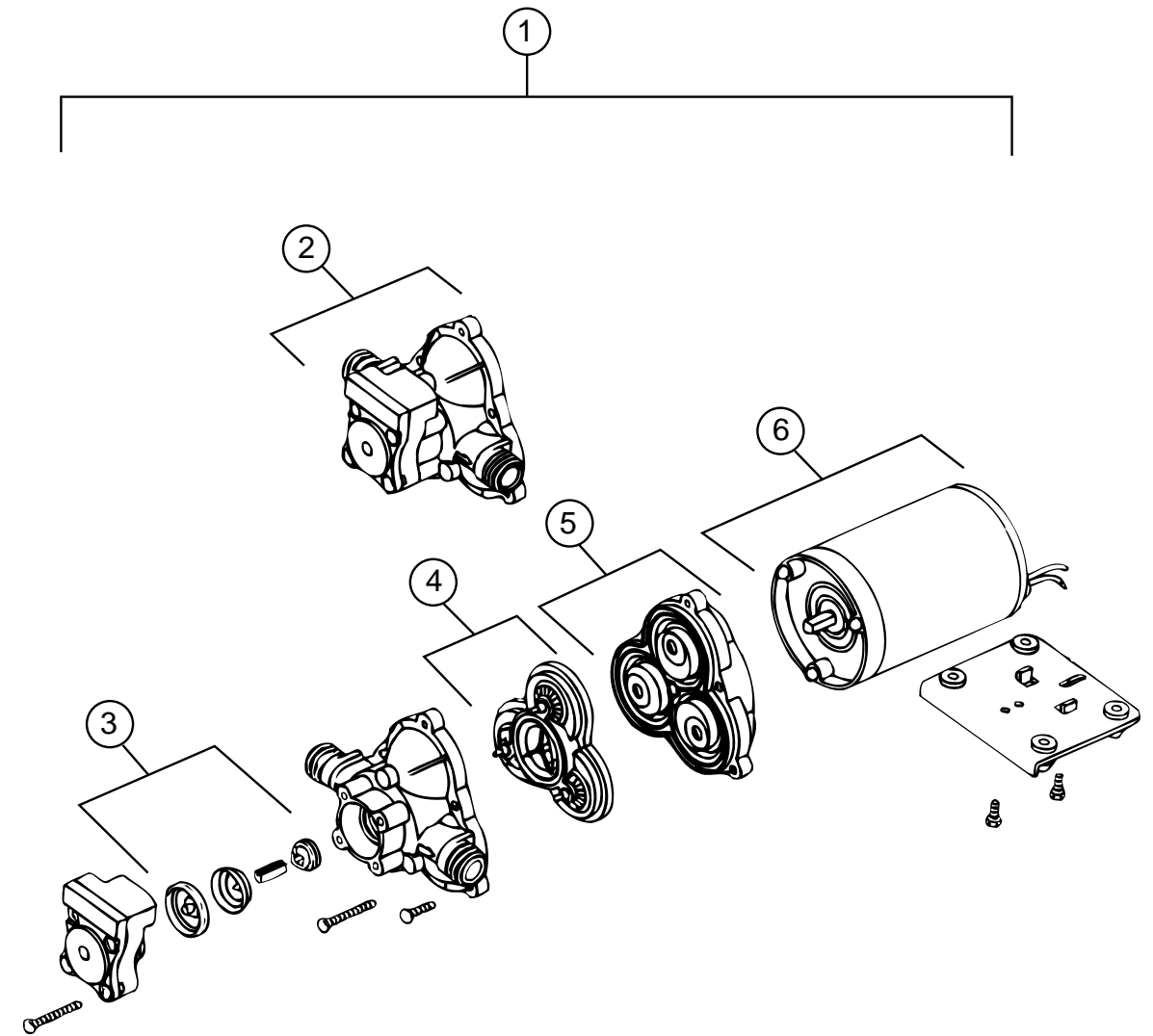
| KEY | PARTNUMBER | U/M | DESCRIPTION |
|-----|---------------|-----|---|
| | 000F10-04-16B | EA | PIN-COTTER-1/8X1ZN |
| | 000H14-04-04A | EA | RIVET-MANDRELBLIND-1/8X.400 |
| | 000H14-06-14R | EA | RIVET-MANDRELBLIND-3/16 |
| | 000H15-06-02R | EA | RIVET-POP-STEEL-3/16X.063-.125 |
| | 000H16-06-10R | EA | RIVET-POP-AL3/16X.501-.625 |
| | 010495-01-000 | EA | CLAMP-CABLE-9/16" |
| | 010497-01-000 | EA | CLAMP-CLOSED-5/8"ID |
| | 010497-03-000 | EA | CLAMP-CLOSED-1"ID-CUSHIONED |
| | 010499-01-000 | EA | CLAMP-CLOSED-3/8"ID |
| | 062401-01-000 | EA | CLAMP-HOSE-WORMGEAR.25"-1" |
| | 062401-02-000 | EA | CLAMP-HOSE-WORMGEAR1.56"-2.5" |
| | 062401-03-000 | EA | CLAMP-HOSE-WORMGEAR-.22"-1" |
| | 062401-04-000 | EA | CLAMP-HOSE-WORMGEAR.69"-1.25" |
| | 062401-05-000 | EA | CLAMP-HOSE-WORMGEAR2"TO3"ID |
| | 062401-06-000 | EA | CLAMP-HOSE-WORMGEAR.22"-.62" |
| | 062401-11-000 | EA | CLAMP-HOSE-WORMGEAR3.56"-4.5" |
| | 083609-01-000 | EA | CLAMP-WIRE-DUALEQUAL-5/8"DIAMETER |
| | 083610-01-000 | EA | CLAMP-WIRE-DUAL-UNEQUALDIAMETERS-.75"&1.25" |
| | 083610-02-000 | EA | CLAMP-WIRE-DUALUNEQUALDIA |
| | 008380-01-000 | EA | GROMMET-RUBBER-5/8"HOLEX11/2"DIAMETER-BLACK |
| | 016188-05-000 | EA | GROMMET-L/PLINE-3/8"HOLEX11/4"LONG-RUBBER |
| | 023942-01-000 | EA | GROMMET-RUBBER-2"OD |
| | 071015-11-000 | EA | GROMMET-1.00ID-FITS.12MATL-MINORRUBBERZ-3065 |
| | 071015-29-000 | EA | GROMMET-RUBBER-.25"IDX1.25"ODW/.12"GROOVE-BLACK |
| | 071015-30-000 | EA | GROMMET-RUBBER-.31"IDX.81"ODW/.12"GROOVE-BLACK |
| | 088756-01-000 | EA | GROMMET-WEB-11/8"ID |
| | 077955-01-000 | EA | CLIP-J-VINYLCOATED-3/8" |
| | 091952-01-000 | EA | CLIP-GRIPPER-1" |
| | 091952-02-000 | EA | CLIP-GRIPPER-3/4" |
| | 094362-02-000 | EA | CLIP-CHRISTMASTREE-FLATHEAD-.5"X.95" |

SEALANTS&FASTENERSGROUP(CONTINUED)

BOLTS&NUTS

| KEY | PARTNUMBER | U/M | DESCRIPTION |
|-----|---------------|-----|---|
| | 000C12-05-16B | EA | BOLT-HEX-5/16-18X1-ZINC5 |
| | 000C12-05-12B | EA | BOLT-HEX-5/16-18X3/4ZINC5 |
| | 000C12-06-16B | EA | BOLT-HEX-3/8-16X1LG-ZINC5 |
| | 000C12-08-16B | EA | BOLT-HEX-1/2-13X1-GD5-ZINC |
| | 000C12-08-24B | EA | BOLT-HEX-1/2-13X1 1/2-ZINC5 |
| | 000C12-10-24B | EA | BOLT-HEX-5/8-11X1 1/2ZINC-5 |
| | 000C13-07-48B | EA | BOLT-HEX-7/16-20X3-ZINC5 |
| | 000C26-04-10B | EA | BOLT-HEX-SERRATEDFLANGE-1/4-20X5/8ZINC |
| | 000C26-04-18B | EA | BOLT-HEX-SERRATEDFLANGE 1/4-20X11/8-ZINC |
| | 000C26-05-16B | EA | BOLT-HEX-SERRATEDFLANGE 5/16-18X1-ZINC |
| | 000C26-05-12B | EA | BOLT-HEX-SERRATEDFLANGE 5/16-18X3/4-ZINC |
| | 000C26-05-20B | EA | BOLT-HEX-SERRATEDFLANGE 5/16-18X1 1/4ZINC |
| | 000C26-06-12B | EA | BOLT-HEX-SERRATEDFLANGE 3/8-16X3/4-ZINC |
| | 000C26-06-28B | EA | BOLT-HEX-SERRATEDFLANGE 3/8-16X1 3/4-ZINC |
| | 000C26-06-16B | EA | BOLT-HEX-SERRATEDFLANGE 3/8-16X1-ZINC |
| | 102333-01-05A | EA | BOLT-CARR-7/16-14SSTCAP |
| | 051387-05-000 | EA | BOLT-CARRIAGE-W/OHOLE-5/16-18X9.5ZINC |
| | 051387-06-000 | EA | BOLT-CARRIAGE-W/OHOLE-5/16-18X9.5ZINC |
| | 000G45-04-24B | EA | BOLT-LAG 1/4-9X1 1/2ZINC |
| | 091274-03-000 | EA | BOLT-J3/8-16X12 |
| | 000D24-10-00B | EA | NUT-HEX-SF/LK-10-32-ZINC |
| | 000D29-05-00B | EA | NUT-5/16-18UNC-SF/LOCKING-NYLONWASHERINSERT |
| | 000D34-06-00B | EA | NUT-HEX-LK-3/8-16GRADE CZINC-PREVAILINGTORQUE |
| | 000D39-04-00B | EA | NUT-HEX-SERRATEDFLANGE LK 1/4-20ZINC |
| | 000D39-05-00B | EA | NUT-HEX-SERRATEDFLANGE LK-5/16-18ZINC |
| | 000D39-06-00B | EA | NUT-HEX-SERRATEDFLANGE LK-3/8-16ZINC |
| | 000D39-08-00B | EA | NUT-HEX-SERRATEDFLANGE LK-1/2-13ZINC |
| | 000D39-07-00B | EA | NUT-HEX-SERRATEDFLANGE LK-7/16-14ZINC |
| | 000D44-07-00B | EA | NUT-HEX-SERRATEDFLANGE LK-7/16-20ZINC |
| | 000D46-04-00A | EA | NUT-HEX-WELD-1/4-20-PLAIN-SHORTPILOT |
| | 000D73-07-00C | EA | NUT-HEXFLANGE-7/16-14-GRADE G |
| | 000E11-08-00B | EA | WASHER-LOCKING 1/2MEDSPLIT-ZINC |
| | 000E13-14-00B | EA | WASHER-FLAT-1/4"WIDEZINC |
| | 000E13-18-00B | EA | WASHER-FLAT-3/8WIDEZINC |
| | 000E13-20-00B | EA | WASHER-FLAT-7/16"WIDE-ZINC |
| | 000E13-22-00B | EA | WASHER-FLAT-1/2WIDEZINC |
| | 000E13-26-00B | EA | WASHER-FLAT-5/8WIDE-ZINC |
| | 110794-01-000 | EA | WASHER-FLAT-1IDX 1 3/4OD |
| | 058716-02-000 | EA | WASHER-FLAT NYLON-.406X.750X.060 |
| | 040921-01-000 | EA | NUT-SPEED-UTYPE-10-24BLACK |
| | 040921-04-000 | EA | NUT-SPEED-UTYPE-NO.8-.59"LENGTHX.44"WIDTH |
| | 040921-09-000 | EA | NUT-SPEED-UTYPE-NO8-T'MNC9812-8A |
| | 044364-02-000 | EA | NUT-SPEED-FLAT-ROUND |
| | 063253-07-000 | EA | NUT-J-#8A.120-.130PNLTHK |
| | 083163-06-000 | EA | PUSHNUT-FLATTYPE 3/8STUD-FORDONLY TORETAINTHEAIRBAFFLATEONTHEOILDIPSTICKTUBE |
| | 087234-01-000 | EA | NUT-JACK-1/4X20THD-MOLLY-ARDEN8-L-JNBRASS MOUNTSLICENSEPLATES |
| | 088787-12-000 | EA | STUD-WELD-1/4-20X1.0LGMN |
| | 108067-03-000 | EA | STUD-WELD-1/4-20X1/2CD |

WATER&SEWAGEGROUP



WATERPUMP(SHURFLO)

| KEY | PARTNUMBER | U/M | DESCRIPTION | VENDOR NO. |
|-----|---------------|-----|--|------------|
| 1 | 098607-01-000 | EA | PUMP-WATER-W/.5"MPTFITTING-FLOWW.9GPM-UL | |
| 2 | 098607-01-706 | EA | HOUSING-W/SWITCHONLY | 94-231-20 |
| 3 | 098607-01-705 | EA | VALVE-CHECK-KIT | 94-237-00 |
| 4 | 098607-01-703 | EA | VALVEKIT | 94-232-00 |
| 5 | 098607-01-702 | EA | DIAPHRAGM/DRIVEASSEMBLYKIT | 94-238-04 |
| 6 | 098607-01-707 | EA | MOTORW/BASEPLATE | 11-148-04 |

WATER&SEWAGEGROUP(CONTINUED)**FRESHWATERTANK**

| KEY | PARTNUMBER | U/M | DESCRIPTION |
|-----|---------------|-----|--|
| | 123243-01-000 | EA | TANK-ACCUMULATOR-24OZ |
| | 117217-07-000 | EA | TANKASM-WATER-30GALLON-W/FITTINGS FROM: 00-00-00 THRU: 02-02-97 |
| | 117217-02-000 | EA | TANKASM-WATER-30GALLON-W/FITTINGS FROM: 02-03-97 THRU: 99-99-99 |
| | 117217-01-000 | EA | TANK-WATER-30GALLON-W/OFITTINGS |
| | 116881-11-000 | EA | TANK-FRESHWATER-48GALLONW/NOTCHEDCORNER FROM: 00-00-00 THRU: 02-02-97 |
| | 116881-08-000 | EA | TANK-FRESHWATER-48GALLONW/NOTCHEDCORNER FROM: 02-03-97 THRU: 99-99-99 |
| | 116881-01-000 | EA | TANK-FRESHWATER-48GAL.W/NOTCHEDCORNERW/OFITTINGS |
| | 042989-03-000 | EA | FITTING-WATERTANK-SPINWELD-1 1/4"NPT-WHITEPLASTIC |
| | 042989-05-000 | EA | FITTING-WATERTANK-SPINWELD-1/2"FPT-WHITEPLASTIC |
| | 049032-01-000 | EA | PATCH-SPINWELD-3/8"-PLASTIC |
| | 039861-01-000 | EA | SENDINGUNIT-W/SCREW-WASHER-WELLNUT&TERMINALRING |
| | 091208-01-000 | EA | WASHER-RUBBER-.06"X.75"X.5" |
| | 077954-02-000 | EA | FILTER-WATERTANK-SCREENINTANK |

WATERSYSTEMCOMPONENTS(FLAIR-IT)

| KEY | PARTNUMBER | U/M | DESCRIPTION |
|-----|---------------|-----|-----------------------------|
| | 114427-01-000 | EA | CAP-1/2P |
| | 114427-02-000 | EA | PLUG-1/2P |
| | 114427-03-000 | EA | NUT-1/2"Q |
| | 114428-01-000 | EA | TEE-1/2PX1/2PX1/2P |
| | 114428-02-000 | EA | TEE-SWIVEL-1/2PX1/2PX1/2FPT |
| | 114428-03-000 | EA | TEE-1/2PX1/2PX1/2MPT |
| | 114428-04-000 | EA | TEE-1/2PX1/2PX1/8FPT |
| | 114429-01-000 | EA | ELBOW-1/2PX1/2P |
| | 114429-02-000 | EA | ELBOW-1/2PX1/2MPT |
| | 114429-03-000 | EA | ELBOW-SWIVEL-1/2PX1/2FPT |
| | 114429-04-000 | EA | ELBOW-1/2PX3/8MPT |
| | 114429-05-000 | EA | ELBOW-1/2PX3/4MPT |
| | 114429-06-000 | EA | ELBOW-SWIVEL-1/2PX3/4FPT |
| | 114429-07-000 | EA | ELBOW-1/2PX1/2FPTDROPEAR |
| | 114430-01-000 | EA | ADAPTER-1/2PX1/2P |
| | 114430-02-000 | EA | ADAPTER-SWIVEL-1/2PX1/2FPT |
| | 114430-03-000 | EA | ADAPTER-1/2PX1/2MPT |
| | 114430-04-000 | EA | ADAPTER-1/2PX3/8MPT |
| | 114430-05-000 | EA | ADAPTER-1/2PX1/8FPT |
| | 114430-06-000 | EA | ADAPTER-1/2PX3/8FPT |
| | 114430-07-000 | EA | ADAPTER-1/2PX3/8P |
| | 114430-08-000 | EA | ADAPTER-1/2PX3/4MPT |
| | 114431-01-000 | EA | VALVE-LINEDRAIN1/2P |
| | 114431-02-000 | EA | VALVE-1/2P-BYPASS |
| | 114431-03-000 | EA | VALVE-1/2PX1/2P |
| | 114431-04-000 | EA | VALVE-STOP-1/2PX1/2P |
| | 114431-05-000 | EA | VALVE-NEEDLE-COMP1/8MPTX1/4 |
| | 114431-06-000 | EA | VALVE-3/8PX3/8P |
| | 114431-07-000 | EA | VALVE-3/8PTHREE-WAY |
| | 114431-08-000 | EA | STRAIGHTSTOPVALVE3/8PX3/8P |

WATER&SEWAGEGROUP(CONTINUED)**WATERSYSTEMCOMPONENTS**

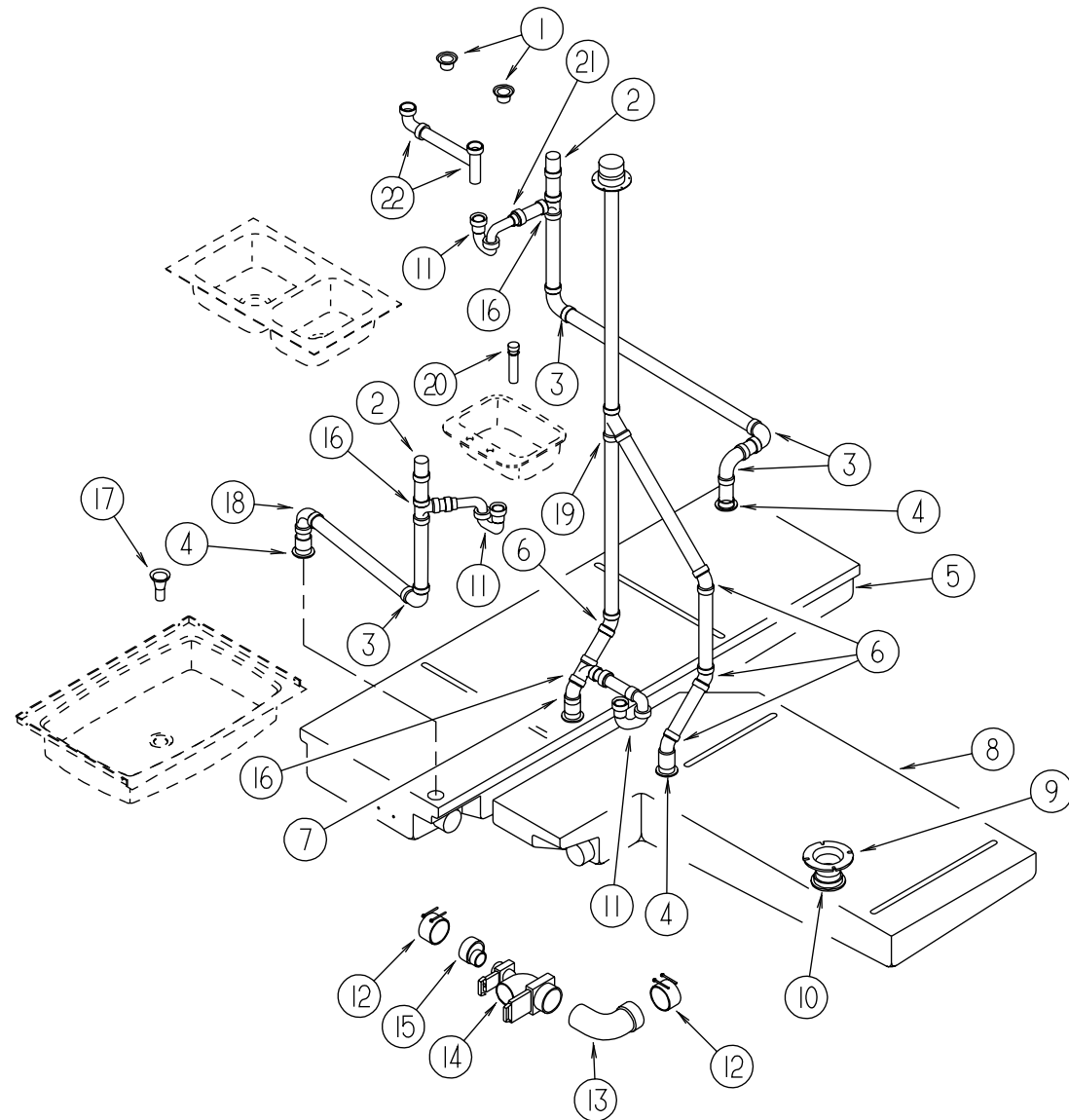
| KEY | PARTNUMBER | U/M | DESCRIPTION |
|-----|---------------|-----|--|
| | 701069-01-000 | EA | WATERPURIFICATIONSYSTEM |
| | 701069-03-700 | EA | CARTRIDGE-WATERFILTER-AC-EVERPURE9601-11 |
| | 010224-01-000 | EA | ADAPTER-HOSETOPIPE-3/8"MPTX3/8"BARB-BLKPLASTIC |
| | 111888-01-000 | EA | FERRULE-PLASTIC-.250IDX.375OD |
| | 111888-02-000 | EA | INSERT-BRASS-1/4COMP |
| | 118423-01-000 | EA | FITTING-BRASS-TEE-1/4CX1/4CX1/4C |
| | 010230-06-000 | EA | FILL-CITYWATER-W/CHECKVALVE-MPT |
| | 039800-02-000 | FT | TUBING-POLYBUTLY-5/8"ODX20'-INCROF20'-BLUE |
| | 039800-04-000 | FT | TUBING-POLYBUTLY-1/4"ODX20' |
| | 039800-05-000 | FT | TUBING-POLYBUTLY-5/8"ODX20'-REDSTRIPE |
| | 074462-02-000 | FT | TUBING-VINYL-3/8"IDX20'-CLEAR |
| | 079381-01-000 | FT | TUBING-SMOOTHFLEXIBLE-13/8"IDX20' |
| | 010219-01-000 | EA | ELBOW-1 1/4"MPTX1 1/4"BARB-WATERFILL-PLASTIC |
| | 039808-03-000 | EA | ELBOW-1/2"MPTX1/2"MPT-PLASTIC |

EXTERIORSOWERCOMPONENTS

| KEY | PARTNUMBER | U/M | DESCRIPTION |
|-----|---------------|-----|---|
| | 103092-01-000 | EA | SHOWERHEAD-W/60"HOSE(US) |
| | 103092-02-000 | EA | SHOWERHEAD-W/HOSE(CSA) |
| | 104044-01-000 | EA | BRACKET-SUPPORT-FAUCET |
| | 103092-01-701 | EA | BRACKET(FORSHOWERHEAD)BONE |
| | 079563-04-01A | EA | FAUCET-SHOWERW/1/2"MPTX1.25"LONGINLETPIPE |

WATER & SEWAGE GROUP (CONTINUED)

DRAINAGE SYSTEM

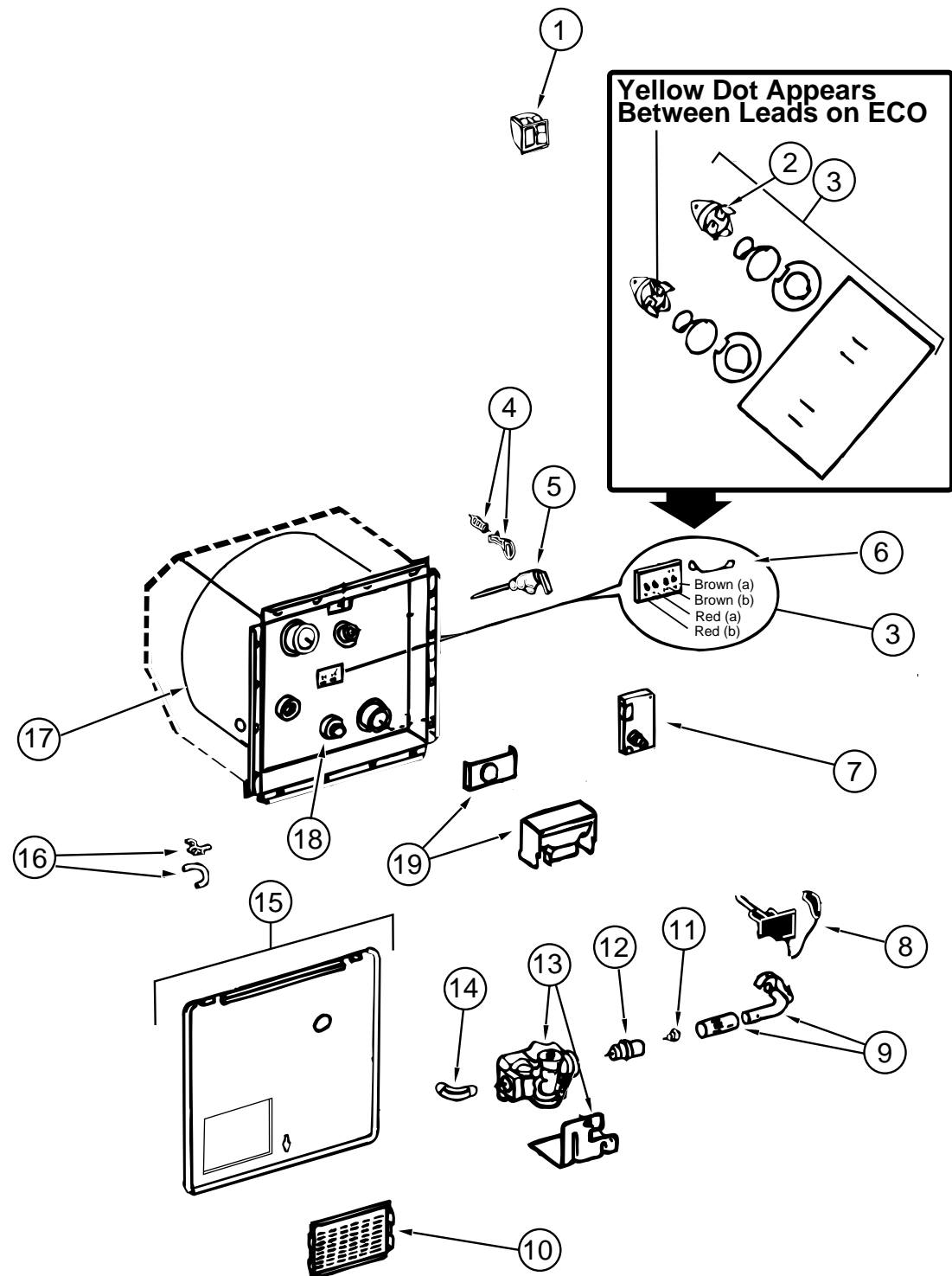


| KEY | PART NUMBER | U/M | DESCRIPTION |
|-----|---------------|-----|---|
| 1 | 092303-01-000 | EA | STRAINER-SINK |
| 2 | 079968-01-000 | EA | VENT-MECHANICAL TRAP ARM-ANTI-SIPHON-2" DIA X 7.3" |
| 3 | 010008-01-000 | EA | ELBOW-90 DEGREE-1/4 BEND-1 1/2" HUB X HUB-EXTRA LONG TURN |
| 4 | 061607-01-000 | EA | GROMMET-HOLDING TANK-1 1/2" NPS |
| | 010115-01-000 | EA | COUPLING-1 1/2" HUB X HUB-PLASTIC |
| 5 | 104352-01-000 | EA | TANK-HOLDING-50 GAL |
| 6 | 010006-01-000 | EA | ELBOW-45 DEGREE-1/8 BEND-1 1/2" HUB X HUB |
| 7 | 010051-01-000 | EA | ELBOW-45 DEGREE STREET-1/8 BEND-1 1/2" SXH-PLASTIC |
| 8 | 112789-01-000 | EA | TANK-HOLDING-46 GAL |
| 9 | 116644-01-000 | EA | FLANGE-CLOSET-4" X 3" |
| 10 | 061607-02-000 | EA | GROMMET-HOLDING TANK-3" NPS |
| 11 | 107538-01-000 | EA | P-TRAP-1 1/4-PLASTIC (US) |
| 11 | 011071-01-000 | EA | P-TRAP-1 1/2-PLASTIC (CSA) (GALLEY) |
| 11 | 011066-01-000 | EA | P-TRAP-1 1/2-PLASTIC (CSA) (BATH) |
| 12 | 078406-01-000 | EA | COUPLER-RUBBER-W/CLAMPS-3" X 3" |
| 13 | 041956-01-000 | EA | ELBOW-STREET-1/4" BEND-3" X 90° XLT |
| 14 | 070916-01-000 | EA | VALVE ASM-DUAL DUMP-W/CAP-3" X 1 1/2" |
| | 070916-01-700 | EA | VALVE ONLY-3" |
| | 070916-01-701 | EA | VALVE ONLY-1 1/2" |
| | 062415-01-000 | EA | SEWER CAP-3" |
| 15 | 062422-01-000 | EA | ADAPTER-OFFSET REDUCER-3" X 1 1/2" |
| 16 | 010071-01-000 | EA | TEE-SANITARY-1 1/2" HUB X HUB X HUB |
| 17 | 011069-03-000 | EA | TAILPIECE-SHOWER/TUB-1 1/2" X 1 3/4"-PLASTIC (US) |
| 17 | 011069-02-000 | EA | TAILPIECE-TUB/SHOWER-1 1/2" X 1 1/4" X 4"-BRASS (CSA) |
| | 066440-01-000 | EA | STRAINER-SHOWER-W/RUBBER WASHER |
| | 066436-01-000 | EA | NUT-SLIP-TAILPIECE-1.5" |
| | 069735-01-000 | EA | WASHER-STRAINER TO TAILPIECE PLASTIC, 1.5" |
| 18 | 034250-01-000 | EA | ELBOW-90 DEGREE-1/4 BEND-1 1/2" HUB X HUB-LONG TURN |
| 19 | 010073-01-000 | EA | WYE-45 DEGREE-1 1/2" HUB X HUB X HUB |
| 20 | 096927-01-701 | EA | TAILPIECE-BATHSINK |
| 21 | 109571-01-000 | EA | ADAPTER-P-TRAP-1 1/2" PX 1 1/4" MPT |
| 22 | 011091-02-000 | EA | CONTINUOUS WASTE-DOUBLE SINK-1 1/4" (US) |
| 22 | 011091-03-000 | EA | CONTINUOUS WASTE-DOUBLE SINK-1 1/4" (CSA) |
| | 010201-01-000 | EA | HOSE-SEWER-3" ID X 8' |
| | 062416-01-000 | EA | ADAPTER-SEWER HOSE TO 3" PIPE |

WATER & SEWAGE GROUP (CONTINUED)

WATER HEATER W/MOTOR AID AT WOOD (GH6-8E)

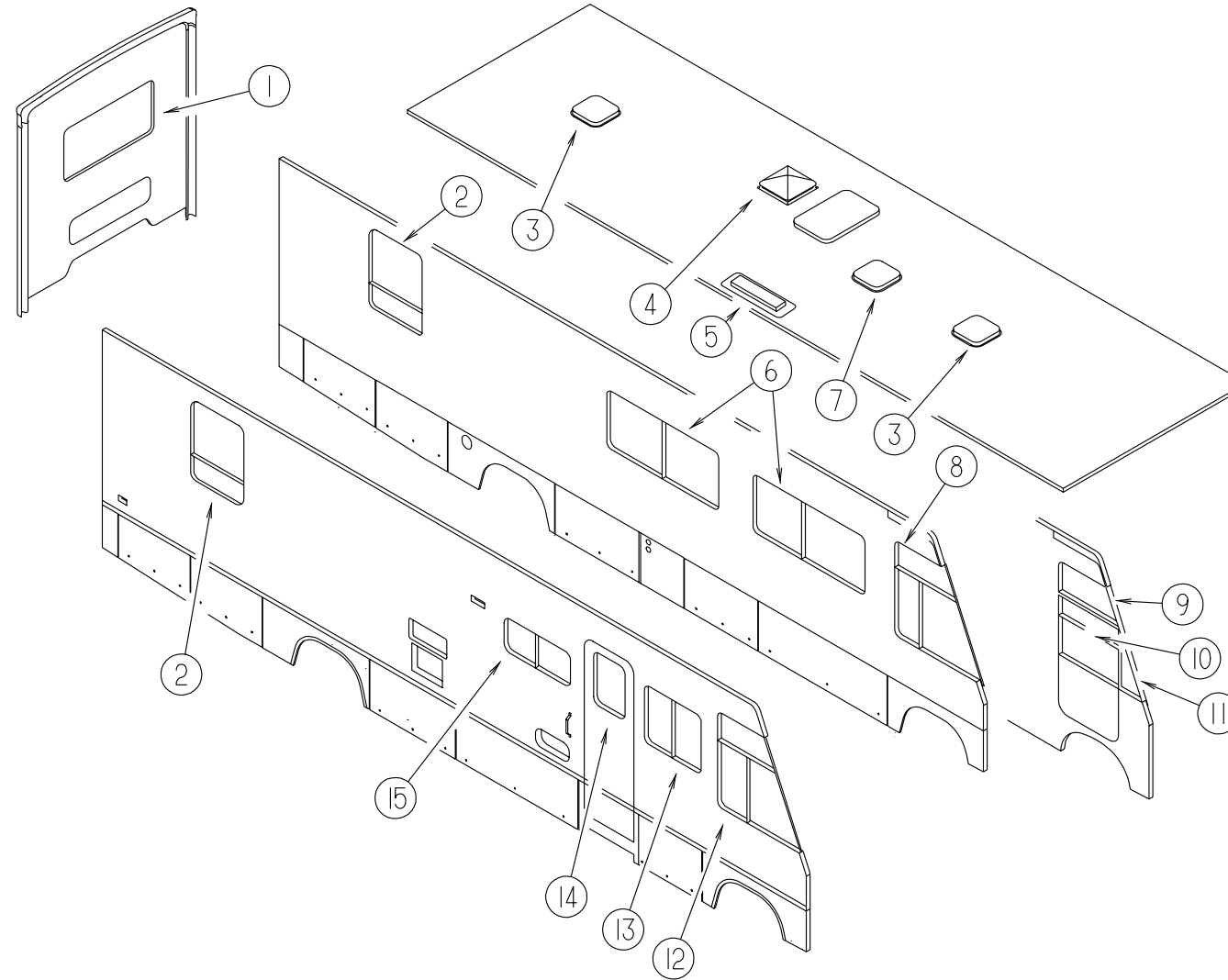
WATER HEATER W/MOTOR AID AT WOOD (GH6-8E)



| KEY | PARTNUMBER | U/M | DESCRIPTION | VENDOR NO. |
|-----|---------------|-----|---|---------------|
| | 051393-01-000 | EA | WATER HEATER - W/MOTOR AID - PILOTLESS IGNITION | |
| 1 | 051393-01-701 | EA | SWITCH PACKAGE | 91959 |
| 2 | 051391-04-701 | EA | THERMOSTAT 12VDC-120 PRESET | 91470 |
| 3 | 051393-01-721 | EA | ECO & THERMOSTAT ASM - FRONT MOUNT - 140° | 91447 |
| 4 | 051391-01-705 | EA | FASTENER - CAMLOC | 92609 |
| 5 | 051391-01-704 | EA | VALVE - RELIEF - 1/2" FITTING | 91604 |
| 6 | 051393-01-723 | EA | SWITCH - ENERGY CUT-OFF | 93866 |
| 7 | 051393-01-724 | EA | CIRCUIT BOARD - W/ SPADE TERMINAL | 93867 |
| 8 | 051393-01-725 | EA | ELECTRODE - SINGLE SPADE CONNECTION | 93868 |
| 9 | 051391-04-703 | EA | BURNER - MAIN | 91638 |
| 10 | 051391-01-717 | EA | GRILLE | 92640 |
| 11 | 051391-01-710 | EA | ORIFICE - MAIN BURNER | 92742 |
| 12 | 051391-03-700 | EA | ORIFICE HOLDER | 91563 |
| 13 | 051393-01-726 | EA | SOLENOID VALVE & BRACKET | 93870 |
| 14 | 051391-01-714 | EA | ELBOW - 45 DEGREE - 3/8" FX 3/8" MPT | 91044 |
| 15 | 052009-04-000 | EA | DOOR - WATER HEATER - BUFF | |
| 16 | 051391-01-700 | EA | HINGE KIT - W/ CLIP | 92568 & 92559 |
| 17 | 051391-04-704 | EA | TANK - INNER | 91642 |
| 18 | 051391-01-715 | EA | DRAIN PLUG | 91857 |
| 19 | 051391-04-707 | EA | FLUE & GASKET | 90960 |
| | 111129-01-711 | EA | BRACKET - CORNER, SET OF FOUR | 91928 |
| | 116424-01-000 | EA | PROTECTOR - ROUND VINYL - WATER HEATER LATCH | |

WINDOW, VENT & EXTERIOR DOOR GROUP

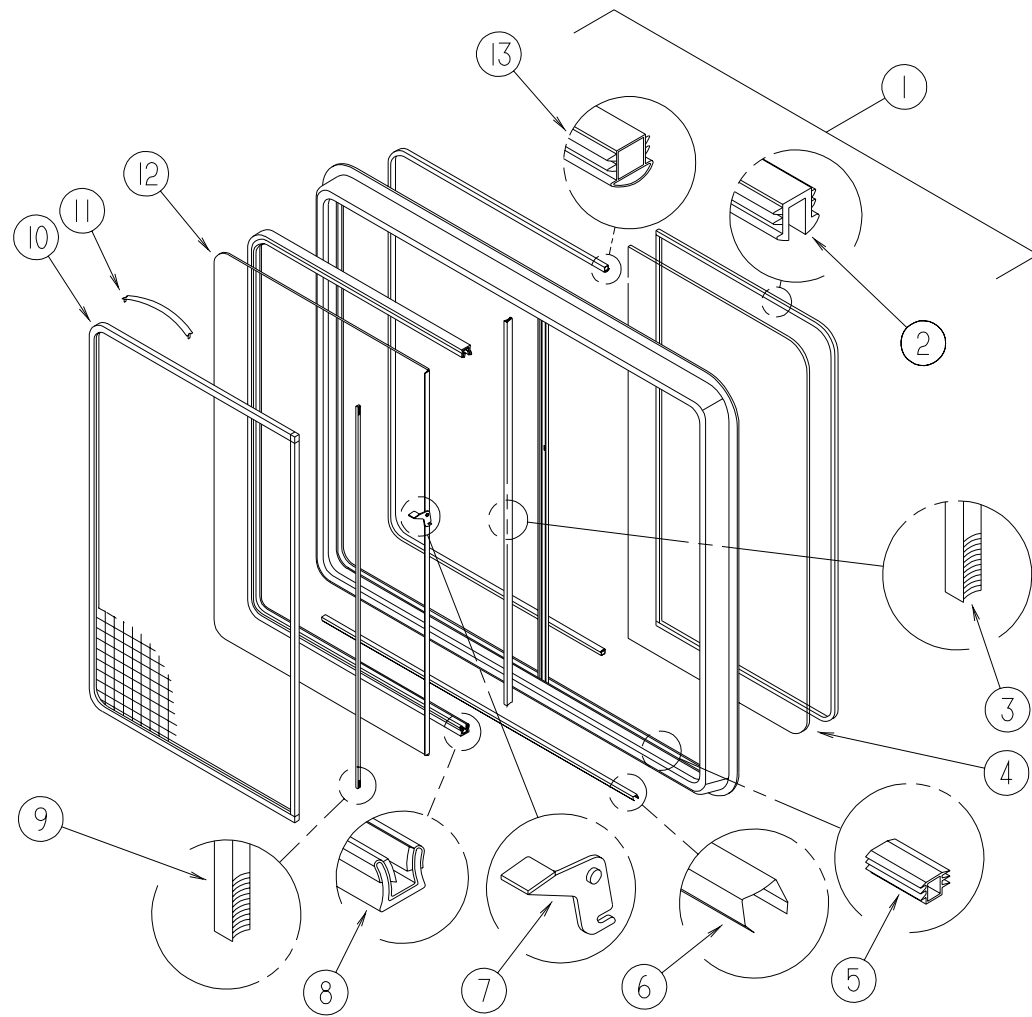
WINDOWS & VENTS



| KEY | PARTNUMBER | U/M | DESCRIPTION |
|-----|---------------|-----|--|
| 1 | 113502-01-01A | EA | WINDOWASM-CENTERSTATIONARYESCAPE-THERMOPANE 24/3/4"X483/4"(KINGORQUEENBED) |
| 1 | 113733-07-01A | EA | WINDOWASM-STATIONARY-THERMO-W/RETAINERTRIM(TWINBED) |
| 1 | 078528-06-E10 | EA | WINDOWASM-ESCAPE-W/ORETAINERTRIM(KINGORQUEENBED) |
| 1 | 078528-13-F11 | EA | WINDOWASM-ESCAPE-W/ORETAINERTRIM(TWINBED) |
| 2 | 112898-16-01A | EA | WINDOW-SLIDER/VERTICAL-THERMOPANE-33.2"X30.2" |
| 2 | 112463-03-01A | EA | WINDOW-TIPOUTW/RETAINERTRIM-33.3"X30.2"(KINGORQUEENBED) |
| 2 | 112463-05-01A | EA | WINDOW-TIPOUT/ESCAPEW/RETAINERTRIM-33.3"X30.2"(TWINBED) |
| 2 | 112898-18-01A | EA | WINDOW-SLIDER/VERTICAL-THERMOPANE-33.2"X30.1" |
| 3 | 122882-01-01A | EA | VENT-ROOF-NONPOWERED |
| 4 | 122882-02-01A | EA | VENT-ROOF-W/FAN-UL |
| 4 | 122882-03-01A | EA | VENT-ROOF-W/FAN-CSA |
| | 122191-01-01A | EA | PANEL-SKYLITE-INNERW/LIGHTCUT-OUT-20.7"X35.4" FROM: 00-00-00 THRU: 02-05-97 |
| | 122191-01-02A | EA | PANEL-SKYLITE-INNER-20.7"X35.4" FROM: 02-06-97 THRU: 99-99-99 |
| | 114496-01-01A | EA | PANEL-SKYLITE-OUTER |
| 5 | 084073-07-000 | EA | VENT-ROOF-REFRIGERATOR-BRIGHTWHITE |
| 5 | 084073-04-000 | EA | BASE-ROOFVENT-REFRIGERATOR |
| 5 | 118369-01-02A | EA | CAP-REFRIGERATORROOFVENT(SIDEBYSIDEDOMETIC) |
| 5 | 118369-02-02A | EA | VENT-ROOFBASE-REFRIGERATOR(SIDEBYSIDEDOMETIC) |
| 6 | 112795-15-01A | EA | WINDOW-DRIVER-HORIZONTALSLIDER-THERMO-263/8"X60" |
| 6 | 098647-22-01A | EA | WINDOW-DRIVERS-HORIZONTALSLIDER-26.1"X59.7" |
| 7 | 123780-03-01A | EA | VENT-EXHAUST-3"ROOF |
| 7 | 123780-04-01A | EA | VENT-EXHAUST-3"CEILING |

| KEY | PARTNUMBER | U/M | DESCRIPTION |
|-----|---------------|-----|---|
| 8 | 113501-01-01A | EA | WINDOW-DRIVER-CABTHERMO-3WINDOW-44.3"X24.4"X44.1" |
| 8 | 103658-07-01A | EA | WINDOW-DRIVERCAB-3GLASS25.3"TX45.4"BX45.2"H |
| 9 | 116000-02-01A | EA | WINDOW-DRIVERVISTA-THERMO-14.8"X25.7"X32.2" |
| 9 | 106467-03-01A | EA | WINDOW-DRIVERVISTA(ABOVEDRDOOR)26.5"TX35.5"BX15.8"H |
| 10 | 106469-01-704 | EA | WINDOW-DRIVERDOOR-ROLL-UPGLASSASM.-W/BACKET |
| 11 | 115999-02-01A | EA | WINDOW-DRIVERWING-THERMOPANE-TRIANGULAR |
| 11 | 106468-02-01A | EA | WINDOW-DRIVERWING-TRIANGULAR |
| 12 | 113501-02-01A | EA | WINDOW-PASSENGER-CAB-THERMO-3WINDOW-44.3"X24.4"X44.1" |
| 12 | 103658-08-01A | EA | WINDOW-PASSENGER-CAB(3GLASS)25.3"TX45.4"BX45.2"H |
| 13 | 112795-18-01A | EA | WINDOW-PASSENGER-HORIZONTALSLIDER-THERMO-263/8"X30" |
| 13 | 098647-25-01A | EA | WINDOW-PASSENGER-HORIZONTALSLIDER-26.1"X59.6" |
| 14 | 113733-01-01A | EA | WINDOW-STATIONARY-THERMOPANE-17"X26.4" |
| 14 | 117053-02-F36 | EA | WINDOW-PICTURE-ENTRANCEDOOR-17"X26.4" |
| 15 | 112795-19-01A | EA | WINDOW-PASSENGER-HORIZONTALSLIDER/THERMO-263/8"X60" |
| 15 | 098647-33-01A | EA | WINDOW-PASSENGER-HORIZONTALSLIDER-15.7"X28.5" |

WINDOW, VENT & EXTERIOR DOOR GROUP (CONTINUED)



WINDOW, VENT & EXTERIOR DOOR GROUP (CONTINUED)

SINGLE SLIDER WINDOW (EXCEL) (DRIVER SIDE DINETTE & LOUNGE)

| KEY | PART NUMBER | U/M | DESCRIPTION | VENDOR NO. |
|-----|---------------|-----|---|------------|
| | 098647-22-01A | EA | WINDOW ASM - SLIDER - W/RETAINER TRIM - H287-G2W66L | |
| 1 | 098647-22-700 | EA | WINDOW ASM - SLIDER - W/O RETAINER TRIM | H287-G2L |
| | 098647-23-702 | EA | RETAINER TRIM - INSIDE (OFFWHITE) | W28766 |
| 2 | 100322-01-703 | FT | GLAZING STRIP | 132-010723 |
| 3 | 098644-01-706 | FT | WEATHERSTRIP | 171-010668 |
| 4 | 098647-23-703 | EA | GLASS - STATIONARY | 106-017622 |
| 5 | 098644-01-719 | FT | STOP - SLIDER GLASS | 132-014203 |
| 6 | 098644-01-710 | FT | TRACK - SCREEN SPACER - 12' LENGTH | 132-017135 |
| 7 | 098644-01-700 | EA | LATCH - REPAIR KIT | B801-CK |
| 8 | 098644-01-708 | FT | CHANNEL - PIERCED RUN | 122-016543 |
| 9 | 098644-01-711 | FT | WEATHERSTRIP - SCREEN - BLACK | 171-016965 |
| 10 | 098647-23-704 | EA | SCREEN ASM. - W/SPRINGS & WEATHERSTRIP | 410-019066 |
| 11 | 098644-01-713 | EA | SPRING - SCREEN FRAME (CLIP) | 226-016966 |
| 12 | 098647-23-700 | EA | GLASS - SLIDING - W/SASH & LATCH | H287-G9 |
| 13 | 098644-01-716 | FT | PLUG - FILLER | 132-014470 |
| | 098644-01-717 | FT | SPLINE - SCREEN | 132-004716 |

SINGLE SLIDER WINDOW (EXCEL) (PASSENGER SIDE LOUNGE)

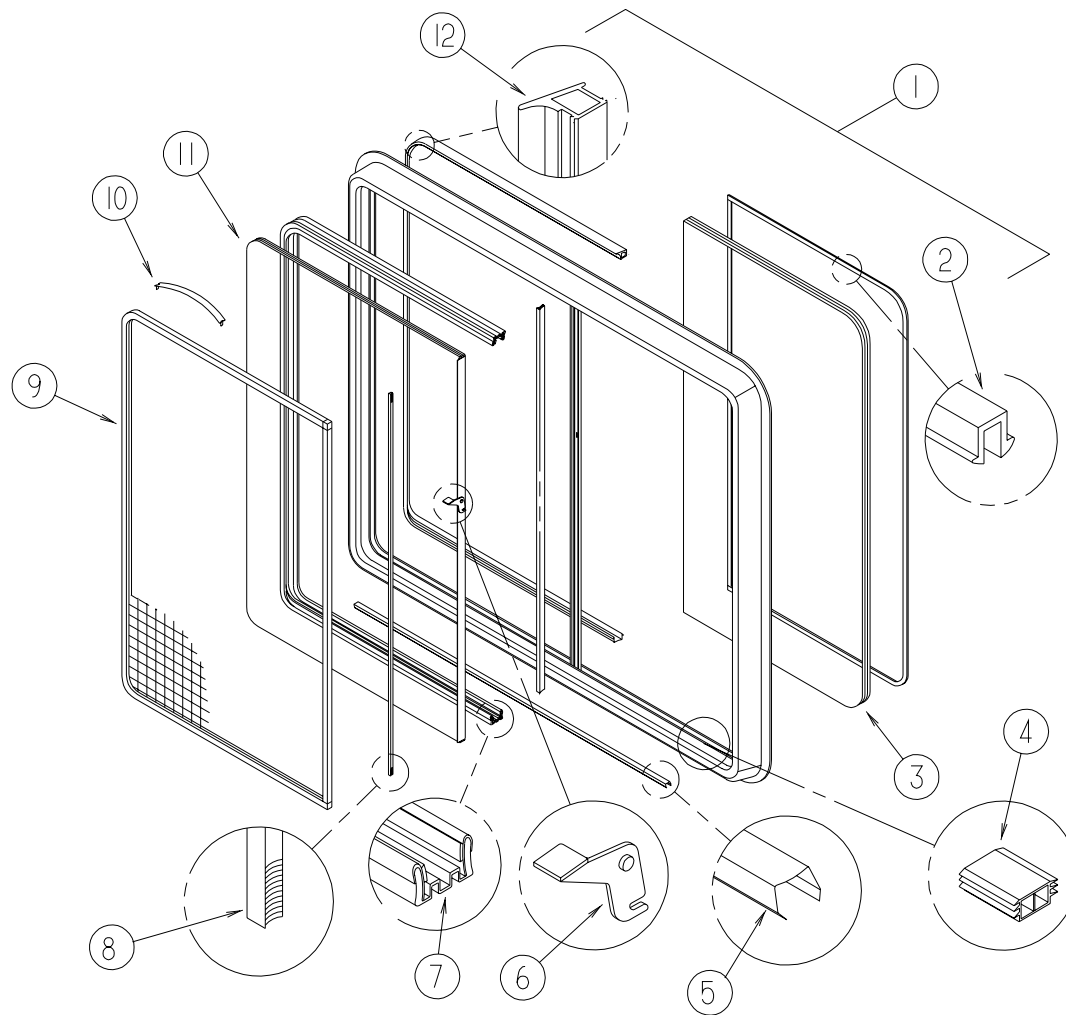
| KEY | PART NUMBER | U/M | DESCRIPTION | VENDOR NO. |
|-----|---------------|-----|---|------------|
| | 098647-25-01A | EA | WINDOW ASM - SLIDER - W/RETAINER TRIM - H286-G2W66R | |
| 1 | 098647-25-700 | EA | WINDOW ASM - SLIDER - W/O RETAINER TRIM | H286-G2R |
| | 098647-25-701 | EA | RETAINER TRIM - INSIDE (OFFWHITE) | W28666 |
| 2 | 100322-01-703 | FT | GLAZING STRIP | 132-010723 |
| 3 | 098644-01-706 | FT | WEATHERSTRIP | 171-010668 |
| 4 | 098647-25-702 | EA | GLASS - STATIONARY | 106-017657 |
| 5 | 098644-01-719 | FT | STOP - SLIDER GLASS | 132-014203 |
| 6 | 098644-01-710 | FT | TRACK - SCREEN SPACER - 12' LENGTH | 132-017135 |
| 7 | 098644-01-700 | EA | LATCH - REPAIR KIT | B801-CK |
| 8 | 098644-01-708 | FT | CHANNEL - PIERCED RUN | 122-016543 |
| 9 | 098644-01-711 | FT | WEATHERSTRIP - SCREEN - BLACK | 171-016965 |
| 10 | 098647-25-704 | EA | SCREEN ASM. - W/SPRINGS & WEATHERSTRIP | 410-019065 |
| 11 | 098644-01-713 | EA | SPRING - SCREEN FRAME (CLIP) | 226-016966 |
| 12 | 098647-25-703 | EA | GLASS - SLIDING - W/SASH & LATCH | H286-G9 |
| 13 | 098644-01-716 | FT | PLUG - FILLER | 132-014470 |
| | 098644-01-717 | FT | SPLINE - SCREEN | 132-004716 |

SINGLE SLIDER WINDOW (EXCEL) (GALLEY)

| KEY | PART NUMBER | U/M | DESCRIPTION | VENDOR NO. |
|-----|---------------|-----|---|------------|
| | 098647-33-01A | EA | WINDOW ASM - SLIDER - W/RETAINER TRIM - H425-G2W66R | |
| 1 | 098647-33-700 | EA | WINDOW ASM - SLIDER - W/O RETAINER TRIM | H425-G2R |
| | 098647-33-701 | EA | RETAINER TRIM - INSIDE (OFFWHITE) | CW2966 |
| 2 | 100322-01-703 | FT | GLAZING STRIP | 132-010723 |
| 3 | 098644-01-706 | FT | WEATHERSTRIP | 171-010668 |
| 4 | 098647-33-702 | EA | GLASS - STATIONARY | 106-019297 |
| 6 | 098644-01-710 | FT | TRACK - SCREEN SPACER - 12' LENGTH | 132-017135 |
| 5 | 098644-01-719 | FT | STOP - SLIDER GLASS | 132-014203 |
| 7 | 098644-01-700 | EA | LATCH - REPAIR KIT | B801-CK |
| 8 | 098644-01-708 | FT | CHANNEL - PIERCED RUN | 122-016543 |
| 9 | 098644-01-711 | FT | WEATHERSTRIP - SCREEN - BLACK | 171-016965 |
| 10 | 098647-33-704 | EA | SCREEN ASM. - W/SPRINGS & WEATHERSTRIP | 410-019134 |
| 11 | 098644-01-713 | EA | SPRING - SCREEN FRAME (CLIP) | 226-016966 |
| 12 | 098647-33-703 | EA | GLASS - SLIDING - W/SASH & LATCH | H425-G9 |
| 13 | 098644-01-716 | FT | PLUG - FILLER | 132-014470 |
| | 098644-01-717 | FT | SPLINE - SCREEN | 132-004716 |

WINDOW, VENT & EXTERIOR DOOR GROUP (CONTINUED)

WINDOW, VENT & EXTERIOR DOOR GROUP (CONTINUED)



DRIVERSIDE LOUNGE WINDOW (THERMOINSULATED)

| KEY | PARTNUMBER | U/M DESCRIPTION | VENDOR NO. |
|-----|---------------|---|------------|
| | 112795-15-01A | EA WINDOW-DRIVERSHORIZONTALSLIDER THERMO 263/8" X 60" | |
| 1 | 112795-15-700 | EA WINDOW W/OTRIM | DH287-G2L |
| | 098647-23-702 | EA RETAINER-TRIM | W287-66 |
| 2 | 112795-01-705 | FT VINYL-GLAZING | 132-019702 |
| 3 | 112795-15-701 | EA GLASS-STATIONARY | 390-019045 |
| 4 | 112795-01-701 | EA SLIDE-STOP | 132-019092 |
| 5 | 098644-01-710 | FT TRACK-SCREENSPACER 12' | 132-017135 |
| 6 | 112795-01-700 | EA LATCH ASM. -BLK. (BOLTON) | DH287-CK |
| 7 | 112795-01-703 | IN CHANNEL-RUN (INCHES) | 122-018736 |
| 8 | 098644-01-711 | FT WEATHERSTRIP-SCREENBLACK | 171-016965 |
| 9 | 098647-23-704 | EA SCREEN ASM. -W/SEALS & CLIPS | 410-019066 |
| 10 | 098644-01-713 | EA CLIP-SPRING-METAL | 226-016966 |
| 11 | 112795-15-702 | EA GLASS-SLIDING W/SASH & LATCH | DH287-G9 |
| 12 | 112795-01-704 | FT PLUG FILLER (DOUBLE GLAZED) | 122-018737 |

PASSENGERSIDE LOUNGE WINDOW (THERMOINSULATED)

| KEY | PARTNUMBER | U/M DESCRIPTION | VENDOR NO. |
|-----|---------------|---|------------|
| | 112795-18-01A | EA WINDOW-PASSENGERHORIZONTALSLIDER THERMO 263/8" X 30" | |
| 1 | 112795-18-702 | EA WINDOW W/OTRIM | DH286-G2R |
| | 098647-25-701 | EA RETAINER-TRIM | W286-66 |
| 2 | 112795-01-705 | FT VINYL-GLAZING | 132-019702 |
| 3 | 112795-18-700 | EA GLASS-STATIONARY | 390-019043 |
| 4 | 112795-01-701 | EA SLIDE-STOP | 132-019092 |
| 5 | 098644-01-710 | FT TRACK-SCREENSPACER 12' | 132-017135 |
| 6 | 112795-01-700 | EA LATCH ASM., BLK., (BOLTON) | DH287-CK |
| 7 | 112795-01-703 | IN CHANNEL-RUN (INCHES) | 122-018736 |
| 8 | 098644-01-711 | FT WEATHERSTRIP-SCREENBLACK | 171-016965 |
| 9 | 098647-25-704 | EA SCREEN ASM. -W/SEALS & CLIPS | 410-019065 |
| 10 | 098644-01-713 | EA CLIP-SPRING-METAL | 226-016966 |
| 11 | 112795-18-701 | EA GLASS-SLIDING W/SASH & LATCH | DH286-G9 |
| 12 | 112795-01-704 | FT PLUG FILLER (DOUBLE GLAZED) | 122-018737 |

GALLEY WINDOW (THERMOINSULATED)

| KEY | PARTNUMBER | U/M DESCRIPTION | VENDOR NO. |
|-----|---------------|--|------------|
| | 112795-19-01A | EA WINDOW-PASSENGER-HORIZONTALSLIDER/THERMO-263/8" X 60" | |
| 1 | 112795-19-700 | EA WINDOW W/OTRIM | DC29-G2R |
| | 098647-31-701 | EA RETAINER-TRIM | CW2966 |
| 2 | 112795-01-705 | FT VINYL-GLAZING | 132-019702 |
| 3 | 112795-19-701 | EA GLASS-STATIONARY | 390-019134 |
| 4 | 112795-01-701 | EA SLIDE-STOP | 132-019092 |
| 5 | 098644-01-710 | FT TRACK-SCREENSPACER 12' | 132-017135 |
| 6 | 112795-01-700 | EA LATCH ASM. -BLK. (BOLTON) | DH287-CK |
| 7 | 112795-01-703 | IN CHANNEL-RUN (INCHES) | 122-018736 |
| 8 | 098644-01-711 | FT WEATHERSTRIP-SCREENBLACK | 171-016965 |
| 9 | 098647-31-704 | EA SCREEN ASM. -W/SEAL & SPRING CLIPS | 410-019128 |
| 10 | 098644-01-713 | EA CLIP-SPRING-METAL | 226-016966 |
| 11 | 112795-19-702 | EA GLASS-SLIDING -W/SASH & LATCH | DC29-G9 |
| 12 | 112795-01-704 | FT PLUG-FILLER (DOUBLE GLAZED) | 122-018737 |

WINDOW,VENT&EXTERIORDOORGROUP(CONTINUED)

BEDROOMSIDEWINDOW(TWINBEDS)ESCAPE

| KEY | PARTNUMBER | U/M DESCRIPTION | VENDORNO. |
|-----|---------------|---|------------|
| | 112463-05-01A | EA WINDOW-TIPOUT/ESCAPEW/RETAINERTRIM-33.3"X30.2"(TWINBEDS) | |
| | 098644-01-716 | FT PLUG-FILLER | 132-014470 |
| | 100322-01-701 | FT SEAL-VENT | 122-016071 |
| | 100322-01-702 | EA WEATHERSTRIP-HORIZONTALRAIL | 132-015976 |
| | 100322-01-703 | FT VINYL-GLAZING-BUTYL | 132-010723 |
| | 100322-01-704 | FT TAPE-BUTYL | 154-016083 |
| | 100322-01-717 | EA E-RING | 245-015975 |
| | 112898-06-704 | EA HANDLE-LATCH-RED-RH | 182-11293 |
| | 112898-06-705 | EA HANDLE-LATCH-RED-LH | 182-11294 |
| | 100322-01-718 | EA HANDLE-DIAL | 410-016081 |

BEDROOMSIDEWINDOW

| KEY | PARTNUMBER | U/M DESCRIPTION | VENDORNO. |
|-----|---------------|------------------------------|------------|
| | 112898-16-01A | EA WINDOWASM-SLD-VERT-THERMO | |
| | 098644-01-710 | FT TRACK-SCREENSPACER12' | 132-017135 |
| | 098644-01-711 | FT WEATHERSTRIP-SCREENBLACK | 171-016965 |
| | 098644-01-713 | EA CLIP-SPRING-METAL | 226-016966 |
| | 112795-01-700 | EA LATCHASM.-BLK.-(BOLTON) | DH287-CK |
| | 112795-01-701 | EA SLIDE-STOP | 132-019092 |
| | 112795-01-703 | IN CHANNEL-RUN(INCHES) | 122-018736 |
| | 112795-01-704 | FT PLUGFILLER(DOUBLEGLAZED) | 122-018737 |
| | 112795-01-705 | FT VINYL-GLAZING | 132-019702 |

BEDROOMSIDEWINDOW,THERMO(TWINBED,DRIVERSIDE)

| KEY | PARTNUMBER | U/M DESCRIPTION | VENDORNO. |
|-----|---------------|------------------------------|------------|
| | 112898-18-01A | EA WINDOWASM-SLD-VERT-THERMO | |
| | 098644-01-710 | FT TRACK-SCREENSPACER12' | 132-017135 |
| | 098644-01-711 | FT WEATHERSTRIP-SCREENBLACK | 171-016965 |
| | 098644-01-713 | EA CLIP-SPRING-METAL | 226-016966 |
| | 112795-01-700 | EA LATCHASM.-BLK.-(BOLTON) | DH287-CK |
| | 112795-01-701 | EA SLIDE-STOP | 132-019092 |
| | 112795-01-703 | IN CHANNEL-RUN(INCHES) | 122-018736 |
| | 112795-01-704 | FT PLUGFILLER(DOUBLEGLAZED) | 122-018737 |
| | 112795-01-705 | FT VINYL-GLAZING | 132-019702 |

BEDROOMSIDEWINDOW,TIPOUT

| KEY | PARTNUMBER | U/M DESCRIPTION | VENDORNO. |
|-----|---------------|--|------------|
| | 112463-03-01A | EA WINDOW-TIPOUTW/RETAINERRING-33.3"X30.2" | |
| | 098644-01-716 | FT PLUG-FILLER | 132-014470 |
| | 100322-01-701 | FT SEAL-VENT | 122-016071 |
| | 100322-01-702 | EA WEATHERSTRIP-HORIZONTALRAIL | 132-015976 |
| | 100322-01-703 | FT VINYL-GLAZING-BUTYL | 132-010723 |
| | 100322-01-704 | FT TAPE-BUTYL | 154-016083 |
| | 100322-01-714 | EA SUPPORT-TORQUEBAR-LH | 130-015978 |
| | 100322-01-715 | EA SUPPORT-TORQUEBAR-RH | 130-015979 |
| | 100322-01-716 | EA SUPPORT-TORQUEBAR-CTRRAIL | 130-015980 |
| | 100322-01-717 | EA E-RING | 245-015975 |
| | 100322-01-718 | EA HANDLE-DIAL | 410-016081 |
| | 112463-03-700 | EA VENTASSEMBLY | CH100-G9 |
| | 112463-03-701 | EA GLASS-STATIONARY | 106-025377 |
| | 112463-03-702 | EA OPERATOR&BARASSEMBLY | CH10-18 |
| | 112463-03-703 | EA SCREENASM-W/SEALS&CLIPS | 410-018439 |
| | 112519-01-706 | EA CLIP-SCREEN | CH21-50 |
| | 113500-05-705 | EA RETAINER-TRIM | CW100-59 |

WINDOW,VENT&EXTERIORDOORGROUP(CONTINUED)

VISTAWINDOW(DRIVERSIDE)

| KEY | PARTNUMBER | U/M DESCRIPTION | VENDORNO. |
|-----|---------------|--|------------|
| | 106467-03-01A | EA WINDOW-DRIVERVISTA(ABOVEDRDOOR)26.5"TX35.5"BX15.8"H | |
| | 106467-03-700 | EA GLASS-STATIONARY | 106-018752 |
| | 106467-03-701 | EA WINDOW | H388-G2L |
| | 106467-03-702 | EA RETAINER-TRIM-BLACK | H38827L |
| | 100322-01-703 | FT STRIP-GLAZING-BUTYL | 132-010723 |

VISTAWINDOW,THERMO(DRIVERSIDE)

| KEY | PARTNUMBER | U/M DESCRIPTION | VENDORNO. |
|-----|---------------|--|------------|
| | 116000-02-01A | EA WINDOW-DRIVERVISTA-THERMO-14.8"X25.7"X32.2" | |
| | 116000-01-704 | FT VINYL-GLAZING | 132-018161 |
| | 116000-02-700 | EA RETAINER-TRIMRAILTOP/REAR | H388-41L |
| | 116000-02-701 | EA RETAINER-TRIMRAILFRONT | H388-42L |
| | 116000-02-702 | EA RETAINER-TRIMRAILBOTTOM | H382-43L |
| | 116000-03-701 | EA GLASS-STATIONARY | 390-019551 |

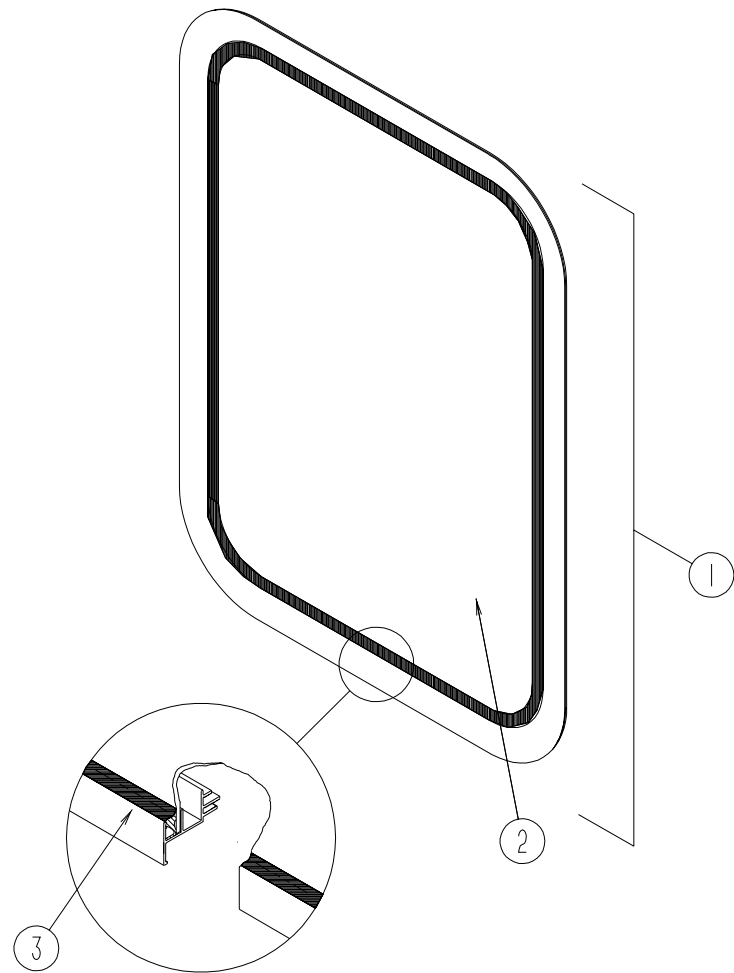
FRONTSBLANTWINDOW(DRIVERSIDE)

| KEY | PARTNUMBER | U/M DESCRIPTION | VENDORNO. |
|-----|---------------|---------------------------------|------------|
| | 106468-02-01A | EA WINDOW-DRIVERSWINGTRIANGULAR | |
| | 100322-01-703 | FT VINYL-GLAZING,BUTYL | 132-010723 |
| | 106468-02-701 | EA RETAINER-TRIM | H383-27L |
| | 106468-02-702 | EA GLASS-STATIONARY | 106-018740 |

FRONTSBLANTWINDOW,THERMO(DRIVERSIDE)

| KEY | PARTNUMBER | U/M DESCRIPTION | VENDORNO. |
|-----|---------------|--|------------|
| | 115999-02-01A | EA WINDOW-DRIVERWING/THERMO/TRIANGULAR | |
| | 115999-01-701 | EA RETAINER-TRIM | H358-27L |
| | 115999-02-700 | EA RETAINER-TRIMRAILREAR | H383-41L |
| | 115999-03-701 | EA GLASS-STATIONARY | 390-019550 |
| | 116000-01-704 | FT VINYL-GLAZING | 132-018161 |

WINDOW, VENT & EXTERIOR DOOR GROUP (CONTINUED)



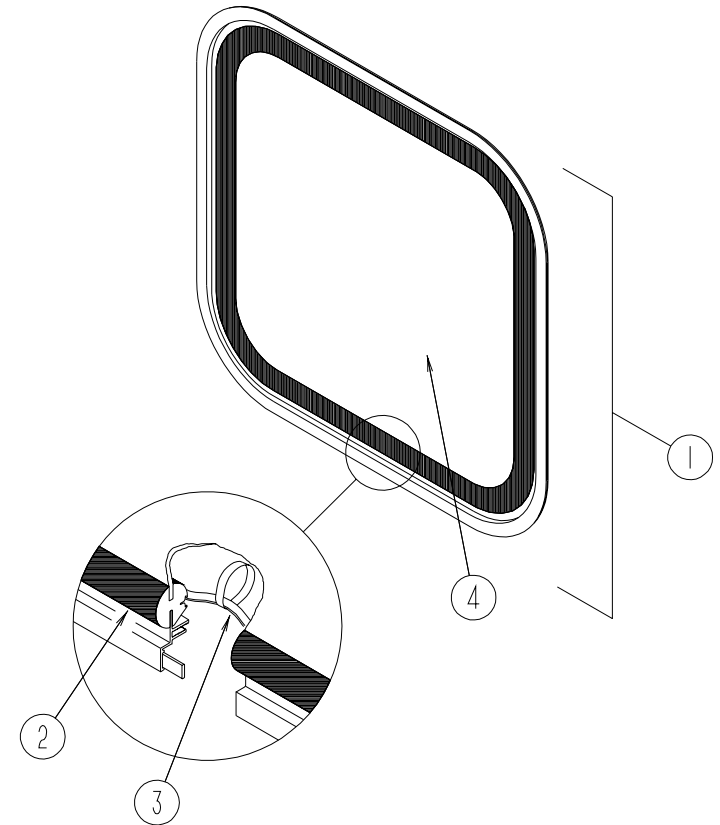
ENTRY DOOR WINDOW

| KEY | PART NUMBER | U/M | DESCRIPTION |
|-----|---------------|-----|---|
| 1 | 117053-02-F36 | EA | WINDOW-PICTURE-ENTRANCE DOOR-17"X26.4" |
| | 117054-02-02A | EA | RETAINER-TRIM-BRIGHT WHITE |
| 2 | 002181-25-000 | EA | GLASS-PICTURE-25.7"X16.4" |
| 3 | 087561-01-000 | FT | SEAL-GLASS-EXTERIOR-.5"WIDE-VINYL-BLACK |

ENTRY DOOR WINDOW (THERMOINSULATED)

| KEY | PART NUMBER | U/M | DESCRIPTION | VENDOR NO. |
|-----|---------------|-----|--|------------|
| | 113733-01-01A | EA | WINDOW-STATIONARY-THERMOPANE-17"X26.4" | |
| 1 | 113733-01-700 | EA | WINDOW ASM. W/OTRIM | DH416-G2 |
| | 113733-01-701 | EA | RETAINER-TRIM | W41666 |
| 2 | 113733-01-702 | EA | GLASS-STATIONARY | 390-019187 |
| | 112795-01-705 | FT | VINYL-GLAZING | 132-025736 |

WINDOW, VENT & EXTERIOR DOOR GROUP (CONTINUED)



BACK WALL ESCAPE WINDOW (KING OR QUEEN BED)

| KEY | PART NUMBER | U/M | DESCRIPTION |
|-----|---------------|-----|---|
| 1 | 078528-06-E10 | EA | WINDOW-ESCAPE-W/O RETAINER/TRIM-48.5"X24.5" |
| | 074816-15-000 | EA | RETAINER-WINDOW-INSIDE-ESCAPE |
| 2 | 002282-09-000 | EA | WEATHERSTRIP-WINDOW-.125"X130.5"-BLACK |
| 3 | 002285-01-000 | FT | FILLER-WEATHERSTRIP-RUBBER-BLACK |
| 4 | 076337-12-000 | EA | GLASS-EGRESS-45.5"X21.5" |
| | 077066-01-702 | EA | TAPE-REDESCAPE WINDOW |

BACK WALL ESCAPE WINDOW (TWIN BED)

| KEY | PART NUMBER | U/M | DESCRIPTION |
|-----|---------------|-----|---|
| 1 | 078528-13-F11 | EA | WINDOW-ESCAPE-W/O RETAINER-59.8"X26" |
| | 074816-11-000 | EA | RETAINER-TRIM O/W |
| 2 | 002282-13-000 | EA | WEATHERSTRIP-WINDOW-.125"X157.75"-BLACK |
| 3 | 002285-01-000 | FT | FILLER-WEATHERSTRIP-RUBBER-BLACK |
| 4 | 076337-18-000 | EA | GLASS-EGRESS-56.7"X23.2" |
| | 077066-01-702 | EA | TAPE-REDESCAPE WINDOW |

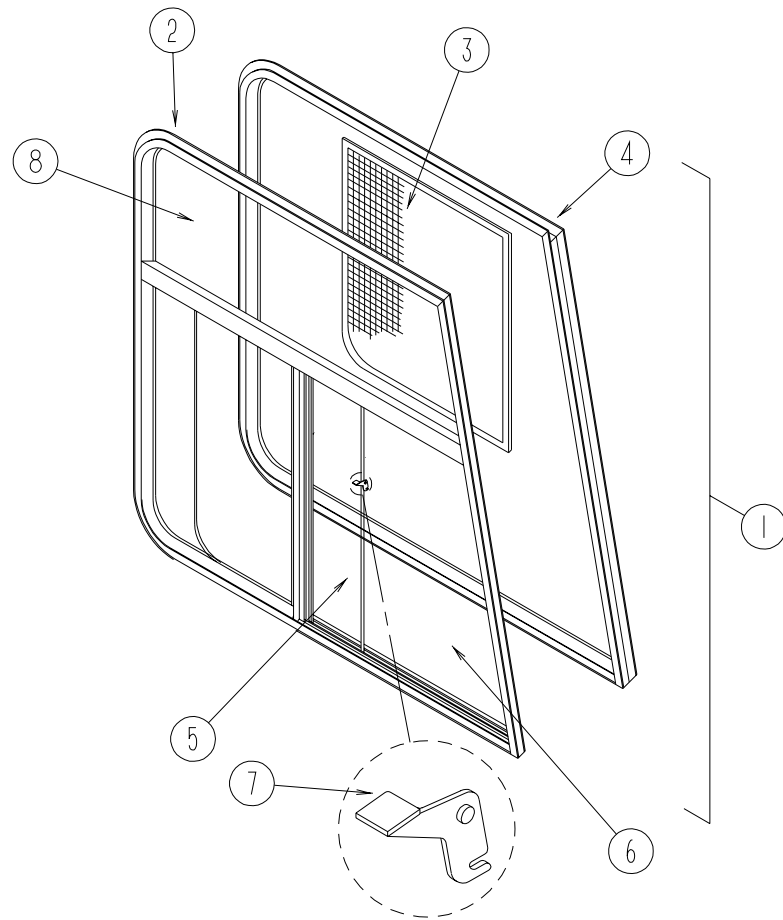
BACK WALL ESCAPE WINDOW (THERMOINSULATED) (KING OR QUEEN BED)

| KEY | PART NUMBER | U/M | DESCRIPTION | VENDOR NO. |
|-----|---------------|-----|---------------------------------------|------------|
| | 113502-01-01A | EA | WINDOW-REAR/ESCAPE-THERMO-24.8"X48.7" | |
| | 100322-01-703 | FT | VINYL-GLAZING, BUTYL | 132-010723 |
| | 112898-06-704 | EA | HANDLE-LATCH, RED-RH | 182-11293 |
| | 112898-06-705 | EA | HANDLE-LATCH, RED-LH | 182-11294 |
| | 113502-01-703 | EA | GLASS-STATIONARY-RH/LH | 390-019083 |
| | 113502-01-704 | EA | GLASS-EGRESS CENTER-ESCP | DH153-G9 |

BACK WALL ESCAPE WINDOW (THERMOINSULATED) (TWIN BED)

| KEY | PART NUMBER | U/M | DESCRIPTION | VENDOR NO. |
|-----|---------------|-----|---|------------|
| | 113733-07-01A | EA | WINDOW-STATIONARY/THERMOPANE-EUROPEAN-26.4"X60" | |
| | 113733-07-700 | EA | WINDOW W/OTRIM | DH337-G2 |
| | 113733-07-701 | EA | RETAINER-TRIM | W287-60 |
| | 113733-07-702 | EA | GLASS-STATIONARY | 390-019051 |

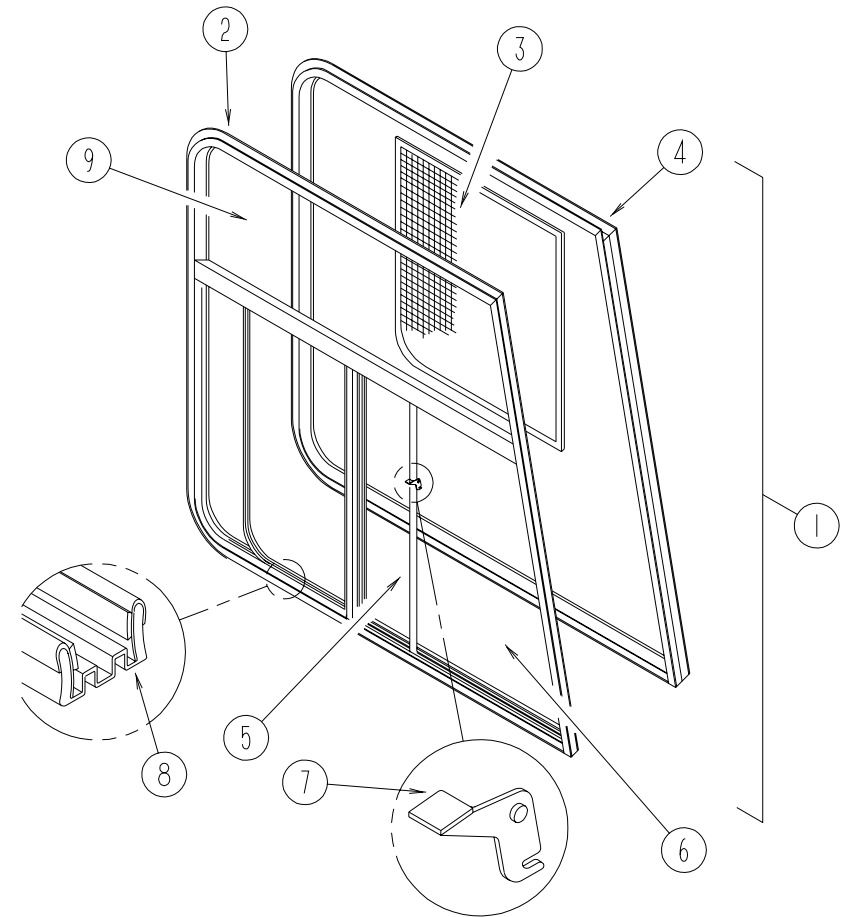
WINDOW, VENT & EXTERIOR DOOR GROUP (CONTINUED)



FRONT CAB WINDOWS (EXCEL)

| KEY | PART NUMBER | U/M | DESCRIPTION | VENDOR NO. |
|-----|---------------|-----|---|---------------|
| 1 | 103658-07-01A | EA | WINDOW-DRIVER CAB 3 GLASS 25.3"TX45.4"BX45.2"H | |
| 1 | 103658-08-01A | EA | WINDOW-PASSENGER CAB 3 GLASS 25.3"TX45.4"BX45.2"H | |
| 2 | 103658-07-704 | EA | WINDOW ASM. -W/OTRIM-DRIVERSIDE | H374-A2L |
| 2 | 103658-08-700 | EA | WINDOW ASM. -W/OTRIM-PASSENGERSIDE | H374-A2R |
| 3 | 103658-01-700 | EA | SCREEN ASM-W/SEALS & CLIPS-DRIVERSIDE | H322-03L |
| 3 | 103658-02-700 | EA | SCREEN ASM-W/SEALS & CLIPS-PASSENGERSIDE | H322-03R |
| 4 | 103658-07-700 | EA | RETAINER-TRIM-DRIVERSIDE | H374-66 & 76L |
| 4 | 103658-08-701 | EA | RETAINER-TRIM-PASSENGERSIDE | H374-66 & 76R |
| 5 | 103658-01-703 | EA | GLASS-SLIDING-W/SASH & LATCH LH-DRIVERSIDE | H322-A9L |
| 5 | 103658-02-701 | EA | GLASS-SLIDING-W/SASH & LATCH RH-PASSENGERSIDE | 322-A9R |
| 6 | 103658-01-702 | EA | GLASS-STATIONARY-BOTTOM-DRIVERSIDE | 106-017700 |
| 6 | 103658-01-702 | EA | GLASS-STATIONARY-BOTTOM-PASSENGERSIDE | 106-017700 |
| 7 | 098644-01-700 | EA | LATCH-REPAIR KIT (BLACK) | B801-CK |
| 8 | 103658-07-701 | EA | GLASS-STATIONARY TOP | 106-018481 |
| | 098644-01-706 | FT | WEATHER STRIP-GLASS | 171-010668 |
| | 098644-01-708 | FT | CHANNEL-RUN PIERCED | 122-016543 |
| | 098644-01-710 | FT | TRACK-SCREEN SPACER 12' | 132-017135 |
| | 098644-01-711 | FT | WEATHER STRIP-SCREEN BLACK | 171-016965 |
| | 098644-01-713 | EA | CLIP-SPRING-METAL | 226-016966 |
| | 098644-01-716 | FT | PLUG-FILLER | 132-014470 |
| | 098644-01-717 | FT | SPLINE-SCREEN | 132-004716 |

WINDOW, VENT & EXTERIOR DOOR GROUP (CONTINUED)



FRONT CAB THERMO PANE WINDOWS (EXCEL)

| KEY | PART NUMBER | U/M | DESCRIPTION | VENDOR NO. |
|-----|---------------|-----|---|---------------|
| 1 | 113501-01-01A | EA | WINDOW-DRIVER CAB THERMO (3 WINDOW) 44.3"X24.4"X44.1" | |
| 1 | 113501-02-01A | EA | WINDOW-PASS CAB THERMO (3 WINDOW) 44.3"X24.4"X44.1" | |
| 2 | 113501-01-700 | EA | WINDOW W/OTRIM-DRIVERSIDE | DH374-A2L |
| 2 | 113501-02-700 | EA | WINDOW W/OTRIM-PASSENGERSIDE | DH374-A2R |
| 3 | 103658-01-700 | EA | SCREEN ASM-W/SEALS & CLIPS-DRIVERSIDE | H322-03L |
| 3 | 103658-02-700 | EA | SCREEN ASM-W/SEALS & CLIPS-PASSENGERSIDE | H322-03R |
| | 098644-01-717 | FT | SPLINE-SCREEN | 132-004716 |
| | 098644-01-713 | EA | CLIP-SPRING-METAL | 226-016966 |
| 4 | 103658-05-702 | EA | RETAINER-TRIM-DRIVERSIDE | H373-66 & 76L |
| 4 | 103658-10-701 | EA | RETAINER-TRIM-PASSENGERSIDE | H373-66 & 76R |
| 5 | 113501-01-703 | EA | GLASS-SLIDING W/SASH & LATCH-DRIVERSIDE | DH374-A9L |
| 5 | 113501-02-702 | EA | GLASS-SLIDING W/SASH & LATCH-PASSENGERSIDE | DH374-A9R |
| 6 | 113501-01-702 | EA | GLASS-STATIONARY-LOWER-DRIVERSIDE | 390-019139L |
| 6 | 113501-02-701 | EA | GLASS-STATIONARY-LOWER-PASSENGERSIDE | 390-019138R |
| 7 | 112795-01-700 | EA | LATCH ASM.-BLACK (BOLTON) | DH287-CK |
| 8 | 112795-01-703 | IN | CHANNEL-RUN (INCHES) | 122-018736 |
| 9 | 113501-01-701 | EA | GLASS-STATIONARY-UPPER-DRIVER OR PASSENGERSIDE | 390-019137 |
| | 098644-01-711 | FT | WEATHER STRIP-SCREEN BLACK | 171-016965 |
| | 112795-01-701 | EA | SLIDE-STOP | 132-019092 |
| | 112795-01-704 | FT | PLUG FILLER (DOUBLE GLAZED) | 122-018737 |
| | 112795-01-705 | FT | VINYL-GLAZING | 132-019702 |
| | 112898-04-703 | EA | SASH LATCH KIT-RAISED | DH343-CK |

WINDOW, VENT & EXTERIOR DOOR GROUP (CONTINUED)

NONPOWERED ROOF VENT

| KEY | PART NUMBER | U/M DESCRIPTION | VENDOR NO. |
|-----|---------------|--|------------|
| | 122882-01-01A | EA VENT-ROOF-NONPOWERED ELIXIR V971201 WHT | |
| | 009440-01-000 | EA GEAR-ARM-ROOF VENT-705221K38 | |
| | 064470-01-700 | EA COVER-VENT-W/O(SLIDEBAR) | J7291 |
| | 064470-01-701 | EA SLIDEBAR(VENT-LID) | JRP1291B |
| | 122882-01-700 | EA HANDLE-CRANK BLACK | 90128 |
| | 122882-01-701 | EA SCREEN | JRP-1124-B |

POWERED ROOF VENT

| KEY | PART NUMBER | U/M DESCRIPTION | VENDOR NO. |
|-----|---------------|--|------------|
| | 122882-02-01A | EA VENT-ROOF-W/FAN-ULELIXIR V971202 WHT | |
| | 009440-01-000 | EA GEAR/ARM-LIFT-ROOF VENT COVER-705221K38 | |
| | 048648-01-000 | EA MOTOR-ROOF VENT-1/8 SHAFT-12VOLT | |
| | 048649-01-000 | EA FAN-ROOF VENT-6 BLADES-6" | |
| | 064470-01-700 | EA COVER-VENT-W/O(SLIDEBAR) | J7291 |
| | 064470-01-701 | EA SLIDEBAR(VENT-LID) | JRP1291B |
| | 110051-03-700 | EA SWITCH-BLACK/PUSHBUTTON | 27-0164 |
| | 122882-01-700 | EA HANDLE-CRANK BLACK | 90128 |
| | 122882-01-701 | EA SCREEN | JRP-1124-B |

POWERED ROOF VENT (CANADIAN)

| KEY | PART NUMBER | U/M DESCRIPTION | VENDOR NO. |
|-----|---------------|--------------------------------|------------|
| | 122882-03-01A | EA VENT-ROOF-POWERED CSA | |
| | 009440-01-000 | EA GEAR-ARM-ROOF VENT | |
| | 048648-01-000 | EA MOTOR-12V NONVENTED 1/8 SFT | |
| | 048649-01-000 | EA FAN-PLAS-6 IN 6 BLADED | |
| | 064470-01-700 | EA COVER-VENT-W/O(SLIDEBAR) | J7291 |
| | 064470-01-701 | EA SLIDEBAR-(VENT-LID) | JRP1291B |
| | 110051-03-700 | EA SWITCH-BLACK/PUSHBUTTON | 27-0164 |
| | 122882-01-700 | EA HANDLE-CRANK BLACK | 90128 |
| | 122882-01-701 | EA SCREEN | JRP-1124-B |

WINDOW, VENT & EXTERIOR DOOR GROUP (CONTINUED)

POWERED ROOF VENT

| KEY | PART NUMBER | U/M DESCRIPTION | VENDOR NO. |
|-----|---------------|----------------------------------|------------|
| | 123780-03-01A | EA VENT-EXHAUST-3" ROOF | |
| | 009440-01-000 | EA GEAR/ARM-LIFT-ROOF VENT COVER | |
| | 084079-01-703 | EA KNOB-LIFT-W/EXT.&SCREW | 1140K-00 |
| | 084079-01-704 | EA BLADE-FAN | 1070-00 |
| | 084079-01-705 | EA MOTOR | 1080-00 |
| | 084079-01-707 | EA SWITCH-SAFETY | 1122.05 |
| | 084079-01-709 | EA SWITCH-MAIN-3 SPEED | 1031-05 |
| | 084079-01-711 | EA H-MOLDING-MOTOR MOUNT | |
| | 084079-11-700 | EA MOTOR-BRKT.-FAN BLADE-KIT | 4017K-09 |
| | 123780-01-700 | EA COVER-VENT W/HINGE & SLIDE | 1020K-81 |
| | 123780-03-700 | EA GARNISH-INT. 3"-4" BRT/WHT | 1040-81 |

POWERED ROOF VENT

| KEY | PART NUMBER | U/M DESCRIPTION | VENDOR NO. |
|-----|---------------|----------------------------------|------------|
| | 123780-04-01A | EA VENT-EXHAUST-3" CEILING | |
| | 009440-01-000 | EA GEAR/ARM-LIFT-ROOF VENT COVER | |
| | 084079-01-703 | EA KNOB-LIFT-W/EXT.&SCREW | 1140K-00 |
| | 084079-01-704 | EA BLADE-FAN | 1070-00 |
| | 084079-01-705 | EA MOTOR | 1080-00 |
| | 084079-01-707 | EA SWITCH-SAFETY | 1122.05 |
| | 084079-01-709 | EA SWITCH-MAIN-3 SPEED | 1031-05 |
| | 084079-01-711 | EA H-MOLDING-MOTOR MOUNT | |
| | 084079-11-700 | EA MOTOR-BRKT.-FAN BLADE-KIT | 4017K-09 |
| | 123780-01-700 | EA COVER-VENT W/HINGE & SLIDE | 1020K-81 |
| | 123780-03-700 | EA GARNISH-INT. 3"-4" BRT/WHT | 1040-81 |

ROOF VENTS

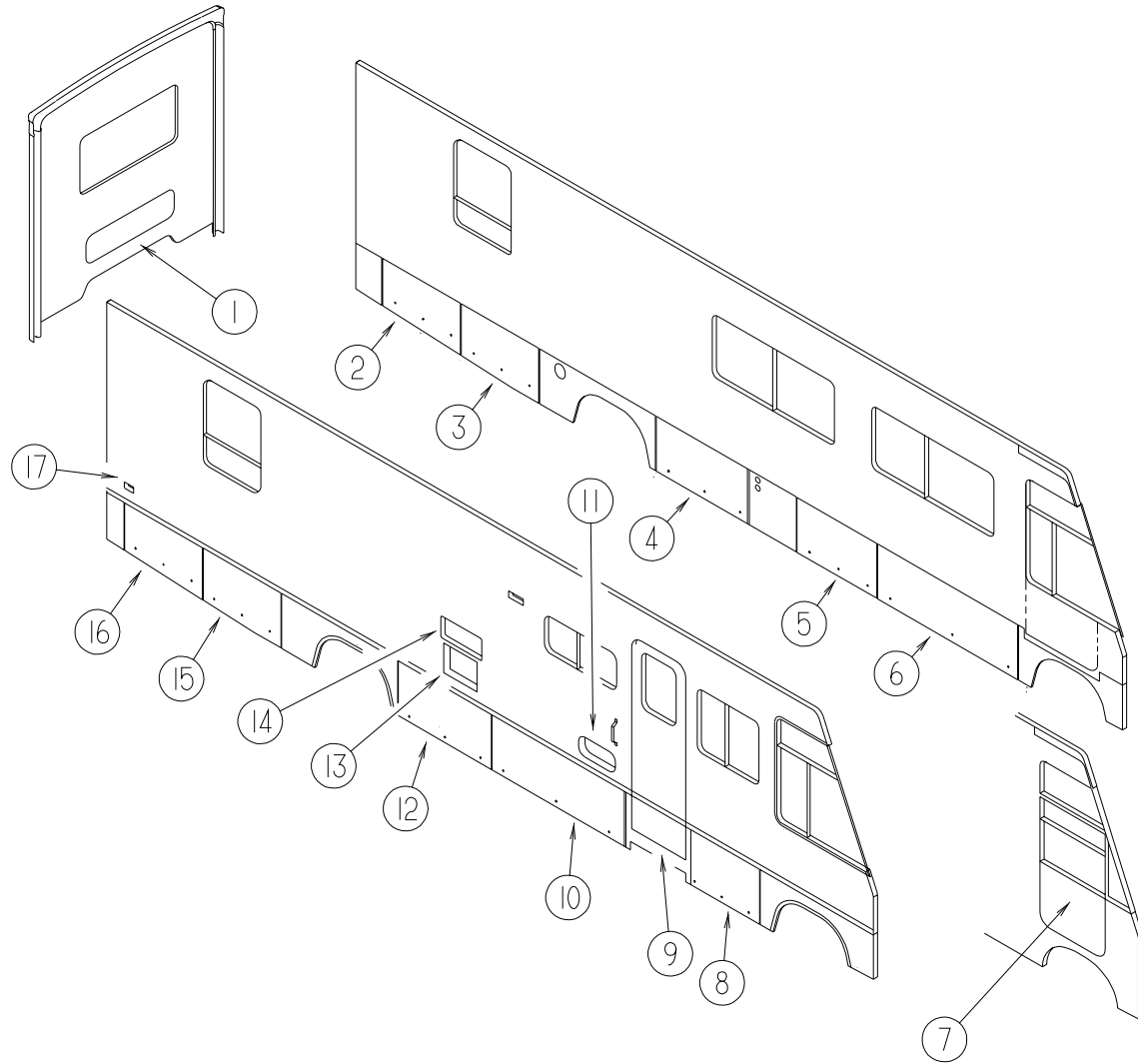
| KEY | PART NUMBER | U/M DESCRIPTION |
|-----|---------------|---|
| | 083558-03-000 | EA VENT-PLUMBING-PIPE ROOF-W/COVER-OFF WHITE |
| | 084073-07-000 | EA VENT-ROOF-REFRIGERATOR-BRIGHT WHITE |
| | 084073-04-000 | EA BASE-ROOF VENT-REFRIGERATOR |
| | 118369-01-02A | EA CAP-REFRIGERATOR ROOF VENT (SIDE BY SIDE DOMETIC) |
| | 118369-02-02A | EA VENT-ROOF BASE-REFRIGERATOR (SIDE BY SIDE DOMETIC) |

SIDEWALL VENTS

| KEY | PART NUMBER | U/M DESCRIPTION |
|-----|---------------|--|
| | 084616-07-000 | EA VENT-SHROUD-RANGE HOOD-BRIGHT WHITE |
| | 084878-09-000 | EA VENT-HOOD-RANGE/SHORT-OFF WHITE |

WINDOW, VENT & EXTERIOR DOOR GROUP (CONTINUED)

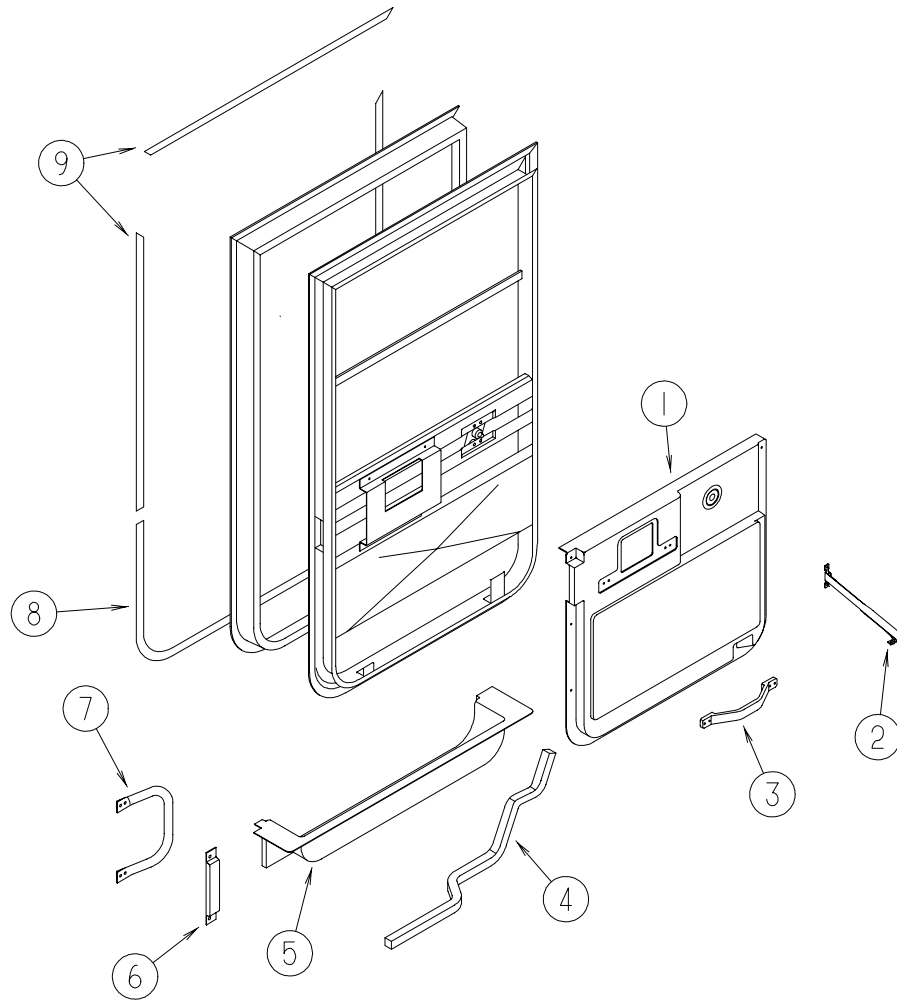
EXTERIOR DOORS



| KEY | PART NUMBER | U/M | DESCRIPTION |
|-----|---------------|-----|---|
| 1 | 111013-63-H17 | EA | DOOR-STORAGE-W/OLOCK-12"X43.7"-UMBRA/BROWN |
| 1 | 111013-63-H18 | EA | DOOR-STORAGE-W/OLOCK-12"X43.7"-SUPERBLUE |
| 2 | 122391-07-H17 | EA | DOOR-STORAGE-TAPERED-W/OPADDLELATCH-38.6"-UMBRA/BROWN |
| 2 | 122391-07-H18 | EA | DOOR-STORAGE-TAPERED-W/OPADDLELATCH-38.6"-SUPERBLUE |
| 3 | 122391-05-H17 | EA | DOOR-STORAGE-TAPERED-W/OPADDLELATCH-38.6"-UMBRA/BROWN |
| 3 | 122391-05-H18 | EA | DOOR-STORAGE-TAPERED-W/OPADDLELATCH-38.6"-SUPERBLUE |
| 4 | 122239-04-H17 | EA | DOOR-STORAGE-W/OPADDLELATCH-46.3"WIDE-UMBRA/BROWN |
| 4 | 122239-04-H18 | EA | DOOR-STORAGE-W/OPADDLELATCH-46.3"WIDE-SUPERBLUE |
| 5 | 122239-03-H17 | EA | DOOR-STORAGE-W/OPADDLELATCH-39.7"-UMBRA/BROWN |
| 5 | 122239-03-H18 | EA | DOOR-STORAGE-W/OPADDLELATCH-39.7"-SUPERBLUE |
| 6 | 122239-02-H17 | EA | DOOR-STORAGE-W/OPADDLELATCH-69.6"-UMBRA/BROWN |
| 6 | 122239-02-H18 | EA | DOOR-STORAGE-W/OPADDLELATCH-69.6"-SUPERBLUE |
| 7 | 106469-07-01A | EA | DOORASM.-DRIVERS-BLACK-V130-01L |
| 8 | 122239-05-H17 | EA | DOOR-STORAGE-W/OPADDLELATCH-37.7"WIDE-UMBRA/BROWN |
| 8 | 122239-05-H18 | EA | DOOR-STORAGE-W/OPADDLELATCH-37.7"WIDE-SUPERBLUE |
| 9 | 115108-02-H17 | EA | DOOR-ENTRY-W/SCREENDOOR-W/OWINDOW(H17) |
| 9 | 115108-02-H18 | EA | DOOR-ENTRY-W/SCREENDOOR-W/OWINDOW(H18) |
| 9 | 115108-02-H19 | EA | DOOR-ENTRY-W/SCREENDOOR-W/OWINDOW(H19,H41) |
| 9 | 115108-02-H23 | EA | DOOR-ENTRY-W/SCREENDOOR-W/OWINDOW(H40) |
| 10 | 122239-06-H17 | EA | DOOR-STORAGE-W/OPADDLELATCH-63.6"-UMBRA/BROWN |
| 10 | 122239-06-H18 | EA | DOOR-STORAGE-W/OPADDLELATCH-63.6"-SUPERBLUE |
| 11 | 111017-01-H23 | EA | DOOR-PATIO/ENTERTAINMENTCENTER-W/OLATCH-17.8"X8.1" |
| 12 | 122239-35-H17 | EA | DOOR-STORAGE-W/OPADDLELATCH-46.2"-UMBRA/BROWN |
| 12 | 122239-35-H18 | EA | DOOR-STORAGE-W/OPADDLELATCH-46.2"-SUPERBLUE |
| 13 | 084103-08-000 | EA | DOOR-REFRIGERATOR-VENTED-W/OJAMB |
| 13 | 084104-08-000 | EA | JAMB-REFRIGERATORDOOR |
| 13 | 118368-01-03A | EA | DOOR-REFRIGERATOR-VENTED(SIDEBYSIDEDOMETIC) |
| | | | FROM: 00-00-00 THRU: 01-05-97 |
| 13 | 125481-01-02A | EA | DOOR-REFRIGERATORVENT(SIDEBYSIDEDOMETIC) |
| | | | FROM: 01-06-97 THRU: 99-99-99 |
| 14 | 052009-06-000 | EA | DOOR-WATERHEATER-W/OLATCHES |
| 15 | 122391-06-H17 | EA | DOOR-STORAGE-TAPERED-W/OPADDLELATCH-28.6"-UMBRA/BROWN |
| 15 | 122391-06-H18 | EA | DOOR-STORAGE-TAPERED-W/OPADDLELATCH-28.6"-SUPERBLUE |
| 16 | 122391-08-H17 | EA | DOOR-STORAGE-TAPERED-W/OPADDLELATCH-38.6"-UMBRA/BROWN |
| 16 | 122391-08-H18 | EA | DOOR-STORAGE-TAPERED-W/OPADDLELATCH-38.6"-SUPERBLUE |
| 17 | 081240-16-000 | EA | DOOR-WATERFILL-LOCKABLEW/OLOCK-4"X45/8" |

WINDOW, VENT & EXTERIOR DOOR GROUP (CONTINUED)

DRIVER DOOR INTERIOR COMPONENTS

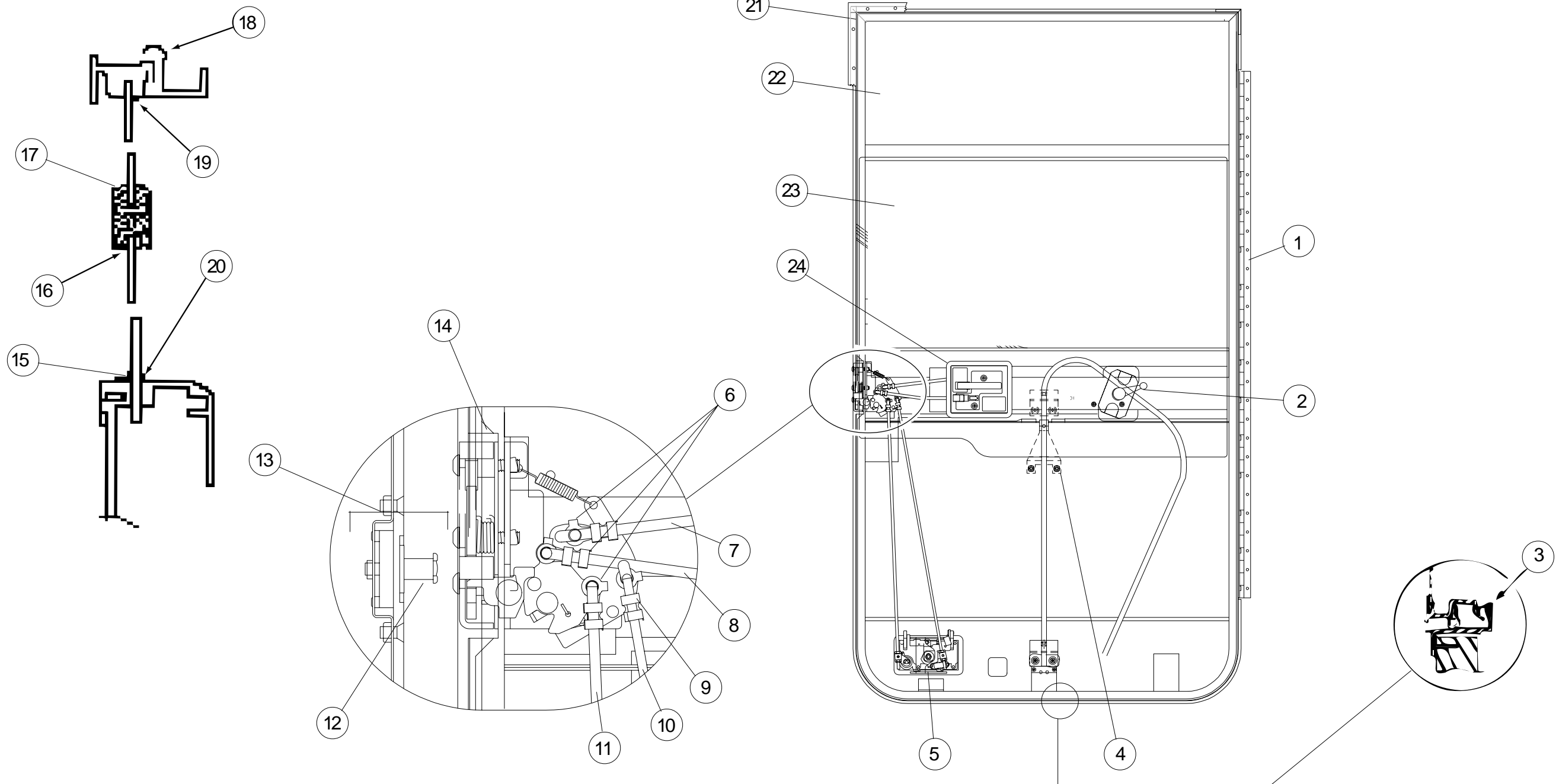


| KEY | PART NUMBER | U/M DESCRIPTION |
|-----|---------------|---|
| 1 | 114973-01-02A | EA PANEL - DRIVER DOOR - INNER - WILLOW - PLASTIC |
| 2 | 109378-01-000 | EA STRAP - CHECK - DRIVER DOOR - 12.8" |
| 3 | 110604-01-01A | EA HANDLE - ASSIST - DRIVERS DOOR |
| 4 | 063977-12-000 | EA STEP - DRIVER DOOR - LEFT - PAINTED |
| 4 | 063977-11-000 | EA STEP - DRIVER DOOR - LEFT - UNPAINTED |
| 5 | 107818-01-01A | EA TRIM - STEP - DRIVERS DOOR - PLASTIC - WILLOW |
| | 106746-01-000 | EA PANEL - STEEL - STEPWELL |
| | 106747-01-000 | EA PANEL - STEEL - STEPWELL - END RH |
| | 106747-02-000 | EA PANEL - STEEL - STEPWELL - END LH |
| | 102569-02-000 | EA MAT - ANTI SLIP - LOWER |

| KEY | PART NUMBER | U/M DESCRIPTION |
|-----|---------------|---|
| 6 | 108654-01-01A | EA COVER - STRIKE - DRIVERS DOOR - BLACK |
| 7 | 108832-01-02A | EA HANDLE - ASSIST - DRIVERS DOOR - METAL - OFF WHITE |
| | 108833-01-01A | EA COVER - HANDLE - ASSIST - OFF WHITE |
| 8 | 109235-01-05A | FT COVER - SCREW - BRIGHT WHITE - DAWN |
| 9 | 109235-01-01A | FT COVER - SCREW - MATTE BLACK - DAWN |
| | 108129-02-02A | EA GARNISH - DRIVERS DOOR - FRONT - BLACK |
| | 108107-01-02A | EA GARNISH - DRIVERS DOOR - TOP - BLACK |
| | 108108-04-02A | EA GARNISH - DRIVERS DOOR - REAR UPPER - BLACK |
| | 108897-02-01A | EA GARNISH - DRIVERS DOOR - REAR LOWER - BLACK |
| | P01713-01-000 | EA SWITCH - PUSH BUTTON - IN DOOR JAMB - METAL CHROME |
| | 076725-06-000 | EA COVER - ACCESS - DOOR JAMB PUSH BUTTON - BLACK |

WINDOW, VENT & EXTERIOR DOOR GROUP (CONTINUED)

DRIVER DOOR (EXCEL)



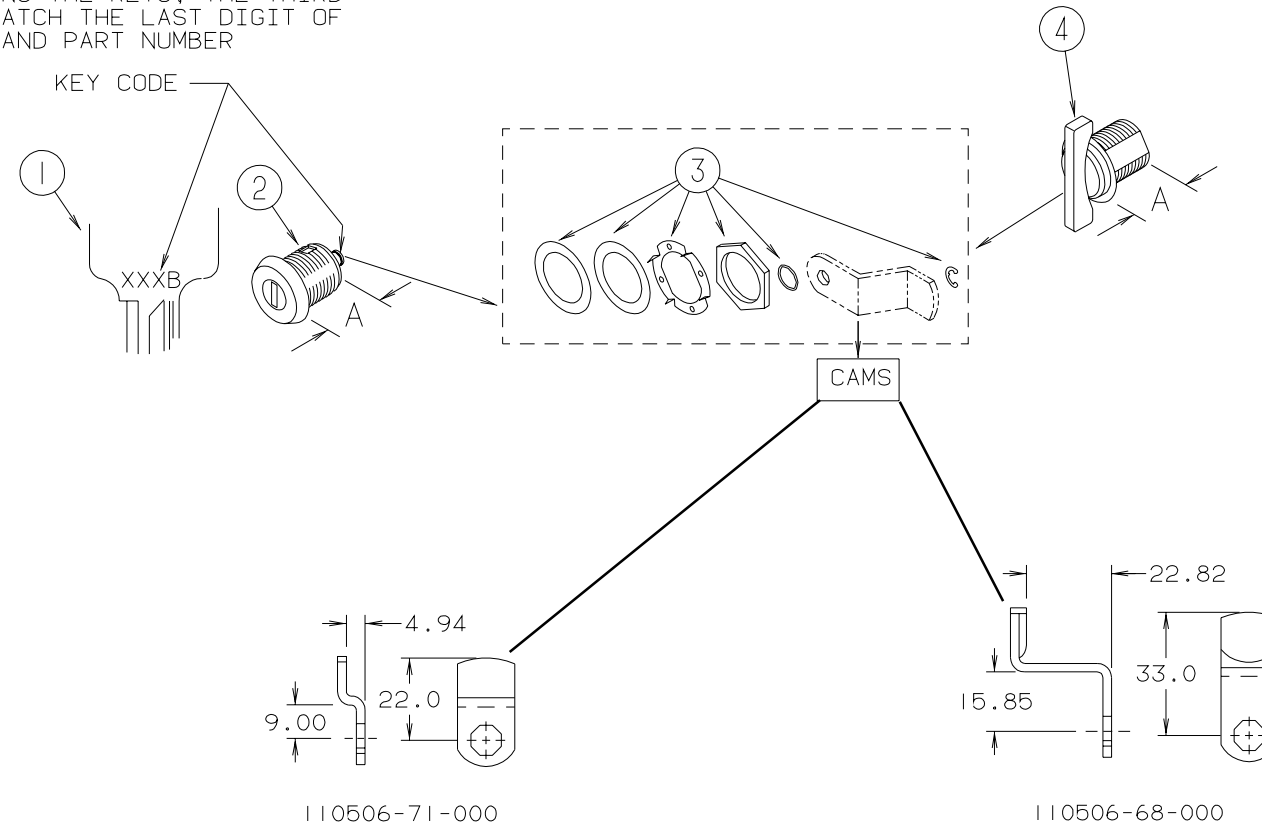
| KEY | PART NUMBER | U/M | DESCRIPTION | VENDOR NO. |
|-----|---------------|-----|--|------------|
| | 106469-07-01A | EA | DOOR ASM. - DRIVERS - BLACK - V130-01L | |
| 1 | 106469-05-702 | EA | HINGE - 42" | 211-041194 |
| 2 | 106469-02-704 | EA | WINDOW HANDLE | V068-16 |
| 3 | 106469-01-723 | EA | SEAL - BULB ASM. (JAMB) | 171-040985 |
| 4 | 106469-02-701 | EA | REGULATOR - MANUAL | V108-90L |
| 5 | 106469-04-700 | EA | PADDLE ASSEMBLY-W/COLLAR | 248-041237 |
| 5 | 106469-04-715 | EA | LATCH COMPLETE W/TUMBLER & KEYS | V123-15 |
| 6 | 106469-04-714 | EA | ROD CLIP R.H. | 248-041153 |
| 7 | 106469-04-705 | EA | LATCH ROD - HORIZONTAL | 203-041139 |
| 8 | 106469-04-711 | EA | LOCK ROD - HORIZONTAL | 203-041137 |
| 9 | 106469-04-713 | EA | ROD CLIP L.H. | 248-041154 |
| 10 | 106469-05-703 | EA | ROD - LOCK/VERTICAL ADJUST. | 203-041239 |
| 11 | 106469-05-705 | EA | ROD - LATCH/VERTICAL ADJUST. | 203-041279 |
| 12 | 106469-04-703 | EA | BOLT - STRIKER (W/ WASHER) | 248-041152 |
| 13 | 106469-04-704 | EA | NUT ASSEMBLY - CAGED - W/STRIKER | 248-041151 |

| KEY | PART NUMBER | U/M | DESCRIPTION | VENDOR NO. |
|-----|---------------|-----|--------------------------------|------------|
| 14 | 106469-05-706 | EA | LATCH - ROTARY - W/LINKAGE | 248-041150 |
| 15 | 106469-02-703 | EA | BELT WEATHERSTRIP (EXT) WDO | V047-57 |
| 16 | 106469-01-705 | FT | CHANNEL - RUN - SLIDING | 122-010850 |
| 17 | 106469-08-700 | EA | MULLION RAIL | V103-84 |
| 18 | 106469-01-702 | EA | DOOR SEAL | 122-040984 |
| 19 | 125581-02-705 | EA | HORIZONTAL GLAZING - VINYL | V108-87 |
| 20 | 106469-01-709 | FT | WEATHERSTRIP - FUZZY | 171-040630 |
| 21 | 106469-07-700 | EA | MOUNTING FRAME ASSEMBLY | V130-30L |
| 22 | 106469-02-702 | EA | GLASS - STATIONARY | 106-041104 |
| 23 | 106469-01-704 | EA | GLASS - ROLL-UP W/BACKET | V103-65L |
| 24 | 106469-04-712 | EA | HANDLE/DOOR - INNER W/HARDWARE | 248-041402 |
| 24 | 106469-04-716 | EA | LEVER - LOCKING - BLACK | 80978-00 |
| | 106469-04-701 | EA | TUMBLER & KEYS (TRI-MARK) | 248-041179 |
| | 106469-04-702 | EA | KEYS (BLANK) | 248-041180 |
| | 125582-01-708 | EA | WEEPHOLE COVER - RIGHT HAND | 130-026598 |
| | 125582-01-709 | EA | WEEPHOLE COVER - LEFT HAND | 130-026599 |

WINDOW, VENT & EXTERIOR DOOR GROUP (CONTINUED)

BRIGGS & STRATTON LOCKS & COMPONENTS

NOTE:
WHEN ORDERING THE LOCK CASE, THE KEY CODE MUST MATCH THE LAST DIGIT OF THE VEHICLE'S SERIAL NUMBER AND PART NUMBER; WHEN ORDERING THE KEYS, THE THIRD DIGIT OF THE KEY CODE MUST MATCH THE LAST DIGIT OF THE VEHICLE'S SERIAL NUMBER AND PART NUMBER

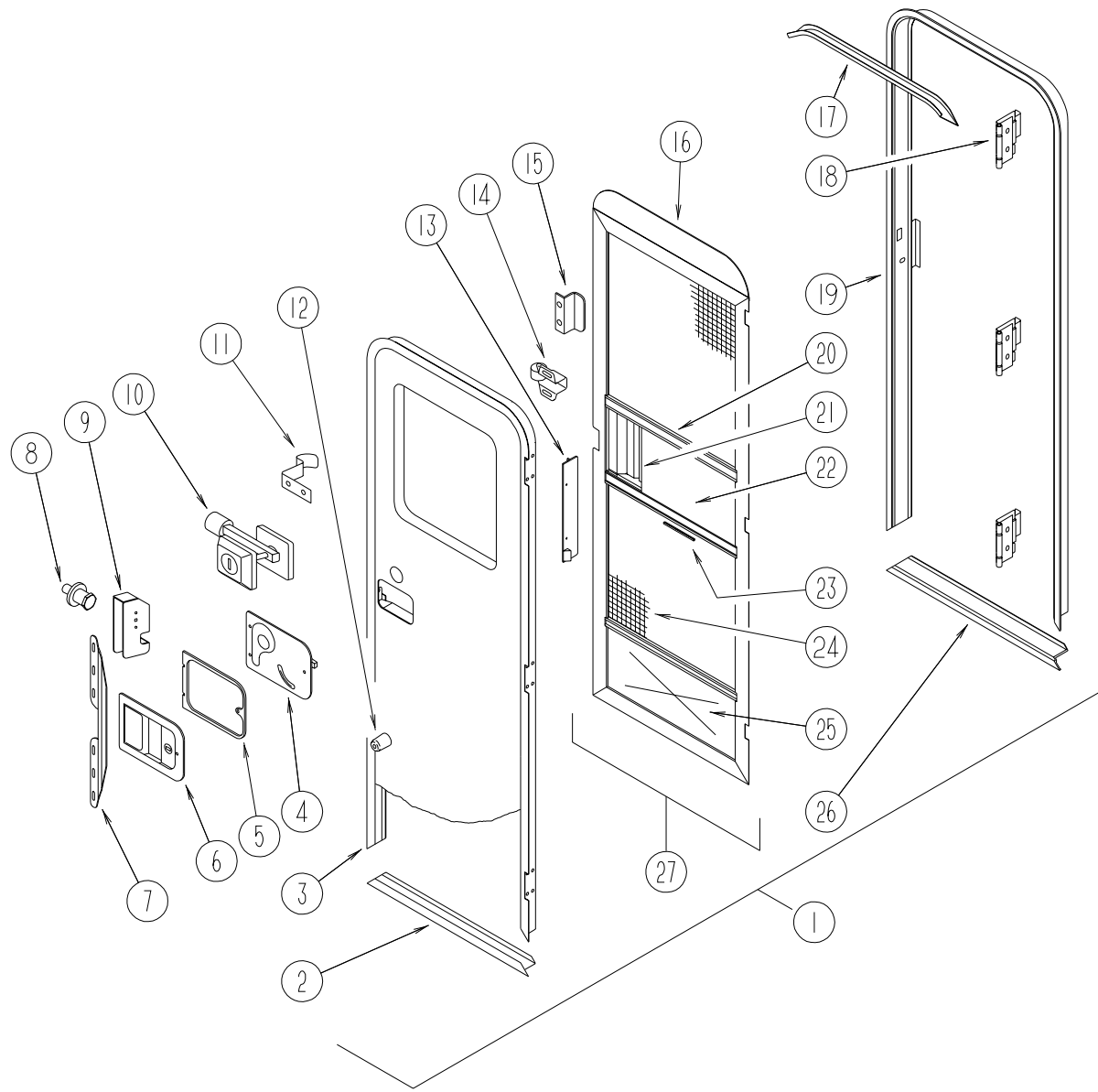


| KEY | PARTNUMBER | U/M | DESCRIPTION | VENDOR NO. |
|-----|---------------|-----|------------------|------------|
| 1 | 110506-59-000 | EA | KEYS-SETOFTWO | 596720 |
| 2 | 110506-52-000 | EA | CASE-LOCK-A=17MM | 702370 |
| 2 | 110506-53-000 | EA | CASE-LOCK-A=25MM | 702380 |
| 1 | 110506-59-001 | EA | KEYS-SETOFTWO | 596721 |
| 2 | 110506-52-001 | EA | CASE-LOCK-A=17MM | 702371 |
| 2 | 110506-53-001 | EA | CASE-LOCK-A=25MM | 702381 |
| 1 | 110506-59-002 | EA | KEYS-SETOFTWO | 596722 |
| 2 | 110506-52-002 | EA | CASE-LOCK-A=17MM | 702372 |
| 2 | 110506-53-002 | EA | CASE-LOCK-A=25MM | 702382 |
| 1 | 110506-59-003 | EA | KEYS-SETOFTWO | 596723 |
| 2 | 110506-52-003 | EA | CASE-LOCK-A=17MM | 702373 |
| 2 | 110506-53-003 | EA | CASE-LOCK-A=25MM | 702383 |
| 1 | 110506-59-004 | EA | KEYS-SETOFTWO | 596724 |
| 2 | 110506-52-004 | EA | CASE-LOCK-A=17MM | 702374 |
| 2 | 110506-53-004 | EA | CASE-LOCK-A=25MM | 702384 |
| 1 | 110506-59-005 | EA | KEYS-SETOFTWO | 596725 |
| 2 | 110506-52-005 | EA | CASE-LOCK-A=17MM | 702375 |
| 2 | 110506-53-005 | EA | CASE-LOCK-A=25MM | 702385 |

| KEY | PARTNUMBER | U/M | DESCRIPTION | VENDOR NO. |
|-----|---------------|-----|-----------------------|------------|
| 1 | 110506-59-006 | EA | KEYS-SETOFTWO | 596726 |
| 2 | 110506-52-006 | EA | CASE-LOCK-A=17MM | 702376 |
| 2 | 110506-53-006 | EA | CASE-LOCK-A=25MM | 702386 |
| 1 | 110506-59-007 | EA | KEYS-SETOFTWO | 596727 |
| 2 | 110506-52-007 | EA | CASE-LOCK-A=17MM | 702377 |
| 2 | 110506-53-007 | EA | CASE-LOCK-A=25MM | 702387 |
| 1 | 110506-59-008 | EA | KEYS-SETOFTWO | 596728 |
| 2 | 110506-52-008 | EA | CASE-LOCK-A=17MM | 702378 |
| 2 | 110506-53-008 | EA | CASE-LOCK-A=25MM | 702388 |
| 1 | 110506-59-009 | EA | KEYS-SETOFTWO | 596729 |
| 2 | 110506-52-009 | EA | CASE-LOCK-A=17MM | 702379 |
| 2 | 110506-53-009 | EA | CASE-LOCK-A=25MM | 702389 |
| 3 | 110506-40-700 | EA | HARDWAREKIT | |
| 4 | 110506-50-000 | EA | CASE-TWISTLOCK-A=17MM | 596952 |
| 4 | 110506-51-000 | EA | CASE-TWISTLOCK-A=25MM | 596669 |
| | 110506-40-000 | EA | CLIP-E-LOCKASM. | 93981 |
| | 110506-64-000 | EA | CAM-LOCK | 322280 |
| | 110506-68-000 | EA | CAM-LOCK | 322284 |
| | 110506-71-000 | EA | CAM-LOCK | 322287 |
| | 110506-59-701 | EA | KEYBLANK-GOLD | |

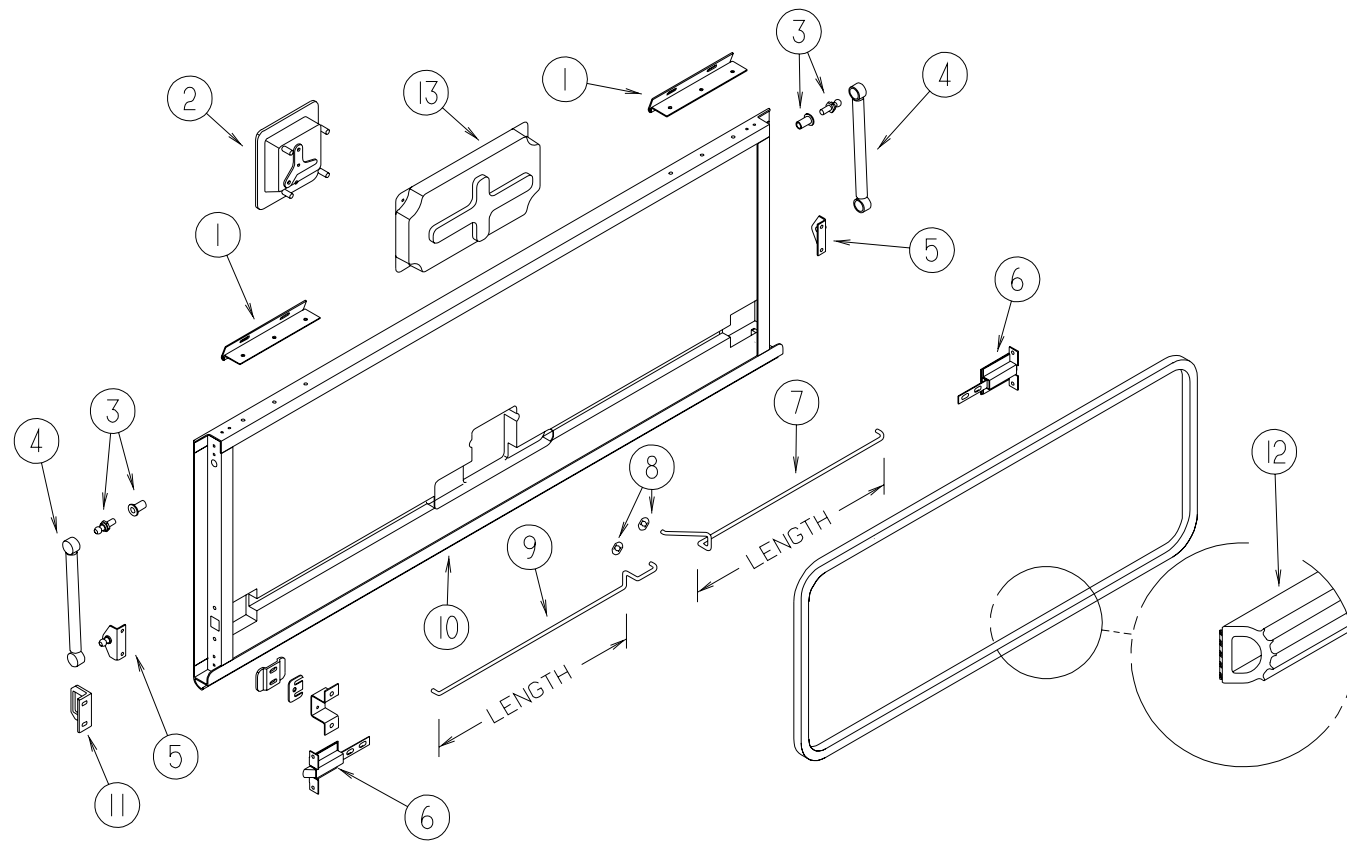
WINDOW, VENT & EXTERIOR DOOR GROUP (CONTINUED)

ENTRY DOOR W/O WINDOW



| KEY | PART NUMBER | U/M | DESCRIPTION |
|-----|---------------|-----|--|
| 1 | 115108-02-H17 | EA | DOOR-ENTRY-W/SCREENDOOR-W/OWINDOW(H17) |
| 1 | 115108-02-H18 | EA | DOOR-ENTRY-W/SCREENDOOR-W/OWINDOW(H18) |
| 1 | 115108-02-H19 | EA | DOOR-ENTRY-W/SCREENDOOR-W/OWINDOW(H19,H41) |
| 1 | 115108-02-H23 | EA | DOOR-ENTRY-W/SCREENDOOR-W/OWINDOW(H40) |
| 2 | 121893-01-01A | EA | FRAME-DOOR-ENTRANCE |
| 3 | 121894-03-01A | EA | FRAME-DOOR-ENTRANCEB/W |
| 4 | 039979-06-000 | EA | COVER-LATCHPLATE-RIGHTHAND-BLACKTEXTURED |
| 5 | 096810-01-01A | EA | PLATE-LATCH-ENTRYDOOR-BLACKPLASTIC |
| 6 | 045017-13-000 | EA | LATCH-ENTRANCEDOOR-BLACKTEXTURED |
| 7 | 098173-01-07A | EA | STIFFENER-ENTRANCEDOOR-SUPPORTSLATCH/STRIKEAREA |
| 7 | 098173-01-04A | EA | STIFFENER-ENTRYDOOR-SUPPORTSLATCH/STRIKEAREA-UNPAINTED |
| 8 | 039539-01-000 | EA | STRIKE-LOCK-ENTRYDOOR-ROUNDW/THREADEDWASHER |
| 9 | 039540-01-000 | EA | LATCHMECHANISM-HOOK-ENTRYDOOR-INTERIOR |
| | 039715-01-000 | EA | NUT-SERT-1/4"DIAMETER-20THREADS(ENTRANCEDOORHINGE) |
| | 041546-07-000 | EA | BRACKET-DOORANGLE-OFFWHITE |
| | 036618-02-000 | EA | E-RING-EXTERNAL-3/16"SHAFTDIAMETER-LYNORDDOORLOCK |
| | 045017-11-701 | EA | KEY-BLANK-F1SERIES |
| | 045017-11-703 | EA | CYLINDER-LOCKASM.W/KEYS |
| | 072893-04-000 | EA | NUTSERT-10-32(ENTRANCEDOORSTIFFENER) |
| | 075671-04-000 | FT | SEAL-SPONGE-LAZYTSHAPE-W/ADHESIVESTRIP-.5"WIDE |
| | 086285-05-000 | EA | SPACER-NYLON-.7"X.56" |
| 10 | 101145-01-06A | EA | DEADBOLT-ENTRYDOOR-W/2KEYS |
| | 095229-01-700 | EA | KEY-BLANK-DEADBOLT |
| | 101145-01-701 | EA | CYLINDER-LOCKASM.-W/KEY |
| | 101147-01-000 | EA | BOLT-SECURITY-4.12"BACKSET |
| 11 | 100412-01-000 | EA | CATCH-SCREENDOOR-THUMBCLIP |
| 12 | 117046-01-000 | EA | BUMPER-RUBBER-ROUNDEND |
| 13 | 079087-03-000 | EA | STRIKE-SLIDER-SCREENDOOR-BRIGHTWHITE |
| 14 | 109403-01-000 | EA | CATCH-SCREENDOORROLLER |
| 15 | 050712-06-000 | EA | HANDLE-SCREENDOOR-BRIGHTWHITE |
| 16 | 078595-01-000 | EA | TOPPLATE-SCREENDOOR-CURVEDTOP-4.7"X25.35" |
| 17 | 044582-44-000 | EA | CAP-DRIP-ENTRYDOOR-ALUMINUM-BRIGHTWHITE |
| 18 | 106719-01-05A | EA | HINGE-ENTRANCEDOOR-BRIGHTWHITE |
| 18 | 106719-01-01A | EA | HINGE-ENTRANCEDOOR-MILL |
| | 116111-02-01A | EA | SCREW-TAPTITE-1/4-20X3/8PPH-ZINC |
| | 118929-01-01A | FT | SEAL-PILE-PUSHON |
| 19 | 121898-01-01A | EA | JAMB-DOOR-ENTRANCE |
| 20 | 078777-01-000 | EA | CHANNEL-SLIDE-SCREENDOORCENTERSLIDERCOVER |
| 21 | 079086-03-000 | EA | SLIDER-SCREENDOOR-BRIGHTWHITE |
| 22 | 016454-01-000 | EA | INSERT-CENTER-LEATHERGRAINALUMINUM-UNPAINTED |
| | 001014-01-013 | EA | INSERT-CENTER-10.25"X16.31"-UNPAINTED |
| 23 | 002294-01-000 | FT | SPLINE-SCREENING-.005"X.0054" |
| 24 | 002293-02-000 | SF | SCREENING-WINDOW/DOOR-26" |
| | 075673-01-000 | FT | SEAL-PILE-ADHESIVEBACK-GRAY |
| 25 | 078552-03-000 | EA | KICKPANEL-SCREENDOOR-LOWERINSERT-UNPAINTED |
| | 078595-01-000 | EA | TOPPLATE-SCREENDOOR-CURVEDTOP-4.7"X25.35" |
| 26 | 051049-01-000 | EA | JAMB-BOTTOM-ENTRYDOOR-25.9"-UNPAINTED |
| 27 | 121899-01-G04 | EA | DOOR-SCREEN-W/OHARDWARE |
| | 122241-01-01A | EA | BUMPER-FOAMRUBBER-BLACK |
| | 102248-01-000 | EA | SHIM-DOOR |

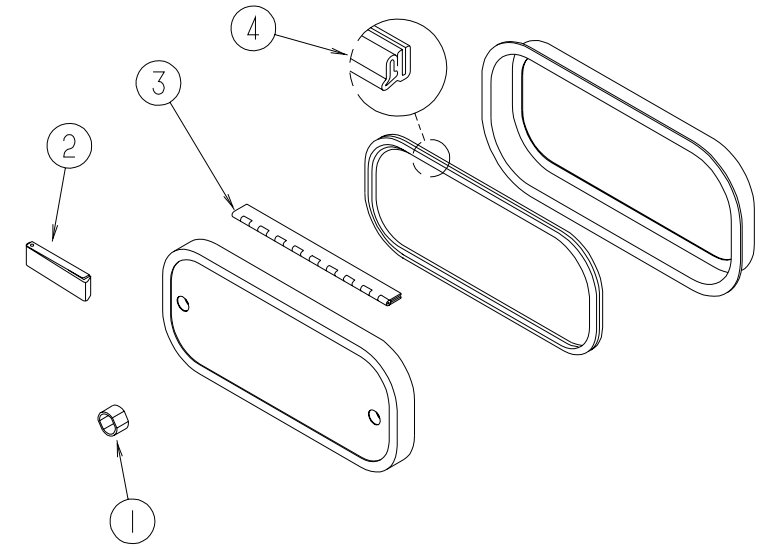
WINDOW, VENT & EXTERIOR DOOR GROUP (CONTINUED)



EXTERIOR DOORS

| KEY | PARTNUMBER | U/M | DESCRIPTION |
|-----|---------------|-----|--------------------------------|
| 1 | 121755-01-04A | EA | HINGE-6.00INCH |
| 2 | 112949-01-04A | EA | LATCH-PADDLEW/LOCKW/OKEY-BLACK |
| | 112949-03-000 | EA | KEY-TRI-MARK#TM500 |
| 3 | 057460-08-000 | EA | BALLSTUD-10MMBALL-5/16-18 |
| 4 | 107796-20-000 | EA | SPRING-GAS-10"LENGTH |
| 5 | 107796-19-000 | EA | BRACKET-GASSPRING |
| 6 | 121947-01-01A | EA | BOLT-SLIDE-LATCH-STEEL |
| 7 | 122269-02-000 | EA | ROD-LATCH-27.08" |
| 7 | 122269-03-000 | EA | ROD-LATCH-12.11" |
| 7 | 122269-04-000 | EA | ROD-LATCH-15.42" |
| 7 | 122269-05-000 | EA | ROD-LATCH-11.09" |
| 7 | 122269-06-000 | EA | ROD-LATCH-24.07" |
| 7 | 122269-17-000 | EA | ROD-LATCH-11.57" |
| 8 | 124304-01-000 | EA | CLIP-ROUND PUSH ON |
| 9 | 122268-02-000 | EA | ROD-LATCH-27.08" |
| 9 | 122268-03-000 | EA | ROD-LATCH-12.11" |
| 9 | 122268-04-000 | EA | ROD-LATCH-15.42" |
| 9 | 122268-05-000 | EA | ROD-LATCH-11.09" |
| 9 | 122269-06-000 | EA | ROD-LATCH-24.07" |
| 9 | 122268-17-000 | EA | ROD-LATCH-11.57" |
| 10 | 122613-55-004 | EA | EXTR-PANELROCKER-DBLU-4877MM |
| 11 | 123783-01-01A | EA | STRIKER-DOOR-MILL |
| 12 | 107721-04-000 | FT | SEAL-D-ACCESSDOOR |
| 13 | 122277-01-01A | EA | COVER-LATCH-BLACK |

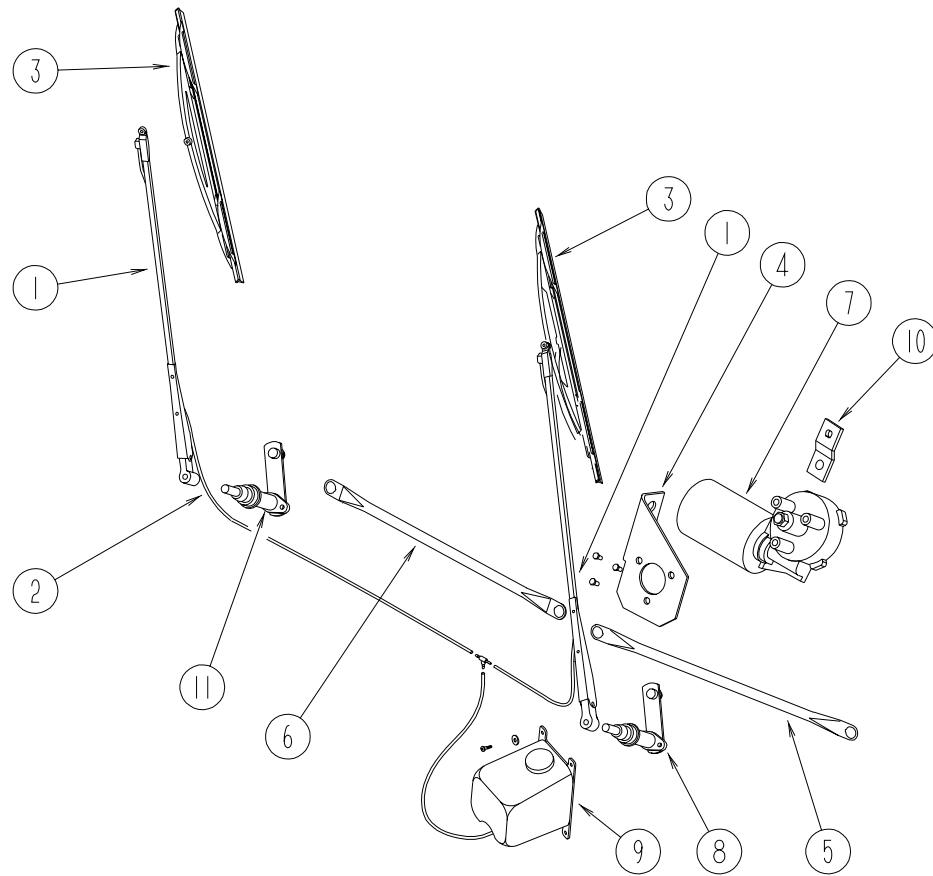
WINDOW, VENT & EXTERIOR DOOR GROUP (CONTINUED)



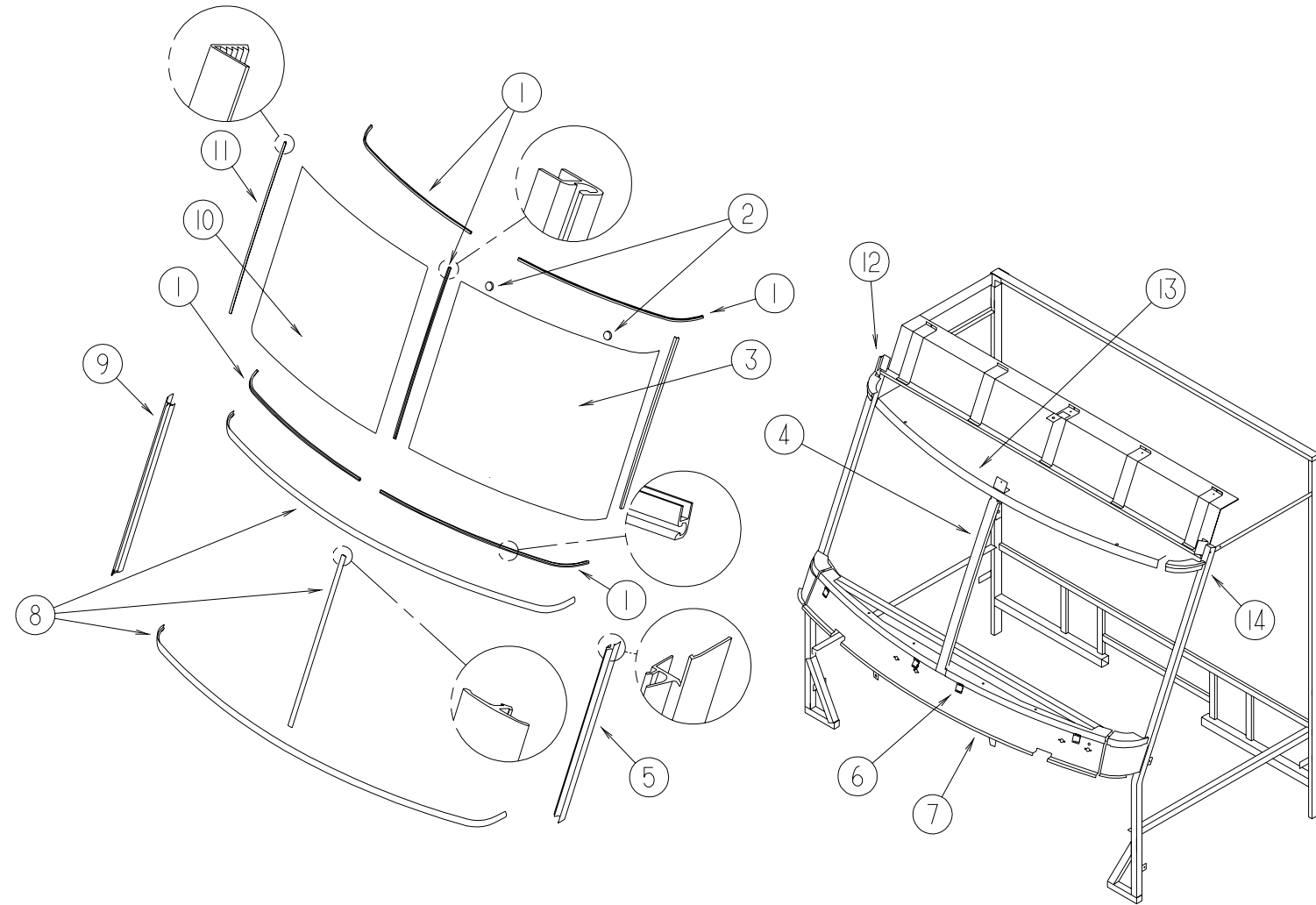
EXTERIOR DOORS

| KEY | PARTNUMBER | U/M | DESCRIPTION |
|-----|---------------|-----|---|
| 1 | 107997-51-001 | EA | SPACER-DOORLOCK-.6"DEEP |
| | 107997-51-002 | EA | EXTRUDED SPACER-16' |
| 2 | 102768-01-000 | EA | HOLDER-COMPARTMENT/ENTRYDOOR-METAL-MILLFINISH |
| 3 | 081801-V3-000 | EA | HINGE-ALUMINUM-2"X8'-BRIGHTWHITE |
| 4 | 064075-07-000 | FT | SEAL-BULB-W/WIREDU CHANNEL-.3"X.5"CHANNEL-BLK |
| | 079775-D3-000 | EA | JAMB-DOOR-STORAGE |

WINDSHIELD&WIPERGROUP



WINDSHIELD&WIPERGROUP(CONTINUED)



WINDSHIELDWIPERASM

| KEY | PARTNUMBER | U/M | DESCRIPTION |
|-----|---------------|-----|---|
| 1 | 103671-01-000 | EA | ARM-WIPER-24" |
| 2 | 096931-01-700 | FT | HOSE-WIPER |
| 3 | 095964-01-000 | EA | BLADE-WIPER-WINDSHIELD-24" |
| 4 | 104549-01-000 | EA | BRACKET-WIPER |
| 5 | 117008-01-000 | EA | LINKASSEMBLY-WIPERCONNECTING-DRIVERSIDE |
| 6 | 117008-02-000 | EA | LINKASSEMBLY-WIPERCONNECTING-PASSENGERSIDE |
| 7 | 104346-05-000 | EA | WIPERMOTORW/INTERNALBREAKER-DYNAMICPARK(FORD) |
| 7 | 104346-04-000 | EA | MOTOR-WIPERW/INTERNALBREAKER(CHEVY) |
| | 117322-01-000 | EA | SCREW-1/4-28UNF-2A-TORX |
| 8 | 096505-06-000 | EA | SHAFT&PIVOTASSEMBLY-DRIVERSIDE |
| 9 | 117766-02-000 | EA | RESERVOIR/PUMP-WINDSHIELDWASHER |
| | 096931-01-701 | EA | NOZZLE-HARDWAREKIT |
| | 110605-01-000 | EA | TEE-PLAS-BARBED 1/8X1/8X3/16-BAYLOCK3799721 |
| | 045794-01-000 | FT | HOSE-WASHER-WINDSHIELD-5/32"ID-BLACK |
| | 117765-03-000 | EA | CONNECTOR-5/32-WINDSHIELDWASHER |
| 10 | 104347-01-000 | EA | ARM-DRIVE-WIPERMOTOR-1.54"-W/TAPEREDDRIVEHOLE |
| | 067188-01-000 | EA | STUD-CRANK-WIPER-WINDSHIELD |
| 11 | 096505-05-000 | EA | SHAFT&PIVOTASM |
| | 110742-01-000 | EA | GASKET-NEOPRENEWIPERADAPTERSHAFT-13/4"ODX1"ID |
| | 096505-02-700 | EA | DRIVER-KNURLED(HD)BRL.687 NT721017 |
| | 096505-02-701 | EA | NUT-HEX(HD)W/.687BARREL NT721021 |
| | 096505-02-702 | EA | CAP-RUBBER(HD)BARREL.687 CP721084 |
| | 096505-02-703 | EA | CAP-NUT(ACORN)HDW/.687BRL 51065-40-NT27WC |

WINDSHIELDMOLDINGS&GLASS

| KEY | PARTNUMBER | U/M | DESCRIPTION |
|-----|---------------|-----|---|
| 1 | 110268-01-000 | EA | WINDSHIELDCARRIER-50.4" |
| 2 | 081914-01-000 | EA | BUMPER-RUBBER-ROUND-.43"DIAMETER-BLACK |
| 3 | 114432-02-000 | EA | GLASS-WINDSHIELD-DRIVER-52.75"WX47.5"T |
| 4 | 075710-01-000 | EA | FRAME-WINDSHIELD-CENTERDIVIDER-INNER |
| 5 | 103107-04-01A | EA | TRIM-WINDSHIELD-DRIVERSIDE |
| 6 | 104449-01-000 | EA | SUPPORT-WINDSHIELD |
| 7 | 077847-05-000 | EA | SUPPORT-WINDSHIELD-CENTER |
| | 077847-03-000 | EA | SUPPORT-WINDSHIELD-PASSENGERSIDEEND |
| | 077847-04-000 | EA | SUPPORT-WINDSHIELD-DRIVERSIDEEND |
| 8 | 120533-01-000 | FT | MOLDING-REVEAL-WINDSHIELD |
| 9 | 103107-03-01A | EA | TRIM-WINDSHIELD-PASSENGERSIDE-BLACK |
| 10 | 114432-01-000 | EA | GLASS-WINDSHIELD-PASSENGER-52.75"WX47.5"T |
| 11 | 098788-06-000 | EA | CHANNEL-49"PVC |
| 12 | 077922-03-000 | EA | HEADER-WINDSHIELDEND-RIGHTHAND |
| | 114583-01-01B | EA | HEADER-WINDSHIELD-FILLER-UPPER |
| 13 | 077922-06-000 | EA | HEADER-WINDSHIELD-CENTER |
| 14 | 077922-04-000 | EA | HEADER-WINDSHIELDEND-LEFTHAND |
| | 114583-02-01B | EA | HEADER-WINDSHIELD-FILLER-UPPER |
| | 002328-02-000 | EA | BLOCK-WINDSHIELD-.062"X.5"X.98" |