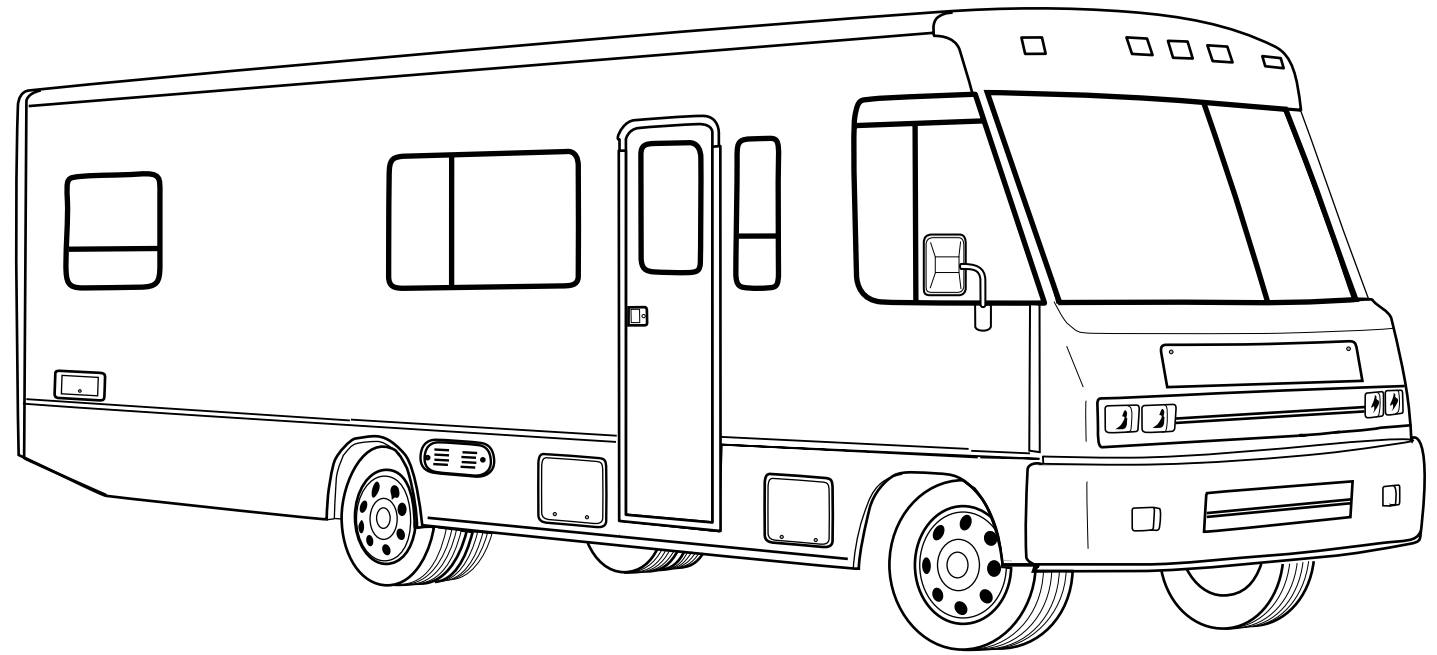


1997 WCG32WQ



**H17 BOTANICAL (GREEN)
(OAK)**

**H18 NORTSHORE (TAUPE)
(OAK)**

**H19 ZEPHYR (BLUE)
(OAK)**

**H40 OAKLEAF (TAUPE)
(WHITE GRANITE)**

**H41 EASTON (SAGE)
(WHITE GRANITE)**



ACCESSORIESGROUP

OPERATORMANUAL

KEY	PARTNUMBER	U/M	DESCRIPTION
	054185-F9-000	EA	MANUAL-OPERATOR97ADVENTURER
	092318-01-000	EA	BINDER-3RING-MOTORHOMEMANUAL
	092319-01-000	EA	POCKETPAGE-3RINGBINDER-PLASTIC-(50PERPKG)
	122567-01-000	EA	TOPLEVEL-G,1997

AUDIOVIDEOGROUP

RADIOSYSTEMS&ANTENNA

KEY	PARTNUMBER	U/M	DESCRIPTION
	087683-03-000	EA	RADIO-AM/FMSTEREOCASSETTE
	116148-03-000	EA	RADIO-AM/FMSTEREOCDPLAYER
	097460-08-000	EA	RADIO-AM/FMSTEREOCASSETTE
	110267-03-000	EA	AM/FMSTEREORADIO-CDCOMPATIBLE-MODEL400OR450
	077069-02-000	EA	CABLE-RADIOANTENNA-96"EXTENSION
	081059-02-000	EA	WIREASM-9-PIN-RADIO-AUDIOVOX112B-1761
	110469-01-000	EA	SPEAKER-4"X6"OVALCOAXIAL
	110470-01-01A	EA	GRILLE-4"X6"BLACKOVALSPEAKER
	089340-02-000	EA	GRILLE-SPEAKER-6.5"SQUARE
	089340-03-000	EA	SPACER-GRILLE-6.5"SQUARE-TAN-MAGNADYNEG514
	094097-01-000	EA	SPEAKER-RADIO/TV-W/OGRILLE-5.25"DIA
	090944-01-000	EA	ANTENNA-RADIO-16"RUBBER
	108847-01-000	EA	BRACKET-ANTENNAGROUND
	109889-04-000	EA	EXTENDER-SHAFT-ANTENNA3"-MAGNADYNERV71EX3
	115916-01-01B	EA	BRACKET-ANTENNAMOUNT-MILLFINISH

REARMONITORSYSTEM

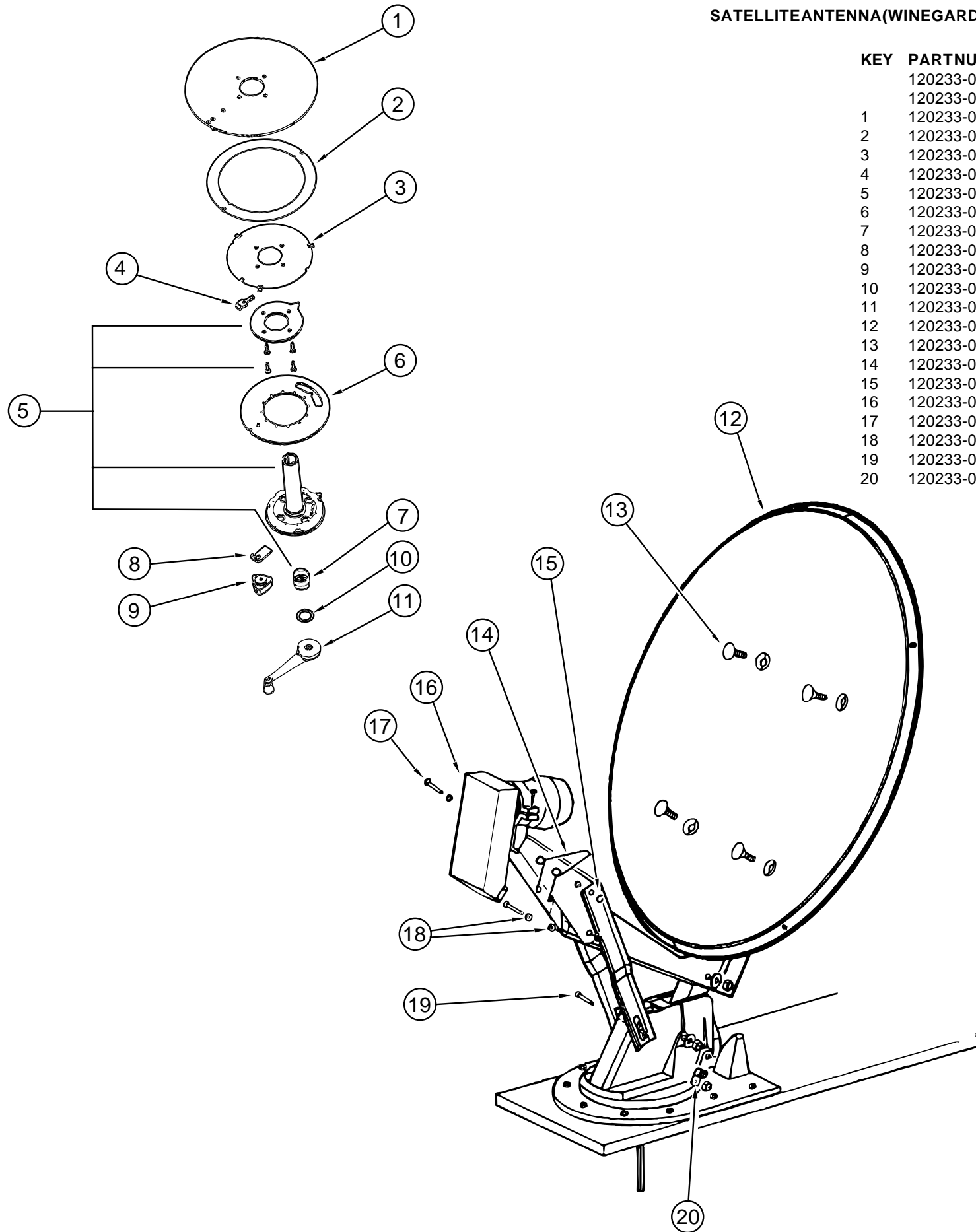
KEY	PARTNUMBER	U/M	DESCRIPTION
	093040-08-000	EA	MONITORSYSTEM-REARVIEW7"-W/AUDIOJACK
	093040-04-700	EA	CAMERA-W/BRACKET&WIRING-SSC-530AMREARVIEW
	093040-05-700	EA	MONITOR-7"W/POWERHARNESS-SSM721AMR
	093040-06-000	EA	WIREASM-MONITOR-F/NONPREWIREDAFTERMARKETINSTALLATION
	096717-03-000	EA	WIREASM-REARMONITOR-UPPERF/PREWIREDAFTERMARKETINSTL
	108885-02-000	EA	WIRE-REARMONITORPOWER(W/3PINHOUSINGF/FUSEBLOCK)
	093041-01-000	EA	CABLE-MONITOR/CAMERAINTERNALUSE-65.6'

PATIOENTERTAINMENTCENTER

KEY	PARTNUMBER	U/M	DESCRIPTION
	110469-01-000	EA	SPEAKER-OVAL-4"X6"-BLACK
	110470-01-01A	EA	GRILLE-SPEAKER-OVAL-4"X6"-BLACK
	077069-02-000	EA	CABLE-ANTENNA-RADIO-EXTENSION96"-ARA6700667
	087683-03-000	EA	RADIO-AM/FMSTEREOW/CASSETTE-AUDIOVOX
	090944-01-000	EA	ANTENNA-RADIO-16"RUBBER
	108847-01-000	EA	BRACKET-ANTENNAGROUND
	109889-04-000	EA	ANTENNA-3"SHAFTTEXTENDER-MAGNADYNERV71EX3

AUDIOVIDEOGROUP(CONTINUED)

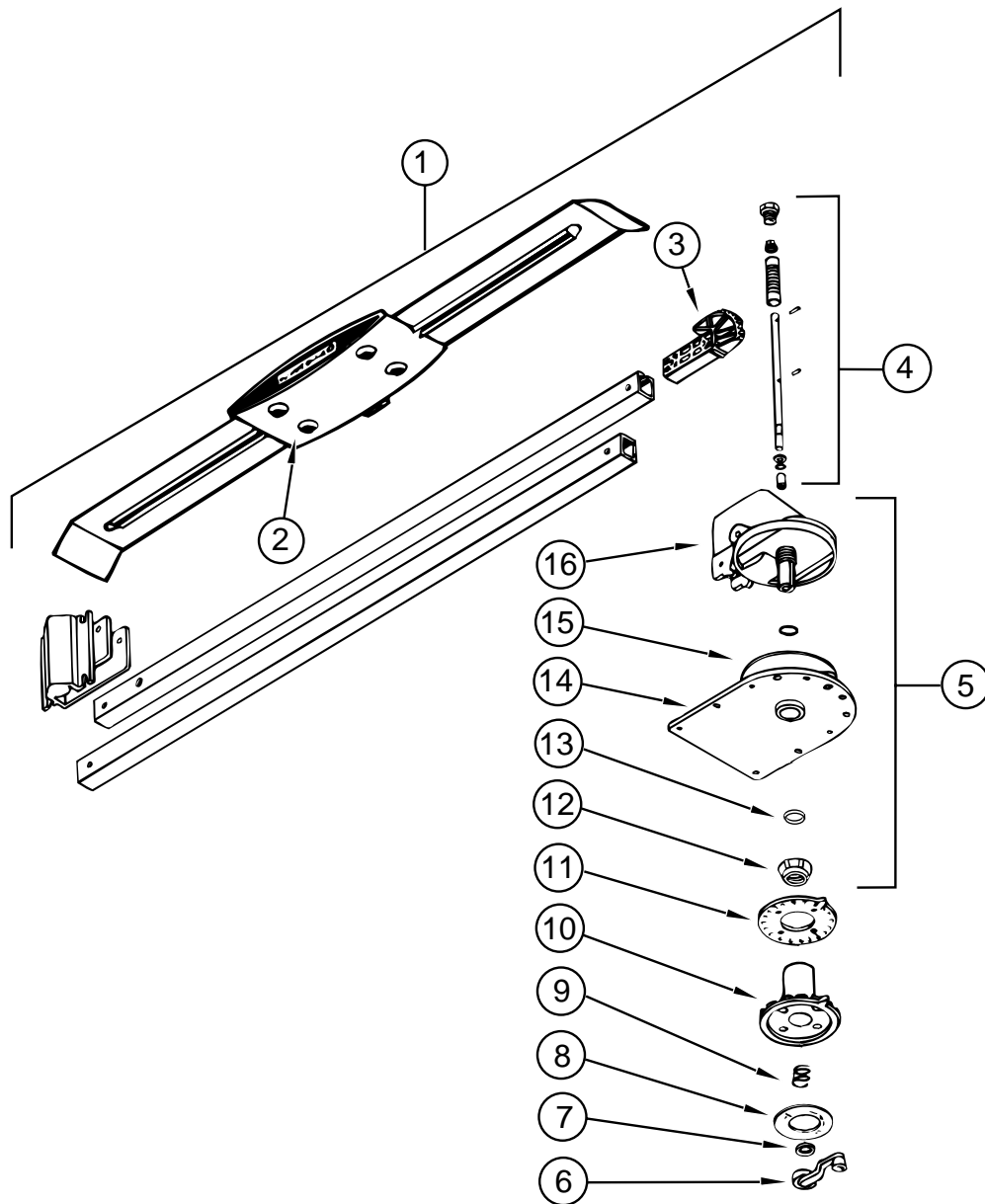
SATELLITEANTENNA(WINEGARD)



KEY	PARTNUMBER	U/M	DESCRIPTION	VENDOR NO.
	120233-02-000	EA	ANTENNA-SATELLITEW/RECEIVER-RD-1046	
	120233-01-000	EA	ANTENNA-SATELLITEDSS-RD-4600	
1	120233-01-700	EA	PLATE-FIXED	3750821
2	120233-01-701	EA	DIAL-DIRECTIONAL	2745056
3	120233-01-702	EA	PIVOT-DIAL-DIRECTIONAL	2745058
4	120233-01-703	EA	STOP-ROTATION	3711281
5	120233-01-704	EA	PLATE-CEILINGW/DIR.HANDLE	RP-6300
6	120233-01-705	EA	PLATE-ROTATE	3750820
7	120233-01-706	EA	SPRING	RP-6822
8	120233-01-707	EA	CLAMP-ROTATE	3711280
9	120233-01-708	EA	KNOB-CLAMP	160822
10	120233-01-709	EA	WASHER-NYLON	RP-2658
11	120233-01-710	EA	HANDLE-CRANK	RP-6795
12	120233-01-711	EA	REFLECTOR-46CM	2745304
13	120233-01-712	EA	BOLT-FLATHEAD	2160253
14	120233-01-713	EA	SPRING	2160820
15	120233-01-714	EA	CLIP-E	5160818
16	120233-01-715	EA	RCALNB	278015
17	120233-01-716	EA	PIN	2160814
18	120233-01-717	EA	BEARING-NYLON	2200728
19	120233-01-718	EA	PIN	5160817
20	120233-01-719	EA	CLAMP-CABLE	2200060

AUDIOVIDEOGROUP(CONTINUED)

AUDIOVIDEOGROUP(CONTINUED)



TV-VCR SYSTEMS

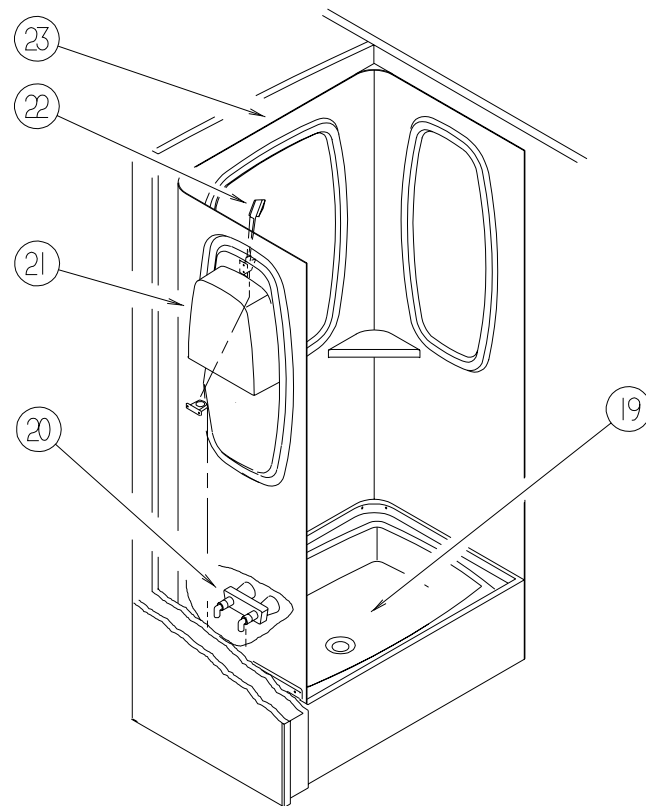
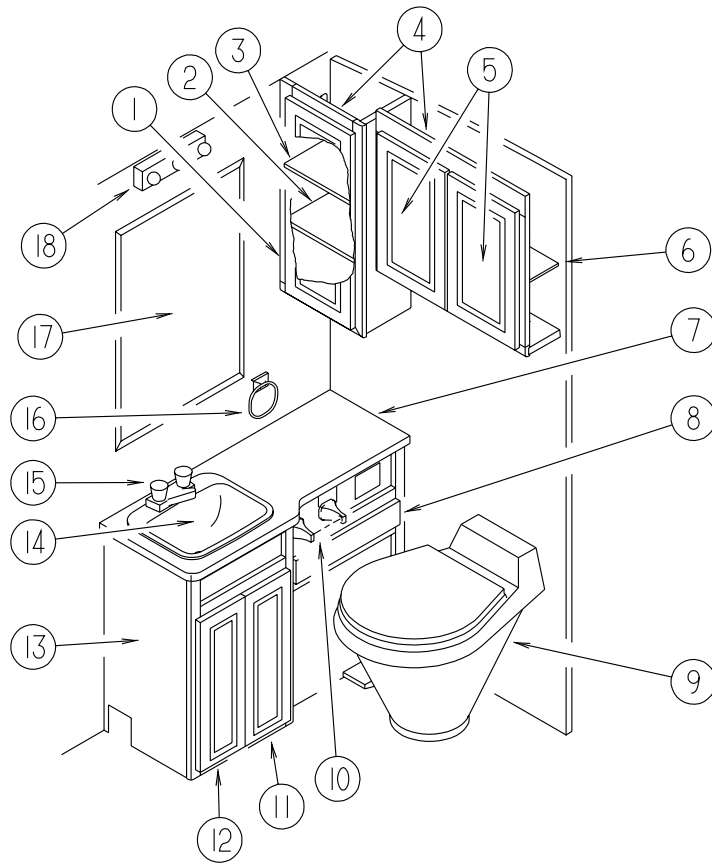
KEY	PARTNUMBER	U/M	DESCRIPTION
	122863-01-000	EA	TV-13" COLORW/SPEAKERUL/CSA - AUDIOVOXAVT-1390
	113684-02-000	EA	TV-19" COLORUL/CSA 1/8" JACK - AUDIOVOXAVT-1980
	113684-02-700	EA	REMOTE-0892355
	119120-02-000	EA	VCR-VHSCABLEREADYW/REMOTE
	086757-03-000	EA	CONTROLCENTER-SWITCH-VCR/TV-AUDIOVOXAVCC-100
	076319-08-000	EA	WALLPLATE-CABLERECEPTACLE-TV-SINGLE-IVORY
	076319-09-000	EA	WALLPLATE-CABLERECEPTACLE-TV-SINGLE-BROWN
	086777-01-000	EA	WALLPLATE-TVCABLE-W/ANTENNASWITCH-IVORY
	086777-05-000	EA	PLATE-WALL-ANT1OUTPUTIVOR - WINEGARDRV-0921
	076319-03-000	FT	CABLE-COAXIAL-75OHM
	086756-01-000	EA	SPLITTER-TV-2WAY
	076319-12-000	EA	CONNECTOR-COAXIAL-ONEPIECE
	093214-01-02A	EA	GRILLE-SPEAKER-4"BROWN
	098819-01-000	EA	SPEAKER-2WATT-8OHM-4"
	082134-01-000	EA	ADAPTER-TV-CABLETOCABLE-WINEGARDF-81M
	114870-02-000	EA	PLUGASM-3.5MMAUDIOW/LEADS-OWDONALD35-P8
	082136-01-000	EA	NUT-HEXJAM3/8-32-WINEGARD
	099717-02-000	EA	STRAP-TV TIEDOWNW/29.9" FEMALE STRAP & 14.2" MALE STRAP

TV ANTENNA(WINEGARD)

KEY	PARTNUMBER	U/M	DESCRIPTION	VENDOR NO.
1	076319-21-000	EA	ANTENNA-TV ROOF MOUNT-3" ROOF	
2	076319-01-700	EA	HEAD-ANTENNA-AMPLIFIED	RVSAU/V
3	076319-01-701	EA	GEAR-ELEVATING-PLASTIC	2200046
4	076319-01-702	EA	SHAFT ASM-ELEVATING	RVP-400A
5	076319-01-711	EA	BASE & LIFT ASM	2762802
6	076319-01-706	EA	CRANK-ELEVATING-W/SETScrew-UNIVERSAL	2750897
7	076319-01-705	EA	BEARING-NYLON-7/8" ID	3200658
8	076319-01-708	EA	CRANK COVER DECAL	5413002
9	076319-01-707	EA	SPRING-HANDLE	5160822
10	076319-01-709	EA	PLATE-DIRECTIONAL-FOR HEAD	3200621
11	076319-01-712	EA	CEILING PLATE-WINEGARD	3200608
12	076319-01-715	EA	NUT(GEAR HOUSING)	2200047
13	076319-01-704	EA	BEARING-NYLON-1.5" OD	3200657
14	076319-01-713	EA	BASE PLATE	3100523
15	076319-01-703	EA	BEARING-NYLON-5" OD	3200656
16	076319-01-714	EA	HOUSING-ROTATING GEAR	2200049

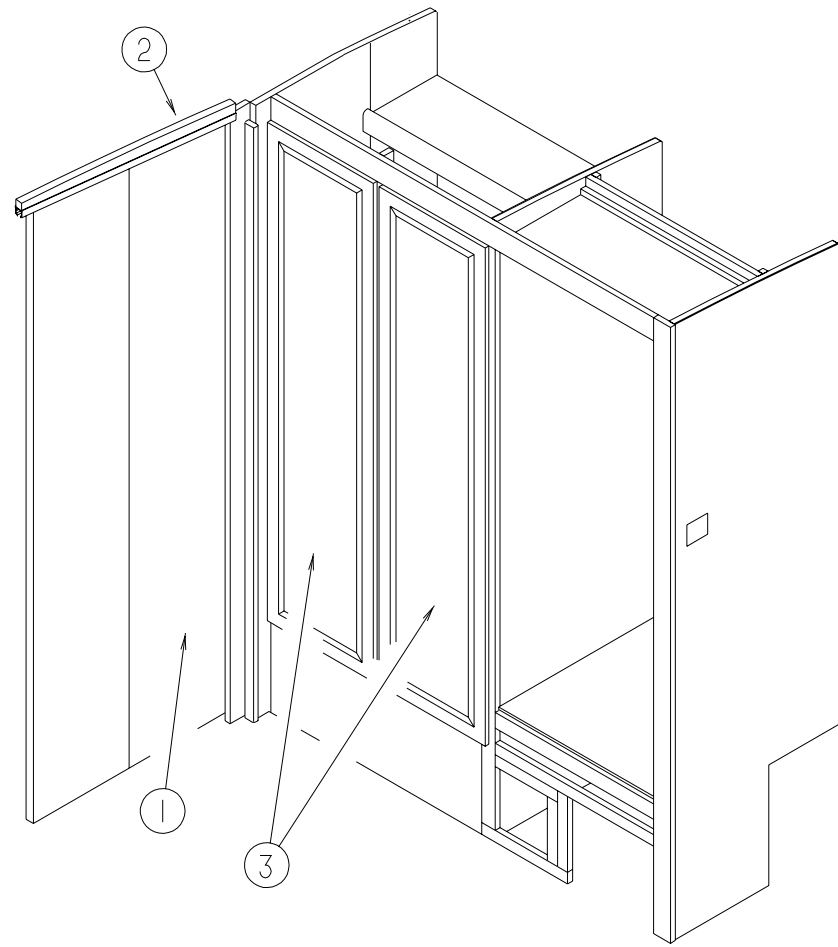
BATHGROUP

BATHCABINETS, PRIVACY DOOR & SHOWER COMPONENTS



KEY	PARTNUMBER	U/M	DESCRIPTION
1	M06803-82-H17	EA	DOOR-MITEREDCORNER/OGEEEDGE-15.7"X28"-W/OHARDWARE(OAK)
1	122715-08-01A	EA	DOOR-MOLDEDVINYL-15.7"X28"-W/OHARDWARE(WHITE)
2	116308-14-H17	EA	SHELF-W/PLASTICEDGEMOLDING(OAK)
2	116308-14-H40	EA	SHELF-W/PLASTICEDGEMOLDING(WHITE)
3	116308-15-H17	EA	SHELF-W/PLASTICEDGEMOLDING(OAK)
3	116308-15-H17	EA	SHELF-W/PLASTICEDGEMOLDING(WHITE)
4	116308-01-G15	EA	CABINET-MEDICINE-W/ODOORS/HARDWARE(OAK)
4	116308-01-H40	EA	CABINET-MEDICINE-W/ODOORS/HARDWARE(WHITE)
5	M06803-G0-H17	EA	DOOR-MITEREDCORNER/OGEEEDGE-12"X18.7"-W/OHARDWARE(OAK)
5	122715-32-01A	EA	DOOR-MOLDEDVINYL-12"X18.7"-W/OHARDWARE(WHITE)
6	116308-16-H17	EA	SHELF-W/PLASTICEDGEMOLDING(OAK)
6	116308-16-H40	EA	SHELF-W/PLASTICEDGEMOLDING(WHITE)
7	116309-12-F12	EA	COUNTERTOP-LAVATORY(H17,H18)
7	116309-12-H19	EA	COUNTERTOP-LAVATORY(H19)
7	116309-12-H40	EA	COUNTERTOP-LAVATORY(H40)
7	116309-12-H41	EA	COUNTERTOP-LAVATORY(H41)
8	M05971-L8-H17	EA	DRAWER-W/OGEEEDGE-8.1"X9.8"-W/OHARDWARE(OAK)
8	116237-05-H40	EA	DRAWER-HAMPER-W/OSLIDES/HARDWARE(WHITE)
9	085330-06-000	EA	TOILET-STANDARDCHINAW/SPRAYER-BONE
10	075452-02-000	EA	HOLDER-TOILETTISSUE-BRASS
11	M06803-D9-H17	EA	DOOR-MITEREDCORNER/OGEEEDGE-10"X25.2"-W/OHARDWARE(OAK)
11	122715-44-01A	EA	DOOR-MOLDEDVINYL-10"X25"-W/OHARDWARE(WHITE)
12	M06803-20-H17	EA	DOOR-MITEREDCORNER/OGEEEDGE-10"X25.2"-W/OHARDWARE(OAK)
12	122715-44-01A	EA	DOOR-MOLDEDVINYL-10"X25"-W/OHARDWARE(WHITE)
13	P16309-01-H17	EA	CABINET-LAVATORY-W/ODOORS/DRAWERS/HARDWARE(H17,H18)
13	P16309-01-H19	EA	CABINET-LAVATORY-W/ODOORS/DRAWERS/HARDWARE(H19)
13	P16309-01-H40	EA	CABINET-LAVATORY-W/ODOORS/DRAWERS/HARDWARE(H40)
13	P16309-01-H41	EA	CABINET-LAVATORY-W/ODOORS/DRAWERS/HARDWARE(H41)
13	116309-11-H17	EA	SHELF-W/PLASTICEDGEMOLDING(OAK)
13	116309-11-H40	EA	SHELF-W/PLASTICEDGEMOLDING(WHITE)
14	105921-01-01A	EA	SINK-LAVATORY-LARGEOVAL-17"X20"PLASTIC/OFFWHITE
	106116-01-01A	EA	STRAINER-SINK-W/STOPPER/TAILPIECE/GASKET&NUT-PLASTIC
15	075240-06-000	EA	FAUCET-LAVATORY-BONE
	091253-01-000	EA	GASKET-FAUCET-LAVATORY/GALLEY
16	075454-02-000	EA	RING-TOWEL-W/MOUNTINGHARDWARE-BRASS
17	058331-51-000	EA	MIRROR-SAFETYGLASS-25.9"X40"
18	110235-01-01A	EA	LIGHT-MAKEUP-3BULBPANLESS-PDPD200-621-BRASS
19	M02630-37-H17	EA	SHOWERPAN
	066436-01-000	EA	NUT-SLIP-TAILPIECE1.5"
20	075242-04-000	EA	FAUCET-TUB/SHOWER-BONE
21	104462-02-01A	EA	CADDY-SHOWER-OFFWHITE
	075606-01-000	EA	PANEL-FAUCETBACK-SHOWER-5"X9"-PLASTIC
22	103092-01-000	EA	SHOWERHEAD-W/60"HOSEUS
22	103092-02-000	EA	SHOWERHEAD-W/HOSE-CSA
	011048-03-700	EA	BRACKET-F/SHOWERHEAD
23	115612-02-01A	EA	SURROUND-SHOWER-OFFWHITE
	117431-03-01A	EA	DOOR-SHOWER-PLEATEDFABRIC
	057671-01-000	EA	COVER-SCREW-#8-PLASTIC-OFFWHITE
	100357-01-000	EA	ROD-TOWEL-BRASSW/ENDSBENTFORBACKOFBATHDOOR
	121449-22-H17	EA	DOOR-BATH-W/OHARDWARE(OAK)
	121449-22-H40	EA	DOOR-BATH-W/OHARDWARE(WHITE)
	094485-03-01A	EA	KNOB-DOOR-BRASS
	121449-12-H37	EA	RACK-TOWEL-BATHDOOR

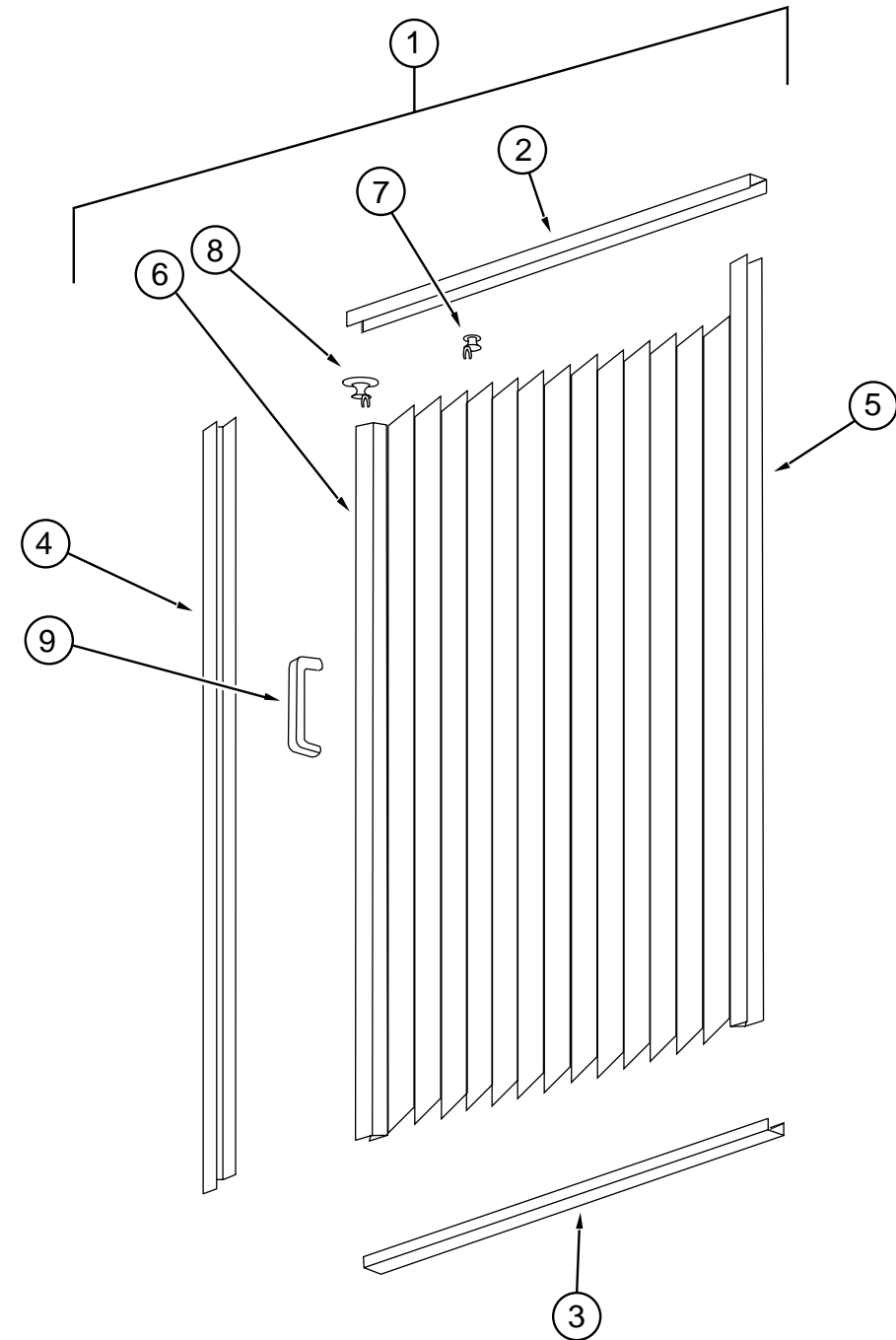
BATHGROUP(CONTINUED)



WARDROBE CABINET & FOLDING DOOR

KEY	PARTNUMBER	U/M	DESCRIPTION
1	M03866-04-G35	EA	DOOR-BI-FOLD-24"X96"-W/OHARDWARE(OAK)
1	M03866-04-H23	EA	DOOR-BI-FOLD-24"X96"-W/OHARDWARE(WHITE)
2	103908-10-H17	EA	HEADER-DOOR(OAK)
2	103908-10-H40	EA	HEADER-DOOR(WHITE)
	092652-01-000	EA	GUIDEWHEEL-DOOR-TOPMOUNT
	102920-01-01A	EA	HINGE-DOOR-SPRINGLOADED/BRASS
	117978-01-01A	EA	KNOB-DOOR-BRIGHTBRASS
	093170-06-02A	EA	TRACK-BATHDOOR-SLIDING-OFFWHITE
	084451-01-000	EA	CATCH-BRASS
3	M06803-11-H17	EA	DOOR-MITEREDCORNER/SQUAREEDGE-16.1"X65.4"-W/OHDW(OAK)
3	122715-15-01A	EA	DOOR-MOLDEDVINYL-16"X65"-W/OHARDWARE(WHITE)

BATHGROUP(CONTINUED)

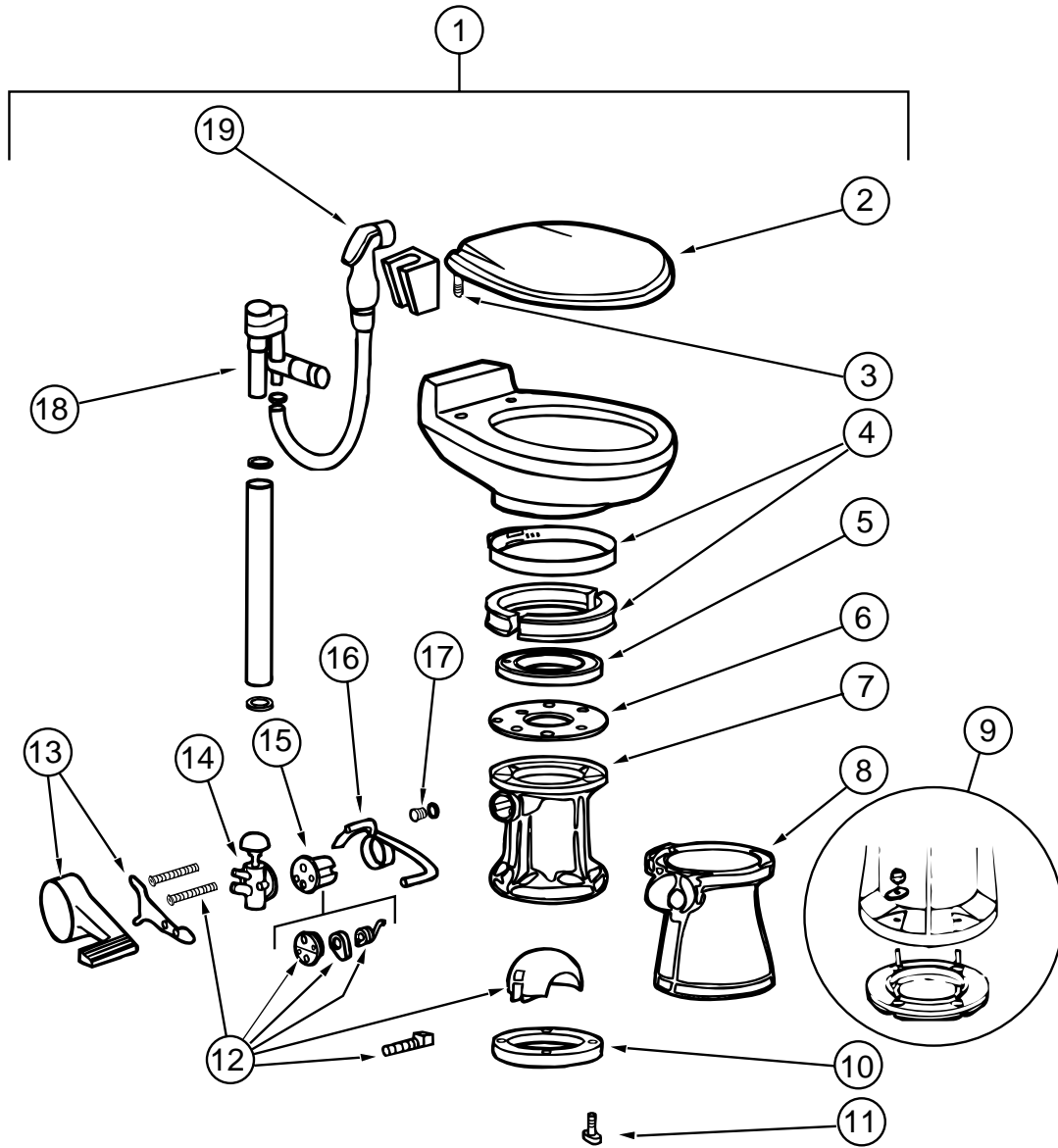


SHOWER DOOR

KEY	PARTNUMBER	U/M	DESCRIPTION
1	117431-03-01A	EA	DOOR-SHOWER-PLEATEDFABRIC
2	117431-01-700	EA	TRACK-TOP-ALUM.IVORYINSERT-48"
3	117431-01-701	EA	TRACK-BOTTOM-40"
4	117431-01-702	EA	RAIL-SIDE-67"
5	117431-01-703	EA	RAIL-STATIONARY-67"
6	117431-01-704	EA	RAIL-LEAD-67"
7	117431-01-705	EA	GLIDE-IVORY-TRAVELER
8	117431-01-706	EA	GLIDE-IVORYLEAD-TRAVELER
9	117431-01-708	EA	HANDLES&SCREWS
	117431-01-707	EA	LATCH
	117431-03-700	EA	STRAP-VINYLSHOWER

BATHGROUP(CONTINUED)

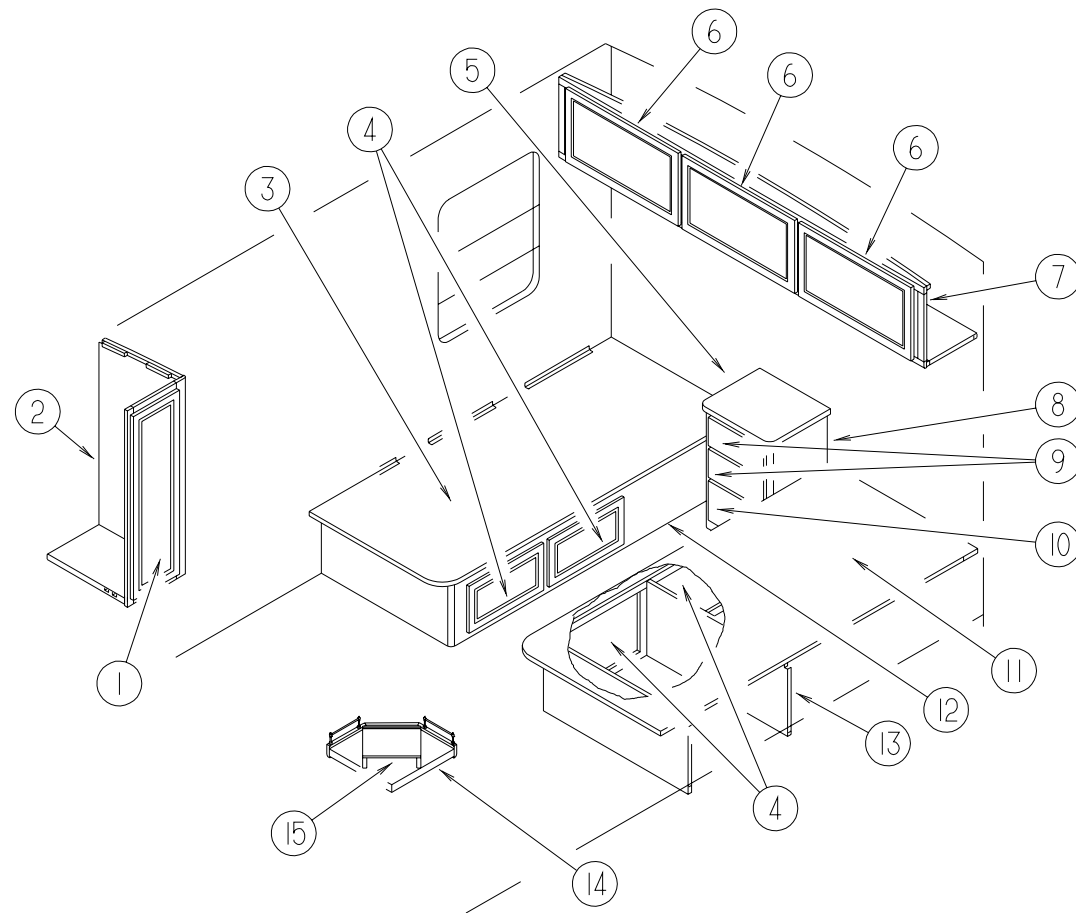
TOILET(SEALANDMODEL910W/SPRAYER)



KEY	PARTNUMBER	U/M	DESCRIPTION	VENDOR NO.
1	085330-06-000	EA	TOILET-CHINA-STANDARD(BONE)-591003	
2	085330-06-700	EA	SEATASSEMBLY(BONE)	340591
3	085330-06-702	EA	HINGEHARDWARE(BONE)SET	342131
4	085330-01-703	EA	RING&HALFCLAMPS(BONE)	385310048
5	085330-01-704	EA	TEFLON&RUBBERSEALKIT	385316140
6	085330-01-705	EA	SUPPORT-SEAL-PLASTIC	390346405
7	085330-02-700	EA	BASEASM	310121
8	085330-02-702	EA	COVER-PEDESTAL-BONE510	310112
9	085330-01-718	EA	SEAL&BASEW/MOUNTINGHARDWARE	3853100-63
10	085330-01-714	EA	SEAL-FLANGE-FLOOR	390343892
11	085330-01-717	EA	STOOLMOUNTINGPACKAGE-BOLT&SEAL	3100-64
12	085330-01-706	EA	BALL-SHAFT&CARTRIDGE	385318162
13	085330-02-703	EA	COVER-PEDAL-BONENEWSTYLE	310115
14	085330-01-709	EA	VALVE-WATER	385314349
15	085330-01-707	EA	CARTRIDGE-SPRINGASM.	381236096
16	085330-06-703	EA	LEVER-FLUSH	340873
17	085330-01-710	EA	DRAIN-KIT-PLUG-CAPW/SEAL	230384
18	085330-06-701	EA	BREAKER-VACUUM/DIVERTER(900)	230335
19	085330-04-701	EA	HANDSPRAY-W/HOSE(500&900)	340683

BEDROOMGROUP

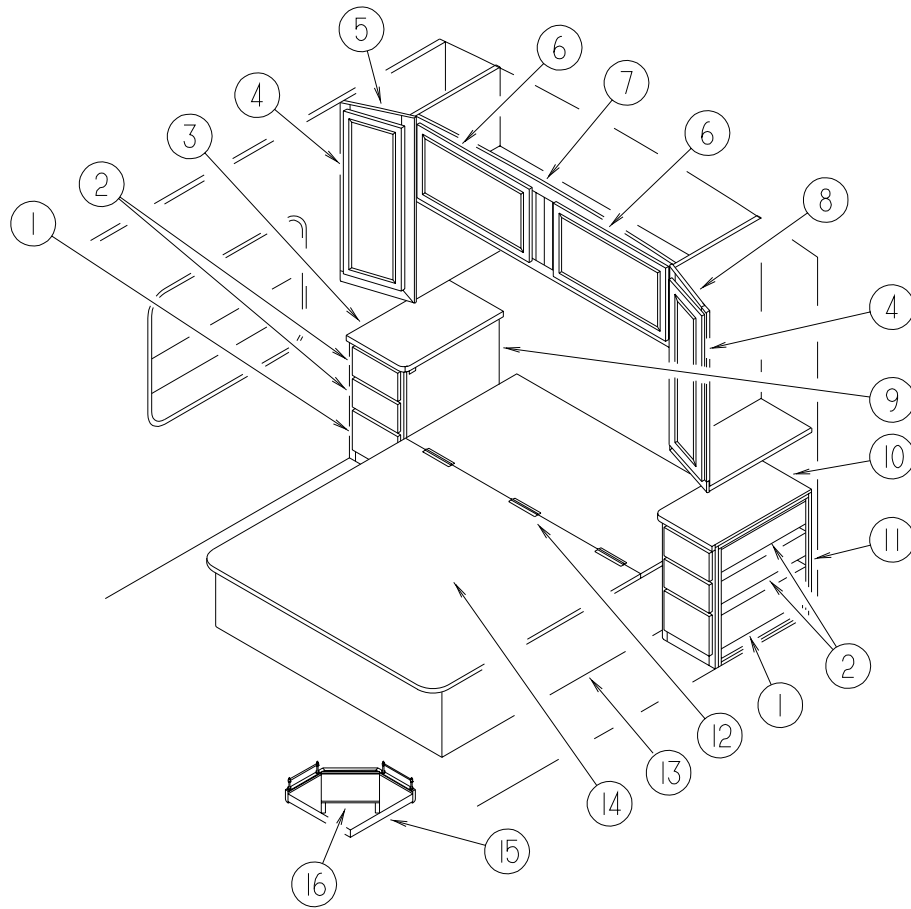
TWINBEDROOM



KEY	PARTNUMBER	U/M	DESCRIPTION
1	M06803-F3-H17	EA	DOOR-MITEREDCORNER/OGEEEDGE-12"X40"-W/OHARDWARE(OAK)
1	122715-47-01A	EA	DOOR-MOLDEDVINYL-12"X40"-W/OHARDWARE(WHITE)
2	110946-01-G09	EA	CABINET-SHIRT CLOSET-RIGHTHAND-W/ODOOR/HARDWARE(OAK)
2	110946-01-H40	EA	CABINET-SHIRT CLOSET-RIGHTHAND-W/ODOOR/HARDWARE(WHITE)
3	M07464-01-000	EA	TOP-TWINBED-PASSENGERSIDE-W/OHARDWARE
4	M06803-68-H17	EA	DOOR-MITEREDCORNER/OGEEEDGE-21.9"X12"-W/OHARDWARE(OAK)
4	122715-04-01A	EA	DOOR-MOLDEDVINYL-21.9"X12"-W/OHARDWARE(WHITE)
5	104507-11-F12	EA	COUNTERTOP-NIGHTSTAND(H17,H18)
5	104507-11-F31	EA	COUNTERTOP-NIGHTSTAND(H19)
5	104507-11-H40	EA	COUNTERTOP-NIGHTSTAND(H40,H41)
6	M06803-13-H17	EA	DOOR-MITEREDCORNER/OGEEEDGE-28"X15.7"-W/OHARDWARE(OAK)
6	122715-08-01A	EA	DOOR-MOLDEDVINYL-28"X15.7"-W/OHARDWARE(WHITE)
7	116187-01-H17	EA	CABINET-OVERHEADREAR-W/ODOORS/HARDWARE-W/TWINBEDS(OAK)
7	116187-01-H40	EA	CABINET-OVERHEADREAR-W/ODOORS/HARDWARE-W/TWINBEDS(WHITE)
8	104507-01-G15	EA	CABINET-NIGHTSTAND-W/ODRAWERS/HARDWARE(H17,H18)
8	104507-01-G45	EA	CABINET-NIGHTSTAND-W/ODRAWERS/HARDWARE(H19)
8	104507-01-H40	EA	CABINET-NIGHTSTAND-W/ODRAWERS/HARDWARE(H40,H41)
9	M05971-65-H17	EA	DRAWER-W/OGEEEDGE-12.2"X11.8"-W/OHARDWARE(OAK)
9	P10163-CZ-H40	EA	DRAWER-W/OSLIDES/HARDWARE(WHITE)
10	M05971-73-H17	EA	DRAWER-W/OGEEEDGE-W/OHARDWARE(OAK)
10	P10163-DA-H40	EA	DRAWER-W/OSLIDES/HARDWARE(WHITE)
11	M07464-02-000	EA	TOP-TWINBED-DRIVERSIDE-W/OHARDWARE
12	P16194-01-G15	EA	CABINET-TWINBEDBASE/RIGHTHAND-W/ODOORS/HARDWARE(OAK)
12	P16194-01-H40	EA	CABINET-TWINBEDBASE/RIGHTHAND-W/ODOORS/HARDWARE(WHITE)
13	P16194-02-G15	EA	CABINET-TWINBEDBASE/LEFTHAND-W/ODOORS/HARDWARE(OAK)
13	P16194-02-H40	EA	CABINET-TWINBEDBASE/LEFTHAND-W/ODOORS/HARDWARE(WHITE)
14	116553-02-G32	EA	CABINET-TV SHELF-W/BRASSRODS/POSTENDS(OAK)
14	116553-02-H40	EA	CABINET-TV SHELF-W/BRASSRODS/POSTENDS(WHITE)
15	116553-15-GB1	EA	WEDGE-TV SHELF(OAK)
15	116553-15-H40	EA	WEDGE-TV SHELF(WHITE)

BEDROOMGROUP(CONTINUED)

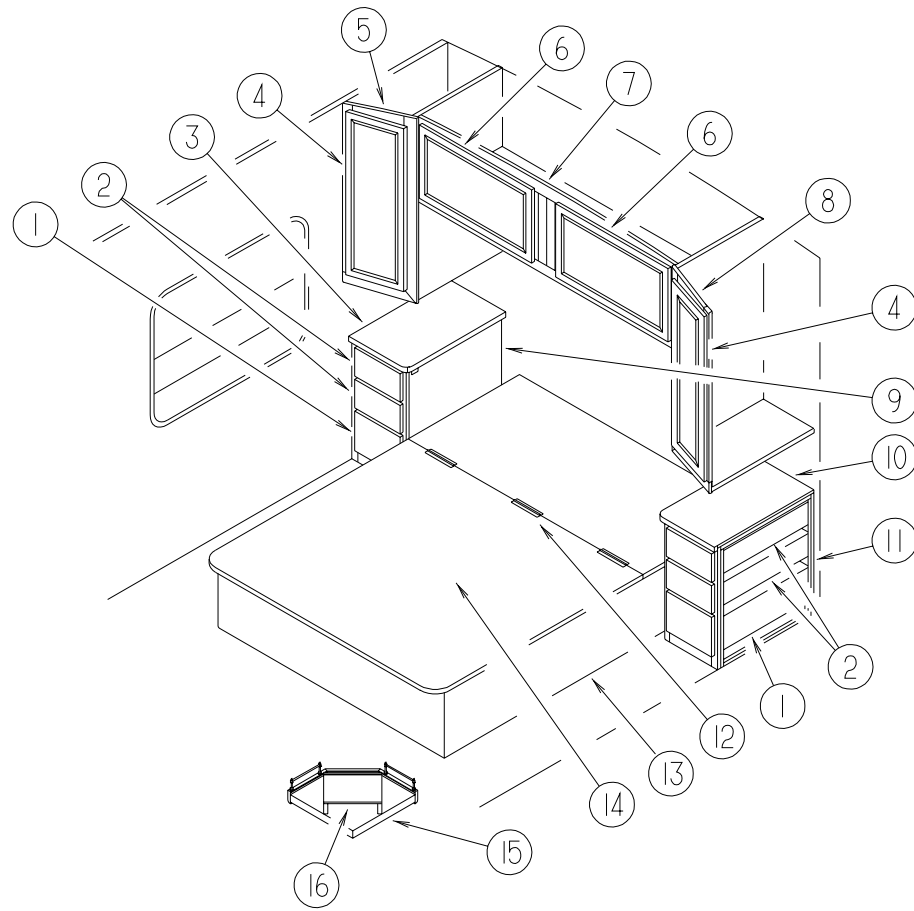
QUEENBEDROOM



KEY	PARTNUMBER	U/M	DESCRIPTION
1	M05971-W3-H17	EA	DRAWER -W/OGEEEDGE -W/OHARDWARE(OAK)
1	P10163-CW-H40	EA	DRAWER -W/OSLIDES/HARDWARE(WHITE)
2	M05971-L5-H17	EA	DRAWER -W/OGEEEDGE -W/OHARDWARE(OAK)
2	P10163-CV-H40	EA	DRAWER -W/OSLIDES/HARDWARE(WHITE)
3	116193-11-F12	EA	COUNTERTOP-NIGHTSTAND(H17,H18)
3	116193-11-G45	EA	COUNTERTOP-NIGHTSTAND(H19)
3	116193-11-H40	EA	COUNTERTOP-NIGHTSTAND(H40,H41)
4	M06803-G1-H17	EA	DOOR -MITEREDCORNER/OGEEEDGE -14.4"X36.4" -W/OHDW(OAK)
4	122715-34-01A	EA	DOOR -MOLDEDVINYL -14.4"X36.4" -W/OHARDWARE(WHITE)
5	116142-01-G35	EA	CABINET -SHIRT CLOSET -RIGHTHAND -W/ODOOR/HARDWARE(OAK)
5	116142-01-H40	EA	CABINET -SHIRT CLOSET -RIGHTHAND -W/ODOOR/HARDWARE(WHITE)
6	M06803-82-H17	EA	DOOR -MITEREDCORNER/OGEEEDGE -28"X15.7" -W/OHDW(OAK)
6	122715-08-01A	EA	DOOR -MOLDEDVINYL -28"X15.7" -W/OHARDWARE(WHITE)
7	106523-01-G09	EA	CABINET -OVERHEADREAR -W/ODOORS/HARDWARE(OAK)
7	106523-01-H23	EA	CABINET -OVERHEADREAR -W/ODOORS/HARDWARE(WHITE)
8	116142-02-G35	EA	CABINET -SHIRT CLOSET -LEFTHAND -W/ODOORS/HARDWARE(OAK)
8	116142-02-H40	EA	CABINET -SHIRT CLOSET -LEFTHAND -W/ODOORS/HARDWARE(WHITE)
9	116193-01-G15	EA	CABINET -NIGHTSTANDRIGHTHAND -W/ODRAWERS/HDW(H17,H18)
9	116193-01-G45	EA	CABINET -NIGHTSTANDRIGHTHAND -W/ODRAWERS/HDW(H19)
9	116193-01-H40	EA	CABINET -NIGHTSTANDRIGHTHAND -W/ODRAWERS/HDW(H40,H41)
10	116193-12-F12	EA	COUNTERTOP-NIGHTSTAND(H17,H18)
10	116193-12-G45	EA	COUNTERTOP-NIGHTSTAND(H19)
10	116193-12-H40	EA	COUNTERTOP-NIGHTSTAND(H40,H41)
11	116193-02-G15	EA	CABINET -NIGHTSTANDLEFTHAND -W/ODRAWERS/HDW(H17,H18)
11	116193-02-G45	EA	CABINET -NIGHTSTANDLEFTHAND -W/ODRAWERS/HDW(H19)
11	116193-02-H40	EA	CABINET -NIGHTSTANDLEFTHAND -W/ODRAWERS/HDW(H40,H41)
12	041389-25-000	EA	HINGE -PIANO -1.50"X55"
13	P21153-01-G15	EA	CABINET -QUEENBED -W/ODOOR/DRAWERS/HARDWARE(OAK)
13	P21153-01-H40	EA	CABINET -QUEENBED -W/ODOOR/DRAWERS/HARDWARE(WHITE)
14	M08093-03-H17	EA	TOP -QUEENBED -W/OHARDWARE
15	116553-02-G32	EA	SHELF -TVW/BRASSRAILING&WEDGE -17.45"X16.6"(OAK)
15	116553-02-H40	EA	SHELF -TVW/BRASSRAILING&WEDGE -17.45"X16.6"(WHITE)
16	116553-15-GB1	EA	WEDGE -TVSHELF(OAK)
16	116553-15-H40	EA	WEDGE -TVSHELF(WHITE)
	109645-02-000	EA	BRACKET -FLOORSUPPORT
	107796-19-000	EA	BRACKET -GASSPRING
	057460-02-000	EA	STUDBALL -GASSPRING -.39"-5/16"-18
	057460-04-000	EA	SPRING -GAS -BALLSTUDSTYLEEND
	089025-01-000	EA	SUPPORT -SPRING -TOBED -ANGLE 1.5"X11.8"LONG -STEEL
	097872-04-000	EA	DOWEL -WOOD -1"DIAMETER X1.38"LONG
	091952-01-000	EA	CLIP -GRIPPER -1"

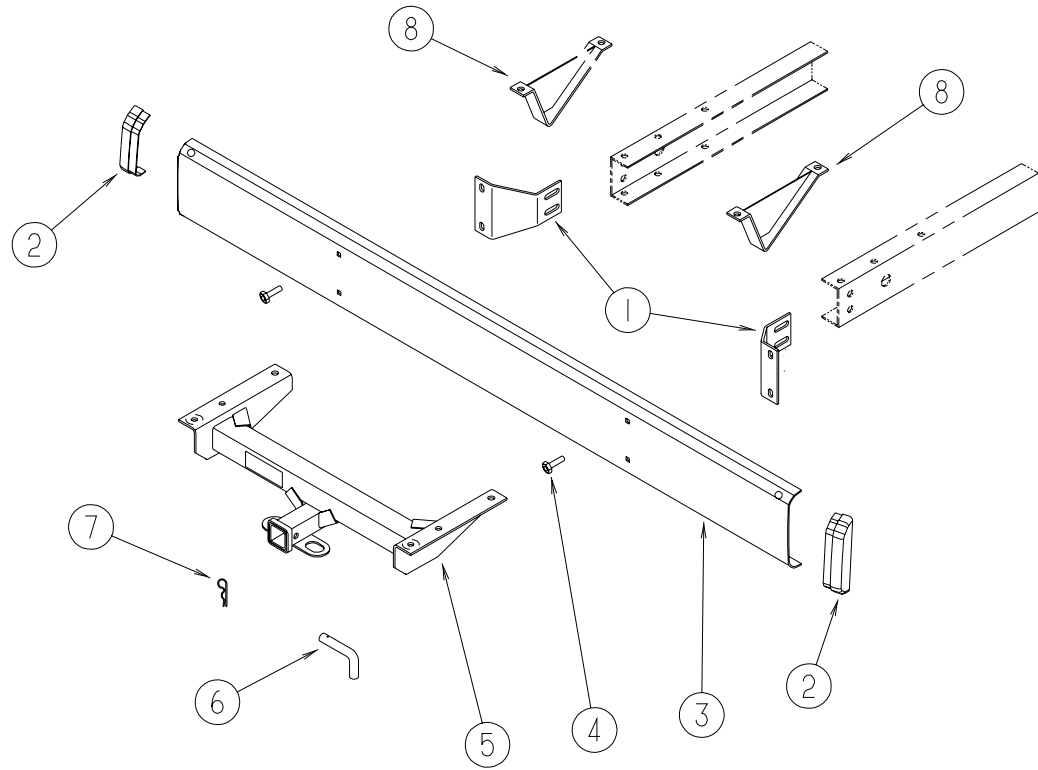
BEDROOMGROUP(CONTINUED)

KINGBEDROOM



KEY	PARTNUMBER	U/M	DESCRIPTION
1	M05971-W8-H17	EA	DRAWER -W/OGEEEDGE -W/OHARDWARE (OAK)
1	P10163-CT-H40	EA	DRAWER -W/OSLIDES/HARDWARE (WHITE)
2	M05971-W9-H17	EA	DRAWER -W/OGEEEDGE -W/OHARDWARE (OAK)
2	P10163-CN-H40	EA	DRAWER -W/OSLIDES/HARDWARE (WHITE)
3	117173-11-F12	EA	COUNTERTOP-NIGHTSTAND(H17,H18)
3	117173-11-G45	EA	COUNTERTOP-NIGHTSTAND(H19)
3	117173-11-H40	EA	COUNTERTOP-NIGHTSTAND(H40,H41)
4	M06803-37-H17	EA	DOOR-MITEREDCORNER/OGEEEDGE -10.8"X36.4" -W/OHDW(OAK)
4	122715-34-01A	EA	DOOR-MOLDEDVINYL -14.4"X36.4" -W/OHARDWARE (WHITE)
4	058331-A7-000	EA	MIRROR-SAFETY/GLASS-7.5"X33.1"
5	117175-01-G15	EA	CABINET-SHIRT CLOSET-RIGHTHAND-W/ODOOR/HARDWARE (OAK)
5	117175-01-H40	EA	CABINET-SHIRT CLOSET-RIGHTHAND-W/ODOOR/HARDWARE (WHITE)
6	M06803-L7-H17	EA	DOOR-MITEREDCORNER/OGEEEDGE -33.5"X14.4" -W/OHDW(OAK)
6	122715-35-01A	EA	DOOR-MOLDEDVINYL -33.5"X14.4" -W/OHARDWARE (WHITE)
7	117240-01-G15	EA	CABINET-OVERHEADREAR-W/ODOORS/HARDWARE (OAK)
7	117240-01-H40	EA	CABINET-OVERHEADREAR-W/ODOORS/HARDWARE (WHITE)
8	117175-02-G15	EA	CABINET-SHIRT CLOSET-LEFTHAND-W/ODOORS/HARDWARE (OAK)
8	117175-02-H40	EA	CABINET-SHIRT CLOSET-LEFTHAND-W/ODOORS/HARDWARE (WHITE)
9	117173-01-G15	EA	CABINET-NIGHTSTAND-RIGHTHAND-W/ODRAWERS/HDW(H17,H18)
9	117173-01-G45	EA	CABINET-NIGHTSTAND-RIGHTHAND-W/ODRAWERS/HDW(H19)
9	117173-01-H40	EA	CABINET-NIGHTSTAND-RIGHTHAND-W/ODRAWERS/HDW(H40,H41)
10	117173-12-F12	EA	COUNTERTOP-NIGHTSTAND(H17,H18)
10	117173-12-G45	EA	COUNTERTOP-NIGHTSTAND(H19)
10	117173-12-H40	EA	COUNTERTOP-NIGHTSTAND(H40,H41)
11	117173-02-G15	EA	CABINET-NIGHTSTAND-LEFTHAND-W/ODRAWERS/HDW(H17,H18)
11	117173-02-G45	EA	CABINET-NIGHTSTAND-LEFTHAND-W/ODRAWERS/HDW(H19)
11	117173-02-H40	EA	CABINET-NIGHTSTAND-LEFTHAND-W/ODRAWERS/HDW(H40,H41)
12	041389-25-000	EA	HINGE-PIANO -1.50"X55"
13	P21154-01-G15	EA	CABINET-KINGBED-W/OHARDWARE (OAK)
13	P21154-01-H40	EA	CABINET-KINGBED-W/OHARDWARE (WHITE)
14	M08093-02-G15	EA	TOP-KINGBED -W/OHARDWARE
15	116553-02-G32	EA	SHELF-TVW/BRASSRAILING&WEDGE -17.45"X16.6" (OAK)
15	116553-02-H40	EA	SHELF-TVW/BRASSRAILING&WEDGE -17.45"X16.6" (WHITE)
16	116553-15-GB1	EA	WEDGE-TV SHELF (OAK)
16	116553-15-H40	EA	WEDGE-TV SHELF (WHITE)
	109645-02-000	EA	BRACKET-FLOOR SUPPORT
	107796-19-000	EA	BRACKET-GASSPRING
	057460-02-000	EA	STUDBALL-GASSPRING - .39" -5/16" -18
	057460-04-000	EA	SPRING-GAS-BALLSTUDSTYLE END
	089025-01-000	EA	SUPPORT-SPRING-TOBED-ANGLE 1.5"X11.8" LONG-STEEL
	097872-04-000	EA	DOWEL-WOOD-1" DIAMETER X1.38" LONG
	091952-01-000	EA	CLIP-GRIPPER-1"

CHASSISGROUP



REAR BUMPER & COMPONENTS

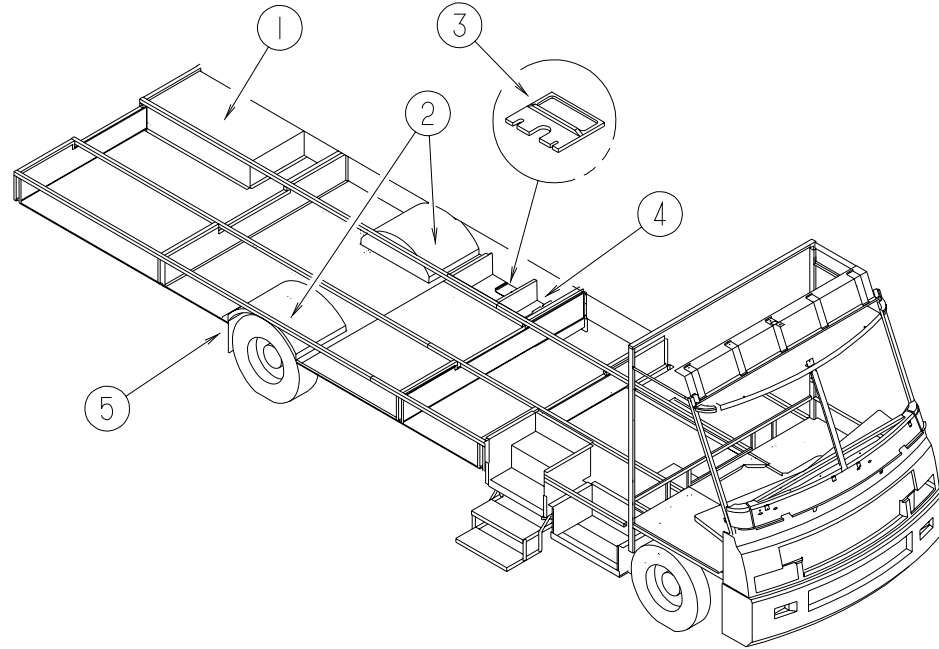
KEY	PARTNUMBER	U/M	DESCRIPTION
1	104418-07-000	EA	ANGLE-BUMPERREARSUPPORT
2	103228-01-05A	EA	ENDCAP-REARBUMPER-DRIVER/PASSENGERSIDE
3	103099-04-02A	EA	BUMPER-REAR-BRIGHTWHITE
4	102333-01-05A	EA	BOLT-7/16"
5	107707-01-000	EA	HITCHRECEIVER-BOLT-ONCLASSII
6	034512-01-000	EA	PIN-LOCKING-DRAWBAR
7	034513-01-000	EA	PIN-3/16"WIRE
8	111742-01-000	EA	PLATE-SKID
	113589-01-000	EA	CONNECTOR-PLUG-TRAILER
	113589-02-000	EA	CONNECTOR-SOCKET-TRAILER
	070579-09-000	EA	PLATE-ANCHOR
	113588-02-01B	EA	BRACKET-CONNECTORTRAILERW/OLIP

CHASSISGROUP(CONTINUED)

HWHHYDRAULICLEVELINGSYSTEM(AP0758)(CHEVY,FORD)

KEY	PARTNUMBER	U/M	DESCRIPTION	VENDOR NO.
	100532-08-000	EA	LEVELINGSYSTEM-HYDRAULIC-JOYSTICK	
	100532-01-704	EA	SWITCH-MERCURYF/6K&9KJACK	RAP1010
	100532-01-705	EA	SPRINGKIT-9KJACK	R1171
	100532-02-700	EA	6KTALLJACKASM	RAP7164
	100532-02-701	EA	SPRINGKIT-6KJACK	R6824
	100532-02-704	EA	ACTIVATORCABLE-6KJACK	RAP7194
	100532-02-705	EA	PUMP/RESERVOIRASM-MONARCH	RAP8178
	100532-03-710	EA	SENSINGUNIT21'MTA	RAP6798
	100532-03-715	EA	CAP-BREATHER	RAP7876
	100532-08-700	EA	POWERUNITASM.	RAP0595
	100532-08-701	EA	BI-AXISCONTROL-200SYSTEM	RAP0612
	100532-08-702	EA	VALVE-BI-AXIS	RAP9589
	100532-08-703	EA	PANELASM.-200BI-AXISSYSTEM	RAP9755
	100532-08-704	EA	JACKASM.-9KTALL200SYSTEM	RAP7002
	100532-08-705	EA	KNOB-3/4"BLACK-SETOFFOUR	RAP1379
	100532-08-706	EA	KNOB-13/16"BLACK	RAP9734
	100532-08-707	EA	BEZELW/GASKET-F/SYSTEM200	RAP9592
	100532-09-707	EA	ACTUATORASM.-9K-REARJACKS	RAP0547
	100532-09-709	EA	ACTUATORASM.-6K-FRONTJACKS	RAP0448
	100532-09-710	EA	SOLENOID-4POSTINT.DUTY	RAP0533
	100533-05-000	EA	BRACKETS-FRONTLEVELINGJACKS(GM)	
	100533-06-000	EA	BRACKETS-FRONTLEVELINGJACKS(FORD)	
	10053412000	EA	BRACKETS-REARLEVELINGJACKS(GM)	
	100534-06-000	EA	BRACKETS-REARLEVELINGJACKS(FORD)	
	100536-11-000	EA	HOSEKIT	
	107890-01-000	EA	ELBOW-STEEL90D1/4X37DFLARE PARKER4-C6X-S	
	112236-01-G35	EA	BEZEL-MONITOR-UNDERDASH-LEFTSIDE	

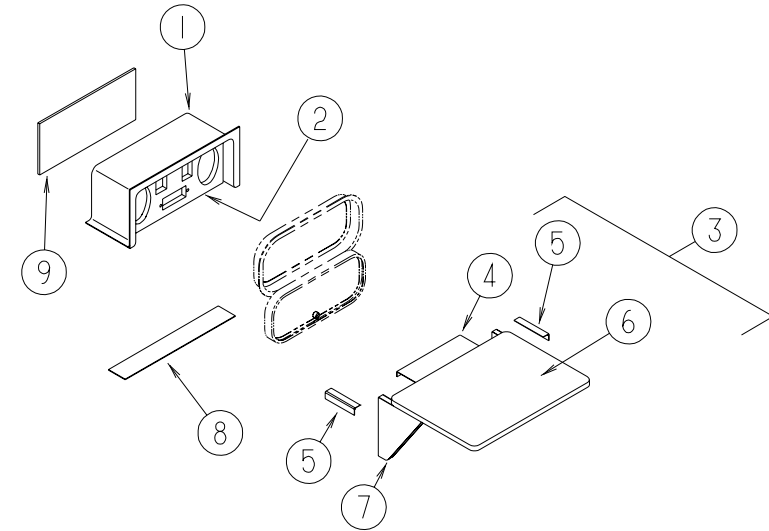
CHASSISGROUP(CONTINUED)



COMPARTMENTS&TRAYS

KEY	PARTNUMBER	U/M	DESCRIPTION
1	094657-02-000	EA	TRAY-GENERATOR-22.5"X30.4"X6.9"W/ANGLE&NUTS
2	055374-03-000	EA	WHEELWELL-PLASTIC
3	M06991-05-G38	EA	HATCH-W/FOAM
	121175-01-01A	EA	LATCH-SWELL-BLACK
4	M07452-04-G38	EA	COMPARTMENT-STORAGE-14.4"X48.9"
5	020167-04-000	EA	GUARD-DIRT
5	017516-01-000	EA	FLAP-MUD-14"X18"-BLACK
	065450-05-000	EA	TIEDOWN-BATTERY-8.4" TUBE
	056748-01-000	EA	PLUG-CAP-1.5" DIAMETER
	119845-01-01A	EA	PLUG-PLASTIC-BLACK
	115361-01-01A	EA	PLUG-PLASTIC
	123361-01-000	EA	DUCT-AIRINTAKE
	123362-01-000	EA	ELBOW-RUBBER-90DEGREE3.5" I.D.
	119847-01-02B	EA	SHIELD-A/C COMPRESSOR
	112864-01-000	FT	FOAM-BUTYL COVERED 3/8"
	112384-01-000	EA	SPONGE-BRACKET-RACK&LADDER

CHASSISGROUP(CONTINUED)

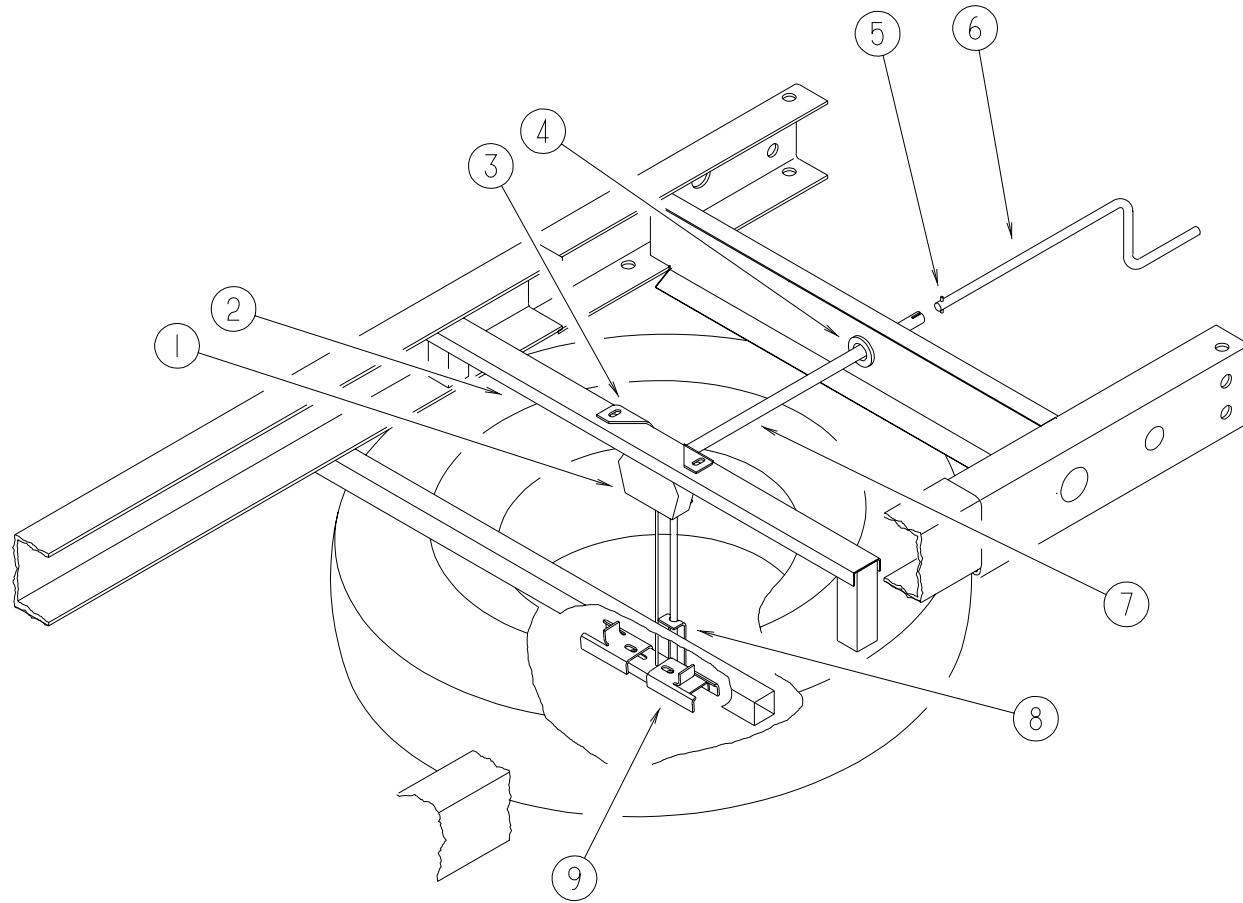


COMPARTMENT(ENTERTAINMENTCENTER)

KEY	PARTNUMBER	U/M	DESCRIPTION
1	124696-01-01A	EA	BOX-ENTERTAINMENTCENTER
2	104899-01-C05	EA	PLATE-RADIOMOUNTING
3	105230-01-G15	EA	SHELF-EXTERIOR TV
4	105377-01-01A	EA	BRACKET-TABLEHANGER
5	105376-01-02A	EA	HINGE-CONTINUOUS-2"X5.5"
6	105230-11-G15	EA	SHELF-EXTERIOR ENTERTAINMENTCENTER
7	105230-12-G15	EA	SUPPORT
8	104898-01-02A	EA	PLATE-PLASTIC BOTTOM-BRIGHT WHITE
9	104898-02-02A	EA	PLATE-PLASTIC BACK-BRIGHT WHITE

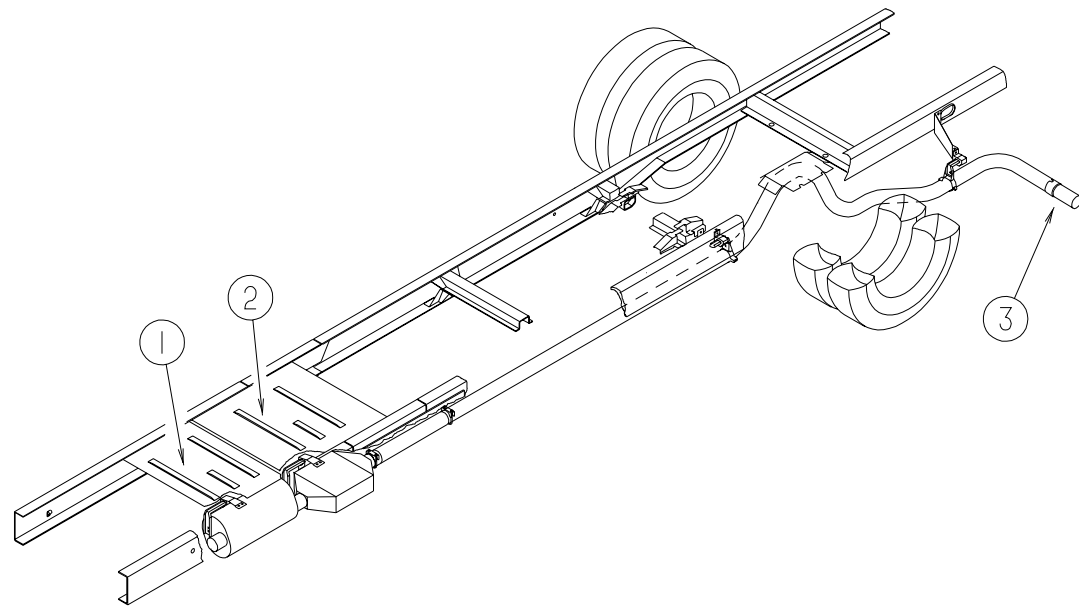
CHASSISGROUP(CONTINUED)

SPARETIRE&HOIST

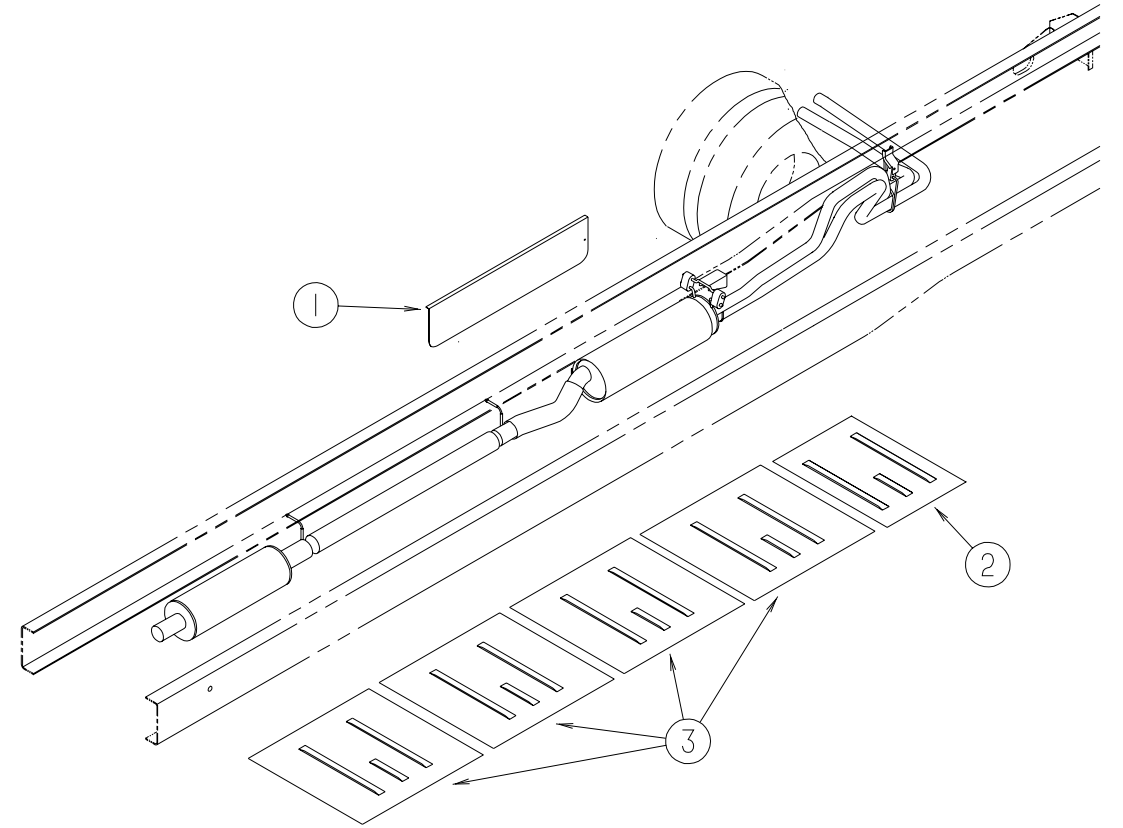


KEY	PARTNUMBER	U/M	DESCRIPTION
1	093267-03-000	EA	HOIST-SPARETIRE-100#
2	093362-06-000	EA	CHANNEL-TIREHOIST
3	124751-01-02B	EA	HANGER-SPARETIRE-E-COATED
4	071015-11-000	EA	GROMMET-1"ID
5	114376-01-000	EA	PIN-DRIVE-.156X.750-TYPE-E
6	093376-02-000	EA	HANDLE-CRANK-TIREHOIST
7	093375-06-000	EA	EXTENSION-TIREHOIST
7	093375-09-000	EA	EXTENSION-TIREHOIST
			FROM: 00-00-00 THRU: 08-11-96
8	124754-01-02B	EA	CATCH-SPARETIRE
9	105499-01-000	EA	BRACKET
	077030-02-000	EA	EXTENSION-VALVESTEM-1.25"
	M00080-60-000	EA	FORDTIRE&WHEEL
	051377-05-000	EA	VALVESTEMASM-VS938
	083425-05-000	EA	TIRE-MICHELIN-LT235/85R16LRE-XPSRIB(FORD)
	095853-02-000	EA	WHEEL-STEEL-16X6K-F2TA-1015-NA(FORD)
	007324-03-000	EA	TIRE-MICHELIN-8R19.8LRF(CHEVY)
	M00080-82-000	EA	TIRE-WHEELASM-8R19.5LRF - GM-CHASSIS
			FROM: 00-00-00 THRU: 09-01-96
	M00080-81-000	EA	TIRE-WHEELASM-225/70R19.5LRF-GM-CHASSISUPPLDRIM
			FROM: 09-02-96 THRU: 99-99-99
	M00080-91-000	EA	TIRE-WHEELASM-225/70R19.5F-GM-CHASSIS
	051377-01-000	EA	VALVESTEM
	091673-01-000	EA	TIRE-225/70R19.5LRF,XZA-MICHELINXZA
	064963-01-000	EA	WHEEL-STEEL-19.5"X6"-GM14005758
	080208-01-000	EA	LUGWRENCH-1.06X1.00(CHEVY)
	080208-02-000	EA	BAR-LEVERAGE-LUGWRENCH(CHEVY)

CHASSISGROUP(CONTINUED)



CHASSISGROUP(CONTINUED)



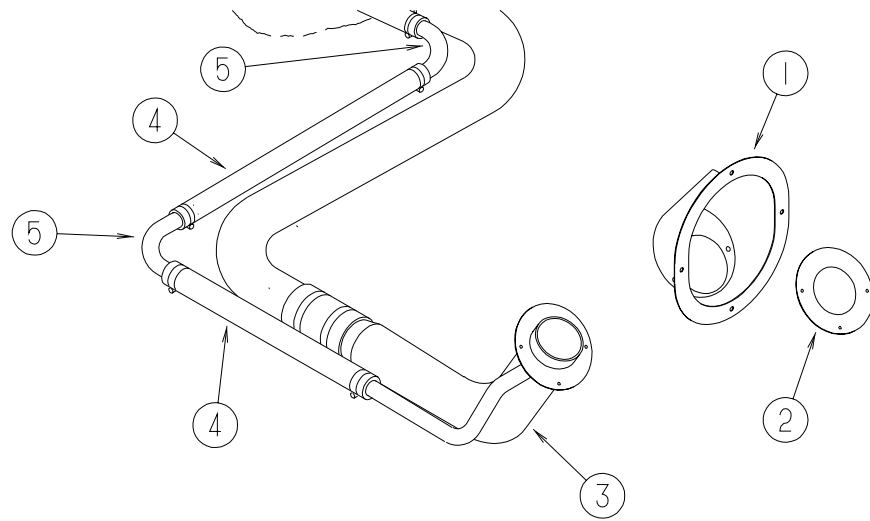
EXHAUSTSYSTEM(CHEVY)

KEY	PARTNUMBER	U/M	DESCRIPTION
1	101544-01-000	EA	SHIELD-HEAT-EXHAUST-19.7"X28.9"-STEEL
2	101544-02-000	EA	SHIELD-HEAT-EXHAUST-30"X28.9"-STEEL
3	094918-01-000	EA	CLAMP-EXHAUST-3"-GUILLOTINESTYLE
3	098762-11-000	EA	PIPE-EXHAUST-STRAIGHT-3"

EXHAUSTSYSTEM(FORD)

KEY	PARTNUMBER	U/M	DESCRIPTION
1	075307-03-000	EA	SHIELD-HEAT-LP
2	101544-01-000	EA	SHIELD-HEAT-EXHAUST-19.7"X28.9"
3	101544-06-000	EA	SHIELD-HEAT-EXHAUST

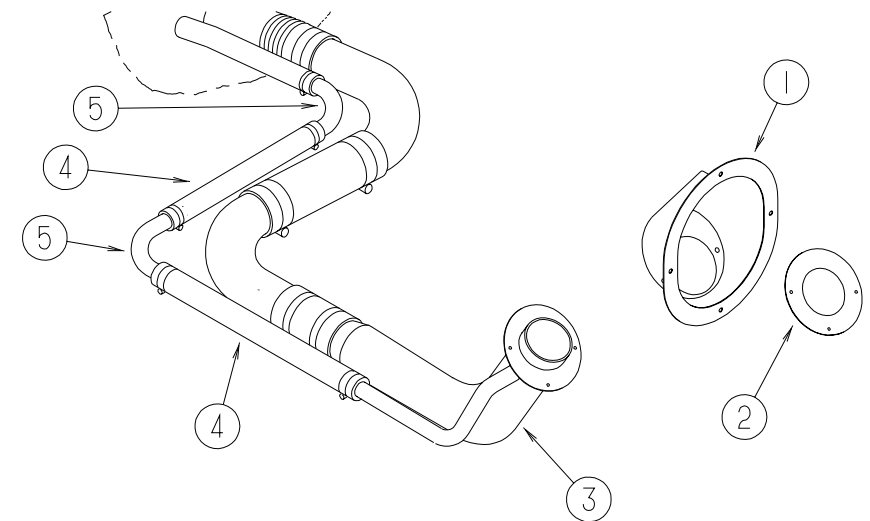
CHASSISGROUP(CONTINUED)



FUELSYSTEM(FORD)

KEY	PARTNUMBER	U/M	DESCRIPTION
1	095854-01-04A	EA	SHROUD-FUELFILL-BRIGHTWHITE
2	078200-01-000	EA	GASKET-FUELFILL-3.5"ODX2"ID
3	087256-07-000	EA	NECKASM-FUELFILL
4	066732-01-000	FT	HOSE-FUELFILL-.62"ID
5	098806-01-000	EA	PIPE-FILLVENT-90DEGREEBEND-.625"OD-STEEL
	007063-01-000	FT	HOSE-GAS1/4"IDX1/2"OD
	084884-01-000	EA	PLUG-BRASS-3/8"
	007111-02-000	EA	HOSE-FUELFILL-2"ID-IN3FTLENGTHS

CHASSISGROUP(CONTINUED)



FUELSYSTEM(CHEVY)

KEY	PARTNUMBER	U/M	DESCRIPTION
1	095854-01-04A	EA	SHROUD-FUELFILL-BRIGHTWHITE
2	078200-01-000	EA	GASKET-FUELFILL-3.5"ODX2"ID
3	087256-10-000	EA	NECKASM.-FUELFILL
4	066732-01-000	FT	HOSE-FUELFILL-.62"ID
5	098806-01-000	EA	PIPE-FILLVENT-90DEGREEBEND-.625"OD-STEEL
	098803-01-000	EA	PIPE-FUELFILL-90DEGREEBEND-13.2"-13/4"OD-STEEL
	098807-01-000	EA	PIPE-FUELFILL-90DEGREEBEND-6.6"-13/4"OD
	024138-01-000	FT	HOSE-FUEL,5/16"ID
	084884-01-000	EA	PLUG-BRASS-3/8"

CHASSISGROUP(CONTINUED)

WHEELLINERS(FORD)

KEY	PARTNUMBER	U/M DESCRIPTION	VENDOR NO.
	110435-08-000	EA LINER-WHEELSET(SET=4)16"	
	110435-01-711	EA DECAL-CENTERCAP-2"	2"DECAL
	110435-02-702	EA STUDEXTENDER	V160SD-STX
	110435-02-703	EA NUT(JAMB)	V160SD-JNT
	110435-02-704	EA COVER-LUGNUT	V160F0-LNC
	110435-02-705	EA TOOLF/JAMBNUT-INSTALL	V160F0-TOL
	110435-08-700	EA LINER-WHEEL-FRONT	V160SD-FWC
	110435-08-701	EA LINER-WHEEL-REAR	V160SD-RWC

WHEELCOVERS,DICOR(FORD)

KEY	PARTNUMBER	U/M DESCRIPTION	VENDOR NO.
	098532-01-000	EA COVER-WHEEL-FORD-16"-SETOF4DICORSH-SD-16	
	098532-01-700	EA COVER-LUGNUT(CHROME)	SHAU-LNC
	098532-01-701	EA COVER-WHEEL(FRONT&REAR)1 ONLY	SH-SD-16COV

WHEELLINERS(CHEVY)

KEY	PARTNUMBER	U/M DESCRIPTION	VENDOR NO.
	110435-06-000	EA LINER-WHEELSET(SET=4)19.5"F/GMW/LONGSTUDS-DICOR	
	110435-01-711	EA DECAL-CENTERCAP-2"	2"DECAL
	110435-02-703	EA NUT(JAMB)	V160SD-JNT
	110435-02-704	EA COVER-LUGNUT	V160F0-LNC
	110435-02-705	EA TOOLF/JAMBNUT-INSTALL	V160F0-TOL
	110435-06-700	EA LINER-WHEEL-FRONT	V195P5-FWC
	110435-06-701	EA LINER-WHEEL-REAR	V195P5-RWC
	110435-06-702	EA BRACKET-BRIDGE	V195P5-BRK
	110435-06-703	EA NUT-JAM-BRIDGEBRKT 1 1/16	V195P5-BJN
	110435-06-704	EA STUDEXTENDERS-P30	V195P5-STX

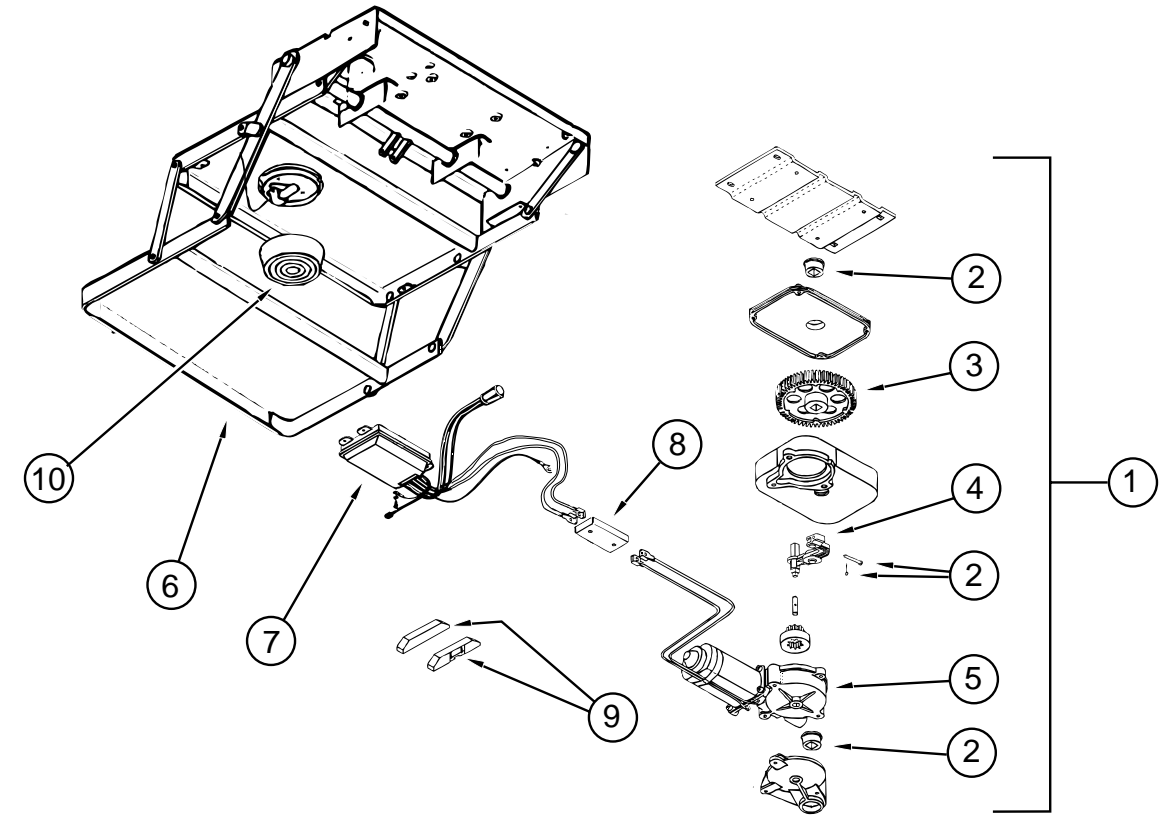
WHEELCOVERS,DICOR(CHEVY)

KEY	PARTNUMBER	U/M DESCRIPTION	VENDOR NO.
	109443-01-000	EA WHEELCOVERSET-(EA=4WHEELCOVERSW/HARDWARE)19.5"	
	109443-01-700	EA COVER-WHEEL19.5FRT/RREA=1	SHAG95
	109443-01-701	EA BRACKET-RET.FRONTWHEEL	SHAG95-FBS
	109443-01-702	EA BRACKET-RET.REARWHEEL	SHAG95-RBS
	109443-01-703	EA CAP-CENTER-HUB-DICOR	SP-AUCAP
	109443-01-704	EA CLIP-RETAINER	V160GM-PNT

SHOCKABSORBER(CHEVY)

KEY	PARTNUMBER	U/M DESCRIPTION
	104993-02-000	EA SHOCKABSORBER-GAS-P30FRONT
	122756-01-000	EA SHOCK&STABILIZERKIT-FRONTENDP30CHASSIS

CHASSISGROUP(CONTINUED)



STEPASSEMBLY(3200SERIES)

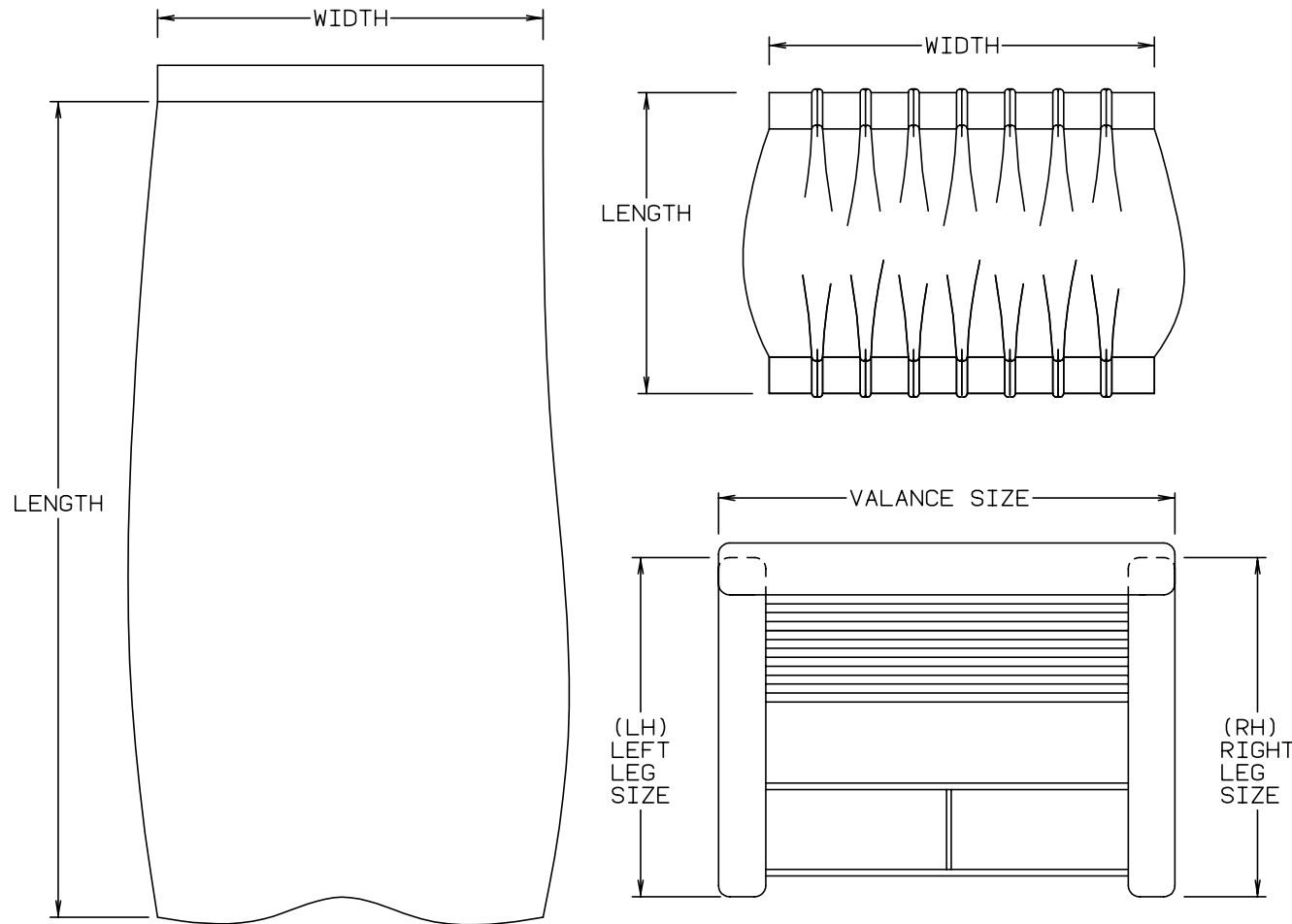
KEY	PARTNUMBER	U/M DESCRIPTION	VENDOR NO.
1	094707-01-01A	EA STEPASSEMBLYW/OSWITCH	
2	094707-02-703	EA BEARINGS&PINS	909530
3	094707-02-702	EA GEARKIT-W/BEARINGS&PIN-CASE	909525
4	094707-02-701	EA LINKAGEASSEMBLY-W/BEARINGS&PINS	909523
5	094707-02-700	EA MOTORASSEMBLY-W/BEARINGS&PINS	909520
6	094707-01-702	EA FRAMEW/DOUBLESTEP	908032
7	094707-02-705	EA CONTROLUNIT-WHITE	909513
8	094707-02-704	EA CONNECTOR-MOTORASSEMBLY-W/PLATES	909537
	094707-02-707	EA TREAD-NONSKID-BLACK-6"X21"	909333
9	116995-01-000	EA SWITCH/MAGNET-ELECTRIC	
10	088746-01-705	EA LIGHT-UNDERSTEP	9004
	088733-01-700	EA BULB	9004

CURTAIN & CUSHION GROUP

NOTICE

IN ORDER TO ASSIST OUR PARTS SALES DEPT. IN PROVIDING INTERIOR SOFTGOODS ITEMS, PLEASE INCLUDE THE SERIAL NUMBER AND THE COLOR CODE NUMBER FROM THE VEHICLE CERTIFICATION LABEL WHEN ORDERING. THIS LABEL IS LOCATED ON THE LEFT SIDEWALL AT THE END OF THE DASH (A-BODY), OR ON THE DRIVER'S DOOR LATCH PLATE (C-BODY).

AN EXAMPLE OF A COLOR CODE NUMBER IS B07, WHICH DESIGNATES AN OVERALL COLOR SCHEME OF A PARTICULAR UNIT. THE COLOR LISTED AFTER THE ITEM DESCRIPTION ON THE MICROFICHE, INDICATES THE OVERALL UNIT COLOR. ORDER THE ITEM YOU DESIRE ACCORDING TO UNIT COLOR CODE.



NOTE: USE THIS ILLUSTRATION WHEN DETERMINING LENGTH AND WIDTH MEASUREMENTS FOR CURTAINS. YOU WILL NOTE THE WIDTH MEASUREMENT IS TAKEN ON THE TOP OF THE CURTAIN WITH THE CURTAIN FULLY EXTENDED. THE LENGTH MEASUREMENT IS TAKEN FROM TOP TO BOTTOM. LEFT AND RIGHT WINDOW LEGS ARE DETERMINED WHEN FACING THE WINDOW.

CURTAIN & CUSHION GROUP (CONTINUED)

ADVENTURER FABRICS					
COLOR CODES	H17	H18	H19	H40	H41
MARKETING COLORS	BOTANICAL (GREEN)	NORTH SHORE (TAUPE)	ZEPHYR (BLUE)	OAKLEAF (TAUPE)	EASTON (SAGE)
MAIN PLAIN	108446-F8-000	108446-N0-000	108446-M3-000	108446-P0-000	108446-P1-000
ACCENT	108446-G0-000	108446-J4-000	108446-M4-000	108446-R2-000	108446-P2-000
PATTERN ACCENT	108446-G1-000	108446-J3-000	108446-M4-000	108446-R2-000	108446-P2-000
BUCKET SEAT	108446-G0-000	108446-J4-000	108446-M4-000	108446-R2-000	108446-P2-000
DINETTE	108446-F8-000	108446-N0-000	108446-M3-000	108446-P0-000	108446-P1-000
DINETTE PAD	108446-G0-000	108446-J4-000	108446-M4-000	108446-R2-000	108446-P2-000
DINETTE SWIVEL CHAIR	108446-G1-000	108446-J3-000	108446-M4-000	108446-R2-000	108446-P2-000
SOFA	108446-F8-000	108446-N0-000	108446-M3-000	108446-P0-000	108446-P1-000
RECLINER CHAIR	108446-G1-000	108446-J3-000	108446-M4-000	108446-R2-000	108446-P2-000
LOUNGE WINDOW VALANCE	108446-F8-000	108446-N0-000	108446-M3-000	108446-P0-000	108446-P1-000
LOUNGE WINDOW LEGS	108446-G1-000	108446-J3-000	108446-M4-000	108446-R2-000	108446-P2-000
BEDSPREAD MAIN	105745-B0-000	105745-C5-000	105745-D9-000	105745-F0-000	105745-C6-000
BEDSPREAD ACCENT	105745-B2-000	105745-C6-000	105745-64-000	105745-E7-000	105745-F1-000
BEDSPREAD TRIM	084415-70-000	084415-72-000	084415-82-000	084415-83-000	084415-83-000
BEDROOM WINDOW VALANCE	105745-B0-000	105745-C5-000	105745-D9-000	105745-F0-000	105745-C6-000
BEDROOM WINDOW LEGS	105745-B2-000	105745-C6-000	105745-64-000	105745-E7-000	105745-F1-000
LOUNGE PILLOW TRIM BRAID	108446-B2-000 084415-70-000	108446-C6-000 084415-72-000	108446-64-000 084415-82-000	108446-E7-000 084415-83-000	108446-F1-000 084415-84-000
MAP POCKETS	108446-G1-000	108446-J3-000	108446-M4-000	108446-R2-000	108446-P2-000
FRONT WRAP AROUND	072333-85-000	072333-85-000	072333-85-000	072333-85-000	072333-85-000
CEILING	113979-01-99A	113979-01-99A	113979-01-99A	113979-01-99A	113979-01-99A

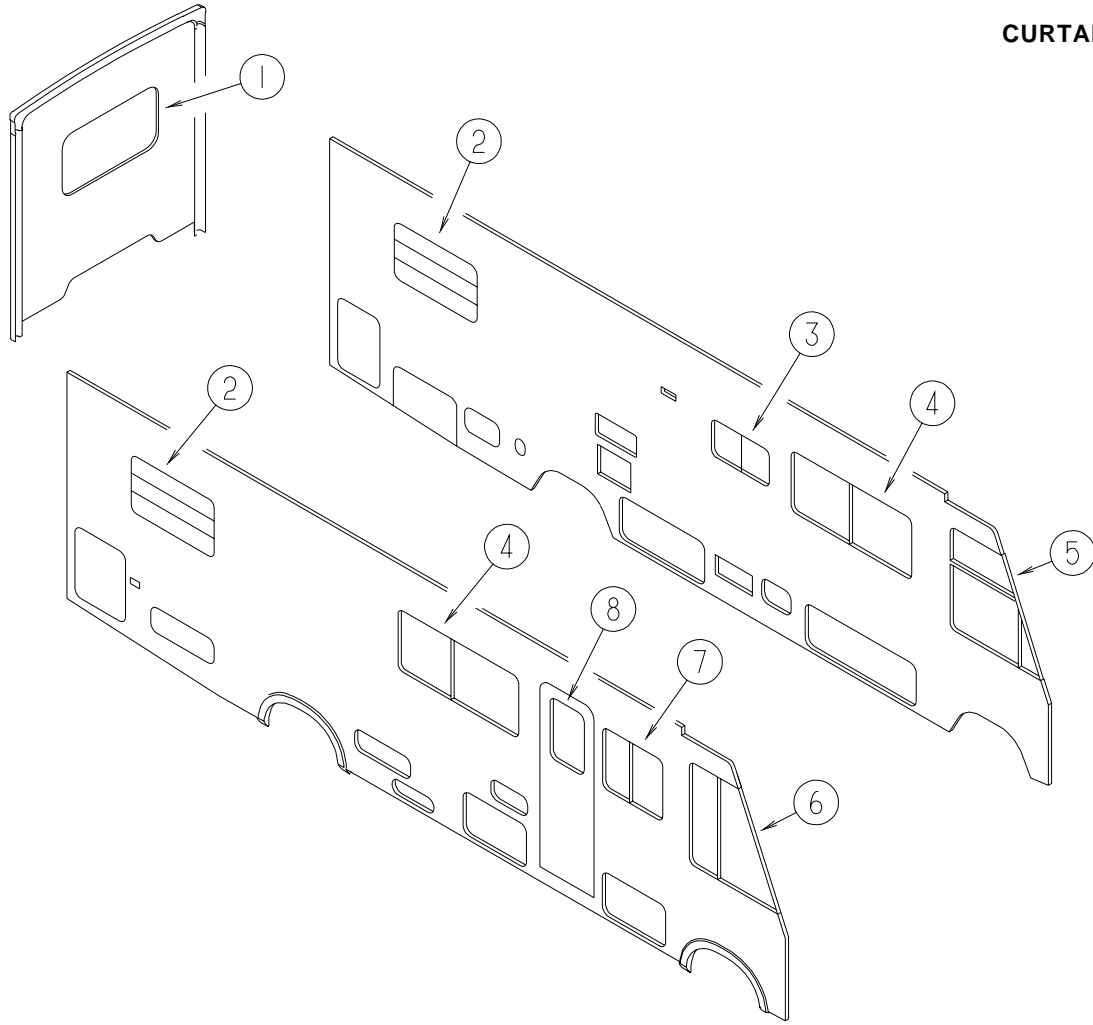
NOTE: THE FABRIC LISTED FIRST, IN A BLOCK, IS THE LARGEST QUANTITY OF FABRIC USED

ASSIST HANDLE & BUTTONS

KEY	PART NUMBER	U/M	DESCRIPTION
	070578-02-B29	EA	BUTTON - SCREW - STUD - #30 - VINYL
	053552-02-AA8	EA	HANDLE - ASSIST - INTERIOR/ ENTRY DOOR - VINYL/ OFF WHITE
	057759-01-000	EA	WASHER BRACKET - SEAT BELT - 4" DIAMETER
	007021-01-000	EA	BELT - SEAT - 2" X 90" - BLACK
	069178-02-000	EA	BRACKET - MOUNTING ASSIST HANDLE
	000C16-07-16B	EA	BOLT - CARRIAGE - ASSIST HANDLE - 7/16" - 14 X 1"
	000D20-07-00B	EA	NUT - ACORN - ASSIST HANDLE - 7/16 - 14
	057534-03-000	EA	TIEBACK - PLASTIC - 7.50" - CLEAR

CURTAIN&CUSHIONGROUP(CONTINUED)

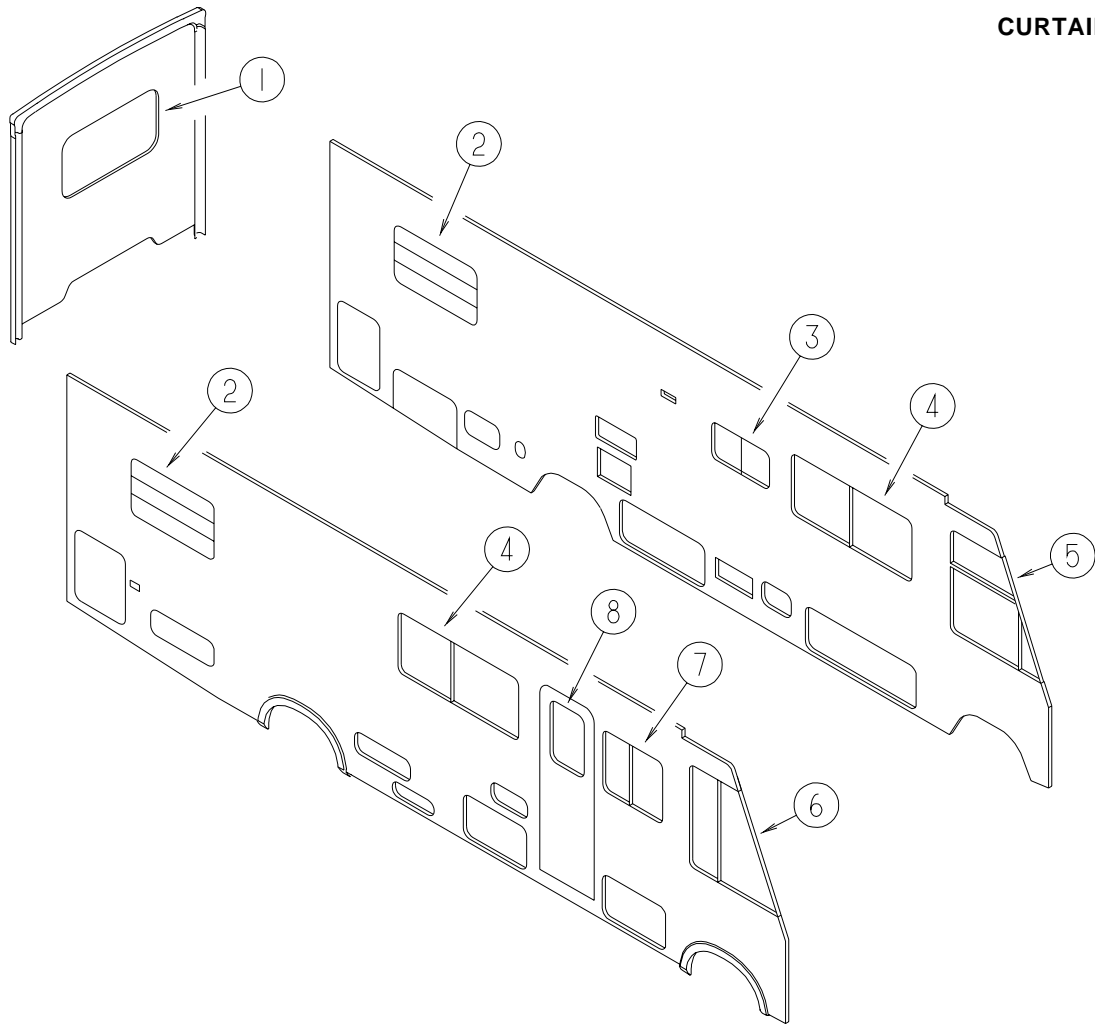
CURTAINS&WINDOWTREATMENT



KEY	PARTNUMBER	U/M	DESCRIPTION
1	119262-03-G07	EA	VALANCE-MONACO-52.5"(QUEEN,KINGBED)(H17)
1	119262-24-G15	EA	VALANCE-MONACO-64.5"(TWINBEDS)(H17)
1	119138-03-G37	EA	VALANCE-BELLINI-53"(QUEEN,KINGBED)(H18)
1	119138-16-G37	EA	VALANCE-BELLINI-64.5"(TWINBEDS)(H18)
1	119138-03-H19	EA	VALANCE-BELLINI-53"(QUEEN,KINGBED)(H19)
1	119138-16-H19	EA	VALANCE-BELLINI-64.5"(TWINBEDS)(H19)
1	119262-03-H23	EA	VALANCE-MONACO-52.5"(QUEEN,KINGBED)(H40)
1	119262-24-H23	EA	VALANCE-MONACO-64.5"(TWINBEDS)(H40)
1	119138-03-H25	EA	VALANCE-BELLINI-53"(QUEEN,KINGBED)(H41)
1	119138-16-H25	EA	VALANCE-BELLINI-64.5"(TWINBEDS)(H41)
1	119333-03-G15	EA	LEG-RIGHT-25"(H17)
1	119333-03-G37	EA	LEG-RIGHT-25"(H18)
1	119333-03-G45	EA	LEG-RIGHT-25"(H19)
1	119333-03-H23	EA	LEG-RIGHT-25"(H40)
1	119333-03-H25	EA	LEG-RIGHT-25"(H41)
1	119333-04-G15	EA	LEG-LEFT-25"(H17)
1	119333-04-G37	EA	LEG-LEFT-25"(H18)
1	119333-04-G45	EA	LEG-LEFT-25"(H19)
1	119333-04-H23	EA	LEG-LEFT-25"(H40)
1	119333-04-H25	EA	LEG-LEFT-25"(H41)
1	109802-36-G15	EA	BLIND-PLEATED-49"X29"(QUEEN,KINGBED)
1	109802-10-G01	EA	BLIND-PLEATED-60"X28.5"(TWINBEDS)
2	119262-53-H17	EA	VALANCE-MONACO-34"(QUEEN,KINGBED)(H17)
2	119262-58-H17	EA	VALANCE-MONACO-34"(TWINBEDS)(H17)
2	119138-28-H18	EA	VALANCE-BELLINI-34"(QUEEN,KINGBED)(H18)
2	119138-29-H18	EA	VALANCE-BELLINI-34"(TWINBEDS)(H18)
2	119138-28-H19	EA	VALANCE-BELLINI-34"(QUEEN,KINGBED)(H19)
2	119138-29-H19	EA	VALANCE-BELLINI-34"(TWINBEDS)(H19)
2	119262-53-H23	EA	VALANCE-MONACO 34"(QUEEN,KINGBED)(H40)
2	119262-58-H40	EA	VALANCE-MONACO 34"(TWINBEDS)(H40)
2	119138-28-H41	EA	VALANCE-BELLINI-34"(QUEEN,KINGBED)(H41)
2	119138-29-H41	EA	VALANCE-BELLINI-34"(TWINBEDS)(H41)
2	119333-21-G07	EA	LEG-RIGHT-34"(QUEEN,KINGBED)(H17)
2	123910-01-H17	EA	LEG-RIGHT-34"(TWINBEDS)(H17)
2	119333-21-H18	EA	LEG-RIGHT-34"(QUEEN,KINGBED)(H18)
2	123910-01-H18	EA	LEG-RIGHT-34"(TWINBEDS)(H18)
2	119333-21-H19	EA	LEG-RIGHT-34"(QUEEN,KINGBED)(H19)
2	123910-01-H19	EA	LEG-RIGHT-34"(TWINBEDS)(H19)
2	119333-21-H23	EA	LEG-RIGHT-34"(QUEEN,KINGBED)(H40)
2	123910-01-H40	EA	LEG-RIGHT-34"(TWINBEDS)(H40)
2	119333-21-H25	EA	LEG-RIGHT-34"(QUEEN,KINGBED)(H41)
2	123910-01-H41	EA	LEG-RIGHT-34"(TWINBEDS)(H41)
2	119333-22-G07	EA	LEG-LEFT-34"(QUEEN,KINGBED)(H17)
2	123910-02-H17	EA	LEG-LEFT-34"(TWINBEDS)(H17)
2	119333-22-H18	EA	LEG-LEFT-34"(QUEEN,KINGBED)(H18)
2	123910-02-H18	EA	LEG-LEFT-34"(TWINBEDS)(H18)
2	119333-22-H19	EA	LEG-LEFT-34"(QUEEN,KINGBED)(H19)
2	123910-02-H19	EA	LEG-LEFT-34"(TWINBEDS)(H19)
2	119333-22-H23	EA	LEG-LEFT-34"(QUEEN,KINGBED)(H40)
2	123910-02-H40	EA	LEG-LEFT-34"(TWINBEDS)(H40)
2	119333-22-H25	EA	LEG-LEFT-34"(QUEEN,KINGBED)(H41)
2	123910-02-H41	EA	LEG-LEFT-34"(TWINBEDS)(H41)
2	109802-50-H17	EA	BLIND-PLEATED,29"X37"
3	109041-44-02A	EA	BLIND-MINI-30.5"X18"(H17,H18,H40,H41)
3	109041-44-01A	EA	BLIND-MINI-30.5"X18"(H19)
3	109353-10-02A	EA	BLIND-SLAT-30.5"(H17,H18,H40,H41)
3	109353-10-01A	EA	BLIND-SLAT-30.5"(H19)

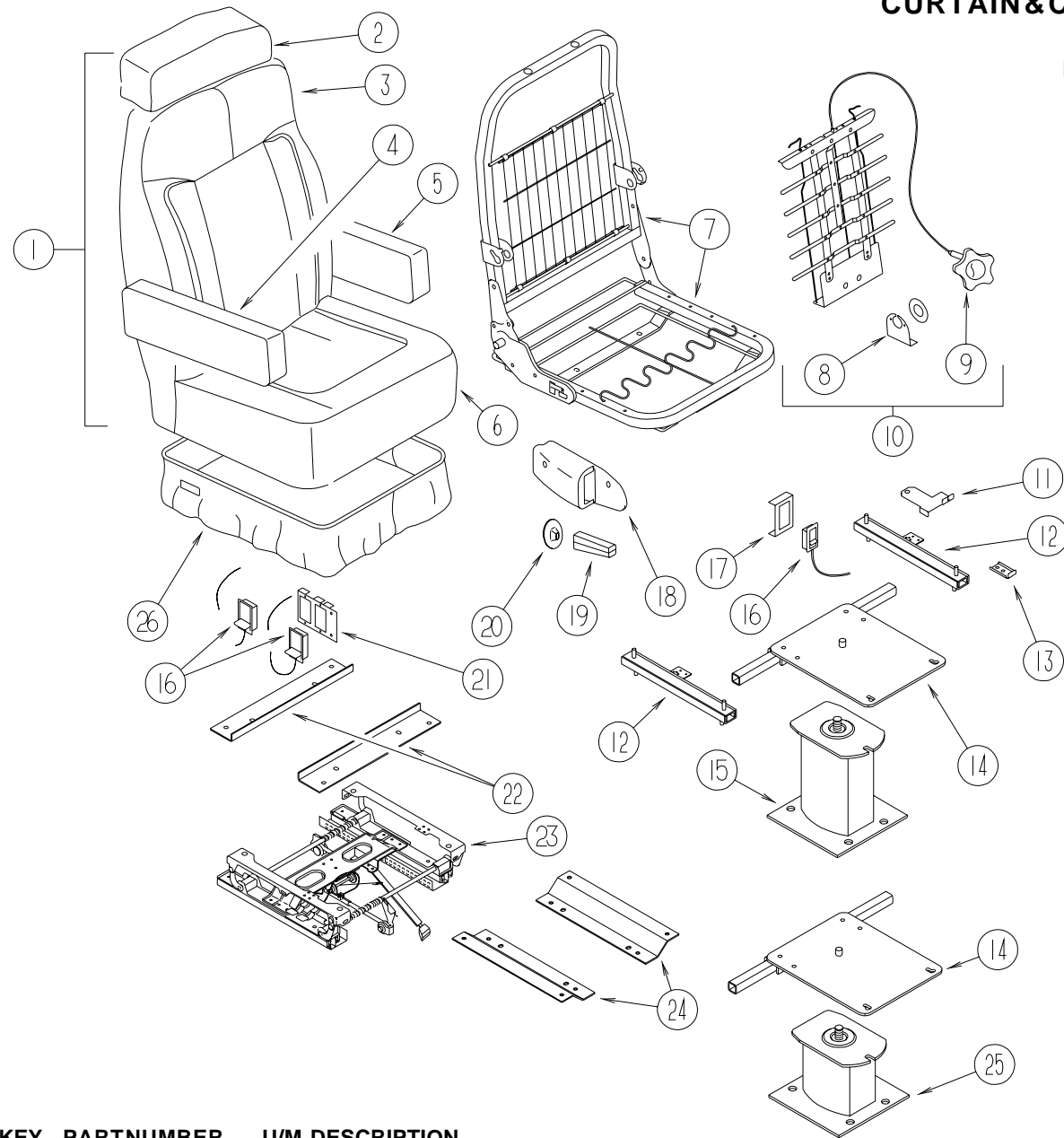
CURTAIN&CUSHIONGROUP(CONTINUED)

CURTAINS&WINDOWTREATMENT



KEY	PARTNUMBER	U/M	DESCRIPTION
4	119262-01-G15	EA	VALANCE-MONACO-64.5"(H17)
4	119136-01-H18	EA	VALANCE-STANWICK-64.5"(H18)
4	119136-01-H19	EA	VALANCE-STANWICK-64.5"(H19)
4	121410-44-H40	EA	VALANCE-MODERATE-64.5"(H40)
4	121410-45-H41	EA	VALANCE-MODERATE-64.5"(H41)
4	119333-01-G15	EA	LEG-RIGHT-25"(H17)
4	119333-01-G37	EA	LEG-RIGHT-25"(H18)
4	119333-01-H19	EA	LEG-RIGHT-25"(H19)
4	119333-01-H23	EA	LEG-RIGHT-25"(H40)
4	119333-01-H25	EA	LEG-RIGHT-25"(H41)
4	119333-02-G15	EA	LEG-LEFT-25"(H17)
4	119333-02-G37	EA	LEG-LEFT-25"(H18)
4	119333-02-H19	EA	LEG-LEFT-25"(H19)
4	119333-02-H23	EA	LEG-LEFT-25"(H40)
4	119333-02-H25	EA	LEG-LEFT-25"(H41)
4	109802-10-G01	EA	BLIND-PLEATED-60"X28.5"
5	101668-46-E91	EA	CURTAIN-LEFT-48"X95"
5	073260-42-C18	EA	TIEBACK-6"X18"
5	084755-98-000	EA	SHADE-PULL-23.8"X60"
5	124298-01-H17	EA	VALANCE-SHADE
6	101668-45-E91	EA	CURTAIN-RIGHT-48"X95"
6	073260-42-C18	EA	TIEBACK-6"X18"
6	124298-01-H17	EA	VALANCE-SHADE
7	119262-02-G15	EA	VALANCE-MONACO-34.5"(H17)
7	119136-02-H18	EA	VALANCE-STARBUCK-34.5"(H18)
7	119136-02-H19	EA	VALANCE-STARBUCK-34.5"(H19)
7	121410-05-H40	EA	VALANCE-MODERATE-34.5"(H40)
7	121410-02-H25	EA	VALANCE-MODERATE-34.5"(H41)
7	119333-01-G15	EA	LEG-RIGHT-25"(H17)
7	119333-01-G37	EA	LEG-RIGHT-25"(H18)
7	119333-01-H19	EA	LEG-RIGHT-25"(H19)
7	119333-01-H23	EA	LEG-RIGHT-25"(H40)
7	119333-01-H25	EA	LEG-RIGHT-25"(H41)
7	119333-02-G15	EA	LEG-LEFT-25"(H17)
7	119333-02-G37	EA	LEG-LEFT-25"(H18)
7	119333-02-H19	EA	LEG-LEFT-25"(H19)
7	119333-02-H23	EA	LEG-LEFT-25"(H40)
7	119333-02-H25	EA	LEG-LEFT-25"(H41)
7	109802-11-G15	EA	BLIND-PLEATED-29"X28.5"
8	119262-36-G15	EA	VALANCE-MONACO-31"(H17)
8	119136-03-H18	EA	VALANCE-STANWICK-31"(H18)
8	119136-03-H19	EA	VALANCE-STANWICK-31"(H19)
8	121410-16-H23	EA	VALANCE-MODERATE-31"(H40)
8	121410-17-H25	EA	VALANCE-MODERATE-31"(H41)
8	084755-57-E07	EA	SHADE-PULL-27.25"

CURTAIN&CUSHIONGROUP(CONTINUED)



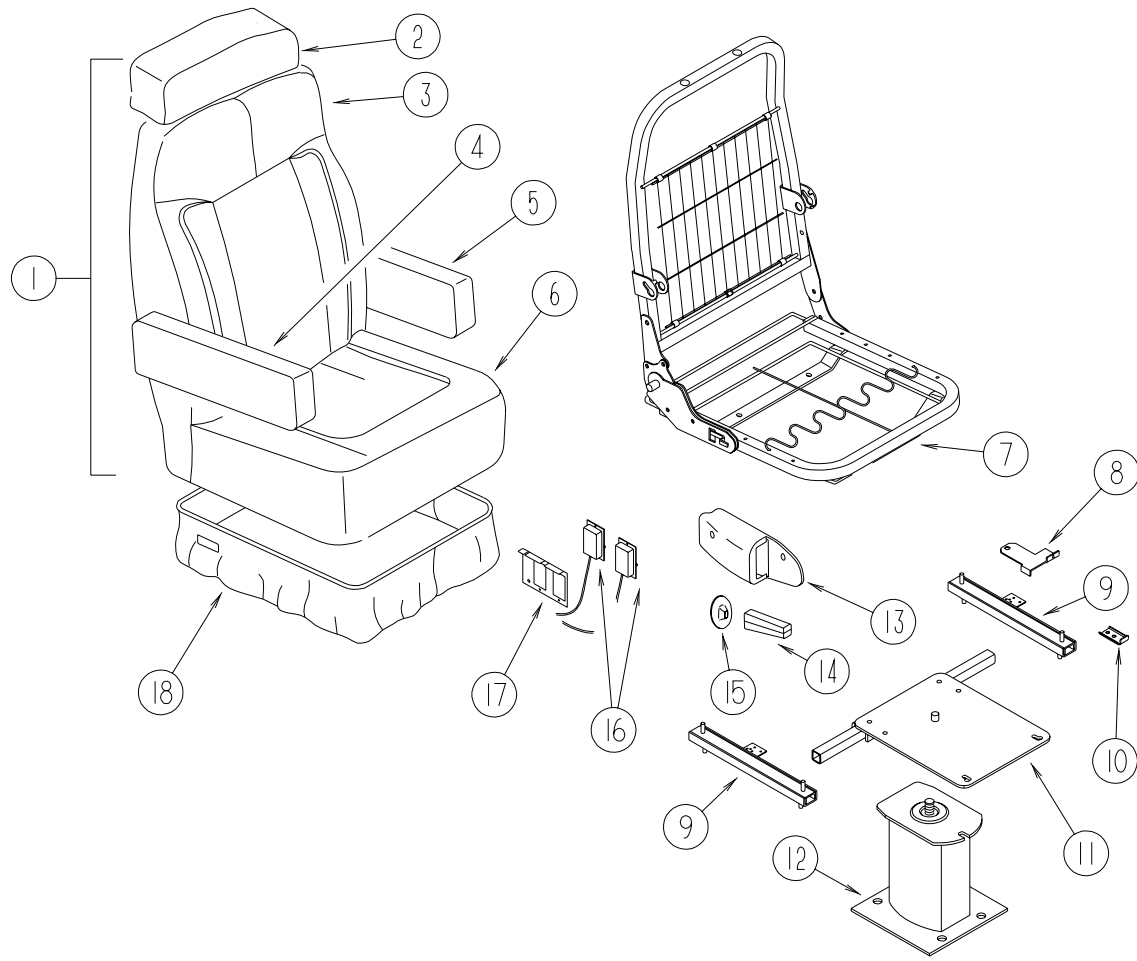
DRIVERBUCKETSEAT

KEY	PARTNUMBER	U/M DESCRIPTION
1	122684-01-H17	EA SEAT-BUCKET-DRIVERS-W/LUMBAR
1	122684-01-H18	EA SEAT-BUCKET-DRIVERS-W/LUMBAR
1	122684-01-H19	EA SEAT-BUCKET-DRIVERS-W/LUMBAR
1	122738-01-H40	EA SEAT-BUCKET-DRIVER-W/LUMBAR/HEADREST/ARMRESTS
1	122738-01-H41	EA SEAT-BUCKET-DRIVER-W/LUMBAR/HEADREST/ARMRESTS
2	119509-01-G07	EA HEADREST-BUCKETSEAT(H17)
2	119509-01-H18	EA HEADREST-BUCKETSEAT(H18)
2	119509-01-H19	EA HEADREST-BUCKETSEAT(H19)
2	119509-01-H23	EA HEADREST-BUCKETSEAT(H40)
2	119509-01-H25	EA HEADREST-BUCKETSEAT(H41)
2	P19509-01-G07	EA COVER-HEADREST(H17)
2	P19509-01-H18	EA COVER-HEADREST(H18)
2	P19509-01-H19	EA COVER-HEADREST(H19)
2	P19509-01-H23	EA COVER-HEADREST(H40)
2	P19509-01-H25	EA COVER-HEADREST(H41)
	113977-12-000	EA HEADRESTINSERT-W/OLOCK
	113977-13-000	EA HEADRESTINSERT-W/LOCK
	114791-03-000	EA FRAME-HEADREST
3	M05962-39-H17	EA COVER-BACK(H17)
3	M05962-39-H18	EA COVER-BACK(H18)
3	M05962-39-H19	EA COVER-BACK(H19)
3	M05962-37-H23	EA COVER-BACK(H40)
3	M05962-37-H25	EA COVER-BACK(H41)

KEY	PARTNUMBER	U/M DESCRIPTION	VENDOR NO.
4	122780-01-H17	EA ARMREST-RIGHTHAND(H17)	
4	122780-01-H18	EA ARMREST-RIGHTHAND(H18)	
4	122780-01-H19	EA ARMREST-RIGHTHAND(H19)	
4	122780-01-H23	EA ARMREST-RIGHTHAND(H40)	
4	122780-01-H41	EA ARMREST-RIGHTHAND(H41)	
4	P22780-01-H17	EA COVER-ARMREST-RIGHTHAND(H17)	
4	P22780-01-H18	EA COVER-ARMREST-RIGHTHAND(H18)	
4	P22780-01-H19	EA COVER-ARMREST-RIGHTHAND(H19)	
4	P22780-01-H23	EA COVER-ARMREST-RIGHTHAND(H40)	
4	P22780-01-H41	EA COVER-ARMREST-RIGHTHAND(H41)	
4	115617-03-000	EA ARMREST-W/OCOVER-RIGHTHAND	
5	122780-02-H17	EA ARMREST-LEFTHAND(H17)	
5	122780-02-H18	EA ARMREST-LEFTHAND(H18)	
5	122780-02-H19	EA ARMREST-LEFTHAND(H19)	
5	122780-02-H54	EA ARMREST-LEFTHAND(H40)	
5	122780-02-H25	EA ARMREST-LEFTHAND(H41)	
5	P22780-02-H17	EA COVER-ARMREST-LEFTHAND(H17)	
5	P22780-02-H18	EA COVER-ARMREST-LEFTHAND(H18)	
5	P22780-02-H19	EA COVER-ARMREST-LEFTHAND(H19)	
5	P22780-02-H54	EA COVER-ARMREST-LEFTHAND(H40)	
5	P22780-02-H25	EA COVER-ARMREST-LEFTHAND(H41)	
5	115617-04-000	EA ARMREST-W/OCOVER-LEFTHAND	
6	M05962-40-H17	EA COVER-SEAT(H17)	
6	M05962-40-H18	EA COVER-SEAT(H18)	
6	M05962-40-H19	EA COVER-SEAT(H19)	
6	M05962-38-H23	EA COVER-SEAT(H40)	
6	M05962-38-H25	EA COVER-SEAT(H41)	
7	122695-01-01B	EA FRAME-SEAT/BACK	
8	122611-01-702	EA LUMBAR-BRACKET	157C-90
9	122611-01-701	EA LUMBAR-KNOB	218
10	122611-01-000	EA LUMBAR	
	122611-01-703	EA LUMBAR-SCREW	210
11	117125-01-02B	EA BRACKET-CABLEMOUNT-ADJUSTERW/LOCK	
12	119952-06-000	EA SLIDE/SEAT-HEAVYDUTYLOCKING-4STUDS	
	119952-07-000	EA WIRE-LATCHRELEASE/ROTARY	
13	114889-01-000	EA STOPBAR-UNIVERSAL	
14	107921-05-000	EA PLATE-TOP-W/SEATBELTBAR	
	107921-06-000	EA BEARINGKIT-PEDESTAL	
15	107921-01-000	EA PEDESTAL/FLOORMOUNTED-W/9.75"EXTENSION	
16	108049-03-000	EA CABLE/CONTROL25.5"SHEATH/28.5"CABLEW/DOGLEG	
	108049-02-000	EA CLIP-CABLE/PEDESTAL	
17	097683-03-000	EA BRACKET-REMOTE/SIDEMOUNT-SINGLE	
18	080730-09-000	EA SHIELD-RECLINERHANDLE	
19	080730-08-000	EA HANDLE-RECLINER	
20	080730-11-000	EA SHIELD-RUBBERBOOT	
21	097683-02-000	EA BRACKET-REMOTE/SIDEMOUNT-DOUBLE	
22	116215-02-000	EA PLATE-UPPER-6-WAYMANUALCONTROL	
	007221-01-000	EA SPACER-SEAT/ADJUSTER	
23	116215-01-000	EA PLATE-UPPERPEDESTAL-MANUAL6-WAY-DRIVER	
24	116215-03-000	EA PLATE-LOWER-6-WAYMANUALCONTROL	
25	107921-07-000	EA PEDESTALBASE-POWER	
26	071126-58-H17	EA SKIRT-SINGLE 10.5"-W/SEATBELTSLOT-BUCKET	
26	071126-58-H18	EA SKIRT-SINGLE 10.5"-W/SEATBELTSLOT-BUCKET	
26	071126-58-H19	EA SKIRT-SINGLE 10.5"-W/SEATBELTSLOT-BUCKET	
26	071126-59-H40	EA SKIRT-SINGLE 10.5"-W/SEATBELTSLOT	
26	071126-59-H41	EA SKIRT-SINGLE 10.5"-W/SEATBELTSLOT	
26	071126-60-H17	EA SKIRT-SINGLE 10.5"-6-WAY-MANUALBUCKETSEAT(H17)	
26	071126-60-H18	EA SKIRT-SINGLE 10.5"-6-WAY-MANUALBUCKETSEAT(H18)	
26	071126-60-H19	EA SKIRT-SINGLE 10.5"-6-WAY-MANUALBUCKETSEAT(H19)	
26	071126-61-H40	EA SKIRT-SINGLE 10.5"-6WAY-MANUAL(H40)	
26	071126-61-H25	EA SKIRT-SINGLE 10.5"-6WAY-MANUAL(H41)	

CURTAIN&CUSHIONGROUP(CONTINUED)

PASSENGERBUCKETSEAT

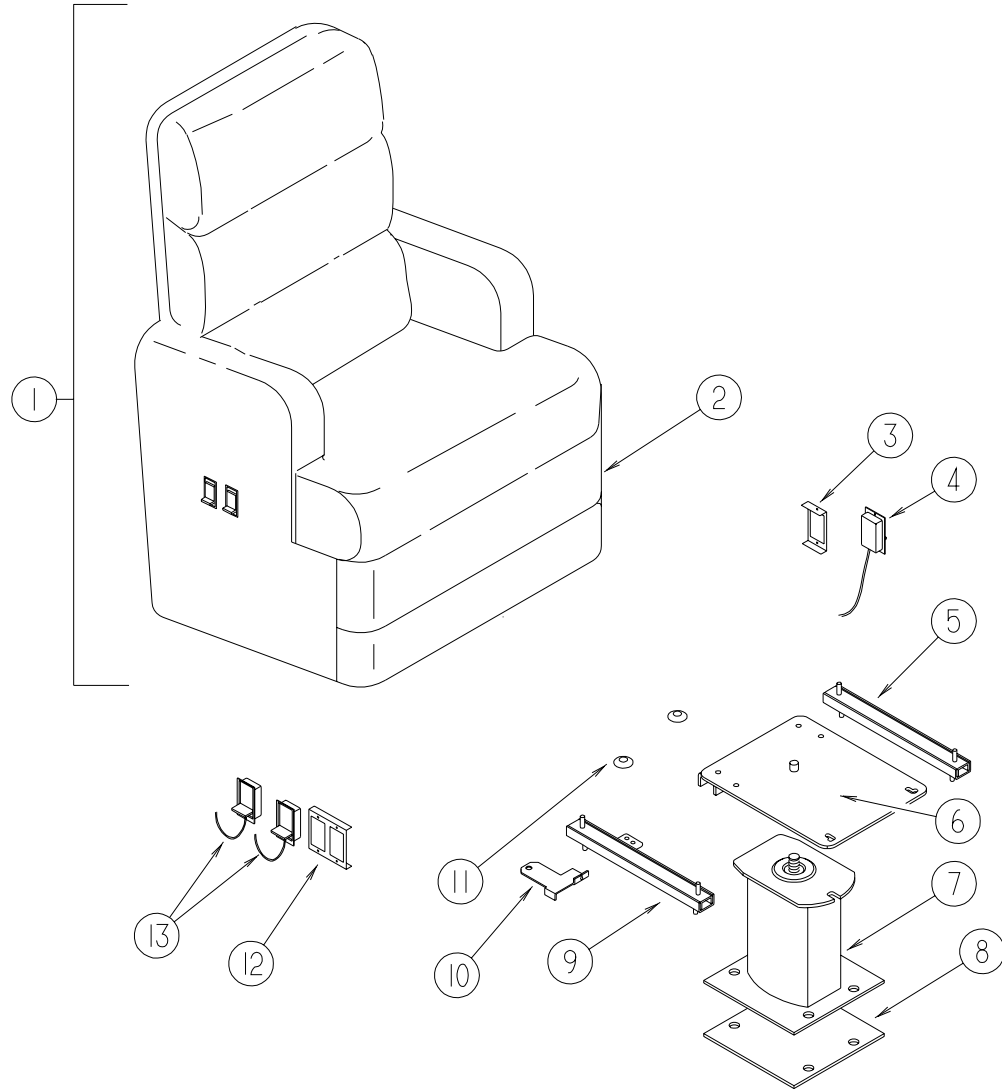


KEY	PARTNUMBER	U/M	DESCRIPTION
1	122684-02-H17	EA	SEAT-BUCKET-PASSENGER-W/LUMBAR
1	122684-02-H18	EA	SEAT-BUCKET-PASSENGER-W/LUMBAR
1	122684-02-H19	EA	SEAT-BUCKET-PASSENGER-W/LUMBAR
1	122738-02-H40	EA	SEAT-BUCKET-PASSENGER-W/LUMBAR
1	122738-02-H41	EA	SEAT-BUCKET-PASSENGER-W/LUMBAR
2	119509-01-G07	EA	HEADREST-BUCKETSEAT(H17)
2	119509-01-H18	EA	HEADREST-BUCKETSEAT(H18)
2	119509-01-H19	EA	HEADREST-BUCKETSEAT(H19)
2	119509-01-H23	EA	HEADREST-BUCKETSEAT(H40)
2	119509-01-H25	EA	HEADREST-BUCKETSEAT(H41)
2	P19509-01-G07	EA	COVER-HEADREST(H17)
2	P19509-01-H18	EA	COVER-HEADREST(H18)
2	P19509-01-H19	EA	COVER-HEADREST(H19)
2	P19509-01-H23	EA	COVER-HEADREST(H40)
2	P19509-01-H25	EA	COVER-HEADREST(H41)
	113977-12-000	EA	HEADRESTINSERT-W/OLOCK
	113977-13-000	EA	HEADRESTINSERT-W/LOCK
	114791-03-000	EA	FRAME-HEADREST

KEY	PARTNUMBER	U/M	DESCRIPTION
3	M05962-39-H17	EA	COVER-BACK(H17)
3	M05962-39-H18	EA	COVER-BACK(H18)
3	M05962-39-H19	EA	COVER-BACK(H19)
3	M05962-37-H23	EA	COVER-BACK(H40)
3	M05962-37-H25	EA	COVER-BACK(H41)
4	122780-01-H17	EA	ARMREST-RIGHTHAND(H17)
4	122780-01-H18	EA	ARMREST-RIGHTHAND(H18)
4	122780-01-H19	EA	ARMREST-RIGHTHAND(H19)
4	122780-01-H23	EA	ARMREST-RIGHTHAND(H40)
4	122780-01-H41	EA	ARMREST-RIGHTHAND(H41)
4	P22780-01-H17	EA	COVER-ARMREST-RIGHTHAND(H17)
4	P22780-01-H18	EA	COVER-ARMREST-RIGHTHAND(H18)
4	P22780-01-H19	EA	COVER-ARMREST-RIGHTHAND(H19)
4	P22780-01-H23	EA	COVER-ARMREST-RIGHTHAND(H40)
4	P22780-01-H41	EA	COVER-ARMREST-RIGHTHAND(H41)
4	115617-03-000	EA	ARMREST-W/OCOVER-RIGHTHAND
5	122780-02-H17	EA	ARMREST-LEFTHAND(H17)
5	122780-02-H18	EA	ARMREST-LEFTHAND(H18)
5	122780-02-H19	EA	ARMREST-LEFTHAND(H19)
5	122780-02-H54	EA	ARMREST-LEFTHAND(H40)
5	122780-02-H25	EA	ARMREST-LEFTHAND(H41)
5	P22780-02-H17	EA	COVER-ARMREST-LEFTHAND(H17)
5	P22780-02-H18	EA	COVER-ARMREST-LEFTHAND(H18)
5	P22780-02-H19	EA	COVER-ARMREST-LEFTHAND(H19)
5	P22780-02-H54	EA	COVER-ARMREST-LEFTHAND(H40)
5	P22780-02-H25	EA	COVER-ARMREST-LEFTHAND(H41)
5	115617-04-000	EA	ARMREST-W/OCOVER-LEFTHAND
6	M05962-40-H17	EA	COVER-SEAT(H17)
6	M05962-40-H18	EA	COVER-SEAT(H18)
6	M05962-40-H19	EA	COVER-SEAT(H19)
6	M05962-38-H23	EA	COVER-SEAT(H40)
6	M05962-38-H25	EA	COVER-SEAT(H41)
7	122695-01-01B	EA	FRAME-SEAT/BACK
8	117125-01-02B	EA	BRACKET-CABLEMOUNT-ADJUSTERW/LOCK
9	119952-06-000	EA	SLIDE/SEAT-HEAVYDUTYLOCKING-4STUDS
	119952-07-000	EA	WIRE-LATCHRELEASE/ROTARY
10	114889-01-000	EA	STOPBAR-UNIVERSAL
11	107921-05-000	EA	PLATE-TOP-W/SEATBELTBAR
	107921-06-000	EA	BEARINGKIT-PEDESTAL
12	107921-01-000	EA	PEDESTAL/FLOORMOUNTED-W/9.75"EXTENSION
13	080730-09-000	EA	SHIELD-RECLINERHANDLE
14	080730-08-000	EA	HANDLE-RECLINER
15	080730-11-000	EA	SHIELD-RUBBERBOOT
16	108049-03-000	EA	CABLE/CONTROL25.5"SHEATH/28.5"CABLEW/DOGLEG
	108049-02-000	EA	CLIP-CABLE/PEDESTAL
17	097683-02-000	EA	BRACKET-REMOTE/SIDEMOUNT-DOUBLE
18	071126-58-H17	EA	SKIRT-SINGLE 10.5"-W/SEATBELTSLOT
18	071126-58-H18	EA	SKIRT-SINGLE 10.5"-W/SEATBELTSLOT
18	071126-59-H40	EA	SKIRT-SINGLE 10.5"-W/SEATBELTSLOT
18	071126-59-H41	EA	SKIRT-SINGLE 10.5"-W/SEATBELTSLOT

CURTAIN&CUSHIONGROUP(CONTINUED)

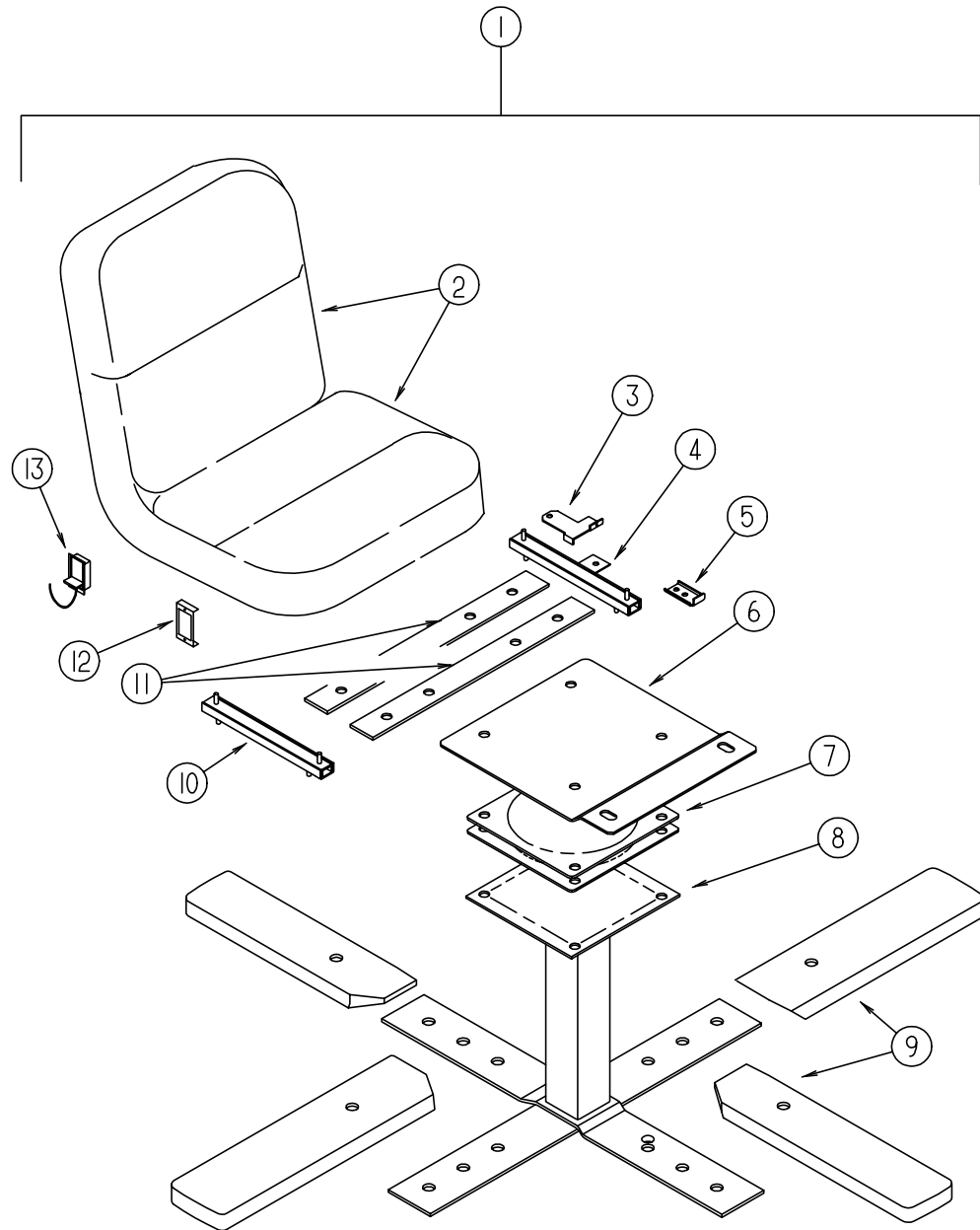
SWIVELCHAIR(RECLINER)



KEY	PARTNUMBER	U/M	DESCRIPTION
1	124067-01-H17	EA	CHAIR-440RECLINER
1	124067-01-H18	EA	CHAIR-440RECLINER
1	124067-01-H19	EA	CHAIR-440RECLINER
1	123383-03-H40	EA	CHAIR-430RECLINER
1	123383-03-H41	EA	CHAIR-430RECLINER
1	P24067-01-H17	EA	COVER-CHAIR-RECLINER(H17)
1	P24067-01-H18	EA	COVER-CHAIR-RECLINER(H18)
1	P24067-01-H19	EA	COVER-CHAIR-RECLINER(H19)
1	P23383-02-H23	EA	COVER-CHAIR-RECLINER(H40)
1	P23383-02-H25	EA	COVER-CHAIR-RECLINER(H41)
2	118539-01-H17	EA	SKIRT-RECLINERCHAIR(H17)
2	118539-01-H18	EA	SKIRT-RECLINERCHAIR(H18)
2	118539-01-H19	EA	SKIRT-RECLINERCHAIR(H19)
	P18539-01-H17	EA	COVER-SKIRT-SWIVELCHAIR(H17)
	P18539-01-H18	EA	COVER-SKIRT-SWIVELCHAIR(H18)
	P18539-01-H19	EA	COVER-SKIRT-SWIVELCHAIR(H19)
	P18302-27-G15	EA	COVER-ARM-SWIVELCHAIR(H17)
	P18302-27-H18	EA	COVER-ARM-SWIVELCHAIR(H18)
	P18302-27-H19	EA	COVER-ARM-SWIVELCHAIR(H19)
	P18302-27-H23	EA	COVER-ARM-400CHAIR(H40)
	P18302-27-H25	EA	COVER-ARM-400CHAIR(H41)
3	097683-03-000	EA	BRACKET-REMOTE/SIDEMOUNT-SINGLE
4	089368-05-000	EA	CABLE-W/SWITCH25.5"SHEATH-293/4"CABLEW/DOGLEG
	108049-02-000	EA	CLIP-CABLE/PEDESTAL
5	119952-02-000	EA	SLIDE-SEAT-HEAVYDUTYNONLOCKING
6	107921-08-000	EA	TOPPLATE-PEDESTAL-W/OSEATBELTBAR
7	107921-01-000	EA	PEDESTAL-FLOORMOUNTED-W/9.75"EXTENSION
8	108445-02-000	EA	SUBPLATE-FLOORMOUNTEDPEDESTAL
	107921-06-000	EA	BEARINGKIT-PEDESTAL
9	119952-04-000	EA	SLIDE/SEAT-HEAVYDUTYLOCKING-4STUDS
10	117125-01-02B	EA	BRACKET-CABLEMOUNT-ADJUSTERW/LOCK
11	007221-01-000	EA	SPACER-SEAT/ADJUSTER
12	097683-02-000	EA	BRACKET-REMOTE/SIDEMOUNT-DOUBLE
13	108049-03-000	EA	CABLE/CONTROL25.5"SHEATH/28.5"CABLEW/DOGLEG
	108049-02-000	EA	CLIP-CABLE/PEDESTAL
	057759-01-000	EA	WASHERBRACKET-SEATBELT-4"DIAMETER
	007021-01-000	EA	SEATBELT-2"X90"-BLACK

CURTAIN & CUSHION GROUP (CONTINUED)

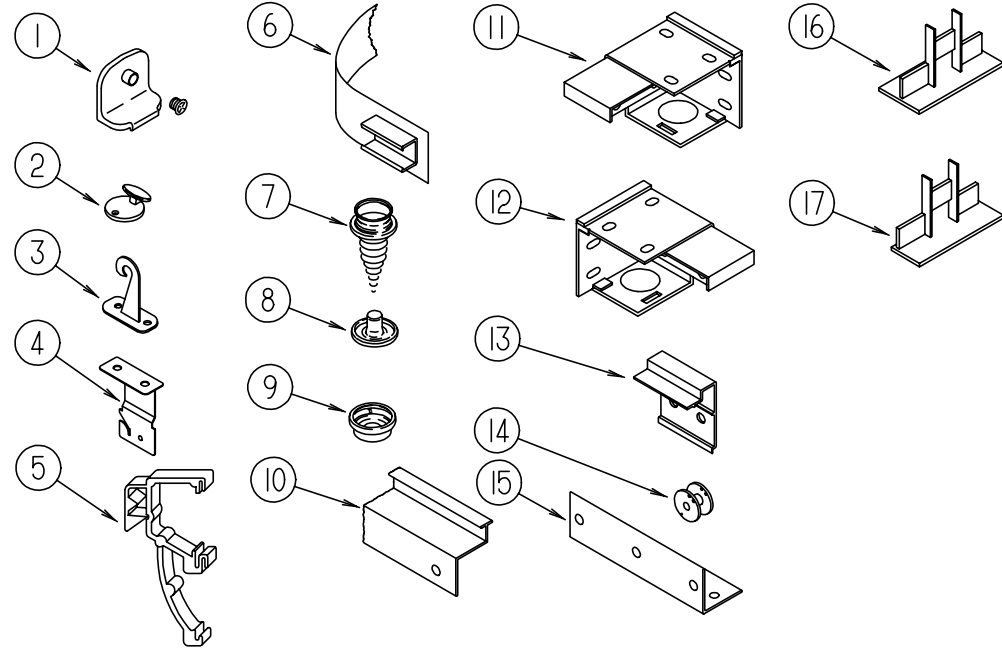
DINETTE SWIVEL CHAIR ASM (210 KC)



KEY	PART NUMBER	U/M	DESCRIPTION
1	122739-01-H17	EA	CHAIR (H17)
1	122739-01-H07	EA	CHAIR (H18)
1	122739-01-H19	EA	CHAIR (H19)
1	122739-01-H23	EA	CHAIR (H40)
1	122739-01-H25	EA	CHAIR (H41)
2	P22739-01-H17	EA	COVER - BACK & SEAT - KITCHEN CHAIR (H17)
2	P22739-01-H07	EA	COVER - BACK & SEAT - KITCHEN CHAIR (H18)
2	P22739-01-H07	EA	COVER - BACK & SEAT - KITCHEN CHAIR (H19)
2	P22739-01-H23	EA	COVER - BACK & SEAT - KITCHEN CHAIR (H40)
2	P22739-01-H23	EA	COVER - BACK & SEAT - KITCHEN CHAIR (H41)
3	117125-01-02B	EA	BRACKET - CABLE MOUNT - ADJUSTER W/LOCK
4	119952-04-000	EA	SLIDE/SEAT - HEAVY DUTY LOCKING - 4 STUDS
5	114889-01-000	EA	STOP BAR - UNIVERSAL
6	119705-11-02B	EA	PLATE - SEAT
7	119105-01-000	EA	PLATE - SWIVEL - RETURN-0-MATIC
8	119705-02-03B	EA	PEDESTAL
9	116080-02-G35	EA	COVER - CHAIR LEG (H17)
9	116080-02-H23	EA	COVER-CHAIR LEG (H40)
10	119952-02-000	EA	SLIDE/SEAT - HEAVY DUTY NONLOCKING
11	120109-01-02B	EA	ADAPTER BRACKET - DINETTE SWIVEL CHAIR
12	097683-03-000	EA	BRACKET - REMOTE SIDE MOUNT - SINGLE
13	108049-03-000	EA	CABLE - W/ CONTROL 25.5" SHEATH/ 28.5" CABLE W/ DOG LEG
	108049-02-000	EA	CLIP - PEDESTAL CABLE

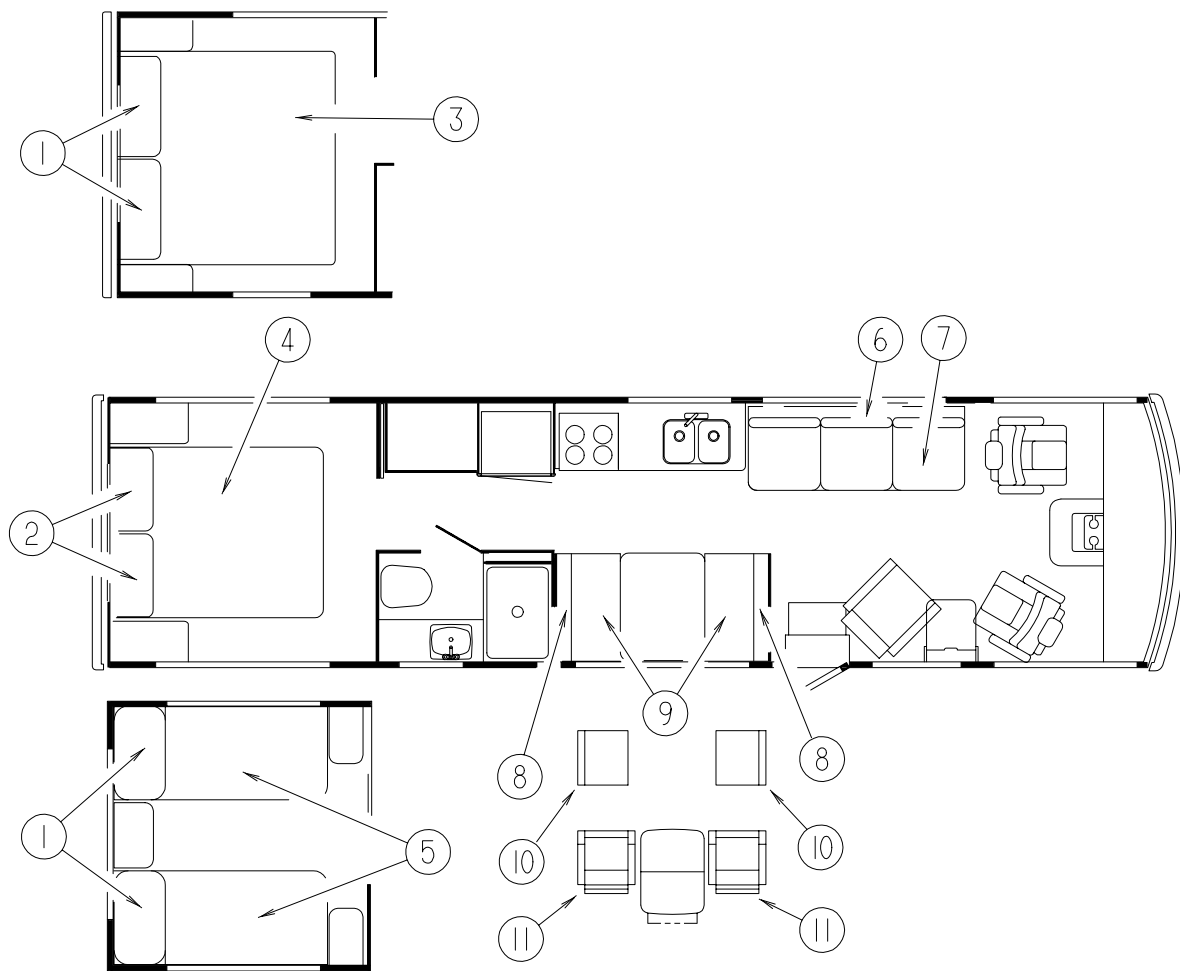
CURTAIN & CUSHION GROUP (CONTINUED)

CURTAIN & BLIND HARDWARE



KEY	PART NUMBER	U/M	DESCRIPTION
1	106544-01-000	EA	PULL - SHADE/BRASS
	106544-01-001	EA	SCREW - SHADE/BRASS
2	102555-03-000	EA	CLEAT - BLIND CORD - MILKY WHITE PLASTIC
3	109441-03-000	EA	HOLD DOWN - BLIND (CLOUDY)
4	084434-01-000	EA	BRACKET - MOUNTING - ROLLER SHADE - 1 3/8"
	096843-01-000	EA	SPRING - REWIND/ROLLER SHADE
5	109353-04-000	EA	CLIP - VALANCE SLAT MOUNTING - CLEAR PLASTIC
6	101031-01-000	YD	TAPE - GLIDE/CURTAIN - 4.25" SPACING
7	029130-01-000	EA	SCREW - SNAP SOCKET - #8 PH X 5/8"
8	029155-01-000	EA	CAP - SNAP - 5/32" O.D. OF PIN
	046867-03-000	EA	GROMMET - HANDY BUTTON #3
9	029156-01-000	EA	SOCKET - SNAP - 9/16" O.D.
10	114641-12-H17	EA	TRACK - CURTAIN - WRAPAROUND W/SPACERS - LEFT HAND
10	114641-13-H17	EA	TRACK - CURTAIN - WRAPAROUND W/SPACERS - RIGHT HAND
11	083170-02-000	EA	BRACKET - BLIND - RIGHT SIDE WHEN FACING WINDOW
12	083170-01-000	EA	BRACKET - BLIND - LEFT SIDE WHEN FACING WINDOW
13	097565-01-000	EA	BRACKET - MOUNTING - PLEATED BLIND
13	105648-01-02A	EA	BRACE - VALANCE - OFF/ WHITE
14	097592-01-000	EA	SPOOL - CORD - ELEVATED BLIND HOLDUP - CLEAR PLASTIC
15	083125-07-000	EA	BRACE - COUCH - 2.5" - CURTAIN LEGS
16	094907-02-000	EA	END CAP - TOP/ PLEATED BLIND - PLASTIC - GRAY
17	094907-04-700	EA	END CAP - RH BOTTOM BLIND
	088792-02-000	YD	VELCRO TAPE - LOOP - ADHESIVE BACKED - .75" WIDE - BEIGE
	048394-02-000	YD	VELCRO TAPE - HOOK - ADHESIVE BACK - .75" WIDE - BEIGE
	097591-01-000	EA	SPRING - EXTENSION - PLEATED BLIND
	097593-06-000	FT	CORD - BLIND - PLEATED - PEWTER
	086276-01-000	EA	TAPE - DOUBLE SIDED - 1/2"
	094896-02-000	EA	GROMMET - CORD - PLEATED BLIND - NYLON - GRAY
	094907-04-000	EA	HARDWARE - END CAP BOTTOM - PULL TYPE (RH & LH)
	094907-04-701	EA	END CAP - LH BOTTOM BLIND
	097564-01-000	EA	HANDLE-T - EZ LIFT SHADE

CURTAIN&CUSHIONGROUP(CONTINUED)



KING, QUEEN & TWIN BEDS

KEY	PARTNUMBER	U/M DESCRIPTION
1	119249-02-000	EA PILLOW-COVER-22"X37"(KING)
2	119249-01-000	EA PILLOW-COVER-20"X33"(QUEEN)
3	123015-08-000	EA MATTRESS-INNERSPRING-72"X74.5"(KING)
3	119141-05-G15	EA BEDSPREAD-THROW-72"X75"(H17)
3	109588-30-H18	EA BEDSPREAD-FITTED-W/GUSSETCORNER-72"X75"(H18)
3	109588-30-H19	EA BEDSPREAD-FITTED-W/GUSSETCORNER-72"X75"(H19)
3	119141-05-H40	EA BEDSPREAD-THROW-72"X75"(H40)
3	109588-30-H41	EA BEDSPREAD-FITTED-72"X75"(H41)
4	123015-06-000	EA MATTRESS-INNERSPRING-60"X74.5(QUEEN)
4	119141-01-H17	EA BEDSPREAD-THROW-60"X75"(H17)
4	109588-31-H18	EA BEDSPREAD-FITTED-W/GUSSETCORNER-60"X75"(H18)
4	109588-31-H19	EA BEDSPREAD-FITTED-W/GUSSETCORNER-60"X75"(H19)
4	119141-06-H40	EA BEDSPREAD-THROW-60"X75"(H40)
4	109588-30-H41	EA BEDSPREAD-FITTED-60"X75"(H41)
5	123015-04-000	EA MATTRESS-INNERSPRING-36"X79.5"(TWINBEDS)
5	119141-04-G15	EA BEDSPREAD-THROW-36"X80"(H17)
5	109588-19-H18	EA BEDSPREAD-FITTED-W/GUSSETCORNER-36"X80"(H18)
5	109588-19-H19	EA BEDSPREAD-FITTED-W/GUSSETCORNER-36"X80"(H19)
5	119141-04-H23	EA BEDSPREAD-THROW-W/REVERSE SHAM-36"X80"(H40)
5	109588-19-H25	EA BEDSPREAD-FITTED-W/GUSSETCORNER-36"X80"(H41)
	111637-08-G15	EA PILLOW-16"X16"(H17)
	111637-08-H18	EA PILLOW-16"X16"(H18)
	111637-08-H19	EA PILLOW-16"X16"(H19)
	111637-08-H40	EA PILLOW-16"X16"(H40)
	111637-08-H41	EA PILLOW-16"X16"(H41)

SOFABED

KEY	PARTNUMBER	U/M DESCRIPTION
6	111319-01-G15	EA BACK-SOFA/BED-74"-JACKKNIFEEDGEW/FRAME (H17)
6	112104-01-H18	EA BACK-SOFA/BED-74"-W/FRAME (H18)
6	112104-01-H19	EA BACK-SOFA/BED-74"-W/FRAME (H19)
6	123380-03-H40	EA BACK-SOFA/BED-74"-W/FRAME (H40)
6	123380-03-H41	EA BACK-SOFA/BED-74"-W/FRAME (H41)
6	P11319-01-G15	EA COVER-BACK-SOFA/BED-74" (H17)
6	P12104-01-H18	EA COVER-BACK-SOFA/BED-74" (H18)
6	P12104-01-H19	EA COVER-BACK-SOFA/BED-74" (H19)
6	P23380-03-H40	EA COVER-BACK-SOFA/BED-74" (H40)
6	P23380-03-H41	EA COVER-BACK-SOFA/BED-74" (H41)
7	100032-43-G15	EA SEAT-SOFA/BEDW/FRAME-74"-W/OARMS (H17)
7	100032-43-H18	EA SEAT-SOFA/BEDW/FRAME-74"-W/OARMS (H18)
7	100032-43-H19	EA SEAT-SOFA/BEDW/FRAME-74"-W/OARMS (H19)
7	123380-04-H40	EA SEAT-SOFA/BED-74" (H40)
7	123380-04-H41	EA SEAT-SOFA/BED-74" (H41)
7	P00032-43-G15	EA COVER-SEAT-SOFA/BED-74"-W/OARMS (H17)
7	P00032-43-H18	EA COVER-SEAT-SOFA/BED-74"-W/OARMS (H18)
7	P00032-43-H19	EA COVER-SEAT-SOFA/BED-74"-W/OARMS (H19)
7	P23380-04-H40	EA COVER-SEAT-SOFA/BED-74"-W/OARMS (H40)
7	P23380-04-H41	EA COVER-SEAT-SOFA/BED-74"-W/OARMS (H41)
	101085-04-000	EA FRAME-SEAT-SOFA/BED-74.75"
	101085-06-000	EA FRAME-BASE-SOFA/BED-74.75"
	101085-10-000	EA FRAME-BACK-SOFA/BED-74.75"
	111637-03-G15	EA PILLOW-22"X22" (H17)
	111637-03-H18	EA PILLOW-22"X22" (H18)
	111637-03-H19	EA PILLOW-22"X22" (H19)
	111637-03-H23	EA PILLOW-22"X22" (H40)
	111637-03-H41	EA PILLOW-22"X22" (H41)

NOTE: COUCHFRONTANDSIDE PANELSARE FOUNDINTHE LOUNGE GROUP

DINETTE CUSHIONS

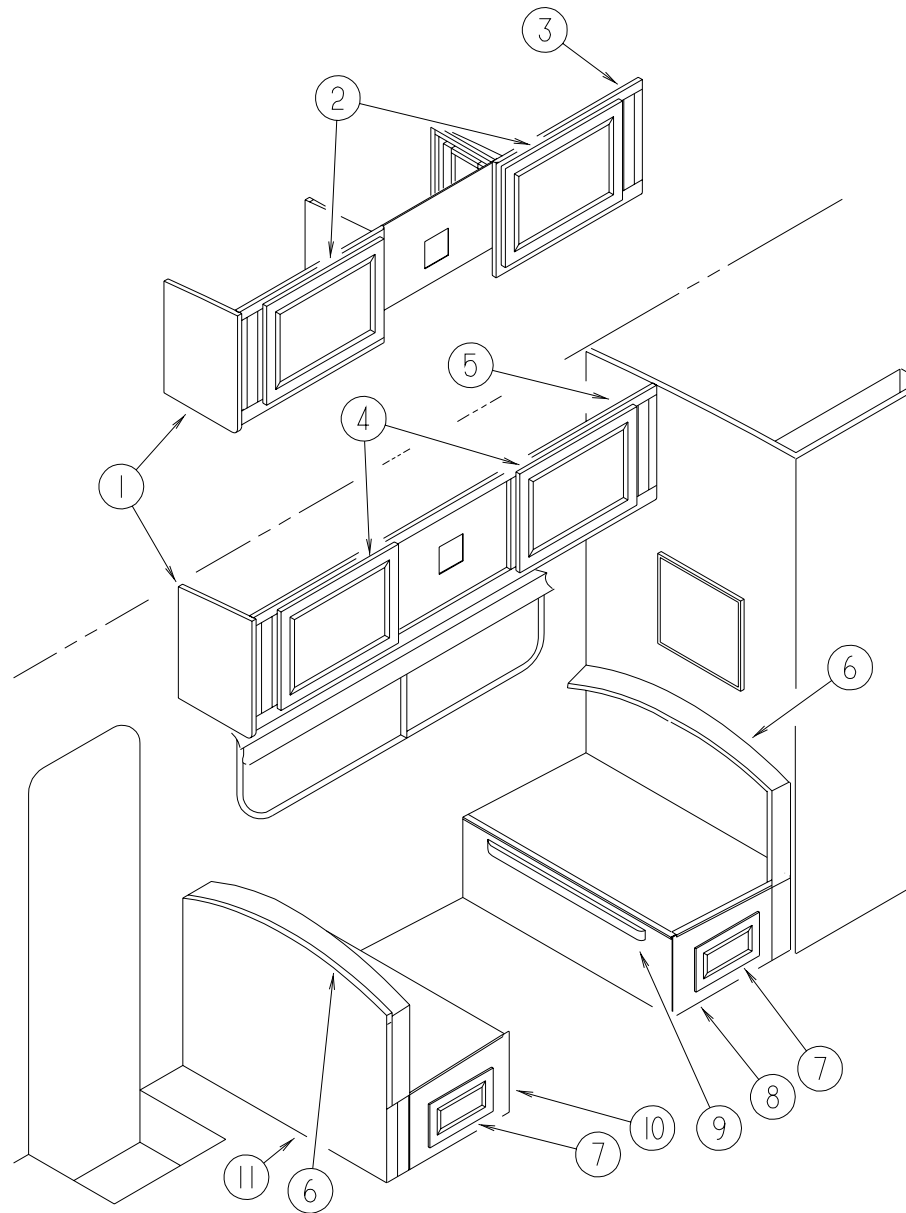
KEY	PARTNUMBER	U/M DESCRIPTION
8	111897-05-G15	EA CUSHION-BACK-13.5"X42"X5"(H17)
8	111897-05-GV7	EA CUSHION-BACK-13.5"X42"X5"(H18)
8	111897-05-H19	EA CUSHION-BACK-13.5"X42"X5"(H19)
8	111880-05-H40	EA CUSHION-CHANNELBACK-13.5X42X5(H40)
8	111880-05-H41	EA CUSHION-CHANNELBACK-13.5X42X5(H41)
8	P11897-05-G15	EA COVER-BACK-13.5"X42"X5"(H17)
8	P11897-05-GV7	EA COVER-BACK-13.5"X42"X5"(H18)
8	P11897-05-H19	EA COVER-BACK-13.5"X42"X5"(H19)
8	P11880-05-H40	EA COVER-BACKCUSHION-13.5"X42"X5"(H40)
8	P11880-05-H41	EA COVER-BACKCUSHION-13.5"X42"X5"(H41)
9	105603-15-G15	EA CUSHION-SEAT-23"X42"X5"(H17)
9	105603-15-GV7	EA CUSHION-SEAT-23"X42"X5"(H18)
9	105603-15-H19	EA CUSHION-SEAT-23"X42"X5"(H19)
9	105603-15-H23	EA CUSHION-SEAT-23"X42"X5"(H40)
9	105603-15-H25	EA CUSHION-SEAT-23"X42"X5"(H41)
9	P05603-15-G15	EA COVER-SEAT-23"X42"X5"(H17)
9	P05603-15-GV7	EA COVER-SEAT-23"X42"X5"(H18)
9	P05603-15-H19	EA COVER-SEAT-23"X42"X5"(H19)
9	P05603-15-H23	EA COVER-SEAT-23"X42"X5"(H40)
9	P05603-15-H25	EA COVER-SEAT-23"X42"X5"(H41)
	078155-01-000	EA STRAP-SNAP-BACKRESTCUSHION

DINETTE OPTION

KEY	PARTNUMBER	U/M DESCRIPTION
10	101604-01-03A	EA CHAIR-DINETTEFOLDING-W/OFABRIC-OAK
11	122739-01-H17	EA CHAIR-KITCHEN(H17)
11	122739-01-H23	EA CHAIR-KITCHEN(H18,H40)
11	122739-01-H19	EA CHAIR-KITCHEN(H19)
11	122739-01-H25	EA CHAIR-KITCHEN(H41)

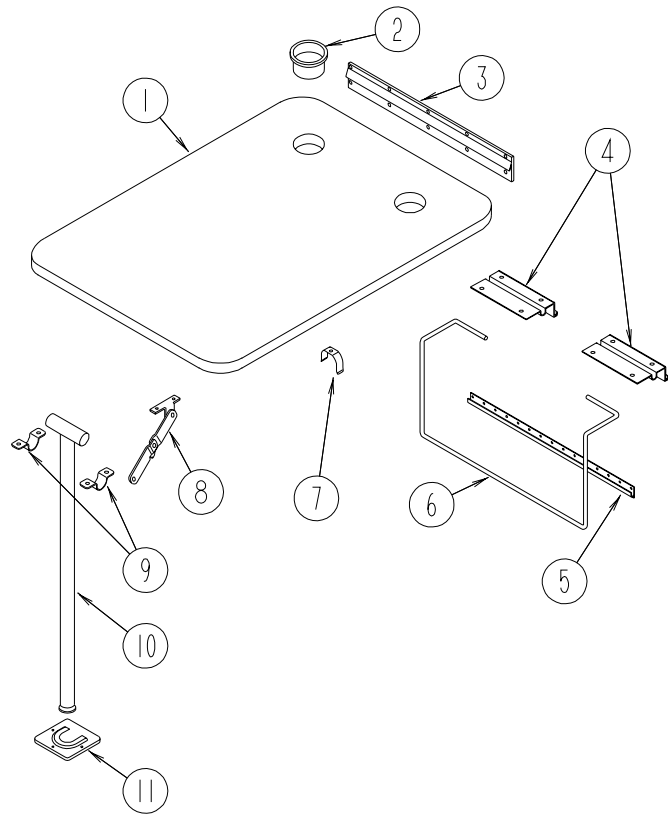
DINETTEGROUP

DINETTE&OVERHEADCABINETS



KEY	PARTNUMBER	U/M DESCRIPTION
1	103128-02-G09	EA ENDCAP-OVERHEADDINETTE-LEFTHAND(OAK)
1	103128-02-H40	EA ENDCAP-OVERHEADDINETTE-LEFTHAND(WHITE)
2	M06803-82-H17	EA DOOR-MITEREDCORNER/OGEEEDGE-15.7"X28"-W/OHDW(OAK)
2	122715-08-01A	EA DOOR-MOLDEDVINYL-15.7"X28"-W/OHARDWARE(WHITE)
3	117579-03-G15	EA CABINET-OVERHEADDINETTEF/COFFEEMAKEROPT-W/ODRS/HDW(OAK)(H17)
3	117579-03-H18	EA CABINET-OVERHEADDINETTEF/COFFEEMAKEROPT-W/ODRS/HDW(OAK)(H18)
3	117579-03-H19	EA CABINET-OVERHEADDINETTEF/COFFEEMAKEROPT-W/ODRS/HDW(OAK)(H19)
3	117579-03-H40	EA CABINET-OVERHEADDINETTEF/COFFEEMAKEROPT-W/ODRS/HDW(WHITE)(H40)
3	117579-03-H41	EA CABINET-OVERHEADDINETTEF/COFFEEMAKEROPT-W/ODRS/HDW(WHITE)(H41)
4	M06803-82-H17	EA DOOR-MITEREDCORNER/OGEEEDGE-15.7"X29.9"-W/OHDW(OAK)
4	122715-08-01A	EA DOOR-MOLDEDVINYL-15.7"X28"-W/OHARDWARE(WHITE)
5	117902-02-G15	EA CABINET-OVERHEADDINETTE-W/ODOORS/HARDWARE(OAK)(H17)
5	117902-02-H48	EA CABINET-OVERHEADDINETTE-W/ODOORS/HARDWARE(OAK)(H18)
5	117902-02-G45	EA CABINET-OVERHEADDINETTE-W/ODOORS/HARDWARE(OAK)(H19)
	117902-14-G09	EA SHELF-W/PLASTICEDGETRIM(OAK)
5	117902-02-H40	EA CABINET-OVERHEADDINETTE-W/ODOORS/HARDWARE(WHITE)(H40)
5	117902-02-H41	EA CABINET-OVERHEADDINETTE-W/ODOORS/HARDWARE(WHITE)(H41)
	117902-14-H37	EA SHELF-W/PLASTICEDGETRIM(WHITE)
6	104787-08-H17	EA PAD-DINETTE(H17)
6	104787-08-H18	EA PAD-DINETTE(H18)
6	104787-08-H19	EA PAD-DINETTE(H19)
6	104787-08-H54	EA PAD-DINETTE(H40)
6	104787-08-H41	EA PAD-DINETTE(H41)
7	M05971-81-H17	EA DRAWER-W/OSLIDES/HARDWARE(OAK)
7	P10163-CS-H40	EA DRAWER-16.9"WX21.6"D-W/OSLIDES/HARDWARE(WHITE)
8	M07515-03-G15	EA CABINET-SEATBASE-RIGHTHAND-W/ODRAWER/HARDWARE(OAK)
8	M07515-03-H41	EA CABINET-SEATBASE-RIGHTHAND-W/ODRAWER/HARDWARE(WHITE)
9	081295-01-G01	EA SUPPORT-BEDDINETTE-28"LONG(OAK)
10	M07515-04-G15	EA SEATBASE-DINETTELEFTHAND-W/ODRAWER/HARDWARE(OAK)
10	M07515-04-H41	EA SEATBASE-DINETTELEFTHAND-W/ODRAWER/HARDWARE(WHITE)
11	M07514-04-G15	EA SEATBACK-DINETTELEFTHAND(OAK)
11	M07514-04-H40	EA SEATBACK-DINETTELEFTHAND(WHITE)

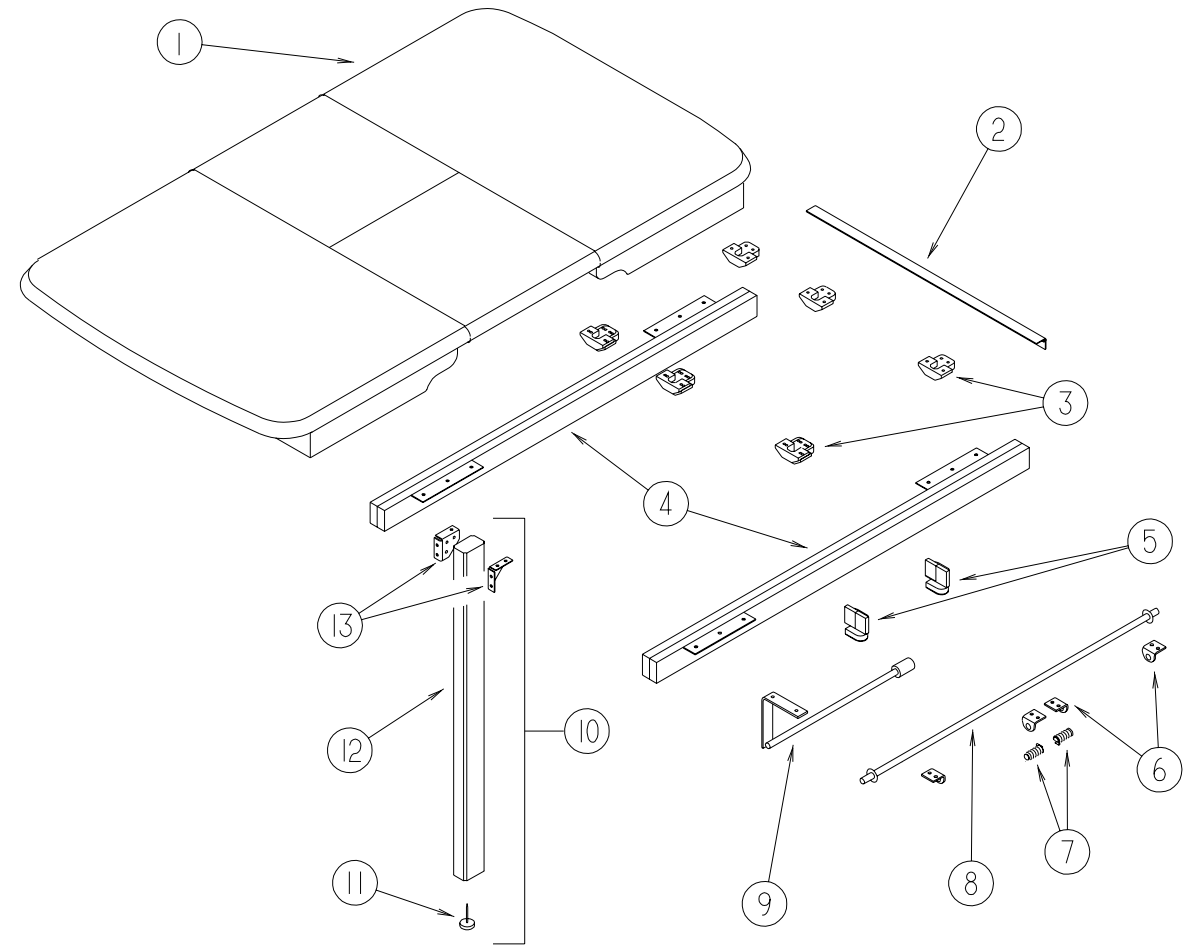
DINETTEGROUP (CONTINUED)



DINETTETABLEASM.

KEY	PARTNUMBER	U/M DESCRIPTION
1	081322-12-F09	EA TABLETOP ONLY (H17, H18)
1	081322-12-F02	EA TABLETOP ONLY (H19)
1	081322-12-H23	EA TABLETOP ONLY (H40, H41)
2	064781-06-000	EA HOLDER-CUP-TWOSTEP-OFFWHITE
3	053200-12-000	EA BRACKET-TABLESUPPORT-UPPERWALLMOUNTED 23.50" (H17, H18, H19)
3	053200-14-000	EA BRACKET-TABLESUPPORT-UPPERWALLMOUNTED 23.50" (H40, H41)
4	088410-02-000	EA BRACKET-LIFT-TABLEMOUNTED
5	024281-14-000	EA BRACKET-LIFTROD/LOWERWALLMOUNTED-22.12" (H17, H18, H19)
5	024281-16-000	EA BRACKET-LIFTROD/LOWERWALLMOUNTED-22.12" (H40, H41)
6	024275-12-000	EA ROD-TABLELIFT (H17, H18, H19)
6	024275-14-000	EA ROD-TABLELIFT (H40, H41)
7	024283-01-000	EA CLIP-LEG-1"-1.125" OD-BLACK
8	024282-01-000	EA BRACE-TABLELEG-HINGED
9	064050-05-000	EA HINGE-TABLELEG-OFFWHITE
10	024276-23-000	EA LEG-TABLE-METAL-OFFWHITE
11	049493-12-000	EA CATCH-LEG/FLOORMOUNTED-2.5" X 2.7"
11	049493-11-700	EA CATCH-TABLELEG, E-COAT

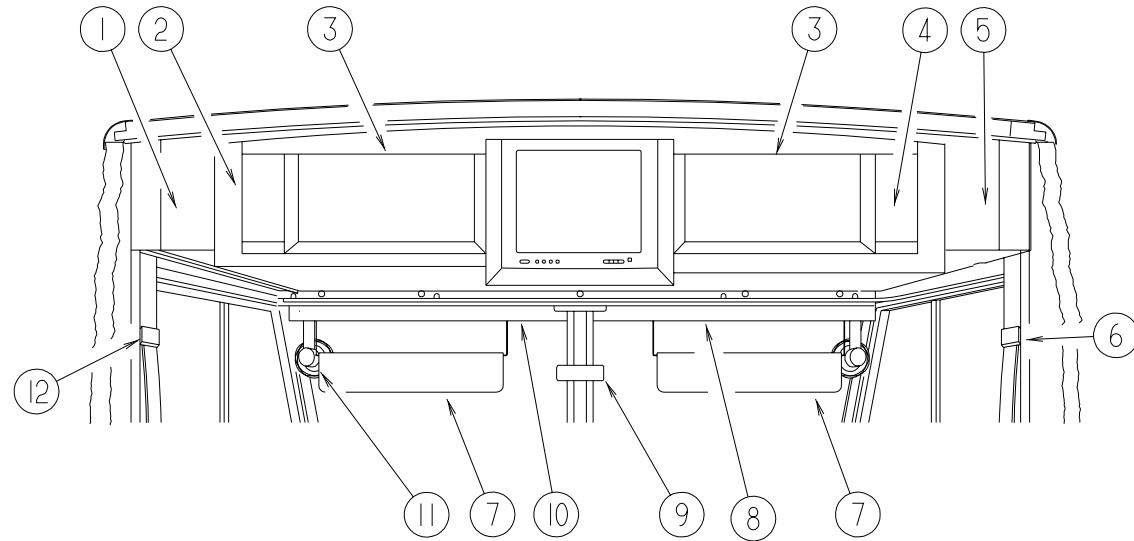
DINETTEGROUP (CONTINUED)



DINETTETABLEASM.W/DROPLEAF

KEY	PARTNUMBER	U/M DESCRIPTION
	P18322-01-H17	EA TABLE-PULLOUTW/SELFSTORINGLEAF (OAK)
	P18322-01-H40	EA TABLE-PULLOUTW/SELFSTORINGLEAF (WHITE)
1	118322-11-H17	EA COUNTERTOP-TABLE-PULLOUT (OAK)
1	118322-11-H40	EA COUNTERTOP-TABLE-PULLOUT (WHITE)
2	041389-18-000	EA HINGE-PIANO-1.50X482.6-OFFWHITE
3	009050-02-000	EA LEVELER-TABLETOP-MALEENDW/4SCREWS-PLASTIC
3	009050-03-000	EA LEVELER-TABLETOP-FEMALEENDW/2SCREWS-PLASTIC
4	110749-01-000	EA SLIDE-TABLE-193/4" LONG
5	108663-01-000	EA HINGE-LEAF-FOLDING
6	108874-01-000	EA BRACKET-HINGE-TABLELEAF
7	108664-01-000	EA SPRING-COMPRESSION-.51" X 1.96"
8	108932-01-000	EA ROD-PIVOT
9	108905-01-000	EA SUPPORT-TABLELEAF
10	092708-12-G35	EA LEG-TABLE (OAK)
10	092708-12-H40	EA LEG-TABLE (WHITE)
11	102194-01-000	EA GUIDE-PLASTIC
12	092707-07-05A	EA MOLDING-TABLELEG-27.8" (OAK)
12	092707-07-07A	EA MOLDING-TABLELEG-27.8" (WHITE)
13	102810-01-04A	EA BRACE-LEG-TABLE-BLACK
13	102810-01-03A	EA BRACE-LEG-TABLE-MILL

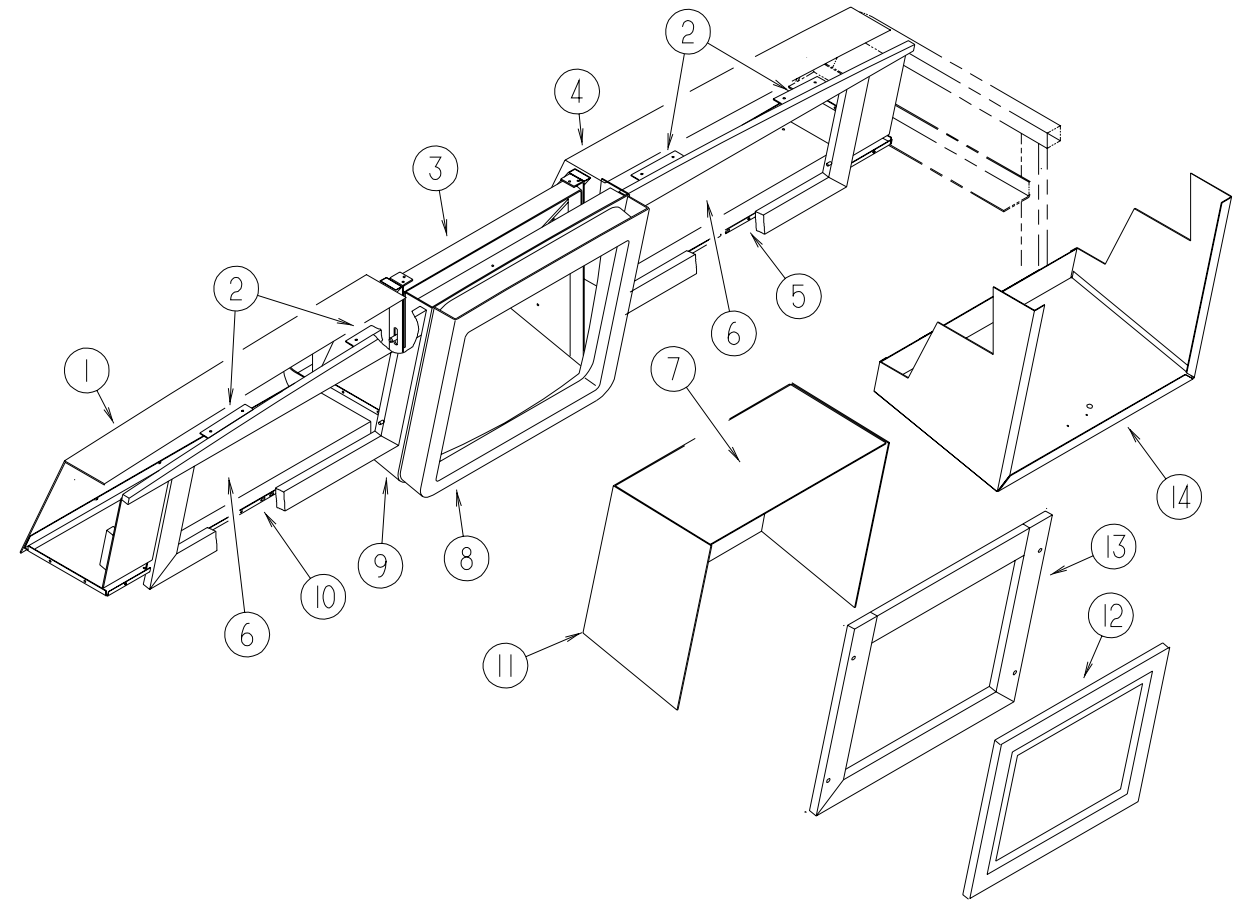
DRIVERS COMPARTMENT GROUP



UPPER DRIVER COMPARTMENT

KEY	PARTNUMBER	U/M	DESCRIPTION
1	104289-04-G09	EA	PANEL-VINYL COVERED OVERHEAD DRIVERSIDE-ANGLED
2	114612-04-H17	EA	FACE-CABINET/DRIVERSTV OVERHEAD-15.7"X36.4"(OAK)
2	114612-04-H40	EA	FACE-OVERHEAD-DRIVERTVCABINET-15.7"X36.4"(WHITE)
3	100708-13-000	EA	DOOR-CABINET-GLASS
	100710-01-01A	EA	LOCKASSEMBLY-TWISTTYPE-BRASS
	100711-01-01A	EA	HINGE-GLASSDOOR
	100707-01-000	EA	SPACER-GLASSDOOR-.8"DIAMETER-.3"HOLE-PLASTIC
	101272-01-000	EA	CATCH-GLASSDOOR
	101766-01-000	EA	PIN-SUPPORT-GLASSDOOR
	108486-01-01A	EA	BRACKET-PROPROD/OVERHEAD-BLACK
	108487-02-01A	EA	SUPPORT-PROPROD/OVERHEAD-BLACK
4	114612-03-H17	EA	FACE-CABINET/PASSENGERTV OVERHEAD-15.7X36.4(OAK)
4	114612-03-H40	EA	FACE-TV OVERHEAD PASSENGER-15.7X36.4(WHITE)
5	104289-03-G09	EA	PAD-VINYL COVERED-OVERHEADTV-PASSENGER
6	103961-01-01A	EA	SEATBELTBRACKETCOVER-OFFWHITE
7	123298-02-02A	EA	SUNVISOR-10.5"X28.5"
8	078579-17-000	EA	TRIM-WINDSHIELD-UPPERINNERPASSENGER
9	040714-01-000	EA	MIRROR-REARVIEW/ARMMOUNT&SETSCREW-GM#911722
	067490-01-000	EA	BUTTON-MIRROR/REARVIEW
10	078579-18-000	EA	TRIM-WINDSHIELD-UPPERINNERDRIVER
11	122856-01-01A	EA	FAN-DEFROSTER-2SPEED-CHROME
12	103961-02-01A	EA	SEATBELTBRACKETCOVER-OFFWHITE

DRIVERS COMPARTMENT GROUP (CONTINUED)

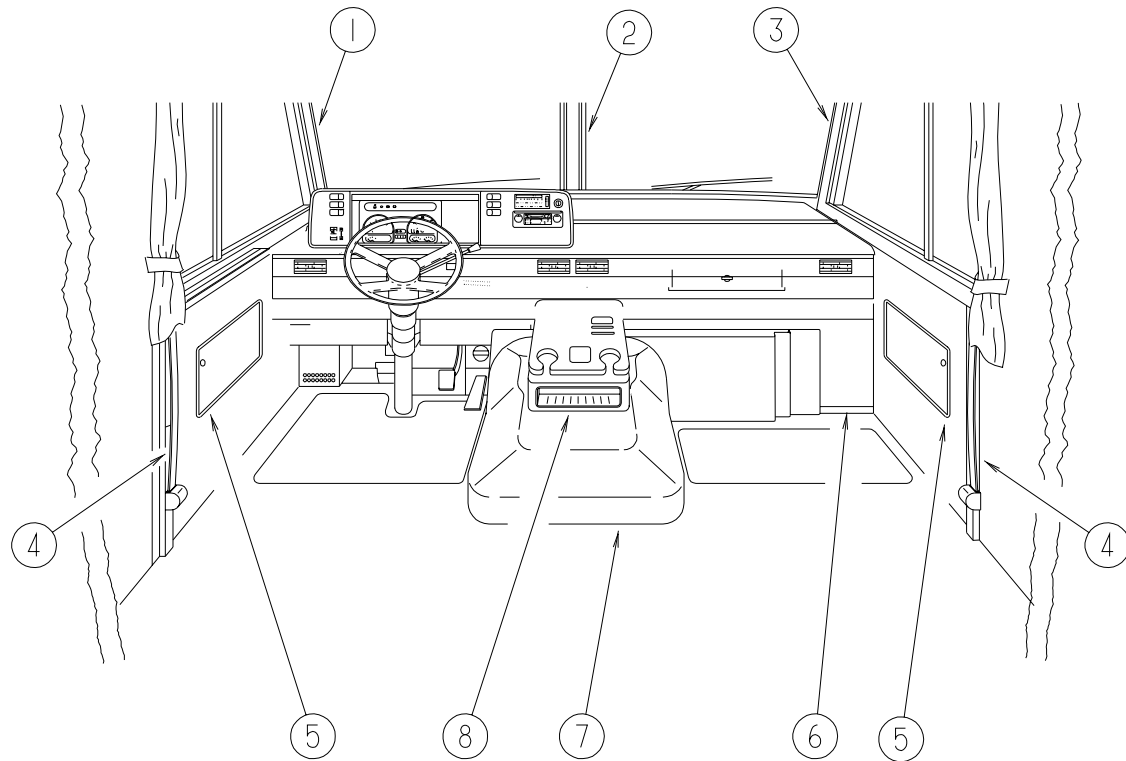


FRONT OVERHEAD COMPONENTS

KEY	PARTNUMBER	U/M	DESCRIPTION
1	114661-11-G15	EA	PANELASM.-LINER-DRIVER OVERHEAD-W/OTV
1	114661-17-G15	EA	PANELASM.-LINER-DRIVER OVERHEAD-W/TV
1	114661-23-G15	EA	PANELASM.-LINER-DRIVER OVERHEAD-W/SATELLITEDISH
2	106699-01-01A	EA	BRACKET-OVERHEAD CABINET W/TV-OFF WHITE
3	114706-02-02B	EA	SUPPORTASM.-SHELF-TV-E-COAT
4	114661-22-G15	EA	PANELASM.-LINER-PASSENGER OVERHEAD-W/OTV
4	114661-18-G15	EA	PANELASM.-LINER-PASSENGER OVERHEAD-W/TV
4	114661-19-G15	EA	PANELASM.-LINER-PASSENGER OVERHEAD-W/TV&VCR
4	114661-20-G15	EA	PANELASM.-LINER-PASSENGER OVERHEAD-W/TV-VCR/INVERTER
4	114661-21-G15	EA	PANELASM.-LINER-PASSENGER OVERHEAD-W/TV&INVERTER
5	P03077-06-G15	EA	SHELF-BASE-PASSENGERSIDE OVERHEAD CABINET-W/OTV
5	P03077-10-G15	EA	SHELF-BASE-PASSENGERSIDE OVERHEAD CABINET-W/TV
6	100676-02-000	EA	SHELF OVERHEAD CABINET-VCR/INVERTER
7	115638-01-G15	EA	PANELASM.-LINER-TOP-W/OTV
8	122881-01-01A	EA	INSERT-OVERHEAD FRONT TV
9	118022-04-H17	EA	COVERASM-TV OVERHEAD FRONT
	118836-02-GV0	EA	PANEL-VINYL COVERED, BACK-SATELLITEDISH PACKAGE W/O RECEIVER
	120106-11-02B	EA	SHELF-TV, E-COAT STEEL
10	P03077-05-G15	EA	SHELF-BASE-OVERHEAD CABINET-DRIVERSIDE-W/OTV
10	P03077-09-G15	EA	SHELF-BASE-OVERHEAD CABINET-DRIVERSIDE-W/TV
11	115639-01-G15	EA	PANELASM.-LINER-W/OTV-SIDE
12	M06803-C1-H17	EA	DOOR-MITERED CORNER/OGEE EDGE-16.7"X18.1"-W/O HDW(OAK)
12	122715-66-01A	EA	DOOR-MOLDED VINYL-16.7"X18"-W/O HDW(WHITE)
13	116791-01-F31	EA	FACE FRAME-TV CABINET-20.6"X22.2"-W/OTV(OAK)
13	116791-01-H40	EA	FACE FRAME-TV CABINET-20.6"X22.2"-W/OTV(WHITE)
14	P18192-01-G15	EA	COVERASM.-W/OTV-WITH VINYL
	099856-01-000	EA	TIEDOWN-STRAP-TV-W/BUCKLE-53.1"X1"-WEBBING-BLACK
	078811-09-G15	EA	PANEL-TRIM-HEADER-LOWER-BETWEEN OVERHEAD AND W/STRIM

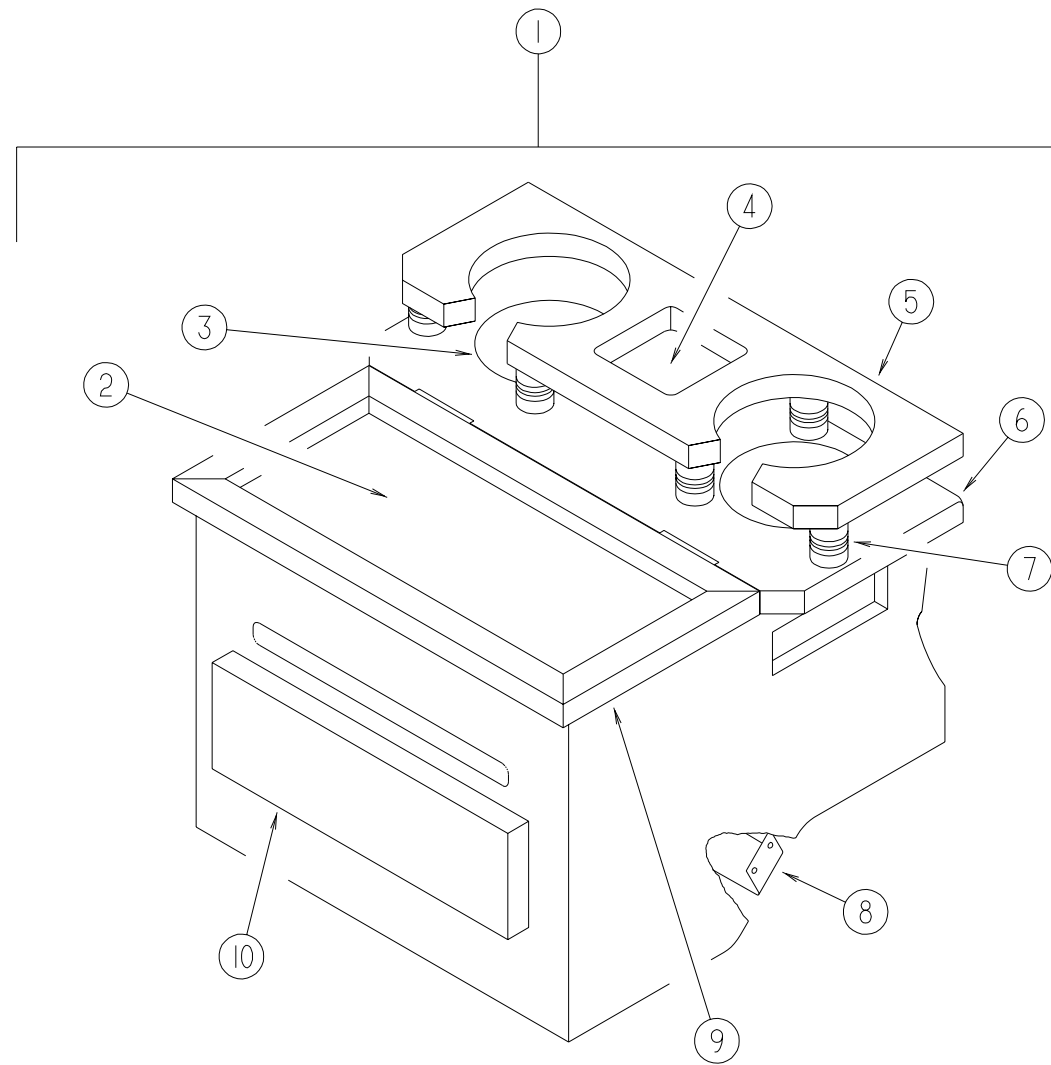
DRIVERS COMPARTMENT GROUP(CONTINUED)

LOWERDRIVERCOMPARTMENT



KEY	PARTNUMBER	U/M	DESCRIPTION
1	103931-04-03A	EA	COVER-INTERIORA-PILLAR-DRIVER
2	079765-11-000	EA	TRIM-WINDSHIELDCENTER
3	103931-03-03A	EA	COVER-INTERIORA-PILLAR-PASSENGERSIDE
	024700-44-000	EA	COVER-ROLLBAR-DRIVER/PASSENGERLOWER-53"-W/ODRIVERDOOR
	024700-46-000	EA	COVER-ROLLBAR-DRIVER/PASSENGERUPPER-21.20"
	024700-47-000	EA	COVER-ROLLBAR-18.9"-W/DRIVERDOOR-OFFWHITE
	024700-48-000	EA	COVER-ROLLBAR-25"-W/DRIVERDOOR-OFFWHITE
4	091990-04-01A	EA	SEATBELT-SHOULDERHARNES-DRIVERS/PASSENGER-BLACK
	091990-01-701	EA	EXTENDER9"FORA84083PT
	109146-01-000	EA	BOLT-SHOULDER/SEATBELT
5	086120-10-G15	EA	PAD-MAPPOCKET-12"X16"(H17)
5	086120-10-G37	EA	PAD-MAPPOCKET-12"X16"(H18)
5	086120-10-H19	EA	PAD-MAPPOCKET-12"X16"(H19)
5	086120-10-H23	EA	PAD-MAPPOCKET-12"X16"(H40)
5	086120-10-H25	EA	PAD-MAPPOCKET-12"X16"(H41)
6	095757-05-G15	EA	COVER-HEATER(H17)
6	095757-05-G17	EA	COVER-HEATER(H18)
6	095757-05-H19	EA	COVER-HEATER(H19)
6	095757-05-H40	EA	COVER-HEATER(H40)
6	095757-05-G35	EA	COVER-HEATER(H41)
7	115840-01-01A	EA	COVER-MOTOR-W/OCARPET
7	115840-02-01A	EA	COVER-MOTOR-W/OCARPET-VORTECOPT.
	115852-01-02B	EA	STRIKE-LATCH-MOTORCOVER-E-COATED
	115860-01-01A	EA	TRIM-MOTORCOVER
	115850-01-02B	EA	RETAINER-LATCHMOTORCOVER-E-COAT
	116581-01-000	EA	LATCH-MOTORCOVER
	116833-01-02B	EA	WRENCH-HEXMOTORCOVER-E-COATED
	122772-02-02B	EA	BRACKET-MOUNTING-BEVERAGETRAY
8	122707-01-H17	EA	TRAYASM-BEVERAGE-W/ODRAWERORLOUVERS(OAK) FROM: 00-00-00 THRU: 03-16-97
8	122707-01-H40	EA	TRAYASM-BEVERAGE-W/ODRAWERORLOUVERS-(WHITE) FROM: 00-00-00 THRU: 03-16-97
8	122707-02-H17	EA	TRAYASM-BEVERAGE-W/ODRAWERORLOUVERS-VORTECENGINE(OAK) FROM: 00-00-00 THRU: 03-16-97
8	122707-02-H40	EA	TRAYASM-BEVERAGE-W/ODRAWERORLOUVERS-VORTECENGINE(WHITE) FROM: 00-00-00 THRU: 03-16-97
8	126680-01-H17	EA	TRAYASM-BEVERAGE-W/ODRAWERORLOUVERS(OAK) FROM: 03-17-97 THRU: 99-99-99
8	126680-01-H40	EA	TRAYASM-BEVERAGE-W/ODRAWERORLOUVERS(WHITE) FROM: 03-17-97 THRU: 99-99-99
8	126680-02-H17	EA	TRAYASM-BEVERAGE-W/ODRAWERORLOUVERS-VORTECENGINE(OAK) FROM: 03-17-97 THRU: 99-99-99
8	126680-02-H40	EA	TRAYASM-BEVERAGE-W/ODRAWERORLOUVERS-VORTECENGINE(WHITE) FROM: 03-17-97 THRU: 99-99-99
	103498-06-000	EA	BOOT-STEERINGCOLUMN/UNIVERSAL FROM: 00-00-00 THRU: 12-18-96
	103498-09-000	EA	BOOT-STEERINGCOLUMN-W/1/2CIRCLE FROM: 12-19-96 THRU: 99-99-99
	112634-01-01A	EA	TRIM-STEERINGCOLUMN-RIGHTHAND-FORD
	112634-02-01A	EA	TRIM-STEERINGCOLUMN-LEFTHAND-FORD
	111521-03-01A	EA	COVER-STEERINGCOLUMN-FORD
	111521-04-01A	EA	COVER-STEERINGCOLUMN-FORD

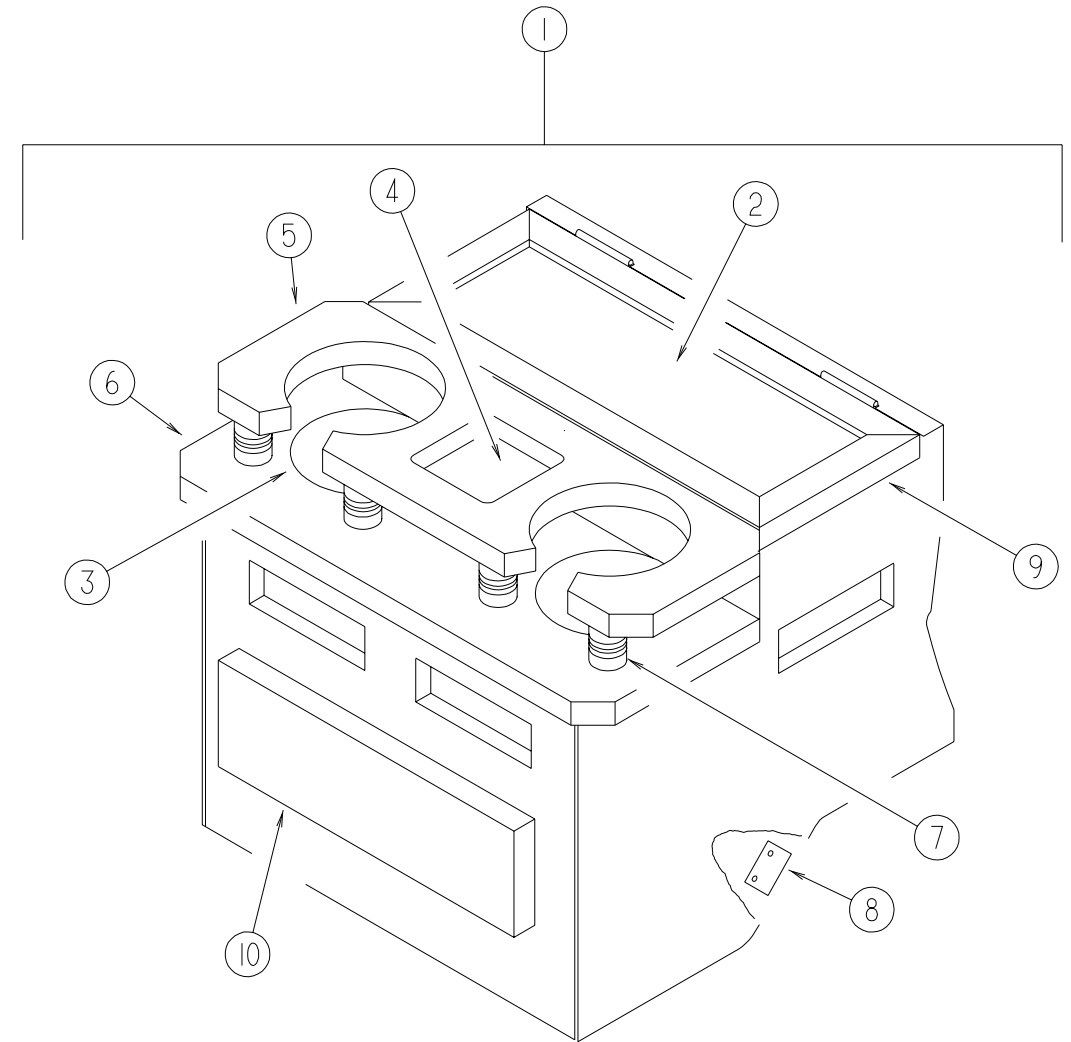
DRIVERS COMPARTMENT GROUP (CONTINUED)



BEVERAGETRAY,DRIVERCOMPARTMENT(FROM:00-00-00THRU:03-16-97)

KEY	PARTNUMBER	U/M	DESCRIPTION
1	122707-01-H17	EA	TRAYASM-BEVERAGE-W/ODRAWERORLOUVERS(OAK)
1	122707-01-H40	EA	TRAYASM-BEVERAGE-W/ODRAWERORLOUVERS-(WHITE)
1	122707-02-H17	EA	TRAYASM-BEVERAGE-W/ODRAWERORLOUVERS-VORTECENGINE(OAK)
1	122707-02-H40	EA	TRAYASM-BEVERAGE-W/ODRAWERORLOUVERS-VORTECENGINE(WHITE)
2	122717-03-01A	FT	PAD-NON-SKID-PSA-ROLL-6.5"X50"
3	122717-01-01A	EA	PAD-NON-SKID-PSA
4	122717-02-01A	EA	PAD-NON-SKID-PSA
5	122707-11-H17	EA	SHELFW/OPADORDOWELS(OAK)
5	122707-11-H40	EA	SHELFW/OPADORDOWELS(WHITE)
6	122707-12-H17	EA	SHELFASM-W/PADSW/OHARDWAREORDOWELS(OAK)
6	122707-12-H40	EA	SHELFASM-W/PADSW/OHARDWAREORDOWELS(WHITE)
7	097872-04-000	EA	DOWEL-WOOD-1"DIAMETERX1.38"LONG-UNFINISHED
8	122832-01-02B	EA	BRACKET-MOUNT-BEVERAGETRAY-E-COAT
9	122707-13-H17	EA	LIDW/OPADORHARDWARE(OAK)
9	122707-13-H40	EA	LIDW/OPADORHARDWARE(WHITE)
10	M05971-AZ-H17	EA	DRAWER-OGEEEDGE-W/OSLIDES/HARDWARE(OAK)
10	P10163-DN-H40	EA	DRAWER-9.9"WX11.8"D-W/OSLIDES/HARDWARE(WHITE)
	100128-02-000	FT	SEAL-FOAM-ADHESIVEBACK-.37"WX.37"THICK

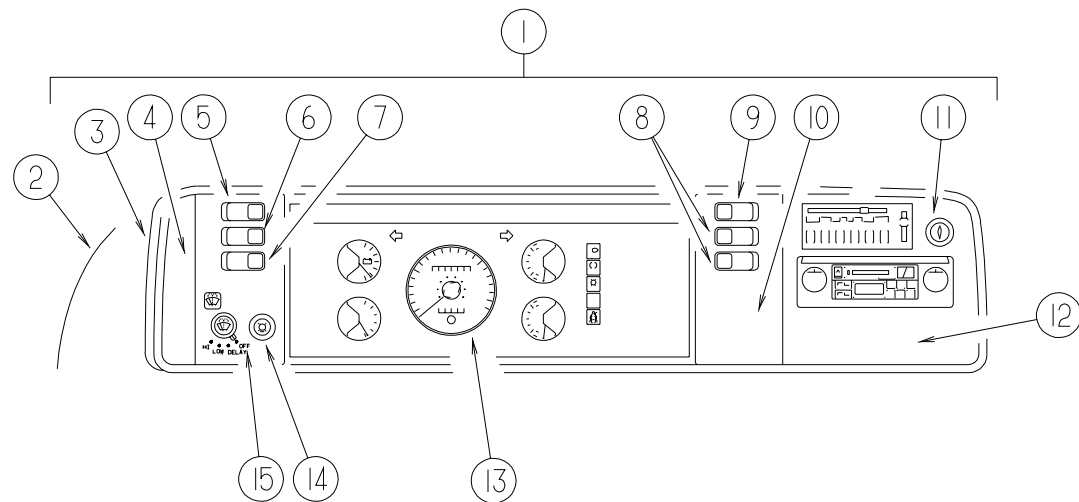
DRIVERSCOMPARTMENTGROUP(CONTINUED)



BEVERAGETRAY,DRIVERCOMPARTMENT(FROM:03-17-97THRU:99-99-99)

KEY	PARTNUMBER	U/M	DESCRIPTION
1	126680-01-H17	EA	TRAYASM-BEVERAGE-W/ODRAWERORLOUVERS(OAK)
1	126680-01-H40	EA	TRAYASM-BEVERAGE-W/ODRAWERORLOUVERS(WHITE)
1	126680-02-H17	EA	TRAYASM-BEVERAGE-W/ODRAWERORLOUVERS-VORTECENGINE(OAK)
1	126680-02-H40	EA	TRAYASM-BEVERAGE-W/ODRAWERORLOUVERS-VORTECENGINE(WHITE)
2	122717-06-01A	FT	PAD-NON-SKID-PSA-6.5"X13.8"
3	122717-01-01A	EA	PAD-NON-SKID-PSA
4	122717-02-01A	EA	PAD-NON-SKID-PSA
5	126680-15-H17	EA	SHELFW/OPADORDOWELS(OAK)
5	126680-15-H40	EA	SHELFW/OPADORDOWELS(WHITE)
6	126680-14-H17	EA	SHELFW/OPADSORDOWELS(OAK)
6	126680-14-H40	EA	SHELFW/OPADSORDOWELS(WHITE)
7	097872-04-000	EA	DOWEL-WOOD-1"DIAMETERX1.38"LONG-UNFINISHED
8	122832-01-02B	EA	BRACKET-MOUNT-BEVERAGETRAY-E-COAT
9	126680-16-H17	EA	LIDW/PADW/OHARDWARE(OAK)
9	126680-16-H40	EA	LIDW/PADW/OHARDWARE(WHITE)
10	M05971-AZ-H17	EA	DRAWER-OGEEEDGE-W/OSLIDES/HARDWARE(OAK)
10	P10163-DN-H40	EA	DRAWER-9.9"WX11.8"D-W/OSLIDES/HARDWARE(WHITE)
	100128-02-000	FT	SEAL-FOAM-ADHESIVEBACK-.37"WX.37"THICK

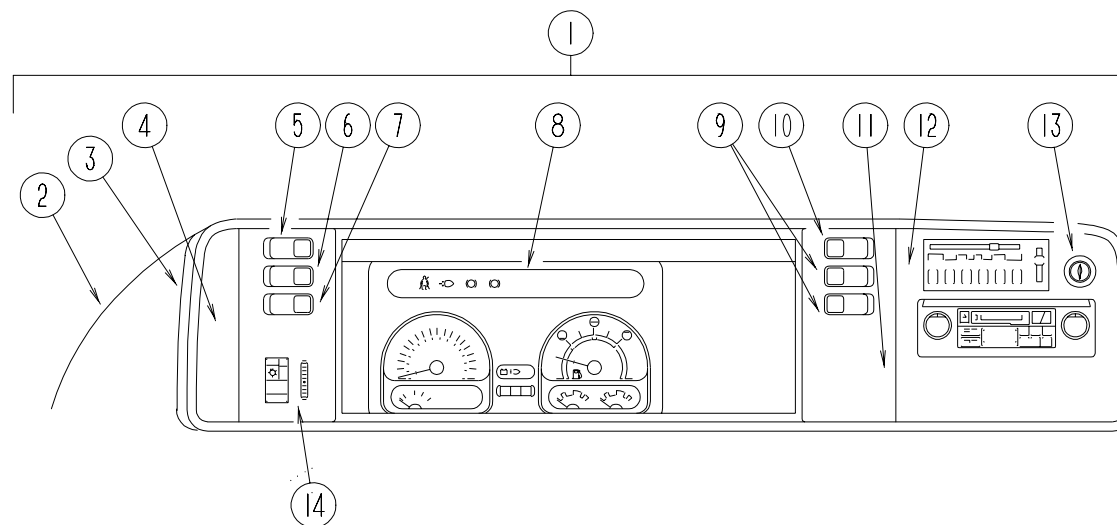
DRIVERS COMPARTMENT GROUP (CONTINUED)



DASH, GAUGES & SWITCHES (FORD)

KEY	PARTNUMBER	U/M	DESCRIPTION
1	M05946-43-H17	EA	DASHPODASM.
2	111499-01-03A	EA	POD-INSTRUMENTPANEL-WILLOW
3	103662-04-01A	EA	BEZEL-INSTRUMENTPANEL
4	104056-01-05A	EA	APPLIQUE-BEZEL-DRIVERDRESSUP
5	108357-05-000	EA	SWITCH-ROCKER-SPDT-ON/NONE/ON-3TERM
5	108356-02-01A	EA	COVER/ACTUATORSWITCH-2DIMPLES
6	108357-09-000	EA	SWITCH-ROCKER-SPDT-ON/NONE/MOM-3TERMINAL
6	108356-02-01A	EA	COVER/ACTUATORSWITCH-2DIMPLES
7	108357-06-000	EA	SWITCH-ROCKER-SPDT-MON/OFF/MOM-6TERMINAL
7	108356-02-01A	EA	COVER/ACTUATORSWITCH-2DIMPLES
8	108357-03-000	EA	SWITCH-ROCKER-SPDT-ON/OFF/ON-3TERMINAL
8	108356-02-01A	EA	COVER/ACTUATORSWITCH-2DIMPLES
9	108357-10-000	EA	SWITCH-ROCKER-SPDT-MOM/OFF/MOM-LIGHTED5TERMINAL
9	108356-04-01A	EA	COVER/ACTUATORSWITCH-DIMPLESW/LIGHT
	096241-03-000	EA	SWITCH-BLANK
	077942-01-000	EA	SWITCH-DUMMY-BLACK
10	104056-21-01A	EA	APPLIQUE-BEZEL-PASSENGERDRESSUP
10	104056-08-01A	EA	APPLIQUE-BEZEL(W/FOGLAMPSOREXPORT)
11	089294-01-000	EA	LIGHTER-CIGARETTE-W/OWIRES
12	104056-06-05A	EA	APPLIQUE-BEZEL-PASSENGERDRESSUP
13	094794-06-000	EA	CLUSTER-INSTRUMENTPANEL-KILOMETERS-FORD
14	096675-01-000	EA	KNOB-HEADLAMP SWITCH-W/SHAFT
	096674-01-000	EA	NUT-HEADLAMP SWITCH-BLACK
15	104056-24-01A	EA	APPLIQUE-BEZEL-DRIVERSIDEDRESSUP
	100138-01-000	EA	MODULE-DAYTIMERUNNINGLIGHT(CSA)
	077031-01-000	EA	FILM-BLACK-1"X1.75"
	077031-03-000	EA	FILM-WHITE.75"X1"
	104354-08-02A	EA	APPLIQUE-LOWERDASH
	111528-07-02A	EA	TRIM-DASH-LOWERPASSENGER-FORD
	111528-07-01A	EA	TRIM-DASH-LOWERPASSENGER-FORD
	117306-02-F11	EA	TRIM-DASH-LOWER-FORD
	111528-04-01A	EA	TRIM-DASH-LOWERDRIVER
	P14614-02-000	EA	DASH-W/OVINYL-FORD
	106569-07-01A	EA	VINYL-MADRIDWILLOW-1/4"X17"X100"
	103603-01-000	EA	BULB-12VOLT-#74-.12AWEDGE-GE22-25USEDINDASH
	112236-01-E10	EA	MONITOR-LEVELING
	112235-01-01A	EA	BEZEL-MONITOR-LEVELING
	111904-01-000	EA	INDICATOR-TRANSMISSION-FORD
	111417-01-01A	EA	DECAL-LOGO/3D-ADVENTURER

DRIVERS COMPARTMENT GROUP (CONTINUED)



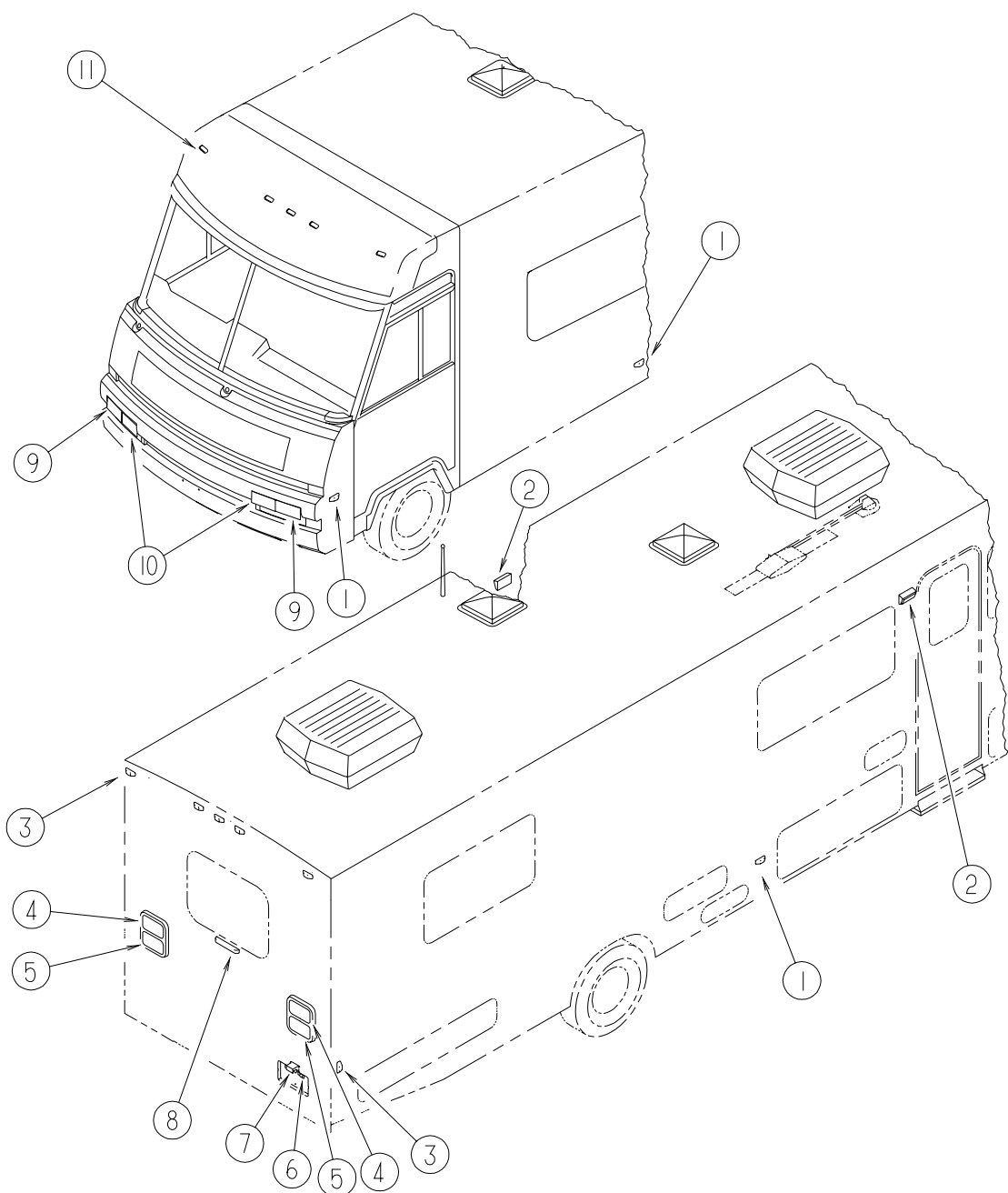
DASH, GAUGES & SWITCHES (CHEVY)

KEY	PARTNUMBER	U/M	DESCRIPTION
1	M05946-42-H17	EA	DASHPOD-CHEVY
2	111499-01-03A	EA	POD-INSTRUMENTPANEL-WILLOW
3	103662-01-01A	EA	BEZEL-INSTRUMENTPANEL
4	104056-01-05A	EA	APPLIQUE-BEZEL-DRIVERDRESSUP
5	108357-05-000	EA	SWITCH-ROCKER-SPDT-ON/NONE/ON-3TERM
5	108356-02-01A	EA	COVER/ACTUATORSWITCH-2DIMPLES
6	108357-09-000	EA	SWITCH-ROCKER-SPDT-ON/NONE/MOM-3TERMINAL
6	108356-02-01A	EA	COVER/ACTUATORSWITCH-2DIMPLES
7	108357-06-000	EA	SWITCH-ROCKER-SPDT-MON/OFF/MOM-6TERMINAL
7	108356-02-01A	EA	COVER/ACTUATORSWITCH-2DIMPLES
8	094796-07-000	EA	CLUSTER-INSTRUMENTPANEL-KILOMETER,GAS FROM: 00-00-00 THRU: 10-27-96
8	12500102000	EA	CLUSTER-INSTRUMENTPANEL-KILOMETERS/MILES-CANADIAN FROM: 10-28-96 THRU: 99-99-99
9	108357-03-000	EA	SWITCH-ROCKER-SPDT-ON/OFF/ON-3TERMINAL
9	108356-02-01A	EA	COVER/ACTUATORSWITCH-2DIMPLES
10	108357-10-000	EA	SWITCH-ROCKER-SPDT-MOM/OFF/MOM-LIGHTED5TERMINAL
10	108356-04-01A	EA	COVER/ACTUATORSWITCH-DIMPLESW/LIGHT
	096241-03-000	EA	SWITCH-BLANK
	077942-01-000	EA	SWITCH-DUMMY-BLACK
11	104056-08-01A	EA	APPLIQUE-BEZEL
11	104056-21-01A	EA	APPLIQUE-BEZEL-PASSENGERDRESSUP
12	104056-06-05A	EA	APPLIQUE-BEZEL-PASSENGERDRESSUP
13	089294-01-000	EA	LIGHTER-CIGARETTE-W/OWIRES
14	104056-22-01A	EA	APPLIQUE-BEZEL-DRIVERSWITCHES
	P14614-01-000	EA	DASH-W/OVINYL-GM
	106569-07-01A	EA	VINYL-MADRIDWILLOW-1/4"X17"X100"
	103603-01-000	EA	BULB-12VOLT-#74-.12AWEDGE-GE22-25USEDINDASH
	077031-01-000	EA	FILM-BLACK-1"X1.75"
	077031-03-000	EA	FILM-WHITE.75"X1"
	114620-05-01A	EA	TRIM-DASH-LOWER-GM
	114620-05-02A	EA	TRIM-DASH-LOWER-GM
	104354-08-02A	EA	APPLIQUE-LOWERDASH
	100138-01-000	EA	MODULE-DAYTIMERUNNINGLIGHT
	077539-01-000	EA	BRACKET-MOUNTING/DASHPANEL-L/SHAPED-2.5"X1"X1.5"
	112236-01-E10	EA	MONITOR-LEVELING
	112235-01-01A	EA	BEZEL-MONITOR-LEVELING
	111417-01-01A	EA	DECAL-LOGO/3D-ADVENTURER

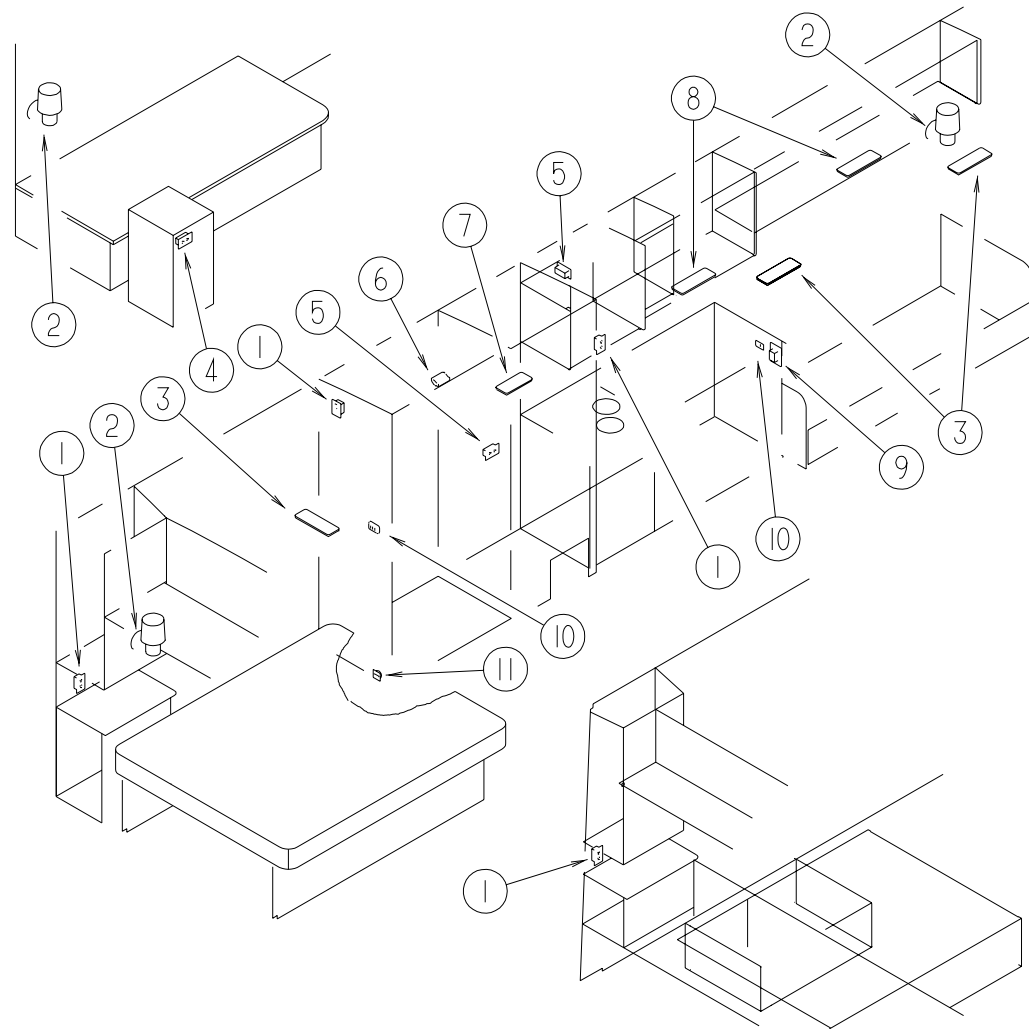
ELECTRICALGROUP

EXTERIORLIGHTS

KEY	PARTNUMBER	U/M	DESCRIPTION
1	111102-02-000	EA	LENS-MARKERLAMP-AMBER
1	111102-01-000	EA	LAMP-MARKER-BASE
1	036196-01-000	EA	BULB-12VOLT-#194-.27AMP-BAYONETTE
2	097917-01-06A	EA	LIGHT-PORCH-BRIGHTWHITE
2	008215-01-000	EA	BULB-12VOLT-#1003-.94AMP
2	097917-01-700	EA	LENS-LIGHT-CLEAR
2	008089-02-000	EA	LIGHT-PORCH-RECESSED-CANADIAN
2	008089-01-700	EA	LENS-LIGHT-RECESSED-PORCH-CANADIAN
2	008214-01-000	EA	BULB-12VOLTNO67-0.59AMP-CANADIAN
2	091981-01-000	EA	GASKET-PORCHLIGHT-CANADIAN
3	111102-03-000	EA	LENS-MARKERLAMP-RED
3	111102-01-000	EA	LAMP-MARKER-BASE
3	036196-01-000	EA	BULB-12VOLT-#194-.27AMP-BAYONETTE
4	115632-01-02A	EA	LIGHT-STOP/TURN/TAILRED
5	115632-03-02A	EA	LIGHT-STOP/TAIL/BACKUP
6	066432-03-000	EA	BRACKET-LICENSEPLATE
7	066432-02-000	EA	LIGHT-LICENSE-BLACK
8	121950-01-000	EA	LIGHT-BRAKE-CENTERMOUNT
9	070907-04-000	EA	HEADLAMP-HIGH/LOWHALOGEN
9	049359-01-000	EA	SPRING-RETAINER-HEADLAMP
9	110750-01-000	EA	SCREW-HEADLAMPADJUSTING
	124215-01-000	EA	FOGLIGHT-RECTANGULAR/CLEARLENS
10	089292-01-000	EA	LIGHT-TURN-DRIVER/PASSENGER-W/AMBERLENS
10	037935-01-000	EA	BULB-12V-#1157OR#2057-2.1AMP-CLEARGLASS
11	102520-01-000	EA	LIGHT-CLEARANCE-W/OSOCKETCONNECTINS-AMBER
11	036196-01-000	EA	BULB-12VOLT-#194-.27AMP-BAYONETTE
11	102541-01-000	EA	GASKET-CLEARANCELIGHT
11	067789-02-000	EA	SOCKET-LAMP



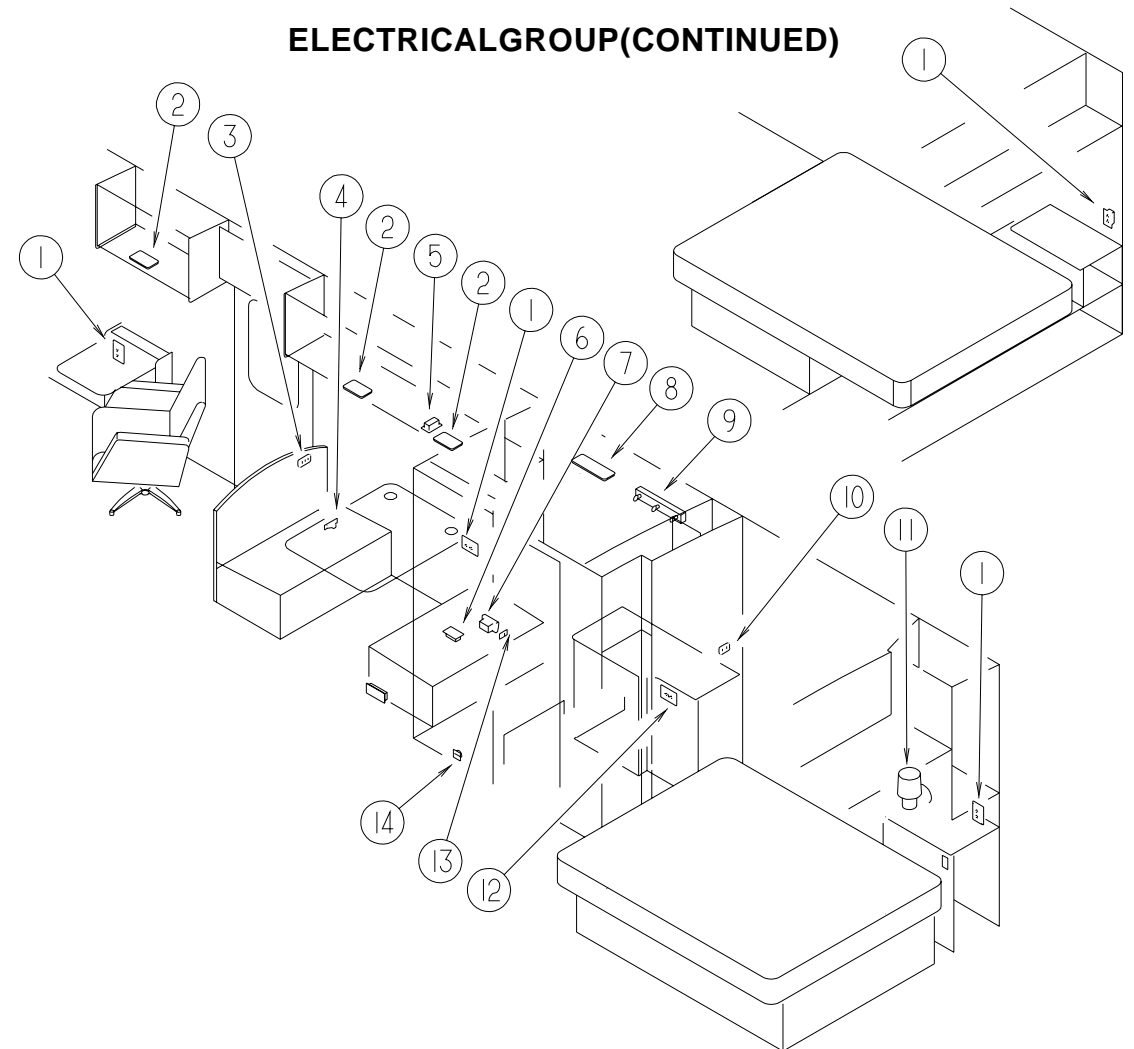
ELECTRICALGROUP(CONTINUED)



LIGHTS,RECEPTACLES,&SWITCHES(DRIVERSIDE)

KEY	PARTNUMBER	U/M	DESCRIPTION
1	058708-02-000	EA	RECEPTACLE-ELECTRIC-DOUBLE-IVORY
1	102568-01-H37	EA	SPACER-RECEPTACLE-SIDEWALL
2	065202-24-000	EA	LAMP-WALL/BRASS-W/OSHADE
2	119257-01-01A	EA	SHADE-LAMP-POTPOUM
2	067479-01-000	EA	BULB-12VOLT-#1076-1.80AMP
3	098024-03-02A	EA	LIGHT-DOME-2BULBWHITE
3	008218-01-000	EA	BULB-DOMELIGHT-12VOLT-NO.1141
3	098024-01-700	EA	LENS-LIGHT
4	058708-01-000	EA	RECEPTACLE-ELECTRIC-DOUBLE-BROWN
5	058707-01-000	EA	RECEPTACLE-ELECTRIC-SINGLE-BROWN
6	087694-01-000	EA	LIGHT-WARDROBE/CLOSET-W/SWITCH
6	087694-01-700	EA	BULB
7	098024-01-03A	EA	LIGHT-DOME1BULBWHITE
7	008218-01-000	EA	BULB-DOMELIGHT-12VOLT-NO.1141
7	098024-01-700	EA	LENS-LIGHT
8	098024-06-02A	EA	LIGHT-DOME2BULB-SKYLITE-WHITE
8	008218-01-000	EA	BULB-DOMELIGHT-12VOLT-NO.1141
8	098024-01-701	EA	OPTICLEARLENS
9	084076-02-000	EA	RECEPTACLE-GFI-15AMP-125VOLT-BROWN
10	079364-01-000	EA	SWITCH-ON/OFF-ROCKER-2PRONGS-BROWN
10	098351-01-01A	EA	PLATE-SWITCH-1GANG-POLISHEDBRASS
11	1083540101A	EA	LIGHT-COURTESY

ELECTRICALGROUP(CONTINUED)



LIGHTS,RECEPTACLES,&SWITCHES(PASSENGERSIDE)

KEY	PARTNUMBER	U/M	DESCRIPTION
1	058708-02-000	EA	RECEPTACLE-ELECTRIC-DOUBLE-IVORY
1	102568-01-H37	EA	SPACER-RECEPTACLE-SIDEWALL
2	098024-05-02A	EA	LIGHT-DOME-1BULB-SKYLITEWHITE
2	008218-01-000	EA	BULB-DOME LIGHT-12VOLT-NO.1141
2	098024-01-701	EA	OPTICLEARLENS
3	079364-01-000	EA	SWITCH-ON/OFF-ROCKER-2PRONGS-BROWN
3	095188-02-01A	EA	SPACER-SWITCH-DARKBROWN
3	098351-05-01A	EA	PLATE-SWITCH-3GANG-POLISHEDBRASSW/LABEL-JENSEN
4	061424-01-000	EA	LIGHT-AISLE-12V-RECTANGULAR
4	008103-01-000	EA	BULB-AISLE
5	058708-01-000	EA	RECEPTACLE-ELECTRIC-DOUBLE-BROWN
6	058707-02-000	EA	RECEPTACLE-BLANK-JUNCTIONWIRECON
7	112822-01-01A	EA	RECEPTACLE-DUPLEX-IVORY
	121935-01-01A	EA	LIGHT-DOME-SHOWER
8	098024-03-02A	EA	LIGHT-DOME-2BULBWHITE
8	008218-01-000	EA	BULB-DOMELIGHT-12VOLT-NO.1141
8	098024-01-700	EA	LENS-LIGHT
9	110235-01-01A	EA	LIGHT-MAKEUP-3BULB-PANLESS
9	081633-01-700	EA	BULB-MAKE-UP
10	079364-01-000	EA	SWITCH-ON/OFF-ROCKER-2PRONGS-BROWN(LAMP)
10	079364-03-000	EA	SWITCH-ON/OFF-ROCKER-3PRONGS-BROWN(PUMP)
10	098351-02-01A	EA	PLATE-SWITCH-2GANGPOLISHEDBRASS
10	095188-01-01A	EA	SPACER-SWITCH-2.3"X3.4"-PLASTIC-DARKBROWN
11	065202-24-000	EA	LAMP-WALL/BRASS-W/OSHADE
11	119257-01-01A	EA	SHADE-LAMP-POTPOUM
11	067479-01-000	EA	BULB-12VOLT-#1076-1.80AMP
12	084076-02-000	EA	RECEPTACLE-GFI-15A-125V-BROWN
13	079364-01-000	EA	SWITCH-ON/OFF-ROCKER-2PRONGS-BROWN
13	098351-02-01A	EA	PLATE-SWITCH-2GANGPOLISHEDBRASS
14	1083540101A	EA	LIGHT-COURTESY

ELECTRICALGROUP(CONTINUED)**CONVERTER&LOADCENTER**

KEY	PARTNUMBER	U/M	DESCRIPTION
	083208-02-000	EA	CONVERTER-POWER-45A-120/12V
	099048-03-000	EA	INVERTER-130WATT
	108915-02-000	EA	LOADCENTER-120/240VOLT-100AMP
	109677-01-000	EA	LOADCENTER-120VOLT-40AMP
	113132-01-000	EA	LOADCENTER-120/240VOLT-60AMP
	123058-02-000	EA	CONVERTER-45AMP-ELECTRONIC-4 1/8" HX 7" W X 12 3/8" L

ELECTRICALSWITCHES

KEY	PARTNUMBER	U/M	DESCRIPTION
	073626-04-000	EA	COVER-ELECTRIC-10.4'X7.8"
	077942-01-000	EA	SWITCH-DUMMY-BLACK
	079364-01-000	EA	SWITCH-ON/OFFROCKER-2PRONGS-BROWN
	079364-03-000	EA	SWITCH-ON/OFFROCKER-3PRONGS-BROWN
	079364-04-000	EA	SWITCH-ON/OFFROCKER-BLACK
	095188-01-01A	EA	SPACER-SWITCH-2.3"X3.4"-PLASTIC-DARKBROWN
	095188-02-01A	EA	SPACER-SWITCH-2.3"X4.1'-PLASTIC-DARKBROWN
	096241-03-000	EA	SWITCH-BLANK
	098351-02-01A	EA	PLATE-SWITCH-2GANG-POLISHEDBRASS-JENSEN
	098351-05-01A	EA	PLATE-SWITCH-3GANG-POLISHEDBRASSW/LABEL-JENSEN
	106071-01-000	EA	SWITCH-AUTOMATICTRANSFER-MAGNETEK30AMP
	106071-02-000	EA	AUTOMATICTRANSFERSWITCH-50AMP.-MAGNETEKATS100
	108355-01-000	EA	HOUSING-SWITCH
	108356-02-01A	EA	SWITCHCOVER-W/2DIMPLES
	108356-04-01A	EA	SWITCHCOVER-W/DIMPLES-LIGHTED
	108357-01-000	EA	SWITCH-ROCKER-SPST-ON/OFF2TERMINAL
	108357-08-000	EA	SWITCH-ROCKERDPDTON/NONE/ON6TERMINAL
	108357-10-000	EA	SWITCH-ROCKER-SPDTMOM/OFF/MOM-LIGHTED5TERMINAL

ROCKERSWITCHES(DASH)

KEY	PARTNUMBER	U/M	DESCRIPTION
	108357-03-000	EA	SWITCH-ROCKER-SPDTON/OFF/ON3TERM.CARLING-V6D1000B-0
	108356-02-01A	EA	SWITCHCOVERW/2DIMPLES-CARLING-CCAZC00
	108357-05-000	EA	SWITCH-ROCKER-SPDTON/NONE/ON3TERM.CARLING-V4D1000B-0
	108356-02-01A	EA	SWITCHCOVERW/2DIMPLES-CARLING-CCAZC00
	108357-06-000	EA	SWITCH-ROCKER-DPDTMOM/OFF/MOM6TERM.CARLING-VLD1000B-0
	108356-02-01A	EA	SWITCHCOVERW/2DIMPLES-CARLING-CCAZC00
	108357-09-000	EA	SWITCH-ROCKER-SPDTON/NONE/MOM3TERM.CARLING-V5D1000B-0
	108356-02-01A	EA	SWITCHCOVERW/2DIMPLES-CARLING-CCAZC00
	108357-10-000	EA	SWITCH-ROCKER-SPDTMOM/ONLIGHTED-5TERM(3SWITCH/2LIGHT)
	108356-04-01A	EA	SWITCHCOVERW/DIMPLES-LIGHTED-CARLING-VVAGC00
	096241-03-000	EA	SWITCH-BLANK
	077942-01-000	EA	SWITCH-DUMMY-BLACK

RECEPTACLES

KEY	PARTNUMBER	U/M	DESCRIPTION
	024924-02-000	EA	RECEPTACLE-POWERCORD-W/PARTIALPLATE
	058707-01-000	EA	RECEPTACLE-ELECTRIC-SINGLE-BROWN
	058707-02-000	EA	RECEPTACLE-BLANK-JUNCTION
	058708-01-000	EA	RECEPTACLE-ELECTRIC-DOUBLE-BROWN
	058708-02-000	EA	RECEPTACLE-ELECTRIC-DOUBLE-IVORY
	058708-05-000	EA	RECEPTACLE-SINGLE-BROWN
	084076-02-000	EA	RECEPTACLE-GFI-15AMP-125VOLT-BROWN
	091927-01-000	EA	COVER-RECEPTACLE-DOUBLE-IVORY
	102568-01-H37	EA	SPACER-RECEPTACLE-SIDEWALL
	112822-01-01A	EA	RECEPTACLE-DUPLES-IVORY
	112824-01-03A	EA	COVER-EXTERIOR-DUPLEXRECEPTACLE
	115930-02-000	EA	INLET-50AMP-240VOLTS-EXTERIOR

ELECTRICALGROUP(CONTINUED)**WIREASSEMBLIES**

KEY	PARTNUMBER	U/M	DESCRIPTION
	073328-B4-000	EA	CABLEASSEMBLY-BATTERY-W/TERMINALS
	090986-01-000	EA	WIREASSEMBLY-ELECTRICSTEP-KWIKEE9009
	096449-01-000	EA	WIREASSEMBLY-WATERTANKTOMONITORPANEL
	097618-01-000	EA	WIREASSEMBLY-MONITORPANEL-W/3WIRES&ORANGERESISTOR ORANGERESISTORW/3(ORANGE-GREEN-BLUE)WIRES
	100677-01-000	EA	WIREASSEMBLY-RADIO
	102636-02-000	EA	WIREASSEMBLY-CLEARANCELAMPS
	103330-02-000	EA	WIREASSEMBLY-OVERHEADSPEAKERS
	108303-01-000	EA	WIREASSEMBLY-REARAUTOHEATER
	108304-01-000	EA	WIREASSEMBLY-INSTRUMENTPANEL-AUXILARYFANS
	110256-01-000	EA	WIREASSEMBLY-INSTRUMENTPANEL-GENERATOR
	111915-01-000	EA	WIREASSEMBLY-DAYTIMERUNNINGLAMPS-FUSE
	111915-03-000	EA	WIREASSEMBLY-DAYTIMERUNNINGLAMPS-FUSE
	113134-03-000	EA	WIREASSEMBLY-WIPER/WASHER

CIRCUITBREAKERS&FUSES

KEY	PARTNUMBER	U/M	DESCRIPTION
	062037-01-000	EA	HOUSING-AUTOFUSE-NATURAL
	062037-02-000	EA	HOUSING-AUTOFUSE-GREEN
	062037-03-000	EA	HOUSING-AUTOFUSE-BLACK
	062037-04-000	EA	HOUSING-AUTOFUSE-BLUE
	062037-06-000	EA	HOUSING-AUTOFUSE-BROWN
	062037-07-000	EA	HOUSING-AUTOFUSE-RED
	108669-01-000	EA	HOUSING-AUTOFUSEHOLDER
	062901-02-000	EA	FUSE-5AMPS-AUTOMOTIVE
	062901-05-000	EA	FUSE-15AMPS-AUTOMOTIVE
	062901-06-000	EA	FUSE-20AMPS-AUTOMOTIVE
	062901-07-000	EA	FUSE-25AMPS-AUTOMOTIVE
	062901-08-000	EA	FUSE-30AMPS-AUTOMOTIVE
	081211-04-000	EA	PLUG-PLASTIC-.46"DIAMETER-BLACK
	083209-01-000	EA	CIRCUITBREAKER15AMP120V BWG-15-CANADIAN
	083209-02-000	EA	CIRCUITBREAKER15/15AMP120V BWH-15/15
	083209-03-000	EA	CIRCUITBREAKER15/20AMP120V BW0-15/20
	083209-04-000	EA	CIRCUITBREAKER30AMP120VBWL-30
	083209-06-000	EA	CIRCUITBREAKER30/15AMP120V BWD-30/15
	093654-01-000	EA	CIRCUITBREAKER6AMP12V USD17406-4E12A2A
	093654-02-000	EA	CIRCUITBREAKER15AMP12VUSD17415-4E12A2A
	093655-03-000	EA	CIRCUITBREAKER40AMP12V-USD17440-4E03A2A
	108916-01-000	EA	CIRCUITBREAKER50AMP120V-WESTINGHOUSEBR250
	112591-01-000	EA	CIRCUITBREAKER-16AMP-240VOLT
	122811-01-000	EA	CIRCUITBREAKER-20/50/50/20
	093674-01-000	EA	PLATE-CIRCUITBREAKER-HOUSE-8.4"X4.1"-STEEL
	106656-01-000	EA	FUSEBLOCK-4CAVITY-AUTOFUSE

ELECTRICALBOXES&CORDS

KEY	PARTNUMBER	U/M	DESCRIPTION
	008052-01-000	EA	CORD-POWER-10/3-30AMP-25'-CANADIAN
	008054-02-000	EA	CORD-POWER-10-3WIRE-30AMP33'
	008289-01-000	EA	BOX-ELECTRIC/STEEL-12"&3/4"KNOCKOUTS-4"X4"
	008289-02-000	EA	BOX-ELECTRICAL-4"X4"-1/2"&3/4"KNOCKOUTS-CANADIAN
	008294-01-000	EA	COVER-ELECTRICALBOX-BLANK/STEEL-4"X4"-GRAY
	008294-02-000	EA	COVER-ELECTRICALBOX-BLANKSTEEL-4"X4"-CANADIAN
	069238-01-000	EA	COVER-ELECTRICALBOX-W/HOLE-4"X4"-GRAY
	074890-01-000	EA	BOX-EXTENSION/STEEL-OPENSIDES-4"X4"X1 1/2"
	074897-01-000	EA	COVER-ELECTRICALBOXW/HOLES-4"X4"
	091910-01-000	EA	BOX-ELECTRIC-3.75"X3.5"X1.75"-PLASTIC
	091910-02-000	EA	BOX-ELECTRICAL-PLASTIC-2.24"X3.45"
	108934-01-000	EA	CORD-POWER-50AMP-4WIRE-36'
	111509-01-000	EA	BOX-ELECTRICAL-FRONT
	111510-01-000	EA	DOOR-ELECTRICALBOX-FRONT
	121470-01-000	EA	CORD-EXTENSION-6FOOT-16-2WIRE

ELECTRICALGROUP(CONTINUED)**ELECTRICALCONNECTORS&CONDUIT**

KEY	PARTNUMBER	U/M	DESCRIPTION
	007954-01-000	EA	RECEPTACLE-HOUSING-6POSITION
	007956-05-000	EA	INSULATOR-SHRINK-.25IDX1.50
	008311-01-000	EA	CONNECTOR-WIRENUT-INSULATED-RED
	008312-01-000	EA	CONNECTOR-WIRENUT-INSULATED-BLUE
	008313-01-000	EA	CONNECTOR-WIRENUT-INSULATED-YELLOW
	008314-01-000	EA	CONNECTOR-WIRENUT-INSULATED-GRAY
	115932-02-000	EA	CONNECTOR-FEMALE-50AMP-240VOLT
	008355-01-000	EA	CONNECTOR-CABLECLAMPING-3/4"
	008356-01-000	EA	CONNECTOR-PLASTIC-3/8"AVG
	008398-01-000	EA	CONNECTOR-1/2"X90DEGREE-FLEXCONDUIT-UL&CSA
	041480-01-000	EA	CONNECTOR-STRAIGHT-1/2'FLEXCONDUIT
	058028-01-000	EA	CONNECTOR-ELECTRICALPIGTAIL-NYLON-CLEAR
	008326-01-000	EA	TERMINAL-RING16/14WIRE-3/8"STUD
	008328-01-000	EA	TERMINAL-RING-12/10WIRE-#10STUDFIT
	008331-01-000	EA	TERMINAL-RING-TONGUE-#4WIRE-3/8"STUD-COPPER
	008348-01-000	EA	TERMINAL-RING-3/8"STUD2GA.WIRE
	035416-04-000	EA	TERMINAL-RING-#10STUDFIT-INSULATEDBARREL#16/14
	047443-01-000	EA	TERMINAL-.250RECEPTACLEFIT-INSULATED-16/14AWG
	047443-02-000	EA	TERMINAL-.250RECEPTACLEFIT-INSULATED-12/10AWG
	062036-01-000	EA	TERMINAL-PACK-CON-12/10AWG
	062036-02-000	EA	TERMINAL-PACK-CON-16/14AWG
	088267-01-000	EA	TERMINAL-FEMALE-1/4
	041953-01-000	FT	CONDUIT-CONVOLUTESLIT-.5"ID
	041953-01-000	FT	CONDUIT-CONVOLUTESLIT-.5"ID
	041953-01-000	FT	CONDUIT-CONVOLUTESLIT-.5"ID
	041953-03-000	FT	CONDUIT-CONVOLUTESLIT-1"ID(CLOTHESRODCOVER)
	041953-05-000	FT	CONDUIT-CONVOLUTESOLID-.62"ID
	041953-06-000	FT	CONDUIT-CONVOLUTESLIT-.375"ID
	041953-07-000	FT	CONDUIT-CONVOLUTESLIT-.25"ID
	041953-08-000	FT	CONDUIT-CONVOLUTESLIT-1.50"ID
	041953-09-000	FT	CONDUIT-CONVOLUTESLIT-.50"ID
	041953-10-000	FT	CONDUIT-CONVOLUTESLIT-.75"ID
	041953-11-000	FT	CONDUIT-CONVOLUTESLIT-1.06"ID
	041953-12-000	FT	CONDUIT-CONVOLUTENONSLIT-1.1"ID
	077479-01-000	EA	BOOT-BATTERYTERMINAL-DOUBLECABLE
	077479-02-000	EA	BOOT-BATTERYTERMINAL-SINGLECABLE
	080015-02-000	EA	RECEPTACLE-FLAG-.185-16/14GAUGE-AMP3
	087225-01-000	FT	SLEEVING-1/2"-TYPEH
	087225-02-000	FT	SLEEVING-5/8"-TYPEH
	087949-01-000	EA	BUSSBAR-2POSITION-.6"X1.5"
	087949-02-000	EA	BUSSBAR-3POSITION-.6"X2.4"
	088473-01-000	EA	HOUSING-PIN-12CAVITY
	088473-02-000	EA	HOUSING-PIN-15CAVITY
	088473-03-000	EA	HOUSING-PIN-9CAVITY
	088473-05-000	EA	HOUSING-PIN-6CAVITY
	088473-06-000	EA	HOUSING-PIN-6CAVITY
	088473-08-000	EA	HOUSING-PIN-4CAVITY
	088473-09-000	EA	HOUSING-PIN-3CAVITY
	088473-10-000	EA	HOUSING-PIN-2CAVITY
	088474-01-000	EA	HOUSING-SOCKET-12CAVITY
	088474-02-000	EA	HOUSING-SOCKET-12CAVITY
	088474-03-000	EA	HOUSING-SOCKET-9CAVITY
	088474-06-000	EA	HOUSING-SOCKET-6CAVITY
	088474-07-000	EA	HOUSING-SOCKET-5CAVITY
	088474-08-000	EA	HOUSING-SOCKET-4CAVITY
	088474-09-000	EA	HOUSING-SOCKET-3CAVITY
	088474-10-000	EA	HOUSING-SOCKET-2CAVITY
	088475-01-000	EA	PIN-CONNECTOR-14-20AWG
	088475-02-000	EA	PIN-CONNECTOR-10-12AWG
	088476-01-000	EA	SOCKET-CONNECTOR-BRASS-PRE-TIN
	088476-02-000	EA	SOCKET-CONNECTOR-12-10GA-PHOSBRZ-PRE-TIN
	092786-02-000	EA	BUSSBAR-3.3"LONG

ELECTRICALGROUP(CONTINUED)**ELECTRICALCONNECTORS&CONDUIT(CONTINUED)**

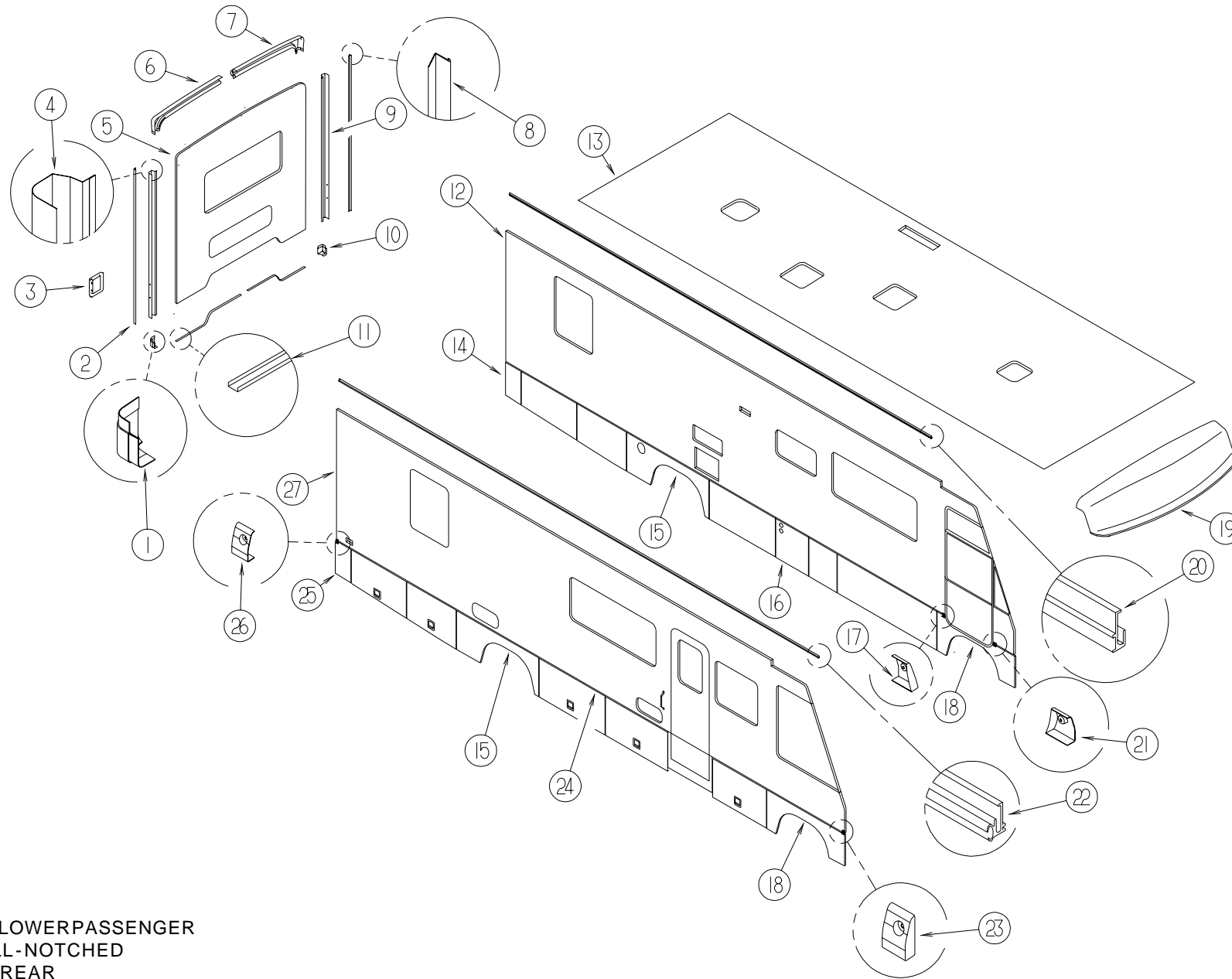
KEY	PARTNUMBER	U/M	DESCRIPTION
	092786-03-000	EA	BUSSBAR-6.9"LONG
	098260-01-000	EA	TERMINAL-MALE-56SERIES
	098261-02-000	EA	SOCKET-CONNECTOR-WHEATHERPACK
	098262-01-000	EA	SEAL-CONNECTOR-WEATHERPACK
	098264-01-000	EA	HOUSING-2PIN-WEATHERPACK
	101571-01-000	EA	HOUSING-2POSITION-MALE
	103608-01-000	EA	SOCKET-WEDGEBASEW/LEADS
	103987-02-000	EA	SEAL-SOLENOIDACCESS
	104016-01-000	EA	WIREASSEMBLY-AUXILARYFANS
	104100-01-000	EA	HOUSING-1POSITION-75AMPS
	104100-03-000	EA	TERMINAL-75AMP
	106006-01-000	EA	HOUSING-1POSITION-FEMALE
	106007-01-000	EA	TERMINAL-FEMALE-14-16AWG
	106655-01-000	EA	TERMINAL-FUSEBLOCK-14-16AWG
	106655-02-000	EA	TERMINAL-FUSEBLOCK-10-12AWG
	110178-01-000	EA	HOUSING-WIPERMOTOR
	112823-01-000	EA	SPLICE-REDUCER-16-14TO18-22
	113131-01-000	EA	HOUSING-3PIN-METRI-PACKF
	113135-01-000	EA	TERMINAL-FEMALE-M/P-14-16
	113306-01-000	EA	TERMINAL-FEMALE-M/P-14-16
	113307-01-000	EA	TERMINAL-FEMALE-M/P-16-20
	113468-01-000	EA	HOUSING-2POSITION-FEMALE(WIPER/WASHERWIREASM)
	115556-01-000	EA	HOUSING-3POSITION-FEM
	115556-02-000	EA	HOUSING-2POSITION-FEM
	115931-02-000	EA	COVER-CONNECTOR
	119248-02-000	EA	HOUSING7POSNFEMMETRI-PAC-PACKARD12059472

ELECTRICALMISCELLANEOUS

KEY	PARTNUMBER	U/M	DESCRIPTION
	007093-01-000	EA	FLASHER-SIGNAL
	008188-01-000	EA	SOLENOID-3POST-BATTERYCHANGEOVER
	063910-01-000	EA	HOUSING-RELAY
	063912-02-000	EA	RELAY-CANISTER-SPDT
	086233-01-000	EA	STUD-ISOLATED-3/8"X7/8"LONG
	086273-01-000	EA	RELAY-BATTERYDISCONNECT
	115504-01-700	EA	PLUG&CABLE-10WATTPANEL 600-016
	115504-01-000	EA	PANEL-SOLAR10WATT
	115505-01-000	EA	MONITORLIGHT-SOLARPANEL-REDLEDINDICATOR

EXTERIORBODYGROUP

EXTERIORBODYPANELS&TRIM

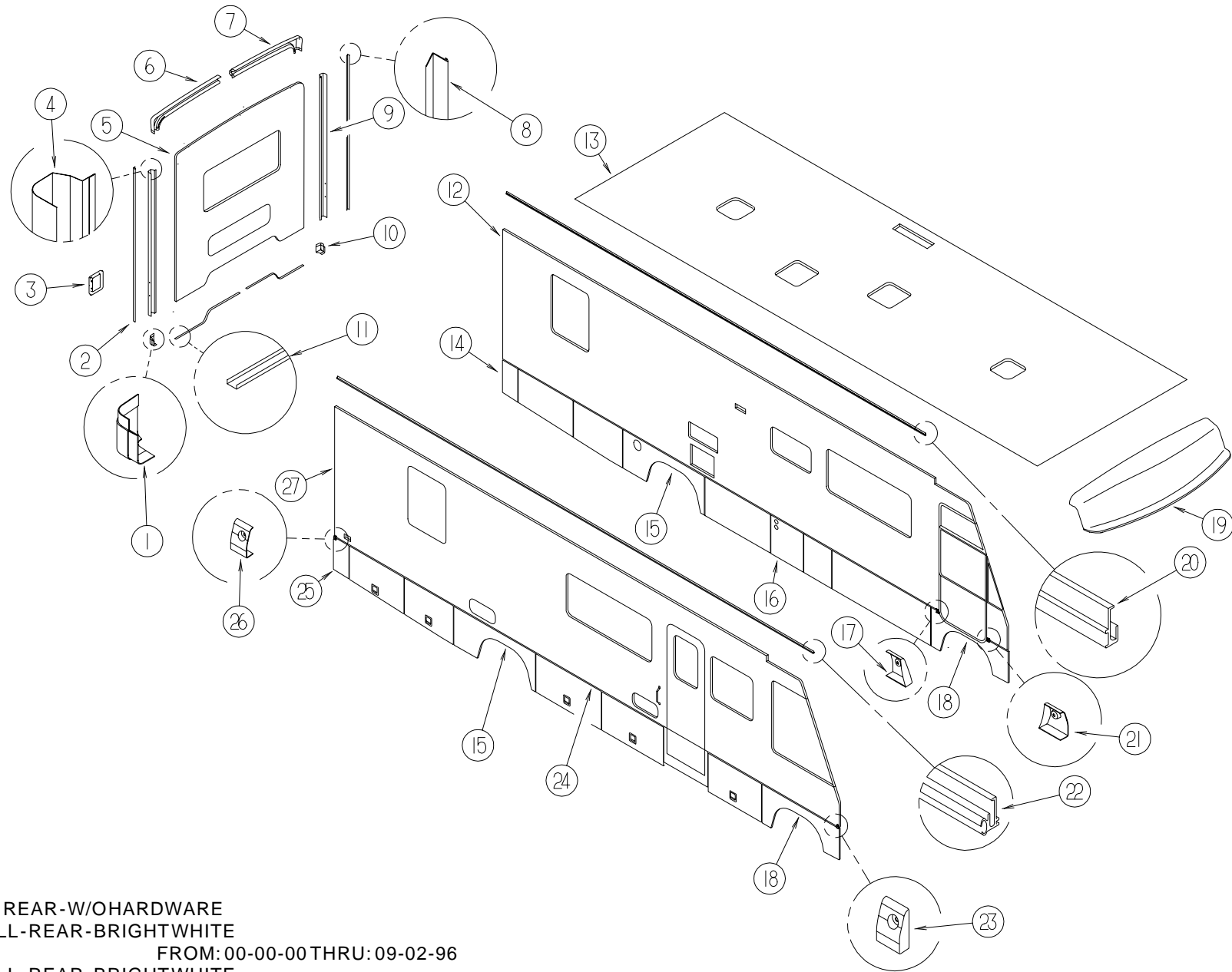


KEY	PARTNUMBER	U/M DESCRIPTION
1	119212-01-01A	EA TRIM-BACKWALL-LOWERPASSENGER
2	120548-01-02A	EA TRIM-J-BACKWALL-NOTCHED
3	117379-01-02A	EA TRIM-TAILLIGHT-REAR
4	114874-03-12B	EA TRIM-BACKWALL-PASSENGERSIDE
5	M08153-03-H17	EA BACKWALL-W/OWINDOW/TRIM-F/TWINBED(H17)
5	M08153-03-H18	EA BACKWALL-W/OWINDOW/TRIM-F/TWINBED(H18)
5	M08153-03-H19	EA BACKWALL-W/OWINDOW/TRIM-F/TWINBED(H19,H41)
5	M08153-03-H40	EA BACKWALL-W/OWINDOW/TRIM-F/TWINBED(H40)
5	M08153-02-H17	EA BACKWALL-W/OWINDOW/TRIM-F/QUEENBED(H17)
5	M08153-02-H18	EA BACKWALL-W/OWINDOW/TRIM-F/QUEENBED(H18)
5	M08153-02-H19	EA BACKWALL-W/OWINDOW/TRIM-F/QUEENBED(H19,H41)
5	M08153-02-H40	EA BACKWALL-W/OWINDOW/TRIM-F/QUEENBED(H40)
5	M08153-01-H17	EA BACKWALL-W/OWINDOW/TRIM-F/KINGBED(H17)
5	M08153-01-H18	EA BACKWALL-W/OWINDOW/TRIM-F/KINGBED(H18)
5	M08153-01-H19	EA BACKWALL-W/OWINDOW/TRIM-F/KINGBED(H19,H41)
5	M08153-01-H40	EA BACKWALL-W/OWINDOW/TRIM-F/KINGBED(H40)
6	114872-02-02A	EA TRIM-BACKWALLTOP-PASSENGERSIDE
7	114873-02-02A	EA TRIM-BACKWALLTOP-DRIVERSIDE
8	120548-02-02A	EA TRIM-J-BACKWALL-NOTCHED
9	114874-04-12B	EA TRIM-BACKWALL-SIDE-LH-B/W
10	119212-02-01A	EA TRIM-BACKWALL-LOWERDRIVER
11	050406-25-000	EA TRIM-BACKWALL-LOWER

KEY	PARTNUMBER	U/M DESCRIPTION
12	M08173-02-H17	EA SIDEWALL-DRIVER-W/OWINDOWS/TRIM-F/DRIVERDOOR
12	M08173-02-H18	EA SIDEWALL-DRIVER-W/OWINDOWS/TRIM-F/DRIVERDOOR
12	M08173-02-H19	EA SIDEWALL-DRIVER-W/OWINDOWS/TRIM-F/DRIVERDOOR
12	M08173-02-H40	EA SIDEWALL-DRIVER-W/OWINDOWS/TRIM-F/DRIVERDOOR
12	M08173-02-H41	EA SIDEWALL-DRIVER-W/OWINDOWS/TRIM-F/DRIVERDOOR
12	M08173-01-H17	EA SIDEWALL-DRIVER-W/OWINDOWS/TRIMS/DRIVERDOOR
12	M08173-01-H18	EA SIDEWALL-DRIVER-W/OWINDOWS/TRIMS/DRIVERDOOR
12	M08173-01-H19	EA SIDEWALL-DRIVER-W/OWINDOWS/TRIMS/DRIVERDOOR
12	M08173-01-H40	EA SIDEWALL-DRIVER-W/OWINDOWS/TRIMS/DRIVERDOOR
12	M08173-01-H41	EA SIDEWALL-DRIVER-W/OWINDOWS/TRIMS/DRIVERDOOR
13	M08172-02-H37	EA ROOF-W/OLIGHTS/VENTS-TWINBED
13	M08172-01-H37	EA ROOF-W/OLIGHTS/VENTS-QUEENBED
13	M08172-03-H37	EA ROOF-W/OLIGHTS/VENTS-KINGBED

EXTERIORBODYGROUP(CONTINUED)

EXTERIORBODYPANELS&TRIM(CONTINUED)

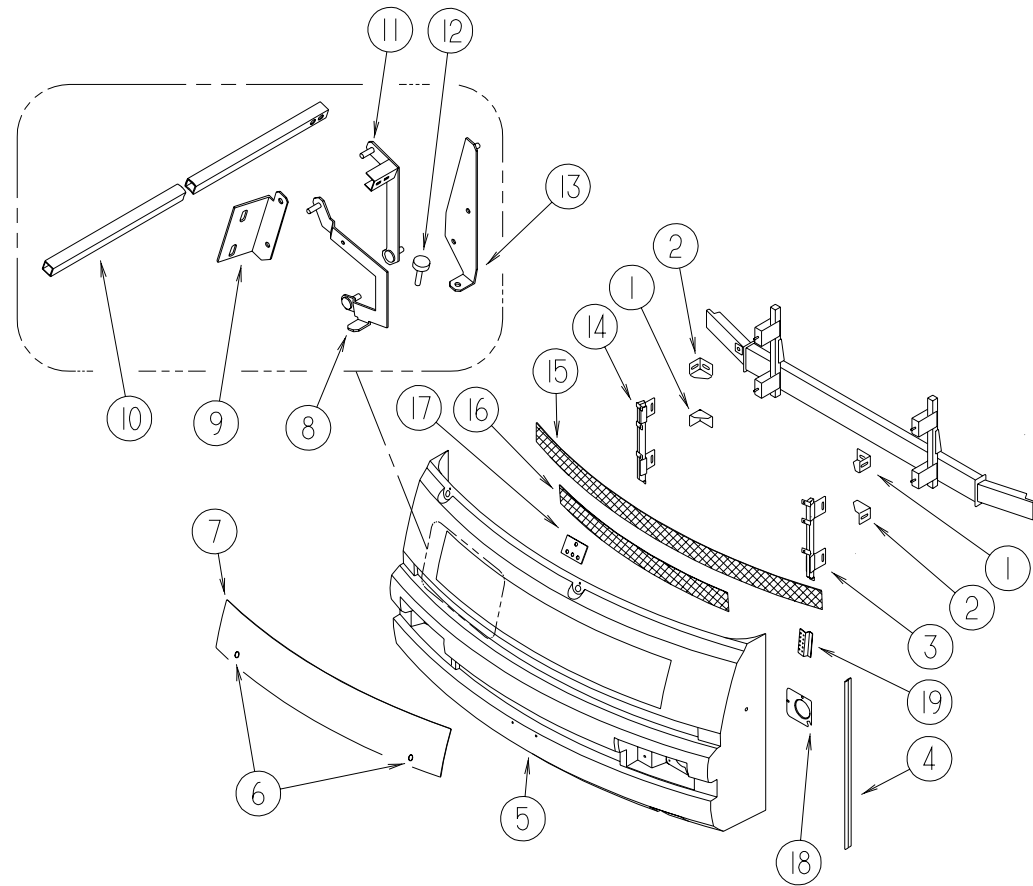


KEY	PARTNUMBER	U/M	DESCRIPTION
14	122732-02-H18	EA	PANEL-VALANCEREAR-W/OHARDWARE
15	122700-01-01A	EA	TRIM-WHEELWELL-REAR-BRIGHTWHITE
			FROM: 00-00-00 THRU: 09-02-96
15	124517-01-01A	EA	TRIM-WHEELWELL-REAR-BRIGHTWHITE
			FROM: 09-03-96 THRU: 99-99-99
16	122776-05-H18	EA	PANEL-VALANCE-FURNACE-W/OHARDWARE
17	124178-02-01A	EA	CAP-TRIM/DRIVERDOOR(REAR)
18	122699-01-01A	EA	TRIM-WHEELWELL-FRONT-BRIGHTWHITE
			FROM: 00-00-00 THRU: 09-02-96
18	124518-01-01A	EA	TRIM-WHEELWELL-FRONT
			FROM: 09-03-96 THRU: 99-99-99
19	115001-01-02A	EA	CAP-ROOF
20	120091-01-02A	EA	TRIM-ROOF
20	120091-02-02A	EA	TRIM-ROOF
21	124178-01-01A	EA	CAP-TRIM/DRIVERDOOR(FRONT)
22	120092-01-02A	EA	RAIL-AWNING
23	124132-01-01A	EA	CAP-SIDEWALLTRIM
24	124176-01-01A	EA	TRIM-SIDEWALLBRT/WHT
24	124299-51-001	EA	TRIM-RETAINER-MILL
24	105312-01-03A	FT	INSERT-FEATURESTRIPVINYL

KEY	PARTNUMBER	U/M	DESCRIPTION
25	122732-01-H18	EA	PANEL-VALANCEREAR-W/OHARDWARE
26	124132-02-01A	EA	CAP-SIDEWALLTRIM
27	M08174-01-H17	EA	SIDEWALL-PASSENGER-W/OWINDOWS/TRIMS/WAINSCOTING(H17)
27	M08174-01-H18	EA	SIDEWALL-PASSENGER-W/OWINDOWS/TRIMS/WAINSCOTING(H18)
27	M08174-01-H18	EA	SIDEWALL-PASSENGER-W/OWINDOWS/TRIMS/WAINSCOTING(H19,H41)
27	M08174-01-H40	EA	SIDEWALL-PASSENGER-W/OWINDOWS/TRIMS/WAINSCOTING(H40)

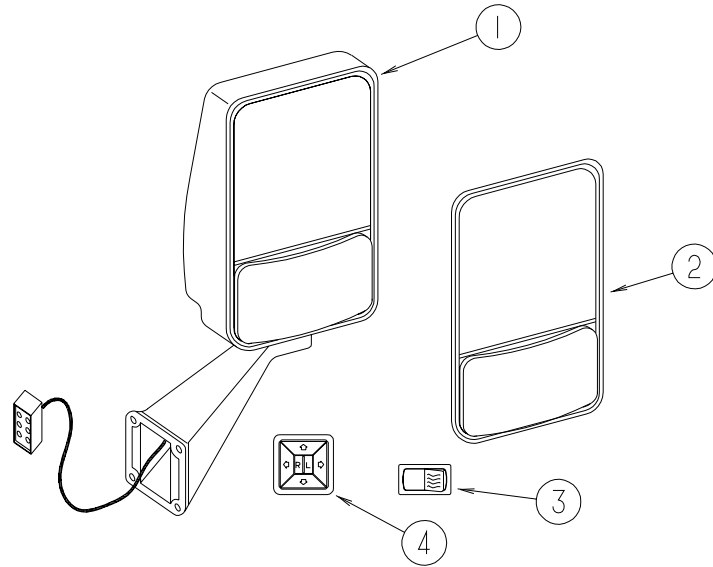
EXTERIORBODYGROUP(CONTINUED)

FRONTENDASM



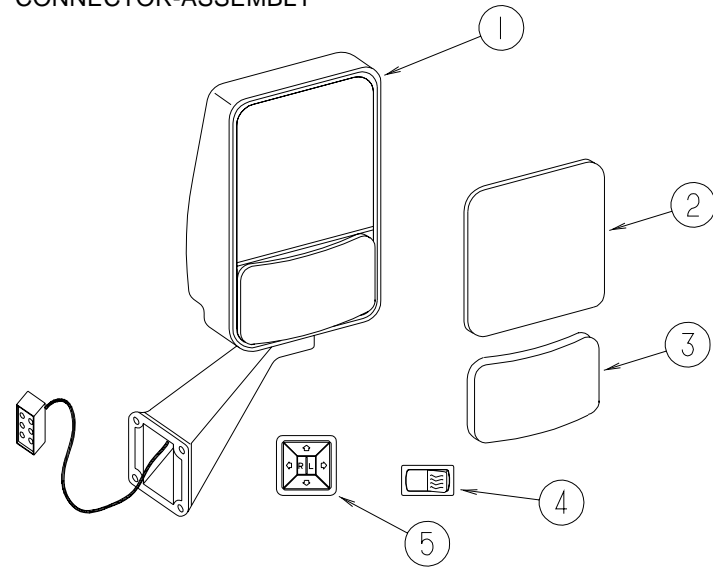
KEY	PARTNUMBER	U/M	DESCRIPTION
1	117611-04-02B	EA	BRACKET-BUMPER
2	117611-03-02B	EA	BRACKET-BUMPER
	116617-02-02B	EA	SPACER-BUMPER
3	118997-02-G35	EA	SUPPORT-GRILLE-DRIVERFRONT
4	089922-34-000	EA	TRIM-FIBERGLASS-PANELB/W
5	118999-03-G35	EA	PANEL-LOWERFRONT
6	102330-02-000	EA	HOODLOCK-SINGLEHOLE-VISEACTION
	102328-01-000	EA	BARRELKEY-HOODLOCK
7	115976-03-G35	EA	PANEL-HOOD
8	109930-11-000	EA	LINK-HINGE-HOOD/LOWERPASSENGERSIDE
	109930-12-000	EA	LINK-HINGE-HOOD/LOWERDRIVERSIDE
9	109927-03-000	EA	ANGLE-LINK-HOODRIGHTHAND
	109927-04-000	EA	ANGLE-LINK-HOODLEFTHAND
10	105096-10-000	EA	TUBE-HOODHINGETIMINGW/WELDNUTS
	106748-04-000	EA	LATCH-HOOD-FRONTEND
11	109929-05-000	EA	LINK-UPPERHOODHINGE-PASSENGERSIDE
	109929-06-000	EA	LINK-UPPERHOODHINGE-DRIVERSIDE
12	058786-01-000	EA	BOLT-ADJUSTINGHOOD-W/BLACKPAD-.31"-18X2
13	109926-15-000	EA	BRACKET-HOODHINGELINK-PASSENGERSIDE
	109926-16-000	EA	BRACKET-HOODHINGELINK-DRIVERSIDE
14	118997-01-G35	EA	SUPPORT-GRILLE-PASSENGERFRONT
15	115924-05-02A	EA	GRILLE-WOVENWIRE-FLATBLACK
16	115924-11-01A	EA	GRILLE-WOVENWIRE
17	119445-01-02B	EA	PLATE-W/HOLES
18	115951-02-02B	EA	PLATE-HEADLAMP-DUAL/LEFTHAND
	115951-01-02B	EA	PLATE-HEADLAMP-DUAL/RIGHTHAND
19	113495-02-02B	EA	SUPPORT-HINGE
	070579-06-000	EA	PLATE-ANCHOR-W/7/16WELDNUT-1.5"X3.3"
	070579-07-000	EA	PLATE-ANCHORW/ONUT
	077001-01-000	EA	ANGLE-MOUNTINGROOFPANELVANGLE-3"X2.4"X1.5"

EXTERIORBODYGROUP(CONTINUED)



EXTERIOR MIRROR OPTION(REMOTE&HEAT)(FROM:00-00-00THRU:11-05-96)

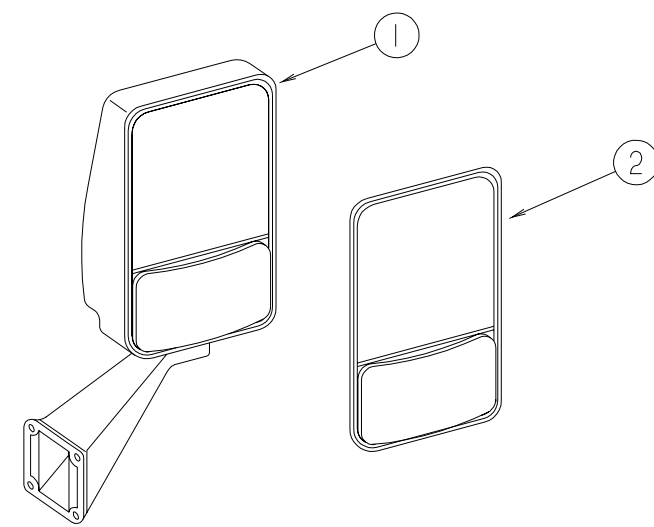
KEY	PARTNUMBER	U/M	DESCRIPTION
1	106015-05-01A	EA	MIRRORASM.RHW/WIREPIGTAIL-REMOTE/HEATED-W/OSWITCH
1	106015-06-01A	EA	MIRRORASMLHW/WIREPIGTAIL-REMOTE/HEATED-W/OSWITCH
2	086261-02-701	EA	KIT-EXTERIOR.MIRROR-W/BEZEL-FLAT&CONVEXGLASS-DRIVERSIDE
2	086261-01-704	EA	KIT-EXTERIOR.MIRROR-W/BEZEL-FLAT&CONVEXGLASS-PASS.SIDE
3	087695-02-000	EA	SWITCH-MIRRORHEATER
4	088246-01-000	EA	SWITCH-REMOTE,EXT.MIRROR-SQUAREPUSH-VELVAC7471290
	087695-03-000	EA	CONNECTOR-ASSEMBLY



EXTERIOR MIRROR OPTION(REMOTE&HEAT)(FROM:11-06-96THRU:99-99-99)

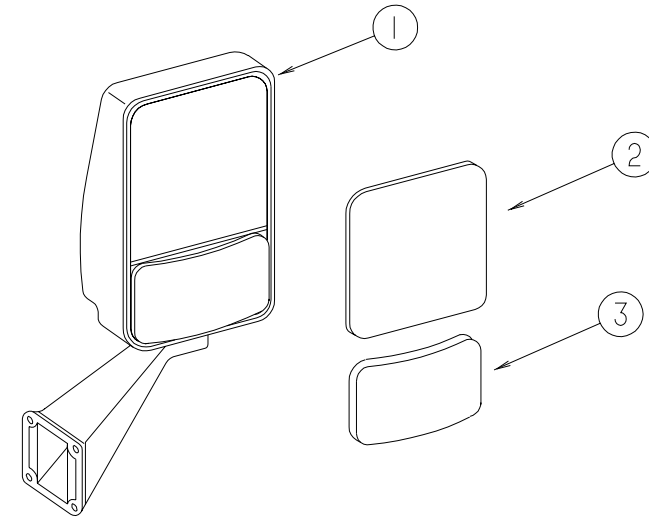
KEY	PARTNUMBER	U/M	DESCRIPTION
1	106015-12-01A	EA	MIRROR-EXTERIORREMOTE/HEAT-PASSENGER
1	106015-13-01A	EA	MIRROR-EXTERIORREMOTE/HEAT-DRIVER
2	106015-12-700	EA	MIRROR-FLATHEATEDW/CLIP
3	106015-12-701	EA	MIRROR-CONVEXHEATEDW/CLIP
4	087695-02-000	EA	SWITCH-HEATER-EXTERIORMIRROR
5	088246-01-000	EA	SWITCH-REMOTE-EXTERIOR-SQUAREPUSH
	087695-03-000	EA	CONNECTOR-ASSEMBLY

EXTERIORBODYGROUP(CONTINUED)



EXTERIOR MIRROR (FROM:00-00-00THRU:03-02-97)

KEY	PARTNUMBER	U/M	DESCRIPTION
1	106015-09-01A	EA	MIRROR-EXTERIORADJUSTABLEGLASS-PASSENGER
1	106015-10-01A	EA	MIRROR-EXTERIORADJUSTABLEGLASS-DRIVER
2	106015-01-703	EA	MIRRORKIT(BEZELW/MIRRORS)PASSENGERSIDE
2	106015-02-702	EA	MIRRORKIT(BEZELW/MIRRORS)DRIVERSIDE

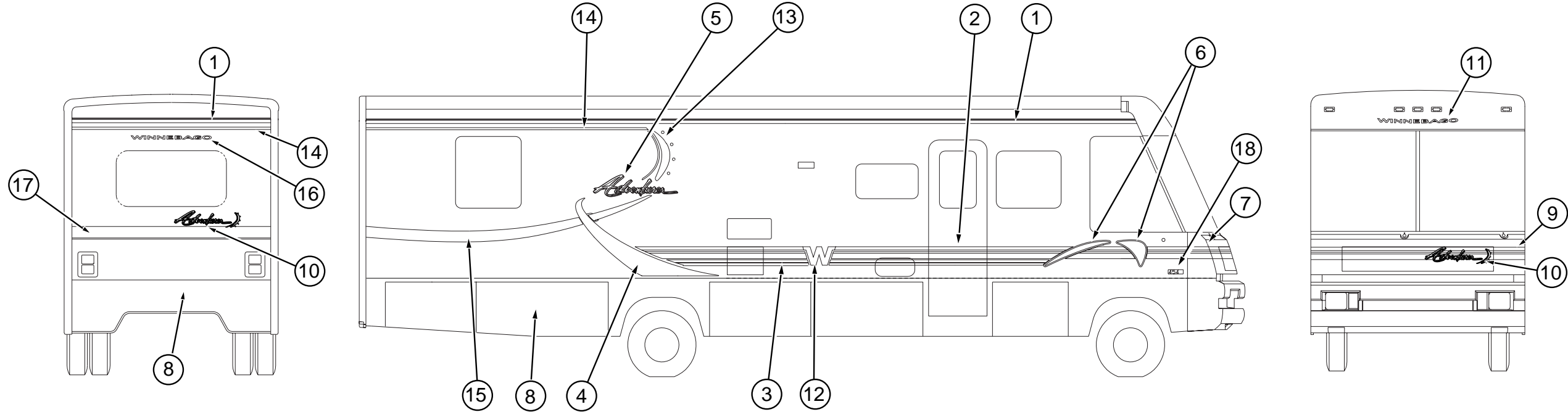


EXTERIOR MIRROR (FROM:03-03-97THRU:99-99-99)

KEY	PARTNUMBER	U/M	DESCRIPTION
1	106015-14-01A	EA	MIRROR-EXTERIORADJUSTABLEGLASS-PASSENGER
1	106015-15-01A	EA	MIRROR-EXTERIORADJUSTABLEGLASS-DRIVER
2	106015-14-700	EA	MIRROR-FLATHEATEDW/CLIP
3	106015-14-701	EA	MIRROR-CONVEXHEATEDW/CLIP

EXTERIOR BODY GROUP (CONTINUED)

DECALS, FILM STRIPES & PAINT



SUPERBLUE EXTERIOR

UMBRA BROWN EXTERIOR

KEY	PART NUMBER	U/M DESCRIPTION
1	105781-54-02A	FT FILM-MULTISTRIPE 2.13"
2	094443-46-02A	FT FILM-MULTISTRIPE 139.7MM X 150 -LTGRN/VILET/DKBLU
3	115335-07-02A	FT FILM-MULTISTRIPE/OVERLAY 2.50"
4	121996-01-02A	EA DECAL-SLASH-RIGHTHAND
4	121996-02-02A	EA DECAL-SLASH-LEFTHAND
5	122001-01-02A	EA DECAL-LOGO-ADVENTURER
6	121997-01-01A	EA DECAL-SLASH-FRONT/RIGHTHAND
6	121997-02-01A	EA DECAL-SLASH-FRONT/LEFTHAND
7	121998-01-02A	EA DECAL-CORNER-RIGHTHAND
7	121998-02-02A	EA DECAL-CORNER-LEFTHAND
8	NPN	PAINT-SUPERBLUE
9	121999-01-02A	EA DECAL-HOOD-LTGRN/VILET/DKBLU
10	122000-01-02A	EA DECAL-LOGO-ADVENTURER W/ARC
11	121510-02-02A	EA DECAL-LOGO-WINNEBAGO SWEEP
12	120700-03-02A	EA DECAL-LOGO-W
13	121994-01-02A	EA DECAL-ARC-RIGHTHAND
13	121994-02-02A	EA DECAL-ARC-LEFTHAND
14	093681-36-03A	FT FILM-1"
15	121995-01-02A	EA DECAL-SLASH-REAR/RIGHTHAND
15	121995-02-02A	EA DECAL-SLASH-REAR/LEFTHAND
16	120702-03-03A	EA DECAL-LOGO-WINNEBAGO/SMALL
17	093681-52-02A	FT FILM-5.25
18	122312-01-01A	EA DECAL-VORTEC 7400
	041561-03-000	EA PAINT-16OZ SPRAY-OFFWHITE
	099399-12-700	EA PAINT-16OZ SPRAY-ENAM/BUFF RAABE
	099399-12-701	EA PAINT-BUFF-.6OZ BOTTLE-W/BRUSH

DUPONT PAINT COLOR CODES

OFFWHITE	(INTERIOR)	DUPONT L8723
SUPERBLUE	(EXTERIOR)	DUPONT F1915U
BRIGHTWHITE	(EXTERIOR)	DUPONT B8951U
LIGHTGREEN	(FILM)	DUPONT GM185
VIOLET	(FILM)	DUPONT F2984
SMOKE	(FILM)	DUPONT MM328
DARKBLUE	(FILM)	DUPONT BM226

KEY	PART NUMBER	U/M DESCRIPTION
1	105781-54-01A	FT FILM-MULTISTRIPE 2.13"
2	094443-46-01A	FT FILM-MULTISTRIPE 5.50"
3	115335-07-01A	FT FILM-MULTISTRIPE/OVERLAY 2.50"
4	121996-01-01A	EA DECAL-SLASH-RIGHTHAND
4	121996-02-01A	EA DECAL-SLASH-LEFTHAND
5	122001-01-01A	EA DECAL-LOGO-ADVENTURER
6	121997-01-01A	EA DECAL-SLASH-FRONT/RIGHTHAND
6	121997-02-01A	EA DECAL-SLASH-FRONT/LEFTHAND
7	121998-01-01A	EA DECAL-CORNER-RIGHTHAND
7	121998-02-01A	EA DECAL-CORNER-LEFTHAND
8	NPN	PAINT-UMBRA/BROWN
9	121999-01-01A	EA DECAL-HOOD-WINNEBAGO SWEEP
10	122000-01-01A	EA DECAL-LOGO-ADVENTURER W/ARC
11	121510-02-01A	EA DECAL-LOGO-WINNEBAGO SWEEP
12	120700-03-01A	EA DECAL-LOGO-W
13	121994-01-01A	EA DECAL-ARC-RIGHTHAND
13	121994-02-01A	EA DECAL-ARC-LEFTHAND
14	093681-36-03A	FT FILM-1"
15	121995-01-01A	EA DECAL-SLASH-REAR/RIGHTHAND
15	121995-02-01A	EA DECAL-SLASH-REAR/LEFTHAND
16	120702-03-02A	EA DECAL-LOGO-WINNEBAGO/SMALL
17	093681-52-01A	FT FILM-5.25
18	122312-01-01A	EA DECAL-VORTEC 7400
	041561-03-000	EA PAINT-16OZ SPRAY-OFFWHITE
	099399-12-700	EA PAINT-16OZ SPRAY-ENAM/BUFF RAABE
	099399-12-701	EA PAINT-BUFF-.6OZ BOTTLE-W/BRUSH

DUPONT PAINT COLOR CODES

OFFWHITE	(INTERIOR)	DUPONT L8723
UMBRA/BROWN	(EXTERIOR)	DUPONT F2529U
BRIGHTWHITE	(EXTERIOR)	DUPONT B8951U
LIGHT BRIAR BROWN	(FILM)	DUPONT MM073
PINE GREEN	(FILM)	DUPONT GM256
IVY GREEN	(FILM)	DUPONT YM537
DARKBLUE	(FILM)	DUPONT BM226

EXTERIORBODYGROUP(CONTINUED)

STYROFOAM&FIBERGLASSSHEETING

KEY	PARTNUMBER	U/M	DESCRIPTION
	000870-08-000	SF	STYROFOAM-.75"X4'X8'-PLANED
	002726-01-001	EA	GARNISH-U-CHANNEL-1.38"X19'-SERRATED-MILLALUMINUM
	002766-01-001	EA	ANGLE-EXTRUDED-1"X1.5"X17'
	033381-17-001	FT	STEEL-TUBE-16GAUGE1.5"X1.5"X16'
	068716-01-001	EA	BRACE-90DEGREEL-ANGLE-16'
	076054-U4-000	EA	FIBERGLASS-SHEET-101"X104"BRIGHTWHITE(SIDEWALL)
	076054-W3-000	EA	FIBERGLASS-SHEET-6.5'X30'-BRIGHTWHITE(SIDEWALL)
	077517-62-000	EA	FIBERGLASS-SHEET-4'X8'BRIGHTWHITEFLAT(SIDEWALL)
	077517-66-000	EA	FIBERGLASS-SHEET-4'X8'-GRAY
	089297-01-000	SF	PLYWOOD-LUAN-OVERLAYGRADE-4'X8'
	100619-01-000	BF	EXPANDEDFOAMSHEET-4'X8'X1.34"
	100619-02-000	BF	FOAM-EXPANDEDPOLYSTYRENE-48"X96"X1.5"
	100619-04-000	BF	FOAM-EXPANDEDPOLYSTYRENE-.5"X4'X8'
	100619-11-000	BF	FOAM-EXPANDEDPOLYSTYRENE-4'X8'X2"
	100619-13-000	BF	FOAM-EXPANDEDPOLYSTYRENE-34.65"X8"X.34"
	108535-05-702	EA	FRPFLAT110"X396"BRIGHTWHITE F/PARTSDEPT(ROOFKIN)
	117754-01-02A	EA	FIBERGLASS-SHEET-320X2442MM-BRIGHTWHITE
	120107-01-000	EA	FOAM-COVE-ROOF
	120107-03-000	EA	FOAM-PLUG-ROOFTUBE

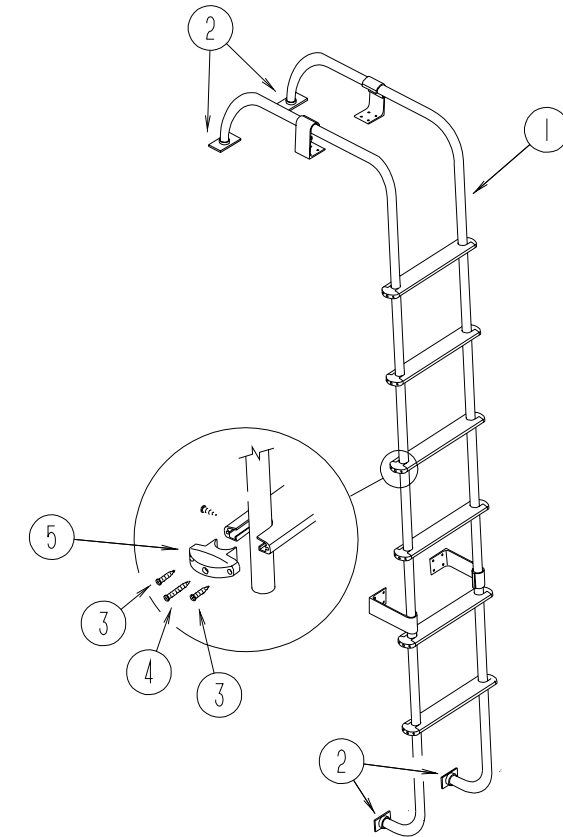
EXTERIORBODYHARDWARE

KEY	PARTNUMBER	U/M	DESCRIPTION
	002726-01-001	EA	GARNISH-U-CHANNEL-1.38"X19'-SERRATED-MILLALUMINUM
	055278-01-001	FT	TUBING-STEEL-.75"X1.5"X288"
	033381-17-001	FT	STEEL-TUBE16GA1.5X1.5X288.00HOTFORMEDASTMA50
	044487-01-001	LB	ALUMINUM-019X96.00X300"MILLFINISH
	058267-01-000	FT	CHANNEL-STEEL-W/HOLES-SIDEWALLSTIFFENER-2"X20'
	068716-01-001	EA	BRACE-90DEGREEL-ANGLE-192"-EXTRUDEDALUMINUM

EXTERIORAWNING

KEY	PARTNUMBER	U/M	DESCRIPTION	VENDOR NO.
	113874-07-03A	EA	AWNING-18'(ALOEGREEN)VINYLRW/OHARDWARE	
	113874-07-04A	EA	AWNING-18'(POLARBLUE)VINYLRW/OHARDWARE	
	111037-01-01A	EA	SPACER-AWNING-UPPER-BLACK	
	113874-01-02A	EA	AWNING-HARDWAREKIT-BRIGHTWHITE	
	113874-01-702	EA	KNOB-ADJUSTING-W/HARDWARE	143249
	113874-01-703	EA	ROD-CENTERPULL-W/GRIP	830152.002
	113874-01-706	EA	LOCK-TRAVEL	830587
	113874-01-707	EA	HANDLE-LIFT	830644
	113874-01-709	EA	NAIL-SPIKE-8"	113006
	113874-01-710	EA	PLUG-STOPKIT	830456
	113874-01-711	EA	ARM-ADJUSTABLE/TALLSATIN	830466.016
	113874-01-712	EA	FOOT-PATIO	730366
	113874-01-714	EA	RAFTER-MAINRH/LHBRT/WHT	830295.036F
	113874-01-715	EA	RAFTER-SECONDARYBRT/WHT	830463.011F
	113874-01-716	EA	ARM-MAINSUPPORTBRT/WHT	3104502.277F
	113874-01-717	EA	ARM-ADJUSTABLEBRT/WHT	830466.016/F

EXTERIORBODYGROUP(CONTINUED)

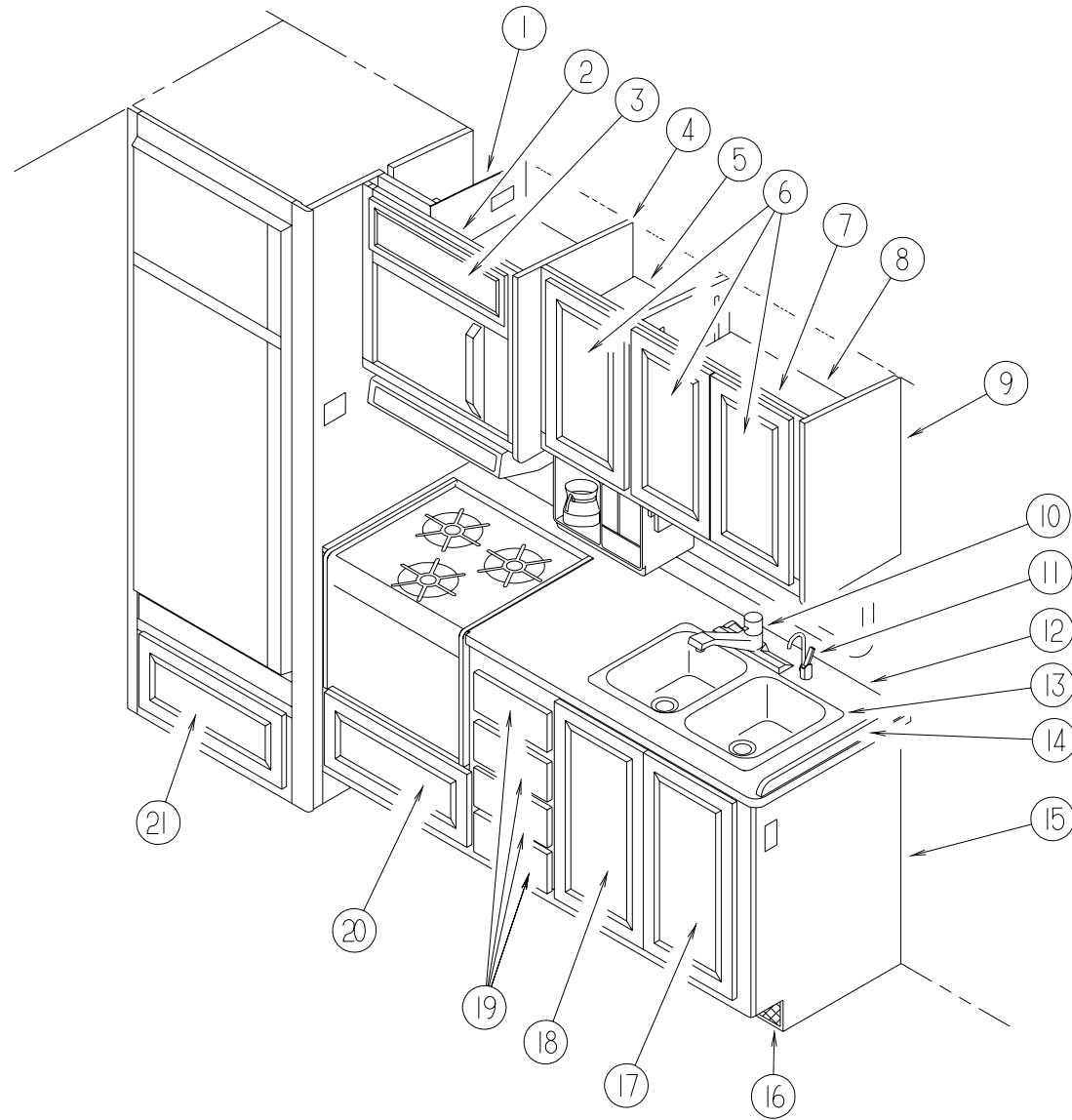


LADDER

KEY	PARTNUMBER	U/M	DESCRIPTION
1	102953-11-F31	EA	LADDER
2	067165-01-000	EA	MOUNTINGBRACKET-LADDER-LOWER
3	000G39-06-10T	EA	SCREW-SF/DR-6-20X5/8PPH-BLACK
4	000G68-10-36T	EA	SCREW-10-12X2.25POHBLACK
5	076980-02-000	EA	ENDCAP-STEP-BLACK
	038327-01-000	FT	TAPE-ANTISLIP-2"X60FT

GALLEYGROUP

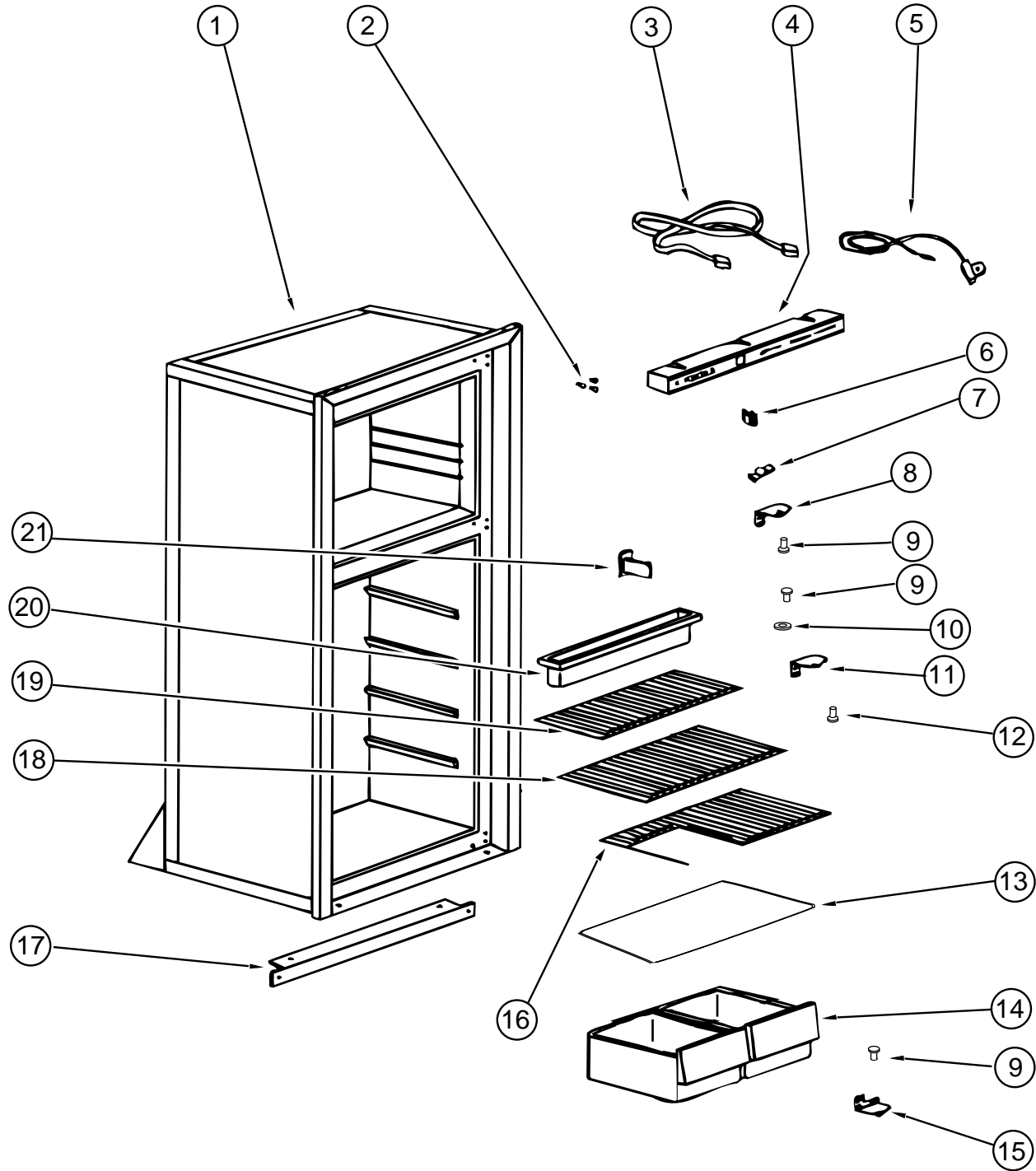
GALLEYCABINETRY&FIXTURES



KEY	PARTNUMBER	U/M	DESCRIPTION
1	119280-03-H17	EA	CABINET -A/CSWITCH(OAK)
1	119280-03-H40	EA	CABINET -A/CSWITCH(WHITE)
2	121328-05-H17	EA	CABINET-OVERHEAD/MICROWAVE-W/ODOORS/HARDWARE(OAK)
2	121328-07-H40	EA	CABINET-OVERHEAD/MICROWAVE-W/ODOORS/HARDWARE(WHITE)
3	M05992-J9-H17	EA	DOOR-OGEEEDGE-5.11"X22.4"-W/OHARDWARE(OAK)
3	122715-43-01A	EA	DOOR-MOLDEDVINYL-5.11"X22.4"-W/OHARDWARE(WHITE)
4	081320-16-G15	EA	ENDCAP-OVERHEADCABINET(OAK)
4	081320-14-H40	EA	ENDCAP-OVERHEADCABINET(WHITE)
5	118158-12-H17	EA	SHELF-W/PLASTICEDGETRIM(OAK)
5	118158-12-H40	EA	SHELF-W/PLASTICEDGETRIM(WHITE)
6	M06803-J7-G17	EA	DOOR-MITEREDCORNER/OGEEEDGE-12"X21.8"-W/OHDW(OAK)
6	122715-43-01A	EA	DOOR-MOLDEDVINYL-12"X21.8"-W/OHARDWARE(WHITE)
7	P18158-02-H17	EA	CABINET-OVERHEADGALLEY-W/ODOORS/HARDWARE(OAK)
7	P18158-02-H40	EA	CABINET-OVERHEADGALLEY-W/ODOORS/HARDWARE(WHITE)
8	118158-11-H17	EA	SHELF-W/PLASTICEDGETRIM(OAK)
8	118158-11-H40	EA	SHELF-W/PLASTICEDGEMOLDING(WHITE)
9	081319-17-H17	EA	ENDCAP-OVERHEADCABINET(OAK)
9	081319-17-H23	EA	ENDCAP-OVERHEAD(WHITE)
10	104114-02-01A	EA	FAUCET-SINGLECONTROL
11	103635-01-000	EA	FAUCET-SINGLECONTROL
12	122990-14-H17	EA	COUNTERTOP(H17,H18)
12	122990-14-H19	EA	COUNTERTOP(H19)
12	122990-14-H40	EA	COUNTERTOP(H40,H41)
13	110654-01-000	EA	SINK-STAINLESSSTEELDOUBLEBASIN(1LG1SMBASIN)
	092303-01-000	EA	STRAINER-SINK
14	098335-07-F40	EA	RAIL-GALLEY(H17,H18)
14	098335-07-E38	EA	RAIL-GALLEY(H19)
14	098335-07-H40	EA	RAIL-GALLEY(H40,H41)
15	122990-01-H17	EA	CABINET-GALLEY-W/ODOORS/DRAWERS/HARDWARE(H17,H18)
15	122990-01-H19	EA	CABINET-GALLEY-W/ODOORS/DRAWERS/HARDWARE(H19)
15	122990-01-H40	EA	CABINET-GALLEY-W/ODOORS/DRAWERS/HARDWARE(H40,H41)
15	122990-11-H17	EA	SHELF-W/PLASTICEDGETRIM(OAK)
15	122990-11-H40	EA	SHELF-W/PLASTICEDGETRIM(WHITE)
16	118200-01-01A	SF	MESH-PLASTIC-1/2INCH
	108464-03-F40	EA	COVER-SINK-15"X11"-SMALL(H17,H18)
	108464-03-E38	EA	COVER-SINK-15"X11"-SMALL(H19)
	108464-03-H40	EA	COVER-SINK-15"X11"-SMALL(H40,H41)
	108464-04-F40	EA	COVER-SINK-15"X15"-LARGE(H17,H18)
	108464-04-E38	EA	COVER-SINK-15"X15"-LARGE(H19)
	108464-04-E31	EA	COVER-SINK-15"X15"-LARGE(H40,H41)
	103799-02-01A	EA	COFFEEMAKERWITHCLOCK
	103799-01-700	EA	POT-CARAFE-GLASS
	103799-01-701	EA	BRACKETS-WHITEPAIR
	090329-01-000	FT	T-SEAL-REFRIGERATORCABINET-.6"WIDETOPX2"TAIL
	054450-01-000	EA	LEVEL-REFRIGERATOR
17	M06803-N7-H17	EA	DOOR-MITEREDCORNER/OGEEEDGE-13.6"X27.1"-W/OHDW(OAK)
17	122715-31-01A	EA	DOOR-MOLDEDVINYL-13.6"X27.1"-W/OHARDWARE(WHITE)
18	M06803-N8-H17	EA	DOOR-MITEREDCORNER/OGEEEDGE-13.6"X27.1"-W/OHDW(OAK)
18	122715-43-01A	EA	DOOR-MOLDEDVINYL-13.6"X27.1"-W/OHARDWARE(WHITE)
19	M05971-11-H17	EA	DRAWER-W/OSLIDES/HARDWARE(OAK)
19	P10163-CR-H40	EA	DRAWER-9.9"WX17.7"D-W/OSLIDES/HARDWARE(WHITE)
20	M05971-V1-H17	EA	DRAWER-OGEEEDGE-W/OSLIDES/HARDWARE(OAK)
20	P10163-CP-H40	EA	DRAWER-19.2"WX11.8"D-W/OSLIDES/HARDWARE(WHITE)
21	M06803-V0-H17	EA	DOOR-MITEREDCORNER/OGEEEDGE-13.9"X23"-W/OHDW(OAK)
21	122715-26-01A	EA	DOOR-MOLDEDVINYL-13.6"X23"-W/OHARDWARE(WHITE)

GALLEYGROUP(CONTINUED)

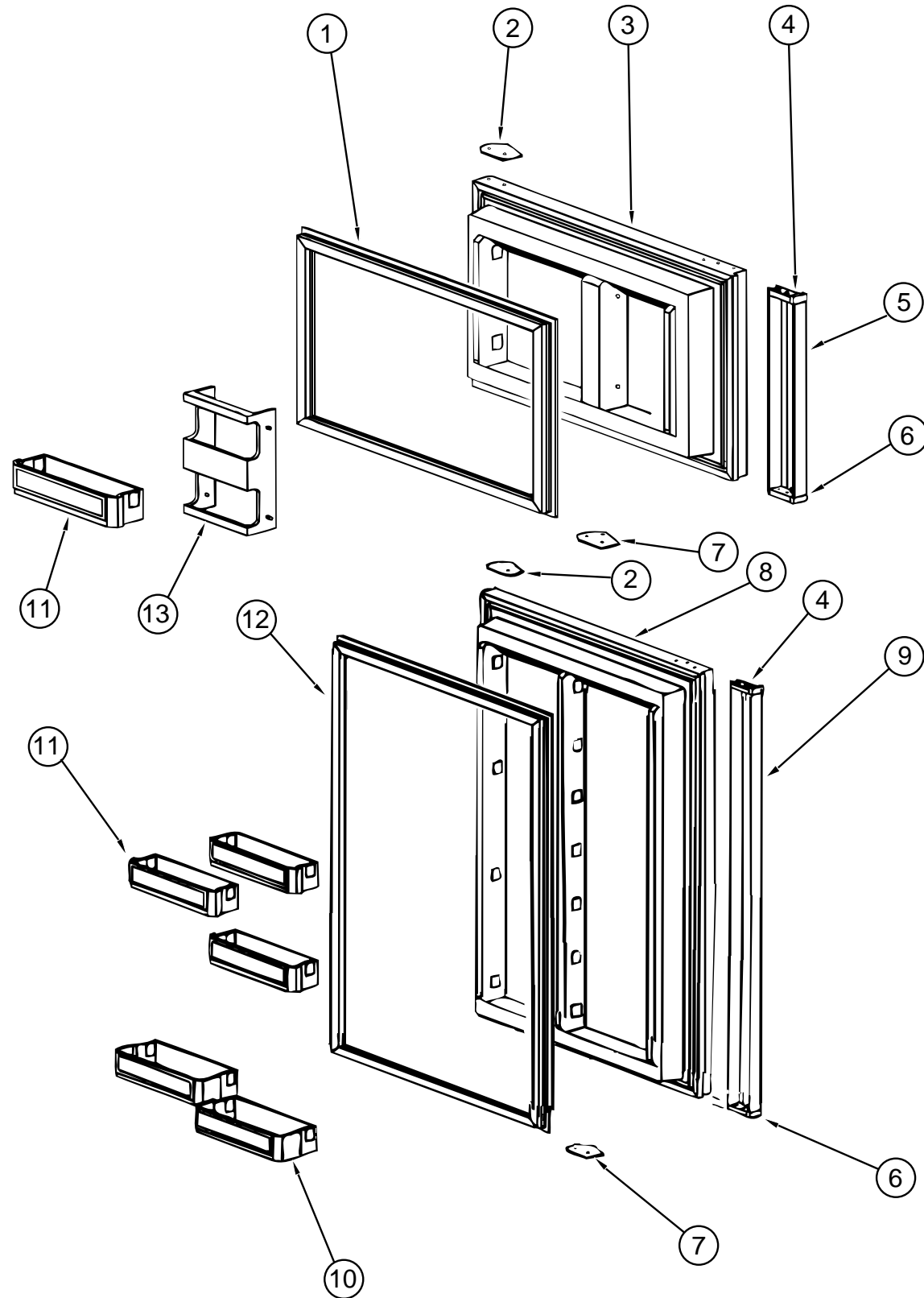
REFRIGERATORCABINETASM.(NORCOLD6182)



KEY	PARTNUMBER	U/M	DESCRIPTION	VENDOR NO.
	104137-07-01A	EA	REFRIGERATOR-LARGEDBLDOOR2-WAY	
1	104137-06-708	EA	CABINET-W/BLACKTRIM-WHITEINTERIOR	61725138
2	094039-01-722	EA	HOLEPLUG(BLACK)HINGEHOLES	61582030
3	084880-01-746	EA	CABLE-PCBDTOPWERSUPPLY	61571522
4	104137-06-700	EA	SHELL-EYEBROW.-2-WAY-W/HUM	61726622
5	084880-01-753	EA	THERMISTER-78"W/OCLIP	61693822
6	075217-01-738	EA	SWITCH-HUMIDITY	61525922
7	084880-01-760	EA	CLIP(THERMISTER)	61689122
8	094039-01-723	EA	HINGEBRACKET-TOPRH-BOTTOM-LH-BLACK	61580838
9	094039-01-725	EA	HINGEPIN(BLACK)(MALE)	61578130
	084880-03-702	EA	HINGEPINTOP/BTMFEMALE	61580630
10	084880-01-749	EA	HINGEBUSHING	615807
11	094039-01-728	EA	HINGEBRACKET-CENTER-BLACK	61566530
12	094039-01-730	EA	HINGEPINSHAFT(BLACK)CENTERHINGE	61566730
13	084880-01-722	EA	CRISPERCOVER	615641
14	104137-06-707	EA	CRISPER(WHITE)	61571325
15	094039-01-724	EA	HINGEBRACKET-TOPLH-BOTTOM-RH-BLACK	61580938
16	094039-01-739	EA	SHELF(CUTOUT)GRAY	61646722
16	104137-06-730	EA	SHELF(CUTOUT)WHITE	618055
17	094039-01-732	EA	FRONTCOVER(BLACK)BOTTOMTRIM	61622130
18	094039-01-733	EA	WIRESHelf(MIDDLE)GRAY	61563822
18	094039-06-729	EA	WIRESHelf(MIDDLE)WHITE	618052
19	104137-06-706	EA	WIRESHelf(SHORT)	61718222
20	094039-01-735	EA	INSIDEDRIPTRAY(WHITE)	61572830
21	084880-01-732	EA	LATCH	61578522
	094039-01-736	EA	SWITCH-LIGHT-BLACK	61581022
	104137-06-727	EA	SHELF-FREEZER-WHITE	618057
	093646-01-000	EA	BRACKETASM-TIEDOWN-REFRIGERATOR	
	093646-02-000	EA	BRACKETASM-TIEDOWN-REFRIGERATOR	
	065225-01-000	EA	PLATE-TIEDOWN-REFRIGERATOR	
	065225-02-000	EA	PLATE-TIEDOWN-REFRIGERATOR	

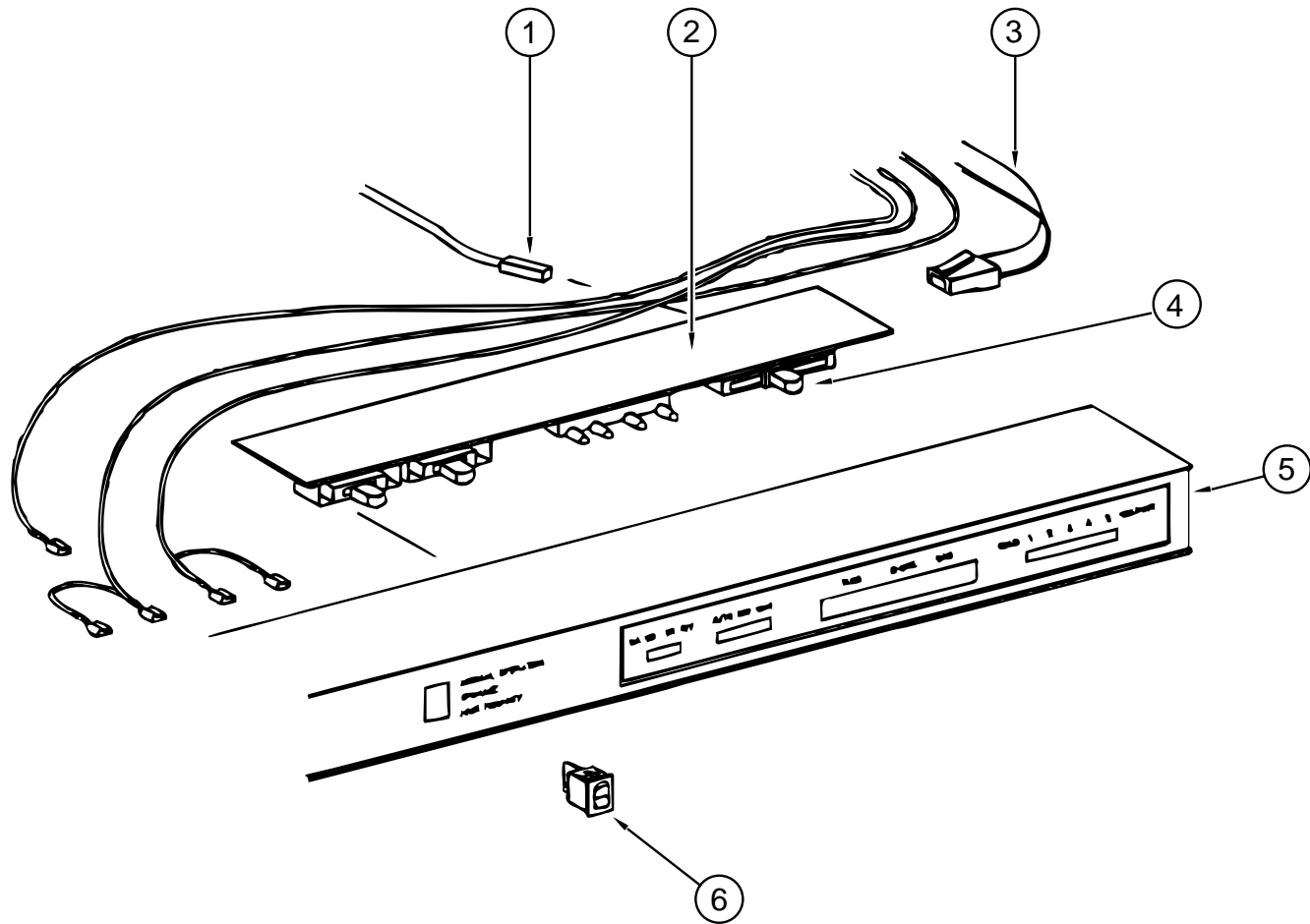
GALLEYGROUP(CONTINUED)

REFRIGERATOR DOORS(NORCOLD6182)



KEY	PARTNUMBER	U/M	DESCRIPTION	VENDOR NO.
1	094039-01-702	EA	GASKET(GRAY)UPPER	61567830
2	094039-01-710	EA	PLATE-HINGE-BLACK	61631330
3	094039-01-706	EA	UPPERDOORLINERWHITE/BLACK	61581838-B
4	084880-01-761	EA	CAP-END-CATCH-UPPER, BLACK	61593730
5	094039-01-708	EA	DOORHANDLEASM-UPPER-BLACK	61650038
	084880-01-720	EA	SPRING(FOR DOORHANDLE)	61558822
6	084880-01-740	EA	ENDCAP(STOPCATCH)	61593830
7	094039-01-704	EA	PLATE-HINGE-BLACK	61631430
8	094039-01-715	EA	LOWERDOORLINER(BLACK/WHITE)	61581738-B
9	094039-01-717	EA	DOORHANDLEASM-LOWER(BLACK)	61649938
	084880-01-720	EA	SPRING(FOR DOORHANDLE)	61558822
10	104137-06-704	EA	BIN-MILK-WHITE	61579425
11	104137-06-703	EA	BIN-DOORSHELF(WHITE)	61564025
12	094039-01-713	EA	DOORGASKET(LOWER)GRAY	61568030
13	104137-06-702	EA	RACK-JUICE(WHITE)	61580525

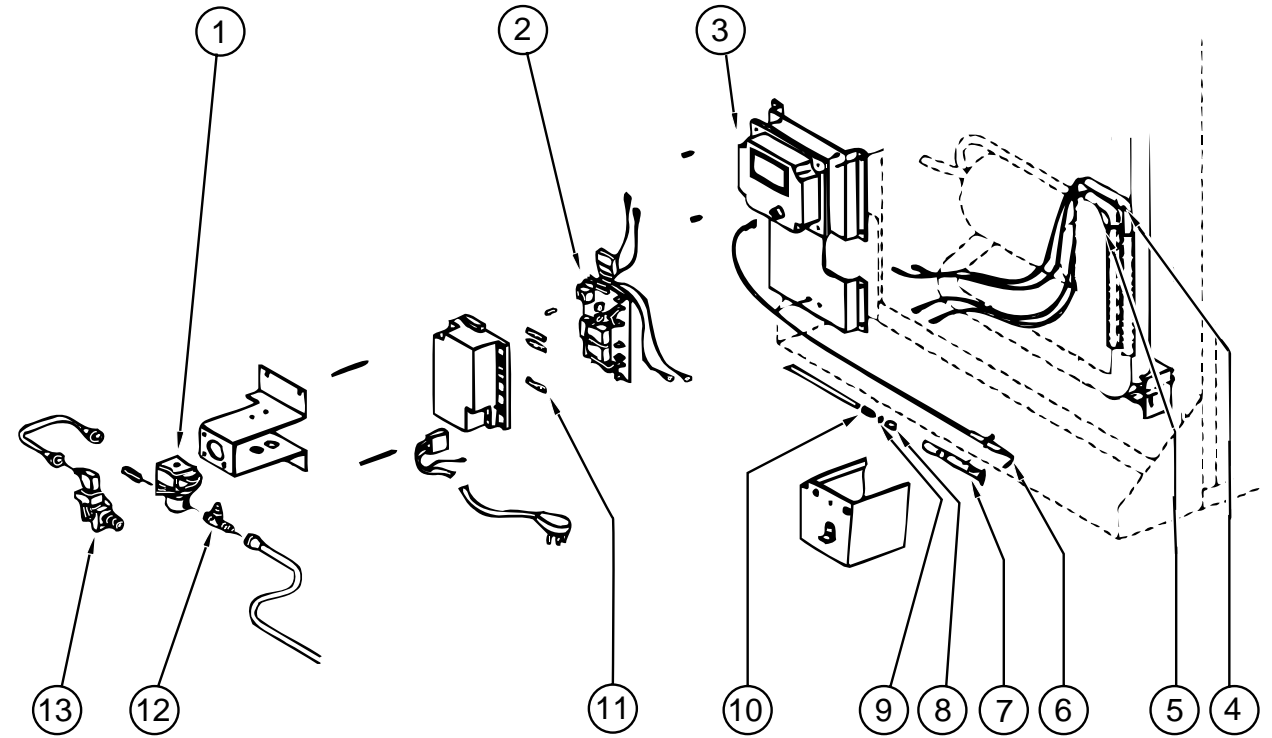
GALLEYGROUP(CONTINUED)



REFRIGERATOREYEBROWASM.(NORCOLD6182)

KEY	PARTNUMBER	U/M	DESCRIPTION	VENDOR NO.
1	084880-01-753	EA	THERMISTER78"-W/OCLIP	61693822
2	094039-04-700	EA	PRINTEDCIRCUITBOARD-2WAY	61647322
3	084880-01-746	EA	CABLE-PCBDTOPOWERSUPPLY	61571522
4	102621-01-703	EA	BUTTON-THERMOSTAT-ADJUSTABLE	61587422
5	104137-06-700	EA	SHELL-EYEBROW-2-WAY-W/HUM	61726622
6	075217-01-738	EA	SWITCH-HUMIDITY	61525922

GALLEYGROUP(CONTINUED)

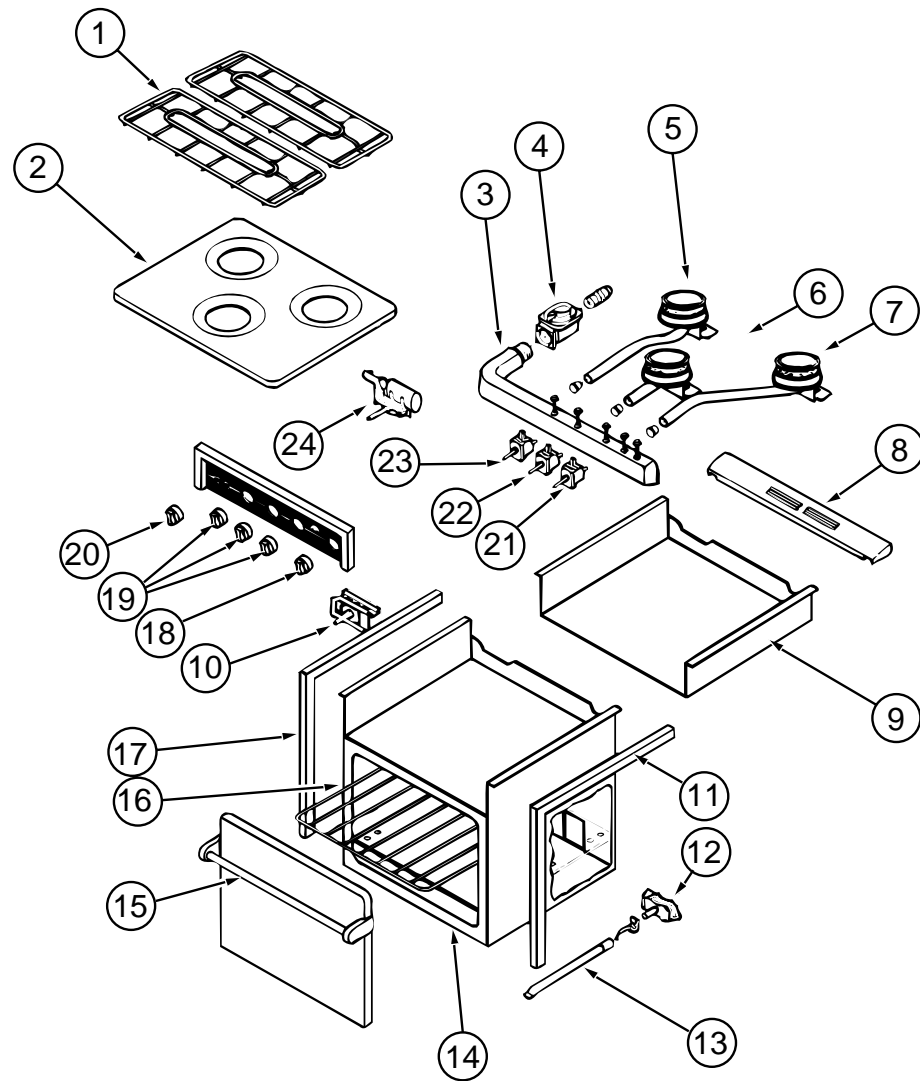


REFRIGERATORCONTROLASM.(NORCOLD6182)

KEY	PARTNUMBER	U/M	DESCRIPTION	VENDOR NO.
1	084880-01-718	EA	VALVE-GAS(ASCO)	61551822
2	094039-04-702	EA	POWERSUPPLY(2WAY)	61647422
3	104137-02-700	EA	CHANNEL-CONTROLMODULE	61717037
4	088248-01-710	EA	HEATER-DC(HORIZONTAL)3WAY	615628
5	088248-01-709	EA	HEATER-AC(HORIZONTAL)	615627
6	104137-06-715	EA	ELECTRODE-SPARK/SENSOR(SINGLE)	61692222
7	104137-06-714	EA	BURNERASSEMBLY-5-SLOT	61705222
8	084880-01-705	EA	ORIFICE	614522
9	104137-06-713	EA	ORIFICEGASKET	61475122
10	104137-06-712	EA	FITTING-GASTUBECONNECTION	61692722
11	104137-06-711	EA	FUSE5AMP	61611622
12	104137-06-710	EA	PRESSURETAP	61594422
13	104137-06-709	EA	VALVESHUT-OFF-MANUALASM	61694922
	084880-03-701	EA	COOLINGUNIT(HORIZBURNER)	61687337

GALLEYGROUP(CONTINUED)

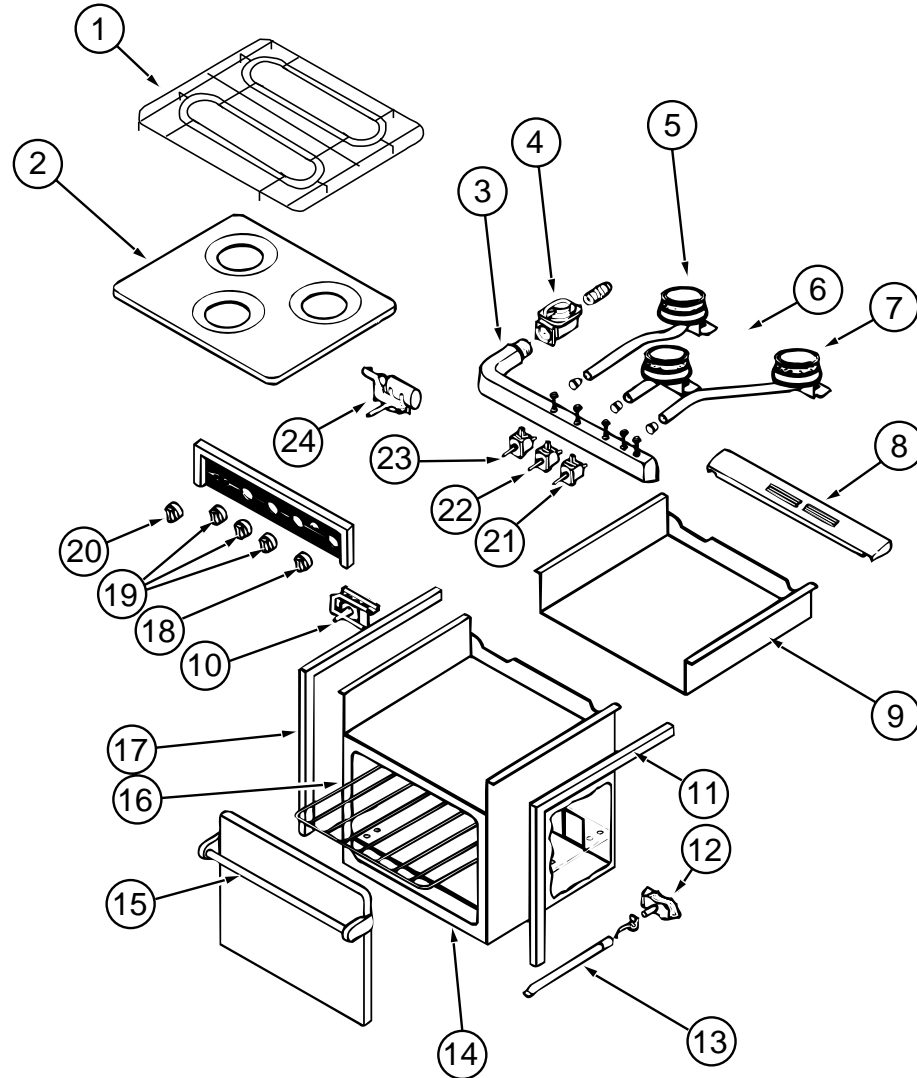
ATWOODRANGEW/OVEN,R-2137BGP(FROM:00-00-00THRU:11-26-96)



KEY	PARTNUMBER	U/M	DESCRIPTION	VENDOR NO.
	121758-01-01A	EA	RANGE -W/OVEN-BLACK -R-2137BGP	
1	107246-01-701	EA	GRATE-BURNER	53050
	107323-01-711	EA	CUSHION-GRATE-RUBBER	53008
	107323-01-716	EA	CLIP-GRATE-GREEN	50005
2	121758-01-714	EA	RANGE-TOP-ALMOND	53082
3	121758-01-709	EA	MANIFOLD3BURNER	51272
	121758-01-713	EA	COVER-MANIFOLD	56107
4	106689-01-704	EA	REGULATOR-EXTREMEPRESSURE	51062
5	121758-01-707	EA	BURNERLEFTREARPZO	56066
6	121758-01-708	EA	BURNERCENTER(HIGHOUTPUT)	56068
7	121758-01-706	EA	BURNERRIGHTREARPZO	56067
8	107323-01-705	EA	TRIM-VENT	53525
9	121758-01-711	EA	BURNERBOX	51684
10	107246-01-703	EA	THERMOSTAT-ROBERTSHAW	52122
11	107323-01-703	EA	TRIM-RIGHT	53024
12	107246-01-706	EA	PILOTASM.-ONLY(OVEN)	51065
13	107246-01-705	EA	BURNER-OVEN	52018
14	107323-01-706	EA	TRIM-LOWER-BLACK	53526
15	107323-01-714	EA	HANDLEASM.DESIGNERSTYLE	51112
16	107246-01-704	EA	RACK-OVEN	53426
	107246-01-708	EA	SHELF-OVEN-LOWER	51069
17	107323-01-702	EA	TRIM-LEFT	51657
18	121758-01-703	EA	TRIM-LEFT	53023
19	121758-01-712	EA	KNOBTHERMOSTAT	56094
20	121758-01-700	EA	KNOB-BURNER(3)	56093
21	121758-01-710	EA	KNOB(TURNSTYLE)PIEZOIGN	56095
22	121758-01-705	EA	VALVE-BURNER	56086
23	121758-01-710	EA	VALVEHIGHOUTPUT	56087
24	121758-01-701	EA	VALVE-BURNER	56086
	121758-01-702	EA	IGNITORPIEZO(ROTARY)	56096
	107246-01-707	EA	ELECTRODEWIRE(PIEZOIGNITOR)	56097
	107246-01-707	EA	VALVE-SAFETYW/PILOTCOMP	51063

GALLEYGROUP(CONTINUED)

ATWOODRANGEW/OVEN,R-2138BGP(FROM: 11-27-96THRU: 99-99-99)

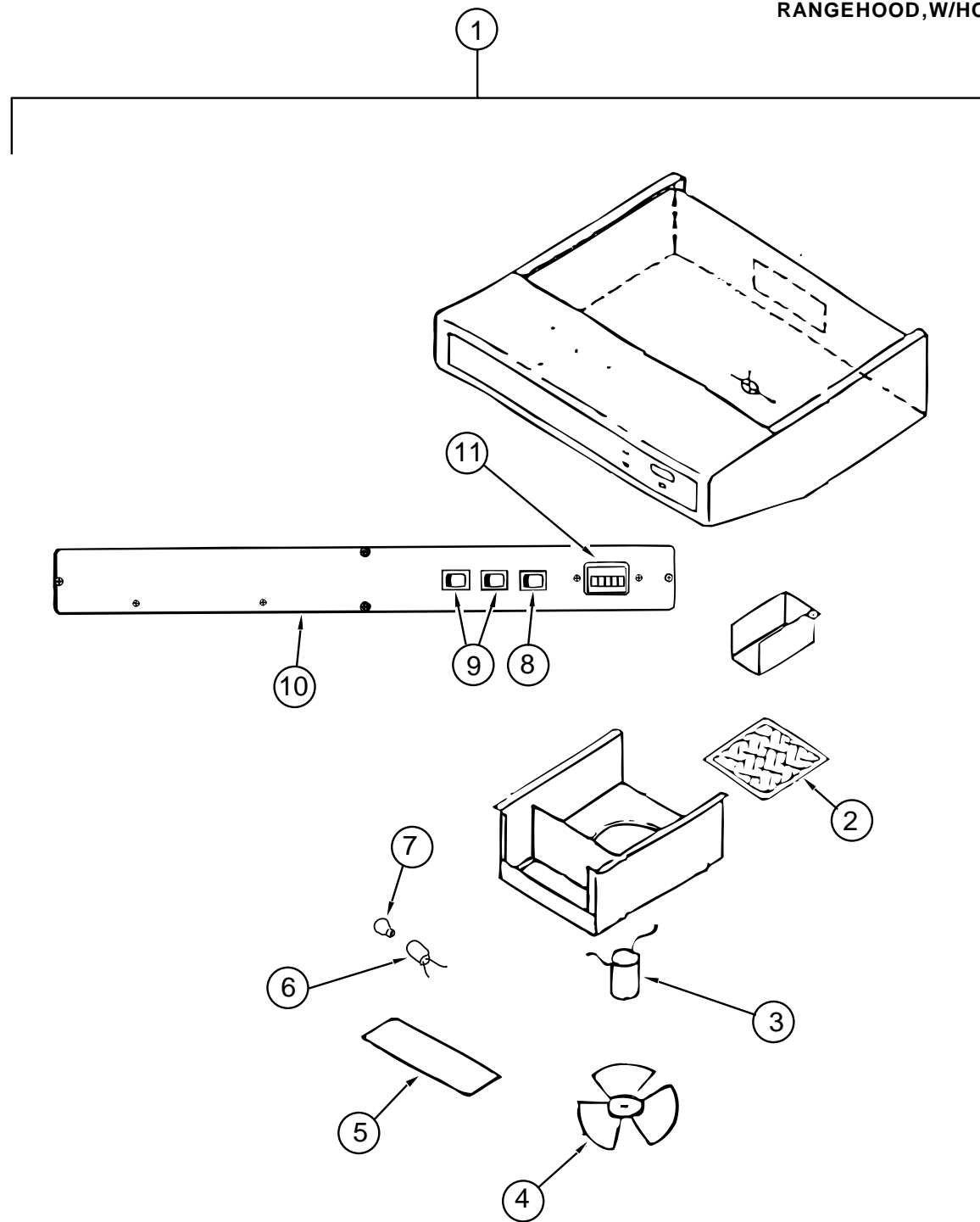


KEY	PARTNUMBER	U/M	DESCRIPTION	VENDOR NO.
	121758-02-01A	EA	RANGE -W/OVEN-BLACK -R-2138BGP	
1	121758-02-700	EA	GRATE-SINGLE	56261
	121758-02-701	EA	CLIP-GRATE	56117
2	107246-01-700	EA	TOP-MAIN-BLACK-3-BURNER	53083
3	121758-01-709	EA	MANIFOLD3BURNER	51272
	121758-01-713	EA	COVER-MANIFOLD	56107
4	106689-01-704	EA	REGULATOR-EXTREMEPRESSURE	51062
5	121758-01-707	EA	BURNERLEFTREARPZO	56066
6	121758-01-708	EA	BURNERCENTER(HIGHOUTPUT)	56068
7	121758-01-706	EA	BURNERRIGHTREARPZO	56067
8	107323-01-705	EA	TRIM-VENT	53525
9	121758-01-711	EA	BURNERBOX	51684
10	121758-02-702	EA	THERMOSTAT-(OVEN)	56119
11	107323-01-703	EA	TRIM-RIGHT	53024
12	121758-02-705	EA	PILOTASM.-ONLY(OVEN)	56121
13	121758-02-706	EA	BURNER-OVEN	56123
14	107323-01-706	EA	TRIM-LOWER-BLACK	53526
15	107323-01-714	EA	HANDLEASM.DESIGNERSTYLE	51112
	107323-01-713	EA	GLASS-BLACK-INSERTOVENDOOR	53426
16	107246-01-704	EA	RACK-OVEN	51069
17	107323-01-702	EA	TRIM-LEFT	53023
18	121758-02-703	EA	KNOB-OVEN-THERMOSTAT	56124
19	121758-01-712	EA	KNOB-BURNER(3)	56093
20	121758-01-700	EA	KNOB(TURNSTYLE)PIEZOIGN	56095
21	121758-01-710	EA	VALVE-BURNER	56086
22	121758-01-705	EA	VALVEHIGHOUTPUT	56087
23	121758-01-710	EA	VALVE-BURNER	56086
24	121758-01-701	EA	IGNITORPIEZO(ROTARY)	56096
	121758-02-704	EA	VALVE-SAFETY	56120

GALLEYGROUP(CONTINUED)

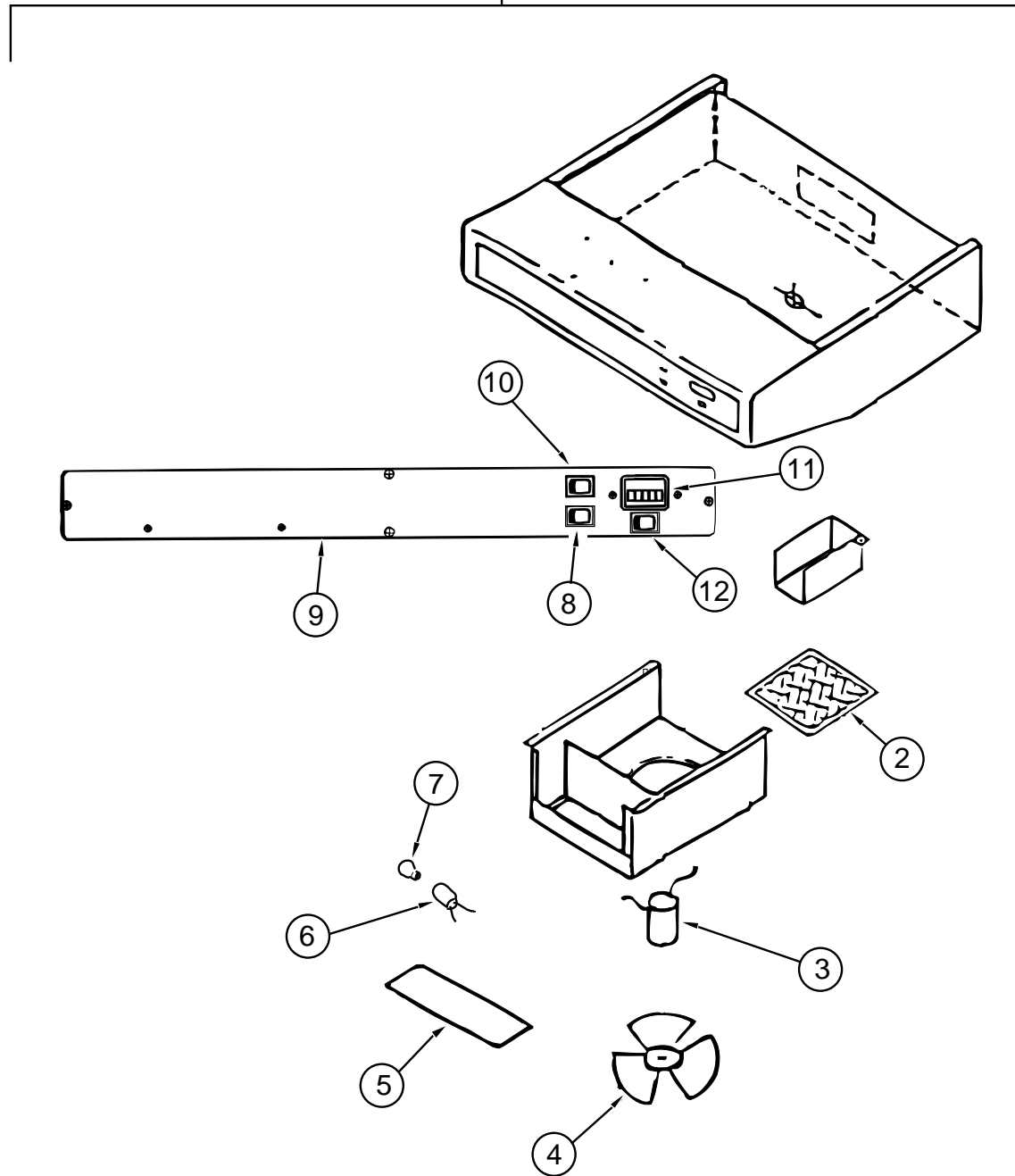
RANGEHOOD, W/HOURMETER, TPS-5009-SBDLG(USA)

KEY	PARTNUMBER	U/M	DESCRIPTION	VENDOR NO.
1	100258-18-03A	EA	HOOD-RANGE22WW/OMONITORPANEL	
2	096983-01-707	EA	FILTER-GREASE-8"X8"-LVS	CC246
3	090973-01-700	EA	MOTOR-LVS	CA508-1
4	090973-01-702	EA	BLADE-FAN-LVS	VA183-1
5	092696-02-701	EA	LENS-LAMP	CC179
6	092696-01-710	EA	SOCKET-LIGHT	CB267-2
7	092696-01-709	EA	BULB-912	VA415
8	096983-01-702	EA	SWITCH-TWOWAYMOMENTARY	112
9	096983-01-700	EA	SWITCH-ON/OFF	108
10	100258-01-700	EA	HOODNOSELABEL	CC428
11	100258-10-01A	EA	GAUGE-HOURMETER W/SWITCH-SCREWON-150	
11	100258-10-701	EA	GAUGE-HOURMETER-CLIPON	72367



GALLEYGROUP(CONTINUED)

①

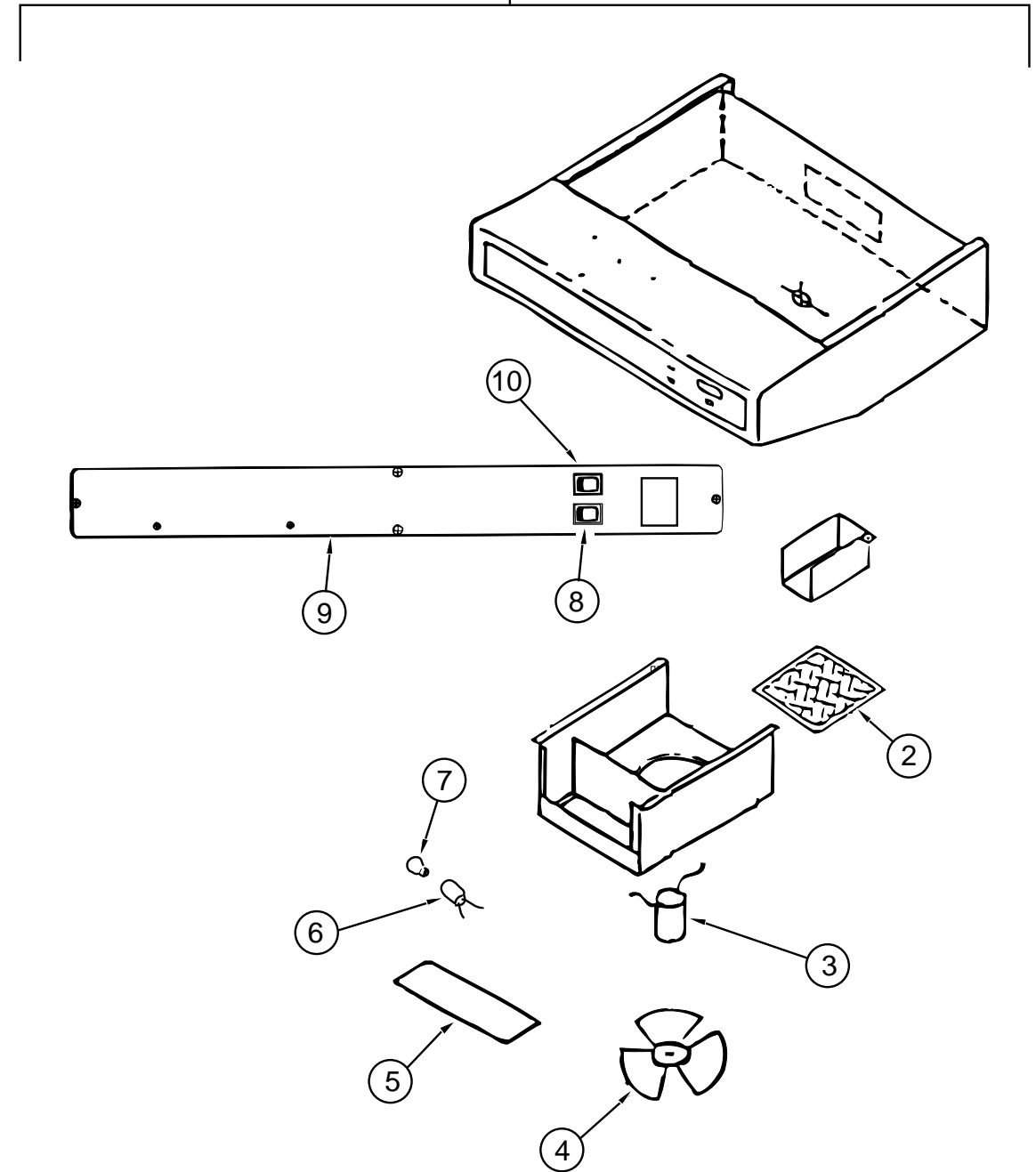


RANGEHOOD, W/OHOURMETER, TCS5008-NBCLG(CANADIAN)

KEY	PARTNUMBER	U/M	DESCRIPTION	VENDOR NO.
1	100258-17-04A	EA	HOOD-RANGE-W/OMONITORPANEL	
2	096983-01-707	EA	FILTER-GREASE-8"X8"-LVS	CC246
3	090973-01-700	EA	MOTOR-LVS	CA508-1
4	090973-01-702	EA	BLADE-FAN-LVS	VA183-1
5	092696-02-701	EA	LENS-LAMP	CC179-2
6	092696-01-710	EA	SOCKET-LIGHT	CB267-2
7	092696-01-709	EA	BULB-912	VA415
8	096983-01-700	EA	SWITCH-ON/OFF	108
9	100258-01-700	EA	HOODNOSELABEL	CC428
10	096983-01-700	EA	SWITCH-ON/OFF	108
11	100258-10-01A	EA	GAUGE-HOURMETER-SCREWON(OPTION)-150	
11	100258-10-701	EA	GAUGE-HOURMETER-CLIPON(OPTION)	72367
12	096983-01-702	EA	SWITCH-TWOWAYMOMENTARY(OPTION) 112	

GALLEYGROUP(CONTINUED)

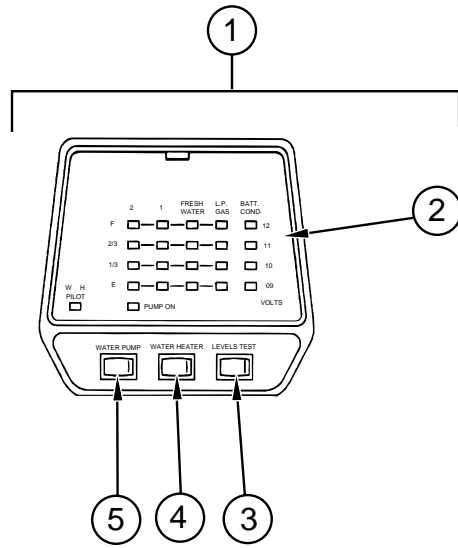
①



RANGEHOOD, W/OHOURMETER, TCS-5008-NBDLG(USA)

KEY	PARTNUMBER	U/M	DESCRIPTION	VENDOR NO.
1	100258-16-04A	EA	HOOD-RANGE-W/OMONITORPANEL	
2	096983-01-707	EA	FILTER-GREASE-8"X8"-LVS	CC246
3	090973-01-700	EA	MOTOR-LVS	CA508-1
4	090973-01-702	EA	BLADE-FAN-LVS	VA183-1
5	092696-02-701	EA	LENS-LAMP	CC179
6	092696-01-710	EA	SOCKET-LIGHT	CB267-2
7	092696-01-709	EA	BULB-912	VA415
8	096983-01-700	EA	SWITCH-ON/OFF	108
9	100258-01-700	EA	HOODNOSELABEL	CC428
10	096983-01-702	EA	SWITCH-TWOWAYMOMENTARY	112

GALLEYGROUP(CONTINUED)



MONITOR PANEL(2WATERTANKS&WATERHEATER)

KEY	PARTNUMBER	U/M DESCRIPTION	VENDOR NO.
1	102765-04-01A	EA PANEL-MONITOR-W/PLUG-2TANKS&WATERHEATER-LVS	
2	102765-04-700	EA CIRCUITBOARD-2HOLDINGTANKS	5076-11
3	097617-01-702	EA SWITCH(ALMOND)	107
4	097617-01-701	EA SWITCH-ON/OFF(ALMOND)	106
5	102765-01-700	EA SWITCH-ON/OFF(ALMOND)	110-01

GENERATORGROUP

ONANGENERATOR,5.0KWEMERALDPLUS

KEY	PARTNUMBER	U/M DESCRIPTION
	109303-01-000	EA GENERATOR-5KW-EMERALDPLUS
	007125-03-000	EA CLAMP-MUFFLER-1.50"DIAMETER
	007125-04-000	EA CLAMP-MUFFLER-1.12"DIAMETER
	007131-01-000	EA HANGER-TAILPIPE-6SLOTS
	079654-05-000	EA PIPE-EXHAUST-ANGLEDW/FLANGE-2"ID
	081364-03-000	EA MUFFLER-GENERATOR-ONAN
	094059-01-000	EA SPACER-GENERATOR-ONAN
	106602-01-000	EA PIPE-EXHAUST-GENERATOR
	106607-01-000	EA ANGLE-SUPPORT-EXHAUST
	008401-01-000	EA STRAP-CONDUIT-3/4"-1HOLE-GALVANIZEDSTEEL

ONANGENERATOR,4.0KWEMERALDPLUS(BGE-FN/29236G)(EXPORT)

KEY	PARTNUMBER	U/M DESCRIPTION
	100974-04-000	EA GENERATOR-4.0KWEMERALDPLUS
	007125-03-000	EA CLAMP-MUFFLER-1.50"DIAMETER
	007125-04-000	EA CLAMP-MUFFLER-1.12"DIAMETER
	079654-05-000	EA PIPE-EXHAUST-ANGLEDW/FLANGE-2"ID
	082272-01-000	EA MUFFLER-GENERATOR
	094059-01-000	EA SPACER-GENERATOR-ONAN
	105958-03-000	EA PIPE-GENERATOREXHAUST1.5"ODX4.4"X15.7"

ONANGENERATOR,5.0KWEMERALDPLUS(NHE-FN/29236G)(EXPORT)

KEY	PARTNUMBER	U/M DESCRIPTION
	100975-03-000	EA GENERATOR-5.0KWEMERALDPLUS
	083152-01-000	EA PIPE-EXHAUST-ANGLEDW/FLANGE-2"ID
	007125-03-000	EA CLAMP-MUFFLER-1.5"DIA
	007131-01-000	EA HANGER-TAILPIPE-6SLOTS
	081364-03-000	EA MUFFLER-GENERATOR-ONAN
	094059-01-000	EA SPACER-GENERATOR-ONAN

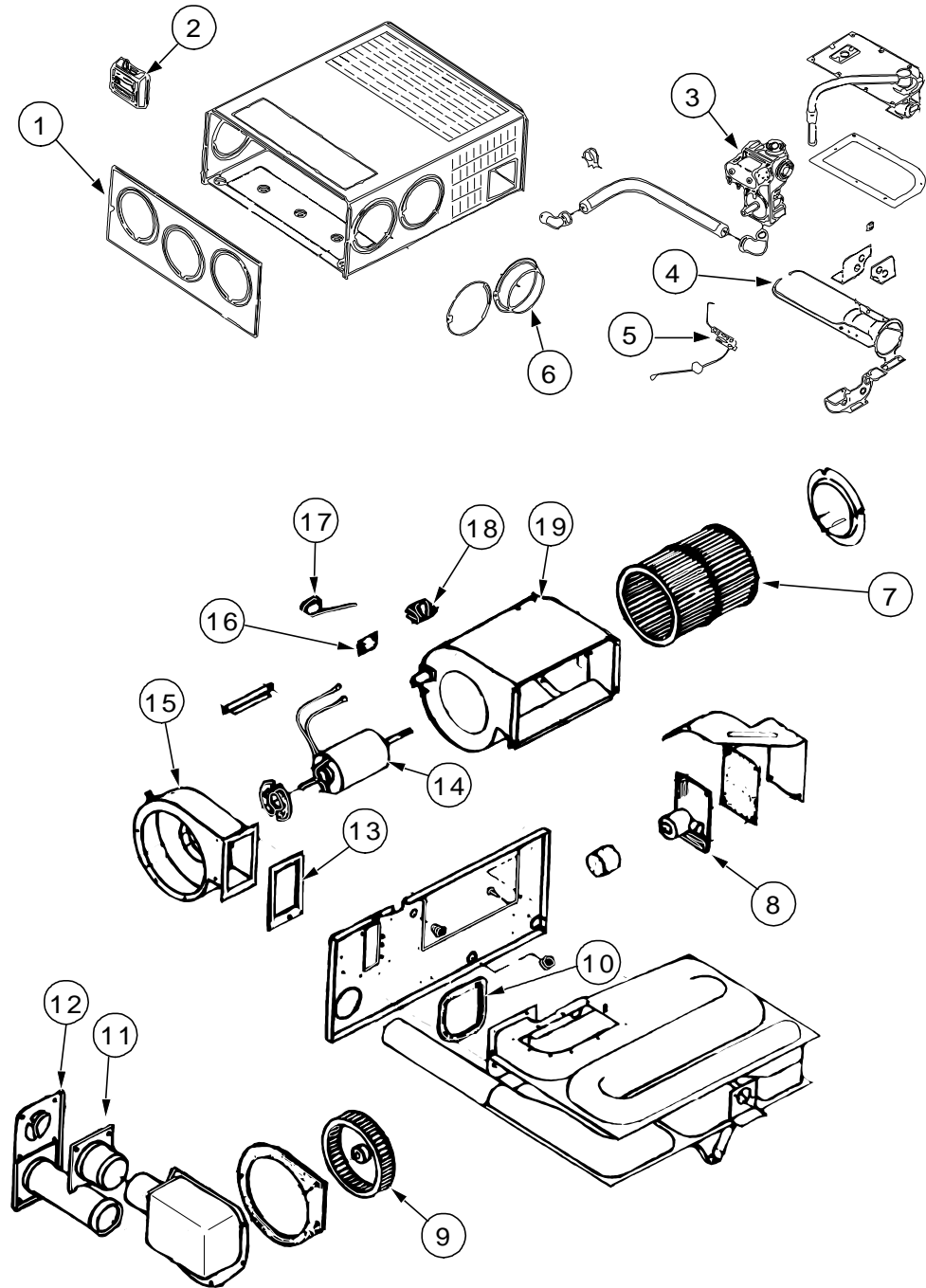
ONANGENERATOR,6.5KWEMERALDPLUS(NHE-FA/26100G)

KEY	PARTNUMBER	U/M DESCRIPTION
	100975-01-000	EA GENERATOR-6.5KWEMERALDPLUS
	106602-01-000	EA PIPE-EXHAUST-GENERATOR
	106607-01-000	EA ANGLE-SUPPORT-EXHAUST
	007125-03-000	EA CLAMP-MUFFLER-1.5"DIA
	007125-04-000	EA CLAMP-MUFFLER-1.1"DIA
	007131-01-000	EA HANGER-TAILPIPE-6SLOTS
	079654-05-000	EA PIPE-EXHAUST-ANGLED-W/FLANGE-2"ID-ONAN#154-2539
	081364-03-000	EA MUFFLER-GENERATOR-ONAN
	094059-01-000	EA SPACER-GENERATOR-ONAN

NOTE:ADDITIONALGENERATORCOMPONENTSAREFOUNDINTHECHASSISGROUP

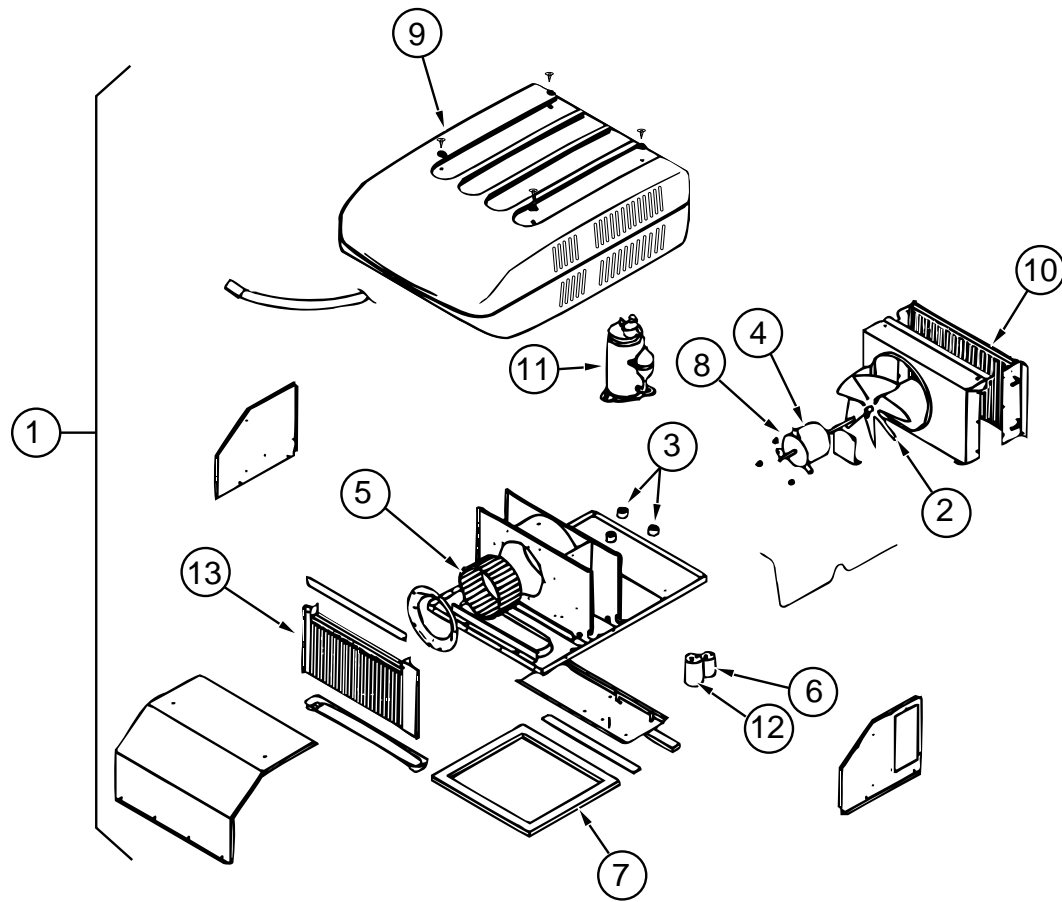
HEATING & AIR CONDITIONING GROUP

FURNACE (SUBURBANSF-352274)



KEY	PARTNUMBER	U/M	DESCRIPTION	VENDOR NO.
	098668-21-000	EA	FURNACE-35000BTUSUBURBANSF-352274	
1	098668-01-700	EA	CABINETFRONT	101242
2	115764-01-01A	EA	THERMOSTAT-FURNACE	
3	098668-01-714	EA	VALVE-GAS-SFS.N.921401821	161070
4	098668-02-700	EA	BURNERASSEMBLY-SF-30&SF35	010745
5	098668-01-715	EA	ELECTRODEASM.-SINGLEPROBE	232166
6	075696-02-703	EA	COLLAR-DUCT	050715
7	098668-01-711	EA	WHEEL-BLOWER-ROOMAIR	350129
8	098668-01-712	EA	BOARD-MODULE	520741
	069634-01-720	EA	ORIFICE-MAINBURNER	0180222
9	098668-01-706	EA	WHEEL-COMBUSTIONAIR	350128
10	098668-01-716	EA	GASKET-FIREWALL-CHAMBERSIDE	070808
11	098668-01-713	EA	TUBEASSEMBLY-INTAKE	051248
12	098668-01-707	EA	TUBEASSEMBLY-EXHAUSTW/CAP	260231
13	098668-01-717	EA	GASKET-FIREWALL-BLOWERSIDE	070809
14	098668-03-700	EA	MOTORASSEMBLY-SF-35	231707
15	098668-01-708	EA	HOUSING-BLOWER-COMBUSTION	390441
16	101990-01-714	EA	GASKET-MICROSWITCH	230877
17	098668-21-700	EA	SWITCH-MICRO-W/OFLAG31/4"	232261
18	074466-01-702	EA	RELAY-TIMEDELAY	230625
19	098668-01-710	EA	HOUSING-BLOWER-ROOMAIR	390440
	115764-01-01A	EA	THERMOSTAT-FURNACE	
	098668-21-701	EA	SWITCH-LIMIT	231799
	093614-04-02A	EA	GRILL-RETURNAIR	
	009198-01-000	FT	DUCT-HEAT-FLEXIBLE-4"IDX25'	
	009198-02-000	FT	DUCT-FLEXIBLE-2"IDX25'	
	069636-02-000	EA	CONNECTOR-DUCT-4"ID	
	076776-01-000	EA	TEE-BARB-5/8"X5/8"X5/8"	
	089367-02-000	EA	TEE-4"X2"X4"	
	009200-01-000	EA	TAPE-FURNACE-1 1/2"	
	056464-10-000	EA	REGISTER-W/ODAMPER-4"DIAMETER	
	094600-05-01A	EA	REGISTER-HEATW/ODAMPER	
	098668-14-000	EA	GASKET-FIBERGLASS-.5"X18"X18"	

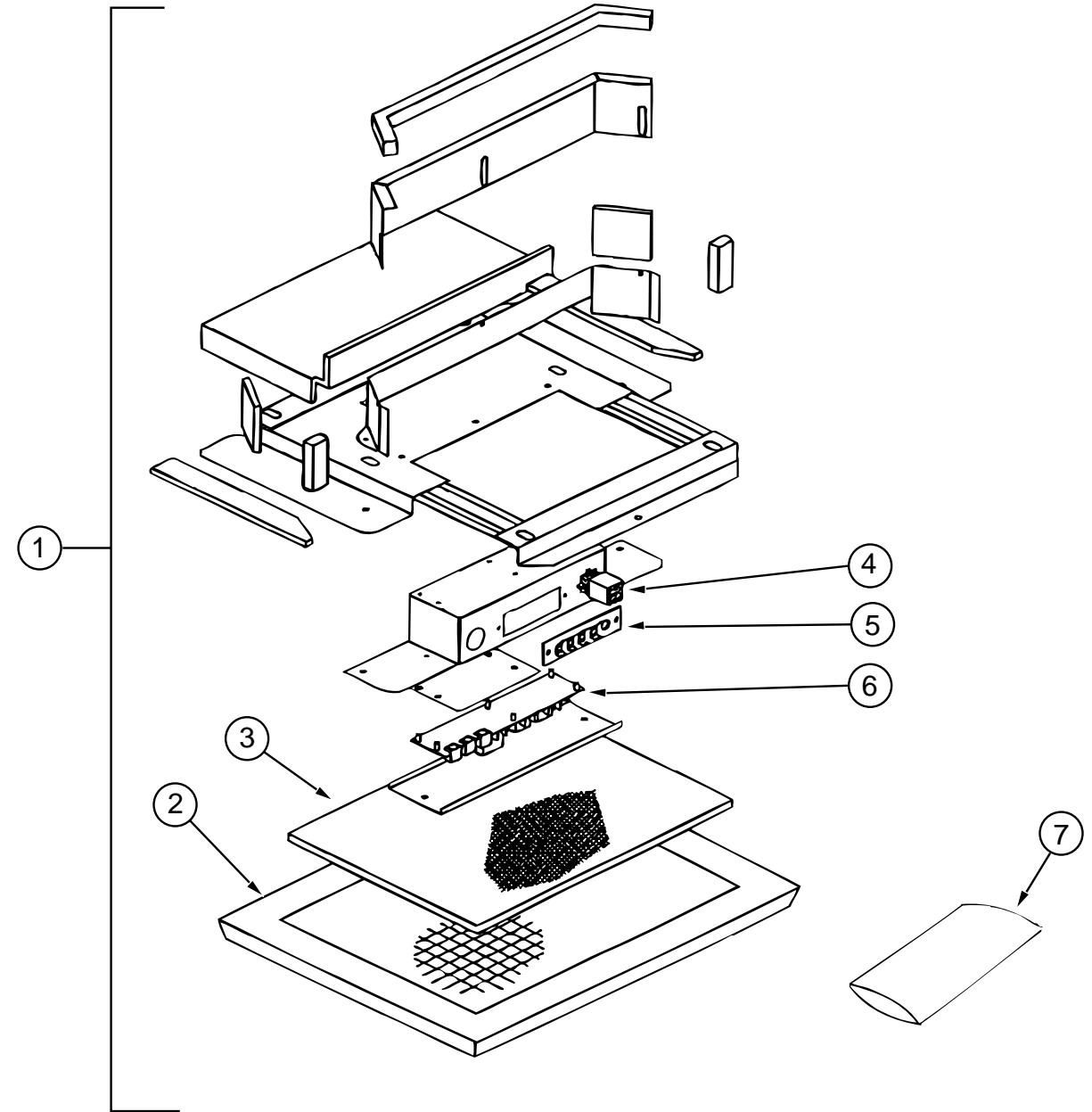
HEATING&AIRCONDITIONINGGROUP(CONTINUED)



COLEMANROOFAIR13,500BTU(EXPORT)

KEY	PARTNUMBER	U/M	DESCRIPTION	VENDOR NO.
1	108889-02-01A	EA	AIRCONDITIONER-13,500BTU/220VOLT	
2	093763-01-712	EA	BLADE-FAN-CONDENSER	6733-3221
3	105620-01-706	EA	MOUNTINGPKG.-COMP.-3PER	6759-3081
4	108889-02-701	EA	MOTOR	1468-3059
5	108889-01-706	EA	IMPELLOR	1472-1041
6	093763-01-704	EA	CAPACITOR-FAN	1499-5461
7	108889-01-711	EA	GASKETPKG	6792-3301
8	108889-01-715	EA	MOTORMOUNT&SHAFTSEALKIT	6792-3361
	063903-01-700	EA	SHROUD	6792-3301
9	108889-05-700	EA	SHROUD-BRIGHT/WHT.W/OLOGO	7333-4601
10	108889-01-703	EA	COIL-CONDENSER	1452A1301
11	108889-02-700	EA	COMPRESSOR-TECUMSEH	1450A2029
12	108889-01-707	EA	CAPACITOR-RUN-COMP-25MFD/370	1499-5661
13	108889-01-709	EA	COIL-EVAPORATOR	1452A1311
	102289-01-000	EA	SPRING-SCREW-ROOFA/CGASKET	
	108889-01-710	EA	PAD-FILLER-CONDENSERSEAL	6759A3971
	108889-01-713	EA	LINE-SUCTION-3/8ODX032WALL	6792-130
	108889-01-714	EA	LINEASSEMBLY-DISCHARGE	6792-531
	105620-01-705	EA	PROTECTOR-OVERLOAD-RH&LH	6759-3791
	093306-01-701	EA	DECALPACKAGE-LEFT&RIGHT	6798B3591
	108889-02-702	EA	CAPACITOR-START	1497-0891
	108889-02-703	EA	RELAY-START	1497-4141
	117238-02-01A	EA	THERMOSTAT-A/CONLY	
	120134-01-02A	EA	REGISTER-4-5INCHDIAMETERW/DAMPER	

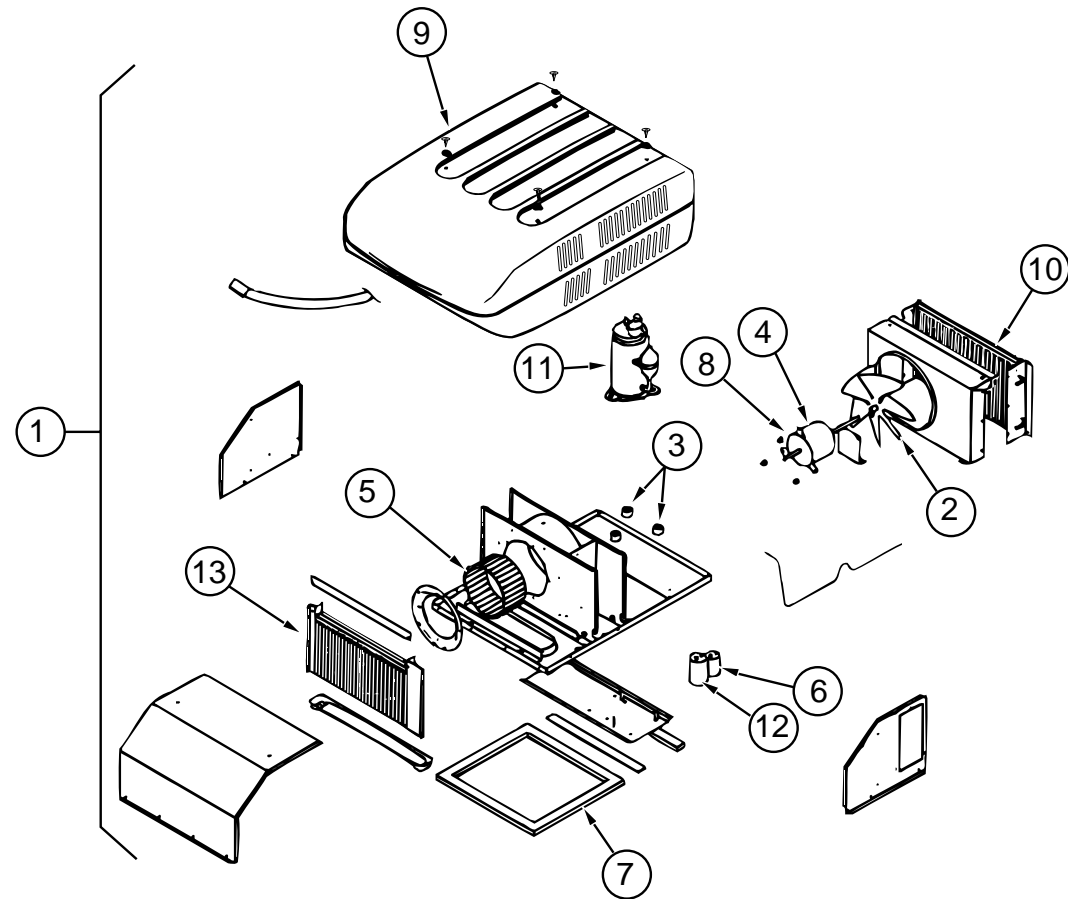
HEATING&AIRCONDITIONINGGROUP(CONTINUED)



CEILINGASM-A/CDUCTED(EXPORT)

KEY	PARTNUMBER	U/M	DESCRIPTION	VENDOR NO.
1	108892-01-01A	EA	CEILINGASM-A/CDUCTED-COLEMAN7330-73	
2	108892-01-704	EA	GRILLE(PLASTIC)	6798-3041
3	108892-01-703	EA	FILTER	6798A3761
4	108892-01-700	EA	PLUGASSEMBLY	7330-540
5	108892-01-701	EA	BOARD-TERMINAL	7330-3201
6	108892-01-702	EA	BOARD-P.C.	7330A3211
7	108892-01-705	EA	SMALLPARTSPKG	7330A6101

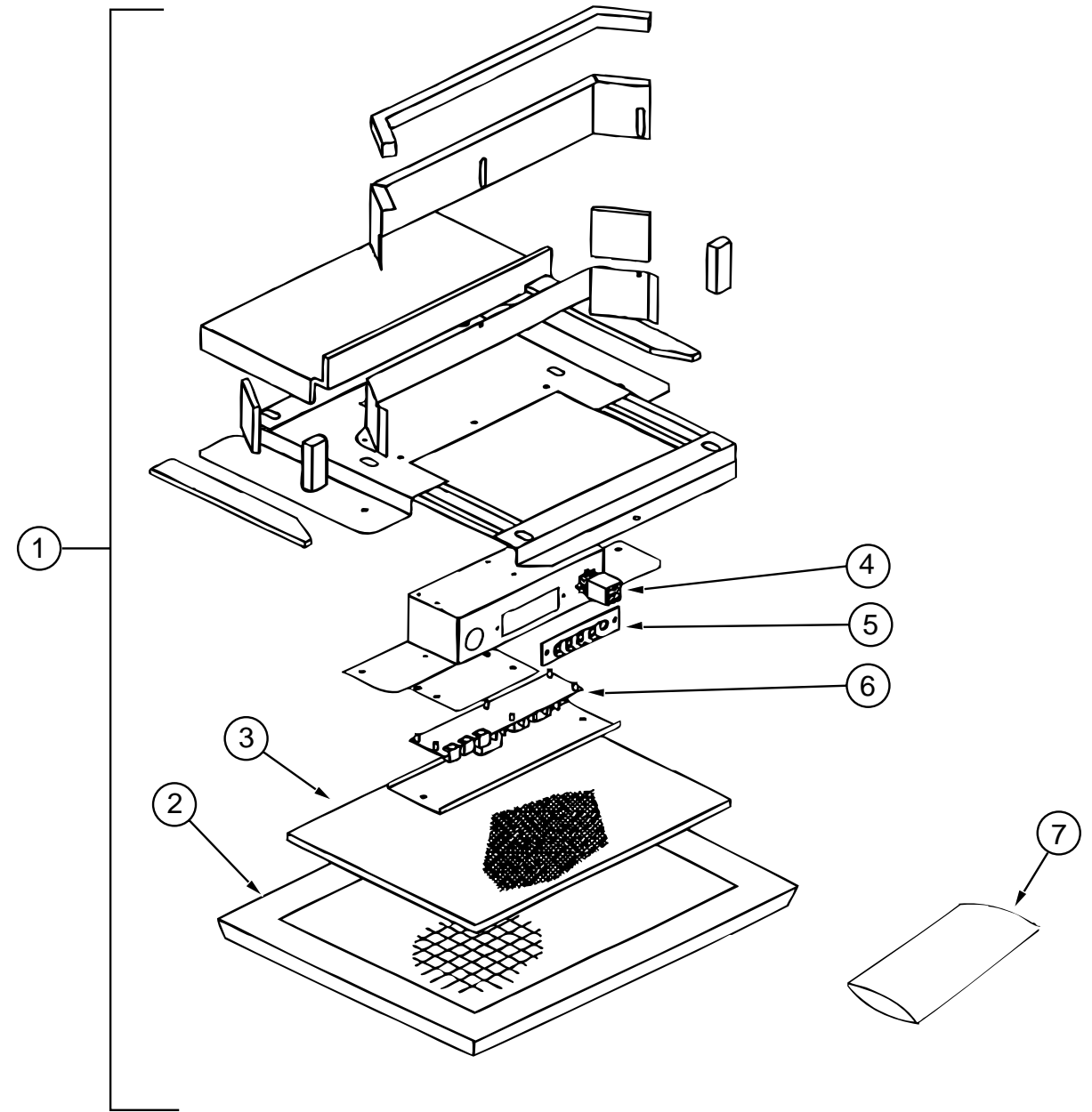
HEATING&AIRCONDITIONINGGROUP(CONTINUED)



COLEMANROOFAIR13,500BTU(US,CSA)

KEY	PARTNUMBER	U/M DESCRIPTION	VENDOR NO.
1	108889-01-05A	EA A/C-ROOF-13,500TSR	
2	093763-01-712	EA BLADE-FAN-CONDENSER	6733-3221
3	105620-01-706	EA MOUNTINGPKG.,COMP.,3PER	6759-3081
4	108889-01-705	EA MOTOR(115,60HZ)	1468-3049
5	108889-01-706	EA IMPELLOR	1472-1041
6	093763-01-704	EA CAPACITOR-FAN	1499-5461
7	108889-01-711	EA GASKETPKG	6792-3301
8	108889-01-715	EA MOTORMOUNT&SHAFTSEALKIT	6792-3361
9	108889-05-700	EA SHROUD-BRIGHT/WHT.W/LOGO	7333-4601
10	108889-01-703	EA COIL-CONDENSER	1452A1301
11	105620-01-704	EA COMPRESSOR-TECUMSEH,RH&LH	1450-2009
12	108889-01-707	EA CAPACITOR-RUN,COMP-25MFD/370	1499-5661
13	108889-01-709	EA COIL-EVAPORATOR	1452A1311
	108889-01-710	EA PAD-FILLER,CONDENSERSEAL	6759A3971
	108889-01-712	EA LINE-SUCTION,REDUCER3/8X1/2	1215-2161
	108889-01-713	EA LINE-SUCTION,3/8ODX032WALL	6792-130
	108889-01-714	EA LINEASSEMBLY-DISCHARGE	6792-531
	108889-01-720	EA TUBE-CAP	6792-1351
	108889-01-704	EA OVERLOAD(MRA#98693)	6749-3541
	091225-01-709	EA RELAY-START	1497-4131
	091225-01-710	EA CAPACITOR-START	1497-0881
	093306-01-701	EA DECALPACKAGE,LEFT&RIGHT	6798B3591
	110403-01-H37	EA SPACERASM-RETURNAIR,OAK - 93M33RQ	
	117238-01-01A	EA THERMOSTAT-A/CANDFURNACE	
	117238-02-01A	EA THERMOSTAT-A/ONLY	
	120134-01-02A	EA REGISTER-4-5INCHDIAMETERW/DAMPER	
	102289-01-000	EA SPRING-SCREW-ROOFA/CGASKET	

HEATING&AIRCONDITIONINGGROUP(CONTINUED)

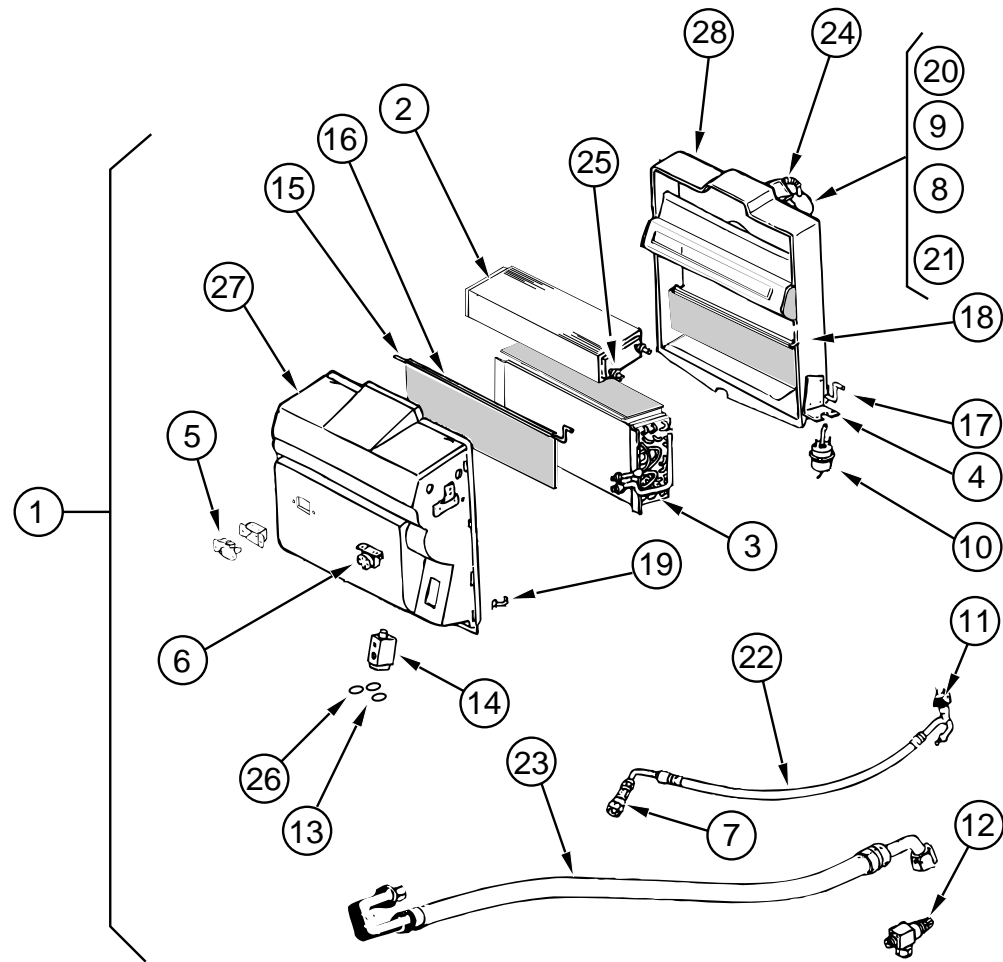


CEILINGASM-A/CDUCTED

KEY	PARTNUMBER	U/M DESCRIPTION	VENDOR NO.
1	108892-01-01A	EA CEILINGASM-A/CDUCTED-COLEMAN7330-73	
2	108892-01-704	EA GRILLE(PLASTIC)	6798-3041
3	108892-01-703	EA FILTER	6798A3761
4	108892-01-700	EA PLUGASSEMBLY	7330-540
5	108892-01-701	EA BOARD-TERMINAL	7330-3201
6	108892-01-702	EA BOARD-P.C.	7330A3211
7	108892-01-705	EA SMALLPARTSPKG	7330A6101

HEATING&AIRCONDITIONINGGROUP(CONTINUED)

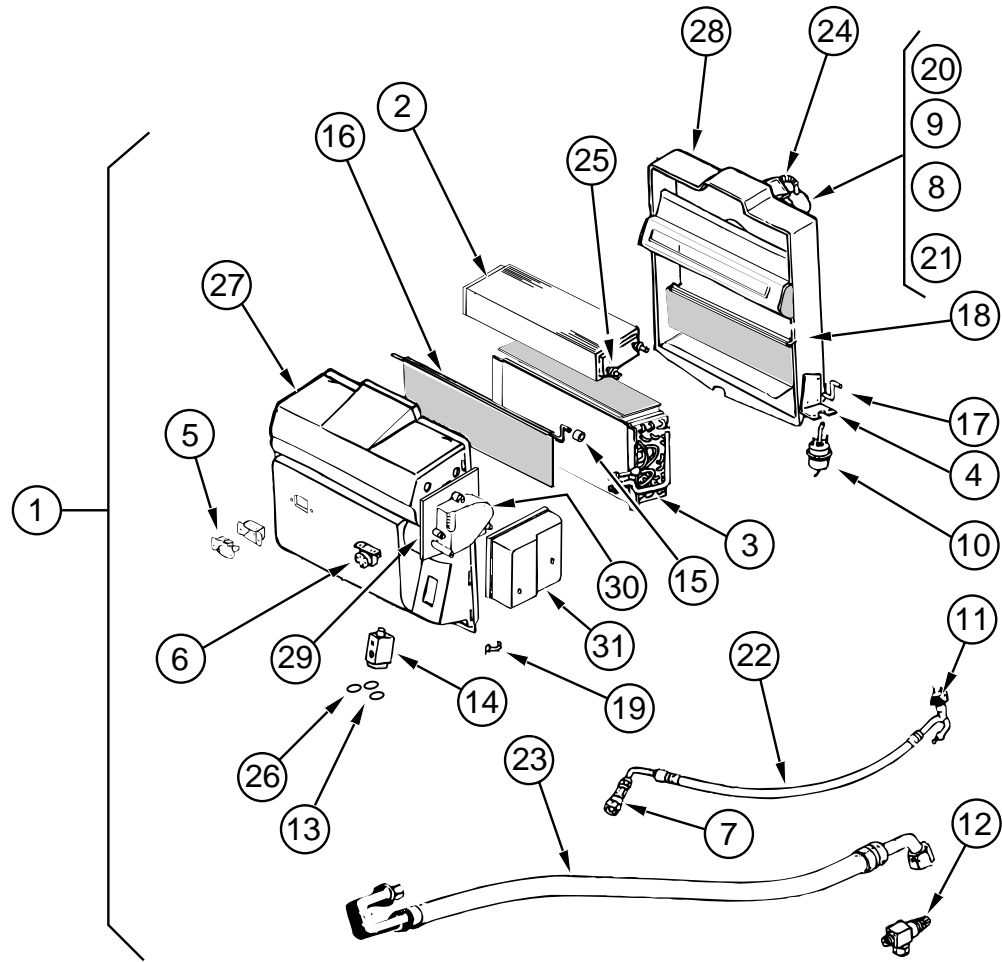
AUTOMOTIVE AIR CONDITIONING (FORD)(FROM00-00-00THRU:09-01-96)



KEY	PARTNUMBER	U/M DESCRIPTION	VENDOR NO.
1	103930-21-000	EA EVAPORATER/HEATER-FORD-R134ABLOCK	
2	103930-01-703	EA COIL-HEATER	042-0010
3	103930-01-704	EA COILEVAPORATOR	041-0017
4	103930-01-708	EA BRACKET-VACUUMMOTOR	070-0113
5	103930-01-710	EA RESISTOR-FUSED	035-0006
6	103930-01-711	EA THERMOSTAT	033-0003
7	103930-01-713	EA FITTING-QUICKCONNECT-#4	050-003
8	103930-01-717	EA WHEEL-CLOCKWISE	062-0010
9	103930-01-720	EA MOTOR	030-0004
10	103930-02-708	EA MOTOR-VACUUMSERVO-A/C	030-0025
11	103930-12-708	EA SWITCH-BINARY-R-134A	032-0048
12	103930-13-702	EA SERVICEVALVE/OC.P.	050-152
13	103930-17-702	EA GASKETORSAE015#1033-781	045-0127
14	103930-20-700	EA VALVEEXPANSIONBLOCK(2TON)	034-0032
15	103930-20-702	EA RODF/BLENDAIRDOOR	073-0039
16	103930-20-703	EA DOOR-BLENDAIR	071-0212
17	103930-20-704	EA ROD-DOOR-RECIRCULATING	073-0018
18	103930-20-705	EA DOORPANEL-RECIRCULATING	071-0213
19	103930-20-706	EA CLIP-RETAINER	022-0057
20	103930-20-707	EA BLOWERHOUSING	062-0145
21	103930-20-708	EA CLIPF/MOTORSHAFT	022-0001
22	103930-21-700	EA HOSEASM.-#6	085-0139
23	103930-21-701	EA HOSEASM.-#10	085-0140
24	110279-01-703	EA HOSE-VENT-MOTORBLOWER	70510034
25	110279-01-712	EA HEATERFITTING	
26	113245-01-707	EA GASKET	045-0126
27	103930-20-710	EA CASE-FRONT-SUB-ASM.	062-0146
28	103930-20-711	EA CASE-BACK-SUB-ASM.	062-0147

HEATING & AIR CONDITIONING GROUP (CONTINUED)

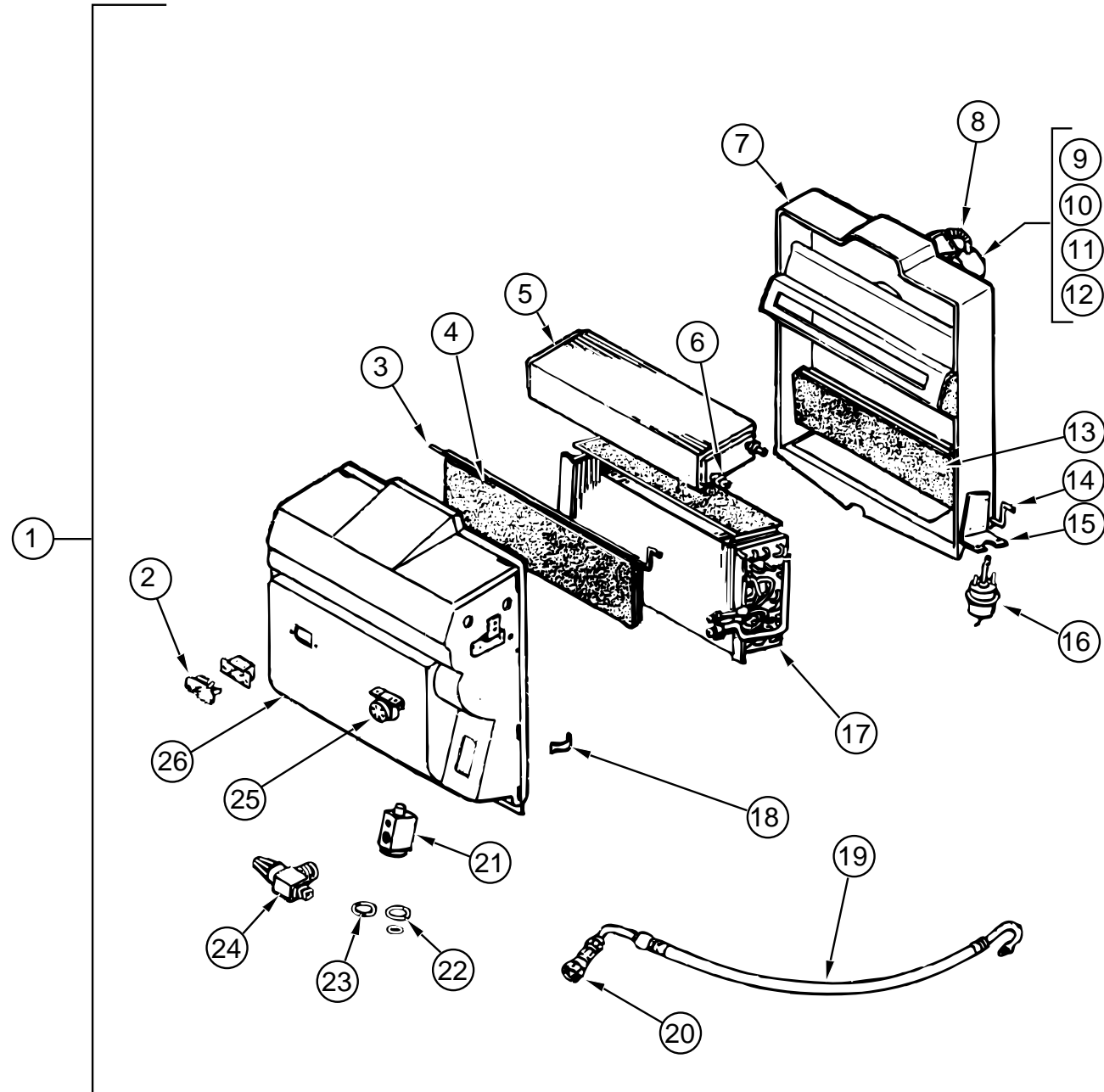
AUTOMOTIVE AIR CONDITIONING (FORD) (FROM 09-02-96 THRU: 99-99-99)



KEY	PARTNUMBER	U/M	DESCRIPTION	VENDOR NO.
1	103930-31-000	EA	EVAPORATOR/HEATER-FORD-SERVOMOTORCONTROLLED	
2	103930-01-703	EA	CORE-HEATER	042-0010
3	103930-01-704	EA	COIL-EVAPORATOR	041-0017
4	103930-01-708	EA	BRACKET-VACUUMMOTOR	070-0113
5	103930-01-710	EA	RESISTOR-FUSED-A/C	035-0006
6	103930-01-711	EA	THERMOSTAT	033-0003
7	103930-01-713	EA	FITTING-QUICKCONNECT-#4	050-0030
8	103930-01-717	EA	WHEEL-BLOWER-CLOCKWISE	062-0010
9	103930-01-720	EA	MOTOR-BLOWER-(PM105)	030-0004
			FROM: 09-02-96 THRU: 12-21-96	
9	103930-30-706	EA	MOTOR-BLOWER-(PM147)	030-0109
			FROM: 12-22-96 THRU: 99-99-99	
10	103930-02-708	EA	MOTOR-VACUUMSERVO-A/C	030-0025
11	103930-12-708	EA	SWITCH-BINARY-HI-LOWCUTOUT	032-0048
12	103930-13-702	EA	VALVE-SERVICE-W/OCOMP.	050-0152
13	103930-17-702	EA	O'RING#10	045-0127
14	103930-20-700	EA	VALVE-EXPANSION-BLOCK-2TON	034-0032
15	103930-30-702	EA	BUSHING-BLENDAIRDOOR	062-0168
16	103930-20-703	EA	DOOR-BLENDAIR	071-0212
17	103930-20-704	EA	ROD-DOOR-RECIRCULATING	073-0018
18	103930-20-705	EA	PANEL-DOOR-RECIRCULATING	071-0213
19	103930-20-706	EA	CLIP-RETAINER	022-0057
20	103930-20-707	EA	HOUSING-BLOWER	062-0145
21	103930-20-708	EA	CLIP-MOTORSHAFT	022-0001
22	103930-21-700	EA	HOSEASM.-#6EXP.VALVE-DRIER	085-0139
23	103930-21-701	EA	HOSEASM.-#10-EXP.VALVE-COMP	085-0149
24	110279-01-703	EA	HOSE-VENT-BLOWERMOTOR	051-0034
25	110279-01-712	EA	FITTING-HEATER	050-0076
26	113245-01-707	EA	O'RING#8	045-0126
27	103930-30-700	EA	CASE-FRONT	062-0542
28	103930-20-711	EA	CASE-BACK-SUB-ASSEMBLY	062-0147
29	103930-30-701	EA	PLATE-MOTORMOUNT	062-0544
30	103930-30-703	EA	MOTOR-SERVO	030-0104
31	103930-30-704	EA	COVER-SERVO	062-0545

HEATING&AIRCONDITIONINGGROUP(CONTINUED)

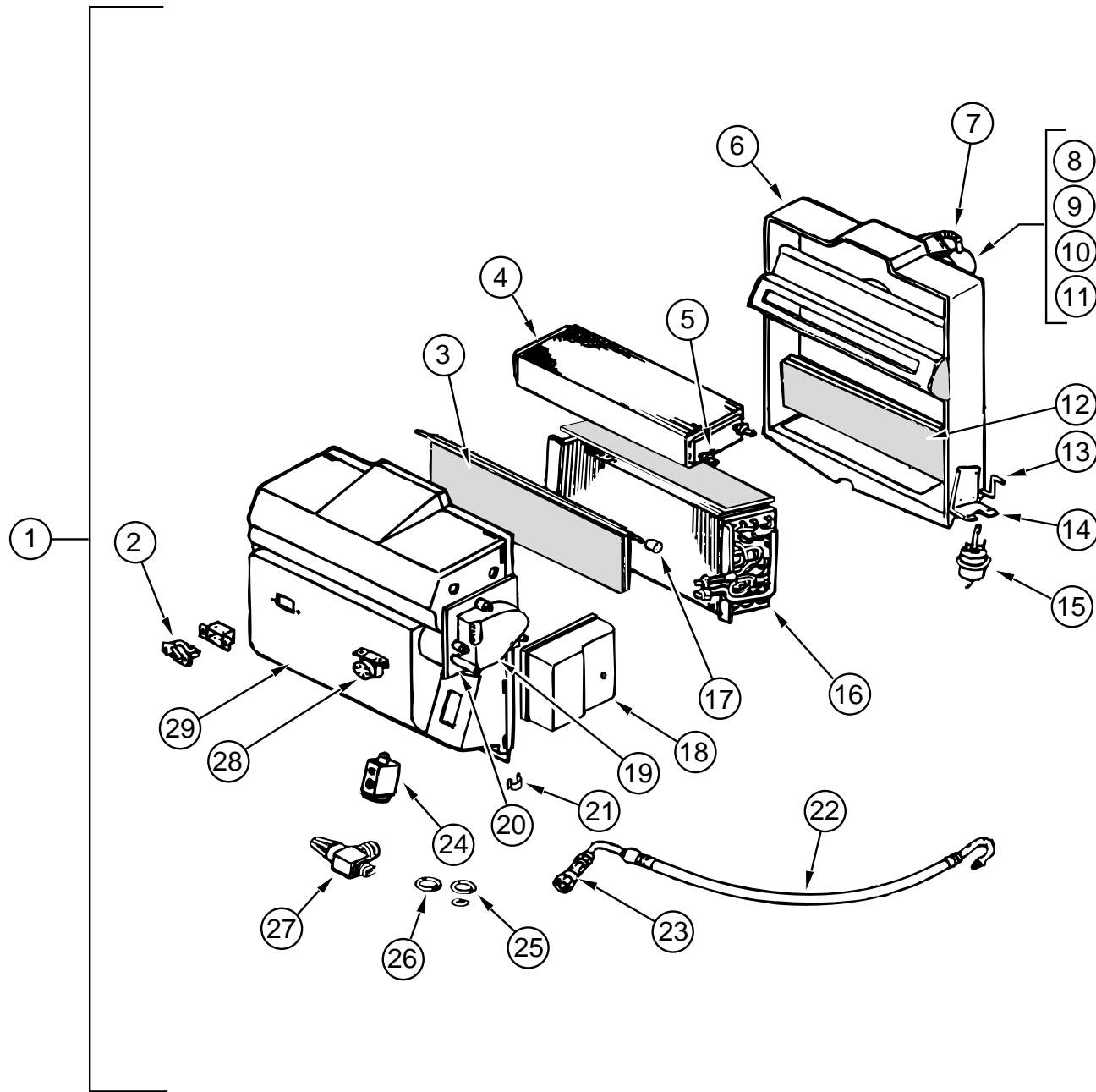
SCSEVAPORATOR/HEATER-CHEVY(FROM:00-00-00THRU:09-01-96)



KEY	PARTNUMBER	U/M DESCRIPTION	VENDOR NO.
1	103930-25-000	EA EVAPORATOR/HEATER-CHEVY-"96"	
2	103930-01-710	EA RESISTOR-FUSED-A/C	035-0006
3	103930-20-702	EA ROD-DOOR-BLENDAIR	073-0039
4	103930-20-703	EA DOOR-BLENDAIR	071-0212
5	103930-01-703	EA CORE-HEATER	042-0010
6	110279-01-712	EA FITTING-HEATER	050-0076
7	103930-20-711	EA CASE-BACK-SUB-ASSEMBLY	062-0147
8	110279-01-703	EA HOSE-VENT-BLOWER MOTOR	051-0034
9	103930-20-707	EA HOUSING-BLOWER	062-0145
10	103930-01-720	EA MOTOR-BLOWER-(PM105)	030-0004
11	103930-01-717	EA WHEEL-BLOWER-CLOCKWISE	062-0010
12	103930-20-708	EA CLIP-MOTOR SHAFT	022-0001
13	103930-20-705	EA PANEL-DOOR-RECIRCULATING	071-0213
14	103930-20-704	EA ROD-DOOR-RECIRCULATING	073-0018
15	103930-01-708	EA BRACKET-VACUUM MOTOR	070-0113
16	103930-02-708	EA MOTOR-VACUUMSERVO-A/C	030-0025
17	103930-01-704	EA COIL-EVAPORATOR	041-0017
18	103930-20-706	EA CLIP-RETAINER	022-0057
19	103930-25-700	EA HOSE ASM.-#6EVAPTODRIER	085-0350
20	103930-12-709	EA FITTING-QUICKCONNECT	050-0120
21	103930-20-700	EA VALVE-EXPANSION-BLOCK-2TON	034-0032
22	103930-17-702	EA O'RING#10	045-0127
23	113245-01-707	EA O'RING#8	045-0126
24	103930-20-709	EA VALVE-SERVICE	050-0159
25	103930-01-711	EA THERMOSTAT	033-0003
26	103930-20-710	EA CASE-FRONT-SUB-ASSEMBLY	062-0146
	103930-02-714	EA CLAMP-CLUTCH-BARREL	022-0006

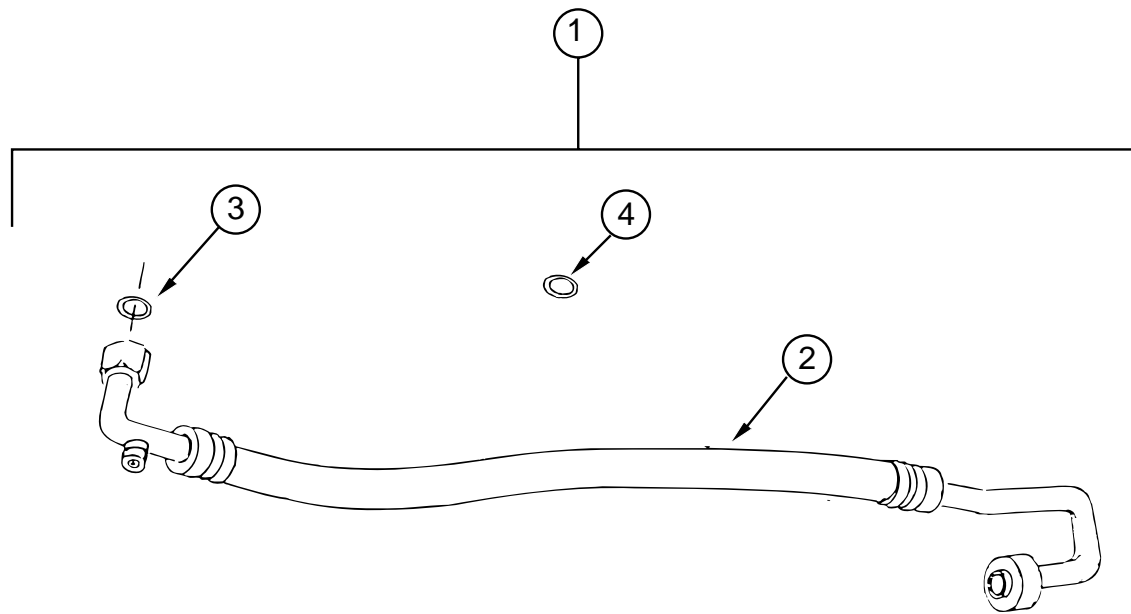
HEATING & AIRCONDITIONING GROUP (CONTINUED)

SCSEVAPORATOR/HEATER-CHEVY (FROM: 09-02-96 THRU: 99-99-99)



KEY	PARTNUMBER	U/M	DESCRIPTION	VENDOR NO.
1	103930-30-000	EA	EVAPORATOR/HEATER-CHEVY-SERVOMOTORCONTROLLED	
2	103930-01-710	EA	RESISTOR-FUSED-A/C	035-0006
3	103930-30-705	EA	DOOR-BLENDAIR	071-0568
4	103930-01-703	EA	CORE-HEATER	042-0010
5	110279-01-712	EA	FITTING-HEATER	050-0076
6	103930-20-711	EA	CASE-BACK	062-0147
7	110279-01-703	EA	HOSE-VENT-BLOWERMOTOR	051-0034
8	103930-20-707	EA	HOUSING-BLOWER	062-0145
9	103930-30-706	EA	MOTOR-BLOWER-(PM147)	030-0109
10	103930-01-717	EA	WHEEL-BLOWER-CLOCKWISE	062-0010
11	103930-20-708	EA	CLIP-MOTORSHAFT	022-0001
12	103930-20-705	EA	PANEL-DOOR-RECIRCULATING	071-0213
13	103930-20-704	EA	ROD-DOOR-RECIRCULATING	073-0018
14	103930-01-708	EA	BRACKET-VACUUMMOTOR	070-0113
15	103930-02-708	EA	MOTOR-VACUUMSERVO-A/C	030-0025
16	103930-01-704	EA	COIL-EVAPORATOR	041-0017
17	103930-30-702	EA	BUSHING-BLENDAIRDOOR	062-0168
18	103930-30-704	EA	COVER-SERVO	062-0545
19	103930-30-703	EA	MOTOR-SERVO	030-0104
20	103930-30-701	EA	PLATE-MOTORMOUNT	062-0544
21	103930-20-706	EA	CLIP-RETAINER	022-0057
22	103930-25-700	EA	HOSEASM.-#6EVAPTODRIER	085-0350
23	103930-12-709	EA	FITTING-QUICKCONNECT	050-0120
24	103930-20-700	EA	VALVE-EXPANSION-BLOCK-2TON	034-0032
25	103930-17-702	EA	O'RING#10	045-0127
26	113245-01-707	EA	O'RING#8	045-0126
27	103930-20-709	EA	VALVE-SERVICE	050-0159
28	103930-01-711	EA	THERMOSTAT	033-0003
29	103930-30-700	EA	CASE-FRONT	062-0542

HEATING&AIRCONDITIONINGGROUP(CONTINUED)



CHEVYHOSEKIT-STANDARDGAS

KEY	PARTNUMBER	U/M DESCRIPTION	VENDOR NO.
1	103930-28-000	EA HOSEKIT-#10 W/GML-19CHASSIS	
2	103930-28-700	EA HOSEASSM#10W/SELTECCOMP	085-0347
3	103930-17-702	EA O'RING#10	045-0127
4	103930-29-701	EA GASKET-GMLPSW1996	045-0483

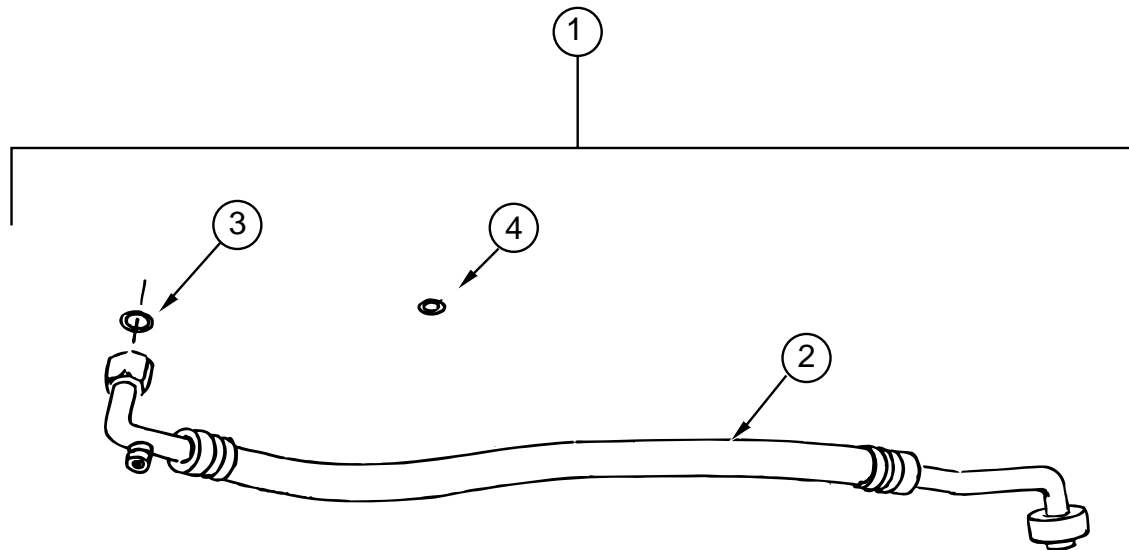
HEATING&AIRCONDITIONINGGROUP(CONTINUED)

AUTOMOTIVEHEATERMISCELLANIOUS

KEY	PARTNUMBER	U/M DESCRIPTION
	007281-01-000	EA HOSE-FLEXIBLEPVC-2.5"IDX50'
	024990-05-000	EA OUTLET-DEFROSTER-4"DIAMETERW/SWIVELDEFLECTORS
	056402-05-000	EA BRACKET-HEATERVENT-ROUNDW/BEND-BLACK
	077075-01-000	EA GASKET-INSTRUMENTPANELTODEFROSTERPLENUM-.6"X11.3"
	077075-03-000	EA GASKET-INSTRUMENTPANELTODEFROSTERPLENUM
	103016-01-000	EA PLENUM-TRANSITION
	103017-01-000	EA PLENUM-DEFROSTER
	103558-01-06A	EA VENT-DEFROSTER-ABSPLASTIC
	103796-01-01A	EA LOUVER-A/C
	103930-37-000	EA MANUAL-OWNERS-HEATER/A/C

AUTOMOTIVEREARHEATERSYSTEM

KEY	PARTNUMBER	U/M DESCRIPTION	VENDOR NO.
	084405-01-000	EA HEATER-REAR-DUCTED-W/MOTORAIID-EVANS	
	084405-01-700	EA CORE-HEATER	FT200229
	084405-01-701	EA FANBLADES	HV029931
	084405-01-702	EA MOTORASSEMBLY,12VOLT	R0200180
	007076-01-000	EA HOSE-FLEXIBLEPVC-2"ID-INCREMENTSOF50'	
	007108-01-000	FT HOSE-HEATER-5/8"ID-HI-TEMP-FORD	
	079059-03-000	EA HOSE-90DEGREE-.61"IDX4"X18"	
	079059-01-000	EA HOSE-90DEGREE-5/8"IDX4"X36"	
	061673-01-000	EA BRACKET-MOTORAIIDTUBES-4"X1.5"-STEEL	
	089353-01-000	EA UNION-5/8"-TUBETOTUBE	

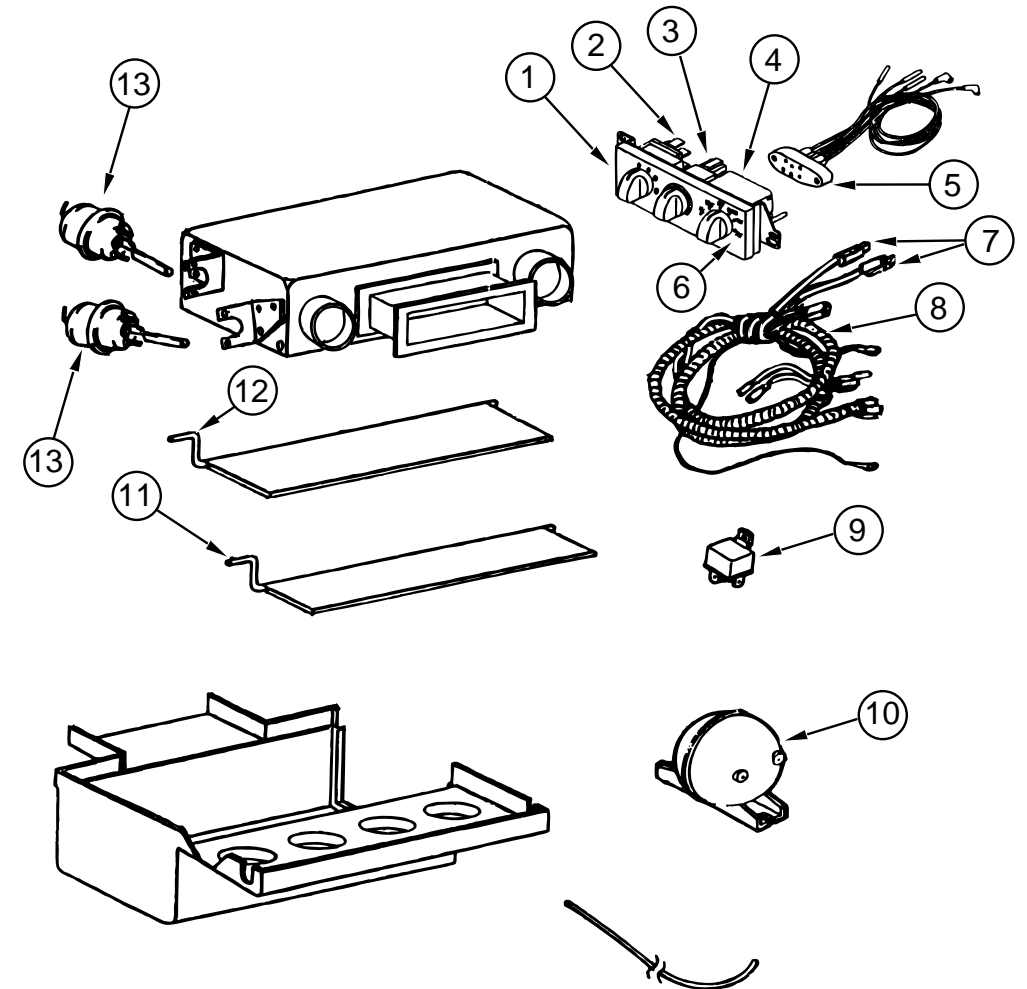
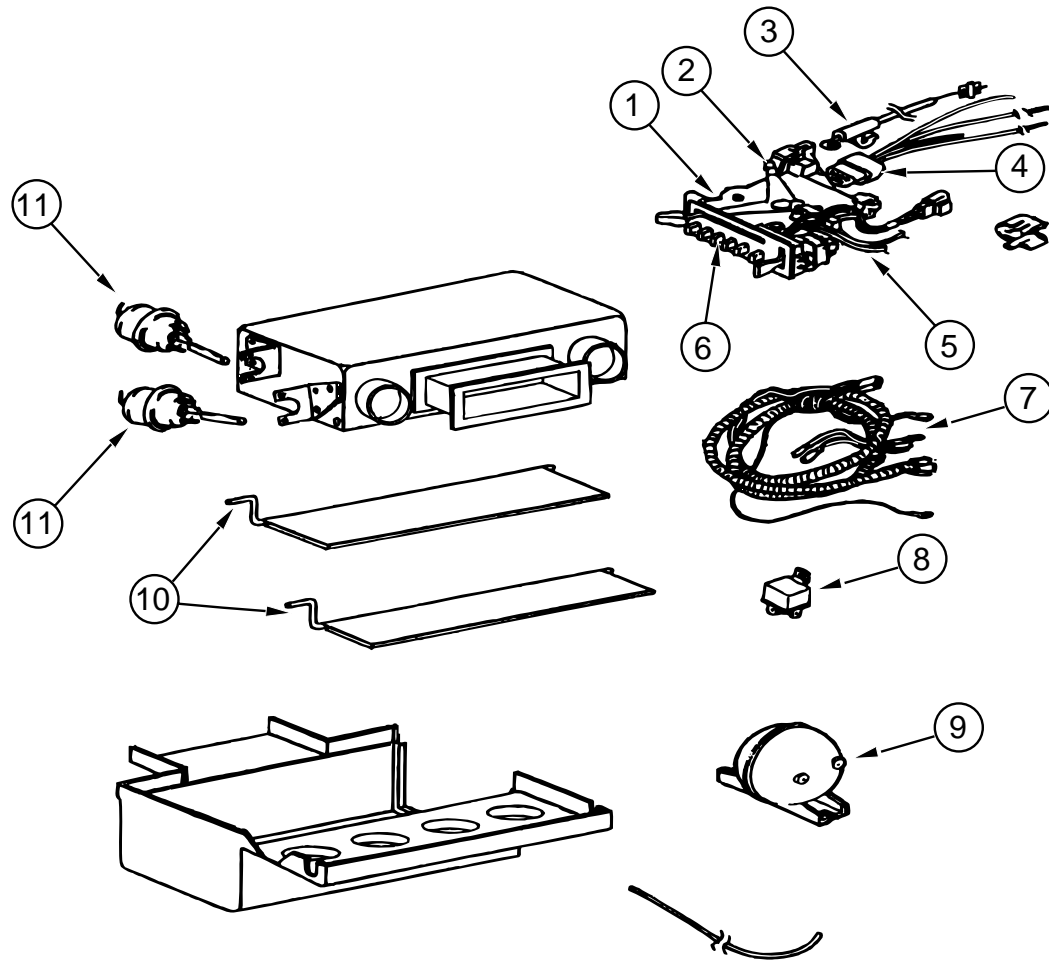


CHEVYHOSEKIT-VORTECGASORDIESELOPTION

KEY	PARTNUMBER	U/M DESCRIPTION	VENDOR NO.
1	103930-29-000	EA HOSEKIT-#10 W/GML-29&L-65CHASSIS	
2	103930-29-700	EA HOSEASSM#10W/HARRISONCOMP	085-0348
3	103930-17-702	EA O'RING#10	045-0127
4	103930-29-701	EA GASKET-GMLPSW1996	045-0483

HEATING&AIRCONDITIONINGGROUP(CONTINUED)

HEATING&AIRCONDITIONINGGROUP(CONTINUED)



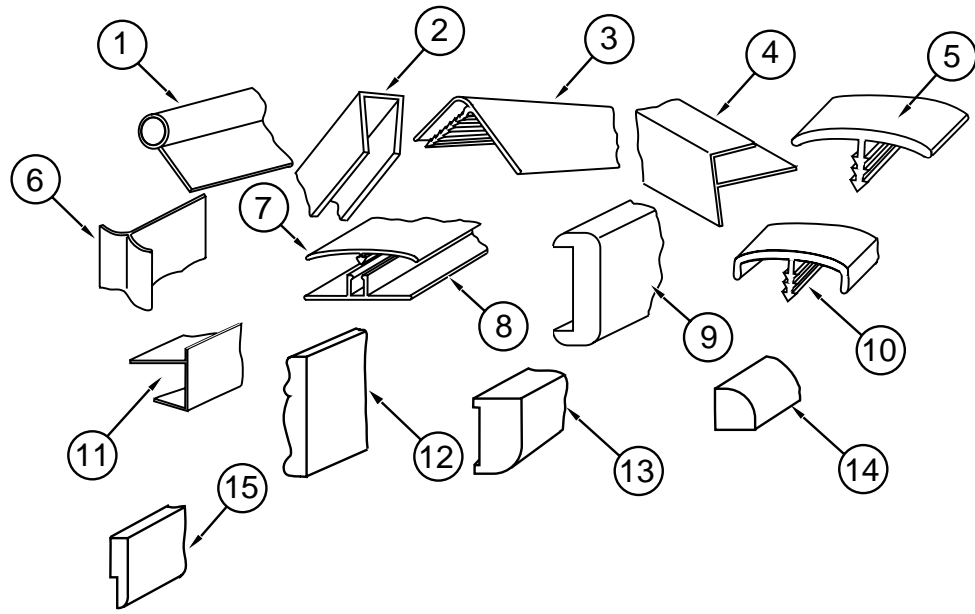
SCS CONTROL/PLENUM (FROM 00-00-00 THRU: 09-01-96)

SCS CONTROL/PLENUM (FROM 09-02-96 THRU: 99-99-99)

KEY	PARTNUMBER	U/M	DESCRIPTION	VENDOR NO.
	103930-38-000	EA	CONTROL/PLENUMSET	
1	103930-02-712	EA	PANEL-CONT.A/CBLACKBEZEL	032-0054
	072341-06-700	EA	SWITCH-4SPEED,FAN	032-0043
2	103930-02-706	EA	CLIP-CABLECONTROL	022-0017
3	103930-02-705	EA	CABLE-BOWDENW/OLEVER89"	074-0011
4	103930-02-704	EA	HARNESS-VACUUMCONTROL	036-0049
5	103930-02-701	EA	SWITCH-VACUUM,CONTROLHEAD	034-0015
6	103930-02-702	EA	DECAL-CONT.HEAD-(N)SERIES	058-0009
7	103930-02-703	EA	HARNESS-WIRECONTROL	036-0048
8	103930-02-707	EA	RELAY-BOSCHW/RESISTER	031-0001
9	103930-02-710	EA	CANISTER-VACUUM	054-0002
10	103930-33-700	EA	ROD-DOORDEFROSTER/AC	073-0028
11	103930-02-708	EA	MOTOR-VACUUMSERVO-A/C	030-0025
	094831-01-731	EA	ADAPTER-2"	062-0001

KEY	PARTNUMBER	U/M	DESCRIPTION	VENDOR NO.
	103930-34-000	EA	CONTROL/PLENUM-ROTARYCONTROLHEAD	
1	103930-33-702	EA	CONTROL PANEL	083-0169
2	103930-33-707	EA	SWITCH-BLOWER	032-0186
3	103930-33-708	EA	SWITCH-POTENTIOMETER	032-0184
4	103930-33-709	EA	SWITCH-VACUUM	032-0183
5	103930-33-703	EA	VACUUMHARNESS	036-0465
6	103930-33-710	EA	DECALCONTROLHEAD	058-0102
7	103930-33-705	EA	LIGHTBULBS	035-0030
8	103930-33-704	EA	WIREHARNESSW/BULBS	036-0466
			FROM: 09-02-96 THRU: 12-21-96	
8	103930-33-711	EA	WIREHARNESSMAIN	036-0466
			FROM: 12-22-96 THRU: 99-99-99	
9	103930-02-707	EA	RELAY-BOSCHW/RESISTER	031-0001
10	103930-02-710	EA	CANISTER-VACUUM	054-0002
11	103930-33-700	EA	ROD-DOORDEFROSTER/AC	073-0028
12	103930-33-706	EA	ROD-DOORAC/DEFROST	073-0060
13	103930-02-708	EA	MOTOR-VACUUMSERVO,A/C	030-0025
	103930-33-701	EA	MOTOR-VACUUM,3STAGE	030-0105

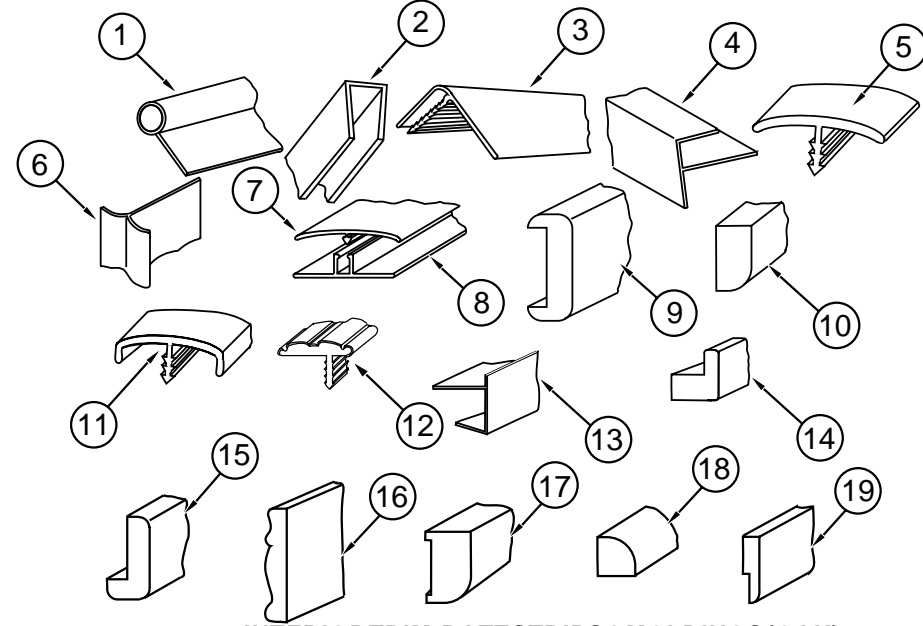
INTERIORFINISHGROUP



INTERIORTRIM,BATTSTRIPS&MOLDINGS(MAPLE)

KEY	PARTNUMBER	U/M	DESCRIPTION
1	009767-12-000	FT	WELTING-SIDEWALL/CEILING/CABINET-OFF/WHT
2	009778-21-000	FT	U-CHANNEL-1"X96"-INCREMENTS-PLASTIC
2	070504-37-000	FT	U-CHANNEL-PLASTIC.815"WIDE-INCREMENTSOF96"
2	070504-45-000	FT	EXTRUSION-U-CHANNEL,1.65 -*WHITEGRANITE1829
3	009809-30-001	EA	MOLDING-PLASTIC-OUTSIDE-84"
3	009809-30-000	EA	MOLDING-PLASTIC-OUTSIDE-.50"X84"-SOLARMAPLE
4	009812-31-001	EA	MOLDING-O/SSMCABT,2133MM
4	009812-31-000	EA	MOLDING-PLAS,CORNER,O/S1/2"-BEIGEILLUSIONS
5	105709-01-000	FT	T-MOLDING-1"MODERNIVORY
6	022992-11-000	FT	MOLDING-REVERSECOVE-T-SHAPEDVINYL-IVORY
7	086229-13-000	EA	BATTEN-1"X99.61"-IVORY
7	086229-20-000	EA	BATTEN-1"X96"-BEIGE
8	086229-01-000	EA	RETAINER-BATTEN-.75"WIDE-7.6'
9	078323-06-H40	EA	MOLDING-CAP/WALL-6.6'
10	083620-07-000	FT	T-MOLDING-.75"-W/EDGE LIPS-THORPECAN
10	083620-15-000	FT	T-MOLDING-W/EDGE LIP-.75"
11	103186-01-07A	FT	MOLDING-EDGE SHELF-.78"WIDE-PLASTIC
11	103186-02-07A	FT	MOLDING-EDGE SHELF-1.3"WIDE-PLASTIC
12	100182-10-H40	EA	TRIM-RAIL
13	122668-B2-438	EA	MOLDING-018X025X2438MVINYL-WHITEGRANITE
13	122668-D2-134	EA	MOLDING-018X040X2134MVINYL-WHITEGRANITE
13	122668-F2-134	EA	MOLDING-018X065X2134MVINYL-WHITEGRANITE
13	122668-F2-438	EA	MOLDING-018X065X2438MVINYL-WHITEGRANITE
14	109410-01-H40	EA	MOLDING-TRIM-8'
15	105004-01-07A	EA	MOLDING-VINYLWRAP
	085284-D7-000	FT	BATTTAPE-ADHESIVEBACKED-DECORATIVE-LAJOLLA/SEAMIST
	085284-E6-000	FT	BATTTAPE-ADHESIVEBACKED-DECORATIVE/WHITEGRANITE
	088263-E4-000	EA	BATTSTRIP-DECORATIVE-LAJOLLA/SEAMIST-8'LONG
	093873-01-01A	EA	TRIM-CARPET-L-ANGLE1.1"X1.3"X12'-GRAYVINYL
	100659-01-E01	EA	MOLDING/TRIM-VINYL FLOOR
	069733-85-000	EA	BATTSTRIP-WOODGRAINED/WHITEGRANITE-8'LONG
	076325-53-000	FT	MOLDING-EDGE BAND-15/16"
	076325-54-000	FT	MOLDING-EDGE BAND,NEUTRAL-.875"WIDE

INTERIORFINISHGROUP(CONTINUED)

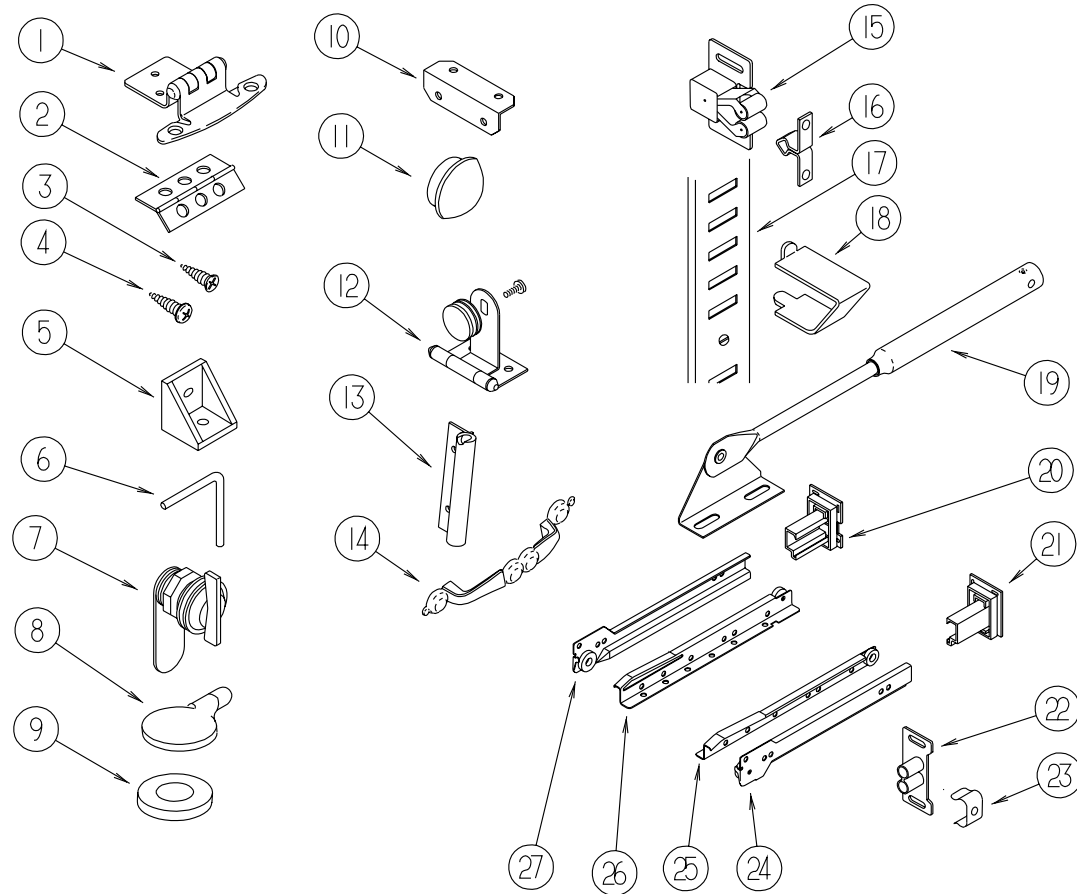


INTERIORTRIM,BATTSTRIPS&MOLDINGS(OAK)

KEY	PARTNUMBER	U/M	DESCRIPTION
1	009767-12-000	FT	MOLDING-SIDEWALLTOCEILING/CABINET-WELTING-OFF/WHT
2	009778-21-000	FT	U-CHANNEL-1"X7'INCREMENTS-PLASTIC
2	070504-36-000	FT	U-CHANNEL-PLASTIC-1.65"WIDE-INCREMENTSOF8'
2	070504-37-000	FT	U-CHANNEL-PLASTIC-.815"WIDE-INCREMENTSOF8'
3	009809-23-000	EA	MOLDING-CORNER-OUTSIDE-1"PLASTIC-IVORY
3	009809-28-000	EA	MOLDING-PLASTIC-OUTSIDE CORNER-1"-WATERFORDOAK
4	009812-29-000	EA	MOLDING-PLASTIC-OUTSIDE CORNER-.50"-WATERFORDOAK
5	105709-01-000	FT	T-MOLDING-1"MODERNIVORY
6	022992-11-000	FT	MOLDING-REVERSECOVE-T-SHAPEDVINYL-IVORY
7	086229-20-000	EA	BATTEN-1"-BEIGE
8	086229-01-000	EA	RETAINER-BATTEN-.75"WIDE-7.6'
9	078323-06-G15	EA	MOLDING-CAP-WALL-6.6'
10	100818-01-05A	EA	MOLDING-VINYLWRAPPED-1.65"X.4"X7'
11	083620-07-000	FT	T-MOLDING-ENDCAPEDGE-W/EDGE LIPS-.75"-THORPECAN
11	083620-12-000	FT	T-MOLDING-3/4"W/EDGE LIPS-WATERFORDOAK
12	109736-01-01A	FT	T-MOLDING-1"-BRASS/BLACK
	104676-01-01A	FT	T-MOLDING-5/16"-RIGIDGOLD
13	103186-01-05A	FT	MOLDING-SHELFEDGE-.78"PLASTIC-WATERFORDOAK
13	103186-02-05A	FT	MOLDING-PLASTIC-SHELF-WATERFORDOAK
14	100819-01-05A	EA	MOLDING-VINYLWRAP-DOOR-WATERFORDOAK
15	077840-01-G01	EA	MOLDING-CAP-WALL-8'
16	100182-10-G29	EA	TRIM-RAIL
17	117268-D2-134	EA	MOLDING-VINYLWRAPPED-.7"X1.6"X7'-WATERFORD
17	117268-F2-438	EA	MOLDING-VINYLWRAPPED-.7"X2.6"X8'-WATERFORD
17	117268-F2-134	EA	MOLDING-VINYLWRAPPED-.7"X2.6"X7'-WATERFORD
18	109410-01-G15	EA	MOLDING-TRIM-8'
19	105004-01-02A	EA	MOLDING-VINYLWRAPPED-RAMBLINGOAK-1"X96"
	076325-43-000	FT	MOLDING-EDGE BAND-.876"X.024"-CLOUD(H47,H49)
	076325-40-000	FT	MOLDING-EDGE BAND-.876"X.024"-NEUTRAL(H48)
	076325-46-000	FT	MOLDING-EDGE BAND-15/16"X.030"-CLOUD(H47,H49)
	076325-39-000	FT	MOLDING-EDGE BAND-15/16"X.030"-NEUTRAL(H48)
	076325-34-000	FT	MOLDING-EDGE BAND-15/16"X.030"-ORCHIDMIST(EXTERIORENTRTNT.)
	076325-67-000	FT	MOLDING-EDGE BAND-.93"X.024" WATERFORDOAK
	085284-D4-000	FT	BATTTAPE-ADHESIVEBACKED-DECORATIVE-BOLERO/AQUAFROST(H47)
	085284-D5-000	FT	BATTTAPE-ADHESIVEBACKED-DECORATIVE-PRIMAVERASTONE(H48)
	085284-B1-000	FT	BATTTAPE-ADHESIVEBACKED-DECORATIVE-METRO/MIST(H49)
	069733-84-000	EA	BATTSTRIP-WOODGRAINED/SOLARMAPLE-8'LONG
	088263-E1-000	EA	BATTSTRIP-DECORATIVE-BOLERO/AQUAFROST-8'LONG(H47)
	088263-E2-000	EA	BATTSTRIP-DECORATIVE-PRIMAVERASTONE-8'LONG(H48)
	088263-B8-000	EA	BATTSTRIP-DECORATIVE-METRO/MIST-8'LONG(H49)
	093873-01-01A	EA	TRIM-CARPET-L-ANGLE1.1"X1.3"X12'-GRAYVINYL
	117267-D2-438	EA	LUMBER-VINYLWRAPPED-.7"X1 1/2"X8'-WATERFORDOAK
	117267-R2-438	EA	LUMBER-018X076X2438MMVINYL-WRAPPEDWATERFORD

INTERIORFINISHGROUP(CONTINUED)

CABINETHARDWARE



KEY	PARTNUMBER	U/M DESCRIPTION
17	098980-01-000	EA PILASTER-ADJUSTABLESHELF-18"LONG
17	098980-02-000	EA PILASTER-ADJUSTABLESHELF-12"LONG
17	098980-03-000	EA PILASTER-ADJUSTABLESHELF-WOODGRAIN
18	098979-01-000	EA CLIP-ADJUSTABLESHELF
19	074493-02-000	EA SUPPORT-PISTONSRING-CABINETDOOR
20	114045-01-000	EA BACKSOCKET-ADJUSTABLE-LEFT
21	114045-02-000	EA BACKSOCKET-ADJUSTABLE-RIGHT
22	009021-01-000	EA CATCH-GRILLE-NYLON
23	009021-02-000	EA STRIKE-SPRINGSTEEL
24	114031-02-000	EA SLIDE-12"-RIGHTSIDE/CABINET
24	114031-14-000	EA SLIDE-18"-RIGHTSIDE/CABINET
24	114031-22-000	EA SLIDE-22"-RIGHTSIDE/CABINET
25	114031-04-000	EA SLIDE-12"-RIGHTSIDE/DRAWER
25	114031-16-000	EA SLIDE-18"-RIGHTSIDE/DRAWER
25	114031-24-000	EA SLIDE-22"-RIGHTSIDE/DRAWER
26	114031-03-000	EA SLIDE-12"-LEFTSIDE/DRAWER
26	114031-15-000	EA SLIDE-18"-LEFTSIDE/DRAWER
26	114031-23-000	EA SLIDE-22"-LEFTSIDE/DRAWER
27	114031-01-000	EA SLIDE-12"-LEFTSIDE/CABINET
27	114031-13-000	EA SLIDE-18"-LEFTSIDE/CABINET
27	114031-21-000	EA SLIDE-22"-LEFTSIDE/CABINET
	004354-01-000	EA BUMPER-RUBBER-.5"DIA-BROWN
	091257-10-000	EA HANDLE-ASSIST-WATERFORDOAK
	099682-01-01A	EA BRACKET-MOUNTING/HANDRAIL-ROUNDBASE
	P02786-04-H37	EA HANDRAIL-ENTRANCEDOORW/OBRACKET(MAPLE)
	P02786-04-G15	EA HANDRAILONLY-W/OBRACKETS(OAK)
	102786-04-H37	EA HANDRAIL-ENTRANCEDOOR(MAPLE)
	102786-04-G15	EA HANDRAIL-ENTRANCEDOOR(OAK)
	041389-18-000	EA HINGE-PIANO-1.50X482.60O/WHITE
	041389-25-000	EA HINGE-PIANO-1.50"X55"
	042438-01-000	EA DOWEL-WOOD-CLOTHESROD-1"DIAMETERX4'
	042438-06-000	EA DOWEL-WOOD-1.5"X26"-OAK
	009112-01-000	EA FLANGE-1"CLOTHESROD-OFFWHITEPLASTIC

KEY	PARTNUMBER	U/M DESCRIPTION
1	108138-01-000	EA HINGE-DOOR-CABINET-BURNISHEDBRASS
1	124647-01-01A	EA HINGE-WHITEW/BRASS
2	009059-01-000	EA HINGE-DOOR-2"X1.4"-BRASS
2	009059-02-000	EA HINGE-DOOR-2"X2.7"-BRASS
3	000G13-06-10G	EA SCREW-6-20X.5/8"-PHILLIPFLATHEAD-ANTIQUEBRASS
4	000G68-06-10G	EA SCREW-6-18X5/8"-PHILLIPOVALHEAD-ANTIQUEBRASS
5	065740-01-000	EA BRACE-CABINETCORNER-PLASTIC
6	108487-02-01A	EA PROPROD-OVERHEADGLASSDOORSUPPORT-BLACK
	03998401000	EA CAP-VINYL-BLACK(PROPROD)
7	100710-01-01A	EA LOCK-GLASSDOOR-TWISTTYPE-BRASS
	101272-01-000	EA CATCH-DOOR-GLASS
8	101766-01-000	EA PIN-SUPPORT-GLASSDOOR
9	100707-01-000	EA SPACER-DOOR-GLASS-PLASTIC
10	016604-05-000	EA BRACE-CABINET-ANGLE-2.5"-METAL-OFFWHITE
11	042356-01-000	EA PLUG-MAHOGANY-3/8"DIAMETER-WOOD
11	074045-10-000	EA PLUG-OAK-1/2"DIAMETER
12	100711-01-01A	EA HINGE-DOOR-GLASS
13	108486-01-01A	EA BRACKET-PROPROD-OVHD-BLACK
14	121891-01-01A	EA PULL-CABINET-BRASS(WHITE)
14	121890-01-01A	EA PULL-CABINET-BRASS(OAK)
15	093586-06-000	EA CATCH-SPRING-ROLLER
16	093586-05-000	EA STRIKE-SPRINGSTEEL

INTERIORFINISHGROUP(CONTINUED)

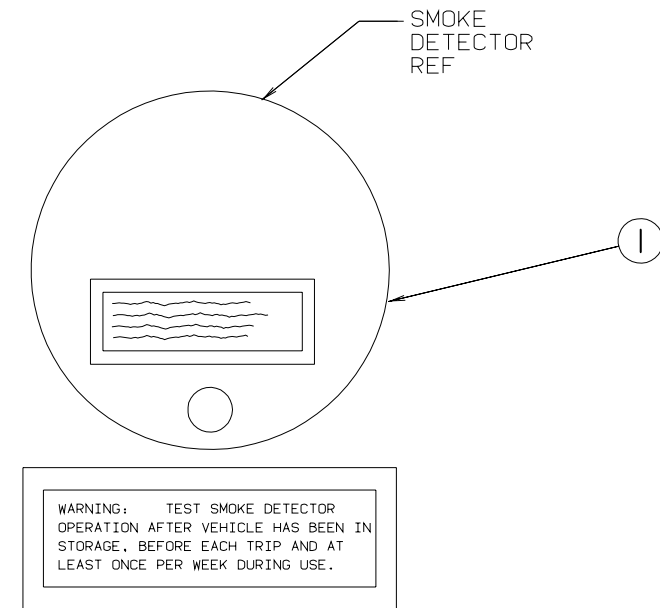
PANELING,PLASTICLAMINATE&FLOORCOVERING

KEY	PARTNUMBER	U/M	DESCRIPTION
	000846-01-000	SF	PLYWOOD-5/16"X4'X8'
	000846-02-000	SF	PLYWOOD-UNDR-5/16"X4'X8'
	000885-84-000	SF	PART BD - 3/8"X48"X96"-1 SIDED-WHITE GRANIT
	000885-85-000	SF	PART BD - 3/8"X48"X96"-2SIDED-WHITE GRANIT
	000885-87-000	SF	PART BD -3/4"X48"X96"-2SIDED - WHITE GRANIT
	000885-76-000	SF	PARTICLEBOARD-3/8"X4'X96"- WATERFORDOAK VINYL 1 SIDED(OAK)
	000885-77-000	SF	PARTICLEBOARD-3/8"X4'X96"- WATERFORDOAK VINYL 2 SIDED(OAK)
	000885-79-000	SF	PARTICLEBOARD-3/4"X4'X96"- WATERFORDOAK VINYL 2 SIDED(OAK)
	074497-28-000	SF	PANELING-WATERFORDOAK-4'X8'
	074498-71-000	SF	LAMINATE-PLASTIC-NEUTRALSANTOS-5'X8'INCOF40SF(H17,H18)
	074498-62-000	SF	LAMINATE-PLASTIC-GREYFINESSE-5'X8'INCOF40SF(H19)
	074498-77-000	SF	LAMINATE-PLASTIC-ARTCABIN-5'X8'INCOF40SQFT(H17,H18,H19)
	074498-61-000	SF	LAMINATE-PLASTIC NEUTRALMATRIX-5'X8'INCROF40SF(H40,H41)
	074498-61-000	SF	LAMINATE-PLASTIC NEUTRALMATRIX-5'X8'INCROF40SF(EXT. ENTRTNT)
	080215-10-000	SF	PANELING-2SIDE-WATERFORD-48"X84"
	080215-12-000	SF	PANELING-2SIDE-WHITE GRANITE-48"X84"
	088272-E9-000	SF	PANELING-DECORATIVE-PAINTEDDESERT-4'X7'(H17)
	088272-F3-000	SF	PANELING-FRENCHWASH-VANILLA(H18)
	088272-G2-000	SF	PANELING-LAJOLLA,SEAMIST(H19,H41)
	088272-G5-000	SF	PANELING-GAZEBOSTRIPE,SAGE(H40)
	088272-G1-000	SF	PANELING-PEBBLEEMBOSSD-ANTIQUWHITE-4'X7'(WETBATH)
	052372-02-000	BF	LUMBER-CLASSII-1"X48"XRL
	114129-01-02A	SF	LINER-CABINET-.02"X48"X96"
	075233-01-000	SY	PAD-CARPET-3/8"X6'ROLL
	093486-01-000	SY	CARPET-COMPARTMENT-54"WIDE-DARKGRAY
	096060-98-000	SY	CARPET-SILVERASPEN-INCREMENTSOF4SQYD(H17)
	096060-95-000	SY	CARPET-DOESKIN(H18)
	096060-C2-000	SY	CARPET-JUBILATION-BISCANYN.B-CARRIAGE(H19)
	096060-C8-000	SY	CARPET-JUBILATION-MOLLUSK-CARRIAGE(H40)
	096060-B3-000	SY	CARPET-JUBILATION-CASTILE-SAGE-CARRIAGECARP(H41)
	105924-01-F06	EA	MAT-FLOOR-18"X27"(DRIVERSCOMPARTMENT)(H17,H41)
	105924-01-G36	EA	MAT-FLOOR-18"X27"(DRIVERSCOMPARTMENT)(H18)
	105924-01-H19	EA	MAT-FLOOR-18"X27"(DRIVERSCOMPARTMENT)(H19)
	105924-01-H40	EA	MAT-FLOOR-18"X27"(DRIVERSCOMPARTMENT)(H40)

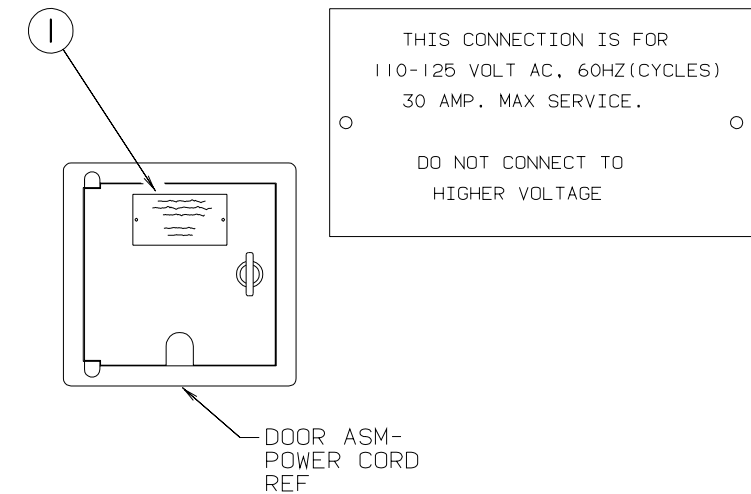
FIREEXTINGUISHER, DETECTORS&WALLCLOCK

KEY	PARTNUMBER	U/M	DESCRIPTION
	072852-01-000	EA	DETECTOR-SMOKE-W/9VOLT BATTERY-US
	072852-02-000	EA	DETECTOR-SMOKE-W/9/VOLT BATTERY-CANADIAN
	094499-02-000	EA	EXTINGUISHER-FIRE-DRY-1A10BC-CANADIAN
	094499-01-000	EA	EXTINGUISHER-FIRE-DRYW/MOUNTINGBRACKET-10B:C
	094499-01-700	EA	BRACKETMTG.W/PLAS.STRAP
	094499-01-701	EA	STRAPONLY(METAL)
	103613-02-000	EA	DETECTOR-LPGAS
	125136-01-000	EA	DETECTOR-CO-GAS-MODEL9L-I
	118081-01-01A	EA	CLOCK-WALL-ROUND8"-BRASS

LABELSGROUP

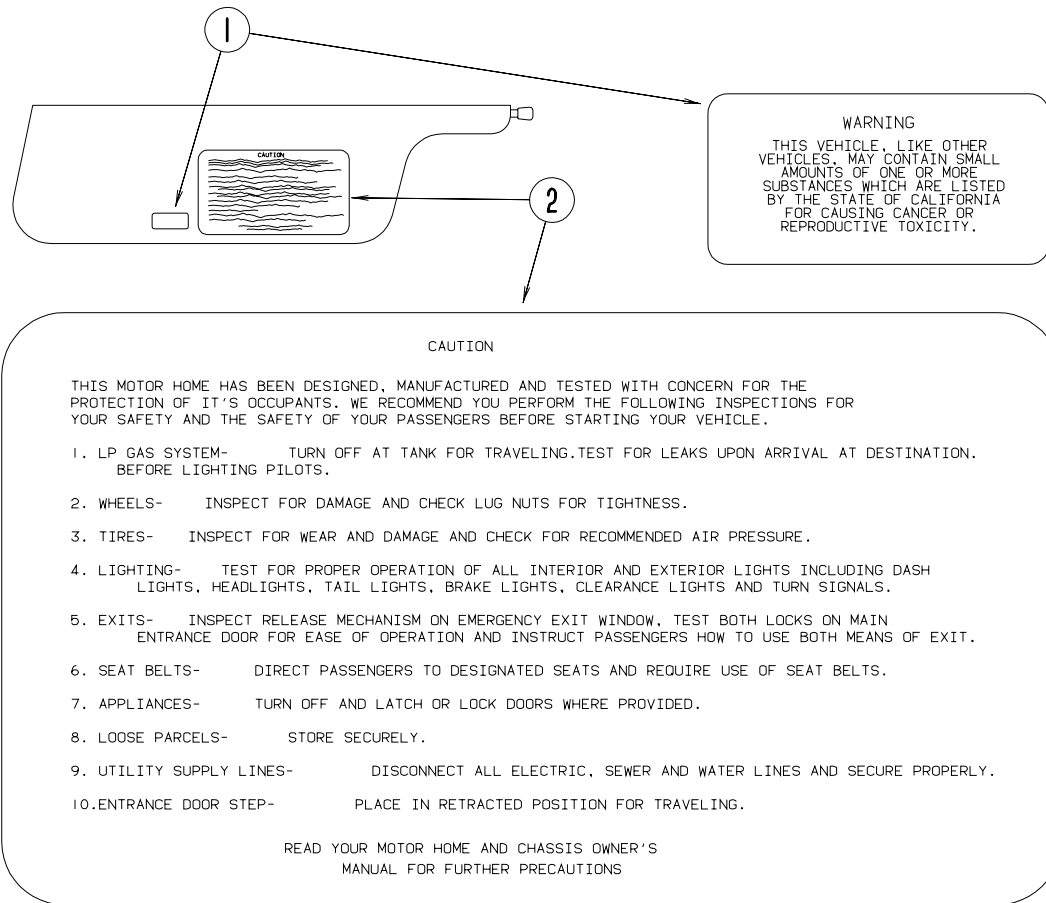


KEY	PARTNUMBER	U/M	DESCRIPTION
1	077956-01-000	EA	LABEL-WARNING-SMOKEDETECTOR

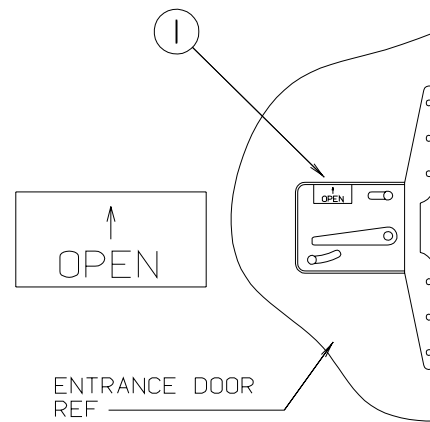


KEY	PARTNUMBER	U/M	DESCRIPTION
1	006062-01-000	EA	TAG-ELECTRIC-110VCONNECTION

LABELSGROUP(CONTINUED)

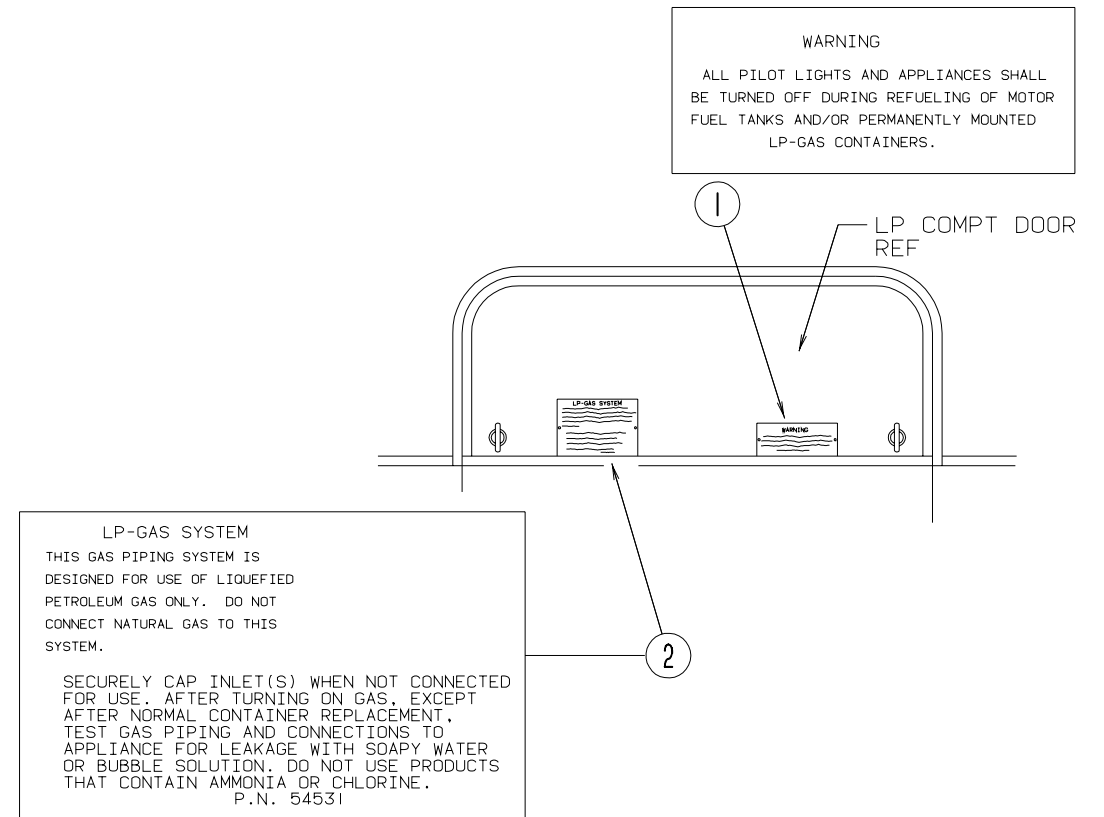


KEY	PARTNUMBER	U/M DESCRIPTION
1	099689-01-000	EA LABEL-WARNING-CANCER/TOXICITY
2	056259-01-000	EA LABEL-SAFETYCHECKLIST

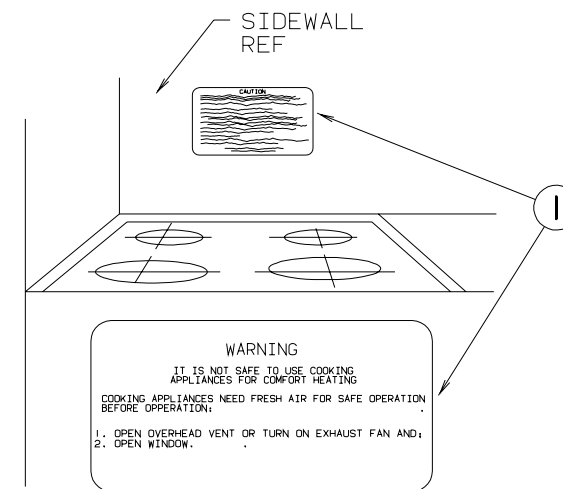


KEY	PARTNUMBER	U/M DESCRIPTION
1	040944-01-000	EA LABEL-ENTRANCEDOOR-"OPEN"

LABELSGROUP(CONTINUED)

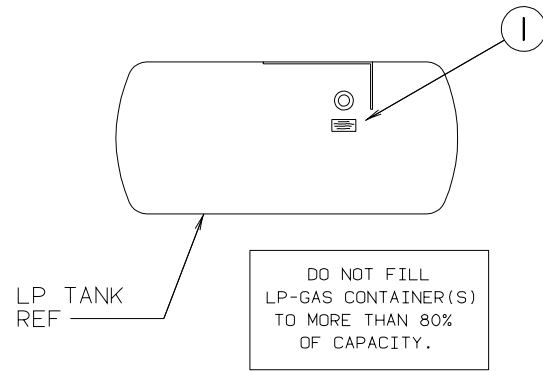


KEY	PARTNUMBER	U/M DESCRIPTION
1	006040-01-000	EA TAG-GASREFUELINGWARNING
1	006040-02-000	EA TAG-GASREFUELINGWARNING(CANADIAN)
2	054531-01-000	EA LABEL-LPGASONLY
2	023769-01-000	EA LABEL-WARNING-LPG(CANADIAN)

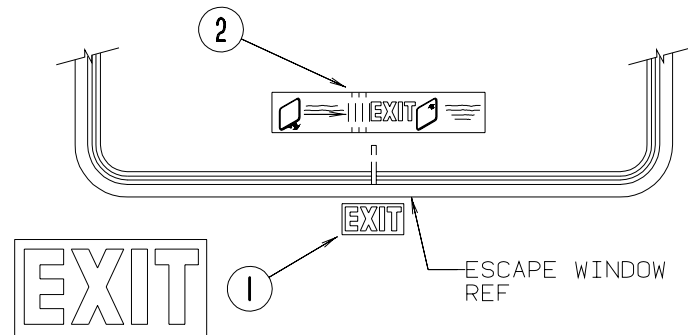


KEY	PARTNUMBER	U/M DESCRIPTION
1	050225-01-000	EA LABEL-WARNING-STOVEVENT-US
1	050222-01-000	EA LABEL-WARNING-STOVEVENT-CSA

LABELSGROUP(CONTINUED)



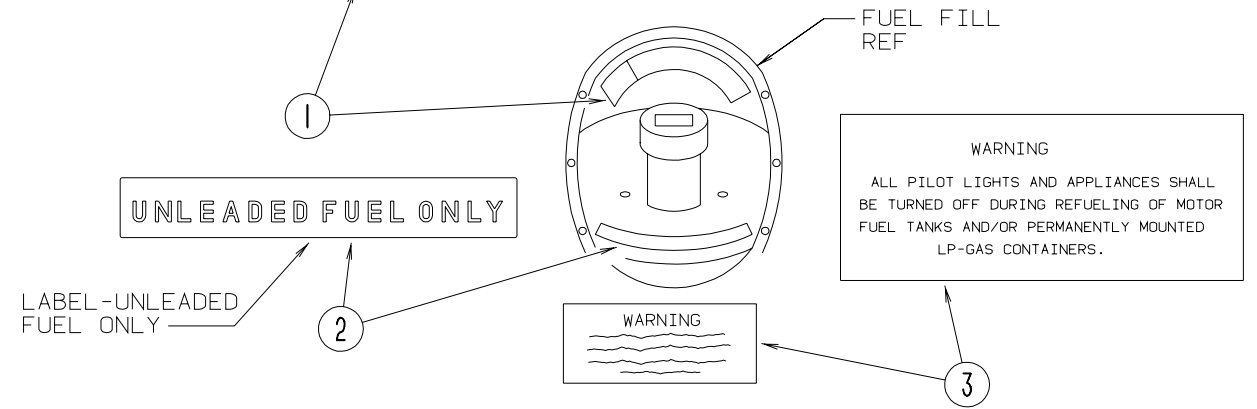
KEY	PARTNUMBER	U/M DESCRIPTION
1	079965-01-000	EA LABEL-LPG-80%CAPACITY



KEY	PARTNUMBER	U/M DESCRIPTION
1	107571-01-000	EA LABEL-EXIT/ESCAPEWINDOW
2	039290-01-000	EA LABEL-EXITWARNING

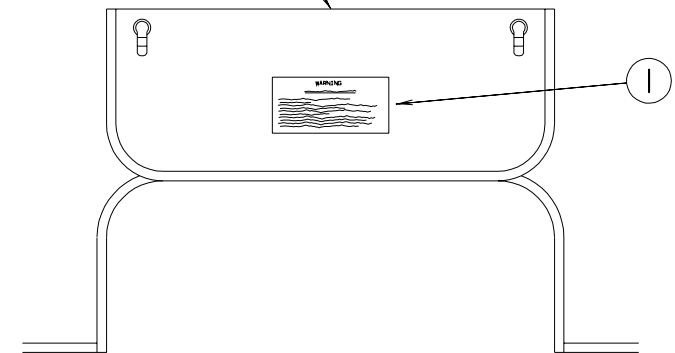
LABELSGROUP(CONTINUED)

CAUTION	TO HELP AVOID PERSONAL INJURY DURING REMOVAL OF FUEL FILLER CAP, SLOWLY LOOSEN CAP 1/2 TURN TO ALLOW ANY FUEL PRESSURE TO BE RELIEVED BEFORE TURNING CAP FURTHER.
FUEL SPRAY MAY CAUSE PERSONAL INJURY	STOP ADDING FUEL AFTER FIRST SHUTOFF BY AUTOMATIC NOZZLE WHEN TANK IS NEARLY FULL. DO NOT OVERFILL FUEL TANK. SEE OWNERS MANUAL FOR ADDITIONAL INFORMATION.
	PRINTED IN U.S.A. MLC PT NO 15611763



KEY	PARTNUMBER	U/M DESCRIPTION
1	087207-05-000	EA LABEL-FUELCAPREMOVAL
2	062043-01-000	EA LABEL-FUEL-UNLEADED
3	006040-01-000	EA TAG-GASREFUELINGWARNING
3	006040-02-000	EA TAG-GASREFUELINGWARNING(CANADIAN)

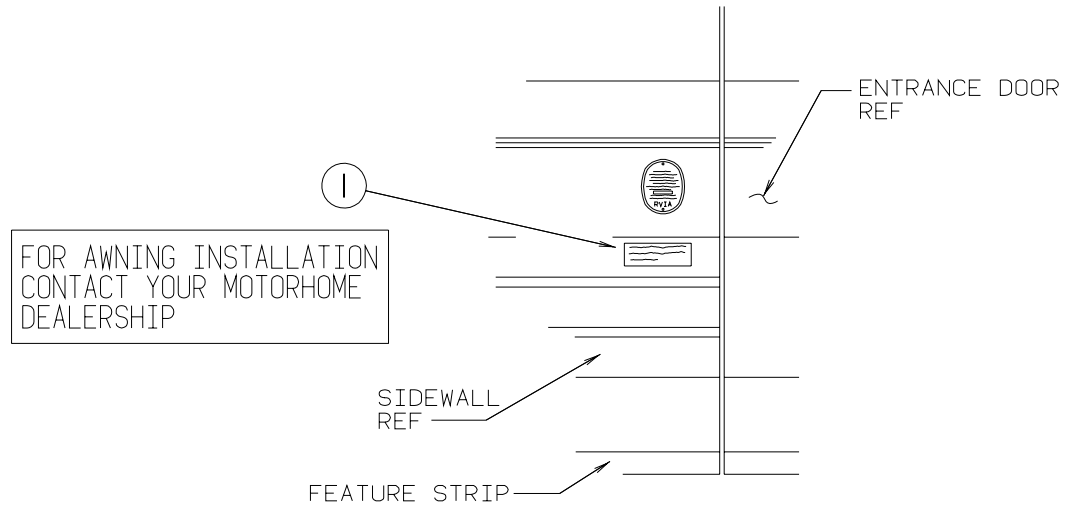
GENERATOR COMP
DOOR REF



WARNING
<u>WHEN ADDING A GENERATOR SET:</u>
HIGH VOLTAGE-USE EXTREME CAUTION WHEN WORKING ON ELECTRICAL COMPONENTS. HAVE ALL ELECTRICAL INSTALLATION PERFORMED BY A QUALIFIED LICENSED ELECTRICIAN-FOLLOW ALL STATE AND LOCAL CODES. ONLY INSTALL GENERATOR SET APPROVED FOR R.V. APPLICATION. HAVE INSTALLED BY QUALIFIED TECHNICIAN. TO AVOID HEAT BUILD-UP AND TO GUARANTEE AN ADEQUATE AIR SUPPLY TO THE GENERATOR CARBURETOR, FOLLOW INSTALLATION INSTRUCTIONS. GENERATOR ENGINE EXHAUST GASES ARE TOXIC AND MUST NOT TERMINATE UNDER THE VEHICLE-DISCHARGE EXHAUST AWAY FROM VEHICLE.

KEY	PARTNUMBER	U/M DESCRIPTION
1	077510-01-000	EA LABEL-GENERATORPREP

LABELSGROUP(CONTINUED)

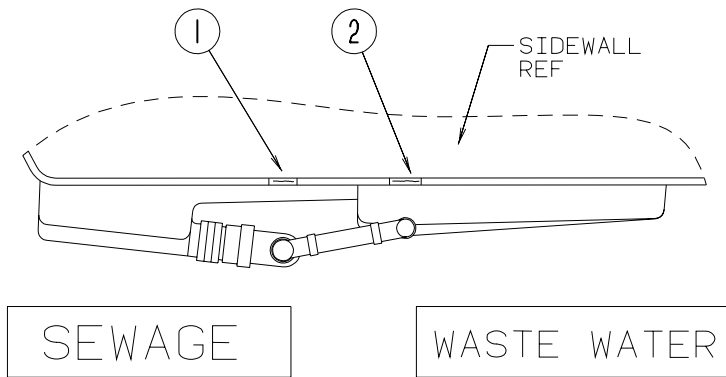


KEY	PARTNUMBER	U/M DESCRIPTION
1	099509-01-000	EA LABEL-AWNINGINSTALLATION

LABELSGROUP(CONTINUED)

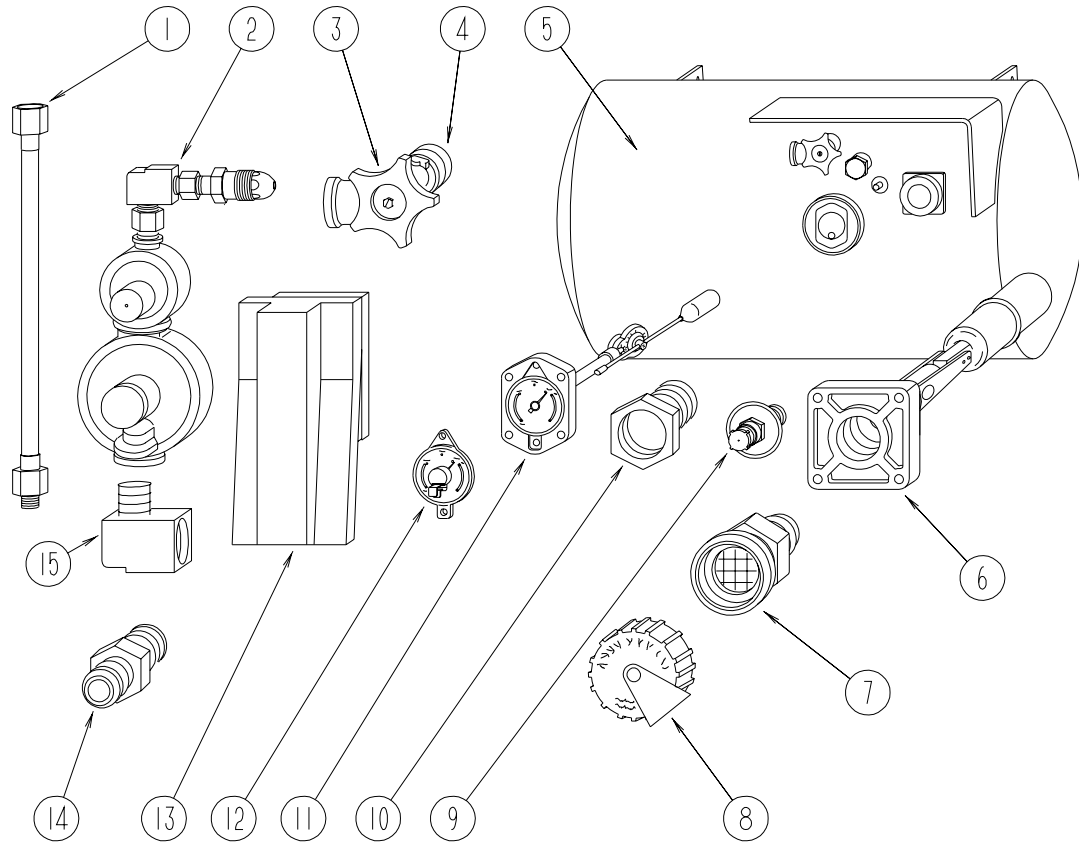
MISCELLANEOUSLABELS

KEY	PARTNUMBER	U/M DESCRIPTION
	094675-01-000	EA LABEL-EXTERIORLIGHT-SERVICE
	073998-01-000	EA LABEL-LPGODORWARNING
	079966-01-000	EA LABEL-WARNING-STOWED-MOTION
	091243-01-000	EA LABEL-A/C COVER-"AIRCONDITIONINGCIRCUIT.ETC."
	098379-04-000	EA LABEL-ELECTRICALBOXSIDE
	098641-01-000	EA LABEL-FUEL-UNLEADED-DASH
	104678-01-000	EA LABEL-CBPREP
	111104-01-000	EA LABEL-HITCH-READMANUAL
	111537-07-000	EA LABEL-FUSES
	111802-01-000	EA LABEL-CFCWARNING



KEY	PARTNUMBER	U/M DESCRIPTION
1	006187-01-000	EA LABEL-SEWAGE
2	006188-01-000	EA LABEL-WASTEWATER

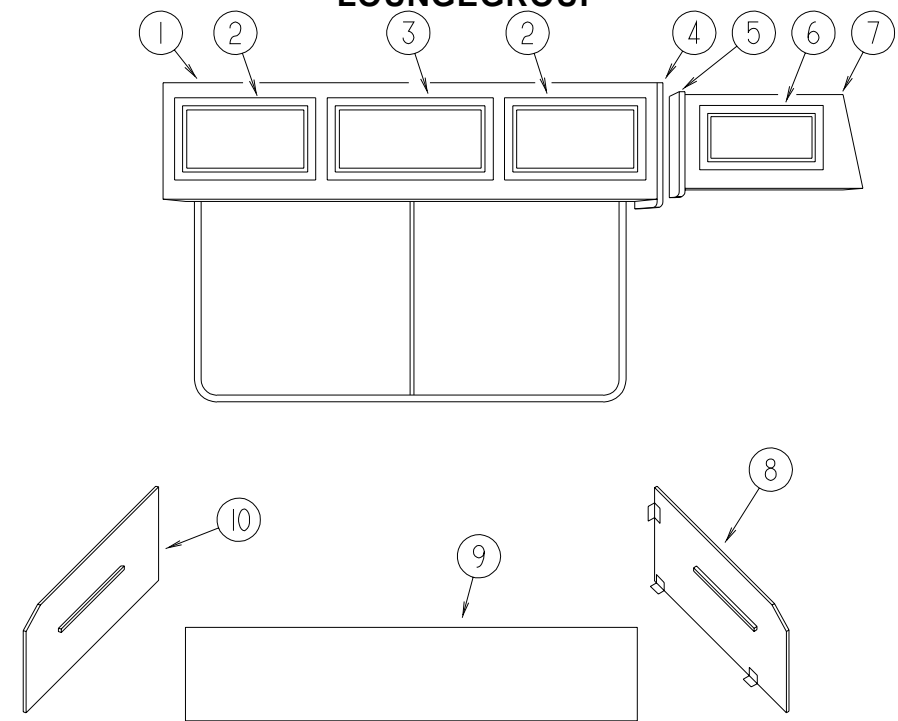
LPGROUP



LPTANK&COMPONENTS

KEY	PARTNUMBER	U/M	DESCRIPTION
1	045703-01-000	EA	HOSE -L/P -3/8" ID X 24" - 3/8" MPT X 1/2" F SWIVEL - US
1	045703-02-000	EA	HOSE -LP -3/8" ID X 24" - 3/8" MPT X 1/2" F SWIVEL - CANADA
2	106150-01-000	EA	REGULATOR-TWOSTAGE
3	040421-01-708	EA	HANDWHEEL-VAPORRELIEFVALVE-BRUNNERG-1015-A
4	040421-01-712	EA	VALVE-SERVICE-W/HANDWHEEL
5	088253-01-000	EA	TANK-LP-80LB-16" DIAMETER X 30" - BRUNNER
6	040421-01-711	EA	VALVE-80%W/FLOAT-PLATE-BOLTS&GASKET-BRUNNER
7	040421-01-701	EA	VALVE-SHORTLPFILLER-W/YELLOWCAP-BRUNNER75478
8	040421-01-702	EA	CAP-LPFILLERVALVE-PLASTIC-YELLOW-BRUNNERG-1014-A
9	040421-01-700	EA	GAUGE-LIQUIDLEVEL-20%LP-BRUNNERG-1013
10	040421-01-713	EA	VALVE-PRESSURERELIEF
11	088253-01-700	EA	GAUGE-LPFLOAT-4MACHINESCREWSTYLE
12	040440-02-000	EA	TRANSMITTER-DIAL-90OHM
13	105658-01-000	EA	COMPARTMENT-LPREGULATOR
14	010326-01-000	EA	ADAPTER-BRASS-3/8" FX 1/2" MPT
15	065318-02-000	EA	ELBOW-90DEGREE-3/8" MPT TO 3/8" FPT
	010329-01-000	EA	ADAPTER-BRASS-1/2" FX 1/2" MPT
	010265-01-000	EA	ELBOW-BRASS-90DEGREE-3/8" FX 1/2" FPT
	103613-01-000	EA	DETECTOR-LPGAS
	113542-11-02B	EA	MOUNTASM-LPTANK-E-COAT
	010252-01-000	EA	ELBOW-BRASS-90DEGREE-3/8" FX 1/2" MPT
	010377-02-000	EA	NUT-BRASS-3/8" FLARE-FORGED

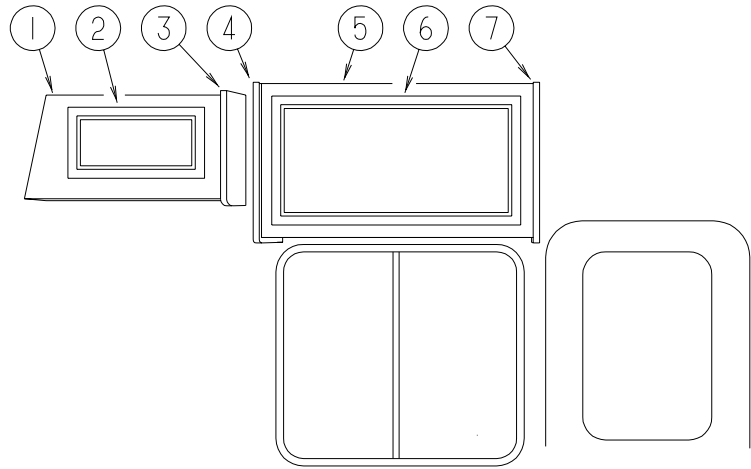
LOUNGEGROUP



LOUNGE&FRONT OVERHEAD CABINET (DRIVERSIDE)

KEY	PARTNUMBER	U/M	DESCRIPTION
1	122986-01-H17	EA	CABINET-OVERHEADFRONT-LEFTHAND-W/ODOORS/HARDWARE(OAK)
1	122986-01-H40	EA	CABINET-OVERHEADFRONT-LEFTHAND-W/ODOORS/HARDWARE(WHITE)
	122986-11-H17	EA	SHELFW/PLASTICEDGE TRIM(OAK)
	122986-11-H40	EA	SHELF-W/PLASTICEDGEMOLDING(WHITE)
2	M06803-03-H17	EA	DOOR-MIRROR/MTRDCRNR/OGEEEDGE-15.7" X 20.4" -W/OHDW(OAK)
2	122715-27-01A	EA	DOOR-MOLDED VINYL-15.7" X 20.4" -W/OHARDWARE(WHITE)
3	M06803-13-H17	EA	DOOR-MIRROR/MITEREDCRNR/OGEEEDGE-15.7" X 28" -W/OHDW(OAK)
3	122715-08-01A	EA	DOOR-MOLDED VINYL-15.7" X 28" -W/OHARDWARE(WHITE)
4	103128-01-G09	EA	ENDCAP-OVERHEADLOUNGE-RIGHTHAND(OAK)
4	103128-01-H40	EA	ENDCAP-OVERHEADCABINET-RIGHTHAND(WHITE)
5	103128-09-G09	EA	ENDCAP-OVERHEADFRONT-DRIVER(OAK)
5	103128-09-H23	EA	ENDCAP-OVERHEADFRONT-DRIVER(WHITE)
6	M06803-04-H17	EA	DOOR-MITEREDCORNER/OGEEEDGE-10" X 19" -W/OHDW(OAK)
6	122715-03-01A	EA	DOOR-MOLDED VINYL-10" X 19" -W/OHARDWARE(WHITE)
7	M06838-02-H17	EA	CABINET-OVERHEAD/FRONTLEFTHAND-W/ODOORS/HARDWARE(OAK)
7	M06838-02-H18	EA	CABINET-OVERHEAD/FRONTLEFTHAND-W/ODOORS/HARDWARE(OAK)
7	M06838-02-H19	EA	CABINET-OVERHEAD/FRONTLEFTHAND-W/ODOORS/HARDWARE(OAK)
7	M06838-02-H40	EA	CABINET-OVERHEAD/FRONTLEFTHAND-W/ODOORS/HARDWARE(WHITE)
7	M06838-02-H41	EA	CABINET-OVERHEAD/FRONTLEFTHAND-W/ODOORS/HARDWARE(WHITE)
8	M04187-34-G15	EA	PANEL-COUCH/LEFTHAND-FABRICCOVERED(H17)
8	M04187-34-H18	EA	PANEL-COUCH/LEFTHAND-FABRICCOVERED(H18)
8	M04187-34-H19	EA	PANEL-COUCH/LEFTHAND-FABRICCOVERED(H19)
8	M04187-34-H23	EA	PANEL-COUCH/LEFTHAND-FABRICCOVERED(H40)
8	M04187-34-H25	EA	PANEL-COUCH/LEFTHAND-FABRICCOVERED(H41)
9	M04187-37-H17	EA	PANEL-COUCHFRONTKICK-FABRICCOVERED
9	M04187-37-H18	EA	PANEL-COUCHFRONTKICK-FABRICCOVERED
9	M04187-37-H19	EA	PANEL-COUCHFRONTKICK-FABRICCOVERED
9	M04187-37-H40	EA	PANEL-COUCHFRONTKICK-FABRICCOVERED
9	M04187-37-H41	EA	PANEL-COUCHFRONTKICK-FABRICCOVERED
10	M04187-36-G15	EA	PANEL-COUCH/RIGHTEND-FABRICCOVERED(H17)
10	M04187-36-H18	EA	PANEL-COUCH/RIGHTEND-FABRICCOVERED(H18)
10	M04187-36-H19	EA	PANEL-COUCH/RIGHTEND-FABRICCOVERED(H19)
10	M04187-36-H23	EA	PANEL-COUCH/RIGHTEND-FABRICCOVERED(H40)
10	M04187-36-H25	EA	PANEL-COUCH/RIGHTEND-FABRICCOVERED(H41)

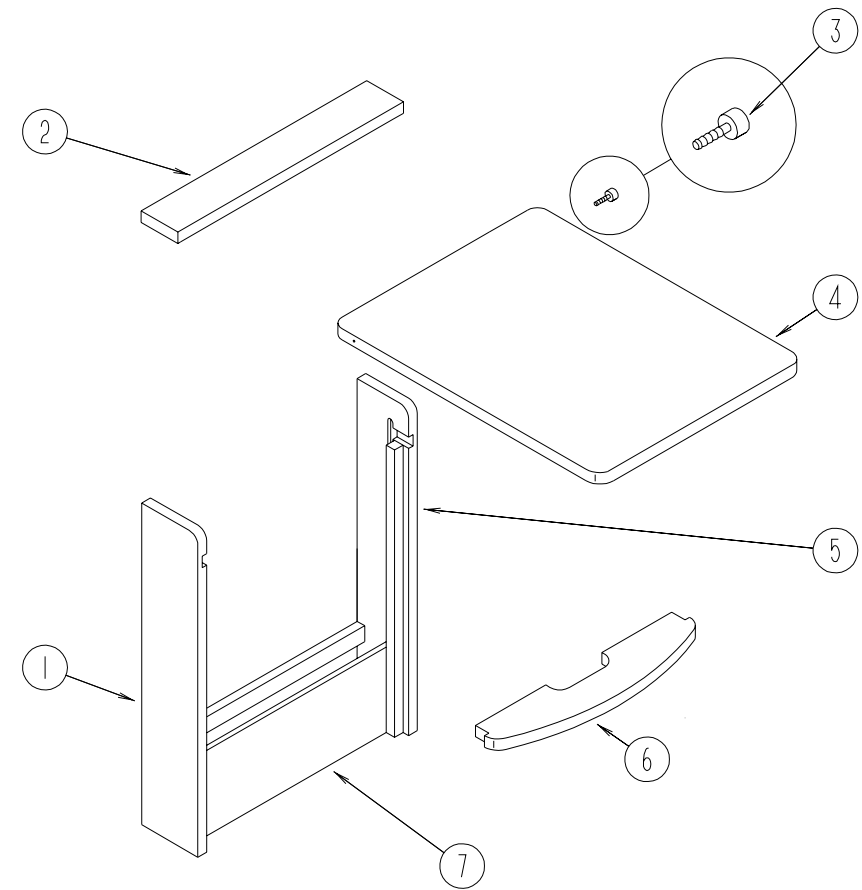
LOUNGE GROUP (CONTINUED)



FRONT OVERHEAD CABINET (PASSENGER SIDE)

KEY	PART NUMBER	U/M	DESCRIPTION
1	M06838-01-H17	EA	CABINET-OVERHEAD/FRONT RIGHT HAND-W/DOORS/HARDWARE (OAK)
1	M06838-01-H18	EA	CABINET-OVERHEAD/FRONT RIGHT HAND-W/DOORS/HARDWARE (OAK)
1	M06838-01-H19	EA	CABINET-OVERHEAD/FRONT RIGHT HAND-W/DOORS/HARDWARE (OAK)
1	M06838-01-H40	EA	CABINET-OVERHEAD/FRONT RIGHT HAND-W/DOORS/HARDWARE (WHITE)
1	M06838-01-H41	EA	CABINET-OVERHEAD/FRONT RIGHT HAND-W/DOORS/HARDWARE (WHITE)
2	M06803-04-H17	EA	DOOR-MITERED CORNER/OGEE EDGE-10"X19"-W/O HARDWARE (OAK)
2	122715-03-01A	EA	DOOR-MOLDED VINYL-10"X19"-W/O HARDWARE (WHITE)
3	103128-08-G09	EA	ENDCAP-OVERHEAD FRONT-PASSENGER (OAK)
3	103128-08-H23	EA	ENDCAP-OVERHEAD FRONT-PASSENGER (WHITE)
4	103128-07-G15	EA	ENDCAP-OVERHEAD LOUNGE-LEFT HAND (OAK)
4	103128-07-H23	EA	ENDCAP-OVERHEAD LOUNGE-LEFT HAND (WHITE)
5	M06838-08-H17	EA	CABINET-OVERHEAD-W/DOOR/HARDWARE (OAK)
5	M06838-08-H40	EA	CABINET-OVERHEAD-W/DOOR/HARDWARE (WHITE)
	104414-12-G35	EA	SHELF-W/PLASTIC EDGE TRIM (OAK)
	104414-12-H23	EA	SHELF-W/PLASTIC EDGE TRIM (WHITE)
6	M06803-30-H17	EA	DOOR-MITERED CORNER/OGEE EDGE-15.5"X29.5"-W/O HARDWARE (OAK)
6	122715-05-01A	EA	DOOR-MOLDED VINYL-15.5"X29.5"-W/O HARDWARE (WHITE)
7	103128-10-G15	EA	ENDCAP-OVERHEAD LOUNGE-RIGHT HAND (OAK)
7	103128-10-H23	EA	ENDCAP-OVERHEAD LOUNGE-RIGHT HAND (WHITE)
	101222-01-04A	EA	BRACKET-CATCH-LID-E-COAT

LOUNGE GROUP (CONTINUED)



PULLOUT TABLE

KEY	PART NUMBER	U/M	DESCRIPTION
	P19559-01-G35	EA	CABINET-TABLE-W/O PULLOUT TOP (OAK)
	P19559-01-H23	EA	CABINET-TABLE-W/O PULLOUT TOP (WHITE)
1	119559-12-G35	EA	END-TABLE-LEFT SIDE-28.7"X5.7" (OAK)
1	119559-12-H23	EA	END-TABLE-LEFT SIDE-28.7"X5.7" (WHITE)
2	119559-13-G35	EA	SHELF-TOP/F/PULLOUT TABLE (OAK)
2	119559-13-H23	EA	SHELF-TOP/F/PULLOUT TABLE (WHITE)
3	079921-01-000	EA	NYLON ROLLER W/SHAFT
4	119559-17-G35	EA	TABLE-PULLOUT TOP (OAK)
4	119559-17-H23	EA	TABLE-PULLOUT TOP (WHITE)
5	119559-11-G35	EA	END-TABLE-RIGHT SIDE-28.7"X5.7" (OAK)
5	119559-11-H23	EA	END-TABLE-RIGHT SIDE-28.7"X5.7" (WHITE)
6	119559-14-G35	EA	SHELF-SUPPORT/F/PULLOUT TABLE (OAK)
6	119559-14-H23	EA	SHELF-SUPPORT/F/PULLOUT TABLE (WHITE)
7	119559-15-G35	EA	PANEL-BOTTOM/F/TABLE CABINET-18.1"X6.7" (OAK)
7	119559-15-H23	EA	PANEL-BOTTOM/F/TABLE CABINET-18.1"X6.7" (WHITE)
	080736-01-000	EA	PULL-RECESSED-1.25"X4"-OAK

SEALANTS&FASTENERSGROUP

ADHESIVEANDTAPESEALERS

KEY	PARTNUMBER	U/M	DESCRIPTION
	002707-02-000	FT	TAPE - SEALER - 5/16" X 1/2" - INCREMENTS OF 50 FT
	034552-02-000	EA	SILICONE TUBE - 300 ML - CLEAR - W/NOZZLE ALSO ORDER P.N.#900390-03-000 NOZZLE SEPARATELY
	034552-06-000	EA	SILICONE TUBE - 300 ML - OFF WHITE - W/NOZZLE ALSO ORDER P.N.#900390-03-000 NOZZLE SEPARATELY
	034552-07-000	EA	SILICONE 300 ML TUBE - DARK GRAY - W/NOZZLE ALSO ORDER P.N.#900390-03-000 NOZZLE SEPARATELY
	034552-15-000	EA	SILICONE - TUBE 300 ML BRIGHT WHITE - W/NOZZLE ALSO ORDER #900390-03-000 NOZZLE
	053766-06-000	EA	BEDDING COMPOUND - TUBE - CLEAR
	062917-03-000	EA	ADHESIVE LOCTITE 242 - LOCTITE 242 - SIDE 41
	067788-01-000	EA	ADHESIVE SPRAY - 3M 74 - 19.5 OZ AEROSOL CAN
	069640-01-000	FT	SEALER RIBBON - 1/4" DIAMETER - INCREMENTS OF 30'
	069640-02-000	FT	SEALER RIBBON - 1/2" X 1/8" - INCREMENTS OF 60'
	069640-03-000	FT	SEALER RIBBON - 3/4" X 1/8" - INCREMENTS OF 60'
	069640-07-000	FT	SEALER RIBBON - 2" X 3/32" - INCREMENTS OF 45'
	069640-09-000	FT	SEALER RIBBON - 1/32" X 2 1/2" - INCREMENTS OF 80'
	069640-14-000	FT	SEALER TAPE - 1/16" X 1" X 100' - MANUS - GRAY
	069640-15-000	FT	SEALER RIBBON 1/16" X 3/8" GRAY - MANUS
	072889-01-000	EA	SEALANT URETHANE - BLACK - 1/10 - ESSEX 552.2
	072889-09-000	EA	SEALANT URETHANE (TUBE) BLACK - MANUS 75 AM
	076322-01-000	FT	TAPE-FOAM-DOUBLE COATED ADHESIVE BACKED - .75" X 216'
	076322-05-000	FT	TAPE-FOAM-DOUBLE COATED - .045" X .75" X 108'
	076322-07-000	FT	TAPE_FOAM-DOUBLE COATED .045 X .50 - NORTON V2000
	087211-01-000	GL	PROMOTED ADESIVE
	091255-02-000	FT	SEAL ADHESIVE BACKED FOAM - .18" THICK X 1.5" WIDE
	094401-01-000	EA	SEALER BODY SEAM SEALER - 3M FLATEXICLEAR
	102352-01-000	EA	SEALER PUMPABLE - BLACK - COLORIMETRIC MS101
	106206-01-000	EA	SEALER PUMPABLE - MANUS 30A BLACK
	110274-01-000	FT	TAPE-FOAM-DBL COATED .045 X 1.0 - NORTON V-2800
	120074-01-01A	EA	SILICONE TUBE - OFF WHITE W/NOZZLE ALSO ORDER NOZZLE #900390-03-000
	900390-01-000	EA	TIP - 2 1/2" X 1/8" ORIFICE - ELLSWORTH #TS216
	900390-03-000	EA	NOZZLES - SILICONE TUBE - CSL #D10

MISCELLANEOUSFASTENERS

KEY	PARTNUMBER	U/M	DESCRIPTION
	008343-01-000	EA	TIE - WIRE - 6"
	008343-02-000	EA	TIE - WIRE - 14"
	029094-04-000	YD	VELCRO TAPE - LOOP - 1" WIDE - BLACK
	029096-03-000	YD	VELCRO TAPE - HOOK - 1" WIDE - BLACK
	085774-01-000	FT	FASTENER - DUAL HOOK - 1" WIDE - ADHESIVE BACK - BLACK
	085774-02-000	FT	FASTENER - DUAL LOOP - 1" WIDE - ADHESIVE BACK - BLACK
	086285-01-000	EA	SPACER - NYLON - .5" ODX .257" ID
	108046-02-000	EA	CABLE TIE - SCREW MOUNT 15" - DENNISON 10035

SEALANTS&FASTENERSGROUP(CONTINUED)

BOLTS&NUTS

KEY	PARTNUMBER	U/M	DESCRIPTION
	000C12-05-16B	EA	BOLT - HEX - 5/16-18 X 1 - ZINC 5
	000C12-05-12B	EA	BOLT - HEX - 5/16-18 X 3/4 ZINC 5
	000C12-06-20B	EA	BOLT - HEX - 3/8-16 X 1 1/4 ZINC 5
	000C12-06-16B	EA	BOLT - HEX - 3/8-16 X 1 LG - ZINC 5
	000C12-06-44B	EA	BOLT - HEX - 3/8-16 X 2 3/4 ZINC 5
	000C12-07-20B	EA	BOLT - HEX - 7/16 - 14 X 1 1/4" - ZINC 5
	000C12-08-28B	EA	BOLT - HEX - 1/2-13 X 1-3/4 ZINC 5
	000C12-08-24B	EA	BOLT - HEX - 1/2-13 X 1 1/2 - ZINC 5
	000C12-10-24B	EA	BOLT - HEX - 5/8-11 X 1 1/2 ZINC - 5
	000C13-07-48B	EA	BOLT - HEX - 7/16 - 20 X 3 - ZINC 5
	000C26-04-10B	EA	BOLT - HEX - SERRATED FLANGE - 1/4-20 X 5/8 ZINC
	000C26-04-18B	EA	BOLT - HEX - SERRATED FLANGE 1/4-20 X 1 1/8 - ZINC
	000C26-04-14B	EA	BOLT - HEX - SERRATED FLANGE - 1/4 X 20 X 7/8 ZINC
	000C26-05-16B	EA	BOLT - HEX - SERRATED FLANGE 5/16-18 X 1 - ZINC
	000C26-05-12B	EA	BOLT - HEX - SERRATED FLANGE 5/16-18 X 3/4 - ZINC
	000C26-05-20B	EA	BOLT - HEX - SERRATED FLANGE 5/16 - 18 X 1 1/4 ZINC
	000C26-06-12B	EA	BOLT - HEX - SERRATED FLANGE 3/8-16 X 3/4 - ZINC
	102333-01-05A	EA	BOLT - CARR - 7/16-14 SST CAP
	106956-03-000	EA	BOLT - HEX TAP 1/2-13 NC X 3 GR 5 - FULL THREAD ZINC
	051387-06-000	EA	BOLT - CARRIAGE - W/O HOLE - 5/16-18 X 9.5 ZINC
	000D24-10-00B	EA	NUT - HEX - SF/LK - 10-32 - ZINC
	000D29-05-00B	EA	NUT - 5/16 - 18 UNC - SF/LOCKING - NYLON WASHER INSERT
	000D29-06-00B	EA	NUT - HEX W/NYLON LOK 3/8-16 ZINC
	000D34-06-00B	EA	NUT - HEX - LK - 3/8 - 16 GRADE C ZINC - PREVAILING TORQUE
	000D39-04-00B	EA	NUT - HEX - SERRATED FLANGE LK 1/4 - 20 ZINC
	000D39-05-00B	EA	NUT - HEX - SERRATED FLANGE LK - 5/16 - 18 ZINC
	000D39-06-00B	EA	NUT - HEX - SERRATED FLANGE LK - 3/8 - 16 ZINC
	000D39-08-00B	EA	NUT - HEX - SERRATED FLANGE LK - 1/2 - 13 ZINC
	000D46-04-00A	EA	NUT - HEX - WELD - 1/4-20 - PLAIN - SHORT PILOT
	000D73-08-00C	EA	NUT - HEX FLAT G - 1/2 - 13 CAD PREV - GRADE G
	000E11-05-00B	EA	WASHER - LK - 5/16 MEDSPLIT ZINC - 05110-01-000
	000E11-07-00B	EA	WASHER - LK - 7/16 MEDSPLIT ZINC
	000E13-14-00B	EA	WASHER - FLAT - 1/4" WIDE ZINC
	000E13-17-00B	EA	WASHER - FLAT - 3/8" AR ZINC
	000E13-18-00B	EA	WASHER - FLAT - 3/8 WIDE ZINC
	000E13-20-00B	EA	WASHER - FLAT - 7/16" WIDE - ZINC
	000E13-21-00B	EA	WASHER - FLAT - W/2 NAR ZINC
	000E13-22-00B	EA	WASHER - FLAT - 1/2 WIDE ZINC - 05117-01-000
	110794-01-000	EA	WASHER - FLAT - 11DX 13/4 OD
	000E14-10-00B	EA	WASHER - LK - NO 10 EXT TOOTH - ZINC
	058716-02-000	EA	WASHER - FLAT NYLON - .406 X .750 X .060
	040921-03-000	EA	NUT - SPEED - U TYPE - NO 10
	040921-04-000	EA	NUT - SPEED - U TYPE - NO 8 - .59" LENGTH X .44" WIDTH
	040921-09-000	EA	NUT - SPEED - U TYPE - NO 8 - T'MNC 9812-8A
	044364-02-000	EA	NUT - SPEED - FLAT - ROUND
	063253-07-000	EA	NUT - J - #8A .120 - .130 PNL THK
	083163-06-000	EA	PUSHNUT - FLAT TYPE 3/8 STUD - FORD ONLY TO RETAIN THE AIR BAFFLATE ON THE OIL DIP STICK TUBE
	087234-01-000	EA	NUT - JACK - 1/4 X 20 THD - MOLLY - ARDEN 8-L - JN BRASS MOUNTS LICENSE PLATES
	088787-12-000	EA	STUD - WELD - 1/4-20 X 1.0 LG MN

SEALANTS&FASTENERSGROUP(CONTINUED)

SCREWS

KEY	PARTNUMBER	U/M	DESCRIPTION
	0B1210-32-180	EA	SETSCREW-5/8-11 X2.00-BLACKCUPPOINT
	0G3908-08-170	EA	SCREW-SF/DR-8-18X1/2PPH-BRIGHTWHITE
	0G5508-16-190	EA	SCREW-SF/DR-8-18X1.00PWH-QUICKSILVER
	000G11-05-08B	EA	SCREW-5-20X1/2PPHZINC
	000G11-06-10J	EA	SCREW-6-20X5/8PPH-BRASS
	000G11-06-10B	EA	SCREW-6-20X5/8PPHZINC
	000G11-06-08B	EA	SCREW-6-20X1/2PPHZINC
	000G11-06-06B	EA	SCREW-6-20X3/8PPHZINC
	000G11-07-08B	EA	SCREW-7-19X1/2PPH-ZINC
	000G11-08-08T	EA	SCREW-8-18X1/2PPH
	000G11-08-08B	EA	SCREW-8-18X1/2PPH-ZINC
	000G11-08-06B	EA	SCREW-8-18X3/8PPHZINC
	000G11-08-20B	EA	SCREW-8-18X11/4PPHZINC
	000G11-08-16S	EA	SCREW-8-18X1.00PPH-OFFWHITE
	000G11-08-12T	EA	SCREW-8-18X3/4PPH-BLACK
	000G11-08-12S	EA	SCREW-8-18X3/4PPH-OFFWHITE
	000G11-08-12S	EA	SCREW-8-18X3/4PPH-OFFWHITE
	000G11-08-12P	EA	SCREW-8-18X.75PPH-DARKBROWN
	000G11-08-12D	EA	SCREW-8-18X3/4PPH-BLACK
	000G11-08-12B	EA	SCREW-8-18X3/4PPHZINC
	000G11-10-40B	EA	SCREW-10-16X21/2PPHCAD-34927-01-000
	000G11-10-16B	EA	SCREW-10-16X1-PPHZINC
	000G11-10-12S	EA	SCREW-10-16X.75PPHOFFWHT
	000G11-10-12D	EA	SCREW-10-16X3/4PPH-BLACK
	000G11-10-10X	EA	SCREW-10-16X5/8PPHGRAY
	000G12-06-14A	EA	SCREW-6-20X.87POHPLAIN
	000G12-06-08T	EA	SCREW-6-20X.50POH-BLACK
	000G12-08-16S	EA	SCREW-8-18X1.00POH-OFFWHITE
	000G13-05-16S	EA	SCREW-5-20X1PFHOFFWHITE
	000G13-06-16J	EA	SCREW-6-20X1.00PFH-BRASS
	000G13-06-08B	EA	SCREW-6-20X1/2PFHZINC
	000G13-06-24J	EA	SCREW-6-20X1.50PFHBRASS
	000G13-07-12B	EA	SCREW-7-19X3/4PFHZINC
	000G13-08-16B	EA	SCREW-8-18X1PFH-ZINC
	000G13-08-10B	EA	SCREW-8-18X5/8PFHZINC-90CW922FV
	000G18-08-22B	EA	SCREW-MACH-8-32X13/8PPHZINC
	000G19-10-20B	EA	SCREW-MACHINE-10-32X11/14PPHZINC
	000G19-10-08B	EA	SCREW-MACHINE-10-32X1/2PPHZINC
	000G32-10-06B	EA	SCREW-10-32X3/8"-PPH-ZINC
	000G39-06-10T	EA	SCREW-SF/DR-6-20X5/8PPH-BLACK
	000G39-06-08B	EA	SCREW-DR-6-18X1/2ZINC
	000G39-08-08S	EA	SCREW-SF/DR-8-18X1/2PPH-OFFWHITE
	000G39-08-08B	EA	SCREW-SF/DR-8-18X1/2PPHZINC
	000G39-08-32B	EA	SCREW-SF/DR-8-18X2PPH-ZINC
	000G39-08-24B	EA	SCREW-SF/DR-8-18X11/2PPHZINC
	000G39-08-16T	EA	SCREW-SF/DR-8-18X1PPH-BLACK
	000G39-08-16S	EA	SCREW-SF/DR-8-18X1.00PPH-OFFWHITE
	000G39-08-16B	EA	SCREW-SF/DR-8-18X1PPHZINC
	000G39-08-12T	EA	SCREW-SF/DR-8-18X3/4PPH-BLACK
	000G39-08-12B	EA	SCREW-SF/DR-8-18X3/4PPHZINC
	000G39-10-08B	EA	SCREW-SF/DR10-16X.50P&H-ZINC
	000G39-10-209	EA	SCREW-SF/DR-10-16X1.25PPH-FLATUOROCARBONSILVER
	000G39-10-20B	EA	SCREW-SF/DR-10-16X11/4PPHZINC
	000G39-10-129	EA	SCREW-SF/DR-10-16X3/4PPH-FLATUOROCARBONSILVER
	000G39-10-12R	EA	SCREW-SF/DR-10-16X3/4PPH-BEIGE
	000G39-10-12D	EA	SCREW-SF/DR-10-16X3/4PPH-BLACK
	000G39-10-12B	EA	SCREW-SF/DR-10-16X.75PPHZINC
	000G39-12-12E	EA	SCREW-SF/DR-12-14X3/4PPH-CHROME
	000G42-04-12B	EA	SCREW-SF/DR1/4-14X3/4HWHZINC
	000G46-08-24T	EA	SCREW-MACHINE-8-32-1.50INPFH-BLACK
	000G50-04-12B	EA	SCREW-MACHINE-1/4-20X3/4PPHZINC
	000G50-04-08B	EA	SCREW-MACHINE-1/4-20X1/2PTH-2N
	000G51-08-08B	EA	SCREW-8-18X1/2PTHZINC

SEALANTS&FASTENERSGROUP(CONTINUED)

SCREWS(CONTINUED)

KEY	PARTNUMBER	U/M	DESCRIPTION
	000G52-08-18B	EA	SCREW-MACH-8-32X11/8PTHZINC
	000G54-04-20B	EA	SCREW-1/4-20X11/4PTH-TYPE23-ZINCPLATED
	000G55-08-127	EA	SCREW-SF/DR-8-18X.75PWH-FAWN
	000G55-08-12S	EA	SCREW-SF/DR-8-18X.75PWH-*OFFWHITE
	000G57-05-16J	EA	SCREW-5-20X1PFH-BRASS
	000G60-10-28T	EA	SCREW-SF/DR-10-16X1.75-BLACK
	000G67-08-32B	EA	SCREW-8-15X2PPHZINC
	000G67-10-08B	EA	SCREW-10-12X1/2PPHZINC
	000G67-10-48B	EA	SCREW-10-12X3PPHZINC
	000G67-10-36T	EA	SCREW-10-12X2.25PPHBLACK-STALGARD
	000G67-10-20D	EA	SCREW-10-12X11/4PPH-BLACK
	000G67-10-120	EA	SCREW-10-12X.75"PPH-TAN
	000G67-10-120	EA	SCREW-10-12X.75"PPH-TAN
	000G67-10-12B	EA	SCREW-10-12X3/4"PPH-ZINC
	000G67-10-10P	EA	SCREW-10-12X.62PPH-DARKBROWN
	000G67-10-10D	EA	SCREW-10-12X5/8PPH-BLACK-TYPEA
	000G67-10-10B	EA	SCREW-10-12X5/8PPHZINC-TYPEA
	000G67-10-08R	EA	SCREW-10-12X1/2PPH-BEIGE-TYPEA
	000G68-06-10G	EA	SCREW-6-18X5/8POH-ANTIQUEBRASS
	049465-01-000	EA	SCREW-10-16W/WASHERPTH-DARKBROWN
	049465-03-000	EA	SCREW-10-16X1POHW/WASHER-OFFWHITE
	049465-17-000	EA	SCREW-10-16X1POHW/WASHER-BRIGHTWHITE
	075908-01-000	EA	SCREW-MACHINE-10-32X.56PTH-ZINCEXTERNALTOOTH
	086256-01-000	EA	SCREWASM-SF/DR8X.75HWHLG-PLBODYPNLMT
	097974-01-000	EA	SCREW-PARTBD7-9X.75PPH-FHM0543PLAIN
	106477-01-000	EA	SCREW-14-10X3.00PFH-STEELBRASSPLATED
	116111-02-01A	EA	SCREW-TAPTITE-1/4-20X3/8PPH-ZINC
	117322-01-000	EA	SCREW-1/4-28UNF-2A-TORX-U.T.6270020SC25WJ

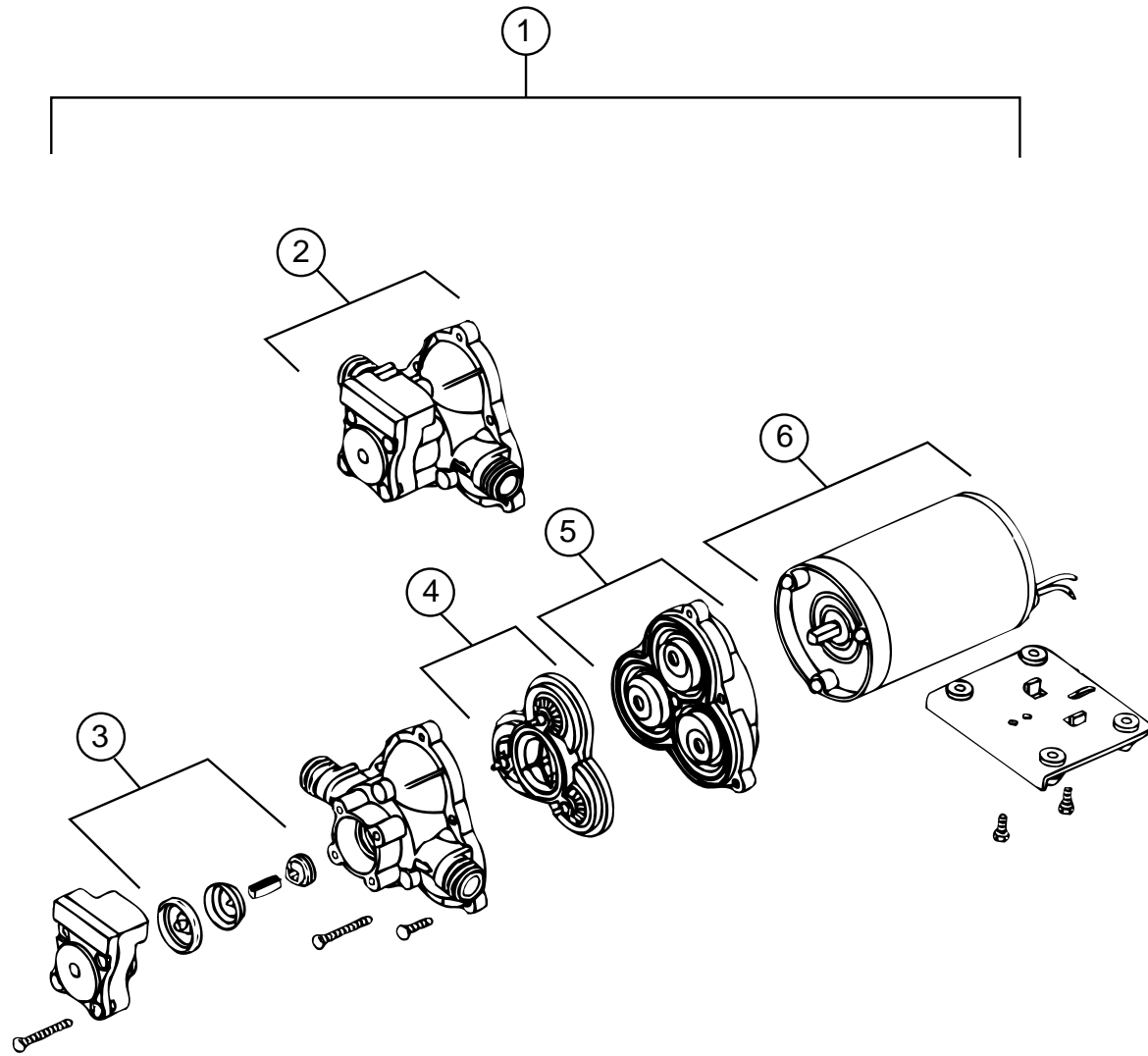
CLAMPS,CLIPS,&GROMMETS

KEY	PARTNUMBER	U/M	DESCRIPTION
	000F10-06-32B	EA	PIN-COTTER-3/16X2.00ZN
	000H16-04-06R	EA	RIVET-POP-AL1/8X.313-.375
	000H16-06-10R	EA	RIVET-POP-AL3/16X.501-.625
	010495-01-000	EA	CLAMP-CABLE-9/16"
	010497-01-000	EA	CLAMP-CLOSED-5/8"ID
	010497-03-000	EA	CLAMP-CLOSED-1"ID-CUSHIONED
	010497-04-000	EA	CLAMP-CLOSED-1.62ID-ADEL-945-2717
	010497-05-000	EA	CLAMP-CLOSED-1/2"ID
	010499-01-000	EA	CLAMP-CLOSED-3/8"ID
	062401-01-000	EA	CLAMP-HOSE-WORMGEAR.25"-1"
	062401-03-000	EA	CLAMP-HOSE-WORMGEAR-.22"-1"
	062401-04-000	EA	CLAMP-HOSE-WORMGEAR.69"-1.25"
	062401-06-000	EA	CLAMP-HOSE-WORMGEAR.22"-.62"
	062401-11-000	EA	CLAMP-HOSE-WORMGEAR3.56"-4.5"
	075148-02-000	EA	CLAMP-GROUNDING-BRONZESCREWS
	083609-01-000	EA	CLAMP-WIRE-DUALEQUAL-5/8"DIAMETER
	083610-01-000	EA	CLAMP-WIRE-DUAL-UNEQUALDIAMETERS-.75"&1.25"
	083610-02-000	EA	CLAMP-WIRE-DUALUNEQUALDIA
	008380-01-000	EA	GROMMET-RUBBER-5/8"HOLEX11/2"DIAMETER-BLACK
	016188-03-000	EA	GROMMET-L/PLINE-3/8"HOLEX21/2"LONG-RUBBER
	016188-05-000	EA	GROMMET-L/PLINE-3/8"HOLEX11/4"LONG-RUBBER
	023942-01-000	EA	GROMMET-RUBBER-2"OD
	071015-11-000	EA	GROMMET-1.00ID-FITS.12MATL-MINORRUBBERZ-3065
	071015-29-000	EA	GROMMET-RUBBER-.25"IDX1.25"ODW/.12"GROOVE-BLACK
	071015-30-000	EA	GROMMET-RUBBER-.31"IDX.81"ODW/.12"GROOVE-BLACK
	114208-02-000	EA	GROMMET-EDGELINER-FITS.625-HEYCO2073
	077955-01-000	EA	CLIP-J-VINYLCOATED-3/8"
	091952-01-000	EA	CLIP-GRIPPER-1"
	094362-02-000	EA	CLIP-CHRISTMASTREE-FLATHEAD-.5"X.95"

WATER & SEWAGE GROUP

WATER PUMP (SHURFLO)

KEY	PARTNUMBER	U/M	DESCRIPTION	VENDOR NO.
1	098607-01-000	EA	PUMP-WATER-W/.5" MPT FITTING-FLOW W.9GPM-UL	
2	098607-01-706	EA	HOUSING,W/SWITCH ONLY	94-231-20
3	098607-01-705	EA	VALVE-CHECK,KIT	94-237-00
4	098607-01-703	EA	VALVE KIT	94-232-00
5	098607-01-702	EA	DIAPHRAGM/DRIVE ASSEMBLY KIT	94-238-04
6	098607-01-707	EA	MOTOR W/BASE PLATE	11-148-04



WATER&SEWAGEGROUP(CONTINUED)**FRESHWATERTANK**

KEY	PARTNUMBER	U/M	DESCRIPTION
	123243-01-000	EA	TANK-ACCUMULATOR,24OZ
	117217-01-000	EA	TANK-WATER-30GALLON-W/OFITTINGS
	117217-02-000	EA	TANKASM-WATER,30GALLON-W/FITTINGS
	116881-01-000	EA	TANK-FRESHWATER-48GAL.W/NOTCHEDCORNERW/OFITTINGS
	116881-08-000	EA	TANK-FRESHWATER-48GALLONW/NOTCHEDCORNER
	042989-03-000	EA	FITTING-WATERTANK-SPINWELD-11/4"NPT-WHITEPLASTIC
	042989-05-000	EA	FITTING-WATERTANK-SPINWELD-1/2"FPT-WHITEPLASTIC
	049032-01-000	EA	PATCH-SPINWELD-3/8"-PLASTIC
	039861-01-000	EA	SENDINGUNIT-W/SCREW-WASHER-WELLNUT&TERMINALRING
	091208-01-000	EA	WASHER-RUBBER-.06"X.75"X.5"
	077954-02-000	EA	FILTER-WATERTANK-SCREENINTANK

WATERSYSTEMCOMPONENTS(FLAIR-IT)

KEY	PARTNUMBER	U/M	DESCRIPTION
	114427-01-000	EA	CAP-1/2P-02860
	114427-02-000	EA	PLUG-1/2P-02863
	114427-03-000	EA	NUT-1/2"Q-#6453
	114428-01-000	EA	TEE-1/2PX1/2PX1/2P-02820
	114428-02-000	EA	TEE-SWIVEL,1/2PX1/2PX1/2FPT-02821
	114428-03-000	EA	TEE-1/2PX1/2PX1/2MPT-02822
	114428-04-000	EA	TEE-1/2PX1/2PX1/8FPT-02834
	114429-01-000	EA	ELBOW-1/2PX1/2P-02800
	114429-02-000	EA	ELBOW-1/2PX1/2MPT-02803
	114429-03-000	EA	ELBOW-SWIVEL,1/2PX1/2FPT-02816
	114429-04-000	EA	ELBOW-1/2PX3/8MPT-02810
	114429-05-000	EA	ELBOW-1/2PX3/4MPT-02812
	114429-06-000	EA	ELBOW-SWIVEL,1/2PX3/4FPT-02811
	114429-07-000	EA	ELBOW-1/2PX1/2FPTDROPEAR-02801
	114430-01-000	EA	ADAPTER-1/2PX1/2P-02840
	114430-02-000	EA	ADAPTER-SWIVEL,1/2PX1/2FPT-02873
	114430-03-000	EA	ADAPTER-1/2PX1/2MPT-02842
	114430-04-000	EA	ADAPTER-1/2PX3/8MPT-02852
	114430-05-000	EA	ADAPTER-1/2PX1/8FPT-02871
	114430-06-000	EA	ADAPTER-1/2PX3/8FPT-02851
	114430-07-000	EA	ADAPTER-1/2PX3/8P-02853
	114430-08-000	EA	ADAPTER-1/2PX3/4MPT-02868
	114431-01-000	EA	VALVE-LINEDRAIN1/2P-02914
	114431-02-000	EA	VALVE-1/2P,BYPASS-02910
	114431-03-000	EA	VALVE-1/2PX1/2P-02884
	114431-04-000	EA	VALVE-STOP,1/2PX1/2P-02880
	114431-05-000	EA	VALVE-NEEDLE,COMP1/8MPTX1/4-64858
	114431-06-000	EA	VALVE-3/8PX3/8P-02882
	114431-07-000	EA	VALVE-3/8PTHREE-WAY-02900
	114431-08-000	EA	STRAIGHTSTOPVALVE3/8PX3/8P-02879

WATER&SEWAGEGROUP(CONTINUED)**WATERSYSTEMCOMPONENTS**

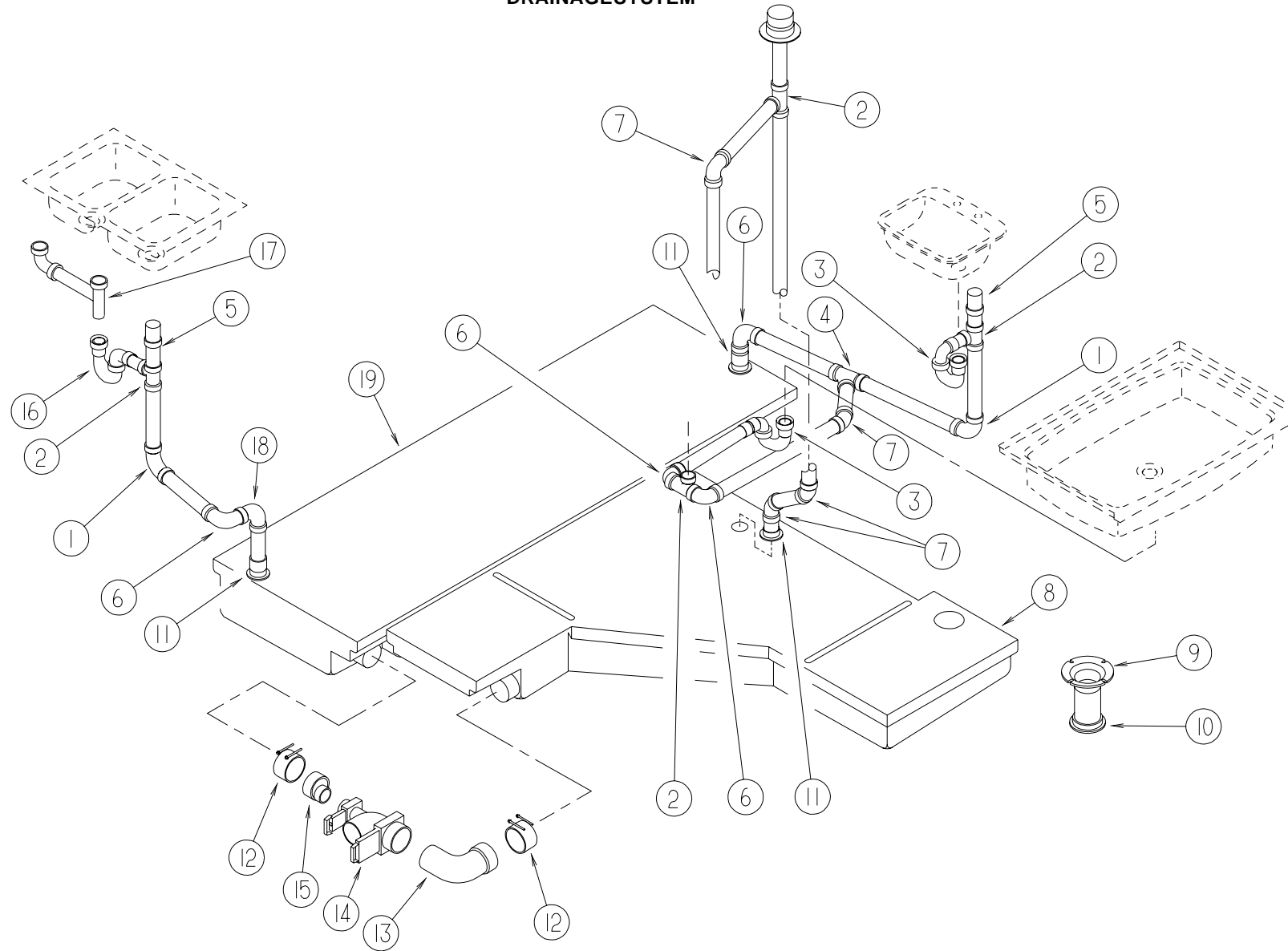
KEY	PARTNUMBER	U/M	DESCRIPTION
	701069-01-000	EA	WATERPURIFICATIONSYSTEM
	701069-03-700	EA	CARTRIDGE-WATERFILTER-AC-EVERPURE9601-11
	010224-01-000	EA	ADAPTER-HOSETOPIPE-3/8"MPTX3/8"BARB-BLKPLASTIC
	010230-06-000	EA	FILL-CITYWATER-W/CHECKVALVE-MPT
	039800-02-000	FT	TUBING-POLYBUTY-5/8"ODX20'-INCROF20'-BLACK
	074462-02-000	FT	TUBING-VINYL-3/8"IDX20'-CLEAR
	079381-01-000	FT	TUBING-SMOOTHFLEXIBLE-13/8"IDX20'
	010219-01-000	EA	ELBOW-11/4"MPTX11/4"BARB-WATERFILL-PLASTIC
	039808-03-000	EA	ELBOW-1/2"MPTX1/2"MPT-PLASTIC

EXTERIORSHOWERCOMPONENTS

KEY	PARTNUMBER	U/M	DESCRIPTION
	103092-01-000	EA	SHOWERHEAD-W/60"HOSE(US)
	103092-02-000	EA	SHOWERHEAD-W/HOSE(CSA)
	104044-01-000	EA	BRACKET-SUPPORT-FAUCET
	103092-01-701	EA	BRACKET(FORSHOWERHEAD)BONE
	079563-04-01A	EA	FAUCET-SHOWERW/1/2"MPTX1.25"LONGINLETPPIPE

WATER & SEWAGE GROUP (CONTINUED)

DRAINAGE SYSTEM



KEY PART NUMBER U/M DESCRIPTION

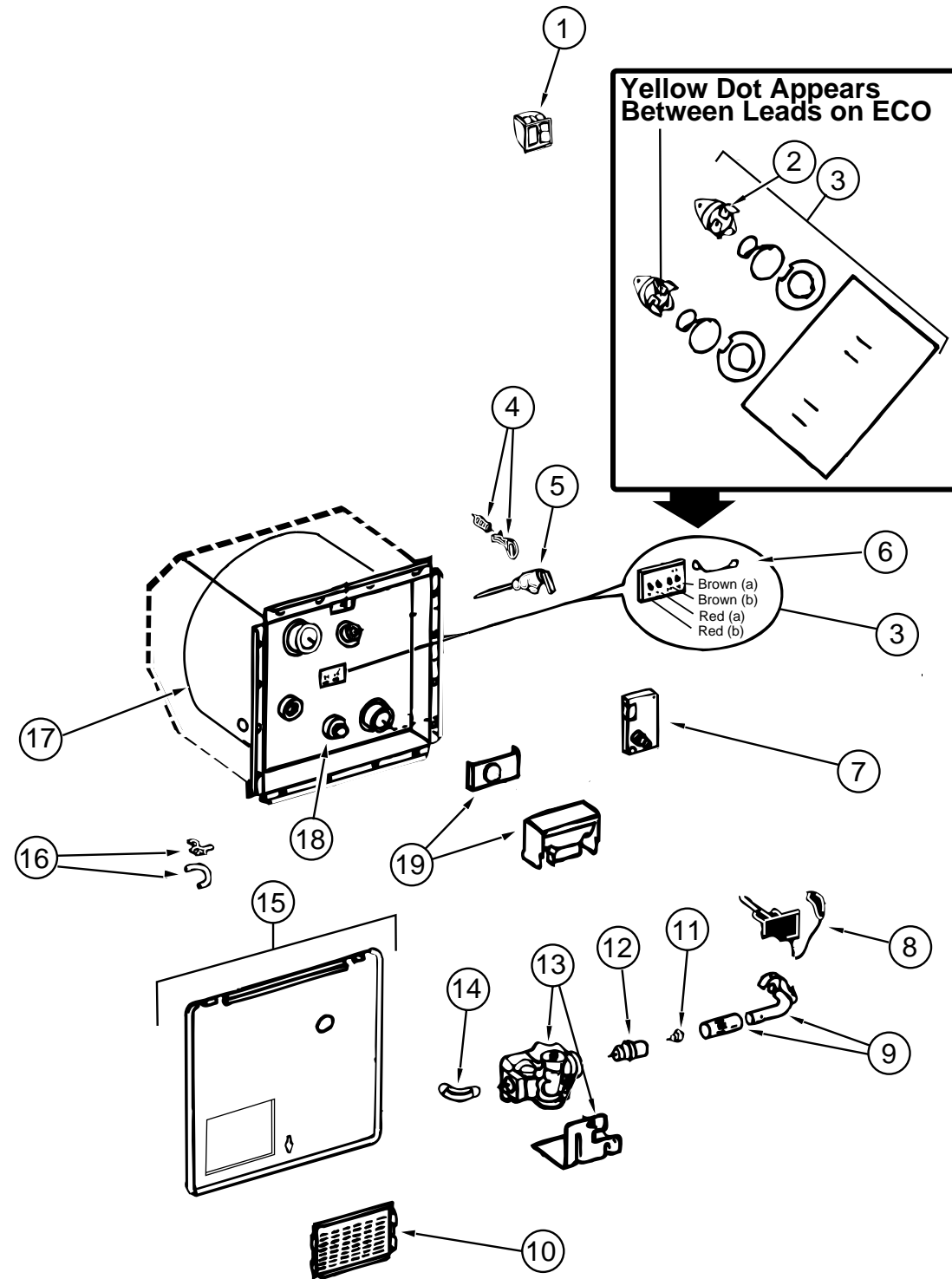
1	010008-01-000	EA	ELBOW-90DEGREE-1/4BEND-1 1/2" HUBX HUB
2	010071-01-000	EA	TEE-SANITARY-1 1/2" HUBX HUBX HUB
3	107538-01-000	EA	P-TRAP-1 1/4-PLASTIC (US)
3	011066-02-000	EA	P-TRAP-1 1/4-PLASTIC (CSA)
	109571-01-000	EA	ADAPTER-P-TRAP-1 1/2" PX 1 1/4" MPT
4	010073-01-000	EA	WYE-45DEGREE-1 1/2" HUBX HUBX HUB-PLASTIC-BLACK
5	079968-01-000	EA	VENT-MECHANICAL TRAP ARM-ANTI-SIPHON-2" DIA X 7.3"
6	033761-01-000	EA	ELBOW-90DEGREE STREET-1/4BEND-1 1/2" SXH-PLASTIC
7	010006-01-000	EA	ELBOW-45DEGREE-1/8BEND-1 1/2" HUBX HUB
8	104350-01-000	EA	TANK-HOLDING-69 GAL
9	116644-01-000	EA	FLANGE-CLOSET-4" X 3"-SEAL AND 345892
10	061607-02-000	EA	GROMMET-HOLDING TANK-3" NPS
11	010115-01-000	EA	COUPLING-1 1/2" HUBX HUB-PLASTIC
	061607-01-000	EA	GROMMET-HOLDING TANK-1 1/2" NPS
12	078406-01-000	EA	COUPLER-RUBBER-W/CLAMPS-3" X 3"
13	041056-01-000	EA	ELBOW-STREET-1/4" BEND-3" X 90° XLT
14	070916-01-000	EA	VALVE ASM-DUAL DUMP-W/CAP-3" X 1 1/2"
	070916-01-700	EA	VALVE ONLY-3"
	070916-01-701	EA	VALVE ONLY-1 1/2"
	062415-01-000	EA	SEWER CAP-3"

KEY PART NUMBER U/M DESCRIPTION

15	062422-01-000	EA	ADAPTER-OFFSET REDUCER-3" X 1 1/2"
16	107538-01-000	EA	P-TRAP-1 1/4-PLASTIC (US)
16	011071-01-000	EA	P-TRAP-1 1/2-PLASTIC (CSA)
17	011091-02-000	EA	CONTINUOUS WASTE-DOUBLE SINK-1 1/4" (US)
17	011091-03-000	EA	CONTINUOUS WASTE-DOUBLE SINK-1 1/4" (CSA)
	092303-01-000	EA	STRAINER-SINK
18	034250-01-000	EA	ELBOW-90DEGREE-LONG TURN-1/4BEND-1 1/2" HUBX HUB
19	104352-01-000	EA	TANK-HOLDING-50 GAL
	011069-04-000	EA	TAILPIECE-1 1/2 X 1 1/4 X 8-BRASS (SHOWER PAN)
	011069-02-000	EA	TAILPIECE-TUB/SHOWER-1 1/2" X 1 1/4" X 4"-BRASS (CSA)
	066440-01-000	EA	STRAINER W/RUBBER WASHER
	091208-01-000	EA	WASHER-RUBBER-.06" X .75" X .5"
	066436-01-000	EA	NUT-SLIP-TAILPIECE-1.5"
	096927-01-701	EA	TAILPIECE-BATHSINK
	010201-01-000	EA	HOSE-SEWER-3" ID X 8'
	062416-01-000	EA	ADAPTER-SEWER HOSE TO 3" PIPE

WATER & SEWAGE GROUP (CONTINUED)

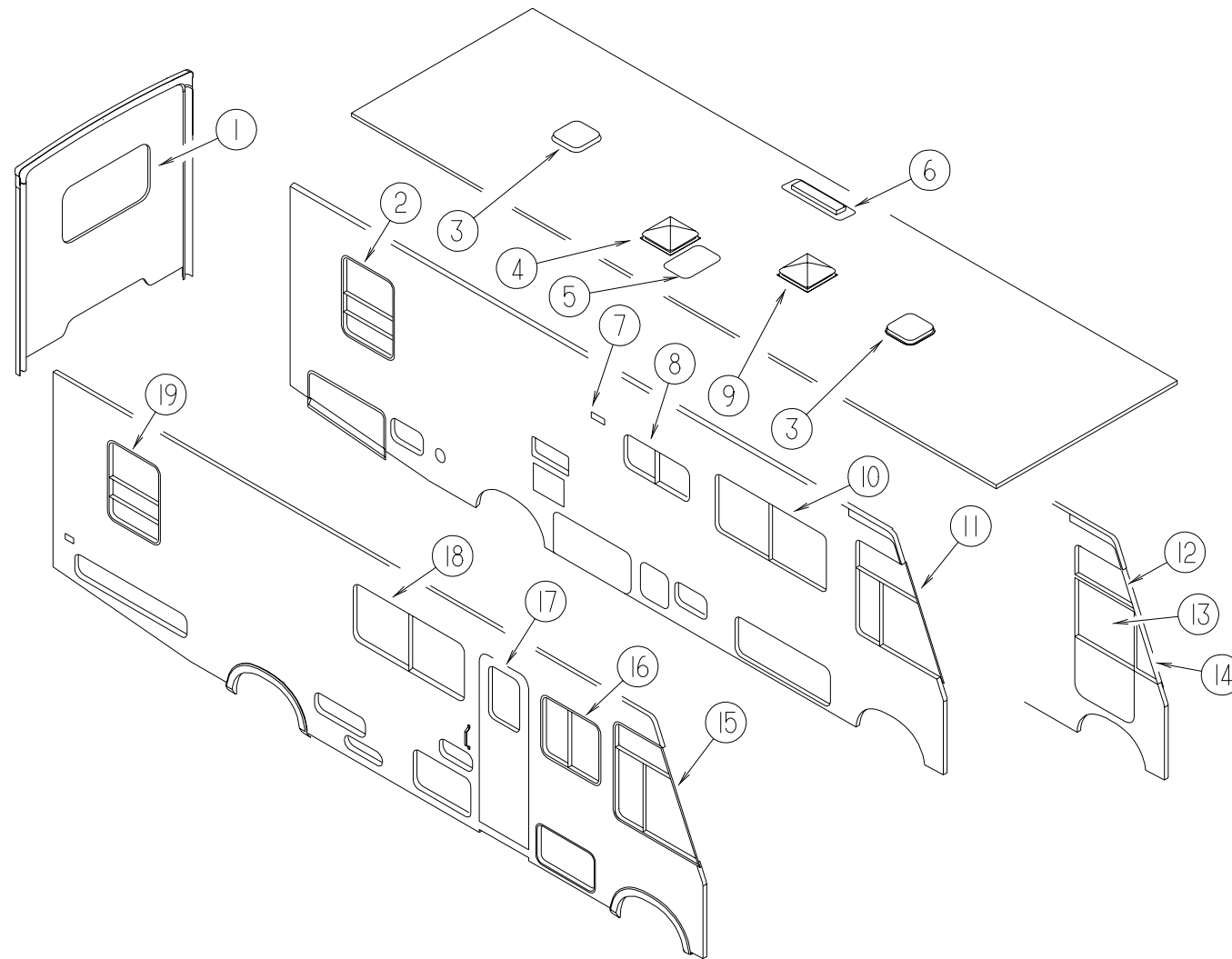
WATER HEATER W/MOTOR AID AT WOOD (GH6-8E)



KEY	PART NUMBER	U/M	DESCRIPTION	VENDOR NO.
	051393-01-000	EA	WATERHEATER-W/MOTOR AID-PILOTLESS IGNITION	
1	097967-01-000	EA	SWITCH-WATERHEATER-REMOTE W/LIGHT-AT WOOD	91959
2	051391-04-701	EA	THERMOSTAT 12VDC-120 PRESET	91470
3	051393-01-721	EA	THERMOSTAT W/ECO-140 FRT MT	91447
4	051391-01-705	EA	FASTENER-CAM LOCK	92609
5	051391-01-704	EA	VALVE-RELIEF-1/2" FITTING	91604
6	051393-01-723	EA	SWITCH-THERMAL-CUTOFF 2/PKG	93866
7	051393-01-724	EA	BOARD-CIRCUIT-SPADE TERMINAL	93865
8	051393-01-725	EA	ELECTRODE-SGL SPADE CONNECT.	93868
9	051391-04-703	EA	BURNER-MAIN	91638
10	051391-01-717	EA	GRILLE-WATERHEATER DOOR	92640
11	051391-01-710	EA	ORIFICE-MAIN BURNER	92742
12	051391-03-700	EA	HOLDER-ORIFICE	91563
13	051393-01-726	EA	VALVE-SOLENOID-W/BRACKET	93870
14	051391-01-714	EA	FITTING-ELBOW 45-3/8 F X 3/8 MPT	1044
15	052009-06-000	EA	DOOR-WATERHEATER	
16	051391-01-700	EA	HINGE KIT-(PIN & CLIP)	92568 & 92559
17	051391-04-704	EA	TANK-INNER (FRONT MOUNT)	91642
18	051391-01-715	EA	PLUG-DRAIN-1 EA=2 PER PKG	91857
19	051391-04-707	EA	KIT-EXHAUST-(FLUE & GASKET)	90960
	111129-01-711	EA	BRACKET-CORNER-SET OFF FOUR	91928
	116424-01-000	EA	PROTECTOR-ROUND VINYL-WATERHEATER LATCH	

WINDOW, VENT & EXTERIOR DOOR GROUP

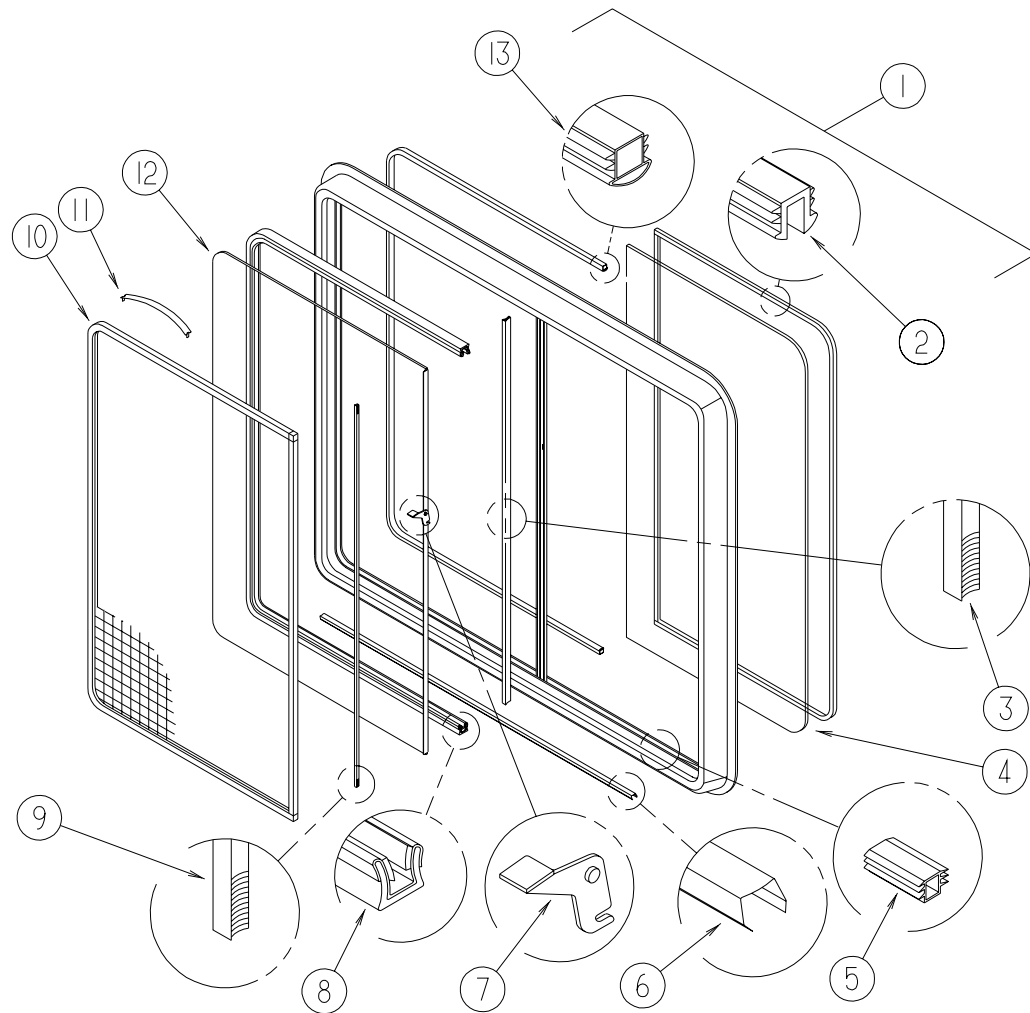
WINDOWS & VENTS



KEY	PARTNUMBER	U/M	DESCRIPTION
1	078528-06-E10	EA	WINDOW-ESCAPEW/ORETAINER/TRIM48.5"X24.5"(QUEEN,KINGBED)
1	113502-01-01A	EA	WINDOW-REARESCAPETHERMO-24.8"X48.7"(QUEEN,KINGBED)
1	078528-13-F11	EA	WINDOW-ESCAPEW/OINSIDETRIM-59.8"X26"(TWINBEDS)
1	113733-07-01A	EA	WINDOW-STATIONARYTHERMOPANE/EUROPEAN26.4"X60"(TWINBEDS)
2	112463-03-01A	EA	WINDOW-TIPOUTW/RETAINERRING-33.3"X30.2"(QUEEN,KINGBED)
2	112898-16-01A	EA	WINDOWASM-SLD-VERT-THERMO(QUEEN,KINGBED)
2	112463-05-01A	EA	WINDOW-TIPOUT/ESCAPEW/RETAINERTRIM-33.3"X30.2"(TWINBEDS)
2	112898-18-01A	EA	WINDOWASM-SLD-VERT-THERMO(TWINBEDS)
3	122882-01-01A	EA	VENT-ROOF-NONPOWERED
3	122882-07-01A	EA	VENT-ROOF-GARNISH63.5-104.6
4	122882-02-01A	EA	VENT-ROOF-POWERED
4	122882-03-01A	EA	VENT-ROOF-POWEREDCSA
4	122882-07-01A	EA	VENT-ROOF-GARNISH63.5-104.6
5	114496-01-01A	EA	PANEL-SKYLITE-OUTER
5	122191-01-01A	EA	PANEL-SKYLITE-INNER
6	084073-04-000	EA	BASE-ROOFVENT-REFRIGERATOR
6	084073-07-000	EA	VENT-ROOF-REFRIGERATOR-BRIGHTWHITE-NORCOLD
7	084616-07-000	EA	SHROUD-VENT-RANGEHOOD-BRIGHTWHITE
7	084878-09-000	EA	VENT-RANGEHOOD-SHORT-LVS
	083558-03-000	EA	VENT-PLUMBINGPIPEROOF-W/COVER-OFFWHITE
8	098647-34-01A	EA	WINDOW-DRIVERHORIZONTALSLIDER15.7"X28.5"
8	112795-20-01A	EA	WINDOW-DRIVERHORIZONTALSLIDERTHERMO16"X283/4"

KEY	PARTNUMBER	U/M	DESCRIPTION
9	123780-03-01A	EA	VENTILATOR-ROOF78-100MM-WHT(US)
9	123780-04-01A	EA	VENTILATOR-ROOF78-100MM-WHT(CSA)
10	098647-22-01A	EA	WINDOW-DRIVERSHORIZONTALSLIDER26.1"X59.7"
10	112795-15-01A	EA	WINDOW-DRIVERSHORIZONTALSLIDERTHERMO263/8"X60"
11	113501-01-01A	EA	WINDOW-DRIVERCABTHERMO(3WINDOW)44.3"X24.4"X44.1"
11	103658-07-01A	EA	WINDOW-DRIVERCAB3GLASS25.3"TX45.4"BX45.2"H
12	106467-03-01A	EA	WINDOW-DRIVERVISTA(ABOVEDRDOOR)26.5"TX35.5"BX15.8"H
12	116000-02-01A	EA	WINDOW-DRIVERVISTA-THERMO-14.8"X25.7"X32.2"
13	106469-02-702	EA	GLASS-STATIONARY
13	106469-01-704	EA	GLASSASM-ROLL-UPW/BRACKET
14	106468-02-01A	EA	WINDOW-DRIVERWINGTRIANGULAR
14	115999-02-01A	EA	WINDOW-DRIVERWING/THERMO/TRIANGULAR
15	103658-08-01A	EA	WINDOW-PASSENGERCAB3GLASS25.3"TX45.4"BX45.2"H
15	113501-02-01A	EA	WINDOW-PASSCABTHERMO(3WINDOW)44.3"X24.4"X44.1"
16	098647-25-01A	EA	WINDOW-PASSENGERHORIZONTALSLIDER26.1"X59.6"
16	112795-18-01A	EA	WINDOW-PASSENGERHORIZONTALSLIDERTHERMO263/8"X30"
17	117053-02-F36	EA	WINDOW-PICTURE17"X26.4"
17	113733-01-01A	EA	WINDOW-STATIONARYTHERMOPANE26.4"X17"
18	098647-23-01A	EA	WINDOW-PASSENGERHORIZONTALSLIDER26.1"X59.7"
18	112795-16-01A	EA	WINDOW-PASSENGERHORIZONTALSLIDERTHERMO263/8"X60"
19	112463-03-01A	EA	WINDOW-TIPOUTW/RETAINERTRIM-33.3"X30.2"
19	112898-16-01A	EA	WINDOWASM-SLD-VERT-THERMO

WINDOW, VENT & EXTERIOR DOOR GROUP (CONTINUED)



SINGLE SLIDER WINDOW (EXCEL) (PASSENGER SIDE LOUNGE)

KEY	PARTNUMBER	U/M	DESCRIPTION	VENDOR NO.
	098647-25-01A	EA	WINDOW-PASSENGER HORIZONTAL SLIDER 26.1" X 59.6"	
1	098647-25-700	EA	WINDOW-SLIDER	H286-G2R
	098647-25-701	EA	RETAINER TRIM	W28666
2	098644-01-705	FT	GLAZING-STRIP	132-010231
3	098644-01-706	FT	WEATHERSTRIP-GLASS	171-010668
4	098647-25-702	EA	GLASS-STATIONARY	106-017657
5	098644-01-719	FT	STOP-SLIDER GLASS	132-014203
6	098644-01-710	FT	TRACK-SCREEN SPACER 12'	132-017135
7	098644-01-700	EA	LATCH-REPAIR KIT (BLACK)	B801-CK
8	098644-01-708	FT	CHANNEL-RUN PIERCED	122-016543
9	098644-01-711	FT	WEATHERSTRIP-SCREEN-BLACK	171-016965
10	098647-25-704	EA	SCREEN ASM-W/SEALS & CLIPS	410-019065
	098644-01-717	FT	SPLINE-SCREEN	132-004716
11	098644-01-713	EA	CLIP-SPRING-METAL	226-016966
12	098647-25-703	EA	GLASS-SLIDING-W/SASH & LATCH	H286-G9
13	098644-01-716	FT	PLUG-FILLER	132-014470

SINGLE SLIDER WINDOW (EXCEL) (GALLEY)

KEY	PARTNUMBER	U/M	DESCRIPTION	VENDOR NO.
	098647-34-01A	EA	WINDOW-DRIVER HORIZONTAL SLIDER 15.7" X 28.5"	
1	098647-34-700	EA	WINDOW-SLIDER W/RETAINER	H425-G2L
	098647-31-701	EA	RETAINER-TRIM	CW29-66
2	098644-01-705	FT	GLAZING-STRIP	132-010231
3	098644-01-706	FT	WEATHERSTRIP-GLASS	171-010668
4	098647-33-702	EA	GLASS-STATIONARY	106-019297
5	098644-01-719	EA	STOP-SLIDER GLASS	132-014203
6	098644-01-710	FT	TRACK-SCREEN SPACER 12'	132-017135
7	098644-01-700	EA	LATCH-REPAIR KIT (BLACK)	B801-CK
8	098644-01-708	FT	CHANNEL-RUN PIERCED	122-016543
9	098644-01-711	FT	WEATHERSTRIP-SCREEN BLACK	171-016965
10	098647-33-704	EA	SCREEN ASM-W/SEALS & CLIPS	410-019134
	098644-01-717	FT	SPLINE-SCREEN	132-004716
11	098644-01-713	EA	CLIP-SPRING-METAL	226-016966
12	098647-33-703	EA	GLASS-SLIDING W/SASH & LATCH	H425-G9
13	098644-01-716	FT	PLUG-FILLER	132-014470

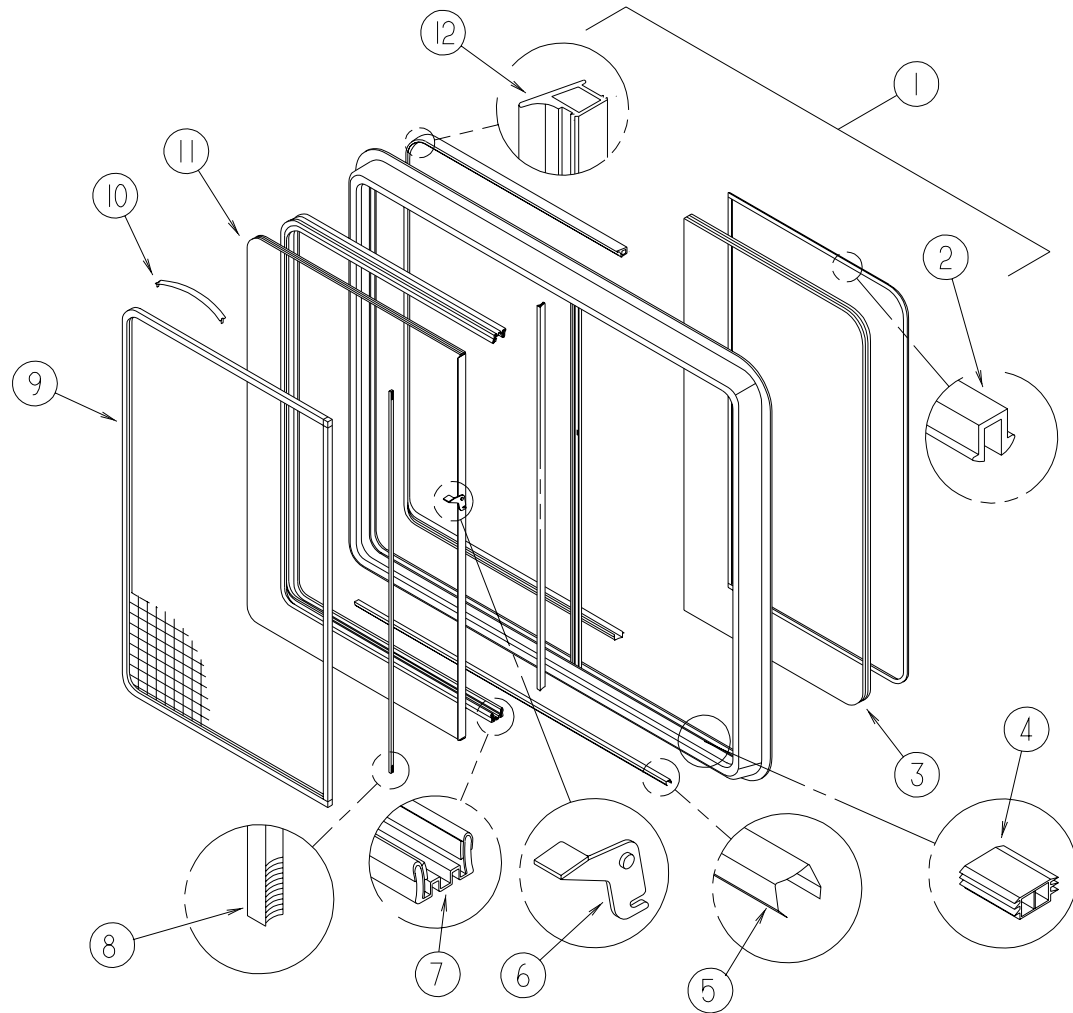
SINGLE SLIDER WINDOW (EXCEL) (DRIVER SIDE LOUNGE)

KEY	PARTNUMBER	U/M	DESCRIPTION	VENDOR NO.
	098647-22-01A	EA	WINDOW-DRIVER HORIZONTAL SLIDER 26.1" X 59.7" G2 W66L	
1	098647-22-700	EA	WINDOW-SLIDING W/RETAINER	H287-G2L
	098647-23-702	EA	RETAINER-TRIM	W28766
2	098644-01-705	FT	GLAZING-STRIP	132-010231
3	098644-01-706	FT	WEATHERSTRIP-GLASS	171-010668
4	098647-23-703	EA	GLASS-STATIONARY	106-017622
5	098644-01-719	FT	STOP-SLIDER GLASS	132-014203
6	098644-01-710	FT	TRACK-SCREEN SPACER 12'	132-017135
7	098644-01-700	EA	LATCH-REPAIR KIT (BLACK)	B801-CK
8	098644-01-708	FT	CHANNEL-RUN PIERCED	122-016543
9	098644-01-711	FT	WEATHERSTRIP-SCREEN BLACK	171-016965
10	098647-23-704	EA	SCREEN ASM-W/SEALS & CLIPS	410-019066
	098644-01-717	FT	SPLINE-SCREEN	132-004716
11	098644-01-713	EA	CLIP-SPRING-METAL	226-016966
12	098647-23-700	EA	GLASS-SLIDING-W/SASH & LATCH	H287-G9
13	098644-01-716	FT	PLUG-FILLER	132-014470

SINGLE SLIDER WINDOW (EXCEL) (PASSENGER SIDE DINETTE)

KEY	PARTNUMBER	U/M	DESCRIPTION	VENDOR NO.
	098647-23-01A	EA	WINDOW-PASSENGER HORIZONTAL SLIDER 26.1" X 59.7"	
1	098647-23-701	EA	WINDOW-SLIDER W/RETAINER	H287-G2R
	098647-23-702	EA	RETAINER-TRIM	W287-66
2	098644-01-705	FT	GLAZING-STRIP	132-010231
3	098644-01-706	FT	WEATHERSTRIP-GLASS	171-010668
4	098647-23-703	EA	GLASS-STATIONARY	106-017622
5	098644-01-719	EA	STOP-SLIDER GLASS	132-014203
6	098644-01-710	FT	TRACK-SCREEN SPACER 12'	132-017135
7	098644-01-700	EA	LATCH-REPAIR KIT (BLACK)	B801-CK
8	098644-01-708	FT	CHANNEL-RUN PIERCED	122-016543
9	098644-01-711	FT	WEATHERSTRIP-SCREEN BLACK	171-016965
10	098647-23-704	EA	SCREEN ASM-W/SEALS & CLIPS	410-019066
	098644-01-717	FT	SPLINE-SCREEN	132-004716
11	098644-01-713	EA	CLIP-SPRING-METAL	226-016966
12	098647-23-700	EA	GLASS SLIDING W/SASH & LATCH	H287-G9
13	098644-01-716	FT	PLUG-FILLER	132-014470

WINDOW, VENT & EXTERIOR DOOR GROUP (CONTINUED)



DRIVERSIDE LOUNGE WINDOW (THERMOINSULATED)

KEY	PARTNUMBER	U/M DESCRIPTION	VENDOR NO.
	112795-15-01A	EA WINDOW-DRIVERSIDE HORIZONTAL SLIDER THERMO 26 3/8" X 60"	
1	112795-15-700	EA WINDOW W/OTRIM	DH287-G2L
	098647-23-702	EA RETAINER-TRIM	W287-66
2	112795-01-705	FT VINYL-GLAZING	132-019702
3	112795-15-701	EA GLASS-STATIONARY	390-019045
4	112795-01-701	EA SLIDE-STOP	132-019092
5	098644-01-710	FT TRACK-SCREEN SPACER 12'	132-017135
6	112795-01-700	EA LATCH ASM.-BLK.(BOLTON)	DH287-CK
7	112795-01-703	IN CHANNEL-RUN (INCHES)	122-018736
8	098644-01-711	FT WEATHERSTRIP-SCREEN BLACK	171-016965
9	098647-23-704	EA SCREEN ASM-W/SEALS & CLIPS	410-019066
10	098644-01-713	EA CLIP-SPRING-METAL	226-016966
11	112795-15-702	EA GLASS-SLIDING W/SASH & LATCH	DH287-G9
12	112795-01-704	FT PLUG FILLER (DOUBLE GLAZED)	122-018737

WINDOW, VENT & EXTERIOR DOOR GROUP (CONTINUED)

DINETTE WINDOW (THERMOINSULATED)

KEY	PARTNUMBER	U/M DESCRIPTION	VENDOR NO.
	112795-16-01A	EA WINDOW-PASSENGER HORIZONTAL SLIDER THERMO 26 3/8" X 60"	
1	112795-16-700	EA WINDOW W/OTRIM	DH287-G2R
	098647-23-702	EA RETAINER-TRIM	W287-66
2	112795-01-705	FT VINYL-GLAZING	132-019702
3	112795-15-701	EA GLASS-STATIONARY	390-019045
4	112795-01-701	EA SLIDE-STOP	132-019092
5	098644-01-710	FT TRACK-SCREEN SPACER 12'	132-017135
6	112795-01-700	EA LATCH ASM.-BLK.(BOLTON)	DH287-CK
7	112795-01-703	IN CHANNEL-RUN (INCHES)	122-018736
8	098644-01-711	FT WEATHERSTRIP-SCREEN BLACK	171-016965
9	098647-23-704	EA SCREEN ASM-W/SEALS & CLIPS	410-019066
10	098644-01-713	EA CLIP-SPRING-METAL	226-016966
11	112795-15-702	EA GLASS-SLIDING W/SASH & LATCH	DH287-G9
12	112795-01-704	FT PLUG FILLER (DOUBLE GLAZED)	122-018737

PASSENGER SIDE LOUNGE WINDOW (THERMOINSULATED)

KEY	PARTNUMBER	U/M DESCRIPTION	VENDOR NO.
	112795-18-01A	EA WINDOW-PASSENGER HORIZONTAL SLIDER THERMO 26 3/8" X 30"	
1	112795-18-702	EA WINDOW W/OTRIM	DH286-G2R
	098647-25-701	EA RETAINER-TRIM	W286-66
2	112795-01-705	FT VINYL-GLAZING	132-019702
3	112795-18-700	EA GLASS-STATIONARY	390-019043
4	112795-01-701	EA SLIDE-STOP	132-019092
5	098644-01-710	FT TRACK-SCREEN SPACER 12'	132-017135
6	112795-01-700	EA LATCH ASM.-BLK.(BOLTON)	DH287-CK
7	112795-01-703	IN CHANNEL-RUN (INCHES)	122-018736
8	098644-01-711	FT WEATHERSTRIP-SCREEN BLACK	171-016965
9	098647-25-704	EA SCREEN ASM-W/SEALS & CLIPS	410-019065
10	098644-01-713	EA CLIP-SPRING-METAL	226-016966
11	112795-18-701	EA GLASS-SLIDING W/SASH & LATCH	DH286-G9
12	112795-01-704	FT PLUG FILLER (DOUBLE GLAZED)	122-018737

GALLEY WINDOW (THERMOINSULATED)

KEY	PARTNUMBER	U/M DESCRIPTION	VENDOR NO.
	112795-20-01A	EA WINDOW-DRIVER HORIZONTAL SLIDER THERMO 16" X 28 3/4"	
1	112795-20-700	EA WINDOW W/OTRIM	DC29-G2L
	098647-31-701	EA RETAINER-TRIM	CW29-66
2	112795-01-705	FT VINYL-GLAZING	132-019702
3	112795-19-701	EA GLASS-STATIONARY	390-019134
4	112795-01-701	EA SLIDE-STOP	132-019092
5	098644-01-710	FT TRACK-SCREEN SPACER 12'	132-017135
6	112795-01-700	EA LATCH ASM.-BLK.(BOLTON)	DH287-CK
7	112795-01-703	IN CHANNEL-RUN (INCHES)	122-018736
8	098644-01-711	FT WEATHERSTRIP-SCREEN BLACK	171-016965
9	098647-31-704	EA SCREEN ASM-W/SEALS & CLIPS	410-019128
10	098644-01-713	EA CLIP-SPRING-METAL	226-016966
11	112795-19-702	EA GLASS-SLIDING W/SASH & LATCH	DC29-G9
12	112795-01-704	FT PLUG FILLER (DOUBLE GLAZED)	122-018737

WINDOW,VENT&EXTERIORDOORGROUP(CONTINUED)

BEDROOMSIDEWINDOW(TWINBEDS)ESCAPE

KEY	PARTNUMBER	U/M DESCRIPTION	VENDORNO.
	112463-05-01A	EA WINDOW-TIPOUT/ESCAPEW/RETAINERTRIM-33.3"X30.2"(TWINBEDS)	
	098644-01-716	FT PLUG-FILLER	132-014470
	100322-01-701	FT SEAL-VENT	122-016071
	100322-01-702	EA WEATHERSTRIP-HORIZONTALRAIL	132-015976
	100322-01-703	FT VINYL-GLAZING-BUTYL	132-010723
	100322-01-704	FT TAPE-BUTYL	154-016083
	100322-01-717	EA E-RING	245-015975
	112898-06-704	EA HANDLE-LATCH-RED-RH	182-11293
	112898-06-705	EA HANDLE-LATCH-RED-LH	182-11294
	100322-01-718	EA HANDLE-DIAL	410-016081

BEDROOMSIDEWINDOW

KEY	PARTNUMBER	U/M DESCRIPTION	VENDORNO.
	112898-16-01A	EA WINDOWASM-SLD-VERT-THERMO	
	098644-01-710	FT TRACK-SCREENSPACER12'	132-017135
	098644-01-711	FT WEATHERSTRIP-SCREENBLACK	171-016965
	098644-01-713	EA CLIP-SPRING-METAL	226-016966
	112795-01-700	EA LATCHASM.-BLK.-(BOLTON)	DH287-CK
	112795-01-701	EA SLIDE-STOP	132-019092
	112795-01-703	IN CHANNEL-RUN(INCHES)	122-018736
	112795-01-704	FT PLUGFILLER(DOUBLEGLAZED)	122-018737
	112795-01-705	FT VINYL-GLAZING	132-019702

BEDROOMSIDEWINDOW,THERMO(TWINBED,DRIVERSIDE)

KEY	PARTNUMBER	U/M DESCRIPTION	VENDORNO.
	112898-18-01A	EA WINDOWASM-SLD-VERT-THERMO	
	098644-01-710	FT TRACK-SCREENSPACER12'	132-017135
	098644-01-711	FT WEATHERSTRIP-SCREENBLACK	171-016965
	098644-01-713	EA CLIP-SPRING-METAL	226-016966
	112795-01-700	EA LATCHASM.-BLK.-(BOLTON)	DH287-CK
	112795-01-701	EA SLIDE-STOP	132-019092
	112795-01-703	IN CHANNEL-RUN(INCHES)	122-018736
	112795-01-704	FT PLUGFILLER(DOUBLEGLAZED)	122-018737
	112795-01-705	FT VINYL-GLAZING	132-019702

BEDROOMSIDEWINDOW,TIPOUT

KEY	PARTNUMBER	U/M DESCRIPTION	VENDORNO.
	112463-03-01A	EA WINDOW-TIPOUTW/RETAINERRING-33.3"X30.2"	
	098644-01-716	FT PLUG-FILLER	132-014470
	100322-01-701	FT SEAL-VENT	122-016071
	100322-01-702	EA WEATHERSTRIP-HORIZONTALRAIL	132-015976
	100322-01-703	FT VINYL-GLAZING-BUTYL	132-010723
	100322-01-704	FT TAPE-BUTYL	154-016083
	100322-01-714	EA SUPPORT-TORQUEBAR-LH	130-015978
	100322-01-715	EA SUPPORT-TORQUEBAR-RH	130-015979
	100322-01-716	EA SUPPORT-TORQUEBAR-CTRRAIL	130-015980
	100322-01-717	EA E-RING	245-015975
	100322-01-718	EA HANDLE-DIAL	410-016081
	112463-03-700	EA VENTASSEMBLY	CH100-G9
	112463-03-701	EA GLASS-STATIONARY	106-025377
	112463-03-702	EA OPERATOR&BARASSEMBLY	CH10-18
	112463-03-703	EA SCREENASM-W/SEALS&CLIPS	410-018439
	112519-01-706	EA CLIP-SCREEN	CH21-50
	113500-05-705	EA RETAINER-TRIM	CW100-59

WINDOW,VENT&EXTERIORDOORGROUP(CONTINUED)

VISTAWINDOW(DRIVERSIDE)

KEY	PARTNUMBER	U/M DESCRIPTION	VENDORNO.
	106467-03-01A	EA WINDOW-DRIVERVISTA(ABOVEDRDOOR)26.5"TX35.5"BX15.8"H	
	106467-03-700	EA GLASS-STATIONARY	106-018752
	106467-03-701	EA WINDOW	H388-G2L
	106467-03-702	EA RETAINER-TRIM-BLACK	H38827L
	100322-01-703	FT STRIP-GLAZING-BUTYL	132-010723

VISTAWINDOW,THERMO(DRIVERSIDE)

KEY	PARTNUMBER	U/M DESCRIPTION	VENDORNO.
	116000-02-01A	EA WINDOW-DRIVERVISTA-THERMO-14.8"X25.7"X32.2"	
	116000-01-704	FT VINYL-GLAZING	132-018161
	116000-02-700	EA RETAINER-TRIMRAILTOP/REAR	H388-41L
	116000-02-701	EA RETAINER-TRIMRAILFRONT	H388-42L
	116000-02-702	EA RETAINER-TRIMRAILBOTTOM	H382-43L
	116000-03-701	EA GLASS-STATIONARY	390-019551

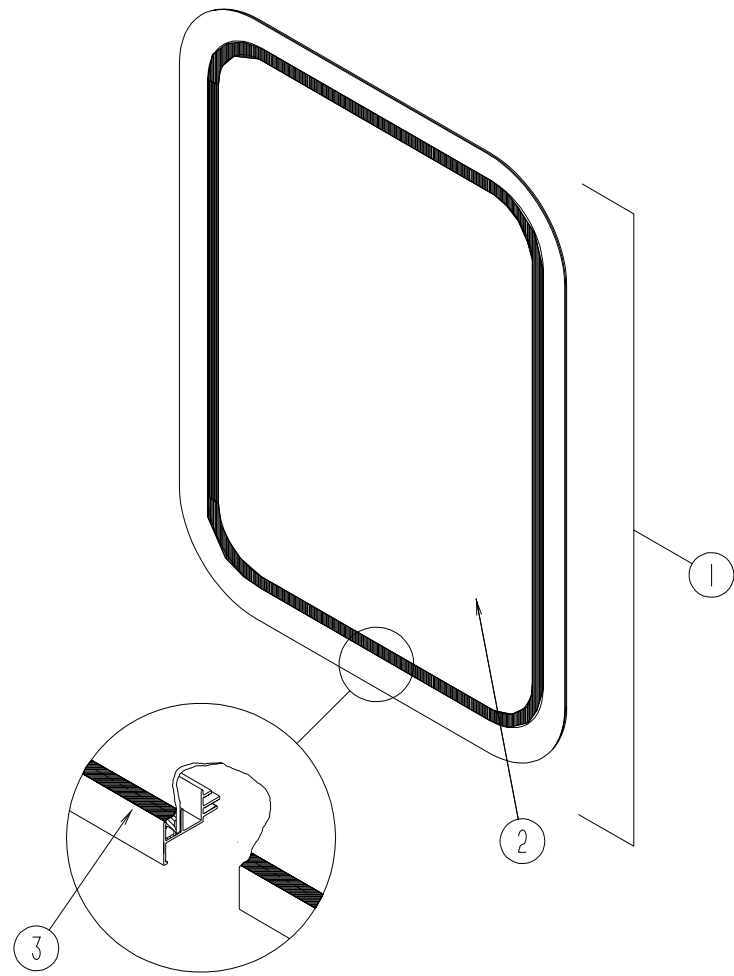
FRONTSLANTWINDOW(DRIVERSIDE)

KEY	PARTNUMBER	U/M DESCRIPTION	VENDORNO.
	106468-02-01A	EA WINDOW-DRIVERSWINGTRIANGULAR	
	100322-01-703	FT VINYL-GLAZING,BUTYL	132-010723
	106468-02-701	EA RETAINER-TRIM	H383-27L
	106468-02-702	EA GLASS-STATIONARY	106-018740

FRONTSLANTWINDOW,THERMO(DRIVERSIDE)

KEY	PARTNUMBER	U/M DESCRIPTION	VENDORNO.
	115999-02-01A	EA WINDOW-DRIVERWING/THERMO/TRIANGULAR	
	115999-01-701	EA RETAINER-TRIM	H358-27L
	115999-02-700	EA RETAINER-TRIMRAILREAR	H383-41L
	115999-03-701	EA GLASS-STATIONARY	390-019550
	116000-01-704	FT VINYL-GLAZING	132-018161

WINDOW, VENT & EXTERIOR DOOR GROUP (CONTINUED)



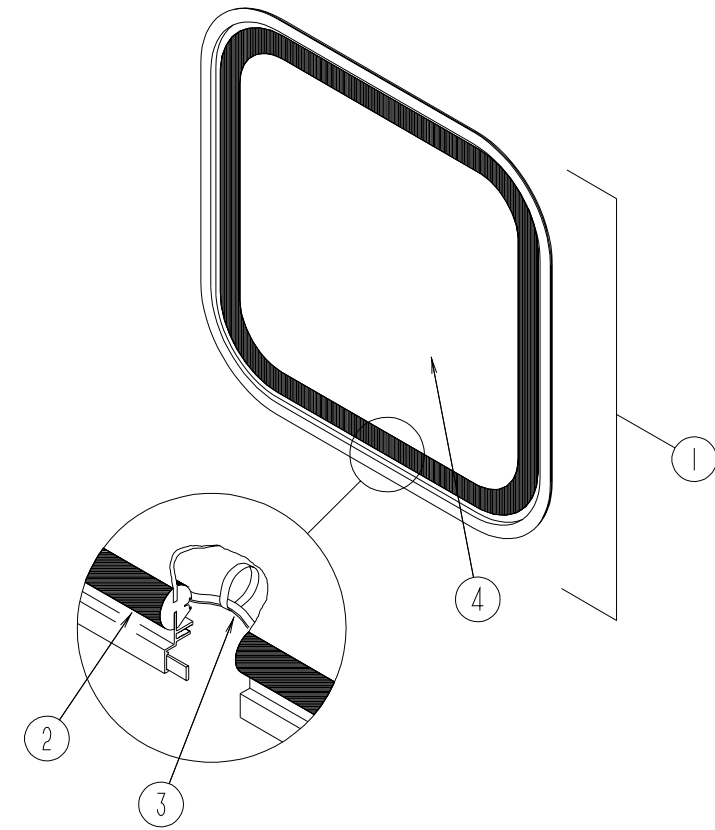
ENTRY DOOR WINDOW

KEY	PART NUMBER	U/M	DESCRIPTION
1	117053-02-F36	EA	WINDOW-PICTURE 17" X 26.4"
2	002181-25-000	EA	GLASS-PICTURE 25.7" X 16.4"
3	087561-01-000	FT	SEAL-GLASS-EXTERIOR-.5" WIDE-VINYL-BLACK
	117054-02-02A	EA	RETAINER-TRIM-BRIGHT/WHITE

ENTRY DOOR WINDOW (THERMOINSULATED)

KEY	PART NUMBER	U/M	DESCRIPTION	VENDOR NO.
	113733-01-01A	EA	WINDOW-STATIONARY THERMOPANE 26.4" X 17"	
	112795-01-705	FT	VINYL-GLAZING	132-019702
1	113733-01-700	EA	WINDOW ASM.-W/OTRIM	DH416-G2
	113733-01-701	EA	RETAINER-TRIM	W41666
2	113733-01-702	EA	GLASS-STATIONARY	390-019187

WINDOW, VENT & EXTERIOR DOOR GROUP (CONTINUED)



BACK WALL ESCAPE WINDOW (QUEEN BED)

KEY	PART NUMBER	U/M	DESCRIPTION
1	078528-06-E10	EA	WINDOW-ESCAPE W/O RETAINER/TRIM 48.5" X 24.5"
2	002282-09-000	EA	WEATHERSTRIP-WINDOW-.125" X 130.5" BLACK
3	002285-01-000	FT	FILLER-WEATHERSTRIP-RUBBER-BLACK
4	076337-12-000	EA	GLASS-EGRESS-45.5" X 21.5"
	077066-01-702	EA	TAPE ASM-ESCAPE WINDOW

BACK WALL WINDOW (TWIN BEDS)

KEY	PART NUMBER	U/M	DESCRIPTION
1	078528-13-F11	EA	WINDOW-W/O RETAINER/TRIM-59.8" X 26"
2	002282-13-000	EA	WEATHERSTRIP-WINDOW-.125" X 157 3/4" BLACK
3	002285-01-000	FT	FILLER-WEATHERSTRIP-RUBBER-BLACK
4	076337-18-000	EA	GLASS-EGRESS-56.7" X 23.2"

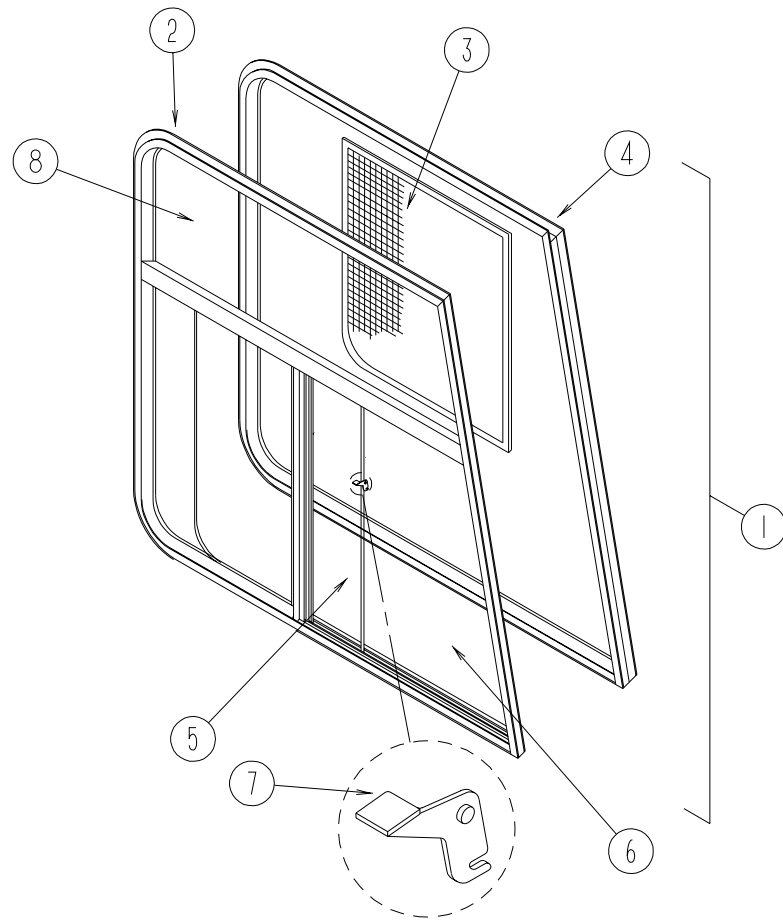
BACK WALL ESCAPE WINDOW, THERMO (QUEEN BED)

KEY	PART NUMBER	U/M	DESCRIPTION	VENDOR NO.
	113502-01-01A	EA	WINDOW-REARESCAPE THERMO-24.8" X 48.7"	
	098644-01-705	FT	GLAZING-STRIP	132-010231
	112898-06-704	EA	HANDLE-LATCH-RED-RH	182-11293
	112898-06-705	EA	HANDLE-LATCH-RED-LH	182-11294
	113502-01-703	EA	GLASS-STATIONARY-RH/LH	390-019083
	113502-01-704	EA	GLASS-EGRESS CENTER-ESCP	DH153-G9

BACK WALL WINDOW, THERMO (TWIN BEDS)

KEY	PART NUMBER	U/M	DESCRIPTION	VENDOR NO.
	113733-07-01A	EA	WINDOW-STATIONARY THERMOPANE/EUROPEAN 26.4" X 60"	
	113733-07-700	EA	WINDOW/OTRIM	DH337-G2
	113733-07-701	EA	RETAINER-TRIM	W287-60
	113733-07-702	EA	GLASS-STATIONARY	390-019051

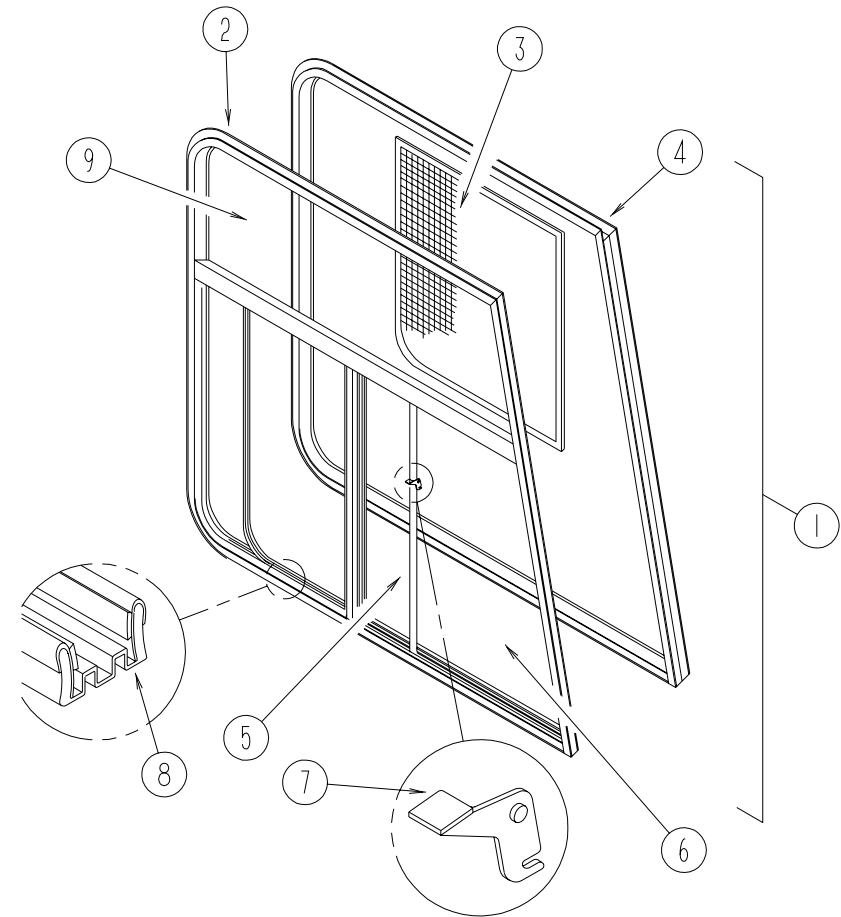
WINDOW, VENT & EXTERIOR DOOR GROUP (CONTINUED)



FRONT CAB WINDOWS (EXCEL)

KEY	PARTNUMBER	U/M	DESCRIPTION
1	103658-07-01A	EA	WINDOW-DRIVER CAB 3 GLASS 25.3"TX45.4"BX45.2"H
1	103658-08-01A	EA	WINDOW-PASSENGER CAB 3 GLASS 25.3"TX45.4"BX45.2"H
2	103658-07-704	EA	WINDOW ASM. - W/OTRIM-DRIVERSIDE
2	103658-08-700	EA	WINDOW ASM. - W/OTRIM-PASSENGERSIDE
3	103658-01-700	EA	SCREEN ASM - W/SEALS & CLIPS - DRIVERSIDE
3	103658-02-700	EA	SCREEN ASM - W/SEALS & CLIPS - PASSENGERSIDE
4	103658-07-700	EA	RETAINER-TRIM-DRIVERSIDE
4	103658-08-701	EA	RETAINER-TRIM-PASSENGERSIDE
5	103658-01-703	EA	GLASS-SLIDING - W/SASH & LATCH LH-DRIVERSIDE
5	103658-02-701	EA	GLASS-SLIDING - W/SASH & LATCH RH-PASSENGERSIDE
6	103658-01-702	EA	GLASS-STATIONARY-BOTTOM-DRIVERSIDE
6	103658-01-702	EA	GLASS-STATIONARY-BOTTOM-PASSENGERSIDE
7	098644-01-700	EA	LATCH-REPAIRKIT (BLACK)
8	103658-07-701	EA	GLASS-STATIONARY TOP
	098644-01-706	FT	WEATHERSTRIP-GLASS
	098644-01-708	FT	CHANNEL-RUN PIERCED
	098644-01-710	FT	TRACK-SCREEN SPACER 12'
	098644-01-711	FT	WEATHERSTRIP-SCREEN BLACK
	098644-01-713	EA	CLIP-SPRING-METAL
	098644-01-716	FT	PLUG-FILLER
	098644-01-717	FT	SPLINE-SCREEN

WINDOW, VENT & EXTERIOR DOOR GROUP (CONTINUED)



FRONT CAB THERMOPANE WINDOWS (EXCEL)

VENDOR NO.	KEY	PARTNUMBER	U/M	DESCRIPTION	VENDOR NO.
	1	113501-01-01A	EA	WINDOW-DRIVER CAB THERMO (3 WINDOW) 44.3"X24.4"X44.1"	
	1	113501-02-01A	EA	WINDOW-PASS CAB THERMO (3 WINDOW) 44.3"X24.4"X44.1"	
H374-A2L	2	113501-01-700	EA	WINDOW W/OTRIM-DRIVERSIDE	DH374-A2L
H374-A2R	2	113501-02-700	EA	WINDOW W/OTRIM-PASSENGERSIDE	DH374-A2R
H322-03L	3	103658-01-700	EA	SCREEN ASM - W/SEALS & CLIPS - DRIVERSIDE	H322-03L
H322-03R	3	103658-02-700	EA	SCREEN ASM - W/SEALS & CLIPS - PASSENGERSIDE	H322-03R
H374-66&76L		098644-01-717	FT	SPLINE-SCREEN	132-004716
H374-66&76R		098644-01-713	EA	CLIP-SPRING-METAL	226-016966
H322-A9L	4	103658-05-702	EA	RETAINER-TRIM-DRIVERSIDE	H373-66&76L
322-A9R	4	103658-10-701	EA	RETAINER-TRIM-PASSENGERSIDE	H373-66&76R
106-017700	5	113501-01-703	EA	GLASS-SLIDING W/SASH & LATCH-DRIVERSIDE	DH374-A9L
106-017700	5	113501-02-702	EA	GLASS-SLIDING W/SASH & LATCH-PASSENGERSIDE	DH374-A9R
B801-CK	6	113501-01-702	EA	GLASS-STATIONARY-LOWER-DRIVERSIDE	390-019139L
106-018481	6	113501-02-701	EA	GLASS-STATIONARY-LOWER-PASSENGERSIDE	390-019138R
171-010668	7	112795-01-700	EA	LATCH ASM. - BLACK (BOLTON)	DH287-CK
122-016543	8	112795-01-703	IN	CHANNEL-RUN (INCHES)	122-018736
132-017135	9	113501-01-701	EA	GLASS-STATIONARY-UPPER-DRIVER OR PASSENGERSIDE	390-019137
171-016965		098644-01-711	FT	WEATHERSTRIP-SCREEN BLACK	171-016965
226-016966		112795-01-701	EA	SLIDE-STOP	132-019092
132-014470		112795-01-704	FT	PLUG FILLER (DOUBLE GLAZED)	122-018737
132-004716		112795-01-705	FT	VINYL-GLAZING	132-019702
		112898-04-703	EA	SASH LATCH KIT - RAISED	DH343-CK

WINDOW,VENT&EXTERIORDOORGROUP(CONTINUED)

POWEREDROOFVENT(FANTASTIC)(US)

KEY	PARTNUMBER	U/M DESCRIPTION	VENDOR NO.
	123780-03-01A	EA VENT-EXHAUST-3" ROOF	
	009440-01-000	EA GEAR/ARM-VENTCOVER-LIFT	
	084079-01-703	EA KNOB-LIFT-W/EXT.&SCREW	1140K-00
	084079-01-704	EA BLADE-FAN	1070-00
	084079-01-705	EA MOTOR	1080-00
	084079-01-707	EA SWITCH-SAFETY	1122.05
	084079-01-709	EA SWITCH-MAIN-3SPEED	1031-05
	084079-01-711	EA H-MOLDING-MOTORMOUNT	
	084079-11-700	EA MOTOR-BRKT.-FANBLADE-KIT	4017K-09
	123780-01-700	EA COVER-VENTW/HINGE&SLIDE	1020K-81
	123780-03-700	EA GARNISH-INT.3"-4"BRT/WHT	1040-81

POWEREDROOFVENT(FANTASTIC)(CSA)

KEY	PARTNUMBER	U/M DESCRIPTION	VENDOR NO.
	123780-04-01A	EA VENT-EXHAUST-3" CEILING	
	009440-01-000	EA GEAR/ARM-VENTCOVER-LIFT	
	084079-01-703	EA KNOB-LIFT-W/EXT.&SCREW	1140K-00
	084079-01-704	EA BLADE-FAN	1070-00
	084079-01-705	EA MOTOR	1080-00
	084079-01-707	EA SWITCH-SAFETY	1122.05
	084079-01-709	EA SWITCH-MAIN-3SPEED	1031-05
	084079-01-711	EA H-MOLDING-MOTORMOUNT	
	084079-11-700	EA MOTOR-BRKT.-FANBLADE-KIT	4017K-09
	123780-01-700	EA COVER-VENTW/HINGE&SLIDE	1020K-81
	123780-03-700	EA GARNISH-INT.3"-4"BRT/WHT	1040-81

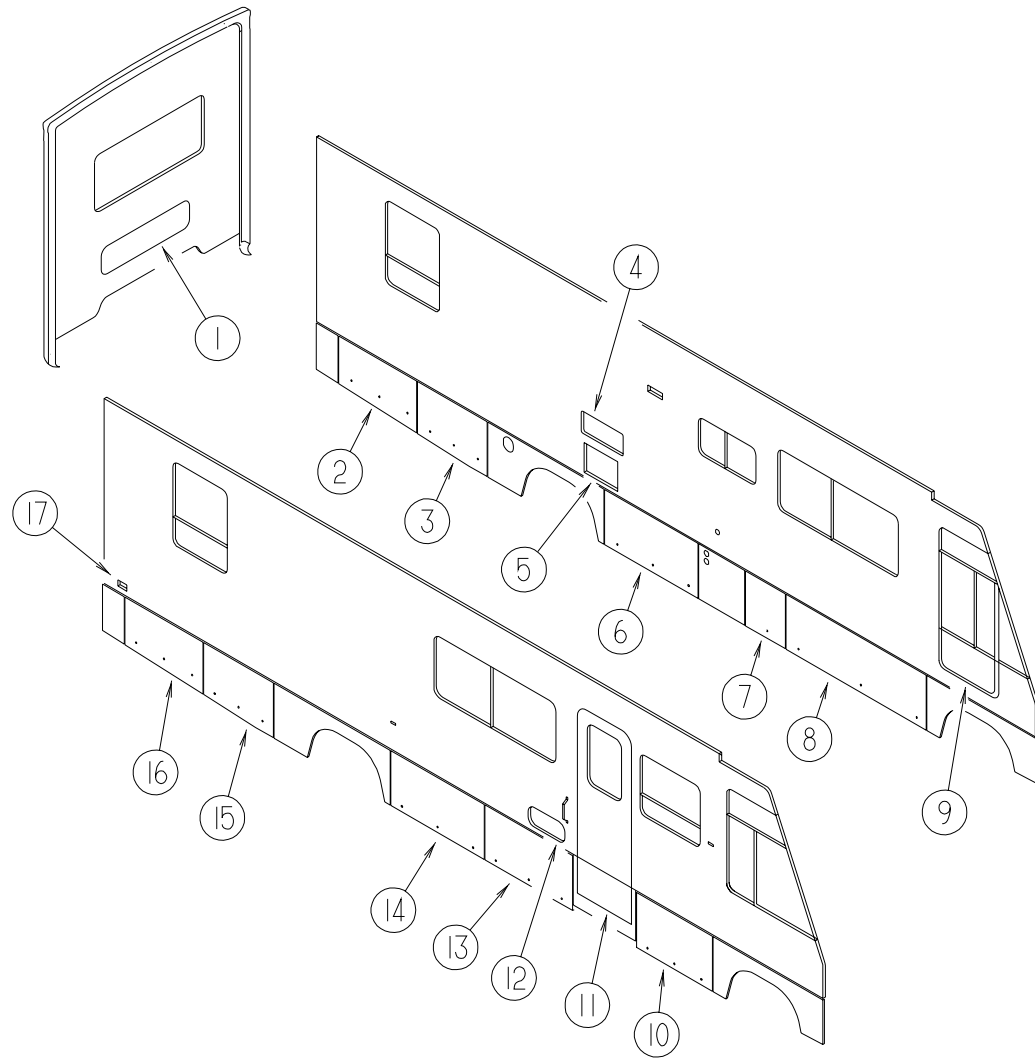
WINDOW,VENT&EXTERIORDOORGROUP(CONTINUED)

EXTERIORVENTS

KEY	PARTNUMBER	U/M DESCRIPTION
	084616-07-000	EA SHROUD-VENT-RANGEHOOD-BRIGHTWHITE
	084878-09-000	EA VENT-HOOD-RANGE/SHORT-OFFWHITE
	083558-03-000	EA VENT-PLUMBING-PIPEROOF-W/COVER-OFFWHITE
	084073-04-000	EA BASE-ROOFVENT-REFRIGERATOR
	084073-07-000	EA VENT-ROOF-REFRIGERATOR-BRIGHTWHITE
	122882-01-01A	EA VENT-ROOF-NONPOWERED
	122882-02-01A	EA VENT-ROOF-POWERED
	122882-03-01A	EA VENT-ROOF-POWERED(CSA)
	122882-07-01A	EA VENT-ROOF-GARNISH

WINDOW, VENT & EXTERIOR DOOR GROUP (CONTINUED)

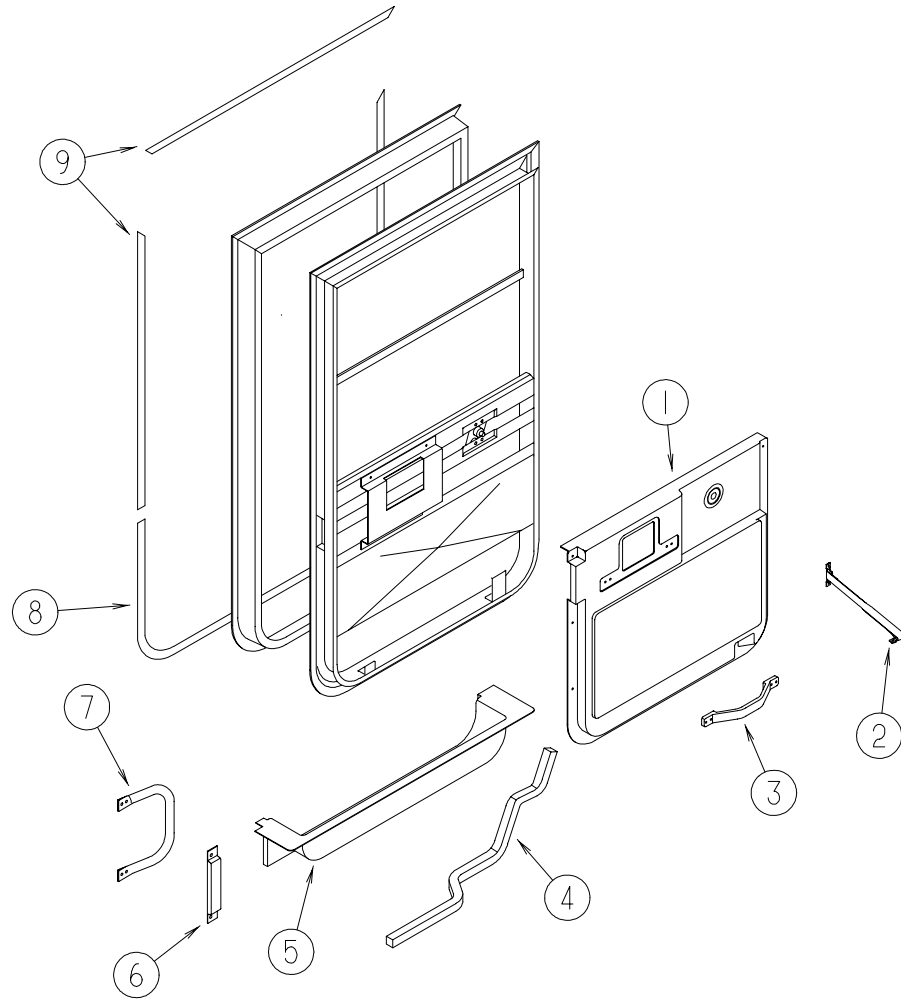
EXTERIOR DOORS



KEY	PARTNUMBER	U/M	DESCRIPTION
1	111013-63-H17	EA	DOOR-STORAGE-W/OLOCK-12"X43.7"-UMBRA/BROWN
1	111013-63-H18	EA	DOOR-STORAGE-W/OLOCK-12"X43.7"-SUPERBLUE
2	122391-07-H17	EA	DOOR-STORAGE-TAPERED-W/OPADDLELATCH-38.6"-UMBRA/BROWN
2	122391-07-H18	EA	DOOR-STORAGE-TAPERED-W/OPADDLELATCH-38.6"-SUPERBLUE
3	122391-05-H17	EA	DOOR-STORAGE-TAPERED-W/OPADDLELATCH-38.6"-UMBRA/BROWN
3	122391-05-H18	EA	DOOR-STORAGE-TAPERED-W/OPADDLELATCH-38.6"-SUPERBLUE
4	084103-08-000	EA	DOOR-REFRIGERATOR-VENTED-W/OJAMB
4	084104-08-000	EA	JAMB-REFRIGERATORDOOR
5	052009-06-000	EA	DOOR-WATERHEATER-W/OLATCHES
5	116424-01-000	EA	PROTECTOR-WATERHEATERLATCH
6	122239-04-H17	EA	DOOR-STORAGE-W/OPADDLELATCH-46.3"WIDE-UMBRA/BROWN
6	122239-04-H18	EA	DOOR-STORAGE-W/OPADDLELATCH-46.3"WIDE-SUPERBLUE
7	122239-21-H37	EA	DOOR-STORAGE-W/OPADDLELATCH-19.6"WIDE-UMBRA/BROWN
7	122239-21-H38	EA	DOOR-STORAGE-W/OPADDLELATCH-19.6"WIDE-SUPERBLUE
8	122239-02-H17	EA	DOOR-STORAGE-W/OPADDLELATCH-69.6"WIDE-UMBRA/BROWN
8	122239-02-H18	EA	DOOR-STORAGE-W/OPADDLELATCH-69.6"WIDE-SUPERBLUE
9	106469-07-01A	EA	DOORASM.-DRIVERS-BLACK-V130-01L
10	122239-05-H17	EA	DOOR-STORAGE-W/OPADDLELATCH-37.7"WIDE-UMBRA/BROWN
10	122239-05-H18	EA	DOOR-STORAGE-W/OPADDLELATCH-37.7"WIDE-SUPERBLUE
11	115108-02-H17	EA	DOOR-ENTRY-W/SCREENDOOR-W/OWINDOW(H17)
11	115108-02-H18	EA	DOOR-ENTRY-W/SCREENDOOR-W/OWINDOW(H18)
11	115108-02-H19	EA	DOOR-ENTRY-W/SCREENDOOR-W/OWINDOW(H19,H41)
11	115108-02-H23	EA	DOOR-ENTRY-W/SCREENDOOR-W/OWINDOW(H40)
12	111017-01-H23	EA	DOOR-PATIOENTERTAINMENTCENTER-W/OLATCH-17.8"X8.1"
13	122239-22-H17	EA	DOOR-STORAGE-W/OPADDLELATCH-43.4"WIDE-UMBRA/BROWN
13	122239-22-H18	EA	DOOR-STORAGE-W/OPADDLELATCH-43.4"WIDE-SUPERBLUE
14	122239-35-H17	EA	DOOR-STORAGE-W/OPADDLELATCH-46.2"WIDE-UMBRA/BROWN
14	122239-35-H18	EA	DOOR-STORAGE-W/OPADDLELATCH-46.2"WIDE-SUPERBLUE
15	122391-06-H17	EA	DOOR-STORAGE-W/OPADDLELATCH-TAPERED-28.6"WIDE-UMBRA/BROWN
15	122391-06-H18	EA	DOOR-STORAGE-W/OPADDLELATCH-TAPERED-28.6"WIDE-SUPERBLUE
16	122391-08-H17	EA	DOOR-STORAGE-TAPERED-W/OPADDLELATCH-38.6"-UMBRA/BROWN
16	122391-08-H18	EA	DOOR-STORAGE-TAPERED-W/OPADDLELATCH-38.6"-SUPERBLUE
17	081240-16-000	EA	DOOR-WATERFILL-LOCKABLEW/OLOCK-4"X45/8"

WINDOW, VENT & EXTERIOR DOOR GROUP (CONTINUED)

DRIVER DOOR INTERIOR COMPONENTS

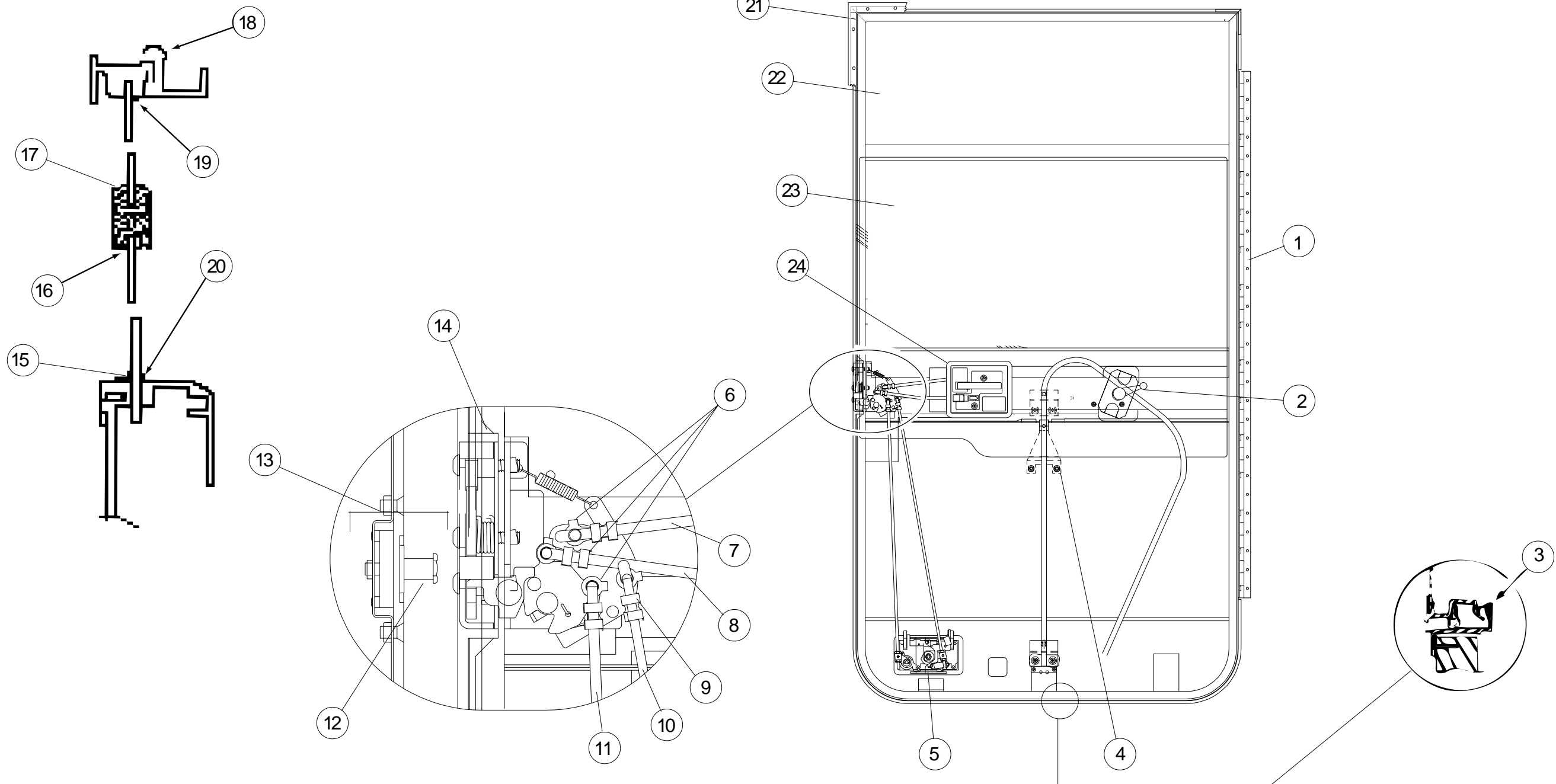


KEY	PART NUMBER	U/M	DESCRIPTION
1	114973-01-02A	EA	PANEL - DRIVER DOOR - INNER - WILLOW - PLASTIC
2	109378-01-000	EA	STRAP - CHECK - DRIVER DOOR - 12.8"
3	110604-01-01A	EA	HANDLE - ASSIST - DRIVERS DOOR
4	063977-12-000	EA	STEP - DRIVER DOOR - LEFT - PAINTED
4	063977-11-000	EA	STEP - DRIVER DOOR - LEFT - UNPAINTED
5	107818-01-01A	EA	TRIM - STEP - DRIVERS DOOR - PLASTIC - WILLOW
	106746-01-000	EA	PANEL - STEEL - STEPWELL
	106747-01-000	EA	PANEL - STEEL - STEPWELL - END RH
	106747-02-000	EA	PANEL - STEEL - STEPWELL - END LH
	102569-02-000	EA	MAT - ANTI SLIP - LOWER

KEY	PART NUMBER	U/M	DESCRIPTION
6	108654-01-01A	EA	COVER - STRIKE - DRIVERS DOOR - BLACK
7	108832-01-02A	EA	HANDLE - ASSIST - DRIVERS DOOR - METAL - OFF WHITE
	108833-01-01A	EA	COVER - HANDLE - ASSIST - OFF WHITE
8	109235-01-05A	FT	COVER - SCREW - BRIGHT WHITE - DAWN
9	109235-01-01A	FT	COVER - SCREW - MATTE BLACK - DAWN
	108129-02-02A	EA	GARNISH - DRIVERS DOOR - FRONT - BLACK
	108107-01-02A	EA	GARNISH - DRIVERS DOOR - TOP - BLACK
	108108-04-02A	EA	GARNISH - DRIVERS DOOR - REAR UPPER - BLACK
	108897-02-01A	EA	GARNISH - DRIVERS DOOR - REAR LOWER - BLACK
	P01713-01-000	EA	SWITCH - PUSH BUTTON - IN DOOR JAMB - METAL CHROME
	076725-06-000	EA	COVER - ACCESS - DOOR JAMB PUSH BUTTON - BLACK

WINDOW, VENT & EXTERIOR DOOR GROUP (CONTINUED)

DRIVER DOOR (EXCEL)



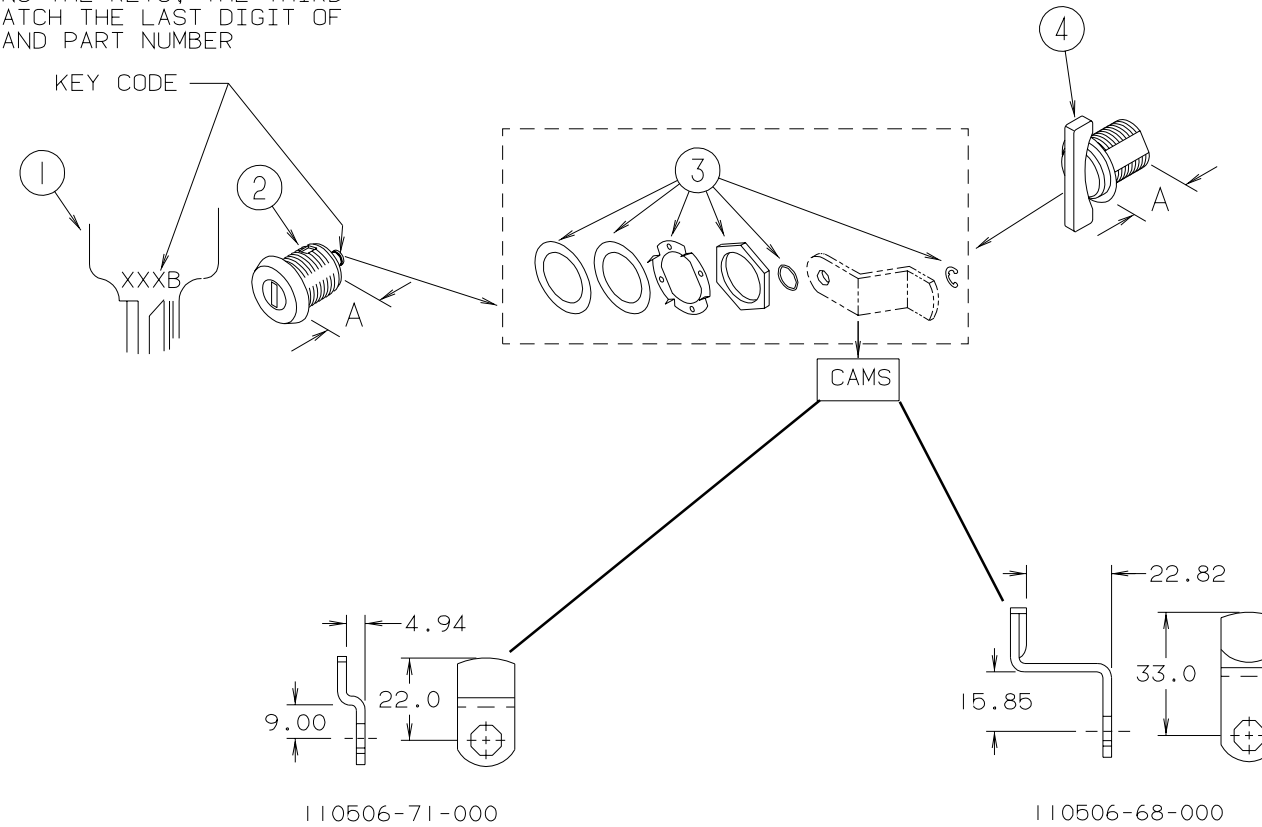
KEY	PART NUMBER	U/M	DESCRIPTION	VENDOR NO.
	106469-07-01A	EA	DOOR ASM. - DRIVERS - BLACK - V130-01L	
1	106469-05-702	EA	HINGE - 42"	211-041194
2	106469-02-704	EA	WINDOW HANDLE	V068-16
3	106469-01-723	EA	SEAL - BULB ASM. (JAMB)	171-040985
4	106469-02-701	EA	REGULATOR - MANUAL	V108-90L
5	106469-04-700	EA	PADDLE ASSEMBLY-W/COLLAR	248-041237
5	106469-04-715	EA	LATCH COMPLETE W/TUMBLER & KEYS	V123-15
6	106469-04-714	EA	ROD CLIP R.H.	248-041153
7	106469-04-705	EA	LATCH ROD - HORIZONTAL	203-041139
8	106469-04-711	EA	LOCK ROD - HORIZONTAL	203-041137
9	106469-04-713	EA	ROD CLIP L.H.	248-041154
10	106469-05-703	EA	ROD - LOCK/VERTICAL ADJUST.	203-041239
11	106469-05-705	EA	ROD - LATCH/VERTICAL ADJUST.	203-041279
12	106469-04-703	EA	BOLT - STRIKER (W/ WASHER)	248-041152
13	106469-04-704	EA	NUT ASSEMBLY - CAGED - W/STRIKER	248-041151

KEY	PART NUMBER	U/M	DESCRIPTION	VENDOR NO.
14	106469-05-706	EA	LATCH - ROTARY - W/LINKAGE	248-041150
15	106469-02-703	EA	BELT WEATHERSTRIP (EXT) WDO	V047-57
16	106469-01-705	FT	CHANNEL - RUN - SLIDING	122-010850
17	106469-08-700	EA	MULLION RAIL	V103-84
18	106469-01-702	EA	DOOR SEAL	122-040984
19	125581-02-705	EA	HORIZONTAL GLAZING - VINYL	V108-87
20	106469-01-709	FT	WEATHERSTRIP - FUZZY	171-040630
21	106469-07-700	EA	MOUNTING FRAME ASSEMBLY	V130-30L
22	106469-02-702	EA	GLASS - STATIONARY	106-041104
23	106469-01-704	EA	GLASS - ROLL-UP W/BACKET	V103-65L
24	106469-04-712	EA	HANDLE/DOOR - INNER W/HARDWARE	248-041402
24	106469-04-716	EA	LEVER - LOCKING - BLACK	80978-00
	106469-04-701	EA	TUMBLER & KEYS (TRI-MARK)	248-041179
	106469-04-702	EA	KEYS (BLANK)	248-041180
	125582-01-708	EA	WEEPHOLE COVER - RIGHT HAND	130-026598
	125582-01-709	EA	WEEPHOLE COVER - LEFT HAND	130-026599

WINDOW, VENT & EXTERIOR DOOR GROUP (CONTINUED)

BRIGGS & STRATTON LOCKS & COMPONENTS

NOTE:
WHEN ORDERING THE LOCK CASE, THE KEY CODE MUST MATCH THE LAST DIGIT OF THE VEHICLE'S SERIAL NUMBER AND PART NUMBER; WHEN ORDERING THE KEYS, THE THIRD DIGIT OF THE KEY CODE MUST MATCH THE LAST DIGIT OF THE VEHICLE'S SERIAL NUMBER AND PART NUMBER

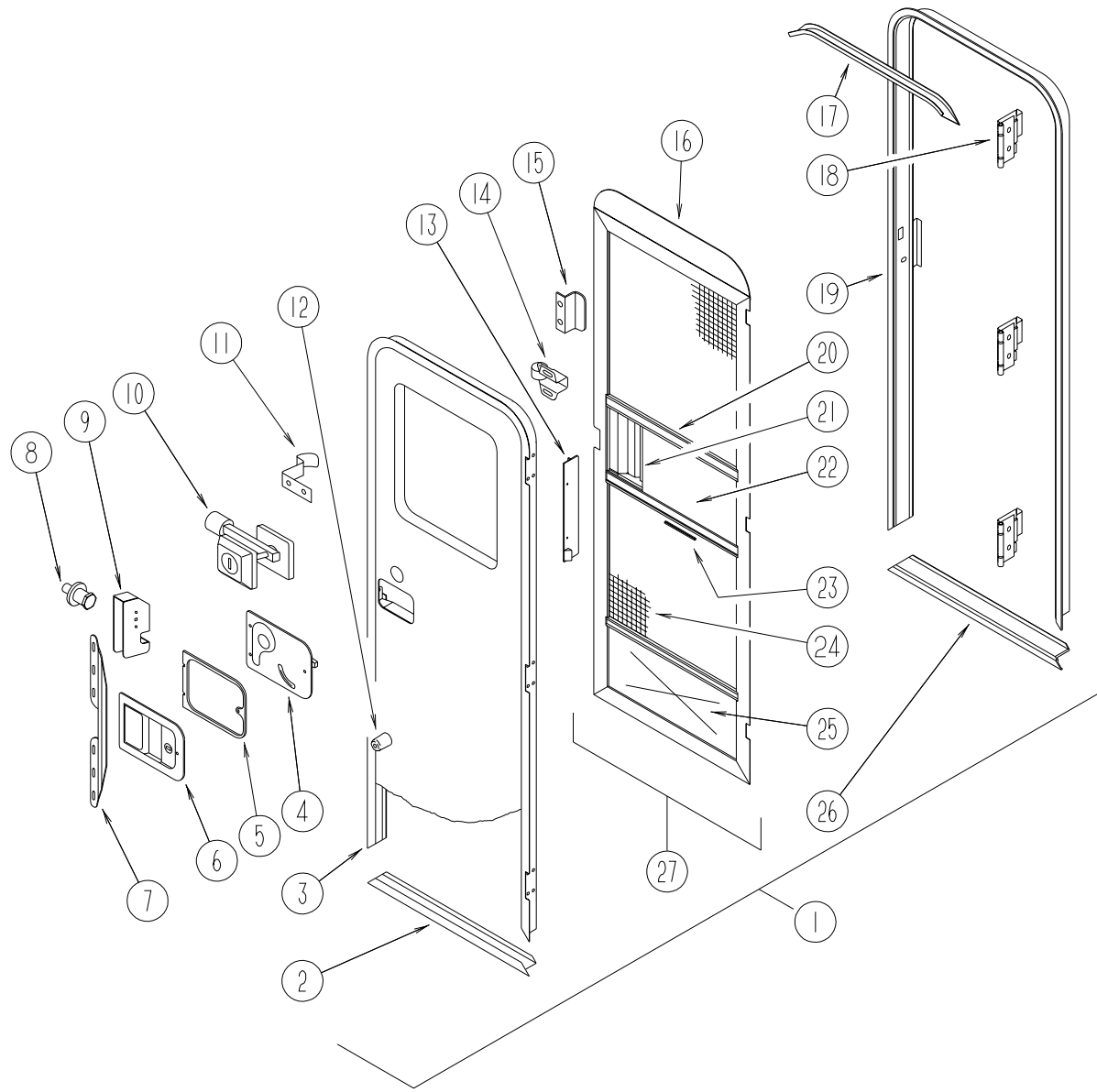


KEY	PARTNUMBER	U/M	DESCRIPTION	VENDOR NO.
1	110506-59-000	EA	KEYS-SETOFTWO	596720
2	110506-52-000	EA	CASE-LOCK-A=17MM	702370
2	110506-53-000	EA	CASE-LOCK-A=25MM	702380
1	110506-59-001	EA	KEYS-SETOFTWO	596721
2	110506-52-001	EA	CASE-LOCK-A=17MM	702371
2	110506-53-001	EA	CASE-LOCK-A=25MM	702381
1	110506-59-002	EA	KEYS-SETOFTWO	596722
2	110506-52-002	EA	CASE-LOCK-A=17MM	702372
2	110506-53-002	EA	CASE-LOCK-A=25MM	702382
1	110506-59-003	EA	KEYS-SETOFTWO	596723
2	110506-52-003	EA	CASE-LOCK-A=17MM	702373
2	110506-53-003	EA	CASE-LOCK-A=25MM	702383
1	110506-59-004	EA	KEYS-SETOFTWO	596724
2	110506-52-004	EA	CASE-LOCK-A=17MM	702374
2	110506-53-004	EA	CASE-LOCK-A=25MM	702384
1	110506-59-005	EA	KEYS-SETOFTWO	596725
2	110506-52-005	EA	CASE-LOCK-A=17MM	702375
2	110506-53-005	EA	CASE-LOCK-A=25MM	702385

KEY	PARTNUMBER	U/M	DESCRIPTION	VENDOR NO.
1	110506-59-006	EA	KEYS-SETOFTWO	596726
2	110506-52-006	EA	CASE-LOCK-A=17MM	702376
2	110506-53-006	EA	CASE-LOCK-A=25MM	702386
1	110506-59-007	EA	KEYS-SETOFTWO	596727
2	110506-52-007	EA	CASE-LOCK-A=17MM	702377
2	110506-53-007	EA	CASE-LOCK-A=25MM	702387
1	110506-59-008	EA	KEYS-SETOFTWO	596728
2	110506-52-008	EA	CASE-LOCK-A=17MM	702378
2	110506-53-008	EA	CASE-LOCK-A=25MM	702388
1	110506-59-009	EA	KEYS-SETOFTWO	596729
2	110506-52-009	EA	CASE-LOCK-A=17MM	702379
2	110506-53-009	EA	CASE-LOCK-A=25MM	702389
3	110506-40-700	EA	HARDWAREKIT	
4	110506-50-000	EA	CASE-TWISTLOCK-A=17MM	596952
4	110506-51-000	EA	CASE-TWISTLOCK-A=25MM	596669
	110506-40-000	EA	CLIP-E-LOCKASM.	93981
	110506-64-000	EA	CAM-LOCK	322280
	110506-68-000	EA	CAM-LOCK	322284
	110506-71-000	EA	CAM-LOCK	322287
	110506-59-701	EA	KEYBLANK-GOLD	

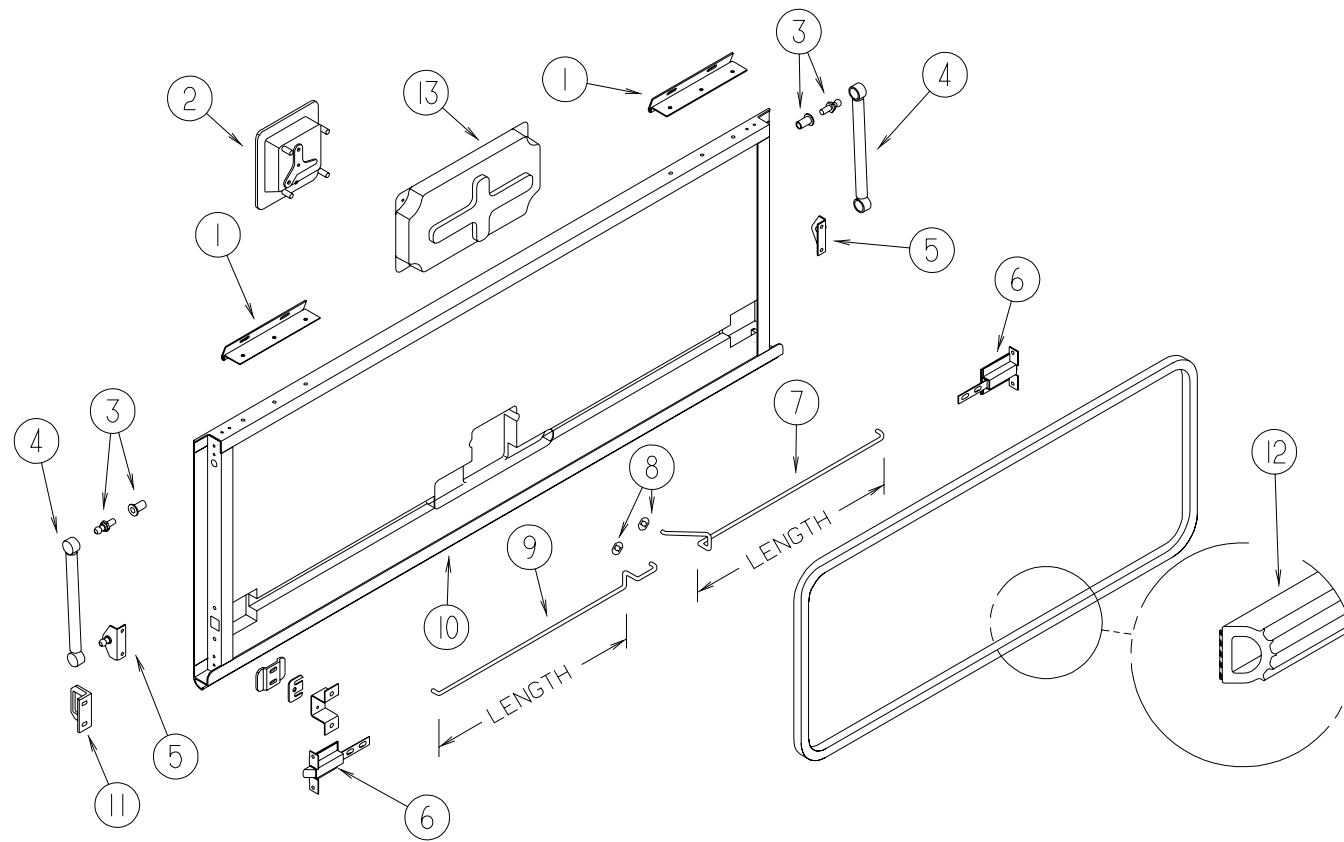
WINDOW, VENT & EXTERIOR DOOR GROUP (CONTINUED)

ENTRY DOOR W/O WINDOW



KEY	PARTNUMBER	U/M	DESCRIPTION
1	115108-02-H17	EA	DOOR-ENTRY-W/SCREENDOOR-W/OWINDOW (H17)
1	115108-02-H18	EA	DOOR-ENTRY-W/SCREENDOOR-W/OWINDOW (H18)
1	115108-02-H19	EA	DOOR-ENTRY-W/SCREENDOOR-W/OWINDOW (H19, H41)
1	115108-02-H23	EA	DOOR-ENTRY-W/SCREENDOOR-W/OWINDOW (H40)
2	121893-01-01A	EA	FRAME-DOOR-ENTRANCE
3	121894-03-01A	EA	FRAME-DOOR-ENTRANCEB/W
4	039979-06-000	EA	COVER-LATCHPLATE-RIGHTHAND-BLACKTEXTURED
5	096810-01-01A	EA	PLATE-LATCH-ENTRYDOOR-BLACKPLASTIC
6	045017-13-000	EA	LATCH-ENTRANCEDOOR-BLACKTEXTURED
7	098173-01-07A	EA	STIFFENER-ENTRANCEDOOR-SUPPORTSLATCH/STRIKEAREA
7	098173-01-04A	EA	STIFFENER-ENTRYDOOR-SUPPORTSLATCH/STRIKEAREA-UNPAINTED
8	039539-01-000	EA	STRIKE-LOCK-ENTRYDOOR-ROUNDW/THREADEDWASHER
9	039540-01-000	EA	LATCHMECHANISM-HOOK-ENTRYDOOR-INTERIOR
	039715-01-000	EA	NUT-SERT-1/4"DIAMETER-20THREADS(ENTRANCEDOORHINGE)
	041546-07-000	EA	BRACKET-DOORANGLE-OFFWHITE
	036618-02-000	EA	E-RING-EXTERNAL-3/16"SHAFTDIAMETER-LYNORDDOORLOCK
	045017-11-701	EA	KEY-BLANK-F1SERIES
	045017-11-703	EA	CYLINDER-LOCKASM.W/KEYS
	072893-04-000	EA	NUTSERT-10-32(ENTRANCEDOORSTIFFENER)
	075671-04-000	FT	SEAL-SPONGE-LAZYTSHAPE-W/ADHESIVESTRIP-.5"WIDE
	086285-05-000	EA	SPACER-NYLON-.7"X.56"
10	101145-01-06A	EA	DEADBOLT-ENTRYDOOR-W/2KEYS
	095229-01-700	EA	KEY-BLANK-DEADBOLT
	101145-01-701	EA	CYLINDER-LOCKASM.-W/KEY
	101147-01-000	EA	BOLT-SECURITY-4.12"BACKSET
11	100412-01-000	EA	CATCH-SCREENDOOR-THUMBCLIP
12	117046-01-000	EA	BUMPER-RUBBER-ROUNDEND
13	079087-03-000	EA	STRIKE-SLIDER-SCREENDOOR-BRIGHTWHITE
14	109403-01-000	EA	CATCH-SCREENDOORROLLER
15	050712-06-000	EA	HANDLE-SCREENDOOR-BRIGHTWHITE
16	078595-01-000	EA	TOPPLATE-SCREENDOOR-CURVEDTOP-4.7"X25.35"
17	044582-44-000	EA	CAP-DRIP-ENTRYDOOR-ALUMINUM-BRIGHTWHITE
18	106719-01-05A	EA	HINGE-ENTRANCEDOOR-BRIGHTWHITE
18	106719-01-01A	EA	HINGE-ENTRANCEDOOR-MILL
	116111-02-01A	EA	SCREW-TAPTITE-1/4-20X3/8PPH-ZINC
	118929-01-01A	FT	SEAL-PILE-PUSHON
19	121898-01-01A	EA	JAMB-DOOR-ENTRANCE
20	078777-01-000	EA	CHANNEL-SLIDE-SCREENDOORCENTERSLIDECOVER
21	079086-03-000	EA	SLIDER-SCREENDOOR-BRIGHTWHITE
22	016454-01-000	EA	INSERT-CENTER-LEATHERGRAINALUMINUM-UNPAINTED
	001014-01-013	EA	INSERT-CENTER-10.25"X16.31"-UNPAINTED
23	002294-01-000	FT	SPLINE-SCREENING-.005"X.0054"
24	002293-02-000	SF	SCREENING-WINDOW/DOOR-26"
	075673-01-000	FT	SEAL-PILE-ADHESIVEBACK-GRAY
25	078552-03-000	EA	KICKPANEL-SCREENDOOR-LOWERINSERT-UNPAINTED
	078595-01-000	EA	TOPPLATE-SCREENDOOR-CURVEDTOP-4.7"X25.35"
26	051049-01-000	EA	JAMB-BOTTOM-ENTRYDOOR-25.9"-UNPAINTED
27	121899-01-G04	EA	DOOR-SCREEN-W/OHARDWARE
	122241-01-01A	EA	BUMPER-FOAMRUBBER-BLACK
	102248-01-000	EA	SHIM-DOOR

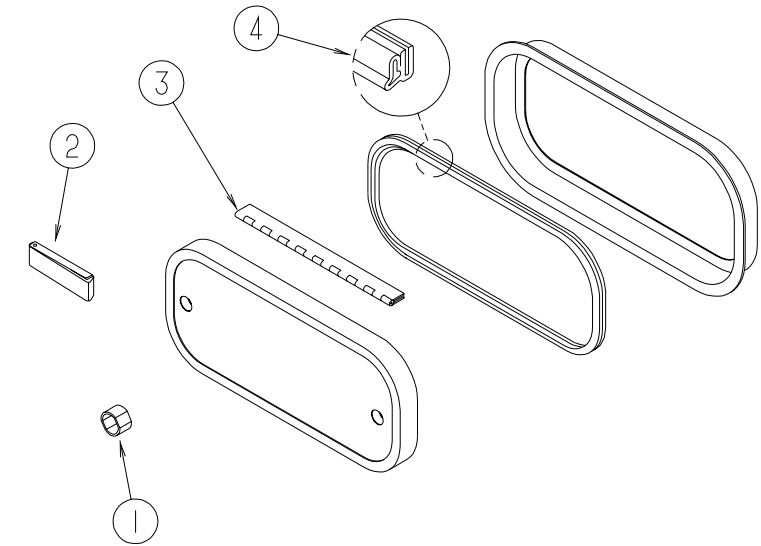
WINDOW, VENT & EXTERIOR DOOR GROUP (CONTINUED)



EXTERIOR DOORS

KEY	PARTNUMBER	U/M	DESCRIPTION
1	121755-01-04A	EA	HINGE-6.00INCH
2	112949-01-04A	EA	LATCH-PADDLEW/LOCKW/OKEY-BLACK
	112949-03-000	EA	KEY-TRI-MARK#TM500
3	057460-08-000	EA	BALLSTUD-10MMBALL-5/16-18
4	107796-20-000	EA	SPRING-GAS-10"LENGTH
5	107796-19-000	EA	BRACKET-GASSPRING
6	121947-01-01A	EA	BOLT-SLIDE-LATCH-STEEL
7	122269-02-000	EA	ROD-LATCH-27.08"
7	122269-04-000	EA	ROD-LATCH-15.42"
7	122269-05-000	EA	ROD-LATCH-11.09"
7	122269-17-000	EA	ROD-LATCH-11.57"
7	122269-29-000	EA	ROD-LATCH-2.08"
7	122269-30-000	EA	ROD-LATCH-14.03"
8	124304-01-000	EA	CLIP-ROUNDPUSHON
9	122268-02-000	EA	ROD-LATCH-27.08"
9	122268-04-000	EA	ROD-LATCH-15.42"
9	122268-05-000	EA	ROD-LATCH-11.09"
9	122268-17-000	EA	ROD-LATCH-11.57"
9	122268-29-000	EA	ROD-LATCH-2.08"
9	122268-30-000	EA	ROD-LATCH-14.03"
10	122613-55-003	EA	EXTRUDED-ROCKERPANEL-192"-UMBRA
10	122613-55-002	EA	EXTRUDED-ROCKERPANEL-192"-SUPERBLUE
11	123783-01-01A	EA	STRIKER-DOOR-MILL
12	107721-04-000	FT	SEAL-D-ACCESSDOOR
13	122277-01-01A	EA	COVER-LATCH-BLACK

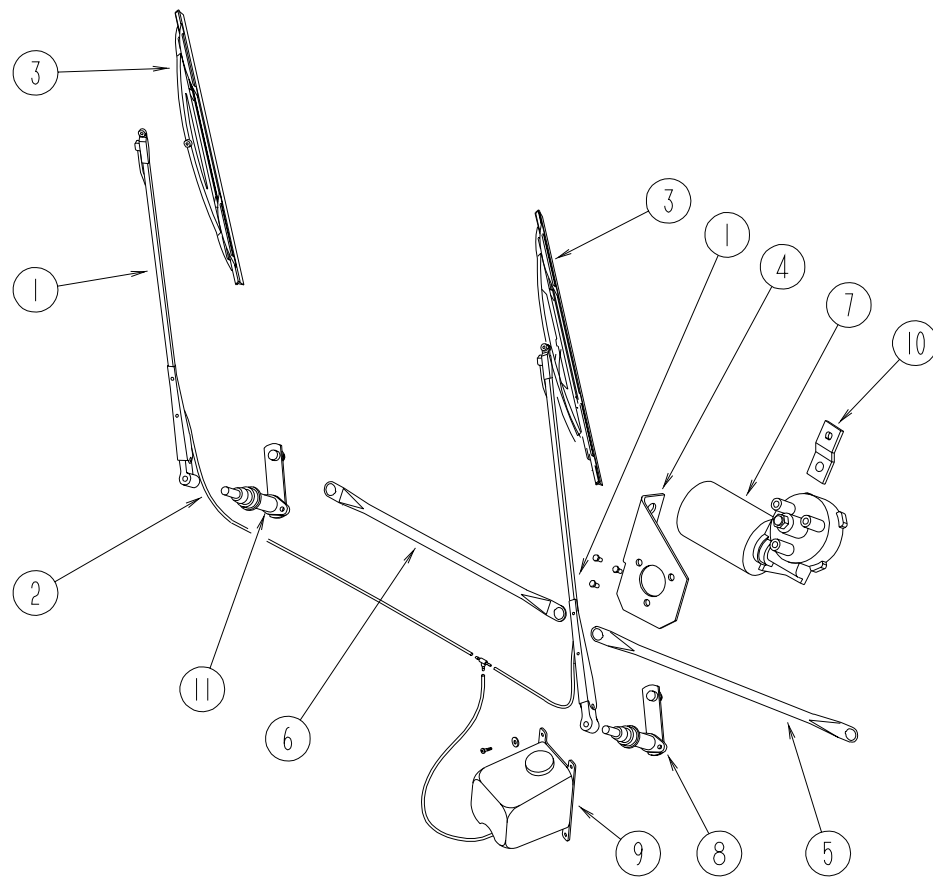
WINDOW, VENT & EXTERIOR DOOR GROUP (CONTINUED)



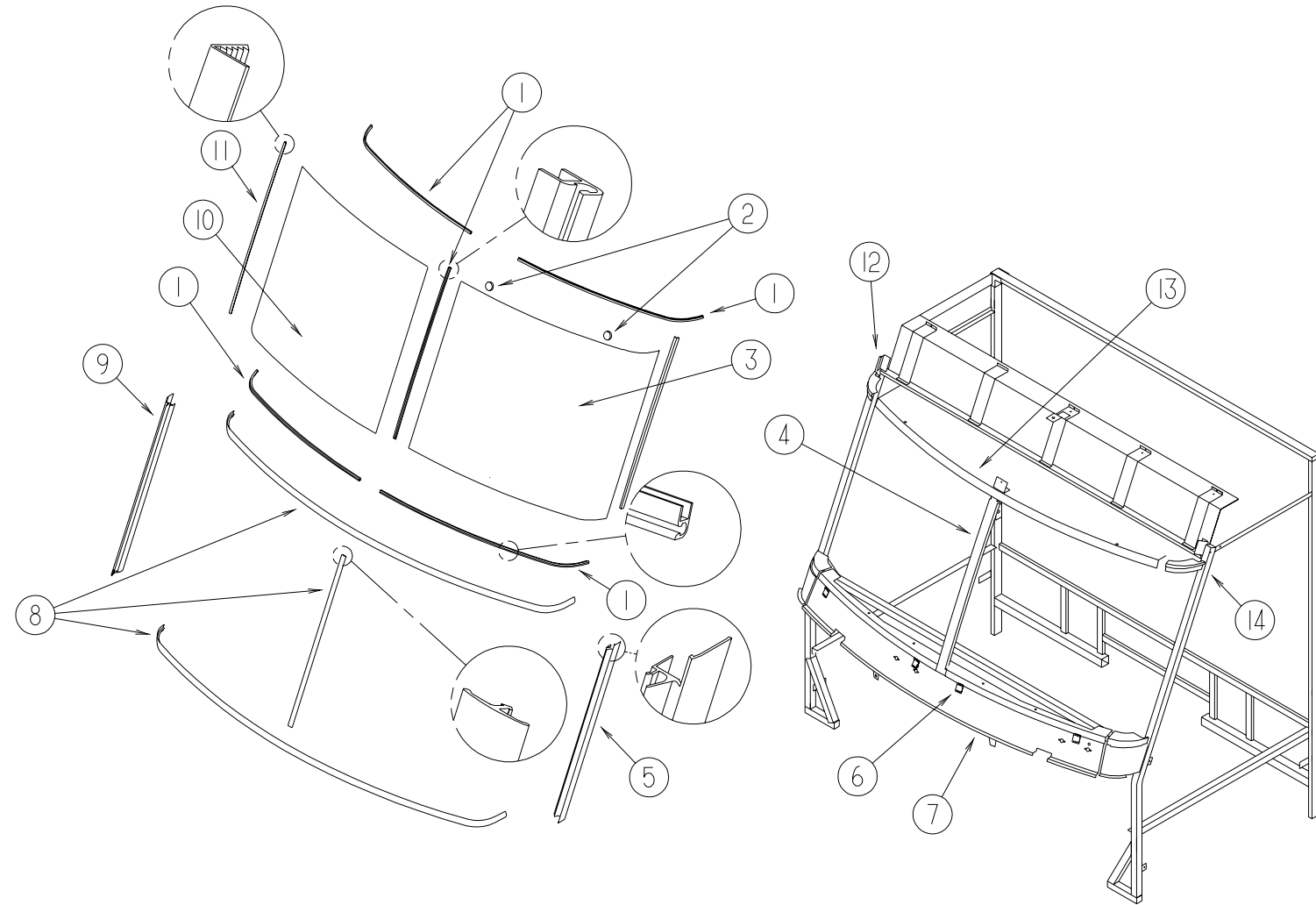
EXTERIOR DOORS

KEY	PARTNUMBER	U/M	DESCRIPTION
1	107997-51-001	EA	SPACER-DOORLOCK-.6"DEEP
2	102768-01-000	EA	HOLDER-COMPARTMENT/ENTRYDOOR-METAL-MILLFINISH
3	081801-V3-000	EA	HINGE-ALUMINUM-2"X8'-BRIGHTWHITE
4	064075-07-000	FT	SEAL-BULB-W/WIREDUCHANNEL-.3"X.5"CHANNEL-BLK
	079775-D3-000	EA	JAMB-DOOR-STORAGE

WINDSHIELD&WIPERGROUP



WINDSHIELD&WIPERGROUP(CONTINUED)



WINDSHIELDWIPERASM

KEY	PARTNUMBER	U/M	DESCRIPTION
1	103671-01-000	EA	ARM-WIPER-24"
2	096931-01-700	FT	HOSE-WIPER
3	095964-01-000	EA	BLADE-WIPER-WINDSHIELD-24"
4	104549-01-000	EA	BRACKET-WIPER
5	117008-01-000	EA	LINKASSEMBLY-WIPERCONNECTING-DRIVERSIDE
6	117008-02-000	EA	LINKASSEMBLY-WIPERCONNECTING-PASSENGERSIDE
7	104346-05-000	EA	WIPERMOTORW/INTERNALBREAKER-DYNAMICPARK(FORD)
7	104346-04-000	EA	MOTOR-WIPERW/INTERNALBREAKER(CHEVY)
	117322-01-000	EA	SCREW-1/4-28UNF-2A-TORX
8	096505-06-000	EA	SHAFT&PIVOTASSEMBLY-DRIVERSIDE
9	117766-02-000	EA	RESERVOIR/PUMP-WINDSHIELDWASHER
	096931-01-701	EA	NOZZLE-HARDWAREKIT
	110605-01-000	EA	TEE-PLAS-BARBED 1/8X1/8X3/16-BAYLOCK3799721
	045794-01-000	FT	HOSE-WASHER-WINDSHIELD-5/32"ID-BLACK
	117765-03-000	EA	CONNECTOR-5/32-WINDSHIELDWASHER
10	104347-01-000	EA	ARM-DRIVE-WIPERMOTOR-1.54"-W/TAPEREDDRIVEHOLE
	067188-01-000	EA	STUD-CRANK-WIPER-WINDSHIELD
11	096505-05-000	EA	SHAFT&PIVOTASM
	110742-01-000	EA	GASKET-NEOPRENEWIPERADAPTERSHAFT-13/4"ODX1"ID
	096505-02-700	EA	DRIVER-KNURLED(HD)BRL.687 NT721017
	096505-02-701	EA	NUT-HEX(HD)W/.687BARREL NT721021
	096505-02-702	EA	CAP-RUBBER(HD)BARREL.687 CP721084
	096505-02-703	EA	CAP-NUT(ACORN)HDW/.687BRL 51065-40-NT27WC

WINDSHIELDMOLDINGS&GLASS

KEY	PARTNUMBER	U/M	DESCRIPTION
1	110268-01-000	EA	WINDSHIELDCARRIER-50.4"
2	081914-01-000	EA	BUMPER-RUBBER-ROUND-.43"DIAMETER-BLACK
3	114432-02-000	EA	GLASS-WINDSHIELD-DRIVER-52.75"WX47.5"T
4	075710-01-000	EA	FRAME-WINDSHIELD-CENTERDIVIDER-INNER
5	103107-04-01A	EA	TRIM-WINDSHIELD-DRIVERSIDE
6	104449-01-000	EA	SUPPORT-WINDSHIELD
7	077847-05-000	EA	SUPPORT-WINDSHIELD-CENTER
	077847-03-000	EA	SUPPORT-WINDSHIELD-PASSENGERSIDEEND
	077847-04-000	EA	SUPPORT-WINDSHIELD-DRIVERSIDEEND
8	120533-01-000	FT	MOLDING-REVEAL-WINDSHIELD
9	103107-03-01A	EA	TRIM-WINDSHIELD-PASSENGERSIDE-BLACK
10	114432-01-000	EA	GLASS-WINDSHIELD-PASSENGER-52.75"WX47.5"T
11	098788-06-000	EA	CHANNEL-49"PVC
12	077922-03-000	EA	HEADER-WINDSHIELDEND-RIGHTHAND
	114583-01-01B	EA	HEADER-WINDSHIELD-FILLER-UPPER
13	077922-06-000	EA	HEADER-WINDSHIELD-CENTER
14	077922-04-000	EA	HEADER-WINDSHIELDEND-LEFTHAND
	114583-02-01B	EA	HEADER-WINDSHIELD-FILLER-UPPER
	002328-02-000	EA	BLOCK-WINDSHIELD-.062"X.5"X.98"