

1997 WCG30WQ

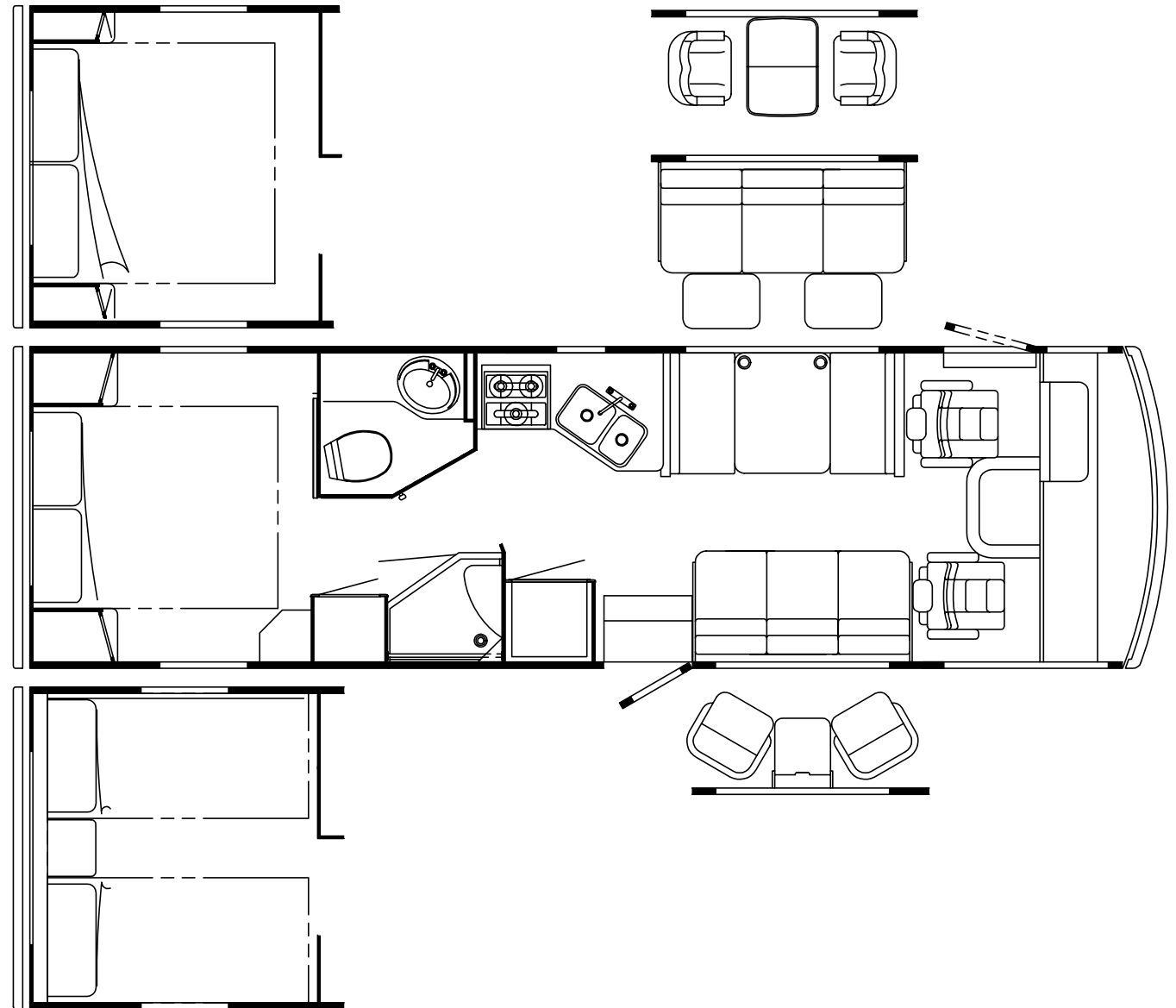
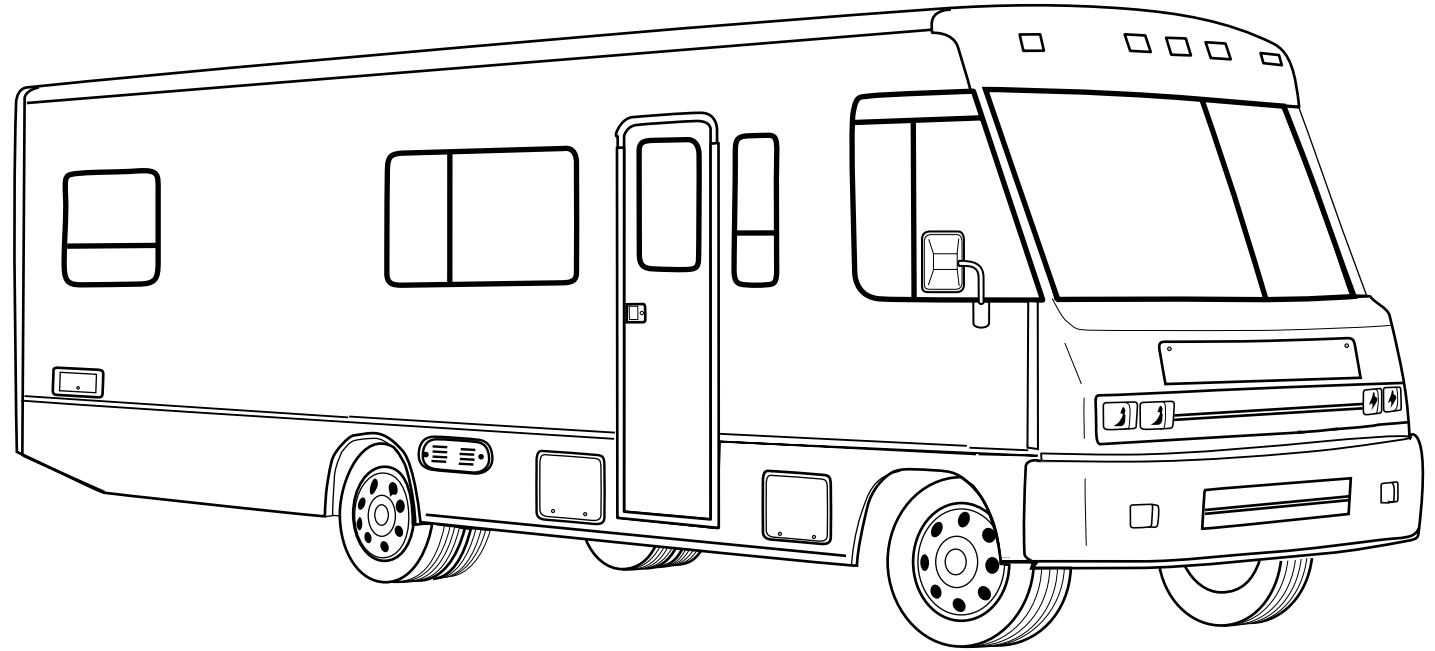
**H17 BOTANICAL (GREEN)
(OAK)**

**H18 NORTH SHORE (TAUPE)
(OAK)**

**H19 ZEPHYR (BLUE)
(OAK)**

**H40 OAK LEAF (TAUPE)
(WHITE GRANITE)**

**H41 EASTON (SAGE)
(WHITE GRANITE)**



ACCESSORIESGROUP

OPERATORMANUAL

KEY	PARTNUMBER	U/M	DESCRIPTION
	054185-F9-000	EA	MANUAL-OPERATOR97ADVENTURER
	092318-01-000	EA	BINDER-3RING-MOTORHOMEMANUAL
	092319-01-000	EA	POCKETPAGE-3RINGBINDER-PLASTIC-(50PERPKG)
	122567-01-000	EA	TOPLEVEL-G,1997

AUDIOVIDEOGROUP

RADIOSYSTEMS&ANTENNA

KEY	PARTNUMBER	U/M	DESCRIPTION
	087683-03-000	EA	RADIO-AM/FMSTEREOCASSETTE
	110267-04-000	EA	RADIO-AM/FMSTEREO-CDCOMPATIBLE-AUDIOVOX
	127516-01-000	EA	RADIO-AM/FMSTEREO-CDPLAYER
	110469-01-000	EA	SPEAKER-4"X6"OVAL-COAXIAL
	110470-01-01A	EA	GRILLE-4"X6"OVAL-BLACK
	089340-02-000	EA	GRILLE-SPEAKER-6.5"SQUARE
	089340-03-000	EA	SPACER-GRILLE-6.5"SQUARE-TAN-MAGNADYNEG514
	094097-01-000	EA	SPEAKER-RADIO/TV-W/GRILLE-5.25"DIA
	090944-01-000	EA	ANTENNA-RADIO-16"RUBBER
	108847-01-000	EA	BRACKET-ANTENNAGROUND
	109889-04-000	EA	EXTENDER-SHAFT-ANTENNA3"-MAGNADYNERV71EX3
	123256-01-000	EA	ANTENNA-CB-W/OCABLE
	123256-02-000	EA	CABLE-CB-COAX
	077069-02-000	EA	CABLE-ANTENNA/EXTENSION-RADIO-96"
	115916-01-01B	EA	BRACKET-ANTENNAMOUNT

REARMONITORSYSTEM

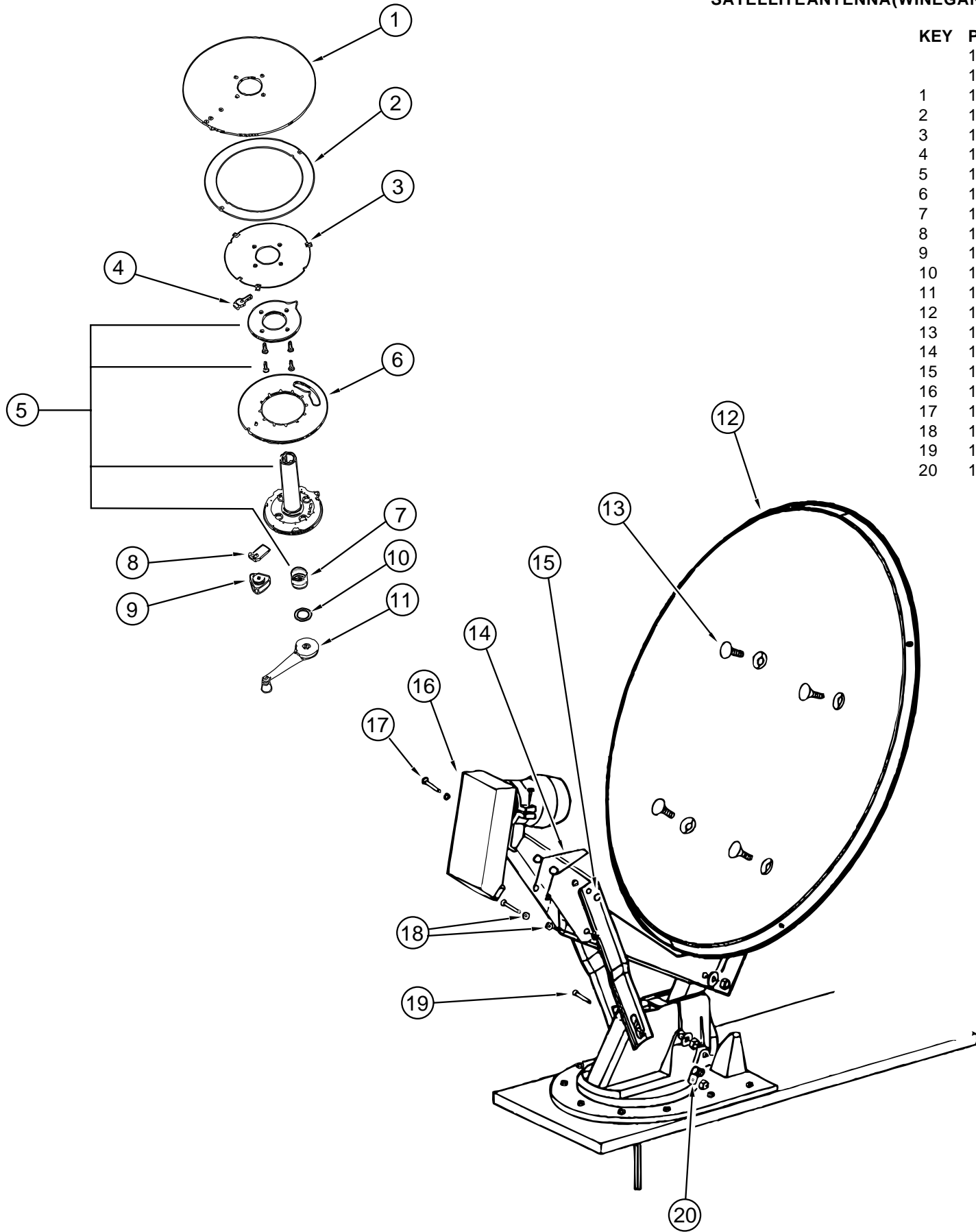
KEY	PARTNUMBER	U/M	DESCRIPTION
	093040-10-000	EA	MONITOR-7"REARVIEW-W/BRACKET-SONY
	093040-09-000	EA	CAMERA-REARVIEW-W/BRACKET-SONY
	096717-03-000	EA	WIRE-REARMONITOR-AFTERMARKETINSTALLATION
	108885-02-000	EA	WIRE-REARMONITOR(W/3PINHOUSINGF/FUSEBLOCK)CHEVY
	093041-01-000	EA	CABLE-MONITOR/CAMERAINTERNALUSE-65.6'
	093041-02-000	EA	CABLE-MONITOR/CAMERA-EXTERNALUSE-59.1'

PATIOENTERTAINMENTCENTER

KEY	PARTNUMBER	U/M	DESCRIPTION
	077069-02-000	EA	CABLE-ANTENNA/EXTENSION-RADIO-96"
	087683-03-000	EA	RADIO-AM/FMSTEREOCASSETTE
	090944-01-000	EA	ANTENNA-RADIO-16"RUBBER
	108847-01-000	EA	BRACKET-ANTENNAGROUND
	109889-04-000	EA	EXTENDER-ANTENNA SHAFT-3"
	110469-01-000	EA	SPEAKER-4"X6"OVAL-COAXIAL
	110470-01-01A	EA	GRILLE-4"X6"OVAL-BLACK

AUDIOVIDEOGROUP(CONTINUED)

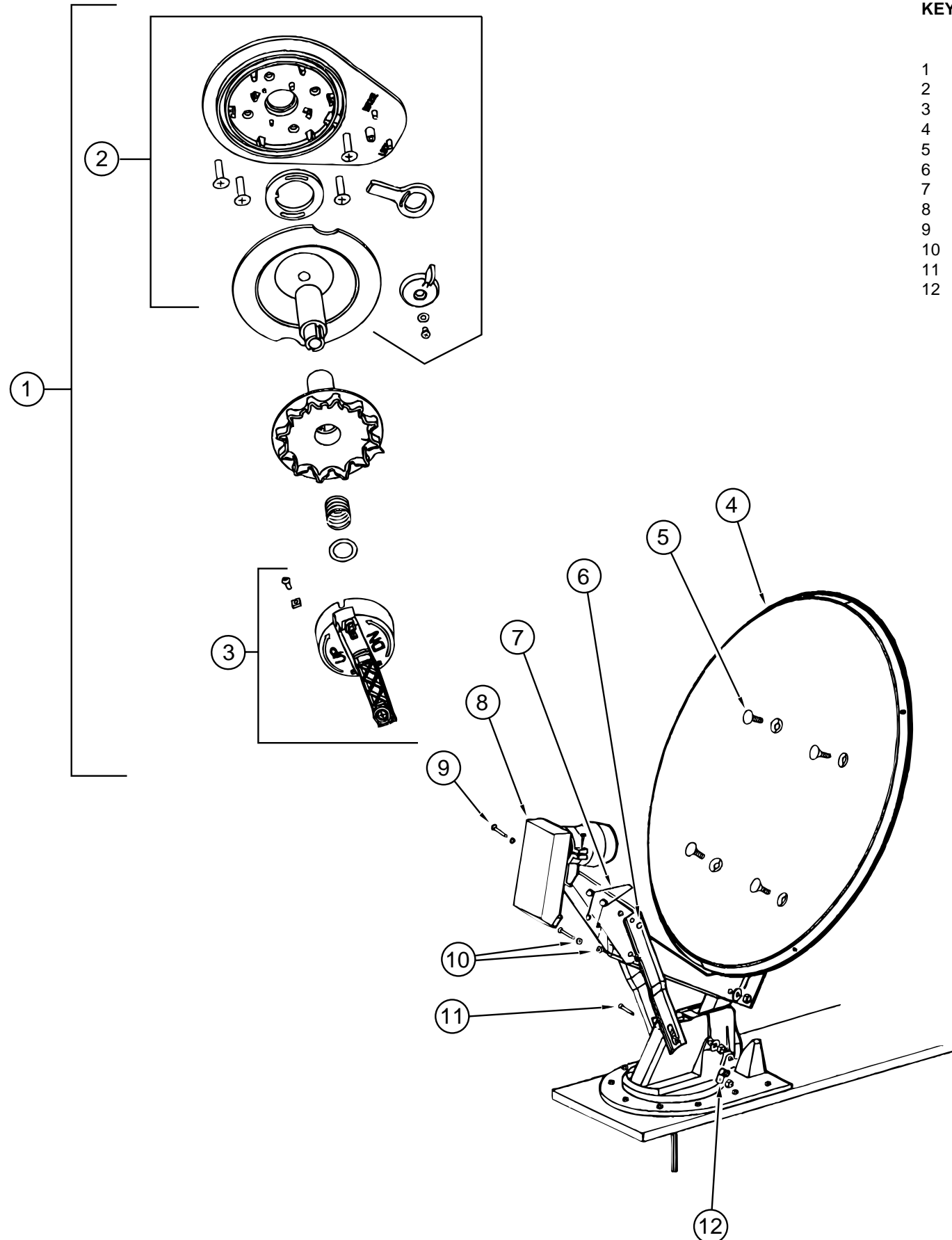
SATELLITEANTENNA(WINEGARD)(OLDSTYLE)



KEY	PARTNUMBER	U/M	DESCRIPTION	VENDORNO.
	120233-02-000	EA	RECEIVER-SATELLITEONLY	
	120233-01-000	EA	ANTENNA-SATELLITEW/ORECEIVER(DISH&HARDWAREKIT)MANUAL	
1	120233-01-700	EA	PLATE-FIXED	3750821
2	120233-01-701	EA	DIAL-DIRECTIONAL	2745056
3	120233-01-702	EA	PIVOT-DIAL-DIRECTIONAL	2745058
4	120233-01-703	EA	STOP-ROTATION	3711281
5	120233-01-704	EA	PLATE-CEILINGW/DIR.HANDLE	RP-6300
6	120233-01-705	EA	PLATE-ROTATE	3750820
7	120233-01-706	EA	SPRING	RP-6822
8	120233-01-707	EA	CLAMP-ROTATE	3711280
9	120233-01-708	EA	KNOB-CLAMP	2200061
10	120233-01-709	EA	WASHER-NYLON	RP-2658
11	120233-01-710	EA	HANDLE-CRANK	RP-6795
12	120233-01-711	EA	REFLECTOR-46CM	2745304
13	120233-01-712	EA	BOLT-FLATHEAD	2160253
14	120233-01-713	EA	SPRING	2160820
15	120233-01-714	EA	CLIP-E	5160818
16	120233-01-715	EA	LOWNOISEBLOCKFILTER(LNBF)	2780177
17	120233-01-716	EA	PIN	2160814
18	120233-01-717	EA	BEARING-NYLON	2200726
19	120233-01-718	EA	PIN	5160817
20	120233-01-719	EA	CLAMP-CABLE	2200060

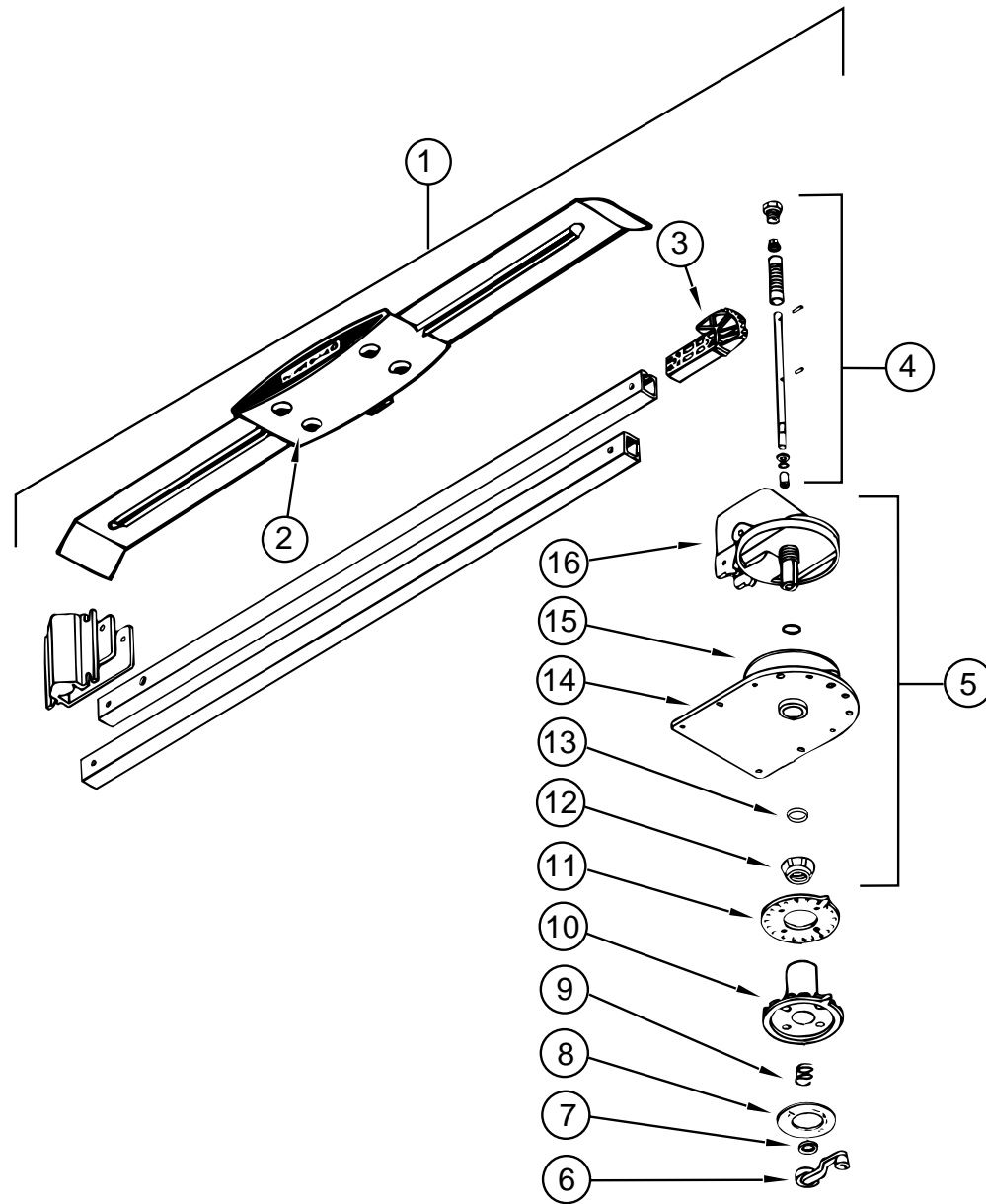
AUDIOVIDEOGROUP(CONTINUED)

SATELLITEANTENNA(WINEGARD)(NEWSTYLE)



KEY	PARTNUMBER	U/M	DESCRIPTION	VENDOR NO.
	120233-02-000	EA	RECEIVER-SATELLITE ONLY	
	120233-01-000	EA	ANTENNA-SATELLITE W/O RECEIVER (DISH & HARDWARE KIT) MANUAL	
1	120233-01-720	EA	CEILING PLATE ASM (RETROFIT)	RP-4100
2	120233-01-722	EA	PLATE ASSEMBLY (CEILING)	2762826
3	120233-01-721	EA	CRANK HANDLE ASSEMBLY	2762825
4	120233-01-711	EA	REFLECTOR-46CM	2745304
5	120233-01-712	EA	BOLT-FLATHEAD	2160253
6	120233-01-714	EA	CLIP-E	5160818
7	120233-01-713	EA	SPRING	2160820
8	120233-01-715	EA	LOW NOISE BLOCK FILTER (LNBF)	2780177
9	120233-01-716	EA	PIN	2160814
10	120233-01-717	EA	BEARING-NYLON	2200726
11	120233-01-718	EA	PIN	5160817
12	120233-01-719	EA	CLAMP-CABLE	2200060

AUDIOVIDEOGROUP(CONTINUED)



TV ANTENNA(WINEGARD)

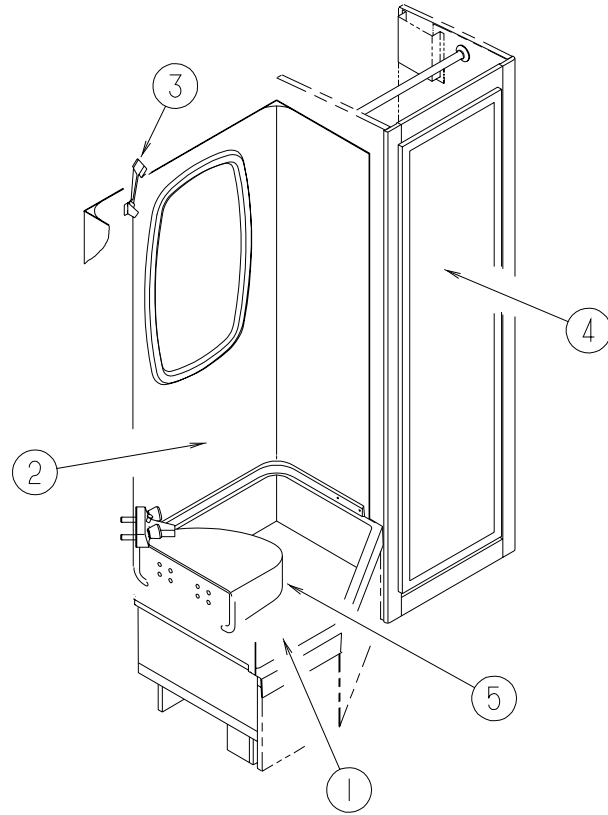
KEY	PARTNUMBER	U/M DESCRIPTION	VENDOR NO.
1	076319-21-000	EA ANTENNA-TVROOFMOUNT-3"ROOF	
2	076319-01-700	EA HEAD-ANTENNA-AMPLIFIED	RVSAU/V
3	076319-01-701	EA GEAR-ELEVATING-PLASTIC	2200046
4	076319-01-702	EA SHAFTASM-ELEVATING	RVP-400A
5	076319-01-711	EA BASE&LIFTASM	2762802
6	076319-01-706	EA CRANK-ELEVATING-W/SETSCREW-UNIVERSAL	2750897
7	076319-01-705	EA BEARING-NYLON-7/8"ID	3200658
8	076319-01-708	EA CRANKCOVERDECAL	5413002
9	076319-01-707	EA SPRING-HANDLE	5160822
10	076319-01-709	EA PLATE-DIRECTIONAL-FORHEAD	3200621
11	076319-01-712	EA CEILINGPLATE-WINEGARD	3200608
12	076319-01-715	EA NUT(GEARHOUSING)	2200047
13	076319-01-704	EA BEARING-NYLON-1.5"OD	3200657
14	076319-01-713	EA BASEPLATE	3100523
15	076319-01-703	EA BEARING-NYLON-5"OD	3200656
16	076319-01-714	EA HOUSING-ROTATINGGEAR	2200049

AUDIOVIDEOGROUP(CONTINUED)

TV-VCRSYSTEMS

KEY	PARTNUMBER	U/M DESCRIPTION	VENDOR NO.
	113684-02-000	EA TV-19"COLORW/1/8"JACK-UL/CSA-AUDIOVOX	
	113684-01-700	EA REMOTE	0892345
	122863-01-000	EA TV-13"COLORW/SPEAKER-UL/CSA-AUDIOVOX	
	122863-01-700	EA REMOTE	0892345
	119120-02-000	EA VCR-VHS-CABLEREADY-REMOTE-AUDIOVOX	
	119120-02-700	EA REMOTE	FROM: 00-00-00 THRU: 02-16-97 AUDIOVOXAVR-1170
	119120-03-000	EA VCR-VHS-CABLEREADY-REMOTE-AUDIOVOX	
	119120-03-700	EA REMOTE	FROM: 02-17-97 THRU: 99-99-99 0994571
	086757-03-000	EA CONTROLCENTER-SWITCH-VCR/TV	
	086777-01-000	EA WALLPLATE-TVCABLE-W/ANTENNASWITCH-IVORY	
	086777-05-000	EA WALLPLATE-TVCABLE-ANTENNA/1OUTPUT-IVORY	
	093214-01-02A	EA GRILLE-SPEAKER-4"BROWN	
	098819-01-000	EA SPEAKER-4"-2WATT-8OHM	
	082134-01-000	EA ADAPTER-TV-CABLETOCABLE	
	086756-01-000	EA SPLITTER-TV-2WAY	
	114870-02-000	EA PLUG-.14"AUDIOW/LEADS	
	082136-01-000	EA NUT-HEXJAM-3/8-32	

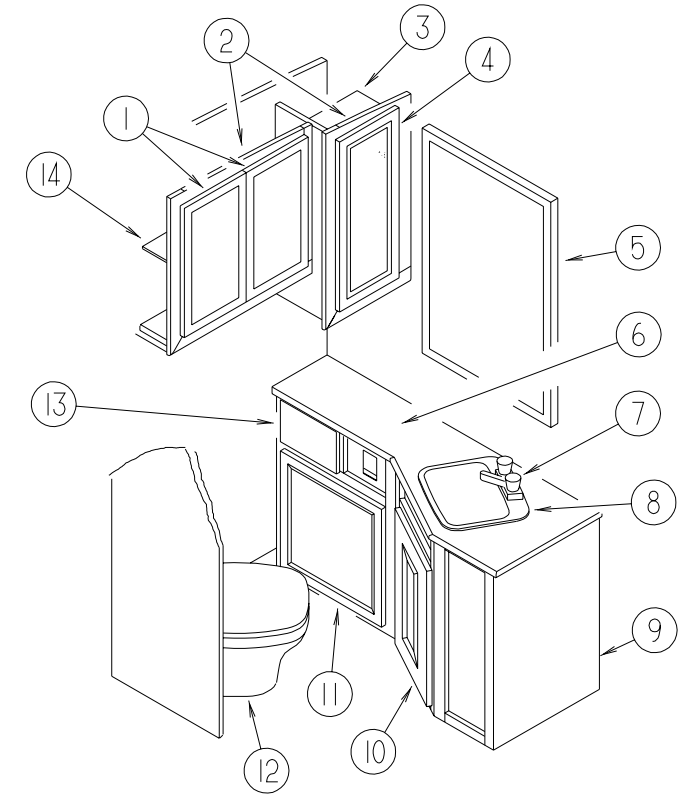
BATHGROUP



WARDROBEDOOR&SHOWERCOMPONENTS

KEY	PARTNUMBER	U/M	DESCRIPTION	VENDORN.O.
1	M02630-29-F11	EA	SHOWERPAN	
	066729-01-000	EA	STRAINER-TUB/SHOWER-W/PLUG	
	066436-01-000	EA	NUT-SLIP-TAILPIECE 1.5"	
	069735-01-000	EA	WASHER-STRAINERTOTALPIECE-PLASTIC-1.5"	
	011069-04-000	EA	TAILPIECE - 1 1/2" X 1 1/4" X 8" - BRASS	
2	116754-01-01A	EA	SURROUND-SHOWERO/WHITE	
	057671-01-000	EA	COVER-SCREW-#8-PLASTIC-OFFWHITE	
	075242-04-000	EA	FAUCET-TUB/SHOWER-BONE	
	075606-01-000	EA	PANEL-PLASTIC-FAUCETBACK-5" X 9"	
3	103092-01-000	EA	SHOWERHEAD-W/60"HOSE-WHITE	
3	103092-02-000	EA	SHOWERHEAD-W/60"HOSE-CSA	
	103092-01-702	EA	SEALS-SPRAYHEAD	24466
	103092-01-700	EA	BRACKET-F/SHOWERHEAD,CLEAR	2328028
	011048-03-700	EA	BRACKET-F/SHOWERHEAD	2328029-I
4	P13922-01-E37	EA	DOOR-MIRRORED	
	111572-01-01A	EA	HARDWARESET-(BUSHINGS-STRIKEPLATE-CATCH-PIVOTS-TAPE)	
	058331-A6-000	EA	MIRROR-SAFETYGLASS-17.2" X 70.8"	
	125221-01-01A	EA	PULL-MIRROR-W/ROUNDHANDLE	
	074493-02-000	EA	SUPPORT-PISTONSPRING-CABINETDOOR	
	113924-01-02A	EA	RAIL-DOORTERRATONE	
	111575-01-01A	FT	CHANNEL-GLAZING-SWINGDOOR	
	112377-01-02A	EA	BRACKET-DOORSTOP	
5	116755-01-01A	EA	SEAT-SHOWERO/WHITE	

BATHGROUP(CONTINUED)



BATHCABINETS&COMPONENTS

KEY	PARTNUMBER	U/M	DESCRIPTION
1	M06803-29-H17	EA	DOOR-MITEREDCORNER/OGEEEDGE-12"X21.9"-W/OHDW(OAK)
1	122715-04-01A	EA	DOOR-MOLDEDVINYL-12"X21.9"-W/OHDW(WHITE)
2	116569-01-G15	EA	CABINET-MEDICINE-W/ODOORS/HARDWARE(OAK)
2	116569-01-H40	EA	CABINET-MEDICINE-W/ODOORS/HARDWARE(WHITE)
3	116569-11-H17	EA	SHELF-W/PLASTICEDGETRIM(OAK)
3	116569-11-H40	EA	SHELF-W/PLASTICEDGETRIM(WHITE)
4	M06803-K2-H17	EA	DOOR-MITEREDCORNER/OGEEEDGE-11.4"X28.1"-W/OHDW(OAK)
4	122715-54-01A	EA	DOOR-MOLDEDVINYL-11.4"X28.1"-W/OHDW(WHITE)
5	093606-08-000	EA	MIRROR-BEVELEDPANEL-20.8"X35.4"
6	116568-12-F12	EA	COUNTERTOP-LAVATORY(H17,H18)
6	116568-12-H19	EA	COUNTERTOP-LAVATORY(H19)
6	116568-12-H40	EA	COUNTERTOP-LAVATORY(H40,H41)
7	075240-06-000	EA	FAUCET-LAVATORY/BONE
	091253-01-000	EA	GASKET-FAUCET-LAVATORY/GALLEY
8	105921-01-01A	EA	SINK-LAVATORY-LARGE/OVAL-17"X20"PLASTIC/OFFWHITE
	106116-01-01A	EA	STRAINER-SINK-W/STOPPER/TAILPIECE/GASKET&NUT-PLASTIC
	105218-01-01A	EA	SPACER-FAUCET/LAVATORYSINK-2"X5.9"-ABSPLASTIC
9	116568-01-G15	EA	CABINET-LAVATORY-W/ODOOR/DRAWER/HARDWARE(H17,H18)
9	116568-01-H19	EA	CABINET-LAVATORY-W/ODOOR/DRAWER/HARDWARE(H19)
9	116568-01-H40	EA	CABINET-LAVATORY-W/ODOOR/DRAWER/HARDWARE(H40,H41)
10	M06803-89-H17	EA	DOOR-MITEREDCORNER/OGEEEDGE-15"X21.8"-W/OHDW(OAK)
10	122715-06-01A	EA	DOOR-MOLDEDVINYL-15"X21.8"-W/OHDW(WHITE)
11	116237-01-H17	EA	DRAWER-HAMPER-W/OSLIDES/HARDWARE(OAK)
11	116237-05-H40	EA	DRAWER-HAMPER-W/OSLIDES/HARDWARE(WHITE)
12	085330-06-000	EA	TOILET-STANDARDCHINAW/SPRAYER-BONE
13	M05971-N6-H17	EA	DRAWER-OGEEEDGE-7.5"WX9.8"D-W/OSLIDES/HARDWARE(OAK)
13	P10163-DY-H40	EA	DRAWER-SQUAREEDGE-7.5"WX9.8"D-W/OSLIDES/HDW(WHITE)
14	116569-12-H17	EA	SHELF-W/PLASTICEDGETRIM(OAK)
14	116569-12-H40	EA	SHELF-W/PLASTICEDGEMOLDING(WHITE)
	075452-02-000	EA	HOLDER-TOILETTISSUE-BRASS
	075453-02-000	EA	BAR-TOWEL-18"BRASS
	075454-02-000	EA	RING-TOWEL-W/MOUNTINGHARDWARE-BRASS

BATHGROUP(CONTINUED)**SHOWERDOOR**

KEY	PARTNUMBER	U/M DESCRIPTION	VENDORN.
	116814-01-01A	EA DOOR-SHOWER-SOLIDW/PANEL	
	089318-01-701	FT SWEEP-VINYL	C171G500FTRL
	089318-01-704	EA BOLT-PIVOT-TOPORBOTTOM	1428B
	092574-01-700	EA KNOB-SAFETY LATCH	9728G
	092574-01-701	EA BRACKET-STUD-TOWELBAR-GOLD	8141G
	092574-01-703	EA PULL-DOOR-GOLD(INSIDE)	1849G
	092574-01-704	EA SCREW-GOLD#63/8	638G
	092574-01-705	EA STRIP-MAGNETIC-567/8"	98-41G
	092574-01-707	EA BUSHING-PIVOT-TOP	18712B
	092574-01-708	EA CAP-DRIP-W/VINYLSWEEP	34G
	092574-01-710	EA SCREW-GOLD-FORTOWELBAR	832G
	107878-01-703	EA CAP-DRIP-PLUGSET	DCP2
	107878-01-704	EA HEADERORSILL	70
	116814-01-700	EA BAR-TOWEL175/16"	68G

BATHGROUP(CONTINUED)**BATHDOOR**

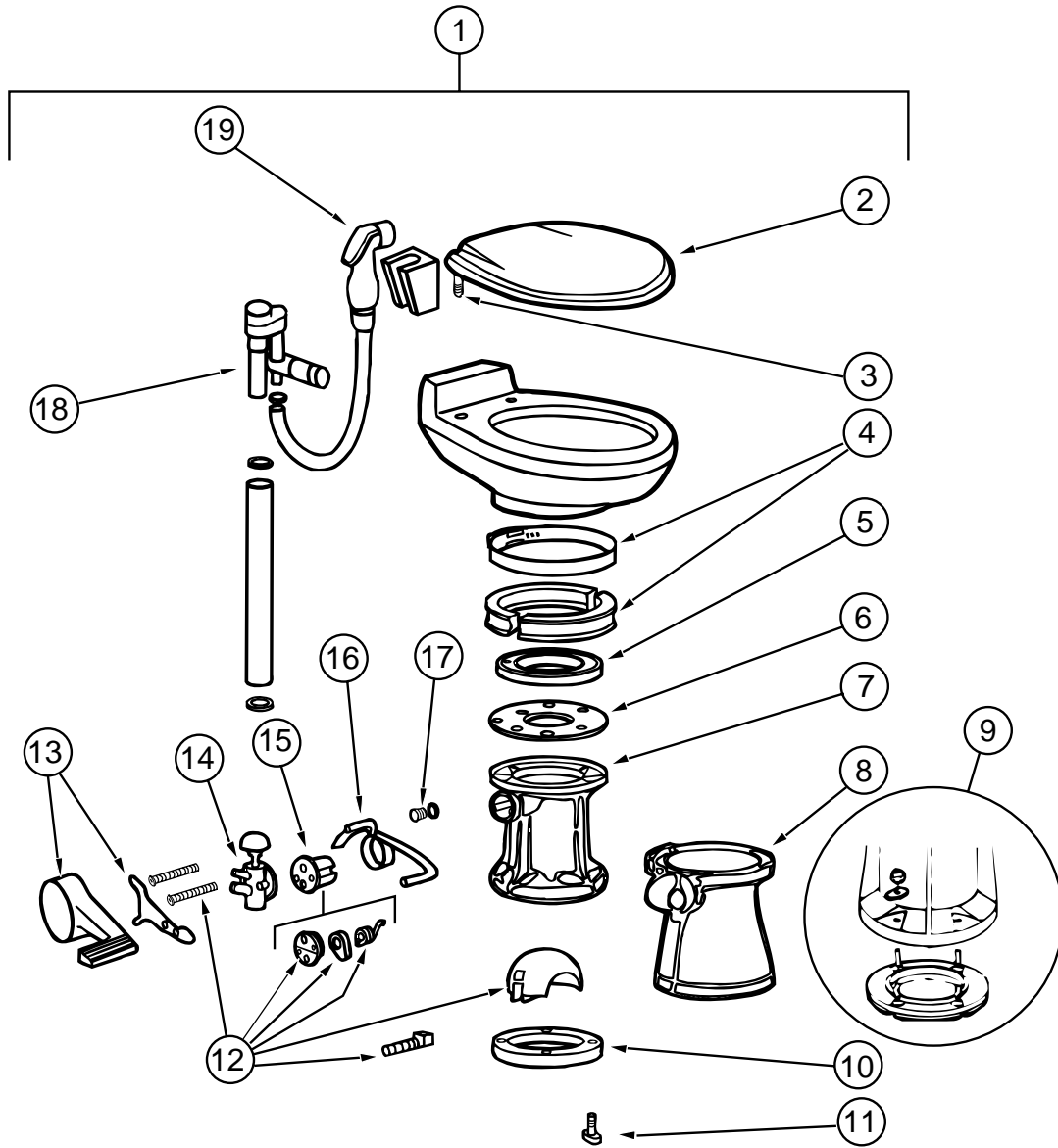
KEY	PARTNUMBER	U/M DESCRIPTION
	121449-31-H17	EA DOOR-BATH-W/OHARDWARE(OAK)
	121449-31-H40	EA DOOR-BATH-W/OHARDWARE(WHITE)
	102920-01-01A	EA HINGE-SPRINGLOADED/BRASS
	110496-01-01A	EA HINGE-BRASS
	111155-01-01A	EA LOCK-PRIVACY-POLISHEDBRASS
	121449-12-G04	EA RACK-TOWEL-BATHDOOR(OAK)
	121449-12-H23	EA RACK-TOWEL-BATHDOOR(WHITE)
	100357-01-000	EA ROD-F/TOWELBAR-BRASS

BATH/BEDROOMSLIDINGDOOR

KEY	PARTNUMBER	U/M DESCRIPTION
	116830-01-G15	EA DOOR-SLIDING-W/OVALMIRROR-W/OHARDWARE(OAK)
	116830-01-H40	EA DOOR-SLIDING-W/OVALMIRROR-W/OHARDWARE(WHITE)
	103908-09-H37	EA HEADER-DOOR(MAPLE)
	103908-09-H17	EA HEADER-DOOR(OAK)
	103868-09-01A	EA TRACK-SLIDINGDOOR-64.3"-OFFWHITE
	103874-01-000	EA HANGER-SLIDINGDOOR
	064467-01-000	EA GUIDE-POCKET-SLIDINGDOOR-WALLMOUNTED
	098410-01-01A	EA PULL-FINGER-BRASS

BATHGROUP(CONTINUED)

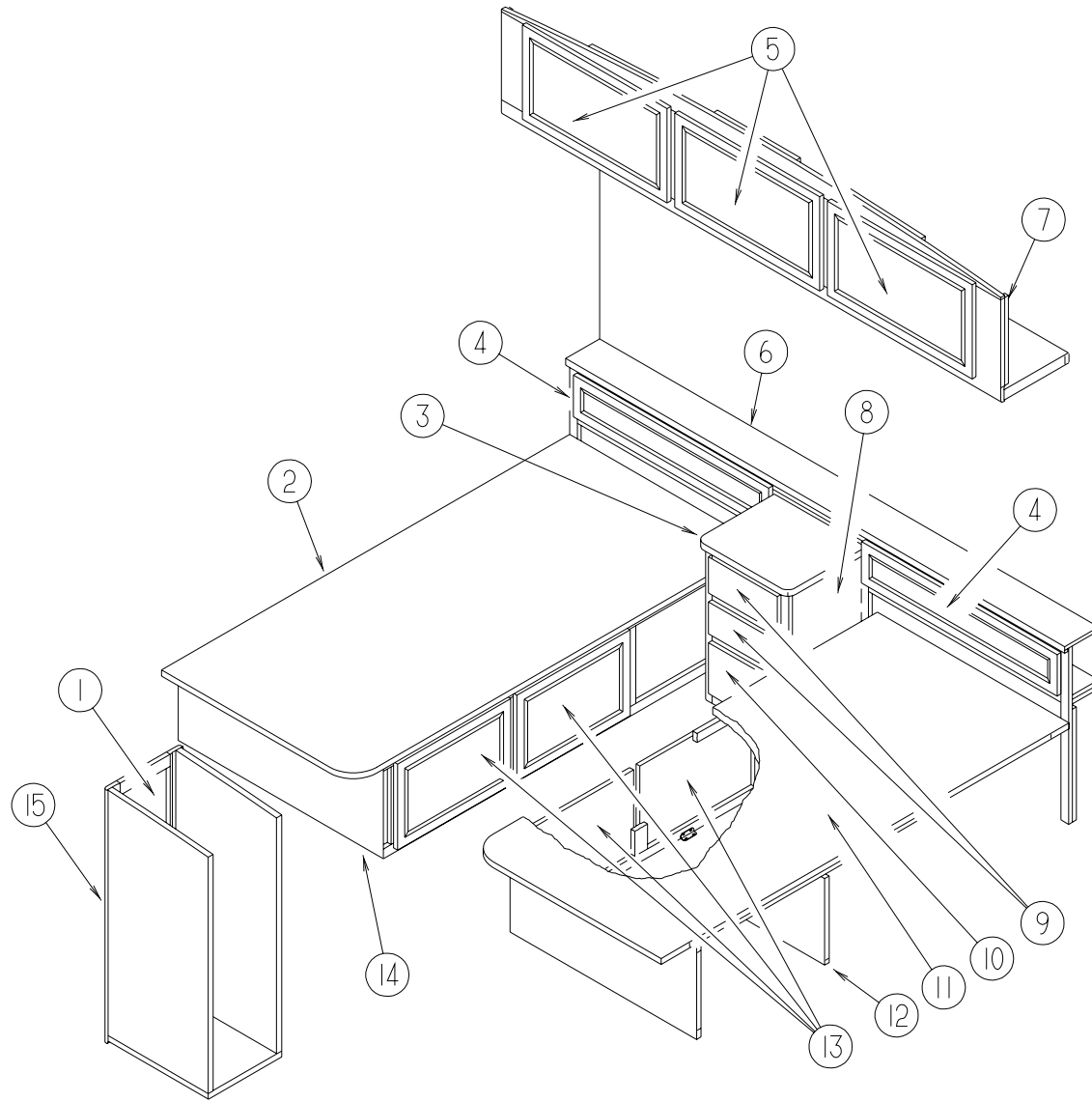
TOILET(SEALANDMODEL910W/SPRAYER)



KEY	PARTNUMBER	U/M DESCRIPTION	VENDOR NO.
1	085330-06-000	EA TOILET-CHINA-STANDARD(BONE)-591003	
2	085330-06-700	EA SEATASSEMBLY(BONE)	340591
3	085330-06-702	EA HINGEHARDWARE(BONE)SET	342131
4	085330-01-703	EA RING&HALFCLAMPS(BONE)	385310048
5	085330-01-704	EA TEFLON&RUBBERSEALKIT	385316140
6	085330-01-705	EA SUPPORT-SEAL-PLASTIC	390346405
7	085330-02-700	EA BASEASM	310121
8	085330-02-702	EA COVER-PEDESTAL-BONE510	310112
9	085330-01-718	EA SEAL&BASEW/MOUNTINGHARDWARE	3853100-63
10	085330-01-714	EA SEAL-FLANGE-FLOOR	390343892
11	085330-01-717	EA STOOLMOUNTINGPACKAGE-BOLT&SEAL	3100-64
12	085330-01-706	EA BALL-SHAFT&CARTRIDGE	385318162
13	085330-02-703	EA COVER-PEDAL-BONENEWSTYLE	310115
14	085330-01-709	EA VALVE-WATER	385314349
15	085330-01-707	EA CARTRIDGE-SPRINGASM.	381236096
16	085330-06-703	EA LEVER-FLUSH	340873
17	085330-01-710	EA DRAIN-KIT-PLUG-CAPW/SEAL	230384
18	085330-06-701	EA BREAKER-VACUUM/DIVERTER(900)	230335
19	085330-04-701	EA HANDSPRAY-W/HOSE(500&900)	340683

BEDROOMGROUP

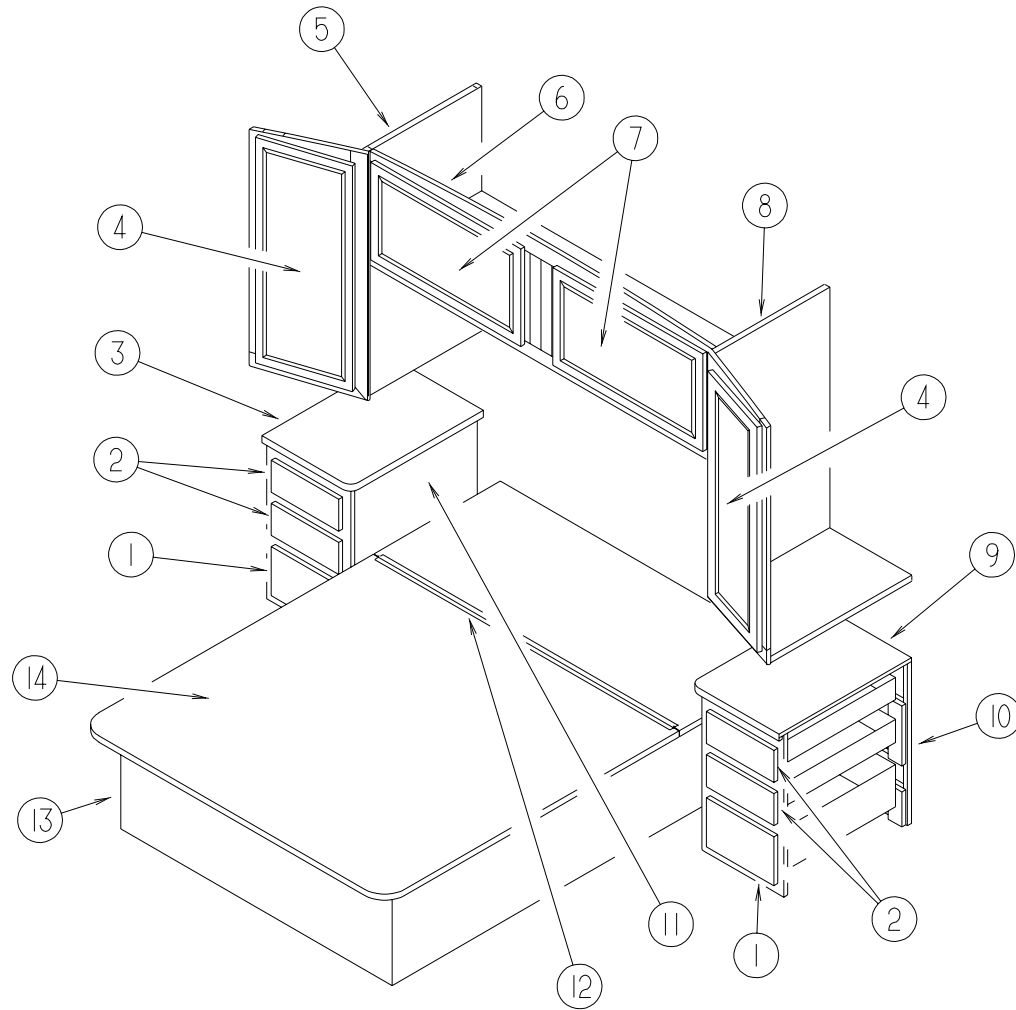
TWINBEDROOM



KEY	PARTNUMBER	U/M	DESCRIPTION
1	M06803-74-H17	EA	DOOR-MITEREDCORNER/OGEEEDGE-12"X40"-W/OHARDWARE(OAK)
1	122715-47-01A	EA	DOOR-MOLDEDVINYL-12"X40"-W/OHDW(WHITE)
2	M07464-01-000	EA	TOP-TWINBED-PASSENGERSIDE-W/OHARDWARE
3	104507-11-F12	EA	COUNTERTOP-NIGHTSTAND(H17,H18)
3	104507-11-F31	EA	COUNTERTOP-NIGHTSTAND(H19)
3	104507-11-H40	EA	COUNTERTOP-NIGHTSTAND(H40,H41)
4	117427-11-G15	EA	DOOR-WALLCABINET/TWINBED-W/OHARDWARE(H17)
4	117427-11-H18	EA	DOOR-WALLCABINET/TWINBED-W/OHARDWARE(H18)
4	117427-11-H19	EA	DOOR-WALLCABINET/TWINBED-W/OHARDWARE(H19)
4	117427-11-H40	EA	DOOR-WALLCABINET/TWINBED-W/OHARDWARE(H40)
4	117427-11-H41	EA	DOOR-WALLCABINET/TWINBED-W/OHARDWARE(H41)
5	M06803-13-H17	EA	DOOR-MIRROR/MTRDCRNR/OGEEEDGE-15.7"X27.9"-W/OHDW(OAK)
5	M06803-82-H17	EA	DOOR-MITEREDCORNER/OGEEEDGE-15.7"X27.9"-W/OHDW(OAK)
5	122715-08-01A	EA	DOOR-MOLDEDVINYL-15.7"X27.9"-W/OHARDWARE(WHITE)
6	117427-13-F12	EA	COUNTERTOP-TWINBEDWALLCABINET(H17,H18)
6	117427-13-H19	EA	COUNTERTOP-TWINBEDWALLCABINET(H19)
6	117427-13-H40	EA	COUNTERTOP-TWINBEDWALLCABINET(H40,H41)
7	116187-01-H17	EA	CABINET-OVERHEAD/REAR-W/ODOORS/HARDWARE-(TWINBED)(OAK)
7	116187-01-H40	EA	CABINET-OVERHEAD/REAR-W/ODOORS/HARDWARE-(TWINBED)(WHITE)
8	104507-01-G15	EA	CABINET/NIGHTSTAND-W/COUNTERTOP-W/ODRAWERS/HDW(H17,H18)
8	104507-01-G45	EA	CABINET/NIGHTSTAND-W/COUNTERTOP-W/ODRAWERS/HDW(H19)
8	104507-01-H40	EA	CABINET/NIGHTSTAND-W/COUNTERTOP-W/ODRAWERS/HDW(H40)
8	104507-01-H41	EA	CABINET/NIGHTSTAND-W/COUNTERTOP-W/ODRAWERS/HDW(H41)
9	M05971-65-H17	EA	DRAWER-OGEEEDGE-12.2"WX11.8"D-W/OSLIDES/HARDWARE(OAK)
9	P10163-CZ-H40	EA	DRAWER-SQUAREEDGE-12.2"WX11.8"D-W/OSLIDES/HDW(WHITE)
10	M05971-73-H17	EA	DRAWER-OGEEEDGE-12.2"WX11.8"D-W/OSLIDES/HARDWARE(OAK)
10	P10163-DA-H40	EA	DRAWER-SQUAREEDGE-12.2"WX11.8"D-W/OSLIDES/HDW(WHITE)
11	M07464-02-000	EA	TOP-TWINBED-DRIVERSIDE-W/OHARDWARE
12	P16194-02-G15	EA	CABINET-BASE-TWINBED/LEFTHAND-W/ODOORS/HARDWARE(OAK)
12	P16194-02-H40	EA	CABINET-BASE-TWINBED/LEFTHAND-W/ODOORS/HARDWARE(WHITE)
13	M06803-68-H17	EA	DOOR-MITEREDCORNER/OGEEEDGE-12"X21.9"-W/OHDW(OAK)
13	122715-04-01A	EA	DOOR-MOLDEDVINYL-12"X21.9"-W/OHDW(WHITE)
14	P16194-01-G15	EA	CABINET-BASE-TWINBED/RIGHTHAND-W/ODOORS/HARDWARE(OAK)
14	P16194-01-H40	EA	CABINET-BASE-TWINBED/RIGHTHAND-W/ODOORS/HARDWARE(WHITE)
15	116971-01-G15	EA	CABINET-SHIRT CLOSET-W/ODOOR/HARDWARE-F/TWINBED(OAK)
15	116971-01-H40	EA	CABINET-SHIRT CLOSET-W/ODOOR/HARDWARE-F/TWINBED(WHITE)

BEDROOMGROUP(CONTINUED)

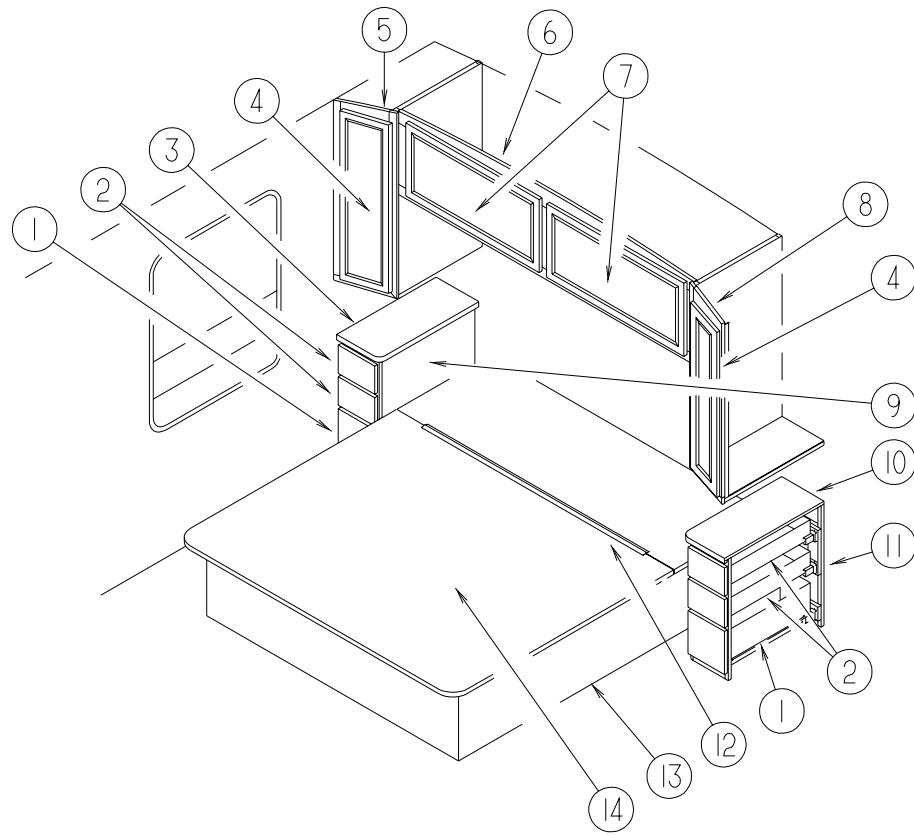
QUEENBEDROOM



KEY	PARTNUMBER	U/M	DESCRIPTION
1	M05971-L6-H17	EA	DRAWER-OGEEEDGE-11.5"WX21.6"D-W/OSLIDES/HARDWARE(OAK) FROM: 00-00-00 THRU: 01-15-97
1	M05971-W3-H17	EA	DRAWER-OGEEEDGE-11.5"WX21.6"D-W/OSLIDES/HARDWARE(OAK) FROM: 01-16-97 THRU: 99-99-99
1	P10163-CW-H40	EA	DRAWER-SQUAREEDGE-11.5"WX21.6"D-W/OSLIDES/HDW(WHITE)
2	M05971-L5-H17	EA	DRAWER-OGEEEDGE-11.5"WX21.6"D-W/OSLIDES/HARDWARE(OAK)
2	P10163-CV-H40	EA	DRAWER-SQUAREEDGE-11.5"WX21.6"D-W/OSLIDES/HARDWARE(WHITE)
3	116193-11-F12	EA	COUNTERTOP-NIGHTSTAND(H17,H18)
3	116193-11-G45	EA	COUNTERTOP-NIGHTSTAND(H19)
3	116193-11-H40	EA	COUNTERTOP-NIGHTSTAND(H40,H41)
4	M06803-G1-H17	EA	DOOR-MIRROR/MTRDCRNR/OGEEEDGE-14.4"X36.4"-W/OHDW(OAK)
4	122715-34-01A	EA	DOOR-MOLDEDVINYL-14.4"X36.4"-W/OHDW(WHITE)
5	116142-01-G35	EA	CABINET-SHIRT CLOSET/RIGHTHAND-W/ODOOR/HARDWARE(OAK)
5	116142-01-H40	EA	CABINET-SHIRT CLOSET/RIGHTHAND-W/ODOOR/HARDWARE(WHITE)
6	106523-01-G09	EA	CABINET-OVERHEAD/REAR-W/ODOORS/HARDWARE(OAK)
6	106523-01-H23	EA	CABINET-OVERHEAD/REAR-W/ODOORS/HARDWARE(WHITE)
7	M06803-82-H17	EA	DOOR-MITEREDCORNER/OGEEEDGE-15.7"X27.9"-W/OHDW(OAK)
7	122715-08-01A	EA	DOOR-MOLDEDVINYL-15.7"X27.9"-W/OHDW(WHITE)
8	116142-02-G35	EA	CABINET-SHIRT CLOSET/LEFTHAND-W/ODOOR/HARDWARE(OAK)
8	116142-02-H40	EA	CABINET-SHIRT CLOSET/LEFTHAND-W/ODOOR/HARDWARE(WHITE)
9	116193-12-F12	EA	COUNTERTOP-NIGHTSTAND(H17,H18)
9	116193-12-G45	EA	COUNTERTOP-NIGHTSTAND(H19)
9	116193-12-H40	EA	COUNTERTOP-NIGHTSTAND(H40,H41)
10	116193-02-G15	EA	CABINET-NIGHTSTAND/LEFTHAND-W/ODRAWERS/HDW(H17,H18)
10	116193-02-G45	EA	CABINET-NIGHTSTAND/LEFTHAND-W/ODRAWERS/HDW(H19)
10	116193-02-H40	EA	CABINET-NIGHTSTAND/LEFTHAND-W/ODRAWERS/HDW(H40,H41)
11	116193-01-G15	EA	CABINET-NIGHTSTAND/RIGHTHAND-W/ODRAWERS/HDW(H17,H18)
11	116193-01-G45	EA	CABINET-NIGHTSTAND/RIGHTHAND-W/ODRAWERS/HDW(H19)
11	116193-01-H40	EA	CABINET-NIGHTSTAND/RIGHTHAND-W/ODRAWERS/HDW(H40,H41)
12	041389-25-000	EA	HINGE-PIANO-1.50"X55"
13	P21153-01-G15	EA	CABINET-BASE/QUEENBED(OAK)
13	P21153-01-H40	EA	CABINET-BASE/QUEENBED(WHITE)
14	M08093-03-H17	EA	TOP-BED-QUEEN-W/OHARDWARE
	057460-04-000	EA	SPRING-GAS-BALLSTUDSTYLE "SPD6209"
	089025-01-000	EA	SUPPORT-SPRINGTOBED-ANGLE1.5"X11.8"
	109645-01-000	EA	BRACKET-SUPPORTFLOORTOBED-F/GASSPRING

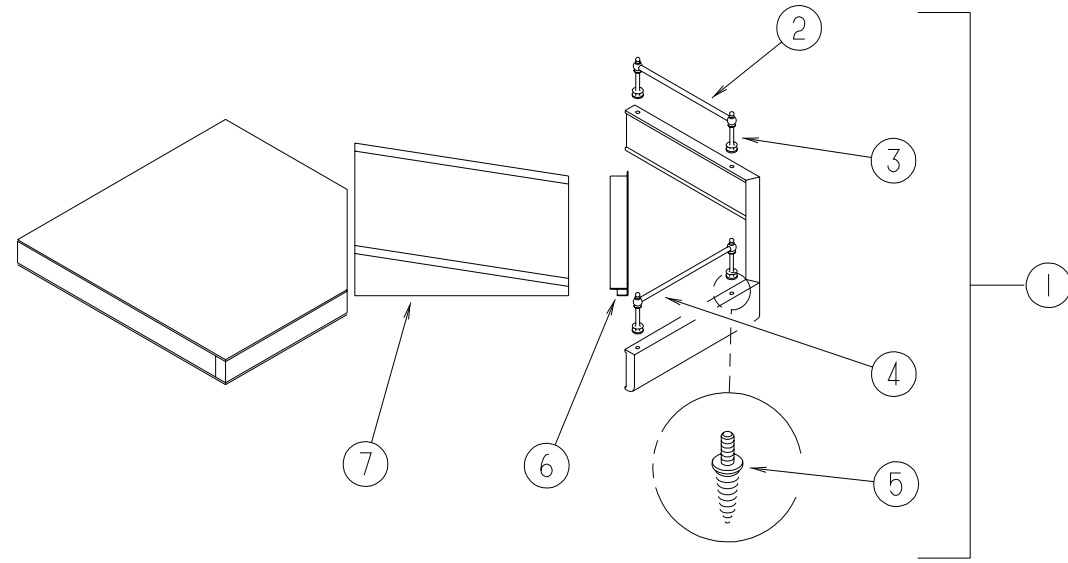
BEDROOMGROUP(CONTINUED)

KINGBEDROOM



KEY	PARTNUMBER	U/M	DESCRIPTION
1	M05971-W8-H17	EA	DRAWER-OGEEEDGE-6.3"WX21.6"D-W/OSLIDES/HARDWARE (OAK)
1	P10163-CT-H40	EA	DRAWER-SQUAREEDGE-6.3"WX21.6"D-W/OSLIDES/HDW(WHITE)
2	M05971-W9-H17	EA	DRAWER-OGEEEDGE-6.3"WX21.6"D-W/OSLIDES/HARDWARE (OAK)
2	P10163-CN-H40	EA	DRAWER-SQUAREEDGE-6.3"WX21.6"D-W/OSLIDES/HDW(WHITE)
3	117173-11-F12	EA	COUNTERTOP-NIGHTSTAND(H17,H18)
3	117173-11-G45	EA	COUNTERTOP-NIGHTSTAND(H19)
3	117173-11-H40	EA	COUNTERTOP-NIGHTSTAND(H40,H41)
4	M06803-37-H17	EA	DOOR-MIRROR/MTRDCRNR/OGEEEDGE-10.8"X36.4"-W/OHDW(OAK)
4	122715-16-01A	EA	DOOR-MOLDEDVINYL-10.8"X36.4"-W/OHDW(WHITE)
5	117175-01-G15	EA	CABINET-SHIRT CLOSET/RIGHTHAND-W/ODOOR/HARDWARE (OAK)
5	117175-01-H40	EA	CABINET-SHIRT CLOSET/RIGHTHAND-W/ODOOR/HARDWARE (WHITE)
6	117240-01-G15	EA	CABINET-OVERHEAD/REAR-W/ODOORS/HARDWARE (OAK)
6	117240-01-H40	EA	CABINET-OVERHEAD/REAR-W/ODOORS/HARDWARE (WHITE)
7	M06803-L7-H17	EA	DOOR-MITEREDCORNER/OGEEEDGE-14.4"X33.5"-W/OHDW(OAK)
7	122715-35-01A	EA	DOOR-MOLDEDVINYL-14.4"X33.5"-W/OHDW(WHITE)
8	117175-02-G15	EA	CABINET-SHIRT CLOSET/LEFTHAND-W/ODOOR/HARDWARE (OAK)
8	117175-02-H40	EA	CABINET-SHIRT CLOSET/LEFTHAND-W/ODOOR/HARDWARE (WHITE)
9	117173-01-G15	EA	CABINET-NIGHTSTAND/RIGHTHAND-W/ODRAWERS/HDW(H17,H18)
9	117173-01-G45	EA	CABINET-NIGHTSTAND/RIGHTHAND-W/ODRAWERS/HDW(H19)
9	117173-01-H40	EA	CABINET-NIGHTSTAND/RIGHTHAND-W/ODRAWERS/HDW(H40)
9	117173-01-H41	EA	CABINET-NIGHTSTAND/RIGHTHAND-W/ODRAWERS/HDW(H41)
10	117173-12-F12	EA	COUNTERTOP-NIGHTSTAND(H17,H18)
10	117173-12-G45	EA	COUNTERTOP-NIGHTSTAND(H19)
10	117173-12-H40	EA	COUNTERTOP-NIGHTSTAND(H40,H41)
11	117173-02-G15	EA	CABINET-NIGHTSTAND/LEFTHAND-W/ODRAWERS/HDW(H17,H18)
11	117173-02-H45	EA	CABINET-NIGHTSTAND/LEFTHAND-W/ODRAWERS/HDW(H19)
11	117173-02-H40	EA	CABINET-NIGHTSTAND/LEFTHAND-W/ODRAWERS/HDW(H40)
11	117173-02-H41	EA	CABINET-NIGHTSTAND/LEFTHAND-W/ODRAWERS/HDW(H41)
12	041389-25-000	EA	HINGE-PIANO-1.50"X55"
13	P21154-01-G15	EA	CABINET-BASE-KINGBED(OAK)
13	P21154-01-H40	EA	CABINET-BASE-KINGBED(WHITE)
14	M08093-04-H17	EA	TOP-KINGBED-W/OHARDWARE

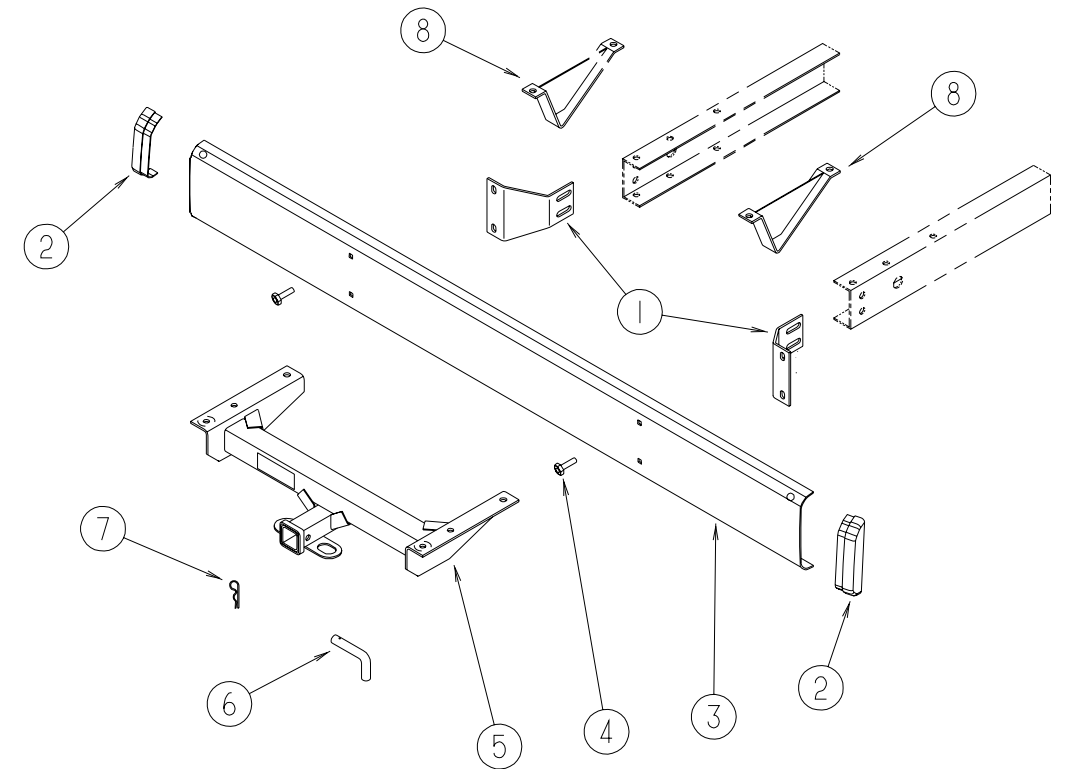
BEDROOMGROUP(CONTINUED)



TVSHELF

KEY	PARTNUMBER	U/M	DESCRIPTION
1	116553-01-GB1	EA	CABINET-TV SHELF-W/BASSRODS/POSTENDS(OAK)
1	116553-01-H40	EA	CABINET-TV SHELF-W/BASSRODS/POSTENDS(WHITE)
2	084071-12-000	EA	ROD-BRASS-4.08" LONG
3	084071-02-000	EA	ROD-BRASS-2.4" LONG
4	084071-19-000	EA	ROD-BRASS-7.09" LONG
5	106166-01-000	EA	BOLT/COLLARED HANGER-8-32X1"
6	103186-01-05A	FT	MOLDING-PLASTIC/3/8" U-CHANNEL W/3/4" FACE-WATERFORD OAK
6	103186-01-07A	FT	MOLDING-PLASTIC/3/8" U-CHANNEL W/3/4" FACE-BEIGE ILLUSION
7	116553-15-GB1	EA	WEDGE-TV SHELF(OAK)
7	116553-15-H40	EA	WEDGE-TV SHELF(WHITE)

CHASSISGROUP



REAR BUMPER & COMPONENTS

KEY	PARTNUMBER	U/M	DESCRIPTION
1	104418-07-000	EA	ANGLE-BUMPER REAR SUPPORT
2	103228-01-05A	EA	ENDCAP-REAR BUMPER-DRIVER/PASSENGER SIDE
3	103099-04-02A	EA	BUMPER-REAR-BRIGHT WHITE
4	102333-01-05A	EA	BOLT-7/16"
5	107707-01-000	EA	HITCH RECEIVER-BOLT-ON CLASS II
6	034512-01-000	EA	PIN-LOCKING-DRAWBAR
7	034513-01-000	EA	PIN-3/16" WIRE
8	111742-01-000	EA	PLATE-SKID
	113589-01-000	EA	CONNECTOR-PLUG-TRAILER
	113589-02-000	EA	CONNECTOR-SOCKET-TRAILER
	070579-09-000	EA	PLATE-ANCHOR
	113588-02-01B	EA	BRACKET-CONNECTOR TRAILER W/OLIP

CHASSISGROUP(CONTINUED)

HWHHYDRAULICLEVELINGSYSTEM(FORD)

KEY	PARTNUMBER	U/M DESCRIPTION	VENDOR NO.
	100532-08-000	EA LEVELINGSYSTEM-HYDRAULIC-JOYSTICK-HWH	
	100532-01-704	EA SWITCH-MERCURY-6K/9KJACK	RAP1010
	100532-01-705	EA SPRINGKIT-9KJACK	R1171
	100532-01-714	EA SCREWKIT(LEVELINGJACKS)	R1280
	100532-02-700	EA JACKASSEMBLY,6KTALL	RAP7164
	100532-02-701	EA SPRINGKIT-6KJACK	R6824
	100532-02-704	EA CABLE-ACTUATOR,6KJACK	RAP7194
	100532-02-705	EA PUMP/RESERVOIRASM-MONARCH	RAP8178
	100532-03-710	EA SENSINGUNIT21'MTA	RAP6798
	100532-03-715	EA CAP-BREATHERW/DIPSTICK	RAP7876
	100532-08-700	EA POWERUNITASM.	AP10470
	100532-08-701	EA CONTROL,BI-AXIS-F/200SYSTEM	RAP0612
	100532-08-702	EA VALVE,BI-AXIS	RAP9589
	100532-08-703	EA PANELASM.-200BI-AXISSYS.	RAP9755
	100532-08-704	EA JACKASM.-9KTALL200SYS.	RAP7002
	100532-08-705	EA KNOB-3/4"BLACK,SETOFFOUR	RAP1379
	100532-08-706	EA KNOB-13/16"BLACK	RAP9734
	100532-08-707	EA BEZELW/GASKET,F/SYSTEM200	RAP9592
	100532-09-707	EA ACTUATORASM.-9K	RAP0547
	100532-09-709	EA ACTUATORASM.-6K	RAP0448
	100532-09-710	EA SOLENOID-INTERMITENTDUTY	RAP0533
	100533-06-000	EA BRACKETS-FRONTLEVELINGJACKS-FORD	
	100534-06-000	EA BRACKETS-REARLEVELINGJACKS(FORDW/OTAGAXLE)	
	100536-18-000	EA HOSEKIT-LEVELINGJACKS -HWHAP0965	
	107890-01-000	EA ELBOW-STEEL-90D-1/4X37D-FLARE	
	117183-01-02B	EA COVER-SENSOR-LEVELING	
	120916-01-02B	EA BRACKET-PUMP-LEVELINGSYSTEM	

HWHHYDRAULICLEVELINGSYSTEM(CHEVY)

KEY	PARTNUMBER	U/M DESCRIPTION	VENDOR NO.
	100532-08-000	EA LEVELINGSYSTEM-HYDRAULIC-JOYSTICK-HWH	
	100532-01-704	EA SWITCH-MERCURY-6K/9KJACK	RAP1010
	100532-01-705	EA SPRINGKIT-9KJACK	R1171
	100532-01-714	EA SCREWKIT(LEVELINGJACKS)	R1280
	100532-02-700	EA JACKASSEMBLY,6KTALL	RAP7164
	100532-02-701	EA SPRINGKIT-6KJACK	R6824
	100532-02-704	EA CABLE-ACTUATOR,6KJACK	RAP7194
	100532-02-705	EA PUMP/RESERVOIRASM-MONARCH	RAP8178
	100532-03-710	EA SENSINGUNIT21'MTA	RAP6798
	100532-03-715	EA CAP-BREATHERW/DIPSTICK	RAP7876
	100532-08-700	EA POWERUNITASM.	AP10470
	100532-08-701	EA CONTROL,BI-AXIS-F/200SYSTEM	RAP0612
	100532-08-702	EA VALVE,BI-AXIS	RAP9589
	100532-08-703	EA PANELASM.-200BI-AXISSYS.	RAP9755
	100532-08-704	EA JACKASM.-9KTALL200SYS.	RAP7002
	100532-08-705	EA KNOB-3/4"BLACK,SETOFFOUR	RAP1379
	100532-08-706	EA KNOB-13/16"BLACK	RAP9734
	100532-08-707	EA BEZELW/GASKET,F/SYSTEM200	RAP9592
	100532-09-707	EA ACTUATORASM.-9K	RAP0547
	100532-09-709	EA ACTUATORASM.-6K	RAP0448
	100532-09-710	EA SOLENOID-INTERMITENTDUTY	RAP0533
	100533-05-000	EA BRACKETS-FRONTLEVELINGJACK-CHEVY	
	100534-12-000	EA BRACKETS-REARLEVELINGJACKS(KICKDOWN)-CHEVY	
	100536-18-000	EA HOSEKIT-LEVELINGJACKS-HWHAP0965	
	107890-01-000	EA ELBOW-STEEL-90D-1/4X37D-FLARE	
	114711-01-09B	EA SHIELD-LEVELINGJACK	
	117183-01-02B	EA COVER-SENSOR-LEVELING	
	120916-01-02B	EA BRACKET-PUMP-LEVELINGSYSTEM	
	122309-01-09B	EA SHIELD-LEVELINGJACK,GALV(W/VORTECEENGINE)	

CHASSISGROUP(CONTINUED)

FORDWHEELLINERS

KEY	PARTNUMBER	U/M DESCRIPTION	VENDOR NO.
	110435-08-000	EA LINER-WHEELSET(SET=4)16"	
	110435-01-711	EA DECAL-CENTERCAP,2"	2"DECAL
	110435-02-702	EA STUDEXTENDER	V160SD-STX
	110435-02-703	EA NUT(JAMB)	V160SD-JNT
	110435-02-704	EA COVER-LUGNUT	V160F0-LNC
	110435-02-705	EA TOOLF/JAMBNUT,INSTALL.	V160FO-TOL
	110435-08-700	EA LINER-WHEEL,FRONT	V160SD-FWC
	110435-08-701	EA LINER-WHEEL,REAR	V160SD-RWC

FORDWHEELCOVERS-DICOR

KEY	PARTNUMBER	U/M DESCRIPTION	VENDOR NO.
	098532-01-000	EA COVER-WHEEL-FORD-16"-SETOF4DICORSH-SD-16	
	098532-01-700	EA COVER-LUGNUT(CHROME)	SHAU-LNC
	098532-01-701	EA COVER-WHEEL-FRT/REAR1ONLY	SH-SD

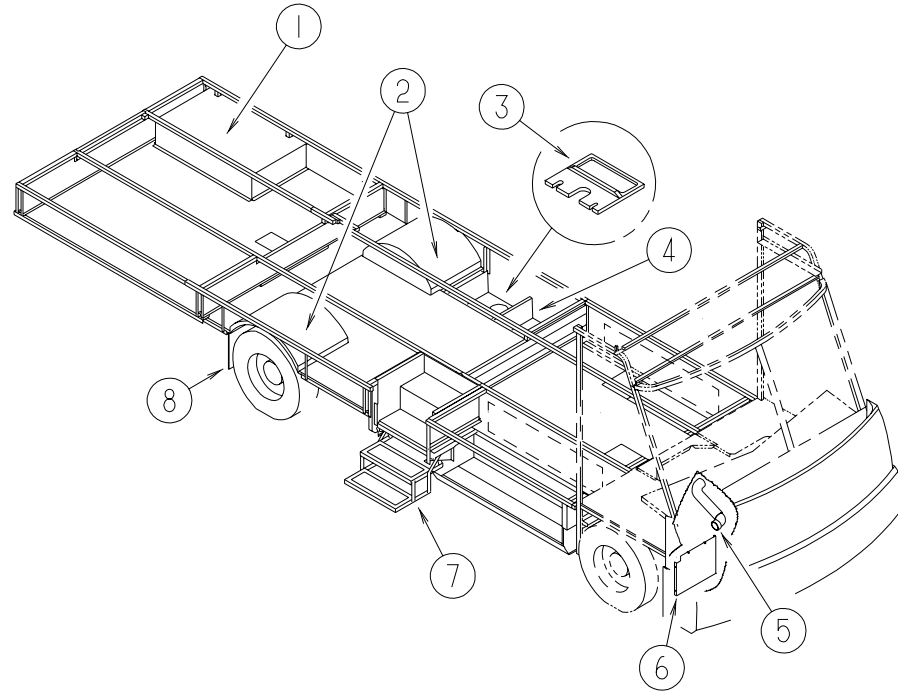
CHEVYWHEELLINERS

KEY	PARTNUMBER	U/M DESCRIPTION	VENDOR NO.
	110435-06-000	EA LINER-WHEELSET(SET=4)19.5"R/GMW/LONGSTUDS	
		FROM: 00-00-00 THRU: 05-06-97	
	110435-01-711	EA DECAL-CENTERCAP,2"	2"DECAL
	110435-02-703	EA NUT(JAMB)	V160SD-JNT
	110435-02-704	EA COVER-LUGNUT	V160F0-LNC
	110435-02-705	EA TOOLF/JAMBNUT,INSTALL.	V160FO-TOL
	110435-06-700	EA LINER-WHEEL,FRONT	V195P5-FWC
	110435-06-701	EA LINER-WHEEL,REAR	V195P5-RWC
	110435-06-702	EA BRACKET-BRIDGE	V195P5-BRK
	110435-06-703	EA NUT-JAM,BRIDGEBRKT11/16	V195P5-BJN
	110435-06-704	EA STUDEXTENDERS-P30	V195P5-STX
	110435-10-000	EA LINER-WHEEL-SET4-19.5"	
		FROM: 05-07-97 THRU: 99-99-99	
	110435-10-700	EA LINER-WHEEL-FRONT-1PC	V195P7-FWC
	110435-10-701	EA LINER-WHEEL-REAR-1PC.	V195P7-RWC
	110435-10-702	EA JAMBNUT-ENCLOSED/LNC	V195P7-EJN
	110435-10-703	EA STUD-PLASTIC	V195P7-PST
	110435-10-704	EA JAMBNUT-PLASTIC/LNC	V195P7-PJN
	110435-10-705	EA TOOL-INSTALLATION	V195P7-TOL

CHEVYWHEELCOVERS-DICOR

KEY	PARTNUMBER	U/M DESCRIPTION	VENDOR NO.
	109443-01-000	EA WHEELCOVERSET-(EA=4WHEELCOVERSW/HARDWARE)19.5"	
		FROM: 00-00-00 THRU: 12-20-96	
	109443-01-700	EA COVER-WHEEL19.5FRT/RREA=1	SHAG95
	109443-01-701	EA BRACKET-RETENTIONFRONT	SHAG95-FBS
	109443-01-702	EA BRACKET-RETENTIONREAR	SHAG95-RBS
	109443-01-703	EA CAP-CENTER,HUB-DICOR	SHAU95-CAP
	109443-01-704	EA CLIP-RETAINER	V160GM-PNT
	109443-06-000	EA WHEEL-COVER-4/SET-19.5"	
		FROM: 12-21-96 THRU: 99-99-99	
	109443-01-700	EA COVER-WHEEL19.5FRT/RREA=1	SHAG95
	109443-01-701	EA BRACKET-RETENTIONFRONT	SHAG95-FBS
	109443-01-703	EA CAP-CENTER,HUB-DICOR	SHAU95-CAP
	109443-01-704	EA CLIP-RETAINER	V160GM-PNT
	109443-06-701	EA BRACKET-RETENTIONREAR	SHG795-RBS

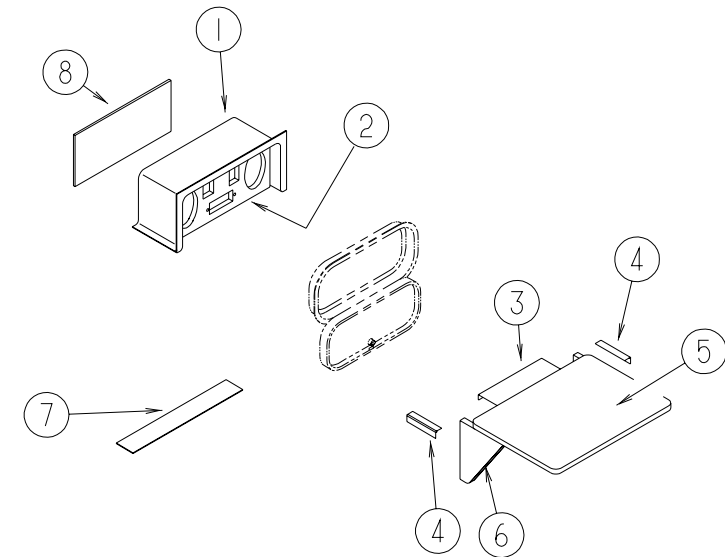
CHASSISGROUP(CONTINUED)



COMPARTMENTS&TRAYS

KEY	PARTNUMBER	U/M	DESCRIPTION
1	094657-02-000	EA	TRAY-GENERATOR-22.5"X30.4"X6.9"-W/ANGLE&NUTS
	114070-02-02B	EA	SUPPORT-GENERATOR-LEFT
	114071-02-02B	EA	SUPPORT-GENERATOR-RIGHT
	072877-03-000	EA	INSULATION-SOUNDBARRIER-1"X36"X57"
2	055374-03-000	EA	WHEELWELL-PLASTIC
3	M06991-05-G38	EA	HATCH-W/FOAM
	121175-01-01A	EA	LATCH-SWELL-BLACK
4	114676-04-G38	EA	COMPARTMENT-STORAGE-14.4"X48.9"
	M07452-04-G38	EA	COMPARTMENT-STORAGE-14.4"X48.9"
5	119847-01-02B	EA	SHIELD-A/COMPRESSOR
6	123361-01-000	EA	DUCT-AIRINTAKE
7	094707-01-01A	EA	STEP-DOUBLE-ELECTRIC-KWIKEE
8	020167-04-000	EA	DIRTGUARD-STEEL-14.9"LONG
			FROM: 00-00-00 THRU: 12-18-96
8	020167-08-000	EA	DIRTGUARD-STEEL-13.6"LONG
			FROM: 12-19-96 THRU: 99-99-99
8	017516-01-000	EA	MUDFLAP-14"X18"-BLACK
	065450-05-000	EA	TIEDOWN-BATTERY-8.4" TUBE
	087475-02-000	EA	BRACKET-BATTERYTIEDOWN-13.5"X1.3"
			FROM: 00-00-00 THRU: 02-18-97
	112864-01-000	FT	SEAL-FOAM/BUTYLCOVERED-3/8"
	113452-01-000	FT	SEAL/TRIM-FRONT-VINYLLW/WIRECARRIER
			FROM: 02-03-97 THRU: 99-99-99
	056748-01-000	EA	PLUG-CAP-1.5" DIAMETER
			FROM: 00-00-00 THRU: 06-01-97
	061420-10-000	EA	PLUG/PLASTIC-1.50" DIAMETER-BLACK
			FROM: 06-02-97 THRU: 99-99-99
	119845-01-01A	EA	PLUG-PLASTIC-BLACK
	123361-01-000	EA	DUCT-AIRINTAKE
	119847-01-02B	EA	SHIELD-A/COMPRESSOR
	077298-55-003	EA	EXTRUSION-TUBE-.275"

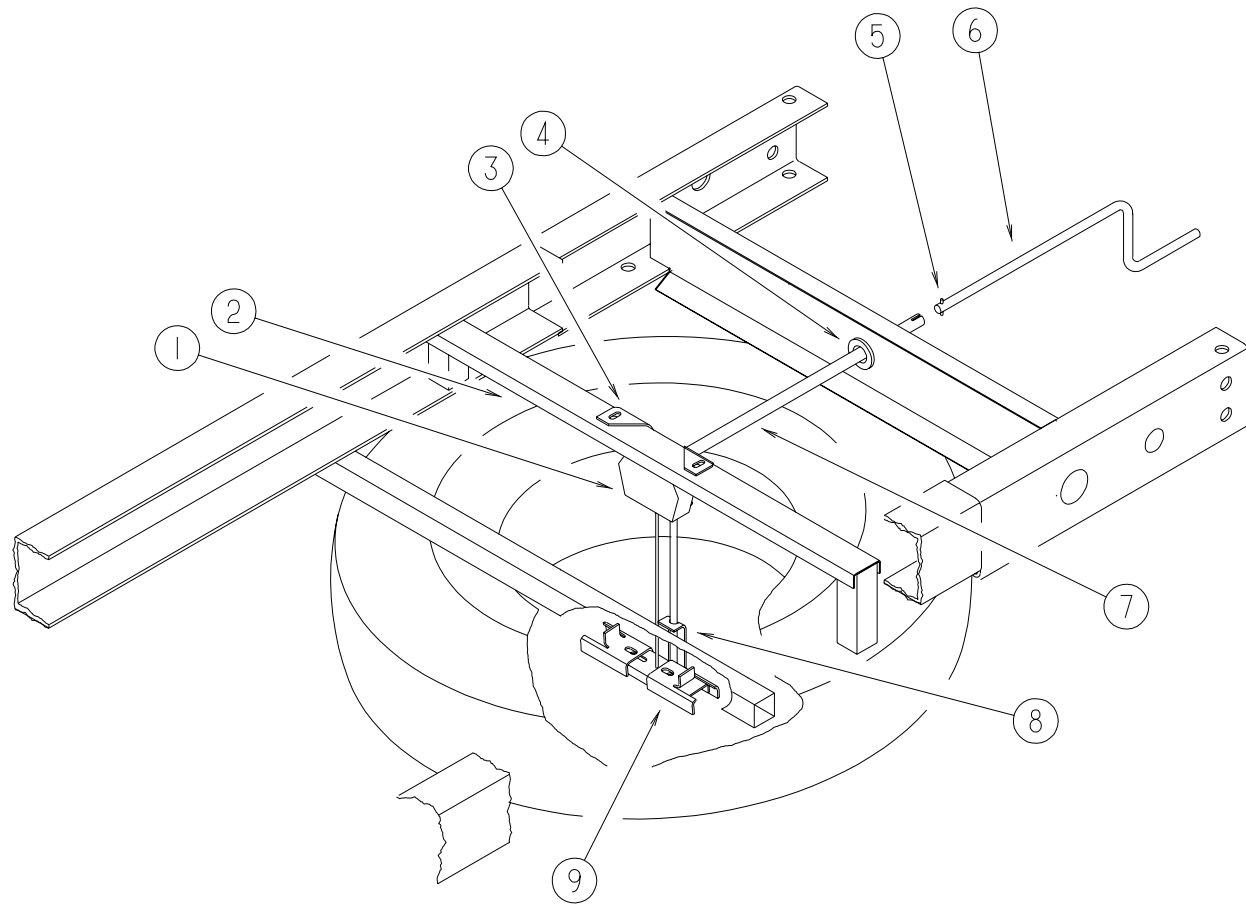
CHASSISGROUP(CONTINUED)



COMPARTMENT(ENTERTAINMENTCENTER)

KEY	PARTNUMBER	U/M	DESCRIPTION
1	124696-01-01A	EA	BOX-ENTERTAINMENTCENTER
2	104899-01-C05	EA	PLATE-RADIOMOUNTING
3	105377-01-04A	EA	BRACKET-TABLEHANGER-BRIGHTWHITE
4	105376-01-03A	EA	HINGE-CONTINUOUS-2"X5.5"-BRIGHTWHITE
5	105230-11-G15	EA	SHELF-EXTERIORENTERTAINMENTCENTER-W/OHARDWARE
6	105230-12-G15	EA	SUPPORT-EXTERIOR SHELF
7	104898-01-02A	EA	PLATE-PLASTICBOTTOM-BRIGHTWHITE
8	104898-02-02A	EA	PLATE-PLASTICBACK-BRIGHTWHITE

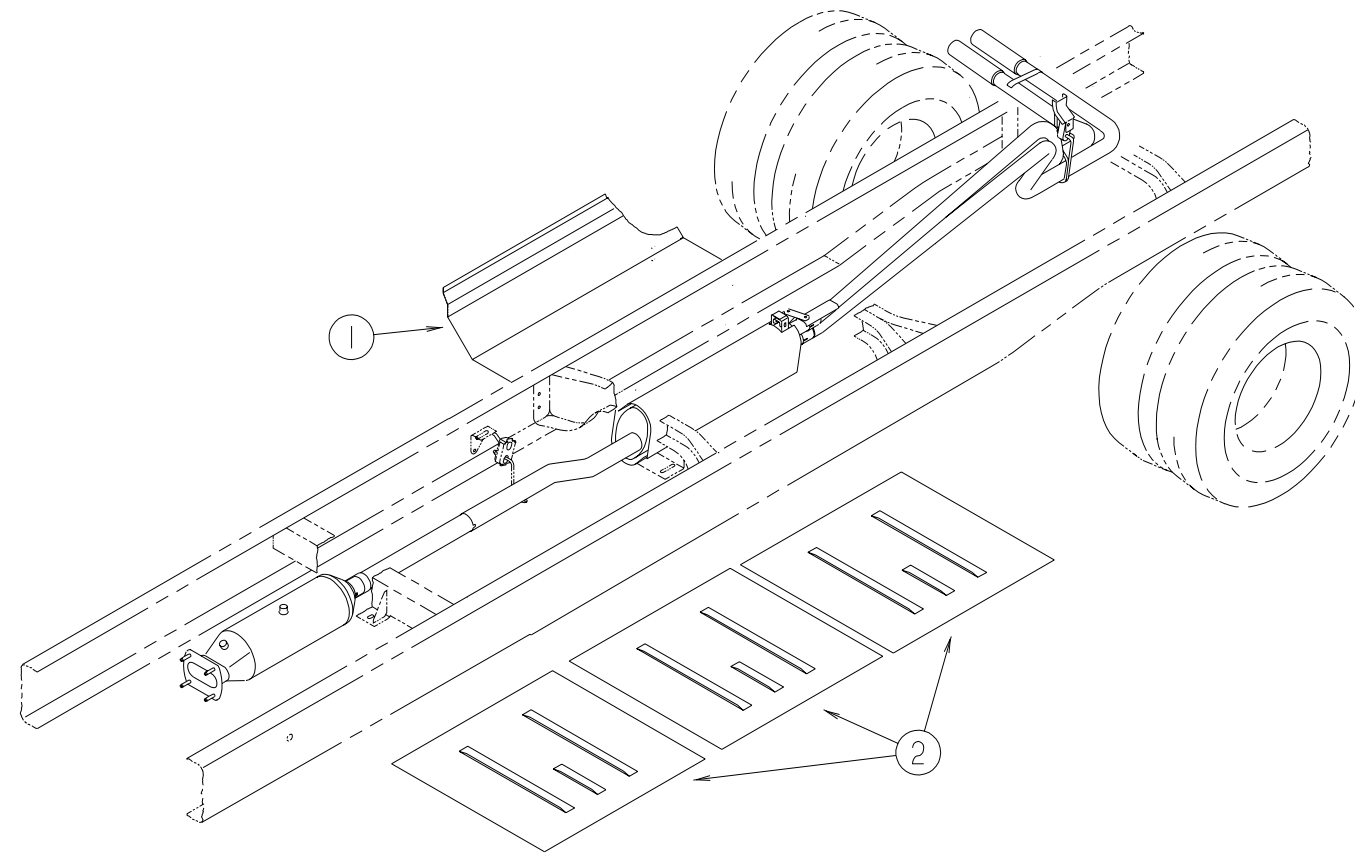
CHASSISGROUP(CONTINUED)



SPARETIRE&HOIST

KEY	PARTNUMBER	U/M	DESCRIPTION
1	093267-03-000	EA	HOIST-SPARETIRE-#100LB
2	093362-06-000	EA	CHANNEL-TIREHOIST
3	124751-01-02B	EA	HANGER-SPARETIRE-E-COATED
4	071015-11-000	EA	GROMMET-1"ID
5	114376-01-000	EA	PIN-DRIVE-.156X.750-TYPEE-TIREHOIST
6	093376-04-000	EA	HANDLE-CRANK-TIREHOIST
6	093376-02-000	EA	HANDLE-CRANK-TIREHOIST
			FROM: 00-00-00 THRU: 11-03-96
7	093375-06-000	EA	EXTENSION-TIREHOIST
8	124754-01-02B	EA	CATCH-SPARETIRE
9	105499-01-000	EA	BRACKET-TIREHOIST
	115580-01-000	EA	STRAP-SPARETIRE
	077030-02-000	EA	EXTENSION-VALVESTEM-1.25"
	051377-05-000	EA	VALVESTEM(FORD)
	051377-01-000	EA	VALVESTEM(CHEVY)
	077030-02-000	EA	EXTENSION-VALVESTEM-1.25"(FORD)
	083425-10-000	EA	TIRE-LT215/85R16LREXCH4(FORD)
	091673-01-000	EA	TIRE-225.70R19.5LRF-XZA(CHEVY)
	095853-02-000	EA	WHEEL-STEEL-16"X6K-F2TA-1015-NA(FORD)
	064963-01-000	EA	WHEEL-STEEL-19.5"X6"-GM14005758(CHEVY)
	080208-06-000	EA	LUGWRENCH-1"X1.06"W/DEEPSOCKETENDS(CHEVY)
	080208-02-000	EA	BAR-LEVERAGE-LUGWRENCH(CHEVY)

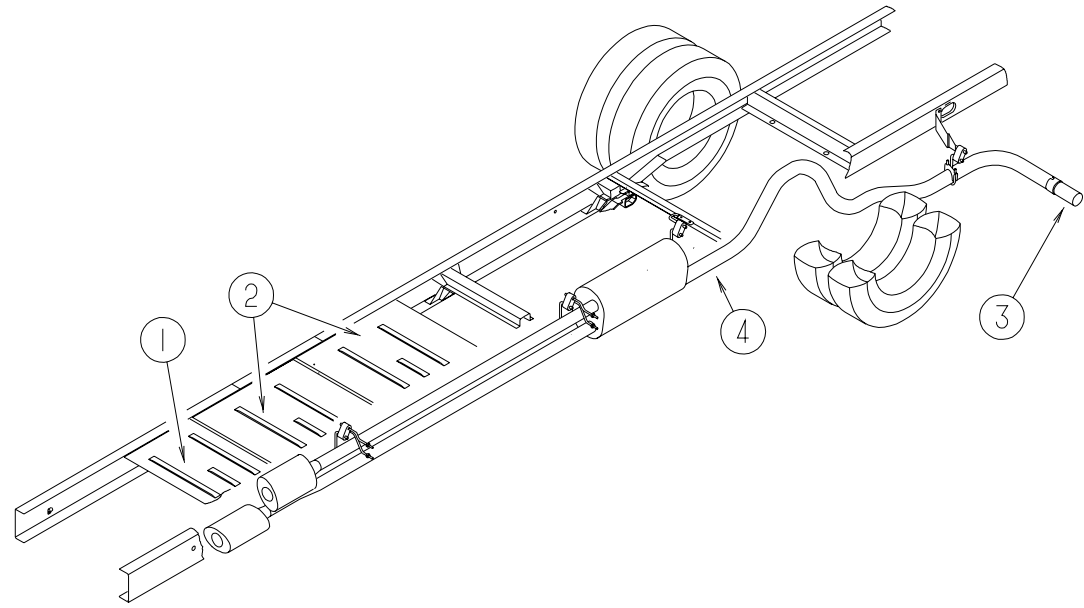
CHASSISGROUP(CONTINUED)



EXHAUSTSYSTEM(FORD)

KEY	PARTNUMBER	U/M	DESCRIPTION
1	075307-03-000	EA	SHIELD-HEAT-LP
2	101544-02-000	EA	SHIELD-HEAT-EXHAUST
	007125-05-000	EA	CLAMP-MUFFLER-2"DIAMETER
	007125-07-000	EA	CLAMP-MUFFLER-2.5"DIAMETER

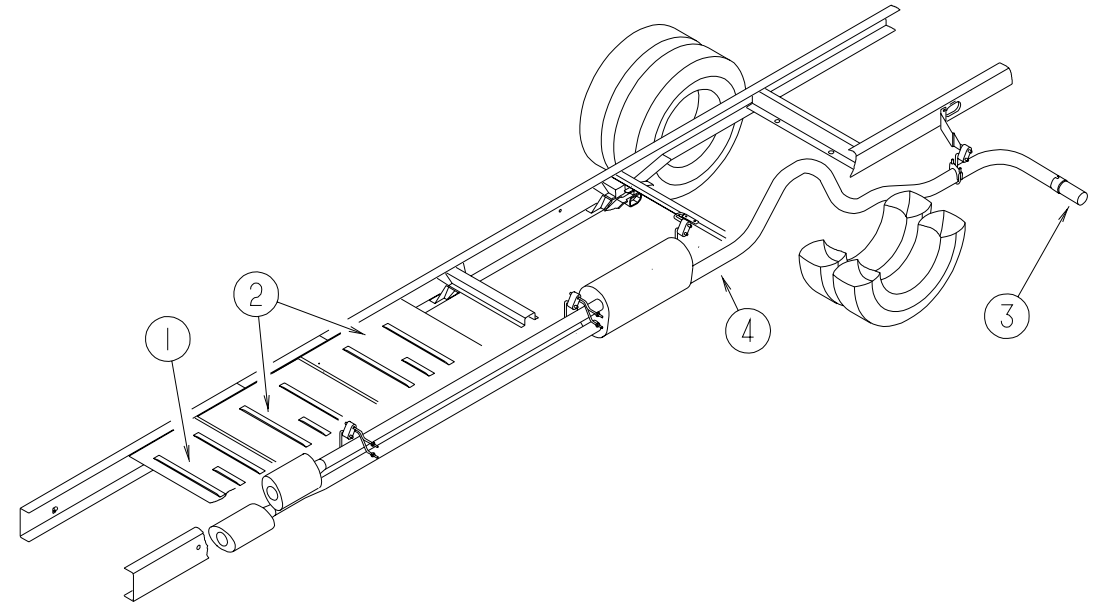
CHASSISGROUP(CONTINUED)



EXHAUSTSYSTEM(CHEVY)

KEY	PARTNUMBER	U/M	DESCRIPTION
1	101544-01-000	EA	SHIELD-HEAT-EXHAUST-19.7"X28.9"-STEEL
2	101544-02-000	EA	SHIELD-HEAT-EXHAUST-30"X28.9"-STEEL
3	098762-11-000	EA	PIPE-EXHAUST-STRAIGHT-3"
4	094918-01-000	EA	CLAMP-EXHAUST-3"-GUILLOTINESTYLE
	007125-05-000	EA	CLAMP-MUFFLER-2"DIAMETER
	007125-07-000	EA	CLAMP-MUFFLER-2.5"DIAMETER

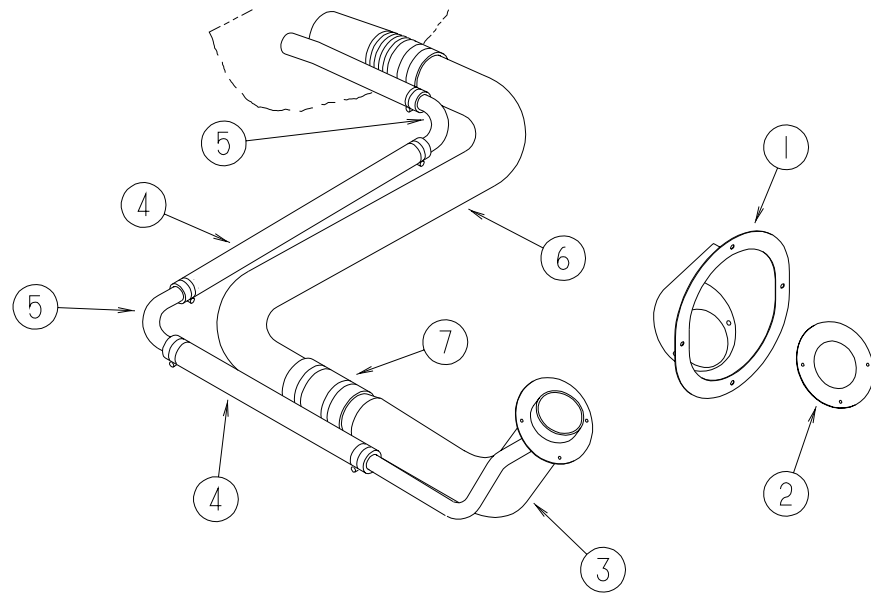
CHASSISGROUP(CONTINUED)



VORTECEXHAUSTSYSTEM(CHEVYVORTEC)

KEY	PARTNUMBER	U/M	DESCRIPTION
1	101544-01-000	EA	SHIELD-HEAT-EXHAUST-19.7"X28.9"-STEEL
2	101544-02-000	EA	SHIELD-HEAT-EXHAUST-30"X28.9"-STEEL
3	098762-11-000	EA	PIPE-EXHAUST-STRAIGHT-3"
4	094918-01-000	EA	CLAMP-EXHAUST-3"-GUILLOTINESTYLE

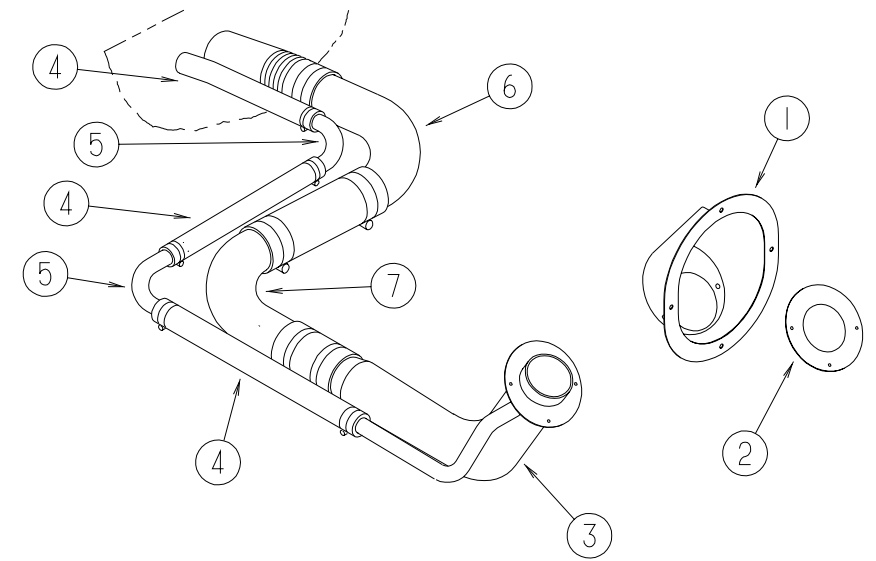
CHASSISGROUP(CONTINUED)



FUEL SYSTEM(FORD)

KEY	PARTNUMBER	U/M	DESCRIPTION
1	095854-01-04A	EA	SHROUD-FUELFILL-BRIGHTWHITE
2	078200-01-000	EA	GASKET-FUELFILL-3.5"ODX2"ID
3	087256-07-000	EA	NECK-FUELFILL-FORD
4	066732-01-000	FT	HOSE-FUELFILL-.62"ID
5	098806-01-000	EA	PIPE-FILLVENT-90DEGREEBEND-.625"OD-STEEL
6	100140-03-000	EA	TUBE-FUELINLET
7	007111-02-000	EA	HOSE-FUELFILL-2"ID-IN3FTLENGTHS
	007063-01-000	FT	HOSE-GAS1/4"IDX1/2"OD
	084884-01-000	EA	PLUG-BRASS-3/8"
	114254-01-000	EA	ADAPTER-1/4BARBX1/8MPT
	068382-06-000	EA	BUSHING-BRASS-3/8MPTX1/8FPT
	044317-01-000	FT	HOSE-FUEL-3/8"ID

CHASSISGROUP(CONTINUED)



FUELSYSTEM(CHEVY)

KEY	PARTNUMBER	U/M	DESCRIPTION
1	095854-01-04A	EA	SHROUD-FUELFILL-BRIGHTWHITE
2	078200-01-000	EA	GASKET-FUELFILL-3.5"ODX2"ID
3	087256-10-000	EA	NECK-FUELFILL(CHEVY)
3	087256-08-000	EA	NECK-FUELFILL(DIESEL)
4	066732-01-000	FT	HOSE-FUELFILL-.62"ID
5	098806-01-000	EA	PIPE-FILLVENT-90DEGREEBEND-.625"OD-STEEL
6	098807-01-000	EA	PIPE-FUELFILL-90DEGREEBEND-6.6"-13/4"OD(DIESEL)
7	098803-01-000	EA	PIPE-FUELFILL-90DEGREEBEND-13.2"-13/4"OD
	007063-01-000	FT	HOSE-FUEL-1/4"IDX1/2"OD
	084884-01-000	EA	PLUG-BRASS-3/8"
	114254-01-000	EA	ADAPTER-1/4BARBX1/8MPT
	068382-06-000	EA	BUSHING-BRASS-3/8MPTX1/8FPT
	087269-01-000	EA	TEE-1/4"X1/4"X1/4"-BRASS(DIESEL)

CHASSISGROUP(CONTINUED)

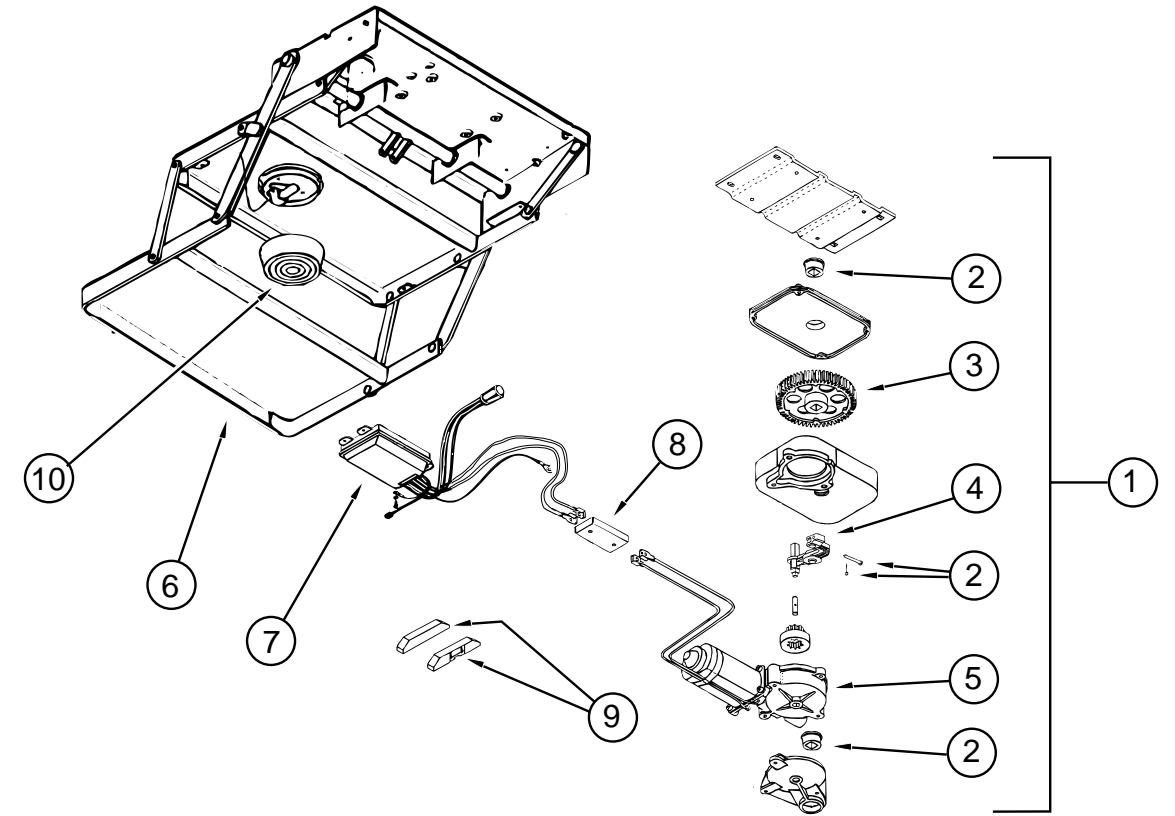
CHEVYSHOCKABSORBER

KEY	PARTNUMBER	U/M	DESCRIPTION	VENDOR NO.
	104993-02-000	EA	SHOCKABSORBER-GAS-P30FRONT	
	122756-02-700	EA	BRACKETASM-DRIVERSSIDE	T818L
	122756-02-701	EA	BRACKETASM-PASSENGERSIDE	T818R
	122756-02-702	EA	BRACKETONLY-DRIVERSSIDE	T818L
	122756-02-703	EA	BRACKETONLY-PASSENGERSIDE	T818R
	122756-02-704	EA	BOLTPACKAGE-BOLTS/NUTSETC	T818R
	122756-02-705	EA	SHOCK	T818SH
	122756-02-706	EA	STUD-SHOCKMOUNTING	T818S
	122756-02-707	EA	DAMPENER-STEERING	T818SD
	122756-02-708	EA	BOOT-STEERINGDAMPENER	T818SDB
	122756-02-709	EA	BUSHINGPKG-STEERINGDAMPENER	T818SDBSH
	122756-02-710	EA	BOLTPKG-STEERINGDAMPENER	T818S

DRIVETRAIN

KEY	PARTNUMBER	U/M	DESCRIPTION
	088498-01-000	EA	UNION-INVERTEDFLARE-BRASS-3/16

CHASSISGROUP(CONTINUED)



STEPASSEMBLY(3200SERIES)

KEY	PARTNUMBER	U/M	DESCRIPTION	VENDOR NO.
1	094707-01-01A	EA	STEP-DOUBLE-ELECTRIC-KWIKEE	
2	094707-02-703	EA	BEARINGS&PINS	909530
3	094707-02-702	EA	GEARKIT-W/BEARINGS&PIN-CASE	909525
4	094707-02-701	EA	LINKAGEASSEMBLY-W/BEARINGS&PINS	909534
5	094707-02-700	EA	MOTORASSEMBLY-W/BEARINGS&PINS	909520
6	094707-01-702	EA	FRAMEW/DOUBLESTEP	908032
7	094707-02-705	EA	CONTROLUNIT-WHITE	909513
8	094707-02-704	EA	CONNECTOR-MOTORASSEMBLY-W/PLATES	909537
	094707-02-707	EA	TREAD-NONSKID-BLACK-6"X21"	909333
	094707-02-708	EA	TREAD-NONSKID-YELLOW	909331
9	116995-01-000	EA	SWITCH/MAGNET-ELECTRIC	
10	088746-01-705	EA	LIGHT-UNDERSTEP	9004
	088733-01-700	EA	BULB	9004
	104452-03-000	EA	SUPPORT-STEP	

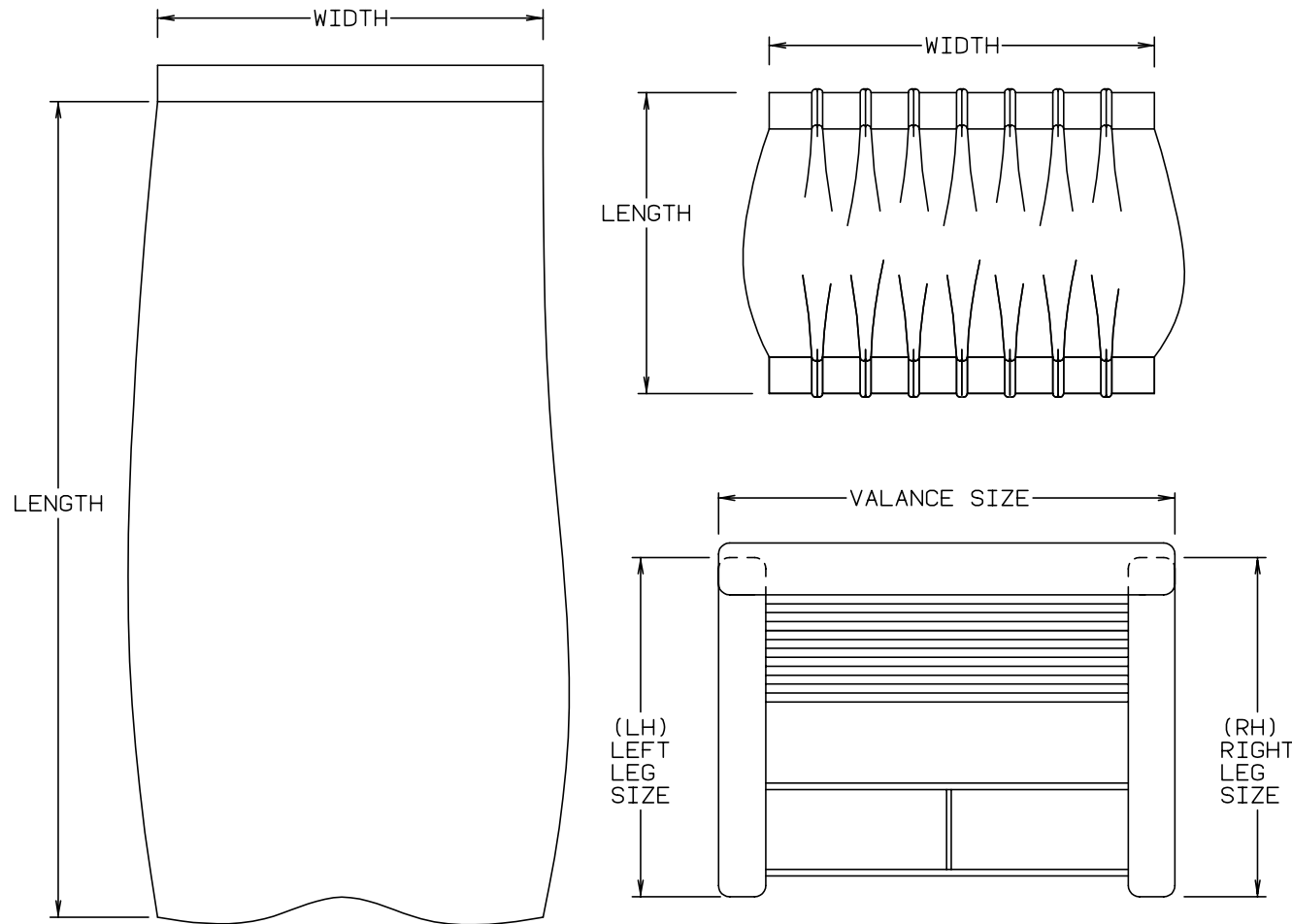
FROM: 12-20-96 THRU: 99-99-99

CURTAIN & CUSHION GROUP

NOTICE

IN ORDER TO ASSIST OUR PARTS SALES DEPT. IN PROVIDING INTERIOR SOFTGOODS ITEMS, PLEASE INCLUDE THE SERIAL NUMBER AND THE COLOR CODE NUMBER FROM THE VEHICLE CERTIFICATION LABEL WHEN ORDERING. THIS LABEL IS LOCATED ON THE LEFT SIDEWALL AT THE END OF THE DASH (A-BODY), OR ON THE DRIVER'S DOOR LATCH PLATE (C-BODY).

AN EXAMPLE OF A COLOR CODE NUMBER IS B07, WHICH DESIGNATES AN OVERALL COLOR SCHEME OF A PARTICULAR UNIT. THE COLOR LISTED AFTER THE ITEM DESCRIPTION ON THE MICROFICHE, INDICATES THE OVERALL UNIT COLOR. ORDER THE ITEM YOU DESIRE ACCORDING TO UNIT COLOR CODE.



NOTE: USE THIS ILLUSTRATION WHEN DETERMINING LENGTH AND WIDTH MEASUREMENTS FOR CURTAINS. YOU WILL NOTE THE WIDTH MEASUREMENT IS TAKEN ON THE TOP OF THE CURTAIN WITH THE CURTAIN FULLY EXTENDED. THE LENGTH MEASUREMENT IS TAKEN FROM TOP TO BOTTOM. LEFT AND RIGHT WINDOW LEGS ARE DETERMINED WHEN FACING THE WINDOW.

CURTAIN & CUSHION GROUP (CONTINUED)

ADVENTURER FABRICS					
COLOR CODES	H17	H18	H19	H40	H41
MARKETING COLORS	BOTANICAL (GREEN)	NORTH SHORE (TAUPE)	ZEPHYR (BLUE)	OAKLEAF (TAUPE)	EASTON (SAGE)
MAIN PLAIN	108446-F8-000	108446-N0-000	108446-M3-000	108446-P0-000	108446-P1-000
ACCENT	108446-G0-000	108446-J4-000	108446-M4-000	108446-R2-000	108446-P2-000
PATTERN ACCENT	108446-G1-000	108446-J3-000	108446-M4-000	108446-R2-000	108446-P2-000
BUCKET SEAT	108446-G0-000	108446-J4-000	108446-M4-000	108446-R2-000	108446-P2-000
DINETTE	108446-F8-000	108446-N0-000	108446-M3-000	108446-P0-000	108446-P1-000
DINETTE PAD	108446-G0-000	108446-J4-000	108446-M4-000	108446-R2-000	108446-P2-000
DINETTE SWIVEL CHAIR	108446-G1-000	108446-J3-000	108446-M4-000	108446-R2-000	108446-P2-000
SOFA	108446-F8-000	108446-N0-000	108446-M3-000	108446-P0-000	108446-P1-000
RECLINER CHAIR	108446-G1-000	108446-J3-000	108446-M4-000	108446-R2-000	108446-P2-000
LOUNGE WINDOW VALANCE	108446-F8-000	108446-N0-000	108446-M3-000	108446-P0-000	108446-P1-000
LOUNGE WINDOW LEGS	108446-G1-000	108446-J3-000	108446-M4-000	108446-R2-000	108446-P2-000
BEDSPREAD MAIN	105745-B0-000	105745-C5-000	105745-D9-000	105745-F0-000	105745-C6-000
BEDSPREAD ACCENT	105745-B2-000	105745-C6-000	105745-64-000	105745-E7-000	105745-F1-000
BEDSPREAD TRIM	084415-70-000	084415-72-000	084415-82-000	084415-83-000	084415-83-000
BEDROOM WINDOW VALANCE	105745-B0-000	105745-C5-000	105745-D9-000	105745-F0-000	105745-C6-000
BEDROOM WINDOW LEGS	105745-B2-000	105745-C6-000	105745-64-000	105745-E7-000	105745-F1-000
LOUNGE PILLOW TRIM BRAID	108446-B2-000 084415-70-000	108446-C6-000 084415-72-000	108446-64-000 084415-82-000	108446-E7-000 084415-83-000	108446-F1-000 084415-84-000
MAP POCKETS	108446-G1-000	108446-J3-000	108446-M4-000	108446-R2-000	108446-P2-000
FRONT WRAP AROUND	072333-85-000	072333-85-000	072333-85-000	072333-85-000	072333-85-000
CEILING	113979-01-01A	113979-01-01A	113979-01-01A	113979-01-01A	113979-01-01A

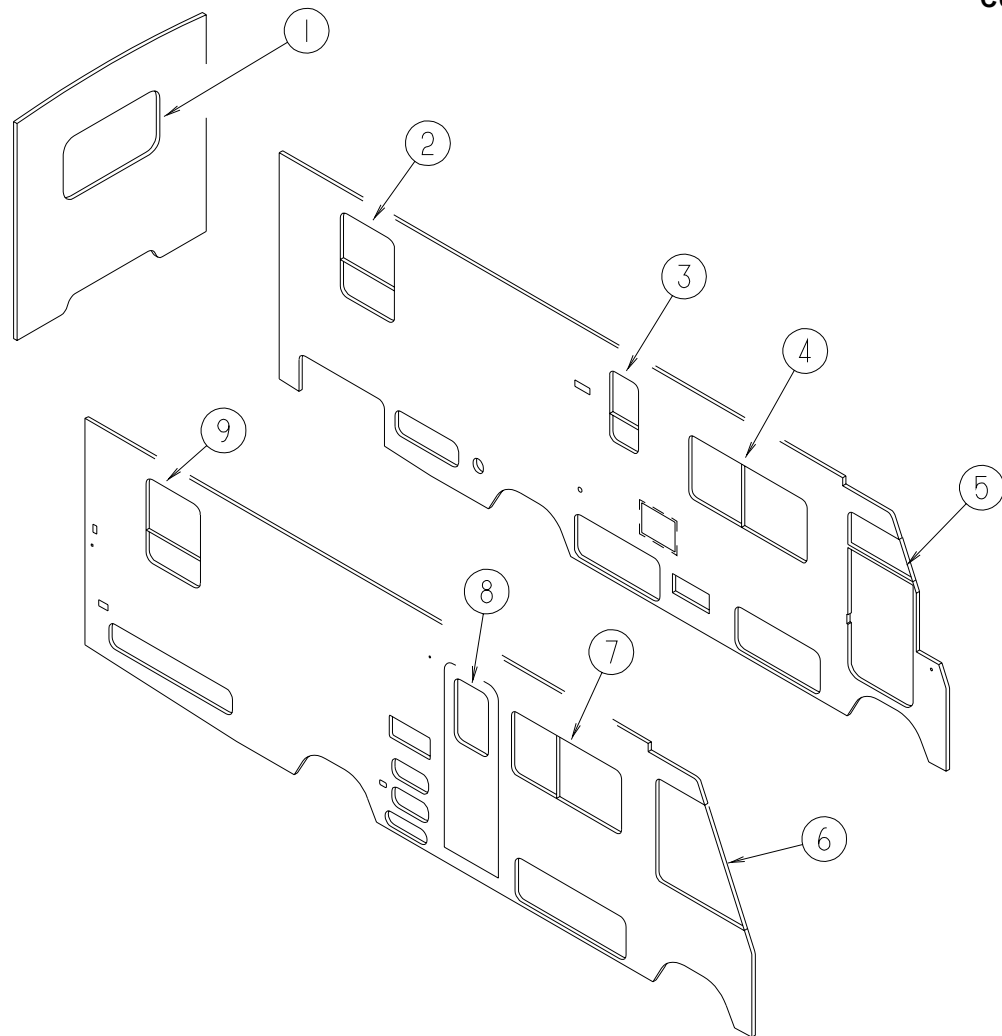
NOTE: THE FABRIC LISTED FIRST, IN A BLOCK, IS THE LARGEST QUANTITY OF FABRIC USED

ASSIST HANDLE & BUTTONS

KEY	PART NUMBER	U/M	DESCRIPTION
	070578-02-G35	EA	BUTTON - #30 - VINYL
	053552-02-AA8	EA	HANDLE - ASSIST - INTERIOR/ ENTRY DOOR - VINYL/ OFF WHITE
	057759-01-000	EA	WASHER BRACKET - SEAT BELT - 4" DIAMETER
	007021-01-000	EA	BELT - SEAT - 2" X 90" - BLACK
	069178-02-000	EA	BRACKET - MOUNTING ASSIST HANDLE
	000C16-07-16B	EA	BOLT - CARRIAGE - ASSIST HANDLE - 7/16" - 14 X 1"
	000D20-07-00B	EA	NUT - ACORN - ASSIST HANDLE - 7/16 - 14
	057534-03-000	EA	TIEBACK - PLASTIC - 7.50" - CLEAR

CURTAIN&CUSHIONGROUP(CONTINUED)

CURTAINS&WINDOWTREATMENT

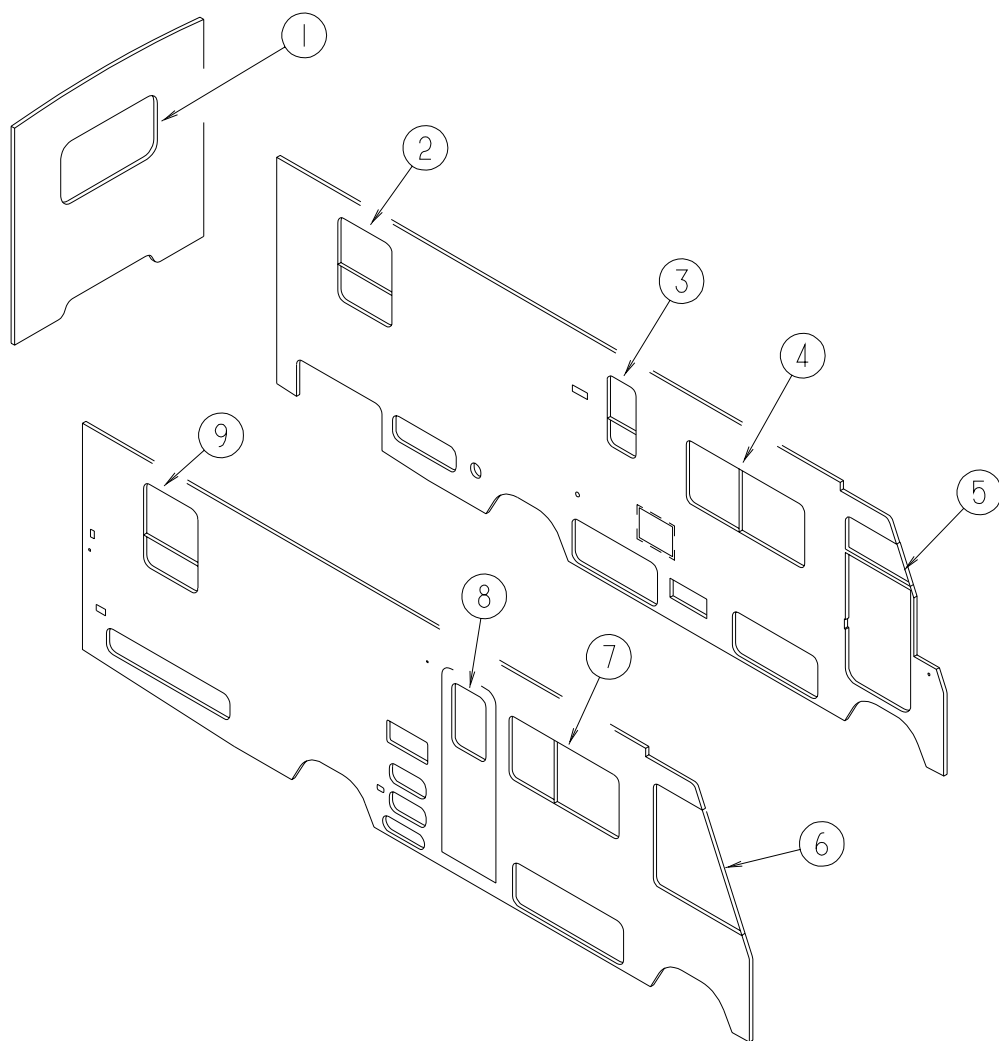


KEY	PARTNUMBER	U/M	DESCRIPTION
2	119262-53-H17	EA	VALANCE-MONACO-34"(QUEEN,KINGBED)(H17)
2	119138-28-H18	EA	VALANCE-BELLINI-34"(QUEEN,KINGBED)(H18)
2	119138-28-H19	EA	VALANCE-BELLINI-34"(QUEEN,KINGBED)(H18)
2	119262-53-H23	EA	VALANCE-MONACO-34"(QUEEN,KINGBED)(H40)
2	119138-28-H41	EA	VALANCE-BELLINI-34"(QUEEN,KINGBED)(H41)
2	119262-58-H17	EA	VALANCE-MONACO-34"(TWINBED)
2	119138-29-H18	EA	VALANCE-BELLINI-34"(TWINBED)
2	119138-29-H19	EA	VALANCE-BELLINI-34"(TWINBED)
2	119262-58-H40	EA	VALANCE-MONACO-34"(TWINBED)
2	119138-29-H41	EA	VALANCE-BELLINI-34"(TWINBED)
2	119333-21-G07	EA	LEG-RIGHT-34"(QUEEN,KINGBED)(H17)
2	119333-21-H18	EA	LEG-RIGHT-34"(QUEEN,KINGBED)(H18)
2	119333-21-H19	EA	LEG-RIGHT-34"(QUEEN,KINGBED)(H19)
2	119333-21-H23	EA	LEG-RIGHT-34"(QUEEN,KINGBED)(H40)
2	119333-21-H25	EA	LEG-RIGHT-34"(QUEEN,KINGBED)(H41)
2	123910-01-H17	EA	LEG-RIGHT-34"(TWINBED)
2	123910-01-H18	EA	LEG-RIGHT-34"(TWINBED)
2	123910-01-H19	EA	LEG-RIGHT-34"(TWINBED)
2	123910-01-H40	EA	LEG-RIGHT-34"(TWINBED)
2	123910-01-H41	EA	LEG-RIGHT-34"(TWINBED)
2	119333-22-G07	EA	LEG-LEFT-34"(QUEEN,KINGBED)(H17)
2	119333-22-H18	EA	LEG-LEFT-34"(QUEEN,KINGBED)(H18)
2	119333-22-H19	EA	LEG-LEFT-34"(QUEEN,KINGBED)(H19)
2	119333-22-H23	EA	LEG-LEFT-34"(QUEEN,KINGBED)(H40)
2	119333-22-H25	EA	LEG-LEFT-34"(QUEEN,KINGBED)(H41)
2	123910-02-H17	EA	LEG-LEFT-34"(TWINBED)
2	123910-02-H18	EA	LEG-LEFT-34"(TWINBED)
2	123910-02-H19	EA	LEG-LEFT-34"(TWINBED)
2	123910-02-H40	EA	LEG-LEFT-34"(TWINBED)
2	123910-02-H41	EA	LEG-LEFT-34"(TWINBED)
2	109802-50-H17	EA	BLIND-PLEATED-29"X37"

KEY	PARTNUMBER	U/M	DESCRIPTION
1	119262-03-G07	EA	VALANCE-MONACO-52.5"(QUEEN,KINGBED)(H17)
1	119138-03-G37	EA	VALANCE-BELLINI-53"(QUEEN,KINGBED)(H18)
1	119138-03-H19	EA	VALANCE-BELLINI-53"(QUEEN,KINGBED)(H19)
1	119262-03-H23	EA	VALANCE-MONACO-52.5"(QUEEN,KINGBED)(H40)
1	119138-03-H25	EA	VALANCE-BELLINI-53"(QUEEN,KINGBED)(H41)
1	119262-24-G15	EA	VALANCE-MONACO-64.5"(TWINBED)(H17)
1	119138-16-G37	EA	VALANCE-BELLINI-64.5"(TWINBED)(H18)
1	119138-16-H19	EA	VALANCE-BELLINI-64.5"(TWINBED)(H19)
1	119262-24-H23	EA	VALANCE-MONACO-64.5"(TWINBED)(H40)
1	119138-16-H25	EA	VALANCE-BELLINI-64.5"(TWINBED)(H41)
1	119333-03-G15	EA	LEG-RIGHT-25"(H17)
1	119333-03-G37	EA	LEG-RIGHT-25"(H18)
1	119333-03-G45	EA	LEG-RIGHT-25"(H19)
1	119333-03-H23	EA	LEG-RIGHT-25"(H40)
1	119333-03-H25	EA	LEG-RIGHT-25"(H41)
1	119333-04-G15	EA	LEG-LEFT-25"(H17)
1	119333-04-G37	EA	LEG-LEFT-25"(H18)
1	119333-04-G45	EA	LEG-LEFT-25"(H17)
1	119333-04-H23	EA	LEG-LEFT-25"(H40)
1	119333-04-H25	EA	LEG-LEFT-25"(H41)
1	109802-36-G15	EA	BLIND-PLEATED-49"X29"(QUEEN,KINGBED)
1	109802-10-G01	EA	BLIND-PLEATED-60"X28.5"(TWINBED)

CURTAIN&CUSHIONGROUP(CONTINUED)

CURTAINS&WINDOWTREATMENT(CONTINUED)

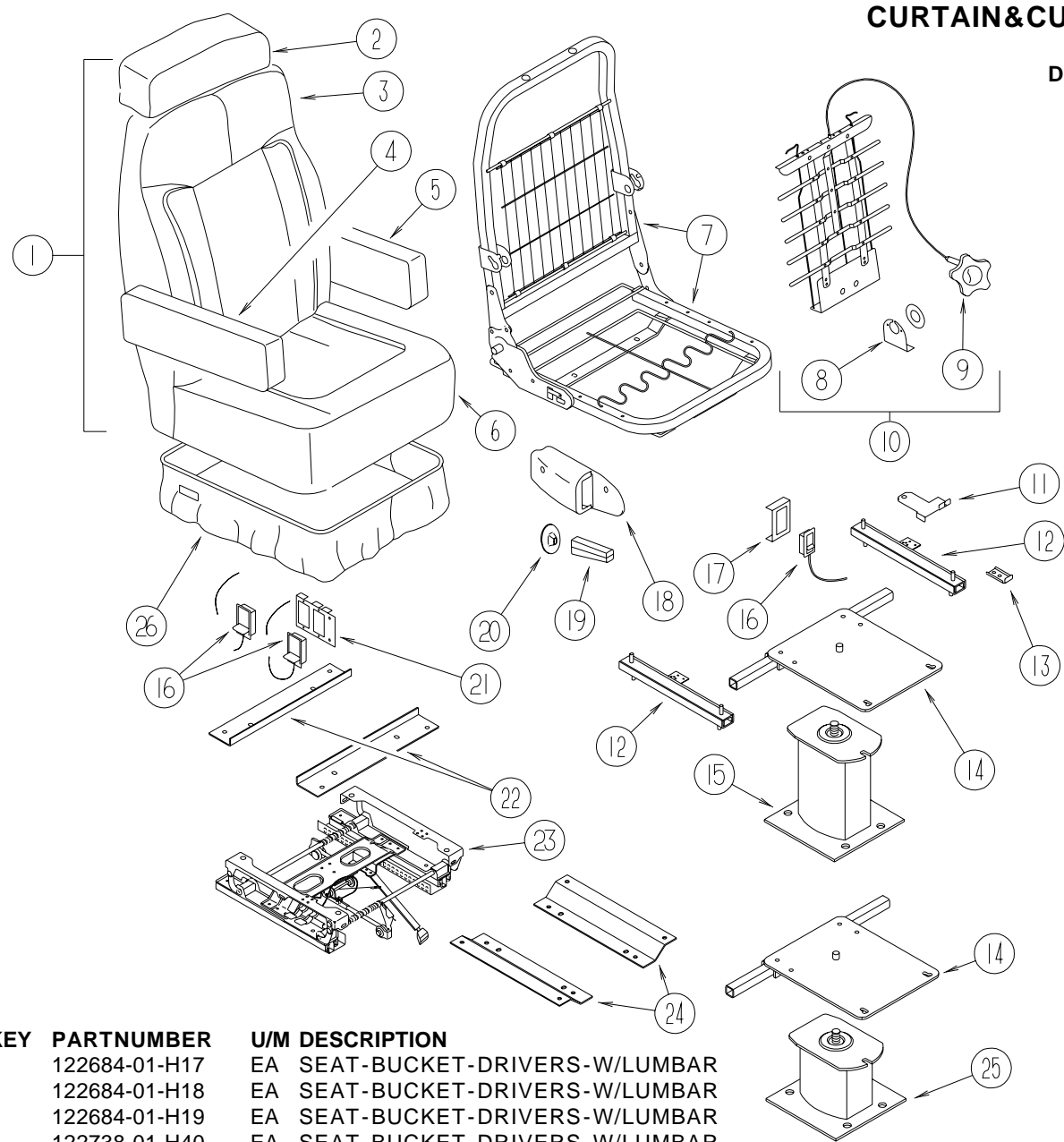


KEY	PARTNUMBER	U/M	DESCRIPTION
3	109041-15-03A	EA	BLIND-MINI-14.5"X32"(H17,H18,H40,H41)
3	109041-15-01A	EA	BLIND-MINI-14.5"X32"(H19)
4	119262-01-G15	EA	VALANCE-MONACO-64.5"(H17)
4	119136-01-H18	EA	VALANCE-STANWICK-64.5"(H18)
4	119136-01-H19	EA	VALANCE-STANWICK-64.5"(H19)
4	121410-44-H40	EA	VALANCE-MODERATE-64.5"(H40)
4	121410-45-H41	EA	VALANCE-MODERATE-64.5"(H41)
4	119333-01-G15	EA	LEG-RIGHT-25"(H17)
4	119333-01-G37	EA	LEG-RIGHT-25"(H18)
4	119333-01-H19	EA	LEG-RIGHT-25"(H19)
4	119333-01-H23	EA	LEG-RIGHT-25"(H40)
4	119333-01-H25	EA	LEG-RIGHT-25"(H41)
4	119333-02-G15	EA	LEG-LEFT-25"(H17)
4	119333-02-G37	EA	LEG-LEFT-25"(H18)
4	119333-02-H19	EA	LEG-LEFT-25"(H19)
4	119333-02-H23	EA	LEG-LEFT-25"(H40)
4	119333-02-H25	EA	LEG-LEFT-25"(H41)
4	109802-10-G01	EA	BLIND-PLEATED-60"X28.5"

KEY	PARTNUMBER	U/M	DESCRIPTION
5	101668-46-E91	EA	CURTAIN-LEFTHAND-48"X95"
	124298-01-H17	EA	VALANCE-SHADE
	084755-98-000	EA	SHADE-PULL-23.8"X60"
	073260-42-C18	EA	TIEBACK-6"X18"
6	101668-45-E91	EA	CURTAIN-RIGHTHAND-48"X95"
	124298-01-H17	EA	VALANCE-SHADE
	084755-98-000	EA	SHADE-PULL-23.8"X60"
	073260-42-C18	EA	TIEBACK-6"X18"
7	119262-15-G15	EA	VALANCE-MONACO-58.5"(H17)
7	119136-11-GV7	EA	VALANCE-STANWICK-58.5"(H18)
7	119136-11-H19	EA	VALANCE-STANWICK-58.5"(H19)
7	121410-48-H40	EA	VALANCE-MODERATE-58.5"(H40)
7	121410-49-H41	EA	VALANCE-MODERATE-58.5"(H41)
7	119333-01-G15	EA	LEG-RIGHT-25"(H17)
7	119333-01-G37	EA	LEG-RIGHT-25"(H18)
7	119333-01-H19	EA	LEG-RIGHT-25"(H19)
7	119333-01-H23	EA	LEG-RIGHT-25"(H40)
7	119333-01-H25	EA	LEG-RIGHT-25"(H41)
7	119333-02-G15	EA	LEG-LEFT-25"(H17)
7	119333-02-G37	EA	LEG-LEFT-25"(H18)
7	119333-02-H19	EA	LEG-LEFT-25"(H19)
7	119333-02-H23	EA	LEG-LEFT-25"(H40)
7	119333-02-H25	EA	LEG-LEFT-25"(H41)
7	109802-32-F14	EA	BLIND-PLEATED-54"X28.5"
8	119262-36-G15	EA	VALANCE-MONACO-31"(H17)
8	119136-03-H18	EA	VALANCE-STANWICK-31"(H18)
8	119136-03-H19	EA	VALANCE-STANWICK-31"(H19)
8	121410-16-H23	EA	VALANCE-MODERATE-31"(H40)
8	121410-17-H25	EA	VALANCE-MODERATE-31"(H41)
8	084755-57-E07	EA	SHADE-PULL-27.25"
9	119262-53-H17	EA	VALANCE-MONACO-34"(QUEEN,KINGBED)(H17)
9	119138-28-H18	EA	VALANCE-BELLINI-34"(QUEEN,KINGBED)(H18)
9	119138-28-H19	EA	VALANCE-BELLINI-34"(QUEEN,KINGBED)(H18)
9	119262-53-H23	EA	VALANCE-MONACO-34"(QUEEN,KINGBED)(H40)
9	119138-28-H41	EA	VALANCE-BELLINI-34"(QUEEN,KINGBED)(H41)
9	119333-21-G07	EA	LEG-RIGHT-34"(H17)
9	119333-21-H18	EA	LEG-RIGHT-34"(H18)
9	119333-21-H19	EA	LEG-RIGHT-34"(H19)
9	119333-21-H23	EA	LEG-RIGHT-34"(H40)
9	119333-21-H25	EA	LEG-RIGHT-34"(H41)
9	119333-22-G07	EA	LEG-LEFT-34"(H17)
9	119333-22-H18	EA	LEG-LEFT-34"(H18)
9	119333-22-H19	EA	LEG-LEFT-34"(H19)
9	119333-22-H23	EA	LEG-LEFT-34"(H40)
9	119333-22-H25	EA	LEG-LEFT-34"(H41)
9	109802-50-H17	EA	BLIND-PLEATED-29"X37"

CURTAIN&CUSHIONGROUP(CONTINUED)

DRIVERBUCKETSEAT

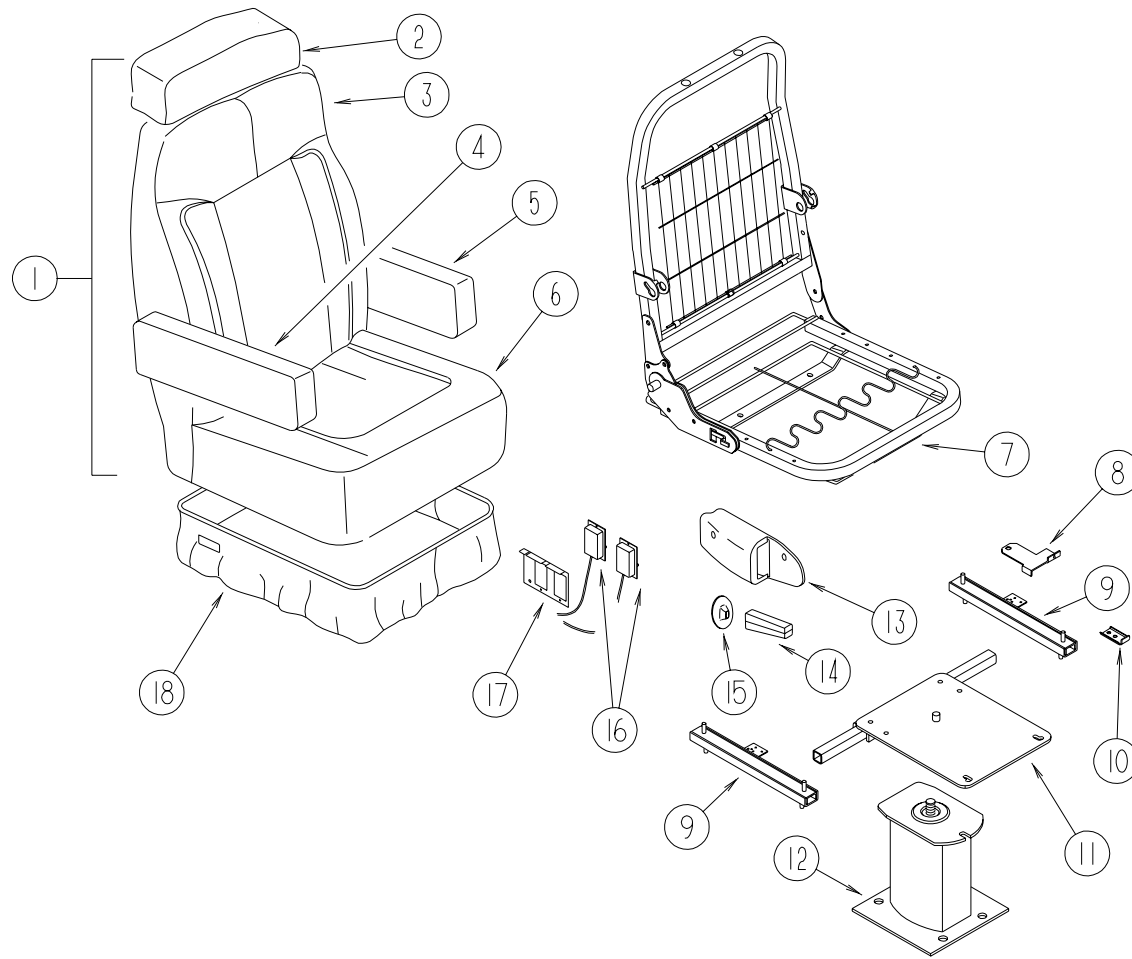


KEY	PARTNUMBER	U/M	DESCRIPTION
1	122684-01-H17	EA	SEAT-BUCKET-DRIVERS-W/LUMBAR
1	122684-01-H18	EA	SEAT-BUCKET-DRIVERS-W/LUMBAR
1	122684-01-H19	EA	SEAT-BUCKET-DRIVERS-W/LUMBAR
1	122738-01-H40	EA	SEAT-BUCKET-DRIVERS-W/LUMBAR
1	122738-01-H41	EA	SEAT-BUCKET-DRIVERS-W/LUMBAR
2	119509-01-G07	EA	HEADREST-BUCKETSEAT(H17)
2	119509-01-H18	EA	HEADREST-BUCKETSEAT(H18)
2	119509-01-H19	EA	HEADREST-BUCKETSEAT(H19)
2	119509-01-H23	EA	HEADREST-BUCKETSEAT(H40)
2	119509-01-H25	EA	HEADREST-BUCKETSEAT(H41)
2	P19509-01-G07	EA	COVER-HEADREST(H17)
2	P19509-01-H18	EA	COVER-HEADREST(H18)
2	P19509-01-H19	EA	COVER-HEADREST(H19)
2	P19509-01-H23	EA	COVER-HEADREST(H40)
2	P19509-01-H25	EA	COVER-HEADREST(H41)
	113977-12-000	EA	HEADRESTINSERT-W/OLOCK
	113977-13-000	EA	HEADRESTINSERT-W/LOCK
3	M05962-39-H17	EA	COVER-BACK(H17)
3	M05962-39-H18	EA	COVER-BACK(H18)
3	M05962-39-H19	EA	COVER-BACK(H19)
3	M05962-39-H23	EA	COVER-BACK(H40)
3	M05962-39-H25	EA	COVER-BACK(H41)
4	122780-01-H17	EA	ARMREST-RIGHTHAND(H17)
4	122780-01-H18	EA	ARMREST-RIGHTHAND(H18)
4	122780-01-H19	EA	ARMREST-RIGHTHAND(H19)
4	122780-01-H23	EA	ARMREST-RIGHTHAND(H40)
4	122780-01-H41	EA	ARMREST-RIGHTHAND(H41)
	115617-03-000	EA	ARMREST-W/COVER-RIGHTHAND

KEY	PARTNUMBER	U/M	DESCRIPTION	VENDOR NO.
4	P22780-01-H17	EA	COVER-ARMREST-RIGHTHAND(H17)	
4	P22780-01-H18	EA	COVER-ARMREST-RIGHTHAND(H18)	
4	P22780-01-H19	EA	COVER-ARMREST-RIGHTHAND(H19)	
4	P22780-01-H23	EA	COVER-ARMREST-RIGHTHAND(H40)	
4	P22780-01-H41	EA	COVER-ARMREST-RIGHTHAND(H41)	
5	122780-02-H17	EA	ARMREST-LEFTHAND(H17)	
5	122780-02-H18	EA	ARMREST-LEFTHAND(H18)	
5	122780-02-H19	EA	ARMREST-LEFTHAND(H19)	
5	122780-02-H54	EA	ARMREST-LEFTHAND(H40)	
5	122780-02-H41	EA	ARMREST-LEFTHAND(H41)	
	115617-04-000	EA	ARMREST-W/COVER-LEFTHAND	
5	P22780-02-H17	EA	COVER-ARMREST-LEFTHAND(H17)	
5	P22780-02-H18	EA	COVER-ARMREST-LEFTHAND(H18)	
5	P22780-02-H19	EA	COVER-ARMREST-LEFTHAND(H19)	
5	P22780-02-H54	EA	COVER-ARMREST-LEFTHAND(H40)	
5	P22780-02-H41	EA	COVER-ARMREST-LEFTHAND(H41)	
6	M05962-40-H17	EA	COVER-SEAT(H17)	
6	M05962-40-H18	EA	COVER-SEAT(H18)	
6	M05962-40-H19	EA	COVER-SEAT(H19)	
6	M05962-38-H23	EA	COVER-SEAT(H40)	
6	M05962-38-H25	EA	COVER-SEAT(H41)	
7	122695-01-01B	EA	FRAME-SEAT/BACK	
	081212-02-000	EA	CLIP-BACKSPRING	
8	122611-01-702	EA	LUMBAR-BRACKET	157C-90
	122611-01-703	EA	LUMBAR-SCREW	210
9	122611-01-701	EA	LUMBAR-KNOB	218
10	122611-01-000	EA	LUMBAR	
				FROM: 00-00-00 THRU: 05-21-97
10	122611-02-000	EA	LUMBAR-W/LEVER	
				FROM: 05-22-97 THRU: 99-99-99
11	117125-01-02B	EA	BRACKET-CABLEMOUNT-ADJUSTERW/LOCK	
12	119952-06-000	EA	SLIDE/SEAT-HEAVYDUTYLOCKING-4STUDS	
	119952-07-000	EA	WIRE-LATCHRELEASE/ROTARY	
13	114889-01-000	EA	STOPBAR-UNIVERSAL	
14	107921-05-000	EA	PLATE-TOP-W/SEATBELTBAR	
	107921-06-000	EA	BEARINGKIT-PEDESTAL	
15	107921-01-000	EA	PEDESTAL/FLOORMOUNTED-W/9.75"EXTENSION	
16	108049-03-000	EA	CABLE-W/SWITCHES-25.5"SHEATH/28.5"CABLEW/DOGLEG	
				FROM: 00-00-00 THRU: 06-25-97
16	108049-04-000	EA	CABLE-W/SWITCHES-W/26"MINILEVERACTION	
				FROM: 06-26-97 THRU: 99-99-99
17	097683-03-000	EA	BRACKET-REMOTE/SIDEMOUNT-SINGLE	
18	080730-09-000	EA	SHIELD-RECLINERHANDLE	
19	080730-08-000	EA	HANDLE-RECLINER	
20	080730-11-000	EA	SHIELD-RUBBERBOOT	
21	097683-02-000	EA	BRACKET-REMOTE/SIDEMOUNT-DOUBLE	
				FROM: 00-00-00 THRU: 05-31-97
21	127159-02-02B	EA	BRACKET-SEATRELEASE-REMOTE	
				FROM: 06-01-97 THRU: 99-99-99
22	116215-02-000	EA	BRACKET-UPPERMOUNT-6-WAYMANUALSEAT	
	007221-01-000	EA	SPACER-SEAT/ADJUSTER	
23	116215-01-000	EA	ADJUSTER/SLIDE-DRIVERSSEAT-6-WAYMANUAL	
24	116215-03-000	EA	BRACKET-LOWER MOUNT-6-WAYMANUALSEAT	
25	107921-07-000	EA	PEDESTALBASE-POWER	
26	071126-58-H17	EA	SKIRT-SINGLE 10.5"-W/SEATBELTSLOT	
26	071126-58-H18	EA	SKIRT-SINGLE 10.5"-W/SEATBELTSLOT	
26	071126-58-H19	EA	SKIRT-SINGLE 10.5"-W/SEATBELTSLOT	
26	071126-58-H40	EA	SKIRT-SINGLE 10.5"-W/SEATBELTSLOT	
26	071126-58-H41	EA	SKIRT-SINGLE 10.5"-W/SEATBELTSLOT	
26	071126-60-H17	EA	SKIRT-SINGLE 10.5"6-WAYMANUAL(H17)	
26	071126-60-H18	EA	SKIRT-SINGLE 10.5"6-WAYMANUAL(H18)	
26	071126-60-H19	EA	SKIRT-SINGLE 10.5"6-WAYMANUAL(H19)	
26	071126-61-H40	EA	SKIRT-SINGLE 10.5"6-WAYMANUAL(H40)	
26	071126-61-H25	EA	SKIRT-SINGLE 10.5"6-WAYMANUAL(H41)	

CURTAIN & CUSHION GROUP (CONTINUED)

PASSENGER BUCKET SEAT

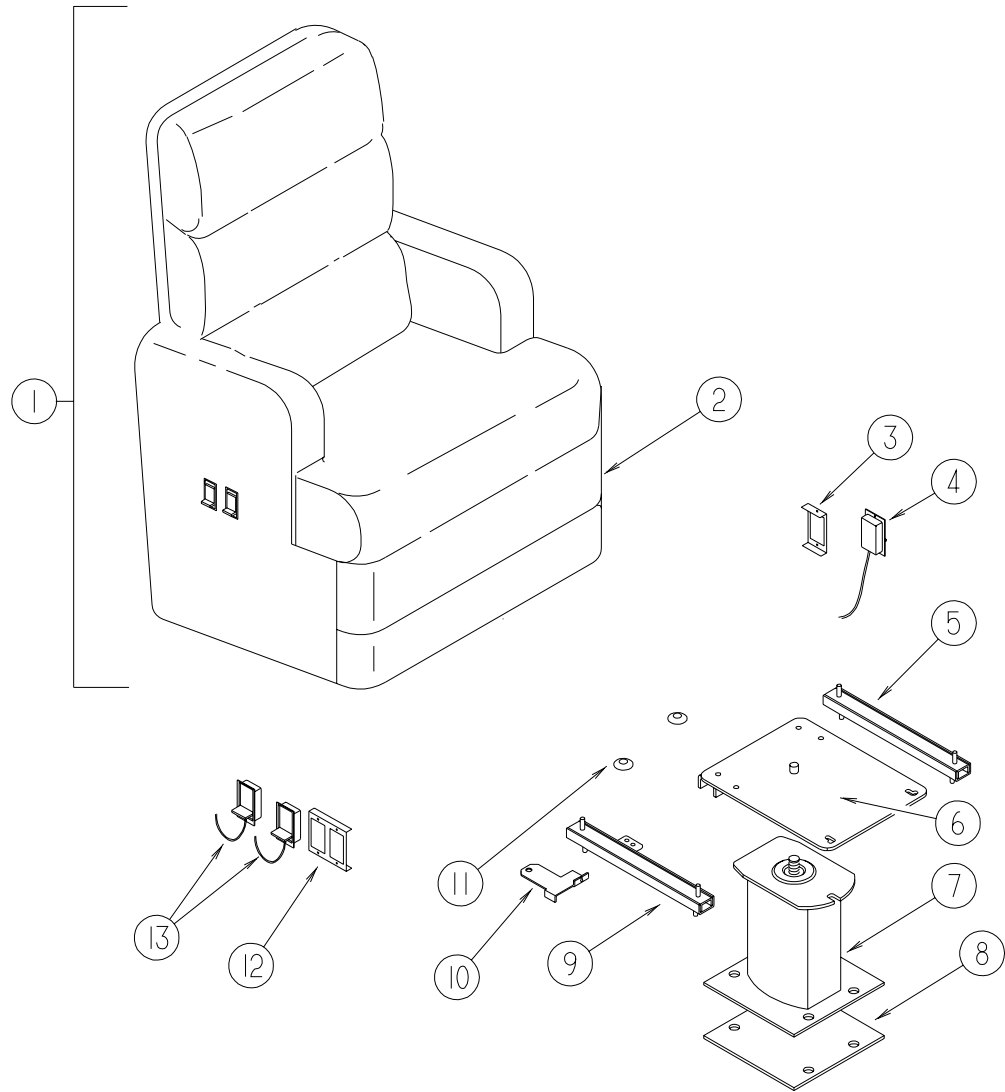


KEY	PARTNUMBER	U/M	DESCRIPTION
1	122684-02-H17	EA	SEAT-BUCKET
1	122684-02-H18	EA	SEAT-BUCKET
1	122684-02-H19	EA	SEAT-BUCKET
1	122738-02-H40	EA	SEAT-BUCKET
1	122738-02-H41	EA	SEAT-BUCKET
2	119509-01-G07	EA	HEADREST-BUCKETSEAT(H17)
2	119509-01-H18	EA	HEADREST-BUCKETSEAT(H18)
2	119509-01-H19	EA	HEADREST-BUCKETSEAT(H19)
2	119509-01-H23	EA	HEADREST-BUCKETSEAT(H40)
2	119509-01-H25	EA	HEADREST-BUCKETSEAT(H41)
2	P19509-01-G07	EA	COVER-HEADREST(H17)
2	P19509-01-H18	EA	COVER-HEADREST(H18)
2	P19509-01-H19	EA	COVER-HEADREST(H19)
2	P19509-01-H23	EA	COVER-HEADREST(H40)
2	P19509-01-H25	EA	COVER-HEADREST(H41)
	113977-12-000	EA	HEADRESTINSERT-W/OLOCK
	113977-13-000	EA	HEADRESTINSERT-W/LOCK
3	M05962-39-H17	EA	COVER-BACK(H17)
3	M05962-39-H18	EA	COVER-BACK(H18)
3	M05962-39-H19	EA	COVER-BACK(H19)
3	M05962-39-H23	EA	COVER-BACK(H40)
3	M05962-39-H25	EA	COVER-BACK(H41)
4	122780-01-H17	EA	ARMREST-RIGHTHAND(H17)
4	122780-01-H18	EA	ARMREST-RIGHTHAND(H18)
4	122780-01-H19	EA	ARMREST-RIGHTHAND(H19)
4	122780-01-H23	EA	ARMREST-RIGHTHAND(H40)

KEY	PARTNUMBER	U/M	DESCRIPTION
4	122780-01-H41	EA	ARMREST-RIGHTHAND(H41)
	115617-03-000	EA	ARMREST-W/COVER-RIGHTHAND
4	P22780-01-H17	EA	COVER-ARMREST-RIGHTHAND(H17)
4	P22780-01-H18	EA	COVER-ARMREST-RIGHTHAND(H18)
4	P22780-01-H19	EA	COVER-ARMREST-RIGHTHAND(H19)
4	P22780-01-H23	EA	COVER-ARMREST-RIGHTHAND(H40)
4	P22780-01-H41	EA	COVER-ARMREST-RIGHTHAND(H41)
5	122780-02-H17	EA	ARMREST-LEFTHAND(H17)
5	122780-02-H18	EA	ARMREST-LEFTHAND(H18)
5	122780-02-H19	EA	ARMREST-LEFTHAND(H19)
5	122780-02-H54	EA	ARMREST-LEFTHAND(H40)
5	122780-02-H41	EA	ARMREST-LEFTHAND(H41)
	115617-04-000	EA	ARMREST-W/COVER-LEFTHAND
5	P22780-02-H17	EA	COVER-ARMREST-LEFTHAND(H17)
5	P22780-02-H18	EA	COVER-ARMREST-LEFTHAND(H18)
5	P22780-02-H19	EA	COVER-ARMREST-LEFTHAND(H19)
5	P22780-02-H54	EA	COVER-ARMREST-LEFTHAND(H40)
5	P22780-02-H41	EA	COVER-ARMREST-LEFTHAND(H41)
6	M05962-40-H17	EA	COVER-SEAT(H17)
6	M05962-40-H18	EA	COVER-SEAT(H18)
6	M05962-40-H19	EA	COVER-SEAT(H19)
6	M05962-38-H23	EA	COVER-SEAT(H40)
6	M05962-38-H25	EA	COVER-SEAT(H41)
7	122695-01-01B	EA	FRAME-SEAT/BACK
	081212-02-000	EA	CLIP-BACKSPRING
8	117125-01-02B	EA	BRACKET-CABLEMOUNT-ADJUSTERW/LOCK
9	119952-06-000	EA	SLIDE/SEAT-HEAVYDUTYLOCKING-4STUDS
	119952-07-000	EA	WIRE-LATCHRELEASE/ROTARY
10	114889-01-000	EA	STOPBAR-UNIVERSAL
11	107921-05-000	EA	PLATE-TOP-W/SEATBELTBAR
	107921-06-000	EA	BEARINGKIT-PEDESTAL
12	107921-01-000	EA	PEDESTAL/FLOORMOUNTED-W/9.75"EXTENSION
13	080730-09-000	EA	SHIELD-RECLINERHANDLE
14	080730-08-000	EA	HANDLE-RECLINER
15	080730-11-000	EA	SHIELD-RUBBERBOOT
16	108049-03-000	EA	CABLE-W/SWITCHES-25.5"SHEATH/28.5"CABLEW/DOGLEG
			FROM: 00-00-00 THRU: 06-25-97
16	108049-04-000	EA	CABLE-W/SWITCHES-W/26"MINILEVERACTION
			FROM: 06-26-97 THRU: 99-99-99
	108049-02-000	EA	CLIP-CABLE/PEDESTAL
17	097683-02-000	EA	BRACKET-REMOTE/SIDEMOUNT-DOUBLE
			FROM: 00-00-00 THRU: 05-31-97
17	127159-02-02B	EA	BRACKET-SEATRELEASE-REMOTE
			FROM: 06-01-97 THRU: 99-99-99
18	071126-58-H17	EA	SKIRT-SINGLE 10.5"-W/SEATBELTSLOT
18	071126-58-H18	EA	SKIRT-SINGLE 10.5"-W/SEATBELTSLOT
18	071126-58-H19	EA	SKIRT-SINGLE 10.5"-W/SEATBELTSLOT
18	071126-59-H40	EA	SKIRT-SINGLE 10.5"-W/SEATBELTSLOT
18	071126-59-H41	EA	SKIRT-SINGLE 10.5"-W/SEATBELTSLOT

CURTAIN&CUSHIONGROUP(CONTINUED)

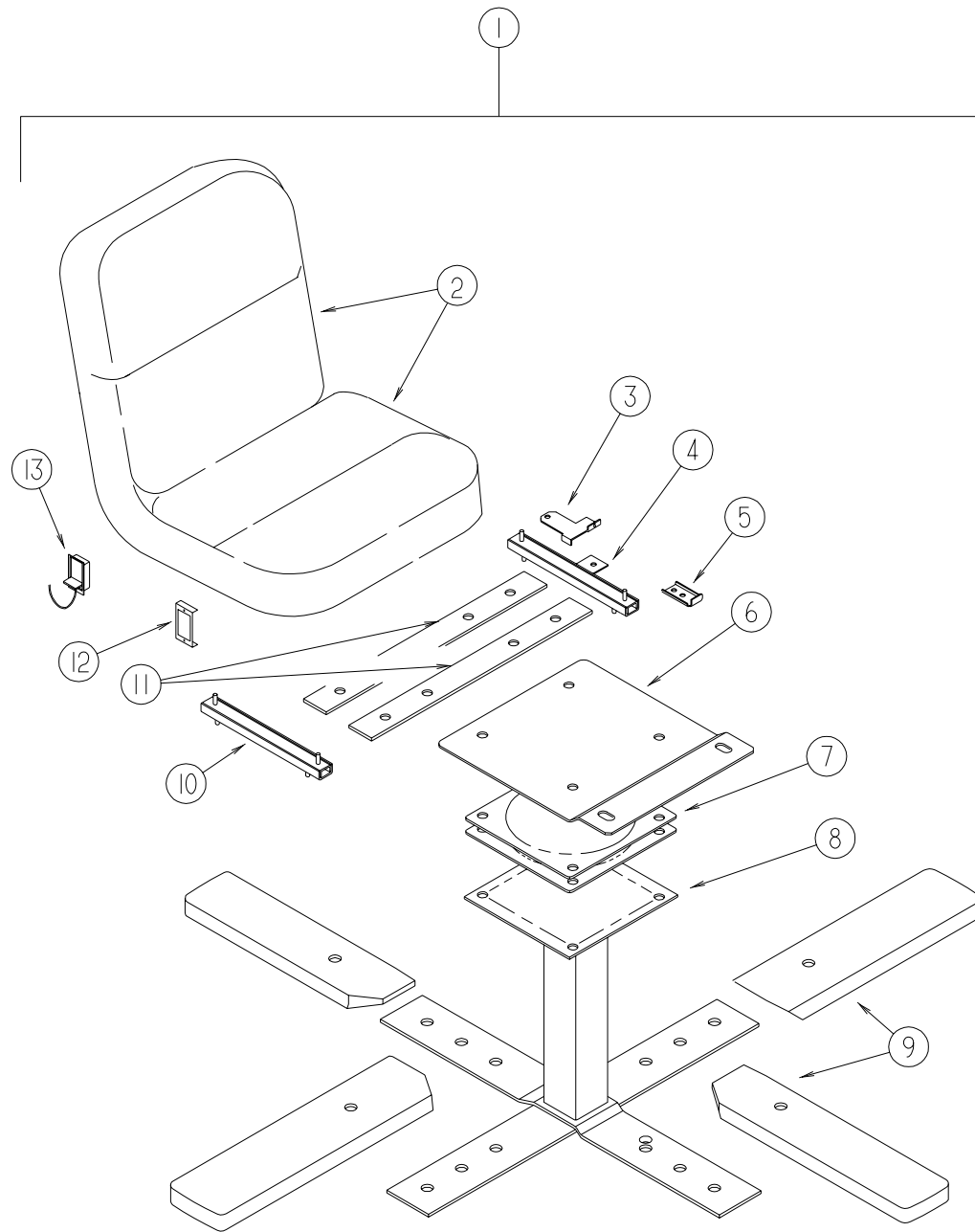
SWIVELCHAIR(RECLINER)



KEY	PARTNUMBER	U/M	DESCRIPTION
1	124067-01-H17	EA	CHAIR-RECLINER
1	124067-01-H18	EA	CHAIR-RECLINER
1	124067-01-H19	EA	CHAIR-RECLINER
1	123383-03-H40	EA	CHAIR-RECLINER
1	123383-03-H41	EA	CHAIR-RECLINER
1	P24067-01-H17	EA	COVER-CHAIR-RECLINER(H17)
1	P24067-01-H18	EA	COVER-CHAIR-RECLINER(H18)
1	P24067-01-H19	EA	COVER-CHAIR-RECLINER(H19)
1	P23383-03-H40	EA	COVER-CHAIR-RECLINER(H40)
1	P23383-03-H25	EA	COVER-CHAIR-RECLINER(H41)
	P18302-27-G15	EA	COVER-ARMREST-UNIVERSAL(H17)
	P18302-27-H18	EA	COVER-ARMREST-UNIVERSAL(H18)
	P18302-27-H19	EA	COVER-ARMREST-UNIVERSAL(H19)
	P18302-27-H23	EA	COVER-ARMREST-UNIVERSAL(H40)
	P18302-27-H25	EA	COVER-ARMREST-UNIVERSAL(H41)
2	118539-01-H17	EA	SKIRT-RECLINERCHAIR
2	118539-01-H18	EA	SKIRT-RECLINERCHAIR
2	118539-01-H19	EA	SKIRT-RECLINERCHAIR
3	097683-03-000	EA	BRACKET-REMOTE/SIDEMOUNT-SINGLE
4	089368-05-000	EA	CABLE-W/SWITCH25.5" SHEATH-293/4" CABLEW/DOGLEG
	108049-02-000	EA	CLIP-CABLE/PEDESTAL
5	119952-02-000	EA	SLIDE/SEAT-HEAVYDUTYNONLOCKING
6	107921-08-000	EA	TOPPLATE-PEDESTAL-W/OSEATBELTBAR
7	107921-01-000	EA	PEDESTAL/FLOORMOUNTED-W/9.75"EXTENSION
8	108445-02-000	EA	PLATE/FLOORMOUNTED-PEDESTALSEAT
	107921-06-000	EA	BEARINGKIT-PEDESTAL
9	119952-04-000	EA	SLIDE/SEAT-HEAVYDUTYLOCKING-4STUDS
10	117125-01-02B	EA	BRACKET-CABLEMOUNT-ADJUSTERW/LOCK
11	007221-01-000	EA	SPACER-SEAT/ADJUSTER
12	097683-02-000	EA	BRACKET-REMOTE/SIDEMOUNT-DOUBLE
12	127159-02-02B	EA	BRACKET-SEATRELEASE-REMOTE
13	108049-03-000	EA	CABLE-W/SWITCHES-25.5" SHEATH/28.5" CABLEW/DOGLEG
13	108049-04-000	EA	CABLE-W/SWITCHES-W/26"MINILEVERACTION
	108049-02-000	EA	CLIP-CABLE/PEDESTAL
	057759-01-000	EA	WASHERBRACKET-SEATBELT-4"DIAMETER
	007021-01-000	EA	SEATBELT-2" X 90" - BLACK

CURTAIN&CUSHIONGROUP(CONTINUED)

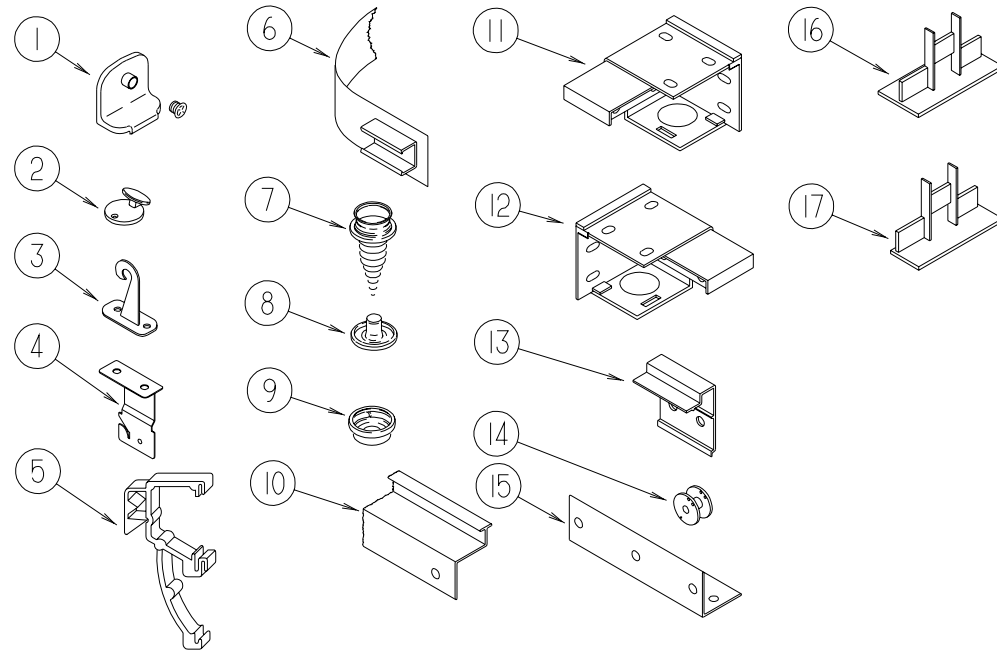
DINETTE SWIVELCHAIRASM(210KC)



KEY	PARTNUMBER	U/M	DESCRIPTION
1	122739-01-H17	EA	CHAIR-SWIVEL(H17)
1	122739-01-H07	EA	CHAIR-SWIVEL(H18)
1	122739-01-H19	EA	CHAIR-SWIVEL(H19)
1	122739-01-H23	EA	CHAIR-SWIVEL(H40)
1	122739-01-H25	EA	CHAIR-SWIVEL(H41)
2	P22739-01-H17	EA	COVER-BACK/SEAT-SWIVELCHAIR(H17)
2	P22739-01-H07	EA	COVER-BACK/SEAT-SWIVELCHAIR(H18)
2	P22739-01-H19	EA	COVER-BACK/SEAT-SWIVELCHAIR(H19)
2	P22739-01-H23	EA	COVER-BACK/SEAT-SWIVELCHAIR(H40)
2	P22739-01-H25	EA	COVER-BACK/SEAT-SWIVELCHAIR(H41)
3	117125-01-02B	EA	BRACKET-CABLEMOUNT-ADJUSTERW/LOCK
4	119952-04-000	EA	SLIDE/SEAT-HEAVYDUTYLOCKING-4STUDS
5	114889-01-000	EA	STOPBAR-UNIVERSAL
6	119705-11-02B	EA	PLATE-SEAT
7	119105-01-000	EA	PLATE-SWIVEL-RETURN-0-MATIC
8	119705-02-03B	EA	PEDESTAL
9	116080-02-G35	EA	COVER-CHAIRLEG-9.5"(OAK)
9	116080-02-H23	EA	COVER-CHAIRLEG-9.5"(WHITE)
10	119952-02-000	EA	SLIDE/SEAT-HEAVYDUTYNONLOCKING
11	120109-01-02B	EA	ADAPTERBRACKET-DINETTESWIVELCHAIR
12	097683-03-000	EA	BRACKET-REMOTE/SIDEMOUNT-SINGLE
13	108049-03-000	EA	CABLE-W/SWITCHES-25.5"SHEATH/28.5"CABLEW/DOGLEG
			FROM: 00-00-00 THRU: 06-25-97
13	108049-04-000	EA	CABLE-W/SWITCHES-W/26"MINILEVERACTION
			FROM: 06-26-97 THRU: 99-99-99
	108049-02-000	EA	CLIP-CABLE/PEDESTAL

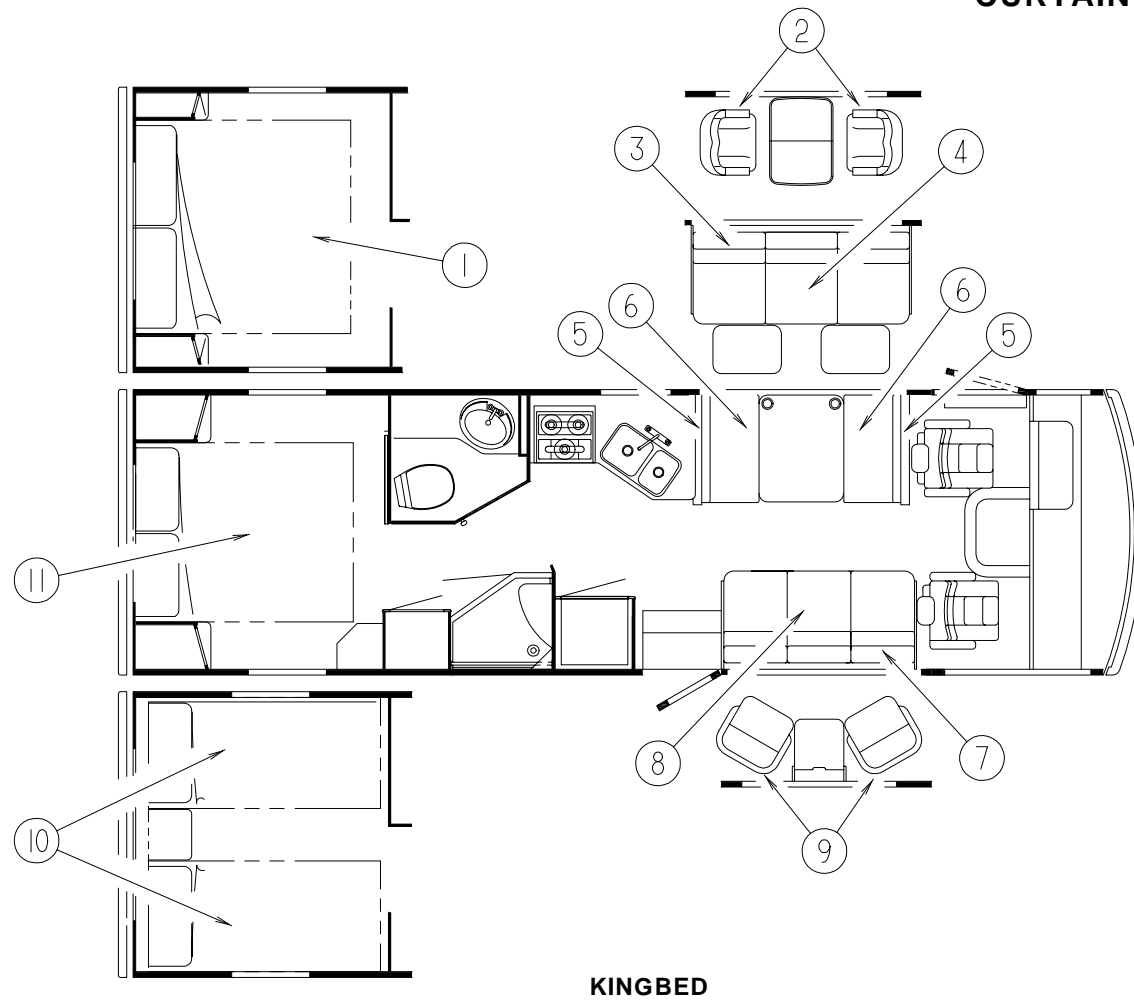
CURTAIN&CUSHIONGROUP(CONTINUED)

CURTAIN&BLINDHARDWARE



KEY	PARTNUMBER	U/M	DESCRIPTION
1	106544-01-000	EA	PULL-SHADE/BRASS
	106544-01-001	EA	SCREW-SHADE/BRASS
2	102555-03-000	EA	CLEAT-BLINDCORD-MILKYWHITEPLASTIC
3	109441-03-000	EA	HOLDDOWN-BLIND(CLOUDY)
4	084434-01-000	EA	BRACKET-MOUNTING-ROLLERSHADE-13/8"
	096843-01-000	EA	SPRING-REWIND/ROLLERSHADE
5	109353-04-000	EA	CLIP-VALANCESLATMOUNTING-CLEARPLASTIC
6	101031-01-000	YD	TAPE-GLIDE/CURTAIN-4.25"SPACING
7	029130-01-000	EA	SCREW-SNAPSOCKET-#8PHX5/8"
8	029155-01-000	EA	CAP-SNAP-5/32"O.D.OFPIN
	046867-03-000	EA	GROMMET-HANDYBUTTON#3
9	029156-01-000	EA	SOCKET-SNAP-9/16"O.D.
10	114641-13-H37	EA	TRACK-CURTAIN-WRAPAROUNDW/SPACERS-RIGHTHAND
10	114641-12-H37	EA	TRACK-CURTAIN-WRAPAROUNDW/SPACERS-LEFTHAND
11	083170-02-000	EA	BRACKET-BLIND-RIGHTSIDEWHENFACINGWINDOW
12	083170-01-000	EA	BRACKET-BLIND-LEFTSIDEWHENFACINGWINDOW
13	097565-01-000	EA	BRACKET-MOUNTING/PLEATEDBLIND
14	097592-01-000	EA	SPOOL-CORD-ELEVATEDBLINDHOLDUP-CLEARPLASTIC
15	083125-07-000	EA	BRACE-COUCH-2.5"
16	094907-02-000	EA	ENDCAP-TOP/PLEATEDBLIND-PLASTIC-GRAY
17	094907-04-000	EA	HARDWARE-ENDCAPBOTTOM-PULLTYPE(RH&LH)
	094907-04-700	EA	ENDCAP-RHBOTTOMBLIND
	094907-04-701	EA	ENDCAP-LHBOTTOMBLIND
	088792-02-000	YD	VELCROTAPE-LOOP-.75"-ADHESIVEBACKED-BEIGE
	048394-02-000	YD	VELCROTAPE-HOOK-ADHESIVEBACK-.75"WIDE-BEIGE
	097591-01-000	EA	SPRING-EXTENSION/PLEATEDBLIND
	097593-06-000	FT	CORD-BLIND-PLEATED-PEWTER(H37,H39,H47,H49)
	097593-02-000	FT	CORD-BLIND-PLEATED-GRAY(H38,H48)
	086276-01-000	EA	TAPE-DOUBLESIDED-1/2"
	094896-02-000	EA	GROMMET-CORD/PLEATEDBLIND-NYLON-GRAY
	097564-01-000	EA	HANDLE-T-EZLIFTSHADE

CURTAIN & CUSHION GROUP (CONTINUED)



DRIVERSIDE SOFA BED OPTION

KEY	PARTNUMBER	U/M	DESCRIPTION
3	111319-01-G15	EA	BACK-SOFA/BED-W/FRAME-74"(H17)
3	112104-01-H18	EA	BACK-SOFA/BED-W/FRAME-74"(H18)
3	112104-01-H19	EA	BACK-SOFA/BED-W/FRAME-74"(H19)
3	123380-03-H40	EA	BACK-SOFA/BED-74"-W/FRAME(H40)
3	123380-03-H41	EA	BACK-SOFA/BED-74"-W/FRAME(H41)
3	P11319-01-G15	EA	COVER-BACK-SOFA/BED-74"(H17)
3	P12104-01-H18	EA	COVER-BACK-SOFA/BED-74"(H18)
3	P12104-01-H19	EA	COVER-BACK-SOFA/BED-74"(H19)
3	P23380-03-H40	EA	COVER-BACK-SOFA/BED-74"(H40)
3	P23380-03-H41	EA	COVER-BACK-SOFA/BED-74"(H41)
4	100032-43-G15	EA	SEAT-SOFA/BEDW/FRAME-74"(H17)
4	100032-43-H18	EA	SEAT-SOFA/BEDW/FRAME-74"(H18)
4	100032-43-H19	EA	SEAT-SOFA/BEDW/FRAME-74"(H19)
4	123380-04-H40	EA	SEAT-SOFA/BED-74"(H40)
4	123380-04-H41	EA	SEAT-SOFA/BED-74"(H41)
4	P00032-43-G15	EA	COVER-SEAT-SOFA/BED-74"(H17)
4	P00032-43-H18	EA	COVER-SEAT-SOFA/BED-74"(H18)
4	P00032-43-H19	EA	COVER-SEAT-SOFA/BED-74"(H19)
4	P23380-04-H40	EA	COVER-SEAT-SOFA/BED-74"(H40)
4	P23380-04-H41	EA	COVER-SEAT-SOFA/BED-74"(H41)
	101085-04-000	EA	FRAME-SEAT-SOFA/BED-74.75"
	101085-06-000	EA	FRAME-BASE-SOFA/BED-74.75"
	101085-10-000	EA	FRAME-BACK-SOFA/BED-74.75"

NOTE : COUCHFRONT AND SIDE PANELS ARE FOUND IN THE DINETTE GROUP

DINETTE CUSHIONS

KEY	PARTNUMBER	U/M	DESCRIPTION
5	111897-04-G15	EA	CUSHION-BACK-13.5"X38"X5"(H17)
5	111897-04-GV7	EA	CUSHION-BACK-13.5"X38"X5"(H18)
5	111897-04-H19	EA	CUSHION-BACK-13.5"X38"X5"(H19)
5	111880-01-H40	EA	CUSHION-BACK-13.5"X38"X5"(H40)
5	111880-01-H41	EA	CUSHION-BACK-13.5"X38"X5"(H41)
5	P11897-04-G15	EA	COVER-BACK-13.5"X38"X5"(H17)
5	P11897-04-GV7	EA	COVER-BACK-13.5"X38"X5"(H18)
5	P11897-04-H19	EA	COVER-BACK-13.5"X38"X5"(H19)
5	P11880-01-H40	EA	COVER-BACK-13.5"X38"X5"(H40)
5	P11880-01-H41	EA	COVER-BACK-13.5"X38"X5"(H41)
6	088927-87-G15	EA	CUSHION-SEATBOTTOM-23"X38"X5"(H17)
6	088927-87-GV7	EA	CUSHION-SEATBOTTOM-23"X38"X5"(H18)
6	088927-87-H19	EA	CUSHION-SEATBOTTOM-23"X38"X5"(H19)
6	088927-87-H40	EA	CUSHION-SEATBOTTOM-23"X38"X5"(H40)
6	088927-87-H41	EA	CUSHION-SEATBOTTOM-23"X38"X5"(H41)
6	M88927-87-G15	EA	COVER-SEATCUSHION-23"X38"X5"(H17)
6	M88927-87-GV7	EA	COVER-SEATCUSHION-23"X38"X5"(H18)
6	M88927-87-H19	EA	COVER-SEATCUSHION-23"X38"X5"(H19)
6	M88927-87-H40	EA	COVER-SEATCUSHION-23"X38"X5"(H40)
9	M88927-87-H41	EA	COVER-SEATCUSHION-23"X38"X5"(H41)
	078155-01-000	EA	STRAP-SNAP-BACKRESTCUSHION

KEY	PARTNUMBER	U/M	DESCRIPTION
1	119141-05-G15	EA	BEDSPREAD-THROW-72"X75"(H17)
1	109588-30-H18	EA	BEDSPREAD-THROW-72"X75"(H18)
1	109588-30-H19	EA	BEDSPREAD-THROW-72"X75"(H19)
1	119141-05-H40	EA	BEDSPREAD-THROW-72"X75"(H40)
1	109588-30-H41	EA	BEDSPREAD-THROW-72"X75"(H41)
1	123015-08-000	EA	MATRESS-INNERSPRING-72"X74.5"
	119249-02-000	EA	PILLOW-22"X37"(KING/TWIN)(H17, H40)
	106727-03-H18	EA	PILLOW-THROW-TOOTSIEROLL(H18)
	106727-03-H19	EA	PILLOW-THROW-TOOTSIEROLL(H19)
	106727-03-H25	EA	PILLOW-THROW-TOOTSIEROLL(H41)

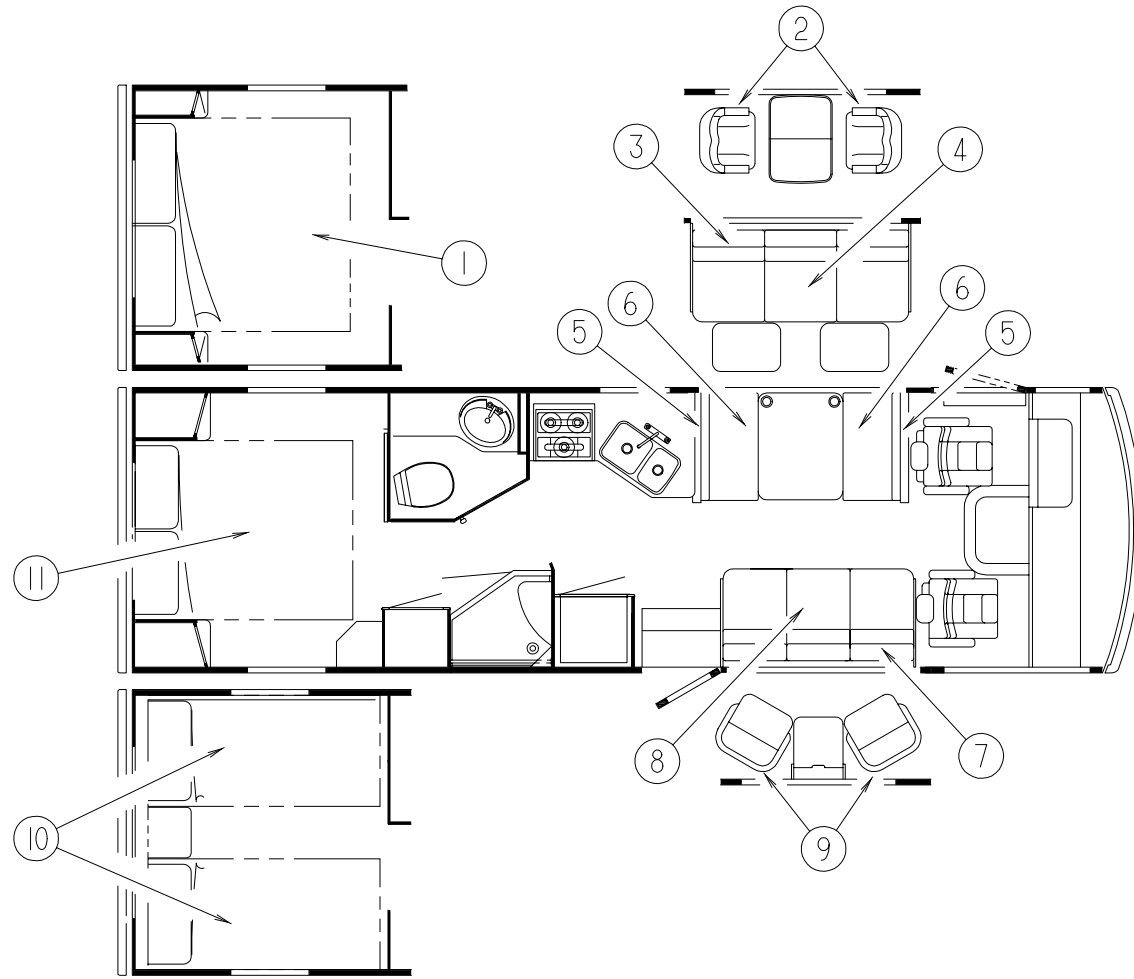
BEDROOM PILLOWS

KEY	PARTNUMBER	U/M	DESCRIPTION
	111637-08-G15	EA	PILLOW-16"X16"(H17)
	111637-08-H18	EA	PILLOW-16"X16"(H18)
	111637-08-H19	EA	PILLOW-16"X16"(H19)
	111637-08-H40	EA	PILLOW-16"X16"(H40)
	111637-08-H25	EA	PILLOW-16"X16"(H41)

DINETTE SWIVEL CHAIR

KEY	PARTNUMBER	U/M	DESCRIPTION
2	122739-01-H17	EA	CHAIR-SWIVEL(H17)
2	122739-01-H07	EA	CHAIR-SWIVEL(H18)
2	122739-01-H19	EA	CHAIR-SWIVEL(H19)
2	122739-01-H23	EA	CHAIR-SWIVEL(H40)
2	122739-01-H25	EA	CHAIR-SWIVEL(H41)
	101604-01-03A	EA	CHAIR-FOLDING/DINETTE-WATERFORDOAK-W/OFABRIC
	101604-01-05A	EA	CHAIR-FOLDING/DINETTE-W/OFABRIC-WHITEGRANITE

CURTAIN&CUSHIONGROUP(CONTINUED)



SWIVELCHAIR(RECLINER)

KEY	PARTNUMBER	U/M	DESCRIPTION
9	124067-01-H17	EA	CHAIR-RECLINER
9	124067-01-H18	EA	CHAIR-RECLINER
9	124067-01-H19	EA	CHAIR-RECLINER
9	123383-03-H40	EA	CHAIR-RECLINER
9	123383-03-H41	EA	CHAIR-RECLINER

TWINBED

KEY	PARTNUMBER	U/M	DESCRIPTION
10	119141-04-G15	EA	BEDSPREAD-THROW-36"X80"(H17)
10	109588-19-H18	EA	BEDSPREAD-THROW-36"X80"(H18)
10	109588-19-H19	EA	BEDSPREAD-THROW-36"X80"(H19)
10	119141-04-H23	EA	BEDSPREAD-THROW-36"X80"(H40)
10	109588-19-H25	EA	BEDSPREAD-THROW-36"X80"(H41)
10	123015-04-000	EA	MATTRESS-INNERSPRING-36"X79.5"
	119249-02-000	EA	PILLOW-22"X37"-KING/TWIN(H17,H40)
	106727-03-H18	EA	PILLOW-TOOTSIE-TWINBED(H18)
	106727-03-H19	EA	PILLOW-TOOTSIE-TWINBED(H19)
	106727-03-H25	EA	PILLOW-TOOTSIE-TWINBED(H41)

QUEENBED

KEY	PARTNUMBER	U/M	DESCRIPTION
11	119141-06-H17	EA	BEDSPREAD/THROW-60"X75"
11	109588-31-H18	EA	BEDSPREAD/THROW-60"X75"
11	109588-31-H19	EA	BEDSPREAD/THROW-60"X75"
11	119141-06-H40	EA	BEDSPREAD/THROW-60"X75"
11	109588-31-H41	EA	BEDSPREAD/THROW-60"X75"
11	123015-06-000	EA	MATTRESS-INNERSPRING-60"X74.5"
	119249-01-000	EA	PILLOW-20"X33"-QUEEN(H17,H40)
	106727-04-H18	EA	PILLOW-TOOTSIE-TWINBED(H18)
	106727-04-H19	EA	PILLOW-TOOTSIE-TWINBED(H19)
	106727-04-H25	EA	PILLOW-TOOTSIE-TWINBED(H41)

SOFABED

KEY	PARTNUMBER	U/M	DESCRIPTION
7	111319-03-G07	EA	BACK-SOFA/BED-W/FRAME-66.5"(H17)
7	112104-02-H18	EA	BACK-SOFA/BED-W/FRAME-66.5"(H18)
7	112104-02-H19	EA	BACK-SOFA/BED-W/FRAME-66.5"(H19)
7	123380-05-H40	EA	BACK-SOFA/BED-W/FRAME-66.5"(H40)
7	123380-05-H41	EA	BACK-SOFA/BED-W/FRAME-66.5"(H41)
7	P11319-03-G15	EA	COVER-BACK-SOFA/BED-66.5"(H17)
7	P12104-02-H18	EA	COVER-BACK-SOFA/BED-66.5"(H18)
7	P12104-02-H19	EA	COVER-BACK-SOFA/BED-66.5"(H19)
7	P23380-05-H40	EA	COVER-BACK-SOFA/BED-66.5"(H40)
7	P23380-05-H41	EA	COVER-BACK-SOFA/BED-66.5"(H41)
8	100032-37-H17	EA	SEAT-SOFA/BEDW/FRAME-66.5"(H17)
8	100032-37-H07	EA	SEAT-SOFA/BEDW/FRAME-66.5"(H18)
8	100032-37-H08	EA	SEAT-SOFA/BEDW/FRAME-66.5"(H19)
8	123380-06-H40	EA	SEAT-SOFA/BEDW/FRAME-66.5"(H40)
8	123380-06-H41	EA	SEAT-SOFA/BEDW/FRAME-66.5"(H41)
8	P00032-37-G07	EA	COVER-SEAT-SOFA/BED-66.5"(H17)
8	P00032-37-H07	EA	COVER-SEAT-SOFA/BED-66.5"(H18)
8	P00032-37-H08	EA	COVER-SEAT-SOFA/BED-66.5"(H19)
8	P23380-06-H40	EA	COVER-SEAT-SOFA/BED-66.5"(H40)
8	P23380-06-H41	EA	COVER-SEAT-SOFA/BED-66.5"(H41)
	101085-04-000	EA	FRAME-SEAT-SOFA/BED-66.5"
	101085-06-000	EA	FRAME-BASE-SOFA/BED-66.5"
	101085-10-000	EA	FRAME-BACK-SOFA/BED-66.5"

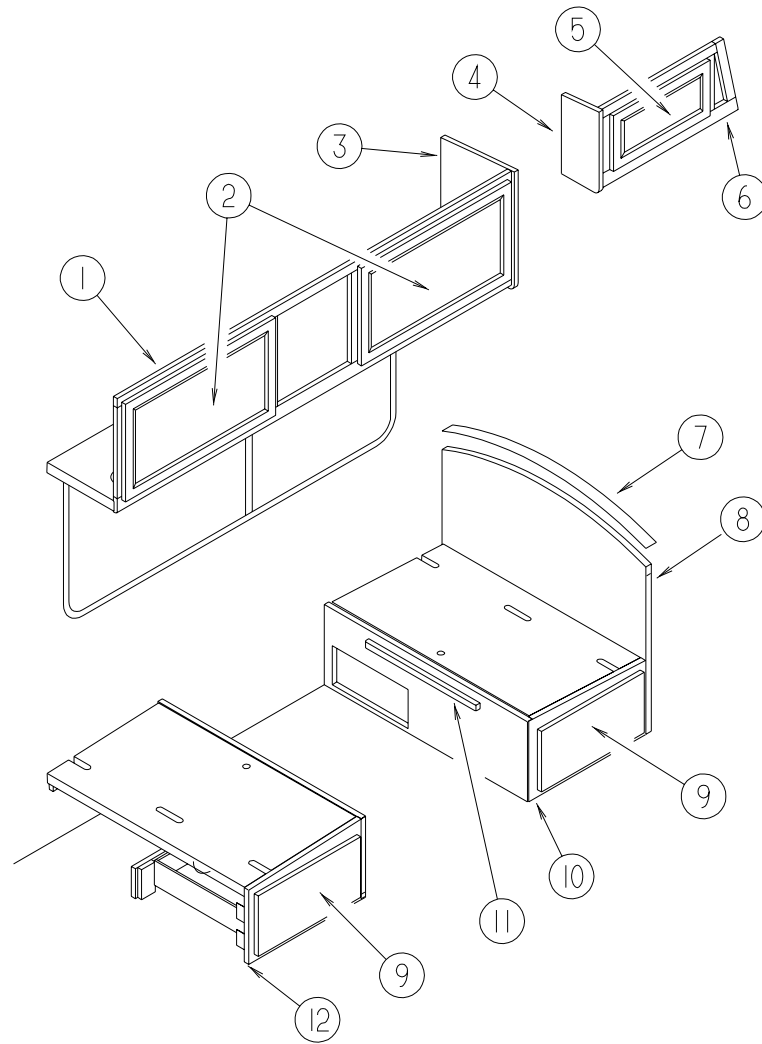
LOUNGEPIZZOLLS

KEY	PARTNUMBER	U/M	DESCRIPTION
	111637-03-G15	EA	PILLOW-22"X22"(H17)
	111637-03-H18	EA	PILLOW-22"X22"(H18)
	111637-03-H19	EA	PILLOW-22"X22"(H19)
	111637-03-H23	EA	PILLOW-22"X22"(H40)
	111637-03-H41	EA	PILLOW-22"X22"(H41)

NOTE : COUCHFRONTANDSIDE PANELSARE FOUNDINTHE LOUNGE GROUP

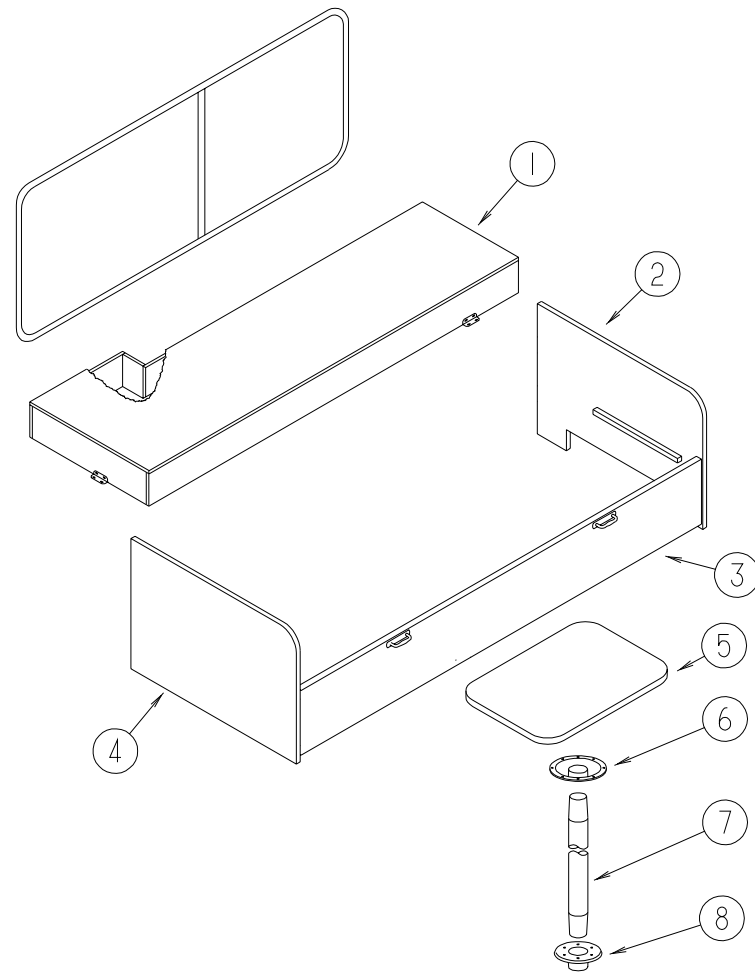
DINETTEGROUP

DINETTE



KEY	PARTNUMBER	U/M	DESCRIPTION
1	117922-01-H17	EA	CABINET-OVERHEAD/DINETTE-W/ODOORS/HARDWARE
1	117922-01-H18	EA	CABINET-OVERHEAD/DINETTE-W/ODOORS/HARDWARE
1	117922-01-H19	EA	CABINET-OVERHEAD/DINETTE-W/ODOORS/HARDWARE
1	117922-01-H40	EA	CABINET-OVERHEAD/DINETTE-W/ODOORS/HARDWARE
1	117922-01-H41	EA	CABINET-OVERHEAD/DINETTE-W/ODOORS/HARDWARE
	117922-14-G35	EA	SHELF-W/PLASTICEDGETRIM(OAK)
	117922-14-G40	EA	SHELF-W/PLASTICEDGETRIM(WHITE)
2	M06803-13-H17	EA	DOOR-MIRROR/MTRDCRNR/OGEEEDGE-15.7"X27.9"-W/OHARDWARE(OAK)
2	122715-08-01A	EA	DOOR-MOLDEDVINYL-15.7"X27.9"-W/OHARDWARE(WHITE)
3	103128-01-G09	EA	ENDCAP-OVERHEADCABINET-RIGHTHAND(OAK)
3	103128-01-H40	EA	ENDCAP-OVERHEADCABINET-RIGHTHAND(WHITE)
4	103128-09-G09	EA	ENDCAP-OVERHEADCABINET-LEFTHAND(OAK)
4	103128-09-H23	EA	ENDCAP-OVERHEADCABINET-LEFTHAND(WHITE)
5	M06803-04-H17	EA	DOOR-MITEREDCORNER/OGEEEDGE-10"X19.1"-W/OHARDWARE(OAK)
5	122715-03-01A	EA	DOOR-MOLDEDVINYL-10"X19.1"-W/OHARDWARE(WHITE)
6	M06838-02-H17	EA	CABINET-FRONTDRIVEROVERHEADW/ODOOR/HARDWARE
6	M06838-02-H18	EA	CABINET-FRONTDRIVEROVERHEADW/ODOOR/HARDWARE
6	M06838-02-H19	EA	CABINET-FRONTDRIVEROVERHEADW/ODOOR/HARDWARE
6	M06838-02-H40	EA	CABINET-FRONTDRIVEROVERHEADW/ODOOR/HARDWARE
6	M06838-02-H41	EA	CABINET-FRONTDRIVEROVERHEADW/ODOOR/HARDWARE
7	104787-04-G15	EA	PAD-SEATBACK/TOP(H17)
7	104787-04-G37	EA	PAD-SEATBACK/TOP(H18)
7	104787-04-H19	EA	PAD-SEATBACK/TOP(H19)
7	104787-04-H40	EA	PAD-SEATBACK/TOP(H40)
7	104787-04-H41	EA	PAD-SEATBACK/TOP(H41)
8	M04174-66-G15	EA	CABINET-SEATBACKRIGHTHAND-W/OHARDWARE(OAK)
8	M04174-66-H40	EA	CABINET-SEATBACKRIGHTHAND-W/OHARDWARE(WHITE)
9	M05971-D9-H17	EA	DRAWER-OGEEEGEE-16.9"WX19.7"D-W/OSLIDES/HARDWARE(OAK)
9	P10163-DF-H40	EA	DRAWER-SQUAREEDGE-16.9"WX19.7"D-W/OSLIDES/HARDWARE(WHITE)
10	M04175-66-G15	EA	CABINET-SEATBOTTOMRIGHTHAND-W/ODRAWER/HARDWARE(OAK)
10	M04175-66-H40	EA	CABINET-SEATBOTTOMRIGHTHAND-W/ODRAWER/HARDWARE(WHITE)
11	081295-01-G01	EA	SUPPORT-BED/DINETTE-28"LONG(OAK)
11	081295-01-H40	EA	SUPPORT-BED/DINETTE-28"LONG(WHITE)
12	M04175-65-G15	EA	CABINET-SEATBOTTOMLEFTHAND-W/ODRAWER/HARDWARE(OAK)
12	M04175-65-H40	EA	CABINET-SEATBOTTOMLEFTHAND-W/ODRAWER/HARDWARE(WHITE)

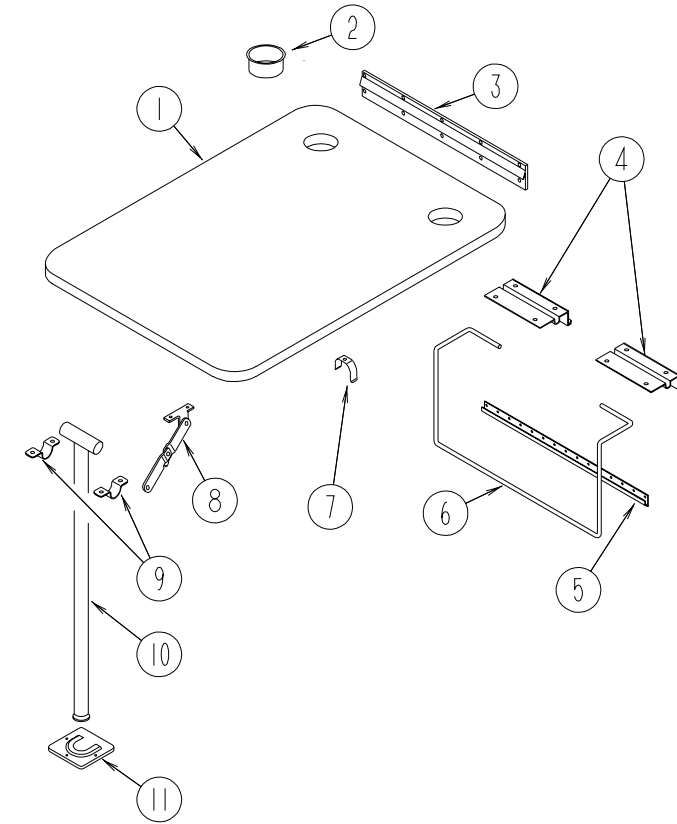
DINETTEGROUP(CONTINUED)



COUCH & PEDESTAL TABLE (OPTION)

KEY	PARTNUMBER	U/M	DESCRIPTION
1	112062-01-E10	EA	CABINET-COVER/FURNACE-W/ODOORS/HARDWARE
2	M04187-35-G15	EA	PANEL-COUCH-LEFTEND-FABRICCOVERED(H17)
2	M04187-35-H18	EA	PANEL-COUCH-LEFTEND-FABRICCOVERED(H18)
2	M04187-35-H19	EA	PANEL-COUCH-LEFTEND-FABRICCOVERED(H19)
2	M04187-35-H40	EA	PANEL-COUCH-LEFTEND-FABRICCOVERED(H40)
2	M04187-35-H41	EA	PANEL-COUCH-LEFTEND-FABRICCOVERED(H41)
3	M04187-37-H17	EA	PANEL-COUCH-FRONTKICK-FABRICCOVERED
3	M04187-37-H18	EA	PANEL-COUCH-FRONTKICK-FABRICCOVERED
3	M04187-37-H19	EA	PANEL-COUCH-FRONTKICK-FABRICCOVERED
3	M04187-37-H40	EA	PANEL-COUCH-FRONTKICK-FABRICCOVERED
3	M04187-37-H41	EA	PANEL-COUCH-FRONTKICK-FABRICCOVERED
4	M04187-36-G15	EA	PANEL-COUCH-RIGHTEND-FABRICCOVERED(H17)
4	M04187-36-H18	EA	PANEL-COUCH-RIGHTEND-FABRICCOVERED(H18)
4	M04187-36-H19	EA	PANEL-COUCH-RIGHTEND-FABRICCOVERED(H19)
4	M04187-36-H23	EA	PANEL-COUCH-RIGHTEND-FABRICCOVERED(H40)
4	M04187-36-H25	EA	PANEL-COUCH-RIGHTEND-FABRICCOVERED(H41)
	082525-01-000	EA	BRACE-COUCH-FLOORMOUNT-ANGLE3"LONG
5	081298-01-F09	EA	TABLETOPONLY(H17,H18)
5	081298-01-H08	EA	TABLETOPONLY(H19)
5	081298-01-H40	EA	TABLETOPONLY(H40,H41)
6	009040-03-000	EA	BASE-TABLE/RAISED-TABLEMOUNTED
7	009040-02-000	EA	PEDESTALTABLELEG-27.5"X2.25"DIAMETER
8	041194-01-000	EA	BASE-TABLE/FLUSH-FLOORMOUNTED
	062046-01-000	EA	CLIP-LEG-PEDESTAL-1.7"X2.2"-DIAFROM2-2.5"

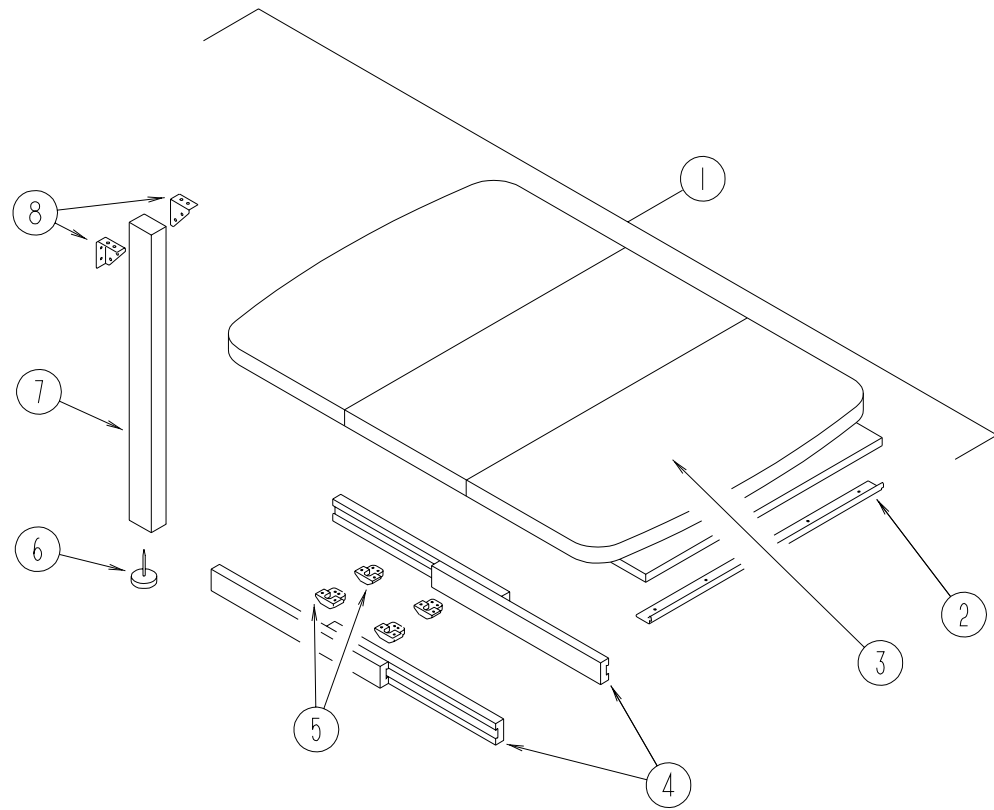
DINETTEGROUP(CONTINUED)



DINETTE TABLE ASM.

KEY	PARTNUMBER	U/M	DESCRIPTION
1	081322-01-G10	EA	TABLETOPONLY(H17,H18)
1	081322-01-G31	EA	TABLETOPONLY(H19)
1	081322-01-G11	EA	TABLETOPONLY(H40,H41)
2	064781-06-000	EA	HOLDER-CUP TWOSTEP-OFFWHITE
3	053200-12-000	EA	BRACKET-TABLESUPPORT-UPPERWALLMOUNTED-23.50"(H17,H18,H19)
3	053200-14-000	EA	SUPPORT-TABLE-23.50"BRIGHTWHITE(H40,H41)
4	088410-02-000	EA	BRACKET-LIFT-TABLEMOUNTED
5	024281-14-000	EA	BRACKET-LIFTROD/LOWERWALLMOUNTED-22.12"(H17,H18,H19)
5	024281-16-000	EA	BRACKET-TABLELIFT22.12"BRIGHTWHITE(H40,H41)
6	024275-12-000	EA	ROD-TABLELIFT
7	024283-01-000	EA	CLIP-LEG-1"-1.125"OD-BLACK
8	024282-01-000	EA	BRACE-TABLELEG-HINGED
9	064050-05-000	EA	HINGE-TABLELEG-OFFWHITE
10	024276-23-000	EA	LEG-TABLE-METAL-OFFWHITE
11	049493-12-000	EA	CATCH-TABLELEG/FLOORMOUNTED-OFFWHITE(H17,H18,H19)
11	049493-14-000	EA	CATCH-TABLELEG/FLOORMOUNTED-BRIGHTWHITE(H40,H41)
11	049493-11-700	EA	CATCH-TABLELEG/FLOORMOUNTED-ECOATED

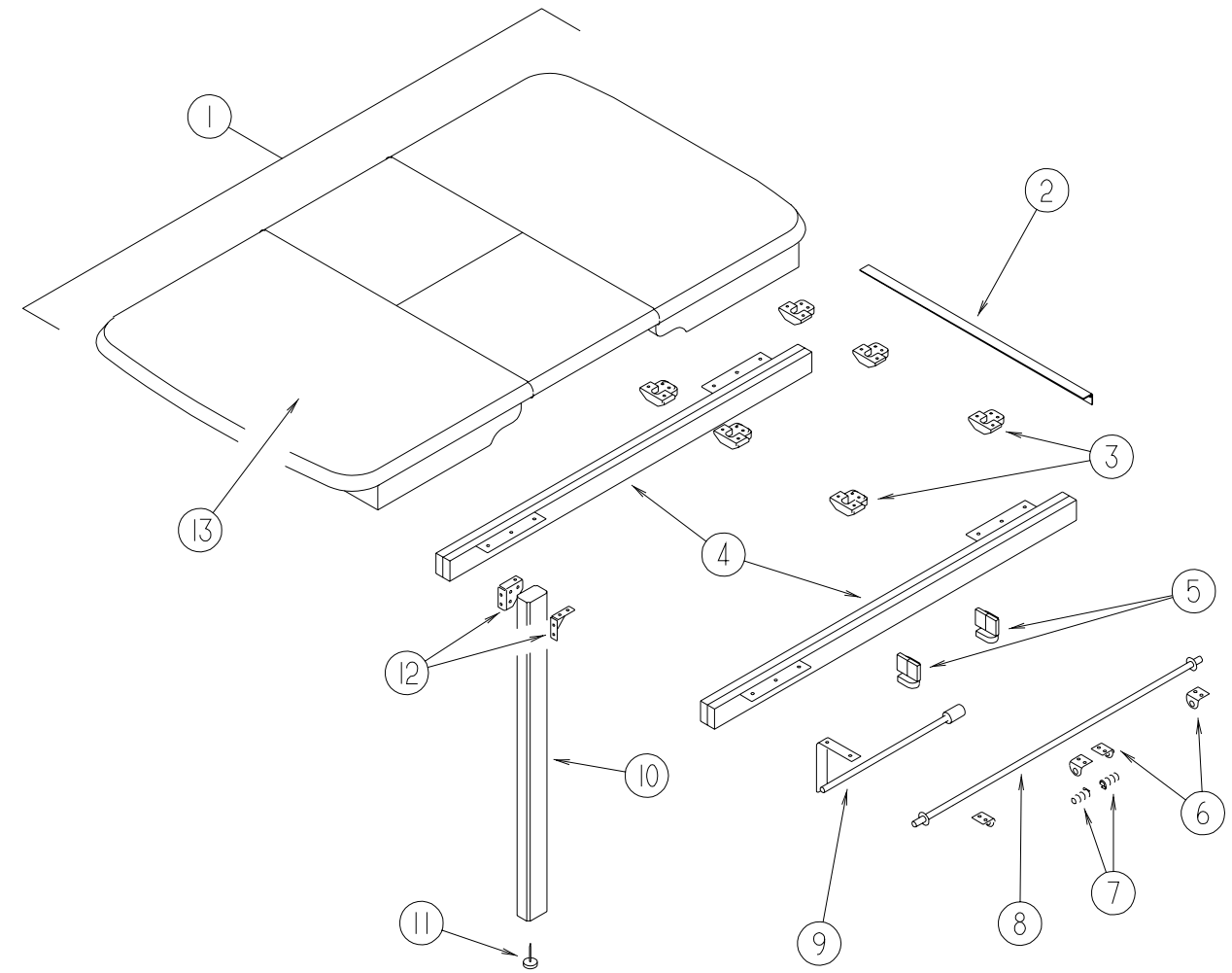
DINETTEGROUP(CONTINUED)



DINETTEPULLOUTTABLEASM.FROM: 00-00-00 THRU: 05-30-97

KEY	PARTNUMBER	U/M	DESCRIPTION
1	P21955-01-H17	EA	TABLE - DROPLEAF - W/OHARDWARE (H17, H18)
1	P21955-01-H19	EA	TABLE - DROPLEAF - W/OHARDWARE (H19)
1	P21955-01-H40	EA	TABLE - W/DROPLEAF - W/OHARDWARE (H40, H41)
2	041389-18-000	EA	HINGE - PIANO - 1.50" X 19" - OFFWHITE
3	121955-11-H17	EA	COUNTERTOP - PULLOUTTABLE (H17, H18)
3	121955-11-H33	EA	COUNTERTOP - PULLOUTTABLE (H19)
3	121955-11-H40	EA	COUNTERTOP - PULLOUTTABLE (H40, H41)
4	110749-01-000	EA	SLIDE - TABLE - 19 3/4" LONG
5	009050-02-000	EA	LEVELER - TABLETOP - MALE END W/4 SCREWS - PLASTIC
5	009050-03-000	EA	LEVELER - TABLETOP - FEMALE END W/2 SCREWS - PLASTIC
6	102194-01-000	EA	GUIDE - PLASTIC
7	092707-07-05A	EA	MOLDING - TABLELEG - 27.8" (OAK)
7	092707-07-07A	EA	MOLDING - TABLELEG - 27.8" (WHITE)
8	102810-01-04A	EA	BRACE - TABLELEG - BLACK
	102810-01-03A	EA	BRACE - TABLELEG - MILL

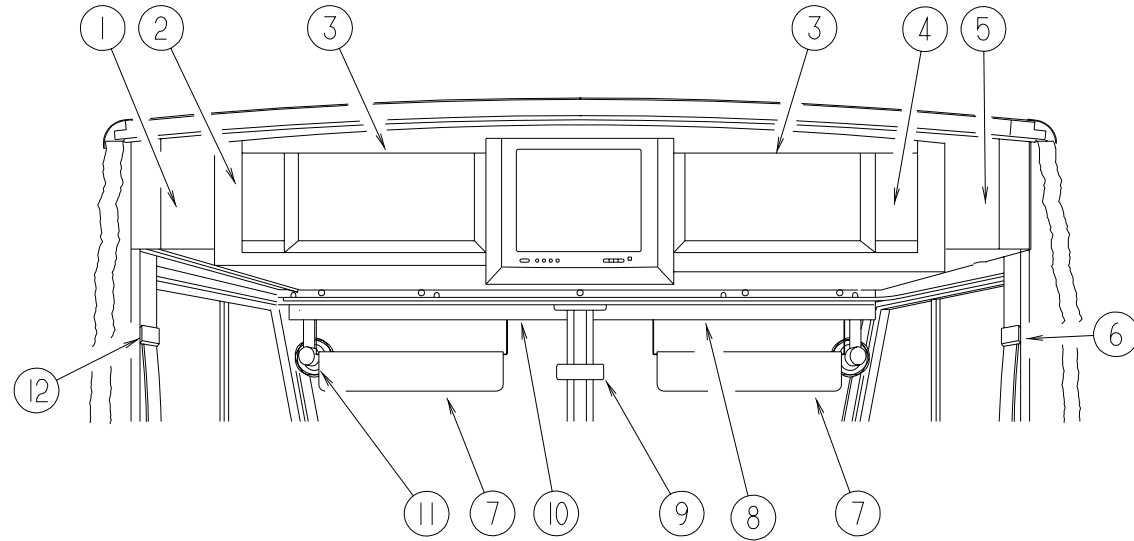
DINETTEGROUP(CONTINUED)



DINETTEPULLOUTTABLEASM.FROM: 06-01-97 THRU: 99-99-99

KEY	PARTNUMBER	U/M	DESCRIPTION
1	P18322-01-H17	EA	TABLE - PULLOUT/SELFSTORING - W/OHARDWARE (H17, H18)
1	P18322-01-H19	EA	TABLE - PULLOUT/SELFSTORING - W/OHARDWARE (H19)
1	P18322-01-H40	EA	TABLE - PULLOUT/SELFSTORING - W/OHARDWARE (H40, H41)
2	041389-18-000	EA	HINGE - PIANO - 1.50" X 19" - OFFWHITE
3	009050-02-000	EA	LEVELER - TABLETOP - MALE END W/4 SCREWS - PLASTIC
3	009050-03-000	EA	LEVELER - TABLETOP - FEMALE END W/2 SCREWS - PLASTIC
4	110749-01-000	EA	SLIDE - TABLE - 19 3/4" LONG
5	108663-01-000	EA	HINGE - LEAF - FOLDING
6	108874-01-000	EA	BRACKET - HINGE - TABLELEAF
7	108664-01-000	EA	SPRING - COMPRESSION - .51" X 1.96"
8	108932-01-000	EA	ROD - PIVOT
9	108905-01-000	EA	SUPPORT - TABLELEAF
10	092707-07-05A	EA	MOLDING - TABLELEG - 27.8" (OAK)
10	092707-07-07A	EA	MOLDING - TABLELEG - 27.8" (WHITE)
11	102194-01-000	EA	GUIDE - PLASTIC
12	102810-01-04A	EA	BRACE - TABLELEG - BLACK
12	102810-01-03A	EA	BRACE - TABLELEG - MILL
13	118322-11-H17	EA	TABLETOP ONLY - PULLOUT (OAK)
13	118322-11-H40	EA	TABLETOP ONLY - PULLOUT (WHITE)

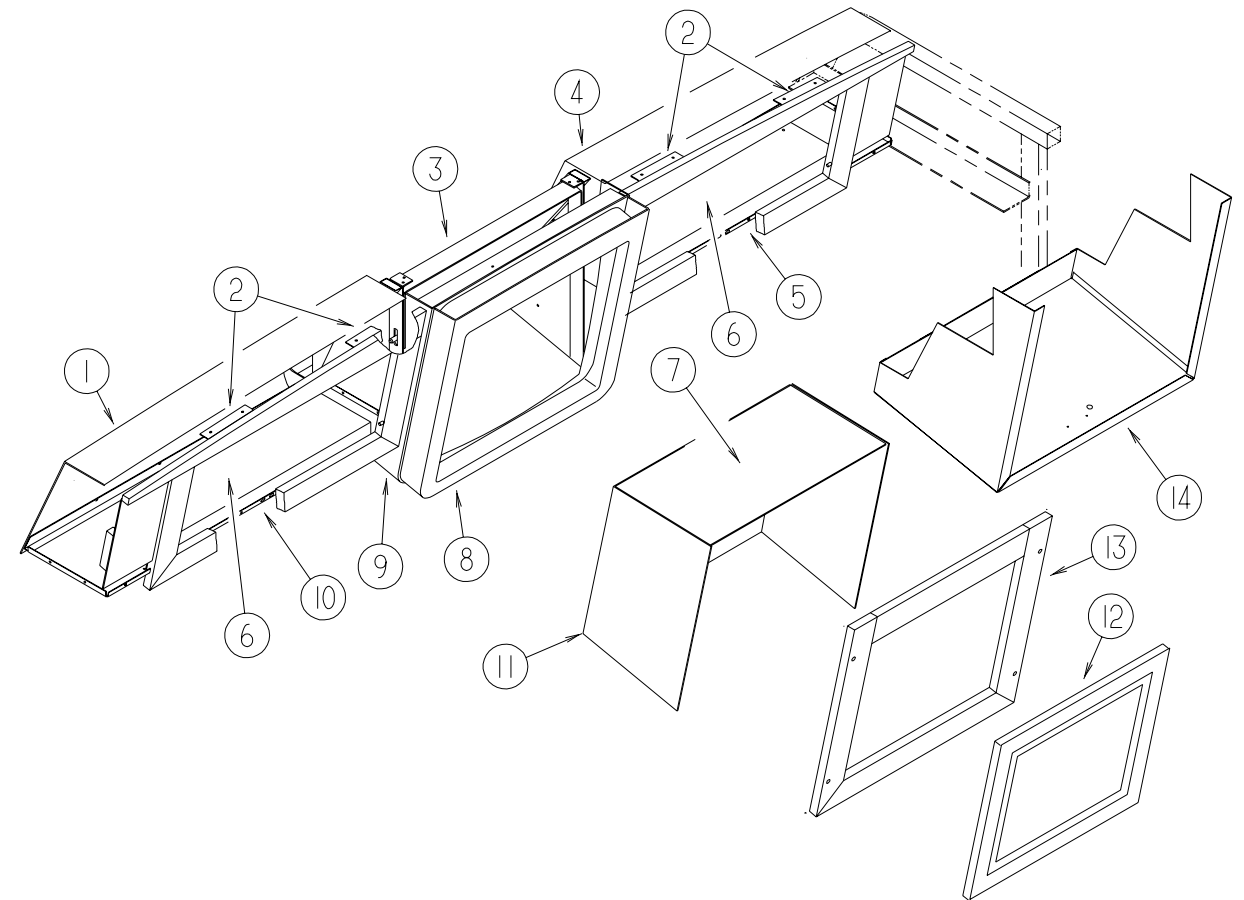
DRIVERS COMPARTMENT GROUP



UPPER DRIVER COMPARTMENT

KEY	PARTNUMBER	U/M	DESCRIPTION
1	104289-04-G09	EA	PANEL-VINYLCOVEREDOVERHEADDRIVERSIDE-ANGLED
	P09561-04-G15	EA	PANEL-VINYLCOVERED/CABINETBOTTOM-DRIVER
2	114612-04-H40	EA	FACE-OVERHEAD/TV-LEFTHAND-15.7"X36.4"(WHITE)
2	114612-04-H17	EA	FACE-OVERHEAD/TV-LEFTHAND-15.7"X36.4"(OAK)
3	100708-13-000	EA	DOOR-CABINET-GLASS-9.7"X25.9"-W/OHARDWARE
	100710-01-01A	EA	LOCKASSEMBLY-TWISTTYPE-BRASS
	100711-01-01A	EA	HINGE-GLASSDOOR
	100707-01-000	EA	SPACER-GLASSDOOR-.8"DIAMETER-.3"HOLE-PLASTIC
	101272-01-000	EA	CATCH-GLASSDOOR
	101766-01-000	EA	PIN-SUPPORT-GLASSDOOR
	108486-01-01A	EA	BRACKET-PROPROD/OVERHEAD-BLACK
	108487-02-01A	EA	SUPPORT-PROPROD/OVERHEAD-BLACK
4	114612-03-H40	EA	FACE-OVERHEAD/TV-RIGHTHAND-14.7"X36.4"(WHITE)
4	114612-03-H17	EA	FACE-OVERHEAD/TV-RIGHTHAND-14.7"X36.4"(OAK)
5	104289-03-G09	EA	PANEL-VINYLCOVERED/OVERHEADTVCABINET-RIGHTSIDE
	P09561-03-G15	EA	PANEL-VINYLCOVERED/CABINETBOTTOMPASSENGER
6	103961-01-01A	EA	COVER-SEATBELTBACKET
7	123298-02-02A	EA	SUNVISOR-10.5"X28.5"
8	078579-17-000	EA	TRIM-WINDSHIELD-UPPERINNERPASSENGER
9	040714-01-000	EA	MIRROR-REARVIEW/ARMMOUNT&SETSCREW-GM#911722
	067490-01-000	EA	BUTTON-MIRROR-REARVIEW
10	078579-18-000	EA	TRIM-WINDSHIELD-UPPERINNERDRIVER
11	122856-01-01A	EA	FAN-DEFROSTER-2SPEEDW/SWIVELBASE-CHROME
12	103961-02-01A	EA	COVER-SEATBELTBACKET

DRIVERSCOMPARTMENTGROUP(CONTINUED)

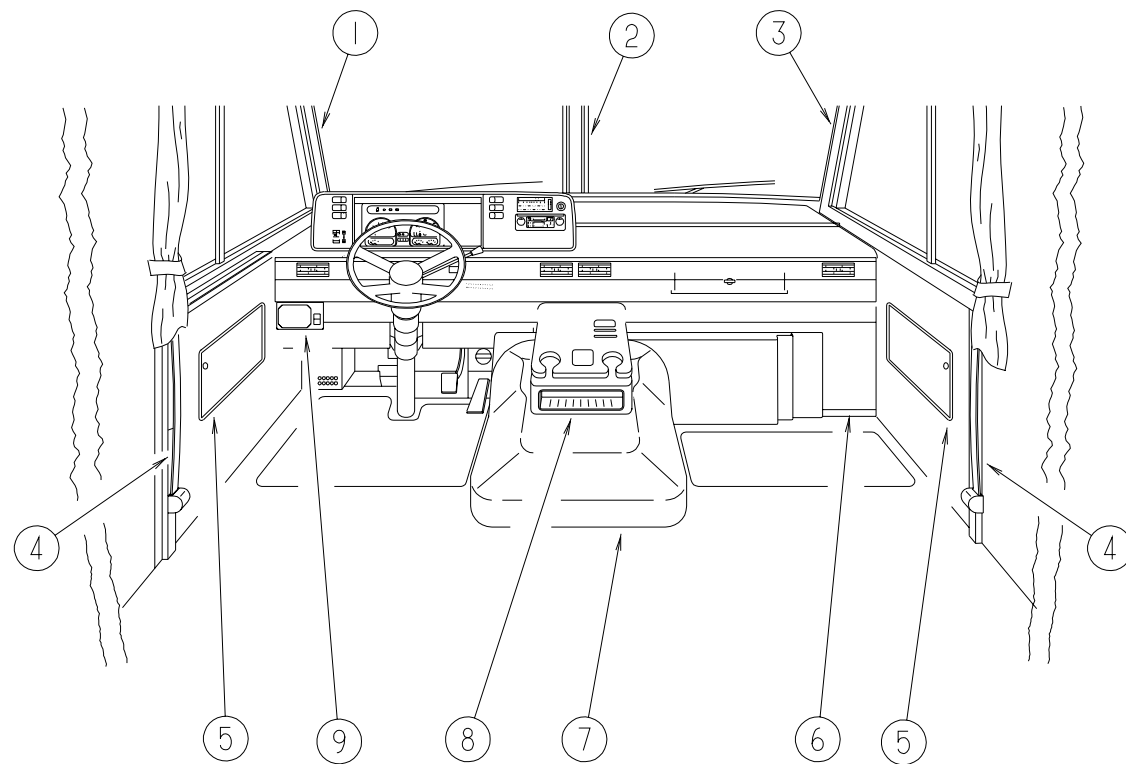


FRONT OVERHEAD COMPONENTS

KEY	PARTNUMBER	U/M	DESCRIPTION
1	114661-11-G15	EA	PANEL-LINER-DRIVEROVERHEAD-W/OTV
1	114661-17-G15	EA	PANEL-LINER-DRIVEROVERHEAD-W/TV
1	114661-23-G15	EA	PANEL-LINER-DRIVEROVERHEAD-W/SATELLITEDISH
2	106699-01-01A	EA	BRACKET-OVERHEADCABINET/TV
3	114706-02-02B	EA	SUPPORT-SHELF-TV
4	114661-22-G15	EA	PANEL-LINER-PASSENGEROVERHEAD-W/OTV
4	114661-18-G15	EA	PANEL-LINER-PASSENGEROVERHEAD-W/TV
4	114661-19-G15	EA	PANEL-LINER-PASSENGEROVERHEAD-W/TV-VCR
4	114661-20-G15	EA	PANEL-LINER-PASSENGEROVERHEAD-W/TV-VCR-INVERTER
4	114661-21-G15	EA	PANEL-LINER-PASSENGEROVERHEAD-W/TV-INVERTER
5	P03077-06-G15	EA	SHELF-BASE-OVERHEADPASSENGER-W/OTV
5	P03077-10-G15	EA	SHELF-BASE-OVERHEADPASSENGER-W/TV
6	100676-02-000	EA	SHELF-OVERHEADCABINET-VCR/INVERTER
7	115638-01-G15	EA	PANEL-HEADLINER-TOP-W/OTV
8	122881-01-01A	EA	FACEPANEL-OVERHEADTV/FRONT
9	118022-04-H17	EA	INSERT-PLASTIC/OVERHEADTVCABINET
	118836-02-GV0	EA	PANEL-BACK-VINYLCOVERED-SATELLITEDISHPACKAGEW/ORECEIVER
	120106-11-02B	EA	SHELF-TV
10	P03077-05-G15	EA	SHELF-BASE-OVERHEADCABINET-DRIVERSIDE-W/OTV
10	P03077-09-G15	EA	SHELF-BASE-OVERHEADCABINET-DRIVERSIDE-W/TV
11	115639-01-G15	EA	PANEL-HEADLINER-SIDE-W/OTV-SIDE
12	122715-66-01A	EA	DOOR-MOLDEDVINYL-16.7"X18"-W/OHARDWARE(WHITE)
12	M06803-C1-H17	EA	DOOR-MITEREDCORNER/OGEEEDGE-16.7"X18"-W/OHARDWARE(OAK)
13	116791-01-H40	EA	FACEFRAME-TVCABINET-20.6"X22.2"-W/OTV(WHITE)
13	116791-01-H33	EA	FACEFRAME-TVCABINET-20.6"X22.2"-W/OTV(OAK)
14	P18192-01-G15	EA	CABINET-METAL-VINYLCOVERED-W/OTV
	078811-09-G15	EA	PANEL-TRIM/LOWERHEADER-WIDEBODYUNITS

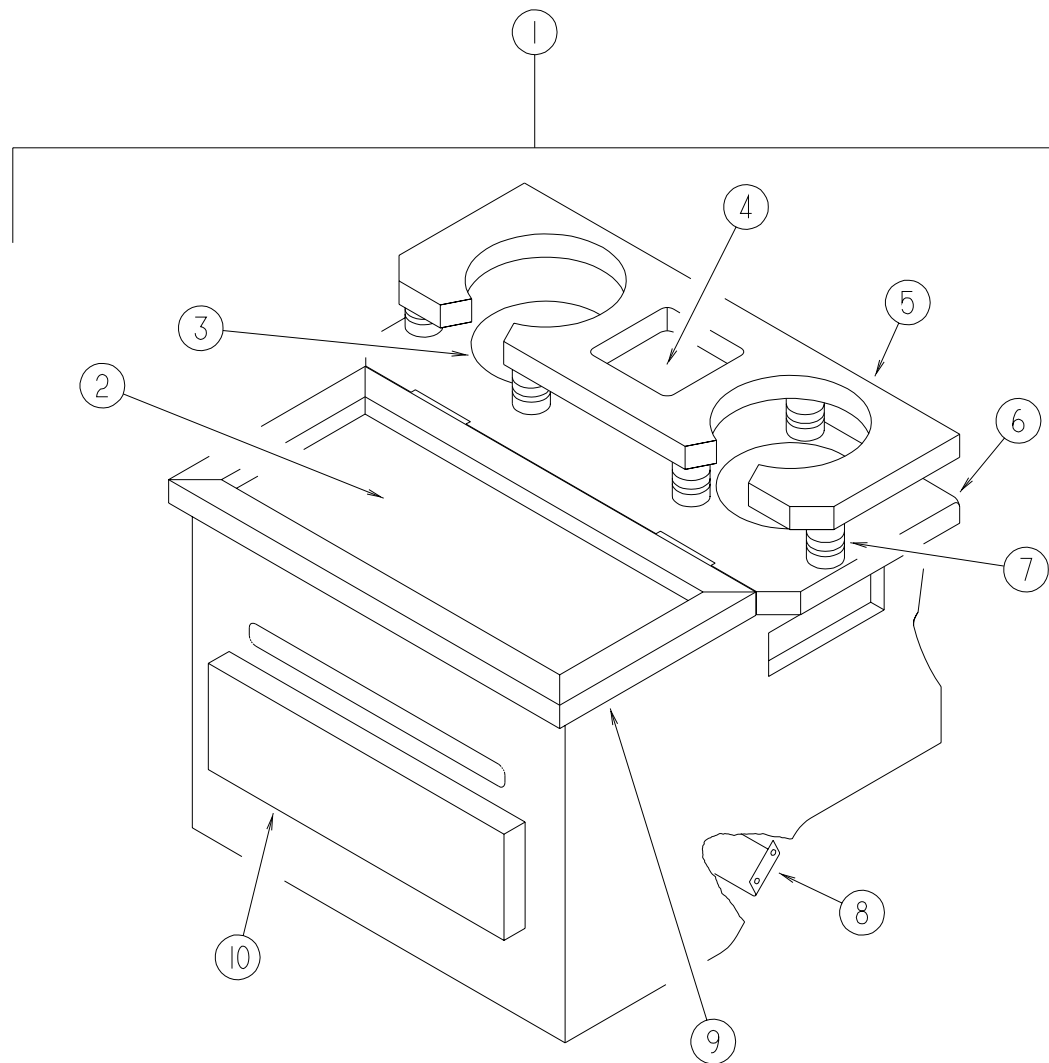
DRIVERS COMPARTMENT GROUP (CONTINUED)

LOWERDRIVERCOMPARTMENT



KEY	PARTNUMBER	U/M	DESCRIPTION
1	103931-04-03A	EA	COVER-INTERIOR-A-PILLAR-DRIVERSIDE
2	079765-11-000	EA	TRIM-WINDSHIELDCENTER
3	103931-03-03A	EA	COVER-INTERIOR-A-PILLAR-PASSENGERSIDE
	024700-44-000	EA	COVER-ROLLBAR-DRIVER/PASSENGERLOWER-53"
	024700-46-000	EA	COVER-ROLLBAR-DRIVER/PASSENGERUPPER-21.20"
	024700-47-000	EA	COVER-ROLLBAR-18.9"-W/DRIVERDOOR-OFFWHITE
	024700-48-000	EA	COVER-ROLLBAR-25"-W/DRIVERDOOR-OFFWHITE
4	091990-04-01A	EA	SEATBELT&SHOULDERHARNESS-DRIVER/PASSENGERSIDE
	109146-01-000	EA	BOLT-SHOULDER-SEATBELT
	091990-01-701	EA	EXTENDER 9"FORA84083PT
5	086120-10-G15	EA	PAD-MAPPOCKET-12"X16"(H17)
5	086120-10-G37	EA	PAD-MAPPOCKET-12"X16"(H18)
5	086120-10-H19	EA	PAD-MAPPOCKET-12"X16"(H19)
5	086120-10-H23	EA	PAD-MAPPOCKET-12"X16"(H40)
5	086120-10-H25	EA	PAD-MAPPOCKET-12"X16"(H41)
6	095757-04-G15	EA	COVER-HEATER(H17)
6	095757-04-F86	EA	COVER-HEATER(H18)
6	095757-04-H19	EA	COVER-HEATER(H19)
6	095757-04-H40	EA	COVER-HEATER(H40)
6	095757-04-H41	EA	COVER-HEATER(H41)
7	115840-01-01A	EA	COVER-MOTOR-W/OCARPET
7	115840-02-01A	EA	COVER-MOTOR-W/OCARPET-VORTECOPT.
	115852-01-02B	EA	STRIKE-LATCH-MOTORCOVER-E-COATED
	115860-01-01A	EA	TRIM-MOTORCOVER
	115850-01-02B	EA	RETAINER-LATCHMOTORCOVER-E-COAT
	116581-01-000	EA	LATCH-MOTORCOVER
	116833-01-02B	EA	WRENCH-HEXMOTORCOVER-E-COATED
	122772-02-02B	EA	BRACKET-MOUNTING-BEVERAGETRAY
8	122707-01-H17	EA	TRAY-BEVERAGE(OAK)
			FROM: 00-00-00 THRU: 03-16-97
8	122707-01-H40	EA	TRAY-BEVERAGE(WHITE)
			FROM: 00-00-00 THRU: 03-16-97
8	122707-02-H17	EA	TRAY-BEVERAGE-VORTECENGINE(OAK)
			FROM: 00-00-00 THRU: 03-16-97
8	122707-02-H40	EA	TRAY-BEVERAGE-VORTECENGINE(WHITE)
			FROM: 00-00-00 THRU: 03-16-97
8	126680-01-H17	EA	TRAY-BEVERAGE-W/SHELF/CUPHOLDER-W/ODRAWER(OAK)
			FROM: 03-17-97 THRU: 99-99-99
8	126680-01-H40	EA	TRAY-BEVERAGE-W/SHELF/CUPHOLDERS-W/ODRAWER(WHITE)
			FROM: 03-17-97 THRU: 99-99-99
8	126680-02-H17	EA	TRAY-BEVERAGE-W/SHELF/CUPHOLDER-W/ODRAWER-VORTECENGINE(OAK)
			FROM: 03-17-97 THRU: 99-99-99
8	126680-02-H40	EA	TRAY-BEVERAGE-W/SHELF/CUPHOLDER-W/ODRAWER-VORTECENGINE(WHITE)
			FROM: 03-17-97 THRU: 99-99-99
9	112236-01-E10	EA	BEZEL-LEVELINGSYSTEMCONTROLW/OSLIDEOUT
	111417-01-01A	EA	DECAL-LOGO/3D-ADVENTURER
	103498-06-000	EA	BOOT-STEERINGCOLUMN/UNIVERSAL
			FROM: 00-00-00 THRU: 12-18-96
	103498-09-000	EA	BOOT-STEERINGCOLUMN-W/1/2CIRCLE
			FROM: 12-19-96 THRU: 99-99-99
	112634-01-01A	EA	TRIM-STEERINGCOLUMN-RIGHTHAND-FORD
	112634-02-01A	EA	TRIM-STEERINGCOLUMN-LEFTHAND-FORD
	111521-03-01A	EA	COVER-STEERINGCOLUMN-FORD
	111521-04-01A	EA	COVER-STEERINGCOLUMN-FORD

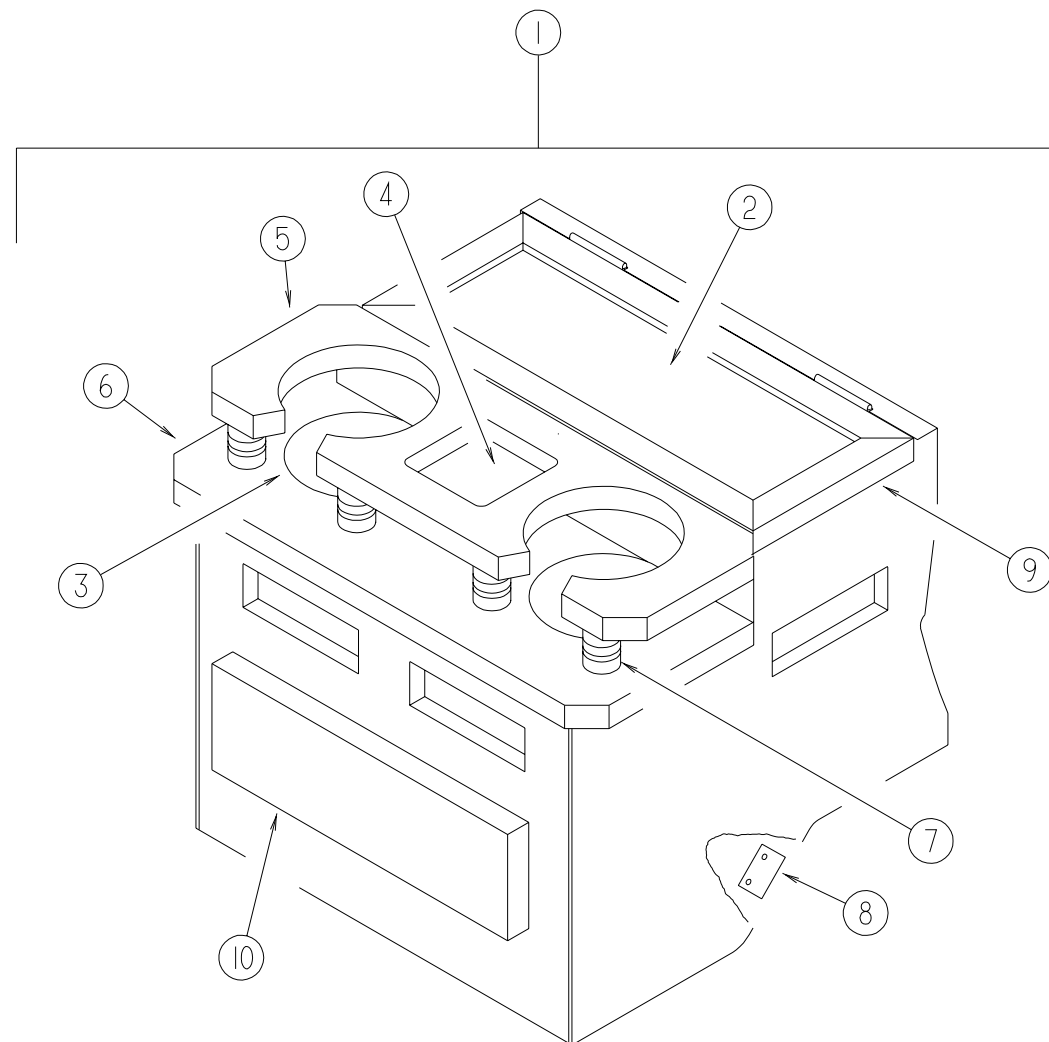
DRIVERSCOMPARTMENTGROUP(CONTINUED)



BEVERAGETRAY,DRIVERCOMPARTMENT(FROM:00-00-00THRU:03-16-97)

KEY	PARTNUMBER	U/M	DESCRIPTION
1	122707-01-H17	EA	TRAY-BEVERAGE-W/SHELF/CUPHOLDERS-W/ODRAWER(OAK)
1	122707-01-H40	EA	TRAY-BEVERAGE-W/SHELF/CUPHOLDERS-W/ODRAWER-(WHITE)
1	122707-02-H17	EA	TRAY-BEVERAGE-W/SHELF/CUPHOLDERS-W/ODRAWER-VORTECENGINE (OAK)
1	122707-02-H40	EA	TRAY-BEVERAGE-W/SHELF/CUPHOLDERS-W/ODRAWER-VORTECENGINE (WHITE)
2	122717-03-01A	FT	PAD-NON-SKID-PSA-ROLL-6.5"X50'
3	122717-01-01A	EA	PAD-NON-SKID-PSA
4	122717-02-01A	EA	PAD-NON-SKID-PSA
5	122707-11-H17	EA	SHELFW/OPADORDOWELS(OAK)
5	122707-11-H40	EA	SHELFW/OPADORDOWELS(WHITE)
6	122707-12-H17	EA	SHELF/CUPHOLDER-W/PADS(OAK)
6	122707-12-H40	EA	SHELF/CUPHOLDER-W/PADS(WHITE)
7	097872-04-000	EA	DOWEL-WOOD-1"DIAMETERX1.38"LONG-UNFINISHED
8	122832-01-02B	EA	BRACKET-MOUNT-BEVERAGETRAY-E-COAT
9	122707-13-H17	EA	LIDW/OPADORHARDWARE(OAK)
9	122707-13-H40	EA	LIDW/OPADORHARDWARE(WHITE)
10	M05971-AZ-H17	EA	DRAWER-OGEEEDGE-10"WX11.8"D-W/OSLIDES/HARDWARE(OAK)
10	P10163-DN-H40	EA	DRAWER-9.9"WX11.8"D-W/OSLIDES/HARDWARE(WHITE)
	100128-02-000	FT	SEAL-FOAM-ADHESIVEBACK-.37"WX.37"THICK

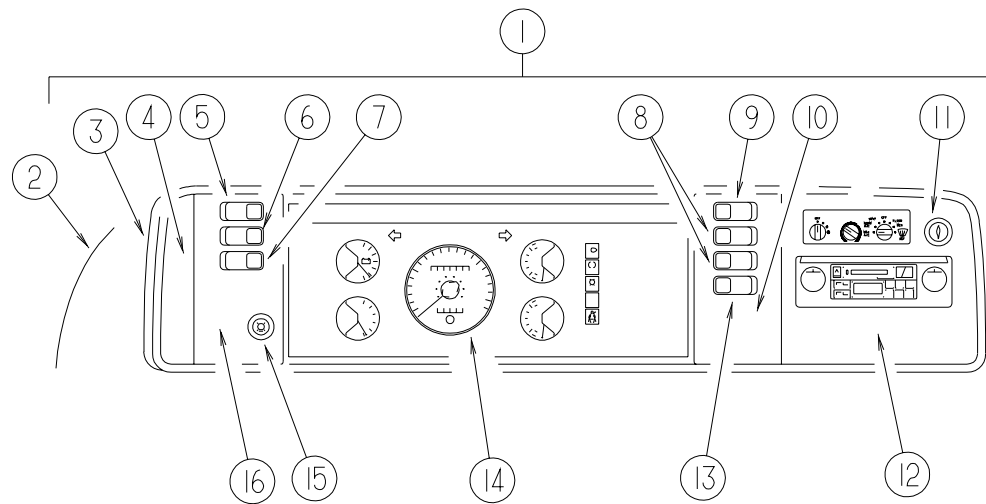
DRIVERS COMPARTMENT GROUP (CONTINUED)



BEVERAGETRAY,DRIVERCOMPARTMENT(FROM:03-17-97THRU:99-99-99)

KEY	PARTNUMBER	U/M	DESCRIPTION
1	126680-01-H17	EA	TRAY-BEVERAGE-W/SHELF/CUPHOLDERS-W/ODRAWER(OAK)
1	126680-01-H40	EA	TRAY-BEVERAGE-W/SHELF/CUPHOLDERS-W/ODRAWER(WHITE)
1	126680-02-H17	EA	TRAY-BEVERAGE-W/SHELF/CUPHOLDERS-W/ODRAWER-VORTECENGINE (OAK)
1	126680-02-H40	EA	TRAY-BEVERAGE-W/SHELF/CUPHOLDERS-W/ODRAWER-VORTECENGINE (WHITE)
2	122717-06-01A	FT	PAD-NON-SKID-PSA-6.5"X13.8"
3	122717-01-01A	EA	PAD-NON-SKID-PSA
4	122717-02-01A	EA	PAD-NON-SKID-PSA
5	126680-15-H17	EA	SHELFW/OPADORDOWELS(OAK)
5	126680-15-H40	EA	SHELFW/OPADORDOWELS(WHITE)
6	126680-14-H17	EA	SHELFW/OPADSORDOWELS(OAK)
6	126680-14-H40	EA	SHELFW/OPADSORDOWELS(WHITE)
7	097872-04-000	EA	DOWEL-WOOD-1"DIAMETERX1.38"LONG-UNFINISHED
8	122832-01-02B	EA	BRACKET-MOUNT-BEVERAGETRAY-E-COAT
9	126680-16-H17	EA	LIDW/PADW/OHARDWARE(OAK)
9	126680-16-H40	EA	LIDW/PADW/OHARDWARE(WHITE)
10	M05971-AZ-H17	EA	DRAWER-OGEEEDGE-10"WX11.8"D-W/OSLIDES/HARDWARE(OAK)
10	P10163-DN-H40	EA	DRAWER-9.9"WX11.8"D-W/OSLIDES/HARDWARE(WHITE)
	100128-02-000	FT	SEAL-FOAM-ADHESIVEBACK-.37"WX.37"THICK

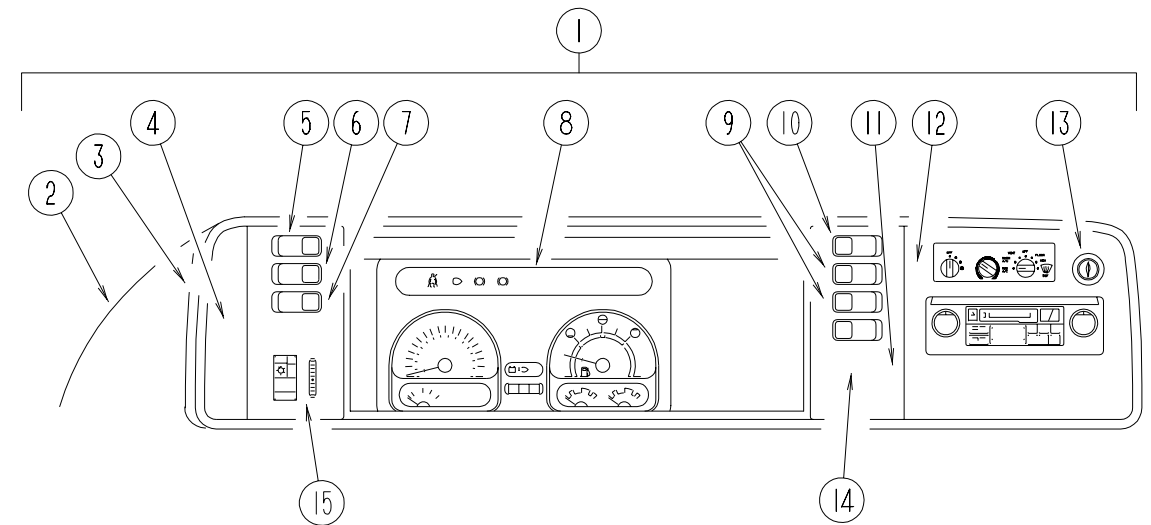
DRIVERS COMPARTMENT GROUP (CONTINUED)



DASH, GAUGES & SWITCHES (FORD)

KEY	PARTNUMBER	U/M	DESCRIPTION
1	M05946-43-H17	EA	DASHPOD-FORD-W/OCLUSTER
2	111499-01-03A	EA	POD-INSTRUMENTPANEL-WILLOW
3	103662-04-01A	EA	BEZEL-INSTRUMENTPANEL
4	104056-01-05A	EA	APPLIQUE-BEZEL-DRIVERDRESSUP
5	108357-05-000	EA	SWITCH-ROCKERSPDT-ON/NONE/ON-3TERMINAL
5	108356-02-01A	EA	COVER/ACTUATORSWITCH-W/DIMPLES
6	108357-09-000	EA	SWITCH-ROCKERSPDT-ON/NONE/MOM-3TERMINAL
6	108356-02-01A	EA	COVER/ACTUATORSWITCH-W/DIMPLES
7	108357-06-000	EA	SWITCH-ROCKERDPDT-MOM/OFF/MOM-6TERMINAL
7	108356-02-01A	EA	COVER/ACTUATORSWITCH-W/DIMPLES
8	108357-03-000	EA	SWITCH-ROCKERSPDT-ON/OFF/ON-3TERMINAL
8	108356-02-01A	EA	COVER/ACTUATORSWITCH-W/DIMPLES
9	108357-10-000	EA	SWITCH-ROCKERSPDT-MOM/OFF/MOM-LIGHTED5TERMINAL
9	108356-04-01A	EA	COVER/ACTUATORSWITCH-DIMPLESW/LIGHT
	096241-03-000	EA	SWITCH-BLANK
10	104056-21-01A	EA	APPLIQUE-BEZEL-PASSENGERDRESSUP
10	104056-08-01A	EA	APPLIQUE-BEZEL-PASSENGER-6SWITCH(W/FOGLAMPS)
11	089294-01-000	EA	LIGHTER-CIGARETTE-W/OWIRES
12	104056-06-05A	EA	APPLIQUE-BEZEL-PASSENGERDRESSUP
13	108357-01-000	EA	SWITCH-ROCKERSPST-ON/OFF-2TERMINAL
13	108356-02-01A	EA	COVER/ACTUATORSWITCH-W/DIMPLES
14	094794-06-000	EA	CLUSTER-INSTRUMENTPANEL-KILOMETERS-FORD
15	096675-01-000	EA	KNOB-HEADLAMP SWITCH-W/SHAFT
	096674-01-000	EA	NUT-HEADLAMP SWITCH-BLACK
16	104056-24-01A	EA	APPLIQUE-BEZEL-DRIVERSIDEDRESSUP
	100138-01-000	EA	MODULE-DAYTIMERUNNINGLIGHT(CSA)
	077031-03-000	EA	FILM-WHITE-.75"X1"
	104354-08-02A	EA	APPLIQUE-LOWERDASH-FORD
	111528-07-02A	EA	TRIM-DASH-LOWERPASSENGER-FORD
	117306-02-F11	EA	TRIM-DASH-LOWER-FORD
	111528-04-01A	EA	TRIM-DASH-LOWERDRIVER
	P14614-02-000	EA	DASH-W/OVINYL-FORD
	106569-07-01A	EA	VINYL-MADRIDWILLOW-1/4"X17"X100"
	103603-01-000	EA	BULB-12VOLT-#74-.12AWEDGE-GE22-25USEDINDASH
	111904-01-000	EA	INDICATOR-TRANSMISSION-FORD
	049176-01-000	EA	HEDLOCKII-3/4DIAMETERSCREWMT

DRIVERSCOMPARTMENTGROUP(CONTINUED)



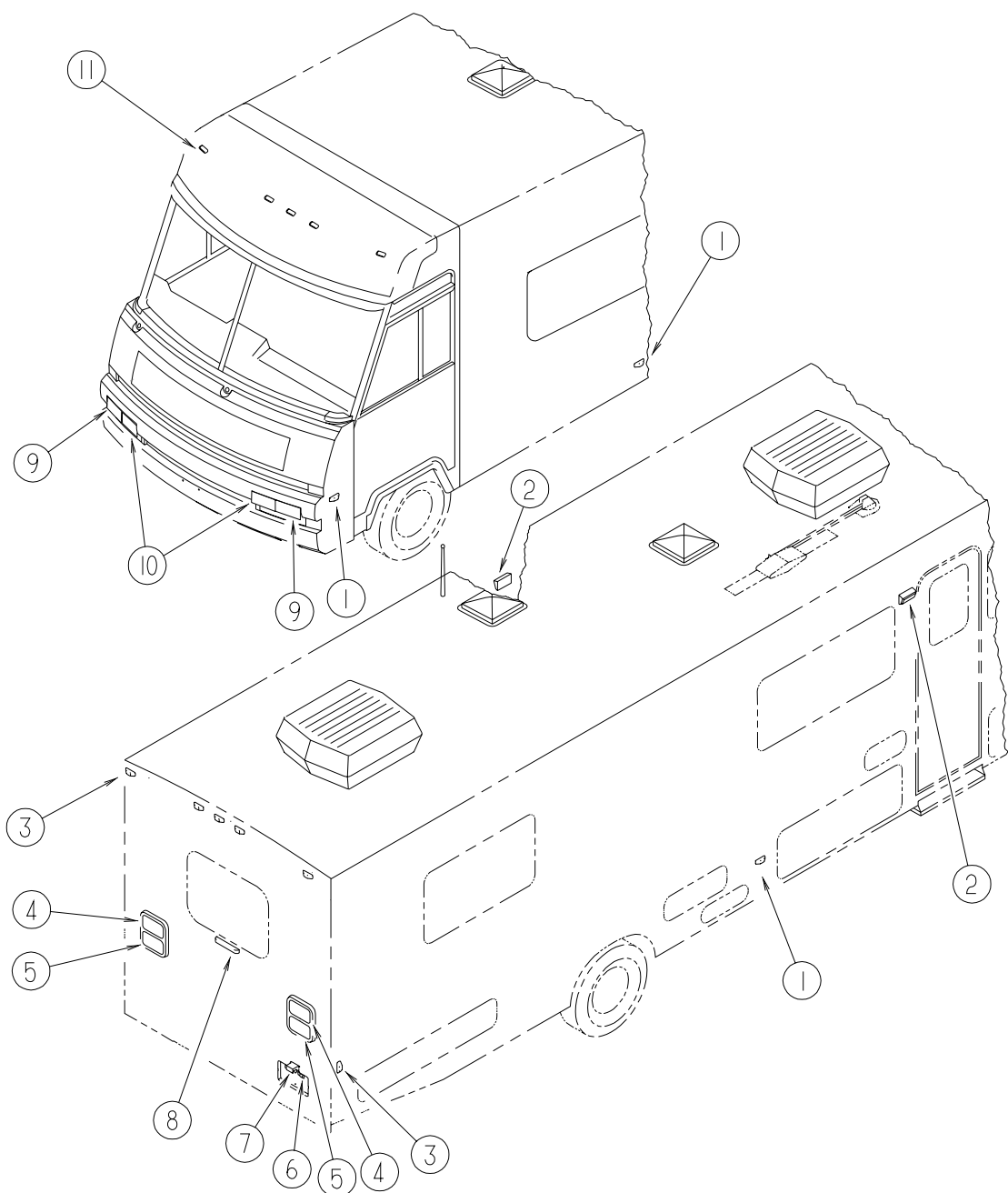
DASH, GAUGES & SWITCHES (CHEVY)

KEY	PARTNUMBER	U/M	DESCRIPTION
1	M05946-42-H17	EA	DASHPOD-CHEVY-W/OCLUSTER
2	111499-01-03A	EA	POD-INSTRUMENTPANEL-WILLOW
3	103662-01-01A	EA	BEZEL-INSTRUMENTPANEL
4	104056-01-05A	EA	APPLIQUE-BEZEL-DRIVERDRESSUP
5	108357-05-000	EA	SWITCH-ROCKER-SPDTON/NONE/ON-3TERMINAL
5	108356-02-01A	EA	COVER/ACTUATORSWITCH-W/DIMPLES
6	108357-09-000	EA	SWITCH-ROCKERSPDT-ON/NONE/MOM-3TERMINAL
6	108356-02-01A	EA	COVER/ACTUATORSWITCH-W/DIMPLES
7	108357-06-000	EA	SWITCH-ROCKERDPDT-MOM/OFF/MOM-6TERMINAL
7	108356-02-01A	EA	COVER/ACTUATORSWITCH-W/DIMPLES
8	094796-07-000	EA	CLUSTER-INSTRUMENT-METRIC/CANADA-GAS
			FROM: 00-00-00 THRU: 10-06-96
8	12500102000	EA	CLUSTER-INSTRUMENT-KILOREGISTERED/MPHREADING-GAS-CSA
			FROM: 10-07-96 THRU: 99-99-99
9	108357-03-000	EA	SWITCH-ROCKERSPDT-ON/OFF/ON-3TERMINAL
9	108356-02-01A	EA	COVER/ACTUATORSWITCH-W/DIMPLES
10	108357-10-000	EA	SWITCH-ROCKERSPDT-MOM/OFF/MOM-LIGHTED5TERMINAL
10	108356-04-01A	EA	COVER/ACTUATORSWITCH-DIMPLESW/LIGHT
	096241-03-000	EA	SWITCH-BLANK
11	104056-08-01A	EA	APPLIQUE-BEZEL
11	104056-21-01A	EA	APPLIQUE-BEZEL-PASSENGERDRESSUP
12	104056-06-05A	EA	APPLIQUE-BEZEL-PASSENGERDRESSUP
13	089294-01-000	EA	LIGHTER-CIGARETTE-W/OWIRES
14	108357-01-000	EA	SWITCH-ROCKERSPST-ON/OFF-2TERMINAL
14	108356-02-01A	EA	COVER/ACTUATORSWITCH-W/DIMPLES
15	104056-22-01A	EA	APPLIQUE-BEZEL-DRIVERSWITCHES
	P14614-01-000	EA	DASH-W/OVINYL-GM
	106569-07-01A	EA	VINYL-MADRIDWILLOW-1/4"X17"X100"
	103603-01-000	EA	BULB-12VOLT-#74-.12AWEDGE-GE22-25USEDINDASH
	077031-03-000	EA	FILM-WHITE-.75"X1"
	114620-05-01A	EA	TRIM-DASH-LOWER-GM
	114620-05-02A	EA	TRIM-DASH-LOWER-GM
	104354-08-02A	EA	APPLIQUE-LOWERDASH
	100138-01-000	EA	MODULE-DAYTIMERUNNINGLIGHT
	077539-01-000	EA	BRACKET-MOUNTING/DASHPANEL-L/SHAPED-2.5"X1"X1.5"
	049176-01-000	EA	HEDLOCKII-3/4DIAMETERSCREWMT

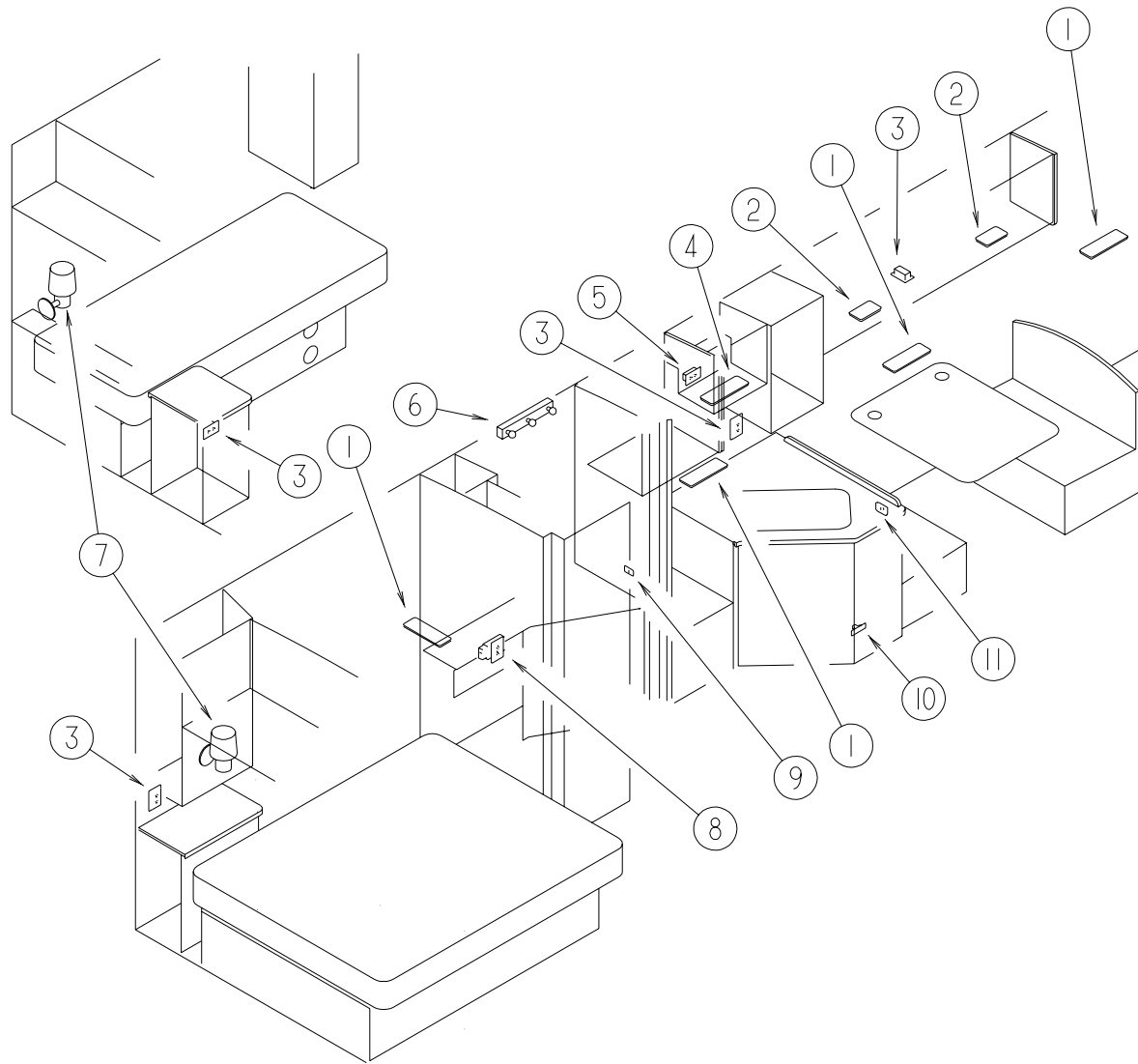
ELECTRICALGROUP

EXTERIORLIGHTS

KEY	PARTNUMBER	U/M	DESCRIPTION
1	111102-02-000	EA	LENS-MARKERLAMP-AMBER
1	111102-01-000	EA	LAMP-MARKER-BASE
1	036196-01-000	EA	BULB-12VOLT-#194-.27AMP-BAYONETTE
2	097917-01-06A	EA	LIGHT-PORCH-BRIGHTWHITE
2	008215-01-000	EA	BULB-12VOLT-#1003-.94AMP
2	097917-01-700	EA	LENS-LIGHT-CLEAR
2	008089-02-000	EA	LIGHT-PORCH-RECESSED-CANADIAN
2	008089-01-700	EA	LENS-LIGHT-RECESSED-PORCH-CANADIAN
2	008214-01-000	EA	BULB-12VOLTNO67-0.59AMP-CANADIAN
2	091981-01-000	EA	GASKET-PORCHLIGHT-CANADIAN
3	111102-03-000	EA	LENS-MARKERLAMP-RED
3	111102-01-000	EA	LAMP-MARKER-BASE
3	036196-01-000	EA	BULB-12VOLT-#194-.27AMP-BAYONETTE
4	115632-01-02A	EA	LIGHT-STOP/TURN/TAILRED
5	115632-03-02A	EA	LIGHT-STOP/TAIL/BACKUP
6	066432-03-000	EA	BRACKET-LICENSEPLATE
7	066432-02-000	EA	LIGHT-LICENSE-BLACK
8	121950-01-000	EA	LIGHT-BRAKE-CENTERMOUNT
9	070907-04-000	EA	HEADLAMP-HIGH/LOWHALOGEN
9	049359-01-000	EA	SPRING-RETAINER-HEADLAMP
9	110750-01-000	EA	SCREW-HEADLAMPADJUSTING
	124215-01-000	EA	FOGLIGHT-RECTANGULAR/CLEARLENS
10	089292-01-000	EA	LIGHT-TURN-DRIVER/PASSENGER-W/AMBERLENS
10	037935-01-000	EA	BULB-12V-#1157OR#2057-2.1AMP-CLEARGLASS
11	102520-01-000	EA	LIGHT-CLEARANCE-W/OSOCKETHOUSING-AMBER
11	036196-01-000	EA	BULB-12VOLT-#194-.27AMP-BAYONETTE
11	102541-01-000	EA	GASKET-CLEARANCELIGHT
11	067789-02-000	EA	SOCKET-LAMP



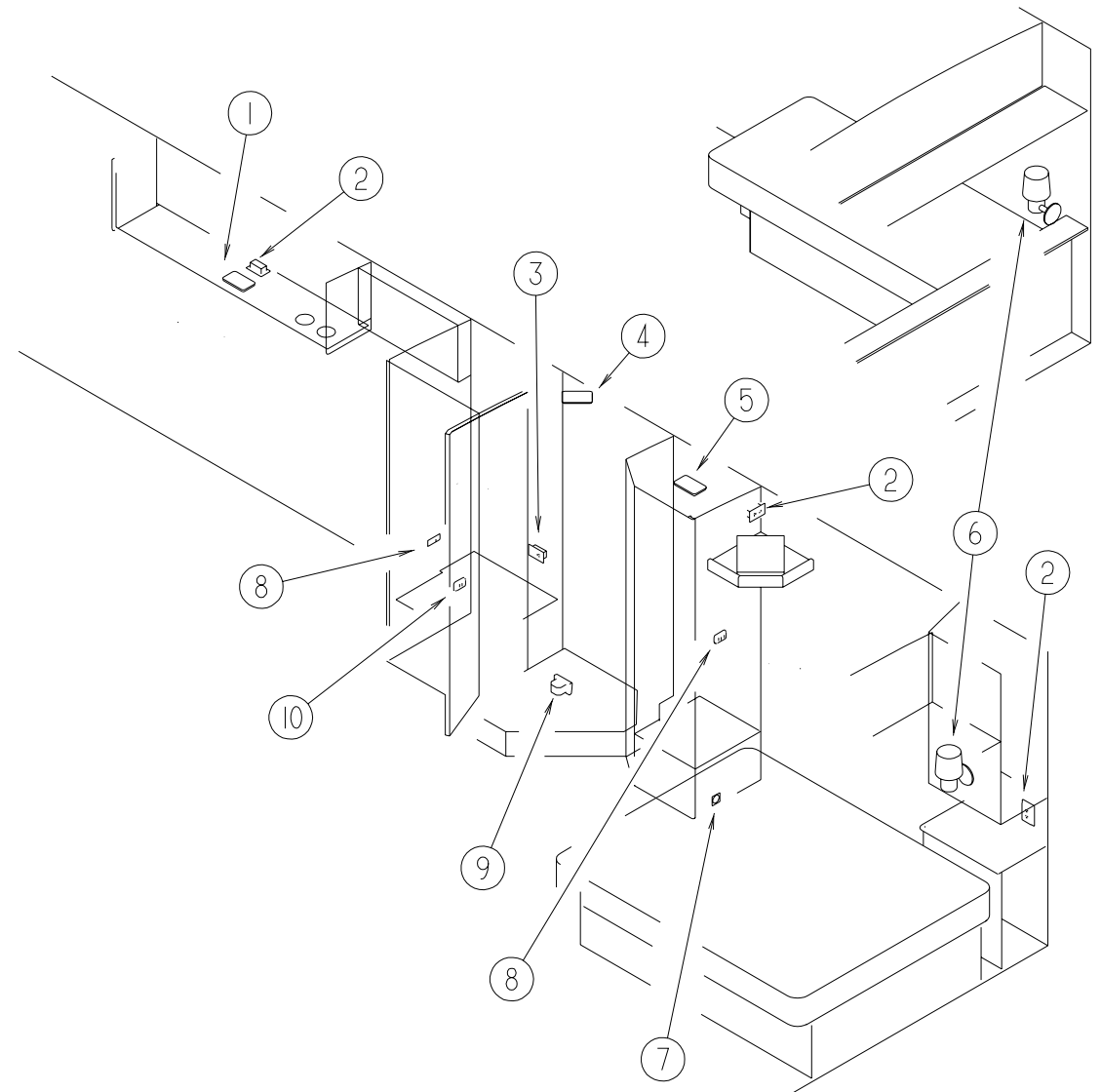
ELECTRICALGROUP(CONTINUED)



LIGHTS,RECEPTACLES,&SWITCHES(DRIVERSIDE)

KEY	PARTNUMBER	U/M	DESCRIPTION	VENDORNO.
1	098024-03-02A	EA	LIGHT-DOME-2BULB-WHITE	
	008218-01-000	EA	BULB-DOMELIGHT-12VOLT-NO.1141	
	098024-01-700	EA	LENS-LIGHT	807877
2	098024-05-02A	EA	LIGHT-DOME-1BULB-SKYLITE-WHITE	
	008218-01-000	EA	BULB-DOMELIGHT-12VOLT-NO.1141	
	098024-01-701	EA	LENS-OPTICLEAR-SKYLITE	809902
3	058708-01-000	EA	RECEPTACLE-ELECTRIC-DOUBLE-BROWN	
3	058708-02-000	EA	RECEPTACLE-ELECTRIC-DOUBLE-IVORY	
3	058708-05-000	EA	RECEPTACLE-SINGLE-BROWN	
4	098024-06-02A	EA	LIGHT-DOME-2BULB-SKYLITE	
	008218-01-000	EA	BULB-DOMELIGHT-12VOLT-NO.1141	
	098024-01-701	EA	LENS-OPTICLEAR-SKYLITE	809902
5	058707-01-000	EA	RECEPTACLE-ELECTRIC-SINGLE-BROWN	
6	110235-01-01A	EA	LIGHT-MAKEUP-3BULB	
	081633-01-700	EA	BULB-MAKE-UP	
7	065202-24-000	EA	LAMP-WALL/BRASS-W/OSHADE	
7	119257-01-01A	EA	SHADE-LAMP-POTPOUM	
	067479-01-000	EA	BULB-12VOLT-#1076-1.80AMP	
8	084076-02-000	EA	RECEPTACLE-GFI-15AMP-125VOLT-BROWN	
9	108357-08-000	EA	SWITCH-ROCKERDPDT-ON/NONE/ON-6TERMINALCARLINGVDD1S00C-0	
10	061424-01-000	EA	LIGHT-AISLE-12VOLT-RECTANGULAR	
11	079364-03-000	EA	SWITCH-ON/OFFROCKER-3TERMINAL-BROWN	

ELECTRICALGROUP(CONTINUED)



LIGHTS,RECEPTACLES,&SWITCHES(PASSENGERSIDE)

KEY	PARTNUMBER	U/M	DESCRIPTION	VENDORNO.
1	098024-05-02A	EA	LIGHT-DOME-1BULB-SKYLITE-WHITE	
2	058708-01-000	EA	RECEPTACLE-ELECTRIC-DOUBLE-BROWN	
2	058708-02-000	EA	RECEPTACLE-ELECTRIC-DOUBLE-IVORY	
2	058708-05-000	EA	RECEPTACLE-SINGLE-BROWN	
3	058707-01-000	EA	RECEPTACLE-ELECTRIC-SINGLE-BROWN	
4	121935-01-01A	EA	LIGHT-DOME-SHOWER	
5	098024-01-03A	EA	LIGHT-DOME-1BULB-WHITE	
	008218-01-000	EA	BULB-DOMELIGHT-12VOLT-NO.1141	
	098024-01-700	EA	LENS-LIGHT	807877
6	065202-24-000	EA	LAMP-WALL/BRASS-W/OSHADE	
6	119257-01-01A	EA	SHADE-LAMP-POTPOUM	
	067479-01-000	EA	BULB-12VOLT-#1076-1.80AMP	
7	108354-01-01A	EA	LIGHT-COURTESY	
	108354-01-700	EA	BULB-COURTESYLIGHT	395-B
8	079364-01-000	EA	SWITCH-ON/OFFROCKER-2TERMINAL-BROWN	
8	079364-04-000	EA	SWITCH-ON/OFFROCKER-2TERMINAL-BLACK	
9	112822-01-01A	EA	RECEPTACLE-DUPLEX-IVORY	
10	061424-01-000	EA	LIGHT-AISLE-12VOLT-RECTANGULAR	

ELECTRICALGROUP(CONTINUED)**CONVERTER&LOADCENTER**

KEY	PARTNUMBER	U/M	DESCRIPTION
	083208-02-000	EA	CONVERTER-POWER-45A-120/12V
	099048-03-000	EA	INVERTER-130WATT
	106071-01-000	EA	SWITCH-AUTOMATICTRANSFER-30AMP
	113132-01-000	EA	LOADCENTER-120/240VOLT-60AMP

ELECTRICALSWITCHES

KEY	PARTNUMBER	U/M	DESCRIPTION
	073626-06-000	EA	COVER-ELECTRIC-OFFWHITEPLASTIC
	077942-01-000	EA	SWITCH-DUMMY-BLACK
	079364-01-000	EA	SWITCH-ON/OFFROCKER-2TERMINAL-BROWN
	079364-03-000	EA	SWITCH-ON/OFFROCKER-3TERMINAL-BROWN
	079364-04-000	EA	SWITCH-ON/OFFROCKER-2TERMINAL-BLACK
	095188-01-01A	EA	SPACER-SWITCH-2.3"X3.4"-PLASTIC-DARKBROWN
	095188-02-01A	EA	SPACER-SWITCH-2.3"X4.1"-PLASTIC-DARKBROWN
	098351-01-01A	EA	PLATE-SWITCH-1GANGPOLISHEDBRASS
	098351-02-01A	EA	PLATE-SWITCH-2GANGPOLISHEDBRASS
	098351-05-01A	EA	PLATE-SWITCH-3GANGPOLISHEDBRASS
	108355-01-000	EA	HOUSING-SWITCH
	108356-02-01A	EA	COVER/ACTUATORSWITCH-2ROWSDIMPLES-CONTURAI-BLACK
	108356-04-01A	EA	COVER/ACTUATORSWITCH-2ROWSDIMPLESW/LENS-CONTURAI-BLK

ROCKERSWITCHES(DASH)

KEY	PARTNUMBER	U/M	DESCRIPTION
	108357-03-000	EA	SWITCH-ROCKER-SPDTON/OFF/ON3TERM.CARLING-V6D1000B-0
	108356-02-01A	EA	SWITCHCOVERW/2DIMPLES-CARLING-CCAZC00
	108357-05-000	EA	SWITCH-ROCKER-SPDTON/NONE/ON3TERM.CARLING-V4D1000B-0
	108356-02-01A	EA	SWITCHCOVERW/2DIMPLES-CARLING-CCAZC00
	108357-06-000	EA	SWITCH-ROCKER-DPDTMOM/OFF/MOM6TERM.CARLING-VLD1000B-0
	108356-02-01A	EA	SWITCHCOVERW/2DIMPLES-CARLING-CCAZC00
	108357-09-000	EA	SWITCH-ROCKER-SPDTON/NONE/MOM3TERM.CARLING-V5D1000B-0
	108356-02-01A	EA	SWITCHCOVERW/2DIMPLES-CARLING-CCAZC00
	108357-10-000	EA	SWITCH-ROCKER-SPDTMOM/ONLIGHTED-5TERM(3SWITCH/2LIGHT)
	108356-04-01A	EA	SWITCHCOVERW/DIMPLES-LIGHTED-CARLING-VVAGC00
	096241-03-000	EA	SWITCH-BLANK
	077942-01-000	EA	SWITCH-DUMMY-BLACK

RECEPTACLES

KEY	PARTNUMBER	U/M	DESCRIPTION
	058707-01-000	EA	RECEPTACLE-ELECTRIC-SINGLE-BROWN
	058707-02-000	EA	RECEPTACLE-BLANKJUNCTIONBOX
	058708-01-000	EA	RECEPTACLE-ELECTRIC-DOUBLE-BROWN
	058708-02-000	EA	RECEPTACLE-ELECTRIC-DOUBLE-IVORY
	058708-05-000	EA	RECEPTACLE-SINGLE-BROWN
	084076-02-000	EA	RECEPTACLE-GFI-15AMP-125VOLT-BROWN
	084077-02-000	EA	PLATE-COVER-RECEPTACLE-GFI-BROWN
	102568-01-GB1	EA	SPACER-RECEPTACLE-BETWEENSIDEWALL&PLATE-WOOD
	112822-01-01A	EA	RECEPTACLE-DUPLEX-IVORY
	112824-01-03A	EA	COVER-RECEPTACLE-EXTERIORDUPLEX

ELECTRICALGROUP(CONTINUED)**WIREASSEMBLIES**

KEY	PARTNUMBER	U/M	DESCRIPTION
	073328-B4-000	EA	CABLEASSEMBLY-BATTERY-W/TERMINALS
	090986-01-000	EA	WIREASSEMBLY-ELECTRICSTEP
	096449-01-000	EA	WIREASSEMBLY-WATERTANKTOMONITORPANEL
	102636-02-000	EA	WIREASSEMBLY-CLEARANCELAMPS
	108303-01-000	EA	WIREASSEMBLY-REARAUTOHEATER
	108304-01-000	EA	WIREASSEMBLY-INSTRUMENTPANEL-AUXILIARYFANS
	110256-01-000	EA	WIREASSEMBLY-INSTRUMENTPANEL-GENERATOR
	111915-01-000	EA	WIREASSEMBLY-DAYTIMERUNNINGLAMPS-FUSED-GM
	111915-03-000	EA	WIREASSEMBLY-DAYTIMERUNNINGLAMPS-FUSED-FORD
	113134-03-000	EA	WIREASSEMBLY-WIPER/WASHER
	124096-01-000	EA	WIRE-INSTRUMENTPANEL-FOGLAMPS

CIRCUITBREAKERS&FUSES

KEY	PARTNUMBER	U/M	DESCRIPTION
	062037-01-000	EA	HOUSING-AUTOFUSE-NATURAL
	062037-02-000	EA	HOUSING-AUTOFUSE-GREEN
	062037-03-000	EA	HOUSING-AUTOFUSE-BLACK
	062037-04-000	EA	HOUSING-AUTOFUSE-BLUE
	062037-06-000	EA	HOUSING-AUTOFUSE-BROWN
	062037-07-000	EA	HOUSING-AUTOFUSE-RED
	062901-02-000	EA	FUSE-05AMPS-AUTOMOTIVE
	062901-05-000	EA	FUSE-15AMPS-AUTOMOTIVE
	062901-06-000	EA	FUSE-20AMPS-AUTOMOTIVE
	062901-07-000	EA	FUSE-25AMPS-AUTOMOTIVE
	062901-08-000	EA	FUSE-30AMPS-AUTOMOTIVE
	083209-02-000	EA	CIRCUITBREAKER-15/15AMP-120VOLT
	083209-03-000	EA	CIRCUITBREAKER-15/20AMP-120VOLT
	083209-04-000	EA	CIRCUITBREAKER-30AMP-120VOLT
	083209-06-000	EA	CIRCUITBREAKER-30/15AMP-120VOLT
	083209-07-000	EA	CIRCUITBREAKER-20/20AMP-120VOLT
	093655-03-000	EA	CIRCUITBREAKER-40AMP-12VOLT
	106656-01-000	EA	FUSEBLOCK-4CAVITY-AUTOFUSE
	108669-01-000	EA	HOUSING-AUTOFUSEHOLDER

ELECTRICALBOXES&CORDS

KEY	PARTNUMBER	U/M	DESCRIPTION
	008052-01-000	EA	CORD-POWER-10/3-30AMP-25'-CANADIAN
	008054-01-000	EA	CORD-POWER-10/3-30AMP-25'
	008289-01-000	EA	BOX-ELECTRIC/STEEL-1/2"&3/4"KNOCKOUTS-4"X4"
	008294-01-000	EA	COVER-ELECTRICALBOX-BLANK/STEEL-4"X4"-GRAY
	008294-02-000	EA	COVER-ELECTRICALBOX-BLANKSTEEL-4"X4"-CANADIAN
	091910-01-000	EA	BOX-ELECTRIC-3.8"X3.5"X1.8"-PLASTIC
	091910-02-000	EA	BOX-ELECTRIC-2.2"X3.5"X1.7"-PLASTIC
	111509-01-000	EA	BOX-ELECTRICAL-E-COATED
	111510-01-000	EA	DOOR/ACCESSPANEL-ELECTRICALBOX
	121470-01-000	EA	CORD/EXTENSION-6FOOT-16-2WIRE

ELECTRICALGROUP(CONTINUED)

ELECTRICALCONNECTORS&CONDUIT

KEY	PARTNUMBER	U/M	DESCRIPTION
	007954-01-000	EA	RECEPTACLE-HOUSING-6POSITION
	007956-05-000	EA	INSULATOR-SHRINK-.25IDX1.50
	008311-01-000	EA	CONNECTOR-WIRENUT-INSULATED-RED
	008312-01-000	EA	CONNECTOR-WIRENUT-INSULATED-BLUE
	008313-01-000	EA	CONNECTOR-WIRENUT-INSULATED-YELLOW
	008326-01-000	EA	TERMINAL-RING-16/14WIRE-3/8"STUD
	008331-01-000	EA	TERMINAL-RING-TONGUE-#4WIRE-3/8"STUD-COPPER
	008348-01-000	EA	TERMINAL-RING-3/8"STUD2GA.WIRE
	008355-01-000	EA	CONNECTOR-CABLECLAMPING-3/4"
	008356-01-000	EA	CONNECTOR-PLASTIC-3/8"AVG
	008394-01-000	FT	CONDUIT-FLEXIBLE-1/2"
	008398-01-000	EA	CONNECTOR-1/2"X90DEGREE-FLEXCONDUIT-UL&CSA
	035416-04-000	EA	TERMINAL-RING-#10STUDFIT-INSULATEDBARREL#16/14
	041480-01-000	EA	CONNECTOR-STRAIGHT-1/2'FLEXCONDUIT
	041953-01-000	FT	CONDUIT-CONVOLUTE SLIT-.5"ID
	041953-03-000	FT	CONDUIT-CONVOLUTE SLIT-1"ID(CLOTHESRODCOVER)
	041953-05-000	FT	CONDUIT-CONVOLUTE SOLID-.62"ID
	041953-06-000	FT	CONDUIT-CONVOLUTE SLIT-.375"ID
	041953-07-000	FT	CONDUIT-CONVOLUTE SLIT-.25"ID
	041953-08-000	FT	CONDUIT-CONVOLUTE SLIT-1.50"ID
	041953-09-000	FT	CONDUIT-CONVOLUTE SLIT-.50"ID
	041953-11-000	FT	CONDUIT-CONVOLUTE SLIT-1.06"ID
	041953-12-000	FT	CONDUIT-CONVOLUTE NONSLIT-1.1"ID
	047443-01-000	EA	TERMINAL-.250RECEPTACLEFIT-INSULATED-16/14AWG
	058028-01-000	EA	CONNECTOR-ELECTRICALPIGTAIL-NYLON-CLEAR
	062036-01-000	EA	TERMINAL-PACK-CON-12/10AWG
	062036-02-000	EA	TERMINAL-PACK-CON-16/14AWG
	077479-01-000	EA	BOOT-BATTERYTERMINAL-DOUBLECABLE
	077479-02-000	EA	BOOT-BATTERYTERMINAL-SINGLECABLE
	080015-02-000	EA	RECEPTACLE-FLAG-.185-16/14GAUGE
	087225-01-000	FT	SLEEVING-1/2"-TYPEH
	087225-02-000	FT	SLEEVING-5/8"-TYPEH
	087949-01-000	EA	BUSSBAR-2POSITION-.6"X1.5"
	087949-02-000	EA	BUSSBAR-3POSITION-.6"X2.4"
	088267-01-000	EA	TERMINAL-FEMALE-1/4
	088473-01-000	EA	HOUSING-PIN-12CAVITY
	088473-02-000	EA	HOUSING-PIN-15CAVITY
	088473-03-000	EA	HOUSING-PIN-9CAVITY
	088473-05-000	EA	HOUSING-PIN-6CAVITY
	088473-06-000	EA	HOUSING-PIN-6CAVITY
	088473-08-000	EA	HOUSING-PIN-4CAVITY
	088473-09-000	EA	HOUSING-PIN-3CAVITY
	088473-10-000	EA	HOUSING-PIN-2CAVITY
	088474-01-000	EA	HOUSING-SOCKET-12CAVITY
	088474-02-000	EA	HOUSING-SOCKET-15CAVITY
	088474-03-000	EA	HOUSING-SOCKET-9CAVITY
	088474-06-000	EA	HOUSING-SOCKET-6CAVITY
	088474-07-000	EA	HOUSING-SOCKET-5CAVITY
	088474-08-000	EA	HOUSING-SOCKET-4CAVITY
	088474-09-000	EA	HOUSING-ELECTRICAL-3TERMINAL
	088474-10-000	EA	HOUSING-SOCKET-2CAVITY
	088475-01-000	EA	PIN-CONNECTOR-14-20AWG
	088475-02-000	EA	PIN-CONNECTOR-10-12AWG
	088476-01-000	EA	TERMINAL-ELECTRICAL
	088476-02-000	EA	SOCKET-CONNECTOR-12-10GA-PRE-TIN
	098260-01-000	EA	TERMINAL-MALE-56SERIES
	098261-02-000	EA	SOCKET-CONNECTOR-WEATHERPACK
	098262-01-000	EA	SEAL-CONNECTOR-WEATHERPACK
	098264-01-000	EA	HOUSING-2PIN-WEATHERPACK
	101571-01-000	EA	HOUSING-2POSITION-MALE

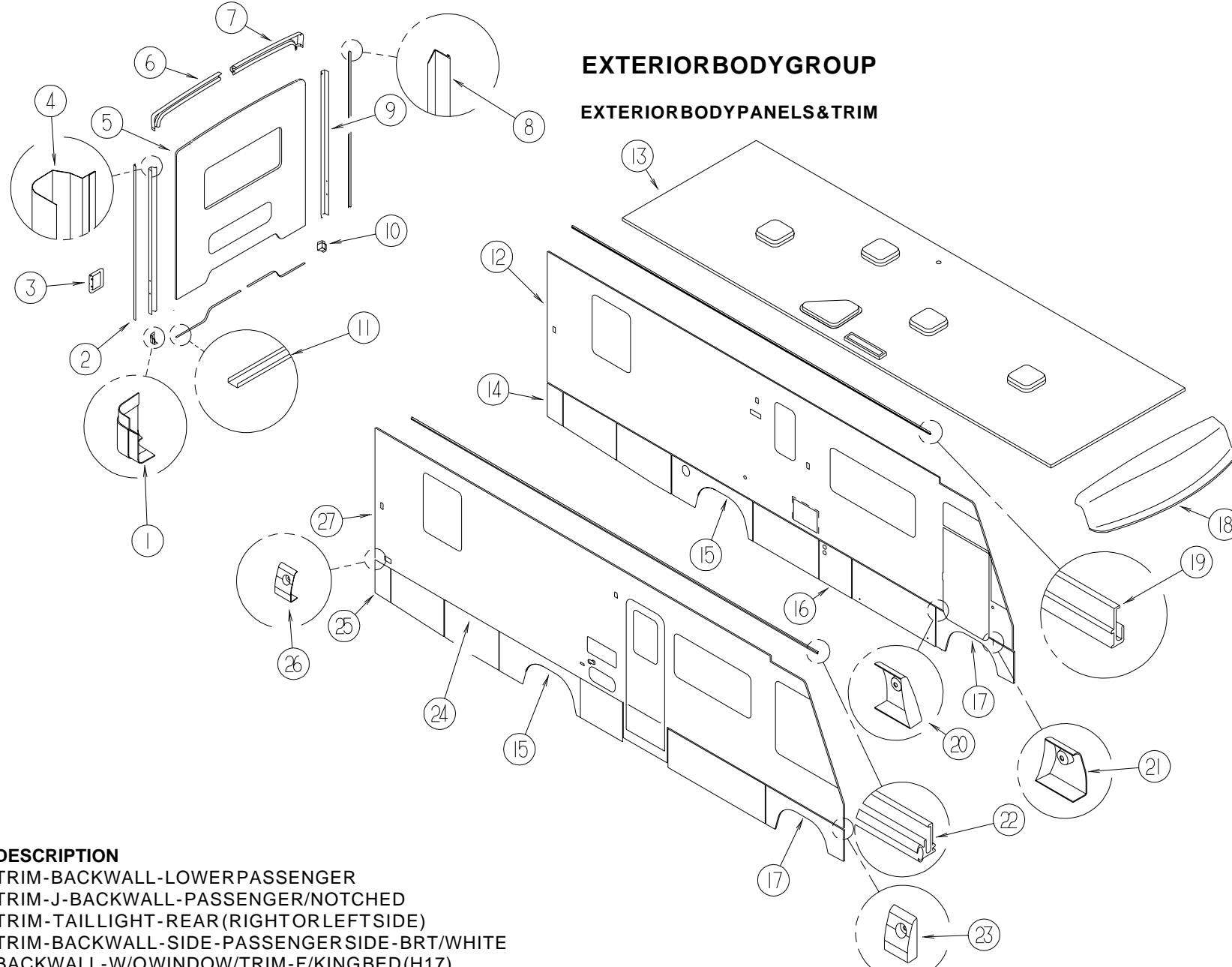
ELECTRICALGROUP(CONTINUED)

ELECTRICALCONNECTORS&CONDUIT(CONTINUED)

KEY	PARTNUMBER	U/M	DESCRIPTION
	103608-01-000	EA	SOCKET-WEDGEBASEW/LEADS
	103987-02-000	EA	SEAL-SOLENOIDACCESS
	104016-01-000	EA	WIREASSEMBLY-AUXILIARYFANS
	104100-01-000	EA	HOUSING-1POSITION-75AMPS
	104100-03-000	EA	TERMINAL-75AMP
	106006-01-000	EA	HOUSING-1POSITION-FEMALE
	106007-01-000	EA	TERMINAL-FEMALE-14-16AWG
	106655-01-000	EA	TERMINAL-FUSEBLOCK-14-16AWG
	106655-02-000	EA	TERMINAL-FUSEBLOCK-10-12AWG
	110178-01-000	EA	HOUSING-WIPERMOTOR
	112823-01-000	EA	SPLICE-REDUCER-16-14TO18-22
	113131-01-000	EA	HOUSING-3PIN
	113135-01-000	EA	TERMINAL-FEMALE-M/P-14-16
	113306-01-000	EA	TERMINAL-FEMALE-M/P-14-16
	113307-01-000	EA	TERMINAL-FEMALE-M/P-16-20
	113468-01-000	EA	HOUSING-2POSITION-FEMALE USEDONWIPER/WASHERWIREASM
	115556-01-000	EA	HOUSING-3POSITION-FEM
	119248-02-000	EA	HOUSING-7POSITION-FEMALE
	125323-02-000	EA	HOUSING-8POSITION-MALE
	125324-01-000	EA	TERMINAL-MALE-METRI-PACK-150
	125325-01-000	EA	SEAL-CAVITY

ELECTRICALMISCELLANEOUS

KEY	PARTNUMBER	U/M	DESCRIPTION	VENDORNO.
	007093-01-000	EA	SIGNALFLASHER	
	008188-01-000	EA	SOLENOID-3POST-BATTERYCHANGEOVER	
	063910-01-000	EA	HOUSING-RELAY	
	063912-02-000	EA	RELAY-CANISTER-SPDT	
	083172-02-000	EA	PANEL-DI-ELECTRIC11028X36-COATEDBOTHSIDES	
	086233-01-000	EA	STUD-ISOLATED-3/8"X7/8"LONG	
	086273-01-000	EA	RELAY-BATTERYDISCONNECT	
	115504-01-000	EA	PANEL-SOLAR10WATT	
	115504-01-700	EA	PLUG&CABLE,10WATT PANEL	600-016
	115505-01-000	EA	LIGHT-MONITOR/SOLARPANEL-REDLEDINDICATOR	



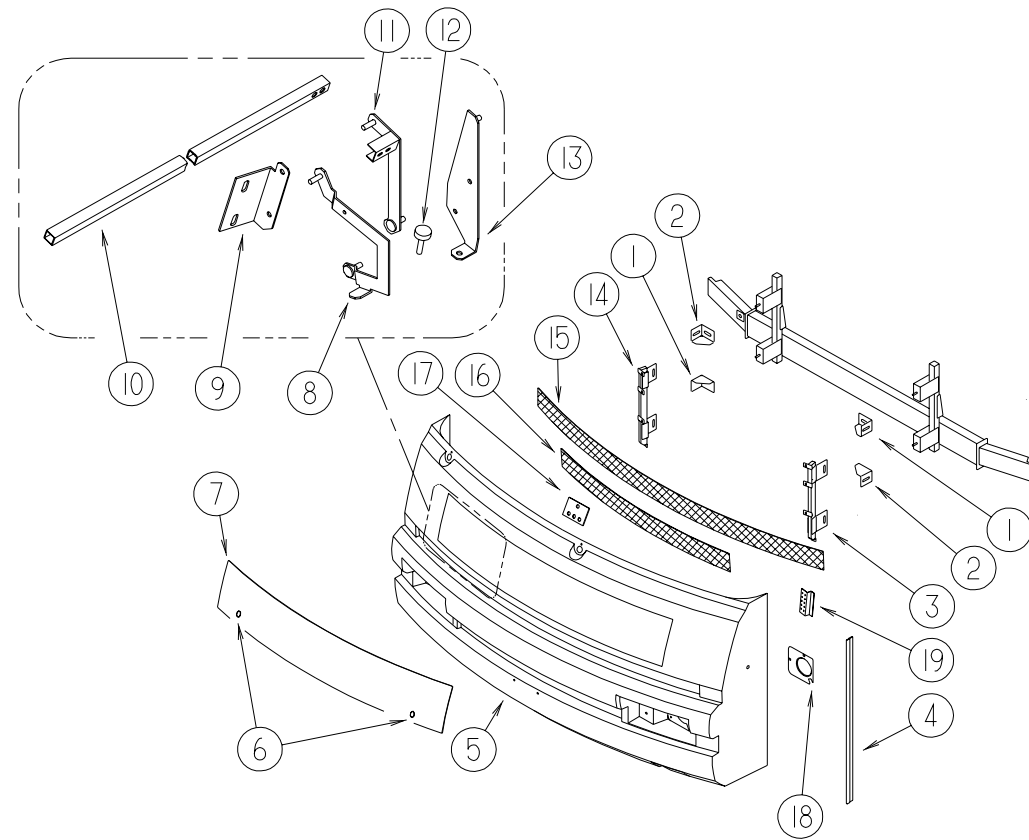
EXTERIORBODYGROUP

EXTERIORBODYPANELS&TRIM

KEY	PARTNUMBER	U/M	DESCRIPTION
1	119212-01-01A	EA	TRIM-BACKWALL-LOWERPASSENGER
2	120548-01-02A	EA	TRIM-J-BACKWALL-PASSENGER/NOTCHED
3	117379-01-03A	EA	TRIM-TAILLIGHT-REAR (RIGHTORLEFTSIDE)
4	114874-03-12B	EA	TRIM-BACKWALL-SIDE-PASSENGERSIDE-BRT/WHITE
5	M08153-01-H17	EA	BACKWALL-W/OWINDOW/TRIM-F/KINGBED(H17)
5	M08153-01-H18	EA	BACKWALL-W/OWINDOW/TRIM-F/KINGBED(H18)
5	M08153-01-H19	EA	BACKWALL-W/OWINDOW/TRIM-F/KINGBED(H19,H41)
5	M08153-01-H40	EA	BACKWALL-W/OWINDOW/TRIM-F/KINGBED(H40)
5	M08153-02-H17	EA	BACKWALL-W/OWINDOW/TRIM-F/QUEENBED(H17)
5	M08153-02-H18	EA	BACKWALL-W/OWINDOW/TRIM-F/QUEENBED(H18)
5	M08153-02-H19	EA	BACKWALL-W/OWINDOW/TRIM-F/QUEENBED(H19,H41)
5	M08153-02-H40	EA	BACKWALL-W/OWINDOW/TRIM-F/QUEENBED(H40)
5	M08153-04-H17	EA	BACKWALL-W/OWINDOW/TRIM-F/TWINBED(H17)
5	M08153-04-H18	EA	BACKWALL-W/OWINDOW/TRIM-F/TWINBED(H18)
5	M08153-04-H19	EA	BACKWALL-W/OWINDOW/TRIM-F/TWINBED(H19,H41)
5	M08153-04-H40	EA	BACKWALL-W/OWINDOW/TRIM-F/TWINBED(H40)
6	114872-02-02A	EA	TRIM-BACKWALL-TOP-PASSENGERSIDE-BRT/WHITE
7	114873-02-02A	EA	TRIM-BACKWALL-TOP-DRIVERSIDE-BRT/WHITE
8	120548-02-02A	EA	TRIM-J-BACKWALL-DRIVER/NOTCHED
9	114874-04-12B	EA	TRIM-BACKWALL-SIDE-DRIVERSIDE-BRTWHITE
10	119212-02-01A	EA	TRIM-BACKWALL-LOWERDRIVER
11	050406-25-000	EA	TRIM-BACKWALL-LOWER
12	M08644-01-H17	EA	SIDEWALL-DRIVER-W/OWINDOWS/TRIM(H17)
12	M08644-01-H18	EA	SIDEWALL-DRIVER-W/OWINDOWS/TRIM(H18)
12	M08644-01-H19	EA	SIDEWALL-DRIVER-W/OWINDOWS/TRIM(H19,H41)
12	M08644-01-H40	EA	SIDEWALL-DRIVER-W/OWINDOWS/TRIM(H40)
12	M08644-02-H17	EA	SIDEWALL-DRIVER-W/OWINDOWS/TRIM-F/DRIVERSDOOR(H17)
12	M08644-02-H18	EA	SIDEWALL-DRIVER-W/OWINDOWS/TRIM-F/DRIVERSDOOR(H18)
12	M08644-02-H19	EA	SIDEWALL-DRIVER-W/OWINDOWS/TRIM-F/DRIVERSDOOR(H19,H41)
12	M08644-02-H41	EA	SIDEWALL-DRIVER-W/OWINDOWS/TRIM-F/DRIVERSDOOR(H40)

KEY	PARTNUMBER	U/M	DESCRIPTION
13	P24458-01-H17	EA	ROOF-W/OLIGHTS/VENTS-W/WIRING
14	122732-02-H17	EA	PANEL-VALANCE/REAR-W/OHARDWARE
15	124517-01-01A	EA	TRIM-WHEELWELL-REAR/DRIVER/PASSENGER-EXTRUSION
16	122776-05-H17	EA	PANEL-VALANCE-W/OHARDWARE
17	124518-01-01A	EA	TRIM-WHEELWELL-FRONT/DRIVER/PASSENGER-EXTRUSION
18	115001-01-02A	EA	CAP-ROOF
19	120091-02-02A	EA	TRIM-ROOF
20	124178-02-01A	EA	CAP-TRIM/DRIVERDOOR
21	124178-01-01A	EA	CAP-TRIM/DRIVERDOOR
22	120092-01-02A	EA	RAIL-AWNING-BRIGHTWHITE
23	124132-01-01A	EA	CAP-TRIM/SIDEWALL-RIGHTHAND-BRIGHTWHITE
24	105312-01-03A	FT	INSERT-VINYLFEATURESTRIP-GRAYMETALLIC
24	124176-01-01A	EA	TRIM-SIDEWALL-BRIGHTWHITE-16'
25	122732-01-H37	EA	PANEL-VALANCE/REAR-W/OHARDWARE
26	124132-02-01A	EA	CAP-TRIM/SIDEWALL-LEFTHAND-BRIGHTWHITE
27	M08643-01-H17	EA	SIDEWALL-PASSENGER-W/OWINDOWS/TRIM/WAINSCOTING(H17)
27	M08643-01-H18	EA	SIDEWALL-PASSENGER-W/OWINDOWS/TRIM/WAINSCOTING(H18)
27	M08643-01-H39	EA	SIDEWALL-PASSENGER-W/OWINDOWS/TRIM/WAINSCOTING(H19,H41)
27	M08643-01-H40	EA	SIDEWALL-PASSENGER-W/OWINDOWS/TRIM/WAINSCOTING(H40)

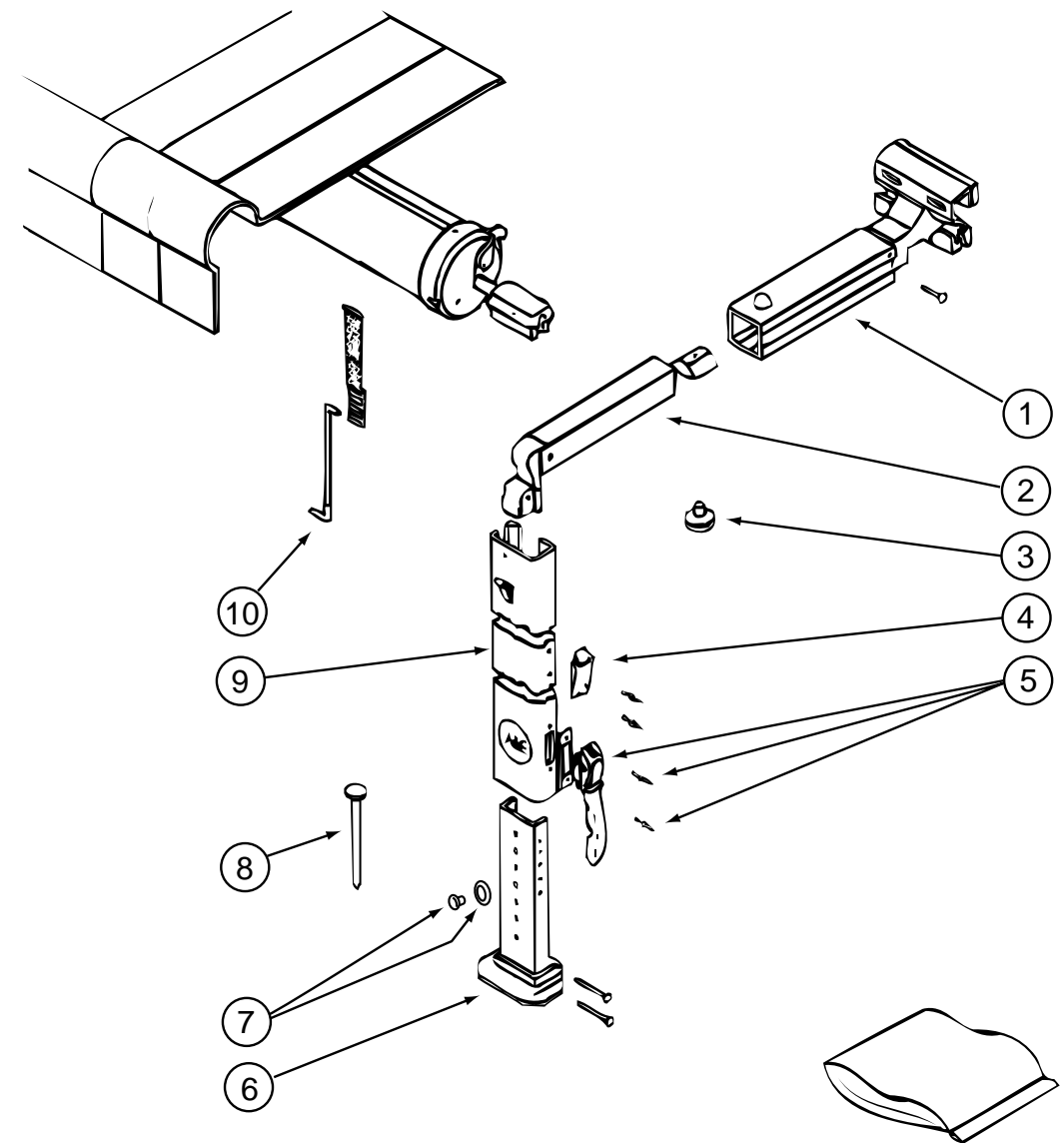
EXTERIORBODYGROUP(CONTINUED)



FRONTENDASM

KEY	PARTNUMBER	U/M	DESCRIPTION
1	117611-04-02B	EA	BRACKET-BUMPER
2	117611-03-02B	EA	BRACKET-BUMPER
	116617-02-02B	EA	SPACER-BUMPER
3	118997-02-G35	EA	SUPPORT-GRILLE-DRIVERFRONT
4	123680-03-01A	EA	TRIM-FIBERGLASS-PANELB/W
5	118999-03-G15	EA	PANEL-FRONTLOWER-WIDEBODY-W/INSTALLATIONHARDWARE
6	102330-02-000	EA	HOODLOCK-SINGLEHOLE-VISEACTION
	102328-01-000	EA	BARRELKEY-HOODLOCK
7	115976-03-G35	EA	PANEL-HOOD
8	109930-11-000	EA	LINK-HINGE-HOOD/LOWERPASSENGERSIDE
	109930-12-000	EA	LINK-HINGE-HOOD/LOWERDRIVERSIDE
9	109927-03-000	EA	ANGLE-LINK-HOODRIGHTHAND
	109927-04-000	EA	ANGLE-LINK-HOODLEFTHAND
10	105096-10-000	EA	TUBE-HOODHINGETIMINGW/WELDNUTS
	106748-04-000	EA	LATCH-HOOD-FRONTEND
11	109929-05-000	EA	LINK-UPPERHOODHINGE-PASSENGERSIDE
	109929-06-000	EA	LINK-UPPERHOODHINGE-DRIVERSIDE
12	058786-01-000	EA	BOLT-ADJUSTINGHOOD-W/BLACKPAD-.31"-18X2
13	109926-15-000	EA	BRACKET-HOODHINGELINK-PASSENGERSIDE
	109926-16-000	EA	BRACKET-HOODHINGELINK-DRIVERSIDE
14	118997-01-G35	EA	SUPPORT-GRILLE-PASSENGERFRONT
15	115924-05-02A	EA	GRILLE-WOVENWIRE-FLATBLACK
16	115924-11-01A	EA	GRILLE-WOVENWIRE
17	119445-01-02B	EA	PLATE-W/HOLES
18	115951-02-02B	EA	PLATE-HEADLAMP-DUAL/LEFTHAND
	115951-01-02B	EA	PLATE-HEADLAMP-DUAL/RIGHTHAND
19	113495-02-02B	EA	SUPPORT-HINGE
	070579-06-000	EA	PLATE-ANCHOR-W/7/16WELDNUT-1.5"X3.3"
	070579-07-000	EA	PLATE-ANCHORW/ONUT
	077001-01-000	EA	ANGLE-MOUNTINGROOFPANELVANGLE-3"X2.4"X1.5"

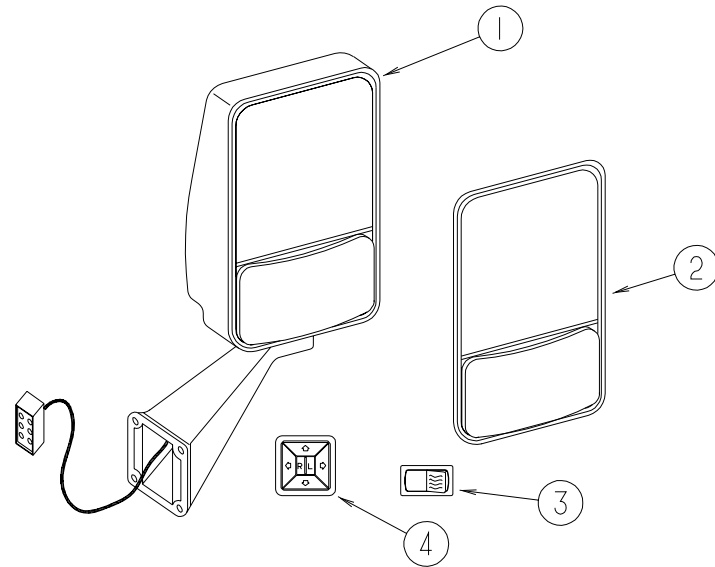
EXTERIORBODYGROUP(CONTINUED)



EXTERIORAWNING

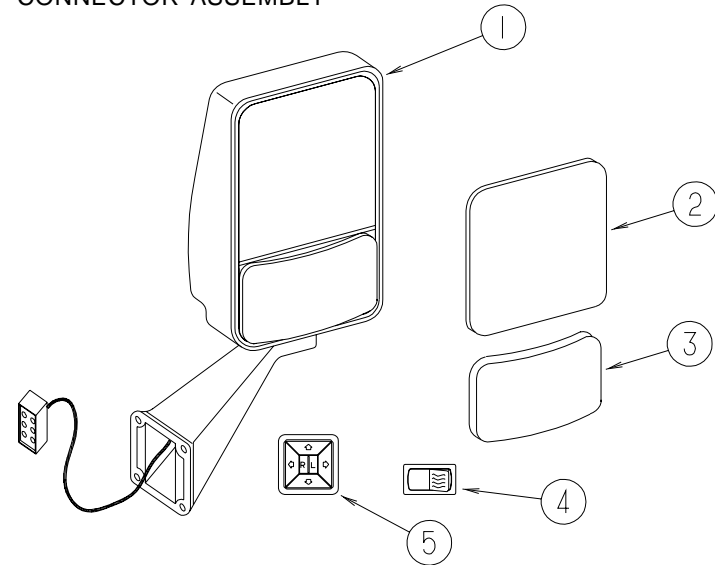
KEY	PARTNUMBER	U/M	DESCRIPTION	VENDORNO.
	113874-06-04A	EA	AWNING-W/OHDW16'(POLARBLUE)VINYL	
	111037-01-01A	EA	SPACER-AWNING-UPPER-BLACK	
	119496-01-02A	EA	SPACER/ZEE-AWNING	
	113874-01-02A	EA	HARDWAREKIT-AWNING-W/OSTANDOFFBRACKET-BRIGHTWHT	
1	113874-01-714	EA	RAFTER-MAINRH/LHBRT/WHT	830295.536F
2	113874-01-715	EA	RAFTER-SECONDARYBRT/WHT	830463.511F
3	113874-01-702	EA	KNOB-ADJUSTING	3105421.014
4	113874-01-706	EA	LOCK-TRAVEL	830587.001
5	113874-01-707	EA	HANDLE-LIFTW/RIVETS	830644
6	113874-01-712	EA	FOOT-PATIO	730366-001
7	113874-01-710	EA	PLUG-STOPKIT	830456
8	113874-01-709	EA	NAIL-SPIKE,8"	113006
9	113874-01-716	EA	ARM-MAINSUPPORTBRT/WHT	3104502.293/F
10	113874-01-703	EA	ROD-CENTERPULLW/ACCESSORY	830152.102

EXTERIORBODYGROUP(CONTINUED)



EXTERIOR MIRROR OPTION(REMOTE&HEAT)(FROM:00-00-00THRU:11-05-96)

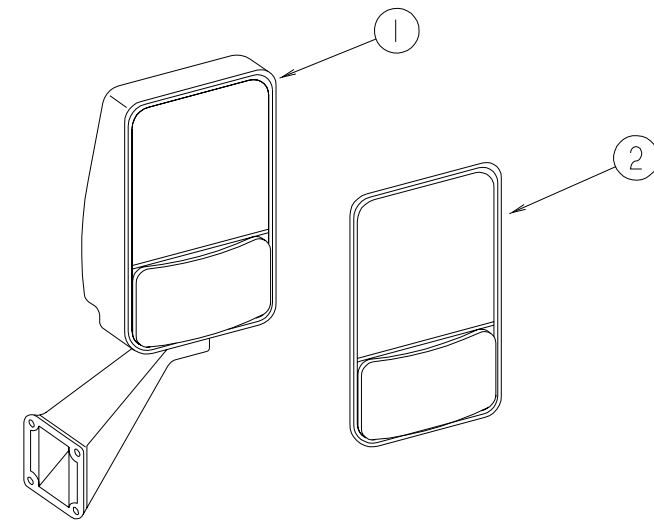
KEY	PARTNUMBER	U/M DESCRIPTION	VENDORNO.
1	106015-05-01A	EA MIRROR-RIGHTHANDW/WIREPIGTAIL-REMOTEHEATED-W/OSWITCH	
1	106015-06-01A	EA MIRROR-LEFTHANDW/WIREPIGTAIL-REMOTEHEATED-W/OSWITCH	
2	086261-01-704	EA MIRRORKITEXT.PASSENGERSIDE	709268
2	086261-02-701	EA MIRRORKITEXT.DRIVERSIDE	709269
3	087695-02-000	EA SWITCH-HEATER-EXTERIORMIRROR	
4	088246-01-000	EA SWITCH-REMOTE-EXTERIOR-SQUAREPUSH	
	087695-03-000	EA CONNECTOR-ASSEMBLY	



EXTERIOR MIRROROPTION(REMOTE&HEAT)(FROM:11-06-96THRU:99-99-99)

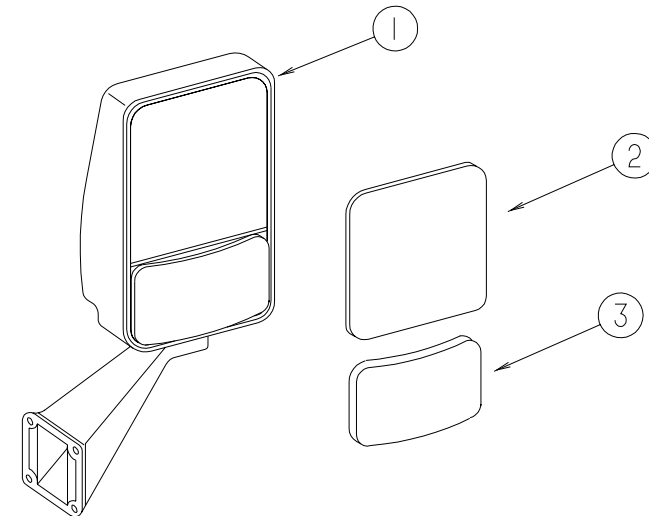
KEY	PARTNUMBER	U/M DESCRIPTION	VENDORNO.
1	106015-12-01A	EA MIRROR-EXTERIORREMOTE/HEAT-PASSENGER	
1	106015-13-01A	EA MIRROR-EXTERIORREMOTE/HEAT-DRIVER	
2	106015-12-700	EA MIRROR-FLAT-W/W/OHEAT/CLIP	709448
3	106015-12-701	EA MIRROR-CONVEX-W/W/OHEAT	709449
4	087695-02-000	EA SWITCH-HEATER-EXTERIORMIRROR	
5	088246-01-000	EA SWITCH-REMOTE-EXTERIOR-SQUAREPUSH	
	087695-03-000	EA CONNECTOR-ASSEMBLY	

EXTERIORBODYGROUP(CONTINUED)



EXTERIOR MIRROR (FROM:00-00-00THRU:03-02-97)

KEY	PARTNUMBER	U/M DESCRIPTION	VENDORNO.
1	106015-09-01A	EA MIRROR-EXTERIORADJUSTABLEGLASS-PASSENGER	
1	106015-10-01A	EA MIRROR-EXTERIORADJUSTABLEGLASS-DRIVER	
2	106015-01-703	EA MIRROR-REPLKITPASSENGER	709266
2	106015-02-702	EA MIRROR-REPLKITDRIVER	709267

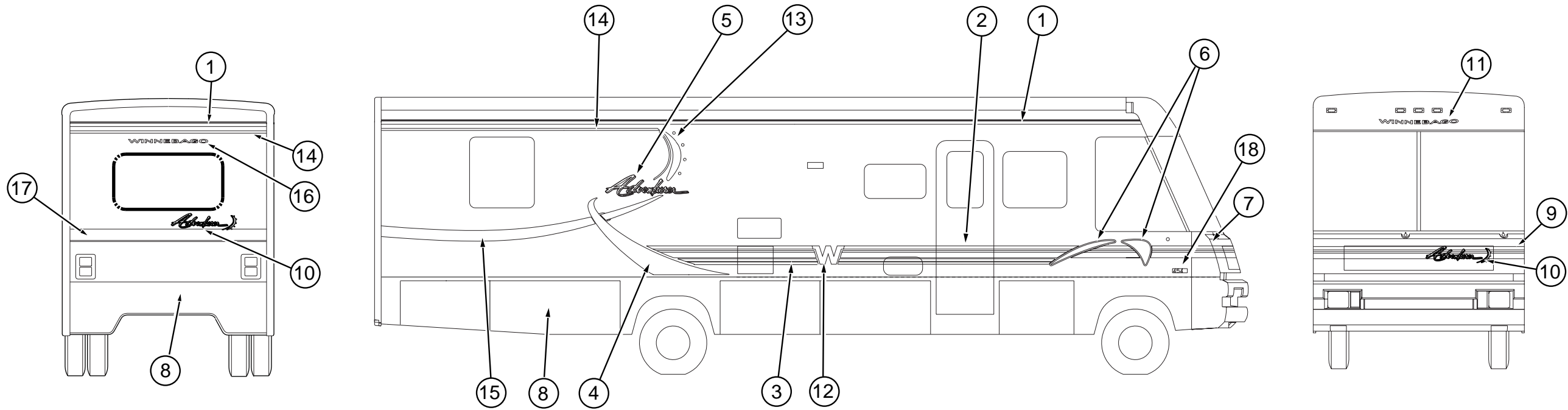


EXTERIOR MIRROR (FROM:03-03-97THRU:99-99-99)

KEY	PARTNUMBER	U/M DESCRIPTION	VENDORNO.
1	106015-14-01A	EA MIRROR-EXTERIORADJUSTABLEGLASS-PASSENGER	
1	106015-15-01A	EA MIRROR-EXTERIORADJUSTABLEGLASS-DRIVER	
2	106015-12-700	EA MIRROR-FLAT-W/W/OHEAT/CLIP	709448
3	106015-12-701	EA MIRROR-CONVEX-W/W/OHEAT	709449

EXTERIOR BODY GROUP (CONTINUED)

DECALS, FILM STRIPES & PAINT



SUPERBLUE EXTERIOR

UMBRA BROWN EXTERIOR

KEY	PART NUMBER	U/M	DESCRIPTION
1	105781-54-02A	FT	FILM-MULTISTRIPE 2.13"
2	094443-46-02A	FT	FILM-MILTISTRIPE -5.5"
3	115335-07-02A	FT	FILM-MULTISTRIPE/OVERLAY 2.50"
4	121996-01-02A	EA	DECAL-SLASH-RIGHTHAND
4	121996-02-02A	EA	DECAL-SLASH-LEFTHAND
5	122001-01-02A	EA	DECAL-LOGO-ADVENTURER
6	121997-01-01A	EA	DECAL-SLASH-FRONT/RIGHTHAND
6	121997-02-01A	EA	DECAL-SLASH-FRONT/LEFTHAND
7	121998-01-02A	EA	DECAL-CORNER-RIGHTHAND
7	121998-02-02A	EA	DECAL-CORNER-LEFTHAND
8	NPN		PAINT-SUPERBLUE
9	121999-01-02A	EA	DECAL-HOOD-LTGRN/VIOLET/DKBLU
10	122000-01-02A	EA	DECAL-LOGO-ADVENTURER W/ARC
11	121510-02-02A	EA	DECAL-LOGO-WINNEBAGO SWEEP
12	120700-03-02A	EA	DECAL-LOGO-W
13	121994-01-02A	EA	DECAL-ARC-RIGHTHAND
13	121994-02-02A	EA	DECAL-ARC-LEFTHAND
14	093681-36-03A	FT	FILM-1"
15	121995-01-02A	EA	DECAL-SLASH-REAR/RIGHTHAND
15	121995-02-02A	EA	DECAL-SLASH-REAR/LEFTHAND
16	120702-03-03A	EA	DECAL-LOGO-WINNEBAGO/SMALL
17	093681-52-02A	FT	FILM-5.25
18	122312-01-01A	EA	DECAL-VORTEC 7400
	041561-03-000	EA	PAINT-16OZ SPRAY-OFFWHITE
	099399-12-700	EA	PAINT-16OZ SPRAY-ENAM/BUFFRAABE
	034618-C1-700	EA	PAINT-16OZ SPRAY-SUPERBLUE
	099399-12-701	EA	PAINT-.6OZ BOTTLE-BUFF-W/BRUSH

DUPONT PAINT COLOR CODES

OFFWHITE	(INTERIOR)	DUPONT L8723
SUPERBLUE	(EXTERIOR)	DUPONT F1915U
BRIGHTWHITE	(EXTERIOR)	DUPONT B8951U
LIGHTGREEN	(FILM)	DUPONT GM185
VIOLET	(FILM)	DUPONT F2984
SMOKE	(FILM)	DUPONT MM328
DARKBLUE	(FILM)	DUPONT BM226

KEY	PART NUMBER	U/M	DESCRIPTION
1	105781-54-01A	FT	FILM-MULTISTRIPE 2.13"
2	094443-46-01A	FT	FILM-MULTISTRIPE 5.50"
3	115335-07-01A	FT	FILM-MULTISTRIPE/OVERLAY 2.50"
4	121996-01-01A	EA	DECAL-SLASH-RIGHTHAND
4	121996-02-01A	EA	DECAL-SLASH-LEFTHAND
5	122001-01-01A	EA	DECAL-LOGO-ADVENTUER
6	121997-01-01A	EA	DECAL-SLASH-FRONT/RIGHTHAND
6	121997-02-01A	EA	DECAL-SLASH-FRONT/LEFTHAND
7	121998-01-01A	EA	DECAL-CORNER-RIGHTHAND
7	121998-02-01A	EA	DECAL-CORNER-LEFTHAND
8	NPN		PAINT-UMBRA/BROWN
9	121999-01-01A	EA	DECAL-HOOD-WINNEBAGO SWEEP
10	122000-01-01A	EA	DECAL-LOGO-ADVENTURER W/ARC
11	121510-02-01A	EA	DECAL-LOGO-WINNEBAGO SWEEP
12	120700-03-01A	EA	DECAL-LOGO-W
13	121994-01-01A	EA	DECAL-ARC-RIGHTHAND
13	121994-02-01A	EA	DECAL-ARC-LEFTHAND
14	093681-36-03A	FT	FILM-1"
15	121995-01-01A	EA	DECAL-SLASH-REAR/RIGHTHAND
15	121995-02-01A	EA	DECAL-SLASH-REAR/LEFTHAND
16	120702-03-02A	EA	DECAL-LOGO-WINNEBAGO/SMALL
17	093681-52-01A	FT	FILM-5.25
18	122312-01-01A	EA	DECAL-VORTEC 7400
	041561-03-000	EA	PAINT-16OZ SPRAY-OFFWHITE
	099399-12-700	EA	PAINT-16OZ SPRAY-ENAM/BUFF RAABE
	034618-C4-700	EA	PAINT-16OZ SPRAY-UMBRA
	099399-12-701	EA	PAINT-.6OZ BOTTLE-BUFF-W/BRUSH

DUPONT PAINT COLOR CODES

OFFWHITE	(INTERIOR)	DUPONT L8723
UMBRA/BROWN	(EXTERIOR)	DUPONT F2529U
BRIGHTWHITE	(EXTERIOR)	DUPONT B8951U
LIGHTBRIAR BROWN	(FILM)	DUPONT MM073
PINEGREEN	(FILM)	DUPONT GM256
IVYGREEN	(FILM)	DUPONT YM537
DARKBLUE	(FILM)	DUPONT BM226

EXTERIORBODYGROUP(CONTINUED)

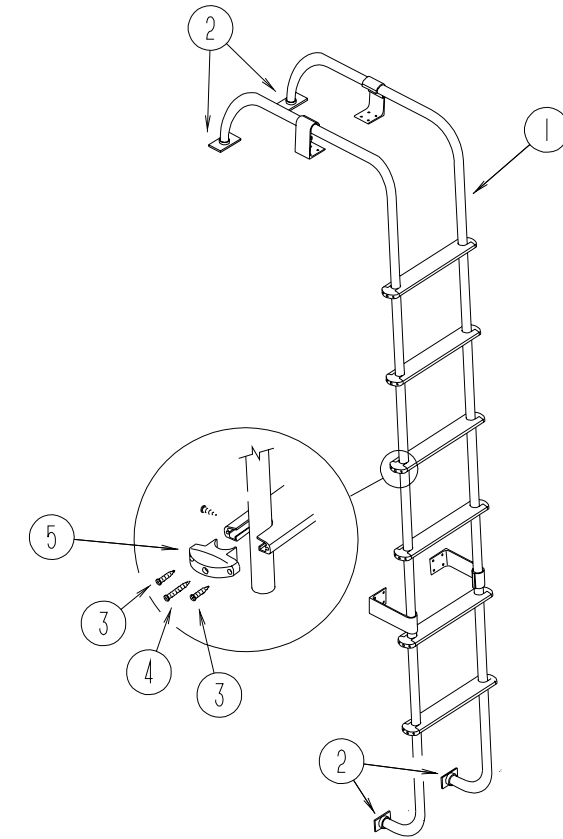
STYROFOAM&FIBERGLASSSHEETING

KEY	PARTNUMBER	U/M	DESCRIPTION
	000870-08-000	SF	STYROFOAM-.75"X4'X8'-PLANED
	002726-01-001	EA	GARNISH-U-CHANNEL-1.38"X19'-SERRATED-MILLALUMINUM
	002766-01-001	EA	ANGLE-EXTRUDED-1"X1.5"X17'
	068716-01-001	EA	BRACE-90DEGREEL-ANGLE-16'
	076054-U4-000	EA	FIBERGLASS-SHEET-101"X104"BRIGHTWHITE(SIDEWALL)
	076054-W4-000	EA	FIBERGLASSSHEET-79"X337"-BRIGHTWHITE
	077517-62-000	EA	FIBERGLASS-SHEET-4'X8'BRIGHTWHITEFLAT(SIDEWALL)
	089297-01-000	SF	PLYWOOD-LUAN-OVERLAYGRADE-4'X8'
	100619-01-000	BF	EXPANDEDFOAMSHEET-4'X8'X1.34"
	100619-02-000	BF	FOAM-EXPANDEDPOLYSTYRENE-48"X96"X1.5"
	100619-04-000	BF	FOAM-EXPANDEDPOLYSTYRENE-.5"X4'X8'
	100619-11-000	BF	FOAM-EXPANDEDPOLYSTYRENE-4'X8'X2"
	100619-13-000	BF	FOAM-EXPANDEDPOLYSTYRENE-34.65"X8'X.34"
	108535-05-702	EA	FRPFLAT110"X396"BRIGHTWHITE F/PARTSDEPT(ROOF SKIN)
	120107-01-000	EA	FOAM-COVE-ROOF
	120107-03-000	EA	FOAM-PLUG-ROOFTUBE

EXTERIORBODYHARDWARE

KEY	PARTNUMBER	U/M	DESCRIPTION
	002755-04-001	EA	ANGLE-EXTRUDED-1.1"X1.1"X14'
	121117-01-04B	EA	ANGLE-W/HOLES
	108109-12-01A	EA	TRIM-SIDEWALL-BRIGHTWHITE
	116800-55-005	EA	EXTRUDEDCHANNEL-192"-BRIGHTWHITE
	119568-01-01A	EA	STANDOFF-VALANCEPNL-BLACK
	120570-01-02B	EA	SUPPORT-VALANCE
	107865-01-000	EA	ROD-SUPPORT-VALANCEPANEL-14.3"
	107865-14-000	EA	ROD-SUPPORT-VALANCEPANEL
	124299-51-001	EA	EXTRUDED-RETAINER-TRIM-144"
	002726-01-001	EA	GARNISH-U-CHANNEL-1.38"X19'-SERRATED-MILLALUMINUM
	120524-01-02B	EA	U-CHANNEL-E-COATED
	058267-01-000	FT	CHANNEL-STEEL-W/HOLES-SIDEWALLSTIFFENER-2"X20'
	068716-01-001	EA	BRACE-90DEGREEL-ANGLE-192"-EXTRUDEDALUMINUM

EXTERIORBODYGROUP(CONTINUED)

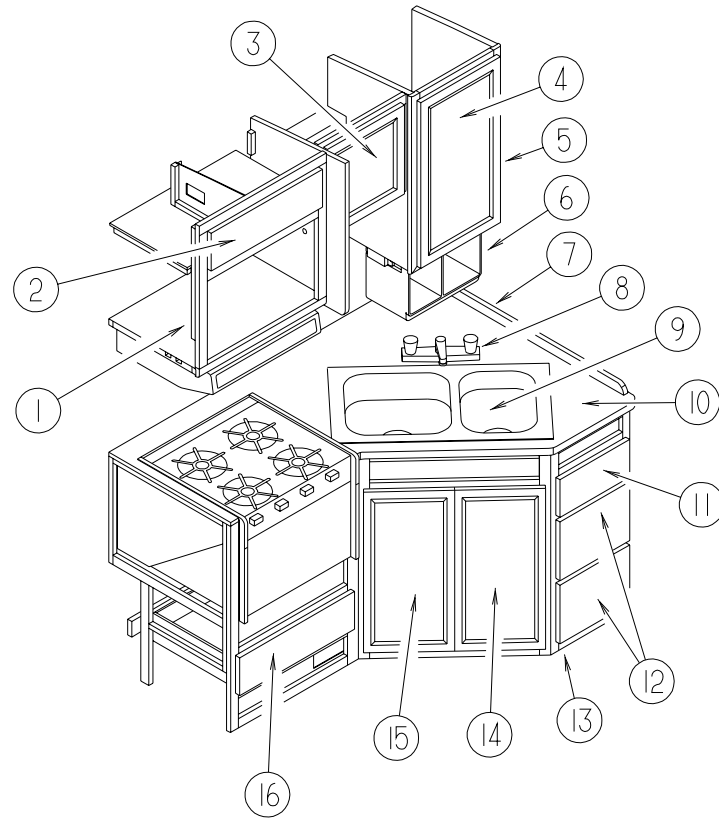


LADDER

KEY	PARTNUMBER	U/M	DESCRIPTION
1	102953-11-F31	EA	LADDER
2	067165-01-000	EA	MOUNTINGBRACKET-LADDER-LOWER
3	000G39-06-10T	EA	SCREW-SF/DR-6-20X5/8PPH-BLACK
4	000G68-10-36T	EA	SCREW-10-12X2.25POHBLACK
5	076980-02-000	EA	ENDCAP-STEP-BLACK
	038327-01-000	FT	TAPE-ANTISLIP-2"X60FT

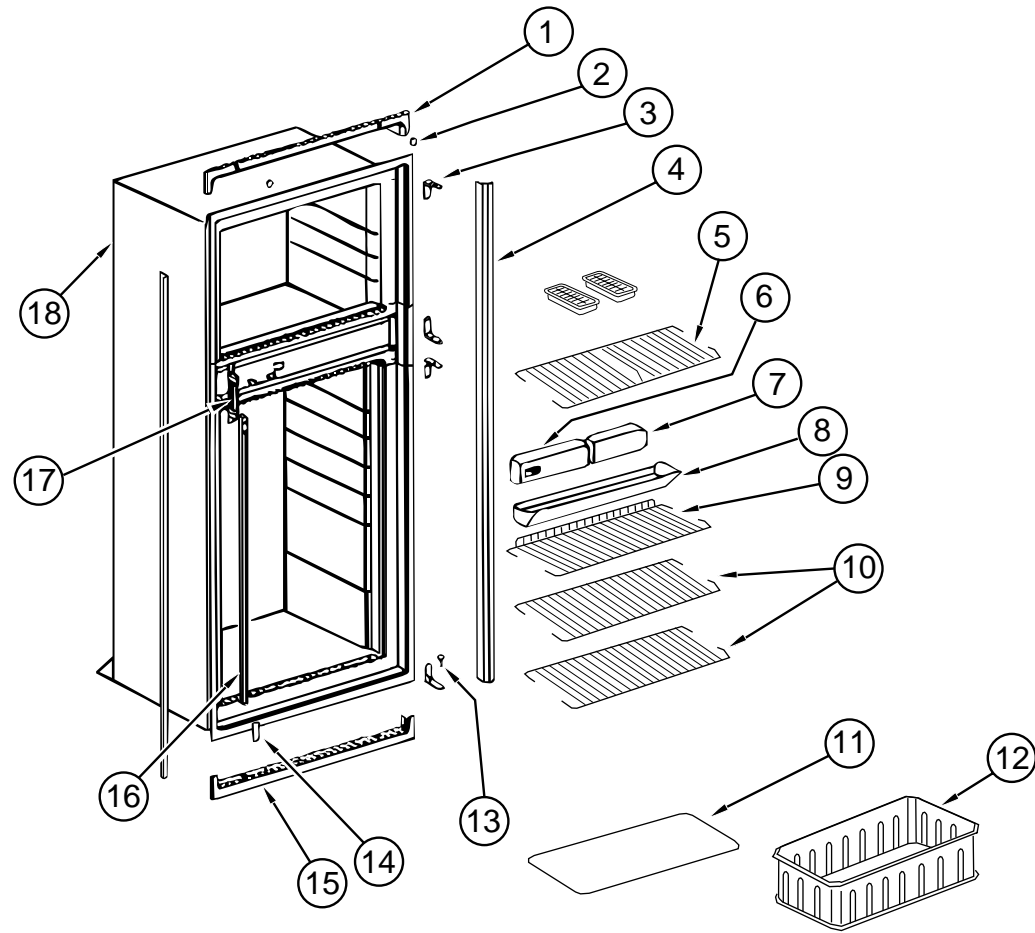
GALLEYGROUP

GALLEYCABINETRY&FIXTURES



KEY	PARTNUMBER	U/M	DESCRIPTION	VENDOR NO.
6	126019-01-01A	EA	COFFEEMAKER-OPTIMA-W/BRACKETS	
	126019-01-700	EA	GLASSCARAFE	172547-00
	126019-01-701	EA	RESERVOIR-WATER	172554
	126019-01-702	EA	BASKET-FILTER	172553-00
	126019-01-703	EA	HARDWARE-MOUNTING	172174-00
7	098335-16-H14	EA	RAIL-GALLEY(H17,H18)	
7	098335-16-H33	EA	RAIL-GALLEY(H19)	
7	098335-16-H40	EA	RAIL-GALLEY(H40,H41)	
8	104114-02-01A	EA	FAUCET-GALLEY-SINGLECONTROL	
	103635-01-000	EA	FAUCET-SINGLECONTROL(WATERPURIFIER)	
	103635-01-700	EA	FITTINGKIT-FAUCETREPAIR	3071-70
	103635-01-701	EA	TUBING-PLASTIC	3019-20
	103635-01-702	EA	FAUCETREPAIRKIT	3026-46
9	110654-01-000	EA	SINK-STAINLESSSTEEL/DOUBLEBASIN(1LG1SMBASIN)	
	092303-01-000	EA	STRAINER-SINK	
10	118450-24-F12	EA	COUNTERTOP-GALLEY(H17,H18)	
			FROM: 00-00-00 THRU: 10-04-96	
10	118450-24-F31	EA	COUNTERTOP-GALLEY(H19)	
			FROM: 00-00-00 THRU: 10-04-96	
10	118450-24-H40	EA	COUNTERTOP-GALLEY(H40,H41)	
			FROM: 00-00-00 THRU: 10-04-96	
10	125223-24-H17	EA	COUNTERTOP-GALLEY(H17,H18)	
			FROM: 00-00-00 THRU: 10-04-96	
10	125223-24-H19	EA	COUNTERTOP-GALLEY(H19)	
			FROM: 10-05-96 THRU: 99-99-99	
10	125223-24-H40	EA	COUNTERTOP-GALLEY(H40,H41)	
			FROM: 10-05-96 THRU: 99-99-99	
11	M05971-42-H17	EA	DRAWER-OGEEEDGE-10.8"WX9"D-W/OSLIDES/HARDWARE(OAK)	
11	P10163-DG-H40	EA	DRAWER-SQUAREEDGE-10.8"WX9"D-W/OSLIDES/HARDWARE(WHITE)	
12	M05971-R5-G15	EA	DRAWER-OGEEEDGE-10.8"WX17.7"D-W/OSLIDES/HARDWARE(OAK)	
12	P10163-DH-H40	EA	DRAWER-SQUAREEDGE-10.8"WX17.7"D-W/OSLIDES/HARDWARE(WHITE)	
13	118450-03-H17	EA	CABINET-GALLEY-W/ODOORS/DRAWERS/HARDWARE(H17,H18)	
			FROM: 00-00-00 THRU: 10-04-96	
13	118450-03-H19	EA	CABINET-GALLEY-W/ODOORS/DRAWERS/HARDWARE(H19)	
			FROM: 00-00-00 THRU: 10-04-96	
13	118450-03-H40	EA	CABINET-GALLEY-W/ODOORS/DRAWERS/HARDWARE(H40,H41)	
			FROM: 00-00-00 THRU: 10-04-96	
13	125223-01-H17	EA	CABINET-GALLEY-W/ODOORS/DRAWERS/HARDWARE(H17,H18)	
			FROM: 10-05-96 THRU: 99-99-99	
13	125223-01-H19	EA	CABINET-GALLEY-W/ODOORS/DRAWERS/HARDWARE(H19)	
			FROM: 10-05-96 THRU: 99-99-99	
13	125223-01-H40	EA	CABINET-GALLEY-W/ODOORS/DRAWERS/HARDWARE(H40,H41)	
			FROM: 10-05-96 THRU: 99-99-99	
	118200-01-01A	SF	MESH-PLASTIC-1/2INCH	
	108464-03-F40	EA	COVER-SINK-15"X11"-LAMINATEDONBOTHSIDES(H17,H18)	
	108464-03-E38	EA	COVER-SINK-15"X11"-LAMINATEDONBOTHSIDES(H19)	
	108464-03-H40	EA	COVER-SINK-15"X11"-LAMINATEDONBOTHSIDES(H40,H41)	
	108464-04-F40	EA	COVER-SINK-15"X15"-LAMINATEDONBOTHSIDES(H17,H18)	
	108464-04-E38	EA	COVER-SINK-15"X15"-LAMINATEDONBOTHSIDES(H19)	
	108464-04-E31	EA	COVER-SINK-15"X15"-LAMINATEDONBOTHSIDES(H40,H41)	
	090329-01-000	FT	SEAL/T-REFRIGERATORCABINET	
	054450-01-000	EA	LEVEL-REFRIGERATOR	
14	M06803-M4-H17	EA	DOOR-MITEREDCORNER/OGEEEDGE-12"X22.7"-W/OHDW(OAK)	
14	122715-55-01A	EA	DOOR-MOLDEDVINYL-12"X22.7"-W/OHDW(WHITE)	
15	M06803-M5-H17	EA	DOOR-MITEREDCORNER/OGEEEDGE-12"X22.7"-W/OHDW(OAK)	
15	122715-55-01A	EA	DOOR-MOLDEDVINYL-12"X22.7"-W/OHDW(WHITE)	
16	M05971-R6-H17	EA	DRAWER-OGEEEDGE-19.2"WX17.7"D-W/OSLIDES/HARDWARE(OAK)	
16	P10163-DJ-H40	EA	DRAWER-SQUAREEDGE-19.2"WX17.7"D-W/OSLIDES/HARDWARE(WHITE)	
1	121328-04-H40	EA	CABINET-OVERHEAD/MICROWAVE-W/ODOOR/HARDWARE(WHITE) FROM: 00-00-00 THRU: 11-03-96	
1	121328-09-H40	EA	CABINET-OVERHEAD/MICROWAVE-W/ODOOR/HARDWARE(WHITE) FROM: 11-04-96 THRU: 99-99-99	
1	121328-04-H17	EA	CABINET-OVERHEAD/MICROWAVE-W/ODOOR/HARDWARE(OAK) FROM: 00-00-00 THRU: 11-03-96	
1	121328-09-H17	EA	CABINET-OVERHEAD/MICROWAVE-W/ODOOR/HARDWARE(OAK) FROM: 11-04-96 THRU: 99-99-99	
2	M05992-J9-H17	EA	DOOR-STRAIGHTCORNER/OGEEEDGE-5.1"X22.4"-W/OHARDWARE(OAK)	
2	122715-43-01A	EA	DOOR-MOLDEDVINYL-5.1"X22.4"-W/OHARDWARE(WHITE)	
3	M06803-B3-H17	EA	DOOR-MITEREDCORNER/OGEEEDGE-14.3"X14.3"-W/OHDW(OAK)	
3	122715-57-01A	EA	DOOR-MOLDEDVINYL-14.3"X14.3"-W/OHARDWARE(WHITE)	
4	M06803-B2-H17	EA	DOOR-MITEREDCORNER/OGEEEDGE-14.3"X27"-W/OHDW(OAK)	
4	122715-56-01A	EA	DOOR-MOLDEDVINYL-14.3"X27"-W/OHARDWARE(WHITE)	
5	124498-01-H40	EA	CABINET-GALLEYOVERHEAD-W/ODOORS/HARDWARE(WHITE) FROM: 00-00-00 THRU: 10-14-96	
5	124498-02-H40	EA	CABINET-GALLEYOVERHEAD-W/ODOORS/HARDWARE(WHITE) FROM: 10-15-96 THRU: 99-99-99	
	124498-11-H40	EA	SHELF-W/PLASTICEDGEMOLDING(WHITE)	
5	124498-01-H17	EA	CABINET-GALLEYOVERHEAD-W/ODOORS/HARDWARE(OAK) FROM: 00-00-00 THRU: 10-14-96	
5	124498-02-H17	EA	CABINET-GALLEYOVERHEAD-W/ODOORS/HARDWARE(OAK) FROM: 10-15-96 THRU: 99-99-99	
	124498-11-H17	EA	SHELF-W/PLASTICEDGEMOLDING(OAK)	

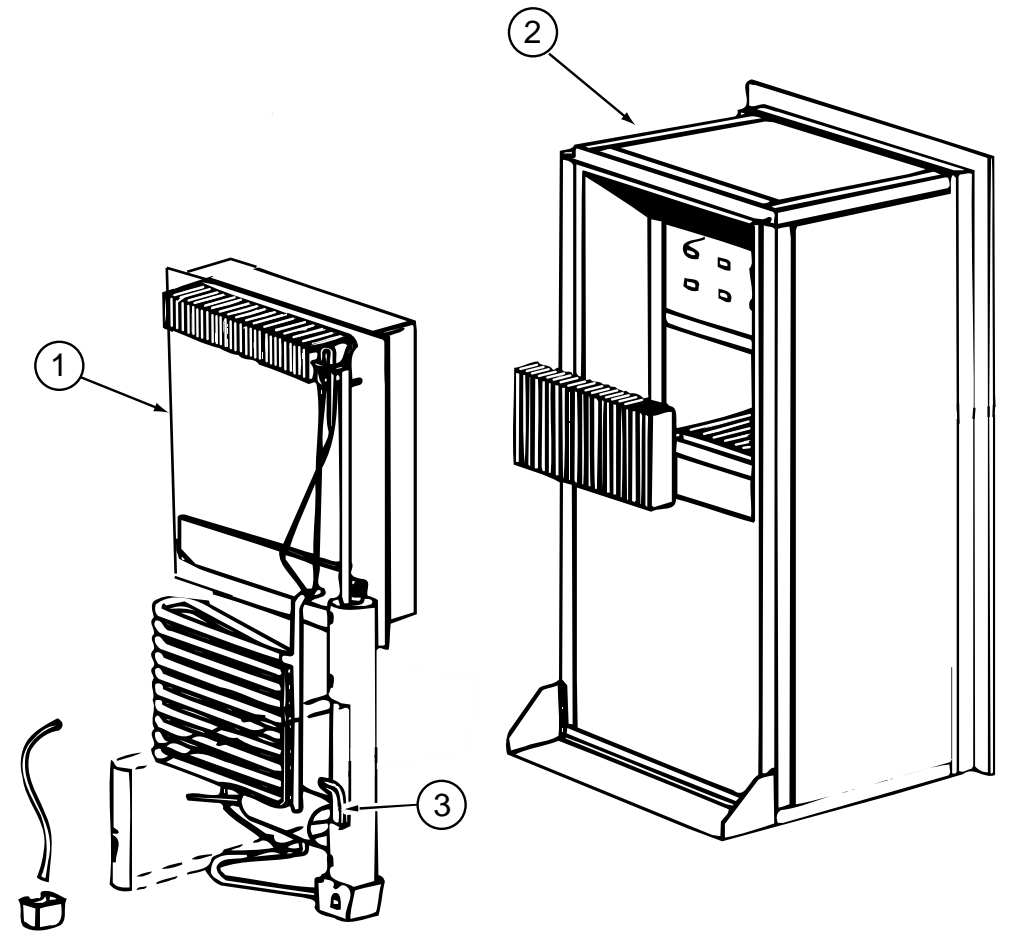
GALLEYGROUP(CONTINUED)



NORCOLDMODEL9182RHREFRIGERATORCABINETASMWITHTRAY,TIEDOWNS&LEVEL

KEY	PARTNUMBER	U/M	DESCRIPTION	VENDORNO.
	121569-01-01A	EA	REFRIGERATOR-LARGEDOUBLEDOOR-RIGHTHAND-2-WAY	
1	120075-01-713	EA	TRIM-TOPPIECE	618124
2	120075-01-714	EA	PLUG-HOLE	618170
3	120075-01-715	EA	HINGE-CABINETSIDE-PAINTED	618512
	120075-01-708	EA	BUSHING-DOORHINGE	618144
4	120075-01-716	EA	TRIM-SIDEPiece	618134
5	121568-01-705	EA	SHELF-WIRE-FREEZER	618620
6	121568-01-706	EA	CONTROLBOXASSEMBLY	618588
7	120075-01-718	EA	BOX-FILLER	618112
8	120075-01-720	EA	TRAY-DRIP	618137
	120075-01-721	EA	LOUVER-DRIPTRAY	618176
9	N/A	EA	SHELF-WIRE, SHORT	618624
10	121568-01-708	EA	SHELF-WIRE	618589
11	120075-01-725	EA	COVER-CRISPER	618158
12	121568-01-709	EA	CRISPER	618571
13	120075-01-727	EA	PIN-HINGE	618145
14	120075-01-728	EA	COVER-HINGEHOLE	618171
15	120075-01-729	EA	TRIM-BOTTOMPIECE	618136
16	120075-01-730	EA	RETAINER-SHELF	618181
17	120075-01-732	EA	PLATE-STRIKE	618167
18	120075-01-703	EA	CABINET-FOAMED	618265
	120075-01-731	EA	PLUG-FACADE	618184
	054450-01-000	EA	LEVEL-REFRIGERATOR	
	090195-08-000	EA	BAFFLE-REFRIGERATOR-LOWER	
	093369-03-000	EA	STRAP-REFRIGERATOR	
	093646-01-000	EA	BRACKET-TIEDOWN/REFRIGERATOR-RIGHTHAND	
	093646-02-000	EA	BRACKET-TIEDOWN/REFRIGERATOR-LEFTHAND	
	065225-02-000	EA	PLATE-TIEDOWN-REFRIGERATOR	
	116751-03-01A	EA	TRAY-REFRIGERATOR-BLACK	

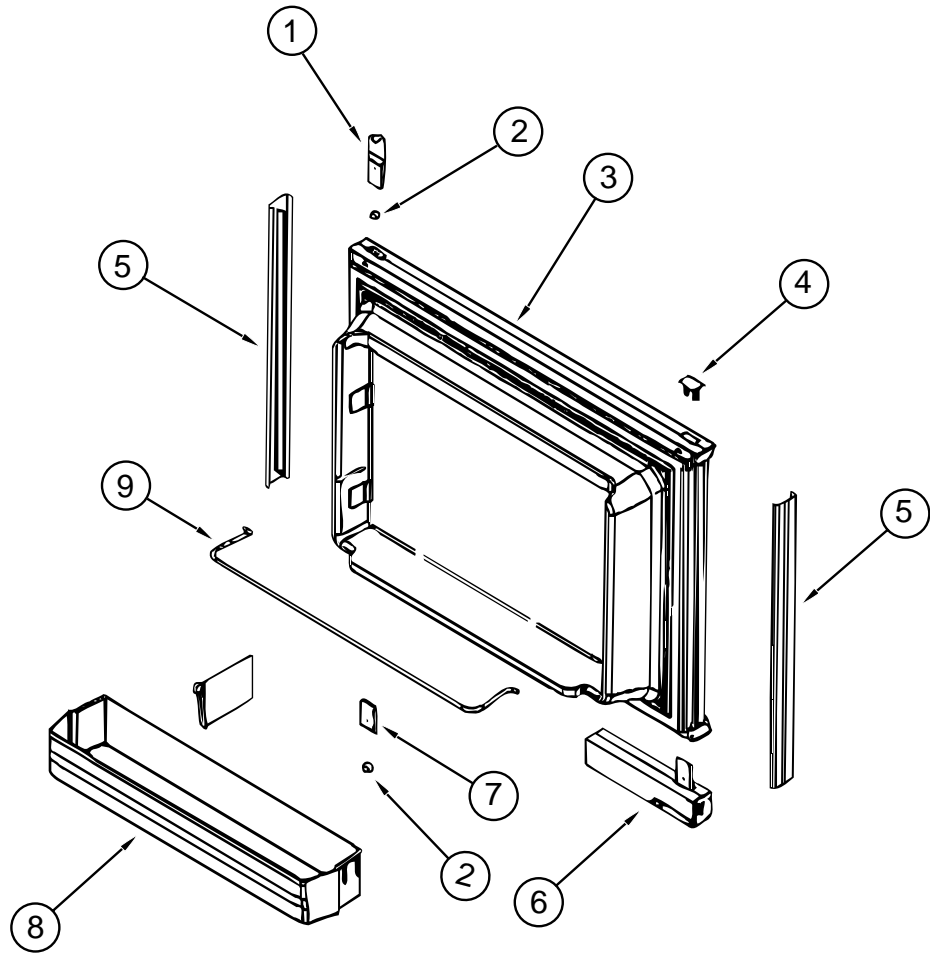
GALLEYGROUP(CONTINUED)



NORCOLDMODEL9182RHREFRIGERATORCOOLINGUNIT,CABINET,&HEATER

KEY	PARTNUMBER	U/M	DESCRIPTION	VENDORNO.
	121569-01-01A	EA	REFRIGERATOR-LARGEDOUBLEDOOR-RIGHTHAND-2-WAY	
1	120075-01-736	EA	COOLINGUNIT-SERVICEPACK	618542
2	120075-01-733	EA	CABINET-FOAMED	618265
3	088248-01-709	EA	HEATER-AC(HORIZONTAL)	61562722

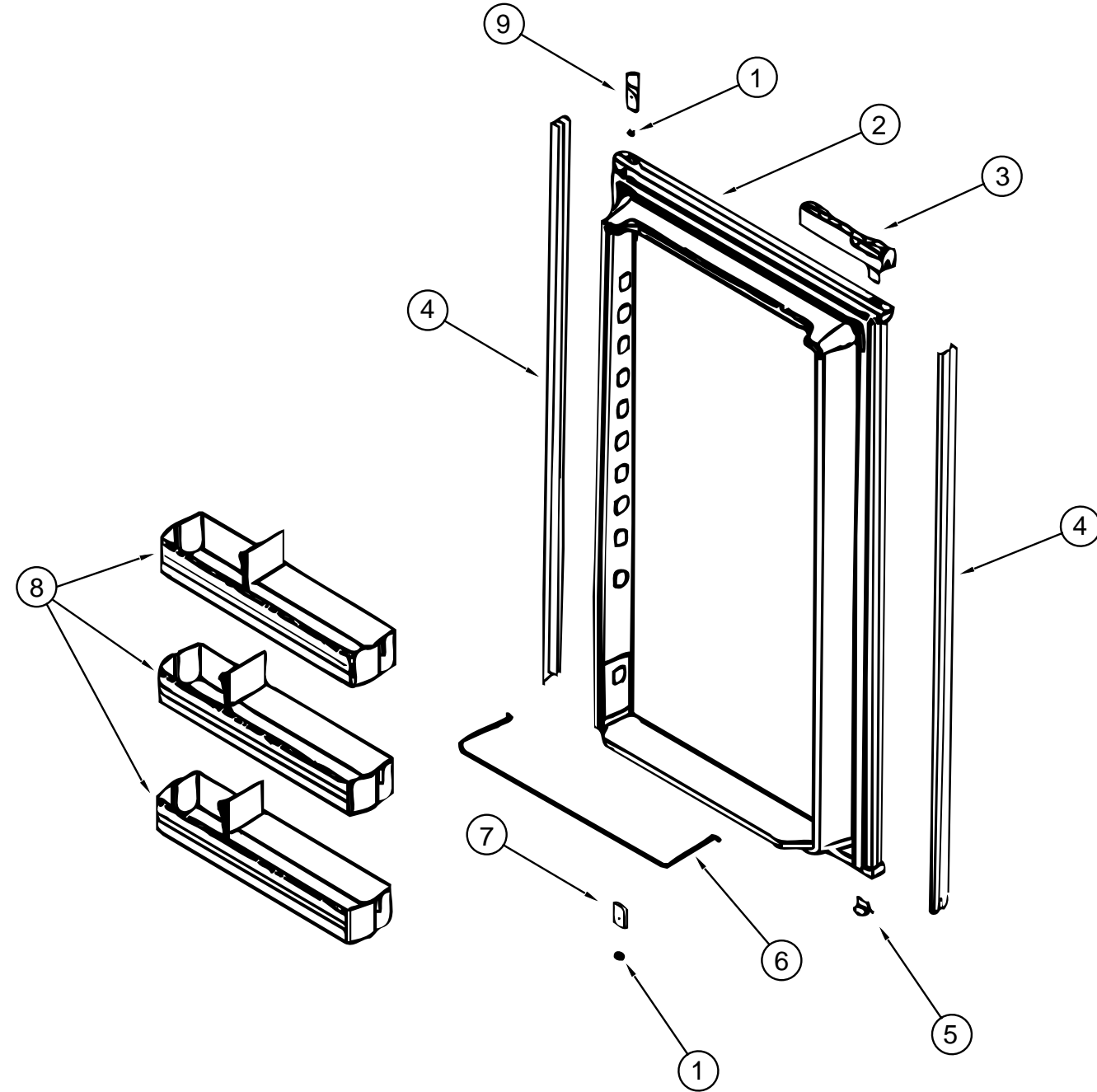
GALLEYGROUP(CONTINUED)



NORCOLDMODEL9182RHREFRIGERATORUPPERDOOR

KEY	PARTNUMBER	U/M	DESCRIPTION	VENDORNO.
	121569-01-01A	EA	REFRIGERATOR-LARGEDOUBLEDOOR-RIGHTHAND-2-WAY	
1	120075-01-701	EA	HINGE-TOPRH/BOTTOMLH-PAINTED	618511
2	120075-01-708	EA	BUSHING-DOORHINGE	618144
3	120075-01-703	EA	DOORASSEMBLY-FOAMED-W/GASKET	618205
4	120075-01-702	EA	CAP-HINGEPLUG	618160
5	120075-01-700	EA	RETAINER-DOOR-DECORPANEL	618128
6	121568-01-702	EA	DOORHANDLE-UPRRH/LWRLH	618230
7	120075-01-705	EA	HINGE-PAINTED-TOPRH/BOTTOMRH	618510
8	121568-01-701	EA	BIN-DOOR-WHITE	618619
9	121568-01-700	EA	RAIL-DOOR-UPPER	618618

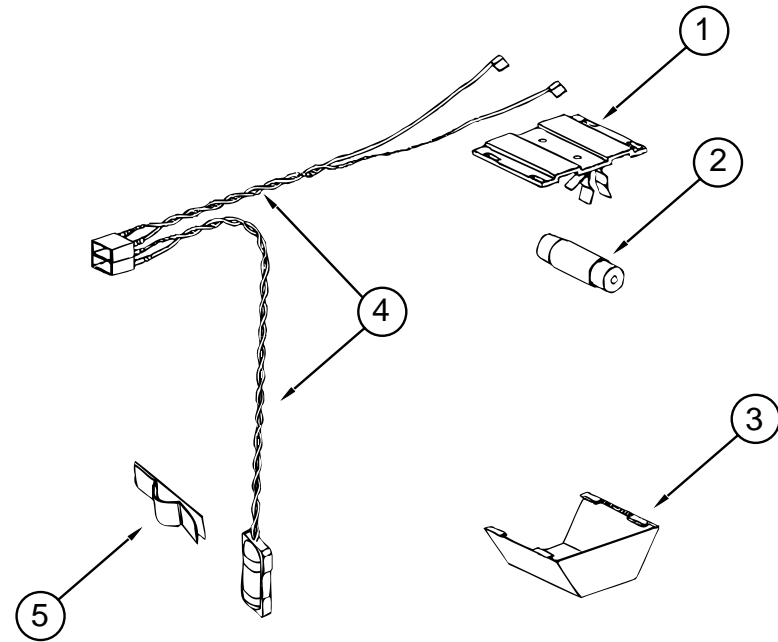
GALLEYGROUP(CONTINUED)



NORCOLDMODEL9182RHREFRIGERATORLOWERDOOR

KEY	PARTNUMBER	U/M	DESCRIPTION	VENDORNO.
	121569-01-01A	EA	REFRIGERATOR-LARGEDOUBLEDOOR-RIGHTHAND-2-WAY	
1	120075-01-708	EA	BUSHING-DOORHINGE	618144
2	120075-01-710	EA	DOOR-LOWER-FOAMED-W/GASKET	618270
3	120075-01-711	EA	DOORHANDLE-UPRLH/LWRRH	618235
4	121568-01-703	EA	RETAINER-PANELLOWERDOOR	618129
5	120075-01-702	EA	CAP-HINGEPLUG	618160
6	121568-01-704	EA	RAIL-DOOR-LOWER	618578
7	120075-01-705	EA	HINGE-PAINTED-TOPRH/BOTTOMRH	618510
8	121568-01-701	EA	BIN-DOOR-WHITE	618619
9	120075-01-701	EA	HINGE-TOPRH/BOTTOMLH-PAINTED	618511

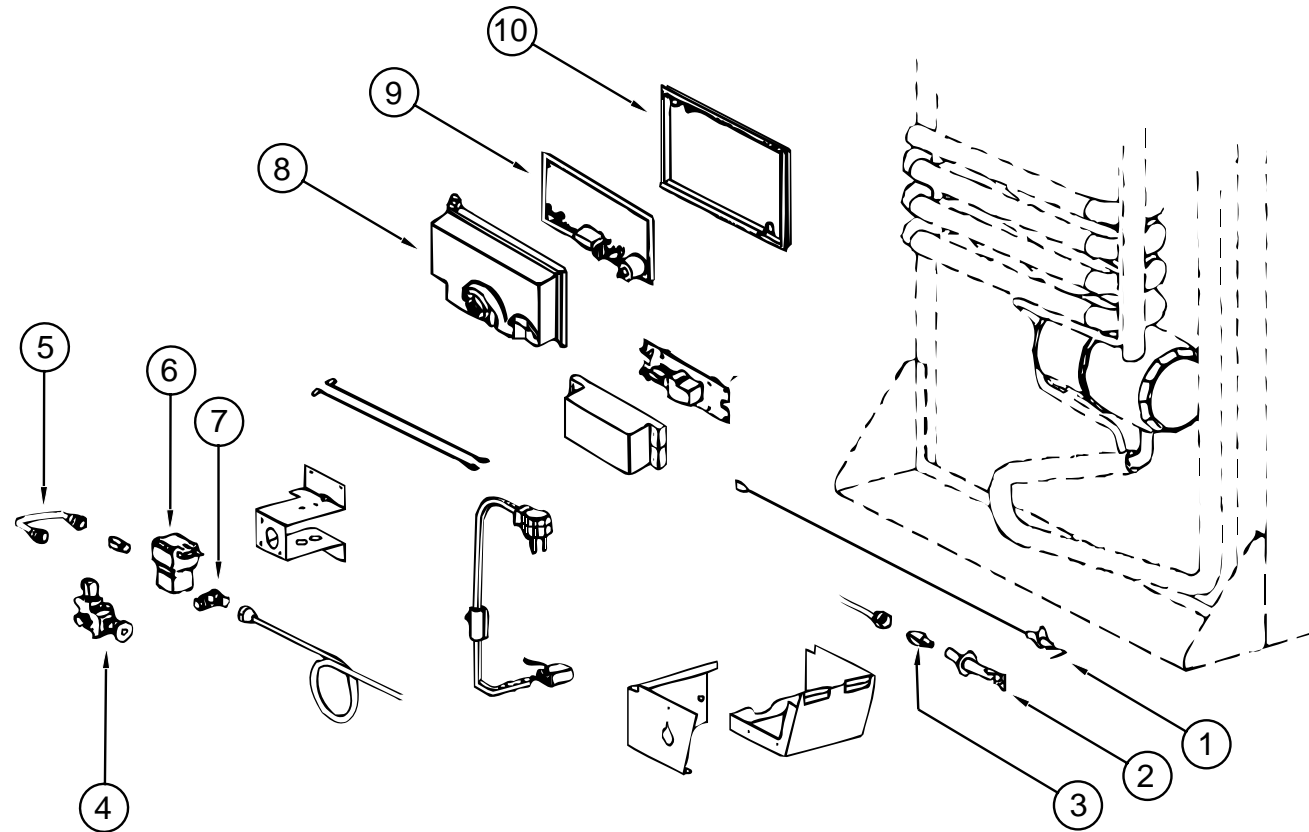
GALLEYGROUP(CONTINUED)



NORCOLDMODEL9182RHREFRIGERATORLAMPASM

KEY	PARTNUMBER	U/M	DESCRIPTION	VENDORNO.
	121569-01-01A	EA	REFRIGERATOR-LARGEDOUBLEDOOR-RIGHTHAND-2-WAY	
1	084880-03-705	EA	BRACKET-LIGHT-INTERIOR	61629722
2	084880-03-706	EA	BULB-LAMP	61628922
3	084880-03-707	EA	COVER-LAMP-LENS	61627922
4	120075-01-735	EA	WIREASSEMBLY-LAMP	618548
5	084880-01-760	EA	CLIP-THERMISTER	61689122

GALLEYGROUP(CONTINUED)

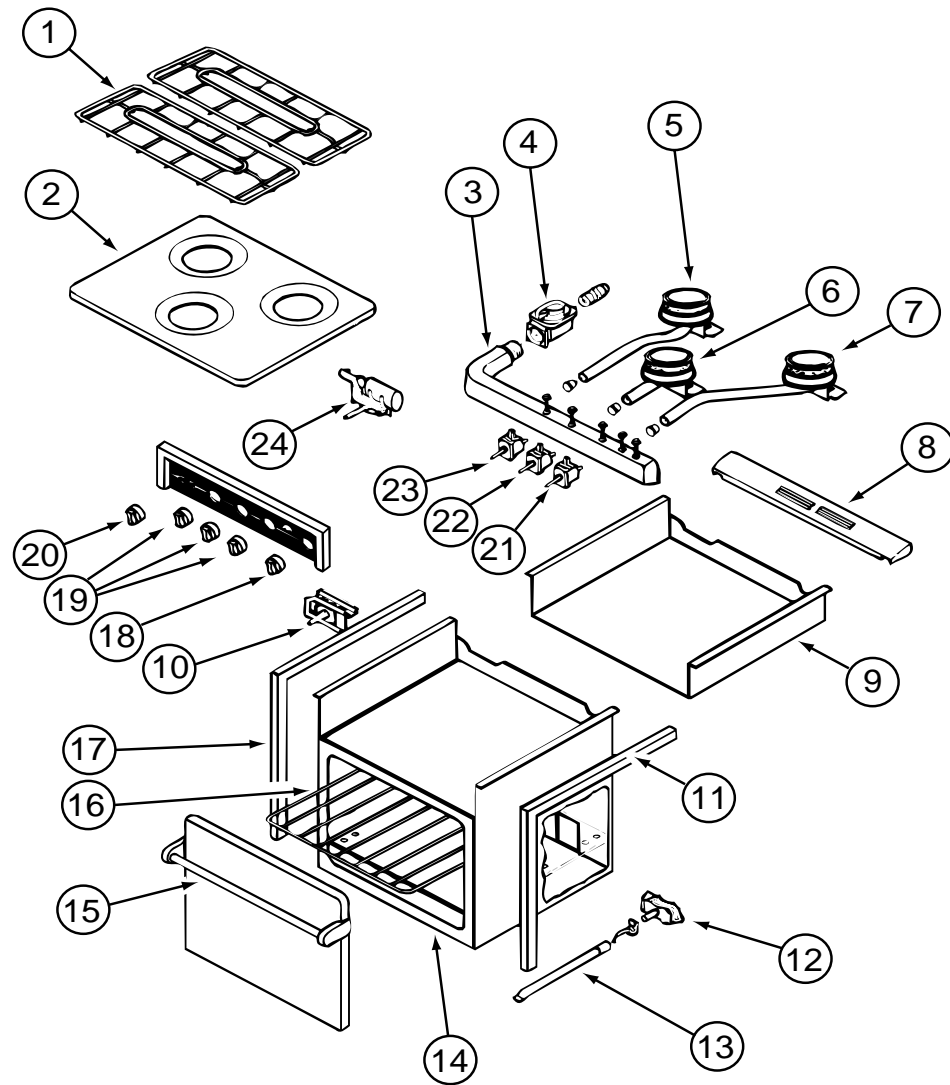


NORCOLDMODEL9182RHREFRIGERATORBURNER&POWERBOARDS

KEY	PARTNUMBER	U/M	DESCRIPTION	VENDORNO.
	121569-01-01A	EA	REFRIGERATOR-LARGEDOUBLEDOOR-RIGHTHAND-2-WAY	
1	104137-06-715	EA	ELECTRODE-SPARK/SENSOR-SGL	61692222
2	104137-06-714	EA	BURNERASSEMBLY-5SLOT	61705222
3	120075-01-737	EA	ORIFICE-JEWEL-.0155	618284
4	104137-06-709	EA	VALVE-SHUTOFF-MANUAL	61694922
5	113737-01-750	EA	TUBE-UNION	61694622
6	084880-01-718	EA	VALVE-GAS-ASCO	61551822
7	113737-01-716	EA	TAP-PRESSURE	61594422
	113737-01-702	EA	PLUG-1/8" F/PRESSURE TAP	61445322
8	120075-01-738	EA	COVER-POWERBOARD	618185
9	120075-01-741	EA	BOARD-POWER-2-WAY	618574
10	120075-01-740	EA	COVER-BASE-POWERBOARD	618186

GALLEYGROUP(CONTINUED)

ATWOODRANGEW/OVEN,R-2137BGP(FROM:00-00-00THRU:11-26-96)



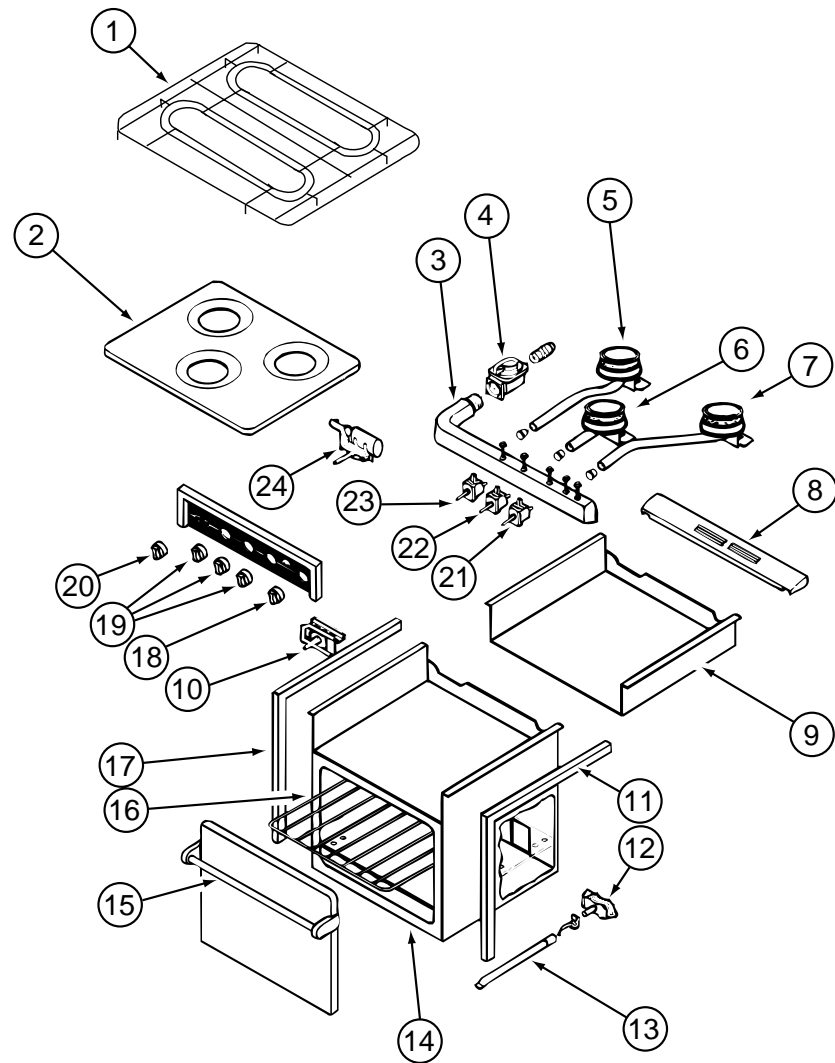
KEY	PARTNUMBER	U/M	DESCRIPTION	VENDORNO.
	121758-01-01A	EA	RANGE-W/OVEN-3BURNER-21"-BLACK	
1	121758-02-700	EA	GRATE-SINGLE	56261
	107323-01-711	EA	CUSHION-GRATE-RUBBER	53008
	121758-02-701	EA	CLIP-GRATE	56117
2	121758-01-714	EA	RANGE-TOP-ALMOND	53082
3	121758-01-709	EA	MANIFOLD3BURNER	51272
	121758-01-713	EA	COVER-MANIFOLD	56107
4	106689-01-704	EA	REGULATOR-EXTREMEPRESSURE	51062
5	121758-01-707	EA	BURNERLEFTREARPIEZO	56066
6	121758-01-708	EA	BURNERCENTER(HIGHOUTPUT)	56068
7	121758-01-706	EA	BURNERRIGHTREARPIEZO	56067
8	107323-01-705	EA	TRIM-VENT	53525
9	121758-01-711	EA	BURNERBOX	51684
10	107246-01-703	EA	THERMOSTAT-ROBERTSHAW	52122
11	107323-01-703	EA	TRIM-RIGHT	53024
12	107246-01-706	EA	PILOTASM.-ONLY(OVEN)	51065
13	107246-01-721	EA	BURNER-OVEN	52017
14	107323-01-706	EA	TRIM-BOTTOM	53526
15	107323-01-714	EA	HANDLEASM.DESIGNERSTYLE	51112
	107323-01-713	EA	GLASS-BLACK-INSERTOVENDOOR	53426
16	107246-01-704	EA	RACK-OVEN	51069
	107246-01-708	EA	SHELF-OVEN-LOWER	51657
17	107323-01-702	EA	TRIM-LEFT	53023
18	121758-01-703	EA	KNOBTHERMOSTAT	56094
19	121758-01-712	EA	KNOB-BURNER	56093
20	121758-01-700	EA	KNOB-TURNTYPE/PIEZOIGNITOR	56095
21	121758-01-710	EA	VALVE-BURNER	56086
22	121758-01-705	EA	VALVEHIGHOUTPUT	56087
23	121758-01-710	EA	VALVE-BURNER	56086
24	121758-01-701	EA	IGNITORPIEZO(ROTARY)	56096
	121758-01-702	EA	ELECTRODEWIRE/PIEZOIGNITOR	56097
	107246-01-707	EA	VALVE-SAFETY-MERCURY(RS)	51063
	121758-01-718	EA	SEAL-OVEN3PIECE	51061
	105458-03-000	EA	BRACKET-STOVETIEDOWN-RIGHTHAND	
	105458-04-000	EA	BRACKET-STOVETIEDOWN-LEFTHAND	

RANGECOVER

KEY	PARTNUMBER	U/M	DESCRIPTION	VENDORNO.
	107314-01-01A	EA	COVER-RANGE-SLOTTED/BIFOLD-21"	
	106693-01-702	EA	BUMPER-RUBBER-1/2" F/G'S	53018

GALLEYGROUP(CONTINUED)

ATWOODRANGEW/OVEN,R-2138BGP(FROM: 11-27-96 THRU: 99-99-99)



KEY	PARTNUMBER	U/M DESCRIPTION	VENDORNO.
	121758-02-01A	EA RANGE-W/OVEN-3BURNER-21"-BLACK	
1	121758-02-700	EA GRATE-SINGLE	56261
	121758-02-701	EA CLIP-GRATE	56117
2	107246-01-700	EA TOP-MAIN-BLACK-3-BURNER	53083
3	121758-01-709	EA MANIFOLD3BURNER	51272
	121758-01-713	EA COVER-MANIFOLD	56107
4	106689-01-704	EA REGULATOR-EXTREMEPRESSURE	51062
5	121758-01-707	EA BURNERLEFTREARPIEZO	56066
6	121758-01-708	EA BURNERCENTER(HIGHOUTPUT)	56068
7	121758-01-706	EA BURNERRIGHTREARPIEZO	56067
8	107323-01-705	EA TRIM-VENT	53525
9	121758-01-711	EA BURNERBOX	51684
10	121758-02-702	EA THERMOSTAT-(OVEN)	56119
11	107323-01-703	EA TRIM-RIGHT	53024
12	121758-02-705	EA PILOTASM.-ONLY(OVEN)	56121
13	121758-02-706	EA BURNER-OVEN	56123
14	107323-01-706	EA TRIM-LOWER-BLACK	53526
15	107323-01-714	EA HANDLEASM.DESIGNERSTYLE	51112
	107323-01-713	EA GLASS-BLACK-INSERTOVOENDOOR	53426
16	107246-01-704	EA RACK-OVEN	51069
17	107323-01-702	EA TRIM-LEFT	53023
18	121758-02-703	EA KNOB-OVEN-THERMOSTAT	56124
19	121758-01-712	EA KNOB-BURNER(3)	56093
20	121758-01-700	EA KNOB(TURNSTYLE)PIEZOIGNITOR	56095
21	121758-01-710	EA VALVE-BURNER	56086
22	121758-01-705	EA VALVEHIGHOUTPUT	56087
23	121758-01-710	EA VALVE-BURNER	56086
24	121758-01-701	EA IGNITORPIEZO(ROTARY)	56096
	121758-02-704	EA VALVE-SAFETY	56120
	105458-03-000	EA BRACKET-STOVETIEDOWN-RIGHTHAND	
	105458-04-000	EA BRACKET-STOVETIEDOWN-LEFTHAND	

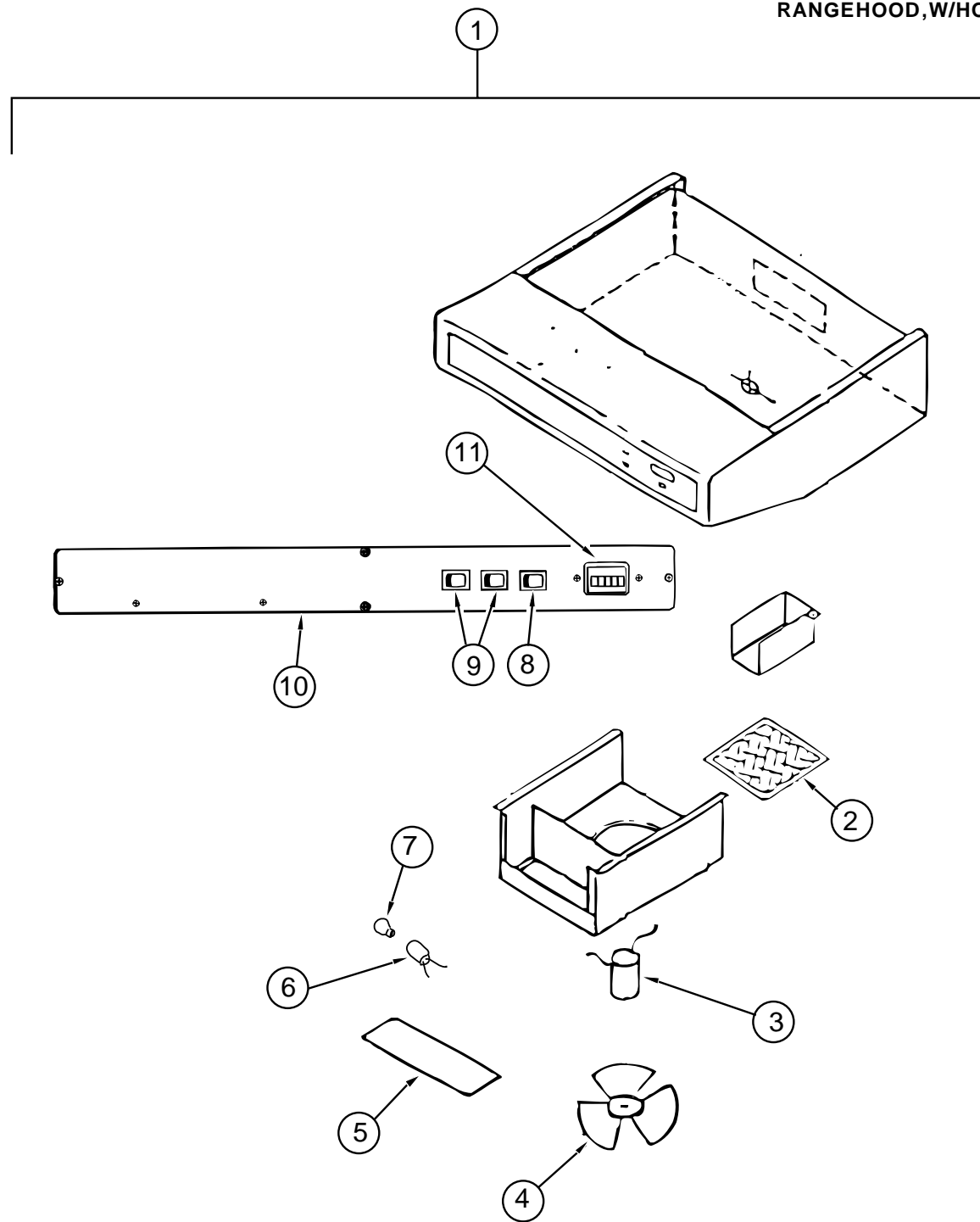
RANGECOVER

KEY	PARTNUMBER	U/M DESCRIPTION	VENDORNO.
	107314-01-01A	EA COVER-RANGE-SLOTTED/BIFOLD-21"	
	106693-01-702	EA BUMPER-RUBBER-1/2" F/G'S	53018

GALLEYGROUP(CONTINUED)

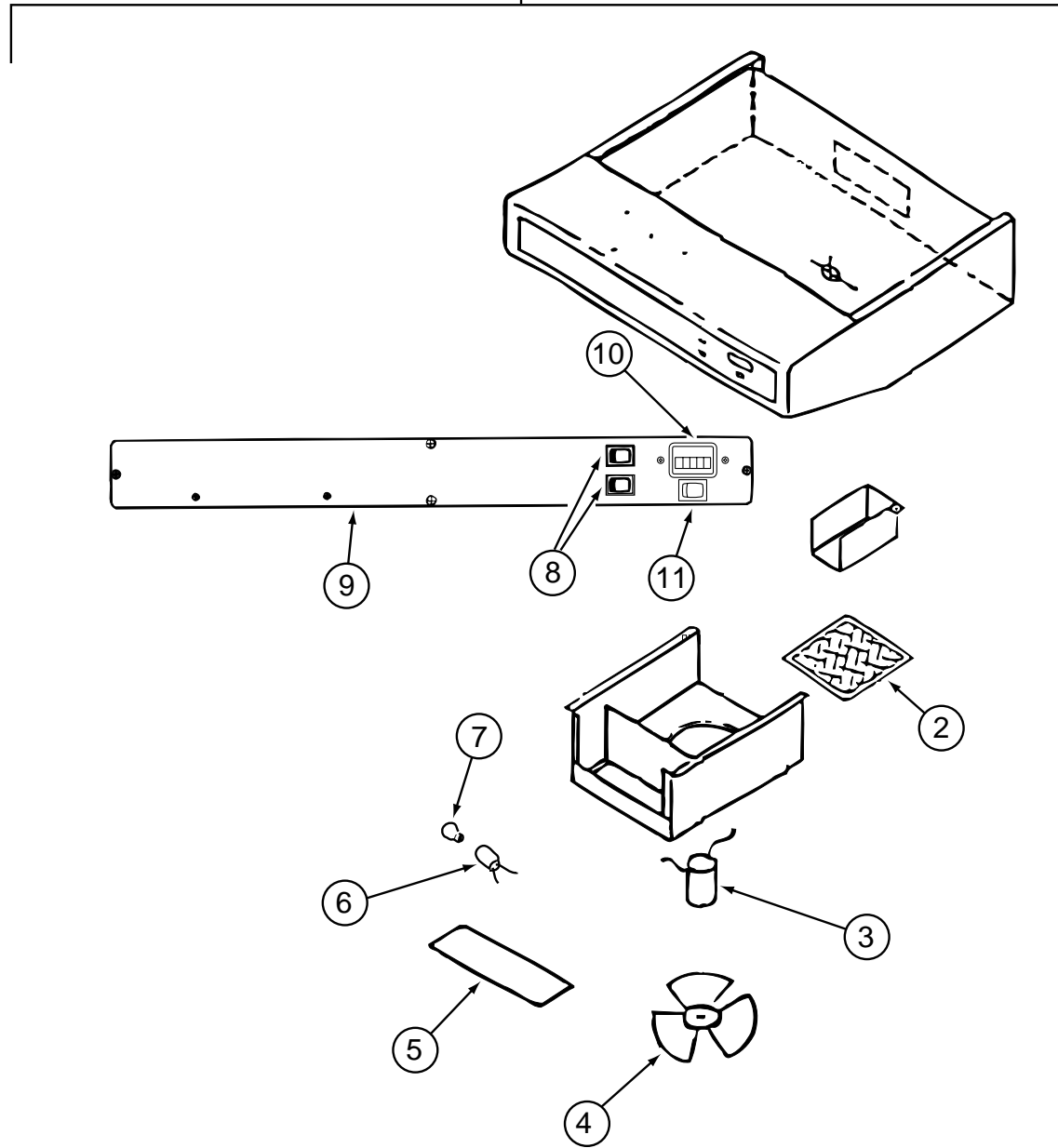
RANGEHOOD, W/HOURMETER, TPS-5009-SBDLG(USA)

KEY	PARTNUMBER	U/M	DESCRIPTION	VENDOR NO.
1	100258-18-03A	EA	HOOD-RANGE22WW/OMONITORPANEL	
2	096983-01-707	EA	FILTER-GREASE-8"X8"-LVS	CC246
3	090973-01-700	EA	MOTOR-LVS	CA508-1
4	090973-01-702	EA	BLADE-FAN-LVS	VA183-1
5	092696-02-701	EA	LENS-LAMP	CC179
6	092696-01-710	EA	SOCKET-LIGHT	CB267-2
7	092696-01-709	EA	BULB-912	VA415
8	096983-01-702	EA	SWITCH-TWOWAYMOMENTARY	112
9	096983-01-700	EA	SWITCH-ON/OFF	108
10	100258-01-700	EA	HOODNOSELABEL	CC428
11	100258-10-01A	EA	GAUGE-HOURMETER W/SWITCH-SCREWON-150	
11	100258-10-701	EA	GAUGE-HOURMETER-CLIPON	72367



GALLEYGROUP(CONTINUED)

1

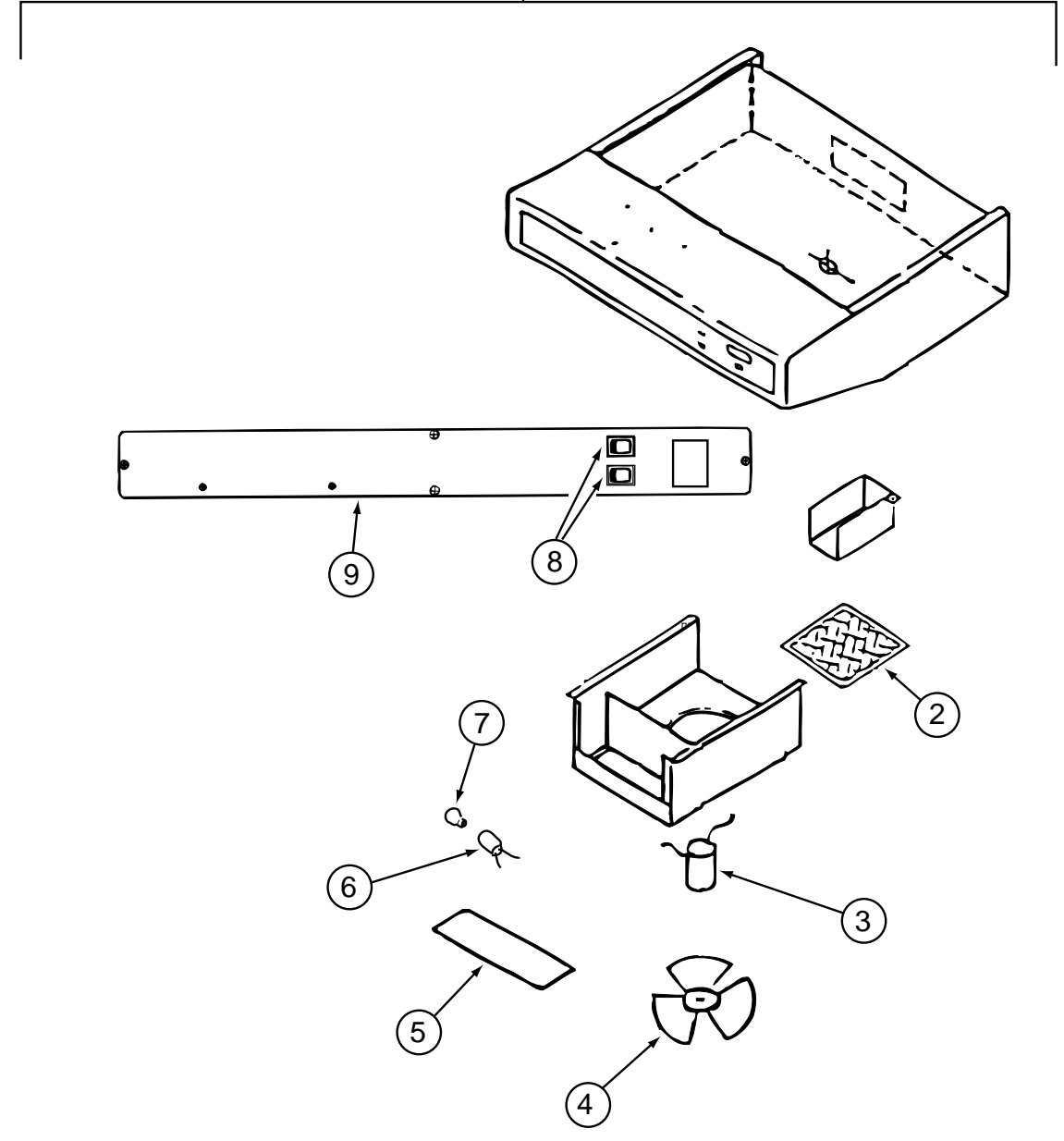


RANGEHOOD, W/O HOURMETER, TCS5008-NBCLG(CANADIAN)

KEY	PARTNUMBER	U/M	DESCRIPTION	VENDOR NO.
1	100258-17-04A	EA	HOOD-RANGE-W/OMONITORPANEL	
2	096983-01-707	EA	FILTER-GREASE-8"X8"-LVS	CC246
3	090973-01-700	EA	MOTOR-LVS	CA508-1
4	090973-01-702	EA	BLADE-FAN-LVS	VA183-1
5	092696-02-701	EA	LENS-LAMP	CC179-2
6	092696-01-710	EA	SOCKET-LIGHT	CB267-2
7	092696-01-709	EA	BULB-912	VA415
8	096983-01-700	EA	SWITCH-ON/OFF	108
9	100258-01-700	EA	HOODNOSELABEL	CC428
10	100258-10-01A	EA	GAUGE-HOURMETER-SCREWON(OPTION)-150	
10	100258-10-701	EA	GAUGE-HOURMETER-CLIPON(OPTION)	72367
11	096983-01-702	EA	SWITCH-TWOWAYMOMENTARY(OPTION)	112

GALLEYGROUP(CONTINUED)

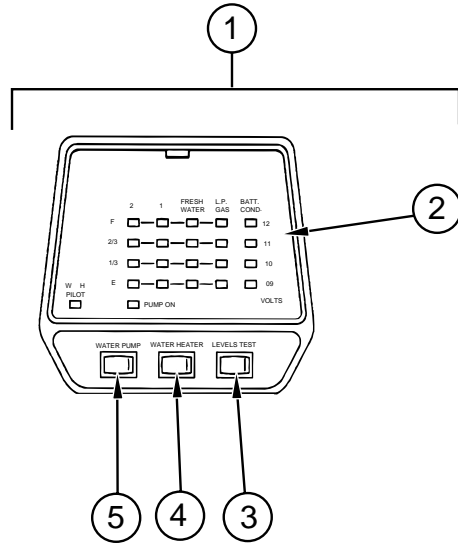
1



RANGEHOOD, W/O HOURMETER, TCS-5008-NBDLG(USA)

KEY	PARTNUMBER	U/M	DESCRIPTION	VENDOR NO.
1	100258-16-04A	EA	HOOD-RANGE-W/OMONITORPANEL	
2	096983-01-707	EA	FILTER-GREASE-8"X8"-LVS	CC246
3	090973-01-700	EA	MOTOR-LVS	CA508-1
4	090973-01-702	EA	BLADE-FAN-LVS	VA183-1
5	092696-02-701	EA	LENS-LAMP	CC179
6	092696-01-710	EA	SOCKET-LIGHT	CB267-2
7	092696-01-709	EA	BULB-912	VA415
8	096983-01-700	EA	SWITCH-ON/OFF	108
9	100258-01-700	EA	HOODNOSELABEL	CC428

GALLEYGROUP(CONTINUED)



MONITOR PANEL(2WATERTANKS&WATERHEATER)

KEY	PARTNUMBER	U/M DESCRIPTION	VENDOR NO.
1	102765-04-01A	EA PANEL-MONITOR-W/PLUG-2TANKS&WATERHEATER-LVS	
2	102765-04-700	EA CIRCUITBOARD-2HOLDINGTANKS	5076-11
3	097617-01-702	EA SWITCH(ALMOND)	107
4	097617-01-701	EA SWITCH-ON/OFF ALMOND	106
5	102765-01-700	EA SWITCH-ON/OFF ALMOND	110-01

MAGICCHEFMICROWAVEOVEN

KEY	PARTNUMBER	U/M DESCRIPTION
	115303-02-000	EA OVEN-MICROWAVE-1.3CUFT
	115401-02-01A	EA TRIM-MICROWAVE
	094756-03-D18	EA BRACKET-ANGLE-W/HOLES
	098916-16-02B	EA BRACE-MICROWAVE-LEFTHAND
	098916-17-02B	EA BRACE-MICROWAVE-RIGHTHAND
	094750-07-000	EA BRACKET-MICROWAVE-89DEGREE

GENERATORGROUP

5.0KWONANGENERATOREMERALDPLUS

KEY	PARTNUMBER	U/M DESCRIPTION
	007125-03-000	EA CLAMP-MUFFLER-1.5"DIAMETER
	007125-04-000	EA CLAMP-MUFFLER-1.12"DIAMETER
	007131-01-000	EA HANGER-TAILPIPE-6SLOTS
	079654-05-000	EA PIPE-EXHAUST-ANGLEDW/FLANGE-2"ID
	082272-01-000	EA MUFFLER-GENERATOR
	094059-01-000	EA SPACER-GENERATOR-ONAN
	100975-03-000	EA GENERATOR-5.KWEMERALDPLUS
	105958-03-000	EA PIPE-GENERATOREXHAUST1.5"ODX4.4"X15.7"

4.0KWONANGENERATOREMERALDPLUS(EXPORT)

KEY	PARTNUMBER	U/M DESCRIPTION
	007125-03-000	EA CLAMP-MUFFLER-1.5"DIAMETER
	007125-04-000	EA CLAMP-MUFFLER-1.12"DIAMETER
	079654-05-000	EA PIPE-EXHAUST-ANGLEDW/FLANGE-2"ID
	082272-01-000	EA MUFFLER-GENERATOR
	094059-01-000	EA SPACER-GENERATOR-ONAN
	100974-04-000	EA GENERATOR-4.0KWEMERALDPLUS
	105958-03-000	EA PIPE-GENERATOREXHAUST1.5"ODX4.4"X15.7"

3.6KWMICROLITEGENERATOR

KEY	PARTNUMBER	U/M DESCRIPTION
	007125-04-000	EA CLAMP-MUFFLER-1.12"DIAMETER
	105958-09-000	EA PIPE-GENERATOREXHAUST1.25"ODX5.9"X22"
	109982-04-000	EA GENERATOR-3.6MICROLITE
	007131-01-000	EA HANGER-TAILPIPE-6SLOTS

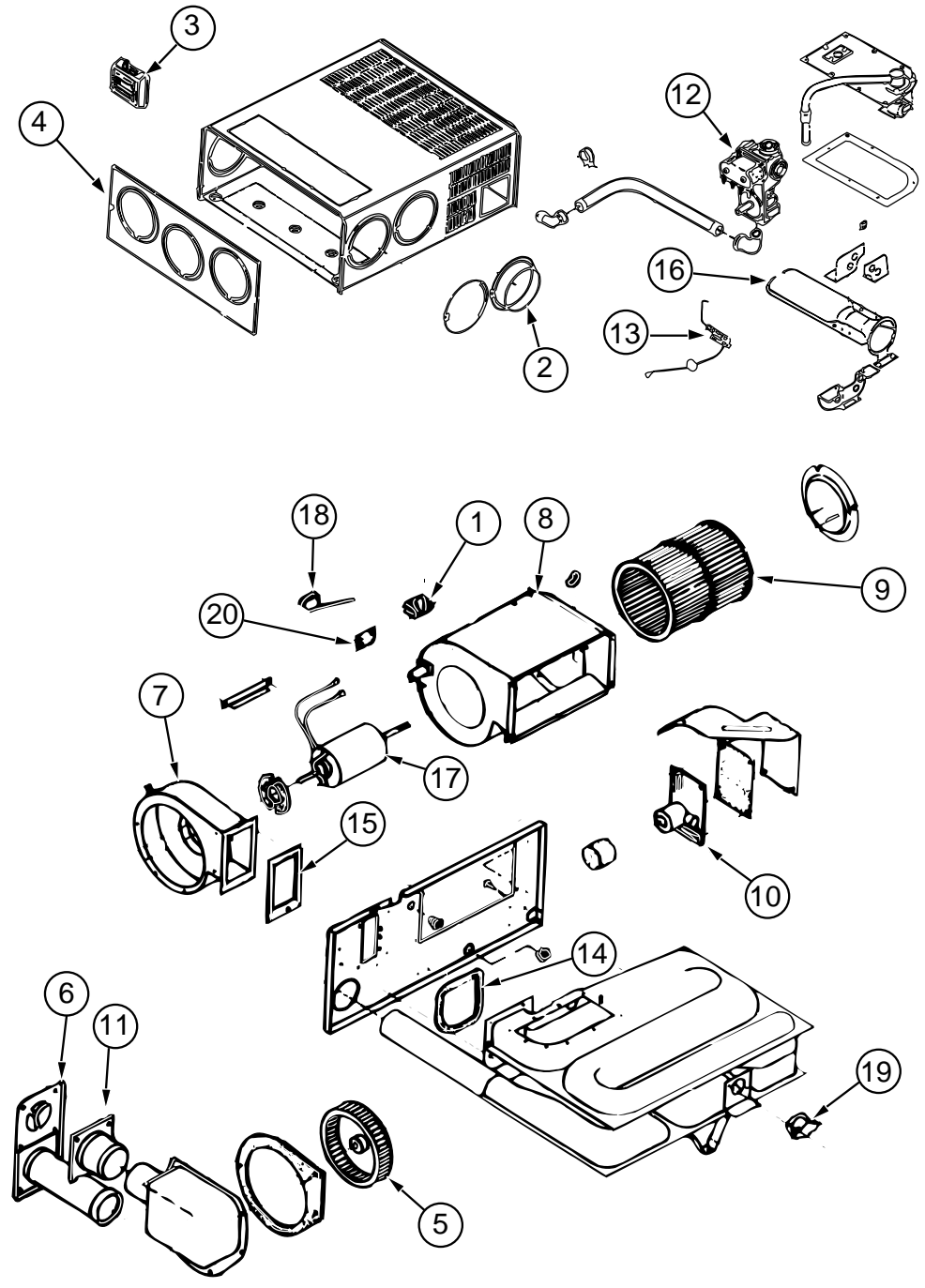
4.0KWMICROLITEGENERATOR

KEY	PARTNUMBER	U/M DESCRIPTION
	007125-04-000	EA CLAMP-MUFFLER-1.12"DIAMETER
	105958-09-000	EA PIPE-GENERATOREXHAUST1.25"ODX5.9"X22"
	109982-03-000	EA GENERATOR-4.0MICROLITE

NOTE:ADDITIONALGENERATORCOMPONENTSAREFOUNDINTHECHASSISGROUP

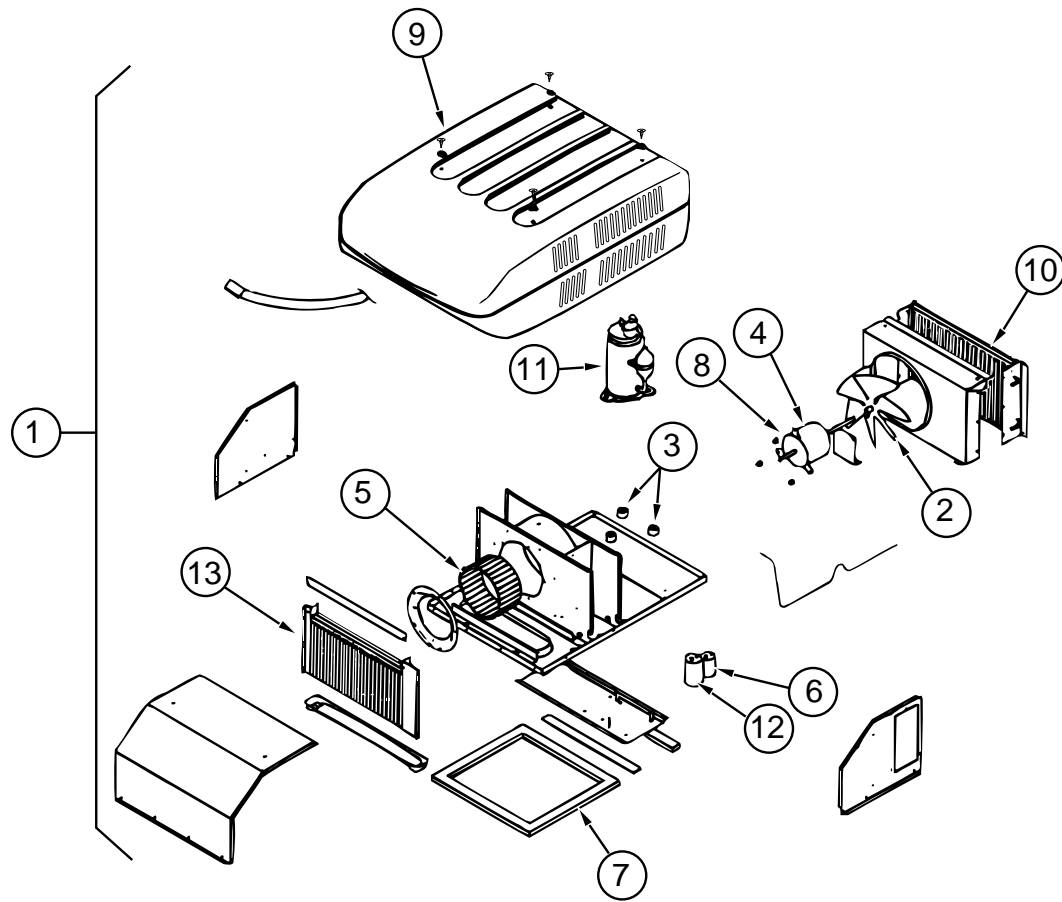
HEATING & AIRCONDITIONING GROUP

FURNACE (SUBURBAN SF-3522)



KEY	PARTNUMBER	U/M	DESCRIPTION	VENDORNO.
	098668-21-000	EA	FURNACE-35000BTU	
1	074466-01-702	EA	RELAY, TIMEDELAY	230625
2	075696-02-703	EA	COLLAR-DUCT	050715
3	115764-01-01A	EA	THERMOSTAT-FURNACE	
4	098668-01-700	EA	CABINETFRONT	101242
5	098668-01-706	EA	WHEEL-COMBUSTIONAIR	350184
6	098668-01-707	EA	TUBEASSEMBLY, EXHAUSTW/CAP	260231
7	098668-01-708	EA	HOUSING-BLOWER, COMBUSTION	390441
8	098668-01-710	EA	HOUSING-BLOWER, ROOMAIR	390440
9	098668-01-711	EA	WHEEL-BLOWER, ROOMAIR	350129
10	098668-01-712	EA	BOARD-MODULE	520741
11	098668-01-713	EA	TUBEASSEMBLY, INTAKE	051248
12	098668-01-714	EA	VALVE-GAS, SFS.N.921401821	161070
13	098668-01-715	EA	ELECTRODEASM., SINGLEPROBE	232166
14	098668-01-716	EA	GASKET-FIREWALL, CHAMBERSIDE	070808
15	098668-01-717	EA	GASKET-FIREWALL, BLOWERSIDE	070809
16	069634-01-720	EA	ORIFICE-MAINBURNER	0180222
	098668-02-700	EA	BURNERASSEMBLY, SF-30&SF35	010745
17	098668-03-700	EA	MOTORASSEMBLY, SF-35	231707
18	098668-11-703	EA	SWITCH-SAIL-SF-42F	232216
19	098668-21-701	EA	SWITCH-LIMIT	231799
20	101990-01-714	EA	GASKET-MICROSWITCH	230877
	098668-21-700	EA	SWITCH-MICRO-W/OFLAG31/4"	232261
	098668-14-000	EA	GASKET-FIBERGLASS-.5"X18"X18"	
	093614-03-02A	EA	GRILLE-RETURNAIR	
	094600-05-01A	EA	REGISTER-HEAT-W/ODAMPER-11.3"-BEIGE	
	009200-01-000	EA	TAPE-FURNACE-11/2"	
	089367-02-000	EA	TEE-4"X2"X4"	

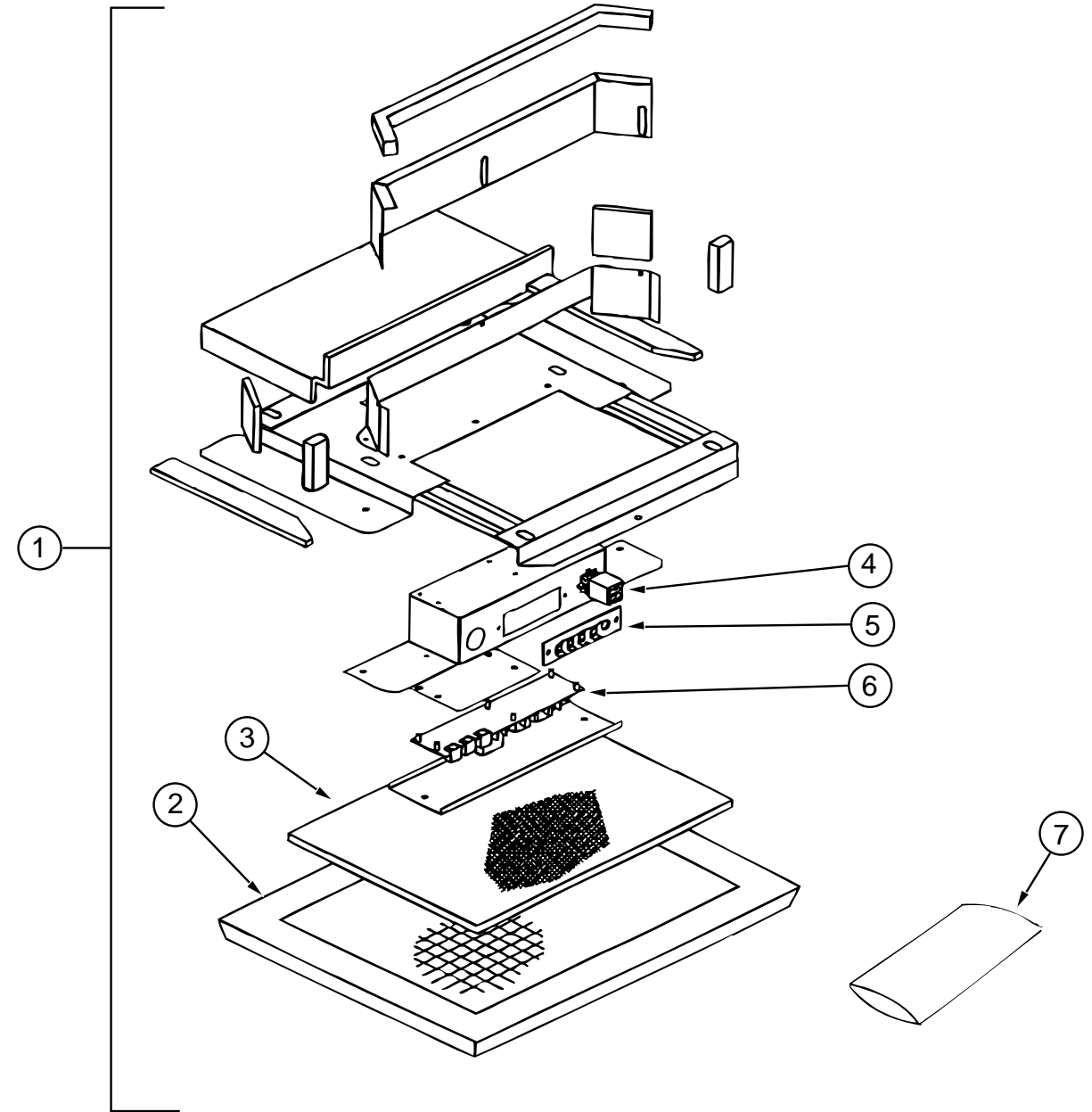
HEATING&AIRCONDITIONINGGROUP(CONTINUED)



COLEMANROOFAIR13,500BTU(EXPORT)

KEY	PARTNUMBER	U/M	DESCRIPTION	VENDOR NO.
1	108889-02-03A	EA	AIRCONDITIONER-13,500BTU/220VOLT-BRIGHTWHITE	
2	093763-01-712	EA	BLADE-FAN-CONDENSER	6733-3221
3	105620-01-706	EA	MOUNTINGPKG.-COMP.-3PER	6759-3081
4	108889-02-701	EA	MOTOR	1468-3059
5	108889-01-706	EA	IMPELLOR	1472-1041
6	093763-01-704	EA	CAPACITOR-FAN	1499-5461
7	108889-01-711	EA	GASKETPKG	6792-3301
8	108889-01-715	EA	MOTORMOUNT&SHAFTSEALKIT	6792-3361
9	108889-05-700	EA	SHROUD-BRIGHT/WHT.W/OLOGO	7333-4601
10	108889-01-703	EA	COIL-CONDENSER	1452A1301
11	108889-02-700	EA	COMPRESSOR-TECUMSEH	1450A2029
12	108889-01-707	EA	CAPACITOR-RUN-COMP-25MFD/370	1499-5661
13	108889-01-709	EA	COIL-EVAPORATOR	1452A1311
	102289-01-000	EA	SPRING-SCREW-ROOFA/CGASKET	
	108889-01-710	EA	PAD-FILLER-CONDENSERSEAL	6759A3971
	108889-01-713	EA	LINE-SUCTION-3/8ODX032WALL	6792-130
	108889-01-714	EA	LINEASSEMBLY-DISCHARGE	6792-531
	105620-01-705	EA	PROTECTOR-OVERLOAD-RH&LH	6759-3791
	093306-01-701	EA	DECALPACKAGE-LEFT&RIGHT	6798B3591
	108889-02-702	EA	CAPACITOR-START	1497-0891
	108889-02-703	EA	RELAY-START	1497-4141
	117238-02-01A	EA	THERMOSTAT-A/CONLY	
	120134-01-02A	EA	REGISTER-4-5INCHDIAMETERW/DAMPER	

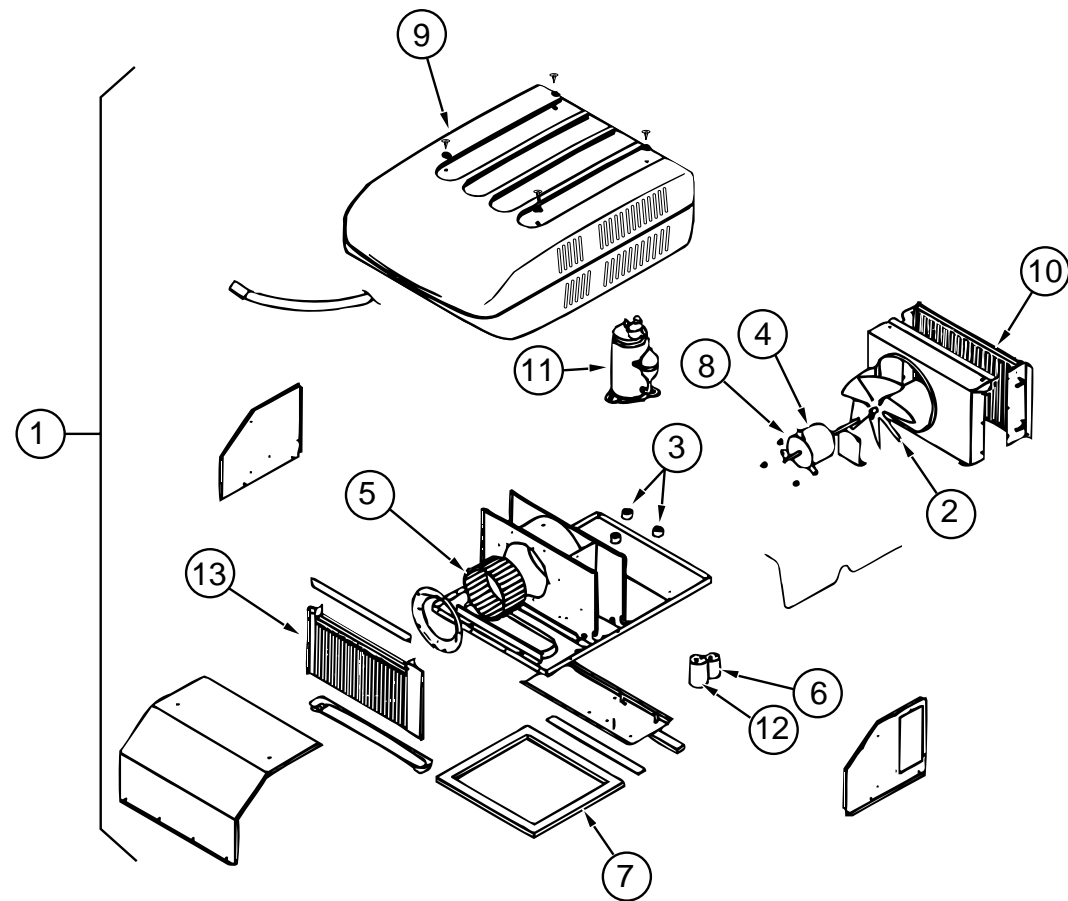
HEATING&AIRCONDITIONINGGROUP(CONTINUED)



CEILINGASM-A/CDUCTED(EXPORT)

KEY	PARTNUMBER	U/M	DESCRIPTION	VENDOR NO.
1	108892-01-01A	EA	CEILINGASSEMBLY-A/CDUCTED	
2	108892-01-704	EA	GRILLE(PLASTIC)	6798-3041
3	108892-01-703	EA	FILTER	6798A3761
4	108892-01-700	EA	PLUGASSEMBLY	7330-540
5	108892-01-701	EA	BOARD-TERMINAL	7330-3201
6	108892-01-702	EA	BOARD-P.C.	7330A3211
7	108892-01-705	EA	SMALLPARTSPKG	7330A6101

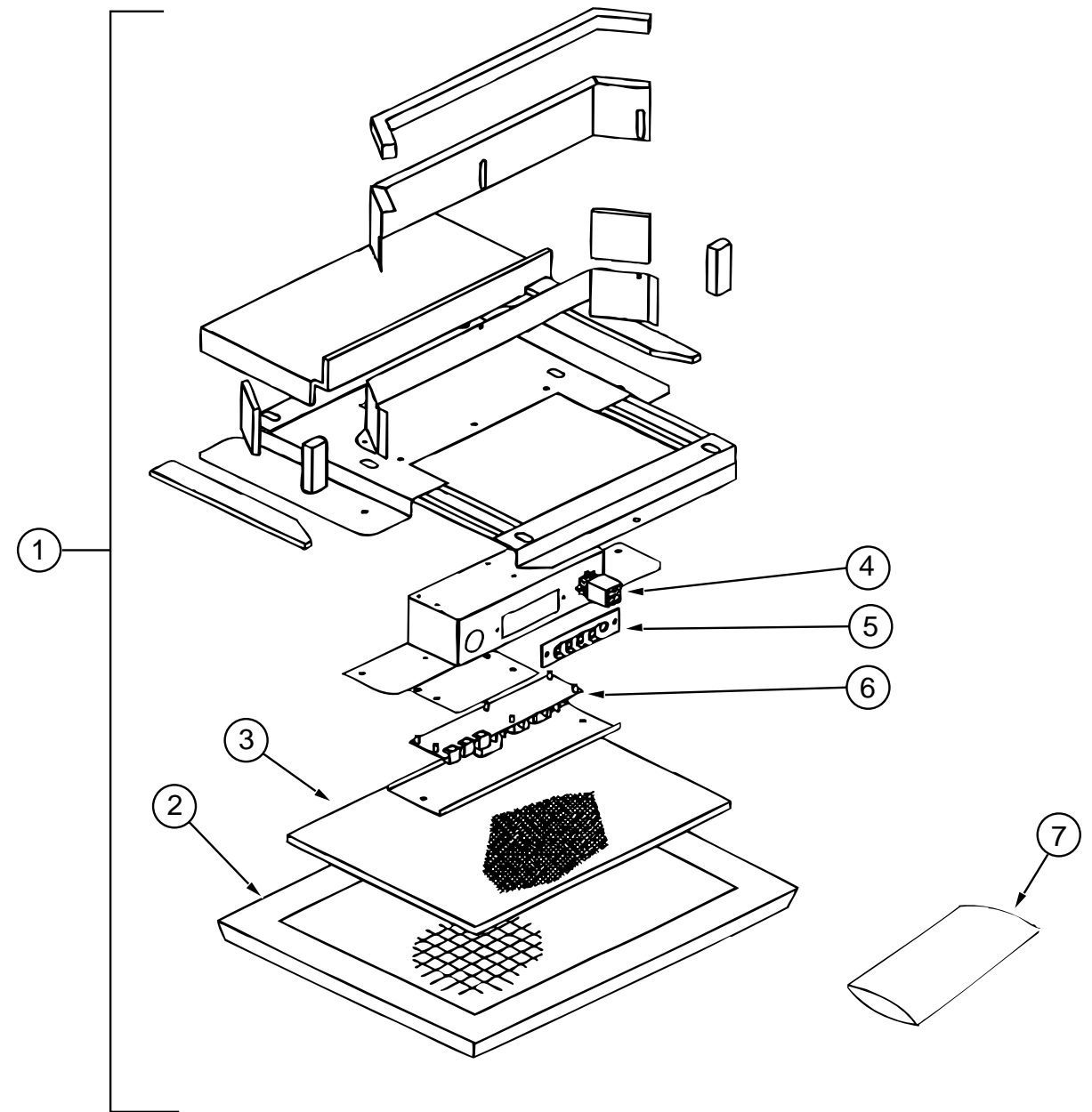
HEATING&AIRCONDITIONINGGROUP(CONTINUED)



COLEMANROOFAIR14,800BTU(US,CSA)

KEY	PARTNUMBER	U/M DESCRIPTION	VENDOR NO.
1	115219-01-03A	EA A/C-ROOF-14,800MACH15-BRIGHTWHITE	
2	093763-01-712	EA BLADE-FAN-CONDENSER	6733-3221
3	105620-01-706	EA MOUNTINGPKG.-COMP.-3PER	6759-3081
4	108889-01-705	EA MOTOR(115,60HZ)	1468-3049
5	108889-01-706	EA IMPELLOR	1472-1041
6	093763-01-704	EA CAPACITOR-FAN	1499-5461
7	108889-01-711	EA GASKETPKG	6792A3301
8	108889-01-715	EA MOTORMOUNT&SHAFTSEALKIT	6792A3361
9	108889-05-700	EA SHROUD-BRIGHT/WHT.W/OLOGO	7333-4601
10	115219-01-700	EA COIL-CONDENSER	1452A1321
11	115219-01-708	EA COMPRESSOR-CONVERSIONKIT	1450A2061
12	115219-01-702	EA CAPACITOR-RUN-COMPRESSOR	1499-5741
13	115219-01-704	EA COIL-EVAPORATOR	1452-1331
	108889-01-710	EA PAD-FILLER-CONDENSERSEAL	6759B3971
	115219-01-705	EA LINE-SUCTION-LOWER	7335-130
	115219-01-706	EA LINE-SUCTION-UPPER	7335-131
	115219-01-707	EA LINEASSEMBLY-DISCHARGE	7335A132
	115219-01-703	EA RELAY-START	1497-4151
	093306-01-720	EA CAPACITOR-START-21-25MFD33	1497-3351
	093306-01-701	EA DECALPACKAGE-LEFT&RIGHT	6798B3591
	117238-01-01A	EA THERMOSTAT-A/C-FURNACE	
	120134-01-02A	EA REGISTER-4"TO5"INDIAMETERW/DAMPER	
	102289-01-000	EA SPRING-SCREW-ROOFA/CGASKET	

HEATING&AIRCONDITIONINGGROUP(CONTINUED)

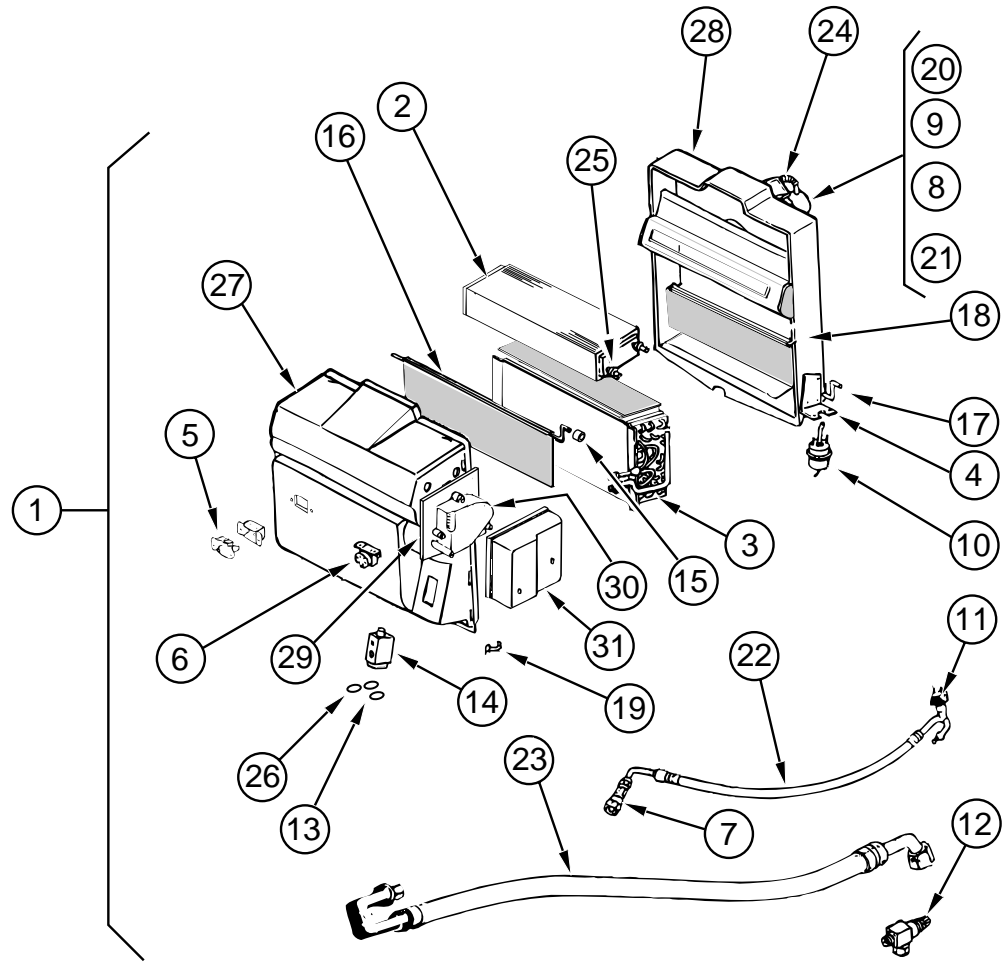


CEILINGASM-A/CDUCTED

KEY	PARTNUMBER	U/M DESCRIPTION	VENDOR NO.
1	108892-01-01A	EA CEILINGASSEMBLY-A/CDUCTED	
2	108892-01-704	EA GRILLE(PLASTIC)	6798-3041
3	108892-01-703	EA FILTER	6798A3761
4	108892-01-700	EA PLUGASSEMBLY	7330-540
5	108892-01-701	EA BOARD-TERMINAL	7330-3201
6	108892-01-702	EA BOARD-P.C.	7330A3211
7	108892-01-705	EA SMALLPARTSPKG	7330A6101

HEATING&AIRCONDITIONINGGROUP(CONTINUED)

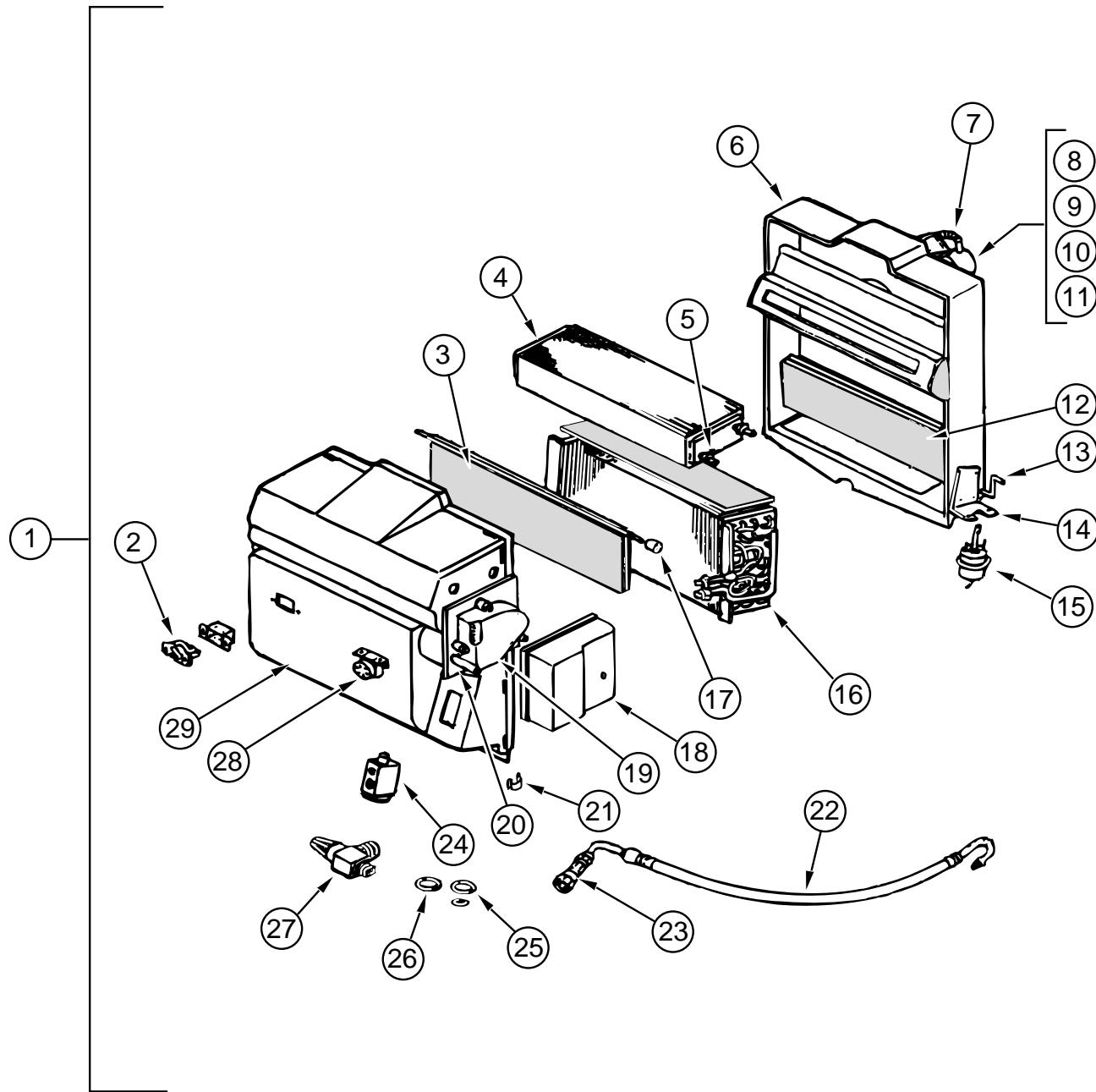
AUTOMOTIVEAIRCONDITIONING(FORD)



KEY	PARTNUMBER	U/M DESCRIPTION	VENDOR NO.
1	103930-31-000	EA EVAPORATOR/HEATER-FORD-SERVOMOTORCONTROLLED	
2	103930-01-703	EA CORE-HEATER	042-0010
3	103930-01-704	EA COIL-EVAPORATOR	041-0017
4	103930-01-708	EA BRACKET-VACUUMMOTOR	070-0113
5	103930-01-710	EA RESISTOR-FUSED-A/C	035-0006
6	103930-01-711	EA THERMOSTAT	033-0003
7	103930-01-713	EA FITTING-QUICKCONNECT-#4	050-0030
8	103930-01-717	EA WHEEL-BLOWER-CLOCKWISE	062-0010
9	103930-30-706	EA MOTOR-BLOWER-(PM147)	030-0109
10	103930-02-708	EA MOTOR-VACUUMSERVO-A/C	030-0025
11	103930-12-708	EA SWITCH-BINARY-HI-LOWCUTOUT	032-0048
12	103930-13-702	EA VALVE-SERVICE-W/OCOMP.	050-0152
13	103930-17-702	EA O'RING#10	045-0127
14	103930-20-700	EA VALVE-EXPANSION-BLOCK-2TON	034-0032
15	103930-30-702	EA BUSHING-BLENDAIRDOOR	062-0168
16	103930-20-703	EA DOOR-BLENDAIR	071-0212
17	103930-20-704	EA ROD-DOOR-RECIRCULATING	073-0018
18	103930-20-705	EA PANEL-DOOR-RECIRCULATING	071-0213
19	103930-20-706	EA CLIP-RETAINER	022-0057
20	103930-20-707	EA HOUSING-BLOWER	062-0145
21	103930-20-708	EA CLIP-MOTORSHAFT	022-0001
22	103930-21-700	EA HOSEASM.-#6EXPANSIONVALVE-DRIER	085-0139
23	103930-21-701	EA HOSEASM.-#10-EXPANSIONVALVE-COMP	085-0149
24	110279-01-703	EA HOSE-VENT-BLOWERMOTOR	051-0034
25	110279-01-712	EA FITTING-HEATER	050-0076
26	113245-01-707	EA O'RING#8	045-0126
27	103930-30-700	EA CASE-FRONT	062-0542
28	103930-20-711	EA CASE-BACK-SUB-ASSEMBLY	062-0147
29	103930-30-701	EA PLATE-MOTORMOUNT	062-0544
30	103930-30-703	EA MOTOR-SERVO	030-0104
31	103930-30-704	EA COVER-SERVO	062-0545

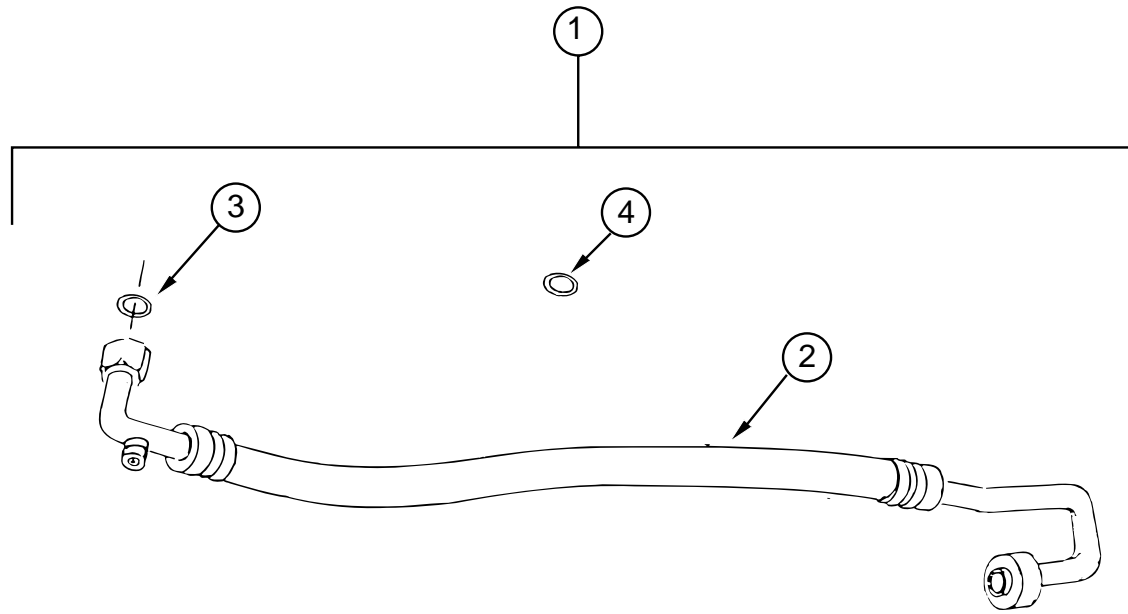
HEATING&AIRCONDITIONINGGROUP(CONTINUED)

SCSEVAPORATOR/HEATER-CHEVY



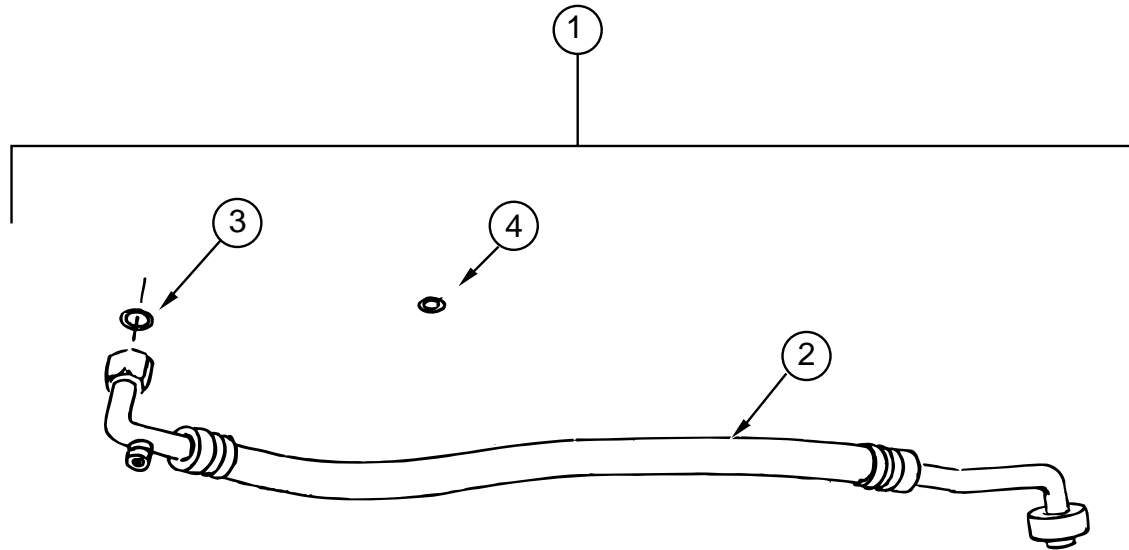
KEY	PARTNUMBER	U/M	DESCRIPTION	VENDOR NO.
1	103930-30-000	EA	EVAPORATOR/HEATER-CHEVY-SERVOMOTORCONTROLLED	
2	103930-01-710	EA	RESISTOR-FUSED-A/C	035-0006
3	103930-30-705	EA	DOOR-BLENDAIR	071-0568
4	103930-01-703	EA	CORE-HEATER	042-0010
5	110279-01-712	EA	FITTING-HEATER	050-0076
6	103930-20-711	EA	CASE-BACK	062-0147
7	110279-01-703	EA	HOSE-VENT-BLOWERMOTOR	051-0034
8	103930-20-707	EA	HOUSING-BLOWER	062-0145
9	103930-30-706	EA	MOTOR-BLOWER-(PM147)	030-0109
10	103930-01-717	EA	WHEEL-BLOWER-CLOCKWISE	062-0010
11	103930-20-708	EA	CLIP-MOTORSHAFT	022-0001
12	103930-20-705	EA	PANEL-DOOR-RECIRCULATING	071-0213
13	103930-20-704	EA	ROD-DOOR-RECIRCULATING	073-0018
14	103930-01-708	EA	BRACKET-VACUUMMOTOR	070-0113
15	103930-02-708	EA	MOTOR-VACUUMSERVO-A/C	030-0025
16	103930-01-704	EA	COIL-EVAPORATOR	041-0017
17	103930-30-702	EA	BUSHING-BLENDAIRDOOR	062-0168
18	103930-30-704	EA	COVER-SERVO	062-0545
19	103930-30-703	EA	MOTOR-SERVO	030-0104
20	103930-30-701	EA	PLATE-MOTORMOUNT	062-0544
21	103930-20-706	EA	CLIP-RETAINER	022-0057
22	103930-25-700	EA	HOSEASM.-#6EVAPTODRIER	085-0350
23	103930-12-709	EA	FITTING-QUICKCONNECT	050-0120
24	103930-20-700	EA	VALVE-EXPANSION-BLOCK-2TON	034-0032
25	103930-17-702	EA	O'RING#10	045-0127
26	113245-01-707	EA	O'RING#8	045-0126
27	103930-20-709	EA	VALVE-SERVICE	050-0159
28	103930-01-711	EA	THERMOSTAT	033-0003
29	103930-30-700	EA	CASE-FRONT	062-0542

HEATING&AIRCONDITIONINGGROUP(CONTINUED)



CHEVYHOSEKIT-STANDARDGAS

KEY	PARTNUMBER	U/M DESCRIPTION	VENDOR NO.
1	103930-28-000	EA HOSEKIT-#10W/GML-19CHASSIS	
2	103930-28-700	EA HOSEASSM#10W/SELTECCOMP	085-0347
3	103930-17-702	EA O'RING#10	045-0127
4	103930-29-701	EA GASKET-GMLPSW1996	045-0483



CHEVYHOSEKIT-VORTECGASORDIESELOPTION

KEY	PARTNUMBER	U/M DESCRIPTION	VENDOR NO.
1	103930-29-000	EA HOSEKIT-#10W/GML-29&L-65CHASSIS	
2	103930-29-700	EA HOSEASSM#10W/HARRISONCOMP	085-0348
3	103930-17-702	EA O'RING#10	045-0127
4	103930-29-701	EA GASKET-GMLPSW1996	045-0483

HEATING&AIRCONDITIONINGGROUP(CONTINUED)

AUTOMOTIVEHEATERMISCELLANEOUS

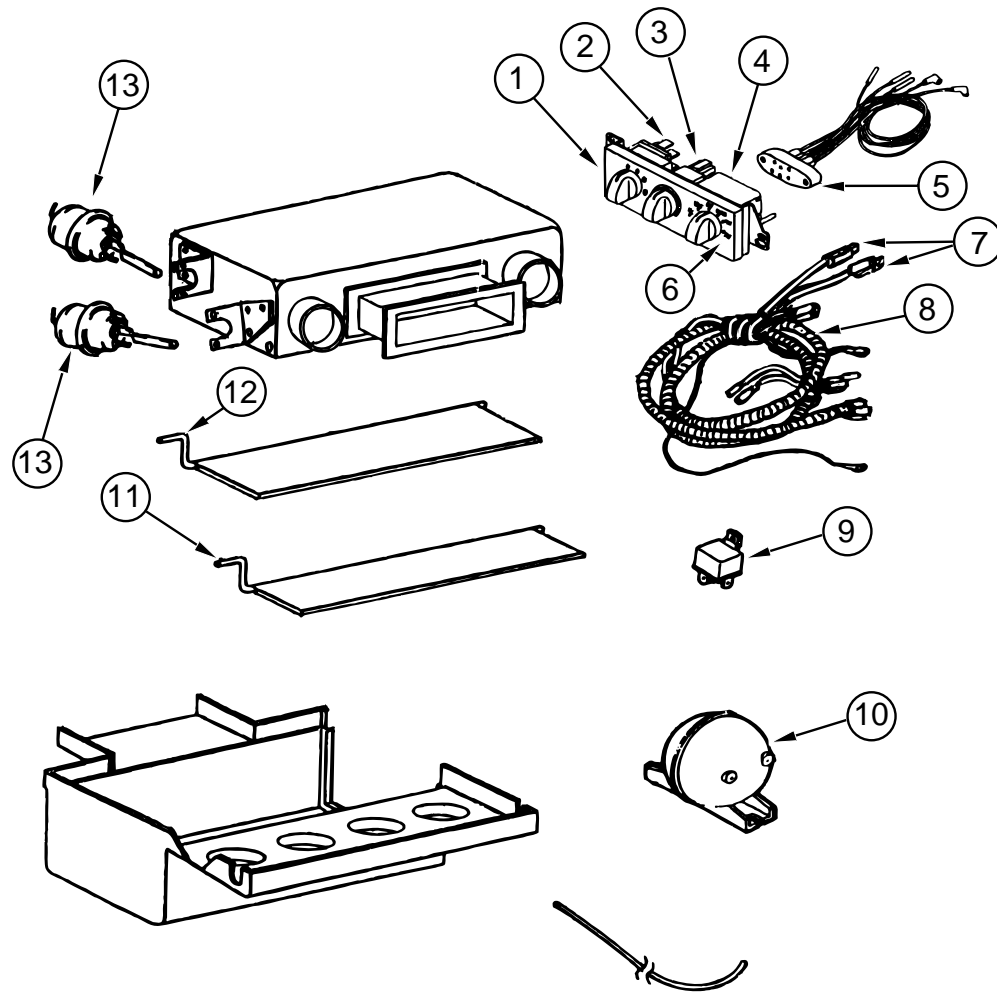
KEY	PARTNUMBER	U/M DESCRIPTION
	007281-01-000	EA HOSE-FLEXIBLEPVC-2.5"IDX50'
	024990-05-000	EA OUTLET-DEFROSTER-4"DIAMETERW/SWIVELDEFLECTORS
	056402-05-000	EA BRACKET-HEATERVENT-ROUNDW/BEND-BLACK
	077075-01-000	EA GASKET-INSTRUMENTPANELTODEFROSTERPLENUM
	077075-03-000	EA GASKET-INSTRUMENTPANELTODEFROSTERPLENUM-.6"X10.2"
	103016-01-000	EA PLENUM-TRANSITION
	103558-01-07A	EA VENT-DEFROSTER-2"X14.4"X1.4"-WILLOW
	103796-01-01A	EA LOUVER-A/C
	076776-01-000	EA TEE-BEADED-5/8"X5/8"X5/8"
	097494-02-000	EA TEE-BRASS-BARB-3/8"X5/32"X3/8"
	103930-23-000	EA VALVE-WATER-2PORT
	077539-01-000	EA BRACKET-MOUNTING/DASHPANEL-L/SHAPED-2.5"X1"X1.5"
	103930-05-000	EA MANUAL-OWNER-HEATER/A/C
	103930-37-000	EA MANUAL-OWNERS-HEATER/A/C
	009198-02-000	FT DUCT-FLEXIBLE-2"IDX25'

FROM: 00-00-00 THRU: 02-23-97
FROM: 02-24-97 THRU: 99-99-99

AUTOMOTIVEREARHEATERSYSTEM

KEY	PARTNUMBER	U/M DESCRIPTION	VENDOR NO.
	084405-01-000	EA HEATER-REAR/DUCTED-W/MOTOR/AID	
	084405-01-700	EA CORE-HEATER	FT200229
	084405-01-701	EA FANBLADES	HV029931
	084405-01-702	EA MOTORASSEMBLY,12VOLT	R0200180
	007076-01-000	EA HOSE-FLEXIBLEPVC-2"ID-INCREMENTSOF50'	
	007108-01-000	FT HOSE-HEATER-5/8"ID-HI-TEMP-FORD	
	079059-01-000	EA HOSE-90DEGREE-5/8"IDX4"X36"	
	061673-01-000	EA BRACKET-MOTOR/AIDTUBES-4"X1.5"-STEEL	
	009198-01-000	FT DUCT-HEAT-FLEXIBLE-4"IDX25'	
	056464-10-000	EA REGISTER-4"DIAMETER-PLASTIC-W/ODAMPENER-BEIGE	
	069636-02-000	EA CONNECTOR-DUCT-4"ID	

HEATING&AIRCONDITIONINGGROUP(CONTINUED)



SCSCONTROL/PLENUM

KEY	PARTNUMBER	U/M DESCRIPTION	VENDOR NO.
	103930-34-000	EA CONTROL/PLENUM-ROTARYCONTROLHEAD	
1	103930-33-702	EA CONTROLPANEL	083-0169
2	103930-33-707	EA SWITCH-BLOWER	032-0186
3	103930-33-708	EA SWITCH-POTENTIOMETER	032-0184
4	103930-33-709	EA SWITCH-VACUUM	032-0183
5	103930-33-703	EA VACUUMHARNESS	036-0465
6	103930-33-710	EA DECALF/CONTROLHEAD	058-0102
7	103930-33-705	EA LIGHTBULBS	035-0030
8	103930-33-704	EA WIREHARNESSW/BULBS	036-0466
		FROM: 00-00-00 THRU: 12-21-96	
8	103930-33-711	EA WIREHARNESSMAIN	036-0466
		FROM: 12-22-96 THRU: 99-99-99	
9	103930-02-707	EA RELAY-BOSCHW/RESISTER	031-0001
10	103930-02-710	EA CANISTER-VACUUM	054-0002
11	103930-33-700	EA ROD-DOORDEFROSTER/AC	073-0028
12	103930-33-706	EA ROD-DOORAC/DEFROST	073-0060
13	103930-02-708	EA MOTOR-VACUUMSERVO-A/C	030-0025
	103930-33-701	EA MOTOR-VACUUM-3 STAGE	030-0105
	103930-33-712	EA KNOB-BLOWER	062-00539
	103930-33-713	EA KNOB	062-00540

INTERIORFINISHGROUP

PANELING&PLASTICLAMINATE

KEY	PARTNUMBER	U/M DESCRIPTION
	000846-01-000	SF PLYWOOD-5/16"X48"X96"
	000846-02-000	SF PLYWOOD-UNDR-5/16"X48"X96"
	000885-76-000	SF PARTICLEBOARD-3/8"X48"X96"-WATERFORDOAK/VINYL1SIDE
	000885-77-000	SF PARTICLEBOARD-3/8"X48"X96"-WATERFORDOAK/VINYL2SIDE
	000885-79-000	SF PARTICLEBOARD-3/4"X48"X96"-WATERFORDOAK/VINYL2SIDE
	000885-84-000	SF PARTICLEBOARD-3/8"X48"X96"-WHITEGRANITE/1SIDED
	000885-85-000	SF PARTICLEBOARD-3/8"X48"X96"-WHITEGRANITE/2SIDED
	000885-87-000	SF PARTICLEBOARD-3/4"X48"X96"-WHITEGRANIET/2SIDED
	074497-28-000	SF PANELING-WATERFORDOAK-48"X96"
	074497-36-000	SF PANELING-WHITEGRANITE-48"X96"
	074498-71-000	SF LAMINATE-PLASTIC-NEUTRALSANTOS-5'X8'INCOF40SF(H17,H18)
	074498-62-000	SF LAMINATE-PLASTIC-GREYFINESSE-5'X8'INCOF40SF(H19)
	074498-77-000	SF LAMINATE-PLASTIC-ARTCABIN-5'X8'INCOF40SQFT(H17,H18,H19)
	074498-61-000	SF LAMINATE-PLASTICNEUTRALMATRIX-5'X8'INCROF40SF(H40,H41)
	074498-61-000	SF LAMINATE-PLASTICNEUTRALMATRIX-5'X8'INCROF40SF(EXT.ENTRTRNT)
	080215-10-000	SF PANELING-2SIDE-WATERFORD-48"X84"
	080215-12-000	SF PANELING-2SIDE-WHITEGRANITE-48"X84"
	088272-E9-000	SF PANELING-DECORATIVE-PAINTEDDESERT-4'X7'(H17)
	088272-F3-000	SF PANELING-FRENCHWASH-VANILLA(H18)
	088272-G2-000	SF PANELING-LAJOLLA-SEAMIST(H19,H41)
	088272-G5-000	SF PANELING-GAZEBOSTRIPE-SAGE(H40)
	088272-G1-000	SF PANELING-PEBBLEEMBOSSD-ANTIQUWHITE-4'X7'(WETBATH)
	126339-01-000	EA BOARD-WHEAT-60"X72
	095688-01-000	SF VENEER-.14"X4"X8"UNFINISHED

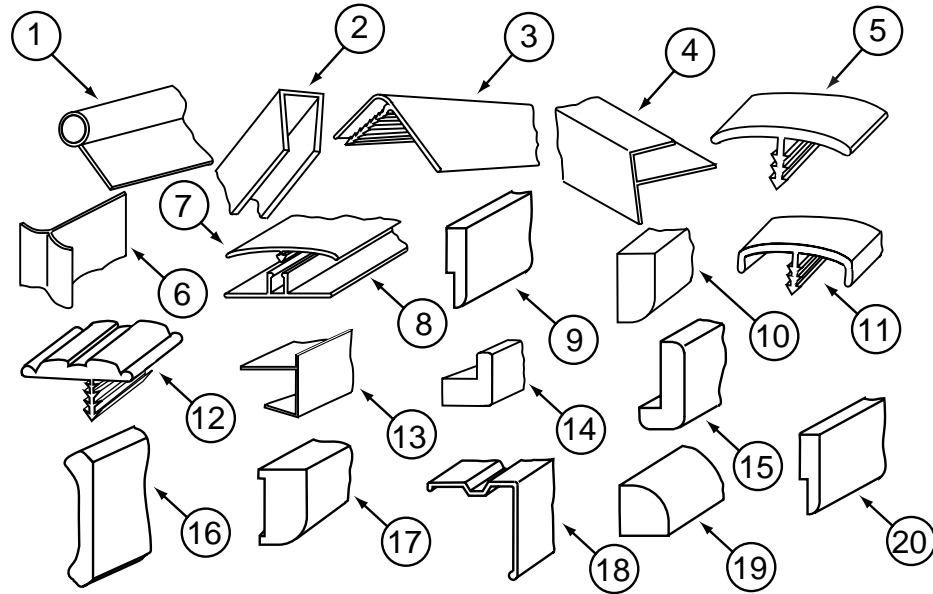
EDGEANDMOLDING

KEY	PARTNUMBER	U/M DESCRIPTION
	076325-53-000	FT MOLDING-EDGEAND-15/16"-NEUTRAL
	076325-68-000	FT MOLDING-EDGEAND-15/16"X.038"-WATERFORDOAK
	076325-39-000	FT MOLDING-EDGEAND-15/16"X.030"(H17,H18)
	076325-46-000	FT MOLDING-EDGEAND15/16"X.030"-CLOUD(H19)
	076325-67-000	FT MOLDING-EDGEAND-.93"X.024"WATERFORDOAK(H17)
	076325-40-000	FT MOLDING-EDGEAND-.875"X.024"(H17,H18)
	076325-43-000	FT MOLDING-EDGEAND.876"X.024"-CLOUD(H19)
	076325-54-000	FT MOLDING-EDGEAND-NEUTRAL-.875"WIDE

FLOORMAT&CARPET

KEY	PARTNUMBER	U/M DESCRIPTION
	114129-01-02A	SF LINER-CABINET-.02"X48"X96"
	093486-01-000	SY CARPET-COMPARTMENT-54"WIDE-DARKGRAY
	096060-98-000	SY CARPET-SILVERASPEN-INCREMENTSOF4SQYD(H17)
	096060-95-000	SY CARPET-DOESKIN(H18)
	096060-C2-000	SY CARPET-JUBILATION-BISCANYN.B-CARRIAGE(H19)
	096060-C8-000	SY CARPET-JUBILATION-MOLLUSK-CARRIAGE(H40)
	096060-B3-000	SY CARPET-JUBILATION-CASTILE-SAGE,CARRIAGECARP(H41)
	105924-01-F06	EA MAT-FLOOR-18"X27"(H17)
	105924-01-G36	EA MAT-FLOOR-18"X27"(H18)
	105924-01-H19	EA MAT-FLOOR-18"X27"(H19)
	105924-01-H40	EA MAT-FLOOR-18"X27"(H40)
	105924-01-G35	EA MAT-FLOOR-18"X27"(H41)
	122755-01-01A	EA TILE-RUBBER/ENTRANCEDOOR-18.5"X27.2"
	122755-03-01A	EA TILE-RUBBER/ENTRANCEDOOR-17.7"X26.4"

INTERIORFINISHGROUP(CONTINUED)



INTERIORTRIM&MOLDINGS

KEY	PARTNUMBER	U/M	DESCRIPTION
1	009767-12-000	FT	WELTING-SIDEWALL/CEILING/CABINET-OFF/WHT
1	009767-15-000	FT	WELTING-WATERFORDOAK(H17,H18,H19)
2	070504-37-000	FT	U-CHANNEL-EXTRUDEDPLASTIC-.81"X84"-WATERFORDOAK(H17,H18,H19)
2	070504-36-000	FT	U-CHANNEL-EXTRUDEDPLASTIC-.65"X72"-WATERFORDOAK(H17,H18,H19)
2	070504-43-000	FT	U-CHANNEL-EXTRUDEDPLASTIC-.81"X84"-BEIGE(H40,H41)
2	070504-45-000	FT	U-CHANNEL-EXTRUDEDPLASTIC-.65"X72"-WHITEGRANITE(H40,H41)
2	009778-21-000	FT	U-CHANNEL-1"-WATERFORDOAK
2	009778-27-000	FT	U-CHANNEL-1"-WASHEDOAK
2	009778-25-000	FT	U-CHANNEL-1"-BEIGEILLUSION
2	009778-20-700	EA	U-CHANNEL-1"X55"-MODERNIVORY
3	009809-23-000	EA	MOLDING-CORNER-OUTSIDE-1"X84"-IVORYPLASTIC
3	009809-28-000	EA	MOLDING-CORNER-OUTSIDE-1"X84"-WATERFORDOAK(H17,H18,H19)
3	009809-30-000	EA	MOLDING-PLASTIC-OUTSIDE-1"X84"-BEIGEILLUSION(H40,H41)
4	009812-29-000	EA	MOLDING-PLASTIC-OUTSIDECORNER-.50"-WATERFORDOAK(H17,H18,H19)
4	009812-31-000	EA	MOLDING-PLAS-CORNER-O/S1/2"-BEIGEILLUSIONS(H40,H41)
5	105709-01-000	FT	T-MOLDING-1"-MODERNIVORY
6	022992-11-000	FT	MOLDING-REVERSECOVE-T-SHAPEDVINYL-IVORY
7	086229-13-000	EA	BATTEN-1"X96"-IVORY
7	086229-19-000	EA	BATTEN-1"X98.43"-OFFWHITE
7	086229-20-000	EA	BATTEN-1"X96"-BEIGE
8	086229-01-000	EA	RETAINER-BATTEN-.75"X92.24"-IVORY
9	100659-01-G09	EA	MOLDING-TRIM-VINYLFLOOR
10	100818-01-05A	EA	MOLDING-VINYLRAPPED-1.65"X.4"X7'-WATERFORDOAK
10	100818-01-07A	EA	MOLDING-VINYLRAPPED-1.65"X.4"X7'-WHITEGRANITE
11	083620-12-000	FT	T-MOLDING-.75"W/EDGELIPS-WATERFORDOAK
11	083620-15-000	FT	T-MOLDING-W/EDGELIP-.75"-BEIGEILLUSION
12	104676-01-01A	FT	T-MOLDING-5/16"-RIGIDGOLD
13	103186-01-05A	FT	MOLDING-PLASTIC-SHELF-3/8"U-CHANNELW/3/4"FACE
13	103186-01-07A	FT	MOLDING-PLASTIC/3/8"U-CHANNELW/3/4"FACE-BEIGEILLUSION
13	103186-02-05A	FT	MOLDING-PLASTIC/1"U-CHANNELW/13/8"FACE-WATERFORDOAK
13	103186-02-07A	FT	MOLDING-PLASTIC/1"U-CHANNELW/13/8"FACE-BEIGEILLUSION
14	100819-01-05A	EA	MOLDING-VINYLRAPPED-DOOR-WATERFORDOAK
14	100819-01-07A	EA	MOLDING-VINYLRAPPED-DOOR-WHITEGRANITE
15	077840-01-G01	EA	MOLDING-CAP-WALL-96"-WATERFORDOAK
15	077840-01-H23	EA	MOLDING-CAP-WALL2438-WHITEMAPLE

INTERIORFINISHGROUP(CONTINUED)

INTERIORTRIM&MOLDINGS(CONTINUED)

KEY	PARTNUMBER	U/M	DESCRIPTION
16	113794-01-01A	FT	MOLDING-CROWN-PICKLEDASH
16	113794-01-03A	FT	MOLDING-CROWN
17	117268-F2-134	EA	MOLDING-VINYLRAPPED-.7"X2.6"X84"-WATERFORDOAK
17	117268-D2-134	EA	MOLDING-VINYLRAPPED-.7"X1.6"X84"-WATERFORDOAK
17	117268-B2-438	EA	MOLDING-VINYLRAPPED-.7"X1"X96"-WATERFORDOAK
17	117268-D2-438	EA	MOLDING-VINYLRAPPED-.7"X1.5"X96"-WATERFORDOAK
17	117268-12-134	EA	MOLDING-VINYLRAPPED-.5"X3.3"X84"-WATERFORDOAK
17	122668-D2-438	EA	MOLDING-VINYLRAPPED-.7"X1.6"X96"-WHITEGRANITE
17	122668-D2-134	EA	MOLDING-VINYLRAPPED-.7"X1.6"X84"-WHITEGRANITE
17	122668-F2-134	EA	MOLDING-VINYLRAPPED-.7"X2.6"X84"-WHITEGRANITE
17	122668-F2-438	EA	MOLDING-VINYLRAPPED-.7"X2.5"X96"-WHITEGRANITE
17	122668-B2-438	EA	MOLDING-VINYLRAPPED-.7"X1"X96"-WHITEGRANITE
18	093873-01-01A	EA	TRIM-CARPET-L-ANGLE1.1"X1.3"X12'-GRAYVINYL
19	109410-01-G15	EA	MOLDING-TRIM-8'-WASHEDMAPLE
19	109410-01-H40	EA	MOLDING-TRIM-8'-WHITEGRANITE
20	105004-01-04A	EA	MOLDING-VINYLRAPPED-1"X96"-PICKLEDASH
20	105004-01-07A	EA	MOLDING-VINYLRAPPED-1"X96"-WHITEGRANITE
	117267-D2-438	EA	LUMBER-VINYLRAPPED-.7"X11/2"X96"-WATERFORDOAK
	117267-J2-438	EA	LUMBER-.7"X5.5"X96"-VINYLRAPPEDWATERFORDOAK
	117267-E2-438	EA	LUMBER-VINYLRAPPED.7"X2"X96"WATERFORDOAK
	117267-G2-438	EA	LUMBER-VINYLRAPPED-.7"X3"X96"WATERFORDOAK
	117267-R2-438	EA	LUMBER-VINYLRAPPED-.7"X3"X96"WATERFORDOAK
	116951-01-G35	EA	MOLDING-WOOD-3"X70.5"-WATERFORDOAK
	116951-01-H23	EA	MOLDING-WOOD-3"X70.5"-WHITEGRANITE

EDGEANDMOLDING

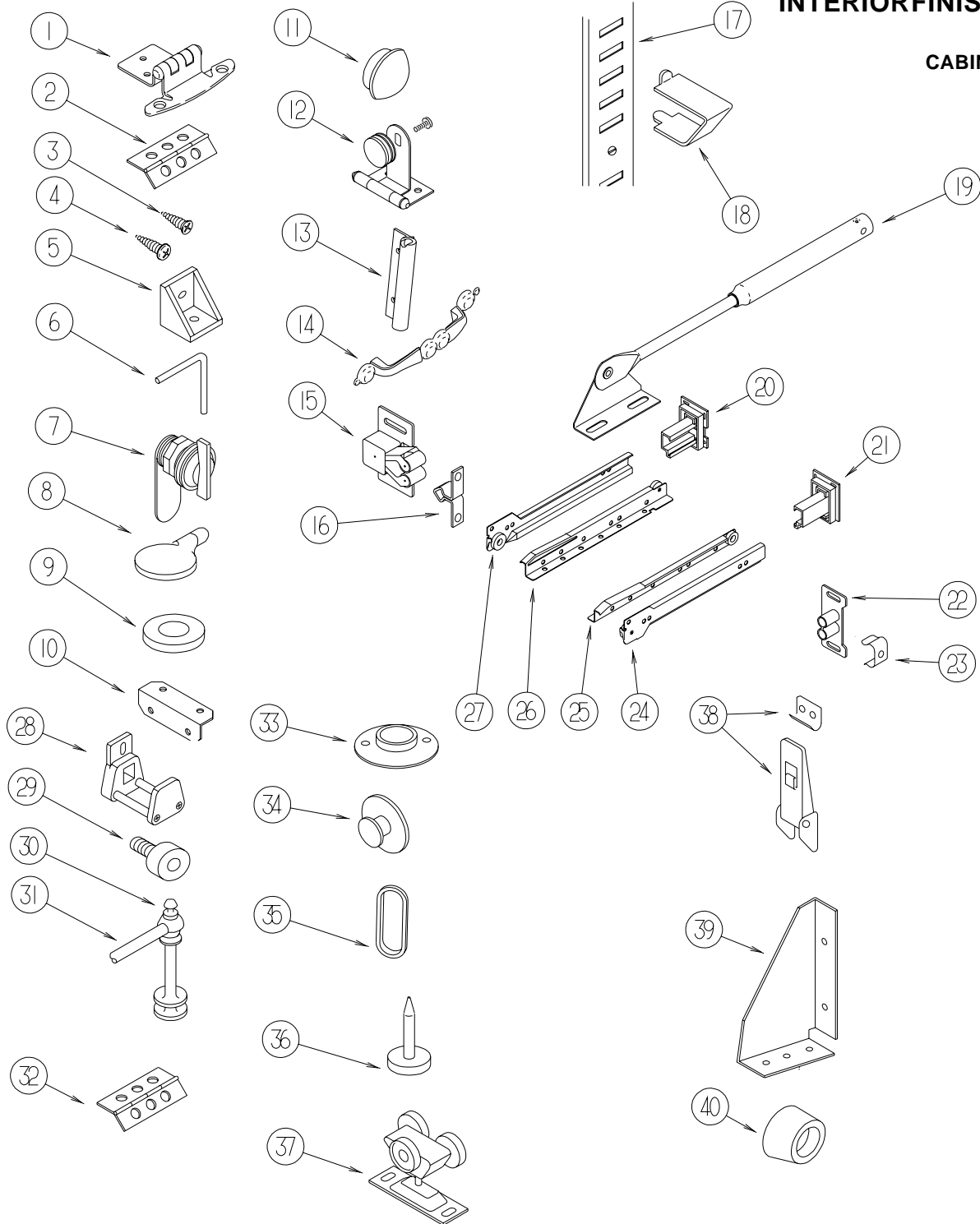
KEY	PARTNUMBER	U/M	DESCRIPTION
	076325-53-000	FT	MOLDING-EDGEAND-15/16"-NEUTRAL
	076325-68-000	FT	MOLDING-EDGEAND-15/16"X.038"-WATERFORDOAK
	076325-39-000	FT	MOLDING-EDGEAND-15/16"X.030"(H17,H18)
	076325-46-000	FT	MOLDING-EDGEAND15/16"X.030"-CLOUD(H19)
	076325-67-000	FT	MOLDING-EDGEAND-.93"X.024"WATERFORDOAK(H17)
	076325-40-000	FT	MOLDING-EDGEAND-.875"X.024"(H17,H18)
	076325-43-000	FT	MOLDING-EDGEAND.876"X.024"-CLOUD(H19)
	076325-54-000	FT	MOLDING-EDGEAND-NEUTRAL-.875"WIDE

BATTSTRIPANDTAPE

KEY	PARTNUMBER	U/M	DESCRIPTION
	069733-83-000	EA	BATTSTRIP-WOODGRAINED/WATERFORDOAK-8'
	085284-B5-000	FT	BATTTAPE-ADHESIVEBACKED-WOODGRAINED/WATERFORDOAK
	079653-28-000	EA	BATTSTRIP-KERFED-WOODGRAINED/WATERFORDOAK-8'
	069733-85-000	EA	BATTSTRIP-WOODGRAINED/WHITEGRANITE-8'
	085284-E6-000	FT	BATTTAPE-ADHESIVEBACKED-DECORATIVE/WHITEGRANITE
	088263-C8-000	EA	BATTSTRIP-DECORATIVE-PAINTEDDESERT-96"(H17)
	085284-C2-000	FT	BATTTAPE-ADHESIVEBACKED-DECORATIVE/PAINTEDDESERT(H17)
	088263-D2-000	EA	BATTSTRIP-DECORATIVE-WASH/VANILLA-8'LONG(H18)
	085284-C5-000	FT	BATTTAPE-ADHESIVEBACKED-DECORATIVE-FRENCHWASH/VANILLA(H18)
	088263-E4-000	EA	BATTSTRIP-DECORATIVE-LAJOLLA/SEAMIST-8'LONG(H19,H41)
	085284-D7-000	FT	BATTTAPE-ADHESIVEBACKED-DECORATIVE-LAJOLLA/SEAMIST(H19,H41)
	088263-E7-000	EA	BATTSTRIP-DECORATIVE-GAZEBOSTRIPE/SAG-8'LONG(H40)
	085284-E1-000	FT	BATTTAPE-ADHESIVEBACKED-DECORATIVE-GAZEBO/STRIPE/SAG(H40)
	079653-13-000	EA	BATTSTRIP-TRAVERTINEWHITE

INTERIORFINISHGROUP(CONTINUED)

CABINETHARDWARE



KEY	PARTNUMBER	U/M	DESCRIPTION
9	100707-01-000	EA	SPACER-DOOR-GLASS-PLASTIC
10	016604-05-000	EA	BRACE-CABINET-ANGLE-2.5"-METAL-OFFWHITE
10	016604-01-000	EA	BRACE-CABINET-ANGLE-2.5"-UNPAINTEDMETAL
11	042356-01-000	EA	PLUG-MAHOGANY-3/8"DIAMETER-WOOD
11	074045-01-000	EA	PLUG-OAK-1/2"DIAMETER(OAK)
11	074045-11-000	EA	PLUG-OAK-3/8"DIAMETER(WHITE)
12	100711-01-01A	EA	HINGE-DOOR-GLASS
13	108486-01-01A	EA	BRACKET-PROPROD-OVHD-BLACK
14	121891-01-01A	EA	PULL-CABINET-BRASS(WHITE)
14	121890-01-01A	EA	PULL-CABINET-BRASS(OAK)
15	093586-06-000	EA	CATCH-SPRING-ROLLER
16	093586-05-000	EA	STRIKE-SPRINGSTEEL
17	098980-01-000	EA	PILASTER-ADJUSTABLESHELF-18"LONG
17	098980-02-000	EA	PILASTER-ADJUSTABLESHELF-12"LONG
17	098980-03-000	EA	PILASTER-ADJUSTABLESHELF-WOODGRAIN
18	098979-01-000	EA	CLIP-ADJUSTABLESHELF
19	074493-02-000	EA	SUPPORT-PISTONSRING-CABINETDOOR
20	114045-01-000	EA	BACKSOCKET-ADJUSTABLE-LEFT
21	114045-02-000	EA	BACKSOCKET-ADJUSTABLE-RIGHT
22	009021-01-000	EA	CATCH-GRILLE-NYLON
23	009021-02-000	EA	STRIKE-SPRINGSTEEL
24	114031-02-000	EA	SLIDE-12"-RIGHTSIDE/CABINET
24	114031-14-000	EA	SLIDE-18"-RIGHTSIDE/CABINET
24	114031-18-000	EA	SLIDE-20"-RIGHTSIDE/CABINET
24	114031-22-000	EA	SLIDE-22"-RIGHTSIDE/CABINET
25	114031-04-000	EA	SLIDE-12"-RIGHTSIDE/DRAWER
25	114031-16-000	EA	SLIDE-18"-RIGHTSIDE/DRAWER
25	114031-20-000	EA	SLIDE-20"-RIGHTSIDE/DRAWER
25	114031-24-000	EA	SLIDE-22"-RIGHTSIDE/DRAWER
26	114031-03-000	EA	SLIDE-12"-LEFTSIDE/DRAWER
26	114031-15-000	EA	SLIDE-18"-LEFTSIDE/DRAWER
26	114031-19-000	EA	SLIDE-20"-LEFTSIDE/DRAWER
26	114031-23-000	EA	SLIDE-22"-LEFTSIDE/DRAWER
27	114031-01-000	EA	SLIDE-12"-LEFTSIDE/CABINET
27	114031-13-000	EA	SLIDE-18"-LEFTSIDE/CABINET
27	114031-17-000	EA	SLIDE-20"-LEFTSIDE/CABINET
27	114031-21-000	EA	SLIDE-22"-LEFTSIDE/CABINET
28	064467-01-000	EA	GUIDE-POCKET-SLIDINGDOOR-WALLMOUNTED
29	079921-01-000	EA	ROLLER-NYLON-W/STEELSHAFT-BARBED
30	084070-03-000	EA	POST-END-2.4"-BRASS
31	084071-12-000	EA	ROD-BRASS-4.08"LONG
31	084071-19-000	EA	ROD-BRASS-7.09"LONG
32	041389-18-000	EA	HINGE-PIANO-1.50X482.6-OFFWHITE
32	041389-25-000	EA	HINGE-PIANO-1.50"X55"
33	009112-01-000	EA	FLANGE-1"CLOTHESROD-OFFWHITEPLASTIC
34	125221-01-01A	EA	PULL-MIRROR-W/ROUNDHANDLE
35	098410-01-01A	EA	PULL-FINGER-BRASS
36	102194-01-000	EA	GUIDE-PLASTIC
37	103874-01-000	EA	HANGER-SLIDINGDOOR
38	116975-01-01A	EA	LATCH-W/OSTRIKE-BLACK-NEWSTYLE
38	116975-02-01A	EA	KEEPER/STRIKE-BLACK-NEWSTYLE
39	116978-01-03B	EA	GUSSET-SLIDEOUTROOM-OFF/WHITE
40	004354-01-000	EA	BUMPER-RUBBER-.5"DIA-BROWN
	042438-01-000	EA	DOWEL-WOOD-CLOTHESROD-1"DIAMETERX4'
	042438-02-000	EA	DOWEL-WOOD-2"X2"
	042438-06-000	EA	DOWEL-WOOD-1.5"X26"-OAK

KEY	PARTNUMBER	U/M	DESCRIPTION
1	108138-01-000	EA	HINGE-DOOR-CABINET-BURNISHEDBRASS(OAK)
1	124647-01-01A	EA	HINGE-WHITEW/BRASS(WHITE)
1	108138-02-000	EA	HINGE-BRIGHTBRASS(WHITE)
2	009059-02-000	EA	HINGE-DOOR-2"X2.7"-BRASS
3	000G13-06-08G	EA	SCREW-6-20X.50PFH-ANTIQUEBRASS
4	000G68-06-10G	EA	SCREW-6-18X5/8"-PHILLIPOVALHEAD-ANTIQUEBRASS
5	065740-01-000	EA	BRACE-CABINETCORNER-PLASTIC
6	108487-02-01A	EA	PROPROD-OVERHEADGLASSDOORSUPPORT-BLACK
	039984-01-000	EA	CAP-VINYL-BLACK(PROPROD)
7	100710-01-01A	EA	LOCK-GLASSDOOR-TWISTTYPE-BRASS
	101272-01-000	EA	CATCH-DOOR-GLASS
8	101766-01-000	EA	PIN-SUPPORT-GLASSDOOR

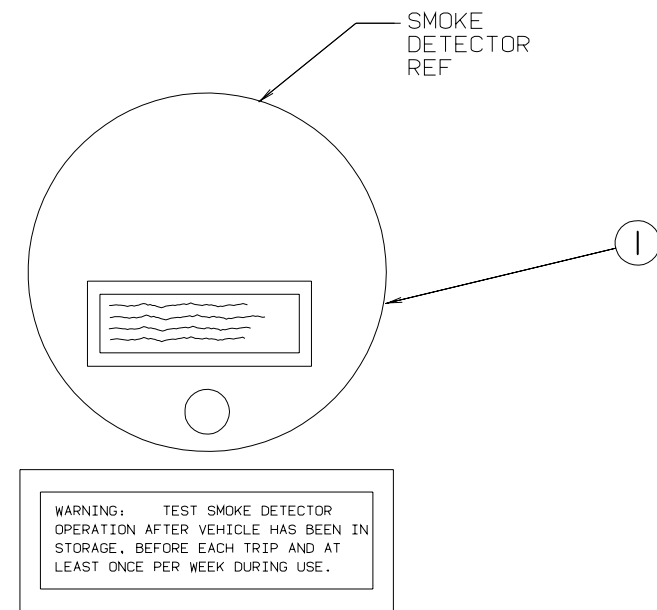
FROM: 00-00-00 THRU: 01-12-97
 FROM: 01-13-97 THRU: 99-99-99

INTERIOR FINISH GROUP (CONTINUED)

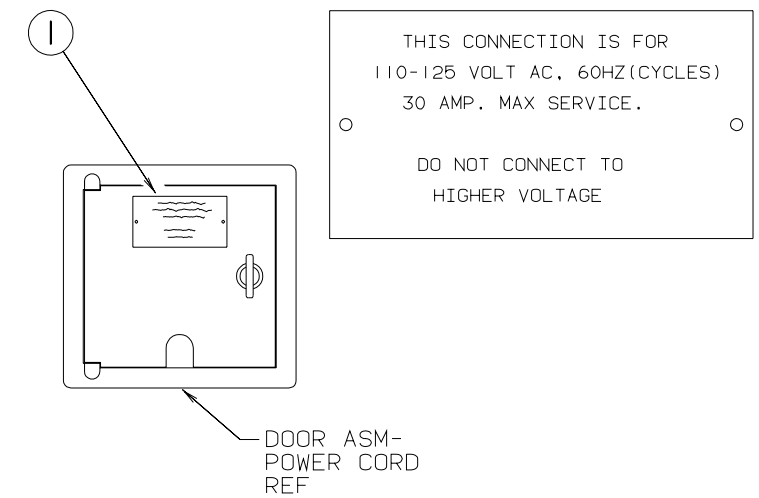
FIRE EXTINGUISHER, DETECTORS & WALL CLOCK

KEY	PART NUMBER	U/M	DESCRIPTION	VENDOR NO.
	072852-01-000	EA	DETECTOR-SMOKE-W/9VOLT BATTERY-US	
	072852-02-000	EA	DETECTOR-SMOKE-W/9VOLT BATTERY-CANADIAN	
	094499-02-000	EA	EXTINGUISHER-FIRE-DRY-1A10BC-CANADIAN	
	094499-01-000	EA	EXTINGUISHER-FIRE-DRY W/MOUNTING BRACKET-10B:C	
	094499-01-700	EA	BRACKET MOUNTING W/PLAS. STRAP	294039
	094499-01-701	EA	STRAP ONLY (METAL)	320351
	125136-01-000	EA	DETECTOR-CO-GAS-MODEL 9L-I	
	118081-02-01A	EA	CLOCK-WALL-ROUND 8"-BRASS	

LABEL GROUP

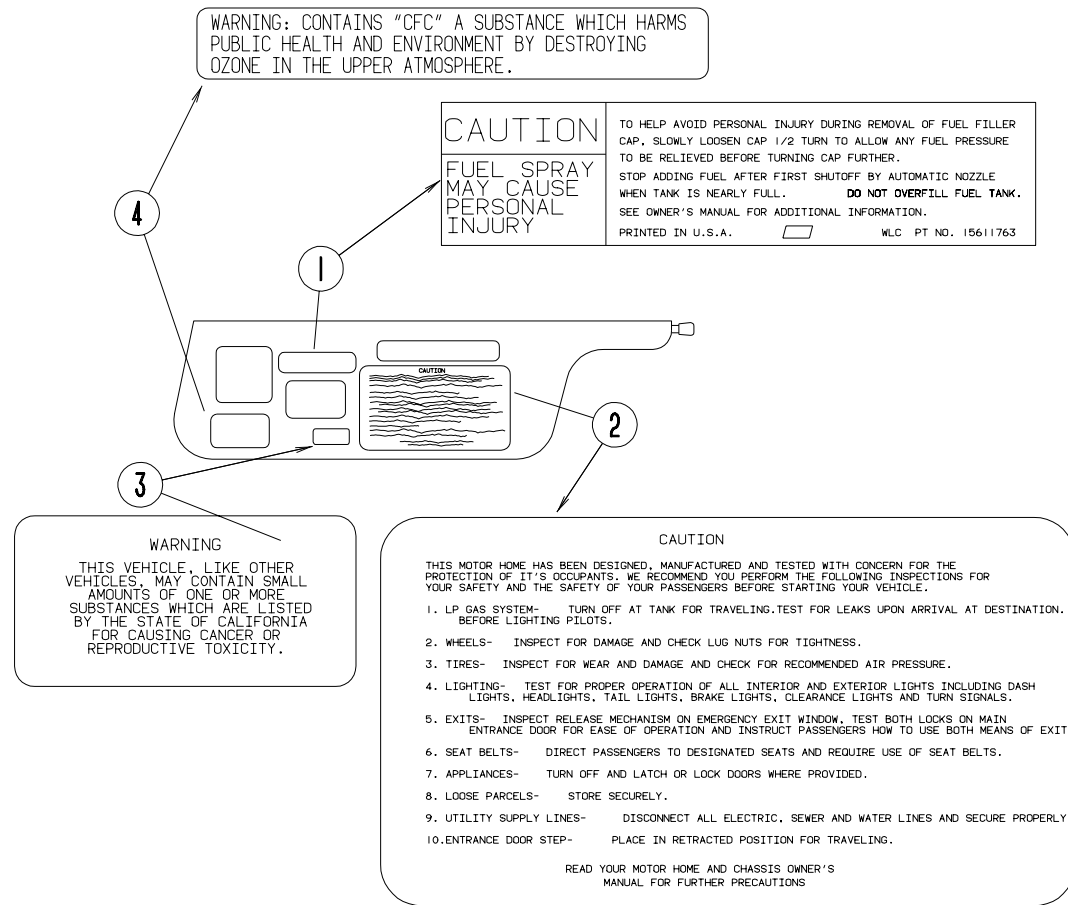


KEY	PART NUMBER	U/M	DESCRIPTION
1	077956-01-000	EA	LABEL-WARNING-SMOKE DETECTOR

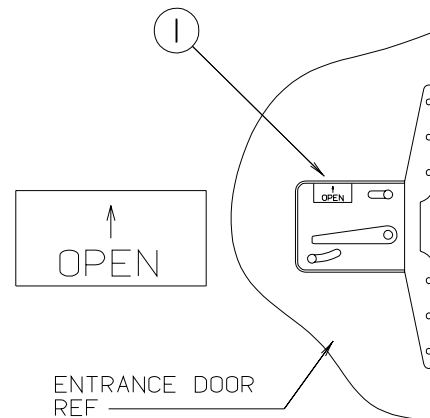


KEY	PART NUMBER	U/M	DESCRIPTION
1	006062-01-000	EA	TAG-ELECTRIC-110V CONNECTION

LABELSGROUP(CONTINUED)

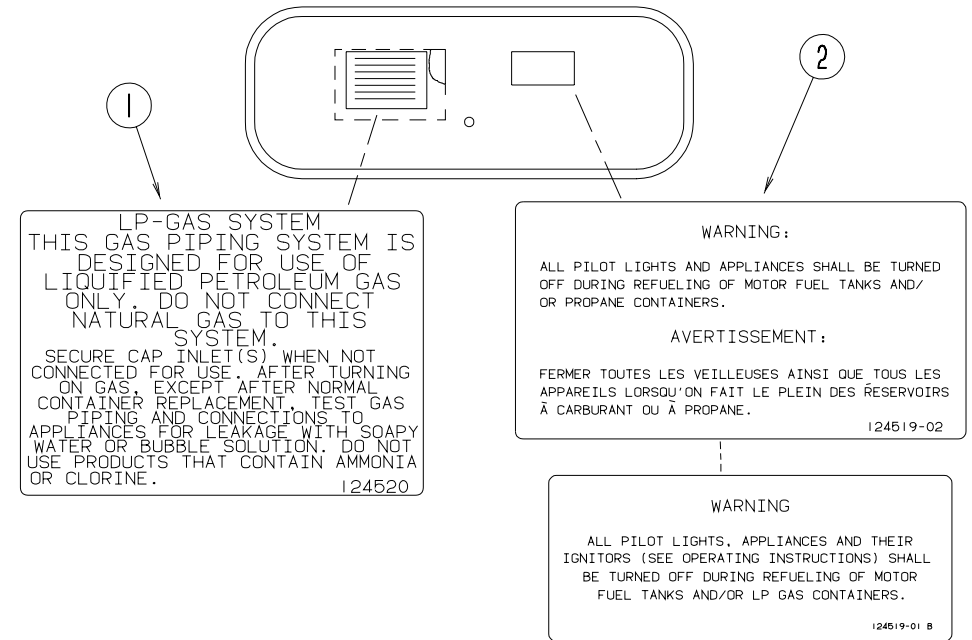


KEY	PARTNUMBER	U/M DESCRIPTION
1	087207-05-000	EA LABEL-FUELCAPREMOVAL
2	056259-01-000	EA LABEL-SAFETYCHECKLIST
3	099689-01-000	EA LABEL-WARNING-CANCER/TOXICITY
4	111802-01-000	EA LABEL-CFCWARNING

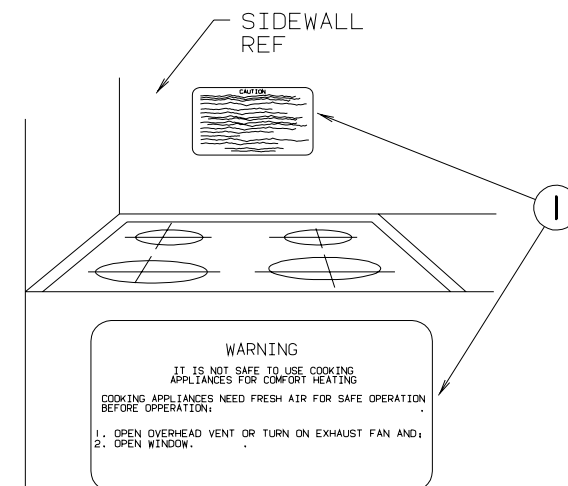


KEY	PARTNUMBER	U/M DESCRIPTION
1	040944-01-000	EA LABEL-ENTRANCEDOOR-"OPEN"

LABELSGROUP(CONTINUED)

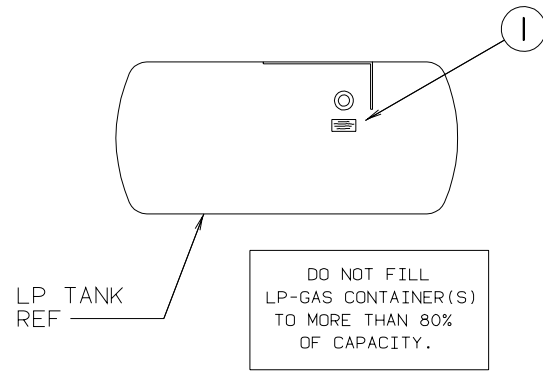


KEY	PARTNUMBER	U/M DESCRIPTION
1	124520-01-02A	EA LABEL-LPGASONLY
	023769-01-000	EA LABEL-WARNING-LPG-CANADIAN
2	124519-01-02A	EA LABEL-WARNING/REFUELING
2	124519-02-02A	EA LABEL-WARNING/REFUELING-CSA

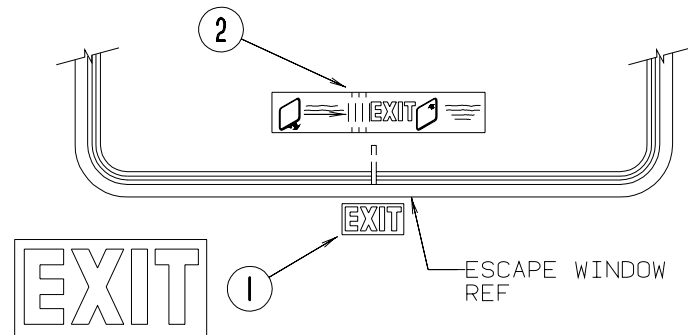
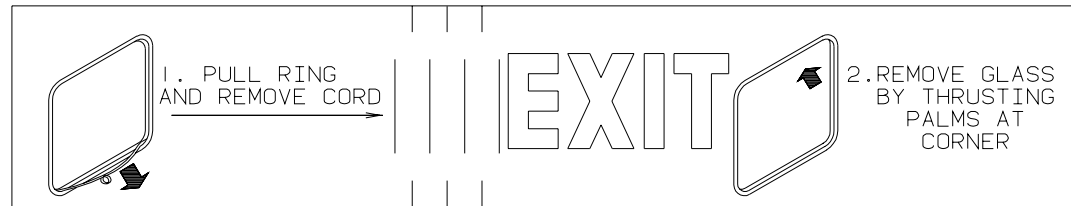


KEY	PARTNUMBER	U/M DESCRIPTION
1	050225-01-000	EA LABEL-WARNING-STOVEVENT-US
1	050222-01-000	EA LABEL-WARNING-STOVEVENT-CSA

LABELSGROUP(CONTINUED)



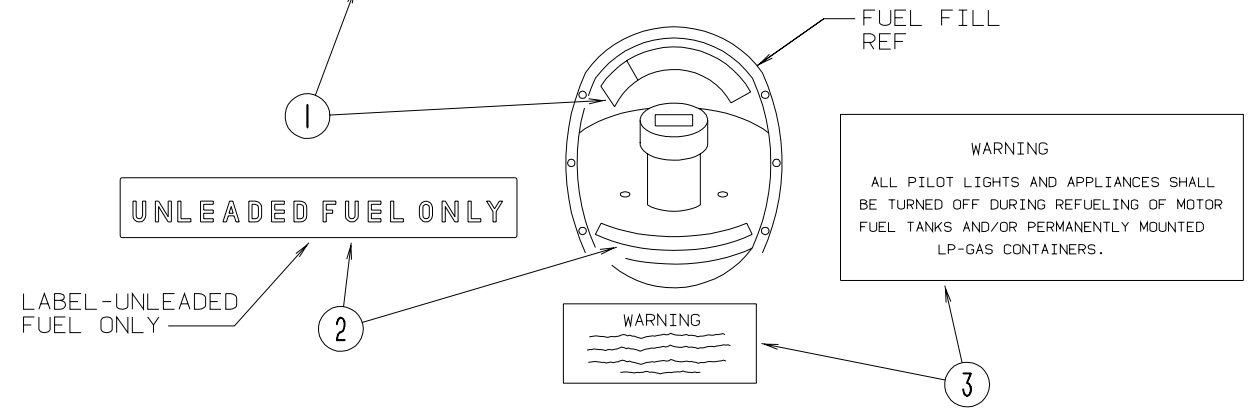
KEY	PARTNUMBER	U/M DESCRIPTION
1	079965-01-000	EA LABEL-LPG-80%CAPACITY



KEY	PARTNUMBER	U/M DESCRIPTION
1	107571-01-000	EA LABEL-EXIT/ESCAPEWINDOW
2	039290-01-000	EA LABEL-EXITWARNING

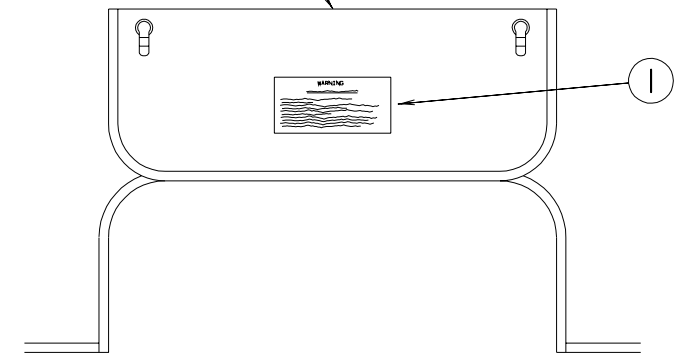
LABELSGROUP(CONTINUED)

CAUTION	TO HELP AVOID PERSONAL INJURY DURING REMOVAL OF FUEL FILLER CAP, SLOWLY LOOSEN CAP 1/2 TURN TO ALLOW ANY FUEL PRESSURE TO BE RELIEVED BEFORE TURNING CAP FURTHER.
FUEL SPRAY MAY CAUSE PERSONAL INJURY	STOP ADDING FUEL AFTER FIRST SHUTOFF BY AUTOMATIC NOZZLE WHEN TANK IS NEARLY FULL. DO NOT OVERFILL FUEL TANK. SEE OWNERS MANUAL FOR ADDITIONAL INFORMATION.
	PRINTED IN U.S.A. MLC PT NO 15611763



KEY	PARTNUMBER	U/M DESCRIPTION
1	087207-05-000	EA LABEL-FUELCAPREMOVAL
2	062043-01-000	EA LABEL-FUEL-UNLEADED
3	006040-01-000	EA TAG-GASREFUELINGWARNING
3	006040-02-000	EA TAG-GASREFUELINGWARNING(CANADIAN)

GENERATOR COMP
DOOR REF



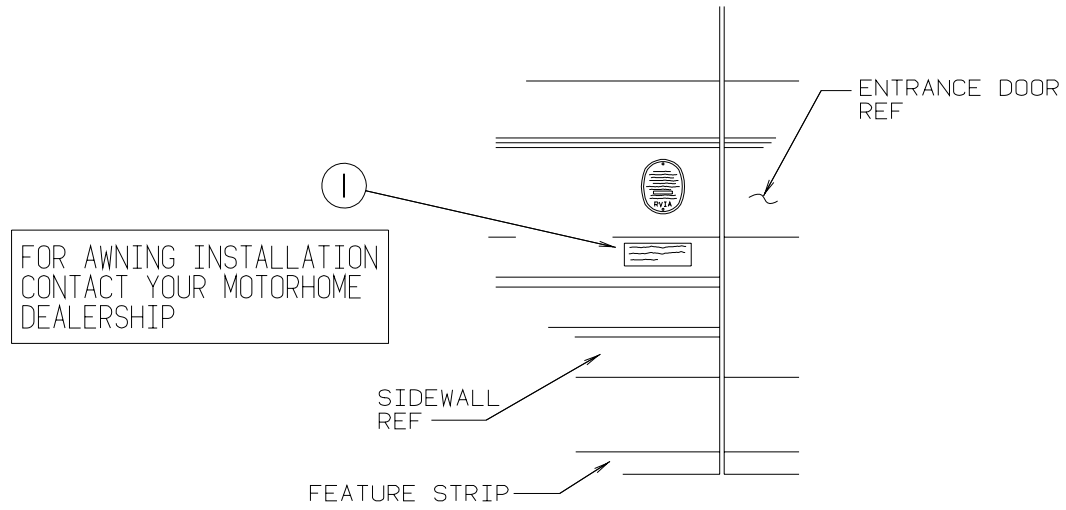
WARNING

WHEN ADDING A GENERATOR SET:

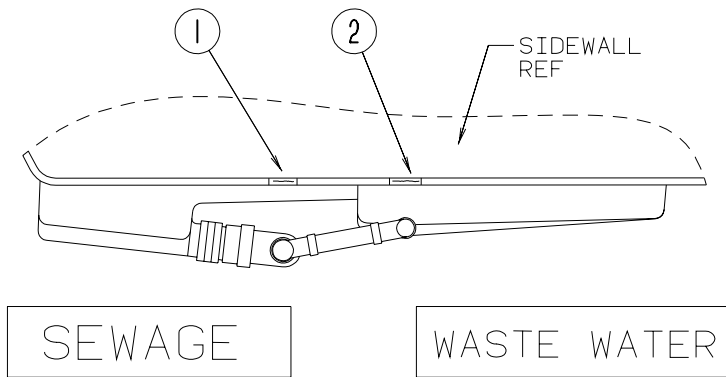
HIGH VOLTAGE-USE EXTREME CAUTION WHEN WORKING ON ELECTRICAL COMPONENTS. HAVE ALL ELECTRICAL INSTALLATION PERFORMED BY A QUALIFIED LICENSED ELECTRICIAN-FOLLOW ALL STATE AND LOCAL CODES. ONLY INSTALL GENERATOR SET APPROVED FOR R.V. APPLICATION. HAVE INSTALLED BY QUALIFIED TECHNICIAN. TO AVOID HEAT BUILD-UP AND TO GUARANTEE AN ADEQUATE AIR SUPPLY TO THE GENERATOR CARBURETOR, FOLLOW INSTALLATION INSTRUCTIONS. GENERATOR ENGINE EXHAUST GASES ARE TOXIC AND MUST NOT TERMINATE UNDER THE VEHICLE-DISCHARGE EXHAUST AWAY FROM VEHICLE.

KEY	PARTNUMBER	U/M DESCRIPTION
1	077510-01-000	EA LABEL-GENERATORPREP

LABELSGROUP(CONTINUED)

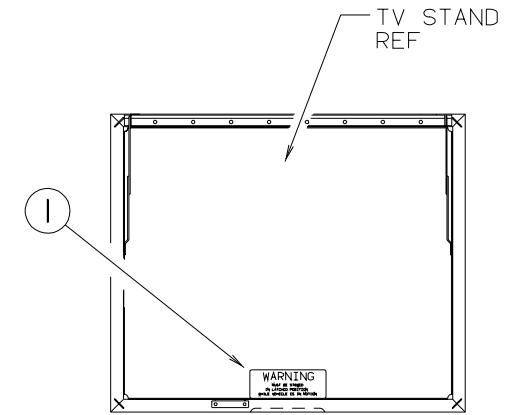


KEY	PARTNUMBER	U/M DESCRIPTION
1	099509-01-000	EA LABEL-AWNINGINSTALLATION



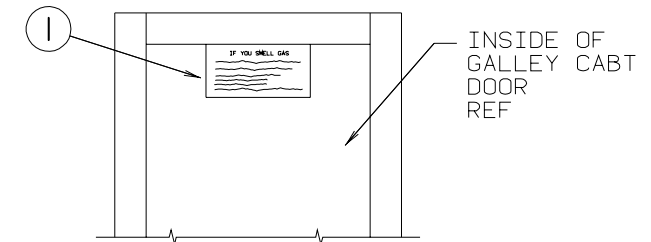
KEY	PARTNUMBER	U/M DESCRIPTION
1	006187-01-000	EA LABEL-SEWAGE
2	006188-01-000	EA LABEL-WASTEWATER

LABELSGROUP(CONTINUED)



WARNING
MUST BE STOWED
IN LATCHED POSITION
WHILE VEHICLE IS IN MOTION

KEY	PARTNUMBER	U/M DESCRIPTION
1	079966-01-000	EA LABEL-WARNING-STOWED-MOTION

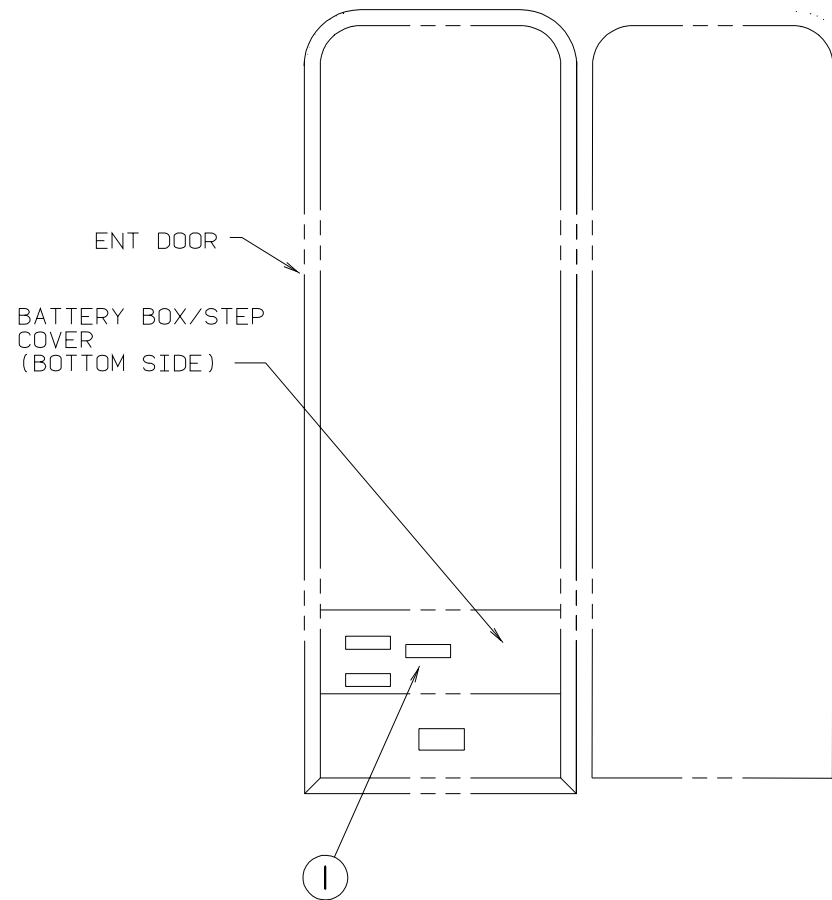


IF YOU SMELL GAS

1. EXTINGUISH ANY OPEN FLAME, PILOT LIGHTS AND ALL SMOKING MATERIALS.
2. SHUT OFF THE GAS SUPPLY AT THE TANK VALVE(OR GAS SUPPLY CONNECTION.
3. OPEN DOORS AND OTHER VENTILATING OPENINGS.
4. DO NOT TOUCH ELECTRICAL SWITCHES.
5. LEAVE THE AREA UNTIL ODOR CLEARS.
6. HAVE THE GAS SYSTEM CHECKED AND LEAKAGE SOURCE CORRECTED BEFORE USING AGAIN.

KEY	PARTNUMBER	U/M DESCRIPTION
1	073998-01-000	EA LABEL-LPGODORWARNING

LABELSGROUP(CONTINUED)



WARNING: DISCONNECT BATTERIES BEFORE CONNECTING EXTERNAL CHARGING EQUIPMENT.

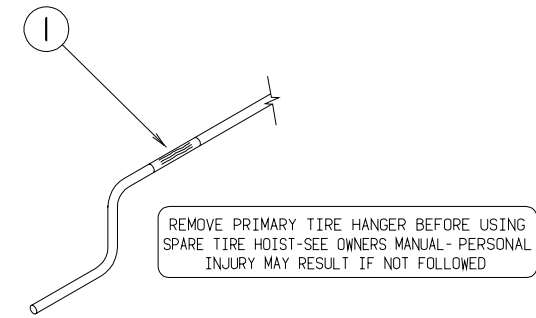
AVERTISSEMENT: DEBRANCHER LES BATTERIES AVANT DE BRANCHER TOUT EQUIPEMENT DE CHARGE EXTERIEUR.

KEY	PARTNUMBER	U/M DESCRIPTION
1	065748-01-000	EA LABEL-CAUTION-BATTERYCHARGING
1	065748-02-000	EA LABEL-WARNING-BATTERY/FRENCH

<p>NOTE: TUNE ANTENNA PER MANUFACTURER'S DIRECTIONS. FAILURE TO COMPLY COULD RESULT IN DAMAGE TO CB.</p>	<p>CB POWER PROVISION</p> <p>RED +12 V BLACK GROUND COAX ANTENNA (SEE REVERSE ALSO)</p>
--	---

KEY	PARTNUMBER	U/M DESCRIPTION
1	104678-01-000	EA LABEL-CBPREP

LABELSGROUP(CONTINUED)



KEY	PARTNUMBER	U/M DESCRIPTION
1	126024-01-01A	EA LABEL-TIREHANGERREMOVAL

FROM: 01-20-97 THRU: 99-99-99

DO NOT USE HITCH BEFORE READING OWNERS MANUAL REGARDING VEHICLE LOADING AND TOWING

KEY	PARTNUMBER	U/M DESCRIPTION
1	111104-01-000	EA LABEL-HITCH-READMANUAL-WHITE

AIR CONDITIONING CIRCUIT. THIS CONNECTION IS FOR AIR CONDITIONERS RATED 110-125 VOLT AC, 60 HZ, 16 AMPERES MAXIMUM. DO NOT EXCEED CIRCUIT RATING.

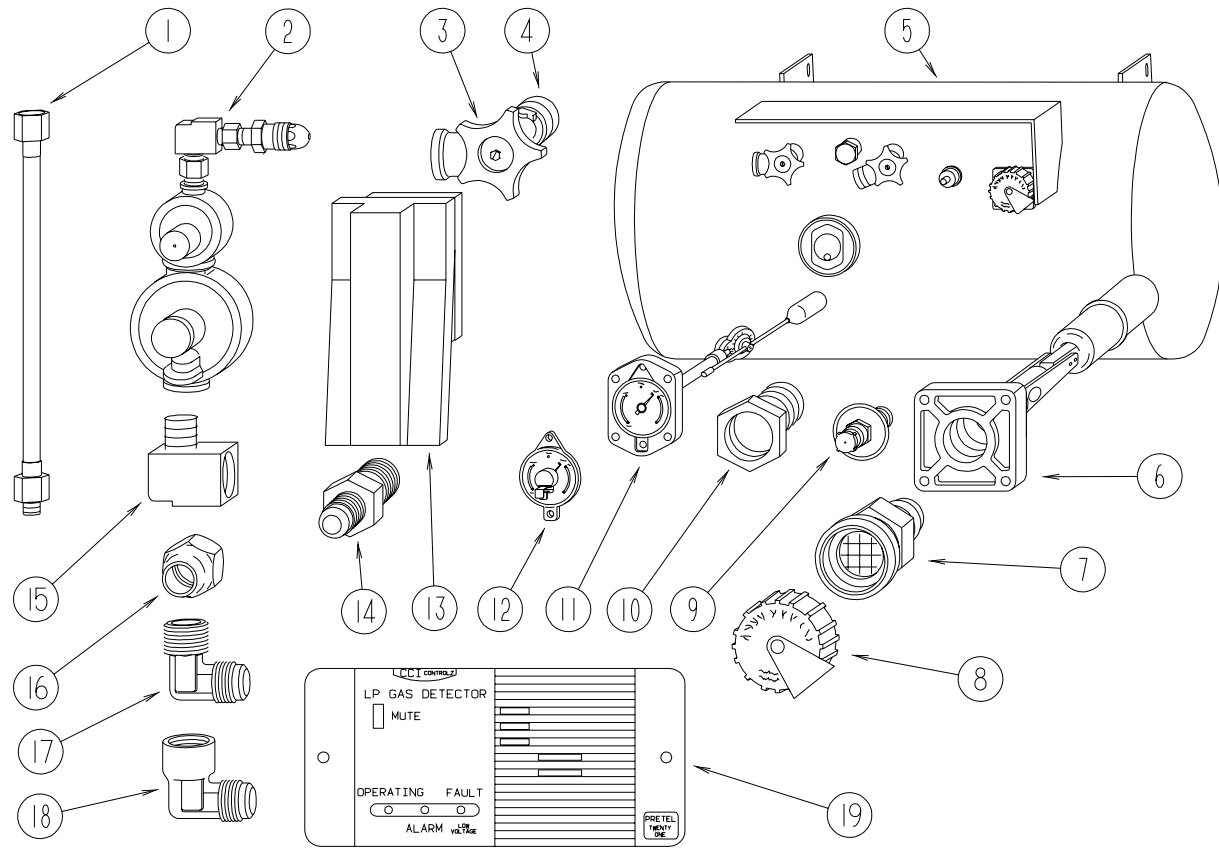
KEY	PARTNUMBER	U/M DESCRIPTION
1	091243-01-000	EA LABEL-A/C COVER "AIRCONDITIONINGCIRCUITETC."

MISCELLANEOUSLABELS

KEY	PARTNUMBER	U/M DESCRIPTION
	092547-06-000	EA LABEL-CIRCUITBREAKER
	094675-01-000	EA LABEL-EXTERIORLIGHT-SERVICE
	095721-10-000	EA LABEL-CONTROLCENTER(30A)(CANADIAN)
	095721-14-000	EA LABEL-CONTROLCENTER(30A)
	095721-17-000	EA LABEL-CONTROLCENTER-50AMP
	095721-18-000	EA LABEL-CONTROLCENTER-50AMP-CSA
	098379-04-000	EA LABEL-ELECTRICALBOX-SIDE
	098641-01-000	EA LABEL-FUEL-UNLEADED-DASH
	111537-07-000	EA LABEL-FUSES
	087263-01-000	EA LABEL-CABLE-INPUT

LPGROUP

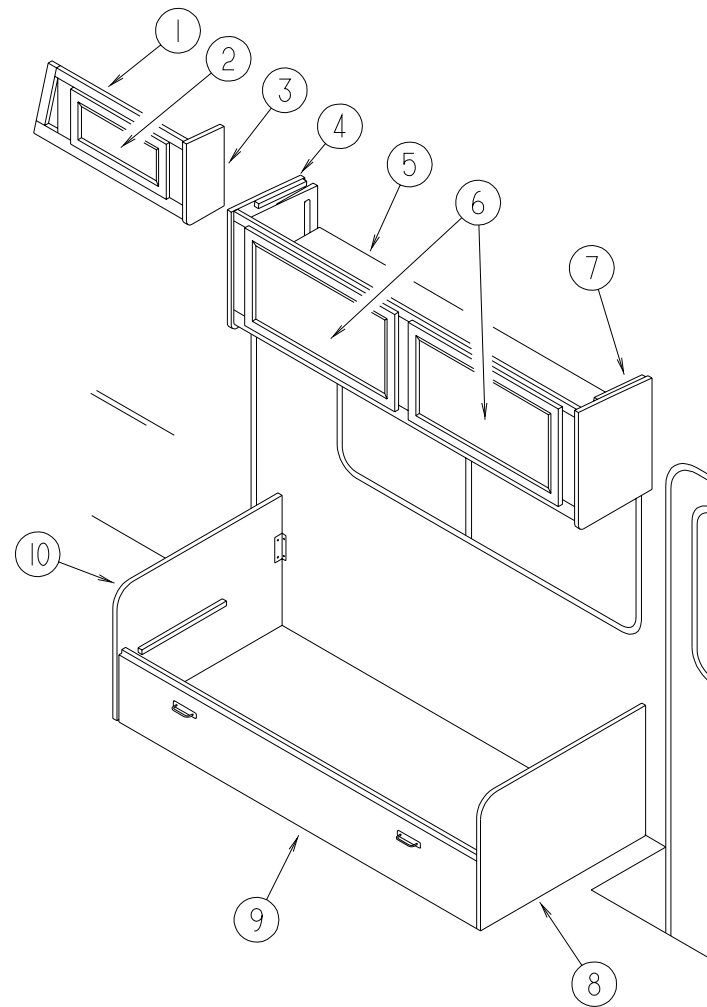
LPTANK&COMPONENTS



KEY	PARTNUMBER	U/M	DESCRIPTION	VENDORNO.
1	045703-01-000	EA	HOSE-LP-3/8"IDX24"-3/8"MPTX1/2"FSWIVEL-U.S.	
1	045703-02-000	EA	HOSE-LP-3/8"IDX24"-3/8"MPTX1/2"FSWIVEL-CANADA	
2	106150-01-000	EA	REGULATOR-TWOSTAGE	
3	040421-01-708	EA	HANDWHEEL-SERVICEVALVE	G-1015-A
4	040421-01-712	EA	VALVE-SERV.W/OVAPORRELIEF	29000853
5	097821-01-000	EA	TANK-LP-60LB BRUNNER-14"X30"	
6	040421-01-711	EA	VALVE-80%FILLW/AUTOSTOP	LLL/TL3
7	040421-01-701	EA	VALVE-FILL-SHORT,LP	7547B
8	040421-01-702	EA	CAP-FILLVALVE-PLASTIC	G-1014-A
9	040421-01-700	EA	VALVE-LIQUIDLEVEL-20%	G-1013
10	040421-01-713	EA	VALVE-RELIEF1"W/SPRING7"	29000587
11	040421-01-707	EA	FLOATASM.(SIGHTGAUGE)14"	14C
12	040440-02-000	EA	TRANSMITTER-DIAL-0-90OHM-2TERMINAL(POWER&GROUND)	
13	105658-01-000	EA	COMPARTMENT-LPREGULATOR	
14	010323-01-000	EA	ADAPTER-BRASS-3/8"FX1/2"MPT	
14	010329-01-000	EA	ADAPTER-BRASS-1/2"FX1/2"MPT	
15	065318-02-000	EA	ELBOW-90DEGREE-3/8"MPTTO3/8"FPT	
16	010377-02-000	EA	NUT-BRASS-3/8"FLARE-FORGED	
16	010380-02-000	EA	NUT-BRASS-1/2"FLARE-FORGED	
17	010252-01-000	EA	ELBOW-BRASS-90DEGREE-3/8"FX1/2"MPT	
18	010265-01-000	EA	ELBOW-BRASS-90DEGREE-3/8"FX1/2"FPT	
19	103613-03-000	EA	DETECTOR-LPGAS-W/OSHUT-OFFVALVE	

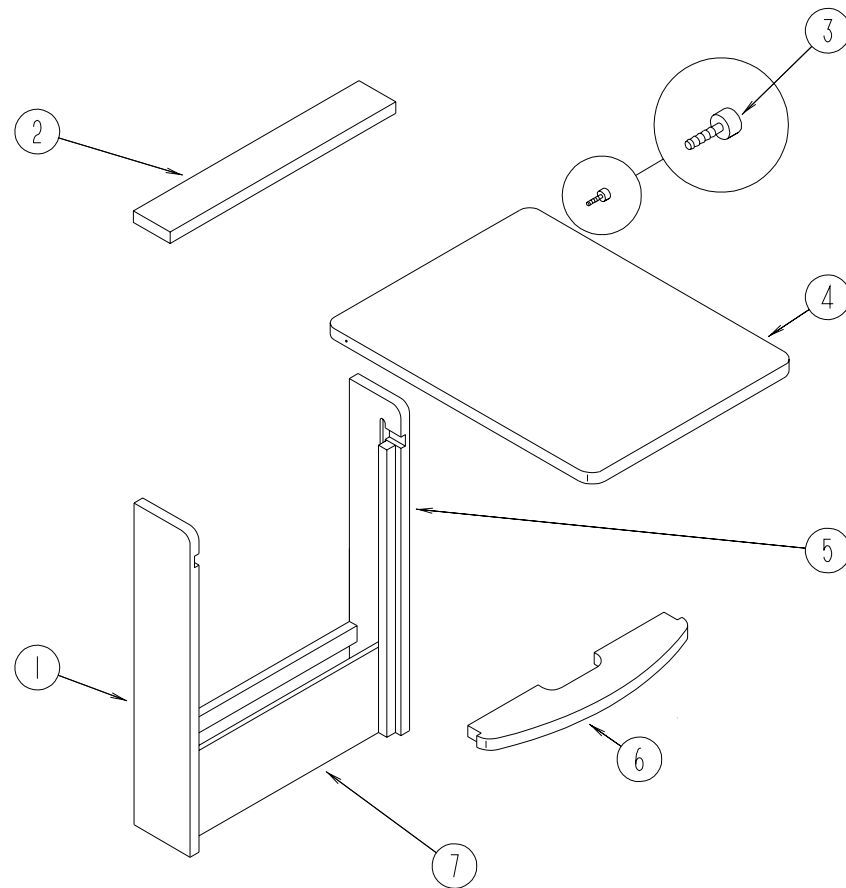
LOUNGE GROUP

FRONT OVERHEAD CABINET (PASSENGER SIDE)



KEY	PART NUMBER	U/M	DESCRIPTION
1	M06838-01-H17	EA	CABINET-FRONT PASSENGER OVERHEAD W/O DOOR/HARDWARE
1	M06838-01-H18	EA	CABINET-FRONT PASSENGER OVERHEAD W/O DOOR/HARDWARE
1	M06838-01-H19	EA	CABINET-FRONT PASSENGER OVERHEAD W/O DOOR/HARDWARE
1	M06838-01-H40	EA	CABINET-FRONT PASSENGER OVERHEAD W/O DOOR/HARDWARE
1	M06838-01-H41	EA	CABINET-FRONT PASSENGER OVERHEAD W/O DOOR/HARDWARE
2	M06803-04-H17	EA	DOOR-MITERED CORNER/OGEE EDGE-10"X19.1"-W/O HDW(OAK)
2	122715-03-01A	EA	DOOR-MOLDED VINYL-10"X19.1"-W/O HDW(WHITE)
3	103128-08-G09	EA	ENDCAP-OVERHEAD CABINET-RIGHT HAND(OAK)
3	103128-08-G09	EA	ENDCAP-OVERHEAD CABINET-RIGHT HAND(OAK)
4	103128-39-G09	EA	ENDCAP-OVERHEAD CABINET-LEFT HAND(OAK)
4	103128-39-H40	EA	ENDCAP-OVERHEAD CABINET-LEFT HAND(WHITE)
5	112061-01-G15	EA	CABINET-OVERHEAD FRONT RIGHT HAND-W/O DOORS/HARDWARE(OAK)
5	112061-01-H40	EA	CABINET-OVERHEAD FRONT RIGHT HAND-W/O DOORS/HARDWARE(WHITE)
	112061-12-G15	EA	SHELF-W/PLASTIC EDGE MOLDING(OAK)
	112061-12-H40	EA	SHELF-W/PLASTIC EDGE MOLDING(WHITE)
6	M06803-82-H17	EA	DOOR-MITERED CORNER/OGEE EDGE-15.7"X28"-W/O HDW(OAK)
6	122715-08-01A	EA	DOOR-MOLDED VINYL-15.7"X28"-W/O HDW(WHITE)
7	103128-01-G09	EA	ENDCAP-OVERHEAD CABINET-RIGHT HAND(OAK)
7	103128-01-H40	EA	ENDCAP-OVERHEAD CABINET-RIGHT HAND(WHITE)
8	M04187-84-G15	EA	PANEL-COUCH-RIGHT END-FABRIC COVERED(H17)
8	M04187-84-H18	EA	PANEL-COUCH-RIGHT END-FABRIC COVERED(H18)
8	M04187-84-H19	EA	PANEL-COUCH-RIGHT END-FABRIC COVERED(H19)
8	M04187-84-H40	EA	PANEL-COUCH-RIGHT END-FABRIC COVERED(H40)
8	M04187-84-H41	EA	PANEL-COUCH-RIGHT END-FABRIC COVERED(H41)
9	M04187-83-H17	EA	PANEL-COUCH-FRONT KICK-FABRIC COVERED
9	M04187-83-H18	EA	PANEL-COUCH-FRONT KICK-FABRIC COVERED
9	M04187-83-H19	EA	PANEL-COUCH-FRONT KICK-FABRIC COVERED
9	M04187-83-H40	EA	PANEL-COUCH-FRONT KICK-FABRIC COVERED
9	M04187-83-H41	EA	PANEL-COUCH-FRONT KICK-FABRIC COVERED
10	M04187-85-G15	EA	PANEL-COUCH-LEFT END-FABRIC COVERED(H17)
10	M04187-85-H18	EA	PANEL-COUCH-LEFT END-FABRIC COVERED(H18)
10	M04187-85-H19	EA	PANEL-COUCH-LEFT END-FABRIC COVERED(H19)
10	M04187-85-H40	EA	PANEL-COUCH-LEFT END-FABRIC COVERED(H40)
10	M04187-85-H41	EA	PANEL-COUCH-LEFT END-FABRIC COVERED(H41)
	082525-01-000	EA	BRACE-COUCH-FLOOR MOUNT-ANGLE 3" LONG

LOUNGE GROUP (CONTINUED)



PULLOUT TABLE

KEY	PARTNUMBER	U/M	DESCRIPTION
	P19559-01-G35	EA	CABINET-TABLE-W/OPULLOUTTOP(OAK)
	P19559-01-H23	EA	CABINET-TABLE-W/OPULLOUTTOP(WHITE)
1	119559-12-G35	EA	END-TABLE-LEFTSIDE-28.7"X5.7"(OAK)
1	119559-12-H23	EA	END-TABLE-LEFTSIDE-28.7"X5.7"(WHITE)
2	119559-13-G35	EA	SHELF-TOPF/PULLOUTTABLE(OAK)
2	119559-13-H23	EA	SHELF-TOPF/PULLOUTTABLE(WHITE)
3	079921-01-000	EA	ROLLER-NYLON-W/STEELSHAFT-BARBED
4	119559-17-G35	EA	TABLETOP-PULLOUT(OAK)
4	119559-17-H23	EA	TABLETOP-PULLOUT(WHITE)
5	119559-11-G35	EA	END-TABLE-RIGHTSIDE-28.7"X5.7"(OAK)
5	119559-11-H23	EA	END-TABLE-RIGHTSIDE-28.7"X5.7"(WHITE)
6	119559-14-G35	EA	SHELF-SUPPORTF/PULLOUTTABLE(OAK)
6	119559-14-H23	EA	SHELF-SUPPORTF/PULLOUTTABLE(WHITE)
7	119559-15-G35	EA	PANEL-BOTTOMF/TABLECABINET-18.1"X6.7"(OAK)
7	119559-15-H23	EA	PANEL-BOTTOMF/TABLECABINET-18.1"X6.7"(WHITE)
	080736-01-000	EA	PULL-RECESSED-1.25X4"-OAK

LOUNGE GROUP (CONTINUED)

ENTRY STEP COMPONENTS

KEY	PARTNUMBER	U/M	DESCRIPTION
	120234-04-H23	EA	LID-ENTRYSTEP(OAK)
	120234-04-H40	EA	LID-ENTRYSTEP(WHITE)
	122755-03-01A	EA	TILE-RUBBER/ENTRANCEDOOR-17.7"X26.4"
	101222-01-04A	EA	BRACKET-CATCH-LID
	101222-01-02A	EA	BRACKET-CATCH-LID-OFFWHITE
	116975-01-01A	EA	LATCH-W/OSTRIKE-BLACK-NEWSTYLE
	116975-02-01A	EA	KEEPER/STRIKE-BLACK-NEWSTYLE

SEALANTS&FASTENERSGROUP

ADHESIVES

KEY	PARTNUMBER	U/M DESCRIPTION	VENDORNO.
	004006-05-700	EA ADHESIVE-NAT.STARCH(5GAL)	0802
	004020-01-000	QT ADHESIVE-ABSCEMENT-QUART	
	067788-01-000	EA ADHESIVE-SPRAY-3M-19.5AEROSOLCAN	
	087211-01-000	GL PROMOTER-ADHESIVE	

TAPES

KEY	PARTNUMBER	U/M DESCRIPTION
	063642-01-000	FT TAPE-ADHESIVE-.4"X1.5"X180"
	110274-01-000	FT TAPE-DOUBLESIDEDFOAM-.45"X1"
	120534-01-01A	EA TAPE-SCOTCH-3M-1/2"FINELINE
	123816-01-000	FT TAPE-DOUBLESIDED-1"
	123816-02-000	FT TAPE-DOUBLESIDED-1/2"
	123816-03-000	FT TAPE-DOUBLESIDED-1/2"
	123816-04-000	FT TAPE-DOUBLESIDED-6"

SEALERS

KEY	PARTNUMBER	U/M DESCRIPTION
	069640-01-000	FT SEALER-RIBBON-1/4"DIAMETERX30'
	069640-02-000	FT SEALER-TAPE-1/8"THICKX.50"WIDEX60'
	069640-03-000	FT SEALER-TAPE-1/8"THICKX.75"WIDEX60'-BLACK
	069640-14-000	FT SEALER-TAPE-1/16"THICKX1"WIDEX100'
	069640-17-000	FT SEALER-TAPE-1/32"THICKX1"WIDEX90'
	069640-18-000	FT SEALER-TAPE-1/2"THICKX1/8"WIDEX60'-BRT/WHITE
	072889-01-000	EA SEALANT-URETHANE-BLACK-1/10
	072889-09-000	EA SEALANT-URETHANE-BLACK(TUBE)
	072889-10-000	EA SEALANT-URETHANE(HV)-BRIGHTWHITE
	072889-12-000	EA SEALANT-URETHANE(LV)BRIGHTWHITE
	120074-02-01A	EA SEALANT-SILICONE-OFFWHITE
	102352-01-000	EA SEALER-PUMPABLE-BLACK
	102352-02-000	EA SEALER-PUMPABLE-CLEAR
	106206-01-000	EA SEALER-PUMPABLE-MANUS30A-BLACK
	900390-01-000	EA TIP-21/2"X1/8"ORIFICE
	900390-03-000	EA NOZZLE-SILICONETUBE
	034552-02-000	EA SILICONE-TUBE-300ML-W/ONOZZLE-CLEAR
	039518-01-000	EA SILICONE-TUBE-300ML-BLACK-W/ONOZZLE
	108716-03-000	EA SILICONE-TUBE-BRIGHTWHITE/SELFLEVELING-W/ONOZZLE
	053766-02-000	EA BEDDINGCOMPOUND-TUBE-WHITE
	053766-06-000	EA BEDDINGCOMPOUND-TUBE-CLEAR
	076322-01-000	FT TAPE-DOUBLECOATED/ADHESIVEBACK-.025"THKX.75"WX18'
	076322-05-000	FT TAPE-FOAM-DOUBLECOATED-.045"X.75"X108'
	076322-07-000	FT TAPE-FOAM-DOUBLECOATED.045X.50-NORTV2000

SEALANTS&FASTENERSGROUP(CONTINUED)

WASHERS

KEY	PARTNUMBER	U/M DESCRIPTION
	000E11-07-00B	EA WASHER-LOCKING-7/16MEDSPLIT-ZINC
	000E11-08-00B	EA WASHER-LOCKING-1/2MEDSPLIT-ZINC
	000E13-14-00B	EA WASHER-FLAT-1/4WIDE-ZINC
	000E13-18-00B	EA WASHER-FLAT-3/8WIDE-ZINC
	000E13-20-00B	EA WASHER-FLAT-7/16WIDE-ZINC
	000E13-22-00B	EA WASHER-FLAT-1/2WIDE-ZINC
	000E13-26-00B	EA WASHER-FLAT-5/8WIDE-ZINC
	058716-02-000	EA WASHER-FLATNYLON
	110794-01-000	EA WASHER-FLAT-1"IDX13/4'OD
	000E13-17-00B	EA WASHER-FLAT-3/8"AR-ZINC

NUTS

KEY	PARTNUMBER	U/M DESCRIPTION
	000D24-10-00B	EA NUT-HEX-SELFLOCKING-10-32ZINC
	000D29-05-00B	EA NUT-5/16-18UNC-SF/LOCKING-NYLONWASHERINSERT
	000D34-06-00B	EA NUT-HEX-LOCKING-3/8-16GRADEC-ZINC-PREVAILINGT
	000D39-04-00B	EA NUT-HEX-SERRATEDFLANGE/LOCKING-1/4-20-ZINC
	000D39-05-00B	EA NUT-HEX-SERRATEDFLANGE/LOCKING-5/16-18-ZINC
	000D39-06-00B	EA NUT-HEX-SERRATEDFLANGE/LOCKING-3/8-18-ZINC
	000D39-07-00B	EA NUT-HEX-SERRATEDFLANGE/LOCKING-7/16-14-ZINC
	000D39-08-00B	EA NUT-HEX-SERRATEDFLANGE-LOCKING-1/2-13-ZINC
	000D44-07-00B	EA NUT-HEX-SERRATEDFLANGE-LOCKING-7/16-20-ZINC
	000D46-04-00A	EA NUT-HEX-WELD-1/4-20-PLAIN
	000D73-07-00C	EA NUT-HEXFLANGE-7/16-14-GRADEG
	000D76-06-00B	EA NUT-HEXFLANGE-3/8-16
	040921-01-000	EA NUT-SPEED-UTYPE-10-24BLACK
	040921-04-000	EA NUT-SPEED-UTYPE-#8-.59"LENGTHX.44"WIDTH
	040921-09-000	EA NUT-SPEED-UTYPE-#8
	044364-02-000	EA NUT-SPEED-FLAT-ROUND
	063253-07-000	EA NUT-J-#8A-.120-.130PNLTHK
	087234-01-000	EA NUT-JACK-1/4X20THD-MOLLY-MOUNTSLICENSEPLATES
	083163-06-000	EA PUSHNUT-FLATTYPE3/8STUD-FORDONLY
	000D29-06-00B	EA NUT-HEX-W/NYLONLOCK-3/8-16-ZINC

CLAMPS

KEY	PARTNUMBER	U/M DESCRIPTION
	007161-01-000	EA CLAMP-HOSE-SPRINGTYPE-1/2"
	010495-01-000	EA CLAMP-CABLE-9/16"
	010497-01-000	EA CLAMP-CLOSED-5/8"ID
	010497-03-000	EA CLAMP-CLOSED-1"ID-CUSHIONED
	010497-04-000	EA CLAMP-CLOSED-1.62"ID
	010497-05-000	EA CLAMP-CLOSED-1/2ID
	010499-01-000	EA CLAMP-CLOSED-3/8"ID
	062401-01-000	EA CLAMP-HOSE-WORMGEAR-.25"-1"
	062401-02-000	EA CLAMP-HOSE-WORMGEAR-1.56"-2.5"
	062401-03-000	EA CLAMP-HOSE-WORMGEAR-.22"-1"
	062401-04-000	EA CLAMP-HOSE-WORMGEAR-.69"-1.25"
	062401-05-000	EA CLAMP-HOSE-WORMGEAR-2"TO3"ID
	062401-06-000	EA CLAMP-HOSE-WORMGEAR-.22"-.62"ID
	062401-11-000	EA CLAMP-HOSE-WORMGEAR-3.50"-4.50"
	075148-02-000	EA CLAMP-GROUNDING-BRONZESCREWS
	083609-01-000	EA CLAMP-WIRE-DUAL-EQUALDIAMETERS-5/8"
	083610-01-000	EA CLAMP-WIRE-DUAL-UNEQUALDIAMETERS-3/4"&1 1/4"
	083610-02-000	EA CLAMP-WIRE-DUAL-UNEQUALDIAMETERS

SEALANTS&FASTENERSGROUP(CONTINUED)

SCREWS

KEY	PARTNUMBER	U/M	DESCRIPTION
	0G3908-08-170	EA	SCREW-SF/DR-8-18X.50PPH-BRIGHTWHITE
	0G3908-20-170	EA	SCREW-SF/DR-8-18X1.25PPH-BRIGHTWHITE
	000G11-05-08B	EA	SCREW-5-20X.50PPH-ZINC
	000G11-06-08B	EA	SCREW-6-20X.50PPH-ZINC
	000G11-06-06B	EA	SCREW-6-20X3/8PPH-ZINC
	000G11-06-10J	EA	SCREW-6-20X5/8PPH-BRASS
	000G11-07-08B	EA	SCREW-7-19X.50PPH-ZINC
	000G11-08-08B	EA	SCREW-8-18X.50PPH-ZINC
	000G11-08-06B	EA	SCREW-8-18X3/8PPH-ZINC
	000G11-08-20B	EA	SCREW-8-18X1.25PPH-ZINC
	000G11-08-16S	EA	SCREW-8-18X1PPH-OFFWHITE
	000G11-08-12T	EA	SCREW-8-18X.75PPH-BLACK
	000G11-08-12P	EA	SCREW-8-18X.75PPH-DARKBROWN
	000G11-08-12D	EA	SCREW-8-18X.75PPH-BLACK
	000G11-08-12B	EA	SCREW-8-18X.75PPH-ZINC
	000G11-08-08T	EA	SCREW-8-18X1/5PPH-FLUOROCARBONCOATING
	000G11-10-40B	EA	SCREW-10-16X21/2PPHCAD-34927-01-000
	000G11-10-16B	EA	SCREW-10-16X1PPH-ZINC
	000G11-10-12S	EA	SCREW-10-16X.75PPH-OFFWHITE
	000G11-10-12D	EA	SCREW-10-16X.75PPH-BLACK
	000G12-06-08T	EA	SCREW-6-20X1/2POH-BLACK
	000G13-06-10G	EA	SCREW-6-20X5/8PFH-ANTIQUEBRASS
	000G13-06-08G	EA	SCREW-6-20X.50PFH-ANTIQUEBRASS
	000G13-06-08B	EA	SCREW-6-20X.50PFH-ZINC
	000G13-06-24J	EA	SCREW-6-20X1.50PFH-BRASS
	000G13-06-16J	EA	SCREW-6-20X1PFH-BRASS
	000G13-07-12B	EA	SCREW-7-19X.75PFH-ZINC
	000G13-08-16B	EA	SCREW-8-18X1PFH-ZINC
	000G18-08-22B	EA	SCREW-MACHINE-8-32X13/8PPH-ZINC
	000G19-10-20B	EA	SCREW-MACHINE-10-32X1.25PPH-ZINC
	000G19-10-12F	EA	SCREW-MACHINE-10-32X.75-PPH-STAINLESSSTEEL
	000G19-10-08B	EA	SCREW-MACHINE-10-32X.50-PPH-ZINC
	000G32-10-06B	EA	SCREW-10-32X3/8PPH-ZINC
	000G39-06-10T	EA	SCREW-SF/DR-6-20X5/8PPH-BLACK
	000G39-06-08B	EA	SCREW-SF/DR-6-18X.50-ZINC
	000G39-06-16T	EA	SCREW-SF/DR-6-20X1PPH-BLACK
	000G39-06-10T	EA	SCREW-SF/DR-6-20X5/8PPH-BLACK
	000G39-08-24S	EA	SCREW-SF/DR-8-18X1.50-OFFWHITE
	000G39-08-24B	EA	SCREW-SF/DR-8-18X11/2PPH-ZINC
	000G39-08-16T	EA	SCREW-SF/DR-6-20X1PPH-BLACK
	000G39-08-16R	EA	SCREW-SF/DR-8-18X1PPH-BEIGE
	000G39-08-16B	EA	SCREW-SF/DR-8-18X1PPH-ZINC
	000G39-08-12T	EA	SCREW-SF/DR-8-18X.75PPH-BLACK
	000G39-08-12B	EA	SCREW-SF/DR-8-18X.75PPH-ZINC
	000G39-08-08S	EA	SCREW-SF/DR-8-18X.50PPH-OFFWHITE
	000G39-08-08B	EA	SCREW-SF/DR-8-18X1.50PPH-ZINC
	000G39-08-06B	EA	SCREW-SF/DR-8-18X3/8PPH-ZINC
	000G39-10-08B	EA	SCREW-SF/DR-10-16X.50PPH-ZINC
	000G39-10-209	EA	SCREW-SF/DR-10-16X11/4PPH-FLUOROCARBONSILVER
	000G39-10-20B	EA	SCREW-SF/DR-10-16X1.25PPH-ZINC
	000G39-10-129	EA	SCREW-SF/DR-10-16X.75PPH-FLUOROCARBONSILVER
	000G39-10-12D	EA	SCREW-SF/DR-10-16X.75PPH-BLACK
	000G39-10-12B	EA	SCREW-SF/DR-10-16X.75PPH-ZINC
	000G39-10-12R	EA	SCREW-SF/DR-10-16X.75PPH-BEIGE
	000G39-10-48B	EA	SCREW-SF/DR-10-16X3PPH-ZINC
	000G39-10-10B	EA	SCREW-SF/DR-10-16X.625-ZINC
	000G39-10-088	EA	SCREW-SF/DR-10-16X1/2PPH-FLEXFLUOROCARBON
	000G43-06-24B	EA	SCREW-MACHINE-6-32X1.50-ZINC

SEALANTS&FASTENERSGROUP(CONTINUED)

SCREWS(CONTINUED)

KEY	PARTNUMBER	U/M	DESCRIPTION
	000G46-08-24T	EA	SCREW-MACHINE-8-32X1.50PFH-BLACK
	000G50-04-08B	EA	SCREW-MACHINE-1/4-20X.50PTH-ZINC
	000G50-04-12B	EA	SCREW-MACHINE-1/4-20X.75PPH-ZINC
	000G52-08-18B	EA	SCREW-MACHINE-8-32X11/8PTH-ZINC
	000G54-04-20B	EA	SCREW-1/4-20X1.25PTH-TYPE23-ZINCPLATED
	000G55-08-12S	EA	SCREW-SF/DR-8-18X.75PWH-OFFWHITE
	000G55-08-16S	EA	SCREW-SF/DR-8-18X1.00-PWH-OFFWHITE
	000G56-12-48B	EA	SCREW-WOOD-12-11X3POH-SPECIALHARDENED
	000G60-10-28T	EA	SCREW-SF/DR-10-16X1.75-BLACK
	000G67-08-32B	EA	SCREW-8-15X2PPH-ZINC
	000G67-10-10D	EA	SCREW-10-12X5/8PPH-BLACK-TYPEA
	000G67-10-10B	EA	SCREW-10-12X5/8PPH-ZINC-TYPEA
	000G67-10-08B	EA	SCREW-10-12X.50PPH-ZINC
	000G67-10-36T	EA	SCREW-10-12X2.25PPH-BLACK
	000G67-10-24B	EA	SCREW-10-12X1.25PPH-ZINC
	000G67-10-16B	EA	SCREW-10-12X1PPH-ZINC
	000G67-10-120	EA	SCREW-10-12X.75PPH-TAN
	000G67-10-12P	EA	SCREW-10-12X.75-PPH-DARKBROWN
	000G67-10-12B	EA	SCREW-10-12X.75PPH-ZINC
	000G67-10-10S	EA	SCREW-10-12X5/8PPH-OFFWHITE
	000G68-06-12S	EA	SCREW-6-18X3/4POH
	000G68-06-10G	EA	SCREW-6-18X5/8POH-ANTIQUEBRASS
	049465-01-000	EA	SCREW-10-16W/WASHERPTH-DARKBROWN
	049465-03-000	EA	SCREW-10-16X1POHW/WASHER-OFFWHITE
	057671-01-000	EA	COVER-SCREW-#8-PLASTIC-OFFWHITE
	057671-15-000	EA	COVER-SCREW-BRIGHTWHITE
	075908-01-000	EA	SCREW-MACHINE-10-32X.56PTH-EXTERNALTOOTH-ZINC
	076790-01-000	EA	SCREW-6-20X11/4PPH-BLACK
	083554-01-000	EA	SCREW-DRYWALL-8X1.25
	083554-04-000	EA	SCREW-DRYWALL-8X2.50
	086256-01-000	EA	SCREW-SF/DR-8X3/4HWHLONG
	097974-01-000	EA	SCREW-PARTICLEBOARD-7-9X3/4PPH

SEALANTS&FASTENERSGROUP(CONTINUED)

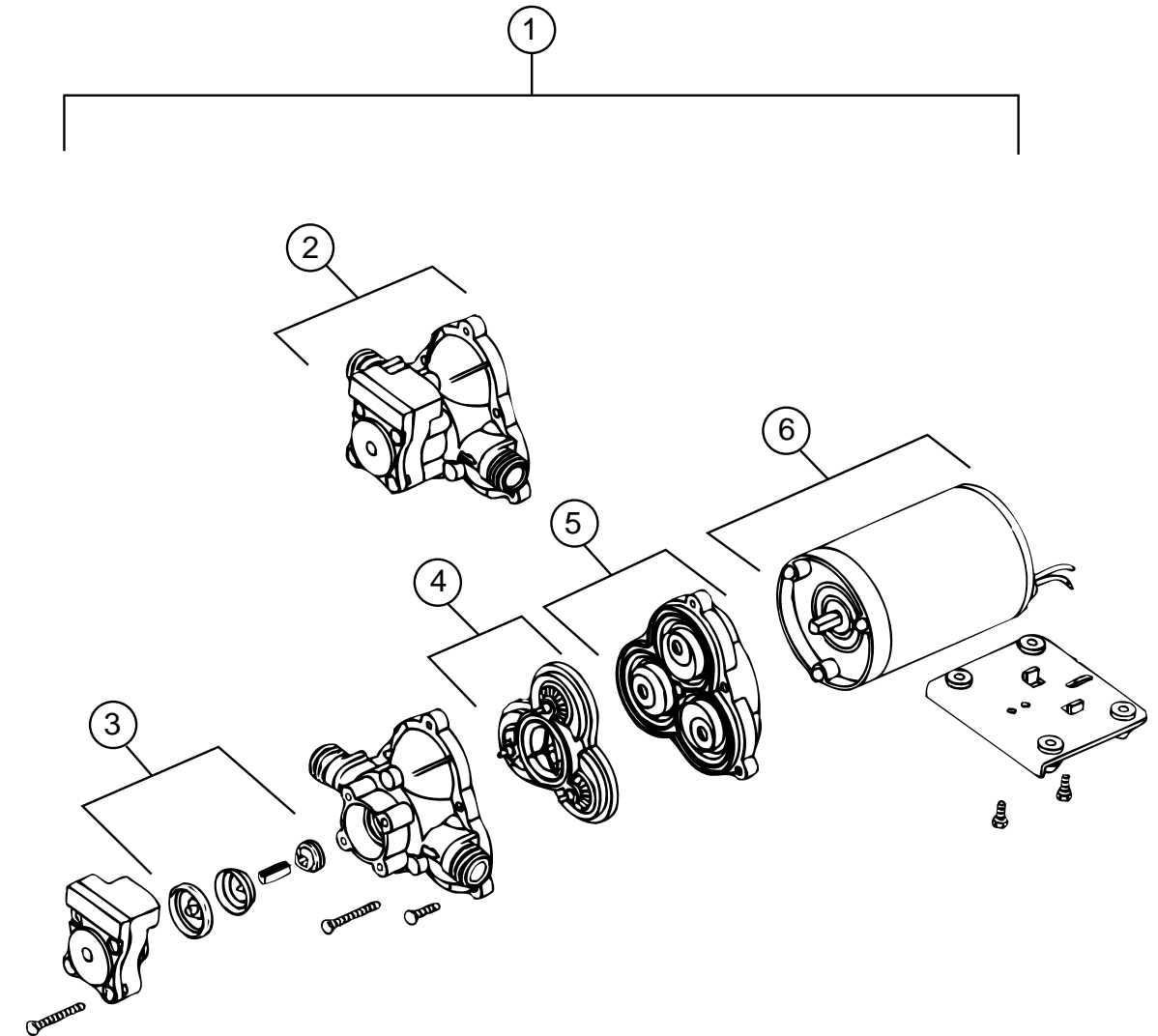
BOLTS

KEY	PARTNUMBER	U/M	DESCRIPTION
	000C12-05-16B	EA	BOLT-HEX-5/16-18X1-ZINC5
	000C12-05-12B	EA	BOLT-HEX-5/16-13X3/4ZINC5
	000C12-06-16B	EA	BOLT-HEX-3/8-16X1LG-ZINC5
	000C12-08-24B	EA	BOLT-HEX-1/2-13X1.50-ZINC5
	000C12-08-16B	EA	BOLT-HEX-1/2-13X1.00-GD5-ZINC
	000C12-10-24B	EA	BOLT-HEX-5/8-11X1.50-ZINC5
	000C13-07-48B	EA	BOLT-HEX-7/16-20X3-ZINC5
	000C26-04-18B	EA	BOLT-HEX-SERRATEDFLANGE-1/4-20X11/8-ZINC
	000C26-04-10B	EA	BOLT-HEX-SERRATEDFLANGE-1/4-20X5/8-ZINC
	000C26-05-16B	EA	BOLT-HEX-SERRATEDFLANGE-5/16-18X3/4-ZINC
	000C26-05-12B	EA	BOLT-HEX-SERRATEDFLANGE-5/16-18X3/4-ZINC
	000C26-05-20B	EA	BOLT-HEX-SERRATEDFLANGE-5/16-18X11/4-ZINC
	000C26-06-28B	EA	BOLT-HEX-SERRATEDFLANGE-3/8-16X13/4-ZINC
	000C26-06-16B	EA	BOLT-HEX-SERRATEDFLANGE-3/8-16X1-ZINC
	000C26-06-12B	EA	BOLT-HEX-SERRATEDFLANGE-3/8-16X3/4-ZINC
	000G45-04-24B	EA	BOLT-LAG-1/4-9X1.50ZINC
	051387-05-000	EA	BOLT-CARRIAGEW/OHOLE-5/16-18X9.5-ZINC
	051387-06-000	EA	BOLT-CARRIAGEW/OHOLE-5/16-18X9.5-ZINC
	091274-03-000	EA	BOLT-J-3/8-16X12.0
	102333-01-05A	EA	BOLT-CARRIAGE-7/16-14STAINLESSSTEELCAP
	106166-01-000	EA	BOLT/COLLAREDHANGER-8-32X1"
	088787-12-000	EA	STUD-WELD-1/4-20X1.0LG-MN
	108067-03-000	EA	STUD-WELD-1/4-20X1/2CD

RIVETS,GROMMETSANDMISCELLANEOUSFASTENERS

KEY	PARTNUMBER	U/M	DESCRIPTION
	000H14-04-04A	EA	RIVET-MANDRELBLIND-1/8X.400
	000H14-06-14R	EA	RIVET-MANDRELBLIND-3/16"
	000H15-06-02R	EA	RIVET-POP-STEEL-3/16X.063-.125
	000H16-04-06R	EA	RIVET-POPALUMINUM-1/8"X.313-.375
			FROM: 06-02-97 THRU: 99-99-99
	000H16-06-10R	EA	RIVET-POPALUMINUM-3/16X.501-.625
	008380-01-000	EA	GROMMET-RUBBER-5/8"HOLEX11/2"DIAMETER-BLACK
	016188-05-000	EA	GROMMET-L/PLINE-3/8"HOLEX11/4"LONG-RUBBER
	023942-01-000	EA	GROMMET-RUBBER-2"OD
	071015-11-000	EA	GROMMET-1.00ID-FITS.12MATERIAL
	071015-19-000	EA	GROMMET-.38ID-FITS.06MATERIAL
	071015-26-000	EA	GROMMET-RUBBER-1.5"IDX2.12"ODW/.06"GROOVE-BLK
	071015-29-000	EA	GROMMET-RUBBER-1/4IDX11/4ODW.12GROOVE-BLK
	071015-30-000	EA	GROMMET-RUBBER-.31"IDX.81"ODW/.12"GROOVE-BLK
	088756-01-000	EA	GROMMET-WEB-11/8"ID.
	000F10-04-16B	EA	PIN-COTTER-1/8"X1"-ZINC
	000F10-06-32B	EA	PIN-COTTER-3/16"X2"-ZINC
	086285-01-000	EA	SPACER-NYLON-.5"ODX.257"ID
	115361-01-01A	EA	PLUG-PLASTIC
	029094-04-000	YD	VELCROTAPE-LOOP-1"WIDE-BLACK
	029096-03-000	YD	VELCROTAPE-HOOK-1"WIDE-BLACK
	085774-01-000	FT	FASTENER-DUALHOOK-1"WIDE-ADHESIVEBACK-BLACK
	085774-02-000	FT	FASTENER-DUALLOOP-1"WIDE-ADHESIVEBACK-BLACK
	008343-01-000	EA	TIE-WIRE-6"
	008343-02-000	EA	TIE-WIRE-14"
	108046-02-000	EA	CABLETIE-SCREWMOUNT15"
	077955-01-000	EA	CLIP-J-VINYLCOATED-3/8"
	091952-01-000	EA	CLIP-GRIPPER-1"
	091952-02-000	EA	CLIP-GRIPPER-3/4"
	094362-02-000	EA	CLIP-XMASTREE-BINDERHEAD-.9"LONG
	110943-02-000	FT	FELTSTRIP-3/8"-ADHESIVEBACK-WHITE

WATER&SEWAGEGROUP



WATERPUMP(SHURFLO)

KEY	PARTNUMBER	U/M	DESCRIPTION	VENDOR NO.
1	098607-01-000	EA	PUMP-WATER-W/.5"MPTFITTING-FLOWW.9GPM-UL	
2	098607-01-706	EA	HOUSING,W/SWITCHONLY	94-231-20
3	098607-01-705	EA	VALVE-CHECK,KIT	94-237-00
4	098607-01-703	EA	VALVEKIT	94-232-00
5	098607-01-702	EA	DIAPHRAGM/DRIVEASSEMBLYKIT	94-238-04
6	098607-01-707	EA	MOTORW/BASEPLATE	11-148-04

WATER&SEWAGEGROUP(CONTINUED)

FRESHWATERTANK

KEY	PARTNUMBER	U/M	DESCRIPTION
	117217-01-000	EA	TANK-FRESHWATER-30GALLON-W/OFITTINGS
	117217-02-000	EA	TANK-FRESHWATER-30GALLON-W/FITTINGS
	116881-08-000	EA	TANK-FRESHWATER-48GALW/NOTCHEDCORNER-W/FITTINGS
	116881-01-000	EA	TANK-FRESHWATER-48GAL-W/NOTCHEDCORNERW/OFITTINGS
	123243-01-000	EA	TANK-ACCUMULATOR-24OZ
	042989-03-000	EA	FITTING-WATERTANK-SPINWELD-1 1/4"NPT-PLASTIC
	042989-05-000	EA	FITTING-WATERTANK-SPINWELD-1/2"FPT-PLASTIC
	049032-01-000	EA	PATCH-SPINWELD-3/8"-PLASTIC
	039861-01-000	EA	SENDINGUNIT-W/SCREW-WASHER-WELLNUT/TERMINALRING
	077954-02-000	EA	FILTER-WATERTANK-W/SCREENINTANK

WATERSYSTEMCOMPONENTS(FLAIR-IT)

KEY	PARTNUMBER	U/M	DESCRIPTION
	114427-01-000	EA	CAP-1/2P-02860
	114427-02-000	EA	PLUG-1/2P-02863
	114427-03-000	EA	NUT-1/2"Q-#6453
	114428-01-000	EA	TEE-1/2PX1/2PX1/2P-02820
	114428-02-000	EA	TEE-SWIVEL,1/2PX1/2PX1/2FPT-02821
	114428-03-000	EA	TEE-1/2PX1/2PX1/2MPT-02822
	114428-04-000	EA	TEE-1/2PX1/2PX1/8FPT-02834
	114429-01-000	EA	ELBOW-1/2PX1/2P-02800
	114429-02-000	EA	ELBOW-1/2PX1/2MPT-02803
	114429-03-000	EA	ELBOW-SWIVEL,1/2PX1/2FPT-02816
	114429-04-000	EA	ELBOW-1/2PX3/8MPT-02810
	114429-05-000	EA	ELBOW-1/2PX3/4MPT-02812
	114429-06-000	EA	ELBOW-SWIVEL,1/2PX3/4FPT-02811
	114429-07-000	EA	ELBOW-1/2PX1/2FPTDROPEAR-02801
	114430-01-000	EA	ADAPTER-1/2PX1/2P-02840
	114430-02-000	EA	ADAPTER-SWIVEL,1/2PX1/2FPT-02873
	114430-03-000	EA	ADAPTER-1/2PX1/2MPT-02842
	114430-04-000	EA	ADAPTER-1/2PX3/8MPT-02852
	114430-05-000	EA	ADAPTER-1/2PX1/8FPT-02871
	114430-06-000	EA	ADAPTER-1/2PX3/8FPT-02851
	114430-07-000	EA	ADAPTER-1/2PX3/8P-02853
	114430-08-000	EA	ADAPTER-1/2PX3/4MPT-02868
	114431-01-000	EA	VALVE-LINEDRAIN1/2P-02914
	114431-02-000	EA	VALVE-1/2P,BYPASS-02910
	114431-03-000	EA	VALVE-1/2PX1/2P-02884
	114431-04-000	EA	VALVE-STOP,1/2PX1/2P-02880
	114431-05-000	EA	VALVE-NEEDLE,COMP1/8MPTX1/4-64858
	114431-06-000	EA	VALVE-3/8PX3/8P-02882
	114431-07-000	EA	VALVE-3/8PTHREE-WAY-02900
	114431-08-000	EA	STRAIGHTSTOPVALVE3/8PX3/8P-02879

WATER&SEWAGEGROUP(CONTINUED)

WATERSYSTEMCOMPONENTS

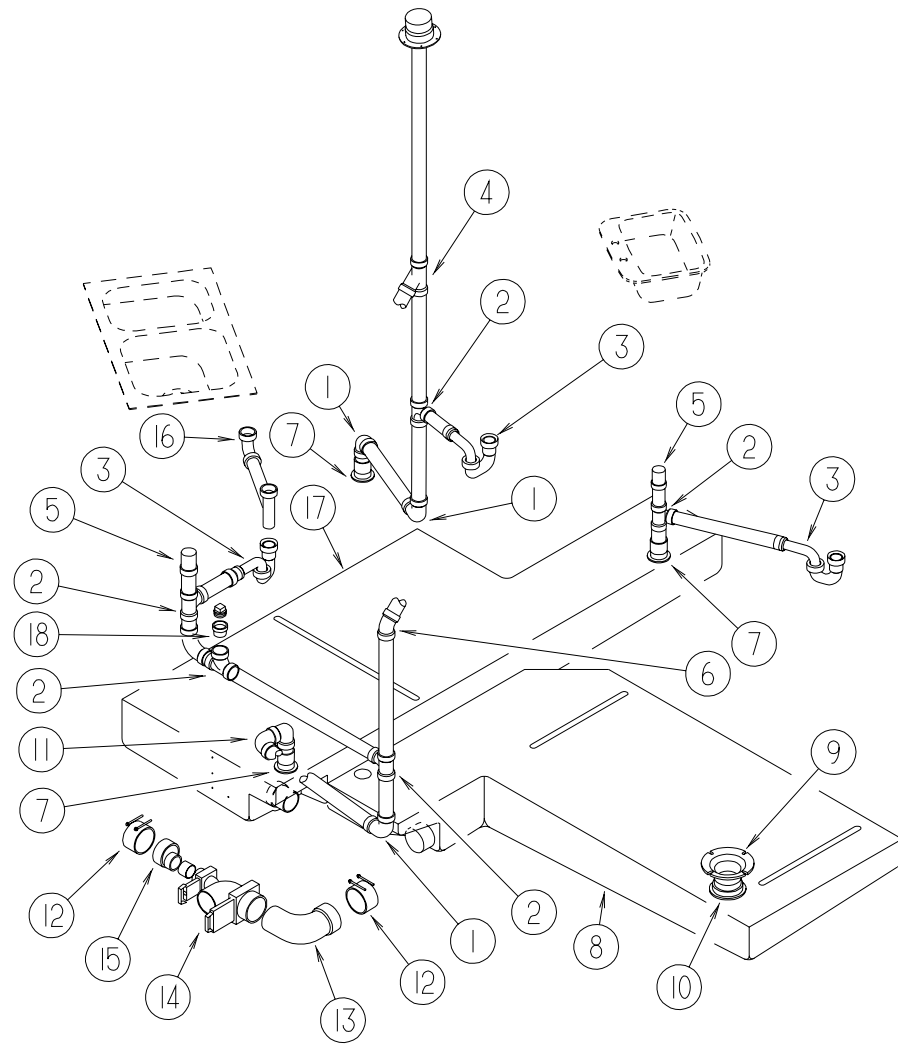
KEY	PARTNUMBER	U/M	DESCRIPTION	VENDORNO.
	701069-01-000	EA	WATERPURIFICATIONSYSTEM	
	701069-03-700	EA	CARTRIDGEREPLACEMENT	9592-06
	039800-02-000	FT	TUBING-POLYBUTYL-5/8"ODX20'-INCOF20'	
	079381-01-000	FT	TUBING-SMOOTHFLEXIBLE-1 3/8IDX20'	
	124188-01-000	FT	TUBING-PEX-1/2"IDX20'-BLUE	
	124188-02-000	FT	TUBING-PEX-1/2"IDX20'-RED	
	074462-02-000	FT	TUBING-VINYL-3/8IDX20'-CLEAR	
	112176-01-000	FT	TUBING-VINYL-REINFORCED-1/2"ID	
	010219-01-000	EA	ELBOW-1 1/4MPTX1 1/4BARB-WATERFILL-PLASTIC	
	123150-01-000	EA	ELBOW-1/2FPTX1/2BARB-SWIVEL	
	101814-01-000	EA	COUPLING-FEMALE-1/2"X1/2"FPT-GRAY	
	010230-06-000	EA	FILL-CITYWATER-W/CHECKVALVE-MPT	
	110438-01-000	EA	VALVE-CHECK-BRASS-1/2MPTX1/2FPT	
			FROM: 00-00-00 THRU: 02-16-97	
	110438-02-000	EA	VALVE-CHECK-BRASS-1/2MPTX1/2MPT	
			FROM: 02-17-97 THRU: 99-99-99	
	111888-02-000	EA	INSERT-BRASS-1/4COMP	
	010224-01-000	EA	ADAPTER-HOSETOPIPE-3/8MPTX3/8BARB-PLASTIC	
	118809-02-000	EA	ADAPTER-1/2" MPTX1/2" BARB-PLASTIC	
	123152-01-000	EA	ADAPTER-1/2FPTX1/2BARB-SWIVEL	
	113697-01-000	EA	CAP-3/8FTG	
	111888-01-000	EA	FERRULE-PLASTIC-.250IDX.375OD	
	117089-01-000	FT	HOSE-1/2"ID-GARDEN	

EXTERIORSHOWERCOMPONENTS

KEY	PARTNUMBER	U/M	DESCRIPTION	VENDORNO.
	079563-04-01A	EA	FAUCET-SHOWER1/2MPTX1 1/4LONGINLETPIPE	
	118051-01-02B	EA	BRACKET-FAUCETSUPPORT-E-COAT	
	103092-01-000	EA	SHOWERHEAD-W/60"HOSE-WHITE	
	103092-02-000	EA	SHOWERHEAD-W/60"HOSE-CSA	
	103092-01-700	EA	BRACKET-F/SHOWERHEAD-CLEAR	2328028
	011048-03-700	EA	BRACKET-F/SHOWERHEAD	2328029-I
	103092-01-702	EA	SEALS-SPRAYHEAD	24466

WATER & SEWAGE GROUP (CONTINUED)

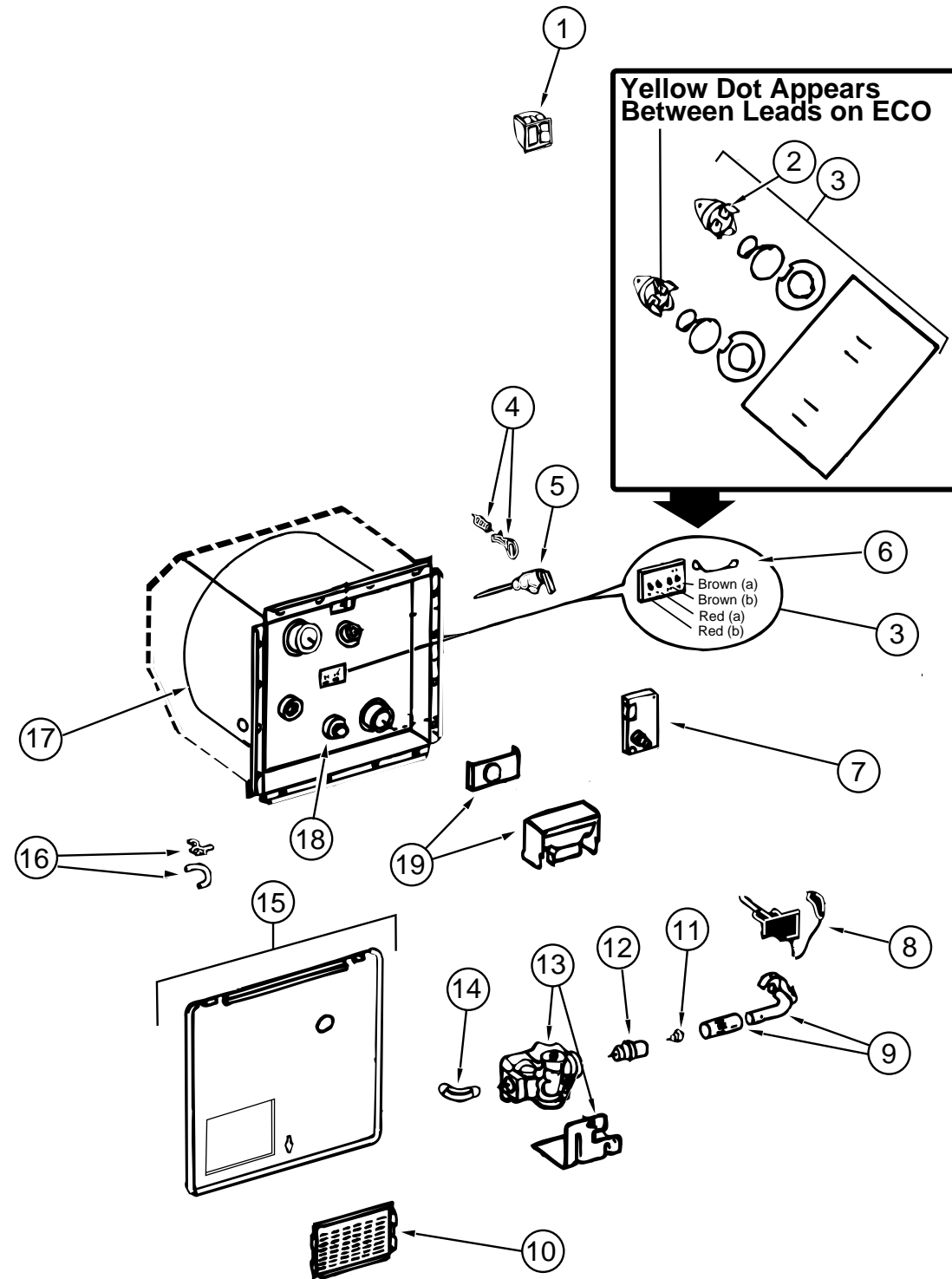
DRAINAGE SYSTEM



KEY	PARTNUMBER	U/M	DESCRIPTION	VENDOR NO.
1	010008-01-000	EA	ELBOW - 90 DEGREE - 1 1/2" HUB X HUB - PLASTIC	
2	010071-01-000	EA	TEE - SANITARY - 1 1/2" HUB X HUB X HUB - PLASTIC	
3	107538-01-000	EA	PTRAP - PLASTIC - 1 1/4" W/ EXTENSION ARM	
3	011066-03-700	EA	PTRAP KIT 1 1/2" X 1 1/2" PTRAP W/ 1 1/2" - 1 1/4" REDUCER - CANADA	
3	109571-01-000	EA	ADAPTER - PTRAP - 1 1/2" P X 1 1/4" MPT	
4	010073-01-000	EA	WYE - 45 DEGREE - 1 1/2" HUB X HUB X HUB - PLASTIC	
5	079968-01-000	EA	VENT - MECHANICAL / TRAP ARM - ANTI-SIPHON - 2" X 7.3" PLASTIC	
6	010006-01-000	EA	ELBOW - 45 DEGREE - 1 1/2" HUB X HUB - PLASTIC	
7	061607-01-000	EA	GROMMET - HOLDING TANK - 1 1/2" NPS	
7	010115-01-000	EA	COUPLING - 1 1/2" HUB X HUB - PLASTIC	
8	112789-01-000	EA	TANK - HOLDING - 46 GALLON - W/ FITTINGS	
9	116644-01-000	EA	FLANGE - CLOSET - 4" X 3"	
10	061607-02-000	EA	GROMMET - HOLDING TANK - 3" NPS	
11	033761-01-000	EA	ELBOW - TURN - 90 DEGREE 1 1/2" HUB X 1 1/2" SPIGOT	
	034250-01-000	EA	ELBOW - 90 DEGREE - LONG TURN - 1 1/2" HUB X HUB - ABS	
12	078406-01-000	EA	COUPLER - RUBBER - W/ CLAMPS - 3" X 3"	
13	041956-01-000	EA	ELBOW - STREET - 1/4" BARB X 90 DEGREE X 3 XLT	
14	070916-01-000	EA	VALVE - DUAL DUMP - W/ CAP - 3" X 1 1/2"	
	070916-01-700	EA	VALVE ONLY (WASTE) 3"	T1003BU
	070916-01-701	EA	VALVE ONLY (WASTE) 1 1/2"	T1001BU
	010201-01-000	EA	HOSE - SEWER - 3" ID X 8'	
	062416-01-000	EA	ADAPTER - SEWER HOSE TO 3" PIPE	
	062415-01-000	EA	CAP - SEWER - 3" DIAMETER	
	062415-01-700	EA	STRING - SEWER CAP	V#SV7STRAP
15	062422-01-000	EA	ADAPTER - OFFSET REDUCER - 3" X 1 1/2" - PLASTIC	
16	011091-02-000	EA	WASTE - CONTINUOUS - DOUBLE SINK	
16	011091-03-000	EA	WASTE - CONTINUOUS - DOUBLE SINK - CSA	
17	111229-01-700	EA	TANK - HOLDING - 56 GALLON W/ 3" OUTLET NIPPLE	
	010129-03-000	EA	NIPPLE - PLAS - 3 X 3 TOE - VALTERRA #3523	
18	010166-01-000	EA	PLUG - THREADED - 1 1/4" DIAMETER - PLASTIC - BLACK	

WATER & SEWAGE GROUP (CONTINUED)

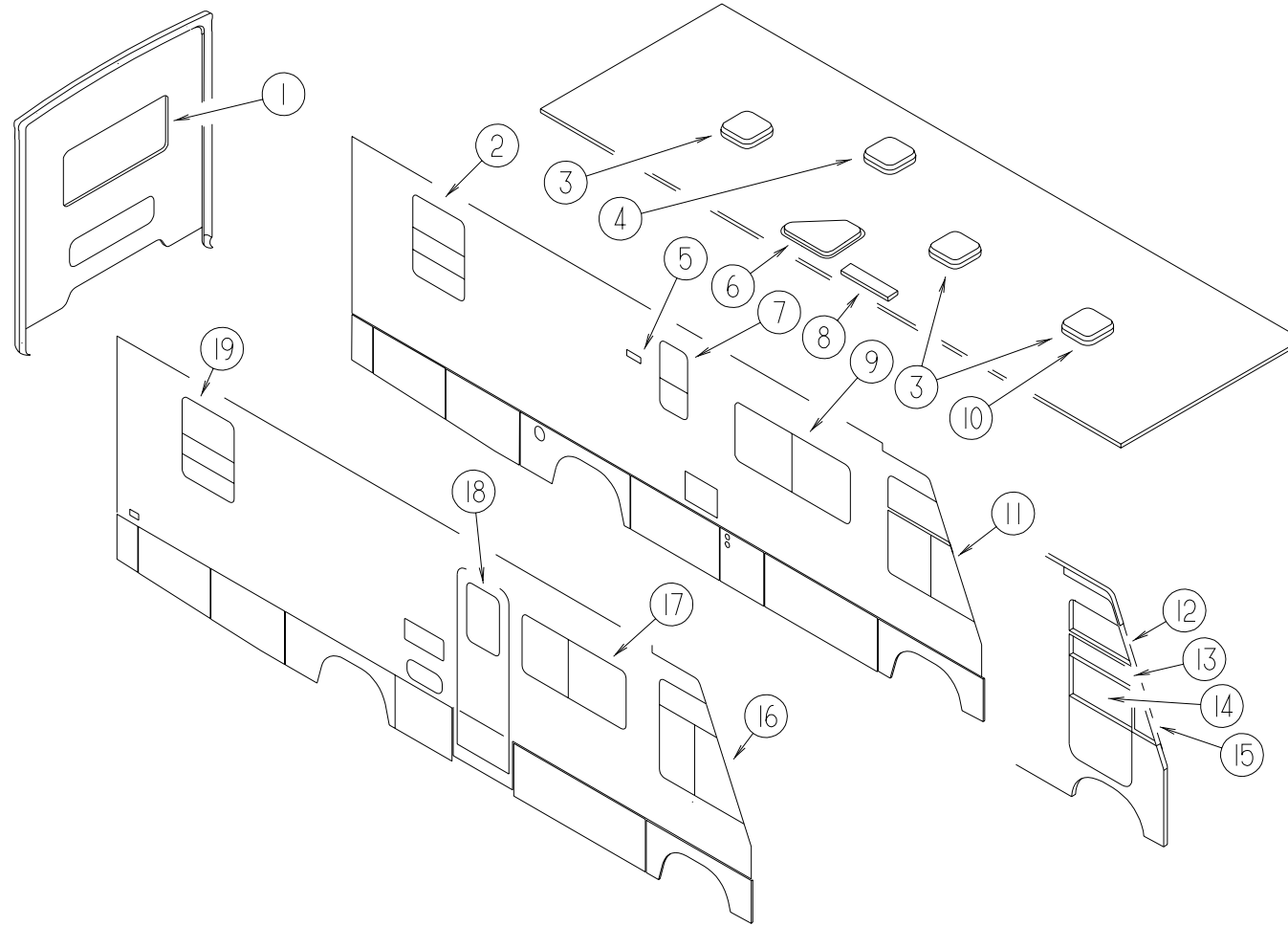
WATER HEATER W/MOTOR AID AT WOOD (GH6-8E)



KEY	PART NUMBER	U/M	DESCRIPTION	VENDOR NO.
	051393-01-000	EA	WATER HEATER - W/MOTOR AID - PILOTLESS IGNITION	
1	097967-01-000	EA	SWITCH - WATER HEATER - REMOTE W/LIGHT - AT WOOD	91959
2	051391-04-701	EA	THERMOSTAT 12VDC - 120 PRESET	91470
3	051393-01-721	EA	THERMOSTAT W/ECO - 140 FRT MT	91447
4	051391-01-705	EA	FASTENER - CAM LOCK	92609
5	051391-01-704	EA	VALVE - RELIEF - 1/2" FITTING	91604
6	051393-01-723	EA	SWITCH - THERMAL - CUTOFF 2/PKG	93866
7	051393-01-724	EA	BOARD - CIRCUIT - SPADE TERMINAL	93865
8	051393-01-725	EA	ELECTRODE - SGL SPADE CONNECT.	93868
9	051391-04-703	EA	BURNER - MAIN	91638
10	051391-01-717	EA	GRILLE - WATER HEATER DOOR	92640
11	051391-01-710	EA	ORIFICE - MAIN BURNER	92742
12	051391-03-700	EA	HOLDER - ORIFICE	91563
13	051393-01-726	EA	VALVE - SOLENOID - W/BRACKET	93870
14	051391-01-714	EA	FITTING - ELBOW 45 - 3/8 F X 3/8 MPT	1044
15	052009-06-000	EA	DOOR - WATER HEATER	
16	051391-01-700	EA	HINGE KIT - (PIN & CLIP)	92568 & 92559
17	051391-04-704	EA	TANK - INNER (FRONT MOUNT)	91642
18	051391-01-715	EA	PLUG - DRAIN - 1 EA = 2 PER PKG	91857
19	051391-04-707	EA	KIT - EXHAUST - (FLUE & GASKET)	90960
	111129-01-711	EA	BRACKET - CORNER - SET OFF FOUR	91928
	116424-01-000	EA	PROTECTOR - ROUND VINYL - WATER HEATER LATCH	

WINDOW, VENT & EXTERIOR DOOR GROUP

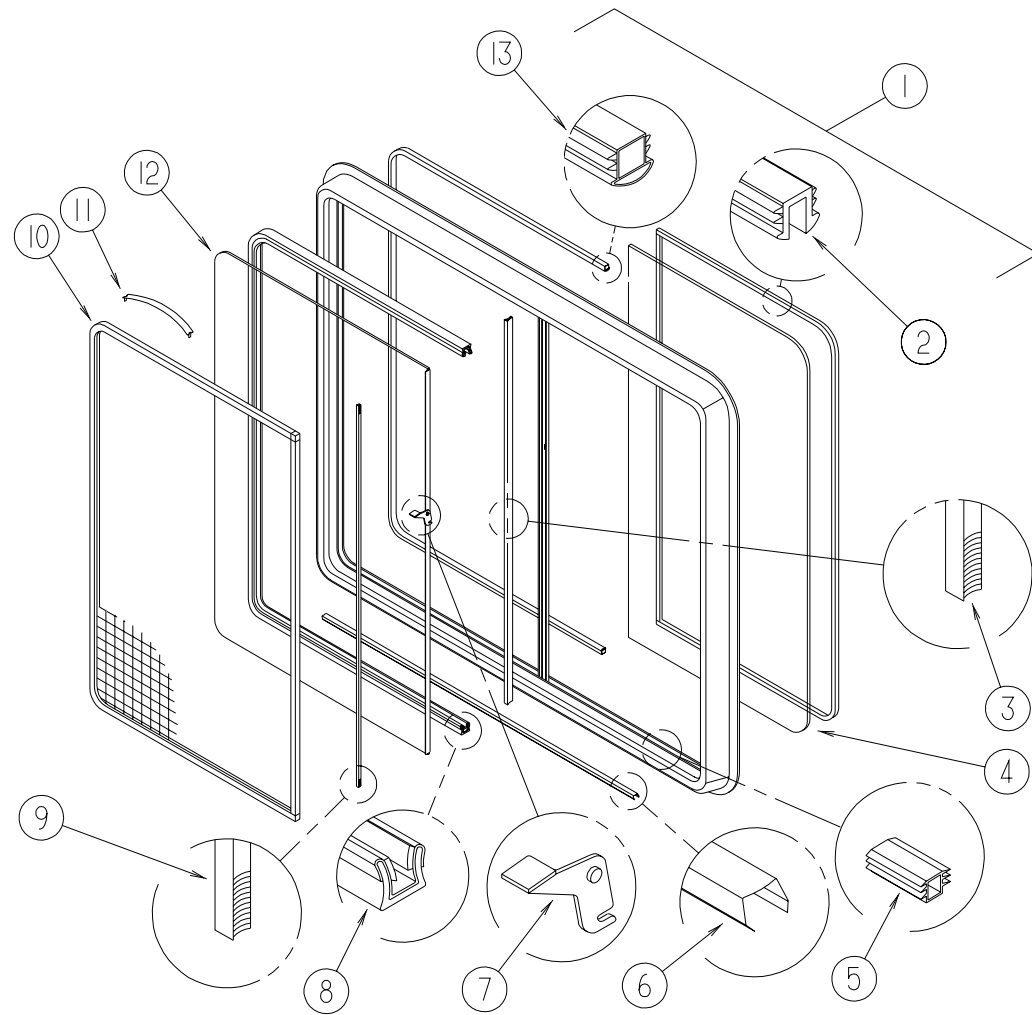
WINDOWS & VENTS



KEY	PARTNUMBER	U/M DESCRIPTION
1	078528-06-E10	EA WINDOW-ESCAPEW/ORETAINER/TRIM48.5"X24.5"(QUEEN,KINGBED)
1	113502-01-01A	EA WINDOW-REARESCAPE THERMO-24.8"X48.7"(QUEEN,KINGBED)
1	078528-13-F11	EA WINDOW-ESCAPEW/OINSIDETRIM-59.8"X26"(TWINBEDS)
1	113733-07-01A	EA WINDOW-STATIONARY THERMOPANE/EUROPEAN26.4"X60"(TWINBEDS)
2	112463-03-01A	EA WINDOW-TIPOUTW/RETAINERRING-33.3"X30.2"(QUEEN,KINGBED)
2	112898-16-01A	EA WINDOW-VERTICALSLIDER-THERMO-33.2"X30.2"(QUEEN,KINGBED)
2	112463-05-01A	EA WINDOW-TIPOUT/ESCAPEW/RETAINER TRIM-33.3"X30.2"(TWINBEDS)
2	112898-18-01A	EA WINDOW-VERTICALSLIDER-THERMO-ESCAPE-33.2"X30.2"(TWINBEDS)
3	122882-01-01A	EA VENT-ROOF-NONPOWERED
3	122882-07-01A	EA VENT-ROOF-GARNISH63.5-104.6
4	122882-02-01A	EA VENT-ROOF-POWERED
4	122882-03-01A	EA VENT-ROOF-POWEREDCSA
4	122882-07-01A	EA VENT-ROOF-GARNISH63.5-104.6
5	084616-07-000	EA SHROUD-VENT-RANGEHOOD-BRIGHTWHITE
5	084878-09-000	EA VENT-RANGEHOOD-SHORT-LVS
	083558-03-000	EA VENT-PLUMBINGPIPEROOF-W/COVER-OFFWHITE
6	122214-01-01A	EA PANEL-SKYLITE-INNER-26"X26"-W/NOTCHEDCORNER FROM: 00-00-00 THRU: 02-16-97
6	122214-01-02A	EA PANEL-SKYLITE-INNER FROM: 02-17-97 THRU: 99-99-99
6	122215-01-01A	EA PANEL-SKYLITE-OUTER-26.4"X26.4"-W/NOTCHEDCORNER FROM: 00-00-00 THRU: 02-16-97
6	122215-01-02A	EA PANEL-SKYLITE-OUTER FROM: 02-17-97 THRU: 99-99-99
7	112898-04-01A	EA WINDOW-VERTICALSLIDER-THERMO-30.2"X14.3"
7	098644-07-01A	EA WINDOW-VERTICALSLIDERW/TRIM-TINTED-30.2"X14.3"

KEY	PARTNUMBER	U/M DESCRIPTION
8	084073-04-000	EA BASE-ROOFVENT-REFRIGERATOR-BLACK-NORCOLD
8	084073-07-000	EA VENT-ROOF-REFRIGERATOR-BRIGHTWHITE-NORCOLD
9	098647-22-01A	EA WINDOW-DRIVERSHORIZONTALSLIDER26.1"X59.7"
9	112795-15-01A	EA WINDOW-DRIVERSHORIZONTALSLIDER THERMO263/8"X60"
10	123780-03-01A	EA VENTILATOR-ROOF/3"-4"-W/OTHERMOSTAT/POWERLIFT
11	103658-07-01A	EA WINDOW-DRIVER CAB3GLASS 25.3"TX45.4"BX45.2"H
11	113501-01-01A	EA WINDOW-DRIVER CAB THERMO(3WINDOW)44.3"X24.4"X44.1"
12	106467-03-01A	EA WINDOW-DRIVER VISTA(ABOVEDRDOOR)26.5"TX35.5"BX15.8"H
12	116000-02-01A	EA WINDOW-DRIVER VISTA-THERMO-14.8"X25.7"X32.2"
13	106469-02-702	EA GLASS-STATIONARY
14	106469-01-704	EA GLASSASM-ROLL-UPW/BACKET
15	106468-02-01A	EA WINDOW-DRIVERWING TRIANGULAR
15	115999-02-01A	EA WINDOW-DRIVERWING/THERMO/TRIANGULAR
16	103658-08-01A	EA WINDOW-PASSENGER CAB3GLASS 25.3"TX45.4"BX45.2"H
16	113501-02-01A	EA WINDOW-PASS CAB THERMO(3WINDOW)44.3"X24.4"X44.1"
17	098647-24-01A	EA WINDOW-PASSHORIZSLIDERW/TRIM-TINTED-26.1"X53.8"
17	112795-17-01A	EA WINDOW-PASSENGERHORIZSLIDER-THERMO-26.4"X54"
18	117053-02-F36	EA WINDOW-PICTURE17"X26.4"
18	113733-01-01A	EA WINDOW-STATIONARY THERMOPANE26.4"X17"
19	112463-03-01A	EA WINDOW-TIPOUTW/RETAINER TRIM-33.3"X30.2"
19	112898-16-01A	EA WINDOWASM-SLD-VERT-THERMO

WINDOW, VENT & EXTERIOR DOOR GROUP (CONTINUED)



SINGLE SLIDER WINDOW (EXCEL) (DRIVER SIDE LOUNGE)

KEY	PART NUMBER	U/M	DESCRIPTION	VENDOR NO.
	098647-22-01A	EA	WINDOW-DRIVERS HORIZONTAL SLIDER 26.1" X 59.7G2W66L	
1	098647-22-700	EA	WINDOW-SLIDING W/RETAINER	H287-G2L
	098647-23-702	EA	RETAINER-TRIM	W28766
2	098644-01-705	FT	GLAZING-STRIP	132-010231
3	098644-01-706	FT	WEATHERSTRIP-GLASS	171-010668
4	098647-23-703	EA	GLASS-STATIONARY	106-017622
5	098644-01-719	EA	STOP-SLIDER GLASS	132-014203
6	098644-01-710	FT	TRACK-SCREEN SPACER 12'	132-017135
7	098644-01-700	EA	LATCH-REPAIR KIT (BLACK)	B801-CK
8	098644-01-708	FT	CHANNEL-RUN PIERCED	122-016543
9	098644-01-711	FT	WEATHERSTRIP-SCREEN BLACK	171-016965
10	098647-23-704	EA	SCREEN ASM-W/SEALS & CLIPS	410-019066
	098644-01-717	FT	SPLINE-SCREEN	132-004716
11	098644-01-713	EA	CLIP-SPRING-METAL	226-016966
11	125582-01-701	EA	CLIP-SPRING-PLASTIC	130005153
12	098647-23-700	EA	GLASS-SLIDING-W/SASH & LATCH	H287-G9
13	098644-01-716	FT	PLUG-FILLER	132-014470

SINGLE SLIDER WINDOW (EXCEL) (PASSENGER SIDE LOUNGE)

KEY	PART NUMBER	U/M	DESCRIPTION	VENDOR NO.
	098647-24-01A	EA	WINDOW-PASS HORIZ SLIDER W/TRIM-TINTED-26.1" X 53.8"	
1	098647-24-700	EA	WINDOW-SLIDER	H415-G2R
	098647-36-701	EA	RETAINER-TRIM	CW80-66
2	098644-01-705	FT	GLAZING-STRIP	132-010231
3	098644-01-706	FT	WEATHERSTRIP-GLASS	171-010668
4	098647-35-701	EA	GLASS-STATIONARY	106-019119
5	098644-01-719	EA	STOP-SLIDER GLASS	132-014203
6	098644-01-710	FT	TRACK-SCREEN SPACER 12'	132-017135
7	098644-01-700	EA	LATCH-REPAIR KIT (BLACK)	B801-CK
8	098644-01-708	FT	CHANNEL-RUN PIERCED	122-016543
9	098644-01-711	FT	WEATHERSTRIP-SCREEN BLACK	171-016965
10	098647-36-704	EA	SCREEN ASM-W/SEALS & CLIPS	410-017750
	098644-01-717	FT	SPLINE-SCREEN	132-004716
11	098644-01-713	EA	CLIP-SPRING-METAL	226-016966
11	125582-01-701	EA	CLIP-SPRING-PLASTIC	130005153
12	098647-35-702	EA	GLASS-SLIDING-W/SASH & LATCH	H279-G9
13	098644-01-716	FT	PLUG-FILLER	132-014470

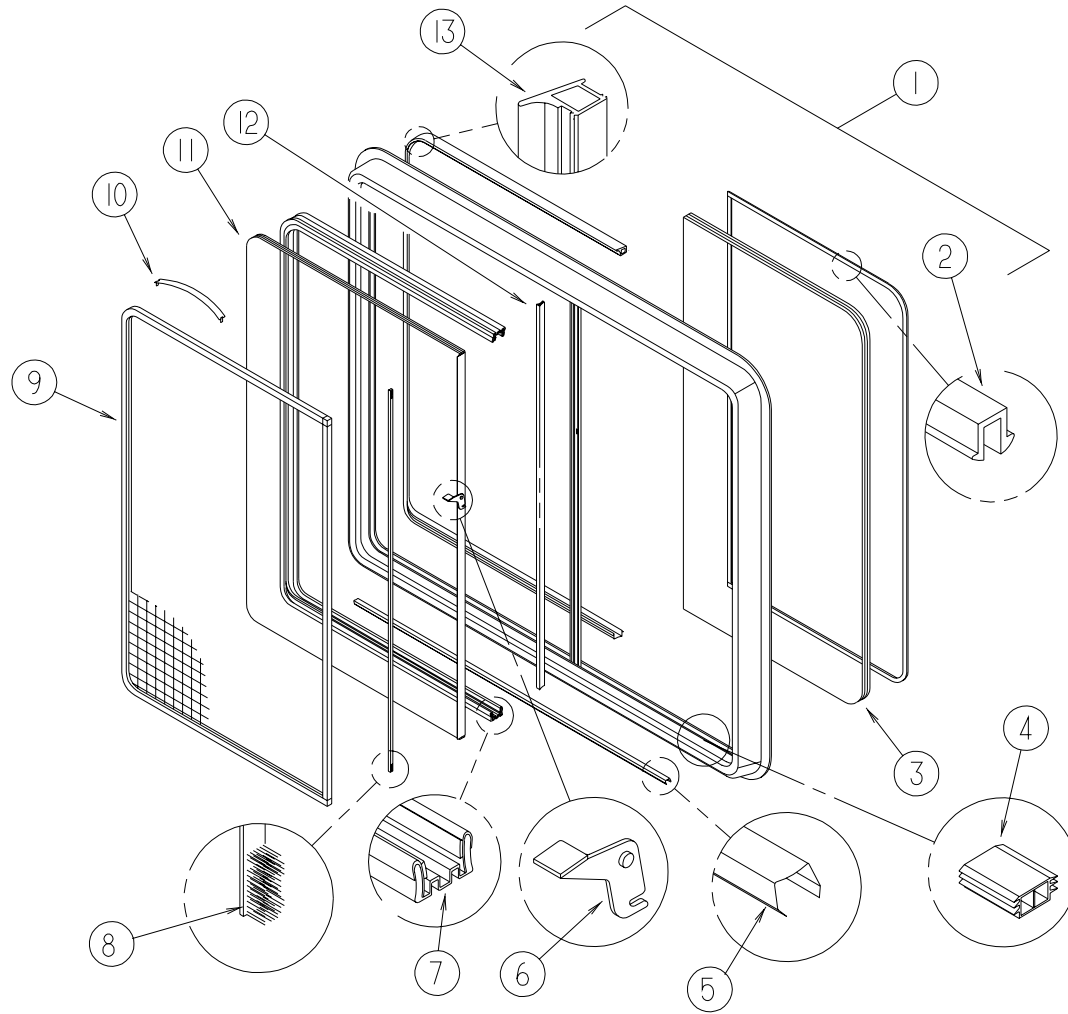
WINDOW, VENT & EXTERIOR DOOR GROUP (CONTINUED)

DRIVERSIDE LOUNGE WINDOW (THERMOINSULATED)

KEY	PARTNUMBER	U/M	DESCRIPTION	VENDOR NO.
1	112795-15-01A	EA	WINDOW - HORIZONTAL SLIDER THERMO 26 3/8" X 60"	
	098647-27-701	EA	RETAINER - TRIM	W287-66
2	112795-01-705	FT	VINYL - GLAZING	132-019702
3	112795-15-701	EA	GLASS - STATIONARY	390-019045
4	112795-01-701	EA	SLIDE - STOP	132-019092
5	098644-01-710	FT	TRACK - SCREEN SPACER 12'	132-017135
6	112795-01-700	EA	LATCH ASM. - BLK. (BOLTON)	DH287-CK
7	112795-01-703	IN	CHANNEL - RUN (INCHES)	122-018736
8	098644-01-711	FT	WEATHERSTRIP - SCREEN BLACK	171-016965
9	098647-23-704	EA	SCREEN ASM - W/SEALS & CLIPS	410-019066
10	125582-01-701	EA	CLIP - SCREEN - PLASTIC	130005153
10	098644-01-713	EA	CLIP - SCREEN - METAL	226-016966
	098644-01-717	FT	SPLINE - SCREEN	132-004716
11	112795-15-702	EA	GLASS - SLIDING W/SASH & LATCH	DH287-G9
12	098644-01-706	FT	WEATHERSTRIP - GLASS	171-010668
13	112795-01-704	FT	PLUG FILLER (DOUBLE GLAZED)	122-018737

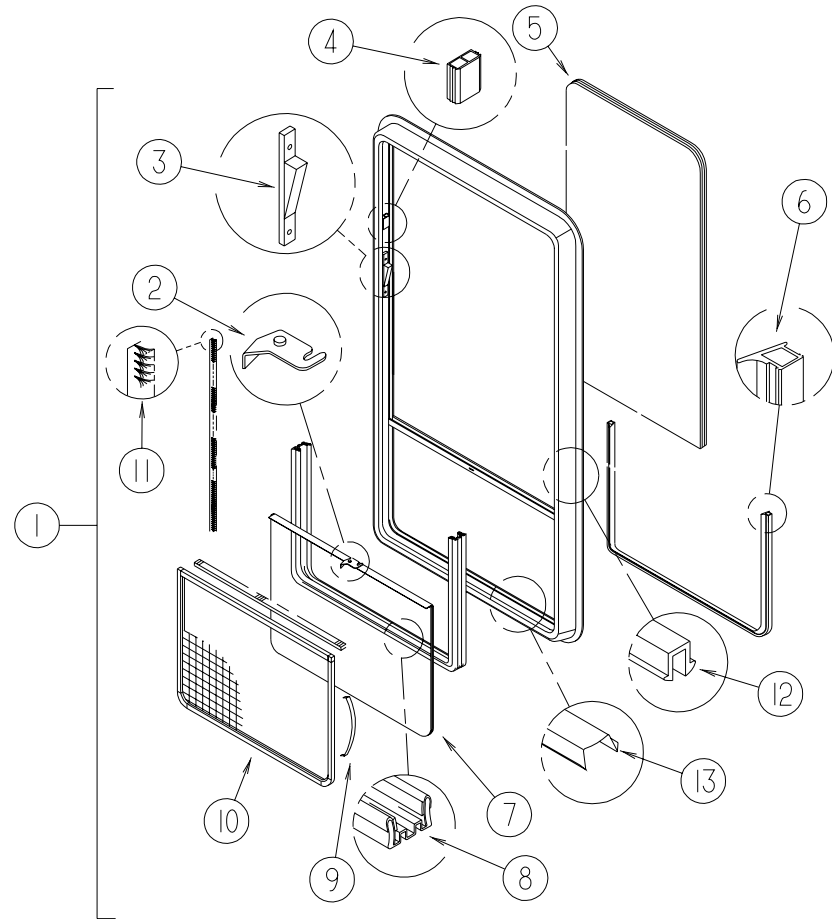
PASSENGER SIDE LOUNGE WINDOW (THERMOINSULATED)

KEY	PARTNUMBER	U/M	DESCRIPTION	VENDOR NO.
1	112795-17-01A	EA	WINDOW - HORIZ SLIDER - THERMO - 26.4" X 54"	
	112795-17-703	EA	RETAINER - TRIM	CW80-66
2	112795-01-705	FT	VINYL - GLAZING	132-019702
3	112795-17-700	EA	GLASS - STATIONARY	390-019041
4	112795-01-701	EA	SLIDE - STOP	132-019092
5	098644-01-710	FT	TRACK - SCREEN SPACER 12'	132-017135
6	112795-01-700	EA	LATCH ASM. - BLK. (BOLTON)	DH287-CK
7	112795-01-703	IN	CHANNEL - RUN (INCHES)	122-018736
8	098644-01-711	FT	WEATHERSTRIP - SCREEN BLACK	171-016965
9	112795-17-702	EA	SCREEN ASM - W/SEALS & CLIPS	410-019064
10	125582-01-701	EA	CLIP - SCREEN - PLASTIC	130005153
10	098644-01-713	EA	CLIP - SCREEN - METAL	226-016966
	098644-01-717	FT	SPLINE - SCREEN	132-004716
11	112795-17-701	EA	GLASS - SLIDING W/SASH & LATCH	DC80-G9
12	098644-01-706	FT	WEATHERSTRIP - GLASS	171-010668
13	112795-01-704	FT	PLUG FILLER (DOUBLE GLAZED)	122-018737



WINDOW, VENT & EXTERIOR DOOR GROUP (CONTINUED)

BEDROOM SIDE WINDOW, THERMO



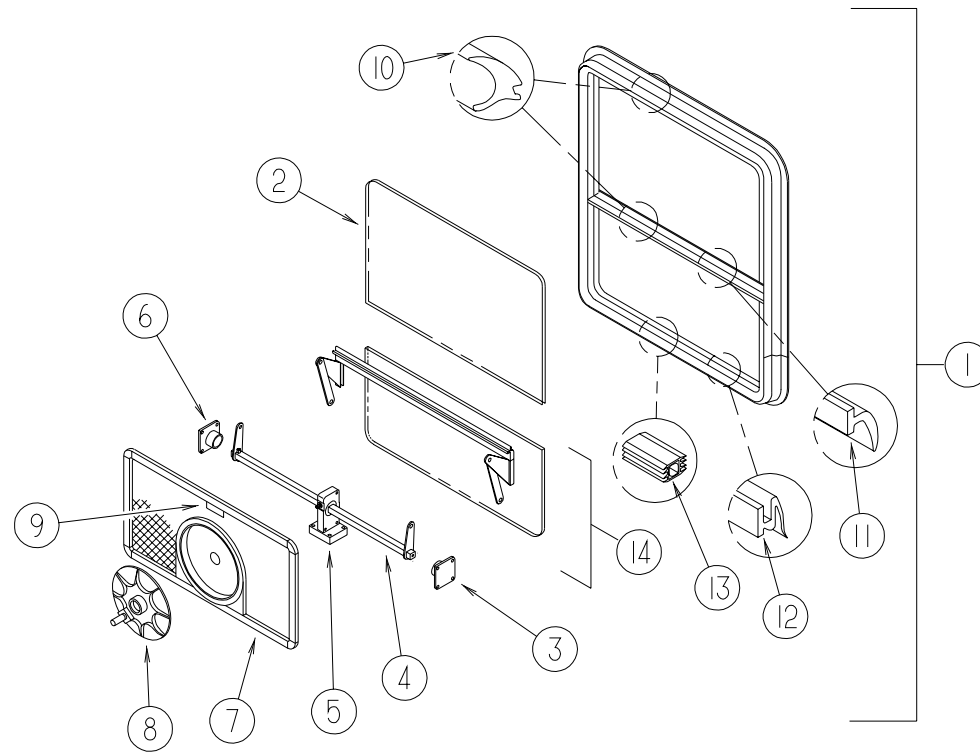
KEY	PARTNUMBER	U/M	DESCRIPTION	VENDOR NO.
1	112898-16-01A	EA	WINDOW-SLIDER/VERTICAL-THERMOPANE-33.2"X30.2"	
	112898-16-702	EA	RETAINER-TRIM	CW100-66
2	112795-01-700	EA	LATCHASM.,BLK.,(BOLTON)	DH287-CK
3	112898-04-703	EA	SASHLATCHKIT,RAISED	DH343-CK
4	112795-01-701	EA	SLIDE-STOP	132-019092
5	112898-16-701	EA	GLASS-STATIONARY	390-025433
6	112795-01-704	FT	PLUGFILLER(DOUBLEGLAZED)	122-018737
7	112898-16-700	EA	GLASS-SLIDINGW/SASH&LATCH	DH510-G9
8	112795-01-703	IN	CHANNEL-RUN(INCHES)	122-018736
9	125582-01-701	EA	CLIP-SCREEN-PLASTIC	130005153
9	098644-01-713	EA	CLIP-SCREEN-METAL	226-016966
10	112898-05-704	EA	SCREENASM-W/SEALS&CLIPS	410-018862
	098644-01-717	FT	SPLINE-SCREEN	132-004716
11	098644-01-711	FT	WEATHERSTRIP-SCREENBLACK	171-016965
12	112795-01-705	FT	VINYL-GLAZING	132-025736
13	098644-01-710	FT	TRACK-SCREENSPACER 12'	132-017135
	098644-01-706	FT	WEATHERSTRIP-GLASS	171-010668

GALLEY SIDE WINDOW, THERMO

KEY	PARTNUMBER	U/M	DESCRIPTION	VENDOR NO.
1	112898-04-01A	EA	WINDOW-VERTICALSLIDER-THERMO-30.2"X14.3"	
	098644-07-701	EA	RETAINER-TRIM	CW02-66
2	112795-01-700	EA	LATCHASM.-BLK.,(BOLTON)	DH287-CK
3	112898-04-703	EA	SASHLATCHKIT,RAISED	DH343-CK
4	112795-01-701	EA	SLIDE-STOP	132-019092
5	112898-04-701	EA	GLASS-STATIONARY	390-019130
6	112795-01-704	FT	PLUGFILLER(DOUBLEGLAZED)	122-018737
7	112898-04-702	EA	GLASS-SLIDINGW/SASH&LATCH	DC02-G9
8	112795-01-703	IN	CHANNEL-RUN(INCHES)	122-018736
9	125582-01-701	EA	CLIP-SCREEN-PLASTIC	130005153
9	098644-01-713	EA	CLIP-SCREEN-METAL	226-016966
10	098644-07-704	EA	SCREENASM-W/SEALS&CLIPS	410-018863
	098644-01-717	FT	SPLINE-SCREEN	132-004716
11	098644-01-711	FT	WEATHERSTRIP-SCREENBLACK	171-016965
12	112795-01-705	FT	VINYL-GLAZING	132-025736
13	098644-01-710	FT	TRACK-SCREENSPACER 12'	132-017135
	098644-01-706	FT	WEATHERSTRIP-GLASS	171-010668

WINDOW, VENT & EXTERIOR DOOR GROUP (CONTINUED)

EXCEL BEDROOM TIP OUT WINDOW - DRIVER OR PASSENGER SIDE



KEY	PARTNUMBER	U/M	DESCRIPTION	VENDOR NO.
1	112463-03-01A	EA	WINDOW-TIPOUTW/RETAINERTRIM-33.3"X30.2"	
	113500-05-705	EA	RETAINER-TRIM	CW100-59
2	112463-03-701	EA	GLASS-STATIONARY	106-025377
3	100322-01-714	EA	SUPPORT-TORQUEBAR-LH	130-015978
4	112463-03-702	EA	OPERATOR&BARASSEMBLY	CH10-18
5	100322-01-716	EA	SUPPORT-TORQUEBAR-CTRRAIL	130-015980
6	100322-01-715	EA	SUPPORT-TORQUEBAR-RH	130-015979
7	112463-03-703	EA	SCREENASM-W/SEALS&CLIPS	410-018439
8	100322-01-718	EA	HANDLE-DIAL	410-016081
9	112519-01-706	EA	CLIP-SCREEN	CH21-50
10	100322-01-703	FT	VINYL-GLAZING-BUTYL	132-010723
11	100322-01-702	EA	WEATHERSTRIP-HORIZONTALRAIL	132-015976
12	100322-01-701	FT	SEAL-VENT	122-016071
13	098644-01-716	FT	PLUG-FILLER	132-014470
14	112463-03-700	EA	VENTASSEMBLY	CH100-G9
	100322-01-704	FT	TAPE-BUTYL	154-016083
	100322-01-717	EA	E-RING	245-015975

WINDOW, VENT & EXTERIOR DOOR GROUP (CONTINUED)

BEDROOM SIDE WINDOW ESCAPE (TWIN BEDS)

KEY	PARTNUMBER	U/M DESCRIPTION	VENDOR NO.
	112463-05-01A	EA WINDOW-TIPOUT/ESCAPE W/RETAINER TRIM-33.3"X30.2"(TWIN BEDS)	
	098644-01-716	FT PLUG-FILLER	132-014470
	100322-01-701	FT SEAL-VENT	122-016071
	100322-01-702	EA WEATHERSTRIP-HORIZONTAL RAIL	132-015976
	100322-01-703	FT VINYL-GLAZING-BUTYL	132-010723
	100322-01-704	FT TAPE-BUTYL	154-016083
	100322-01-714	EA SUPPORT-TORQUE BAR-LH	130-015978
	100322-01-715	EA SUPPORT-TORQUE BAR-RH	130-015979
	100322-01-717	EA E-RING	245-015975
	100322-01-718	EA HANDLE-DIAL	410-016081
	112463-05-700	EA GLASS-STATIONARY	106-025378
	112463-05-701	EA SCREEN ASM-W/SEALS & CLIPS	410-018441
	112463-05-702	EA OPERATOR & BAR ASSEMBLY	CH65-18
	112463-05-703	EA VENT-ASSEMBLY TIPOUT	106-018414
	112898-06-704	EA HANDLE-LATCH-RED-RH	182-11293
	112898-06-705	EA HANDLE-LATCH-RED-LH	182-11294
	113500-06-705	EA RETAINER-TRIM	CW101-59

BEDROOM SIDE WINDOW, THERMO ESCAPE (TWIN BED, DRIVERSIDE)

KEY	PARTNUMBER	U/M DESCRIPTION	VENDOR NO.
	112898-18-01A	EA WINDOW-VERTICAL SLIDER-THERMO-ESCAPE-33.2"X30.2"	
	098644-01-706	FT WEATHERSTRIP-GLASS	171-010668
	098644-01-710	FT TRACK-SCREEN SPACER 12'	132-017135
	098644-01-711	FT WEATHERSTRIP-SCREEN BLACK	171-016965
	098644-01-713	EA CLIP-SCREEN-METAL	226-016966
	098644-01-717	FT SPLINE-SCREEN	132-004716
	112795-01-700	EA LATCH ASM.-BLK.(BOLTON)	DH287-CK
	112795-01-701	EA SLIDE-STOP	132-019092
	112795-01-703	IN CHANNEL-RUN (INCHES)	122-018736
	112795-01-704	FT PLUG FILLER (DOUBLE GLAZED)	122-018737
	112795-01-705	FT VINYL-GLAZING	132-025736
	125582-01-701	EA CLIP-SCREEN-PLASTIC	130005153
	112898-04-703	EA SASH LATCH KIT, RAISED	DH343-CK
	112898-06-706	EA SCREEN ASM-W/SEALS & CLIPS	410-019189
	112898-18-700	EA GLASS-SLIDING W/SASH & LATCH	DH511-G9
	112898-18-701	EA GLASS-STATIONARY	390-025500
	112898-06-704	EA HANDLE-LATCH-RED-RH	182-11293
	112898-06-705	EA HANDLE-LATCH-RED-LH	182-11294
	112898-18-702	EA RETAINER-TRIM	W511-64

GALLEY SIDE WINDOW

KEY	PARTNUMBER	U/M DESCRIPTION	VENDOR NO.
	098644-07-01A	EA WINDOW-VERTICAL SLIDER W/TRIM-TINTED-30.2"X14.3"	
	098644-01-700	EA LATCH-REPAIR KIT (BLACK)	B801-CK
	098644-01-705	FT GLAZING-STRIP	132-010231
	098644-01-706	FT WEATHERSTRIP-GLASS	171-010668
	098644-01-708	FT CHANNEL-RUN PIERCED	122-016543
	098644-01-710	FT TRACK-SCREEN SPACER 12'	132-017135
	098644-01-711	FT WEATHERSTRIP-SCREEN BLACK	171-016965
	098644-01-713	EA CLIP-SCREEN-METAL	226-016966
	098644-01-716	FT PLUG-FILLER	132-014470
	098644-01-717	FT SPLINE-SCREEN	132-004716
	098644-01-719	EA STOP-SLIDER GLASS	132-014203
	098644-07-701	EA RETAINER-TRIM	CW02-66
	098644-07-702	EA GLASS-STATIONARY	106-015777
	098644-07-703	EA GLASS-SLIDING W/SASH & LATCH	H170-G9
	098644-07-704	EA SCREEN ASM-W/SEALS & CLIPS	410-018863

WINDOW, VENT & EXTERIOR DOOR GROUP (CONTINUED)

VISTA WINDOW (DRIVERSIDE)

KEY	PARTNUMBER	U/M DESCRIPTION	VENDOR NO.
	106467-03-01A	EA WINDOW-DRIVER VISTA (ABOVE DR DOOR) 26.5"TX35.5"BX15.8"H	
	106467-03-700	EA GLASS-STATIONARY	106-018752
	106467-03-701	EA WINDOW	H388-G2L
	106467-03-702	EA RETAINER-TRIM-BLACK	H38827L
	100322-01-703	FT STRIP-GLAZING-BUTYL	132-010723

VISTA WINDOW, THERMO (DRIVERSIDE)

KEY	PARTNUMBER	U/M DESCRIPTION	VENDOR NO.
	116000-02-01A	EA WINDOW-DRIVER VISTA-THERMO-14.8"X25.7"X32.2"	
	116000-01-704	FT VINYL-GLAZING	132-018161
	116000-02-700	EA RETAINER-TRIM RAIL TOP/REAR	H388-41L
	116000-02-701	EA RETAINER-TRIM RAIL FRONT	H388-42L
	116000-02-702	EA RETAINER-TRIM RAIL BOTTOM	H382-43L
	116000-03-701	EA GLASS-STATIONARY	390-019551

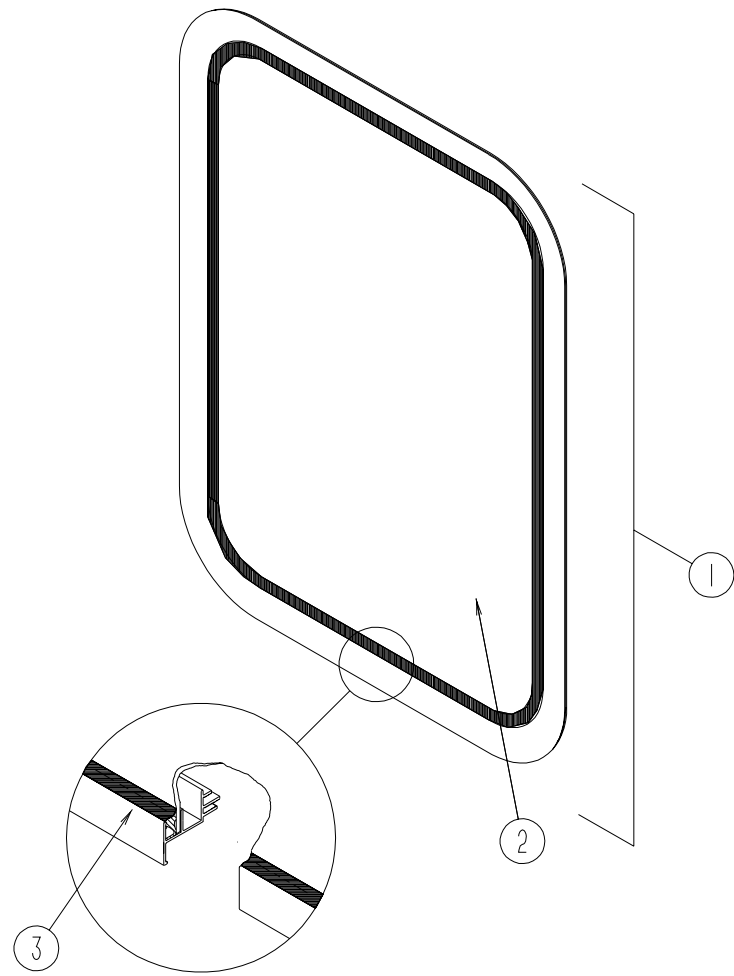
FRONT SLANT WINDOW (DRIVERSIDE)

KEY	PARTNUMBER	U/M DESCRIPTION	VENDOR NO.
	106468-02-01A	EA WINDOW-DRIVER SWING TRIANGULAR	
	100322-01-703	FT VINYL-GLAZING, BUTYL	132-010723
	106468-02-701	EA RETAINER-TRIM	H383-27L
	106468-02-702	EA GLASS-STATIONARY	106-018740

FRONT SLANT WINDOW, THERMO (DRIVERSIDE)

KEY	PARTNUMBER	U/M DESCRIPTION	VENDOR NO.
	115999-02-01A	EA WINDOW-DRIVER WING/THERMO/TRIANGULAR	
	115999-01-701	EA RETAINER-TRIM	H358-27L
	115999-02-700	EA RETAINER-TRIM RAIL REAR	H383-41L
	115999-03-701	EA GLASS-STATIONARY	390-019550
	116000-01-704	FT VINYL-GLAZING	132-018161

WINDOW, VENT & EXTERIOR DOOR GROUP (CONTINUED)



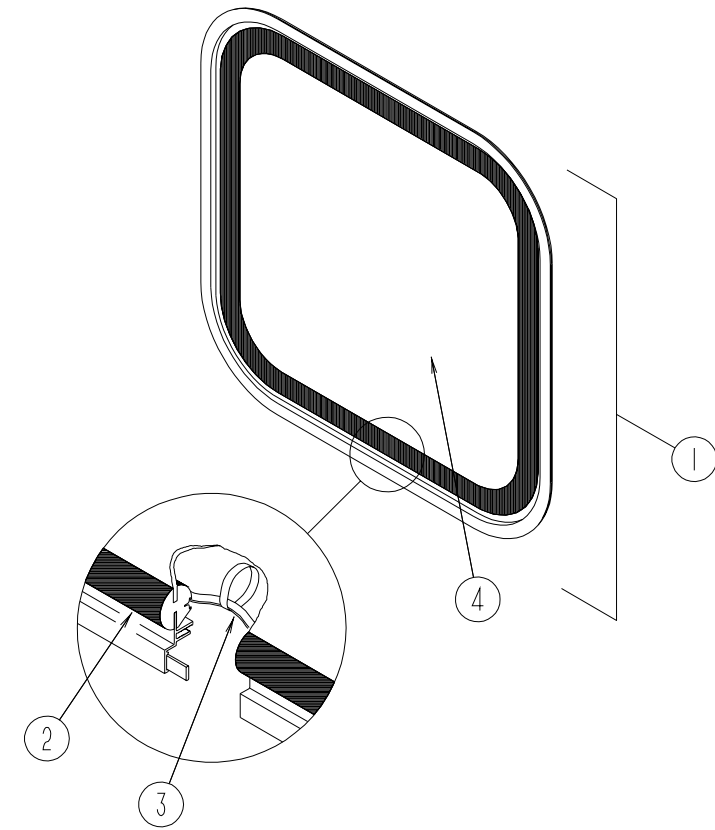
ENTRY DOOR WINDOW

KEY	PART NUMBER	U/M DESCRIPTION
1	117053-02-F36	EA WINDOW-PICTURE 17" X 26.4"
2	002181-25-000	EA GLASS-PICTURE 25.7" X 16.4"
3	087561-01-000	FT SEAL-GLASS-EXTERIOR-.5" WIDE-VINYL-BLACK
	117054-02-02A	EA RETAINER-TRIM-BRIGHT/WHITE

ENTRY DOOR WINDOW (THERMOINSULATED)

KEY	PART NUMBER	U/M DESCRIPTION	VENDOR NO.
	113733-01-01A	EA WINDOW-STATIONARY THERMOPANE 26.4" X 17"	
	112795-01-705	FT VINYL-GLAZING	132-019702
1	113733-01-700	EA WINDOW ASM.-W/OTRIM	DH416-G2
	113733-01-701	EA RETAINER-TRIM	W41666
2	113733-01-702	EA GLASS-STATIONARY	390-019187

WINDOW, VENT & EXTERIOR DOOR GROUP (CONTINUED)



BACK WALL ESCAPE WINDOW (QUEEN, KING BED)

KEY	PART NUMBER	U/M DESCRIPTION
1	078528-06-E10	EA WINDOW-ESCAPE W/O RETAINER/TRIM 48.5" X 24.5"
2	002282-09-000	EA WEATHERSTRIP-WINDOW-.125" X 130.5" BLACK
3	002285-01-000	FT FILLER-WEATHERSTRIP-RUBBER-BLACK
4	076337-12-000	EA GLASS-EGRESS-45.5" X 21.5"
	077066-01-702	EA TAPE ASM-ESCAPE WINDOW

BACK WALL WINDOW (TWIN BEDS)

KEY	PART NUMBER	U/M DESCRIPTION
1	078528-13-F11	EA WINDOW-W/O RETAINER/TRIM-59.8" X 26"
2	002282-13-000	EA WEATHERSTRIP-WINDOW-.125" X 157 3/4" BLACK
3	002285-01-000	FT FILLER-WEATHERSTRIP-RUBBER-BLACK
4	076337-18-000	EA GLASS-EGRESS-56.7" X 23.2"

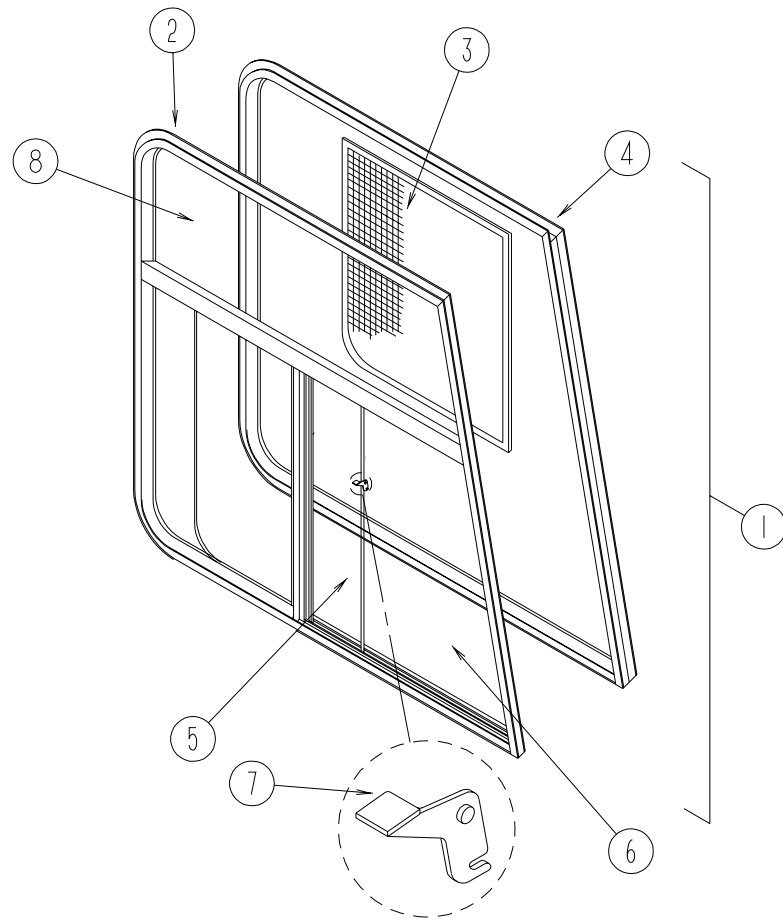
BACK WALL ESCAPE WINDOW, THERMO (QUEEN, KING BED)

KEY	PART NUMBER	U/M DESCRIPTION	VENDOR NO.
	113502-01-01A	EA WINDOW-REAR ESCAPE THERMO-24.8" X 48.7"	
	098644-01-705	FT GLAZING-STRIP	132-010231
	112898-06-704	EA HANDLE-LATCH-RED-RH	182-11293
	112898-06-705	EA HANDLE-LATCH-RED-LH	182-11294
	113502-01-703	EA GLASS-STATIONARY-RH/LH	390-019083
	113502-01-704	EA GLASS-EGRESS CENTER-ESCP	DH153-G9

BACK WALL WINDOW, THERMO (TWIN BEDS)

KEY	PART NUMBER	U/M DESCRIPTION	VENDOR NO.
	113733-07-01A	EA WINDOW-STATIONARY THERMOPANE/EUROPEAN 26.4" X 60"	
	113733-07-700	EA WINDOW W/OTRIM	DH337-G2
	113733-07-701	EA RETAINER-TRIM	W287-60
	113733-07-702	EA GLASS-STATIONARY	390-019051

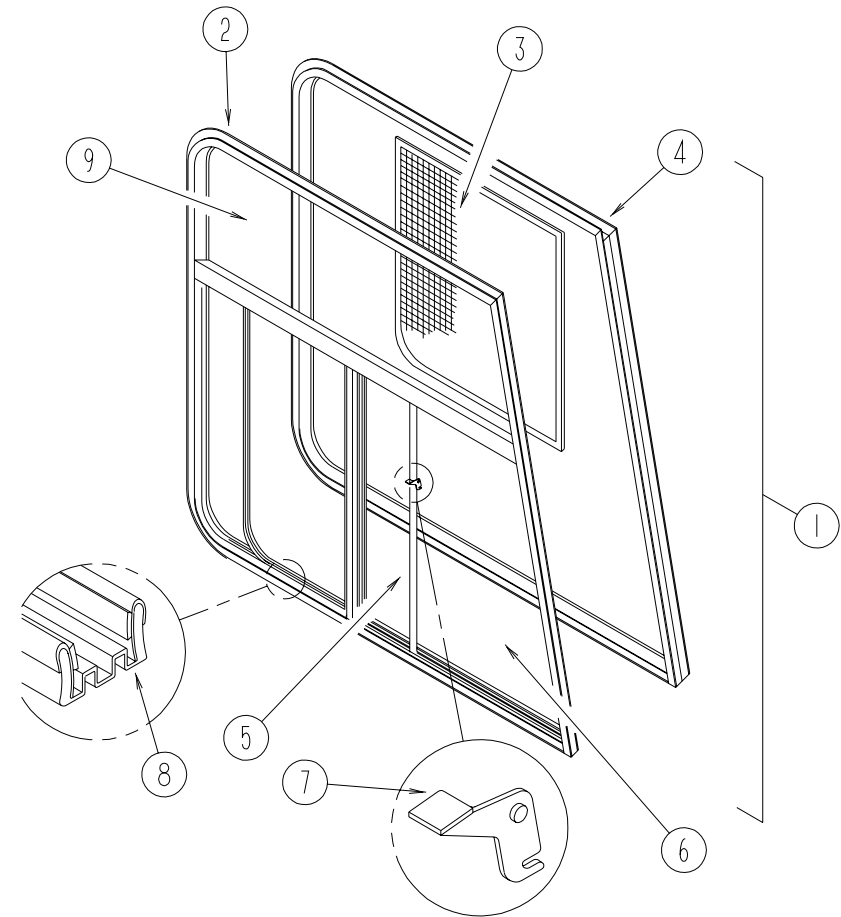
WINDOW, VENT & EXTERIOR DOOR GROUP (CONTINUED)



FRONT CAB WINDOWS (EXCEL)

KEY	PART NUMBER	U/M	DESCRIPTION
1	103658-07-01A	EA	WINDOW-DRIVER CAB 3 GLASS 25.3"TX45.4"BX45.2"H
1	103658-08-01A	EA	WINDOW-PASSENGER CAB 3 GLASS 25.3"TX45.4"BX45.2"H
2	103658-07-704	EA	WINDOW ASM. - W/OTRIM-DRIVERSIDE
2	103658-08-700	EA	WINDOW ASM. - W/OTRIM-PASSENGERSIDE
3	103658-01-700	EA	SCREEN ASM - W/SEALS & CLIPS-DRIVERSIDE
3	103658-02-700	EA	SCREEN ASM - W/SEALS & CLIPS-PASSENGERSIDE
4	103658-07-700	EA	RETAINER-TRIM-DRIVERSIDE
4	103658-08-701	EA	RETAINER-TRIM-PASSENGERSIDE
5	103658-01-703	EA	GLASS-SLIDING-W/SASH & LATCH LH-DRIVERSIDE
5	103658-02-701	EA	GLASS-SLIDING-W/SASH & LATCH RH-PASSENGERSIDE
6	103658-01-702	EA	GLASS-STATIONARY-BOTTOM-DRIVERSIDE
6	103658-01-702	EA	GLASS-STATIONARY-BOTTOM-PASSENGERSIDE
7	098644-01-700	EA	LATCH-REPAIR KIT (BLACK)
8	103658-07-701	EA	GLASS-STATIONARY TOP
	098644-01-706	FT	WEATHERSTRIP-GLASS
	098644-01-708	FT	CHANNEL-RUN PIERCED
	098644-01-710	FT	TRACK-SCREEN SPACER 12'
	098644-01-711	FT	WEATHERSTRIP-SCREEN BLACK
	098644-01-713	EA	CLIP-SPRING-METAL
	098644-01-716	FT	PLUG-FILLER
	098644-01-717	FT	SPLINE-SCREEN

WINDOW, VENT & EXTERIOR DOOR GROUP (CONTINUED)



FRONT CAB THERMOPANE WINDOWS (EXCEL)

VENDOR NO.	KEY	PART NUMBER	U/M	DESCRIPTION	VENDOR NO.
	1	113501-01-01A	EA	WINDOW-DRIVER CAB THERMO (3 WINDOW) 44.3"X24.4"X44.1"	
	1	113501-02-01A	EA	WINDOW-PASS CAB THERMO (3 WINDOW) 44.3"X24.4"X44.1"	
H374-A2L	2	113501-01-700	EA	WINDOW W/OTRIM-DRIVERSIDE	DH374-A2L
H374-A2R	2	113501-02-700	EA	WINDOW W/OTRIM-PASSENGERSIDE	DH374-A2R
H322-03L	3	103658-01-700	EA	SCREEN ASM - W/SEALS & CLIPS-DRIVERSIDE	H322-03L
H322-03R	3	103658-02-700	EA	SCREEN ASM - W/SEALS & CLIPS-PASSENGERSIDE	H322-03R
H374-66&76L		098644-01-717	FT	SPLINE-SCREEN	132-004716
H374-66&76R		098644-01-713	EA	CLIP-SPRING-METAL	226-016966
H322-A9L	4	103658-05-702	EA	RETAINER-TRIM-DRIVERSIDE	H373-66&76L
322-A9R	4	103658-10-701	EA	RETAINER-TRIM-PASSENGERSIDE	H373-66&76R
106-017700	5	113501-01-703	EA	GLASS-SLIDING W/SASH & LATCH-DRIVERSIDE	DH374-A9L
106-017700	5	113501-02-702	EA	GLASS-SLIDING W/SASH & LATCH-PASSENGERSIDE	DH374-A9R
B801-CK	6	113501-01-702	EA	GLASS-STATIONARY-LOWER-DRIVERSIDE	390-019139L
106-018481	6	113501-02-701	EA	GLASS-STATIONARY-LOWER-PASSENGERSIDE	390-019138R
171-010668	7	112795-01-700	EA	LATCH ASM. - BLACK (BOLTON)	DH287-CK
122-016543	8	112795-01-703	IN	CHANNEL-RUN (INCHES)	122-018736
132-017135	9	113501-01-701	EA	GLASS-STATIONARY-UPPER-DRIVER OR PASSENGERSIDE	390-019137
171-016965		098644-01-711	FT	WEATHERSTRIP-SCREEN BLACK	171-016965
226-016966		112795-01-701	EA	SLIDE-STOP	132-019092
132-014470		112795-01-704	FT	PLUG FILLER (DOUBLE GLAZED)	122-018737
132-004716		112795-01-705	FT	VINYL-GLAZING	132-019702
		112898-04-703	EA	SASH LATCH KIT - RAISED	DH343-CK

WINDOW, VENT & EXTERIOR DOOR GROUP (CONTINUED)

POWERED ROOF VENT (FANTASTIC)

KEY	PART NUMBER	U/M DESCRIPTION	VENDOR NO.
	123780-03-01A	EA VENTILATOR-ROOF/3"-4"-W/OTHERMOSTAT/POWERLIFT	
	009440-01-000	EA GEAR/ARM-VENT COVER-LIFT	
	084079-01-703	EA KNOB-LIFT-W/EXT.&SCREW	1140K-00
	084079-01-704	EA BLADE-FAN	1070-00
	084079-01-705	EA MOTOR	1080-00
	084079-01-707	EA SWITCH-SAFETY	1122.05
	084079-01-709	EA SWITCH-MAIN-3SPEED	1031-05
	084079-01-711	EA H-MOLDING-MOTORMOUNT	
	084079-11-700	EA MOTOR-BRKT.-FANBLADE-KIT	4017K-09
	123780-01-700	EA COVER-VENTW/HINGE&SLIDE	1020K-81
	123780-03-700	EA GARNISH-INT.3"-4"BRT/WHT	1040-81

WINDOW, VENT & EXTERIOR DOOR GROUP (CONTINUED)

NONPOWERED ROOF VENT

KEY	PART NUMBER	U/M DESCRIPTION	VENDOR NO.
	122882-01-01A	EA VENT-ROOF-NONPOWERED-W/OINSIDEGARNISH	
	122882-07-01A	EA GARNISH-ROOFVENT-2.50"TO4.12"	
	009440-01-000	EA GEAR/ARM-LIFT-ROOFVENTCOVER	
	064470-01-700	EA COVER-VENT-W/OSLIDEBAR	J7291
	064470-01-701	EA SLIDEBAR-VENTLID	JRP1291B
	122882-01-700	EA HANDLE-CRANKBLACK	90128
	122882-01-701	EA SCREEN	JRP-1124-B

POWERED ROOF VENT

KEY	PART NUMBER	U/M DESCRIPTION	VENDOR NO.
	122882-02-01A	EA VENT-ROOF-W/FAN-W/OINSIDEGARNISH-UL	
	122882-07-01A	EA GARNISH-ROOFVENT-2.50"TO4.12"	
	009440-01-000	EA GEAR/ARM-LIFT-ROOFVENTCOVER	
	048648-01-000	EA MOTOR-ROOFVENT-1/8SHAFT-12VOLT	
	048649-01-000	EA FAN-ROOFVENT-6BLADES-6"	
	064470-01-700	EA COVER-VENT-W/OSLIDEBAR	J7291
	064470-01-701	EA SLIDEBAR-VENTLID	JRP1291B
	110051-03-700	EA SWITCH-BLACK/PUSHBUTTON	27-0164
	122882-01-700	EA HANDLE-CRANKBLACK	90128
	122882-01-701	EA SCREEN	JRP-1124-B

POWERED ROOF VENT (CSA)

KEY	PART NUMBER	U/M DESCRIPTION	VENDOR NO.
	122882-03-01A	EA VENT-ROOF-W/FAN-W/OINSIDEGARNISH-CSA	
	122882-07-01A	EA GARNISH-ROOFVENT-2.50"TO4.12"	
	009440-01-000	EA GEAR/ARM-LIFT-ROOFVENTCOVER	
	048648-01-000	EA MOTOR-ROOFVENT-1/8SHAFT-12VOLT	
	048649-01-000	EA FAN-ROOFVENT-6BLADES-6"	
	064470-01-700	EA COVER-VENT-W/OSLIDEBAR	J7291
	064470-01-701	EA SLIDEBAR-VENTLID	JRP1291B
	110051-03-700	EA SWITCH-BLACK/PUSHBUTTON	27-0164
	122882-01-700	EA HANDLE-CRANKBLACK	90128
	122882-01-701	EA SCREEN	JRP-1124-B

ROOF VENTS

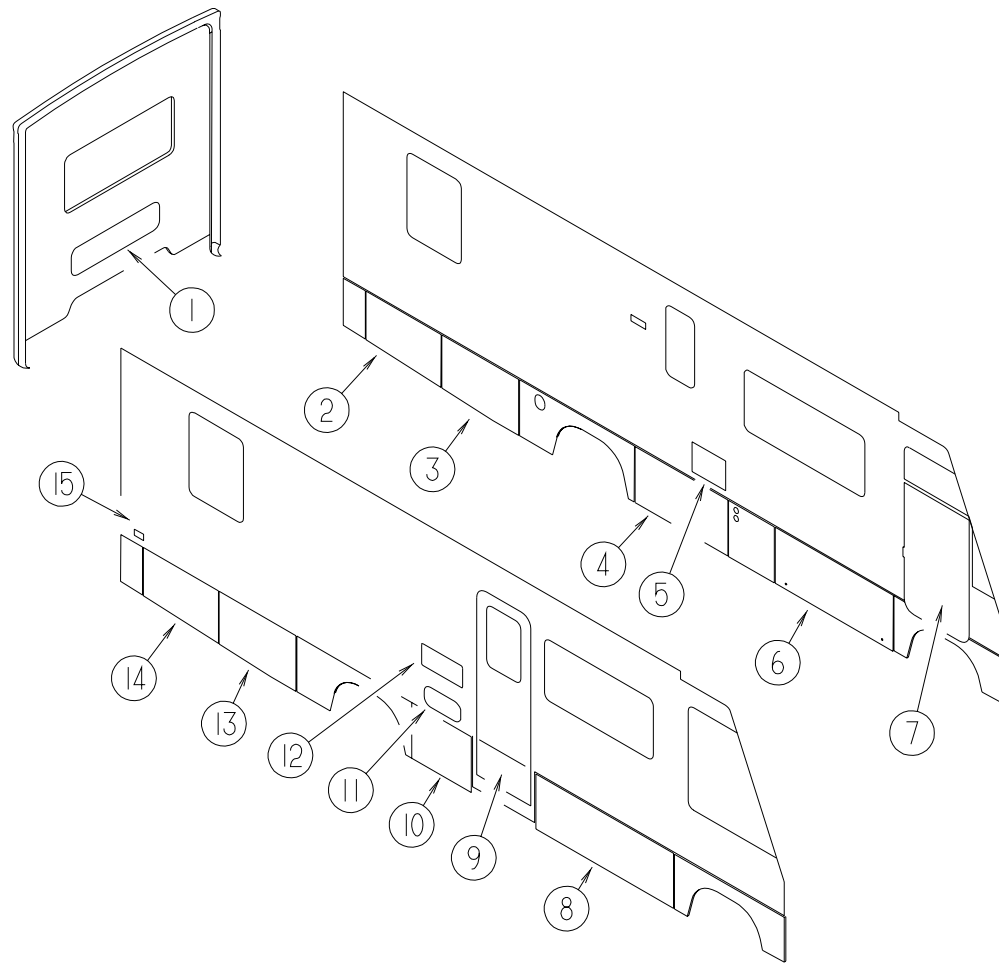
KEY	PART NUMBER	U/M DESCRIPTION
	083558-03-000	EA VENT-PLUMBING-PIPEROOF-W/COVER-OFFWHITE
	084073-04-000	EA BASE-ROOFVENT-REFRIGERATOR
	084073-07-000	EA VENT-ROOF-REFRIGERATOR-BRIGHTWHITE

SIDEWALL VENTS

KEY	PART NUMBER	U/M DESCRIPTION
	084616-07-000	EA SHROUD-VENT-RANGEHOOD-BRIGHTWHITE
	084878-09-000	EA VENT-HOOD-RANGE/SHORT-OFFWHITE

WINDOW, VENT & EXTERIOR DOOR GROUP (CONTINUED)

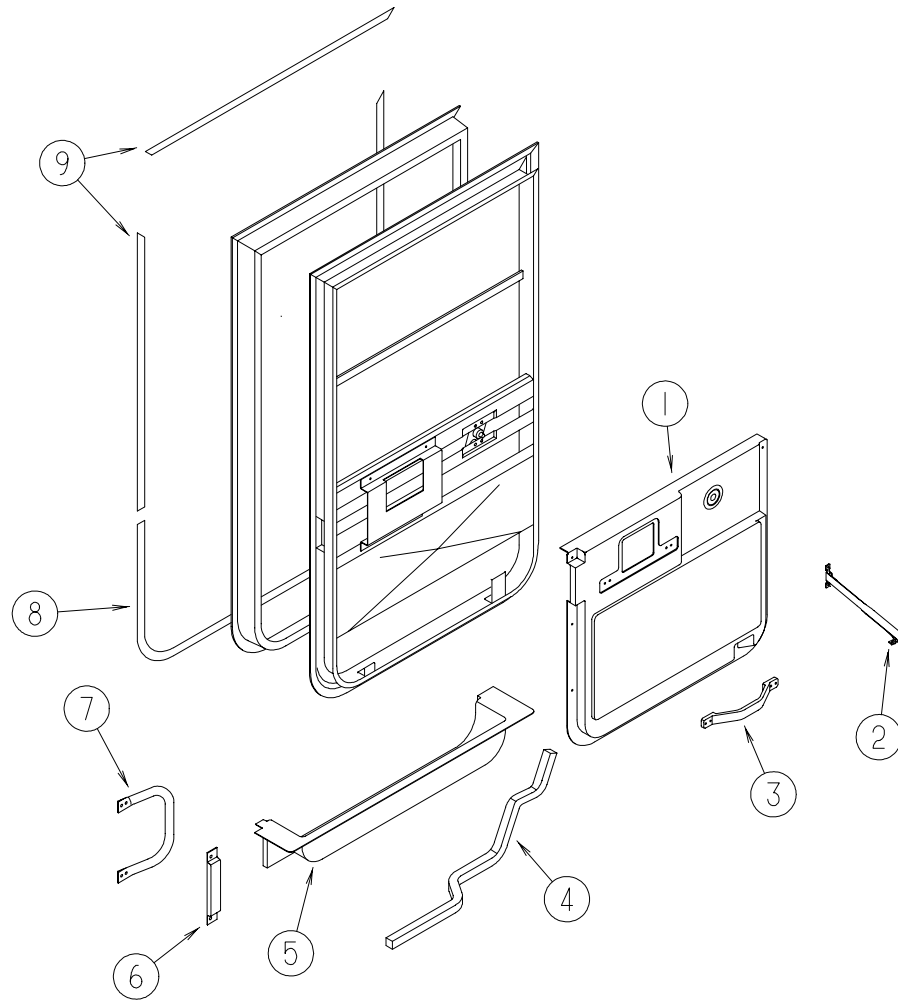
EXTERIOR DOORS



KEY	PARTNUMBER	U/M	DESCRIPTION	VENDOR NO.
1	111013-63-H37	EA	DOOR-STORAGE-W/OLOCK-12"X43.7"	
2	122391-07-H37	EA	VALANCE/DOOR-DRIVERW/OPADDLELATCH22.4"X38.6"X20.6"	
3	122391-05-H37	EA	VALANCE/DOOR-DRIVERW/OPADDLELATCH23.7"X38.6"X22.5"	
4	122239-04-H37	EA	VALANCE/DOOR-W/OPADDLELATCH-46.3"	
5	052009-06-000	EA	DOOR-WATERHEATER-BRIGHTWHITE-18"X14.6"	
5	116424-01-000	EA	PROTECTOR-WATERHEATERLATCH	
6	122239-57-H37	EA	VALANCE/DOOR-W/OPADDLELATCH-60"	
7	106469-07-01A	EA	DOORASM.-DRIVERS-BLACK-V130-01L	
8	122239-02-H37	EA	VALANCE/DOOR-W/OPADDLELATCH-69.6"	
9	115108-02-H37	EA	DOOR-ENTRY-W/SCREENDOOR-W/OWINDOW(H37,H47)	
9	115108-02-H38	EA	DOOR-ENTRY-W/SCREENDOOR-W/OWINDOW(H38,H48)	
9	115108-02-GB1	EA	DOOR-ENTRY-W/SCREENDOOR-W/OWINDOW(H39,H49)	
10	122239-58-H37	EA	VALANCE/DOOR-W/OPADDLELATCH-28.5"	
11	111017-01-H23	EA	DOOR-PATIOENTERTAINMENTCENTER-W/OLATCH-17.8"X8.1"	
12	084103-08-000	EA	DOOR-REFRIGERATOR-VENTED-W/OJAMB	
12	084104-08-000	EA	JAMB-REFRIGERATORDOOR	
	084104-01-700	EA	LOCK-MALE-FASTENER	201-721-010
	084104-01-701	EA	LOCK-FEMALE-FASTENER	201-802-010
13	122391-06-H37	EA	VALANCE/DOOR-PASSW/OPADDLELATCH22.5"X38.6"X23.7"	
14	122391-08-H37	EA	VALANCE/DOOR-PASSW/OPADDLELATCH20.6"X38.6"X22.4"	
15	081240-16-000	EA	DOOR-WATERFILL-LOCKABLEW/OLOCK-4"X45/8"	

WINDOW, VENT & EXTERIOR DOOR GROUP (CONTINUED)

DRIVER DOOR INTERIOR COMPONENTS

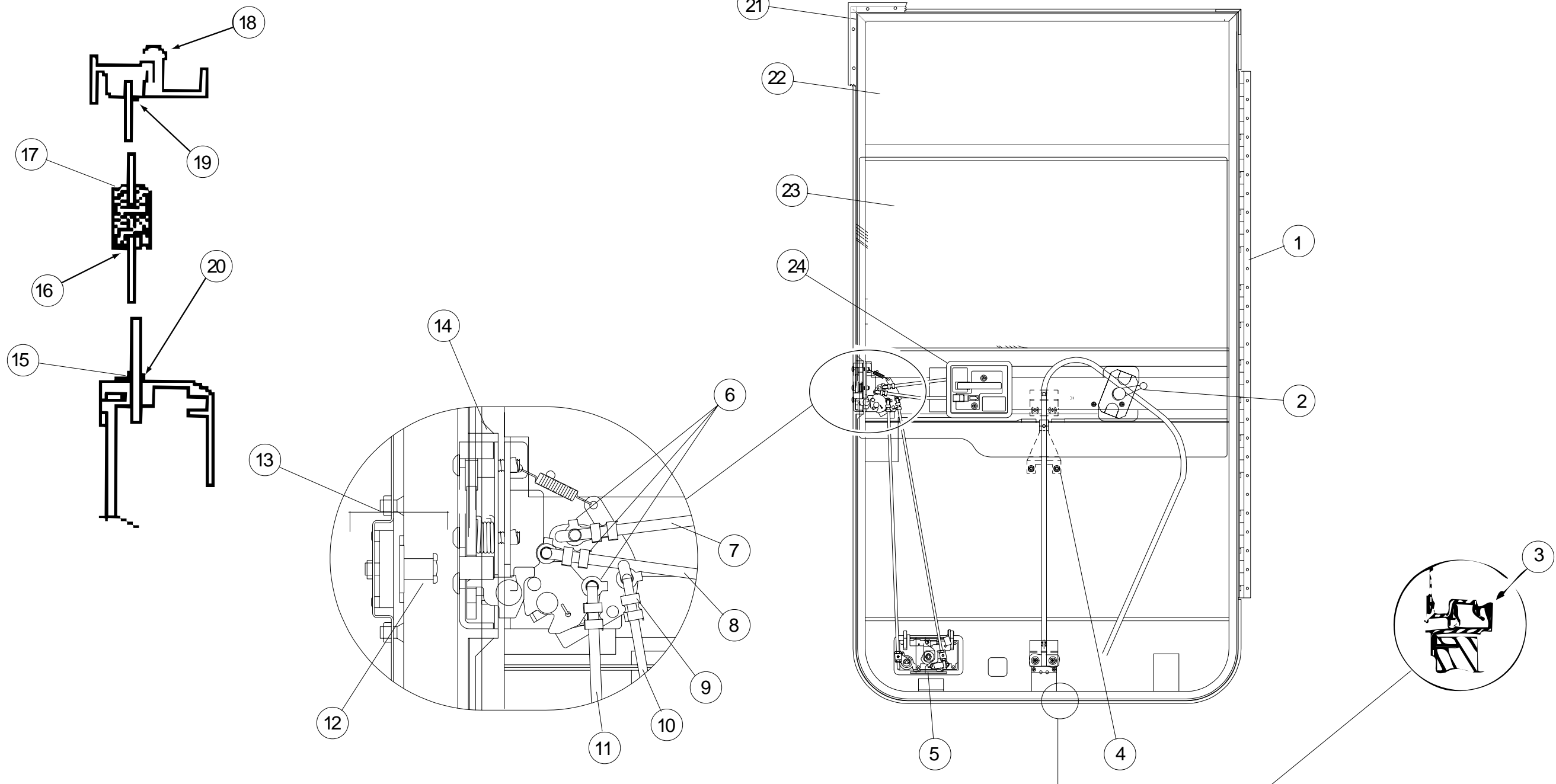


KEY	PART NUMBER	U/M	DESCRIPTION
1	114973-01-02A	EA	PANEL - DRIVER DOOR - INNER - WILLOW - PLASTIC
2	109378-01-000	EA	STRAP - CHECK - DRIVER DOOR - 12.8"
3	110604-01-01A	EA	HANDLE - ASSIST - DRIVERS DOOR
4	063977-12-000	EA	STEP - DRIVER DOOR - LEFT - PAINTED
4	063977-11-000	EA	STEP - DRIVER DOOR - LEFT - UNPAINTED
5	107818-01-01A	EA	TRIM - STEP - DRIVERS DOOR - PLASTIC - WILLOW
	106746-01-000	EA	PANEL - STEEL - STEPWELL
	106747-01-000	EA	PANEL - STEEL - STEPWELL - END RH
	106747-02-000	EA	PANEL - STEEL - STEPWELL - END LH
	102569-02-000	EA	MAT - ANTI SLIP - LOWER

KEY	PART NUMBER	U/M	DESCRIPTION
6	108654-01-01A	EA	COVER - STRIKE - DRIVERS DOOR - BLACK
7	108832-01-02A	EA	HANDLE - ASSIST - DRIVERS DOOR - METAL - OFF WHITE
	108833-01-01A	EA	COVER - HANDLE - ASSIST - OFF WHITE
8	109235-01-05A	FT	COVER - SCREW - BRIGHT WHITE - DAWN
9	109235-01-01A	FT	COVER - SCREW - MATTE BLACK - DAWN
	108129-02-02A	EA	GARNISH - DRIVERS DOOR - FRONT - BLACK
	108107-01-02A	EA	GARNISH - DRIVERS DOOR - TOP - BLACK
	108108-04-02A	EA	GARNISH - DRIVERS DOOR - REAR UPPER - BLACK
	108897-02-01A	EA	GARNISH - DRIVERS DOOR - REAR LOWER - BLACK
	P01713-01-000	EA	SWITCH - PUSH BUTTON - IN DOOR JAMB - METAL CHROME
	076725-06-000	EA	COVER - ACCESS - DOOR JAMB PUSH BUTTON - BLACK

WINDOW, VENT & EXTERIOR DOOR GROUP (CONTINUED)

DRIVER DOOR (EXCEL)



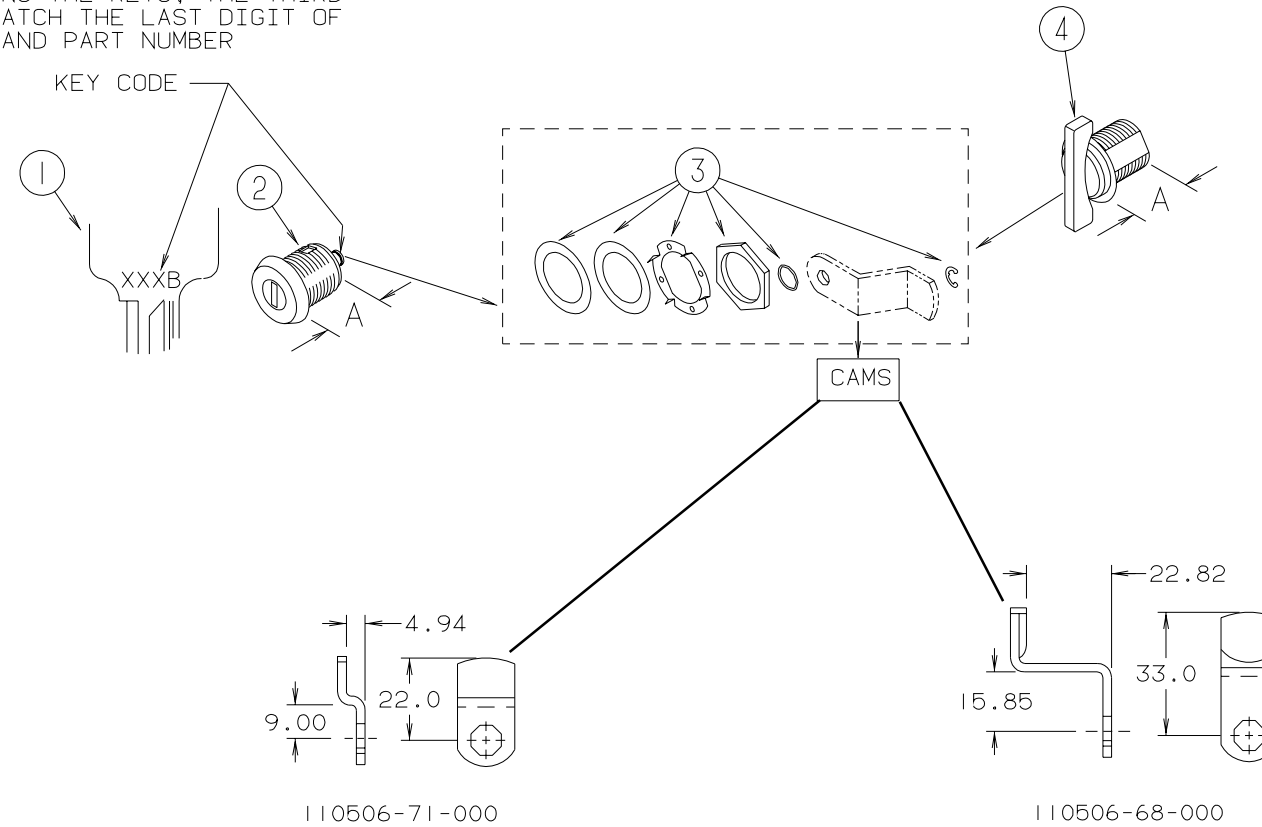
KEY	PART NUMBER	U/M DESCRIPTION	VENDOR NO.
	106469-07-01A	EA DOOR ASM. - DRIVERS - BLACK - V130-01L	
1	106469-05-702	EA HINGE - 42"	211-041194
2	106469-02-704	EA WINDOW HANDLE	V068-16
3	106469-01-723	EA SEAL - BULB ASM. (JAMB)	171-040985
4	106469-02-701	EA REGULATOR - MANUAL	V108-90L
5	106469-04-700	EA PADDLE ASSEMBLY-W/COLLAR	248-041237
5	106469-04-715	EA LATCH COMPLETE W/TUMBLER & KEYS	V123-15
6	106469-04-714	EA ROD CLIP R.H.	248-041153
7	106469-04-705	EA LATCH ROD - HORIZONTAL	203-041139
8	106469-04-711	EA LOCK ROD - HORIZONTAL	203-041137
9	106469-04-713	EA ROD CLIP L.H.	248-041154
10	106469-05-703	EA ROD - LOCK/VERTICAL ADJUST.	203-041239
11	106469-05-705	EA ROD - LATCH/VERTICAL ADJUST.	203-041279
12	106469-04-703	EA BOLT - STRIKER (W/ WASHER)	248-041152
13	106469-04-704	EA NUT ASSEMBLY - CAGED - W/STRIKER	248-041151

KEY	PART NUMBER	U/M DESCRIPTION	VENDOR NO.
14	106469-05-706	EA LATCH - ROTARY - W/LINKAGE	248-041150
15	106469-02-703	EA BELT WEATHERSTRIP (EXT) WDO	V047-57
16	106469-01-705	FT CHANNEL - RUN - SLIDING	122-010850
17	106469-08-700	EA MULLION RAIL	V103-84
18	106469-01-702	EA DOOR SEAL	122-040984
19	125581-02-705	EA HORIZONTAL GLAZING - VINYL	V108-87
20	106469-01-709	FT WEATHERSTRIP - FUZZY	171-040630
21	106469-07-700	EA MOUNTING FRAME ASSEMBLY	V130-30L
22	106469-02-702	EA GLASS - STATIONARY	106-041104
23	106469-01-704	EA GLASS - ROLL-UP W/BACKET	V103-65L
24	106469-04-712	EA HANDLE/DOOR - INNER W/HARDWARE	248-041402
24	106469-04-716	EA LEVER - LOCKING - BLACK	80978-00
	106469-04-701	EA TUMBLER & KEYS (TRI-MARK)	248-041179
	106469-04-702	EA KEYS (BLANK)	248-041180
	125582-01-708	EA WEEPHOLE COVER - RIGHT HAND	130-026598
	125582-01-709	EA WEEPHOLE COVER - LEFT HAND	130-026599

WINDOW, VENT & EXTERIOR DOOR GROUP (CONTINUED)

BRIGGS & STRATTON LOCKS & COMPONENTS

NOTE:
 WHEN ORDERING THE LOCK CASE, THE KEY CODE MUST MATCH THE LAST DIGIT OF THE VEHICLE'S SERIAL NUMBER AND PART NUMBER; WHEN ORDERING THE KEYS, THE THIRD DIGIT OF THE KEY CODE MUST MATCH THE LAST DIGIT OF THE VEHICLE'S SERIAL NUMBER AND PART NUMBER

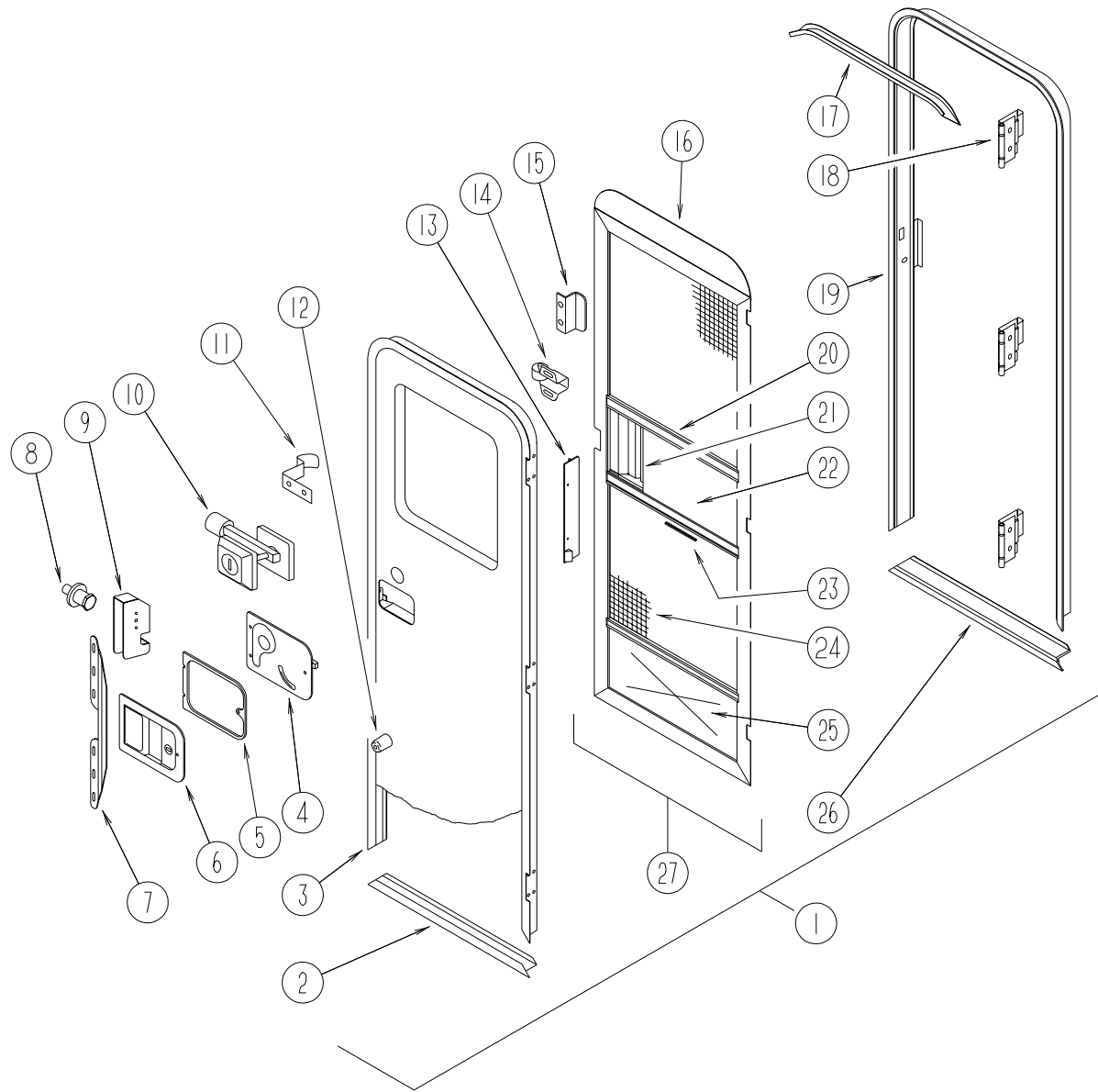


KEY	PARTNUMBER	U/M	DESCRIPTION	VENDOR NO.
1	110506-59-000	EA	KEYS-SETOFTWO	596720
2	110506-52-000	EA	CASE-LOCK-A=17MM	702370
2	110506-53-000	EA	CASE-LOCK-A=25MM	702380
1	110506-59-001	EA	KEYS-SETOFTWO	596721
2	110506-52-001	EA	CASE-LOCK-A=17MM	702371
2	110506-53-001	EA	CASE-LOCK-A=25MM	702381
1	110506-59-002	EA	KEYS-SETOFTWO	596722
2	110506-52-002	EA	CASE-LOCK-A=17MM	702372
2	110506-53-002	EA	CASE-LOCK-A=25MM	702382
1	110506-59-003	EA	KEYS-SETOFTWO	596723
2	110506-52-003	EA	CASE-LOCK-A=17MM	702373
2	110506-53-003	EA	CASE-LOCK-A=25MM	702383
1	110506-59-004	EA	KEYS-SETOFTWO	596724
2	110506-52-004	EA	CASE-LOCK-A=17MM	702374
2	110506-53-004	EA	CASE-LOCK-A=25MM	702384
1	110506-59-005	EA	KEYS-SETOFTWO	596725
2	110506-52-005	EA	CASE-LOCK-A=17MM	702375
2	110506-53-005	EA	CASE-LOCK-A=25MM	702385

KEY	PARTNUMBER	U/M	DESCRIPTION	VENDOR NO.
1	110506-59-006	EA	KEYS-SETOFTWO	596726
2	110506-52-006	EA	CASE-LOCK-A=17MM	702376
2	110506-53-006	EA	CASE-LOCK-A=25MM	702386
1	110506-59-007	EA	KEYS-SETOFTWO	596727
2	110506-52-007	EA	CASE-LOCK-A=17MM	702377
2	110506-53-007	EA	CASE-LOCK-A=25MM	702387
1	110506-59-008	EA	KEYS-SETOFTWO	596728
2	110506-52-008	EA	CASE-LOCK-A=17MM	702378
2	110506-53-008	EA	CASE-LOCK-A=25MM	702388
1	110506-59-009	EA	KEYS-SETOFTWO	596729
2	110506-52-009	EA	CASE-LOCK-A=17MM	702379
2	110506-53-009	EA	CASE-LOCK-A=25MM	702389
3	110506-40-700	EA	HARDWAREKIT	
4	110506-50-000	EA	CASE-TWISTLOCK-A=17MM	596952
4	110506-51-000	EA	CASE-TWISTLOCK-A=25MM	596669
	110506-40-000	EA	CLIP-E-LOCKASM.	93981
	110506-64-000	EA	CAM-LOCK	322280
	110506-68-000	EA	CAM-LOCK	322284
	110506-71-000	EA	CAM-LOCK	322287
	110506-59-701	EA	KEYBLANK-GOLD	

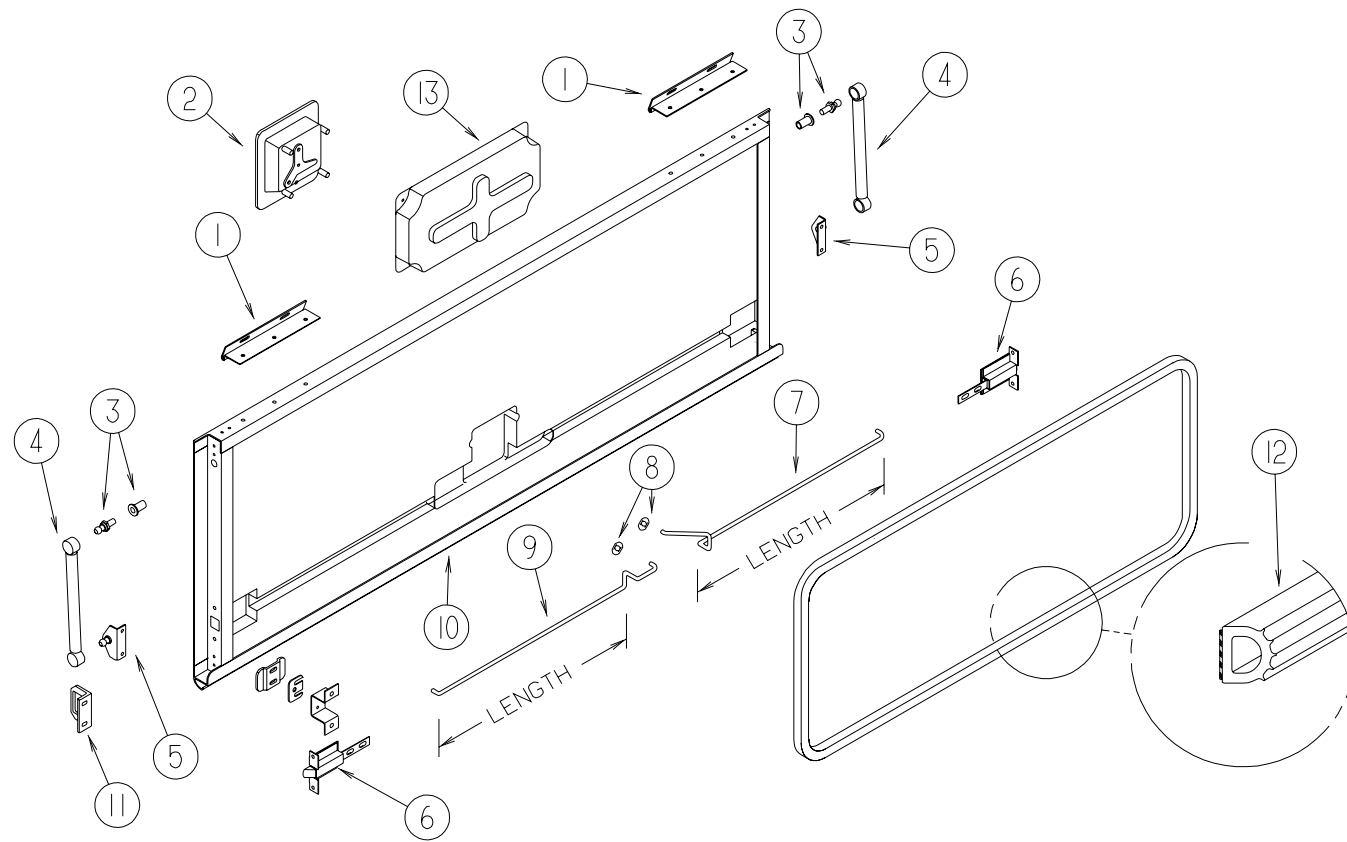
WINDOW, VENT & EXTERIOR DOOR GROUP (CONTINUED)

ENTRY DOOR W/O WINDOW



KEY	PART NUMBER	U/M	DESCRIPTION	VENDOR NO.
1	115108-02-H37	EA	DOOR-ENTRY-W/SCREENDOOR-W/OWINDOW (H37,H47)	
1	115108-02-H38	EA	DOOR-ENTRY-W/SCREENDOOR-W/OWINDOW (H38,H48)	
1	115108-02-GB1	EA	DOOR-ENTRY-W/SCREENDOOR-W/OWINDOW (H39,H49)	
2	121893-01-01A	EA	FRAME-DOOR-ENTRANCE	
3	121894-03-01A	EA	FRAME-DOOR-ENTRANCE B/W	
4	039979-06-000	EA	COVER-LATCHPLATE-RIGHTHAND-BLACKTEXTURED	
5	096810-01-01A	EA	PLATE-LATCH-ENTRYDOOR-BLACKPLASTIC	
6	045017-13-000	EA	LATCH-ENTRANCEDOOR-BLACKTEXTURED	
7	098173-01-07A	EA	STIFFENER-ENTRANCEDOOR-SUPPORTSLATCH/STRIKEAREA	
7	098173-01-04A	EA	STIFFENER-ENTRYDOOR-SUPPORTSLATCH/STRIKEAREA-UNPAINTED	
8	039539-01-000	EA	STRIKE-LOCK-ENTRYDOOR-ROUNDW/THREADEDWASHER	
9	039540-01-000	EA	LATCHMECHANISM-HOOK-ENTRYDOOR-INTERIOR	
	039715-01-000	EA	NUT-SERT-1/4"DIAMETER-20THREADS(ENTRANCEDOORHINGE)	
	041546-07-000	EA	BRACKET-DOORANGLE-OFFWHITE	
	036618-02-000	EA	E-RING-EXTERNAL-3/16"SHAFTDIAMETER-LYNORDDOORLOCK	
	045017-11-701	EA	KEY-BLANK-F1SERIES	81312-02
	045017-11-703	EA	CYLINDER-LOCKASM.-W/KEYS	81266-09
	072893-04-000	EA	NUTSERT-10-32(ENTRANCEDOORSTIFFENER)	
	075671-04-000	FT	SEAL-SPONGE-LAZYTSHAPE-W/ADHESIVESTRIP-.5"WIDE	
	086285-05-000	EA	SPACER-NYLON-.7"X.56"	
10	101145-01-06A	EA	DEADBOLT-ENTRYDOOR-W/2KEYS	
	095229-01-700	EA	KEY-BLANK-DEADBOLT	81205-03
	101145-01-701	EA	CYLINDER-LOCKASM.-W/KEYS	81306-03
	101147-01-000	EA	BOLT-SECURITY-4.12"BACKSET	
11	100412-01-000	EA	CATCH-SCREENDOOR-THUMBCLIP	
12	117046-01-000	EA	BUMPER-RUBBER-ROUNDEND	
13	079087-03-000	EA	STRIKE-SLIDER-SCREENDOOR-BRIGHTWHITE	
14	109403-01-000	EA	CATCH-SCREENDOORROLLER	
15	050712-06-000	EA	HANDLE-SCREENDOOR-BRIGHTWHITE	
16	078595-01-000	EA	TOPPLATE-SCREENDOOR-CURVEDTOP-4.7"X25.35"	
17	044582-44-000	EA	CAP-DRIP-ENTRYDOOR-ALUMINUM-BRIGHTWHITE	
18	106719-01-05A	EA	HINGE-ENTRANCEDOOR-BRIGHTWHITE	
18	106719-01-01A	EA	HINGE-ENTRANCEDOOR-MILL	
	116111-02-01A	EA	SCREW-TAPTITE-1/4-20X3/8PPH-ZINC	
	118929-01-01A	FT	SEAL-PILE-PUSHON	
19	121898-01-01A	EA	JAMB-DOOR-ENTRANCE	
20	078777-01-000	EA	CHANNEL-SLIDE-SCREENDOORCENTERSLIDCOVER	
21	079086-03-000	EA	SLIDER-SCREENDOOR-BRIGHTWHITE	
22	016454-01-000	EA	INSERT-CENTER-LEATHERGRAINALUMINUM-UNPAINTED	
	001014-01-013	EA	INSERT-CENTER-10.25"X16.31"-UNPAINTED	
23	002294-01-000	FT	SPLINE-SCREENING-.005"X.0054"	
24	002293-02-000	SF	SCREENING-WINDOW/DOOR-26"	
	075673-01-000	FT	SEAL-PILE-ADHESIVEBACK-GRAY	
25	078552-03-000	EA	KICKPANEL-SCREENDOOR-LOWERINSERT-UNPAINTED	
	078595-01-000	EA	TOPPLATE-SCREENDOOR-CURVEDTOP-4.7"X25.35"	
26	051049-01-000	EA	JAMB-BOTTOM-ENTRYDOOR-25.9"-UNPAINTED	
27	121899-01-G04	EA	DOOR-SCREEN-W/OHARDWARE	
	122241-01-01A	EA	BUMPER-FOAMRUBBER-BLACK	
	102248-01-000	EA	SHIM-DOOR	

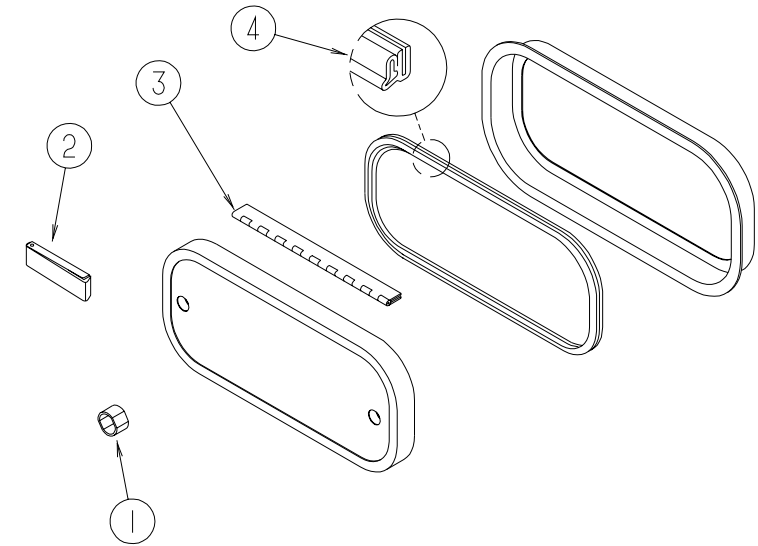
WINDOW, VENT & EXTERIOR DOOR GROUP (CONTINUED)



EXTERIOR DOORS

KEY	PARTNUMBER	U/M	DESCRIPTION
1	121755-01-04A	EA	HINGE-6.00INCH
2	112949-01-04A	EA	LATCH-PADDLEW/LOCKW/OKEY-BLACK
	112949-03-000	EA	KEY-TRI-MARK#TM500
3	057460-08-000	EA	BALLSTUD-10MMBALL-5/16-18
4	107796-20-000	EA	SPRING/GAS-7"COMPRESSED/10"EXTENDED-60LB
5	107796-19-000	EA	BRACKET-GASSPRING
6	121947-01-01A	EA	BOLT-SLIDE-LATCH-STEEL
7	122269-02-000	EA	ROD-LATCH-27.08"
7	122269-04-000	EA	ROD-LATCH-15.42"
7	122269-12-000	EA	ROD-LATCH-22.28"
7	122269-17-000	EA	ROD-LATCH-11.57"
7	122269-09-000	EA	ROD-LATCH-6.53"
8	124304-01-000	EA	CLIP-ROUND PUSHON
9	122268-02-000	EA	ROD-LATCH-27.08"
9	122268-04-000	EA	ROD-LATCH-15.42"
9	122268-12-000	EA	ROD-LATCH-22.28"
9	122268-17-000	EA	ROD-LATCH-11.57"
9	122268-09-000	EA	ROD-LATCH-6.53"
10	122613-55-004	EA	EXTR-PANELROCKER-DBLU-4877MM
11	123783-01-01A	EA	STRIKER-DOOR-MILL
12	107721-04-000	FT	SEAL-D-ACCESSDOOR
13	122277-01-01A	EA	COVER-LATCH-BLACK

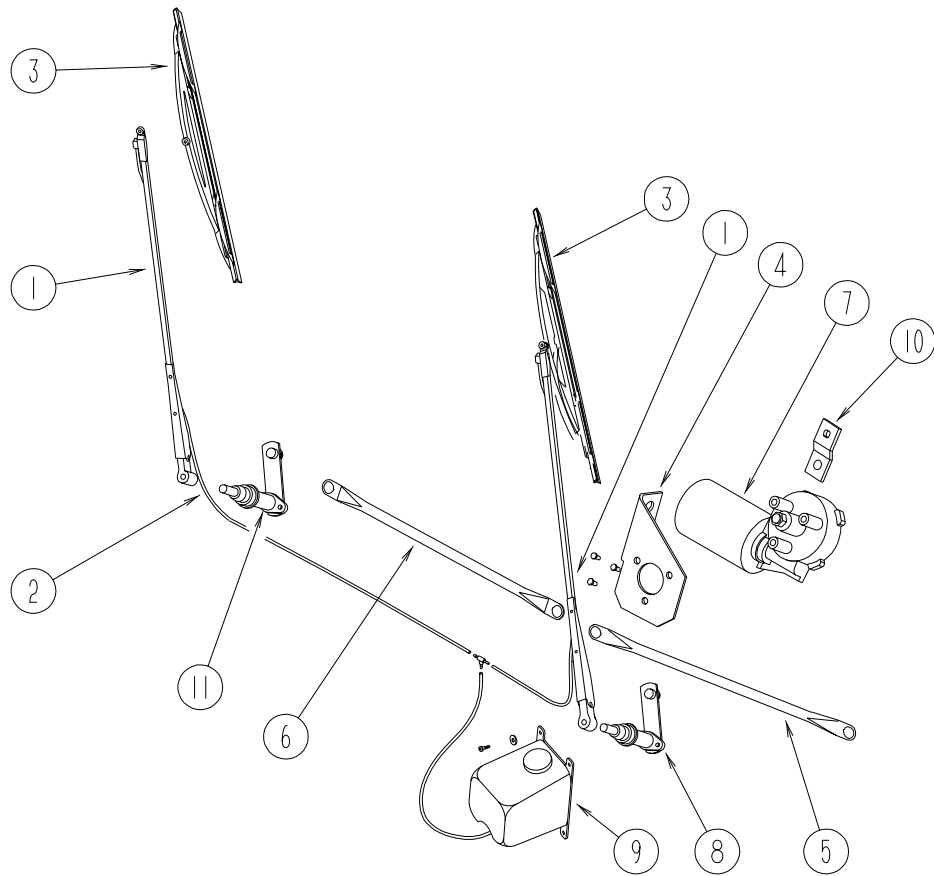
WINDOW, VENT & EXTERIOR DOOR GROUP (CONTINUED)



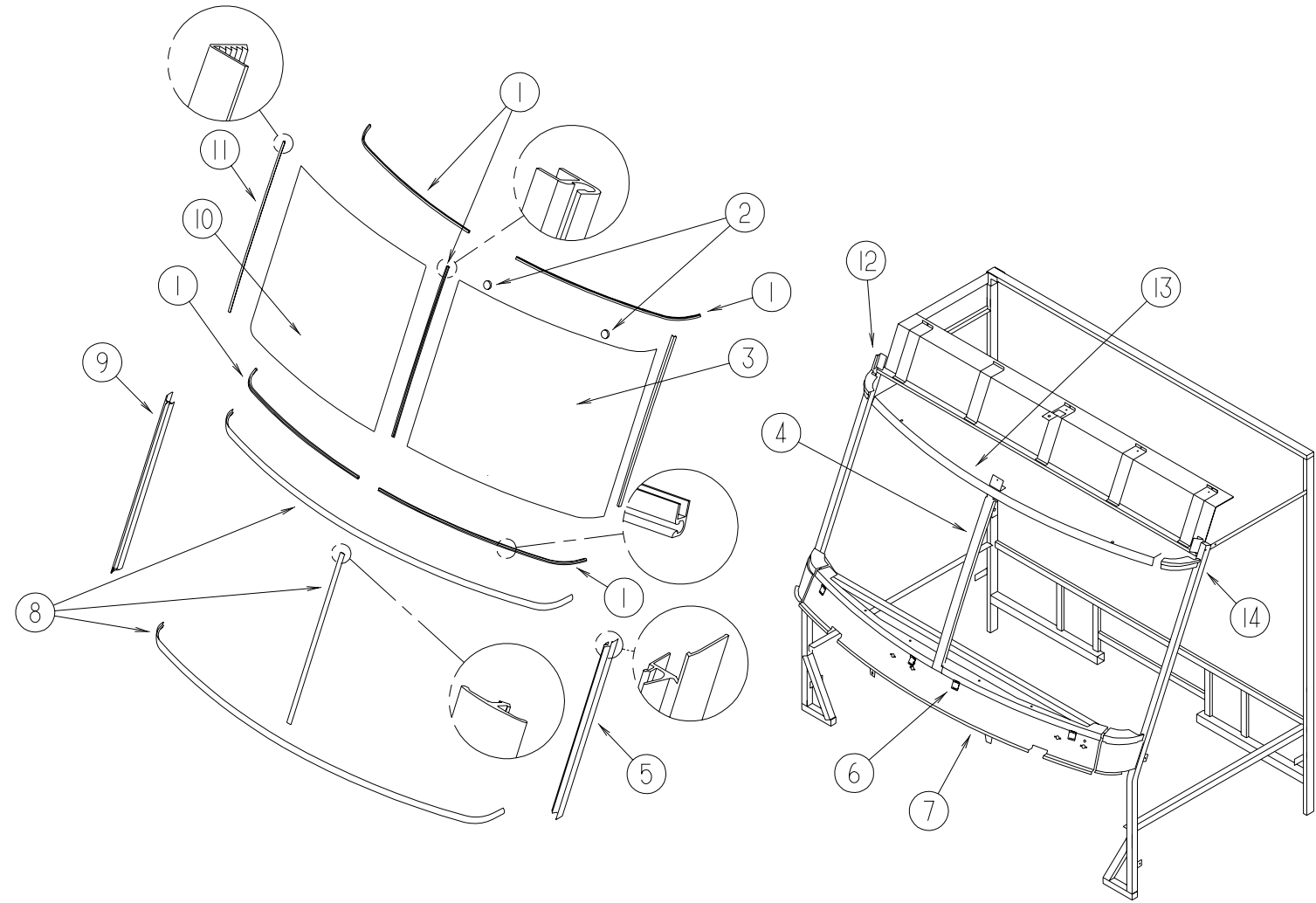
EXTERIOR DOORS

KEY	PARTNUMBER	U/M	DESCRIPTION
1	107997-51-001	EA	SPACER-DOORLOCK-.6"DEEP
2	102768-01-000	EA	HOLDER-COMPARTMENT/ENTRYDOOR-METAL-MILLFINISH
3	081801-V3-000	EA	HINGE-ALUMINUM-2"X8'-BRIGHTWHITE
4	064075-07-000	FT	SEAL-BULB-W/WIREDUCHANNEL-.3"X.5"CHANNEL-BLK

WINDSHIELD&WIPERGROUP



WINDSHIELD&WIPERGROUP(CONTINUED)



WINDSHIELDWIPERASM

KEY	PARTNUMBER	U/M	DESCRIPTION	VENDORNO.
1	103671-01-000	EA	ARM-WIPER-24"	
2	096931-01-700	FT	HOSE-WIPER	XTU-66-0001
3	095964-01-000	EA	BLADE-WIPER-WINDSHIELD-24"	
4	104549-01-000	EA	BRACKET-WIPER	
5	117008-01-000	EA	LINKASSEMBLY-WIPERCONNECTING-DRIVERSIDE	
6	117008-02-000	EA	LINKASSEMBLY-WIPERCONNECTING-PASSENGERSIDE	
7	104346-05-000	EA	WIPERMOTORW/INTERNALBREAKER-DYNAMICPARK(FORD)	
7	104346-04-000	EA	MOTOR-WIPERW/INTERNALBREAKER(CHEVY)	
	117322-01-000	EA	SCREW-1/4-28UNF-2A-TORX	
8	096505-06-000	EA	SHAFT&PIVOTASSEMBLY-DRIVERSIDE	
9	117766-02-000	EA	RESERVOIR/PUMP-WINDSHIELDWASHER	
	096931-01-701	EA	NOZZLE-HARDWAREKIT	
	110605-01-000	EA	TEE-PLAS-BARBED 1/8X1/8X3/16-BAYLOCK3799721	
	045794-01-000	FT	HOSE-WASHER-WINDSHIELD-5/32"ID-BLACK	
	117765-03-000	EA	CONNECTOR-5/32-WINDSHIELDWASHER	
10	104347-01-000	EA	ARM-DRIVE-WIPERMOTOR-1.54"-W/TAPEREDDRIVEHOLE	
	067188-01-000	EA	STUD-CRANK-WIPER-WINDSHIELD	
11	096505-05-000	EA	SHAFT&PIVOTASM	
	110742-01-000	EA	GASKET-NEOPRENEWIPERADAPTERSHAFT-13/4"ODX1"ID	
	096505-02-700	EA	DRIVER-KNURLED(HD)BRL.687 NT721017	
	096505-02-701	EA	NUT-HEX(HD)W/.687BARREL	NT721021
	096505-02-702	EA	CAP-RUBBER(HD)BARREL.687	CP721084
	096505-02-703	EA	CAP-NUT(ACORN)HDW/.687BRL	51065-40-NT27WC

WINDSHIELDMOLDINGS&GLASS

KEY	PARTNUMBER	U/M	DESCRIPTION
1	110268-01-000	EA	WINDSHIELDCARRIER-50.4"
2	081914-01-000	EA	BUMPER-RUBBER-ROUND-.43"DIAMETER-BLACK
3	114432-02-000	EA	GLASS-WINDSHIELD-DRIVER-52.75"WX47.5"T
4	075710-01-000	EA	FRAME-WINDSHIELD-CENTERDIVIDER-INNER
5	103107-04-01A	EA	TRIM-WINDSHIELD-DRIVERSIDE
6	104449-01-000	EA	SUPPORT-WINDSHIELD
7	077847-05-000	EA	SUPPORT-WINDSHIELD-CENTER
	077847-03-000	EA	SUPPORT-WINDSHIELD-PASSENGERSIDEEND
	077847-04-000	EA	SUPPORT-WINDSHIELD-DRIVERSIDEEND
8	120533-01-000	FT	MOLDING-REVEAL-WINDSHIELD
9	103107-03-01A	EA	TRIM-WINDSHIELD-PASSENGERSIDE-BLACK
10	114432-01-000	EA	GLASS-WINDSHIELD-PASSENGER-52.75"WX47.5"T
11	098788-06-000	EA	CHANNEL-49"PVC
12	077922-03-000	EA	HEADER-WINDSHIELDEND-RIGHTHAND
	114583-01-01B	EA	HEADER-WINDSHIELD-FILLER-UPPER
13	077922-06-000	EA	HEADER-WINDSHIELD-CENTER
14	077922-04-000	EA	HEADER-WINDSHIELDEND-LEFTHAND
	114583-02-01B	EA	HEADER-WINDSHIELD-FILLER-UPPER
	002328-02-000	EA	BLOCK-WINDSHIELD-.062"X.5"X.98"