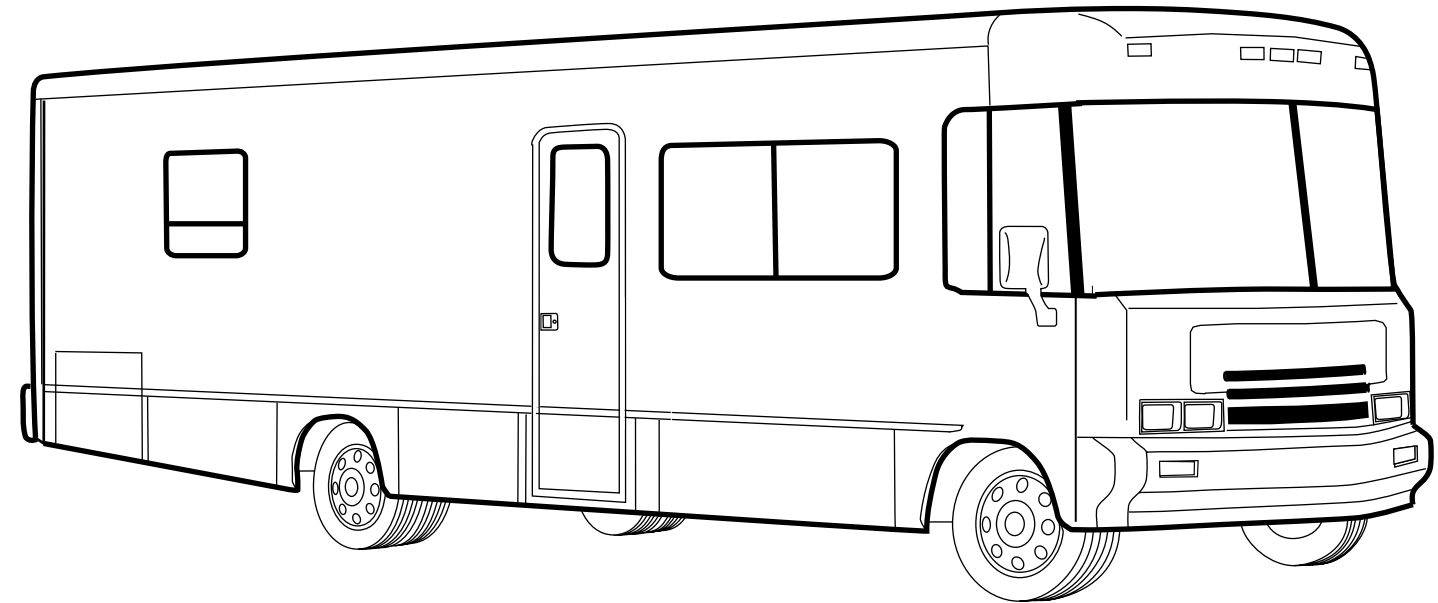


1997 WCF29RQ



H12

COPPER CREEK (TERRA COTTA)

H13

COPPER CANYON (TERRA COTTA)

H14

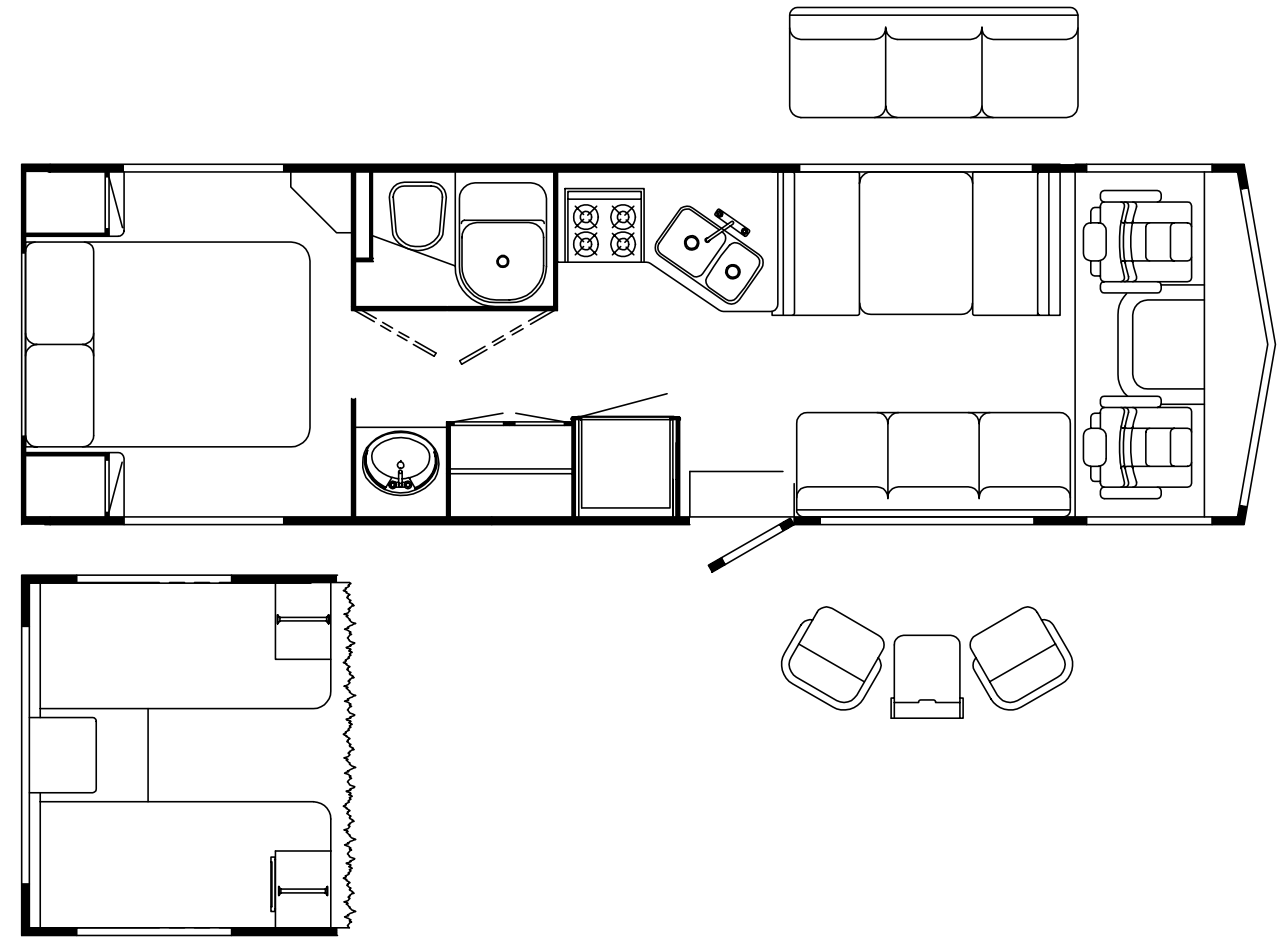
SPUN SILVER (WARM GRAY)

H15

STARS & STRIPES (BLUE)

H16

NEWPORT (BLUE)



**ACCESSORIES GROUP
OPERATOR MANUAL**

KEY	PART NUMBER	U/M DESCRIPTION
	054185-F7-000	EA MANUAL-OPERATOR, 1997 BRAVE
	092318-01-000	EA BINDER - 3 RING, MOTOR HOME MANUAL
	092319-01-000	EA POCKET PAGE - 3 RING BINDER, PLASTIC
	121518-01-000	DW TOP LEVEL DRAWING-F, 1997

**AUDIO VIDEO GROUP
PATIO ENTERTAINMENT CENTER**

KEY	PART NUMBER	U/M DESCRIPTION
	076319-09-000	EA WALLPLATE-CABLE RECEPTACLE, TV - SINGLE - BROWN
	077069-02-000	EA CABLE - ANTENNA/EXTENSION - RADIO - 96"
	082134-01-000	EA ADAPTER-TV, CABLE TO CABLE
	086756-01-000	EA SPLITTER-TV, 2 WAY
	087683-03-000	EA RADIO - AM/FM STEREO CASSETTE - AUDIOVOX
	108847-01-000	EA BRACKET-ANTENNA GROUND
	109889-04-000	EA EXTENDER - ANTENNA SHAFT - 3"
	110469-01-000	EA SPEAKER - 4" X 6" OVAL - COAXIAL
	110470-01-01A	EA GRILLE - 4" X 6" OVAL - BLACK

RADIO SYSTEMS & ANTENNA

KEY	PART NUMBER	U/M DESCRIPTION
	116148-03-000	EA RADIO - AM/FM STEREO W/CD PLAYER - CLARION FROM: 00-00-00 THRU: 02-09-97
	116148-04-000	EA RADIO - AM/FM STEREO W/CD PLAYER - CLARION FROM: 02-10-97 THRU: 99-99-99
	110267-03-000	EA RADIO-AM/FM STEREO - CD COMPATIBLE - MODEL 400 - 500 - AUDIOVOX FROM: 00-00-00 THRU: 08-13-96
	110267-04-000	EA RADIO-AM/FM STEREO - CD COMPATIBLE - AUDIOVOX FROM: 08-14-96 THRU: 99-99-99
	077069-02-000	EA CABLE - ANTENNA/EXTENSION - RADIO - 96"
	090944-01-000	EA ANTENNA-RADIO, 16" RUBBER
	115916-01-01B	EA BRACKET - ANTENNA MOUNT
	089340-02-000	EA GRILLE-SPEAKER, 6.5" SQUARE
	089340-03-000	EA SPACER-GRILLE, 6.5" SQUARE - TAN
	094097-01-000	EA SPEAKER - RADIO/TV - W/O GRILLE - 5.25" DIAMETER
	110469-01-000	EA SPEAKER - 4" X 6" OVAL - COAXIAL
	110470-01-01A	EA GRILLE - 4" X 6" OVAL - BLACK

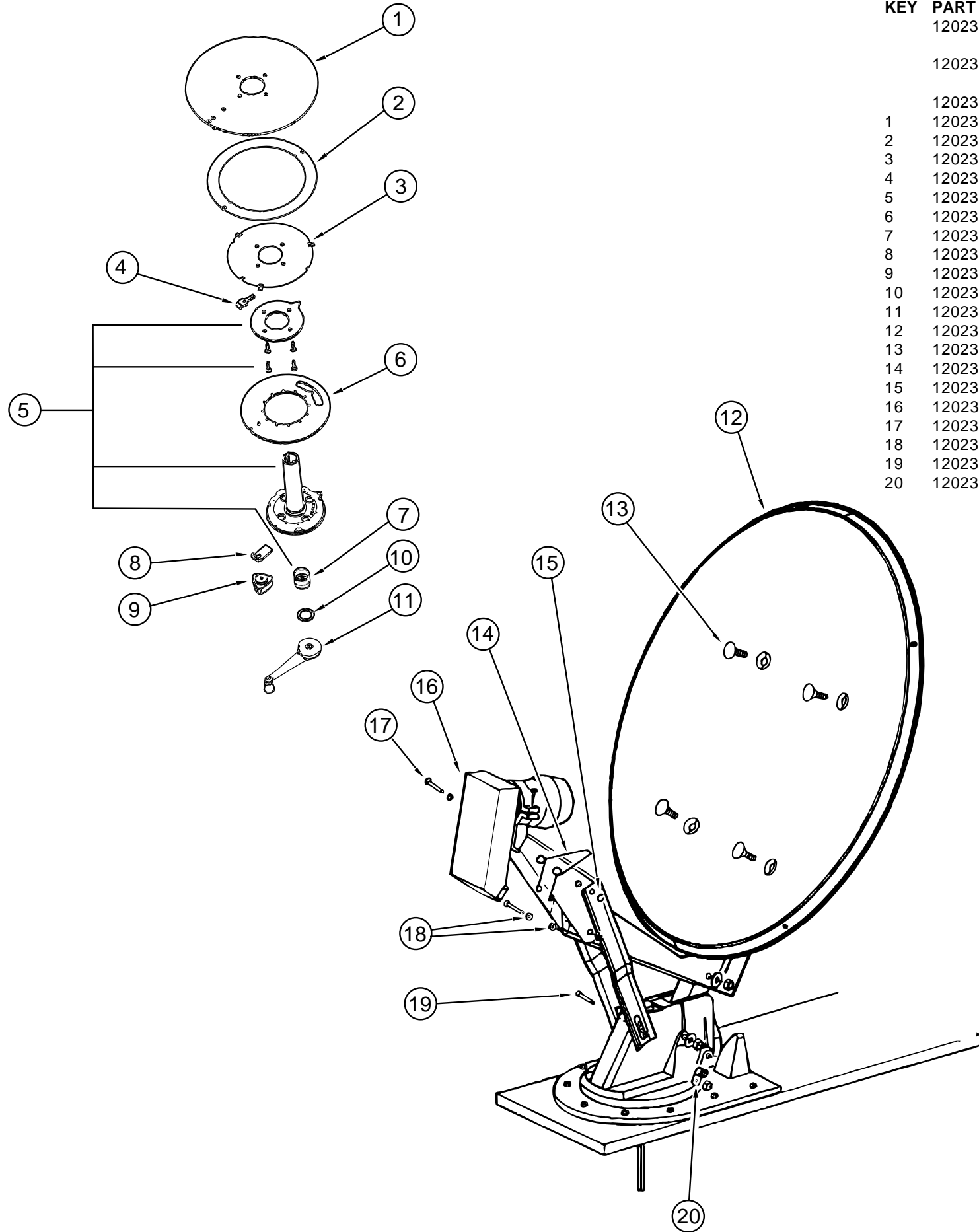
CB ANTENNA

KEY	PART NUMBER	U/M DESCRIPTION
	123256-01-000	EA ANTENNA-CB W/O CABLE
	123256-02-000	EA CABLE-CB COAX

TV, VCR & COMPONENTS

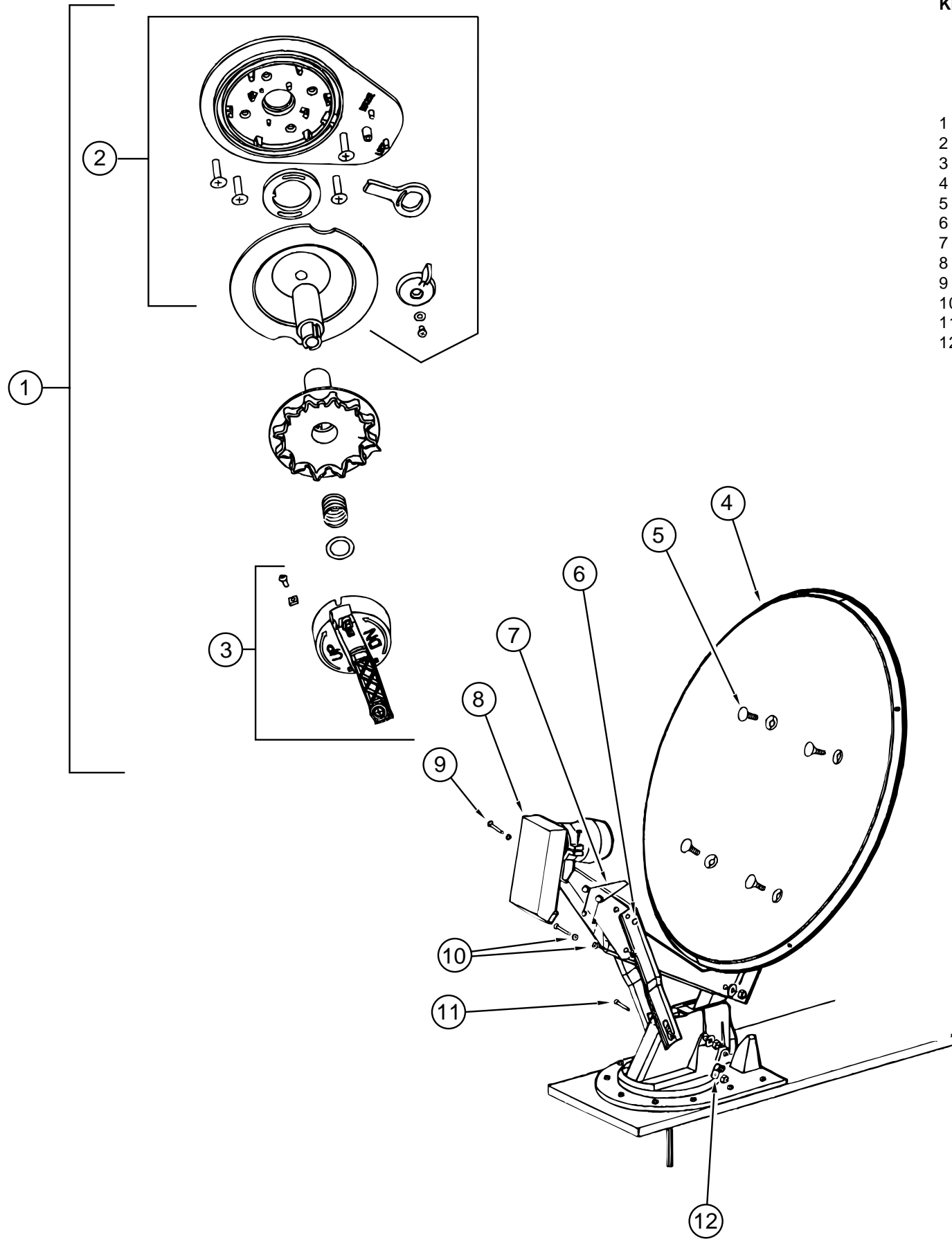
KEY	PART NUMBER	U/M DESCRIPTION	VENDOR NO.
	113684-02-000	EA TV - 19" COLOR UL/CSA - 1/8" JACK - AUDIOVOX AVT - 1980	
	113684-02-700	EA REMOTE FOR AUDIOVOX AVT - 1980 TV	0892355
	119120-02-000	EA VCR-VHS, CABLE READY W/REMOTE - AUDIOVOX AVR - 1170 FROM: 00-00-00 THRU: 02-16-97	
	119120-02-700	EA REMOTE FOR AUDIOVOX AVR - 1170 VCR FROM: 00-00-00 THRU: 02-16-97	0994569
	119120-03-000	EA VCR-VHS - CABLE READY - REMOTE - AUDIOVOX AVR - 1108 FROM: 02-17-97 THRU: 99-99-99	
	119120-03-700	EA REMOTE FOR AUDIOVOX AVR - 1108 VCR FROM: 02-17-97 THRU: 99-99-99	0994571
	122863-01-000	EA TV - 13" COLOR W/SPEAKER UL/CSA - AUDIOVOX AVT - 1390	
	122863-01-700	EA REMOTE FOR AUDIOVOX AVT - 1390 TV	0892345
	086757-03-000	EA CONTROL CENTER-SWITCH, VCR/TV	
	086777-05-000	EA PLATE-WALL, ANTENNA - 1 OUTPUT - IVORY	
	093214-01-02A	EA GRILLE-SPEAKER, 4" BROWN	
	098819-01-000	EA SPEAKER - 2 WATT, 8 OHM - 4"	
	115466-02-02B	EA STRAP - TIEDOWN - TV	
	076319-09-000	EA WALLPLATE-CABLE RECEPTACLE, TV - SINGLE - BROWN	
	076319-08-000	EA WALLPLATE-CABLE RECEPTACLE, TV - SINGLE - IVORY	
	086777-01-000	EA WALLPLATE-TV CABLE, W/ANTENNA SWITCH - IVORY	
	093901-03-000	EA PLATE-COAXIAL CABLE, 64 MM X 45 MM - STEEL - E-COAT	
	076319-12-000	EA CONNECTOR-COAXIAL, ONE PIECE	
	082134-01-000	EA ADAPTER-TV, CABLE TO CABLE	
	086756-01-000	EA SPLITTER-TV, 2 WAY	
	076319-03-000	FT CABLE-COAXIAL, 75 OHM	
	082136-01-000	EA NUT - HEX JAM - 3/8 - 32	
	076319-06-000	EA ADAPTOR-CABLE ROOF PLATE	
	114870-02-000	EA PLUG - .14" AUDIO W/LEADS	

AUDIO VIDEO GROUP (CONTINUED)
WINEGARD SATELLITE ANTENNA - OLD STYLE



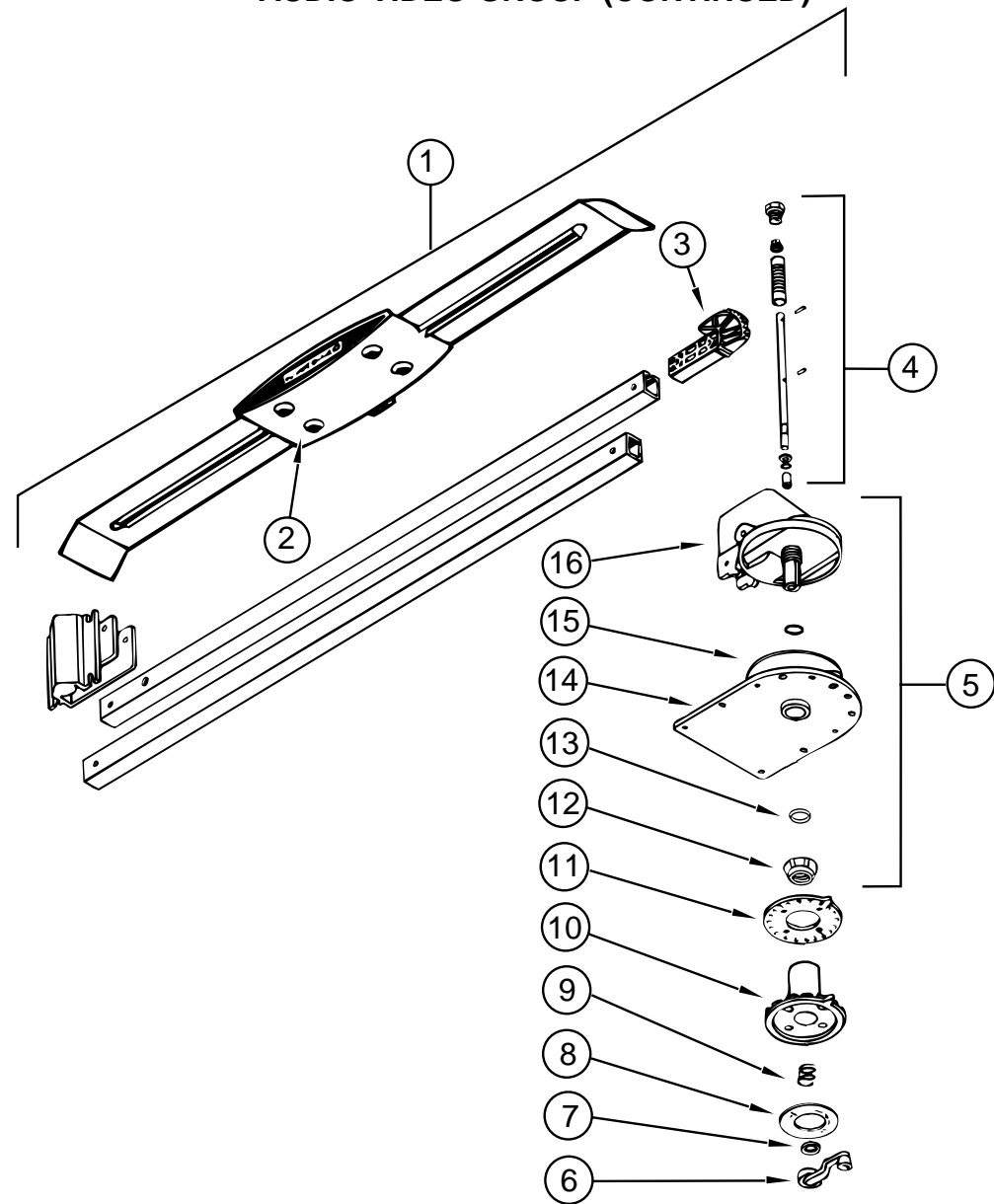
KEY	PART NUMBER	U/M	DESCRIPTION	VENDOR NO.
	120233-02-000	EA	RECEIVER ONLY-SATELLITE ANTENNA - RC-1000	
			FROM: 00-00-00 THRU: 01-26-97	
	120233-02-700	EA	REMOTE	RC-0012
			FROM: 00-00-00 THRU: 01-26-97	
	120233-01-000	EA	ANTENNA-SATELLITE W/O RECEIVER - (DISH & HARDWARE KIT) - MANUAL	
1	120233-01-700	EA	PLATE-FIXED	3750821
2	120233-01-701	EA	DIAL-DIRECTIONAL	2745056
3	120233-01-702	EA	PIVOT-DIAL-DIRECTIONAL	2745058
4	120233-01-703	EA	STOP-ROTATION	3711281
5	120233-01-704	EA	PLATE-CEILING W/DIRECTIONAL HANDLE	RP-6300
6	120233-01-705	EA	PLATE-ROTATE	3750820
7	120233-01-706	EA	SPRING	RP-6822
8	120233-01-707	EA	CLAMP-ROTATE	3711280
9	120233-01-708	EA	KNOB-CLAMP	2200061
10	120233-01-709	EA	WASHER-NYLON	RP-2658
11	120233-01-710	EA	HANDLE-CRANK	RP-6795
12	120233-01-711	EA	REFLECTOR - 46 CM	2745304
13	120233-01-712	EA	BOLT-FLAT HEAD	2160253
14	120233-01-713	EA	SPRING	2160820
15	120233-01-714	EA	CLIP-E	5160818
16	120233-01-715	EA	LOW NOISE BLOCK FILTER (LNBF)	2780177
17	120233-01-716	EA	PIN	2160814
18	120233-01-717	EA	BEARING-NYLON	2200726
19	120233-01-718	EA	PIN	5160817
20	120233-01-719	EA	CLAMP-CABLE	2200060

AUDIO VIDEO GROUP (CONTINUED)
WINEGARD SATELLITE ANTENNA - NEW STYLE



KEY	PART NUMBER	U/M	DESCRIPTION	VENDOR NO.
	120233-02-000	EA	RECEIVER ONLY-SATELLITE ANTENNA - RC-1000	
				FROM: 00-00-00 THRU: 01-26-97
	120233-02-700	EA	REMOTE	RC-0012
				FROM: 00-00-00 THRU: 01-26-97
	120233-01-000	EA	ANTENNA-SATELLITE W/O RECEIVER - (DISH & HARDWARE KIT) - MANUAL	
1	120233-01-720	EA	CEILING PLATE ASM (RETRO FIT)	RP-4100
2	120233-01-722	EA	PLATE ASSEMBLY (CEILING)	2762826
3	120233-01-721	EA	CRANK HANDLE ASSEMBLY	2762825
4	120233-01-711	EA	REFLECTOR - 46 CM	2745304
5	120233-01-712	EA	BOLT-FLAT HEAD	2160253
6	120233-01-714	EA	CLIP-E	5160818
7	120233-01-713	EA	SPRING	2160820
8	120233-01-715	EA	LOW NOISE BLOCK FILTER (LNBF)	2780177
9	120233-01-716	EA	PIN	2160814
10	120233-01-717	EA	BEARING-NYLON	2200726
11	120233-01-718	EA	PIN	5160817
12	120233-01-719	EA	CLAMP-CABLE	2200060

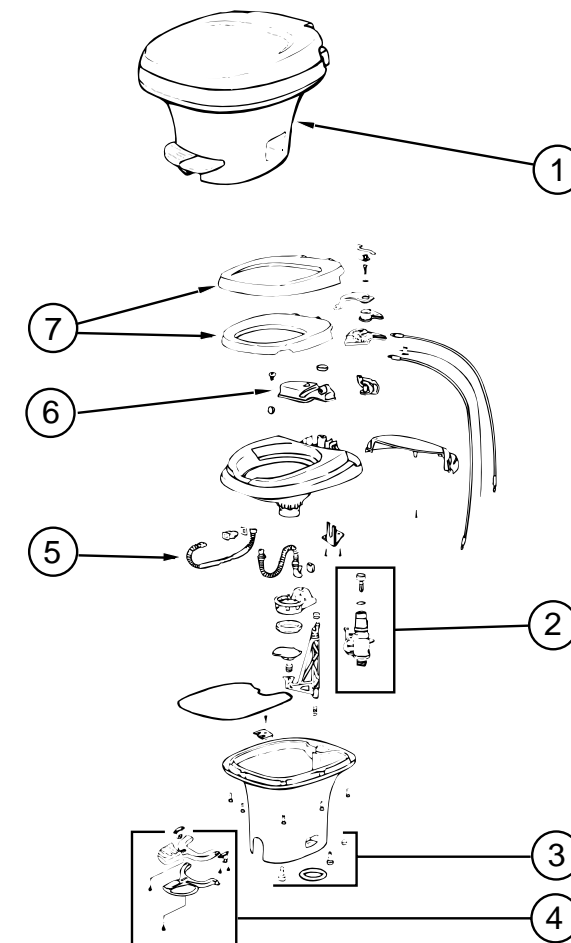
AUDIO VIDEO GROUP (CONTINUED)



WINEGARD TV ANTENNA

KEY	PART NUMBER	U/M	DESCRIPTION	VENDOR NO.
1	076319-21-000	EA	ANTENNA-TV, ROOF MOUNT - 3" ROOF	
2	076319-01-700	EA	HEAD-ANTENNA, AMPLIFIED	RVSA U/V
3	076319-01-701	EA	GEAR-ELEVATING, PLASTIC	2200046
4	076319-01-702	EA	SHAFT ASM-ELEVATING	RVP-400A
5	076319-01-711	EA	BASE & LIFT ASM	2762802
6	076319-01-706	EA	CRANK-ELEVATING, W/SET SCREW	2750897
7	076319-01-705	EA	GROMMET-NYLON, 7/8" ID	3200658
8	076319-01-708	EA	DECAL-CRANK	5413002
9	076319-01-707	EA	SPRING-HANDLE	5160822
10	076319-01-709	EA	PLATE-DIRECTIONAL, FOR HEAD	3200621
11	076319-01-712	EA	PLATE-CEILING, DIRECTIONAL	3200608
12	076319-01-715	EA	NUT (GEAR HOUSING)	2200047
13	076319-01-704	EA	BEARING-NYLON, 1.25" OD	3200657
14	076319-01-713	EA	PLATE-BASE, STEEL	3100523
15	076319-01-703	EA	BEARING-NYLON, 5" OD	3200656
16	076319-01-714	EA	HOUSING, ROTATING GEAR	2200049

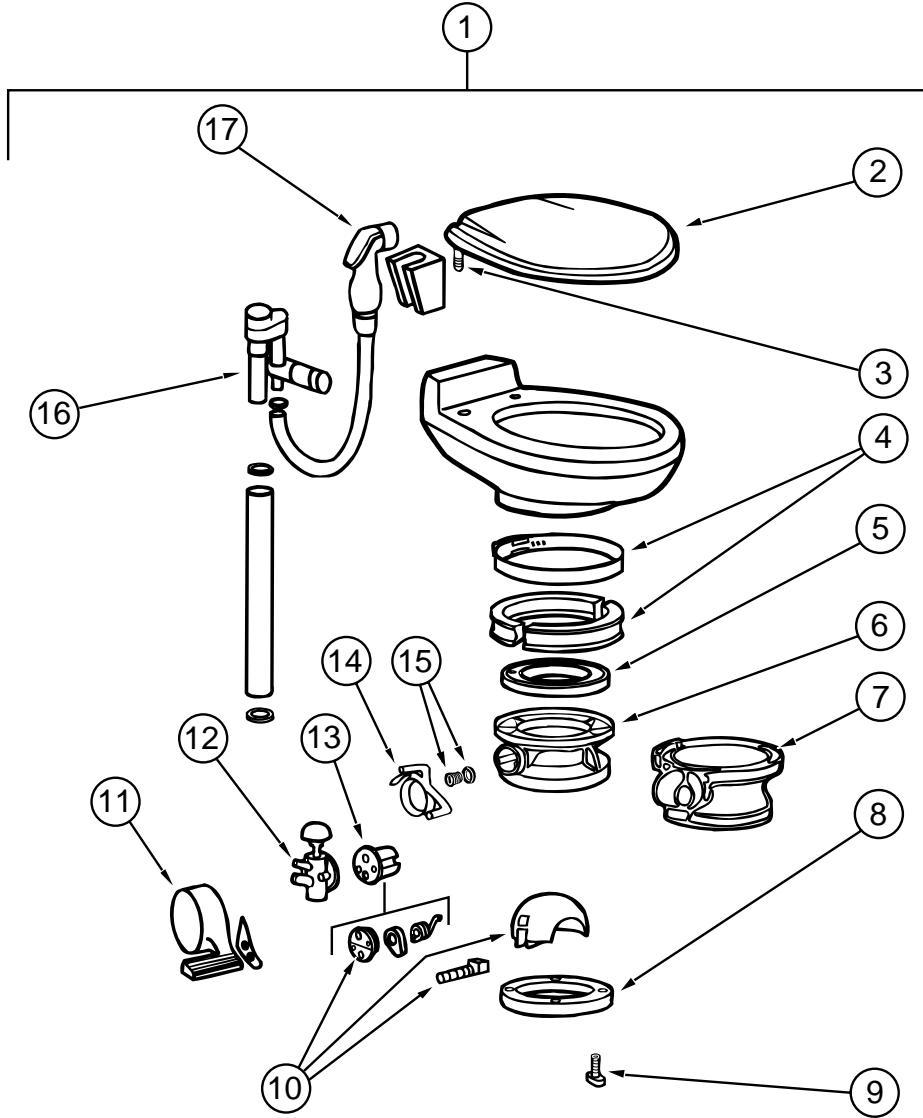
BATH GROUP



AQUA MAGIC IV - LOW - FOOT FLUSH TOILET

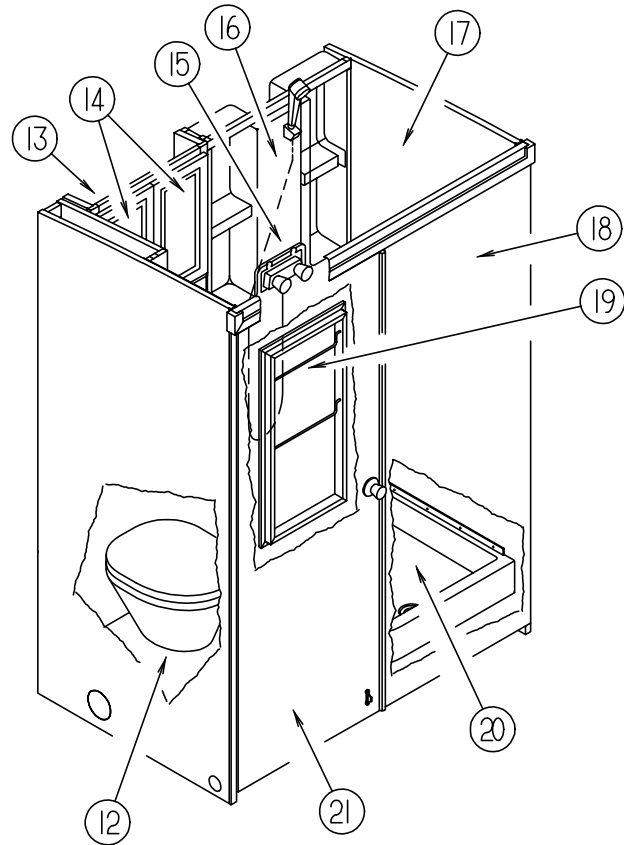
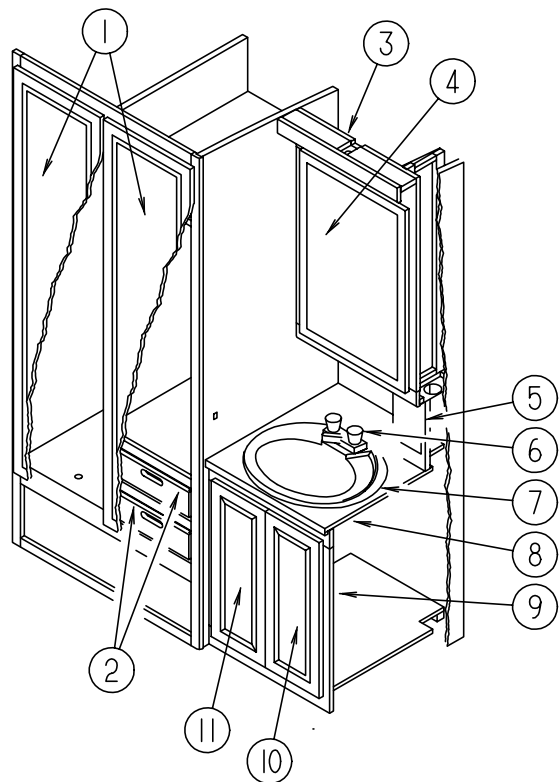
KEY	PART NUMBER	U/M	DESCRIPTION	VENDOR NO.
1	067487-02-000	EA	TOILET - 12.37" - IVORY - FOOT FLUSH	
2	063740-01-714	EA	VALVE ASM (VALVE-BALL SEAL)	13168
3	063740-01-706	EA	BOLT PACKAGE-FLOOR FLANGE	12524
4	067487-02-701	EA	PEDAL PKG. (FOOT FLUSH)	20821
5	063740-01-717	EA	TUBE-FLUSH	12509
6	063740-02-701	EA	RESERVOIR (TANK ASM.)	24630
7	063740-02-700	EA	SEAT & COVER, PARCHMENT	2464157

BATH GROUP (CONTINUED)
SEALAND - MODEL 911 W/SPRAYER TOILET (MCCLAIN ANNIVERSARY OPTION)



KEY	PART NUMBER	U/M	DESCRIPTION	VENDOR NO.
1	085330-07-000	EA	TOILET - CHINA - SHORTY W/SPRAY - BONE	
2	085330-06-700	EA	SEAT ASSEMBLY, BONE	340591
3	085330-06-702	EA	HINGE HARDWARE (BONE) SET	342131
4	085330-01-703	EA	RING & HALF CLAMPS, BONE	385310048
5	085330-01-704	EA	TEFLON & RUBBER SEAL KIT	385316140
6	085330-04-704	EA	BASE ASM-BONE	310124
7	085330-01-718	EA	SEAL & BASE W/MOUNTING HDW	3853100-63
8	085330-04-705	EA	COVER ASSEMBLY-PEDESTAL	310109
9	085330-01-714	EA	SEAL-FLANGE, FLOOR	390343892
10	085330-01-705	EA	SUPPORT-SEAL, PLASTIC	390346405
11	085330-01-717	EA	STOOL MTG., PKG. BOLT & SEAL	3100-64
12	085330-01-706	EA	BALL (FLAPPER) SHAFT/CARTRIDGE	385318162
13	085330-04-703	EA	COVER ASSEMBLY-PEDAL	310118
14	085330-01-709	EA	VALVE-WATER	385314349
15	085330-01-707	EA	CARTRIDGE SPRING ASSEMBLY	381236096
16	085330-04-702	EA	LEVER-FLUSH	340825
17	085330-01-710	EA	DRAIN-KIT, PLUG-CAP W/SEAL	230384
18	085330-06-701	EA	BREAKER-VACUUM/DIVERTER(900)	230335
19	085330-04-701	EA	HAND SPRAY W/HOSE(500 & 900)	340683

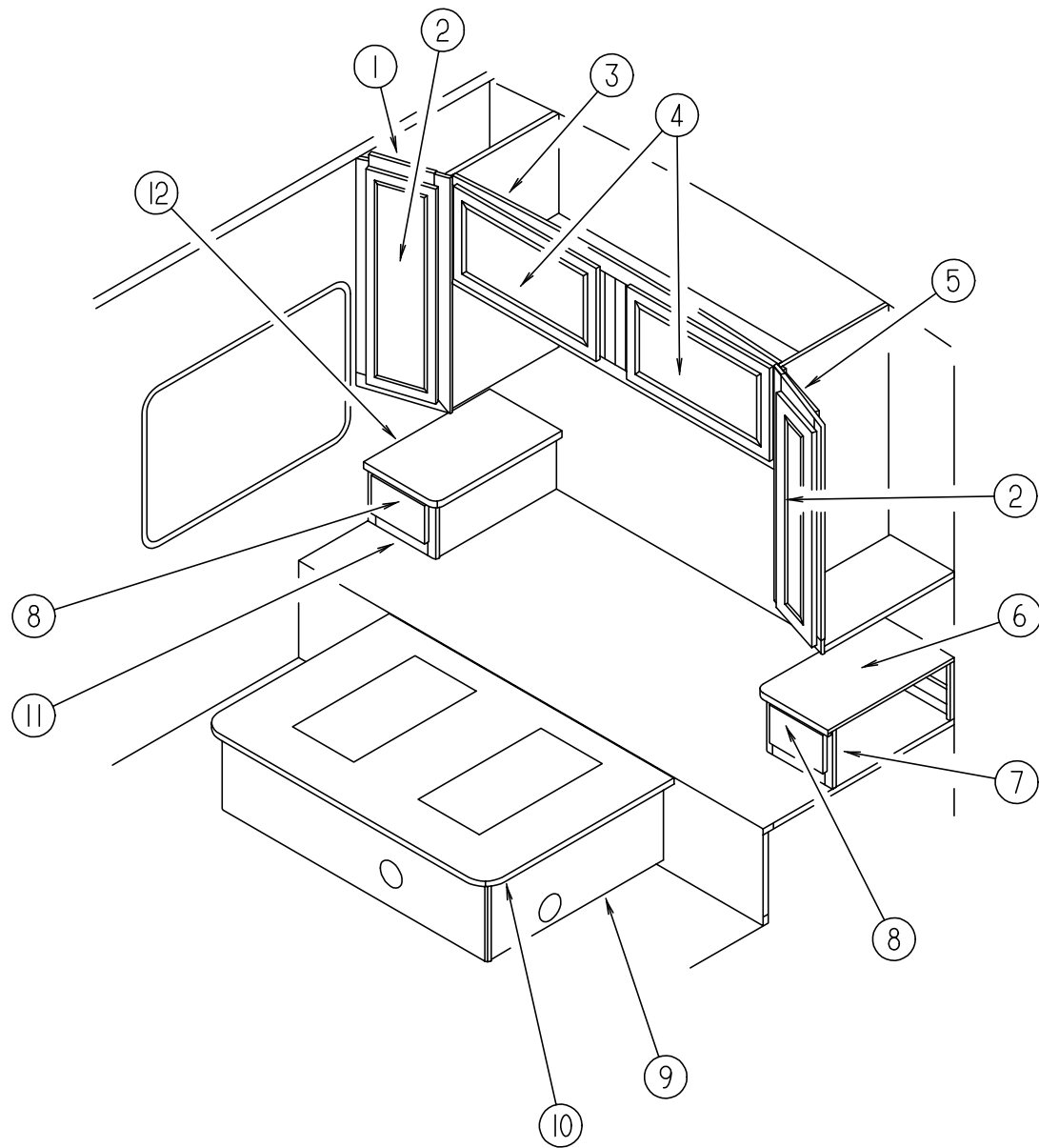
BATH GROUP (CONTINUED)
BATHROOM CABINET & COMPONENTS



KEY	PART NUMBER	U/M DESCRIPTION
1	M06803-11-G09	EA DOOR - MIRROR/MTRD CRNR/OGEE EDGE - 16" X 65" - W/O HDW
2	P11023-01-G09	EA DRAWER - OGEE EDGE - 13.8"W X 23.2"D - W/O SLIDES/HDW
3	111086-01-G09	EA CABINET - MEDICINE - W/O DOORS/HARDWARE
4	115237-01-G01	EA DOOR - MIRRORED/MEDICINE CABINET - 19.7" X 29.5" - W/O HDW
5	111087-01-G13	EA CABINET - PIPE COVER - W/O HARDWARE (H12,H13)
5	111087-01-G10	EA CABINET - PIPE COVER - W/O HARDWARE (H14,H16)
5	111087-01-H15	EA CABINET - PIPE COVER - W/O HARDWARE (H15)
	075454-02-000	EA RING - TOWEL - W/MOUNTING HARDWARE - BRASS
6	075240-06-000	EA FAUCET - LAVATORY/BONE
	091253-01-000	EA GASKET - FAUCET - LAVATORY/GALLEY
	105218-01-01A	EA SPACER - FAUCET/LAVATORY SINK - 2" X 5.9" - ABS PLASTIC
7	105921-01-01A	EA SINK - LAVATORY - LARGE/OVAL - 17" X 20" PLASTIC/OFF WHITE
	106116-01-01A	EA STRAINER - SINK-W/STOPPER/TAILPIECE/GASKET & NUT - PLASTIC
8	123131-11-H13	EA COUNTERTOP - LAVATORY (H12,H13)
8	123131-11-H14	EA COUNTERTOP - LAVATORY (H14,H15)
8	123131-11-H33	EA COUNTERTOP - LAVATORY (H16)
9	123131-01-H13	EA CABINET - LAVATORY - W/O DOORS/DRAWERS/HARDWARE (H12,H13)
9	123131-01-H14	EA CABINET - LAVATORY - W/O DOORS/DRAWERS/HARDWARE (H14)
9	123131-01-H15	EA CABINET - LAVATORY - W/O DOORS/DRAWERS/HARDWARE (H15)
9	123131-01-H16	EA CABINET - LAVATORY - W/O DOORS/DRAWERS/HARDWARE (H16)

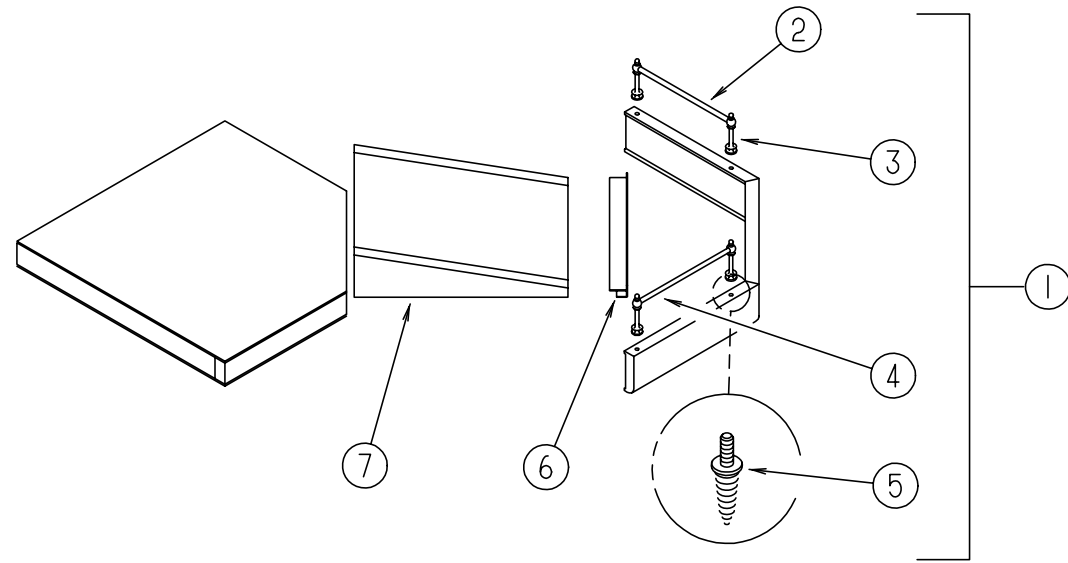
KEY	PART NUMBER	U/M DESCRIPTION	VENDOR NO.
10	M06803-D9-G09	EA DOOR - MITERED CORNER/OGEE EDGE - 10" X 25.2" - W/O HDW	
11	M06803-20-G09	EA DOOR - MITERED CORNER/OGEE EDGE - 10" X 25.2" - W/O HDW	
12	067487-02-000	EA TOILET - 12.37" - IVORY - FOOT FLUSH	
12	085330-07-000	EA TOILET - CHINA - SHORTY W/SPRAY - BONE - MC CLAINS ANNIVERSARY OPTION	
13	111190-01-G09	EA CABINET - LINEN - W/O DOORS/HARDWARE	
	111190-11-G09	EA SHELF - W/PLASTIC EDGE TRIM	
14	M06803-24-H13	EA DOOR - MITERED CORNER/OGEE EDGE - 10" X 19" - W/O HDW	
15	109801-02-01A	EA FAUCET - SHOWER CONTROL - POLISHED BRASS	
	075606-01-000	EA PANEL - PLASTIC - FAUCET BACK - 5" X 9"	
16	103092-01-000	EA SHOWER HEAD - W/60" HOSE - U.S.	
	103092-01-702	EA SEALS-SPRAY HEAD	24466
16	103092-02-000	EA SHOWER HEAD - W/60" HOSE - CSA	
	103092-01-700	EA BRACKET-F/SHOWER HEAD, CLEAR	2328028
	011048-03-700	EA BRACKET-F/SHOWER HEAD	2328029-3
	115363-01-01A	EA RING - GUIDE - SHOWER HOSE	
17	104464-01-01A	EA SURROUND - SHOWER	
	104462-01-01A	EA CADDY - SHOWER	
	106932-01-01A	EA CAP - SHOWER	
	122192-01-01A	EA PANEL - SKYLITE - OUTER - 16.4" X 27.8"	
		FROM: 00-00-00 THRU: 02-13-97	
	122192-01-02A	EA PANEL - SKYLITE - OUTER	
		FROM: 02-14-97 THRU: 99-99-99	
	122193-01-01A	EA PANEL - SKYLITE - INNER	
		FROM: 00-00-00 THRU: 02-13-97	
	122193-01-02A	EA PANEL - SKYLITE - INNER	
		FROM: 02-14-97 THRU: 99-99-99	
18	111180-02-H13	EA DOOR - BATH - LEFT HAND - W/O HARDWARE (H12,H13)	
18	111180-02-H14	EA DOOR - BATH - LEFT HAND - W/O HARDWARE (H14,H16)	
18	111180-02-H15	EA DOOR - BATH - LEFT HAND - W/O HARDWARE (H15)	
	080728-01-000	EA HANDLE - PULL - 1.3" X 4.4" - BROWN PLASTIC	
	112456-01-E07	EA CATCH - DOOR	
	112457-01-01A	EA PLATE - CATCH - DOOR	
	009013-01-000	EA CATCH - BULLDOG - MALE/FEMALE	
19	121449-12-G04	EA RACK - TOWEL - BATH DOOR	
	100357-01-000	EA ROD - F/TOWEL BAR - BRASS	
20	M02630-35-G38	EA SHOWER PAN	
	066729-01-000	EA STRAINER - TUB/SHOWER - W/PLUG	
	066436-01-000	EA NUT - SLIP, TAILPIECE - 1.5"	
	057671-01-000	EA COVER - SCREW - #8 - PLASTIC - OFF WHITE	
21	121449-24-H13	EA DOOR - BATH - W/O HARDWARE (H12,H13)	
21	121449-24-H14	EA DOOR - BATH - W/O HARDWARE (H14,H16)	
21	121449-24-H15	EA DOOR - BATH - W/O HARDWARE (H15)	
	094485-03-01A	EA KNOB - BRASS	
	061604-01-000	EA SLIDE - BOLT - BRIGHT BRASS	
	088254-01-000	EA CATCH - MAGNETIC - 1.8" X .7"	
	075452-02-000	EA HOLDER - TOILET TISSUE - BRASS	
	075453-02-000	EA BAR - TOWEL - 18" BRASS	

BEDROOM GROUP
QUEEN BEDROOM CABINETS



KEY	PART NUMBER	U/M	DESCRIPTION
1	110625-01-G35	EA	CABINET - SHIRT CLOSET/RIGHT HAND - W/O DOORS/HARDWARE
2	M06803-10-G09	EA	DOOR - MITERED CORNER/OGEE EDGE - 10.8" X 36.4" - W/O HDW
3	106523-01-G09	EA	CABINET - OVERHEAD/REAR - W/O DOORS/HARDWARE
4	M06803-13-H13	EA	DOOR - MIRROR/MITERED CRNR/OGEE EDGE - 15.7" X 28" - W/O HDW
4	M06803-02-G09	EA	DOOR - MITERED CORNER/OGEE EDGE - 15.7" X 28" - W/O HDW DECORATOR DOOR OPTION - FLAT PANEL
5	110625-02-G35	EA	CABINET - SHIRT CLOSET/LEFT HAND - W/O DOORS/HARDWARE
6	117901-12-G09	EA	COUNTERTOP - NIGHTSTAND (H12,H13) FROM: 00-00-00 THRU: 11-17-96
6	117901-12-G10	EA	COUNTERTOP - NIGHTSTAND (H14,H15) FROM: 00-00-00 THRU: 11-17-96
6	117901-12-G31	EA	COUNTERTOP - NIGHTSTAND (H16) FROM: 00-00-00 THRU: 11-17-96
6	114482-12-F04	EA	COUNTERTOP - NIGHTSTAND (H12,H13) FROM: 11-18-96 THRU: 99-99-99
6	114482-12-G10	EA	COUNTERTOP - NIGHTSTAND (H14,H15) FROM: 11-18-96 THRU: 99-99-99
6	114482-12-F05	EA	COUNTERTOP - NIGHTSTAND (H16) FROM: 11-18-96 THRU: 99-99-99
7	P17901-02-G09	EA	CABINET - NIGHTSTAND/LEFT HAND - W/O DOORS/DRAWERS/HDW (H12,H13) FROM: 00-00-00 THRU: 11-17-96
7	P17901-02-G10	EA	CABINET - NIGHTSTAND/LEFT HAND - W/O DOORS/DRAWERS/HDW (H14,H15) FROM: 00-00-00 THRU: 11-17-96
7	P17901-02-G31	EA	CABINET - NIGHTSTAND/LEFT HAND - W/O DOORS/DRAWERS/HDW (H16) FROM: 00-00-00 THRU: 11-17-96
7	P14482-02-H13	EA	CABINET - NIGHTSTAND/LEFT HAND - W/O DOORS/DRAWERS/HDW (H12,H13) FROM: 11-18-96 THRU: 99-99-99
7	P14482-02-H14	EA	CABINET - NIGHTSTAND/LEFT HAND - W/O DOORS/DRAWERS/HDW (H14,H15) FROM: 11-18-96 THRU: 99-99-99
7	P14482-02-H16	EA	CABINET - NIGHTSTAND/LEFT HAND - W/O DOORS/DRAWERS/HDW (H16) FROM: 11-18-96 THRU: 99-99-99
8	M05971-R3-G09	EA	DRAWER-OGEE EDGE-8.9"W X 23.6"D-W/O SLIDES/HARDWARE FROM: 00-00-00 THRU: 11-17-96
8	M05971-J8-G09	EA	DRAWER-OGEE EDGE-8.9"W X 19.7"D-W/O SLIDES/HARDWARE FROM: 11-18-96 THRU: 99-99-99
9	P21862-01-H13	EA	CABINET - BASE/QUEEN BED - W/O DOORS/DRAWERS/HARDWARE
	057534-01-000	EA	TIEBACK/TIEDOWN-BED/CURTAIN/DOOR, 6" - PLASTIC - CLEAR
	097872-04-000	EA	DOWEL - WOOD - 1" DIAMETER X 1.38" LONG
10	M05706-17-000	EA	TOP - QUEEN BED - W/O HARDWARE
11	P17901-01-G09	EA	CABINET-NIGHTSTAND W/COUNTERTOP W/O DRAWER OR HDW (H12,H13) FROM: 00-00-00 THRU: 11-17-96
11	P17901-01-G10	EA	CABINET-NIGHTSTAND W/COUNTERTOP W/O DRAWER OR HARDWARE (H14,H15) FROM: 00-00-00 THRU: 11-17-96
11	P17901-01-G31	EA	CABINET-NIGHTSTAND W/COUNTERTOP W/O DRAWER OR HARDWARE (H16) FROM: 00-00-00 THRU: 11-17-96
11	P14482-01-H13	EA	CABINET-NIGHTSTAND W/COUNTERTOP W/O DRAWER OR HDW (H12,H13) FROM: 11-18-96 THRU: 99-99-99
11	P14482-01-H14	EA	CABINET-NIGHTSTAND W/COUNTERTOP W/O DRAWER OR HARDWARE (H14,H15) FROM: 11-18-96 THRU: 99-99-99
11	P14482-01-H16	EA	CABINET-NIGHTSTAND W/COUNTERTOP W/O DRAWER OR HARDWARE (H16) FROM: 11-18-96 THRU: 99-99-99
12	117901-11-G09	EA	COUNTERTOP-NIGHTSTAND (H12,H13) FROM: 00-00-00 THRU: 11-17-96
12	117901-11-G10	EA	COUNTERTOP-NIGHTSTAND (H14,H15) FROM: 00-00-00 THRU: 11-17-96
12	117901-11-G31	EA	COUNTERTOP-NIGHTSTAND (H16) FROM: 00-00-00 THRU: 11-17-96
12	114482-11-F04	EA	COUNTERTOP-NIGHTSTAND (H12,H13) FROM: 11-18-96 THRU: 99-99-99
12	114482-11-G10	EA	COUNTERTOP-NIGHTSTAND (H14,H15) FROM: 11-18-96 THRU: 99-99-99
12	114482-11-F05	EA	COUNTERTOP-NIGHTSTAND (H16) FROM: 11-18-96 THRU: 99-99-99

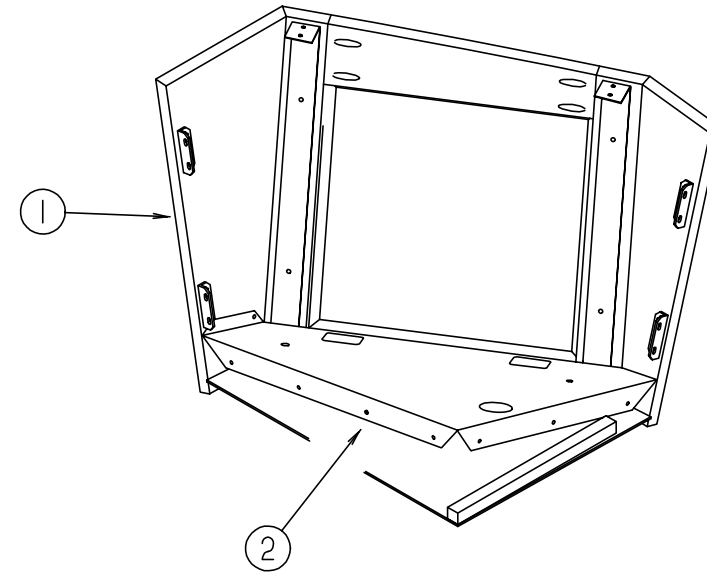
BEDROOM GROUP (CONTINUED)



TV SHELF - W/O 13" TV - QUEEN BED

KEY	PART NUMBER	U/M	DESCRIPTION
1	116553-02-G09	EA	CABINET - TV SHELF - W/BRASS RODS/POST ENDS
2	084071-12-000	EA	ROD - BRASS - 4.08" LONG
3	084070-02-000	EA	POST - END - 2.4" - BRASS
4	084071-19-000	EA	ROD - BRASS - 7.09" LONG
5	106166-01-000	EA	BOLT/COLLARED HANGER - 8-32 X 1"
6	103186-01-05A	FT	MOLDING - PLASTIC/3/8" U-CHANNEL W/3/4" FACE- WATEFORD OAK
7	116553-15-G09	EA	WEDGE - TV SHELF

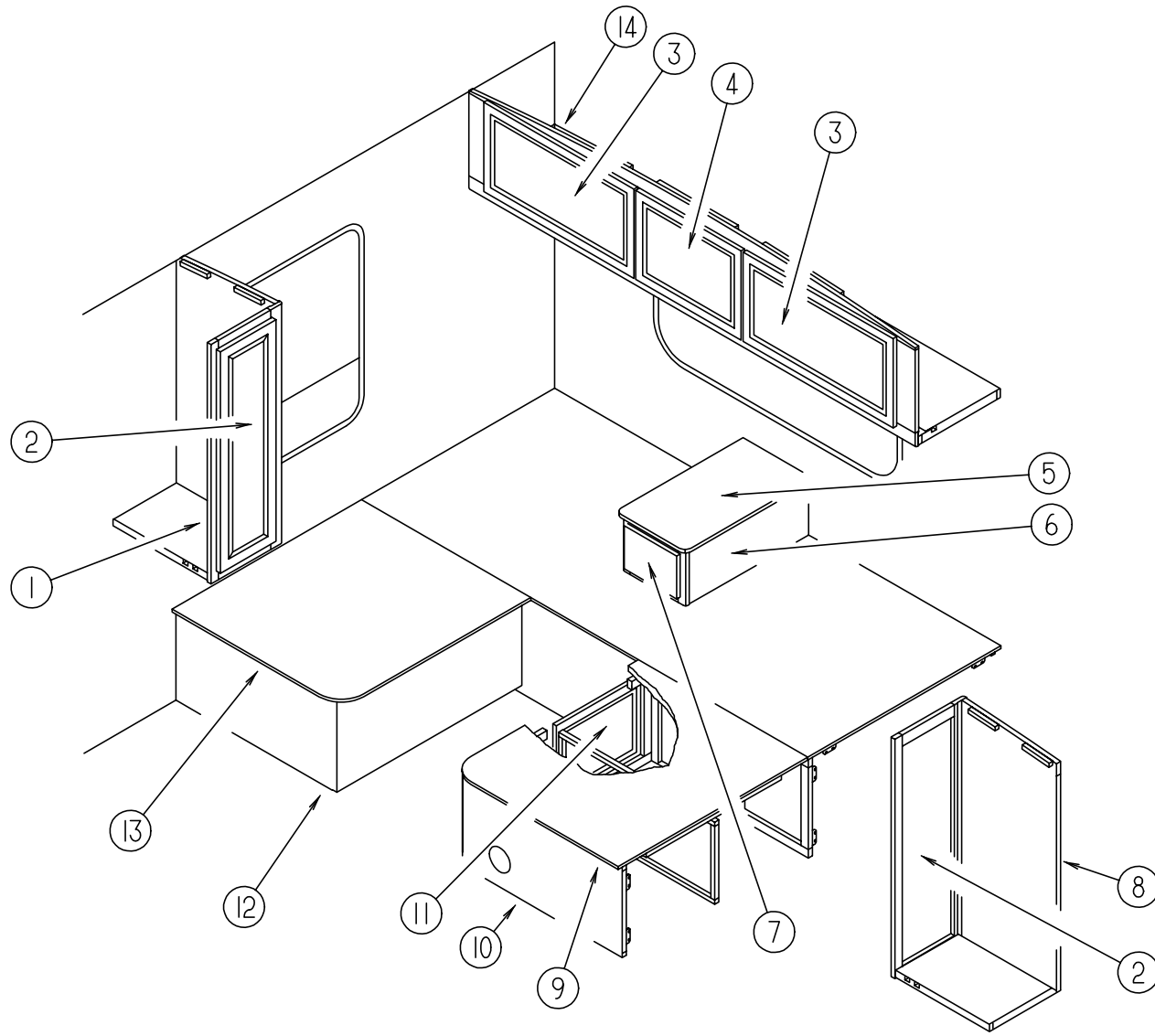
BEDROOM GROUP (CONTINUED)



TV SHELF - W/ 13" TV - QUEEN BED

KEY	PART NUMBER	U/M	DESCRIPTION
1	121822-01-H13	EA	CABINET - OVERHEAD/REAR TV - W/O DOORS/HARDWARE
2	122855-01-02B	EA	SHELF - SUPPORT - TV - REAR

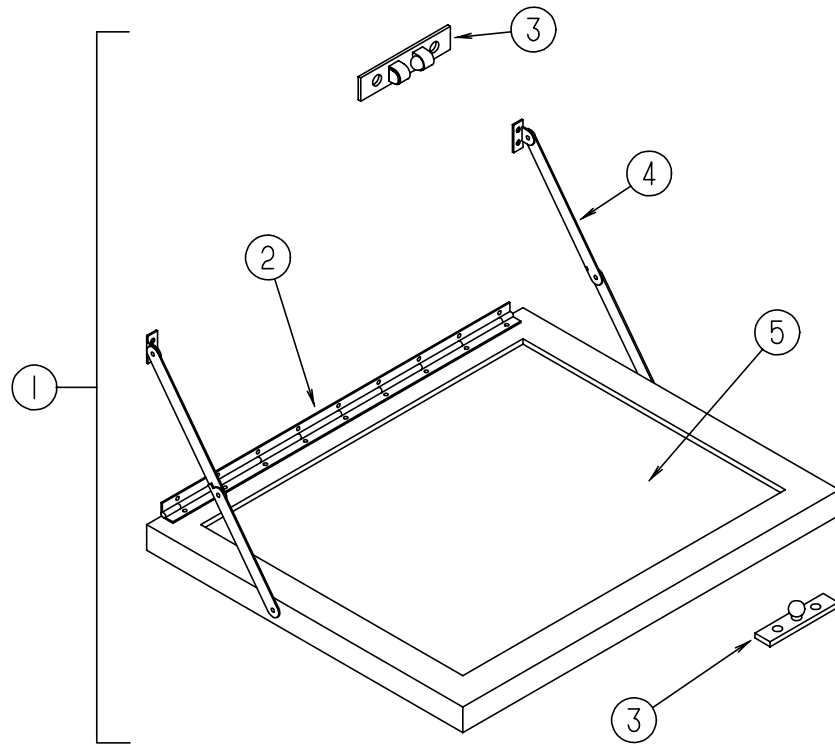
BEDROOM GROUP (CONTINUED)
TWIN BEDROOM CABINETS



KEY	PART NUMBER	U/M	DESCRIPTION
1	110946-01-G09	EA	CABINET - SHIRT CLOSET/RIGHT HAND - W/O DOORS/HARDWARE
2	M06803-15-H13	EA	DOOR - MITERED CORNER/OGEE EDGE - 12" X 40" - W/O HDW
3	M06803-13-H13	EA	DOOR - MIRROR/MITERED CRNR/OGEE EDGE - 15.7" X 28"-W/O HDW
3	M06803-02-G09	EA	DOOR - MITERED CORNER/OGEE EDGE - 15.7" X 27.9" - W/O HDW DECORATOR DOOR OPTION - FLAT PANEL
4	M06803-13-H13	EA	DOOR - MIRROR/MITERED CRNR/OGEE EDGE - 15.7" X 28"-W/O HDW FROM: 00-00-00 THRU: 01-02-97
4	M06803-03-H13	EA	DOOR - MIRROR/MTRD CRNR/OGEE EDGE - 15.7" X 20.4" - W/O HDW FROM: 01-03-97 THRU: 99-99-99
4	M06803-02-G09	EA	DOOR - MITERED CORNER/OGEE EDGE - 15.7" X 27.9" - W/O HDW DECORATOR DOOR OPTION - FLAT PANEL FROM: 00-00-00 THRU: 01-02-97
4	M06803-41-G09	EA	DOOR - MITERED CORNER/OGEE EDGE - 15.7" X 20.4" - W/O HDW DECORATOR DOOR OPTION - FLAT PANEL FROM: 01-03-97 THRU: 99-99-99
5	121863-11-H13	EA	COUNTERTOP - NIGHTSTAND (H12,H13)
5	121863-11-H14	EA	COUNTERTOP - NIGHTSTAND (H14,H15)
5	121863-11-H33	EA	COUNTERTOP - NIGHTSTAND (H16)
6	121863-01-H13	EA	CABINET - NIGHTSTAND - W/O DRAWER/HDW (H12,H13)
6	121863-01-H14	EA	CABINET - NIGHTSTAND - W/O DRAWER/HDW (H14,H15)
6	121863-01-H33	EA	CABINET - NIGHTSTAND - W/O DRAWER/HDW (H16)
7	M05971-Z9-H13	EA	DRAWER - OG EDGE - 8.7"W X 23.6"D - W/O SLIDES/HARDWARE
8	110947-01-G09	EA	CABINET - SHIRT CLOSET/LEFT HAND - W/O DOORS/HARDWARE
9	M04170-12-000	EA	TOP - TWIN BED/LEFT HAND - W/O HARDWARE
10	P21859-01-H13	EA	CABINET - BASE - TWIN BED - W/O DOOR/HARDWARE
11	M06803-V1-H13	EA	DOOR - MITERED CORNER/OGEE EDGE - 14.4" X 17.8" - W/O HDW
12	P21860-01-H13	EA	CABINET - BASE - TWIN BED - W/O HARDWARE
13	M04170-13-000	EA	TOP - TWIN BED/RIGHT HAND - W/O HARDWARE
14	121864-01-H33	EA	CABINET - OVERHEAD/REAR - W/O DOORS/HARDWARE

BEDROOM GROUP (CONTINUED)

**CHASSIS GROUP
CHASSIS MISCELLANEOUS**

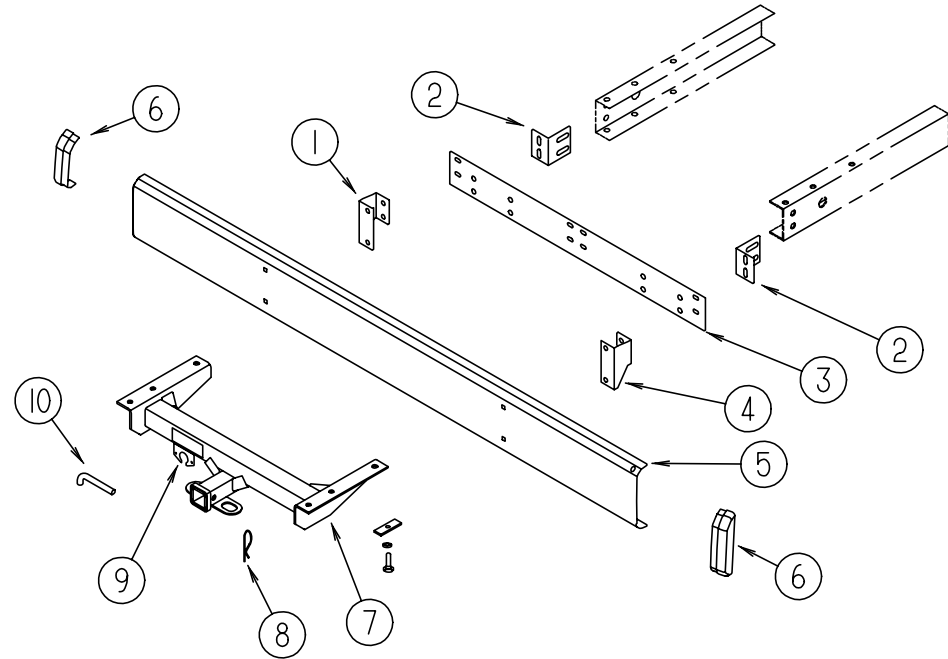


TV STAND

KEY	PART NUMBER	U/M	DESCRIPTION
	056748-01-000	EA	PLUG - CAP - 1.5" DIAMETER
			FROM: 00-00-00 THRU: 06-01-97
	061420-10-000	EA	PLUG/PLASTIC - 1.50" DIAMETER - BLACK
			FROM: 06-02-97 THRU: 99-99-99
	115361-01-01A	EA	PLUG-PLASTIC, .55" DIAMETER HOLE - CAPPLUG W-5
	112864-01-000	FT	SEAL - FOAM/BUTYL COVERED - 3/8"
	102805-03-000	EA	CHANNEL - EXTENSION - FRONT FRAME - 10.6"
	102805-01-000	EA	CHANNEL - EXTENSION - FRONT FRAME - 13.7"
	123361-01-000	EA	DUCT - AIR INTAKE
	104147-02-000	EA	SHIELD - SPLASH - RIGHT HAND
	119847-01-02B	EA	SHIELD - A/C COMPRESSOR
	113452-01-000	FT	SEAL/TRIM - FRONT - VINYL W/WIRE CARRIER
			FROM: 02-03-97 THRU: 99-99-99
	065450-05-000	EA	TIEDOWN - BATTERY - 8.4" TUBE
	077298-55-003	EA	EXTRUSION - TUBE - .275"
	113007-01-000	EA	PIN - SPRING - .375 X 3"

KEY	PART NUMBER	U/M	DESCRIPTION
1	084357-02-H13	EA	TV STAND
2	084413-01-000	EA	HINGE/CONTINUOUS - ALUMINUM 1" X 72" - W/HOLES
3	084451-01-000	EA	CATCH - BRASS
4	084412-01-000	EA	SUPPORT/HINGE KIT (LEFT & RIGHT HINGES)
5	084356-08-000	EA	INSERT - TV STAND - W/SUPPORT HINGE
5	058331-14-000	EA	MIRROR - SAFETY GLASS - 14" X 12.7"

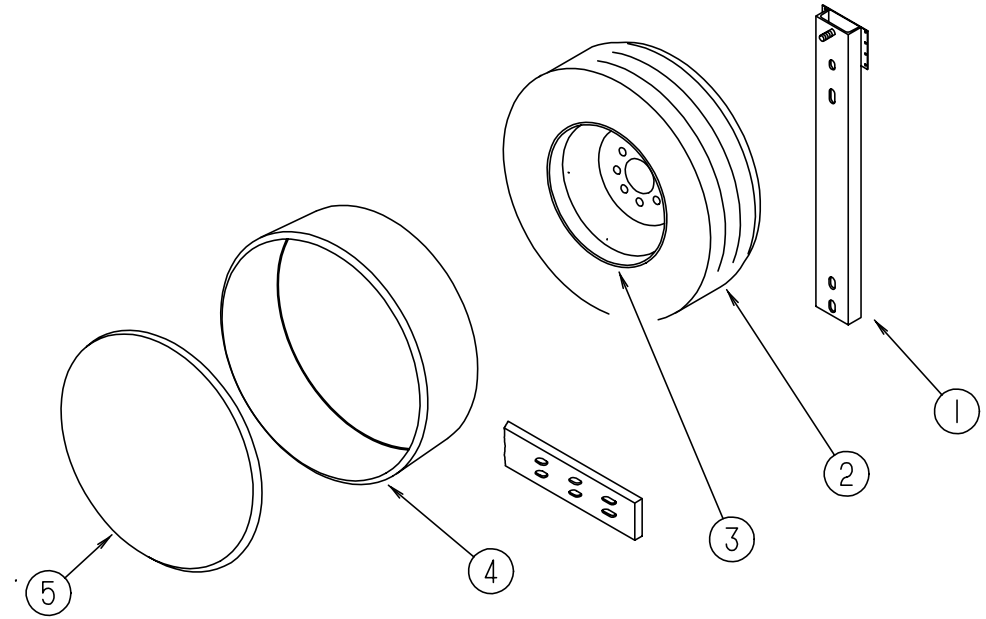
CHASSIS GROUP (CONTINUED)



REAR BUMPER, TRAILER HITCH & COMPONENTS

KEY	PART NUMBER	U/M	DESCRIPTION
1	117950-04-02B	EA	BRACKET - BUMPER/REAR
2	078668-01-000	EA	SUPPORT ANGLE - BUMPER/REAR - L ANGLE - 4" X 3" STEEL/BLK
3	078678-02-000	EA	PLATE - MOUNTING - BUMPER/REAR - 46" X 5" - W/WELD NUTS
4	117950-03-02B	EA	BRACKET - BUMPER/REAR
5	103099-01-06A	EA	BUMPER - REAR - BRIGHT WHITE
6	103228-01-06A	EA	CAP-END, BUMPER - REAR - DRIVER OR PASSENGER SIDE
7	107707-01-000	EA	HITCH RECEIVER - BOLT-ON CLASS II
8	034513-01-000	EA	PIN - HITCH - 3/16" WIRE
9	113588-02-01B	EA	BRACKET - CONNECTOR - TRAILER W/O LIP
10	034512-01-000	EA	PIN - LOCKING - DRAWBAR
	070579-09-000	EA	PLATE-ANCHOR, 1.8" X 1.5" - STEEL - E-COAT
	113589-02-000	EA	CONNECTOR - SOCKET - TRAILER
	113589-01-000	EA	CONNECTOR - PLUG - TRAILER

CHASSIS GROUP (CONTINUED)



SPARE TIRE, CARRIER, COVER & LUG WRENCH

KEY	PART NUMBER	U/M	DESCRIPTION
1	102944-05-000	EA	BRACKET ASM-TIRE CARRIER, CHEVY
1	102944-06-000	EA	BRACKET ASM-TIRE CARRIER, FORD OPTION
2	083425-10-000	EA	TIRE - MICHELIN - LT 215/85R16 - LOAD RANGE E - FORD
2	091673-01-000	EA	TIRE - MICHELIN - 225/70 R19.5 LRF - XZA - CHEVY
3	095853-02-000	EA	WHEEL - STEEL - 16" X 6K - F2TA-1015-NA - FORD
3	064963-01-000	EA	WHEEL - STEEL - 19.5" X 6" - CHEVY
4	108163-04-01A	EA	COVER - TIRE - W/O INSERT-8 1/4" WIDE X 100" CIRCUMFERENCE
			FROM: 00-00-00 THRU: 08-17-96
4	108163-05-01A	EA	COVER - TIRE - 8 1/4" X 101"
			FROM: 08-18-96 THRU: 99-99-99
5	108560-04-01A	EA	INSERT - TIRE COVER
	051377-05-000	EA	VALVE STEM - FORD
	051377-01-000	EA	VALVE STEM - CHEVY
	077030-02-000	EA	EXTENSION - VALVE STEM - 1.25"
	080208-02-000	EA	BAR - LEVERAGE - LUG WRENCH - CHEVY
	080208-01-000	EA	LUG WRENCH - 1" X 1.06" W/SHALLOW SOCKET ENDS - CHEVY
			FROM: 00-00-00 THRU: 12-11-96
	080208-06-000	EA	LUG WRENCH - 1" X 1.06" W/DEEP SOCKET ENDS - CHEVY
			FROM: 12-12-96 THRU: 99-99-99

CHASSIS GROUP (CONTINUED)

19.5" CHEVY STAINLESS STEEL WHEEL LINERS (FROM: 00-00-00 THRU: 05-06-97)

KEY	PART NUMBER	U/M DESCRIPTION	VENDOR NO.
	110435-06-000	EA LINER - WHEEL SET (SET=4) 19.5" F/GM W/LONG STUDS - DICOR	
	110435-01-711	EA DECAL - CENTER CAP - 2"	
	110435-02-703	EA NUT (JAMB)	V160SD-JNT
	110435-02-704	EA COVER - LUG NUT	V160F0-LNC
	110435-02-705	EA TOOL F/ JAMB NUT - INSTALL.	V160F0-TOL
	110435-06-700	EA LINER - WHEEL - FRONT	V195P5-FWC
	110435-06-701	EA LINER - WHEEL - REAR	V195P5-RWC
	110435-06-702	EA BRACKET - BRIDGE	V195P5-BRK
	110435-06-703	EA NUT - JAM - BRIDGE BRKT 1 1/16	V195P5-BJN
	110435-06-704	EA STUD EXTENDERS - P30	V195P5-STX

19.5" CHEVY STAINLESS STEEL WHEEL LINERS (FROM: 05-07-97 THRU: 99-99-99)

KEY	PART NUMBER	U/M DESCRIPTION	VENDOR NO.
	110435-10-000	EA LINER - WHEEL - SET 4 - 19.5"	
	110435-10-700	EA LINER - WHEEL - FRONT - 1 PC	V195P7-FWC
	110435-10-701	EA LINER - WHEEL - REAR - 1 PC.	V195P7-RWC
	110435-10-702	EA JAMB NUT & LUG NUT COVER COMBINATION	V195P7-EJN
	110435-10-703	EA STUD - PLASTIC	V195P7-PST
	110435-10-704	EA JAMB NUT - PLASTIC/LNC	V195P7-PJN
	110435-10-705	EA TOOL - INSTALLATION	V195P7-TOL

19.5" CHEVY WHEEL COVERS (FROM: 00-00-00 THRU: 12-20-96)

KEY	PART NUMBER	U/M DESCRIPTION	VENDOR NO.
	109443-01-000	EA WHEEL - COVER - 4/SET - 19.5 W/HDW	
	109443-01-700	EA COVER - WHEEL 19.5 FRT. & REAR	SHAG95
	109443-01-701	EA BRACKET - RETENTION - FRONT WHEEL	SHAG95-FBS
	109443-01-702	EA BRACKET - RETENTION - REAR WHEEL	SHAG95-RBS
	109443-01-703	EA CAP - CENTER - HUB - DICOR	SP-AUCAP
	109443-01-704	EA CLIP-RETAINER	V160GM-PNT

19.5" CHEVY WHEEL COVERS (FROM: 12-21-96 THRU: 99-99-99)

KEY	PART NUMBER	U/M DESCRIPTION	VENDOR NO.
	109443-06-000	EA WHEEL - COVER - 4/SET - 19.5"	
	109443-01-700	EA COVER - WHEEL 19.5 FRT/RR EA=1	SHAG95
	109443-01-701	EA BRACKET - RETENTION FRONT	SHAG95-FBS
	109443-01-703	EA CAP - CENTER - HUB - DICOR	SHAU95-CAP
	109443-01-704	EA CLIP - RETAINER	V160GM-PNT
	109443-06-701	EA BRACKET - RETENTION REAR	SHG795-RBS

CHASSIS GROUP (CONTINUED)

16" FORD CHROME WHEEL LINERS

KEY	PART NUMBER	U/M DESCRIPTION	VENDOR NO.
	110435-08-000	EA LINER - WHEEL SET (SET=4) 16"	
	110435-01-711	EA DECAL - CENTER CAP - 2"	
	110435-02-702	EA STUD EXTENDER	V160SD-STX
	110435-02-703	EA NUT (JAMB)	V160SD-JNT
	110435-02-704	EA COVER - LUG NUT	V160F0-LNC
	110435-02-705	EA TOOL F/ JAMB NUT - INSTALL.	V160F0-TOL
	110435-08-700	EA LINER - WHEEL - FRONT	V160SD-FWC
	110435-08-701	EA LINER - WHEEL - REAR	V160SD-RWC

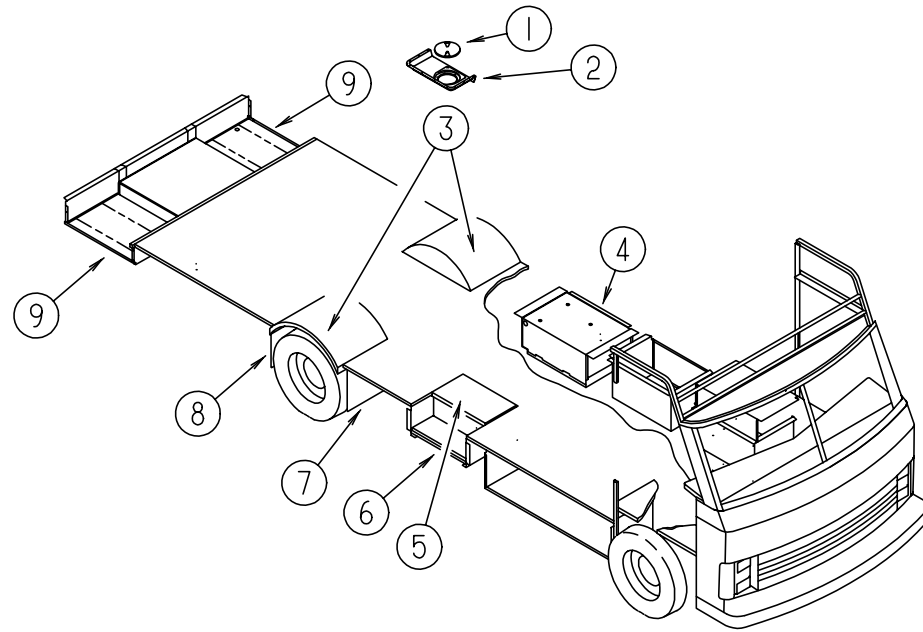
16" FORD WHEEL COVERS

KEY	PART NUMBER	U/M DESCRIPTION	VENDOR NO.
	098532-01-000	EA COVER - WHEEL - FORD - 16" - SET OF 4 - DICOR SH-SD-16	
	098532-01-700	EA COVER - LUG NUT (CHROME)	SHAU-LNC
	098532-01-701	EA COVER - WHEEL (FRONT OR REAR)	SH-SD-16

SUSPENSION SYSTEM (CHEVY)

KEY	PART NUMBER	U/M DESCRIPTION	VENDOR NO.
	104993-02-000	EA SHOCK ABSORBER - GAS - P30 FRONT	
	122756-01-000	EA SHOCK & STABILIZER (RED BOOT) KIT - FRONT END P30 CHASSIS FROM: 00-00-00 THRU: 12-11-96	
	122756-02-000	EA SHOCK AND STABILIZER (BLUE BOOT) KIT - FRONT END P30 CHASSIS FROM: 12-12-96 THRU: 99-99-99	
	122756-02-700	EA BRACKET ASM - DRIVERS SIDE	T818L
	122756-02-701	EA BRACKET ASM - PASSENGER SIDE	T818R
	122756-02-702	EA BRACKET ONLY - DRIVERS SIDE	T818L
	122756-02-703	EA BRACKET ONLY -PASSENGER SIDE	T818R
	122756-02-704	EA BOLT PACKAGE -BOLTS/NUTS ETC	T818R
	122756-02-705	EA SHOCK	T818SH
	122756-02-706	EA STUD - SHOCK MOUNTING	T818S
	122756-02-707	EA DAMPENER - STEERING	T818SD
	122756-02-708	EA BOOT - STEERING DAMPNER	T818SDB
	122756-02-709	EA BUSHING PKG-STEERING DAMPENE	T818SDBSH
	122756-02-710	EA BOLT PKG - STEERING DAMPENER	T818S

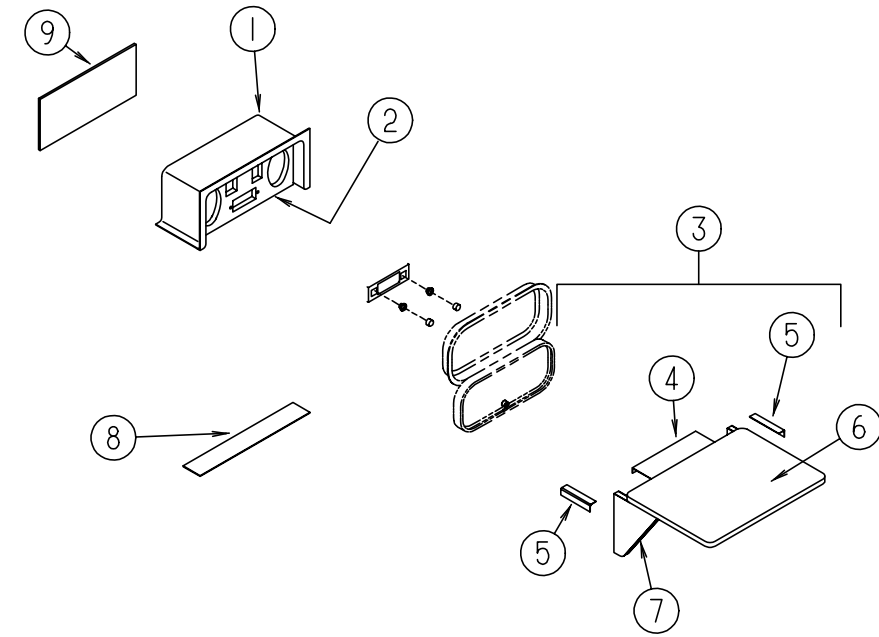
CHASSIS GROUP (CONTINUED)



STORAGE COMPARTMENTS & WHEELWELLS

KEY	PART NUMBER	U/M	DESCRIPTION
1	092887-01-000	EA	HATCH - COMPARTMENT - SEWER HOSE - 6"
1	092887-04-000	EA	CHAIN - TWIST CAP - 9"
2	121784-01-01A	EA	COVER - VALVE - DRAINAGE
3	102921-01-000	EA	WHEELWELL-PLASTIC
4	114070-02-02B	EA	SUPPORT-GENERATOR, LH - 490 MM LONG - STEEL - BLACK - MICROLITE ONLY
4	114071-02-02B	EA	SUPPORT-GENERATOR, RH - 490 MM LONG - STEEL - BLACK - MICROLITE ONLY
5	090604-06-000	EA	TRAY - BATTERY - AUTO - W/TWO HEX NUTS - FORD
5	087475-02-000	EA	BRACKET - BATTERY TIE DOWN - 13.5" X 1.3"
5	072877-03-000	EA	INSULATION - SOUND BARRIER - 1" X 36" X 57"
6	091176-01-000	EA	SUPPORT - BASE - ENTRANCE STEP
7	020167-03-000	EA	DIRT GUARD - STEEL - 11" LONG
8	017516-01-000	EA	FLAP-MUD, 14" X 18" - BLACK
8	020167-04-000	EA	DIRT GUARD
9	110820-02-000	EA	COMPARTMENT-STORAGE, STEEL - E-COAT

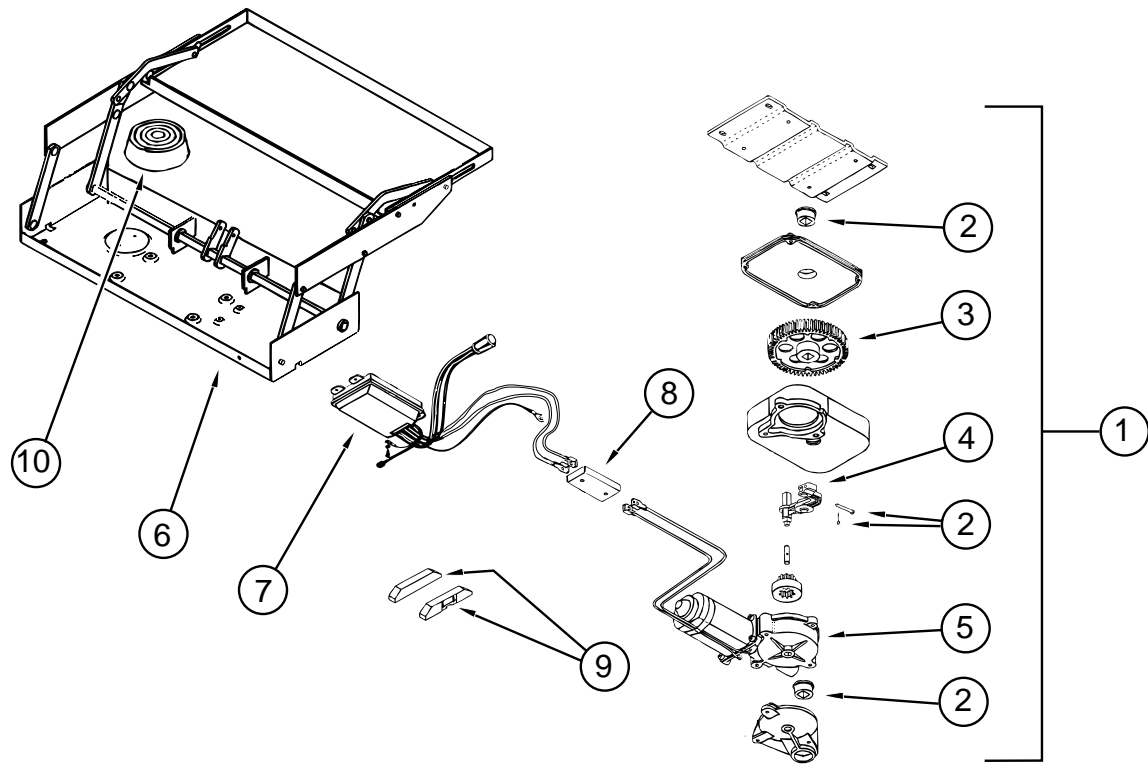
CHASSIS GROUP (CONTINUED)



PATIO ENTERTAINMENT CENTER

KEY	PART NUMBER	U/M	DESCRIPTION
1	104897-03-02A	EA	BOX-ENTERTAINMENT CENTER - BRIGHT WHITE
2	104899-01-C05	EA	PLATE-RADIO MOUNTING
3	105230-01-E01	EA	SHELF
4	105377-01-01A	EA	BRACKET-TABLE HANGER, OFF WHITE
4	105377-01-04A	EA	BRACKET-TABLE HANGER, BRIGHT WHITE
5	105376-01-02A	EA	HINGE-CONTINUOUS, 2" X 5.5" - OFF WHITE
5	105376-01-03A	EA	HINGE-CONTINUOUS, 2" X 5.5" - BRIGHT WHITE
6	105230-11-E01	EA	SHELF
7	105230-12-E01	EA	SUPPORT-SHELF
8	104898-01-02A	EA	PLATE-PLASTIC, BOTTOM - 19.38" X 3.1" - BRIGHT WHITE
9	104898-02-02A	EA	PLATE-PLASTIC, REAR - 16.1" X 6.3" - BRIGHT WHITE

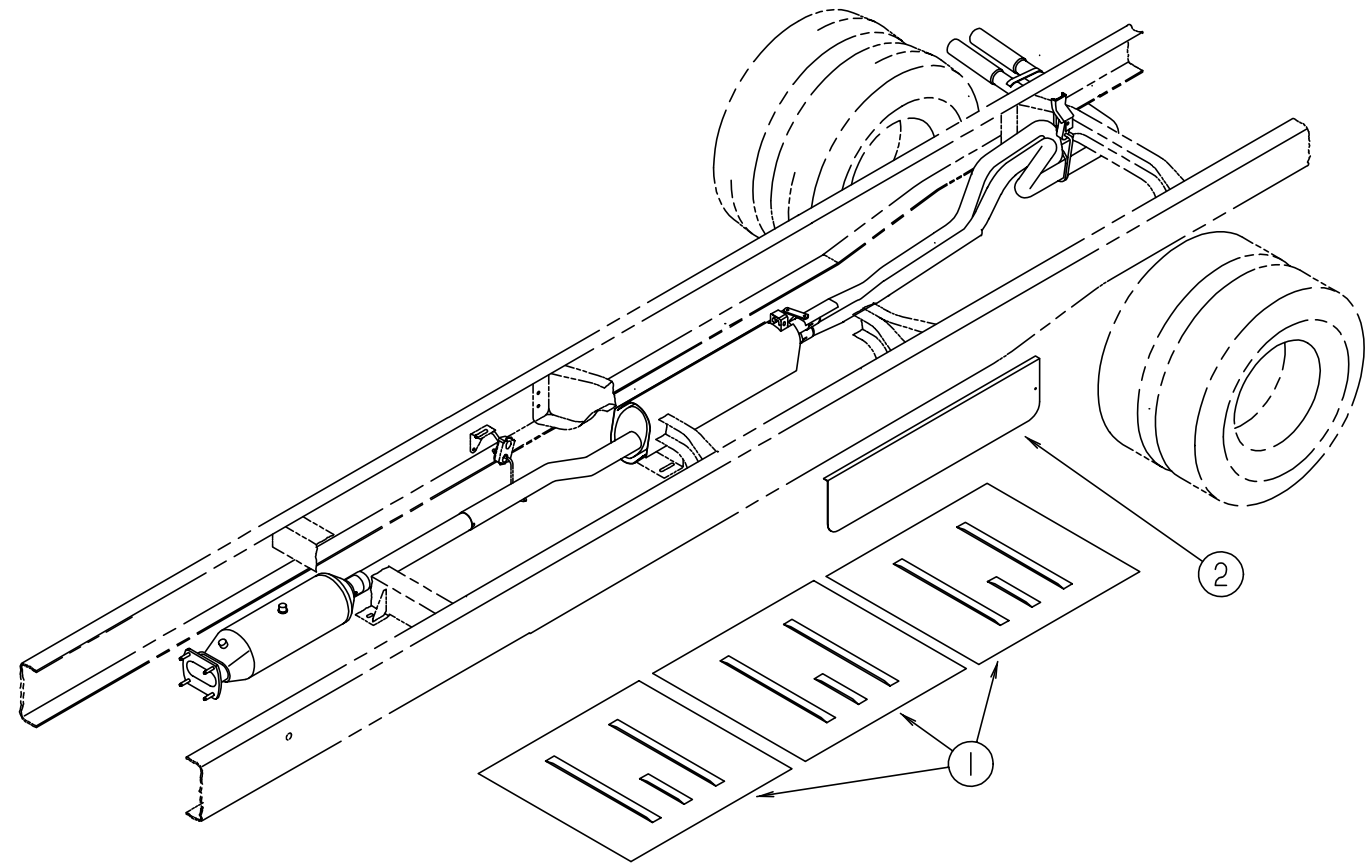
CHASSIS GROUP (CONTINUED)



KWIKIEE ELECTRIC ENTRY STEP

KEY	PART NUMBER	U/M	DESCRIPTION	VENDOR NO.
1	094708-01-01A	EA	STEP-ENTRY DOOR, ELECTRIC - SINGLE - KWIKIEE 2813	
2	094707-02-703	EA	PARTS KIT, (BEARINGS & PINS)	9530
3	094707-02-702	EA	GEAR KIT - KWIKIEE	9525
4	094708-03-700	EA	LINKAGE ASM F/28 SERIES	9522
5	094707-02-700	EA	MOTOR REPLACEMENT KIT - MODELS 32 & 28	9520
6	088746-01-709	EA	FRAME W/SINGLE STEP, 2800 SERIES	908028
7	094707-02-705	EA	CONTROL UNIT, WHITE	909513
8	094707-02-704	EA	CONNECTOR KIT-MOTOR	9537
9	116995-01-000	EA	SWITCH/MAGNET-STEP, ELECTRIC - KWIKIEE 905306	
10	088746-01-705	EA	LIGHT-UNDER STEP	9004
	088733-01-700	EA	BULB	9004
	094707-02-707	EA	TREAD-NON-SKID, BLACK - 6" X 21"	909333

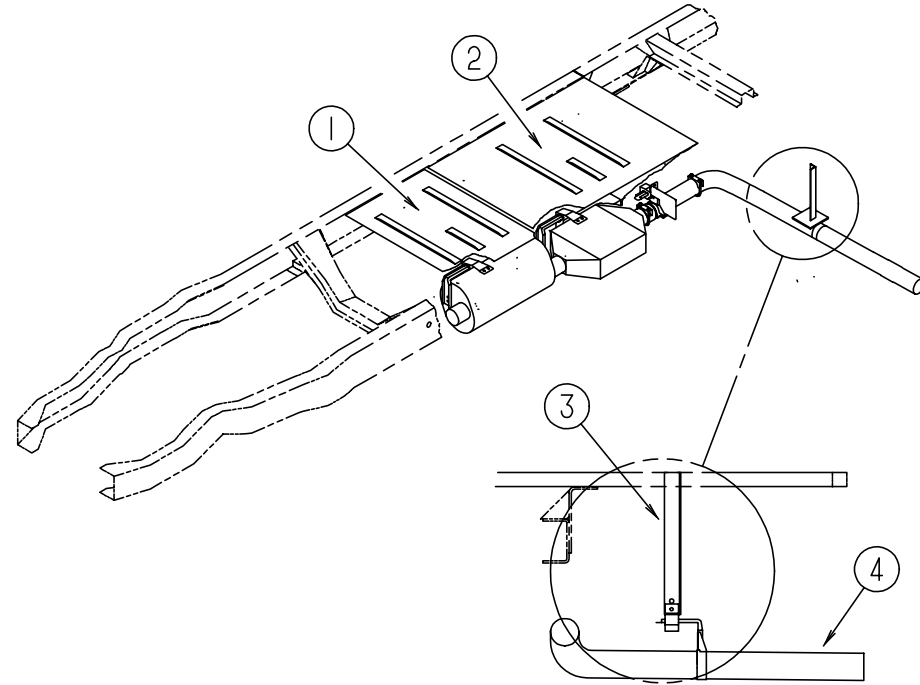
CHASSIS GROUP (CONTINUED)



FORD EXHAUST SYSTEM

KEY	PART NUMBER	U/M	DESCRIPTION
1	101544-02-000	EA	SHIELD - HEAT/EXHAUST - 30" X 29.1"
2	075307-03-000	EA	SHIELD - HEAT - LP

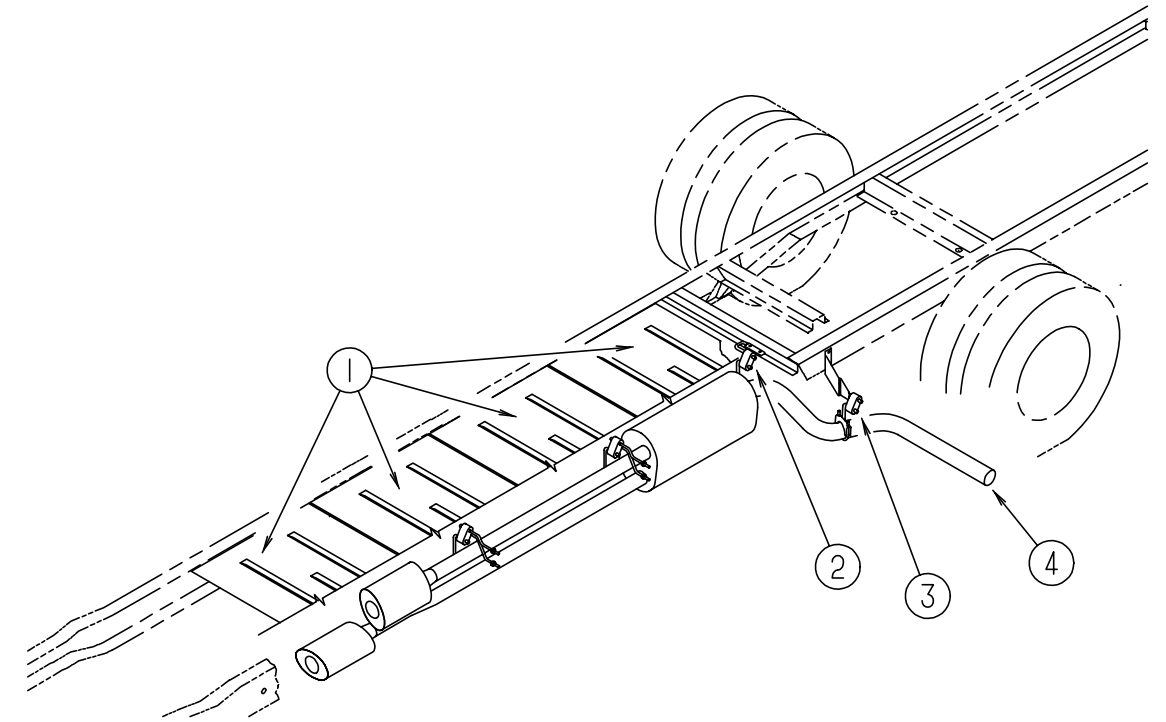
CHASSIS GROUP (CONTINUED)



STANDARD CHEVY EXHAUST SYSTEM - GAS OR DIESEL

KEY	PART NUMBER	U/M	DESCRIPTION
1	101544-01-000	EA	SHIELD - HEAT/EXHAUST - 19.7" X 29.1"
2	101544-02-000	EA	SHIELD - HEAT/EXHAUST - 30" X 29.1"
3	098833-03-000	EA	BRACKET - EXHAUST/HANGER
4	098608-03-000	EA	PIPE - EXHAUST
4	122529-01-000	EA	PIPE - EXHAUST (DIESEL)

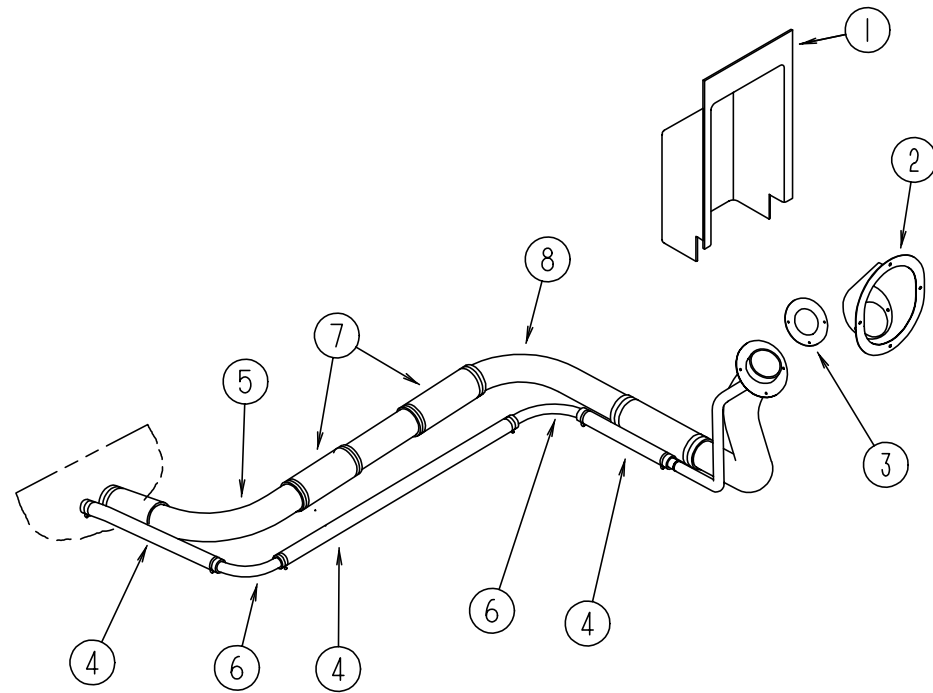
CHASSIS GROUP (CONTINUED)



VORTEC CHEVY EXHAUST SYSTEM - GAS

KEY	PART NUMBER	U/M	DESCRIPTION
1	101544-02-000	EA	SHIELD - HEAT/EXHAUST - 30" X 29.1" FROM: 00-00-00 THRU: 11-20-96
1	101544-06-000	EA	SHIELD - HEAT/EXHAUST - 33.9" X 29.1" FROM: 11-21-96 THRU: 99-99-99
2	122392-01-02B	EA	HANGER - TAILPIPE
3	122392-03-02B	EA	HANGER - TAILPIPE - REAR
4	122529-01-000	EA	PIPE - EXHAUST

CHASSIS GROUP (CONTINUED)

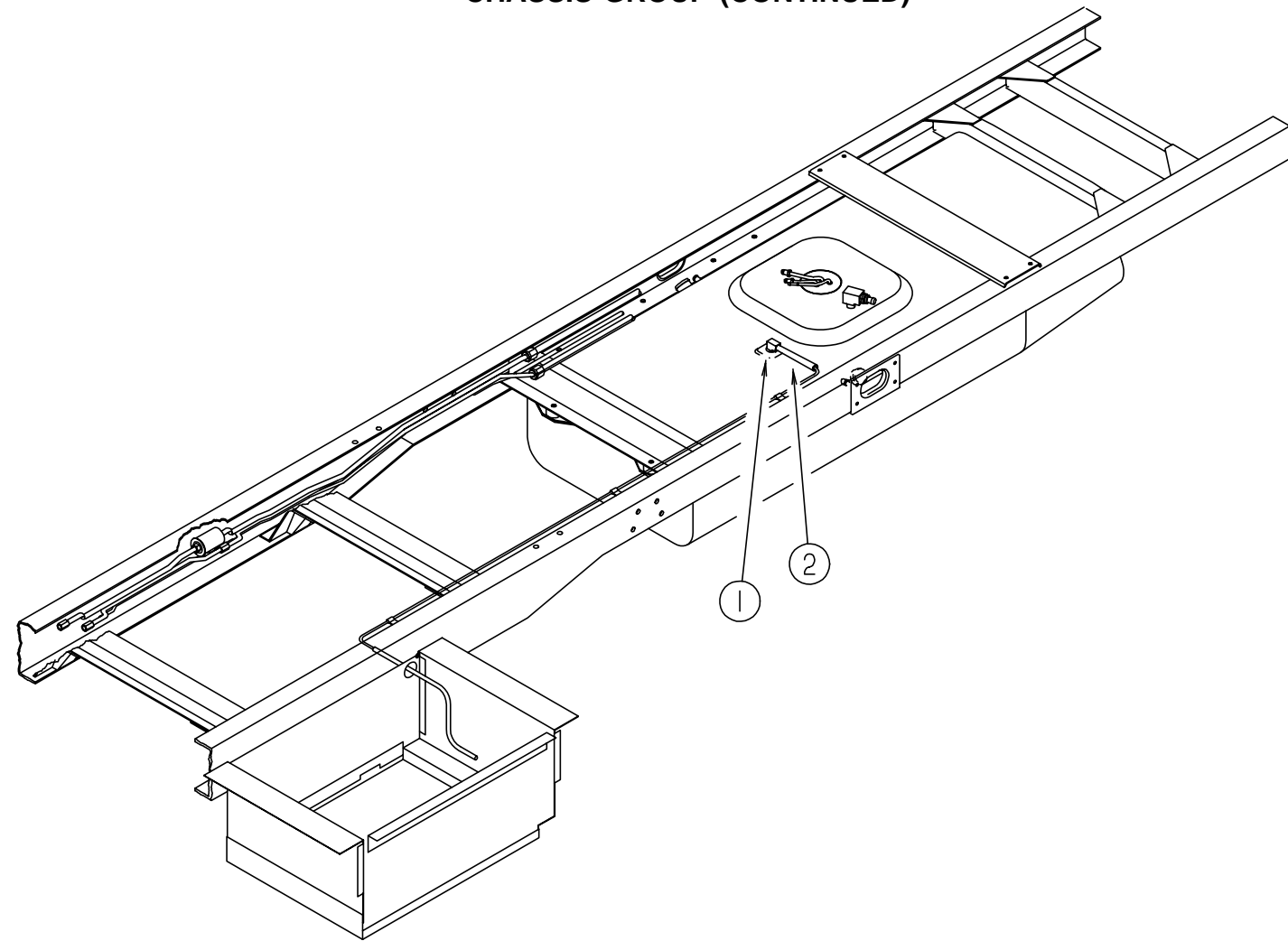


CHEVY FUEL SYSTEM

KEY	PART NUMBER	U/M	DESCRIPTION
1	072447-04-000	EA	SHROUD - FUEL FILL - UPPER
2	095854-01-04A	EA	SHROUD - FUEL FILL - BRIGHT WHITE
3	078200-01-000	EA	GASKET - FUEL FILL - 3.5" OD X 2" ID
4	066732-01-000	FT	HOSE - FUEL .62" ID
5	098803-02-000	EA	PIPE - FUEL FILL
6	098806-01-000	EA	PIPE - FILL VENT - 90 DEGREE BEND - .635 OD - STEEL
7	007111-03-000	EA	HOSE - FUEL FILL - 1.75" X 3'
8	098803-01-000	EA	PIPE - FUEL FILL - 90 DEGREE BEND - 13.2" - 1 3/4" OD

FROM: 11-11-96 THRU: 99-99-99

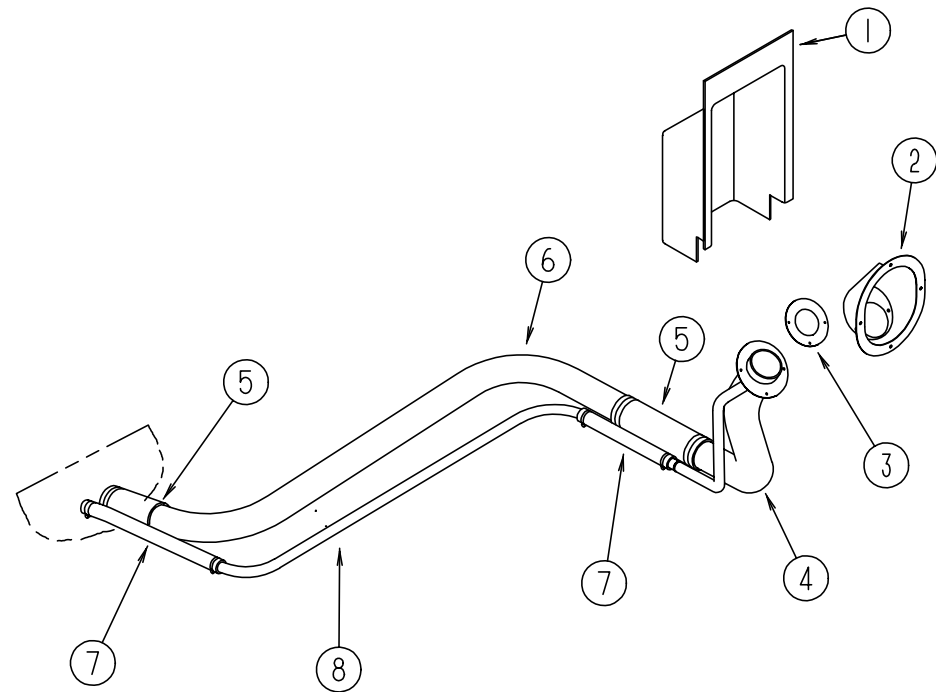
CHASSIS GROUP (CONTINUED)



CHEVY FUEL SYSTEM (CONTINUED)

KEY	PART NUMBER	U/M	DESCRIPTION
1	114254-01-000	EA	ADAPTER - 1/4 BARB X 1/8 MPT
1	068382-06-000	EA	BUSHING - BRASS - 3/8 MPT X 1/8 FPT
2	007063-01-000	FT	HOSE - FUEL - 1/4"ID X 1/2"OD
	084884-01-000	EA	PLUG - BRASS - 3/8"

CHASSIS GROUP (CONTINUED)



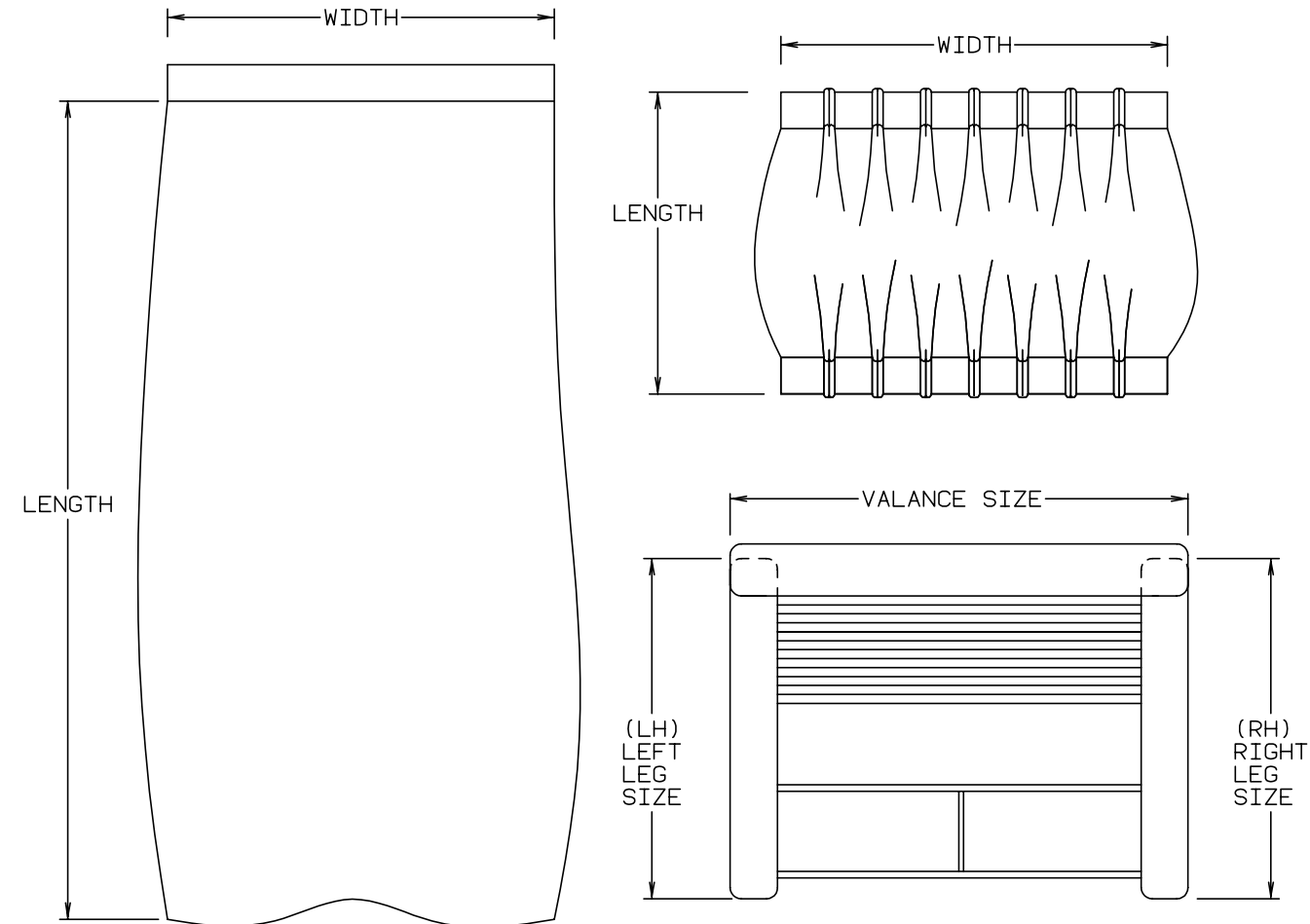
FORD FUEL SYSTEM

KEY	PART NUMBER	U/M	DESCRIPTION
1	072447-04-000	EA	SHROUD - FUEL FILL - UPPER
2	095854-01-04A	EA	SHROUD - FUEL FILL - BRIGHT WHITE
3	078200-01-000	EA	GASKET - FUEL FILL - 3.5" OD X 2" ID
4	095606-01-000	EA	NECK - FUEL FILL - W/CHECK VALVE - L-SHAPERD - 18.2"-FORD
5	007111-02-000	EA	HOSE - FUEL FILL - 2" ID
6	100140-07-000	EA	TUBE - FUEL INLET
7	066732-01-000	FT	HOSE - FUEL .62" ID
8	100139-04-000	EA	TUBE - FUEL VENT
	007063-01-000	FT	HOSE - FUEL - 1/4"ID X 1/2"OD
	084884-01-000	EA	PLUG - BRASS - 3/8"

CURTAIN & CUSHION GROUP NOTICE

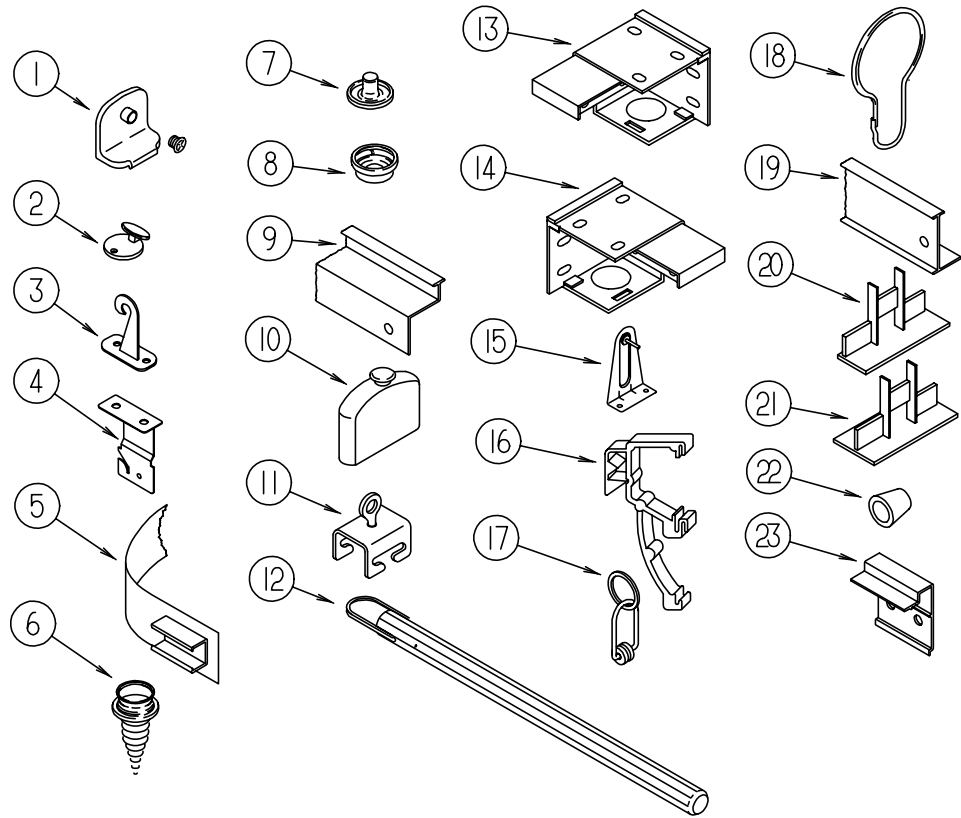
IN ORDER TO ASSIST OUR PARTS SALES DEPT. IN PROVIDING INTERIOR SOFTGOODS ITEMS, PLEASE INCLUDE THE SERIAL NUMBER AND THE COLOR CODE NUMBER FROM THE VEHICLE CERTIFICATION LABEL WHEN ORDERING. THIS LABEL IS LOCATED ON THE LEFT SIDEWALL AT THE END OF THE DASH (A-BODY), OR ON THE DRIVER'S DOOR LATCH PLATE (C-BODY).

AN EXAMPLE OF A COLOR CODE NUMBER IS B07, WHICH DESIGNATES AN OVERALL COLOR SCHEME OF A PARTICULAR UNIT. THE COLOR LISTED AFTER THE ITEM DESCRIPTION ON THE MICROFICHE, INDICATES THE OVERALL UNIT COLOR. ORDER THE ITEM YOU DESIRE ACCORDING TO UNIT COLOR CODE.



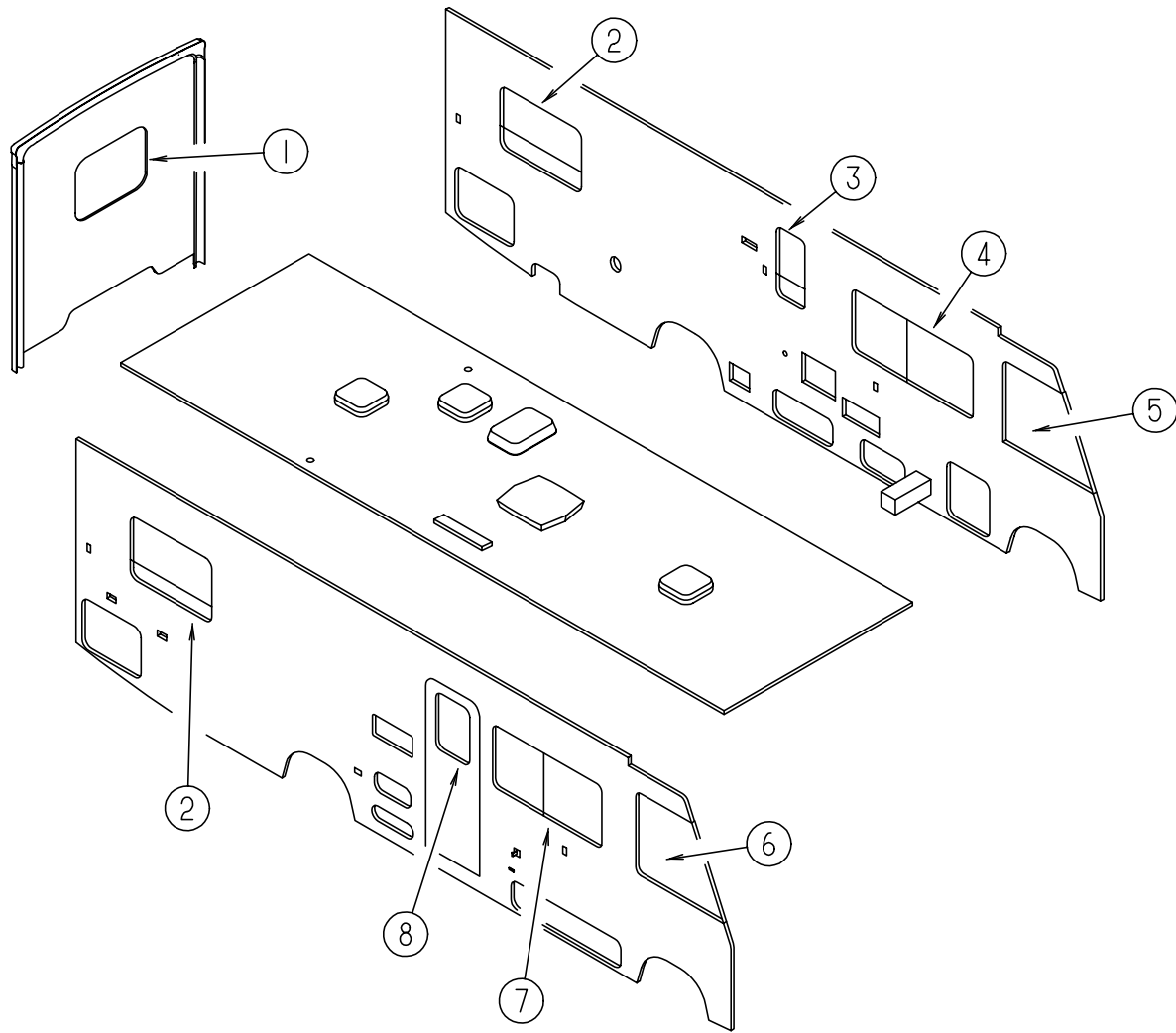
NOTE: USE THIS ILLUSTRATION WHEN DETERMINING LENGTH AND WIDTH MEASUREMENTS FOR CURTAINS. YOU WILL NOTE THE WIDTH MEASUREMENT IS TAKEN ON THE TOP OF THE CURTAIN WITH THE CURTAIN FULLY EXTENDED. THE LENGTH MEASUREMENT IS TAKEN FROM TOP TO BOTTOM. LEFT AND RIGHT WINDOW LEGS ARE DETERMINED WHEN FACING THE WINDOW.

CURTAIN & CUSHION GROUP (CONTINUED)
CURTAIN, BLIND HARDWARE & TRACKS



KEY	PART NUMBER	U/M	DESCRIPTION
1	106544-01-000	EA	PULL-SHADE, BRASS
1	106544-01-001	EA	SCREW-SHADE PULL, BRASS
2	102555-03-000	EA	CLEAT-BLIND CORD, MILKY WHITE PLASTIC
3	109441-03-000	EA	HOLD DOWN BLIND, CLOUDY
	109441-02-000	EA	SPACER-HOLD DOWN, BLIND
4	084434-01-000	EA	BRACKET-MOUNTING, ROLLER SHADE - 1 3/8"
	096843-01-000	EA	SPRING-REWIND, ROLLER SHADE
	086276-01-000	EA	TAPE-DOUBLE SIDED, 1/2"
5	101031-01-000	YD	TAPE-GLIDE, CURTAIN - 4.25" SPACING
6	029130-01-000	EA	SCREW-SNAP SOCKET, #8 PH X 5/8"
6	029130-03-000	EA	SCREW-SNAP SOCKET, #8 PH X 1"
7	029155-01-000	EA	CAP-SNAP, 5/32" O.D. OF PIN
8	029156-01-000	EA	SOCKET-SNAP, 9/16" O.D.
9	122222-01-02A	EA	TRACK-CURTAIN, WRAPAROUND - RH
9	122222-02-02A	EA	TRACK-CURTAIN, WRAPAROUND - LH
10	093475-01-701	EA	END CAP-BLIND, W/STUD
11	009702-01-000	EA	END STOP-CURTAIN CARRIER, L ROD
12	093475-01-700	EA	WAND-BLIND, W/METAL CLIP - 8" LONG
13	083170-01-000	EA	BRACKET - BLIND - LEFT SIDE WHEN FACING WINDOW
14	083170-02-000	EA	BRACKET - BLIND - RIGHT SIDE WHEN FACING WINDOW
15	095591-02-000	EA	BRACKET-HOLD DOWN, W/PIN - BLIND - METAL
16	109353-04-000	EA	CLIP-MOUNTING, VALANCE SLAT - CLEAR PLASTIC
17	009701-01-000	EA	CARRIER-CURTAIN, L-ROD
18	009136-02-000	EA	HANGER-RING, PIN TYPE - CURTAIN - BRASS
19	009700-04-002	EA	TRACK - L-SHAPED 195.5" - OFF WHITE
20	094907-04-000	EA	END CAP-BOTTOM, PLEATED BLIND - PLASTIC - GRAY
	094907-04-701	EA	END CAP-LH, BOTTOM BLIND
	094907-04-700	EA	END CAP-RH, BOTTOM BLIND
21	094907-02-000	EA	END CAP-TOP, PLEATED BLIND - PLASTIC - GRAY
22	097564-01-000	EA	HANDLE-T, PLEATED BLIND
23	097565-01-000	EA	BRACKET-MOUNTING, PLEATED BLIND
	046867-03-000	EA	GROMMET-HANDY BUTTON NO 3
	056003-01-000	EA	BRACKET - DRAPERY RETAINING - FRONT - METAL
	056003-02-000	EA	BRACKET - DRAPERY RETAINING - REAR - METAL
	048394-02-000	YD	VELCRO TAPE-HOOK, ADHESIVE BACK - .75" WIDE - BEIGE
	088792-01-000	YD	VELCRO-HOOK, .75" WIDE - BEIGE - NONADHESIVE BACKED
	088792-02-000	YD	VELCRO TAPE-LOOP, ADHESIVE BACKED - .75" WIDE - BEIGE
	068716-01-001	EA	BRACE - 90 DEGREE L-ANGLE, 192" - EXTRUDED ALUMINUM
	094896-02-000	EA	GROMMET-CORD, PLEATED BLIND - NYLON - GRAY
	095567-01-000	EA	TACK - STRIP - .5" X 625' ROLL
	097591-01-000	EA	SPRING-EXTENSION, PLEATED BLIND
	097592-01-000	EA	SPOOL-CORD, PLEATED BLIND - CLEAR PLASTIC
	097593-02-000	EA	CORD-BLIND, GRAY (H12,H13,H14,H15)
	097593-06-000	EA	CORD-BLIND, PEWTER (H16)
	105648-01-02A	EA	BRACE-VALANCE, ANGLE - 1.5" X 1.5" X 14" - OFF WHITE

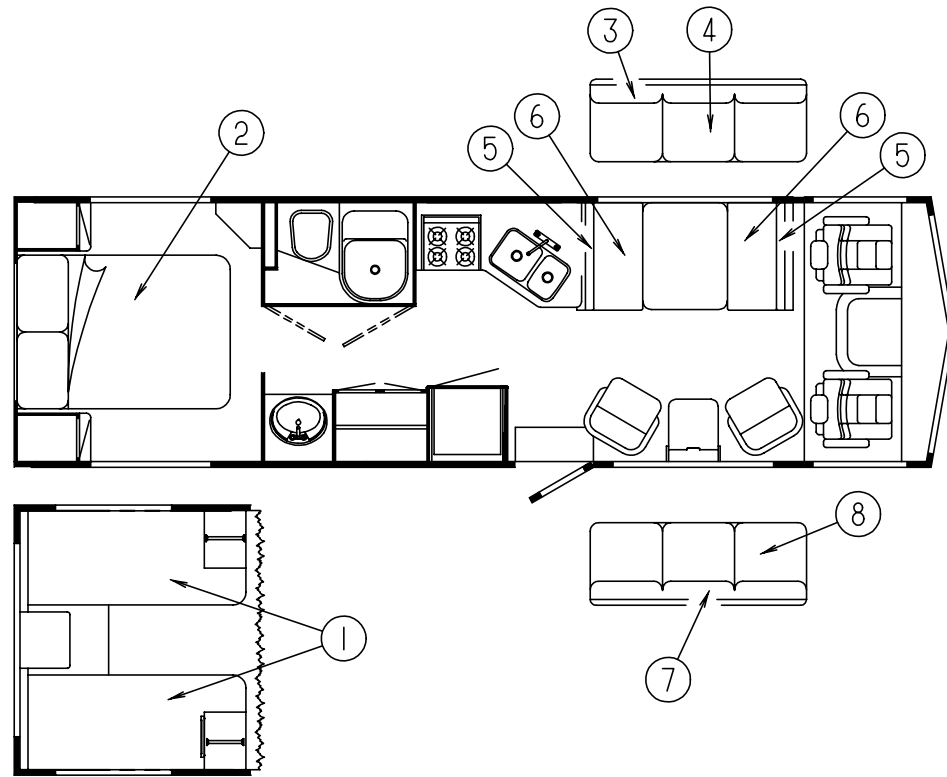
CURTAIN & CUSHION GROUP (CONTINUED)
WINDOW TREATMENT & SHOWER CURTAIN



KEY	PART NUMBER	U/M DESCRIPTION
1	112113-10-G13	EA VALANCE - VALERIE - 52" (H12,H13)
1	112113-10-H14	EA VALANCE - VALERIE - 52" (H14)
1	114993-06-H15	EA VALANCE - TAILOR - 52" (H15)
1	112113-10-H16	EA VALANCE - VALERIE - 52" (H16)
1	112986-11-G13	EA CURTAIN - 27.5" X 6" (H12,H13)
1	112986-11-H14	EA CURTAIN - 27.5" X 6" (H14)
1	112986-11-H15	EA CURTAIN - 27.5" X 6" (H15)
1	112986-11-H16	EA CURTAIN - 27.5" X 6" (H16)
1	093475-68-08A	EA BLIND - MINI - 48" X 27" (H12,H13)
1	093475-68-07A	EA BLIND - MINI - 48" X 27" (H14,H15,H16)
1	111910-35-F14	EA BLIND - DAY/NIGHTER - 48" X 27" - (H12,H13,H14,H15) UPGRADE OPTION FROM: 00-00-00 THRU: 10-27-96
1	111910-35-HA3	EA BLIND - DAY/NIGHTER - 48" X 27" - (H12,H13,H14,H15) UPGRADE OPTION FROM: 10-28-96 THRU: 99-99-99
1	111910-35-F05	EA BLIND - DAY/NIGHTER - 48" X 27" - (H16) UPGRADE OPTION
2	112113-16-H13	EA VALANCE - VALERIE - 34" (H12,H13)
2	112113-16-H14	EA VALANCE - VALERIE - 34" (H14)
2	114993-10-H15	EA VALANCE - TAILOR - 52" (H15)
2	112113-16-H16	EA VALANCE - VALERIE - 34" (H16)
2	109041-48-02A	EA BLIND - MINI - 30" X 37" (H12,H13)
2	109041-48-01A	EA BLIND - MINI - 30" X 37" (H14,H15,H16)
2	111910-51-H38	EA BLIND - DAY/NIGHTER - 30" X 37" - (H12,H13,H14,H15) UPGRADE OPTION FROM: 00-00-00 THRU: 10-27-96
2	111910-51-HA3	EA BLIND - DAY/NIGHTER - 30" X 37" - (H12,H13,H14,H15) UPGRADE OPTION FROM: 10-28-96 THRU: 99-99-99
2	111910-51-H37	EA BLIND - DAY/NIGHTER - 30" X 37" - (H16) UPGRADE OPTION

KEY	PART NUMBER	U/M DESCRIPTION
2	112986-07-G13	EA CURTAIN - 38.5" X 6" (H12,H13)
2	112986-07-H14	EA CURTAIN - 38.5" X 6" (H14)
2	112986-07-H15	EA CURTAIN - 38.5" X 6" (H15)
2	112986-07-F05	EA CURTAIN - 38.5" X 6" (H16)
3	109041-15-03A	EA BLIND - MINI - 14.5" X 32" (H12,H13)
3	109041-15-01A	EA BLIND - MINI - 14.5" X 32" (H14,H15,H16)
4	118537-23-H13	EA VALANCE - GALAXY - 64.5" (H12,H13)
4	118537-23-H14	EA VALANCE - GALAXY - 64.5" (H14)
4	121410-12-H15	EA VALANCE - MODERATE - 64" (H15)
4	118537-23-H16	EA VALANCE - GALAXY - 64.5" (H16)
4	093475-76-06A	EA BLIND - MINI - 60" X 28.5" (H12,H13)
4	093475-76-05A	EA BLIND - MINI - 60" X 28.5" (H14,H15,H16)
4	109802-10-G01	EA BLIND - PLEATED - 60" X 28.5" - (H12,H13,H14,H15) UPGRADE OPTION
4	109802-10-E04	EA BLIND - PLEATED - 60" X 28.5" - (H16) UPGRADE OPTION
4	119333-01-GE1	EA LEG - RIGHT - 25" (H12,H13)
4	119333-01-H14	EA LEG - RIGHT - 25" (H14)
4	119333-11-H15	EA LEG - RIGHT - 25" (H15)
4	119333-01-GB1	EA LEG - RIGHT - 25" (H16)
4	119333-02-GE1	EA LEG - LEFT - 25" (H12,H13)
4	119333-02-H14	EA LEG - LEFT - 25" (H14)
4	119333-12-H15	EA LEG - LEFT - 25" (H15)
4	119333-02-GB1	EA LEG - LEFT - 25" (H16)
5	101668-57-G09	EA CURTAIN - LEFT HAND - 38" X 95" (H12,H13)
5	101668-57-G10	EA CURTAIN - LEFT HAND - 38" X 95" (H14,H15,H16)
6	101668-56-G09	EA CURTAIN - RIGHT HAND - 38" X 95" (H12,H13)
6	101668-56-G10	EA CURTAIN - RIGHT HAND - 38" X 95" (H14,H15,H16)
	073260-42-D09	EA TIEBACK - 6" X 18" (H12,H13)
	073260-42-D10	EA TIEBACK - 6" X 18" (H14,H15,H16)
7	118537-28-H13	EA VALANCE - GALAXY - 58.5" (H12,H13)
7	118537-28-H14	EA VALANCE - GALAXY - 58.5" (H14)
7	121410-21-H15	EA VALANCE - MODERATE - 58.5" (H15)
7	118537-28-H16	EA VALANCE - GALAXY - 58.5" (H16)
7	109041-28-02A	EA BLIND - MINI - 54" X 28.5" (H12,H13)
	109353-06-02A	EA BLIND - SLAT - 14.5" (H12,H13)
7	109041-28-01A	EA BLIND - MINI - 54" X 28.5" (H14,H15,H16)
	109353-06-01A	EA BLIND - SLAT - 14.5" (H14,H15,H16)
	109353-04-000	EA CLIP - VALANCE SLAT MOUNTING - CLEAR PLASTIC
7	109802-32-F14	EA BLIND - PLEATED - 54" X 28.5" - (H12,H13,H14,H15) UPGRADE OPTION
7	109802-32-G45	EA BLIND - PLEATED - 54" X 28.5" - (H16) UPGRADE OPTION
7	119333-01-GE1	EA LEG - RIGHT - 25" (H12,H13)
7	119333-01-H14	EA LEG - RIGHT - 25" (H14)
7	119333-11-H15	EA LEG - RIGHT - 25" (H15)
7	119333-01-GB1	EA LEG - RIGHT - 25" (H16)
7	119333-02-GE1	EA LEG - LEFT - 25" (H12,H13)
7	119333-02-H14	EA LEG - LEFT - 25" (H14)
7	119333-12-H15	EA LEG - LEFT - 25" (H15)
7	119333-02-GB1	EA LEG - LEFT - 25" (H16)
8	118537-29-H13	EA VALANCE - GALAXY FLAT - 11" X 30.25" (H12,H13)
8	118537-29-H14	EA VALANCE - GALAXY FLAT - 11" X 30.25" (H14)
8	121410-21-H15	EA VALANCE - MODERATE - 11" X 30.25" (H15)
8	118537-29-H16	EA VALANCE - GALAXY FLAT - 11" X 30.25" (H16)
8	084755-57-E07	EA SHADE - PULL - 27.25"
	084481-28-F05	EA CURTAIN - SHOWER - 68" X 84"
	073260-54-E01	EA TIEBACK - 3" X 16"

CURTAIN & CUSHION GROUP (CONTINUED)



QUEEN MATTRESS, BEDSPREAD & PILLOW SHAMS

KEY	PART NUMBER	U/M	DESCRIPTION
2	123015-06-000	EA	MATTRESS - INNERSPRING - 60" X 74.5"
2	123471-04-H13	EA	BEDSPREAD/THROW - 60" X 75" (H12,H13)
2	123471-04-H14	EA	BEDSPREAD/THROW - 60" X 75" (H14)
2	123471-18-H15	EA	BEDSPREAD/THROW - 60" X 80" (H15)
2	123471-04-H16	EA	BEDSPREAD/THROW - 60" X 75" (H16)
	111863-05-G04	EA	PILLOW SHAM - 20" X 33" (H12,H13)
	111863-05-H14	EA	PILLOW SHAM - 20" X 33" (H14)
	104565-08-H15	EA	PILLOW SHAM - 20" X 33" (H15)
	111863-05-H16	EA	PILLOW SHAM - 20" X 33" (H16)
	111862-08-H13	EA	PILLOW - 15" X 15" (H12,H13) - MCCLAINS ANNIVERSARY OPTION
	111862-08-H14	EA	PILLOW - 15" X 15" (H14) - MCCLAINS ANNIVERSARY OPTION
	111862-08-H15	EA	PILLOW - 15" X 15" (H15) - MCCLAINS ANNIVERSARY OPTION
	111862-08-H16	EA	PILLOW - 15" X 15" (H16) - MCCLAINS ANNIVERSARY OPTION

PILLOWS - MC CLAINS ANNIVERSARY OPTION

KEY	PART NUMBER	U/M	DESCRIPTION
	111862-08-H13	EA	PILLOW - 15" X 15" (H12,H13) - MCCLAINS ANNIVERSARY OPTION
	111862-08-H14	EA	PILLOW - 15" X 15" (H14) - MCCLAINS ANNIVERSARY OPTION
	111862-08-H15	EA	PILLOW - 15" X 15" (H15) - MCCLAINS ANNIVERSARY OPTION
	111862-08-H16	EA	PILLOW - 15" X 15" (H16) - MCCLAINS ANNIVERSARY OPTION

SOFA/BED

KEY	PART NUMBER	U/M	DESCRIPTION
3	111319-01-G13	EA	BACK - SOFA/BED - W/FRAME - 74" (H12,H13)
3	111319-01-H14	EA	BACK - SOFA/BED - W/FRAME - 74" (H14)
3	111319-02-H15	EA	BACK - SOFA/BED - W/FRAME - 74" (H15)
3	111319-01-H16	EA	BACK - SOFA/BED - W/FRAME - 74" (H16)
	P11319-01-G13	EA	COVER - BACK - SOFA/BED - 74" (H12,H13)
	P11319-01-H14	EA	COVER - BACK - SOFA/BED - 74" (H14)
	P11319-02-H15	EA	COVER - BACK - SOFA/BED - 74" (H15)
	P11319-01-H16	EA	COVER - BACK - SOFA/BED - 74" (H16)
	101085-10-000	EA	FRAME - BACK - SOFA/BED - 74.75"
4	100032-43-G13	EA	SEAT - SOFA/BED W/FRAME - 74" - W/O ARMS (H12,H13)
4	100032-43-H14	EA	SEAT - SOFA/BED W/FRAME - 74" - W/O ARMS (H14)
4	100032-30-H15	EA	SEAT - SOFA/BED W/FRAME - 74" - W/O ARMS (H15)
4	100032-43-H16	EA	SEAT - SOFA/BED W/FRAME - 74" - W/O ARMS (H16)
	P00032-43-G13	EA	COVER - SEAT - SOFA/BED - 74" - W/O ARMS (H12,H13)
	P00032-43-H14	EA	COVER - SEAT - SOFA/BED - 74" - W/O ARMS (H14)
	P00032-30-H15	EA	COVER - SEAT - SOFA/BED - 74" - W/O ARMS (H15)
	P00032-43-H16	EA	COVER - SEAT - SOFA/BED - 74" - W/O ARMS (H16)
	101085-04-000	EA	FRAME - SEAT - SOFA/BED - 74.75"
	101085-06-000	EA	FRAME - SEAT - SOFA/BED - 74.75"
	113990-09-000	EA	LOCK - BRACKET - MALE FLEXSTEEL - CSA
	122556-04-01A	EA	LOCK - JACK KNIFE SEAT - CSA
	111637-02-H13	EA	PILLOW - 22" X 22" (H12,H13)
	111637-02-H14	EA	PILLOW - 22" X 22" (H14)
	111637-01-H15	EA	PILLOW - 22" X 22" (H15)
	111637-02-H16	EA	PILLOW - 22" X 22" (H16)

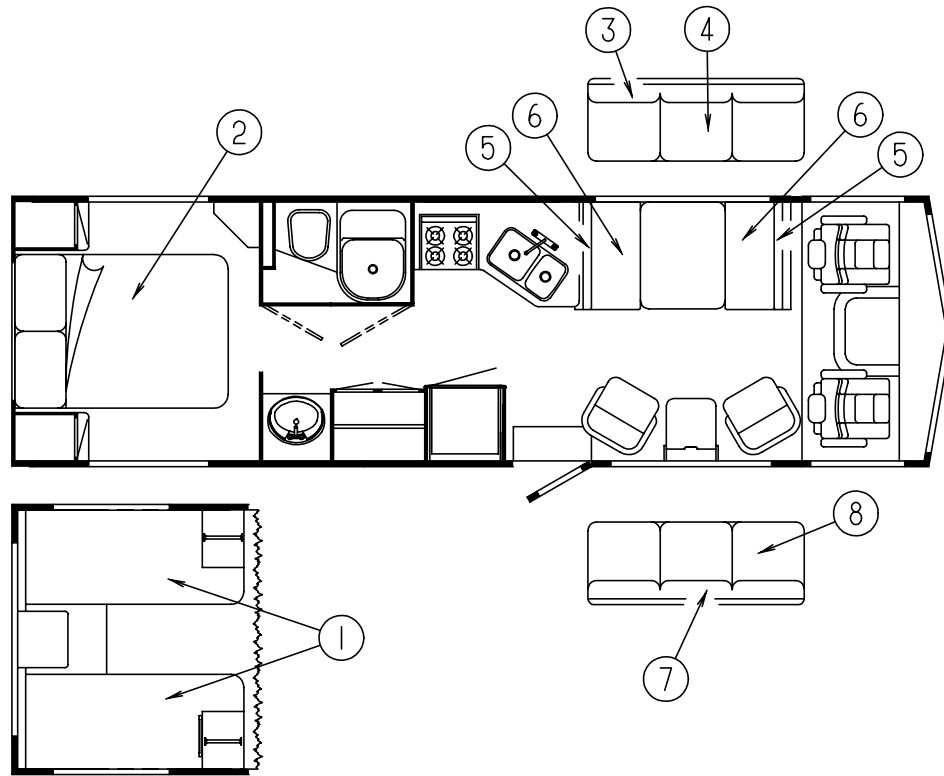
NOTE: COUCH FRONT AND SIDE PANELS ARE FOUND IN THE LOUNGE GROUP

TWIN MATTRESSES, BEDSPREADS & PILLOW SHAMS

KEY	PART NUMBER	U/M	DESCRIPTION
1	123015-04-000	EA	MATTRESS - INNERSPRING - 36" X 79.5"
1	123471-07-H13	EA	BEDSPREAD/THROW - 36" X 80" (H12,H13)
1	123471-07-H14	EA	BEDSPREAD/THROW - 36" X 80" (H14)
1	123471-19-H15	EA	BEDSPREAD/THROW - 36" X 80" (H15)
1	123471-07-H16	EA	BEDSPREAD/THROW - 36" X 80" (H16)
	111863-07-G04	EA	PILLOW SHAM - 22" X 37" (H12,H13)
	111863-07-H14	EA	PILLOW SHAM - 22" X 37" (H14)
	104565-09-H15	EA	PILLOW SHAM - 22" X 37" (H15)
	111863-07-H16	EA	PILLOW SHAM - 22" X 37" (H16)
	111862-03-G04	EA	PILLOW - 15" X 15" (H12,H13)
	111862-01-H13	EA	PILLOW - 15" X 15" (H12,H13)
	111862-03-H14	EA	PILLOW - 15" X 15" (H14)
	111862-01-H14	EA	PILLOW - 15" X 15" (H14)
	111862-06-H15	EA	PILLOW - 15" X 15" (H15)
	111862-03-F05	EA	PILLOW - 15" X 15" (H16)
	111862-01-H16	EA	PILLOW - 15" X 15" (H16)
	111862-08-H13	EA	PILLOW - 15" X 15" (H12,H13) - MCCLAINS ANNIVERSARY OPTION
	111862-08-H14	EA	PILLOW - 15" X 15" (H14) - MCCLAINS ANNIVERSARY OPTION
	111862-08-H15	EA	PILLOW - 15" X 15" (H15) - MCCLAINS ANNIVERSARY OPTION
	111862-08-H16	EA	PILLOW - 15" X 15" (H16) - MCCLAINS ANNIVERSARY OPTION

CURTAIN & CUSHION GROUP (CONTINUED)

SOFA/BED



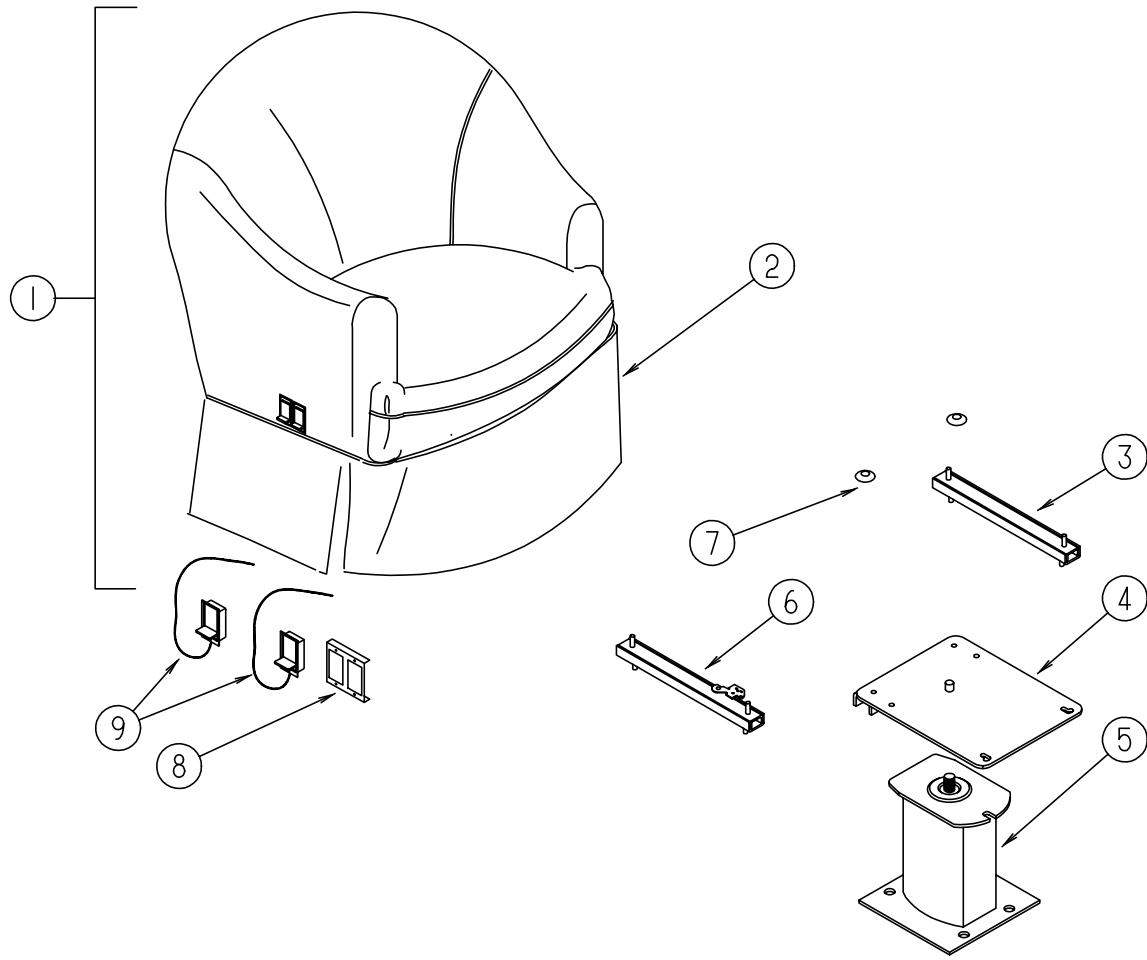
KEY	PART NUMBER	U/M	DESCRIPTION
7	111319-03-G04	EA	BACK - SOFA/BED - W/FRAME - 66.5" (H12,H13)
7	111319-03-H14	EA	BACK - SOFA/BED - W/FRAME - 66.5" (H14)
7	111319-04-H15	EA	BACK - SOFA/BED - W/FRAME - 66.5" (H15)
7	111319-03-H16	EA	BACK - SOFA/BED - W/FRAME - 66.5" (H16)
	P11319-03-G04	EA	COVER - BACK - SOFA/BED JACK KNIFE 66.5" (H12,H13)
	P11319-03-H14	EA	COVER - BACK - SOFA/BED JACK KNIFE 66.5" (H14)
	P11319-04-H15	EA	COVER - BACK - SOFA/BED JACK KNIFE 66.5" (H15)
	P11319-03-H16	EA	COVER - BACK - SOFA/BED JACK KNIFE 66.5" (H16)
	101085-09-000	EA	FRAME - BACK - SOFA/BED - 66.5" X 16"
8	100032-37-H13	EA	SEAT - SOFA/BED W/FRAME - 66.5" (H12,H13)
8	100032-37-H14	EA	SEAT - SOFA/BED W/FRAME - 66.5" (H14)
8	100032-36-H15	EA	SEAT - SOFA/BED W/FRAME - 66.5" (H15)
8	100032-37-H16	EA	SEAT - SOFA/BED W/FRAME - 66.5" (H16)
	P00032-37-G04	EA	COVER - SEAT - SOFA/BED - 66.5" (H12,H13)
	P00032-37-H14	EA	COVER - SEAT - SOFA/BED - 66.5" (H14)
	P00032-36-H15	EA	COVER - SEAT - SOFA/BED - 66.5" (H15)
	P00032-37-H16	EA	COVER - SEAT - SOFA/BED - 66.5" (H16)
	101085-01-000	EA	FRAME - SEAT - SOFA/BED - 66.5"
	101085-03-000	EA	FRAME - SEAT - SOFA/BED - 66.5"
	113990-09-000	EA	LOCK - BRACKET - MALE FLEXSTEEL - CSA
	122556-04-01A	EA	LOCK - JACK KNIFE SEAT - CSA
	122556-04-01A	EA	LOCK - JACK KNIFE SEAT - CSA
	111637-02-H13	EA	PILLOW - 22" X 22" (H12,H13)
	111637-02-H14	EA	PILLOW - 22" X 22" (H14)
	111637-01-H15	EA	PILLOW - 22" X 22" (H15)
	111637-02-H16	EA	PILLOW - 22" X 22" (H16)

NOTE: COUCH FRONT AND SIDE PANELS ARE FOUND IN THE LOUNGE GROUP

DINETTE CUSHIONS

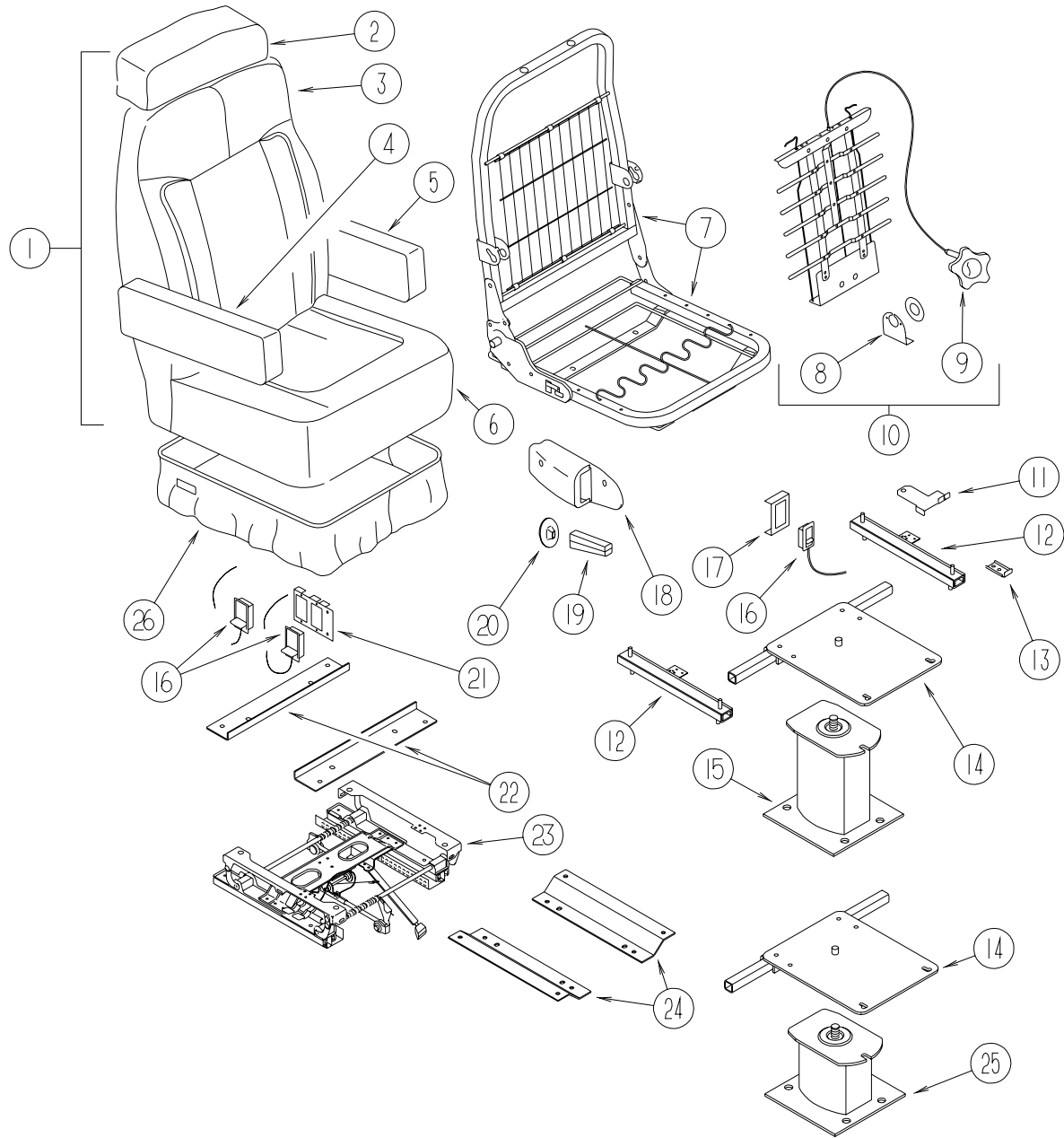
KEY	PART NUMBER	U/M	DESCRIPTION
5	111897-04-G13	EA	CUSHION - BACK - 13.5" X 38" X 5" (H12,H13)
5	111897-04-H14	EA	CUSHION - BACK - 13.5" X 38" X 5" (H14)
5	111897-12-H15	EA	CUSHION - BACK - 13.5" X 38" X 5" (H15)
5	111897-04-G09	EA	CUSHION - BACK - 13.5" X 38" X 5" (H16)
	P11897-04-G13	EA	COVER - BACK - 13.5" X 38" X 5" (H12,H13)
	P11897-04-H14	EA	COVER - BACK - 13.5" X 38" X 5" (H14)
	P11897-12-H15	EA	COVER - BACK - 13.5" X 38" X 5" (H15)
	P11897-04-G09	EA	COVER - BACK - 13.5" X 38" X 5" (H16)
	078155-01-000	EA	STRAP - SNAP - BACK CUSHION
6	088927-87-G13	EA	CUSHION - SEAT BOTTOM - 23" X 38" X 5" (H12,H13)
6	088927-87-H14	EA	CUSHION - SEAT BOTTOM - 23" X 38" X 5" (H14)
6	088927-87-H15	EA	CUSHION - SEAT BOTTOM - 23" X 38" X 5" (H15)
6	088927-87-G21	EA	CUSHION - SEAT BOTTOM - 23" X 38" X 5" (H16)
	M88927-87-G13	EA	COVER - SEAT CUSHION - 23" X 38" X 5" (H12,H13)
	M88927-87-H14	EA	COVER - SEAT CUSHION - 23" X 38" X 5" (H14)
	M88927-87-H15	EA	COVER - SEAT CUSHION - 23" X 38" X 5" (H15)
	M88927-87-G21	EA	COVER - SEAT CUSHION - 23" X 38" X 5" (H16)

CURTAIN & CUSHION GROUP (CONTINUED)
SWIVEL CHAIR



KEY	PART NUMBER	U/M	DESCRIPTION
1	118302-01-H13	EA	CHAIR - SWIVEL - W/O SKIRT (H12,H13)
1	118302-01-H14	EA	CHAIR - SWIVEL - W/O SKIRT (H14)
1	118302-03-H15	EA	CHAIR - SWIVEL - W/O SKIRT (H15)
1	118302-01-H16	EA	CHAIR - SWIVEL - W/O SKIRT (H16)
	P18302-01-H13	EA	COVER - SWIVEL CHAIR (H12,H13)
	P18302-01-H14	EA	COVER - SWIVEL CHAIR (H14)
	P18302-03-H15	EA	COVER - SWIVEL CHAIR (H15)
	P18302-01-H16	EA	COVER - SWIVEL CHAIR (H16)
	P18302-27-H13	EA	COVER - ARMREST (H12,H13)
	P18302-27-H14	EA	COVER - ARMREST (H14)
	P18302-25-H15	EA	COVER - ARMREST (H15)
	P18302-27-H16	EA	COVER - ARMREST (H16)
2	118306-01-H13	EA	SKIRT - SWIVEL CHAIR (H12,H13)
2	118306-01-H14	EA	SKIRT - SWIVEL CHAIR (H14)
2	118306-03-H15	EA	SKIRT - SWIVEL CHAIR (H15)
2	118306-01-H16	EA	SKIRT - SWIVEL CHAIR (H16)
3	119952-01-000	EA	SLIDE/SEAT - HEAVY DUTY NON LOCKING
4	107921-08-000	EA	TOP PLATE - PEDESTAL - W/O SEAT BELT BAR
	107921-06-000	EA	BEARING KIT - PEDESTAL
5	107921-02-000	EA	PEDESTAL/FLOOR MOUNTED - W/6.50" EXTENSION
6	119952-03-000	EA	SLIDE/SEAT - HEAVY DUTY LOCKING - 2 STUDS
7	007221-01-000	EA	SPACER - SEAT/ADJUSTER
8	097683-02-000	EA	BRACKET - REMOTE/SIDE MOUNT - DOUBLE
9	108049-03-000	EA	CABLE/CONTROL 25.5" SHEATH/28.5" CABLE W/DOG LEG
	108049-02-000	EA	CLIP - CABLE/PEDESTAL
	117125-01-02B	EA	BRACKET - CABLE MOUNT - ADJUSTER W/LOCK
	112436-03-000	FT	TRIM - #8 - FLEX RING

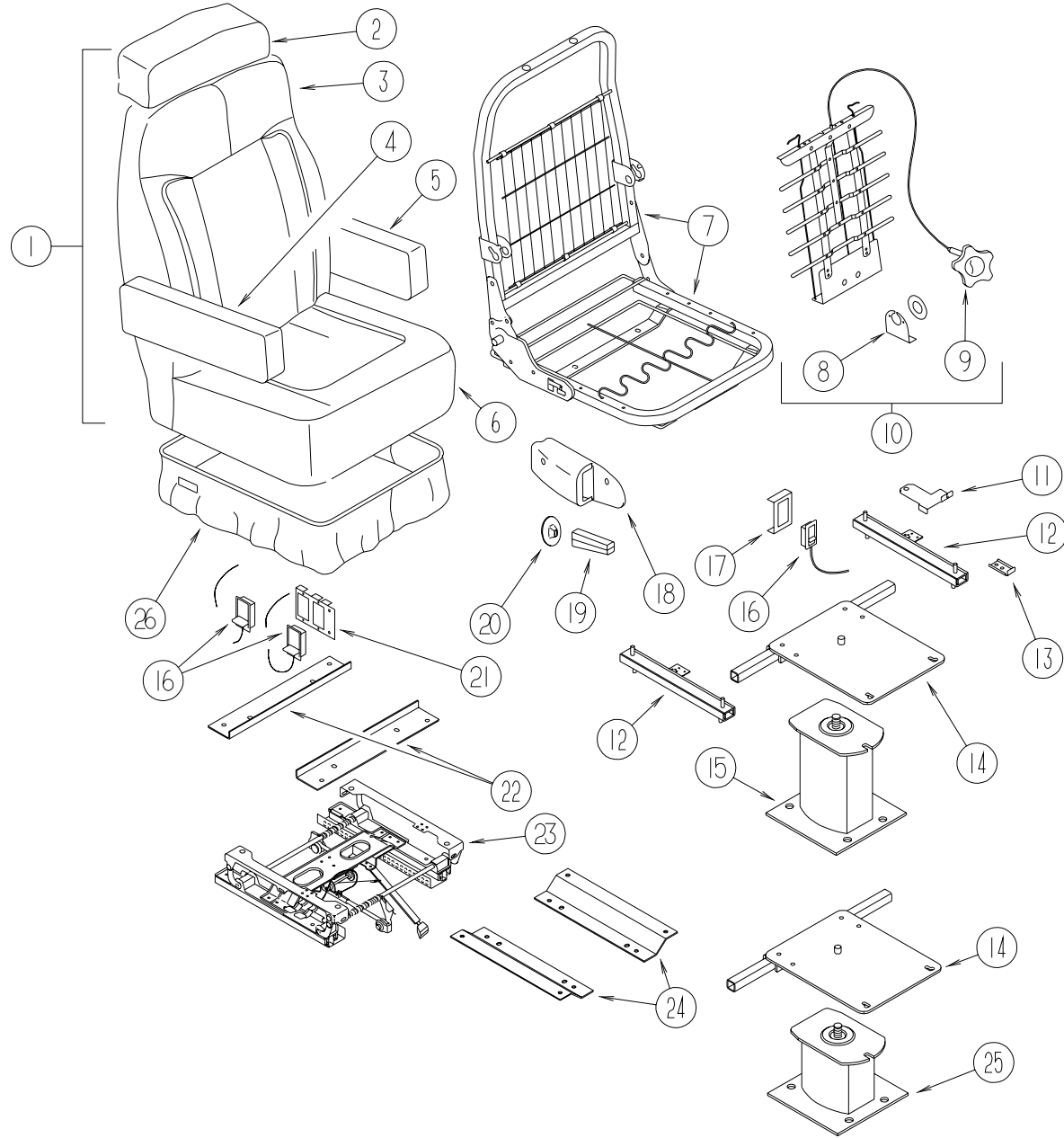
CURTAIN & CUSHION GROUP (CONTINUED)
DRIVER BUCKET SEAT



KEY	PART NUMBER	U/M	DESCRIPTION
2	P19509-01-H13	EA	COVER - HEADREST (H12,H13)
2	P19509-01-G24	EA	COVER - HEADREST (H14)
2	P19509-01-H15	EA	COVER - HEADREST (H15)
2	P19509-01-H16	EA	COVER - HEADREST (H16)
2	P24682-02-H56	EA	COVER - HEADREST - MCCLAINS ANNIVERSARY OPTION
	113977-12-000	EA	INSERT/HEADREST - W/O LOCK
	113977-13-000	EA	INSERT/HEADREST - W/LOCK
3	M05962-44-H13	EA	COVER - BACK - BUCKET SEAT (H12,H13)
3	M05962-44-H14	EA	COVER - BACK - BUCKET SEAT (H14)
3	M05962-44-H15	EA	COVER - BACK - BUCKET SEAT (H15)
3	M05962-44-H16	EA	COVER - BACK - BUCKET SEAT (H16)
3	M05962-49-H60	EA	COVER - BACK - LEATHER/VINYL - MCCLAINS ANNIVERSARY OPTION
4	122780-01-H13	EA	ARMREST - RIGHT HAND (H12,H13)
4	122780-01-H14	EA	ARMREST - RIGHT HAND (H14)
4	122780-01-H15	EA	ARMREST - RIGHT HAND (H15)
4	122780-01-H16	EA	ARMREST - RIGHT HAND (H16)
4	123962-03-H50	EA	ARMREST - ADJUSTABLE/RIGHT HAND - MCCLAINS ANNIVERSARY OPTION
	122622-01-000	EA	BRACKET - ADJUSTABLE/ARMREST - RIGHT HAND - MCCLAINS ANNIVERSARY OPTION FROM: 00-00-00 THRU: 08-17-96
	122622-04-000	EA	BRACKET - ADJUSTABLE/ARMREST - RIGHT HAND - MCCLAINS ANNIVERSARY OPTION FROM: 08-18-96 THRU: 99-99-99
	122622-03-000	EA	BRACKET - ADJUSTABLE KNOB - MCCLAINS ANNIVERSARY OPTION FROM: 00-00-00 THRU: 08-17-96
	122622-06-000	EA	BRACKET - ADJUSTABLE KNOB - 3/8" - MCCLAINS ANNIVERSARY OPTION FROM: 08-18-96 THRU: 99-99-99
4	P22780-01-H13	EA	COVER - ARMREST - RIGHT HAND (H12,H13)
4	P22780-01-H14	EA	COVER - ARMREST - RIGHT HAND (H14)
4	P22780-01-H15	EA	COVER - ARMREST - RIGHT HAND (H15)
4	P22780-01-H16	EA	COVER - ARMREST - RIGHT HAND (H16)
	115617-03-000	EA	ARMREST - W/O COVER - RIGHT HAND
4	P23962-03-H50	EA	COVER - ARMREST - RIGHT HAND - MCCLAINS ANNIVERSARY OPTION
5	122780-02-H13	EA	ARMREST - LEFT HAND (H12,H13)
5	122780-02-H14	EA	ARMREST - LEFT HAND (H14)
5	122780-02-H15	EA	ARMREST - LEFT HAND (H15)
5	122780-02-H16	EA	ARMREST - LEFT HAND (H16)
	115617-04-000	EA	ARMREST - W/O COVER - LEFT HAND
5	123962-04-H13	EA	ARMREST - ADJUSTABLE/LEFT HAND - MCCLAINS ANNIVERSARY OPTION
	122622-02-000	EA	BRACKET - ADJUSTABLE/ARMREST - LEFT HAND - MCCLAINS ANNIVERSARY OPTION FROM: 00-00-00 THRU: 08-17-96
	122622-05-000	EA	BRACKET - ADJUSTABLE/ARMREST - LEFT HAND - MCCLAINS ANNIVERSARY OPTION FROM: 08-18-96 THRU: 99-99-99
	122622-03-000	EA	BRACKET - ADJUSTABLE KNOB - MCCLAINS ANNIVERSARY OPTION FROM: 00-00-00 THRU: 08-17-96
	122622-06-000	EA	BRACKET - ADJUSTABLE KNOB - 3/8" - MCCLAINS ANNIVERSARY OPTION FROM: 08-18-96 THRU: 99-99-99
5	P22780-02-H13	EA	COVER - ARMREST - LEFT HAND (H12,H13)
5	P22780-02-H14	EA	COVER - ARMREST - LEFT HAND (H14)
5	P22780-02-H15	EA	COVER - ARMREST - LEFT HAND (H15)
5	P22780-02-H16	EA	COVER - ARMREST - LEFT HAND (H16)
5	P23962-05-H13	EA	COVER - ARMREST - LEFT HAND - MCCLAINS ANNIVERSARY OPTION

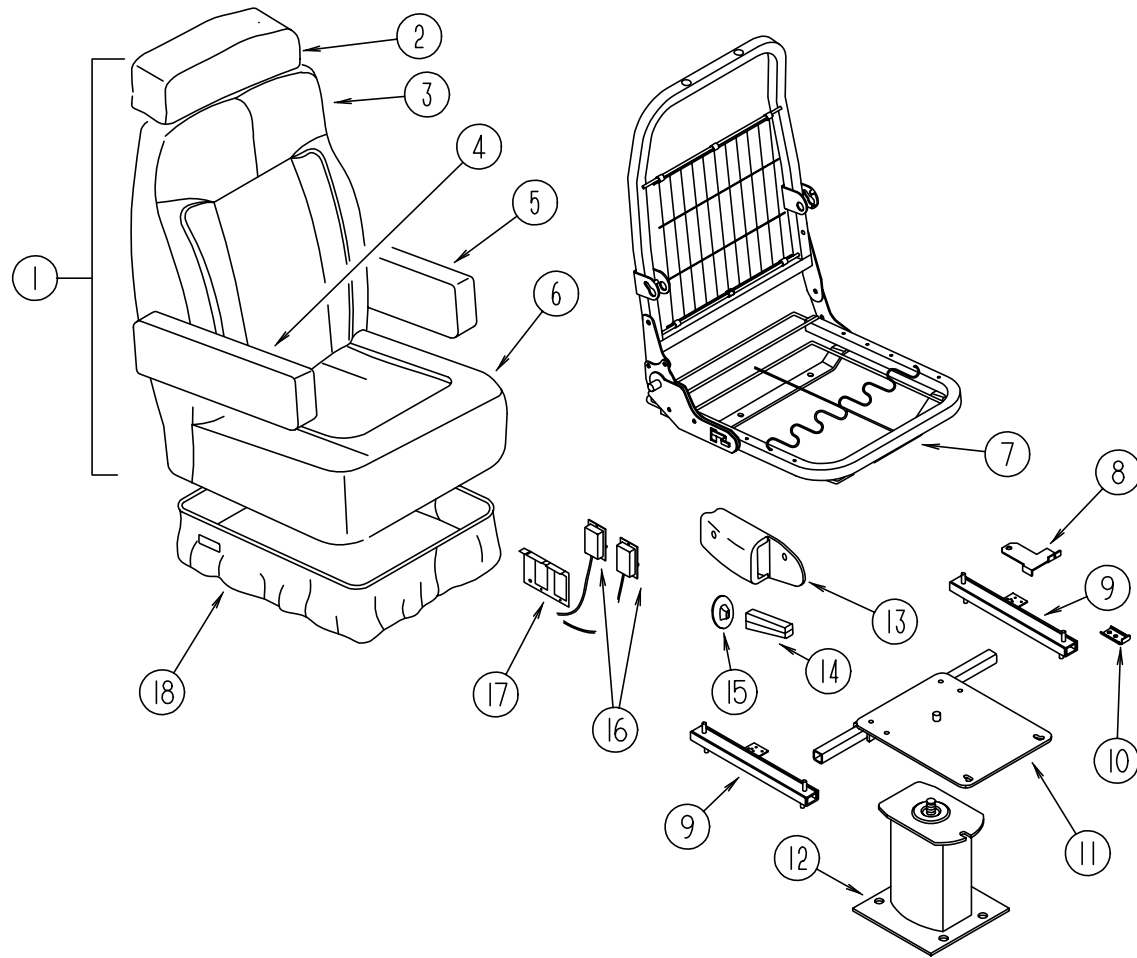
KEY	PART NUMBER	U/M	DESCRIPTION
1	119508-06-H13	EA	SEAT-BUCKET, W/ARMRESTS, HEADREST & LUMBAR SUPPORT (H12,H13)
1	119508-06-H14	EA	SEAT-BUCKET, W/ARMRESTS, HEADREST & LUMBAR SUPPORT (H14)
1	119508-06-H15	EA	SEAT-BUCKET, W/ARMRESTS, HEADREST & LUMBAR SUPPORT (H15)
1	119508-06-H16	EA	SEAT-BUCKET, W/ARMRESTS, HEADREST & LUMBAR SUPPORT (H16)
1	123820-03-H13	EA	SEAT - BUCKET - MCCLAINS ANNIVERSARY OPTION
2	119509-01-H13	EA	HEADREST - BUCKET SEAT (H12,H13)
2	119509-01-G24	EA	HEADREST - BUCKET SEAT (H14)
2	119509-01-H15	EA	HEADREST - BUCKET SEAT (H15)
2	119509-01-H16	EA	HEADREST - BUCKET SEAT (H16)
2	124682-02-H56	EA	HEADREST - MCCLAINS ANNIVERSARY OPTION

CURTAIN & CUSHION GROUP (CONTINUED)
DRIVER BUCKET SEAT (CONTINUED)



KEY	PART NUMBER	U/M	DESCRIPTION	VENDOR NO.
6	M05962-43-H13	EA	COVER-SEAT, BUCKET SEAT (H12,H13)	
6	M05962-43-H14	EA	COVER-SEAT, BUCKET SEAT (H14)	
6	M05962-43-H15	EA	COVER-SEAT, BUCKET SEAT (H15)	
6	M05962-43-H16	EA	COVER-SEAT, BUCKET SEAT (H16)	
6	M05962-50-H60	EA	COVER - SEAT - LEATHER/VINYL - MCCLAINS ANNIVERSARY OPTION	
7	122695-01-01B	EA	FRAME - SEAT/BACK	
8	122611-01-702	EA	LUMBAR - BRACKET	157C-90
	122611-01-703	EA	LUMBAR - SCREW	210
9	122611-01-701	EA	LUMBAR - KNOB	218
10	122611-01-000	EA	LUMBAR	
11	117125-01-02B	EA	BRACKET-CABLE HOLDER, ADJUSTER W/LOCK - E-COAT	
12	119952-06-000	EA	SLIDE-SEAT, HEAVY DUTY LOCKING - 4 STUDS	
	119952-07-000	EA	WIRE-LATCH RELEASE/ROTARY	
13	114889-01-000	EA	STOP BAR-UNIVERSAL	
14	107921-05-000	EA	PLATE-TOP W/SEAT BELT BAR	
	107921-06-000	EA	BEARING KIT-PEDESTAL	
15	107921-01-000	EA	PEDESTAL-SEAT, FLOOR MOUNTED W/9.75" EXTENSION	
16	108049-03-000	EA	CABLE/CONTROL 25.5" SHEATH/28.5" CABLE W/DOG LEG	
	108049-02-000	EA	CLIP-CABLE, PEDESTAL	
17	116215-03-000	EA	BRACKET - LOWER MOUNT - 6-WAY MANUAL SEAT	
18	080730-09-000	EA	SHIELD - RECLINER HANDLE	
19	080730-08-000	EA	HANDLE - RECLINER	
20	080730-11-000	EA	SHIELD - RUBBER BOOT	
21	097683-02-000	EA	BRACKET - REMOTE/SIDE MOUNT - DOUBLE	
22	116215-02-000	EA	BRACKET - UPPER MOUNT - 6-WAY MANUAL SEAT	
	007221-01-000	EA	SPACER - SEAT/ADJUSTER - 4 USED PER SWIVEL CHAIR	
23	116215-01-000	EA	SEAT ADJUSTER - DRIVERS 6-WAY MECHANICAL	
24	116215-03-000	EA	PLATE - LOWER - 6-WAY MANUAL CONTROL	
25	107921-07-000	EA	PEDESTAL - BASE - POWER	
26	071126-58-H13	EA	SKIRT - SINGLE - W/SEAT BELT SLOT (H12,H13)	
26	071126-58-H14	EA	SKIRT - SINGLE - W/SEAT BELT SLOT (H14)	
26	071126-58-H15	EA	SKIRT - SINGLE - W/SEAT BELT SLOT (H15)	
26	071126-58-H16	EA	SKIRT - SINGLE - W/SEAT BELT SLOT (H16)	
26	071126-60-H13	EA	SKIRT - SINGLE - 10.5" - 6-WAY MANUAL (H12,H13)	
26	071126-60-H14	EA	SKIRT - SINGLE - 10.5" - 6-WAY MANUAL (H14)	
26	071126-60-H15	EA	SKIRT - SINGLE - 10.5" - 6-WAY MANUAL (H15)	
26	071126-60-H16	EA	SKIRT - SINGLE - 10.5" - 6-WAY MANUAL (H16)	
26	071126-62-H13	EA	SKIRT - SINGLE - 10.5" - W/SEAT BELT SLOT - MCCLAINS ANNIVERSARY OPTION	

CURTAIN & CUSHION GROUP (CONTINUED)
PASSENGER BUCKET SEAT



KEY	PART NUMBER	U/M DESCRIPTION
1	119508-07-H13	EA SEAT - BUCKET - W/ARMRESTS/HEADREST/MANUAL RECLINE (H12,H13)
1	119508-07-H14	EA SEAT - BUCKET - W/ARMRESTS/HEADREST/MANUAL RECLINE (H14)
1	119508-07-H15	EA SEAT - BUCKET - W/ARMRESTS/HEADREST/MANUAL RECLINE (H15)
1	119508-07-H16	EA SEAT - BUCKET - W/ARMRESTS/HEADREST/MANUAL RECLINE (H16)
1	123820-04-H13	EA SEAT - BUCKET - MCCLAINS ANNIVERSARY OPTION
2	119509-01-H13	EA HEADREST - BUCKET SEAT (H12,H13)
2	119509-01-G24	EA HEADREST - BUCKET SEAT (H14)
2	119509-01-H15	EA HEADREST - BUCKET SEAT (H15)
2	119509-01-H16	EA HEADREST - BUCKET SEAT (H16)
2	124682-02-H56	EA HEADREST - MCCLAINS ANNIVERSARY OPTION
2	P19509-01-H13	EA COVER - HEADREST (H12,H13)
2	P19509-01-G24	EA COVER - HEADREST (H14)
2	P19509-01-H15	EA COVER - HEADREST (H15)
2	P19509-01-H16	EA COVER - HEADREST (H16)
2	P24682-02-H56	EA COVER - HEADREST - MCCLAINS ANNIVERSARY OPTION
	113977-12-000	EA HEADREST INSERT W/O LOCK
	113977-13-000	EA HEADREST INSERT W/LOCK
3	M05962-44-H13	EA COVER - BACK - BUCKET SEAT (H12,H13)
3	M05962-44-H14	EA COVER - BACK - BUCKET SEAT (H14)
3	M05962-44-H15	EA COVER - BACK - BUCKET SEAT (H15)
3	M05962-44-H16	EA COVER - BACK - BUCKET SEAT (H16)
3	M05962-49-H60	EA COVER - BACK - LEATHER/VINYL - MCCLAINS ANNIVERSARY OPTION

KEY	PART NUMBER	U/M DESCRIPTION
4	122780-01-H13	EA ARMREST - RIGHT HAND (H12,H13)
4	122780-01-H14	EA ARMREST - RIGHT HAND (H14)
4	122780-01-H15	EA ARMREST - RIGHT HAND (H15)
4	122780-01-H16	EA ARMREST - RIGHT HAND (H16)
4	122780-03-H60	EA ARMREST - RIGHT HAND - MCCLAINS ANNIVERSARY OPTION
4	P22780-01-H13	EA COVER - ARMREST - RIGHT HAND (H12,H13)
4	P22780-01-H14	EA COVER - ARMREST - RIGHT HAND (H14)
4	P22780-01-H15	EA COVER - ARMREST - RIGHT HAND (H15)
4	P22780-01-H16	EA COVER - ARMREST - RIGHT HAND (H16)
4	P22780-03-H60	EA COVER - ARMREST - RIGHT HAND - MCCLAINS ANNIVERSARY OPTION
	115617-03-000	EA ARMREST - W/O COVER - RIGHT HAND
5	122780-02-H13	EA ARMREST - LEFT HAND (H12,H13)
5	122780-02-H14	EA ARMREST - LEFT HAND (H14)
5	122780-02-H15	EA ARMREST - LEFT HAND (H15)
5	122780-02-H16	EA ARMREST - LEFT HAND (H16)
5	122780-04-H60	EA ARMREST - LEFT HAND - MCCLAINS ANNIVERSARY OPTION
	115617-04-000	EA ARMREST - W/O COVER - LEFT HAND
5	P22780-02-H13	EA COVER - ARMREST - LEFT HAND (H12,H13)
5	P22780-02-H14	EA COVER - ARMREST - LEFT HAND (H14)
5	P22780-02-H15	EA COVER - ARMREST - LEFT HAND (H15)
5	P22780-02-H16	EA COVER - ARMREST - LEFT HAND (H16)
5	P22780-05-H60	EA COVER - ARMREST - LEFT HAND - MCCLAINS ANNIVERSARY OPTION
6	M05962-43-H13	EA COVER - SEAT/BUCKET - WIDE (H12,H13)
6	M05962-43-H14	EA COVER - SEAT/BUCKET - WIDE (H14)
6	M05962-43-H15	EA COVER - SEAT/BUCKET - WIDE (H15)
6	M05962-43-H16	EA COVER - SEAT/BUCKET - WIDE (H16)
6	M05962-50-H60	EA COVER - SEAT - LEATHER/VINYL - MCCLAINS ANNIVERSARY OPTION
7	122695-01-01B	EA FRAME - SEAT/BACK
8	117125-01-02B	EA BRACKET - CABLE MOUNT - ADJUSTER W/LOCK
9	119952-06-000	EA SLIDE/SEAT - HEAVY DUTY LOCKING - 4 STUDS
	119952-07-000	EA WIRE - LATCH RELEASE/ROTARY
10	114889-01-000	EA STOP BAR - UNIVERSAL
11	107921-05-000	EA PLATE - TOP - W/SEAT BELT BAR
	107921-06-000	EA BEARING KIT - PEDESTAL
12	107921-01-000	EA PEDESTAL/FLOOR MOUNTED - W/9.75" EXTENSION
13	080730-09-000	EA SHIELD - RECLINER HANDLE
14	080730-08-000	EA HANDLE - RECLINER
15	080730-11-000	EA SHIELD - RUBBER BOOT
16	108049-03-000	EA CABLE/CONTROL 25.5" SHEATH/28.5" CABLE W/DOG LEG
	108049-02-000	EA CLIP - CABLE/PEDESTAL
17	097683-02-000	EA BRACKET - REMOTE/SIDE MOUNT - DOUBLE
18	071126-58-H13	EA SKIRT - SINGLE - W/SEAT BELT SLOT (H12,H13)
18	071126-58-H14	EA SKIRT - SINGLE - W/SEAT BELT SLOT (H14)
18	071126-58-H15	EA SKIRT - SINGLE - W/SEAT BELT SLOT (H15)
18	071126-58-H16	EA SKIRT - SINGLE - W/SEAT BELT SLOT (H16)
18	071126-62-H13	EA SKIRT - SINGLE - 10.5" - W/SEAT BELT SLOT - MCCLAINS ANNIVERSARY OPTION

CURTAIN & CUSHION GROUP (CONTINUED)
BUTTON, TRIM, ASSIST HANDLE & SEAT BELT

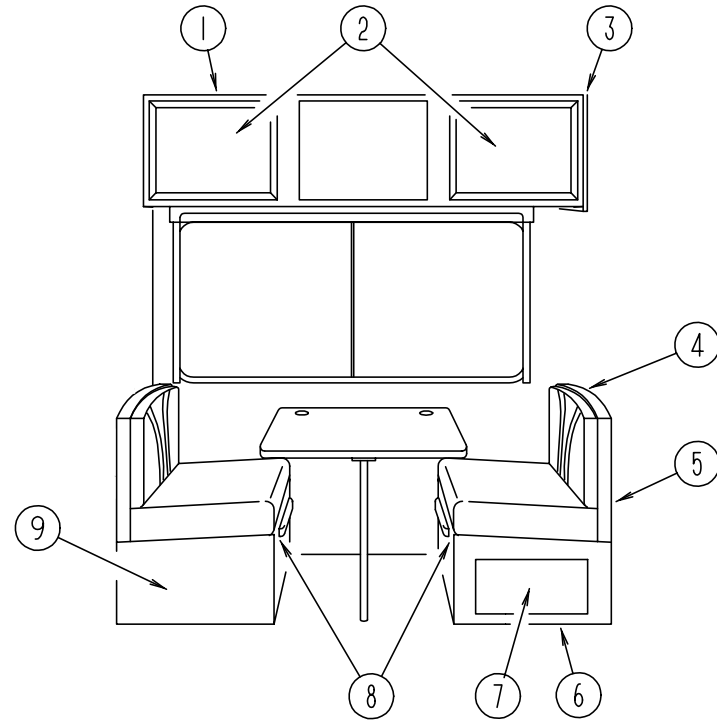
KEY	PART NUMBER	U/M DESCRIPTION
	070578-02-E38	EA BUTTON-SCREW STUD, #30 - VINYL - WILLOW
	079349-04-H13	YD WELT ASM-NARROW, ACCENT (H12,H13)
	079349-04-GD1	YD WELT ASM-NARROW, ACCENT (H14)
	079349-04-H15	YD WELT ASM-NARROW, ACCENT (H15)
	079349-04-H16	YD WELT ASM-NARROW, ACCENT (H16)
	057759-01-000	EA WASHER BRACKET-SEAT BELT, 4" DIAMETER
	007021-01-000	EA BELT-SEAT, 2" X 90" - BLACK
	056271-02-000	EA BELT-SEAT, 2" X 72" - BLACK
	069178-02-000	EA BRACKET-MOUNTING, ASSIST HANDLE - L ANGLE - W/HOLES - STEEL
	053552-02-AA8	EA HANDLE-ASSIST, INTERIOR - ENTRY DOOR - VINYL - OFF WHITE
	057534-03-000	EA TIEBACK/TIEDOWN-BED/CURTAIN/DOOR, 7.5" - PLASTIC - CLEAR
	000D20-07-00B	EA NUT - ACORN - ASSIST HANDLE - 7/16 - 14

CURTAIN & CUSHION GROUP (CONTINUED)
BRAVE FABRIC

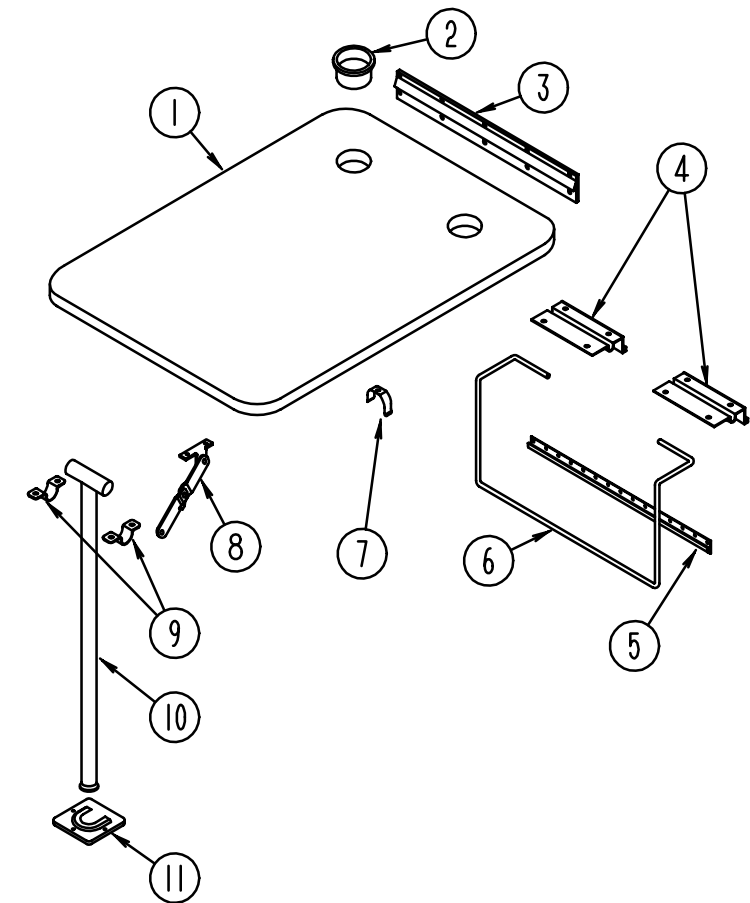
COLOR CODES	H12,H13	H14	H15	H16
	COPPER-CREEK COPPER-CANYON (TERRA COTTA)	SPUN SILVER (WARM GRAY)	STARS & STRIPES (BLUE)	NEWPORT (BLUE)
CEILING MATERIAL	113979-01-01A	113979-01-01A	113979-01-01A	113979-01-01A
BUNK VINYL	089351-03-000	089351-03-000	089351-03-000	089351-03-000
WILLOW VINYL	103907-01-03A	103907-01-03A	103907-01-03A	103907-01-03A
DRAPERY LINING	087272-03-000	087272-03-000	087272-03-000	087272-03-000
BUCKET SEATS	108446-L4-000	108446-B4-000	108446-L8-000	108446-F7-000
MC CLAIN'S BUCKET SEATS	103907-01-04A	103907-01-04A	103907-01-04A	103907-01-04A
DINETTE	108446-H0-000	108446-L3-000	108446-M1-000 108446-L9-000 108446-L8-000	108446-R3-000
DINETTE PADS	108446-L4-000	108446-B4-000	108446-L8-000	108446-F7-000
SOFA	108446-H0-000	108446-L3-000	108446-L9-000 108446-L8-000	108446-R3-000
SOFA PILLOWS	108446-F3-000	108446-L0-000	108446-L8-000	108446-F4-000
SWIVEL CHAIR	108446-F3-000	108446-L0-000	108446-L8-000	108446-F4-000
LOUNGE WINDOWS	108446-F3-000 108446-H0-000 108446-L4-000	108446-L0-000 108446-L3-000 108446-B4-000	108446-L8-000 108446-L9-000	108446-F4-000 108446-R3-000 108446-F7-000
BEDROOM WINDOWS	105745-A2-000 105745-B7-000	105745-D7-000 105745-62-000	105745-D8-000	105745-65-000 105745-64-000
BEDSPREAD	105745-A2-000 105745-B7-000	105745-D7-000 105745-62-000	105745-D8-000 108446-L8-000	105745-65-000 105745-64-000
PILLOW SHAMS	105745-A2-000 105745-B7-000	105745-D7-000 105745-62-000	105745-D8-000 108446-L8-000	105745-65-000 105745-64-000
HEADBOARD	105745-A2-000 105745-B7-000	105745-D7-000 105745-62-000	105745-D8-000	105745-65-000 105745-64-000
BEDROOM PILLOWS	105745-B7-000 105745-A2-000	105745-62-000 105745-D7-000	105745-D8-000 108446-L8-000	105745-64-000 105745-65-000
FRONT WRAP AROUND	072333-90-000	072333-82-000	072333-82-000	072333-82-000
DIVIDER CURTAIN	072333-90-000	072333-82-000	072333-82-000	072333-82-000
MAP POCKETS	108446-L4-000	108446-B4-000	108446-L8-000	108446-F7-000

NOTE: FABRIC LISTED FIRST, IN A BLOCK, IS THE LARGEST QUANTITY OF FABRIC USED.

DINETTE GROUP



DINETTE GROUP (CONTINUED)



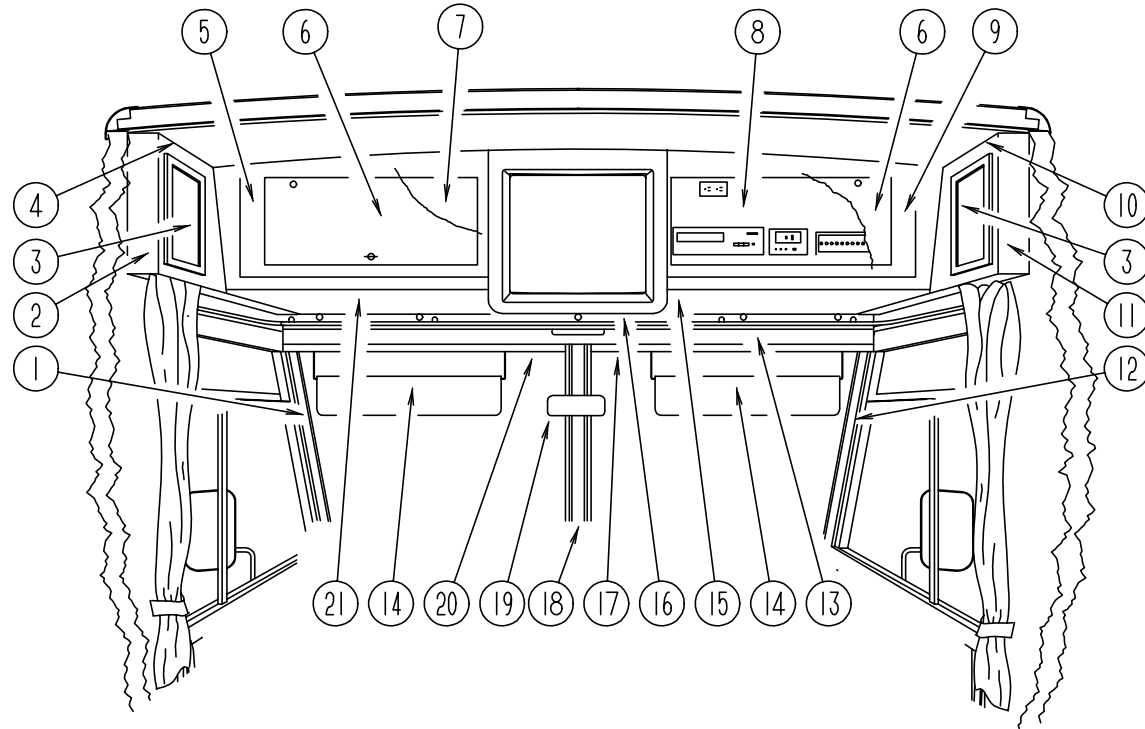
DINETTE CABINETRY

KEY	PART NUMBER	U/M	DESCRIPTION
1	113880-01-H13	EA	CABINET - OVERHEAD DINETTE - W/O DOORS/HARDWARE (H12,H13)
1	113880-01-H14	EA	CABINET - OVERHEAD DINETTE - W/O DOORS/HARDWARE (H14)
1	113880-01-H15	EA	CABINET - OVERHEAD DINETTE - W/O DOORS/HARDWARE (H15)
1	113880-01-H16	EA	CABINET - OVERHEAD DINETTE - W/O DOORS/HARDWARE (H16)
2	M06803-13-H13	EA	DOOR - MIRROR/MITERED CRNR/OGEE EDGE - 15.7" X 28"-W/O HDW
2	M06803-02-G09	EA	DOOR - MITERED CORNER/OGEE EDGE - 15.7" X 28" - W/O HDW DECORATOR DOOR OPTION - FLAT PANEL
3	103128-01-G09	EA	END CAP - OVERHEAD CABINET - RIGHT HAND
4	104787-04-H13	EA	PAD - SEATBACK/TOP (H12,H13)
4	104787-04-H14	EA	PAD - SEATBACK/TOP (H14)
4	104787-04-H15	EA	PAD - SEATBACK/TOP (H15)
4	104787-04-H16	EA	PAD - SEATBACK/TOP (H16)
5	M05162-05-H13	EA	CABINET - SEAT BACK - RIGHT HAND - W/O HARDWARE
6	M05161-05-H13	EA	CABINET - SEAT BOTTOM - RIGHT HAND - W/O DOOR/HDW
7	M06803-T5-H13	EA	DOOR - MITERED CORNER/OGEE EDGE - 10" X 19.1" - W/O HDW
8	081295-01-G01	EA	SUPPORT - BED/DINETTE - 28" LONG
9	M04175-16-H13	EA	CABINET - SEAT BOTTOM/LEFT HAND - W/O HDW

DINETTE TABLE

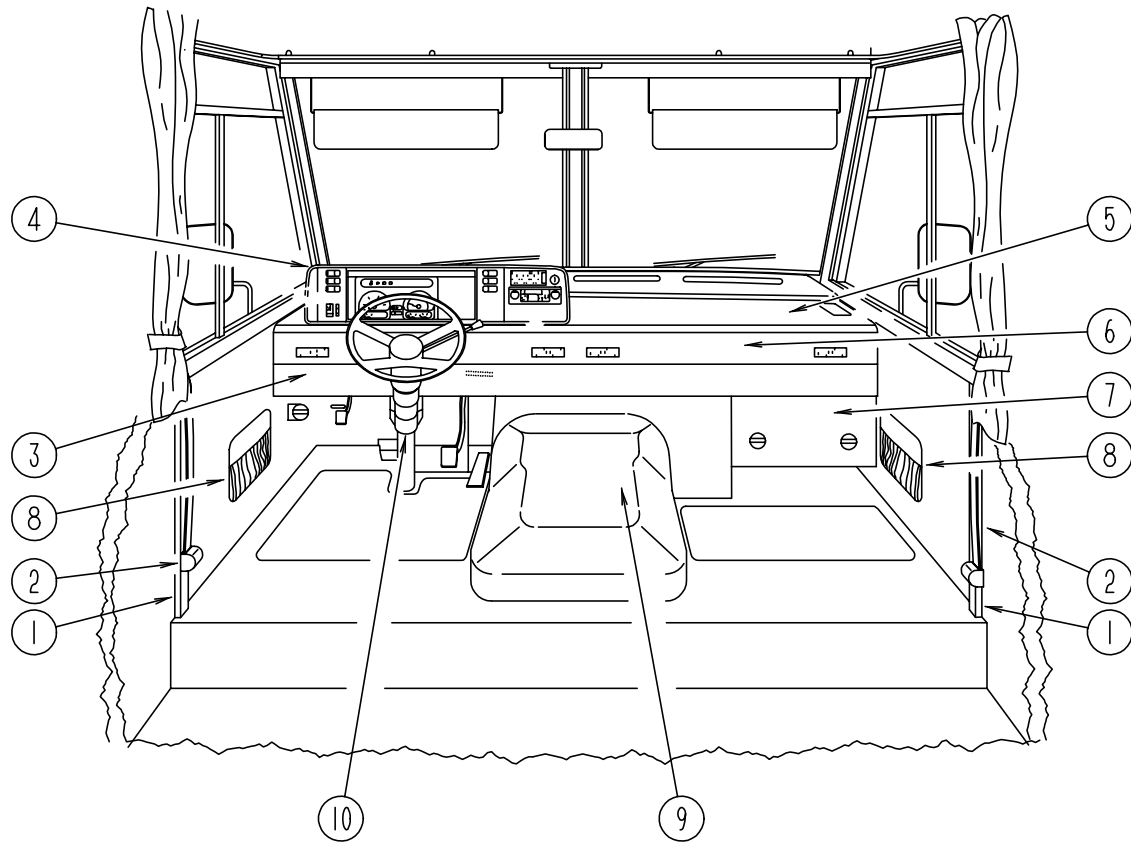
KEY	PART NUMBER	U/M	DESCRIPTION
1	081322-01-G09	EA	TABLE TOP ONLY (H12,H13)
1	081322-01-G10	EA	TABLE TOP ONLY (H14,H15)
1	081322-01-G31	EA	TABLE TOP ONLY (H16)
2	064781-06-000	EA	HOLDER-CUP, TWO STEP - OFF WHITE
3	053200-12-000	EA	SUPPORT-TABLE, 23.5" - BEIGE
4	088410-02-000	EA	BRACKET-LIFT, TABLE MOUNTED - OFF WHITE
5	024281-14-000	EA	BRACKET-LIFT ROD, LOWER WALL MOUNTED - 22.12" - OFF WHITE
6	024275-12-000	EA	ROD-TABLE LIFT, OFF WHITE
7	024283-01-000	EA	CLIP-LEG, 1" X 1.125" OD - BLACK
8	024282-01-000	EA	BRACE-TABLE LEG, HINGED
9	064050-05-000	EA	HINGE-TABLE LEG, OFF WHITE
10	024276-23-000	EA	LEG-TABLE, METAL - OFF WHITE
11	049493-12-000	EA	CATCH-LEG, FLOOR MOUNTED - 2.5" X 2.7" - METAL - OFF WHITE
11	049493-11-700	EA	CATCH-LEG, FLOOR MOUNTED - 2.5" X 2.7" - METAL - E-COAT

DRIVERS COMPARTMENT GROUP
DRIVERS COMPARTMENT - UPPER



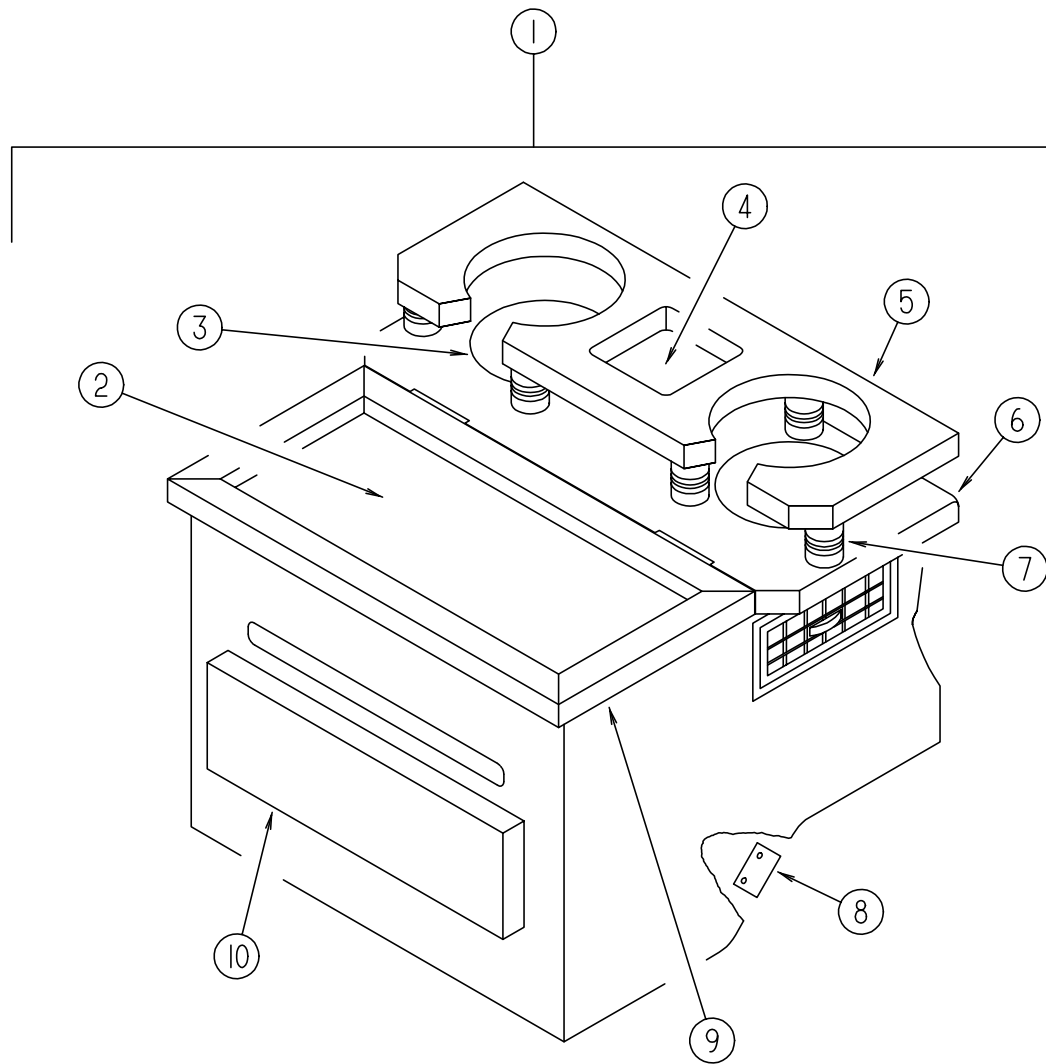
KEY	PART NUMBER	U/M	DESCRIPTION
1	107942-04-01A	EA	COVER-INNER, A-PILLAR - DRIVERS SIDE - WILLOW
2	103128-09-G09	EA	CAP-END, FRONT OVERHEAD, DRIVERS SIDE
3	M06803-01-H13	EA	DOOR-CABINET, W/O HARDWARE - 10" X 25.2"
4	122244-02-H13	EA	CABINET-FRONT OVERHEAD W/O DOOR, DRIVERS SIDE (H12,H13)
4	122244-02-H14	EA	CABINET-FRONT OVERHEAD W/O DOOR, DRIVERS SIDE (H14)
4	122244-02-H15	EA	CABINET-FRONT OVERHEAD W/O DOOR, DRIVERS SIDE (H15)
4	122244-02-H16	EA	CABINET-FRONT OVERHEAD W/O DOOR, DRIVERS SIDE (H16)
	104289-10-H13	EA	PAD-VINYL COVERED, 39" X 11.4" - ANGLED - DRIVERS SIDE
5	114612-02-G32	EA	FACE - OVERHEAD/TV W/O DOOR, LEFT HAND - 15.4" X 33.7"
	100676-02-000	EA	SHELF-OVHD CABINET VCR/INVERTER/SATELLITE DISH PACKAGE - 7.1" X 28.75"
	106699-01-01A	EA	BRACKET-L-ANGLE, TV CABINET FACE - 5.1" LONG - OFF WHITE STEEL
6	100708-12-000	EA	DOOR-GLASS, TV CABINET - W/O HARDWARE - 9.7" X 23.2"
7	122195-01-H13	EA	PANEL-HEADLINER FRONT OVERHEAD, LH - TV OPTIONS
7	122195-06-H13	EA	PANEL-HEADLINER FRONT OVERHEAD, LH - SATELLITE DISH PACKAGE
	118836-02-GV0	EA	PANEL-VINYL COVERED, BACK - SATELLITE DISH PACKAGE W/O RECEIVER
8	122195-07-H13	EA	PANEL-HEADLINER FRONT OVERHEAD, RH - TV OPTION - W/O TV
8	122195-02-H13	EA	PANEL-HEADLINER FRONT OVERHEAD, RH - TV OPTION
8	122195-03-H13	EA	PANEL-HEADLINER FRONT OVERHEAD, RH - TV/VCR OPTION
8	122195-04-H13	EA	PANEL-HEADLINER FRONT OVERHEAD, RH - TV/VCR/INVERTER OPTION
8	122195-05-H13	EA	PANEL-HEADLINER FRONT OVERHEAD, RH - TV/INVERTER OPTION
9	114612-01-G32	EA	FACE - OVERHEAD/TV W/O DOOR, RIGHT HAND - 15.4" X 33.7"
10	122244-01-H13	EA	CABINET-FRONT OVERHEAD W/O DOOR, PASSENGERS SIDE (H12,H13)
10	122244-01-H14	EA	CABINET-FRONT OVERHEAD W/O DOOR, PASSENGERS SIDE (H14)
10	122244-01-H15	EA	CABINET-FRONT OVERHEAD W/O DOOR, PASSENGERS SIDE (H15)
10	122244-01-H16	EA	CABINET-FRONT OVERHEAD W/O DOOR, PASSENGERS SIDE (H16)
11	103128-08-G09	EA	CAP-END, FRONT OVERHEAD, PASSENGERS SIDE
	104289-09-H13	EA	PAD-VINYL COVERED, 39" X 11.4" - ANGLED - PASSENGERS SIDE
12	107942-03-01A	EA	COVER-INNER, A-PILLAR - PASSENGERS SIDE - WILLOW
13	122197-01-H13	EA	PANEL-TRIM, LOWER HEADER - 90.2" LONG - VINYL COVERED
14	123298-01-03A	EA	SUNVISOR ASM - 7" X 28.5" - DRIVERS OR PASSENGERS SIDE
15	P03077-08-G15	EA	SHELF-CABINET, PASSENGERS SIDE - VINYL COVERED - TV OPTION
15	P03077-04-G15	EA	SHELF-CABINET, PASSENGERS SIDE - VINYL COVERED
16	122881-01-01A	EA	COVER-TV FACE, OVERHEAD FRONT - WILLOW - TV OPTIONS
	118022-06-H13	EA	COVER ASM-FRONT TV, OVERHEAD (ASSEMBLED KIT) - TV OPTIONS
	114706-02-02B	EA	SUPPORT ASM-SHELF, TV - E-COAT - TV OPTIONS
	091261-01-000	FT	SLIPNOT-ANTISLIP, 1' WIDE (100' ROLL) - TV OPTIONS
16	116791-01-H33	EA	FACE FRAME-TV CABINET, 20.6" X 22.2" - W/O HARDWARE - W/O TV
	P18192-02-H13	EA	COVER ASM-FRONT TV, OVERHEAD - VINYL COVERED - W/O TV
	M06803-C1-H33	EA	DOOR-CABINET, W/O HARDWARE - 16.7" X 18.1" - W/O TV
	115638-01-G15	EA	PANEL-TV CABINET TOP, VINYL COVERED - W/O TV
	115639-01-G15	EA	PANEL-TV CABINET SIDES, VINYL COVERED - W/O TV
17	122083-01-01A	EA	TRIM-WINDSHIELD, UPPER INNER - PASSENGERS SIDE - WILLOW
18	118452-02-01A	EA	TRIM-WINDSHIELD, CENTER INNER - WILLOW
19	040714-01-000	EA	MIRROR-REAR VIEW, W/ARM MOUNT & SET SCREW
	067490-01-000	EA	BUTTON-MIRROR, REAR VIEW
20	122083-02-01A	EA	TRIM-WINDSHIELD, UPPER INNER - DRIVERS SIDE - WILLOW
21	P03077-07-G15	EA	SHELF-CABINET, DRIVERS SIDE - VINYL COVERED - TV OPTIONS
21	P03077-03-G15	EA	SHELF-CABINET, DRIVERS SIDE - VINYL COVERED

DRIVERS COMPARTMENT GROUP (CONTINUED)
DRIVERS COMPARTMENT - LOWER



KEY	PART NUMBER	U/M	DESCRIPTION	VENDOR NO.
1	024700-44-000	EA	COVER-SIDEWALL ROLL BAR, OFF WHITE - 53"	
1	024700-45-000	EA	COVER-SIDEWALL ROLL BAR, OFF WHITE - 12.8"	
	024700-47-000	EA	COVER-SIDEWALL ROLL BAR, OFF WHITE - 18.9" - DRIVER DOOR	
	024700-48-000	EA	COVER-SIDEWALL ROLL BAR, OFF WHITE - 25" - DRIVER DOOR	
2	091990-04-01A	EA	SEAT BELT-SHOULDER HARNESS - DRIVERS/PASSENGERS - BLACK	
	091990-01-700	EA	BOLT COVER	
	091990-01-701	EA	EXTENDER-SEAT BELT SHOULDER HARNESS, 9"	I-1331-02
	109146-01-000	EA	BOLT-SHOULDER, SEAT BELT	
	103961-01-01A	EA	COVER-BRACKET, SEATBELT - OFF WHITE	
	103961-02-01A	EA	COVER-BRACKET, SEATBELT - OFF WHITE - DRIVER DOOR OPTION	
3	103812-11-01A	EA	TRIM-DASH, LOWER - WILLOW - CHEVY	
3	117306-01-G09	EA	TRIM ASM-DASH, LOWER LH - WILLOW - FORD	
3	111528-06-02A	EA	TRIM ASM-DASH, LOWER RH - WILLOW - FORD	
4	111499-01-03A	EA	POD-INSTRUMENT PANEL, WILLOW - PLASTIC	
5	P03817-17-000	EA	DASH ASM, W/O VINYL - FORD	
5	P03817-18-000	EA	DASH ASM, W/O VINYL - CHEVY	
	106569-07-01A	YD	VINYL-LAMINATE, 1/4" X 17" X 100" - MADRID WILLOW	
	077539-01-000	EA	BRACKET-MOUNTING, DASH PANEL - L/SHAPED - 2.5" X 1" X 1.5"	
	112804-02-02B	EA	PANEL-DASH TOP W/STUD, STEEL	
	113452-01-000	FT	SEAL-TRIM, U-SHAPED VINYL	
			FROM: 02-03-97 THRU: 99-99-99	
6	104354-01-06A	EA	APPLIQUE-LOWER DASH, 2300 MM LONG	
7	095757-03-G36	EA	COVER-HEATER W/CARPET (H12)	
7	095757-03-GE1	EA	COVER-HEATER W/CARPET (H13)	
7	095757-03-FC1	EA	COVER-HEATER W/CARPET (H14)	
7	095757-03-F05	EA	COVER-HEATER W/CARPET (H15)	
7	095757-03-GB1	EA	COVER-HEATER W/CARPET (H16)	
8	086120-01-H13	EA	PAD-MAP POCKET, 12" X 16" (H12/H13)	
8	086120-01-H14	EA	PAD-MAP POCKET, 12" X 16" (H14)	
8	086120-01-H15	EA	PAD-MAP POCKET, 12" X 16" (H15)	
8	086120-01-H16	EA	PAD-MAP POCKET, 12" X 16" (H16)	
9	115840-01-01A	EA	COVER-MOTOR, W/O CARPET	
9	115840-02-01A	EA	COVER-MOTOR, W/O CARPET - VORTEC ENGINE OPTION	
	115850-01-02B	EA	RETAINER - LATCH - MOTOR COVER - RIGHT HAND - E-COAT	
	116581-01-000	EA	LATCH-MOTOR COVER	
	115852-01-02B	EA	STRIKE - LATCH - MOTOR COVER - E-COATED	
	116833-01-02B	EA	WRENCH-HEX, MOTOR COVER - E-COAT	
	115860-01-01A	EA	TRIM-MOTOR COVER, BOTTOM - MILL FINISH ALUMINUM	
	039623-01-000	FT	SEAL-MOTOR COVER, RUBBER BULB TYPE - BLACK	
	122772-02-02B	EA	BRACKET ASM-MOUNTNG, BEVERAGE TRAY - E-COAT	
10	103498-06-000	EA	BOOT - STEERING COLUMN/UNIVERSAL	
			FROM: 00-00-00 THRU: 12-18-96	
10	103498-09-000	EA	BOOT - STEERING COLUMN - W/1/2 CIRCLE	
			FROM: 12-19-96 THRU: 99-99-99	
	111521-04-01A	EA	COVER - STEERING COLUMN - FORD	
	112634-01-01A	EA	TRIM-STEERING COLUMN, RIGHT HAND - FORD	
	112634-02-01A	EA	TRIM-STEERING COLUMN, LEFT HAND - FORD	

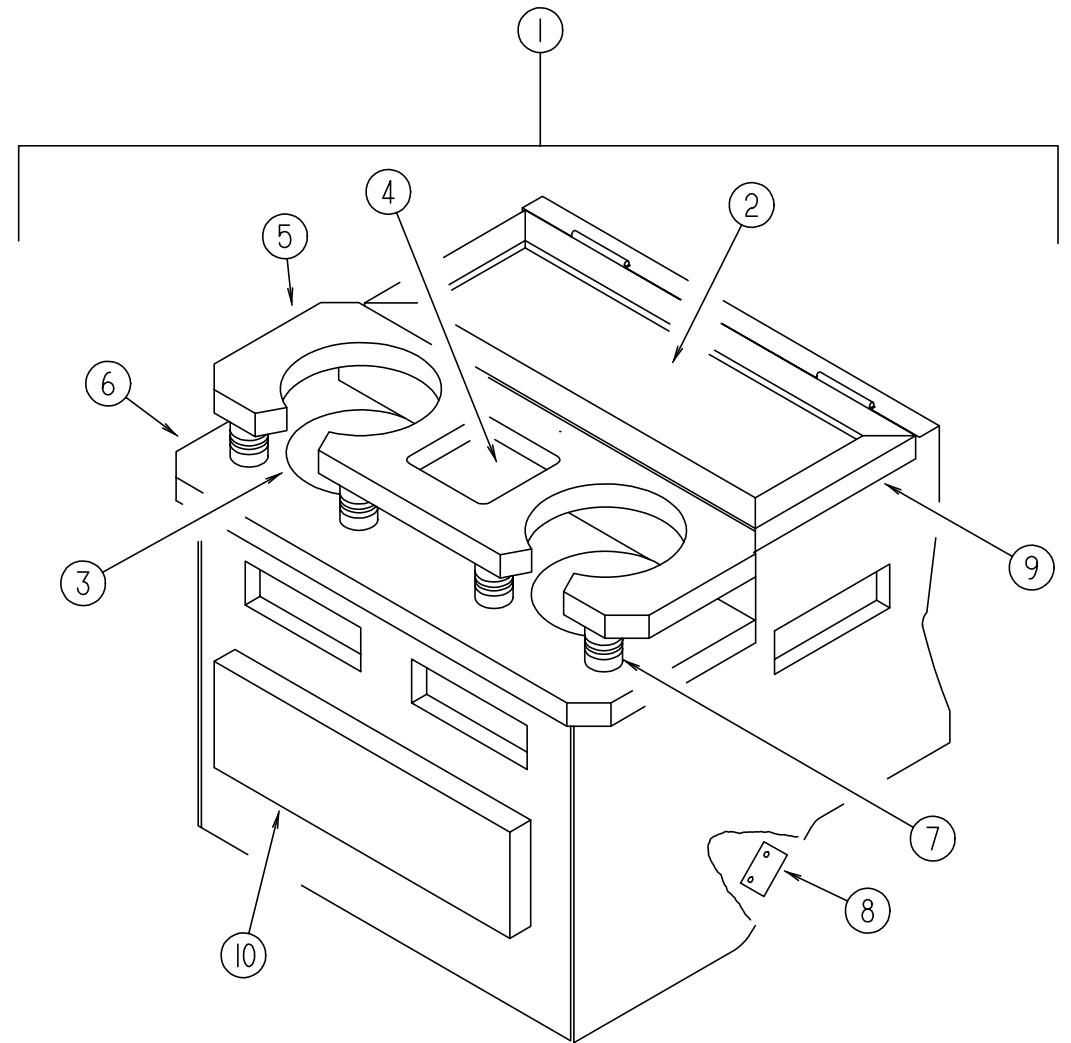
DRIVERS COMPARTMENT GROUP (CONTINUED)



BEVERAGE TRAY (FROM: 00-00-00 THRU: 03-16-97)

KEY	PART NUMBER	U/M	DESCRIPTION
1	122707-01-H17	EA	TRAY ASM-BEVERAGE, W/O DRAWER OR LOUVERS
1	122707-02-H17	EA	TRAY ASM-BEVERAGE, W/O DRAWER OR LOUVERS - VORTEC ENGINE OPTION
2	122717-03-01A	FT	PAD - NON-SKID, PSA - 6.5" X 50"
3	122717-01-01A	EA	PAD - NON SKID, PSA - 4" DIAMETER ROUND
4	122717-02-01A	EA	PAD - NON SKID, PSA - 4" X 4"
5	122707-11-H17	EA	SHELF W/O PAD OR DOWELS
6	122707-12-H17	EA	SHELF ASM W/PADS W/O HARDWARE OR DOWELS
7	097872-04-000	EA	DOWEL-WOOD, 1" DIAMETER X 1.38" LONG - UNFINISHED
8	122832-01-02B	EA	BRACKET-MOUNT, BEVERAGE TRAY - E-COAT
9	122707-13-H17	EA	LID W/O PAD OR HARDWARE
10	M05971-AZ-H33	EA	DRAWER - OGEE EDGE - 10"W X 11.8"D - W/O SLIDES/HDW
	100128-02-000	FT	SEAL-FOAM, ADHESIVE BACK - .37" W X .37" THICK

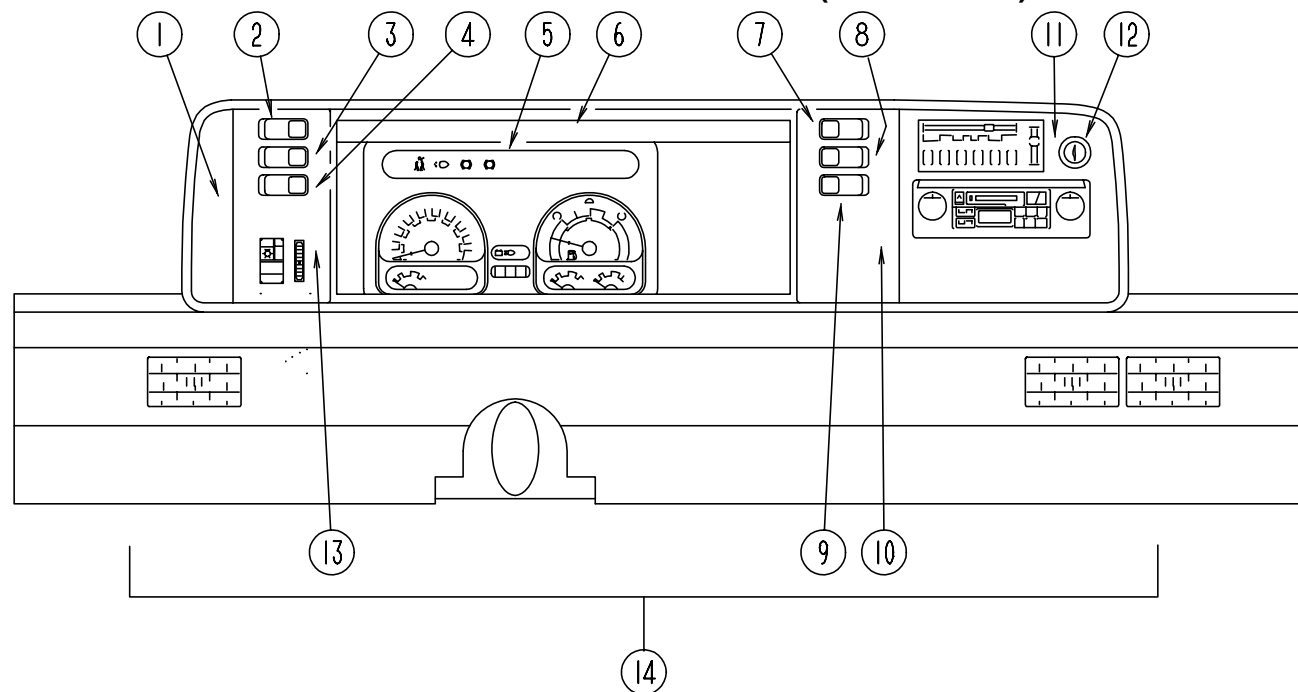
DRIVERS COMPARTMENT GROUP (CONTINUED)



BEVERAGE TRAY (FROM: 03-17-97 THRU: 99-99-99)

KEY	PART NUMBER	U/M	DESCRIPTION
1	126680-01-H17	EA	TRAY ASM-BEVERAGE, W/O DRAWER OR LOUVERS
1	126680-02-H17	EA	TRAY ASM-BEVERAGE, W/O DRAWER OR LOUVERS - VORTEC ENGINE OPTION
2	122717-06-01A	FT	PAD - NON-SKID, PSA - 6.5" X 13.8"
3	122717-01-01A	EA	PAD - NON SKID, PSA - 4" DIAMETER ROUND
4	122717-02-01A	EA	PAD - NON SKID, PSA - 4" X 4"
5	126680-15-H17	EA	SHELF W/O PAD OR DOWELS
6	126680-14-H17	EA	SHELF ASM W/PADS W/O HARDWARE OR DOWELS
7	097872-04-000	EA	DOWEL-WOOD, 1" DIAMETER X 1.38" LONG - UNFINISHED
8	122832-01-02B	EA	BRACKET-MOUNT, BEVERAGE TRAY - E-COAT
9	126680-16-H17	EA	LID W/PAD W/O HARDWARE
10	M05971-AZ-H33	EA	DRAWER - OGEE EDGE - 10"W X 11.8"D - W/O SLIDES/HDW
	100128-02-000	FT	SEAL-FOAM, ADHESIVE BACK - .37" WIDE X .37" THICK X 60' ROLL

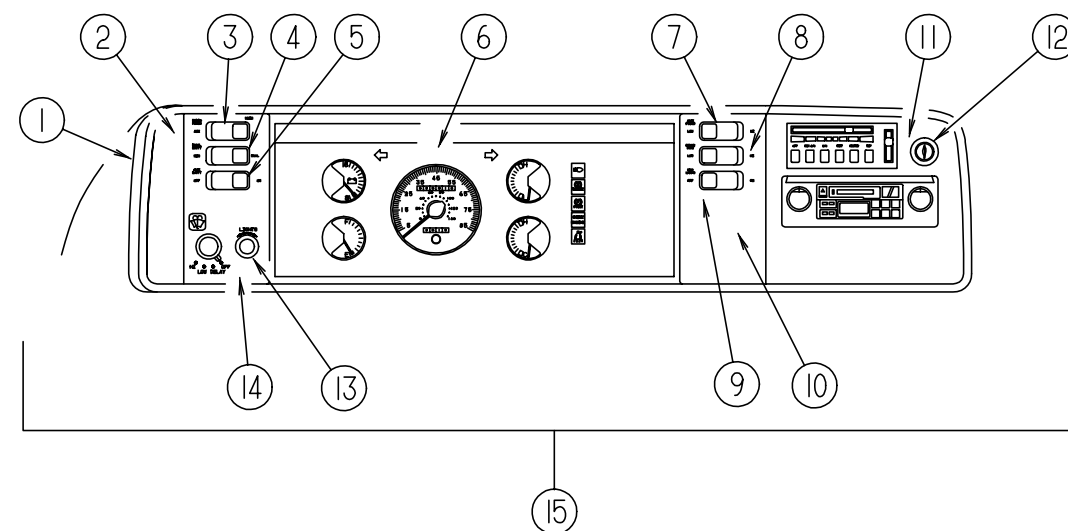
DRIVERS COMPARTMENT GROUP (CONTINUED)



DASH, GAUGES & SWITCHES - CHEVY

KEY	PART NUMBER	U/M	DESCRIPTION
1	104056-01-04A	EA	APPLIQUE-BEZEL
2	108356-02-01A	EA	COVER/ACTUATOR SWITCH - 2 ROWS DIMPLES - CONTURA II - BLACK
2	108357-05-000	EA	SWITCH-ROCKER, SPDT ON/NONE/ON - RADIO POWER W/O CD
2	108357-08-000	EA	SWITCH-ROCKER, DPDT ON/NONE/ON 6 TERMINAL - RADIO POWER W/CD
3	108356-02-01A	EA	COVER/ACTUATOR SWITCH - 2 ROWS DIMPLES - CONTURA II - BLACK
3	108357-09-000	EA	SWITCH - ROCKER SPDT - ON/NONE/MOM - 3 TERMINAL - DUAL BATTERY
4	108356-02-01A	EA	COVER/ACTUATOR SWITCH - 2 ROWS DIMPLES - CONTURA II - BLACK
4	108357-06-000	EA	SWITCH - ROCKER DPDT - MOM/OFF/MOM - 6 TERMINAL BATTERY DISCONNECT SWITCH OPTION
4	096241-03-000	EA	SWITCH-BLANK
5	094796-07-000	EA	CLUSTER-INSTRUMENT PANEL, KILOMETERS - GAS FROM: 00-00-00 THRU: 10-06-96
5	125001-02-000	EA	CLUSTER-INSTRUMENT PANEL, KILOMETERS/MILES - GAS FROM: 10-07-96 THRU: 99-99-99
5	094796-08-000	EA	CLUSTER-INSTRUMENT PANEL, KILOMETERS - DIESEL FROM: 00-00-00 THRU: 12-08-96
5	125001-04-000	EA	CLUSTER-INSTRUMENT PANEL, KILOMETERS/MILES - DIESEL FROM: 12-09-96 THRU: 99-99-99
5	094796-11-000	EA	CLUSTER-INSTRUMENT PANEL, MILES - DIESEL - ENGLAND FROM: 00-00-00 THRU: 10-06-96
5	125001-03-000	EA	CLUSTER-INSTRUMENT PANEL, MILES/KILOMETERS - DIESEL - ENGLAND FROM: 10-07-96 THRU: 99-99-99
6	103662-01-01A	EA	BEZEL-INSTRUMENT PANEL
7	108356-04-01A	EA	COVER/ACTUATOR SWITCH - 2 ROWS DIMPLES W/LIGHT - CONTURA II - BLACK
7	108357-10-000	EA	SWITCH - ROCKER SPDT W/LIGHT - MOM/NONE/MOM - 5 TERMINAL GENERATOR OPTION
7	096241-03-000	EA	SWITCH-BLANK
8	108356-02-01A	EA	COVER/ACTUATOR SWITCH - 2 ROWS DIMPLES - CONTURA II - BLACK
8	108357-03-000	EA	SWITCH - ROCKER SPDT - ON/OFF/ON - 3 TERMINAL - REAR HEATER
8	096241-03-000	EA	SWITCH-BLANK
9	096241-03-000	EA	SWITCH-BLANK
10	104056-21-01A	EA	APPLIQUE-BEZEL
11	104056-06-04A	EA	APPLIQUE-BEZEL
12	089294-01-000	EA	LIGHTER - CIGARETTE - W/O WIRES
13	104056-22-01A	EA	APPLIQUE-BEZEL
14	M05946-38-H13	EA	DASH POD - CHEVY - W/O CLUSTER
	100138-01-000	EA	MODULE-DAYTIME RUNNING LIGHT - CANADIAN
	077031-01-000	EA	FILM-BLACK, 1" X 1.75"
	077031-03-000	EA	FILM-WHITE, .75" X 1"
	049176-01-000	EA	HEDLOCK II - 3/4" DIAMETER, SCREW MOUNT
	103603-01-000	EA	BULB - 12V NO.74 0.12A WEDGE

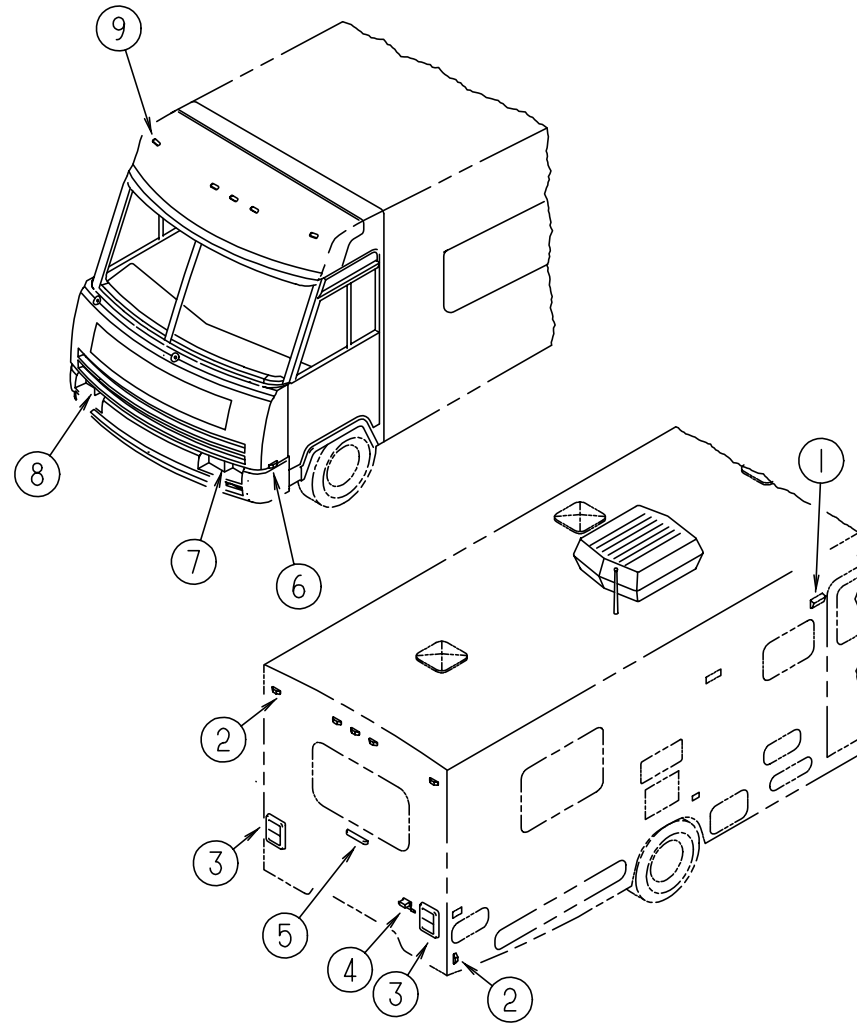
DRIVERS COMPARTMENT GROUP (CONTINUED)



DASH, GAUGES & SWITCHES - FORD

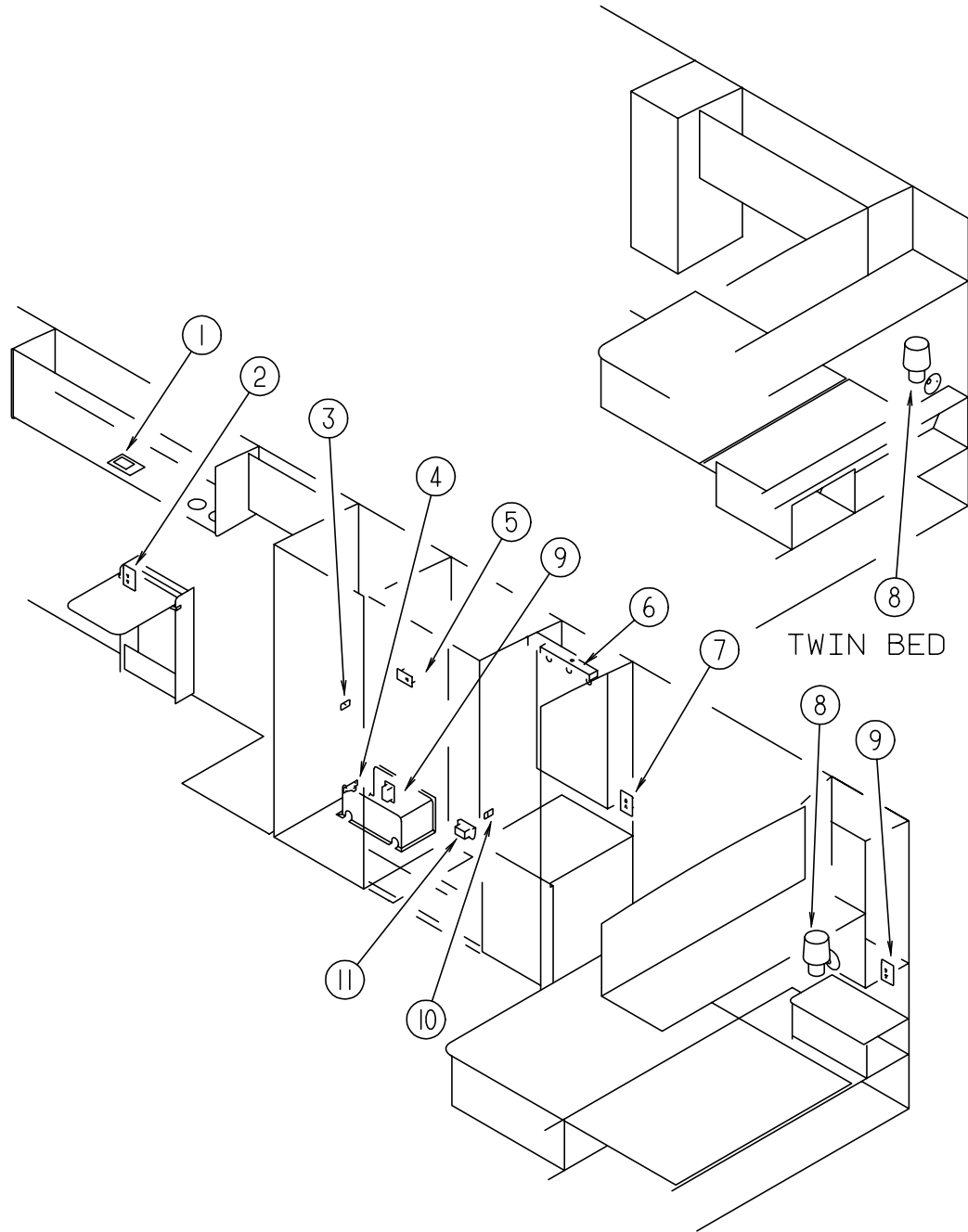
KEY	PART NUMBER	U/M	DESCRIPTION
1	103662-04-01A	EA	BEZEL-INSTRUMENT PANEL
2	104056-01-04A	EA	APPLIQUE-BEZEL
3	108356-02-01A	EA	COVER/ACTUATOR SWITCH - 2 ROWS DIMPLES - CONTURA II - BLACK
3	108357-05-000	EA	SWITCH-ROCKER, SPDT ON/NONE/ON - RADIO POWER W/O CD
3	108357-08-000	EA	SWITCH-ROCKER, DPDT ON/NONE/ON 6 TERMINAL - RADIO POWER W/CD
4	108356-02-01A	EA	COVER/ACTUATOR SWITCH - 2 ROWS DIMPLES - CONTURA II - BLACK
4	108357-09-000	EA	SWITCH - ROCKER SPDT - ON/NONE/MOM - 3 TERMINAL
5	108356-02-01A	EA	COVER/ACTUATOR SWITCH - 2 ROWS DIMPLES - CONTURA II - BLACK
5	108357-06-000	EA	SWITCH - ROCKER DPDT - MOM/OFF/MOM - 6 TERMINAL BATTERY DISCONNECT SWITCH OPTION
5	096241-03-000	EA	SWITCH-BLANK
6	094794-06-000	EA	CLUSTER-INSTRUMENT PANEL, KILOMETERS
7	108356-04-01A	EA	COVER/ACTUATOR SWITCH - 2 ROWS DIMPLES W/LIGHT - CONTURA II - BLACK
7	108357-10-000	EA	SWITCH - ROCKER SPDT W/LIGHT - MOM/NONE/MOM - 5 TERMINAL GENERATOR OPTION
7	096241-03-000	EA	SWITCH-BLANK
8	108356-02-01A	EA	COVER/ACTUATOR SWITCH - 2 ROWS DIMPLES - CONTURA II - BLACK
8	108357-03-000	EA	SWITCH-ROCKER, SPDT ON/OFF/ON - CARLING V6D1000B-0 - REAR HEATER
8	096241-03-000	EA	SWITCH-BLANK
9	096241-03-000	EA	SWITCH-BLANK
10	104056-21-01A	EA	APPLIQUE-BEZEL
11	104056-06-04A	EA	APPLIQUE-BEZEL
12	089294-01-000	EA	LIGHTER - CIGARETTE - W/O WIRES
13	096674-01-000	EA	NUT-HEADLAMP KNOB, BLACK
13	096675-01-000	EA	KNOB - HEADLAMP - W/SHAFT
14	104056-24-01A	EA	APPLIQUE-BEZEL
15	M05946-39-H13	EA	DASH POD - FORD - W/O CLUSTER
	100138-01-000	EA	MODULE-DAYTIME RUNNING LIGHT - CANADIAN
	103603-01-000	EA	BULB - 12 VOLT - #74 - .12A WEDGE - GE 22-25 USED IN DASH
	077031-01-000	EA	FILM-BLACK, 1" X 1.75"
	077031-03-000	EA	FILM-WHITE, .75" X 1"
	049176-01-000	EA	HEDLOCK II - 3/4" DIAMETER, SCREW MOUNT
	111904-01-000	EA	INDICATOR - TRANSMISSION - FORD

ELECTRICAL GROUP
EXTERIOR LIGHTS



KEY	PART NUMBER	U/M DESCRIPTION	VENDOR NO.
1	097917-01-06A	EA LIGHT - PORCH - BRIGHT WHITE	
	008215-01-000	EA BULB - 12V, #1003 - .94 AMP	
	097917-01-700	EA LENS-LIGHT, PORCH	
2	111102-01-000	EA LAMP-MARKER, BASE - TRIPLEX 117XAS	
2	111102-03-000	EA LENS-MARKER LAMP, RED - TRIPLEX 117R	
	036196-01-000	EA BULB - 12V, #194 - .27 AMP - BAYONETTE	
3	081638-01-000	EA TAILLIGHT-DOUBLE, W/BLACK TRIM - DRIVER OR PASSENGER SIDE	
	037934-01-000	EA BULB - 12V, #1156 - 2.1 AMP - CLEAR GLASS	
	037935-01-000	EA BULB - 12V, #1157 OR #2057 - 2.1 AMP - CLEAR GLASS	
	081638-01-700	EA LENS-TAILLIGHT, RED - BARGMAN	30-84-010
	081638-01-701	EA LENS-TAILLIGHT, W/BACKUP - BARGMAN	30-84-700
	103355-01-05A	EA POD - TAILLIGHT	
4	066432-02-000	EA LIGHT-LICENSE, BLACK	
	066432-03-000	EA BRACKET-LICENSE PLATE - BARGMAN 30-60-030	
5	121950-01-000	EA LIGHT - BRAKE - CENTER MOUNT	
6	111102-01-000	EA LAMP-MARKER, BASE - TRIPLEX 117XAS	
6	111102-02-000	EA LENS-MARKER LAMP, AMBER - TRIPLEX 118A	
	036196-01-000	EA BULB - 12V, #194 - .27 AMP - BAYONETTE	
7	049186-04-000	EA HEADLAMP ASM-DRIVER, HIGH/LOW BEAM - HALOGEN - KD 92749-201	
	049188-04-000	EA HEADLAMP ASM-DRIVER, HIGH BEAM - HALOGEN - KD 92750-201	
8	049185-04-000	EA HEADLAMP ASM-PASS, HIGH/LOW BEAM - HALOGEN - KD 92751-201	
	049187-04-000	EA HEADLAMP ASM-PASS, HIGH BEAM - HALOGEN - KD 92748-201	
	049359-01-000	EA SPRING-RETAINER, HEADLAMP - GM 496096	
9	102520-01-000	EA LIGHT-CLEARANCE, W/O SOCKET CONNECTIONS - AMBER	
	036196-01-000	EA BULB - 12V, #194 - .27 AMP - BAYONETTE	
	102540-01-000	EA SEAL-SCREW, ROUND - RUBBER	
	102541-01-000	EA GASKET-CLEARANCE LIGHT	
	112823-01-000	EA SPLICE-REDUCER, 16-14 TO 18-22	
	067789-02-000	EA SOCKET-LAMP	

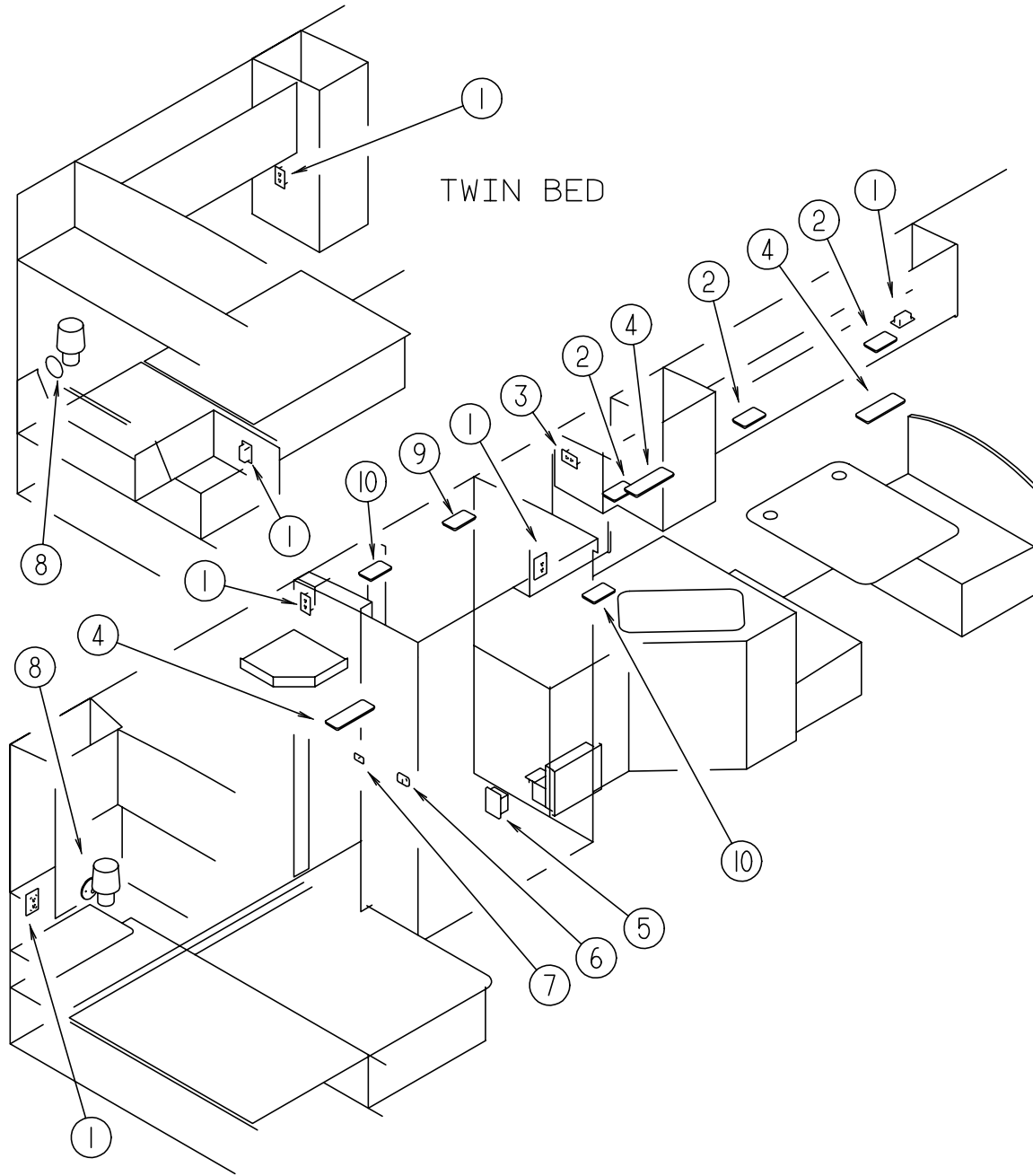
ELECTRICAL GROUP (CONTINUED)
LIGHTS, SWITCHES, & RECEPTACLES PASSENGERS SIDE



KEY	PART NUMBER	U/M	DESCRIPTION	VENDOR NO.
1	098024-05-02A	EA	LIGHT-DOME, 1 BULB - SKYLITE - WHITE	
	008218-01-000	EA	BULB-DOME LIGHT, 12 VOLT - NO. 1141	
	098024-01-701	EA	LENS-LIGHT, OPTI CLEAR	809902
2	058708-01-000	EA	RECEPTACLE - ELECTRIC - DOUBLE - BROWN	
2	058708-02-000	EA	RECEPTACLE - ELECTRIC - DOUBLE - IVORY	
3	098351-02-01A	EA	PLATE - SWITCH - 2 GANG POLISHED BRASS	
3	079364-01-000	EA	SWITCH - ON/OFF ROCKER - 2 TERMINAL - BROWN	
3	079364-03-000	EA	SWITCH - ON/OFF ROCKER - 3 TERMINAL - BROWN	
4	061424-01-000	EA	LIGHT - AISLE - 12 VOLT - RECTANGULAR	
4	008103-01-000	EA	BULB-DASH/AISLE LIGHT, #53 - 12 V - .12 AMP	
5	058707-01-000	EA	RECEPTACLE-ELECTRIC, SINGLE - BROWN	
6	110235-01-01A	EA	LIGHT - MAKE UP - 3 BULB	
6	081633-01-700	EA	BULB-MAKE UP LIGHT, JENSEN	
7	084076-01-000	EA	RECEPTACLE - GFI - 15A - 125V - IVORY	
7	084076-02-000	EA	RECEPTACLE - GFI - 15 AMP - 125 VOLT - BROWN	
8	119258-05-01A	EA	LAMP - WALL	
8	119258-01-700	EA	FINIAL (PYRAMID)	12-0322
8	119257-04-01A	EA	SHADE - LAMP - LINEN WHITE	
9	102568-01-GB1	EA	SPACER - RECEPTACLE - SIDEWALL	
9	058708-01-000	EA	RECEPTACLE - ELECTRIC - DOUBLE - BROWN	
9	058708-02-000	EA	RECEPTACLE - ELECTRIC - DOUBLE - IVORY	
10	098351-01-01A	EA	PLATE - SWITCH - 1 GANG POLISHED BRASS	
10	095188-01-01A	EA	SPACER - SWITCH - 2.3" X 3.4" - PLASTIC - DARK BROWN	
10	079364-01-000	EA	SWITCH - ON/OFF ROCKER - 2 TERMINAL - BROWN	
11	112822-01-01A	EA	RECEPTACLE - DUPLEX - IVORY	
11	112824-01-03A	EA	COVER - RECEPTACLE - EXTERIOR DUPLEX	
	086280-01-000	EA	LIGHT - SURFACE MOUNT - 12 VOLT	
	086280-01-700	EA	BULB - 12 VOLT, 6 WATT	
	058707-02-000	EA	RECEPTACLE - BLANK JUNCTION BOX	
	097734-01-02A	EA	EXTENSION - RECEPTACLE - 3.2" X 5" X .7" - BROWN PLASTIC	
	098351-06-01A	EA	PLATE - SWITCH - 2 GANG POLISHED BRASS	
	095188-02-01A	EA	SPACER-SWITCH, 2.3" X 4.1" - PLASTIC - DARK BROWN	

ELECTRICAL GROUP (CONTINUED)
LIGHTS, SWITCHES, & RECEPTACLES DRIVERS SIDE

KEY	PART NUMBER	U/M	DESCRIPTION	VENDOR NO.
1	058708-01-000	EA	RECEPTACLE-ELECTRIC, DOUBLE - BROWN	
1	058708-02-000	EA	RECEPTACLE-ELECTRIC, DOUBLE - IVORY	
2	098024-05-02A	EA	LIGHT-DOME, 1 BULB - SKYLITE - WHITE	
2	008218-01-000	EA	BULB - DOME LIGHT - 12 VOLT - NO. 1141	
2	098024-01-700	EA	LENS-LIGHT	807877
3	058708-05-000	EA	RECEPTACLE - SINGLE - BROWN	
4	098024-03-02A	EA	LIGHT - DOME - 2 BULB - WHITE	
4	008218-01-000	EA	BULB - DOME LIGHT - 12 VOLT - NO. 1141	
4	098024-01-700	EA	LENS-LIGHT	807877
5	024924-02-000	EA	RECEPTACLE - POWER CORD - W/PARTIAL PLATE	
6	098351-01-01A	EA	PLATE - SWITCH - 1 GANG POLISHED BRASS	
6	095188-01-01A	EA	SPACER - SWITCH - 2.3" X 3.4" - PLASTIC - DARK BROWN	
6	079364-01-000	EA	SWITCH - ON/OFF ROCKER - 2 TERMINAL - BROWN	
7	098351-02-01A	EA	PLATE - SWITCH - 2 GANG POLISHED BRASS	
7	079364-03-000	EA	SWITCH - ON/OFF ROCKER - 3 TERMINAL - BROWN	
7	079364-01-000	EA	SWITCH - ON/OFF ROCKER - 2 TERMINAL - BROWN	
8	119258-05-01A	EA	LAMP - WALL	
8	119258-01-700	EA	FINIAL (PYRAMID)	12-0322
8	119257-04-01A	EA	SHADE - LAMP - LINEN WHITE	
9	121935-01-01A	EA	LIGHT - DOME - SHOWER	
10	098024-01-03A	EA	LIGHT - DOME - 1 BULB - WHITE	
	008218-01-000	EA	BULB - DOME LIGHT - 12 VOLT - NO. 1141	
	098024-01-700	EA	LENS-LIGHT	807877
	086280-01-000	EA	LIGHT-SURFACE MOUNT, 12V - JENSEN 1236	
	086280-01-700	EA	BULB - 12 VOLT, 6 WATT	
	097734-01-02A	EA	EXTENSION - RECEPTACLE - 3.2" X 5" X .7" - BROWN PLASTIC	
	058707-02-000	EA	RECEPTACLE - BLANK JUNCTION BOX	
	058708-05-000	EA	RECEPTACLE - SINGLE - BROWN	
	084076-02-000	EA	RECEPTACLE - GFI - 15 AMP - 125 VOLT - BROWN	
	084077-02-000	EA	PLATE - COVER - RECEPTACLE - GFI - BROWN	
	091927-01-000	EA	COVER - RECEPTACLE - DOUBLE - IVORY	
	097734-01-02A	EA	EXTENSION - RECEPTACLE - 3.2" X 5" X .7" - BROWN PLASTIC	
	102568-01-GB1	EA	SPACER - RECEPTACLE - SIDEWALL	



ELECTRICAL GROUP (CONTINUED)
FUSES & FUSE HOUSINGS

KEY	PART NUMBER	U/M DESCRIPTION
	008234-01-000	EA FUSE - 10 AMPS, 12 VOLT
	062901-02-000	EA FUSE - 5 AMPS, AUTOMOTIVE
	062901-05-000	EA FUSE - 15 AMPS, AUTOMOTIVE
	062901-06-000	EA FUSE - 20 AMPS, AUTOMOTIVE
	062901-07-000	EA FUSE - 25 AMPS, AUTOMOTIVE
	062901-08-000	EA FUSE - 30 AMPS, AUTOMOTIVE
	062037-01-000	EA HOUSING-AUTO FUSE, NATURAL
	062037-02-000	EA HOUSING-AUTO FUSE, GREEN
	062037-03-000	EA HOUSING-AUTO FUSE, BLACK
	062037-04-000	EA HOUSING-AUTO FUSE, BLUE
	062037-06-000	EA HOUSING-AUTO FUSE, BROWN
	062037-07-000	EA HOUSING-AUTO FUSE, RED
	108669-01-000	EA HOUSING-AUTO FUSE HOLDER
	106656-01-000	EA FUSE BLOCK - 4 CAVITY - AUTOFUSE

CIRCUIT BREAKERS

KEY	PART NUMBER	U/M DESCRIPTION
	083209-01-000	EA CIRCUIT BREAKER - 15 AMP - 120 VOLT
	083209-02-000	EA CIRCUIT BREAKER - 15/15 AMP - 120 VOLT
	083209-03-000	EA CIRCUIT BREAKER - 15/20 AMP - 120 VOLT
	083209-04-000	EA CIRCUIT BREAKER - 30 AMP - 120 VOLT
	083209-06-000	EA CIRCUIT BREAKER - 30/15 AMP - 120 VOLT
	083209-07-000	EA CIRCUIT BREAKER - 20/20 AMP - 120 VOLT
	093655-03-000	EA CIRCUIT BREAKER - 40 AMP - 12 VOLT
	097611-01-000	EA CIRCUIT BREAKER - 10 AMP - 12 VOLT

TERMINALS

KEY	PART NUMBER	U/M DESCRIPTION
	008326-01-000	EA TERMINAL-RING, 16/14 WIRE - 3/8" STUD
	008328-01-000	EA TERMINAL-RING, 12/10 WIRE - #10 STUD FIT
	008331-01-000	EA TERMINAL-RING, TONGUE - #4 WIRE - 3/8" STUD - COPPER
	008348-01-000	EA TERMINAL-RING, 3/8" STUD - #2 WIRE
	035416-04-000	EA TERMINAL-RING #10 STUD FIT, INSULATED BARREL #16/14
	047443-01-000	EA TERMINAL - .250 RECEPTACLE FIT, INSULATED - 16/14 AWG
	047443-02-000	EA TERMINAL - .250 RECEPTACLE FIT, INSULATED - 12/10 AWG
	062036-01-000	EA TERMINAL-PACK-CON, 12/10 AWG
	062036-02-000	EA TERMINAL-PACK-CON, 16/14 AWG
	088267-01-000	EA TERMINAL-FEMALE, 1/4
	098260-01-000	EA TERMINAL-MALE, 56 SERIES
	104100-03-000	EA TERMINAL - 75 AMP
	106007-01-000	EA TERMINAL-FEMALE, 14-16 AWG
	106655-01-000	EA TERMINAL-FUSE BLOCK, 14-16 AWG
	106655-02-000	EA TERMINAL-FUSE BLOCK, 10-12 AWG
	113306-01-000	EA TERMINAL-FEMALE, METRI-PACK - 14-16
	113307-01-000	EA TERMINAL-FEMALE, METRI-PACK - 16-20
	125324-01-000	EA TERMINAL-MALE, M/P - 150

ELECTRICAL GROUP (CONTINUED)
ELECTRIC BOXES & COVERS

KEY	PART NUMBER	U/M DESCRIPTION
	008289-01-000	EA BOX-ELECTRIC, STEEL - 1/2" AND 3/4" KNOCKOUTS - 4" X 4" - US
	008289-02-000	EA BOX-ELECTRIC, STEEL - 1/2" AND 3/4" KNOCKOUTS - 4" X 4" - CANADIAN
	091910-01-000	EA BOX - ELECTRIC - 3.8" X 3.5" X 1.8" - PLASTIC
	091910-02-000	EA BOX - ELECTRIC - 2.2" X 3.5" X 1.7" - PLASTIC
	008294-01-000	EA COVER-ELECTRICAL BOX, BLANK/STEEL - 4" X 4" - GRAY
	008294-02-000	EA COVER-ELECTRICAL BOX, BLANK STEEL - 4" X 4" - CANADIAN
	069238-01-000	EA COVER-ELECTRICAL BOX, W/HOLE - 4" X 4" - GRAY USED WITH 30 AMP RECEPTACLE
	073626-04-000	EA COVER-ELECTRIC, 10.4" X 7.8" - BEIGE PLASTIC
	091927-01-000	EA COVER-RECEPTACLE, DOUBLE - IVORY
	111509-01-000	EA BOX ASM-ELECTRICAL, FRONT
	111510-01-000	EA DOOR-ELECTRICAL BOX, FRONT

HOUSINGS, PINS & SOCKETS

KEY	PART NUMBER	U/M DESCRIPTION
	088473-01-000	EA HOUSING-PIN, 4 ROWS OF 3
	088473-02-000	EA HOUSING-PIN, 15 CAVITY - AMP 1-480710-0
	088473-03-000	EA HOUSING-PIN, 9 POSITION
	088473-05-000	EA HOUSING-PIN, 6 POSITION (SINGLE ROW)
	088473-06-000	EA HOUSING-PIN, 6 POSITION (TWO ROWS OF THREE)
	088473-08-000	EA HOUSING-PIN, 4 POSITION
	088473-09-000	EA HOUSING-PIN, 3 POSITION (SINGLE ROW)
	088473-10-000	EA HOUSING-PIN, 2 POSITION
	088474-01-000	EA HOUSING - SOCKET - 12 CAVITY
	088474-02-000	EA HOUSING - SOCKET - 15 CAVITY
	088474-03-000	EA HOUSING - SOCKET - 9 CAVITY
	088474-06-000	EA HOUSING - SOCKET - 6 CAVITY
	088474-07-000	EA HOUSING - SOCKET - 5 CAVITY
	088474-08-000	EA HOUSING - SOCKET - 4 CAVITY
	088474-09-000	EA HOUSING - ELECTRICAL - 3 TERMINAL
	088474-10-000	EA HOUSING - SOCKET - 2 CAVITY
	088475-01-000	EA PIN-CONNECTOR, 14 TO 20 AWG
	088475-02-000	EA PIN-CONNECTOR, 10 TO 12 AWG
	088476-01-000	EA TERMINAL - ELECTRICAL
	088476-02-000	EA SOCKET - CONNECTOR - 12-10 GA - PRE-TIN
	103608-01-000	EA SOCKET-WEDGE BASE W/LEADS
	098261-02-000	EA SOCKET - CONNECTOR - WEATHERPACK
	098262-01-000	EA SEAL - CONNECTOR - WEATHERPACK
	098264-01-000	EA HOUSING - 2 PIN - WEATHERPACK
	101571-01-000	EA HOUSING - 2 POSITION, MALE
	104100-01-000	EA HOUSING - 1 POSITION, 75 AMP
	106006-01-000	EA HOUSING - 1 POSITION, FEMALE
	110178-01-000	EA HOUSING-WIPER MOTOR
	113468-01-000	EA HOUSING - 2 POSITION, FEMALE - 56-SERIES USED ON WIPER/WASHER WIRE ASM
	119248-02-000	EA HOUSING - 7 POSITION, FEMALE - METRI-PACK
	125323-02-000	EA HOUSING - 8 POSITION, MALE
	125324-01-000	EA TERMINAL - MALE
	125325-01-000	EA SEAL - CAVITY
	108355-01-000	EA HOUSING-SWITCH

ELECTRICAL GROUP (CONTINUED)
CONNECTORS

KEY	PART NUMBER	U/M	DESCRIPTION
	008311-01-000	EA	CONNECTOR-WIRE NUT, INSULATED - RED
	008312-01-000	EA	CONNECTOR-WIRE NUT, INSULATED - BLUE
	008313-01-000	EA	CONNECTOR-WIRE NUT, INSULATED - YELLOW
	008314-01-000	EA	CONNECTOR-WIRE NUT, INSULATED - GRAY
	008355-01-000	EA	CONNECTOR-CABLE CLAMPING, 3/4"
	008356-01-000	EA	CONNECTOR-PLASTIC, 3/8" AVG
	008398-01-000	EA	CONNECTOR - 1/2" X 90 DEGREE, FLEX CONDUIT - UL AND CSA
	041480-01-000	EA	CONNECTOR-STRAIGHT, 1/2" FLEX CONDUIT
	058028-01-000	EA	CONNECTOR-ELECTRICAL PIGTAIL, NYLON - CLEAR
	082741-01-000	EA	CONNECTOR BODY - 2 CONNECTOR - MALE
	087695-03-000	EA	CONNECTOR-ASSEMBLY - EURAMTEC RT10484802
	098265-02-000	EA	PIN-CONNECTOR, WEATHER PACK
	007940-01-000	EA	RECEPTACLE-SLIDE, 16 TO 12 AWG - FEMALE END
	007954-01-000	EA	RECEPTACLE-HOUSING, 6 POSITION
	080015-02-000	EA	RECEPTACLE-FLAG, .185 - 16/14 GAUGE
	112823-01-000	EA	SPLICE-REDUCER, 16-14 TO 18-22

POWER CORDS

KEY	PART NUMBER	U/M	DESCRIPTION
	008052-01-000	EA	CORD-POWER, 10/3 - 30 AMP - 25' - CANADIAN
	008054-01-000	EA	CORD-POWER, 10/3 - 30 AMP - 25' - US
	121470-01-000	EA	CORD-EXTENSTION, 6 FT - 16-2 - SATELLITE DISH OPTION

WIRE ASSEMBLIES

KEY	PART NUMBER	U/M	DESCRIPTION
	096449-01-000	EA	WIRE ASSEMBLY-WATER TANK TO MONITOR PANEL
	097618-01-000	EA	WIRE ASSEMBLY-MONITOR PANEL, W/3 WIRES & ORANGE RESISTOR- LVS
	102636-02-000	EA	WIRE ASSEMBLY-CLEARANCE LAMPS
	110256-01-000	EA	WIRE ASSEMBLY-IP, GENERATOR
	111915-01-000	EA	WIRE ASSEMBLY-DAY RUN LAMPS, FUSE - GM
	111915-03-000	EA	WIRE ASSEMBLY-DAY RUN LAMPS, FUSE - FORD
	P03784-01-000	EA	WIRE ASSEMBLY-HEADLAMP, GM
	P03784-02-000	EA	WIRE ASSEMBLY-HEADLAMP, FORD
	090986-01-000	EA	WIRE ASSEMBLY - ELECTRIC STEP
	103328-06-000	EA	WIRE ASSEMBLY - PUMP - EXTERIOR SHOWER
	108303-01-000	EA	WIRE ASSEMBLY-REAR AUTO HEATER

CONDUIT

KEY	PART NUMBER	U/M	DESCRIPTION
	041953-01-000	FT	CONDUIT-CONVOLUTE, SLIT - .5" ID
	041953-03-000	FT	CONDUIT-CONVOLUTE, SLIT - 1" ID (CLOTHES ROD COVER)
	041953-05-000	FT	CONDUIT-CONVOLUTE, SOLID - .62" ID
	041953-06-000	FT	CONDUIT-CONVOLUTE, SLIT - .375" ID
	041953-07-000	FT	CONDUIT-CONVOLUTE, SLIT - .25" ID
	041953-08-000	FT	CONDUIT-CONVOLUTE, SLIT - 1.50" ID
	041953-09-000	FT	CONDUIT-CONVOLUTE, SLIT - .50" ID
	041953-10-000	FT	CONDUIT-CONVOLUTE, SLIT - .75" ID
	041953-11-000	FT	CONDUIT-CONVOLUTE, SLIT - 1.06" ID
	041953-12-000	FT	CONDUIT-CONVOLUTE, NON SLIT - 1.1" ID

ELECTRICAL GROUP (CONTINUED)
CONVERTER & INVERTER

KEY	PART NUMBER	U/M	DESCRIPTION
	083208-02-000	EA	CONVERTER-POWER, 45A - 120V/12V
	099048-03-000	EA	INVERTER - 130 WATT

WATER PUMP SWITCH & COVER/ACTUATOR

KEY	PART NUMBER	U/M	DESCRIPTION
	108357-08-000	EA	SWITCH - ROCKER DPDT - ON/NONE/ON - 6 TERMINAL
	108356-02-01A	EA	COVER/ACTUATOR SWITCH - 2 ROWS DIMPLES - CONTURA II - BLACK

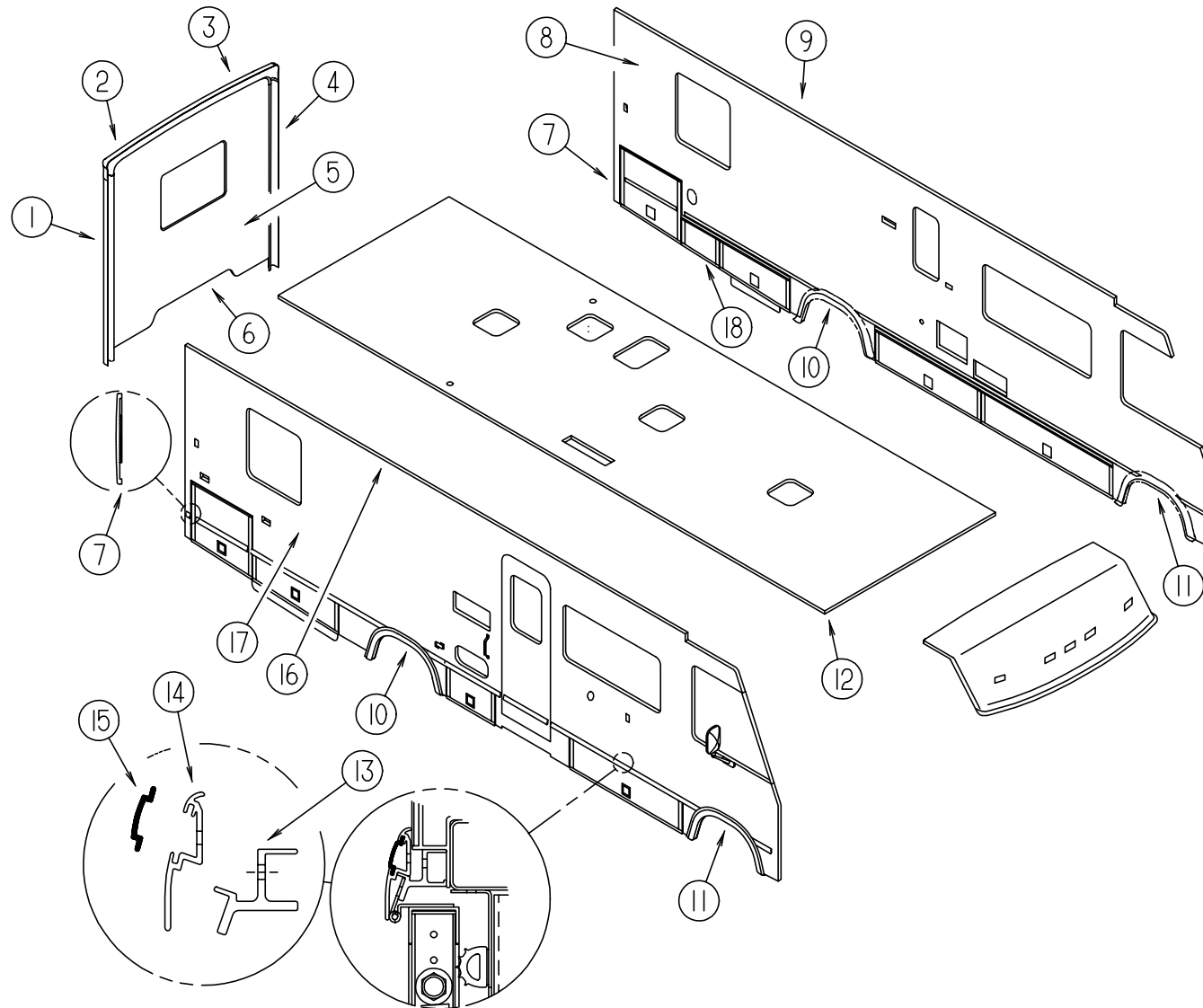
SOLAR PANEL & MONITOR (MCCLAIN ANNIVERSARY OPTION)

KEY	PART NUMBER	U/M	DESCRIPTION	VENDOR NO.
	115504-01-000	EA	PANEL - SOLAR, 10 WATT	
	115504-01-700	EA	PLUG & CABLE, 10 WATT PANEL	600-016
	115505-01-000	EA	LIGHT - MONITOR/SOLAR PANEL - RED LED INDICATOR	

MISCELLANEOUS ELECTRICAL COMPONENTS

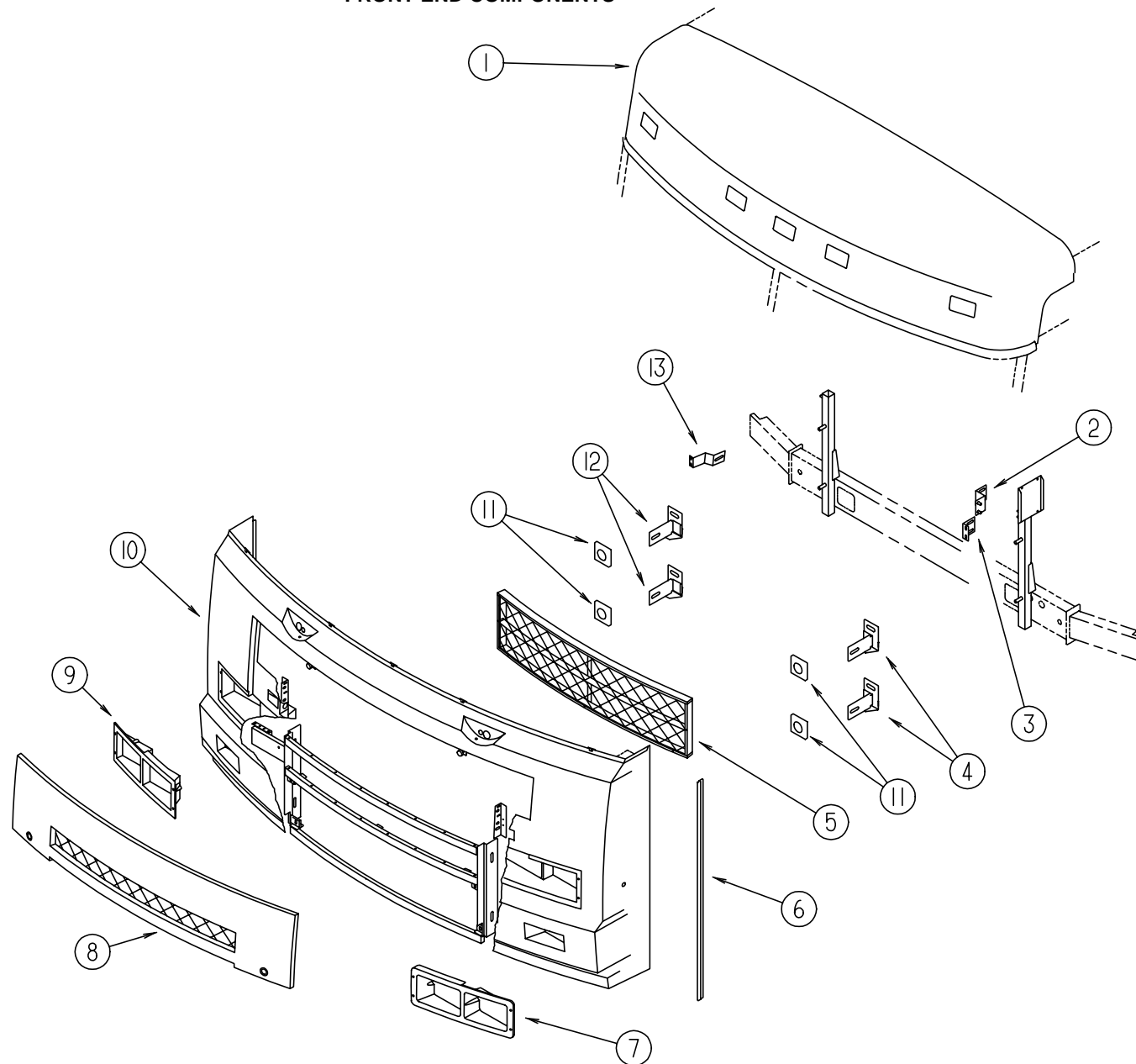
KEY	PART NUMBER	U/M	DESCRIPTION
	007093-01-000	EA	FLASHER-SIGNAL, STAT
	007956-05-000	EA	INSULATOR - SHRINK - .25 ID X 1.50 - BLACK
	008188-01-000	EA	SOLENOID - 3 POST, BATTERY CHANGE OVER
	063910-01-000	EA	HOUSING-RELAY
	063912-02-000	EA	RELAY-CANISTER, SPDT
	086233-01-000	EA	STUD-ISOLATED, 3/8" X 7/8" LONG
	086273-01-000	EA	RELAY-BATTERY DISCONNECT
	073626-04-000	EA	COVER-ELECTRIC, 10.4" X 7.8"
	103987-02-000	EA	SEAL-SOLENOID ACCESS
	087225-01-000	FT	SLEEVING - 1/2", TYPE H
	087225-02-000	FT	SLEEVING - 5/8", TYPE H
	073328-B4-000	EA	CABLE ASSEMBLY-BATTERY, W/TERMINALS
	077479-01-000	EA	BOOT-BATTERY TERMINAL, DOUBLE CABLE
	077479-02-000	EA	BOOT-BATTERY TERMINAL, SINGLE CABLE

EXTERIOR BODY GROUP
EXTERIOR BODY PANELS AND TRIM



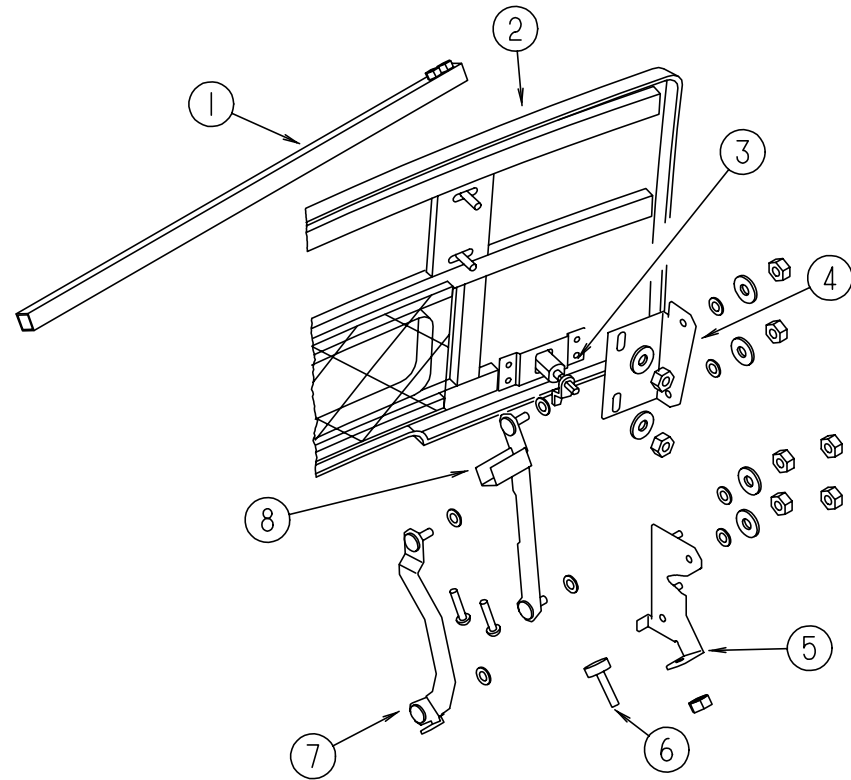
KEY	PART NUMBER	U/M	DESCRIPTION
1	114874-05-12B	EA	TRIM-BACKWALL SIDE, RIGHT - BRIGHT WHITE - STEEL
1	104033-11-02A	EA	TRIM-J, BACKWALL - RIGHT - BRIGHT WHITE - ALUMINUM
2	114872-01-02A	EA	TRIM-BACKWALL, TOP W/O CLEARANCE LIGHTS - RH - BRIGHT WHITE PLASTIC
3	114873-01-02A	EA	TRIM-BACKWALL, TOP W/O CLEARANCE LIGHTS - LH - BRIGHT WHITE PLASTIC
4	114874-06-12B	EA	TRIM-BACKWALL SIDE, LEFT - BRIGHT WHITE - STEEL
4	104033-12-02A	EA	TRIM-J, BACKWALL - LEFT - BRIGHT WHITE - ALUMINUM
5	M07419-15-H13	EA	BACKWALL-W/O WINDOW & TRIM - CHEVY (H12,H13)
5	M07419-15-H14	EA	BACKWALL-W/O WINDOW & TRIM - CHEVY (H14,H16)
5	M07419-15-H15	EA	BACKWALL-W/O WINDOW & TRIM - CHEVY (H15)
5	M07419-16-H13	EA	BACKWALL-W/O WINDOW & TRIM - FORD (H12,H13)
5	M07419-16-H14	EA	BACKWALL-W/O WINDOW & TRIM - FORD (H14,H16)
5	M07419-16-H15	EA	BACKWALL-W/O WINDOW & TRIM - FORD (H15)
6	050406-24-000	EA	TRIM-BACKWALL, LOWER - BRIGHT WHITE
7	093673-01-06A	FT	TRIM - 1.3" WIDE, BRIGHT WHITE
8	123099-01-H13	EA	SIDEWALL - DRIVER - W/O WINDOWS/TRIMS (H12,H13)
8	123099-01-H14	EA	SIDEWALL - DRIVER - W/O WINDOWS/TRIMS (H14,H16)
8	123099-01-H15	EA	SIDEWALL - DRIVER - W/O WINDOWS/TRIMS (H15)
9	120091-01-02A	EA	TRIM-ROOF, BRIGHT WHITE
10	122560-01-01A	EA	TRIM-WHEELWELL, REAR - DRIVER OR PASSENGER - BRIGHT WHITE FROM: 00-00-00 THRU: 09-2-96
10	124512-01-01A	EA	TRIM-WHEELWELL, REAR - DRIVER OR PASSENGER - BRIGHT WHITE FROM: 09-3-96 THRU: 99-99-99
11	122561-02-01A	EA	TRIM-WHEELWELL, FRONT - DRIVER OR PASSENGER - BRIGHT WHITE FROM: 00-00-00 THRU: 09-2-96
11	124513-02-01A	EA	TRIM-WHEELWELL, FRONT - DRIVER OR PASSENGER - BRIGHT WHITE FROM: 09-3-96 THRU: 99-99-99
12	123179-01-H13	EA	ROOF - W/O LIGHTS/VENTS - W/WIRING
13	124299-51-001	EA	EXTRUDED - RETAINER - TRIM - 144"
14	124176-01-01A	EA	TRIM-SIDEWALL, BRIGHT WHITE ALUMINUM
15	105312-01-07A	EA	INSERT-FEATURE STRIP, BRIGHT WHITE
15	105312-01-03A	FT	INSERT-FEATURE STRIP, GRAY MET - EXTERIOR PAINT OPTION
16	120092-01-02A	EA	RAIL-AWNING, BRIGHT WHITE
17	123100-01-H13	EA	SIDEWALL - PASSENGER - W/O WINDOWS/TRIMS (H12,H13)
17	123100-01-H14	EA	SIDEWALL - PASSENGER - W/O WINDOWS/TRIMS (H14,H16)
17	123100-01-H15	EA	SIDEWALL - PASSENGER - W/O WINDOWS/TRIM (H15)
18	122732-09-H13	EA	PANEL - REAR VALANCE - W/O HARDWARE - BRIGHT WHITE
18	122732-09-H37	EA	PANEL - REAR VALANCE - W/O HARDWARE - BLUE
18	122732-09-HA3	EA	PANEL - REAR VALANCE - W/O HARDWARE - SILVER
	108651-01-01A	EA	END CAP-FEATURE STRIP (BACKWALL)
	124179-01-01A	EA	CAP-SIDEWALL TRIM, ANGLED - LEFT HAND - BRIGHT WHITE (WHEELWELL)
	124179-02-01A	EA	CAP-SIDEWALL TRIM, ANGLED - RIGHT HAND - BRIGHT WHITE (WHEELWELL)
	124132-01-01A	EA	CAP-SIDEWALL TRIM W/O NOTCH, 90 DEGREE - RIGHT HAND - BRIGHT WHITE
	124132-02-01A	EA	CAP-SIDEWALL TRIM W/O NOTCH, 90 DEGREE - LEFT HAND - BRIGHT WHITE
	124132-03-01A	EA	CAP-SIDEWALL TRIM W/NOTCH, 90 DEGREE - RIGHT HAND - BRIGHT WHITE
	124132-04-01A	EA	CAP-SIDEWALL TRIM W/NOTCH, 90 DEGREE - LEFT HAND - BRIGHT WHITE
	002726-01-001	EA	GARNISH-U-CHANNEL, 1.38" X 19' - SERRATED - MILL ALUMINUM
	033381-17-001	FT	STEEL - TUBE - 16 GAUGE 1.5" X 1.5" X 16'
	068716-01-001	EA	BRACE - 90 DEGREE L-ANGLE - 16'
	069726-02-000	EA	BUMPER - .88" DIA X .40", BLACK
	116800-55-005	EA	U-CHANNEL-EXTRUDED, 1.7" X 16' - BRIGHT WHITE
	123718-01-01A	EA	RETAINER-SIDEWALL, TRIM W/HOLES - 27.7 MM X 3050 MM - PVC - BLACK FROM: 00-00-00 THRU: 09-13-96

EXTERIOR BODY GROUP (CONTINUED)
FRONT END COMPONENTS



KEY	PART NUMBER	U/M	DESCRIPTION
1	122513-02-H13	EA	PANEL-ROOF CAP, BRIGHT WHITE
	070579-06-000	EA	PLATE-ANCHOR, W/7/16 WELD NUT - 1.5" X 3.3"
2	122842-01-02B	EA	BRACE-FRONT END, LH - E-COAT STEEL
3	122800-01-02B	EA	ANGLE-FRONT END, LH - E-COAT STEEL
4	122826-02-02B	EA	BRACKET-BUMPER, LH - E-COAT STEEL
5	123945-01-H13	EA	GRILLE ASSEMBLY-FRONT W/GRILLE MESH
	115924-09-02A	EA	MESH-GRILLE, WOVEN WIRE, FLAT BLACK
6	089922-34-000	EA	TRIM-FIBERGLASS PANEL, BRIGHT WHITE
			FROM: 00-00-00 THRU: 12-01-96
6	123680-03-01A	EA	TRIM-FIBERGLASS PANEL, BRIGHT WHITE
			FROM: 12-02-96 THRU: 99-99-99
7	122510-02-01A	EA	BEZEL-HEADLAMP, LH - BRIGHT WHITE
	110690-02-D18	EA	PLATE ASSEMBLY-HEADLAMP, QUAD - LH
8	122511-02-H13	EA	PANEL-HOOD W/O GRILLE - BRIGHT WHITE
9	122510-01-01A	EA	BEZEL-HEADLAMP, RH - BRIGHT WHITE
	110690-01-D18	EA	PLATE ASSEMBLY-HEADLAMP, QUAD - RH
10	122512-01-01A	EA	CAP-FRONT, LOWER - W/O GRILLE, HOOD OR BEZELS - BRIGHT WHITE
	002328-02-000	EA	BLOCK-RUBBER, .062" X .5" X .98"
	007157-05-000	EA	NUT-WELL, HEADLIGHT BEZEL
	119445-01-02B	EA	PLATE-W/HOLES, 1" X 1 1/2" - E-COAT STEEL
11	116617-02-02B	EA	SPACER/WASHER-BUMPER, SQUARE - E-COAT STEEL
12	122826-01-02B	EA	BRACKET-BUMPER, RH - E-COAT STEEL
13	122787-01-02B	EA	BRACE-FRONT END, RH - E-COAT STEEL

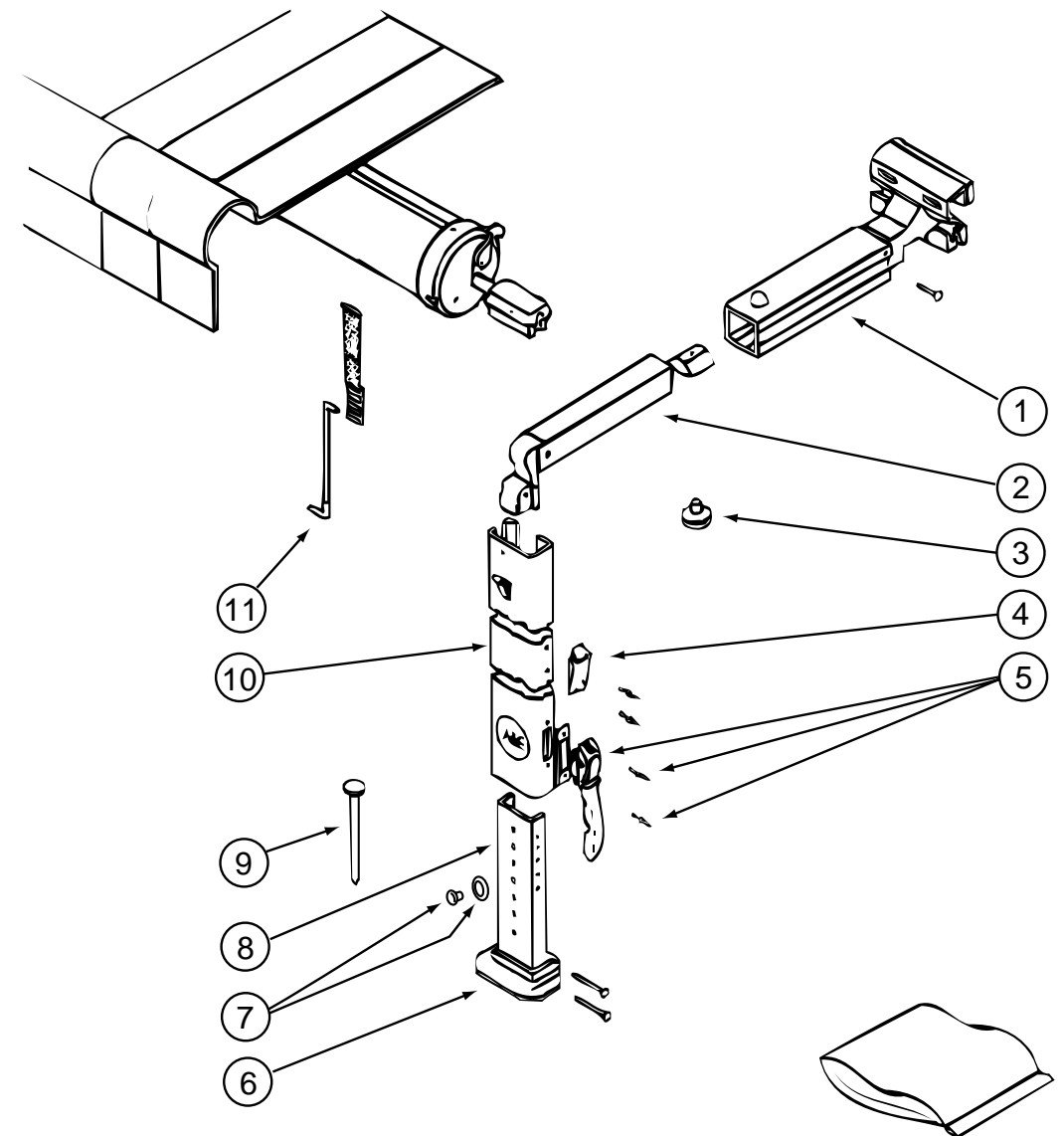
EXTERIOR BODY GROUP (CONTINUED)



HOOD & COMPONENTS

KEY	PART NUMBER	U/M	DESCRIPTION
1	105096-12-000	EA	TUBE-HOOD HINGE TIMING W/WELDNUTS
2	122511-02-H13	EA	PANEL-HOOD W/O GRILLE - BRIGHT WHITE
	115924-08-02A	EA	MESH-GRILLE, WOVEN WIRE, FLAT BLACK
3	102330-02-000	EA	LATCH - VISE ACTION/KEY OPERATED
	102328-01-000	EA	KEY-BARREL, NICKEL PLATED
4	122736-01-02B	EA	ANGLE-LINK, HOOD - RH
4	122736-02-02B	EA	ANGLE-LINK, HOOD - LH
5	106613-07-000	EA	BRACKET-LINK, HINGE - HOOD - RH
5	106613-08-000	EA	BRACKET-LINK, HINGE - HOOD - LH
6	058786-01-000	EA	BOLT-HOOD, ADJUSTING W/RUBBER BUMPER
7	106612-05-000	EA	LINK ASSEMBLY-HINGE, HOOD - LOWER - RH
7	106612-06-000	EA	LINK ASSEMBLY-HINGE, HOOD - LOWER - LH
8	106618-03-000	EA	LINK ASSEMBLY-HINGE, HOOD - UPPER - RH
8	106618-04-000	EA	LINK ASSEMBLY-HINGE, HOOD - UPPER - LH
	106748-05-000	EA	LATCH-HOOD, FRONT END
	106730-10-000	EA	PLATE ASSEMBLY - 4" X 1" WITH 2 WELD STUDS - E-COAT STEEL

EXTERIOR BODY GROUP (CONTINUED)

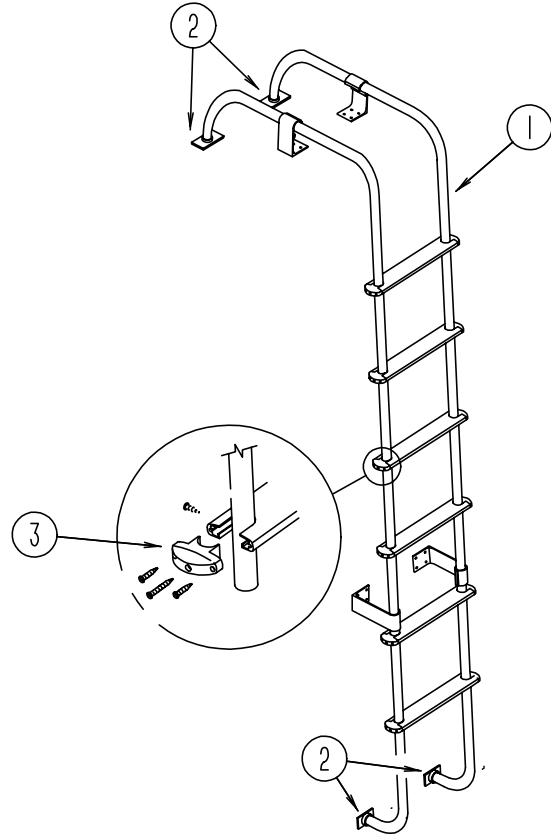


A & E AWNING & HARDWARE

KEY	PART NUMBER	U/M	DESCRIPTION	VENDOR NO.
	113874-06-02A	EA	AWNING - W/O HDW 16' (POLAR NAVY TEAL) VINYL	
	111037-01-01A	EA	SPACER - AWNING - UPPER - BLACK	
	111038-01-01A	EA	SPACER - AWNING - LOWER	
	113874-01-02A	EA	HARDWARE KIT - AWNING- W/O STANDOFF BRACKET - BRIGHT WHITE	
1	113874-01-714	EA	RAFTER - MAIN RH/LH - BRIGHT WHITE	830295.536F
2	113874-01-715	EA	RAFTER - SECONDARY - BRIGHT WHITE	830463.511F
3	113874-01-702	EA	KNOB - ADJUSTING	3105421.014
4	113874-01-706	EA	LOCK - TRAVEL	830587.001
5	113874-01-707	EA	HANDLE - LIFT W/RIVETS	830644
6	113874-01-712	EA	FOOT - PATIO	730366-001
7	113874-01-710	EA	PLUG-STOP KIT	830456
8	113874-01-717	EA	ARM - ADJUSTABLE - BRIGHT WHITE	830467.517/F
9	113874-01-709	EA	NAIL-SPIKE, 8"	113006
10	113874-01-716	EA	ARM - MAIN SUPPORT - BRIGHT WHITE	3104502.293/F
11	113874-01-703	EA	ROD-CENTER PULL W/ACCESSORY	830152.102
	113874-10-01A	EA	SPACER - AWNING - LOWER BRACKET	
	119496-01-02A	EA	SPACER/ZEE - AWNING	

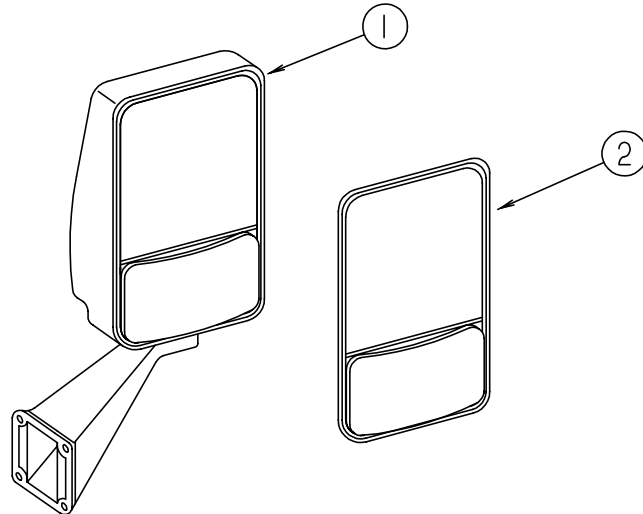
FROM: 00-00-00 THRU: 08-28-96

EXTERIOR BODY GROUP (CONTINUED)



LADDER

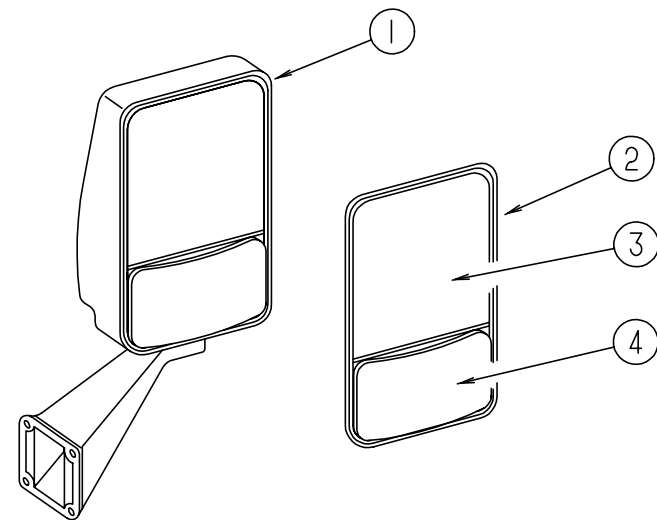
KEY	PART NUMBER	U/M DESCRIPTION
1	102953-16-G09	EA LADDER ASSEMBLY
2	067165-01-000	EA MOUNTING BRACKET-LADDER, LOWER
3	076980-02-000	EA END CAP-STEP, BLACK
	038327-01-000	EA TAPE-ANTI SLIP, 2" X 60'



VELVAC EXTERIOR MIRRORS

KEY	PART NUMBER	U/M DESCRIPTION	VENDOR NO.
1	106015-09-01A	EA MIRROR ASM-EXTERIOR ADJUST GLASS RIGHT - BLACK FROM: 00-00-00 THRU: 01-05-97	
1	106015-14-01A	EA MIRROR ASM-EXTERIOR ADJUST GLASS RIGHT - BLACK FROM: 01-06-97 THRU: 99-99-99	
1	106015-10-01A	EA MIRROR ASM-EXTERIOR ADJUST GLASS LEFT - BLACK FROM: 00-00-00 THRU: 01-05-97	
1	106015-15-01A	EA MIRROR ASM-EXTERIOR ADJUST GLASS LEFT - BLACK FROM: 01-06-97 THRU: 99-99-99	
2	106015-01-703	EA MIRROR KIT (BEZEL W/MIRRORS) PASSENGER SIDE	709266
2	106015-02-702	EA MIRROR KIT (BEZEL W/MIRRORS) DRIVER SIDE	709267

EXTERIOR BODY GROUP (CONTINUED)



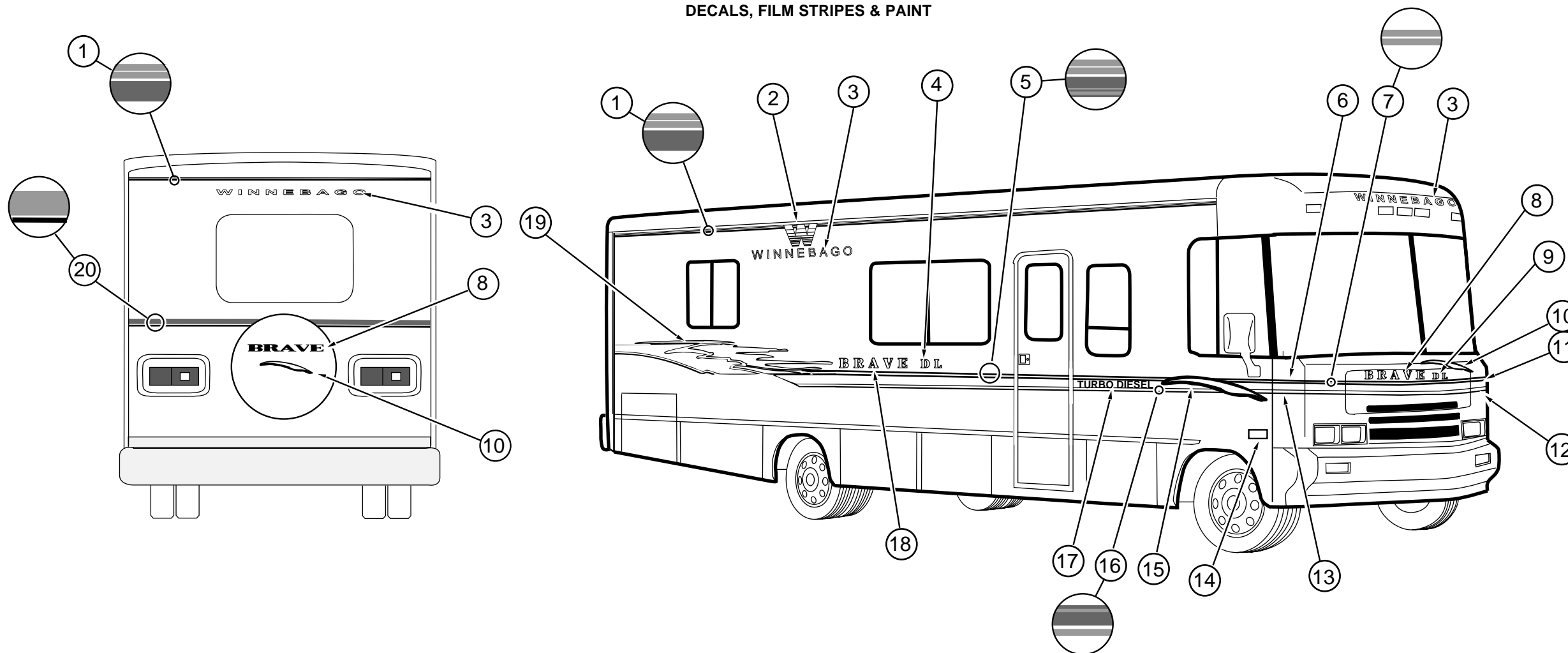
VELVAC HEATED EXTERIOR MIRRORS

KEY	PART NUMBER	U/M DESCRIPTION	VENDOR NO.
1	106015-05-01A	EA MIRROR ASM - REMOTE/HEATED RIGHT W/O SWITCHES FROM: 00-00-00 THRU: 11-05-96	
1	106015-12-01A	EA MIRROR ASM - REMOTE/HEATED RIGHT W/O SWITCHES FROM: 11-06-96 THRU: 99-99-99	
1	106015-06-01A	EA MIRROR ASM - REMOTE/HEATED LEFT W/O SWITCHES FROM: 00-00-00 THRU: 11-05-96	
1	106015-13-01A	EA MIRROR ASM - REMOTE/HEATED LEFT W/O SWITCHES FROM: 11-06-96 THRU: 99-99-99	
2	086261-01-704	EA MIRROR KIT (BEZEL W/MIRRORS) PASSENGER SIDE	709091-8
2	086261-02-701	EA MIRROR KIT (BEZEL W/MIRRORS) DRIVER SIDE FROM: 00-00-00 THRU: 11-05-96	709269
3	106015-12-700	EA GLASS-FLAT W/HEAT & CLIP FROM: 11-06-96 THRU: 99-99-99	709448
4	106015-12-701	EA GLASS-CONVEX W/HEAT & CLIP FROM: 11-06-96 THRU: 99-99-99	709449
	087695-02-000	EA SWITCH-HEATER, EXTERIOR MIRROR - EURAMTEC DAV4720-12	
	087695-03-000	EA CONNECTOR-ASSEMBLY - EURAMTEC RT10484802	
	088246-01-000	EA SWITCH-REMOTE, EXTERIOR MIRROR - SQUARE PUSH 7471290	

FIBERGLASS, STYROFOAM & INSULATION

KEY	PART NUMBER	U/M DESCRIPTION
	076054-P4-000	EA FIBERGLASS-SHEET, FLAT - 96" X 97" - BRIGHT WHITE
	076054-W6-000	EA FIBERGLASS-SHEET, FLAT - 79" X 367" - BRIGHT WHITE
	076054-W7-000	SF FIBERGLASS-COIL, FLAT - 16.38" X 500 FT - BRIGHT WHITE
	077517-62-000	EA FIBERGLASS-SHEET, FLAT - .045" X 48" X 96" - BRIGHT WHITE
	108535-05-702	EA FIBERGLASS SHEET-FLAT, 110" X 396" - BRIGHT WHITE (ROOF COVERING)
	108535-04-705	EA FIBERGLASS SHEET-FLAT, 6" X 34' - BRIGHT WHITE (ROOF COVERING)
	000870-08-000	SF STYROFOAM - .75" X 48" X 96" - PLANED - INCREMENTS OF 32 SF
	072878-01-000	SF INSULATION - SOUND BARRIER PAD - .058" X 33" X 58"
	100619-01-000	BF FOAM-EXPANDED POLYSTYRENE, 1.34" X 48" X 96" - 1.5 LB/SQ FT DENSITY
	100619-04-000	BF FOAM-EXPANDED POLYSTYRENE, .5" X 48" X 96" - 2 LB/SQ FT DENSITY
	100619-05-000	BF FOAM-EXPANDED POLYSTYRENE, .75" X 48" X 96" - 1.5 LB/SQ FT DENSITY
	100619-10-000	BF FOAM-EXPANDED POLYSTYRENE, 1.5" X 48" X 96" - 2 LB/SQ FT DENSITY
	100619-11-000	BF FOAM-EXPANDED POLYSTYRENE, 2" X 48" X 96" - 1.5 LB/SQ FT DENSITY
	100619-16-000	BF FOAM-EXPANDED POLYSTYRENE, .75" X 48" X 96" - 2 LB/SQ FT DENSITY
	105077-08-000	EA FOAM-PLUG, ROOF CAP
	120107-03-000	EA FOAM-PLUG, TUBE - 29.6 MM X 54.5 MM X 45 MM LONG - POLYSTYRENE FOAM
	120107-01-000	EA FOAM-COVE, ROOF - 70.6 MM X 2438 MM LONG - POLYSTYRENE FOAM
	120107-02-000	EA FOAM-PLUG, TUBE - 57 MM X 74.3 MM X 45 MM LONG - POLYSTYRENE FOAM

EXTERIOR BODY GROUP (CONTINUED)
DECALS, FILM STRIPES & PAINT



KEY	PART NUMBER	U/M	DESCRIPTION
1	094443-43-01A	FT	FILM-MULTISTRIPE, 101.6 MM WIDE - SEAFOAM/SEAFOAM/DELFT BLUE
2	120700-02-01A	EA	DECAL-LOGO, W - DELFT BLUE
3	120702-03-01A	EA	DECAL-LOGO, WINNEBAGO - SMALL - DELFT BLUE
4	120995-03-01A	EA	DECAL-LOGO, DL - LARGE- MENDOCINO/DELFT BLUE
5	121426-01-01A	FT	FILM-OVERLAY, MULTISTRIPE - 177.8 MM WIDE - SEAFOAM/DELFT BLUE/MENDOCINO
6	121432-01-01A	EA	DECAL-CORNER, UPPER - RH - SEAFOAM
7	105781-57-01A	FT	FILM-MULTISTRIPE, 38.1 MM WIDE - SEAFOAM/SEAFOAM
8	121437-02-01A	EA	DECAL-LOGO, BRAVE, SMALL - MENDOCINO/DELFT BLUE
9	120995-04-01A	EA	DECAL-LOGO, DL - SMALL - DELFT BLUE
10	121430-01-01A	EA	DECAL-SLASH, SMALL - SEAFOAM/BRIGHT WHITE
11	121432-02-01A	EA	DECAL-CORNER, UPPER - LH - SEAFOAM
12	121434-02-01A	EA	DECAL-CORNER, LOWER - LH - DELFT BLUE/MENDOCINO
13	121434-01-01A	EA	DECAL-CORNER, LOWER - RH - DELFT BLUE/MENDOCINO
14	122312-01-01A	EA	DECAL-VORTEC 7400 - BLACK/OFF WHITE/MIST GRAY/SPECTRA RED
15	121429-01-01A	EA	DECAL-SLASH, RH - SEAFOAM/BRIGHT WHITE
	121429-02-01A	EA	DECAL-SLASH, LH - SEAFOAM/BRIGHT WHITE
16	121427-01-01A	FT	FILM-OVERLAY, MULTISTRIPE - 41.3 MM WIDE - SPARKLING TEAL/SEAFOAM
17	111318-03-03A	EA	DECAL-TURBO DIESEL - BRIGHT WHITE
18	121437-01-01A	EA	DECAL-LOGO, BRAVE, LARGE - MENDOCINO/DELFT BLUE
19	121428-01-01A	EA	DECAL-HORIZON, RH - DELFT BLUE/SEAFOAM/MENDOCINO
	121428-02-01A	EA	DECAL-HORIZON, LH - DELFT BLUE/SEAFOAM/MENDOCINO
20	105781-52-01A	FT	FILM-MULTISTRIPE, 104.8 MM WIDE - DELFT BLUE/MENDOCINO
	126511-01-01A	EA	DECAL - MCCLAINS RV 34TH ANNIVERSARY

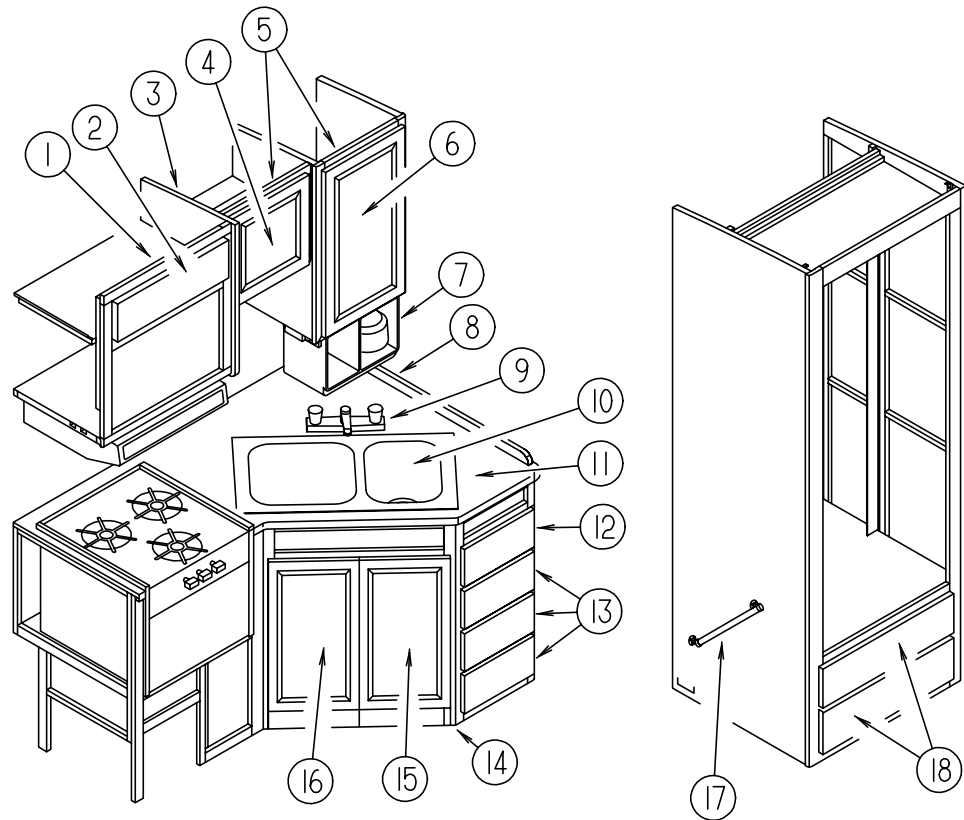
DUPONT PAINT COLOR CODES

BRIGHT WHITE	B8951
DELFT BLUE METALLIC	F1919
LIGHT SILVER METALLIC	F2573U

DUPONT GRAPHIC COLOR CODES

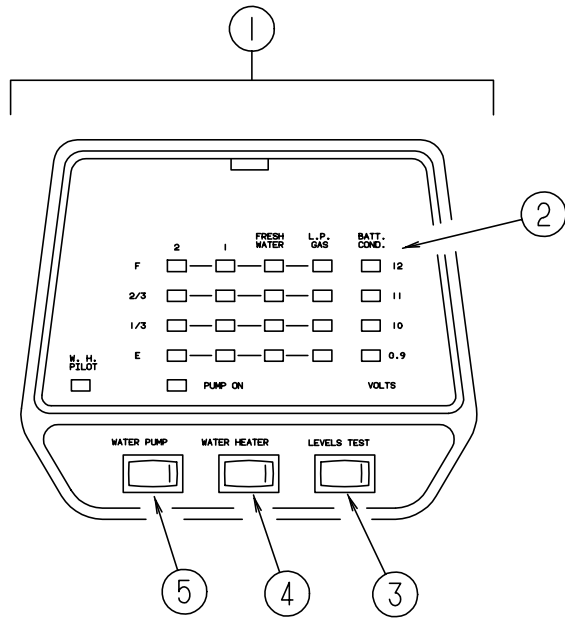
SEAFOAM METALLIC	GM200
DELFT BLUE	BM501
MENDOCINO PEARL	F2985
SPARKLING TEAL	GM098

GALLEY GROUP
GALLEY CABINETRY



KEY	PART NUMBER	U/M	DESCRIPTION
1	121328-01-H13	EA	CABINET - MICROWAVE/OVERHEAD - W/O DOORS/HARDWARE
	110776-11-G09	EA	SHELF - W/PLASTIC EDGE TRIM
	121329-03-H13	EA	CABINET - A/C SWITCH
2	M05992-J9-H13	EA	DOOR - MITERED CORNER/OGEE EDGE - 5.1" X 22.4" - W/O HDW
3	081320-16-G09	EA	END CAP - OVERHEAD CABINET
4	M06803-23-G09	EA	DOOR - MITERED CORNER/OGEE EDGE - 14.3" X 14.3" - W/O HDW
5	110776-01-G09	EA	CABINET - OVERHEAD GALLEY - W/O DOORS/HARDWARE
	110776-11-G09	EA	SHELF - W/PLASTIC EDGE TRIM
6	M06803-22-G09	EA	DOOR - MITERED CORNER/OGEE EDGE - 14.3" X 26.7" - W/O HDW
7	126019-01-01A	EA	COFFEEMAKER - OPTIMA - W/BRACKETS
8	098335-16-H13	EA	RAIL - GALLEY - 39" (H12,H13)
8	098335-16-H14	EA	RAIL - GALLEY - 39" (H14,H15)
8	098335-16-H33	EA	RAIL - GALLEY - 39" (H16)
9	103243-01-000	EA	FAUCET-GALLEY, DUAL CONTROL - P5043
	103635-01-000	EA	FAUCET-SINGLE CONTROL, (WATER PURIFIER) EVERPURE 5435-00 (MCCLAIN ANNIVERSARY OPTION)
10	110654-01-000	EA	SINK-STAINLESS STEEL, DOUBLE BASIN (1 LARGE - 1 SMALL)
	092303-01-000	EA	STRAINER-SINK
	108464-03-G42	EA	COVER ASM-SINK, 14.9" X 11" - SMALL (H12,H13)
	108464-03-F40	EA	COVER ASM-SINK, 14.9" X 11" - SMALL (H14,H15)
	108464-03-E38	EA	COVER ASM-SINK, 14.9" X 11" - SMALL (H16)
	108464-04-E08	EA	COVER ASM-SINK, 15" X 15" - LARGE (H12,H13)
	108464-04-F40	EA	COVER ASM-SINK, 15" X 15" - LARGE (H14,H15)
	108464-04-E38	EA	COVER ASM-SINK, 15" X 15" - LARGE (H16)
	008380-01-000	EA	GROMMET-RUBBER, 5/8" HOLE X 1 1/2" DIAMETER
11	123376-19-H13	EA	COUNTERTOP - GALLEY (H12,H13)
11	123376-19-H14	EA	COUNTERTOP - GALLEY (H14,H15)
11	123376-19-H33	EA	COUNTERTOP - GALLEY (H16)
12	M05971-42-G09	EA	DRAWER - OGEE EDGE - 10.8"W X 9"D - W/O SLIDES/HARDWARE
13	M05971-43-G09	EA	DRAWER - OGEE EDGE - 10.8"W X 13.8"D - W/O SLIDES/HARDWARE
14	123376-01-H13	EA	CABINET - GALLEY - W/O DOORS/DRAWERS/HARDWARE (H12,H13)
14	123376-01-H14	EA	CABINET - GALLEY - W/O DOORS/DRAWERS/HARDWARE (H14,H15)
14	123376-01-H33	EA	CABINET - GALLEY - W/O DOORS/DRAWERS/HARDWARE (H16)
15	M06803-26-G09	EA	DOOR - MITERED CORNER/OGEE EDGE - 12" X 25.9" - W/O HDW
16	M06803-27-G09	EA	DOOR - MITERED CORNER/OGEE EDGE - 12" X 25.9" - W/O HDW
17	091257-10-000	EA	HANDLE - ASSIST - WATERFORD OAK
18	M05971-41-G09	EA	DRAWER - OGEE EDGE - 22.5"W X 15.7"D - W/O SLIDES/HARDWARE
	090329-01-000	FT	SEAL-T, REFRIGERATOR CABINET - .6" WIDE TOP X 2" TAIL

GALLEY GROUP (CONTINUED)



LV5 MONITOR PANEL

KEY	PART NUMBER	U/M DESCRIPTION	VENDOR NO.
1	102765-04-01A	EA PANEL-MONITOR, W/PLUG - FOR 2 TANKS & WATER HEATER	
2	102765-04-700	EA BOARD-CIRCUIT, 2 HOLDING TANK	5076-11
3	097617-01-702	EA SWITCH (ALMOND)	107
4	097617-01-701	EA SWITCH-ON/OFF, ALMOND	106
5	102765-01-700	EA SWITCH-ON-ON, ALMOND	110-01

GALLEY GROUP (CONTINUED)

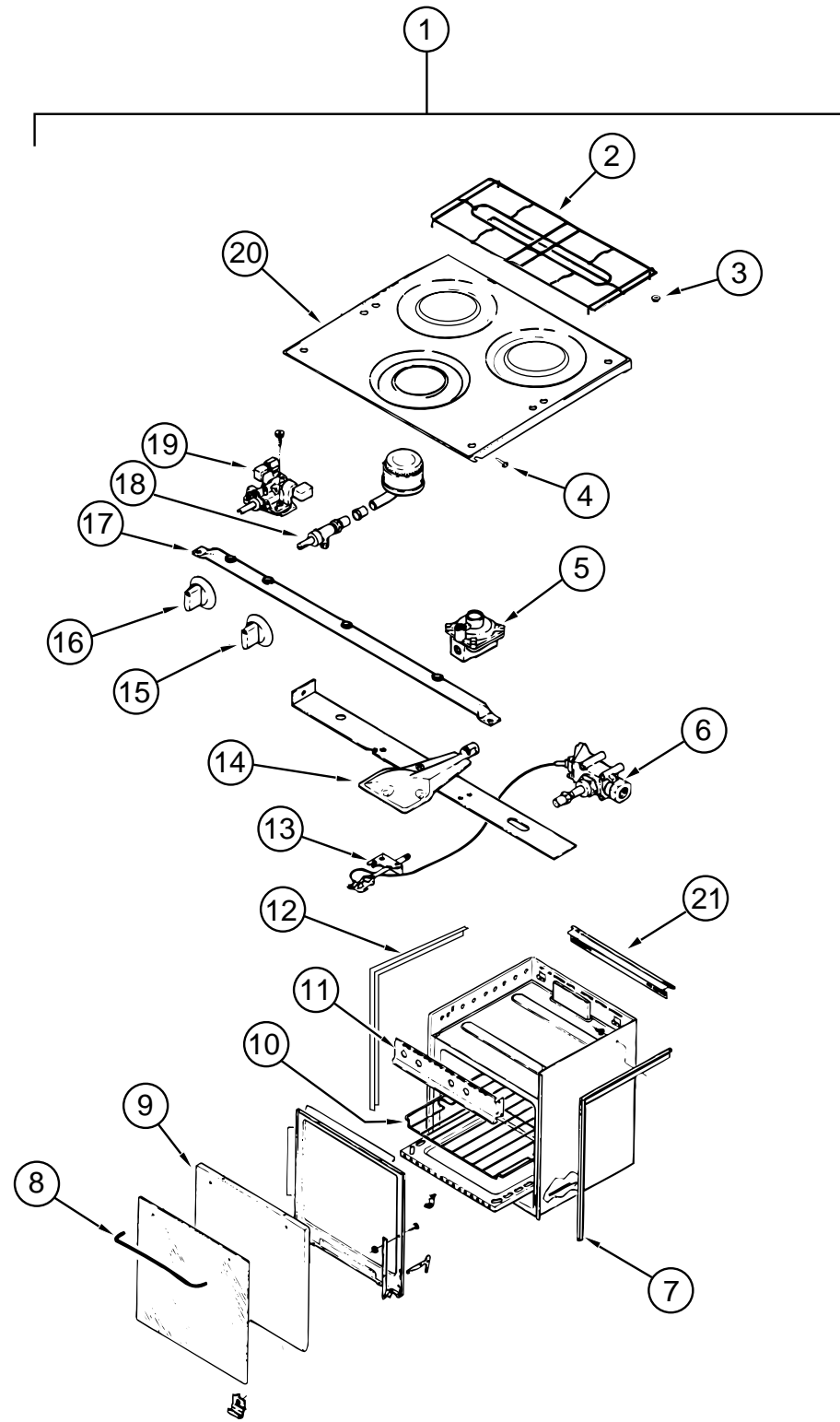
MAGIC CHEF MICROWAVE OVEN

KEY	PART NUMBER	U/M DESCRIPTION
	115303-02-000	EA OVEN-MICROWAVE - MAGIC CHEF MCD-DM46K-15B
	115401-02-01A	EA TRIM-MICROWAVE, BLACK
	094750-07-000	EA BRACKET-MICROWAVE, 89 DEGREE - STEEL
	098916-16-02B	EA BRACE-MICROWAVE CABINET, LEFT - 7.5" X 7.5" - E-COAT STEEL
	098916-17-02B	EA BRACE-MICROWAVE CABINET, RIGHT - 7.5" X 7.5" - E-COAT STEEL

COFFEE MAKER

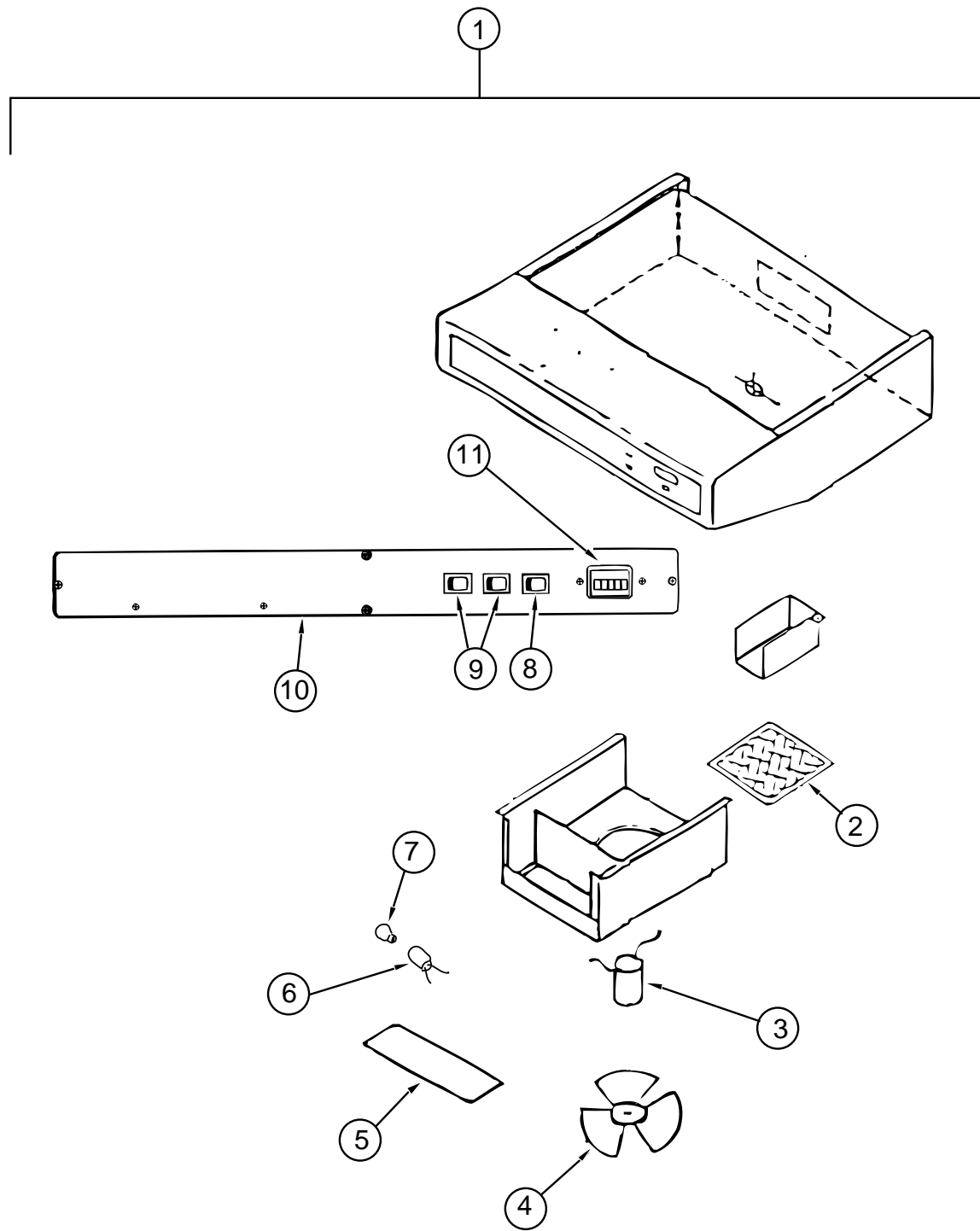
KEY	PART NUMBER	U/M DESCRIPTION	VENDOR NO.
	103799-02-01A	EA COFFEE MAKER WITH CLOCK, WHITE - BLACK & DECKER SDC2B FROM: 00-00-00 THRU: 04-13-97	
	103799-01-700	EA CARAFE-GLASS POT - BLACK & DECKER FROM: 00-00-00 THRU: 04-13-97	679420
	103799-01-701	EA BRACKETS-WHITE, PAIR - BLACK & DECKER FROM: 00-00-00 THRU: 04-13-97	164734-06
	126019-01-01A	EA COFFEEMAKER - OPTIMA - W/BRACKETS FROM: 04-14-97 THRU: 99-99-99	

GALLEY GROUP (CONTINUED)
MAGIC CHEF RANGE



KEY	PART NUMBER	U/M	DESCRIPTION	VENDOR NO.
1	112881-01-04A	EA	RANGE - 16", 3 BURNER - MAGIC CHEF 16RB-3B49	
2	102020-01-711	EA	GRATE-TOP	7518P012-60
3	102020-01-709	EA	BUMPER-GRATE	8007-P020-60
4	102020-01-724	EA	BUMPER-MAIN TOP	8003P008-60
5	102022-01-708	EA	REGULATOR-PRESSURE, 1/4 IN 1/2 OUT	7510P041-60
6	112881-01-702	EA	VALVE-MERCURY, SAFETY VALVE	7501-P121-60
7	112881-01-720	EA	TRIM-FLAT, RIGHT - BLACK TEXTURED	74002813
8	102020-01-701	EA	HANDLE-DOOR	7701P092-60
9	112881-01-713	EA	DOOR-OVEN, TEXTURED	2401F079-70
10	102020-01-700	EA	SHELF-OVEN	7801-P027-60
11	112881-01-701	EA	MANIFOLD PANEL	2616F091-70
12	112881-01-707	EA	TRIM-FLAT, LEFT - BLACK TEXTURED	74002812
13	112881-01-710	EA	PILOT-OVEN	7505P202-60
14	112881-01-711	EA	BURNER ASSEMBLY-OVEN	3404W025045
15	112881-01-705	EA	KNOB-TOP BURNER	7733P072-60
15	112881-01-718	EA	KNOB-HIGH OUTPUT, FLAME INDICATOR, MAGIC CHEF	74001794
16	112881-01-704	EA	KNOB-THERMOSTAT	7731P067-60
16	112881-01-716	EA	KNOB-THERMOSTAT, REF. SER. # 3C	7731P107-60
17	112881-01-709	EA	PIPE-MANIFOLD	7513P097-60
18	102020-01-722	EA	VALVE-TOP BURNER	7502P181-60
18	112881-01-703	EA	VALVE-TOP BURNER, HI-OUTPUT	7502P180-60
19	112881-01-706	EA	THERMOSTAT - REF. SER. # 2C	12400026
19	112881-01-715	EA	THERMOSTAT - REF. SER. # 3C	7515P037-60
19	112881-01-722	EA	THERMOSTAT - REF. SER. # 1C, 11, 12, 13, ETC. - HARPER-WYMAN	7515P029-60
20	112881-01-712	EA	TOP-MAIN, BLACK	740101486
21	112881-01-721	EA	DEFLECTOR-FLUE, BLACK TEXTURED	74002809
	105458-03-000	EA	BRACKET - STOVE TIEDOWN - RIGHT HAND	
	105458-04-000	EA	BRACKET - STOVE TIEDOWN - LEFT HAND	

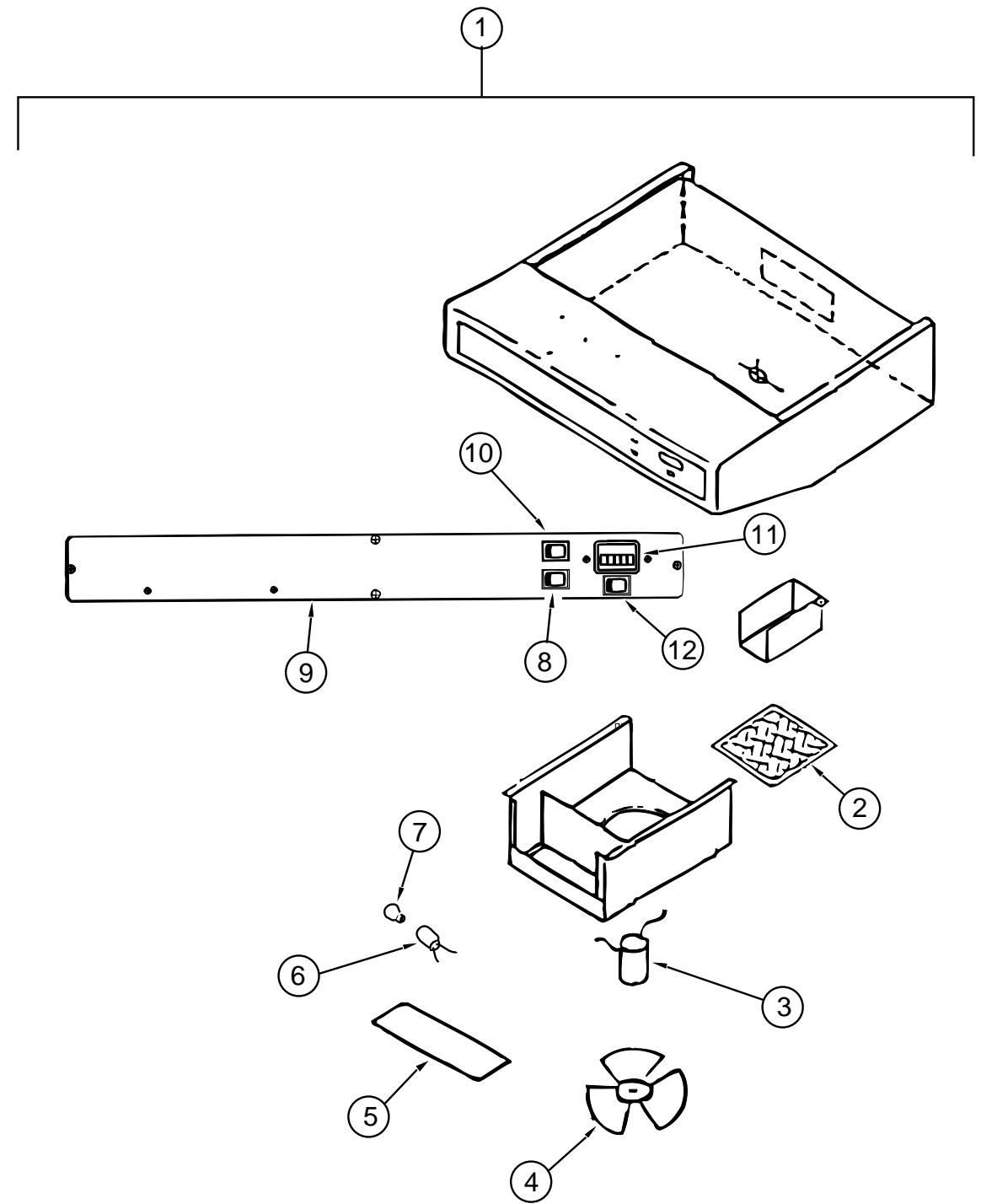
GALLEY GROUP (CONTINUED)



RANGE HOOD - US - GENERATOR OPTIONS

KEY	PART NUMBER	U/M DESCRIPTION	VENDOR NO.
1	100258-18-03A	EA HOOD-RANGE, W/O MONITOR PANEL - VENTLINE TP-55009-SBO-LG	L0775-00
2	096983-01-707	EA FILTER-MESH	CC246
3	090973-01-700	EA MOTOR-12 VOLT, CSA & UL	CA508-1
4	090973-01-702	EA BLADE-FAN	VA183-1
5	092696-02-701	EA LENS-LAMP	CC179-2
6	092696-01-710	EA HOLDER-LAMP	CB267-2
7	092696-01-709	EA LAMP #912	VA415
8	096983-01-702	EA SWITCH-MOM/MOM	112
9	096983-01-700	EA SWITCH-ON/OFF	108
10	100258-01-700	EA LABEL-HOOD NOSE	CC428
11	100258-10-01A	EA GAUGE-HOUR METER W/SWITCH - SCREW ON STYLE - 150	
11	100258-10-701	EA GAUGE-HOUR METER, CLIP ON	L0775-00

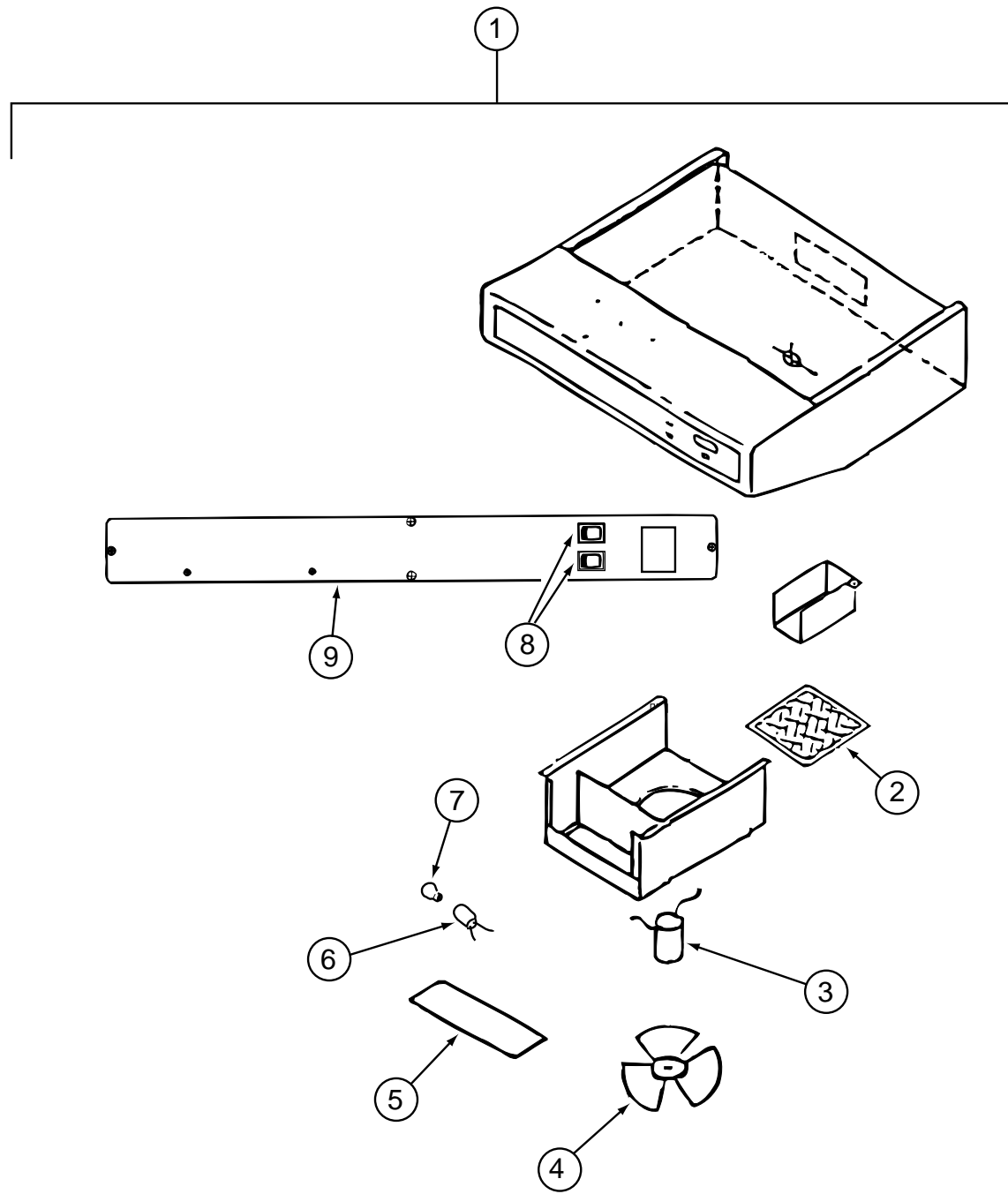
GALLEY GROUP (CONTINUED)



RANGE HOOD - CANADIAN

KEY	PART NUMBER	U/M DESCRIPTION	VENDOR NO.
1	100258-17-04A	EA HOOD-RANGE, W/O MONITOR PANEL VENTLINE TCS 500-NBCLG	
2	096983-01-707	EA FILTER-MESH	CC246
3	090973-01-700	EA MOTOR-12 VOLT, CSA & UL	CA508-1
4	090973-01-702	EA BLADE-FAN	VA183-1
5	092696-02-701	EA LENS-LAMP	CC179-2
6	092696-01-710	EA HOLDER-LAMP	CB267-2
7	092696-01-709	EA LAMP #912	VA415
8	096983-01-700	EA SWITCH-ON/OFF	108
9	100258-01-700	EA LABEL-HOOD NOSE	CC428
10	096983-01-702	EA SWITCH-MOM/MOM	112
11	100258-10-01A	EA GAUGE-HOUR METER W/SWITCH - SCREW ON (OPTION) - 150	
11	100258-10-701	EA GAUGE-HOUR METER, CLIP ON (OPTION)	L0775-00

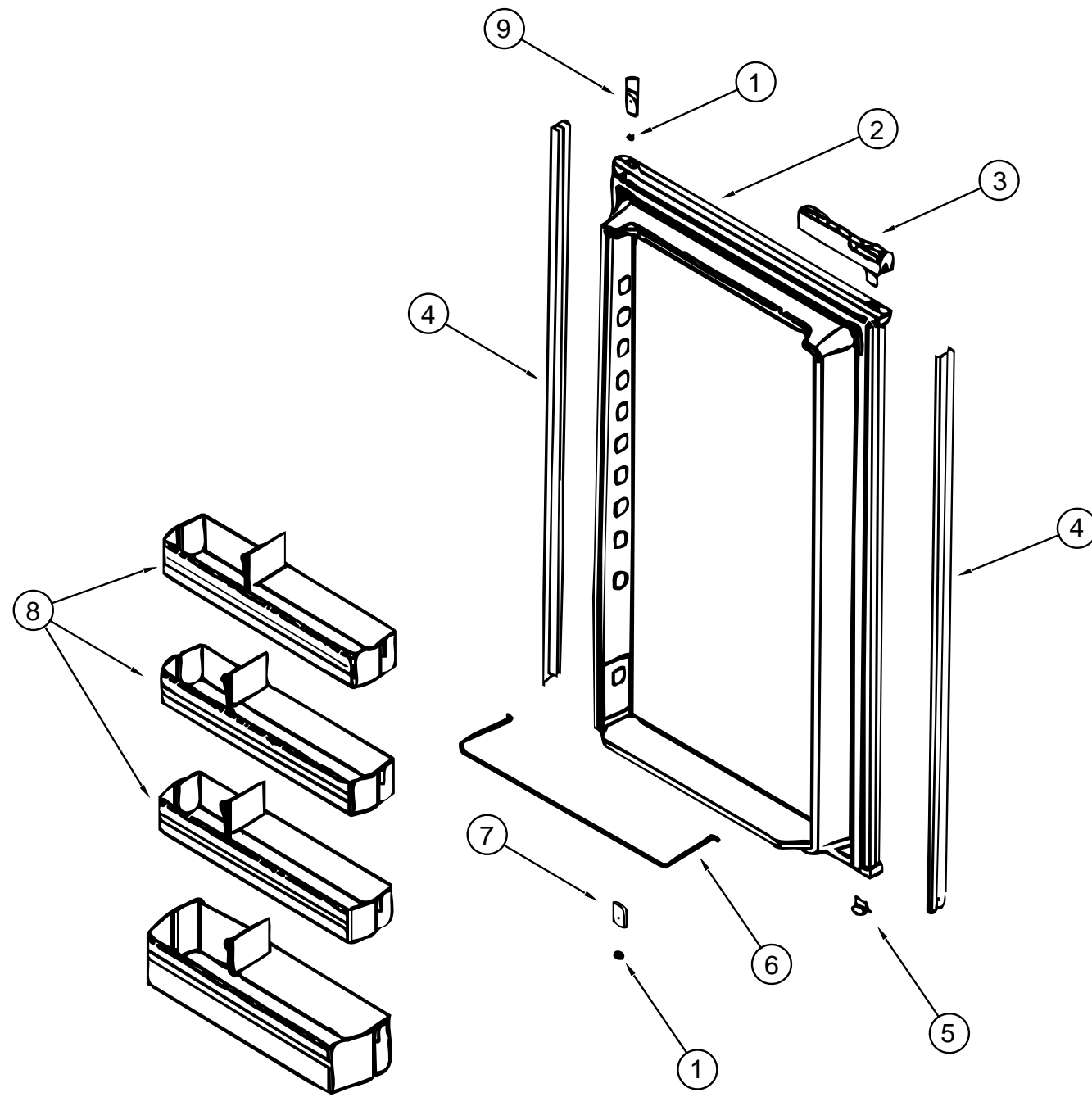
GALLEY GROUP (CONTINUED)



RANGE HOOD - US - STANDARD

KEY	PART NUMBER	U/M	DESCRIPTION	VENDOR NO.
1	100258-16-04A	EA	HOOD-RANGE, W/O MONITOR PANEL - VENTLINE TCS-5008-NBDLG	
2	096983-01-707	EA	FILTER-MESH	CC246
3	090973-01-700	EA	MOTOR-12 VOLT, CSA & UL	CA508-1
4	090973-01-702	EA	BLADE-FAN	VA183-1
5	092696-02-701	EA	LENS-LAMP	CC179-2
6	092696-01-710	EA	HOLDER-LAMP	CB267-2
7	092696-01-709	EA	LAMP #912	VA415
8	096983-01-700	EA	SWITCH-ON/OFF	108
9	100258-01-700	EA	LABEL-HOOD NOSE	CC428
10	096983-01-702	EA	SWITCH-MOM/MOM	112

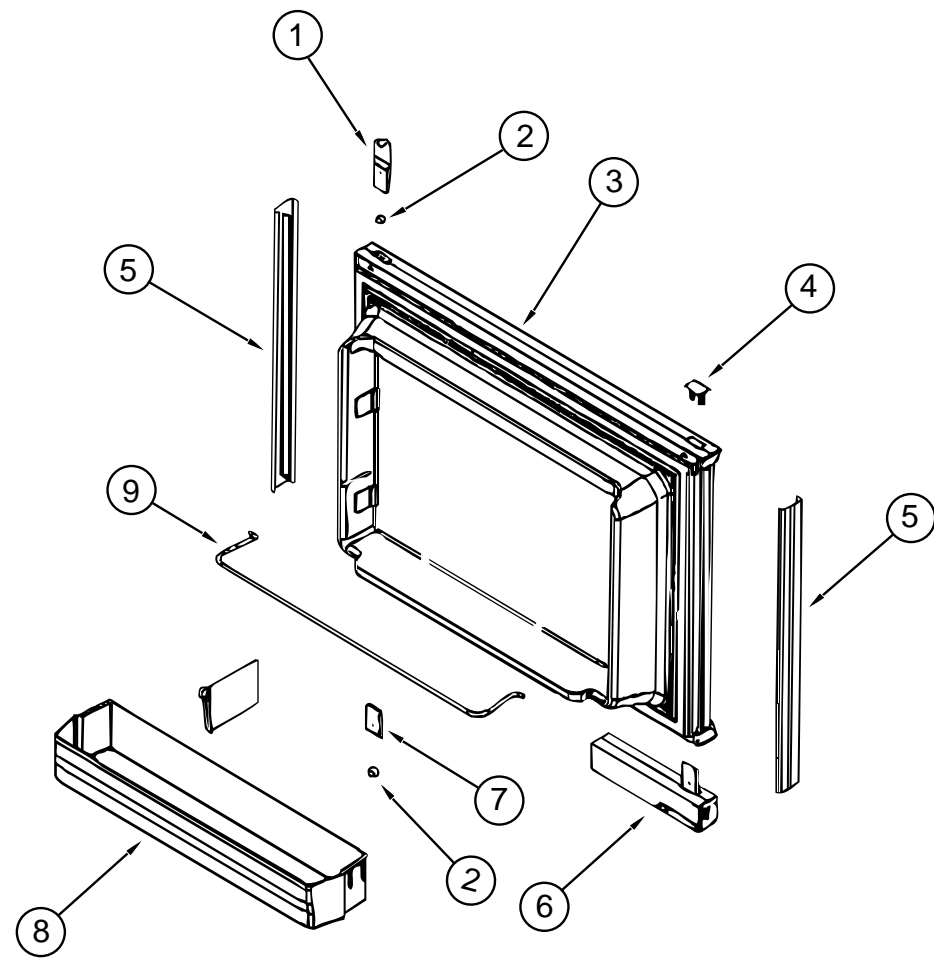
GALLEY GROUP (CONTINUED)



NORCOLD MODEL 9162 RH REFRIGERATOR LOWER DOOR

KEY	PART NUMBER	U/M	DESCRIPTION	VENDOR NO.
	121568-01-01A	EA	REFRIGERATOR-DOUBLE DOOR, 2-WAY	
1	120075-01-708	EA	BUSHING-DOOR HINGE	618144
2	120075-01-710	EA	DOOR-LOWER, FOAMED W/GASKET	618270
3	120075-01-711	EA	HANDLE ASSEMBLY-UPPER RH/LOWER LH	618235
4	120076-01-700	EA	RETAINER-LOWER DOOR PANEL	618132
5	120075-01-702	EA	CAP-HINGE PLUG	618160
6	121568-01-704	EA	RAIL-DOOR, LOWER	618578
7	120075-01-705	EA	HINGE-PAINTED, TOP LH/BOTTOM RH	618510
8	121568-01-701	EA	BIN-DOOR, WHITE	618619
9	120075-01-701	EA	HINGE-TOP RH/BOTTOM LH, PAINTED	618511

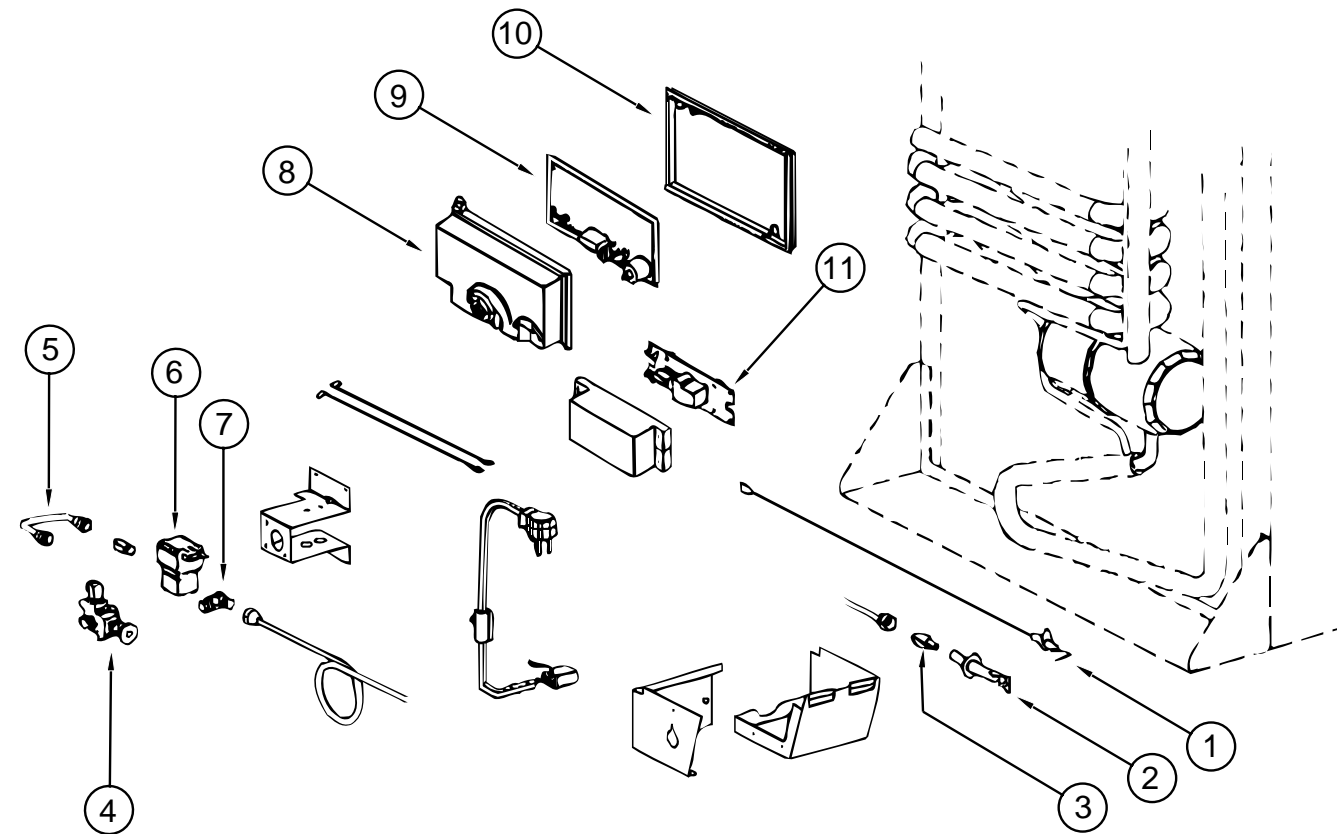
GALLEY GROUP (CONTINUED)



NORCOLD MODEL 9162 RH REFRIGERATOR UPPER DOOR

KEY	PART NUMBER	U/M	DESCRIPTION	VENDOR NO.
	121568-01-01A	EA	REFRIGERATOR-DOUBLE DOOR, 2-WAY	
1	120075-01-701	EA	HINGE-TOP RH/BOTTOM LH, PAINTED	618511
2	120075-01-708	EA	BUSHING-DOOR HINGE	618144
3	120075-01-703	EA	DOOR ASSEMBLY-FOAMED, W/GASKET	618205
4	120075-01-702	EA	CAP-HINGE PLUG	618160
5	120075-01-700	EA	RETAINER-DOOR, DECOR PANEL	618128
6	121568-01-702	EA	HANDLE ASSEMBLY-DOOR, LOWER LH/TOP RH	618230
7	120075-01-705	EA	HINGE-PAINTED, TOP LH/BOTTOM RH	618510
8	121568-01-701	EA	BIN-DOOR, WHITE	618619
9	121568-01-700	EA	RAIL-DOOR, UPPER	618618

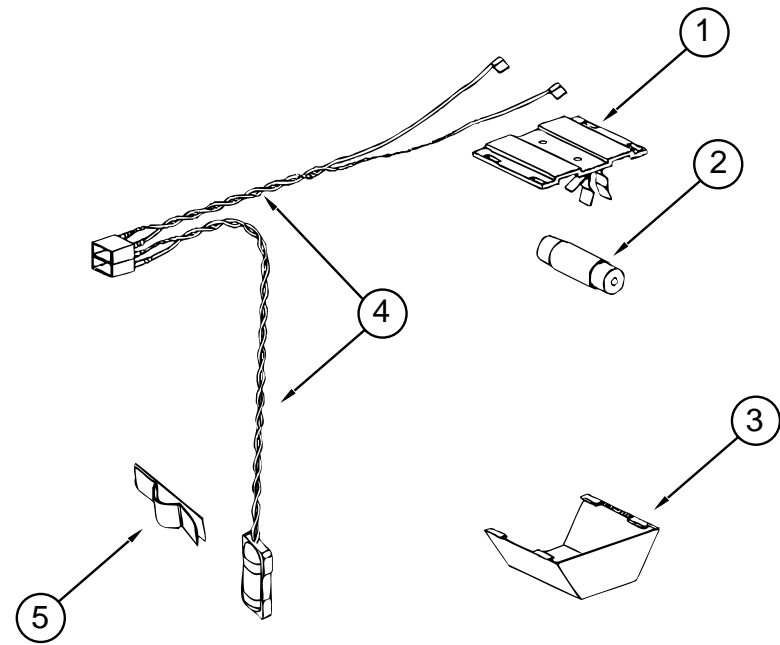
GALLEY GROUP (CONTINUED)



NORCOLD MODEL 9162 RH REFRIGERATOR BURNER & POWER BOARDS

KEY	PART NUMBER	U/M	DESCRIPTION	VENDOR NO.
	121568-01-01A	EA	REFRIGERATOR-DOUBLE DOOR, 2-WAY	
1	104137-06-715	EA	ELECTRODE-SPARK/SENSOR, SGL	61692222
2	104137-06-714	EA	BURNER ASSEMBLY, 5 SLOT	61705222
3	120076-01-705	EA	ORIFICE-JEWEL, .015	618283
4	104137-06-709	EA	VALVE-SHUT OFF, MANUAL	61694922
5	113737-01-750	EA	TUBE-UNION	61694622
6	084880-01-718	EA	VALVE-GAS, ASCO	61551822
7	113737-01-716	EA	TAP-PRESSURE	61594422
8	120075-01-738	EA	COVER-POWER BOARD	618185
9	120075-01-741	EA	BOARD-POWER, 2-WAY	618574
10	120075-01-740	EA	COVER-BASE, POWER BOARD	618186
11	121568-01-711	EA	BOARD-MODULE, DC	618561
	113737-01-702	EA	PLUG - 1/8" F/PRESSURE TAP	61445322

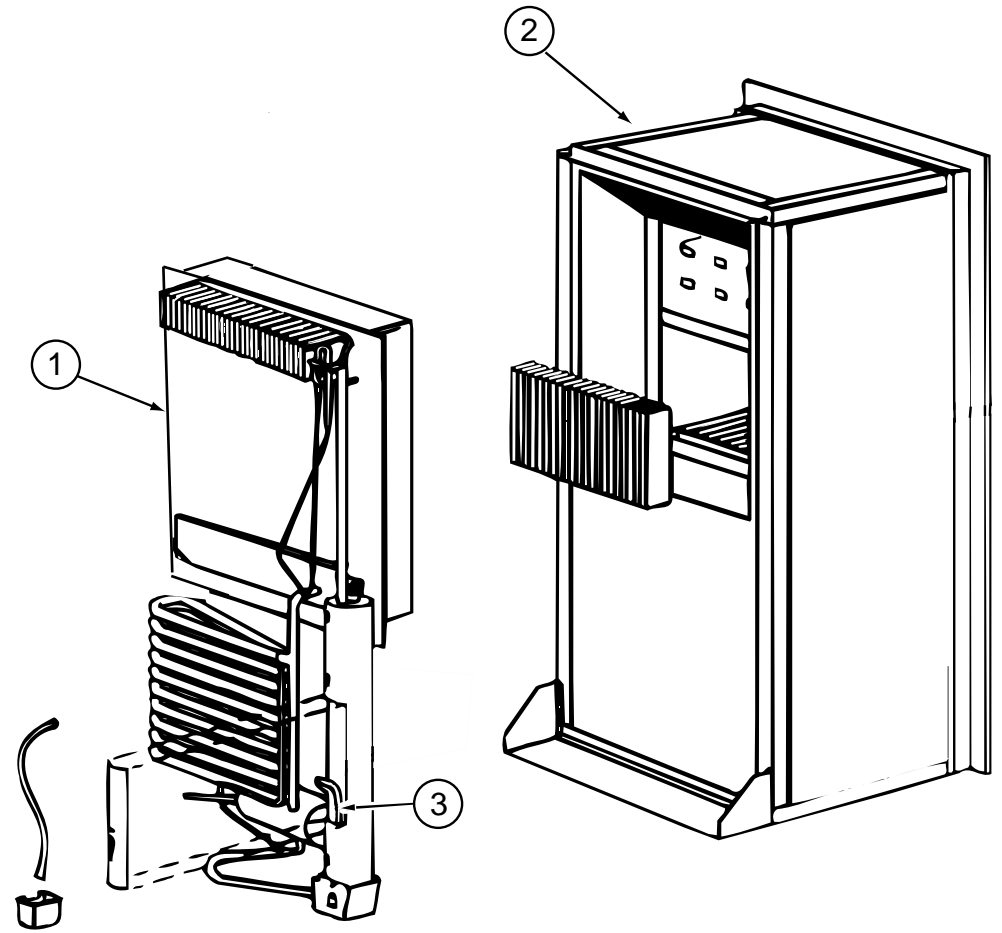
GALLEY GROUP (CONTINUED)



NORCOLD MODEL 9162 RH REFRIGERATOR LAMP ASM

KEY	PART NUMBER	U/M	DESCRIPTION	VENDOR NO.
	121568-01-01A	EA	REFRIGERATOR-DOUBLE DOOR, 2-WAY	
1	084880-03-705	EA	BRACKET-LIGHT, INTERIOR	61629722
2	084880-03-706	EA	BULB-LAMP	61628922
3	084880-03-707	EA	COVER-LAMP, LENS	61627922
4	120075-01-735	EA	WIRE ASSEMBLY-LAMP	618548
5	084880-01-760	EA	CLIP-THERMISTER	61689122

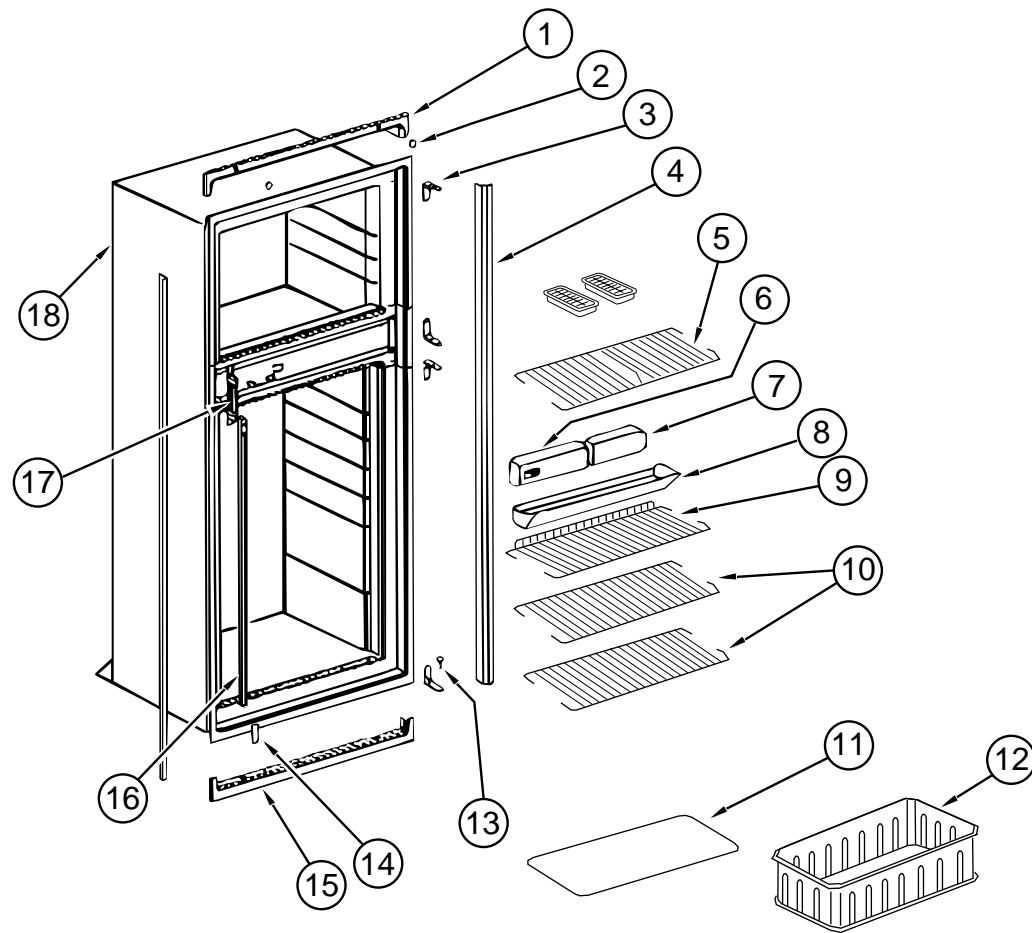
GALLEY GROUP (CONTINUED)



NORCOLD MODEL 9162 RH REFRIGERATOR COOLING UNIT, CABINET, & HEATERS

KEY	PART NUMBER	U/M	DESCRIPTION	VENDOR NO.
	121568-01-01A	EA	REFRIGERATOR-DOUBLE DOOR, 2-WAY	
1	120076-01-704	EA	COOLING UNIT-SERVICE PACK	618543
2	120076-01-703	EA	CABINET-FOAMED	618260
3	088248-01-709	EA	HEATER-AC, HORIZONTAL	61562722

GALLEY GROUP (CONTINUED)



NORCOLD MODEL 9162 RH REFRIGERATOR CABINET ASM WITH TRAY, TIEDOWNS & LEVEL

KEY	PART NUMBER	U/M DESCRIPTION	VENDOR NO.
	121568-01-01A	EA REFRIGERATOR-DOUBLE DOOR, 2-WAY	
1	120075-01-713	EA TRIM-TOP PIECE	618124
2	120075-01-714	EA PLUG-HOLE	618170
3	120075-01-715	EA HINGE-CABINET SIDE, PAINTED	618512
	120075-01-708	EA BUSHING-DOOR HINGE	618144
4	120076-01-702	EA TRIM, SIDE PIECE	618133
5	121568-01-705	EA SHELF-WIRE, FREEZER	618620
6	121568-01-706	EA CONTROL BOX ASSEMBLY	618588
7	120075-01-718	EA BOX-FILLER	618112
8	120075-01-720	EA TRAY-DRIP	618137
	120075-01-721	EA LOUVER-DRIP TRAY	618176
9	121568-01-707	EA SHELF-WIRE, SHORT	618624
10	121568-01-708	EA SHELF-WIRE	618589
11	120075-01-725	EA COVER-CRISPER	618158
12	121568-01-709	EA CRISPER	618571
13	120075-01-727	EA PIN-HINGE	618145
14	120075-01-728	EA COVER-HINGE HOLE	618171
15	120075-01-729	EA TRIM-BOTTOM PIECE	618136
16	120075-01-730	EA RETAINER-SHELF	618181
17	120075-01-732	EA PLATE-STRIKE	618167
18	120076-01-703	EA CABINET-FOAMED	618260
	120075-01-731	EA PLUG-FACADE	618184
	116751-03-01A	EA TRAY-REFRIGERATOR	
	054450-01-000	EA LEVEL-REFRIGERATOR	
	065225-02-000	EA PLATE-TIEDOWN, REFRIGERATOR	
	093646-01-000	EA BRACKET ASM-TIEDOWN, REFRIGERATOR - RH	
	093646-02-000	EA BRACKET ASM-TIEDOWN, REFRIGERATOR - LH	

GENERATOR GROUP

3,300 WATT ONAN MICROLITE - EXPORT OPTION - LP

KEY	PART NUMBER	U/M DESCRIPTION
	109982-05-000	EA GENERATOR - 3.3 KW MICROLITE - ONAN
	007125-04-000	EA CLAMP - MUFFLER - 1.12" DIAMETER
	106607-01-000	EA ANGLE - SUPPORT - EXHAUST
	007125-03-000	EA CLAMP - MUFFLER - 1.5" DIAMETER

4,000 WATT ONAN MICROLITE

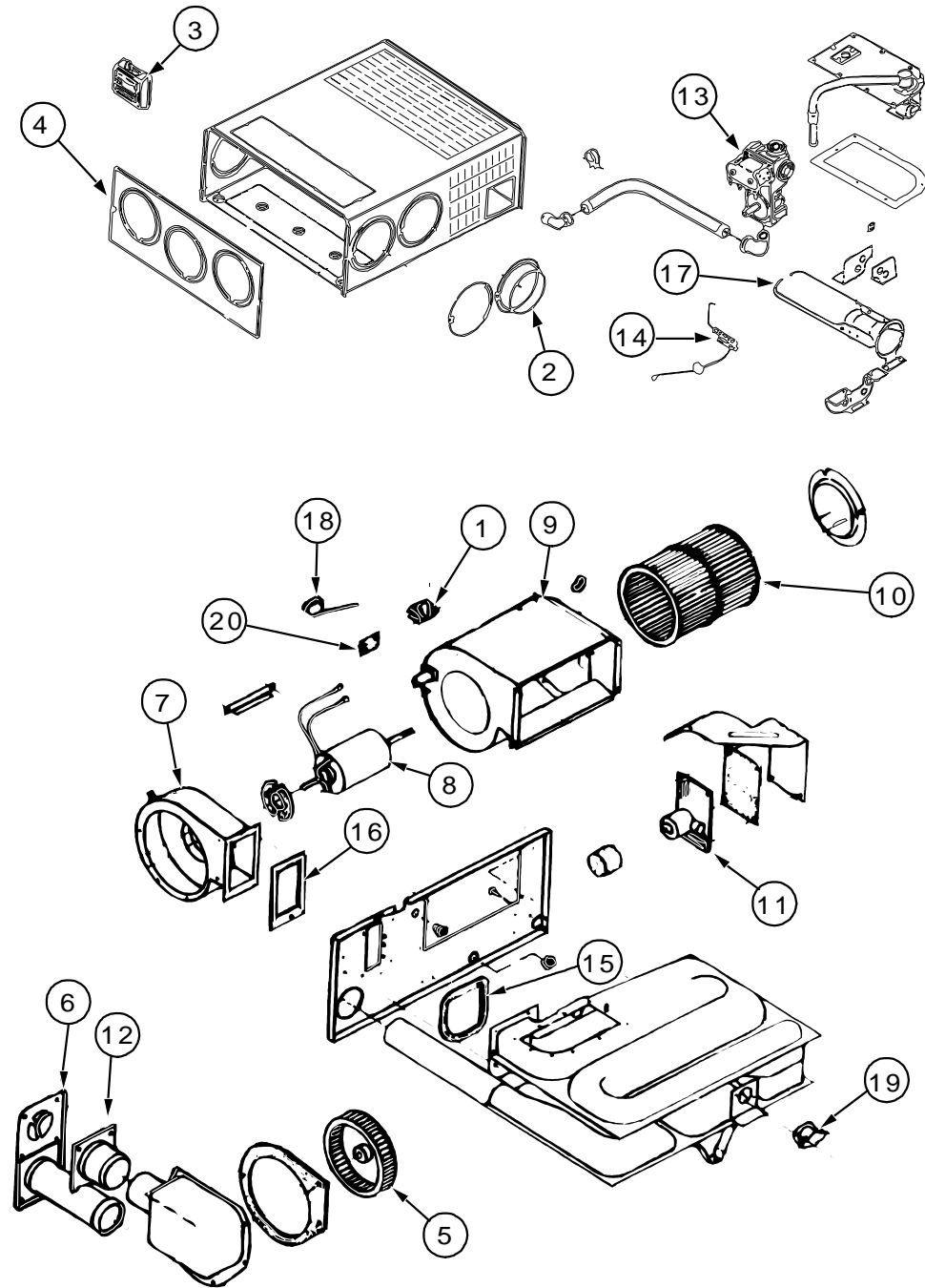
KEY	PART NUMBER	U/M DESCRIPTION
	109982-03-000	EA GENERATOR - 4.0 KW MICROLITE
	007125-04-000	EA CLAMP - MUFFLER - 1.12" DIAMETER
	105958-09-000	EA PIPE - GENERATOR EXHAUST 1.25" OD X 5.9" X 22"

3,600 WATT ONAN MICROLITE - LP

KEY	PART NUMBER	U/M DESCRIPTION
	109982-04-000	EA GENERATOR - 3.6 KW MICROLITE
	007125-04-000	EA CLAMP - MUFFLER - 1.12" DIAMETER
	105958-09-000	EA PIPE - GENERATOR EXHAUST 1.25" OD X 5.9" X 22"

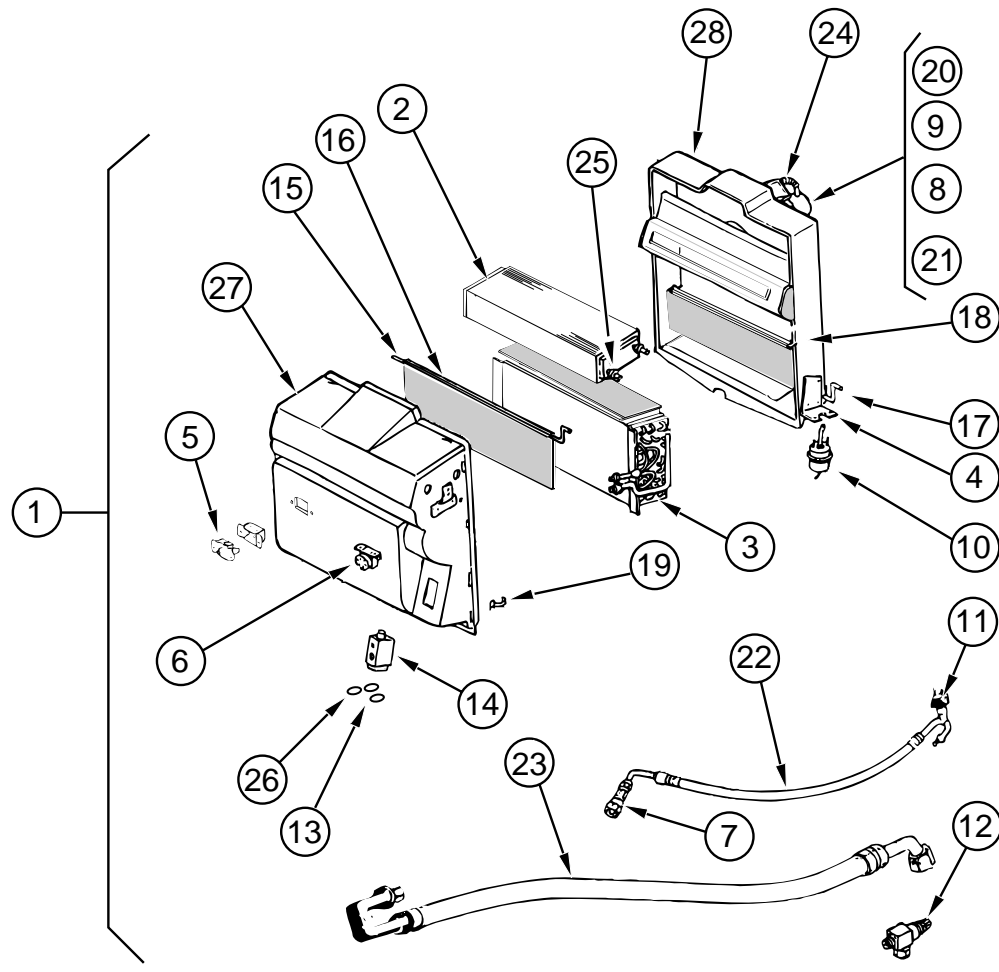
NOTE: ADDITIONAL GENERATOR COMPONENTS ARE FOUND IN THE CHASSIS GROUP.

HEATING & AIR CONDITIONING GROUP
35,000 BTU SUBURBAN FURNACE & WALL THERMOSTAT



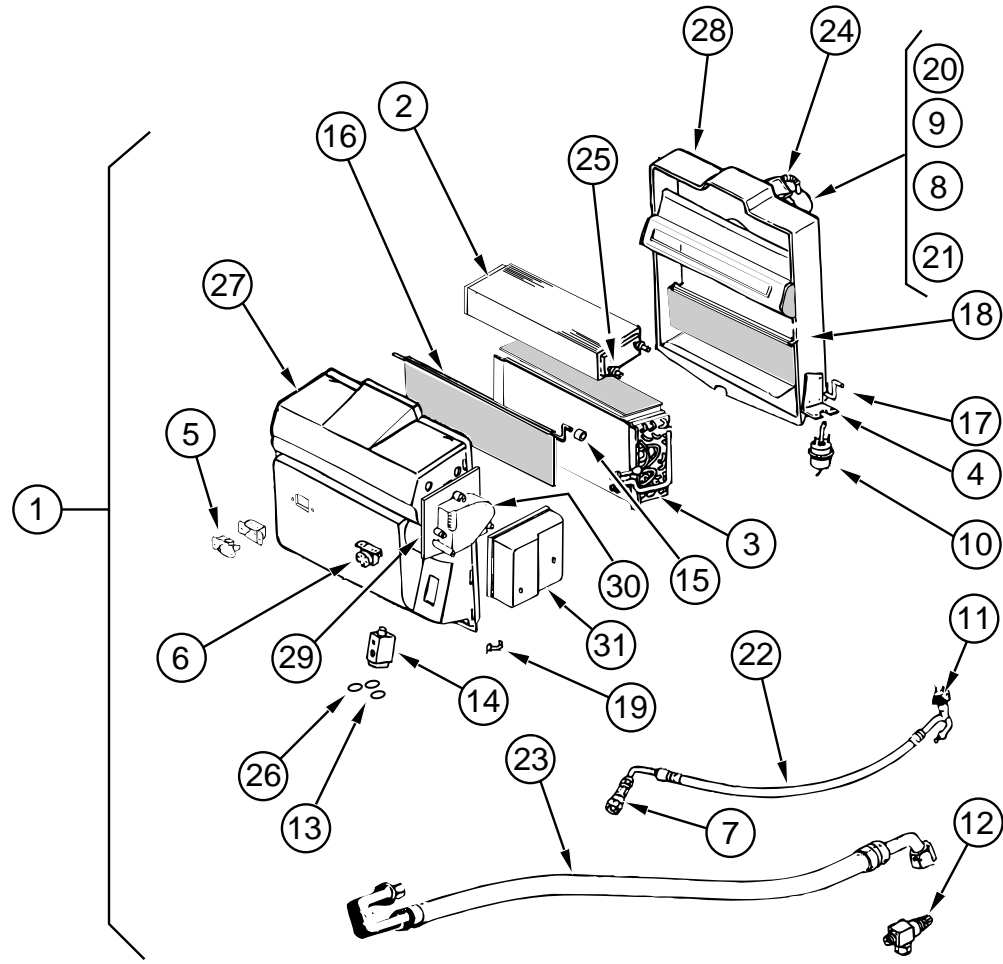
KEY	PART NUMBER	U/M	DESCRIPTION	VENDOR NO.
	098668-20-000	EA	FURNACE - 30,000 BTU	
1	074466-01-702	EA	RELAY-TIME DELAY	230625
2	075696-02-703	EA	COLLAR-DUCT	050715
3	115764-01-01A	EA	THERMOSTAT - WALL, FURNACE 160902	
4	098668-01-700	EA	CABINET-FRONT	101242
5	098668-01-706	EA	WHEEL-COMBUSTION AIR	350122
6	098668-01-707	EA	VENT ASSEMBLY-CAP AND TUBE	260193
7	098668-01-708	EA	BLOWER ASSEMBLY-COMBUSTION AIR	390441
8	098668-01-709	EA	MOTOR ASSEMBLY-F/SF-25, SF-30	231706
9	098668-01-710	EA	BLOWER ASSEMBLY-ROOM AIR	390440
10	098668-01-711	EA	WHEEL-ROOM AIR	350123
11	098668-01-712	EA	BOARD-MODULE	231741
12	098668-01-713	EA	INTAKE VENT TUBE ASSEMBLY	051044
13	098668-01-714	EA	VALVE-GAS, (WHITE ROGERS)	161070
14	098668-01-715	EA	ELECTRODE ASSEMBLY-SINGLE PROBE	232166
15	098668-01-716	EA	GASKET-FIREWALL, CHAMBER SIDE	232166
16	098668-01-717	EA	GASKET-FIREWALL, BLOWER SIDE	070163
17	098668-02-700	EA	BURNER ASSEMBLY COMPLETE - (SF-30/SF35)	010745
18	098668-21-700	EA	MICROSWITCH W/O FLAG 3 1/4"	232261
19	098668-21-701	EA	LIMIT SWITCH	231799
20	101990-01-714	EA	MICROSWITCH GASKET	230877
	092300-02-701	EA	ORIFICE-(MAIN BURNER)	180214
	098668-23-000	EA	DOOR-ACCESS, FURNACE - BRIGHT WHITE	
	056464-09-000	EA	REGISTER - 4" DIAMETER - PLASTIC - W/DAMPENER - BEIGE	
	056464-10-000	EA	REGISTER - 4" DIAMETER - PLASTIC - W/O DAMPENER - BEIGE	
	093614-01-02A	EA	GRILLE-RETURN AIR, FURNACE - 15.6" X 7.6" - BEIGE	

HEATING & AIR CONDITIONING GROUP (CONTINUED)
SCS EVAPORATOR/HEATER ASSEMBLY - FORD GAS CHASSIS (FROM: 00-00-00 THRU: 09-01-96)



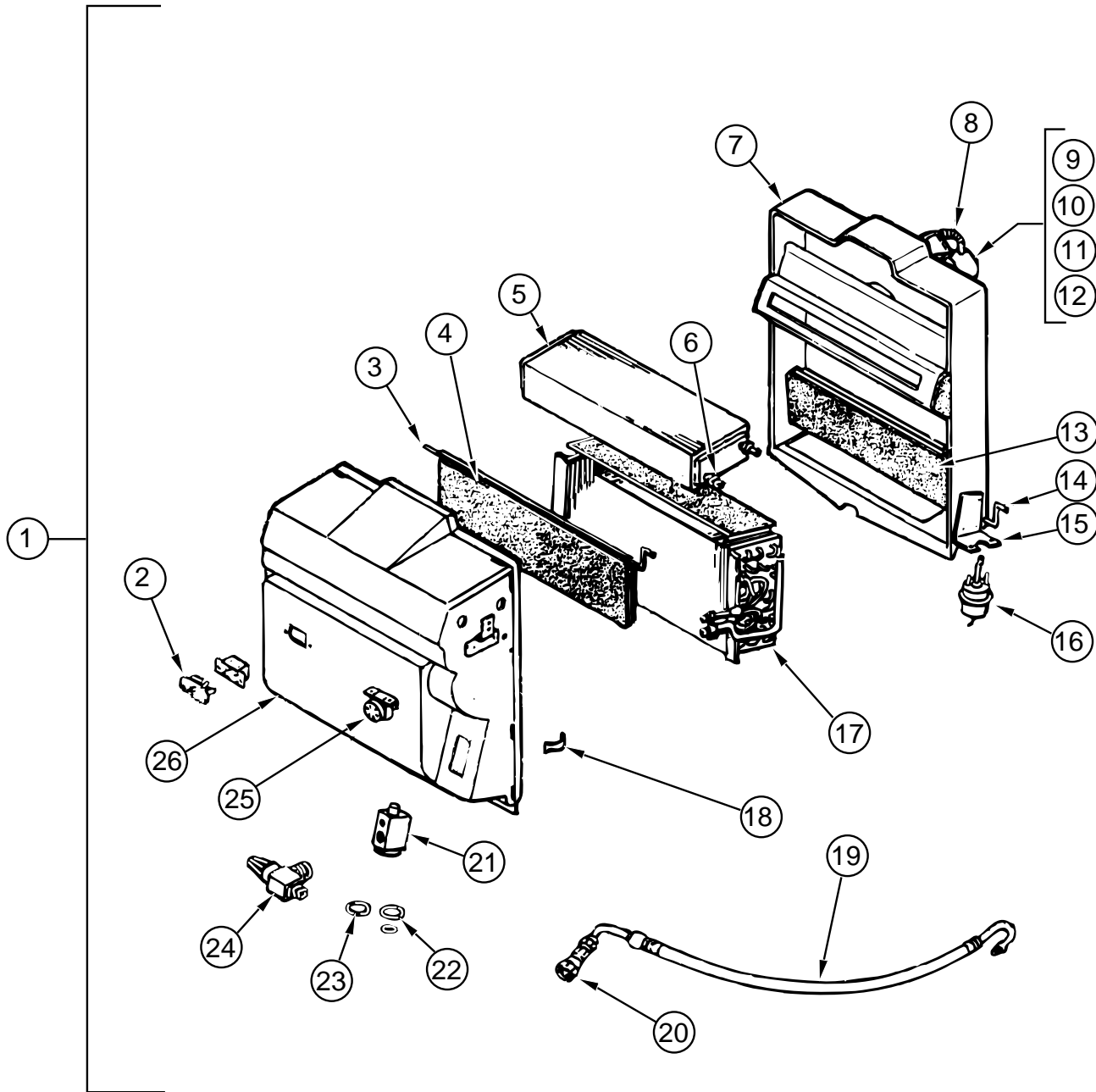
KEY	PART NUMBER	U/M	DESCRIPTION	VENDOR NO.
1	103930-21-000	EA	EVAPORATOR/HEATER ASSEMBLY - R134A BLOCK	
2	103930-01-703	EA	CORE-HEATER	042-0010
3	103930-01-704	EA	COIL-EVAPORATOR	041-0017
4	103930-01-708	EA	BRACKET-VACUUM MOTOR	070-0113
5	103930-01-710	EA	RESISTOR-FUSED, A/C	035-0006
6	103930-01-711	EA	THERMOSTAT	033-0003
7	103930-01-713	EA	FITTING-QUICK CONNECT, #4	050-0030
8	103930-01-717	EA	WHEEL-BLOWER, CLOCKWISE	062-0010
9	103930-01-720	EA	MOTOR-BLOWER, PM105	030-0004
10	103930-02-708	EA	MOTOR-VACUUM SERVO, A/C	030-0025
11	103930-12-708	EA	SWITCH-BINARY, HI-LOW CUTOUT	032-0048
12	103930-13-702	EA	VALVE-SERVICE, W/O COMP	050-0152
13	103930-17-702	EA	O' RING - #10	045-0127
14	103930-20-700	EA	VALVE-EXPANSION BLOCK, 2 TON	034-0032
15	103930-20-702	EA	ROD-DOOR, BLEND AIR	073-0039
16	103930-20-703	EA	DOOR-BLEND AIR	071-0212
17	103930-20-704	EA	ROD-DOOR, RECIRCULATING	073-0018
18	103930-20-705	EA	PANEL-DOOR, RECIRCULATING	071-0213
19	103930-20-706	EA	CLIP-RETAINER	022-0057
20	103930-20-707	EA	HOUSING-BLOWER	062-0145
21	103930-20-708	EA	CLIP-MOTOR SHAFT	022-0001
22	103930-21-700	EA	HOSE ASSEMBLY - #6, EXPANSION VALVE-DRIER	085-0139
23	103930-21-701	EA	HOSE ASSEMBLY - #10, EXPANSION VALVE-COMP	085-0149
24	110279-01-703	EA	HOSE-VENT, BLOWER MOTOR	051-0034
25	110279-01-712	EA	FITTING-HEATER	050-0076
26	113245-01-707	EA	O' RING - #8	045-0126
27	103930-20-710	EA	CASE-FRONT, SUB-ASSEMBLY	062-0146
28	103930-20-711	EA	CASE-BACK, SUB-ASSEMBLY	062-0147

HEATING & AIR CONDITIONING GROUP (CONTINUED)
SCS EVAPORATOR/HEATER ASSEMBLY - FORD GAS CHASSIS (FROM: 09-02-96 THRU: 99-99-99)



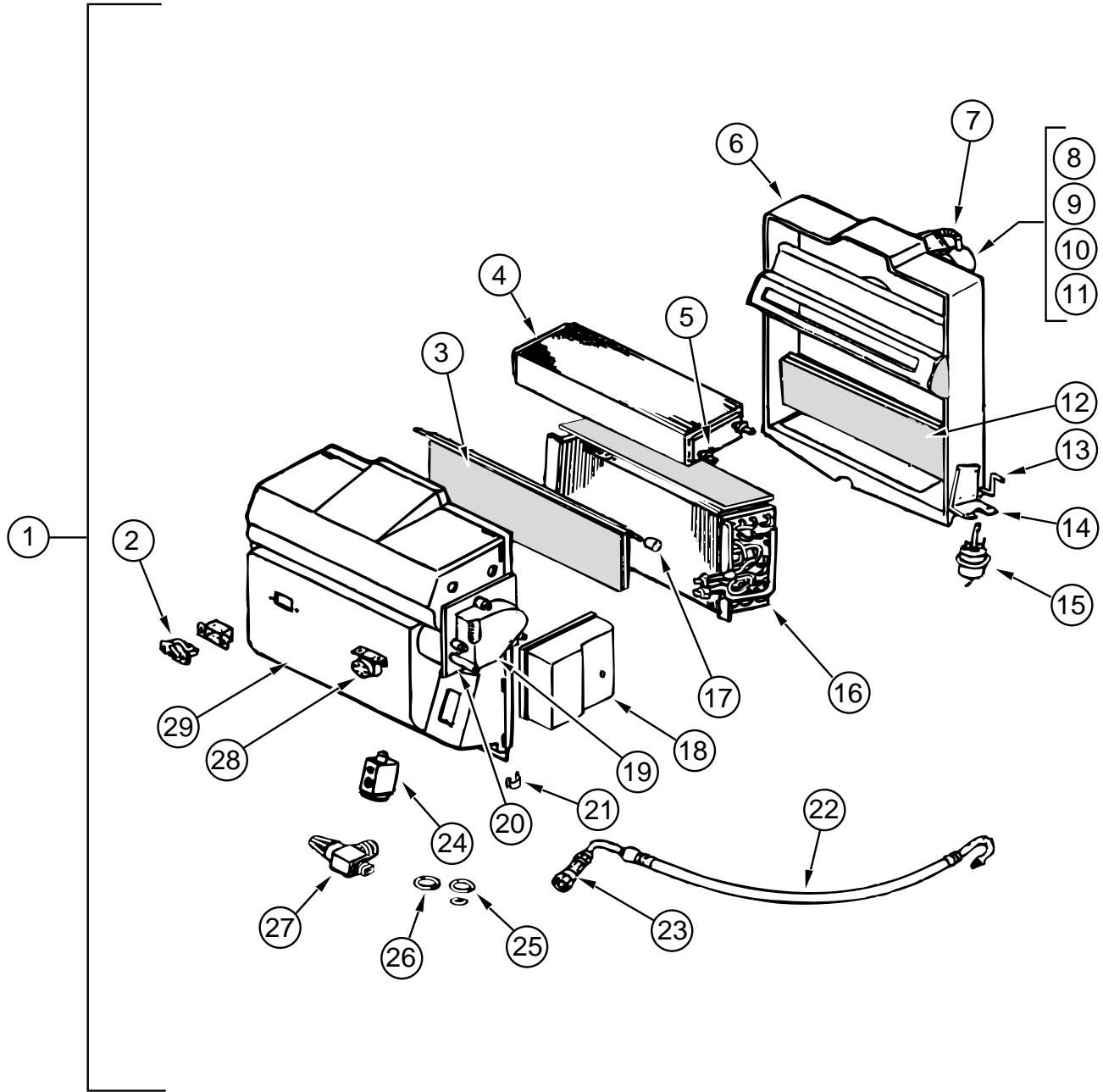
KEY	PART NUMBER	U/M	DESCRIPTION	VENDOR NO.
1	103930-31-000	EA	EVAPORATOR/HEATER ASM - SERVO MOTOR CONTROLLED	
2	103930-01-703	EA	CORE-HEATER	042-0010
3	103930-01-704	EA	COIL-EVAPORATOR	041-0017
4	103930-01-708	EA	BRACKET-VACUUM MOTOR	070-0113
5	103930-01-710	EA	RESISTOR-FUSED, A/C	035-0006
6	103930-01-711	EA	THERMOSTAT	033-0003
7	103930-01-713	EA	FITTING-QUICK CONNECT, #4	050-0030
8	103930-01-717	EA	WHEEL-BLOWER, CLOCKWISE	062-0010
9	103930-01-720	EA	MOTOR-BLOWER, PM105	030-0004
			FROM: 09-02-96 THRU: 12-21-96	
9	103930-30-706	EA	MOTOR-BLOWER, PM147	030-0109
			FROM: 12-22-96 THRU: 99-99-99	
10	103930-02-708	EA	MOTOR-VACUUM SERVO, A/C	030-0025
11	103930-12-708	EA	SWITCH-BINARY, HI-LOW CUTOUT	032-0048
12	103930-13-702	EA	VALVE-SERVICE, W/O COMP	050-0152
13	103930-17-702	EA	O' RING - #10	045-0127
14	103930-20-700	EA	VALVE-EXPANSION BLOCK, 2 TON	034-0032
15	103930-30-702	EA	BUSHING-BLEND AIR DOOR	062-0168
16	103930-30-705	EA	DOOR - BLEND AIR	071-0568
17	103930-20-704	EA	ROD-DOOR, RECIRCULATING	073-0018
18	103930-20-705	EA	PANEL-DOOR, RECIRCULATING	071-0213
19	103930-20-706	EA	CLIP-RETAINER	022-0057
20	103930-20-707	EA	HOUSING-BLOWER	062-0145
21	103930-20-708	EA	CLIP-MOTOR SHAFT	022-0001
22	103930-21-700	EA	HOSE ASSEMBLY - #6, EVAPORATOR/DRIER	085-0139
23	103930-21-701	EA	HOSE ASSEMBLY - #10, EVAPORATOR/COMP	085-0149
24	110279-01-703	EA	HOSE-VENT, BLOWER MOTOR	051-0034
25	110279-01-712	EA	FITTING-HEATER	050-0076
26	113245-01-707	EA	O' RING - #8	045-0126
27	103930-30-700	EA	CASE-FRONT, SUB-ASSEMBLY	062-0542
28	103930-20-711	EA	CASE-BACK, SUB-ASSEMBLY	062-0147
29	103930-30-701	EA	PLATE-MOTOR MOUNT	062-0544
30	103930-30-703	EA	MOTOR-SERVO	030-0104
31	103930-30-704	EA	COVER-SERVO	062-0545

HEATING & AIR CONDITIONING GROUP (CONTINUED)
SCS EVAPORATOR/HEATER ASSEMBLY - CHEVY GAS & DIESEL CHASSIS (FROM: 00-00-00 THRU: 09-01-96)



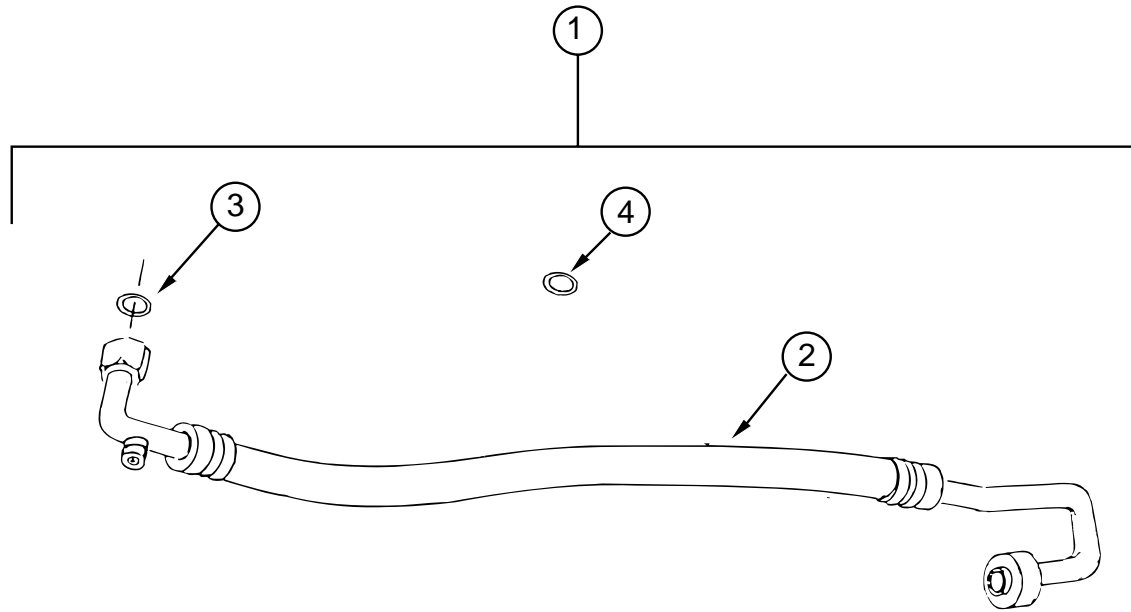
KEY	PART NUMBER	U/M	DESCRIPTION	VENDOR NO.
1	103930-25-000	EA	EVAPORATOR/HEATER - CHEVY - "96"	
2	103930-01-710	EA	RESISTOR-FUSED	035-0006
3	103930-20-702	EA	ROD-DOOR, BLEND AIR	073-0039
4	103930-20-703	EA	DOOR-BLEND AIR	071-0212
5	103930-01-703	EA	CORE-HEATER	042-0010
6	110279-01-712	EA	FITTING-HEATER	050-0076
7	103930-20-711	EA	CASE-BACK, SUB-ASSEMBLY	062-0147
8	110279-01-703	EA	HOSE-VENT, BLOWER MOTOR	051-0034
9	103930-20-707	EA	HOUSING-BLOWER	062-0145
10	103930-01-720	EA	MOTOR-BLOWER, PM105	030-0004
11	103930-01-717	EA	WHEEL-BLOWER, CLOCKWISE	062-0010
12	103930-20-708	EA	CLIP-MOTOR SHAFT	022-0001
13	103930-20-705	EA	PANEL-DOOR, RECIRCULATING	071-0213
14	103930-20-704	EA	ROD-DOOR, RECIRCULATING	073-0018
15	103930-01-708	EA	BRACKET-VACUUM MOTOR	070-0113
16	103930-02-708	EA	MOTOR-VACUUM SERVO, A/C	030-0025
17	103930-01-704	EA	COIL-EVAPORATOR	041-0017
18	103930-20-706	EA	CLIP-RETAINER - CASE ATTACH	022-0057
19	103930-25-700	EA	HOSE ASSEMBLY - #6, EVAPORATOR TO DRIER	085-0350
20	103930-12-709	EA	FITTING-QUICK CONNECT	050-0120
21	103930-20-700	EA	VALVE-EXPANSION BLOCK, 2 TON	034-0032
22	103930-17-702	EA	O' RING - #10	045-0127
23	113245-01-707	EA	O' RING - #8	045-0126
24	103930-20-709	EA	VALVE-SERVICE	050-0159
25	103930-01-711	EA	THERMOSTAT	033-0003
26	103930-20-710	EA	CASE-FRONT, SUB-ASSEMBLY	062-0146
	103930-02-714	EA	CLAMP-CLUTCH, BARREL	022-0006

HEATING & AIR CONDITIONING GROUP (CONTINUED)
SCS EVAPORATOR/HEATER ASSEMBLY - CHEVY GAS & DIESEL CHASSIS (FROM: 09-02-96 THRU: 99-99-99)



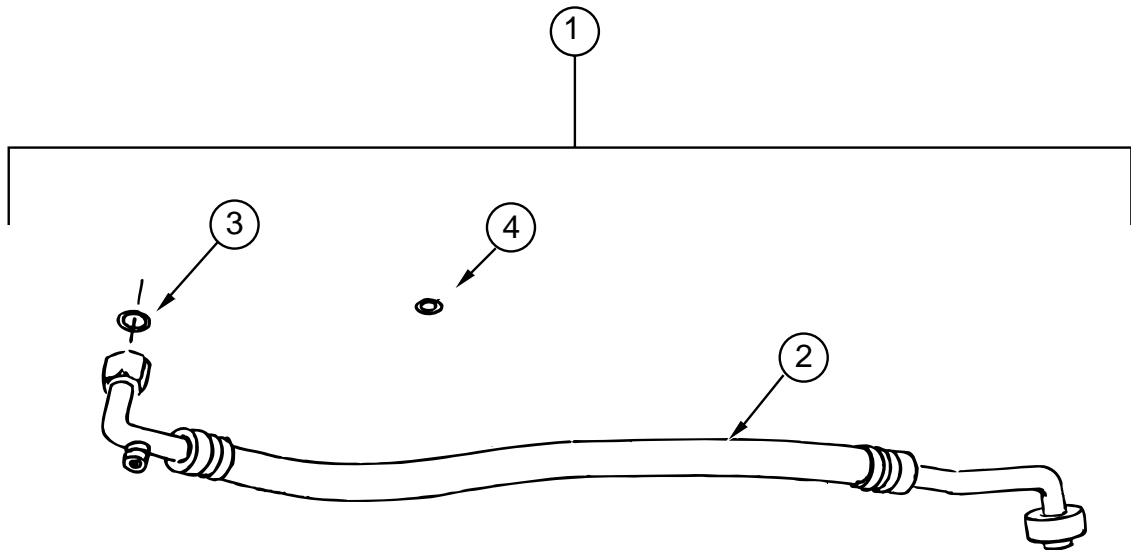
KEY	PART NUMBER	U/M	DESCRIPTION	VENDOR NO.
1	103930-30-000	EA	EVAPORATOR/HEATER ASM - SERVO MOTOR CONTROLLED	
2	103930-01-710	EA	RESISTOR-FUSED, A/C	035-0006
3	103930-30-705	EA	PANEL-DOOR, BLEND AIR	071-0568
4	103930-01-703	EA	CORE-HEATER	042-0010
5	110279-01-712	EA	FITTING-HEATER	050-0076
6	103930-20-711	EA	CASE-BACK, SUB-ASSEMBLY	062-0147
7	110279-01-703	EA	HOSE-VENT, BLOWER MOTOR	051-0034
8	103930-20-707	EA	HOUSING-BLOWER	062-0145
9	103930-01-720	EA	MOTOR-BLOWER, PM105	030-0004
			FROM: 09-02-96 THRU: 12-21-96	
9	103930-30-706	EA	MOTOR-BLOWER, PM147 W/ADAPTER	030-0109
			FROM: 12-22-96 THRU: 99-99-99	
10	103930-01-717	EA	WHEEL-BLOWER, CLOCKWISE	062-0010
11	103930-20-708	EA	CLIP-MOTOR SHAFT	022-0001
12	103930-20-705	EA	PANEL-DOOR, RECIRCULATING	071-0213
13	103930-20-704	EA	ROD-DOOR, RECIRCULATING	073-0018
14	103930-01-708	EA	BRACKET-VACUUM MOTOR	070-0113
15	103930-02-708	EA	MOTOR-VACUUM SERVO, A/C	030-0025
16	103930-01-704	EA	COIL-EVAPORATOR	041-0017
17	103930-30-702	EA	BUSHING-BLEND AIR DOOR	062-0168
18	103930-30-704	EA	COVER-SERVO	062-0545
19	103930-30-703	EA	MOTOR-SERVO	030-0104
20	103930-30-701	EA	PLATE-SERVO MOTOR MOUNT	062-0544
21	103930-20-706	EA	CLIP-RETAINER	022-0057
22	103930-25-700	EA	HOSE ASSEMBLY - #6, EVAPORATOR TO DRIER	085-0350
23	103930-12-709	EA	FITTING-QUICK CONNECT	050-0120
24	103930-20-700	EA	VALVE-EXPANSION BLOCK, 2 TON	034-0032
25	103930-17-702	EA	O' RING - #10	045-0127
26	113245-01-707	EA	O' RING - #8	045-0126
27	103930-20-709	EA	VALVE-SERVICE	050-0159
28	103930-01-711	EA	THERMOSTAT	033-0003
29	103930-30-700	EA	CASE-FRONT	062-0542

HEATING & AIR CONDITIONING GROUP (CONTINUED)



CHEVY HOSE KIT - STANDARD GAS

KEY	PART NUMBER	U/M DESCRIPTION	VENDOR NO.
1	103930-28-000	EA HOSE KIT - #10 W/GM L-19 CHASSIS	
2	103930-28-700	EA HOSE ASM #10 EVAPORATOR/COMP	085-0347
3	103930-17-702	EA O'RING #10	045-0127
4	103930-29-701	EA O'RING F/LOW PRESSURE SWITCH	045-0483



CHEVY HOSE KIT - VORTEC GAS OR DIESEL OPTION

KEY	PART NUMBER	U/M DESCRIPTION	VENDOR NO.
1	103930-29-000	EA HOSE KIT - #10 F/GM L-29 & L-65 CHASSIS	
2	103930-29-700	EA HOSE ASM #10 EVAPORATOR/COMP	085-0348
3	103930-17-702	EA O'RING #10	045-0127
4	103930-29-701	EA O'RING F/LOW PRESSURE SWITCH	045-0483

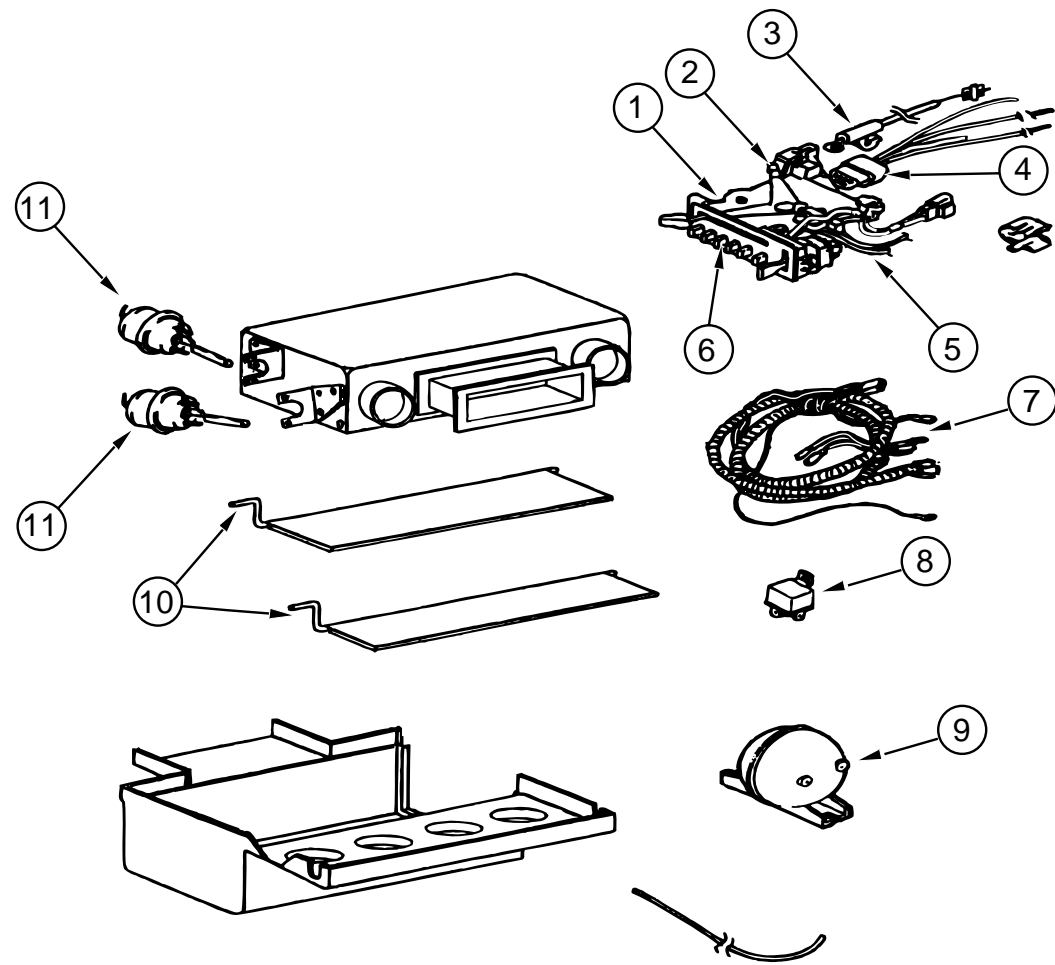
HEATING & AIR CONDITIONING GROUP (CONTINUED)
AUTOMOTIVE HEATER MISCELLANEOUS

KEY	PART NUMBER	U/M DESCRIPTION
	007076-01-000	EA HOSE-FLEXIBLE PVC - 2" ID INCREMENTS OF 50'
	007108-01-000	FT HOSE-HEATER, 5/8" ID - HI-TEMP - FORD ESE-M2D192-A
	007281-01-000	EA HOSE-FLEXIBLE PVC, 2.5" ID X 50' - ATCOFLEX A-182-355
	007281-01-700	FT HOSE-FLEXIBLE PVC, 2.5" ID
	024990-05-000	EA OUTLET - 4" DIAMETER W/SWIVEL DEFLECTORS
	056402-05-000	EA BRACKET-HEATER VENT, ROUND - W/BEND - BLACK
	077075-01-000	EA GASKET-INSTRUMENT PANEL TO DEFROSTER PLENUM - 1.8" X 12.5"
	077075-03-000	EA GASKET-INSTRUMENT PANEL TO DEFROSTER PLENUM - 1.8" X 12.25"
	103016-01-000	EA PLENUM-TRANSITION
	103017-01-000	EA PLENUM-DEFROSTER
	103930-23-000	EA VALVE-WATER, 2 PORT
	103930-24-000	EA VALVE-WATER, 4 PORT
	103558-01-07A	EA VENT-DEFROSTER, ABS - WILLOW
	103796-01-01A	EA LOUVER ASSEMBLY-A/C CARY PROD - BLACK
	097494-02-000	EA TEE-BRASS, BARB - 3/8" X 5/32" X 3/8" - PARKER 224-8-8-4
	103930-05-000	EA MANUAL - OWNER - HEATER/A/C
		FROM: 00-00-00 THRU: 02-23-97
	103930-37-000	EA MANUAL - OWNERS - HEATER/A/C
		FROM: 02-24-97 THRU: 99-99-99
	7SB010-96-14Z	EA MANUAL-DEALER SERVICE/PARTS - SCS 057-00171

EVANS REAR HEATER & COMPONENTS

KEY	PART NUMBER	U/M DESCRIPTION	VENDOR NO.
	084405-01-000	EA HEATER ASSEMBLY-REAR, DUCTED - W/MOTOR AID - EVANS	
	084405-01-700	EA CORE-HEATER	FT200229
	084405-01-701	EA FAN BLADES	HV029931
	084405-01-702	EA MOTOR ASSEMBLY, 12 VOLT	R0200180
	007108-01-000	FT HOSE-HEATER, 5/8" ID - HI-TEMP - FORD ESE-M2D192-A	
	061673-01-000	EA BRACKET-MOTOR AID TUBES, 4" X 1.5" - STEEL	
	079059-01-000	EA HOSE - 90 DEGREE - 5/8" ID X 4" X 36"	

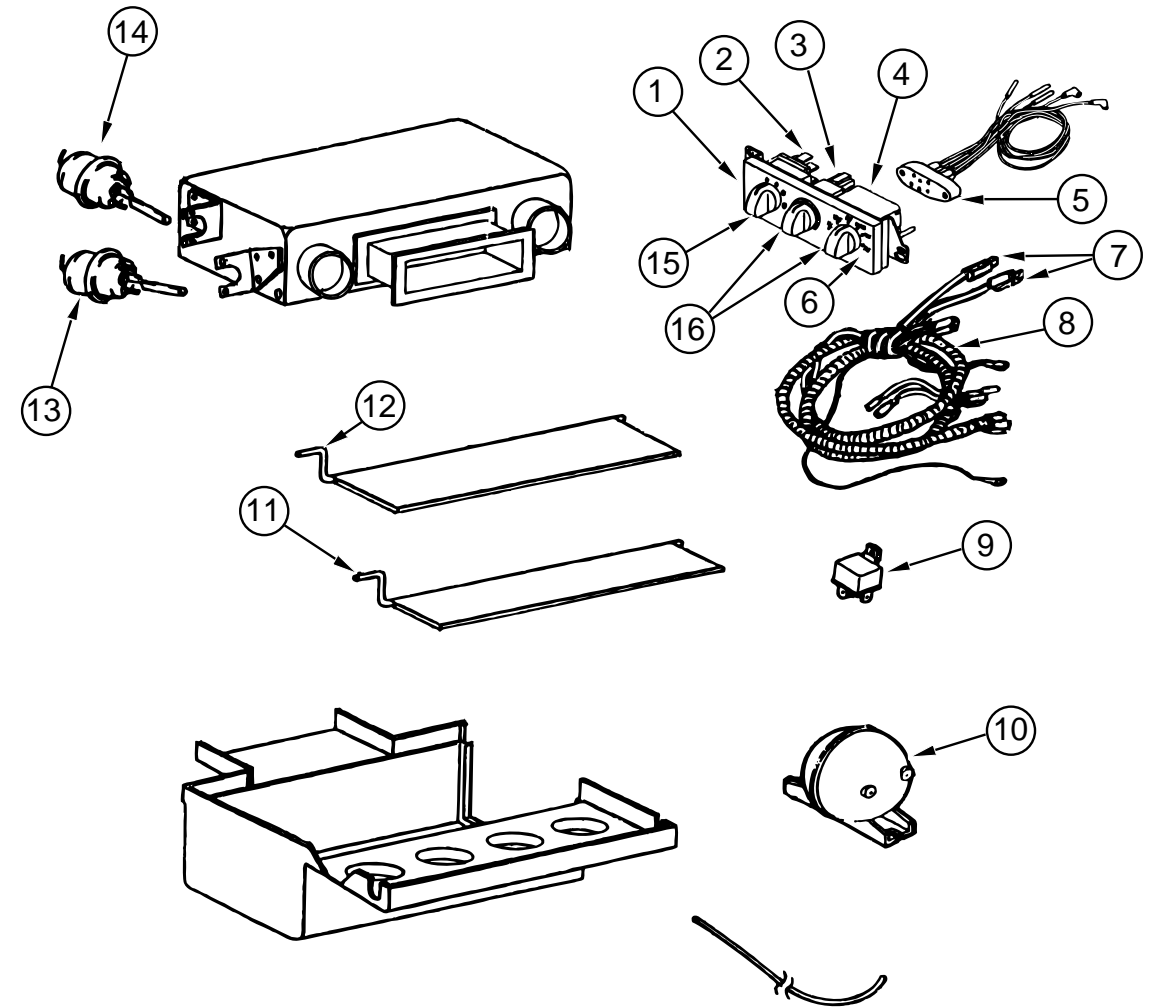
HEATING & AIR CONDITIONING GROUP (CONTINUED)



SCS CONTROL/PLENUM (FROM: 00-00-00 THRU: 09-01-96)

KEY	PART NUMBER	U/M	DESCRIPTION	VENDOR NO.
	103930-38-000	EA	CONTROL/PLENUM SET	
1	103930-02-712	EA	PANEL-CONTROL, BLACK BEZEL	032-0054
	072341-06-700	EA	SWITCH - 4 SPEED, FAN	032-0043
2	103930-02-714	EA	CLAMP-CLUTCH, BARREL	022-0006
3	103930-02-705	EA	CABLE-CONTROL, BOWDEN W/O LEVER - 89"	074-0011
4	103930-02-704	EA	HARNESS-VACUUM CONTROL	036-0049
5	103930-02-701	EA	SWITCH-VACUUM, CONTROL HEAD	034-0015
6	103930-02-702	EA	DECAL-CONTROL HEAD	058-0009
7	103930-02-703	EA	HARNESS-WIRE CONTROL	036-0048
8	103930-02-707	EA	RELAY-BOSCH W/RESISTOR	031-0001
9	103930-02-710	EA	CANISTER-VACUUM	054-0002
10	103930-33-700	EA	ROD-DOOR, DEFROSTER/A/C	073-0028
11	103930-02-708	EA	MOTOR-VACUUM SERVO, A/C	030-0025
	094831-01-731	EA	ADAPTER - 2"	062-0001

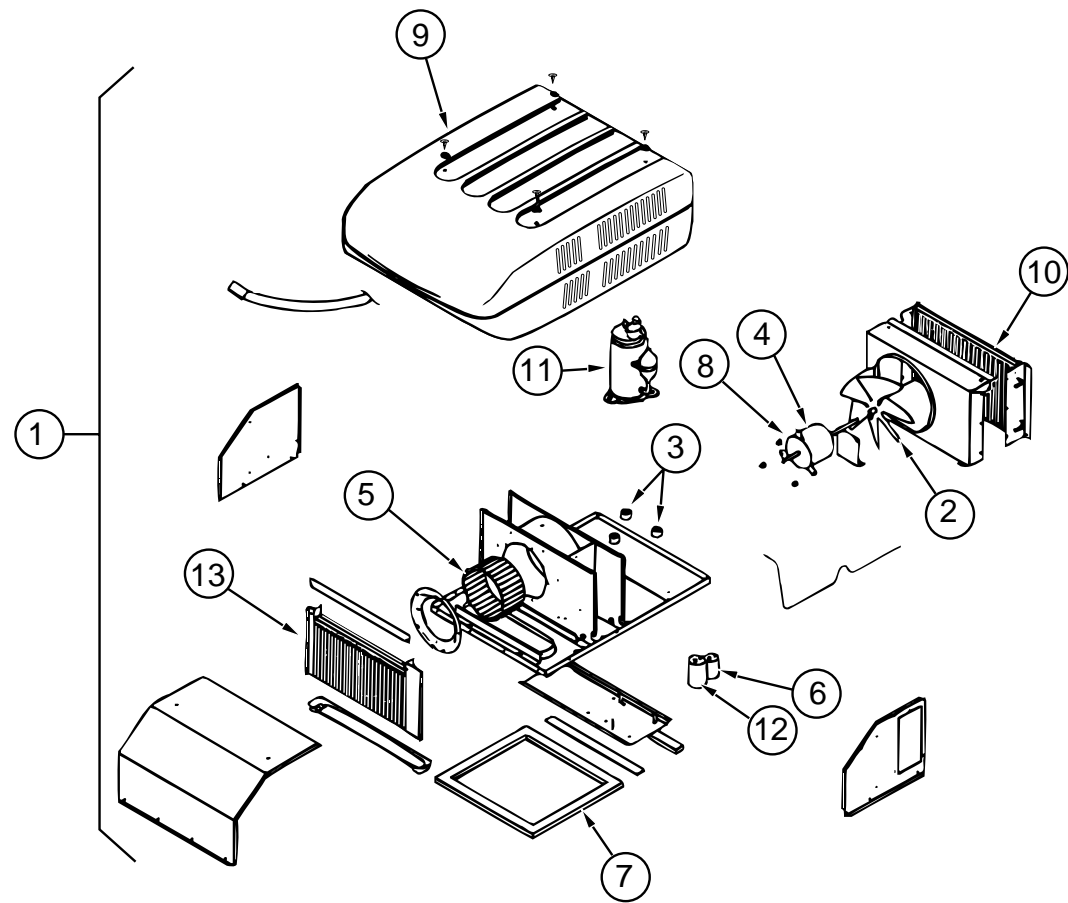
HEATING & AIR CONDITIONING GROUP (CONTINUED)



SCS CONTROL/PLENUM (FROM: 09-02-96 THRU: 99-99-99)

KEY	PART NUMBER	U/M	DESCRIPTION	VENDOR NO.
	103930-34-000	EA	CONTROL/PLENUM-ROTARY CONTROL HEAD	
1	103930-33-702	EA	PANEL ASSEMBLY-CONTROL	083-0169
2	103930-33-707	EA	SWITCH-BLOWER	032-00066
3	103930-33-708	EA	SWITCH-POTENTIOMETER	032-0184
4	103930-33-709	EA	SWITCH-VACUUM	032-0183
5	103930-33-703	EA	HARNESS-VACUUM	036-0466
6	103930-33-710	EA	DECAL-CONTROL HEAD	058-0102
7	103930-33-705	EA	BULB-LIGHT	035-0030
8	103930-33-704	EA	HARNESS-WIRE W/BULBS	036-0465
			FROM: 09-02-96 THRU: 12-21-96	
8	103930-33-711	EA	HARNESS-WIRE, MAIN	036-0496
			FROM: 12-22-96 THRU: 99-99-99	
9	103930-02-707	EA	RELAY-BOSCH W/RESISTOR	031-0001
10	103930-02-710	EA	CANISTER-VACUUM	054-0002
11	103930-33-700	EA	ROD-DOOR, DEFROSTER/A/C	073-0028
12	103930-33-706	EA	ROD-DOOR, A/C/DEFROST	073-0060
13	103930-02-708	EA	MOTOR-VACUUM SERVO, A/C	030-0025
14	103930-33-701	EA	MOTOR-VACUUM, 3 STAGE	030-0105
15	103930-33-712	EA	KNOB - BLOWER	062-00539
16	103930-33-713	EA	KNOB	062-00540

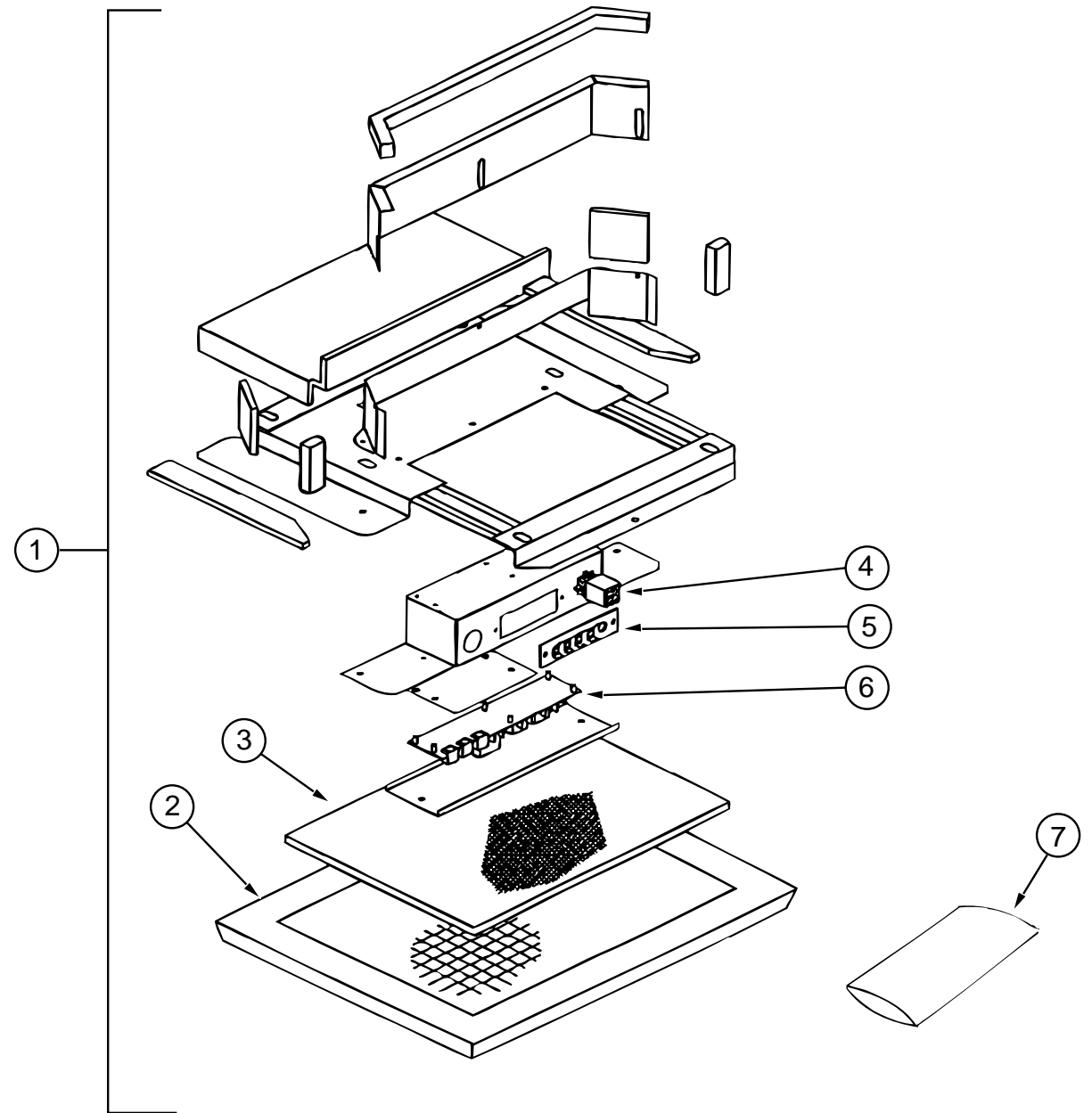
HEATING & AIR CONDITIONING GROUP (CONTINUED)



COLEMAN 14,800 BTU ROOF A/C

KEY	PART NUMBER	U/M DESCRIPTION	VENDOR NO.
1	115219-01-03A	EA A/C-ROOF, 14,800 BTU MACH 15 - BRIGHT WHITE	
2	093763-01-712	EA BLADE-FAN, CONDENSER	6733-3221
3	105620-01-706	EA FOOT PACKAGE-COMPRESSOR, 3 PER PACKAGE	6759-3081
4	108889-01-705	EA MOTOR - 115V, 60HZ	1468-3049
5	108889-01-706	EA IMPELLOR	1472-1041
6	093763-01-704	EA CAPACITOR-FAN	1499-5461
	108889-01-710	EA PAD-FILLER, CONDENSER SEAL	6759B3971
7	108889-01-711	EA GASKET PACKAGE	6792A3301
8	108889-01-715	EA MOTOR MOUNT & SHAFT SEAL KIT	6792A3361
9	108889-05-700	EA SHROUD - BRIGHT WHITE, W/O LOGO	7333-4601
10	115219-01-700	EA COIL-CONDENSER	1452A1321
11	115219-01-708	EA COMPRESSOR, CONVERSION KIT	1450A2061
12	115219-01-702	EA CAPACITOR-RUN, COMPRESSOR	1499-5741
	115219-01-703	EA RELAY-START	1497-4151
13	115219-01-704	EA COIL-EVAPORATOR	1452-1331
	115219-01-705	EA LINE-SUCTION, LOWER	7335-130
	115219-01-706	EA LINE-SUCTION, UPPER	7335-131
	115219-01-707	EA LINE ASSEMBLY, DISCHARGE	7335A132
	093306-01-720	EA CAPACITOR-START, 21-25 MFD33	1497-3351
	093306-01-701	EA DECAL PACKAGE-LEFT & RIGHT	6798B3591
	102289-01-000	EA SPRING-SCREW, ROOF A/C GASKET - COLEMAN 6757-150	

HEATING & AIR CONDITIONING GROUP (CONTINUED)



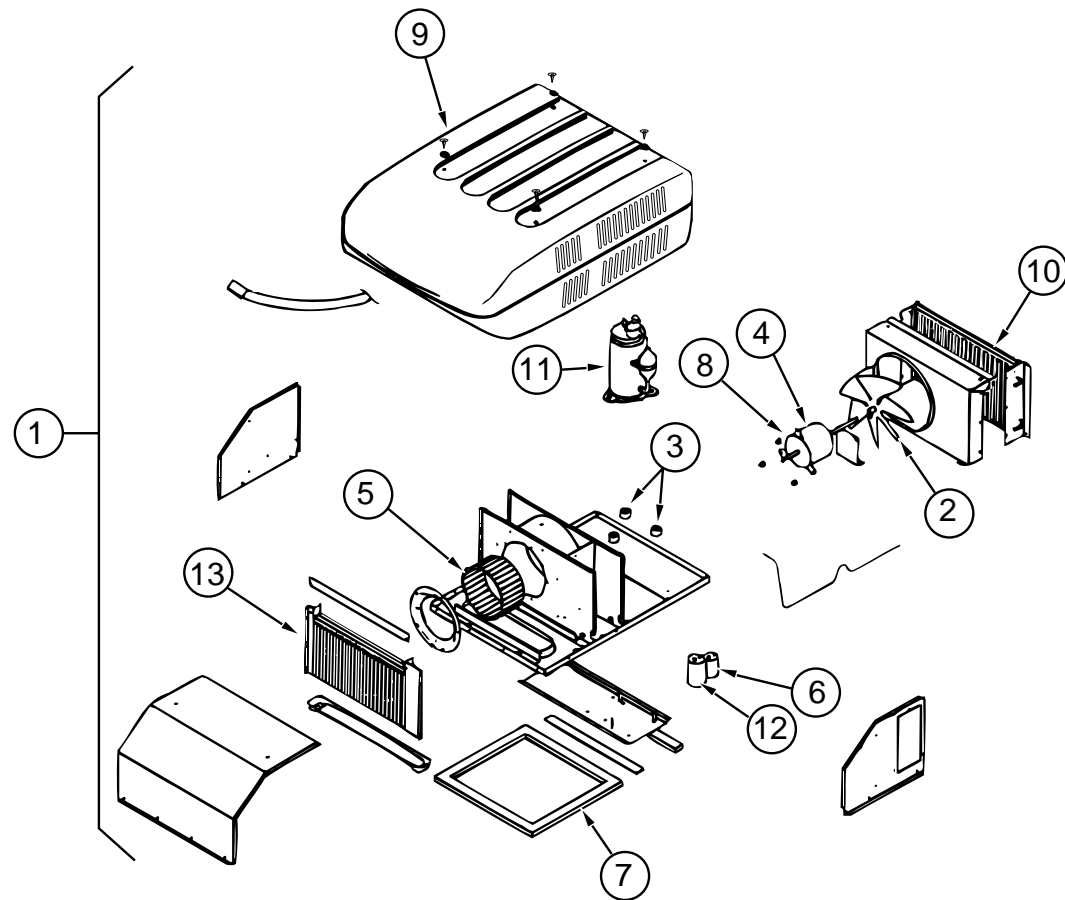
COLEMAN 14,800 BTU A/C CEILING ASSEMBLY, THERMOSTAT, & REGISTER

KEY	PART NUMBER	U/M DESCRIPTION	VENDOR NO.
1	108892-01-01A	EA CEILING ASM-A/C DUCTED - COLEMAN 7330-730IV	
2	108892-01-704	EA GRILLE (PLASTIC)	6798-3041
3	108892-01-703	EA FILTER	6798A3761
4	108892-01-700	EA PLUG ASSEMBLY	7330-540
5	108892-01-701	EA BOARD-TERMINAL	7330-3201
6	108892-01-702	EA BOARD-PRINTED CIRCUIT	7330A3211
7	108892-01-705	EA SMALL PARTS PACKAGE	7330A6101
	117238-01-01A	EA THERMOSTAT-A/C AND FURNACE - COLEMAN 7330-3371	
	117238-02-01A	EA THERMOSTAT-A/C ONLY - COLEMAN 7330-3381	
	120134-01-02A	EA REGISTER - 4" - 5" DIAMETER W/DAMPER - WHITE - DTW 8840	

ROOF A/C COVERS & AC SELECTOR SWITCH

KEY	PART NUMBER	U/M DESCRIPTION
	092633-02-02A	EA COVER-BLANK, ROOF A/C - 5.1" X 5.1" - PLASTIC - OFF WHITE
	121365-02-01A	EA COVER-A/C SWITCH, SINGLE
	105290-01-000	SF INSULATION - AIR POCKET W/FOIL

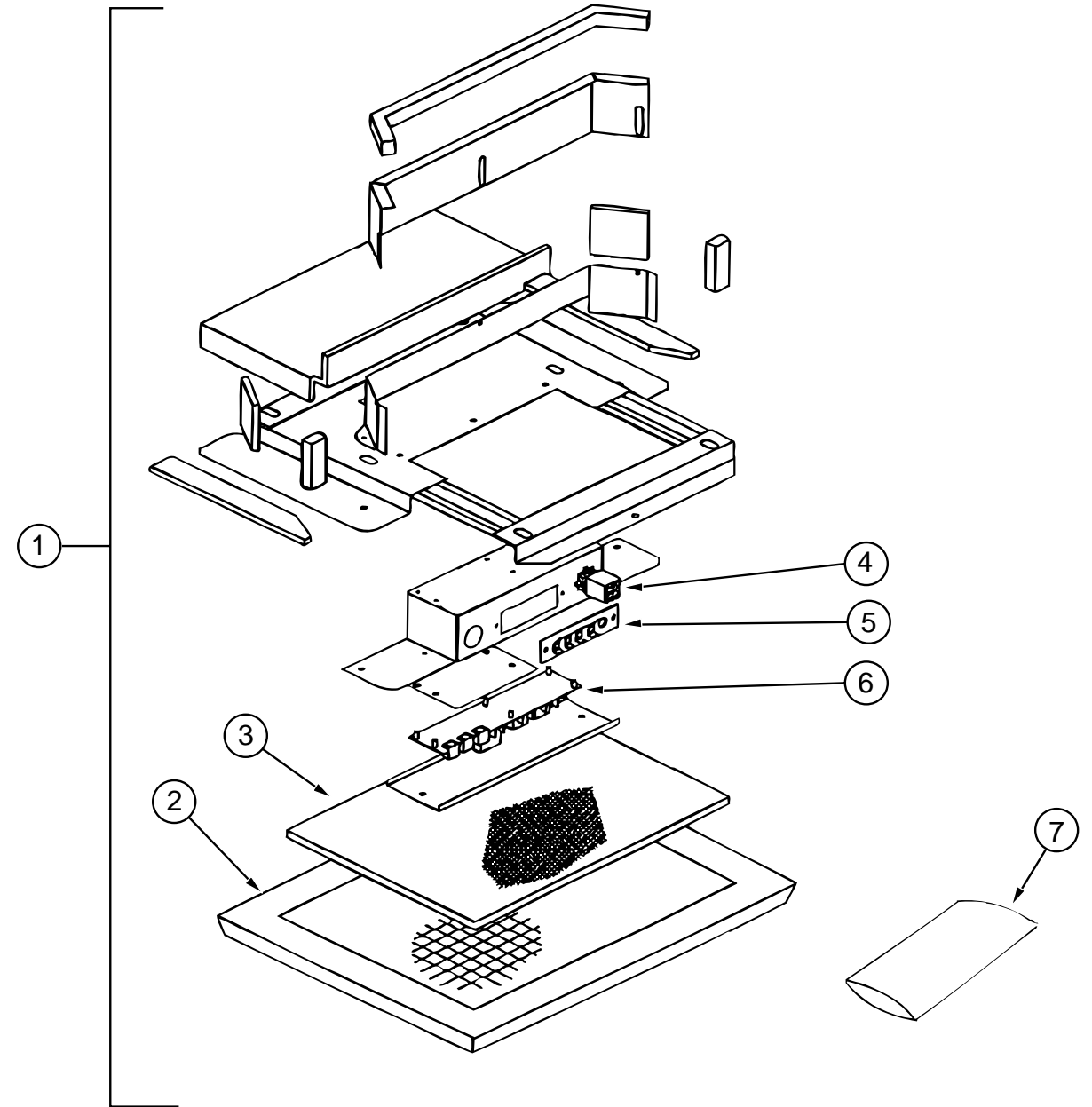
HEATING & AIR CONDITIONING GROUP (CONTINUED)



COLEMAN 13,500 BTU ROOF A/C - EUROPEAN

KEY	PART NUMBER	U/M DESCRIPTION	VENDOR NO.
1	108889-02-03A	EA A/C-ROOF, 13,500 BTU - TSR - 220 VOLT - BRIGHT WHITE - COLEMAN 7373A891	
	093306-01-701	EA DECAL PACKAGE-LEFT & RIGHT	6798B3591
2	093763-01-712	EA FAN BLADE-CONDENSER	6733-3221
	105620-01-705	EA PROTECTOR-OVERLOAD, RH & LH	6759-3791
3	105620-01-706	EA FOOT PACKAGE-COMPRESSOR, 3 PER PKG	6759-3081
4	108889-02-701	EA MOTOR	1468-3059
5	108889-01-706	EA IMPELLOR	1472-1041
6	093763-01-704	EA CAPACITOR-FAN	1499-5461
7	108889-01-711	EA GASKET PACKAGE	6792A3301
8	108889-01-715	EA MOTOR MOUNT & SHAFT SEAL KIT	6792A3361
9	108889-05-700	EA SHROUD-BRIGHT/WHT. W/O LOGO	7333-4601
10	108889-01-703	EA COIL-CONDENSER	1452A1301
11	108889-02-700	EA COMPRESSOR-TECUMSEH	1450A2029
12	108889-01-707	EA CAPACITOR-RUN, COMPRESSOR-25MFD/370	1499-5661
13	108889-01-709	EA COIL-EVAPORATOR	1452A1311
	108889-01-710	EA PAD-FILLER, CONDENSER SEAL	6759B3971
	108889-01-713	EA SUCTION LINE, 3/8" OD X .032" WALL	6792-130
	108889-01-714	EA LINE ASSEMBLY-DISCHARGE	6792-531
	108889-02-702	EA CAPACITOR-START	1497-0891
	108889-02-703	EA RELAY-START	1497-4141
	102289-01-000	EA SPRING-SCREW, ROOF A/C GASKET - COLEMAN 6757-150	

HEATING & AIR CONDITIONING GROUP (CONTINUED)



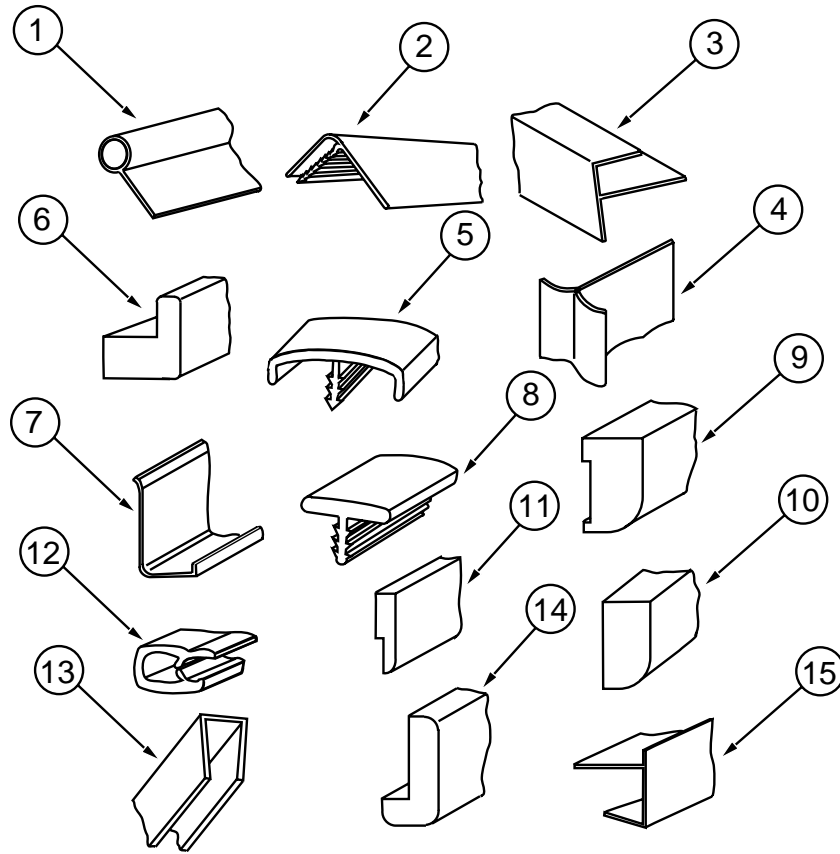
COLEMAN 13,500 BTU A/C CEILING ASSEMBLY, THERMOSTAT, & REGISTER - EUROPEAN

KEY	PART NUMBER	U/M DESCRIPTION	VENDOR NO.
1	108892-01-01A	EA CEILING ASM-A/C DUCTED - COLEMAN 7330-730IV	
2	108892-01-704	EA GRILLE (PLASTIC)	6798-3041
3	108892-01-703	EA FILTER	6798A3761
4	108892-01-700	EA PLUG ASSEMBLY	7330-540
5	108892-01-701	EA BOARD-TERMINAL	7330-3201
6	108892-01-702	EA BOARD-PRINTED CIRCUIT	7330A3211
7	108892-01-705	EA SMALL PARTS PACKAGE	7330A6101
	117238-01-01A	EA THERMOSTAT-A/C AND FURNACE - COLEMAN 7330-3371	
	117238-02-01A	EA THERMOSTAT-A/C ONLY - COLEMAN 7330-3381	
	120134-01-02A	EA REGISTER - 4" - 5" DIAMETER W/DAMPER - WHITE - DTW 8840	

ROOF A/C COVERS & AC SELECTOR SWITCH

KEY	PART NUMBER	U/M DESCRIPTION
	092633-02-02A	EA COVER-BLANK, ROOF A/C - 5.1" X 5.1" - PLASTIC - OFF WHITE
	121365-01-01A	EA COVER-A/C SWITCH, DUAL
	105290-01-000	SF INSULATION - AIR POCKET W/FOIL

**INTERIOR FINISH GROUP
MOLDINGS & TRIMS**



KEY	PART NUMBER	U/M	DESCRIPTION
1	009767-12-000	FT	MOLDING-SIDEWALL TO CEILING/CABINET - WELTING - OFF WHITE
2	009809-28-000	EA	MOLDING-CORNER, OUTSIDE - 1" - PLASTIC - WATERFORD OAK
3	009812-29-000	EA	MOLDING-CORNER, OUTSIDE - .5" X 7' - PLASTIC - WATERFORD OAK
4	022992-11-000	FT	MOLDING-REVERSE COVE, T-SHAPED - VINYL - IVORY
5	083620-12-000	FT	MOLDING-T, END CAP EDGE - W/EDGE LIPS - .75" - WATERFORD OAK
6	100819-01-05A	EA	MOLDING-VINYL WRAPPED, DOOR - WATERFORD OAK
7	085746-01-000	FT	TRIM-J, CARPET - 1.2" X .5" ANGLE - 10' LONG - PVC - BEIGE
8	104676-01-01A	FT	T-MOLDING, 5/16 - RIGID - GOLD
9	117268-D2-134	EA	MOLDING - VINYL WRAPPED - .7" X 1.6" X 84" - WATERFORD OAK
9	117268-D2-438	EA	MOLDING - VINYL WRAPPED - .7" X 1.5" X 96" - WATERFORD OAK
9	117268-F2-134	EA	MOLDING - VINYL WRAPPED - .7" X 2.7" X 84" - WATERFORD OAK
9	117268-F2-438	EA	MOLDING - VINYL WRAPPED - .7" X 2.6" X 96" - WATERFORD
10	100818-01-05A	EA	MOLDING-VINYL WRAPPED, 1" X 8' - WATERFORD OAK
11	105004-01-05A	EA	MOLDING-VINYL WRAPPED, 1" X 8' - WATERFORD OAK
12	072368-02-000	EA	TRIM - VINYL - EDGE - BLACK
12	113452-01-000	FT	SEAL/TRIM - FRONT - VINYL W/WIRE CARRIER FROM: 00-00-00 THRU: 02-02-97 FROM: 02-03-97 THRU: 99-99-99
13	009778-21-000	FT	U-CHANNEL, 1" WIDE X 8' INCREMENTS - PLASTIC - WATERFORD OAK
13	070504-36-000	FT	U-CHANNEL-PLASTIC, 1.65" WIDE - WATERFORD OAK - INCREMENTS OF 8'
13	070504-37-000	FT	U-CHANNEL-PLASTIC, .815" WIDE - WATERFORD OAK - INCREMENTS OF 8'
14	077840-01-G01	EA	MOLDING - CAP/WALL - 8' WATERFORD OAK
15	103186-01-05A	FT	MOLDING - PLASTIC/3/8" U-CHANNEL W/3/4" FACE- WATERFORD OAK
15	103186-02-05A	FT	MOLDING - PLASTIC/1" U-CHANNEL W/1 3/8" FACE-WATERFORD OAK
	117267-D2-438	EA	LUMBER-VINYL WRAPPED, .7" X 1 1/2" X 8' - WATERFORD OAK
	117267-E2-438	EA	LUMBER-VINYL WRAPPED, .7" X 2" X 8' - WATERFORD OAK
	117267-G2-438	EA	LUMBER-VINYL WRAPPED, .7" X 3" X 8' - WATERFORD OAK

INTERIOR FINISH GROUP (CONTINUED)
BATT STRIPS

KEY	PART NUMBER	U/M	DESCRIPTION
	069733-83-000	EA	BATT STRIP-WOODGRAIN, 8' - WATERFORD OAK
	088263-E3-000	EA	BATT STRIP-SHOWER, 8' - PEBBLE EMBOSS ANTIQUE
	088263-C7-000	EA	BATT STRIP-DECORATIVE, ETCHINGS SAGE - 8' (H12,H13) (MAIN WALL)
	088263-B8-000	EA	BATT STRIP-DECORATIVE, METRO MIST - 8' (H14,H16) (MAIN WALL)
	088263-D9-000	EA	BATT STRIP-DECORATIVE, CELESTIAL GLOW - 8' (H15) (MAIN WALL)
	085284-B5-000	FT	BATT - TAPE, WATERFORD OAK WOODGRAIN - ADHESIVE BACKED
	085284-D6-000	FT	BATT - TAPE, SHOWER - PEBBLE EMBOSS ANTIQUE - ADHESIVE BACKED
	085284-C1-000	FT	BATT - TAPE, ETCHINGS SAGE - ADHESIVE BACKED (H12,H13) (MAIN WALL)
	085284-B1-000	FT	BATT - TAPE, METRO MIST - ADHESIVE BACKED (H14,H16) (MAIN WALL)
	085284-D3-000	FT	BATT - TAPE, CELESTIAL GLOW - ADHESIVE BACKED (H15) (MAIN WALL)
	086229-20-000	EA	BATTEN-CEILING, 1" X 98" - BEIGE
	086229-01-000	EA	RETAINER-BATTEN, CEILING - .75" X 92.24" - ANY COLOR

PLASTIC LAMINATE & EDGE BAND

KEY	PART NUMBER	U/M	DESCRIPTION
	074498-54-000	SF	LAMINATE-PLASTIC, SAND SPEKTRUM - 5' X 8' - INC OF 40 SF (H12,H13) (GALLEY, DINETTE, BATH, & BEDROOM)
	074498-71-000	SF	LAMINATE-PLASTIC, NEUTRAL SANTOS - 5' X 8' - INCREMENTS OF 40 SF (H14,H15) (GALLEY, DINETTE, BATH, & BEDROOM)
	074498-62-000	SF	LAMINATE-PLASTIC, GREY FINESSE - 5' X 8' - INCREMENTS OF 40 SF (H16) (GALLEY, DINETTE, BATH, & BEDROOM)
	076325-47-000	FT	MOLDING-EDGE BAND, 1032 SAND - 1 5/16" X .030" X 600" (H12,H13)
	076325-39-000	FT	MOLDING-EDGE BAND, 1527 NEUTRAL - 1 5/16" X .030" X 600" (H14,H15)
	076325-46-000	FT	MOLDING-EDGE BAND, 1035 CLOUD - 1 5/16" X .030" X 600" (H16)
	076325-44-000	FT	MOLDING-EDGE BAND, 1032 SAND - .875" X .024" X 600" (H12,H13)
	076325-40-000	FT	MOLDING-EDGE BAND, 1527 NEUTRAL - .875" X .024" X 600" (H14,H15)
	076325-43-000	FT	MOLDING-EDGE BAND, 1035 CLOUD - .875" X .024" X 600" (H16)
	074498-77-000	SF	LAMINATE-PLASTIC, ART CABIN OAK - 5' X 8' - INCREMENTS OF 40 SF (PULL OUT TABLE)
	076325-68-000	FT	MOLDING-EDGE BAND, WATERFORD OAK - 1 5/16" X .030" X 600" (PULL OUT TABLE)
	074498-67-000	SF	LAMINATE-PLASTIC, ORCHID MIST - 5' X 8' - INCREMENTS OF 40 SF (PATIO ENTERTAINMENT CENTER TABLE)
	076325-34-000	FT	MOLDING-EDGE BAND, 1233 ORCHID MIST - 1 5/16" X .030" X 600" (PATIO ENTERTAINMENT CENTER TABLE)

INTERIOR FINISH GROUP (CONTINUED)
SMOKE DETECTOR, CO DETECTOR, FIRE EXTINGUISHER & CLOCK

KEY	PART NUMBER	U/M	DESCRIPTION	VENDOR NO.
	072852-01-000	EA	DETECTOR-SMOKE, W/9 VOLT BATTERY - US	
	072852-02-000	EA	DETECTOR-SMOKE, W/9 VOLT BATTERY - CANADIAN	
	094499-01-000	EA	EXTINGUISHER-FIRE, DRY W/MOUNTING BRACKET - 10 BC	
	094499-01-700	EA	BRACKET-MOUNTING, W/PLASTIC STRAP - FIRE EXTINGUISHER	
	094499-01-701	EA	STRAP ONLY (METAL)	320351
	094499-02-000	EA	EXTINGUISHER-FIRE, DRY - 1A10BC - CANADIAN	
	112320-03-000	EA	DETECTOR-CO GAS, MODEL 9D-I	
			FROM: 00-00-00 THRU: 10-20-96	
	112320-04-000	EA	BATTERY/SENSOR MODULE - CO (BLACK MODULE) F/9D-I SYSTEM	
			FROM: 00-00-00 THRU: 10-20-96	
	125136-01-000	EA	DETECTOR-CO GAS, MODEL 9L-I	
			FROM: 10-21-96 THRU: 99-99-99	
	118081-01-01A	EA	CLOCK-WALL, ROUND 8" - BRASS	

ANTISLIP & FLOOR MATS

KEY	PART NUMBER	U/M	DESCRIPTION
	091261-01-000	FT	SLIPNOT-ANTISLIP, 1' WIDE (100' ROLL)
	105924-01-H12	EA	MAT-FLOOR, 18" X 27" (H12)
	105924-01-H13	EA	MAT-FLOOR, 18" X 27" (H13)
	105924-01-H14	EA	MAT-FLOOR, 18" X 27" (H14)
	105924-01-F05	EA	MAT-FLOOR, 18" X 27" (H15)
	105924-01-H39	EA	MAT-FLOOR, 18" X 27" (H16)

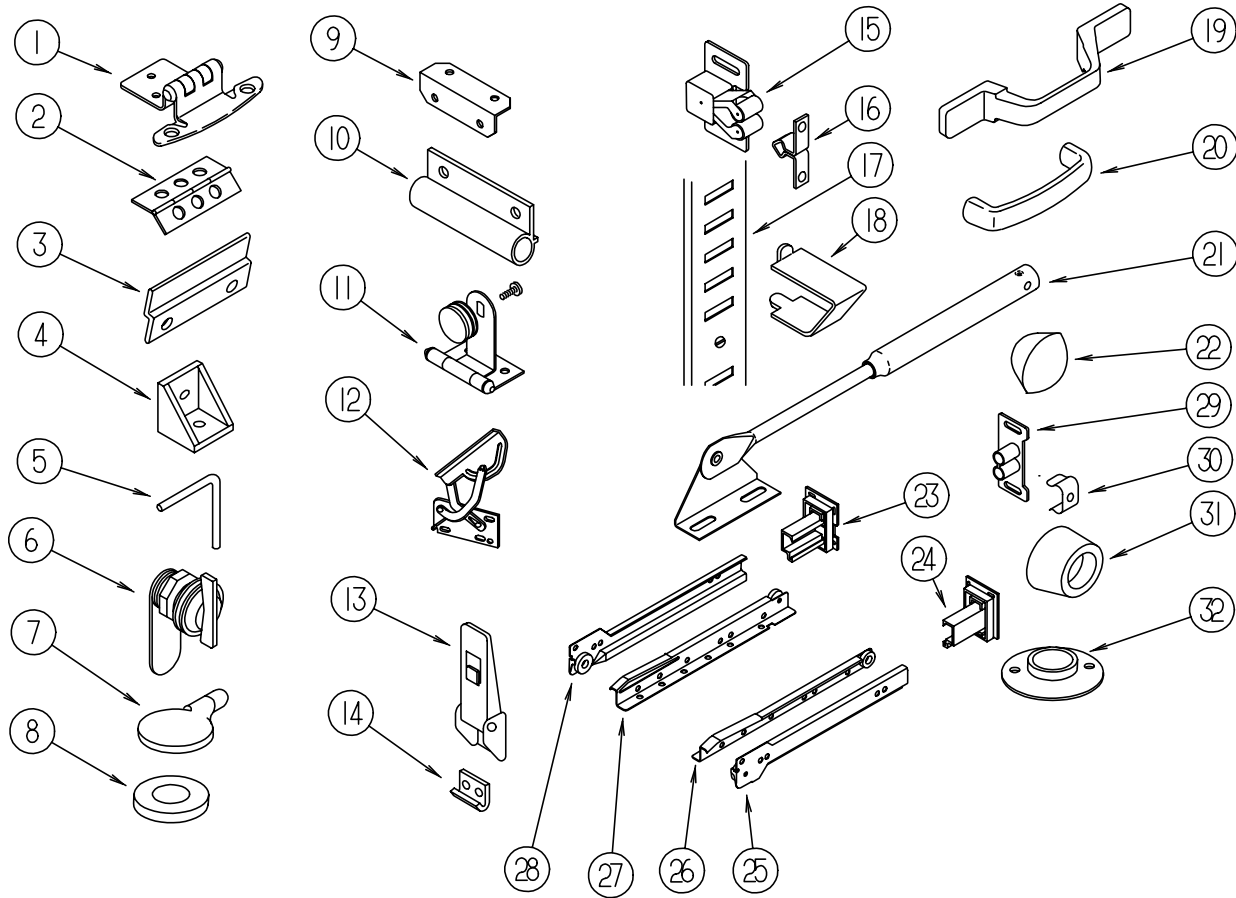
CARPET & TILE

KEY	PART NUMBER	U/M	DESCRIPTION
	093486-01-000	SY	CARPET - COMPARTMENT, 72" WIDE - DARK GRAY
	096060-95-000	SY	CARPET - DOESKIN (H12)
	096060-B2-000	SY	CARPET - JUBILATION - INCREMENTS OF 4 SQ YDS (H13)
	096060-A1-000	SY	CARPET - ARTIC GRAY - INCREMENTS OF 4 SQ YDS (H14)
	096060-97-000	SY	CARPET - LAPIS - INCREMENTS OF 4 SY YDS (H15)
	096060-96-000	SY	CARPET - JUBILATION - INCREMENTS OF 4 SQ YD (H16)
	122755-06-01A	EA	TILE - RUBBER/ENTRANCE DOOR, 11.2" X 26.9"

PANELING, PLYWOOD, & PARTICLE BOARD

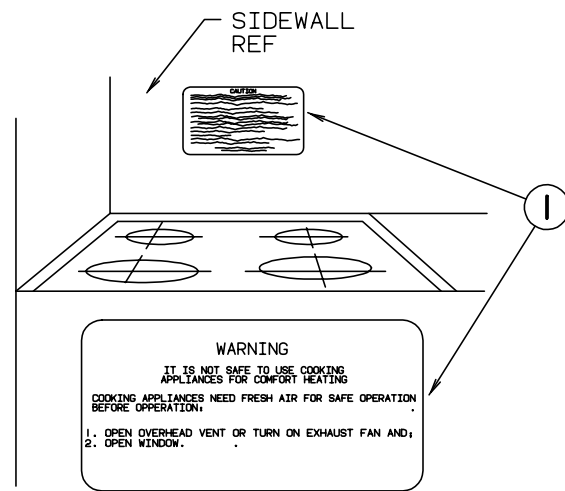
KEY	PART NUMBER	U/M	DESCRIPTION
	074497-28-000	SF	PANELING-WATERFORD OAK, 4' X 8' - INCREMENTS OF 32 SF
	088272-G1-000	SF	PANELING-SHOWER, PEBBLE EMBOSS ANTIQUE - 4' X 7' - INCREMENTS OF 28 SF
	088272-E8-000	SF	PANELING-DECORATIVE, ETCHINGS SAGE - 4' X 7' - INC OF 28 SF (H12,H13) (MAIN WALL)
	088272-E0-000	SF	PANELING-DECORATIVE, METRO MIST - 4' X 7' - INC OF 28 SF (H14,H16) (MAIN WALL)
	088272-F7-000	SF	PANELING-DECORATIVE, CELESTIAL GLOW - 4' X 7' - INCREMENTS OF 28 SF (H15) (MAIN WALL)
	080215-10-000	SF	PANELING - 2 SIDED, WATERFORD - 4' X 8'
	000846-01-000	SF	PLYWOOD - 5/16" X 4' X 8'
	000846-02-000	SF	PLYWOOD/UNDERLAYMENT - 5/16" X 48" X 96"
	089297-01-000	SF	PLYWOOD-LUAN, OVERLAY GRADE - 4' X 8'
	000885-76-000	SF	PARTICLE BOARD-3/8" X 48" X 96"-WATERFORD OAK/VINYL 1 SIDE
	000885-77-000	SF	PARTICLE BOARD-3/8" X 48" X 96"-WATERFORD OAK/VINYL 2 SIDE
	000885-78-000	SF	PARTICLE BOARD-1/2" X 48" X 96"-WATERFORD OAK/VINYL 2 SIDE
	000885-79-000	SF	PARTICLE BOARD-3/4" X 48" X 96"-WATERFORD OAK/VINYL 2 SIDE
	095688-01-000	SF	VENEER - .14" X 4' X 8' UNFINISHED
	114129-01-02A	SF	LINER - CABINET - .02" X 48" X 96"
			FROM: 01-02-97 THRU: 99-99-99
	126339-01-000	SF	BOARD - WHEAT - 60" X 72"

INTERIOR FINISH GROUP (CONTINUED)
CABINET HARDWARE



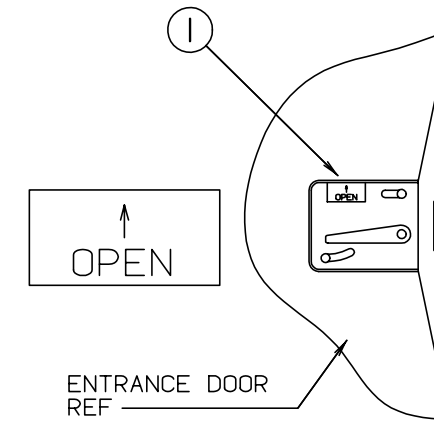
KEY	PART NUMBER	U/M	DESCRIPTION
1	108138-01-000	EA	HINGE - CABINET DOOR - BURNISHED BRASS
2	009059-02-000	EA	HINGE - DOOR - 2" X 2.7" - BRASS
3	101272-01-000	EA	CATCH - DOOR - GLASS
4	065740-01-000	EA	BRACE - CABINET/CORNER - PLASTIC
5	108487-02-01A	EA	SUPPORT - PROP ROD/OVERHEAD - BLACK
	039984-01-000	EA	CAP-ROUND, VINYL - .28" ID X .62" LONG - BLACK
6	100710-01-01A	EA	LOCK - GLASS DOOR/TWIST TYPE - BRASS
7	101766-01-000	EA	PIN - SUPPORT/GLASS DOOR
8	100707-01-000	EA	SPACER - GLASS DOOR - .8" DIA - .3" HOLE - PLASTIC
9	016604-01-000	EA	BRACE - CABINET - ANGLE - 2.5" - UNPAINTED METAL
9	016604-05-000	EA	BRACE - CABINET - ANGLE - 2.5" OFF WHITE METAL
10	108486-01-01A	EA	BRACKET - PROP ROD/OVERHEAD - BLACK
11	100711-01-01A	EA	HINGE - GLASS DOOR
12	108126-01-000	EA	TRAY HINGE SET (QTY. 2 PER SET)
13	116975-01-01A	EA	LATCH - W/O STRIKE
14	042541-05-000	EA	STRIKE
15	093586-06-000	EA	CATCH - SPRING - ROLLER
16	093586-05-000	EA	STRIKE - SPRING STEEL
17	098980-01-000	EA	PILASTER - ADJUSTABLE SHELF - 18"
17	098980-02-000	EA	PILASTER - ADJUSTABLE SHELF - 12"
17	098980-03-000	EA	PILASTER - ADJUSTABLE SHELF - 9"
17	098980-04-000	EA	PILASTER - ADJUSTABLE SHELF - 48"
18	098979-01-000	EA	CLIP - ADJUSTABLE SHELF
19	117801-01-01A	EA	PULL - CABINET - BRASS
20	111093-01-000	EA	PULL - CABINET - BRASS (EXPORT)
21	074493-02-000	EA	SUPPORT - PISTON SPRING - CABINET DOOR
22	042356-01-000	EA	PLUG - BUTTON - MAHOGANY - 3/8" DIAMETER - WOOD
23	114045-01-000	EA	BACKSOCKET - ADJUSTABLE LEFT
24	114045-02-000	EA	BACKSOCKET - ADJUSTABLE RIGHT
25	114031-02-000	EA	SLIDE - 12" - RIGHT SIDE/CABINET
25	114031-06-000	EA	SLIDE - 14" - RIGHT SIDE/CABINET
25	114031-14-000	EA	SLIDE - 18" - RIGHT SIDE/CABINET
25	114031-18-000	EA	SLIDE - 20" - RIGHT SIDE/CABINET
25	114031-22-000	EA	SLIDE - 22" - RIGHT SIDE/CABINET
25	114031-26-000	EA	SLIDE - 24" - RIGHT SIDE/CABINET
26	114031-04-000	EA	SLIDE - 12" - RIGHT SIDE/DRAWER
26	114031-08-000	EA	SLIDE - 14" - RIGHT SIDE/DRAWER
26	114031-16-000	EA	SLIDE - 18" - RIGHT SIDE/DRAWER
26	114031-20-000	EA	SLIDE - 20" - RIGHT SIDE/DRAWER
26	114031-24-000	EA	SLIDE - 22" - RIGHT SIDE/DRAWER
26	114031-28-000	EA	SLIDE - 24" - RIGHT SIDE/DRAWER
27	114031-03-000	EA	SLIDE - 12" - LEFT SIDE/DRAWER
27	114031-07-000	EA	SLIDE - 14" - LEFT SIDE/DRAWER
27	114031-15-000	EA	SLIDE - 18" - LEFT SIDE/DRAWER
27	114031-19-000	EA	SLIDE - 20" - LEFT SIDE/DRAWER
27	114031-23-000	EA	SLIDE - 22" - LEFT SIDE/DRAWER
27	114031-27-000	EA	SLIDE - 24" - LEFT SIDE/DRAWER
28	114031-01-000	EA	SLIDE - 12" - LEFT SIDE/CABINET
28	114031-05-000	EA	SLIDE - 14" - LEFT SIDE/CABINET
28	114031-17-000	EA	SLIDE - 20" - LEFT SIDE/CABINET
28	114031-13-000	EA	SLIDE - 18" - LEFT SIDE/CABINET
28	114031-21-000	EA	SLIDE - 22" - LEFT SIDE/CABINET
28	114031-25-000	EA	SLIDE - 24" - LEFT SIDE/CABINET
29	009021-01-000	EA	CATCH - GRILLE - NYLON
30	009021-02-000	EA	STRIKE - SPRING STEEL
31	004354-01-000	EA	BUMPER - RUBBER - .5" DIA - BROWN
32	009112-01-000	EA	FLANGE - PLASTIC - 1" CLOTHES ROD - OFF WHITE
	104181-01-01A	EA	SUPPORT - LEAF 5.3" EXTENDS TO 7.5" - SAFETY RING - METAL
	009089-01-000	EA	CLIP - MIRROR
	023320-01-000	EA	PAD - FELT 3/8" DIAMETER
	042438-01-000	EA	DOWEL - WOOD - CLOTHES ROD - 1" DIAMETER X 4'
	042438-02-000	EA	DOWEL - WOOD - 2" X 2"
	122021-01-01A	EA	ANGLE - W/HOLES - 1" X 1" X 9" - MILL
	122021-02-02A	EA	ANGLE - W/HOLES - 1" X 1" X 13.8" - MILL

LABELS GROUP

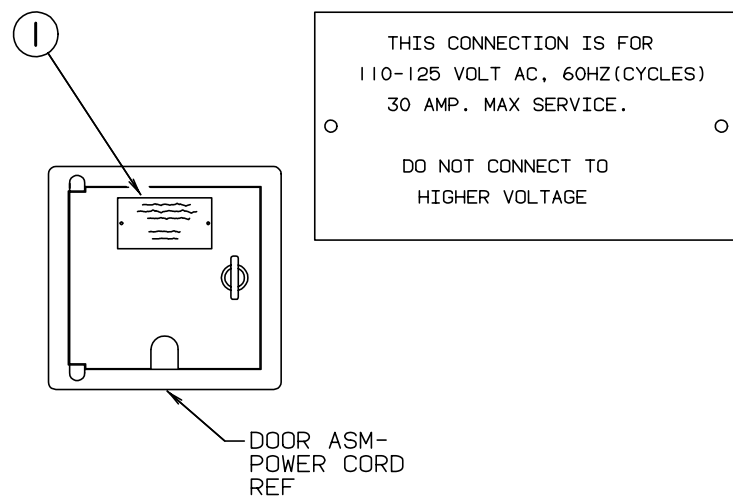


KEY	PART NUMBER	U/M DESCRIPTION
1	050225-01-000	EA LABEL-WARNING, STOVE VENT - US
1	050222-01-000	EA LABEL-WARNING, STOVE VENT - CANADIAN

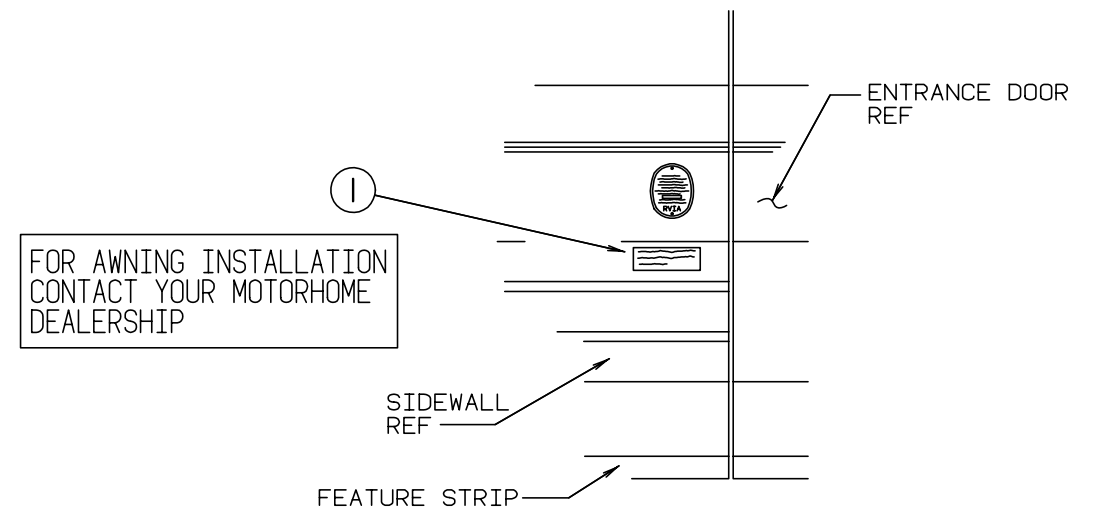
LABELS GROUP (CONTINUED)



KEY	PART NUMBER	U/M DESCRIPTION
1	040944-01-000	EA LABEL-ENTRANCE DOOR, "OPEN"

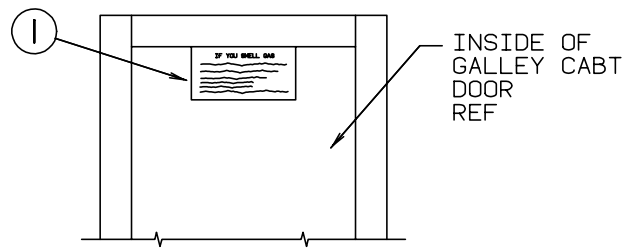


KEY	PART NUMBER	U/M DESCRIPTION
1	006062-01-000	EA LABEL - ELECTRIC - 110 VOLT CONNECTION FROM: 00-00-00 THRU: 07-13-97
1	006062-05-000	EA LABEL - ELECTRIC - 220V - 25AMP SERVICE FROM: 00-00-00 THRU: 07-13-97
1	125306-01-01A	EA LABEL - ELECTRICAL ENTRANCE - 110 VOLT 30 AMP FROM: 07-14-97 THRU: 99-99-99
1	125306-05-01A	EA LABEL - ELECTRICAL ENTRANCE - 220 VOLT 25 AMP FROM: 07-14-97 THRU: 99-99-99



KEY	PART NUMBER	U/M DESCRIPTION
1	099509-01-000	EA LABEL-AWNING INSTALLATION

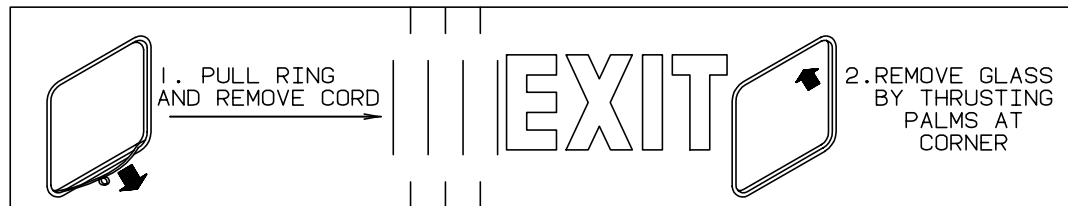
LABELS GROUP (CONTINUED)



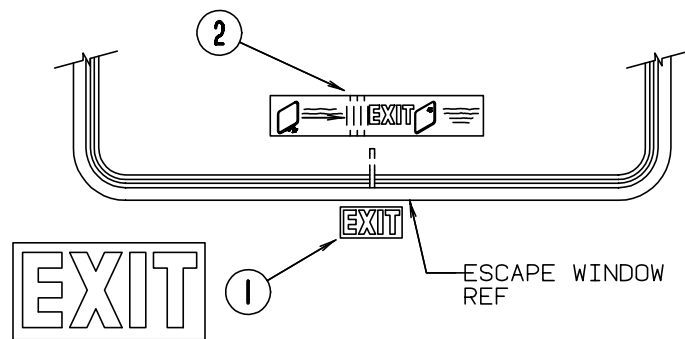
IF YOU SMELL GAS

1. EXTINGUISH ANY OPEN FLAME, PILOT LIGHTS AND ALL SMOKING MATERIALS.
2. SHUT OFF THE GAS SUPPLY AT THE TANK VALVE(OR GAS SUPPLY CONNECTION.
3. OPEN DOORS AND OTHER VENTILATING OPENINGS.
4. DO NOT TOUCH ELECTRICAL SWITCHES.
5. LEAVE THE AREA UNTIL ODOR CLEARS.
6. HAVE THE GAS SYSTEM CHECKED AND LEAKAGE SOURCE CORRECTED BEFORE USING AGAIN.

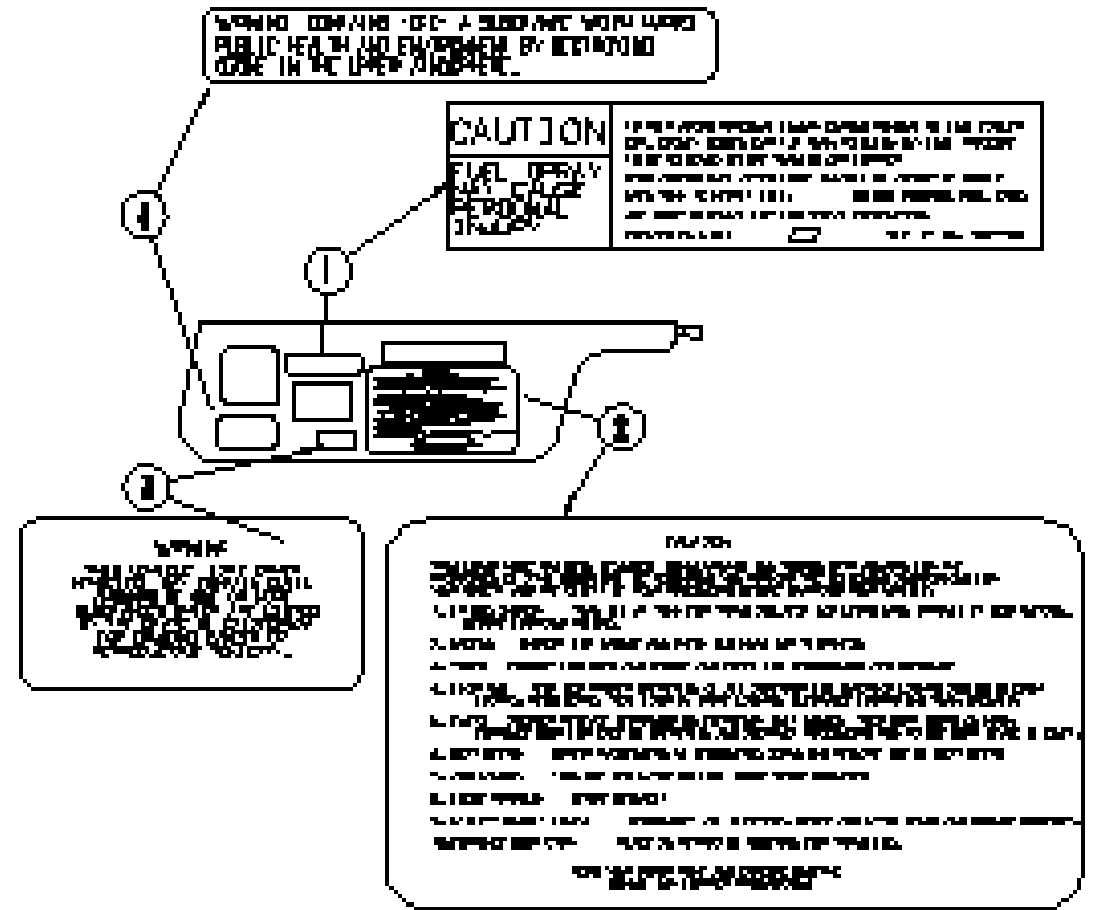
KEY	PART NUMBER	U/M DESCRIPTION
1	073998-01-000	EA LABEL-LPG ODOR WARNING



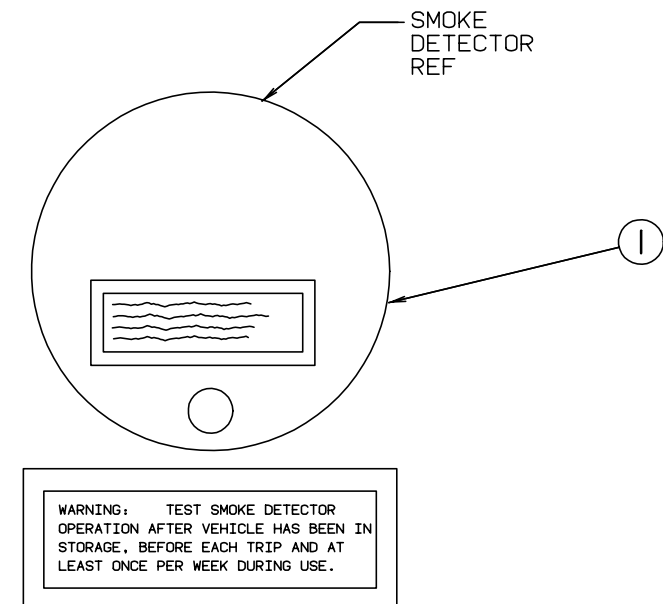
KEY	PART NUMBER	U/M DESCRIPTION
1	039290-01-000	EA LABEL-WARNING, EXIT
2	107571-01-000	EA LABEL-EXIT/ESCAPE WINDOW



LABELS GROUP (CONTINUED)



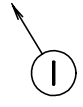
KEY	PART NUMBER	U/M DESCRIPTION
1	087207-05-000	EA LABEL-FUEL CAP REMOVAL
2	056259-01-000	EA LABEL-SAFETY CHECK LIST
3	099689-01-000	EA LABEL-WARNING, CANCER/TOXICITY - CALIFORNIA
4	111802-01-000	EA LABEL-CFC WARNING



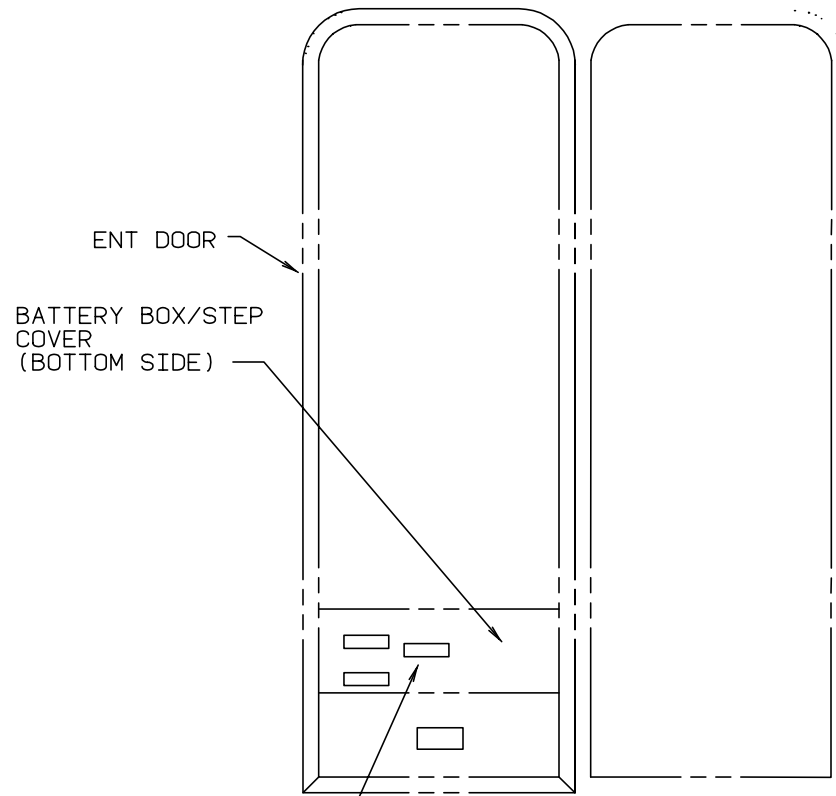
KEY	PART NUMBER	U/M DESCRIPTION
1	077956-01-000	EA LABEL-WARNING, SMOKE DETECTOR

LABELS GROUP (CONTINUED)

AIR CONDITIONING CIRCUIT.
THIS CONNECTION IS FOR
AIR CONDITIONERS RATED 110-
125 VOLT AC, 60 HZ, 16
AMPERES MAXIMUM. DO NOT
EXCEED CIRCUIT RATING.



KEY	PART NUMBER	U/M DESCRIPTION
1	091243-01-000	EA LABEL-A/C COVER, "AIR CONDITIONING CIRCUIT. ETC."



WARNING: DISCONNECT BATTERIES BEFORE CONNECTING EXTERNAL CHARGING EQUIPMENT.

AVERTISSEMENT: DEBRANCHER LES BATTERIES AVANT DE BRANCHER TOUT EQUIPEMENT DE CHARGE EXTERIEUR.

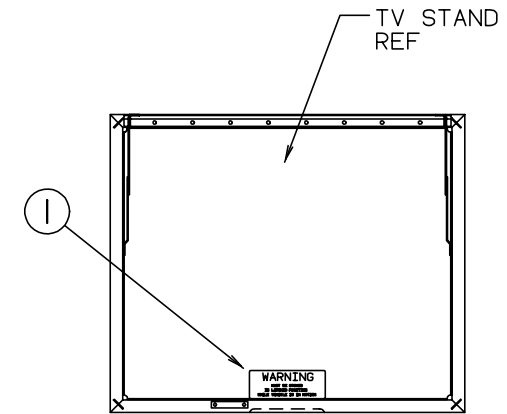
KEY	PART NUMBER	U/M DESCRIPTION
1	065748-01-000	EA LABEL-CAUTION, BATTERY CHARGING - US
1	065748-02-000	EA LABEL-CAUTION, BATTERY CHARGING - FRENCH

LABELS GROUP (CONTINUED)

DO NOT USE HITCH BEFORE READING OWNERS MANUAL REGARDING VEHICLE LOADING AND TOWING



KEY	PART NUMBER	U/M DESCRIPTION
1	111104-01-000	EA LABEL-HITCH, READ MANUAL - WHITE LETTERS
1	111104-02-000	EA LABEL-HITCH, READ MANUAL - BLACK LETTERS



WARNING
MUST BE STOWED
IN LATCHED POSITION
WHILE VEHICLE IS IN MOTION

KEY	PART NUMBER	U/M DESCRIPTION
1	079966-01-000	EA LABEL-WARNING, STOWED - MOTION

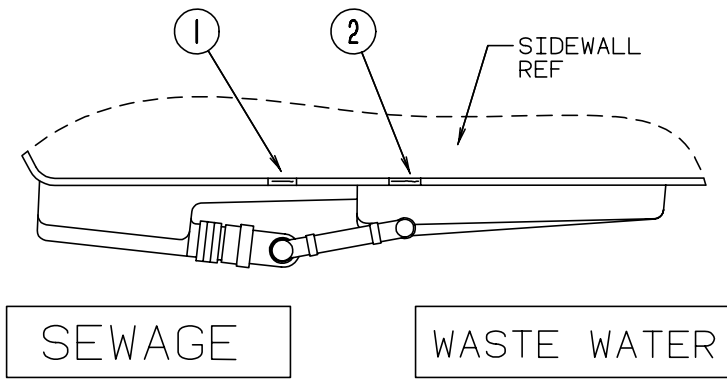


NOTE: TUNE ANTENNA PER MANUFACTURER'S DIRECTIONS. FAILURE TO COMPLY COULD RESULT IN DAMAGE TO CB.

CB POWER PROVISION
RED +12 V
BLACK GROUND
COAX ANTENNA
(SEE REVERSE ALSO)

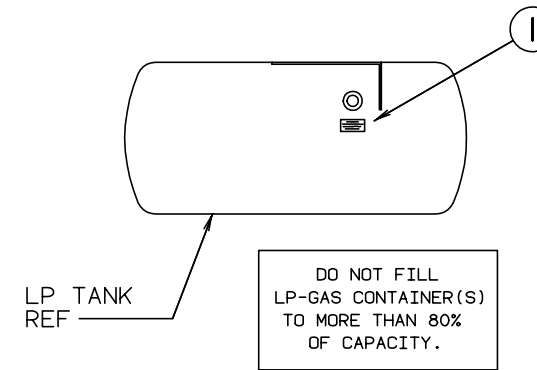
KEY	PART NUMBER	U/M DESCRIPTION
1	104678-01-000	EA LABEL-CB PREP

LABELS GROUP (CONTINUED)



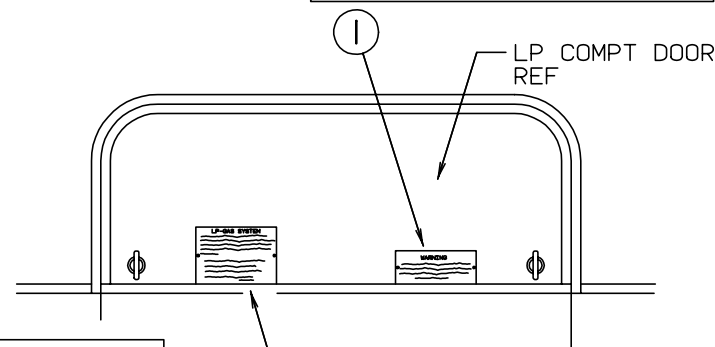
KEY	PART NUMBER	U/M DESCRIPTION
1	006187-01-000	EA LABEL-SEWAGE
2	006188-01-000	EA LABEL-WASTE WATER

LABELS GROUP (CONTINUED)



KEY	PART NUMBER	U/M DESCRIPTION
1	079965-01-000	EA LABEL-LPG, 80% CAPACITY

WARNING
ALL PILOT LIGHTS AND APPLIANCES SHALL BE TURNED OFF DURING REFUELING OF MOTOR FUEL TANKS AND/OR PERMANENTLY MOUNTED LP-GAS CONTAINERS.



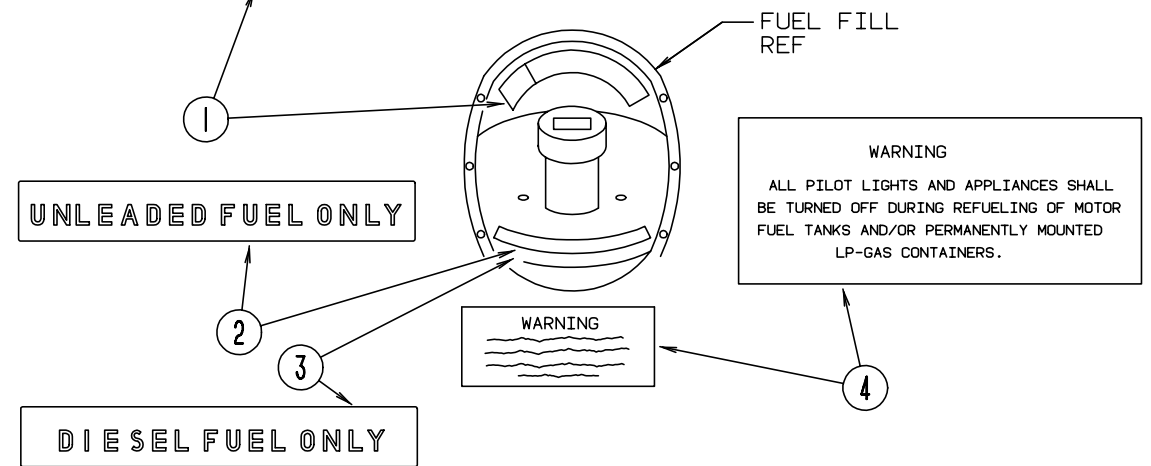
LP-GAS SYSTEM
THIS GAS PIPING SYSTEM IS DESIGNED FOR USE OF LIQUEFIED PETROLEUM GAS ONLY. DO NOT CONNECT NATURAL GAS TO THIS SYSTEM.

SECURELY CAP INLET(S) WHEN NOT CONNECTED FOR USE. AFTER TURNING ON GAS, EXCEPT AFTER NORMAL CONTAINER REPLACEMENT, TEST GAS PIPING AND CONNECTIONS TO APPLIANCE FOR LEAKAGE WITH SOAPY WATER OR BUBBLE SOLUTION. DO NOT USE PRODUCTS THAT CONTAIN AMMONIA OR CHLORINE.
P.N. 54531

KEY	PART NUMBER	U/M DESCRIPTION
1	006040-01-000	EA TAG-GAS REFUELING WARNING, US FROM: 00-00-00 THRU: 09-01-96
1	124519-01-01A	EA LABEL-WARNING/REFUELING, US FROM: 09-02-96 THRU: 99-99-99
1	006040-02-000	EA TAG-GAS REFUELING WARNING, CANADIAN FROM: 00-00-00 THRU: 09-01-96
1	124519-02-02A	EA LABEL-WARNING/REFUELING, CANADIAN FROM: 09-02-96 THRU: 99-99-99
2	054531-01-000	EA LABEL-LP GAS ONLY, US FROM: 00-00-00 THRU: 09-01-96
2	124520-01-01A	EA LABEL-LP GAS ONLY, US FROM: 09-02-96 THRU: 99-99-99
2	023769-01-000	EA LABEL-WARNING, LPG - CANADIAN

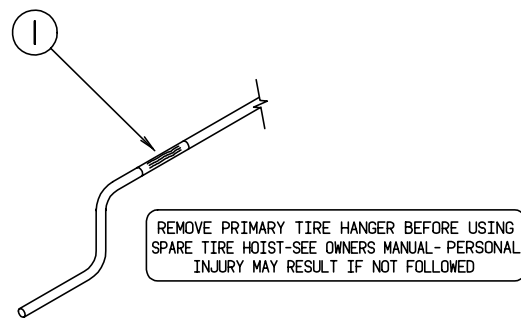
CAUTION
TO HELP AVOID PERSONAL INJURY DURING REMOVAL OF FUEL FILLER CAP, SLOWLY LOOSEN CAP 1/2 TURN TO ALLOW ANY FUEL PRESSURE TO BE RELIEVED BEFORE TURNING CAP FURTHER.

FUEL SPRAY MAY CAUSE PERSONAL INJURY
STOP ADDING FUEL AFTER FIRST SHUTOFF BY AUTOMATIC NOZZLE WHEN TANK IS NEARLY FULL. DO NOT OVERFILL FUEL TANK.
SEE OWNERS MANUAL FOR ADDITIONAL INFORMATION.
PRINTED IN U.S.A. MLC PT NO 15611763



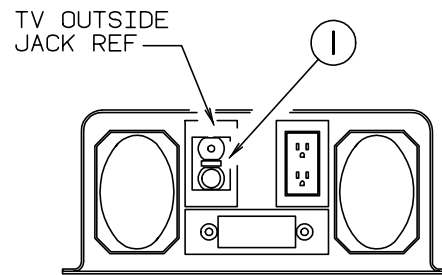
KEY	PART NUMBER	U/M DESCRIPTION
1	087207-05-000	EA LABEL-FUEL CAP REMOVAL
2	062043-01-000	EA LABEL-FUEL, UNLEADED
3	068383-01-000	EA LABEL-DIESEL FUEL ONLY, GM-557005
4	006040-01-000	EA TAG-GAS REFUELING WARNING, US FROM: 00-00-00 THRU: 09-01-96
4	124519-01-01A	EA LABEL-WARNING/REFUELING, US FROM: 09-02-96 THRU: 99-99-99
4	006040-02-000	EA TAG-GAS REFUELING WARNING, CANADIAN FROM: 00-00-00 THRU: 09-01-96
4	124519-02-02A	EA LABEL-WARNING/REFUELING, CANADIAN FROM: 09-02-96 THRU: 99-99-99

LABELS GROUP (CONTINUED)



KEY	PART NUMBER	U/M	DESCRIPTION
1	126024-01-01A	EA	LABEL - TIRE HANGER REMOVAL

FROM: 03-14-97 THRU: 99-99-99



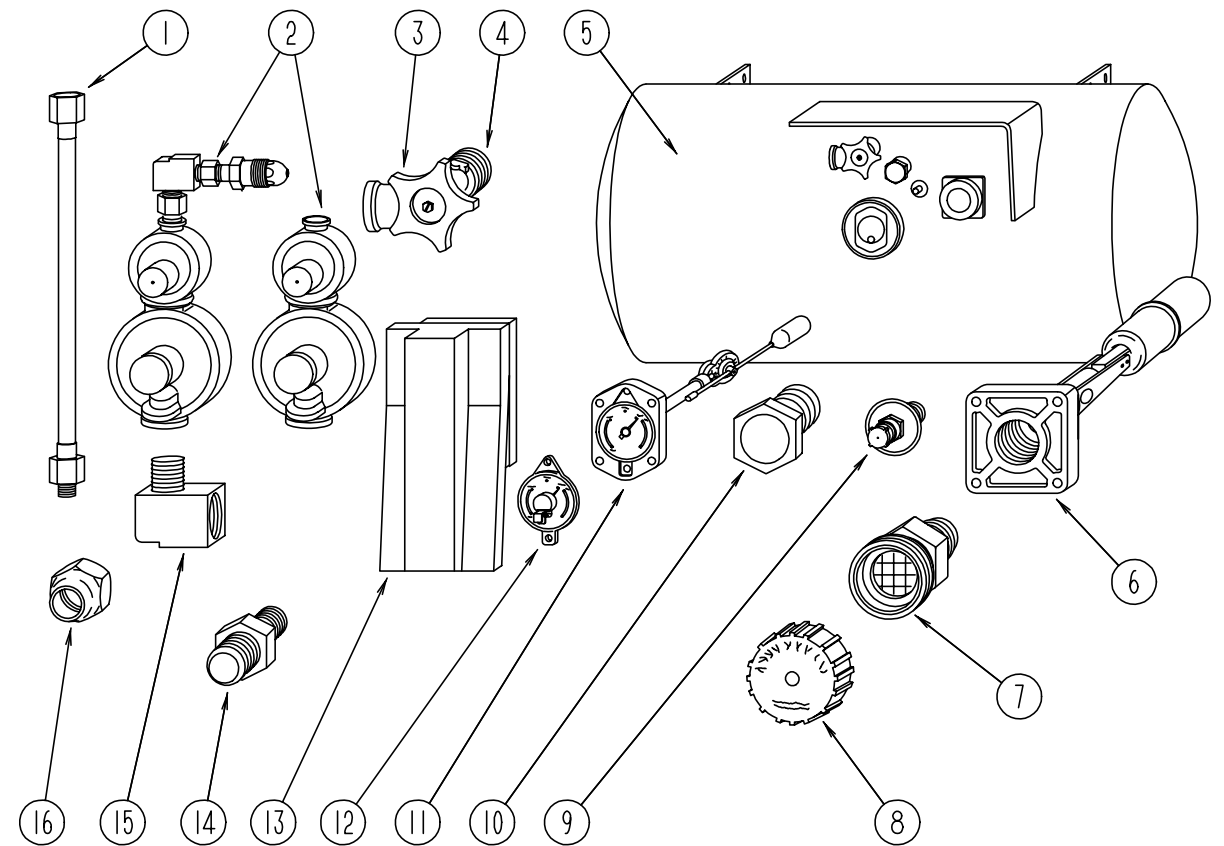
OUTLET

KEY	PART NUMBER	U/M	DESCRIPTION
1	087236-01-000	EA	LABEL - CABLE - INPUT

MISCELLANEOUS LABELS

KEY	PART NUMBER	U/M	DESCRIPTION
	006064-01-000	EA	LABEL-SEAT W/O SEATBELT "NOT INTENDED FOR USE WHILE COACH IN MOTION"
	098379-04-000	EA	LABEL-ELECTRICAL BOX, SIDE
	098641-01-000	EA	LABEL-FUEL, UNLEADED - DASH
	111537-07-000	EA	LABEL-FUSES
	113402-02-000	EA	LABEL-CAUTION, FURNACE EXHAUST

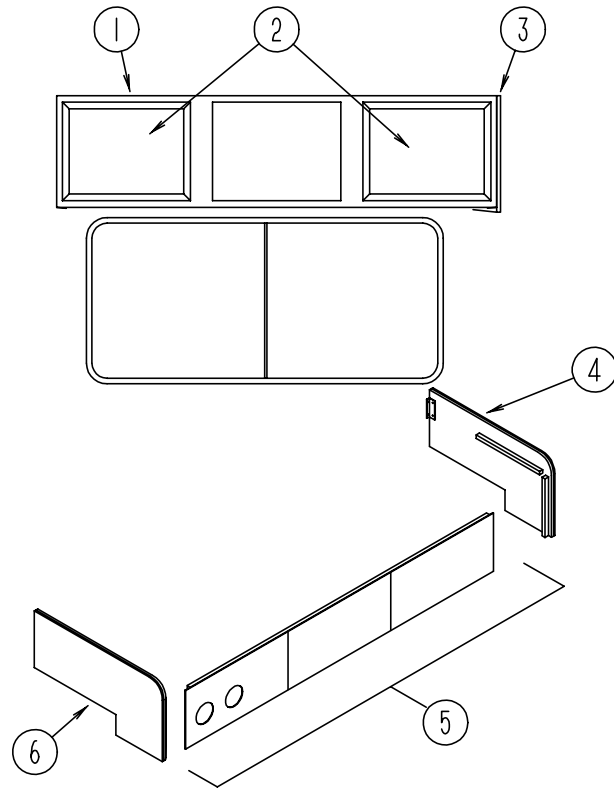
LP GROUP



LP TANK & COMPONENTS

KEY	PART NUMBER	U/M	DESCRIPTION	VENDOR NO.
1	045703-01-000	EA	HOSE-LP, 3/8" ID X 24" - 3/8" MPT X 1/2" F SWIVEL - US	
1	045703-02-000	EA	HOSE-LP, 3/8" ID X 24" - 3/8" MPT X 1/2" F SWIVEL - CANADIAN	
1	045703-09-000	EA	HOSE-LP, 3/8" ID X 24" - 3/8" F SWIVEL X 3/8" F SWIVEL	
2	106150-01-000	EA	REGULATOR-TWO STAGE	
2	106150-02-000	EA	REGULATOR-TWO STAGE - EUROPEAN	
3	040421-01-708	EA	HANDWHEEL-SERVICE VALVE	G-1015-A
4	040421-01-712	EA	VALVE-SERVICE W/O VAPOR RELIEF	29000853
5	097821-01-000	EA	TANK - LP - 60 LB BRUNNER - 14" X 30"	
6	040421-01-711	EA	VALVE - 80% FILL W/AUTO STOP	LLL/TL3
7	040421-01-701	EA	VALVE-SHORT LP FILLER W/YELLOW CAP	7547B
8	040421-01-702	EA	CAP-LP FILLER VALVE, PLASTIC - YELLOW	G-1014-A
9	040421-01-700	EA	GAUGE-LIQUID LEVEL, 20% LP	G-1013
10	040421-01-713	EA	VALVE-VAPOR ONLY	29000587
11	040421-01-707	EA	FLOAT ASM.(SIGHT GAUGE) 14"	14C
12	040440-02-000	EA	TRANSMITTER - DIAL - 0-90 OHM - 2 TERMINAL (POWER & GROUND)	
13	105658-01-000	EA	COMPARTMENT-LP REGULATOR	
14	010323-01-000	EA	ADAPTER-BRASS, 3/8" F X 1/2" MPT	
14	010329-01-000	EA	ADAPTER-BRASS, 1/2" F X 1/2" MPT	
15	065318-02-000	EA	ELBOW - 90 DEGREE, 3/8" MPT TO 3/8" FPT	
16	010377-02-000	EA	NUT-BRASS, 3/8" FLARE - FORGED	
	008042-01-000	FT	TUBING-VINYL, .65" ID	
	010265-01-000	EA	ELBOW - BRASS - 90 DEGREE - 3/8" F X 1/2" FPT	
	103613-01-000	EA	DETECTOR-LP GAS	
	103613-02-000	EA	DETECTOR - LP GAS	FROM: 00-00-00 THRU: 11-10-96
	103613-03-000	EA	DETECTOR - LP GAS	FROM: 11-11-96 THRU: 04-27-97
				FROM: 04-28-97 THRU: 99-99-99

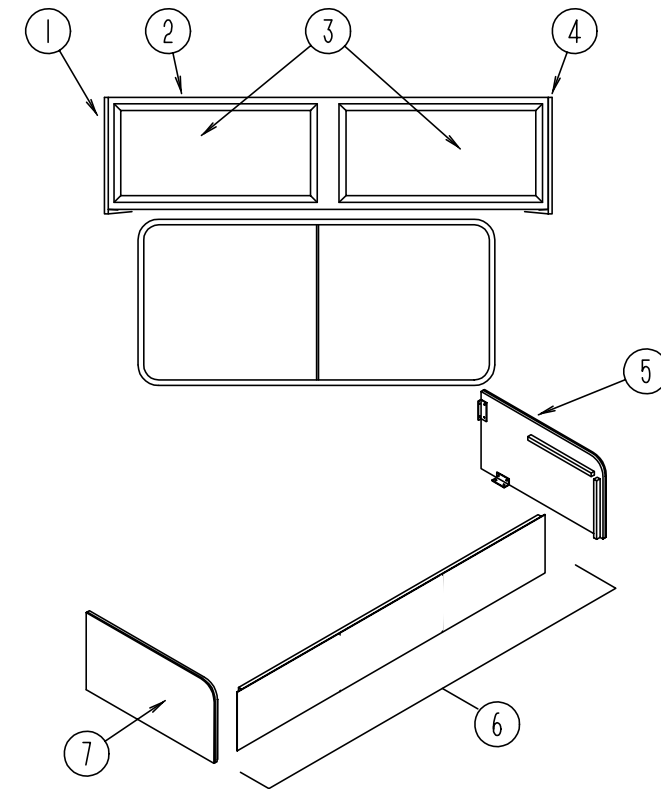
LOUNGE GROUP



DRIVER SIDE COUCH & PEDESTAL TABLES

KEY	PART NUMBER	U/M	DESCRIPTION
1	113880-01-H13	EA	CABINET - OVERHEAD FRONT LEFT HAND - W/O DOOR/HARDWARE (H12,H13)
1	113880-01-H14	EA	CABINET - OVERHEAD FRONT LEFT HAND - W/O DOOR/HARDWARE (H14)
1	113880-01-H15	EA	CABINET - OVERHEAD FRONT LEFT HAND - W/O DOOR/HARDWARE (H15)
1	113880-01-H16	EA	CABINET - OVERHEAD FRONT LEFT HAND - W/O DOOR/HARDWARE (H16)
2	M06803-13-H13	EA	DOOR - MIRROR/MITERED CRNR/OGEE EDGE - 15.7" X 28" - W/O HDW
3	M06803-02-H13	EA	DOOR - MITERED CORNER/OGEE EDGE - 15.7" X 28" - W/O HDW DECORATOR DOOR OPTION - FLAT PANEL
3	103128-01-G09	EA	END CAP - OVERHEAD CABINET - RIGHT HAND
4	M08164-04-H12	EA	PANEL - COUCH/LEFT END - FABRIC COVERED
4	M08164-04-H13	EA	PANEL - COUCH/LEFT END - FABRIC COVERED
4	M08164-04-H14	EA	PANEL - COUCH/LEFT END - FABRIC COVERED
4	M08164-04-H15	EA	PANEL - COUCH/LEFT END - FABRIC COVERED
4	M08164-04-H16	EA	PANEL - COUCH/LEFT END - FABRIC COVERED
5	M04187-80-H12	EA	PANEL - COUCH KICK PANEL - FABRIC COVERED
5	M04187-80-H13	EA	PANEL - COUCH KICK PANEL - FABRIC COVERED
5	M04187-80-H14	EA	PANEL - COUCH KICK PANEL - FABRIC COVERED
5	M04187-80-H15	EA	PANEL - COUCH KICK PANEL - FABRIC COVERED
5	M04187-80-H16	EA	PANEL - COUCH KICK PANEL - FABRIC COVERED
6	M04187-82-H12	EA	PANEL - COUCH/RIGHT END - FABRIC COVERED
6	M04187-82-H13	EA	PANEL - COUCH/RIGHT END - FABRIC COVERED
6	M04187-82-H14	EA	PANEL - COUCH/RIGHT END - FABRIC COVERED
6	M04187-82-H15	EA	PANEL - COUCH/RIGHT END - FABRIC COVERED
6	M04187-82-H16	EA	PANEL - COUCH/RIGHT END - FABRIC COVERED
6	M04187-82-H16	EA	PANEL - COUCH/RIGHT END - FABRIC COVERED
	082525-01-000	EA	BRACE - COUCH - FLOOR MOUNT - ANGLE 3" LONG
	083125-07-000	EA	BRACE - COUCH - 2.5"
	081298-01-G01	EA	TABLE TOP ONLY (H12,H13,H15)
	081298-01-F09	EA	TABLE TOP ONLY (H14)
	081298-01-E04	EA	TABLE TOP ONLY (H16)
	009040-02-000	EA	PEDESTAL TABLE LEG - 27.5" X 2.25" DIA - CHROME
	041194-01-000	EA	BASE-TABLE, FLUSH - FLOOR MOUNTED
	009040-03-000	EA	BASE-TABLE, RAISED - TABLE MOUNTED
	062046-01-000	EA	CLIP-LEG, PEDESTAL - 1.7" X 2.2" - DIAMETER FROM 2" TO 2.5"

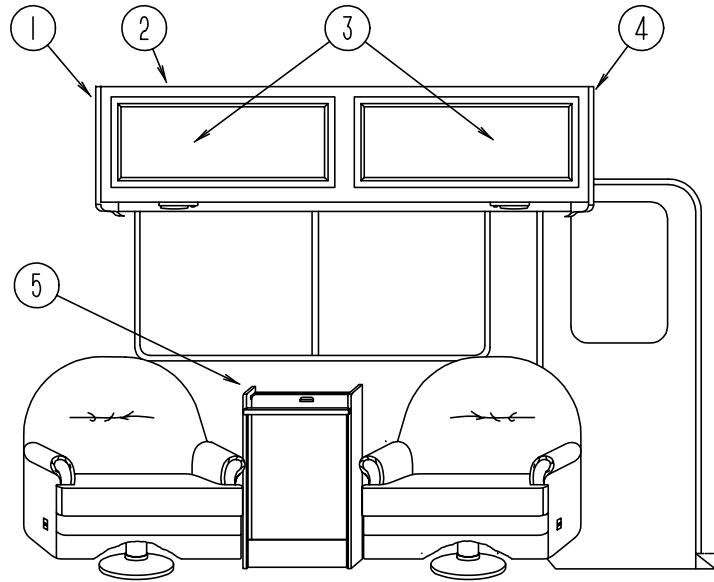
LOUNGE GROUP (CONTINUED)



PASSENGER SIDE COUCH

KEY	PART NUMBER	U/M	DESCRIPTION
1	103128-02-G09	EA	END CAP - OVERHEAD CABINET - LEFT HAND
2	123371-01--H13	EA	CABINET - OVERHEAD FRONT RIGHT HAND - W/O DOORS/HARDWARE
3	M06803-02-H13	EA	DOOR - MITERED CORNER/OGEE EDGE - 15.7" X 28" - W/O HDW
4	103128-01-G09	EA	END CAP - OVERHEAD CABINET - RIGHT HAND
5	M04187-85-G13	EA	PANEL - COUCH/LEFT END - FABRIC COVERED (H12,H13)
5	M04187-85-H14	EA	PANEL - COUCH/LEFT END - FABRIC COVERED (H14)
5	M04187-85-H15	EA	PANEL - COUCH/LEFT END - FABRIC COVERED (H15)
5	M04187-85-H16	EA	PANEL - COUCH/LEFT END - FABRIC COVERED (H16)
6	M04187-83-H13	EA	PANEL - COUCH/KICK PANEL - FABRIC COVERED (H12,H13)
6	M04187-83-H14	EA	PANEL - COUCH/KICK PANEL - FABRIC COVERED (H14)
6	M04187-83-H15	EA	PANEL - COUCH/KICK PANEL - FABRIC COVERED (H15)
6	M04187-83-H16	EA	PANEL - COUCH/KICK PANEL - FABRIC COVERED (H16)
7	M04187-84-G13	EA	PANEL - COUCH/RIGHT END - FABRIC COVERED (H12,H13)
7	M04187-84-H14	EA	PANEL - COUCH/RIGHT END - FABRIC COVERED (H14)
7	M04187-84-H15	EA	PANEL - COUCH/RIGHT END - FABRIC COVERED (H15)
7	M04187-84-H16	EA	PANEL - COUCH/RIGHT END - FABRIC COVERED (H16)
	082525-01-000	EA	BRACE - COUCH - FLOOR MOUNT - ANGLE 3" LONG
	083125-07-000	EA	BRACE - COUCH - 2.5"
	104006-01-C05	EA	LID-ENTRANCE STEP COMPARTMENT, W/O CARPET OR HARDWARE
	107941-01-02A	EA	SUPPORT - ENTRANCE STEP LID
	101222-01-04A	EA	BRACKET - CATCH - LID - E-COAT
	116975-01-01A	EA	LATCH - W/O STRIKE - BLACK - NEW STYLE
	116975-02-01A	EA	KEEPER/STRIKE - BLACK - NEW STYLE

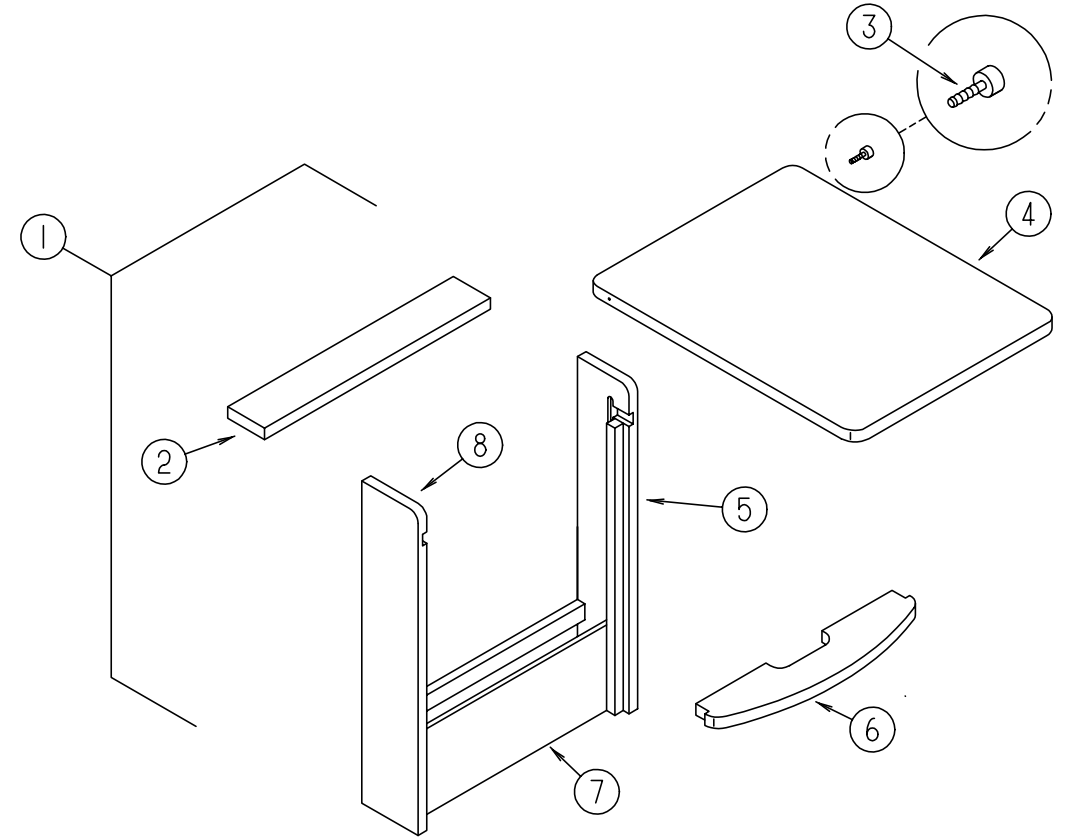
LOUNGE GROUP (CONTINUED)



PASSENGER SIDE SWIVEL CHAIRS & PULLOUT TABLE

KEY	PART NUMBER	U/M	DESCRIPTION
1	103128-02-G09	EA	END CAP - OVERHEAD CABINET - LEFT HAND
2	123371-01--H13	EA	CABINET - OVERHEAD FRONT RIGHT HAND - W/O DOORS/HARDWARE
3	M06803-02-H13	EA	DOOR - MITERED CORNER/OGEE EDGE - 15.7" X 27.9" - W/O HDW
4	103128-01-G09	EA	END CAP - OVERHEAD CABINET - RIGHT HAND
5	M96873-01-G01	EA	CABINET - F/PULLOUT TABLE - W/O TOP
	104006-01-C05	EA	LID-ENTRANCE STEP COMPARTMENT, W/O CARPET OR HARDWARE
	107941-01-02A	EA	SUPPORT - ENTRANCE STEP LID
	101222-01-04A	EA	BRACKET - CATCH - LID - E-COAT
	116975-01-01A	EA	LATCH - W/O STRIKE - BLACK - NEW STYLE
	116975-02-01A	EA	KEEPER/STRIKE - BLACK - NEW STYLE

LOUNGE GROUP (CONTINUED)



PULLOUT TABLE

KEY	PART NUMBER	U/M	DESCRIPTION
1	M96873-01-G01	EA	CABINET - F/PULLOUT TABLE - W/O TOP
2	096873-15-G01	EA	SHELF - SUPPORT - OVER PULLOUT TABLE TOP
3	079921-01-000	EA	ROLLER - NYLON - W/STEEL SHAFT - BARBED
4	096873-11-G01	EA	TABLE TOP ONLY - PULLOUT
	080736-01-000	EA	PULL - RECESSED - 1.25 X 4" - OAK
5	096873-13-G01	EA	SIDE END - TABLE - RIGHT SIDE - 28.7" X 5.7"
6	096873-12-G01	EA	SHELF - SUPPORT UNDER TABLE TOP
7	096873-16-G01	EA	TABLE FRONT - BOTTOM - 18.1" X 6.7"
8	096873-14-G01	EA	SIDE END - TABLE - LEFT SIDE - 28.7" X 5.7"

**SEALANTS & FASTENERS GROUP
ADHESIVES**

KEY	PART NUMBER	U/M DESCRIPTION
	004020-01-000	QT ADHESIVE - ABS CEMENT - QUART
	081377-01-700	EA ADHESIVE-CYANOACRYLATE, 10 GRAM TUBE
	004006-05-700	EA ADHESIVE - 5 GALLON - NATURAL STARCH
	062917-03-000	EA ADHESIVE - LOCTITE 242
	067788-01-000	EA ADHESIVE - SPRAY - 3M - 19.5 AEROSOL CAN
	087211-01-000	GL PROMOTER - ADHESIVE

TAPES

KEY	PART NUMBER	U/M DESCRIPTION
	076314-02-000	FT TAPE - CARPET SEAM - HEAT-BOND - 4" WIDE
	076322-01-000	FT TAPE - DOUBLE COATED/ADHESIVE BACK - .025"THK X .75"W X 18'
	076322-02-000	FT TAPE - DOUBLE COATED/ADHESIVE BACK - .045"THK X 1"W X 9'
	076322-05-000	FT TAPE - DOUBLE COATED/ADHESIVE BACK - .045"THK X .75"W X 9'
	076322-07-000	FT TAPE - DOUBLE COATED/ADHESIVE BACK - .045"THK X .50"W X 9'
	110274-01-000	FT TAPE - DOUBLE SIDED FOAM - .45" X 1"
	063642-01-000	FT TAPE - ADHESIVE - 10 MIL X 1.5" X 180"
	088479-01-000	EA TAPE - ALUMINUM - 3"
	120534-01-01A	EA TAPE - SCOTCH - 3M - 1/2" FINE LINE
	123816-01-000	FT TAPE - DOUBLE SIDED - 1"
	123816-02-000	FT TAPE - DOUBLE SIDED - 1/2"

SEALERS

KEY	PART NUMBER	U/M DESCRIPTION
	069640-01-000	FT SEALER - RIBBON - 1/4"DIAMETER X 30'
	069640-02-000	FT SEALER - TAPE - 1/8"THICK X .50"WIDE X 60'
	069640-03-000	FT SEALER - TAPE - 1/8"THICK X .75"WIDE X 60'
	069640-07-000	FT SEALER - TAPE - 3/32"THICK X 2"WIDE X 45'
	069640-09-000	FT SEALER - TAPE - 1/32"THICK X 2.50"WIDE X 80'
	069640-11-000	FT SEALER - TAPE - 3/16"THICK X 3/8"WIDE X 40'
	069640-13-000	FT SEALER - TAPE - 3/32"THICK X 2"WIDE X 45'
	069640-14-000	FT SEALER - TAPE - 1/16"THICK X 1"WIDE X 100'
	069640-15-000	FT SEALER - TAPE - 1/16"THICK X 3/8"WIDE X 80'
	069640-17-000	FT SEALER - TAPE - 1/32" THICK X 1"WIDE X 90'
	069640-18-000	FT SEALER - TAPE - 1/2" THICK X 1/8" X 60'
	900390-01-000	EA TIP - 2 1/2" X 1/8" ORIFICE
	900390-03-000	EA NOZZLES-SILICONE TUBE, CSL D10
	034552-02-000	EA SILICONE - TUBE - 300 ML - W/O NOZZLE - CLEAR
	034552-06-000	EA SILICONE - TUBE - 300 ML - W/O NOZZLE - OFF WHITE
		FROM: 00-00-00 THRU: 07-26-97
	120074-02-01A	EA SEALANT - SILICONE - OFF WHITE
		FROM: 07-27-97 THRU: 99-99-99
	034552-15-000	EA SILICONE - TUBE - 300 ML - W/O NOZZLE - BRIGHT WHITE
		FROM: 00-00-00 THRU: 01-01-97
	039518-01-000	EA SILICONE - TUBE - 300 ML - BLACK - W/O NOZZLE
	053766-02-000	EA BEDDING COMPOUND - TUBE - WHITE
	053766-06-000	EA BEDDING COMPOUND - TUBE - CLEAR
	072889-01-000	EA SEALANT - URETHANE - BLACK - 1/10
	072889-09-000	EA SEALANT - URETHANE - BLACK (TUBE)
	072889-10-000	EA SEALANT - URETHANE (HV) - BRIGHT WHITE
	072889-12-000	EA SEALANT - URETHANE (LV) BRIGHT WHITE
	072889-16-000	EA SEALANT - URETHANE - BLACK
	102352-01-000	EA SEALER - PUMPABLE - BLACK
	102352-02-000	EA SEALER - PUMPABLE - CLEAR
	106206-01-000	EA SEALER - PUMPABLE - MANUS 30A - BLACK
	108716-03-000	EA SILICONE - TUBE - BRIGHT WHITE/SELF LEVELING

**SEALANTS & FASTENERS GROUP (CONTINUED)
WASHERS**

KEY	PART NUMBER	U/M DESCRIPTION
	000E11-07-00B	EA WASHER - LOCKING - 7/16 MED SPLIT - ZINC
	000E11-08-00B	EA WASHER - LOCKING - 1/2 MED SPLIT - ZINC
	000E13-14-00B	EA WASHER - FLAT - 1/4 WIDE - ZINC
	000E13-18-00B	EA WASHER - FLAT - 3/8 WIDE - ZINC
	000E13-20-00B	EA WASHER - FLAT - 7/16 WIDE - ZINC
	000E13-22-00B	EA WASHER - FLAT - 1/2 WIDE - ZINC
	000E13-26-00B	EA WASHER - FLAT - 5/8 WIDE - ZINC
	000E14-10-00B	EA WASHER - LOCKING - #10 EXTERNAL TOOTH - ZINC
	044533-01-000	EA WASHER - PLASTIC - 1 3/8" OD - FOR BUTTONS
	058716-02-000	EA WASHER - FLAT NYLON
	077071-01-000	EA WASHER - FENDER - 3/16"ID X 1" OD
	106649-01-000	EA WASHER - SEALING - GALVANIZED

NUTS

KEY	PART NUMBER	U/M DESCRIPTION
	000D24-10-00B	EA NUT - HEX - SELF LOCKING - 10-32 ZINC
	000D29-05-00B	EA NUT - 5/16 - 18 UNC - SF/LOCKING - NYLON WASHER INSERT
	000D29-09-00B	EA NUT - HEX - SELF LOCKING - 9/16-12 - ZINC
	000D34-06-00B	EA NUT - HEX - LOCKING - 3/8 - 16 GRADE C - ZINC-PREVAILING T
	000D39-04-00B	EA NUT - HEX - SERRATED FLANGE - LOCKING - 1/4 - 20 - ZINC
	000D39-05-00B	EA NUT - HEX - SERRATED FLANGE - LOCKING - 5/16 - 18 - ZINC
	000D39-06-00B	EA NUT - HEX - SERRATED FLANGE - LOCKING - 3/8 - 18 - ZINC
	000D39-07-00B	EA NUT - HEX - SERRATED FLANGE - LOCKING - 7/16 - 14 - ZINC
	000D39-08-00B	EA NUT - HEX - SERRATED FLANGE - LOCKING - 1/2 - 13 - ZINC
	000D44-07-00B	EA NUT - HEX - SERRATED FLANGE - LOCKING - 7/16-20 - ZINC
	000D46-04-00A	EA NUT - HEX - WELD - 1/4 - 20 - PLAIN
	040921-01-000	EA NUT - SPEED - U TYPE - 10-24 BLACK
	040921-03-000	EA NUT - SPEED - U TYPE - #10
	040921-04-000	EA NUT - SPEED - U TYPE - # 8 - .59" LENGTH X .44" WIDTH
	040921-09-000	EA NUT - SPEED - U TYPE - # 8
	044364-02-000	EA NUT - SPEED - FLAT - ROUND
	063253-07-000	EA NUT - J - #8A - .120 - .130 PNL THK
	083163-06-000	EA PUSHNUT-FLAT TYPE 3/8 STUD - FORD ONLY TO RETAIN THE AIR BAFFLE ON THE OIL DIPSTICK TUBE
	087234-01-000	EA NUT - JACK - 1/4 X 20 THD - MOLLY - MOUNTS LICENSE PLATES MOUNTS LICENSE PLATES
	104369-01-000	EA NUT - HEX - HEAVY - 5/8-11 UNC

CLAMPS

KEY	PART NUMBER	U/M DESCRIPTION
	007161-01-000	EA CLAMP - HOSE - SPRING TYPE - 1/2"
	010495-01-000	EA CLAMP - CABLE - 9/16"
	010497-01-000	EA CLAMP - CLOSED - 5/8" ID
	010497-03-000	EA CLAMP - CLOSED - 1" ID - CUSHIONED
	010497-04-000	EA CLAMP - CLOSED - 1.62" ID
	010497-05-000	EA CLAMP - CLOSED - 1/2 ID
	010499-01-000	EA CLAMP - CLOSED - 3/8" ID
	062401-01-000	EA CLAMP - HOSE - WORMGEAR - .25" - 1"
	062401-02-000	EA CLAMP - HOSE - WORMGEAR - 1.56" - 2.5"
	062401-03-000	EA CLAMP - HOSE - WORMGEAR - .22" - 1"
	062401-04-000	EA CLAMP - HOSE - WORMGEAR - .69" - 1.25"
	062401-05-000	EA CLAMP - HOSE - WORMGEAR - 2" TO 3" ID
	062401-06-000	EA CLAMP - HOSE - WORMGEAR - .22 - .62 ID
	062401-11-000	EA CLAMP - HOSE - WORMGEAR - 3.50 - 4.50
	075148-02-000	EA CLAMP - GROUNDING - BRONZE SCREWS
	083609-01-000	EA CLAMP - WIRE - DUAL - EQUAL DIAMETERS - 5/8"
	083610-01-000	EA CLAMP - WIRE - DUAL - UNEQUAL DIAMETERS - 3/4" & 1 1/4"
	083610-02-000	EA CLAMP - WIRE - DUAL - UNEQUAL DIAMETERS

SEALANTS & FASTENERS GROUP (CONTINUED)

SCREWS

KEY	PART NUMBER	U/M	DESCRIPTION
	000G54-04-20B	EA	SCREW - 1/4-20 X 1.25 PTH - TYPE 23 - ZINC PLATED
	000G11-05-08B	EA	SCREW - 5-20 X .50 PPH - ZINC
	000G11-06-10B	EA	SCREW - 6-20 X 5/8 PPH - ZINC
	000G68-06-10G	EA	SCREW - 6-18 X 5/8 POH - ANTIQUE BRASS
	000G11-06-10J	EA	SCREW - 6-20 X 5/8 PPH - BRASS
	000G11-06-08B	EA	SCREW - 6-20 X .50 PPH - ZINC
	000G11-06-06B	EA	SCREW - 6-20 X 3/8 PPH - ZINC
	000G12-06-08T	EA	SCREW - 6-20 X 1/2 POH - BLACK
	000G13-06-08G	EA	SCREW - 6-20 X .50 PFH - ANTIQUE BRASS
	000G13-06-10G	EA	SCREW - 6-20 X 5/8 PFH - ANTIQUE BRASS
	076790-01-000	EA	SCREW - 6-20 X 1 1/4 PPH - BLACK
	000G11-07-08B	EA	SCREW - 7-19 X .50 PPH - ZINC
	000G13-07-10H	EA	SCREW - 7-19 X 5/8 PFH - BLACK
	000G13-07-12B	EA	SCREW - 7-19 X .75 PFH - ZINC
	000G11-08-12B	EA	SCREW - 8-18 X .75 PPH - ZINC
	000G11-08-08B	EA	SCREW - 8-18 X 1/2 PPH - ZINC
	000G11-08-10B	EA	SCREW - 8-18 X .50 PPH - ZINC
	000G11-08-12P	EA	SCREW - 8-18 X 3/4 PPH - OFF WHITE
	000G11-08-06B	EA	SCREW - 8-18 X 3/8 PPH - ZINC
	000G11-08-20B	EA	SCREW - 8-18 X 1.25 PPH - ZINC
	000G11-08-16S	EA	SCREW - 8-18 X 1 PPH - OFF WHITE
	0G1208-12-170	EA	SCREW - 8-18 X .75 POH - BRIGHT WHITE
	000G11-08-12P	EA	SCREW - 8-18 X 3/4 PPH - DARK BROWN
	000G11-08-12P	EA	SCREW - 8-18 X 3/4 PPH - DARK BROWN
	000G11-08-12D	EA	SCREW - 8-18 X .75 PPH - BLACK
	000G67-10-08B	EA	SCREW - 10-12 X .50 PPH - ZINC
	000G67-10-36T	EA	SCREW - 10-12 X 2.25 - PPH - BLACK
	000G67-10-24B	EA	SCREW - 10-12 X 1.25 PPH - ZINC
	000G67-10-20D	EA	SCREW - 10-12 X 1.25 PPH - BLACK
	000G67-10-120	EA	SCREW - 10-12 X .75 PPH - TAN
	000G67-10-12B	EA	SCREW - 10-12 X .75 PPH - ZINC
	000G67-10-12P	EA	SCREW - 10-12 X .75 - PPH - DARK BROWN
	000G67-10-10D	EA	SCREW - 10-12 X 5/8 PPH - BLACK - TYPE A
	000G67-10-10B	EA	SCREW - 10-12 X 5/8 PPH - ZINC - TYPE A
	000G67-10-16B	EA	SCREW - 10-12 X 1 PPH - ZINC
	000G11-10-12S	EA	SCREW - 10-16 X .75 PPH - OFF WHITE
	000G11-10-12D	EA	SCREW - 10-16 X .75 PPH - BLACK
	000G11-10-40B	EA	SCREW - 10-16 X 2 1/2 PPH CAD - 34927-01-000
	000G11-10-16B	EA	SCREW - 10-16 X 1 PPH - ZINC
	000G32-10-06B	EA	SCREW - 10-32 X 3/8 PPH - ZINC
	000G42-04-12B	EA	SCREW - SF/DR - 1/4-14 X .75 HWH - ZINC
	000G39-06-16T	EA	SCREW - SF/DR - 6-20 X 1 PPH - BLACK
	000G39-06-10T	EA	SCREW - SF/DR - 6-20 X 5/8 PPH - BLACK
	086256-01-000	EA	SCREW - SF/DR - 8 X 3/4 HWH LONG
	000G39-08-06B	EA	SCREW - SF/DR - 8-18 X 3/8 PPH - ZINC
	000G39-08-16T	EA	SCREW - SF/DR - 6-20 X 1 PPH - BLACK
	000G39-08-16B	EA	SCREW - SF/DR - 8-18 X 1 PPH - ZINC
	000G39-08-12T	EA	SCREW - SF/DR - 8-18 X .75 PPH - BLACK
	000G39-08-12B	EA	SCREW - SF/DR - 8-18 X .75 PPH - ZINC
	000G39-08-08S	EA	SCREW - SF/DR - 8-18 X .50 PPH - OFF WHITE
	0G3908-08-170	EA	SCREW - SF/DR - 8-18 X .50 PPH - BRIGHT WHITE
	000G55-08-12S	EA	SCREW - SF/DR - 8-18 X .75 PWH - OFF WHITE
	000G55-08-16S	EA	SCREW - SF/DR - 8-18 X 1.00 - PWH - OFF WHITE
	0G3908-24-170	EA	SCREW - SF/DR - 8-18 X 1.50 PPH - BRIGHT WHITE
	000G39-08-08B	EA	SCREW - SF/DR - 8-18 X 1.50 PPH - ZINC
	000G39-08-32B	EA	SCREW - SF/DR - 8-18 X 2 PPH - ZINC

SEALANTS & FASTENERS GROUP (CONTINUED)

SCREWS (CONTINUED)

KEY	PART NUMBER	U/M	DESCRIPTION
	049465-01-000	EA	SCREW - 10-16 W/WASHER PTH - DARK BROWN
	000G39-10-10B	EA	SCREW - SF/DR - 10-16 X .625 - ZINC
	000G39-10-088	EA	SCREW - SF/DR - 10-16 X 1/2 PPH - FLEX FLUOROCARBON
	000G39-10-08B	EA	SCREW - SF/DR - 10-16 X .50 PPH - ZINC
	000G39-10-129	EA	SCREW - SF/DR - 10-16 X .75 PPH - FLUOROCARBON SILVER
	000G39-10-12D	EA	SCREW - SF/DR - 10-16 X .75 PPH - BLACK
	000G39-10-12B	EA	SCREW - SF/DR - 10-16 X .75 PPH - ZINC
	0G3910-12-170	EA	SCREW - SF/DR - 10-16 X .75 PPH - BRIGHT WHITE
	000G60-10-28T	EA	SCREW - SF/DR - 10-16 X 1.75 - BLACK
	054434-02-000	EA	SCREW - SF/DR - 10-16 X 2 - ZINC
	049465-03-000	EA	SCREW - 10-16 X 1 POH W/WASHER - OFF WHITE
	049465-17-000	EA	SCREW - 10-16 X 1 POH W/WASHER
	000G39-10-209	EA	SCREW - SF/DR - 10-16 X 1 1/4 PPH - FLUOROCARBON SILVER
	000G39-10-20B	EA	SCREW - SF/DR - 10-16 X 1.25 PPH - ZINC
	000G39-10-48B	EA	SCREW - SF/DR - 10-16 X 3 - PPH - ZINC
	000G43-06-24B	EA	SCREW - MACHINE - 6-32 X 1.50 - ZINC
	000G50-04-08B	EA	SCREW - MACHINE - 1/4-20 X .50 PTH - ZINC
	000G50-04-12B	EA	SCREW - MACHINE - 1/4-20 X .75 PPH - ZINC
	000G52-08-18B	EA	SCREW - MACHINE - 8-32 X 1 1/8 PTH - ZINC
	000G18-08-22B	EA	SCREW - MACHINE - 8-32 X 1 3/8 PPH - ZINC
	000G46-08-24T	EA	SCREW - MACHINE - 8-32 X 1.50 PFH - BLACK
	000G19-10-20B	EA	SCREW - MACHINE - 10-32 X 1.25 PPH - ZINC
	000G19-10-12F	EA	SCREW - MACHINE - 10-32 X .75 - PPH - STAINLESS STEEL
	075908-01-000	EA	SCREW - MACHINE - 10-32 X .56 PTH - EXTERNAL TOOTH - ZINC
	000G56-12-48B	EA	SCREW - WOOD - 12-11 X 3 POH - SPECIAL HARDENED
	057671-01-000	EA	COVER - SCREW - #8 - PLASTIC - OFF WHITE
	057671-03-000	EA	COVER - SCREW - #8 - WILLOW
	057671-15-000	EA	COVER - SCREW
			FROM: 02-06-97 THRU: 99-99-99
	083554-04-000	EA	SCREW - DRYWALL - 8 X 2 1/2
	087721-01-000	EA	SCREW - FLAT HEAD - TAPPING - 1/4" X 1 1/4" LONG - ZINC
	097974-01-000	EA	SCREW - PARTICLE BOARD - 7-9 X 3/4 PPH

SEALANTS & FASTENERS GROUP (CONTINUED)

BOLTS

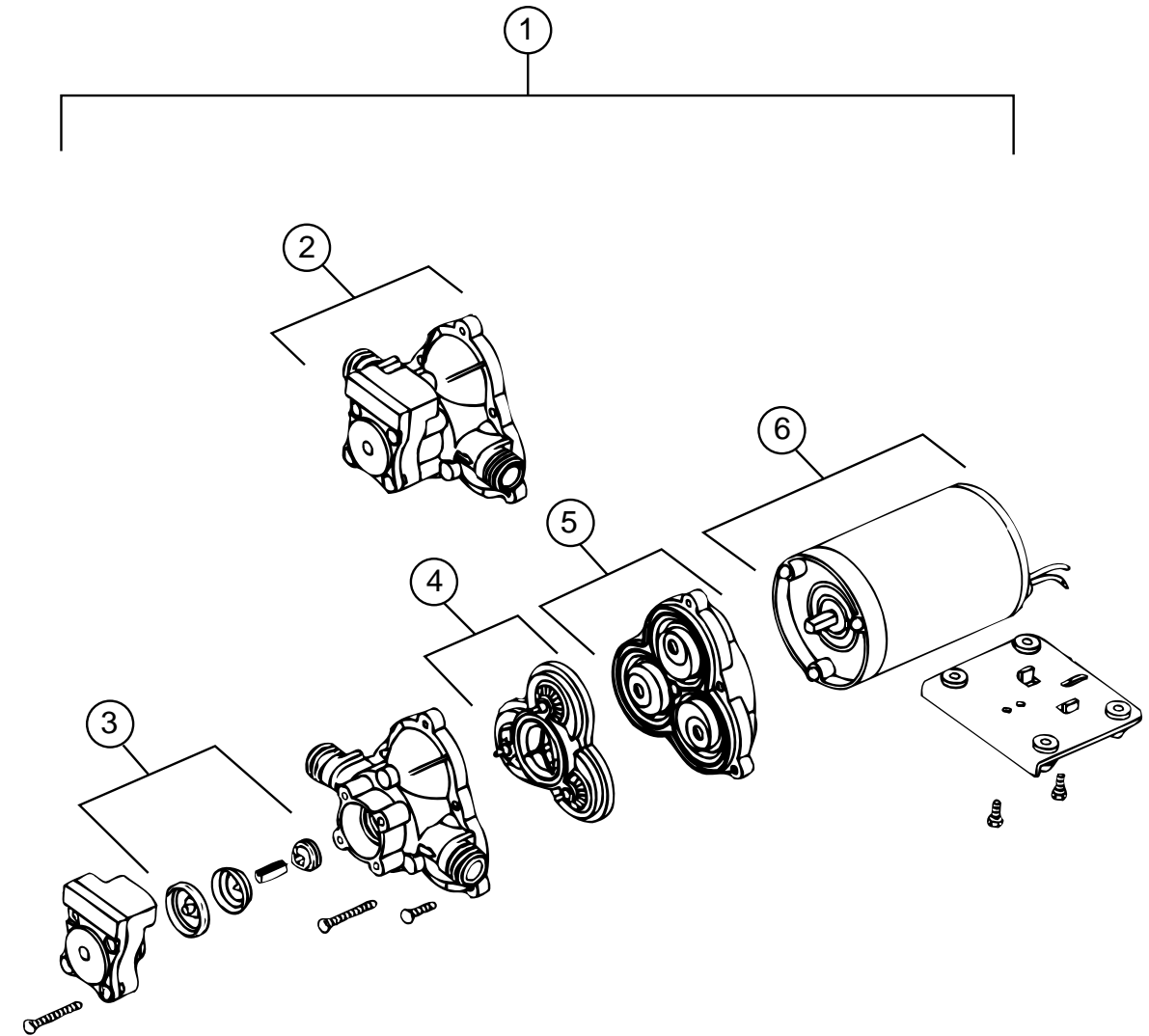
KEY	PART NUMBER	U/M DESCRIPTION
	000C12-05-12B	EA BOLT - HEX - 5/16-13 X 3/4 ZINC 5
	000C12-05-16B	EA BOLT - HEX - 5/16-18 X 1 - ZINC 5
	000C12-05-64B	EA BOLT - HEX - 5/16 - 18 X 4
	000C12-06-16B	EA BOLT - HEX - 3/8-16 X 1 LG - ZINC 5
	000C12-07-20B	EA BOLT - HEX - 7/16-14 X 1 1/4 - ZINC 5
	000C12-08-24B	EA BOLT - HEX - 1/2-13 X 1.50 - ZINC 5
	000C12-08-16B	EA BOLT - HEX - 1/2-13 X 1.00 - GD5 - ZINC
	000C12-09-20B	EA BOLT - HEX - 9/16-12 X 1.25 - ZINC 5
	000C12-10-24B	EA BOLT - HEX - 5/8-11 X 1.50 - ZINC 5
	000C13-07-48B	EA BOLT - HEX - 7/16-20 X 3 - ZINC 5
	000C18-05-40A	EA BOLT - ELEVATOR - 5/16-18 X 2.50 - PL
	000C26-04-10B	EA BOLT - HEX - SERRATED FLANGE - 1/4-20 X 5/8 - ZINC
	000C26-04-14B	EA BOLT - HEX - SERRATED FLANGE - 1/4-20 X 7/8 - ZINC
	000C26-04-18B	EA BOLT - HEX - SERRATED FLANGE - 1/4-20 X 1 1/8 - ZINC
	000C26-05-12B	EA BOLT - HEX - SERRATED FLANGE - 5/16-18 X 3/4 - ZINC
	000C26-05-16B	EA BOLT - HEX - SERRATED FLANGE - 5/16-18 X 3/4 - ZINC
	000C26-06-12B	EA BOLT - HEX - SERRATED FLANGE - 3/8-16 X 3/4 - ZINC
	000C26-06-16B	EA BOLT - HEX - SERRATED FLANGE - 3/8-16 X 1 - ZINC
	000C27-10-32B	EA BOLT - CARRIAGE - 5/8-11 X 2
	000G45-05-16B	EA BOLT - LAG - 5/16-9 X 1 - ZINC
	000G45-04-24B	EA BOLT - LAG - 1/4-9 X 1.50 ZINC
	051387-06-000	EA BOLT - CARRIAGE W/O HOLE - 5/16-18 X 9.5 - ZINC
	102333-01-06A	EA BOLT - CARRIAGE - 7/16-14 STAINLESS STEEL CAP
	088787-12-000	EA STUD - WELD - 1/4 - 20 X 1.0 LG - MN
	108067-03-000	EA STUD - WELD - 1/4 - 20 X 1/2 CD
	106166-01-000	EA BOLT/COLLARED HANGER - 8-32 X 1"

RIVETS, GROMMETS AND MISCELLANEOUS FASTENERS

KEY	PART NUMBER	U/M DESCRIPTION
	000H14-04-04A	EA RIVET - MANDREL BLIND - 1/8 X .400
	000H16-04-06R	EA RIVET - POP ALUMINUM - 1/8" X .313 - .375
	000H16-06-10R	EA RIVET - POP ALUMINUM - 3/16 X .501-.625
	008380-01-000	EA GROMMET - RUBBER - 5/8" HOLE X 1 1/2" DIAMETER - BLACK
	016188-03-000	EA GROMMET - L/P LINE - 3/8" HOLE X 2 1/2" LONG - RUBBER
	016188-05-000	EA GROMMET - L/P LINE - 3/8" HOLE X 1 1/4" LONG - RUBBER
	023942-01-000	EA GROMMET - RUBBER - 2" OD
	071015-19-000	EA GROMMET - .38 ID - FITS .06 MATERIAL
	071015-21-000	EA GROMMET - RUBBER - 1/2 ID X 1.06 OD - W/.19 GROOVE - BLACK
	071015-26-000	EA GROMMET - RUBBER - 1.5" ID X 2.12" OD W/.06" GROOVE - BLACK
	071015-29-000	EA GROMMET - RUBBER, .5" ID X 1.25" OD W/.12" GROOVE - BLACK
	114208-02-000	EA GROMMET - EDGE LINER - FITS .625
	056134-01-000	EA HOLDER - RING - 3.6" DIAMETER - METAL
	056134-02-000	EA HOLDER - RING - 1.8" DIAMETER - METAL
	086285-01-000	EA SPACER - NYLON - .5" OD X .257" ID
	081211-05-000	EA PLUG - PLASTIC - .188 DIAMETER - NATURAL
	029094-04-000	YD VELCRO TAPE - LOOP - 1" WIDE - BLACK
	029096-03-000	YD VELCRO TAPE - HOOK - 1" WIDE - BLACK
	085774-01-000	FT FASTENER - DUAL HOOK - 1" WIDE - ADHESIVE BACK - BLACK
	085774-02-000	FT FASTENER - DUAL LOOP - 1" WIDE - ADHESIVE BACK - BLACK
	008343-01-000	EA TIE - WIRE - 6"
	008343-02-000	EA TIE - WIRE - 14"
	108046-02-000	EA CABLE TIE - SCREW MOUNT 15"
	080734-02-000	EA CLIP - WIRE NYLON
	091952-02-000	EA CLIP - GRIPPER - 3/4"
	094362-02-000	EA CLIP - XMAS TREE - BINDER HEAD - .9" LONG
	110943-02-000	FT FELTSTRIP - 3/8" - ADHESIVE BACK - WHITE

FROM: 09-02-96 THRU: 99-99-99

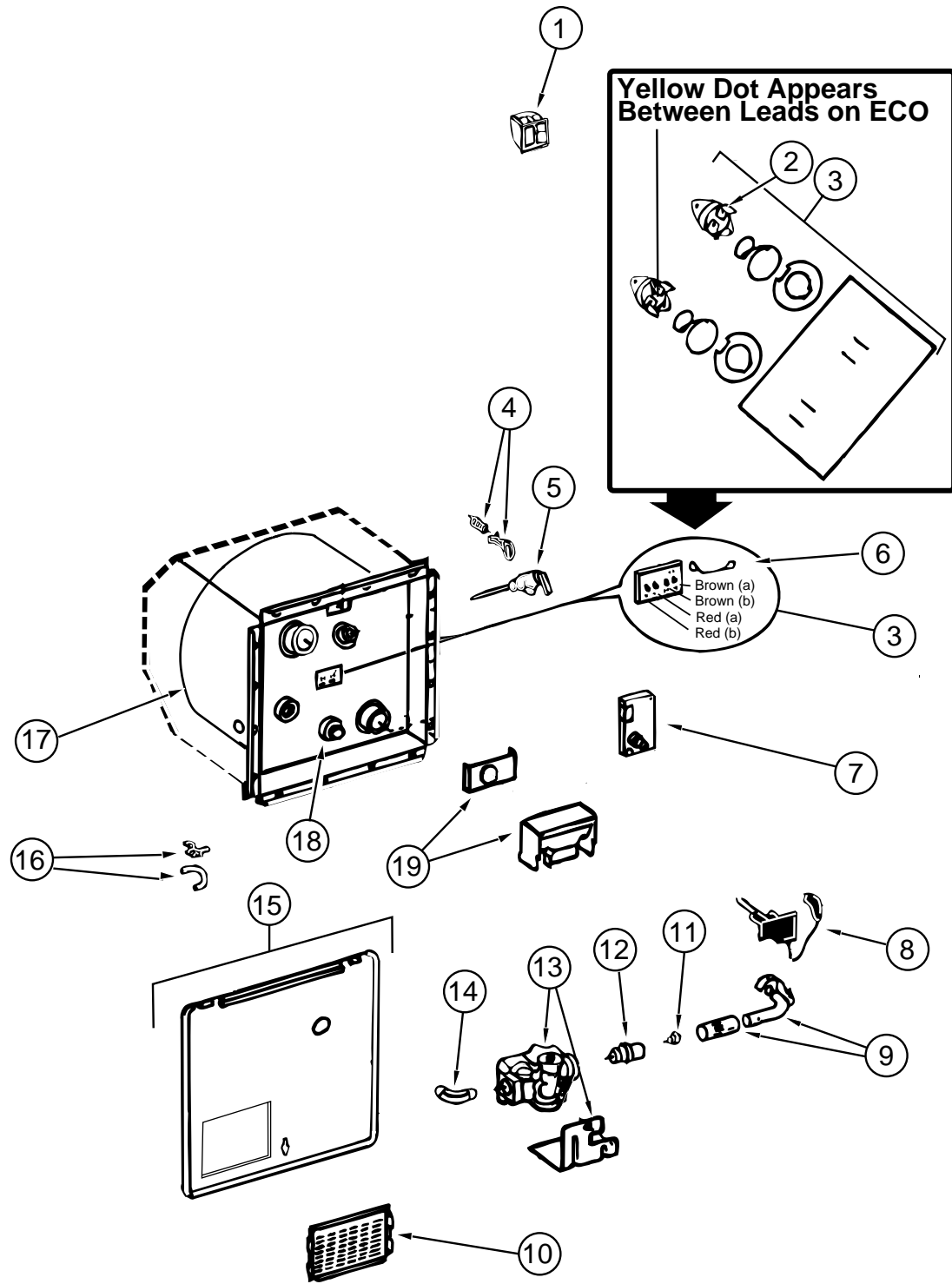
WATER & SEWAGE GROUP



SHURFLO WATER PUMP

KEY	PART NUMBER	U/M DESCRIPTION	VENDOR NO.
1	098607-01-000	EA PUMP-WATER, W/.5" MPT FITTING - FLOW 2.8 GPM - UL	
2	098607-01-706	EA HOUSING W/SWITCH ONLY	94-231-20
3	098607-01-705	EA VALVE-CHECK, KIT	94-237-00
4	098607-01-703	EA VALVE KIT	94-232-00
5	098607-01-702	EA DIAPHRAGM/DRIVE ASSEMBLY KIT	94-238-04
6	098607-01-707	EA MOTOR W/BASEPLATE	94-234-03

WATER & SEWAGE GROUP (CONTINUED)
ATWOOD WATER HEATER W/MOTOR AID (GH6-8E)



KEY	PART NUMBER	U/M	DESCRIPTION	VENDOR NO.
	051393-01-000	EA	WATER HEATER - W/ MOTOR AID - PILOTLESS IGNITION	
1	051393-01-701	EA	SWITCH PACKAGE	91959
2	051391-04-701	EA	THERMOSTAT 12V DC-120 PRESET	91470
3	051393-01-721	EA	ECO & THERMOSTAT ASM - FRONT MOUNT - 140°	91447
4	051391-01-705	EA	FASTENER - CAMLOC	92609
5	051391-01-704	EA	VALVE - RELIEF - 1/2" FITTING	91604
6	051393-01-723	EA	SWITCH - ENERGY CUT-OFF	93866
7	051393-01-724	EA	CIRCUIT BOARD - W/ SPADE TERMINAL	93867
8	051393-01-725	EA	ELECTRODE - SINGLE SPADE CONNECTION	93868
9	051391-04-703	EA	BURNER - MAIN	91638
10	051391-01-717	EA	GRILLE	92640
11	051391-01-710	EA	ORIFICE - MAIN BURNER	92742
12	051391-03-700	EA	ORIFICE HOLDER	91563
13	051393-01-726	EA	SOLENOID VALVE & BRACKET	93870
14	051391-01-714	EA	ELBOW - 45 DEGREE - 3/8" F X 3/8" MPT	91044
15	052009-06-000	EA	DOOR-WATER HEATER W/O LATCHES, BRIGHT WHITE	
16	051391-01-700	EA	HINGE KIT - W/CLIP	92568 & 92559
17	051391-04-704	EA	TANK - INNER	91642
18	051391-01-715	EA	DRAIN PLUG	91857
19	051391-04-707	EA	FLUE & GASKET	90960
	111129-01-711	EA	BRACKET-CORNER, SET OF FOUR	91928
	116424-01-000	EA	PROTECTOR - ROUND VINYL - WATER HEATER LATCH	

WATER & SEWAGE GROUP (CONTINUED)
WATER PURIFICATION SYSTEM (MCCLAIN ANNIVERSARY OPTION)

KEY	PART NUMBER	U/M DESCRIPTION
	701069-01-000	EA WATER PURIFICATION SYSTEM - EVERPURE 9252
	701069-03-700	EA CARTRIDGE-WATER FILTER, AC - EVERPURE

EXTERIOR SHOWER

KEY	PART NUMBER	U/M DESCRIPTION
	075241-05-000	EA FAUCET-SHOWER, BONE
	103092-01-000	EA SHOWER HEAD-W/60" HOSE - US
	103092-02-000	EA SHOWER HEAD-W/60" HOSE - CANADIAN
	103092-01-700	EA BRACKET ONLY-CLEAR, F/SHOWER HEAD - BPC
	103092-01-702	EA SEALS-SPRAY HEAD
	011048-03-700	EA BRACKET/F SHOWER HEAD - BPC
	093527-02-000	EA BRACKET-SQUEEGEE/SHOWER HEAD
	114293-01-01A	EA PAN-DRIP, 280 MM X 250 MM - OFF WHITE PLASTIC

WATER TANK

KEY	PART NUMBER	U/M DESCRIPTION
	121959-01-000	EA TANK - WATER - 50 GALLON - W/O FITTINGS (TWIN BEDS)
	121959-02-000	EA TANK - WATER - 50 GALLON - W/FITTINGS (TWIN BEDS)
	117898-01-000	EA TANK - WATER - 50 GALLON - W/O FITTINGS (QUEEN BED)
	117898-02-000	EA TANK - WATER - 50 GALLON - W/FITTINGS (QUEEN BED)
	039861-01-000	EA SENDING UNIT - W/SCREW - WASHER - WELL NUT/TERMINAL RING
	042989-03-000	EA FITTING - WATER TANK - SPINWELD - 1 1/4"NPT - PLASTIC
	042989-04-000	EA FITTING - WATER TANK - SPINWELD - 3/8 FPT - WHITE PLASTIC
	042989-05-000	EA FITTING - WATER TANK - SPINWELD - 1/2"FPT - PLASTIC
	049032-01-000	EA PATCH - SPINWELD - 3/8" - PLASTIC
	077954-02-000	EA FILTER - WATER TANK - W/SCREEN IN TANK

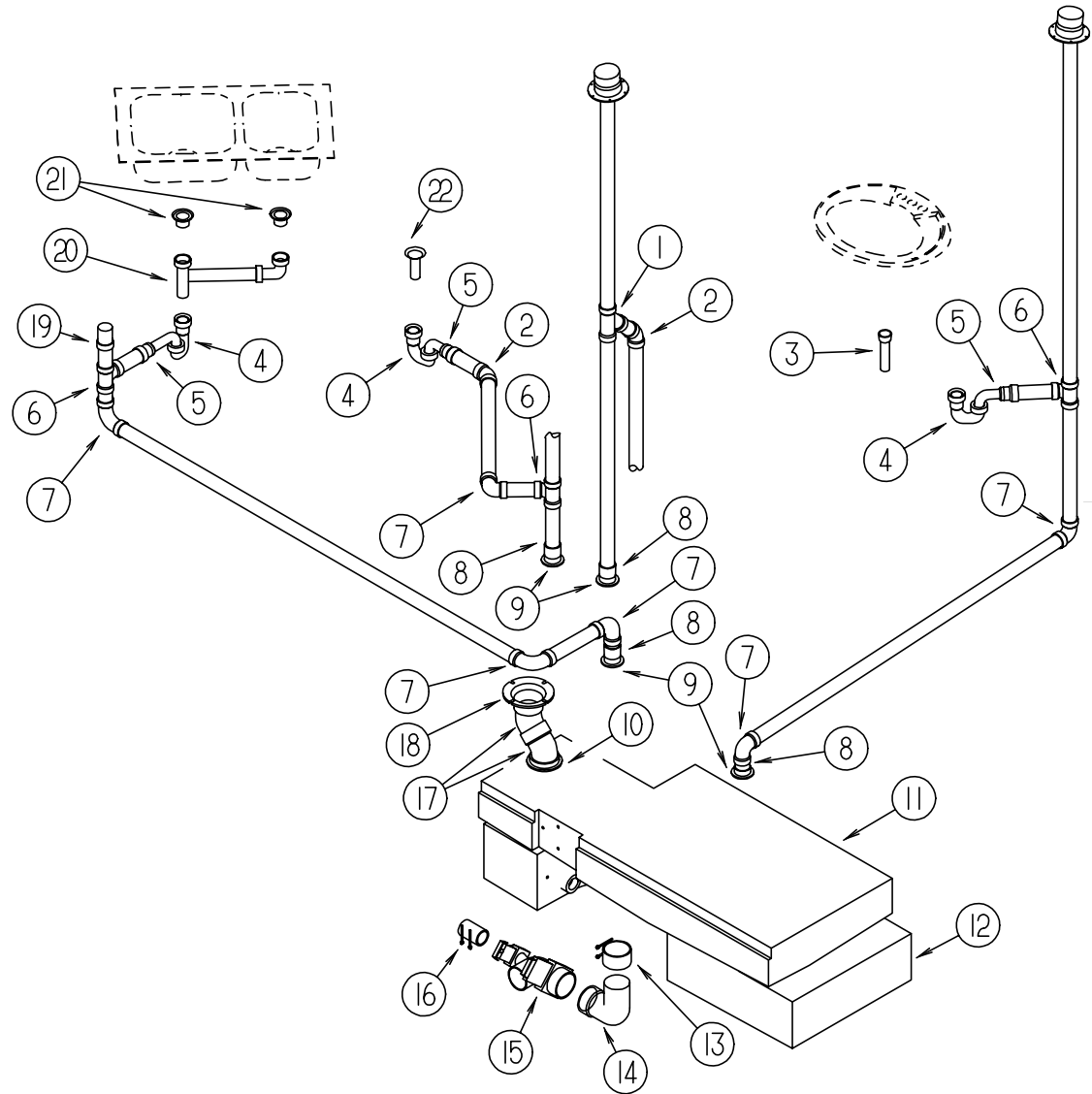
WATER & SEWAGE GROUP (CONTINUED)
WATER SYSTEM COMPONENTS

VENDOR NO.	KEY	PART NUMBER	U/M DESCRIPTION
9601-11		010224-01-000	EA ADAPTER - HOSE TO PIPE - 3/8 MPT X 3/8 BARB - PLASTIC
		044927-01-000	EA ADAPTER - HOSE TO PIPE - 1 1/4 MPT X 1 1/4 BARB - BLK PLS
		123152-01-000	EA ADAPTER - 1/2 FPT X 1/2 BARB - SWIVEL
		101814-01-000	EA COUPLING - FEMALE - 1/2" X 1/2" FPT - GRAY
		103798-01-000	EA CONNECTOR - 1/4 OD X 3/8 MPT (MCCLAIN ANNIVERSARY OPTION)
		110438-01-000	EA VALVE - CHECK - BRASS - 1/2 MPT X 1/2 FPT FROM: 00-00-00 THRU: 02-16-97
		110438-02-000	EA VALVE - CHECK - BRASS - 1/2 MPT X 1/2 MPT FROM: 02-17-97 THRU: 99-99-99
2328028		110915-01-01A	EA FILL - CITY WATER - CHROME
24466		074462-02-000	FT TUBING - VINYL - 3/8 ID X 20' - CLEAR
2328029-3		112176-01-000	FT TUBING - VINYL, REINFORCED - 1/2 ID
		039800-02-000	FT TUBING - POLYBUTYL - 5/8 OD X 20' - INC OF 20'
		039800-05-000	FT TUBING - POLYBUTYL - 5/8 OD X 20'
		079381-01-000	FT TUBING - SMOOTH FLEXIBLE - 1 3/8 ID X 20'
		039808-03-000	EA ELBOW - 1/2" MPT X 1/2" MPT - PLASTIC
		123150-01-000	EA ELBOW - 1/2 FPT X 1/2 BARB - SWIVEL

WATER SYSTEM COMPONENTS (FLAIR-IT)

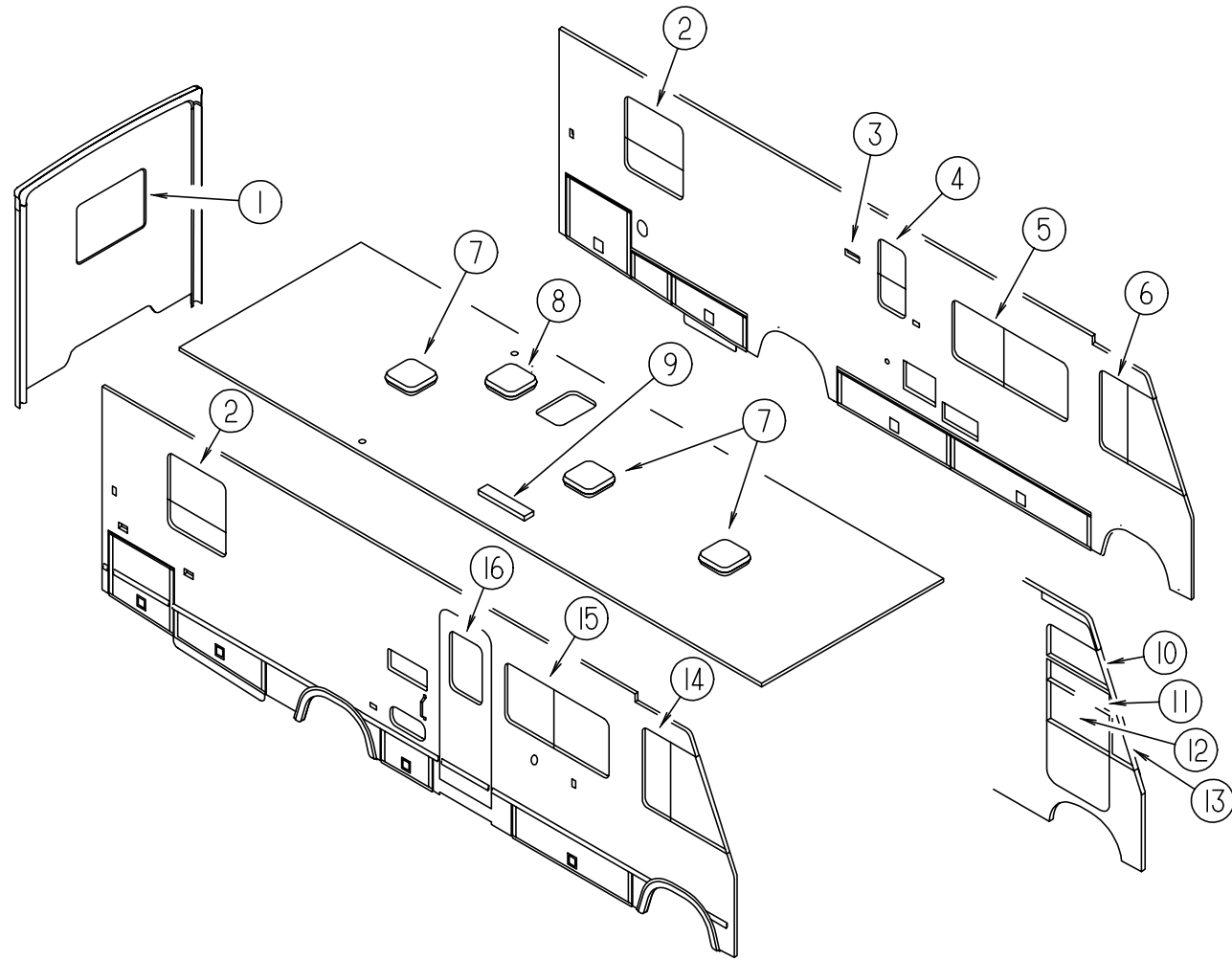
KEY	PART NUMBER	U/M DESCRIPTION
	114427-01-000	EA CAP - 1/2P
	114427-02-000	EA PLUG - 1/2P
	114427-03-000	EA NUT - 1/2"Q
	114428-01-000	EA TEE - 1/2P X 1/2P X 1/2P
	114428-02-000	EA TEE - SWIVEL -1/2P X 1/2P X 1/2FPT
	114428-03-000	EA TEE - 1/2P X 1/2P X 1/2 MPT
	114428-04-000	EA TEE - 1/2P X 1/2P X 1/8FPT
	114429-01-000	EA ELBOW - 1/2P X 1/2P
	114429-02-000	EA ELBOW - 1/2P X 1/2MPT
	114429-03-000	EA ELBOW - SWIVEL -1/2PX1/2FPT
	114429-04-000	EA ELBOW - 1/2P X 3/8MPT
	114429-05-000	EA ELBOW - 1/2P X 3/4MPT
	114429-06-000	EA ELBOW - SWIVEL -1/2P X 3/4FPT
	114429-07-000	EA ELBOW - 1/2P X 1/2FPT DROPEAR
	114430-01-000	EA ADAPTER - 1/2P X 1/2P
	114430-02-000	EA ADAPTER - SWIVEL -1/2P X 1/2FPT
	114430-03-000	EA ADAPTER - 1/2P X 1/2MPT
	114430-04-000	EA ADAPTER - 1/2P X 3/8MPT
	114430-05-000	EA ADAPTER - 1/2P X 1/8FPT
	114430-06-000	EA ADAPTER - 1/2P X 3/8FPT
	114430-07-000	EA ADAPTER - 1/2P X 3/8P
	114430-08-000	EA ADAPTER - 1/2P X 3/4MPT
	114431-01-000	EA VALVE - 180 DEGREE/CENTER DRAIN - 1/2P - THREE WAY
	114431-02-000	EA VALVE - WATER BYPASS - 1/2"P - THREE WAY (WATER HEATER)
	114431-03-000	EA VALVE - 1/2P X 1/2P
	114431-04-000	EA VALVE - STOP -1/2P X 1/2P
	114431-05-000	EA VALVE - NEEDLE - COMP 1/8 MPT X 1/4
	114431-06-000	EA VALVE - 3/8P X 3/8P
	114431-07-000	EA VALVE - 3/8P THREE - WAY
	114431-08-000	EA STRAIGHT STOP VALVE 3/8P X 3/8P

WATER & SEWAGE GROUP (CONTINUED)
DRAINAGE SYSTEM



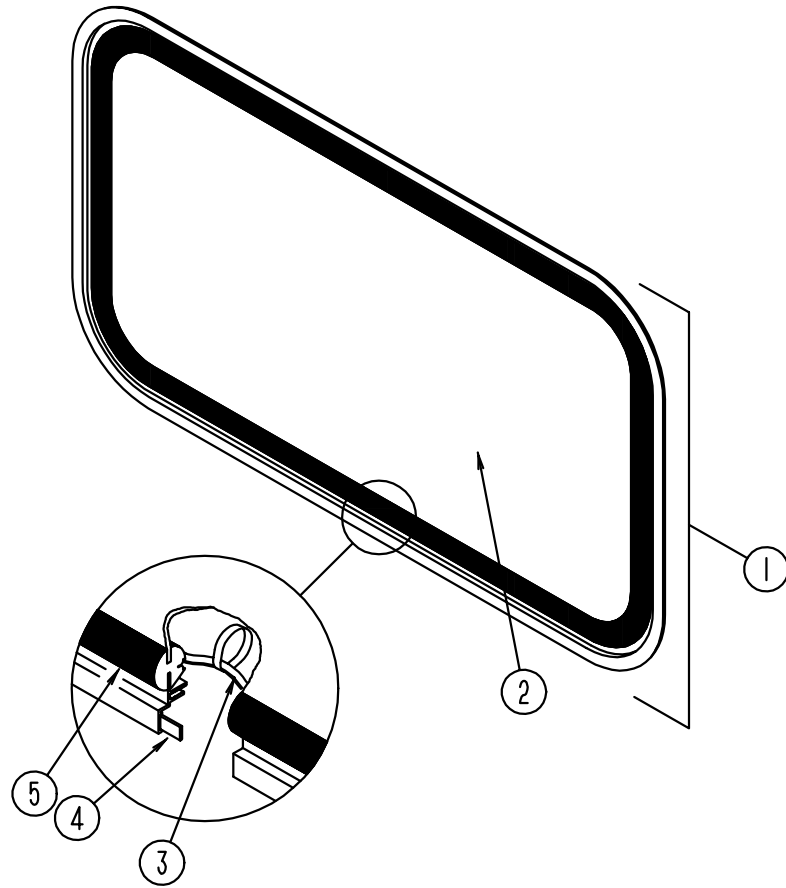
KEY	PART NUMBER	U/M	DESCRIPTION	VENDOR NO.
1	010073-01-000	EA	WYE - 45 DEGREE - 1 1/2" HUB X HUB X HUB - PLASTIC	
2	010006-01-000	EA	ELBOW - 45 DEGREE - 1 1/2" HUB X HUB - PLASTIC	
3	106116-01-01A	EA	STRAINER - SINK - W/STOPPER/TAILPIECE/GASKET & NUT - PLASTIC	
4	107538-01-000	EA	P TRAP - PLASTIC - 1 1/4" W/EXTENSION ARM	
5	109571-01-000	EA	ADAPTER - P TRAP - 1 1/2"P X 1 1/4"MPT	
6	010071-01-000	EA	TEE - SANITARY - 1 1/2 HUB X HUB X HUB - PLASTIC	
7	010008-01-000	EA	ELBOW - 90 DEGREE - 1 1/2" HUB X HUB - PLASTIC	
8	010115-01-000	EA	COUPLING - 1 1/2" HUB X HUB - PLASTIC	
9	061607-01-000	EA	GROMMET - HOLDING TANK - 1 1/2" NPS	
10	061607-02-000	EA	GROMMET - HOLDING TANK - 3" NPS	
11	122006-01-000	EA	TANK - HOLDING - 30 GALLON W/O FITTINGS	
12	122027-01-000	EA	TANK - HOLDING - 39 GALLON	
13	078406-01-000	EA	COUPLER - RUBBER - W/CLAMPS - 3" X 3"	
14	031126-01-000	EA	ELBOW - 1/4 BEND - 3" X 90" XLT - BLACK PLASTIC	
15	070916-01-000	EA	VALVE - DUAL DUMP - W/CAP - 3" X 1 1/2"	
	070916-01-700	EA	VALVE ONLY (WASTE) 3"	T1003BU
	070916-01-701	EA	VALVE ONLY (WASTE) 1 1/2"	T1001BU
16	089355-01-000	EA	COUPLER - RUBBER - 1 1/2" X 1 1/2"	
17	010061-01-000	EA	ELBOW - 45 DEGREE ST - 3" SPIGOT/HUB - PLASTIC	
18	116644-01-000	EA	FLANGE - CLOSET - 4" X 3"	
19	079968-01-000	EA	VENT - MECHANICAL/TRAP ARM - ANTI-SIPHON-2" X 7.3" PLASTIC	
20	011091-02-000	EA	WASTE - CONTINUOUS - DOUBLE SINK	
21	092303-01-000	EA	STRAINER - SINK	
22	011069-02-000	EA	TAILPIECE - TUB/SHOWER - 1 1/2" X 1 1/4" X 4" - BRASS	
22	069735-01-000	EA	WASHER - STRAINER TO TAILPIECE - PLASTIC - 1.5"	
	010201-01-000	EA	HOSE - SEWER - 3" ID X 8'	
	062416-01-000	EA	ADAPTER - SEWER HOSE TO 3" PIPE	

WINDOW, VENT & EXTERIOR DOOR GROUP
WINDOWS & VENTS



KEY	PART NUMBER	U/M	DESCRIPTION	VENDOR NO.
1	078528-06-E10	EA	WINDOW - ESCAPE - W/O RETAINER/TRIM - 48.5" X 24.5"	
1	113502-01-01A	EA	WINDOW - REAR/ESCAPE - THERMO - 24.8" X 48.7"	
2	112463-03-01A	EA	WINDOW - TIPOUT W/RETAINER TRIM - 33.3" X 30.2"	
2	112898-16-01A	EA	WINDOW - SLIDER/VERTICAL - THERMOPANE - 33.2" X 30.2"	
3	084616-07-000	EA	VENT - SHROUD - RANGE HOOD - BRIGHT WHITE	
	084878-09-000	EA	VENT - HOOD - RANGE/SHORT - OFF WHITE	
4	098644-07-01A	EA	WINDOW - VERTICAL SLIDER - 30.2" X 14.3"	
4	112898-04-01A	EA	WINDOW - VERTICAL SLIDER - THERMO - 30.2" X 14.3"	
5	098647-22-01A	EA	WINDOW - DRIVER - HORIZONTAL SLIDER - 26.1" X 59.7"	
5	112795-15-01A	EA	WINDOW - DRIVER - HORIZONTAL SLIDER - THERMO - 26 3/8" X 60"	
6	103658-11-01A	EA	WINDOW - DRIVER CAB - 38.3"T X 45.2"B X 36.7"HH	
6	113501-10-01A	EA	WINDOW - DRIVER CAB THERMO (2 WINDOW) 35.7" X 37.2" X 43.9"	
7	122882-01-01A	EA	VENT - ROOF - NONPOWERED	
8	122882-02-01A	EA	VENT - ROOF - W/FAN - POWERED	
8	122882-03-01A	EA	VENT - ROOF - W/FAN - CSA	
9	084073-07-000	EA	VENT - ROOF - REFRIGERATOR - BRIGHT WHITE	
9	084073-04-000	EA	BASE - ROOF VENT - REFRIGERATOR	
10	106467-06-01A	EA	WINDOW - DRIVER VISTA (ABOVE DR DOOR) 39.2"T X 40.6"B X 7.3"H	
10	116000-08-01A	EA	WINDOW - DRIVER VISTA - THERMO - 6.3" X 38.2" X 39.4"	
11	106469-02-702	EA	GLASS - STATIONARY	106-041104
12	106469-01-704	EA	GLASS ASM - ROLL-UP W/ BRACKET	V103-65L
13	106468-05-01A	EA	WINDOW - DRIVER WING - 6.8"T X 23.3"B X 28.9"H	
13	115999-06-01A	EA	WINDOW - DRIVER WING - THERMO - 5.8" X 11" X 27.9"	
14	103658-12-01A	EA	WINDOW - PASSENGER CAB - 38.3"T X 45.2"B X 36.7"H	
14	113501-09-01 A	EA	WINDOW - PASS CAB THERMO (2 WINDOW)-35.7" X 37.2" X 43.9"	
15	098647-24-01A	EA	WINDOW - PASSENGER HORIZONTAL SLIDER - 26.1" X 53.8"	
15	112795-17-01A	EA	WINDOW - PASSENGER - HORIZONTAL SLIDER - THERMO-25 3/8"X54"	
16	117053-02-F36	EA	WINDOW - PICTURE - ENTRANCE DOOR - 17" X 26.4"	
16	113733-01-01A	EA	WINDOW - STATIONARY - THERMOPANE - 17" X 26.4"	
	083558-03-000	EA	VENT - PLUMBING - PIPE ROOF - W/COVER - OFF WHITE	

WINDOW, VENT & EXTERIOR DOOR GROUP (CONTINUED)



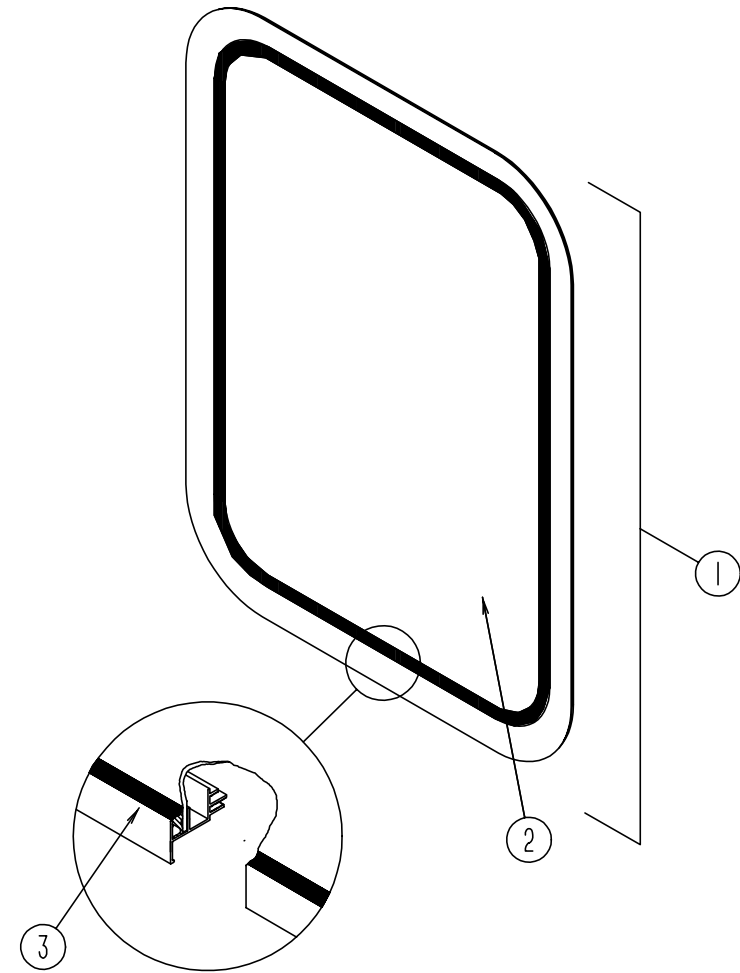
BACKWALL ESCAPE WINDOW

KEY	PART NUMBER	U/M DESCRIPTION
	074816-11-000	EA RETAINER-TRIM, ESCAPE WINDOW - OFF WHITE
1	078528-06-E10	EA WINDOW ASM-ESCAPE, BACKWALL - W/O RETAINER
2	076337-12-000	EA GLASS-WINDOW, ESCAPE - 1157.4 MM X 548.1 MM
3	002285-01-000	FT FILLER-WEATHER STRIP, RUBBER - BLACK
	077066-01-702	EA TAPE ASM-ESCAPE WINDOW, RED
4	069640-11-000	FT SEALER-TAPE, 3/16" THICK X 3/8" WIDE - INCREMENTS OF 40'
5	002282-09-000	EA WEATHERSTRIP-WINDOW, .125" X 130.53" - BLACK

EXCEL BACKWALL ESCAPE WINDOW - THERMOPANE WINDOW OPTION

KEY	PART NUMBER	U/M DESCRIPTION	VENDOR NO.
	113502-01-01A	EA WINDOW - REAR/ESCAPE - THERMO - 24.8" X 48.7"	
	098644-01-705	FT GLAZING-STRIP	132-010231
	112898-06-704	EA HANDLE - LATCH - RED-RH	182-11293
	112898-06-705	EA HANDLE - LATCH - RED-LH	182-11294
	113502-01-703	EA GLASS-STATIONARY, RH & LH	390-019083
	113502-01-704	EA GLASS-EGRESS, CENTER-ESCAPE	390-019084

WINDOW, VENT & EXTERIOR DOOR GROUP (CONTINUED)



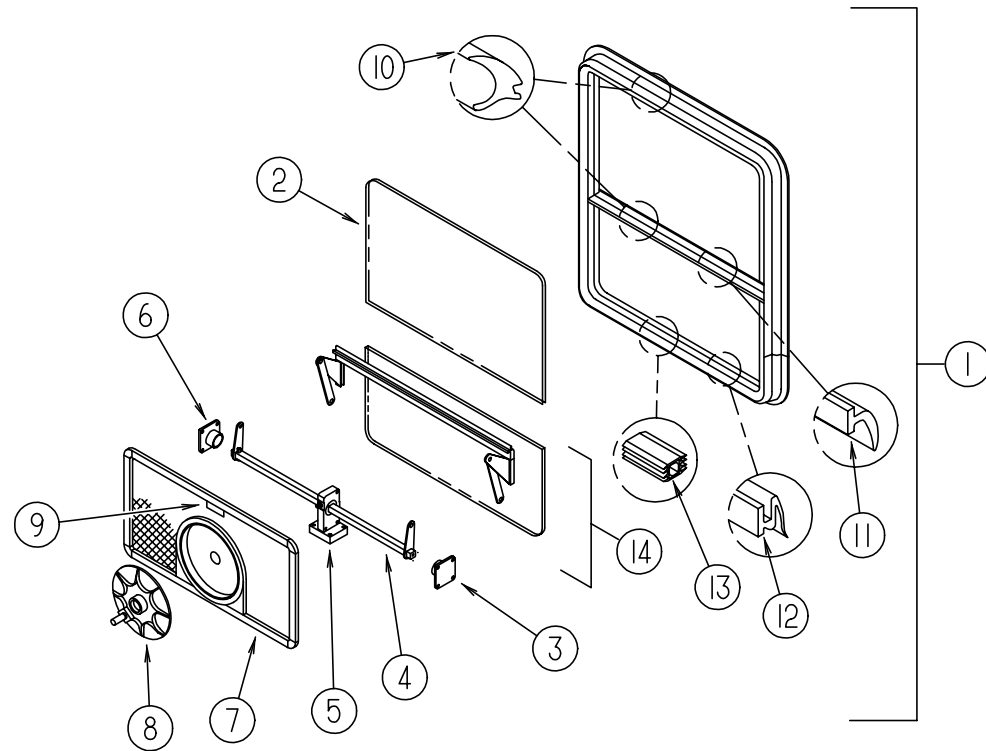
ENTRANCE DOOR WINDOW

KEY	PART NUMBER	U/M DESCRIPTION
	117054-02-02A	EA RETAINER-TRIM, ENTRY DOOR WINDOW - BRIGHT WHITE
1	117053-02-F36	EA WINDOW ASM-PICTURE W/O RETAINER, ENTRANCE DOOR - 26.4" X 17"
2	002181-25-000	EA GLASS-PICTURE WINDOW, 655 MM X 417 MM
3	087561-01-000	FT SEAL-GLASS, EXTERIOR - .5" WIDE - VINYL - BLACK

EXCEL ENTRANCE DOOR WINDOW - THERMOPANE WINDOW OPTION

KEY	PART NUMBER	U/M DESCRIPTION	VENDOR NO.
	113733-01-01A	EA WINDOW ASM-STATIONARY W/RETAINER, 26.4" X 17"	
	113733-01-700	EA WINDOW-PICTURE, W/O RETAINER	DH416-G2
	113733-01-701	EA RETAINER-TRIM, ENTRY DOOR WINDOW	W41666
	113733-01-702	EA GLASS-STATIONARY	390-019187
	112795-01-705	FT VINYL-GLAZING	132-019702

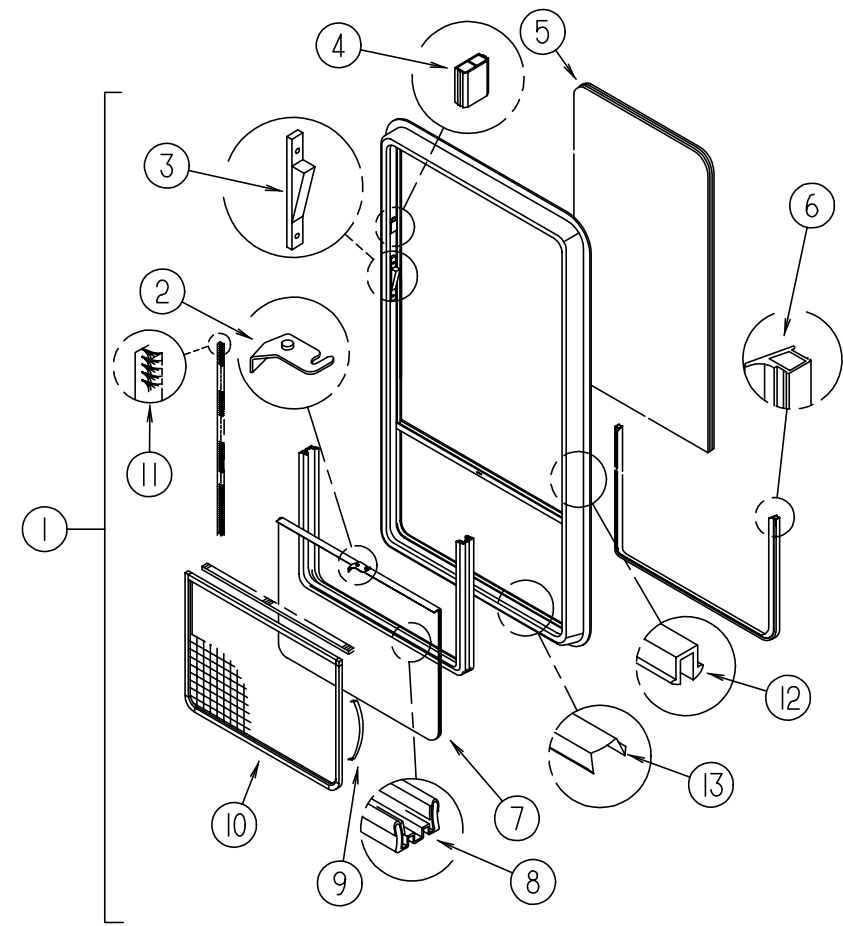
WINDOW, VENT & EXTERIOR DOOR GROUP (CONTINUED)



EXCEL BEDROOM TIPOUT WINDOW - DRIVER OR PASSENGER SIDE

KEY	PART NUMBER	U/M	DESCRIPTION	VENDOR NO.
1	112463-03-01A	EA	WINDOW - TIPOUT W/RETAINER TRIM - 33.3" X 30.2"	
	113500-05-705	EA	RETAINER - TRIM	CW100-59
2	112463-03-701	EA	GLASS - STATIONARY	106-025377
3	100322-01-714	EA	SUPPORT-TORQUE BAR - LH	130-015978
4	112463-03-702	EA	OPERATOR & BAR ASSEMBLY	CH10-18
5	100322-01-716	EA	SUPPORT - TORQUE BAR - CTR RAIL	130-015980
6	100322-01-715	EA	SUPPORT - TORQUE BAR - RH	130-015979
7	112463-03-703	EA	SCREEN ASM - W/SEALS & CLIPS	410-018439
8	100322-01-718	EA	HANDLE - DIAL	410-016081
9	112519-01-706	EA	CLIP - SCREEN	CH21-50
10	100322-01-703	FT	VINYL - GLAZING - BUTYL	132-010723
11	100322-01-702	EA	WEATHERSTRIP - HORIZONTAL RAIL	132-015976
12	100322-01-701	FT	SEAL - VENT	122-016071
13	098644-01-716	FT	PLUG - FILLER	132-014470
14	112463-03-700	EA	VENT ASSEMBLY	CH100-G9
	100322-01-704	FT	TAPE - BUTYL	154-016083
	100322-01-717	EA	E-RING	245-015975

WINDOW, VENT & EXTERIOR DOOR GROUP (CONTINUED)



EXCEL BEDROOM VERTICAL SLIDER WINDOW - DRIVER OR PASSENGER SIDE - THERMOPANE

KEY	PART NUMBER	U/M	DESCRIPTION	VENDOR NO.
1	112898-16-01A	EA	WINDOW - SLIDER/VERTICAL - THERMOPANE - 33.2" X 30.2"	
	112898-16-702	EA	RETAINER - TRIM	CW100-66
2	112795-01-700	EA	LATCH ASM-BLACK, BOLT ON	DH287-CK
3	112898-04-703	EA	SASH LATCH KIT, RAISED	DH343-CK
4	112795-01-701	EA	SLIDE-STOP	132-019092
5	112898-16-701	EA	GLASS - STATIONARY	390-025433
6	112795-01-704	FT	PLUG FILLER (DOUBLE GLAZED)	122-018737
7	112898-16-700	EA	GLASS-SLIDING W/SASH & LATCH	DH510-G9
8	112795-01-703	IN	CHANNEL-RUN (INCHES)	122-018736
9	098644-01-713	EA	CLIP - SPRING - METAL	226-016966
10	112898-05-704	EA	SCREEN ASM - W/SEALS & CLIPS	410-018862
11	098644-01-711	FT	WEATHERSTRIP - SCREEN BLACK	171-016965
12	112795-01-705	FT	VINYL - GLAZING	132-025736
13	098644-01-710	FT	TRACK - SCREEN SPACER, 12'	132-017135

WINDOW, VENT & EXTERIOR DOOR GROUP (CONTINUED)

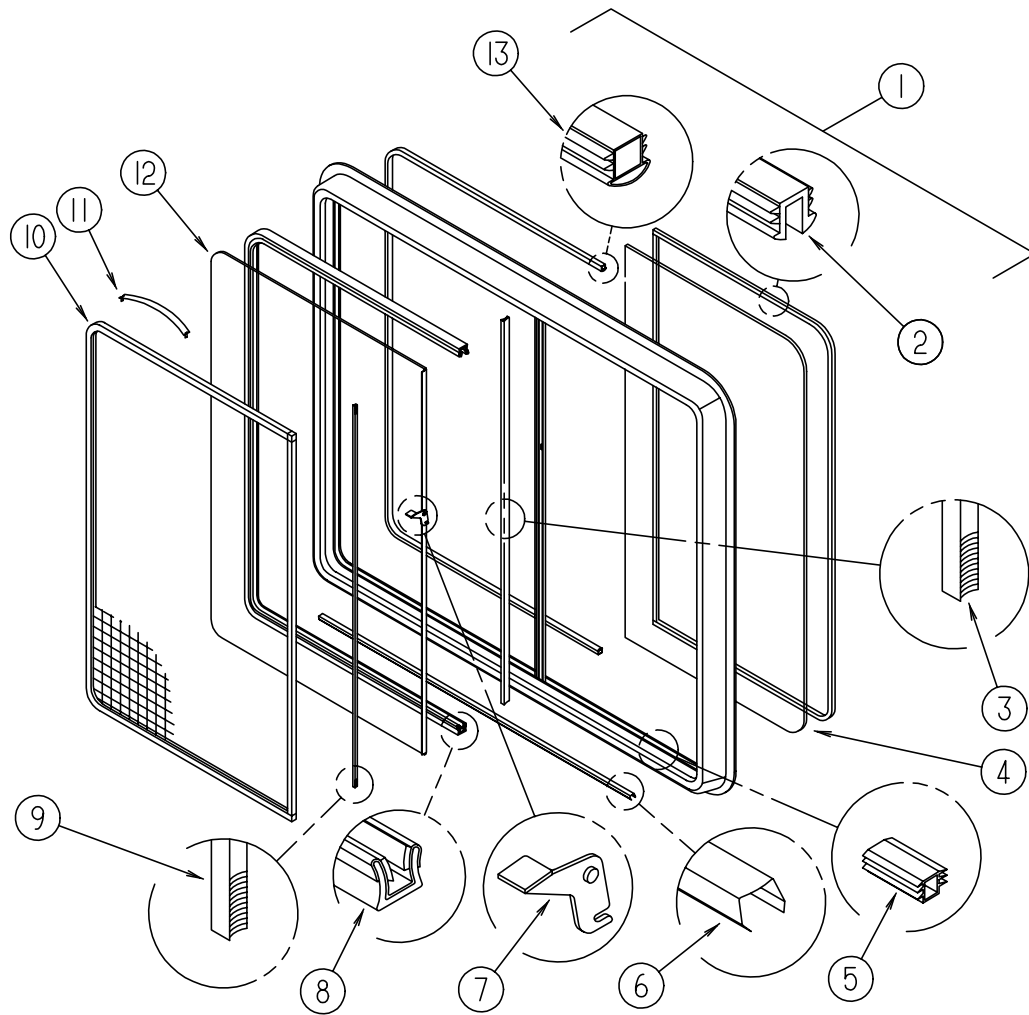
WINDOW, VENT & EXTERIOR DOOR GROUP (CONTINUED)

EXCEL SINGLE SLIDER WINDOW - DRIVER SIDE - DINETTE

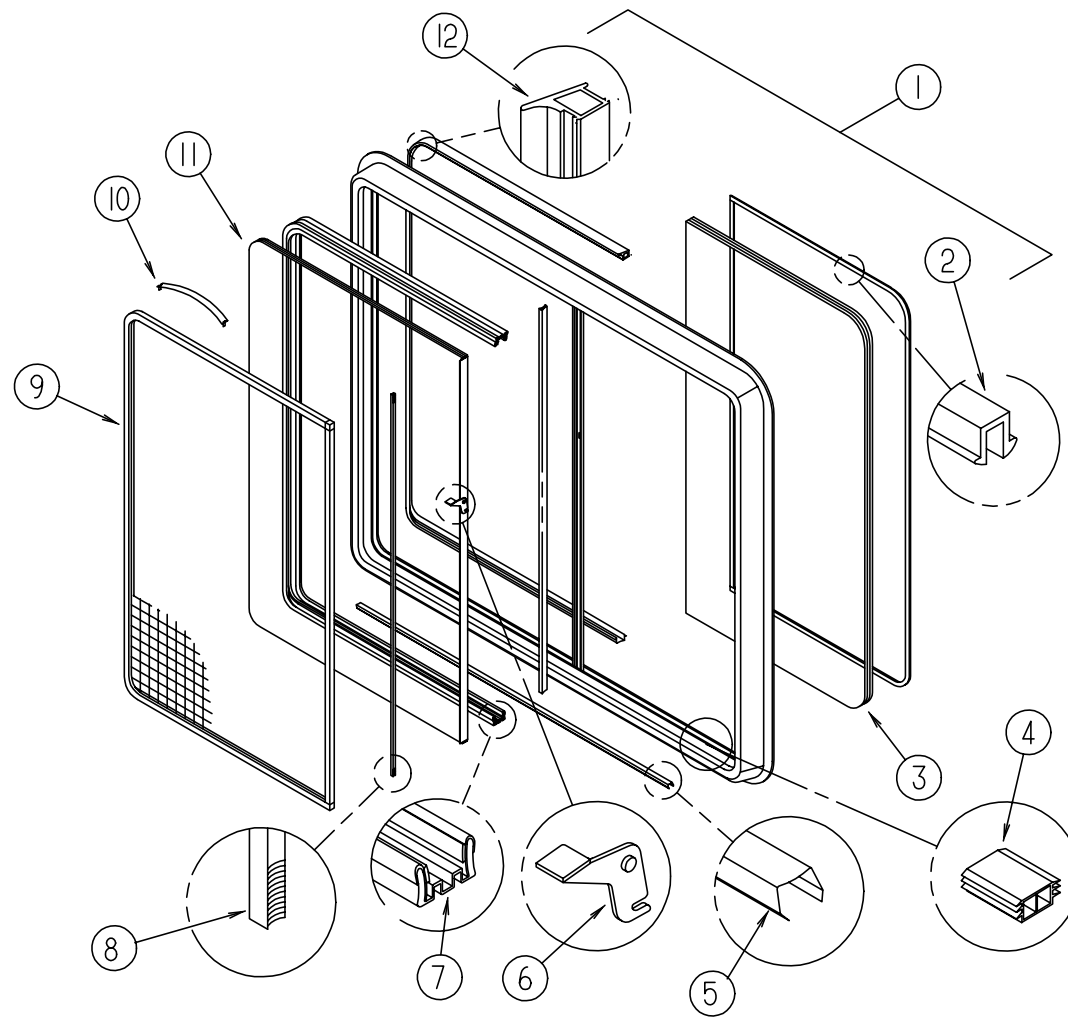
KEY	PART NUMBER	U/M	DESCRIPTION	VENDOR NO.
1	098647-22-01A	EA	WINDOW - DRIVERS - HORIZONTAL SLIDER - 26.1" X 59.7"	
	098647-27-701	EA	RETAINER - TRIM	W287-66
2	098644-01-705	FT	GLAZING - STRIP	132-010231
3	098644-01-706	FT	WEATHERSTRIP - GLASS	171-010668
4	098647-23-703	EA	GLASS - STATIONARY	106-017622
5	098644-01-719	EA	STOP - SLIDER GLASS	132-014203
6	098644-01-710	FT	TRACK - SCREEN SPACER 12'	132-017135
7	098644-01-700	EA	LATCH - REPAIR KIT (BLACK)	B801-CK
8	098644-01-708	FT	CHANNEL - RUN PIERCED	122-016543
9	098644-01-711	FT	WEATHERSTRIP - SCREEN BLACK	171-016965
10	098647-23-704	EA	SCREEN ASM - W/SEALS & CLIPS	410-019066
11	098644-01-713	EA	CLIP - SPRING - METAL	226-016966
12	098647-23-700	EA	GLASS SLIDING W/SASH & LATCH	H287-G9
13	098644-01-716	FT	PLUG - FILLER	132-014470
	098644-01-717	FT	SPLINE - SCREEN	132-004716

EXCEL SINGLE SLIDER WINDOW - PASSENGER SIDE - LOUNGE

KEY	PART NUMBER	U/M	DESCRIPTION	VENDOR NO.
1	098647-24-01A	EA	WINDOW - PASSENGER - HORIZONTAL SLIDER - 26.1" X 53.8"	
	098647-36-701	EA	RETAINER - TRIM	CW80-66
2	098644-01-705	FT	GLAZING - STRIP	132-010231
3	098644-01-706	FT	WEATHERSTRIP - GLASS	171-010668
4	098647-35-701	EA	GLASS - STATIONARY	106-019119
5	098644-01-719	EA	STOP - SLIDER GLASS	132-014203
6	098644-01-710	FT	TRACK - SCREEN SPACER 12'	132-017135
7	098644-01-700	EA	LATCH - REPAIR KIT (BLACK)	B801-CK
8	098644-01-708	FT	CHANNEL - RUN PIERCED	122-016543
9	098644-01-711	FT	WEATHERSTRIP - SCREEN BLACK	171-016965
10	098647-36-704	EA	SCREEN ASM - W/SEALS & CLIPS	410-017750
11	098644-01-713	EA	CLIP - SPRING - METAL	226-016966
12	098647-35-702	EA	GLASS-SLIDING W/SASH & LATCH	H279-G9
13	098644-01-716	FT	PLUG - FILLER	132-014470
	098644-01-717	FT	SPLINE - SCREEN	132-004716



WINDOW, VENT & EXTERIOR DOOR GROUP (CONTINUED)



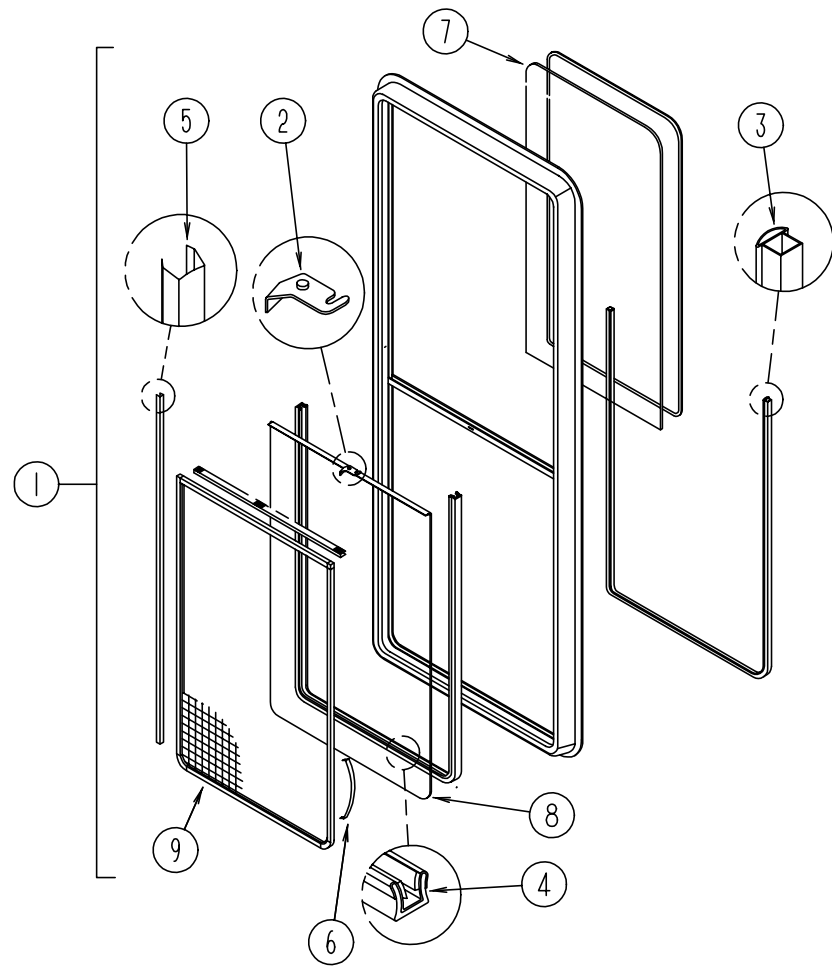
WINDOW, VENT & EXTERIOR DOOR GROUP (CONTINUED)
EXCEL SINGLE SLIDER WINDOW - THERMO INSULATED - DRIVER SIDE - DINETTE

KEY	PART NUMBER	U/M	DESCRIPTION	VENDOR NO.
1	112795-15-01A	EA	WINDOW - DRIVER - HORIZONTAL SLIDER-THERMO - 26 3/8" X 60"	
	098647-23-702	EA	RETAINER - TRIM	W287-66
2	112795-01-705	FT	VINYL - GLAZING	132-025736
3	112795-15-701	EA	GLASS - STATIONARY	390-019045
4	112795-01-701	EA	SLIDE-STOP	132-019092
5	098644-01-710	FT	TRACK - SCREEN SPACER 12'	132-017135
6	112795-01-700	EA	LATCH ASM., BLK.,(BOLT ON)	DH287-CK
7	112795-01-703	IN	CHANNEL-RUN (INCHES)	122-018736
8	098644-01-711	FT	WEATHERSTRIP - SCREEN BLACK	171-016965
9	098647-23-704	EA	SCREEN ASM - W/SEALS & CLIPS	410-019066
10	098644-01-713	EA	CLIP - SPRING - METAL	226-016966
11	112795-15-702	EA	GLASS-SLIDING W/SASH & LATCH	DH287-G9
12	112795-01-704	FT	PLUG FILLER (DOUBLE GLAZED)	122-018737

EXCEL SINGLE SLIDER WINDOW - THERMO INSULATED - PASSENGER SIDE - LOUNGE

KEY	PART NUMBER	U/M	DESCRIPTION	VENDOR NO.
1	112795-17-01A	EA	WINDOW - PASSENGER - HORIZONTAL SLIDER-THERMO-25 3/8"X54"	
	112795-17-703	EA	RETAINER - TRIM	CW80-66
2	112795-01-705	FT	VINYL - GLAZING	132-025736
3	112795-17-700	EA	GLASS - STATIONARY	390-019041
4	112795-01-701	EA	SLIDE-STOP	132-019092
5	098644-01-710	FT	TRACK - SCREEN SPACER 12'	132-017135
6	112795-01-700	EA	LATCH ASM. - BLK. (BOLT ON)	DH287-CK
7	112795-01-703	IN	CHANNEL-RUN (INCHES)	122-018736
8	098644-01-711	FT	WEATHERSTRIP - SCREEN BLACK	171-016965
9	112795-17-702	EA	SCREEN ASM. W/SEALS & CLIPS	410-019064
10	098644-01-713	EA	CLIP - SPRING - METAL	226-016966
11	112795-17-701	EA	GLASS-SLIDING W/SASH & LATCH	DC80-G9
12	112795-01-704	FT	PLUG FILLER (DOUBLE GLAZED)	122-018737

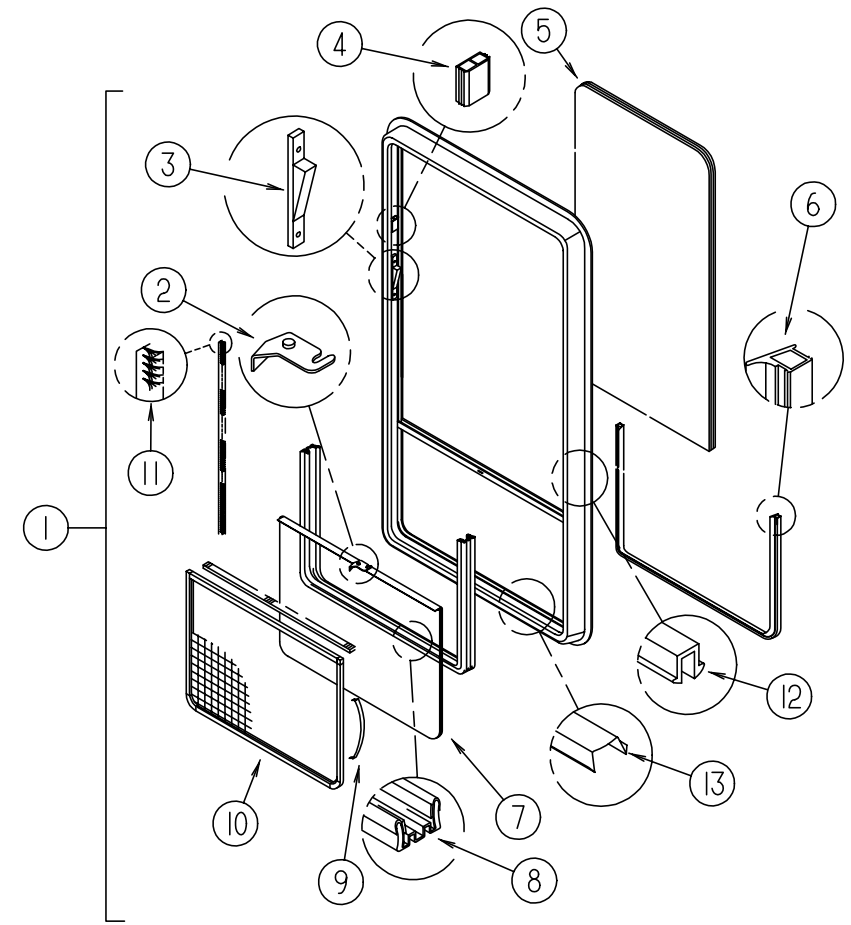
WINDOW, VENT & EXTERIOR DOOR GROUP (CONTINUED)



EXCEL GALLEY VERTICAL SLIDING WINDOW

KEY	PART NUMBER	U/M	DESCRIPTION
1	098644-07-01A	EA	WINDOW ASM-VERTICAL SLIDER, W/RETAINER - 30.2" X 14.3"
	098644-07-701	EA	RETAINER-TRIM, OFF WHITE
2	098644-01-700	EA	LATCH-REPAIR KIT, BLACK
3	098644-01-706	FT	WEATHERSTRIP
4	098644-01-708	FT	CHANNEL-RUN, PIERCED
5	098644-01-710	FT	TRACK-SCREEN SPACER, 12' LENGTH
	098644-01-711	FT	WEATHERSTRIP-SCREEN, BLACK
6	098644-01-713	EA	CLIP-SPRING, METAL
	098644-01-705	FT	STRIP-GLAZING
	098644-01-716	FT	PLUG-FILLER
	098644-01-717	FT	SPLINE-SCREEN
	098644-01-719	EA	STOP-SLIDER GLASS
7	098644-07-702	EA	GLASS-STATIONARY
8	098644-07-703	EA	GLASS-SLIDING, W/SASH & LATCH
9	098644-07-704	EA	SCREEN ASM - W/SEALS & CLIPS

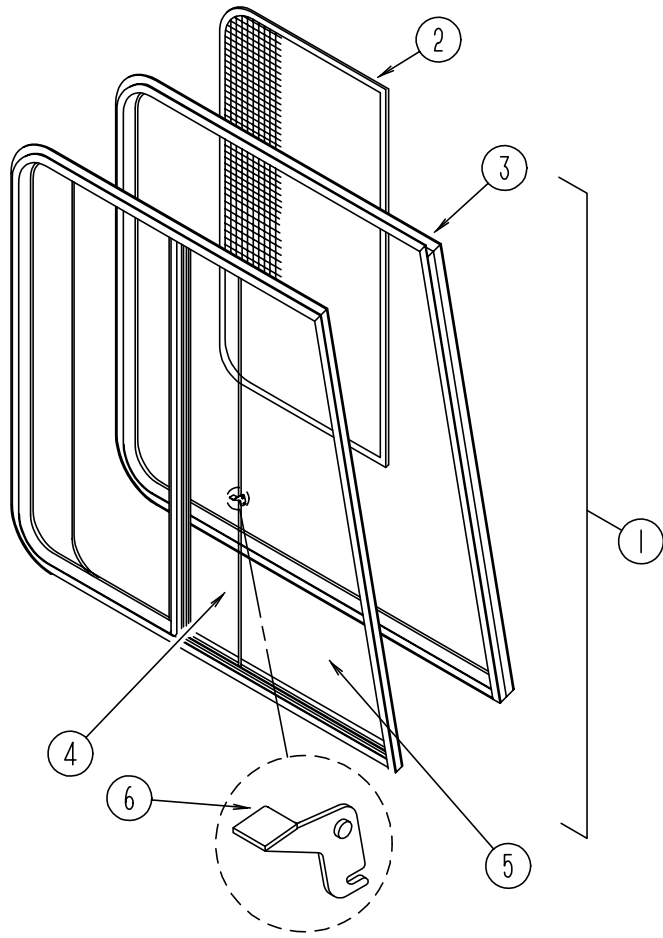
WINDOW, VENT & EXTERIOR DOOR GROUP (CONTINUED)



EXCEL GALLEY VERTICAL SLIDING WINDOW - THERMOPANE

VENDOR NO.	KEY	PART NUMBER	U/M	DESCRIPTION	VENDOR NO.
CW02-66		112898-04-01A	EA	WINDOW ASM-VERTICAL SLIDER, W/RETAINER - 30.2" X 14.3"	CW02-66
B801-CK		098644-07-701	EA	RETAINER-TRIM, OFF WHITE	DC02-G2
171-010668	1	112898-04-700	EA	WINDOW-VERTICAL SLIDER, W/O RETAINER	DH287-CK
122-016543	2	112795-01-700	EA	LATCH ASM-BLACK, BOLT ON	DH343-CK
132-017135	3	112898-04-703	EA	SASH LATCH KIT, RAISED	132-019092
171-016965	4	112795-01-701	FT	SLIDE-STOP	390-019130
226-016966	5	112898-04-701	EA	GLASS-STATIONARY	122-018737
132-010231	6	112795-01-704	FT	PLUG FILLER (DOUBLE GLAZED)	DC02-G9
132-014470	7	112898-04-702	EA	GLASS-SLIDING, W/SASH & LATCH	122-018736
132-004716	8	112795-01-703	IN	CHANNEL-RUN (INCHES)	226-016966
132-014203	9	098644-01-713	EA	CLIP-SPRING, METAL	410-018863
106-015777	10	098644-07-704	EA	SCREEN ASM - W/SEALS & CLIPS	171-016965
H170-G9	11	098644-01-711	FT	WEATHERSTRIP-SCREEN, BLACK	132-019702
410-018863	12	112795-01-705	FT	VINYL-GLAZING	132-017135
	13	098644-01-710	FT	TRACK-SCREEN SPACER, 12' LENGTH	

WINDOW, VENT & EXTERIOR DOOR GROUP (CONTINUED)



EXCEL CAB WINDOWS

KEY	PART NUMBER	U/M DESCRIPTION	VENDOR NO.
1	103658-11-01A	EA WINDOW - DRIVER CAB - 38.3"T X 45.2"B X 36.7"HH	
1	103658-12-01A	EA WINDOW - PASSENGER CAB - 38.3"T X 45.2"B X 36.7"H	
2	113501-09-702	EA SCREEN ASSEMBLY - W/SEALS & CLIPS	410-025381
	098644-01-717	FT SPLINE-SCREEN	132-004716
	098644-01-713	EA CLIP-SPRING, METAL	226-016966
	098644-01-710	FT TRACK-SCREEN SPACER, 12' LENGTH	132-017135
	098644-01-711	FT WEATHERSTRIP-SCREEN, BLACK	171-016965
3	113501-10-702	EA RETAINER-TRIM, DRIVERS SIDE	H506-41L & H506-42L
3	113501-09-703	EA RETAINER-TRIM, PASSENGERS SIDE	H506-41R & H506-42R
4	113501-11-701	EA GLASS-SLIDING, W/SASH & LATCH	DH506-EA9R
5	113501-11-700	EA GLASS-STATIONARY, BOTTOM	390-025769
6	098644-01-700	EA LATCH-REPAIR KIT, BLACK	B801-CK
	098644-01-706	FT WEATHERSTRIP-GLASS	171-010668
	098644-01-708	FT CHANNEL-RUN, PIERCED	122-016543
	098644-01-716	FT PLUG-FILLER	132-014470

WINDOW, VENT & EXTERIOR DOOR GROUP (CONTINUED)

EXCEL CAB WINDOW - DRIVER SIDE - THERMOPANE

KEY	PART NUMBER	U/M DESCRIPTION	VENDOR NO.
	113501-10-01A	EA WINDOW ASM-CAB, W/RETAINER - 35.7" X 37.2" X 43.9"	
	113501-10-702	EA RETAINER-TRIM, OFF WHITE	H506-41L & H506-42L
	098644-01-711	FT WEATHERSTRIP-SCREEN, BLACK	171-016965
	098644-01-713	EA CLIP-SPRING, METAL	226-016966
	098644-01-717	FT SPLINE-SCREEN	132-004716
	103501-09-702	EA SCREEN ASM-W/SEALS & CLIPS	410-025381
	112795-01-700	EA LATCH ASM-BLACK, BOLT ON	DH287-CK
	112795-01-701	FT SLIDE-STOP	132-019092
	112795-01-703	IN CHANNEL-RUN (INCHES)	122-018736
	112795-01-704	FT PLUG FILLER (DOUBLE GLAZED)	122-018737
	112795-01-705	FT VINYL-GLAZING	132-025736
	112898-04-703	EA SASH LATCH KIT, RAISED	DH343-CK
	113501-10-700	EA GLASS-STATIONARY	390-025388
	113501-10-701	EA GLASS-SLIDING, W/SASH & LATCH	DH506-A9L

EXCEL CAB WINDOW - PASSENGER SIDE - THERMOPANE

KEY	PART NUMBER	U/M DESCRIPTION	VENDOR NO.
	113501-09-01A	EA WINDOW ASM-CAB, W/RETAINER - 35.7" X 37.2" X 43.9"	
	113501-09-703	EA RETAINER-TRIM, OFF WHITE	H506-41R & H506-42R
	113501-09-700	EA GLASS-STATIONARY	390-025839
	113501-09-701	EA GLASS-SLIDING, W/SASH & LATCH	DH506-A9R
	103501-09-702	EA SCREEN ASM-W/SEALS & CLIPS	410-025381
	098644-01-711	FT WEATHERSTRIP-SCREEN, BLACK	171-016965
	098644-01-713	EA CLIP-SPRING, METAL	226-016966
	098644-01-717	FT SPLINE-SCREEN	132-004716
	112795-01-700	EA LATCH ASM-BLACK, BOLT ON	DH287-CK
	112795-01-701	FT SLIDE-STOP	132-019092
	112795-01-703	IN CHANNEL-RUN (INCHES)	122-018736
	112795-01-704	FT PLUG FILLER (DOUBLE GLAZED)	122-018737
	112795-01-705	FT VINYL-GLAZING	132-025736
	112898-04-703	EA SASH LATCH KIT, RAISED	DH343-CK

EXCEL DRIVERS DOOR WING WINDOW

KEY	PART NUMBER	U/M DESCRIPTION	VENDOR NO.
	106468-05-01A	EA WINDOW-WING, IN FRONT OF DRIVER DOOR - 6.8"T X 12.2"B X 28.9"H	
	100322-01-703	FT STRIP-GLAZING, BUTYL	132-010723

EXCEL DRIVERS DOOR WING WINDOW - THERMOPANE

KEY	PART NUMBER	U/M DESCRIPTION	VENDOR NO.
	115999-06-01A	EA WINDOW-WING, IN FRONT OF DRIVER DOOR - 5.8" X 11" X 27.9"H	
	115999-06-700	EA GLASS-STATIONARY	390-025392
	115999-06-701	EA RETAINER-TRIM RAIL, REAR	H507-41L
	115999-06-702	EA RETAINER-TRIM RAIL, TOP	H507-42L
	116000-01-704	FT GLAZING-VINYL	132-018161

EXCEL DRIVERS DOOR VISTA WINDOW

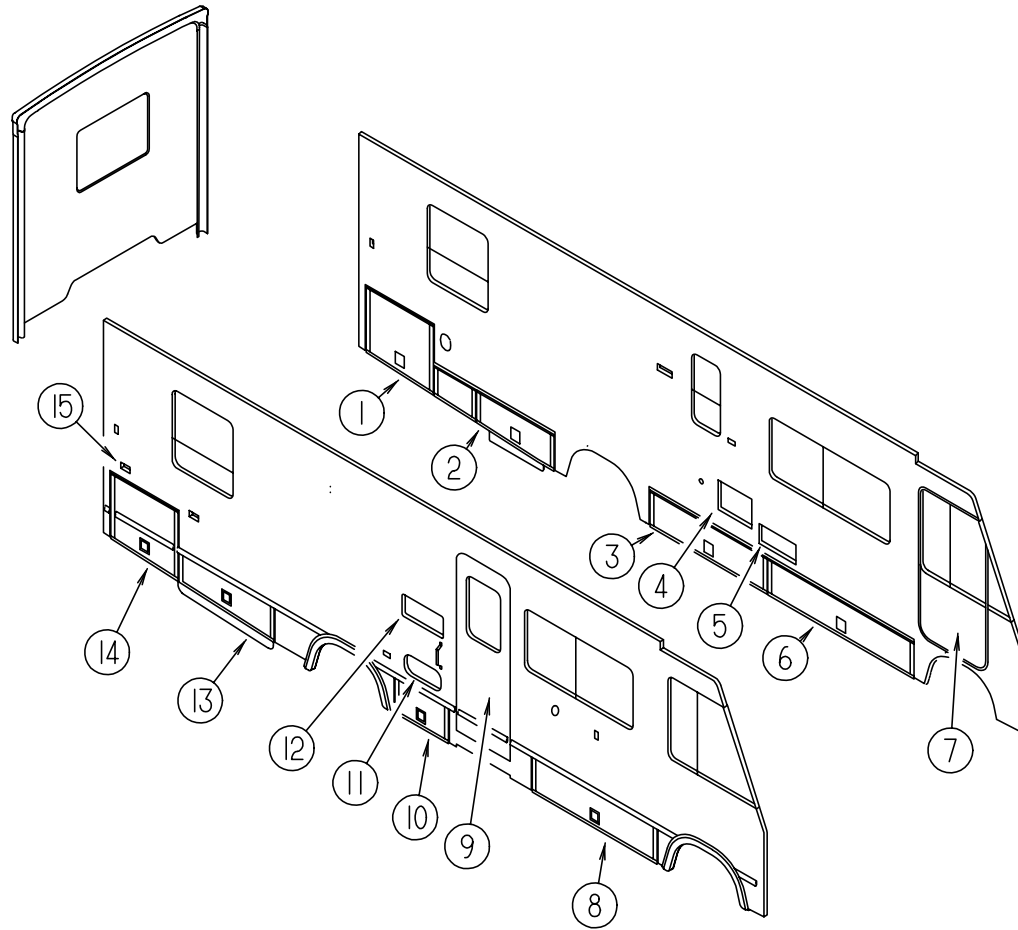
KEY	PART NUMBER	U/M DESCRIPTION	VENDOR NO.
	106467-06-01A	EA WINDOW-VISTA, ABOVE DRIVER DOOR - 39.2"T X 40.6"B X 7.3"H	
	100322-01-703	FT STRIP-GLAZING, BUTYL	132-010723

EXCEL DRIVERS DOOR VISTA WINDOW - THERMOPANE

KEY	PART NUMBER	U/M DESCRIPTION	VENDOR NO.
	116000-08-01A	EA WINDOW-VISTA, ABOVE DR DOOR - 6.3" X 38.2" X 39.4"	
	116000-08-700	EA GLASS - STATIONARY	390-025393
	116000-08-701	EA RETAINER - TRIM RAIL, TOP/REAR	H508-41L
	116000-08-702	EA RETAINER - TRIM RAIL, FRONT	H508-42L
	116000-08-703	EA RETAINER - TRIM RAIL, BOTTOM	H508-43L
	116000-01-704	FT GLAZING-VINYL	132-018161

WINDOW, VENT & EXTERIOR DOOR GROUP (CONTINUED)

EXTERIOR DOORS

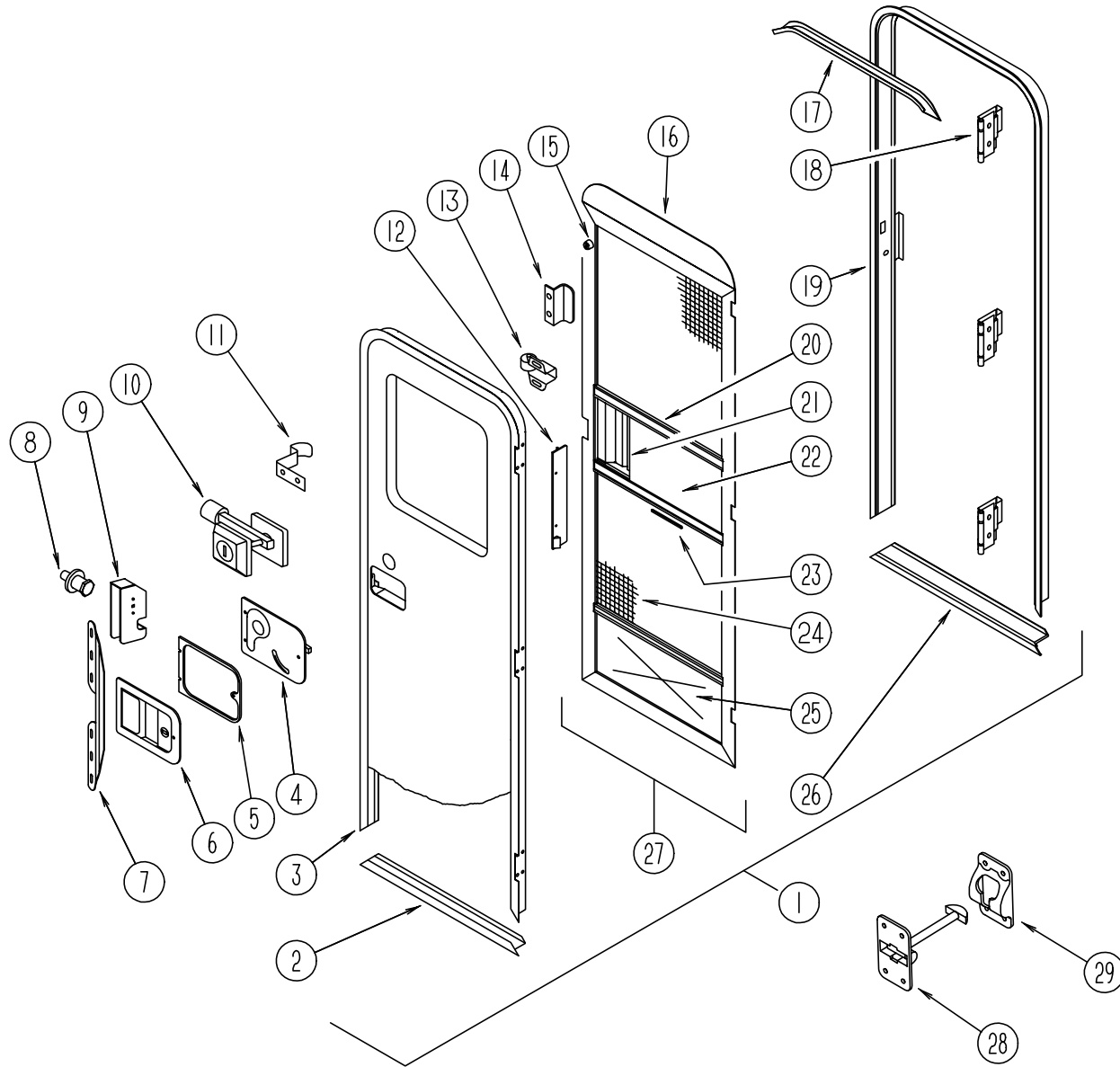


KEY	PART NUMBER	U/M	DESCRIPTION	VENDOR NO.
1	124245-06-H13	EA	DOOR - STORAGE - W/O PADDLE LATCH - 34.1"	
2	122391-21-H37	EA	DOOR - STORAGE - TAPERED - W/O PADDLE LATCH - 38.6" (BLUE TRIM)	
2	122391-21-HA3	EA	DOOR - STORAGE - TAPERED - W/O PADDLE LATCH - 38.6" (SILVER TRIM)	
2	122391-21-H13	EA	DOOR - STORAGE - TAPERED - W/O PADDLE LATCH - 38.6" (WHITE TRIM)	
3	122239-32-H37	EA	DOOR - STORAGE - W/O PADDLE LATCH - 58.1" (BLUE TRIM)	
3	122239-32-HA3	EA	DOOR - STORAGE - W/O PADDLE LATCH - 58.1" (SILVER TRIM)	
3	122239-32-H13	EA	DOOR - STORAGE - W/O PADDLE LATCH - 58.1" (WHITE TRIM)	
4	052009-06-000	EA	DOOR - WATER HEATER - BRIGHT WHITE - 18" X 14.6"	
4	116424-01-000	EA	PROTECTOR - LATCH - WATER HEATER	
5	098668-23-000	EA	DOOR - ACCESS - FURNACE	
6	122239-09-H37	EA	DOOR - STORAGE - W/O PADDLE LATCH - 72.6" (BLUE TRIM)	
6	122239-09-HA3	EA	DOOR - STORAGE - W/O PADDLE LATCH - 72.6" (SILVER TRIM)	
6	122239-09-H13	EA	DOOR - STORAGE - W/O PADDLE LATCH - 72.6" (WHITE TRIM)	
7	106469-07-01A	EA	DOOR - DRIVER - BLACK	
8	122239-34-H37	EA	DOOR - STORAGE - W/O PADDLE LATCH - 62" (BLUE TRIM)	
8	122239-34-HA3	EA	DOOR - STORAGE - W/O PADDLE LATCH - 62" (SILVER TRIM)	
8	122239-34-H13	EA	DOOR - STORAGE - W/O PADDLE LATCH - 62" (WHITE TRIM)	
9	115108-05-H13	EA	DOOR - ENTRY - W/SCREEN DOOR - W/O WINDOW (H12, H13)	
9	115108-05-H14	EA	DOOR - ENTRY - W/SCREEN DOOR - W/O WINDOW (H14)	
9	115108-05-H15	EA	DOOR - ENTRY - W/SCREEN DOOR - W/O WINDOW (H15)	
9	115108-05-H16	EA	DOOR - ENTRY - W/SCREEN DOOR - W/O WINDOW (H16)	
10	122239-33-H37	EA	DOOR - STORAGE - W/O PADDLE LATCH - 26.5" (BLUE TRIM)	
10	122239-33-HA3	EA	DOOR - STORAGE - W/O PADDLE LATCH - 26.5" (SILVER TRIM)	
10	122239-33-H13	EA	DOOR - STORAGE - W/O PADDLE LATCH - 26.5" (WHITE TRIM)	
11	111017-01-H23	EA	DOOR - STORAGE - W/O LOCK - 8.1" X 17.8"	
12	084103-08-000	EA	DOOR - REFRIGERATOR - VENTED - W/O JAMB	
12	084104-08-000	EA	JAMB - REFRIGERATOR DOOR	
12	084104-01-700	EA	LOCK - MALE - FASTENER	
12	084104-01-701	EA	LOCK - FEMALE - FASTENER	
13	122391-23-H37	EA	DOOR - STORAGE - W/O PADDLE LATCH - 47.2" (BLUE TRIM)	
13	122391-23-HA3	EA	DOOR - STORAGE - W/O PADDLE LATCH - 47.2" (SILVER TRIM)	
13	122391-23-H13	EA	DOOR - STORAGE - W/O PADDLE LATCH - 47.2" (WHITE TRIM)	
14	124245-05-H13	EA	DOOR - STORAGE - W/O PADDLE LATCH - 34.1"	
15	081240-16-000	EA	DOOR - WATER FILL - LOCKABLE W/O LOCK - 4" X 4 5/8"	

201-721-010
201-802-010

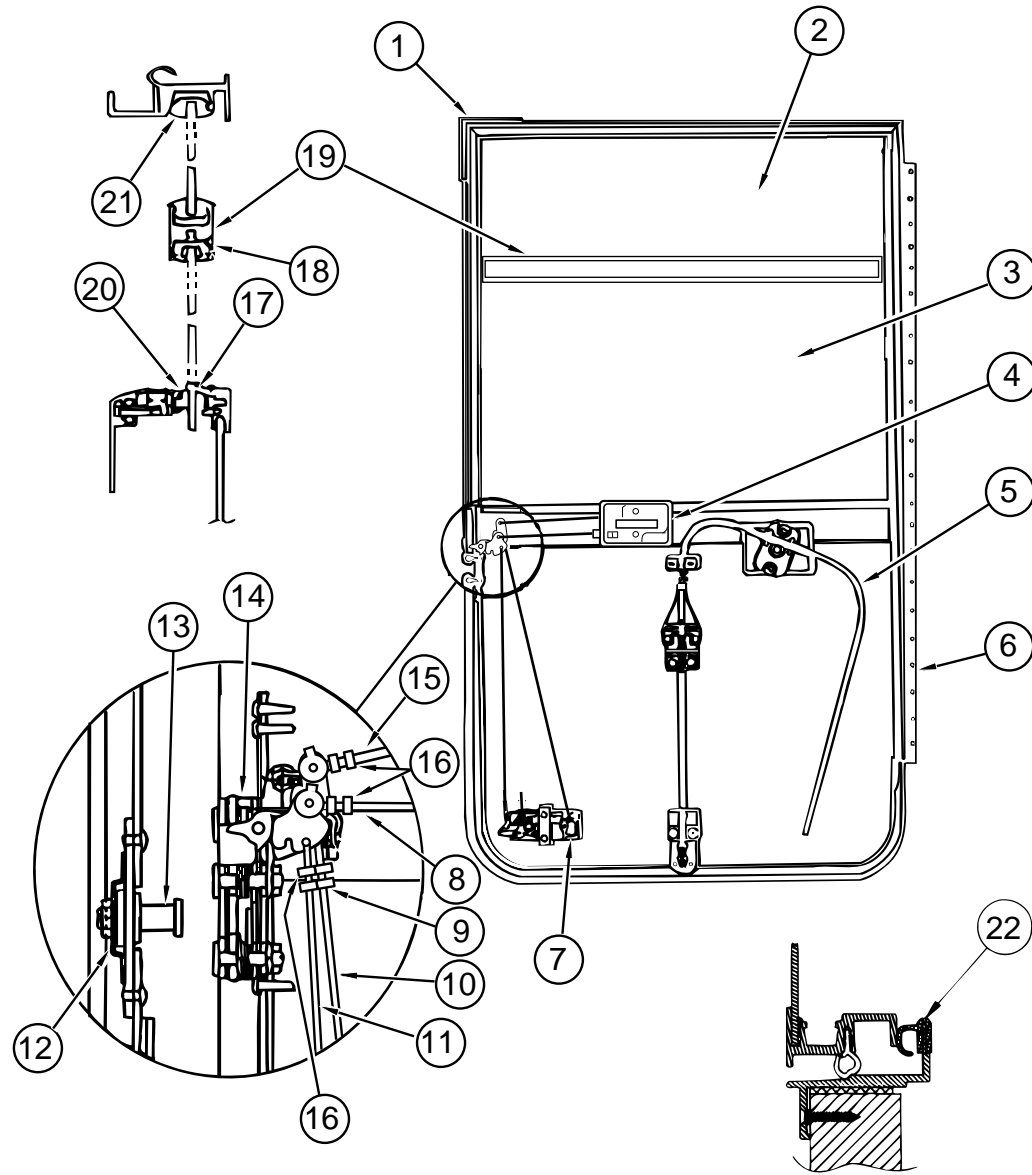
WINDOW, VENT & EXTERIOR DOOR GROUP (CONTINUED)

ENTRANCE DOOR



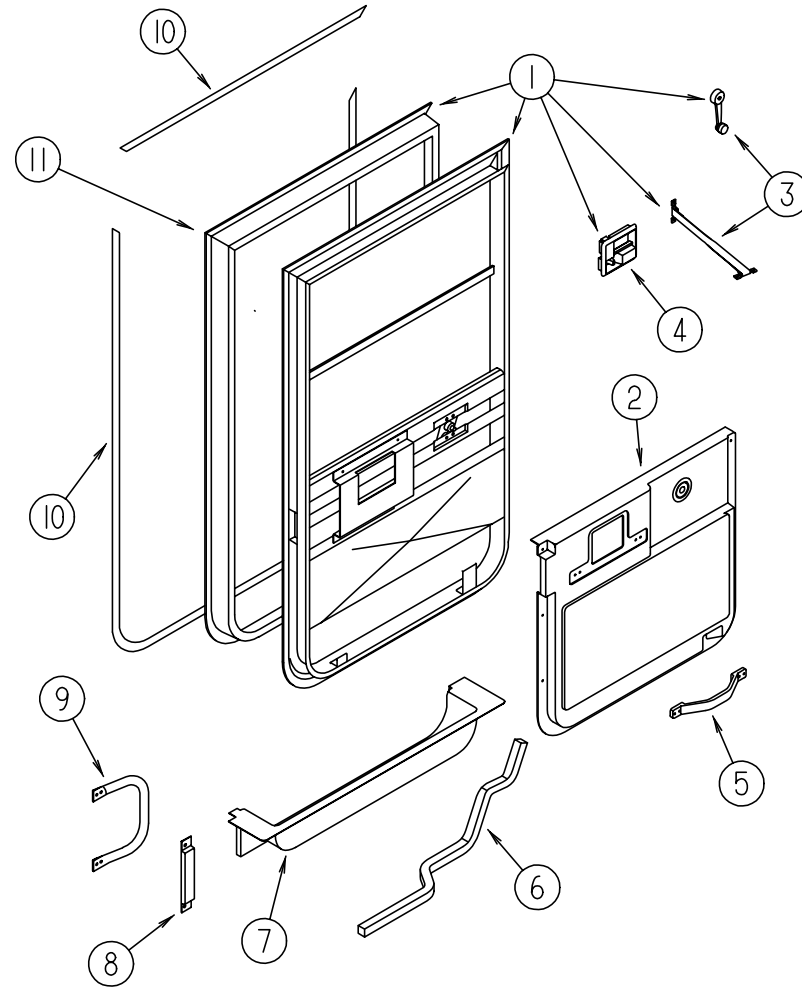
KEY	PART NUMBER	U/M	DESCRIPTION	VENDOR NO.
1	115108-05-H13	EA	DOOR - ENTRY - W/SCREEN DOOR - W/O WINDOW (H12, H13)	
1	115108-05-H14	EA	DOOR - ENTRY - W/SCREEN DOOR - W/O WINDOW (H14)	
1	115108-05-H15	EA	DOOR - ENTRY - W/SCREEN DOOR - W/O WINDOW (H15)	
1	115108-05-H16	EA	DOOR - ENTRY - W/SCREEN DOOR - W/O WINDOW (H16)	
2	121893-01-01A	EA	FRAME-BOTTOM, ENTRY DOOR - BRIGHT WHITE	
3	121894-07-01A	EA	FRAME-ENTRY DOOR, W/O BOTTOM - BRIGHT WHITE	
4	039979-06-000	EA	COVER - LATCH PLATE - RIGHT HAND - BLACK TEXTURED	
	039984-01-000	EA	CAP-ROUND, VINYL - .28" ID X .62" LONG - BLACK	
5	096810-01-01A	EA	PLATE-LATCH, ENTRY DOOR - PLASTIC - BLACK	
	041546-07-000	EA	BRACKET-DOOR ANGLE, OFF WHITE - METAL	
6	045017-13-000	EA	LATCH - ENTRY DOOR - BLACK TEXTURED	
	045017-11-701	EA	KEY-BLANK - F1 SERIES	81312-02
	045017-11-703	EA	CYLINDER - LOCK ASM. W/KEYS	81266-09
	075671-04-000	FT	SEAL - SPONGE - LAZY T - W/ADHESIVE STRIP - .5" WIDE	
7	098173-01-07A	EA	STIFFENER - ENTRY DOOR - SUPPORTS LATCH/STRIKE AREA	
7	098173-01-04A	EA	STIFFENER - ENTRY DOOR - SUPPORTS LATCH/STRIKE AREA - UNPAINTED	
8	039539-01-000	EA	STRIKE - LOCK - ENTRY DOOR - ROUND W/THREADED WASHER	
	077461-03-000	EA	COVER - STRIKE - ENTRY DOOR - 6.5" X 2.5" - WHITE PLASTIC	
9	039540-01-000	EA	LATCH MECHANISM - HOOK - ENTRY DOOR - INTERIOR	
10	101145-01-06A	EA	DEADBOLT - ENTRY DOOR W/O SECURITY BOLT W/2 KEYS - BLACK TEXTURED	
	095229-01-700	EA	KEY-BLANK - DEADBOLT	81205-03
	101145-01-701	EA	CYLINDER-LOCK ASSEMBLY, W/KEY	81306-03
	101147-01-000	EA	BOLT-SECURITY, 4.12" BACKSET	
11	100412-01-000	EA	CATCH - SCREEN DOOR	
12	079087-03-000	EA	STRIKE-SLIDER, W/LIP FOR ELBOW CATCH - 1.5" X 8.6" - BRIGHT WHITE	
13	109403-01-000	EA	CATCH - SCREEN DOOR ROLLER	
14	050712-06-000	EA	HANDLE - SCREEN DOOR - BRIGHT WHITE	
15	120863-05-000	EA	BUMPER - RUBBER - SCREEN DOOR	
16	078595-01-000	EA	TOP PLATE - SCREEN DOOR - CURVED TOP - 4.7" X 25.35"	
17	044582-44-000	EA	CAP - DRIP - JAMB - BRIGHT WHITE	
18	106719-01-05A	EA	HINGE - ENTRANCE DOOR	
18	106719-01-01A	EA	HINGE - ENTRANCE DOOR - MILL	
	102248-01-000	EA	SHIM - DOOR	
	039715-01-000	EA	NUT-SERT - 1/4" DIAMETER - 20 THREADS	
	116111-02-01A	EA	SCREW - TAPTITE - 1/4-20 X 3/8 PPH - ZINC	
	118929-01-01A	FT	SEAL - PILE - PUSH ON	
	076725-02-000	EA	COVER-HINGE, ENTRY DOOR - 6" X 3.2" - PLASTIC - OFF WHITE	
19	121898-04-01A	EA	JAMB-ENTRY DOOR, W/BOTTOM - BRIGHT WHITE	
	115222-01-01A	EA	GARNISH - RADIUS - ENTRY DOOR - OFF WHITE	
20	078777-01-000	EA	CHANNEL - SLIDE - SCREEN DOOR CENTER SLIDER COVER	
21	079086-03-000	EA	SLIDER - SCREEN DOOR - BRIGHT WHITE	
22	016454-01-000	EA	INSERT - CENTER - LEATHER GRAIN ALUMINUM - UNPAINTED	
22	001014-01-013	EA	INSERT - CENTER - 10.25" X 16.31" - UNPAINTED	
23	002294-01-000	FT	SPLINE-SCREENING, .135" X .138" - BLACK	
24	002293-02-000	SF	SCREENING-WINDOW/DOOR, 26" - CHARCOAL	
25	078552-03-000	EA	KICK PANEL - SCREEN DOOR - LOWER INSERT - UNPAINTED	
26	051049-01-000	EA	JAMB - BOTTOM - ENTRY DOOR - 25.9" - UNPAINTED	
27	121899-03-GB1	EA	DOOR - SCREEN - W/O HARDWARE	
	075673-01-000	FT	SEAL - PILE - ADHESIVE BACK - GRAY	
	075673-05-000	FT	SEAL - PILE - ADHESIVE BACK - BLACK	
	086285-05-000	EA	SPACER - NYLON - .7" X .56"	
	122241-01-01A	EA	BUMPER-FOAM RUBBER W/ADHESIVE BACK, 12.7 MM X 12.7 MM X 6.4 MM - BLACK	
28	104099-01-04A	EA	CATCH - DOOR HOLDER - STRIKE - BRIGHT WHITE	
29	104099-02-04A	EA	CATCH - DOOR HOLDER - RETAINER - BRIGHT WHITE	
	009126-03-000	EA	HANDLE - ASSIST - BLACK TEXTURED	
	100128-02-000	FT	SEAL-FOAM, ADHESIVE BACK - .37" W X .37" THICK	

WINDOW, VENT & EXTERIOR DOOR GROUP (CONTINUED)
EXCEL DRIVERS DOOR



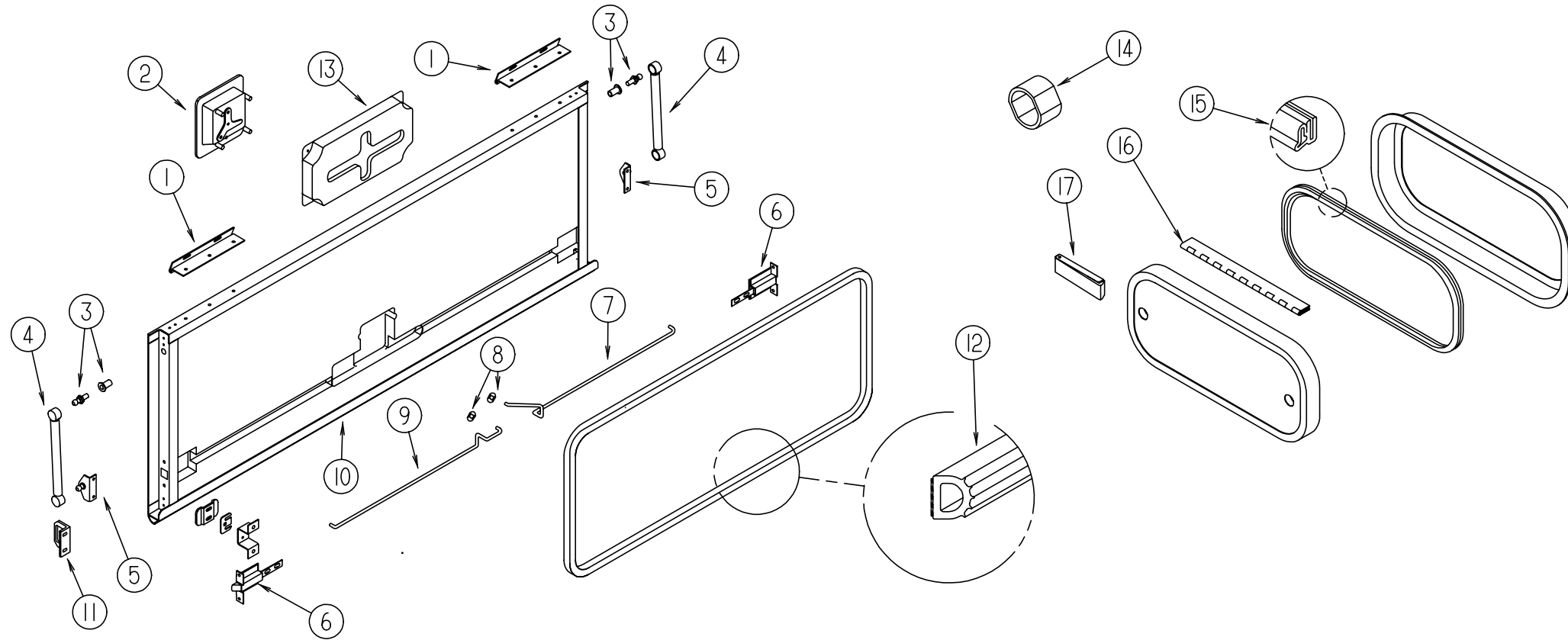
KEY	PART NUMBER	U/M	DESCRIPTION	VENDOR NO.
1	106469-01-702	EA	SEAL-DOOR, (FRAME) EA=1	122-040984
2	106469-02-702	EA	GLASS-STATIONARY, HORIZONTAL	106-041104
3	106469-01-704	EA	GLASS ASSEMBLY-ROLL-UP W/BRACKET	V103-65L
4	106469-04-712	EA	HARDWARE-INNER HANDLE, LH	248-041402
5	106469-02-701	EA	REGULATOR ASSEMBLY	V108-90L
6	106469-05-702	EA	HINGE - 42"	211-041194
7	106469-04-700	EA	PADDLE ASSEMBLY W/COLLAR	248-041237
	106469-04-701	EA	TUMBLER & KEYS, TRI-MARK	248-041179
	106469-04-715	EA	LATCH COMPLETE W/TUMBLER & KEYS	V123-15
	045017-11-701	EA	KEY-BLANK, TRIMARK	81312-02
8	106469-04-711	EA	ROD-LOCK, HORIZONTAL	203-041137
9	106469-04-713	EA	ROD-CLIP, LH	248-041154
10	106469-05-703	EA	LATCH ROD, VERTICAL ADJUSTMENT	203-041239
11	106469-05-705	EA	ROD-LOCK, VERTICAL ADJUSTMENT	203-041279
12	106469-04-704	EA	NUT ASSEMBLY-CAGED W/STRIKER	248-041151
13	106469-04-703	EA	BOLT-STRIKER, W/WASHER	248-041152
14	106469-05-706	EA	LATCH-ROTARY, W/LINKAGE	248-041150
15	106469-04-705	EA	ROD-LATCH, HORIZONTAL	203-041139
16	106469-04-714	EA	ROD-CLIP, RH	248-041153
17	106469-02-703	EA	BELT-WEATHERSTRIP, EXTERIOR - ROLL-UP GLASS	V047-57
18	106469-01-705	FT	CHANNEL-RUN, SLIDING	122-010850
19	106469-01-719	EA	MULLION RAIL	V103-84
20	106469-01-709	FT	WEATHERSTRIP-FUZZY	171-040630
21	106469-02-705	EA	GLAZING-VINYL, HORIZONTAL - 6.3317"	V108-87
22	106469-01-723	EA	SEAL ASSEMBLY-BULB, DRIVERS DOOR JAMB - PREFORMED	171-040985
	106469-02-704	EA	PARTS BAG-WINDOW HANDLE MISCELLANEOUS	V068-16
	106469-07-700	EA	FRAME MOUNTING ASSEMBLY	V130-30L

WINDOW, VENT & EXTERIOR DOOR GROUP (CONTINUED)
EXCEL DRIVERS DOOR



KEY	PART NUMBER	U/M	DESCRIPTION	VENDOR NO.
1	106469-07-01A	EA	DOOR - DRIVER - BLACK	
2	114973-01-02A	EA	PANEL-DRIVERS DOOR, INNER - WILLOW - PLASTIC	
3	106469-02-704	EA	PARTS BAG (WINDOW HANDLE & CHECK STRAP)	V068-16
4	106469-04-712	EA	INNER HANDLE HARDWARE - LEFT HAND	248-041148
5	110604-01-01A	EA	HANDLE-ASSIST, DRIVERS DOOR - 10.8" LONG - BLACK	
6	063977-11-000	EA	STEP - DRIVER DOOR - LEFT - UNPAINTED	
7	107818-01-01A	EA	TRIM - STEP - DRIVERS DOOR	
			FROM: 00-00-00 THRU: 01-14-97	
7	126069-03-01A	EA	TRIM - STEP - DRIVER	
			FROM: 01-15-97 THRU: 99-99-99	
	102569-02-000	EA	MAT-ANTISLIP, 4" X 22" - LOWER	
8	108654-01-01A	EA	COVER-STRIKE, DRIVERS DOOR - BLACK	
9	108832-01-02A	EA	HANDLE - ASSIST - DRIVER DOOR - METAL - OFF WHITE	
	108833-01-01A	EA	COVER - HANDLE - ASSIST - OFF WHITE	
10	109235-01-01A	FT	COVER - SCREW - MAT BLACK	
11	106469-07-700	EA	MOUNTING FRAME ASM.	V130-30L
	108129-02-02A	EA	GARNISH - DRIVERS DOOR - FRONT - BLACK	
	108107-01-02A	EA	GARNISH - DRIVERS DOOR - TOP - BLACK	
	108108-04-02A	EA	GARNISH - DRIVERS DOOR - REAR UPPER - BLACK	
	108897-02-01A	EA	GARNISH - DRIVERS DOOR - REAR LOWER - BLACK	
	P01713-01-000	EA	SWITCH - PUSH BUTTON - IN DOOR JAMB - METAL CHROME	
	076725-06-000	EA	COVER - ACCESS - DOOR JAMB PUSH BUTTON - BLACK	
	109235-01-05A	FT	COVER-SCREW, BRIGHT WHITE	
	106746-01-000	EA	PANEL-STEPWELL, 789 MM LONG - STEEL	
	106747-01-000	EA	PANEL-STEPWELL, RH END - STEEL	
	106747-02-000	EA	PANEL-STEPWELL, LH END - STEEL	
	107868-01-000	EA	ANGLE-SUPPORT, DOOR - 38 MM X 38 MM X 19 MM - E-COAT - STEEL	

WINDOW, VENT & EXTERIOR DOOR GROUP (CONTINUED)
EXTERIOR ACCESS DOOR COMPONENTS

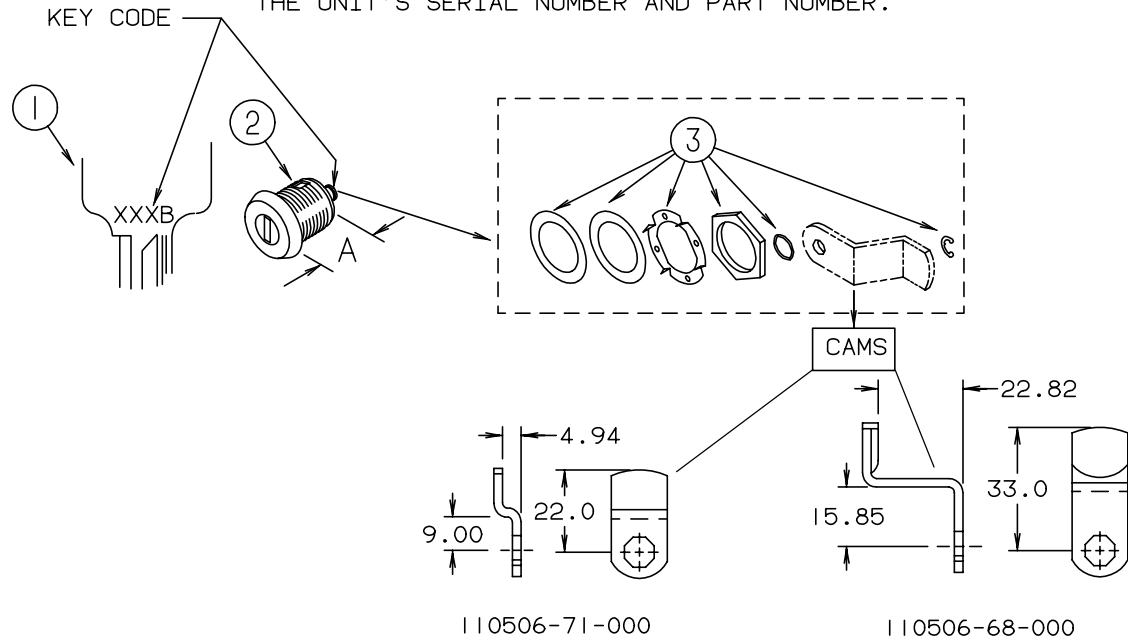


KEY	PART NUMBER	U/M	DESCRIPTION
1	121755-01-04A	EA	HINGE - 6" LONG
2	112949-01-04A	EA	LATCH-PADDLE W/LOCK, BLACK - EXTERIOR PAINT OPTION
2	112949-01-03A	EA	LATCH-PADDLE W/LOCK, BRIGHT WHITE
2	112949-02-05A	EA	LATCH-PADDLE W/O LOCK, BLACK - EXTERIOR PAINT OPTION
2	112949-02-04A	EA	LATCH-PADDLE W/O LOCK, BRIGHT WHITE
	112949-03-000	EA	KEY-PADDLE LATCH W/LOCK - TRI-MARK #TM500
3	057460-08-000	EA	BALL STUD - 10 MM BALL, 5/16-18
4	107796-08-000	EA	SPRING-GAS, 11" COMPRESSED/17" EXTENDED - 60 LB
4	107796-18-000	EA	SPRING-GAS, 7" COMPRESSED/10" EXTENDED - 80 LB
4	107796-20-000	EA	SPRING-GAS, 7" COMPRESSED/10" EXTENDED - 60 LB
4	107796-27-000	EA	SPRING-GAS, 8.5" COMPRESSED/12" EXTENDED - 90 LB
5	107796-19-000	EA	BRACKET-GAS SPRING, SMALL - BLACK
6	121947-01-01A	EA	BOLT-SLIDE, LATCH - STEEL
7	122269-16-000	EA	ROD - LATCH - 8.96" LONG (CLIPPED TO UPPER PIN ON PADDLE LATCH)
7	122269-17-000	EA	ROD - LATCH - 11.57" LONG (CLIPPED TO UPPER PIN ON PADDLE LATCH)
7	122269-08-000	EA	ROD - LATCH - 28.5" LONG (CLIPPED TO UPPER PIN ON PADDLE LATCH)
7	122269-43-000	EA	ROD - LATCH - 15.94" LONG (CLIPPED TO UPPER PIN ON PADDLE LATCH)
7	122269-44-000	EA	ROD - LATCH - 21.39" LONG (CLIPPED TO UPPER PIN ON PADDLE LATCH)
7	122269-45-000	EA	ROD - LATCH - 5.55" LONG (CLIPPED TO UPPER PIN ON PADDLE LATCH)
7	122269-46-000	EA	ROD - LATCH - 23.29" LONG (CLIPPED TO UPPER PIN ON PADDLE LATCH)
8	124304-01-000	EA	CLIP-ROUND, PUSH ON

KEY	PART NUMBER	U/M	DESCRIPTION
9	122268-16-000	EA	ROD - LATCH - 8.96" LONG (CLIPPED TO LOWER PIN ON PADDLE LATCH)
9	122268-17-000	EA	ROD - LATCH - 11.57" LONG (CLIPPED TO LOWER PIN ON PADDLE LATCH)
9	122268-46-000	EA	ROD - LATCH - 23.29" LONG (CLIPPED TO LOWER PIN ON PADDLE LATCH)
9	122268-08-000	EA	ROD - LATCH - 28.5" LONG (CLIPPED TO LOWER PIN ON PADDLE LATCH)
9	122268-43-000	EA	ROD - LATCH - 15.94" LONG (CLIPPED TO LOWER PIN ON PADDLE LATCH)
9	122268-44-000	EA	ROD - LATCH - 21.39" LONG (CLIPPED TO LOWER PIN ON PADDLE LATCH)
9	122268-45-000	EA	ROD - LATCH - 5.55" LONG (CLIPPED TO LOWER PIN ON PADDLE LATCH)
10	122613-55-001	EA	EXTRUDED - ROCKER PANEL - 192" - BRIGHT WHITE
10	122613-55-004	EA	EXTRUDED - ROCKER PANEL - 192" - BLUE
10	122613-55-006	EA	EXTRUDED - ROCKER PANEL - 192" - SILVER
11	123783-01-01A	EA	STRIKER-DOOR, SLIDE LATCH - MILL
12	107721-04-000	FT	SEAL - ACCESS DOOR
			FROM: 00-00-00 THRU: 03-11-97
12	107721-07-000	FT	SEAL - ACCESS DOOR
			FROM: 03-12-97 THRU: 99-99-99
13	122277-02-01A	EA	COVER-LATCH, PLASTIC - BLACK
14	107997-51-001	EA	SPACER - DOOR LOCK - .6" DEEP
	107997-51-002	EA	EXTRUDED SPACER - 16'
15	064075-07-000	FT	SEAL-BULB, W/ WIRED U CHANNEL - .3" X .5" CHANNEL - BLACK
16	081801-V3-000	EA	HINGE-DOOR, PIANO - 2" X 96", BRIGHT WHITE - ALUMINUM
17	102768-01-000	EA	HOLDER-COMPARTMENT/ ENTRY DOOR, METAL - MILL FINISH
	068559-01-001	FT	EXTRUSION-ANGLE, 1" X .9" X 192" - MILL ALUMINUM
	104692-01-000	FT	SEAL - 3/4" X 3/4", ADHESIVE BACK FOAM SEAL
	112160-01-000	FT	SEAL-D SECTION, 6 X 10 - FOAM RUBBER - BLACK - LAUREN 1153

WINDOW, VENT & EXTERIOR DOOR GROUP (CONTINUED)
BRIGGS & STRATTON LOCKS & COMPONENTS

NOTE:
 WHEN ORDERING THE LOCK CASE, THE KEY CODE MUST MATCH THE LAST DIGIT OF THE UNIT'S SERIAL NUMBER AND PART NUMBER; WHEN ORDERING THE KEYS, THE THIRD DIGIT OF THE KEY CODE MUST MATCH THE LAST DIGIT OF THE UNIT'S SERIAL NUMBER AND PART NUMBER.



KEY	PART NUMBER	U/M	DESCRIPTION	VENDOR NO.
1	110506-59-000	EA	KEYS-SET OF 2	596720
2	110506-52-000	EA	CASE-LOCK, A=17 MM	702370
2	110506-53-000	EA	CASE-LOCK, A=25 MM	702380
1	110506-59-001	EA	KEYS-SET OF 2	596721
2	110506-52-001	EA	CASE-LOCK, A=17 MM	702371
2	110506-53-001	EA	CASE-LOCK, A=25 MM	702381
1	110506-59-002	EA	KEYS-SET OF 2	596722
2	110506-52-002	EA	CASE-LOCK, A=17 MM	702372
2	110506-53-002	EA	CASE-LOCK, A=25 MM	702382
1	110506-59-003	EA	KEYS-SET OF 2	596723
2	110506-52-003	EA	CASE-LOCK, A=17 MM	702373
2	110506-53-003	EA	CASE-LOCK, A=25 MM	702383
1	110506-59-004	EA	KEYS-SET OF 2	596724
2	110506-52-004	EA	CASE-LOCK, A=17 MM	702374
2	110506-53-004	EA	CASE-LOCK, A=25 MM	702384
1	110506-59-005	EA	KEYS-SET OF 2	596725
2	110506-52-005	EA	CASE-LOCK, A=17 MM	702375
2	110506-53-005	EA	CASE-LOCK, A=25 MM	702385
1	110506-59-006	EA	KEYS-SET OF 2	596726
2	110506-52-006	EA	CASE-LOCK, A=17 MM	702376
2	110506-53-006	EA	CASE-LOCK, A=25 MM	702386
1	110506-59-007	EA	KEYS-SET OF 2	596727
2	110506-52-007	EA	CASE-LOCK, A=17 MM	702377
2	110506-53-007	EA	CASE-LOCK, A=25 MM	702387
1	110506-59-008	EA	KEYS-SET OF 2	596728
2	110506-52-008	EA	CASE-LOCK, A=17 MM	702378
2	110506-53-008	EA	CASE-LOCK, A=25 MM	702388
1	110506-59-009	EA	KEYS-SET OF 2	596729
2	110506-52-009	EA	CASE-LOCK, A=17 MM	702379
2	110506-53-009	EA	CASE-LOCK, A=25 MM	702389
3	110506-40-700	EA	HARDWARE KIT-LOCK, W/GASKET, NUT, CLIP & WASHERS	
	110506-59-701	EA	KEY BLANK	

WINDOW, VENT & EXTERIOR DOOR GROUP (CONTINUED)
ELIXIR ROOF VENT - NONPOWERED

KEY	PART NUMBER	U/M	DESCRIPTION	VENDOR NO.
	122882-01-01A	EA	VENT-ROOF, NONPOWERED	
	009440-01-000	EA	GEAR/ARM - LIFT - ROOF VENT COVER - 705221K38	
	064470-01-700	EA	COVER-VENT, W/O (SLIDE BAR)	J7291
	064470-01-701	EA	SLIDE BAR, (VENT-LID)	JRP1291B
	122882-01-700	EA	HANDLE-CRANK, BLACK	90128
	122882-01-701	EA	SCREEN	JRP-1124-B
	122882-07-01A	EA	GARNISH-ROOF VENT, 63.5 - 104.6 - POWERED OR NONPOWERED	

ELIXIR ROOF VENT - POWERED

KEY	PART NUMBER	U/M	DESCRIPTION	VENDOR NO.
	122882-02-01A	EA	VENT-ROOF, POWERED	
	009440-01-000	EA	GEAR/ARM - LIFT - ROOF VENT COVER - 705221K38	
	048648-01-000	EA	MOTOR-ROOF VENT, 1/8 SHAFT - 12V - JENSEN	
	048649-01-000	EA	FAN-ROOF VENT, 6 BLADES - 6" - JENSEN	
	064470-01-700	EA	COVER-VENT, W/O (SLIDE BAR)	J7291
	064470-01-701	EA	SLIDE BAR, (VENT-LID)	JRP1291B
	110051-03-700	EA	SWITCH-BLACK/PUSH BUTTON	27-0164
	122882-01-700	EA	HANDLE-CRANK, BLACK	90128
	122882-01-701	EA	SCREEN	JRP-1124-B
	122882-07-01A	EA	GARNISH-ROOF VENT, 63.5 - 104.6 - POWERED OR NONPOWERED	

ELIXIR ROOF VENT - POWERED - CANADIAN

KEY	PART NUMBER	U/M	DESCRIPTION	VENDOR NO.
	122882-03-01A	EA	VENT-ROOF, POWERED - CANADIAN	
	009440-01-000	EA	GEAR/ARM - LIFT - ROOF VENT COVER - 705221K38	
	048648-01-000	EA	MOTOR-ROOF VENT, 1/8 SHAFT - 12V - JENSEN	
	048649-01-000	EA	FAN-ROOF VENT, 6 BLADES - 6" - JENSEN	
	064470-01-700	EA	COVER-VENT, W/O (SLIDE BAR)	J7291
	064470-01-701	EA	SLIDE BAR, (VENT-LID)	JRP1291B
	110051-03-700	EA	SWITCH-BLACK/PUSH BUTTON	27-0164
	122882-01-700	EA	HANDLE-CRANK, BLACK	90128
	122882-01-701	EA	SCREEN	JRP-1124-B
	122882-07-01A	EA	GARNISH-ROOF VENT, 63.5 - 104.6 - POWERED OR NONPOWERED	

ROOF VENTS

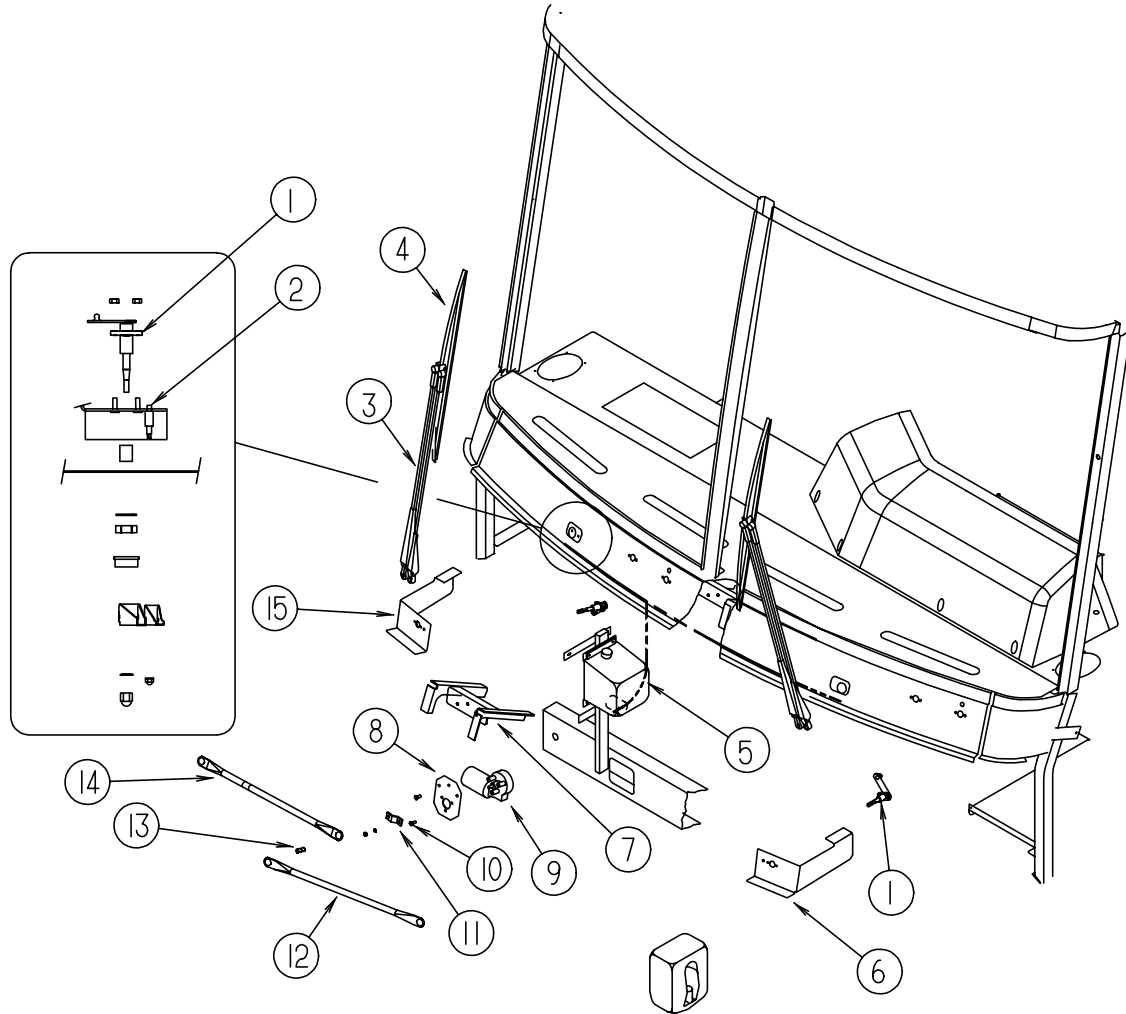
KEY	PART NUMBER	U/M	DESCRIPTION
	083558-03-000	EA	VENT - PLUMBING - PIPE ROOF - W/COVER - OFF WHITE
	084073-04-000	EA	BASE - ROOF VENT - REFRIGERATOR
	084073-07-000	EA	VENT - ROOF - REFRIGERATOR - BRIGHT WHITE

SIDEWALL VENTS

KEY	PART NUMBER	U/M	DESCRIPTION
	084616-07-000	EA	VENT - SHROUD - RANGE HOOD - BRIGHT WHITE
	084878-09-000	EA	VENT - HOOD - RANGE/SHORT - OFF WHITE

**WINDSHIELD & WIPER GROUP
WIPER & WASHER COMPONENTS**

KEY	PART NUMBER	U/M	DESCRIPTION	VENDOR NO.	
1	096505-05-000	EA	PIVOT & SHAFT ASM-WIPER		
	096505-02-700	EA	DRIVER-KNURLED,(HD) BARREL .687	NT721017	
	096505-02-701	EA	NUT-HEX (HD) W/.687 BARREL	NT721021	
	096505-02-702	EA	CAP-RUBBER (HD) BARREL .687	CP721084	
	096505-02-703	EA	CAP-NUT(ACORN) HD W/.687 BARREL	51065-40-NT27WC	
	077049-02-000	EA	NUT-ACORN, 10-32 BLACK/ANODIZED		
2	077048-02-000	EA	SHAFT-ADAPTER PANTOGRAPH ARM		
	3	117769-01-000	EA	ARM-WIPER, PANTOGRAPH - 28"	
		096931-01-700	FT	HOSE-WIPER, TO BLADE	
3	096931-01-701	EA	NOZZLE-HARDWARE KIT, INCLUDES NOZZLE, NUT, SHORT THREAD SCREW, LONG THREAD SCREW, AND PLASTIC CAP		
	4	097978-01-000	EA	BLADE-WIPER, FLEX - 22"	
5		117766-02-000	EA	RESERVOIR/PUMP - WINDSHIELD WASHER	
		045794-01-000	FT	HOSE-WASHER, WINDSHIELD - 5/32" ID - BLACK	
		110605-01-000	EA	TEE-BARBED, 1/8 X 1/8 X 3/16	
6	117765-03-000	EA	CONNECTOR - 5/32 - WINDSHIELD WASHER		
	106680-02-000	EA	BRACKET-MOUNT, WIPER PIVOT		
7	106603-01-000	EA	MOUNT ASM-PLATE W/SIDE BRACKETS, WIPER MOTOR		
	106604-01-000	EA	PLATE-WIPER W/O SIDE BRACKETS, MOTOR MOUNT		
8	103935-03-000	EA	PLATE-MOUNTING, WIPER MOTOR		
9	104346-05-000	EA	MOTOR-WIPER W/INTERNAL BREAKER & DRIVE ARM - DYNAMIC PARK - FORD		
9	104346-04-000	EA	MOTOR-WIPER W/INTERNAL BREAKER & DRIVE ARM - CHEVY		
10	117322-01-000	EA	SCREW - 1/4-28 UNF-2A, TORX		
11	104347-04-000	EA	ARM-DRIVE, WIPER MOTOR - FORD OR CHEVY		
12	117770-04-000	EA	LINK-CONNECTING, DRIVERS SIDE		
13	067188-01-000	EA	STUD-CRANK, WIPER - WINDSHIELD		
14	117770-03-000	EA	LINK-CONNECTING, PASSENGERS SIDE		
15	106680-01-000	EA	BRACKET-MOUNT, WIPER PIVOT		
	000D28-10-00B	EA	NUT-HEX W/NYLON LOCK, 10-32 - ZINC		
	061603-01-000	EA	GROMMET-SNAP, 3/16 ID - 3/8 HOLE - PLASTIC - BLACK		



WINDSHIELD & WIPER GROUP (CONTINUED)
WINDSHIELD MOLDINGS & GLASS

KEY	PART NUMBER	U/M	DESCRIPTION
1	098788-06-000	EA	CHANNEL - 49" PVC, DRIVER OR PASSENGER SIDE
2	122037-12-01B	EA	HEADER - F/TV OPTION
3	077847-02-000	EA	SUPPORT-WINDSHIELD, LOWER - W/O BRACKETS
4	121963-02-000	EA	WINDSHIELD - DRIVERS - CURVED 50.5" X 35.75"
5	107285-01-000	EA	BRACKET-WINDSHIELD, SUPPORT ONLY NEEDED IF BROKEN OFF WINDSHIELD FRAME ASSEMBLY
6	103107-08-01A	EA	TRIM-WINDSHIELD, DRIVER SIDE - BLACK
7	102936-01-000	FT	MOLDING-REVEAL, WINDSHIELD - LOWER
8	118586-01-000	FT	MOLDING-REVEAL, WINDSHIELD - CENTER
9	120533-01-000	FT	MOLDING-REVEAL, WINDSHIELD - UPPER
10	103107-07-01A	EA	TRIM-WINDSHIELD, PASSENGER SIDE - BLACK
11	110268-01-000	EA	WINDSHIELD CARRIER - 50.4"
12	081914-01-000	EA	BUMPER-RUBBER, ROUND - .43" DIAMETER - BLACK
13	121963-01-000	EA	WINDSHIELD - PASSENGER - CURVED 50.5" X 35.75"
14	117335-01-000	EA	CARRIER/REVEAL - 94.6" W/ADHESIVE BACKING
15	121964-01-01B	EA	SUPPORT-WINDSHIELD, UPPER - MILL
	100128-02-000	FT	SEAL-FOAM, ADHESIVE BACK - .37" W X .37" THICK
	002328-02-000	EA	BLOCK - WINDSHIELD - .062" X .5" X .98"

