

1997 WCF28RC

H12

COPPER CREEK (TERRA COTTA)

H13

COPPER CANYON (TERRA COTTA)

H14

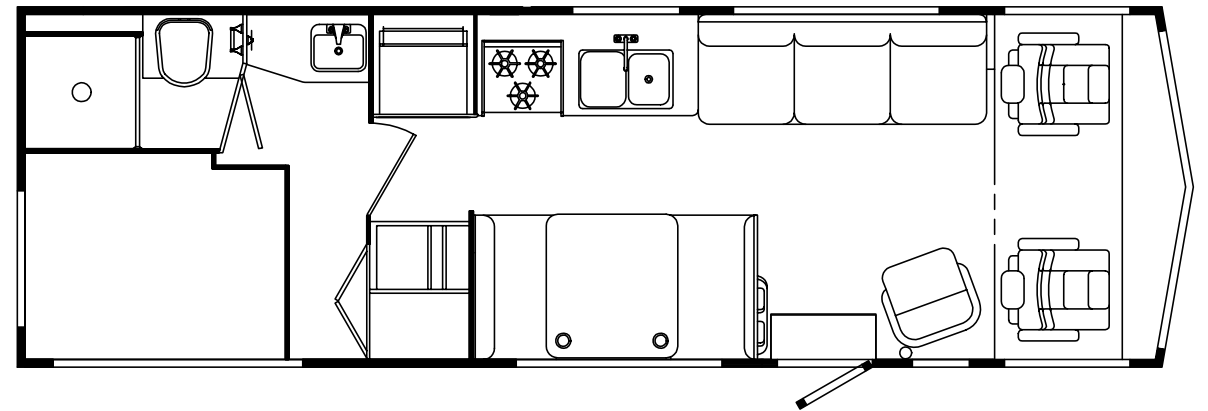
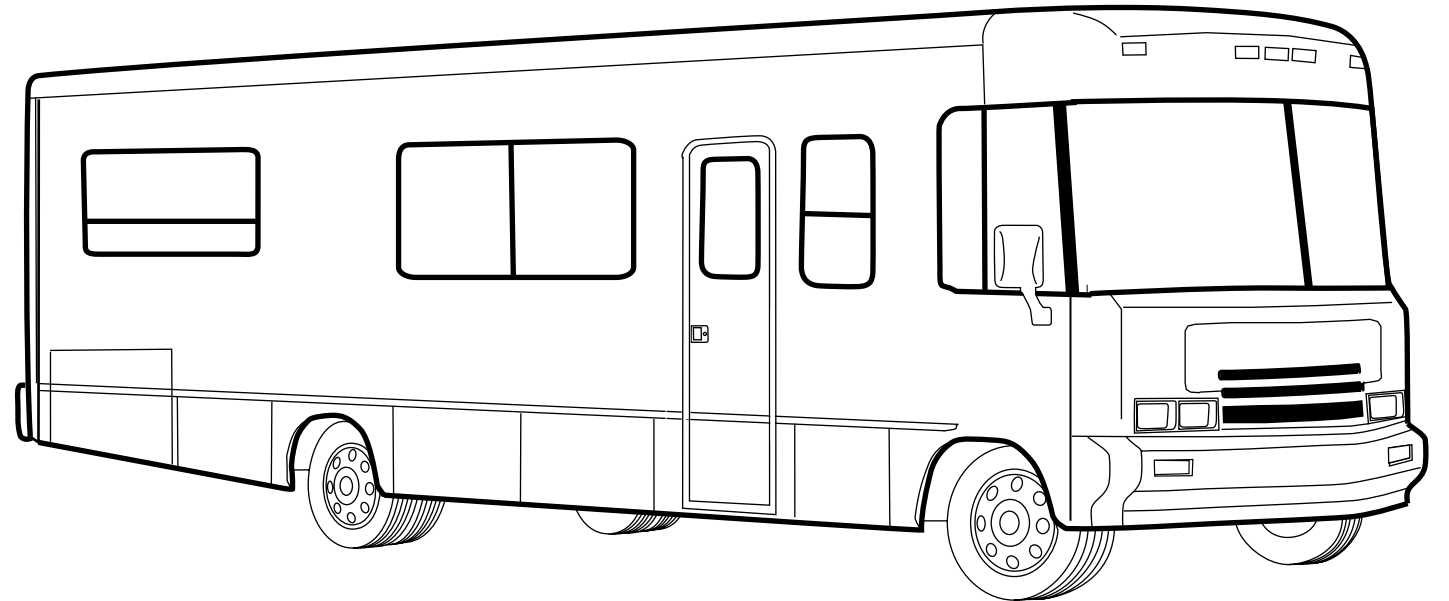
SPUN SILVER (WARM GRAY)

H15

STARS & STRIPES (BLUE)

H16

NEWPORT (BLUE)



**ACCESSORIES GROUP
OPERATOR MANUAL**

KEY	PART NUMBER	U/M DESCRIPTION
	054185-F7-000	EA MANUAL-OPERATOR, 1997 BRAVE
	092318-01-000	EA BINDER - 3 RING, MOTOR HOME MANUAL
	092319-01-000	EA POCKET PAGE - 3 RING BINDER, PLASTIC
	121518-01-000	DW TOP LEVEL DRAWING-F, 1997

**AUDIO VIDEO GROUP
PATIO ENTERTAINMENT CENTER**

KEY	PART NUMBER	U/M DESCRIPTION
	076319-09-000	EA WALLPLATE-CABLE RECEPTACLE, TV - SINGLE - BROWN
	077069-02-000	EA CABLE - ANTENNA/EXTENSION - RADIO - 96"
	082134-01-000	EA ADAPTER-TV, CABLE TO CABLE
	086756-01-000	EA SPLITTER-TV, 2 WAY
	087683-03-000	EA RADIO - AM/FM STEREO CASSETTE - AUDIOVOX
	090944-01-000	EA ANTENNA-RADIO, 16" RUBBER
	108847-01-000	EA BRACKET-ANTENNA GROUND
	109889-04-000	EA EXTENDER - ANTENNA SHAFT - 3"
	110469-01-000	EA SPEAKER - 4" X 6" OVAL - COAXIAL
	110470-01-01A	EA GRILLE - 4" X 6" OVAL - BLACK

RADIO SYSTEMS & ANTENNA

KEY	PART NUMBER	U/M DESCRIPTION
	116148-03-000	EA RADIO - AM/FM STEREO W/CD PLAYER - CLARION FROM: 00-00-00 THRU: 02-09-97
	116148-04-000	EA RADIO - AM/FM STEREO W/CD PLAYER - CLARION FROM: 02-10-97 THRU: 99-99-99
	110267-04-000	EA RADIO-AM/FM STEREO - CD COMPATIBLE - AUDIOVOX
	077069-02-000	EA CABLE - ANTENNA/EXTENSION - RADIO - 96"
	090944-01-000	EA ANTENNA-RADIO, 16" RUBBER
	115916-01-01B	EA BRACKET - ANTENNA MOUNT
	089340-02-000	EA GRILLE-SPEAKER, 6.5" SQUARE
	089340-03-000	EA SPACER-GRILLE, 6.5" SQUARE - TAN
	094097-01-000	EA SPEAKER - RADIO/TV - W/O GRILLE - 5.25" DIAMETER
	110469-01-000	EA SPEAKER - 4" X 6" OVAL - COAXIAL
	110470-01-01A	EA GRILLE - 4" X 6" OVAL - BLACK

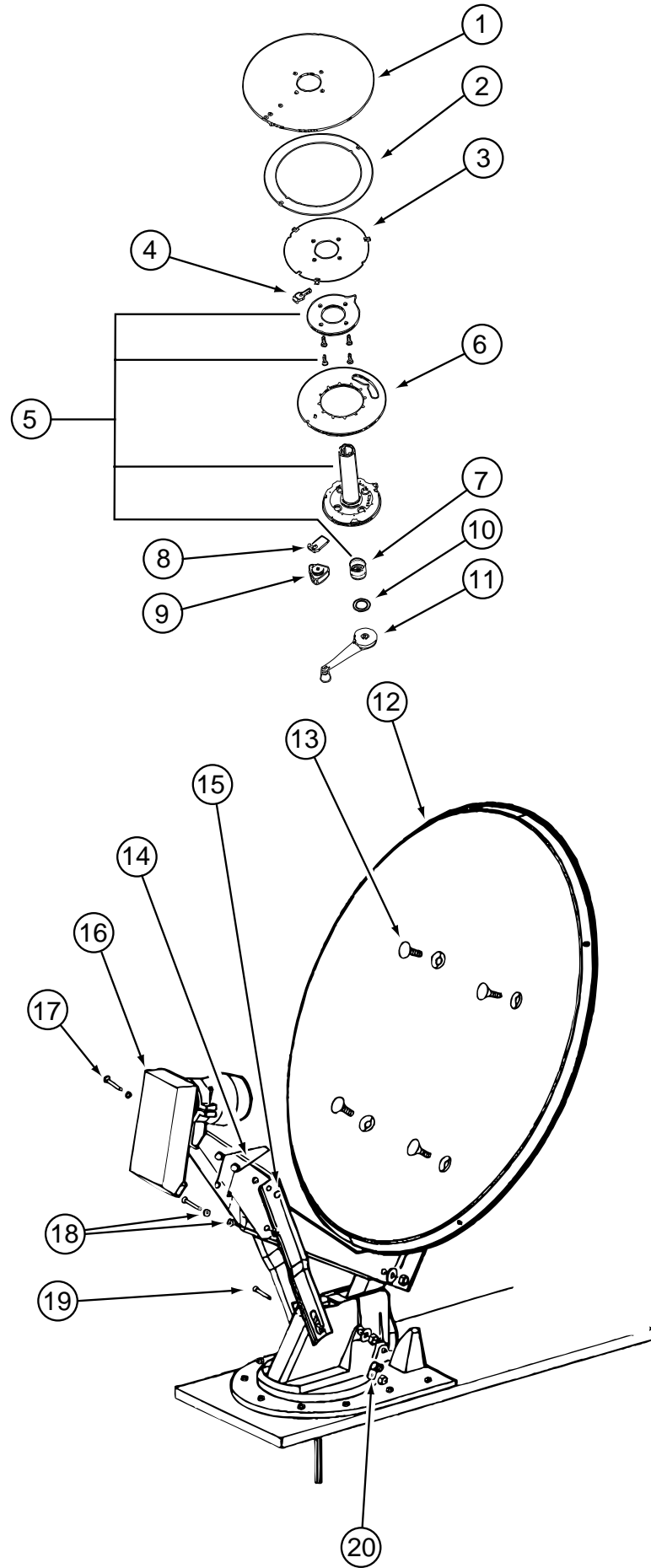
CB ANTENNA

KEY	PART NUMBER	U/M DESCRIPTION
	123256-01-000	EA ANTENNA-CB W/O CABLE
	123256-02-000	EA CABLE-CB COAX

TV, VCR & COMPONENTS

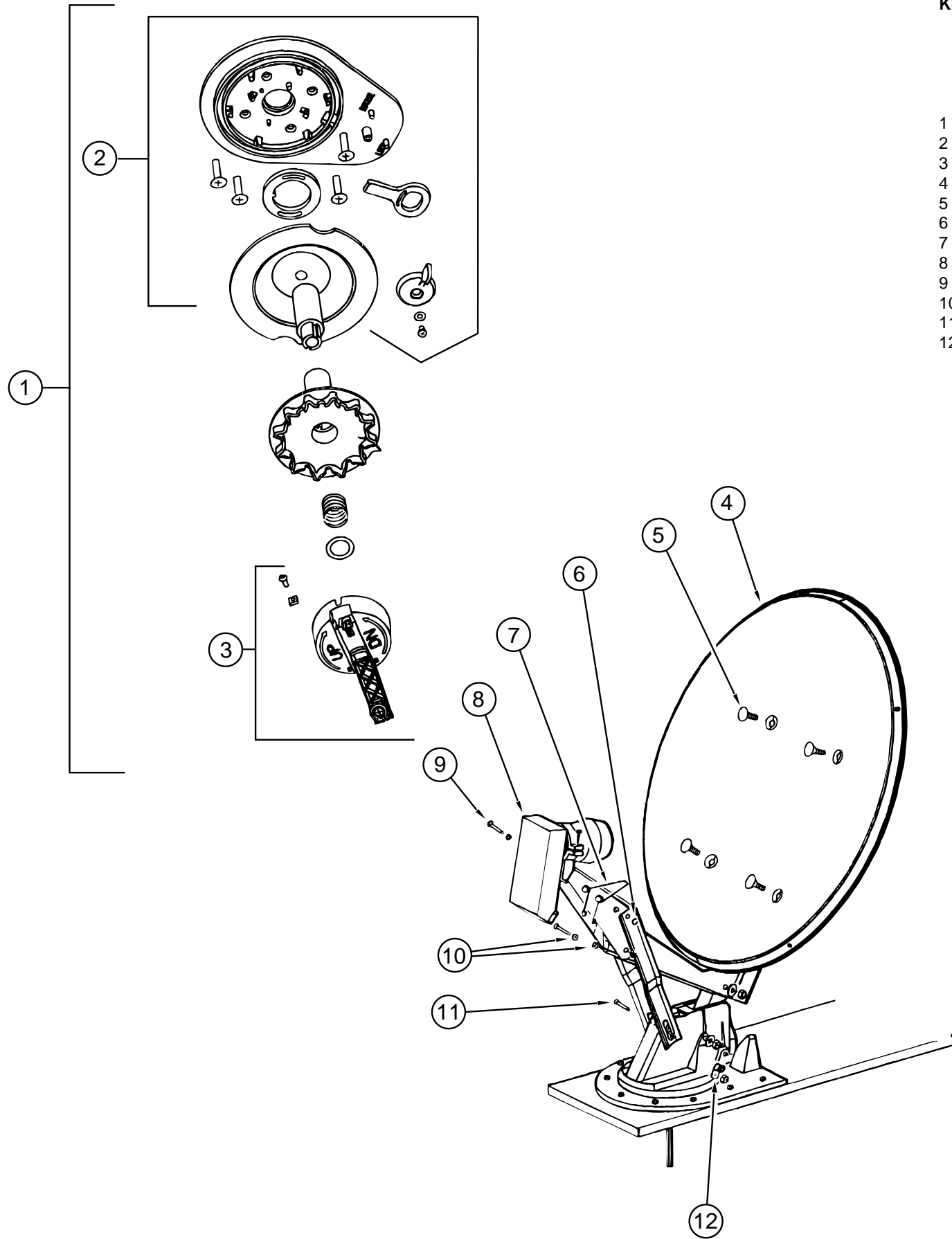
KEY	PART NUMBER	U/M DESCRIPTION	VENDOR NO.
	113684-02-000	EA TV - 19" COLOR UL/CSA - 1/8" JACK - AUDIOVOX AVT - 1980	
	113684-02-700	EA REMOTE FOR AUDIOVOX AVT - 1980 TV	0892355
	119120-02-000	EA VCR-VHS, CABLE READY W/REMOTE - AUDIOVOX AVR - 1170 FROM: 00-00-00 THRU: 02-16-97	
	119120-02-700	EA REMOTE FOR AUDIOVOX AVR - 1170 VCR FROM: 00-00-00 THRU: 02-16-97	0994569
	119120-03-000	EA VCR-VHS - CABLE READY - REMOTE - AUDIOVOX AVR - 1108 FROM: 02-17-97 THRU: 99-99-99	
	119120-03-700	EA REMOTE FOR AUDIOVOX AVR - 1108 VCR FROM: 02-17-97 THRU: 99-99-99	0994571
	086757-03-000	EA CONTROL CENTER-SWITCH, VCR/TV	
	086777-05-000	EA PLATE-WALL, ANTENNA - 1 OUTPUT - IVORY	
	093214-01-02A	EA GRILLE-SPEAKER, 4" BROWN	
	098819-01-000	EA SPEAKER - 2 WATT, 8 OHM - 4"	
	115466-02-02B	EA STRAP - TIEDOWN - TV	
	076319-09-000	EA WALLPLATE-CABLE RECEPTACLE, TV - SINGLE - BROWN	
	076319-08-000	EA WALLPLATE-CABLE RECEPTACLE, TV - SINGLE - IVORY	
	086777-01-000	EA WALLPLATE-TV CABLE, W/ANTENNA SWITCH - IVORY	
	093901-03-000	EA PLATE-COAXIAL CABLE, 64 MM X 45 MM - STEEL - E-COAT	
	076319-12-000	EA CONNECTOR-COAXIAL, ONE PIECE	
	082134-01-000	EA ADAPTER-TV, CABLE TO CABLE	
	086756-01-000	EA SPLITTER-TV, 2 WAY	
	076319-03-000	FT CABLE-COAXIAL, 75 OHM	
	082136-01-000	EA NUT - HEX JAM - 3/8 - 32	
	076319-06-000	EA ADAPTOR-CABLE ROOF PLATE	
	114870-02-000	EA PLUG - .14" AUDIO W/LEADS	

AUDIO VIDEO GROUP (CONTINUED)
WINEGARD SATELLITE ANTENNA - OLD STYLE



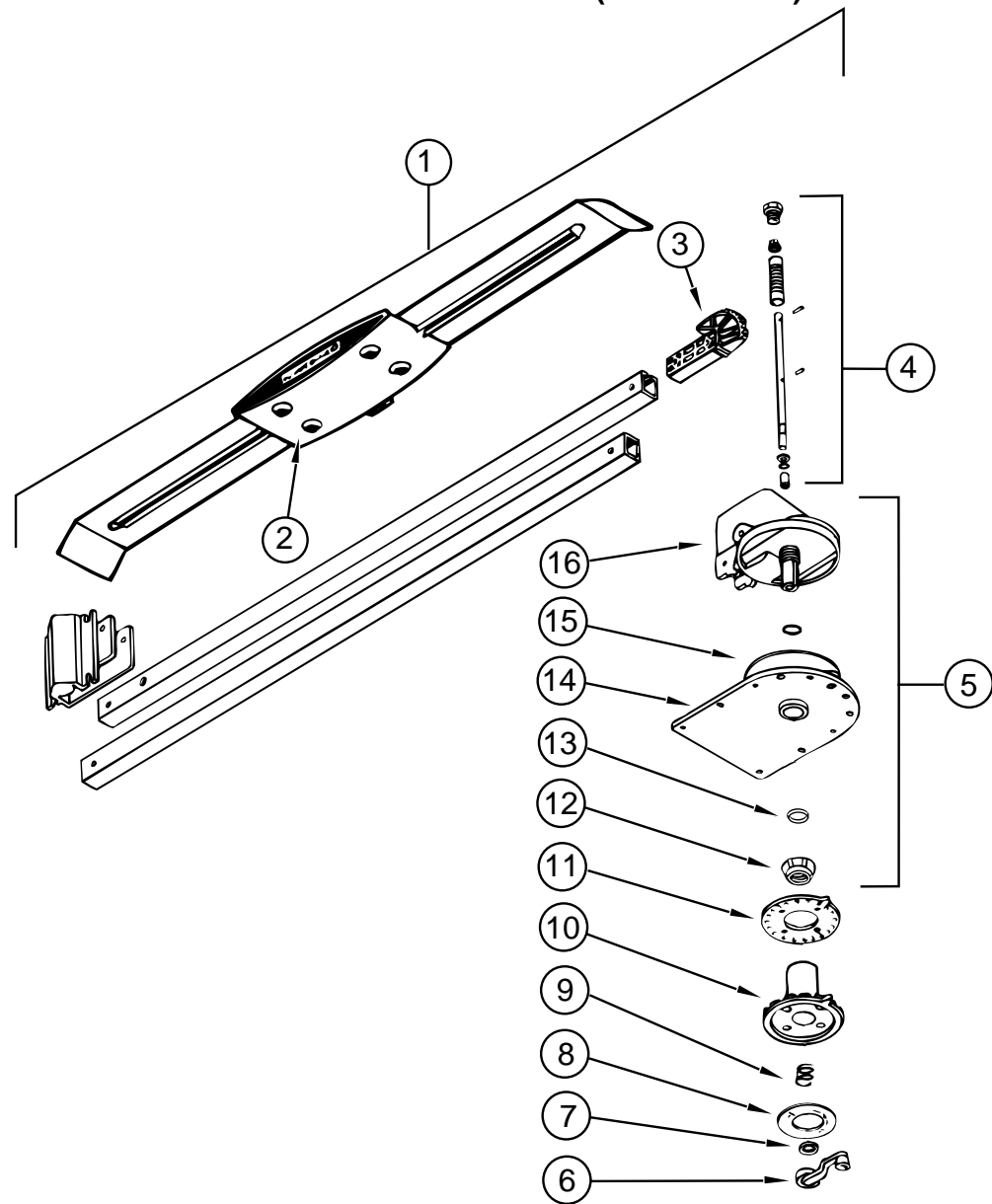
KEY	PART NUMBER	U/M	DESCRIPTION	VENDOR NO.
	120233-02-000	EA	RECEIVER ONLY-SATELLITE ANTENNA - RC-1000	
			FROM: 00-00-00 THRU: 01-26-97	
	120233-02-700	EA	REMOTE	RC-0012
			FROM: 00-00-00 THRU: 01-26-97	
	120233-01-000	EA	ANTENNA-SATELLITE W/O RECEIVER - (DISH & HARDWARE KIT) - MANUAL	
1	120233-01-700	EA	PLATE-FIXED	3750821
2	120233-01-701	EA	DIAL-DIRECTIONAL	2745056
3	120233-01-702	EA	PIVOT-DIAL-DIRECTIONAL	2745058
4	120233-01-703	EA	STOP-ROTATION	3711281
5	120233-01-704	EA	PLATE-CEILING W/DIRECTIONAL HANDLE	RP-6300
6	120233-01-705	EA	PLATE-ROTATE	3750820
7	120233-01-706	EA	SPRING	RP-6822
8	120233-01-707	EA	CLAMP-ROTATE	3711280
9	120233-01-708	EA	KNOB-CLAMP	2200061
10	120233-01-709	EA	WASHER-NYLON	RP-2658
11	120233-01-710	EA	HANDLE-CRANK	RP-6795
12	120233-01-711	EA	REFLECTOR - 46 CM	2745304
13	120233-01-712	EA	BOLT-FLAT HEAD	2160253
14	120233-01-713	EA	SPRING	2160820
15	120233-01-714	EA	CLIP-E	5160818
16	120233-01-715	EA	LOW NOISE BLOCK FILTER (LNBF)	2780177
17	120233-01-716	EA	PIN	2160814
18	120233-01-717	EA	BEARING-NYLON	2200726
19	120233-01-718	EA	PIN	5160817
20	120233-01-719	EA	CLAMP-CABLE	2200060

AUDIO VIDEO GROUP (CONTINUED)
WINEGARD SATELLITE ANTENNA - NEW STYLE



KEY	PART NUMBER	U/M DESCRIPTION	VENDOR NO.
	120233-02-000	EA RECEIVER ONLY-SATELLITE ANTENNA - RC-1000	
		FROM: 00-00-00 THRU: 01-26-97	
	120233-02-700	EA REMOTE	RC-0012
		FROM: 00-00-00 THRU: 01-26-97	
	120233-01-000	EA ANTENNA-SATELLITE W/O RECEIVER - (DISH & HARDWARE KIT) - MANUAL	
1	120233-01-720	EA CEILING PLATE ASM (RETRO FIT)	RP-4100
2	120233-01-722	EA PLATE ASSEMBLY (CEILING)	2762826
3	120233-01-721	EA CRANK HANDLE ASSEMBLY	2762825
4	120233-01-711	EA REFLECTOR - 46 CM	2745304
5	120233-01-712	EA BOLT-FLAT HEAD	2160253
6	120233-01-714	EA CLIP-E	5160818
7	120233-01-713	EA SPRING	2160820
8	120233-01-715	EA LOW NOISE BLOCK FILTER (LNBF)	2780177
9	120233-01-716	EA PIN	2160814
10	120233-01-717	EA BEARING-NYLON	2200726
11	120233-01-718	EA PIN	5160817
12	120233-01-719	EA CLAMP-CABLE	2200060

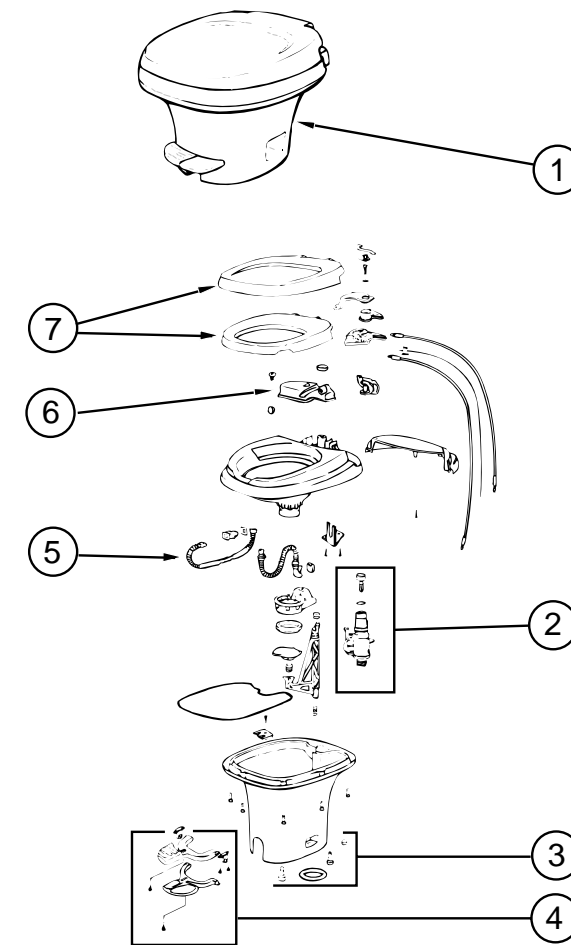
AUDIO VIDEO GROUP (CONTINUED)



WINEGARD TV ANTENNA

KEY	PART NUMBER	U/M DESCRIPTION	VENDOR NO.
1	076319-21-000	EA ANTENNA-TV, ROOF MOUNT - 3" ROOF	
2	076319-01-700	EA HEAD-ANTENNA, AMPLIFIED	RVSA U/V
3	076319-01-701	EA GEAR-ELEVATING, PLASTIC	2200046
4	076319-01-702	EA SHAFT ASM-ELEVATING	RVP-400A
5	076319-01-711	EA BASE & LIFT ASM	2762802
6	076319-01-706	EA CRANK-ELEVATING, W/SET SCREW2750897	
7	076319-01-705	EA GROMMET-NYLON, 7/8" ID	3200658
8	076319-01-708	EA DECAL-CRANK	5413002
9	076319-01-707	EA SPRING-HANDLE	5160822
10	076319-01-709	EA PLATE-DIRECTIONAL, FOR HEAD	3200621
11	076319-01-712	EA PLATE-CEILING, DIRECTIONAL	3200608
12	076319-01-715	EA NUT (GEAR HOUSING)	2200047
13	076319-01-704	EA BEARING-NYLON, 1.25" OD	3200657
14	076319-01-713	EA PLATE-BASE, STEEL	3100523
15	076319-01-703	EA BEARING-NYLON, 5" OD	3200656
16	076319-01-714	EA HOUSING, ROTATING GEAR	2200049

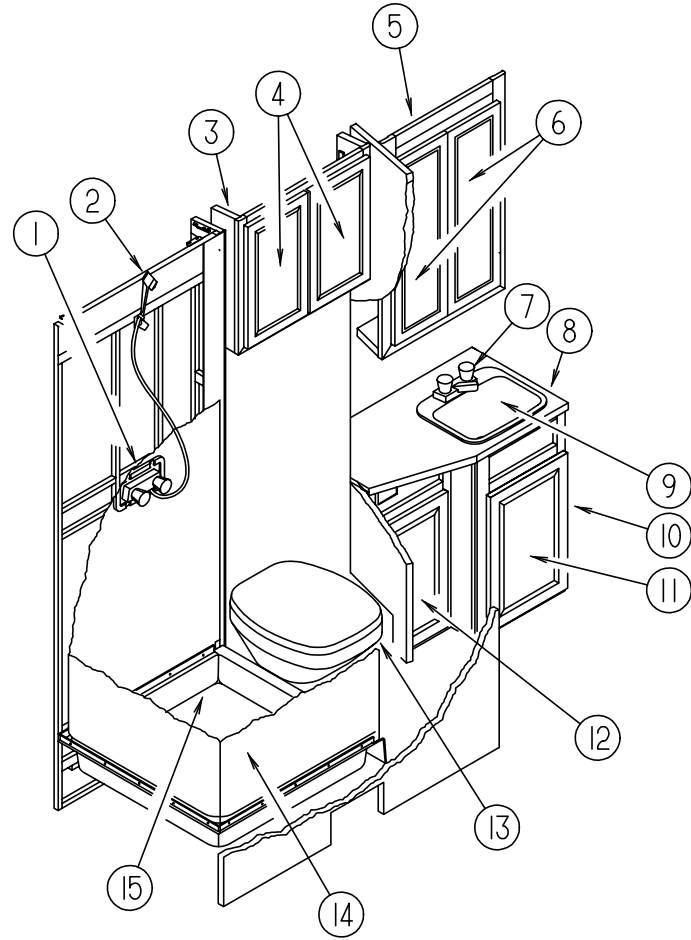
BATH GROUP



AQUA MAGIC IV - LOW - FOOT FLUSH TOILET

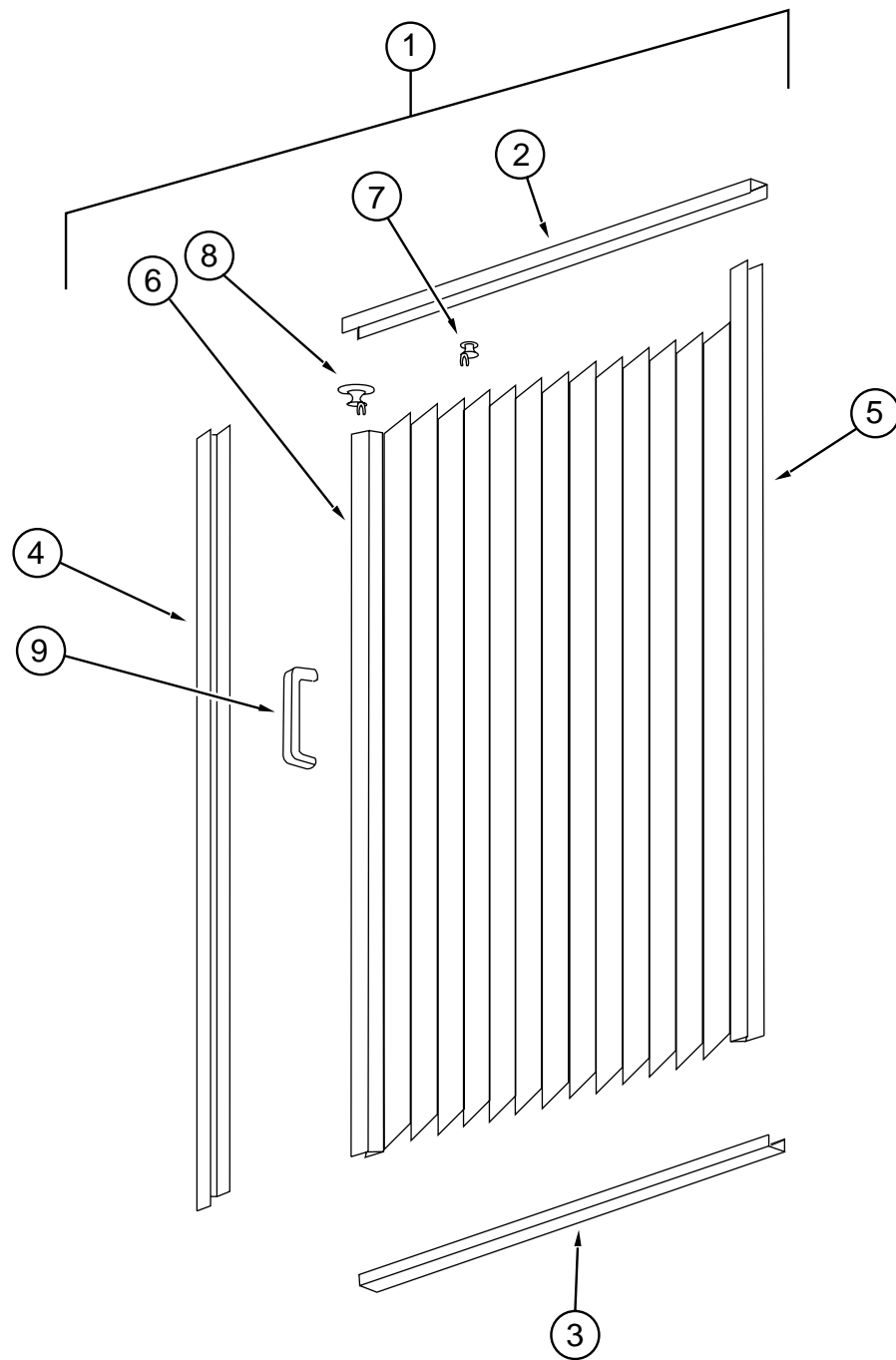
KEY	PART NUMBER	U/M DESCRIPTION	VENDOR NO.
1	067487-02-000	EA TOILET - 12.37" - IVORY - FOOT FLUSH	
2	063740-01-714	EA VALVE ASM (VALVE-BALL SEAL)	13168
3	063740-01-706	EA BOLT PACKAGE-FLOOR FLANGE	12524
4	067487-02-701	EA PEDAL PKG. (FOOT FLUSH)	20821
5	063740-01-717	EA TUBE-FLUSH	12509
6	063740-02-701	EA RESERVOIR (TANK ASM.)	24630
7	063740-02-700	EA SEAT & COVER, PARCHMENT	2464157

BATH GROUP (CONTINUED)
BATHROOM CABINET & COMPONENTS



KEY	PART NUMBER	U/M	DESCRIPTION	VENDOR NO.
1	079563-04-01A	EA	FAUCET - SHOWER 1/2 MPT X 1 1/4 LONG INLET PIPE	
	075606-01-000	EA	PANEL - PLASTIC - FAUCET BACK - 5" X 9"	
2	103092-01-000	EA	SHOWER HEAD - W/60" HOSE - WHITE	
2	103092-02-000	EA	SHOWER HEAD - W/60" HOSE - CSA	
	103092-01-700	EA	BRACKET-F/SHOWER HEAD, CLEAR	2328028
	011048-03-700	EA	BRACKET - F/SHOWER HEAD	2328029-3
3	102851-01-G09	EA	CABINET - STORAGE/BATH - W/O DOORS/HARDWARE	
4	M06803-06-G09	EA	DOOR - MIRROR/MTRD CRNR/OGEE EDGE - 11.2"X 19.6" - W/O HDW	
4	M06803-87-H13	EA	DOOR - MITERED CORNER/OGEE EDGE - 11.2" X 19.7" - W/O HDW EXPORT UPGRADE OPTION	
5	114914-01-G09	EA	CABINET - MEDICINE - W/O DOORS/HARDWARE	
6	115237-03-G09	EA	DOOR - MIRROR/MTRD/MEDICINE CABINET - 13.9" X 29.5" - W/O HDW	
	116684-01-000	EA	MIRROR - PANEL - BEVELED 3 SIDES - 13.9" X 29.5"	
7	075240-06-000	EA	FAUCET - LAVATORY/BONE	
8	114912-11-G29	EA	COUNTERTOP - LAVATORY (H12,H13)	
8	114912-11-G10	EA	COUNTERTOP - LAVATORY (H14,H15)	
8	114912-11-F05	EA	COUNTERTOP - LAVATORY (H16)	
9	096927-01-01A	EA	SINK - LAVATORY - RECTANGULAR - PLASTIC/BONE	
	096927-01-700	EA	SINK STOPPER	M9801
	096927-01-701	EA	TAILPIECE-DRAIN-LAVATORY	M9802
10	P14912-01-G29	EA	CABINET - LAVATORY - W/O DOORS/DRAWERS/HARDWARE (H12,H13)	
10	P14912-01-G10	EA	CABINET - LAVATORY - W/O DOORS/DRAWERS/HARDWARE (H14,H15)	
10	P14912-01-F05	EA	CABINET - LAVATORY - W/O DOORS/DRAWERS/HARDWARE (H16)	
11	M06803-M3-G09	EA	DOOR - MITERED CORNER/OGEE EDGE - 13.4" X 21.8" - W/O HDW	
12	M06803-80-G09	EA	DOOR - MITERED CORNER/OGEE EDGE - 13" X 21.8" - W/O HDW	
13	067487-02-000	EA	TOILET - 12.37" - IVORY - FOOT FLUSH	
14	102046-01-01A	EA	SURROUND - SHOWER - OFF WHITE	
15	M02429-10-000	EA	PAN - SHOWER	
	066436-01-000	EA	NUT - SLIP - TAILPIECE 1.5"	
	057671-01-000	EA	COVER - SCREW - #8 - PLASTIC - OFF WHITE	
	075452-02-000	EA	HOLDER - TOILET TISSUE - BRASS	
	075453-02-000	EA	BAR - TOWEL - 18" BRASS	
	075454-02-000	EA	RING - TOWEL - W/MOUNTING HARDWARE - BRASS	

BATH GROUP (CONTINUED)



SHOWER DOOR & COMPONENTS

KEY	PART NUMBER	U/M DESCRIPTION
1	117431-01-01A	EA DOOR - SHOWER - FABRIC PLEATED - 29.6" X 63.0"
2	117431-01-700	EA TRACK-TOP, ALUM.IVORY INSERT 48"
3	117431-01-701	EA TRACK-BOTTOM, 48"
4	117431-01-702	EA RAIL-SIDE, 67"
5	117431-01-703	EA RAIL-STATIONARY, 67"
6	117431-01-704	EA RAIL-LEAD, 67"
7	117431-01-705	EA GLIDE-IVORY, TRAVELER
8	117431-01-706	EA GLIDE-IVORY LEAD, TRAVELER
9	117431-01-707	EA LATCH
	117431-01-708	EA HANDLES & SCREWS
	117431-01-709	EA STRAP-VINYL

BATH GROUP (CONTINUED)
BATH/BEDROOM PRIVACY DOOR

KEY	PART NUMBER	U/M DESCRIPTION
	115546-01-G09	EA DOOR - PRIVACY - W/HANDLE & HARDWARE
	080728-01-000	EA HANDLE - PULL - 1.3" X 4.4" - BROWN PLASTIC
	102920-01-01A	EA HINGE - SPRING LOADED/BRASS
	110496-01-01A	EA HINGE - BRASS
	115507-01-01A	EA BOLT - FURNITURE
	115506-01-01A	EA STRIKE - SCREW MOUNTED - BRASS

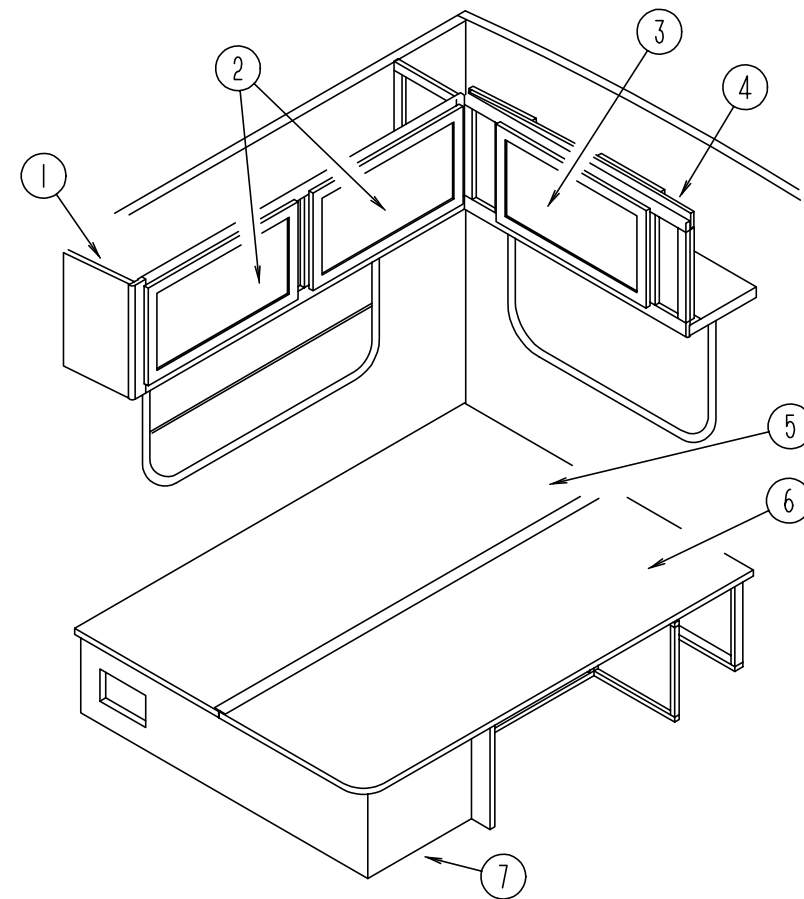
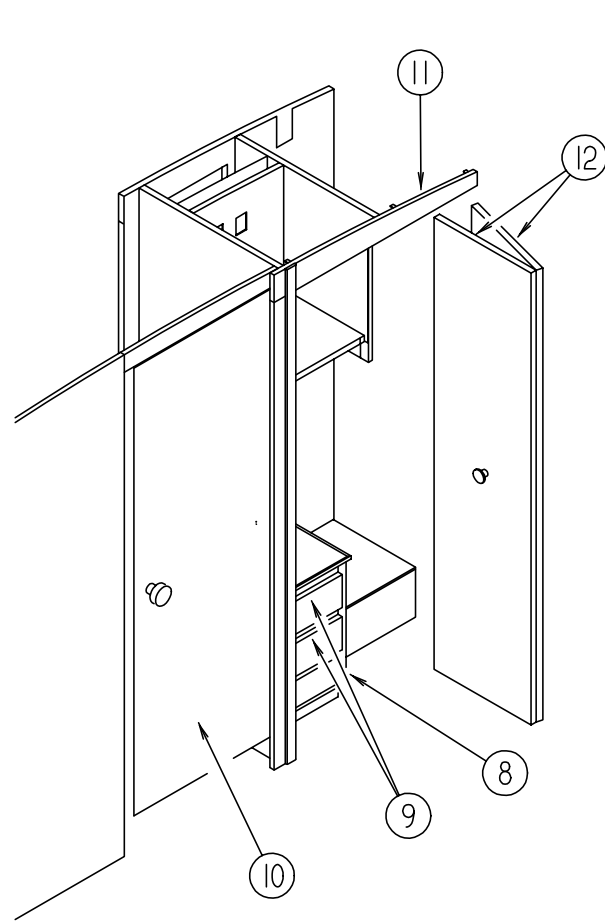
BATH DOOR

KEY	PART NUMBER	U/M DESCRIPTION
	121449-30-H13	EA DOOR - BATH
	094485-03-01A	EA KNOB - BRASS
	110496-01-01A	EA HINGE - BRASS
	121449-12-G04	EA RACK - TOWEL - BATH DOOR
	100357-01-000	EA ROD - F/TOWEL BAR - BRASS

SKYLITE

KEY	PART NUMBER	U/M DESCRIPTION
	122192-01-02A	EA PANEL - SKYLITE - OUTER - 16.4" X 27.8" FROM: 00-00-00 THRU: 02-13-97
	122192-01-02A	EA PANEL - SKYLITE - OUTER - 16.4" X 27.8" FROM: 02-14-97 THRU: 99-99-99
	122193-01-01A	EA PANEL - SKYLITE - INNER FROM: 00-00-00 THRU: 02-13-97
	122193-01-02A	EA PANEL - SKYLITE - INNER FROM: 02-14-97 THRU: 99-99-99

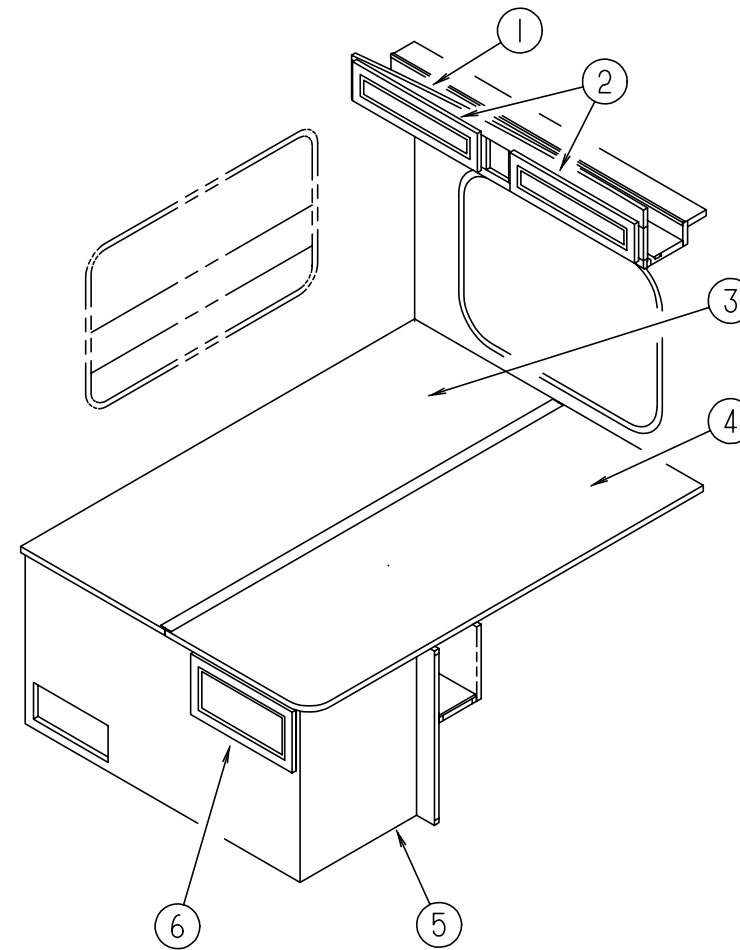
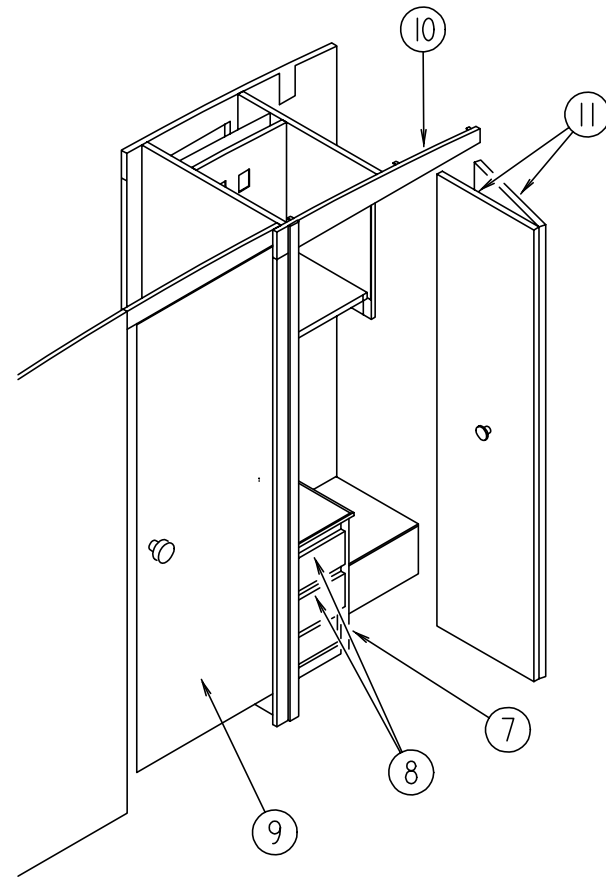
BEDROOM GROUP
DOUBLE BEDROOM CABINETS



KEY	PART NUMBER	U/M	DESCRIPTION
1	116151-01-G09	EA	CABINET - OVERHEAD/REAR/RIGHT HAND - W/O DOORS/HARDWARE
2	M06803-02-G09	EA	DOOR - MITERED CORNER/OGEE EDGE - 15.7" X 28" - W/O HDW
2	M06803-K3-G09	EA	DOOR - MITERED CORNER/OGEE EDGE - 15.7" X 28" - W/O HDW EXPORT UPGRADE OPTION - RAISED PANEL
3	M06803-13-H13	EA	DOOR - MIRROR/MITERED CRNR/OGEE EDGE - 15.7" X 28"-W/O HDW
3	M06803-02-G09	EA	DOOR - MITERED CORNER/OGEE EDGE - 15.7" X 28" - W/O HDW DECORATOR DOOR OPTION - FLAT PANEL
3	M06803-K3-G09	EA	DOOR - MITERED CORNER/OGEE EDGE - 15.7" X 28" - W/O HDW EXPORT UPGRADE OPTION - RAISED PANEL
4	124873-01-H13	EA	CABINET - OVERHEAD/REAR - W/O DOORS/HARDWARE (H12, H13)
4	124873-01-H14	EA	CABINET - OVERHEAD/REAR - W/O DOORS/HARDWARE (H14)
4	124873-01-H15	EA	CABINET - OVERHEAD/REAR - W/O DOORS/HARDWARE (H15)
4	124873-01-H16	EA	CABINET - OVERHEAD/REAR - W/O DOORS/HARDWARE (H16)

KEY	PART NUMBER	U/M	DESCRIPTION
5	M04169-13-G13	EA	TOP - DOUBLE BED (H12, H13)
5	M04169-13-G10	EA	TOP - DOUBLE BED (H14, H16)
5	M04169-13-H15	EA	TOP - DOUBLE BED (H15)
6	M04169-14-G13	EA	TOP - DOUBLE BED (H12, H13)
6	M04169-14-G10	EA	TOP - DOUBLE BED (H14, H16)
6	M04169-14-H15	EA	TOP - DOUBLE BED (H15)
	089076-10-000	EA	H-CHANNEL - SUPPORT - BED - OFF/WHITE
7	P19321-01-G09	EA	CABINET - BASE DOUBLE BED - W/O HARDWARE
8	116269-01-G09	EA	CABINET - WARDROBE/INNER - W/O DRAWERS/HARDWARE
	124719-15-H13	EA	SHELF - W/PLASTIC EDGE MOLDING
9	P11023-05-G09	EA	DRAWER - OGEE EDGE - 12.1"W X 19.7"D - W/O SLIDES/HARDWARE
10	115546-01-G09	EA	DOOR - PRIVACY - W/HANDLE & HARDWARE
11	093170-09-01A	EA	TRACK - BATH DOOR - 43.2" - OFF WHITE
12	124711-01-H13	EA	DOOR ASM - BI FOLD
	092652-01-000	EA	GUIDE WHEEL - DOOR TOP MOUNT
	117978-01-01A	EA	KNOB - DOOR - BRIGHT BRASS

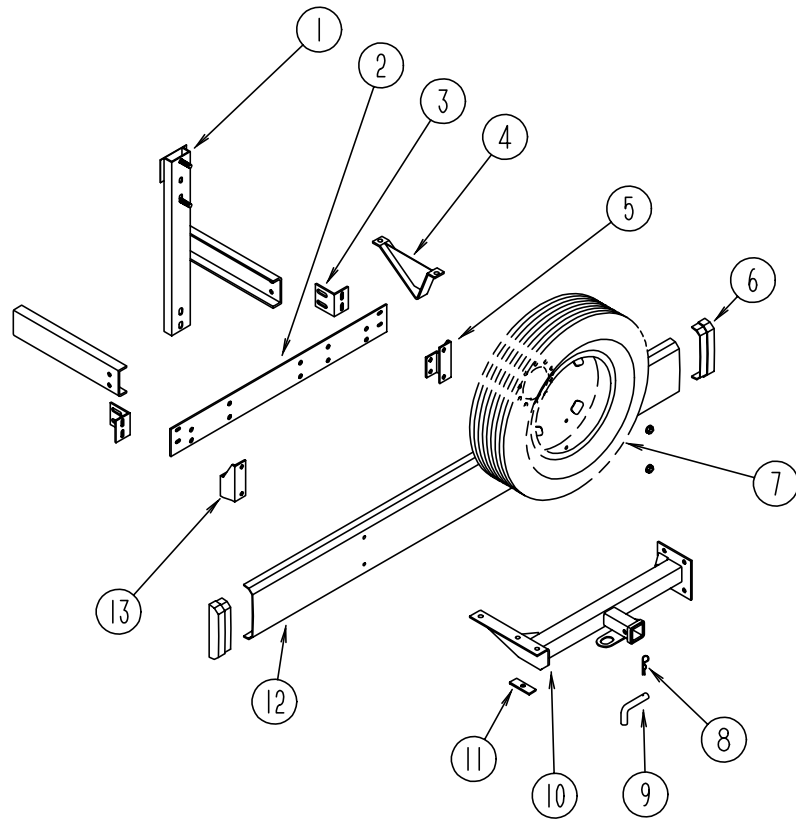
BEDROOM GROUP (CONTINUED)
DOUBLE BEDROOM CABINETRY - RAISED BED OPTION



KEY	PART NUMBER	U/M	DESCRIPTION
1	119485-01-G09	EA	CABINET - OVERHEAD/REAR - W/O DOORS/HARDWARE
2	M05992-G3-G09	EA	DOOR - STRAIGHT CORNER/OGEE EDGE - 6.3" X 23.2" - W/O HDW
3	M04169-15-G13	EA	TOP - RAISED BED (H12, H13)
3	M04169-15-G10	EA	TOP - RAISED BED (H14, H16)
3	M04169-15-H15	EA	TOP - RAISED BED (H15)
4	M04169-16-G13	EA	TOP - RAISED BED - W/O HARDWARE (H12, H13)
4	M04169-16-G10	EA	TOP - RAISED BED - W/O HARDWARE (H14, H16)
4	M04169-16-H15	EA	TOP - RAISED BED - W/O HARDWARE (H15)
	089076-10-000	EA	H-CHANNEL - SUPPORT - BED - OFF/WHITE
5	P19320-01-G09	EA	CABINET - BASE - DOUBLE BED/RAISED - W/O DOOR/HDW

KEY	PART NUMBER	U/M	DESCRIPTION
6	M06803-07-G09	EA	DOOR - MITERED CORNER/OGEE EDGE - 10" X 19" - W/O HDW
7	116269-01-G09	EA	CABINET - WARDROBE/INNER - W/O DRAWERS/HARDWARE
	124719-15-H13	EA	SHELF - W/PLASTIC EDGE MOLDING
8	P11023-05-G09	EA	DRAWER COMPL-SLIDE
9	115546-01-G09	EA	DOOR - PRIVACY - W/HANDLE & HARDWARE
10	093170-09-01A	EA	TRACK - BATH DOOR - 43.2" - OFF WHITE
11	124711-01-H13	EA	DOOR ASM - BI FOLD
	092652-01-000	EA	GUIDE WHEEL - DOOR TOP MOUNT
	117978-01-01A	EA	KNOB - DOOR - BRIGHT BRASS

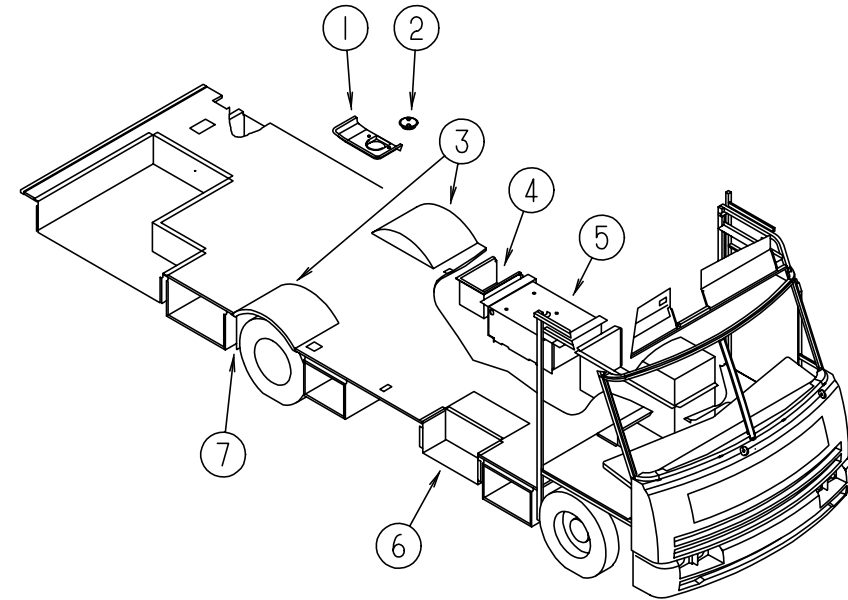
CHASSIS GROUP



REAR BUMPER, TRAILER HITCH & COMPONENTS

KEY	PART NUMBER	U/M	DESCRIPTION
1	102944-05-000	EA	BRACKET - TIRE CARRIER - CHEVY
2	078678-02-000	EA	PLATE - MOUNTING - BUMPER/REAR - 46" X 5" - W/WELD NUTS
3	078668-01-000	EA	SUPPORT ANGLE - BUMPER/REAR - L ANGLE - 4" X 3" STEEL/BLK
4	111742-01-000	EA	PLATE - SKID
5	117950-03-02B	EA	BRACKET - BUMPER/REAR
6	103228-01-06A	EA	END CAP - REAR BUMPER - DRIVER/PASSENGER
7	091673-01-000	EA	TIRE - 225.70 R19.5 LRF - XZA
	064963-01-000	EA	WHEEL - STEEL - 19.5" X 6" - GM 14005758
	051377-01-000	EA	VALVE STEM
	077030-02-000	EA	EXTENSION - VALVE STEM - 1.25"
8	034513-01-000	EA	PIN - HITCH - 3/16" WIRE
9	034512-01-000	EA	PIN - LOCKING - DRAWBAR
10	107707-09-000	EA	HITCH RECEIVER - BOLT-ON CLASS II
11	070579-09-000	EA	PLATE - ANCHOR
12	103099-01-06A	EA	BUMPER - REAR - BRIGHT WHITE
12	103099-07-02A	EA	BUMPER - REAR (EUROPEAN)
13	117950-04-02B	EA	BRACKET - BUMPER/REAR
	113589-02-000	EA	CONNECTOR - SOCKET - TRAILER
	113589-01-000	EA	CONNECTOR - PLUG - TRAILER
	113588-02-01B	EA	BRACKET - CONNECTOR - TRAILER W/O LIP

CHASSIS GROUP (CONTINUED)



STORAGE COMPARTMENTS & WHEELWELLS

KEY	PART NUMBER	U/M	DESCRIPTION
1	119536-01-01A	EA	COVER - VALVE - DRAINAGE
2	092887-01-000	EA	HATCH - COMPARTMENT - SEWER HOSE - 6"
	092887-04-000	EA	CHAIN - TWIST CAP - 9"
	106208-01-01A	EA	COMPARTMENT - EXTERIOR SHOWER
3	102921-01-000	EA	WHEELWELL - PLASTIC
4	102979-01-000	EA	BOX - POWER CORD
5	114070-02-02B	EA	SUPPORT - GENERATOR - LEFT
5	114071-02-02B	EA	SUPPORT - GENERATOR - RIGHT
5	094657-02-000	EA	TRAY - GENERATOR - 22.5" X 30.4" X 6.9" - W/ANGLE & NUTS
6	091176-01-000	EA	SUPPORT - BASE - ENTRANCE STEP
7	017516-01-000	EA	MUD FLAP - 14" X 18" - BLACK
7	020167-04-000	EA	DIRT GUARD - STEEL - 14.9" LONG
	056748-01-000	EA	PLUG - CAP - 1.5" DIAMETER
	061420-10-000	EA	PLUG/PLASTIC - 1.50" DIAMETER - BLACK
	102805-01-000	EA	CHANNEL - EXTENSION - FRONT FRAME - 13.7"
	065450-05-000	EA	TIEDOWN - BATTERY - 8.4" TUBE
	112864-01-000	FT	SEAL - FOAM/BUTYL COVERED - 3/8"
	113452-01-000	FT	SEAL/TRIM - FRONT - VINYL W/WIRE CARRIER
			FROM: 00-00-00 THRU: 06-01-97
			FROM: 06-02-97 THRU: 99-99-99
			FROM: 02-03-97 THRU: 99-99-99

CHASSIS GROUP (CONTINUED)

19.5" CHEVY STAINLESS STEEL WHEEL LINERS (FROM: 00-00-00 THRU: 05-06-97)

KEY	PART NUMBER	U/M DESCRIPTION	VENDOR NO.
	110435-06-000	EA LINER - WHEEL SET (SET=4) 19.5" F/GM W/LONG STUDS - DICOR	
	110435-01-711	EA DECAL - CENTER CAP - 2"	
	110435-02-703	EA NUT (JAMB)	V160SD-JNT
	110435-02-704	EA COVER - LUG NUT	V160F0-LNC
	110435-02-705	EA TOOL F/ JAMB NUT - INSTALL.	V160F0-TOL
	110435-06-700	EA LINER - WHEEL - FRONT	V195P5-FWC
	110435-06-701	EA LINER - WHEEL - REAR	V195P5-RWC
	110435-06-702	EA BRACKET - BRIDGE	V195P5-BRK
	110435-06-703	EA NUT - JAM - BRIDGE BRKT 1 1/16	V195P5-BJN
	110435-06-704	EA STUD EXTENDERS - P30	V195P5-STX

19.5" CHEVY STAINLESS STEEL WHEEL LINERS (FROM: 05-07-97 THRU: 99-99-99)

KEY	PART NUMBER	U/M DESCRIPTION	VENDOR NO.
	110435-10-000	EA LINER - WHEEL - SET 4 - 19.5"	
	110435-10-700	EA LINER - WHEEL - FRONT - 1 PC	
	110435-10-701	EA LINER - WHEEL - REAR - 1 PC.	V195P7-FWC
	110435-10-702	EA JAMB NUT - ENCLOSED/LNC	V195P7-RWC
	110435-10-703	EA STUD - PLASTIC	V195P7-EJN
	110435-10-704	EA JAMB NUT - PLASTIC/LNC	V195P7-PST
	110435-10-705	EA TOOL - INSTALLATION	V195P7-PJN
			V195P7-TOL

19.5" CHEVY WHEEL COVERS (FROM: 00-00-00 THRU: 12-20-96)

KEY	PART NUMBER	U/M DESCRIPTION	VENDOR NO.
	109443-01-000	EA WHEEL - COVER - 4/SET - 19.5 W/HDW	
	109443-01-700	EA COVER - WHEEL 19.5 FRT. & REAR	SHAG95
	109443-01-701	EA BRACKET - RETENTION - FRONT WHEEL	SHAG95-FBS
	109443-01-702	EA BRACKET - RETENTION - REAR WHEEL	SHAG95-RBS
	109443-01-703	EA CAP - CENTER - HUB - DICOR	SP-AUCAP
	109443-01-704	EA CLIP-RETAINER	V160GM-PNT

19.5" CHEVY WHEEL COVERS (FROM: 12-21-96 THRU: 99-99-99)

KEY	PART NUMBER	U/M DESCRIPTION	VENDOR NO.
	109443-06-000	EA WHEEL - COVER - 4/SET - 19.5"	
	109443-01-700	EA COVER - WHEEL 19.5 FRT/RR EA=1	SHAG95
	109443-01-701	EA BRACKET - RETENTION FRONT	SHAG95-FBS
	109443-01-703	EA CAP - CENTER - HUB - DICOR	SHAU95-CAP
	109443-01-704	EA CLIP - RETAINER	V160GM-PNT
	109443-06-701	EA BRACKET - RETENTION REAR	SHG795-RBS

TIRE COVER

KEY	PART NUMBER	U/M DESCRIPTION	VENDOR NO.
	108163-05-01A	EA COVER - TIRE - 8 1/4" X 101"	
	108560-04-01A	EA INSERT - TIRE COVER	

LUG WRENCH & LEVERAGE BAR

KEY	PART NUMBER	U/M DESCRIPTION	VENDOR NO.
	080208-06-000	EA LUG WRENCH - 1" X 1.06" W/DEEP SOCKET ENDS	
	080208-02-000	EA BAR - LEVERAGE - LUG WRENCH	

CHASSIS GROUP (CONTINUED)

AIR COMPRESSOR - FIRESTONE AIRSPRING ASSEMBLY

KEY	PART NUMBER	U/M DESCRIPTION	VENDOR NO.
	084086-07-000	EA COMPRESSOR/ACCESSORY KIT - 12 VOLT/ 1/6HP	
	084086-05-703	EA LOWER BRACKET	5098
	084086-07-700	EA COMPRESSOR	21-9014
	084086-07-701	EA TUBING-18FT	21-9038
	084086-07-702	EA TANK-AIR	21-9003
	084086-07-703	EA HOSE-AIR	21-9006

FIRESTONE AIRSPRING ASSEMBLY

KEY	PART NUMBER	U/M DESCRIPTION	VENDOR NO.
	084086-08-000	EA AIRSPRING KIT - '93-'97 GM 14,500-16,000 GVW	
	084086-05-706	EA VALVE-INFLATION,PUSH TO CONN	3032
	084086-08-700	EA BAG-AIR, (SPRING), 224C	0335
	084086-08-701	EA TUBING-22FT	0937
	084086-08-702	EA BRACKET-UPPER	5104
	084086-08-703	EA BRACKET-LOWER	5128
	084086-08-704	EA FITTING-PUSH TO CONNECT	3046
	084086-08-705	EA SLEEVE-THERMAL	0899

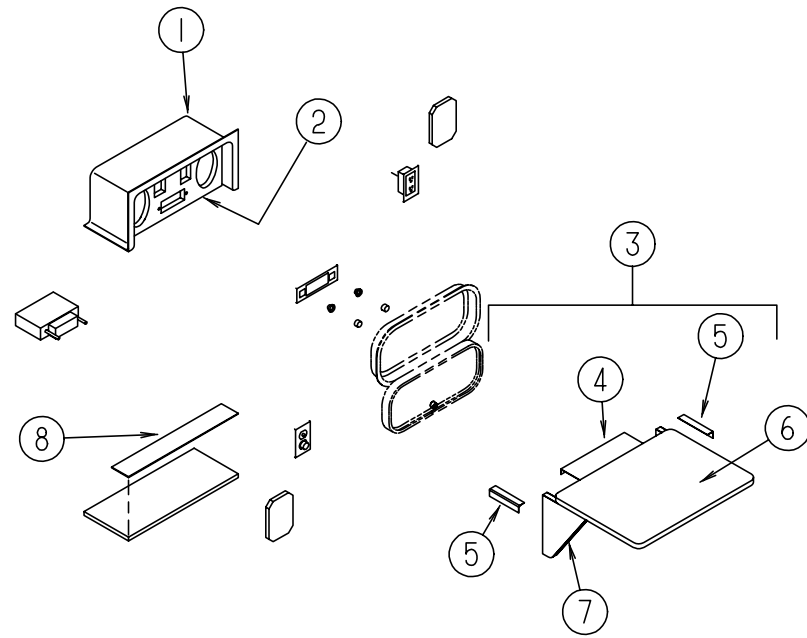
FIRESTONE AIRSPRING CONTROL ASSEMBLY

KEY	PART NUMBER	U/M DESCRIPTION	VENDOR NO.
	084086-09-000	EA CONTROL KIT - AIR SPRING - SINGLE CONTROL	
	084086-06-700	EA PANEL-AIR CONTROL, RIGHT	21-9012
	084086-06-702	EA TUBING-FLEXIBLE	21-9008
	084086-06-703	EA CONNECTOR-T	21-3005
	084086-06-704	EA FERRULE	21-0932
	120501-01-02B	EA BRACKET - CONTROL - RIDE RIDE	

FRONT SHOCKS & STABILIZER

KEY	PART NUMBER	U/M DESCRIPTION	VENDOR NO.
	104993-02-000	EA SHOCK ABSORBER - GAS - P30 FRONT	
	122756-01-000	EA SHOCK & STABILIZER (RED BOOT) KIT - FRONT END P30 CHASSIS FROM: 00-00-00 THRU: 12-11-96	
	122756-02-000	EA SHOCK AND STABILIZER (BLUE BOOT) KIT - FRONT END P30 CHASSIS FROM: 12-12-96 THRU: 99-99-99	
	122756-02-700	EA BRACKET ASM - DRIVERS SIDE	T818L
	122756-02-701	EA BRACKET ASM - PASSENGER SIDE	T818R
	122756-02-702	EA BRACKET ONLY - DRIVERS SIDE	T818L
	122756-02-703	EA BRACKET ONLY -PASSENGER SIDE	T818R
	122756-02-704	EA BOLT PACKAGE -BOLTS/NUTS ETC	T818R
	122756-02-705	EA SHOCK	T818SH
	122756-02-706	EA STUD - SHOCK MOUNTING	T818S
	122756-02-707	EA DAMPENER - STEERING	T818SD
	122756-02-708	EA BOOT - STEERING DAMPNER	T818SDB
	122756-02-709	EA BUSHING PKG-STEERING DAMPENE	T818SDBSH
	122756-02-710	EA BOLT PKG - STEERING DAMPENER	T818S

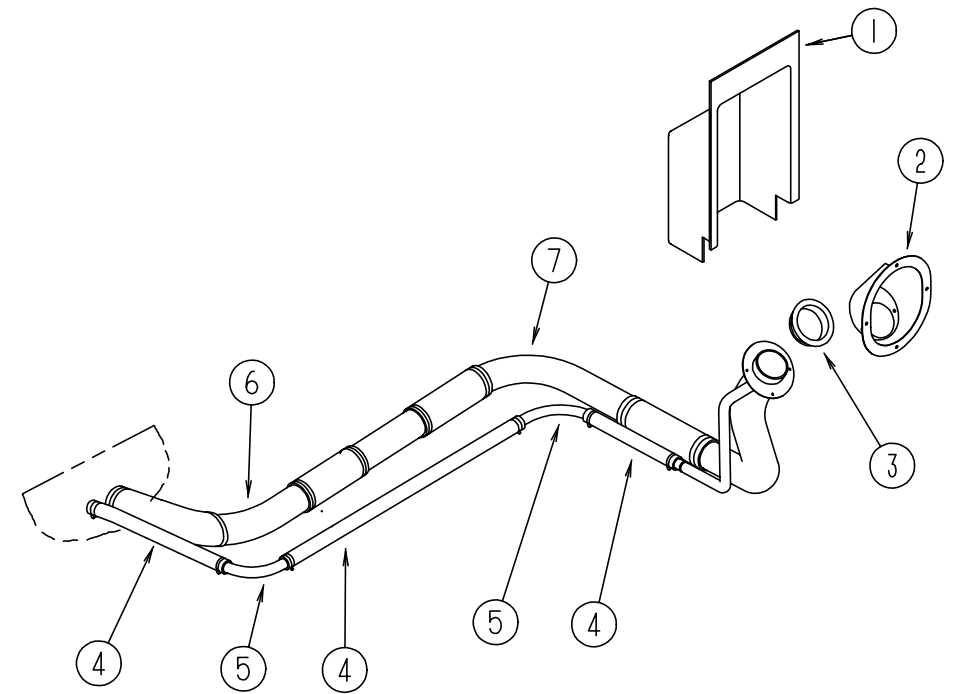
CHASSIS GROUP (CONTINUED)



PATIO ENTERTAINMENT CENTER

KEY	PART NUMBER	U/M DESCRIPTION
1	104897-01-02A	EA BOX - EXTERIOR ENTERTAINMENT CENTER
2	104899-01-C05	EA PLATE - RADIO MOUNTING
3	105230-01-H33	EA SHELF - EXTERIOR TV
4	105377-01-01A	EA BRACKET-TABLE HANGER, OFF WHITE FROM: 00-00-00 THRU: 01-05-97
4	105377-01-04A	EA BRACKET-TABLE HANGER, BRIGHT WHITE FROM: 01-06-97 THRU: 99-99-99
5	105376-01-02A	EA HINGE-CONTINUOUS, 2" X 5.5" - OFF WHITE FROM: 00-00-00 THRU: 01-05-97
5	105376-01-03A	EA HINGE-CONTINUOUS, 2" X 5.5" - BRIGHT WHITE FROM: 01-06-97 THRU: 99-99-99
6	105230-11-E01	EA SHELF - EXTERIOR ENTERTAINMENT CENTER - W/O HARDWARE
7	105230-12-F11	EA SUPPORT - EXTERIOR SHELF
8	104898-01-02A	EA PLATE-PLASTIC, BOTTOM - 19.38" X 3.1" - BRIGHT WHITE

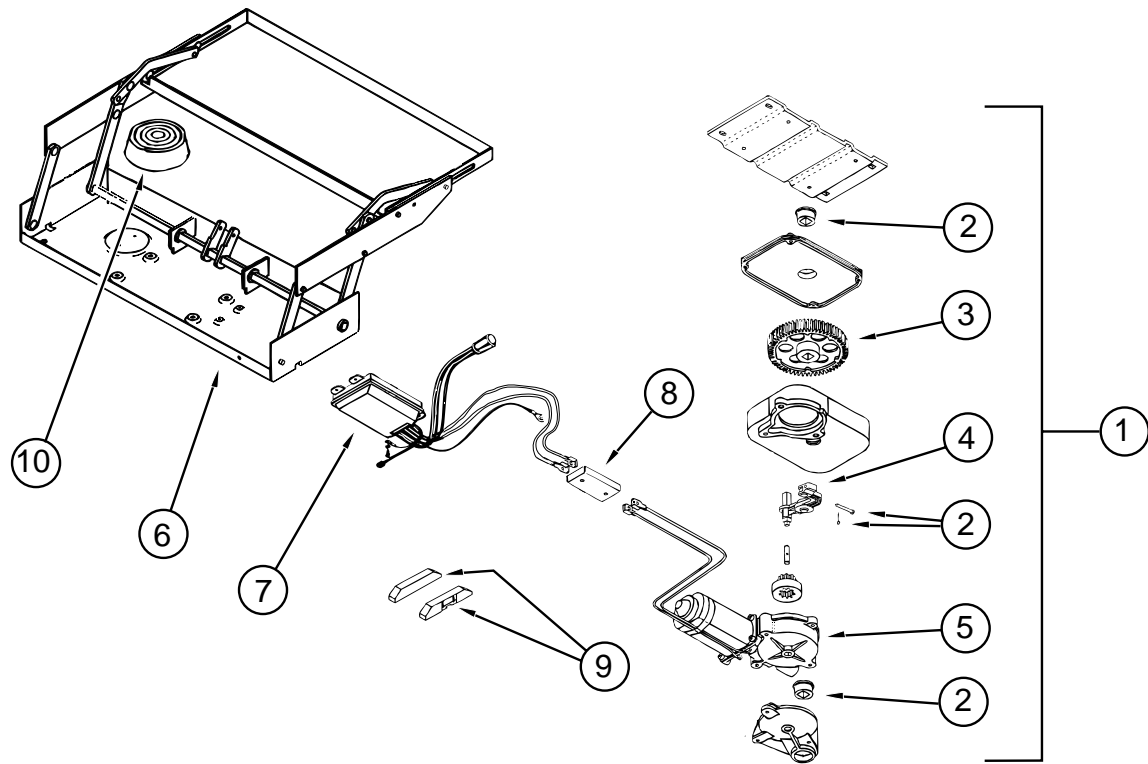
CHASSIS GROUP (CONTINUED)



FUEL SYSTEM

KEY	PART NUMBER	U/M DESCRIPTION
1	072447-09-000	EA SHROUD - FUEL FILL
2	095854-01-04A	EA SHROUD - FUEL FILL - BRIGHT WHITE
3	078200-01-000	EA GASKET - FUEL FILL - 3.5" OD X 2" ID
4	066732-01-000	FT HOSE - FUEL - .62"ID
5	098806-01-000	EA PIPE - FILL VENT - 90 DEGREE BEND - .635 OD - STEEL
6	098803-02-000	EA PIPE - FUEL FILL
7	098803-01-000	EA PIPE - FUEL FILL - 90 DEGREE BEND - 13.2" - 1 3/4" OD
	007063-01-000	FT HOSE - FUEL - 1/4"ID X 1/2"OD
	068382-06-000	EA BUSHING - BRASS - 3/8 MPT X 1/8 FPT
	087269-01-000	EA TEE - 1/4" X 1/4" X 1/4" - BRASS
	084884-01-000	EA PLUG - BRASS - 3/8"

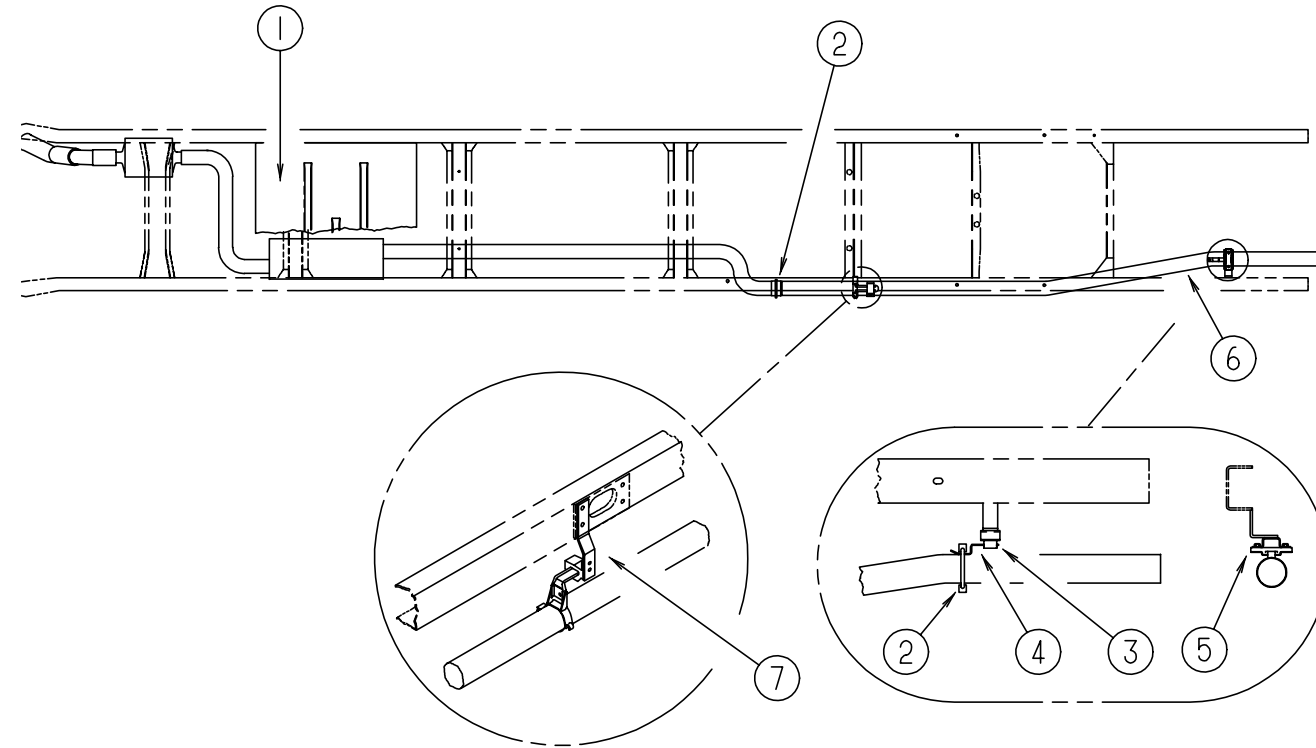
CHASSIS GROUP (CONTINUED)



KWIKEE ELECTRIC ENTRY STEP

KEY	PART NUMBER	U/M	DESCRIPTION	VENDOR NO.
1	094708-01-01A	EA	STEP-ENTRY DOOR, ELECTRIC - SINGLE - KWIKEE 2813	
2	094707-02-703	EA	PARTS KIT, (BEARINGS & PINS)	9530
3	094707-02-702	EA	GEAR KIT - KWIKEE	9525
4	094708-03-700	EA	LINKAGE ASM F/28 SERIES	9522
5	094707-02-700	EA	MOTOR REPLACEMENT KIT - MODELS 32 & 28	9520
6	088746-01-709	EA	FRAME W/SINGLE STEP, 2800 SERIES	908028
7	094707-02-705	EA	CONTROL UNIT, WHITE	909513
8	094707-02-704	EA	CONNECTOR KIT-MOTOR	9537
9	116995-01-000	EA	SWITCH/MAGNET-STEP, ELECTRIC - KWIKEE 905306	
10	088746-01-705	EA	LIGHT-UNDER STEP	9004
	088733-01-700	EA	BULB	9004
	094707-02-707	EA	TREAD-NON-SKID, BLACK - 6" X 21"	909333

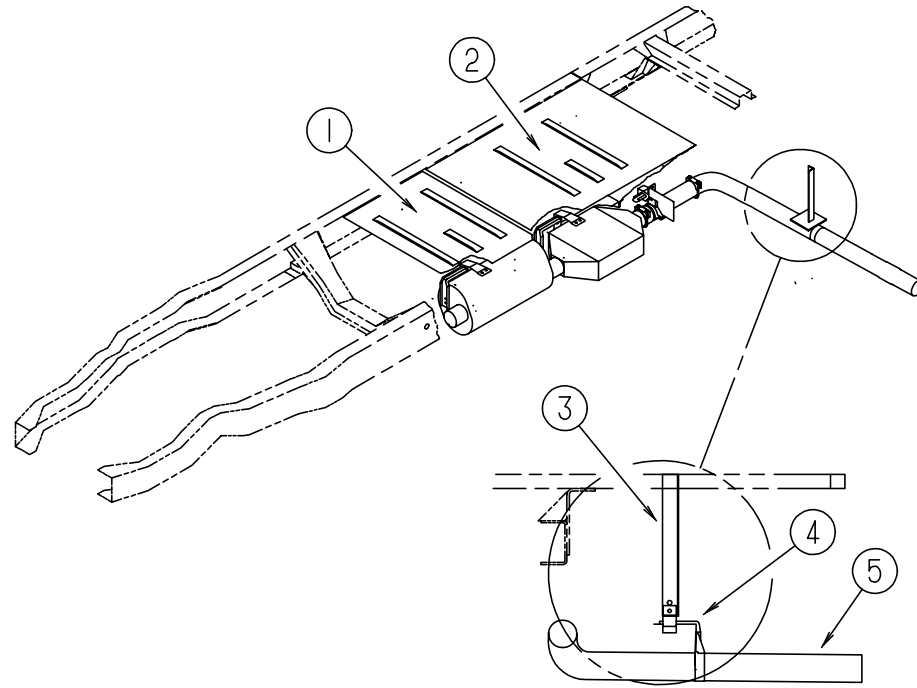
CHASSIS GROUP (CONTINUED)



EXHAUST SYSTEM - DIESEL

KEY	PART NUMBER	U/M	DESCRIPTION
1	101544-02-000	EA	SHIELD - HEAT/EXHAUST - 30" X 29.1"
2	094918-01-000	EA	CLAMP - EXHAUST - 3" - GUILLOTINE STYLE
3	095190-01-000	EA	HANGER - EXHAUST - 4" X 1.4"
4	096054-04-000	EA	SUPPORT - EXHAUST PIPE
5	117380-01-02B	EA	HANGER - TAILPIPE
			FROM: 00-00-00 THRU: 12-15-96
5	117380-03-02B	EA	HANGER - TAILPIPE
			FROM: 12-16-97 THRU: 99-99-99
6	117048-02-000	EA	PIPE - EXHAUST - TAIL
7	117029-01-02B	EA	HANGER - EXHAUST

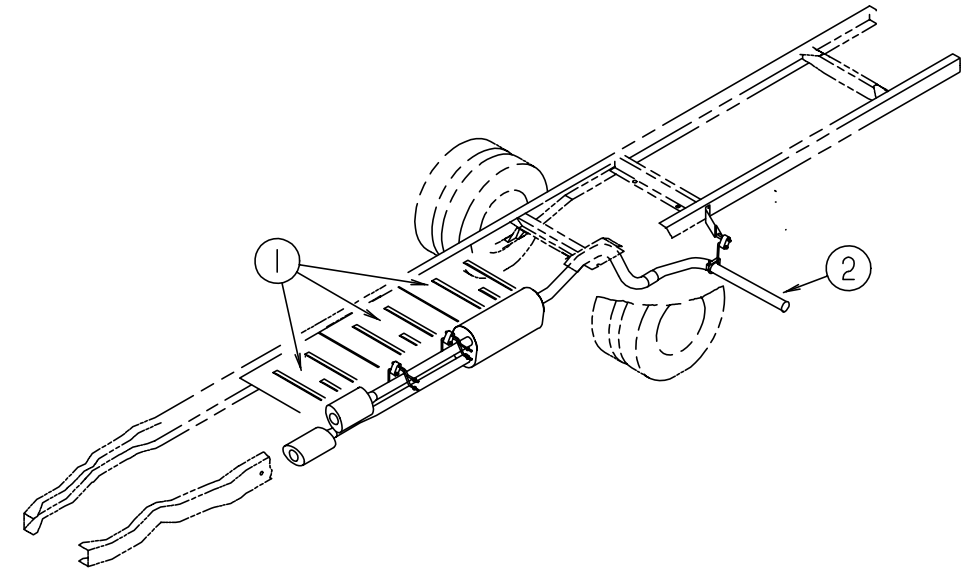
CHASSIS GROUP (CONTINUED)



EXHAUST SYSTEM - GAS

KEY	PART NUMBER	U/M	DESCRIPTION
1	101544-01-000	EA	SHIELD - HEAT/EXHAUST - 19.7" X 29.1"
2	101544-02-000	EA	SHIELD - HEAT/EXHAUST - 30" X 29.1"
3	098833-03-000	EA	BRACKET - EXHAUST/HANGER
4	125110-01-02B	EA	HANGER - TAILPIPE
5	098608-03-000	EA	PIPE - EXHAUST

CHASSIS GROUP (CONTINUED)



VORTEC EXHAUST SYSTEM - GAS

KEY	PART NUMBER	U/M	DESCRIPTION
1	101544-02-000	EA	SHIELD - HEAT/EXHAUST - 30" X 29.1"
2	098608-02-000	EA	PIPE - SINGLE EXHAUST
	094918-01-000	EA	CLAMP - EXHAUST - 3" - GUILLOTINE STYLE

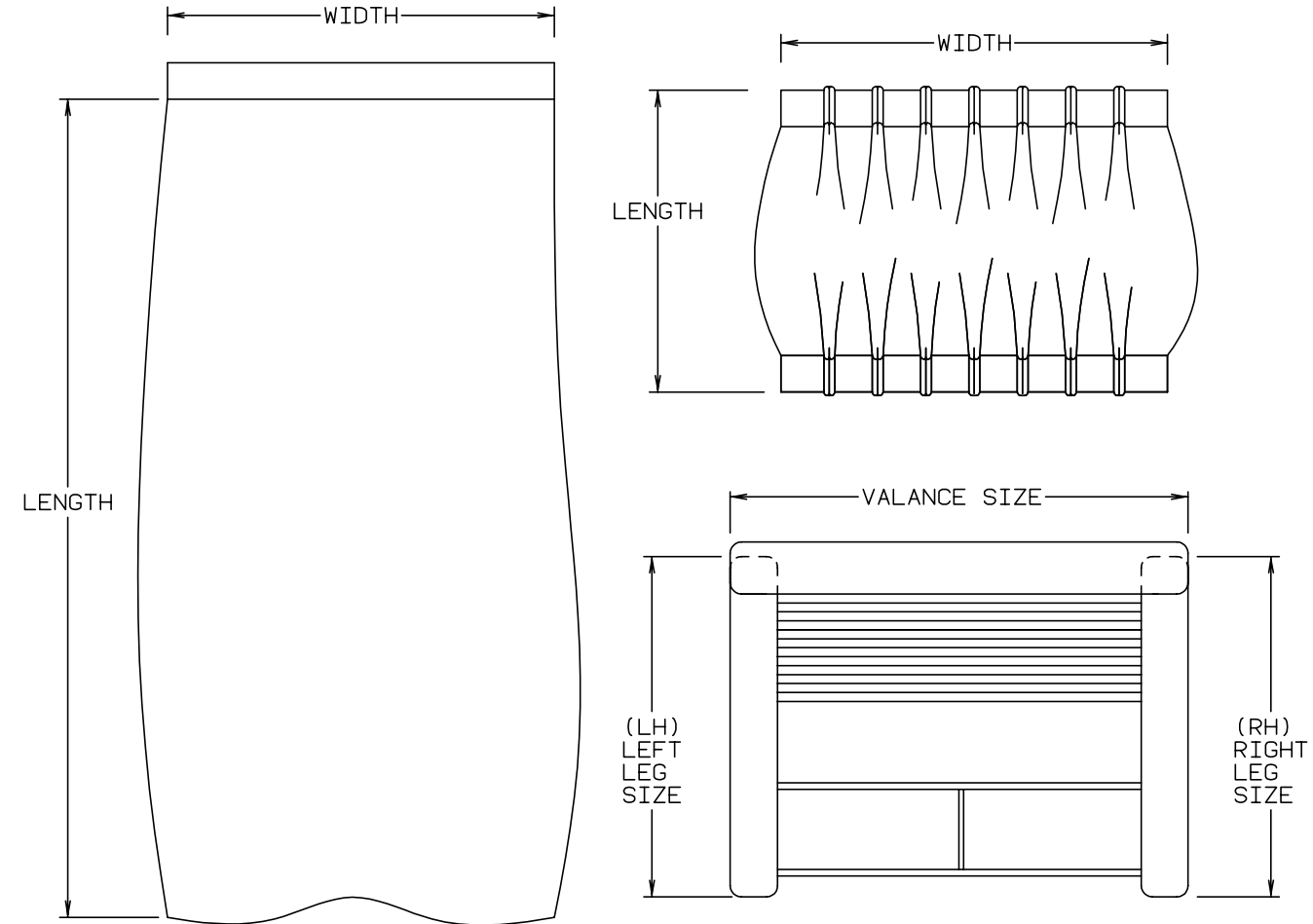
CHASSIS GROUP (CONTINUED)
CHASSIS MISCELLANEOUS

KEY	PART NUMBER	U/M	DESCRIPTION
	055278-51-259	FT	TUBING-STEEL, .75" X 1.5" X 150"
	008042-01-000	FT	TUBING-VINYL, .65" ID
	065450-05-000	EA	TIEDOWN-BATTERY, 8.4" TUBE
	119847-01-02B	EA	SHIELD-A/C COMPRESSOR, E-COAT
	077298-55-003	EA	EXTR-TUBE, 0007 MM, BLACK - 6060T6
	113875-01-000	EA	HOSE-HUMP, 3" - GRIFFITH HH3 - DIESEL OPTION
	097494-02-000	EA	TEE-BRASS, BARB - 3/8" X 5/32" X 3/8" - PARKER 224-8-8-4 - DIESEL OPTION
	104147-02-000	EA	SHIELD ASM-SPLASH, RH - 494 MM X 408 MM - W/STUDS - E-COATED STEEL
	114254-01-000	EA	ADAPTER - 1/4" SINGLE BARB X 1/8" MPT

CURTAIN & CUSHION GROUP
NOTICE

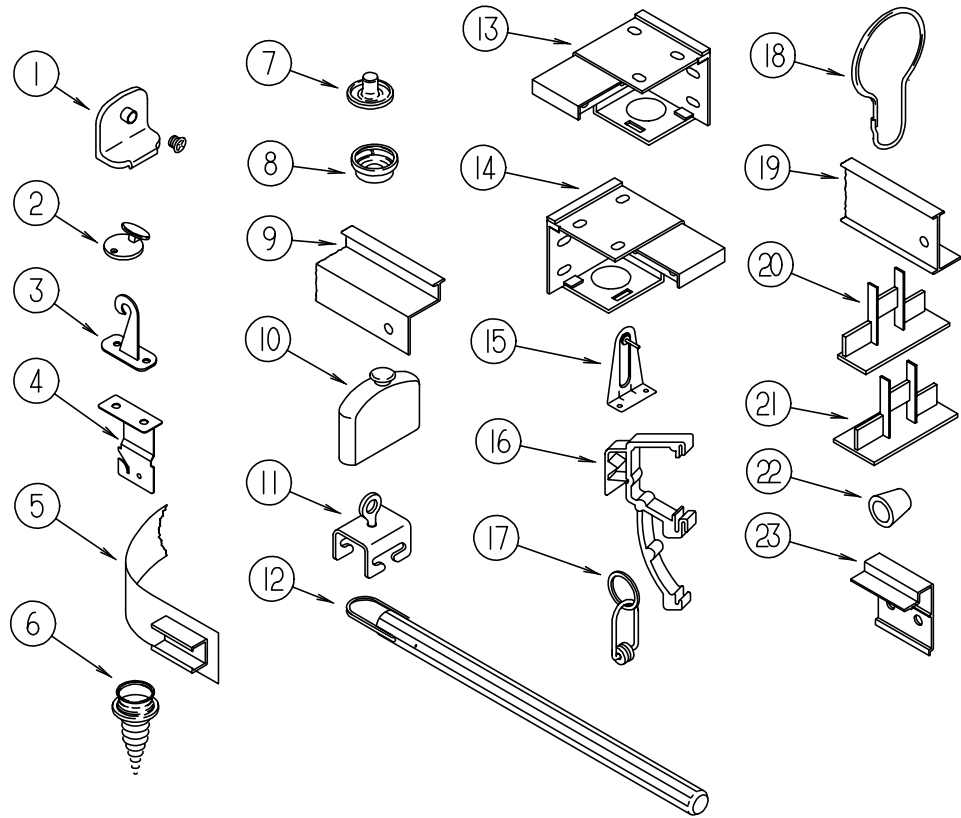
IN ORDER TO ASSIST OUR PARTS SALES DEPT. IN PROVIDING INTERIOR SOFTGOODS ITEMS, PLEASE INCLUDE THE SERIAL NUMBER AND THE COLOR CODE NUMBER FROM THE VEHICLE CERTIFICATION LABEL WHEN ORDERING. THIS LABEL IS LOCATED ON THE LEFT SIDEWALL AT THE END OF THE DASH (A-BODY), OR ON THE DRIVER'S DOOR LATCH PLATE (C-BODY).

AN EXAMPLE OF A COLOR CODE NUMBER IS B07, WHICH DESIGNATES AN OVERALL COLOR SCHEME OF A PARTICULAR UNIT. THE COLOR LISTED AFTER THE ITEM DESCRIPTION ON THE MICROFICHE, INDICATES THE OVERALL UNIT COLOR. ORDER THE ITEM YOU DESIRE ACCORDING TO UNIT COLOR CODE.



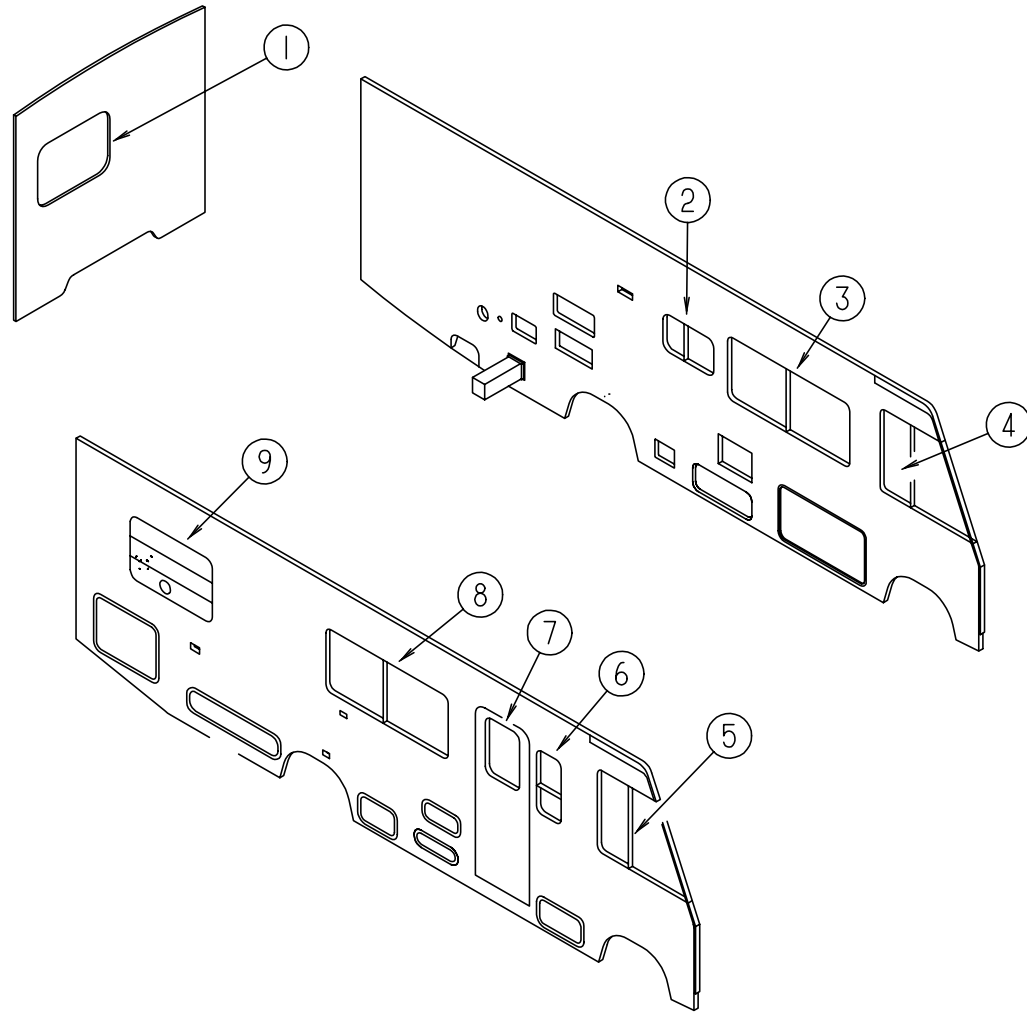
NOTE: USE THIS ILLUSTRATION WHEN DETERMINING LENGTH AND WIDTH MEASUREMENTS FOR CURTAINS. YOU WILL NOTE THE WIDTH MEASUREMENT IS TAKEN ON THE TOP OF THE CURTAIN WITH THE CURTAIN FULLY EXTENDED. THE LENGTH MEASUREMENT IS TAKEN FROM TOP TO BOTTOM. LEFT AND RIGHT WINDOW LEGS ARE DETERMINED WHEN FACING THE WINDOW.

CURTAIN & CUSHION GROUP (CONTINUED)
CURTAIN, BLIND HARDWARE & TRACKS



KEY	PART NUMBER	U/M	DESCRIPTION
1	106544-01-000	EA	PULL-SHADE, BRASS
1	106544-01-001	EA	SCREW-SHADE PULL, BRASS
2	102555-03-000	EA	CLEAT-BLIND CORD, MILKY WHITE PLASTIC
3	109441-03-000	EA	HOLD DOWN BLIND, CLOUDY
	109441-02-000	EA	SPACER-HOLD DOWN, BLIND
4	084434-01-000	EA	BRACKET-MOUNTING, ROLLER SHADE - 1 3/8"
	096843-01-000	EA	SPRING-REWIND, ROLLER SHADE
	086276-01-000	EA	TAPE-DOUBLE SIDED, 1/2"
5	101031-01-000	YD	TAPE-GLIDE, CURTAIN - 4.25" SPACING
6	029130-01-000	EA	SCREW-SNAP SOCKET, #8 PH X 5/8"
6	029130-03-000	EA	SCREW-SNAP SOCKET, #8 PH X 1"
7	029155-01-000	EA	CAP-SNAP, 5/32" O.D. OF PIN
8	029156-01-000	EA	SOCKET-SNAP, 9/16" O.D.
9	122222-01-02A	EA	TRACK-CURTAIN, WRAPAROUND - RH
9	122222-02-02A	EA	TRACK-CURTAIN, WRAPAROUND - LH
10	093475-01-701	EA	END CAP-BLIND, W/STUD
11	009702-01-000	EA	END STOP-CURTAIN CARRIER, L ROD
12	093475-01-700	EA	WAND-BLIND, W/METAL CLIP - 8" LONG
13	083170-01-000	EA	BRACKET - BLIND - LEFT SIDE WHEN FACING WINDOW
14	083170-02-000	EA	BRACKET - BLIND - RIGHT SIDE WHEN FACING WINDOW
15	095591-02-000	EA	BRACKET-HOLD DOWN, W/PIN - BLIND - METAL
16	109353-04-000	EA	CLIP-MOUNTING, VALANCE SLAT - CLEAR PLASTIC
17	009701-01-000	EA	CARRIER-CURTAIN, L-ROD
18	009136-02-000	EA	HANGER-RING, PIN TYPE - CURTAIN - BRASS
19	009700-04-002	EA	TRACK - L-SHAPED 195.5" - OFF WHITE
20	094907-04-000	EA	END CAP-BOTTOM, PLEATED BLIND - PLASTIC - GRAY
21	094907-02-000	EA	END CAP-TOP, PLEATED BLIND - PLASTIC - GRAY
22	097564-01-000	EA	HANDLE-T, PLEATED BLIND
23	097565-01-000	EA	BRACKET-MOUNTING, PLEATED BLIND
	046867-03-000	EA	GROMMET-HANDY BUTTON NO 3
	056003-01-000	EA	BRACKET - DRAPERY RETAINING - FRONT - METAL
	056003-02-000	EA	BRACKET - DRAPERY RETAINING - REAR - METAL
	048394-02-000	YD	VELCRO TAPE-HOOK, ADHESIVE BACK - .75" WIDE - BEIGE
	088792-01-000	YD	VELCRO-HOOK, .75" WIDE - BEIGE - NONADHESIVE BACKED
	088792-02-000	YD	VELCRO TAPE-LOOP, ADHESIVE BACKED - .75" WIDE - BEIGE
	068716-01-001	EA	BRACE - 90 DEGREE L-ANGLE, 192" - EXTRUDED ALUMINUM
	094896-02-000	EA	GROMMET-CORD, PLEATED BLIND - NYLON - GRAY
	095567-01-000	EA	TACK - STRIP - .5" X 625' ROLL
	097591-01-000	EA	SPRING-EXTENSION, PLEATED BLIND
	097592-01-000	EA	SPOOL-CORD, PLEATED BLIND - CLEAR PLASTIC
	097593-02-000	EA	CORD-BLIND, GRAY (H12/H13/H14/H15)
	097593-06-000	EA	CORD-BLIND, PEWTER (H16)
	105648-01-02A	EA	BRACE-VALANCE, ANGLE - 1.5" X 1.5" X 14" - OFF WHITE

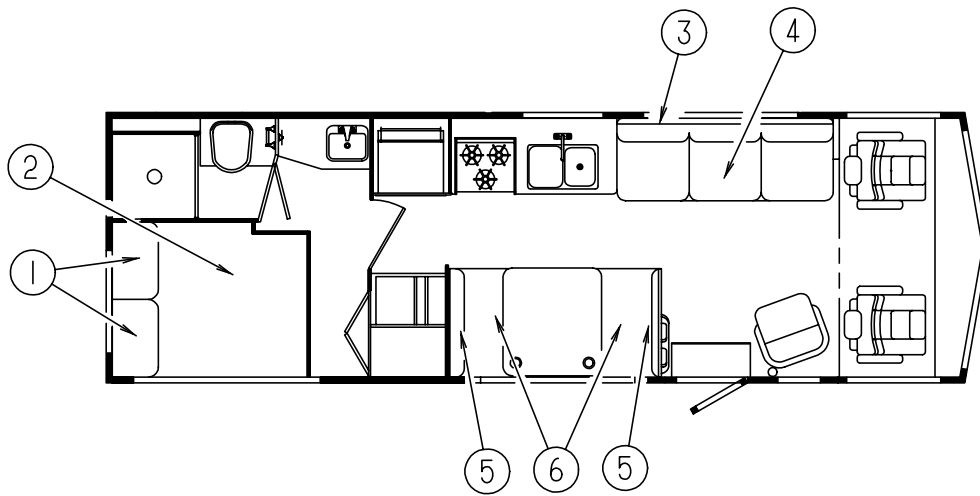
CURTAIN & CUSHION GROUP (CONTINUED)
WINDOW TREATMENT & SHOWER CURTAIN



KEY	PART NUMBER	U/M DESCRIPTION
1	112113-18-H13	EA VALANCE - VALERIE - 39" (H12,H13)
1	112113-18-H14	EA VALANCE - VALERIE - 39" (H14)
1	114993-11-H15	EA VALANCE - TAILOR - 39" (H15)
1	112113-18-H16	EA VALANCE - VALERIE - 39" (H16)
1	112986-11-G13	EA CURTAIN - 27.5" X 6" (H12,H13)
1	112986-11-H14	EA CURTAIN - 27.5" X 6" (H14)
1	112986-11-H15	EA CURTAIN - 27.5" X 6" (H15)
1	112986-11-H16	EA CURTAIN - 27.5" X 6" (H16)
1	093475-78-06A	EA BLIND - MINI - 36" X 28" (H12,H13)
1	093475-78-05A	EA BLIND - MINI - 36" X 28" (H14,H15,H16)
1	111910-41-HA3	EA BLIND - DAY/NIGHTER - 36" X 28" (H12,H13,H14,H15) UPGRADE/EXPORT OPTION
1	111910-41-H16	EA BLIND - DAY/NIGHTER - 36" X 28" (H16) UPGRADE/EXPORT OPTION
2	109041-44-02A	EA BLIND - MINI - 30.5" X 18" (H12,H13,H14,H15)
2	109041-44-01A	EA BLIND - MINI - 30.5" X 18"(H16)
	109353-04-000	EA CLIP - VALANCE SLAT MOUNTING - CLEAR PLASTIC
3	118537-23-H13	EA VALANCE - GALAXY - 64.5" (H12,H13)
3	118537-23-H14	EA VALANCE - GALAXY - 64.5" (H14)
3	121410-12-H15	EA VALANCE - MODERATE - 64.5" (H15)
3	118537-23-H16	EA VALANCE - GALAXY - 64.5" (H16)
3	119333-01-GE1	EA LEG - RIGHT - 25" (H12,H13)
3	119333-01-H14	EA LEG - RIGHT - 25" (H14)
3	119333-11-H15	EA LEG - RIGHT - 25" (H15)
3	119333-01-GB1	EA LEG - RIGHT - 25" (H16)
3	119333-02-GE1	EA LEG - LEFT - 25" (H12,H13)
3	119333-02-H14	EA LEG - LEFT - 25" (H14)
3	119333-12-H15	EA LEG - LEFT - 25" (H15)
3	119333-02-GB1	EA LEG - LEFT - 25" (H16)
3	093475-76-06A	EA BLIND - MINI - 60" X 28.5" (H12,H13)
3	093475-76-05A	EA BLIND - MINI - 60" X 28.5" (H14,H15,H16)

KEY	PART NUMBER	U/M DESCRIPTION
3	109802-10-G01	EA BLIND - PLEATED - 60" X 28.5" (H12,H13,H14, H15) UPGRADE/EXPORT
3	109802-10-E04	EA BLIND - PLEATED - 60" X 28.5" (H16) UPGRADE/EXPORT OPTION
4	101668-57-G09	EA CURTAIN - LEFT HAND - 38" X 95" (H12,H13)
4	101668-57-G10	EA CURTAIN - LEFT HAND - 38" X 95" (H14,H15,H16)
5	101668-56-G09	EA CURTAIN - RIGHT HAND - 38" X 95" (H12,H13)
5	101668-56-G10	EA CURTAIN - RIGHT HAND - 38" X 95" (H14,H15,H16)
	073260-42-D09	EA TIEBACK - 6" X 18" (H12,H13)
	073260-42-D10	EA TIEBACK - 6" X 18" (H14,H15,H16)
6	118537-25-H13	EA VALANCE - GALAXY - 17" (H12,H13)
6	118537-25-H14	EA VALANCE - GALAXY - 17" (H14)
6	121410-14-H15	EA VALANCE - MODERATE - 17" (H15)
6	118537-25-H16	EA VALANCE - GALAXY - 17" (H16)
6	109041-30-02A	EA BLIND - MINI - 15.5" X 33" (H12,H13)
6	109041-30-01A	EA BLIND - MINI - 15.5" X 33" (H14,H15,H16)
6	109802-41-H13	EA BLIND - PLEATED - 15.5" X 33" (H12,H13,H14,H15) UPGRADE/EXPORT OPTION
6	109802-41-G10	EA BLIND - PLEATED - 15.5" X 33" (H16) UPGRADE/EXPORT OPTION
7	118537-31-H13	EA VALANCE - GALAXY - 12" X 31.25" (H12,H13)
7	118537-31-H14	EA VALANCE - GALAXY - 12" X 31.25" (H14)
7	121410-35-H15	EA VALANCE - MODERATE - 11" X 31.25" (H15)
7	118537-31-H16	EA VALANCE - GALAXY - 12" X 31.25" (H16)
7	084755-57-E07	EA SHADE - PULL - 27.25"
8	118537-23-H13	EA VALANCE - GALAXY - 64.5" (H12,H13)
8	118537-23-H14	EA VALANCE - GALAXY - 64.5" (H14)
8	121410-12-H15	EA VALANCE - MODERATE - 64.5" (H15)
8	118537-23-H16	EA VALANCE - GALAXY - 64.5" (H16)
8	119333-01-GE1	EA LEG - RIGHT - 25" (H12,H13)
8	119333-01-H14	EA LEG - RIGHT - 25" (H14)
8	119333-11-H15	EA LEG - RIGHT - 25" (H15)
8	119333-01-GB1	EA LEG - RIGHT - 25" (H16)
8	119333-02-GE1	EA LEG - LEFT - 25" (H12,H13)
8	119333-02-H14	EA LEG - LEFT - 25" (H14)
8	119333-12-H15	EA LEG - LEFT - 25" (H15)
8	119333-02-GB1	EA LEG - LEFT - 25" (H16)
8	093475-76-06A	EA BLIND - MINI - 60" X 28.5" (H12, H13)
8	093475-76-05A	EA BLIND - MINI - 60" X 28.5" (H14, H15, H16)
8	109802-10-G01	EA BLIND - PLEATED - 60" X 28.5" (H12,H13,H14,H15) UPGRADE/EXPORT OPTION
8	109802-10-E04	EA BLIND - PLEATED - 60" X 28.5" (H16) UPGRADE/EXPORT OPTION
9	112113-12-G13	EA VALANCE - VALERIE - 44" (H12,H13)
9	112113-12-H14	EA VALANCE - VALERIE - 44" (H14)
9	114993-07-H15	EA VALANCE - TAILOR - 44" (H15)
9	112113-12-H16	EA VALANCE - VALERIE - 44" (H16)
9	112986-11-G13	EA CURTAIN - 27.5" X 6" (H12,H13)
9	112986-11-H14	EA CURTAIN - 27.5" X 6" (H14)
9	112986-11-H15	EA CURTAIN - 27.5" X 6" (H15)
9	112986-11-H16	EA CURTAIN - 27.5" X 6" (H16)
9	109041-33-02A	EA BLIND - MINI - 42" X 28" (H12,H13)
9	109041-33-01A	EA BLIND - MINI - 42" X 28" (H14,H15,H16)
9	111910-25-HA3	EA BLIND - DAY/NIGHTER - 41" X 28.5" (H12,H13,H14,H15) UPGRADE/EXPORT OPTION
9	111910-25-F05	EA BLIND - DAY/NIGHTER - 41" X 28.5" (H16) UPGRADE/EXPORT OPTION

CURTAIN & CUSHION GROUP (CONTINUED)



DOUBLE MATTRESS, BEDSPREAD, PILLOW SHAMS, & THROW PILLOW

KEY	PART NUMBER	U/M	DESCRIPTION
1	111863-06-G04	EA	PILLOW SHAM - 20" X 30" (H12,H13)
1	111863-06-H14	EA	PILLOW SHAM - 20" X 30" (H14)
1	104565-10-H15	EA	SHAM - PILLOW (H15)
1	111863-06-H16	EA	PILLOW SHAM - 20" X 30" (H16)
2	101123-01-000	EA	MATTRESS - 53" X 74" - TICKING COVERED
	P01123-01-000	EA	COVER - MATTRESS 53" X 74"
2	123471-05-H13	EA	BEDSPREAD/THROW - 54" X 75" (H12,H13)
2	123471-05-H14	EA	BEDSPREAD/THROW - 54" X 75" (H14)
2	123471-20-H15	EA	BEDSPREAD/THROW - 54" X 75" (H15)
2	123471-05-H16	EA	BEDSPREAD/THROW - 54" X 75" (H16)
	111862-01-H13	EA	PILLOW - 15" X 15" (H12,H13)
	111862-01-H14	EA	PILLOW - 15" X 15" (H14)
	111862-06-H15	EA	PILLOW - 15" X 15" (H15)
	111862-01-H16	EA	PILLOW - 15" X 15" (H16)

COUCH & THROW PILLOW

KEY	PART NUMBER	U/M	DESCRIPTION
3	111319-01-G13	EA	BACK - SOFA/BED - W/FRAME - 74" (H12,H13)
3	111319-01-H14	EA	BACK - SOFA/BED - W/FRAME - 74" (H14)
3	111319-02-H15	EA	BACK - SOFA/BED - W/FRAME - 74" (H15)
3	111319-01-H16	EA	BACK - SOFA/BED - W/FRAME - 74" (H16)
	P11319-01-G13	EA	COVER - BACK - SOFA/BED - 74" (H12,H13)
	P11319-01-H14	EA	COVER - BACK - SOFA/BED - 74" (H14)
	P11319-02-H15	EA	COVER - BACK - SOFA/BED - 74" (H15)
	P11319-01-H16	EA	COVER - BACK - SOFA/BED - 74" (H16)
	101085-10-000	EA	FRAME - BACK - SOFA/BED - 74.75"
4	100032-43-G13	EA	SEAT - SOFA/BED W/FRAME - 74" - W/O ARMS (H12,H13)
4	100032-43-H14	EA	SEAT - SOFA/BED W/FRAME - 74" - W/O ARMS (H14)
4	100032-30-H15	EA	SEAT - SOFA/BED W/FRAME - 74" - W/O ARMS (H15)
4	100032-43-H16	EA	SEAT - SOFA/BED W/FRAME - 74" - W/O ARMS (H16)
	P00032-43-G13	EA	COVER - SEAT - SOFA/BED - 74" - W/O ARMS (H12,H13)
	P00032-43-H14	EA	COVER - SEAT - SOFA/BED - 74" - W/O ARMS (H14)
	P00032-30-H15	EA	COVER - SEAT - SOFA/BED - 74" - W/O ARMS (H15)
	P00032-43-H16	EA	COVER - SEAT - SOFA/BED - 74" - W/O ARMS (H16)

COUCH & THROW PILLOW (CONTINUED)

KEY	PART NUMBER	U/M	DESCRIPTION
	101085-04-000	EA	FRAME - SEAT - SOFA/BED - 74.75"
	101085-06-000	EA	FRAME - BASE - SOFA/BED - 74.75"
	113990-09-000	EA	LOCK - BRACKET - MALE FLEXSTEEL - CANADIAN
	122556-04-01A	EA	LOCK - JACK KNIFE SEAT - CANADIAN
	111637-02-H13	EA	PILLOW - 22" X 22" (H12, H13)
	111637-02-H14	EA	PILLOW - 22" X 22" (H14)
	111637-01-H15	EA	PILLOW - 22" X 22" (H15)
	111637-02-H16	EA	PILLOW - 22" X 22" (H16)

NOTE: COUCH FRONT AND SIDE PANELS ARE FOUND IN THE LOUNGE GROUP

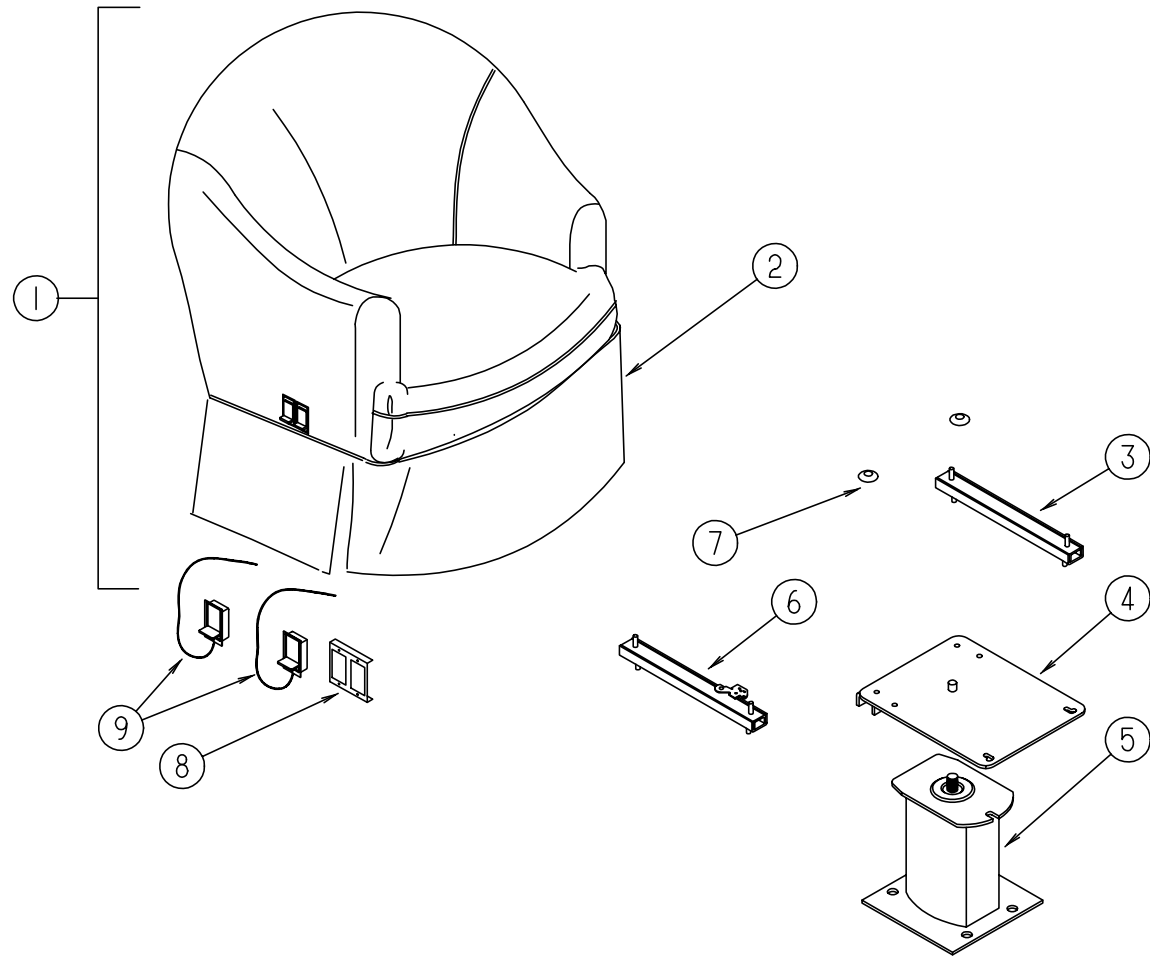
DINETTE CUSHIONS

KEY	PART NUMBER	U/M	DESCRIPTION
5	111897-04-H13	EA	CUSHION - BACK - 13.5" X 38" X 5" (H12,H13)
5	111897-04-H14	EA	CUSHION - BACK - 13.5" X 38" X 5" (H14)
5	111897-12-H15	EA	CUSHION - BACK - 13.5" X 38" X 5" (H15)
5	111897-04-H16	EA	CUSHION - BACK - 13.5" X 38" X 5" (H16)
	P11897-04-H13	EA	COVER - BACK/CUSHION - 13.5" X 38" X 5" (H12,H13)
	P11897-04-H14	EA	COVER - BACK/CUSHION - 13.5" X 38" X 5" (H14)
	P11897-12-H15	EA	COVER - BACK/CUSHION - 13.5" X 38" X 5" (H15)
	P11897-04-H16	EA	COVER - BACK/CUSHION - 13.5" X 38" X 5" (H16)
	078155-01-000	EA	STRAP - SNAP - BACK CUSHION
6	088927-87-G13	EA	CUSHION - SEAT BOTTOM - 23" X 38" X 5" (H12,H13)
6	088927-87-H14	EA	CUSHION - SEAT BOTTOM - 23" X 38" X 5" (H14)
6	088927-87-H15	EA	CUSHION - SEAT BOTTOM - 23" X 38" X 5" (H15)
6	088927-87-H16	EA	CUSHION - SEAT BOTTOM - 23" X 38" X 5" (H16)
	M88927-87-G13	EA	COVER - SEAT CUSHION - 23" X 38" X 5" (H12,H13)
	M88927-87-H14	EA	COVER - SEAT CUSHION - 23" X 38" X 5" (H14)
	M88927-87-H15	EA	COVER - SEAT CUSHION - 23" X 38" X 5" (H15)
	M88927-87-H16	EA	COVER - SEAT CUSHION - 23" X 38" X 5" (H16)

BUCKET SEAT - WIE EXPORT OPTION

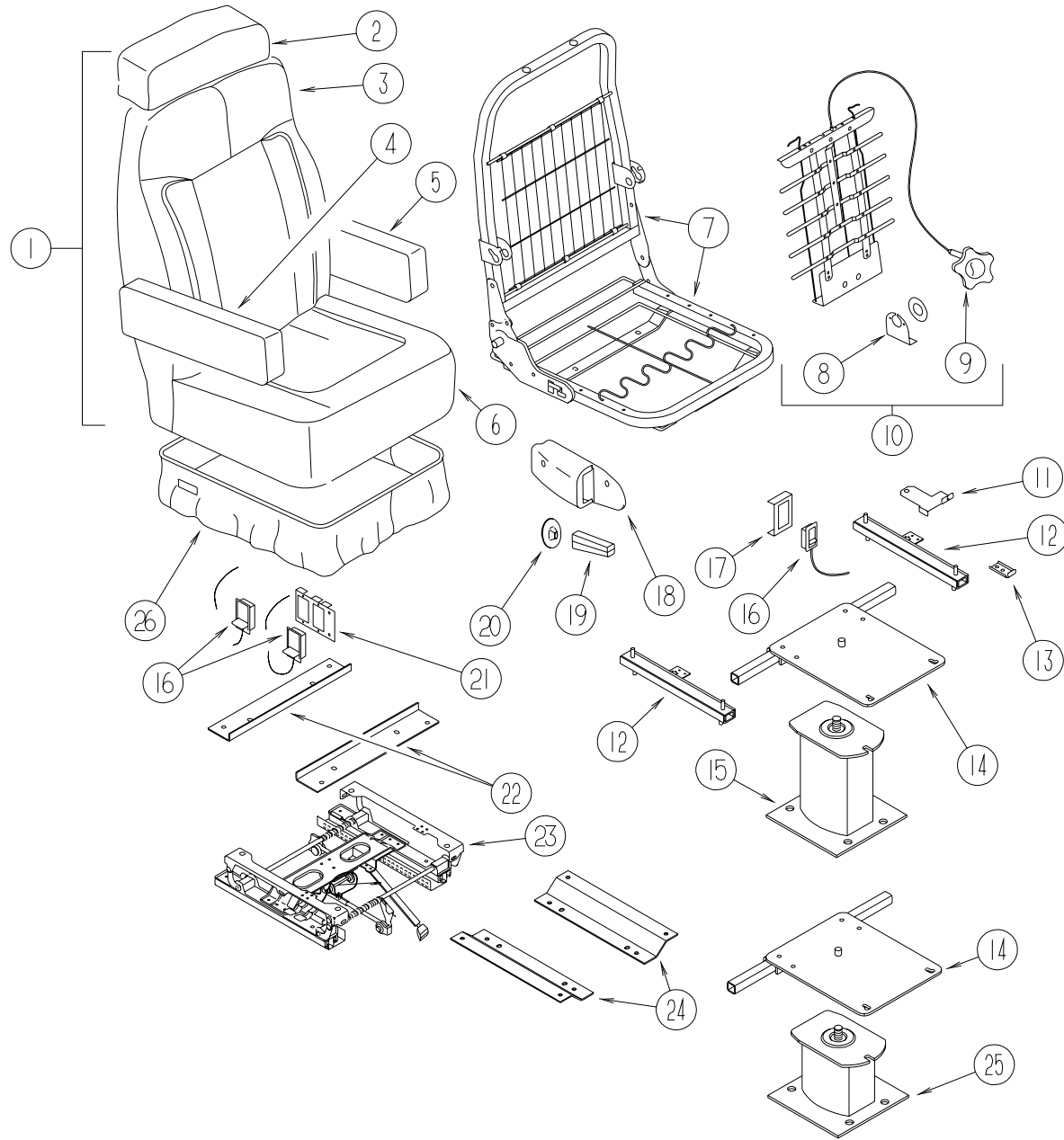
KEY	PART NUMBER	U/M	DESCRIPTION
	110148-13-H12	EA	SEAT - ECONOMY - THROW AWAY
	M05962-33-H24	EA	COVER - BACK
	M05962-34-H24	EA	COVER - SEAT
	080730-08-000	EA	HANDLE - RECLINER
	080730-09-000	EA	SHIELD - RECLINER HANDLE
	080730-11-000	EA	SHIELD - RUBBER BOOT
	122695-02-01B	EA	FRAME - SEAT/BACK

CURTAIN & CUSHION GROUP (CONTINUED)
SWIVEL CHAIR



KEY	PART NUMBER	U/M	DESCRIPTION
1	118302-01-H13	EA	CHAIR - SWIVEL - W/O SKIRT (H12,H13)
1	118302-01-H14	EA	CHAIR - SWIVEL - W/O SKIRT (H14)
1	118302-03-H15	EA	CHAIR - SWIVEL - W/O SKIRT (H15)
1	118302-01-H16	EA	CHAIR - SWIVEL - W/O SKIRT (H16)
	P18302-01-H13	EA	COVER - SWIVEL CHAIR (H12,H13)
	P18302-01-H14	EA	COVER - SWIVEL CHAIR (H14)
	P18302-03-H15	EA	COVER - SWIVEL CHAIR (H15)
	P18302-01-H16	EA	COVER - SWIVEL CHAIR (H16)
	P18302-27-H13	EA	COVER - ARMREST (H12,H13)
	P18302-27-H14	EA	COVER - ARMREST (H14)
	P18302-25-H15	EA	COVER - ARMREST (H15)
	P18302-27-H16	EA	COVER - ARMREST (H16)
2	118306-01-H13	EA	SKIRT - SWIVEL CHAIR (H12,H13)
2	118306-01-H14	EA	SKIRT - SWIVEL CHAIR (H14)
2	118306-03-H15	EA	SKIRT - SWIVEL CHAIR (H15)
2	118306-01-H16	EA	SKIRT - SWIVEL CHAIR (H16)
3	119952-01-000	EA	SLIDE/SEAT - HEAVY DUTY NON LOCKING
4	107921-08-000	EA	TOP PLATE - PEDESTAL - W/O SEAT BELT BAR
	107921-06-000	EA	BEARING KIT - PEDESTAL
5	107921-02-000	EA	PEDESTAL/FLOOR MOUNTED - W/6.50" EXTENSION
6	119952-03-000	EA	SLIDE/SEAT - HEAVY DUTY LOCKING - 2 STUDS
7	007221-01-000	EA	SPACER - SEAT/ADJUSTER
8	097683-02-000	EA	BRACKET - REMOTE/SIDE MOUNT - DOUBLE
9	108049-03-000	EA	CABLE/CONTROL 25.5" SHEATH/28.5" CABLE W/DOG LEG
	108049-02-000	EA	CLIP - CABLE/PEDESTAL
	117125-01-02B	EA	BRACKET - CABLE MOUNT - ADJUSTER W/LOCK
	112436-03-000	FT	TRIM - #8 - FLEX RING

CURTAIN & CUSHION GROUP (CONTINUED)
DRIVER BUCKET SEAT



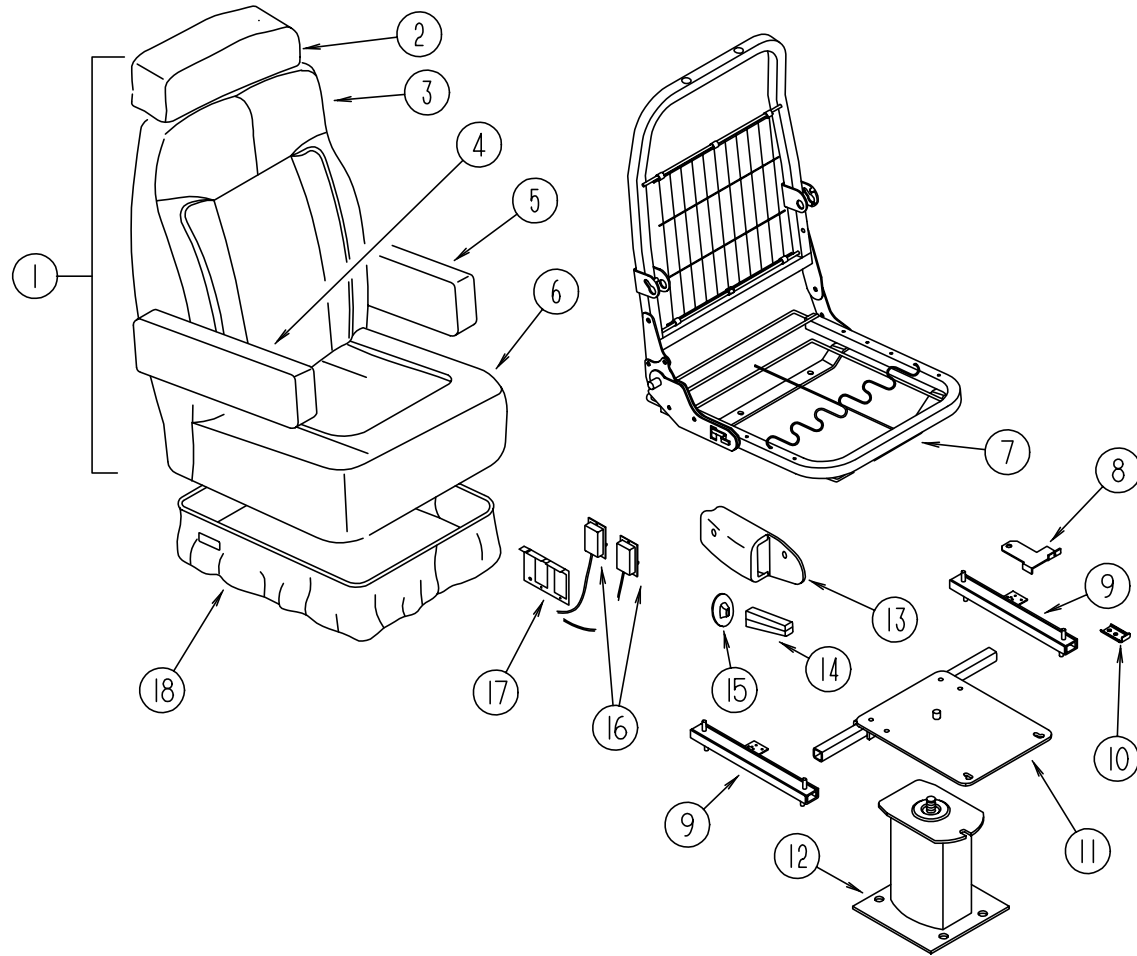
KEY	PART NUMBER	U/M DESCRIPTION
1	119508-06-H13	EA SEAT-BUCKET, W/ARMRESTS, HEADREST & LUMBAR SUPPORT (H12,H13)
1	119508-06-H14	EA SEAT-BUCKET, W/ARMRESTS, HEADREST & LUMBAR SUPPORT (H14)
1	119508-06-H15	EA SEAT-BUCKET, W/ARMRESTS, HEADREST & LUMBAR SUPPORT (H15)
1	119508-06-H16	EA SEAT-BUCKET, W/ARMRESTS, HEADREST & LUMBAR SUPPORT (H16)
2	119509-01-H13	EA HEADREST - BUCKET SEAT (H12,H13)
2	119509-01-G24	EA HEADREST - BUCKET SEAT (H14)
2	119509-01-H15	EA HEADREST - BUCKET SEAT (H15)
2	119509-01-H16	EA HEADREST - BUCKET SEAT (H16)
2	P19509-01-H13	EA COVER - HEADREST (H12,H13)
2	P19509-01-G24	EA COVER - HEADREST (H14)
2	P19509-01-H15	EA COVER - HEADREST (H15)
2	P19509-01-H16	EA COVER - HEADREST (H16)
	113977-12-000	EA INSERT/HEADREST - W/O LOCK
	113977-13-000	EA INSERT/HEADREST - W/LOCK

KEY	PART NUMBER	U/M DESCRIPTION
3	M05962-44-H13	EA COVER - BACK - BUCKET SEAT (H12,H13)
3	M05962-44-H14	EA COVER - BACK - BUCKET SEAT (H14)
3	M05962-44-H15	EA COVER - BACK - BUCKET SEAT (H15)
3	M05962-44-H16	EA COVER - BACK - BUCKET SEAT (H16)
4	122780-01-H13	EA ARMREST - RIGHT HAND (H12,H13)
4	122780-01-H14	EA ARMREST - RIGHT HAND (H14)
4	122780-01-H15	EA ARMREST - RIGHT HAND (H15)
4	122780-01-H16	EA ARMREST - RIGHT HAND (H16)
4	P22780-01-H13	EA COVER - ARMREST - RIGHT HAND (H12,H13)
4	P22780-01-H14	EA COVER - ARMREST - RIGHT HAND (H14)
4	P22780-01-H15	EA COVER - ARMREST - RIGHT HAND (H15)
4	P22780-01-H16	EA COVER - ARMREST - RIGHT HAND (H16)
	115617-03-000	EA ARMREST - W/O COVER - RIGHT HAND
5	122780-02-H13	EA ARMREST - LEFT HAND (H12,H13)
5	122780-02-H14	EA ARMREST - LEFT HAND (H14)
5	122780-02-H15	EA ARMREST - LEFT HAND (H15)
5	122780-02-H16	EA ARMREST - LEFT HAND (H16)
	115617-04-000	EA ARMREST - W/O COVER - LEFT HAND
5	P22780-02-H13	EA COVER - ARMREST - LEFT HAND (H12,H13)
5	P22780-02-H14	EA COVER - ARMREST - LEFT HAND (H14)
5	P22780-02-H15	EA COVER - ARMREST - LEFT HAND (H15)
5	P22780-02-H16	EA COVER - ARMREST - LEFT HAND (H16)
6	M05962-43-H13	EA COVER-SEAT, BUCKET SEAT (H12,H13)
6	M05962-43-H14	EA COVER-SEAT, BUCKET SEAT (H14)
6	M05962-43-H15	EA COVER-SEAT, BUCKET SEAT (H15)
6	M05962-43-H16	EA COVER-SEAT, BUCKET SEAT (H16)
7	122695-01-01B	EA FRAME - SEAT/BACK
8	122611-01-702	EA LUMBAR - BRACKET
	122611-01-703	EA LUMBAR - SCREW
9	122611-01-701	EA LUMBAR - KNOB
10	122611-01-000	EA LUMBAR
11	117125-01-02B	EA BRACKET-CABLE HOLDER, ADJUSTER W/LOCK - E-COAT
12	119952-06-000	EA SLIDE-SEAT, HEAVY DUTY LOCKING - 4 STUDS
	119952-07-000	EA WIRE-LATCH RELEASE/ROTARY
13	114889-01-000	EA STOP BAR-UNIVERSAL
14	107921-05-000	EA PLATE-TOP W/SEAT BELT BAR
	107921-06-000	EA BEARING KIT-PEDESTAL
15	107921-01-000	EA PEDESTAL-SEAT, FLOOR MOUNTED W/9.75" EXTENSION
16	108049-03-000	EA CABLE/CONTROL 25.5" SHEATH/28.5" CABLE W/DOG LEG
	108049-02-000	EA CLIP-CABLE, PEDESTAL
17	116215-03-000	EA BRACKET - LOWER MOUNT - 6-WAY MANUAL SEAT
18	080730-09-000	EA SHIELD - RECLINER HANDLE
19	080730-08-000	EA HANDLE - RECLINER
20	080730-11-000	EA SHIELD - RUBBER BOOT
21	097683-02-000	EA BRACKET - REMOTE/SIDE MOUNT - DOUBLE
22	116215-02-000	EA BRACKET - UPPER MOUNT - 6-WAY MANUAL SEAT
	007221-01-000	EA SPACER - SEAT/ADJUSTER - 4 USED PER SWIVEL CHAIR
23	116215-01-000	EA SEAT ADJUSTER - DRIVERS 6-WAY MECHANICAL
24	116215-03-000	EA PLATE - LOWER - 6-WAY MANUAL CONTROL
25	107921-07-000	EA PEDESTAL - BASE - POWER
26	071126-58-H13	EA SKIRT - SINGLE - W/SEAT BELT SLOT (H12,H13)
26	071126-58-H14	EA SKIRT - SINGLE - W/SEAT BELT SLOT (H14)
26	071126-58-H15	EA SKIRT - SINGLE - W/SEAT BELT SLOT (H15)
26	071126-58-H16	EA SKIRT - SINGLE - W/SEAT BELT SLOT (H16)
26	071126-60-H13	EA SKIRT - SINGLE - 10.5" - 6-WAY MANUAL (H12,H13)
26	071126-60-H14	EA SKIRT - SINGLE - 10.5" - 6-WAY MANUAL (H14)
26	071126-60-H15	EA SKIRT - SINGLE - 10.5" - 6-WAY MANUAL (H15)
26	071126-60-H16	EA SKIRT - SINGLE - 10.5" - 6-WAY MANUAL (H16)

VENDOR NO.

157C-90
210
218

CURTAIN & CUSHION GROUP (CONTINUED)
PASSENGER BUCKET SEAT



KEY	PART NUMBER	U/M	DESCRIPTION
1	119508-07-H13	EA	SEAT - BUCKET - W/ARMRESTS/HEADREST/MANUAL RECLINE (H12,H13)
1	119508-07-H14	EA	SEAT - BUCKET - W/ARMRESTS/HEADREST/MANUAL RECLINE (H14)
1	119508-07-H15	EA	SEAT - BUCKET - W/ARMRESTS/HEADREST/MANUAL RECLINE (H15)
1	119508-07-H16	EA	SEAT - BUCKET - W/ARMRESTS/HEADREST/MANUAL RECLINE (H16)
2	119509-01-H13	EA	HEADREST - BUCKET SEAT (H12,H13)
2	119509-01-G24	EA	HEADREST - BUCKET SEAT (H14)
2	119509-01-H15	EA	HEADREST - BUCKET SEAT (H15)
2	119509-01-H16	EA	HEADREST - BUCKET SEAT (H16)
2	P19509-01-H13	EA	COVER - HEADREST (H12,H13)
2	P19509-01-G24	EA	COVER - HEADREST (H14)
2	P19509-01-H15	EA	COVER - HEADREST (H15)
2	P19509-01-H16	EA	COVER - HEADREST (H16)
	113977-12-000	EA	HEADREST INSERT W/O LOCK
	113977-13-000	EA	HEADREST INSERT W/LOCK
3	M05962-44-H13	EA	COVER - BACK - BUCKET SEAT (H12,H13)
3	M05962-44-H14	EA	COVER - BACK - BUCKET SEAT (H14)
3	M05962-44-H15	EA	COVER - BACK - BUCKET SEAT (H15)
3	M05962-44-H16	EA	COVER - BACK - BUCKET SEAT (H16)
4	122780-01-H13	EA	ARMREST - RIGHT HAND (H12,H13)
4	122780-01-H14	EA	ARMREST - RIGHT HAND (H14)
4	122780-01-H15	EA	ARMREST - RIGHT HAND (H15)
4	122780-01-H16	EA	ARMREST - RIGHT HAND (H16)
4	P22780-01-H13	EA	COVER - ARMREST - RIGHT HAND (H12,H13)
4	P22780-01-H14	EA	COVER - ARMREST - RIGHT HAND (H14)
4	P22780-01-H15	EA	COVER - ARMREST - RIGHT HAND (H15)
4	P22780-01-H16	EA	COVER - ARMREST - RIGHT HAND (H16)
	115617-03-000	EA	ARMREST - W/O COVER - RIGHT HAND
5	122780-02-H13	EA	ARMREST - LEFT HAND (H12,H13)
5	122780-02-H14	EA	ARMREST - LEFT HAND (H14)
5	122780-02-H15	EA	ARMREST - LEFT HAND (H15)
5	122780-02-H16	EA	ARMREST - LEFT HAND (H16)
	115617-04-000	EA	ARMREST - W/O COVER - LEFT HAND
5	P22780-02-H13	EA	COVER - ARMREST - LEFT HAND (H12,H13)
5	P22780-02-H14	EA	COVER - ARMREST - LEFT HAND (H14)
5	P22780-02-H15	EA	COVER - ARMREST - LEFT HAND (H15)
5	P22780-02-H16	EA	COVER - ARMREST - LEFT HAND (H16)
6	M05962-43-H13	EA	COVER - SEAT/BUCKET - WIDE (H12,H13)
6	M05962-43-H14	EA	COVER - SEAT/BUCKET - WIDE (H14)
6	M05962-43-H15	EA	COVER - SEAT/BUCKET - WIDE (H15)
6	M05962-43-H16	EA	COVER - SEAT/BUCKET - WIDE (H16)
7	122695-01-01B	EA	FRAME - SEAT/BACK
8	117125-01-02B	EA	BRACKET - CABLE MOUNT - ADJUSTER W/LOCK
9	119952-06-000	EA	SLIDE/SEAT - HEAVY DUTY LOCKING - 4 STUDS
	119952-07-000	EA	WIRE - LATCH RELEASE/ROTARY
10	114889-01-000	EA	STOP BAR - UNIVERSAL
11	107921-05-000	EA	PLATE - TOP - W/SEAT BELT BAR
	107921-06-000	EA	BEARING KIT - PEDESTAL
12	107921-01-000	EA	PEDESTAL/FLOOR MOUNTED - W/9.75" EXTENSION
13	080730-09-000	EA	SHIELD - RECLINER HANDLE
14	080730-08-000	EA	HANDLE - RECLINER
15	080730-11-000	EA	SHIELD - RUBBER BOOT
16	108049-03-000	EA	CABLE/CONTROL 25.5" SHEATH/28.5" CABLE W/DOG LEG
	108049-02-000	EA	CLIP - CABLE/PEDESTAL
17	097683-02-000	EA	BRACKET - REMOTE/SIDE MOUNT - DOUBLE
18	071126-58-H13	EA	SKIRT - SINGLE - W/SEAT BELT SLOT (H12,H13)
18	071126-58-H14	EA	SKIRT - SINGLE - W/SEAT BELT SLOT (H14)
18	071126-58-H15	EA	SKIRT - SINGLE - W/SEAT BELT SLOT (H15)
18	071126-58-H16	EA	SKIRT - SINGLE - W/SEAT BELT SLOT (H16)

CURTAIN & CUSHION GROUP (CONTINUED)
BUTTON, TRIM, ASSIST HANDLE & SEAT BELT

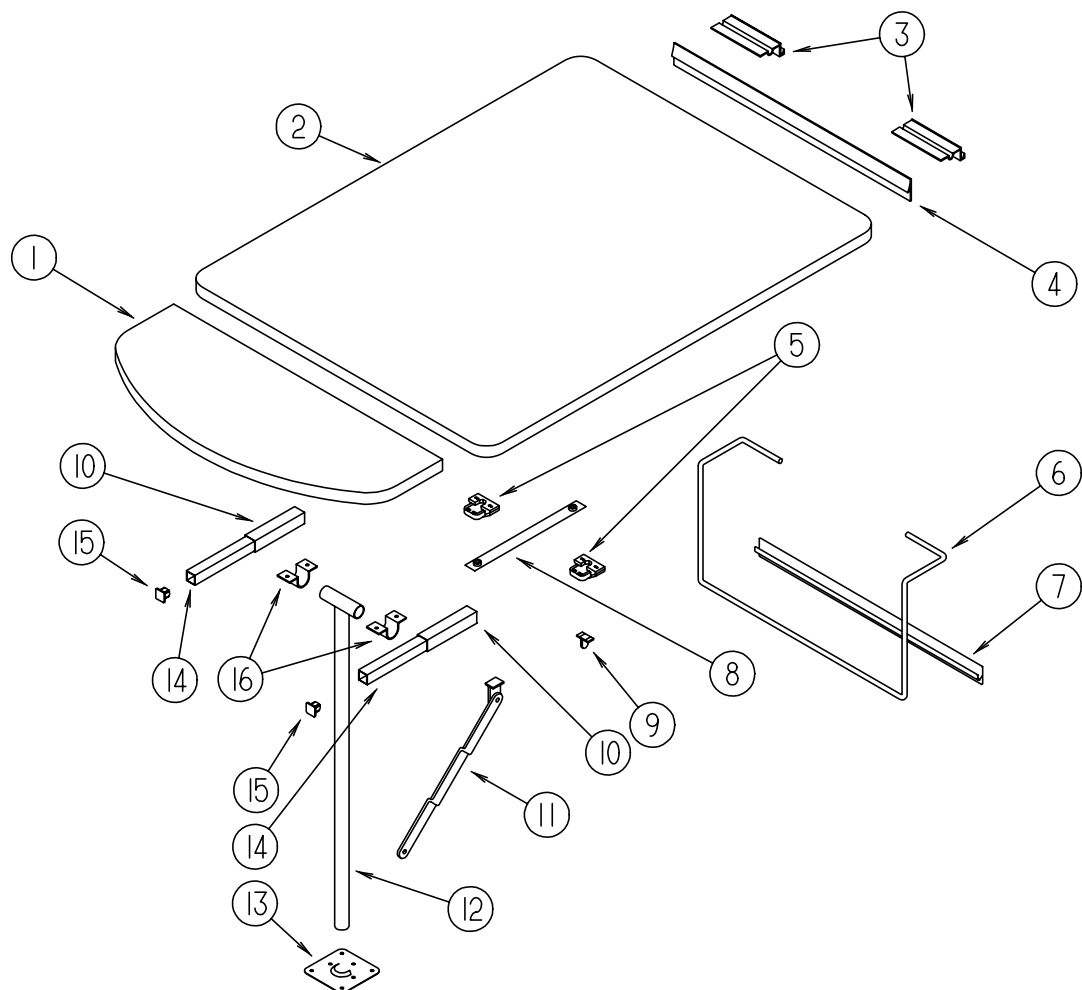
KEY	PART NUMBER	U/M DESCRIPTION
	070578-02-E38	EA BUTTON-SCREW STUD, #30 - VINYL - WILLOW
	079349-04-H13	YD WELT ASM-NARROW, ACCENT (H12,H13)
	079349-04-GD1	YD WELT ASM-NARROW, ACCENT (H14)
	079349-04-H15	YD WELT ASM-NARROW, ACCENT (H15)
	079349-04-H16	YD WELT ASM-NARROW, ACCENT (H16)
	057759-01-000	EA WASHER BRACKET-SEAT BELT, 4" DIAMETER
	007021-01-000	EA BELT-SEAT, 2" X 90" - BLACK
	056271-02-000	EA BELT-SEAT, 2" X 72" - BLACK
	069178-02-000	EA BRACKET-MOUNTING, ASSIST HANDLE - L ANGLE - W/HOLES - STEEL
	053552-02-AA8	EA HANDLE-ASSIST, INTERIOR - ENTRY DOOR - VINYL - OFF WHITE
	057534-03-000	EA TIEBACK/TIEDOWN-BED/CURTAIN/DOOR, 7.5" - PLASTIC - CLEAR
	000D20-07-00B	EA NUT - ACORN - ASSIST HANDLE - 7/16 - 14

CURTAIN & CUSHION GROUP (CONTINUED)
BRAVE FABRIC

COLOR CODES	H12,H13	H14	H15	H16
	COPPER-CREEK COPPER-CANYON (TERRA COTTA)	SPUN SILVER (WARM GRAY)	STARS & STRIPES (BLUE)	NEWPORT (BLUE)
CEILING MATERIAL	113979-01-01A	113979-01-01A	113979-01-01A	113979-01-01A
BUNK VINYL	089351-03-000	089351-03-000	089351-03-000	089351-03-000
WILLOW VINYL	103907-01-03A	103907-01-03A	103907-01-03A	103907-01-03A
DRAPERY LINING	087272-03-000	087272-03-000	087272-03-000	087272-03-000
BUCKET SEATS	108446-L4-000	108446-B4-000	108446-L8-000	108446-F7-000
DINETTE	108446-H0-000	108446-L3-000	108446-M1-000 108446-L9-000 108446-L8-000	108446-R3-000
DINETTE PADS	108446-L4-000	108446-B4-000	108446-L8-000	108446-F7-000
SOFA	108446-H0-000	108446-L3-000	108446-L9-000 108446-L8-000	108446-R3-000
SOFA PILLOWS	108446-F3-000	108446-L0-000	108446-L8-000	108446-F4-000
SWIVEL CHAIR	108446-F3-000	108446-L0-000	108446-L8-000	108446-F4-000
LOUNGE WINDOWS	108446-F3-000 108446-H0-000 108446-L4-000	108446-L0-000 108446-L3-000 108446-B4-000	108446-L8-000 108446-L9-000	108446-F4-000 108446-R3-000 108446-F7-000
BEDROOM WINDOWS	105745-A2-000 105745-B7-000	105745-D7-000 105745-62-000	105745-D8-000	105745-65-000 105745-64-000
BEDSPREAD	105745-A2-000 105745-B7-000	105745-D7-000 105745-62-000	105745-D8-000 108446-L8-000	105745-65-000 105745-64-000
PILLOW SHAMS	105745-A2-000 105745-B7-000	105745-D7-000 105745-62-000	105745-D8-000 108446-L8-000	105745-65-000 105745-64-000
HEADBOARD	105745-A2-000 105745-B7-000	105745-D7-000 105745-62-000	105745-D8-000	105745-65-000 105745-64-000
BEDROOM PILLOWS	105745-B7-000 105745-A2-000	105745-62-000 105745-D7-000	105745-D8-000 108446-L8-000	105745-64-000 105745-65-000
FRONT WRAP AROUND	072333-90-000	072333-82-000	072333-82-000	072333-82-000
DIVIDER CURTAIN	072333-90-000	072333-82-000	072333-82-000	072333-82-000
MAP POCKETS	108446-L4-000	108446-B4-000	108446-L8-000	108446-F7-000

NOTE: FABRIC LISTED FIRST, IN A BLOCK, IS THE LARGEST QUANTITY OF FABRIC USED.

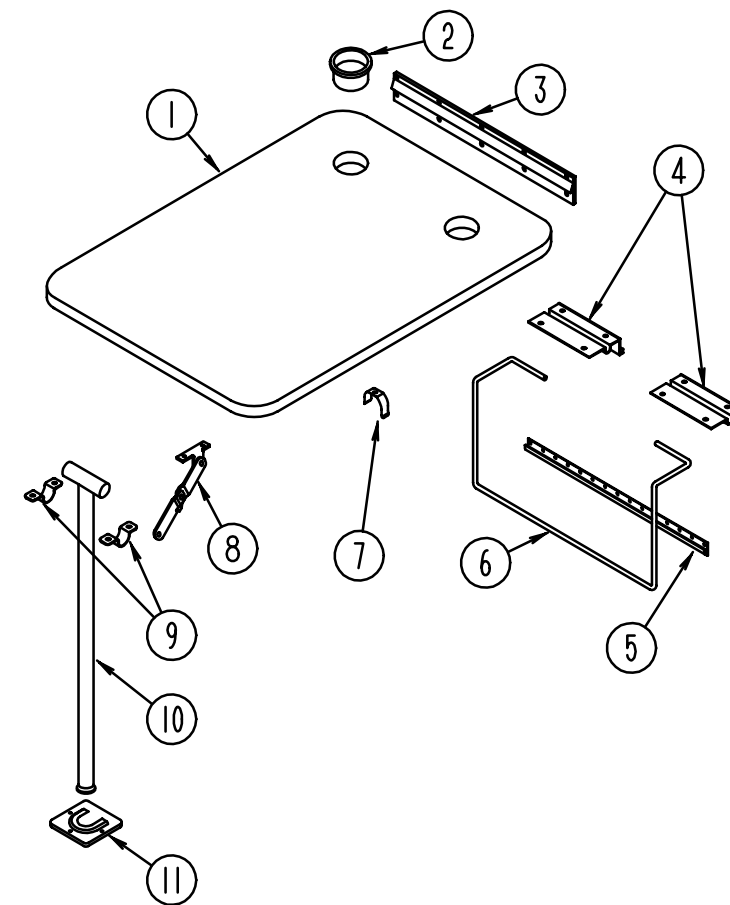
DINETTE GROUP



DINETTE TABLE - WIE EXPORT OPTION

KEY	PART NUMBER	U/M	DESCRIPTION
1	119963-12-G09	EA	EXTENSION - TABLE (H12,H13)
1	119963-12-G07	EA	EXTENSION - TABLE (H14,H15)
1	119963-12-G45	EA	EXTENSION - TABLE (H16)
2	119963-11-G09	EA	TABLE TOP - W/O EXTENSION (H12,H13)
2	119963-11-G07	EA	TABLE TOP - W/O EXTENSION (H14,H15)
2	119963-11-G45	EA	TABLE TOP - W/O EXTENSION (H16)
3	088410-02-000	EA	BRACKET - LIFT - TABLE MOUNTED
4	053200-12-000	EA	BRACKET - TABLE SUPPORT - UPPER WALL MOUNTED - 23.5"
5	009050-02-000	EA	LEVELER - TABLE TOP - MALE END W/4 SCREWS - PLASTIC
	009050-03-000	EA	LEVELER - TABLE TOP - FEMALE END W/2 SCREWS - PLASTIC
6	024275-12-000	EA	ROD - TABLE LIFT
7	024281-14-000	EA	BRACKET - LIFT ROD/LOWER WALL MOUNTED - 22.12"
8	057534-01-000	EA	TIEBACK/TIEDOWN - 6" CLEAR PLASTIC
	029130-04-000	EA	SOCKET - SNAP FASTENER
9	024283-01-000	EA	CLIP - LEG - 1" - 1.125" OD - BLACK
10	113729-01-02A	EA	TUBE - SUPPORT/TABLE
11	024282-01-000	EA	BRACE - TABLE LEG - HINGED
12	024276-22-000	EA	LEG - TABLE - W/O HARDWARE - OFF WHITE
			FROM: 00-00-00 THRU: 02-17-97
12	024276-23-000	EA	LEG - TABLE - METAL - OFF WHITE
			FROM: 02-18-97 THRU: 99-99-99
13	049493-12-000	EA	CATCH - TABLE LEG/FLOOR MOUNTED - OFF WHITE
	049493-11-700	EA	CATCH - TABLE LEG/FLOOR MOUNTED - E COATED
14	113728-01-02A	EA	TUBE - SUPPORT/TABLE
	114117-01-02A	EA	PLATE - SPACER
15	110550-01-000	EA	CAP - TUBE .9" SQUARE
16	064050-05-000	EA	HINGE - TABLE LEG - OFF WHITE
	004354-01-000	EA	BUMPER - RUBBER - .5" DIA - BROWN

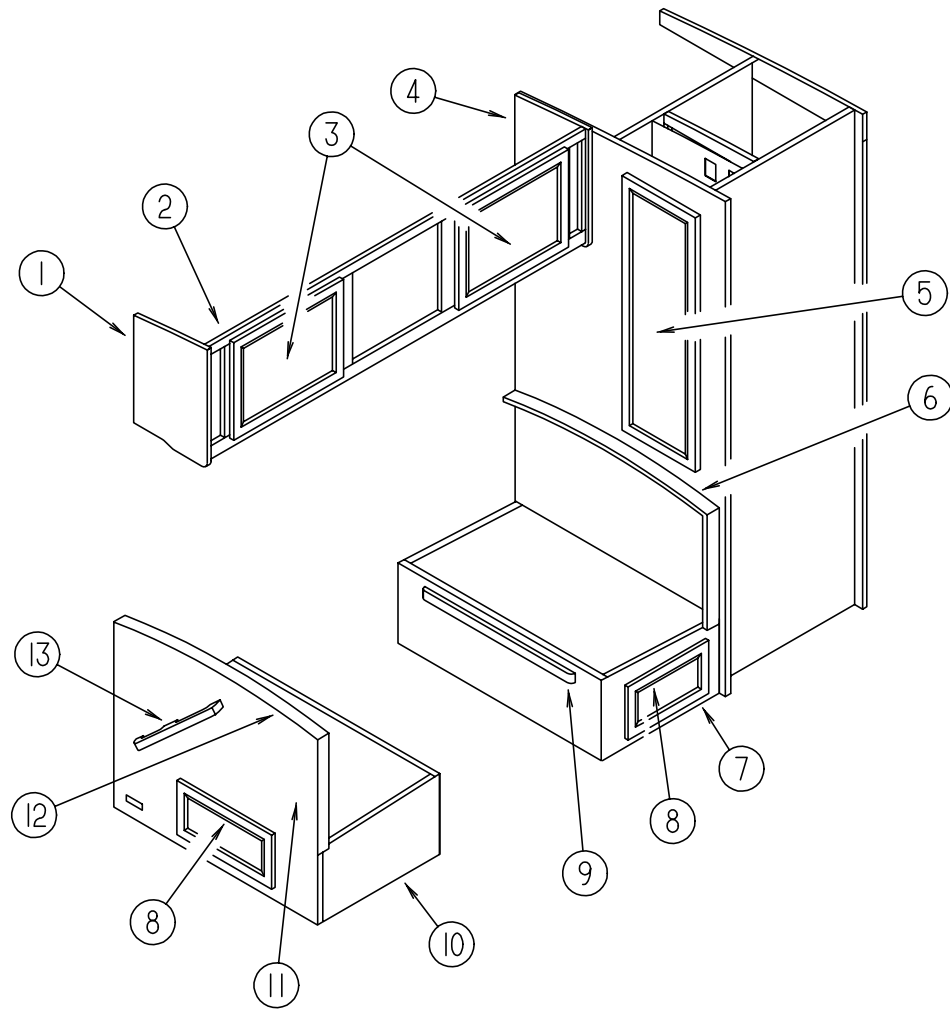
DINETTE GROUP (CONTINUED)



DINETTE TABLE

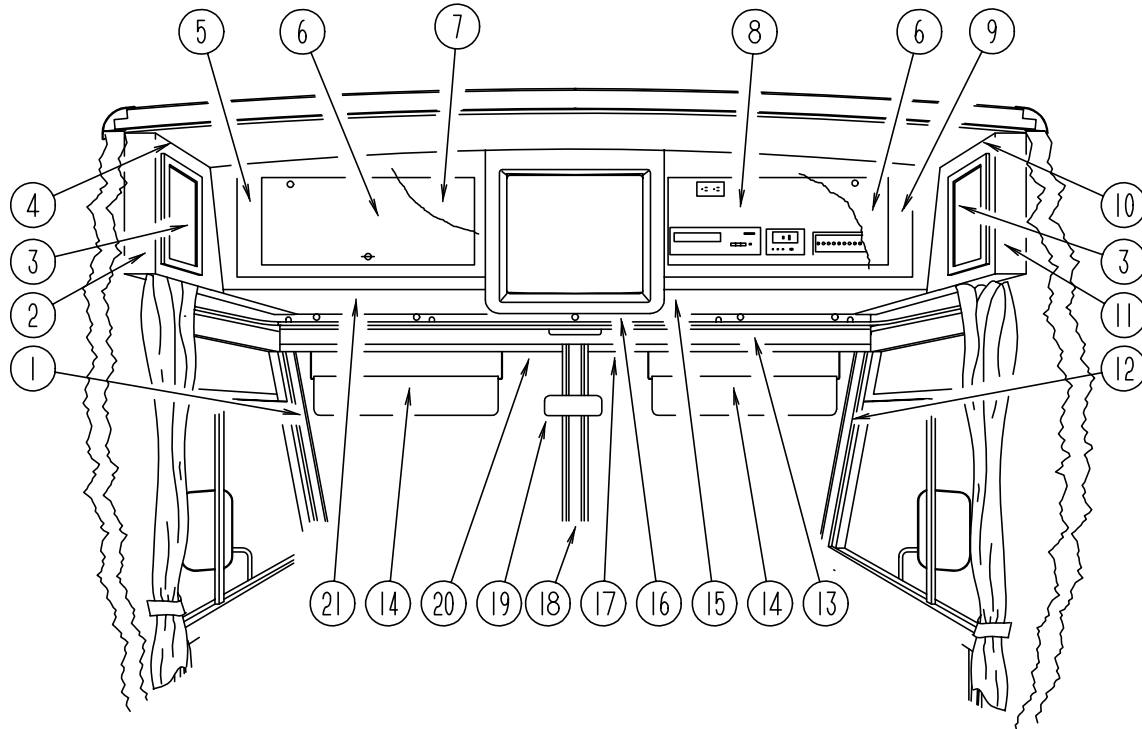
KEY	PART NUMBER	U/M	DESCRIPTION
1	081322-01-G09	EA	TABLE TOP ONLY (H12,H13)
1	081322-01-G10	EA	TABLE TOP ONLY (H14,H15)
1	081322-01-G31	EA	TABLE TOP ONLY (H16)
2	064781-06-000	EA	HOLDER-CUP, TWO STEP - OFF WHITE
3	053200-12-000	EA	SUPPORT-TABLE, 23.5" - BEIGE
4	088410-02-000	EA	BRACKET-LIFT, TABLE MOUNTED - OFF WHITE
5	024281-14-000	EA	BRACKET-LIFT ROD, LOWER WALL MOUNTED - 22.12" - OFF WHITE
6	024275-12-000	EA	ROD-TABLE LIFT, OFF WHITE
7	024283-01-000	EA	CLIP-LEG, 1" X 1.125" OD - BLACK
8	024282-01-000	EA	BRACE-TABLE LEG, HINGED
9	064050-05-000	EA	HINGE-TABLE LEG, OFF WHITE
10	024276-23-000	EA	LEG-TABLE, METAL - OFF WHITE
11	049493-12-000	EA	CATCH-LEG, FLOOR MOUNTED - 2.5" X 2.7" - METAL - OFF WHITE
11	049493-11-700	EA	CATCH-LEG, FLOOR MOUNTED - 2.5" X 2.7" - METAL - E-COAT

DINETTE GROUP (CONTINUED)
DINETTE CABINERY



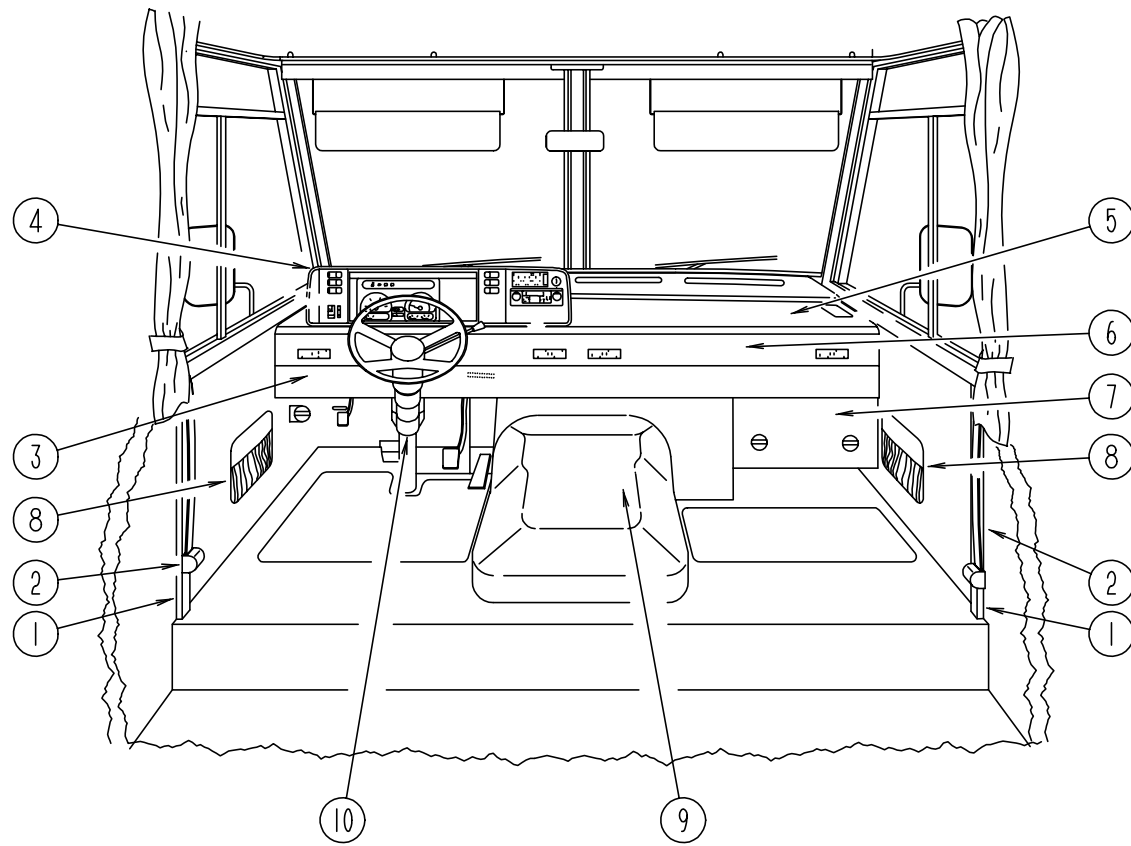
KEY	PART NUMBER	U/M	DESCRIPTION
1	103128-02-G09	EA	END CAP - OVERHEAD/RIGHT HAND
2	117902-03-H13	EA	CABINET - OVERHEAD - W/O DOORS/HARDWARE (H12,H13)
2	117902-03-H14	EA	CABINET - OVERHEAD - W/O DOORS/HARDWARE (H14)
2	117902-03-H15	EA	CABINET - OVERHEAD - W/O DOORS/HARDWARE (H15)
2	117902-03-H16	EA	CABINET - OVERHEAD - W/O DOORS/HARDWARE (H16)
	117902-14-G09	EA	SHELF - W/PLASTIC EDGE TRIM
2	117579-05-H13	EA	CABINET - OVERHEAD/DINETTE - W/O DOORS/HDW - F/COFFEEMAKER (H12,H13)
2	117579-05-H14	EA	CABINET - OVERHEAD/DINETTE - W/O DOORS/HDW - F/COFFEEMAKER (H14)
2	117579-05-H15	EA	CABINET - OVERHEAD/DINETTE - W/O DOORS/HDW - F/COFFEEMAKER (H15)
2	117579-05-H16	EA	CABINET - OVERHEAD/DINETTE - W/O DOORS/HDW - F/COFFEEMAKER (H16)
	117579-13-G09	EA	SHELF - W/PLASTIC EDGE TRIM
2	117902-01-H13	EA	CABINET - OVERHEAD/DINETTE - W/O DOORS/HARDWARE (H12,H13) W.I.E. EXPORT OPTION
2	117902-01-H14	EA	CABINET - OVERHEAD/DINETTE - W/O DOORS/HARDWARE (H14) W.I.E. EXPORT OPTION
2	117902-01-H15	EA	CABINET - OVERHEAD/DINETTE - W/O DOORS/HARDWARE (H15) W.I.E. EXPORT OPTION
2	117902-01-H16	EA	CABINET - OVERHEAD/DINETTE - W/O DOORS/HARDWARE (H16) W.I.E. EXPORT OPTION
3	M06803-02-G09	EA	DOOR - MITERED CORNER/OGEE EDGE - 15.7" X 28" - W/O HDW
3	M06803-K3-G09	EA	DOOR - MITERED CORNER/OGEE EDGE - 15.7" X 27.9" - W/O HDW EXPORT UPGRADE OPTION - RAISED PANEL
4	103128-16-H13	EA	END CAP - OVERHEAD/RIGHT HAND
5	M06803-08-G09	EA	DOOR - MITERED CORNER/OGEE EDGE - 8.8" X 27" - W/O HDW
5	M06803-L6-G09	EA	DOOR - MITERED CORNER/OGEE EDGE - 15.7" X 43.2" - W/O HDW EXPORT UPGRADE OPTION - RAISED PANEL
6	104787-04-H13	EA	PAD - SEATBACK/TOP (H12, H13)
6	104787-04-H14	EA	PAD - SEATBACK/TOP (H14)
6	104787-04-H15	EA	PAD - SEATBACK/TOP (H15)
6	104787-04-H16	EA	PAD - SEATBACK/TOP (H16)
7	M04175-74-H33	EA	CABINET - SEAT BOTTOM RIGHT HAND - W/O DOORS/DRAWERS/HDW
8	M06803-07-G09	EA	DOOR - MITERED CORNER/OGEE EDGE - 10" X 19" - W/O HDW
9	081295-01-G01	EA	SUPPORT - BED/DINETTE - 28" LONG
10	M04175-69-H13	EA	CABINET - SEAT BOTTOM LEFT HAND - W/O DOORS/DRAWERS/HDW
11	M04174-69-G09	EA	CABINET - SEATBACK LEFT HAND - W/O HARDWARE
12	104787-04-H13	EA	PAD - SEATBACK/TOP (H12,H13)
12	104787-04-H14	EA	PAD - SEATBACK/TOP (H14)
12	104787-04-H15	EA	PAD - SEATBACK/TOP (H15)
12	104787-04-H16	EA	PAD - SEATBACK/TOP (H16)
13	091257-08-000	EA	HANDLE - ASSIST - RAMBLING OAK

DRIVERS COMPARTMENT GROUP
DRIVERS COMPARTMENT - UPPER



KEY	PART NUMBER	U/M	DESCRIPTION
1	107942-04-01A	EA	COVER-INNER, A-PILLAR - DRIVERS SIDE - WILLOW
2	103128-09-G09	EA	END CAP - OVERHEAD CABINET - LEFT HAND
3	M06803-01-H13	EA	DOOR - MITERED CORNER/OGEE EDGE - 10.04" X 25.2"
3	M06803-X7-H13	EA	DOOR - MITERED CORNER/OGEE EDGE - 10.04" X 25.2" - W/O HDW (EXPORT UPGRADE)
4	122244-02-H13	EA	CABINET-FRONT OVERHEAD W/O DOOR, DRIVERS SIDE (H12,H13)
4	122244-02-H14	EA	CABINET-FRONT OVERHEAD W/O DOOR, DRIVERS SIDE (H14)
4	122244-02-H15	EA	CABINET-FRONT OVERHEAD W/O DOOR, DRIVERS SIDE (H15)
4	122244-02-H16	EA	CABINET-FRONT OVERHEAD W/O DOOR, DRIVERS SIDE (H16)
	104289-10-H13	EA	PAD-VINYL COVERED, 39" X 11.4" - ANGLED - DRIVERS SIDE
5	114612-02-G32	EA	FACE - OVERHEAD/TV W/O DOOR, LEFT HAND - 15.4" X 33.7"
	100676-02-000	EA	SHELF-OVHD CABINET VCR/INVERTER/SATELLITE DISH PACKAGE - 7.1" X 28.75"
	106699-01-01A	EA	BRACKET-L-ANGLE, TV CABINET FACE - 5.1" LONG - OFF WHITE STEEL
6	100708-12-000	EA	DOOR-GLASS, TV CABINET - W/O HARDWARE - 9.7" X 23.2"
7	122195-01-H13	EA	PANEL-HEADLINER FRONT OVERHEAD, LH - TV OPTIONS
7	122195-06-H13	EA	PANEL-HEADLINER FRONT OVERHEAD, LH - SATELLITE DISH PACKAGE
	118836-02-GV0	EA	PANEL-VINYL COVERED, BACK - SATELLITE DISH PACKAGE W/O RECEIVER
8	122195-07-H13	EA	PANEL-HEADLINER FRONT OVERHEAD, RH - TV OPTION - W/O TV
8	122195-02-H13	EA	PANEL-HEADLINER FRONT OVERHEAD, RH - TV OPTION
8	122195-03-H13	EA	PANEL-HEADLINER FRONT OVERHEAD, RH - TV/VCR OPTION
8	122195-04-H13	EA	PANEL-HEADLINER FRONT OVERHEAD, RH - TV/VCR/INVERTER OPTION
8	122195-05-H13	EA	PANEL-HEADLINER FRONT OVERHEAD, RH - TV/INVERTER OPTION
9	114612-01-G32	EA	FACE - OVERHEAD/TV W/O DOOR, RIGHT HAND - 15.4" X 33.7"
10	122244-05-H13	EA	CABINET-FRONT OVERHEAD W/O DOOR, PASSENGERS SIDE (H12,H13)
10	122244-05-H14	EA	CABINET-FRONT OVERHEAD W/O DOOR, PASSENGERS SIDE (H14)
10	122244-05-H15	EA	CABINET-FRONT OVERHEAD W/O DOOR, PASSENGERS SIDE (H15)
10	122244-05-H16	EA	CABINET-FRONT OVERHEAD W/O DOOR, PASSENGERS SIDE (H16)
11	103128-08-G09	EA	END CAP - OVERHEAD CABINET - RIGHT HAND
	104289-09-H13	EA	PAD-VINYL COVERED, 39" X 11.4" - ANGLED - PASSENGERS SIDE
12	107942-03-01A	EA	COVER-INNER, A-PILLAR - PASSENGERS SIDE - WILLOW
13	122197-01-H13	EA	PANEL-TRIM, LOWER HEADER - 90.2" LONG - VINYL COVERED
14	123298-01-03A	EA	SUNVISOR ASM - 7" X 28.5" - DRIVERS OR PASSENGERS SIDE
15	P03077-08-G15	EA	SHELF-CABINET, PASSENGERS SIDE - VINYL COVERED - TV OPTION
15	P03077-04-G15	EA	SHELF-CABINET, PASSENGERS SIDE - VINYL COVERED - W/O TV
16	122881-01-01A	EA	COVER-TV FACE, OVERHEAD FRONT - WILLOW - TV OPTIONS
	118022-06-H13	EA	COVER ASM-FRONT TV, OVERHEAD (ASSEMBLED KIT) - TV OPTIONS
	114706-02-02B	EA	SUPPORT ASM-SHELF, TV - E-COAT - TV OPTIONS
	091261-01-000	FT	SLIPNOT-ANTISLIP, 1' WIDE (100' ROLL) - TV OPTIONS
16	116791-01-H33	EA	FACE FRAME-TV CABINET, 20.6" X 22.2" - W/O HARDWARE - W/O TV
	P18192-02-H13	EA	COVER ASM-FRONT TV, OVERHEAD - VINYL COVERED - W/O TV
	M06803-C1-H33	EA	DOOR-CABINET, W/O HARDWARE - 16.7" X 18.1" - W/O TV
	115638-01-G15	EA	PANEL-TV CABINET TOP, VINYL COVERED - W/O TV
	115639-01-G15	EA	PANEL-TV CABINET SIDES, VINYL COVERED - W/O TV
17	122083-01-01A	EA	TRIM-WINDSHIELD, UPPER INNER - PASSENGERS SIDE - WILLOW
18	118452-02-01A	EA	TRIM-WINDSHIELD, CENTER INNER - WILLOW
19	040714-01-000	EA	MIRROR-REAR VIEW, W/ARM MOUNT & SET SCREW
	067490-01-000	EA	BUTTON-MIRROR, REAR VIEW
20	122083-02-01A	EA	TRIM-WINDSHIELD, UPPER INNER - DRIVERS SIDE - WILLOW
21	P03077-07-G15	EA	SHELF-CABINET, DRIVERS SIDE - VINYL COVERED - TV OPTIONS
21	P03077-03-G15	EA	SHELF-CABINET, DRIVERS SIDE - VINYL COVERED - W/O TV

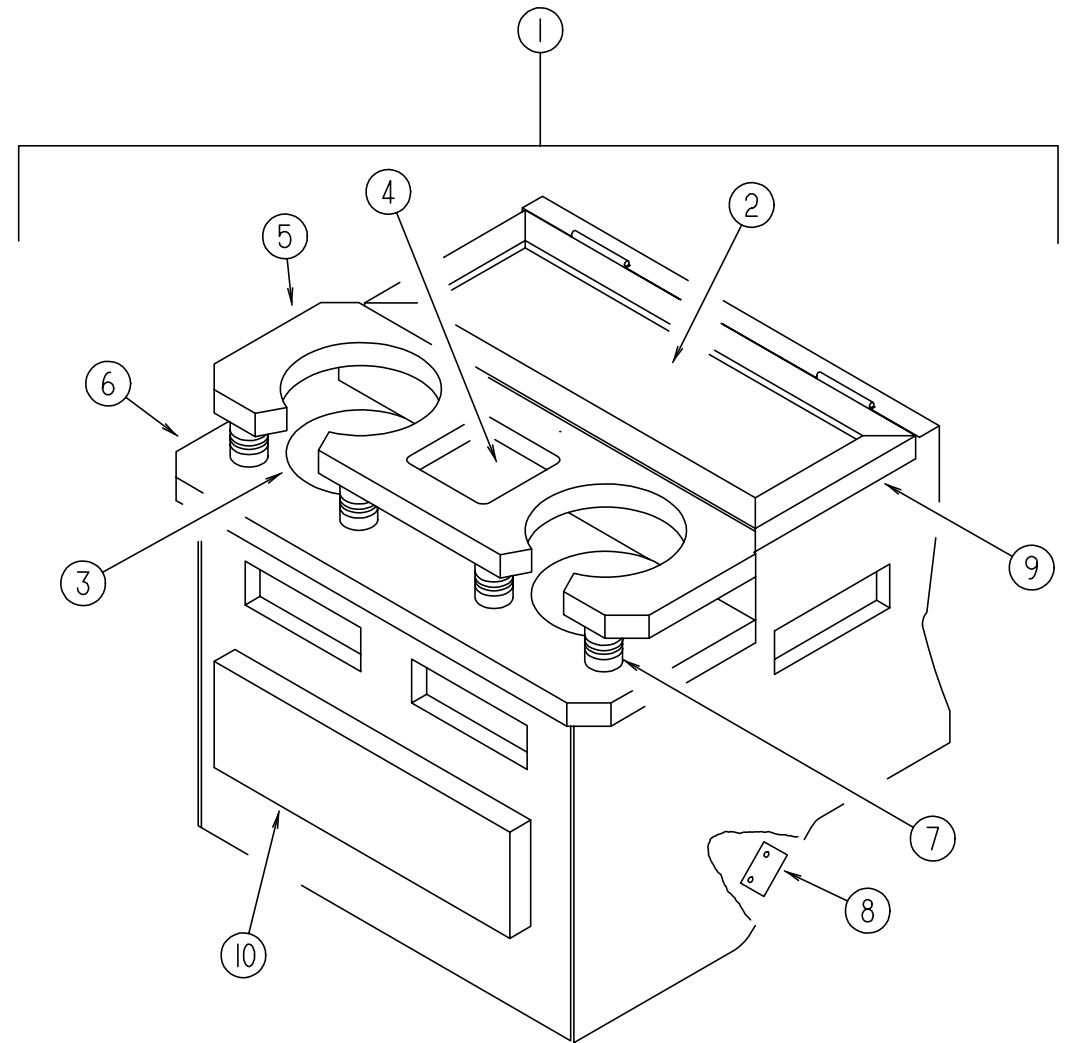
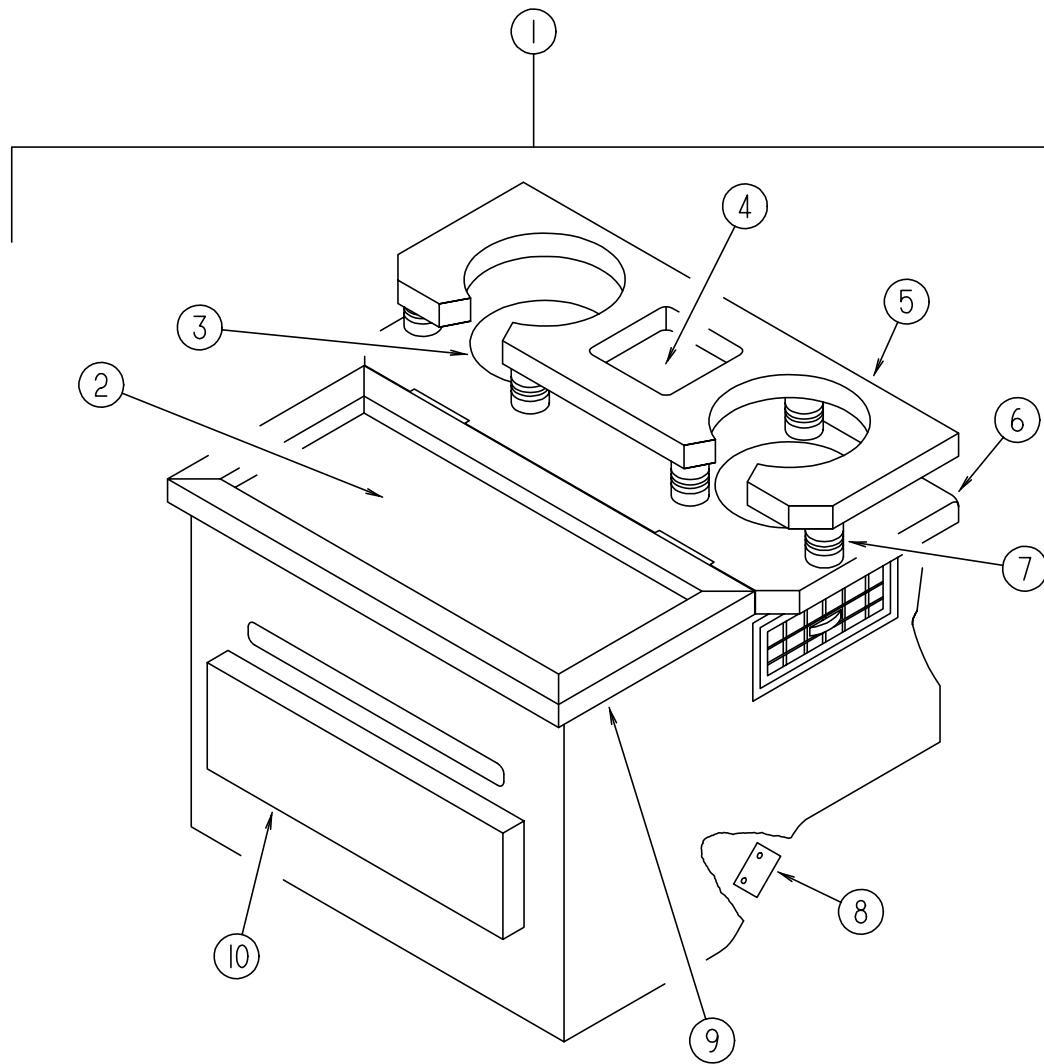
DRIVERS COMPARTMENT GROUP (CONTINUED)
DRIVERS COMPARTMENT - LOWER



KEY	PART NUMBER	U/M	DESCRIPTION
1	024700-44-000	EA	COVER-SIDEWALL ROLL BAR, OFF WHITE - 53"
1	024700-45-000	EA	COVER-SIDEWALL ROLL BAR, OFF WHITE - 12.8"
	024700-47-000	EA	COVER-SIDEWALL ROLL BAR, OFF WHITE - 18.9" - DRIVER DOOR
	024700-48-000	EA	COVER-SIDEWALL ROLL BAR, OFF WHITE - 25" - DRIVER DOOR
2	091990-04-01A	EA	SEAT BELT-SHOULDER HARNESS - DRIVERS/PASSENGERS - BLACK
	091990-01-700	EA	BOLT COVER
	091990-01-701	EA	EXTENDER-SEAT BELT SHOULDER HARNESS, 9" I-1331-02
	109146-01-000	EA	BOLT-SHOULDER, SEAT BELT
	103961-01-01A	EA	COVER - BRACKET - SEATBELT - OFF WHITE
	103961-02-01A	EA	COVER - BRACKET - SEATBELT - OFF WHITE - DRIVER DOOR OPTION
	103961-04-01A	EA	COVER - BRACKET - SEATBELT - OFF WHITE - EUROPEAN
	103961-05-01A	EA	COVER - BRACKET - SEATBELT - OFF WHITE - EUROPEAN - DRIVER DOOR
3	103812-11-01A	EA	TRIM-DASH, LOWER - WILLOW - CHEVY
4	111499-01-03A	EA	POD-INSTRUMENT PANEL, WILLOW - PLASTIC
5	P03817-18-000	EA	DASH ASM, W/O VINYL - CHEVY
	106569-07-01A	YD	VINYL-LAMINATE, 1/4" X 17" X 100" - MADRID WILLOW
	077539-01-000	EA	BRACKET-MOUNTING, DASH PANEL - L/SHAPED - 2.5" X 1" X 1.5"
	112804-02-02B	EA	PANEL-DASH TOP W/STUD, STEEL
	113452-01-000	FT	SEAL-TRIM, U-SHAPED VINYL
			FROM: 02-03-97 THRU: 99-99-99
6	104354-01-06A	EA	APPLIQUE-LOWER DASH, 2300 MM LONG
7	095757-03-G36	EA	COVER-HEATER W/CARPET (H12)
7	095757-03-GE1	EA	COVER-HEATER W/CARPET (H13)
7	095757-03-FC1	EA	COVER-HEATER W/CARPET (H14)
7	095757-03-F05	EA	COVER-HEATER W/CARPET (H15)
7	095757-03-GB1	EA	COVER-HEATER W/CARPET (H16)
8	086120-01-H13	EA	PAD-MAP POCKET, 12" X 16" (H12,H13)
8	086120-01-H14	EA	PAD-MAP POCKET, 12" X 16" (H14)
8	086120-01-H15	EA	PAD-MAP POCKET, 12" X 16" (H15)
8	086120-01-H16	EA	PAD-MAP POCKET, 12" X 16" (H16)
9	115840-01-01A	EA	COVER-MOTOR, W/O CARPET
9	115840-02-01A	EA	COVER-MOTOR, W/O CARPET - VORTEC ENGINE OPTION
	115850-01-02B	EA	RETAINER - LATCH - MOTOR COVER - RIGHT HAND - E-COAT
	116581-01-000	EA	LATCH-MOTOR COVER
	115852-01-02B	EA	STRIKE - LATCH - MOTOR COVER - E-COATED
	116833-01-02B	EA	WRENCH-HEX, MOTOR COVER - E-COAT
	115860-01-01A	EA	TRIM-MOTOR COVER, BOTTOM - MILL FINISH ALUMINUM
	039623-01-000	FT	SEAL-MOTOR COVER, RUBBER BULB TYPE - BLACK
	122772-02-02B	EA	BRACKET ASM-MOUNTNG, BEVERAGE TRAY - E-COAT
10	103498-06-000	EA	BOOT - STEERING COLUMN/UNIVERSAL
			FROM: 00-00-00 THRU: 12-18-96
10	103498-09-000	EA	BOOT - STEERING COLUMN - W/1/2 CIRCLE
			FROM: 12-19-96 THRU: 99-99-99

DRIVERS COMPARTMENT GROUP (CONTINUED)

DRIVERS COMPARTMENT GROUP (CONTINUED)



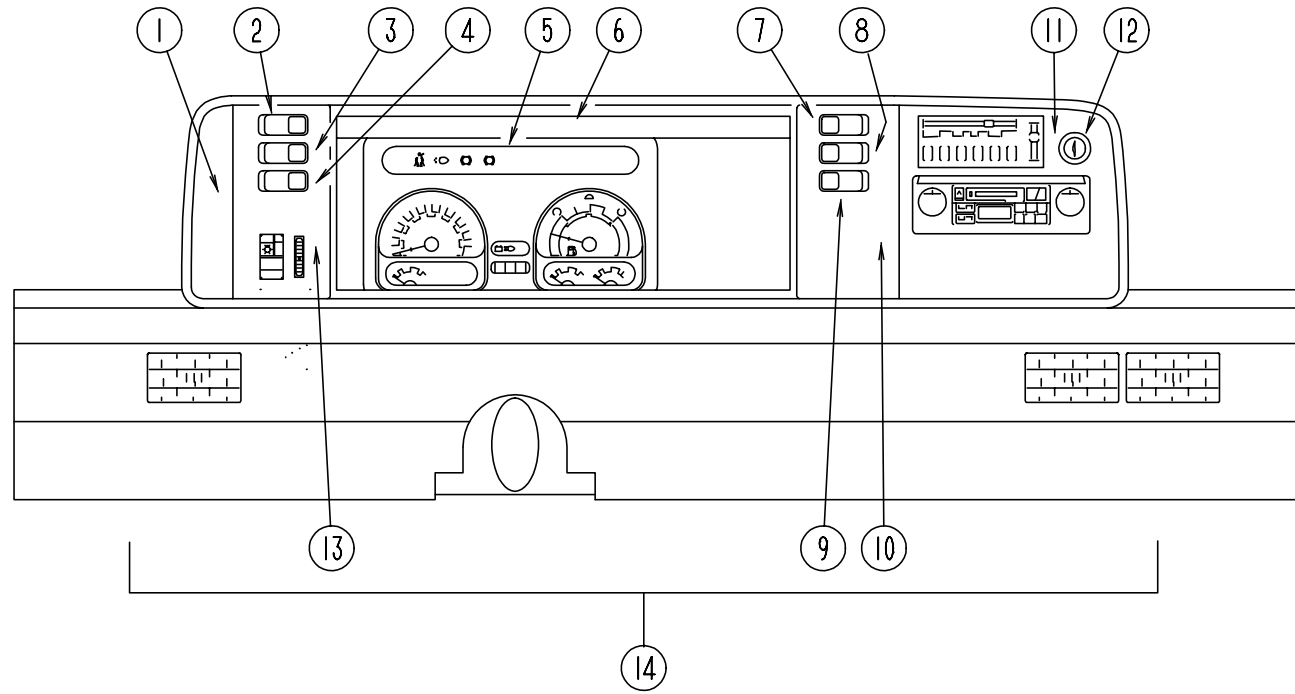
BEVERAGE TRAY (FROM: 00-00-00 THRU: 03-16-97)

BEVERAGE TRAY (FROM: 03-17-97 THRU: 99-99-99)

KEY	PART NUMBER	U/M	DESCRIPTION
1	122707-01-H17	EA	TRAY ASM-BEVERAGE, W/O DRAWER OR LOUVERS
1	122707-02-H17	EA	TRAY ASM-BEVERAGE, W/O DRAWER OR LOUVERS - VORTEC ENGINE OPTION
2	122717-03-01A	FT	PAD - NON-SKID, PSA - 6.5" X 50'
3	122717-01-01A	EA	PAD - NON SKID, PSA - 4" DIAMETER ROUND
4	122717-02-01A	EA	PAD - NON SKID, PSA - 4" X 4"
5	122707-11-H17	EA	SHELF W/O PAD OR DOWELS
6	122707-12-H17	EA	SHELF ASM W/PADS W/O HARDWARE OR DOWELS
7	097872-04-000	EA	DOWEL-WOOD, 1" DIAMETER X 1.38" LONG - UNFINISHED
8	122832-01-02B	EA	BRACKET-MOUNT, BEVERAGE TRAY - E-COAT
9	122707-13-H17	EA	LID W/O PAD OR HARDWARE
10	M05971-AZ-H33	EA	DRAWER - OGEE EDGE - 10"W X 11.8"D - W/O SLIDES/HDW
	100128-02-000	FT	SEAL-FOAM, ADHESIVE BACK - .37" W X .37" THICK

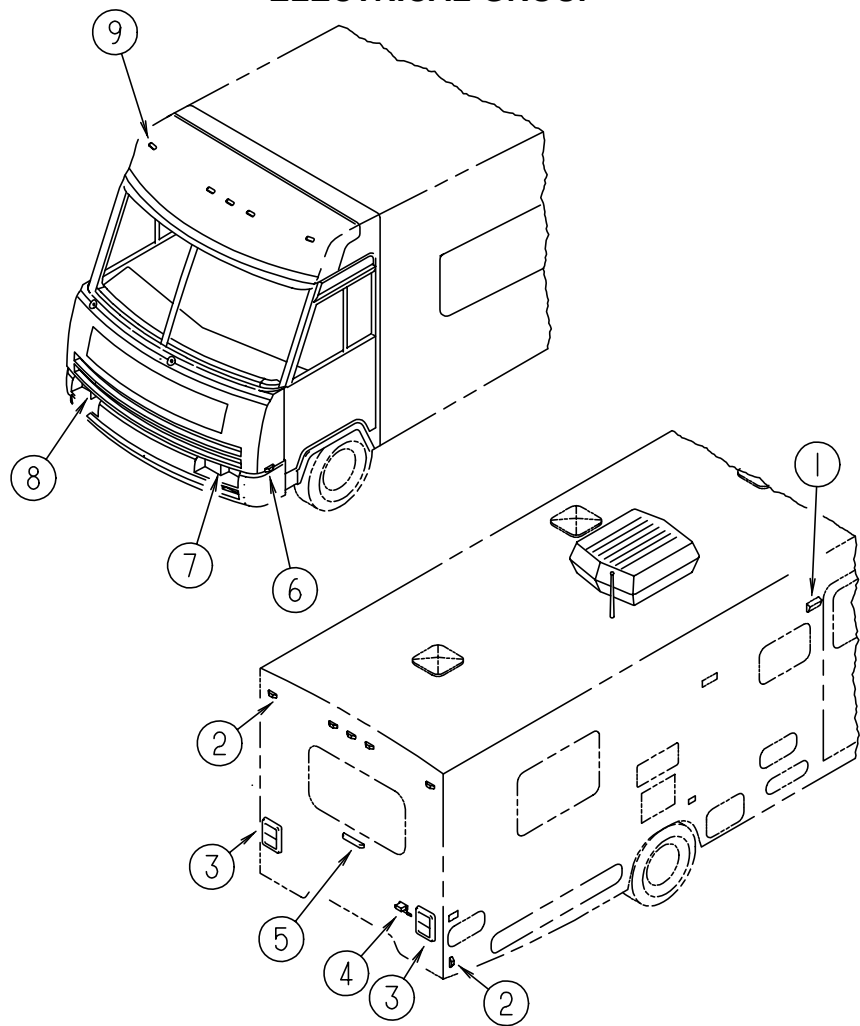
KEY	PART NUMBER	U/M	DESCRIPTION
1	126680-01-H17	EA	TRAY ASM-BEVERAGE, W/O DRAWER OR LOUVERS
1	126680-02-H17	EA	TRAY ASM-BEVERAGE, W/O DRAWER OR LOUVERS - VORTEC ENGINE OPTION
2	122717-06-01A	FT	PAD - NON-SKID, PSA - 6.5" X 13.8"
3	122717-01-01A	EA	PAD - NON SKID, PSA - 4" DIAMETER ROUND
4	122717-02-01A	EA	PAD - NON SKID, PSA - 4" X 4"
5	126680-15-H17	EA	SHELF W/O PAD OR DOWELS
6	126680-14-H17	EA	SHELF ASM W/PADS W/O HARDWARE OR DOWELS
7	097872-04-000	EA	DOWEL-WOOD, 1" DIAMETER X 1.38" LONG - UNFINISHED
8	122832-01-02B	EA	BRACKET-MOUNT, BEVERAGE TRAY - E-COAT
9	126680-16-H17	EA	LID W/PAD W/O HARDWARE
10	M05971-AZ-H33	EA	DRAWER - OGEE EDGE - 10"W X 11.8"D - W/O SLIDES/HDW
	100128-02-000	FT	SEAL-FOAM, ADHESIVE BACK - .37" WIDE X .37" THICK X 60' ROLL

DRIVERS COMPARTMENT GROUP (CONTINUED)
DASH, GAUGES & SWITCHES - CHEVY



KEY	PART NUMBER	U/M	DESCRIPTION
1	104056-01-04A	EA	APPLIQUE-BEZEL
2	108356-02-01A	EA	COVER/ACTUATOR SWITCH - 2 ROWS DIMPLES - CONTURA II - BLACK
2	108357-05-000	EA	SWITCH-ROCKER, SPDT ON/NONE/ON - RADIO POWER W/O CD
2	108357-08-000	EA	SWITCH-ROCKER, DPDT ON/NONE/ON 6 TERMINAL - RADIO POWER W/CD
3	108356-02-01A	EA	COVER/ACTUATOR SWITCH - 2 ROWS DIMPLES - CONTURA II - BLACK
3	108357-09-000	EA	SWITCH - ROCKER SPDT - ON/NONE/MOM - 3 TERMINAL - DUAL BATTERY
4	108356-02-01A	EA	COVER/ACTUATOR SWITCH - 2 ROWS DIMPLES - CONTURA II - BLACK
4	108357-06-000	EA	SWITCH - ROCKER DPDT - MOM/OFF/MOM - 6 TERMINAL BATTERY DISCONNECT SWITCH OPTION
4	096241-03-000	EA	SWITCH-BLANK
5	125001-02-000	EA	CLUSTER-INSTRUMENT PANEL, KILOMETERS/MILES - GAS
5	094796-08-000	EA	CLUSTER-INSTRUMENT PANEL, KILOMETERS - DIESEL FROM: 00-00-00 THRU: 12-08-96
5	125001-04-000	EA	CLUSTER-INSTRUMENT PANEL, KILOMETERS/MILES - DIESEL FROM: 12-09-96 THRU: 99-99-99
5	125001-03-000	EA	CLUSTER-INSTRUMENT PANEL, MILES/KILOMETERS - DIESEL - ENGLAND
6	103662-01-01A	EA	BEZEL-INSTRUMENT PANEL
7	108356-04-01A	EA	COVER/ACTUATOR SWITCH - 2 ROWS DIMPLES W/LIGHT - CONTURA II - BLACK
7	108357-10-000	EA	SWITCH - ROCKER SPDT W/LIGHT - MOM/NONE/MOM - 5 TERMINAL GENERATOR OPTION
7	096241-03-000	EA	SWITCH-BLANK
8	108356-02-01A	EA	COVER/ACTUATOR SWITCH - 2 ROWS DIMPLES - CONTURA II - BLACK
8	108357-03-000	EA	SWITCH - ROCKER SPDT - ON/OFF/ON - 3 TERMINAL REAR HEATER OPTION
8	096241-03-000	EA	SWITCH-BLANK
9	096241-03-000	EA	SWITCH-BLANK
10	104056-21-01A	EA	APPLIQUE-BEZEL
11	104056-06-04A	EA	APPLIQUE-BEZEL
12	089294-01-000	EA	LIGHTER - CIGARETTE - W/O WIRES
13	104056-22-01A	EA	APPLIQUE-BEZEL
14	M05946-38-H13	EA	DASH POD - CHEVY - W/O CLUSTER
	100138-01-000	EA	MODULE-DAYTIME RUNNING LIGHT - CANADIAN
	077031-01-000	EA	FILM-BLACK, 1" X 1.75"
	077031-03-000	EA	FILM-WHITE, .75" X 1"
	049176-01-000	EA	HEDLOCK II - 3/4" DIAMETER, SCREW MOUNT
	103603-01-000	EA	BULB - 12V NO.74 0.12A WEDGE

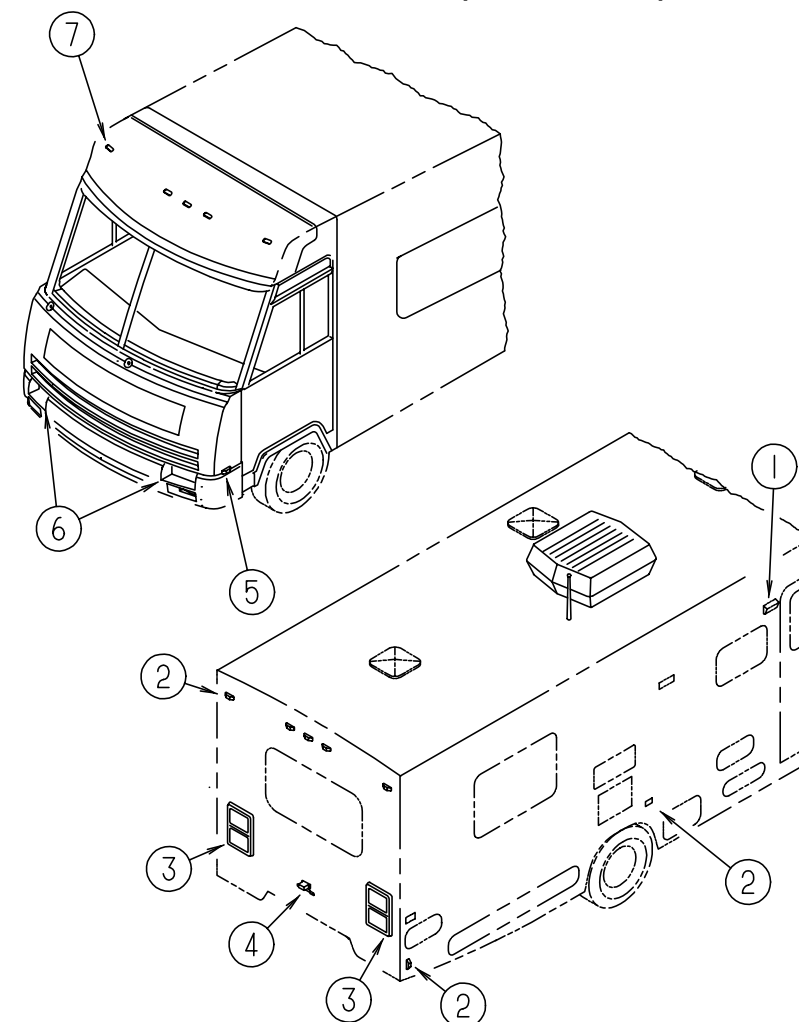
ELECTRICAL GROUP



EXTERIOR LIGHTS

KEY	PART NUMBER	U/M	DESCRIPTION	VENDOR NO.
1	097917-01-06A	EA	LIGHT - PORCH - BRIGHT WHITE	
	008215-01-000	EA	BULB - 12V, #1003 - .94 AMP	
	097917-01-700	EA	LENS-LIGHT, PORCH	
2	111102-01-000	EA	LAMP-MARKER, BASE - TRIPLEX 117XAS	
2	111102-03-000	EA	LENS-MARKER LAMP, RED - TRIPLEX 117R	
	036196-01-000	EA	BULB - 12V, #194 - .27 AMP - BAYONETTE	
3	081638-01-000	EA	TAILLIGHT-DOUBLE, W/BLACK TRIM - DRIVER OR PASSENGER SIDE	
	037934-01-000	EA	BULB - 12V, #1156 - 2.1 AMP - CLEAR GLASS	
	037935-01-000	EA	BULB - 12V, #1157 OR #2057 - 2.1 AMP - CLEAR GLASS	
	081638-01-700	EA	LENS-TAILLIGHT, RED - BARGMAN	30-84-010
	081638-01-701	EA	LENS-TAILLIGHT, W/BACKUP - BARGMAN	30-84-700
	103355-01-05A	EA	POD - TAILLIGHT	
4	066432-02-000	EA	LIGHT-LICENSE, BLACK	
	066432-03-000	EA	BRACKET-LICENSE PLATE - BARGMAN 30-60-030	
5	121950-01-000	EA	LIGHT - BRAKE - CENTER MOUNT	
6	111102-01-000	EA	LAMP-MARKER, BASE - TRIPLEX 117XAS	
6	111102-02-000	EA	LENS-MARKER LAMP, AMBER - TRIPLEX 118A	
	036196-01-000	EA	BULB - 12V, #194 - .27 AMP - BAYONETTE	
7	049186-04-000	EA	HEADLAMP ASM-DRIVER, HIGH/LOW BEAM - HALOGEN - KD 92749-201	
	049188-04-000	EA	HEADLAMP ASM-DRIVER, HIGH BEAM - HALOGEN - KD 92750-201	
8	049185-04-000	EA	HEADLAMP ASM-PASS, HIGH/LOW BEAM - HALOGEN - KD 92751-201	
	049187-04-000	EA	HEADLAMP ASM-PASS, HIGH BEAM - HALOGEN - KD 92748-201	
	049359-01-000	EA	SPRING-RETAINER, HEADLAMP - GM 496096	
	110750-01-000	EA	SCREW - HEADLAMP ADJUSTING	
9	102520-01-000	EA	LIGHT-CLEARANCE, W/O SOCKET CONNECTIONS - AMBER	
	036196-01-000	EA	BULB - 12V, #194 - .27 AMP - BAYONETTE	
	102540-01-000	EA	SEAL-SCREW, ROUND - RUBBER	
	102541-01-000	EA	GASKET-CLEARANCE LIGHT	
	112823-01-000	EA	SPLICE-REDUCER, 16-14 TO 18-22 - ETC BA-631X	
	067789-02-000	EA	SOCKET-LAMP	

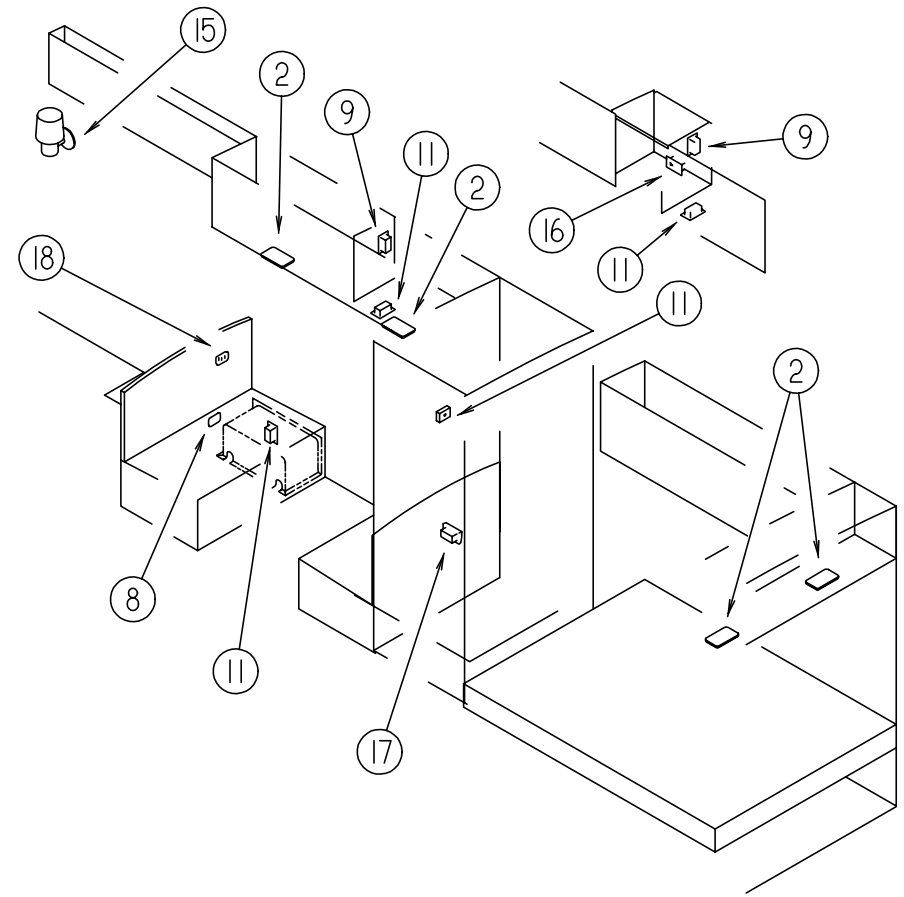
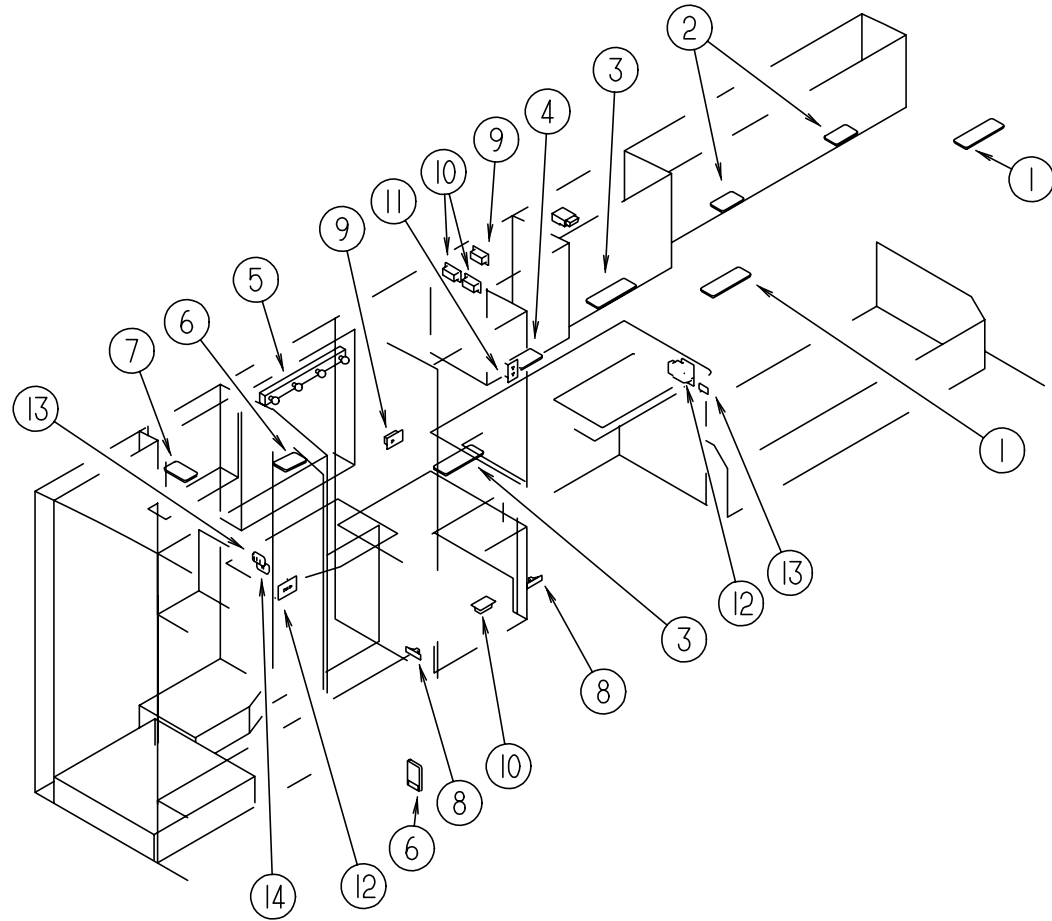
ELECTRICAL GROUP (CONTINUED)



EXTERIOR LIGHTS - EXPORT

KEY	PART NUMBER	U/M	DESCRIPTION	VENDOR NO.
1	097917-01-06A	EA	LIGHT - PORCH - BRIGHT WHITE	
	008215-01-000	EA	BULB - 12V, #1003 - .94 AMP	
	097917-01-700	EA	LENS-LIGHT, PORCH	
2	121685-02-000	EA	LAMP - CLEARANCE - RED	
	121685-02-700	EA	LENS	9E L141 135-001
	124221-01-000	EA	BULB - 12 VOLT/.4 AMP/5 WATT - #2825	
2	121685-03-000	EA	LAMP - SIDEMARKER - AMBER	
	121685-03-700	EA	LENS	9EL 141 135-031
	124221-01-000	EA	BULB - 12 VOLT/.4 AMP/5 WATT - #2825	
3	121679-01-000	EA	LIGHT - STOP/TAIL/BUMPER/TURN - EUROPEAN	
	121679-01-700	EA	LENS - EUROPEAN	9EL 122 689-021
	124219-01-000	EA	BULB - 12 VOLT/.83 AMP/10 WATT - #5008 - EUROPEAN	
	124220-01-000	EA	BULB - 12 VOLT/1.75 AMP/21 WATT - #7506 - EUROPEAN	
	057671-15-000	EA	COVER - SCREW - BRIGHT WHITE - EUROPEAN	
	123154-02-01A	EA	TRIM - TAILLIGHT - EUROPEAN	
4	121680-01-000	EA	LAMP - LICENSE PLATE - EUROPEAN	
	124218-01-000	EA	BULB - 12VOLT/.4 AMP/5 WATT - #6418 - EUROPEAN	
5	121684-02-000	EA	LAMP - SIDEMARKER - AMBER - LEFT HAND	
	121684-01-000	EA	LAMP - SIDEMARKER - AMBER - RIGHT HAND	
	124220-01-000	EA	BULB - 12 VOLT/1.75 AMP/21 WATT - #7506	
6	121687-01-000	EA	HEADLAMP - HIGH/LOW - EUROPEAN - W/PARK	
6	121687-02-000	EA	HEADLAMP - HIGH - EUROPEAN - INNER	
7	121685-01-000	EA	LAMP - CLEARANCE - CLEAR	
	121685-01-700	EA	LENS	9EL 141 135-011
	124221-01-000	EA	BULB - 12 VOLT/.4 AMP/5 WATT - #2825	
	124216-01-000	EA	BULB - 12 VOLT/55 WATT - #64150 - EUROPEAN	
	124217-01-000	EA	BULB - 12 VOLT/ 60/55 WATT - #64193 - EUROPEAN	

ELECTRICAL GROUP (CONTINUED)
LIGHTS, SWITCHES, & RECEPTACLES DRIVER & PASSENGER SIDE



KEY	PART NUMBER	U/M	DESCRIPTION	VENDOR NO.
1	098024-03-02A	EA	LIGHT - DOME - 2 BULB - WHITE	
	008218-01-000	EA	BULB - DOME LIGHT - 12 VOLT - NO. 1141	
	098024-01-700	EA	LENS-LIGHT	807877
2	098024-05-02A	EA	LIGHT - DOME - 1 BULB - SKYLITE - WHITE	
	008218-01-000	EA	BULB - DOME LIGHT - 12 VOLT - NO. 1141	
	098024-01-701	EA	LENS - OPTI CLEAR - SKYLITE	809902
3	098024-06-02A	EA	LIGHT - DOME - 2 BULB - SKYLITE	
	008218-01-000	EA	BULB - DOME LIGHT - 12 VOLT - NO. 1141	
	098024-01-701	EA	LENS - OPTI CLEAR - SKYLITE	809902
4	098024-01-03A	EA	LIGHT - DOME - 1 BULB - WHITE	
	008218-01-000	EA	BULB - DOME LIGHT - 12 VOLT - NO. 1141	
	098024-01-700	EA	LENS-LIGHT	807877
5	110235-02-01A	EA	LIGHT - MAKE UP - 4 BULB PANLESS	
	081633-01-700	EA	BULB-LIGHT, MAKE-UP	RP1041
6	098024-01-03A	EA	LIGHT - DOME - 1 BULB - WHITE	
	008218-01-000	EA	BULB - DOME LIGHT - 12 VOLT - NO. 1141	
	098024-01-700	EA	LENS-LIGHT	807877
7	121935-01-01A	EA	LIGHT - DOME - SHOWER	
8	061424-01-000	EA	LIGHT - AISLE - 12 VOLT - RECTANGULAR	
	008103-01-000	EA	BULB - DASH/AISLE LIGHT - #53 - 12 VOLT - .12 AMP	

KEY	PART NUMBER	U/M	DESCRIPTION	VENDOR NO.
9	058707-01-000	EA	RECEPTACLE - ELECTRIC - SINGLE - BROWN	
9	112590-01-000	EA	RECEPTACLE - 16 AMP - 240 VOLT - 2 POLE W/GROUND	
10	058707-02-000	EA	RECEPTACLE - BLANK JUNCTION BOX	
11	058708-01-000	EA	RECEPTACLE - ELECTRIC - DOUBLE - BROWN	
11	058708-02-000	EA	RECEPTACLE - ELECTRIC - DOUBLE - IVORY	
11	123657-01-01A	EA	RECEPTACLE - DUPLEX - 16 AMP - EUROPEAN	
12	084076-01-000	EA	RECEPTACLE - GFI - 15A - 125V	
13	079364-03-000	EA	SWITCH - ON/OFF ROCKER - 3 TERMINAL - BROWN	
13	098351-02-01A	EA	PLATE - SWITCH - 2 GANG POLISHED BRASS	
14	079364-01-000	EA	SWITCH - ON/OFF ROCKER - 2 TERMINAL - BROWN	
14	098351-01-01A	EA	PLATE - SWITCH - 1 GANG POLISHED BRASS	
15	065202-24-000	EA	LAMP - WALL/BRASS - W/O SHADE	
15	065201-12-000	EA	SHADE - LAMP - FABRIC	
16	058708-05-000	EA	RECEPTACLE - SINGLE - BROWN	
17	112822-01-01A	EA	RECEPTACLE - DUPLEX - IVORY	
18	079364-01-000	EA	SWITCH - ON/OFF ROCKER - 2 TERMINAL - BROWN	
18	095188-01-01A	EA	SPACER - SWITCH - 2.3" X 3.4" - PLASTIC - DARK BROWN	
18	095188-02-01A	EA	SPACER - SWITCH - 2.3" X 4.1" - PLASTIC - DARK BROWN	
18	098351-05-01A	EA	PLATE - SWITCH - 3 GANG POLISHED BRASS	
18	098351-06-01A	EA	PLATE - SWITCH - 2 GANG POLISHED BRASS	
	067479-01-000	EA	BULB - 12 VOLT - #1076 - 1.80 AMP	
	086280-01-000	EA	LIGHT - SURFACE MOUNT - 12 VOLT	
	086280-01-700	EA	BULB - 12V	

ELECTRICAL GROUP (CONTINUED)
FUSES & FUSE HOUSINGS

KEY	PART NUMBER	U/M DESCRIPTION
	008234-01-000	EA FUSE - 10 AMPS, 12 VOLT
	062901-02-000	EA FUSE - 5 AMPS, AUTOMOTIVE
	062901-05-000	EA FUSE - 15 AMPS, AUTOMOTIVE
	062901-06-000	EA FUSE - 20 AMPS, AUTOMOTIVE
	062901-07-000	EA FUSE - 25 AMPS, AUTOMOTIVE
	062901-08-000	EA FUSE - 30 AMPS, AUTOMOTIVE
	062037-01-000	EA HOUSING-AUTO FUSE, NATURAL
	062037-02-000	EA HOUSING-AUTO FUSE, GREEN
	062037-03-000	EA HOUSING-AUTO FUSE, BLACK
	062037-04-000	EA HOUSING-AUTO FUSE, BLUE
	062037-06-000	EA HOUSING-AUTO FUSE, BROWN
	062037-07-000	EA HOUSING-AUTO FUSE, RED
	108669-01-000	EA HOUSING-AUTO FUSE HOLDER
	106656-01-000	EA FUSE BLOCK - 4 CAVITY - AUTOFUSE

CIRCUIT BREAKERS

KEY	PART NUMBER	U/M DESCRIPTION
	083209-01-000	EA CIRCUIT BREAKER - 15 AMP - 120 VOLT
	083209-02-000	EA CIRCUIT BREAKER - 15/15 AMP - 120 VOLT
	083209-03-000	EA CIRCUIT BREAKER - 15/20 AMP - 120 VOLT
	083209-04-000	EA CIRCUIT BREAKER - 30 AMP - 120 VOLT
	083209-06-000	EA CIRCUIT BREAKER - 30/15 AMP - 120 VOLT
	083209-07-000	EA CIRCUIT BREAKER - 20/20 AMP - 120 VOLT
	093655-03-000	EA CIRCUIT BREAKER - 40 AMP - 12 VOLT
	097611-01-000	EA CIRCUIT BREAKER - 10 AMP - 12 VOLT

TERMINALS

KEY	PART NUMBER	U/M DESCRIPTION
	008326-01-000	EA TERMINAL-RING, 16/14 WIRE - 3/8" STUD
	008328-01-000	EA TERMINAL-RING, 12/10 WIRE - #10 STUD FIT
	008331-01-000	EA TERMINAL-RING, TONGUE - #4 WIRE - 3/8" STUD - COPPER
	008348-01-000	EA TERMINAL-RING, 3/8" STUD - #2 WIRE
	035416-04-000	EA TERMINAL-RING #10 STUD FIT, INSULATED BARREL #16/14
	047443-01-000	EA TERMINAL - .250 RECEPTACLE FIT, INSULATED - 16/14 AWG
	047443-02-000	EA TERMINAL - .250 RECEPTACLE FIT, INSULATED - 12/10 AWG
	062036-01-000	EA TERMINAL-PACK-CON, 12/10 AWG
	062036-02-000	EA TERMINAL-PACK-CON, 16/14 AWG
	088267-01-000	EA TERMINAL-FEMALE, 1/4
	098260-01-000	EA TERMINAL-MALE, 56 SERIES
	104100-03-000	EA TERMINAL - 75 AMP
	106007-01-000	EA TERMINAL-FEMALE, 14-16 AWG
	106655-01-000	EA TERMINAL-FUSE BLOCK, 14-16 AWG
	106655-02-000	EA TERMINAL-FUSE BLOCK, 10-12 AWG
	113306-01-000	EA TERMINAL-FEMALE, METRI-PACK - 14-16
	113307-01-000	EA TERMINAL-FEMALE, METRI-PACK - 16-20
	125324-01-000	EA TERMINAL-MALE, M/P - 150

ELECTRICAL GROUP (CONTINUED)
ELECTRIC BOXES & COVERS

KEY	PART NUMBER	U/M DESCRIPTION
	008289-01-000	EA BOX-ELECTRIC, STEEL - 1/2" AND 3/4" KNOCKOUTS - 4" X 4" - US
	008289-02-000	EA BOX-ELECTRIC, STEEL - 1/2" AND 3/4" KNOCKOUTS - 4" X 4" - CANADIAN
	091910-01-000	EA BOX - ELECTRIC - 3.8" X 3.5" X 1.8" - PLASTIC
	091910-02-000	EA BOX - ELECTRIC - 2.2" X 3.5" X 1.7" - PLASTIC
	008294-01-000	EA COVER-ELECTRICAL BOX, BLANK/STEEL - 4" X 4" - GRAY
	008294-02-000	EA COVER-ELECTRICAL BOX, BLANK STEEL - 4" X 4" - CANADIAN
	069238-01-000	EA COVER-ELECTRICAL BOX, W/HOLE - 4" X 4" - GRAY USED WITH 30 AMP RECEPTACLE
	073626-04-000	EA COVER-ELECTRIC, 10.4" X 7.8" - BEIGE PLASTIC
	091927-01-000	EA COVER-RECEPTACLE, DOUBLE - IVORY
	111509-01-000	EA BOX ASM-ELECTRICAL, FRONT
	111510-01-000	EA DOOR-ELECTRICAL BOX, FRONT

HOUSINGS, PINS & SOCKETS

KEY	PART NUMBER	U/M DESCRIPTION
	088473-01-000	EA HOUSING-PIN, 4 ROWS OF 3
	088473-02-000	EA HOUSING-PIN, 15 CAVITY - AMP 1-480710-0
	088473-03-000	EA HOUSING-PIN, 9 POSITION
	088473-05-000	EA HOUSING-PIN, 6 POSITION (SINGLE ROW)
	088473-06-000	EA HOUSING-PIN, 6 POSITION (TWO ROWS OF THREE)
	088473-08-000	EA HOUSING-PIN, 4 POSITION
	088473-09-000	EA HOUSING-PIN, 3 POSITION (SINGLE ROW)
	088473-10-000	EA HOUSING-PIN, 2 POSITION
	088474-01-000	EA HOUSING - SOCKET - 12 CAVITY
	088474-02-000	EA HOUSING - SOCKET - 15 CAVITY
	088474-03-000	EA HOUSING - SOCKET - 9 CAVITY
	088474-06-000	EA HOUSING - SOCKET - 6 CAVITY
	088474-07-000	EA HOUSING - SOCKET - 5 CAVITY
	088474-08-000	EA HOUSING - SOCKET - 4 CAVITY
	088474-09-000	EA HOUSING - ELECTRICAL - 3 TERMINAL
	088474-10-000	EA HOUSING - SOCKET - 2 CAVITY
	088475-01-000	EA PIN-CONNECTOR, 14 TO 20 AWG
	088475-02-000	EA PIN-CONNECTOR, 10 TO 12 AWG
	088476-01-000	EA TERMINAL - ELECTRICAL
	088476-02-000	EA SOCKET - CONNECTOR - 12-10 GA - PRE-TIN
	103608-01-000	EA SOCKET-WEDGE BASE W/LEADS
	098261-02-000	EA SOCKET - CONNECTOR - WEATHERPACK
	098262-01-000	EA SEAL - CONNECTOR - WEATHERPACK
	098264-01-000	EA HOUSING - 2 PIN - WEATHERPACK
	101571-01-000	EA HOUSING - 2 POSITION, MALE
	104100-01-000	EA HOUSING - 1 POSITION, 75 AMP
	106006-01-000	EA HOUSING - 1 POSITION, FEMALE
	110178-01-000	EA HOUSING-WIPER MOTOR
	113468-01-000	EA HOUSING - 2 POSITION, FEMALE - 56-SERIES USED ON WIPER/WASHER WIRE ASM
	119248-02-000	EA HOUSING - 7 POSITION, FEMALE - METRI-PACK
	125323-02-000	EA HOUSING - 8 POSITION, MALE
	125324-01-000	EA TERMINAL - MALE
	125325-01-000	EA SEAL - CAVITY
	108355-01-000	EA HOUSING-SWITCH

ELECTRICAL GROUP (CONTINUED)
CONNECTORS

KEY	PART NUMBER	U/M DESCRIPTION
	008311-01-000	EA CONNECTOR-WIRE NUT, INSULATED - RED
	008312-01-000	EA CONNECTOR-WIRE NUT, INSULATED - BLUE
	008313-01-000	EA CONNECTOR-WIRE NUT, INSULATED - YELLOW
	008314-01-000	EA CONNECTOR-WIRE NUT, INSULATED - GRAY
	008355-01-000	EA CONNECTOR-CABLE CLAMPING, 3/4"
	008356-01-000	EA CONNECTOR-PLASTIC, 3/8" AVG
	008398-01-000	EA CONNECTOR - 1/2" X 90 DEGREE, FLEX CONDUIT - UL AND CSA
	041480-01-000	EA CONNECTOR-STRAIGHT, 1/2" FLEX CONDUIT
	058028-01-000	EA CONNECTOR-ELECTRICAL PIGTAIL, NYLON - CLEAR
	082741-01-000	EA CONNECTOR BODY - 2 CONNECTOR - MALE
	087695-03-000	EA CONNECTOR-ASSEMBLY - EURAMTEC RT10484802
	098265-02-000	EA PIN-CONNECTOR, WEATHER PACK
	007940-01-000	EA RECEPTACLE-SLIDE, 16 TO 12 AWG - FEMALE END
	007954-01-000	EA RECEPTACLE-HOUSING, 6 POSITION
	080015-02-000	EA RECEPTACLE-FLAG, .185 - 16/14 GAUGE
	112823-01-000	EA SPLICE-REDUCER, 16-14 TO 18-22

POWER CORDS

KEY	PART NUMBER	U/M DESCRIPTION
	008052-01-000	EA CORD-POWER, 10/3 - 30 AMP - 25' - CANADIAN
	008054-02-000	EA CORD-POWER, 10/3 - 30 AMP - 35' - US
	121470-01-000	EA CORD-EXTENSION, 6 FT - 16-2 - SATELLITE DISH OPTION

WIRE ASSEMBLIES

KEY	PART NUMBER	U/M DESCRIPTION
	096449-01-000	EA WIRE ASSEMBLY-WATER TANK TO MONITOR PANEL
	097618-01-000	EA WIRE ASSEMBLY-MONITOR PANEL, W/3 WIRES & ORANGE RESISTOR- LVS
	102636-02-000	EA WIRE ASSEMBLY-CLEARANCE LAMPS
	110256-01-000	EA WIRE ASSEMBLY-IP, GENERATOR
	111915-01-000	EA WIRE ASSEMBLY-DAY RUN LAMPS, FUSE - GM
	111915-03-000	EA WIRE ASSEMBLY-DAY RUN LAMPS, FUSE - FORD
	P03784-01-000	EA WIRE ASSEMBLY-HEADLAMP - GM
	P03784-02-000	EA WIRE ASSEMBLY-HEADLAMP - FORD
	090986-01-000	EA WIRE ASSEMBLY - ELECTRIC STEP
	103328-06-000	EA WIRE ASSEMBLY - PUMP - EXTERIOR SHOWER
	108303-01-000	EA WIRE ASSEMBLY-REAR AUTO HEATER

CONDUIT

KEY	PART NUMBER	U/M DESCRIPTION
	041953-01-000	FT CONDUIT-CONVOLUTE, SLIT - .5" ID
	041953-03-000	FT CONDUIT-CONVOLUTE, SLIT - 1" ID (CLOTHES ROD COVER)
	041953-05-000	FT CONDUIT-CONVOLUTE, SOLID - .62" ID
	041953-06-000	FT CONDUIT-CONVOLUTE, SLIT - .375" ID
	041953-07-000	FT CONDUIT-CONVOLUTE, SLIT - .25" ID
	041953-08-000	FT CONDUIT-CONVOLUTE, SLIT - 1.50" ID
	041953-09-000	FT CONDUIT-CONVOLUTE, SLIT - .50" ID
	041953-10-000	FT CONDUIT-CONVOLUTE, SLIT - .75" ID
	041953-11-000	FT CONDUIT-CONVOLUTE, SLIT - 1.06" ID
	041953-12-000	FT CONDUIT-CONVOLUTE, NON SLIT - 1.1" ID

ELECTRICAL GROUP (CONTINUED)
CONVERTER & INVERTER

KEY	PART NUMBER	U/M DESCRIPTION
	083208-02-000	EA CONVERTER-POWER, 45A - 120V/12V
	099048-03-000	EA INVERTER - 130 WATT

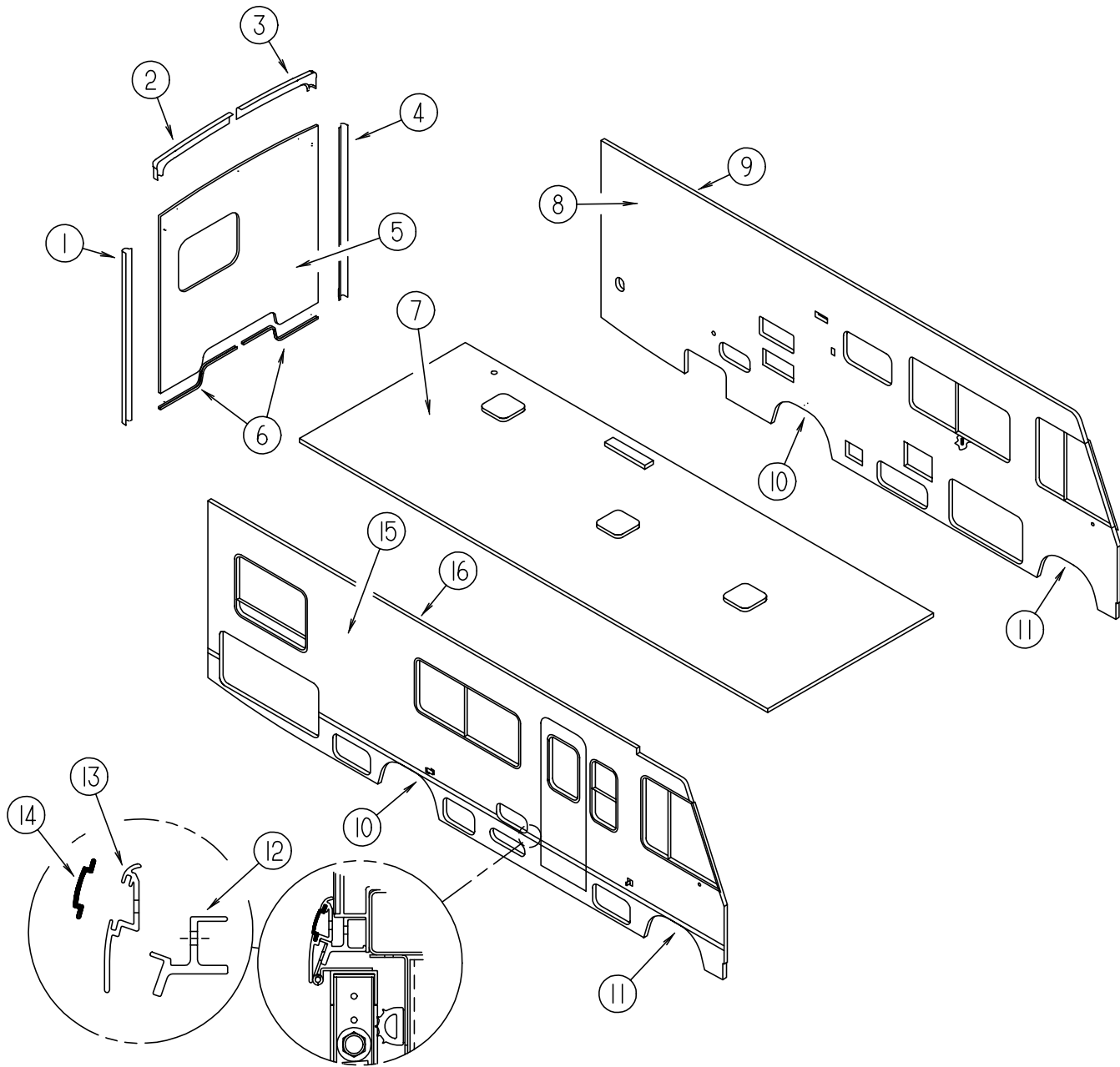
WATER PUMP SWITCH & COVER/ACTUATOR

KEY	PART NUMBER	U/M DESCRIPTION
	108357-08-000	EA SWITCH - ROCKER DPDT - ON/NONE/ON - 6 TERMINAL
	108356-02-01A	EA COVER/ACTUATOR SWITCH - 2 ROWS DIMPLES - CONTURA II - BLACK

MISCELLANEOUS ELECTRICAL COMPONENTS

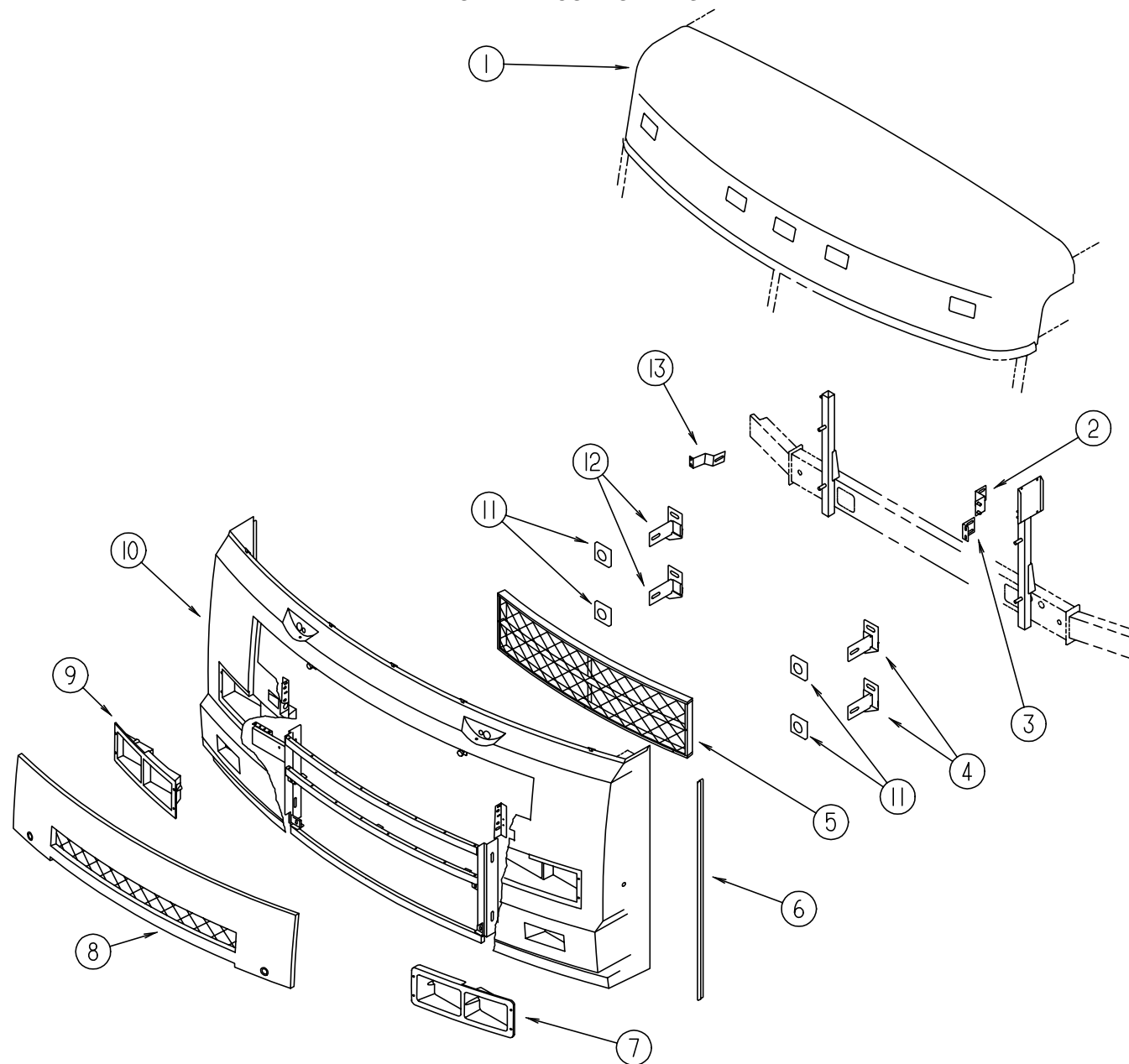
KEY	PART NUMBER	U/M DESCRIPTION
	007093-01-000	EA FLASHER-SIGNAL, STAT
	007956-05-000	EA INSULATOR - SHRINK - .25 ID X 1.50 - BLACK
	008188-01-000	EA SOLENOID - 3 POST, BATTERY CHANGE OVER
	063910-01-000	EA HOUSING-RELAY
	063912-02-000	EA RELAY-CANISTER, SPDT
	086233-01-000	EA STUD-ISOLATED, 3/8" X 7/8" LONG
	086273-01-000	EA RELAY-BATTERY DISCONNECT
	103987-02-000	EA SEAL-SOLENOID ACCESS
	087225-01-000	FT SLEEVING - 1/2", TYPE H
	087225-02-000	FT SLEEVING - 5/8", TYPE H
	073328-B4-000	EA CABLE ASSEMBLY-BATTERY, W/TERMINALS
	077479-01-000	EA BOOT-BATTERY TERMINAL, DOUBLE CABLE
	077479-02-000	EA BOOT-BATTERY TERMINAL, SINGLE CABLE

EXTERIOR BODY GROUP
EXTERIOR BODY PANELS AND TRIM



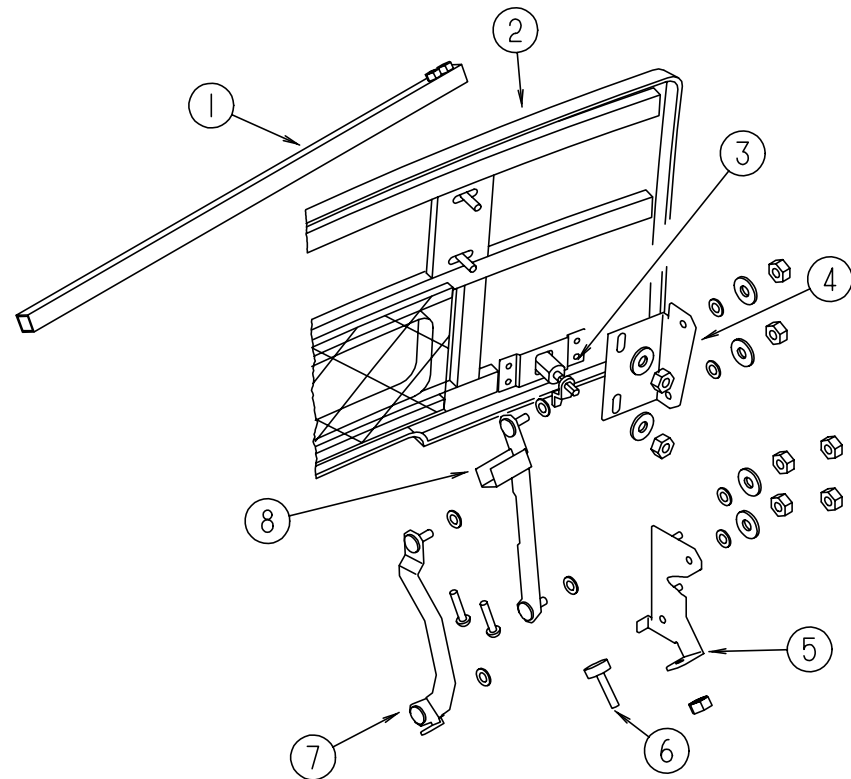
KEY	PART NUMBER	U/M	DESCRIPTION
1	114874-05-12B	EA	TRIM-BACKWALL SIDE, RIGHT - BRIGHT WHITE - STEEL
1	104033-11-02A	EA	TRIM-J, BACKWALL - RIGHT - BRIGHT WHITE - ALUMINUM
2	114872-01-02A	EA	TRIM-BACKWALL, TOP W/O CLEARANCE LIGHTS - RH - BRIGHT WHITE PLASTIC
2	114872-03-03A	EA	TRIM - BACKWALL - TOP/PASSENGER - EUROPEAN
3	114873-01-02A	EA	TRIM-BACKWALL, TOP W/O CLEARANCE LIGHTS - LH - BRIGHT WHITE PLASTIC
3	114873-03-03A	EA	TRIM - BACKWALL - TOP/DRIVER TOP - EUROPEAN
4	114874-06-12B	EA	TRIM-BACKWALL SIDE, LEFT - BRIGHT WHITE - STEEL
4	104033-12-02A	EA	TRIM-J, BACKWALL - LEFT - BRIGHT WHITE - ALUMINUM
5	122900-01-H13	EA	BACKWALL - W/O WINDOW/TRIM (H12,H13)
5	122900-01-H14	EA	BACKWALL - W/O WINDOW/TRIM (H14,H16)
5	122900-01-H15	EA	BACKWALL - W/O WINDOW/TRIM (H15)
5	122900-02-H13	EA	BACKWALL - W/O WINDOW/TRIM - EUROPEAN (H12,H13)
5	122900-02-H14	EA	BACKWALL - W/O WINDOW/TRIM - EUROPEAN (H14,H16)
5	122900-02-H15	EA	BACKWALL - W/O WINDOW/TRIM - EUROPEAN (H15)
	108688-01-03A	EA	STRIP - FEATURE - 15' - BRIGHT WHITE
	105312-01-07A	FT	INSERT - VINYL FEATURE STRIP - BRIGHT WHITE
	108651-01-01A	EA	END CAP - FEATURE STRIP
6	050406-24-000	EA	TRIM-BACKWALL, LOWER - BRIGHT WHITE
7	P24951-01-H13	EA	ROOF - W/O LIGHTS/VENTS - W/WIRING
8	P24675-01-H13	EA	SIDEWALL - DRIVER - W/O WINDOWS/TRIM (H12,H13)
8	P24675-01-H14	EA	SIDEWALL - DRIVER - W/O WINDOWS/TRIM (H14,H16)
8	P24675-01-H15	EA	SIDEWALL - DRIVER - W/O WINDOWS/TRIM (H15)
9	120091-01-02A	EA	TRIM-ROOF, BRIGHT WHITE
10	124512-01-01A	EA	TRIM - WHEELWELL/REAR - BRIGHT WHITE
11	124513-02-01A	EA	TRIM - WHEELWELL/FRONT - NOTCHED
12	124299-51-001	EA	EXTRUDED - RETAINER - TRIM - 144"
13	124176-01-01A	EA	TRIM-SIDEWALL, BRIGHT WHITE ALUMINUM
14	105312-01-07A	EA	INSERT-FEATURE STRIP, BRIGHT WHITE
14	105312-01-03A	FT	INSERT-FEATURE STRIP, GRAY MET - EXTERIOR PAINT OPTION
15	P24950-01-H13	EA	SIDEWALL - PASSENGER - W/O WINDOWS/TRIM (H12, H13)
15	P24950-01-H14	EA	SIDEWALL - PASSENGER - W/O WINDOWS/TRIM (H14, H16)
15	P24950-01-H15	EA	SIDEWALL - PASSENGER - W/O WINDOWS/TRIM (H15)
16	120092-01-02A	EA	RAIL-AWNING, BRIGHT WHITE
	124179-01-01A	EA	CAP-SIDEWALL TRIM, ANGLED - LEFT HAND - BRIGHT WHITE (WHEELWELL)
	124179-02-01A	EA	CAP-SIDEWALL TRIM, ANGLED - RIGHT HAND - BRIGHT WHITE (WHEELWELL)
	124132-01-01A	EA	CAP-SIDEWALL TRIM W/O NOTCH, 90 DEGREE - RIGHT HAND - BRIGHT WHITE
	124132-02-01A	EA	CAP-SIDEWALL TRIM W/O NOTCH, 90 DEGREE - LEFT HAND - BRIGHT WHITE
	124132-03-01A	EA	CAP-SIDEWALL TRIM W/NOTCH, 90 DEGREE - RIGHT HAND - BRIGHT WHITE
	124132-04-01A	EA	CAP-SIDEWALL TRIM W/NOTCH, 90 DEGREE - LEFT HAND - BRIGHT WHITE
	093673-01-06A	FT	TRIM - 1.3" WIDE, BRIGHT WHITE
	002726-01-001	EA	GARNISH-U-CHANNEL, 1.38" X 19' - SERRATED - MILL ALUMINUM
	033381-17-001	FT	STEEL - TUBE - 16 GAUGE 1.5" X 1.5" X 16'
	068716-01-001	EA	BRACE - 90 DEGREE L-ANGLE - 16'
	069726-02-000	EA	BUMPER - .88" DIA X .40", BLACK
	116800-55-005	EA	U-CHANNEL-EXTRUDED, 1.7" X 16' - BRIGHT WHITE
	122613-55-001	EA	EXTRUDED - ROCKER PANEL - 192" - BRIGHT WHITE
	122613-55-004	EA	EXTRUDED - ROCKER PANEL - 192" - DELFT BLUE
	122613-55-001	EA	EXTRUDED - ROCKER PANEL - 192" - BRIGHT WHITE

EXTERIOR BODY GROUP (CONTINUED)
FRONT END COMPONENTS



KEY	PART NUMBER	U/M	DESCRIPTION
1	122513-02-H13	EA	CAP - FRONT ROOF W/LIGHT POCKETS - BRIGHT WHITE
1	122513-04-H13	EA	CAP - ROOF - EUROPEAN
	070579-06-000	EA	PLATE-ANCHOR, W/7/16 WELD NUT - 1.5" X 3.3"
2	122842-01-02B	EA	BRACE-FRONT END, LH - E-COAT STEEL
3	122800-01-02B	EA	ANGLE-FRONT END, LH - E-COAT STEEL
4	122826-02-02B	EA	BRACKET-BUMPER, LH - E-COAT STEEL
5	123945-01-H13	EA	GRILLE ASSEMBLY-FRONT W/GRILLE MESH
	115924-09-02A	EA	MESH-GRILLE, WOVEN WIRE, FLAT BLACK
6	123680-03-01A	EA	TRIM-FIBERGLASS PANEL, BRIGHT WHITE
7	122510-02-01A	EA	BEZEL-HEADLAMP, LH - BRIGHT WHITE
	110690-02-D18	EA	PLATE ASSEMBLY-HEADLAMP, QUAD - LH
8	122511-02-H13	EA	PANEL-HOOD W/O GRILLE - BRIGHT WHITE
9	122510-01-01A	EA	BEZEL-HEADLAMP, RH - BRIGHT WHITE
	110690-01-D18	EA	PLATE ASSEMBLY-HEADLAMP, QUAD - RH
10	122512-01-01A	EA	CAP-FRONT, LOWER - W/O GRILLE, HOOD OR BEZELS - BRIGHT WHITE
	002328-02-000	EA	BLOCK-RUBBER, .062" X .5" X .98"
	007157-05-000	EA	NUT-WELL, HEADLIGHT BEZEL
	110782-01-000	EA	ANGLE - SUPPORT - HEADLAMP
	119445-01-02B	EA	PLATE-W/HOLES, 1" X 1 1/2" - E-COAT STEEL
11	116617-02-02B	EA	SPACER/WASHER-BUMPER, SQUARE - E-COAT STEEL
12	122826-01-02B	EA	BRACKET-BUMPER, RH - E-COAT STEEL
13	122787-01-02B	EA	BRACE-FRONT END, RH - E-COAT STEEL

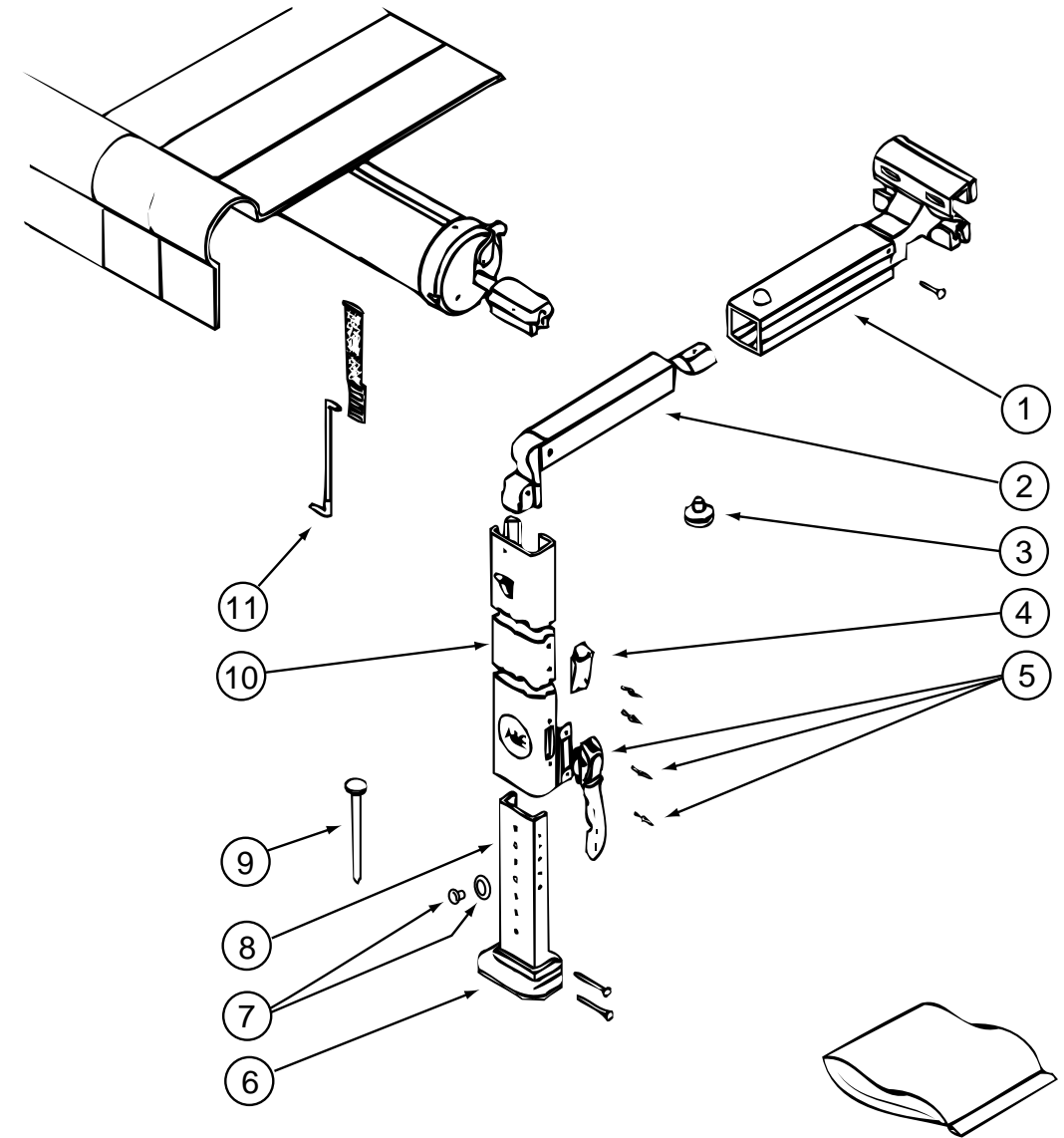
EXTERIOR BODY GROUP (CONTINUED)



HOOD & COMPONENTS

KEY	PART NUMBER	U/M	DESCRIPTION
1	105096-12-000	EA	TUBE-HOOD HINGE TIMING W/WELDNUTS
2	122511-02-H13	EA	PANEL-HOOD W/O GRILLE - BRIGHT WHITE
	115924-08-02A	EA	MESH-GRILLE, WOVEN WIRE, FLAT BLACK
3	102330-02-000	EA	LATCH - VISE ACTION/KEY OPERATED
	102328-01-000	EA	KEY-BARREL, NICKEL PLATED
4	122736-01-02B	EA	ANGLE-LINK, HOOD - RH
4	122736-02-02B	EA	ANGLE-LINK, HOOD - LH
5	106613-07-000	EA	BRACKET-LINK, HINGE - HOOD - RH
5	106613-08-000	EA	BRACKET-LINK, HINGE - HOOD - LH
6	058786-01-000	EA	BOLT-HOOD, ADJUSTING W/RUBBER BUMPER
7	106612-05-000	EA	LINK ASSEMBLY-HINGE, HOOD - LOWER - RH
7	106612-06-000	EA	LINK ASSEMBLY-HINGE, HOOD - LOWER - LH
8	106618-03-000	EA	LINK ASSEMBLY-HINGE, HOOD - UPPER - RH
8	106618-04-000	EA	LINK ASSEMBLY-HINGE, HOOD - UPPER - LH
	106730-10-000	EA	PLATE ASSEMBLY - 4" X 1" WITH 2 WELD STUDS - E-COAT STEEL
	106748-05-000	EA	LATCH - HOOD - FRONT END

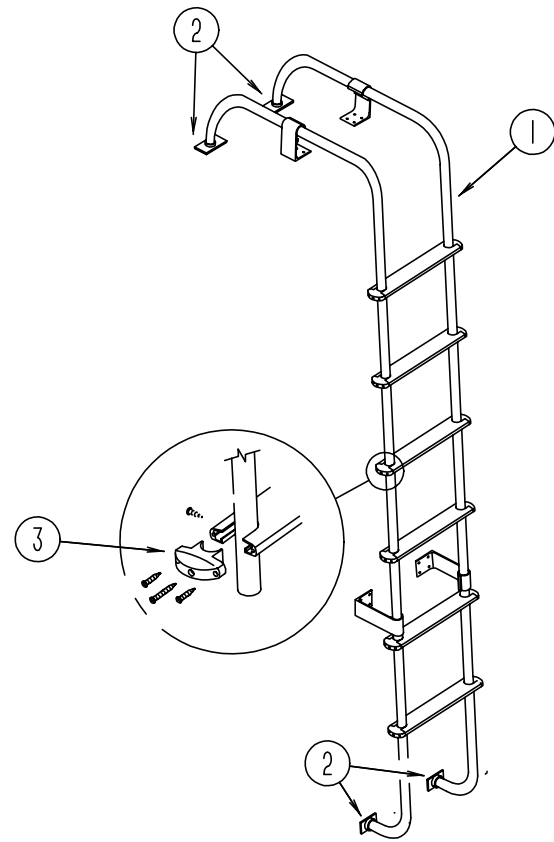
EXTERIOR BODY GROUP (CONTINUED)



A & E AWNING & HARDWARE

KEY	PART NUMBER	U/M	DESCRIPTION	VENDOR NO.
	113874-05-02A	EA	AWNING - W/O HDW 14' (POLAR NAVY TEAL) VINYL	
	111037-01-01A	EA	SPACER - AWNING - UPPER - BLACK	
	111038-01-01A	EA	SPACER - AWNING - LOWER	
	113874-01-02A	EA	HARDWARE KIT - AWNING- W/O STANDOFF BRACKET - BRIGHT WHITE	
1	113874-01-714	EA	RAFTER - MAIN RH/LH - BRIGHT WHITE	830295.536F
2	113874-01-715	EA	RAFTER - SECONDARY - BRIGHT WHITE	830463.511F
3	113874-01-702	EA	KNOB - ADJUSTING	3105421.014
4	113874-01-706	EA	LOCK - TRAVEL	830587.001
5	113874-01-707	EA	HANDLE - LIFT W/RIVETS	830644
6	113874-01-712	EA	FOOT - PATIO	730366-001
7	113874-01-710	EA	PLUG-STOP KIT	830456
8	113874-01-717	EA	ARM - ADJUSTABLE - BRIGHT WHITE	830467.517/F
9	113874-01-709	EA	NAIL-SPIKE, 8"	113006
10	113874-01-716	EA	ARM - MAIN SUPPORT - BRIGHT WHITE	3104502.293/F
11	113874-01-703	EA	ROD-CENTER PULL W/ACCESSORY	830152.102
	119496-01-02A	EA	SPACER/ZEE - AWNING	

EXTERIOR BODY GROUP (CONTINUED)



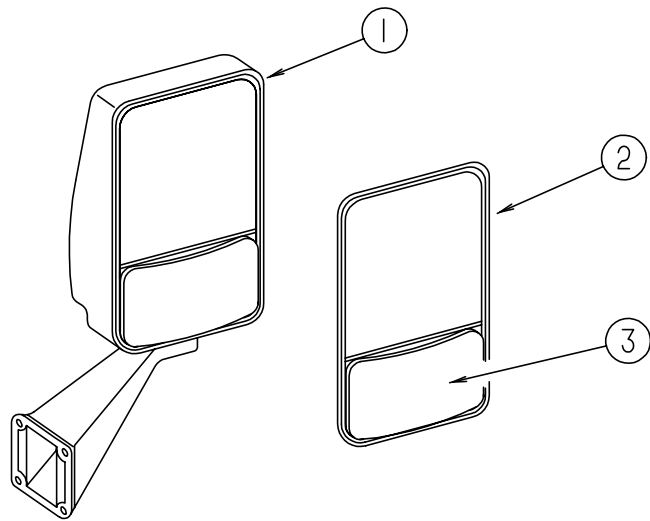
LADDER

KEY	PART NUMBER	U/M DESCRIPTION
1	102953-16-G09	EA LADDER
2	067165-01-000	EA MOUNTING BRACKET-LADDER, LOWER
3	076980-02-000	EA END CAP-STEP, BLACK
	038327-01-000	EA TAPE-ANTI SLIP, 2" X 60'

EXTERIOR BODY GROUP (CONTINUED)
FIBERGLASS, STYROFOAM & INSULATION

KEY	PART NUMBER	U/M DESCRIPTION
	076054-N1-000	EA FIBERGLASS SHEET - 96" X 355.5" BRIGHT WHITE
	076054-N9-000	EA FIBERGLASS SHEET - 96" X 102" BRIGHT WHITE
	076054-W6-000	EA FIBERGLASS SHEET - FLAT - 79" X 367" - BRIGHT WHITE
	077517-62-000	EA FIBERGLASS SHEET - FLAT - .045" X 48" X 96" - BRIGHT WHITE
	108535-05-702	EA FIBERGLASS SHEET - FLAT, 110" X 396" - BRIGHT WHITE (ROOF COVERING)
	108535-04-705	EA FIBERGLASS SHEET - FLAT, 6" X 34' - BRIGHT WHITE (ROOF COVERING)
	108535-06-700	EA FIBERGLASS SHEET - 102" X 102" - BRIGHT WHITE
	000870-08-000	SF STYROFOAM - .75" X 48" X 96" - PLANED - INCREMENTS OF 32 SF
	072877-03-000	EA INSULATION - SOUND BARRIER - 1" X 36" X 57"
	100619-01-000	BF FOAM-EXPANDED POLYSTYRENE, 1.34" X 48" X 96" - 1.5 LB/SQ FT DENSITY
	100619-04-000	BF FOAM-EXPANDED POLYSTYRENE, .5" X 48" X 96" - 2 LB/SQ FT DENSITY
	100619-05-000	BF FOAM-EXPANDED POLYSTYRENE, .75" X 48" X 96" - 1.5 LB/SQ FT DENSITY
	100619-10-000	BF FOAM-EXPANDED POLYSTYRENE, 1.5" X 48" X 96" - 2 LB/SQ FT DENSITY
	100619-11-000	BF FOAM-EXPANDED POLYSTYRENE, 2" X 48" X 96" - 1.5 LB/SQ FT DENSITY
	100619-16-000	BF FOAM-EXPANDED POLYSTYRENE, .75" X 48" X 96" - 2 LB/SQ FT DENSITY
	105077-08-000	EA FOAM-PLUG, ROOF CAP
	120107-03-000	EA FOAM-PLUG, TUBE - 29.6 MM X 54.5 MM X 45 MM LONG - POLYSTYRENE FOAM
	120107-01-000	EA FOAM-COVE, ROOF - 70.6 MM X 2438 MM LONG - POLYSTYRENE FOAM
	120107-02-000	EA FOAM-PLUG, TUBE - 57 MM X 74.3 MM X 45 MM LONG - POLYSTYRENE FOAM

EXTERIOR BODY GROUP (CONTINUED)

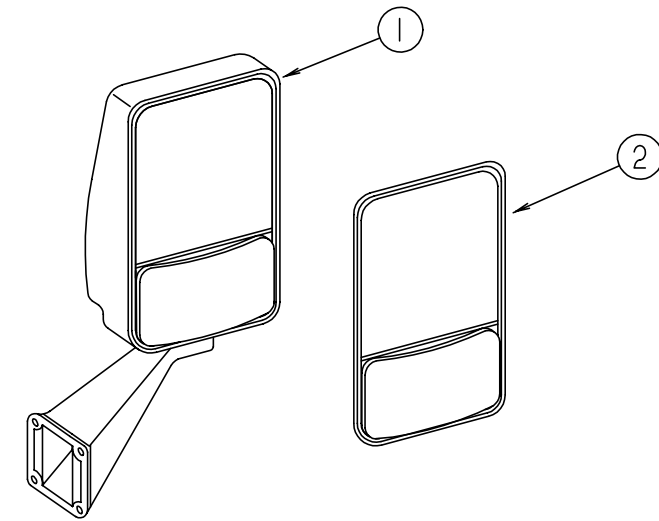


VELVAC HEATED EXTERIOR MIRRORS

KEY	PART NUMBER	U/M DESCRIPTION
1	106015-12-01A	EA MIRROR ASM - REMOTE/HEATED RIGHT W/O SWITCHES
1	106015-13-01A	EA MIRROR ASM - REMOTE/HEATED LEFT W/O SWITCHES
2	106015-12-700	EA GLASS-FLAT W/HEAT & CLIP
3	106015-12-701	EA GLASS-CONVEX W/HEAT & CLIP
	087695-02-000	EA SWITCH-HEATER, EXTERIOR MIRROR - EURAMTEC DAV4720-12
	087695-03-000	EA CONNECTOR-ASSEMBLY - EURAMTEC RT10484802
	088246-01-000	EA SWITCH-REMOTE, EXTERIOR MIRROR - SQUARE PUSH 7471290

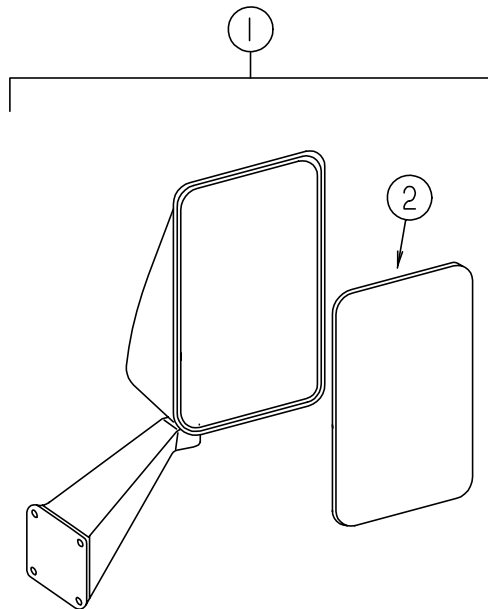
VENDOR NO.	KEY	PART NUMBER
709448	1	106015-09-01A
709449	1	106015-10-01A
	2	106015-01-703
	2	106015-02-702

EXTERIOR BODY GROUP (CONTINUED)



VELVAC EXTERIOR MIRRORS - FROM: 00-00-00 THRU: 03-02-97

VENDOR NO.	KEY	PART NUMBER	U/M DESCRIPTION	VENDOR NO.
	1	106015-09-01A	EA MIRROR ASM-EXTERIOR ADJUST GLASS RIGHT - BLACK	
	1	106015-10-01A	EA MIRROR ASM-EXTERIOR ADJUST GLASS LEFT - BLACK	
709266	2	106015-01-703	EA MIRROR KIT (BEZEL W/MIRRORS) PASSENGER SIDE	709266
709267	2	106015-02-702	EA MIRROR KIT (BEZEL W/MIRRORS) DRIVER SIDE	709267



VELVAC EXTERIOR MIRRORS - EUROPEAN

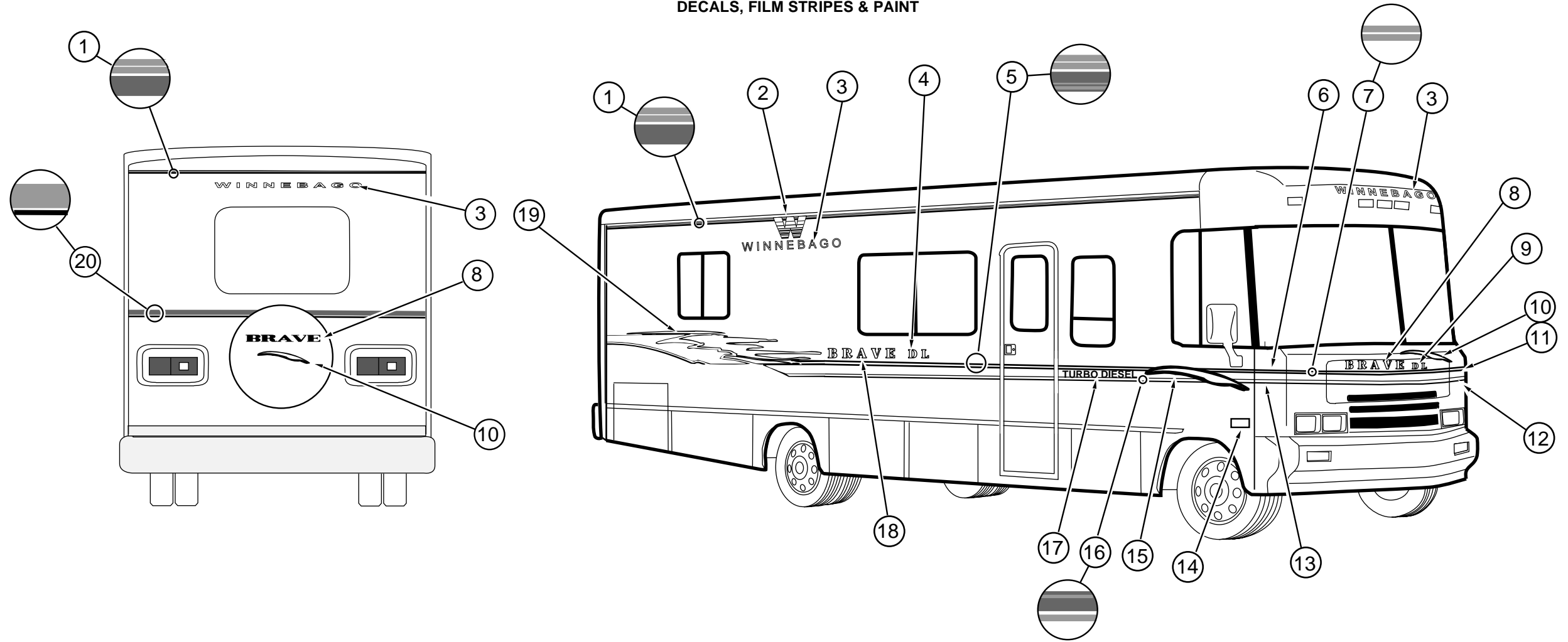
KEY	PART NUMBER	U/M DESCRIPTION
1	123297-01-01A	EA MIRROR - EXTERIOR - ADJUSTABLE GLASS - DRIVER
1	123297-02-01A	EA MIRROR - EXTERIOR - ADJUSTABLE GLASS - PASSENGER
2	106860-02-702	EA GLASS ONLY - FLAT - RH/LH STAR
	117051-01-700	EA MIRROR-CONVEX

VENDOR NO.	KEY	PART NUMBER
702086-8	1	106015-14-01A
723068-4	1	106015-15-01A
	2	106015-14-700
	2	106015-12-700
	3	106015-14-701
	3	106015-12-701

VELVAC EXTERIOR MIRRORS - FROM: 03-03-97 THRU: 99-99-99

VENDOR NO.	KEY	PART NUMBER	U/M DESCRIPTION	VENDOR NO.
	1	106015-14-01A	EA MIRROR ASM-EXTERIOR ADJUST GLASS RIGHT - BLACK	
	1	106015-15-01A	EA MIRROR ASM-EXTERIOR ADJUST GLASS LEFT - BLACK	
702111	2	106015-14-700	EA MIRROR - FLAT	702111
709448	2	106015-12-700	EA MIRROR - FLAT	709448
702110	3	106015-14-701	EA MIRROR - CONVEX	702110
709449	3	106015-12-701	EA MIRROR - CONVEX	709449

EXTERIOR BODY GROUP (CONTINUED)
DECALS, FILM STRIPES & PAINT



KEY	PART NUMBER	U/M	DESCRIPTION
1	094443-43-01A	FT	FILM-MULTISTRIPE, 101.6 MM WIDE - SEAFOAM/SEAFOAM/DELFT BLUE
2	120700-02-01A	EA	DECAL-LOGO, W - DELFT BLUE
3	120702-03-01A	EA	DECAL-LOGO, WINNEBAGO - SMALL - DELFT BLUE
4	120995-03-01A	EA	DECAL-LOGO, DL - LARGE- MENDOCINO/DELFT BLUE
5	121426-01-01A	FT	FILM-OVERLAY, MULTISTRIPE - 177.8 MM WIDE - SEAFOAM/DELFT BLUE/MENDOCINO
6	121432-01-01A	EA	DECAL-CORNER, UPPER - RH - SEAFOAM
7	105781-57-01A	FT	FILM-MULTISTRIPE, 38.1 MM WIDE - SEAFOAM/SEAFOAM
8	121437-02-01A	EA	DECAL-LOGO, BRAVE - SMALL - MENDOCINO/DELFT BLUE
9	120995-04-01A	EA	DECAL-LOGO, DL - SMALL - DELFT BLUE
10	121430-01-01A	EA	DECAL-SLASH, SMALL - SEAFOAM/BRIGHT WHITE
11	121432-02-01A	EA	DECAL-CORNER, UPPER - LH - SEAFOAM
12	121434-02-01A	EA	DECAL-CORNER, LOWER - LH - DELFT BLUE/MENDOCINO
13	121434-01-01A	EA	DECAL-CORNER, LOWER - RH - DELFT BLUE/MENDOCINO
14	122312-02-01A	EA	DECAL-VORTEC 7400 - BLACK/OFF WHITE/MIST GRAY/SPECTRA RED
15	121429-01-01A	EA	DECAL-SLASH, RH - SEAFOAM/BRIGHT WHITE
	121429-02-01A	EA	DECAL-SLASH, LH - SEAFOAM/BRIGHT WHITE
16	121427-01-01A	FT	FILM-OVERLAY, MULTISTRIPE - 41.3 MM WIDE - SPARKLING TEAL/SEAFOAM
17	111318-03-03A	EA	DECAL-TURBO DIESEL - BRIGHT WHITE
18	121437-01-01A	EA	DECAL-LOGO, BRAVE, LARGE - MENDOCINO/DELFT BLUE
19	121428-01-01A	EA	DECAL-HORIZON, RH - DELFT BLUE/SEAFOAM/MENDOCINO
	121428-02-01A	EA	DECAL-HORIZON, LH - DELFT BLUE/SEAFOAM/MENDOCINO
20	105781-52-01A	FT	FILM-MULTISTRIPE, 104.8 MM WIDE - DELFT BLUE/MENDOCINO

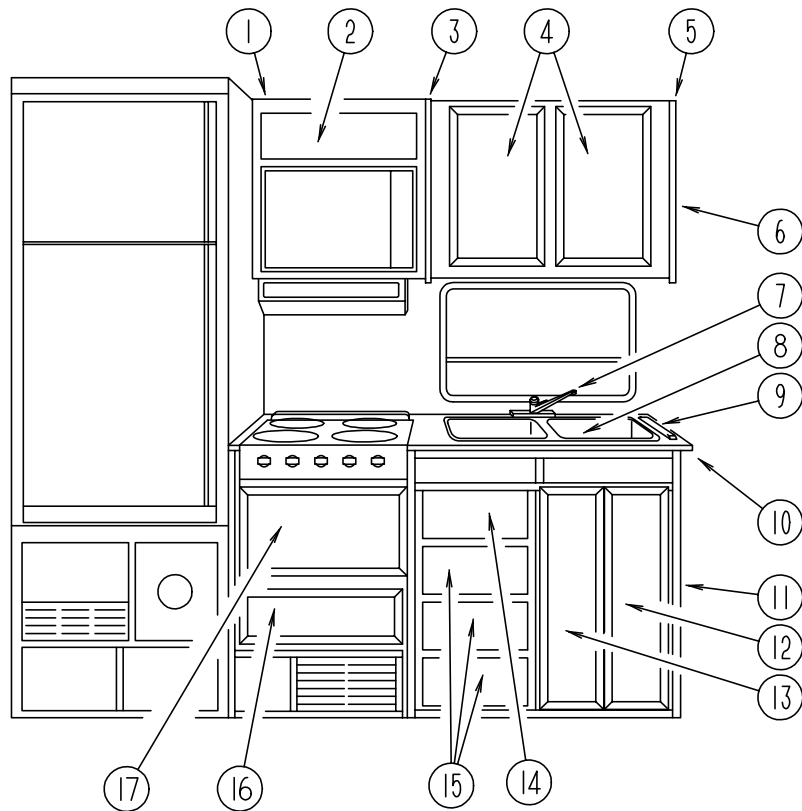
DUPONT PAINT COLOR CODES

BRIGHT WHITE	B8951
DELFT BLUE METALLIC	F1919
LIGHT SILVER METALLIC	F2573U

DUPONT GRAPHIC COLOR CODES

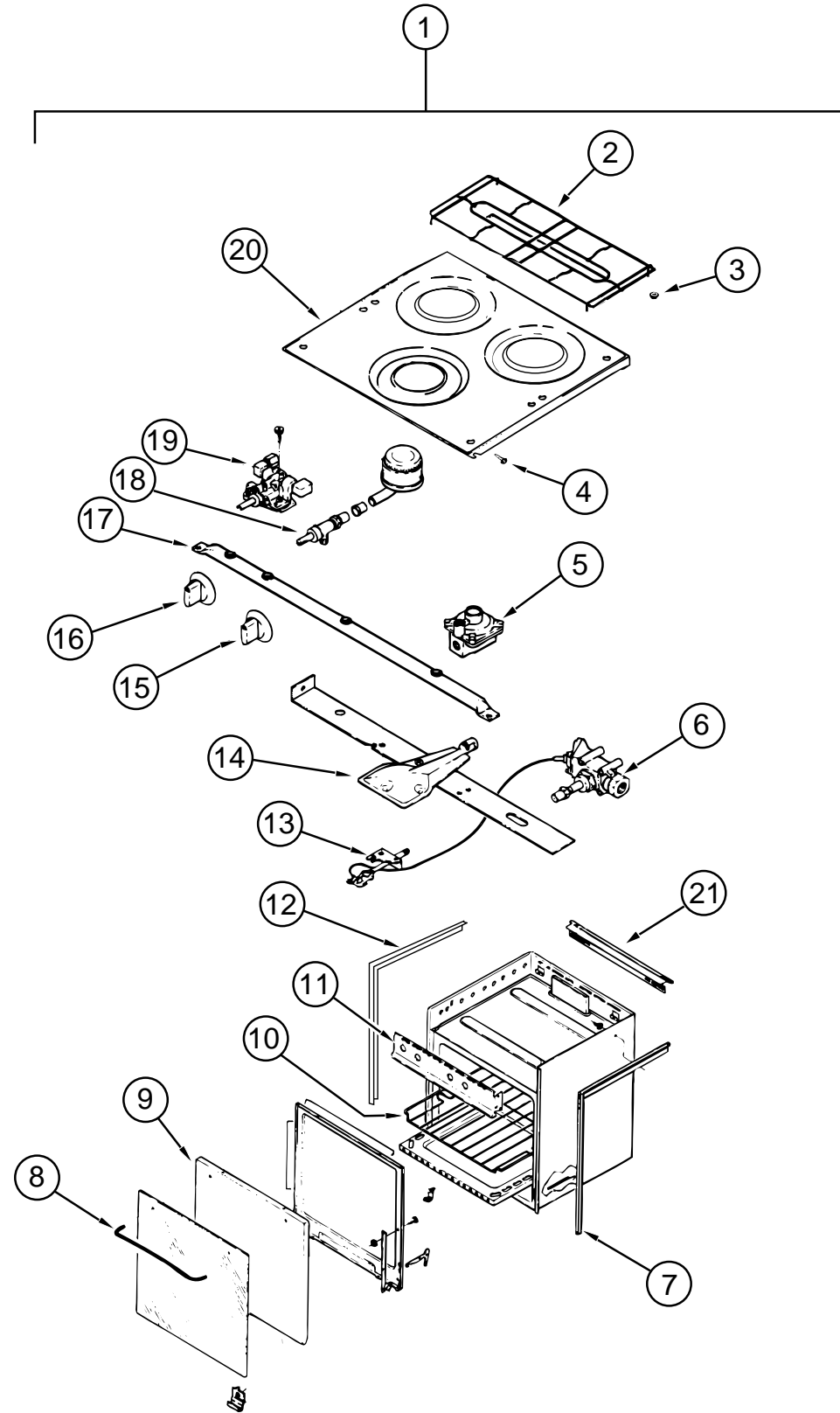
SEAFOAM METALLIC	GM200
DELFT BLUE	BM501
MENDOCINO PEARL	F2985
SPARKLING TEAL	GM098

GALLEY GROUP
GALLEY CABINETRY



KEY	PART NUMBER	U/M	DESCRIPTION
1	121328-08-H33	EA	CABINET - OVERHEAD MICROWAVE - W/O DOORS/DRAWERS/HARDWARE
2	M05992-J9-H13	EA	DOOR - MITERED CORNER/OGEE EDGE - 5.1" X 22.4" - W/O HDW
3	081320-16-G09	EA	END CAP - OVERHEAD CABINET
4	M06803-09-G09	EA	DOOR - MITERED CORNER/OGEE EDGE - 9" X 26" - W/O HARDWARE
4	M06803-K4-G09	EA	DOOR - MITERED CORNER/OGEE EDGE - 14.3" X 21.8" - W/O HDW EXPORT UPGRADE OPTION - RAISED PANEL
5	103276-01-G09	EA	CABINET - OVERHEAD GALLEY - W/O DOORS/HARDWARE
	103276-11-G09	EA	SHELF - W/PLASTIC EDGE TRIM - F/GALLEY OVERHEAD CABINET
6	081320-17-G09	EA	END CAP - OVERHEAD CABINET
7	103243-01-000	EA	FAUCET - DUAL CONTROL
8	110654-01-000	EA	SINK - STAINLESS STEEL/DOUBLE BASIN (1 LG-1 SM BASIN)
	092303-01-000	EA	STRAINER - SINK
	108464-03-G42	EA	COVER - SINK - 15" X 11" - SMALL SINK (H12, H13)
	108464-03-F40	EA	COVER - SINK - 15" X 11" - SMALL SINK (H14, H15)
	108464-03-E38	EA	COVER - SINK - 15" X 11" - SMALL SINK (H16)
	108464-04-E08	EA	COVER - SINK - LARGE - 15" X 15" (H12, H13)
	108464-04-F40	EA	COVER - SINK - LARGE - 15" X 15" (H14, H15)
	108464-04-E38	EA	COVER - SINK - LARGE - 15" X 15" (H16)
9	098335-18-H13	EA	RAIL - GALLEY - 25" (H12, H13)
9	098335-18-H14	EA	RAIL - GALLEY - 25" (H14, H15)
9	098335-18-H33	EA	RAIL - GALLEY - 25" (H16)
10	121858-13-H13	EA	COUNTERTOP - GALLEY (H12, H13)
10	121858-13-H14	EA	COUNTERTOP - GALLEY (H14, H15)
10	121858-13-H33	EA	COUNTERTOP - GALLEY (H16)
10	121858-14-H13	EA	COUNTERTOP - GALLEY (H12, H13) W.I.E. EXPORT OPTION
10	121858-14-H14	EA	COUNTERTOP - GALLEY (H14, H15) W.I.E. EXPORT OPTION
10	121858-14-H16	EA	COUNTERTOP - GALLEY (H16) W.I.E. EXPORT OPTION
11	121858-01-H13	EA	CABINET - GALLEY - W/O DOORS/DRAWERS/HARDWARE (H12, H13)
11	121858-01-H14	EA	CABINET - GALLEY - W/O DOORS/DRAWERS/HARDWARE (H14, H15)
11	121858-01-H33	EA	CABINET - GALLEY - W/O DOORS/DRAWERS/HARDWARE (H16)
	121858-12-H13	EA	SHELF - W/PLASTIC EDGE TRIM
11	121858-02-H13	EA	CABINET - GALLEY - W/O DOORS/DRAWERS/HARDWARE (H12, H13) W.I.E. EXPORT OPTION
11	121858-02-H14	EA	CABINET - GALLEY - W/O DOORS/DRAWERS/HARDWARE (H14, H15) W.I.E. EXPORT OPTION
11	121858-02-H16	EA	CABINET - GALLEY - W/O DOORS/DRAWERS/HARDWARE (H16) W.I.E. EXPORT OPTION
12	M06803-09-G09	EA	DOOR - MITERED CORNER/OGEE EDGE - 9" X 26" - W/O HARDWARE
13	M06803-08-G09	EA	DOOR - MITERED CORNER/OGEE EDGE - 9" X 26" - W/O HARDWARE
14	M05971-11-G09	EA	DRAWER - OGEE EDGE - 9.9"W X 17.7"D - W/O SLIDES/HARDWARE
15	M05971-83-G09	EA	DRAWER - OGEE EDGE - 8.4"W X 7.6"D - W/O SLIDES/HARDWARE
16	M05971-50-G09	EA	DRAWER - OGEE EDGE - 17.7"W X 19.8"D - W/O SLIDES/HARDWARE
17	M05971-E0-G09	EA	DRAWER - OGEE EDGE - 5.5"W X 17.7"D - W/O SLIDES/HARDWARE W.I.E. EXPORT OPTION
	090329-01-000	FT	SEAL/T - REFRIGERATOR CABINET

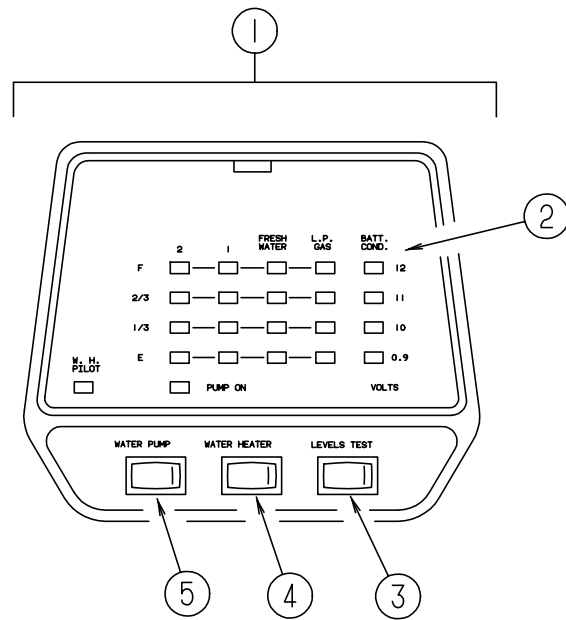
GALLEY GROUP (CONTINUED)
MAGIC CHEF RANGE



KEY	PART NUMBER	U/M	DESCRIPTION	VENDOR NO.
1	112881-01-04A	EA	RANGE - 16", 3 BURNER - MAGIC CHEF 16RB-3B49	
2	102020-01-711	EA	GRATE-TOP	7518P012-60
3	102020-01-709	EA	BUMPER-GRATE	8007-P020-60
4	102020-01-724	EA	BUMPER-MAIN TOP	8003P008-60
5	102022-01-708	EA	REGULATOR-PRESSURE, 1/4 IN 1/2 OUT	7510P041-60
6	112881-01-702	EA	VALVE-MERCURY, SAFETY VALVE	7501-P121-60
7	112881-01-720	EA	TRIM-FLAT, RIGHT - BLACK TEXTURED	74002813
8	102020-01-701	EA	HANDLE-DOOR	7701P092-60
9	112881-01-713	EA	DOOR-OVEN, TEXTURED	2401F079-70
10	102020-01-700	EA	SHELF-OVEN	7801-P027-60
11	112881-01-701	EA	MANIFOLD PANEL	2616F091-70
12	112881-01-707	EA	TRIM-FLAT, LEFT - BLACK TEXTURED	74002812
13	112881-01-710	EA	PILOT-OVEN	7505P202-60
14	112881-01-711	EA	BURNER ASSEMBLY-OVEN	3404W025045
15	112881-01-705	EA	KNOB-TOP BURNER	7733P072-60
15	112881-01-718	EA	KNOB-HIGH OUTPUT, FLAME INDICATOR	74001794
16	112881-01-704	EA	KNOB-THERMOSTAT	7731P067-60
16	112881-01-716	EA	KNOB-THERMOSTAT, REF. SER. # 03C	7731P107-60
17	112881-01-709	EA	PIPE-MANIFOLD	7513P097-60
18	102020-01-722	EA	VALVE-TOP BURNER	7502P181-60
18	112881-01-703	EA	VALVE-TOP BURNER, HI-OUTPUT	7502P180-60
19	112881-01-706	EA	THERMOSTAT - REF. SER. # 02C	12400026
19	112881-01-715	EA	THERMOSTAT - REF. SER. # 03C	7515P037-60
19	112881-01-722	EA	THERMOSTAT - REF. SER. # 01C, 11, 12, 13, ETC.	7515P029-60
20	112881-01-712	EA	TOP-MAIN, BLACK	740101486
21	112881-01-721	EA	DEFLECTOR-FLUE, BLACK TEXTURED	74002809
	105458-01-000	EA	BRACKET - STOVE TIEDOWN - RIGHT HAND	
	105458-02-000	EA	BRACKET - STOVE TIEDOWN - LEFT HAND	

NOTE: (REF. SER. #) REFERS TO THE FIRST THREE CHARACTERS OF THE RANGE'S SERIAL NUMBER

GALLEY GROUP (CONTINUED)



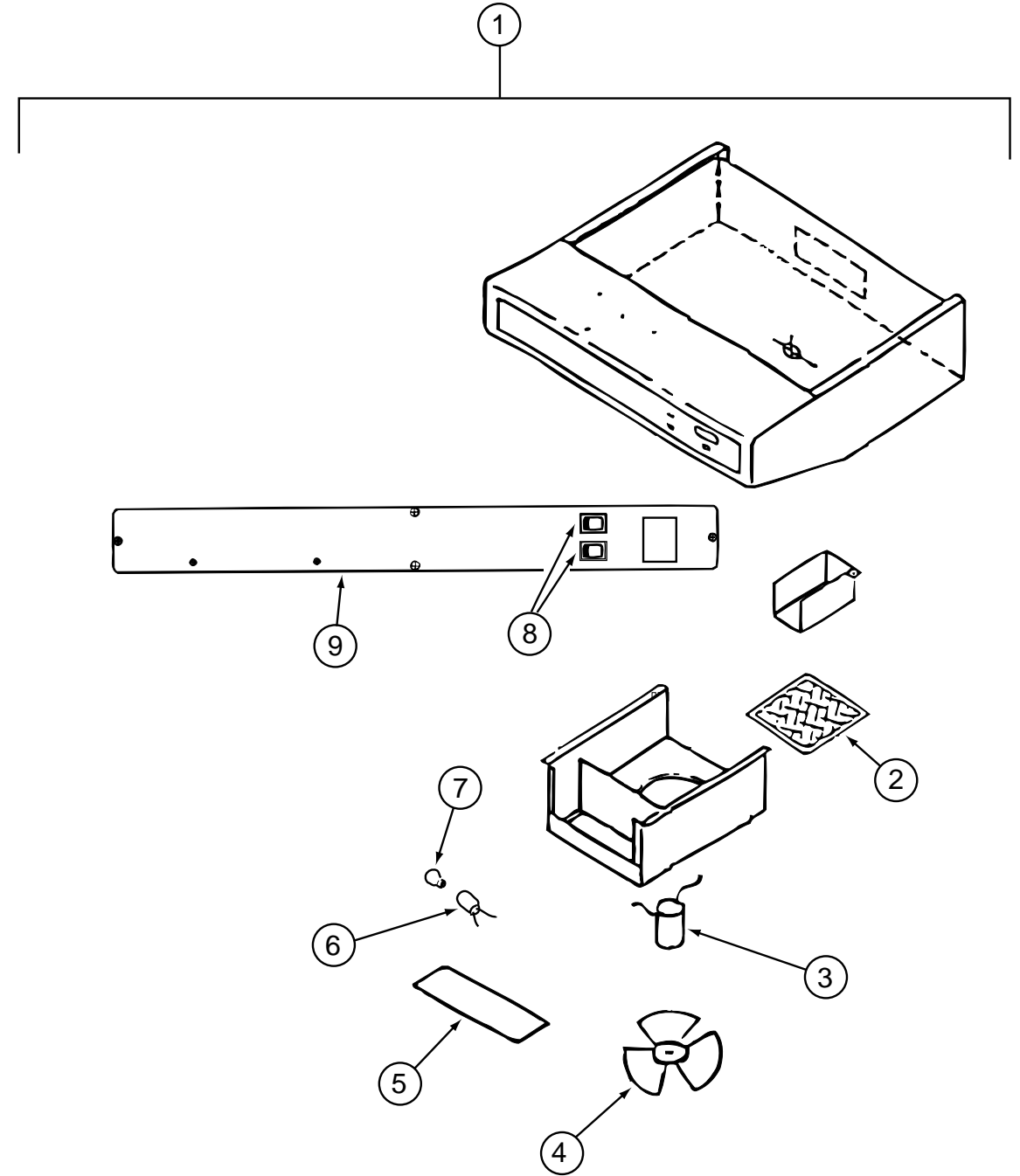
LVS MONITOR PANEL

KEY	PART NUMBER	U/M DESCRIPTION
1	102765-04-01A	EA PANEL-MONITOR, W/PLUG - FOR 2 TANKS & WATER HEATER
2	102765-04-700	EA BOARD-CIRCUIT, 2 HOLDING TANK
3	097617-01-702	EA SWITCH (ALMOND)
4	097617-01-701	EA SWITCH-ON/OFF, ALMOND
5	102765-01-700	EA SWITCH-ON-ON, ALMOND

VENDOR NO.

5076-11
107
106
110-01

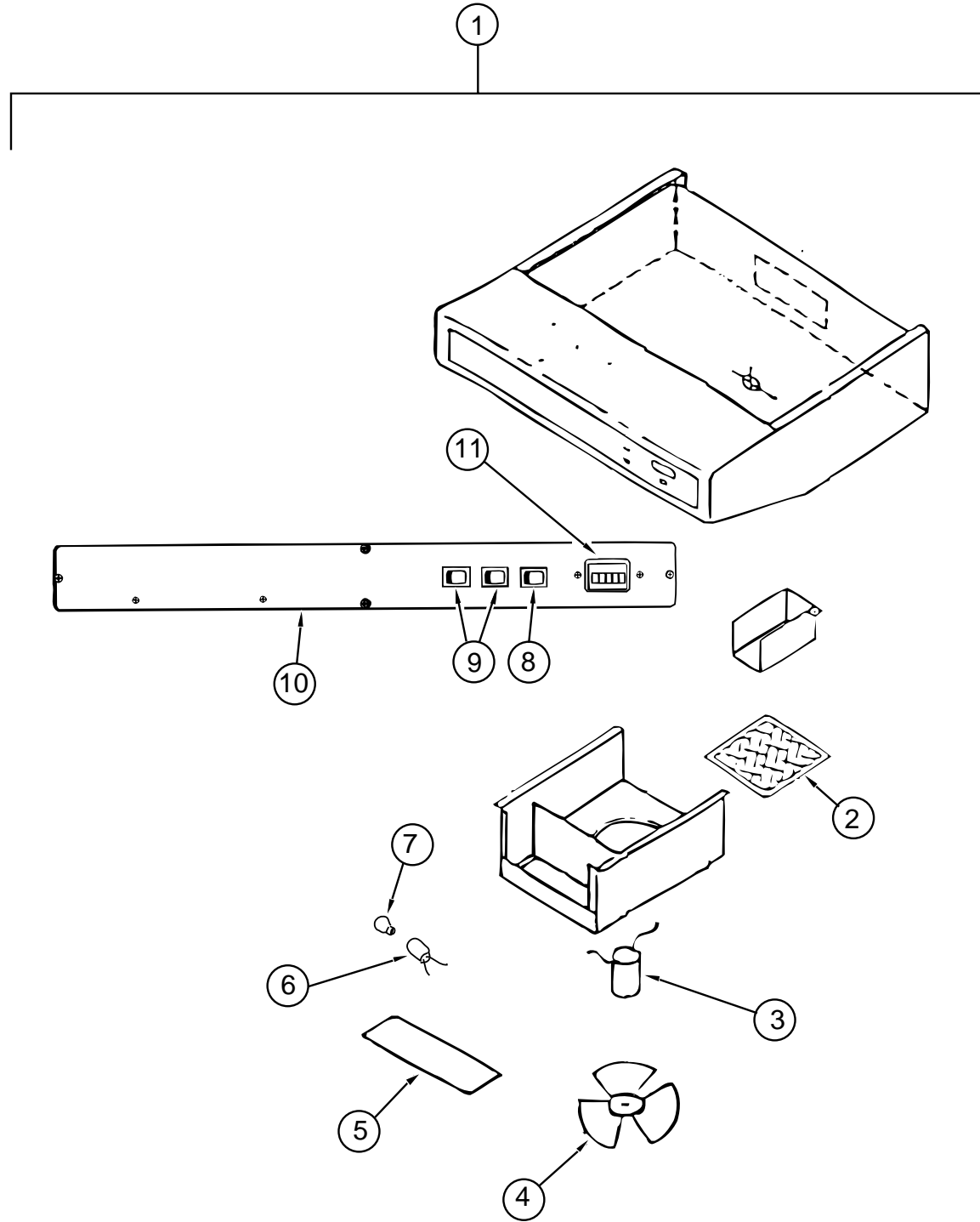
GALLEY GROUP (CONTINUED)



RANGE HOOD - US - STANDARD

KEY	PART NUMBER	U/M DESCRIPTION	VENDOR NO.
1	100258-16-04A	EA HOOD-RANGE, W/O MONITOR PANEL - VENTLINE TCS-5008-NBDLG	
2	096983-01-707	EA FILTER-MESH	CC246
3	090973-01-700	EA MOTOR-12 VOLT, CSA & UL	CA508-1
4	090973-01-702	EA BLADE-FAN	VA183-1
5	092696-02-701	EA LENS-LAMP	CC179-2
6	092696-01-710	EA HOLDER-LAMP	CB267-2
7	092696-01-709	EA LAMP #912	VA415
8	096983-01-700	EA SWITCH-ON/OFF	108
9	100258-01-700	EA LABEL-HOOD NOSE	CC428

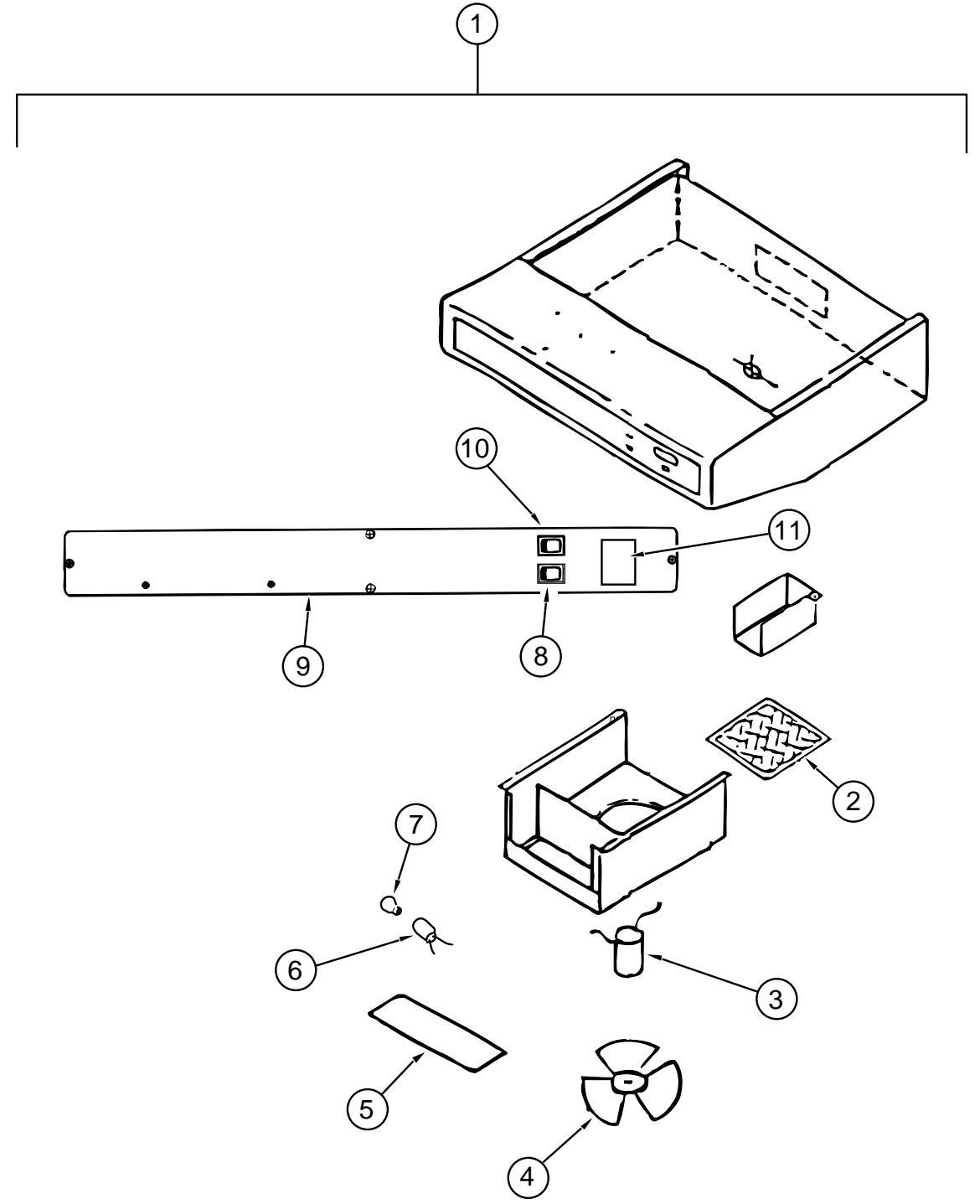
GALLEY GROUP (CONTINUED)



RANGE HOOD - US - GENERATOR OPTIONS

KEY	PART NUMBER	U/M DESCRIPTION	VENDOR NO.
1	100258-18-03A	EA HOOD-RANGE, W/O MONITOR PANEL - VENTLINE TP-55009-SBO-LG	
2	096983-01-707	EA FILTER-MESH	CC246
3	090973-01-700	EA MOTOR-12 VOLT, CSA & UL	CA508-1
4	090973-01-702	EA BLADE-FAN	VA183-1
5	092696-02-701	EA LENS-LAMP	CC179-2
6	092696-01-710	EA HOLDER-LAMP	CB267-2
7	092696-01-709	EA LAMP #912	VA415
8	096983-01-702	EA SWITCH-MOM/MOM	112
9	096983-01-700	EA SWITCH-ON/OFF	108
10	100258-01-700	EA LABEL-HOOD NOSE	CC428
11	100258-10-01A	EA GAUGE-HOUR METER W/SWITCH - SCREW ON STYLE - 150	
11	100258-10-701	EA GAUGE-HOUR METER, CLIP ON	L0775-00

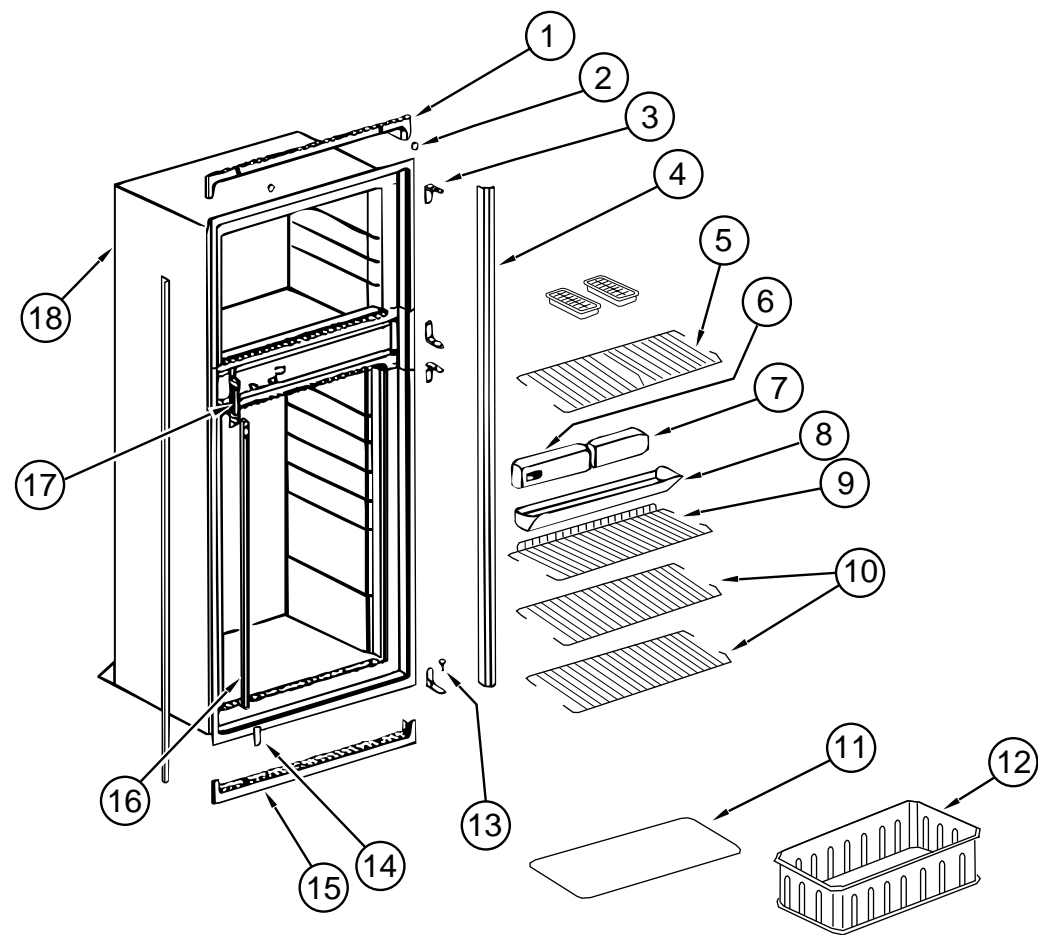
GALLEY GROUP (CONTINUED)



RANGE HOOD - CANADIAN

KEY	PART NUMBER	U/M DESCRIPTION	VENDOR NO.
1	100258-17-04A	EA HOOD-RANGE, W/O MONITOR PANEL VENTLINE TCS 500-NBCLG	
2	096983-01-707	EA FILTER-MESH	CC246
3	090973-01-700	EA MOTOR-12 VOLT, CSA & UL	CA508-1
4	090973-01-702	EA BLADE-FAN	VA183-1
5	092696-02-701	EA LENS-LAMP	CC179-2
6	092696-01-710	EA HOLDER-LAMP	CB267-2
7	092696-01-709	EA LAMP #912	VA415
8	096983-01-700	EA SWITCH-ON/OFF	108
9	100258-01-700	EA LABEL-HOOD NOSE	CC428
10	096983-01-702	EA SWITCH-MOM/MOM	112
11	100258-10-01A	EA GAUGE-HOUR METER W/SWITCH - SCREW ON (OPTION) - 150	
11	100258-10-701	EA GAUGE-HOUR METER, CLIP ON (OPTION)	L0775-00

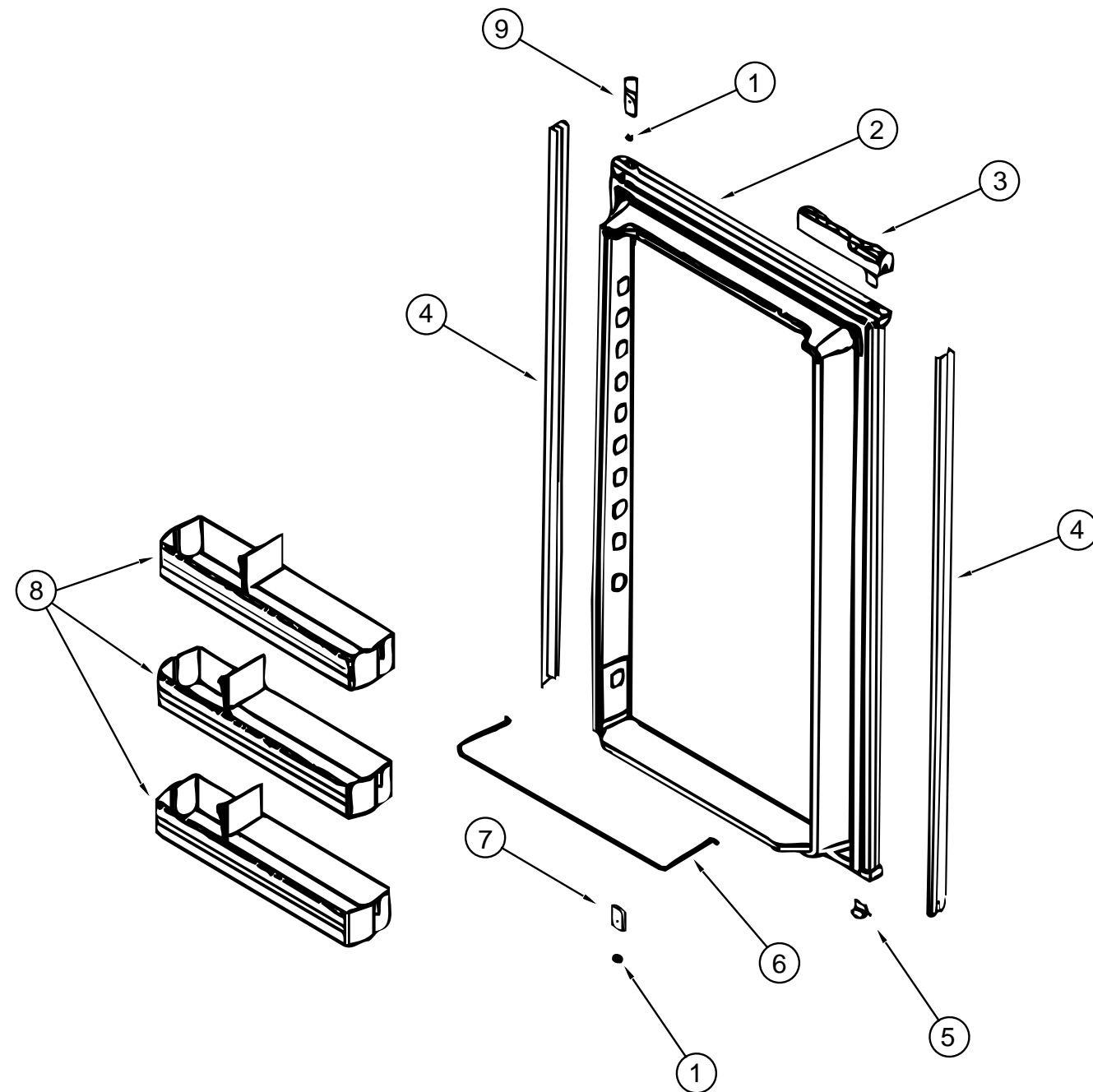
GALLEY GROUP (CONTINUED)



NORCOLD MODEL 9162 LH REFRIGERATOR CABINET ASM WITH TRAY, TIEDOWNS & LEVEL

KEY	PART NUMBER	U/M DESCRIPTION	VENDOR NO.
	121568-02-01A	EA REFRIGERATOR - SMALL DOUBLE DOOR - LEFT HAND - 2-WAY	
1	120075-01-713	EA TRIM-TOP PIECE	618124
2	120075-01-714	EA PLUG-HOLE	618170
3	120075-01-715	EA HINGE-CABINET SIDE, PAINTED	618512
	120075-01-708	EA BUSHING-DOOR HINGE	618144
4	120076-01-702	EA TRIM, SIDE PIECE	618133
5	121568-01-705	EA SHELF-WIRE, FREEZER	618620
6	121568-01-706	EA CONTROL BOX ASSEMBLY	618588
7	120075-01-718	EA BOX-FILLER	618112
8	120075-01-720	EA TRAY-DRIP	618137
	120075-01-721	EA LOUVER-DRIP TRAY	618176
9	121568-01-707	EA SHELF-WIRE, SHORT	618624
10	121568-01-708	EA SHELF-WIRE	618589
11	120075-01-725	EA COVER-CRISPER	618158
12	121568-01-709	EA CRISPER	618571
13	120075-01-727	EA PIN-HINGE	618145
14	120075-01-728	EA COVER-HINGE HOLE	618171
15	120075-01-729	EA TRIM-BOTTOM PIECE	618136
16	120075-01-730	EA RETAINER-SHELF	618181
17	120075-01-732	EA PLATE-STRIKE	618167
18	120076-01-703	EA CABINET-FOAMED	618260
	120075-01-731	EA PLUG-FACADE	618184
	116751-06-01A	EA TRAY-REFRIGERATOR	
	054450-01-000	EA LEVEL-REFRIGERATOR	
	065225-02-000	EA PLATE-TIEDOWN, REFRIGERATOR	
	093646-01-000	EA BRACKET ASM-TIEDOWN, REFRIGERATOR - RH	
	093646-02-000	EA BRACKET ASM-TIEDOWN, REFRIGERATOR - LH	

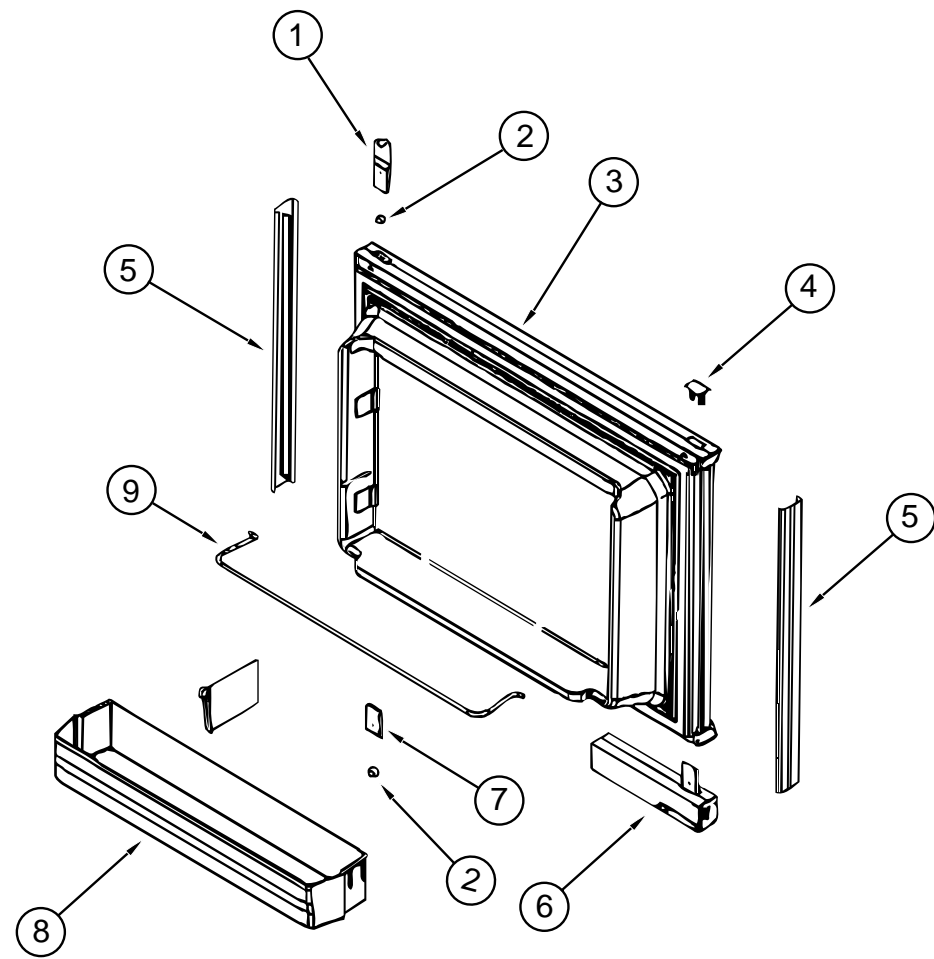
GALLEY GROUP (CONTINUED)



NORCOLD MODEL 9162 LH REFRIGERATOR LOWER DOOR

KEY	PART NUMBER	U/M DESCRIPTION	VENDOR NO.
	121568-02-01A	EA REFRIGERATOR - SMALL DOUBLE DOOR - LEFT HAND - 2-WAY	
1	120075-01-708	EA BUSHING-DOOR HINGE	618144
2	120076-01-701	EA DOOR-LOWER-FOAMED, W/GASKET	618210
3	121568-01-702	EA DOOR HANDLE - UPR RH/LWR LH	618230
4	120076-01-700	EA RETAINER-LOWER DOOR PANEL	618132
5	120075-01-702	EA CAP-HINGE PLUG	618160
6	121568-01-704	EA RAIL-DOOR, LOWER	618578
7	120075-01-705	EA HINGE-PAINTED, TOP LH/BOTTOM RH	618510
8	121568-01-701	EA BIN-DOOR, WHITE	618619
9	120075-01-701	EA HINGE-TOP RH/BOTTOM LH, PAINTED	618511

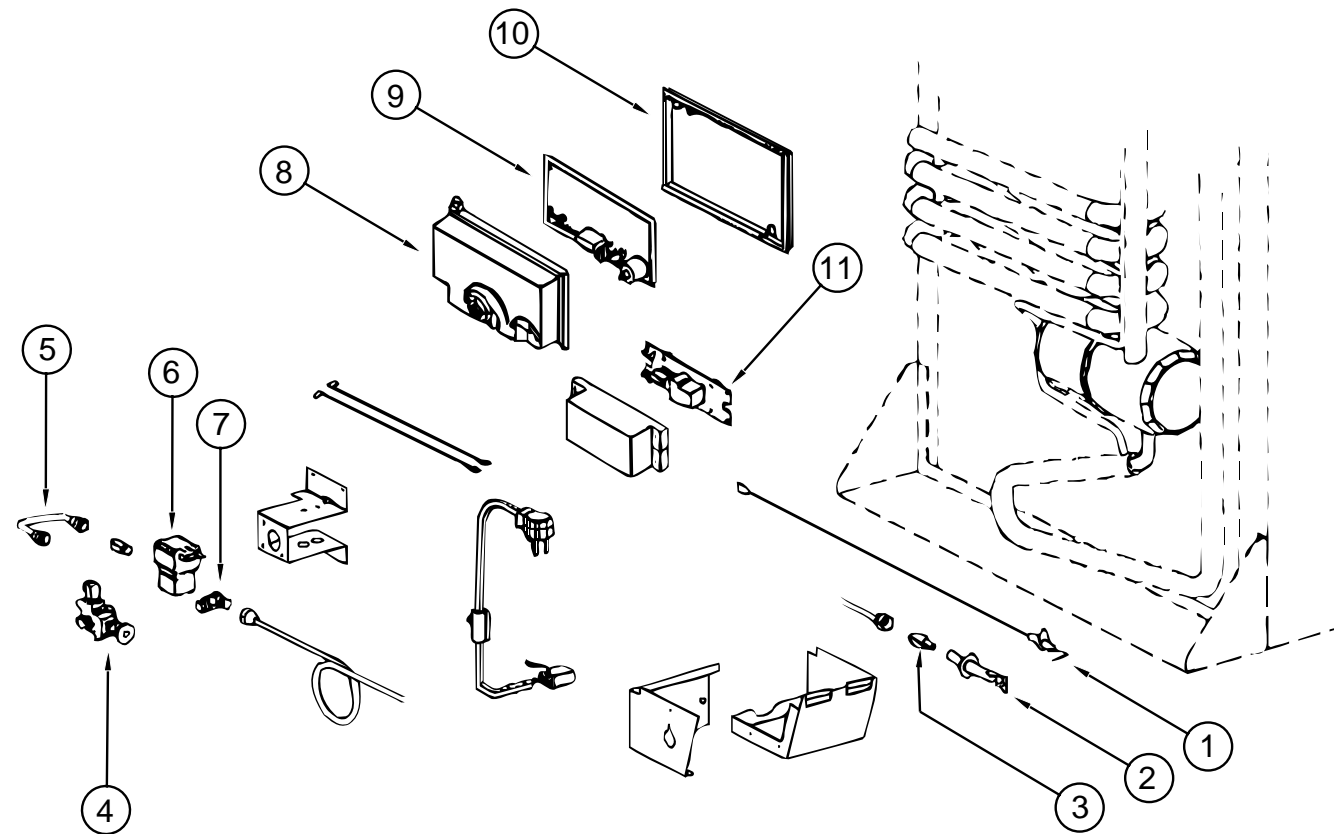
GALLEY GROUP (CONTINUED)



NORCOLD MODEL 9162 LH REFRIGERATOR UPPER DOOR

KEY	PART NUMBER	U/M DESCRIPTION	VENDOR NO.
	121568-02-01A	EA REFRIGERATOR - SMALL DOUBLE DOOR - LEFT HAND - 2-WAY	
1	120075-01-701	EA HINGE-TOP RH/BOTTOM LH, PAINTED	618511
2	120075-01-708	EA BUSHING-DOOR HINGE	618144
3	120075-01-703	EA DOOR ASSEMBLY-FOAMED, W/GASKET	618205
4	120075-01-702	EA CAP-HINGE PLUG	618160
5	120075-01-700	EA RETAINER-DOOR, DECOR PANEL	618128
6	120075-01-711	EA DOOR HANDLE - UPR LH/LWR RH	618235
7	120075-01-705	EA HINGE-PAINTED, TOP LH/BOTTOM RH	618510
8	121568-01-701	EA BIN-DOOR, WHITE	618619
9	121568-01-700	EA RAIL-DOOR, UPPER	618618

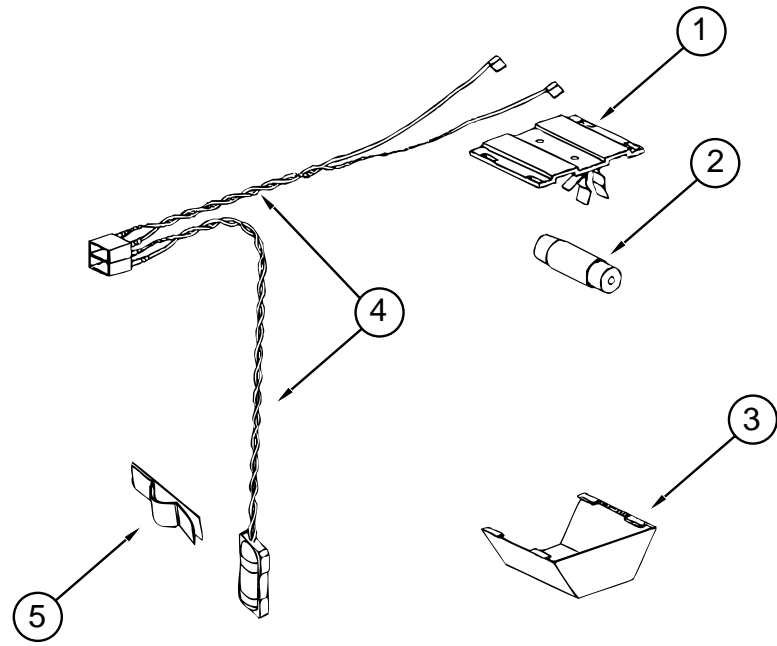
GALLEY GROUP (CONTINUED)



NORCOLD MODEL 9162 LH REFRIGERATOR BURNER & POWER BOARDS

KEY	PART NUMBER	U/M DESCRIPTION	VENDOR NO.
	121568-02-01A	EA REFRIGERATOR - SMALL DOUBLE DOOR - LEFT HAND - 2-WAY	
1	104137-06-715	EA ELECTRODE-SPARK/SENSOR, SGL	61692222
2	104137-06-714	EA BURNER ASSEMBLY, 5 SLOT	61705222
3	120076-01-705	EA ORIFICE-JEWEL, .015	618283
4	104137-06-709	EA VALVE-SHUT OFF, MANUAL	61694922
5	113737-01-750	EA TUBE-UNION	61694622
6	084880-01-718	EA VALVE-GAS, ASCO	61551822
7	113737-01-716	EA TAP-PRESSURE	61594422
8	120075-01-738	EA COVER-POWER BOARD	618185
9	120075-01-741	EA BOARD-POWER, 2-WAY	618574
10	120075-01-740	EA COVER-BASE, POWER BOARD	618186
11	121568-01-711	EA BOARD-MODULE, DC	618561
	113737-01-702	EA PLUG - 1/8" F/PRESSURE TAP	61445322

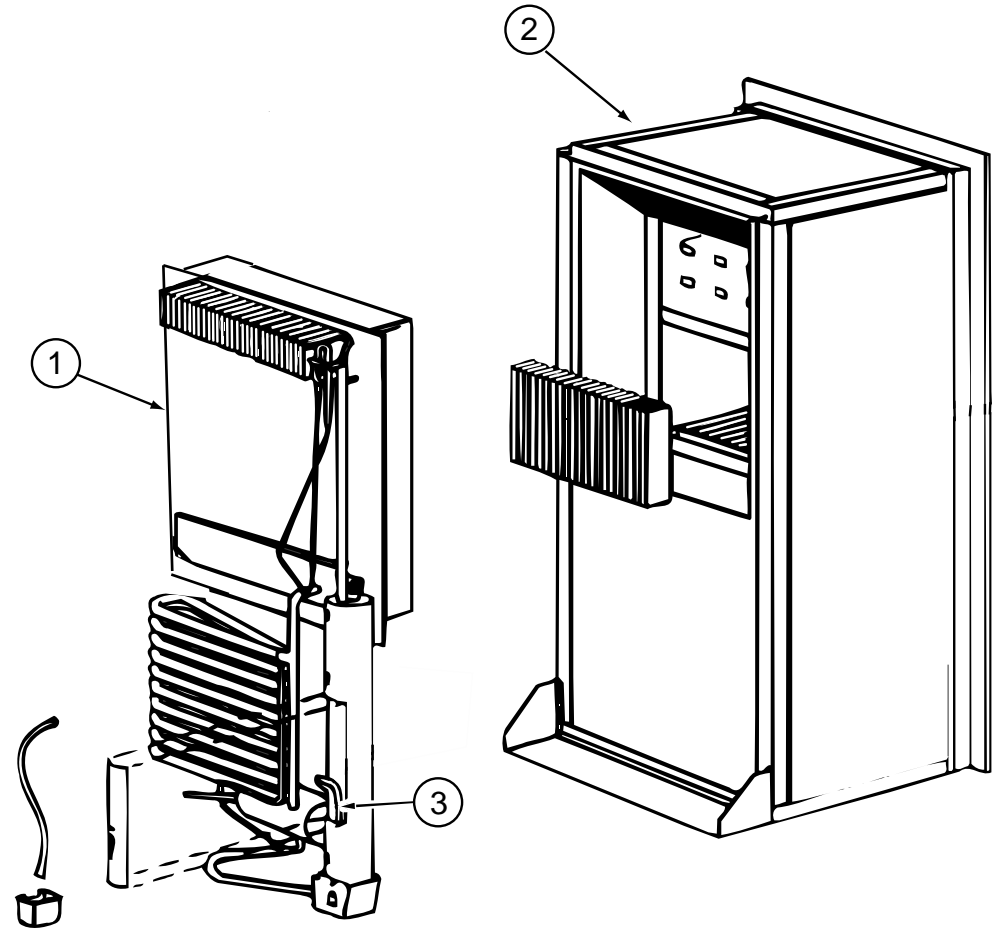
GALLEY GROUP (CONTINUED)



NORCOLD MODEL 9162 LH REFRIGERATOR LAMP ASM

KEY	PART NUMBER	U/M	DESCRIPTION
	121568-02-01A	EA	REFRIGERATOR - SMALL DOUBLE DOOR - LEFT HAND - 2-WAY
1	084880-03-705	EA	BRACKET-LIGHT, INTERIOR
2	084880-03-706	EA	BULB-LAMP
3	084880-03-707	EA	COVER-LAMP, LENS
4	120075-01-735	EA	THERMISTER W/LAMP & WIRE/ASM
5	084880-01-760	EA	CLIP-THERMISTER

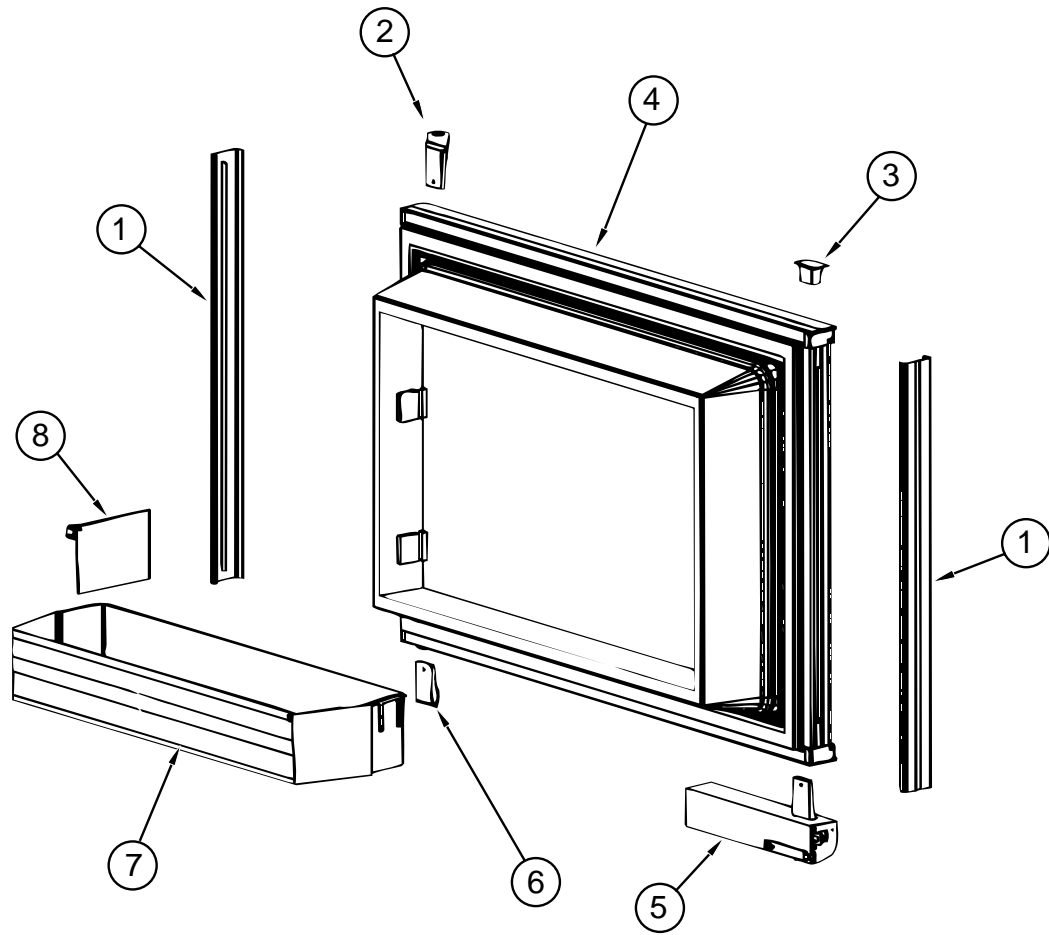
GALLEY GROUP (CONTINUED)



NORCOLD MODEL 9162 LH REFRIGERATOR COOLING UNIT, CABINET, & HEATERS

VENDOR NO.	KEY	PART NUMBER	U/M	DESCRIPTION	VENDOR NO.
		121568-02-01A	EA	REFRIGERATOR - SMALL DOUBLE DOOR - LEFT HAND - 2-WAY	
61629722	1	120076-01-704	EA	COOLING UNIT-SERVICE PACK	618543
61628922	2	120076-01-703	EA	CABINET-FOAMED	618260
61627922	3	088248-01-709	EA	HEATER-AC, HORIZONTAL	61562722
618548					
61689122					

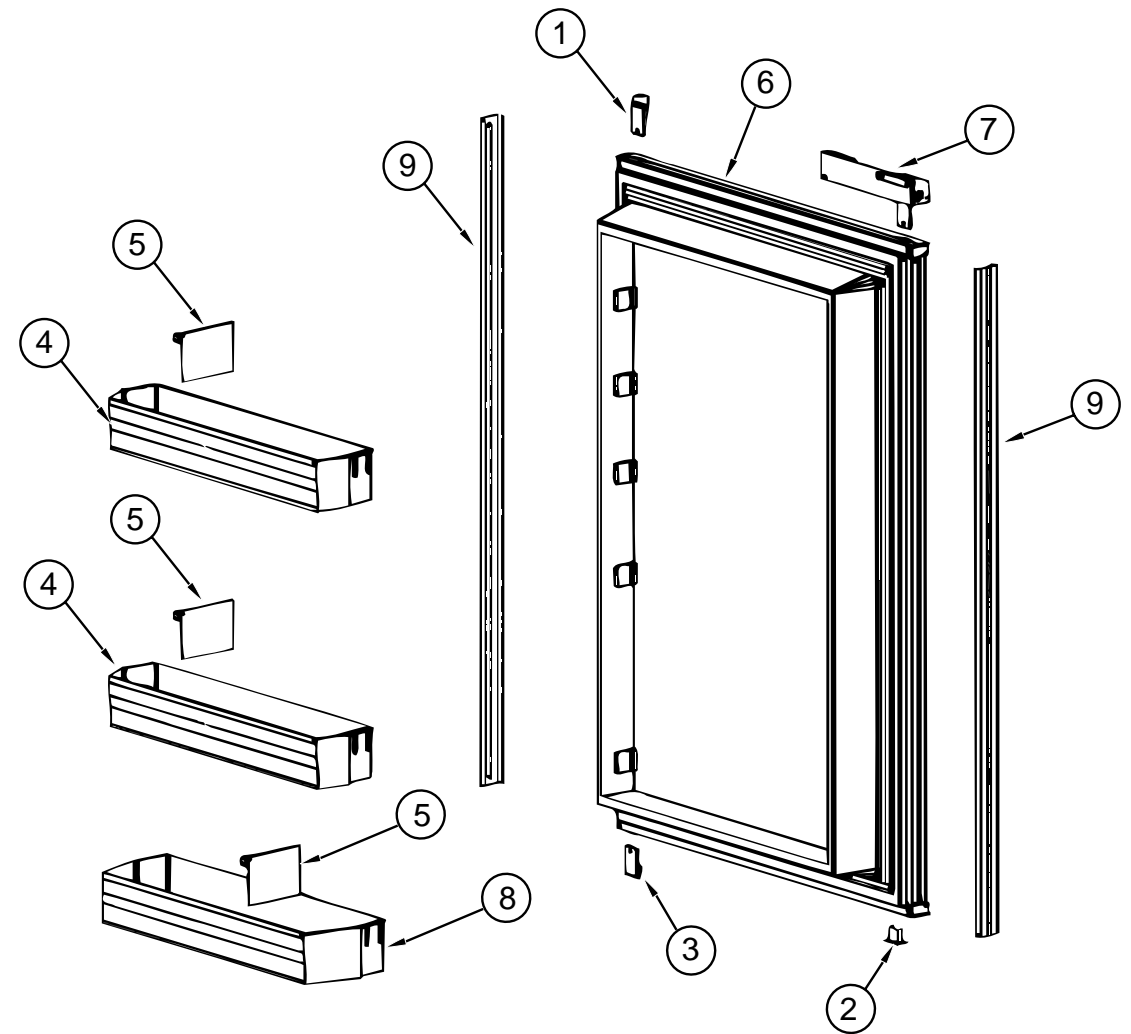
GALLEY GROUP (CONTINUED)



NORCOLD 963 REFRIGERATOR UPPER DOOR ASSEMBLY - W.I.E. EXPORT

KEY	PART NUMBER	U/M DESCRIPTION	VENDOR NO.
	120076-03-01A	EA REFRIGERATOR - SMALL DOUBLE DOOR/BLACK 3-WAY - RIGHT HAND	
1	120075-01-700	EA RETAINER - DOOR DECOR PANEL	618128
2	120075-01-701	EA HINGE-TOP RH/BOTTOM LH	618511
3	120075-01-702	EA CAP, (HINGE PLUG)	618160
4	120075-01-703	EA DOOR ASM., FOAMED, W/GASKET	618205
5	120075-01-704	EA DOOR HANDLE - UPR RH/LWR LH	618230
6	120075-01-705	EA HINGE-TOP LH/BOTTOM RH	618510
7	120075-01-706	EA BIN-DOOR	618635
8	120075-01-707	EA DIVIDER-DOOR BIN	618637

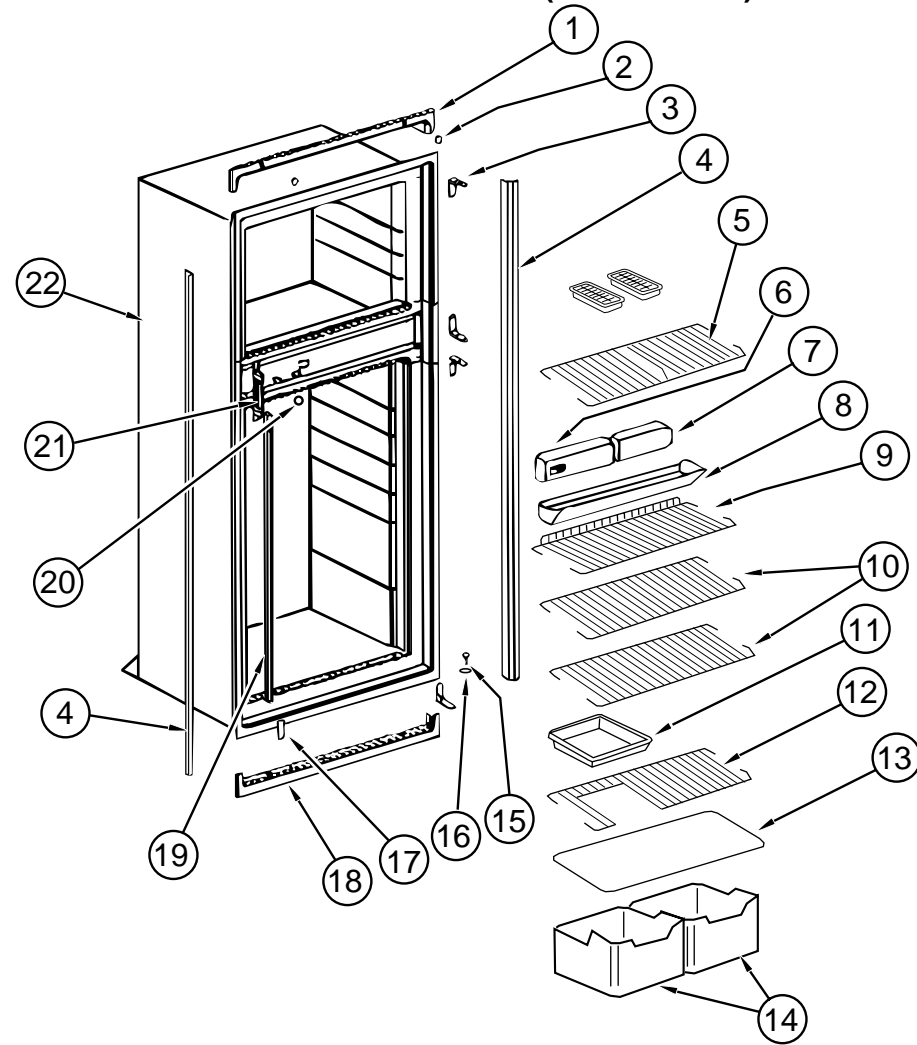
GALLEY GROUP (CONTINUED)



NORCOLD 963 REFRIGERATOR LOWER DOOR ASSEMBLY - W.I.E. EXPORT

KEY	PART NUMBER	U/M DESCRIPTION	VENDOR NO.
	120076-03-01A	EA REFRIGERATOR - SMALL DOUBLE DOOR/BLACK 3-WAY - RIGHT HAND	
1	120075-01-701	EA HINGE-TOP RH/BOTTOM LH	618511
2	120075-01-702	EA CAP, (HINGE PLUG)	618160
3	120075-01-705	EA HINGE-TOP LH/BOTTOM RH	618510
4	120075-01-706	EA BIN-DOOR	618635
5	120075-01-707	EA DIVIDER-DOOR BIN	618637
6	120076-01-701	EA DOOR-LOWER-FOAMED, W/GASKET	618210
7	120075-01-711	EA DOOR HANDLE- UPR LH/LOWER RH	618235
8	120075-01-712	EA BIN-DOOR/BOTTOM-LARGE	618634
9	121568-01-703	EA RETAINER - PANEL LOWER DOOR	618129

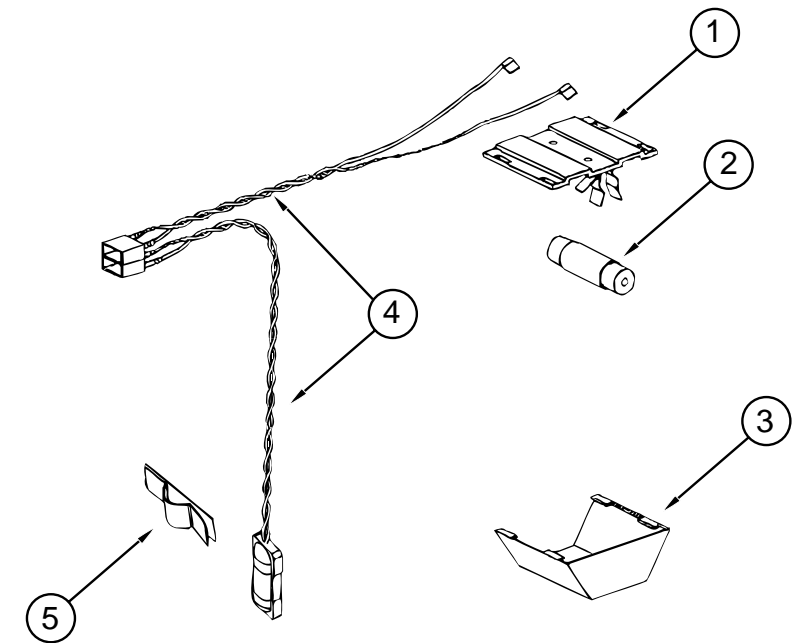
GALLEY GROUP (CONTINUED)



NORCOLD 963 REFRIGERATOR CABINET ASSEMBLY - W.I.E. EXPORT

KEY	PART NUMBER	U/M	DESCRIPTION	VENDOR NO.
	120076-03-01A	EA	REFRIGERATOR - SMALL DOUBLE DOOR/BLACK 3-WAY - RIGHT HAND	
1	120075-01-713	EA	TRIM-TOP PIECE	618124
2	120075-01-714	EA	PLUG-HOLE	618170
3	120075-01-715	EA	HINGE-CABINET	618512
4	120075-01-716	EA	TRIM-SIDE PIECE	618134
5	120075-01-717	EA	SHELF-FREEZER, WIRE	618172
6	120075-01-719	EA	OPTICAL CONTROL BOX ASSEMBLY	618245
7	120075-01-718	EA	BOX-FILLER	618112
8	120075-01-720	EA	TRAY-DRIP	618137
	120075-01-721	EA	LOUVER-DRIP TRAY	618176
9	120075-01-722	EA	SHELF-WIRE, SHORT	618239
10	120075-01-723	EA	SHELF-WIRE	618114
11	104137-06-718	EA	SHELF-TRAY, WHITE, W/CUTOUT	617756
12	120075-01-724	EA	SHELF-WIRE, W/CUTOUT	618177
13	120075-01-725	EA	COVER-CRISPER	618158
14	120075-03-704	EA	BIN-ICE CUBE	618154
15	120075-01-727	EA	PIN-HINGE	618145
16	120075-01-708	EA	BUSHING-DOOR HINGE	618144
17	120075-01-728	EA	COVER-HINGE HOLE	618171
18	120075-01-729	EA	TRIM-BOTTOM PIECE	618136
19	120075-01-730	EA	RETAINER-SHELF	618181
20	120075-01-731	EA	PLUG-FACADE	618184
21	120075-01-732	EA	PLATE-STRIKE	618167
22	120075-01-733	EA	CABINET-FOAMED	618265
	054450-01-000	EA	LEVEL - REFRIGERATOR	
	065225-02-000	EA	PLATE - TIEDOWN - REFRIGERATOR	
	093646-01-000	EA	BRACKET - TIEDOWN/REFRIGERATOR - RIGHT HAND	
	093646-02-000	EA	BRACKET - TIEDOWN/REFRIGERATOR - LEFT HAND	
	116751-06-01A	EA	TRAY - REFRIGERATOR - BLACK	

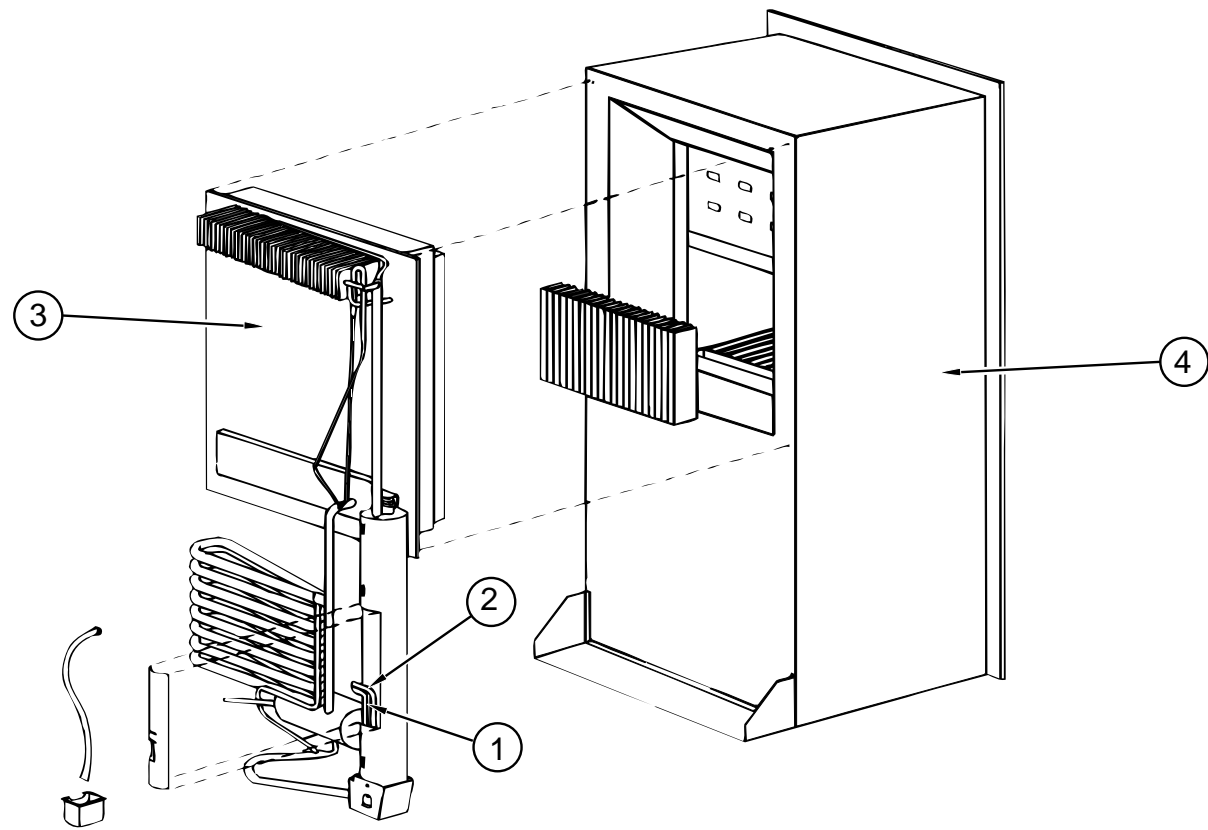
GALLEY GROUP (CONTINUED)



NORCOLD 963 REFRIGERATOR LIGHT & THERMISTER - W.I.E. EXPORT

KEY	PART NUMBER	U/M	DESCRIPTION	VENDOR NO.
	120076-03-01A	EA	REFRIGERATOR - SMALL DOUBLE DOOR/BLACK 3-WAY - RIGHT HAND	
1	084880-03-705	EA	BRACKET-LIGHT-INTERIOR	61629722
2	084880-03-706	EA	BULB-LAMP	61628922
3	120075-01-734	EA	COVER-LENS	618190
4	120075-01-735	EA	THERMISTER W/LAMP & WIRE/ASM	618548
5	084880-01-760	EA	CLIP (THERMISTER)	61689122

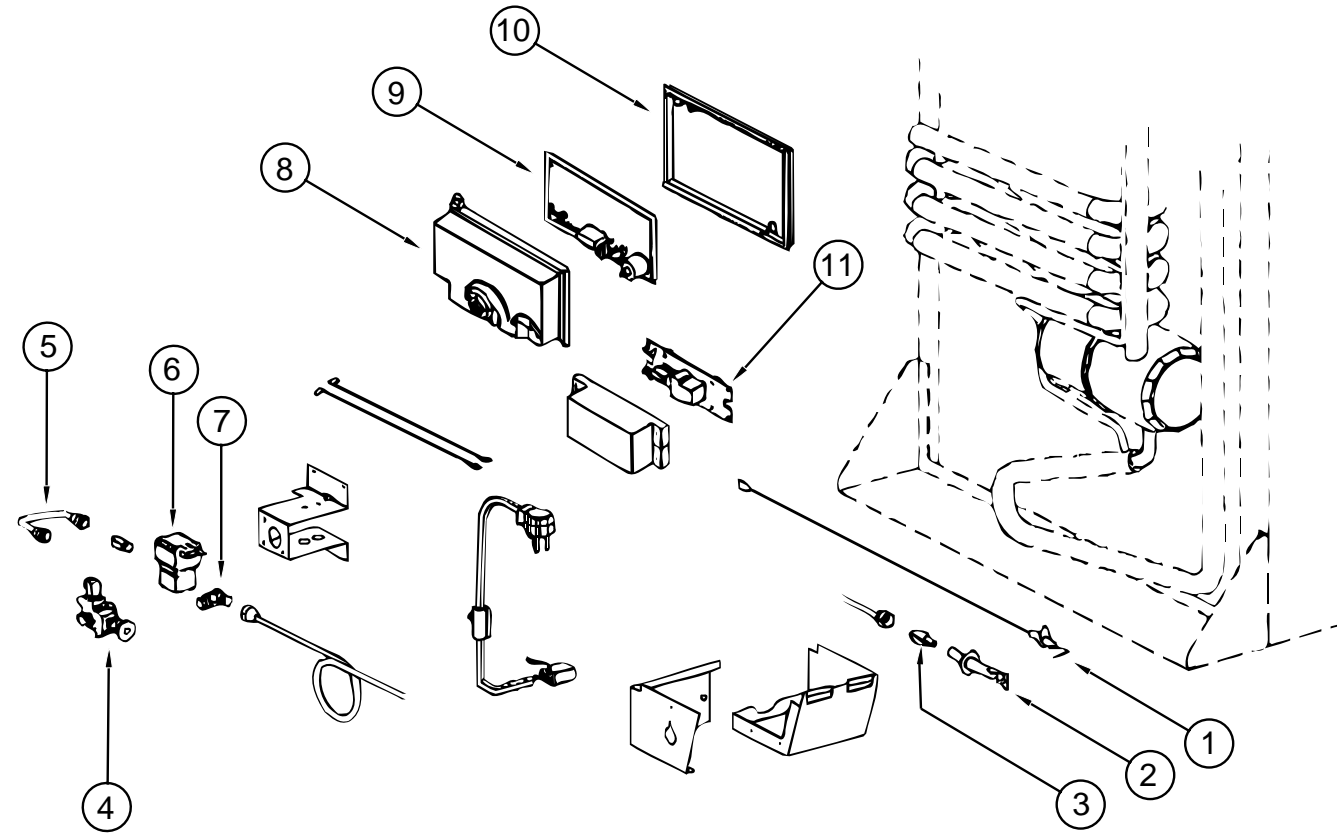
GALLEY GROUP (CONTINUED)



NORCOLD 963 REFRIGERATOR COOLING UNIT ASSEMBLY - W.I.E. EXPORT

KEY	PART NUMBER	U/M	DESCRIPTION	VENDOR NO.
	120076-03-01A	EA	REFRIGERATOR - SMALL DOUBLE DOOR/BLACK 3-WAY - RIGHT HAND	
1	088248-01-709	EA	HEATER-AC (HORIZONTAL)	61562722
2	088248-01-710	EA	HEATER DC (HORIZONTAL)	61562822
3	120075-01-736	EA	COOLING UNIT, SERVICE PACK	618542
4	120075-01-733	EA	CABINET-FOAMED	618265

GALLEY GROUP (CONTINUED)



NORCOLD 963 REFRIGERATOR REAR OF REFRIGERATOR - W.I.E. EXPORT

KEY	PART NUMBER	U/M	DESCRIPTION	VENDOR NO.
	120076-03-01A	EA	REFRIGERATOR - SMALL DOUBLE DOOR/BLACK 3-WAY - RIGHT HAND	
1	104137-06-715	EA	ELECTRODE-SPARK/SENSOR, SGL	61692222
2	104137-06-714	EA	BURNER ASSEMBLY, 5-SLOT	61705222
3	120075-01-737	EA	ORIFICE - JEWEL - .0155	618284
4	104137-06-709	EA	VALVE-SHUT OFF, MANUAL	61694922
5	113737-01-750	EA	TUBE-UNION	61694622
6	084880-01-718	EA	VALVE-GAS, (ASCO)	61551822
7	113737-01-716	EA	TAP-PRESSURE	61594422
	113737-01-702	EA	PLUG 1/8" F/PRESSURE TAP	61445322
8	120075-01-738	EA	COVER-POWER BOARD	618185
9	120075-01-741	EA	BOARD - POWER, 2-WAY	618574
10	120075-01-740	EA	COVER-BASE, POWER BOARD	618186
11	120076-03-700	EA	BOARD - POWER/3-WAY	618224

GALLEY GROUP (CONTINUED)
MAGIC CHEF MICROWAVE OVEN

KEY	PART NUMBER	U/M DESCRIPTION
	115303-02-000	EA OVEN-MICROWAVE - MAGIC CHEF MCD-DM46K-15B
	115401-02-01A	EA TRIM-MICROWAVE, BLACK
	094750-07-000	EA BRACKET-MICROWAVE, 89 DEGREE - STEEL
	098916-16-02B	EA BRACE-MICROWAVE CABINET, LEFT - 7.5" X 7.5" - E-COAT STEEL
	098916-17-02B	EA BRACE-MICROWAVE CABINET, RIGHT - 7.5" X 7.5" - E-COAT STEEL

COFFEE MAKER

KEY	PART NUMBER	U/M DESCRIPTION	VENDOR NO.
	103799-02-01A	EA COFFEE MAKER WITH CLOCK, WHITE - BLACK & DECKER SDC2B FROM: 00-00-00 THRU: 04-13-97	
	103799-01-700	EA CARAFE-GLASS POT - BLACK & DECKER FROM: 00-00-00 THRU: 04-13-97	679420
	103799-01-701	EA BRACKETS-WHITE, PAIR - BLACK & DECKER FROM: 00-00-00 THRU: 04-13-97	164734-06
	126019-01-01A	EA COFFEEMAKER - OPTIMA - W/BRACKETS FROM: 04-14-97 THRU: 99-99-99	

GENERATOR GROUP
3,300 WATT ONAN MICROLITE - EXPORT OPTION - LP

KEY	PART NUMBER	U/M DESCRIPTION
	109982-05-000	EA GENERATOR - 3.3 KW MICROLITE - ONAN
	007125-04-000	EA CLAMP - MUFFLER - 1.12" DIAMETER
	105958-09-000	EA PIPE - GENERATOR EXHAUST 1.25" OD X 5.9" X 22"

4,000 WATT ONAN MICROLITE - EXPORT OPTION

KEY	PART NUMBER	U/M DESCRIPTION
	100974-04-000	EA GENERATOR - 4.0 KW EMERALD PLUS
	007125-03-000	EA CLAMP - MUFFLER - 1.50" DIAMETER
	007125-04-000	EA CLAMP - MUFFLER - 1.12" DIAMETER
	079654-05-000	EA PIPE - EXHAUST - ANGLED W/FLANGE - 2" ID
	081364-03-000	EA MUFFLER - GENERATOR - ONAN
	094059-01-000	EA SPACER - GENERATOR - ONAN

4,000 WATT ONAN MICROLITE

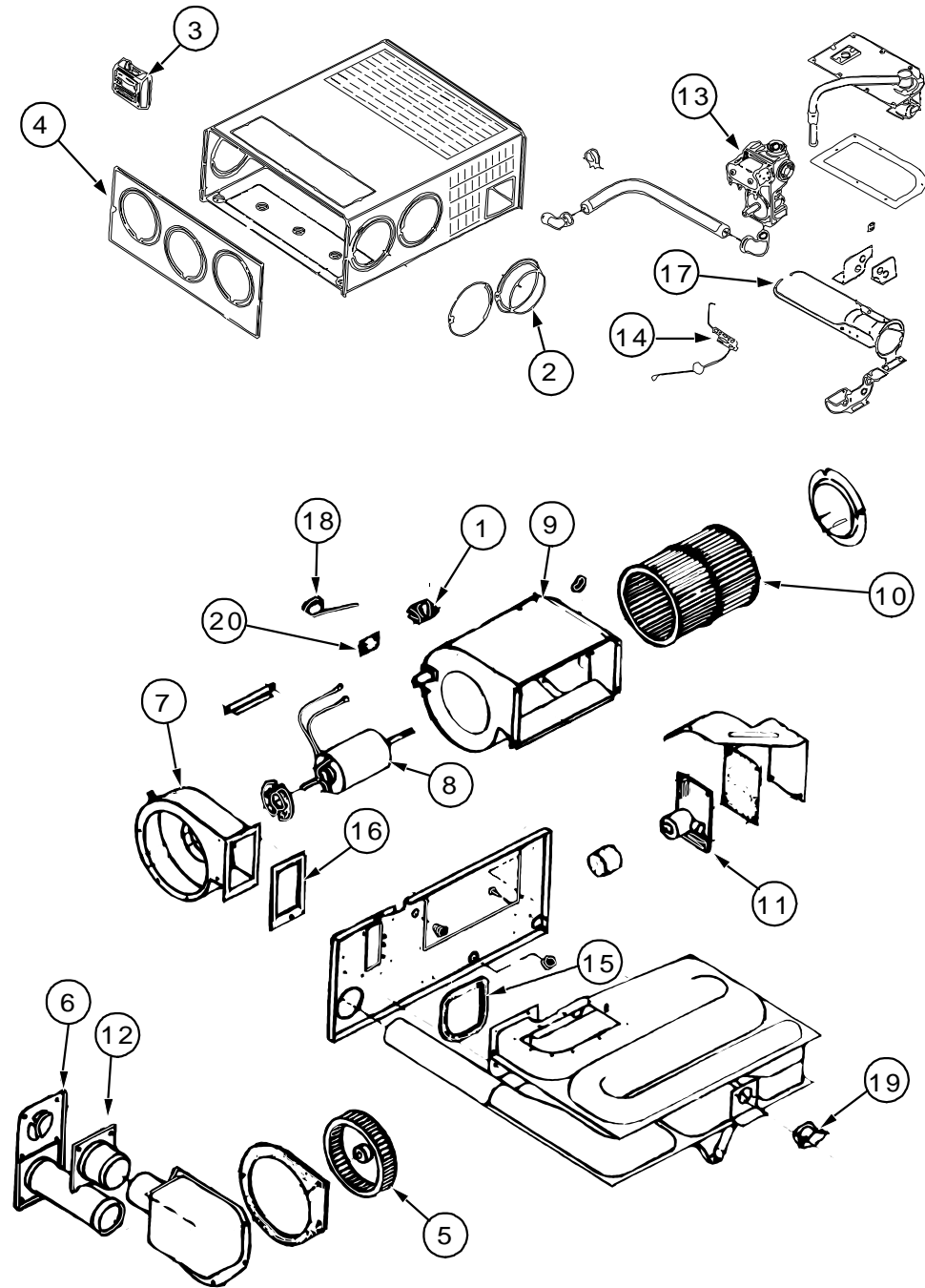
KEY	PART NUMBER	U/M DESCRIPTION
	109982-03-000	EA GENERATOR - 4.0 KW MICROLITE
	007125-04-000	EA CLAMP - MUFFLER - 1.12" DIAMETER
	105958-09-000	EA PIPE - GENERATOR EXHAUST 1.25" OD X 5.9" X 22"

3,600 WATT ONAN MICROLITE - LP

KEY	PART NUMBER	U/M DESCRIPTION
	109982-04-000	EA GENERATOR - 3.6 KW MICROLITE
	007125-04-000	EA CLAMP - MUFFLER - 1.12" DIAMETER
	105958-09-000	EA PIPE - GENERATOR EXHAUST 1.25" OD X 5.9" X 22"

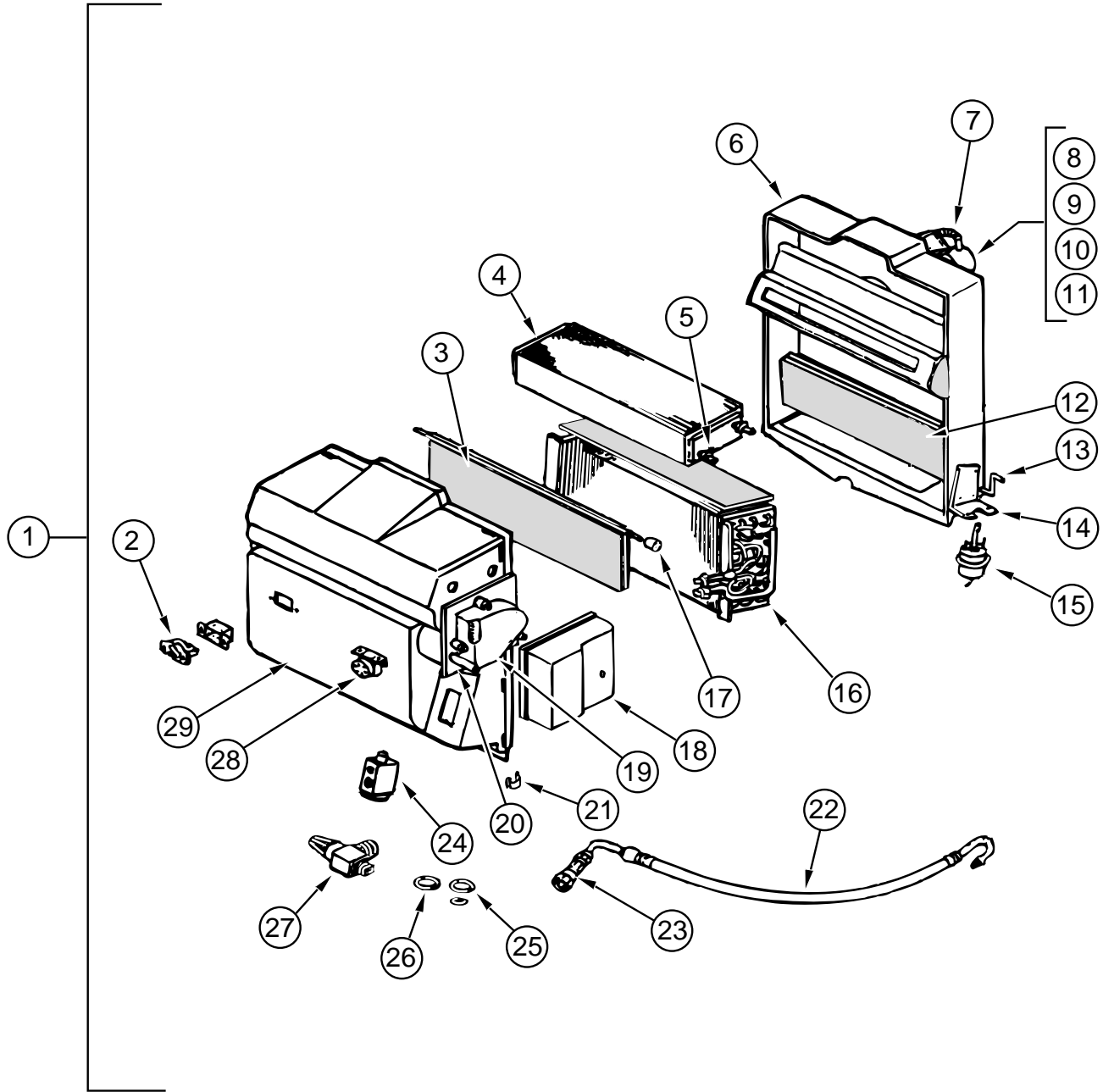
NOTE: ADDITIONAL GENERATOR COMPONENTS ARE FOUND IN THE CHASSIS GROUP.

HEATING & AIR CONDITIONING GROUP
30,000 BTU SUBURBAN FURNACE & WALL THERMOSTAT



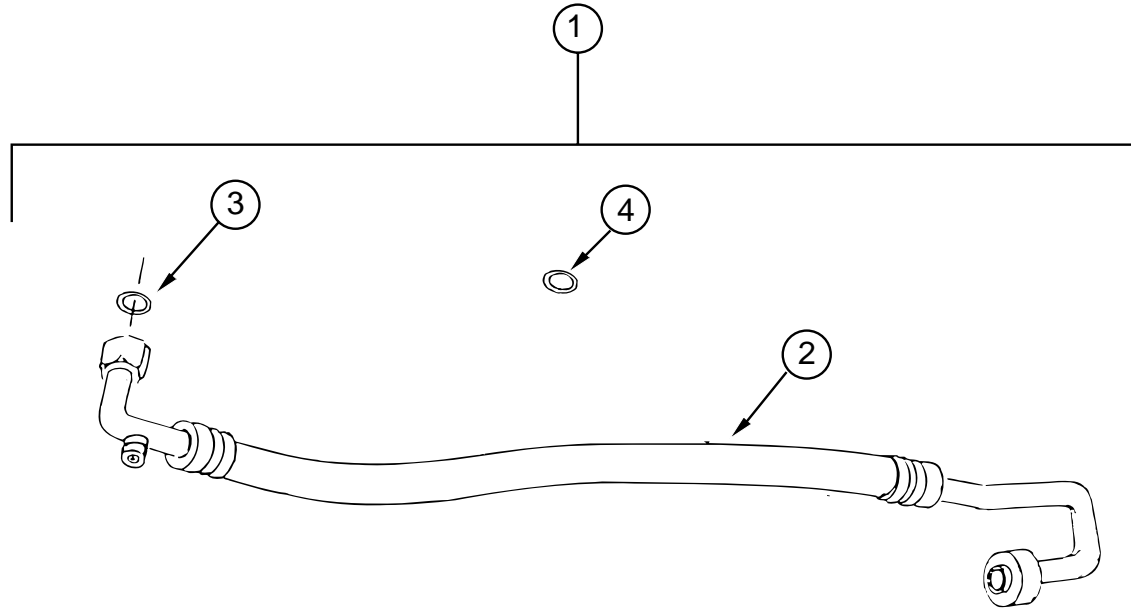
KEY	PART NUMBER	U/M	DESCRIPTION	VENDOR NO.
	098668-20-000	EA	FURNACE - 30,000 BTU	
1	074466-01-702	EA	RELAY-TIME DELAY	230625
2	075696-02-703	EA	COLLAR-DUCT	050715
3	115764-01-01A	EA	THERMOSTAT - WALL, FURNACE 160902	
4	098668-01-700	EA	CABINET-FRONT	101242
5	098668-01-706	EA	WHEEL-COMBUSTION AIR	350122
6	098668-01-707	EA	VENT ASSEMBLY-CAP AND TUBE	260193
7	098668-01-708	EA	BLOWER ASSEMBLY-COMBUSTION AIR	390441
8	098668-01-709	EA	MOTOR ASSEMBLY-F/SF-25, SF-30	231706
9	098668-01-710	EA	BLOWER ASSEMBLY-ROOM AIR	390440
10	098668-01-711	EA	WHEEL-ROOM AIR	350123
11	098668-01-712	EA	BOARD-MODULE	231741
12	098668-01-713	EA	INTAKE VENT TUBE ASSEMBLY	051044
13	098668-01-714	EA	VALVE-GAS, (WHITE ROGERS)	161070
14	098668-01-715	EA	ELECTRODE ASSEMBLY-SINGLE PROBE	232166
15	098668-01-716	EA	GASKET-FIREWALL, CHAMBER SIDE	232166
16	098668-01-717	EA	GASKET-FIREWALL, BLOWER SIDE	070163
17	098668-02-700	EA	BURNER ASSEMBLY COMPLETE - (SF-30/SF35)	010745
18	098668-21-700	EA	MICROSWITCH W/O FLAG 3 1/4"	232261
19	098668-21-701	EA	LIMIT SWITCH	231799
20	101990-01-714	EA	MICROSWITCH GASKET	230877
	092300-02-701	EA	ORIFICE-(MAIN BURNER)	180214
	098668-23-000	EA	DOOR-ACCESS, FURNACE - BRIGHT WHITE	
	056464-09-000	EA	REGISTER - 4" DIAMETER - PLASTIC - W/DAMPENER - BEIGE	
	056464-10-000	EA	REGISTER - 4" DIAMETER - PLASTIC - W/O DAMPENER - BEIGE	
	093614-01-02A	EA	GRILLE-RETURN AIR, FURNACE - 15.6" X 7.6" - BEIGE	

HEATING & AIR CONDITIONING GROUP (CONTINUED)
SCS EVAPORATOR/HEATER ASSEMBLY - CHEVY GAS & DIESEL CHASSIS



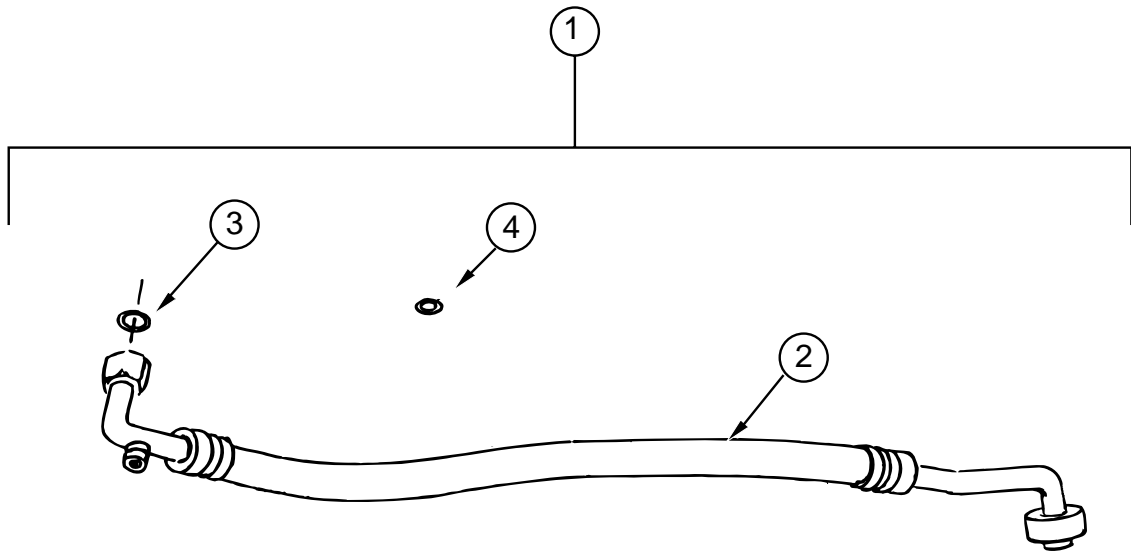
KEY	PART NUMBER	U/M	DESCRIPTION	VENDOR NO.
1	103930-30-000	EA	EVAPORATOR/HEATER ASM - SERVO MOTOR CONTROLLED	
2	103930-01-710	EA	RESISTOR-FUSED, A/C	035-0006
3	103930-30-705	EA	PANEL-DOOR, BLEND AIR	071-0568
4	103930-01-703	EA	CORE-HEATER	042-0010
5	110279-01-712	EA	FITTING-HEATER	050-0076
6	103930-20-711	EA	CASE-BACK, SUB-ASSEMBLY	062-0147
7	110279-01-703	EA	HOSE-VENT, BLOWER MOTOR	051-0034
8	103930-20-707	EA	HOUSING-BLOWER	062-0145
9	103930-01-720	EA	MOTOR-BLOWER, PM105	030-0004
			FROM: 00-00-00 THRU: 12-21-96	
9	103930-30-706	EA	MOTOR-BLOWER, PM147 W/ADAPTER	030-0109
			FROM: 12-22-96 THRU: 99-99-99	
10	103930-01-717	EA	WHEEL-BLOWER, CLOCKWISE	062-0010
11	103930-20-708	EA	CLIP-MOTOR SHAFT	022-0001
12	103930-20-705	EA	PANEL-DOOR, RECIRCULATING	071-0213
13	103930-20-704	EA	ROD-DOOR, RECIRCULATING	073-0018
14	103930-01-708	EA	BRACKET-VACUUM MOTOR	070-0113
15	103930-02-708	EA	MOTOR-VACUUM SERVO, A/C	030-0025
16	103930-01-704	EA	COIL-EVAPORATOR	041-0017
17	103930-30-702	EA	BUSHING-BLEND AIR DOOR	062-0168
18	103930-30-704	EA	COVER-SERVO	062-0545
19	103930-30-703	EA	MOTOR-SERVO	030-0104
20	103930-30-701	EA	PLATE-SERVO MOTOR MOUNT	062-0544
21	103930-20-706	EA	CLIP-RETAINER	022-0057
22	103930-25-700	EA	HOSE ASSEMBLY - #6, EVAPORATOR TO DRIER	0850350
23	103930-12-709	EA	FITTING-QUICK CONNECT	050-0120
24	103930-20-700	EA	VALVE-EXPANSION BLOCK, 2 TON	034-0032
25	103930-17-702	EA	O' RING - #10	045-0127
26	113245-01-707	EA	O' RING - #8	045-0126
27	103930-20-709	EA	VALVE-SERVICE	050-0159
28	103930-01-711	EA	THERMOSTAT	033-0003
29	103930-30-700	EA	CASE-FRONT	062-0542

HEATING & AIR CONDITIONING GROUP (CONTINUED)



CHEVY HOSE KIT - STANDARD GAS

KEY	PART NUMBER	U/M DESCRIPTION	VENDOR NO.
1	103930-28-000	EA HOSE KIT - #10 W/GM L-19 CHASSIS	
2	103930-28-700	EA HOSE ASM #10 EVAPORATOR/COMP	085-0347
3	103930-17-702	EA O'RING #10	045-0127
4	103930-29-701	EA O'RING F/LOW PRESSURE SWITCH	045-0483



CHEVY HOSE KIT - VORTEC GAS OR DIESEL OPTION

KEY	PART NUMBER	U/M DESCRIPTION	VENDOR NO.
1	103930-29-000	EA HOSE KIT - #10 F/GM L-29 & L-65 CHASSIS	
2	N/A	EA HOSE ASM #10 EVAPORATOR/COMP	085-0348
3	103930-17-702	EA O'RING #10	045-0127
4	103930-29-701	EA O'RING F/LOW PRESSURE SWITCH	045-0483

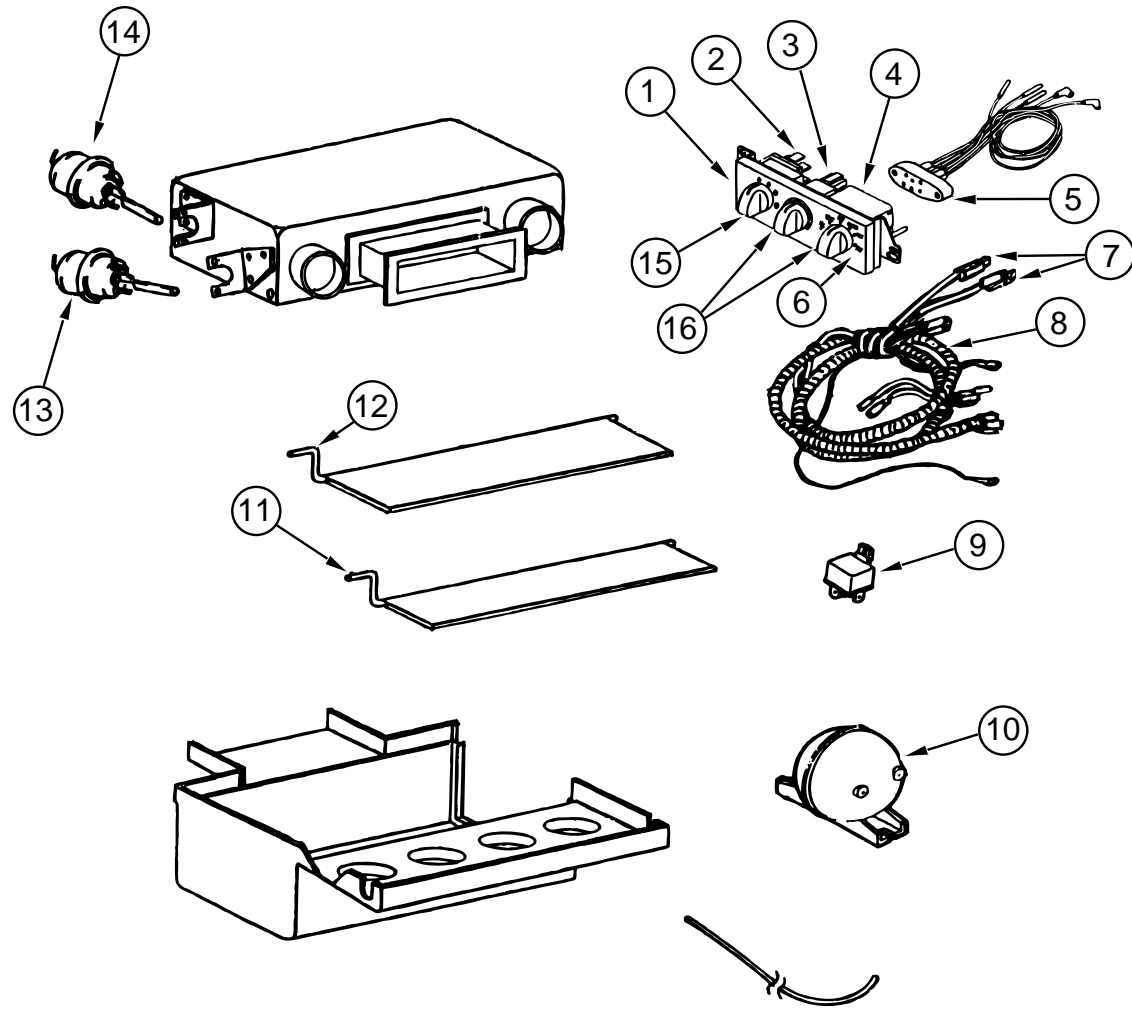
HEATING & AIR CONDITIONING GROUP (CONTINUED)
AUTOMOTIVE HEATER MISCELLANEOUS

KEY	PART NUMBER	U/M DESCRIPTION
	076776-01-000	EA TEE - BEADED - 5/8" X 5/8" X 5/8"
	009198-01-000	FT DUCT - HEAT - FLEXIBLE - 4" ID X 25'
	009200-01-000	EA TAPE - FURNACE - 1 1/2"
	069636-02-000	EA CONNECTOR - DUCT - 4" ID
	007076-01-000	EA HOSE-FLEXIBLE PVC - 2" ID INCREMENTS OF 50'
	007108-01-000	FT HOSE-HEATER, 5/8" ID - HI-TEMP - FORD ESE-M2D192-A
	007281-01-000	EA HOSE-FLEXIBLE PVC, 2.5" ID X 50' - ATCOFLEX A-182-355
	007281-01-700	FT HOSE-FLEXIBLE PVC, 2.5" ID
	024990-05-000	EA OUTLET - 4" DIAMETER W/SWIVEL DEFLECTORS
	056402-05-000	EA BRACKET-HEATER VENT, ROUND - W/BEND - BLACK
	077075-01-000	EA GASKET-INSTRUMENT PANEL TO DEFROSTER PLENUM - 1.8" X 12.5"
	077075-03-000	EA GASKET-INSTRUMENT PANEL TO DEFROSTER PLENUM - 1.8" X 12.25"
	103016-01-000	EA PLENUM-TRANSITION
	103017-01-000	EA PLENUM-DEFROSTER
	103930-23-000	EA VALVE-WATER, 2 PORT
	103558-01-07A	EA VENT-DEFROSTER, ABS - WILLOW
	103796-01-01A	EA LOUVER ASSEMBLY-A/C CARY PROD - BLACK
	097494-02-000	EA TEE-BRASS, BARB - 3/8" X 5/32" X 3/8" - PARKER 224-8-8-4
	103930-05-000	EA MANUAL - OWNER - HEATER/A/C
		FROM: 00-00-00 THRU: 02-23-97
	103930-37-000	EA MANUAL - OWNERS - HEATER/A/C
		FROM: 02-24-97 THRU: 99-99-99
	7SB010-96-14Z	EA MANUAL-DEALER SERVICE/PARTS - SCS 057-00171

EVANS REAR HEATER & COMPONENTS

KEY	PART NUMBER	U/M DESCRIPTION	VENDOR NO.
	084405-01-000	EA HEATER ASSEMBLY-REAR, DUCTED - W/MOTOR AID - EVANS	
	084405-01-700	EA CORE-HEATER	FT200229
	084405-01-701	EA FAN BLADES	HV029931
	084405-01-702	EA MOTOR ASSEMBLY, 12 VOLT	R0200180
	007108-01-000	FT HOSE-HEATER, 5/8" ID - HI-TEMP - FORD ESE-M2D192-A	
	061673-01-000	EA BRACKET-MOTOR AID TUBES, 4" X 1.5" - STEEL	
	079059-01-000	EA HOSE - 90 DEGREE - 5/8" ID X 4" X 36"	

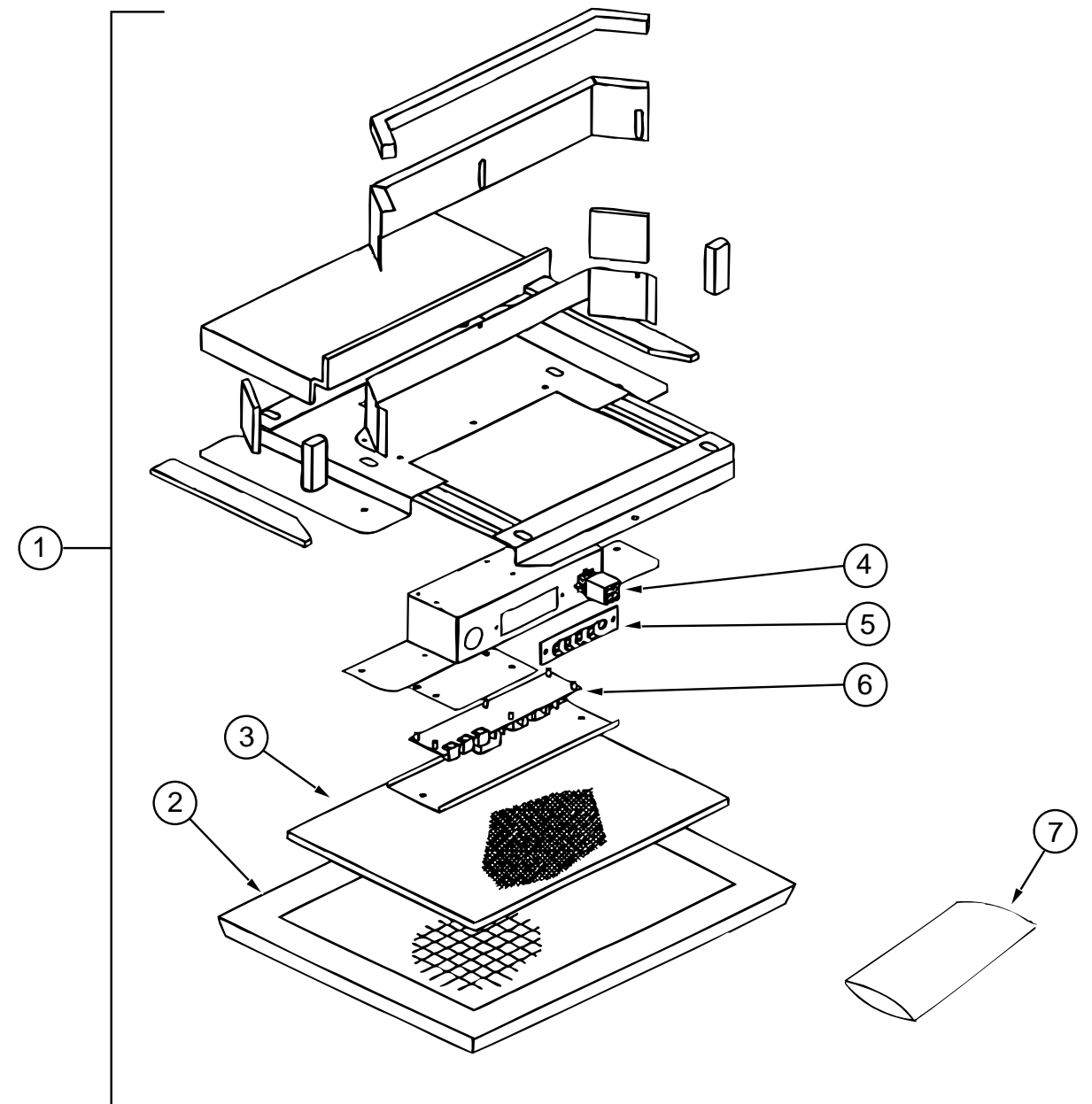
HEATING & AIR CONDITIONING GROUP (CONTINUED)



SCS CONTROL/PLENUM

KEY	PART NUMBER	U/M	DESCRIPTION	VENDOR NO.
	103930-34-000	EA	CONTROL/PLENUM-ROTARY CONTROL HEAD	
1	103930-33-702	EA	PANEL ASSEMBLY-CONTROL	083-0169
2	103930-33-707	EA	SWITCH-BLOWER	032-00066
3	103930-33-708	EA	SWITCH-POTENTIOMETER	032-0184
4	103930-33-709	EA	SWITCH-VACUUM	032-0183
5	103930-33-703	EA	HARNESS-VACUUM	036-0466
6	103930-33-710	EA	DECAL-CONTROL HEAD	058-0102
7	103930-33-705	EA	BULB-LIGHT	035-0030
8	103930-33-704	EA	HARNESS-WIRE W/BULBS	036-0465
			FROM: 00-00-00 THRU: 12-21-96	
8	103930-33-711	EA	HARNESS-WIRE, MAIN	036-0496
			FROM: 12-22-96 THRU: 99-99-99	
9	103930-02-707	EA	RELAY-BOSCH W/RESISTOR	031-0001
10	103930-02-710	EA	CANISTER-VACUUM	054-0002
11	103930-33-700	EA	ROD-DOOR, DEFROSTER/A/C	073-0028
12	103930-33-706	EA	ROD-DOOR, A/C/DEFROST	073-0060
13	103930-02-708	EA	MOTOR-VACUUM SERVO, A/C	030-0025
14	103930-33-701	EA	MOTOR-VACUUM, 3 STAGE	030-0105
15	103930-33-712	EA	KNOB - BLOWER	062-00539
16	103930-33-713	EA	KNOB	062-00540

HEATING & AIR CONDITIONING GROUP (CONTINUED)



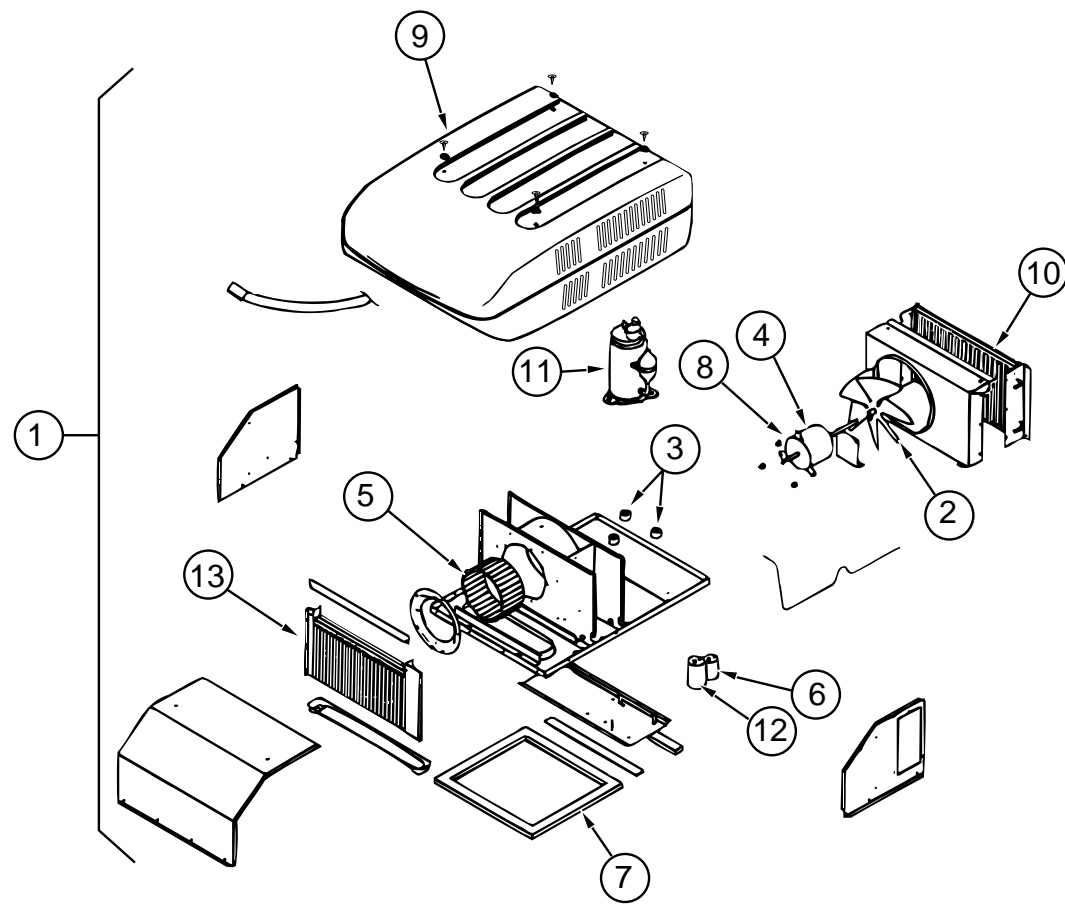
COLEMAN A/C CEILING ASSEMBLY, THERMOSTAT, & REGISTER

KEY	PART NUMBER	U/M	DESCRIPTION	VENDOR NO.
1	108892-01-01A	EA	CEILING ASM-A/C DUCTED - COLEMAN 7330-730IV	
2	108892-01-704	EA	GRILLE (PLASTIC)	6798-3041
3	108892-01-703	EA	FILTER	6798A3761
4	108892-01-700	EA	PLUG ASSEMBLY	7330-540
5	108892-01-701	EA	BOARD-TERMINAL	7330-3201
6	108892-01-702	EA	BOARD-PRINTED CIRCUIT	7330A3211
7	108892-01-705	EA	SMALL PARTS PACKAGE	7330A6101
	117238-01-01A	EA	THERMOSTAT-A/C AND FURNACE - COLEMAN 7330-3371	
	117238-02-01A	EA	THERMOSTAT-A/C ONLY - COLEMAN 7330-3381	
	120134-01-02A	EA	REGISTER - 4" - 5" DIAMETER W/DAMPER - WHITE - DTW 8840	

ROOF A/C COVER

KEY	PART NUMBER	U/M	DESCRIPTION
	092633-02-02A	EA	COVER-BLANK, ROOF A/C - 5.1" X 5.1" - PLASTIC - OFF WHITE

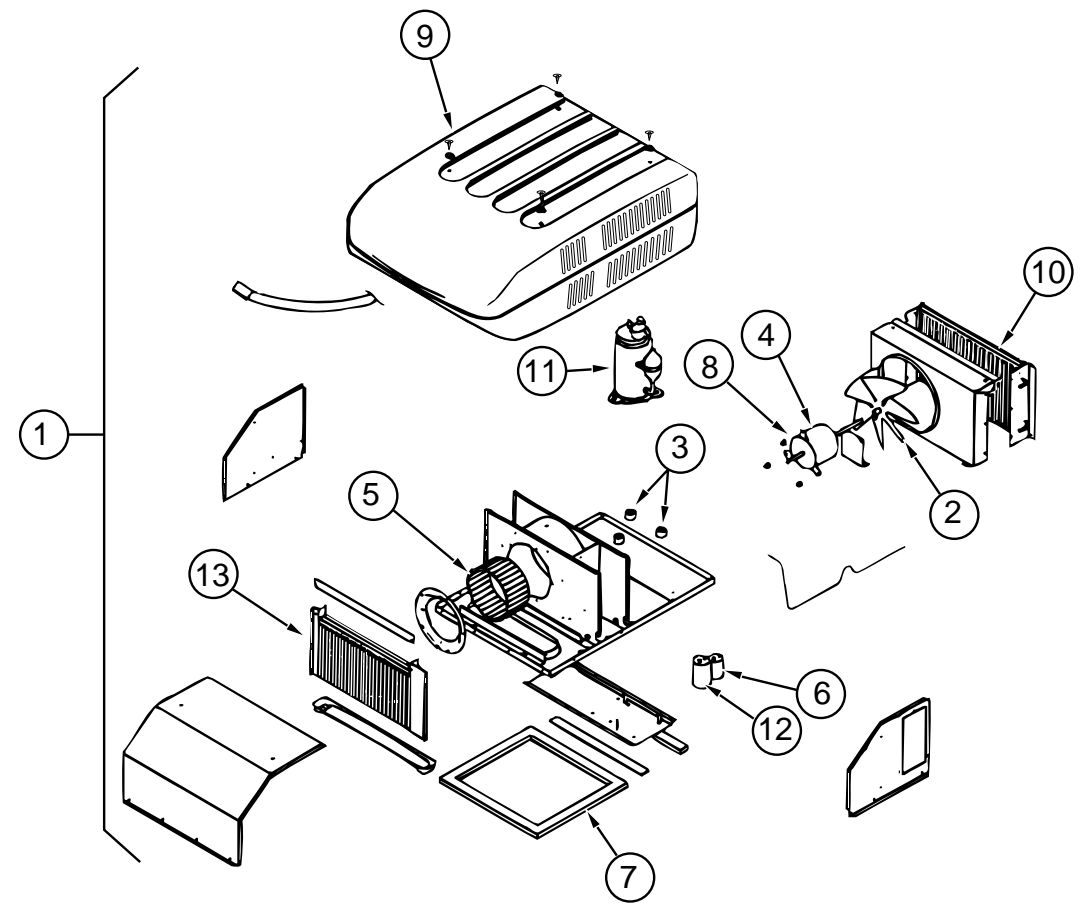
HEATING & AIR CONDITIONING GROUP (CONTINUED)



COLEMAN 13,500 BTU ROOF A/C - EUROPEAN

KEY	PART NUMBER	U/M DESCRIPTION	VENDOR NO.
1	108889-02-03A 093306-01-701	EA A/C-ROOF, 13,500 BTU - TSR - 220 VOLT - BRIGHT WHITE - COLEMAN	7373A891 6798B3591
2	093763-01-712	EA FAN BLADE-CONDENSER	6733-3221
3	105620-01-705	EA PROTECTOR-OVERLOAD, RH & LH	6759-3791
3	105620-01-706	EA FOOT PACKAGE-COMPRESSOR, 3 PER PKG	6759-3081
4	108889-02-701	EA MOTOR	1468-3059
5	108889-01-706	EA IMPELLOR	1472-1041
6	093763-01-704	EA CAPACITOR-FAN	1499-5461
7	108889-01-711	EA GASKET PACKAGE	6792A3301
8	108889-01-715	EA MOTOR MOUNT & SHAFT SEAL KIT	6792A3361
9	108889-05-700	EA SHROUD-BRIGHT/WHT. W/O LOGO	7333-4601
10	108889-01-703	EA COIL-CONDENSER	1452A1301
11	108889-02-700	EA COMPRESSOR-TECUMSEH	1450A2029
12	108889-01-707	EA CAPACITOR-RUN, COMPRESSOR-25MFD/370	1499-5661
13	108889-01-709	EA COIL-EVAPORATOR	1452A1311
	108889-01-710	EA PAD-FILLER, CONDENSER SEAL	6759B3971
	108889-01-713	EA SUCTION LINE, 3/8" OD X .032" WALL	6792-130
	108889-01-714	EA LINE ASSEMBLY-DISCHARGE	6792-531
	108889-02-702	EA CAPACITOR-START	1497-0891
	108889-02-703	EA RELAY-START	1497-4141
	102289-01-000	EA SPRING-SCREW, ROOF A/C GASKET - COLEMAN 6757-150	

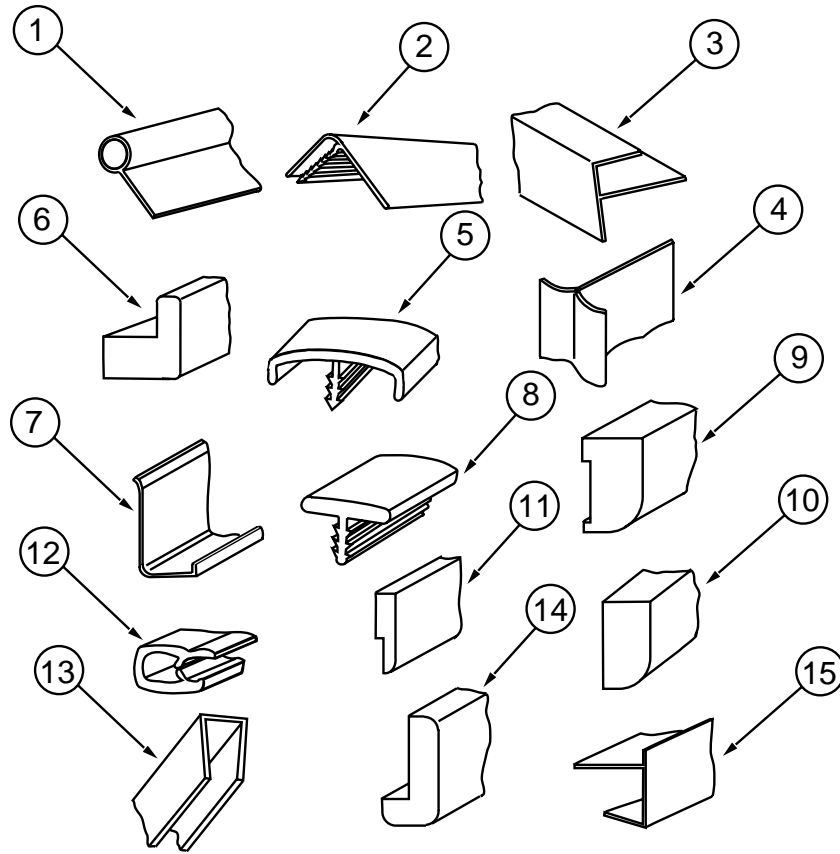
HEATING & AIR CONDITIONING GROUP (CONTINUED)



COLEMAN 14,800 BTU ROOF A/C

KEY	PART NUMBER	U/M DESCRIPTION	VENDOR NO.
1	115219-01-03A	EA A/C-ROOF, 14,800 BTU MACH 15 - BRIGHT WHITE	
2	093763-01-712	EA BLADE-FAN, CONDENSER	6733-3221
3	105620-01-706	EA FOOT PACKAGE-COMPRESSOR, 3 PER PACKAGE	6759-3081
4	108889-01-705	EA MOTOR - 115V, 60HZ	1468-3049
5	108889-01-706	EA IMPELLOR	1472-1041
6	093763-01-704	EA CAPACITOR-FAN	1499-5461
7	108889-01-710	EA PAD-FILLER, CONDENSER SEAL	6759B3971
8	108889-01-711	EA GASKET PACKAGE	6792A3301
8	108889-01-715	EA MOTOR MOUNT & SHAFT SEAL KIT	6792A3361
9	108889-05-700	EA SHROUD - BRIGHT WHITE, W/O LOGO	7333-4601
10	115219-01-700	EA COIL-CONDENSER	1452A1321
11	115219-01-708	EA COMPRESSOR, CONVERSION KIT	1450A2061
12	115219-01-702	EA CAPACITOR-RUN, COMPRESSOR	1499-5741
12	115219-01-703	EA RELAY-START	1497-4151
13	115219-01-704	EA COIL-EVAPORATOR	1452-1331
	115219-01-705	EA LINE-SUCTION, LOWER	7335-130
	115219-01-706	EA LINE-SUCTION, UPPER	7335-131
	115219-01-707	EA LINE ASSEMBLY, DISCHARGE	7335A132
	093306-01-720	EA CAPACITOR-START, 21-25 MFD33	1497-3351
	093306-01-701	EA DECAL PACKAGE-LEFT & RIGHT	6798B3591
	102289-01-000	EA SPRING-SCREW, ROOF A/C GASKET - COLEMAN 6757-150	

INTERIOR FINISH GROUP
MOLDINGS & TRIMS



KEY	PART NUMBER	U/M DESCRIPTION
1	009767-12-000	FT MOLDING-SIDEWALL TO CEILING/CABINET - WELTING - OFF WHITE
2	009809-28-000	EA MOLDING-CORNER, OUTSIDE - 1" - PLASTIC - WATERFORD OAK
3	009812-29-000	EA MOLDING-CORNER, OUTSIDE - .5" X 7' - PLASTIC - WATERFORD OAK
4	022992-11-000	FT MOLDING-REVERSE COVE, T-SHAPED - VINYL - IVORY
5	083620-12-000	FT MOLDING-T, END CAP EDGE - W/EDGE LIPS - .75" - WATERFORD OAK
6	100819-01-05A	EA MOLDING-VINYL WRAPPED, DOOR - WATERFORD OAK
7	085746-01-000	FT TRIM-J, CARPET - 1.2" X .5" ANGLE - 10' LONG - PVC - BEIGE
8	104676-01-01A	FT T-MOLDING, 5/16 - RIGID - GOLD
9	117268-D2-134	EA MOLDING - VINYL WRAPPED - .7" X 1.6" X 84" - WATERFORD OAK
9	117268-D2-438	EA MOLDING - VINYL WRAPPED - .7" X 1.5" X 96" - WATERFORD OAK
9	117268-F2-134	EA MOLDING - VINYL WRAPPED - .7" X 2.7" X 84" - WATERFORD OAK
9	117268-F2-438	EA MOLDING - VINYL WRAPPED - .7" X 2.6" X 96" - WATERFORD OAK
10	100818-01-05A	EA MOLDING-VINYL WRAPPED, 1" X 8' - WATERFORD OAK
11	105004-01-05A	EA MOLDING-VINYL WRAPPED, 1" X 8' - WATERFORD OAK
12	072368-02-000	EA TRIM - VINYL - EDGE - BLACK
12	113452-01-000	FT SEAL/TRIM - FRONT - VINYL W/WIRE CARRIER FROM: 00-00-00 THRU: 02-02-97 FROM: 02-03-97 THRU: 99-99-99
13	009778-21-000	FT U-CHANNEL, 1" WIDE X 8' INCREMENTS - PLASTIC - WATERFORD OAK
13	070504-18-000	FT U-CHANNEL-PLASTIC, .065" WIDE - IVORY - INCREMENTS OF 8' (H21/H22)
13	070504-36-000	FT U-CHANNEL-PLASTIC, 1.65" WIDE - WATERFORD OAK - INCREMENTS OF 8'
13	070504-37-000	FT U-CHANNEL-PLASTIC, .815" WIDE - WATERFORD OAK - INCREMENTS OF 8'
14	077840-01-G01	EA MOLDING - CAP/WALL - 8' WATERFORD OAK
15	103186-01-05A	FT MOLDING - PLASTIC/3/8" U-CHANNEL W/3/4" FACE- WATERFORD OAK
15	103186-02-05A	FT MOLDING - PLASTIC/1" U-CHANNEL W/1 3/8" FACE-WATERFORD OAK
	117267-D2-438	EA LUMBER-VINYL WRAPPED, .7" X 1 1/2" X 8' - WATERFORD OAK
	117267-E2-438	EA LUMBER-VINYL WRAPPED, .7" X 2" X 8' - WATERFORD OAK
	117267-G2-438	EA LUMBER-VINYL WRAPPED, .7" X 3" X 8' - WATERFORD OAK
	093873-01-01A	EA TRIM - CARPET - L-ANGLE 1.1" X 1.3" X 12' - GRAY VINYL

INTERIOR FINISH GROUP (CONTINUED)

BATT STRIPS

KEY	PART NUMBER	U/M DESCRIPTION
	069733-83-000	EA BATT STRIP-WOODGRAIN, 8' - WATERFORD OAK
	088263-E3-000	EA BATT STRIP-SHOWER, 8' - PEBBLE EMBOSS ANTIQUE
	088263-C7-000	EA BATT STRIP-DECORATIVE, ETCHINGS SAGE - 8' (H12,H13) (MAIN WALL)
	088263-B8-000	EA BATT STRIP-DECORATIVE, METRO MIST - 8' (H14,H16) (MAIN WALL)
	088263-D9-000	EA BATT STRIP-DECORATIVE, CELESTIAL GLOW - 8' (H15) (MAIN WALL)
	085284-B5-000	FT BATT - TAPE, WATERFORD OAK WOODGRAIN - ADHESIVE BACKED
	085284-D6-000	FT BATT - TAPE, SHOWER - PEBBLE EMBOSS ANTIQUE - ADHESIVE BACKED
	085284-C1-000	FT BATT - TAPE, ETCHINGS SAGE - ADHESIVE BACKED (H12,H13) (MAIN WALL)
	085284-B1-000	FT BATT - TAPE, METRO MIST - ADHESIVE BACKED (H14,H16) (MAIN WALL)
	085284-D3-000	FT BATT - TAPE, CELESTIAL GLOW - ADHESIVE BACKED (H15) (MAIN WALL)
	086229-20-000	EA BATTEN-CEILING, 1" X 98" - BEIGE
	086229-01-000	EA RETAINER-BATTEN, CEILING - .75" X 92.24" - ANY COLOR

PLASTIC LAMINATE & EDGE BAND

KEY	PART NUMBER	U/M DESCRIPTION
	074498-54-000	SF LAMINATE-PLASTIC, SAND SPEKTRUM - 5' X 8' - INC OF 40 SF (H12,H13) (GALLEY, DINETTE, BATH, & BEDROOM)
	074498-71-000	SF LAMINATE-PLASTIC, NEUTRAL SANTOS - 5' X 8' - INCREMENTS OF 40SF (H14,H15) (GALLEY, DINETTE, BATH, & BEDROOM)
	074498-62-000	SF LAMINATE-PLASTIC, GREY FINESSE - 5' X 8' - INCREMENTS OF 40 SF (H16) (GALLEY, DINETTE, BATH, & BEDROOM)
	076325-47-000	FT MOLDING-EDGE BAND, 1032 SAND - 1 5/16" X .030" X 600" (H12,H13)
	076325-39-000	FT MOLDING-EDGE BAND, 1527 NEUTRAL - 1 5/16" X .030" X 600" (H14,H15)
	076325-46-000	FT MOLDING-EDGE BAND, 1035 CLOUD - 1 5/16" X .030" X 600" (H16)
	076325-44-000	FT MOLDING-EDGE BAND, 1032 SAND - .875" X .024" X 600" (H12,H13)
	076325-40-000	FT MOLDING-EDGE BAND, 1527 NEUTRAL - .875" X .024" X 600" (H14,H15)
	076325-43-000	FT MOLDING-EDGE BAND, 1035 CLOUD - .875" X .024" X 600" (H16)
	074498-77-000	SF LAMINATE-PLASTIC, ART CABIN OAK - 5' X 8' - INCREMENTS OF 40 SF (PULL OUT TABLE)
	076325-68-000	FT MOLDING-EDGE BAND, WATERFORD OAK - 1 5/16" X .030" X 600" (PULL OUT TABLE)
	074498-67-000	SF LAMINATE-PLASTIC, ORCHID MIST - 5' X 8' - INCREMENTS OF 40 SF (PATIO ENTERTAINMENT CENTER TABLE)
	076325-34-000	FT MOLDING-EDGE BAND, 1233 ORCHID MIST - 1 5/16" X .030" X 600" (PATIO ENTERTAINMENT CENTER TABLE)

INTERIOR FINISH GROUP (CONTINUED)

SMOKE DETECTOR, CO DETECTOR, FIRE EXTINGUISHER & CLOCK

KEY	PART NUMBER	U/M DESCRIPTION	VENDOR NO.
	072852-01-000	EA DETECTOR-SMOKE, W/9 VOLT BATTERY - US	
	072852-02-000	EA DETECTOR-SMOKE, W/9 VOLT BATTERY - CANADIAN	
	094499-01-000	EA EXTINGUISHER-FIRE, DRY W/MOUNTING BRACKET - 10 BC	
	094499-01-700	EA BRACKET-MOUNTING, W/PLASTIC STRAP - FIRE EXTINGUISHER	
	094499-01-701	EA STRAP ONLY (METAL)	320351
	094499-02-000	EA EXTINGUISHER-FIRE, DRY - 1A10BC - CANADIAN	
	125136-01-000	EA DETECTOR-CO GAS, MODEL 9L-I	
	118081-01-01A	EA CLOCK-WALL, ROUND 8" - BRASS	

ANTISLIP & FLOOR MATS

KEY	PART NUMBER	U/M DESCRIPTION
	091261-01-000	FT SLIPNOT-ANTISLIP, 1' WIDE (100' ROLL)
	105924-01-H12	EA MAT-FLOOR, 18" X 27" (H12)
	105924-01-H13	EA MAT-FLOOR, 18" X 27" (H13)
	105924-01-H14	EA MAT-FLOOR, 18" X 27" (H14)
	105924-01-F05	EA MAT-FLOOR, 18" X 27" (H15)
	105924-01-H39	EA MAT-FLOOR, 18" X 27" (H16)

CARPET & TILE

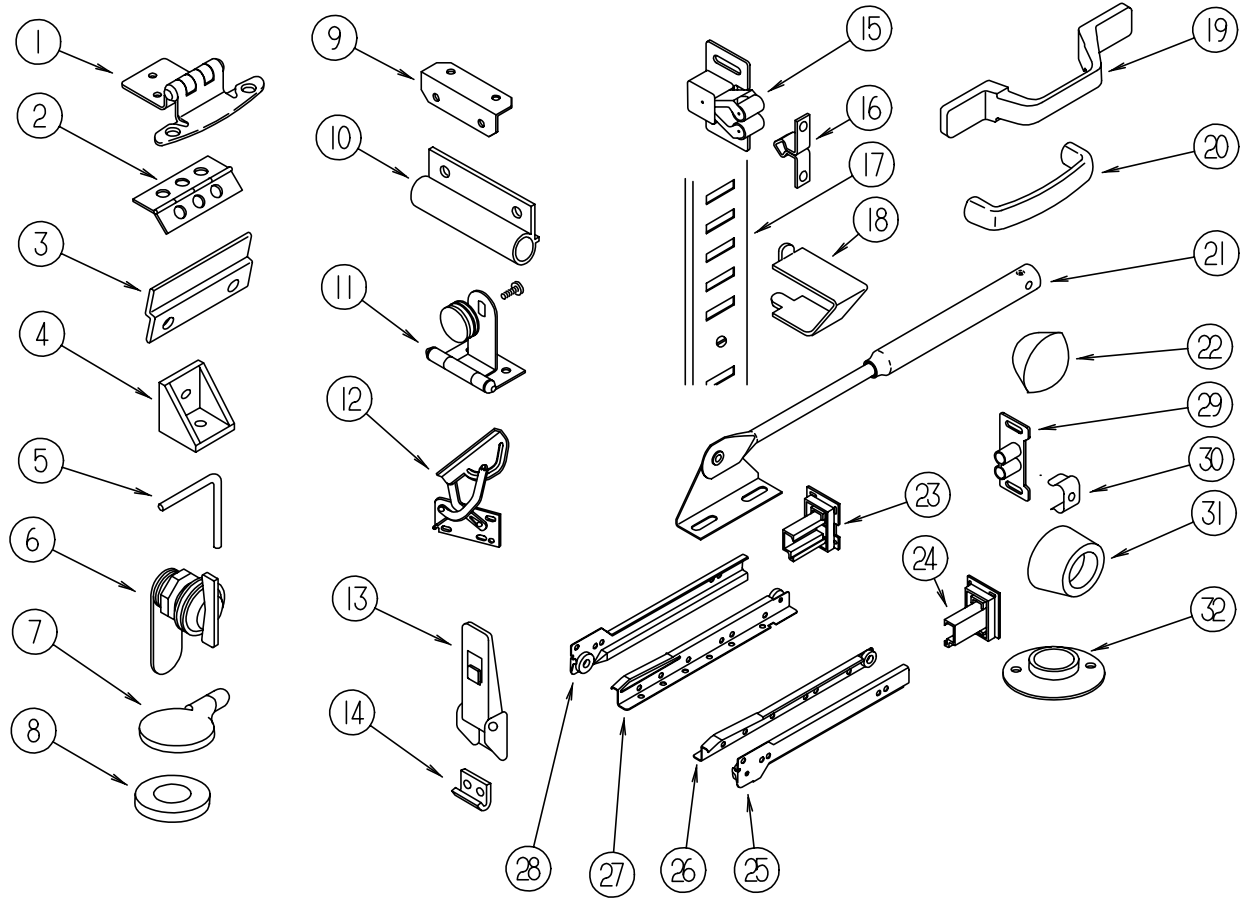
KEY	PART NUMBER	U/M DESCRIPTION
	093486-01-000	SY CARPET - COMPARTMENT, 72" WIDE - DARK GRAY
	096060-95-000	SY CARPET - DOESKIN (H12)
	096060-B2-000	SY CARPET - JUBILATION - INCREMENTS OF 4 SQ YDS (H13)
	096060-A1-000	SY CARPET - ARTIC GRAY - INCREMENTS OF 4 SQ YDS (H14)
	096060-97-000	SY CARPET - LAPIS - INCREMENTS OF 4 SY YDS (H15)
	096060-96-000	SY CARPET - JUBILATION - INCREMENTS OF 4 SQ YD (H16)
	122755-06-01A	EA TILE - RUBBER/ENTRANCE DOOR, 11.2" X 29.1"

PANELING, PLYWOOD, & PARTICLE BOARD

KEY	PART NUMBER	U/M DESCRIPTION
	074497-28-000	SF PANELING-WATERFORD OAK, 4' X 8' - INCREMENTS OF 32 SF
	088272-G1-000	SF PANELING-SHOWER, PEBBLE EMBOSS ANTIQUE - 4' X 7' - INCREMENTS OF 28 SF
	088272-E8-000	SF PANELING-DECORATIVE, ETCHINGS SAGE - 4' X 7' - INC OF 28 SF (H12,H13) (MAIN WALL)
	088272-E0-000	SF PANELING-DECORATIVE, METRO MIST - 4' X 7' - INC OF 28 SF (H14,H16) (MAIN WALL)
	088272-F7-000	SF PANELING-DECORATIVE, CELESTIAL GLOW - 4' X 7' - INC OF 28 SF (H15) (MAIN WALL)
	080215-10-000	SF PANELING - 2 SIDED, WATERFORD - 4' X 8'
	000846-01-000	SF PLYWOOD - 5/16" X 4' X 8'
	000846-02-000	SF PLYWOOD/UNDERLAYMENT - 5/16" X 48" X 96"
	089297-01-000	SF PLYWOOD-LUAN, OVERLAY GRADE - 4' X 8'
	000885-76-000	SF PARTICLE BOARD-3/8" X 48" X 96"-WATERFORD OAK/VINYL 1 SIDE
	000885-77-000	SF PARTICLE BOARD-3/8" X 48" X 96"-WATERFORD OAK/VINYL 2 SIDE
	000885-78-000	SF PARTICLE BOARD-1/2" X 48" X 96"-WATERFORD OAK/VINYL 2 SIDE
	000885-79-000	SF PARTICLE BOARD-3/4" X 48" X 96"-WATERFORD OAK/VINYL 2 SIDE
	095688-01-000	SF VENEER - .14" X 4' X 8' UNFINISHED
	114129-01-02A	SF LINER - CABINET - .02" X 48" X 96"
	126339-01-000	SF BOARD - WHEAT - 60" X 72"

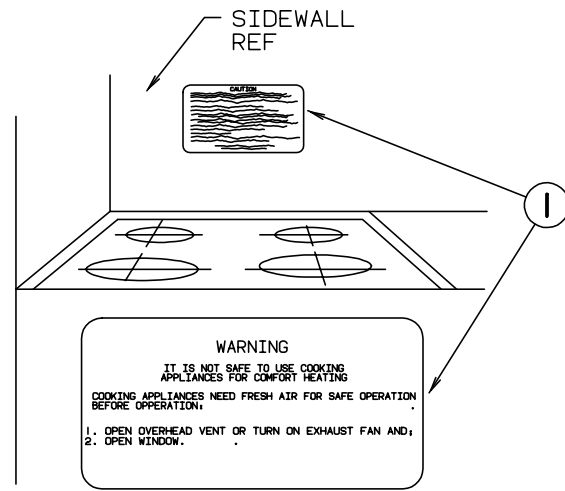
FROM: 01-02-97 THRU: 99-99-99

INTERIOR FINISH GROUP (CONTINUED)
CABINET HARDWARE



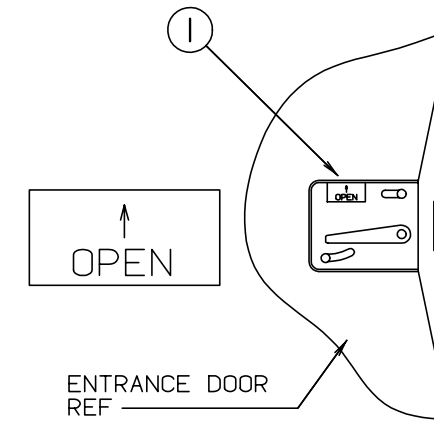
KEY	PART NUMBER	U/M	DESCRIPTION
1	108138-01-000	EA	HINGE - CABINET DOOR - BURNISHED BRASS
2	009059-02-000	EA	HINGE - DOOR - 2" X 2.7" - BRASS
3	101272-01-000	EA	CATCH - DOOR - GLASS
4	065740-01-000	EA	BRACE - CABINET/CORNER - PLASTIC
5	108487-02-01A	EA	SUPPORT - PROP ROD/OVERHEAD - BLACK
	039984-01-000	EA	CAP-ROUND, VINYL - .28" ID X .62" LONG - BLACK
6	100710-01-01A	EA	LOCK - GLASS DOOR/TWIST TYPE - BRASS
7	101766-01-000	EA	PIN - SUPPORT/GLASS DOOR
8	100707-01-000	EA	SPACER - GLASS DOOR - .8" DIA - .3" HOLE - PLASTIC
9	016604-01-000	EA	BRACE - CABINET - ANGLE - 2.5" - UNPAINTED METAL
9	016604-05-000	EA	BRACE - CABINET - ANGLE - 2.5" OFF WHITE METAL
10	108486-01-01A	EA	BRACKET - PROP ROD/OVERHEAD - BLACK
11	100711-01-01A	EA	HINGE - GLASS DOOR
12	108126-01-000	EA	TRAY HINGE SET (QTY. 2 PER SET)
13	116975-01-01A	EA	LATCH - W/O STRIKE
14	116975-02-01A	EA	NEW STYLE KEEPER/STRIKE
15	093586-06-000	EA	CATCH - SPRING - ROLLER
16	093586-05-000	EA	STRIKE - SPRING STEEL
17	098980-01-000	EA	PILASTER - ADJUSTABLE SHELF - 18"
17	098980-02-000	EA	PILASTER - ADJUSTABLE SHELF - 12"
17	098980-03-000	EA	PILASTER - ADJUSTABLE SHELF - 9"
17	098980-04-000	EA	PILASTER - ADJUSTABLE SHELF - 48"
18	098979-01-000	EA	CLIP - ADJUSTABLE SHELF
19	117801-01-01A	EA	PULL - CABINET - BRASS
20	111093-01-000	EA	PULL - CABINET - BRASS (EXPORT)
21	074493-02-000	EA	SUPPORT - PISTON SPRING - CABINET DOOR
22	042356-01-000	EA	PLUG - BUTTON - MAHOGANY - 3/8" DIAMETER - WOOD
23	114045-01-000	EA	BACKSOCKET - ADJUSTABLE LEFT
24	114045-02-000	EA	BACKSOCKET - ADJUSTABLE RIGHT
25	114031-02-000	EA	SLIDE - 12" - RIGHT SIDE/CABINET
25	114031-06-000	EA	SLIDE - 14" - RIGHT SIDE/CABINET
25	114031-14-000	EA	SLIDE - 18" - RIGHT SIDE/CABINET
25	114031-18-000	EA	SLIDE - 20" - RIGHT SIDE/CABINET
25	114031-22-000	EA	SLIDE - 22" - RIGHT SIDE/CABINET
25	114031-26-000	EA	SLIDE - 24" - RIGHT SIDE/CABINET
26	114031-04-000	EA	SLIDE - 12" - RIGHT SIDE/DRAWER
26	114031-08-000	EA	SLIDE - 14" - RIGHT SIDE/DRAWER
26	114031-16-000	EA	SLIDE - 18" - RIGHT SIDE/DRAWER
26	114031-20-000	EA	SLIDE - 20" - RIGHT SIDE/DRAWER
26	114031-24-000	EA	SLIDE - 22" - RIGHT SIDE/DRAWER
26	114031-28-000	EA	SLIDE - 24" - RIGHT SIDE/DRAWER
27	114031-03-000	EA	SLIDE - 12" - LEFT SIDE/DRAWER
27	114031-07-000	EA	SLIDE - 14" - LEFT SIDE/DRAWER
27	114031-15-000	EA	SLIDE - 18" - LEFT SIDE/DRAWER
27	114031-19-000	EA	SLIDE - 20" - LEFT SIDE/DRAWER
27	114031-23-000	EA	SLIDE - 22" - LEFT SIDE/DRAWER
27	114031-27-000	EA	SLIDE - 24" - LEFT SIDE/DRAWER
28	114031-01-000	EA	SLIDE - 12" - LEFT SIDE/CABINET
28	114031-05-000	EA	SLIDE - 14" - LEFT SIDE/CABINET
28	114031-13-000	EA	SLIDE - 18" - LEFT SIDE/CABINET
28	114031-17-000	EA	SLIDE - 20" - LEFT SIDE/CABINET
28	114031-21-000	EA	SLIDE - 22" - LEFT SIDE/CABINET
28	114031-25-000	EA	SLIDE - 24" - LEFT SIDE/CABINET
29	009021-01-000	EA	CATCH - GRILLE - NYLON
30	009021-02-000	EA	STRIKE - SPRING STEEL
31	004354-01-000	EA	BUMPER - RUBBER - .5" DIA - BROWN
32	009112-01-000	EA	FLANGE - PLASTIC - 1" CLOTHES ROD - OFF WHITE
	104181-01-01A	EA	SUPPORT - LEAF 5.3" EXTENDS TO 7.5" - SAFETY RING - METAL
	009089-01-000	EA	CLIP - MIRROR
	023320-01-000	EA	PAD - FELT 3/8" DIAMETER
	042438-01-000	EA	DOWEL - WOOD - CLOTHES ROD - 1" DIAMETER X 4'
	042438-02-000	EA	DOWEL - WOOD - 2" X 2"
	122021-01-01A	EA	ANGLE - W/HOLES - 1" X 1" X 9" - MILL
	122021-02-02A	EA	ANGLE - W/HOLES - 1" X 1" X 13.8" - MILL

LABELS GROUP

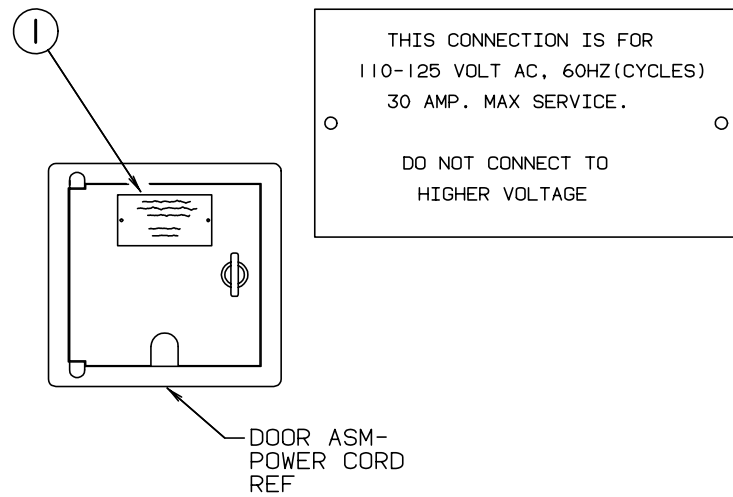


KEY	PART NUMBER	U/M DESCRIPTION
1	050225-01-000	EA LABEL-WARNING, STOVE VENT - US
1	050222-01-000	EA LABEL-WARNING, STOVE VENT - CANADIAN

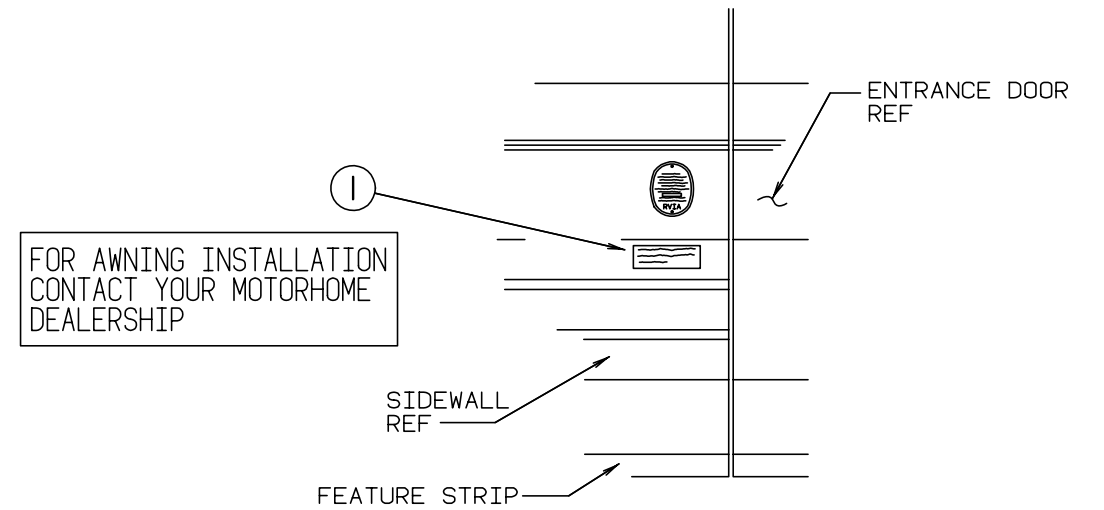
LABELS GROUP (CONTINUED)



KEY	PART NUMBER	U/M DESCRIPTION
1	040944-01-000	EA LABEL-ENTRANCE DOOR, "OPEN"

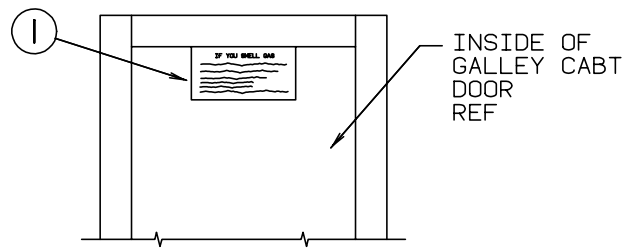


KEY	PART NUMBER	U/M DESCRIPTION
1	006062-01-000	EA LABEL - ELECTRIC - 110 VOLT CONNECTION FROM: 00-00-00 THRU: 07-13-97
1	006062-05-000	EA LABEL - ELECTRIC - 220V - 25AMP SERVICE FROM: 00-00-00 THRU: 07-13-97
1	125306-01-01A	EA LABEL - ELECTRICAL ENTRANCE - 110 VOLT 30 AMP FROM: 07-14-97 THRU: 99-99-99
1	125306-05-01A	EA LABEL - ELECTRICAL ENTRANCE - 220 VOLT 25 AMP FROM: 07-14-97 THRU: 99-99-99



KEY	PART NUMBER	U/M DESCRIPTION
1	099509-01-000	EA LABEL-AWNING INSTALLATION

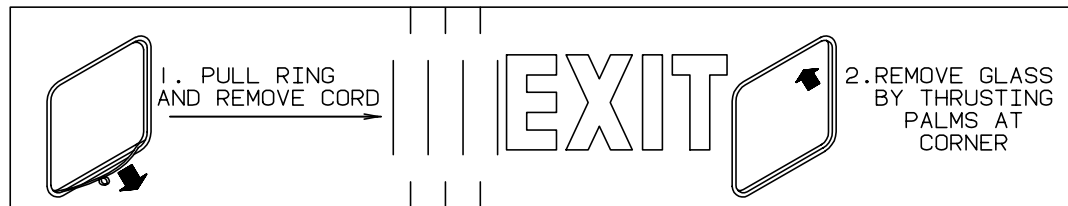
LABELS GROUP (CONTINUED)



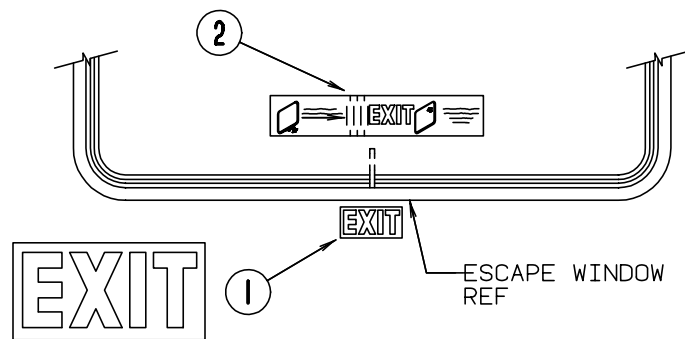
IF YOU SMELL GAS

1. EXTINGUISH ANY OPEN FLAME, PILOT LIGHTS AND ALL SMOKING MATERIALS.
2. SHUT OFF THE GAS SUPPLY AT THE TANK VALVE(OR GAS SUPPLY CONNECTION.
3. OPEN DOORS AND OTHER VENTILATING OPENINGS.
4. DO NOT TOUCH ELECTRICAL SWITCHES.
5. LEAVE THE AREA UNTIL ODOR CLEARS.
6. HAVE THE GAS SYSTEM CHECKED AND LEAKAGE SOURCE CORRECTED BEFORE USING AGAIN.

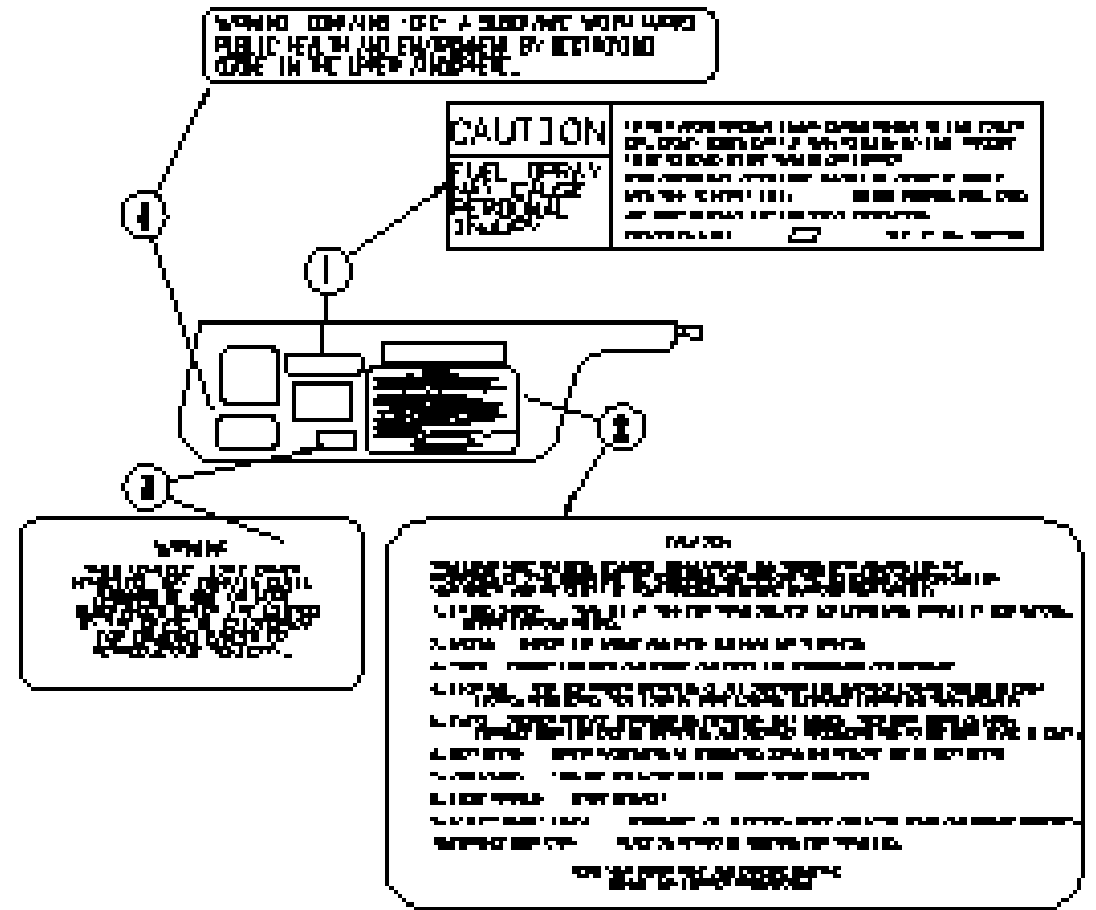
KEY	PART NUMBER	U/M DESCRIPTION
1	073998-01-000	EA LABEL-LPG ODOR WARNING



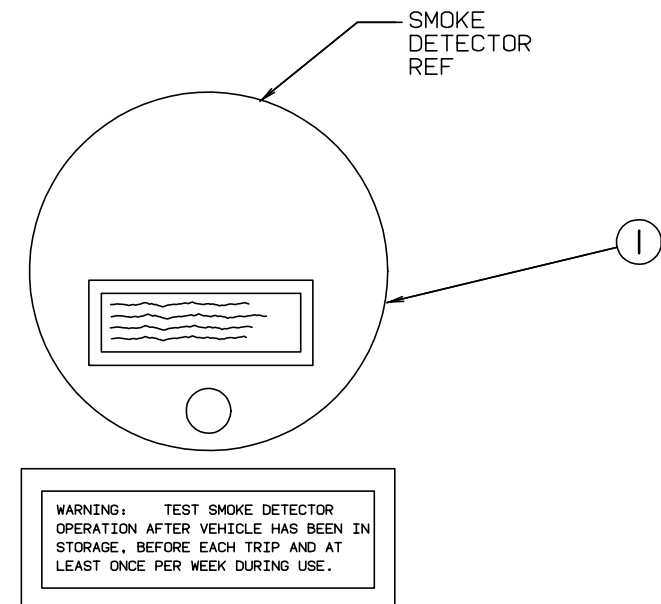
KEY	PART NUMBER	U/M DESCRIPTION
1	039290-01-000	EA LABEL-WARNING, EXIT
2	107571-01-000	EA LABEL-EXIT/ESCAPE WINDOW



LABELS GROUP (CONTINUED)



KEY	PART NUMBER	U/M DESCRIPTION
1	087207-05-000	EA LABEL-FUEL CAP REMOVAL
2	056259-01-000	EA LABEL-SAFETY CHECK LIST
3	099689-01-000	EA LABEL-WARNING, CANCER/TOXICITY - CALIFORNIA
4	111802-01-000	EA LABEL-CFC WARNING



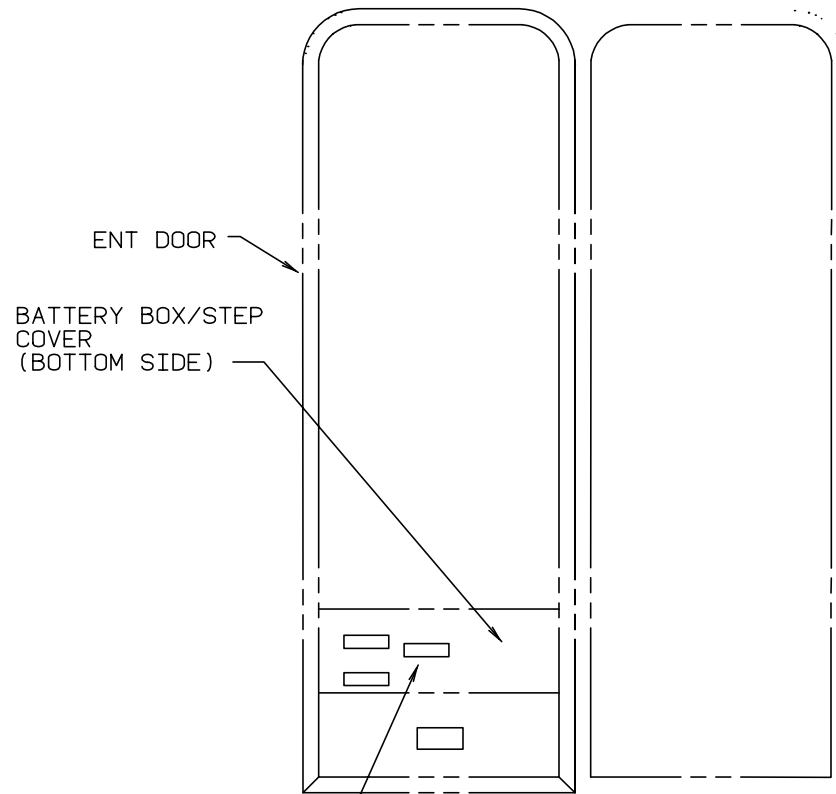
KEY	PART NUMBER	U/M DESCRIPTION
1	077956-01-000	EA LABEL-WARNING, SMOKE DETECTOR

LABELS GROUP (CONTINUED)

AIR CONDITIONING CIRCUIT.
THIS CONNECTION IS FOR
AIR CONDITIONERS RATED 110-
125 VOLT AC, 60 HZ, 16
AMPERES MAXIMUM. DO NOT
EXCEED CIRCUIT RATING.



KEY	PART NUMBER	U/M DESCRIPTION
1	091243-01-000	EA LABEL-A/C COVER, "AIR CONDITIONING CIRCUIT. ETC."



WARNING: DISCONNECT BATTERIES BEFORE
CONNECTING EXTERNAL CHARGING EQUIPMENT.

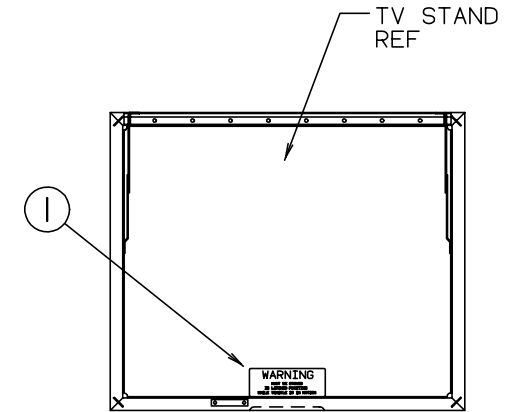
AVERTISSEMENT: DEBRANCHER LES BATTERIES AVANT
DE BRANCHER TOUT EQUIPEMENT DE CHARGE EXTERIEUR.

KEY	PART NUMBER	U/M DESCRIPTION
1	065748-01-000	EA LABEL-CAUTION, BATTERY CHARGING - US
1	065748-02-000	EA LABEL-CAUTION, BATTERY CHARGING - FRENCH

LABELS GROUP (CONTINUED)

DO NOT USE HITCH BEFORE
READING OWNERS MANUAL REGARDING
VEHICLE LOADING AND TOWING

KEY	PART NUMBER	U/M DESCRIPTION
1	111104-01-000	EA LABEL-HITCH, READ MANUAL - WHITE LETTERS
1	111104-02-000	EA LABEL-HITCH, READ MANUAL - BLACK LETTERS



WARNING
MUST BE STOWED
IN LATCHED POSITION
WHILE VEHICLE IS IN MOTION

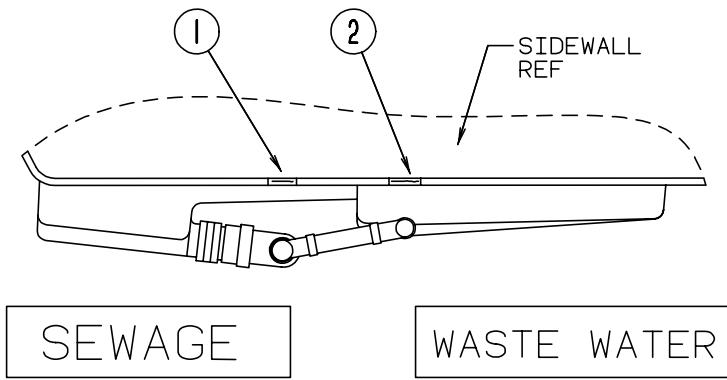
KEY	PART NUMBER	U/M DESCRIPTION
1	079966-01-000	EA LABEL-WARNING, STOWED - MOTION

NOTE: TUNE ANTENNA
PER MANUFACTURER'S
DIRECTIONS. FAILURE TO
COMPLY COULD RESULT IN
DAMAGE TO CB.

CB POWER PROVISION
RED +12 V
BLACK GROUND
COAX ANTENNA
(SEE REVERSE ALSO)

KEY	PART NUMBER	U/M DESCRIPTION
1	104678-01-000	EA LABEL-CB PREP

LABELS GROUP (CONTINUED)

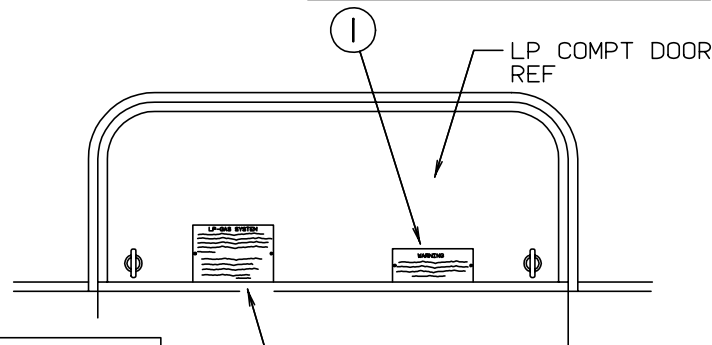


SEWAGE

WASTE WATER

KEY	PART NUMBER	U/M DESCRIPTION
1	006187-01-000	EA LABEL-SEWAGE
2	006188-01-000	EA LABEL-WASTE WATER

WARNING
ALL PILOT LIGHTS AND APPLIANCES SHALL BE TURNED OFF DURING REFUELING OF MOTOR FUEL TANKS AND/OR PERMANENTLY MOUNTED LP-GAS CONTAINERS.

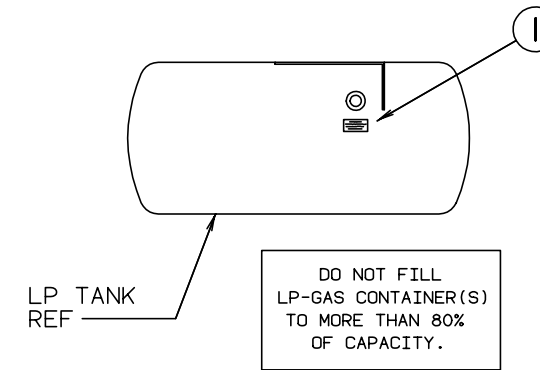


LP-GAS SYSTEM
THIS GAS PIPING SYSTEM IS DESIGNED FOR USE OF LIQUEFIED PETROLEUM GAS ONLY. DO NOT CONNECT NATURAL GAS TO THIS SYSTEM.

SECURELY CAP INLET(S) WHEN NOT CONNECTED FOR USE. AFTER TURNING ON GAS, EXCEPT AFTER NORMAL CONTAINER REPLACEMENT, TEST GAS PIPING AND CONNECTIONS TO APPLIANCE FOR LEAKAGE WITH SOAPY WATER OR BUBBLE SOLUTION. DO NOT USE PRODUCTS THAT CONTAIN AMMONIA OR CHLORINE.
P.N. 54531

KEY	PART NUMBER	U/M DESCRIPTION
1	124519-01-01A	EA LABEL-WARNING/REFUELING, US
1	124519-02-02A	EA LABEL-WARNING/REFUELING, CANADIAN
2	124520-01-01A	EA LABEL-LP GAS ONLY, US
2	023769-01-000	EA LABEL-WARNING, LPG - CANADIAN

LABELS GROUP (CONTINUED)

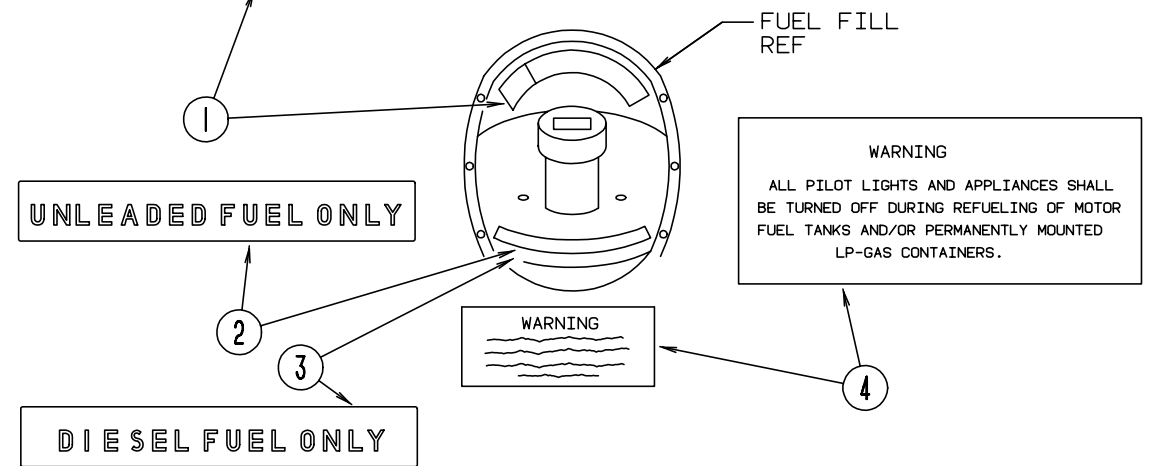


DO NOT FILL LP-GAS CONTAINER(S) TO MORE THAN 80% OF CAPACITY.

KEY	PART NUMBER	U/M DESCRIPTION
1	079965-01-000	EA LABEL-LPG, 80% CAPACITY

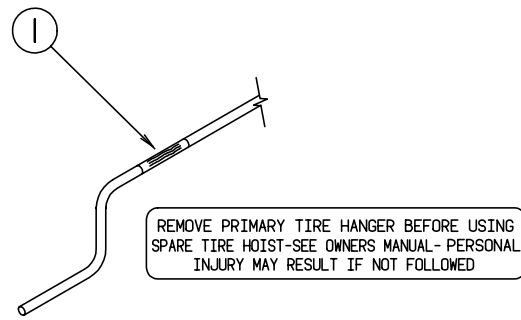
CAUTION
TO HELP AVOID PERSONAL INJURY DURING REMOVAL OF FUEL FILLER CAP, SLOWLY LOOSEN CAP 1/2 TURN TO ALLOW ANY FUEL PRESSURE TO BE RELIEVED BEFORE TURNING CAP FURTHER.

FUEL SPRAY MAY CAUSE PERSONAL INJURY
STOP ADDING FUEL AFTER FIRST SHUTOFF BY AUTOMATIC NOZZLE WHEN TANK IS NEARLY FULL. DO NOT OVERFILL FUEL TANK.
SEE OWNERS MANUAL FOR ADDITIONAL INFORMATION.
PRINTED IN U.S.A. MLC PT NO 15611763



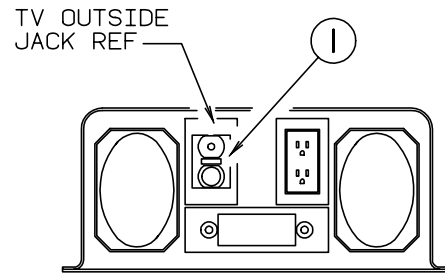
KEY	PART NUMBER	U/M DESCRIPTION
1	087207-05-000	EA LABEL-FUEL CAP REMOVAL
2	062043-01-000	EA LABEL-FUEL, UNLEADED
3	068383-01-000	EA LABEL-DIESEL FUEL ONLY, GM-557005
4	124519-01-01A	EA LABEL-WARNING/REFUELING, US
4	124519-02-02A	EA LABEL-WARNING/REFUELING, CANADIAN

LABELS GROUP (CONTINUED)



KEY	PART NUMBER	U/M DESCRIPTION
1	126024-01-01A	EA LABEL - TIRE HANGER REMOVAL

FROM: 03-14-97 THRU: 99-99-99



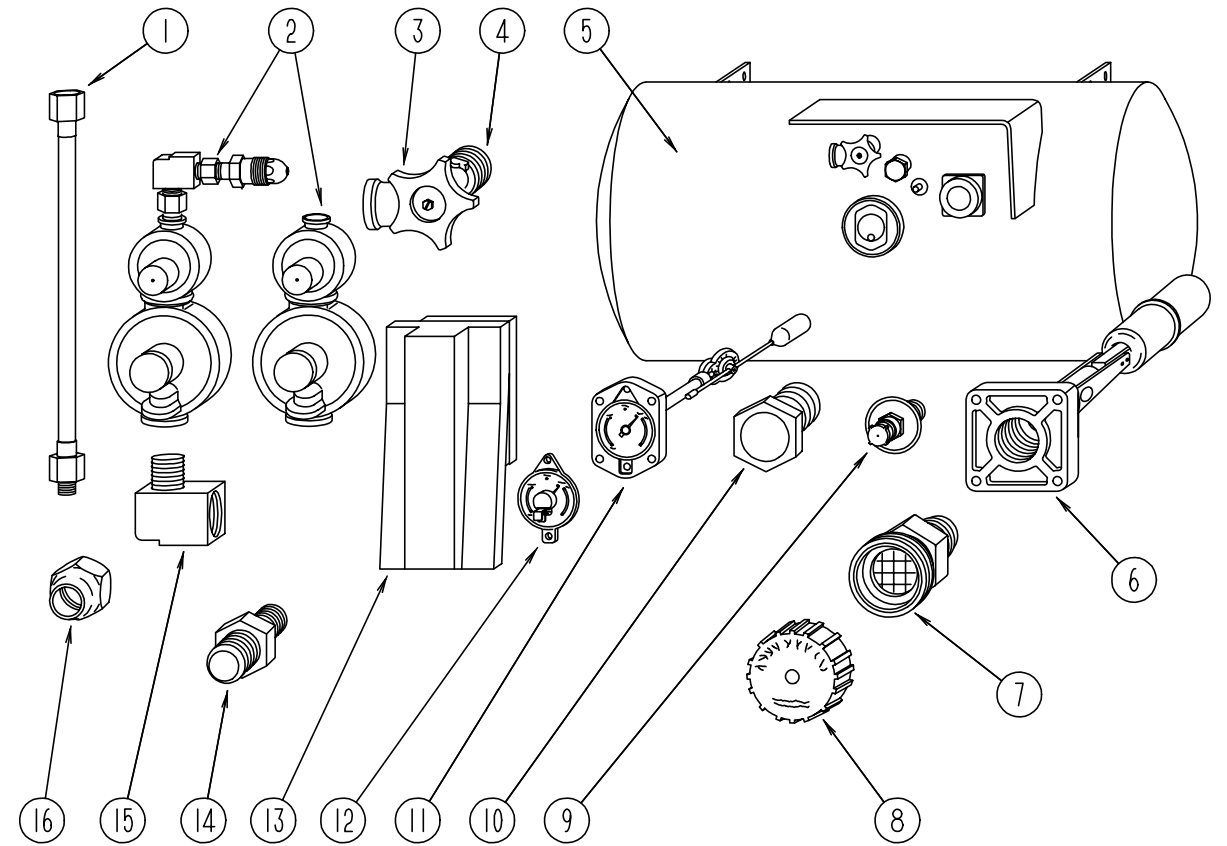
OUTLET

KEY	PART NUMBER	U/M DESCRIPTION
1	087236-01-000	EA LABEL - CABLE - INPUT

MISCELLANEOUS LABELS

KEY	PART NUMBER	U/M DESCRIPTION
	006064-01-000	EA LABEL-SEAT W/O SEATBELT "NOT INTENDED FOR USE WHILE COACH IN MOTION"
	098379-04-000	EA LABEL-ELECTRICAL BOX, SIDE
	098641-01-000	EA LABEL-FUEL, UNLEADED - DASH
	111537-07-000	EA LABEL-FUSES
	113402-02-000	EA LABEL-CAUTION, FURNACE EXHAUST

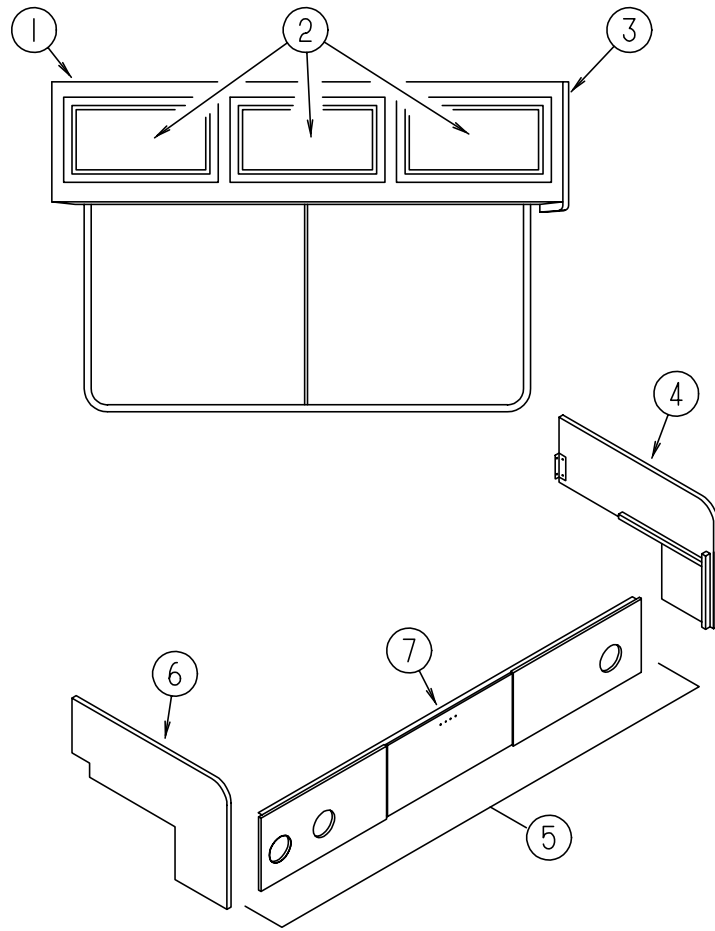
LP GROUP



LP TANK & COMPONENTS

KEY	PART NUMBER	U/M DESCRIPTION	VENDOR NO.
1	045703-01-000	EA HOSE-LP, 3/8" ID X 24" - 3/8" MPT X 1/2" F SWIVEL - US	
1	045703-02-000	EA HOSE-LP, 3/8" ID X 24" - 3/8" MPT X 1/2" F SWIVEL - CANADIAN	
2	106150-01-000	EA REGULATOR-TWO STAGE	
2	106150-02-000	EA REGULATOR-TWO STAGE - EUROPEAN	
3	040421-01-708	EA HANDWHEEL-SERVICE VALVE	G-1015-A
4	040421-01-712	EA VALVE-SERVICE W/O VAPOR RELIEF	29000853
5	097821-01-000	EA TANK - LP - 60 LB BRUNNER - 14" X 30"	
6	040421-01-711	EA VALVE - 80% FILL W/AUTO STOP	LLL/TL3
7	040421-01-701	EA VALVE-SHORT LP FILLER W/YELLOW CAP	7547B
8	040421-01-702	EA CAP-LP FILLER VALVE, PLASTIC - YELLOW	G-1014-A
9	040421-01-700	EA GAUGE-LIQUID LEVEL, 20% LP	G-1013
10	040421-01-713	EA VALVE-VAPOR ONLY	29000587
11	040421-01-707	EA FLOAT ASM.(SIGHT GAUGE) 14"	14C
12	040440-02-000	EA TRANSMITTER - DIAL - 0-90 OHM - 2 TERMINAL (POWER & GROUND)	
13	105658-01-000	EA COMPARTMENT-LP REGULATOR	
14	010323-01-000	EA ADAPTER-BRASS, 3/8" F X 1/2" MPT	
14	010329-01-000	EA ADAPTER-BRASS, 1/2" F X 1/2" MPT	
15	065318-02-000	EA ELBOW - 90 DEGREE, 3/8" MPT TO 3/8" FPT	
16	010377-02-000	EA NUT-BRASS, 3/8" FLARE - FORGED	
	008042-01-000	FT TUBING-VINYL, .65" ID	
	010265-01-000	EA ELBOW - BRASS - 90 DEGREE - 3/8" F X 1/2" FPT	
	103613-02-000	EA DETECTOR - LP GAS	
		FROM: 00-00-00 THRU: 04-27-97	
	103613-03-000	EA DETECTOR - LP GAS	
		FROM: 04-28-97 THRU: 99-99-99	

LOUNGE GROUP



DRIVER SIDE COUCH

**LOUNGE GROUP (CONTINUED)
PASSENGER SIDE COMPONENTS**

KEY	PART NUMBER	U/M DESCRIPTION
	104006-01-C05	EA LID-ENTRANCE STEP COMPARTMENT, W/O CARPET OR HARDWARE
	107941-01-02A	EA SUPPORT - ENTRANCE STEP LID
	101222-01-04A	EA BRACKET - CATCH - LID - E-COAT
	116975-01-01A	EA LATCH - W/O STRIKE - BLACK - NEW STYLE
	116975-02-01A	EA KEEPER/STRIKE - BLACK - NEW STYLE

KEY	PART NUMBER	U/M DESCRIPTION
1	103275-02-H13	EA CABINET - OVERHEAD/FRONT - LEFT HAND - W/O DOORS/HARDWARE
	103275-12-G09	EA SHELF - OVERHEAD CABINET - W/PLASTIC EDGE TRIM
2	M06803-03-H33	EA DOOR - MIRROR/MTRD CRNR/OGEE EDGE - 15.7"X 20.4" - W/O HDW
2	M06803-41-G09	EA DOOR - MITERED CORNER/OGEE EDGE - 15.7" X 20.4" - W/O HDW DECORATOR DOOR OPTION - FLAT PANEL
2	M06803-K5-G09	EA DOOR - MITERED CORNER/OGEE EDGE - 15.7" X 20.4" - W/O HDW EXPORT UPGRADE PACKAGE
3	103128-01-G09	EA END CAP - OVERHEAD CABINET - RIGHT HAND
4	M04187-39-G13	EA PANEL - COUCH LEFT END - FABRIC COVERED (H12,H13)
4	M04187-39-H14	EA PANEL - COUCH LEFT END - FABRIC COVERED (H14)
4	M04187-39-H15	EA PANEL - COUCH LEFT END - FABRIC COVERED (H15)
4	M04187-39-H16	EA PANEL - COUCH LEFT END - FABRIC COVERED (H16)
5	M04187-42-H13	EA PANEL - COUCH/KICK W/DOOR - FABRIC COVERED (H12,H13)
5	M04187-42-H14	EA PANEL - COUCH/KICK W/DOOR - FABRIC COVERED (H14)
5	M04187-42-H15	EA PANEL - COUCH/KICK W/DOOR - FABRIC COVERED (H15)
5	M04187-42-H16	EA PANEL - COUCH/KICK W/DOOR - FABRIC COVERED (H16)
6	M04187-38-G13	EA PANEL - COUCH RIGHT END - FABRIC COVERED (H12,H13)
6	M04187-38-H14	EA PANEL - COUCH RIGHT END - FABRIC COVERED (H14)
6	M04187-38-H15	EA PANEL - COUCH RIGHT END - FABRIC COVERED (H15)
6	M04187-38-H16	EA PANEL - COUCH RIGHT END - FABRIC COVERED (H16)
7	M04187-41-H13	EA DOOR - COUCH - 12.2" X 24.8" - FABRIC COVERED (H12,H13)
7	M04187-41-H14	EA DOOR - COUCH - 12.2" X 24.8" - FABRIC COVERED (H14)
7	M04187-41-H15	EA DOOR - COUCH - 12.2" X 24.8" - FABRIC COVERED (H15)
7	M04187-41-H16	EA DOOR - COUCH - 12.2" X 24.8" - FABRIC COVERED (H16)
	083125-07-000	EA BRACE - COUCH - 2.5"

SEALANTS & FASTENERS GROUP

ADHESIVES

KEY	PART NUMBER	U/M DESCRIPTION
	004020-01-000	QT ADHESIVE - ABS CEMENT - QUART
	081377-01-700	EA ADHESIVE-CYANOACRYLATE, 10 GRAM TUBE
	004006-05-700	EA ADHESIVE - 5 GALLON - NATURAL STARCH
	062917-03-000	EA ADHESIVE - LOCTITE 242
	067788-01-000	EA ADHESIVE - SPRAY - 3M - 19.5 AEROSOL CAN
	087211-01-000	GL PROMOTER - ADHESIVE
	112901-02-000	EA ADHESIVE - PLEXUS - 50ML

TAPES

KEY	PART NUMBER	U/M DESCRIPTION
	076314-02-000	FT TAPE - CARPET SEAM - HEAT-BOND - 4" WIDE
	076322-01-000	FT TAPE - DOUBLE COATED/ADHESIVE BACK - .025"THK X .75"W X 18'
	076322-02-000	FT TAPE - DOUBLE COATED/ADHESIVE BACK - .045"THK X 1"W X 9'
	076322-05-000	FT TAPE - DOUBLE COATED/ADHESIVE BACK - .045"THK X .75"W X 9'
	076322-07-000	FT TAPE - DOUBLE COATED/ADHESIVE BACK - .045"THK X .50"W X 9'
	110274-01-000	FT TAPE - DOUBLE SIDED FOAM - .45" X 1"
	063642-01-000	FT TAPE - ADHESIVE - 10 MIL X 1.5" X 180"
	088479-01-000	EA TAPE - ALUMINUM - 3"
	120534-01-01A	EA TAPE - SCOTCH - 3M - 1/2" FINE LINE
	123816-01-000	FT TAPE - DOUBLE SIDED - 1"
	123816-02-000	FT TAPE - DOUBLE SIDED - 1/2"

SEALERS

KEY	PART NUMBER	U/M DESCRIPTION
	069640-01-000	FT SEALER - RIBBON - 1/4"DIAMETER X 30'
	069640-02-000	FT SEALER - TAPE - 1/8"THICK X .50"WIDE X 60'
	069640-03-000	FT SEALER - TAPE - 1/8"THICK X .75"WIDE X 60'
	069640-07-000	FT SEALER - TAPE - 3/32"THICK X 2"WIDE X 45'
	069640-09-000	FT SEALER - TAPE - 1/32"THICK X 2.50"WIDE X 80'
	069640-11-000	FT SEALER - TAPE - 3/16"THICK X 3/8"WIDE X 40'
	069640-13-000	FT SEALER - TAPE - 3/32"THICK X 2"WIDE X 45'
	069640-14-000	FT SEALER - TAPE - 1/16"THICK X 1"WIDE X 100'
	069640-15-000	FT SEALER - TAPE - 1/16"THICK X 3/8"WIDE X 80'
	069640-17-000	FT SEALER - TAPE - 1/32" THICK X 1"WIDE X 90'
	069640-18-000	FT SEALER - TAPE - 1/2" THICK X 1/8" X 60'
	900390-01-000	EA TIP - 2 1/2" X 1/8" ORIFICE
	900390-03-000	EA NOZZLES-SILICONE TUBE, CSL D10
	034552-02-000	EA SILICONE - TUBE - 300 ML - W/O NOZZLE - CLEAR
	034552-06-000	EA SILICONE - TUBE - 300 ML - W/O NOZZLE - OFF WHITE FROM: 00-00-00 THRU: 07-26-97
	120074-02-01A	EA SEALANT - SILICONE - OFF WHITE FROM: 07-27-97 THRU: 99-99-99
	034552-15-000	EA SILICONE - TUBE - 300 ML - W/O NOZZLE - BRIGHT WHITE FROM: 00-00-00 THRU: 01-01-97
	039518-01-000	EA SILICONE - TUBE - 300 ML - BLACK - W/O NOZZLE
	053766-02-000	EA BEDDING COMPOUND - TUBE - WHITE
	053766-06-000	EA BEDDING COMPOUND - TUBE - CLEAR
	072889-01-000	EA SEALANT - URETHANE - BLACK - 1/10
	072889-09-000	EA SEALANT - URETHANE - BLACK (TUBE)
	072889-10-000	EA SEALANT - URETHANE (HV) - BRIGHT WHITE
	072889-12-000	EA SEALANT - URETHANE (LV) BRIGHT WHITE
	072889-16-000	EA SEALANT - URETHANE - BLACK
	102352-01-000	EA SEALER - PUMPABLE - BLACK
	102352-02-000	EA SEALER - PUMPABLE - CLEAR
	106206-01-000	EA SEALER - PUMPABLE - MANUS 30A - BLACK
	108716-03-000	EA SILICONE - TUBE - BRIGHT WHITE/SELF LEVELING

SEALANTS & FASTENERS GROUP (CONTINUED)

WASHERS

KEY	PART NUMBER	U/M DESCRIPTION
	000E11-07-00B	EA WASHER - LOCKING - 7/16 MED SPLIT - ZINC
	000E11-08-00B	EA WASHER - LOCKING - 1/2 MED SPLIT - ZINC
	000E13-14-00B	EA WASHER - FLAT - 1/4 WIDE - ZINC
	000E13-18-00B	EA WASHER - FLAT - 3/8 WIDE - ZINC
	000E13-20-00B	EA WASHER - FLAT - 7/16 WIDE - ZINC
	000E13-22-00B	EA WASHER - FLAT - 1/2 WIDE - ZINC
	000E13-26-00B	EA WASHER - FLAT - 5/8 WIDE - ZINC
	044533-01-000	EA WASHER - PLASTIC - 1 3/8" OD - FOR BUTTONS
	058716-02-000	EA WASHER - FLAT NYLON
	106649-01-000	EA WASHER - SEALING - GALVANIZED
	110794-01-000	EA WASHER - FLAT - 1" ID X 1 3/4' OD

NUTS

KEY	PART NUMBER	U/M DESCRIPTION
	000D24-10-00B	EA NUT - HEX - SELF LOCKING - 10-32 ZINC
	000D29-05-00B	EA NUT - 5/16 - 18 UNC - SF/LOCKING - NYLON WASHER INSERT
	000D29-09-00B	EA NUT - HEX - SELF LOCKING - 9/16-12 - ZINC
	000D34-06-00B	EA NUT - HEX - LOCKING - 3/8 - 16 GRADE C - ZINC-PREVAILING T
	000D39-04-00B	EA NUT - HEX - SERRATED FLANGE - LOCKING - 1/4 - 20 - ZINC
	000D39-05-00B	EA NUT - HEX - SERRATED FLANGE - LOCKING - 5/16 - 18 - ZINC
	000D39-06-00B	EA NUT - HEX - SERRATED FLANGE - LOCKING - 3/8 - 18 - ZINC
	000D39-07-00B	EA NUT - HEX - SERRATED FLANGE - LOCKING - 7/16 - 14 - ZINC
	000D39-08-00B	EA NUT - HEX - SERRATED FLANGE - LOCKING - 1/2 - 13 - ZINC
	000D44-07-00B	EA NUT - HEX - SERRATED FLANGE - LOCKING - 7/16-20 - ZINC
	000D46-04-00A	EA NUT - HEX - WELD - 1/4 - 20 - PLAIN
	040921-01-000	EA NUT - SPEED - U TYPE - 10-24 BLACK
	040921-04-000	EA NUT - SPEED - U TYPE - # 8 - .59" LENGTH X .44" WIDTH
	040921-09-000	EA NUT - SPEED - U TYPE - # 8
	044364-02-000	EA NUT - SPEED - FLAT - ROUND
	063253-07-000	EA NUT - J - #8A - .120 - .130 PNL THK
	083163-06-000	EA PUSHNUT-FLAT TYPE 3/8 STUD - FORD ONLY TO RETAIN THE AIR BAFFLE ON THE OIL DIPSTICK TUBE
	087234-01-000	EA NUT - JACK - 1/4 X 20 THD - MOLLY - MOUNTS LICENSE PLATES MOUNTS LICENSE PLATES
	104369-01-000	EA NUT - HEX - HEAVY - 5/8-11 UNC

CLAMPS

KEY	PART NUMBER	U/M DESCRIPTION
	007161-01-000	EA CLAMP - HOSE - SPRING TYPE - 1/2"
	010495-01-000	EA CLAMP - CABLE - 9/16"
	010497-01-000	EA CLAMP - CLOSED - 5/8" ID
	010497-03-000	EA CLAMP - CLOSED - 1" ID - CUSHIONED
	010497-04-000	EA CLAMP - CLOSED - 1.62" ID
	010497-05-000	EA CLAMP - CLOSED - 1/2 ID
	010499-01-000	EA CLAMP - CLOSED - 3/8" ID
	062401-01-000	EA CLAMP - HOSE - WORMGEAR - .25" - 1"
	062401-02-000	EA CLAMP - HOSE - WORMGEAR - 1.56" - 2.5"
	062401-03-000	EA CLAMP - HOSE - WORMGEAR - .22" - 1"
	062401-04-000	EA CLAMP - HOSE - WORMGEAR - .69" - 1.25"
	062401-05-000	EA CLAMP - HOSE - WORMGEAR - 2" TO 3" ID
	062401-06-000	EA CLAMP - HOSE - WORMGEAR - .22 - .62 ID
	062401-11-000	EA CLAMP - HOSE - WORMGEAR - 3.50 - 4.50
	075148-02-000	EA CLAMP - GROUNDING - BRONZE SCREWS
	083609-01-000	EA CLAMP - WIRE - DUAL - EQUAL DIAMETERS - 5/8"
	083610-01-000	EA CLAMP - WIRE - DUAL - UNEQUAL DIAMETERS - 3/4" & 1 1/4"
	083610-02-000	EA CLAMP - WIRE - DUAL - UNEQUAL DIAMETERS

SEALANTS & FASTENERS GROUP (CONTINUED)

SCREWS

KEY	PART NUMBER	U/M DESCRIPTION
	000G54-04-20B	EA SCREW - 1/4-20 X 1.25 PTH - TYPE 23 - ZINC PLATED
	000G11-05-08B	EA SCREW - 5-20 X .50 PPH - ZINC
	000G68-06-10G	EA SCREW - 6-18 X 5/8 POH - ANTIQUE BRASS
	000G11-06-10J	EA SCREW - 6-20 X 5/8 PPH - BRASS
	000G11-06-08B	EA SCREW - 6-20 X .50 PPH - ZINC
	000G11-06-06B	EA SCREW - 6-20 X 3/8 PPH - ZINC
	000G12-06-08T	EA SCREW - 6-20 X 1/2 POH - BLACK
	000G13-06-10G	EA SCREW - 6-20 X 5/8 PFH - ANTIQUE BRASS
	000G13-06-08G	EA SCREW - 6-20 X .50 PFH - ANTIQUE BRASS
	076790-01-000	EA SCREW - 6-20 X 1 1/4 PPH - BLACK
	000G11-07-08B	EA SCREW - 7-19 X .50 PPH - ZINC
	000G13-07-12B	EA SCREW - 7-19 X .75 PFH - ZINC
	000G13-07-10H	EA SCREW - 7-19 X 5/8 PFH - BLACK
	000G11-08-20B	EA SCREW - 8-18 X 1.25 PPH - ZINC
	000G11-08-16S	EA SCREW - 8-18 X 1 PPH - OFF WHITE
	000G11-08-12P	EA SCREW - 8-18 X .75 PPH - DARK BROWN
	000G11-08-12D	EA SCREW - 8-18 X .75 PPH - BLACK
	000G11-08-12B	EA SCREW - 8-18 X .75 PPH - ZINC
	000G11-08-10B	EA SCREW - 8-18 X .50 PPH - ZINC
	000G11-08-08B	EA SCREW - 8-18 X .50 PPH - ZINC
	000G11-08-06B	EA SCREW - 8-18 X 3/8 PPH - ZINC
	000G67-10-08B	EA SCREW - 10-12 X .50 PPH - ZINC
	000G67-10-20D	EA SCREW - 10-12 X 1.25 PPH - BLACK
	000G67-10-16B	EA SCREW - 10-12 X 1 PPH - ZINC
	000G67-10-120	EA SCREW - 10-12 X .75 PPH - TAN
	000G67-10-120	EA SCREW - 10-12 X .75 PPH - TAN
	000G67-10-12P	EA SCREW - 10-12 X .75 - PPH - DARK BROWN
	000G67-10-12B	EA SCREW - 10-12 X .75 PPH - ZINC
	000G67-10-10D	EA SCREW - 10-12 X 5/8 PPH - BLACK - TYPE A
	000G67-10-10B	EA SCREW - 10-12 X 5/8 PPH - ZINC - TYPE A
	000G67-10-36T	EA SCREW - 10-12 X 2.25 - PPH - BLACK
	000G67-10-24B	EA SCREW - 10-12 X 1.25 PPH - ZINC
	000G11-10-16B	EA SCREW - 10-16 X 1 PPH - ZINC
	000G11-10-12S	EA SCREW - 10-16 X .75 PPH - OFF WHITE
	000G11-10-12D	EA SCREW - 10-16 X .75 PPH - BLACK
	000G11-10-40B	EA SCREW - 10-16 X 2 1/2 PPH CAD - 34927-01-000
	049465-01-000	EA SCREW - 10-16 W/WASHER PTH - DARK BROWN
	049465-03-000	EA SCREW - 10-16 X 1 POH W/WASHER - OFF WHITE
	049465-17-000	EA SCREW - 10-16 X 1 POH W/WASHER
	000G32-10-06B	EA SCREW - 10-32 X 3/8 PPH - ZINC
	000G39-06-16T	EA SCREW - SF/DR - 6-20 X 1 PPH - BLACK
	000G39-06-10T	EA SCREW - SF/DR - 6-20 X 5/8 PPH - BLACK
	0G3908-08-170	EA SCREW - SF/DR - 8-18 X .50 PPH - BRIGHT WHITE
	0G5508-16-190	EA SCREW - SF/DR - 8-18 X 1.00 PWH
	000G39-08-12B	EA SCREW - SF/DR - 8-18 X .75 PPH - ZINC
	000G55-08-12S	EA SCREW - SF/DR - 8-18 X .75 PWH - OFF WHITE
	000G39-08-08S	EA SCREW - SF/DR - 8-18 X .50 PPH - OFF WHITE
	000G39-08-08B	EA SCREW - SF/DR - 8-18 X 1.50 PPH - ZINC
	000G39-08-06B	EA SCREW - SF/DR - 8-18 X 3/8 PPH - ZINC
	000G39-08-16T	EA SCREW - SF/DR - 6-20 X 1 PPH - BLACK
	000G39-08-16B	EA SCREW - SF/DR - 8-18 X 1 PPH - ZINC
	000G39-08-12T	EA SCREW - SF/DR - 8-18 X .75 PPH - BLACK

SEALANTS & FASTENERS GROUP (CONTINUED)

SCREWS (CONTINUED)

KEY	PART NUMBER	U/M DESCRIPTION
	000G39-10-08B	EA SCREW - SF/DR - 10-16 X .50 PPH - ZINC
	000G39-10-48B	EA SCREW - SF/DR - 10-16 X 3 - PPH - ZINC
	000G39-10-20B	EA SCREW - SF/DR - 10-16 X 1.25 PPH - ZINC
	000G39-10-129	EA SCREW - SF/DR - 10-16 X .75 PPH - FLUOROCARBON SILVER
	000G39-10-12D	EA SCREW - SF/DR - 10-16 X .75 PPH - BLACK
	000G39-10-12B	EA SCREW - SF/DR - 10-16 X .75 PPH - ZINC
	000G39-10-10B	EA SCREW - SF/DR - 10-16 X .625 - ZINC
	000G39-10-088	EA SCREW - SF/DR - 10-16 X 1/2 PPH - FLEX FLUOROCARBON
	000G60-10-28T	EA SCREW - SF/DR - 10-16 X 1.75 - BLACK
	054434-02-000	EA SCREW - SF/DR - 10-16 X 2 - ZINC
	000G42-04-12B	EA SCREW - SF/DR - 1/4-14 X .75 HWH - ZINC
	086256-01-000	EA SCREW - SF/DR - 8 X 3/4 HWH LONG
	000G18-08-22B	EA SCREW - MACHINE - 8-32 X 1 3/8 PPH - ZINC
	000G19-10-12F	EA SCREW - MACHINE - 10-32 X .75 - PPH - STAINLESS STEEL
	000G19-10-20B	EA SCREW - MACHINE - 10-32 X 1.25 PPH - ZINC
	000G43-06-24B	EA SCREW - MACHINE - 6-32 X 1.50 - ZINC
	000G46-08-24T	EA SCREW - MACHINE - 8-32 X 1.50 PFH - BLACK
	000G50-04-12B	EA SCREW - MACHINE - 1/4-20 X .75 PPH - ZINC
	000G50-04-08B	EA SCREW - MACHINE - 1/4-20 X .50 PTH - ZINC
	000G52-08-18B	EA SCREW - MACHINE - 8-32 X 1 1/8 PTH - ZINC
	075908-01-000	EA SCREW - MACHINE - 10-32 X .56 PTH - EXTERNAL TOOTH - ZINC
	000G56-12-48B	EA SCREW - WOOD - 12-11 X 3 POH - SPECIAL HARDENED
	057671-01-000	EA COVER - SCREW - #8 - PLASTIC - OFF WHITE
	057671-03-000	EA COVER - SCREW - #8 - WILLOW
	057671-15-000	EA COVER - SCREW
		FROM: 02-06-97 THRU: 99-99-99
	083554-04-000	EA SCREW - DRYWALL - 8 X 2 1/2
	087721-01-000	EA SCREW - FLAT HEAD - TAPPING - 1/4" X 1 1/4" LONG - ZINC
	097974-01-000	EA SCREW - PARTICLE BOARD - 7-9 X 3/4 PPH

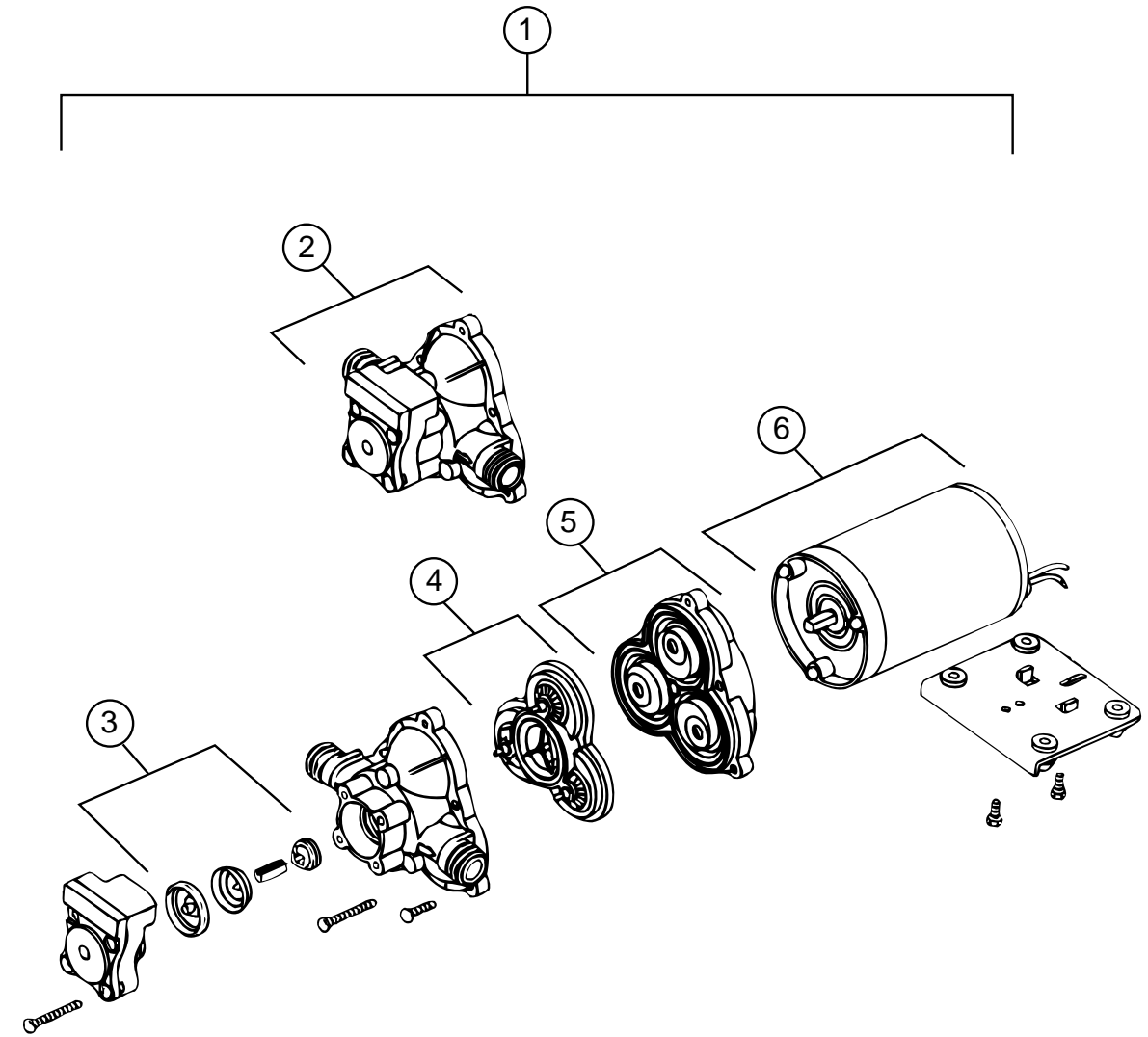
SEALANTS & FASTENERS GROUP (CONTINUED)
BOLTS

KEY	PART NUMBER	U/M DESCRIPTION
	000C12-05-16B	EA BOLT - HEX - 5/16-18 X 1 - ZINC 5
	000C12-05-64B	EA BOLT - HEX - 5/16 - 18 X 4
	000C12-06-16B	EA BOLT - HEX - 3/8-16 X 1 LG - ZINC 5
	000C12-07-20B	EA BOLT - HEX - 7/16-14 X 1 1/4 - ZINC 5
	000C12-08-16B	EA BOLT - HEX - 1/2-13 X 1.00 - GD5 - ZINC
	000C12-08-24B	EA BOLT - HEX - 1/2-13 X 1.50 - ZINC 5
	000C12-09-20B	EA BOLT - HEX - 9/16-12 X 1.25 - ZINC 5
	000C12-10-24B	EA BOLT - HEX - 5/8-11 X 1.50 - ZINC 5
	000C13-07-48B	EA BOLT - HEX - 7/16-20 X 3 - ZINC 5
	000C18-05-40A	EA BOLT - ELEVATOR - 5/16-18 X 2.50 - PL
	000C26-04-18B	EA BOLT - HEX - SERRATED FLANGE - 1/4-20 X 1 1/8 - ZINC
	000C26-04-14B	EA BOLT - HEX - SERRATED FLANGE - 1/4-20 X 7/8 - ZINC
	000C26-04-10B	EA BOLT - HEX - SERRATED FLANGE - 1/4-20 X 5/8 - ZINC
	000C26-05-16B	EA BOLT - HEX - SERRATED FLANGE - 5/16-18 X 3/4 - ZINC
	000C26-05-12B	EA BOLT - HEX - SERRATED FLANGE - 5/16-18 X 3/4 - ZINC
	000C26-06-16B	EA BOLT - HEX - SERRATED FLANGE - 3/8-16 X 1 - ZINC
	000C26-06-12B	EA BOLT - HEX - SERRATED FLANGE - 3/8-16 X 3/4 - ZINC
	000C27-10-32B	EA BOLT - CARRIAGE - 5/8-11 X 2
	000G45-04-24B	EA BOLT - LAG - 1/4-9 X 1.50 ZINC
	000G45-05-16B	EA BOLT - LAG - 5/16-9 X 1 - ZINC
	051387-06-000	EA BOLT - CARRIAGE W/O HOLE - 5/16-18 X 9.5 - ZINC
	102333-01-06A	EA BOLT - CARRIAGE - 7/16-14 STAINLESS STEEL CAP
	106166-01-000	EA BOLT/COLLARED HANGER - 8-32 X 1"
	108067-03-000	EA STUD - WELD - 1/4 - 20 X 1/2 CD
	088787-12-000	EA STUD - WELD - 1/4 - 20 X 1.0 LG - MN

RIVETS, GROMMETS AND MISCELLANEOUS FASTENERS

KEY	PART NUMBER	U/M DESCRIPTION
	000H14-04-04A	EA RIVET - MANDREL BLIND - 1/8 X .400
	000H16-04-06R	EA RIVET - POP ALUMINUM - 1/8" X .313 - .375
	000H16-06-10R	EA RIVET - POP ALUMINUM - 3/16 X .501-.625
	008380-01-000	EA GROMMET - RUBBER - 5/8" HOLE X 1 1/2" DIAMETER - BLACK
	016188-03-000	EA GROMMET - L/P LINE - 3/8" HOLE X 2 1/2" LONG - RUBBER
	016188-05-000	EA GROMMET - L/P LINE - 3/8" HOLE X 1 1/4" LONG - RUBBER
	023942-01-000	EA GROMMET - RUBBER - 2" OD
	071015-26-000	EA GROMMET - RUBBER - 1.5" ID X 2.12" OD W/.06" GROOVE - BLACK
	071015-29-000	EA GROMMET - RUBBER, .5" ID X 1.25" OD W/.12" GROOVE - BLACK
	099637-01-000	EA GROMMET - RUBBER - .37" X .94" DIAMETER - BLACK
	114208-02-000	EA GROMMET - EDGE LINER - FITS .625
	056134-01-000	EA HOLDER - RING - 3.6" DIAMETER - METAL
	056134-02-000	EA HOLDER - RING - 1.8" DIAMETER - METAL
	086285-01-000	EA SPACER - NYLON - .5" OD X .257" ID
	081211-05-000	EA PLUG - PLASTIC - .188 DIAMETER - NATURAL
	029094-04-000	YD VELCRO TAPE - LOOP - 1" WIDE - BLACK
	029096-03-000	YD VELCRO TAPE - HOOK - 1" WIDE - BLACK
	085774-01-000	FT FASTENER - DUAL HOOK - 1" WIDE - ADHESIVE BACK - BLACK
	085774-02-000	FT FASTENER - DUAL LOOP - 1" WIDE - ADHESIVE BACK - BLACK
	008343-01-000	EA TIE - WIRE - 6"
	008343-02-000	EA TIE - WIRE - 14"
	108046-02-000	EA CABLE TIE - SCREW MOUNT 15"
	077955-01-000	EA CLIP-J - VINYL COATED - 3/8"
	080734-02-000	EA CLIP - WIRE NYLON
	091952-02-000	EA CLIP - GRIPPER - 3/4"
	094362-02-000	EA CLIP - XMAS TREE - BINDER HEAD - .9" LONG
	101447-01-000	EA CLIP - U TYPE
	110943-02-000	FT FELTSTRIP - 3/8" - ADHESIVE BACK - WHITE

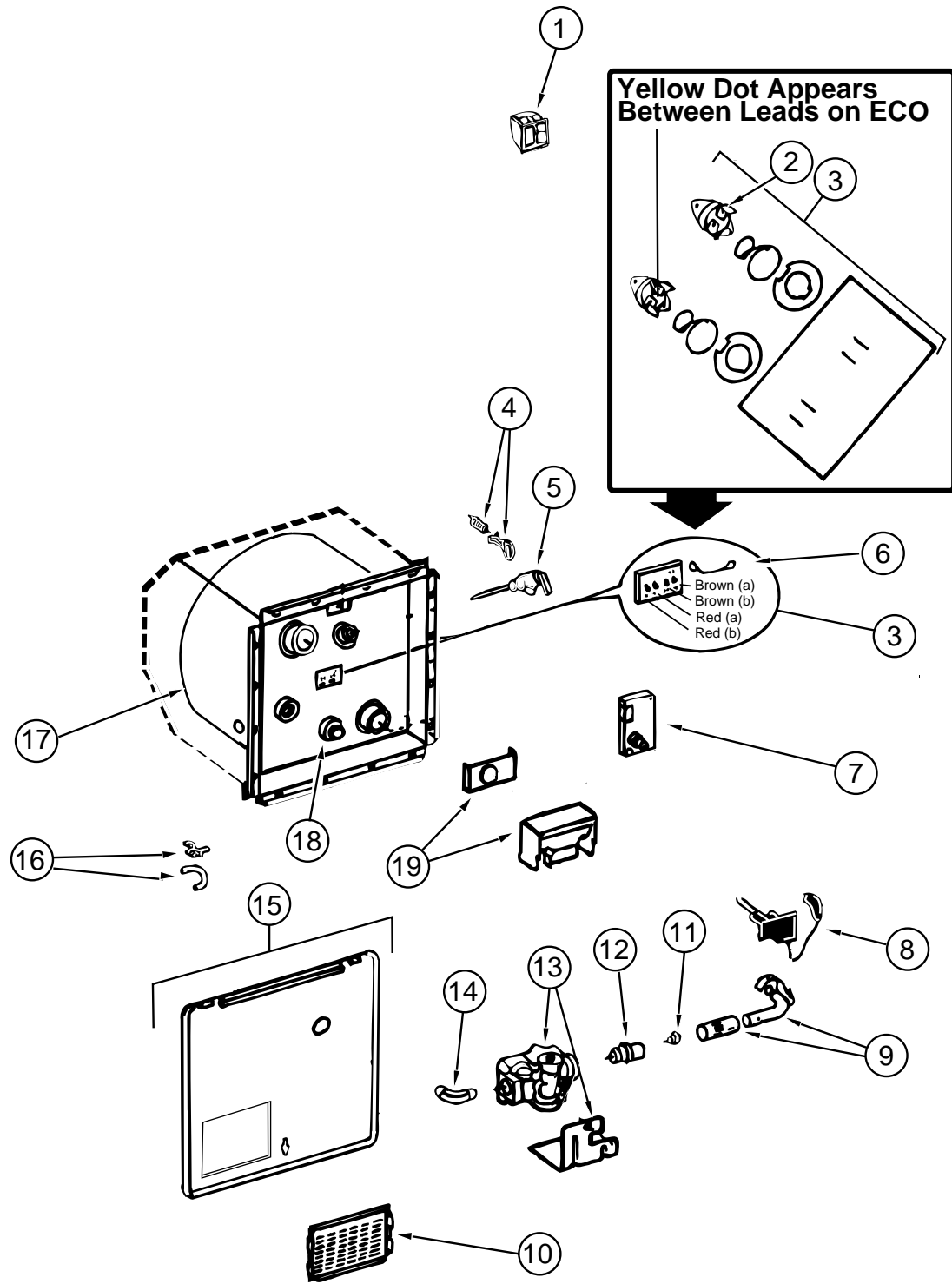
WATER & SEWAGE GROUP



SHURFLO WATER PUMP

KEY	PART NUMBER	U/M DESCRIPTION	VENDOR NO.
1	098607-01-000	EA PUMP-WATER, W/.5" MPT FITTING - FLOW 2.8 GPM - UL	
2	098607-01-706	EA HOUSING W/SWITCH ONLY	94-231-20
3	098607-01-705	EA VALVE-CHECK, KIT	94-237-00
4	098607-01-703	EA VALVE KIT	94-232-00
5	098607-01-702	EA DIAPHRAGM/DRIVE ASSEMBLY KIT	94-238-04
6	098607-01-707	EA MOTOR W/BASEPLATE	94-234-03

WATER & SEWAGE GROUP (CONTINUED)
ATWOOD WATER HEATER W/MOTOR AID (GH6-8E)



KEY	PART NUMBER	U/M	DESCRIPTION	VENDOR NO.
	051393-01-000	EA	WATER HEATER - W/ MOTOR AID - PILOTLESS IGNITION	
1	051393-01-701	EA	SWITCH PACKAGE	91959
2	051391-04-701	EA	THERMOSTAT 12V DC-120 PRESET	91470
3	051393-01-721	EA	ECO & THERMOSTAT ASM - FRONT MOUNT - 140°	91447
4	051391-01-705	EA	FASTENER - CAMLOC	92609
5	051391-01-704	EA	VALVE - RELIEF - 1/2" FITTING	91604
6	051393-01-723	EA	SWITCH - ENERGY CUT-OFF	93866
7	051393-01-724	EA	CIRCUIT BOARD - W/ SPADE TERMINAL	93867
8	051393-01-725	EA	ELECTRODE - SINGLE SPADE CONNECTION	93868
9	051391-04-703	EA	BURNER - MAIN	91638
10	051391-01-717	EA	GRILLE	92640
11	051391-01-710	EA	ORIFICE - MAIN BURNER	92742
12	051391-03-700	EA	ORIFICE HOLDER	91563
13	051393-01-726	EA	SOLENOID VALVE & BRACKET	93870
14	051391-01-714	EA	ELBOW - 45 DEGREE - 3/8"F X 3/8"MPT	91044
15	052009-06-000	EA	DOOR-WATER HEATER W/O LATCHES, BRIGHT WHITE	
16	051391-01-700	EA	HINGE KIT - W/CLIP	92568 & 92559
17	051391-04-704	EA	TANK - INNER	91642
18	051391-01-715	EA	DRAIN PLUG	91857
19	051391-04-707	EA	FLUE & GASKET	90960
	111129-01-711	EA	BRACKET-CORNER, SET OF FOUR	91928
	116424-01-000	EA	PROTECTOR - ROUND VINYL - WATER HEATER LATCH	

WATER & SEWAGE GROUP (CONTINUED)
EXTERIOR SHOWER

KEY	PART NUMBER	U/M DESCRIPTION	VENDOR NO.
	075241-05-000	EA FAUCET-SHOWER, BONE	
	103092-01-000	EA SHOWER HEAD-W/60" HOSE - US	
	103092-02-000	EA SHOWER HEAD-W/60" HOSE - CANADIAN	
	103092-01-700	EA BRACKET ONLY-CLEAR, F/SHOWER HEAD - BPC	2328028
	103092-01-702	EA SEALS-SPRAY HEAD	24466
	011048-03-700	EA BRACKET/F SHOWER HEAD - BPC	2328029-3
	093527-02-000	EA BRACKET-SQUEEGEE/SHOWER HEAD	

WATER TANK

KEY	PART NUMBER	U/M DESCRIPTION
	118001-01-000	EA TANK - WATER - 58 GALLON - W/O FITTINGS
	118001-02-000	EA TANK - WATER - 58 GALLON - W/FITTINGS
	118001-04-000	EA TANK - WATER - 58 GALLON - W/FITTINGS (EXPORT OPTION)
	039861-01-000	EA SENDING UNIT - W/SCREW - WASHER - WELL NUT/TERMINAL RING
	042989-03-000	EA FITTING - WATER TANK - SPINWELD - 1 1/4"NPT - PLASTIC
	042989-04-000	EA FITTING - WATER TANK - SPINWELD - 3/8 FPT - WHITE PLASTIC
	042989-05-000	EA FITTING - WATER TANK - SPINWELD - 1/2"FPT - PLASTIC
	049032-01-000	EA PATCH - SPINWELD - 3/8" - PLASTIC
	077954-02-000	EA FILTER - WATER TANK - W/SCREEN IN TANK

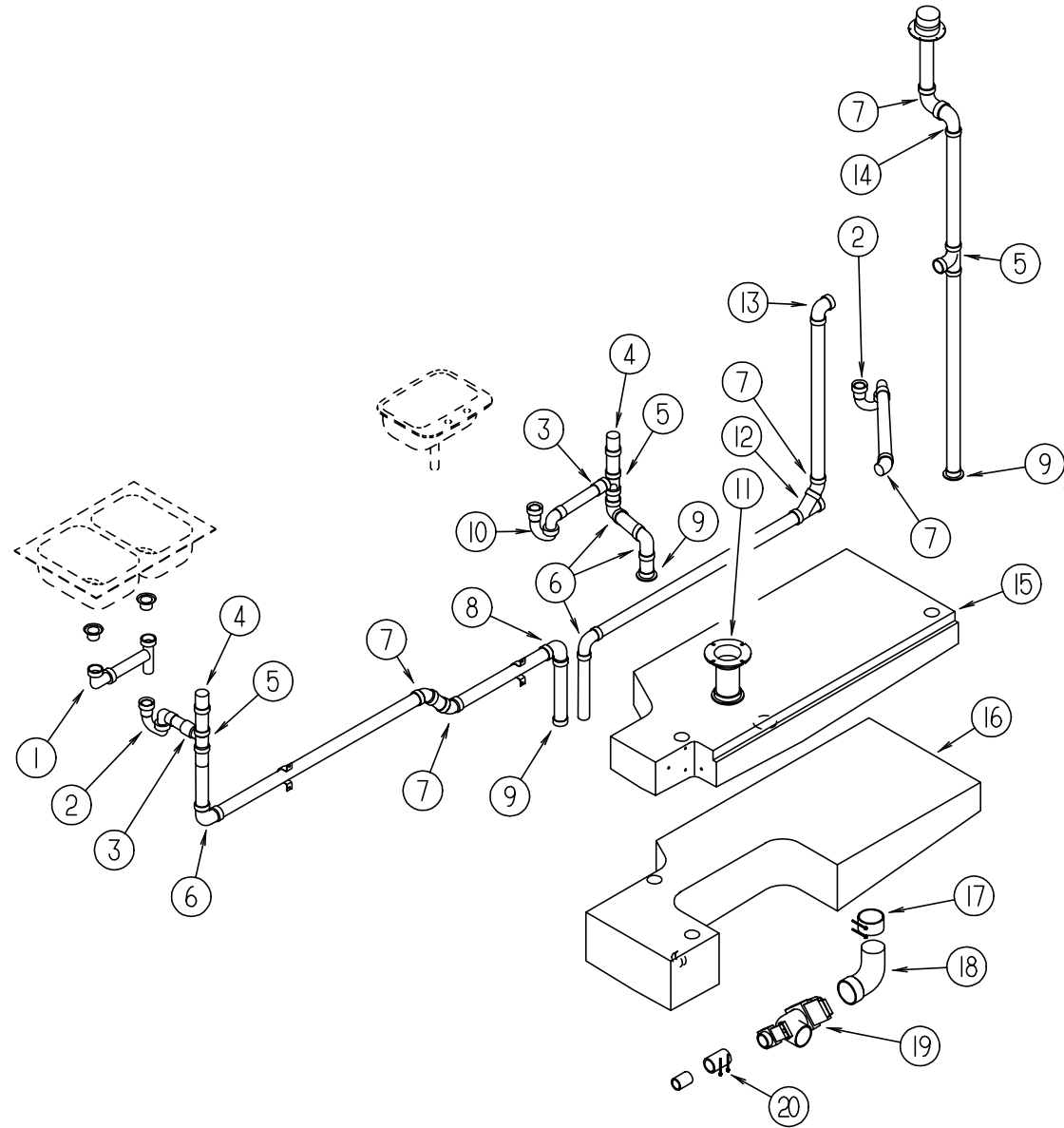
WATER & SEWAGE GROUP (CONTINUED)
WATER SYSTEM COMPONENTS

KEY	PART NUMBER	U/M DESCRIPTION
	010224-01-000	EA ADAPTER - HOSE TO PIPE - 3/8 MPT X 3/8 BARB - PLASTIC
	123152-01-000	EA ADAPTER - 1/2 FPT X 1/2 BARB - SWIVEL
	101814-01-000	EA COUPLING - FEMALE - 1/2" X 1/2" FPT - GRAY
	110438-01-000	EA VALVE - CHECK - BRASS - 1/2 MPT X 1/2 FPT
		FROM: 00-00-00 THRU: 02-16-97
	110438-02-000	EA VALVE - CHECK - BRASS - 1/2 MPT X 1/2 MPT
		FROM: 02-17-97 THRU: 99-99-99
	110915-01-01A	EA FILL - CITY WATER - CHROME
	046128-01-000	EA VALVE - DRAIN - PLASTIC - 1/2" FPT
	113697-01-000	EA CAP - 3/8 FTG
	124188-02-000	FT TUBING - PEX 1/2" ID X 20' RED
	039800-05-000	FT TUBING - POLYBUTYL - 5/8 OD X 20'
	039808-03-000	EA ELBOW - 1/2" MPT X 1/2" MPT - PLASTIC
	123150-01-000	EA ELBOW - 1/2 FPT X 1/2 BARB - SWIVEL

WATER SYSTEM COMPONENTS (FLAIR-IT)

KEY	PART NUMBER	U/M DESCRIPTION
	114427-01-000	EA CAP - 1/2P
	114427-02-000	EA PLUG - 1/2P
	114427-03-000	EA NUT - 1/2"Q
	114428-01-000	EA TEE - 1/2P X 1/2P X 1/2P
	114428-02-000	EA TEE - SWIVEL -1/2P X 1/2P X 1/2FPT
	114428-03-000	EA TEE - 1/2P X 1/2P X 1/2 MPT
	114428-04-000	EA TEE - 1/2P X 1/2P X 1/8FPT
	114429-01-000	EA ELBOW - 1/2P X 1/2P
	114429-02-000	EA ELBOW - 1/2P X 1/2MPT
	114429-03-000	EA ELBOW - SWIVEL -1/2PX1/2FPT
	114429-04-000	EA ELBOW - 1/2P X 3/8MPT
	114429-05-000	EA ELBOW - 1/2P X 3/4MPT
	114429-06-000	EA ELBOW - SWIVEL -1/2P X 3/4FPT
	114429-07-000	EA ELBOW - 1/2P X 1/2FPT DROPEAR
	114430-01-000	EA ADAPTER - 1/2P X 1/2P
	114430-02-000	EA ADAPTER - SWIVEL -1/2P X 1/2FPT
	114430-03-000	EA ADAPTER - 1/2P X 1/2MPT
	114430-04-000	EA ADAPTER - 1/2P X 3/8MPT
	114430-05-000	EA ADAPTER - 1/2P X 1/8FPT
	114430-06-000	EA ADAPTER - 1/2P X 3/8FPT
	114430-07-000	EA ADAPTER - 1/2P X 3/8P
	114430-08-000	EA ADAPTER - 1/2P X 3/4MPT
	114431-01-000	EA VALVE - 180 DEGREE/CENTER DRAIN - 1/2P - THREE WAY
	114431-02-000	EA VALVE - WATER BYPASS - 1/2"P - THREE WAY (WATER HEATER)
	114431-03-000	EA VALVE - 1/2P X 1/2P
	114431-04-000	EA VALVE - STOP -1/2P X 1/2P
	114431-05-000	EA VALVE - NEEDLE - COMP 1/8 MPT X 1/4
	114431-06-000	EA VALVE - 3/8P X 3/8P
	114431-07-000	EA VALVE - 3/8P THREE - WAY
	114431-08-000	EA STRAIGHT STOP VALVE 3/8P X 3/8P

WATER & SEWAGE GROUP (CONTINUED)
DRAINAGE SYSTEM

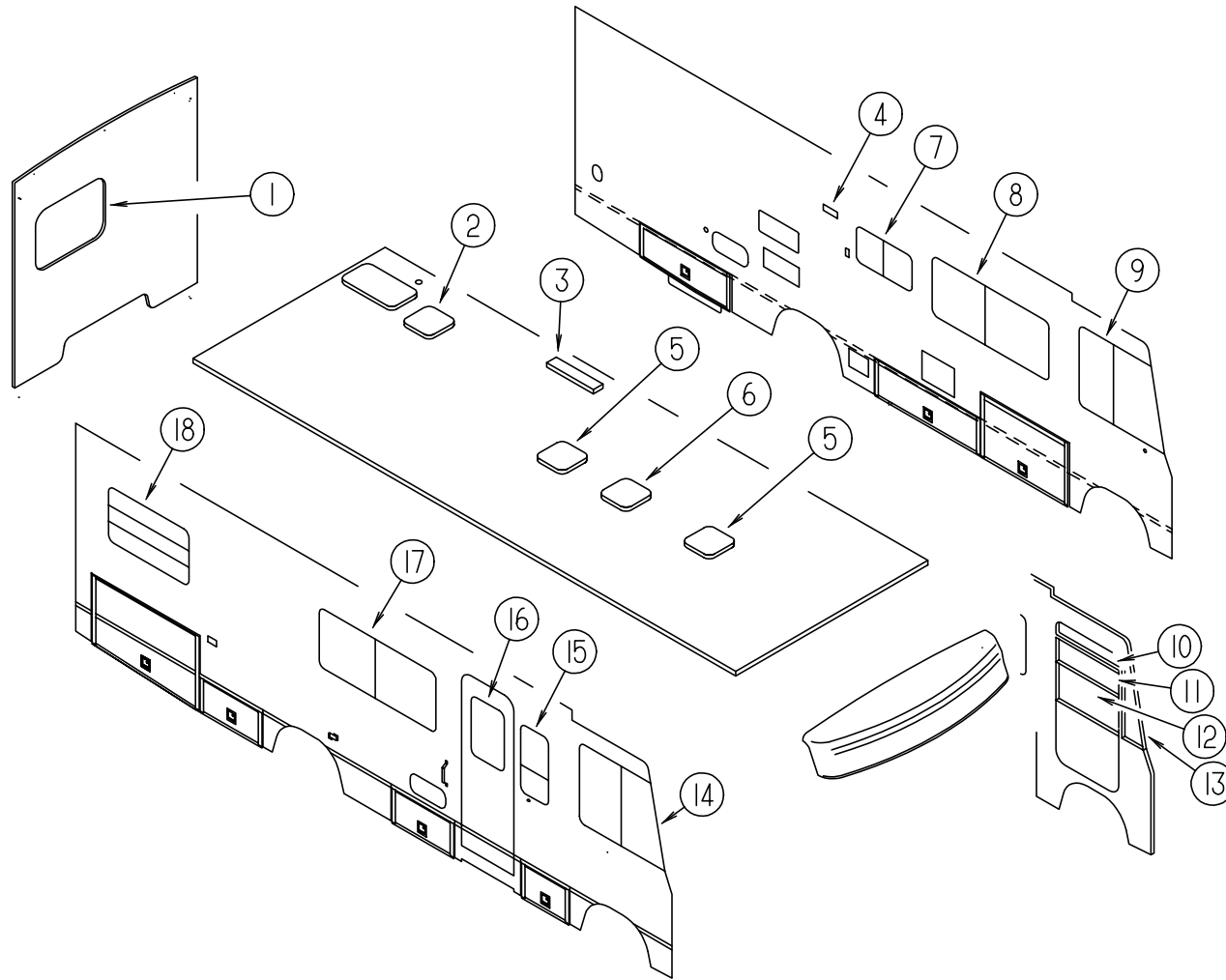


KEY	PART NUMBER	U/M DESCRIPTION
1	011091-02-000	EA WASTE - CONTINUOUS - DOUBLE SINK
2	107538-01-000	EA P TRAP - PLASTIC - 1 1/4" W/EXTENSION ARM
2	011066-02-000	EA P TRAP - 1 1/4" HUB X SLIP JOINT - W/UNION - ABS - CANADIAN
3	109571-01-000	EA ADAPTER - P TRAP - 1 1/2" P X 1 1/4" MPT
4	079968-01-000	EA VENT - MECHANICAL/TRAP ARM - ANTI-SIPHON-2" X 7.3" PLASTIC
5	010071-01-000	EA TEE - SANITARY - 1 1/2 HUB X HUB X HUB - PLASTIC
6	010008-01-000	EA ELBOW - 90 DEGREE - 1 1/2" HUB X HUB - PLASTIC
7	010051-01-000	EA ELBOW - 45 DEGREE - 1 1/2" SPIGOT & HUB - PLASTIC
8	034250-01-000	EA ELBOW - 90 DEGREE - LONG TURN - 1 1/2" HUB X HUB - ABS
9	010115-01-000	EA COUPLING - 1 1/2" HUB X HUB - PLASTIC
9	061607-01-000	EA GROMMET - HOLDING TANK - 1 1/2" NPS
10	010071-01-000	EA TEE - SANITARY - 1 1/2 HUB X HUB X HUB - PLASTIC
10	011071-01-000	EA P TRAP - PLASTIC - 1 1/2"
11	116644-01-000	EA FLANGE - CLOSET - 4" X 3"
	061607-02-000	EA GROMMET - HOLDING TANK - 3" NPS
12	031365-02-000	EA TEE - PLASTIC - 1 1/2" EXT LG TURN
13	033761-01-000	EA ELBOW - TURN - 90 DEGREE 1 1/2" HUB X 1 1/2" SPIGOT
14	010006-01-000	EA ELBOW - 45 DEGREE - 1 1/2" HUB X HUB - PLASTIC
15	117925-01-000	EA TANK - HOLDING - 32 GALLON - W/O FITTINGS
16	117924-01-000	EA TANK - HOLDING - 35 GALLON - W/O FITTINGS
17	078406-01-000	EA COUPLER - RUBBER - W/CLAMPS - 3" X 3"
18	031126-01-000	EA ELBOW - 1/4 BEND - 3" X 90" XLT - BLACK PLASTIC
19	070916-01-000	EA VALVE - DUAL DUMP - W/CAP - 3" X 1 1/2"
	070916-01-700	EA VALVE ONLY (WASTE) 3"
	070916-01-701	EA VALVE ONLY (WASTE) 1 1/2"
20	089355-01-000	EA COUPLER - RUBBER - 1 1/2" X 1 1/2"
	066440-01-000	EA STRAINER - SHOWER DRAIN - W/RUBBER WASHER
	069735-01-000	EA WASHER - STRAINER TO TAILPIECE - PLASTIC - 1.5"
	011069-02-000	EA TAILPIECE - TUB/SHOWER - 1 1/2" X 1 1/4" X 4" - BRASS
	010201-01-000	EA HOSE - SEWER - 3" ID X 8'
	062416-01-000	EA ADAPTER - SEWER HOSE TO 3" PIPE

VENDOR NO

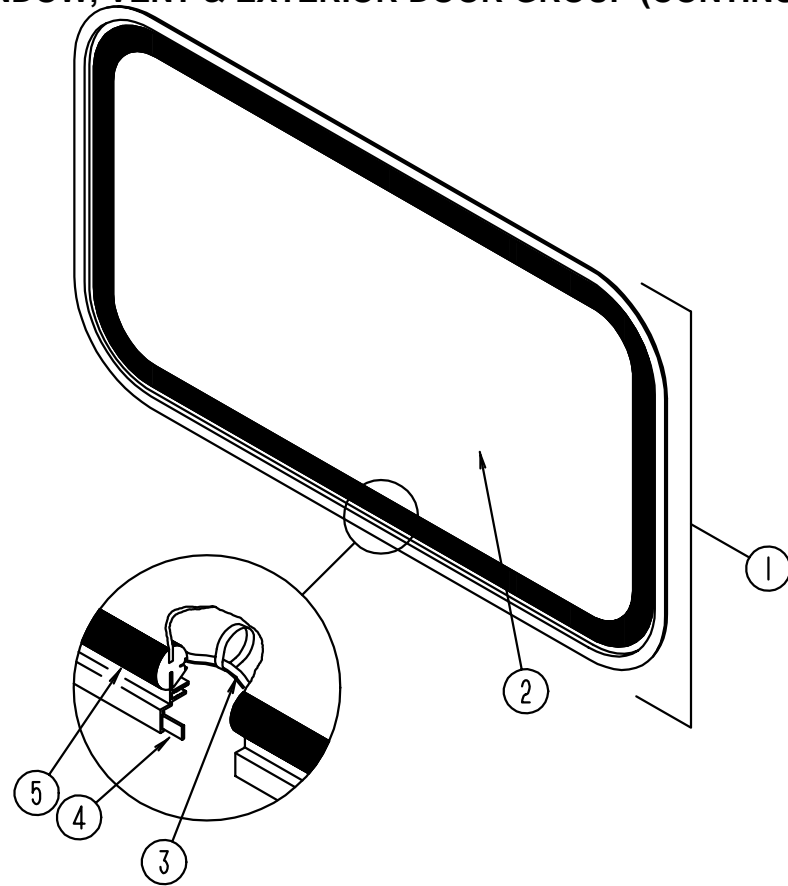
T1003BU
T1001BU

WINDOW, VENT & EXTERIOR DOOR GROUP
WINDOWS & VENTS



KEY	PART NUMBER	U/M DESCRIPTION	VENDOR NO.
1	078528-12-FB1	EA WINDOW - ESCAPE W/O INSIDE TRIM - TINTED - 35.6" X 26.1"	
1	113502-03-01A	EA WINDOW - REAR ESCAPE - THERMO - 26.4" X 35.9"	
1	113502-07-01A	EA WINDOW - REAR ESCAPE - THERMO/EUROPEAN - 26.4" X 35.9" (EXPORT)	
2	122882-02-01A	EA VENT - ROOF - W/FAN - POWERED - US	
2	122882-03-01A	EA VENT - ROOF - W/FAN - POWERED - CSA	
3	084073-07-000	EA VENT - ROOF - REFRIGERATOR - BRIGHT WHITE	
3	084073-04-000	EA BASE - ROOF VENT - REFRIGERATOR	
4	084616-07-000	EA VENT - SHROUD - RANGE HOOD - BRIGHT WHITE	
	084878-09-000	EA VENT - HOOD - RANGE/SHORT - OFF WHITE	
5	122882-01-01A	EA VENT - ROOF - NONPOWERED	
6	123780-03-01A	EA VENT - EXHAUST - 3" ROOF	
7	098647-34-01A	EA WINDOW - DRIVER HORIZONTAL SLIDER - 15.7" X 28.5"	
7	112795-20-01A	EA WINDOW - DRIVER HORIZONTAL SLIDER - THERMO - 16.7" X 28.5"	
7	112795-42-01A	EA WINDOW - DRIVER HORIZONTAL SLIDER - THERMO - 16" X 28 3/4" (EXPORT)	
8	098647-22-01A	EA WINDOW - DRIVERS - HORIZONTAL SLIDER - 26.1" X 59.7"	
8	112795-15-01A	EA WINDOW - DRIVER - HORIZONTAL SLIDER - THERMO - 26 3/8" X 60"	
8	112795-40-01A	EA WINDOW - DRIVER HORIZONTAL SLIDER - THERMO - 26 3/8" X 60" (EXPORT)	
9	103658-11-01A	EA WINDOW - DRIVER CAB - 38.3"T X 45.2"B X 36.7"HH	
9	113501-10-01A	EA WINDOW - DRIVER CAB THERMO (2 WINDOW) 35.7" X 37.2" X 43.9"	
9	113501-12-01A	EA WINDOW - DRIVER CAB THERMO (2 WINDOW) 35.7" X 37.2" X 43.9" (EXPORT)	
10	106467-06-01A	EA WINDOW - DRIVER VISTA (ABOVE DR DOOR) 39.2"T X 40.6"B X 7.3"H	
10	116000-08-01A	EA WINDOW - DRIVER VISTA - THERMO - 6.3" X 38.2" X 39.4"	
10	116000-09-01A	EA WINDOW - DRIVER VISTA - THERMO - 6.3" X 38.2" X 39.4" (EXPORT)	
11	106469-02-702	EA GLASS - STATIONARY - HORIZONTAL	106-041104
11	106469-08-701	EA GLASS - STATIONARY - HORIZONTAL - E-GLASS	106-041244
12	106469-01-704	EA GLASS ASM - ROLL-UP W/ BRACKET	V103-65L
12	106469-08-702	EA GLASS ASM - ROLL-UP W/ BRACKET - E-GLASS	V130-65EL
13	106468-05-01A	EA WINDOW - DRIVER WING - 6.8"T X 23.3"B X 28.9"H	
13	115999-06-01A	EA WINDOW - DRIVER WING - THERMO - 5.8" X 11" X 27.9"	
13	115999-07-01A	EA WINDOW - FRONT - SLANT/DRIVER - THERMO - 27.8" X 5.8" X 11" (EXPORT)	
14	103658-12-01A	EA WINDOW - PASSENGER CAB - 38.3"T X 45.2"B X 36.7"H	
14	113501-09-01A	EA WINDOW - PASS CAB THERMO (2 WINDOW) 35.7" X 37.2" X 43.9"	
14	113501-11-01A	EA WINDOW - PASS CAB THERMO (2 WINDOW) 35.7" X 37.2" X 43.9" (EXPORT)	
15	098644-07-01A	EA WINDOW - VERTICAL SLIDER - 30.2" X 14.3"	
15	112898-04-01A	EA WINDOW - VERTICAL SLIDER - THERMO - 30.2" X 14.3"	
15	112898-10-01A	EA WINDOW - VERTICAL SLIDER - THERMO - 30.2" X 14.3" (EXPORT)	
16	117053-02-F36	EA WINDOW - PICTURE - ENTRANCE DOOR - 17" X 26.4"	
16	113733-01-01A	EA WINDOW - STATIONARY - THERMOPANE - 17" X 26.4"	
16	113733-03-01A	EA WINDOW - STATIONARY - THERMOPANE - 17" X 26.4" (EXPORT)	
17	098647-23-01A	EA WINDOW - PASSENGER - HORIZONTAL SLIDER - 26.1" X 59.7"	
17	112795-16-01A	EA WINDOW - PASSENGER - HORIZONTAL SLIDER - THERMO - 26 3/8" X 60"	
17	112795-39-01A	EA WINDOW - SLIDER - HORIZONTAL - THERMO - 26.1" X 60" (EXPORT)	
18	113500-01-01A	EA WINDOW - DOUBLE TIPOUT - 24.5" X 41.3"	
18	112795-21-01A	EA WINDOW - PASSENGER/HORIZONTAL SLIDER/THERMO 24.5" X 41.25"	
18	112795-44-01A	EA WINDOW - PASSENGER HORIZONTAL SLIDE THERMO 54 1/2" X 41 1/4" (EXPORT)	
	083558-03-000	EA VENT - PLUMBING - PIPE ROOF - W/COVER - OFF WHITE	

WINDOW, VENT & EXTERIOR DOOR GROUP (CONTINUED)



BACKWALL ESCAPE WINDOW

KEY	PART NUMBER	U/M DESCRIPTION
	074816-14-000	EA FRAME - WINDOW - INSIDE ESCAPE - OFF WHITE
1	078528-12-FB1	EA WINDOW - ESCAPE W/O INSIDE FRAME - TINTED - 35.6" X 26.1"
2	076337-17-000	EA GLASS - EGRESS - 23.2" X 32.6"
3	002285-01-000	FT FILLER - WEATHERSTRIP - RUBBER - BLACK
	077066-01-702	EA TAPE ASM-ESCAPE WINDOW, RED
4	069640-11-000	FT SEALER-TAPE, 3/16" THICK X 3/8" WIDE - INCREMENTS OF 40'
5	002282-09-000	EA WEATHERSTRIP-WINDOW, .125" X 130.53" - BLACK

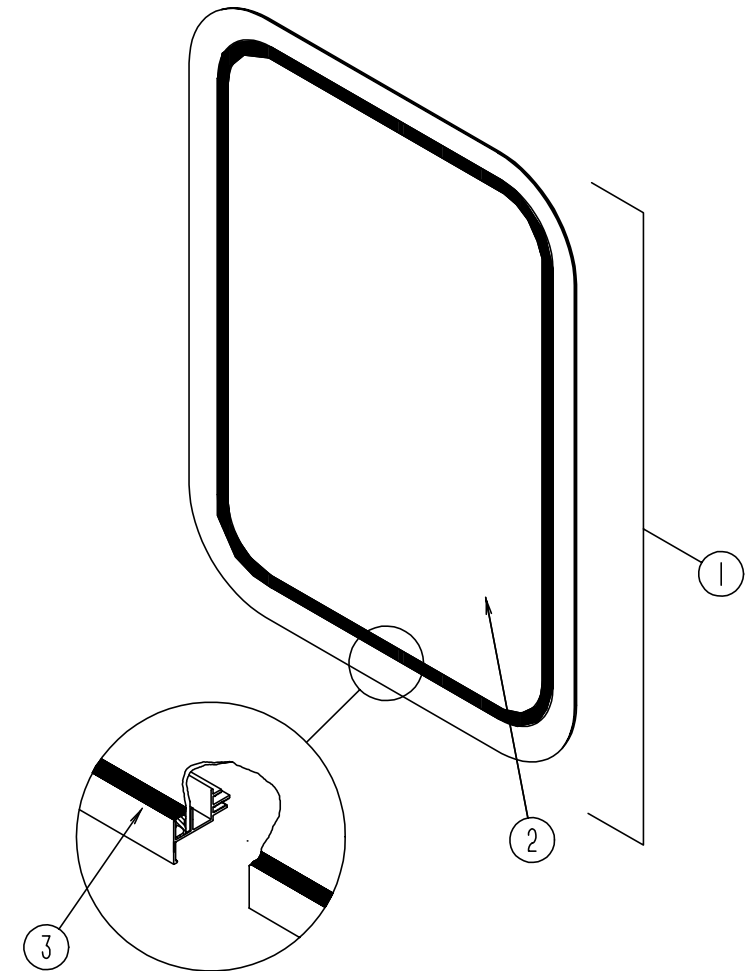
EXCEL BACKWALL ESCAPE WINDOW - THERMOPANE WINDOW OPTION

KEY	PART NUMBER	U/M DESCRIPTION	VENDOR NO.
	113502-03-01A	EA WINDOW - REAR ESCAPE THERMO - 26.4" X 35.9"	
	098644-01-705	FT GLAZING - STRIP	132-010231
	112898-06-704	EA HANDLE - LATCH - RED-RH	182-11293
	112898-06-705	EA HANDLE - LATCH - RED-LH	182-11294
	113502-03-700	EA WINDOW W/O TRIM	DH437-G2
	113502-03-701	EA RETAINER - TRIM	W306-58
	113502-03-702	EA GLASS - STATIONARY	390-019466

EXCEL BACKWALL ESCAPE WINDOW - THERMOPANE WINDOW (EXPORT OPTION)

KEY	PART NUMBER	U/M DESCRIPTION	VENDOR NO.
	113502-07-01A	EA WINDOW - REAR ESCAPE - THERMO/EUROPEAN - 26.4" X 35.9"	
	098644-01-705	FT GLAZING - STRIP	132-010231
	112898-06-704	EA HANDLE - LATCH - RED-RH	182-11293
	112898-06-705	EA HANDLE - LATCH - RED-LH	182-11294
	113502-07-700	EA GLASS - STATIONARY	390-025072
	113502-07-701	EA RETAINER - TRIM	W306-60

WINDOW, VENT & EXTERIOR DOOR GROUP (CONTINUED)



ENTRANCE DOOR WINDOW

KEY	PART NUMBER	U/M DESCRIPTION
	117054-02-02A	EA RETAINER-TRIM, ENTRY DOOR WINDOW - BRIGHT WHITE
1	117053-02-F36	EA WINDOW - PICTURE - ENTRANCE DOOR - 17" X 26.4"
2	002181-25-000	EA GLASS - PICTURE - 25.7" X 16.4"
3	087561-01-000	FT SEAL - GLASS - EXTERIOR - .5" WIDE - VINYL BLACK

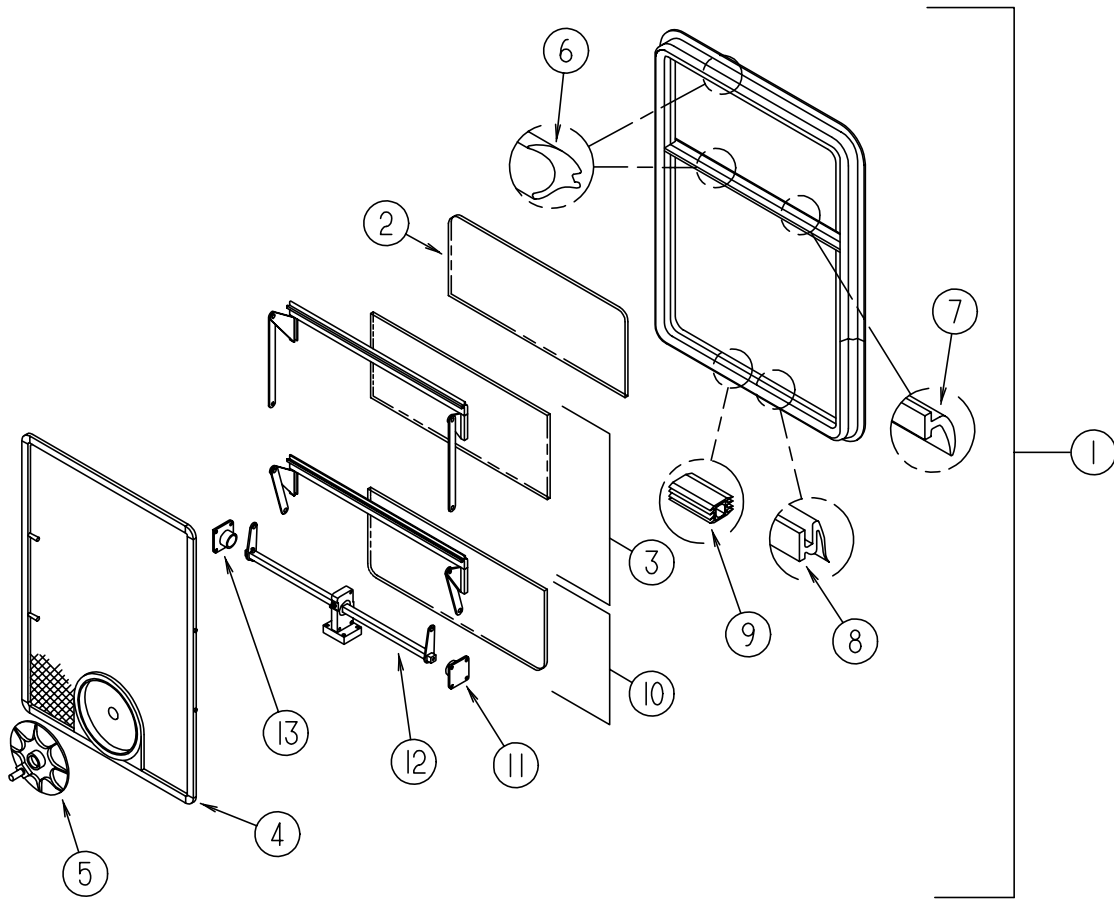
EXCEL ENTRANCE DOOR WINDOW - THERMOPANE WINDOW OPTION

KEY	PART NUMBER	U/M DESCRIPTION	VENDOR NO.
	113733-01-01A	EA WINDOW - STATIONARY - THERMOPANE - 17" X 26.4"	
	112795-01-705	FT VINYL - GLAZING	132-025736
	113733-01-700	EA WINDOW ASM. W/O TRIM	DH416-G2
	113733-01-701	EA RETAINER - TRIM	W41666
	113733-01-702	EA GLASS - STATIONARY	390-019187

EXCEL ENTRANCE DOOR WINDOW - THERMOPANE WINDOW (EXPORT OPTION)

KEY	PART NUMBER	U/M DESCRIPTION	VENDOR NO.
	113733-03-01A	EA WINDOW - STATIONARY THERMOPANE - 26.4" X 17"	
	112795-01-705	FT VINYL - GLAZING	132-025736
	113733-01-701	EA RETAINER - TRIM	W41666
	113733-03-700	EA GLASS - STATIONARY	390-019685

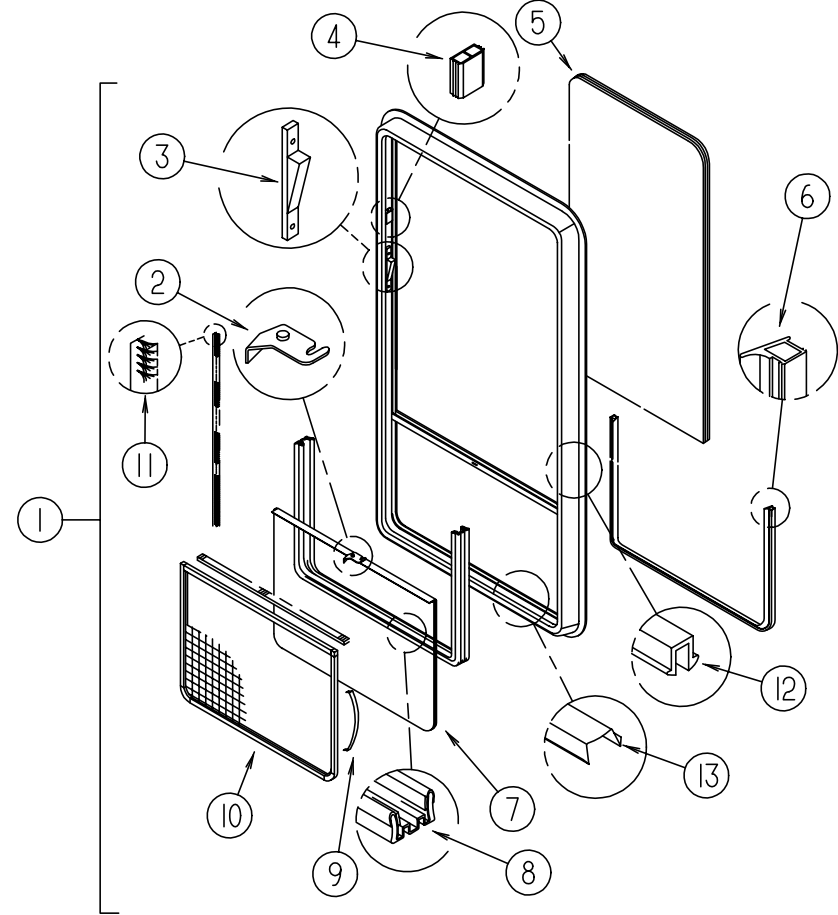
WINDOW, VENT & EXTERIOR DOOR GROUP (CONTINUED)



EXCEL DOUBLE TIPOUT WINDOW - PASSENGER SIDE BEDROOM

KEY	PART NUMBER	U/M	DESCRIPTION	VENDOR NO.
	113500-01-01A	EA	WINDOW - DOUBLE TIPOUT 24.5 X 41.3"	
1	113500-01-701	EA	WINDOW - W/O RETAINER - TRIM	CH04-G2
	113500-01-702	EA	RETAINER - TRIM	CW04-59
2	113500-01-703	EA	GLASS - TOP STATIONARY	106-015970
3	113500-01-704	EA	GLASS - UPPER VENT ASSEMBLY	CH04-G7
4	113500-01-700	EA	SCREEN ASM - W/SEALS & CLIPS	410-016020
5	100322-01-718	EA	HANDLE - DIAL	410-016081
6	100322-01-703	FT	VINYL - GLAZING - BUTYL	132-010723
7	100322-01-702	EA	WEATHERSTRIP - HORIZONTAL RAIL	132-015976
8	100322-01-701	FT	SEAL - VENT	122-016071
9	098644-01-716	FT	PLUG - FILLER	132-014470
10	113500-01-705	EA	GLASS - LOWER VENT ASSEMBLY	CH04-G9
11	100322-01-714	EA	SUPPORT - TORQUE BAR - LH	130-015978
12	112519-01-702	EA	OPERATOR - VENT	410-016123
	113500-01-706	EA	OPERATOR & BAR ASSEMBLY	CH04-15
13	100322-01-715	EA	SUPPORT - TORQUE BAR - RH	130-015979
	100322-01-704	FT	TAPE - BUTYL	154-016083
	100322-01-717	EA	E - RING	245-015975

WINDOW, VENT & EXTERIOR DOOR GROUP (CONTINUED)



EXCEL LOUNGE VERTICAL SLIDING WINDOW - THERMO

KEY	PART NUMBER	U/M	DESCRIPTION	VENDOR NO.
1	112898-04-01A	EA	WINDOW - VERTICAL SLIDER - THERMO - 30.2" X 14.3"	
	098644-07-701	EA	RETAINER - TRIM	CW02-66
2	112795-01-700	EA	LATCH ASM. - BLK. (BOLT ON)	DH287-CK
3	112898-04-703	EA	SASH LATCH KIT - RAISED	DH343-CK
4	112795-01-701	EA	SLIDE - STOP	132-019092
5	112898-04-701	EA	GLASS - STATIONARY	390-019130
6	112795-01-704	FT	PLUG FILLER (DOUBLE GLAZED)	122-018737
7	112898-04-702	EA	GLASS SLIDING W/SASH & LATCH	DC02-G9
8	112795-01-703	IN	CHANNEL-RUN (INCHES)	122-018736
9	098644-01-713	EA	CLIP - SPRING - METAL	226-016966
10	098644-07-704	EA	SCREEN ASM - W/SEALS & CLIPS	410-018863
11	098644-01-711	FT	WEATHERSTRIP - SCREEN BLACK	171-016965
12	112795-01-705	FT	VINYL - GLAZING	132-025736
13	098644-01-710	FT	TRACK - SCREEN SPACER 12'	132-017135

EXCEL LOUNGE VERTICAL SLIDING WINDOW, THERMO (EXPORT OPTION)

KEY	PART NUMBER	U/M	DESCRIPTION	VENDOR NO.
1	112898-10-01A	EA	WINDOW - VERTICAL SLIDER - THERMO - 30.2" X 14.3"	
	098644-07-701	EA	RETAINER - TRIM	CW02-66
2	112795-01-700	EA	LATCH ASM. - BLK. (BOLT ON)	DH287-CK
3	112898-04-703	EA	SASH LATCH KIT - RAISED	DH343-CK
4	112795-01-701	EA	SLIDE - STOP	132-019092
5	112898-10-700	EA	GLASS - STATIONARY	390-019776
6	112795-01-704	FT	PLUG FILLER (DOUBLE GLAZED)	122-018737
7	112898-10-701	EA	GLASS - SLIDING W/SASH & LATCH	DC02-EG9
8	112795-01-703	IN	CHANNEL-RUN (INCHES)	122-018736
9	098644-01-713	EA	CLIP - SPRING - METAL	226-016966
10	098644-07-704	EA	SCREEN ASM - W/SEALS & CLIPS	410-018863
11	098644-01-711	FT	WEATHERSTRIP - SCREEN BLACK	171-016965
12	112795-01-705	FT	VINYL - GLAZING	132-025736
13	098644-01-710	FT	TRACK - SCREEN SPACER 12'	132-017135

WINDOW, VENT & EXTERIOR DOOR GROUP (CONTINUED)

WINDOW, VENT & EXTERIOR DOOR GROUP (CONTINUED)

EXCEL SINGLE SLIDER WINDOW - DRIVER SIDE - LOUNGE

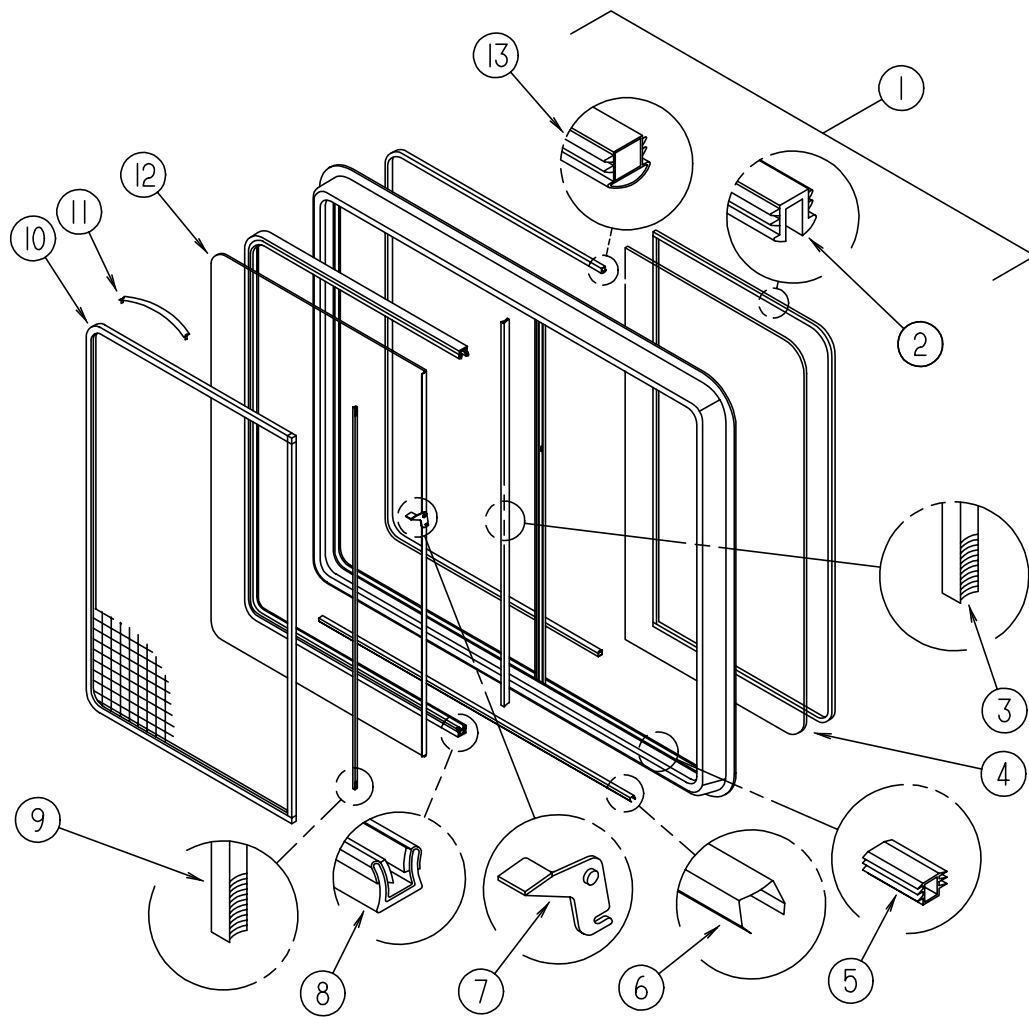
KEY	PART NUMBER	U/M DESCRIPTION	VENDOR NO.
1	098647-22-01A	EA WINDOW - DRIVERS - HORIZONTAL SLIDER - 26.1" X 59.7"	
	098647-27-701	EA RETAINER - TRIM	W287-66
2	098644-01-705	FT GLAZING - STRIP	132-010231
3	098644-01-706	FT WEATHERSTRIP - GLASS	171-010668
4	098647-23-703	EA GLASS - STATIONARY	106-017622
5	098644-01-719	EA STOP - SLIDER GLASS	132-014203
6	098644-01-710	FT TRACK - SCREEN SPACER 12'	132-017135
7	098644-01-700	EA LATCH - REPAIR KIT (BLACK)	B801-CK
8	098644-01-708	FT CHANNEL - RUN PIERCED	122-016543
9	098644-01-711	FT WEATHERSTRIP - SCREEN BLACK	171-016965
10	098647-23-704	EA SCREEN ASM - W/SEALS & CLIPS	410-019066
11	098644-01-713	EA CLIP - SPRING - METAL	226-016966
12	098647-23-700	EA GLASS SLIDING W/SASH & LATCH	H287-G9
13	098644-01-716	FT PLUG - FILLER	132-014470
	098644-01-717	FT SPLINE - SCREEN	132-004716

EXCEL SINGLE SLIDER WINDOW - DRIVER SIDE - GALLEY

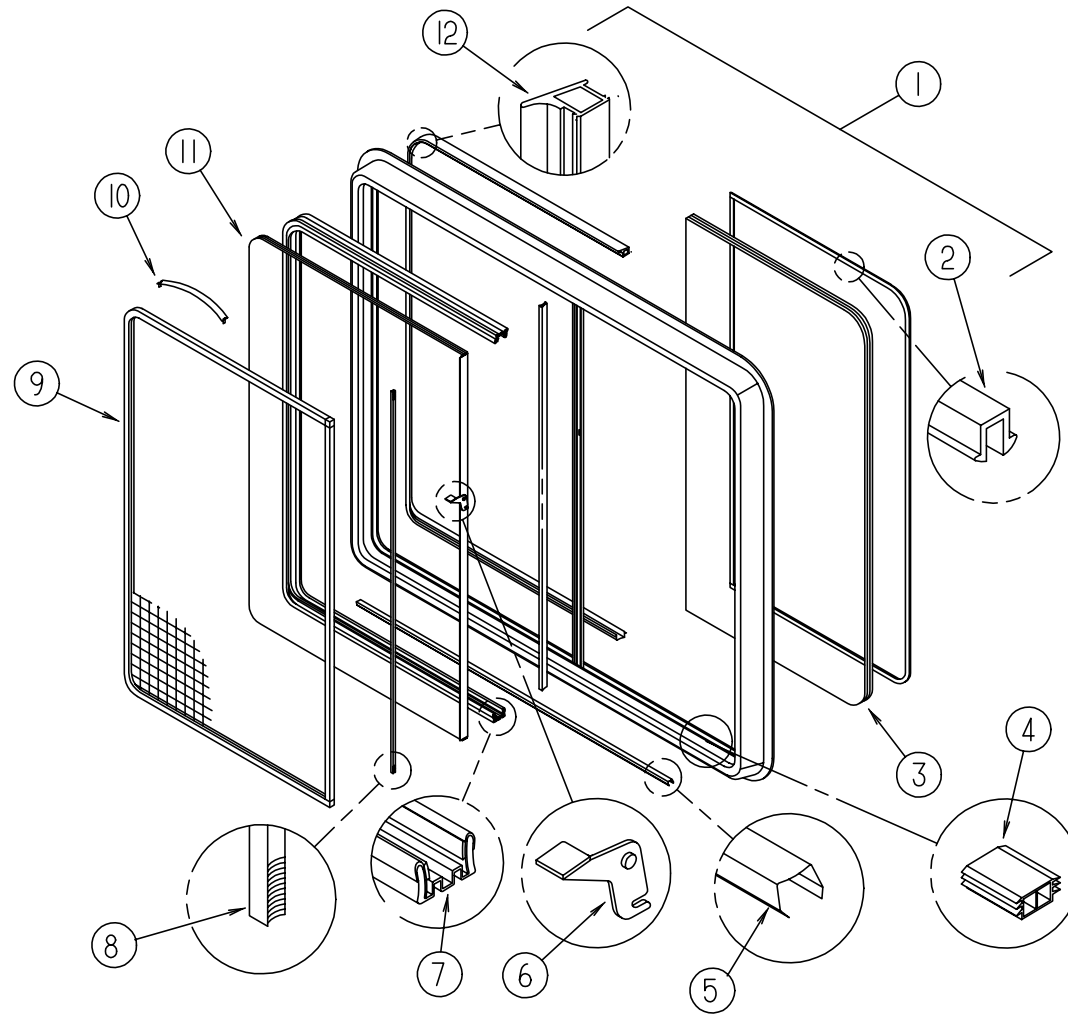
KEY	PART NUMBER	U/M DESCRIPTION	VENDOR NO.
1	098647-34-01A	EA WINDOW - DRIVER/HORIZONTAL SLIDER - 15.7" X 28.5"	
	098647-31-701	EA RETAINER - TRIM	CW29-66
2	098644-01-705	FT GLAZING - STRIP	132-010231
3	098644-01-706	FT WEATHERSTRIP - GLASS	171-010668
4	098647-33-702	EA GLASS - STATIONARY	106-019297
5	098644-01-719	EA STOP - SLIDER GLASS	132-014203
6	098644-01-710	FT TRACK - SCREEN SPACER 12'	132-017135
7	098644-01-700	EA LATCH - REPAIR KIT (BLACK)	B801-CK
8	098644-01-708	FT CHANNEL - RUN PIERCED	122-016543
9	098644-01-711	FT WEATHERSTRIP - SCREEN BLACK	171-016965
10	098647-33-704	EA SCREEN ASM - W/SEALS & CLIPS	410-019134
11	098644-01-713	EA CLIP - SPRING - METAL	226-016966
12	098647-33-703	EA GLASS-SLIDING W/SASH & LATCH	H425-G9
13	098644-01-716	FT PLUG - FILLER	132-014470
	098644-01-717	FT SPLINE - SCREEN	132-004716

EXCEL SINGLE SLIDER WINDOW - PASSENGER SIDE - DINETTE

KEY	PART NUMBER	U/M DESCRIPTION	VENDOR NO.
1	098647-23-01A	EA WINDOW - PASSENGER - HORIZONTAL SLIDER - 26.1" X 59.7"	
	098647-27-701	EA RETAINER - TRIM	W287-66
2	098644-01-705	FT GLAZING - STRIP	132-010231
3	098644-01-706	FT WEATHERSTRIP - GLASS	171-010668
4	098647-23-703	EA GLASS - STATIONARY	106-017622
5	098644-01-719	EA STOP - SLIDER GLASS	132-014203
6	098644-01-710	FT TRACK - SCREEN SPACER 12'	132-017135
7	098644-01-700	EA LATCH - REPAIR KIT (BLACK)	B801-CK
8	098644-01-708	FT CHANNEL - RUN PIERCED	122-016543
9	098644-01-711	FT WEATHERSTRIP - SCREEN BLACK	171-016965
10	098647-23-704	EA SCREEN ASM - W/SEALS & CLIPS	410-019066
11	098644-01-713	EA CLIP - SPRING - METAL	226-016966
12	098647-23-700	EA GLASS SLIDING W/SASH & LATCH	H287-G9
13	098644-01-716	FT PLUG - FILLER	132-014470
	098644-01-717	FT SPLINE - SCREEN	132-004716



WINDOW, VENT & EXTERIOR DOOR GROUP (CONTINUED)



WINDOW, VENT & EXTERIOR DOOR GROUP (CONTINUED)
EXCEL SINGLE SLIDER WINDOW - THERMO INSULATED - DRIVER SIDE - LOUNGE (EXPORT OPTION)

KEY	PART NUMBER	U/M DESCRIPTION	VENDOR NO.
1	112795-40-01A	EA WINDOW - DRIVER HORIZONTAL SLIDER - THERMO - 26 3/8" X 60"	
	098647-27-701	EA RETAINER - TRIM	W287-66
2	112795-01-705	FT VINYL - GLAZING	132-025736
3	112795-39-701	EA GLASS - STATIONARY	390 - 019792
4	112795-01-701	EA SLIDE-STOP	132-019092
5	098644-01-710	FT TRACK - SCREEN SPACER 12'	132-017135
6	112795-01-700	EA LATCH ASM. - BLK. (BOLT ON)	DH287-CK
7	112795-01-703	IN CHANNEL-RUN (INCHES)	122-018736
8	098644-01-711	FT WEATHERSTRIP - SCREEN BLACK	171-016965
9	098647-23-704	EA SCREEN ASM - W/SEALS & CLIPS	410-019066
10	098644-01-713	EA CLIP - SPRING - METAL	226-016966
11	112795-39-700	EA GLASS-SLIDING W/SASH & LATCH	DH287-EG9
12	112795-01-704	FT PLUG FILLER (DOUBLE GLAZED)	122-018737

EXCEL SINGLE SLIDER WINDOW - THERMO INSULATED - DRIVER SIDE - GALLEY

KEY	PART NUMBER	U/M DESCRIPTION	VENDOR NO.
1	112795-20-01A	EA WINDOW - DRIVER/HORIZONTAL SLIDER-THERMO 16.7" X 28.5"	
	098647-31-701	EA RETAINER - TRIM	CW29-66
2	112795-01-705	FT VINYL - GLAZING	132-025736
3	112795-19-701	EA GLASS - STATIONARY	390-019134
4	112795-01-701	EA SLIDE-STOP	132-019092
5	098644-01-710	FT TRACK - SCREEN SPACER 12'	132-017135
6	112795-01-700	EA LATCH ASM. - BLK. (BOLT ON)	DH287-CK
7	112795-01-703	IN CHANNEL-RUN (INCHES)	122-018736
8	098644-01-711	FT WEATHERSTRIP - SCREEN BLACK	171-016965
9	098647-31-704	EA SCREEN ASM - W/SEALS & CLIPS	410-019128
10	098644-01-713	EA CLIP - SPRING - METAL	226-016966
11	112795-19-702	EA GLASS-SLIDING W/SASH & LATCH	DC29-G9
12	112795-01-704	FT PLUG FILLER (DOUBLE GLAZED)	122-018737

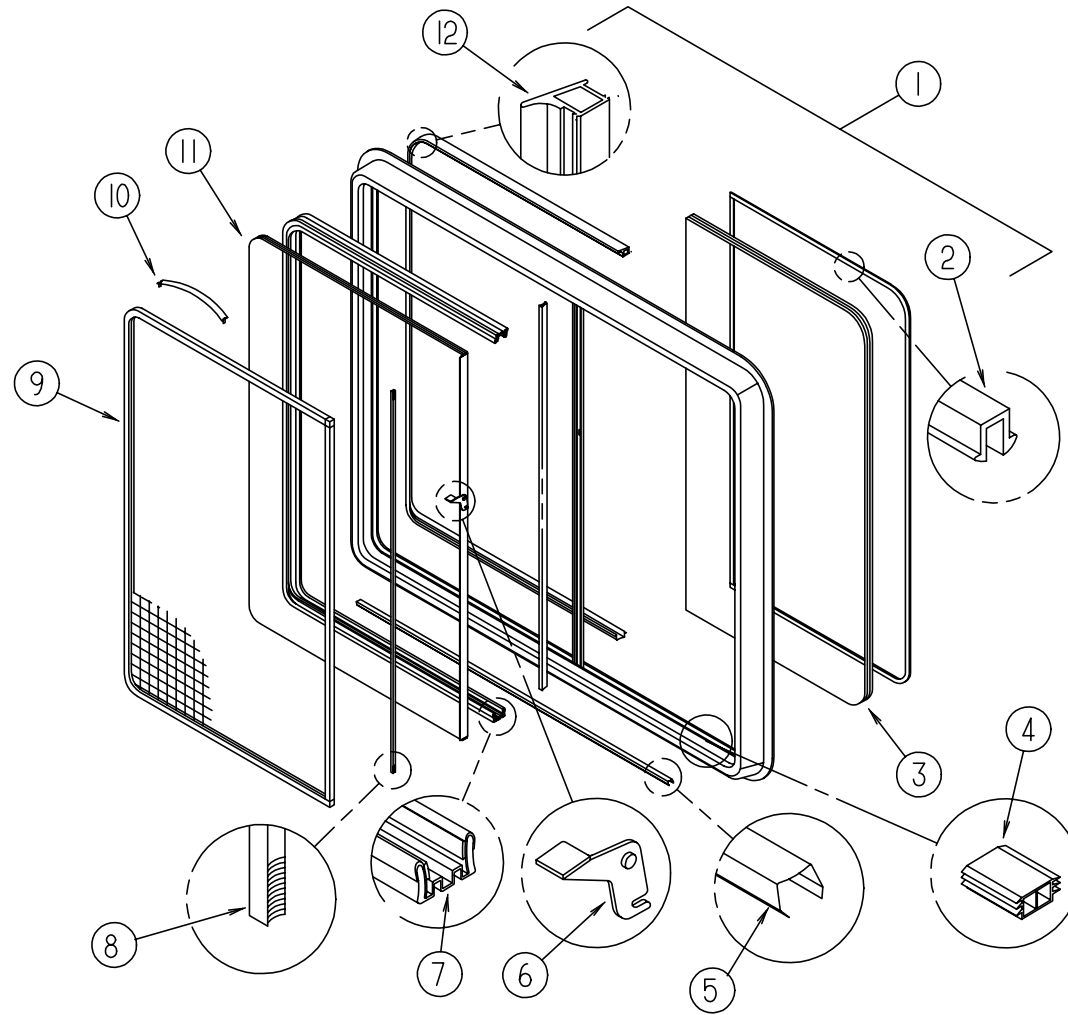
EXCEL SINGLE SLIDER WINDOW - THERMO INSULATED - DRIVER SIDE - GALLEY (EXPORT OPTION)

KEY	PART NUMBER	U/M DESCRIPTION	VENDOR NO.
1	112795-42-01A	EA WINDOW - DRIVER HORIZONTAL SLIDER - THERMO - 16" X 28 3/4"	
	098647-31-701	EA RETAINER - TRIM	CW29-66
2	112795-01-705	FT VINYL - GLAZING	132-025736
3	112795-41-701	EA GLASS - STATIONARY	390-019826
4	112795-01-701	EA SLIDE-STOP	132-019092
5	098644-01-710	FT TRACK - SCREEN SPACER 12'	132-017135
6	112795-01-700	EA LATCH ASM. - BLK. (BOLT ON)	DH287-CK
7	112795-01-703	IN CHANNEL-RUN (INCHES)	122-018736
8	098644-01-711	FT WEATHERSTRIP - SCREEN BLACK	171-016965
9	098647-31-704	EA SCREEN ASM - W/SEALS & CLIPS	410-019128
10	098644-01-713	EA CLIP - SPRING - METAL	226-016966
11	112795-41-700	EA GLASS-SLIDING W/SASH & LATCH	DC29-EG9
12	112795-01-704	FT PLUG FILLER (DOUBLE GLAZED)	122-018737

EXCEL SINGLE SLIDER WINDOW - THERMO INSULATED - DRIVER SIDE - LOUNGE

KEY	PART NUMBER	U/M DESCRIPTION	VENDOR NO.
1	112795-15-01A	EA WINDOW - DRIVER - HORIZONTAL SLIDER-THERMO - 26 3/8" X 60"	
	098647-23-702	EA RETAINER - TRIM	W287-66
2	112795-01-705	FT VINYL - GLAZING	132-025736
3	112795-15-701	EA GLASS - STATIONARY	390-019045
4	112795-01-701	EA SLIDE-STOP	132-019092
5	098644-01-710	FT TRACK - SCREEN SPACER 12'	132-017135
6	112795-01-700	EA LATCH ASM., BLK.,(BOLT ON)	DH287-CK
7	112795-01-703	IN CHANNEL-RUN (INCHES)	122-018736
8	098644-01-711	FT WEATHERSTRIP - SCREEN BLACK	171-016965
9	098647-23-704	EA SCREEN ASM - W/SEALS & CLIPS	410-019066
10	098644-01-713	EA CLIP - SPRING - METAL	226-016966
11	112795-15-702	EA GLASS-SLIDING W/SASH & LATCH	DH287-G9
12	112795-01-704	FT PLUG FILLER (DOUBLE GLAZED)	122-018737

WINDOW, VENT & EXTERIOR DOOR GROUP (CONTINUED)



EXCEL SINGLE SLIDER WINDOW - THERMO INSULATED - PASSENGER SIDE - DINETTE

KEY	PART NUMBER	U/M DESCRIPTION	VENDOR NO.
1	112795-16-01A	EA WINDOW - PASSENGER - HORIZONTAL SLIDER-THERMO-26 3/8"X 60"	
	098647-27-701	EA RETAINER - TRIM	W287-66
2	112795-01-705	FT VINYL - GLAZING	132-025736
3	112795-15-701	EA GLASS - STATIONARY	390-019045
4	112795-01-701	EA SLIDE-STOP	132-019092
5	098644-01-710	FT TRACK - SCREEN SPACER 12'	132-017135
6	112795-01-700	EA LATCH ASM., BLK.,(BOLT ON)	DH287-CK
7	112795-01-703	IN CHANNEL-RUN (INCHES)	122-018736
8	098644-01-711	FT WEATHERSTRIP - SCREEN BLACK	171-016965
9	098647-23-704	EA SCREEN ASM - W/SEALS & CLIPS	410-019066
10	098644-01-713	EA CLIP - SPRING - METAL	226-016966
11	112795-15-702	EA GLASS-SLIDING W/SASH & LATCH	DH287-G9
12	112795-01-704	FT PLUG FILLER (DOUBLE GLAZED)	122-018737

WINDOW, VENT & EXTERIOR DOOR GROUP (CONTINUED)
EXCEL SINGLE SLIDER WINDOW - THERMO INSULATED - PASSENGER SIDE - DINETTE (EXPORT OPTION)

KEY	PART NUMBER	U/M DESCRIPTION	VENDOR NO.
1	112795-39-01A	EA WINDOW - SLIDER - HORIZONTAL - THERMO - 26.1" X 60"	
	098647-27-701	EA RETAINER - TRIM	W287-66
2	112795-01-705	FT VINYL - GLAZING	132-025736
3	112795-39-701	EA GLASS - STATIONARY	390 - 019792
4	112795-01-701	EA SLIDE-STOP	132-019092
5	098644-01-710	FT TRACK - SCREEN SPACER 12'	132-017135
6	112795-01-700	EA LATCH ASM. - BLK. (BOLT ON)	DH287-CK
7	112795-01-703	IN CHANNEL-RUN (INCHES)	122-018736
8	098644-01-711	FT WEATHERSTRIP - SCREEN BLACK	171-016965
9	098647-23-704	EA SCREEN ASM - W/SEALS & CLIPS	410-019066
10	098644-01-713	EA CLIP - SPRING - METAL	226-016966
11	112795-39-700	EA GLASS-SLIDING W/SASH & LATCH	DH287-EG9
12	112795-01-704	FT PLUG FILLER (DOUBLE GLAZED)	122-018737

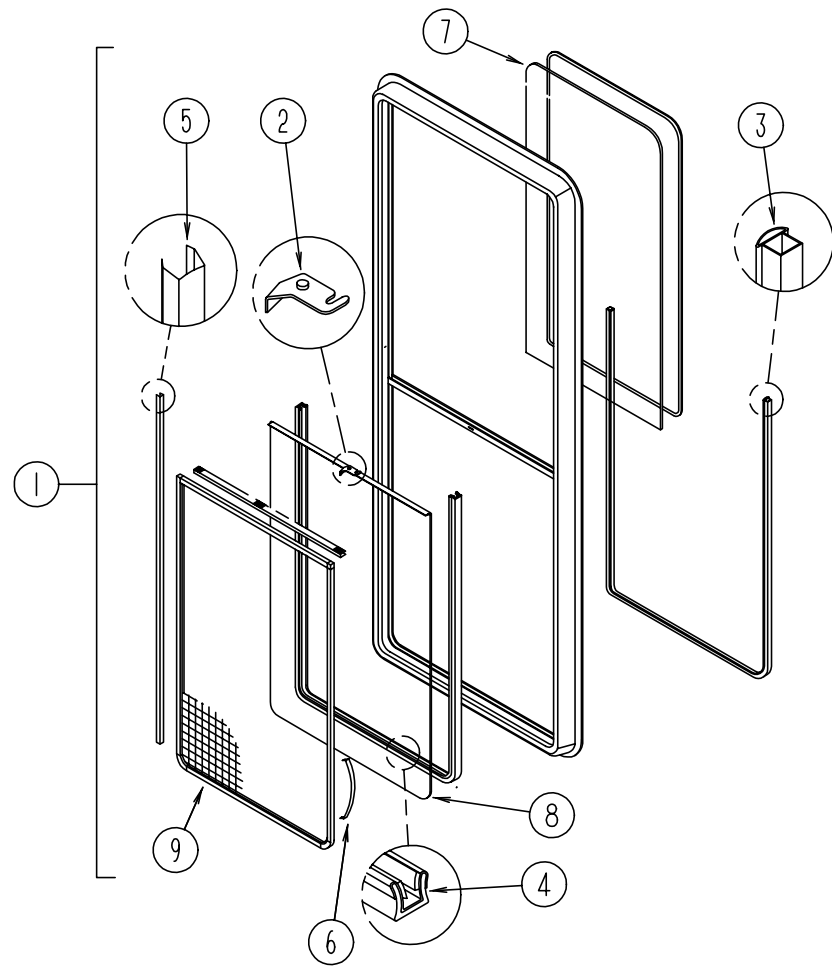
EXCEL SINGLE SLIDER WINDOW - THERMO INSULATED - PASSENGER SIDE - BEDROOM

KEY	PART NUMBER	U/M DESCRIPTION	VENDOR NO.
1	112795-21-01A	EA WINDOW - PASSENGER/HORIZONTAL SLIDER/THERMO 24.5" X 41.25"	
	098647-29-701	EA RETAINER - TRIM	CW04-66
2	112795-01-705	FT VINYL - GLAZING	132-025736
3	112795-21-701	EA GLASS - STATIONARY	390-019132
4	112795-01-701	EA SLIDE-STOP	132-019092
5	098644-01-710	FT TRACK - SCREEN SPACER 12'	132-017135
6	112795-01-700	EA LATCH ASM., BLK.,(BOLT ON)	DH287-CK
7	112795-01-703	IN CHANNEL-RUN (INCHES)	122-018736
8	098644-01-711	FT WEATHERSTRIP - SCREEN BLACK7	171-016965
9	098647-29-704	EA SCREEN ASM - W/SEALS & CLIPS	410-018864
10	098644-01-713	EA CLIP - SPRING - METAL	226-016966
11	112795-21-702	EA GLASS-SLIDING W/SASH & LATCH	DC04-G9
12	112795-01-704	FT PLUG FILLER (DOUBLE GLAZED)	122-018737

EXCEL SINGLE SLIDER WINDOW - THERMO INSULATED - PASSENGER SIDE - BEDROOM (EXPORT OPTION)

KEY	PART NUMBER	U/M DESCRIPTION	VENDOR NO.
1	112795-44-01A	EA WINDOW-PASSENGER HORIZONTAL SLIDE THERMO 54 1/2" X 41 1/4"	
	098647-29-701	EA RETAINER - TRIM	CW04-66
2	112795-01-705	FT VINYL - GLAZING	132-025736
3	112795-44-701	EA GLASS - STATIONARY	390-019780
4	112795-01-701	EA SLIDE-STOP	132-019092
5	098644-01-710	FT TRACK - SCREEN SPACER 12'	132-017135
6	112795-01-700	EA LATCH ASM. - BLK. (BOLT ON)	DH287-CK
7	112795-01-703	IN CHANNEL-RUN (INCHES)	122-018736
8	098644-01-711	FT WEATHERSTRIP - SCREEN BLACK	171-016965
9	098647-29-704	EA SCREEN ASM - W/SEALS & CLIPS	410-018864
10	098644-01-713	EA CLIP - SPRING - METAL	226-016966
11	112795-44-700	EA GLASS-SLIDING W/SASH & LATCH	DC04-EG9
12	112795-01-704	FT PLUG FILLER (DOUBLE GLAZED)	122-018737

WINDOW, VENT & EXTERIOR DOOR GROUP (CONTINUED)



EXCEL LOUNGE VERTICAL SLIDING WINDOW

KEY	PART NUMBER	U/M DESCRIPTION	VENDOR NO.
1	098644-07-01A	EA WINDOW ASM-VERTICAL SLIDER, W/RETAINER - 30.2" X 14.3"	CW02-66
	098644-07-701	EA RETAINER-TRIM, OFF WHITE	B801-CK
2	098644-01-700	EA LATCH-REPAIR KIT, BLACK	171-010668
3	098644-01-706	FT WEATHERSTRIP	122-016543
4	098644-01-708	FT CHANNEL-RUN, PIERCED	132-017135
5	098644-01-710	FT TRACK-SCREEN SPACER, 12' LENGTH	171-016965
	098644-01-711	FT WEATHERSTRIP-SCREEN, BLACK	226-016966
6	098644-01-713	EA CLIP-SPRING, METAL	132-010231
	098644-01-705	FT STRIP-GLAZING	132-014470
	098644-01-716	FT PLUG-FILLER	132-004716
	098644-01-717	FT SPLINE-SCREEN	132-014203
	098644-01-719	EA STOP-SLIDER GLASS	106-015777
7	098644-07-702	EA GLASS-STATIONARY	H170-G9
8	098644-07-703	EA GLASS-SLIDING, W/SASH & LATCH	410-018863
9	098644-07-704	EA SCREEN ASM - W/SEALS & CLIPS	

WINDOW, VENT & EXTERIOR DOOR GROUP (CONTINUED)

EXCEL DRIVERS DOOR WING WINDOW

KEY	PART NUMBER	U/M DESCRIPTION	VENDOR NO.
	106468-05-01A	EA WINDOW - DRIVER WING - 6.8"T X 23.3"B X 28.9"H	
	100322-01-703	FT VINYL-GLAZING, BUTYL	132-010723

EXCEL DRIVERS DOOR WING WINDOW - THERMOPANE

KEY	PART NUMBER	U/M DESCRIPTION	VENDOR NO.
	115999-06-01A	EA WINDOW - DRIVER WING - THERMO - 5.8" X 11" X 27.9'	
	115999-06-700	EA GLASS - STATIONARY	390-025392
	115999-06-701	EA RETAINER - TRIM RAIL REAR	H507-41L
	115999-06-702	EA RETAINER - TRIM RAIL TOP	H507-42L
	116000-01-704	FT VINYL - GLAZING	132-018161

EXCEL DRIVERS DOOR WING WINDOW - THERMOPANE (EXPORT OPTION)

KEY	PART NUMBER	U/M DESCRIPTION	VENDOR NO.
	115999-07-01A	EA WINDOW - DRIVER WING - THERMO - 5.8" X 11" X 27.8'	
	115999-07-700	EA GLASS - STATIONARY	390-025776
	115999-07-701	EA RETAINER - TRIM RAIL REAR	H507-27L
	116000-01-704	FT VINYL - GLAZING	132-018161

EXCEL DRIVERS DOOR VISTA WINDOW

KEY	PART NUMBER	U/M DESCRIPTION	VENDOR NO.
	106467-06-01A	EA WINDOW - DRIVER VISTA(ABOVE DR DOOR) 39.2"T X 40.6"B X 7.3"H	
	100322-01-703	FT VINYL - GLAZING - BUTYL	132-010723

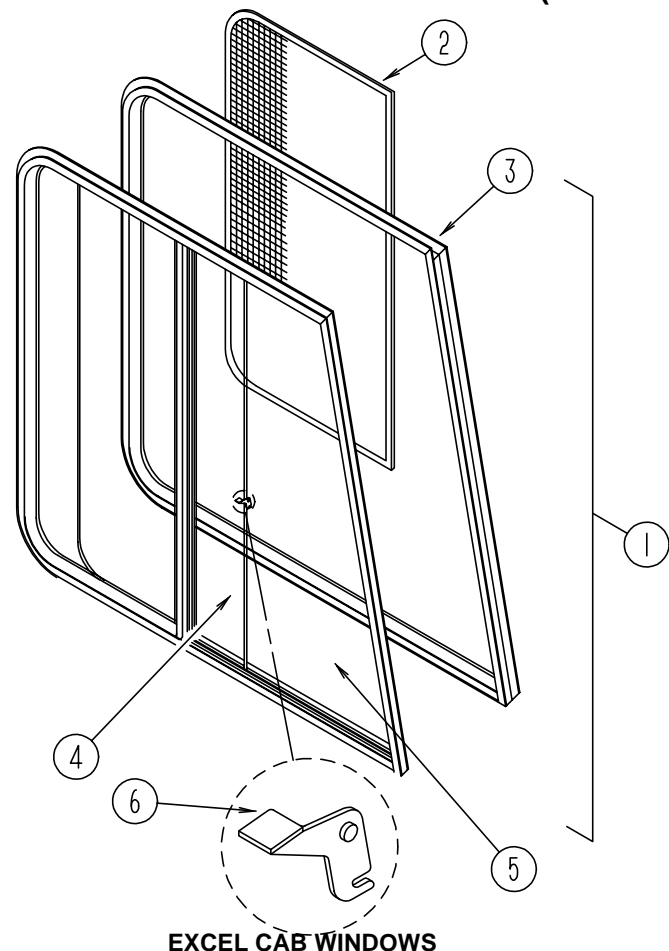
EXCEL DRIVERS DOOR WING WINDOW - THERMOPANE

KEY	PART NUMBER	U/M DESCRIPTION	VENDOR NO.
	116000-08-01A	EA WINDOW - DRIVER VISTA - THERMO - 6.3" X 38.2" X 39.4"	
	116000-01-704	FT VINYL - GLAZING	132-018161
	116000-08-700	EA GLASS - STATIONARY	390-025393
	116000-08-701	EA RETAINER TRIM RAIL TOP/REAR	H508-41L
	116000-08-702	EA RETAINER - TRIM RAIL FRONT	H508-42L
	116000-08-703	EA RETAINER - TRIM RAIL BOTTOM	H508-43L

EXCEL DRIVERS DOOR WING WINDOW - THERMOPANE (EXPORT OPTION)

KEY	PART NUMBER	U/M DESCRIPTION	VENDOR NO.
	116000-09-01A	EA WINDOW - DRIVER VISTA - THERMO - 6.3" X 38.2" X 39.4"	
	116000-01-704	FT VINYL - GLAZING	132-018161
	116000-09-700	EA GLASS - STATIONARY	390-025178
	116000-08-701	EA RETAINER TRIM RAIL TOP/REAR	H508-41L
	116000-08-702	EA RETAINER - TRIM RAIL FRONT	H508-42L
	116000-08-703	EA RETAINER - TRIM RAIL BOTTOM	H508-43L

WINDOW, VENT & EXTERIOR DOOR GROUP (CONTINUED)



EXCEL CAB WINDOWS

KEY	PART NUMBER	U/M	DESCRIPTION	VENDOR NO.
1	103658-11-01A	EA	WINDOW - DRIVER CAB - 38.3"T X 45.2"B X 36.7"HH	
1	103658-12-01A	EA	WINDOW - PASSENGER CAB - 38.3"T X 45.2"B X 36.7"H	
2	113501-09-702	EA	SCREEN ASSEMBLY - W/SEALS & CLIPS	410-025381
	098644-01-717	FT	SPLINE-SCREEN	132-004716
	098644-01-713	EA	CLIP-SPRING, METAL	226-016966
	098644-01-710	FT	TRACK-SCREEN SPACER, 12' LENGTH	132-017135
	098644-01-711	FT	WEATHERSTRIP-SCREEN, BLACK	171-016965
3	113501-10-702	EA	RETAINER-TRIM, DRIVERS SIDE	H506-41L & H506-42L
3	113501-09-703	EA	RETAINER-TRIM, PASSENGERS SIDE	H506-41R & H506-42R
4	113501-11-701	EA	GLASS-SLIDING, W/SASH & LATCH	DH506-EA9R
5	113501-11-700	EA	GLASS-STATIONARY, BOTTOM	390-025769
6	098644-01-700	EA	LATCH-REPAIR KIT, BLACK	B801-CK
	098644-01-706	FT	WEATHERSTRIP-GLASS	171-010668
	098644-01-708	FT	CHANNEL-RUN, PIERCED	122-016543
	098644-01-716	FT	PLUG-FILLER	132-014470

EXCEL CAB WINDOW - DRIVER SIDE - THERMOPANE

KEY	PART NUMBER	U/M	DESCRIPTION	VENDOR NO.
	113501-10-01A	EA	WINDOW ASM-CAB, W/RETAINER - 35.7" X 37.2" X 43.9"	
	113501-10-702	EA	RETAINER-TRIM, OFF WHITE	H506-41L & H506-42L
	098644-01-711	FT	WEATHERSTRIP-SCREEN, BLACK	171-016965
	098644-01-713	EA	CLIP-SPRING, METAL	226-016966
	098644-01-717	FT	SPLINE-SCREEN	132-004716
	103501-09-702	EA	SCREEN ASM-W/SEALS & CLIPS	410-025381
	112795-01-700	EA	LATCH ASM-BLACK, BOLT ON	DH287-CK
	112795-01-701	FT	SLIDE-STOP	132-019092
	112795-01-703	IN	CHANNEL-RUN (INCHES)	122-018736
	112795-01-704	FT	PLUG FILLER (DOUBLE GLAZED)	122-018737
	112795-01-705	FT	VINYL-GLAZING	132-025736
	112898-04-703	EA	SASH LATCH KIT, RAISED	DH343-CK
	113501-10-700	EA	GLASS-STATIONARY	390-025388
	113501-10-701	EA	GLASS-SLIDING, W/SASH & LATCH	DH506-A9L

WINDOW, VENT & EXTERIOR DOOR GROUP (CONTINUED)

EXCEL CAB WINDOW - PASSENGER SIDE - THERMOPANE

KEY	PART NUMBER	U/M	DESCRIPTION	VENDOR NO.
	113501-09-01A	EA	WINDOW ASM-CAB, W/RETAINER - 35.7" X 37.2" X 43.9"	
	113501-09-703	EA	RETAINER-TRIM, OFF WHITE	H506-41R & H506-42R
	113501-09-700	EA	GLASS-STATIONARY	390-025839
	113501-09-701	EA	GLASS-SLIDING, W/SASH & LATCH	DH506-A9R
	103501-09-702	EA	SCREEN ASM-W/SEALS & CLIPS	410-025381
	098644-01-711	FT	WEATHERSTRIP-SCREEN, BLACK	171-016965
	098644-01-713	EA	CLIP-SPRING, METAL	226-016966
	098644-01-717	FT	SPLINE-SCREEN	132-004716
	112795-01-700	EA	LATCH ASM-BLACK, BOLT ON	DH287-CK
	112795-01-701	FT	SLIDE-STOP	132-019092
	112795-01-703	IN	CHANNEL-RUN (INCHES)	122-018736
	112795-01-704	FT	PLUG FILLER (DOUBLE GLAZED)	122-018737
	112795-01-705	FT	VINYL-GLAZING	132-025736
	112898-04-703	EA	SASH LATCH KIT, RAISED	DH343-CK

EXCEL CAB WINDOW - DRIVER SIDE - THERMOPANE (EXPORT OPTION)

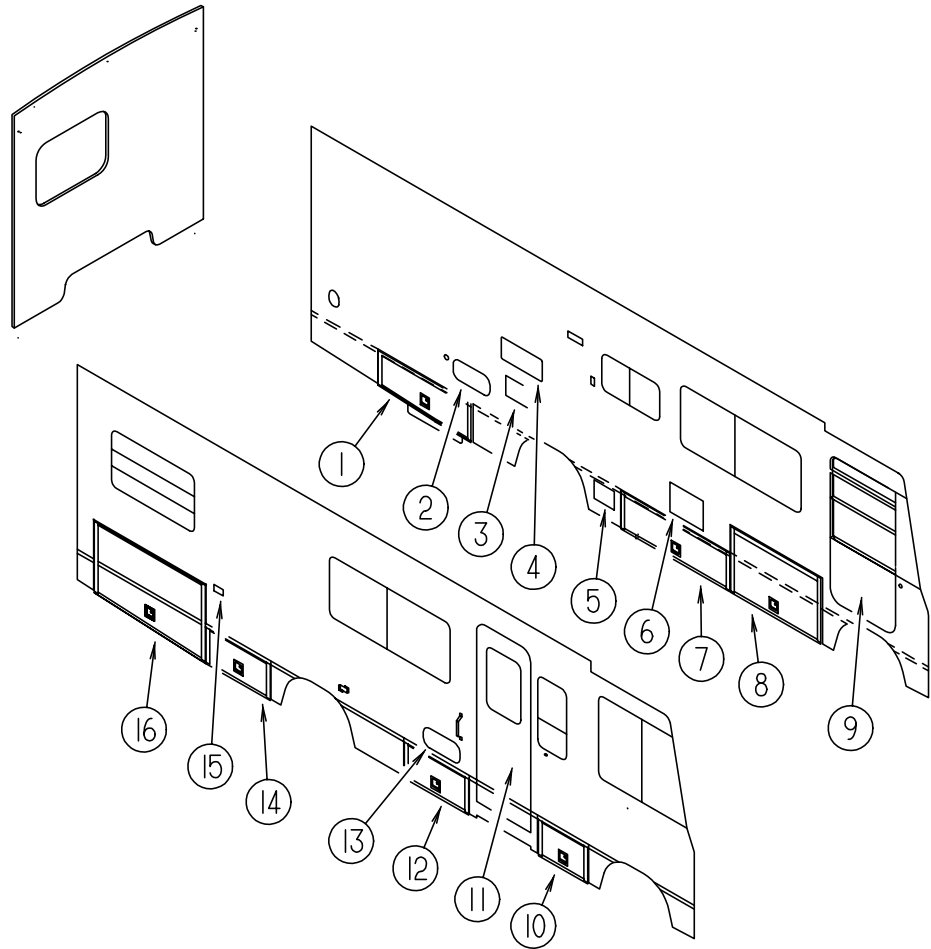
KEY	PART NUMBER	U/M	DESCRIPTION	VENDOR NO.
	113501-12-01A	EA	WINDOW - DRIVER CAB THERMO (2 WINDOW)-35.7" X 37.2" X 43.9"	
	113501-10-702	EA	RETAINER - TRIM	H506-41L & 42L
	098644-01-711	FT	WEATHERSTRIP - SCREEN BLACK	171-016965
	098644-01-713	EA	CLIP - SPRING - METAL	226-016966
	098644-01-717	FT	SPLINE - SCREEN	132-004716
	112795-01-700	EA	LATCH ASM. - BLK. (BOLT ON)	DH287-CK
	112795-01-701	EA	SLIDE - STOP	132-019092
	112795-01-703	IN	CHANNEL - RUN (INCHES)	122-018736
	112795-01-704	FT	PLUG FILLER (DOUBLE GLAZED)	122-018737
	112795-01-705	FT	VINYL - GLAZING	132-025736
	112898-04-703	EA	SASH LATCH KIT - RAISED	DH343-CK
	113501-09-702	EA	SCREEN ASM - W/SEALS & CLIPS	410-025381
	113501-12-700	EA	GLASS - STATIONARY	390-025770
	113501-12-701	EA	GLASS ASM - W/SASH & LATCH	DH506-EA9L

EXCEL CAB WINDOW -PASSENGER SIDE - THERMOPANE (EXPORT OPTION)

KEY	PART NUMBER	U/M	DESCRIPTION	VENDOR NO.
	113501-11-01A	EA	WINDOW - PASS CAB THERMO (2 WINDOW)-35.7" X 37.2" X 43.9"	
	113501-09-703	EA	RETAINER - TRIM	H506-41R & 42R
	098644-01-711	FT	WEATHERSTRIP - SCREEN BLACK	171-016965
	098644-01-713	EA	CLIP - SPRING - METAL	226-016966
	098644-01-717	FT	SPLINE - SCREEN	132-004716
	112795-01-700	EA	LATCH ASM. - BLK. (BOLT ON)	DH287-CK
	112795-01-701	EA	SLIDE - STOP	132-019092
	112795-01-703	IN	CHANNEL - RUN (INCHES)	122-018736
	112795-01-704	FT	PLUG FILLER (DOUBLE GLAZED)	122-018737
	112795-01-705	FT	VINYL - GLAZING	132-025736
	112898-04-703	EA	SASH LATCH KIT - RAISED	DH343-CK
	113501-09-702	EA	SCREEN ASM - W/SEALS & CLIPS	410-025381
	113501-11-700	EA	GLASS - STATIONARY	390-025769
	113501-11-701	EA	GLASS ASM - W/SASH & LATCH	DH506-EA9R

WINDOW, VENT & EXTERIOR DOOR GROUP (CONTINUED)

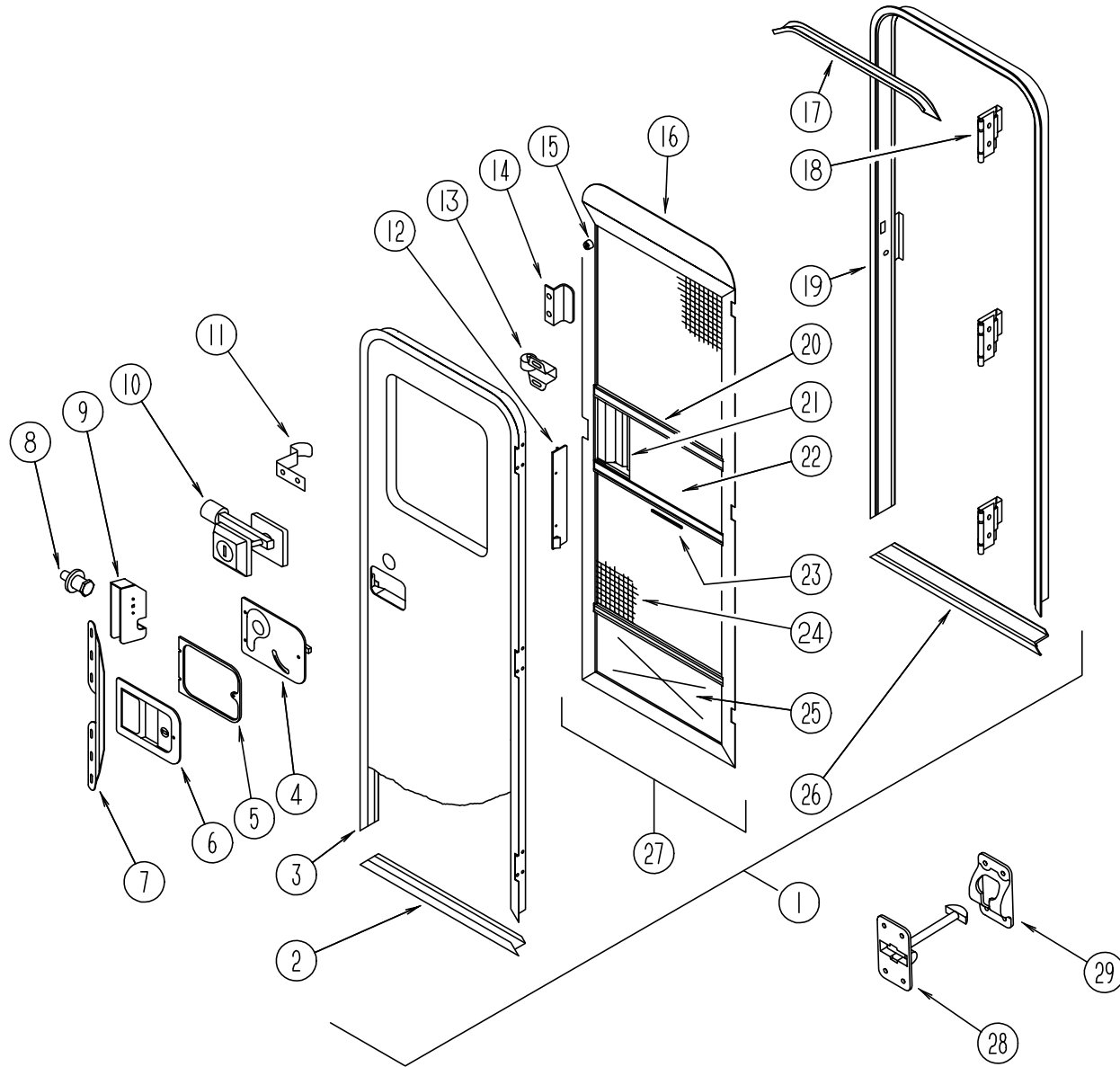
EXTERIOR DOORS



KEY	PART NUMBER	U/M	DESCRIPTION	VENDOR NO.
1	122391-42-H37	EA	DOOR - STORAGE - TAPERED - W/O PADDLE LATCH - 46.2" (BLUE TRIM)	
1	122391-42-H13	EA	DOOR - STORAGE - W/O PADDLE LATCH - 46.2" (WHITE TRIM)	
2	111017-02-F24	EA	DOOR - STORAGE - W/O LOCK - 8.1" X 17.8" (WHITE TRIM)	
3	098668-23-000	EA	DOOR - ACCESS - FURNACE	
4	084103-08-000	EA	DOOR - REFRIGERATOR - VENTED - W/O JAMB	
4	084104-08-000	EA	JAMB - REFRIGERATOR DOOR	
4	084104-01-700	EA	LOCK - MALE - FASTENER	201-721-010
4	084104-01-701	EA	LOCK - FEMALE - FASTENER	201-802-010
5	088794-06-000	EA	DOOR - POWER CORD W/HATCH - BRIGHT WHITE - 9.2" X 11"	
6	052009-06-000	EA	DOOR - WATER HEATER - BRIGHT WHITE - 18" X 14.6"	
7	122239-16-H13	EA	DOOR - STORAGE - W/O PADDLE LATCH - 48.7" (WHITE TRIM)	
7	122239-16-H37	EA	DOOR - STORAGE - W/O PADDLE LATCH - 48.7" (BLUE TRIM)	
8	124245-09-H13	EA	DOOR - STORAGE - W/O PADDLE LATCH - 44.6" (WHITE TRIM)	
9	106469-07-01A	EA	DOOR - DRIVER - BLACK	
10	122239-14-H37	EA	DOOR - STORAGE - W/O PADDLE LATCH - 24.4" (BLUE TRIM)	
10	122239-14-H13	EA	DOOR - STORAGE - W/O PADDLE LATCH - 24.4" WIDE (WHITE TRIM)	
11	115108-05-H13	EA	DOOR - ENTRY - W/SCREEN DOOR - W/O WINDOW (H12, H13)	
11	115108-05-H14	EA	DOOR - ENTRY - W/SCREEN DOOR - W/O WINDOW (H14)	
11	115108-05-H15	EA	DOOR - ENTRY - W/SCREEN DOOR - W/O WINDOW (H15)	
11	115108-05-H16	EA	DOOR - ENTRY - W/SCREEN DOOR - W/O WINDOW (H16)	
12	122239-84-H37	EA	DOOR - STORAGE - W/O PADDLE LATCH - 31.8" (BLUE TRIM)	
12	122239-84-H13	EA	DOOR - STORAGE - W/O PADDLE LATCH - 31.8" (WHITE TRIM)	
13	111017-01-H23	EA	DOOR - STORAGE - W/O LOCK - 8.1" X 17.8" (WHITE TRIM)	
14	122239-56-H37	EA	DOOR - STORAGE - W/O PADDLE LATCH - 31.8" (BLUE TRIM)	
14	122239-56-H13	EA	DOOR - STORAGE - W/O PADDLE LATCH - 31.8" (WHITE TRIM)	
15	081240-16-000	EA	DOOR - WATER FILL - LOCKABLE W/O LOCK - 4" X 4 5/8"	
16	124245-10-H13	EA	DOOR - STORAGE - W/O PADDLE LATCH - 55.7" (WHITE TRIM)	
16	124245-11-H13	EA	DOOR - STORAGE - W/O PADDLE LATCH - 55.9" (WHITE TRIM) (W/RAISED BED)	

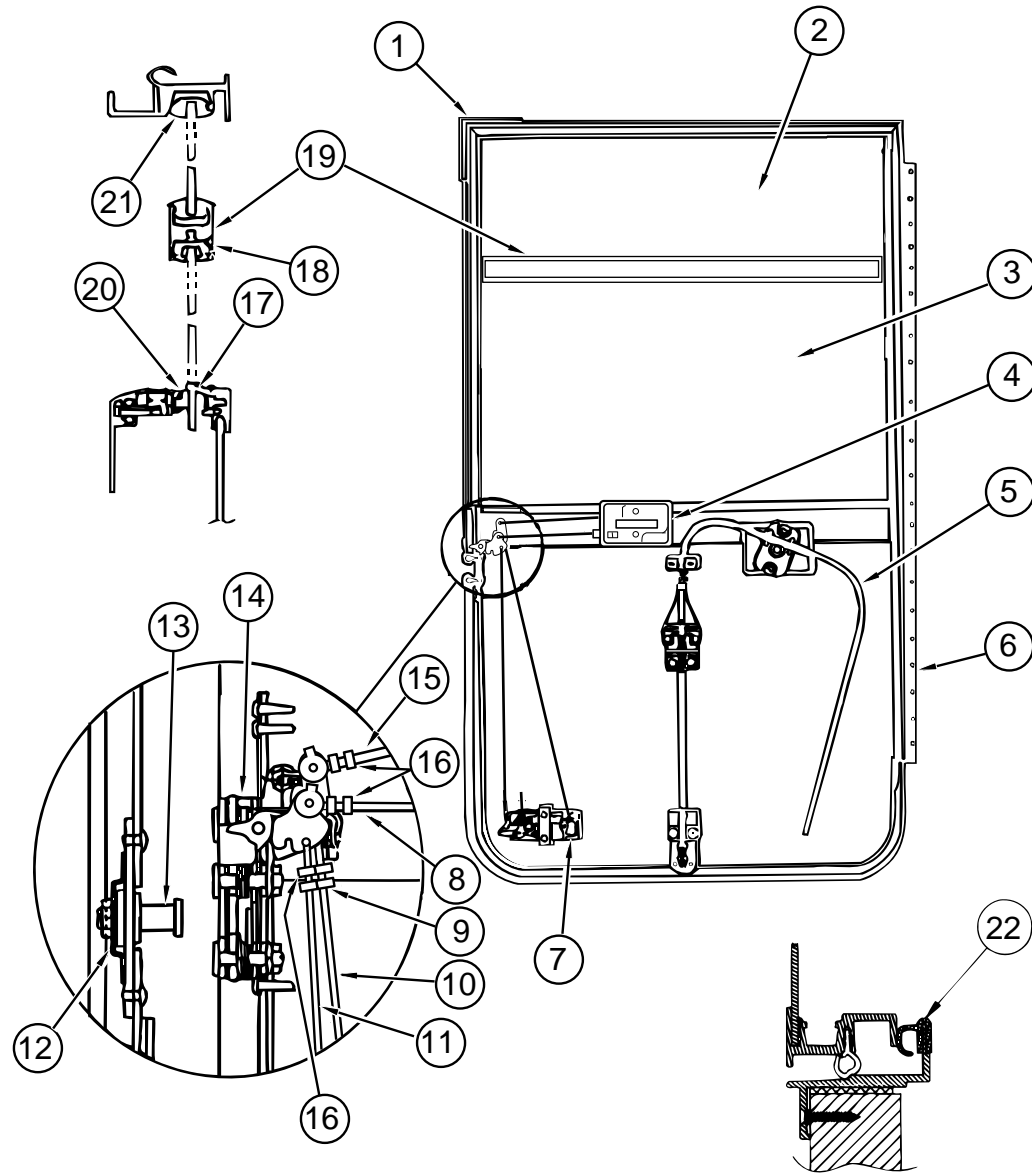
WINDOW, VENT & EXTERIOR DOOR GROUP (CONTINUED)

ENTRANCE DOOR



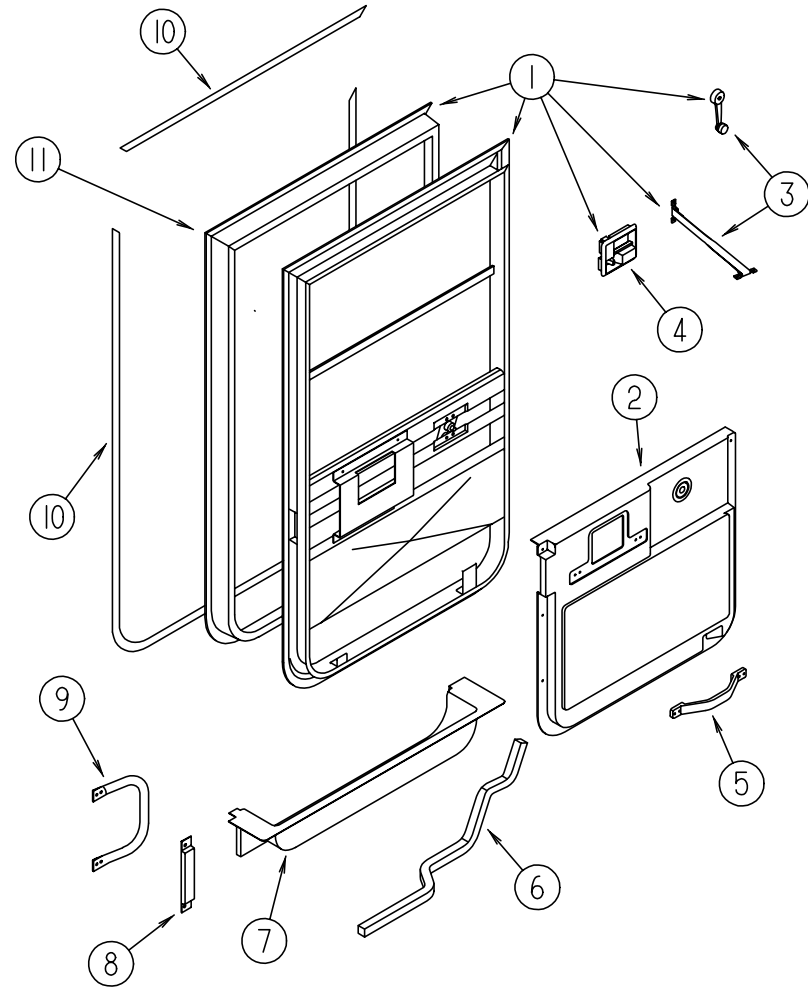
KEY	PART NUMBER	U/M	DESCRIPTION	VENDOR NO.
1	115108-05-H13	EA	DOOR - ENTRY - W/SCREEN DOOR - W/O WINDOW (H12, H13)	
1	115108-05-H14	EA	DOOR - ENTRY - W/SCREEN DOOR - W/O WINDOW (H14)	
1	115108-05-H15	EA	DOOR - ENTRY - W/SCREEN DOOR - W/O WINDOW (H15)	
1	115108-05-H16	EA	DOOR - ENTRY - W/SCREEN DOOR - W/O WINDOW (H16)	
2	121893-01-01A	EA	FRAME-BOTTOM, ENTRY DOOR - BRIGHT WHITE	
3	121894-07-01A	EA	FRAME-ENTRY DOOR, W/O BOTTOM - BRIGHT WHITE	
4	039979-06-000	EA	COVER - LATCH PLATE - RIGHT HAND - BLACK TEXTURED	
	039984-01-000	EA	CAP-ROUND, VINYL - .28" ID X .62" LONG - BLACK	
5	096810-01-01A	EA	PLATE-LATCH, ENTRY DOOR - PLASTIC - BLACK	
	041546-07-000	EA	BRACKET-DOOR ANGLE, OFF WHITE - METAL	
6	045017-13-000	EA	LATCH - ENTRY DOOR - BLACK TEXTURED	
	045017-11-701	EA	KEY-BLANK - F1 SERIES	81312-02
	045017-11-703	EA	CYLINDER - LOCK ASM. W/KEYS	81266-09
	075671-04-000	FT	SEAL - SPONGE - LAZY T - W/ADHESIVE STRIP - .5" WIDE	
7	098173-01-07A	EA	STIFFENER - ENTRY DOOR - SUPPORTS LATCH/STRIKE AREA	
7	098173-01-04A	EA	STIFFENER - ENTRY DOOR - SUPPORTS LATCH/STRIKE AREA - UNPAINTED	
8	039539-01-000	EA	STRIKE - LOCK - ENTRY DOOR - ROUND W/THREADED WASHER	
	077461-03-000	EA	COVER - STRIKE - ENTRY DOOR - 6.5" X 2.5" - WHITE PLASTIC	
9	039540-01-000	EA	LATCH MECHANISM - HOOK - ENTRY DOOR - INTERIOR	
10	101145-01-06A	EA	DEADBOLT - ENTRY DOOR W/O SECURITY BOLT W/2 KEYS - BLACK TEXTURED	
	095229-01-700	EA	KEY-BLANK - DEADBOLT	81205-03
	101145-01-701	EA	CYLINDER-LOCK ASSEMBLY, W/KEY	81306-03
	101147-01-000	EA	BOLT-SECURITY, 4.12" BACKSET	
11	100412-01-000	EA	CATCH - SCREEN DOOR	
12	079087-03-000	EA	STRIKE-SLIDER, W/LIP FOR ELBOW CATCH - 1.5" X 8.6" - BRIGHT WHITE	
13	109403-01-000	EA	CATCH - SCREEN DOOR ROLLER	
14	050712-06-000	EA	HANDLE - SCREEN DOOR - BRIGHT WHITE	
15	120863-05-000	EA	BUMPER - RUBBER - SCREEN DOOR	
16	078595-01-000	EA	TOP PLATE - SCREEN DOOR - CURVED TOP - 4.7" X 25.35"	
17	044582-44-000	EA	CAP - DRIP - JAMB - BRIGHT WHITE	
18	106719-01-05A	EA	HINGE - ENTRANCE DOOR	
18	106719-01-01A	EA	HINGE - ENTRANCE DOOR - MILL	
	102248-01-000	EA	SHIM - DOOR	
	039715-01-000	EA	NUT-SERT - 1/4" DIAMETER - 20 THREADS	
	116111-02-01A	EA	SCREW - TAPTITE - 1/4-20 X 3/8 PPH - ZINC	
	118929-01-01A	FT	SEAL - PILE - PUSH ON	
	076725-02-000	EA	COVER-HINGE, ENTRY DOOR - 6" X 3.2" - PLASTIC - OFF WHITE	
19	121898-04-01A	EA	JAMB-ENTRY DOOR, W/BOTTOM - BRIGHT WHITE	
	115222-01-01A	EA	GARNISH - RADIUS - ENTRY DOOR - OFF WHITE	
20	078777-01-000	EA	CHANNEL - SLIDE - SCREEN DOOR CENTER SLIDER COVER	
21	079086-03-000	EA	SLIDER - SCREEN DOOR - BRIGHT WHITE	
22	016454-01-000	EA	INSERT - CENTER - LEATHER GRAIN ALUMINUM - UNPAINTED	
22	001014-01-013	EA	INSERT - CENTER - 10.25" X 16.31" - UNPAINTED	
23	002294-01-000	FT	SPLINE-SCREENING, .135" X .138" - BLACK	
24	002293-02-000	SF	SCREENING-WINDOW/DOOR, 26" - CHARCOAL	
25	078552-03-000	EA	KICK PANEL - SCREEN DOOR - LOWER INSERT - UNPAINTED	
26	051049-01-000	EA	JAMB - BOTTOM - ENTRY DOOR - 25.9" - UNPAINTED	
27	121899-03-GB1	EA	DOOR - SCREEN - W/O HARDWARE	
	075673-01-000	FT	SEAL - PILE - ADHESIVE BACK - GRAY	
	075673-05-000	FT	SEAL - PILE - ADHESIVE BACK - BLACK	
	086285-05-000	EA	SPACER - NYLON - .7" X .56"	
	122241-01-01A	EA	BUMPER-FOAM RUBBER W/ADHESIVE BACK, 12.7 MM X 12.7 MM X 6.4 MM - BLACK	
28	104099-01-04A	EA	CATCH - DOOR HOLDER - STRIKE - BRIGHT WHITE	
29	104099-02-04A	EA	CATCH - DOOR HOLDER - RETAINER - BRIGHT WHITE	
	009126-03-000	EA	HANDLE - ASSIST - BLACK TEXTURED	
	100128-02-000	FT	SEAL-FOAM, ADHESIVE BACK - .37" W X .37" THICK	

WINDOW, VENT & EXTERIOR DOOR GROUP (CONTINUED)
EXCEL DRIVERS DOOR



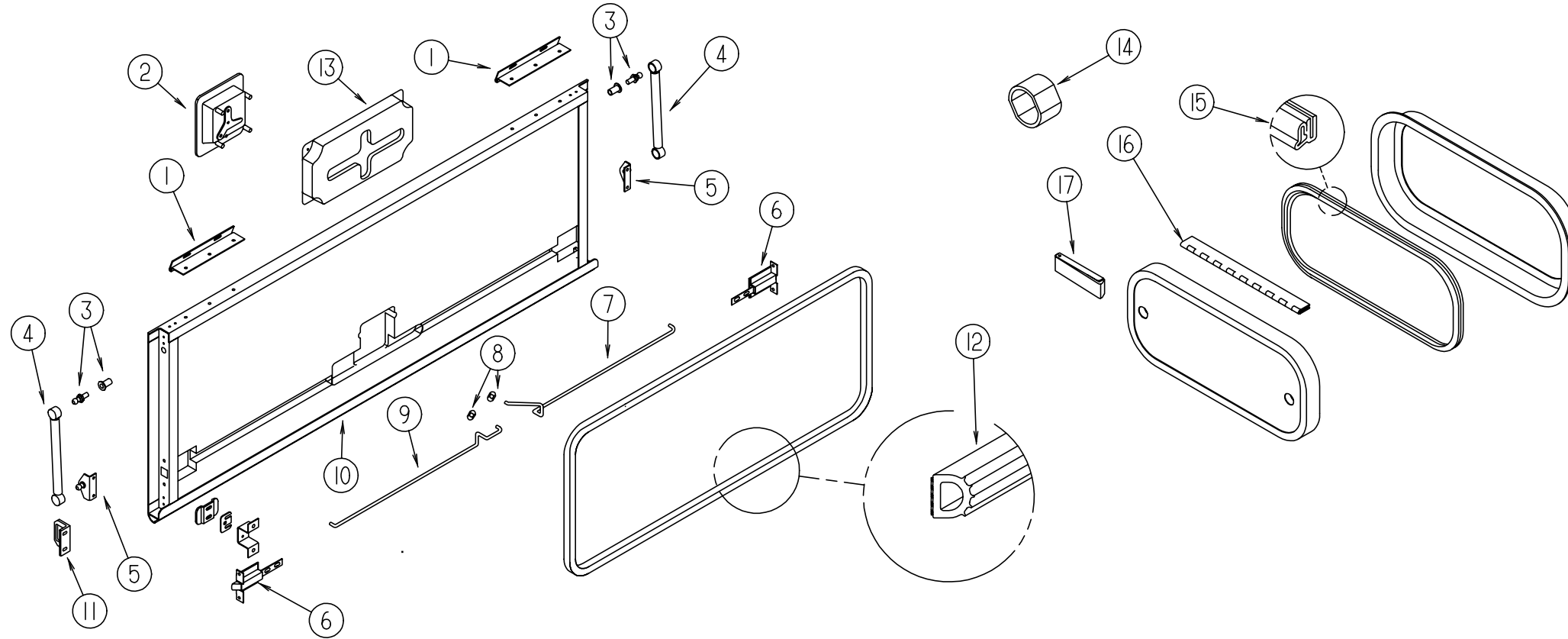
KEY	PART NUMBER	U/M	DESCRIPTION	VENDOR NO.
1	106469-01-702	EA	SEAL-DOOR, (FRAME) EA=1	122-040984
2	106469-02-702	EA	GLASS - STATIONARY - HORIZONTAL	106-041104
2	106469-08-701	EA	GLASS - STATIONARY - HORIZONTAL - E-GLASS	106-041244
3	106469-01-704	EA	GLASS ASM - ROLL-UP W/ BRACKET	V103-65L
3	106469-08-702	EA	GLASS ASM - ROLL-UP W/ BRACKET - E-GLASS	V130-65EL
4	106469-04-712	EA	HARDWARE-INNER HANDLE, LH	248-041402
5	106469-02-701	EA	REGULATOR ASSEMBLY	V108-90L
6	106469-05-702	EA	HINGE - 42"	211-041194
7	106469-04-700	EA	PADDLE ASSEMBLY W/COLLAR	248-041237
	106469-04-701	EA	TUMBLER & KEYS, TRI-MARK	248-041179
	106469-04-715	EA	LATCH COMPLETE W/TUMBLER & KEYS	V123-15
	045017-11-701	EA	KEY-BLANK, TRIMARK	81312-02
8	106469-04-711	EA	ROD-LOCK, HORIZONTAL	203-041137
9	106469-04-713	EA	ROD-CLIP, LH	248-041154
10	106469-05-703	EA	LATCH ROD, VERTICAL ADJUSTMENT	203-041239
11	106469-05-705	EA	ROD-LOCK, VERTICAL ADJUSTMENT	203-041279
12	106469-04-704	EA	NUT ASSEMBLY-CAGED W/STRIKER	248-041151
13	106469-04-703	EA	BOLT-STRIKER, W/WASHER	248-041152
14	106469-05-706	EA	LATCH-ROTARY, W/LINKAGE	248-041150
15	106469-04-705	EA	ROD-LATCH, HORIZONTAL	203-041139
16	106469-04-714	EA	ROD-CLIP, RH	248-041153
17	106469-02-703	EA	BELT-WEATHERSTRIP, EXTERIOR - ROLL-UP GLASS	V047-57
18	106469-01-705	FT	CHANNEL-RUN, SLIDING	122-010850
19	106469-01-719	EA	MULLION RAIL	V103-84
20	106469-01-709	FT	WEATHERSTRIP-FUZZY	171-040630
21	106469-02-705	EA	GLAZING-VINYL, HORIZONTAL - 6.3317"	V108-87
22	106469-01-723	EA	SEAL ASSEMBLY-BULB, DRIVERS DOOR JAMB - PREFORMED	171-040985
	106469-02-704	EA	PARTS BAG-WINDOW HANDLE MISCELLANEOUS	V068-16
	106469-07-700	EA	FRAME MOUNTING ASSEMBLY	V130-30L

WINDOW, VENT & EXTERIOR DOOR GROUP (CONTINUED)
EXCEL DRIVERS DOOR



KEY	PART NUMBER	U/M	DESCRIPTION	VENDOR NO.
1	106469-07-01A	EA	DOOR - DRIVER - BLACK	
1	106469-08-01A	EA	DOOR - DRIVER - W/ E-GLASS	
2	114973-01-02A	EA	PANEL-DRIVERS DOOR - INNER - WILLOW - PLASTIC	
2	114973-01-04A	EA	PANEL - DRIVER DOOR - INNER - WILLOW - PLASTIC - W/E-GLASS	
3	106469-02-704	EA	PARTS BAG (WINDOW HANDLE & CHECK STRAP)	V068-16
4	106469-04-712	EA	INNER HANDLE HARDWARE - LEFT HAND	248-041148
5	110604-01-01A	EA	HANDLE-ASSIST, DRIVERS DOOR - 10.8" LONG - BLACK	
6	063977-11-000	EA	STEP - DRIVER DOOR - LEFT - UNPAINTED	
7	107818-01-01A	EA	TRIM - STEP - DRIVERS DOOR	
			FROM: 00-00-00 THRU: 01-14-97	
7	126069-03-01A	EA	TRIM - STEP - DRIVER	
			FROM: 01-15-97 THRU: 99-99-99	
	102569-02-000	EA	MAT-ANTISLIP, 4" X 22" - LOWER	
8	108654-01-01A	EA	COVER-STRIKE, DRIVERS DOOR - BLACK	
9	108832-01-02A	EA	HANDLE - ASSIST - DRIVER DOOR - METAL - OFF WHITE	
	108833-01-01A	EA	COVER - HANDLE - ASSIST - OFF WHITE	
10	109235-01-01A	FT	COVER - SCREW - MAT BLACK	
11	106469-07-700	EA	MOUNTING FRAME ASM.	V130-30L
	108129-02-02A	EA	GARNISH - DRIVERS DOOR - FRONT - BLACK	
	108107-01-02A	EA	GARNISH - DRIVERS DOOR - TOP - BLACK	
	108108-04-02A	EA	GARNISH - DRIVERS DOOR - REAR UPPER - BLACK	
	108897-02-01A	EA	GARNISH - DRIVERS DOOR - REAR LOWER - BLACK	
	P01713-01-000	EA	SWITCH - PUSH BUTTON - IN DOOR JAMB - METAL CHROME	
	076725-06-000	EA	COVER - ACCESS - DOOR JAMB PUSH BUTTON - BLACK	
	109235-01-05A	FT	COVER-SCREW, BRIGHT WHITE	
	106746-01-000	EA	PANEL-STEPWELL, 789 MM LONG - STEEL	
	106747-01-000	EA	PANEL-STEPWELL, RH END - STEEL	
	106747-02-000	EA	PANEL-STEPWELL, LH END - STEEL	
	107868-01-000	EA	ANGLE-SUPPORT, DOOR - 38 MM X 38 MM X 19 MM - E-COAT - STEEL	

WINDOW, VENT & EXTERIOR DOOR GROUP (CONTINUED)
EXTERIOR ACCESS DOOR COMPONENTS

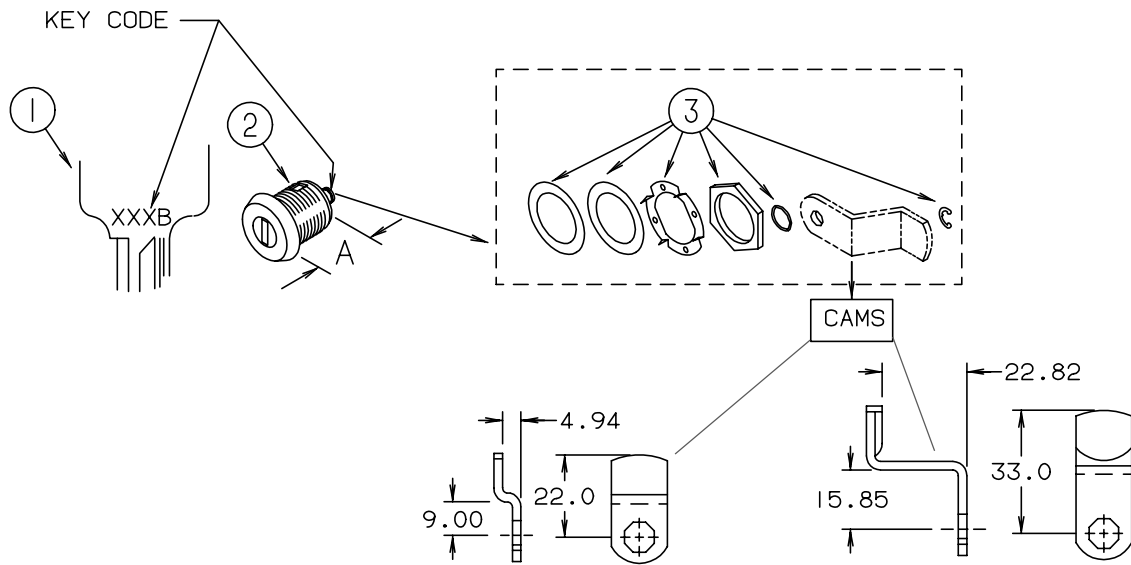


KEY	PART NUMBER	U/M DESCRIPTION
1	121755-01-04A	EA HINGE - 6" LONG
2	112949-01-04A	EA LATCH-PADDLE W/LOCK, BLACK - EXTERIOR PAINT OPTION
2	112949-01-03A	EA LATCH-PADDLE W/LOCK, BRIGHT WHITE
2	112949-02-05A	EA LATCH-PADDLE W/O LOCK, BLACK - EXTERIOR PAINT OPTION
2	112949-02-04A	EA LATCH-PADDLE W/O LOCK, BRIGHT WHITE
	112949-03-000	EA KEY-PADDLE LATCH W/LOCK - TRI-MARK #TM500
3	057460-08-000	EA BALL STUD - 10 MM BALL, 5/16-18
4	107796-11-000	EA SPRING-GAS, 11" COMPRESSED/17" EXTENDED - 90 LB
4	107796-20-000	EA SPRING-GAS, 7" COMPRESSED/10" EXTENDED - 60 LB
4	107796-27-000	EA SPRING-GAS, 8.5" COMPRESSED/12" EXTENDED - 90 LB
5	107796-19-000	EA BRACKET-GAS SPRING, SMALL - BLACK
6	121947-01-01A	EA BOLT-SLIDE, LATCH - STEEL
7	122269-58-000	EA ROD - LATCH - 15.78" LONG (CLIPPED TO UPPER PIN ON PADDLE LATCH)
7	122269-57-000	EA ROD - LATCH - 19.80" LONG (CLIPPED TO UPPER PIN ON PADDLE LATCH)
7	122269-13-000	EA ROD - LATCH - 4.46" LONG (CLIPPED TO UPPER PIN ON PADDLE LATCH)
7	122269-19-000	EA ROD - LATCH - 14.22" LONG (CLIPPED TO UPPER PIN ON PADDLE LATCH)
7	122269-07-000	EA ROD - LATCH - 16.63" LONG (CLIPPED TO UPPER PIN ON PADDLE LATCH)
7	122269-27-000	EA ROD - LATCH - 8.22" LONG (CLIPPED TO UPPER PIN ON PADDLE LATCH)
7	122269-04-000	EA ROD - LATCH - 15.42" LONG (CLIPPED TO UPPER PIN ON PADDLE LATCH)
8	124304-01-000	EA CLIP-ROUND PUSH ON

KEY	PART NUMBER	U/M DESCRIPTION
9	122268-58-000	EA ROD - LATCH - 28.75" LONG (CLIPPED TO LOWER PIN ON PADDLE LATCH)
9	122268-57-000	EA ROD - LATCH - 19.80" LONG (CLIPPED TO LOWER PIN ON PADDLE LATCH)
9	122268-13-000	EA ROD - LATCH - 4.46" LONG (CLIPPED TO LOWER PIN ON PADDLE LATCH)
9	122268-19-000	EA ROD - LATCH - 14.22" LONG (CLIPPED TO LOWER PIN ON PADDLE LATCH)
9	122268-07-000	EA ROD - LATCH - 16.63" LONG (CLIPPED TO LOWER PIN ON PADDLE LATCH)
9	122268-27-000	EA ROD - LATCH - 8.22" LONG (CLIPPED TO LOWER PIN ON PADDLE LATCH)
9	122268-04-000	EA ROD - LATCH - 15.42" LONG (CLIPPED TO LOWER PIN ON PADDLE LATCH)
10	122613-55-001	EA EXTRUDED - ROCKER PANEL - 192" - BRIGHT WHITE
10	122613-55-004	EA EXTRUDED - ROCKER PANEL - 192" - BLUE
10	122613-55-006	EA EXTRUDED - ROCKER PANEL - 192" - SILVER
11	123783-01-01A	EA STRIKER-DOOR, SLIDE LATCH - MILL
12	107721-04-000	FT SEAL - ACCESS DOOR
		FROM: 00-00-00 THRU: 03-11-97
12	107721-07-000	FT SEAL - ACCESS DOOR
		FROM: 03-12-97 THRU: 99-99-99
13	122277-02-01A	EA COVER-LATCH, PLASTIC - BLACK
14	107997-51-001	EA SPACER - DOOR LOCK - .6" DEEP
	107997-51-002	EA EXTRUDED SPACER - 16'
15	064075-07-000	FT SEAL-BULB, W/ WIRED U CHANNEL - .3" X .5" CHANNEL - BLACK
16	081801-V3-000	EA HINGE-DOOR, PIANO - 2" X 96", BRIGHT WHITE - ALUMINUM
17	102768-01-000	EA HOLDER-COMPARTMENT/ ENTRY DOOR, METAL - MILL FINISH
	068559-01-001	FT EXTRUSION-ANGLE, 1" X .9" X 192" - MILL ALUMINUM
	104692-01-000	FT SEAL - 3/4" X 3/4", ADHESIVE BACK FOAM SEAL
	112160-01-000	FT SEAL-D SECTION, 6 X 10 - FOAM RUBBER - BLACK - LAUREN 1153

WINDOW, VENT & EXTERIOR DOOR GROUP (CONTINUED)
BRIGGS & STRATTON LOCKS & COMPONENTS

NOTE:
 WHEN ORDERING THE LOCK CASE, THE KEY CODE MUST MATCH THE LAST DIGIT OF THE UNIT'S SERIAL NUMBER AND PART NUMBER; WHEN ORDERING THE KEYS, THE THIRD DIGIT OF THE KEY CODE MUST MATCH THE LAST DIGIT OF THE UNIT'S SERIAL NUMBER AND PART NUMBER.



110506-71-000

110506-68-000

KEY	PART NUMBER	U/M DESCRIPTION	VENDOR NO.
1	110506-59-000	EA KEYS-SET OF 2	596720
2	110506-52-000	EA CASE-LOCK, A=17 MM	702370
2	110506-53-000	EA CASE-LOCK, A=25 MM	702380
1	110506-59-001	EA KEYS-SET OF 2	596721
2	110506-52-001	EA CASE-LOCK, A=17 MM	702371
2	110506-53-001	EA CASE-LOCK, A=25 MM	702381
1	110506-59-002	EA KEYS-SET OF 2	596722
2	110506-52-002	EA CASE-LOCK, A=17 MM	702372
2	110506-53-002	EA CASE-LOCK, A=25 MM	702382
1	110506-59-003	EA KEYS-SET OF 2	596723
2	110506-52-003	EA CASE-LOCK, A=17 MM	702373
2	110506-53-003	EA CASE-LOCK, A=25 MM	702383
1	110506-59-004	EA KEYS-SET OF 2	596724
2	110506-52-004	EA CASE-LOCK, A=17 MM	702374
2	110506-53-004	EA CASE-LOCK, A=25 MM	702384
1	110506-59-005	EA KEYS-SET OF 2	596725
2	110506-52-005	EA CASE-LOCK, A=17 MM	702375
2	110506-53-005	EA CASE-LOCK, A=25 MM	702385
1	110506-59-006	EA KEYS-SET OF 2	596726
2	110506-52-006	EA CASE-LOCK, A=17 MM	702376
2	110506-53-006	EA CASE-LOCK, A=25 MM	702386
1	110506-59-007	EA KEYS-SET OF 2	596727
2	110506-52-007	EA CASE-LOCK, A=17 MM	702377
2	110506-53-007	EA CASE-LOCK, A=25 MM	702387
1	110506-59-008	EA KEYS-SET OF 2	596728
2	110506-52-008	EA CASE-LOCK, A=17 MM	702378
2	110506-53-008	EA CASE-LOCK, A=25 MM	702388
1	110506-59-009	EA KEYS-SET OF 2	596729
2	110506-52-009	EA CASE-LOCK, A=17 MM	702379
2	110506-53-009	EA CASE-LOCK, A=25 MM	702389
3	110506-40-700	EA HARDWARE KIT-LOCK, W/GASKET, NUT, CLIP & WASHERS	
	110506-59-701	EA KEY BLANK	

WINDOW, VENT & EXTERIOR DOOR GROUP (CONTINUED)
ELIXIR ROOF VENT - NONPOWERED

KEY	PART NUMBER	U/M DESCRIPTION	VENDOR NO.
	122882-01-01A	EA VENT-ROOF, NONPOWERED	
	009440-01-000	EA GEAR/ARM - LIFT - ROOF VENT COVER - 705221K38	
	064470-01-700	EA COVER-VENT, W/O (SLIDE BAR)	J7291
	064470-01-701	EA SLIDE BAR, (VENT-LID)	JRP1291B
	122882-01-700	EA HANDLE-CRANK, BLACK	90128
	122882-01-701	EA SCREEN	JRP-1124-B
	122882-07-01A	EA GARNISH-ROOF VENT, 63.5 - 104.6 - POWERED OR NONPOWERED	

ELIXIR ROOF VENT - POWERED

KEY	PART NUMBER	U/M DESCRIPTION	VENDOR NO.
	122882-02-01A	EA VENT-ROOF, POWERED	
	009440-01-000	EA GEAR/ARM - LIFT - ROOF VENT COVER - 705221K38	
	048648-01-000	EA MOTOR-ROOF VENT, 1/8 SHAFT - 12V - JENSEN	
	048649-01-000	EA FAN-ROOF VENT, 6 BLADES - 6" - JENSEN	
	064470-01-700	EA COVER-VENT, W/O (SLIDE BAR)	J7291
	064470-01-701	EA SLIDE BAR, (VENT-LID)	JRP1291B
	110051-03-700	EA SWITCH-BLACK/PUSH BUTTON	27-0164
	122882-01-700	EA HANDLE-CRANK, BLACK	90128
	122882-01-701	EA SCREEN	JRP-1124-B
	122882-07-01A	EA GARNISH-ROOF VENT, 63.5 - 104.6 - POWERED OR NONPOWERED	

ELIXIR ROOF VENT - POWERED - CANADIAN

KEY	PART NUMBER	U/M DESCRIPTION	VENDOR NO.
	122882-03-01A	EA VENT-ROOF, POWERED - CANADIAN	
	009440-01-000	EA GEAR/ARM - LIFT - ROOF VENT COVER - 705221K38	
	048648-01-000	EA MOTOR-ROOF VENT, 1/8 SHAFT - 12V - JENSEN	
	048649-01-000	EA FAN-ROOF VENT, 6 BLADES - 6" - JENSEN	
	064470-01-700	EA COVER-VENT, W/O (SLIDE BAR)	J7291
	064470-01-701	EA SLIDE BAR, (VENT-LID)	JRP1291B
	110051-03-700	EA SWITCH-BLACK/PUSH BUTTON	27-0164
	122882-01-700	EA HANDLE-CRANK, BLACK	90128
	122882-01-701	EA SCREEN	JRP-1124-B
	122882-07-01A	EA GARNISH-ROOF VENT, 63.5 - 104.6 - POWERED OR NONPOWERED	

ROOF VENTS

KEY	PART NUMBER	U/M DESCRIPTION
	083558-03-000	EA VENT - PLUMBING - PIPE ROOF - W/COVER - OFF WHITE
	084073-04-000	EA BASE - ROOF VENT - REFRIGERATOR
	084073-07-000	EA VENT - ROOF - REFRIGERATOR - BRIGHT WHITE

SIDEWALL VENTS

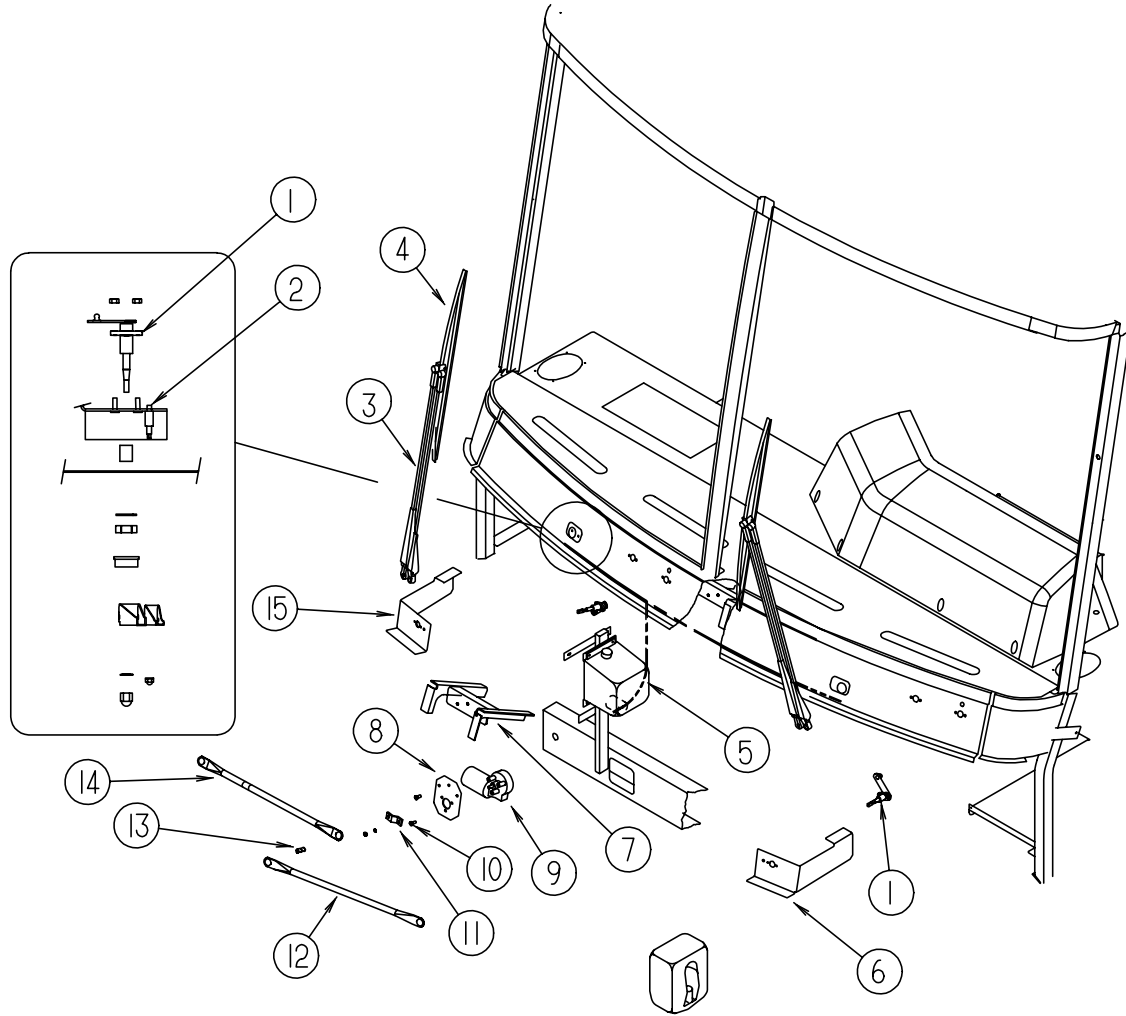
KEY	PART NUMBER	U/M DESCRIPTION
	084616-07-000	EA VENT - SHROUD - RANGE HOOD - BRIGHT WHITE
	084878-09-000	EA VENT - HOOD - RANGE/SHORT - OFF WHITE

POWERED LIFT ROOF VENT

KEY	PART NUMBER	U/M DESCRIPTION	VENDOR NO.
	123780-03-01A	EA VENT - EXHAUST - 3" ROOF	
	009440-01-000	EA GEAR/ARM - LIFT - ROOF VENT COVER	
	084079-01-703	EA KNOB - LIFT - W/EXT. & SCREW	1140K-00
	084079-01-704	EA BLADE - FAN	1070-00
	084079-01-705	EA MOTOR	1080-00
	084079-01-707	EA SWITCH - SAFETY	1122.05
	084079-01-709	EA SWITCH - MAIN - 3 SPEED	1031-05
	084079-01-711	EA H-MOLDING - MOTOR MOUNT	
	084079-11-700	EA MOTOR - BRKT. - FAN BLADE - KIT	4017K-09
	123780-01-700	EA COVER - VENT W/HINGE & SLIDE	1020K-81
	123780-03-700	EA GARNISH - INT. 3"-4" BRT/WHT	1040-81

**WINDSHIELD & WIPER GROUP
WIPER & WASHER COMPONENTS**

KEY	PART NUMBER	U/M	DESCRIPTION	VENDOR NO.
1	096505-05-000	EA	PIVOT & SHAFT ASM-WIPER	
	096505-02-700	EA	DRIVER-KNURLED,(HD) BARREL .687	NT721017
	096505-02-701	EA	NUT-HEX (HD) W/.687 BARREL	NT721021
	096505-02-702	EA	CAP-RUBBER (HD) BARREL .687	CP721084
	096505-02-703	EA	CAP-NUT(ACORN) HD W/.687 BARREL	51065-40-NT27WC
	077049-02-000	EA	NUT-ACORN, 10-32 BLACK/ANODIZED	
2	077048-02-000	EA	SHAFT-ADAPTER PANTOGRAPH ARM	
3	117769-01-000	EA	ARM-WIPER, PANTOGRAPH - 28"	
	096931-01-700	FT	HOSE-WIPER, TO BLADE	
	096931-01-701	EA	NOZZLE-HARDWARE KIT, INCLUDES NOZZLE, NUT, SHORT THREAD SCREW, LONG THREAD SCREW, AND PLASTIC CAP	
4	097978-01-000	EA	BLADE-WIPER, FLEX - 22"	
5	117766-02-000	EA	RESERVOIR/PUMP - WINDSHIELD WASHER	
	045794-01-000	FT	HOSE-WASHER, WINDSHIELD - 5/32" ID - BLACK	
	110605-01-000	EA	TEE-BARBED, 1/8 X 1/8 X 3/16	
	117765-03-000	EA	CONNECTOR - 5/32 - WINDSHIELD WASHER	
6	106680-02-000	EA	BRACKET-MOUNT, WIPER PIVOT	
7	106603-01-000	EA	MOUNT ASM-PLATE W/SIDE BRACKETS, WIPER MOTOR	
	106604-01-000	EA	PLATE-WIPER W/O SIDE BRACKETS, MOTOR MOUNT	
8	103935-03-000	EA	PLATE-MOUNTING, WIPER MOTOR	
9	104346-04-000	EA	MOTOR-WIPER W/INTERNAL BREAKER & DRIVE ARM - CHEVY	
10	117322-01-000	EA	SCREW - 1/4-28 UNF-2A, TORX	
11	104347-04-000	EA	ARM-DRIVE, WIPER MOTOR - FORD OR CHEVY	
12	117770-04-000	EA	LINK-CONNECTING, DRIVERS SIDE	
13	067188-01-000	EA	STUD-CRANK, WIPER - WINDSHIELD	
14	117770-03-000	EA	LINK-CONNECTING, PASSENGERS SIDE	
15	106680-01-000	EA	BRACKET-MOUNT, WIPER PIVOT	
	000D28-10-00B	EA	NUT-HEX W/NYLON LOCK, 10-32 - ZINC	
	061603-01-000	EA	GROMMET-SNAP, 3/16 ID - 3/8 HOLE - PLASTIC - BLACK	



WINDSHIELD & WIPER GROUP (CONTINUED)
WINDSHIELD MOLDINGS & GLASS

KEY	PART NUMBER	U/M	DESCRIPTION
1	098788-06-000	EA	CHANNEL - 49" PVC, DRIVER OR PASSENGER SIDE
2	122037-12-01B	EA	HEADER - F/TV OPTION
3	077847-02-000	EA	SUPPORT-WINDSHIELD, LOWER - W/O BRACKETS
4	121963-02-000	EA	WINDSHIELD - DRIVERS - CURVED 50.5" X 35.75"
4	121963-04-000	EA	GLASS - WINDSHIELD - LEFT HAND - EUROPEAN
5	107285-01-000	EA	BRACKET-WINDSHIELD, SUPPORT ONLY NEEDED IF BROKEN OFF WINDSHIELD FRAME ASSEMBLY
6	103107-08-01A	EA	TRIM-WINDSHIELD, DRIVER SIDE - BLACK
7	102936-01-000	FT	MOLDING-REVEAL, WINDSHIELD - LOWER
8	118586-01-000	FT	MOLDING-REVEAL, WINDSHIELD - CENTER
9	120533-01-000	FT	MOLDING-REVEAL, WINDSHIELD - UPPER
10	103107-07-01A	EA	TRIM-WINDSHIELD, PASSENGER SIDE - BLACK
11	110268-01-000	EA	WINDSHIELD CARRIER - 50.4"
12	081914-01-000	EA	BUMPER-RUBBER, ROUND - .43" DIAMETER - BLACK
13	121963-01-000	EA	WINDSHIELD - PASSENGER - CURVED 50.5" X 35.75"
13	121963-03-000	EA	GLASS - WINDSHIELD - RIGHT HAND - EUROPEAN
14	117335-01-000	EA	CARRIER/REVEAL - 94.6" W/ADHESIVE BACKING
15	121964-01-01B	EA	SUPPORT-WINDSHIELD, UPPER - MILL
	100128-02-000	FT	SEAL-FOAM, ADHESIVE BACK - .37" W X .37" THICK
	002328-02-000	EA	BLOCK - WINDSHIELD - .062" X .5" X .98"

