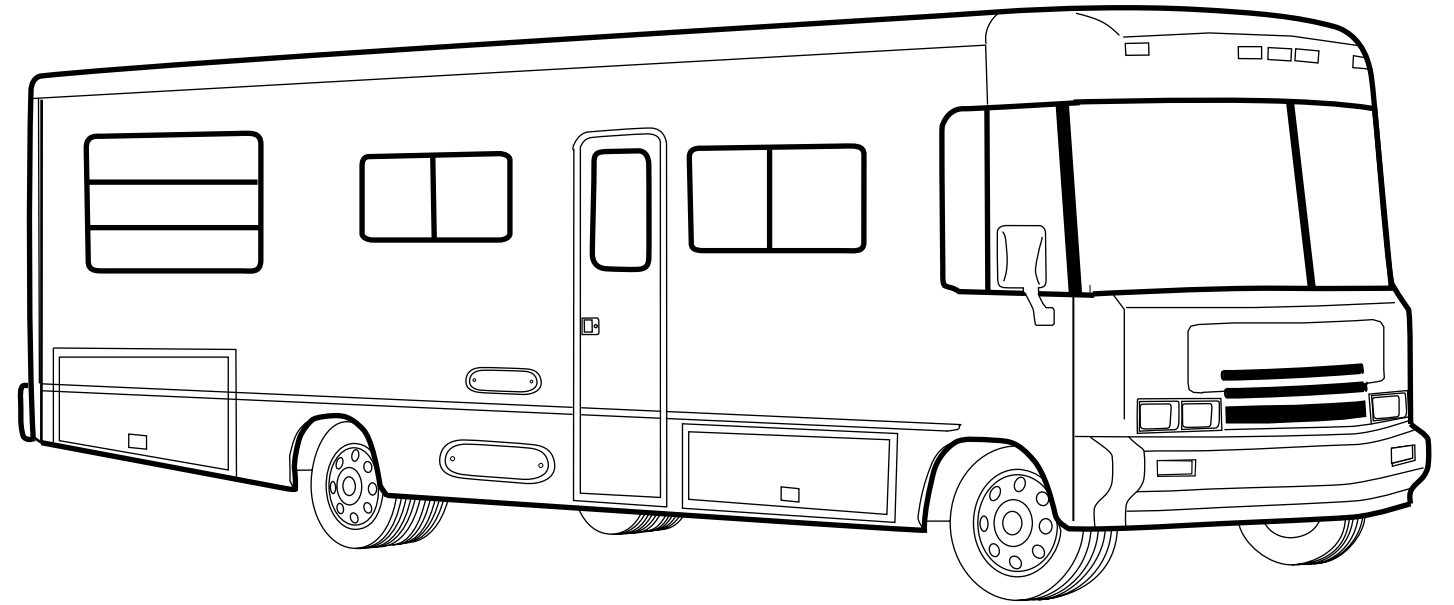


1997
WCF25RC



H12

COPPER CREEK (TERRACOTTA)

H13

COPPER CANYON(TERRACOTTA)

H14

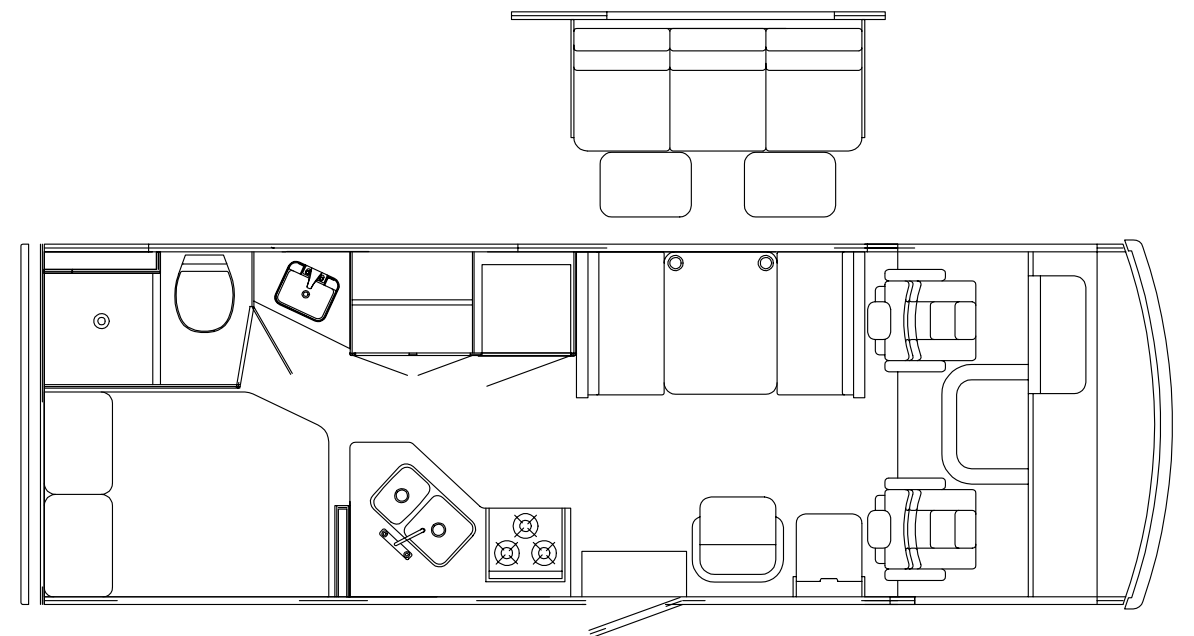
SPUN SILVER(WARM GRAY)

H15

STARS & STRIPES (BLUE)

H16

NEWPORT (BLUE)



**ACCESSORIESGROUP
OPERATORMANUAL**

| KEY | PARTNUMBER | U/M | DESCRIPTION |
|-----|---------------|-----|--------------------------------|
| | 054185-F7-000 | EA | MANUAL-OPERATOR,1997BRAVE |
| | 092318-01-000 | EA | BINDER-3RING,MOTORHOMEMANUAL |
| | 092319-01-000 | EA | POCKETPAGE-3RINGBINDER,PLASTIC |
| | 121518-01-000 | DW | TOPLEVELDRAWING-F,1997 |

**AUDIOVIDEOGROUP
PATIENTENTERTAINMENTCENTER**

| KEY | PARTNUMBER | U/M | DESCRIPTION |
|-----|---------------|-----|---|
| | 076319-09-000 | EA | WALLPLATE-CABLERECEPTACLE,TV-SINGLE-BROWN |
| | 077069-02-000 | EA | CABLE-ANTENNA/EXTENSION-RADIO-96" |
| | 082134-01-000 | EA | ADAPTER-TV,CABLETOCABLE |
| | 086756-01-000 | EA | SPLITTER-TV,2WAY |
| | 087683-03-000 | EA | RADIO-AM/FMSTEREOCASSETTE-AUDIOVOX |
| | 090944-01-000 | EA | ANTENNA-RADIO,16"RUBBER |
| | 108847-01-000 | EA | BRACKET-ANTENNAGROUND |
| | 109889-04-000 | EA | EXTENDER-ANTENNASHAFT-3" |
| | 110469-01-000 | EA | SPEAKER-4"X6"OVAL-COAXIAL |
| | 110470-01-01A | EA | GRILLE-4"X6"OVAL-BLACK |

RADIOSYSTEMS&ANTENNA

| KEY | PARTNUMBER | U/M | DESCRIPTION |
|-----|---------------|-----|--|
| | 116148-03-000 | EA | RADIO-AM/FMSTEREOW/CDPLAYER-CLARION FROM: 00-00-00 THRU: 02-09-97 |
| | 116148-04-000 | EA | RADIO-AM/FMSTEREOW/CDPLAYER-CLARION FROM: 02-10-97 THRU: 99-99-99 |
| | 110267-04-000 | EA | RADIO-AM/FMSTEREO-CDCOMPATIBLE-AUDIOVOX |
| | 077069-02-000 | EA | CABLE-ANTENNA/EXTENSION-RADIO-96" |
| | 090944-01-000 | EA | ANTENNA-RADIO,16"RUBBER |
| | 115916-01-01B | EA | BRACKET-ANTENNAMOUNT |
| | 089340-02-000 | EA | GRILLE-SPEAKER,6.5"SQUARE |
| | 089340-03-000 | EA | SPACER-GRILLE,6.5"SQUARE-TAN |
| | 094097-01-000 | EA | SPEAKER-RADIO/TV-W/OGRILLE-5.25"DIAMETER |
| | 110469-01-000 | EA | SPEAKER-4"X6"OVAL-COAXIAL |
| | 110470-01-01A | EA | GRILLE-4"X6"OVAL-BLACK |

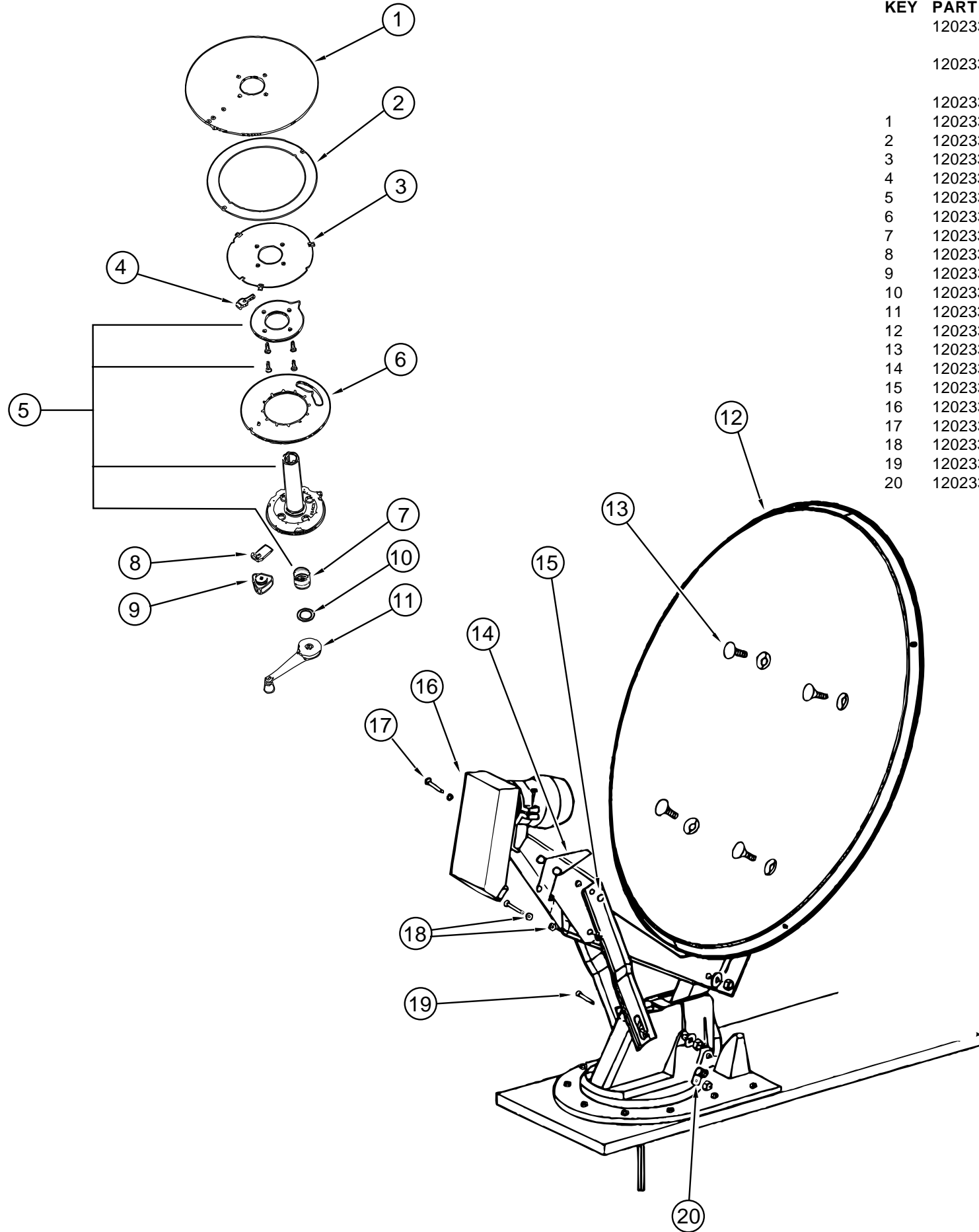
CBANTENNA

| KEY | PARTNUMBER | U/M | DESCRIPTION |
|-----|---------------|-----|--------------------|
| | 123256-01-000 | EA | ANTENNA-CBW/OCABLE |
| | 123256-02-000 | EA | CABLE-CBCOAX |

TV,VCR&COMPONENTS

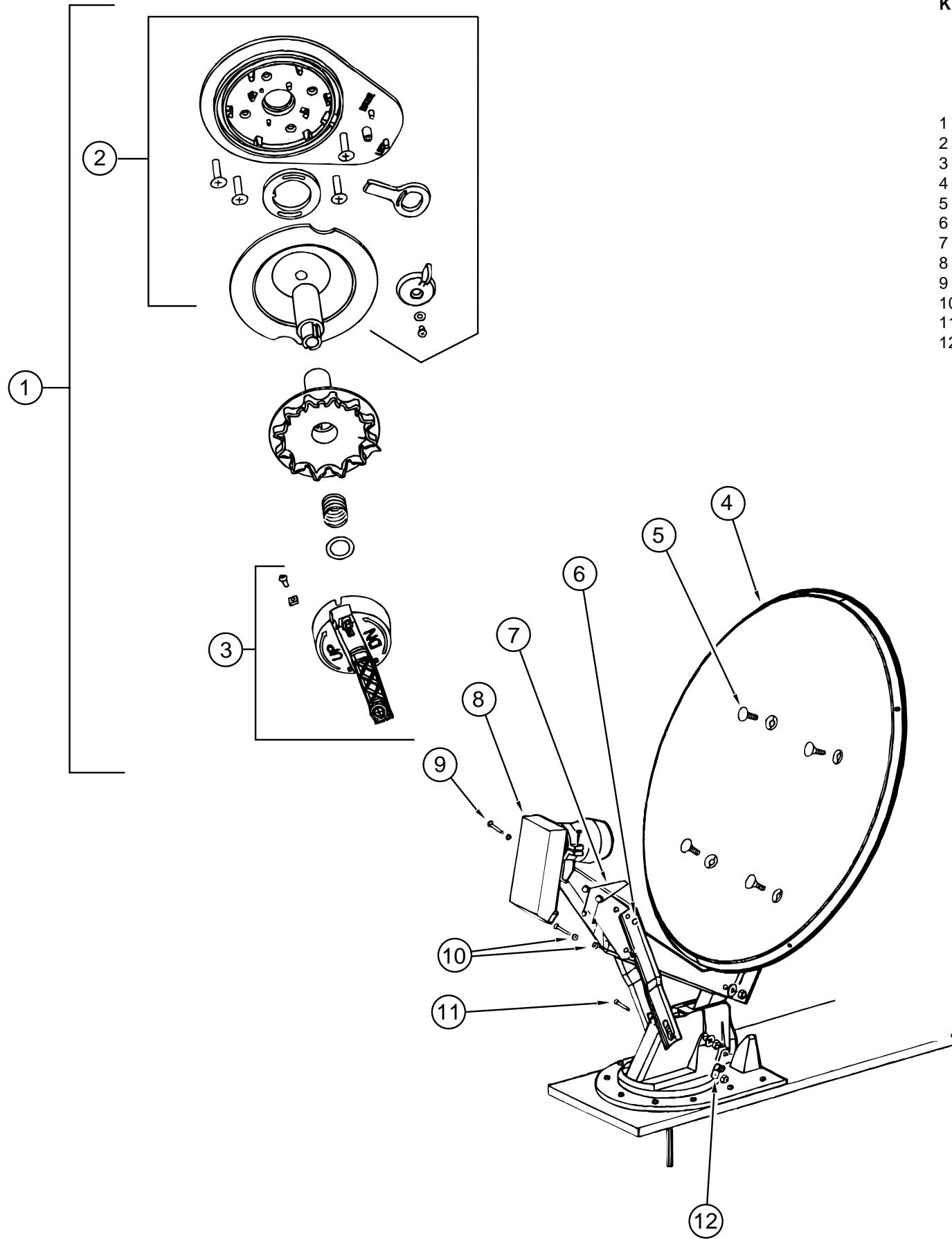
| KEY | PARTNUMBER | U/M | DESCRIPTION | VENDORNO. |
|-----|---------------|-----|--|-----------|
| | 113684-02-000 | EA | TV-19"COLORUL/CSA-1/8"JACK-AUDIOVOXAVT-1980 | |
| | 113684-02-700 | EA | REMOTEFORAUDIOVOXAVT-1980TV | 0892355 |
| | 119120-02-000 | EA | VCR-VHS,CABLEREADYW/REMOTE-AUDIOVOXAVR-1170 FROM: 00-00-00 THRU: 02-16-97 | |
| | 119120-02-700 | EA | REMOTEFORAUDIOVOXAVR-1170VCR FROM: 00-00-00 THRU: 02-16-97 | 0994569 |
| | 119120-03-000 | EA | VCR-VHS-CABLEREADY-REMOTE-AUDIOVOXAVR-1108 FROM: 02-17-97 THRU: 99-99-99 | |
| | 119120-03-700 | EA | REMOTEFORAUDIOVOXAVR-1108VCR FROM: 02-17-97 THRU: 99-99-99 | 0994571 |
| | 086757-03-000 | EA | CONTROLCENTER-SWITCH,VCR/TV | |
| | 086777-05-000 | EA | PLATE-WALL,ANTENNA-1OUTPUT-IVORY | |
| | 093214-01-02A | EA | GRILLE-SPEAKER,4"BROWN | |
| | 098819-01-000 | EA | SPEAKER-2WATT,8OHM-4" | |
| | 076319-09-000 | EA | WALLPLATE-CABLERECEPTACLE,TV-SINGLE-BROWN | |
| | 076319-08-000 | EA | WALLPLATE-CABLERECEPTACLE,TV-SINGLE-IVORY | |
| | 086777-01-000 | EA | WALLPLATE-TV,CABLE,W/ANTENNASWITCH-IVORY | |
| | 093901-03-000 | EA | PLATE-COAXIALCABLE,64MMX45MM-STEEL-E-COAT | |
| | 076319-12-000 | EA | CONNECTOR-COAXIAL,ONEPIECE | |
| | 082134-01-000 | EA | ADAPTER-TV,CABLETOCABLE | |
| | 086756-01-000 | EA | SPLITTER-TV,2WAY | |
| | 076319-03-000 | FT | CABLE-COAXIAL,75OHM | |
| | 082136-01-000 | EA | NUT-HEXJAM-3/8-32 | |
| | 076319-06-000 | EA | ADAPTER-CABLEROOFPLATE | |
| | 114870-02-000 | EA | PLUG-.14"AUDIOW/LEADS | |

AUDIOVIDEOGROUP(CONTINUED)
WINEGARDSATELLITEANTENNA-OLDSTYLE



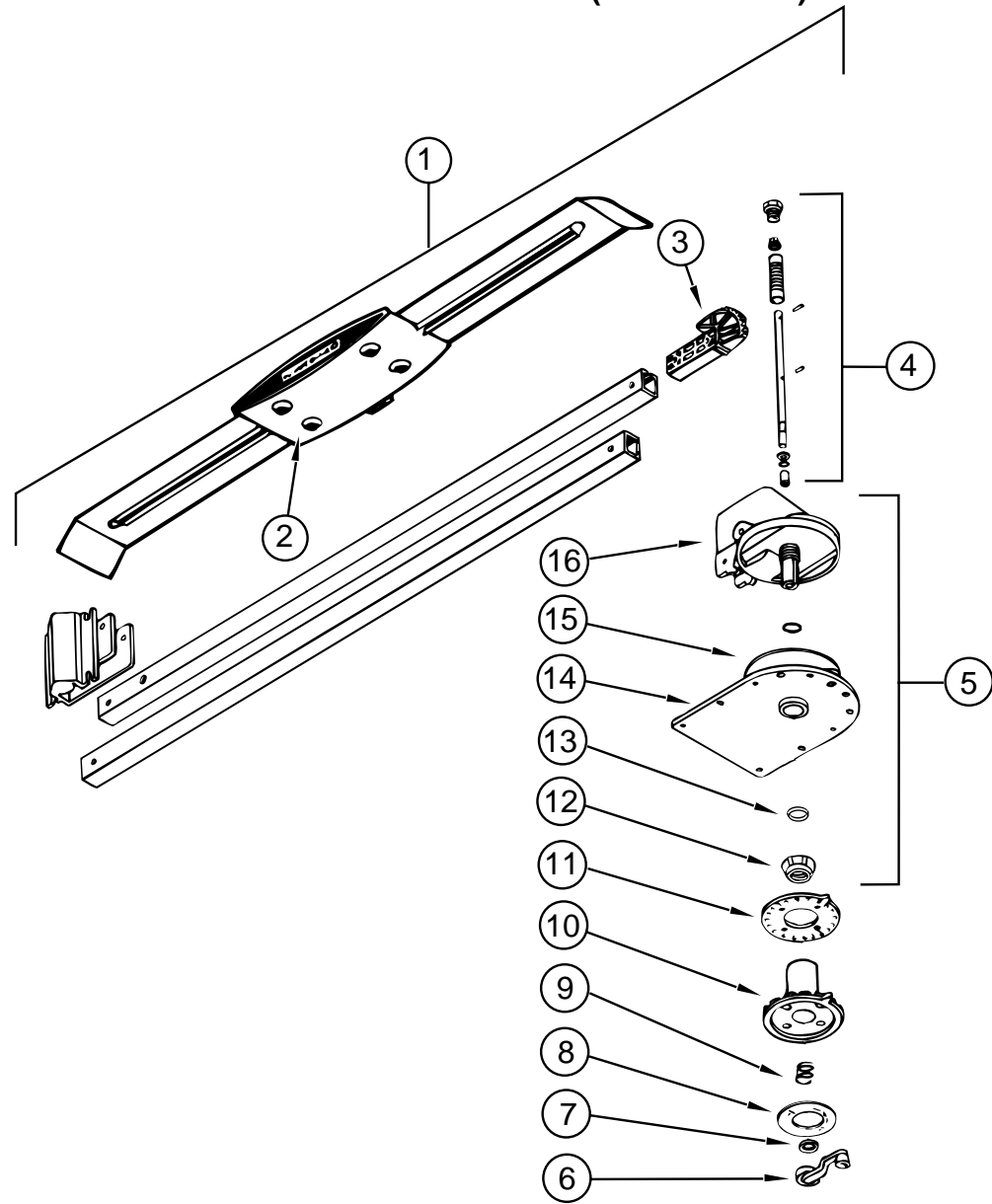
| KEY | PARTNUMBER | U/M | DESCRIPTION | VENDOR NO. |
|-----|---------------|-----|---|------------|
| | 120233-02-000 | EA | RECEIVER ONLY-SATELLITE ANTENNA-RC-1000 | |
| | | | FROM: 00-00-00 THRU: 01-26-97 | |
| | 120233-02-700 | EA | REMOTE | RC-0012 |
| | | | FROM: 00-00-00 THRU: 01-26-97 | |
| | 120233-01-000 | EA | ANTENNA-SATELLITE W/O RECEIVER-(DISH&HARDWARE KIT)-MANUAL | |
| 1 | 120233-01-700 | EA | PLATE-FIXED | 3750821 |
| 2 | 120233-01-701 | EA | DIAL-DIRECTIONAL | 2745056 |
| 3 | 120233-01-702 | EA | PIVOT-DIAL-DIRECTIONAL | 2745058 |
| 4 | 120233-01-703 | EA | STOP-ROTATION | 3711281 |
| 5 | 120233-01-704 | EA | PLATE-CEILING W/DIRECTIONAL HANDLE | RP-6300 |
| 6 | 120233-01-705 | EA | PLATE-ROTATE | 3750820 |
| 7 | 120233-01-706 | EA | SPRING | RP-6822 |
| 8 | 120233-01-707 | EA | CLAMP-ROTATE | 3711280 |
| 9 | 120233-01-708 | EA | KNOB-CLAMP | 2200061 |
| 10 | 120233-01-709 | EA | WASHER-NYLON | RP-2658 |
| 11 | 120233-01-710 | EA | HANDLE-CRANK | RP-6795 |
| 12 | 120233-01-711 | EA | REFLECTOR-46CM | 2745304 |
| 13 | 120233-01-712 | EA | BOLT-FLATHEAD | 2160253 |
| 14 | 120233-01-713 | EA | SPRING | 2160820 |
| 15 | 120233-01-714 | EA | CLIP-E | 5160818 |
| 16 | 120233-01-715 | EA | LOW NOISE BLOCK FILTER(LNBF) | 2780177 |
| 17 | 120233-01-716 | EA | PIN | 2160814 |
| 18 | 120233-01-717 | EA | BEARING-NYLON | 2200726 |
| 19 | 120233-01-718 | EA | PIN | 5160817 |
| 20 | 120233-01-719 | EA | CLAMP-CABLE | 2200060 |

AUDIOVIDEOGROUP(CONTINUED)
WINEGARDSATELLITEANTENNA-NEWSTYLE



| KEY | PARTNUMBER | U/M | DESCRIPTION | VENDOR NO. |
|-----|---------------|-----|--|------------|
| | 120233-02-000 | EA | RECEIVER ONLY-SATELLITE ANTENNA-RC-1000 | |
| | | | FROM: 00-00-00 THRU: 01-26-97 | |
| | 120233-02-700 | EA | REMOTE | RC-0012 |
| | | | FROM: 00-00-00 THRU: 01-26-97 | |
| | 120233-01-000 | EA | ANTENNA-SATELLITE W/O RECEIVER-(DISH&HARDWAREKIT)-MANUAL | |
| 1 | 120233-01-720 | EA | CEILING PLATE ASM (RETROFIT) | RP-4100 |
| 2 | 120233-01-722 | EA | PLATE ASSEMBLY (CEILING) | 2762826 |
| 3 | 120233-01-721 | EA | CRANK HANDLE ASSEMBLY | 2762825 |
| 4 | 120233-01-711 | EA | REFLECTOR-46CM | 2745304 |
| 5 | 120233-01-712 | EA | BOLT-FLATHEAD | 2160253 |
| 6 | 120233-01-714 | EA | CLIP-E | 5160818 |
| 7 | 120233-01-713 | EA | SPRING | 2160820 |
| 8 | 120233-01-715 | EA | LOW NOISE BLOCK FILTER (LNBF) | 2780177 |
| 9 | 120233-01-716 | EA | PIN | 2160814 |
| 10 | 120233-01-717 | EA | BEARING-NYLON | 2200726 |
| 11 | 120233-01-718 | EA | PIN | 5160817 |
| 12 | 120233-01-719 | EA | CLAMP-CABLE | 2200060 |

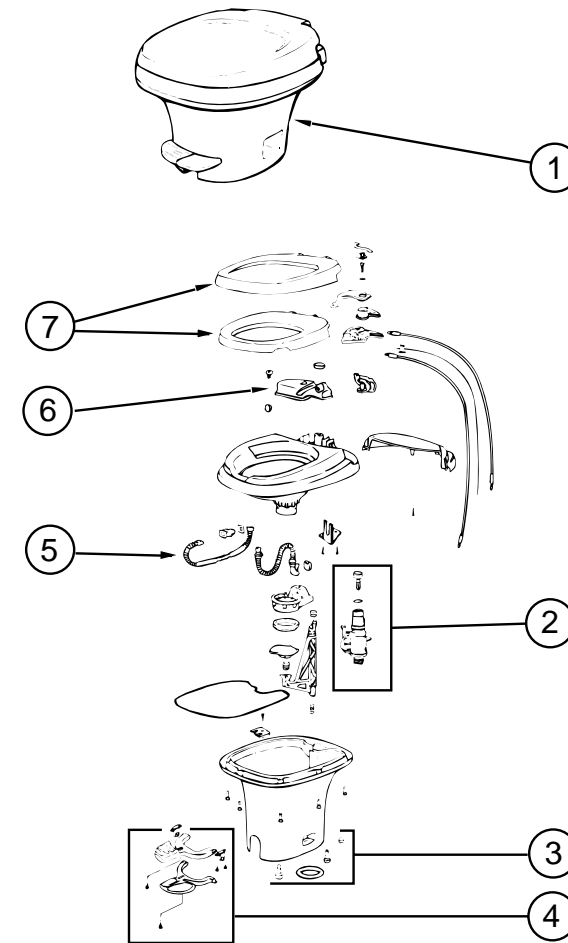
AUDIOVIDEOGROUP(CONTINUED)



WINEGARDTVANTENNA

| KEY | PARTNUMBER | U/M | DESCRIPTION | VENDORNO. |
|-----|---------------|-----|-------------------------------|-----------|
| 1 | 076319-21-000 | EA | ANTENNA-TV, ROOFMOUNT-3" ROOF | |
| 2 | 076319-01-700 | EA | HEAD-ANTENNA, AMPLIFIED | RVSAU/V |
| 3 | 076319-01-701 | EA | GEAR-ELEVATING, PLASTIC | 2200046 |
| 4 | 076319-01-702 | EA | SHAFTASM-ELEVATING | RVP-400A |
| 5 | 076319-01-711 | EA | BASE & LIFTASM | 2762802 |
| 6 | 076319-01-706 | EA | CRANK-ELEVATING, W/SETSCREW | 2750897 |
| 7 | 076319-01-705 | EA | GROMMET-NYLON, 7/8" ID | 3200658 |
| 8 | 076319-01-708 | EA | DECAL-CRANK | 5413002 |
| 9 | 076319-01-707 | EA | SPRING-HANDLE | 5160822 |
| 10 | 076319-01-709 | EA | PLATE-DIRECTIONAL, FORHEAD | 3200621 |
| 11 | 076319-01-712 | EA | PLATE-CEILING, DIRECTIONAL | 3200608 |
| 12 | 076319-01-715 | EA | NUT(GEARHOUSING) | 2200047 |
| 13 | 076319-01-704 | EA | BEARING-NYLON, 1.25" OD | 3200657 |
| 14 | 076319-01-713 | EA | PLATE-BASE, STEEL | 3100523 |
| 15 | 076319-01-703 | EA | BEARING-NYLON, 5" OD | 3200656 |
| 16 | 076319-01-714 | EA | HOUSING, ROTATING GEAR | 2200049 |

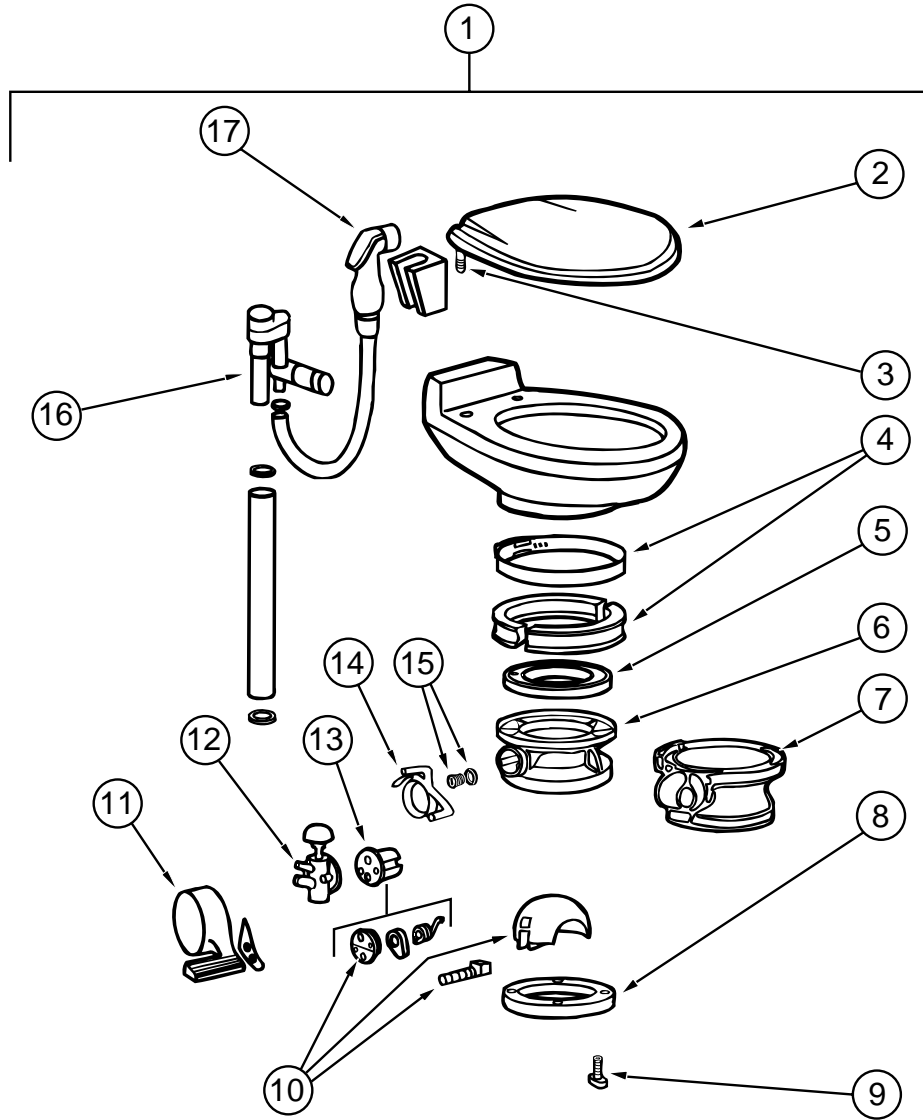
BATHGROUP



AQUAMAGICIV-LOW-FOOTFLUSHTOILET

| KEY | PARTNUMBER | U/M | DESCRIPTION | VENDORNO. |
|-----|---------------|-----|-------------------------------|-----------|
| 1 | 067487-02-000 | EA | TOILET-12.37"-IVORY-FOOTFLUSH | |
| 2 | 063740-01-714 | EA | VALVEASM(VALVE-BALLSEAL) | 13168 |
| 3 | 063740-01-706 | EA | BOLTPACKAGE-FLOORFLANGE | 12524 |
| 4 | 067487-02-701 | EA | PEDALPKG.(FOOTFLUSH) | 20821 |
| 5 | 063740-01-717 | EA | TUBE-FLUSH | 12509 |
| 6 | 063740-02-701 | EA | RESERVOIR(TANKASM.) | 24630 |
| 7 | 063740-02-700 | EA | SEAT&COVER, PARCHMENT | 2464157 |

BATHGROUP(CONTINUED)
SEALAND-MODEL911W/SPRAYERTOILET-MCCLAINANNIVERSARYOPTION

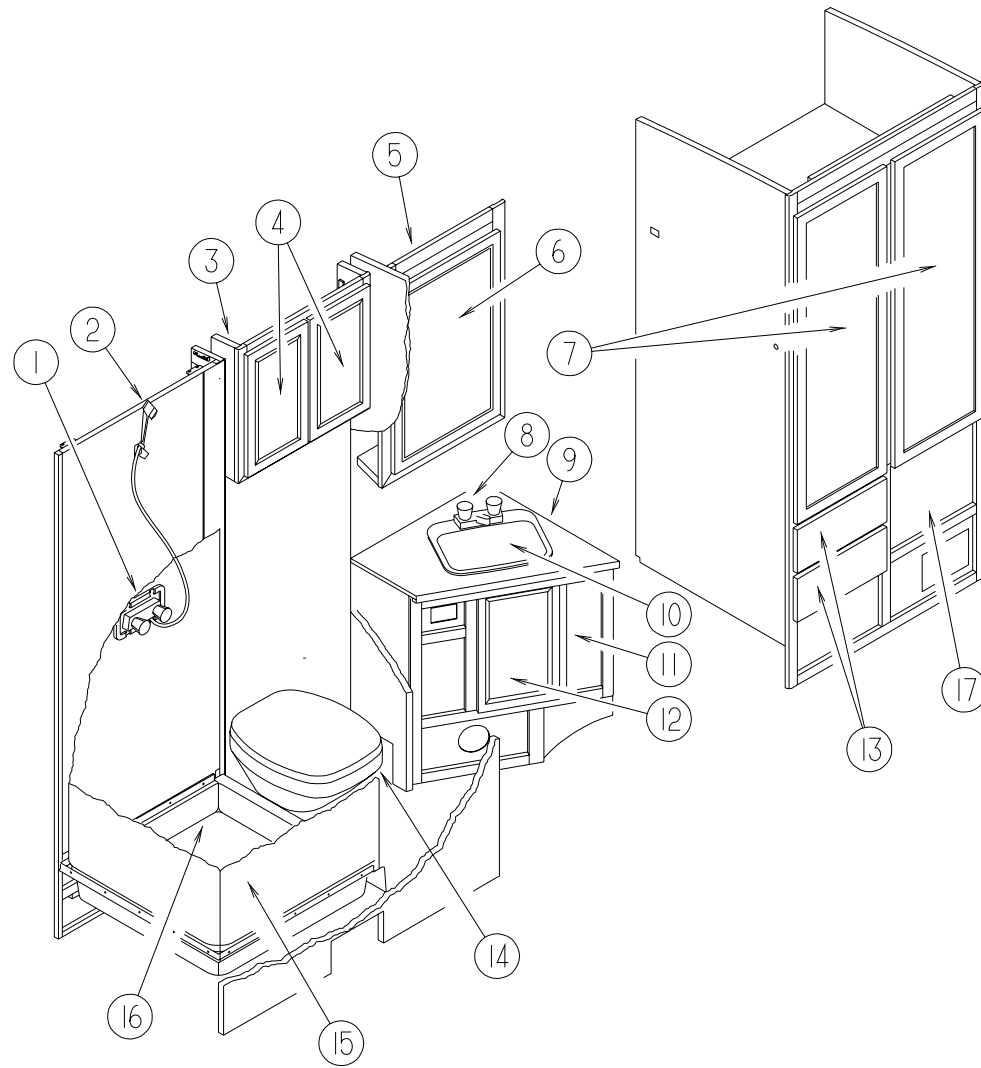


| KEY | PARTNUMBER | U/M | DESCRIPTION |
|-----|---------------|-----|---------------------------------|
| 1 | 085330-07-000 | EA | TOILET-CHINA-SHORTYW/SPRAY-BONE |
| 2 | 085330-06-700 | EA | SEATASSEMBLY,BONE |
| 3 | 085330-06-702 | EA | HINGEHARDWARE(BONE)SET |
| 4 | 085330-01-703 | EA | RING&HALFCLAMPS,BONE |
| 5 | 085330-01-704 | EA | TEFLON&RUBBERSEALKIT |
| 6 | 085330-04-704 | EA | BASEASM-BONE |
| 7 | 085330-01-718 | EA | SEAL&BASEW/MOUNTINGHDW |
| 8 | 085330-04-705 | EA | COVERASSEMBLY-PEDESTAL |
| 9 | 085330-01-714 | EA | SEAL-FLANGE,FLOOR |
| 10 | 085330-01-705 | EA | SUPPORT-SEAL,PLASTIC |
| 11 | 085330-01-717 | EA | STOOLMTG.,PKG.BOLT&SEAL |
| 12 | 085330-01-706 | EA | BALL(FLAPPER)SHAFT/CARTRIDGE |
| 13 | 085330-04-703 | EA | COVERASSEMBLY-PEDAL |
| 14 | 085330-01-709 | EA | VALVE-WATER |
| 15 | 085330-01-707 | EA | CARTRIDGESPRINGASSEMBLY |
| 16 | 085330-04-702 | EA | LEVER-FLUSH |
| 17 | 085330-01-710 | EA | DRAIN-KIT,PLUG-CAPW/SEAL |
| 18 | 085330-06-701 | EA | BREAKER-VACUUM/DIVERTER(900) |
| 19 | 085330-04-701 | EA | HANDSPRAYW/HOSE(500&900) |

VENDORNO.

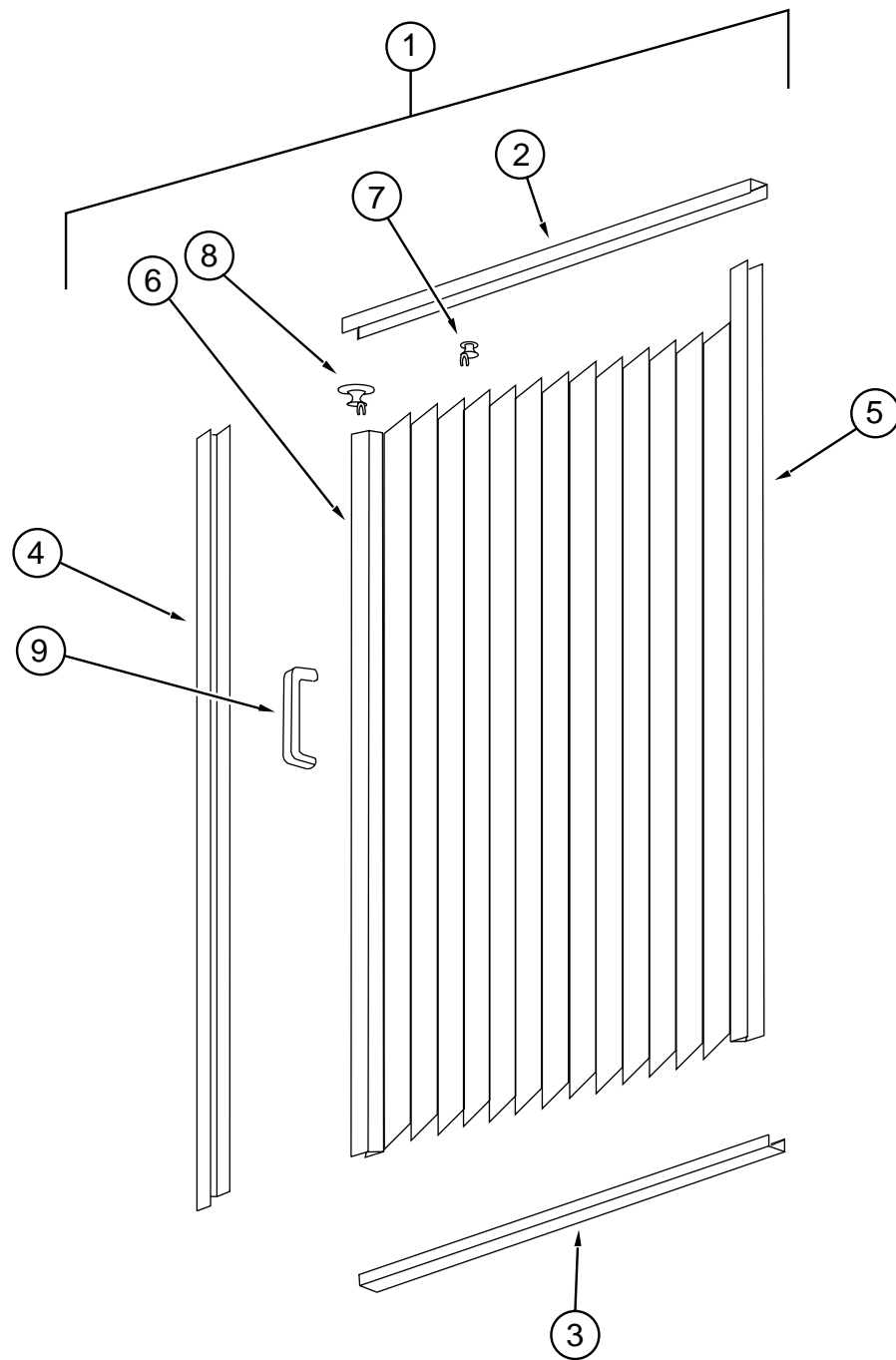
| |
|------------|
| 340591 |
| 342131 |
| 385310048 |
| 385316140 |
| 310124 |
| 3853100-63 |
| 310109 |
| 390343892 |
| 390346405 |
| 3100-64 |
| 385318162 |
| 310118 |
| 385314349 |
| 381236096 |
| 340825 |
| 230384 |
| 230335 |
| 340683 |

BATHGROUP(CONTINUED)
BATHROOMCABINET&COMPONENTS



| KEY | PARTNUMBER | U/M | DESCRIPTION | VENDORNO. |
|-----|---------------|-----|---|-----------|
| 1 | 075241-05-000 | EA | FAUCET/SHOWER-BONE 3/4" MPTX1.4" LONGINLETPIPES | |
| | 075606-01-000 | EA | PANEL-PLASTIC-FAUCETBACK-5"X9" | |
| 2 | 103092-01-000 | EA | SHOWERHEAD-W/60"HOSE-WHITE | |
| 2 | 103092-02-000 | EA | SHOWERHEAD-W/60"HOSE-CSA | |
| | 103092-01-700 | EA | BRACKET-F/SHOWERHEAD,CLEAR | 2328028 |
| | 103092-01-702 | EA | SEALS-SPRAYHEAD | 24466 |
| | 011048-03-700 | EA | BRACKET-F/SHOWERHEAD | 2328029-3 |
| | 113714-02-01A | EA | RETAINER-SHELF | |
| 3 | 102851-01-G09 | EA | CABINET-STORAGE/BATH-W/ODOORS/DRAWERS/HARDWARE | |
| 4 | M06803-06-G09 | EA | DOOR-MIRROR/MTRDCRNR/OGEEEDGE-11.2"X19.6"-W/OHDW | |
| 4 | M06803-87-G09 | EA | DOOR-MITEREDCORNER/OGEEEDGE-11.2"X19.6"-W/OHDW DECORATORDOOROPTION | |
| 5 | 118964-01-G09 | EA | CABINET-MEDICINE-W/ODOORS/HARDWARE | |
| 6 | 115237-01-G01 | EA | DOOR-MIRRORED/MEDICINECABINET-19.7"X29.5"-W/OHDW | |
| 7 | M06803-N1-G09 | EA | DOOR-MIRROR/MTRDCRNR/OGEEEDGE-13.8"X53.9"-W/OHDW | |
| 8 | 075240-06-000 | EA | FAUCET-LAVATORY/BONE | |
| 9 | 118963-14-G09 | EA | COUNTERTOP-LAVATORY(H12/H13) | |
| 9 | 118963-14-G10 | EA | COUNTERTOP-LAVATORY(H14/H15) | |
| 9 | 118963-14-G31 | EA | COUNTERTOP-LAVATORY(H16) | |
| 10 | 096927-01-01A | EA | SINK-LAVATORY-RECTANGULAR-PLASTIC/BONE | |
| | 096927-01-700 | EA | SINKSTOPPER | M9801 |
| | 096927-01-701 | EA | TAILPIECE-DRAIN-LAVATORY | M9802 |
| 11 | P18963-01-H13 | EA | CABINET-LAVATORY-W/ODOORS/DRAWERS/HARDWARE(H12,H13) | |
| 11 | P18963-01-H14 | EA | CABINET-LAVATORY-W/ODOORS/DRAWERS/HARDWARE(H14) | |
| 11 | P18963-01-H15 | EA | CABINET-LAVATORY-W/ODOORS/DRAWERS/HARDWARE(H15) | |
| 11 | P18963-01-H16 | EA | CABINET-LAVATORY-W/ODOORS/DRAWERS/HARDWARE(H16) | |
| 11 | P18963-03-H13 | EA | CABINET-LAVATORY-W/ODOORS/DRAWERS/HARDWARE(H12,H13)-EUROPEAN | |
| 11 | P18963-03-H14 | EA | CABINET-LAVATORY-W/ODOORS/DRAWERS/HARDWARE(H14)-EUROPEAN | |
| 11 | P18963-03-H15 | EA | CABINET-LAVATORY-W/ODOORS/DRAWERS/HARDWARE(H15)-EUROPEAN | |
| 11 | P18963-03-H16 | EA | CABINET-LAVATORY-W/ODOORS/DRAWERS/HARDWARE(H16)-EUROPEAN | |
| 12 | M06803-25-G09 | EA | DOOR-MITEREDCORNER/OGEEEDGE-12"X18.7"-W/OHDW | |
| 13 | M05971-S1-G09 | EA | DRAWER-OGEEEDGE-11.6"WX17.7"D-W/OSLIDES/HARDWARE | |
| 14 | 067487-02-000 | EA | TOILET-12.37"-IVORY-FOOTFLUSH | |
| 14 | 085330-07-000 | EA | TOILET-CHINA-SHORTYW/SPRAY-BONE-MCCLAINSANNIVERSARYOPTION | |
| 15 | 102046-01-01A | EA | SURROUND-SHOWER-OFFWHITE | |
| 16 | M02429-10-000 | EA | PAN-SHOWER | |
| | 066436-01-000 | EA | NUT-SLIP-TAILPIECE1.5" | |
| 17 | M06803-AB-H13 | EA | DOOR-MITEREDCORNER/OGEEEDGE-10.6"X13.8"-W/OHDW-EUROPEAN | |
| | 075452-02-000 | EA | HOLDER-TOILETTISSUE-BRASS | |
| | 075453-02-000 | EA | BAR-TOWEL-18"BRASS | |
| | 075454-02-000 | EA | RING-TOWEL-W/MOUNTINGHARDWARE-BRASS | |

BATHGROUP(CONTINUED)



SHOWERDOOR&COMPONENTS

| KEY | PARTNUMBER | U/M DESCRIPTION |
|-----|---------------|---|
| 1 | 117431-01-01A | EA DOOR - SHOWER - FABRIC PLEATED - 29.6" X 63.0" |
| 2 | 117431-01-700 | EA TRACK-TOP, ALUM. IVORY INSERT 48" |
| 3 | 117431-01-701 | EA TRACK-BOTTOM, 48" |
| 4 | 117431-01-702 | EA RAIL-SIDE, 67" |
| 5 | 117431-01-703 | EA RAIL-STATIONARY, 67" |
| 6 | 117431-01-704 | EA RAIL-LEAD, 67" |
| 7 | 117431-01-705 | EA GLIDE-IVORY, TRAVELER |
| 8 | 117431-01-706 | EA GLIDE-IVORY LEAD, TRAVELER |
| 9 | 117431-01-707 | EA LATCH |
| | 117431-01-708 | EA HANDLES & SCREWS |
| | 117431-01-709 | EA STRAP-VINYL |

BATHGROUP(CONTINUED)
BATH/BEDROOM PRIVACY DOOR

| KEY | PARTNUMBER | U/M DESCRIPTION | VENDOR NO. |
|-----|---------------|--|-------------------|
| | 042488-10-000 | EA DOOR - FOLDING - OFF WHITE FABRIC - 37" X 75" | |
| | 042488-04-700 | EA LATCH & CATCH ASM. LEAD EDGE | DW-21632 |
| | 042488-10-700 | EA LEAD RAIL - PREPUNCHED F/HANDLE | DW2100 |
| | 080224-01-703 | EA HANDLE W/LATCH-CATCH, ALMOND | DE03505 |
| | 080224-01-705 | EA LATCH & CATCH ASM., ALMOND | DE25010 & DE25020 |

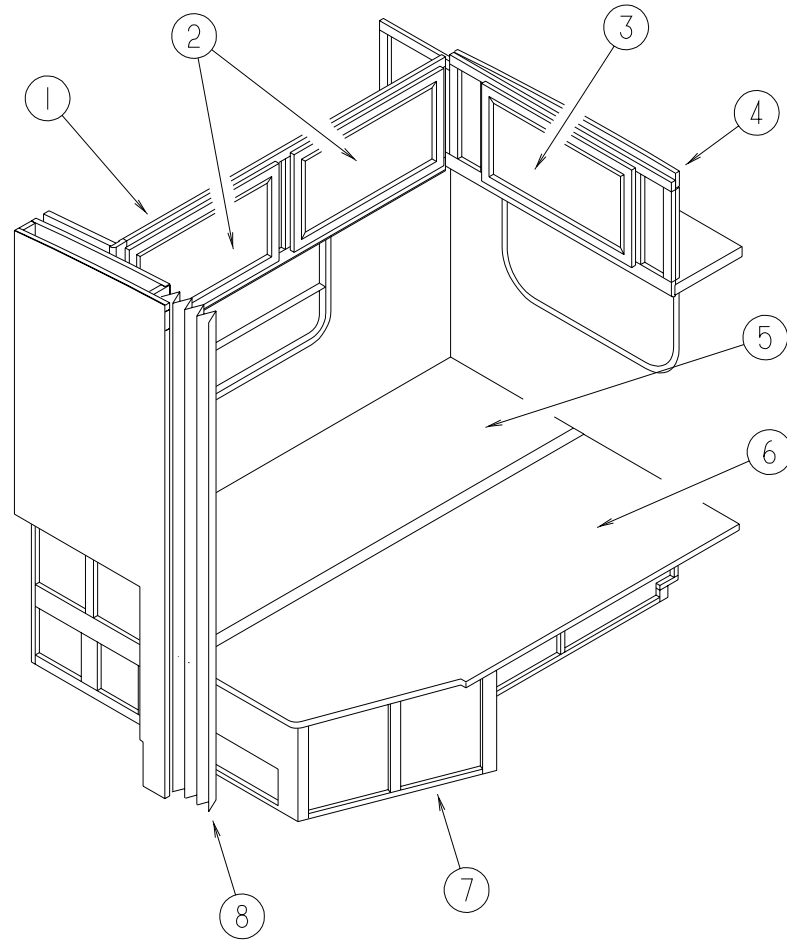
BATH DOOR

| KEY | PARTNUMBER | U/M DESCRIPTION |
|-----|---------------|------------------------------|
| | 121449-30-H13 | EA DOOR - BATH |
| | 094485-03-01A | EA KNOB - BRASS |
| | 110496-01-01A | EA HINGE - BRASS |
| | 121449-12-G04 | EA RACK - TOWEL - BATH DOOR |
| | 100357-01-000 | EA ROD - F/TOWEL BAR - BRASS |

SKYLITE

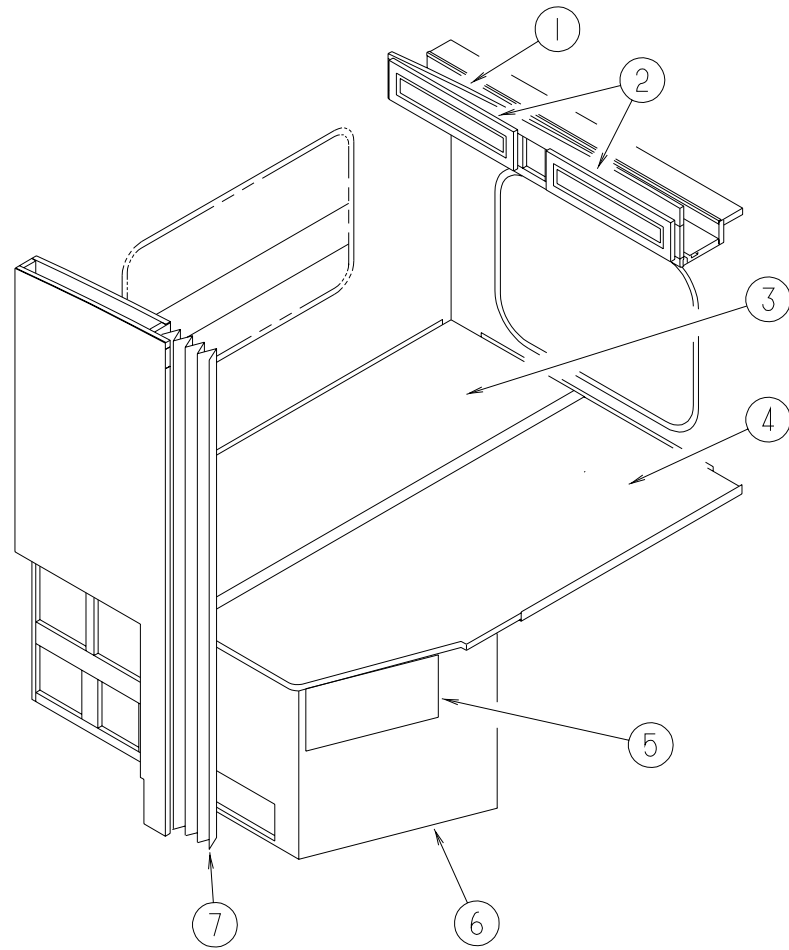
| KEY | PARTNUMBER | U/M DESCRIPTION |
|-----|---------------|---|
| | 122192-01-01A | EA PANEL - SKYLITE - OUTER - 16.4" X 27.8" FROM: 00-00-00 THRU: 02-13-97 |
| | 122192-01-02A | EA PANEL - SKYLITE - OUTER - 16.4" X 27.8" FROM: 02-14-97 THRU: 99-99-99 |
| | 122193-01-01A | EA PANEL - SKYLITE - INNER FROM: 00-00-00 THRU: 02-13-97 |
| | 122193-01-02A | EA PANEL - SKYLITE - INNER FROM: 02-14-97 THRU: 99-99-99 |

BEDROOMGROUP
DOUBLEBEDROOMCABINetry



| KEY | PARTNUMBER | U/M | DESCRIPTION |
|-----|---------------|-----|---|
| 1 | 116151-01-G09 | EA | CABINET-OVERHEAD/REAR/RIGHTHAND-W/ODOORS/HARDWARE |
| 2 | M06803-02-G09 | EA | DOOR-MITEREDCORNER/OGEEEDGE-15.7"X28"-W/OHDW |
| 2 | M06803-K3-G09 | EA | DOOR-MITEREDCORNER/OGEEEDGE-15.7"X28"-W/OHDW EXPORTUPGRADEOPTION |
| 3 | M06803-13-H13 | EA | DOOR-MIRROR/MITEREDCRNR/OGEEEDGE-15.7"X28"-W/OHDW |
| 3 | M06803-02-G09 | EA | DOOR-MITEREDCORNER/OGEEEDGE-15.7"X28"-W/OHDW DECORATORDOOROPTION |
| 3 | M06803-K3-G09 | EA | DOOR-MITEREDCORNER/OGEEEDGE-15.7"X28"-W/OHDW EXPORTUPGRADEOPTION |
| 4 | 103273-01-H13 | EA | CABINET-OVERHEADREAR-W/ODOORS/HARDWARE(H12,H13) FROM: 00-00-00 THRU: 02-16-97 |
| 4 | 124873-01-H13 | EA | CABINET-OVERHEAD/REAR-W/ODOORS/HARDWARE(H12,H13) FROM: 02-17-97 THRU: 99-99-99 |
| 4 | 103273-01-H14 | EA | CABINET-OVERHEADREAR-W/ODOORS/HARDWARE(H14) FROM: 00-00-00 THRU: 02-16-97 |
| 4 | 124873-01-H14 | EA | CABINET-OVERHEAD/REAR-W/ODOORS/HARDWARE(H14) FROM: 02-17-97 THRU: 99-99-99 |
| 4 | 103273-01-H15 | EA | CABINET-OVERHEADREAR-W/ODOORS/HARDWARE(H15) FROM: 00-00-00 THRU: 02-16-97 |
| 4 | 124873-01-H15 | EA | CABINET-OVERHEAD/REAR-W/ODOORS/HARDWARE(H15) FROM: 02-17-97 THRU: 99-99-99 |
| 4 | 103273-01-H16 | EA | CABINET-OVERHEADREAR-W/ODOORS/HARDWARE(H16) FROM: 00-00-00 THRU: 02-16-97 |
| 4 | 124873-01-H16 | EA | CABINET-OVERHEAD/REAR-W/ODOORS/HARDWARE(H16) FROM: 02-17-97 THRU: 99-99-99 |
| 5 | M04169-11-H13 | EA | TOP-DOUBLEBED-W/OHARDWARE |
| 6 | M04169-12-000 | EA | TOP-DOUBLEBEDW/OHARDWARE |
| 7 | P18965-01-G09 | EA | CABINET-BASE-DOUBLEBED-W/OHARDWARE |
| 8 | 042488-10-000 | EA | DOOR-FOLDING-OFFWHITEFABRIC-37"X75" |

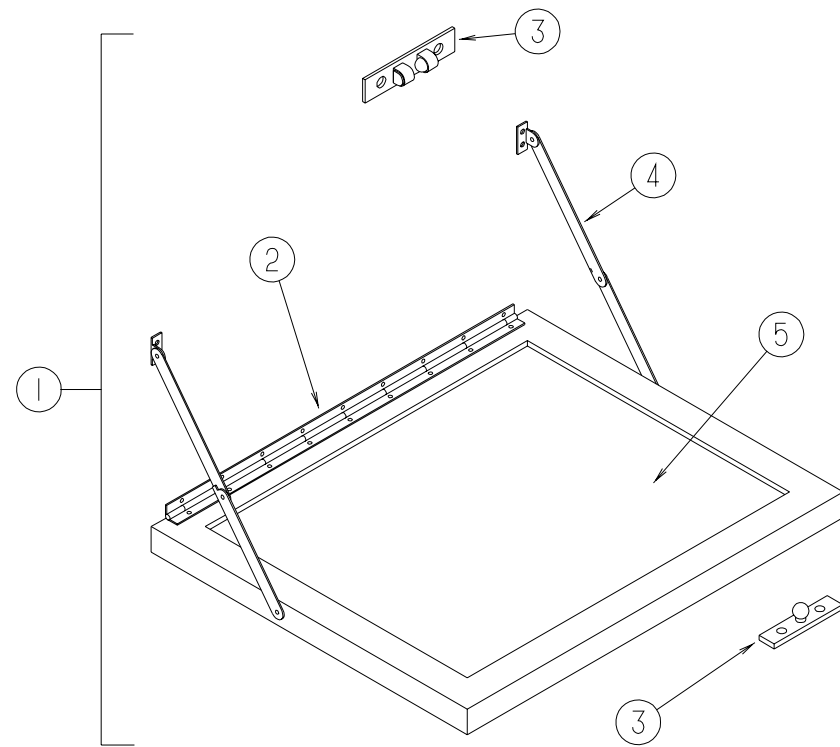
BEDROOMGROUP(CONTINUED)



DOUBLEBEDROOMCABINERY-RAISEDBEDOPTION

| KEY | PARTNUMBER | U/M | DESCRIPTION |
|-----|---------------|-----|--|
| 1 | 119485-01-G09 | EA | CABINET-OVERHEAD/REAR-W/ODOORS/HARDWARE |
| 2 | M05992-G3-G09 | EA | DOOR-STRAIGHTCORNER/OGEEEDGE-6.3"X23.2"-W/OHDW |
| 3 | M04169-18-G13 | EA | TOP-RAISEDBED-W/OHARDWARE(H12,H13,H16) |
| 3 | M04169-18-G10 | EA | TOP-RAISEDBED-W/OHARDWARE(H14) |
| 3 | M04169-18-H15 | EA | TOP-RAISEDBED-W/OHARDWARE(H15) |
| 4 | M04169-17-G13 | EA | TOP-RAISEDBED-W/OHARDWAREE(H12,H13,H16) |
| 4 | M04169-17-G10 | EA | TOP-RAISEDBED-W/OHARDWARE(H14) |
| 4 | M04169-17-H15 | EA | TOP-RAISEDBED-W/OHARDWARE(H15) |
| 5 | M06803-T5-H13 | EA | DOOR-MITEREDCORNER/OGEEEDGE-10"X19.1"-W/OHDW |
| 6 | P19360-01-G09 | EA | CABINET-BASE-RAISEDBED-W/ODOOR/HARDWARE |
| 7 | 042488-10-000 | EA | DOOR-FOLDING-OFFWHITEFABRIC-37"X75" |

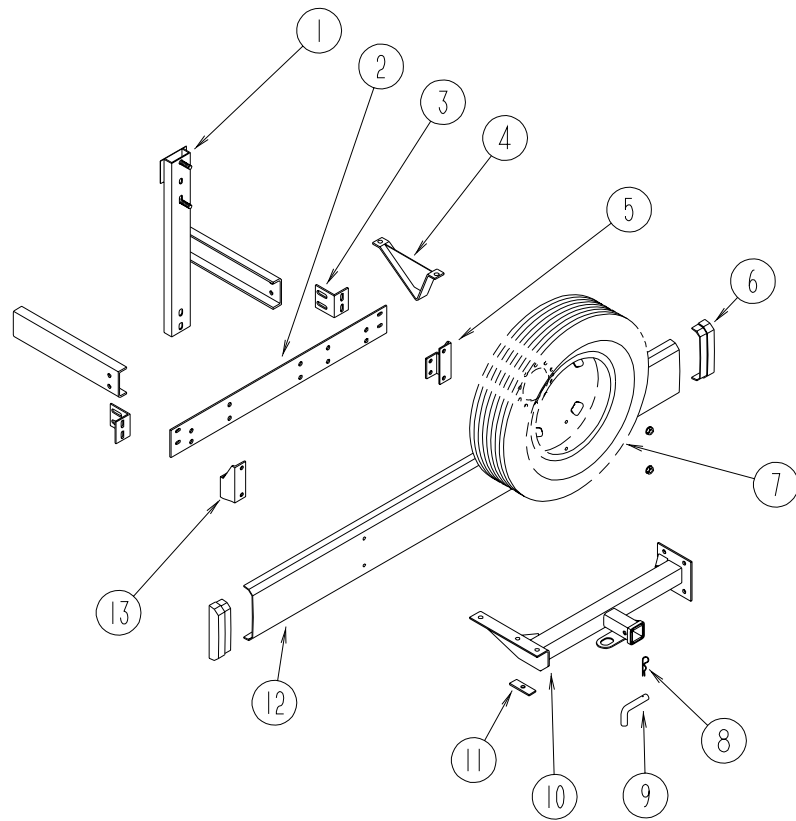
BEDROOMGROUP(CONTINUED)



TVSTAND

| KEY | PARTNUMBER | U/M | DESCRIPTION |
|-----|---------------|-----|---|
| 1 | 084357-01-G04 | EA | TVSTAND |
| 2 | 084413-01-000 | EA | HINGE/CONTINUOUS-ALUMINUM1"X72"-W/HOLES |
| 3 | 084451-01-000 | EA | CATCH-BRASS |
| 4 | 084412-01-000 | EA | SUPPORT/HINGEKIT(LEFT&RIGHTHINGES) |
| 5 | 084356-03-000 | EA | INSERT-TVSTAND-METAL-TAN |
| | 124815-01-H13 | EA | EXTENSION-TVSHelf-W.I.E.EXPORT |

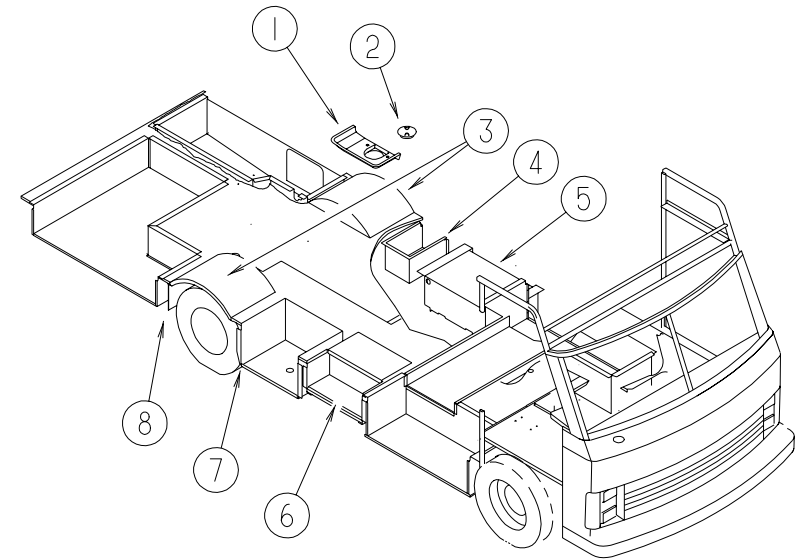
CHASSISGROUP



REARBUMPER, TRAILER HITCH & COMPONENTS

| KEY | PARTNUMBER | U/M | DESCRIPTION |
|-----|---------------|-----|--|
| 1 | 102944-05-000 | EA | BRACKET-TIRECARRIER-CHEVY |
| 2 | 078678-02-000 | EA | PLATE-MOUNTING-BUMPER/REAR-46"X5"-W/WELDNUTS |
| 3 | 078668-01-000 | EA | SUPPORTANGLE-BUMPER/REAR-LANGLE-4"X3"STEEL/BLK |
| 4 | 111742-01-000 | EA | PLATE-SKID |
| 5 | 117950-03-02B | EA | BRACKET-BUMPER/REAR |
| 6 | 103228-01-06A | EA | ENDCAP-REARBUMPER-DRIVER/PASSENGER |
| 7 | 091673-01-000 | EA | TIRE-225.70R19.5LRF-XZA |
| 7 | 083425-07-000 | EA | TIRE-7.50XR16LRD |
| | 089359-03-000 | EA | WHEEL-STEEL-16"X6"L-8HOLE-PRIMED |
| | 064963-01-000 | EA | WHEEL-STEEL-19.5"X6"-GM14005758 |
| | 051377-01-000 | EA | VALVESTEM |
| | 077030-02-000 | EA | EXTENSION-VALVESTEM-1.25" |
| 8 | 034513-01-000 | EA | PIN-HITCH-3/16"WIRE |
| 9 | 034512-01-000 | EA | PIN-LOCKING-DRAWBAR |
| 10 | 107707-09-000 | EA | HITCHRECEIVER-BOLT-ONCLASSII |
| 11 | 070579-09-000 | EA | PLATE-ANCHOR |
| 12 | 103099-01-06A | EA | BUMPER-REAR-BRIGHTWHITE |
| 12 | 103099-07-02A | EA | BUMPER-REAR(EUROPEAN) |
| 13 | 117950-04-02B | EA | BRACKET-BUMPER/REAR |
| | 113589-02-000 | EA | CONNECTOR-SOCKET-TRAILER |
| | 113589-01-000 | EA | CONNECTOR-PLUG-TRAILER |
| | 113588-02-01B | EA | BRACKET-CONNECTOR-TRAILERW/OLIP |

CHASSISGROUP(CONTINUED)



STORAGE COMPARTMENTS & WHEELWELLS

| KEY | PARTNUMBER | U/M | DESCRIPTION |
|-----|---------------|-----|---|
| 1 | 119536-01-01A | EA | COVER-VALVE-DRAINAGE |
| 2 | 092887-01-000 | EA | HATCH-COMPARTMENT-SEWERHOSE-6" |
| | 092887-04-000 | EA | CHAIN-TWISTCAP-9" |
| | 106208-01-01A | EA | COMPARTMENT-EXTERIORSHOWER |
| 3 | 102921-01-000 | EA | WHEELWELL-PLASTIC |
| 4 | 102979-04-000 | EA | BOX-POWERCORD |
| 5 | 114070-02-02B | EA | SUPPORT-GENERATOR-LEFT |
| 5 | 114071-02-02B | EA | SUPPORT-GENERATOR-RIGHT |
| 6 | 091176-01-000 | EA | SUPPORT-BASE-ENTRANCESTEP |
| 7 | 020167-05-000 | EA | DIRTGUARD-STEEL-15"LONG |
| 8 | 017516-01-000 | EA | MUDFLAP-14"X18"-BLACK |
| 8 | 020167-05-000 | EA | DIRTGUARD-STEEL-15"LONG |
| 8 | 106141-01-000 | EA | MUDFLAP-W/HOLES&WINNEBAGOLOGO-BLACK-JAPAN |
| 8 | 045731-05-000 | EA | GUARD-ROCK-JAPAN |
| | 056748-01-000 | EA | PLUG-CAP-1.5"DIAMETER |
| | | | FROM: 00-00-00 THRU: 06-01-97 |
| | 061420-10-000 | EA | PLUG/PLASTIC-1.50"DIAMETER-BLACK |
| | | | FROM: 06-02-97 THRU: 99-99-99 |
| | 102805-01-000 | EA | CHANNEL-EXTENSION-FRONTFRAME-13.7" |
| | 065450-05-000 | EA | TIEDOWN-BATTERY-8.4" TUBE |
| | 112864-01-000 | FT | SEAL-FOAM/BUTYL COVERED-3/8" |
| | 113452-01-000 | FT | SEAL/TRIM-FRONT-VINYLRW/WIRECARRIER |
| | | | FROM: 02-03-97 THRU: 99-99-99 |

CHASSISGROUP(CONTINUED)

19.5" CHEVY STAINLESS STEEL WHEEL LINERS (FROM: 00-00-00 THRU: 05-06-97)

| KEY | PARTNUMBER | U/M DESCRIPTION | VENDORNO. |
|-----|---------------|--|------------|
| | 110435-06-000 | EA LINER-WHEELSET (SET=4) 19.5" F/GMW/LONG STUDS-DICOR | |
| | 110435-01-711 | EA DECAL-CENTER CAP-2" | |
| | 110435-02-703 | EA NUT (JAMB) | V160SD-JNT |
| | 110435-02-704 | EA COVER-LUGNUT | V160F0-LNC |
| | 110435-02-705 | EA TOOL F/JAMB NUT-INSTALL. | V160F0-TOL |
| | 110435-06-700 | EA LINER-WHEEL-FRONT | V195P5-FWC |
| | 110435-06-701 | EA LINER-WHEEL-REAR | V195P5-RWC |
| | 110435-06-702 | EA BRACKET-BRIDGE | V195P5-BRK |
| | 110435-06-703 | EA NUT-JAM-BRIDGE BRKT 1 1/16 | V195P5-BJN |
| | 110435-06-704 | EA STUDEXTENDERS-P30 | V195P5-STX |

19.5" CHEVY STAINLESS STEEL WHEEL LINERS (FROM: 05-07-97 THRU: 99-99-99)

| KEY | PARTNUMBER | U/M DESCRIPTION | VENDORNO. |
|-----|---------------|----------------------------|------------|
| | 110435-10-000 | EA LINER-WHEEL-SET 4-19.5" | |
| | 110435-10-700 | EA LINER-WHEEL-FRONT-1 PC | V195P7-FWC |
| | 110435-10-701 | EA LINER-WHEEL-REAR-1 PC. | V195P7-RWC |
| | 110435-10-702 | EA JAMB NUT-ENCLOSED/LNC | V195P7-EJN |
| | 110435-10-703 | EA STUD-PLASTIC | V195P7-PST |
| | 110435-10-704 | EA JAMB NUT-PLASTIC/LNC | V195P7-PJN |
| | 110435-10-705 | EA TOOL-INSTALLATION | V195P7-TOL |

19.5" CHEVY WHEEL COVERS (FROM: 00-00-00 THRU: 12-20-96)

| KEY | PARTNUMBER | U/M DESCRIPTION | VENDORNO. |
|-----|---------------|----------------------------------|------------|
| | 109443-01-000 | EA WHEEL-COVER-4/SET-19.5W/HDW | |
| | 109443-01-700 | EA COVER-WHEEL 19.5 FRT. & REAR | SHAG95 |
| | 109443-01-701 | EA BRACKET-RETENTION-FRONT WHEEL | SHAG95-FBS |
| | 109443-01-702 | EA BRACKET-RETENTION-REAR WHEEL | SHAG95-RBS |
| | 109443-01-703 | EA CAP-CENTER-HUB-DICOR | SP-AUCAP |
| | 109443-01-704 | EA CLIP-RETAINER | V160GM-PNT |

19.5" CHEVY WHEEL COVERS (FROM: 12-21-96 THRU: 99-99-99)

| KEY | PARTNUMBER | U/M DESCRIPTION | VENDORNO. |
|-----|---------------|--------------------------------|------------|
| | 109443-06-000 | EA WHEEL-COVER-4/SET-19.5" | |
| | 109443-01-700 | EA COVER-WHEEL 19.5 FRT/RREA=1 | SHAG95 |
| | 109443-01-701 | EA BRACKET-RETENTION FRONT | SHAG95-FBS |
| | 109443-01-703 | EA CAP-CENTER-HUB-DICOR | SHAU95-CAP |
| | 109443-01-704 | EA CLIP-RETAINER | V160GM-PNT |
| | 109443-06-701 | EA BRACKET-RETENTION REAR | SHG795-RBS |

16" CHEVY STAINLESS STEEL WHEEL LINERS

| KEY | PARTNUMBER | U/M DESCRIPTION | VENDORNO. |
|-----|---------------|---|-------------|
| | 091209-05-000 | EA LINER-WHEEL-SET OF 4-16"-STAINLESS STEEL | |
| | 091209-03-702 | EA COVER-AXLE, FRONT, 8 LUG | 64UE |
| | 091209-03-703 | EA COVER-AXLE, REAR, 8 LUG | 65UE |
| | 091209-03-704 | EA RING-SNAP | 00 |
| | 091209-05-700 | EA LINER-WHEEL, FRONT | 57-88 KAPER |
| | 091209-05-701 | EA LINER-WHEEL, REAR | 58-88 |

16" CHEVY WHEEL COVERS

| KEY | PARTNUMBER | U/M DESCRIPTION | VENDORNO. |
|-----|---------------|--|------------|
| | 109443-05-000 | EA WHEEL COVER-4/SET-16" STAINLESS STEEL | |
| | 098532-01-700 | EA COVER-LUGNUT (CHROME) | SHAU-LNC |
| | 109443-05-700 | EA COVER-WHEEL, 16" SSEA=1 | SHFM16-CVR |

CHASSISGROUP(CONTINUED)

AIR COMPRESSOR - FIRESTONE AIRSPRING ASSEMBLY

| KEY | PARTNUMBER | U/M DESCRIPTION | VENDORNO. |
|-----|---------------|--|-----------|
| | 084086-07-000 | EA COMPRESSOR/ACCESSORY KIT-12VOLT/1/6HP | |
| | 084086-05-703 | EA LOWER BRACKET | 5098 |
| | 084086-07-700 | EA COMPRESSOR | 21-9014 |
| | 084086-07-701 | EA TUBING-18FT | 21-9038 |
| | 084086-07-702 | EA TANK-AIR | 21-9003 |
| | 084086-07-703 | EA HOSE-AIR | 21-9006 |

FIRESTONE AIRSPRING ASSEMBLY 10,500 - 12,300 GVW

| KEY | PARTNUMBER | U/M DESCRIPTION | VENDORNO. |
|-----|---------------|---|------------|
| | 084086-04-000 | EA AIRSPRING KIT-REAR AXLE-GMTO 1996-10,500-12,300 GVW | |
| | 084086-01-701 | EA TUBING, DOT 1/4" X 22' | 21-0937 |
| | 084086-01-702 | EA BOLT, RIBBED NECK 3/8-24 X 2 1/2 | 21-0829 |
| | 084086-01-705 | EA PROTECTOR-TUBING | 21-0899 |
| | 084086-01-706 | EA BRACKET-UPPER TO FRAME | 21-0150 |
| | 084086-01-711 | EA SHIELD-HEAT, 224-DOSS SYSTEM | 21-5042 |
| | 084086-01-713 | EA BRACKET-AXLE STRAP, 4" | 21-1163 |
| | 084086-01-714 | EA BRACKET-AXLE STRAP, 4 3/4" | 21-5038 |
| | 084086-04-700 | EA BRACKET-LOWER DRIVER SIDE | 21-5064 |
| | 084086-04-701 | EA BRACKET-LOWER PASSENGER SIDE | 21-5065 |
| | 084086-04-702 | EA BAG-AIR, BELLOWS W/BOLT-ELBOW W/1/8" AIR INLET PORT-INTERNAL THREADS ON BOTH TOP AND BOTTOM MOUNT PLATES | W217602064 |
| | 084086-05-706 | EA VALVE-INFLATION, PUSH TO CONN | 3032 |

FIRESTONE AIRSPRING ASSEMBLY 14,500 - 16,000 GVW

| KEY | PARTNUMBER | U/M DESCRIPTION | VENDORNO. |
|-----|---------------|---|-----------|
| | 084086-08-000 | EA AIRSPRING KIT-'93-'97 GM 14,500-16,000 GVW | |
| | 084086-05-706 | EA VALVE-INFLATION, PUSH TO CONN | 3032 |
| | 084086-08-700 | EA BAG-AIR, (SPRING), 224C | 0335 |
| | 084086-08-701 | EA TUBING-22FT | 0937 |
| | 084086-08-702 | EA BRACKET-UPPER | 5104 |
| | 084086-08-703 | EA BRACKET-LOWER | 5128 |
| | 084086-08-704 | EA FITTING-PUSH TO CONNECT | 3046 |
| | 084086-08-705 | EA SLEEVE-THERMAL | 0899 |

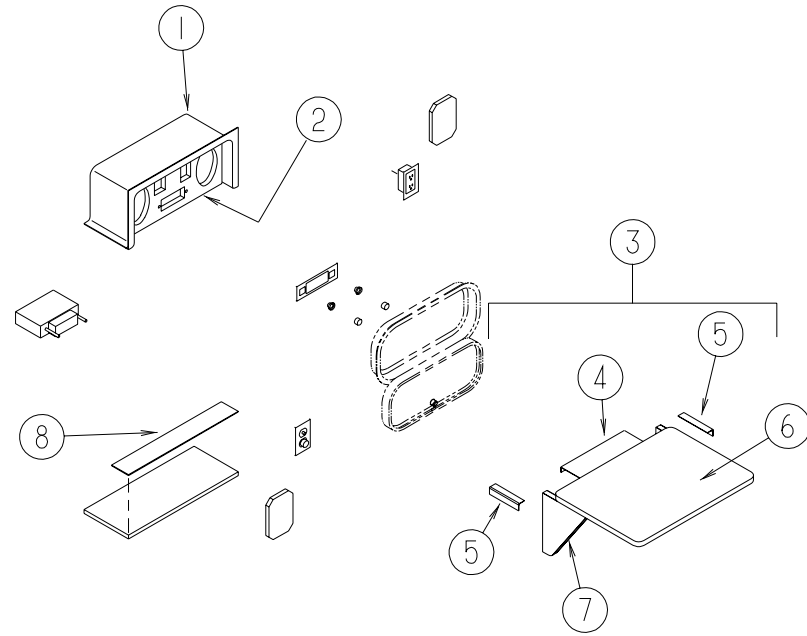
FIRESTONE AIRSPRING CONTROL ASSEMBLY

| KEY | PARTNUMBER | U/M DESCRIPTION | VENDORNO. |
|-----|---------------|--|-----------|
| | 084086-09-000 | EA CONTROL KIT-AIR SPRING-SINGLE CONTROL | |
| | 084086-06-700 | EA PANEL-AIR CONTROL, RIGHT | 21-9012 |
| | 084086-06-702 | EA TUBING-FLEXIBLE | 21-9008 |
| | 084086-06-703 | EA CONNECTOR-T | 21-3005 |
| | 084086-06-704 | EA FERRULE | 21-0932 |
| | 120501-01-02B | EA BRACKET-CONTROL-RIDERIDE | |

FRONT SHOCKS & STABILIZER

| KEY | PARTNUMBER | U/M DESCRIPTION | VENDORNO. |
|-----|---------------|---|-----------|
| | 104993-02-000 | EA SHOCK ABSORBER-GAS-P30 FRONT | |
| | 122756-01-000 | EA SHOCK & STABILIZER (REDBOOT) KIT-FRONT END P30 CHASSIS FROM: 00-00-00 THRU: 12-11-96 | |
| | 122756-02-000 | EA SHOCK AND STABILIZER (BLUEBOOT) KIT-FRONT END P30 CHASSIS FROM: 12-12-96 THRU: 99-99-99 | |
| | 122756-02-700 | EA BRACKET ASM-DRIVER SIDE | T818L |
| | 122756-02-701 | EA BRACKET ASM-PASSENGER SIDE | T818R |
| | 122756-02-702 | EA BRACKET ONLY-DRIVER SIDE | T818L |
| | 122756-02-703 | EA BRACKET ONLY-PASSENGER SIDE | T818R |
| | 122756-02-704 | EA BOLT PACKAGE-BOLTS/NUT SET C | T818R |
| | 122756-02-705 | EA SHOCK | T818SH |
| | 122756-02-706 | EA STUD-SHOCK MOUNTING | T818S |
| | 122756-02-707 | EA DAMPENER-STEERING | T818SD |
| | 122756-02-708 | EA BOOT-STEERING DAMPENER | T818SDB |
| | 122756-02-709 | EA BUSHING PKG-STEERING DAMPENER | T818SDBSH |
| | 122756-02-710 | EA BOLT PKG-STEERING DAMPENER | T818S |

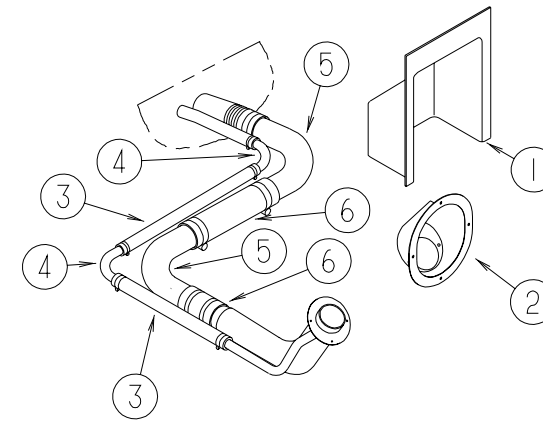
CHASSISGROUP(CONTINUED)



PATIOENTERTAINMENTCENTER

| KEY | PARTNUMBER | U/M | DESCRIPTION |
|-----|---------------|-----|--|
| 1 | 104897-02-02A | EA | BOX-EXTERIORENTERTAINMENTCENTER |
| 2 | 104899-01-C05 | EA | PLATE-RADIOMOUNTING |
| 3 | 105230-01-H33 | EA | SHELF-EXTERIOR TV |
| 4 | 105377-01-01A | EA | BRACKET-TABLEHANGER, OFFWHITE FROM: 00-00-00 THRU: 01-05-97 |
| 4 | 105377-01-04A | EA | BRACKET-TABLEHANGER, BRIGHTWHITE FROM: 01-06-97 THRU: 99-99-99 |
| 5 | 105376-01-02A | EA | HINGE-CONTINUOUS, 2"X5.5"-OFFWHITE FROM: 00-00-00 THRU: 01-05-97 |
| 5 | 105376-01-03A | EA | HINGE-CONTINUOUS, 2"X5.5"-BRIGHTWHITE FROM: 01-06-97 THRU: 99-99-99 |
| 6 | 105230-11-E01 | EA | SHELF-EXTERIORENTERTAINMENTCENTER-W/O HARDWARE |
| 7 | 105230-12-F11 | EA | SUPPORT-EXTERIOR SHELF |
| 8 | 104898-01-02A | EA | PLATE-PLASTIC, BOTTOM-19.38"X3.1"-BRIGHTWHITE |

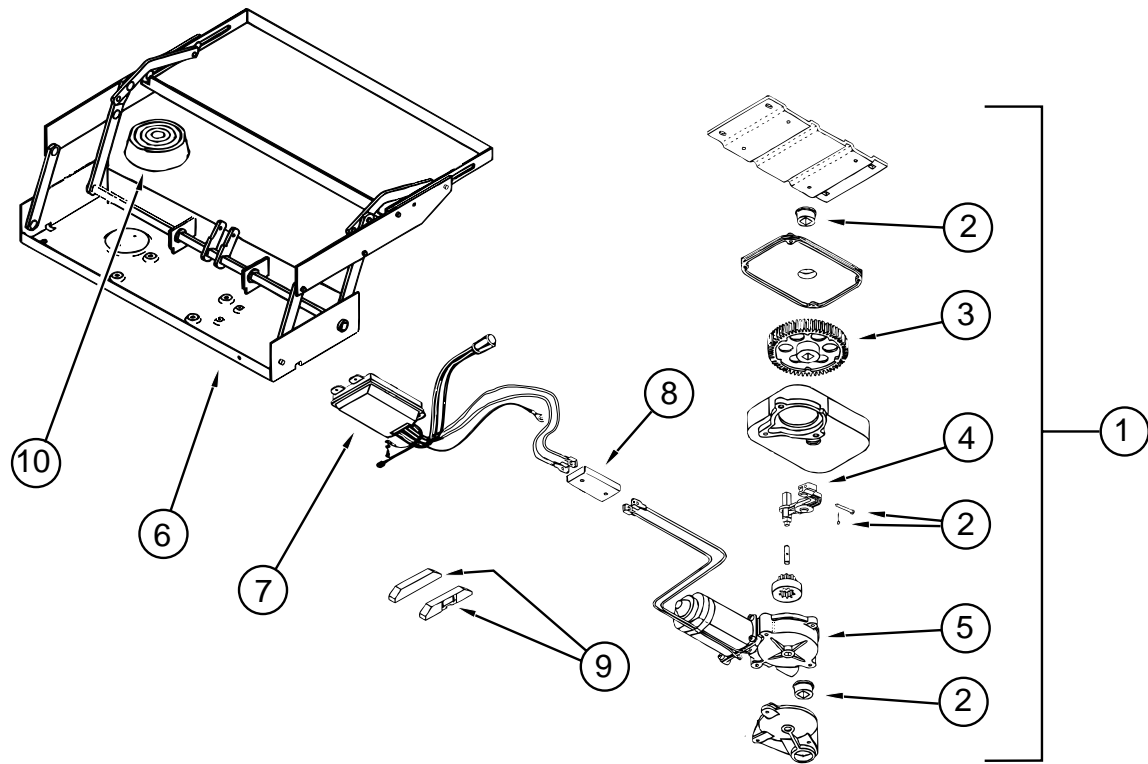
CHASSISGROUP(CONTINUED)



FUELSYSTEM

| KEY | PARTNUMBER | U/M | DESCRIPTION |
|-----|---------------|-----|---|
| 1 | 072447-09-000 | EA | SHROUD-FUELFILL |
| 2 | 095854-01-04A | EA | SHROUD-FUELFILL-BRIGHTWHITE |
| 3 | 066732-01-000 | FT | HOSE-FUEL-.62"ID |
| 4 | 098806-01-000 | EA | PIPE-FILLVENT-90DEGREEBEND-.635OD-STEEL |
| 5 | 098803-02-000 | EA | PIPE-FUELFILL |
| 6 | 007111-03-000 | EA | HOSE-FUELFILL-1.75"X3' |
| | 007063-01-000 | FT | HOSE-FUEL-1/4"IDX1/2"OD |
| | 068382-06-000 | EA | BUSHING-BRASS-3/8MPTX1/8FPT |
| | 087269-01-000 | EA | TEE-1/4"X1/4"X1/4"-BRASS |
| | 084884-01-000 | EA | PLUG-BRASS-3/8" |

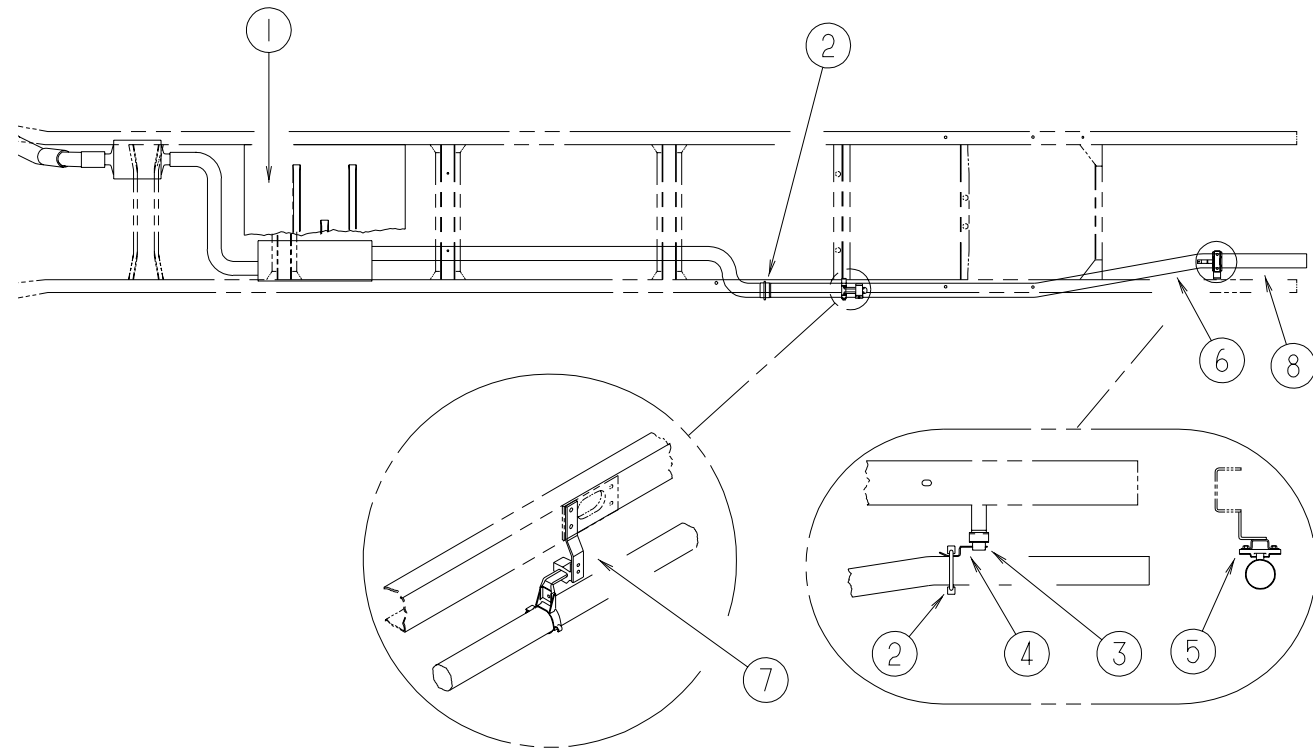
CHASSISGROUP(CONTINUED)



KWIKEELECTRICENTRYP

| KEY | PARTNUMBER | U/M | DESCRIPTION | VENDOR NO. |
|-----|---------------|-----|---------------------------------|------------|
| 1 | 094707-01-01A | EA | STEP-DOUBLE-ELECTRIC-KWIKEE | |
| 2 | 094707-02-703 | EA | BEARING&PINS | 909530 |
| 3 | 094707-02-702 | EA | GEARKIT,W/BEARINGS,PIN-CASE | 909525 |
| 4 | 094707-02-701 | EA | LINKAGEASM.W/BEARINGS-PINS | 909534 |
| 5 | 094707-02-700 | EA | MOTORREPLACEMENTKIT-MODELS32&28 | 9520 |
| 6 | 094707-01-702 | EA | FRAMEW/DBLSTEP,3200SERIES | 908032 |
| 7 | 094707-02-705 | EA | CONTROLUNIT,WHITE | 909513 |
| 8 | 094707-02-704 | EA | CONNECTOR-MOTORASM.W/PLATES | 909537 |
| 9 | 116995-01-000 | EA | SWITCH/MAGNET-ELECTRICSTEP | |
| 10 | 088746-01-705 | EA | LIGHT-UNDERSTEP | 9004 |
| | 088733-01-700 | EA | BULB | 9004 |
| | 094707-02-707 | EA | TREAD-NONSKID-BLACK | 909333 |
| | 094707-02-708 | EA | TREAD-NON-SKID-YELLOW | 909331 |

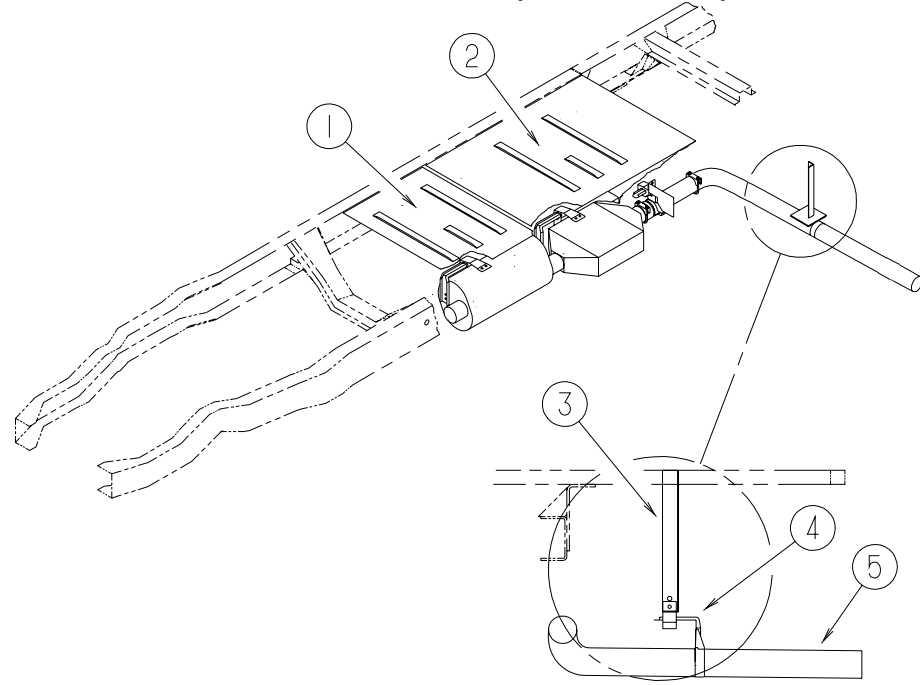
CHASSISGROUP(CONTINUED)



EXHAUSTSYSTEM-DIESEL

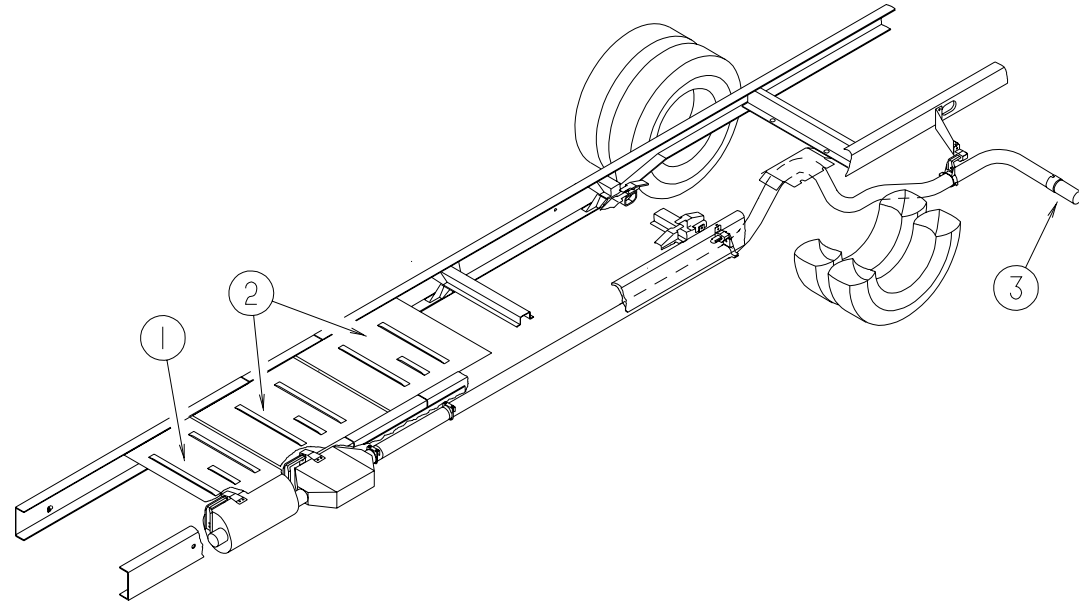
| KEY | PARTNUMBER | U/M | DESCRIPTION |
|-----|---------------|-----|---|
| 1 | 101544-02-000 | EA | SHIELD-HEAT/EXHAUST-30"X29.1" |
| 2 | 094918-01-000 | EA | CLAMP-EXHAUST-3"-GUILLOTINESTYLE |
| 3 | 095190-01-000 | EA | HANGER-EXHAUST-4"X1.4" |
| 4 | 096054-04-000 | EA | SUPPORT-EXHAUSTPIPE |
| 5 | 102116-02-000 | EA | BRACKET-EXHAUST-UPPER |
| 6 | 117048-01-000 | EA | PIPE-TAIL-EXHAUSTOUTREAR |
| 7 | 117029-01-02B | EA | HANGER-EXHAUST |
| 8 | 098762-05-000 | EA | EXTENSION-EXHAUST-STRAIGHT-3"O.DX7.9"LONG-SST |
| 8 | 094918-01-000 | EA | CLAMP-EXHAUST-3"-GUILLOTINESTYLE |

CHASSISGROUP(CONTINUED)



EXHAUSTSYSTEM-GAS

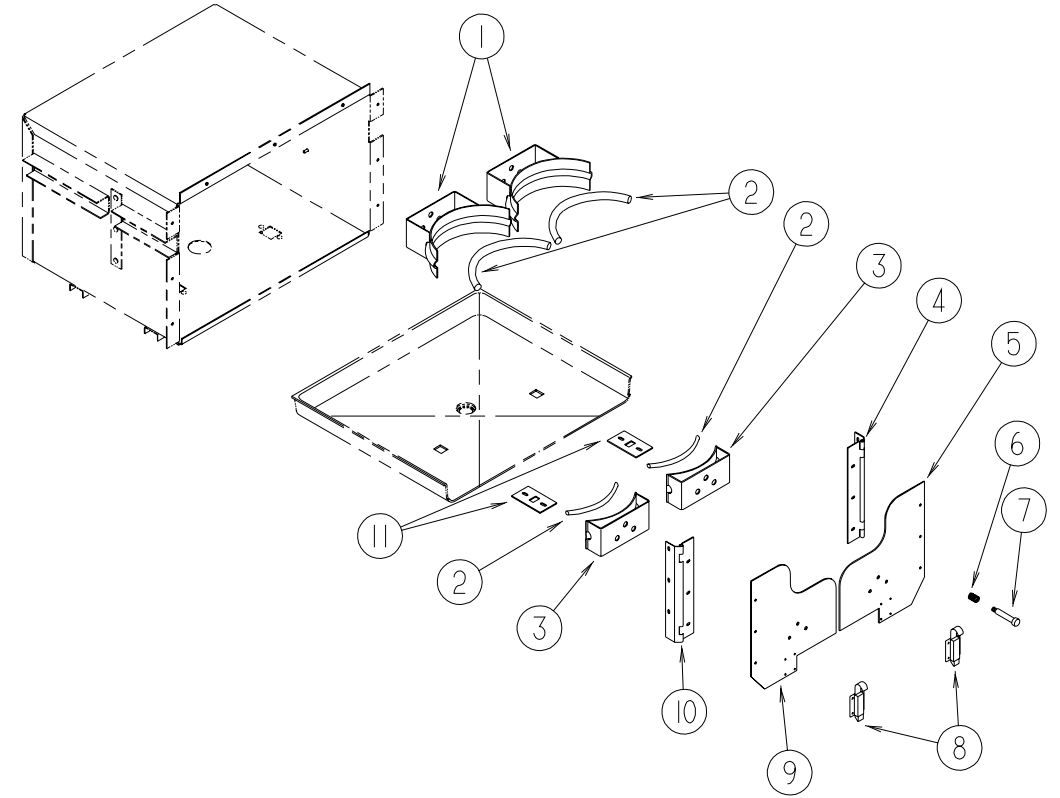
| KEY | PARTNUMBER | U/M | DESCRIPTION |
|-----|---------------|-----|---------------------------------|
| 1 | 101544-01-000 | EA | SHIELD-HEAT/EXHAUST-19.7"X29.1" |
| 2 | 101544-02-000 | EA | SHIELD-HEAT/EXHAUST-30"X29.1" |
| 3 | 098833-03-000 | EA | BRACKET-EXHAUST/HANGER |
| 4 | 125110-01-02B | EA | HANGER-TAILPIPE |
| 5 | 098608-03-000 | EA | PIPE-EXHAUST |



VORTECEXHAUSTSYSTEM-GAS

| KEY | PARTNUMBER | U/M | DESCRIPTION |
|-----|---------------|-----|--|
| 1 | 101544-01-000 | EA | SHIELD-HEAT/EXHAUST-19.7"X29.1" |
| 2 | 101544-02-000 | EA | SHIELD-HEAT/EXHAUST-30"X29.1" |
| 3 | 122529-01-000 | EA | PIPE-EXHAUST |
| 3 | 125842-01-000 | EA | PIPE-TAIL-3"X22.75" FLAIRE DENDX24.2" FROM: 00-00-00 THRU: 01-02-97 |
| 3 | 094918-01-000 | EA | CLAMP-EXHAUST-3"-GUILLOTINESTYLE |
| | 122392-01-02B | EA | HANGER-TAILPIPE |
| | 122392-03-02B | EA | HANGER-TAILPIPE-REAR |

CHASSISGROUP(CONTINUED)



LPCOMPARTMENTCOMPONENTS-JAPAN

| KEY | PARTNUMBER | U/M | DESCRIPTION |
|-----|---------------|-----|---|
| 1 | 107414-01-000 | EA | CRADLE-LPTANK |
| 2 | 098408-01-000 | FT | SEAL-SPONGERUBBER,CLOSEDCCELL |
| 3 | 107414-02-000 | EA | CRADLE-LPTANK |
| 4 | 097207-02-02A | EA | HINGE-CONTINUOUS,LPDOOR,BLACK |
| 5 | 107433-01-C82 | EA | DOORASM-LP, W/HINGE, LATCH, CRADLE, SPRINGS, BOLTS&SEAL |
| 6 | 107394-01-000 | EA | SPRING-COMPRESSION,LPDOOR |
| 7 | 107393-01-000 | EA | BOLT-SHOULDER, SOCKETHEAD-LPDOOR |
| 8 | 107395-01-02A | EA | LATCH-BOLT, FINGER-LPDOOR-BLACK |
| 8 | 107395-01-01A | EA | LATCH-BOLT, FINGER-LPDOOR-UNPAINTED |
| 9 | 107433-02-C82 | EA | DOORASM-LP, W/HINGE, LATCH, CRADLE, SPRINGS, BOLTS&SEAL |
| 10 | 097207-03-02A | EA | HINGE-CONTINUOUS,LPDOOR,BLACK |
| 11 | 107421-01-000 | EA | PLATE-STRIKE,LPDOOR-BLACK |

CHASSISGROUP(CONTINUED)
LUGWRENCH&LEVERAGEBAR

| KEY | PARTNUMBER | U/M | DESCRIPTION |
|-----|---------------|-----|---|
| | 080208-01-000 | EA | LUGWRENCH-1.06X1.00W/SHALLOW SOCKET ENDS FROM: 00-00-00 THRU: 09-26-96 |
| | 080208-06-000 | EA | LUGWRENCH-1"X1.06"W/DEEP SOCKET ENDS FROM: 09-27-96 THRU: 99-99-99 |
| | 080208-02-000 | EA | BAR-LEVERAGE-LUGWRENCH |

TIRECOVERS

| KEY | PARTNUMBER | U/M | DESCRIPTION |
|-----|---------------|-----|---------------------------|
| | 108163-05-01A | EA | COVER-TIRE-8 1/4" X 10 1" |
| | 108560-04-01A | EA | INSERT-TIRECOVER |
| | 108163-01-01A | EA | COVER-TIRE-16" CHEVY |
| | 108560-02-04A | EA | INSERT-TIRECOVER-16" |

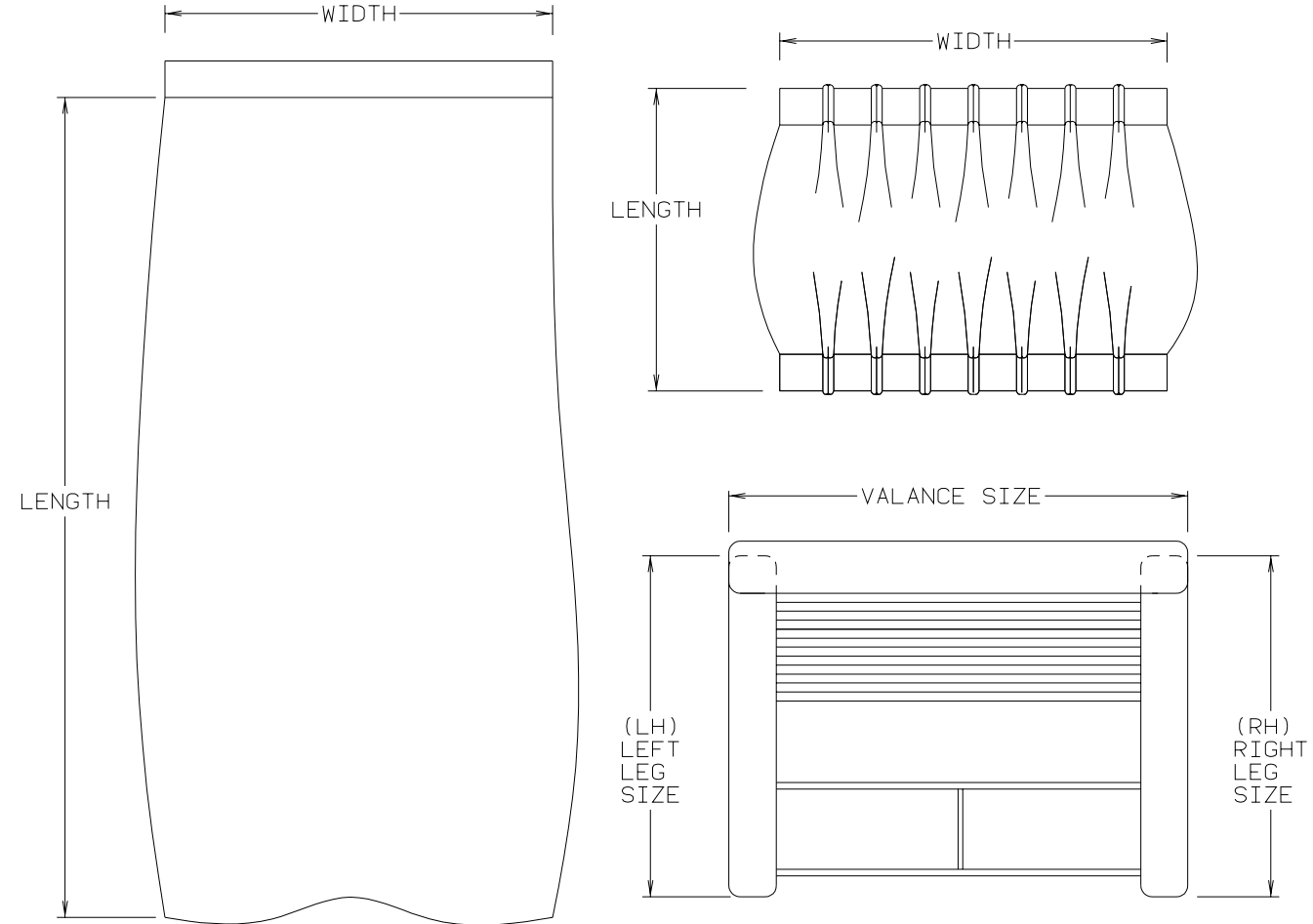
CHASSISMISCELLANEOUS

| KEY | PARTNUMBER | U/M | DESCRIPTION |
|-----|---------------|-----|---|
| | 055278-51-259 | FT | TUBING-STEEL, .75" X 1.5" X 150" |
| | 008042-01-000 | FT | TUBING-VINYL, .65" ID |
| | 119847-01-02B | EA | SHIELD-A/COMPRESSOR, E-COAT |
| | 077298-55-003 | EA | EXTR-TUBE, 0007MM, BLACK-6060T6 |
| | 104147-02-000 | EA | SHIELDASM-SPLASH, RH-494MM X 408MM-W/STUDS-E-COATED STEEL |
| | 114254-01-000 | EA | ADAPTER-1/4" SINGLE BARB X 1/8" MPT |
| | 103491-02-000 | EA | BRACKET-LICENSEPLATE-FRONT |
| | 117287-01-01B | EA | BRACKET-MOUNT,CABLE |

CURTAIN&CUSHIONGROUP
NOTICE

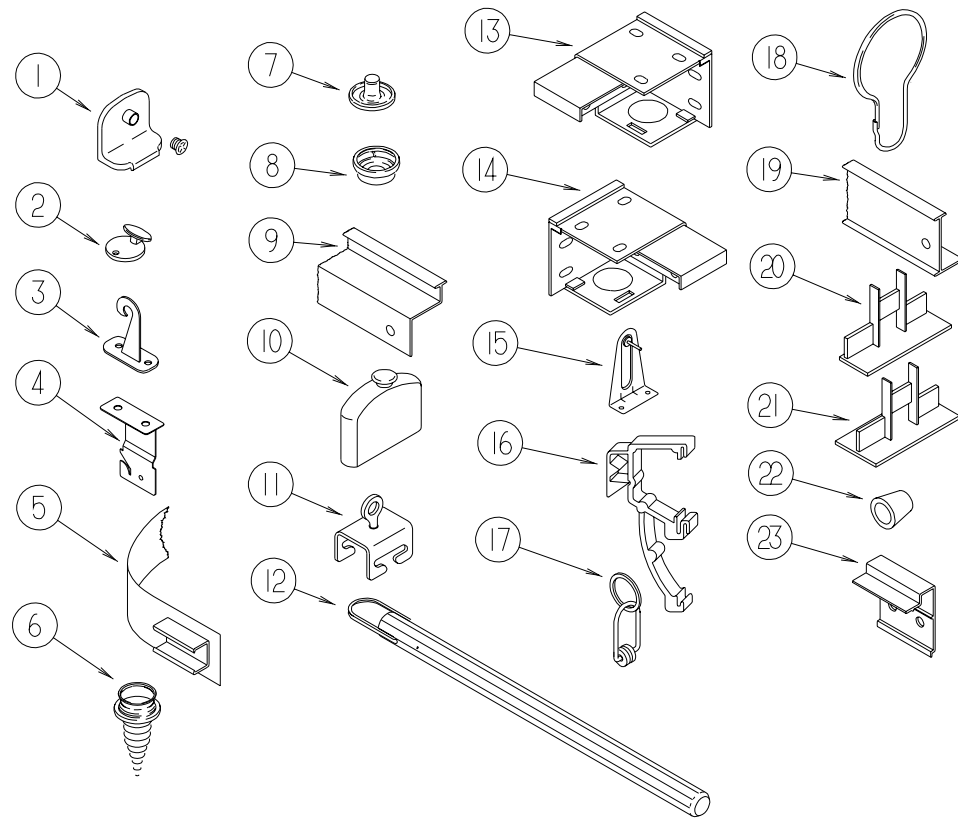
IN ORDER TO ASSIST OUR PARTS SALES DEPT. IN PROVIDING INTERIOR SOFT GOODS ITEMS, PLEASE INCLUDE THE SERIAL NUMBER AND THE COLOR CODE NUMBER FROM THE VEHICLE CERTIFICATION LABEL WHEN ORDERING. THIS LABEL IS LOCATED ON THE LEFT SIDEWALL AT THE END OF THE DASH (A-BODY), OR ON THE DRIVER'S DOOR LATCH PLATE (C-BODY).

AN EXAMPLE OF A COLOR CODE NUMBER IS B07, WHICH DESIGNATES AN OVERALL COLOR SCHEME OF A PARTICULAR UNIT. THE COLOR LISTED AFTER THE ITEM DESCRIPTION ON THE MICROFICHE, INDICATES THE OVERALL UNIT COLOR. ORDER THE ITEM YOU DESIRE ACCORDING TO UNIT COLOR CODE.



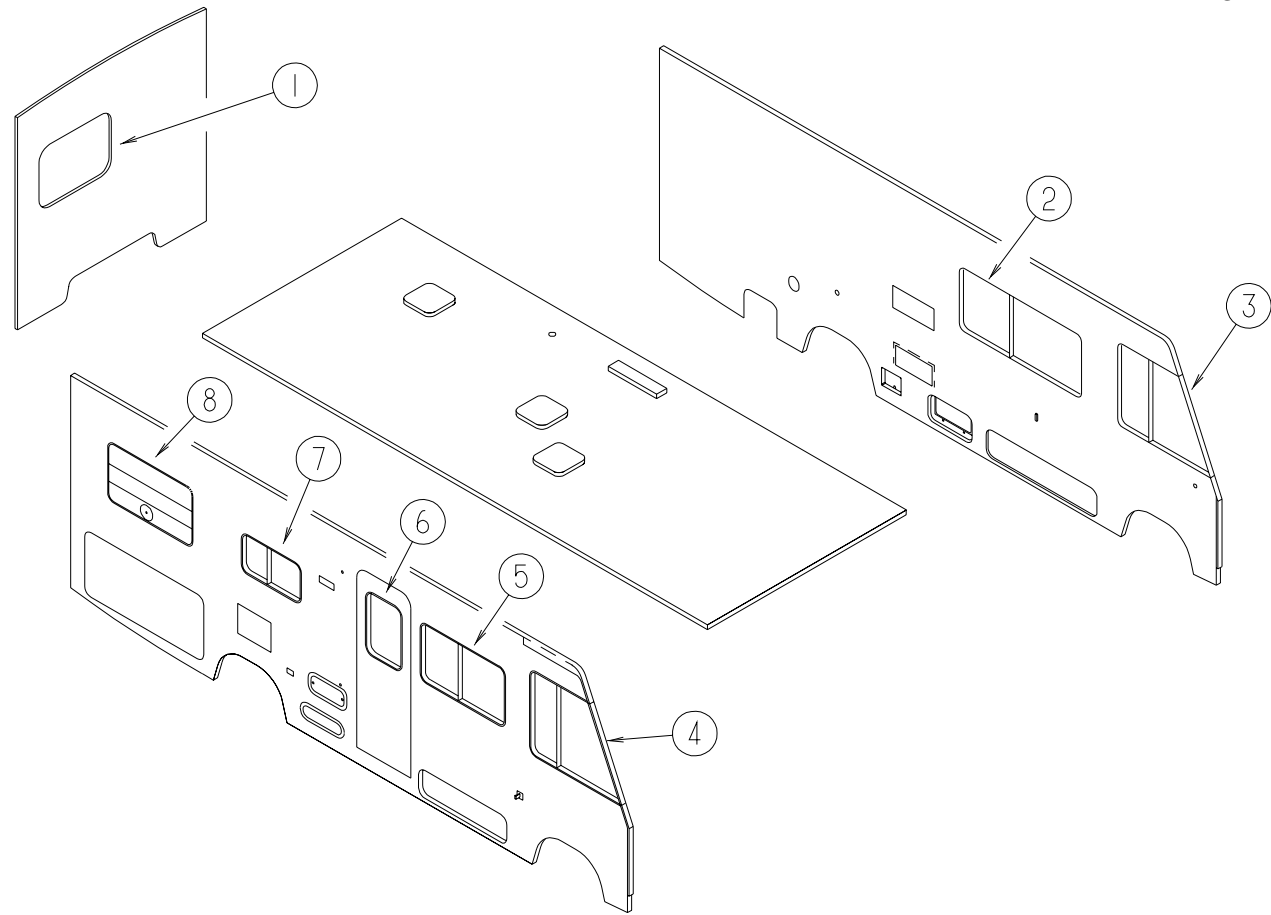
NOTE: USE THIS ILLUSTRATION WHEN DETERMINING LENGTH AND WIDTH MEASUREMENTS FOR CURTAINS. YOU WILL NOTE THE WIDTH MEASUREMENT IS TAKEN ON THE TOP OF THE CURTAIN WITH THE CURTAIN FULLY EXTENDED. THE LENGTH MEASUREMENT IS TAKEN FROM TOP TO BOTTOM. LEFT AND RIGHT WINDOW LEGS ARE DETERMINED WHEN FACING THE WINDOW.

CURTAIN&CUSHIONGROUP(CONTINUED)
CURTAIN,BLINDHARDWARE&TRACKS



| KEY | PARTNUMBER | U/M | DESCRIPTION |
|-----|---------------|-----|---|
| 1 | 106544-01-000 | EA | PULL-SHADE,BRASS |
| 1 | 106544-01-001 | EA | SCREW-SHADEPULL,BRASS |
| 2 | 102555-03-000 | EA | CLEAT-BLINDCORD,MILKYWHITEPLASTIC |
| 3 | 109441-03-000 | EA | HOLDDOWNBLIND,CLOUDY |
| | 109441-02-000 | EA | SPACER-HOLDDOWN,BLIND |
| 4 | 084434-01-000 | EA | BRACKET-MOUNTING,ROLLERSHADE-13/8" |
| | 096843-01-000 | EA | SPRING-REWIND,ROLLERSHADE |
| | 086276-01-000 | EA | TAPE-DOUBLESIDED,1/2" |
| 5 | 101031-01-000 | YD | TAPE-GLIDE,CURTAIN-4.25"SPACING |
| 6 | 029130-01-000 | EA | SCREW-SNAPSOCKET,#8PHX5/8" |
| 6 | 029130-03-000 | EA | SCREW-SNAPSOCKET,#8PHX1" |
| 7 | 029155-01-000 | EA | CAP-SNAP,5/32"O.D.OFPIN |
| 8 | 029156-01-000 | EA | SOCKET-SNAP,9/16"O.D. |
| 9 | 122222-01-02A | EA | TRACK-WRAPAROUNDCURTAIN-RIGHTHAND |
| 9 | 122222-02-02A | EA | TRACK-WRAPAROUNDCURTAIN-LEFTHAND |
| 9 | 122222-03-H13 | EA | TRACK-WRAPAROUNDCURTAIN-RIGHTHANDW/BUNK |
| 9 | 122222-04-H13 | EA | TRACK-WRAPAROUNDCURTAIN-LEFTHANDW/BUNK |
| 10 | 093475-01-701 | EA | ENDCAP-BLIND,W/STUD |
| 11 | 009702-01-000 | EA | ENDSTOP-CURTAINCARRIER,LROD |
| 12 | 093475-01-700 | EA | WAND-BLIND,W/METALCLIP-8"LONG |
| 13 | 083170-01-000 | EA | BRACKET-BLIND-LEFTSIDEWHENFACINGWINDOW |
| 14 | 083170-02-000 | EA | BRACKET-BLIND-RIGHTSIDEWHENFACINGWINDOW |
| 15 | 095591-02-000 | EA | BRACKET-HOLDDOWN,W/PIN-BLIND-METAL |
| 16 | 109353-04-000 | EA | CLIP-MOUNTING,VALANCESLAT-CLEARPLASTIC |
| 17 | 009701-01-000 | EA | CARRIER-CURTAIN,L-ROD |
| 18 | 009136-02-000 | EA | HANGER-RING,PINTYPE-CURTAIN-BRASS |
| 19 | 009700-04-002 | EA | TRACK-L-SHAPED195.5"-OFFWHITE |
| 20 | 094907-04-000 | EA | ENDCAP-BOTTOM,PLEATEDBLIND-PLASTIC-GRAY |
| 21 | 094907-02-000 | EA | ENDCAP-TOP,PLEATEDBLIND-PLASTIC-GRAY |
| 22 | 097564-01-000 | EA | HANDLE-T,PLEATEDBLIND |
| 23 | 097565-01-000 | EA | BRACKET-MOUNTING,PLEATEDBLIND |
| | 046867-03-000 | EA | GROMMET-HANDYBUTTONNO3 |
| | 056003-01-000 | EA | BRACKET-DRAPERYRETAINING-FRONT-METAL |
| | 056003-02-000 | EA | BRACKET-DRAPERYRETAINING-REAR-METAL |
| | 048394-02-000 | YD | VELCROTAPE-HOOK,ADHESIVEBACK-.75"WIDE-BEIGE |
| | 088792-01-000 | YD | VELCRO-HOOK,.75"WIDE-BEIGE-NONADHESIVEBACKED |
| | 088792-02-000 | YD | VELCROTAPE-LOOP,ADHESIVEBACKED-.75"WIDE-BEIGE |
| | 068716-01-001 | EA | BRACE-90DEGREEL-ANGLE,192"-EXTRUDEDALUMINUM |
| | 094896-02-000 | EA | GROMMET-CORD,PLEATEDBLIND-NYLON-GRAY |
| | 095567-01-000 | EA | TACK-STRIP-.5"X625'ROLL |
| | 097591-01-000 | EA | SPRING-EXTENSION,PLEATEDBLIND |
| | 097592-01-000 | EA | SPOOL-CORD,PLEATEDBLIND-CLEARPLASTIC |
| | 097593-02-000 | EA | CORD-BLIND,GRAY(H12/H13/H14/H15) |
| | 097593-06-000 | EA | CORD-BLIND,PEWTER(H16) |
| | 105648-01-02A | EA | BRACE-VALANCE,ANGLE-1.5"X1.5"X14"-OFFWHITE |

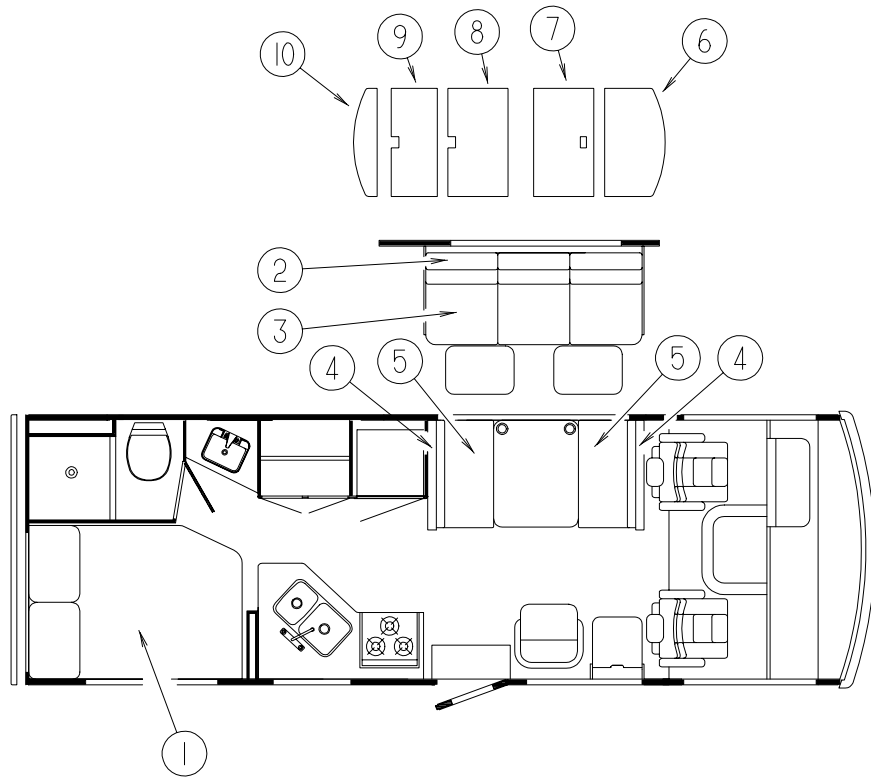
CURTAIN&CUSHIONGROUP(CONTINUED)
WINDOWTREATMENT



| KEY | PARTNUMBER | U/M DESCRIPTION |
|-----|---------------|---|
| 1 | 112113-18-H13 | EA VALANCE-VALERIE-39"(H12,H13) |
| 1 | 112113-18-H14 | EA VALANCE-VALERIE-39"(H14) |
| 1 | 114993-11-H15 | EA VALANCE-TAILOR-39"(H15) |
| 1 | 112113-18-H16 | EA VALANCE-VALERIE-39"(H16) |
| 1 | 093475-78-06A | EA BLIND-MINI-36"X28"(H12,H13,H14,H15) |
| 1 | 093475-78-05A | EA BLIND-MINI-36"X28"(H16) |
| 1 | 111910-41-G13 | EA BLIND-DAY/NIGHTER-36"X28"(H12,H13,H14,H15)EXPORT/UPGRADEOPTION |
| | | FROM: 00-00-00 THRU: 10-27-96 |
| 1 | 111910-41-HA3 | EA BLIND-DAY/NIGHTER-36"X28"(H12,H13,H14,H15)EXPORT/UPGRADEOPTION |
| | | FROM: 10-28-96 THRU: 99-99-99 |
| 1 | 111910-41-H16 | EA BLIND-DAY/NIGHTER-36"X28"(H16)EXPORT/UPGRADEOPTION |
| 1 | 112986-11-G13 | EA CURTAIN-27.5"X6"(H12,H13) |
| 1 | 112986-11-H14 | EA CURTAIN-27.5"X6"(H14) |
| 1 | 112986-11-H15 | EA CURTAIN-27.5"X6"(H15) |
| 1 | 112986-11-H16 | EA CURTAIN-27.5"X6"(H16) |
| 2 | 118537-23-H13 | EA VALANCE-GALAXY-64.5"(H12,H13) |
| 2 | 118537-23-H14 | EA VALANCE-GALAXY-64.5"(H14) |
| 2 | 121410-12-H15 | EA VALANCE-MODERATE-64.5"(H15) |
| 2 | 118537-23-H16 | EA VALANCE-GALAXY-64.5"(H16) |
| 2 | 093475-76-06A | EA BLIND-MINI-60"X28.5"(H12,H13,H14,H15) |
| 2 | 093475-76-05A | EA BLIND-MINI-60"X28.5"(H16) |
| 2 | 109802-10-G01 | EA BLIND-PLEATED-60"X28.5"(H12,H13,H14,H15)EXPORT/UPGRADEOPTION |
| 2 | 109802-10-E04 | EA BLIND-PLEATED-60"X28.5"(H16)EXPORT/UPGRADEOPTION |
| 2 | 119333-01-GE1 | EA LEG-RIGHT-25"(H12,H13) |
| 2 | 119333-01-H14 | EA LEG-RIGHT-25"(H14) |
| 2 | 119333-11-H15 | EA LEG-RIGHT-25"(H15) |
| 2 | 119333-01-GB1 | EA LEG-RIGHT-25"(H16) |
| 2 | 119333-02-GE1 | EA LEG-LEFT-25"(H12,H13) |
| 2 | 119333-02-H14 | EA LEG-LEFT-25"(H14) |
| 2 | 119333-12-H15 | EA LEG-LEFT-25"(H15) |
| 2 | 119333-02-GB1 | EA LEG-LEFT-25"(H16) |

| KEY | PARTNUMBER | U/M DESCRIPTION |
|-----|---------------|--|
| 3 | 101668-57-G09 | EA CURTAIN-LEFTHAND-38"X95"(H12,H13) |
| 3 | 101668-57-G10 | EA CURTAIN-LEFTHAND-38"X95"(H14,H15,H16) |
| 4 | 101668-56-G09 | EA CURTAIN-RIGHTHAND-38"X95"(H12,H13) |
| 4 | 101668-56-G10 | EA CURTAIN-RIGHTHAND-38"X95"(H14,H15,H16) |
| | 073260-42-D09 | EA TIEBACK-6"X18"(H12,H13) |
| | 073260-42-D10 | EA TIEBACK-6"X18"(H14,H15,H16) |
| | 101668-32-D09 | EA CURTAIN-40"X40"(H12,H13)-BUNKOPTION |
| | 101668-32-D10 | EA CURTAIN-40"X40"(H14,H15,H16)-BUNKOPTION |
| | 101668-33-D09 | EA CURTAIN-38"X125"(H12,H13)-BUNKOPTION |
| | 101668-33-D10 | EA CURTAIN-38"X125"(H14,H15,H16)-BUNKOPTION |
| 5 | 118537-30-H13 | EA VALANCE-GALAXY-45.5"(H12,H13) |
| 5 | 118537-30-H14 | EA VALANCE-GALAXY-45.5"(H14) |
| 5 | 121410-34-H15 | EA VALANCE-MODERATE-45.5(H15) |
| 5 | 118537-30-H16 | EA VALANCE-GALAXY-45.5"(H16) |
| 5 | 109041-33-02A | EA BLIND-MINI-42"X28"(H12,H13,H14,H15) |
| 5 | 109041-33-01A | EA BLIND-MINI-42"X28"(H16) |
| 5 | 109802-44-G09 | EA BLIND-PLEATED-41"X28.5"(H12,H13,H14,H15)-EXPORT/UPGRADEOPTION |
| 5 | 109802-44-G10 | EA BLIND-PLEATED-41"X28.5"(H16)-EXPORT/UPGRADEOPTION |
| 5 | 119333-01-GE1 | EA LEG-RIGHT-25"(H12,H13) |
| 5 | 119333-01-H14 | EA LEG-RIGHT-25"(H14) |
| 5 | 119333-11-H15 | EA LEG-RIGHT-25"(H15) |
| 5 | 119333-01-GB1 | EA LEG-RIGHT-25"(H16) |
| 5 | 119333-02-GE1 | EA LEG-LEFT-25"(H12,H13) |
| 5 | 119333-02-H14 | EA LEG-LEFT-25"(H14) |
| 5 | 119333-12-H15 | EA LEG-LEFT-25"(H15) |
| 5 | 119333-02-GB1 | EA LEG-LEFT-25"(H16) |
| 6 | 118537-31-H13 | EA VALANCE-GALAXY-12"X31.25"(H12,H13) |
| 6 | 118537-31-H14 | EA VALANCE-GALAXY-12"X31.25"(H14) |
| 6 | 121410-35-H15 | EA VALANCE-MODERATE-11"X31.25"(H15) |
| 6 | 118537-31-H16 | EA VALANCE-GALAXY-12"X31.25"(H16) |
| 6 | 084755-57-E07 | EA SHADE-PULL-27.25" |
| 7 | 109353-10-02A | EA BLIND-SLAT-30.5"(H12,H13,H14,H15) |
| 7 | 109353-10-01A | EA BLIND-SLAT-30.5"(H16) |
| 7 | 109041-44-02A | EA BLIND-MINI-30.5"X18"(H12,H13,H14,H15) |
| 7 | 109041-44-01A | EA BLIND-MINI-30.5"X18"(H16) |
| | 109353-04-000 | EA CLIP-VALANCESLATMOUNTING-CLEARPLASTIC |
| 8 | 112113-12-G13 | EA VALANCE-VALERIE-44"(H12,H13) |
| 8 | 112113-12-H14 | EA VALANCE-VALERIE-44"(H14) |
| 8 | 121410-07-H15 | EA VALANCE-MODERATE-44"(H15) |
| 8 | 112113-12-H16 | EA VALANCE-VALERIE-44"(H16) |
| 8 | 109041-33-02A | EA BLIND-MINI-42"X28"(H12,H13,H14,H15) |
| 8 | 109041-33-01A | EA BLIND-MINI-42"X28"(H16) |
| 8 | 111910-25-G13 | EA BLIND-DAY/NIGHTER-41"X28.5"(H12,H13,H14,H15)-EXPORT/UPGRADEOPTION |
| | | FROM: 00-00-00 THRU: 10-27-96 |
| 8 | 111910-25-HA3 | EA BLIND-DAY/NIGHTER-41"X28.5"(H12,H13,H14,H15)-EXPORT/UPGRADEOPTION |
| | | FROM: 10-28-96 THRU: 99-99-99 |
| 8 | 111910-25-F05 | EA BLIND-DAY/NIGHTER-41"X28.5"(H16)-EXPORT/UPGRADEOPTION |
| 8 | 112986-11-G13 | EA CURTAIN-27.5"X6"(H12,H13) |
| 8 | 112986-11-H14 | EA CURTAIN-27.5"X6"(H14) |
| 8 | 112986-11-H15 | EA CURTAIN-27.5"X6"(H15) |
| 8 | 112986-11-H16 | EA CURTAIN-27.5"X6"(H16) |

CURTAIN&CUSHIONGROUP(CONTINUED)



DOUBLEMATTRESS,BEDSPREAD&PILLOWSHAMS

| KEY | PARTNUMBER | U/M | DESCRIPTION |
|-----|---------------|-----|----------------------------------|
| 1 | 111863-06-G04 | EA | PILLOW SHAM-20"X30"(H12,H13) |
| 1 | 111863-06-H14 | EA | PILLOW SHAM-20"X30"(H14) |
| 1 | 104565-10-H15 | EA | SHAM-PILLOW(H15) |
| 1 | 111863-06-H16 | EA | PILLOW SHAM-20"X30"(H16) |
| 1 | 123471-05-H13 | EA | BEDSPREAD/THROW-54"X75"(H12,H13) |
| 1 | 123471-05-H14 | EA | BEDSPREAD/THROW-54"X75"(H14) |
| 1 | 123471-20-H15 | EA | BEDSPREAD/THROW-54"X75"(H15) |
| 1 | 123471-05-H16 | EA | BEDSPREAD/THROW-54"X75"(H16) |
| | 101123-01-000 | EA | MATTRESS-53"X74"-TICKINGCOVERED |
| | P01123-01-000 | EA | COVER-MATTRESS53"X74" |

BEDROOMACCENTPILLOWS

| KEY | PARTNUMBER | U/M | DESCRIPTION |
|-----|---------------|-----|---|
| | 111862-03-G04 | EA | PILLOW-15"X15"(H12,H13) |
| | 111862-01-H13 | EA | PILLOW-15"X15"(H12,H13) |
| | 111862-03-H14 | EA | PILLOW-15"X15"(H14) |
| | 111862-01-H14 | EA | PILLOW-15"X15"(H14) |
| | 111862-06-H15 | EA | PILLOW-15"X15"(H15) |
| | 111862-03-F05 | EA | PILLOW-15"X15"(H16) |
| | 111862-01-H16 | EA | PILLOW-15"X15"(H16) |
| | 111862-08-H13 | EA | PILLOW-15"X15"(H12,H13)-MCCLAINSANNIVERSARYOPTION |
| | 111862-08-H14 | EA | PILLOW-15"X15"(H14)-MCCLAINSANNIVERSARYOPTION |
| | 111862-08-H15 | EA | PILLOW-15"X15"(H15)-MCCLAINSANNIVERSARYOPTION |
| | 111862-08-H16 | EA | PILLOW-15"X15"(H16)-MCCLAINSANNIVERSARYOPTION |

BUNKCUSHION

| KEY | PARTNUMBER | U/M | DESCRIPTION |
|-----|---------------|-----|------------------------------|
| | 079145-06-000 | EA | CUSHION-BUNK-30"X77"X4" |
| | M79145-06-000 | EA | COVER-BUNKCUSHION-30"X77"X4" |
| | 094658-01-G09 | EA | HANDLE-OAK/BUNK |

SOFA/BED

| KEY | PARTNUMBER | U/M | DESCRIPTION |
|-----|---------------|-----|---|
| 2 | 111319-01-G13 | EA | BACK-SOFA/BED-W/FRAME-74"(H12,H13) |
| 2 | 111319-01-H14 | EA | BACK-SOFA/BED-W/FRAME-74"(H14) |
| 2 | 111319-02-H15 | EA | BACK-SOFA/BED-W/FRAME-74"(H15) |
| 2 | 111319-01-H16 | EA | BACK-SOFA/BED-W/FRAME-74"(H16) |
| | P11319-01-G13 | EA | COVER-BACK-SOFA/BED-74"(H12,H13) |
| | P11319-01-H14 | EA | COVER-BACK-SOFA/BED-74"(H14) |
| | P11319-02-H15 | EA | COVER-BACK-SOFA/BED-74"(H15) |
| | P11319-01-H16 | EA | COVER-BACK-SOFA/BED-74"(H16) |
| | 101085-10-000 | EA | FRAME-BACK-SOFA/BED-74.75" |
| 3 | 100032-43-G13 | EA | SEAT-SOFA/BEDW/FRAME-74"-W/OARMS(H12,H13) |
| 3 | 100032-43-H14 | EA | SEAT-SOFA/BEDW/FRAME-74"-W/OARMS(H14) |
| 3 | 100032-30-H15 | EA | SEAT-SOFA/BEDW/FRAME-74"-W/OARMS(H15) |
| 3 | 100032-43-H16 | EA | SEAT-SOFA/BEDW/FRAME-74"-W/OARMS(H16) |
| | P00032-43-G13 | EA | COVER-SEAT-SOFA/BED-74"-W/OARMS(H12,H13) |
| | P00032-43-H14 | EA | COVER-SEAT-SOFA/BED-74"-W/OARMS(H14) |
| | P00032-30-H15 | EA | COVER-SEAT-SOFA/BED-74"-W/OARMS(H15) |
| | P00032-43-H16 | EA | COVER-SEAT-SOFA/BED-74"-W/OARMS(H16) |
| | 101085-04-000 | EA | FRAME-SEAT-SOFA/BED-74.75" |
| | 101085-06-000 | EA | FRAME-SEAT-SOFA/BED-74.75" |
| | 113990-09-000 | EA | LOCK-BRACKET-MALEFLEXSTEEL-CSA |
| | 122556-04-01A | EA | LOCK-JACKKNIFESEAT-CSA |

N O T E : COUCHFRONTANDSIDE PANELSARE FOUNDINTHE LOUNGE GROUP

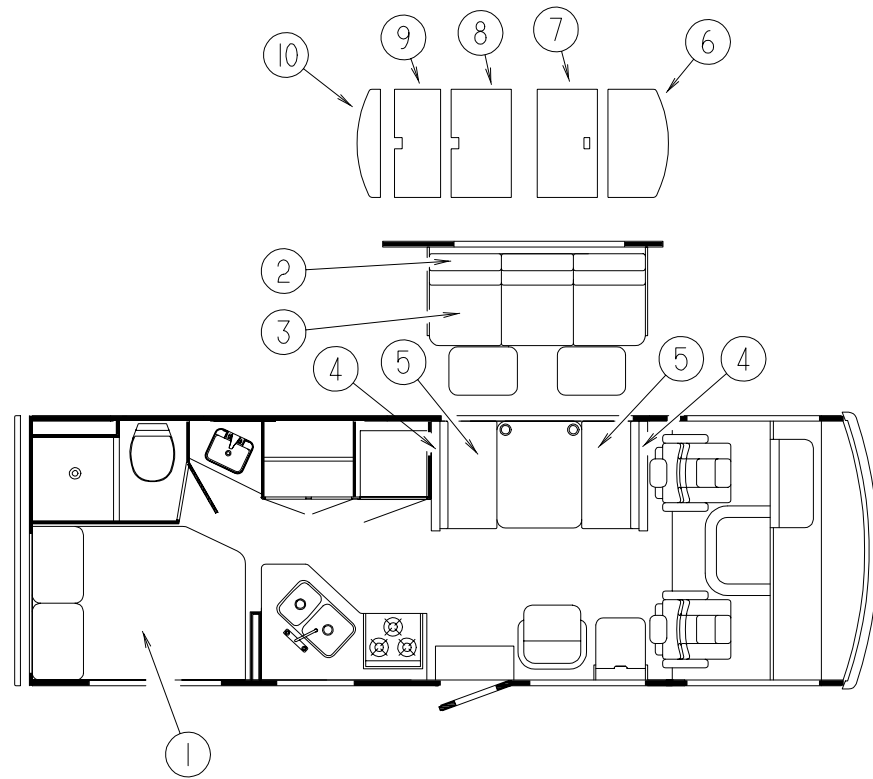
LOUNGEACCENTPILLOWS

| KEY | PARTNUMBER | U/M | DESCRIPTION |
|-----|---------------|-----|-------------------------|
| | 111637-02-H13 | EA | PILLOW-22"X22"(H12,H13) |
| | 111637-02-H14 | EA | PILLOW-22"X22"(H14) |
| | 111637-01-H15 | EA | PILLOW-22"X22"(H15) |
| | 111637-02-H16 | EA | PILLOW-22"X22"(H16) |

BUCKETSEAT-WIEEXPORTOPTION

| KEY | PARTNUMBER | U/M | DESCRIPTION |
|-----|---------------|-----|------------------------|
| | 110148-13-H12 | EA | SEAT-ECONOMY-THROWAWAY |
| | M05962-33-H24 | EA | COVER-BACK |
| | M05962-34-H24 | EA | COVER-SEAT |
| | 080730-08-000 | EA | HANDLE-RECLINER |
| | 080730-09-000 | EA | SHIELD-RECLINERHANDLE |
| | 080730-11-000 | EA | SHIELD-RUBBERBOOT |
| | 122695-02-01B | EA | FRAME-SEAT/BACK |

CURTAIN&CUSHIONGROUP(CONTINUED)



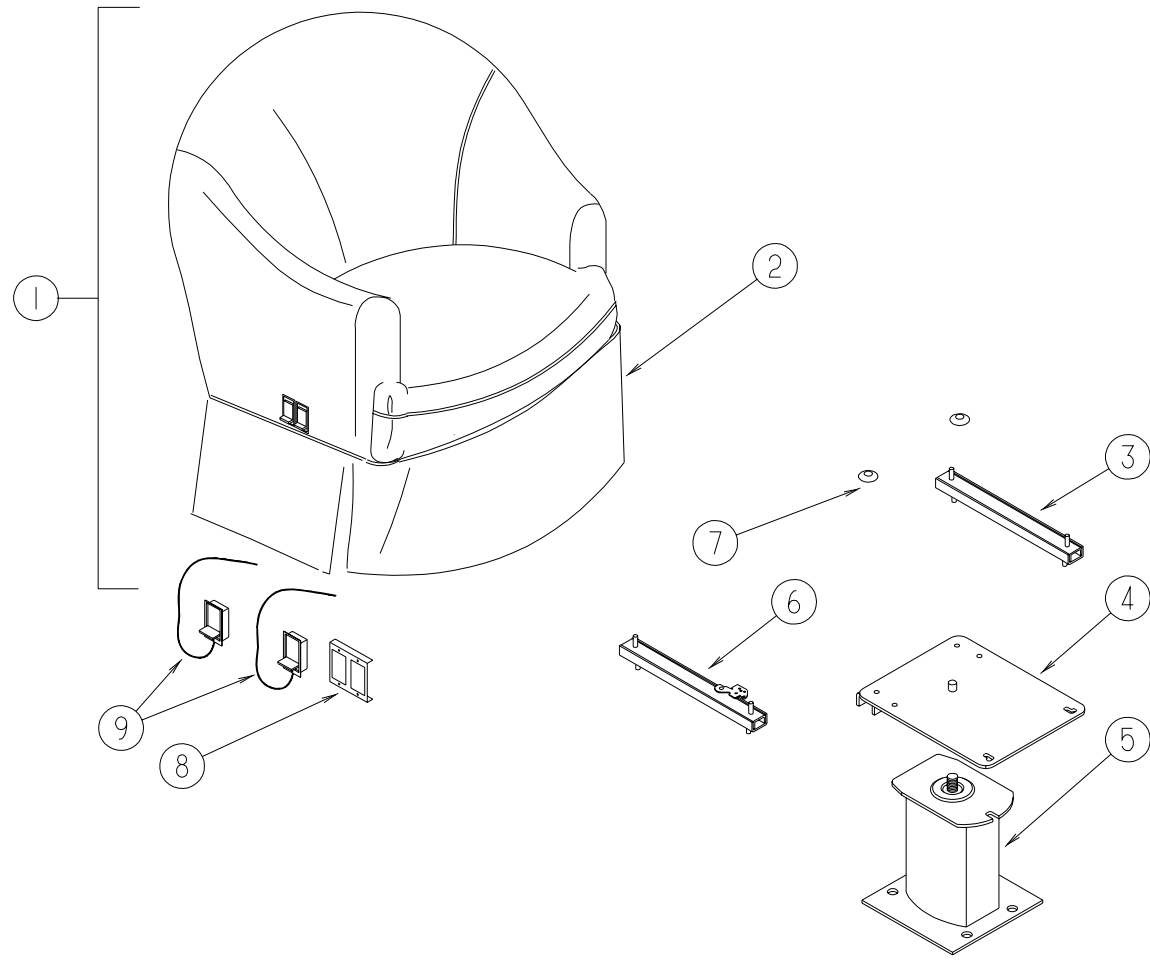
DINETTECUSHIONS

| KEY | PARTNUMBER | U/M | DESCRIPTION |
|-----|---------------|-----|--|
| 4 | 111897-04-G13 | EA | CUSHION-BACK-13.5"X38"X5"(H12,H13) |
| 4 | 111897-04-H14 | EA | CUSHION-BACK-13.5"X38"X5"(H14) |
| 4 | 111897-12-H15 | EA | CUSHION-BACK-13.5"X38"X5"(H15) |
| 4 | 111897-04-H16 | EA | CUSHION-BACK-13.5"X38"X5"(H16) |
| | P11897-04-G13 | EA | COVER-BACK-13.5"X38"X5"(H12,H13) |
| | P11897-04-H14 | EA | COVER-BACK-13.5"X38"X5"(H14) |
| | P11897-12-H15 | EA | COVER-BACK-13.5"X38"X5"(H15) |
| | P11897-04-H16 | EA | COVER-BACK-13.5"X38"X5"(H16) |
| | 078155-01-000 | EA | STRAP-SNAP-BACKCUSHION |
| 5 | 088927-87-G13 | EA | CUSHION-SEATBOTTOM-23"X38"X5"(H12,H13) |
| 5 | 088927-87-H14 | EA | CUSHION-SEATBOTTOM-23"X38"X5"(H14) |
| 5 | 088927-87-H15 | EA | CUSHION-SEATBOTTOM-23"X38"X5"(H15) |
| 5 | 088927-87-H16 | EA | CUSHION-SEATBOTTOM-23"X38"X5"(H16) |
| | M88927-87-G13 | EA | COVER-SEATCUSHION-23"X38"X5"(H12,H13) |
| | M88927-87-H14 | EA | COVER-SEATCUSHION-23"X38"X5"(H14) |
| | M88927-87-H15 | EA | COVER-SEATCUSHION-23"X38"X5"(H15) |
| | M88927-87-H16 | EA | COVER-SEATCUSHION-23"X38"X5"(H16) |

DINETTECUSHIONS-W.I.EEXPORT

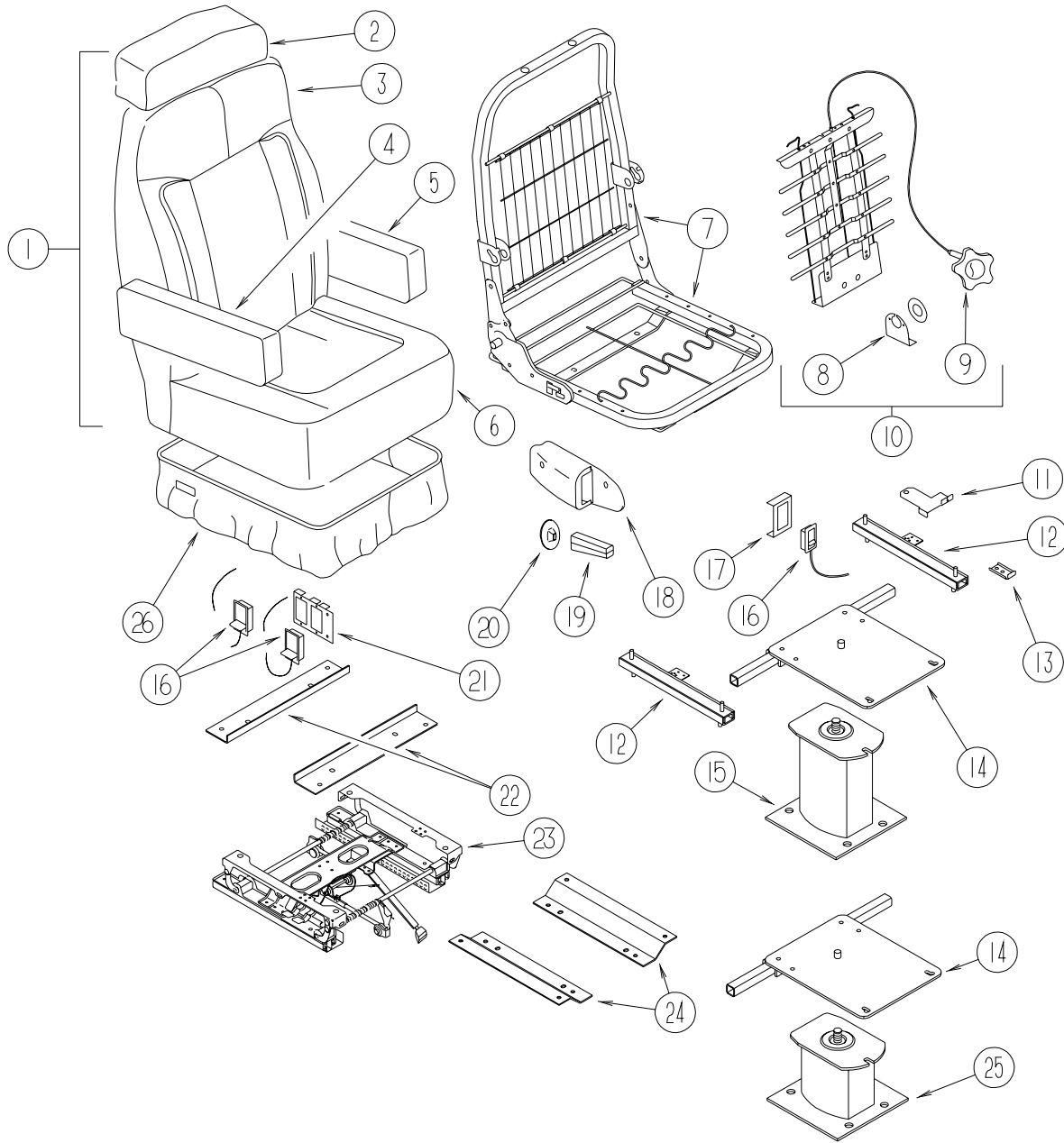
| KEY | PARTNUMBER | U/M | DESCRIPTION |
|-----|---------------|-----|--|
| 6 | 120968-04-H13 | EA | CUSHION-BACK-41"X28"X5"(H12,H13) |
| 6 | 120968-04-H14 | EA | CUSHION-BACK-41"X28"X5"(H14) |
| 6 | 120968-04-H15 | EA | CUSHION-BACK-41"X28"X5"(H15) |
| 6 | 120968-04-H16 | EA | CUSHION-BACK-41"X28"X5"(H16) |
| | P20968-04-H13 | EA | COVER-BACKCUSHION-41"X28"X5"(H12,H13) |
| | P20968-04-H14 | EA | COVER-BACKCUSHION-41"X28"X5"(H14) |
| | P20968-04-H15 | EA | COVER-BACKCUSHION-41"X28"X5"(H15) |
| | P20968-04-H16 | EA | COVER-BACKCUSHION-41"X28"X5"(H16) |
| 7 | 120968-05-H13 | EA | CUSHION-SEAT-23"X41"X5"(H12,H13) |
| 7 | 120968-05-H14 | EA | CUSHION-SEAT-23"X41"X5"(H14) |
| 7 | 120968-05-H15 | EA | CUSHION-SEAT-23"X41"X5"(H15) |
| 7 | 120968-05-H16 | EA | CUSHION-SEAT-23"X41"X5"(H16) |
| | P20968-05-H13 | EA | COVER-SEAT/CUSHION-23"X41"X5"(H12,H13) |
| | P20968-05-H14 | EA | COVER-SEAT/CUSHION-23"X41"X5"(H14) |
| | P20968-05-H15 | EA | COVER-SEAT/CUSHION-23"X41"X5"(H15) |
| | P20968-05-H16 | EA | COVER-SEAT/CUSHION-23"X41"X5"(H16) |
| 8 | 120968-02-H13 | EA | CUSHION-SEAT-23"X41"X5"(H12,H13) |
| 8 | 120968-02-H14 | EA | CUSHION-SEAT-23"X41"X5"(H14) |
| 8 | 120968-02-H15 | EA | CUSHION-SEAT-23"X41"X5"(H15) |
| 8 | 120968-02-H16 | EA | CUSHION-SEAT-23"X41"X5"(H16) |
| | P20968-02-H13 | EA | COVER-SEAT-23"X41"X5"(H12,H13) |
| | P20968-02-H14 | EA | COVER-SEAT-23"X41"X5"(H14) |
| | P20968-02-H15 | EA | COVER-SEAT-23"X41"X5"(H15) |
| | P20968-02-H16 | EA | COVER-SEAT-23"X41"X5"(H16) |
| 9 | 120968-01-H13 | EA | CUSHION-BACK-23"X41"X5"(H12,H13) |
| 9 | 120968-01-H14 | EA | CUSHION-BACK-23"X41"X5"(H14) |
| 9 | 120968-01-H15 | EA | CUSHION-BACK-23"X41"X5"(H15) |
| 9 | 120968-01-H16 | EA | CUSHION-BACK-23"X41"X5"(H16) |
| | P20968-01-H13 | EA | COVER-BACKCUSHION-23"X41"X5"(H12,H13) |
| | P20968-01-H14 | EA | COVER-BACKCUSHION-23"X41"X5"(H14) |
| | P20968-01-H15 | EA | COVER-BACKCUSHION-23"X41"X5"(H15) |
| | P20968-01-H16 | EA | COVER-BACKCUSHION-23"X41"X5"(H16) |
| 10 | 120968-03-H13 | EA | CUSHION-TOPBACK(H12,H13) |
| 10 | 120968-03-H14 | EA | CUSHION-TOPBACK(H14) |
| 10 | 120968-03-H15 | EA | CUSHION-TOPBACK(H15) |
| 10 | 120968-03-H16 | EA | CUSHION-TOPBACK(H16) |
| | P20968-03-H13 | EA | COVER-CUSHION-TOPBACK(H12,H13) |
| | P20968-03-H14 | EA | COVER-CUSHION-TOPBACK(H14) |
| | P20968-03-H15 | EA | COVER-CUSHION-TOPBACK(H15) |
| | P20968-03-H16 | EA | COVER-CUSHION-TOPBACK(H16) |

CURTAIN&CUSHIONGROUP(CONTINUED)
SWIVELCHAIR



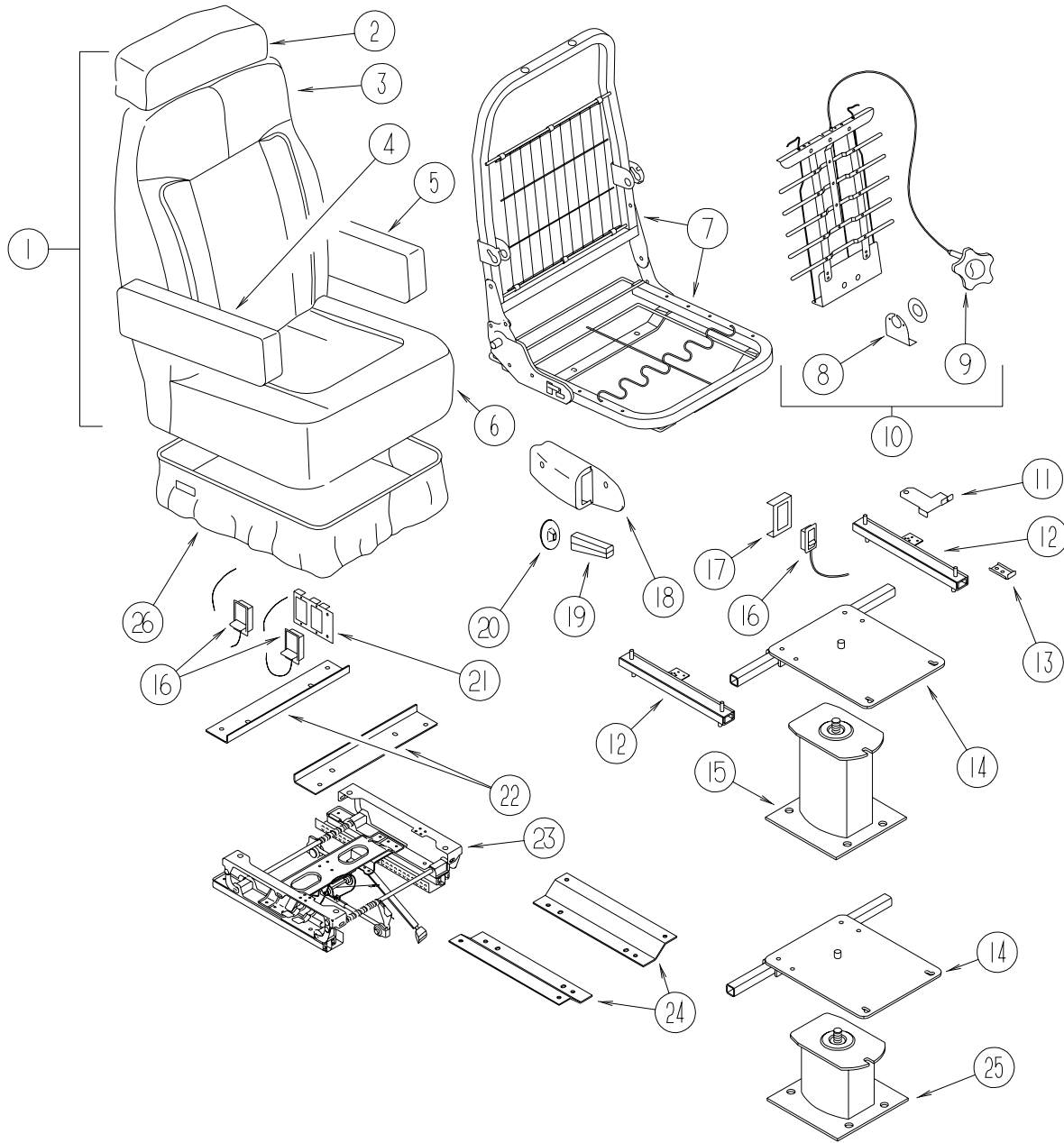
| KEY | PARTNUMBER | U/M | DESCRIPTION |
|-----|---------------|-----|---|
| 1 | 118302-01-H13 | EA | CHAIR-SWIVEL-W/OSKIRT(H12,H13) |
| 1 | 118302-01-H14 | EA | CHAIR-SWIVEL-W/OSKIRT(H14) |
| 1 | 118302-03-H15 | EA | CHAIR-SWIVEL-W/OSKIRT(H15) |
| 1 | 118302-01-H16 | EA | CHAIR-SWIVEL-W/OSKIRT(H16) |
| | P18302-01-H13 | EA | COVER-SWIVELCHAIR(H12,H13) |
| | P18302-01-H14 | EA | COVER-SWIVELCHAIR(H14) |
| | P18302-03-H15 | EA | COVER-SWIVELCHAIR(H15) |
| | P18302-01-H16 | EA | COVER-SWIVELCHAIR(H16) |
| | P18302-27-H13 | EA | COVER-ARMREST(H12,H13) |
| | P18302-27-H14 | EA | COVER-ARMREST(H14) |
| | P18302-25-H15 | EA | COVER-ARMREST(H15) |
| | P18302-27-H16 | EA | COVER-ARMREST(H16) |
| 2 | 118306-01-H13 | EA | SKIRT-SWIVELCHAIR(H12,H13) |
| 2 | 118306-01-H14 | EA | SKIRT-SWIVELCHAIR(H14) |
| 2 | 118306-03-H15 | EA | SKIRT-SWIVELCHAIR(H15) |
| 2 | 118306-01-H16 | EA | SKIRT-SWIVELCHAIR(H16) |
| 3 | 119952-01-000 | EA | SLIDE/SEAT-HEAVYDUTYNONLOCKING |
| 4 | 107921-08-000 | EA | TOPPLATE-PEDESTAL-W/OSEATBELTBAR |
| | 107921-06-000 | EA | BEARINGKIT-PEDESTAL |
| 5 | 107921-02-000 | EA | PEDESTAL/FLOORMOUNTED-W/6.50"EXTENSION |
| 6 | 119952-03-000 | EA | SLIDE/SEAT-HEAVYDUTYLOCKING-2STUDS |
| 7 | 007221-01-000 | EA | SPACER-SEAT/ADJUSTER |
| 8 | 097683-02-000 | EA | BRACKET-REMOTE/SIDEMOUNT-DOUBLE |
| 9 | 108049-03-000 | EA | CABLE/CONTROL25.5"SHEATH/28.5"CABLEW/DOGLEG |
| | 108049-02-000 | EA | CLIP-CABLE/PEDESTAL |
| | 117125-01-02B | EA | BRACKET-CABLEMOUNT-ADJUSTERW/LOCK |
| | 112436-03-000 | FT | TRIM-#8-FLEXRING |

CURTAIN&CUSHIONGROUP(CONTINUED)
DRIVERBUCKETSEAT



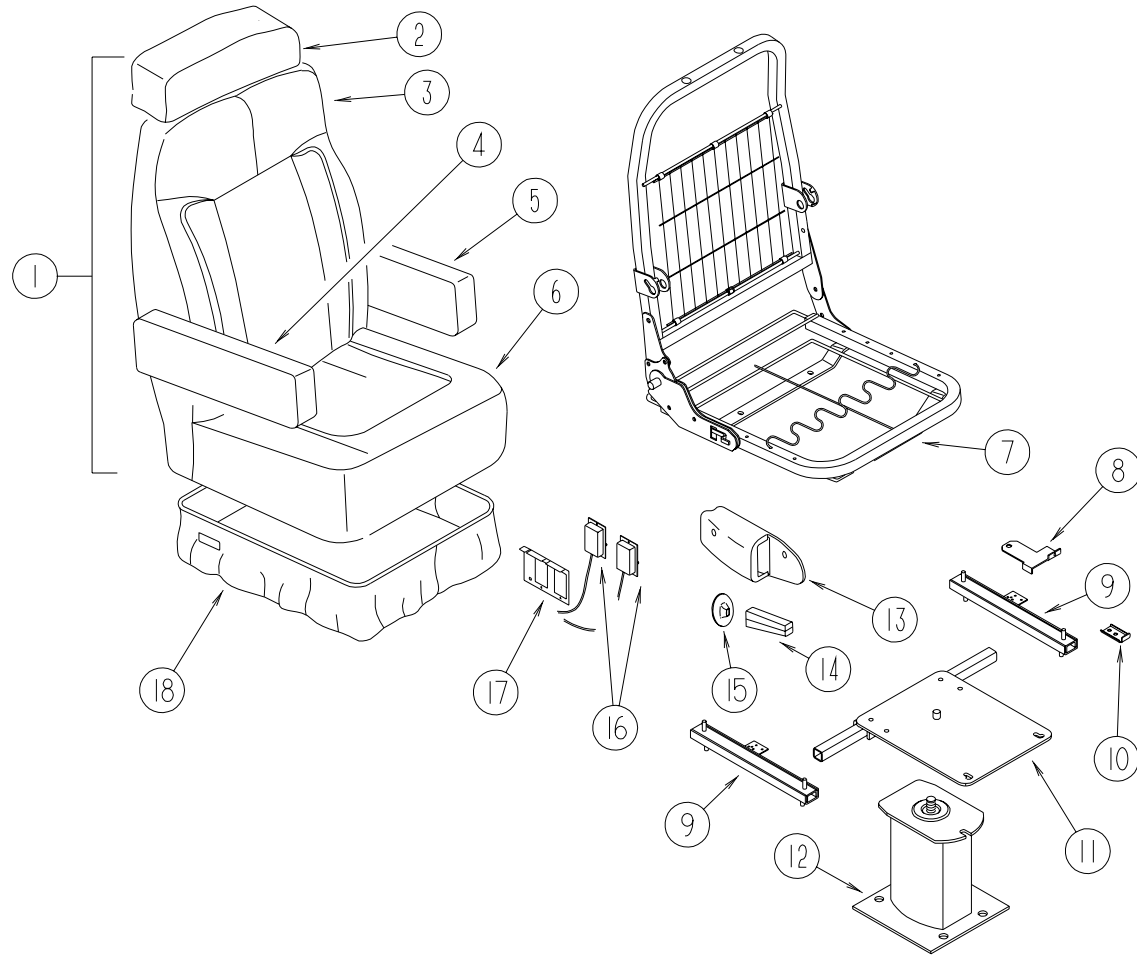
| KEY | PARTNUMBER | U/M | DESCRIPTION |
|-----|---------------|-----|--|
| 1 | 119508-06-H13 | EA | SEAT-BUCKET,W/ARMRESTS,HEADREST&LUMBAR SUPPORT(H12,H13) |
| 1 | 119508-06-H14 | EA | SEAT-BUCKET,W/ARMRESTS,HEADREST&LUMBAR SUPPORT(H14) |
| 1 | 119508-06-H15 | EA | SEAT-BUCKET,W/ARMRESTS,HEADREST&LUMBAR SUPPORT(H15) |
| 1 | 119508-06-H16 | EA | SEAT-BUCKET,W/ARMRESTS,HEADREST&LUMBAR SUPPORT(H16) |
| 1 | 123820-03-H13 | EA | SEAT-BUCKET-MCCLAINSANNIVERSARYOPTION |
| 2 | 119509-01-H13 | EA | HEADREST-BUCKETSEAT(H12,H13) |
| 2 | 119509-01-G24 | EA | HEADREST-BUCKETSEAT(H14) |
| 2 | 119509-01-H15 | EA | HEADREST-BUCKETSEAT(H15) |
| 2 | 119509-01-H16 | EA | HEADREST-BUCKETSEAT(H16) |
| 2 | 124682-02-H56 | EA | HEADREST-MCCLAINSANNIVERSARYOPTION |
| 2 | P19509-01-H13 | EA | COVER-HEADREST(H12,H13) |
| 2 | P19509-01-G24 | EA | COVER-HEADREST(H14) |
| 2 | P19509-01-H15 | EA | COVER-HEADREST(H15) |
| 2 | P19509-01-H16 | EA | COVER-HEADREST(H16) |
| 2 | P24682-02-H56 | EA | COVER-HEADREST-MCCLAINSANNIVERSARYOPTION |
| | 113977-12-000 | EA | INSERT/HEADREST-W/OLOCK |
| | 113977-13-000 | EA | INSERT/HEADREST-W/LOCK |
| 3 | M05962-44-H13 | EA | COVER-BACK-BUCKETSEAT(H12,H13) |
| 3 | M05962-44-H14 | EA | COVER-BACK-BUCKETSEAT(H14) |
| 3 | M05962-44-H15 | EA | COVER-BACK-BUCKETSEAT(H15) |
| 3 | M05962-44-H16 | EA | COVER-BACK-BUCKETSEAT(H16) |
| 3 | M05962-49-H60 | EA | COVER-BACK-LEATHER/VINYL-MCCLAINSANNIVERSARYOPTION |
| 4 | 122780-01-H13 | EA | ARMREST-RIGHTHAND(H12,H13) |
| 4 | 122780-01-H14 | EA | ARMREST-RIGHTHAND(H14) |
| 4 | 122780-01-H15 | EA | ARMREST-RIGHTHAND(H15) |
| 4 | 122780-01-H16 | EA | ARMREST-RIGHTHAND(H16) |
| 4 | 123962-03-H50 | EA | ARMREST-ADJUSTABLE/RIGHTHAND-MCCLAINSANNIVERSARYOPTION |
| | 122622-04-000 | EA | BRACKET-ADJUSTABLE/ARMREST-RIGHTHAND-MCCLAINSANNIVERSARYOPTION |
| | 122622-06-000 | EA | BRACKET-ADJUSTABLEKNOB-3/8"-MCCLAINSANNIVERSARYOPTION |
| 4 | P22780-01-H13 | EA | COVER-ARMREST-RIGHTHAND(H12,H13) |
| 4 | P22780-01-H14 | EA | COVER-ARMREST-RIGHTHAND(H14) |
| 4 | P22780-01-H15 | EA | COVER-ARMREST-RIGHTHAND(H15) |
| 4 | P22780-01-H16 | EA | COVER-ARMREST-RIGHTHAND(H16) |
| | 115617-03-000 | EA | ARMREST-W/OCOVER-RIGHTHAND |
| | P23962-03-H50 | EA | COVER-ARMREST-RIGHTHAND-MCCLAINSANNIVERSARYOPTION |
| 5 | 122780-02-H13 | EA | ARMREST-LEFTHAND(H12,H13) |
| 5 | 122780-02-H14 | EA | ARMREST-LEFTHAND(H14) |
| 5 | 122780-02-H15 | EA | ARMREST-LEFTHAND(H15) |
| 5 | 122780-02-H16 | EA | ARMREST-LEFTHAND(H16) |
| | 115617-04-000 | EA | ARMREST-W/OCOVER-LEFTHAND |
| 5 | 123962-04-H13 | EA | ARMREST-ADJUSTABLE/LEFTHAND-MCCLAINSANNIVERSARYOPTION |
| | 122622-05-000 | EA | BRACKET-ADJUSTABLE/ARMREST-LEFTHAND-MCCLAINSANNIVERSARYOPTION |
| | 122622-06-000 | EA | BRACKET-ADJUSTABLEKNOB-3/8"-MCCLAINSANNIVERSARYOPTION |
| 5 | P22780-02-H13 | EA | COVER-ARMREST-LEFTHAND(H12,H13) |
| 5 | P22780-02-H14 | EA | COVER-ARMREST-LEFTHAND(H14) |
| 5 | P22780-02-H15 | EA | COVER-ARMREST-LEFTHAND(H15) |
| 5 | P22780-02-H16 | EA | COVER-ARMREST-LEFTHAND(H16) |
| 5 | P23962-05-H13 | EA | COVER-ARMREST-LEFTHAND-MCCLAINSANNIVERSARYOPTION |

CURTAIN&CUSHIONGROUP(CONTINUED)
DRIVERBUCKETSEAT(CONTINUED)



| KEY | PARTNUMBER | U/M | DESCRIPTION | VENDOR NO. |
|-----|---------------|-----|--|------------|
| 6 | M05962-43-H13 | EA | COVER-SEAT, BUCKETSEAT (H12, H13) | |
| 6 | M05962-43-H14 | EA | COVER-SEAT, BUCKETSEAT (H14) | |
| 6 | M05962-43-H15 | EA | COVER-SEAT, BUCKETSEAT (H15) | |
| 6 | M05962-43-H16 | EA | COVER-SEAT, BUCKETSEAT (H16) | |
| 6 | M05962-50-H60 | EA | COVER-SEAT-LEATHER/VINYL-MCCLAINS ANNIVERSARY OPTION | |
| 7 | 122695-01-01B | EA | FRAME-SEAT/BACK | |
| 8 | 122611-01-702 | EA | LUMBAR-BRACKET | 157C-90 |
| | 122611-01-703 | EA | LUMBAR-SCREW | 210 |
| 9 | 122611-01-701 | EA | LUMBAR-KNOB | 218 |
| 10 | 122611-01-000 | EA | LUMBAR | |
| 11 | 117125-01-02B | EA | BRACKET-CABLEHOLDER, ADJUSTER W/LOCK-E-COAT | |
| 12 | 119952-06-000 | EA | SLIDE-SEAT, HEAVY DUTY LOCKING-4 STUDS | |
| | 119952-07-000 | EA | WIRE-LATCH RELEASE/ROTARY | |
| 13 | 114889-01-000 | EA | STOPBAR-UNIVERSAL | |
| 14 | 107921-05-000 | EA | PLATE-TOP W/SEATBELT BAR | |
| | 107921-06-000 | EA | BEARING KIT-PEDESTAL | |
| 15 | 107921-01-000 | EA | PEDESTAL-SEAT, FLOOR MOUNTED W/9.75" EXTENSION | |
| 16 | 108049-03-000 | EA | CABLE/CONTROL 25.5" SHEATH/28.5" CABLE W/DOG LEG | |
| | 108049-02-000 | EA | CLIP-CABLE, PEDESTAL | |
| 17 | 116215-03-000 | EA | BRACKET-LOWER MOUNT-6-WAY MANUAL SEAT | |
| 18 | 080730-09-000 | EA | SHIELD-RECLINER HANDLE | |
| 19 | 080730-08-000 | EA | HANDLE-RECLINER | |
| 20 | 080730-11-000 | EA | SHIELD-RUBBER BOOT | |
| 21 | 097683-02-000 | EA | BRACKET-REMOTE/SIDE MOUNT-DOUBLE | |
| 22 | 116215-02-000 | EA | BRACKET-UPPER MOUNT-6-WAY MANUAL SEAT | |
| | 007221-01-000 | EA | SPACER-SEAT/ADJUSTER-4 USED PER SWIVEL CHAIR | |
| 23 | 116215-01-000 | EA | SEAT ADJUSTER-DRIVERS 6-WAY MECHANICAL | |
| 24 | 116215-03-000 | EA | PLATE-LOWER-6-WAY MANUAL CONTROL | |
| 25 | 107921-07-000 | EA | PEDESTAL-BASE-POWER | |
| 26 | 071126-58-H13 | EA | SKIRT-SINGLE-W/SEATBELT SLOT (H12, H13) | |
| 26 | 071126-58-H14 | EA | SKIRT-SINGLE-W/SEATBELT SLOT (H14) | |
| 26 | 071126-58-H15 | EA | SKIRT-SINGLE-W/SEATBELT SLOT (H15) | |
| 26 | 071126-58-H16 | EA | SKIRT-SINGLE-W/SEATBELT SLOT (H16) | |
| 26 | 071126-60-H13 | EA | SKIRT-SINGLE-10.5"-6-WAY MANUAL (H12, H13) | |
| 26 | 071126-60-H14 | EA | SKIRT-SINGLE-10.5"-6-WAY MANUAL (H14) | |
| 26 | 071126-60-H15 | EA | SKIRT-SINGLE-10.5"-6-WAY MANUAL (H15) | |
| 26 | 071126-60-H16 | EA | SKIRT-SINGLE-10.5"-6-WAY MANUAL (H16) | |
| 26 | 071126-62-H13 | EA | SKIRT-SINGLE-10.5"-W/SEATBELT SLOT-MCCLAINS ANNIVERSARY OPTION | |

CURTAIN&CUSHIONGROUP(CONTINUED)
PASSENGERBUCKETSEAT



| KEY | PARTNUMBER | U/M | DESCRIPTION |
|-----|---------------|-----|--|
| 1 | 119508-07-H13 | EA | SEAT-BUCKET-W/ARMRESTS/HEADREST/MANUALRECLINE(H12,H13) |
| 1 | 119508-07-H14 | EA | SEAT-BUCKET-W/ARMRESTS/HEADREST/MANUALRECLINE(H14) |
| 1 | 119508-07-H15 | EA | SEAT-BUCKET-W/ARMRESTS/HEADREST/MANUALRECLINE(H15) |
| 1 | 119508-07-H16 | EA | SEAT-BUCKET-W/ARMRESTS/HEADREST/MANUALRECLINE(H16) |
| 1 | 123820-04-H13 | EA | SEAT-BUCKET-MCCLAINSANNIVERSARYOPTION |
| 2 | 119509-01-H13 | EA | HEADREST-BUCKETSEAT(H12,H13) |
| 2 | 119509-01-G24 | EA | HEADREST-BUCKETSEAT(H14) |
| 2 | 119509-01-H15 | EA | HEADREST-BUCKETSEAT(H15) |
| 2 | 119509-01-H16 | EA | HEADREST-BUCKETSEAT(H16) |
| 2 | 124682-02-H56 | EA | HEADREST-MCCLAINSANNIVERSARYOPTION |
| 2 | P19509-01-H13 | EA | COVER-HEADREST(H12,H13) |
| 2 | P19509-01-G24 | EA | COVER-HEADREST(H14) |
| 2 | P19509-01-H15 | EA | COVER-HEADREST(H15) |
| 2 | P19509-01-H16 | EA | COVER-HEADREST(H16) |
| 2 | P24682-02-H56 | EA | COVER-HEADREST-MCCLAINSANNIVERSARYOPTION |
| | 113977-12-000 | EA | HEADRESTINSERTW/OLOCK |
| | 113977-13-000 | EA | HEADRESTINSERTW/LOCK |
| 3 | M05962-44-H13 | EA | COVER-BACK-BUCKETSEAT(H12,H13) |
| 3 | M05962-44-H14 | EA | COVER-BACK-BUCKETSEAT(H14) |
| 3 | M05962-44-H15 | EA | COVER-BACK-BUCKETSEAT(H15) |
| 3 | M05962-44-H16 | EA | COVER-BACK-BUCKETSEAT(H16) |
| 3 | M05962-49-H60 | EA | COVER-BACK-LEATHER/VINYL-MCCLAINSANNIVERSARYOPTION |

| KEY | PARTNUMBER | U/M | DESCRIPTION |
|-----|---------------|-----|---|
| 4 | 122780-01-H13 | EA | ARMREST-RIGHTHAND(H12,H13) |
| 4 | 122780-01-H14 | EA | ARMREST-RIGHTHAND(H14) |
| 4 | 122780-01-H15 | EA | ARMREST-RIGHTHAND(H15) |
| 4 | 122780-01-H16 | EA | ARMREST-RIGHTHAND(H16) |
| 4 | 122780-03-H60 | EA | ARMREST-RIGHTHAND-MCCLAINSANNIVERSARYOPTION |
| 4 | P22780-01-H13 | EA | COVER-ARMREST-RIGHTHAND(H12,H13) |
| 4 | P22780-01-H14 | EA | COVER-ARMREST-RIGHTHAND(H14) |
| 4 | P22780-01-H15 | EA | COVER-ARMREST-RIGHTHAND(H15) |
| 4 | P22780-01-H16 | EA | COVER-ARMREST-RIGHTHAND(H16) |
| 4 | P22780-03-H60 | EA | COVER-ARMREST-RIGHTHAND-MCCLAINSANNIVERSARYOPTION |
| | 115617-03-000 | EA | ARMREST-W/OCOVER-RIGHTHAND |
| 5 | 122780-02-H13 | EA | ARMREST-LEFTHAND(H12,H13) |
| 5 | 122780-02-H14 | EA | ARMREST-LEFTHAND(H14) |
| 5 | 122780-02-H15 | EA | ARMREST-LEFTHAND(H15) |
| 5 | 122780-02-H16 | EA | ARMREST-LEFTHAND(H16) |
| 5 | 122780-04-H60 | EA | ARMREST-LEFTHAND-MCCLAINSANNIVERSARYOPTION |
| | 115617-04-000 | EA | ARMREST-W/OCOVER-LEFTHAND |
| 5 | P22780-02-H13 | EA | COVER-ARMREST-LEFTHAND(H12,H13) |
| 5 | P22780-02-H14 | EA | COVER-ARMREST-LEFTHAND(H14) |
| 5 | P22780-02-H15 | EA | COVER-ARMREST-LEFTHAND(H15) |
| 5 | P22780-02-H16 | EA | COVER-ARMREST-LEFTHAND(H16) |
| 5 | P22780-05-H60 | EA | COVER-ARMREST-LEFTHAND-MCCLAINSANNIVERSARYOPTION |
| 6 | M05962-43-H13 | EA | COVER-SEAT/BUCKET-WIDE(H12,H13) |
| 6 | M05962-43-H14 | EA | COVER-SEAT/BUCKET-WIDE(H14) |
| 6 | M05962-43-H15 | EA | COVER-SEAT/BUCKET-WIDE(H15) |
| 6 | M05962-43-H16 | EA | COVER-SEAT/BUCKET-WIDE(H16) |
| 6 | M05962-50-H60 | EA | COVER-SEAT-LEATHER/VINYL-MCCLAINSANNIVERSARYOPTION |
| 7 | 122695-01-01B | EA | FRAME-SEAT/BACK |
| 8 | 117125-01-02B | EA | BRACKET-CABLEMOUNT-ADJUSTERW/LOCK |
| 9 | 119952-06-000 | EA | SLIDE/SEAT-HEAVYDUTYLOCKING-4STUDS |
| | 119952-07-000 | EA | WIRE-LATCHRELEASE/ROTARY |
| 10 | 114889-01-000 | EA | STOPBAR-UNIVERSAL |
| 11 | 107921-05-000 | EA | PLATE-TOP-W/SEATBELTBAR |
| | 107921-06-000 | EA | BEARINGKIT-PEDESTAL |
| 12 | 107921-01-000 | EA | PEDESTAL/FLOORMOUNTED-W/9.75"EXTENSION |
| 13 | 080730-09-000 | EA | SHIELD-RECLINERHANDLE |
| 14 | 080730-08-000 | EA | HANDLE-RECLINER |
| 15 | 080730-11-000 | EA | SHIELD-RUBBERBOOT |
| 16 | 108049-03-000 | EA | CABLE/CONTROL25.5"SHEATH/28.5"CABLEW/DOGLEG |
| | 108049-02-000 | EA | CLIP-CABLE/PEDESTAL |
| 17 | 097683-02-000 | EA | BRACKET-REMOTE/SIDEMOUNT-DOUBLE |
| 18 | 071126-58-H13 | EA | SKIRT-SINGLE-W/SEATBELTSLOT(H12,H13) |
| 18 | 071126-58-H14 | EA | SKIRT-SINGLE-W/SEATBELTSLOT(H14) |
| 18 | 071126-58-H15 | EA | SKIRT-SINGLE-W/SEATBELTSLOT(H15) |
| 18 | 071126-58-H16 | EA | SKIRT-SINGLE-W/SEATBELTSLOT(H16) |
| 18 | 071126-62-H13 | EA | SKIRT-SINGLE-10.5"-W/SEATBELTSLOT-MCCLAINSANNIVERSARYOPTION |

CURTAIN & CUSHION GROUP (CONTINUED)
BUTTON, TRIM, ASSIST HANDLE & SEAT BELT

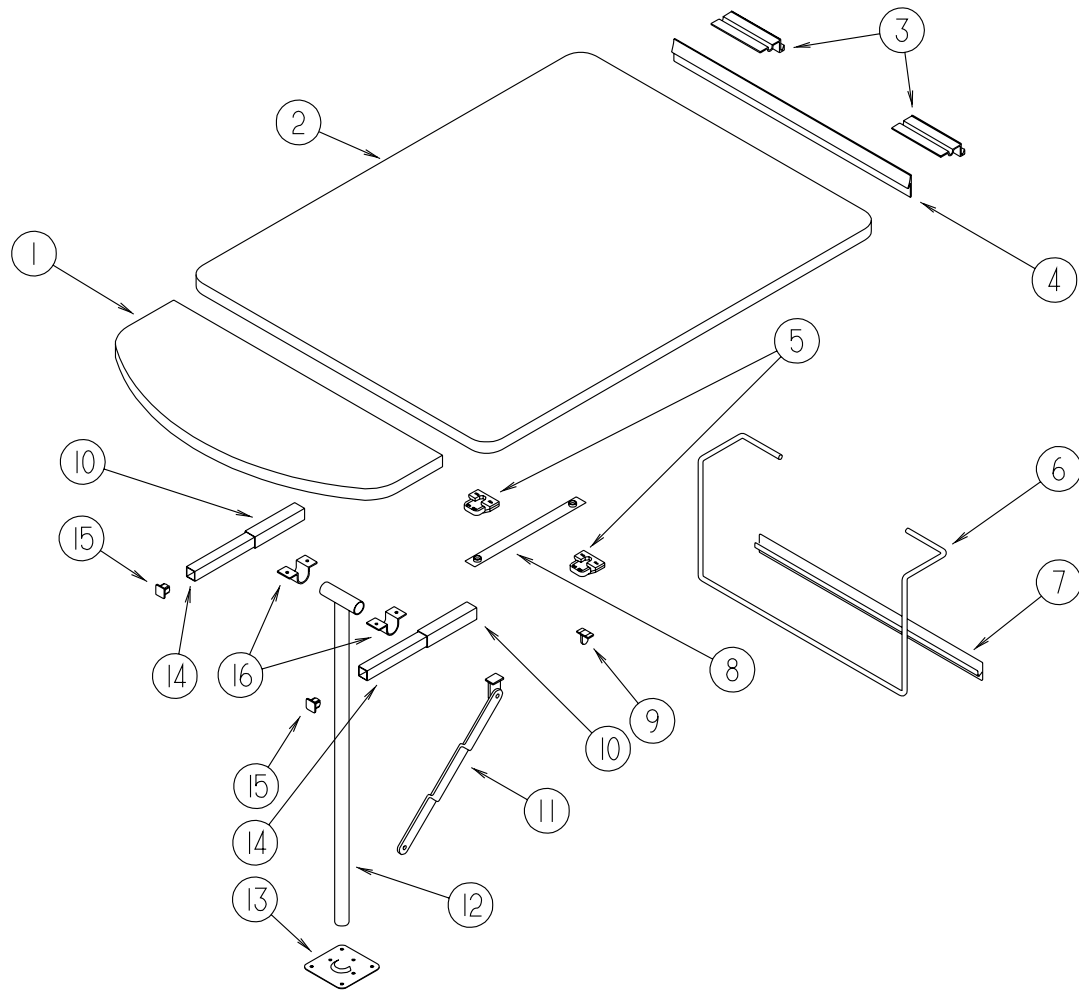
| KEY | PART NUMBER | U/M | DESCRIPTION |
|-----|---------------|-----|---|
| | 070578-02-E38 | EA | BUTTON-SCREW STUD, #30 - VINYL - WILLOW |
| | 079349-04-H13 | YD | WELT ASM-NARROW, ACCENT (H12,H13) |
| | 079349-04-GD1 | YD | WELT ASM-NARROW, ACCENT (H14) |
| | 079349-04-H15 | YD | WELT ASM-NARROW, ACCENT (H15) |
| | 079349-04-H16 | YD | WELT ASM-NARROW, ACCENT (H16) |
| | 057759-01-000 | EA | WASHER BRACKET-SEAT BELT, 4" DIAMETER |
| | 007021-01-000 | EA | BELT-SEAT, 2" X 90" - BLACK |
| | 056271-02-000 | EA | BELT-SEAT, 2" X 72" - BLACK |
| | 069178-02-000 | EA | BRACKET-MOUNTING, ASSIST HANDLE - L ANGLE - W/HOLES - STEEL |
| | 053552-02-AA8 | EA | HANDLE-ASSIST, INTERIOR - ENTRY DOOR - VINYL - OFF WHITE |
| | 057534-03-000 | EA | TIEBACK/TIEDOWN-BED/CURTAIN/DOOR, 7.5" - PLASTIC - CLEAR |
| | 000D20-07-00B | EA | NUT - ACORN - ASSIST HANDLE - 7/16 - 14 |

CURTAIN & CUSHION GROUP (CONTINUED)
BRAVE FABRIC

| COLOR CODES | H12,H13 | H14 | H15 | H16 |
|------------------------------------|---|---|---|---|
| | COPPER-CREEK COPPER-CANYON (TERRA COTTA) | SPUN SILVER (WARM GRAY) | STARS & STRIPES (BLUE) | NEWPORT (BLUE) |
| CEILING MATERIAL | 113979-01-01A | 113979-01-01A | 113979-01-01A | 113979-01-01A |
| BUNK VINYL | 089351-03-000 | 089351-03-000 | 089351-03-000 | 089351-03-000 |
| WILLOW VINYL | 103907-01-03A | 103907-01-03A | 103907-01-03A | 103907-01-03A |
| DRAPERY LINING | 087272-03-000 | 087272-03-000 | 087272-03-000 | 087272-03-000 |
| BUCKET SEATS | 108446-L4-000 | 108446-B4-000 | 108446-L8-000 | 108446-F7-000 |
| MC CLAIN'S BUCKET SEATS | 103907-01-04A | 103907-01-04A | 103907-01-04A | 103907-01-04A |
| DINETTE | 108446-H0-000 | 108446-L3-000 | 108446-M1-000 108446-L9-000 108446-L8-000 | 108446-R3-000 |
| DINETTE PADS | 108446-L4-000 | 108446-B4-000 | 108446-L8-000 | 108446-F7-000 |
| SOFA | 108446-H0-000 | 108446-L3-000 | 108446-L9-000 108446-L8-000 | 108446-R3-000 |
| SOFA PILLOWS | 108446-F3-000 | 108446-L0-000 | 108446-L8-000 | 108446-F4-000 |
| SWIVEL CHAIR | 108446-F3-000 | 108446-L0-000 | 108446-L8-000 | 108446-F4-000 |
| LOUNGE WINDOWS | 108446-F3-000 108446-H0-000 108446-L4-000 | 108446-L0-000 108446-L3-000 108446-B4-000 | 108446-L8-000 108446-L9-000 | 108446-F4-000 108446-R3-000 108446-F7-000 |
| BEDROOM WINDOWS | 105745-A2-000 105745-B7-000 | 105745-D7-000 105745-62-000 | 105745-D8-000 | 105745-65-000 105745-64-000 |
| BEDSPREAD | 105745-A2-000 105745-B7-000 | 105745-D7-000 105745-62-000 | 105745-D8-000 108446-L8-000 | 105745-65-000 105745-64-000 |
| PILLOW SHAMS | 105745-A2-000 105745-B7-000 | 105745-D7-000 105745-62-000 | 105745-D8-000 108446-L8-000 | 105745-65-000 105745-64-000 |
| HEADBOARD | 105745-A2-000 105745-B7-000 | 105745-D7-000 105745-62-000 | 105745-D8-000 | 105745-65-000 105745-64-000 |
| BEDROOM PILLOWS | 105745-B7-000 105745-A2-000 | 105745-62-000 105745-D7-000 | 105745-D8-000 108446-L8-000 | 105745-64-000 105745-65-000 |
| FRONT WRAP AROUND | 072333-90-000 | 072333-82-000 | 072333-82-000 | 072333-82-000 |
| DIVIDER CURTAIN | 072333-90-000 | 072333-82-000 | 072333-82-000 | 072333-82-000 |
| MAP POCKETS | 108446-L4-000 | 108446-B4-000 | 108446-L8-000 | 108446-F7-000 |

NOTE: FABRIC LISTED FIRST, IN A BLOCK, IS THE LARGEST QUANTITY OF FABRIC USED.

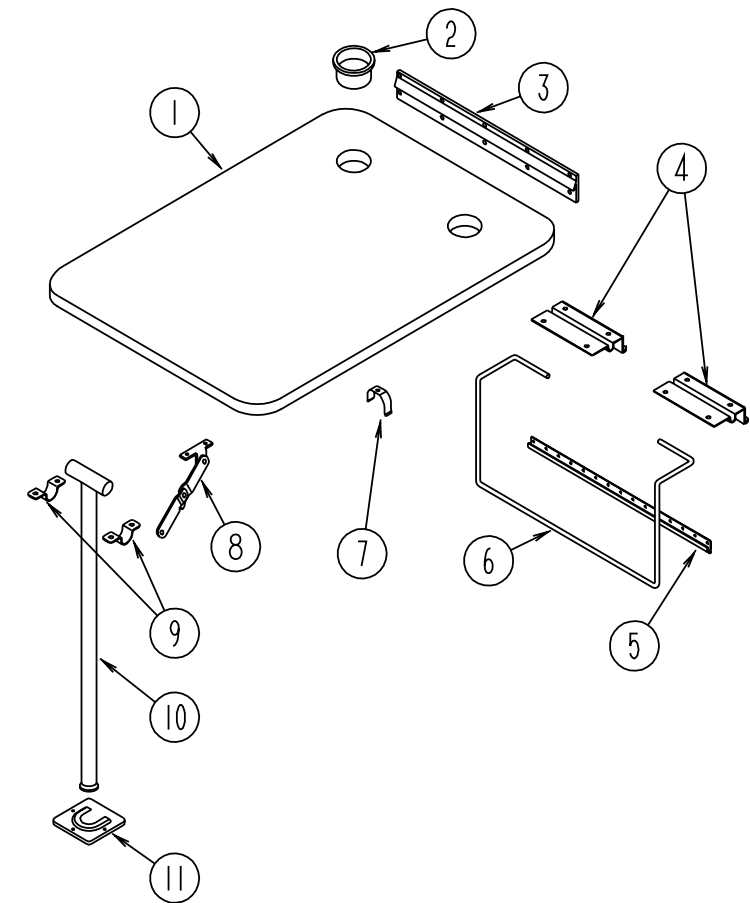
DINETTEGROUP



DINETTETABLE-WIEXPORTOPTION

| KEY | PARTNUMBER | U/M | DESCRIPTION |
|-----|---------------|-----|--|
| 1 | 119963-12-G09 | EA | EXTENSION-TABLE (H12,H13) |
| 1 | 119963-12-G07 | EA | EXTENSION-TABLE (H14,H15) |
| 1 | 119963-12-G45 | EA | EXTENSION-TABLE (H16) |
| 2 | 119963-11-G09 | EA | TABLETOP-W/OEXTENSION (H12,H13) |
| 2 | 119963-11-G07 | EA | TABLETOP-W/OEXTENSION (H14,H15) |
| 2 | 119963-11-G45 | EA | TABLETOP-W/OEXTENSION (H16) |
| 3 | 088410-02-000 | EA | BRACKET-LIFT-TABLEMOUNTED |
| 4 | 053200-12-000 | EA | BRACKET-TABLESUPPORT-UPPERWALLMOUNTED-23.50" |
| 5 | 009050-02-000 | EA | LEVELER-TABLETOP-MALEENDW/4SCREWS-PLASTIC |
| | 009050-03-000 | EA | LEVELER-TABLETOP-FEMALEENDW/2SCREWS-PLASTIC |
| 6 | 024275-12-000 | EA | ROD-TABLELIFT |
| 7 | 024281-14-000 | EA | BRACKET-LIFTROD/LOWERWALLMOUNTED-22.12" |
| 8 | 057534-01-000 | EA | TIEBACK/TIEDOWN-6" CLEARPLASTIC |
| | 029130-04-000 | EA | SOCKET-SNAPFASTENER |
| 9 | 024283-01-000 | EA | CLIP-LEG-1"-1.125"OD-BLACK |
| 10 | 113729-01-02A | EA | TUBE-SUPPORT/TABLE |
| 11 | 024282-01-000 | EA | BRACE-TABLELEG-HINGED |
| 12 | 024276-22-000 | EA | LEG-TABLE-W/OHARDWARE-OFFWHITE |
| | | | FROM: 00-00-00 THRU: 02-17-97 |
| 12 | 024276-23-000 | EA | LEG-TABLE-METAL-OFFWHITE |
| | | | FROM: 02-18-97 THRU: 99-99-99 |
| 13 | 049493-12-000 | EA | CATCH-TABLELEG/FLOORMOUNTED-OFFWHITE |
| | 049493-11-700 | EA | CATCH-TABLELEG/FLOORMOUNTED-ECOATED |
| 14 | 113728-01-02A | EA | TUBE-SUPPORT/TABLE |
| | 114117-01-02A | EA | PLATE-SPACER |
| 15 | 110550-01-000 | EA | CAP-TUBE .9" SQUARE |
| 16 | 064050-05-000 | EA | HINGE-TABLELEG-OFFWHITE |
| | 004354-01-000 | EA | BUMPER-RUBBER-.5"DIA-BROWN |

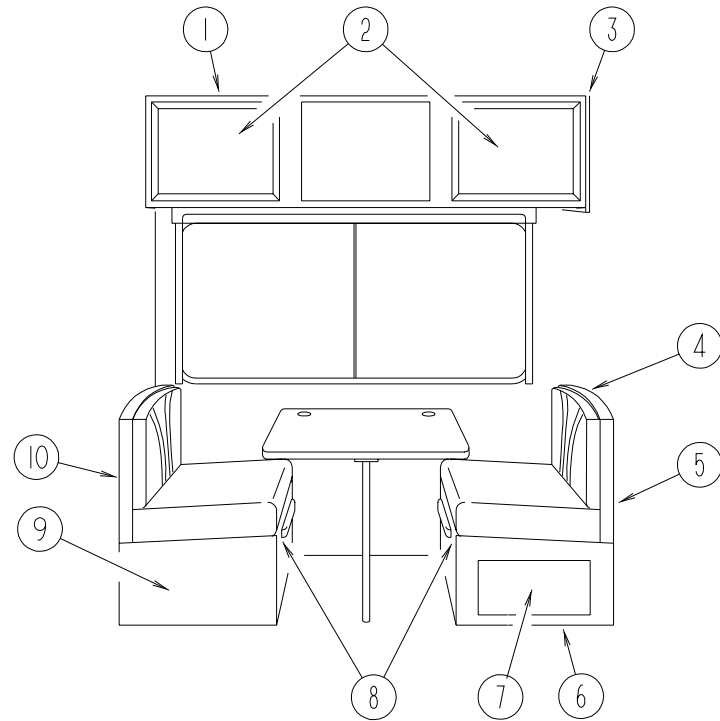
DINETTEGROUP(CONTINUED)



DINETTETABLE

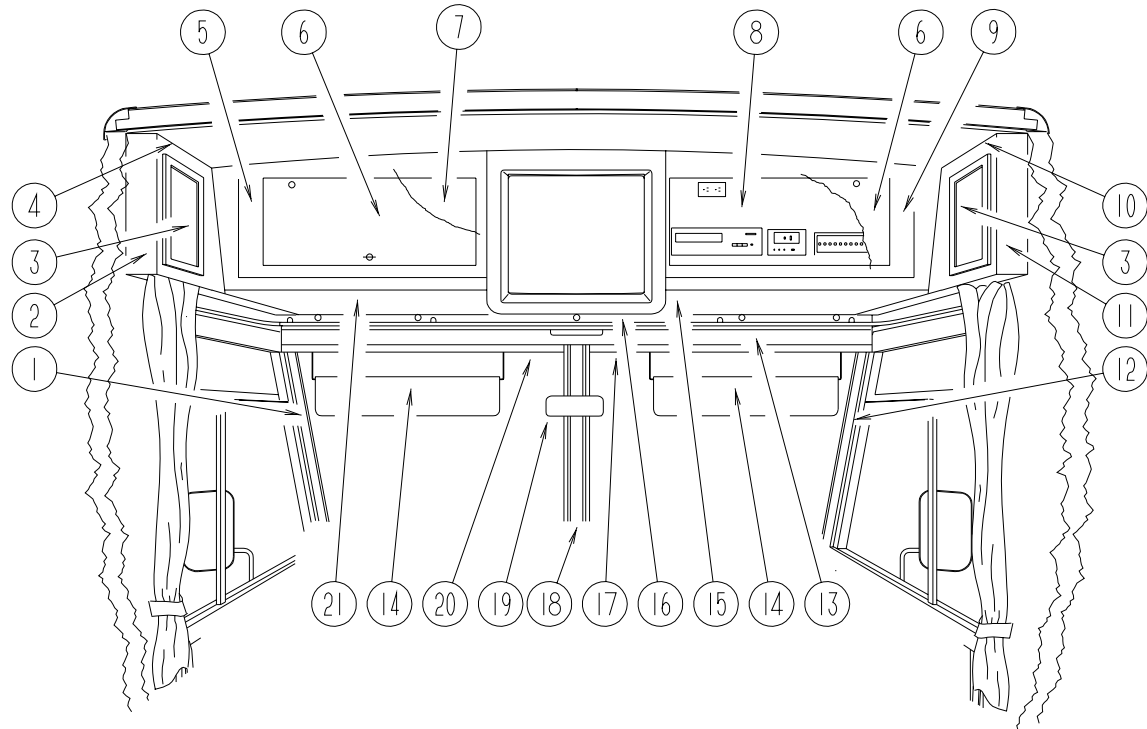
| KEY | PARTNUMBER | U/M | DESCRIPTION |
|-----|---------------|-----|--|
| 1 | 081322-01-G09 | EA | TABLETOPONLY (H12,H13) |
| 1 | 081322-01-G10 | EA | TABLETOPONLY (H14,H15) |
| 1 | 081322-01-G31 | EA | TABLETOPONLY (H16) |
| 2 | 064781-06-000 | EA | HOLDER-CUP,TWOSTEP-OFFWHITE |
| 3 | 053200-12-000 | EA | SUPPORT-TABLE,23.5"-BEIGE |
| 4 | 088410-02-000 | EA | BRACKET-LIFT, TABLEMOUNTED-OFFWHITE |
| 5 | 024281-14-000 | EA | BRACKET-LIFTROD, LOWERWALLMOUNTED-22.12"-OFFWHITE |
| 6 | 024275-12-000 | EA | ROD-TABLELIFT, OFFWHITE |
| 7 | 024283-01-000 | EA | CLIP-LEG, 1" X 1.125" OD - BLACK |
| 8 | 024282-01-000 | EA | BRACE-TABLELEG, HINGED |
| 9 | 064050-05-000 | EA | HINGE-TABLELEG, OFFWHITE |
| 10 | 024276-23-000 | EA | LEG-TABLE, METAL - OFFWHITE |
| 11 | 049493-12-000 | EA | CATCH-LEG, FLOORMOUNTED-2.5" X 2.7" - METAL - OFFWHITE |
| 11 | 049493-11-700 | EA | CATCH-LEG, FLOORMOUNTED-2.5" X 2.7" - METAL - E-COAT |

DINETTEGROUP(CONTINUED)
DINETTE CABINERY



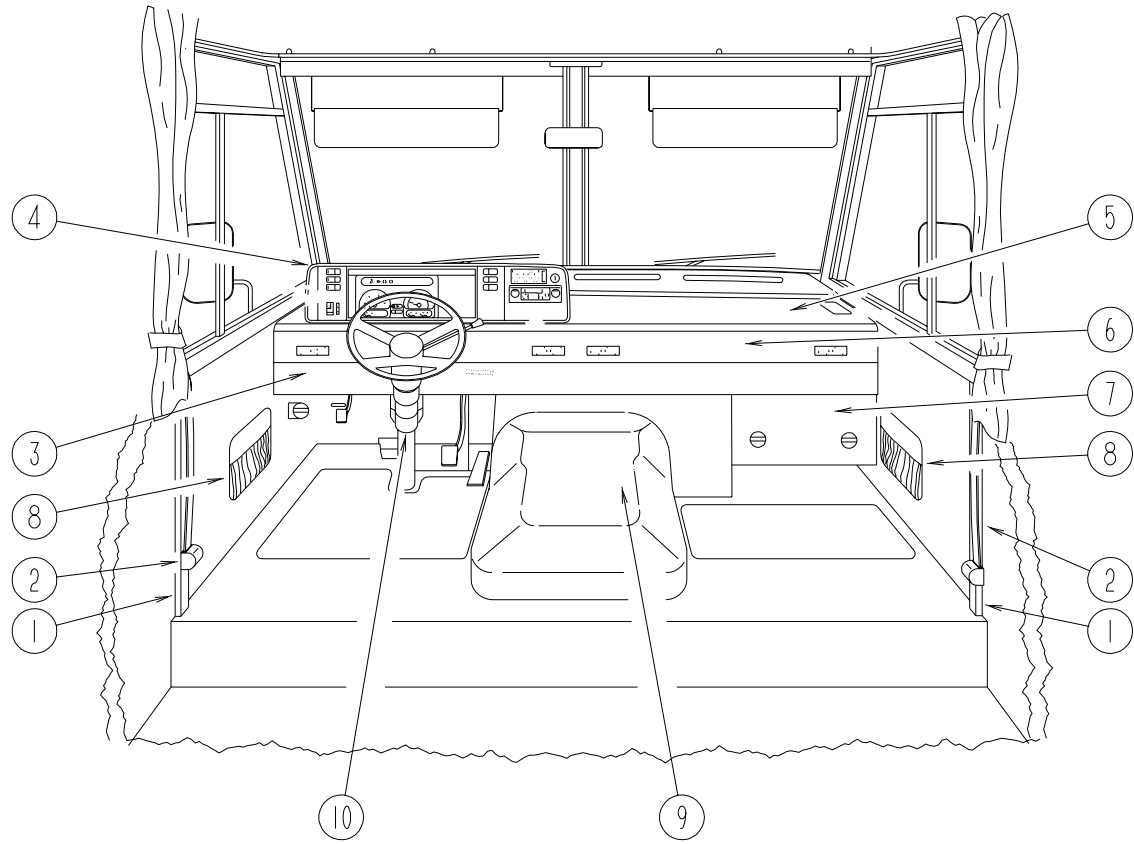
| KEY | PARTNUMBER | U/M | DESCRIPTION |
|-----|---------------|-----|---|
| 1 | 117922-01-H13 | EA | CABINET-OVERHEAD-W/ODOORS/HARDWARE (H12,H13) |
| 1 | 117922-01-H14 | EA | CABINET-OVERHEAD-W/ODOORS/HARDWARE (H14) |
| 1 | 117922-01-H15 | EA | CABINET-OVERHEAD-W/ODOORS/HARDWARE (H15) |
| 1 | 117922-01-H16 | EA | CABINET-OVERHEAD-W/ODOORS/HARDWARE (H16) |
| | 117922-14-G35 | EA | SHELF-W/PLASTICEDGETRIM |
| 1 | 117579-02-H13 | EA | CABINET-OVERHEAD/DINETTE-W/ODOORS/HDW-F/COFFEEMAKER (H12,H13) |
| 1 | 117579-02-H14 | EA | CABINET-OVERHEAD/DINETTE-W/ODOORS/HDW-F/COFFEEMAKER (H14) |
| 1 | 117579-02-H15 | EA | CABINET-OVERHEAD/DINETTE-W/ODOORS/HDW-F/COFFEEMAKER (H15) |
| 1 | 117579-02-H16 | EA | CABINET-OVERHEAD/DINETTE-W/ODOORS/HDW-F/COFFEEMAKER (H16) |
| | 117579-13-G09 | EA | SHELF-W/PLASTICEDGETRIM |
| 1 | 117922-06-H13 | EA | CABINET-OVERHEAD/DINETTE-W/ODOORS/HARDWARE (H12,H13) W.I.E. EXPORTOPTION |
| 1 | 117922-06-H14 | EA | CABINET-OVERHEAD/DINETTE-W/ODOORS/HARDWARE (H14) W.I.E. EXPORTOPTION |
| 1 | 117922-06-H15 | EA | CABINET-OVERHEAD/DINETTE-W/ODOORS/HARDWARE (H15) W.I.E. EXPORTOPTION |
| 1 | 117922-06-H16 | EA | CABINET-OVERHEAD/DINETTE-W/ODOORS/HARDWARE (H16) W.I.E. EXPORTOPTION |
| 2 | M06803-13-H13 | EA | DOOR-MIRROR/MITEREDCRNR/OGEEEDGE - 15.7"X28" -W/OHDW |
| 2 | M06803-02-G09 | EA | DOOR-MITEREDCORNER/OGEEEDGE - 15.7"X28" -W/OHDW DECORATORDOOROPTION-FLATPANEL |
| 2 | M06803-K3-G09 | EA | DOOR-MITEREDCORNER/OGEEEDGE - 15.7"X27.9" -W/OHDW EXPORTUPGRADEOPTION-RAISED PANEL |
| 3 | 103128-01-G09 | EA | ENDCAP-OVERHEADCABINET-RIGHTHAND |
| 4 | 104787-04-H13 | EA | PAD-SEATBACK/TOP (H12,H13) |
| 4 | 104787-04-H14 | EA | PAD-SEATBACK/TOP (H14) |
| 4 | 104787-04-H15 | EA | PAD-SEATBACK/TOP (H15) |
| 4 | 104787-04-H16 | EA | PAD-SEATBACK/TOP (H16) |
| 4 | 104787-09-H13 | EA | PAD-DINETTE-RH- (H12,H13)W.I.E. EXPORTOPTION |
| 4 | 104787-09-H14 | EA | PAD-DINETTE-RH- (H14)W.I.E. EXPORTOPTION |
| 4 | 104787-09-H15 | EA | PAD-DINETTE-RH- (H15)W.I.E. EXPORTOPTION |
| 4 | 104787-09-H16 | EA | PAD-DINETTE-RH- (H16)W.I.E. EXPORTOPTION |
| 4 | 104787-10-H13 | EA | PAD-DINETTE-LH- (H12,H13)W.I.E. EXPORTOPTION |
| 4 | 104787-10-H14 | EA | PAD-DINETTE-LH- (H14)W.I.E. EXPORTOPTION |
| 4 | 104787-10-H15 | EA | PAD-DINETTE-LH- (H15)W.I.E. EXPORTOPTION |
| 4 | 104787-10-H16 | EA | PAD-DINETTE-LH- (H16)W.I.E. EXPORTOPTION |
| 5 | M04174-79-G09 | EA | CABINET-SEATBACKRIGHTHAND-W/OHARDWARE |
| 5 | M04174-81-G09 | EA | CABINET-SEATBACKRIGHTHAND-W/OHARDWARE W.I.E. EXPORTOPTION |
| 6 | M04175-79-H33 | EA | CABINET-SEATBOTTOMRIGHTHAND-W/ODOOR/DRAWERS/HDW |
| 6 | M04175-81-H33 | EA | CABINET-SEATBOTTOMRIGHTHAND-W/ODOORS/DRAWERS/HDW W.I.E. EXPORTOPTION |
| 7 | M06803-07-G09 | EA | DOOR-MITEREDCORNER/OGEEEDGE - 10"X19" -W/OHDW |
| 8 | 081295-01-G01 | EA | SUPPORT-BED/DINETTE-28" LONG |
| 9 | M04175-80-H13 | EA | SEATBASE-DINETTELEFTHAND-W/ODOORS/DWRS/HDW |
| 9 | M04175-82-G09 | EA | CABINET-SEATBOTTOMLEFTHAND-W/ODOORS/DRAWERS/HDW W.I.E. EXPORTOPTION |
| 10 | M04174-80-G09 | EA | CABINET-SEATBACKLEFTHAND-W/OHARDWARE |
| 10 | M04174-82-G09 | EA | CABINET-SEATBACK-W/OHARDWARE W.I.E. EXPORTOPTION |

DRIVERSCOMPARTMENTGROUP
DRIVERSCOMPARTMENT-UPPER



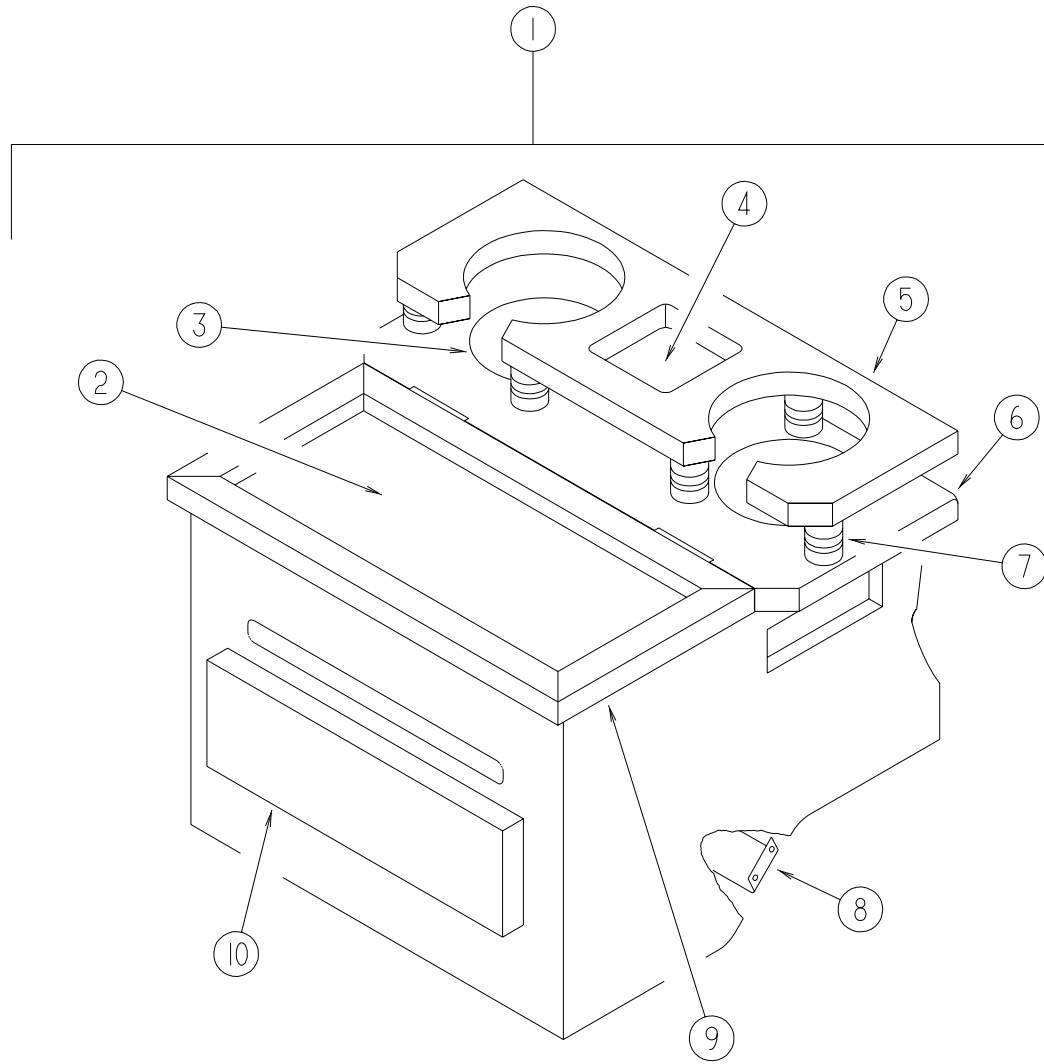
| KEY | PARTNUMBER | U/M | DESCRIPTION |
|-----|---------------|-----|--|
| 1 | 107942-04-01A | EA | COVER-INNER, A-PILLAR-DRIVERSSIDE-WILLOW |
| 2 | 103128-09-G09 | EA | ENDCAP-OVERHEADCABINET-LEFTHAND |
| 3 | M06803-01-H13 | EA | DOOR - MITERED CORNER/OGEE EDGE 0.04"X25.2" |
| 3 | M06803-X7-H13 | EA | DOOR - MITERED CORNER/OGEE EDGE 0.04"X25.2" W/O HDW (EXPORT UPGRADE) |
| 4 | 122244-02-H13 | EA | CABINET-FRONT OVERHEAD W/ODOOR, DRIVERSSIDE (H13) |
| 4 | 122244-02-H14 | EA | CABINET-FRONT OVERHEAD W/ODOOR, DRIVERSSIDE (H14) |
| 4 | 122244-02-H15 | EA | CABINET-FRONT OVERHEAD W/ODOOR, DRIVERSSIDE (H15) |
| 4 | 122244-02-H16 | EA | CABINET-FRONT OVERHEAD W/ODOOR, DRIVERSSIDE (H16) |
| | 104289-10-H13 | EA | PAD-VINYL COVERED, 39" X 11.4" - ANGLED-DRIVERSSIDE |
| 5 | 114612-02-G32 | EA | FACE-OVERHEAD/TV W/ODOOR, LEFTHAND-15.4" X 33.7" |
| | 100676-02-000 | EA | SHELF-OVHDCABINET VCR/INVERTER/SATELLITE DISH PACKAGE-7.1" X 28.75" |
| | 106699-01-01A | EA | BRACKET-L-ANGLE, TV CABINET FACE-5.1" LONG-OFF WHITE STEEL |
| 6 | 100708-12-000 | EA | DOOR-GLASS, TV CABINET-W/O HARDWARE-9.7" X 23.2" |
| 7 | 122195-01-H13 | EA | PANEL-HEADLINER FRONT OVERHEAD, LH-TV OPTIONS |
| 7 | 122195-06-H13 | EA | PANEL-HEADLINER FRONT OVERHEAD, LH-SATELLITE DISH PACKAGE |
| | 118836-02-GV0 | EA | PANEL-VINYL COVERED, BACK-SATELLITE DISH PACKAGE W/O RECEIVER |
| 8 | 122195-07-H13 | EA | PANEL-HEADLINER FRONT OVERHEAD, RH-TV OPTION-W/OTV |
| 8 | 122195-02-H13 | EA | PANEL-HEADLINER FRONT OVERHEAD, RH-TV OPTION |
| 8 | 122195-03-H13 | EA | PANEL-HEADLINER FRONT OVERHEAD, RH-TV/VCR OPTION |
| 8 | 122195-04-H13 | EA | PANEL-HEADLINER FRONT OVERHEAD, RH-TV/VCR/INVERTER OPTION |
| 8 | 122195-05-H13 | EA | PANEL-HEADLINER FRONT OVERHEAD, RH-TV/INVERTER OPTION |
| 9 | 114612-01-G32 | EA | FACE-OVERHEAD/TV W/ODOOR, RIGHTHAND-15.4" X 33.7" |
| 10 | 122244-01-H13 | EA | CABINET-FRONT OVERHEAD W/ODOOR, PASSENGERSIDE (H12, H13) |
| 10 | 122244-01-H14 | EA | CABINET-FRONT OVERHEAD W/ODOOR, PASSENGERSIDE (H14) |
| 10 | 122244-01-H15 | EA | CABINET-FRONT OVERHEAD W/ODOOR, PASSENGERSIDE (H15) |
| 10 | 122244-01-H16 | EA | CABINET-FRONT OVERHEAD W/ODOOR, PASSENGERSIDE (H16) |
| 11 | 103128-08-G09 | EA | ENDCAP-OVERHEADCABINET-RIGHTHAND |
| | 104289-09-H13 | EA | PAD-VINYL COVERED, 39" X 11.4" - ANGLED-PASSENGERSIDE |
| 12 | 107942-03-01A | EA | COVER-INNER, A-PILLAR-PASSENGERSIDE-WILLOW |
| 13 | 122197-01-H13 | EA | PANEL-TRIM, LOWER HEADER-90.2" LONG-VINYL COVERED |
| 14 | 123298-01-03A | EA | SUNVISOR ASM-7" X 28.5"-DRIVERS OR PASSENGERSIDE |
| 15 | P03077-08-G15 | EA | SHELF-CABINET, PASSENGERSIDE-VINYL COVERED-TV OPTIONS |
| 15 | P03077-04-G15 | EA | SHELF-CABINET, PASSENGERSIDE-VINYL COVERED-W/OTV |
| 16 | 122881-01-01A | EA | COVER-TV FACE, OVERHEAD FRONT-WILLOW-TV OPTIONS |
| | 118022-06-H13 | EA | COVER ASM-FRONT TV, OVERHEAD (ASSEMBLED KIT)-TV OPTIONS |
| | 114706-02-02B | EA | SUPPORT ASM-SHELF, TV-E-COAT-TV OPTIONS |
| | 091261-01-000 | FT | SLIP NOT-ANTISLIP, 1" WIDE (100' ROLL)-TV OPTIONS |
| 16 | 116791-01-H33 | EA | FACE FRAME-TV CABINET, 20.6" X 22.2" - W/O HARDWARE - W/OTV |
| | P18192-02-H13 | EA | COVER ASM-FRONT TV, OVERHEAD-VINYL COVERED-W/OTV |
| | M06803-C1-H33 | EA | DOOR-CABINET, W/O HARDWARE - 16.7" X 18.1" - W/OTV |
| | 115638-01-G15 | EA | PANEL-TV CABINET TOP, VINYL COVERED-W/OTV |
| | 115639-01-G15 | EA | PANEL-TV CABINET SIDES, VINYL COVERED-W/OTV |
| 17 | 122083-01-01A | EA | TRIM-WINDSHIELD, UPPER INNER-PASSENGERSIDE-WILLOW |
| 18 | 118452-02-01A | EA | TRIM-WINDSHIELD, CENTER INNER-WILLOW |
| 19 | 040714-01-000 | EA | MIRROR-REAR VIEW, W/ARM MOUNT & SET SCREW |
| | 067490-01-000 | EA | BUTTON-MIRROR, REAR VIEW |
| 20 | 122083-02-01A | EA | TRIM-WINDSHIELD, UPPER INNER-DRIVERSIDE-WILLOW |
| 21 | P03077-07-G15 | EA | SHELF-CABINET, DRIVERSIDE-VINYL COVERED-TV OPTIONS |
| 21 | P03077-03-G15 | EA | SHELF-CABINET, DRIVERSIDE-VINYL COVERED |

DRIVERSCOMPARTMENTGROUP(CONTINUED)
DRIVERSCOMPARTMENT-LOWER



| KEY | PARTNUMBER | U/M | DESCRIPTION | VENDOR NO. |
|-----|---------------|-----|---|------------|
| 1 | 024700-44-000 | EA | COVER-SIDEWALLROLLBAR, OFFWHITE -53" | |
| 1 | 024700-45-000 | EA | COVER-SIDEWALLROLLBAR, OFFWHITE -12.8" | |
| | 024700-47-000 | EA | COVER-SIDEWALLROLLBAR, OFFWHITE -18.9" -DRIVERDOOR | |
| | 024700-48-000 | EA | COVER-SIDEWALLROLLBAR, OFFWHITE -25" -DRIVERDOOR | |
| 2 | 091990-04-01A | EA | SEATBELT-SHOULDERHARNESS-DRIVERS/PASSENGERS-BLACK | |
| | 091990-01-700 | EA | BOLTCOVER | |
| | 091990-01-701 | EA | EXTENDER-SEATBELTSHOULDERHARNESS,9" | I-1331-02 |
| | 109146-01-000 | EA | BOLT-SHOULDER, SEATBELT | |
| | 103961-01-01A | EA | COVER-BRACKET-SEATBELT-OFFWHITE | |
| | 103961-02-01A | EA | COVER-BRACKET-SEATBELT-OFFWHITE-DRIVERDOOR | |
| | 103961-04-01A | EA | COVER-BRACKET-SEATBELT-OFFWHITE-EUROPEAN | |
| | 103961-05-01A | EA | COVER-BRACKET-SEATBELT-OFFWHITE-EUROPEAN-DRIVERDOOR | |
| 3 | 103812-11-01A | EA | TRIM-DASH, LOWER-WILLOW-CHEVY | |
| 4 | 111499-01-03A | EA | POD-INSTRUMENTPANEL, WILLOW-PLASTIC | |
| 5 | P03817-18-000 | EA | DASHASM, W/OVINYL-CHEVY | |
| | 106569-07-01A | YD | VINYL-LAMINATE, 1/4"X17"X100"-MADRIDWILLOW | |
| | 077539-01-000 | EA | BRACKET-MOUNTING, DASHPANEL-L/SHAPED-2.5"X1"X1.5" | |
| | 112804-02-02B | EA | PANEL-DASHTOPW/STUD, STEEL | |
| | 113452-01-000 | FT | SEAL-TRIM, U-SHAPEDVINYL | |
| | | | FROM: 02-03-97 THRU: 99-99-99 | |
| 6 | 104354-01-06A | EA | APPLIQUE-LOWERDASH, 2300MMLONG | |
| 7 | 095757-03-G36 | EA | COVER-HEATERW/CARPET(H12) | |
| 7 | 095757-03-GE1 | EA | COVER-HEATERW/CARPET(H13) | |
| 7 | 095757-03-FC1 | EA | COVER-HEATERW/CARPET(H14) | |
| 7 | 095757-03-F05 | EA | COVER-HEATERW/CARPET(H15) | |
| 7 | 095757-03-GB1 | EA | COVER-HEATERW/CARPET(H16) | |
| 8 | 086120-01-H13 | EA | PAD-MAPPOCKET, 12"X16"(H12/H13) | |
| 8 | 086120-01-H14 | EA | PAD-MAPPOCKET, 12"X16"(H14) | |
| 8 | 086120-01-H15 | EA | PAD-MAPPOCKET, 12"X16"(H15) | |
| 8 | 086120-01-H16 | EA | PAD-MAPPOCKET, 12"X16"(H16) | |
| 9 | 115840-01-01A | EA | COVER-MOTOR, W/OCARPET | |
| 9 | 115840-02-01A | EA | COVER-MOTOR, W/OCARPET-VORTECENGINEOPTION | |
| | 115850-01-02B | EA | RETAINER-LATCH-MOTORCOVER-RIGHTHAND-E-COAT | |
| | 116581-01-000 | EA | LATCH-MOTORCOVER | |
| | 115852-01-02B | EA | STRIKE-LATCH-MOTORCOVER-E-COATED | |
| | 116833-01-02B | EA | WRENCH-HEX, MOTORCOVER-E-COAT | |
| | 115860-01-01A | EA | TRIM-MOTORCOVER, BOTTOM-MILLFINISHALUMINUM | |
| | 039623-01-000 | FT | SEAL-MOTORCOVER, RUBBERBULBTYPE-BLACK | |
| | 122772-02-02B | EA | BRACKETASM-MOUNTNG, BEVERAGETRAY-E-COAT | |
| 10 | 103498-06-000 | EA | BOOT-STEERINGCOLUMN/UNIVERSAL | |
| | | | FROM: 00-00-00 THRU: 12-18-96 | |
| 10 | 103498-09-000 | EA | BOOT-STEERINGCOLUMN-W/1/2CIRCLE | |
| | | | FROM: 12-19-96 THRU: 99-99-99 | |

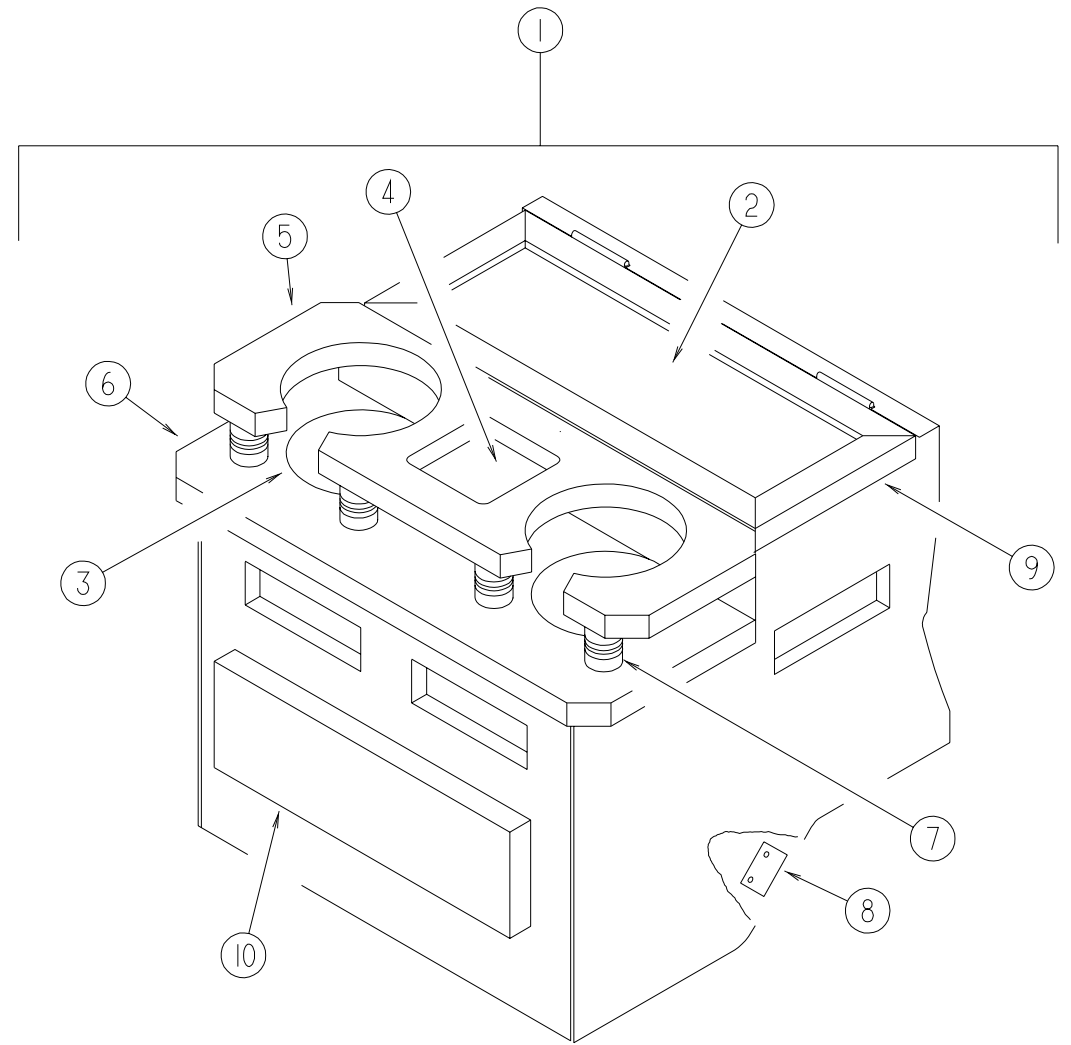
DRIVERSCOMPARTMENTGROUP(CONTINUED)



BEVERAGETRAY(FROM: 00-00-00 THRU: 03-16-97)

| KEY | PARTNUMBER | U/M | DESCRIPTION |
|-----|---------------|-----|---|
| 1 | 122707-01-H17 | EA | TRAYASM-BEVERAGE, W/ODRAWERORLOUVERS |
| 1 | 122707-02-H17 | EA | TRAYASM-BEVERAGE, W/ODRAWERORLOUVERS-VORTECENGINEOPTION |
| 2 | 122717-03-01A | FT | PAD-NON-SKID, PSA-6.5" X 50' |
| 3 | 122717-01-01A | EA | PAD-NONSKID, PSA-4" DIAMETER ROUND |
| 4 | 122717-02-01A | EA | PAD-NONSKID, PSA-4" X 4" |
| 5 | 122707-11-H17 | EA | SHELFW/OPADORDOWELS |
| 6 | 122707-12-H17 | EA | SHELFASMW/PADSW/OHARDWAREORDOWELS |
| 7 | 097872-04-000 | EA | DOWEL-WOOD, 1" DIAMETER X 1.38" LONG-UNFINISHED |
| 8 | 122832-01-02B | EA | BRACKET-MOUNT, BEVERAGETRAY-E-COAT |
| 9 | 122707-13-H17 | EA | LIDW/OPADORHARDWARE |
| 10 | M05971-AZ-H33 | EA | DRAWER-OGEEEDGE-10"W X 11.8"D-W/OSLIDES/HDW |
| | 100128-02-000 | FT | SEAL-FOAM, ADHESIVEBACK-.37"W X .37" THICK |

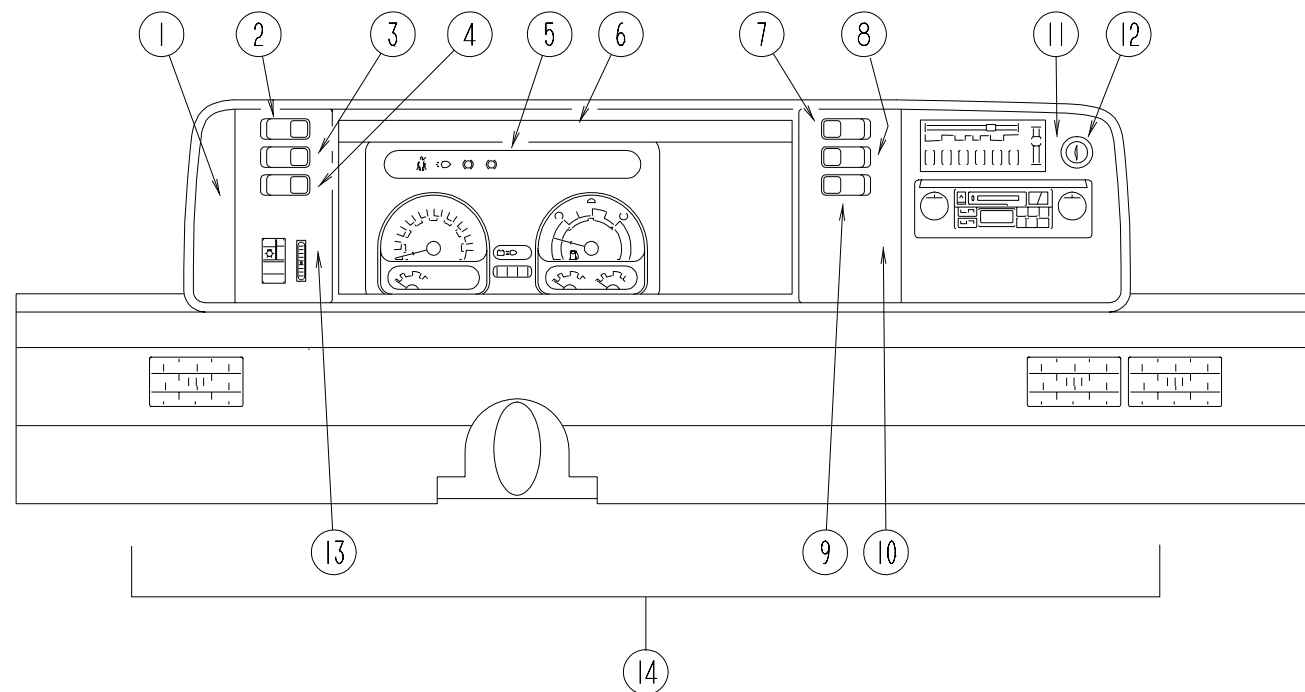
DRIVERSCOMPARTMENTGROUP(CONTINUED)



BEVERAGETRAY(FROM: 03-17-97 THRU: 99-99-99)

| KEY | PARTNUMBER | U/M | DESCRIPTION |
|-----|---------------|-----|---|
| 1 | 126680-01-H17 | EA | TRAYASM-BEVERAGE, W/ODRAWERORLOUVERS |
| 1 | 126680-02-H17 | EA | TRAYASM-BEVERAGE, W/ODRAWERORLOUVERS-VORTECENGINEOPTION |
| 2 | 122717-06-01A | FT | PAD-NON-SKID, PSA-6.5" X 13.8" |
| 3 | 122717-01-01A | EA | PAD-NONSKID, PSA-4" DIAMETER ROUND |
| 4 | 122717-02-01A | EA | PAD-NONSKID, PSA-4" X 4" |
| 5 | 126680-15-H17 | EA | SHELFW/OPADORDOWELS |
| 6 | 126680-14-H17 | EA | SHELFASMW/PADSW/OHARDWAREORDOWELS |
| 7 | 097872-04-000 | EA | DOWEL-WOOD, 1" DIAMETER X 1.38" LONG-UNFINISHED |
| 8 | 122832-01-02B | EA | BRACKET-MOUNT, BEVERAGETRAY-E-COAT |
| 9 | 126680-16-H17 | EA | LIDW/PADW/OHARDWARE |
| 10 | M05971-AZ-H33 | EA | DRAWER-OGEEEDGE-10"W X 11.8"D-W/OSLIDES/HDW |
| | 100128-02-000 | FT | SEAL-FOAM, ADHESIVEBACK-.37" WIDEX.37" THICK X 60' ROLL |

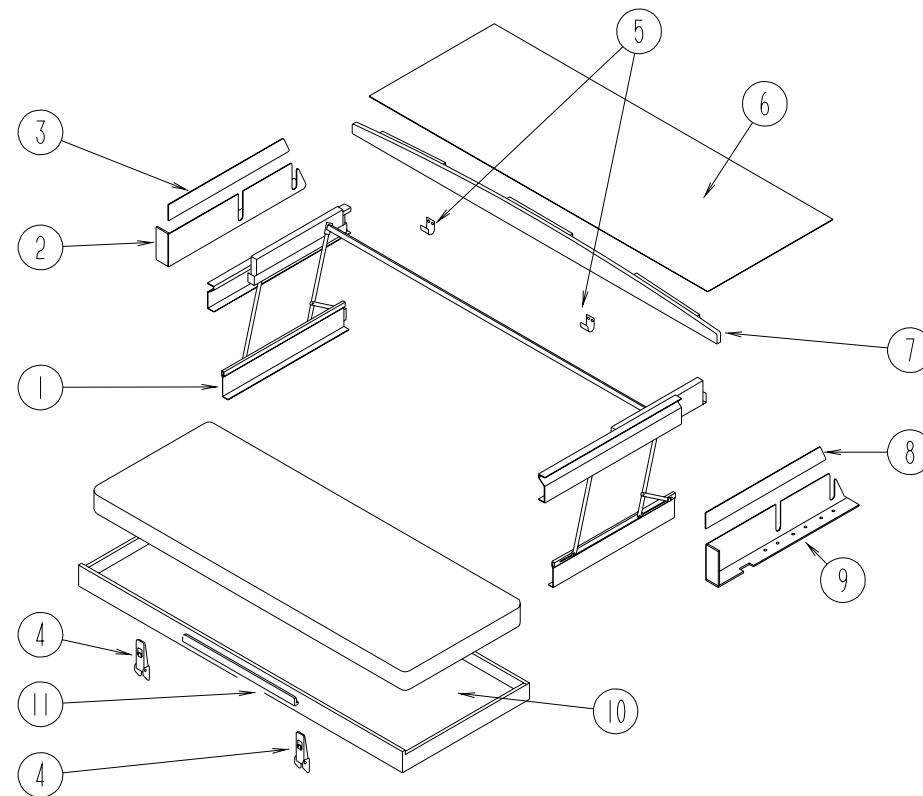
DRIVERSCOMPARTMENTGROUP(CONTINUED)



DASH, GAUGES & SWITCHES-CHEVY

| KEY | PARTNUMBER | U/M | DESCRIPTION |
|-----|---------------|-----|--|
| 1 | 104056-01-04A | EA | APPLIQUE-BEZEL |
| 2 | 108356-02-01A | EA | COVER/ACTUATOR SWITCH-2 ROWSDIMPLES-CONTURAII-BLACK |
| 2 | 108357-05-000 | EA | SWITCH-ROCKER, SPDTON/NONE/ON-RADIOPOWER W/OCD |
| 2 | 108357-08-000 | EA | SWITCH-ROCKER, DPDTON/NONE/ON6 TERMINAL-RADIOPOWER W/CD |
| 3 | 108356-02-01A | EA | COVER/ACTUATOR SWITCH-2 ROWSDIMPLES-CONTURAII-BLACK |
| 3 | 108357-09-000 | EA | SWITCH-ROCKER SPDT-ON/NONE/MOM-3 TERMINAL-DUAL BATTERY |
| 4 | 108356-02-01A | EA | COVER/ACTUATOR SWITCH-2 ROWSDIMPLES-CONTURAII-BLACK |
| 4 | 108357-06-000 | EA | SWITCH-ROCKER DPDT-MOM/OFF/MOM-6 TERMINAL BATTERY DISCONNECT SWITCH OPTION |
| 4 | 096241-03-000 | EA | SWITCH-BLANK |
| 5 | 125001-02-000 | EA | CLUSTER-INSTRUMENT PANEL, KILOMETERS/MILES-GAS |
| 5 | 094796-08-000 | EA | CLUSTER-INSTRUMENT PANEL, KILOMETERS-DIESEL |
| 5 | 125001-04-000 | EA | CLUSTER-INSTRUMENT PANEL, KILOMETERS/MILES-DIESEL |
| | | | FROM: 00-00-00 THRU: 12-08-96 |
| 5 | 094796-11-000 | EA | CLUSTER-INSTRUMENT PANEL, MILES-DIESEL-ENGLAND |
| | | | FROM: 12-09-96 THRU: 99-99-99 |
| 5 | 125001-03-000 | EA | CLUSTER-INSTRUMENT PANEL, MILES/KILOMETERS-DIESEL-ENGLAND |
| | | | FROM: 00-00-00 THRU: 10-06-96 |
| | | | FROM: 10-07-96 THRU: 99-99-99 |
| 6 | 103662-01-01A | EA | BEZEL-INSTRUMENT PANEL |
| 7 | 108356-04-01A | EA | COVER/ACTUATOR SWITCH-2 ROWSDIMPLES W/LIGHT-CONTURAII-BLACK |
| 7 | 108357-10-000 | EA | SWITCH-ROCKERSPDT W/LIGHT-MOM/NONE/MOM-5 TERMINAL GENERATOR OPTION |
| 7 | 096241-03-000 | EA | SWITCH-BLANK |
| 8 | 108356-02-01A | EA | COVER/ACTUATOR SWITCH-2 ROWSDIMPLES-CONTURAII-BLACK |
| 8 | 108357-03-000 | EA | SWITCH-ROCKERSPDT-ON/OFF/ON-3 TERMINAL REAR HEATER OPTION |
| 8 | 096241-03-000 | EA | SWITCH-BLANK |
| 9 | 096241-03-000 | EA | SWITCH-BLANK |
| 10 | 104056-21-01A | EA | APPLIQUE-BEZEL |
| 11 | 104056-06-04A | EA | APPLIQUE-BEZEL |
| 12 | 089294-01-000 | EA | LIGHTER-CIGARETTE-W/O WIRES |
| 13 | 104056-22-01A | EA | APPLIQUE-BEZEL |
| 14 | M05946-38-H13 | EA | DASH POD-CHEVY-W/O CLUSTER |
| | 100138-01-000 | EA | MODULE-DAY TIMER RUNNING LIGHT-CANADIAN |
| | 077031-01-000 | EA | FILM-BLACK, 1" X 1.75" |
| | 077031-03-000 | EA | FILM-WHITE, .75" X 1" |
| | 049176-01-000 | EA | HEDLOCK II-3/4" DIAMETER, SCREW MOUNT |
| | 103603-01-000 | EA | BULB-12V NO. 740.12 WEDGE |

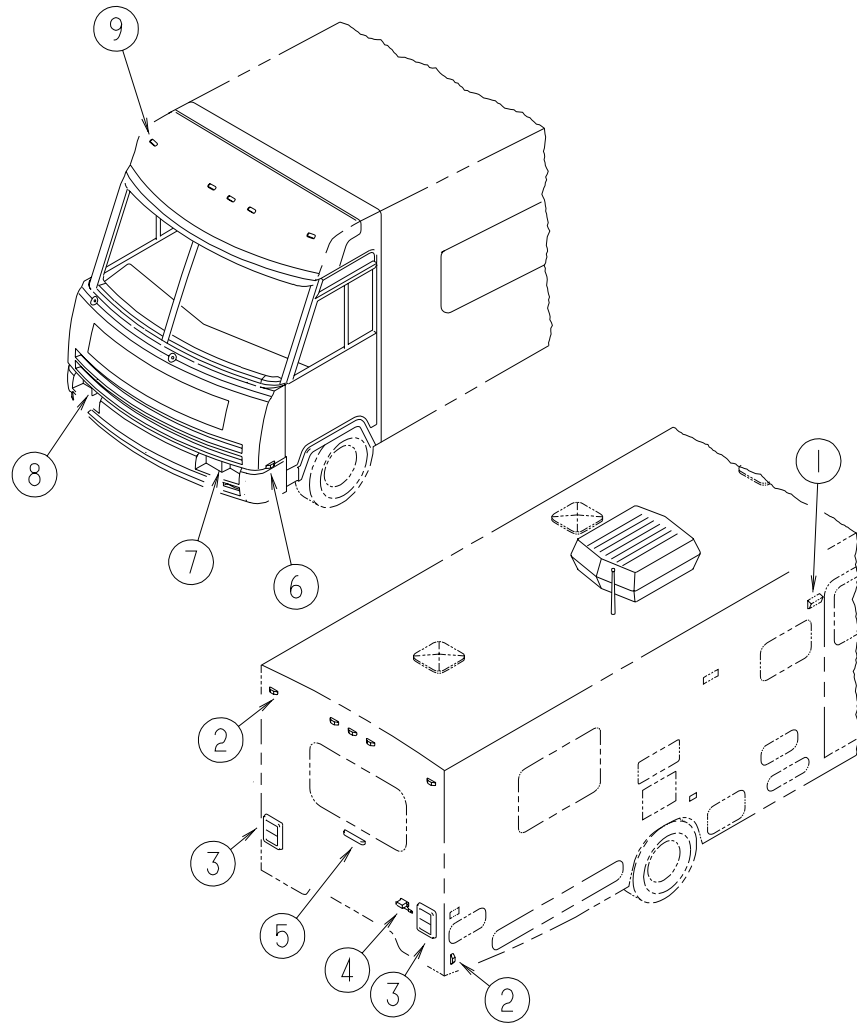
DRIVERSCOMPARTMENTGROUP(CONTINUED)



FRONT BUNK

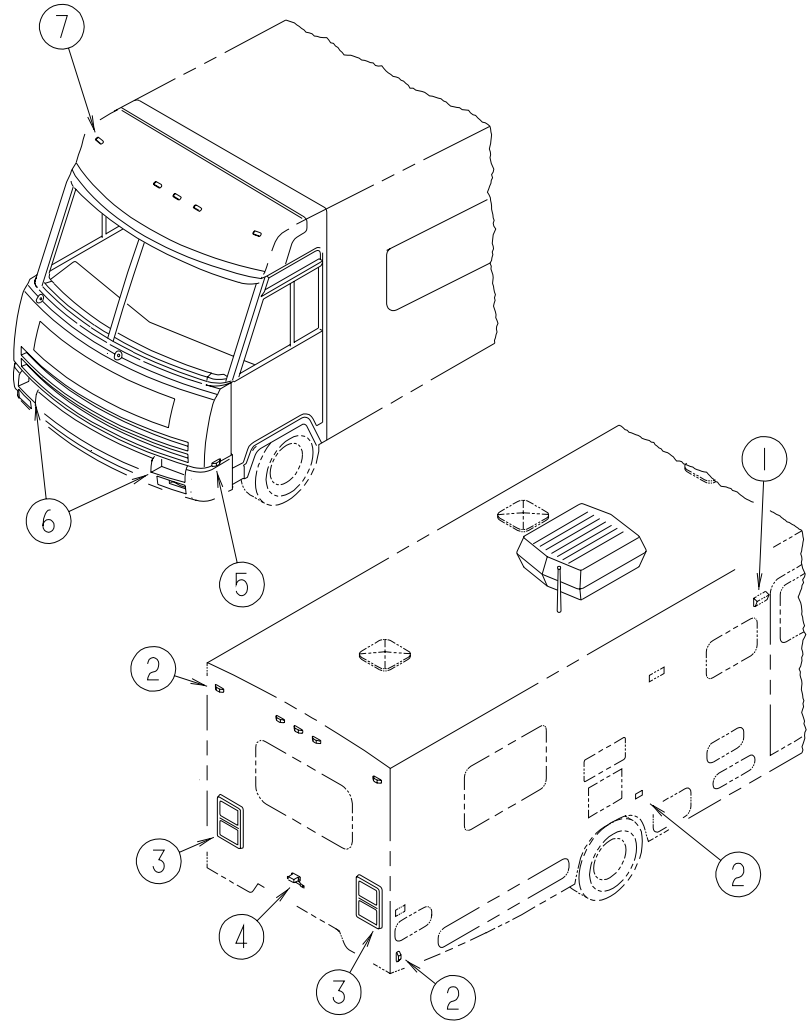
| KEY | PARTNUMBER | U/M | DESCRIPTION | VENDOR NO. |
|-----|---------------|-----|------------------------------------|------------|
| 1 | 076760-02-000 | EA | BUNK HARDWARE-COMplete | |
| | 076760-02-700 | EA | SPRING-GAS, BUNK HARDWARE | 9272 |
| 2 | 101499-10-H13 | EA | PANEL-ENDCAP-BOTTOM/LEFT HAND | |
| 3 | 101497-25-H13 | EA | PANEL-ENDCAP-UPPER LEFT HAND/BUNK | |
| 4 | 116975-01-01A | EA | LATCH-W/O STRIKE-BLACK-NEW STYLE | |
| 5 | 116975-02-01A | EA | NEW STYLE KEEPER/STRIKE | |
| 6 | 122194-02-H13 | EA | PANEL-HEADLINER-OVERHEAD TV | |
| 7 | P03199-01-C05 | EA | BOARD-TRIM/BUNK-CEILING MOUNTED | |
| 8 | 101497-24-H13 | EA | PANEL-ENDCAP-UPPER/RIGHT HAND BUNK | |
| 9 | 101499-09-H13 | EA | PANEL-ENDCAP-BOTTOM/RIGHT HAND | |
| 10 | 081717-03-G09 | EA | BED-BUNK/FRONT | |
| 11 | 094658-01-G09 | EA | HANDLE-OAK/BUNK | |

ELECTRICALGROUP
EXTERIORLIGHTS



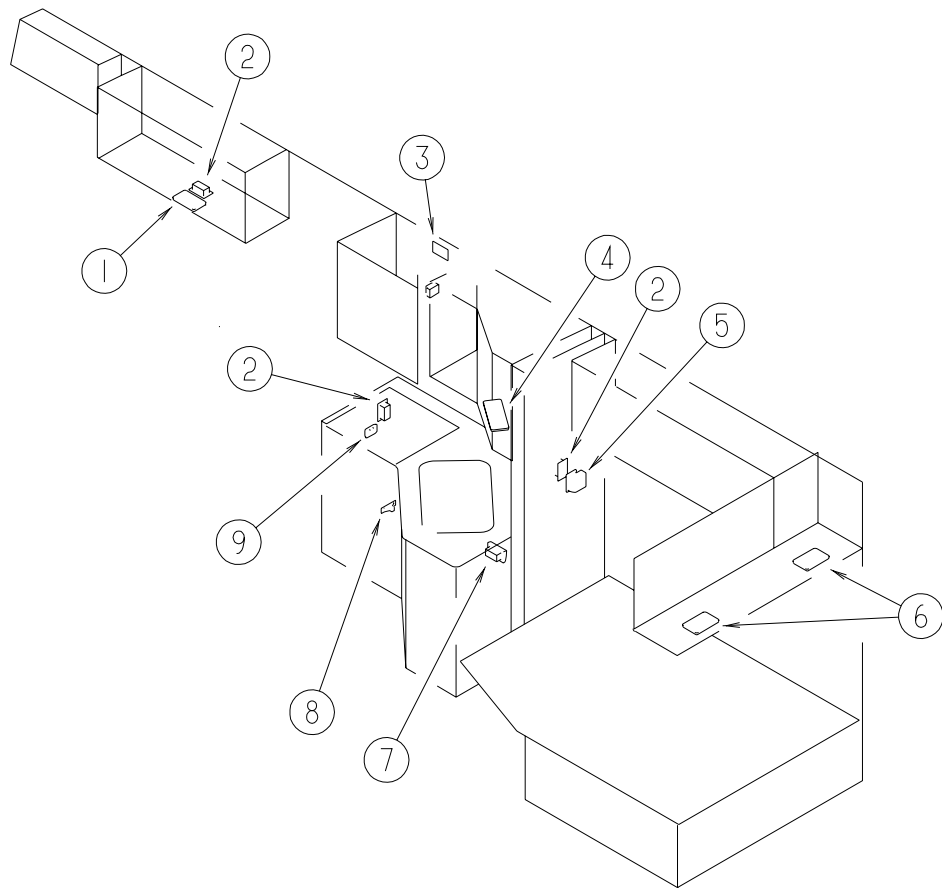
| KEY | PARTNUMBER | U/M | DESCRIPTION | VENDOR NO. |
|-----|---------------|-----|---|------------|
| 1 | 097917-01-06A | EA | LIGHT-PORCH-BRIGHTWHITE | |
| | 008215-01-000 | EA | BULB-12V,#1003-.94AMP | |
| | 097917-01-700 | EA | LENS-LIGHT,PORCH | |
| 2 | 111102-01-000 | EA | LAMP-MARKER,BASE-TRIPLEX117XAS | |
| 2 | 111102-03-000 | EA | LENS-MARKERLAMP,RED-TRIPLEX117R | |
| | 036196-01-000 | EA | BULB-12V,#194-.27AMP-BAYONETTE | |
| 3 | 081638-01-000 | EA | TAILLIGHT-DOUBLE,W/BLACKTRIM-DRIVERORPASSENGERSIDE | |
| | 037934-01-000 | EA | BULB-12V,#1156-2.1AMP-CLEARGLASS | |
| | 037935-01-000 | EA | BULB-12V,#1157OR#2057-2.1AMP-CLEARGLASS | |
| | 081638-01-700 | EA | LENS-TAILLIGHT,RED-BARGMAN | 30-84-010 |
| | 081638-01-701 | EA | LENS-TAILLIGHT,W/BACKUP-BARGMAN | 30-84-700 |
| | 103355-01-05A | EA | POD-TAILLIGHT | |
| 4 | 066432-02-000 | EA | LIGHT-LICENSE,BLACK | |
| | 066432-03-000 | EA | BRACKET-LICENSEPLATE-BARGMAN30-60-030 | |
| 5 | 121950-01-000 | EA | LIGHT-BRAKE-CENTERMOUNT | |
| 6 | 111102-01-000 | EA | LAMP-MARKER,BASE-TRIPLEX117XAS | |
| 6 | 111102-02-000 | EA | LENS-MARKERLAMP,AMBER-TRIPLEX118A | |
| | 036196-01-000 | EA | BULB-12V,#194-.27AMP-BAYONETTE | |
| 7 | 049186-04-000 | EA | HEADLAMPASM-DRIVER,HIGH/LOWBEAM-HALOGEN-KD92749-201 | |
| | 049188-04-000 | EA | HEADLAMPASM-DRIVER,HIGHBEAM-HALOGEN-KD92750-201 | |
| 8 | 049185-04-000 | EA | HEADLAMPASM-PASS,HIGH/LOWBEAM-HALOGEN-KD92751-201 | |
| | 049187-04-000 | EA | HEADLAMPASM-PASS,HIGHBEAM-HALOGEN-KD92748-201 | |
| | 049359-01-000 | EA | SPRING-RETAINER,HEADLAMP-GM496096 | |
| 9 | 102520-01-000 | EA | LIGHT-CLEARANCE,W/OSOCKETCONNECTIONS-AMBER | |
| | 036196-01-000 | EA | BULB-12V,#194-.27AMP-BAYONETTE | |
| | 102540-01-000 | EA | SEAL-SCREW,ROUND-RUBBER | |
| | 102541-01-000 | EA | GASKET-CLEARANCELIGHT | |
| | 112823-01-000 | EA | SPLICE-REDUCER,16-14T018-22-ETCBA-631X | |
| | 067789-02-000 | EA | SOCKET-LAMP | |

ELECTRICALGROUP(CONTINUED)
EXTERIORLIGHTS-EXPORT



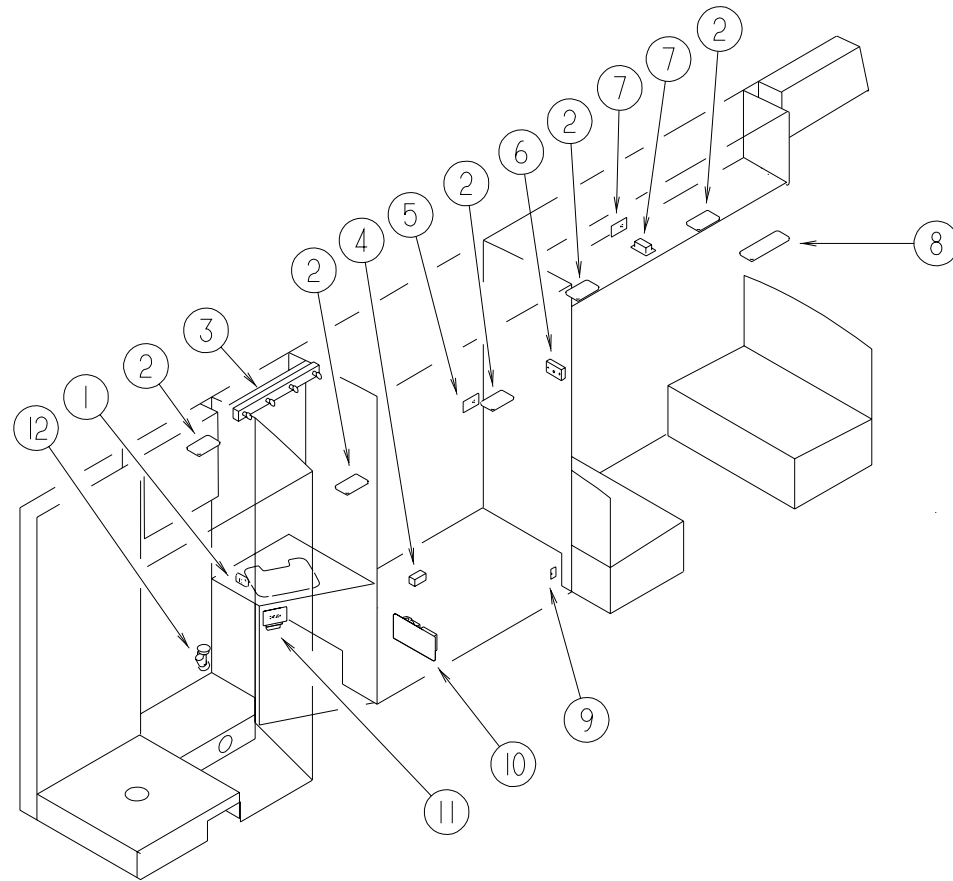
| KEY | PARTNUMBER | U/M | DESCRIPTION | VENDORNO. |
|-----|---------------|-----|---|---------------|
| 1 | 097917-01-06A | EA | LIGHT-PORCH-BRIGHTWHITE | |
| | 008215-01-000 | EA | BULB-12V,#1003-.94AMP | |
| | 097917-01-700 | EA | LENS-LIGHT,PORCH | |
| 2 | 121685-02-000 | EA | LAMP-CLEARANCE-RED | |
| | 121685-02-700 | EA | LENS | 9EL141135-001 |
| | 124221-01-000 | EA | BULB-12VOLT/.4AMP/5WATT-#2825 | |
| 2 | 121685-03-000 | EA | LAMP-SIDEMARKER-AMBER | |
| | 121685-03-700 | EA | LENS | 9EL141135-031 |
| | 124221-01-000 | EA | BULB-12VOLT/.4AMP/5WATT-#2825 | |
| 3 | 121679-01-000 | EA | LIGHT-STOP/TAIL/BUMPER/TURN-EUROPEAN | |
| | 121679-01-700 | EA | LENS-EUROPEAN | 9EL122689-021 |
| | 124219-01-000 | EA | BULB-12VOLT/.83AMP/10WATT-#5008-EUROPEAN | |
| | 124220-01-000 | EA | BULB-12VOLT/1.75AMP/21WATT-#7506-EUROPEAN | |
| | 057671-15-000 | EA | COVER-SCREW-BRIGHTWHITE-EUROPEAN | |
| | 123154-02-01A | EA | TRIM-TAILLIGHT-EUROPEAN | |
| | 103545-02-01A | EA | TAILLIGHT-TRIPLE-AMBER-JAPAN | |
| 3 | 081638-06-700 | EA | LENS-TAILLIGHT,CLEARBACKUP-JAPAN | 30-84-050 |
| | 037934-01-000 | EA | BULB-12V,#1156-2.1AMP-CLEARGLASS-JAPAN | |
| | 037935-01-000 | EA | BULB-12V,#1157OR#2057-2.1AMP-CLEARGLASS-JAPAN | |
| | 081638-01-700 | EA | LENS-TAILLIGHT,RED-JAPAN | 30-84-010 |
| | 081638-01-701 | EA | LENS-TAILLIGHT,W/BACKUP-JAPAN | 30-84-700 |
| | 105846-01-04A | EA | TRIM-TAILLIGHT-REAR-JAPAN | |
| | 106646-02-000 | EA | REFLECTOR-STICKON-RED-JAPAN | |
| 4 | 121680-01-000 | EA | LAMP-LICENSEPLATE-EUROPEAN | |
| | 124218-01-000 | EA | BULB-12VOLT/.4AMP/5WATT-#6418-EUROPEAN | |
| | 066432-02-000 | EA | LIGHT-LICENSE,BLACK-JAPAN | |
| 4 | 066432-03-000 | EA | BRACKET-LICENSEPLATE-BARGMAN30-60-030-JAPAN | |
| | 103247-01-000 | EA | BRACKET-LICENSEPLATE-REAR-JAPAN | |
| | 121684-02-000 | EA | LAMP-SIDEMARKER-AMBER-LEFTHAND | |
| 5 | 121684-01-000 | EA | LAMP-SIDEMARKER-AMBER-RIGHTHAND | |
| | 124220-01-000 | EA | BULB-12VOLT/1.75AMP/21WATT-#7506 | |
| | 121687-01-000 | EA | HEADLAMP-HIGH/LOW-EUROPEAN-W/PARK | |
| 6 | 121687-02-000 | EA | HEADLAMP-HIGH-EUROPEAN-INNER | |
| | 049186-04-000 | EA | HEADLAMPASM-DRIVER,HIGH/LOWBEAM-HALOGEN-JAPAN | |
| | 049188-04-000 | EA | HEADLAMPASM-DRIVER,HIGHBEAM-HALOGEN-JAPAN | |
| 6 | 049185-04-000 | EA | HEADLAMPASM-PASS,HIGH/LOWBEAM-HALOGEN-JAPAN | |
| | 049187-04-000 | EA | HEADLAMPASM-PASS,HIGHBEAM-HALOGEN-JAPAN | |
| | 121685-01-000 | EA | LAMP-CLEARANCE-CLEAR | |
| 7 | 121685-01-700 | EA | LENS | 9EL141135-011 |
| | 124221-01-000 | EA | BULB-12VOLT/.4AMP/5WATT-#2825 | |
| | 124216-01-000 | EA | BULB-12VOLT/55WATT-#64150-EUROPEAN | |
| | 124217-01-000 | EA | BULB-12VOLT/60/55WATT-#64193-EUROPEAN | |

ELECTRICALGROUP(CONTINUED)
LIGHTS,SWITCHES,&RECEPTACLES-PASSENGERSSIDE



| KEY | PARTNUMBER | U/M | DESCRIPTION | VENDOR NO. |
|-----|---------------|-----|---|------------|
| 1 | 098024-06-02A | EA | LIGHT-DOME-2BULB-SKYLITE | |
| | 008218-01-000 | EA | BULB-DOMELIGHT,12V-NUMBER1141 | |
| | 098024-01-700 | EA | LENS-DOMELIGHT | 807877 |
| 2 | 058708-01-000 | EA | RECEPTACLE-ELECTRIC,DOUBLE-BROWN | |
| | 058708-02-000 | EA | RECEPTACLE-ELECTRIC,DOUBLE-IVORY | |
| 3 | 058707-01-000 | EA | RECEPTACLE-ELECTRIC,SINGLE-BROWN | |
| 4 | 098024-06-02A | EA | LIGHT-DOME-2BULB-SKYLITE | |
| | 008218-01-000 | EA | BULB-DOMELIGHT,12V-NUMBER1141 | |
| | 098024-01-700 | EA | LENS-DOMELIGHT | 807877 |
| 5 | 084076-01-000 | EA | RECEPTACLE-GFI,15A-125V-IVORY | |
| 5 | 084076-02-000 | EA | RECEPTACLE-GFI,15A-125V-BROWN | |
| 5 | 097734-01-02A | EA | EXTENSION-RECEPTACLE,3.2"X5"X.7"-PLASTIC-BROWN-CANADIAN | |
| 6 | 098024-05-02A | EA | LIGHT-DOME-1BULB-SKYLITE-WHITE | |
| | 008218-01-000 | EA | BULB-DOMELIGHT,12V-NUMBER1141 | |
| | 098024-01-701 | EA | LENS-OPTICLEAR-SKYLITE | 809902 |
| 7 | 112822-01-01A | EA | RECEPTACLE-DUPLEX-IVORY | |
| 7 | 112824-01-03A | EA | COVER-RECEPTACLE-EXTERIOR-DUPLEX-WHITE | |
| 8 | 061424-01-000 | EA | LIGHT-AISLE,12V-RECTANGULAR | |
| | 008103-01-000 | EA | BULB-DASH/AISLELIGHT,#53-12V-.12AMP | |
| 9 | 098351-05-01A | EA | PLATE-SWITCH-3GANGPOLISHEDBRASS | |
| 9 | 098351-06-01A | EA | PLATE-SWITCH-2GANGPOLISHEDBRASS | |
| 9 | 095188-02-01A | EA | SPACER-SWITCH-2.3"X4.1"-PLASTIC-DARKBROWN | |
| 9 | 095188-01-01A | EA | SPACER-SWITCH-2.3"X3.4"-PLASTIC-DARKBROWN | |
| 9 | 079364-01-000 | EA | SWITCH-ON/OFFROCKER-2TERMINAL-BROWN | |
| | 086280-01-000 | EA | LIGHT-SURFACEMOUNT-12VOLT | |
| | 086280-01-700 | EA | BULB,12V | ARP1089 |
| | 084077-02-000 | EA | PLATE-COVER-RECEPTACLE-GFI-BROWN | |
| | 123657-01-01A | EA | RECEPTACLE-DUPLEX-16AMP-EUROPEAN | |
| | 123660-01-01A | EA | RECEPTACLE-SINGLE-WC-EUROPEAN | |
| | 123661-01-01A | EA | FRAME-TRIM-SINGLEOUTLET-EXPORT | |

ELECTRICAL GROUP (CONTINUED)
LIGHTS, SWITCHES, & RECEPTACLES - DRIVER SIDE



| KEY | PART NUMBER | U/M | DESCRIPTION | VENDOR NO. |
|-----|---------------|-----|--|------------|
| 1 | 079364-01-000 | EA | SWITCH-ON/OFFROCKER-2TERMINAL-BROWN | |
| 1 | 079364-03-000 | EA | SWITCH-ON/OFFROCKER-3TERMINAL-BROWN | |
| 1 | 098351-05-01A | EA | PLATE-SWITCH-3GANGPOLISHEDBRASS | |
| 1 | 098351-06-01A | EA | PLATE-SWITCH-2GANGPOLISHEDBRASS | |
| 1 | 095188-02-01A | EA | SPACER-SWITCH-2.3"X4.1"-PLASTIC-DARKBROWN | |
| 1 | 095188-01-01A | EA | SPACER-SWITCH-2.3"X3.4"-PLASTIC-DARKBROWN | |
| 2 | 098024-01-03A | EA | LIGHT-DOME-1BULB-WHITE | |
| | 008218-01-000 | EA | BULB-DOMELIGHT,12V-NUMBER1141 | |
| | 098024-01-700 | EA | LENS-DOMELIGHT | 807877 |
| 3 | 110235-02-01A | EA | LIGHT-MAKEUP, BRASS-4BULBPANLESS-PDPD200-622 | |
| 3 | 081633-01-700 | EA | BULB-MAKEUPLIGHT, JENSEN | |
| 4 | 058707-02-000 | EA | RECEPTACLE-BLANK, JUNCTION-WIRECONWDJ20BR | |
| 5 | 058707-01-000 | EA | RECEPTACLE-ELECTRIC, SINGLE-BROWN | |
| 6 | 081087-01-000 | EA | LIGHT-INDICATOR, THERMOSTAT-LVS1436-JAPAN | |
| | 117806-01-000 | EA | BULB-12VOLT#912-1.0AMPS | |
| 7 | 058708-01-000 | EA | RECEPTACLE-ELECTRIC, DOUBLE-BROWN | |
| 7 | 058708-02-000 | EA | RECEPTACLE-ELECTRIC, DOUBLE-IVORY | |
| 8 | 098024-03-02A | EA | LIGHT-DOME-2BULB-WHITE | |
| | 008218-01-000 | EA | BULB-DOMELIGHT,12V-NUMBER1141 | |
| | 098024-01-700 | EA | LENS-DOMELIGHT | 807877 |
| 9 | 098351-01-01A | EA | PLATE-SWITCH-1GANGPOLISHEDBRASS | |
| 9 | 079364-01-000 | EA | SWITCH-ON/OFFROCKER, 2PRONGS-BROWN-LPDETECTOR | |
| 10 | 024924-02-000 | EA | RECEPTACLE-POWERCORD, W/PARTIALPLATE | |
| 11 | 084076-01-000 | EA | RECEPTACLE-GFI, 15A-125V-IVORY | |
| 11 | 084076-02-000 | EA | RECEPTACLE-GFI, 15A-125V-BROWN | |
| 11 | 097734-01-02A | EA | EXTENSION-RECEPTACLE, 3.2"X5"X.7"-PLASTIC-BROWN-CANADIAN | |
| 12 | 104172-01-01A | EA | LIGHT-BULLET, BEIGE-#787SERIES-CSA | |
| | 086280-01-000 | EA | LIGHT-SURFACEMOUNT, 12V-JENSEN1236 | |
| | 086280-01-700 | EA | BULB-12VOLT, 6WATT | |
| | 054250-01-000 | EA | COVER-ANGLED, W/OHOLE-3.6"X4.5"-PLASTIC-BEIGE | |
| | 054250-04-000 | EA | COVER-ANGLED, W/OHOLE-3.6"X4.5"-PLASTIC-OFFWHITE | |
| | 084077-02-000 | EA | PLATE-COVER-RECEPTACLE-GFI-BROWN | |
| | 123657-01-01A | EA | RECEPTACLE-DUPLEX-16AMP-EUROPEAN | |
| | 123660-01-01A | EA | RECEPTACLE-SINGLE-WC-EUROPEAN | |
| | 123661-01-01A | EA | FRAME-TRIM-SINGLEOUTLET-EXPORT | |

ELECTRICALGROUP(CONTINUED)
FUSES&FUSEHOUSINGS

| KEY | PARTNUMBER | U/M | DESCRIPTION |
|-----|---------------|-----|--------------------------------|
| | 008234-01-000 | EA | FUSE - 10AMPS, 12VOLT |
| | 062901-02-000 | EA | FUSE - 5AMPS, AUTOMOTIVE |
| | 062901-05-000 | EA | FUSE - 15AMPS, AUTOMOTIVE |
| | 062901-06-000 | EA | FUSE - 20AMPS, AUTOMOTIVE |
| | 062901-07-000 | EA | FUSE - 25AMPS, AUTOMOTIVE |
| | 062901-08-000 | EA | FUSE - 30AMPS, AUTOMOTIVE |
| | 062037-01-000 | EA | HOUSING - AUTOFUSE - NATURAL |
| | 062037-02-000 | EA | HOUSING - AUTOFUSE - GREEN |
| | 062037-03-000 | EA | HOUSING - AUTOFUSE - BLACK |
| | 062037-04-000 | EA | HOUSING - AUTOFUSE - BLUE |
| | 062037-05-000 | EA | HOUSING - AUTOFUSE - GRAY |
| | 062037-06-000 | EA | HOUSING - AUTOFUSE - BROWN |
| | 062037-07-000 | EA | HOUSING - AUTOFUSE - RED |
| | 106656-01-000 | EA | FUSEBLOCK - 4CAVITY - AUTOFUSE |
| | 108669-01-000 | EA | HOUSING - AUTOFUSEHOLDER |

CIRCUITBREAKERS

| KEY | PARTNUMBER | U/M | DESCRIPTION |
|-----|---------------|-----|--|
| | 083209-01-000 | EA | CIRCUITBREAKER - 15AMP - 120VOLT |
| | 083209-02-000 | EA | CIRCUITBREAKER - 15/15AMP - 120VOLT |
| | 083209-03-000 | EA | CIRCUITBREAKER - 15/20AMP - 120VOLT |
| | 083209-04-000 | EA | CIRCUITBREAKER - 30AMP - 120VOLT |
| | 083209-05-000 | EA | CIRCUITBREAKER - 20A - 120VOLT |
| | 083209-06-000 | EA | CIRCUITBREAKER - 30/15AMP - 120VOLT |
| | 083209-07-000 | EA | CIRCUITBREAKER - 20/20AMP - 120VOLT |
| | 083209-08-000 | EA | CIRCUITBREAKER - BLANK |
| | 093655-03-000 | EA | CIRCUITBREAKER - 40AMP - 12VOLT |
| | 097611-01-000 | EA | CIRCUITBREAKER - 10AMP - 12VOLT |
| | | | FROM: 00-00-00 THRU: 11-01-96 |
| | 112591-01-000 | EA | CIRCUITBREAKER - 16AMP - 240VOLT |
| | 112592-01-000 | EA | CIRCUITBREAKER - 25AMP - 240VOLT - GFI |

TERMINALS

| KEY | PARTNUMBER | U/M | DESCRIPTION |
|-----|---------------|-----|---|
| | 008326-01-000 | EA | TERMINAL-RING, 16/14WIRE - 3/8" STUD |
| | 008328-01-000 | EA | TERMINAL-RING, 12/10WIRE - #10STUDFIT |
| | 008331-01-000 | EA | TERMINAL-RING, TONGUE - #4WIRE - 3/8" STUD - COPPER |
| | 008348-01-000 | EA | TERMINAL-RING, 3/8" STUD - #2WIRE |
| | 035416-04-000 | EA | TERMINAL-RING#10STUDFIT, INSULATEDBARREL#16/14 |
| | 047443-01-000 | EA | TERMINAL - .250RECEPTACLEFIT, INSULATED - 16/14AWG |
| | 047443-02-000 | EA | TERMINAL - .250RECEPTACLEFIT, INSULATED - 12/10AWG |
| | 062036-01-000 | EA | TERMINAL-PACK-CON, 12/10AWG |
| | 062036-02-000 | EA | TERMINAL-PACK-CON, 16/14AWG |
| | 088267-01-000 | EA | TERMINAL-FEMALE, 1/4 |
| | 088476-01-000 | EA | TERMINAL-ELECTRICAL |
| | 098260-01-000 | EA | TERMINAL-MALE, 56SERIES |
| | 104100-03-000 | EA | TERMINAL - 75AMP |
| | 106007-01-000 | EA | TERMINAL-FEMALE, 14-16AWG |
| | 106655-01-000 | EA | TERMINAL-FUSEBLOCK, 14-16AWG |
| | 106655-02-000 | EA | TERMINAL-FUSEBLOCK, 10-12AWG |
| | 113306-01-000 | EA | TERMINAL-FEMALE, METRI-PACK-14-16 |
| | 113307-01-000 | EA | TERMINAL-FEMALE, METRI-PACK-16-20 |
| | 113308-01-000 | EA | TERMINAL - FEMALE - M/P - 14-16-280 |
| | 125324-01-000 | EA | TERMINAL-MALE, M/P - 150 |

ELECTRICALGROUP(CONTINUED)
ELECTRICBOXES&COVERS

| KEY | PARTNUMBER | U/M | DESCRIPTION |
|-----|---------------|-----|---|
| | 008289-01-000 | EA | BOX-ELECTRIC, STEEL - 1/2" AND 3/4" KNOCKOUTS - 4" X 4" - US |
| | 008289-02-000 | EA | BOX-ELECTRIC, STEEL - 1/2" AND 3/4" KNOCKOUTS - 4" X 4" - CANADIAN |
| | 091910-01-000 | EA | BOX - ELECTRIC - 3.8" X 3.5" X 1.8" - PLASTIC |
| | 091910-02-000 | EA | BOX - ELECTRIC - 2.2" X 3.5" X 1.7" - PLASTIC |
| | 008294-01-000 | EA | COVER-ELECTRICALBOX, BLANK/STEEL - 4" X 4" - GRAY |
| | 008294-02-000 | EA | COVER-ELECTRICALBOX, BLANKSTEEL - 4" X 4" - CANADIAN |
| | 069238-01-000 | EA | COVER-ELECTRICALBOX, W/HOLE - 4" X 4" - GRAY USEDWITH30AMPRECEPTACLE |
| | 073626-04-000 | EA | COVER-ELECTRIC, 10.4" X 7.8" - BEIGEPLASTIC |
| | 091927-01-000 | EA | COVER-RECEPTACLE, DOUBLE-IVORY |
| | 093257-02-000 | EA | BOX - ELECTRIC - CIRCUITBREAKER |
| | 111509-01-000 | EA | BOXASM-ELECTRICAL, FRONT |
| | 111510-01-000 | EA | DOOR-ELECTRICALBOX, FRONT |
| | 123659-01-000 | EA | BOX - ELECTRIC - RECEPTACLE - EUROPEAN |

HOUSINGS, PINS & SOCKETS

| KEY | PARTNUMBER | U/M | DESCRIPTION |
|-----|---------------|-----|--|
| | 088473-01-000 | EA | HOUSING-PIN, 4ROWSOF3 |
| | 088473-02-000 | EA | HOUSING-PIN, 15CAVITY - AMP1-480710-0 |
| | 088473-03-000 | EA | HOUSING-PIN, 9POSITION |
| | 088473-05-000 | EA | HOUSING-PIN, 6POSITION(SINGLEROW) |
| | 088473-06-000 | EA | HOUSING-PIN, 6POSITION(TWOROWSOFTHREE) |
| | 088473-08-000 | EA | HOUSING-PIN, 4POSITION |
| | 088473-09-000 | EA | HOUSING-PIN, 3POSITION(SINGLEROW) |
| | 088473-10-000 | EA | HOUSING-PIN, 2POSITION |
| | 088474-01-000 | EA | HOUSING-SOCKET - 12CAVITY |
| | 088474-02-000 | EA | HOUSING-SOCKET - 15CAVITY |
| | 088474-03-000 | EA | HOUSING-SOCKET - 9CAVITY |
| | 088474-06-000 | EA | HOUSING-SOCKET - 6CAVITY |
| | 088474-07-000 | EA | HOUSING-SOCKET - 5CAVITY |
| | 088474-08-000 | EA | HOUSING-SOCKET - 4CAVITY |
| | 088474-09-000 | EA | HOUSING-ELECTRICAL - 3TERMINAL |
| | 088474-10-000 | EA | HOUSING-SOCKET - 2CAVITY |
| | 101751-02-000 | EA | HOUSING - 1PIN - WEATHERPACK |
| | 088475-01-000 | EA | PIN-CONNECTOR, 14TO20AWG |
| | 088475-02-000 | EA | PIN-CONNECTOR, 10TO12AWG |
| | 088476-02-000 | EA | SOCKET-CONNECTOR - 12-10GA - PRE-TIN |
| | 103608-01-000 | EA | SOCKET-WEDGEBASEW/LEADS |
| | 098261-02-000 | EA | SOCKET-CONNECTOR-WEATHERPACK |
| | 098262-01-000 | EA | SEAL-CONNECTOR-WEATHERPACK |
| | 098264-01-000 | EA | HOUSING - 2PIN - WEATHERPACK |
| | 101571-01-000 | EA | HOUSING - 2POSITION, MALE |
| | 104100-01-000 | EA | HOUSING - 1POSITION, 75AMP |
| | 106006-01-000 | EA | HOUSING - 1POSITION, FEMALE |
| | 110178-01-000 | EA | HOUSING-WIPERMOTOR |
| | 113468-01-000 | EA | HOUSING - 2POSITION, FEMALE - 56-SERIES USEDONWIPER/WASHERWIREASM |
| | 115556-01-000 | EA | HOUSING - 3POSITION - FEM |
| | 119248-02-000 | EA | HOUSING - 7POSITION, FEMALE - METRI-PACK |
| | 125323-02-000 | EA | HOUSING - 8POSITION, MALE |
| | 125325-01-000 | EA | SEAL - CAVITY |
| | 108355-01-000 | EA | HOUSING-SWITCH |

**ELECTRICALGROUP(CONTINUED)
CONNECTORS**

| KEY | PARTNUMBER | U/M | DESCRIPTION |
|-----|---------------|-----|--|
| | 008311-01-000 | EA | CONNECTOR-WIRENUT,INSULATED-RED |
| | 008312-01-000 | EA | CONNECTOR-WIRENUT,INSULATED-BLUE |
| | 008313-01-000 | EA | CONNECTOR-WIRENUT,INSULATED-YELLOW |
| | 008314-01-000 | EA | CONNECTOR-WIRENUT,INSULATED-GRAY |
| | 008355-01-000 | EA | CONNECTOR-CABLECLAMPING,3/4" |
| | 008356-01-000 | EA | CONNECTOR-PLASTIC,3/8"AVG |
| | 008398-01-000 | EA | CONNECTOR-1/2"X90DEGREE,FLEXCONDUIT-ULANDCSA |
| | 041480-01-000 | EA | CONNECTOR-STRAIGHT,1/2"FLEXCONDUIT |
| | 007942-01-000 | EA | TAB-WIRE,18TO14AWG |
| | 058028-01-000 | EA | CONNECTOR-ELECTRICALPIGTAIL,NYLON-CLEAR |
| | 082741-01-000 | EA | CONNECTORBODY-2CONNECTOR-MALE |
| | 087695-03-000 | EA | CONNECTOR-ASSEMBLY-EURAMTECRT10484802 |
| | 098265-02-000 | EA | PIN-CONNECTOR,WEATHERPACK |
| | 007940-01-000 | EA | RECEPTACLE-SLIDE,16TO12AWG-FEMALEEND |
| | 007954-01-000 | EA | RECEPTACLE-HOUSING,6POSITION |
| | 080015-02-000 | EA | RECEPTACLE-FLAG,.185-16/14GAUGE |
| | 112823-01-000 | EA | SPLICE-REDUCER,16-14T018-22 |

POWERCORDS

| KEY | PARTNUMBER | U/M | DESCRIPTION |
|-----|---------------|-----|---|
| | 008052-01-000 | EA | CORD-POWER,10/3-30AMP-25'-CANADIAN |
| | 008054-01-000 | EA | CORD-POWER,10/3-30AMP-25'-US |
| | 121470-01-000 | EA | CORD-EXTENSION,6FT-16-2-SATELLITEDISHOPTION |

WIREASSEMBLIES

| KEY | PARTNUMBER | U/M | DESCRIPTION |
|-----|---------------|-----|---|
| | 096449-01-000 | EA | WIREASSEMBLY-WATERTANKTOMONITORPANEL |
| | 097618-01-000 | EA | WIREASSEMBLY-MONITORPANEL,W/3WIRES&ORANGERESISTOR-LVS |
| | 102636-02-000 | EA | WIREASSEMBLY-CLEARANCELAMPS |
| | 110256-01-000 | EA | WIREASSEMBLY-IP,GENERATOR |
| | 111915-01-000 | EA | WIREASSEMBLY-DAYRUNLAMPS,FUSE-GM |
| | P03784-01-000 | EA | WIREASSEMBLY-HEADLAMP,GM |
| | 090986-01-000 | EA | WIREASSEMBLY-ELECTRICSTEP |
| | 108303-01-000 | EA | WIREASSEMBLY-REARAUTOHEATER |
| | 112593-01-000 | FT | CABLE-3WIRE-16A-FLEXRUBBER-EUROPEAN |
| | 112593-02-000 | FT | CABLE-3WIRE-25A-FLEXRUBBER-EUROPEAN |
| | 113134-03-000 | EA | WIREASSEMBLY-WIPER/WASHER |
| | 124096-01-000 | EA | WIRE-INSTRUMENTPANEL-FOGLAMPS |
| | 081059-02-000 | EA | WIREASSEMBLY-9PIN-F/RADIO |
| | 100677-01-000 | EA | WIREASSEMBLY-RADIO |

CONDUIT

| KEY | PARTNUMBER | U/M | DESCRIPTION |
|-----|---------------|-----|--|
| | 041953-01-000 | FT | CONDUIT-CONVOLUTE,SLIT-.5"ID |
| | 041953-03-000 | FT | CONDUIT-CONVOLUTE,SLIT-1"ID(CLOTHESRODCOVER) |
| | 041953-05-000 | FT | CONDUIT-CONVOLUTE,SOLID-.62"ID |
| | 041953-06-000 | FT | CONDUIT-CONVOLUTE,SLIT-.375"ID |
| | 041953-07-000 | FT | CONDUIT-CONVOLUTE,SLIT-.25"ID |
| | 041953-08-000 | FT | CONDUIT-CONVOLUTE,SLIT-1.50"ID |
| | 041953-09-000 | FT | CONDUIT-CONVOLUTE,SLIT-.50"ID |
| | 041953-10-000 | FT | CONDUIT-CONVOLUTE,SLIT-.75"ID |
| | 041953-11-000 | FT | CONDUIT-CONVOLUTE,SLIT-1.06"ID |
| | 041953-12-000 | FT | CONDUIT-CONVOLUTE,NSLIT-1.1"ID |

**ELECTRICALGROUP(CONTINUED)
CONVERTER&INVERTER**

| KEY | PARTNUMBER | U/M | DESCRIPTION |
|-----|---------------|-----|---------------------------------|
| | 083208-01-000 | EA | CONVERTER-POWER-32AAMP-120V/12V |
| | 083208-02-000 | EA | CONVERTER-POWER-45A-120/12V |
| | 083208-05-000 | EA | CONTROLCENTER-45AMP-100V/12V |
| | 099048-03-000 | EA | INVERTER-130WATT |
| | 113493-01-000 | EA | LOADCENTER-12MDL-FLUSHMOUNT |
| | 114511-01-000 | EA | CONVERTER-40AMP-W/CHARGER |
| | 125570-01-000 | EA | TRANSFORMER-220TO110VAC |

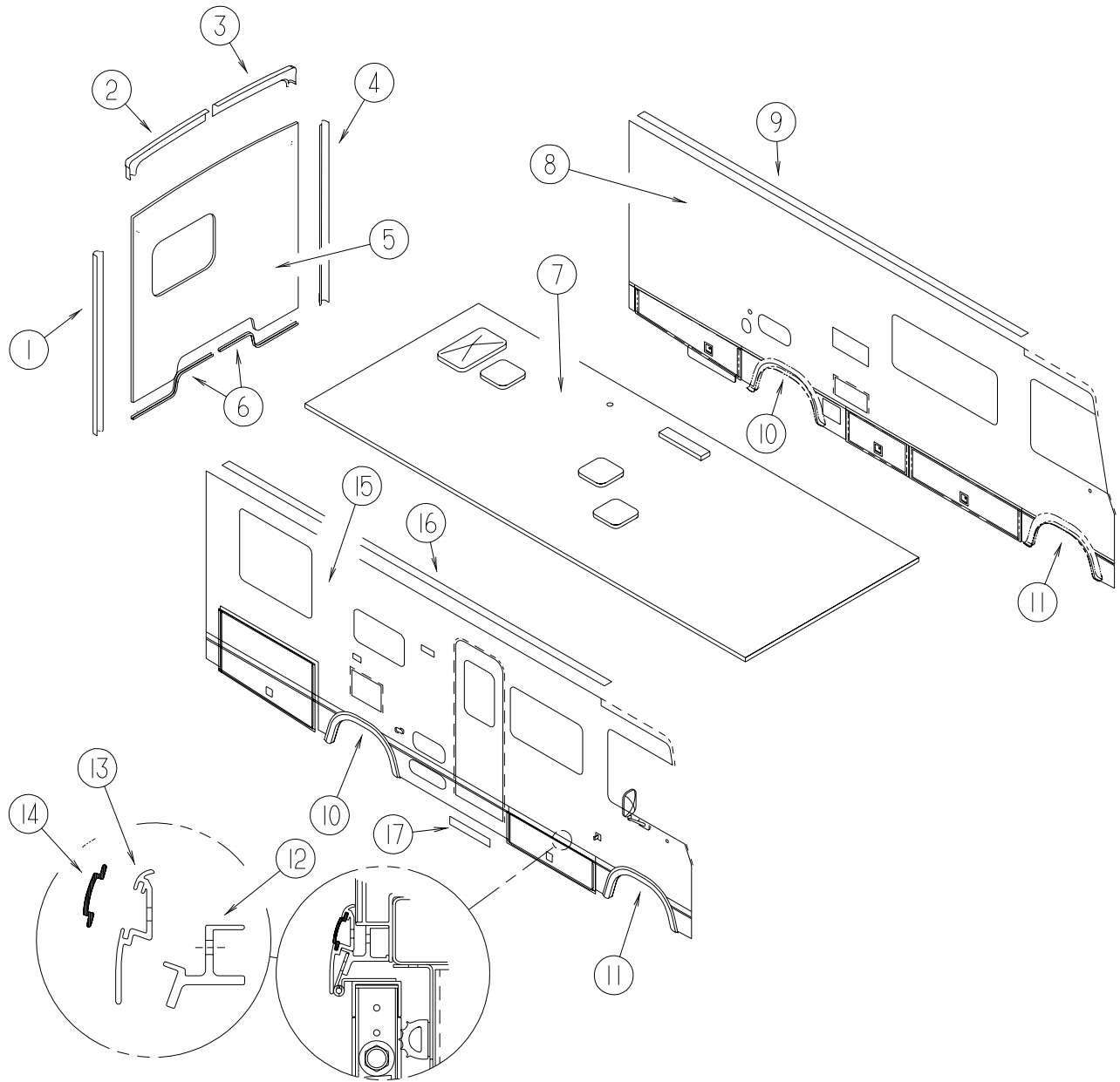
SOLARPANEL&MONITOR(MCCLAINANNIVERSARYOPTION)

| KEY | PARTNUMBER | U/M | DESCRIPTION | VENDORNO. |
|-----|---------------|-----|--|-----------|
| | 115504-01-000 | EA | PANEL-SOLAR,10WATT | |
| | 115504-01-700 | EA | PLUG&CABLE,10WATT | 600-016 |
| | 115505-01-000 | EA | LIGHT-MONITOR/SOLARPANEL-REDLEDINDICATOR | |

MISCELLANEOUSELECTRICALCOMPONENTS

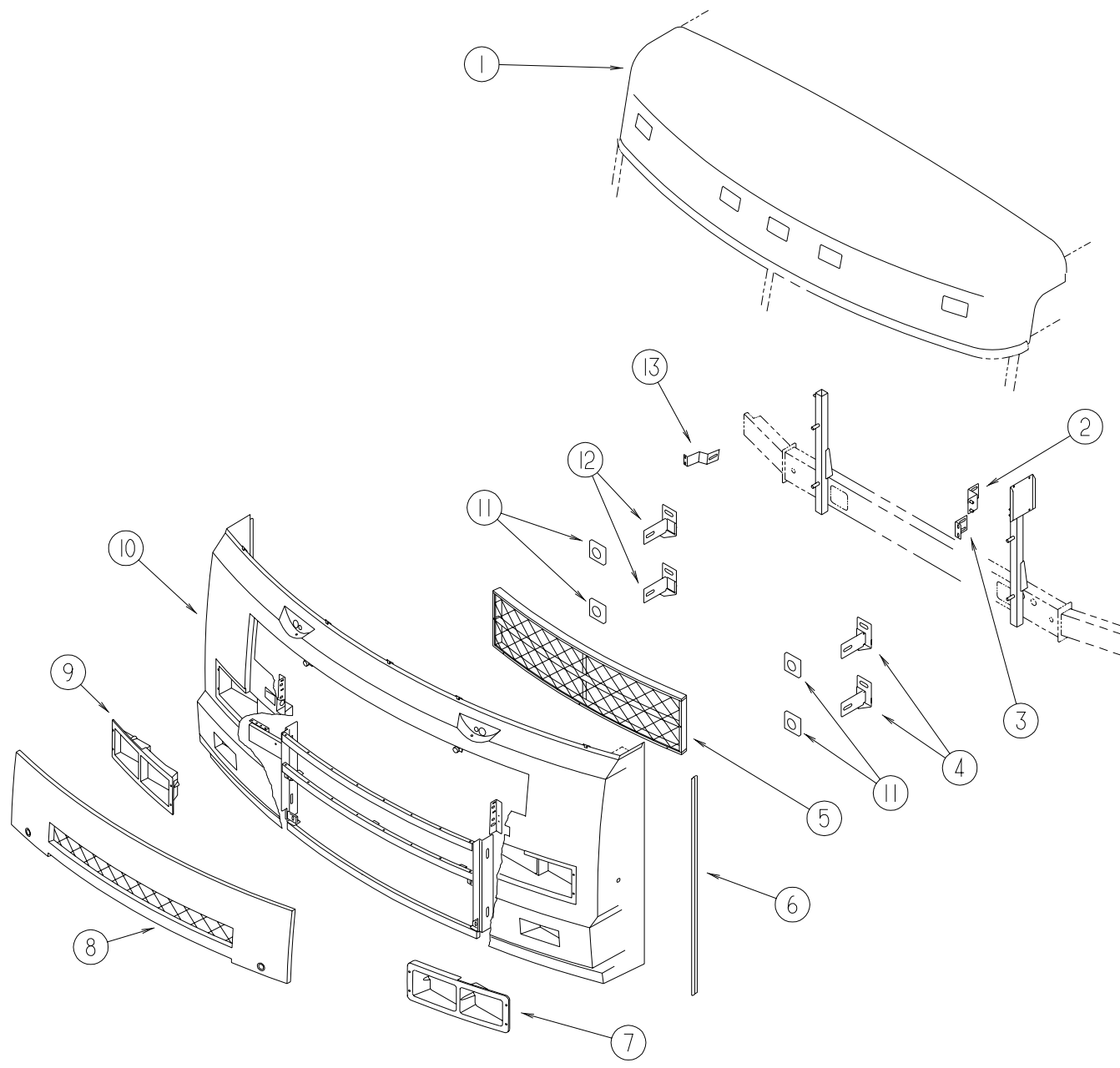
| KEY | PARTNUMBER | U/M | DESCRIPTION |
|-----|---------------|-----|---|
| | 007093-01-000 | EA | FLASHER-SIGNAL,STAT |
| | 007956-05-000 | EA | INSULATOR-SHRINK-.25IDX1.50-BLACK |
| | 008188-01-000 | EA | SOLENOID-3POST,BATTERYCHANGEOVER |
| | 063910-01-000 | EA | HOUSING-RELAY |
| | 063912-02-000 | EA | RELAY-CANISTER,SPDT |
| | 086233-01-000 | EA | STUD-ISOLATED,3/8"X7/8"LONG |
| | 086273-01-000 | EA | RELAY-BATTERYDISCONNECT |
| | 073626-04-000 | EA | COVER-ELECTRIC,10.4"X7.8" |
| | 103987-02-000 | EA | SEAL-SOLENOIDACCESS |
| | 087225-01-000 | FT | SLEEVING-1/2",TYPEH |
| | 087225-02-000 | FT | SLEEVING-5/8",TYPEH |
| | 073328-B4-000 | EA | CABLEASSEMBLY-BATTERY,W/TERMINALS |
| | 113494-01-000 | EA | CONTACTOR-25AMP-230VOLT-50HZ-EUROPEAN |
| | 112590-01-000 | EA | RECEPTACLE-16AMP-240VOLT-2POLEW/GROUND-EUROPEAN |
| | 112594-01-000 | EA | INLET-16AMP240VOLT-2POLEW/GROUND-EUROPEAN |
| | 077479-01-000 | EA | BOOT-BATTERYTERMINAL,DOUBLECABLE |
| | 077479-02-000 | EA | BOOT-BATTERYTERMINAL,SINGLECABLE |

EXTERIORBODYGROUP
EXTERIORBODYPANELSANDTRIM



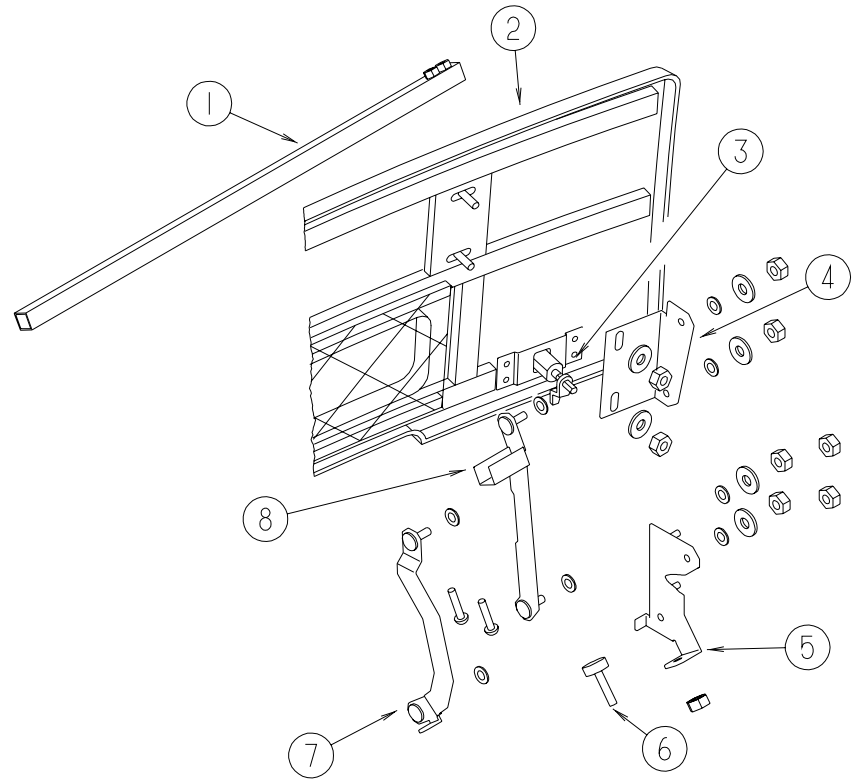
| KEY | PARTNUMBER | U/M | DESCRIPTION |
|-----|---------------|-----|--|
| 1 | 114874-05-12B | EA | TRIM-BACKWALLSIDE,RIGHT-BRIGHTWHITE-STEEL |
| 1 | 104033-11-02A | EA | TRIM-J,BACKWALL-RIGHT-BRIGHTWHITE-ALUMINUM |
| 2 | 114872-01-02A | EA | TRIM-BACKWALL, TOPW/OCLEARANCELIGHTS-RH-BRIGHTWHITEPLASTIC |
| 2 | 114872-03-03A | EA | TRIM-BACKWALL-TOP/PASSENGER-EUROPEAN&JAPAN |
| 3 | 114873-01-02A | EA | TRIM-BACKWALL, TOPW/OCLEARANCELIGHTS-LH-BRIGHTWHITEPLASTIC |
| 3 | 114873-03-03A | EA | TRIM-BACKWALL-TOP/DRIVERTOP-EUROPEAN&JAPAN |
| 4 | 114874-06-12B | EA | TRIM-BACKWALLSIDE, LEFT-BRIGHTWHITE-STEEL |
| 4 | 104033-12-02A | EA | TRIM-J, BACKWALL-LEFT-BRIGHTWHITE-ALUMINUM |
| 5 | 122900-01-H13 | EA | BACKWALL-W/OWINDOW/TRIM(H12,H13) |
| 5 | 122900-01-H14 | EA | BACKWALL-W/OWINDOW/TRIM(H14,H16) |
| 5 | 122900-01-H15 | EA | BACKWALL-W/OWINDOW/TRIM(H15) |
| 5 | 122900-02-H13 | EA | BACKWALL-W/OWINDOW/TRIM(H12,H13)-EUROPEAN&JAPAN |
| 5 | 122900-02-H14 | EA | BACKWALL-W/OWINDOW/TRIM(H14,H16)-EUROPEAN&JAPAN |
| 5 | 122900-02-H15 | EA | BACKWALL-W/OWINDOW/TRIM(H15)-EUROPEAN&JAPAN |
| | 108688-01-03A | EA | STRIP-FEATURE-15'-BRIGHTWHITE |
| | 105312-01-07A | FT | INSERT-VINYLFEATURESTRIP-BRIGHTWHITE |
| | 105312-01-03A | FT | INSERT-FEATURESTRIP,GRAYMET-EXTERIORPAINTOPTION |
| | 108651-01-01A | EA | ENDCAP-FEATURESTRIP |
| 6 | 050406-30-000 | EA | TRIM-BACKWALL,LOWER-BRIGHTWHITE |
| 7 | 122899-01-H13 | EA | ROOF-W/OLIGHTS&VENTS-W/WIRING |
| 8 | 122897-01-H13 | EA | SIDEWALL-DRIVER-W/OWINDOWS/TRIM(H12,H13) |
| 8 | 122897-01-H14 | EA | SIDEWALL-DRIVER-W/OWINDOWS/TRIM(H14,H16) |
| 8 | 122897-01-H15 | EA | SIDEWALL-DRIVER-W/OWINDOWS/TRIM(H15) |
| 9 | 120091-02-02A | EA | TRIM-ROOF,BRIGHTWHITE |
| 10 | 124512-01-01A | EA | TRIM-WHEELWELL/REAR-BRIGHTWHITE |
| 11 | 124513-02-01A | EA | TRIM-WHEELWELL/FRONT-NOTCHED |
| 12 | 124299-51-001 | EA | EXTRUDED-RETAINER-TRIM-144" |
| 13 | 124176-01-01A | EA | TRIM-SIDEWALL,BRIGHTWHITEALUMINUM |
| 14 | 105312-01-07A | FT | INSERT-FEATURESTRIP,BRIGHTWHITE |
| 14 | 105312-01-03A | FT | INSERT-FEATURESTRIP,GRAYMET-EXTERIORPAINTOPTION |
| 15 | 122896-01-H13 | EA | SIDEWALL-PASSENGER-W/OWINDOWS/TRIM(H12,H13) |
| 15 | 122896-01-H14 | EA | SIDEWALL-PASSENGER-W/OWINDOWS/TRIM(H14,H16) |
| 15 | 122896-01-H15 | EA | SIDEWALL-PASSENGER-W/OWINDOWS/TRIM(H15) |
| 16 | 120092-01-02A | EA | RAIL-AWNING,BRIGHTWHITE |
| 17 | 124542-01-H13 | EA | TRIM-SIDEWALL-BRIGHTWHITE |
| 17 | 124542-01-HA3 | EA | TRIM-SIDEWALL-SILVER-MCCLAINSANNIVERSARYOPTION |
| 17 | 124542-02-H13 | EA | TRIM-SIDEWALL-BRIGHTWHITE-EUROPEAN&JAPAN |
| 17 | 124542-01-H14 | EA | TRIM-SIDEWALLDELFTBLUEEXTERIORPAINTOPTION |
| 17 | 124542-02-H14 | EA | TRIM-SIDEWALLDELFTBLUËXTERIORPAINTOPT-EUROPEAN&JAPAN |
| | 124179-01-01A | EA | CAP-SIDEWALLTRIM,ANGLED-LEFTHAND-BRIGHTWHITE(WHEELWELL) |
| | 124179-02-01A | EA | CAP-SIDEWALLTRIM,ANGLED-RIGHTHAND-BRIGHTWHITE(WHEELWELL) |
| | 124132-01-01A | EA | CAP-SIDEWALLTRIMW/ONOTCH,90DEGREE-RIGHTHAND-BRIGHTWHITE |
| | 124132-02-01A | EA | CAP-SIDEWALLTRIMW/ONOTCH,90DEGREE-LEFTHAND-BRIGHTWHITE |
| | 093673-01-06A | FT | TRIM-1.3"WIDE,BRIGHTWHITE |
| | 002726-01-001 | EA | GARNISH-U-CHANNEL,1.38"X19'-SERRATED-MILLALUMINUM |
| | 058267-01-000 | FT | CHANNEL-STEEL-W/HOLES-SIDEWALLSTIFFENER-2"X20' |
| | 068716-01-001 | EA | BRACE-90DEGREEEL-ANGLE-16' |
| | 069726-02-000 | EA | BUMPER-.88"DIA X.40",BLACK |
| | 116800-55-005 | EA | U-CHANNEL-EXTRUDED,1.7"X16'-BRIGHTWHITE |
| | 122613-55-001 | EA | EXTRUDED-ROCKERPANEL-192"-BRIGHTWHITE |
| | 122613-55-004 | EA | EXTRUDED-ROCKERPANEL-192"-DELFTBLUE |
| | 122613-55-006 | EA | EXTRUDED-ROCKERPANEL-192"-SILVER |

EXTERIOR BODY GROUP (CONTINUED)
FRONT END COMPONENTS



| KEY | PARTNUMBER | U/M | DESCRIPTION |
|-----|---------------|-----|---|
| 1 | 122513-02-H13 | EA | CAP-FRONTROOFW/LIGHTPOCKETS-BRIGHTWHITE |
| 1 | 122513-04-H13 | EA | CAP-ROOF-EUROPEAN |
| 1 | M07435-06-H13 | EA | CAP-FRONT-JAPAN |
| | 070579-06-000 | EA | PLATE-ANCHOR,W/7/16WELDNUT-1.5"X3.3" |
| 2 | 122842-01-02B | EA | BRACE-FRONTEND,LH-E-COATSTEEL |
| 3 | 122800-01-02B | EA | ANGLE-FRONTEND,LH-E-COATSTEEL |
| 4 | 122826-02-02B | EA | BRACKET-BUMPER,LH-E-COATSTEEL |
| 5 | 123945-01-H13 | EA | GRILLEASSEMBLY-FRONTW/GRILLEMESH |
| | 115924-09-02A | EA | MESH-GRILLE,WOVENWIRE,FLATBLACK |
| 6 | 123680-03-01A | EA | TRIM-FIBERGLASSPANEL,BRIGHTWHITE |
| 7 | 122510-02-01A | EA | BEZEL-HEADLAMP,LH-BRIGHTWHITE |
| | 110690-02-D18 | EA | PLATEASSEMBLY-HEADLAMP,QUAD-LH |
| 8 | 122511-02-H13 | EA | PANEL-HOODW/GRILLE-BRIGHTWHITE |
| 9 | 122510-01-01A | EA | BEZEL-HEADLAMP,RH-BRIGHTWHITE |
| | 110690-01-D18 | EA | PLATEASSEMBLY-HEADLAMP,QUAD-RH |
| 10 | 122512-01-01A | EA | CAP-FRONT,LOWER-W/GRILLE,HOODORBEZELS-BRIGHTWHITE |
| | 002328-02-000 | EA | BLOCK-RUBBER,.062"X.5"X.98" |
| | 007157-05-000 | EA | NUT-WELL,HEADLIGHTBEZEL |
| | 110782-01-000 | EA | ANGLE-SUPPORT-HEADLAMP |
| | 119445-01-02B | EA | PLATE-W/HOLES,1"X1 1/2"-E-COATSTEEL |
| 11 | 116617-02-02B | EA | SPACER/WASHER-BUMPER,SQUARE-E-COATSTEEL |
| 12 | 122826-01-02B | EA | BRACKET-BUMPER,RH-E-COATSTEEL |
| 13 | 122787-01-02B | EA | BRACE-FRONTEND,RH-E-COATSTEEL |

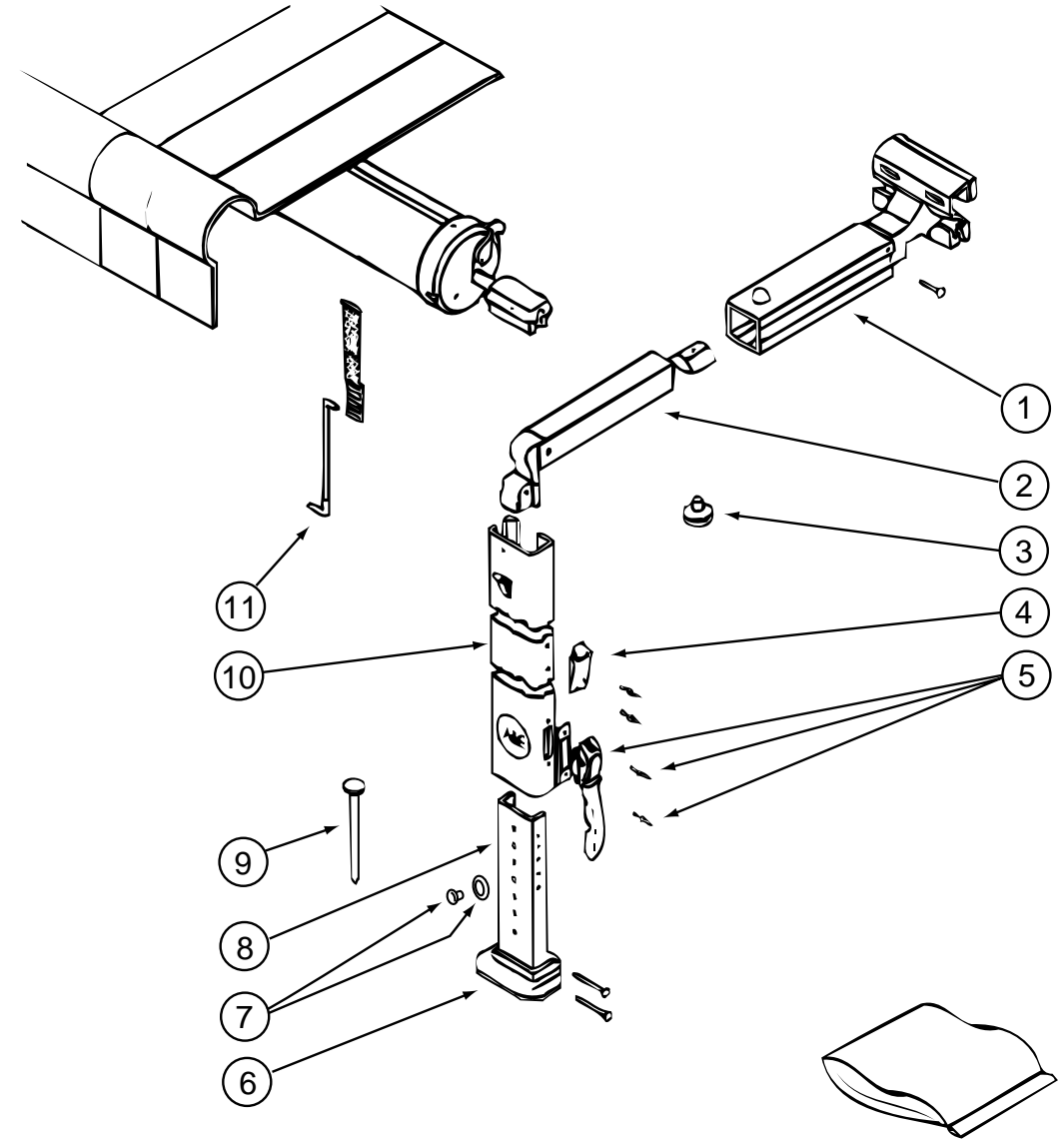
EXTERIORBODYGROUP(CONTINUED)



HOOD&COMPONENTS

| KEY | PARTNUMBER | U/M | DESCRIPTION |
|-----|---------------|-----|--|
| 1 | 105096-12-000 | EA | TUBE-HOODHINGETIMINGW/WELDNUTS |
| 2 | 122511-02-H13 | EA | PANEL-HOODW/OGRILLE-BRIGHTWHITE |
| | 115924-08-02A | EA | MESH-GRILLE,WOVENWIRE-FLATBLACK |
| 3 | 102330-02-000 | EA | LATCH-VISEACTION/KEYOPERATED |
| | 102328-01-000 | EA | KEY-BARREL,NICKELPLATED |
| 4 | 122736-01-02B | EA | ANGLE-LINK,HOOD-RH |
| 4 | 122736-02-02B | EA | ANGLE-LINK,HOOD-LH |
| 5 | 106613-07-000 | EA | BRACKET-LINK,HINGE-HOOD-RH |
| 5 | 106613-08-000 | EA | BRACKET-LINK,HINGE-HOOD-LH |
| 6 | 058786-01-000 | EA | BOLT-HOOD,ADJUSTINGW/RUBBERBUMPER |
| 7 | 106612-05-000 | EA | LINKASSEMBLY-HINGE,HOOD-LOWER-RH |
| 7 | 106612-06-000 | EA | LINKASSEMBLY-HINGE,HOOD-LOWER-LH |
| 8 | 106618-03-000 | EA | LINKASSEMBLY-HINGE,HOOD-UPPER-RH |
| 8 | 106618-04-000 | EA | LINKASSEMBLY-HINGE,HOOD-UPPER-LH |
| | 106730-10-000 | EA | PLATEASSEMBLY-4"X1"WITH2WELDNUTS-E-COATSTEEL |
| | 106748-05-000 | EA | LATCH-HOOD-FRONTEND |

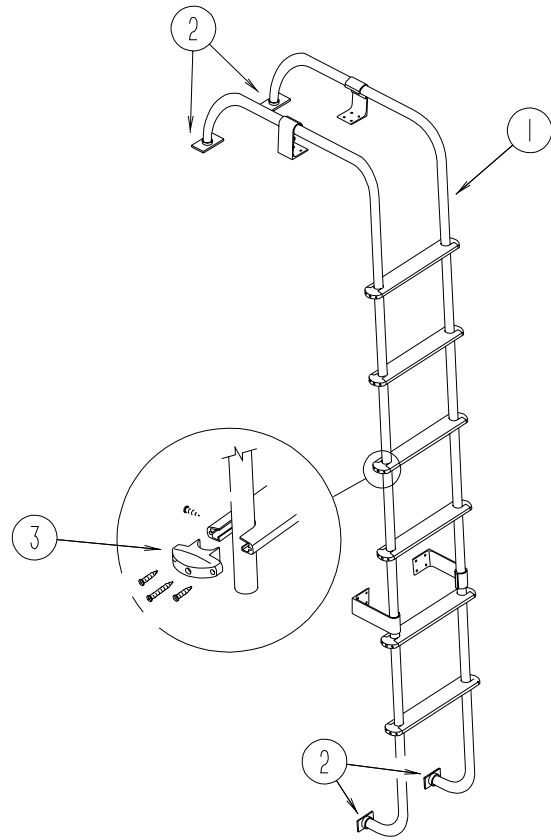
EXTERIORBODYGROUP(CONTINUED)



A&EAWNING&HARDWARE

| KEY | PARTNUMBER | U/M | DESCRIPTION | VENDORNO. |
|-----|---------------|-----|---|---------------|
| | 113874-04-02A | EA | AWNING-W/OHDW13'(POLARNAVYTEAL)VINYL | |
| | 111037-01-01A | EA | SPACER-AWNING-UPPER-BLACK | |
| | 111038-01-01A | EA | SPACER-AWNING-LOWER | |
| | 113874-01-02A | EA | HARDWAREKIT-AWNING-W/OSTANDOFFBRACKET-BRIGHTWHITE | |
| 1 | 113874-01-714 | EA | RAFTER-MAINRH/LH-BRIGHTWHITE | 830295.536F |
| 2 | 113874-01-715 | EA | RAFTER-SECONDARY-BRIGHTWHITE | 830463.511F |
| 3 | 113874-01-702 | EA | KNOB-ADJUSTING | 3105421.014 |
| 4 | 113874-01-706 | EA | LOCK-TRAVEL | 830587.001 |
| 5 | 113874-01-707 | EA | HANDLE-LIFTW/RIVETS | 830644 |
| 6 | 113874-01-712 | EA | FOOT-PATIO | 730366-001 |
| 7 | 113874-01-710 | EA | PLUG-STOPKIT | 830456 |
| 8 | 113874-01-717 | EA | ARM-ADJUSTABLE-BRIGHTWHITE | 830467.517/F |
| 9 | 113874-01-709 | EA | NAIL-SPIKE,8" | 113006 |
| 10 | 113874-01-716 | EA | ARM-MAINSUPPORT-BRIGHTWHITE | 3104502.293/F |
| 11 | 113874-01-703 | EA | ROD-CENTERPULLW/ACCESSORY | 830152.102 |
| | 119496-01-02A | EA | SPACER/ZEE-AWNING | |

EXTERIORBODYGROUP(CONTINUED)



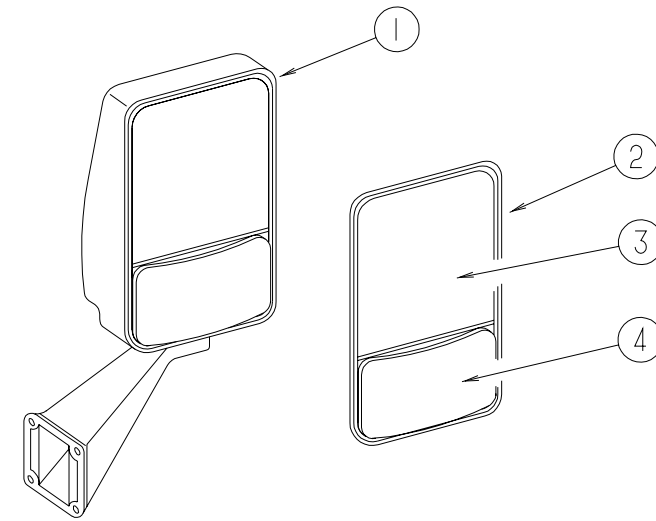
LADDER

| KEY | PARTNUMBER | U/M DESCRIPTION |
|-----|---------------|---------------------------------|
| 1 | 102953-18-H13 | EA LADDER |
| 2 | 067165-01-000 | EA MOUNTINGBRACKET-LADDER,LOWER |
| 3 | 076980-02-000 | EA ENDCAP-STEP,BLACK |
| | 038327-01-000 | EA TAPE-ANTISLIP,2"X60' |

FIBERGLASS,STYROFOAM&INSULATION

| KEY | PARTNUMBER | U/M DESCRIPTION |
|-----|---------------|---|
| | 076054-N1-000 | EA FIBERGLASSSHEET-96"X355.5"BRIGHTWHITE |
| | 076054-N9-000 | EA FIBERGLASSSHEET-96"X102"BRIGHTWHITE |
| | 076054-W4-000 | EA FIBERGLASSSHEET-79"X337"-BRIGHTWHITE |
| | 077517-62-000 | EA FIBERGLASSSHEET-.045"X48"X96"-BRIGHTWHITE |
| | 108535-05-702 | EA FIBERGLASSSHEET-110"X396"-BRIGHTWHITE (ROOFCOVERING) |
| | 108535-04-705 | EA FIBERGLASSSHEET-6"X34'-BRIGHTWHITE (ROOFCOVERING) |
| | 108535-06-700 | EA FIBERGLASSSHEET-102"X102"-BRIGHTWHITE |
| | 000870-08-000 | SF STYROFOAM-.75"X48"X96"-PLANED-INCREMENTSOF32SF |
| | 072877-03-000 | EA INSULATION-SOUNDBARRIER-1"X36"X57" |
| | 072878-01-000 | SF INSULATION-SOUNDBARRIERPAD-.058"X33"X58" |
| | 100619-01-000 | BF FOAM-EXPANDEDPOLYSTYRENE,1.34"X48"X96"-1.5LB/SQFTDENSITY |
| | 100619-04-000 | BF FOAM-EXPANDEDPOLYSTYRENE,.5"X48"X96"-2LB/SQFTDENSITY |
| | 100619-05-000 | BF FOAM-EXPANDEDPOLYSTYRENE,.75"X48"X96"-1.5LB/SQFTDENSITY |
| | 100619-10-000 | BF FOAM-EXPANDEDPOLYSTYRENE,1.5"X48"X96"-2LB/SQFTDENSITY |
| | 100619-11-000 | BF FOAM-EXPANDEDPOLYSTYRENE,2"X48"X96"-1.5LB/SQFTDENSITY |
| | 100619-16-000 | BF FOAM-EXPANDEDPOLYSTYRENE,.75"X48"X96"-2LB/SQFTDENSITY |
| | 105077-08-000 | EA FOAM-PLUG,ROOFCAP |
| | 120107-01-000 | EA FOAM-COVE-ROOF-2.8"X96"LONG |
| | 120107-02-000 | EA FOAM-PLUG-ROOFTUBE-2.2"X2.9"X1.8"LONG |
| | 120107-03-000 | EA FOAM-PLUG-SIDEWALLTUBE-1.2"X2.1"X1.8"LONG |

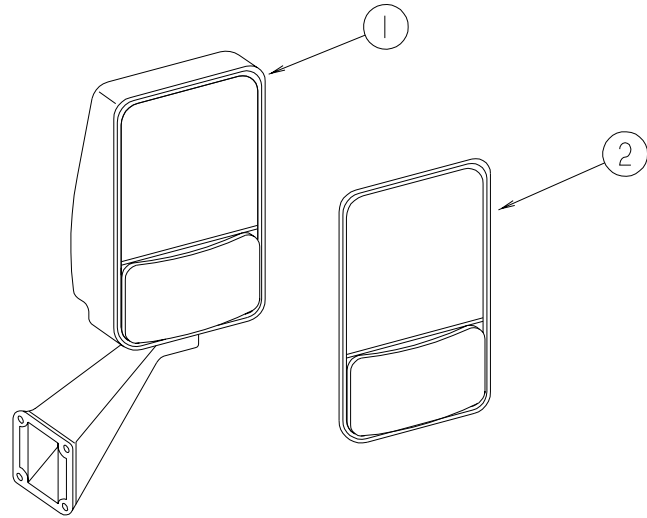
EXTERIORBODYGROUP(CONTINUED)



VELVACHEATEDEXTERIORMIRRORS

| KEY | PARTNUMBER | U/M DESCRIPTION | VENDORNO. |
|-----|---------------|---|-----------|
| 1 | 106015-05-01A | EA MIRRORASM-REMOTE/HEATEDRIGHTW/OSWITCHES FROM: 00-00-00 THRU: 11-05-96 | |
| 1 | 106015-12-01A | EA MIRRORASM-REMOTE/HEATEDRIGHTW/OSWITCHES FROM: 11-06-96 THRU: 99-99-99 | |
| 1 | 106015-06-01A | EA MIRRORASM-REMOTE/HEATEDLEFTW/OSWITCHES FROM: 00-00-00 THRU: 11-05-96 | |
| 1 | 106015-13-01A | EA MIRRORASM-REMOTE/HEATEDLEFTW/OSWITCHES FROM: 11-06-96 THRU: 99-99-99 | |
| 2 | 086261-01-704 | EA MIRRORKIT(BEZELW/MIRRORS)PASSENGERSIDE FROM: 00-00-00 THRU: 11-05-96 | 709091-8 |
| 2 | 086261-02-701 | EA MIRRORKIT(BEZELW/MIRRORS)DRIVERSIDE FROM: 00-00-00 THRU: 11-05-96 | 709269 |
| 3 | 106015-12-700 | EA GLASS-FLATW/HEAT&CLIP FROM: 11-06-96 THRU: 99-99-99 | 709448 |
| 4 | 106015-12-701 | EA GLASS-CONVEXW/HEAT&CLIP FROM: 11-06-96 THRU: 99-99-99 | 709449 |
| | 087695-02-000 | EA SWITCH-HEATER,EXTERIORMIRROR-EURAMTECD4V720-12 | |
| | 087695-03-000 | EA CONNECTOR-ASSEMBLY-EURAMTECRT10484802 | |
| | 088246-01-000 | EA SWITCH-REMOTE,EXTERIORMIRROR-SQUAREPUSH7471290 | |

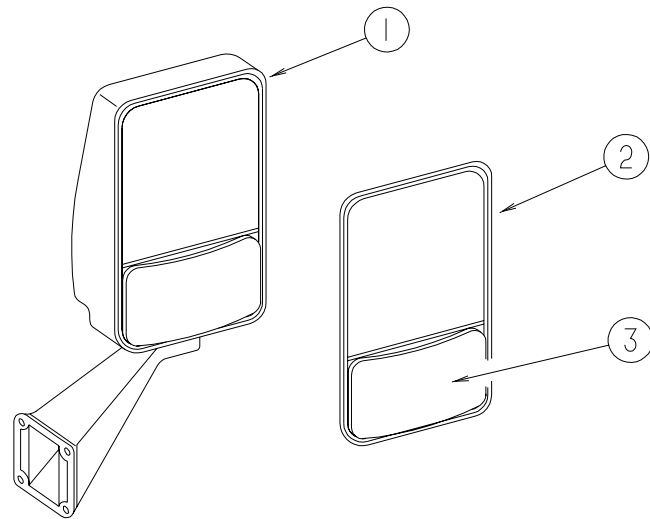
EXTERIORBODYGROUP(CONTINUED)



VELVAC EXTERIOR MIRRORS FROM: 00-00-00 THRU: 03-02-97)

| KEY | PARTNUMBER | U/M | DESCRIPTION |
|-----|---------------|-----|--|
| 1 | 106015-09-01A | EA | MIRROR ASM-EXTERIOR ADJUST GLASS RIGHT-BLACK |
| 1 | 106015-10-01A | EA | MIRROR ASM-EXTERIOR ADJUST GLASS LEFT-BLACK |
| 2 | 106015-01-703 | EA | MIRROR KIT (BEZEL W/ MIRRORS) PASSENGER SIDE |
| 2 | 106015-02-702 | EA | MIRROR KIT (BEZEL W/ MIRRORS) DRIVER SIDE |

| VENDOR NO. |
|------------|
| 709266 |
| 709267 |

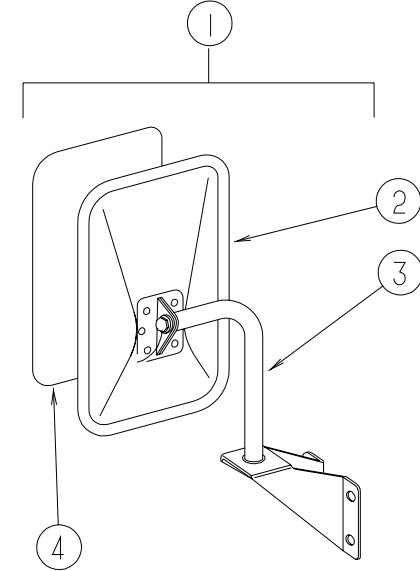


VELVAC EXTERIOR MIRRORS FROM: 03-03-97 THRU: 99-99-99)

| KEY | PARTNUMBER | U/M | DESCRIPTION |
|-----|---------------|-----|--|
| 1 | 106015-14-01A | EA | MIRROR ASM-EXTERIOR ADJUST GLASS RIGHT-BLACK |
| 1 | 106015-15-01A | EA | MIRROR ASM-EXTERIOR ADJUST GLASS LEFT-BLACK |
| 2 | 106015-12-700 | EA | MIRROR-FLAT |
| 3 | 106015-12-701 | EA | MIRROR-CONVEX |

| VENDOR NO. |
|------------|
| 709448 |
| 709449 |

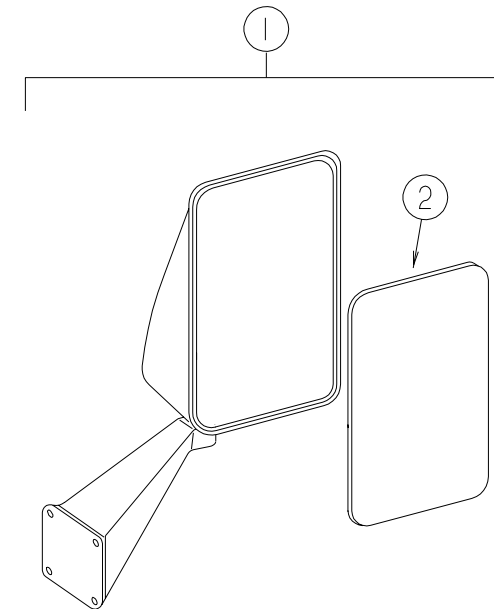
EXTERIORBODYGROUP(CONTINUED)



VELVAC EXTERIOR MIRRORS-EUROPEAN & JAPAN OPTIONS (FROM: 00-00-00 THRU: 11-05-96)

| KEY | PARTNUMBER | U/M | DESCRIPTION |
|-----|---------------|-----|---|
| 1 | 105076-01-702 | EA | MIRROR ASM-FLAT BLACK HOUSING, LH OR RH |
| 2 | 105076-01-703 | EA | MIRROR-HEAD, FLAT BLACK |
| 3 | 105076-01-704 | EA | ARM |
| 4 | 049347-01-700 | EA | GLASS-EXT. MIRROR 7.5X10.5 |
| | 117051-01-700 | EA | MIRROR-CONVEX |

| VENDOR NO. |
|------------|
| 713196 |
| 709275-8 |
| Q780521-9 |
| 702081 |
| 723068-4 |

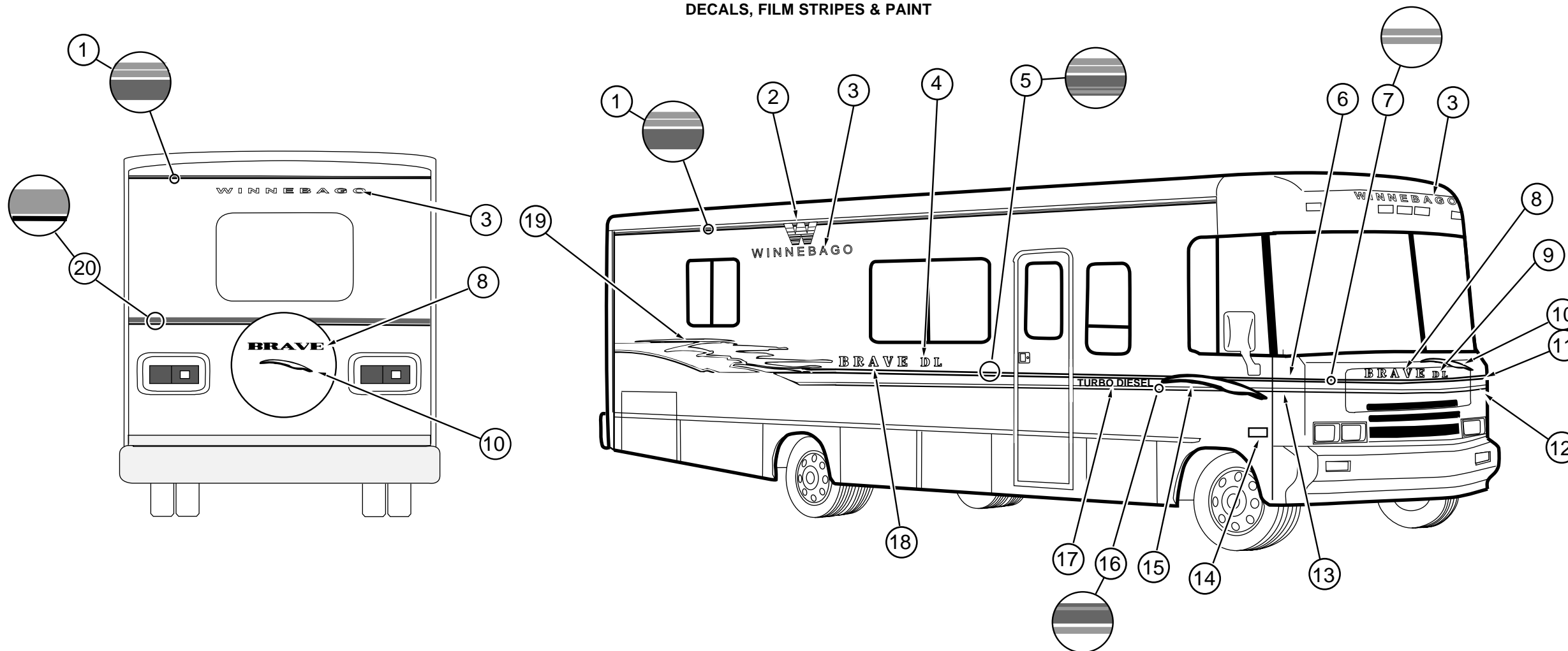


VELVAC EXTERIOR MIRRORS-EUROPEAN & JAPAN OPTIONS (FROM: 11-06-96 THRU: 99-99-99)

| KEY | PARTNUMBER | U/M | DESCRIPTION |
|-----|---------------|-----|--|
| 1 | 123297-01-01A | EA | MIRROR-EXTERIOR-ADJUSTABLE GLASS-DRIVER |
| 1 | 123297-02-01A | EA | MIRROR-EXTERIOR-ADJUSTABLE GLASS-PASSENGER |
| 2 | 106860-02-702 | EA | GLASS ONLY-FLAT-RH/LH STAR |
| | 117051-01-700 | EA | MIRROR-CONVEX |

| VENDOR NO. |
|------------|
| 702086-8 |
| 723068-4 |

EXTERIOR BODY GROUP (CONTINUED)
DECALS, FILM STRIPES & PAINT



| KEY | PART NUMBER | U/M | DESCRIPTION |
|-----|---------------|-----|--|
| 1 | 094443-43-01A | FT | FILM-MULTISTRIPE, 101.6 MM WIDE - SEAFOAM/SEAFOAM/DELFT BLUE |
| 2 | 120700-02-01A | EA | DECAL-LOGO, W - DELFT BLUE |
| 3 | 120702-03-01A | EA | DECAL-LOGO, WINNEBAGO - SMALL - DELFT BLUE |
| 4 | 120995-03-01A | EA | DECAL-LOGO, DL - LARGE- MENDOCINO/DELFT BLUE |
| 5 | 121426-01-01A | FT | FILM-OVERLAY, MULTISTRIPE - 177.8 MM WIDE - SEAFOAM/DELFT BLUE/MENDOCINO |
| 6 | 121432-01-01A | EA | DECAL-CORNER, UPPER - RH - SEAFOAM |
| 7 | 105781-57-01A | FT | FILM-MULTISTRIPE, 38.1 MM WIDE - SEAFOAM/SEAFOAM |
| 8 | 121437-02-01A | EA | DECAL-LOGO, BRAVE - SMALL - MENDOCINO/DELFT BLUE |
| 9 | 120995-04-01A | EA | DECAL-LOGO, DL - SMALL - DELFT BLUE |
| 10 | 121430-01-01A | EA | DECAL-SLASH, SMALL - SEAFOAM/BRIGHT WHITE |
| 11 | 121432-02-01A | EA | DECAL-CORNER, UPPER - LH - SEAFOAM |
| 12 | 121434-02-01A | EA | DECAL-CORNER, LOWER - LH - DELFT BLUE/MENDOCINO |
| 13 | 121434-01-01A | EA | DECAL-CORNER, LOWER - RH - DELFT BLUE/MENDOCINO |
| 14 | 122312-02-01A | EA | DECAL-VORTEC 7400 - BLACK/OFF WHITE/MIST GRAY/SPECTRA RED |
| 15 | 121429-01-01A | EA | DECAL-SLASH, RH - SEAFOAM/BRIGHT WHITE |
| | 121429-02-01A | EA | DECAL-SLASH, LH - SEAFOAM/BRIGHT WHITE |
| 16 | 121427-01-01A | FT | FILM-OVERLAY, MULTISTRIPE - 41.3 MM WIDE - SPARKLING TEAL/SEAFOAM |
| 17 | 111318-03-03A | EA | DECAL-TURBO DIESEL - BRIGHT WHITE |
| 18 | 121437-01-01A | EA | DECAL-LOGO, BRAVE, LARGE - MENDOCINO/DELFT BLUE |
| 19 | 121428-01-01A | EA | DECAL-HORIZON, RH - DELFT BLUE/SEAFOAM/MENDOCINO |
| | 121428-02-01A | EA | DECAL-HORIZON, LH - DELFT BLUE/SEAFOAM/MENDOCINO |
| 20 | 105781-52-01A | FT | FILM-MULTISTRIPE, 104.8 MM WIDE - DELFT BLUE/MENDOCINO |
| | 126511-01-01A | EA | DECAL - MCCLAINS RV 34TH ANNIVERSARY |

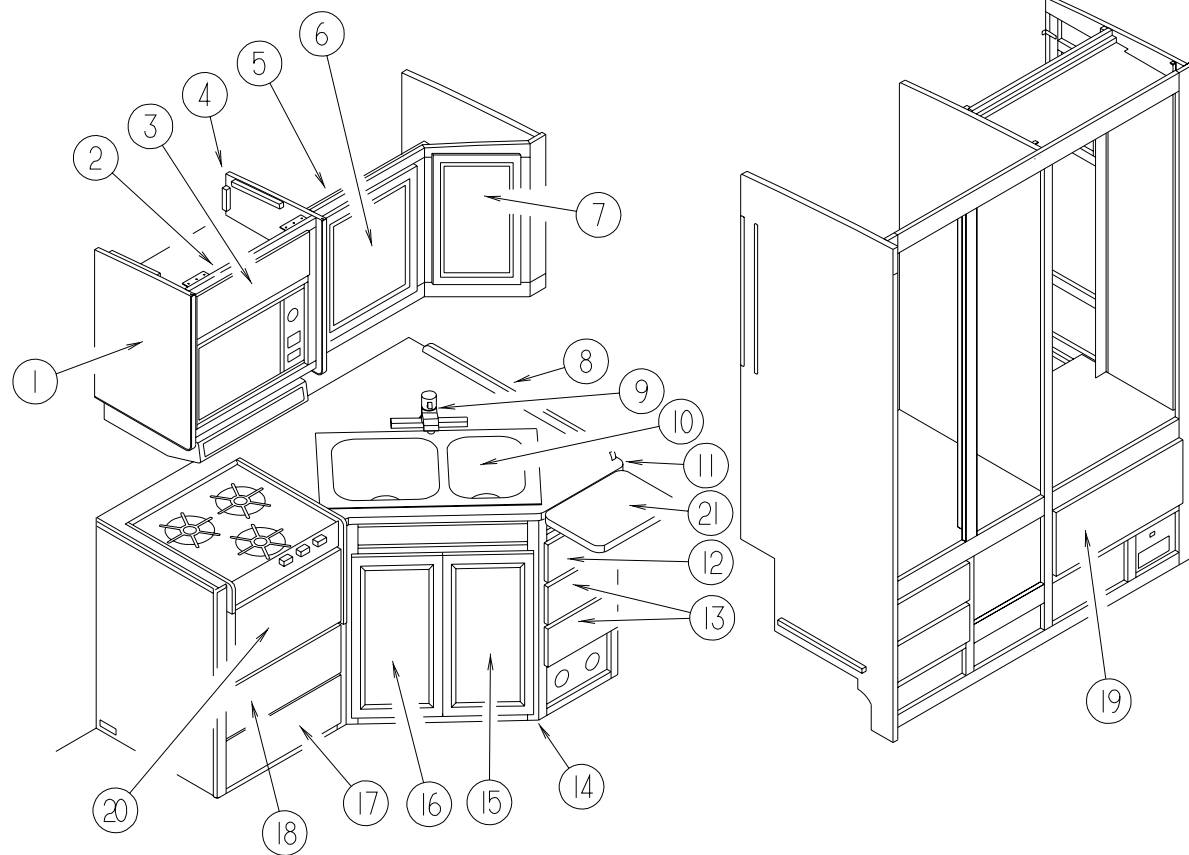
DUPONT PAINT COLOR CODES

| | |
|-----------------------|--------|
| BRIGHT WHITE | B8951 |
| DELFT BLUE METALLIC | F1919 |
| LIGHT SILVER METALLIC | F2573U |

DUPONT GRAPHIC COLOR CODES

| | |
|------------------|-------|
| SEAFOAM METALLIC | GM200 |
| DELFT BLUE | BM501 |
| MENDOCINO PEARL | F2985 |
| SPARKLING TEAL | GM098 |

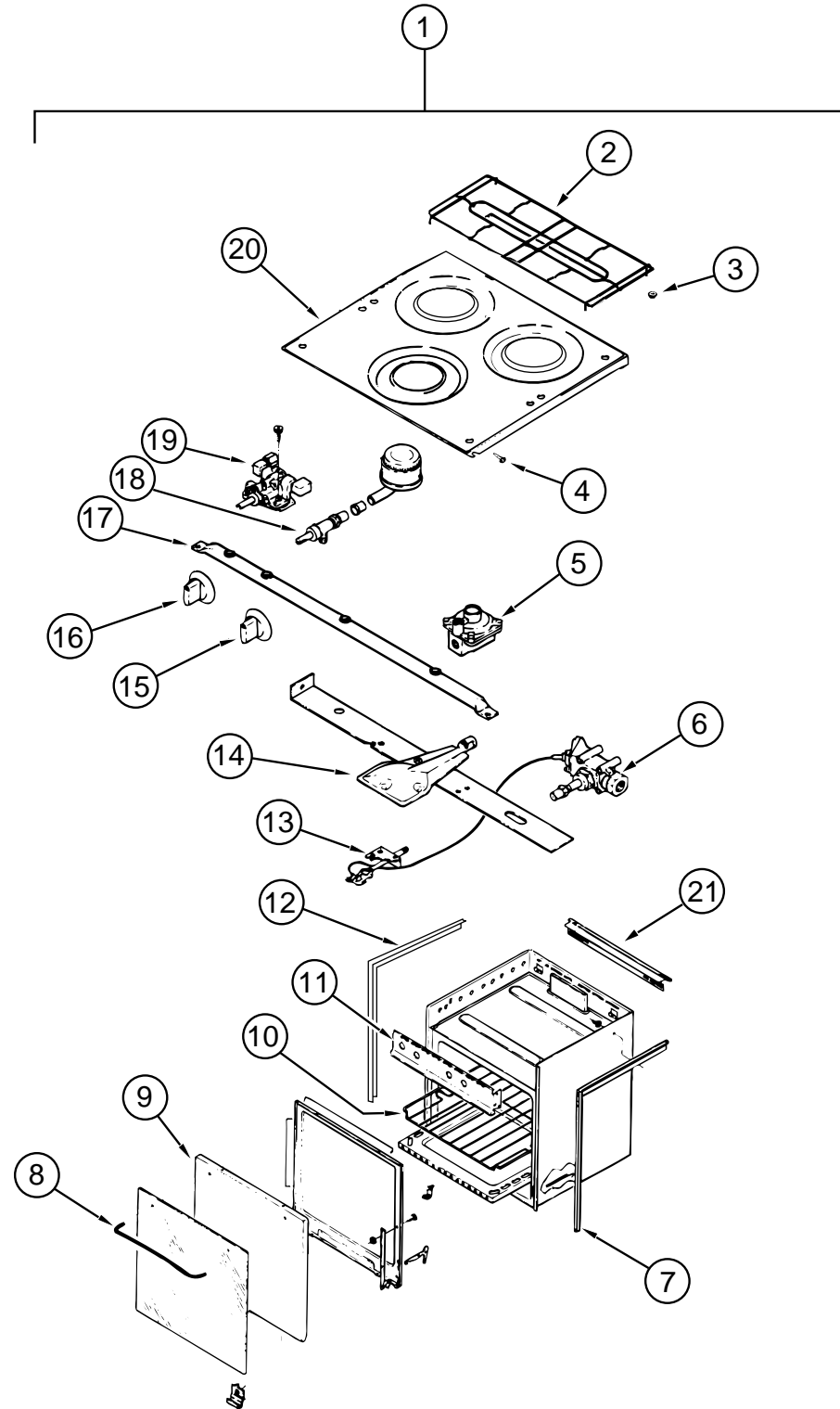
GALLEYGROUP
GALLEYCABINETRY



| KEY | PARTNUMBER | U/M | DESCRIPTION |
|-----|---------------|-----|---|
| 12 | M05971-42-G09 | EA | DRAWER-OGEEEDGE-10.8"WX9"D-W/OSLIDES/HARDWARE |
| 13 | M05971-U5-G09 | EA | DRAWER-OGEEEDGE-10.8"WX11.8"D-W/OSLIDES/HARDWARE |
| 14 | P18798-01-H13 | EA | CABINET-GALLEY-W/ODOORS/DRAWERS/HARDWARE(H12,H13) |
| 14 | P18798-01-H14 | EA | CABINET-GALLEY-W/ODOORS/DRAWERS/HARDWARE(H14) |
| 14 | P18798-01-H15 | EA | CABINET-GALLEY-W/ODOORS/DRAWERS/HARDWARE(H15) |
| 14 | P18798-01-H16 | EA | CABINET-GALLEY-W/ODOORS/DRAWERS/HARDWARE(H16) |
| 14 | P18798-03-H13 | EA | CABINET-GALLEY-W/ODOORS/DRAWERS/HARDWARE(H12,H13) W.I.E.EXPORT |
| 14 | P18798-03-H14 | EA | CABINET-GALLEY-W/ODOORS/DRAWERS/HARDWARE(H14) W.I.E.EXPORT |
| 14 | P18798-03-H15 | EA | CABINET-GALLEY-W/ODOORS/DRAWERS/HARDWARE(H15) W.I.E.EXPORT |
| 14 | P18798-03-H16 | EA | CABINET-GALLEY-W/ODOORS/DRAWERS/HARDWARE(H16) W.I.E.EXPORT |
| 14 | P18798-05-H13 | EA | CABINET-GALLEY-W/ODOORS/DRAWERS/HARDWARE(H12,H13) JAPANEXPORT |
| 14 | P18798-05-H14 | EA | CABINET-GALLEY-W/ODOORS/DRAWERS/HARDWARE(H14) JAPANEXPORT |
| 14 | P18798-05-H15 | EA | CABINET-GALLEY-W/ODOORS/DRAWERS/HARDWARE(H15) JAPANEXPORT |
| 14 | P18798-05-H16 | EA | CABINET-GALLEY-W/ODOORS/DRAWERS/HARDWARE(H16) JAPANEXPORT |
| 15 | M06803-27-G09 | EA | DOOR-MITEREDCORNER/OGEEEDGE-12"X25.9"-W/OHDW |
| 16 | M06803-26-G09 | EA | DOOR-MITEREDCORNER/OGEEEDGE-12"X25.9"-W/OHDW |
| 17 | M05971-S3-G09 | EA | DRAWER-OGEEEDGE-22"WX9.8"D-W/OSLIDES/HARDWARE |
| 18 | M05971-S4-G09 | EA | DRAWER-OGEEEDGE-19.8"WX17.7"D-W/OSLIDES/HARDWARE |
| 18 | M05971-T1-G09 | EA | DRAWER-OGEEEDGE-19.7"WX15.7"D-W/OSLIDES/HARDWARE JAPANEXPORT |
| 19 | M05971-S2-G09 | EA | DRAWER-OGEEEDGE-22.5"WX17.7"D-W/OSLIDES/HARDWARE |
| 20 | M05971-E0-G09 | EA | DRAWER-OGEEEDGE-5.5"WX17.7"D-W/OSLIDES/HARDWARE JAPAN&W.I.E.EXPORT |
| 21 | 080812-04-G29 | EA | EXTENSION-GALLEYCOUNTERTOP(H12,H13) |
| 21 | 080812-04-G10 | EA | EXTENSION-GALLEYCOUNTERTOP(H14,H15) |
| 21 | 080812-04-G31 | EA | EXTENSION-GALLEYCOUNTERTOP(H16) |
| | 090329-01-000 | FT | SEAL/T-REFRIGERATORCABINET |

| KEY | PARTNUMBER | U/M | DESCRIPTION |
|-----|---------------|-----|---|
| 1 | 081320-14-G09 | EA | ENDCAP-OVERHEADCABINET |
| 2 | 121328-03-H13 | EA | CABINET-OVERHEADMICROWAVE-W/ODOORS/HARDWARE |
| 3 | M05992-J9-H13 | EA | DOOR-STRAIGHTCORNER/OGEEEDGE-5.1"X22.4"-W/OHDW |
| 4 | 081320-16-G09 | EA | ENDCAP-OVERHEADCABINET |
| 5 | 118943-01-G09 | EA | CABINET-OVERHEAD/GALLEY-W/ODOORS/DRAWERS/HARDWARE |
| 6 | M06803-N3-G09 | EA | DOOR-MITEREDCORNER/OGEEEDGE-17.7"X21.8"-W/OHDW |
| 6 | M06803-N5-G09 | EA | DOOR-MITEREDCORNER/OGEEEDGE-17.7"X21.8"-W/OHDW EXPORTUPGRADEOPTION |
| 7 | M06803-58-G09 | EA | DOOR-MITEREDCORNER/OGEEEDGE-12"X21.8"-W/OHDW |
| 7 | M06803-N2-G09 | EA | DOOR-MITEREDCORNER/OGEEEDGE-12"X21.8"-W/OHDW EXPORTUPGRADEOPTION |
| 8 | 098335-16-H13 | EA | RAIL-GALLEY-39"(H12,H13) |
| 8 | 098335-16-H14 | EA | RAIL-GALLEY-39"(H14,H15) |
| 8 | 098335-16-H33 | EA | RAIL-GALLEY-39"(H16) |
| 9 | 103243-01-000 | EA | FAUCET-GALLEY,DUALCONTROL-P5043 |
| | 103635-01-000 | EA | FAUCET-SINGLECONTROL,(WATERPURIFIER) MCCLAINANNIVERSARYOPTION |
| 10 | 110654-01-000 | EA | SINK-STAINLESSSTEEL/DOUBLEBASIN(1LG-1SMBASIN) |
| | 092303-01-000 | EA | STRAINER-SINK |
| | 108464-03-G42 | EA | COVER-SINK-15"X11"-SMALLSINK(H12,H13) |
| | 108464-03-F40 | EA | COVER-SINK-15"X11"-SMALLSINK(H14,H15) |
| | 108464-03-E38 | EA | COVER-SINK-15"X11"-SMALLSINK(H16) |
| | 108464-04-E08 | EA | COVER-SINK-LARGE-15"X15"(H12,H13) |
| | 108464-04-F40 | EA | COVER-SINK-LARGE-15"X15"(H14,H15) |
| | 108464-04-E38 | EA | COVER-SINK-LARGE-15"X15"(H16) |
| 11 | 118798-18-G09 | EA | COUNTERTOP-GALLEY(H12,H13)U.S.&JAPAN |
| 11 | 118798-18-G10 | EA | COUNTERTOP-GALLEY(H14,H15)U.S.&JAPAN |
| 11 | 118798-18-G31 | EA | COUNTERTOP-GALLEY(H16)U.S.&JAPAN |
| 11 | 118798-21-G09 | EA | COUNTERTOP-GALLEY(H12,H13)W.I.EEXPORT |
| 11 | 118798-21-G10 | EA | COUNTERTOP-GALLEY(H14,H15)W.I.EEXPORT |
| 11 | 118798-21-H16 | EA | COUNTERTOP-GALLEY(H16)W.I.EEXPORT |

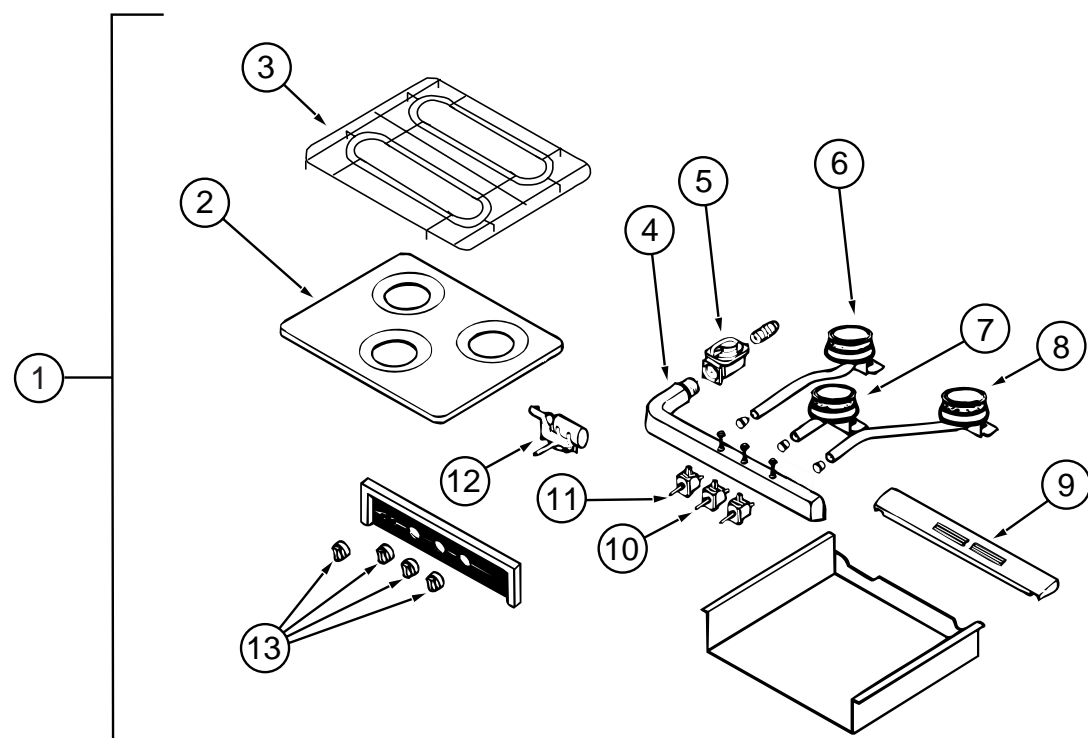
GALLEYGROUP(CONTINUED)
MAGICCHEFRANGE



| KEY | PARTNUMBER | U/M | DESCRIPTION | VENDORNO. |
|-----|---------------|-----|---|--------------|
| 1 | 112881-01-04A | EA | RANGE - 16", 3BURNER-MAGICCHEF 16RB-3B49 | |
| 2 | 102020-01-711 | EA | GRATE-TOP | 7518P012-60 |
| 3 | 102020-01-709 | EA | BUMPER-GRATE | 8007-P020-60 |
| 4 | 102020-01-724 | EA | BUMPER-MAINTOP | 8003P008-60 |
| 5 | 102022-01-708 | EA | REGULATOR-PRESSURE, 1/4IN1/2OUT | 7510P041-60 |
| 6 | 112881-01-702 | EA | VALVE-MERCURY, SAFETYVALVE | 7501-P121-60 |
| 7 | 112881-01-720 | EA | TRIM-FLAT, RIGHT-BLACKTEXTURED | 74002813 |
| 8 | 102020-01-701 | EA | HANDLE-DOOR | 7701P092-60 |
| 9 | 112881-01-713 | EA | DOOR-OVEN, TEXTURED | 2401F079-70 |
| 10 | 102020-01-700 | EA | SHELF-OVEN | 7801-P027-60 |
| 11 | 112881-01-701 | EA | MANIFOLDPANEL | 2616F091-70 |
| 12 | 112881-01-707 | EA | TRIM-FLAT, LEFT-BLACKTEXTURED | 74002812 |
| 13 | 112881-01-710 | EA | PILOT-OVEN | 7505P202-60 |
| 14 | 112881-01-711 | EA | BURNERASSEMBLY-OVEN | 3404W025045 |
| 15 | 112881-01-705 | EA | KNOB-TOPBURNER | 7733P072-60 |
| 15 | 112881-01-718 | EA | KNOB-HIGHOUTPUT, FLAMEINDICATOR | 74001794 |
| 16 | 112881-01-704 | EA | KNOB-THERMOSTAT | 7731P067-60 |
| 16 | 112881-01-716 | EA | KNOB-THERMOSTAT, REF. SER. #03C | 7731P107-60 |
| 17 | 112881-01-709 | EA | PIPE-MANIFOLD | 7513P097-60 |
| 18 | 102020-01-722 | EA | VALVE-TOPBURNER | 7502P181-60 |
| 18 | 112881-01-703 | EA | VALVE-TOPBURNER, HI-OUTPUT | 7502P180-60 |
| 19 | 112881-01-706 | EA | THERMOSTAT-REF. SER. #02C | 12400026 |
| 19 | 112881-01-715 | EA | THERMOSTAT-REF. SER. #03C | 7515P037-60 |
| 19 | 112881-01-722 | EA | THERMOSTAT-REF. SER. #01C, 11, 12, 13, ETC. | 7515P029-60 |
| 20 | 112881-01-712 | EA | TOP-MAIN, BLACK | 740101486 |
| 21 | 112881-01-721 | EA | DEFLECTOR-FLUE, BLACKTEXTURED | 74002809 |
| | 105458-03-000 | EA | BRACKET-STOVETIEDOWN-RIGHTHAND | |
| | 105458-04-000 | EA | BRACKET-STOVETIEDOWN-LEFTHAND | |

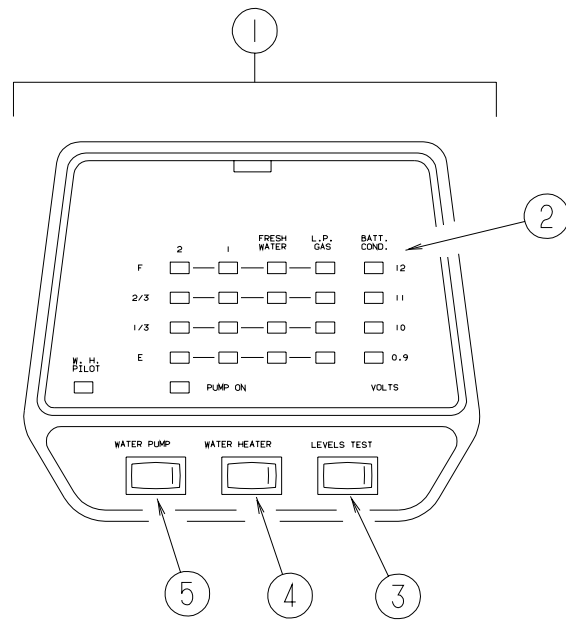
NOTE: (REF. SER. #) REFER TO THE FIRST THREE CHARACTERS OF THE RANGE'S SERIAL NUMBER

GALLEYGROUP(CONTINUED)
ATWOOD-3BURNERRANGE-JAPANOPTION



| KEY | PARTNUMBER | U/M | DESCRIPTION | VENDORNO. |
|-----|---------------|-----|-----------------------------|-----------|
| 1 | 121757-01-01A | EA | RANGETOP-3BURNER/BLACK | 53083 |
| 2 | 107246-01-700 | EA | TOP-MAIN-BLK3-BURNER | 56261 |
| 3 | 121758-02-700 | EA | GRATE-SINGLE | 56117 |
| | 121758-02-701 | EA | CLIP-GRATE | 53008 |
| | 107323-01-711 | EA | CUSHION-GRATE-RUBBER | 56072 |
| 4 | 121757-01-700 | EA | MANIFOLD-3BURNER | 51062 |
| 5 | 106689-01-704 | EA | REGULATOR-EXTREMEPRESSURE | 56066 |
| 6 | 121758-01-707 | EA | BURNERLEFTREARPIEZO | 56068 |
| 7 | 121758-01-708 | EA | BURNERCENTER(HIGHOUTPUT) | 56067 |
| 8 | 121758-01-706 | EA | BURNERRIGHTREARPIEZO | 53525 |
| 9 | 107323-01-705 | EA | TRIM-VENT | 56087 |
| 10 | 121758-01-705 | EA | VALVEHIGHOUTPUT | 56086 |
| 11 | 121758-01-710 | EA | VALVE-BURNER | 56096 |
| 12 | 121758-01-701 | EA | IGNITORPIEZO(ROTARY) | 56097 |
| | 121758-01-702 | EA | ELECTRODEWIRE/PIEZOIGNITOR | 56098 |
| | 121758-01-704 | EA | INSERTPIEZO | 51129 |
| 13 | 121757-01-701 | EA | KNOBKIT-MODELC37 | |
| | 081587-03-000 | EA | BRACKET-TIEDOWN-RANGE-RIGHT | |
| | 081587-04-000 | EA | BRACKET-TIEDOWN-RANGE-LEFT | |

GALLEYGROUP(CONTINUED)



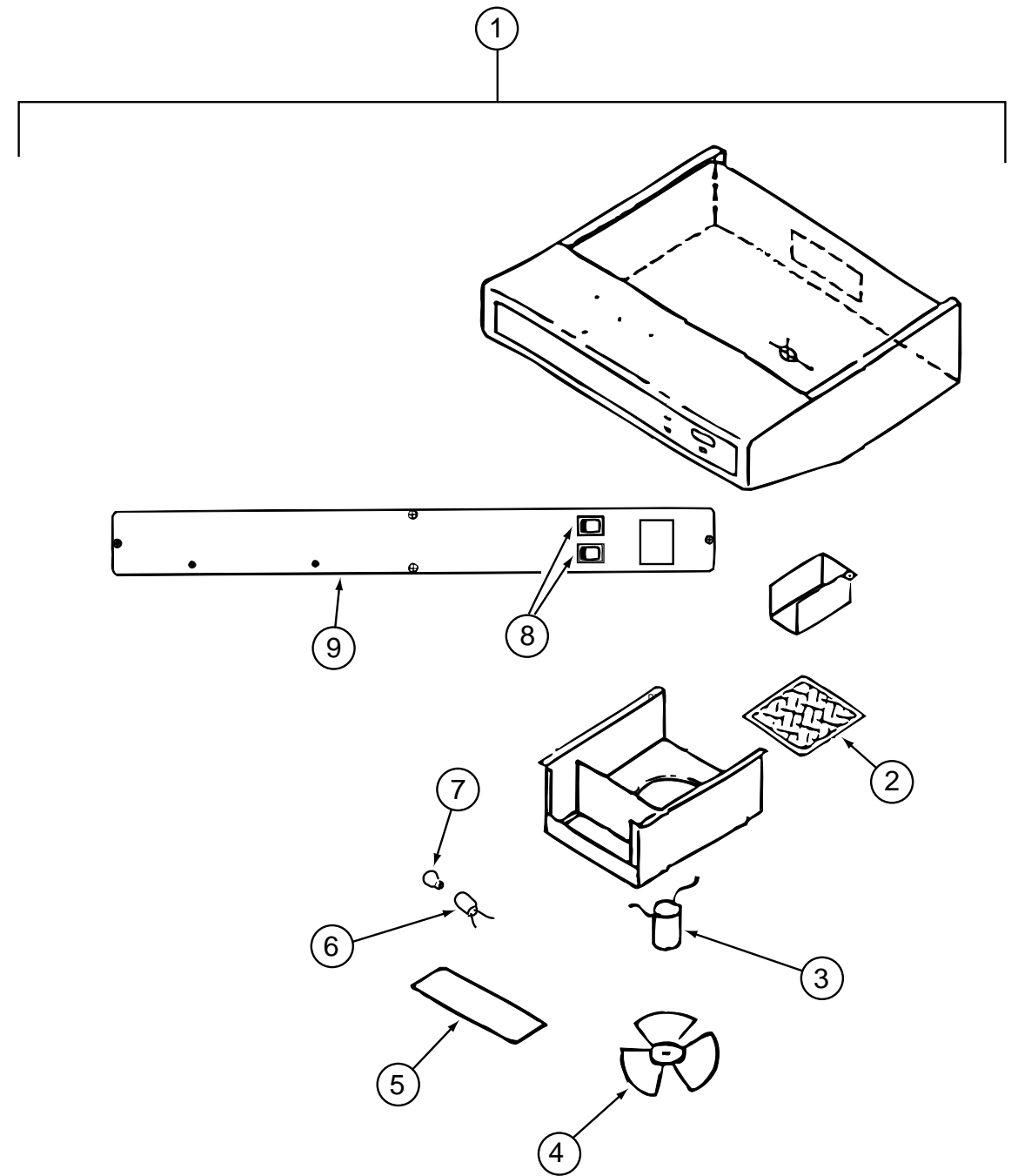
LVSMONITORPANEL

| KEY | PARTNUMBER | U/M | DESCRIPTION |
|-----|---------------|-----|---|
| 1 | 102765-04-01A | EA | PANEL-MONITOR, W/PLUG-FOR2TANKS&WATERHEATER |
| 2 | 102765-04-700 | EA | BOARD-CIRCUIT, 2HOLDINGTANK |
| 3 | 097617-01-702 | EA | SWITCH(ALMOND) |
| 4 | 097617-01-701 | EA | SWITCH-ON/OFF, ALMOND |
| 5 | 102765-01-700 | EA | SWITCH-ON-ON, ALMOND |

VENDORNO.

5076-11
107
106
110-01

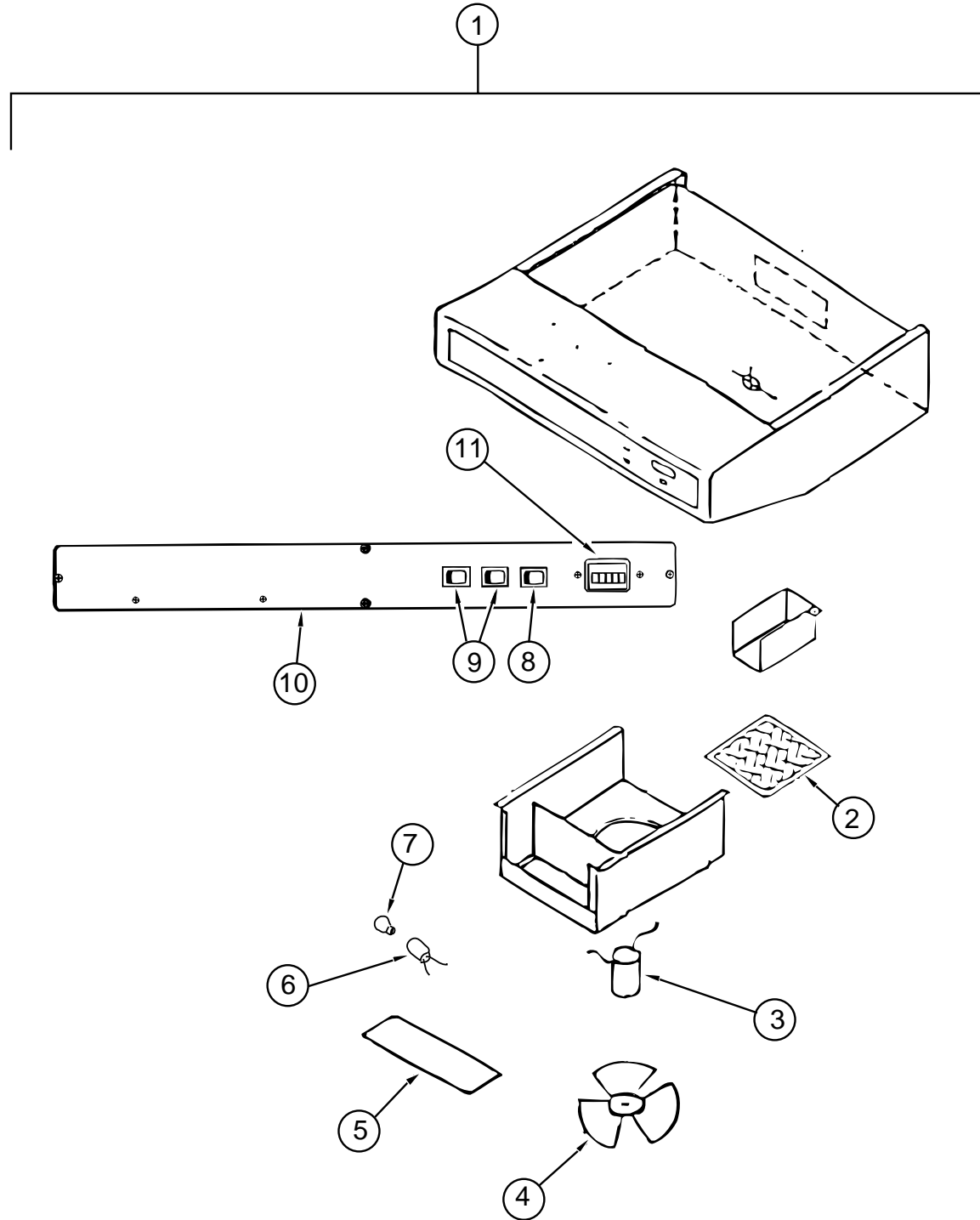
GALLEYGROUP(CONTINUED)



RANGEHOOD-US-STANDARD

| KEY | PARTNUMBER | U/M | DESCRIPTION | VENDORNO. |
|-----|---------------|-----|--|-----------|
| 1 | 100258-16-04A | EA | HOOD-RANGE, W/OMONITORPANEL-VENTLINETCS-5008-NBDLG | |
| 2 | 096983-01-707 | EA | FILTER-MESH | CC246 |
| 3 | 090973-01-700 | EA | MOTOR-12VOLT, CSA&UL | CA508-1 |
| 4 | 090973-01-702 | EA | BLADE-FAN | VA183-1 |
| 5 | 092696-02-701 | EA | LENS-LAMP | CC179-2 |
| 6 | 092696-01-710 | EA | HOLDER-LAMP | CB267-2 |
| 7 | 092696-01-709 | EA | LAMP#912 | VA415 |
| 8 | 096983-01-700 | EA | SWITCH-ON/OFF | 108 |
| 9 | 100258-01-700 | EA | LABEL-HOODNOSE | CC428 |

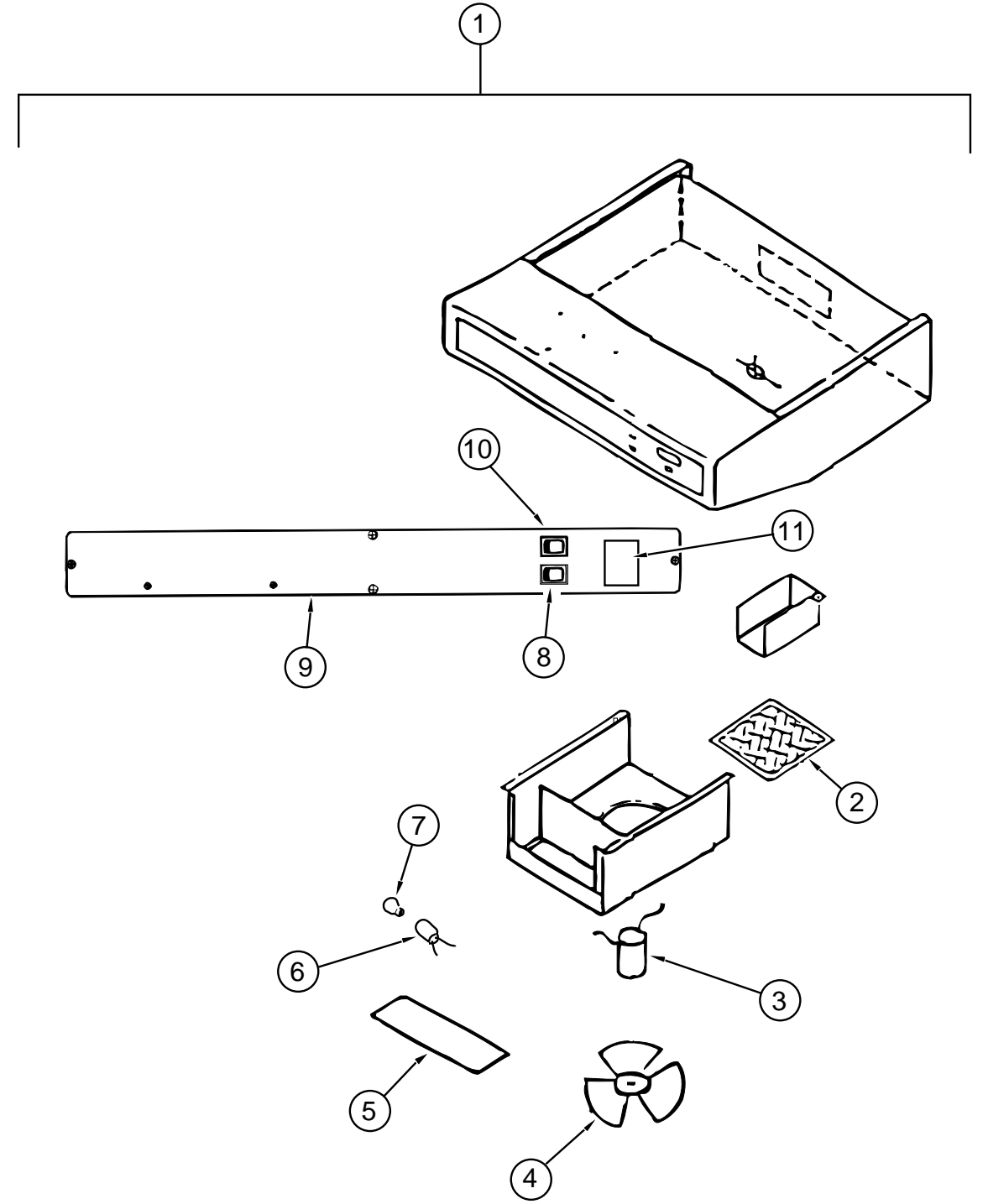
GALLEYGROUP(CONTINUED)



RANGEHOOD-US-GENERATOROPTIONS

| KEY | PARTNUMBER | U/M | DESCRIPTION | VENDORN. |
|-----|---------------|-----|---|----------|
| 1 | 100258-18-03A | EA | HOOD-RANGE, W/OMONITORPANEL-VENTLINETP-55009-SBO-LG | |
| 2 | 096983-01-707 | EA | FILTER-MESH | CC246 |
| 3 | 090973-01-700 | EA | MOTOR-12VOLT, CSA&UL | CA508-1 |
| 4 | 090973-01-702 | EA | BLADE-FAN | VA183-1 |
| 5 | 092696-02-701 | EA | LENS-LAMP | CC179-2 |
| 6 | 092696-01-710 | EA | HOLDER-LAMP | CB267-2 |
| 7 | 092696-01-709 | EA | LAMP#912 | VA415 |
| 8 | 096983-01-702 | EA | SWITCH-MOM/MOM | 112 |
| 9 | 096983-01-700 | EA | SWITCH-ON/OFF | 108 |
| 10 | 100258-01-700 | EA | LABEL-HOODNOSE | CC428 |
| 11 | 100258-10-01A | EA | GAUGE-HOURMETERW/SWITCH-SCREWONSTYLE-150 | |
| 11 | 100258-10-701 | EA | GAUGE-HOURMETER, CLIPON | L0775-00 |

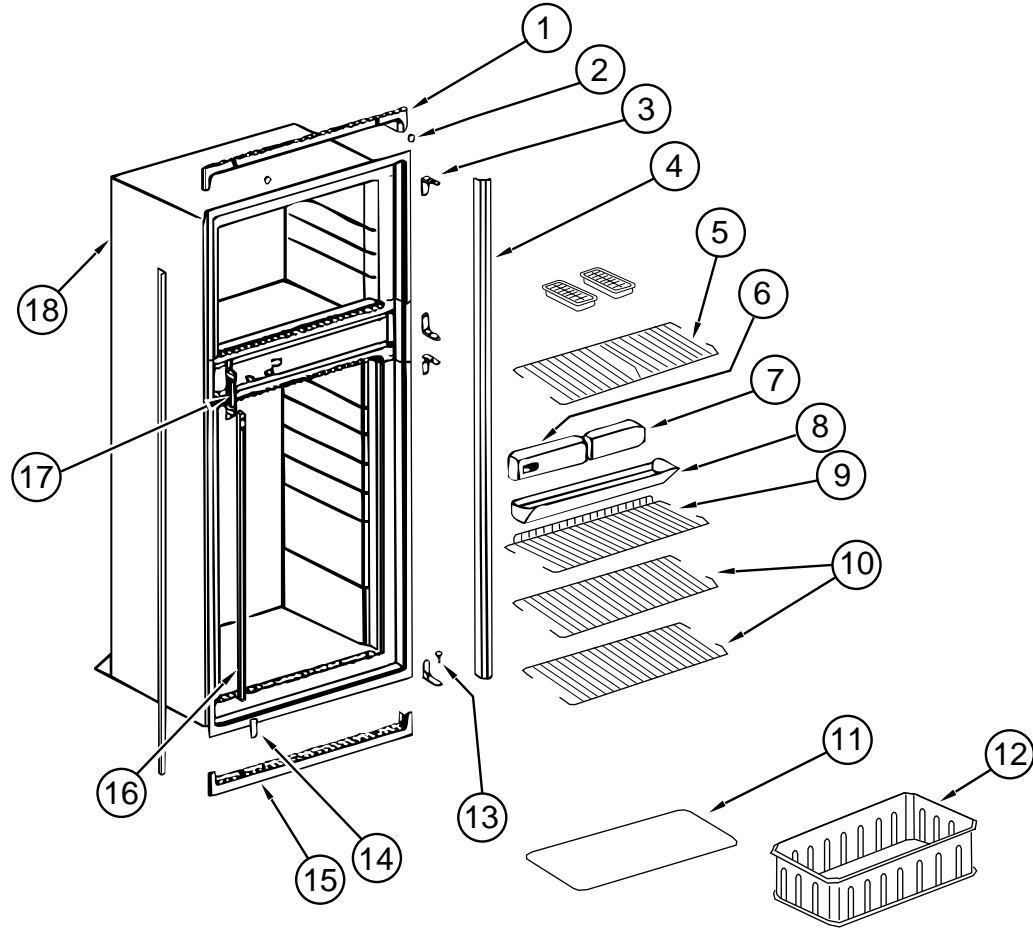
GALLEYGROUP(CONTINUED)



RANGEHOOD-CANADIAN

| KEY | PARTNUMBER | U/M | DESCRIPTION | VENDORN. |
|-----|---------------|-----|---|----------|
| 1 | 100258-17-04A | EA | HOOD-RANGE, W/OMONITORPANELVENTLINETCS500-NBCLG | |
| 2 | 096983-01-707 | EA | FILTER-MESH | CC246 |
| 3 | 090973-01-700 | EA | MOTOR-12VOLT, CSA&UL | CA508-1 |
| 4 | 090973-01-702 | EA | BLADE-FAN | VA183-1 |
| 5 | 092696-02-701 | EA | LENS-LAMP | CC179-2 |
| 6 | 092696-01-710 | EA | HOLDER-LAMP | CB267-2 |
| 7 | 092696-01-709 | EA | LAMP#912 | VA415 |
| 8 | 096983-01-700 | EA | SWITCH-ON/OFF | 108 |
| 9 | 100258-01-700 | EA | LABEL-HOODNOSE | CC428 |
| 10 | 096983-01-702 | EA | SWITCH-MOM/MOM | 112 |
| 11 | 100258-10-01A | EA | GAUGE-HOURMETERW/SWITCH-SCREWON(OPTION)-150 | |
| 11 | 100258-10-701 | EA | GAUGE-HOURMETER, CLIPON(OPTION) | L0775-00 |

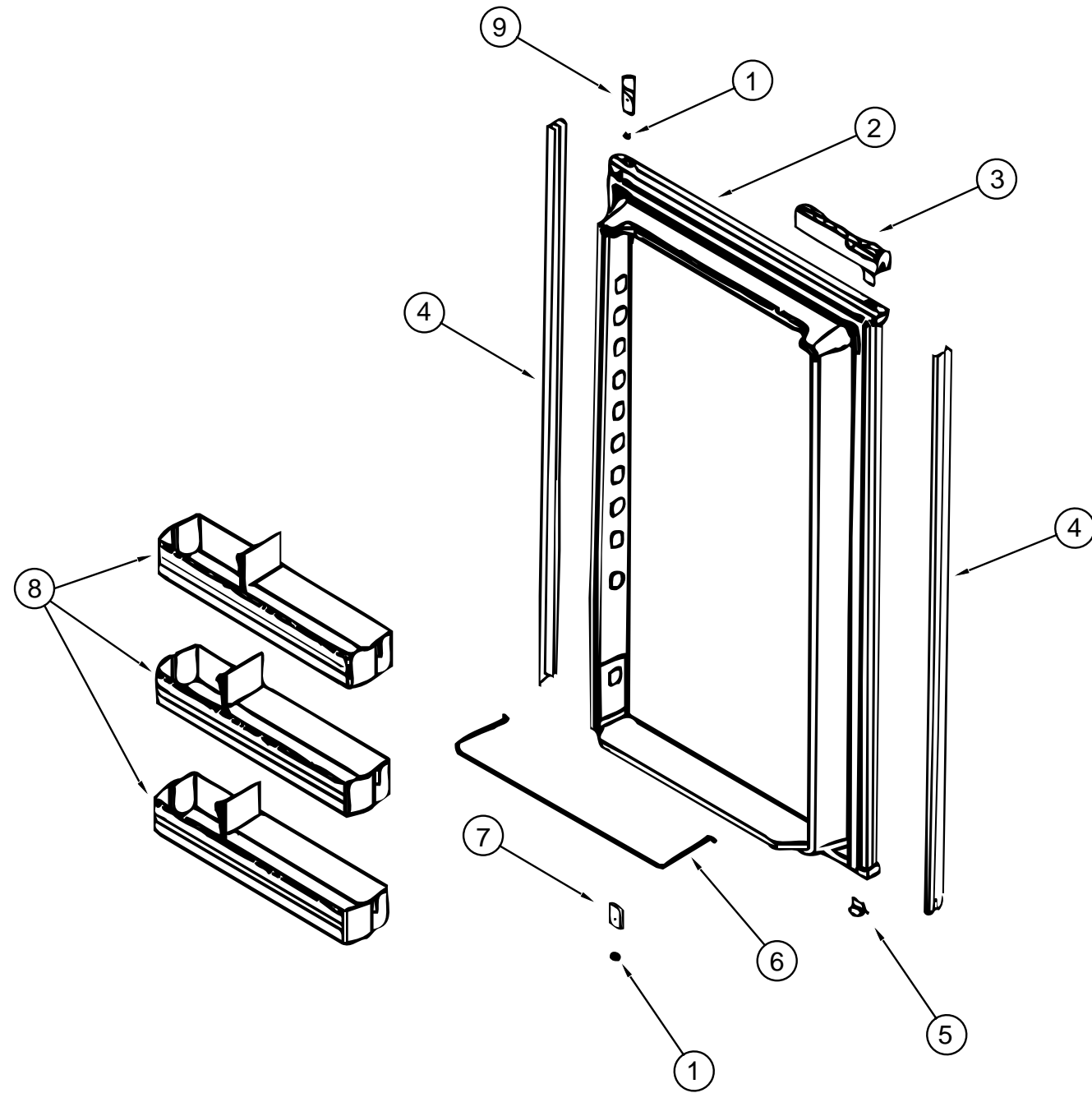
GALLEYGROUP(CONTINUED)



NORCOLDMODEL9162REFRIGERATORCABINETASMWITHTRAY,TIEDOWNS&LEVEL

| KEY | PARTNUMBER | U/M | DESCRIPTION | VENDORNO. |
|-----|---------------|-----|---|-----------|
| | 121568-01-01A | EA | REFRIGERATOR-SMALLDOUBLEDOOR-RIGHTHAND-2-WAY FROM: 00-00-00 THRU: 02-26-97 | |
| | 121568-02-01A | EA | REFRIGERATOR-SMALLDOUBLEDOOR-LEFTHAND-2-WAY FROM: 02-27-97 THRU: 99-99-99 | |
| 1 | 120075-01-713 | EA | TRIM-TOPPIECE | 618124 |
| 2 | 120075-01-714 | EA | PLUG-HOLE | 618170 |
| 3 | 120075-01-715 | EA | HINGE-CABINETSIDE,PAINTED | 618512 |
| | 120075-01-708 | EA | BUSHING-DOORHINGE | 618144 |
| 4 | 120076-01-702 | EA | TRIM,SIDEPIECE | 618133 |
| 5 | 121568-01-705 | EA | SHELF-WIRE,FREEZER | 618620 |
| 6 | 121568-01-706 | EA | CONTROLBOXASSEMBLY | 618588 |
| 7 | 120075-01-718 | EA | BOX-FILLER | 618112 |
| 8 | 120075-01-720 | EA | TRAY-DRIP | 618137 |
| | 120075-01-721 | EA | LOUVER-DRIPTRAY | 618176 |
| 9 | 121568-01-707 | EA | SHELF-WIRE,SHORT | 618624 |
| 10 | 121568-01-708 | EA | SHELF-WIRE | 618589 |
| 11 | 120075-01-725 | EA | COVER-CRISPER | 618158 |
| 12 | 121568-01-709 | EA | CRISPER | 618571 |
| 13 | 120075-01-727 | EA | PIN-HINGE | 618145 |
| 14 | 120075-01-728 | EA | COVER-HINGEHOLE | 618171 |
| 15 | 120075-01-729 | EA | TRIM-BOTTOMPIECE | 618136 |
| 16 | 120075-01-730 | EA | RETAINER-SHELF | 618181 |
| 17 | 120075-01-732 | EA | PLATE-STRIKE | 618167 |
| 18 | 120076-01-703 | EA | CABINET-FOAMED | 618260 |
| | 120075-01-731 | EA | PLUG-FACADE | 618184 |
| | 116751-06-01A | EA | TRAY-REFRIGERATOR | |
| | 054450-01-000 | EA | LEVEL-REFRIGERATOR | |
| | 065225-02-000 | EA | PLATE-TIEDOWN,REFRIGERATOR | |
| | 093646-01-000 | EA | BRACKET-TIEDOWN-RH | |
| | 093646-02-000 | EA | BRACKET-TIEDOWN-LH | |

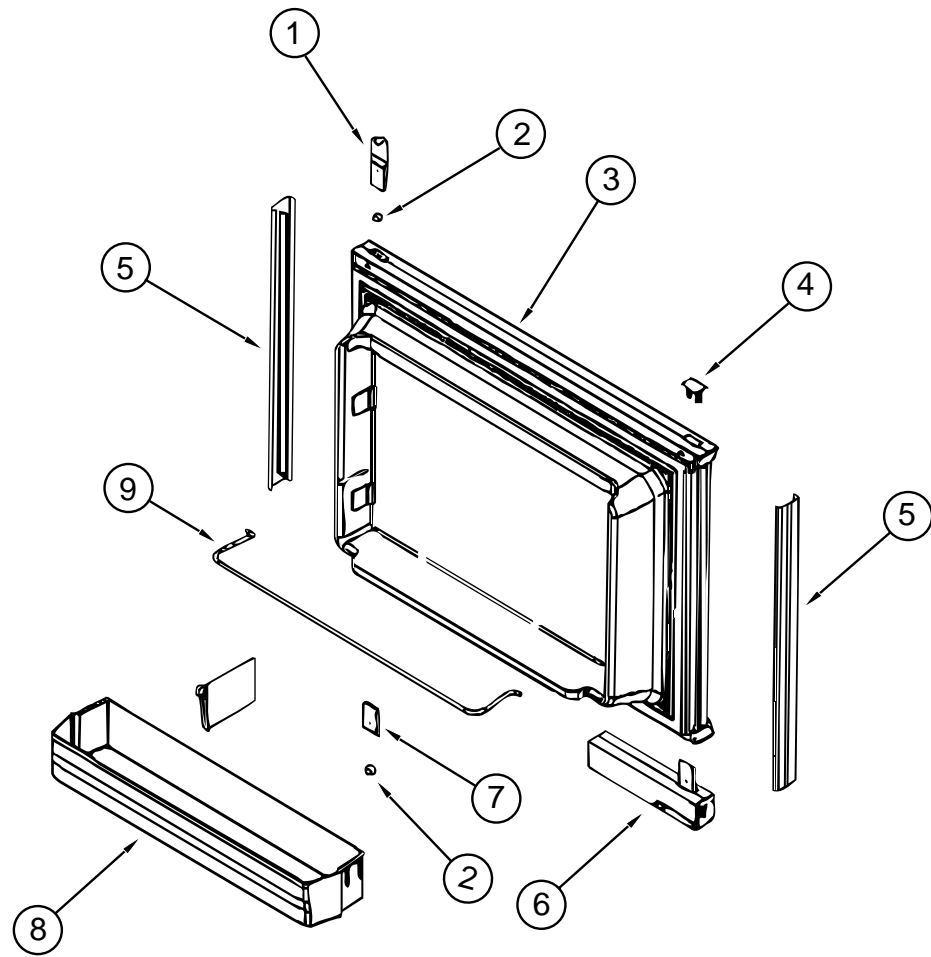
GALLEYGROUP(CONTINUED)



NORCOLDMODEL9162REFRIGERATORLOWERDOOR

| KEY | PARTNUMBER | U/M | DESCRIPTION | VENDORNO. |
|-----|---------------|-----|---|-----------|
| | 121568-01-01A | EA | REFRIGERATOR-SMALLDOUBLEDOOR-RIGHTHAND-2-WAY FROM: 00-00-00 THRU: 02-26-97 | |
| | 121568-02-01A | EA | REFRIGERATOR-SMALLDOUBLEDOOR-LEFTHAND-2-WAY FROM: 02-27-97 THRU: 99-99-99 | |
| 1 | 120075-01-708 | EA | BUSHING-DOORHINGE | 618144 |
| 2 | 120076-01-701 | EA | DOOR-LOWER-FOAMED,W/GASKET | 618210 |
| 3 | 120075-01-711 | EA | DOORHANDLE-UPRLH/LWRRH FROM: 00-00-00 THRU: 02-26-97 | 618235 |
| 3 | 121568-01-702 | EA | DOORHANDLE-UPRRH/LWRLH FROM: 02-27-97 THRU: 99-99-99 | 618230 |
| 4 | 120076-01-700 | EA | RETAINER-LOWERDOORPANEL | 618132 |
| 5 | 120075-01-702 | EA | CAP-HINGEPLUG | 618160 |
| 6 | 121568-01-704 | EA | RAIL-DOOR,LOWER | 618578 |
| 7 | 120075-01-705 | EA | HINGE-PAINTED,TOPLH/BOTTOMRH | 618510 |
| 8 | 121568-01-701 | EA | BIN-DOOR,WHITE | 618619 |
| 9 | 120075-01-701 | EA | HINGE-TOPRH/BOTTOMLH,PAINTED | 618511 |

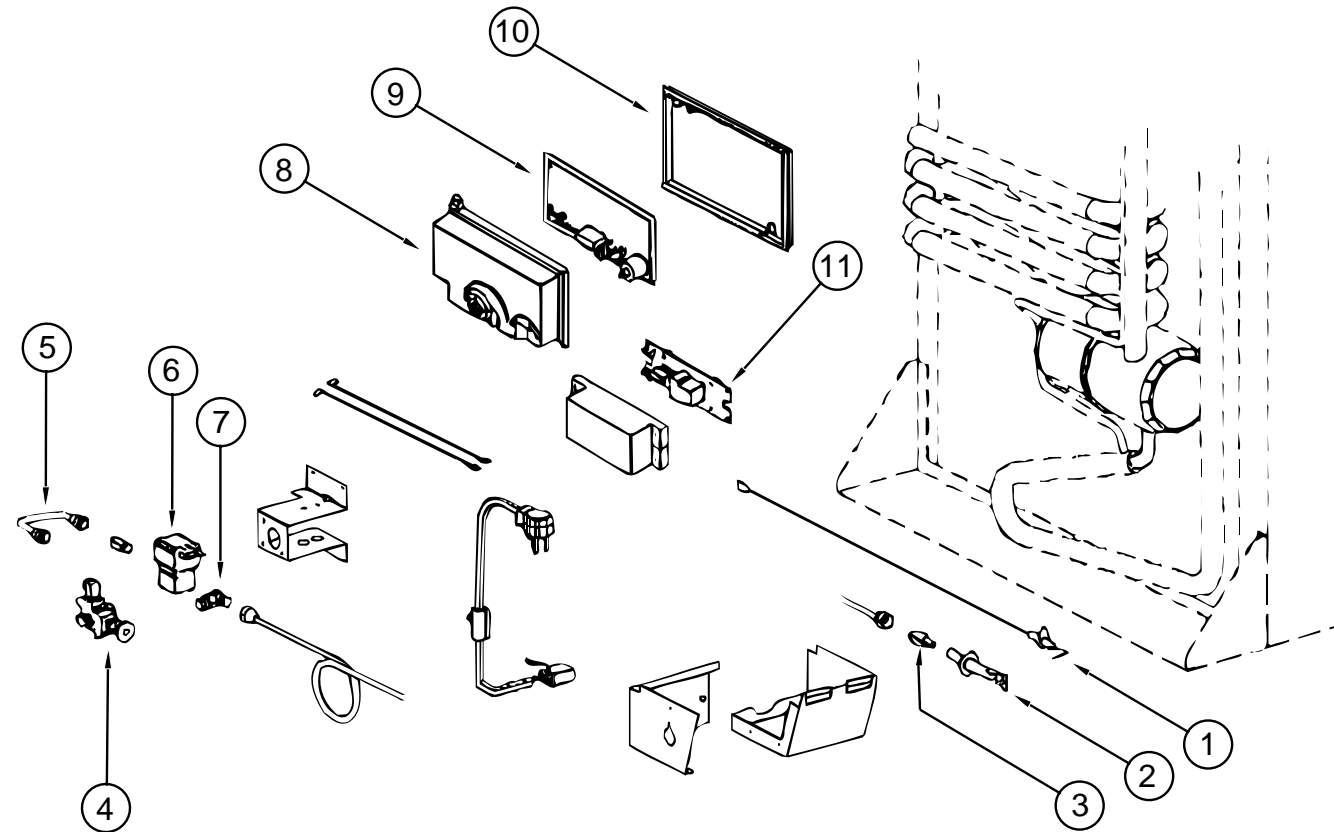
GALLEYGROUP(CONTINUED)



NORCOLDMODEL9162REFRIGERATORUPPERDOOR

| KEY | PARTNUMBER | U/M | DESCRIPTION | VENDORNO. |
|-----|---------------|-----|---|-----------|
| | 121568-01-01A | EA | REFRIGERATOR-SMALLDOUBLEDOOR-RIGHTHAND-2-WAY FROM: 00-00-00 THRU: 02-26-97 | |
| | 121568-02-01A | EA | REFRIGERATOR-SMALLDOUBLEDOOR-LEFTHAND-2-WAY FROM: 02-27-97 THRU: 99-99-99 | |
| 1 | 120075-01-701 | EA | HINGE-TOPRH/BOTTOMLH,PAINTED | 618511 |
| 2 | 120075-01-708 | EA | BUSHING-DOORHINGE | 618144 |
| 3 | 120075-01-703 | EA | DOORASSEMBLY-FOAMED,W/GASKET | 618205 |
| 4 | 120075-01-702 | EA | CAP-HINGEPLUG | 618160 |
| 5 | 120075-01-700 | EA | RETAINER-DOOR,DECORPANEL | 618128 |
| 6 | 121568-01-702 | EA | DOORHANDLE-UPRRH/LWRLH FROM: 00-00-00 THRU: 02-26-97 | 618230 |
| 6 | 120075-01-711 | EA | DOORHANDLE-UPRLH/LWRRH FROM: 02-27-97 THRU: 99-99-99 | 618235 |
| 7 | 120075-01-705 | EA | HINGE-PAINTED,TOPLH/BOTTOMRH | 618510 |
| 8 | 121568-01-701 | EA | BIN-DOOR,WHITE | 618619 |
| 9 | 121568-01-700 | EA | RAIL-DOOR,UPPER | 618618 |

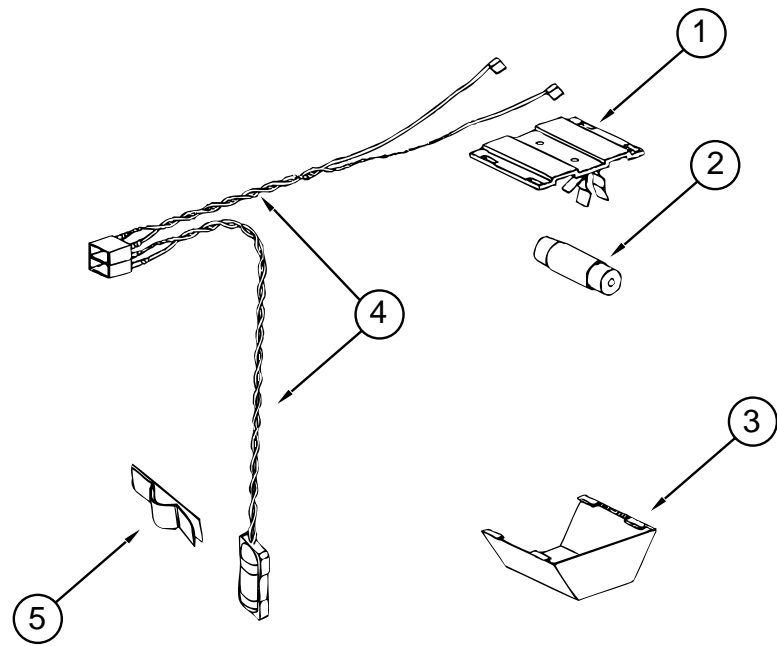
GALLEYGROUP(CONTINUED)



NORCOLDMODEL9162REFRIGERATORBURNER&POWERBOARDS

| KEY | PARTNUMBER | U/M | DESCRIPTION | VENDORNO. |
|-----|---------------|-----|---|-----------|
| | 121568-01-01A | EA | REFRIGERATOR-SMALLDOUBLEDOOR-RIGHTHAND-2-WAY FROM: 00-00-00 THRU: 02-26-97 | |
| | 121568-02-01A | EA | REFRIGERATOR-SMALLDOUBLEDOOR-LEFTHAND-2-WAY FROM: 02-27-97 THRU: 99-99-99 | |
| 1 | 104137-06-715 | EA | ELECTRODE-SPARK/SENSOR,SGL | 61692222 |
| 2 | 104137-06-714 | EA | BURNERASSEMBLY,5SLOT | 61705222 |
| 3 | 120076-01-705 | EA | ORIFICE-JEWEL,.015 | 618283 |
| 4 | 104137-06-709 | EA | VALVE-SHUTOFF,MANUAL | 61694922 |
| 5 | 113737-01-750 | EA | TUBE-UNION | 61694622 |
| 6 | 084880-01-718 | EA | VALVE-GAS,ASCO | 61551822 |
| 7 | 113737-01-716 | EA | TAP-PRESSURE | 61594422 |
| 8 | 120075-01-738 | EA | COVER-POWERBOARD | 618185 |
| 9 | 120075-01-741 | EA | BOARD-POWER,2-WAY | 618574 |
| 10 | 120075-01-740 | EA | COVER-BASE,POWERBOARD | 618186 |
| 11 | 121568-01-711 | EA | BOARD-MODULE,DC | 618561 |
| | 113737-01-702 | EA | PLUG-1/8"F/PRESSURETAP | 61445322 |

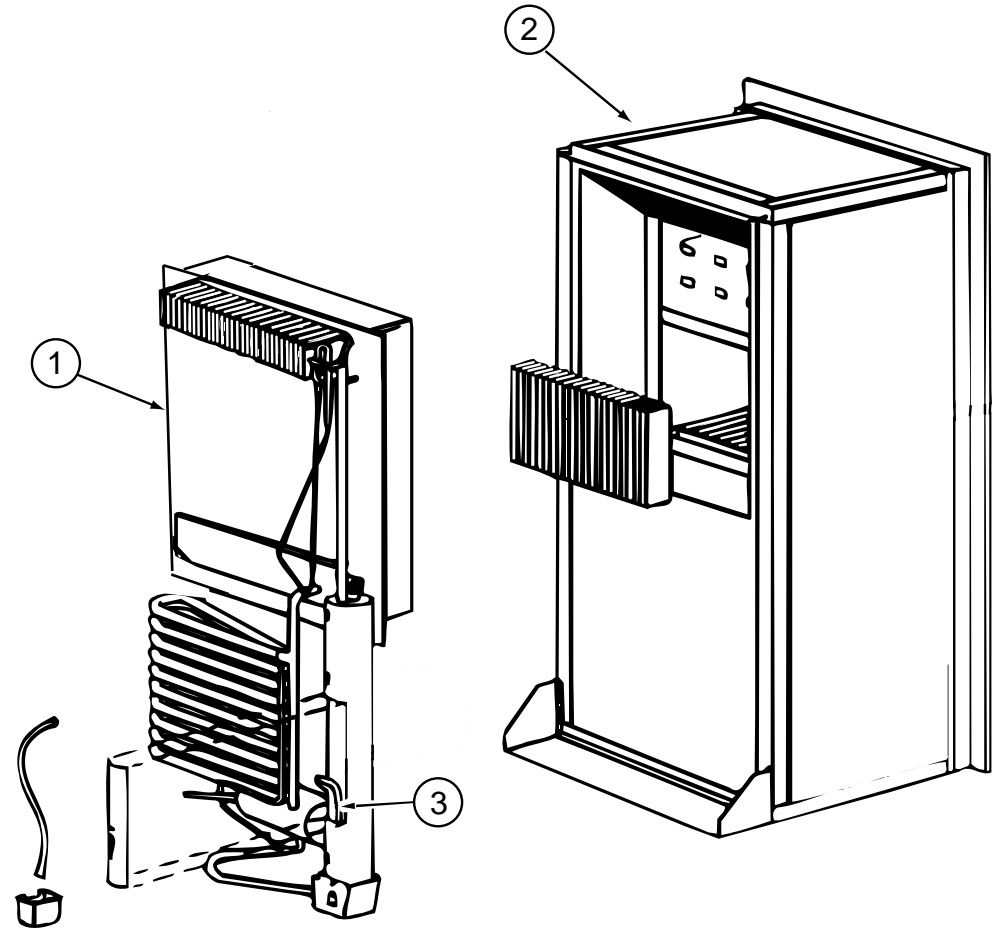
GALLEYGROUP(CONTINUED)



NORCOLDMODEL9162REFRIGERATORLAMPASM

| KEY | PARTNUMBER | U/M | DESCRIPTION | VENDORNO. |
|-----|---------------|-----|---|-----------|
| | 121568-01-01A | EA | REFRIGERATOR-SMALLDOUBLEDOOR-RIGHTHAND-2-WAY FROM: 00-00-00 THRU: 02-26-97 | |
| | 121568-02-01A | EA | REFRIGERATOR-SMALLDOUBLEDOOR-LEFTHAND-2-WAY FROM: 02-27-97 THRU: 99-99-99 | |
| 1 | 084880-03-705 | EA | BRACKET-LIGHT,INTERIOR | 61629722 |
| 2 | 084880-03-706 | EA | BULB-LAMP | 61628922 |
| 3 | 084880-03-707 | EA | COVER-LAMP,LENS | 61627922 |
| 4 | 120075-01-735 | EA | THERMISTERW/LAMP&WIRE/ASM | 618548 |
| 5 | 084880-01-760 | EA | CLIP-THERMISTER | 61689122 |

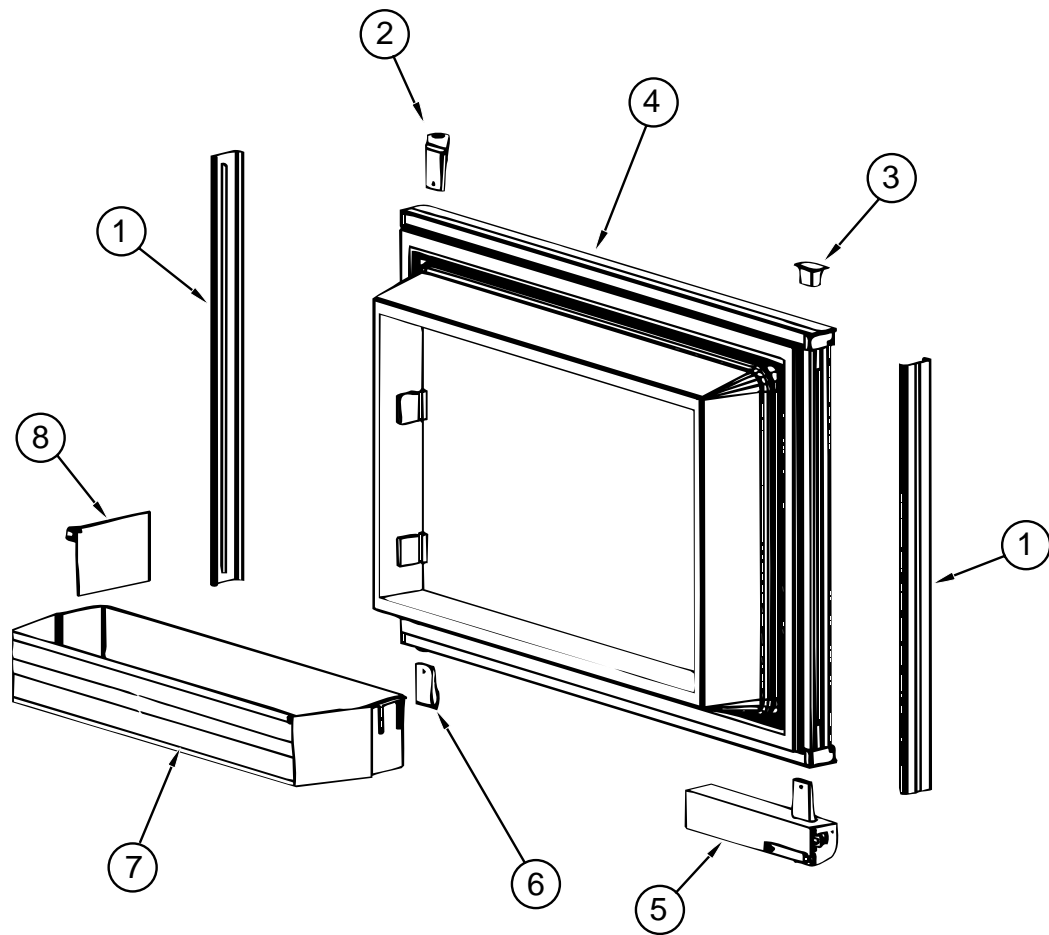
GALLEYGROUP(CONTINUED)



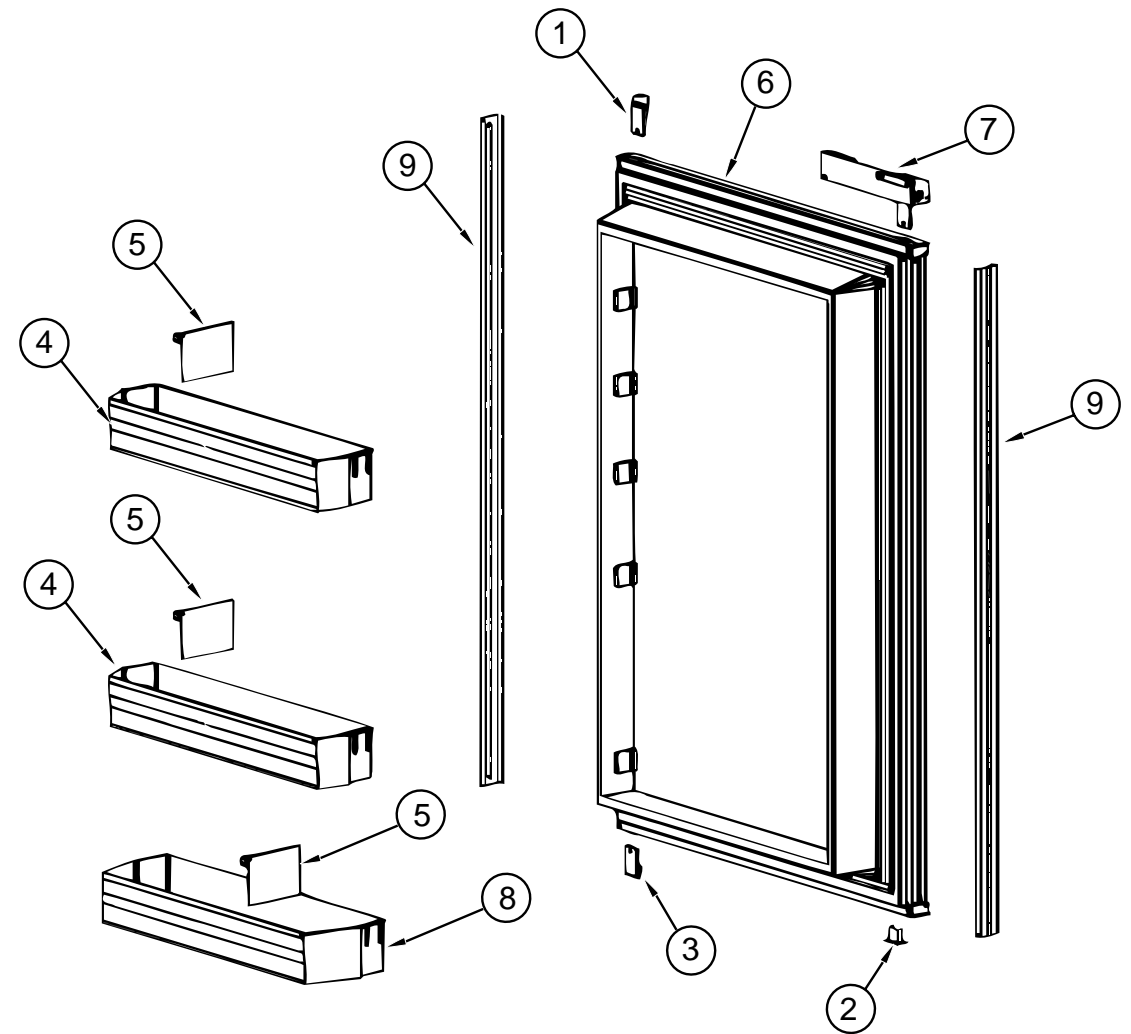
NORCOLDMODEL9162REFRIGERATORCOOLINGUNIT,CABINET,&HEATERS

| KEY | PARTNUMBER | U/M | DESCRIPTION | VENDORNO. |
|-----|---------------|-----|---|-----------|
| | 121568-01-01A | EA | REFRIGERATOR-SMALLDOUBLEDOOR-RIGHTHAND-2-WAY FROM: 00-00-00 THRU: 02-26-97 | |
| | 121568-02-01A | EA | REFRIGERATOR-SMALLDOUBLEDOOR-LEFTHAND-2-WAY FROM: 02-27-97 THRU: 99-99-99 | |
| 1 | 120076-01-704 | EA | COOLINGUNIT-SERVICEPACK | 618543 |
| 2 | 120076-01-703 | EA | CABINET-FOAMED | 618260 |
| 3 | 088248-01-709 | EA | HEATER-AC,HORIZONTAL | 61562722 |

GALLEYGROUP(CONTINUED)



GALLEYGROUP(CONTINUED)



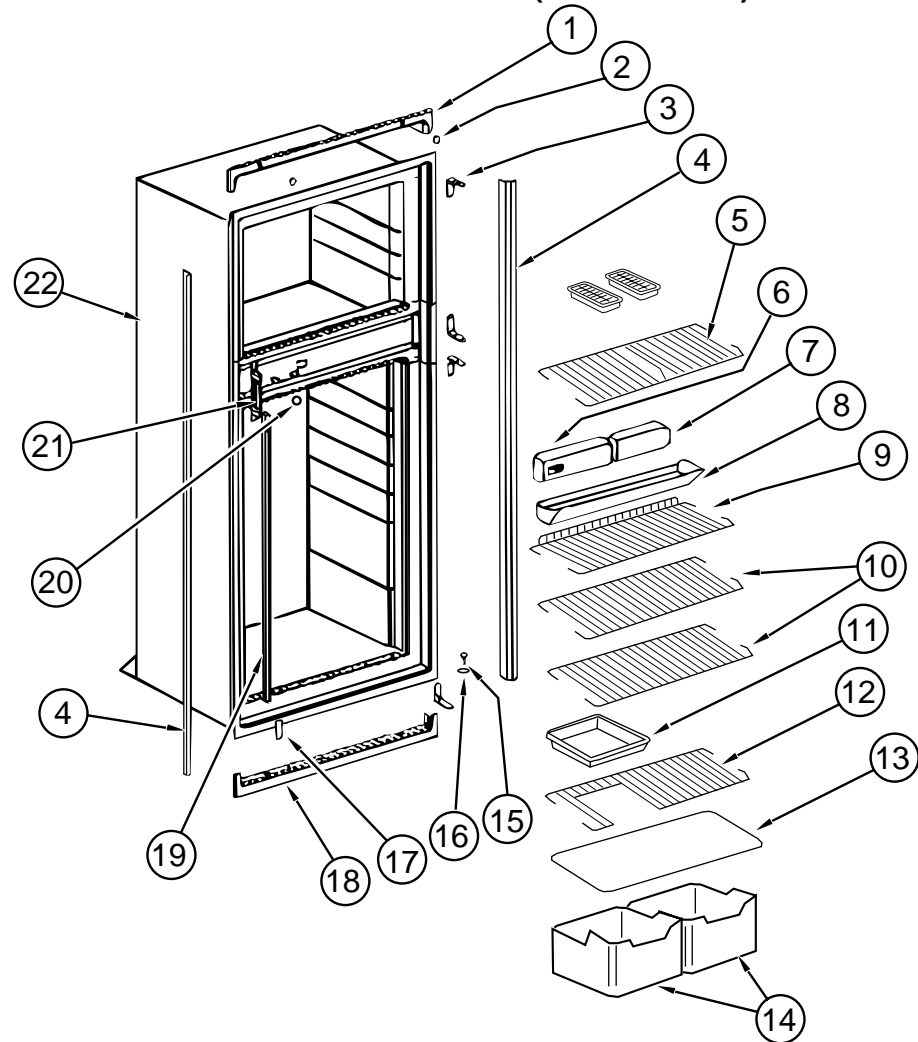
NORCOLD963REFRIGERATORUPPERDOORASSEMBLY-W.I.E.&JAPANEXPORT

NORCOLD963REFRIGERATORLOWERDOORASSEMBLY-W.I.E.&JAPANEXPORT

| KEY | PARTNUMBER | U/M | DESCRIPTION | VENDORNO. |
|-----|---------------|-----|---|-----------|
| | 120076-03-01A | EA | REFRIGERATOR-SMALLDOUBLEDOOR/BLACK3-WAY-RIGHTHAND | |
| 1 | 120075-01-700 | EA | RETAINER-DOORDECORPANEL | 618128 |
| 2 | 120075-01-701 | EA | HINGE-TOPRH/BOTTOMLH | 618511 |
| 3 | 120075-01-702 | EA | CAP,(HINGEPLUG) | 618160 |
| 4 | 120075-01-703 | EA | DOORASM.,FOAMED,W/GASKET | 618205 |
| 5 | 120075-01-704 | EA | DOORHANDLE-UPRRH/LWRLH | 618230 |
| 6 | 120075-01-705 | EA | HINGE-TOPLH/BOTTOMRH | 618510 |
| 7 | 120075-01-706 | EA | BIN-DOOR | 618635 |
| 8 | 120075-01-707 | EA | DIVIDER-DOORBIN | 618637 |

| KEY | PARTNUMBER | U/M | DESCRIPTION | VENDORNO. |
|-----|---------------|-----|---|-----------|
| | 120076-03-01A | EA | REFRIGERATOR-SMALLDOUBLEDOOR/BLACK3-WAY-RIGHTHAND | |
| 1 | 120075-01-701 | EA | HINGE-TOPRH/BOTTOMLH | 618511 |
| 2 | 120075-01-702 | EA | CAP,(HINGEPLUG) | 618160 |
| 3 | 120075-01-705 | EA | HINGE-TOPLH/BOTTOMRH | 618510 |
| 4 | 120075-01-706 | EA | BIN-DOOR | 618635 |
| 5 | 120075-01-707 | EA | DIVIDER-DOORBIN | 618637 |
| 6 | 120076-01-701 | EA | DOOR-LOWER-FOAMED,W/GASKET | 618210 |
| 7 | 120075-01-711 | EA | DOORHANDLE-UPRLH/LOWERRH | 618235 |
| 8 | 120075-01-712 | EA | BIN-DOOR/BOTTOM-LARGE | 618634 |
| 9 | 121568-01-703 | EA | RETAINER-PANELLOWERDOOR | 618129 |

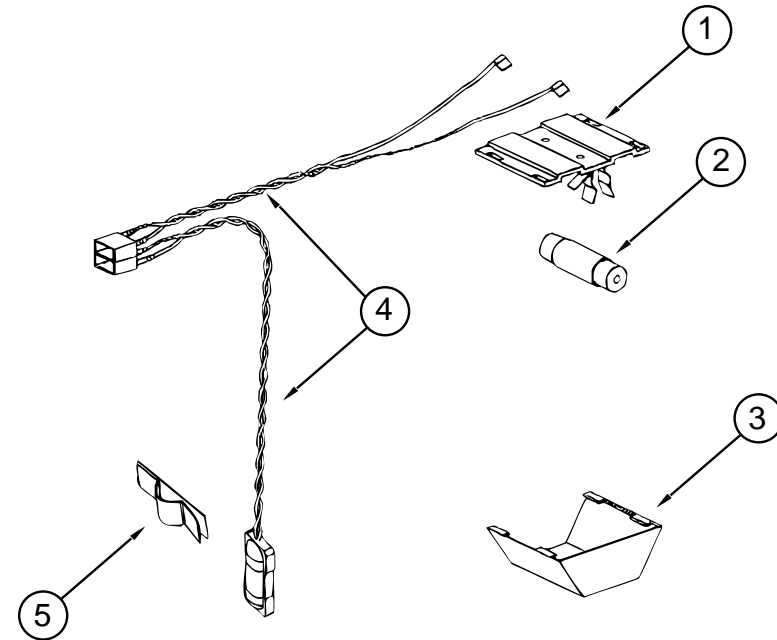
GALLEYGROUP(CONTINUED)



NORCOLD963REFRIGERATORCABINETASSEMBLY-W.I.E.&JAPANEXPORT

| KEY | PARTNUMBER | U/M | DESCRIPTION | VENDORNO. |
|-----|---------------|-----|---|-----------|
| | 120076-03-01A | EA | REFRIGERATOR-SMALLDOUBLEDOOR/BLACK3-WAY-RIGHTHAND | |
| 1 | 120075-01-713 | EA | TRIM-TOPPIECE | 618124 |
| 2 | 120075-01-714 | EA | PLUG-HOLE | 618170 |
| 3 | 120075-01-715 | EA | HINGE-CABINET | 618512 |
| 4 | 120075-01-716 | EA | TRIM-SIDEPiece | 618134 |
| 5 | 120075-01-717 | EA | SHELF-FREEZER,WIRE | 618172 |
| 6 | 120075-01-719 | EA | OPTICALCONTROLBOXASSEMBLY | 618245 |
| 7 | 120075-01-718 | EA | BOX-FILLER | 618112 |
| 8 | 120075-01-720 | EA | TRAY-DRIP | 618137 |
| | 120075-01-721 | EA | LOUVER-DRIPTRAY | 618176 |
| 9 | 120075-01-722 | EA | SHELF-WIRE,SHORT | 618239 |
| 10 | 120075-01-723 | EA | SHELF-WIRE | 618114 |
| 11 | 104137-06-718 | EA | SHELF-TRAY,WHITE,W/CUTOUT | 617756 |
| 12 | 120075-01-724 | EA | SHELF-WIRE,W/CUTOUT | 618177 |
| 13 | 120075-01-725 | EA | COVER-CRISPER | 618158 |
| 14 | 120075-03-704 | EA | BIN-ICECUBE | 618154 |
| 15 | 120075-01-727 | EA | PIN-HINGE | 618145 |
| 16 | 120075-01-708 | EA | BUSHING-DOORHINGE | 618144 |
| 17 | 120075-01-728 | EA | COVER-HINGEHOLE | 618171 |
| 18 | 120075-01-729 | EA | TRIM-BOTTOMPIECE | 618136 |
| 19 | 120075-01-730 | EA | RETAINER-SHELF | 618181 |
| 20 | 120075-01-731 | EA | PLUG-FACADE | 618184 |
| 21 | 120075-01-732 | EA | PLATE-STRIKE | 618167 |
| 22 | 120075-01-733 | EA | CABINET-FOAMED | 618265 |
| | 054450-01-000 | EA | LEVEL-REFRIGERATOR | |
| | 065225-02-000 | EA | PLATE-TIEDOWN-REFRIGERATOR | |
| | 093646-01-000 | EA | BRACKET-TIEDOWN/REFRIGERATOR-RIGHTHAND | |
| | 093646-02-000 | EA | BRACKET-TIEDOWN/REFRIGERATOR-LEFTHAND | |
| | 116751-06-01A | EA | TRAY-REFRIGERATOR-BLACK | |

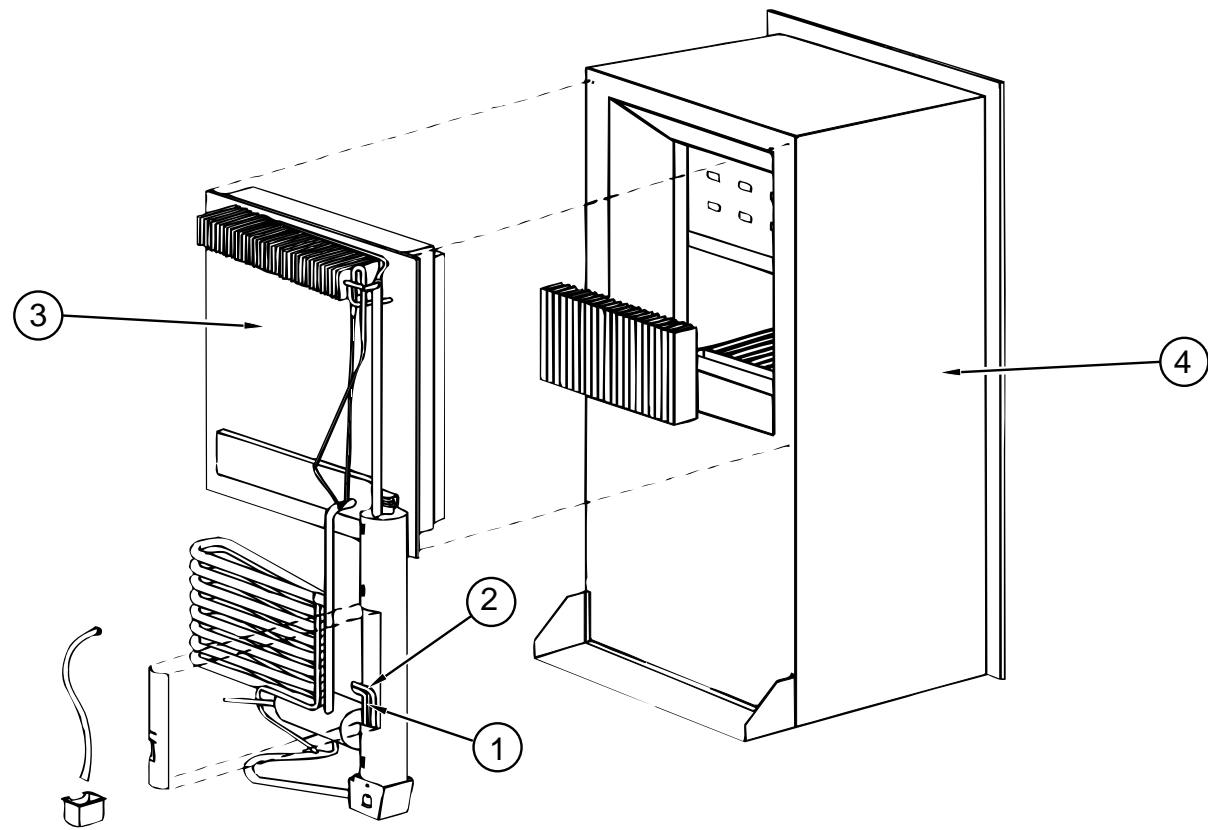
GALLEYGROUP(CONTINUED)



NORCOLD963REFRIGERATORLIGHT&THERMISTER-W.I.E.&JAPANEXPORT

| KEY | PARTNUMBER | U/M | DESCRIPTION | VENDORNO. |
|-----|---------------|-----|---|-----------|
| | 120076-03-01A | EA | REFRIGERATOR-SMALLDOUBLEDOOR/BLACK3-WAY-RIGHTHAND | |
| 1 | 084880-03-705 | EA | BRACKET-LIGHT-INTERIOR | 61629722 |
| 2 | 084880-03-706 | EA | BULB-LAMP | 61628922 |
| 3 | 120075-01-734 | EA | COVER-LENS | 618190 |
| 4 | 120075-01-735 | EA | THERMISTERW/LAMP&WIRE/ASM | 618548 |
| 5 | 084880-01-760 | EA | CLIP(THERMISTER) | 61689122 |

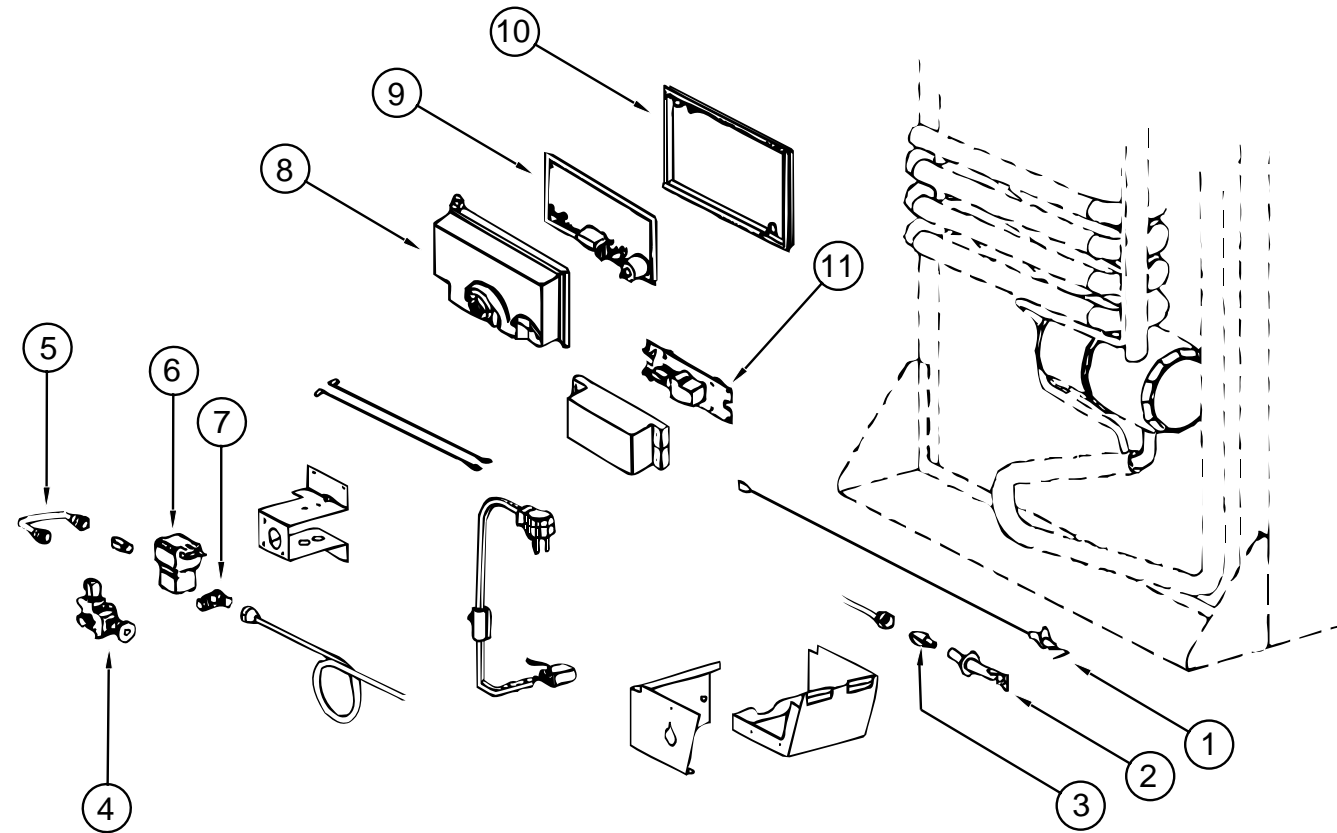
GALLEYGROUP(CONTINUED)



NORCOLD963REFRIGERATORCOOLINGUNITASSEMBLY-W.I.E.&JAPANEXPORT

| KEY | PARTNUMBER | U/M | DESCRIPTION | VENDORNO. |
|-----|---------------|-----|---|-----------|
| | 120076-03-01A | EA | REFRIGERATOR-SMALLDOUBLEDOOR/BLACK3-WAY-RIGHTHAND | |
| 1 | 088248-01-709 | EA | HEATER-AC(HORIZONTAL) | 61562722 |
| 2 | 088248-01-710 | EA | HEATERDC(HORIZONTAL) | 61562822 |
| 3 | 120075-01-736 | EA | COOLINGUNIT,SERVICEPACK | 618542 |
| 4 | 120075-01-733 | EA | CABINET-FOAMED | 618265 |

GALLEYGROUP(CONTINUED)



NORCOLD963REFRIGERATORREAROFREFRIGERATOR-W.I.E.&JAPANEXPORT

| KEY | PARTNUMBER | U/M | DESCRIPTION | VENDORNO. |
|-----|---------------|-----|---|-----------|
| | 120076-03-01A | EA | REFRIGERATOR-SMALLDOUBLEDOOR/BLACK3-WAY-RIGHTHAND | |
| 1 | 104137-06-715 | EA | ELECTRODE-SPARK/SENSOR,SGL | 61692222 |
| 2 | 104137-06-714 | EA | BURNERASSEMBLY,5-SLOT | 61705222 |
| 3 | 120075-01-737 | EA | ORIFICE-JEWEL-.0155 | 618284 |
| 4 | 104137-06-709 | EA | VALVE-SHUTOFF,MANUAL | 61694922 |
| 5 | 113737-01-750 | EA | TUBE-UNION | 61694622 |
| 6 | 084880-01-718 | EA | VALVE-GAS,(ASCO) | 61551822 |
| 7 | 113737-01-716 | EA | TAP-PRESSURE | 61594422 |
| | 113737-01-702 | EA | PLUG1/8" F/PRESSURETAP | 61445322 |
| 8 | 120075-01-738 | EA | COVER-POWERBOARD | 618185 |
| 9 | 120075-01-741 | EA | BOARD-POWER,2-WAY | 618574 |
| 10 | 120075-01-740 | EA | COVER-BASE,POWERBOARD | 618186 |
| 11 | 120076-03-700 | EA | BOARD-POWER/3-WAY | 618224 |

GALLEYGROUP(CONTINUED)
MAGICCHEFMICROWAVEOVEN

| KEY | PARTNUMBER | U/M DESCRIPTION |
|-----|---------------|---|
| | 115303-02-000 | EA OVEN-MICROWAVE-MAGICCHEFMCD-DM46K-15B |
| | 115401-02-01A | EA TRIM-MICROWAVE,BLACK |
| | 094750-07-000 | EA BRACKET-MICROWAVE,89DEGREE-STEEL |
| | 098916-16-02B | EA BRACE-MICROWAVECABINET,LEFT-7.5"X7.5"-E-COATSTEEL |
| | 098916-17-02B | EA BRACE-MICROWAVECABINET,RIGHT-7.5"X7.5"-E-COATSTEEL |

COFFEEMAKER

| KEY | PARTNUMBER | U/M DESCRIPTION | VENDORN. |
|-----|---------------|--|-----------|
| | 103799-02-01A | EA COFFEEMAKERWITHCLOCK,WHITE-BLACK&DECKERSDC2B FROM: 00-00-00 THRU: 04-13-97 | |
| | 103799-01-700 | EA CARAFE-GLASSPOT-BLACK&DECKER FROM: 00-00-00 THRU: 04-13-97 | 679420 |
| | 103799-01-701 | EA BRACKETS-WHITE,PAIR-BLACK&DECKER FROM: 00-00-00 THRU: 04-13-97 | 164734-06 |
| | 126019-01-01A | EA COFFEEMAKER-OPTIMA-W/BRACKETS FROM: 04-14-97 THRU: 99-99-99 | |
| | 126019-01-700 | EA GLASSCARAFE FROM: 04-14-97 THRU: 99-99-99 | 172547-00 |
| | 126019-01-701 | EA RESERVOIR-WATER FROM: 04-14-97 THRU: 99-99-99 | 172554 |
| | 126019-01-702 | EA BASKET-FILTER FROM: 04-14-97 THRU: 99-99-99 | 172553-00 |
| | 126019-01-703 | EA HARDWARE-MOUNTING FROM: 04-14-97 THRU: 99-99-99 | 172174-00 |

GENERATORGROUP
3,300WATTONANMICROLITE-EXPORTOPTION-LP

| KEY | PARTNUMBER | U/M DESCRIPTION |
|-----|---------------|--|
| | 109982-05-000 | EA GENERATOR-3.3KWMICROLITE-ONAN |
| | 007125-04-000 | EA CLAMP-MUFFLER-1.12"DIAMETER |
| | 105958-09-000 | EA PIPE-GENERATOREXHAUST1.25"ODX5.9"X22" |

4,000WATTONANMICROLITE

| KEY | PARTNUMBER | U/M DESCRIPTION |
|-----|---------------|--|
| | 109982-03-000 | EA GENERATOR-4.0KWMICROLITE |
| | 007125-04-000 | EA CLAMP-MUFFLER-1.12"DIAMETER |
| | 105958-09-000 | EA PIPE-GENERATOREXHAUST1.25"ODX5.9"X22" |

3,600WATTONANMICROLITE-LP

| KEY | PARTNUMBER | U/M DESCRIPTION |
|-----|---------------|--|
| | 109982-04-000 | EA GENERATOR-3.6KWMICROLITE |
| | 007125-04-000 | EA CLAMP-MUFFLER-1.12"DIAMETER |
| | 105958-09-000 | EA PIPE-GENERATOREXHAUST1.25"ODX5.9"X22" |

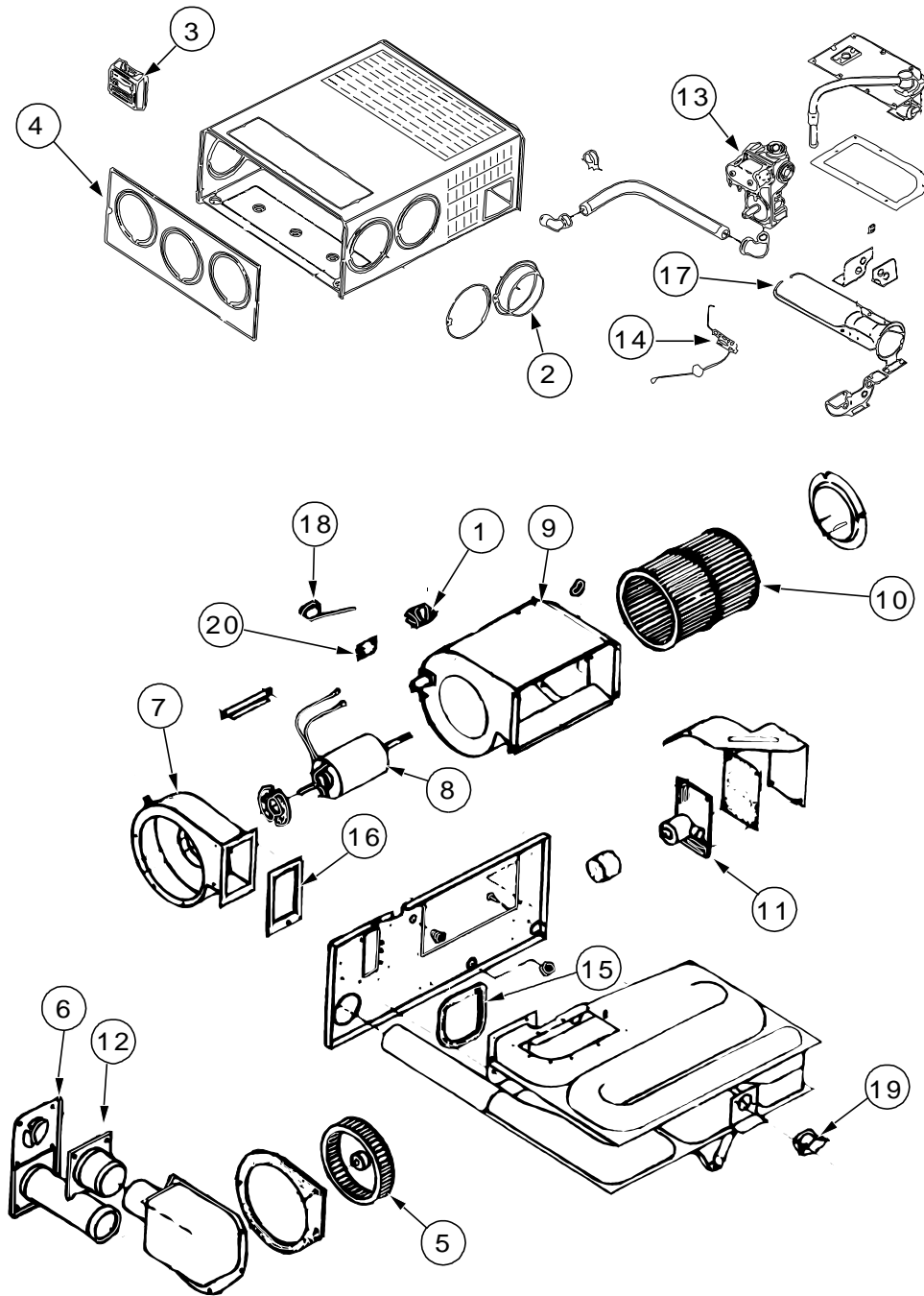
4,000WATTONANMICROLITE-JAPAN

| KEY | PARTNUMBER | U/M DESCRIPTION |
|-----|---------------|---|
| | 109982-06-000 | EA GENERATOR-4.0KWMICROLITEONANKY-FR/11429E |
| | 007125-04-000 | EA CLAMP-MUFFLER-1.12"DIAMETER |
| | 115716-02-000 | EA PIPE-EXHAUST-GENERATOR-LEFTHAND |

NOTE: ADDITIONALGENERATORCOMPONENTSAREFOUNDINTHECHASSISGROUP.

HEATING&AIRCONDITIONINGGROUP

30,000BTUSUBURBANFURNACE&WALLTHERMOSTAT

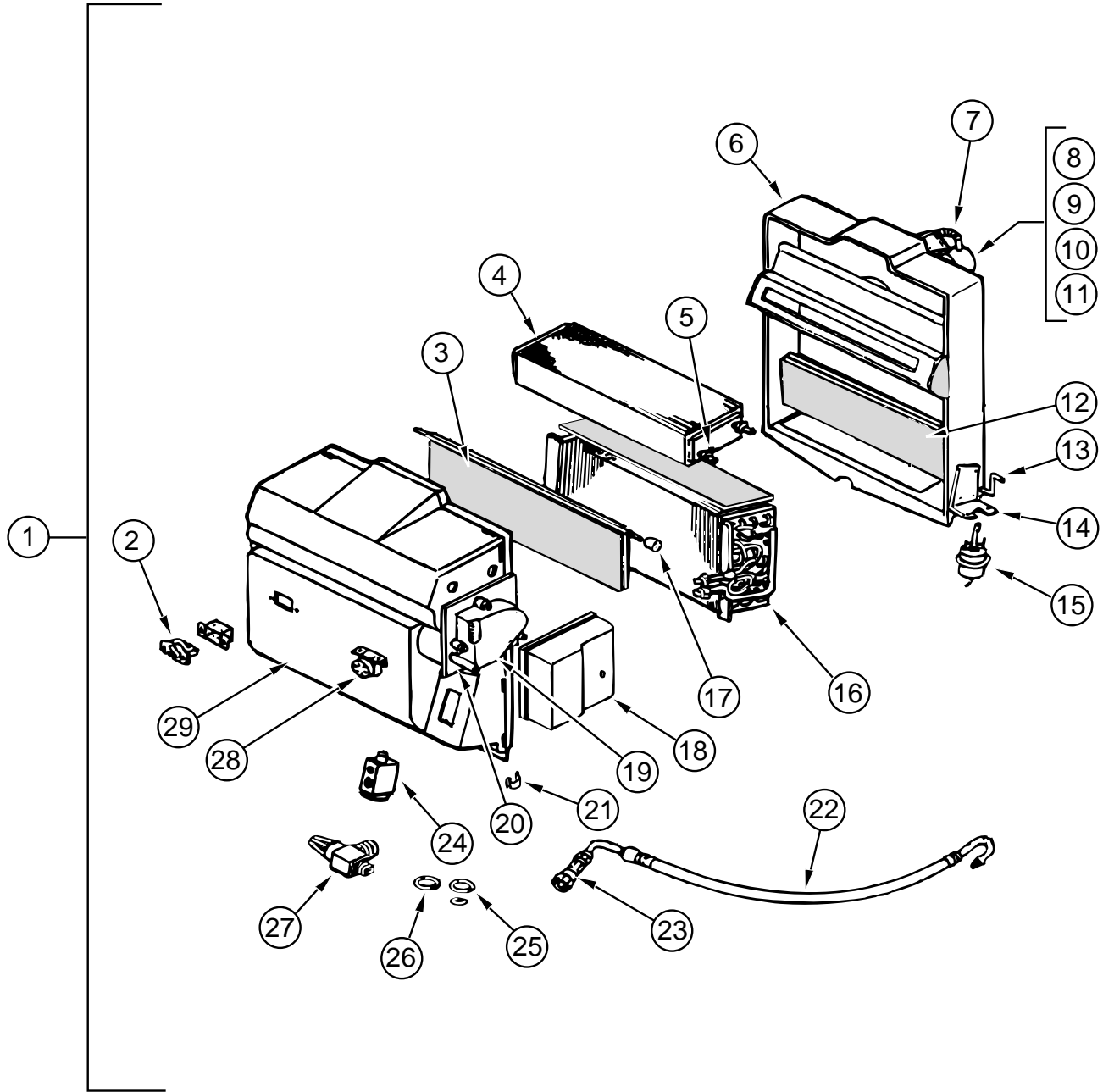


| KEY | PARTNUMBER | U/M | DESCRIPTION | VENDORNO. |
|-----|---------------|-----|--|-----------|
| | 098668-20-000 | EA | FURNACE - 30,000BTU | |
| 1 | 074466-01-702 | EA | RELAY-TIMEDELAY | 230625 |
| 2 | 075696-02-703 | EA | COLLAR-DUCT | 050715 |
| 3 | 115764-01-01A | EA | THERMOSTAT - WALL, FURNACE 160902 | |
| 4 | 098668-01-700 | EA | CABINET-FRONT | 101242 |
| 5 | 098668-01-706 | EA | WHEEL-COMBUSTIONAIR | 350122 |
| 6 | 098668-01-707 | EA | VENTASSEMBLY-CAPANDTUBE | 260193 |
| 7 | 098668-01-708 | EA | BLOWERASSEMBLY-COMBUSTIONAIR | 390441 |
| 8 | 098668-01-709 | EA | MOTORASSEMBLY-F/SF-25, SF-30 | 231706 |
| 9 | 098668-01-710 | EA | BLOWERASSEMBLY-ROOMAIR | 390440 |
| 10 | 098668-01-711 | EA | WHEEL-ROOMAIR | 350123 |
| 11 | 098668-01-712 | EA | BOARD-MODULE | 231741 |
| 12 | 098668-01-713 | EA | INTAKEVENTTUBEASSEMBLY | 051044 |
| 13 | 098668-01-714 | EA | VALVE-GAS, SFS, N. 921401821 | 161070 |
| 14 | 098668-01-715 | EA | ELECTRODEASSEMBLY-SINGLEPROBE | 232166 |
| 15 | 098668-01-716 | EA | GASKET-FIREWALL, CHAMBERSIDE | 232166 |
| 16 | 098668-01-717 | EA | GASKET-FIREWALL, BLOWERSIDE | 070163 |
| 17 | 098668-02-700 | EA | BURNERASSEMBLY COMPLETE -(SF-30/SF35) | 010745 |
| 18 | 098668-21-700 | EA | MICROSWITCHW/OFLAG31/4" | 232261 |
| 19 | 098668-21-701 | EA | LIMITSWITCH | 231799 |
| 20 | 101990-01-714 | EA | MICROSWITCHGASKET | 230877 |
| | 092300-02-701 | EA | ORIFICE-(MAINBURNER) | 180214 |
| | 098668-23-000 | EA | DOOR-ACCESS, FURNACE - BRIGHTWHITE | |
| | 056464-09-000 | EA | REGISTER-4" DIAMETER - PLASTIC - W/DAMPENER - BEIGE | |
| | 056464-10-000 | EA | REGISTER-4" DIAMETER - PLASTIC - W/ODAMPENER - BEIGE | |
| | 093614-01-02A | EA | GRILLE-RETURNAIR, FURNACE - 15.6" X 7.6" - BEIGE | |

25,000BTUSUBURBANFURNACE&WALLTHERMOSTAT

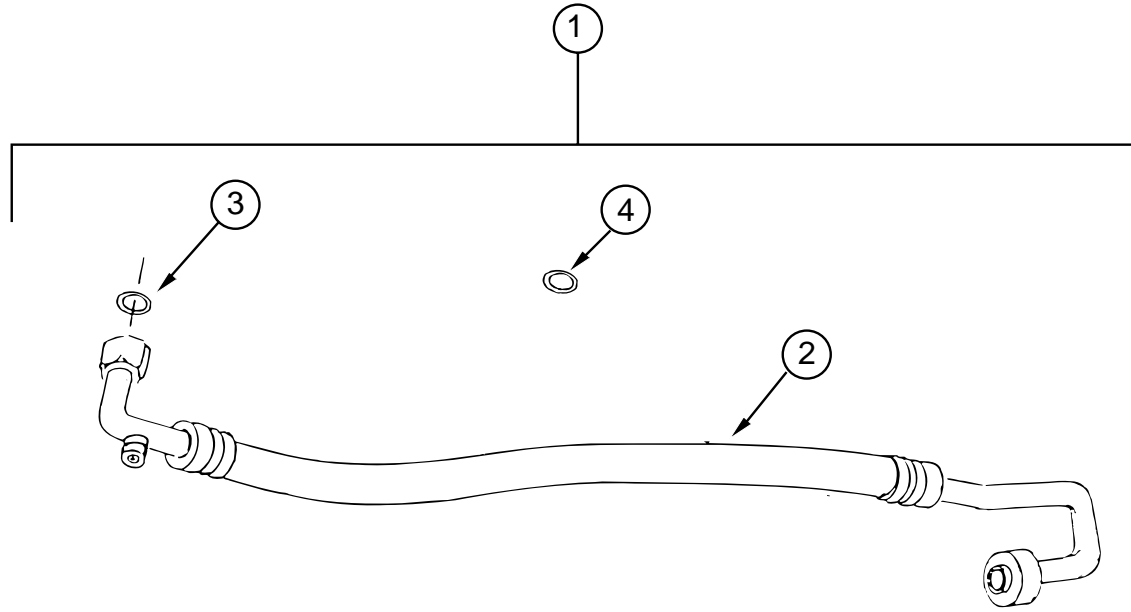
| KEY | PARTNUMBER | U/M | DESCRIPTION | VENDORNO. |
|-----|---------------|-----|--|-----------|
| | 098668-19-000 | EA | FURNACE - 25,000BTU | |
| 1 | 074466-01-702 | EA | RELAY, TIMEDELAY | 230625 |
| 2 | 075696-02-703 | EA | COLLAR-DUCT | 050715 |
| 3 | 115764-01-01A | EA | THERMOSTAT-FURNACE | |
| 4 | 098668-01-700 | EA | CABINETFRONT | 101242 |
| 5 | 098668-01-706 | EA | WHEEL-COMBUSTIONAIR | 350184 |
| 6 | 098668-01-707 | EA | TUBEASSEMBLY, EXHAUSTW/CAP | 260231 |
| 7 | 098668-01-708 | EA | HOUSING-BLOWER, COMBUSTION | 390441 |
| 8 | 098668-01-709 | EA | MOTORASM., F/SF-25, SF-30 | 231706 |
| 9 | 098668-01-710 | EA | HOUSING-BLOWER, ROOMAIR | 390440 |
| 10 | 098668-01-711 | EA | WHEEL-BLOWER, ROOMAIR | 350129 |
| 11 | 098668-01-712 | EA | BOARD-MODULE | 520741 |
| 12 | 098668-01-713 | EA | TUBEASSEMBLY, INTAKE | 051248 |
| 13 | 098668-01-714 | EA | VALVE-GAS, SFS, N. 921401821 | 161070 |
| 14 | 098668-01-715 | EA | ELECTRODEASM., SINGLEPROBE | 232166 |
| 15 | 098668-01-716 | EA | GASKET-FIREWALL, CHAMBERSIDE | 070808 |
| 16 | 098668-01-717 | EA | GASKET-FIREWALL, BLOWERSIDE | 070809 |
| 17 | 098668-01-703 | EA | BURNERASSEMBLY | 010762 |
| 18 | 098668-21-700 | EA | SWITCH-MICRO-W/OFLAG31/4" | 232261 |
| 19 | 098668-21-701 | EA | SWITCH-LIMIT | 231799 |
| 20 | 101990-01-714 | EA | GASKET-MICROSWITCH | 230877 |
| | 090039-01-703 | EA | ORIFICE-MAINBURNER | 180193 |
| | 098668-23-000 | EA | DOOR-ACCESS-FURNACE | |
| | 056464-09-000 | EA | REGISTER-4" DIAMETER - PLASTIC - W/DAMPENER - BEIGE | |
| | 056464-10-000 | EA | REGISTER-4" DIAMETER - PLASTIC - W/ODAMPENER - BEIGE | |
| | 093614-01-02A | EA | GRILLE-RETURNAIR - 15.6" X 7.6" - BEIGE | |

HEATING & AIR CONDITIONING GROUP (CONTINUED)
SCSEVAPORATOR/HEATER ASSEMBLY-CHEVY GAS & DIESEL CHASSIS



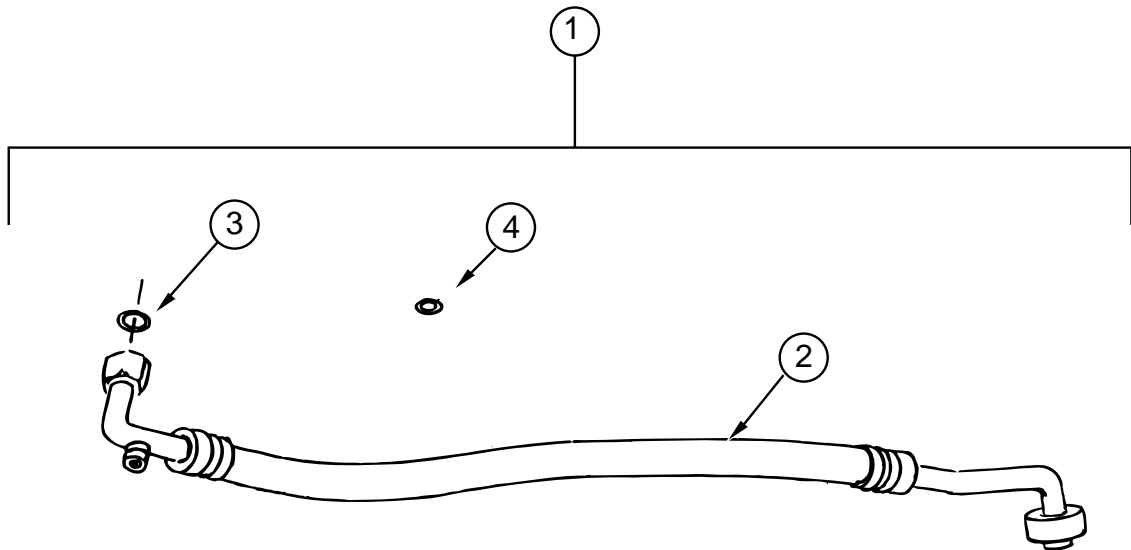
| KEY | PART NUMBER | U/M | DESCRIPTION | VENDOR NO. |
|-----|---------------|-----|---|------------|
| 1 | 103930-30-000 | EA | EVAPORATOR/HEATER ASM-SERVOMOTOR CONTROLLED | |
| 2 | 103930-01-710 | EA | RESISTOR-FUSED, A/C | 035-0006 |
| 3 | 103930-30-705 | EA | PANEL-DOOR, BLEND AIR | 071-0568 |
| 4 | 103930-01-703 | EA | CORE-HEATER | 042-0010 |
| 5 | 110279-01-712 | EA | FITTING-HEATER | 050-0076 |
| 6 | 103930-20-711 | EA | CASE-BACK, SUB-ASSEMBLY | 062-0147 |
| 7 | 110279-01-703 | EA | HOSE-VENT, BLOWER MOTOR | 051-0034 |
| 8 | 103930-20-707 | EA | HOUSING-BLOWER | 062-0145 |
| 9 | 103930-01-720 | EA | MOTOR-BLOWER, PM105 | 030-0004 |
| | | | FROM: 09-02-96 THRU: 12-21-96 | |
| 9 | 103930-30-706 | EA | MOTOR-BLOWER, PM147W/ADAPTER | 030-0109 |
| | | | FROM: 12-22-96 THRU: 99-99-99 | |
| 10 | 103930-01-717 | EA | WHEEL-BLOWER, CLOCKWISE | 062-0010 |
| 11 | 103930-20-708 | EA | CLIP-MOTOR SHAFT | 022-0001 |
| 12 | 103930-20-705 | EA | PANEL-DOOR, RECIRCULATING | 071-0213 |
| 13 | 103930-20-704 | EA | ROD-DOOR, RECIRCULATING | 073-0018 |
| 14 | 103930-01-708 | EA | BRACKET-VACUUM MOTOR | 070-0113 |
| 15 | 103930-02-708 | EA | MOTOR-VACUUM SERVO, A/C | 030-0025 |
| 16 | 103930-01-704 | EA | COIL-EVAPORATOR | 041-0017 |
| 17 | 103930-30-702 | EA | BUSHING-BLEND AIR DOOR | 062-0168 |
| 18 | 103930-30-704 | EA | COVER-SERVO | 062-0545 |
| 19 | 103930-30-703 | EA | MOTOR-SERVO | 030-0104 |
| 20 | 103930-30-701 | EA | PLATE-SERVOMOTOR MOUNT | 062-0544 |
| 21 | 103930-20-706 | EA | CLIP-RETAINER | 022-0057 |
| 22 | 103930-25-700 | EA | HOSE ASSEMBLY-#6, EVAPORATOR TO DRIER | 0850350 |
| 23 | 103930-12-709 | EA | FITTING-QUICK CONNECT | 050-0120 |
| 24 | 103930-20-700 | EA | VALVE-EXPANSION BLOCK, 2 TON | 034-0032 |
| 25 | 103930-17-702 | EA | O'RING - #10 | 045-0127 |
| 26 | 113245-01-707 | EA | O'RING - #8 | 045-0126 |
| 27 | 103930-20-709 | EA | VALVE-SERVICE | 050-0159 |
| 28 | 103930-01-711 | EA | THERMOSTAT | 033-0003 |
| 29 | 103930-30-700 | EA | CASE-FRONT | 062-0542 |

HEATING&AIRCONDITIONINGGROUP(CONTINUED)



CHEVYHOSEKIT-STANDARDGAS

| KEY | PARTNUMBER | U/M DESCRIPTION | VENDORNO. |
|-----|---------------|--------------------------------|-----------|
| 1 | 103930-28-000 | EA HOSEKIT-#10 W/GML-19CHASSIS | |
| 2 | 103930-28-700 | EA HOSEASM#10EVAPORATOR/COMP | 085-0347 |
| 3 | 103930-17-702 | EA O'RING#10 | 045-0127 |
| 4 | 103930-29-701 | EA O'RINGF/LOWPRESSURESWITCH | 045-0483 |



CHEVYHOSEKIT-VORTECGASORDIESELOPTION

| KEY | PARTNUMBER | U/M DESCRIPTION | VENDORNO. |
|-----|---------------|-------------------------------------|-----------|
| 1 | 103930-29-000 | EA HOSEKIT-#10 F/GML-29&L-65CHASSIS | |
| 2 | N/A | EA HOSEASM#10EVAPORATOR/COMP | 085-0348 |
| 3 | 103930-17-702 | EA O'RING#10 | 045-0127 |
| 4 | 103930-29-701 | EA O'RINGF/LOWPRESSURESWITCH | 045-0483 |

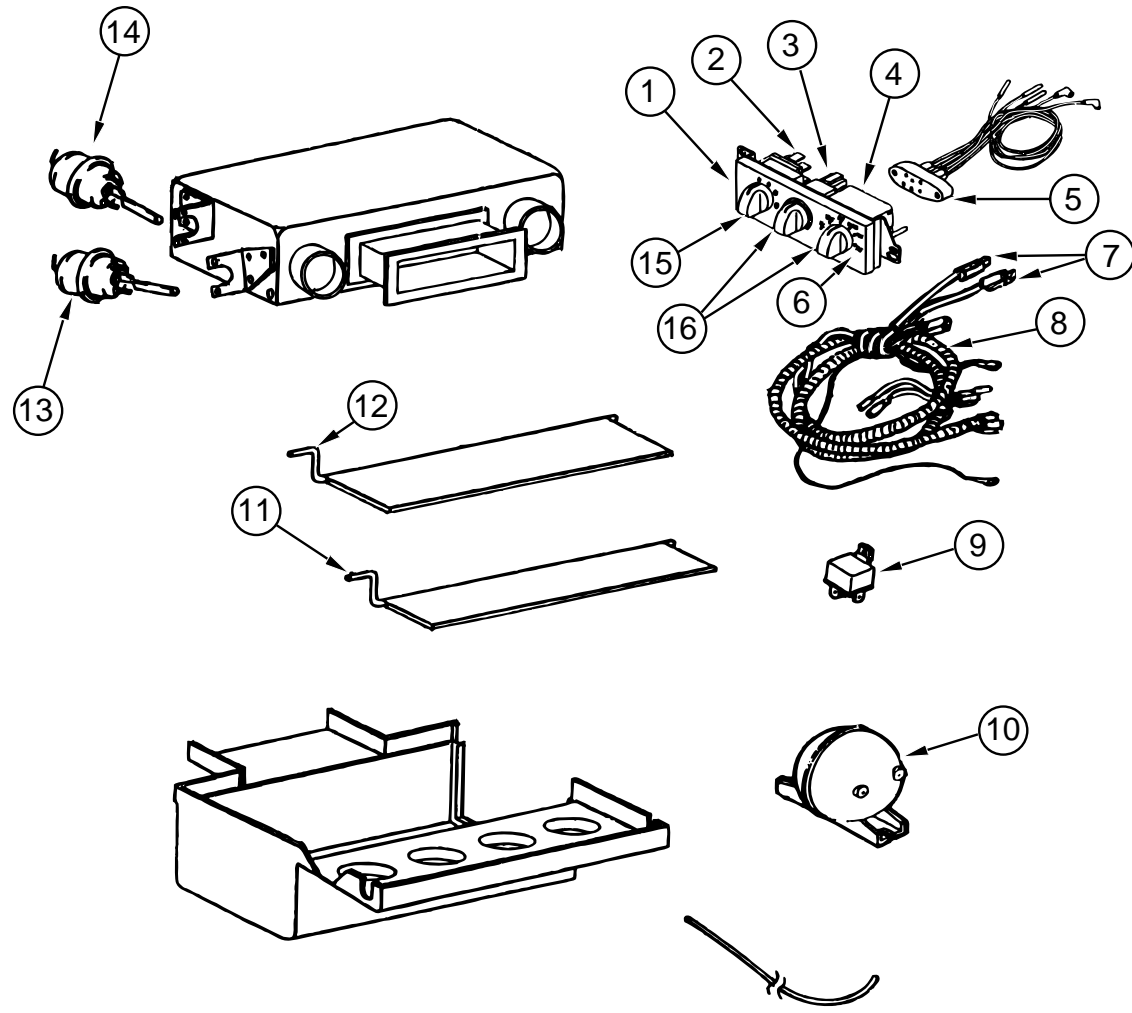
HEATING&AIRCONDITIONINGGROUP(CONTINUED)
AUTOMOTIVEHEATERMISCELLANEOUS

| KEY | PARTNUMBER | U/M DESCRIPTION | VENDORNO. |
|-----|---------------|--|-----------|
| | 089367-02-000 | EA TEE - 4" X 2" X 4" | |
| | 009198-01-000 | FT DUCT-HEAT-FLEXIBLE-4"ID X 25' | |
| | 009198-02-000 | FT DUCT-FLEXIBLE-2"ID X 25' | |
| | 009200-01-000 | EA TAPE-FURNACE-1 1/2" | |
| | 079059-02-000 | EA HOSE-90DEGREE-.61"ID X 4" X 6" | |
| | | FROM: 02-07-97 THRU: 99-99-99 | |
| | 007076-01-000 | EA HOSE-FLEXIBLEPVC-2"IDINCREMENTSOF50' | |
| | 007108-01-000 | FT HOSE-HEATER,5/8"ID-HI-TEMP-FORDESE-M2D192-A | |
| | 007281-01-000 | EA HOSE-FLEXIBLEPVC,2.5"ID X 50'-ATCOFLEXA-182-355 | |
| | 007281-01-700 | FT HOSE-FLEXIBLEPVC,2.5"ID | |
| | 024990-05-000 | EA OUTLET-4"DIAMETERW/SWIVELDEFLECTORS | |
| | 056402-05-000 | EA BRACKET-HEATERVENT,ROUND-W/BEND-BLACK | |
| | 077075-01-000 | EA GASKET-INSTRUMENTPANELTODEFROSTERPLENUM-1.8"X12.5" | |
| | 077075-03-000 | EA GASKET-INSTRUMENTPANELTODEFROSTERPLENUM-1.8"X12.25" | |
| | 103016-01-000 | EA PLENUM-TRANSITION | |
| | 103017-01-000 | EA PLENUM-DEFROSTER | |
| | 103930-23-000 | EA VALVE-WATER,2PORT | |
| | 103558-01-07A | EA VENT-DEFROSTER,ABS-WILLOW | |
| | 103796-01-01A | EA LOUVERASSEMBLY-A/CCARYPROD-BLACK | |
| | 097494-02-000 | EA TEE-BRASS,BARB-3/8" X 5/32" X 3/8" -PARKER224-8-8-4 | |
| | 103930-05-000 | EA MANUAL-OWNER-HEATER/A/C | |
| | | FROM: 00-00-00 THRU: 02-23-97 | |
| | 103930-37-000 | EA MANUAL-OWNERS-HEATER/A/C | |
| | | FROM: 02-24-97 THRU: 99-99-99 | |
| | 7SB010-96-14Z | EA MANUAL-DEALERSERVICE/PARTS-SCS057-00171 | |

EVANSREARHEATER&COMPONENTS

| KEY | PARTNUMBER | U/M DESCRIPTION | VENDORNO. |
|-----|---------------|--|-----------|
| | 084405-01-000 | EA HEATERASSEMBLY-REAR,DUCTED-W/MOTORAID-EVANS | |
| | 084405-01-700 | EA CORE-HEATER | FT200229 |
| | 084405-01-701 | EA FANBLADES | HV029931 |
| | 084405-01-702 | EA MOTORASSEMBLY,12VOLT | R0200180 |
| | 007108-01-000 | FT HOSE-HEATER,5/8"ID-HI-TEMP-FORDESE-M2D192-A | |
| | 061673-01-000 | EA BRACKET-MOTORAIDTUBES,4"X1.5"-STEEL | |
| | 079059-01-000 | EA HOSE-90DEGREE-5/8"ID X 4" X 36" | |

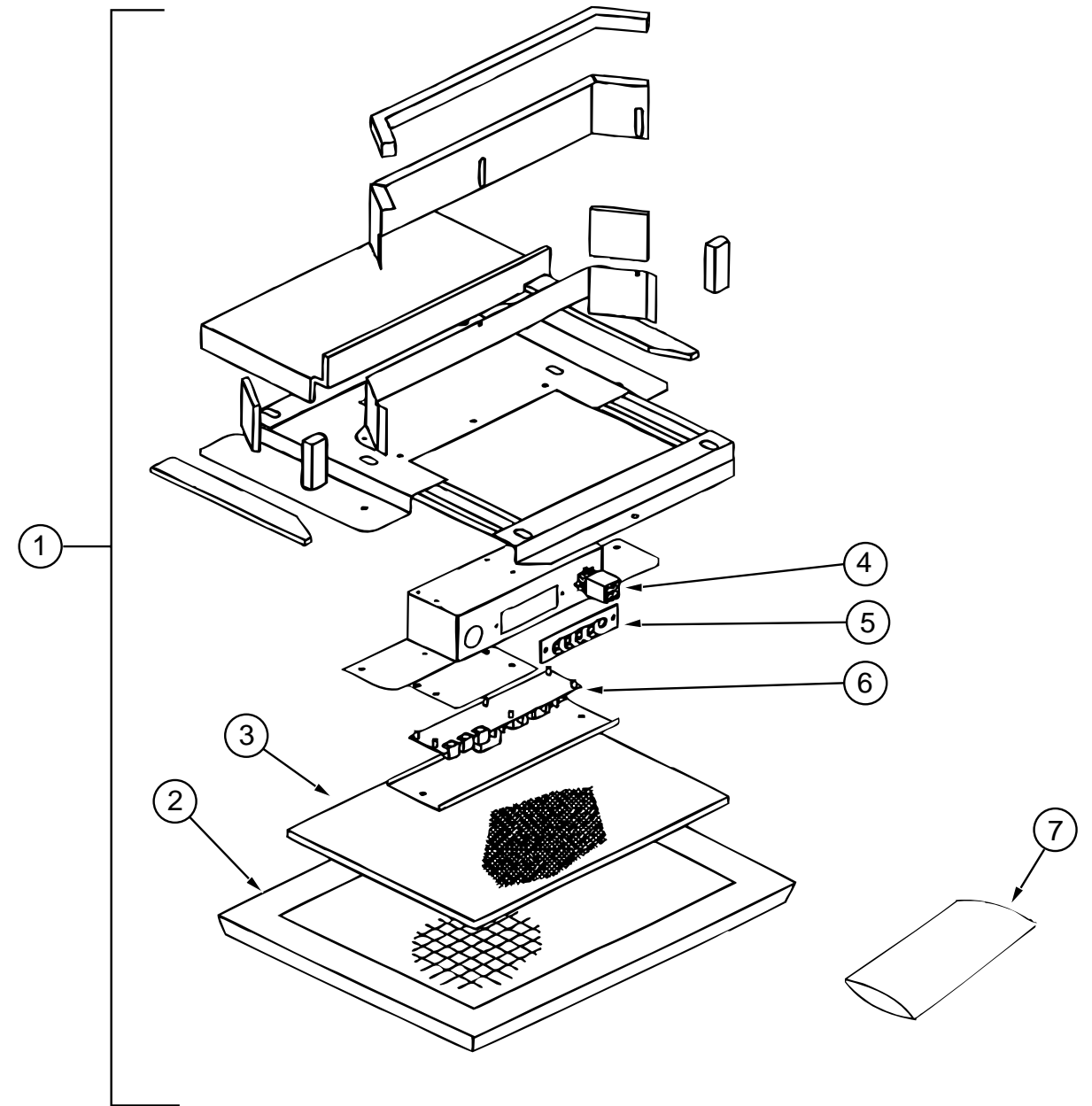
HEATING&AIRCONDITIONINGGROUP(CONTINUED)



SCSCONTROL/PLENUM

| KEY | PARTNUMBER | U/M | DESCRIPTION | VENDOR NO. |
|-----|---------------|-----|----------------------------------|------------|
| | 103930-34-000 | EA | CONTROL/PLENUM-ROTARYCONTROLHEAD | |
| 1 | 103930-33-702 | EA | PANELASSEMBLY-CONTROL | 083-0169 |
| 2 | 103930-33-707 | EA | SWITCH-BLOWER | 032-00066 |
| 3 | 103930-33-708 | EA | SWITCH-POTENTIOMETER | 032-0184 |
| 4 | 103930-33-709 | EA | SWITCH-VACUUM | 032-0183 |
| 5 | 103930-33-703 | EA | HARNESS-VACUUM | 036-0466 |
| 6 | 103930-33-710 | EA | DECAL-CONTROLHEAD | 058-0102 |
| 7 | 103930-33-705 | EA | BULB-LIGHT | 035-0030 |
| 8 | 103930-33-704 | EA | HARNESS-WIREW/BULBS | 036-0465 |
| | | | FROM: 00-00-00 THRU: 12-21-96 | |
| 8 | 103930-33-711 | EA | HARNESS-WIRE,MAIN | 036-0496 |
| | | | FROM: 12-22-96 THRU: 99-99-99 | |
| 9 | 103930-02-707 | EA | RELAY-BOSCHW/RESISTOR | 031-0001 |
| 10 | 103930-02-710 | EA | CANISTER-VACUUM | 054-0002 |
| 11 | 103930-33-700 | EA | ROD-DOOR,DEFROSTER/A/C | 073-0028 |
| 12 | 103930-33-706 | EA | ROD-DOOR,A/C/DEFROST | 073-0060 |
| 13 | 103930-02-708 | EA | MOTOR-VACUUMSERVO,A/C | 030-0025 |
| 14 | 103930-33-701 | EA | MOTOR-VACUUM,3STAGE | 030-0105 |
| 15 | 103930-33-712 | EA | KNOB-BLOWER | 062-00539 |
| 16 | 103930-33-713 | EA | KNOB | 062-00540 |

HEATING&AIRCONDITIONINGGROUP(CONTINUED)



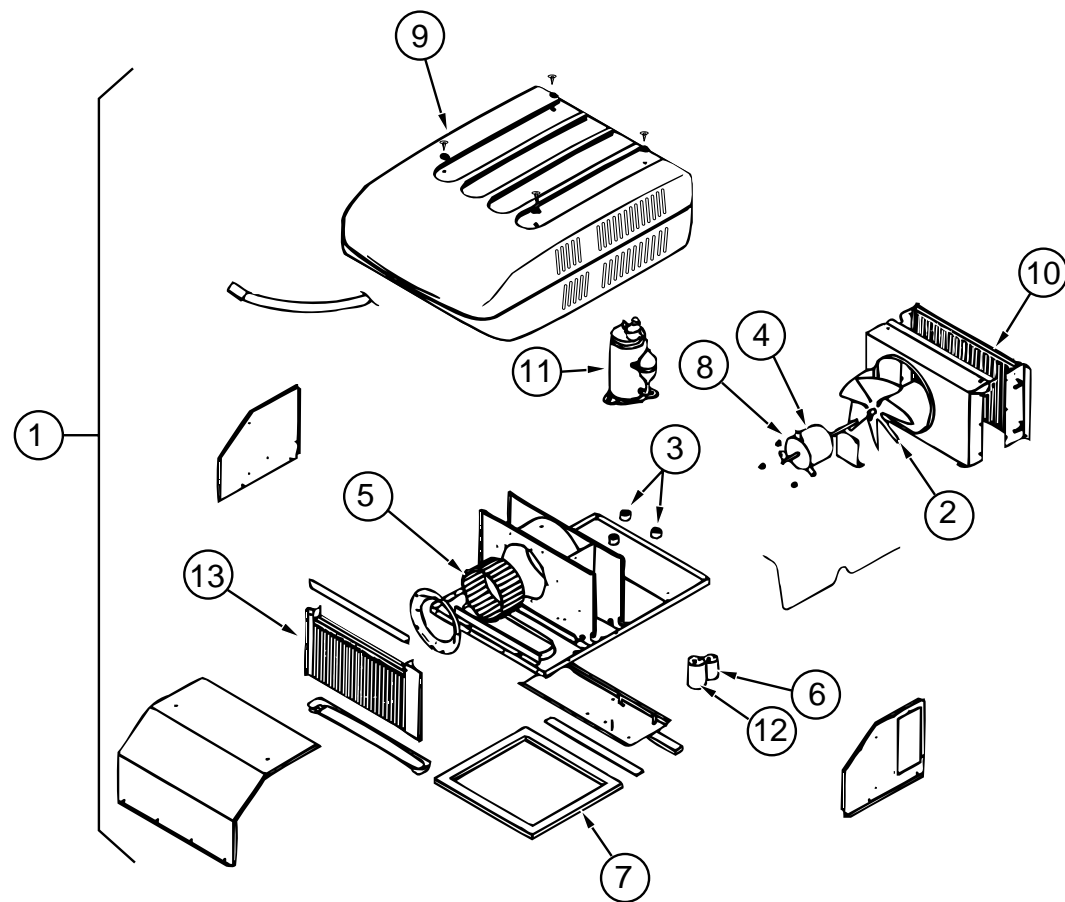
COLEMAN/CCEILINGASSEMBLY, THERMOSTAT, & REGISTER

| KEY | PARTNUMBER | U/M | DESCRIPTION | VENDOR NO. |
|-----|---------------|-----|--|------------|
| 1 | 108892-01-01A | EA | CEILINGASM-A/CDUCTED-COLEMAN7330-730IV | |
| 2 | 108892-01-704 | EA | GRILLE(PLASTIC) | 6798-3041 |
| 3 | 108892-01-703 | EA | FILTER | 6798A3761 |
| 4 | 108892-01-700 | EA | PLUGASSEMBLY | 7330-540 |
| 5 | 108892-01-701 | EA | BOARD-TERMINAL | 7330-3201 |
| 6 | 108892-01-702 | EA | BOARD-PRINTEDCIRCUIT | 7330A3211 |
| 7 | 108892-01-705 | EA | SMALLPARTSPACKAGE | 7330A6101 |
| | 117238-01-01A | EA | THERMOSTAT-A/CANDFURNACE-COLEMAN7330-3371 | |
| | 117238-02-01A | EA | THERMOSTAT-A/CONLY-COLEMAN7330-3381 | |
| | 120134-01-02A | EA | REGISTER-4"-5"DIAMETERW/DAMPER-WHITE-DTW8840 | |

ROOFA/C COVER

| KEY | PARTNUMBER | U/M | DESCRIPTION |
|-----|---------------|-----|--|
| | 092633-02-02A | EA | COVER-BLANK,ROOFA/C-5.1"X5.1"-PLASTIC-OFFWHITE |

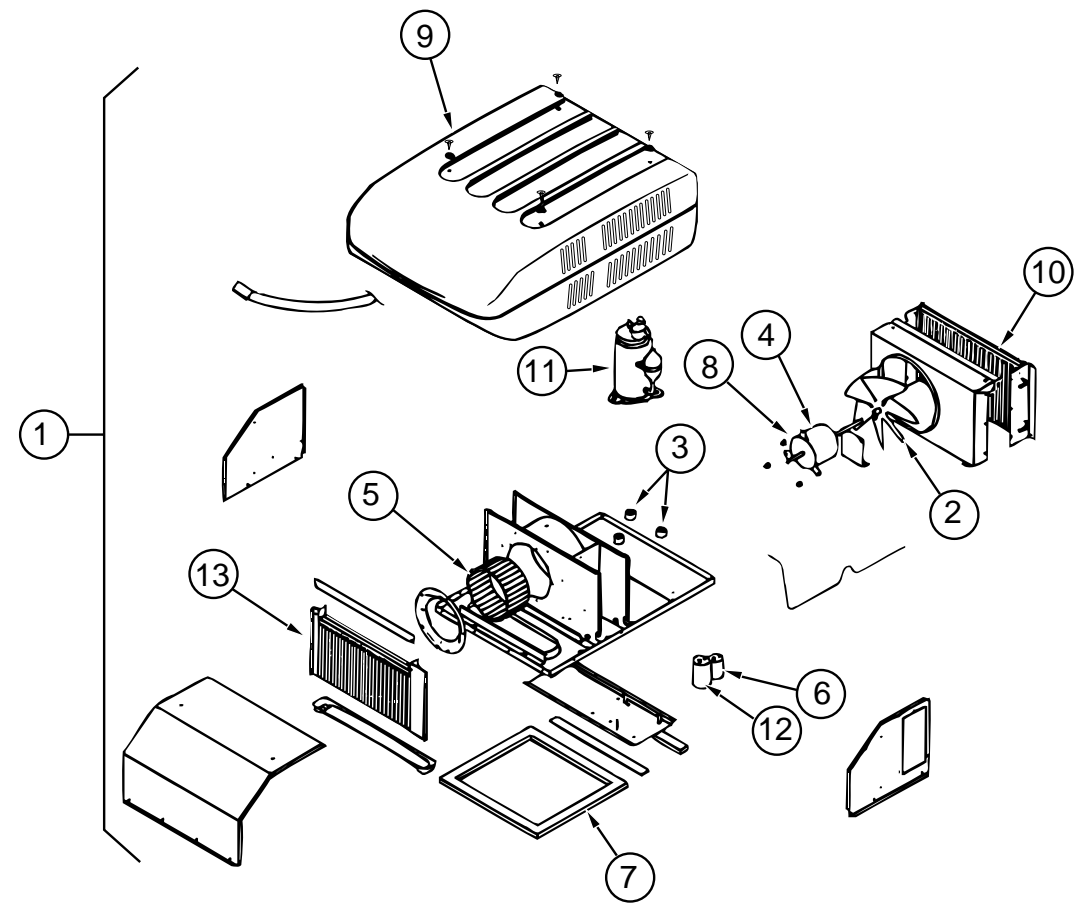
HEATING&AIRCONDITIONINGGROUP(CONTINUED)



COLEMAN13,500BTUROOFA/C-EUROPEAN

| KEY | PARTNUMBER | U/M DESCRIPTION | VENDORN.O. |
|-----|---|--|--|
| 1 | 108889-02-03A 093306-01-701 | EA A/C-ROOF, 13,500BTU-TSR-220VOLT-BRIGHTWHITE-COLEMAN | 7373A891 6798B3591 |
| 2 | 093763-01-712 105620-01-705 | EA FANBLADE-CONDENSER EA PROTECTOR-OVERLOAD,RH&LH | 6733-3221 6759-3791 |
| 3 | 105620-01-706 | EA FOOTPACKAGE-COMPRESSOR,3PERPKG | 6759-3081 |
| 4 | 108889-02-701 | EA MOTOR | 1468-3059 |
| 5 | 108889-01-706 | EA IMPELLOR | 1472-1041 |
| 6 | 093763-01-704 | EA CAPACITOR-FAN | 1499-5461 |
| 7 | 108889-01-711 | EA GASKETPACKAGE | 6792A3301 |
| 8 | 108889-01-715 | EA MOTORMOUNT&SHAFTSEALKIT | 6792A3361 |
| 9 | 108889-05-700 | EA SHROUD-BRIGHT/WHT.W/OLOGO | 7333-4601 |
| 10 | 108889-01-703 | EA COIL-CONDENSER | 1452A1301 |
| 11 | 108889-02-700 | EA COMPRESSOR-TECUMSEH | 1450A2029 |
| 12 | 108889-01-707 | EA CAPACITOR-RUN,COMPRESSOR-25MFD/370 | 1499-5661 |
| 13 | 108889-01-709 108889-01-710 108889-01-713 108889-01-714 108889-02-702 108889-02-703 102289-01-000 | EA COIL-EVAPORATOR EA PAD-FILLER,CONDENSERSEAL EA SUCTIONLINE,3/8"ODX.032"WALL EA LINEASSEMBLY-DISCHARGE EA CAPACITOR-START EA RELAY-START EA SPRING-SCREW,ROOFA/CGASKET-COLEMAN6757-150 | 1452A1311 6759B3971 6792-130 6792-531 1497-0891 1497-4141 |

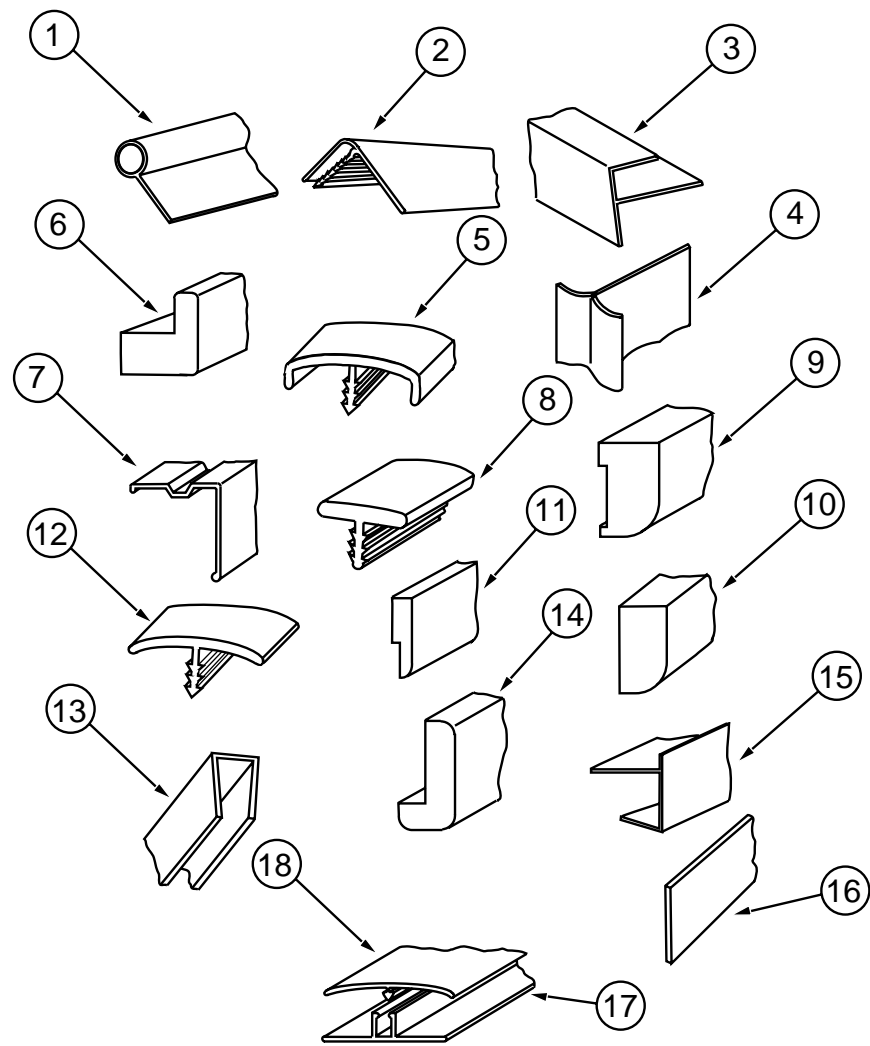
HEATING&AIRCONDITIONINGGROUP(CONTINUED)



COLEMAN14,800BTUROOFA/C

| KEY | PARTNUMBER | U/M DESCRIPTION | VENDORN.O. |
|-----|---|---|---|
| 1 | 115219-01-03A | EA A/C-ROOF, 14,800BTUMACH15-BRIGHTWHITE | |
| 2 | 093763-01-712 | EA BLADE-FAN,CONDENSER | 6733-3221 |
| 3 | 105620-01-706 | EA FOOTPACKAGE-COMPRESSOR,3PERPACKAGE | 6759-3081 |
| 4 | 108889-01-705 | EA MOTOR-115V,60HZ | 1468-3049 |
| 5 | 108889-01-706 | EA IMPELLOR | 1472-1041 |
| 6 | 093763-01-704 108889-01-710 | EA CAPACITOR-FAN EA PAD-FILLER,CONDENSERSEAL | 1499-5461 6759B3971 |
| 7 | 108889-01-711 | EA GASKETPACKAGE | 6792A3301 |
| 8 | 108889-01-715 | EA MOTORMOUNT&SHAFTSEALKIT | 6792A3361 |
| 9 | 108889-05-700 | EA SHROUD-BRIGHTWHITE,W/OLOGO | 7333-4601 |
| 10 | 115219-01-700 | EA COIL-CONDENSER | 1452A1321 |
| 11 | 115219-01-708 | EA COMPRESSOR,CONVERSIONKIT | 1450A2061 |
| 12 | 115219-01-702 115219-01-703 | EA CAPACITOR-RUN,COMPRESSOR EA RELAY-START | 1499-5741 1497-4151 |
| 13 | 115219-01-704 115219-01-705 115219-01-706 115219-01-707 093306-01-720 093306-01-701 102289-01-000 | EA COIL-EVAPORATOR EA LINE-SUCTION,LOWER EA LINE-SUCTION,UPPER EA LINEASSEMBLY,DISCHARGE EA CAPACITOR-START,21-25MFD33 EA DECALPACKAGE-LEFT&RIGHT EA SPRING-SCREW,ROOFA/CGASKET-COLEMAN6757-150 | 1452-1331 7335-130 7335-131 7335A132 1497-3351 6798B3591 |

**INTERIOR FINISH GROUP
MOLDINGS & TRIMS**



| KEY | PARTNUMBER | U/M DESCRIPTION |
|-----|---------------|--|
| 1 | 009767-12-000 | FT MOLDING-SIDEWALL TO CEILING/CABINET-WELTING-OFFWHITE |
| 2 | 009809-28-000 | EA MOLDING-CORNER, OUTSIDE-1"-PLASTIC-WATERFORDOAK |
| 3 | 009812-24-000 | EA MOLDING-PLASTIC-1/2" O/SCORNER-IVORY |
| 3 | 009812-29-000 | EA MOLDING-CORNER, OUTSIDE-.5"X7"-PLASTIC-WATERFORDOAK |
| 4 | 022992-11-000 | FT MOLDING-REVERSE COVE, T-SHAPED-VINYL-IVORY |
| 5 | 083620-12-000 | FT MOLDING-T, ENDCAP EDGE-W/EDGE LIPS-.75"-WATERFORDOAK |
| 6 | 100819-01-05A | EA MOLDING-VINYL WRAPPED, DOOR-WATERFORDOAK |
| 7 | 093873-01-01A | EA TRIM-CARPET-L-ANGLE 1.1"X1.3"X12'-GRAY VINYL |
| 8 | 104676-01-01A | FT T-MOLDING, 5/16-RIGID-GOLD |
| 9 | 117268-D2-134 | EA MOLDING-VINYL WRAPPED-.7"X1.6"X84"-WATERFORDOAK |
| 9 | 117268-D2-438 | EA MOLDING-VINYL WRAPPED-.7"X1.5"X96"-WATERFORDOAK FROM: 00-00-00 THRU: 05-31-97 |
| 9 | 117268-F2-134 | EA MOLDING-VINYL WRAPPED-.7"X2.7"X84"-WATERFORDOAK |
| 10 | 100818-01-05A | EA MOLDING-VINYL WRAPPED, 1"X8'-WATERFORDOAK |
| 11 | 105004-01-05A | EA MOLDING-VINYL WRAPPED, 1"X8'-WATERFORDOAK |
| 12 | 105709-01-000 | FT T-MOLDING-1"-MODERN IVORY |
| 13 | 009778-21-000 | FT U-CHANNEL, 1"WIDE X 8' INCREMENTS-PLASTIC-WATERFORDOAK |
| 13 | 009778-22-000 | FT U-CHANNEL-1 1/4"-WATERFORDOAK |
| 13 | 070504-36-000 | FT U-CHANNEL-PLASTIC, 1.65"WIDE-WATERFORDOAK-INCREMENTS OF 8' |
| 13 | 070504-37-000 | FT U-CHANNEL-PLASTIC, .815"WIDE-WATERFORDOAK-INCREMENTS OF 8' |
| 14 | 077840-01-G01 | EA MOLDING-CAP/WALL-8' WATERFORDOAK |
| 15 | 103186-01-05A | FT MOLDING-PLASTIC/3/8" U-CHANNEL W/3/4" FACE-WATERFORDOAK |
| 15 | 103186-02-05A | FT MOLDING-PLASTIC/1" U-CHANNEL W/13/8" FACE-WATERFORDOAK |
| 16 | 076325-67-000 | FT MOLDING-EDGE BAND-.93"X.024"-WATERFORDOAK |
| 16 | 076325-68-000 | FT MOLDING-EDGE BAND-15/16"X.038"-WATERFORDOAK |
| 16 | 076325-47-000 | FT MOLDING-EDGE BAND, 1032 SAND-15/16"X.030"X600"(H12, H13) |
| 16 | 076325-39-000 | FT MOLDING-EDGE BAND, 1527 NEUTRAL-15/16"X.030"X600"(H14, H15) |
| 16 | 076325-46-000 | FT MOLDING-EDGE BAND, 1035 CLOUD-15/16"X.030"X600"(H16) |
| 16 | 076325-44-000 | FT MOLDING-EDGE BAND, 1032 SAND-.875"X.024"X600"(H12, H13) |
| 16 | 076325-40-000 | FT MOLDING-EDGE BAND, 1527 NEUTRAL-.875"X.024"X600"(H14, H15) |
| 16 | 076325-43-000 | FT MOLDING-EDGE BAND, 1035 CLOUD-.875"X.024"X600"(H16) |
| 16 | 076325-34-000 | FT MOLDING-EDGE BAND, 1233 ORCHID MIST-15/16"X.030"X600" (PATIO ENTERTAINMENT CENTER TABLE) |
| 17 | 086229-01-000 | EA RETAINER-BATTEN-.75"X92.24"-ANY COLOR |
| 18 | 086229-13-000 | EA BATTEN-1"X96"-IVORY |
| 18 | 086229-20-000 | EA BATTEN-1"X96"-BEIGE |
| | 117267-D2-438 | EA LUMBER-VINYL WRAPPED,.7"X1 1/2"X8'-WATERFORDOAK |
| | 117267-E2-438 | EA LUMBER-VINYL WRAPPED,.7"X2"X8'-WATERFORDOAK |
| | 117267-G2-438 | EA LUMBER-VINYL WRAPPED,.7"X3"X8'-WATERFORDOAK |
| | 072368-02-000 | EA TRIM-VINYL-EDGE-BLACK FROM: 00-00-00 THRU: 02-02-97 |
| | 113452-01-000 | FT SEAL/TRIM-FRONT-VINYL W/WIRE CARRIER FROM: 02-03-97 THRU: 99-99-99 |

INTERIORFINISHGROUP(CONTINUED)

BATTSTRIPS

| KEY | PARTNUMBER | U/M | DESCRIPTION |
|-----|---------------|-----|--|
| | 069733-83-000 | EA | BATTSTRIP-WOODGRAIN,8'-WATERFORDOAK |
| | 088263-E3-000 | EA | BATTSTRIP-SHOWER,8'-PEBBLEEMBOSSANTIQUE |
| | 088263-C7-000 | EA | BATTSTRIP-DECORATIVE,ETCHINGSSAGE-8'(H12,H13)(MAINWALL) |
| | 088263-B8-000 | EA | BATTSTRIP-DECORATIVE,METROMIST-8'(H14,H16)(MAINWALL) |
| | 088263-D9-000 | EA | BATTSTRIP-DECORATIVE,CELESTIALGLOW-8'(H15)(MAINWALL) |
| | 085284-B5-000 | FT | BATT-TAPE,WATERFORDOAKWOODGRAIN-ADHESIVEBACKED |
| | 085284-D6-000 | FT | BATT-TAPE,SHOWER-PEBBLEEMBOSSANTIQUE-ADHESIVEBACKED |
| | 085284-C1-000 | FT | BATT-TAPE,ETCHINGSSAGE-ADHESIVEBACKED(H12,H13)(MAINWALL) |
| | 085284-B1-000 | FT | BATT-TAPE,METROMIST-ADHESIVEBACKED(H14,H16)(MAINWALL) |
| | 085284-D3-000 | FT | BATT-TAPE,CELESTIALGLOW-ADHESIVEBACKED(H15)(MAINWALL) |

PLASTICLAMINATE

| KEY | PARTNUMBER | U/M | DESCRIPTION |
|-----|---------------|-----|--|
| | 074498-54-000 | SF | LAMINATE-PLASTIC,SANDSPEKTRUM-5'X8'-INCOF40SF(H12,H13) (GALLEY,DINETTE,BATH,&BEDROOM) |
| | 074498-71-000 | SF | LAMINATE-PLASTIC,NEUTRALSANTOS-5'X8'-INCREMENTSOF40SF(H14,H15) (GALLEY,DINETTE,BATH,&BEDROOM) |
| | 074498-62-000 | SF | LAMINATE-PLASTIC,GREYFINESSE-5'X8'-INCREMENTSOF40SF(H16) (GALLEY,DINETTE,BATH,&BEDROOM) |
| | 074498-77-000 | SF | LAMINATE-PLASTIC,ARTCABINOAK-5'X8'-INCREMENTSOF40SF (PULLOUTTABLE) |
| | 074498-67-000 | SF | LAMINATE-PLASTIC,ORCHIDMIST-5'X8'-INCREMENTSOF40SF (PATIOENTERTAINMENTCENTERTABLE) |

SMOKEDETECTOR,CODETECTOR,FIREEXTINGUISHER&CLOCK

| KEY | PARTNUMBER | U/M | DESCRIPTION | VENDORNO. |
|-----|---------------|-----|---|-----------|
| | 072852-01-000 | EA | DETECTOR-SMOKE,W/9VOLTBATTERY-US | |
| | 072852-02-000 | EA | DETECTOR-SMOKE,W/9VOLTBATTERY-CANADIAN | |
| | 094499-01-000 | EA | EXTINGUISHER-FIRE,DRYW/MOUNTINGBRACKET-10BC | |
| | 094499-01-700 | EA | BRACKET-MOUNTING,W/PLASTICSTRAP-FIREEXTINGUISHER | 294039 |
| | 094499-01-701 | EA | STRAPONLY(METAL) | 320351 |
| | 094499-02-000 | EA | EXTINGUISHER-FIRE,DRY-1A10BC-CANADIAN | |
| | 112320-03-000 | EA | DETECTOR-COGAS,MODEL9D-I | |
| | 112320-04-000 | EA | BATTERY/SENSORMODULE-CO(BLACKMODULE)F/9D-ISYSTEM FROM: 00-00-00 THRU: 10-20-96 | |
| | 125136-01-000 | EA | DETECTOR-COGAS,MODEL9L-I FROM: 00-00-00 THRU: 10-20-96 | |
| | 118081-01-01A | EA | CLOCK-WALL,ROUND8"-BRASS FROM: 10-21-96 THRU: 99-99-99 | |

INTERIORFINISHGROUP(CONTINUED)

ANTISLIP&FLOORMATS

| KEY | PARTNUMBER | U/M | DESCRIPTION |
|-----|---------------|-----|-----------------------------------|
| | 091261-01-000 | FT | SLIPNOT-ANTISLIP,1'WIDE(100'ROLL) |
| | 105924-01-H12 | EA | MAT-FLOOR,18"X27"(H12) |
| | 105924-01-H13 | EA | MAT-FLOOR,18"X27"(H13) |
| | 105924-01-H14 | EA | MAT-FLOOR,18"X27"(H14) |
| | 105924-01-F05 | EA | MAT-FLOOR,18"X27"(H15) |
| | 105924-01-H39 | EA | MAT-FLOOR,18"X27"(H16) |
| | 081075-03-000 | EA | MAT-FLOOR-ENTRANCE-WINNEBAGO |

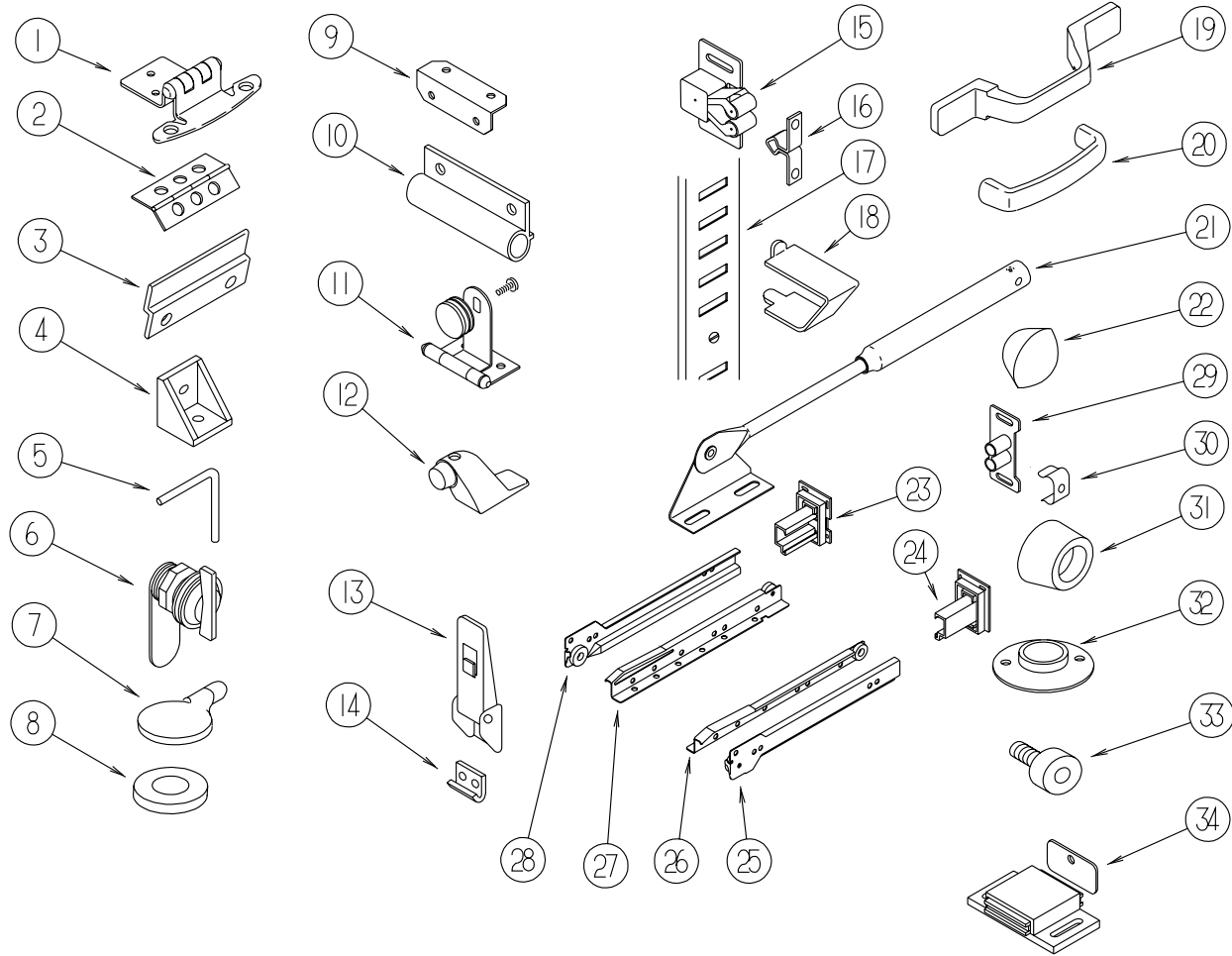
CARPET&TILE

| KEY | PARTNUMBER | U/M | DESCRIPTION |
|-----|---------------|-----|---|
| | 093486-01-000 | SY | CARPET-COMPARTMENT,72"WIDE-DARKGRAY |
| | 096060-95-000 | SY | CARPET-DOESKIN-INCREMENTSOF4SY(H12) |
| | 096060-B2-000 | SY | CARPET-JUBILATION-INCREMENTSOF4SQYDS(H13) |
| | 096060-A1-000 | SY | CARPET-ARTICGRAY-INCREMENTSOF4SQYDS(H14) |
| | 096060-97-000 | SY | CARPET-LAPIS-INCREMENTSOF4SYYS(H15) |
| | 096060-96-000 | SY | CARPET-JUBILATION-INCREMENTSOF4SQYD(H16) |
| | 122755-05-01A | EA | TILE-RUBBER/ENTRANCEDOOR,11.2"X26.9" |

PANELING,PLYWOOD,&PARTICLEBOARD

| KEY | PARTNUMBER | U/M | DESCRIPTION |
|-----|---------------|-----|---|
| | 074497-28-000 | SF | PANELING-WATERFORDOAK,4'X8'-INCREMENTSOF32SF |
| | 088272-G1-000 | SF | PANELING-SHOWER,PEBBLEEMBOSSANTIQUE-4'X7'-INCREMENTSOF28SF |
| | 088272-E8-000 | SF | PANELING-DECORATIVE,ETCHINGSSAGE-4'X7'-INCOF28SF(H12,H13) (MAINWALL) |
| | 088272-E0-000 | SF | PANELING-DECORATIVE,METROMIST-4'X7'-INCOF28SF(H14,H16) (MAINWALL) |
| | 088272-F7-000 | SF | PANELING-DECORATIVE,CELESTIALGLOW-4'X7'-INCOF28SF(H15) (MAINWALL) |
| | 080215-10-000 | SF | PANELING-2SIDED,WATERFORD-4'X8' |
| | 088272-E2-000 | SF | PANELING-BIARRITZ-TRAVERTINE-4'X7' |
| | 000846-01-000 | SF | PLYWOOD-5/16"X4'X8' |
| | 000846-02-000 | SF | PLYWOOD/UNDERLAYMENT-5/16"X48"X96" |
| | 089297-01-000 | SF | PLYWOOD-LUAN,OVERLAYGRADE-4'X8' |
| | 000885-76-000 | SF | PARTICLEBOARD-3/8"X48"X96"-WATERFORDOAK/VINYL1SIDE |
| | 000885-77-000 | SF | PARTICLEBOARD-3/8"X48"X96"-WATERFORDOAK/VINYL2SIDE |
| | 000885-78-000 | SF | PARTICLEBOARD-1/2"X48"X96"-WATERFORDOAK/VINYL2SIDE |
| | 000885-79-000 | SF | PARTICLEBOARD-3/4"X48"X96"-WATERFORDOAK/VINYL2SIDE |
| | 114129-01-02A | SF | LINER-CABINET-.02"X48"X96" FROM: 01-02-97 THRU: 99-99-99 |
| | 126339-01-000 | SF | BOARD-WHEAT-60"X72" |

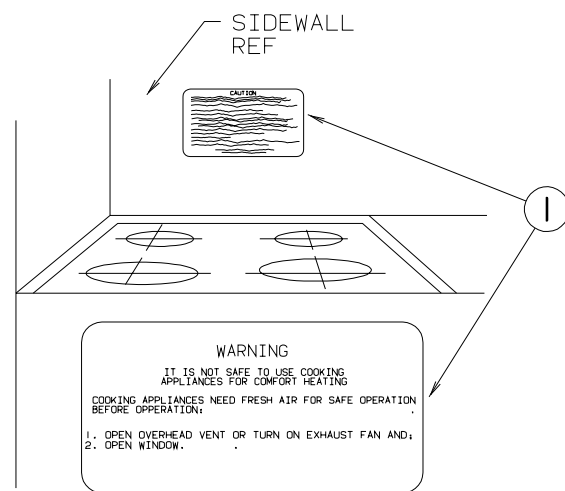
INTERIORFINISHGROUP(CONTINUED)
CABINETHARDWARE



| KEY | PARTNUMBER | U/M | DESCRIPTION |
|-----|---------------|-----|---|
| 1 | 108138-01-000 | EA | HINGE - CABINETDOOR - BURNISHEDBRASS |
| | 000G13-06-08G | EA | SCREW |
| 2 | 009059-01-000 | EA | HINGE - DOOR - 2" X 1.4" - BRASS |
| 2 | 009059-02-000 | EA | HINGE - DOOR - 2" X 2.7" - BRASS |
| 3 | 101272-01-000 | EA | CATCH - DOOR - GLASS |
| 4 | 065740-01-000 | EA | BRACE - CABINET/CORNER - PLASTIC |
| 5 | 108487-02-01A | EA | SUPPORT - PROPROD/OVERHEAD - BLACK |
| | 039984-01-000 | EA | CAP - ROUND, VINYL - .28" IDX .62" LONG - BLACK |
| 6 | 100710-01-01A | EA | LOCK - GLASSDOOR/TWISTTYPE - BRASS |
| 7 | 101766-01-000 | EA | PIN - SUPPORT/GLASSDOOR |
| 8 | 100707-01-000 | EA | SPACER - GLASSDOOR - .8" DIA - .3" HOLE - PLASTIC |
| 9 | 016604-01-000 | EA | BRACE - CABINET - ANGLE - 2.5" - UNPAINTEDMETAL |
| 9 | 016604-05-000 | EA | BRACE - CABINET - ANGLE - 2.5" OFFWHITEMETAL |
| 10 | 108486-01-01A | EA | BRACKET - PROPROD/OVERHEAD - BLACK |
| 11 | 100711-01-01A | EA | HINGE - GLASSDOOR |
| 12 | 103257-01-000 | EA | STOP - DOOR |
| 13 | 116975-01-01A | EA | LATCH - W/OSTRIKE |
| 14 | 116975-02-01A | EA | NEWSTYLEKEEPER/STRIKE |
| 15 | 093586-06-000 | EA | CATCH - SPRING - ROLLER |
| 16 | 093586-05-000 | EA | STRIKE - SPRINGSTEEL |
| 17 | 098980-01-000 | EA | PILASTER - ADJUSTABLESHELF - 18" |
| 17 | 098980-02-000 | EA | PILASTER - ADJUSTABLESHELF - 12" |
| 17 | 098980-03-000 | EA | PILASTER - ADJUSTABLESHELF - 9" |
| 17 | 098980-04-000 | EA | PILASTER - ADJUSTABLESHELF - 48" |
| 18 | 098979-01-000 | EA | CLIP - ADJUSTABLESHELF |

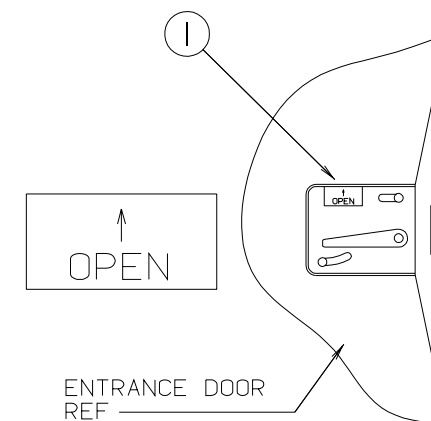
| KEY | PARTNUMBER | U/M | DESCRIPTION |
|-----|---------------|-----|--|
| 19 | 117801-01-01A | EA | PULL - CABINET - BRASS |
| 20 | 111093-01-000 | EA | PULL - CABINET - BRASS(EXPORT) |
| 21 | 074493-02-000 | EA | SUPPORT - PISTONSPRING - CABINETDOOR |
| 22 | 042356-01-000 | EA | PLUG - BUTTON - MAHOGANY - 3/8" DIAMETER - WOOD |
| 23 | 114045-01-000 | EA | BACKSOCKET - ADJUSTABLELEFT |
| 24 | 114045-02-000 | EA | BACKSOCKET - ADJUSTABLERIGHT |
| 25 | 114031-02-000 | EA | SLIDE - 12" - RIGHTSIDE/CABINET |
| 25 | 114031-06-000 | EA | SLIDE - 14" - RIGHTSIDE/CABINET |
| 25 | 114031-10-000 | EA | SLIDE - 16" - RIGHTSIDE/CABINET |
| 25 | 114031-14-000 | EA | SLIDE - 18" - RIGHTSIDE/CABINET |
| 25 | 114031-18-000 | EA | SLIDE - 20" - RIGHTSIDE/CABINET |
| 25 | 114031-22-000 | EA | SLIDE - 22" - RIGHTSIDE/CABINET |
| 25 | 114031-26-000 | EA | SLIDE - 24" - RIGHTSIDE/CABINET |
| 26 | 114031-04-000 | EA | SLIDE - 12" - RIGHTSIDE/DRAWER |
| 26 | 114031-08-000 | EA | SLIDE - 14" - RIGHTSIDE/DRAWER |
| 26 | 114031-12-000 | EA | SLIDE - 16" - RIGHTSIDE/DRAWER |
| 26 | 114031-16-000 | EA | SLIDE - 18" - RIGHTSIDE/DRAWER |
| 26 | 114031-20-000 | EA | SLIDE - 20" - RIGHTSIDE/DRAWER |
| 26 | 114031-24-000 | EA | SLIDE - 22" - RIGHTSIDE/DRAWER |
| 26 | 114031-28-000 | EA | SLIDE - 24" - RIGHTSIDE/DRAWER |
| 27 | 114031-03-000 | EA | SLIDE - 12" - LEFTSIDE/DRAWER |
| 27 | 114031-07-000 | EA | SLIDE - 14" - LEFTSIDE/DRAWER |
| 27 | 114031-11-000 | EA | SLIDE - 16" - LEFTSIDE/DRAWER |
| 27 | 114031-15-000 | EA | SLIDE - 18" - LEFTSIDE/DRAWER |
| 27 | 114031-19-000 | EA | SLIDE - 20" - LEFTSIDE/DRAWER |
| 27 | 114031-23-000 | EA | SLIDE - 22" - LEFTSIDE/DRAWER |
| 27 | 114031-27-000 | EA | SLIDE - 24" - LEFTSIDE/DRAWER |
| 28 | 114031-01-000 | EA | SLIDE - 12" - LEFTSIDE/CABINET |
| 28 | 114031-05-000 | EA | SLIDE - 14" - LEFTSIDE/CABINET |
| 28 | 114031-09-000 | EA | SLIDE - 16" - LEFTSIDE/CABINET |
| 28 | 114031-13-000 | EA | SLIDE - 18" - LEFTSIDE/CABINET |
| 28 | 114031-17-000 | EA | SLIDE - 20" - LEFTSIDE/CABINET |
| 28 | 114031-21-000 | EA | SLIDE - 22" - LEFTSIDE/CABINET |
| 28 | 114031-25-000 | EA | SLIDE - 24" - LEFTSIDE/CABINET |
| 29 | 009021-01-000 | EA | CATCH - GRILLE - NYLON |
| 30 | 009021-02-000 | EA | STRIKE - SPRINGSTEEL |
| 31 | 004354-01-000 | EA | BUMPER - RUBBER - .5" DIA - BROWN |
| 32 | 009112-01-000 | EA | FLANGE - PLASTIC - 1" CLOTHESROD - OFFWHITE |
| 33 | 079921-01-000 | EA | ROLLER - NYLON W/STEELSHAFT - BARBED |
| 34 | 088254-01-000 | EA | CATCH - MAGNETIC - 1.8" X .7" |
| | 104181-01-01A | EA | SUPPORT - LEAF 5.3" EXTENDS TO 7.5" - SAFETYRING - METAL |
| | 009089-01-000 | EA | CLIP - MIRROR |
| | 023320-01-000 | EA | PAD - FELT 3/8" DIAMETER |
| | 042438-01-000 | EA | DOWEL - WOOD - CLOTHESROD - 1" DIAMETER X 4' |
| | 042438-02-000 | EA | DOWEL - WOOD - 2" X 2" |
| | 122021-01-01A | EA | ANGLE - W/HOLES - 1" X 1" X 9" - MILL |
| | 122021-02-02A | EA | ANGLE - W/HOLES - 1" X 1" X 13.8" - MILL |

LABELSGROUP

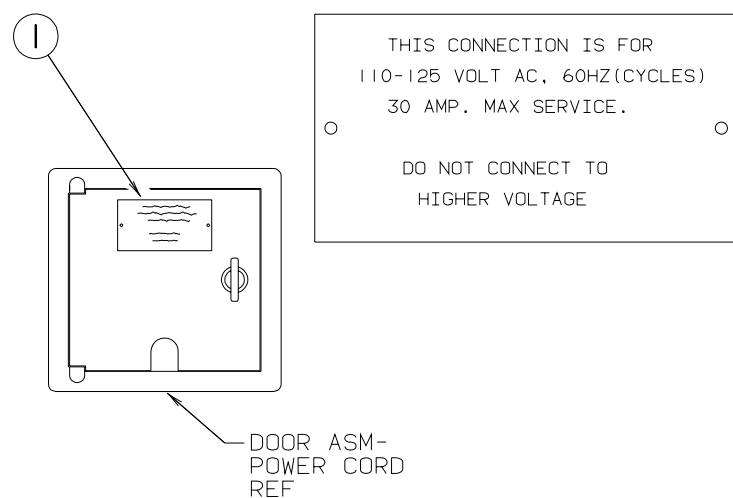


| KEY | PARTNUMBER | U/M DESCRIPTION |
|-----|---------------|-------------------------------------|
| 1 | 050225-01-000 | EA LABEL-WARNING,STOVEVENT-US |
| 1 | 050222-01-000 | EA LABEL-WARNING,STOVEVENT-CANADIAN |

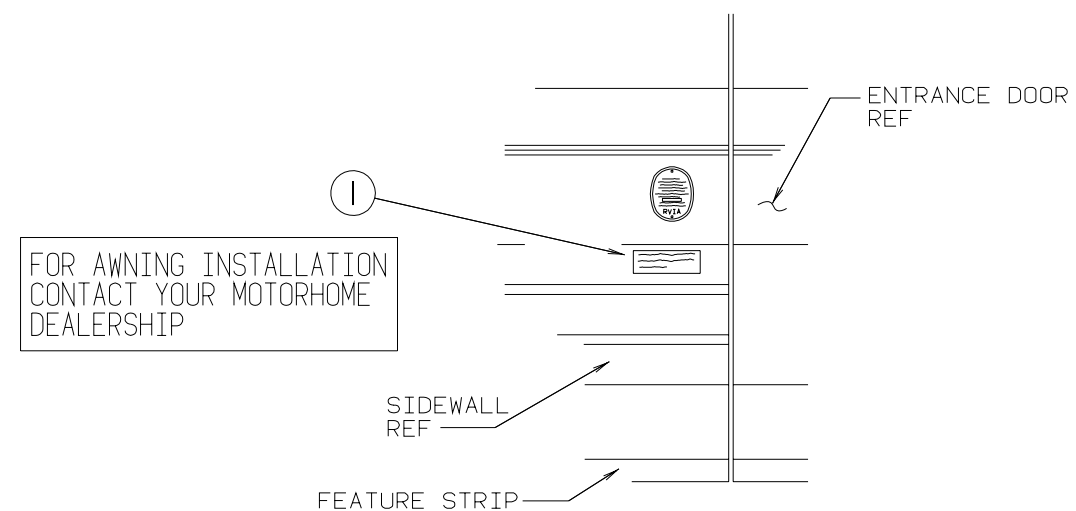
LABELSGROUP(CONTINUED)



| KEY | PARTNUMBER | U/M DESCRIPTION |
|-----|---------------|------------------------------|
| 1 | 040944-01-000 | EA LABEL-ENTRANCEDOOR,"OPEN" |

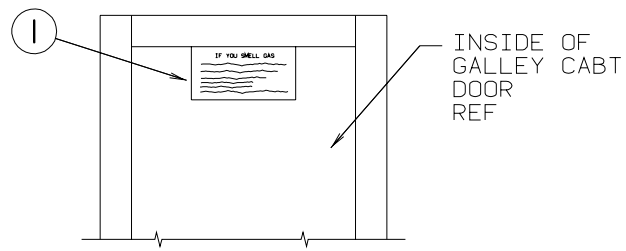


| KEY | PARTNUMBER | U/M DESCRIPTION |
|-----|---------------|---|
| 1 | 006062-01-000 | EA LABEL-ELECTRIC-110VOLTCONNECTION FROM: 00-00-00 THRU: 07-13-97 |
| 1 | 006062-03-000 | EA LABEL-ELECTRIC-100VCONNECTION-JAPAN FROM: 00-00-00 THRU: 07-13-97 |
| 1 | 006062-05-000 | EA LABEL-ELECTRIC-220V-25AMPSERVICE-EUROPEAN FROM: 00-00-00 THRU: 07-13-97 |
| 1 | 125306-01-01A | EA LABEL-ELECTRICALENTRANCE-110VOLT30AMP FROM: 07-14-97 THRU: 99-99-99 |
| 1 | 125306-03-01A | EA LABEL-ELECTRICALENTRANCE-100VOLT30AMP-JAPAN FROM: 07-14-97 THRU: 99-99-99 |
| 1 | 125306-05-01A | EA LABEL-ELECTRICALENTRANCE-220VOLT25AMP-EUROPEAN FROM: 07-14-97 THRU: 99-99-99 |



| KEY | PARTNUMBER | U/M DESCRIPTION |
|-----|---------------|-----------------------------|
| 1 | 099509-01-000 | EA LABEL-AWNINGINSTALLATION |

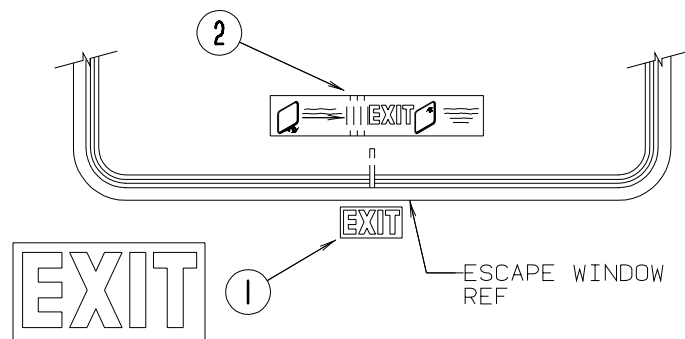
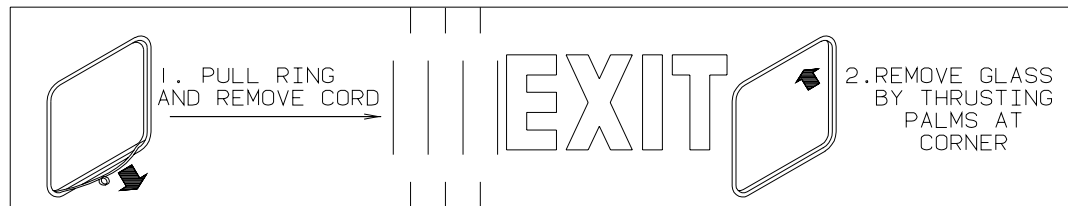
LABELS GROUP(CONTINUED)



IF YOU SMELL GAS

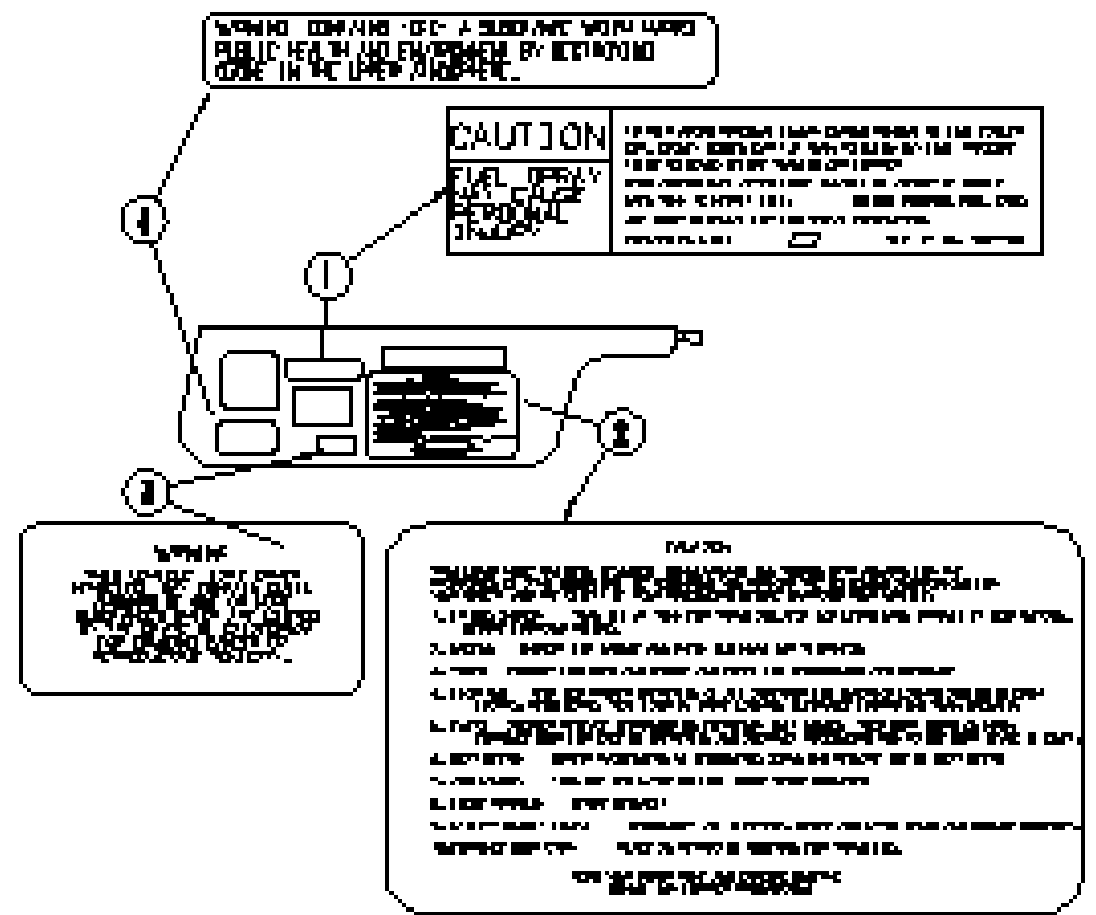
1. EXTINGUISH ANY OPEN FLAME, PILOT LIGHTS AND ALL SMOKING MATERIALS.
2. SHUT OFF THE GAS SUPPLY AT THE TANK VALVE(OR GAS SUPPLY CONNECTION.
3. OPEN DOORS AND OTHER VENTILATING OPENINGS.
4. DO NOT TOUCH ELECTRICAL SWITCHES.
5. LEAVE THE AREA UNTIL ODOR CLEARS.
6. HAVE THE GAS SYSTEM CHECKED AND LEAKAGE SOURCE CORRECTED BEFORE USING AGAIN.

| KEY | PARTNUMBER | U/M DESCRIPTION |
|-----|---------------|-------------------------|
| 1 | 073998-01-000 | EA LABEL-LPGODORWARNING |

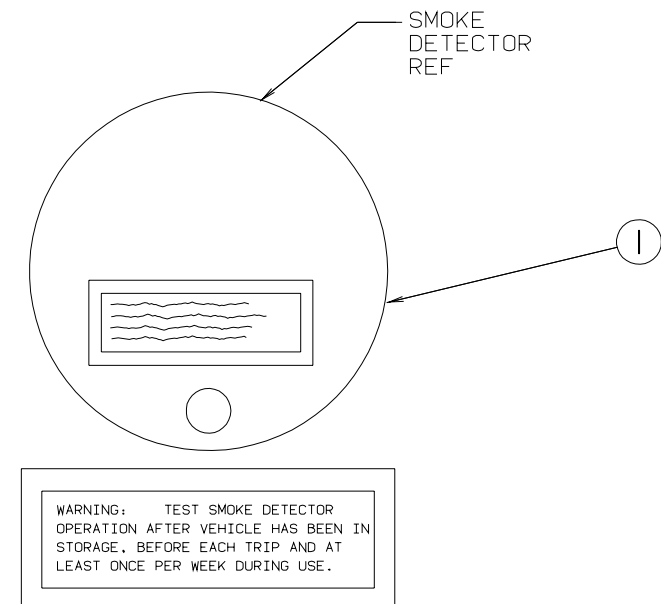


| KEY | PARTNUMBER | U/M DESCRIPTION |
|-----|---------------|----------------------------|
| 1 | 039290-01-000 | EA LABEL-WARNING,EXIT |
| 2 | 107571-01-000 | EA LABEL-EXIT/ESCAPEWINDOW |

LABELS GROUP(CONTINUED)



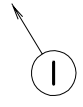
| KEY | PARTNUMBER | U/M DESCRIPTION |
|-----|---------------|---|
| 1 | 087207-05-000 | EA LABEL-FUELCAPREMOVAL |
| 2 | 056259-01-000 | EA LABEL-SAFETYCHECKLIST |
| 3 | 099689-01-000 | EA LABEL-WARNING,CANCER/TOXICITY-CALIFORNIA |
| 4 | 111802-01-000 | EA LABEL-CFCWARNING |



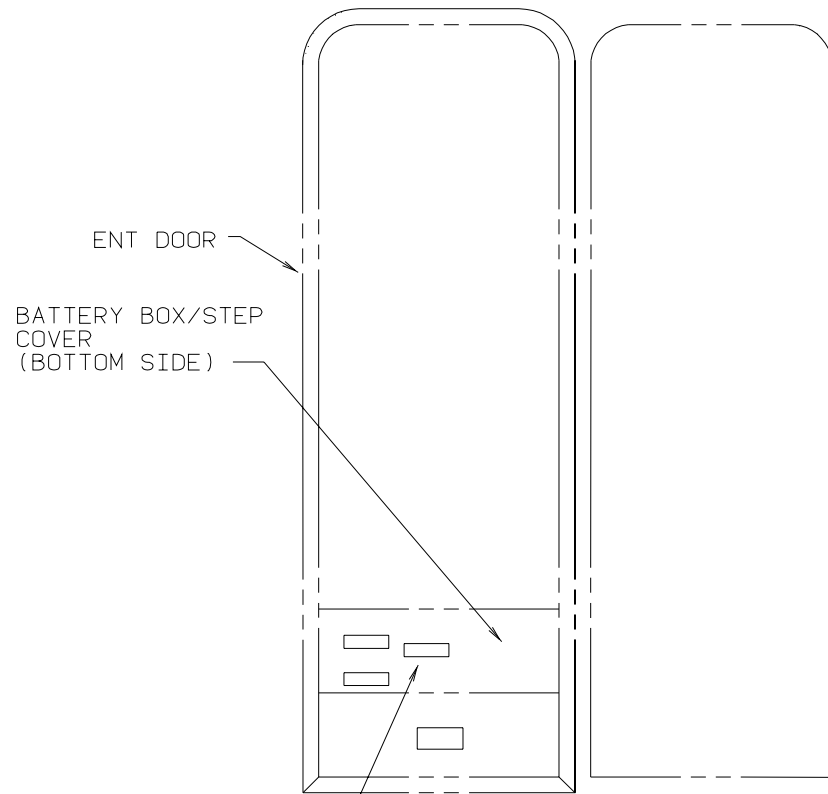
| KEY | PARTNUMBER | U/M DESCRIPTION |
|-----|---------------|--------------------------------|
| 1 | 077956-01-000 | EA LABEL-WARNING,SMOKEDETECTOR |

LABELS GROUP(CONTINUED)

AIR CONDITIONING CIRCUIT.
THIS CONNECTION IS FOR
AIR CONDITIONERS RATED 110-
125 VOLT AC, 60 HZ, 16
AMPERES MAXIMUM. DO NOT
EXCEED CIRCUIT RATING.



| KEY | PARTNUMBER | U/M DESCRIPTION |
|-----|---------------|---|
| 1 | 091243-01-000 | EA LABEL-A/CCOVER,"AIRCONDITIONINGCIRCUIT.ETC." |



WARNING: DISCONNECT BATTERIES BEFORE
CONNECTING EXTERNAL CHARGING EQUIPMENT.

AVERTISSEMENT: DEBRANCHER LES BATTERIES AVANT
DE BRANCHER TOUT EQUIPEMENT DE CHARGE EXTERIEUR.

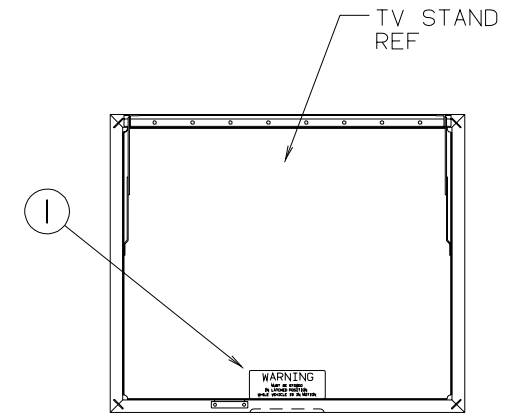
| KEY | PARTNUMBER | U/M DESCRIPTION |
|-----|---------------|---|
| 1 | 065748-01-000 | EA LABEL-CAUTION,BATTERYCHARGING-US |
| 1 | 065748-02-000 | EA LABEL-CAUTION,BATTERYCHARGING-FRENCH |

LABELSGROUP(CONTINUED)

DO NOT USE HITCH BEFORE
READING OWNERS MANUAL REGARDING
VEHICLE LOADING AND TOWING



| KEY | PARTNUMBER | U/M DESCRIPTION |
|-----|---------------|--|
| 1 | 111104-01-000 | EA LABEL-HITCH,READMANUAL-WHITELETTERS |
| 1 | 111104-02-000 | EA LABEL-HITCH,READMANUAL-BLACKLETTERS |



WARNING
MUST BE STOWED
IN LATCHED POSITION
WHILE VEHICLE IS IN MOTION

| KEY | PARTNUMBER | U/M DESCRIPTION |
|-----|---------------|--------------------------------|
| 1 | 079966-01-000 | EA LABEL-WARNING,STOWED-MOTION |

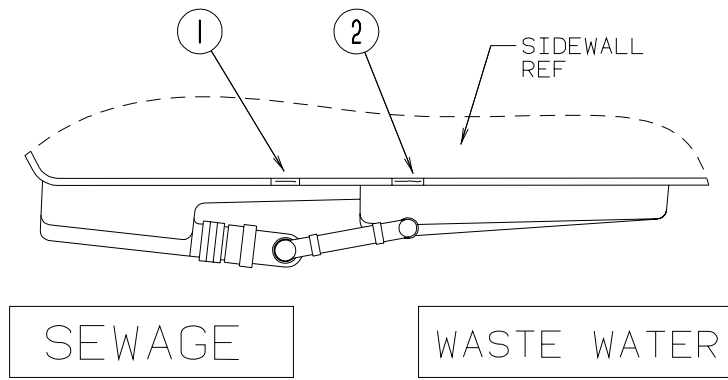


NOTE: TUNE ANTENNA
PER MANUFACTURER'S
DIRECTIONS. FAILURE TO
COMPLY COULD RESULT IN
DAMAGE TO CB.

CB POWER PROVISION
RED +12 V
BLACK GROUND
COAX ANTENNA
(SEE REVERSE ALSO)

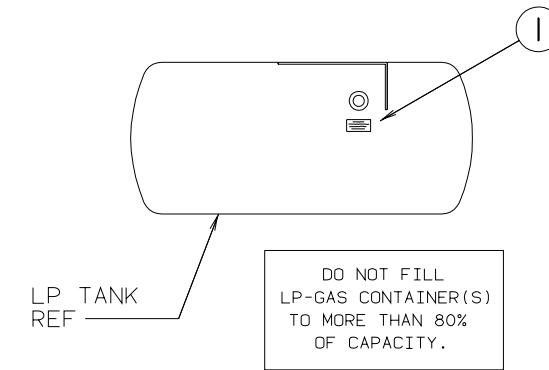
| KEY | PARTNUMBER | U/M DESCRIPTION |
|-----|---------------|-----------------|
| 1 | 104678-01-000 | EA LABEL-CBPREP |

LABELS GROUP(CONTINUED)



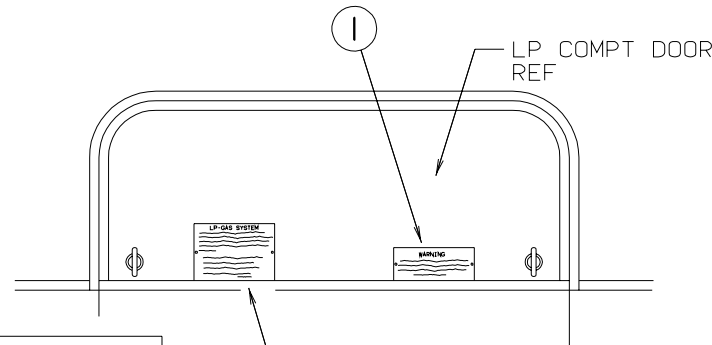
| KEY | PARTNUMBER | U/M DESCRIPTION |
|-----|---------------|---------------------|
| 1 | 006187-01-000 | EA LABEL-SEWAGE |
| 2 | 006188-01-000 | EA LABEL-WASTEWATER |

LABELS GROUP(CONTINUED)



| KEY | PARTNUMBER | U/M DESCRIPTION |
|-----|---------------|--------------------------|
| 1 | 079965-01-000 | EA LABEL-LPG,80%CAPACITY |

WARNING
ALL PILOT LIGHTS AND APPLIANCES SHALL BE TURNED OFF DURING REFUELING OF MOTOR FUEL TANKS AND/OR PERMANENTLY MOUNTED LP-GAS CONTAINERS.



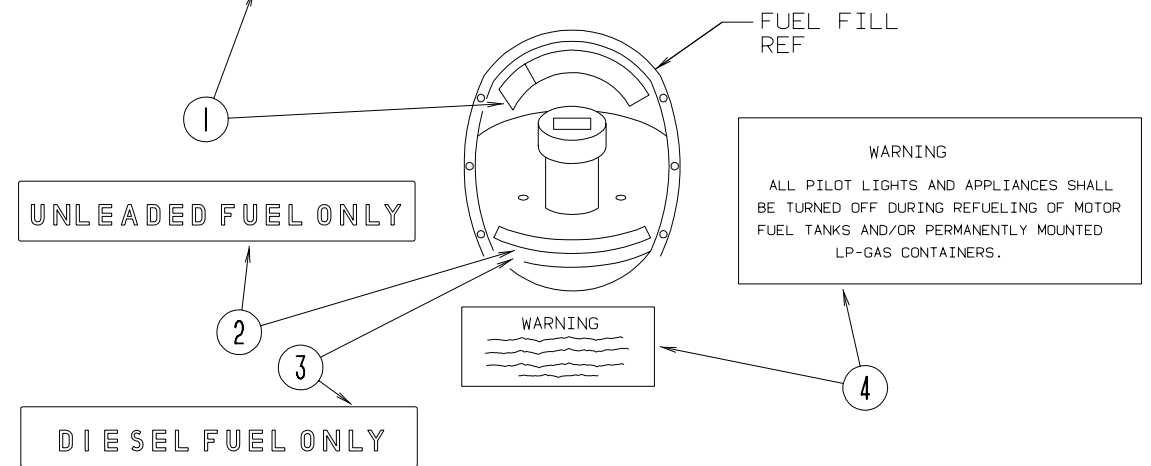
LP-GAS SYSTEM
THIS GAS PIPING SYSTEM IS DESIGNED FOR USE OF LIQUEFIED PETROLEUM GAS ONLY. DO NOT CONNECT NATURAL GAS TO THIS SYSTEM.

SECURELY CAP INLET(S) WHEN NOT CONNECTED FOR USE. AFTER TURNING ON GAS, EXCEPT AFTER NORMAL CONTAINER REPLACEMENT, TEST GAS PIPING AND CONNECTIONS TO APPLIANCE FOR LEAKAGE WITH SOAPY WATER OR BUBBLE SOLUTION. DO NOT USE PRODUCTS THAT CONTAIN AMMONIA OR CHLORINE.
P.N. 54531

| KEY | PARTNUMBER | U/M DESCRIPTION |
|-----|---------------|-------------------------------------|
| 1 | 124519-01-01A | EA LABEL-WARNING/REFUELING,US |
| 1 | 124519-02-02A | EA LABEL-WARNING/REFUELING,CANADIAN |
| 2 | 124520-01-01A | EA LABEL-LPGASONLY,US |
| 2 | 023769-01-000 | EA LABEL-WARNING,LPG-CANADIAN |

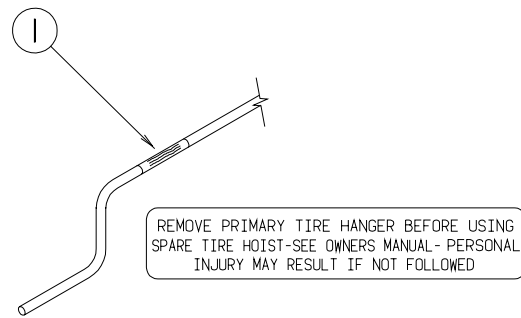
CAUTION
TO HELP AVOID PERSONAL INJURY DURING REMOVAL OF FUEL FILLER CAP, SLOWLY LOOSEN CAP 1/2 TURN TO ALLOW ANY FUEL PRESSURE TO BE RELIEVED BEFORE TURNING CAP FURTHER.

FUEL SPRAY MAY CAUSE PERSONAL INJURY
STOP ADDING FUEL AFTER FIRST SHUTOFF BY AUTOMATIC NOZZLE WHEN TANK IS NEARLY FULL. DO NOT OVERFILL FUEL TANK. SEE OWNERS MANUAL FOR ADDITIONAL INFORMATION.
PRINTED IN U.S.A. MLC PT NO 15611763



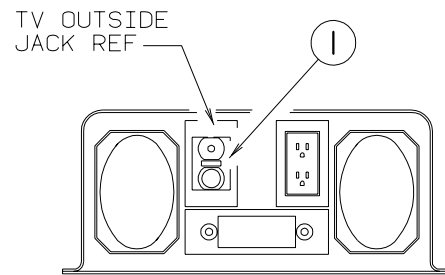
| KEY | PARTNUMBER | U/M DESCRIPTION |
|-----|---------------|-------------------------------------|
| 1 | 087207-05-000 | EA LABEL-FUELCAPREMOVAL |
| 2 | 062043-01-000 | EA LABEL-FUEL,UNLEADED |
| 3 | 068383-01-000 | EA LABEL-DIESELFUELONLY,GM-557005 |
| 4 | 124519-01-01A | EA LABEL-WARNING/REFUELING,US |
| 4 | 124519-02-02A | EA LABEL-WARNING/REFUELING,CANADIAN |

LABELS GROUP(CONTINUED)



| KEY | PARTNUMBER | U/M DESCRIPTION |
|-----|---------------|----------------------------|
| 1 | 126024-01-01A | EA LABEL-TIREHANGERREMOVAL |

FROM: 03-14-97 THRU: 99-99-99



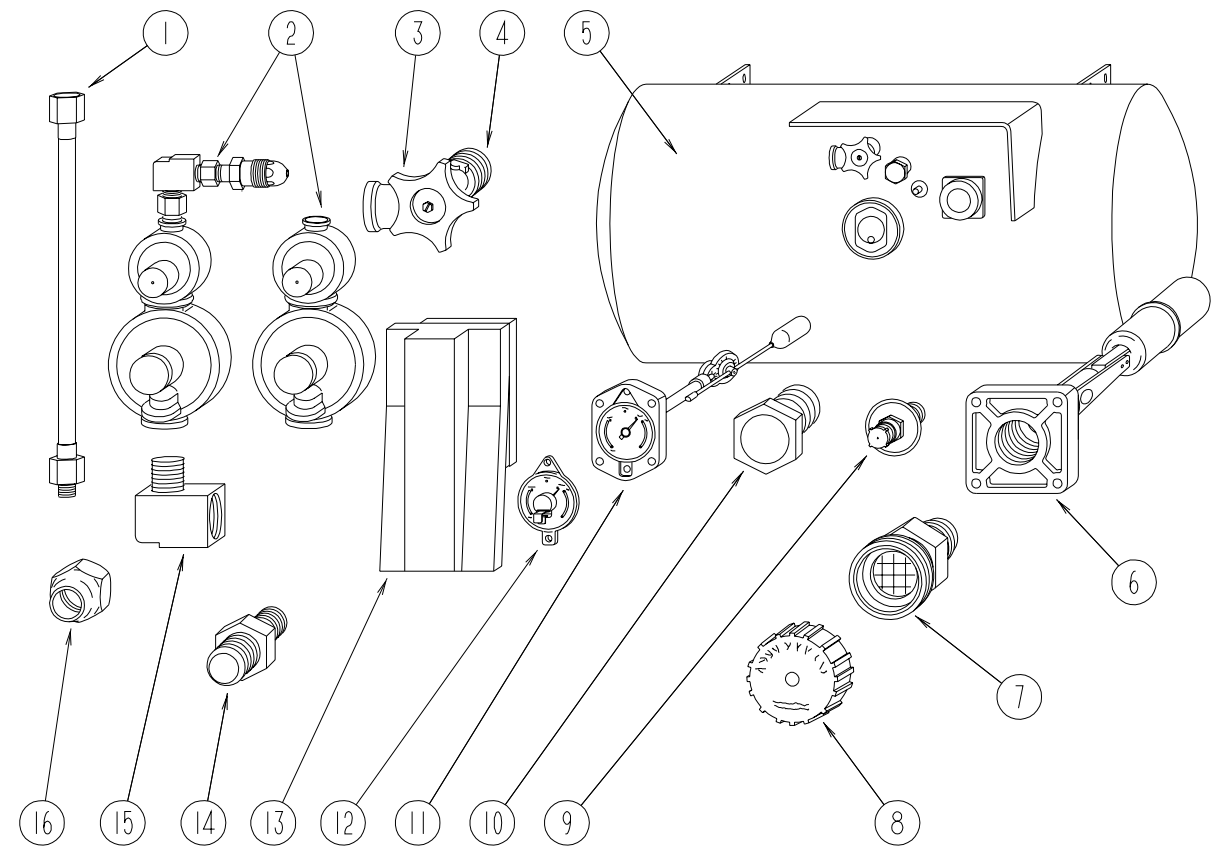
OUTLET

| KEY | PARTNUMBER | U/M DESCRIPTION |
|-----|---------------|----------------------|
| 1 | 087236-01-000 | EA LABEL-CABLE-INPUT |

MISCELLANEOUSLABELS

| KEY | PARTNUMBER | U/M DESCRIPTION |
|-----|---------------|---|
| | 006064-01-000 | EA LABEL-SEATW/OSEATBELT"NOTINTENDEDFORUSEWHILECOACHINMOTION" |
| | 098379-04-000 | EA LABEL-ELECTRICALBOX, SIDE |
| | 098641-01-000 | EA LABEL-FUEL, UNLEADED-DASH |
| | 111537-07-000 | EA LABEL-FUSES |
| | 113402-02-000 | EA LABEL-CAUTION, FURNACE EXHAUST |

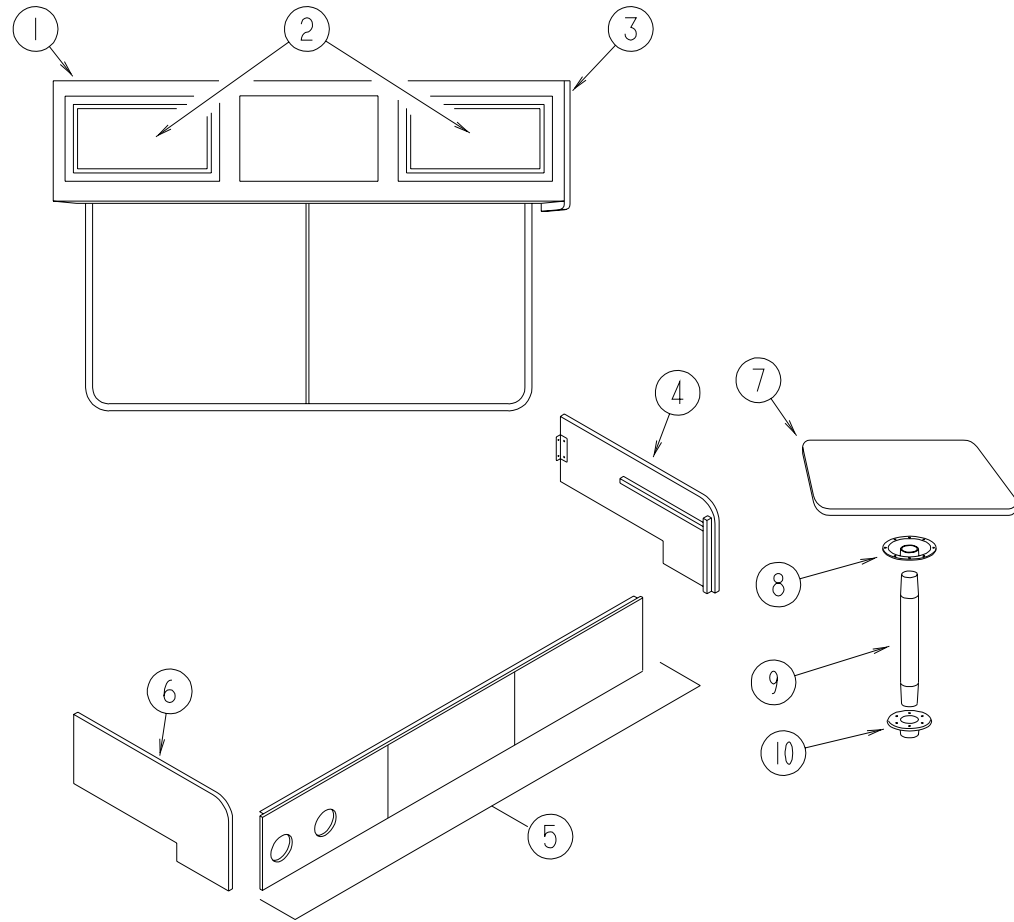
LPGROUP



LPTANK&COMPONENTS

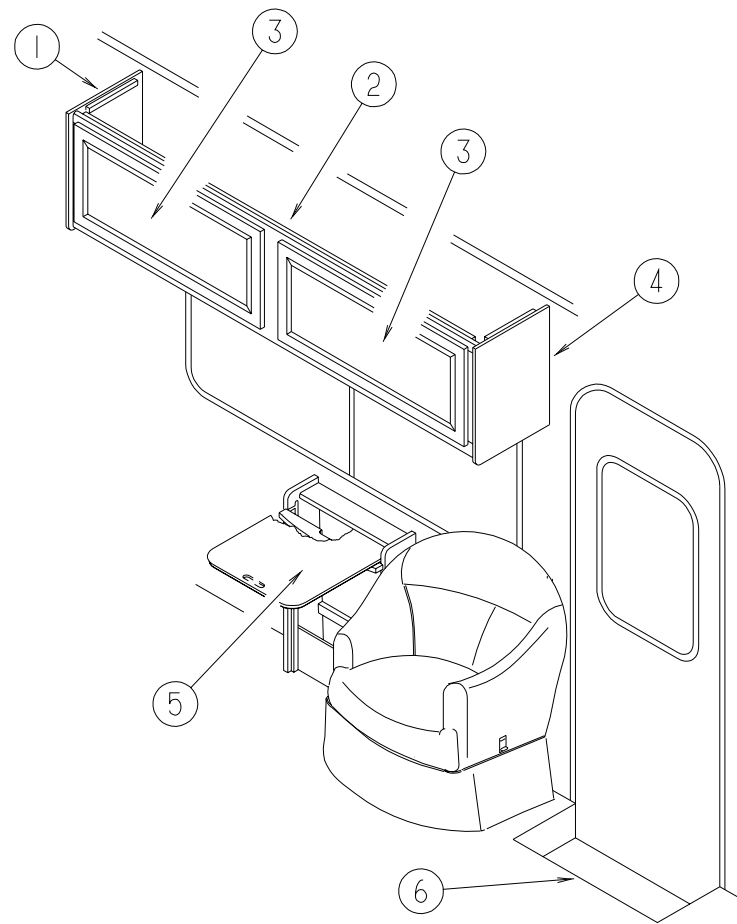
| KEY | PARTNUMBER | U/M DESCRIPTION | VENDOR NO. |
|-----|---------------|---|-------------------------------|
| 1 | 045703-01-000 | EA HOSE-LP-3/8"IDX24"-3/8" MPTX1/2" F SWIVEL-US | |
| 1 | 045703-03-000 | EA HOSE-LP-3/8"IDX18"-3/8" MPTX1/2" F SWIVEL-US | |
| 1 | 045703-02-000 | EA HOSE-LP-3/8"IDX24"-3/8" MPTX1/2" F SWIVEL-CANADIAN | |
| 1 | 045703-12-000 | EA HOSE-LP-3/8"IDX18"-3/8" MPTX1/2" F SWIVEL-CANADIAN | |
| 2 | 106150-01-000 | EA REGULATOR-TWOSTAGE | |
| 2 | 106150-02-000 | EA REGULATOR-TWOSTAGE-EUROPEAN | |
| | 107378-01-000 | EA PLATE-MOUNTING-LPREGULATOR-JAPAN | |
| | 106058-03-01A | EA PAN-LP COMPARTMENT-ABS PLASTIC-JAPAN | |
| 3 | 040421-01-708 | EA HANDWHEEL-SERVICE VALVE | G-1015-A |
| 4 | 040421-01-712 | EA VALVE-SERVICE/OVAPORRELIEF | 29000853 |
| 5 | 097821-02-000 | EA TANK-LP-60LB-14"X30" | |
| 6 | 040421-01-711 | EA VALVE-80% FILLW/AUTOSTOP | LLL/TL3 |
| 7 | 040421-01-701 | EA VALVE-SHORTLP FILLERW/YELLOWCAP | 7547B |
| 8 | 040421-01-702 | EA CAP-LP FILLER VALVE, PLASTIC-YELLOW | G-1014-A |
| 9 | 040421-01-700 | EA GAUGE-LIQUID LEVEL, 20% LP | G-1013 |
| 10 | 040421-01-713 | EA VALVE-VAPOR ONLY | 29000587 |
| 11 | 040421-01-707 | EA FLOAT ASM.(SIGHT GAUGE) 14" | 14C |
| 12 | 040440-02-000 | EA TRANSMITTER-DIAL-0-90OHM-2TERMINAL(POWER&GROUND) | |
| 13 | 105658-01-000 | EA COMPARTMENT-LPREGULATOR | |
| 14 | 010323-01-000 | EA ADAPTER-BRASS, 3/8"FX1/2" MPT | |
| 14 | 010329-01-000 | EA ADAPTER-BRASS, 1/2"FX1/2" MPT | |
| 15 | 065318-02-000 | EA ELBOW-90DEGREE, 3/8" MPT TO 3/8" FPT | |
| 16 | 010377-02-000 | EA NUT-BRASS, 3/8" FLARE-FORGED | |
| | 008042-01-000 | FT TUBING-VINYL, .65" ID | |
| | 010252-01-000 | EA ELBOW-BRASS-90DEGREE-3/8"FX1/2" MPT | |
| | 103613-01-000 | EA DETECTOR-LPGAS | |
| | | | FROM: 00-00-00 THRU: 11-10-96 |
| | 103613-02-000 | EA DETECTOR-LPGAS | |
| | | | FROM: 11-11-96 THRU: 04-27-97 |
| | 103613-03-000 | EA DETECTOR-LPGAS | |
| | | | FROM: 04-28-97 THRU: 99-99-99 |

**LOUNGE GROUP
DRIVERSIDE COUCH & TABLES**



| KEY | PARTNUMBER | U/M | DESCRIPTION |
|-----|---------------|-----|--|
| 1 | 117922-01-H13 | EA | CABINET-OVERHEAD-W/ODOORS/HARDWARE(H12,H13) |
| 1 | 117922-01-H14 | EA | CABINET-OVERHEAD-W/ODOORS/HARDWARE(H14) |
| 1 | 117922-01-H15 | EA | CABINET-OVERHEAD-W/ODOORS/HARDWARE(H15) |
| 1 | 117922-01-H16 | EA | CABINET-OVERHEAD-W/ODOORS/HARDWARE(H16) |
| | 117922-14-G35 | EA | SHELF-W/PLASTIC EDGETRIM |
| 2 | M06803-13-H13 | EA | DOOR-MIRROR/MITERED CORNR/OGEE EDGE-15.7"X28"-W/OHDW |
| 2 | M06803-02-G09 | EA | DOOR-MITERED CORNER/OGEE EDGE-15.7"X28"-W/OHDW DECORATOR DOOR OPTION-FLAT PANEL |
| 2 | M06803-K3-G09 | EA | DOOR-MITERED CORNER/OGEE EDGE-15.7"X27.9"-W/OHDW EXPORT UPGRADE OPTION-RAISED PANEL |
| 3 | 103128-01-G09 | EA | ENDCAP-OVERHEAD CABINET-RIGHT HAND |
| 4 | M06978-02-G13 | EA | PANEL-COUCH CABINET-LEFTSIDE-FABRIC COVERED(H12,H13) |
| 4 | M06978-02-H14 | EA | PANEL-COUCH CABINET-LEFTSIDE-FABRIC COVERED(H14) |
| 4 | M06978-02-H15 | EA | PANEL-COUCH CABINET-LEFTSIDE-FABRIC COVERED(H15) |
| 4 | M06978-02-H16 | EA | PANEL-COUCH CABINET-LEFTSIDE-FABRIC COVERED(H16) |
| 5 | M06978-03-G13 | EA | PANEL-COUCH FRONT KICK PANEL-FABRIC COVERED(H12,H13) |
| 5 | M06978-03-H14 | EA | PANEL-COUCH FRONT KICK PANEL-FABRIC COVERED(H14) |
| 5 | M06978-03-H15 | EA | PANEL-COUCH FRONT KICK PANEL-FABRIC COVERED(H15) |
| 5 | M06978-03-H16 | EA | PANEL-COUCH FRONT KICK PANEL-FABRIC COVERED(H16) |
| 6 | M06978-01-G13 | EA | PANEL-COUCH CABINET-RIGHTSIDE-FABRIC COVERED(H12,H13) |
| 6 | M06978-01-H14 | EA | PANEL-COUCH CABINET-RIGHTSIDE-FABRIC COVERED(H14) |
| 6 | M06978-01-H15 | EA | PANEL-COUCH CABINET-RIGHTSIDE-FABRIC COVERED(H15) |
| 6 | M06978-01-H16 | EA | PANEL-COUCH CABINET-RIGHTSIDE-FABRIC COVERED(H16) |
| | 082525-01-000 | EA | BRACE-COUCH-FLOOR MOUNT-ANGLE 3" LONG |
| 7 | 081298-01-G01 | EA | TABLE TOP ONLY(H12,H13) |
| 7 | 081298-01-F09 | EA | TABLE TOP ONLY(H14,H15) |
| 7 | 081298-01-E04 | EA | TABLE TOP ONLY(H16) |
| 8 | 009040-03-000 | EA | BASE-TABLE/RAISED-TABLE MOUNTED |
| 9 | 009040-02-000 | EA | PEDESTAL TABLE LEG-27.5"X2.25" DIAMETER |
| | 062046-01-000 | EA | CLIP-LEG-PEDESTAL-1.7"X2.2"-DIA FROM 2-2.5" |
| 10 | 041194-01-000 | EA | BASE-TABLE/FLUSH-FLOOR MOUNTED |

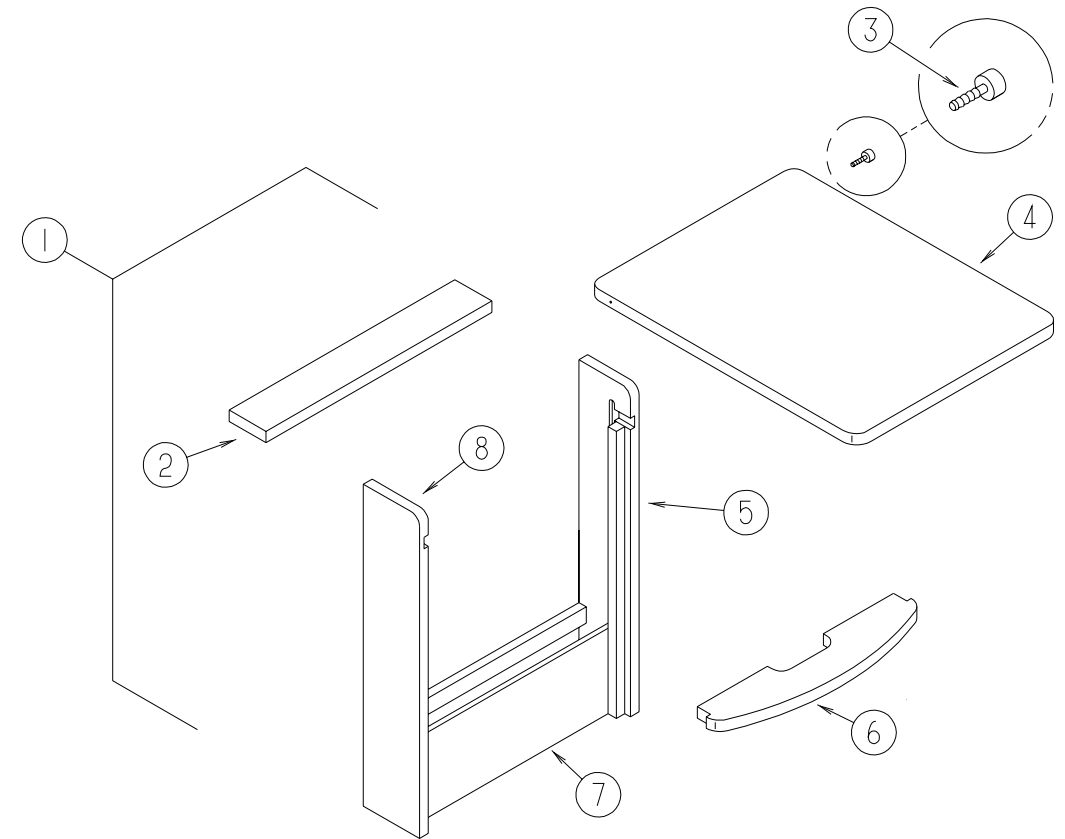
LOUNGE GROUP (CONTINUED)



PASSENGER SIDE SWIVEL CHAIR & TABLE

| KEY | PART NUMBER | U/M | DESCRIPTION |
|-----|---------------|-----|--|
| 1 | 103128-07-G15 | EA | ENDCAP-OVERHEAD CABINET-LEFTHAND |
| 2 | 118978-01-G09 | EA | CABINET-OVERHEAD/FRONT/RIGHTHAND-W/ODOORS/HARDWARE |
| 2 | 118978-02-H13 | EA | CABINET-OVERHEAD/FRONT/RIGHTHAND-W/ODOORS/HARDWARE W.I.E.EXPORT OPTION |
| 3 | M06803-M8-G09 | EA | DOOR-MITERED CORNER/OGEE EDGE-15.7" X 19.7"-W/OHDW |
| 3 | M06803-N0-G09 | EA | DOOR-MITERED CORNER/OGEE EDGE-15.7" X 19.7"-W/OHDW EXPORT UPGRADE OPTION |
| 4 | 103128-10-G15 | EA | ENDCAP-OVERHEAD CABINET-RIGHTHAND |
| 5 | M96873-01-G01 | EA | CABINET-F/PULLOUT TABLE-W/OTOP |
| 6 | 104006-01-C05 | EA | LID-ENTRANCE STEP COMPARTMENT, W/O CARPET OR HARDWARE |
| | 107941-01-02A | EA | SUPPORT-ENTRANCE STEP LID |
| | 101222-01-04A | EA | BRACKET-CATCH-LID-E-COAT |
| | 116975-01-01A | EA | LATCH-W/O STRIKE-BLACK-NEW STYLE |
| | 116975-02-01A | EA | KEEPER/STRIKE-BLACK-NEW STYLE |

LOUNGE GROUP (CONTINUED)



PULLOUT TABLE

| KEY | PART NUMBER | U/M | DESCRIPTION |
|-----|---------------|-----|--|
| 1 | M96873-01-G01 | EA | CABINET-F/PULLOUT TABLE-W/OTOP |
| 2 | 096873-15-G01 | EA | SHELF-SUPPORT-OVER PULLOUT TABLE TOP |
| 3 | 079921-01-000 | EA | ROLLER-NYLON-W/STEEL SHAFT-BARBED |
| 4 | 096873-11-G01 | EA | TABLE TOP ONLY-PULLOUT |
| | 080736-01-000 | EA | PULL-RECESSED-1.25 X 4"-OAK |
| 5 | 096873-13-G01 | EA | SIDE END-TABLE-RIGHT SIDE-28.7" X 5.7" |
| 6 | 096873-12-G01 | EA | SHELF-SUPPORT UNDER TABLE TOP |
| 7 | 096873-16-G01 | EA | TABLE FRONT-BOTTOM-18.1" X 6.7" |
| 8 | 096873-14-G01 | EA | SIDE END-TABLE-LEFT SIDE-28.7" X 5.7" |

SEALANTS&FASTENERSGROUP

ADHESIVES

| KEY | PARTNUMBER | U/M DESCRIPTION |
|-----|---------------|--------------------------------------|
| | 004020-01-000 | QT ADHESIVE-ABSCEMENT-QUART |
| | 081377-01-700 | EA ADHESIVE-CYANOACRYLATE,10GRAMTUBE |
| | 004006-05-700 | EA ADHESIVE-5GALLON-NATURALSTARCH |
| | 062917-03-000 | EA ADHESIVE-LOCTITE242 |
| | 067788-01-000 | EA ADHESIVE-SPRAY-3M-19.5AEROSOLCAN |
| | 087211-01-000 | GL PROMOTER-ADHESIVE |
| | 112901-02-000 | EA ADHESIVE-PLEXUS-50ML |

TAPES

| KEY | PARTNUMBER | U/M DESCRIPTION |
|-----|---------------|--|
| | 076314-02-000 | FT TAPE-CARPETSEAM-HEAT-BOND-4"WIDE |
| | 076322-01-000 | FT TAPE-DOUBLECOATED/ADHESIVEBACK-.025"THKX.75"WX18' |
| | 076322-02-000 | FT TAPE-DOUBLECOATED/ADHESIVEBACK-.045"THKX1"WX9' |
| | 076322-05-000 | FT TAPE-DOUBLECOATED/ADHESIVEBACK-.045"THKX.75"WX9' |
| | 076322-07-000 | FT TAPE-DOUBLECOATED/ADHESIVEBACK-.045"THKX.50"WX9' |
| | 110274-01-000 | FT TAPE-DOUBLESIDEDFOAM-.45"X1" |
| | 002707-02-000 | FT TAPE-SEALER-5/16"X1/2"-INCREMENTSOF50FT |
| | 004363-01-000 | FT TAPE-ADHESIVEFOAM/1SIDE-3/16"X1/2"X50'-GRAY |
| | 063642-01-000 | FT TAPE-ADHESIVE-10MILX1.5"X180" |
| | 088479-01-000 | EA TAPE-ALUMINUM-3" |
| | 120534-01-01A | EA TAPE-SCOTCH-3M-1/2"FINELINE |
| | 123816-01-000 | FT TAPE-DOUBLESIDED-1" |
| | 123816-02-000 | FT TAPE-DOUBLESIDED-1/2"X12RR |
| | 123816-03-000 | FT TAPE-DOUBLESIDED-1/2" |

SEALERS

| KEY | PARTNUMBER | U/M DESCRIPTION |
|-----|---------------|--|
| | 069640-01-000 | FT SEALER-RIBBON-1/4"DIAMETERX30' |
| | 069640-02-000 | FT SEALER-TAPE-1/8"THICKX.50"WIDEX60' |
| | 069640-03-000 | FT SEALER-TAPE-1/8"THICKX.75"WIDEX60' |
| | 069640-07-000 | FT SEALER-TAPE-3/32"THICKX2"WIDEX45' |
| | 069640-09-000 | FT SEALER-TAPE-1/32"THICKX2.50"WIDEX80' |
| | 069640-11-000 | FT SEALER-TAPE-3/16"THICKX3/8"WIDEX40' |
| | 069640-13-000 | FT SEALER-TAPE-3/32"THICKX2"WIDEX45' |
| | 069640-14-000 | FT SEALER-TAPE-1/16"THICKX1"WIDEX100' |
| | 069640-15-000 | FT SEALER-TAPE-1/16"THICKX3/8"WIDEX80' |
| | 069640-17-000 | FT SEALER-TAPE-1/32"THICKX1"WIDEX90' |
| | 069640-18-000 | FT SEALER-TAPE-1/2"THICKX1/8"X60' |
| | 900390-01-000 | EA TIP-2 1/2"X1/8"ORIFICE |
| | 900390-03-000 | EA NOZZLES-SILICONE TUBE,CSLD10 |
| | 034552-02-000 | EA SILICONE-TUBE-300ML-W/ONOZZLE-CLEAR |
| | 034552-06-000 | EA SILICONE-TUBE-300ML-W/ONOZZLE-OFFWHITE |
| | | FROM: 00-00-00 THRU: 07-26-97 |
| | 120074-02-01A | EA SEALANT-SILICONE-OFFWHITE |
| | | FROM: 07-27-97 THRU: 99-99-99 |
| | 034552-15-000 | EA SILICONE-TUBE-300ML-W/ONOZZLE-BRIGHTWHITE |
| | | FROM: 00-00-00 THRU: 01-01-97 |
| | 039518-01-000 | EA SILICONE-TUBE-300ML-BLACK-W/ONOZZLE |
| | 053766-02-000 | EA BEDDINGCOMPOUND-TUBE-WHITE |
| | 053766-06-000 | EA BEDDINGCOMPOUND-TUBE-CLEAR |
| | 072889-01-000 | EA SEALANT-URETHANE-BLACK-1/10 |
| | 072889-09-000 | EA SEALANT-URETHANE-BLACK(TUBE) |
| | 072889-10-000 | EA SEALANT-URETHANE(HV)-BRIGHTWHITE |
| | 072889-12-000 | EA SEALANT-URETHANE(LV)BRIGHTWHITE |
| | 072889-16-000 | EA SEALANT-URETHANE-BLACK |
| | 102352-01-000 | EA SEALER-PUMPABLE-BLACK |
| | 102352-02-000 | EA SEALER-PUMPABLE-CLEAR |
| | 106206-01-000 | EA SEALER-PUMPABLE-MANUS30A-BLACK |
| | 108716-03-000 | EA SILICONE-TUBE-BRIGHTWHITE/SELFLEVELING |

SEALANTS&FASTENERSGROUP(CONTINUED)

WASHERS

| KEY | PARTNUMBER | U/M DESCRIPTION |
|-----|---------------|---|
| | 000E11-07-00B | EA WASHER-LOCKING-7/16MEDSPLIT-ZINC |
| | 000E13-14-00B | EA WASHER-FLAT-1/4WIDE-ZINC |
| | 000E13-18-00B | EA WASHER-FLAT-3/8WIDE-ZINC |
| | 000E13-20-00B | EA WASHER-FLAT-7/16WIDE-ZINC |
| | 000E13-22-00B | EA WASHER-FLAT-1/2WIDE-ZINC |
| | 000E13-26-00B | EA WASHER-FLAT-5/8WIDE-ZINC |
| | 000E14-10-00B | EA WASHER-LOCKING-#10EXTERNALTOOTH-ZINC |
| | 044533-01-000 | EA WASHER-PLASTIC-1 3/8"OD-FORBUTTONS |
| | 058716-02-000 | EA WASHER-FLATNYLON |
| | 106649-01-000 | EA WASHER-SEALING-GALVANIZED |

NUTS

| KEY | PARTNUMBER | U/M DESCRIPTION |
|-----|---------------|---|
| | 000D15-06-00B | EA NUT-HEX-3/8-24-ZINC5 |
| | 000D24-10-00B | EA NUT-HEX-SELFLOCKING-10-32ZINC |
| | 000D29-05-00B | EA NUT-5/16-18UNC-SF/LOCKING-NYLONWASHERINSERT |
| | 000D34-06-00B | EA NUT-HEX-LOCKING-3/8-16GRADE-C-ZINC-PREVAILINGT |
| | 000D39-04-00B | EA NUT-HEX-SERRATEDFLANGE-LOCKING-1/4-20-ZINC |
| | 000D39-05-00B | EA NUT-HEX-SERRATEDFLANGE-LOCKING-5/16-18-ZINC |
| | 000D39-06-00B | EA NUT-HEX-SERRATEDFLANGE-LOCKING-3/8-18-ZINC |
| | 000D39-07-00B | EA NUT-HEX-SERRATEDFLANGE-LOCKING-7/16-14-ZINC |
| | 000D39-08-00B | EA NUT-HEX-SERRATEDFLANGE-LOCKING-1/2-13-ZINC |
| | 000D44-07-00B | EA NUT-HEX-SERRATEDFLANGE-LOCKING-7/16-20-ZINC |
| | 000D46-04-00A | EA NUT-HEX-WELD-1/4-20-PLAIN |
| | 000D58-06-00A | EA NUT-HEX-WELD3/8-16-PLAIN |
| | 000D60-05-00A | EA NUT-HEX-WELD/LOCK5/16-18UNCUT |
| | 005081-01-000 | EA NUT-SPEED-C-TYPE-#8SCREW |
| | 040921-01-000 | EA NUT-SPEED-UTYPE-10-24BLACK |
| | 040921-04-000 | EA NUT-SPEED-UTYPE-#8-.59"LENGTHX.44"WIDTH |
| | 040921-09-000 | EA NUT-SPEED-UTYPE-#8 |
| | 044364-02-000 | EA NUT-SPEED-FLAT-ROUND |
| | 063253-07-000 | EA NUT-J-#8A-.120-.130PNLTHK |
| | 087234-01-000 | EA NUT-JACK-1/4X20THD-MOLLY-MOUNTSLICENSEPLATES |
| | 104369-01-000 | EA NUT-HEX-HEAVY-5/8-11UNC |

CLAMPS

| KEY | PARTNUMBER | U/M DESCRIPTION |
|-----|---------------|---|
| | 007161-01-000 | EA CLAMP-HOSE-SPRINGTYPE-1/2" |
| | 010495-01-000 | EA CLAMP-CABLE-9/16" |
| | 010497-01-000 | EA CLAMP-CLOSED-5/8"ID |
| | 010497-03-000 | EA CLAMP-CLOSED-1"ID-CUSHIONED |
| | 010497-04-000 | EA CLAMP-CLOSED-1.62"ID |
| | 010497-05-000 | EA CLAMP-CLOSED-1/2ID |
| | 010499-01-000 | EA CLAMP-CLOSED-3/8"ID |
| | 062401-01-000 | EA CLAMP-HOSE-WORMGEAR-.25"-1" |
| | 062401-02-000 | EA CLAMP-HOSE-WORMGEAR-1.56"-2.5" |
| | 062401-03-000 | EA CLAMP-HOSE-WORMGEAR-.22"-1" |
| | 062401-04-000 | EA CLAMP-HOSE-WORMGEAR-.69"-1.25" |
| | 062401-05-000 | EA CLAMP-HOSE-WORMGEAR-2"TO3"ID |
| | 062401-06-000 | EA CLAMP-HOSE-WORMGEAR-.22-.62ID |
| | 062401-09-000 | EA CLAMP-HOSE-WORMGEAR-2.8"-3.75" |
| | 062401-11-000 | EA CLAMP-HOSE-WORMGEAR-3.50-4.50 |
| | 075148-02-000 | EA CLAMP-GROUNDING-BRONZESCREWS |
| | 083609-01-000 | EA CLAMP-WIRE-DUAL-EQUALDIAMETERS-5/8" |
| | 083610-01-000 | EA CLAMP-WIRE-DUAL-UNEQUALDIAMETERS-3/4"&1 1/4" |

SEALANTS&FASTENERSGROUP(CONTINUED)

SCREWS

| KEY | PARTNUMBER | U/M | DESCRIPTION |
|-----|---------------|-----|--|
| | 0G3908-08-170 | EA | SCREW-SF/DR-8-18X.50PPH-BRIGHTWHITE |
| | 000G11-05-08B | EA | SCREW-5-20X.50PPH-ZINC |
| | 000G11-06-10J | EA | SCREW-6-20X5/8PPH-BRASS |
| | 000G11-06-10B | EA | SCREW-6-20X5/8PPH-ZINC |
| | 000G11-06-08B | EA | SCREW-6-20X.50PPH-ZINC |
| | 000G11-06-06B | EA | SCREW-6-20X3/8PPH-ZINC |
| | 000G11-07-08B | EA | SCREW-7-19X.50PPH-ZINC |
| | 000G11-08-08T | EA | SCREW-8-18X1/5PPH-FLUOROCARBONCOATING |
| | 000G11-08-08B | EA | SCREW-8-18X.50PPH-ZINC |
| | 000G11-08-06B | EA | SCREW-8-18X3/8PPH-ZINC |
| | 000G11-08-20B | EA | SCREW-8-18X1.25PPH-ZINC |
| | 000G11-08-16S | EA | SCREW-8-18X1PPH-OFFWHITE |
| | 000G11-08-12T | EA | SCREW-8-18X.75PPH-BLACK |
| | 000G11-08-12P | EA | SCREW-8-18X.75PPH-DARKBROWN |
| | 000G11-08-12P | EA | SCREW-8-18X.75PPH-DARKBROWN |
| | 000G11-08-12D | EA | SCREW-8-18X.75PPH-BLACK |
| | 000G11-08-12B | EA | SCREW-8-18X.75PPH-ZINC |
| | 000G11-10-12D | EA | SCREW-10-16X.75PPH-BLACK |
| | 000G11-10-40B | EA | SCREW-10-16X21/2PPHCAD-34927-01-000 |
| | 000G11-10-24P | EA | SCREW-10-16X11/2PPH-DARKBROWN |
| | 000G11-10-12S | EA | SCREW-10-16X.75PPH-OFFWHITE |
| | 000G12-06-08T | EA | SCREW-6-20X1/2POH-BLACK |
| | 000G13-06-16J | EA | SCREW-6-20X1PFH-BRASS |
| | 000G13-06-10G | EA | SCREW-6-20X5/8PFH-ANTIQUEBRASS |
| | 000G13-06-08G | EA | SCREW-6-20X.50PFH-ANTIQUEBRASS |
| | 000G13-06-08B | EA | SCREW-6-20X.50PFH-ZINC |
| | 000G13-06-24J | EA | SCREW-6-20X1.50PFH-BRASS |
| | 000G13-07-12B | EA | SCREW-7-19X.75PFH-ZINC |
| | 000G13-07-10H | EA | SCREW-7-19X5/8PFH-BLACK |
| | 000G13-08-16B | EA | SCREW-8-18X1PFH-ZINC |
| | 000G18-08-22B | EA | SCREW-MACHINE-8-32X13/8PPH-ZINC |
| | 000G19-10-20B | EA | SCREW-MACHINE-10-32X1.25PPH-ZINC |
| | 000G19-10-12F | EA | SCREW-MACHINE-10-32X.75-PPH-STAINLESSSTEEL |
| | 000G19-10-08B | EA | SCREW-MACHINE-10-32X.50-PPH-ZINC |
| | 000G32-10-06B | EA | SCREW-10-32X3/8PPH-ZINC |
| | 000G39-06-16T | EA | SCREW-SF/DR-6-20X1PPH-BLACK |
| | 000G39-06-10T | EA | SCREW-SF/DR-6-20X5/8PPH-BLACK |
| | 000G39-08-06B | EA | SCREW-SF/DR-8-18X3/8PPH-ZINC |
| | 000G39-08-12T | EA | SCREW-SF/DR-8-18X.75PPH-BLACK |
| | 000G39-08-12B | EA | SCREW-SF/DR-8-18X.75PPH-ZINC |
| | 000G39-08-08S | EA | SCREW-SF/DR-8-18X.50PPH-OFFWHITE |
| | 000G39-08-08B | EA | SCREW-SF/DR-8-18X1.50PPH-ZINC |
| | 000G39-08-32B | EA | SCREW-SF/DR-8-18X2PPH-ZINC |
| | 000G39-08-24B | EA | SCREW-SF/DR-8-18X11/2PPH-ZINC |
| | 000G39-08-16T | EA | SCREW-SF/DR-6-20X1PPH-BLACK |
| | 000G39-08-16R | EA | SCREW-SF/DR-8-18X1PPH-BEIGE |
| | 000G39-08-16B | EA | SCREW-SF/DR-8-18X1PPH-ZINC |
| | 000G39-10-10B | EA | SCREW-SF/DR-10-16X.625-ZINC |
| | 000G39-10-088 | EA | SCREW-SF/DR-10-16X1/2PPH-FLEXFLUOROCARBON |
| | 000G39-10-08B | EA | SCREW-SF/DR-10-16X.50PPH-ZINC |
| | 000G39-10-48B | EA | SCREW-SF/DR-10-16X3-PPH-ZINC |
| | 000G39-10-209 | EA | SCREW-SF/DR-10-16X11/4PPH-FLUOROCARBONSILVER |
| | 000G39-10-20B | EA | SCREW-SF/DR-10-16X1.25PPH-ZINC |
| | 000G39-10-129 | EA | SCREW-SF/DR-10-16X.75PPH-FLUOROCARBONSILVER |
| | 000G39-10-12D | EA | SCREW-SF/DR-10-16X.75PPH-BLACK |
| | 000G39-10-12B | EA | SCREW-SF/DR-10-16X.75PPH-ZINC |
| | 000G42-04-12B | EA | SCREW-SF/DR-1/4-14X.75HWH-ZINC |
| | 000G43-06-24B | EA | SCREW-MACHINE-6-32X1.50-ZINC |
| | 000G46-08-24T | EA | SCREW-MACHINE-8-32X1.50PFH-BLACK |
| | 000G50-04-12B | EA | SCREW-MACHINE-1/4-20X.75PPH-ZINC |
| | 000G52-08-18B | EA | SCREW-MACHINE-8-32X11/8PTH-ZINC |
| | 000G54-04-20B | EA | SCREW-1/4-20X1.25PTH-TYPE23-ZINCPLATED |
| | 000G55-08-16S | EA | SCREW-SF/DR-8-18X1.00-PWH-OFFWHITE |

SEALANTS&FASTENERSGROUP(CONTINUED)

SCREWS(CONTINUED)

| KEY | PARTNUMBER | U/M | DESCRIPTION |
|-----|---------------|-----|---|
| | 000G55-08-12S | EA | SCREW-SF/DR-8-18X.75PWH-OFFWHITE |
| | 000G56-12-48B | EA | SCREW-WOOD-12-11X3POH-SPECIALHARDENED |
| | 000G60-10-20B | EA | SCREW-SF/DR-10-16X1.25POH-ZINC |
| | 000G67-10-10B | EA | SCREW-10-12X5/8PPH-ZINC-TYPEA |
| | | | FROM: 03-26-97 THRU: 99-99-99 |
| | 000G67-10-08R | EA | SCREW-10-12X1/2PPH-BEIGE-TYPEA |
| | 000G67-10-08B | EA | SCREW-10-12X.50PPH-ZINC |
| | 000G67-10-120 | EA | SCREW-10-12X.75PPH-TAN |
| | 000G67-10-12P | EA | SCREW-10-12X.75-PPH-DARKBROWN |
| | 000G67-10-12B | EA | SCREW-10-12X.75PPH-ZINC |
| | 000G67-10-10D | EA | SCREW-10-12X5/8PPH-BLACK-TYPEA |
| | 000G67-10-36T | EA | SCREW-10-12X2.25-PPH-BLACK |
| | 000G67-10-24B | EA | SCREW-10-12X1.25PPH-ZINC |
| | 000G67-10-20D | EA | SCREW-10-12X1.25PPH-BLACK |
| | 000G67-10-16B | EA | SCREW-10-12X1PPH-ZINC |
| | 000G67-10-120 | EA | SCREW-10-12X.75PPH-TAN |
| | 000G68-06-10G | EA | SCREW-6-18X5/8POH-ANTIQUEBRASS |
| | 049465-01-000 | EA | SCREW-10-16W/WASHERPTH-DARKBROWN |
| | 049465-03-000 | EA | SCREW-10-16X1POHW/WASHER-OFFWHITE |
| | 049465-04-000 | EA | SCREW-10-16X1PTHW/WASHER-BEIGE |
| | 049465-17-000 | EA | SCREW-10-16X1POHW/WASHER |
| | 057671-01-000 | EA | COVER-SCREW-#8-PLASTIC-OFFWHITE |
| | 057671-03-000 | EA | COVER-SCREW-#8-WILLOW |
| | 057671-15-000 | EA | COVER-SCREW-BRIGHTWHITE |
| | 075908-01-000 | EA | SCREW-MACHINE-10-32X.56PTH-EXTERNALTOOTH-ZINC |
| | 076790-01-000 | EA | SCREW-6-20X11/4PPH-BLACK |
| | 083554-04-000 | EA | SCREW-DRYWALL-8X21/2 |
| | 086256-01-000 | EA | SCREW-SF/DR-8X3/4HWHLONG |
| | 087721-01-000 | EA | SCREW-FLATHEAD-TAPPING-1/4"X11/4"LONG-ZINC |
| | 097974-01-000 | EA | SCREW-PARTICLEBOARD-7-9X3/4PPH |
| | 115430-01-01A | EA | SCREW-8-18X1/2POH-W/WASHER |

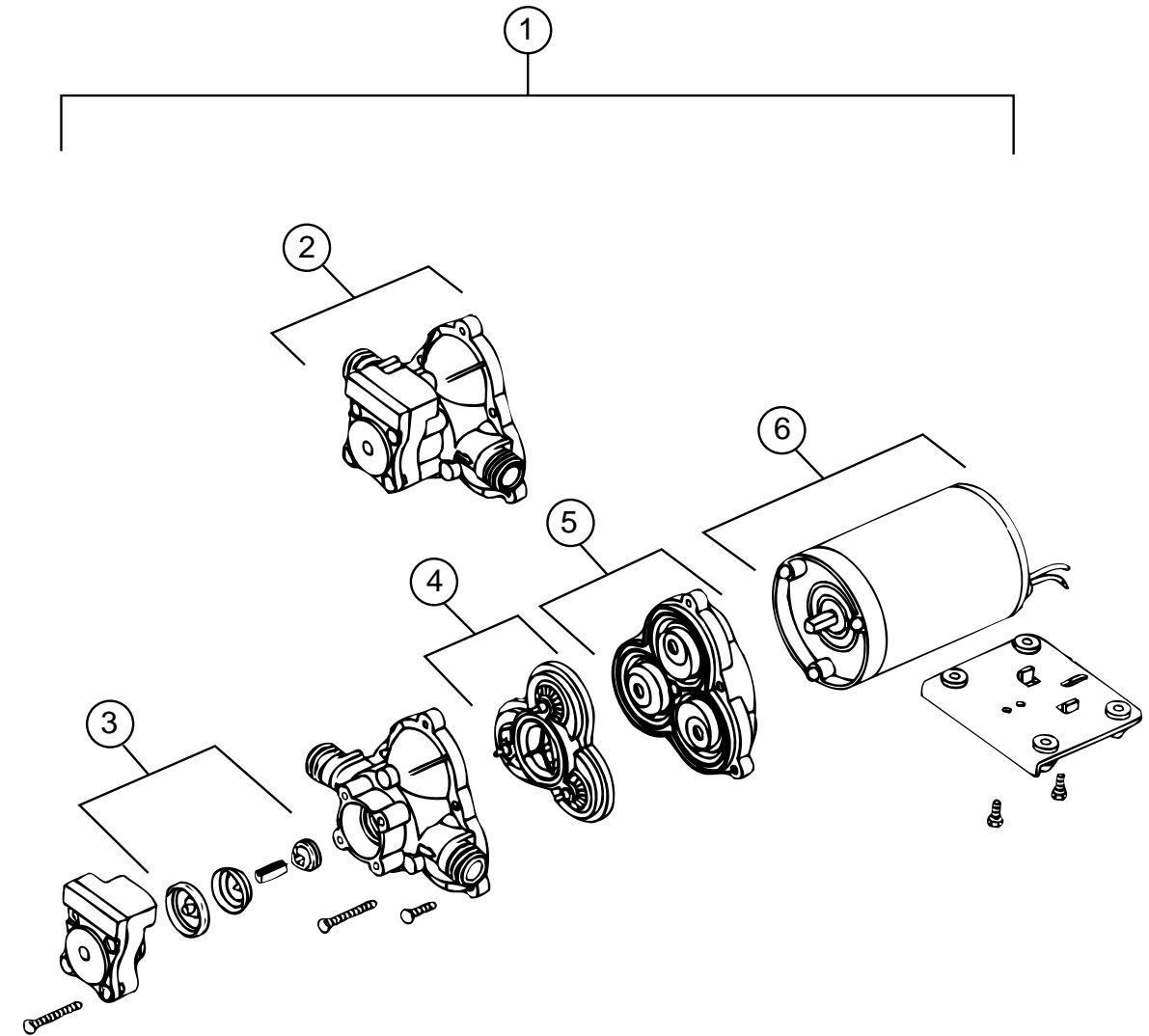
SEALANTS&FASTENERSGROUP(CONTINUED)
BOLTS

| KEY | PARTNUMBER | U/M DESCRIPTION |
|-----|---------------|--|
| | 000C18-05-40A | EA BOLT-ELEVATOR-5/16-18X2.50-PL |
| | 000C12-04-24B | EA BOLT-HEX-1/4-20X1 1/2-ZINC5 |
| | 000C12-05-16B | EA BOLT-HEX-5/16-18X1-ZINC5 |
| | 000C12-05-12B | EA BOLT-HEX-5/16-13X3/4ZINC5 |
| | 000C12-05-24B | EA BOLT-HEX-5/16-18X1 1/2-ZINC5 |
| | 000C12-06-20B | EA BOLT-HEX-3/8-16X1 1/4-ZINC#5 |
| | 000C12-06-16B | EA BOLT-HEX-3/8-16X1LG-ZINC5 |
| | 000C12-07-20B | EA BOLT-HEX-7/16-14X1 1/4-ZINC5 |
| | 000C12-08-24B | EA BOLT-HEX-1/2-13X1.50-ZINC5 |
| | 000C12-08-16B | EA BOLT-HEX-1/2-13X1.00-GD5-ZINC |
| | 000C12-10-24B | EA BOLT-HEX-5/8-11X1.50-ZINC5 |
| | 000C13-07-48B | EA BOLT-HEX-7/16-20X3-ZINC5 |
| | 000C26-04-14B | EA BOLT-HEX-SERRATEDFLANGE-1/4-20X7/8-ZINC |
| | 000C26-04-10B | EA BOLT-HEX-SERRATEDFLANGE-1/4-20X5/8-ZINC |
| | 000C26-04-18B | EA BOLT-HEX-SERRATEDFLANGE-1/4-20X1 1/8-ZINC |
| | 000C26-05-16B | EA BOLT-HEX-SERRATEDFLANGE-5/16-18X3/4-ZINC |
| | 000C26-05-12B | EA BOLT-HEX-SERRATEDFLANGE-5/16-18X3/4-ZINC |
| | 000C26-06-12B | EA BOLT-HEX-SERRATEDFLANGE-3/8-16X3/4-ZINC |
| | 000C26-06-40B | EA BOLT-HEX-SERFLG3/8-16X2 1/2-ZINC |
| | 000C26-06-16B | EA BOLT-HEX-SERRATEDFLANGE-3/8-16X1-ZINC |
| | 000C27-10-32B | EA BOLT-CARRIAGE-5/8-11X2 |
| | 051387-06-000 | EA BOLT-CARRIAGEW/OHOLE-5/16-18X9.5-ZINC |
| | 102333-01-06A | EA BOLT-CARRIAGE-7/16-14STAINLESSSTEELCAP |
| | 000G45-04-24B | EA BOLT-LAG-1/4-9X1.50ZINC |
| | 102540-03-000 | EA SEAL-SCREW |
| | 088787-12-000 | EA STUD-WELD-1/4-20X1.0LG-MN |

RIVETS,GROMMETSANDMISCELLANEOUSFASTENERS

| KEY | PARTNUMBER | U/M DESCRIPTION |
|-----|---------------|--|
| | 000H16-04-06R | EA RIVET-POPALUMINUM-1/8"X.313-.375 |
| | 000H16-06-10R | EA RIVET-POPALUMINUM-3/16X.501-.625 |
| | 069592-02-000 | EA RIVET-T-POP-1/4X.093-.156 |
| | 008380-01-000 | EA GROMMET-RUBBER-5/8"HOLEX1 1/2"DIAMETER-BLACK |
| | 016188-05-000 | EA GROMMET-L/PLINE-3/8"HOLEX1 1/4"LONG-RUBBER |
| | 023942-01-000 | EA GROMMET-RUBBER-2"OD |
| | 071015-19-000 | EA GROMMET-.38ID-FITS.06MATERIAL |
| | 071015-21-000 | EA GROMMET-RUBBER-1/2IDX1.06OD-W/.19GROOVE-BLACK |
| | 071015-26-000 | EA GROMMET-RUBBER-1.5"IDX2.12"ODW/.06"GROOVE-BLK |
| | 071015-29-000 | EA GROMMET-RUBBER-1/4IDX1 1/4ODW.12GROOVE-BLK |
| | 077953-01-000 | EA GROMMET-EDGELINER-FITS1" |
| | 114208-02-000 | EA GROMMET-EDGELINER-FITS.625 |
| | 056134-02-000 | EA HOLDER-RING-1.8"DIAMETER-METAL |
| | 086285-01-000 | EA SPACER-NYLON-.5"ODX.257"ID |
| | 081211-05-000 | EA PLUG-PLASTIC-.188DIAMETER-NATURAL |
| | 034141-02-000 | EA PLUG-HOLE-3/8"NYLON/BLACK |
| | 115361-01-01A | EA PLUG-PLASTIC |
| | 029094-04-000 | YD VELCROTAPE-LOOP-1"WIDE-BLACK |
| | 029096-03-000 | YD VELCROTAPE-HOOK-1"WIDE-BLACK |
| | 085774-01-000 | FT FASTENER-DUALHOOK-1"WIDE-ADHESIVEBACK-BLACK |
| | 085774-02-000 | FT FASTENER-DUALLOOP-1"WIDE-ADHESIVEBACK-BLACK |
| | 008343-01-000 | EA TIE-WIRE-6" |
| | 008343-02-000 | EA TIE-WIRE-14" |
| | 108046-02-000 | EA CABLETIE-SCREWMOUNT15" |
| | 091952-02-000 | EA CLIP-GRIPPER-3/4" |
| | 094362-02-000 | EA CLIP-XMASTREE-BINDERHEAD-.9"LONG |
| | 110943-02-000 | FT FELTSTRIP-3/8"-ADHESIVEBACK |

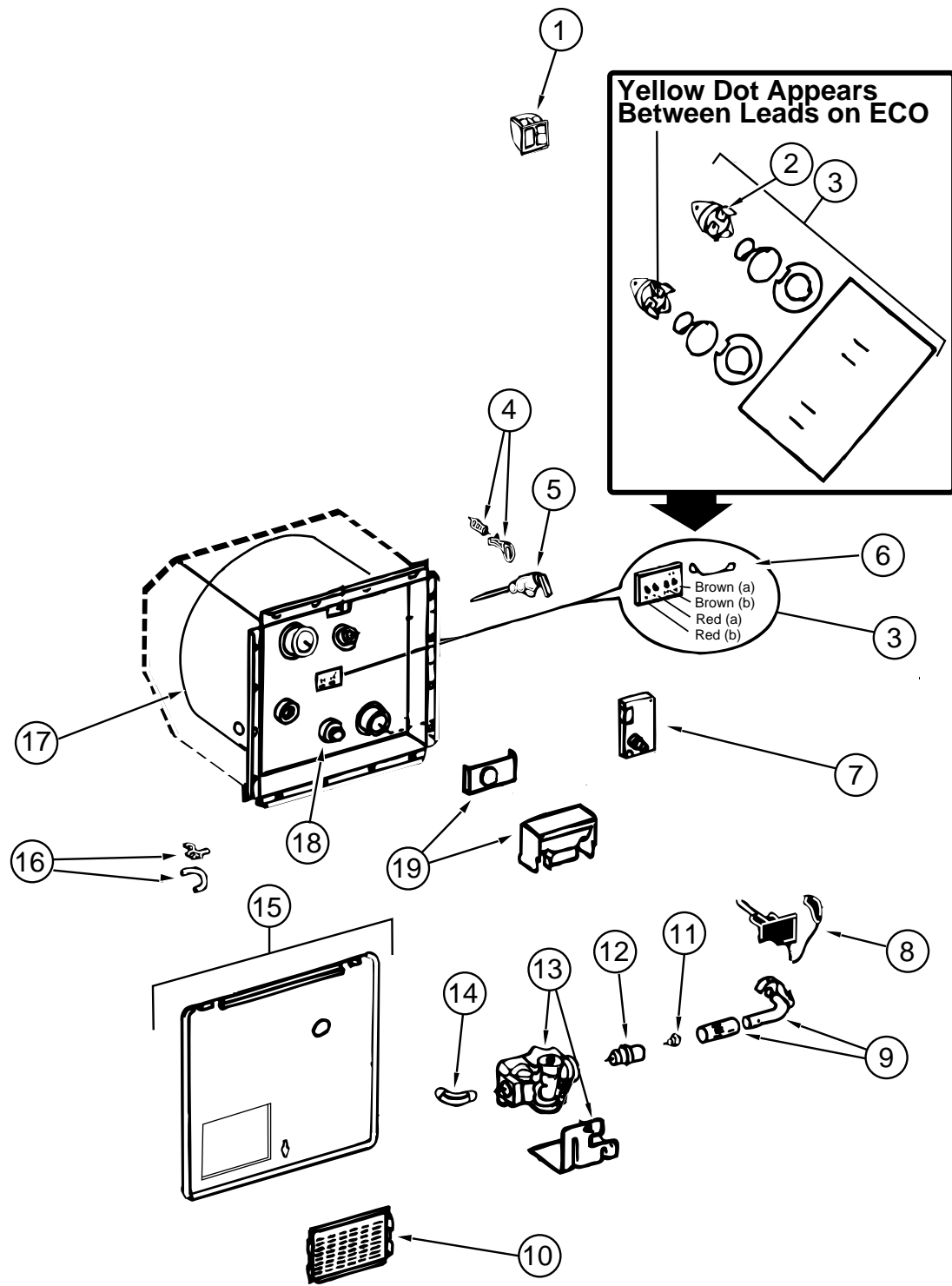
WATER&SEWAGEGROUP



SHURFLOWATERPUMP

| KEY | PARTNUMBER | U/M DESCRIPTION | VENDORNO. |
|-----|---------------|---|-----------|
| 1 | 098607-01-000 | EA PUMP-WATER,W/.5"MPTFITTING-FLOW2.8GPM-UL | |
| 2 | 098607-01-706 | EA HOUSINGW/SWITCHONLY | 94-231-20 |
| 3 | 098607-01-705 | EA VALVE-CHECK,KIT | 94-237-00 |
| 4 | 098607-01-703 | EA VALVEKIT | 94-232-00 |
| 5 | 098607-01-702 | EA DIAPHRAGM/DRIVEASSEMBLYKIT | 94-238-04 |
| 6 | 098607-01-707 | EA MOTORW/BASEPLATE | 94-234-03 |

WATER & SEWAGE GROUP (CONTINUED)



ATWOOD WATER HEATER W/MOTOR AID (GH6-8E)

| KEY | PART NUMBER | U/M DESCRIPTION | VENDOR NO. |
|-----|---------------|--|---------------|
| | 051393-01-000 | EA WATER HEATER - W/MOTOR AID - PILOTLESS IGNITION | |
| 1 | 051393-01-701 | EA SWITCH PACKAGE | 91959 |
| 2 | 051391-04-701 | EA THERMOSTAT 12VDC-120 PRESET | 91470 |
| 3 | 051393-01-721 | EA ECO & THERMOSTAT ASM - FRONT MOUNT - 140° | 91447 |
| 4 | 051391-01-705 | EA FASTENER - CAMLOC | 92609 |
| 5 | 051391-01-704 | EA VALVE - RELIEF - 1/2" FITTING | 91604 |
| 6 | 051393-01-723 | EA SWITCH - ENERGY CUT-OFF | 93866 |
| 7 | 051393-01-724 | EA CIRCUIT BOARD - W/SPADE TERMINAL | 93867 |
| 8 | 051393-01-725 | EA ELECTRODE - SINGLE SPADE CONNECTION | 93868 |
| 9 | 051391-04-703 | EA BURNER - MAIN | 91638 |
| 10 | 051391-01-717 | EA GRILLE | 92640 |
| 11 | 051391-01-710 | EA ORIFICE - MAIN BURNER | 92742 |
| 12 | 051391-03-700 | EA ORIFICE HOLDER | 91563 |
| 13 | 051393-01-726 | EA SOLENOID VALVE & BRACKET | 93870 |
| 14 | 051391-01-714 | EA ELBOW - 45 DEGREE - 3/8" FX 3/8" MPT | 91044 |
| 15 | 052009-06-000 | EA DOOR - WATER HEATER W/OLATCHES, BRIGHT WHITE | |
| 16 | 051391-01-700 | EA HINGE KIT - W/CLIP | 92568 & 92559 |
| 17 | 051391-04-704 | EA TANK - INNER | 91642 |
| 18 | 051391-01-715 | EA DRAIN PLUG | 91857 |
| 19 | 051391-04-707 | EA FLUE & GASKET | 90960 |
| | 111129-01-711 | EA BRACKET - CORNER, SET OF FOUR | 91928 |
| | 116424-01-000 | EA PROTECTOR - ROUND VINYL - WATER HEATER LATCH | |

ATWOOD WATER HEATER W/ELECTRIC IGNITION (ICH6-6E) - EUROPEAN

| KEY | PART NUMBER | U/M DESCRIPTION | VENDOR NO. |
|-----|---------------|---|------------|
| | 111129-01-000 | EA WATER HEATER - ELECTRIC IGNITION - 220 VOLTS | |
| | 111129-01-700 | EA SWITCH - WALL PACKAGE | 91208 |
| | 111129-01-701 | EA VALVE - DRAIN PRESSURE - 2 BAR | 91190 |
| | 111129-01-702 | EA VALVE - DRAIN PRESSURE - 3.5 BAR | 91898 |
| | 111129-01-703 | EA THERMOSTAT (60°) ECO (82°) KIT | 91191 |
| | 111129-01-704 | EA BOARD - IGNITION | 91194 |
| | 111129-01-705 | EA REGULATOR - GAS PRESSURE #10 | 91198 |
| | 111129-01-706 | EA ORIFICE - MAIN BURNER COMPLETE | 91017 |
| | 111129-01-707 | EA BURNER KIT - MAIN | 91204 |
| | 111129-01-708 | EA IGNITION KIT - SPARK & PROBE | 91196 |
| | 111129-01-709 | EA FLUE ASSEMBLY | 91045 |
| | 111129-01-710 | EA DOOR - ACCESS - W/LOCK | 91203 |
| | 111129-01-711 | EA BRACKET - CORNER - SET OF FOUR | 91928 |
| | 111129-01-712 | EA HARDWARE KIT - W/LOCK | 91193 |
| | 111129-01-713 | EA TANK INNER ICH6-6E | 91188 |
| | 111129-01-714 | EA THERMOSTAT - ELECTRIC - 220V | |
| | 111129-01-715 | EA RELAY - 220V/12VDC | 91206 |
| | 111129-01-716 | EA ELEMENT - HEATING - 220V/500WATT | 91081 |
| | 111129-01-717 | EA BUSHING - STRAIN RELIEF | 91372 |
| | 112176-01-000 | FT TUBING - VINYL - REINFORCED - 1/2" ID | |
| | 112177-01-000 | EA ADAPTER - BRASS - 1/2 MPT X 1/2 BARB | |

WATER&SEWAGEGROUP(CONTINUED)
EXTERIORSHOWER

| KEY | PARTNUMBER | U/M DESCRIPTION | VENDORN. |
|-----|---------------|--|-----------|
| | 079563-04-01A | EA FAUCET - SHOWER 1/2 MPT X 1 1/4 LONG INLET PIPE | |
| | 103092-01-000 | EA SHOWERHEAD-W/60"HOSE-US | |
| | 103092-02-000 | EA SHOWERHEAD-W/60"HOSE-CANADIAN | |
| | 103092-01-700 | EA BRACKET ONLY-CLEAR, F/SHOWERHEAD-BPC | 2328028 |
| | 103092-01-702 | EA SEALS-SPRAYHEAD | 24466 |
| | 011048-03-700 | EA BRACKET/F SHOWERHEAD-BPC | 2328029-3 |
| | 093527-02-000 | EA BRACKET-SQUEEGEE/SHOWERHEAD | |

WATERTANK

| KEY | PARTNUMBER | U/M DESCRIPTION |
|-----|---------------|---|
| | 118001-01-000 | EA TANK-WATER-58 GALLON-W/O FITTINGS |
| | 118001-02-000 | EA TANK-WATER-58 GALLON-W/FITTINGS |
| | 118001-04-000 | EA TANK-WATER-58 GALLON-W/FITTING\$EXPORT OPTION) |
| | 039861-01-000 | EA SENDING UNIT-W/SCREW-WASHER-WELLNUT/TERMINALRING |
| | 042989-03-000 | EA FITTING-WATERTANK-SPINWELD-1 1/4"NPT-PLASTIC |
| | 042989-04-000 | EA FITTING-WATERTANK-SPINWELD-3/8FPT-WHITE PLASTIC |
| | 042989-05-000 | EA FITTING-WATERTANK-SPINWELD-1/2"FPT-PLASTIC |
| | 049032-01-000 | EA PATCH-SPINWELD-3/8"-PLASTIC |
| | 077954-02-000 | EA FILTER-WATERTANK-W/SCREEN INTANK |

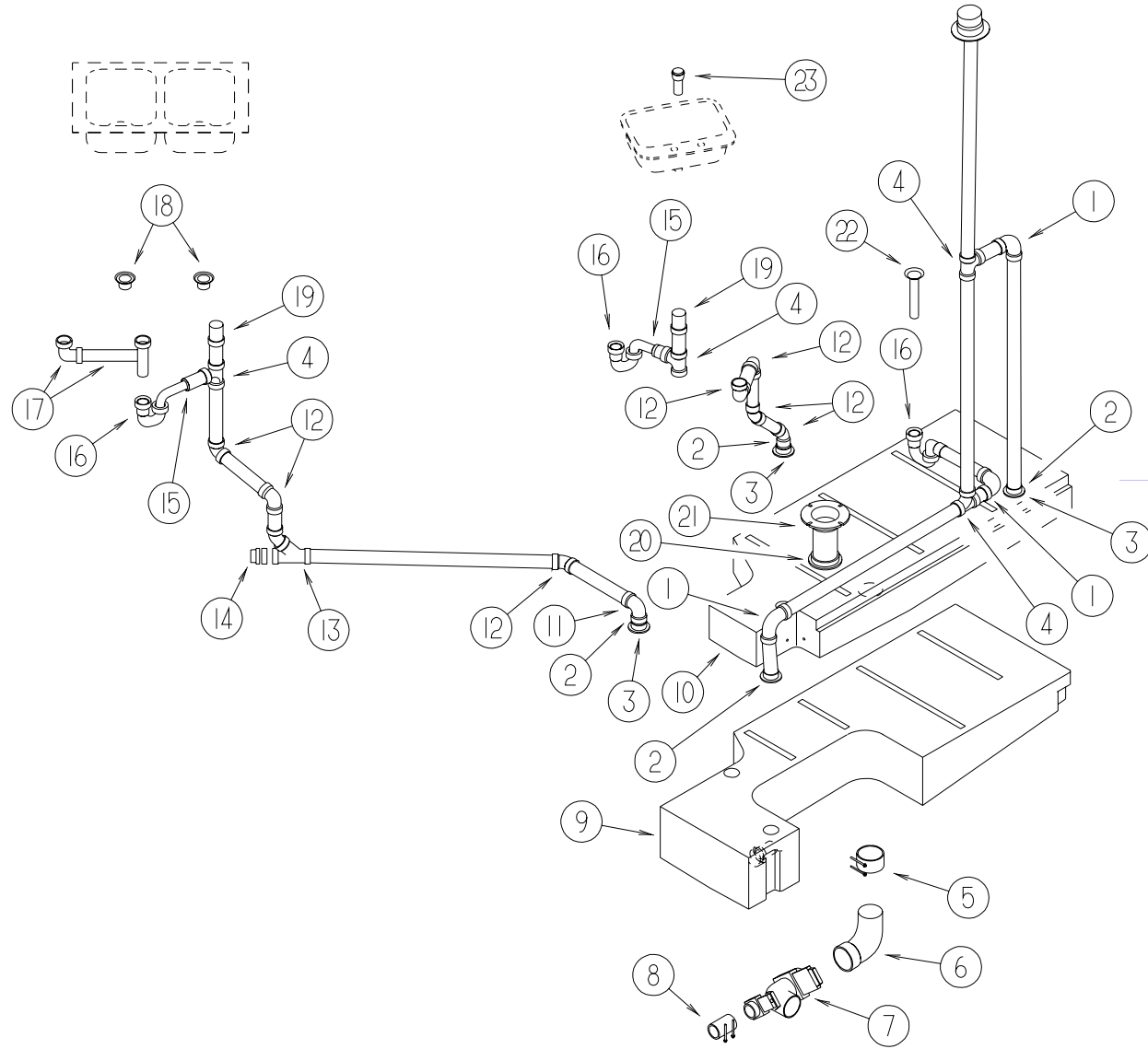
WATER&SEWAGEGROUP(CONTINUED)
WATERSYSTEMCOMPONENTS

| KEY | PARTNUMBER | U/M DESCRIPTION |
|-----|---------------|--|
| | 010224-01-000 | EA ADAPTER-HOSE TO PIPE - 3/8 MPT X 3/8 BARB-PLASTIC |
| | 123152-01-000 | EA ADAPTER-1/2 FPT X 1/2 BARB-SWIVEL |
| | 101814-01-000 | EA COUPLING-FEMALE-1/2" X 1/2" FPT-GRAY |
| | 110438-01-000 | EA VALVE-CHECK-BRASS-1/2 MPT X 1/2 FPT |
| | | FROM: 00-00-00 THRU: 02-16-97 |
| | 110438-02-000 | EA VALVE-CHECK-BRASS-1/2 MPT X 1/2 MPT |
| | | FROM: 02-17-97 THRU: 99-99-99 |
| | 110915-01-01A | EA FILL-CITY WATER-CHROME |
| | 046128-01-000 | EA VALVE-DRAIN-PLASTIC-1/2" FPT |
| | 113697-01-000 | EA CAP-3/8 FTG |
| | 124188-02-000 | FT TUBING-PEX 1/2" ID X 20' RED |
| | 039800-05-000 | FT TUBING-POLYBUTYL-5/8 OD X 20' |
| | 039808-03-000 | EA ELBOW-1/2" MPT X 1/2" MPT-PLASTIC |
| | 123150-01-000 | EA ELBOW-1/2 FPT X 1/2 BARB-SWIVEL |

WATERSYSTEMCOMPONENTS(FLAIR-IT)

| KEY | PARTNUMBER | U/M DESCRIPTION |
|-----|---------------|--|
| | 114427-01-000 | EA CAP-1/2P |
| | 114427-02-000 | EA PLUG-1/2P |
| | 114427-03-000 | EA NUT-1/2"Q |
| | 114428-01-000 | EA TEE-1/2P X 1/2P X 1/2P |
| | 114428-02-000 | EA TEE-SWIVEL-1/2P X 1/2P X 1/2FPT |
| | 114428-03-000 | EA TEE-1/2P X 1/2P X 1/2MPT |
| | 114428-04-000 | EA TEE-1/2P X 1/2P X 1/8FPT |
| | 114429-01-000 | EA ELBOW-1/2P X 1/2P |
| | 114429-02-000 | EA ELBOW-1/2P X 1/2MPT |
| | 114429-03-000 | EA ELBOW-SWIVEL-1/2P X 1/2FPT |
| | 114429-04-000 | EA ELBOW-1/2P X 3/8MPT |
| | 114429-05-000 | EA ELBOW-1/2P X 3/4MPT |
| | 114429-06-000 | EA ELBOW-SWIVEL-1/2P X 3/4FPT |
| | 114429-07-000 | EA ELBOW-1/2P X 1/2FPT DROPEAR |
| | 114430-01-000 | EA ADAPTER-1/2P X 1/2P |
| | 114430-02-000 | EA ADAPTER-SWIVEL-1/2P X 1/2FPT |
| | 114430-03-000 | EA ADAPTER-1/2P X 1/2MPT |
| | 114430-04-000 | EA ADAPTER-1/2P X 3/8MPT |
| | 114430-05-000 | EA ADAPTER-1/2P X 1/8FPT |
| | 114430-06-000 | EA ADAPTER-1/2P X 3/8FPT |
| | 114430-07-000 | EA ADAPTER-1/2P X 3/8P |
| | 114430-08-000 | EA ADAPTER-1/2P X 3/4MPT |
| | 114431-01-000 | EA VALVE-180 DEGREE/CENTER DRAIN-1/2P-THREEWAY |
| | 114431-02-000 | EA VALVE-WATER BYPASS-1/2"P-THREEWAY(WATER HEATER) |
| | 114431-03-000 | EA VALVE-1/2P X 1/2P |
| | 114431-04-000 | EA VALVE-STOP-1/2P X 1/2P |
| | 114431-05-000 | EA VALVE-NEEDLE-COMP 1/8 MPT X 1/4 |
| | 114431-06-000 | EA VALVE-3/8P X 3/8P |
| | 114431-07-000 | EA VALVE-3/8P THREE-WAY |
| | 114431-08-000 | EA STRAIGHT STOP VALVE 3/8P X 3/8P |

WATER & SEWAGE GROUP (CONTINUED)
DRAINAGE SYSTEM



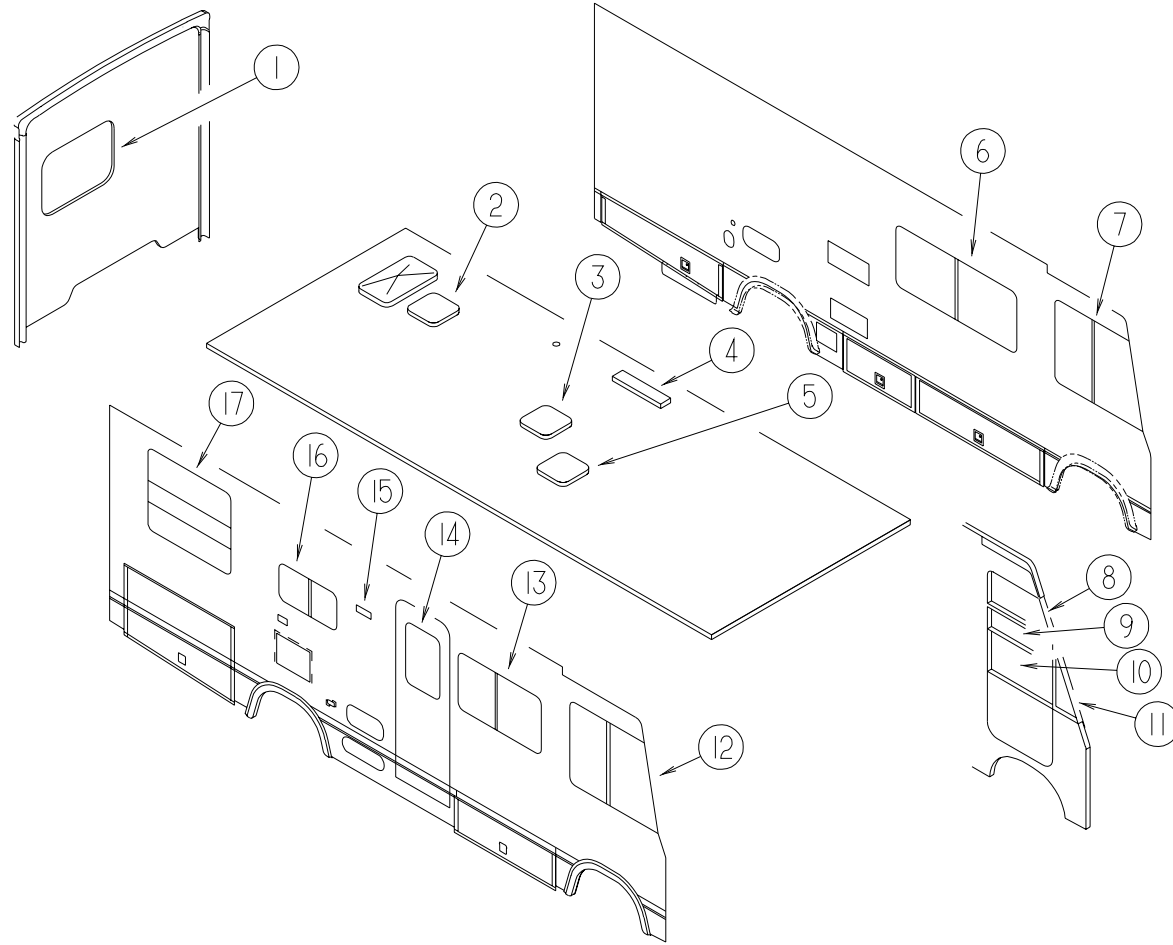
| KEY | PARTNUMBER | U/M | DESCRIPTION |
|-----|---------------|-----|--|
| 1 | 010008-01-000 | EA | ELBOW - 90 DEGREE - 1 1/2" HUB X HUB - PLASTIC |
| 2 | 010115-01-000 | EA | COUPLING - 1 1/2" HUB X HUB - PLASTIC |
| 3 | 061607-01-000 | EA | GROMMET - HOLDING TANK - 1 1/2" NPS |
| 4 | 010071-01-000 | EA | TEE - SANITARY - 1 1/2" HUB X HUB X HUB - PLASTIC |
| 5 | 078406-01-000 | EA | COUPLER - RUBBER - W/CLAMPS - 3" X 3" |
| 6 | 031126-01-000 | EA | ELBOW - 1/4 BEND - 3" X 90" XLT - BLACK PLASTIC |
| 7 | 070916-01-000 | EA | VALVE - DUAL DUMP - W/CAP - 3" X 1 1/2" |
| | 070916-01-700 | EA | VALVE ONLY (WASTE) 3" |
| | 070916-01-701 | EA | VALVE ONLY (WASTE) 1 1/2" |
| 8 | 089355-01-000 | EA | COUPLER - RUBBER - 1 1/2" X 1 1/2" |
| 9 | 117924-01-000 | EA | TANK - HOLDING - 35 GALLON - W/O FITTINGS |
| 10 | 117925-01-000 | EA | TANK - HOLDING - 32 GALLON - W/O FITTINGS |
| 11 | 034250-01-000 | EA | ELBOW - 90 DEGREE - LONG TURN - 1 1/2" HUB X HUB - ABS |
| 12 | 010006-01-000 | EA | ELBOW - 45 DEGREE - 1 1/2" HUB X HUB - PLASTIC |
| 13 | 031365-02-000 | EA | TEE - PLASTIC - 1 1/2" EXT LG TURN |
| 14 | 010166-01-000 | EA | PLUG - THREADED - 1 1/4" DIAMETER - PLASTIC - BLACK |
| 15 | 109571-01-000 | EA | ADAPTER - PTRAP - 1 1/2" P X 1 1/4" MPT |
| 16 | 107538-01-000 | EA | PTRAP - PLASTIC - 1 1/4" W/EXTENSION ARM |
| 16 | 011066-02-000 | EA | PTRAP - 1 1/4" HUB X SLIP JOINT - W/UNION - ABS - CANADIAN |
| 17 | 011091-02-000 | EA | WASTE - CONTINUOUS - DOUBLE SINK |
| 18 | 092303-01-000 | EA | STRAINER - SINK |
| 19 | 079968-01-000 | EA | VENT - MECHANICAL/TRAP ARM - ANTI-SIPHON - 2" X 7.3" PLASTIC |
| 20 | 061607-02-000 | EA | GROMMET - HOLDING TANK - 3" NPS |
| 21 | 116644-01-000 | EA | FLANGE - CLOSET - 4" X 3" |
| 22 | 011069-03-000 | EA | TAILPIECE - TUB/SHOWER - 1 1/2" X 1 3/4" - PLASTIC (US) |
| 22 | 011069-02-000 | EA | TAILPIECE - TUB/SHOWER - 1 1/2" X 1 1/4" X 4" - BRASS (CSA) |
| | 066440-01-000 | EA | STRAINER - SHOWER DRAIN - W/RUBBER WASHER |
| | 069735-01-000 | EA | WASHER - STRAINER TOTALPIECE - PLASTIC - 1.5" |
| 23 | 096927-01-701 | EA | TAILPIECE - DRAIN - LAVATORY |
| | 066440-01-000 | EA | STRAINER - SHOWER DRAIN - W/RUBBER WASHER |
| | 069735-01-000 | EA | WASHER - STRAINER TOTALPIECE - PLASTIC - 1.5" |
| | 011069-02-000 | EA | TAILPIECE - TUB/SHOWER - 1 1/2" X 1 1/4" X 4" - BRASS |
| | 010201-01-000 | EA | HOSE - SEWER - 3" ID X 8' |
| | 062416-01-000 | EA | ADAPTER - SEWER HOSE TO 3" PIPE |

VENDOR NO

T1003BU
T1001BU

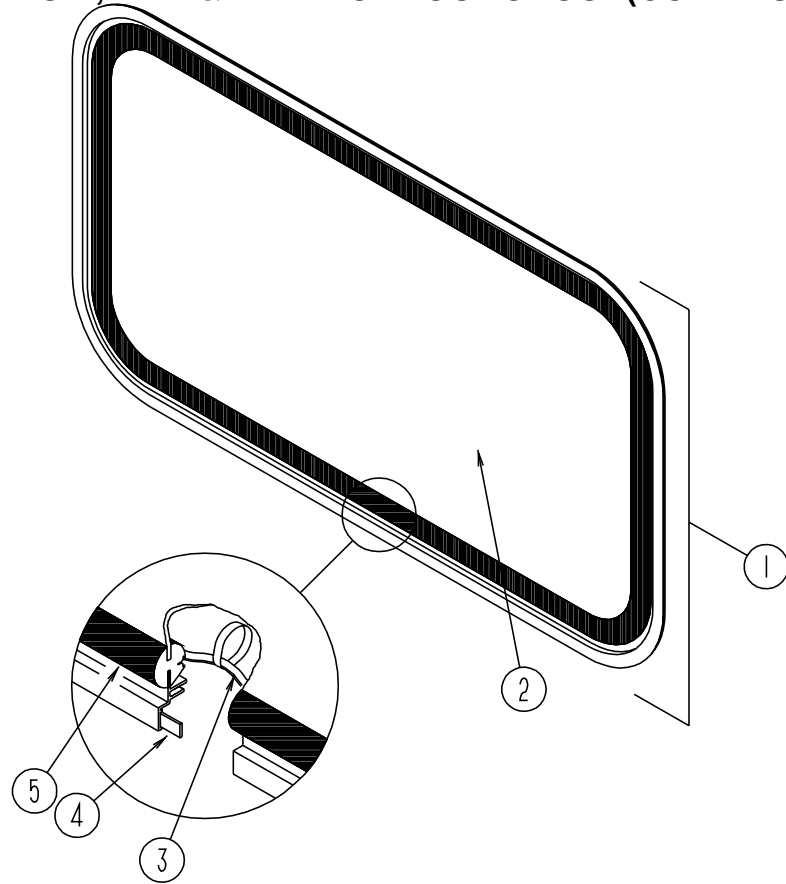
M9802

WINDOW, VENT & EXTERIOR DOOR GROUP
WINDOWS & VENTS



| KEY | PARTNUMBER | U/M | DESCRIPTION | VENDOR NO. |
|-----|---------------|-----|---|------------|
| 1 | 078528-12-FB1 | EA | WINDOW-ESCAPE W/O INSIDE TRIM-TINTED-35.6"X26.1" | |
| 1 | 113502-03-01A | EA | WINDOW-REAR ESCAPE-THERMO-26.4"X35.9" | |
| 1 | 113502-07-01A | EA | WINDOW-REAR ESCAPE-THERMO/EUROPEAN-26.4"X35.9" (EXPORT) | |
| 2 | 122882-02-01A | EA | VENT-ROOF-W/FAN-POWERED-US | |
| 2 | 122882-03-01A | EA | VENT-ROOF-W/FAN-POWERED-CSA | |
| 3 | 122882-01-01A | EA | VENT-ROOF-NONPOWERED | |
| 4 | 084073-07-000 | EA | VENT-ROOF-REFRIGERATOR-BRIGHTWHITE | |
| 4 | 084073-04-000 | EA | BASE-ROOF VENT-REFRIGERATOR | |
| 5 | 123780-03-01A | EA | VENT-EXHAUST-3" ROOF | |
| 6 | 098647-22-01A | EA | WINDOW-DRIVER-HORIZONTAL SLIDER-26.1"X59.7" | |
| 6 | 112795-15-01A | EA | WINDOW-DRIVER-HORIZONTAL SLIDER-THERMO-26 3/8"X60" | |
| 6 | 112795-40-01A | EA | WINDOW-DRIVER HORIZONTAL SLIDER-THERMO-26 3/8"X60" (EXPORT) | |
| 7 | 103658-11-01A | EA | WINDOW-DRIVER CAB-38.3"TX45.2"BX36.7"HH | |
| 7 | 113501-10-01A | EA | WINDOW-DRIVER CAB THERMO (2 WINDOW) 35.7"X37.2"X43.9" | |
| 7 | 113501-12-01A | EA | WINDOW-DRIVER CAB THERMO (2 WINDOW) 35.7"X37.2"X43.9" (EXPORT) | |
| 8 | 106467-06-01A | EA | WINDOW-DRIVER VISTA (ABOVE DR DOOR) 39.2"TX40.6"BX7.3"H | |
| 8 | 116000-08-01A | EA | WINDOW-DRIVER VISTA-THERMO-6.3"X38.2"X39.4" | |
| 8 | 116000-09-01A | EA | WINDOW-DRIVER VISTA-THERMO-6.3"X38.2"X39.4" (EXPORT) | |
| 9 | 106469-02-702 | EA | GLASS-STATIONARY | 106-041104 |
| 10 | 106469-01-704 | EA | GLASS ASM-ROLL-UP W/BACKET | V103-65L |
| 11 | 106468-05-01A | EA | WINDOW-DRIVER WING-6.8"TX23.3"BX28.9"H | |
| 11 | 115999-06-01A | EA | WINDOW-DRIVER WING-THERMO-5.8"X11"X27.9" | |
| 11 | 115999-07-01A | EA | WINDOW-FRONT-SLANT/DRIVER-THERMO-27.8"X5.8"X11" (EXPORT) | |
| 12 | 103658-12-01A | EA | WINDOW-PASSENGER CAB-38.3"TX45.2"BX36.7"H | |
| 12 | 113501-09-01A | EA | WINDOW-PASS CAB THERMO (2 WINDOW) 35.7"X37.2"X43.9" | |
| 12 | 113501-11-01A | EA | WINDOW-PASS CAB THERMO (2 WINDOW) 35.7"X37.2"X43.9" (EXPORT) | |
| 13 | 098647-41-01A | EA | WINDOW-PASSENGER HORIZONTAL SLIDER 24.2"X41" | |
| 13 | 112795-21-01A | EA | WINDOW-PASSENGER/HORIZONTAL SLIDER/THERMO 24.5"X41.25" | |
| 13 | 112795-44-01A | EA | WINDOW-PASSENGER HORIZONTAL SLIDE THERMO 54 1/2"X41 1/4" (EXPORT) | |
| 14 | 117053-02-F36 | EA | WINDOW-PICTURE-ENTRANCE DOOR-17"X26.4" | |
| 14 | 113733-01-01A | EA | WINDOW-STATIONARY-THERMOPANE-17"X26.4" | |
| 14 | 113733-03-01A | EA | WINDOW-STATIONARY-THERMOPANE-17"X26.4" (EXPORT) | |
| 15 | 084616-07-000 | EA | VENT-SHROUD-RANGE HOOD-BRIGHTWHITE | |
| | 084878-09-000 | EA | VENT-HOOD-RANGE/SHORT-OFFWHITE | |
| 16 | 098647-33-01A | EA | WINDOW-PASSENGER/HORIZONTAL SLIDER-15.7"X28.5" | |
| 16 | 112795-19-01A | EA | WINDOW-PASSENGER/HORIZONTAL SLIDER-THERMO 16.7"X28.5" | |
| 16 | 112795-41-01A | EA | WINDOW-PASSENGER HORIZONTAL SLIDER/THERMO-16"X28 3/4" (EXPORT) | |
| 17 | 113500-01-01A | EA | WINDOW-DOUBLE TIPOUT-24.5"X41.3" | |
| 17 | 112795-21-01A | EA | WINDOW-PASSENGER/HORIZONTAL SLIDER/THERMO 24.5"X41.25" | |
| 17 | 112795-44-01A | EA | WINDOW-PASSENGER HORIZONTAL SLIDE THERMO 54 1/2"X41 1/4" (EXPORT) | |
| | 083558-03-000 | EA | VENT-PLUMBING-PIPE ROOF-W/COVER-OFFWHITE | |

WINDOW, VENT & EXTERIOR DOOR GROUP (CONTINUED)



BACKWALLESCAPEWINDOW

| KEY | PARTNUMBER | U/M | DESCRIPTION |
|-----|---------------|-----|--|
| | 074816-14-000 | EA | FRAME-WINDOW-INSIDE ESCAPE-OFFWHITE |
| 1 | 078528-12-FB1 | EA | WINDOW-ESCAPE W/O INSIDE FRAME-TINTED-35.6"X26.1" |
| 2 | 076337-17-000 | EA | GLASS-EGRESS-23.2"X32.6" |
| 3 | 002285-01-000 | FT | FILLER-WEATHERSTRIP-RUBBER-BLACK |
| | 077066-01-702 | EA | TAPE ASM-ESCAPE WINDOW, RED |
| 4 | 069640-11-000 | FT | SEALER-TAPE, 3/16" THICK X 3/8" WIDE-INCREMENTS OF 40' |
| 5 | 002282-09-000 | EA | WEATHERSTRIP-WINDOW, .125" X 130.53"-BLACK |

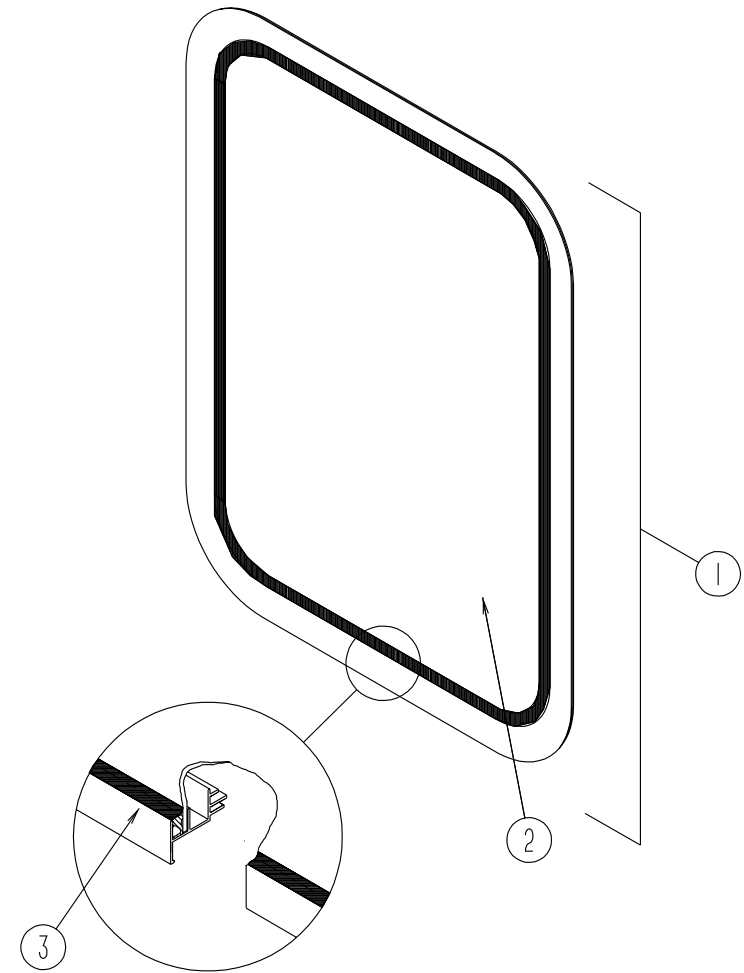
EXCEL BACKWALLESCAPE WINDOW-THERMOPANE WINDOW OPTION

| KEY | PARTNUMBER | U/M | DESCRIPTION | VENDOR NO. |
|-----|---------------|-----|--------------------------------------|------------|
| | 113502-03-01A | EA | WINDOW-REARESCAPE THERMO-26.4"X35.9" | |
| | 098644-01-705 | FT | GLAZING-STRIP | 132-010231 |
| | 112898-06-704 | EA | HANDLE-LATCH-RED-RH | 182-11293 |
| | 112898-06-705 | EA | HANDLE-LATCH-RED-LH | 182-11294 |
| | 113502-03-700 | EA | WINDOW W/OTRIM | DH437-G2 |
| | 113502-03-701 | EA | RETAINER-TRIM | W306-58 |
| | 113502-03-702 | EA | GLASS-STATIONARY | 390-019466 |

EXCEL BACKWALLESCAPE WINDOW-THERMOPANE WINDOW (EXPORT OPTION)

| KEY | PARTNUMBER | U/M | DESCRIPTION | VENDOR NO. |
|-----|---------------|-----|---|------------|
| | 113502-07-01A | EA | WINDOW-REARESCAPE-THERMO/EUROPEAN-26.4"X35.9" | |
| | 098644-01-705 | FT | GLAZING-STRIP | 132-010231 |
| | 112898-06-704 | EA | HANDLE-LATCH-RED-RH | 182-11293 |
| | 112898-06-705 | EA | HANDLE-LATCH-RED-LH | 182-11294 |
| | 113502-07-700 | EA | GLASS-STATIONARY | 390-025072 |
| | 113502-07-701 | EA | RETAINER-TRIM | W306-60 |

WINDOW, VENT & EXTERIOR DOOR GROUP (CONTINUED)



ENTRANCE DOOR WINDOW

| KEY | PARTNUMBER | U/M | DESCRIPTION |
|-----|---------------|-----|---|
| | 117054-02-02A | EA | RETAINER-TRIM, ENTRY DOOR WINDOW-BRIGHT WHITE |
| 1 | 117053-02-F36 | EA | WINDOW-PICTURE-ENTRANCE DOOR-17"X26.4" |
| 2 | 002181-25-000 | EA | GLASS-PICTURE-25.7"X16.4" |
| 3 | 087561-01-000 | FT | SEAL-GLASS-EXTERIOR-.5" WIDE-VINYL BLACK |

EXCEL ENTRANCE DOOR WINDOW-THERMOPANE WINDOW OPTION

| KEY | PARTNUMBER | U/M | DESCRIPTION | VENDOR NO. |
|-----|---------------|-----|--|------------|
| | 113733-01-01A | EA | WINDOW-STATIONARY-THERMOPANE-17"X26.4" | |
| | 112795-01-705 | FT | VINYL-GLAZING | 132-025736 |
| | 113733-01-700 | EA | WINDOW ASM.W/OTRIM | DH416-G2 |
| | 113733-01-701 | EA | RETAINER-TRIM | W41666 |
| | 113733-01-702 | EA | GLASS-STATIONARY | 390-019187 |

EXCEL ENTRANCE DOOR WINDOW-THERMOPANE WINDOW (EXPORT OPTION)

| KEY | PARTNUMBER | U/M | DESCRIPTION | VENDOR NO. |
|-----|---------------|-----|--|------------|
| | 113733-03-01A | EA | WINDOW-STATIONARY THERMOPANE-26.4"X17" | |
| | 112795-01-705 | FT | VINYL-GLAZING | 132-025736 |
| | 113733-01-701 | EA | RETAINER-TRIM | W41666 |
| | 113733-03-700 | EA | GLASS-STATIONARY | 390-019685 |

WINDOW, VENT & EXTERIOR DOOR GROUP (CONTINUED)
EXCEL DRIVERS DOOR WING WINDOW

| KEY | PARTNUMBER | U/M DESCRIPTION | VENDOR NO. |
|-----|---------------|--|------------|
| | 106468-05-01A | EA WINDOW-DRIVERWING-6.8"TX23.3"BX28.9"H | |
| | 100322-01-703 | FT VINYL-GLAZING, BUTYL | 132-010723 |

EXCEL DRIVERS DOOR WING WINDOW-THERMOPANE

| KEY | PARTNUMBER | U/M DESCRIPTION | VENDOR NO. |
|-----|---------------|--|------------|
| | 115999-06-01A | EA WINDOW-DRIVERWING-THERMO-5.8"X11"X27.9' | |
| | 115999-06-700 | EA GLASS-STATIONARY | 390-025392 |
| | 115999-06-701 | EA RETAINER-TRIMRAIL REAR | H507-41L |
| | 115999-06-702 | EA RETAINER-TRIMRAIL TOP | H507-42L |
| | 116000-01-704 | FT VINYL-GLAZING | 132-018161 |

EXCEL DRIVERS DOOR WING WINDOW-THERMOPANE (EXPORT OPTION)

| KEY | PARTNUMBER | U/M DESCRIPTION | VENDOR NO. |
|-----|---------------|--|------------|
| | 115999-07-01A | EA WINDOW-DRIVERWING-THERMO-5.8"X11"X27.8' | |
| | 115999-07-700 | EA GLASS-STATIONARY | 390-025776 |
| | 115999-07-701 | EA RETAINER-TRIMRAIL REAR | H507-27L |
| | 116000-01-704 | FT VINYL-GLAZING | 132-018161 |

WINDOW, VENT & EXTERIOR DOOR GROUP (CONTINUED)
EXCEL DRIVERS DOOR VISTA WINDOW

| KEY | PARTNUMBER | U/M DESCRIPTION | VENDOR NO. |
|-----|---------------|--|------------|
| | 106467-06-01A | EA WINDOW-DRIVER VISTA (ABOVE DR DOOR) 39.2"TX40.6"BX7.3"H | |
| | 100322-01-703 | FT VINYL-GLAZING-BUTYL | 132-010723 |

EXCEL DRIVERS DOOR WING WINDOW-THERMOPANE

| KEY | PARTNUMBER | U/M DESCRIPTION | VENDOR NO. |
|-----|---------------|--|------------|
| | 116000-08-01A | EA WINDOW-DRIVER VISTA-THERMO-6.3"X38.2"X39.4" | |
| | 116000-01-704 | FT VINYL-GLAZING | 132-018161 |
| | 116000-08-700 | EA GLASS-STATIONARY | 390-025393 |
| | 116000-08-701 | EA RETAINER TRIMRAIL TOP/REAR | H508-41L |
| | 116000-08-702 | EA RETAINER-TRIMRAIL FRONT | H508-42L |
| | 116000-08-703 | EA RETAINER-TRIMRAIL BOTTOM | H508-43L |

EXCEL DRIVERS DOOR WING WINDOW-THERMOPANE (EXPORT OPTION)

| KEY | PARTNUMBER | U/M DESCRIPTION | VENDOR NO. |
|-----|---------------|--|------------|
| | 116000-09-01A | EA WINDOW-DRIVER VISTA-THERMO-6.3"X38.2"X39.4" | |
| | 116000-01-704 | FT VINYL-GLAZING | 132-018161 |
| | 116000-09-700 | EA GLASS-STATIONARY | 390-025178 |
| | 116000-08-701 | EA RETAINER TRIMRAIL TOP/REAR | H508-41L |
| | 116000-08-702 | EA RETAINER-TRIMRAIL FRONT | H508-42L |
| | 116000-08-703 | EA RETAINER-TRIMRAIL BOTTOM | H508-43L |

WINDOW, VENT & EXTERIOR DOOR GROUP (CONTINUED)

WINDOW, VENT & EXTERIOR DOOR GROUP (CONTINUED)

EXCEL SINGLE SLIDER WINDOW - DRIVER SIDE - LOUNGE

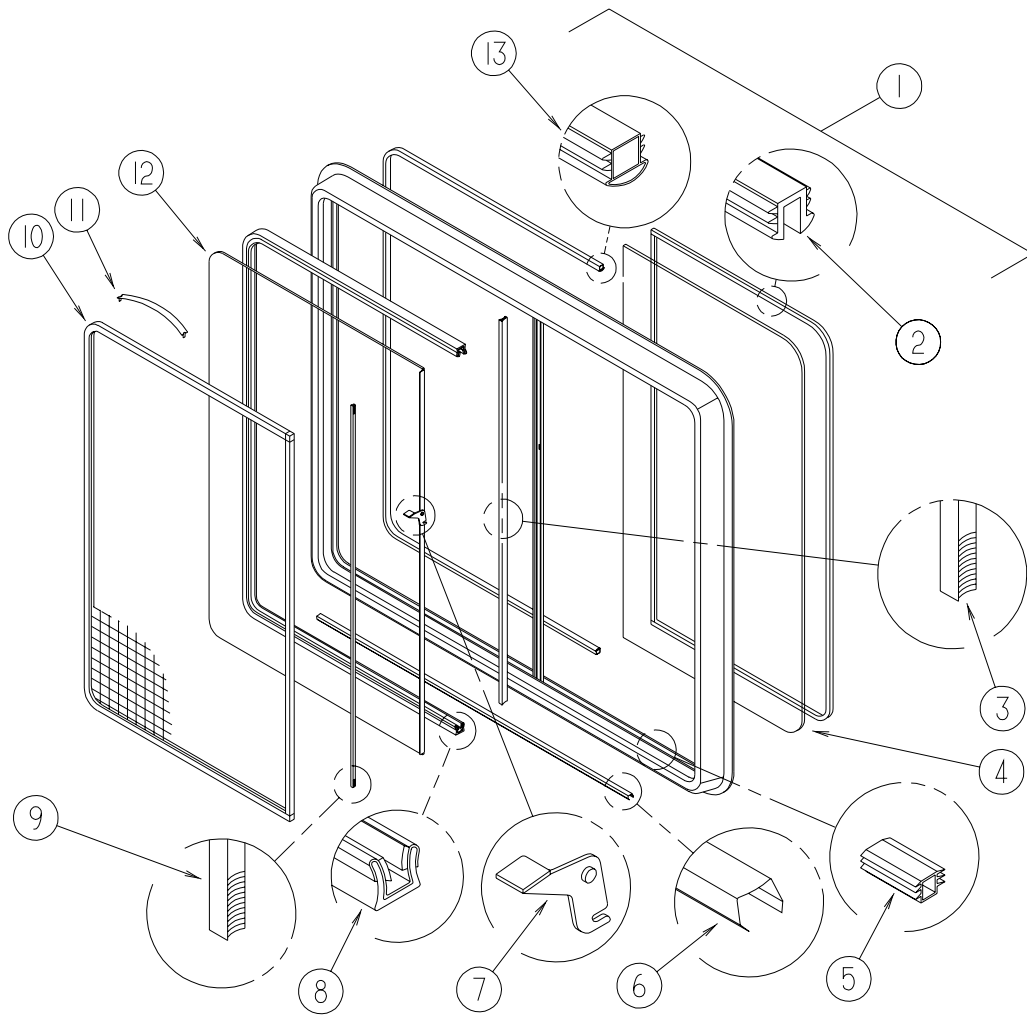
| KEY | PART NUMBER | U/M | DESCRIPTION | VENDOR NO. |
|-----|---------------|-----|--|------------|
| 1 | 098647-22-01A | EA | WINDOW - DRIVERS - HORIZONTAL SLIDER - 26.1" X 59.7" | |
| | 098647-27-701 | EA | RETAINER - TRIM | W287-66 |
| 2 | 098644-01-705 | FT | GLAZING - STRIP | 132-010231 |
| 3 | 098644-01-706 | FT | WEATHERSTRIP - GLASS | 171-010668 |
| 4 | 098647-23-703 | EA | GLASS - STATIONARY | 106-017622 |
| 5 | 098644-01-719 | EA | STOP - SLIDER GLASS | 132-014203 |
| 6 | 098644-01-710 | FT | TRACK - SCREEN SPACER 12' | 132-017135 |
| 7 | 098644-01-700 | EA | LATCH - REPAIR KIT (BLACK) | B801-CK |
| 8 | 098644-01-708 | FT | CHANNEL - RUN PIERCED | 122-016543 |
| 9 | 098644-01-711 | FT | WEATHERSTRIP - SCREEN BLACK | 171-016965 |
| 10 | 098647-23-704 | EA | SCREEN ASM - W/SEALS & CLIPS | 410-019066 |
| 11 | 098644-01-713 | EA | CLIP - SPRING - METAL | 226-016966 |
| 12 | 098647-23-700 | EA | GLASS SLIDING W/SASH & LATCH | H287-G9 |
| 13 | 098644-01-716 | FT | PLUG - FILLER | 132-014470 |
| | 098644-01-717 | FT | SPLINE - SCREEN | 132-004716 |

EXCEL SINGLE SLIDER WINDOW - PASSENGER SIDE - GALLEY

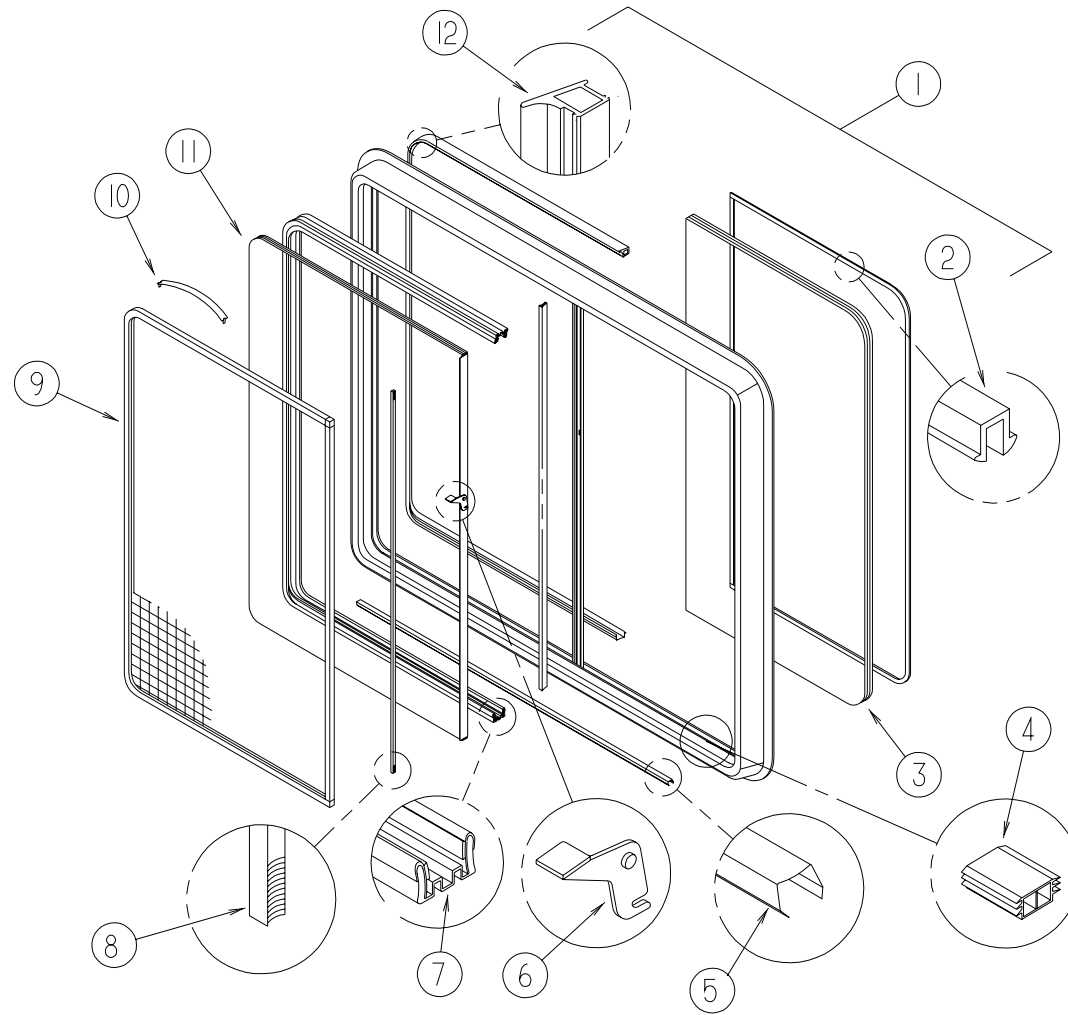
| KEY | PART NUMBER | U/M | DESCRIPTION | VENDOR NO. |
|-----|---------------|-----|--|------------|
| 1 | 098647-33-01A | EA | WINDOW - PASSENGER / HORIZONTAL SLIDER - 15.7" X 28.5" | |
| | 098647-31-701 | EA | RETAINER - TRIM | CW29-66 |
| 2 | 098644-01-705 | FT | GLAZING - STRIP | 132-010231 |
| 3 | 098644-01-706 | FT | WEATHERSTRIP - GLASS | 171-010668 |
| 4 | 098647-33-702 | EA | GLASS - STATIONARY | 106-019297 |
| 5 | 098644-01-719 | EA | STOP - SLIDER GLASS | 132-014203 |
| 6 | 098644-01-710 | FT | TRACK - SCREEN SPACER 12' | 132-017135 |
| 7 | 098644-01-700 | EA | LATCH - REPAIR KIT (BLACK) | B801-CK |
| 8 | 098644-01-708 | FT | CHANNEL - RUN PIERCED | 122-016543 |
| 9 | 098644-01-711 | FT | WEATHERSTRIP - SCREEN BLACK | 171-016965 |
| 10 | 098647-33-704 | EA | SCREEN ASM - W/SEALS & CLIPS | 410-019134 |
| 11 | 098644-01-713 | EA | CLIP - SPRING - METAL | 226-016966 |
| 12 | 098647-33-703 | EA | GLASS - SLIDING W/SASH & LATCH | H425-G9 |
| 13 | 098644-01-716 | FT | PLUG - FILLER | 132-014470 |
| | 098644-01-717 | FT | SPLINE - SCREEN | 132-004716 |

EXCEL SINGLE SLIDER WINDOW - PASSENGER SIDE - LOUNGE

| KEY | PART NUMBER | U/M | DESCRIPTION | VENDOR NO. |
|-----|---------------|-----|--|------------|
| 1 | 098647-41-01A | EA | WINDOW - PASSENGER - HORIZONTAL SLIDER - 24.2" X 41" | |
| | 098647-29-701 | EA | RETAINER - TRIM | CW04-66 |
| 2 | 098644-01-705 | FT | GLAZING - STRIP | 132-010231 |
| 3 | 098644-01-706 | FT | WEATHERSTRIP - GLASS | 171-010668 |
| 4 | 098647-41-701 | EA | GLASS - STATIONARY | 106-015474 |
| 5 | 098644-01-719 | EA | STOP - SLIDER GLASS | 132-014203 |
| 6 | 098644-01-710 | FT | TRACK - SCREEN SPACER 12' | 132-017135 |
| 7 | 098644-01-700 | EA | LATCH - REPAIR KIT (BLACK) | B801-CK |
| 8 | 098644-01-708 | FT | CHANNEL - RUN PIERCED | 122-016543 |
| 9 | 098644-01-711 | FT | WEATHERSTRIP - SCREEN BLACK | 171-016965 |
| 10 | 098647-29-704 | EA | SCREEN ASM - W/SEALS & CLIPS | 410-018864 |
| 11 | 098644-01-713 | EA | CLIP - SPRING - METAL | 226-016966 |
| 12 | 098647-41-700 | EA | GLASS SLIDING W/SASH & LATCH | H172-G9 |
| 13 | 098644-01-716 | FT | PLUG - FILLER | 132-014470 |
| | 098644-01-717 | FT | SPLINE - SCREEN | 132-004716 |



WINDOW, VENT & EXTERIOR DOOR GROUP (CONTINUED)



EXCEL SINGLE SLIDER WINDOW - THERMOINSULATED - DRIVER SIDE - DINETTE

| KEY | PARTNUMBER | U/M DESCRIPTION | VENDORNO. |
|-----|---------------|---|------------|
| 1 | 112795-15-01A | EA WINDOW-DRIVER-HORIZONTAL SLIDER-THERMO-26 3/8" X 60" | |
| | 098647-23-702 | EA RETAINER-TRIM | W287-66 |
| 2 | 112795-01-705 | FT VINYL-GLAZING | 132-025736 |
| 3 | 112795-15-701 | EA GLASS-STATIONARY | 390-019045 |
| 4 | 112795-01-701 | EA SLIDE-STOP | 132-019092 |
| 5 | 098644-01-710 | FT TRACK-SCREENSPACER 12' | 132-017135 |
| 6 | 112795-01-700 | EA LATCHASM., BLK., (BOLTON) | DH287-CK |
| 7 | 112795-01-703 | IN CHANNEL-RUN (INCHES) | 122-018736 |
| 8 | 098644-01-711 | FT WEATHERSTRIP-SCREENBLACK | 171-016965 |
| 9 | 098647-23-704 | EA SCREENASM-W/SEALS&CLIPS | 410-019066 |
| 10 | 098644-01-713 | EA CLIP-SPRING-METAL | 226-016966 |
| 11 | 112795-15-702 | EA GLASS-SLIDINGW/SASH&LATCH | DH287-G9 |
| 12 | 112795-01-704 | FT PLUGFILLER (DOUBLEGLAZED) | 122-018737 |

WINDOW, VENT & EXTERIOR DOOR GROUP (CONTINUED)
EXCEL SINGLE SLIDER WINDOW - THERMOINSULATED - DRIVER SIDE - DINETTE (EXPORT OPTION)

| KEY | PARTNUMBER | U/M DESCRIPTION | VENDORNO. |
|-----|---------------|---|------------|
| 1 | 112795-40-01A | EA WINDOW-DRIVER HORIZONTAL SLIDER-THERMO-26 3/8" X 60" | |
| | 098647-27-701 | EA RETAINER-TRIM | W287-66 |
| 2 | 112795-01-705 | FT VINYL-GLAZING | 132-025736 |
| 3 | 112795-39-701 | EA GLASS-STATIONARY | 390-019792 |
| 4 | 112795-01-701 | EA SLIDE-STOP | 132-019092 |
| 5 | 098644-01-710 | FT TRACK-SCREENSPACER 12' | 132-017135 |
| 6 | 112795-01-700 | EA LATCHASM.-BLK.(BOLTON) | DH287-CK |
| 7 | 112795-01-703 | IN CHANNEL-RUN (INCHES) | 122-018736 |
| 8 | 098644-01-711 | FT WEATHERSTRIP-SCREENBLACK | 171-016965 |
| 9 | 098647-23-704 | EA SCREENASM-W/SEALS&CLIPS | 410-019066 |
| 10 | 098644-01-713 | EA CLIP-SPRING-METAL | 226-016966 |
| 11 | 112795-39-700 | EA GLASS-SLIDINGW/SASH&LATCH | DH287-EG9 |
| 12 | 112795-01-704 | FT PLUGFILLER (DOUBLEGLAZED) | 122-018737 |

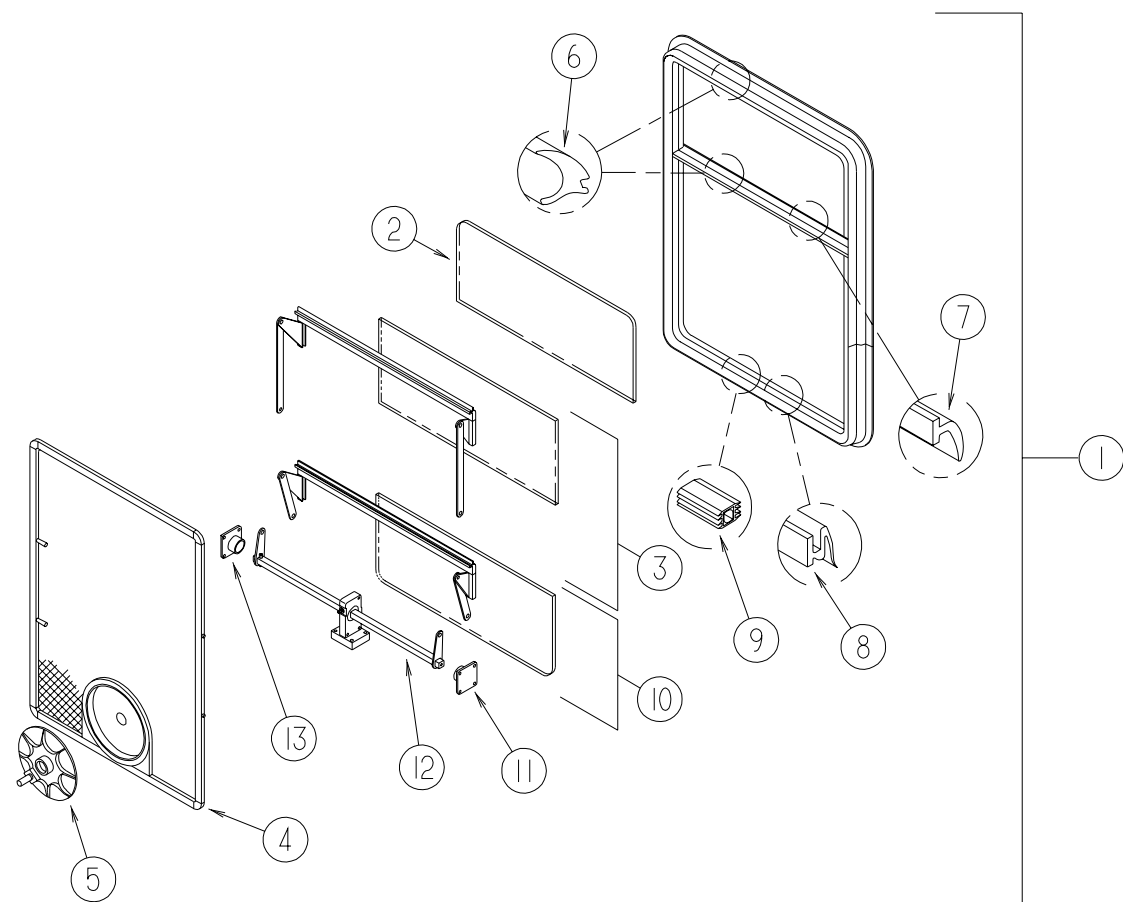
EXCEL SINGLE SLIDER WINDOW - THERMOINSULATED - PASSENGER SIDE - GALLEY

| KEY | PARTNUMBER | U/M DESCRIPTION | VENDORNO. |
|-----|---------------|--|------------|
| 1 | 112795-19-01A | EA WINDOW-PASSENGER/HORIZONTAL SLIDER-THERMO 16.7" X 28.5" | |
| | 098647-31-701 | EA RETAINER-TRIM | CW29-66 |
| 2 | 112795-01-705 | FT VINYL-GLAZING | 132-025736 |
| 3 | 112795-19-701 | EA GLASS-STATIONARY | 390-019134 |
| 4 | 112795-01-701 | EA SLIDE-STOP | 132-019092 |
| 5 | 098644-01-710 | FT TRACK-SCREENSPACER 12' | 132-017135 |
| 6 | 112795-01-700 | EA LATCHASM.-BLK.(BOLTON) | DH287-CK |
| 7 | 112795-01-703 | IN CHANNEL-RUN (INCHES) | 122-018736 |
| 8 | 098644-01-711 | FT WEATHERSTRIP-SCREENBLACK | 171-016965 |
| 9 | 098647-31-704 | EA SCREENASM-W/SEALS&CLIPS | 410-019128 |
| 10 | 098644-01-713 | EA CLIP-SPRING-METAL | 226-016966 |
| 11 | 112795-19-702 | EA GLASS-SLIDINGW/SASH&LATCH | DC29-G9 |
| 12 | 112795-01-704 | FT PLUGFILLER (DOUBLEGLAZED) | 122-018737 |

EXCEL SINGLE SLIDER WINDOW - THERMOINSULATED - PASSENGER SIDE - GALLEY (EXPORT OPTION)

| KEY | PARTNUMBER | U/M DESCRIPTION | VENDORNO. |
|-----|---------------|--|------------|
| 1 | 112795-41-01A | EA WINDOW-PASSENGER HORIZONTAL SLIDER-THERMO-16" X 28 3/4" | |
| | 098647-31-701 | EA RETAINER-TRIM | CW29-66 |
| 2 | 112795-01-705 | FT VINYL-GLAZING | 132-025736 |
| 3 | 112795-41-701 | EA GLASS-STATIONARY | 390-019826 |
| 4 | 112795-01-701 | EA SLIDE-STOP | 132-019092 |
| 5 | 098644-01-710 | FT TRACK-SCREENSPACER 12' | 132-017135 |
| 6 | 112795-01-700 | EA LATCHASM.-BLK.(BOLTON) | DH287-CK |
| 7 | 112795-01-703 | IN CHANNEL-RUN (INCHES) | 122-018736 |
| 8 | 098644-01-711 | FT WEATHERSTRIP-SCREENBLACK | 171-016965 |
| 9 | 098647-31-704 | EA SCREENASM-W/SEALS&CLIPS | 410-019128 |
| 10 | 098644-01-713 | EA CLIP-SPRING-METAL | 226-016966 |
| 11 | 112795-41-700 | EA GLASS-SLIDINGW/SASH&LATCH | DC29-EG9 |
| 12 | 112795-01-704 | FT PLUGFILLER (DOUBLEGLAZED) | 122-018737 |

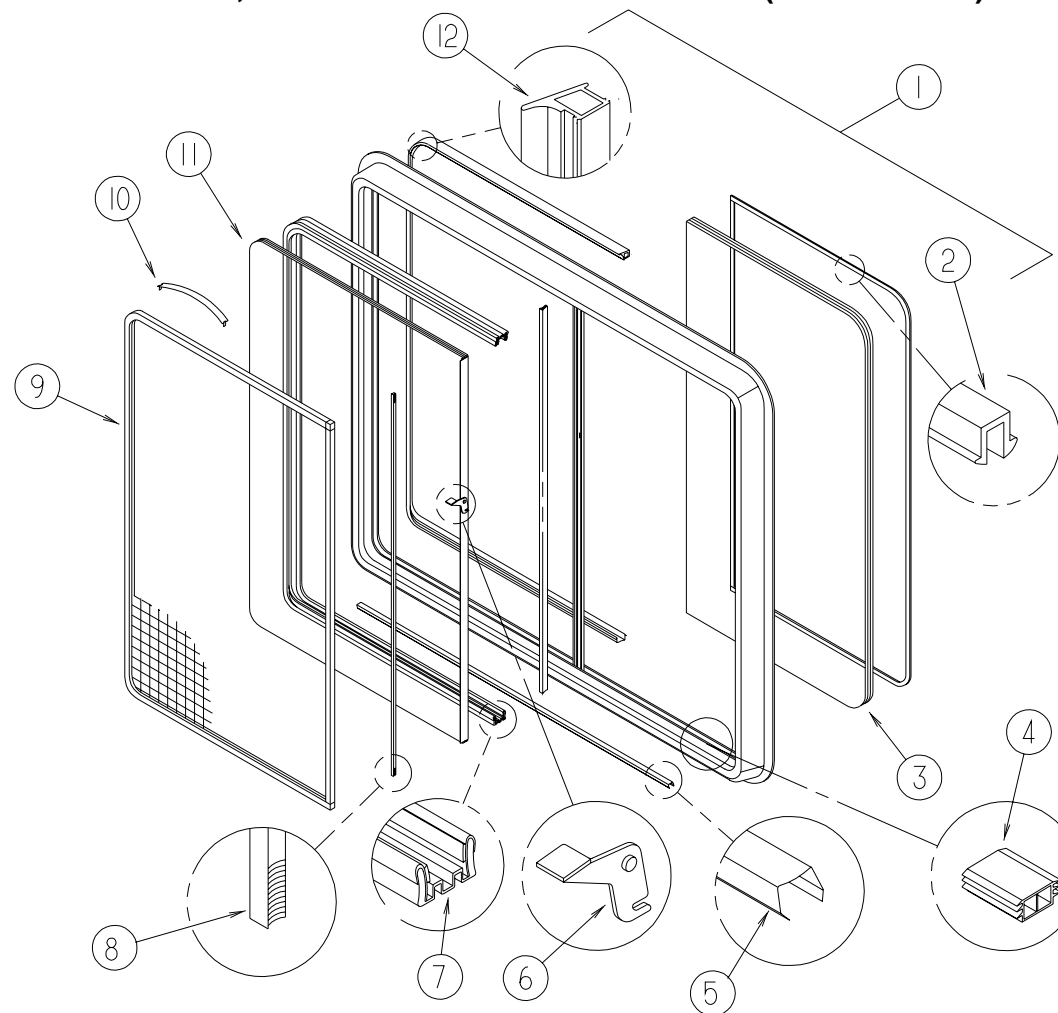
WINDOW, VENT & EXTERIOR DOOR GROUP (CONTINUED)



EXCEL DOUBLE TIPOUT WINDOW - PASSENGER SIDE BEDROOM

| KEY | PARTNUMBER | U/M | DESCRIPTION | VENDOR NO. |
|-----|---------------|-----|---------------------------------|------------|
| | 113500-01-01A | EA | WINDOW-DOUBLE TIPOUT 24.5X41.3" | |
| 1 | 113500-01-701 | EA | WINDOW-W/O RETAINER-TRIM | CH04-G2 |
| | 113500-01-702 | EA | RETAINER-TRIM | CW04-59 |
| 2 | 113500-01-703 | EA | GLASS-TOP STATIONARY | 106-015970 |
| 3 | 113500-01-704 | EA | GLASS-UPPER VENT ASSEMBLY | CH04-G7 |
| 4 | 113500-01-700 | EA | SCREEN ASM-W/SEALS & CLIPS | 410-016020 |
| 5 | 100322-01-718 | EA | HANDLE-DIAL | 410-016081 |
| 6 | 100322-01-703 | FT | VINYL-GLAZING-BUTYL | 132-010723 |
| 7 | 100322-01-702 | EA | WEATHERSTRIP-HORIZONTAL RAIL | 132-015976 |
| 8 | 100322-01-701 | FT | SEAL-VENT | 122-016071 |
| 9 | 098644-01-716 | FT | PLUG-FILLER | 132-014470 |
| 10 | 113500-01-705 | EA | GLASS-LOWER VENT ASSEMBLY | CH04-G9 |
| 11 | 100322-01-714 | EA | SUPPORT-TORQUE BAR-LH | 130-015978 |
| 12 | 112519-01-702 | EA | OPERATOR-VENT | 410-016123 |
| | 113500-01-706 | EA | OPERATOR & BAR ASSEMBLY | CH04-15 |
| 13 | 100322-01-715 | EA | SUPPORT-TORQUE BAR-RH | 130-015979 |
| | 100322-01-704 | FT | TAPE-BUTYL | 154-016083 |
| | 100322-01-717 | EA | E-RING | 245-015975 |

WINDOW, VENT & EXTERIOR DOOR GROUP (CONTINUED)



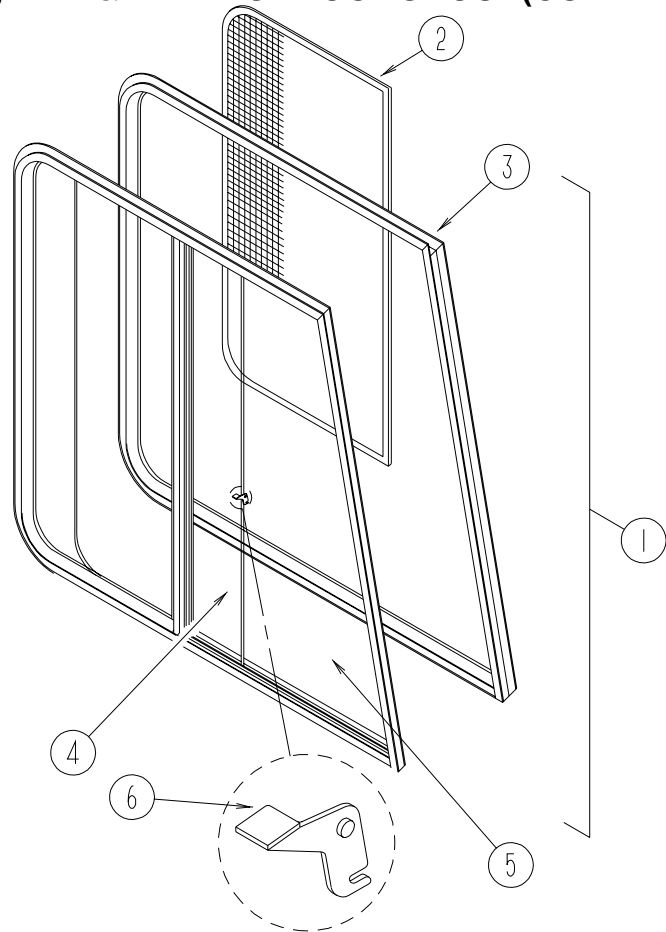
EXCEL SINGLE SLIDER WINDOW - THERMOINSULATED - PASSENGER SIDE - LOUNGE - BEDROOM

| KEY | PARTNUMBER | U/M | DESCRIPTION | VENDOR NO. |
|-----|---------------|-----|--|------------|
| 1 | 112795-21-01A | EA | WINDOW-PASSENGER/HORIZONTAL SLIDER/THERMO 24.5" X 41.25" | |
| | 098647-29-701 | EA | RETAINER-TRIM | CW04-66 |
| 2 | 112795-01-705 | FT | VINYL-GLAZING | 132-025736 |
| 3 | 112795-21-701 | EA | GLASS-STATIONARY | 390-019132 |
| 4 | 112795-01-701 | EA | SLIDE-STOP | 132-019092 |
| 5 | 098644-01-710 | FT | TRACK-SCREEN SPACER 12' | 132-017135 |
| 6 | 112795-01-700 | EA | LATCH ASM., BLK., (BOLTON) | DH287-CK |
| 7 | 112795-01-703 | IN | CHANNEL-RUN (INCHES) | 122-018736 |
| 8 | 098644-01-711 | FT | WEATHERSTRIP-SCREEN BLACK 7 | 171-016965 |
| 9 | 098647-29-704 | EA | SCREEN ASM-W/SEALS & CLIPS | 410-018864 |
| 10 | 098644-01-713 | EA | CLIP-SPRING-METAL | 226-016966 |
| 11 | 112795-21-702 | EA | GLASS-SLIDING W/SASH & LATCH | DC04-G9 |
| 12 | 112795-01-704 | FT | PLUG FILLER (DOUBLE GLAZED) | 122-018737 |

EXCEL SINGLE SLIDER WINDOW - THERMOINSULATED - PASSIDE - LOUNGE - BEDROOM (EXPORT OPTION)

| KEY | PARTNUMBER | U/M | DESCRIPTION | VENDOR NO. |
|-----|---------------|-----|--|------------|
| 1 | 112795-44-01A | EA | WINDOW-PASSENGER HORIZONTAL SLIDE THERMO 54 1/2" X 41 1/4" | |
| | 098647-29-701 | EA | RETAINER-TRIM | CW04-66 |
| 2 | 112795-01-705 | FT | VINYL-GLAZING | 132-025736 |
| 3 | 112795-44-701 | EA | GLASS-STATIONARY | 390-019780 |
| 4 | 112795-01-701 | EA | SLIDE-STOP | 132-019092 |
| 5 | 098644-01-710 | FT | TRACK-SCREEN SPACER 12' | 132-017135 |
| 6 | 112795-01-700 | EA | LATCH ASM.-BLK. (BOLTON) | DH287-CK |
| 7 | 112795-01-703 | IN | CHANNEL-RUN (INCHES) | 122-018736 |
| 8 | 098644-01-711 | FT | WEATHERSTRIP-SCREEN BLACK | 171-016965 |
| 9 | 098647-29-704 | EA | SCREEN ASM-W/SEALS & CLIPS | 410-018864 |
| 10 | 098644-01-713 | EA | CLIP-SPRING-METAL | 226-016966 |
| 11 | 112795-44-700 | EA | GLASS-SLIDING W/SASH & LATCH | DC04-EG9 |
| 12 | 112795-01-704 | FT | PLUG FILLER (DOUBLE GLAZED) | 122-018737 |

WINDOW, VENT & EXTERIOR DOOR GROUP (CONTINUED)



EXCELCAB WINDOWS

| KEY | PARTNUMBER | U/M | DESCRIPTION | VENDORNO. |
|-----|---------------|-----|---|-------------------|
| 1 | 103658-11-01A | EA | WINDOW-DRIVER CAB-38.3"TX45.2"BX36.7"HH | |
| 1 | 103658-12-01A | EA | WINDOW-PASSENGER CAB-38.3"TX45.2"BX36.7"H | |
| 2 | 113501-09-702 | EA | SCREEN ASSEMBLY-W/SEALS&CLIPS | 410-025381 |
| | 098644-01-717 | FT | SPLINE-SCREEN | 132-004716 |
| | 098644-01-713 | EA | CLIP-SPRING,METAL | 226-016966 |
| | 098644-01-710 | FT | TRACK-SCREEN SPACER,12'LENGTH | 132-017135 |
| | 098644-01-711 | FT | WEATHERSTRIP-SCREEN,BLACK | 171-016965 |
| 3 | 113501-10-702 | EA | RETAINER-TRIM,DRIVERSIDE | H506-41L&H506-42L |
| 3 | 113501-09-703 | EA | RETAINER-TRIM,PASSENGERSIDE | H506-41R&H506-42R |
| 4 | 113501-11-701 | EA | GLASS-SLIDING,W/SASH&LATCH | DH506-EA9R |
| 5 | 113501-11-700 | EA | GLASS-STATIONARY,BOTTOM | 390-025769 |
| 6 | 098644-01-700 | EA | LATCH-REPAIRKIT,BLACK | B801-CK |
| | 098644-01-706 | FT | WEATHERSTRIP-GLASS | 171-010668 |
| | 098644-01-708 | FT | CHANNEL-RUN,PIERCED | 122-016543 |
| | 098644-01-716 | FT | PLUG-FILLER | 132-014470 |

EXCELCAB WINDOW-DRIVERSIDE-THERMOPANE

| KEY | PARTNUMBER | U/M | DESCRIPTION | VENDORNO. |
|-----|---------------|-----|--|-------------------|
| | 113501-10-01A | EA | WINDOWASM-CAB,W/RETAINER-35.7"X37.2"X43.9" | |
| | 113501-10-702 | EA | RETAINER-TRIM,OFFWHITE | H506-41L&H506-42L |
| | 098644-01-711 | FT | WEATHERSTRIP-SCREEN,BLACK | 171-016965 |
| | 098644-01-713 | EA | CLIP-SPRING,METAL | 226-016966 |
| | 098644-01-717 | FT | SPLINE-SCREEN | 132-004716 |
| | 103501-09-702 | EA | SCREENASM-W/SEALS&CLIPS | 410-025381 |
| | 112795-01-700 | EA | LATCHASM-BLACK,BOLTON | DH287-CK |
| | 112795-01-701 | EA | SLIDE-STOP | 132-019092 |
| | 112795-01-703 | IN | CHANNEL-RUN(INCHES) | 122-018736 |
| | 112795-01-704 | FT | PLUGFILLER(DOUBLEGLAZED) | 122-018737 |
| | 112795-01-705 | FT | VINYL-GLAZING | 132-025736 |
| | 112898-04-703 | EA | SASHLATCHKIT,RAISED | DH343-CK |
| | 113501-10-700 | EA | GLASS-STATIONARY | 390-025388 |
| | 113501-10-701 | EA | GLASS-SLIDING,W/SASH&LATCH | DH506-A9L |

WINDOW, VENT & EXTERIOR DOOR GROUP (CONTINUED)

EXCELCAB WINDOW-PASSENGER SIDE-THERMOPANE

| KEY | PARTNUMBER | U/M | DESCRIPTION | VENDORNO. |
|-----|---------------|-----|--|-------------------|
| | 113501-09-01A | EA | WINDOWASM-CAB,W/RETAINER-35.7"X37.2"X43.9" | |
| | 113501-09-703 | EA | RETAINER-TRIM,OFFWHITE | H506-41R&H506-42R |
| | 113501-09-700 | EA | GLASS-STATIONARY | 390-025839 |
| | 113501-09-701 | EA | GLASS-SLIDING,W/SASH&LATCH | DH506-A9R |
| | 103501-09-702 | EA | SCREENASM-W/SEALS&CLIPS | 410-025381 |
| | 098644-01-711 | FT | WEATHERSTRIP-SCREEN,BLACK | 171-016965 |
| | 098644-01-713 | EA | CLIP-SPRING,METAL | 226-016966 |
| | 098644-01-717 | FT | SPLINE-SCREEN | 132-004716 |
| | 112795-01-700 | EA | LATCHASM-BLACK,BOLTON | DH287-CK |
| | 112795-01-701 | EA | SLIDE-STOP | 132-019092 |
| | 112795-01-703 | IN | CHANNEL-RUN(INCHES) | 122-018736 |
| | 112795-01-704 | FT | PLUGFILLER(DOUBLEGLAZED) | 122-018737 |
| | 112795-01-705 | FT | VINYL-GLAZING | 132-025736 |
| | 112898-04-703 | EA | SASHLATCHKIT,RAISED | DH343-CK |

EXCELCAB WINDOW-DRIVERSIDE-THERMOPANE(EXPORT OPTION)

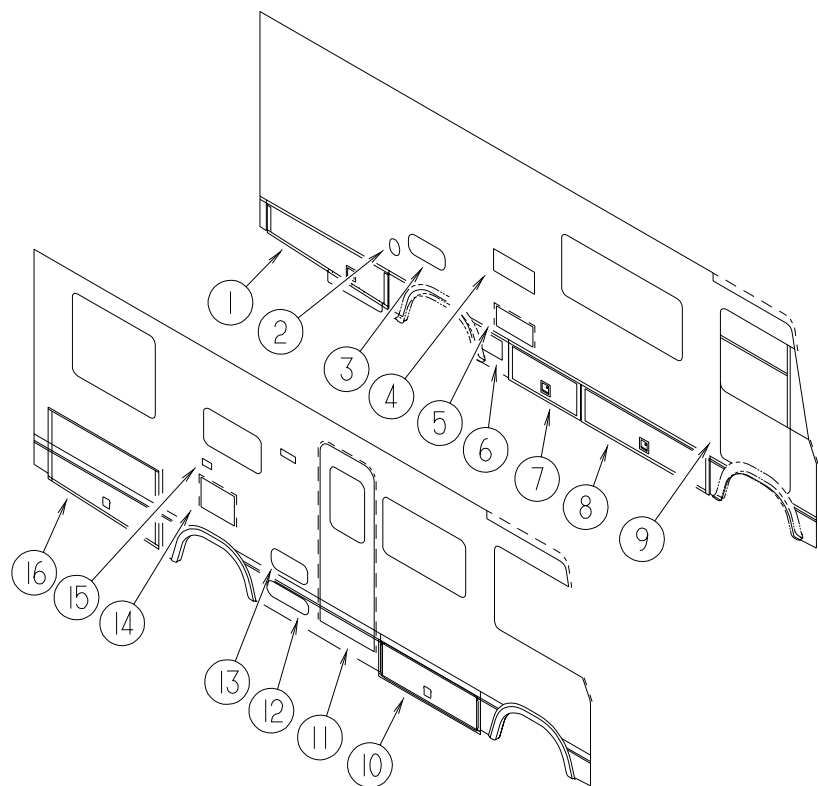
| KEY | PARTNUMBER | U/M | DESCRIPTION | VENDORNO. |
|-----|---------------|-----|--|--------------|
| | 113501-12-01A | EA | WINDOW-DRIVER CAB THERMO(2 WINDOW)-35.7"X37.2"X43.9" | |
| | 113501-10-702 | EA | RETAINER-TRIM | H506-41L&42L |
| | 098644-01-711 | FT | WEATHERSTRIP-SCREENBLACK | 171-016965 |
| | 098644-01-713 | EA | CLIP-SPRING-METAL | 226-016966 |
| | 098644-01-717 | FT | SPLINE-SCREEN | 132-004716 |
| | 112795-01-700 | EA | LATCHASM.-BLK.(BOLTON) | DH287-CK |
| | 112795-01-701 | EA | SLIDE-STOP | 132-019092 |
| | 112795-01-703 | IN | CHANNEL-RUN(INCHES) | 122-018736 |
| | 112795-01-704 | FT | PLUGFILLER(DOUBLEGLAZED) | 122-018737 |
| | 112795-01-705 | FT | VINYL-GLAZING | 132-025736 |
| | 112898-04-703 | EA | SASHLATCHKIT-RAISED | DH343-CK |
| | 113501-09-702 | EA | SCREENASM-W/SEALS&CLIPS | 410-025381 |
| | 113501-12-700 | EA | GLASS-STATIONARY | 390-025770 |
| | 113501-12-701 | EA | GLASSASM-W/SASH&LATCH | DH506-EA9L |

EXCELCAB WINDOW-PASSENGER SIDE-THERMOPANE(EXPORT OPTION)

| KEY | PARTNUMBER | U/M | DESCRIPTION | VENDORNO. |
|-----|---------------|-----|---|--------------|
| | 113501-11-01A | EA | WINDOW-PASSCAB THERMO(2 WINDOW)-35.7"X37.2"X43.9" | |
| | 113501-09-703 | EA | RETAINER-TRIM | H506-41R&42R |
| | 098644-01-711 | FT | WEATHERSTRIP-SCREENBLACK | 171-016965 |
| | 098644-01-713 | EA | CLIP-SPRING-METAL | 226-016966 |
| | 098644-01-717 | FT | SPLINE-SCREEN | 132-004716 |
| | 112795-01-700 | EA | LATCHASM.-BLK.(BOLTON) | DH287-CK |
| | 112795-01-701 | EA | SLIDE-STOP | 132-019092 |
| | 112795-01-703 | IN | CHANNEL-RUN(INCHES) | 122-018736 |
| | 112795-01-704 | FT | PLUGFILLER(DOUBLEGLAZED) | 122-018737 |
| | 112795-01-705 | FT | VINYL-GLAZING | 132-025736 |
| | 112898-04-703 | EA | SASHLATCHKIT-RAISED | DH343-CK |
| | 113501-09-702 | EA | SCREENASM-W/SEALS&CLIPS | 410-025381 |
| | 113501-11-700 | EA | GLASS-STATIONARY | 390-025769 |
| | 113501-11-701 | EA | GLASSASM-W/SASH&LATCH | DH506-EA9R |

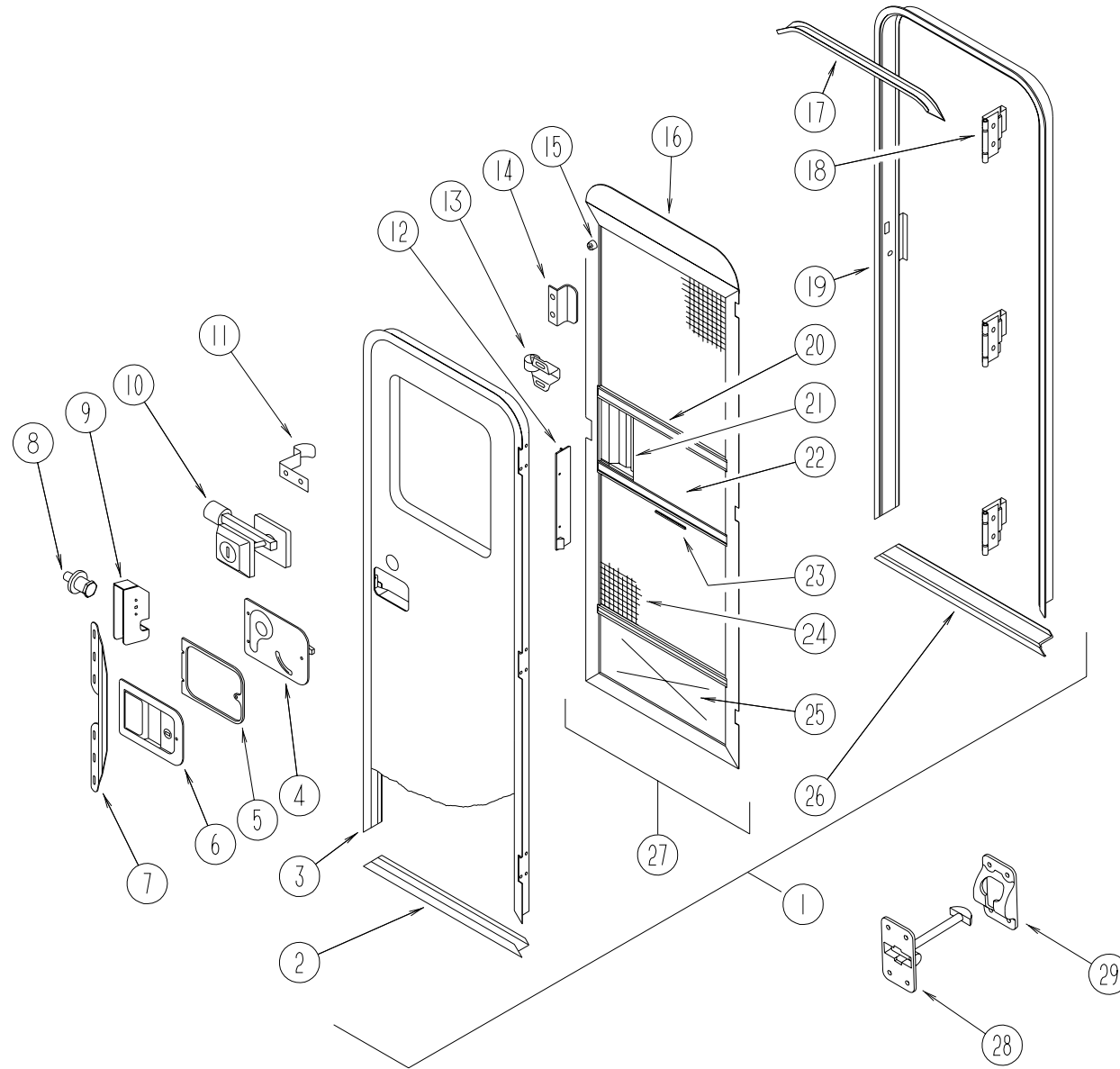
WINDOW, VENT & EXTERIOR DOOR GROUP (CONTINUED)

EXTERIOR DOORS



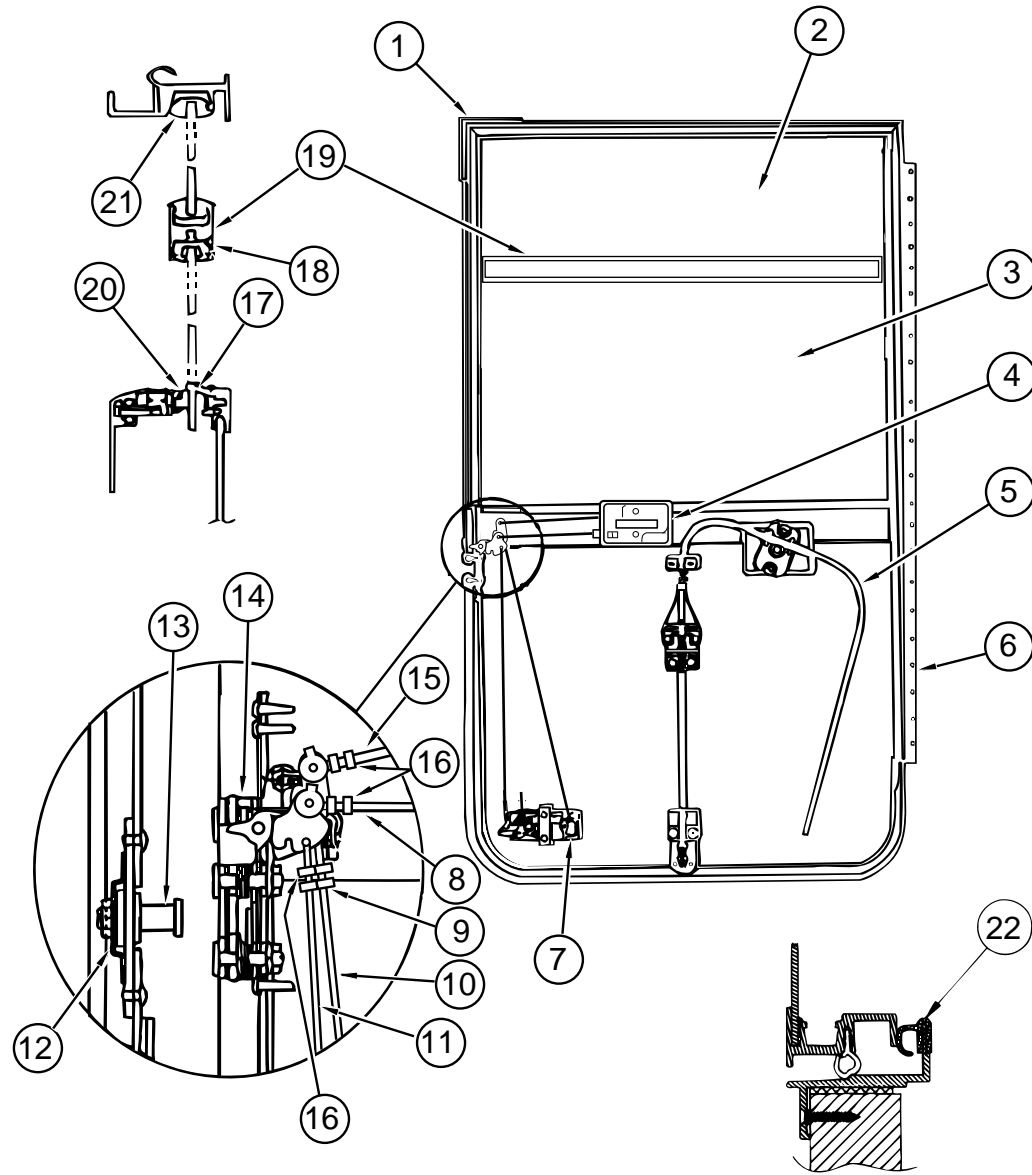
| KEY | PARTNUMBER | U/M | DESCRIPTION | VENDOR NO. |
|-----|---------------|-----|---|-------------|
| 1 | 122391-28-H37 | EA | DOOR-STORAGE-W/OPADDLELATCH-59.8" (BLUETRIM) | |
| 1 | 122391-28-HA3 | EA | DOOR-STORAGE-W/OPADDLELATCH-59.8" (SILVERTRIM) | |
| 1 | 122391-28-H13 | EA | DOOR-STORAGE-W/OPADDLELATCH-59.8" (WHITETRIM) | |
| 2 | 078010-15-000 | EA | DOOR-FUELFILL-W/OLOCK | |
| 3 | 111017-02-F24 | EA | DOOR-STORAGE-W/OLOCK-8.1"X17.8" (WHITETRIM) | |
| 4 | 084103-08-000 | EA | DOOR-REFRIGERATOR-VENTED-W/OJAMB | |
| 4 | 084104-08-000 | EA | JAMB-REFRIGERATORDOOR | |
| | 084104-01-700 | EA | LOCK-MALE-FASTENER | 201-721-010 |
| | 084104-01-701 | EA | LOCK-FEMALE-FASTENER | 201-802-010 |
| 5 | 098668-23-000 | EA | DOOR-ACCESS-FURNACE | |
| 6 | 088794-06-000 | EA | DOOR-POWERCORDW/HATCH-BRIGHTWHITE-9.2"X11" | |
| 6 | 111013-23-H13 | EA | DOOR-STORAGE-W/OLOCK-10.3"X20.5"-EUROPEAN | |
| 7 | 122239-37-H37 | EA | DOOR-STORAGE-W/OPADDLELATCH-35.6" (BLUETRIM) | |
| 7 | 122239-37-HA3 | EA | DOOR-STORAGE-W/OPADDLELATCH-35.6" (SILVERTRIM) | |
| 7 | 122239-37-H13 | EA | DOOR-STORAGE-W/OPADDLELATCH-35.6" (WHITETRIM) | |
| 8 | 122239-38-H37 | EA | DOOR-STORAGE-W/OPADDLELATCH-63.4" (BLUETRIM) | |
| 8 | 122239-38-HA3 | EA | DOOR-STORAGE-W/OPADDLELATCH-63.4" (SILVERTRIM) | |
| 8 | 122239-38-H13 | EA | DOOR-STORAGE-W/OPADDLELATCH-63.4" (WHITETRIM) | |
| 9 | 106469-07-01A | EA | DOOR-DRIVER-BLACK-MANUALWINDOW | |
| 10 | 122239-36-H37 | EA | DOOR-STORAGE-W/OPADDLELATCH-50.3" (BLUETRIM) | |
| 10 | 122239-36-HA3 | EA | DOOR-STORAGE-W/OPADDLELATCH-50.3" (SILVERTRIM) | |
| 10 | 122239-36-H13 | EA | DOOR-STORAGE-W/OPADDLELATCH-50.3" (WHITETRIM) | |
| 11 | 115108-05-H13 | EA | DOOR-ENTRY-W/SCREENDOOR-W/OWINDOW(H12,H13) | |
| 11 | 115108-05-H14 | EA | DOOR-ENTRY-W/SCREENDOOR-W/OWINDOW(H14) | |
| 11 | 115108-05-H15 | EA | DOOR-ENTRY-W/SCREENDOOR-W/OWINDOW(H15) | |
| 11 | 115108-05-H16 | EA | DOOR-ENTRY-W/SCREENDOOR-W/OWINDOW(H16) | |
| 12 | 111009-01-GB1 | EA | DOOR-COMPARTMENT/LP-6.5"X20.8"(WHITETRIM) | |
| 12 | 111009-01-H10 | EA | DOOR-COMPARTMENT/LP-6.5"X20.8(SILVERTRIM) | |
| 12 | 111009-01-H14 | EA | DOOR-COMPARTMENT/LP-6.5"X20.8(BLUETRIM) | |
| 12 | 111013-58-H13 | EA | DOOR-STORAGE-W/OLOCK-14.7"X27.4" (WHITETRIM)-JAPAN | |
| 12 | 111013-58-H14 | EA | DOOR-STORAGE-W/OLOCK-14.7"X27.4" (BLUETRIM)-JAPAN | |
| 12 | 116313-03-H13 | EA | DOOR-COMPARTMENTW/OLATCHES(WHITETRIM)-EUROPEAN | |
| 12 | 116313-03-H14 | EA | DOOR-COMPARTMENTW/OLATCHES(BLUETRIM)-EUROPEAN | |
| 13 | 111017-01-H23 | EA | DOOR-STORAGE-W/OLOCK-8.1"X17.8" (WHITETRIM) | |
| 14 | 052009-06-000 | EA | DOOR-WATERHEATER-BRIGHTWHITE-18"X14.6" | |
| | 116424-01-000 | EA | PROTECTOR-LATCH-WATERHEATER | |
| 15 | 081240-16-000 | EA | DOOR-WATERFILL-LOCKABLEW/OLOCK-4"X45/8" | |
| 16 | 124245-04-H13 | EA | DOOR-STORAGE-W/OPADDLELATCH-55.7" (WHITETRIM) | |
| 16 | 124245-03-H13 | EA | DOOR-STORAGE-W/OPADDLELATCH-55.7" (WHITETRIM)(W/RAISED BED) | |

WINDOW, VENT & EXTERIOR DOOR GROUP (CONTINUED)
ENTRANCEDOOR



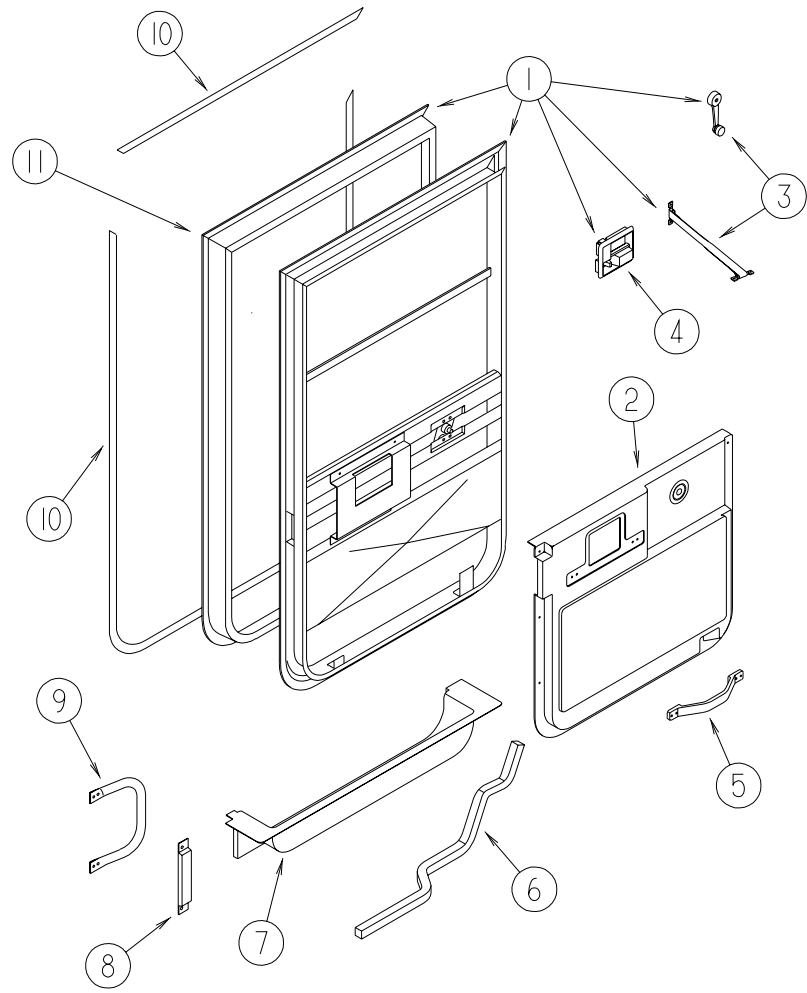
| KEY | PARTNUMBER | U/M | DESCRIPTION | VENDOR NO. |
|-----|---------------|-----|--|------------|
| 1 | 115108-05-H13 | EA | DOOR-ENTRY-W/SCREENDOOR-W/OWINDOW(H12,H13) | |
| 1 | 115108-05-H14 | EA | DOOR-ENTRY-W/SCREENDOOR-W/OWINDOW(H14) | |
| 1 | 115108-05-H15 | EA | DOOR-ENTRY-W/SCREENDOOR-W/OWINDOW(H15) | |
| 1 | 115108-05-H16 | EA | DOOR-ENTRY-W/SCREENDOOR-W/OWINDOW(H16) | |
| 2 | 121893-01-01A | EA | FRAME-BOTTOM,ENTRYDOOR-BRIGHTWHITE | |
| 3 | 121894-07-01A | EA | FRAME-ENTRYDOOR,W/OBOTTOM-BRIGHTWHITE | |
| 4 | 039979-06-000 | EA | COVER-LATCHPLATE-RIGHTHAND-BLACKTEXTURED | |
| | 039984-01-000 | EA | CAP-ROUND,VINYL-.28"IDX.62"LONG-BLACK | |
| 5 | 096810-01-01A | EA | PLATE-LATCH,ENTRYDOOR-PLASTIC-BLACK | |
| | 041546-07-000 | EA | BRACKET-DOORANGLE,OFFWHITE-METAL | |
| 6 | 045017-13-000 | EA | LATCH-ENTRYDOOR-BLACKTEXTURED | |
| | 045017-11-701 | EA | KEY-BLANK-F1SERIES | 81312-02 |
| | 045017-11-703 | EA | CYLINDER-LOCKASM.W/KEYS | 81266-09 |
| | 075671-04-000 | FT | SEAL-SPONGE-LAZYT-W/ADHESIVESTRIP-.5"WIDE | |
| 7 | 098173-01-07A | EA | STIFFENER-ENTRYDOOR-SUPPORTSLATCH/STRIKEAREA | |
| 7 | 098173-01-04A | EA | STIFFENER-ENTRYDOOR-SUPPORTSLATCH/STRIKEAREA-UNPAINTED | |
| 8 | 039539-01-000 | EA | STRIKE-LOCK-ENTRYDOOR-ROUNDW/THREADEDWASHER | |
| | 077461-03-000 | EA | COVER-STRIKE-ENTRYDOOR-6.5"X2.5"-WHITEPLASTIC | |
| 9 | 039540-01-000 | EA | LATCHMECHANISM-HOOK-ENTRYDOOR-INTERIOR | |
| 10 | 101145-01-06A | EA | DEADBOLT-ENTRYDOORW/OSECURITYBOLTW/2KEYS-BLACKTEXTURED | |
| | 095229-01-700 | EA | KEY-BLANK-DEADBOLT | 81205-03 |
| | 101145-01-701 | EA | CYLINDER-LOCKASSEMBLY,W/KEY | 81306-03 |
| | 101147-01-000 | EA | BOLT-SECURITY,4.12"BACKSET | |
| 11 | 100412-01-000 | EA | CATCH-SCREENDOOR | |
| 12 | 079087-03-000 | EA | STRIKE-SLIDER,W/LIPFORELBOWCATCH-1.5"X8.6"-BRIGHTWHITE | |
| 13 | 109403-01-000 | EA | CATCH-SCREENDOORROLLER | |
| 14 | 050712-06-000 | EA | HANDLE-SCREENDOOR-BRIGHTWHITE | |
| 15 | 120863-05-000 | EA | BUMPER-RUBBER-SCREENDOOR | |
| 16 | 078595-01-000 | EA | TOPPLATE-SCREENDOOR-CURVEDTOP-4.7"X25.35" | |
| 17 | 044582-44-000 | EA | CAP-DRIP-JAMB-BRIGHTWHITE | |
| 18 | 106719-01-05A | EA | HINGE-ENTRANCEDOOR | |
| 18 | 106719-01-01A | EA | HINGE-ENTRANCEDOOR-MILL | |
| | 102248-01-000 | EA | SHIM-DOOR | |
| | 039715-01-000 | EA | NUT-SERT-1/4"DIAMETER-20THREADS | |
| | 116111-02-01A | EA | SCREW-TAPTITE-1/4-20X3/8PPH-ZINC | |
| | 118929-01-01A | FT | SEAL-PILE-PUSHON | |
| | 076725-02-000 | EA | COVER-HINGE,ENTRYDOOR-6"X3.2"-PLASTIC-OFFWHITE | |
| 19 | 121898-04-01A | EA | JAMB-ENTRYDOOR,W/BOTTOM-BRIGHTWHITE | |
| | 115222-01-01A | EA | GARNISH-RADIUS-ENTRYDOOR-OFFWHITE | |
| 20 | 078777-01-000 | EA | CHANNEL-SLIDE-SCREENDOORCENTERSLIDECOVER | |
| 21 | 079086-03-000 | EA | SLIDER-SCREENDOOR-BRIGHTWHITE | |
| 22 | 016454-01-000 | EA | INSERT-CENTER-LEATHERGRAINALUMINUM-UNPAINTED | |
| 22 | 001014-01-013 | EA | INSERT-CENTER-10.25"X16.31"-UNPAINTED | |
| 23 | 002294-01-000 | FT | SPLINE-SCREENING,.135"X.138"-BLACK | |
| 24 | 002293-02-000 | SF | SCREENING-WINDOW/DOOR,26"-CHARCOAL | |
| 25 | 078552-03-000 | EA | KICKPANEL-SCREENDOOR-LOWERINSERT-UNPAINTED | |
| 26 | 051049-01-000 | EA | JAMB-BOTTOM-ENTRYDOOR-25.9"-UNPAINTED | |
| 27 | 121899-03-GB1 | EA | DOOR-SCREEN-W/OHARDWARE | |
| | 075673-01-000 | FT | SEAL-PILE-ADHESIVEBACK-GRAY | |
| | 075673-05-000 | FT | SEAL-PILE-ADHESIVEBACK-BLACK | |
| | 086285-05-000 | EA | SPACER-NYLON-.7"X.56" | |
| | 122241-01-01A | EA | BUMPER-FOAMRUBBERW/ADHESIVEBACK,12.7MMX12.7MMX6.4MM- BLACK | |
| 28 | 104099-01-04A | EA | CATCH-DOORHOLDER-STRIKE-BRIGHTWHITE | |
| 29 | 104099-02-04A | EA | CATCH-DOORHOLDER-RETAINER-BRIGHTWHITE | |
| | 009126-03-000 | EA | HANDLE-ASSIST-BLACKTEXTURED | |
| | 100128-02-000 | FT | SEAL-FOAM,ADHESIVEBACK-.37"WX.37"THICK | |

WINDOW, VENT & EXTERIOR DOOR GROUP (CONTINUED)
EXCEL DRIVERS DOOR



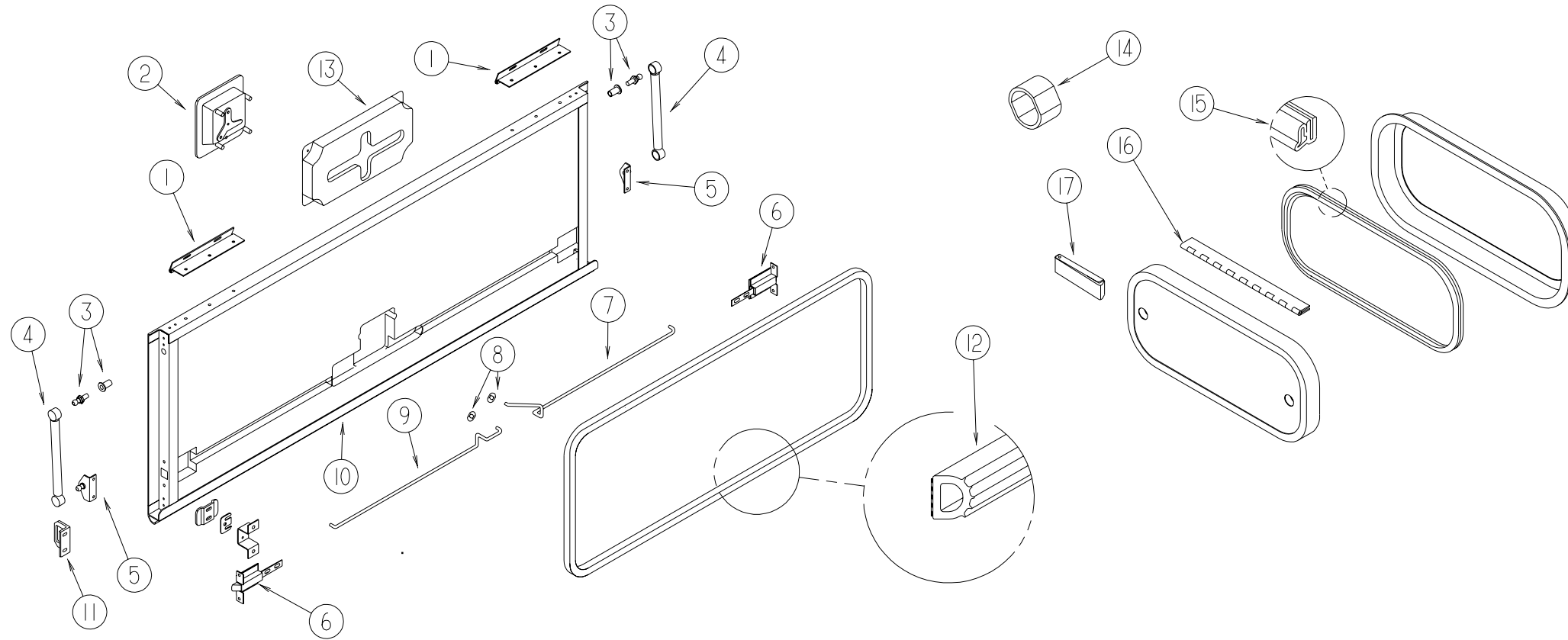
| KEY | PARTNUMBER | U/M | DESCRIPTION | VENDOR NO. |
|-----|---------------|-----|---|------------|
| 1 | 106469-01-702 | EA | SEAL-DOOR,(FRAME)EA=1 | 122-040984 |
| 2 | 106469-02-702 | EA | GLASS-STATIONARY-HORIZONTAL | 106-041104 |
| 2 | 106469-08-701 | EA | GLASS-STATIONARY-HORIZONTAL-E-GLASS | 106-041244 |
| 3 | 106469-01-704 | EA | GLASSASM-ROLL-UP W/BACKET | V103-65L |
| 3 | 106469-08-702 | EA | GLASSASM-ROLL-UP W/BACKET-E-GLASS | V130-65EL |
| 4 | 106469-04-712 | EA | HARDWARE-INNERHANDLE,LH | 248-041402 |
| 5 | 106469-02-701 | EA | REGULATORASSEMBLY | V108-90L |
| 6 | 106469-05-702 | EA | HINGE-42" | 211-041194 |
| 7 | 106469-04-700 | EA | PADDLEASSEMBLYW/COLLAR | 248-041237 |
| | 106469-04-701 | EA | TUMBLER&KEYS,TRI-MARK | 248-041179 |
| | 106469-04-715 | EA | LATCHCOMPLETEW/TUMBLER&KEYS | V123-15 |
| | 045017-11-701 | EA | KEY-BLANK,TRIMARK | 81312-02 |
| 8 | 106469-04-711 | EA | ROD-LOCK,HORIZONTAL | 203-041137 |
| 9 | 106469-04-713 | EA | ROD-CLIP,LH | 248-041154 |
| 10 | 106469-05-703 | EA | LATCHROD,VERTICALADJUSTMENT | 203-041239 |
| 11 | 106469-05-705 | EA | ROD-LOCK,VERTICALADJUSTMENT | 203-041279 |
| 12 | 106469-04-704 | EA | NUTASSEMBLY-CAGEDW/STRIKER | 248-041151 |
| 13 | 106469-04-703 | EA | BOLT-STRIKER,W/WASHER | 248-041152 |
| 14 | 106469-05-706 | EA | LATCH-ROTARY,W/LINKAGE | 248-041150 |
| 15 | 106469-04-705 | EA | ROD-LATCH,HORIZONTAL | 203-041139 |
| 16 | 106469-04-714 | EA | ROD-CLIP,RH | 248-041153 |
| 17 | 106469-02-703 | EA | BELT-WEATHERSTRIP,EXTERIOR-ROLL-UPGLASS | V047-57 |
| 18 | 106469-01-705 | FT | CHANNEL-RUN,SLIDING | 122-010850 |
| 19 | 106469-01-719 | EA | MULLIONRAIL | V103-84 |
| 20 | 106469-01-709 | FT | WEATHERSTRIP-FUZZY | 171-040630 |
| 21 | 106469-02-705 | EA | GLAZING-VINYL,HORIZONTAL-6.3317" | V108-87 |
| 22 | 106469-01-723 | EA | SEALASSEMBLY-BULB,DRIVERSDOORJAMB-PREFORMED | 171-040985 |
| | 106469-02-704 | EA | PARTSBAG-WINDOWHANDLEMISCELLANEOUS | V068-16 |
| | 106469-07-700 | EA | FRAMEMOUNTINGASSEMBLY | V130-30L |

WINDOW, VENT & EXTERIOR DOOR GROUP (CONTINUED)
EXCEL DRIVERS DOOR



| KEY | PARTNUMBER | U/M | DESCRIPTION | VENDOR NO. |
|-----|---------------|-----|---|------------|
| 1 | 106469-07-01A | EA | DOOR-DRIVER-BLACK | |
| 1 | 106469-08-01A | EA | DOOR-DRIVER-W/E-GLASS | |
| 2 | 114973-01-02A | EA | PANEL-DRIVERSDOOR-INNER-WILLOW-PLASTIC | |
| 2 | 114973-01-04A | EA | PANEL-DRIVERDOOR-INNER-WILLOW-PLASTIC-W/E-GLASS | |
| 3 | 106469-02-704 | EA | PARTSBAG (WINDOWHANDLE & CHECKSTRAP) | V068-16 |
| 4 | 106469-04-712 | EA | INNERHANDLEHARDWARE-LEFTHAND | 248-041148 |
| 5 | 110604-01-01A | EA | HANDLE-ASSIST, DRIVERSDOOR-10.8"LONG-BLACK | |
| 6 | 063977-11-000 | EA | STEP-DRIVERDOOR-LEFT-UNPAINTED | |
| 7 | 107818-01-01A | EA | TRIM-STEP-DRIVERSDOOR | |
| | | | FROM: 00-00-00 THRU: 01-14-97 | |
| 7 | 126069-03-01A | EA | TRIM-STEP-DRIVER | |
| | | | FROM: 01-15-97 THRU: 99-99-99 | |
| | 102569-02-000 | EA | MAT-ANTISLIP, 4"X22"-LOWER | |
| 8 | 108654-01-01A | EA | COVER-STRIKE, DRIVERSDOOR-BLACK | |
| 9 | 108832-01-02A | EA | HANDLE-ASSIST-DRIVERDOOR-METAL-OFFWHITE | |
| | 108833-01-01A | EA | COVER-HANDLE-ASSIST-OFFWHITE | |
| 10 | 109235-01-01A | FT | COVER-SCREW-MATBLACK | |
| 11 | 106469-07-700 | EA | MOUNTINGFRAMEASM. | V130-30L |
| | 108129-02-02A | EA | GARNISH-DRIVERSDOOR-FRONT-BLACK | |
| | 108107-01-02A | EA | GARNISH-DRIVERSDOOR-TOP-BLACK | |
| | 108108-04-02A | EA | GARNISH-DRIVERSDOOR-REARUPPER-BLACK | |
| | 108897-02-01A | EA | GARNISH-DRIVERSDOOR-REARLOWER-BLACK | |
| | 116995-01-000 | EA | SWITCH/MAGNET-ELECTRICSTEP | |
| | 076725-06-000 | EA | COVER-ACCESS-DOORJAMPUSHBUTTON-BLACK | |
| | 109235-01-05A | FT | COVER-SCREW, BRIGHTWHITE | |
| | 106746-01-000 | EA | PANEL-STEPWELL, 789MMLONG-STEEL | |
| | 106747-01-000 | EA | PANEL-STEPWELL, RHEND-STEEL | |
| | 106747-02-000 | EA | PANEL-STEPWELL, LHEND-STEEL | |
| | 107868-01-000 | EA | ANGLE-SUPPORT, DOOR-38MMX38MMX19MM-E-COAT-STEEL | |

WINDOW, VENT & EXTERIOR DOOR GROUP (CONTINUED)
EXTERIOR ACCESS DOOR COMPONENTS

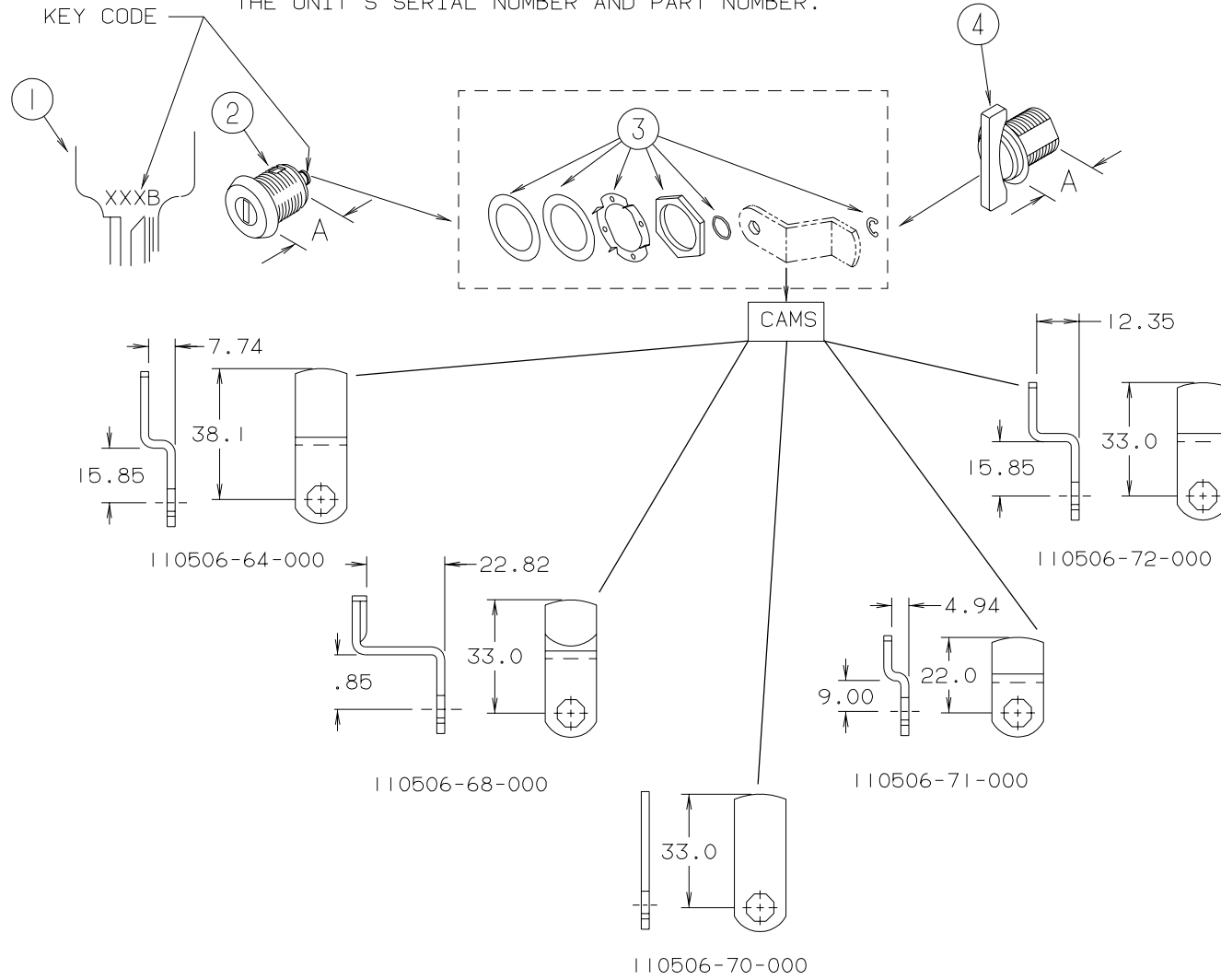


| KEY | PARTNUMBER | U/M | DESCRIPTION |
|-----|---------------|-----|--|
| 1 | 121755-01-04A | EA | HINGE - 6" LONG |
| 2 | 112949-01-04A | EA | LATCH-PADDLE W/LOCK, BLACK-EXTERIOR PAINT OPTION |
| 2 | 112949-01-03A | EA | LATCH-PADDLE W/LOCK, BRIGHT WHITE |
| 2 | 112949-02-05A | EA | LATCH-PADDLE W/O LOCK, BLACK-EXTERIOR PAINT OPTION |
| 2 | 112949-02-04A | EA | LATCH-PADDLE W/O LOCK, BRIGHT WHITE |
| | 112949-03-000 | EA | KEY-PADDLE LATCH W/LOCK - TRI-MARK #TM500 |
| 3 | 057460-08-000 | EA | BALL STUD - 10MM BALL, 5/16-18 |
| 4 | 107796-11-000 | EA | SPRING-GAS, 11" COMPRESSED / 17" EXTENDED - 90LB |
| 4 | 107796-18-000 | EA | SPRING-GAS, 7" COMPRESSED / 10" EXTENDED - 80LB |
| 4 | 107796-20-000 | EA | SPRING-GAS, 7" COMPRESSED / 10" EXTENDED - 60LB |
| 4 | 107796-27-000 | EA | SPRING-GAS, 8.5" COMPRESSED / 12" EXTENDED - 90LB |
| 5 | 107796-19-000 | EA | BRACKET-GAS SPRING, SMALL - BLACK |
| 6 | 121947-01-01A | EA | BOLT-SLIDE, LATCH-STEEL |
| 7 | 122269-58-000 | EA | ROD-LATCH - 15.78" LONG (CLIPPED TO UPPER PIN ON PADDLE LATCH) |
| 7 | 122269-57-000 | EA | ROD-LATCH - 19.80" LONG (CLIPPED TO UPPER PIN ON PADDLE LATCH) |
| 7 | 122269-06-000 | EA | ROD-LATCH - 24.07" LONG (CLIPPED TO UPPER PIN ON PADDLE LATCH) |
| 7 | 122269-49-000 | EA | ROD-LATCH - 17.51" LONG (CLIPPED TO UPPER PIN ON PADDLE LATCH) |
| 7 | 122269-50-000 | EA | ROD-LATCH - 10.13" LONG (CLIPPED TO UPPER PIN ON PADDLE LATCH) |
| 8 | 124304-01-000 | EA | CLIP-ROUND PUSH ON |

| KEY | PARTNUMBER | U/M | DESCRIPTION |
|-----|---------------|-----|--|
| 9 | 122268-58-000 | EA | ROD-LATCH - 28.75" LONG (CLIPPED TO LOWER PIN ON PADDLE LATCH) |
| 9 | 122268-57-000 | EA | ROD-LATCH - 19.80" LONG (CLIPPED TO LOWER PIN ON PADDLE LATCH) |
| 9 | 122268-06-000 | EA | ROD-LATCH - 24.07" LONG (CLIPPED TO LOWER PIN ON PADDLE LATCH) |
| 9 | 122268-49-000 | EA | ROD-LATCH - 17.51" LONG (CLIPPED TO LOWER PIN ON PADDLE LATCH) |
| 9 | 122268-50-000 | EA | ROD-LATCH - 10.13" LONG (CLIPPED TO LOWER PIN ON PADDLE LATCH) |
| 10 | 122613-55-001 | EA | EXTRUDED-ROCKER PANEL - 192" - BRIGHT WHITE |
| 10 | 122613-55-004 | EA | EXTRUDED-ROCKER PANEL - 192" - BLUE |
| 10 | 122613-55-006 | EA | EXTRUDED-ROCKER PANEL - 192" - SILVER |
| 11 | 123783-01-01A | EA | STRIKER-DOOR, SLIDE LATCH - MILL |
| 12 | 107721-04-000 | FT | SEAL-ACCESS DOOR |
| | | | FROM: 00-00-00 THRU: 03-11-97 |
| 12 | 107721-07-000 | FT | SEAL-ACCESS DOOR |
| | | | FROM: 03-12-97 THRU: 99-99-99 |
| 13 | 122277-02-01A | EA | COVER-LATCH, PLASTIC - BLACK |
| 14 | 107997-51-001 | EA | SPACER - DOOR LOCK - .6" DEEP |
| | 107997-51-002 | EA | EXTRUDED SPACER - 16' |
| 15 | 064075-07-000 | FT | SEAL-BULB, W/WIRED U CHANNEL - .3" X .5" CHANNEL - BLACK |
| 16 | 081801-V3-000 | EA | HINGE-DOOR, PIANO - 2" X 96", BRIGHT WHITE - ALUMINUM |
| 17 | 102768-01-000 | EA | HOLDER-COMPARTMENT/ENTRY DOOR, METAL - MILL FINISH |
| | 068559-01-001 | FT | EXTRUSION-ANGLE, 1" X .9" X 192" - MILL ALUMINUM |
| | 104692-01-000 | FT | SEAL - 3/4" X 3/4", ADHESIVE BACK FOAM SEAL |
| | 112160-01-000 | FT | SEAL-D SECTION, 6 X 10 - FOAM RUBBER - BLACK - LAUREN 1153 |

WINDOW, VENT & EXTERIOR DOOR GROUP (CONTINUED)
BRIGGS & STRATTON LOCKS & COMPONENTS

NOTE:
 WHEN ORDERING THE LOCK CASE, THE KEY CODE MUST MATCH THE LAST DIGIT OF THE UNIT'S SERIAL NUMBER AND PART NUMBER; WHEN ORDERING THE KEYS, THE THIRD DIGIT OF THE KEY CODE MUST MATCH THE LAST DIGIT OF THE UNIT'S SERIAL NUMBER AND PART NUMBER.



| KEY | PARTNUMBER | U/M | DESCRIPTION | VENDOR NO. |
|-----|---------------|-----|--|------------|
| 1 | 110506-59-000 | EA | KEYS-SET OF 2 | 596720 |
| 2 | 110506-52-000 | EA | CASE-LOCK, A=17MM | 702370 |
| 2 | 110506-53-000 | EA | CASE-LOCK, A=25MM | 702380 |
| 1 | 110506-59-001 | EA | KEYS-SET OF 2 | 596721 |
| 2 | 110506-52-001 | EA | CASE-LOCK, A=17MM | 702371 |
| 2 | 110506-53-001 | EA | CASE-LOCK, A=25MM | 702381 |
| 1 | 110506-59-002 | EA | KEYS-SET OF 2 | 596722 |
| 2 | 110506-52-002 | EA | CASE-LOCK, A=17MM | 702372 |
| 2 | 110506-53-002 | EA | CASE-LOCK, A=25MM | 702382 |
| 1 | 110506-59-003 | EA | KEYS-SET OF 2 | 596723 |
| 2 | 110506-52-003 | EA | CASE-LOCK, A=17MM | 702373 |
| 2 | 110506-53-003 | EA | CASE-LOCK, A=25MM | 702383 |
| 1 | 110506-59-004 | EA | KEYS-SET OF 2 | 596724 |
| 2 | 110506-52-004 | EA | CASE-LOCK, A=17MM | 702374 |
| 2 | 110506-53-004 | EA | CASE-LOCK, A=25MM | 702384 |
| 1 | 110506-59-005 | EA | KEYS-SET OF 2 | 596725 |
| 2 | 110506-52-005 | EA | CASE-LOCK, A=17MM | 702375 |
| 2 | 110506-53-005 | EA | CASE-LOCK, A=25MM | 702385 |
| 1 | 110506-59-006 | EA | KEYS-SET OF 2 | 596726 |
| 2 | 110506-52-006 | EA | CASE-LOCK, A=17MM | 702376 |
| 2 | 110506-53-006 | EA | CASE-LOCK, A=25MM | 702386 |
| 1 | 110506-59-007 | EA | KEYS-SET OF 2 | 596727 |
| 2 | 110506-52-007 | EA | CASE-LOCK, A=17MM | 702377 |
| 2 | 110506-53-007 | EA | CASE-LOCK, A=25MM | 702387 |
| 1 | 110506-59-008 | EA | KEYS-SET OF 2 | 596728 |
| 2 | 110506-52-008 | EA | CASE-LOCK, A=17MM | 702378 |
| 2 | 110506-53-008 | EA | CASE-LOCK, A=25MM | 702388 |
| 1 | 110506-59-009 | EA | KEYS-SET OF 2 | 596729 |
| 2 | 110506-52-009 | EA | CASE-LOCK, A=17MM | 702379 |
| 2 | 110506-53-009 | EA | CASE-LOCK, A=25MM | 702389 |
| 3 | 110506-40-700 | EA | HARDWARE KIT-LOCK, W/GASKET, NUT, CLIP & WASHERS | |
| 4 | 110506-50-000 | EA | CASE - TWIST LOCK - A=17MM | 596952 |
| 4 | 110506-51-000 | EA | CASE - TWIST LOCK - A=25MM | 596669 |
| | 110506-59-701 | EA | KEY BLANK | |

WINDOW, VENT & EXTERIOR DOOR GROUP (CONTINUED)
ELIXIR ROOF VENT - NONPOWERED

| KEY | PARTNUMBER | U/M | DESCRIPTION | VENDOR NO. |
|-----|---------------|-----|--|------------|
| | 122882-01-01A | EA | VENT-ROOF, NONPOWERED | |
| | 009440-01-000 | EA | GEAR/ARM-LIFT-ROOFVENTCOVER-705221K38 | |
| | 064470-01-700 | EA | COVER-VENT, W/O(SLIDEBAR) | J7291 |
| | 064470-01-701 | EA | SLIDEBAR, (VENT-LID) | JRP1291B |
| | 122882-01-700 | EA | HANDLE-CRANK, BLACK | 90128 |
| | 122882-01-701 | EA | SCREEN | JRP-1124-B |
| | 122882-07-01A | EA | GARNISH-ROOFVENT, 63.5-104.6-POWERED OR NONPOWERED | |

ELIXIR ROOF VENT - POWERED

| KEY | PARTNUMBER | U/M | DESCRIPTION | VENDOR NO. |
|-----|---------------|-----|--|------------|
| | 122882-02-01A | EA | VENT-ROOF, POWERED | |
| | 009440-01-000 | EA | GEAR/ARM-LIFT-ROOFVENTCOVER-705221K38 | |
| | 048648-01-000 | EA | MOTOR-ROOFVENT, 1/8 SHAFT-12V-JENSEN | |
| | 048649-01-000 | EA | FAN-ROOFVENT, 6 BLADES-6"-JENSEN | |
| | 064470-01-700 | EA | COVER-VENT, W/O(SLIDEBAR) | J7291 |
| | 064470-01-701 | EA | SLIDEBAR, (VENT-LID) | JRP1291B |
| | 110051-03-700 | EA | SWITCH-BLACK/PUSHBUTTON | 27-0164 |
| | 122882-01-700 | EA | HANDLE-CRANK, BLACK | 90128 |
| | 122882-01-701 | EA | SCREEN | JRP-1124-B |
| | 122882-07-01A | EA | GARNISH-ROOFVENT, 63.5-104.6-POWERED OR NONPOWERED | |

ELIXIR ROOF VENT - POWERED - CANADIAN

| KEY | PARTNUMBER | U/M | DESCRIPTION | VENDOR NO. |
|-----|---------------|-----|--|------------|
| | 122882-03-01A | EA | VENT-ROOF, POWERED-CANADIAN | |
| | 009440-01-000 | EA | GEAR/ARM-LIFT-ROOFVENTCOVER-705221K38 | |
| | 048648-01-000 | EA | MOTOR-ROOFVENT, 1/8 SHAFT-12V-JENSEN | |
| | 048649-01-000 | EA | FAN-ROOFVENT, 6 BLADES-6"-JENSEN | |
| | 064470-01-700 | EA | COVER-VENT, W/O(SLIDEBAR) | J7291 |
| | 064470-01-701 | EA | SLIDEBAR, (VENT-LID) | JRP1291B |
| | 110051-03-700 | EA | SWITCH-BLACK/PUSHBUTTON | 27-0164 |
| | 122882-01-700 | EA | HANDLE-CRANK, BLACK | 90128 |
| | 122882-01-701 | EA | SCREEN | JRP-1124-B |
| | 122882-07-01A | EA | GARNISH-ROOFVENT, 63.5-104.6-POWERED OR NONPOWERED | |

WINDOW, VENT & EXTERIOR DOOR GROUP (CONTINUED)
ROOF VENTS

| KEY | PARTNUMBER | U/M | DESCRIPTION |
|-----|---------------|-----|---|
| | 083558-03-000 | EA | VENT-PLUMBING-PIPEROOF-W/COVER-OFFWHITE |
| | 084073-04-000 | EA | BASE-ROOFVENT-REFRIGERATOR |
| | 084073-07-000 | EA | VENT-ROOF-REFRIGERATOR-BRIGHTWHITE |

SIDEWALL VENTS

| KEY | PARTNUMBER | U/M | DESCRIPTION |
|-----|---------------|-----|-----------------------------------|
| | 084616-07-000 | EA | VENT-SHROUD-RANGEHOOD-BRIGHTWHITE |
| | 084878-09-000 | EA | VENT-HOOD-RANGE/SHORT-OFFWHITE |

POWERED LIFT ROOF VENT

| KEY | PARTNUMBER | U/M | DESCRIPTION | VENDOR NO. |
|-----|---------------|-----|-----------------------------|------------|
| | 123780-03-01A | EA | VENT-EXHAUST-3" ROOF | |
| | 009440-01-000 | EA | GEAR/ARM-LIFT-ROOFVENTCOVER | |
| | 084079-01-703 | EA | KNOB-LIFT-W/EXT.&SCREW | 1140K-00 |
| | 084079-01-704 | EA | BLADE-FAN | 1070-00 |
| | 084079-01-705 | EA | MOTOR | 1080-00 |
| | 084079-01-707 | EA | SWITCH-SAFETY | 1122.05 |
| | 084079-01-709 | EA | SWITCH-MAIN-3SPEED | 1031-05 |
| | 084079-01-711 | EA | H-MOLDING-MOTORMOUNT | |
| | 084079-11-700 | EA | MOTOR-BRKT.-FANBLADE-KIT | 4017K-09 |
| | 123780-01-700 | EA | COVER-VENTW/HINGE&SLIDE | 1020K-81 |
| | 123780-03-700 | EA | GARNISH-INT.3"-4"BRT/WHT | 1040-81 |

**WINDSHIELD&WIPERGROUP
WIPER&WASHERCOMPONENTS**

| KEY | PARTNUMBER | U/M | DESCRIPTION | VENDORNO. |
|-----|---------------|-----|--|-----------------|
| 1 | 096505-05-000 | EA | PIVOT&SHAFTASM-WIPER | |
| | 096505-02-700 | EA | DRIVER-KNURLED,(HD)BARREL.687 | NT721017 |
| | 096505-02-701 | EA | NUT-HEX(HD)W/.687BARREL | NT721021 |
| | 096505-02-702 | EA | CAP-RUBBER(HD)BARREL.687 | CP721084 |
| | 096505-02-703 | EA | CAP-NUT(ACORN)HDW/.687BARREL | 51065-40-NT27WC |
| | 077049-02-000 | EA | NUT-ACORN,10-32BLACK/ANODIZED | |
| 2 | 077048-02-000 | EA | SHAFT-ADAPTERPANTOGRAPHARM | |
| | 117769-01-000 | EA | ARM-WIPER,PANTOGRAPH-28" | |
| 3 | 096931-01-700 | FT | HOSE-WIPER,TOBLADE | |
| | 096931-01-701 | EA | NOZZLE-HARDWAREKIT,INCLUDESNOZZLE,NUT,SHORTTHREADSCREW, LONGTHREADSCREW,ANDPLASTICCAP | |
| | 097978-01-000 | EA | BLADE-WIPER,FLEX-22" | |
| 4 | 117766-02-000 | EA | RESERVOIR/PUMP-WINDSHIELDWASHER | |
| | 045794-01-000 | FT | HOSE-WASHER,WINDSHIELD-5/32"ID-BLACK | |
| | 110605-01-000 | EA | TEE-BARBED,1/8X1/8X3/16 | |
| | 117765-03-000 | EA | CONNECTOR-5/32-WINDSHIELDWASHER | |
| 6 | 106680-02-000 | EA | BRACKET-MOUNT,WIPERPIVOT | |
| | 106603-01-000 | EA | MOUNTASM-PLATEW/SIDEBRACKETS,WIPERMOTOR | |
| 7 | 106604-01-000 | EA | PLATE-WIPERW/OSIDEBRACKETS,MOTORMOUNT | |
| | 103935-03-000 | EA | PLATE-MOUNTING,WIPERMOTOR | |
| 8 | 104346-04-000 | EA | MOTOR-WIPERW/INTERNALBREAKER&DRIVEARM-CHEVY | |
| 10 | 117322-01-000 | EA | SCREW-1/4-28UNF-2A,TORX | |
| 11 | 104347-04-000 | EA | ARM-DRIVE,WIPERMOTOR-FORDORCHEVY | |
| 12 | 117770-04-000 | EA | LINK-CONNECTING,DRIVERSSIDE | |
| 13 | 067188-01-000 | EA | STUD-CRANK,WIPER-WINDSHIELD | |
| 14 | 117770-03-000 | EA | LINK-CONNECTING,PASSENGERSIDE | |
| 15 | 106680-01-000 | EA | BRACKET-MOUNT,WIPERPIVOT | |
| | 000D28-10-00B | EA | NUT-HEXW/NYLONLOCK,10-32-ZINC | |
| | 061603-01-000 | EA | GROMMET-SNAP,3/16ID-3/8HOLE-PLASTIC-BLACK | |

