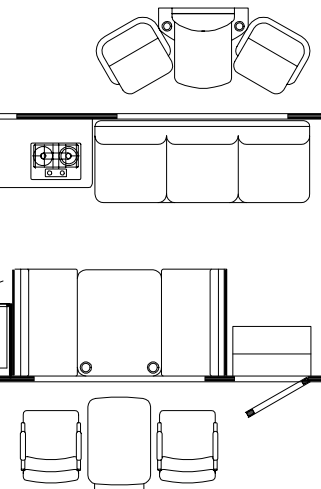
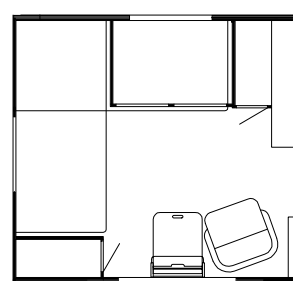
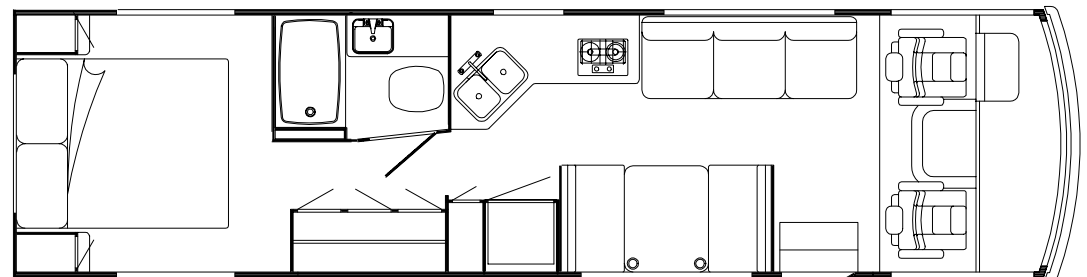
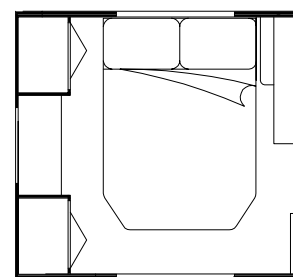
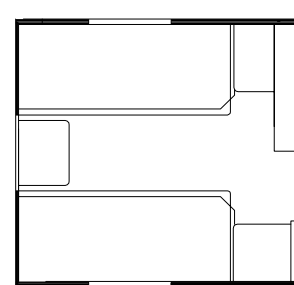
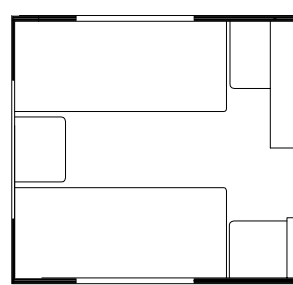
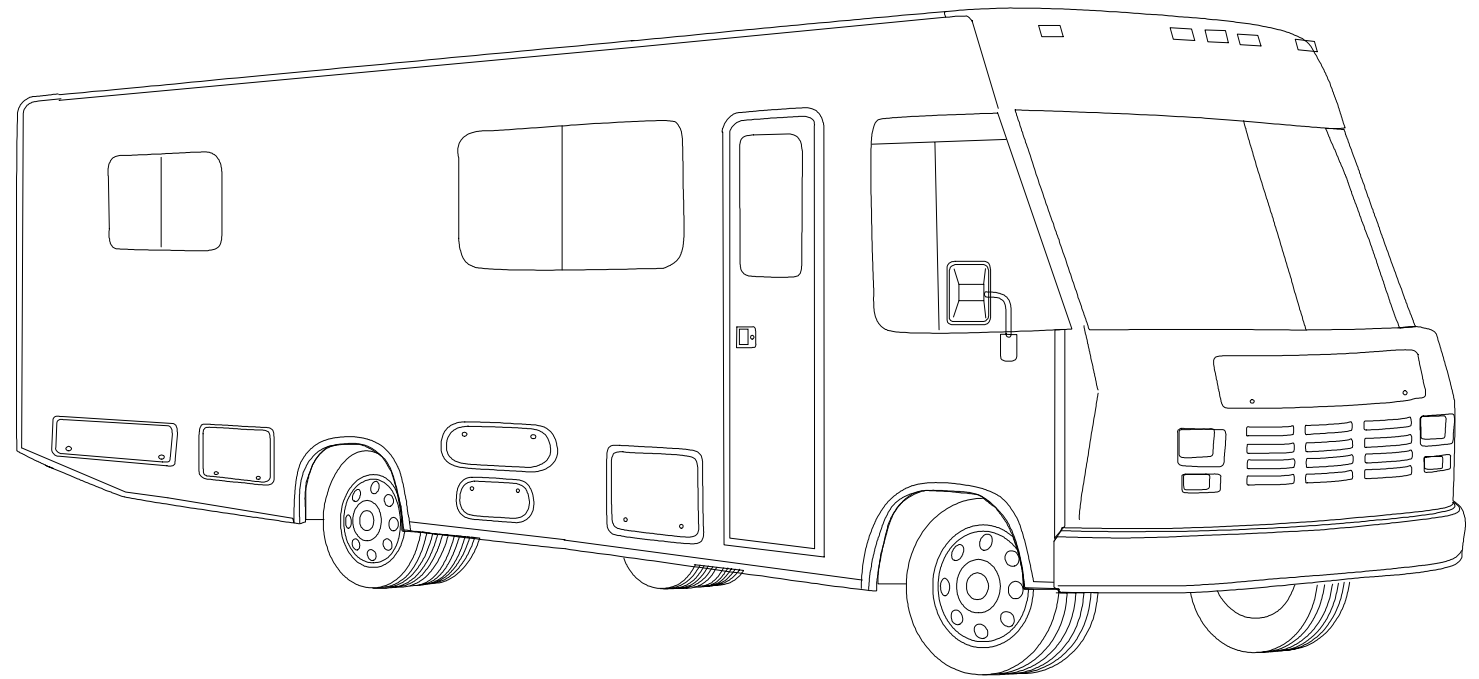


1997 WCD32RQ

H01
BLUE RIDGE (BLUE)

H02
PAINTED DESERT (TAN/TEAL)

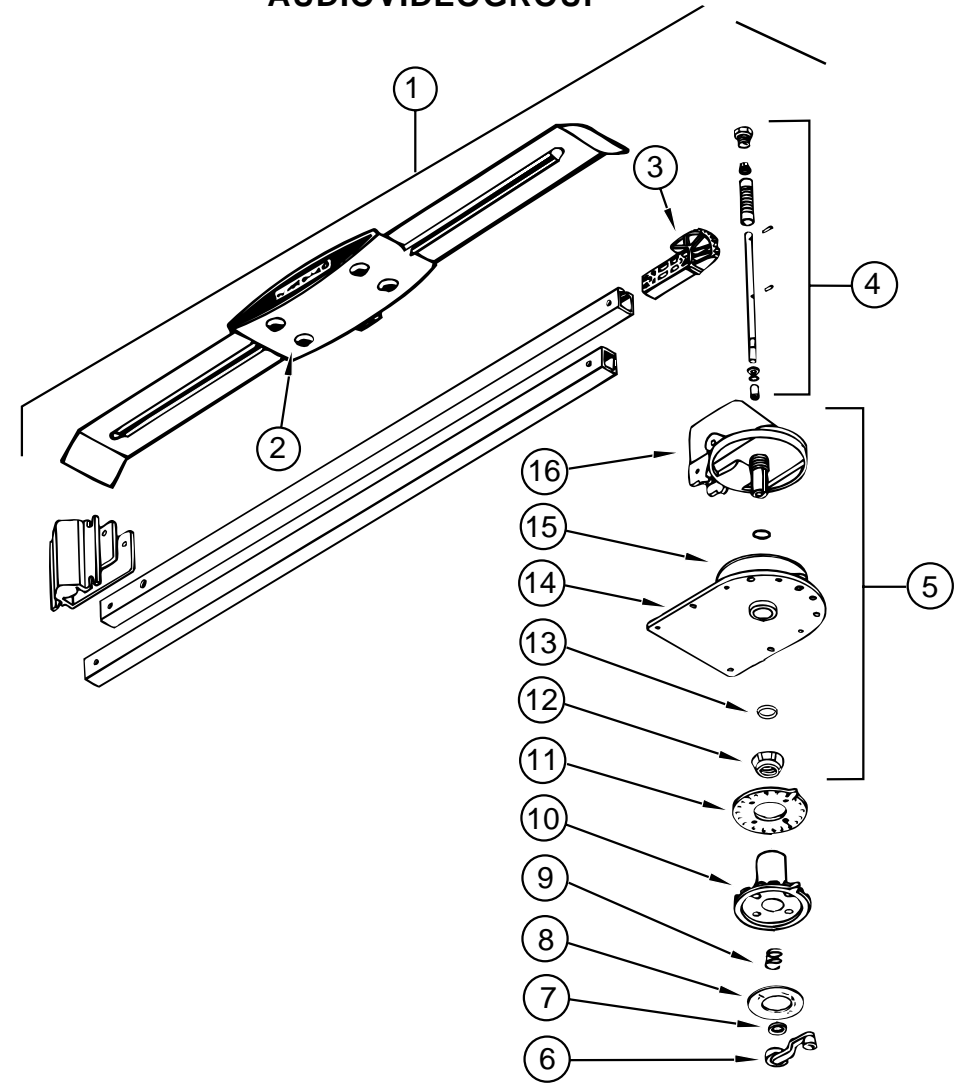


ACCESSORIESGROUP

OPERATORMANUAL

KEY	PARTNUMBER	U/M DESCRIPTION
	054185-F1-000	EA MANUAL-OPERATOR97WARRIOR-D-SERIES
	092318-01-000	EA BINDER-3RING-MOTORHOMEMANUAL
	092319-01-000	EA POCKETPAGE-3RINGBINDER-PLASTIC-(50PERPKG)
	122317-01-000	DW TOPLEVELDRAWING,1997D-SERIES

AUDIOVIDEOGROUP



TV ANTENNA(WINEGARD)

KEY	PARTNUMBER	U/M DESCRIPTION	VENDORNO.
1	076319-20-000	EA ANTENNA-TVROOFMOUNT-3"ROOF	
2	076319-01-700	EA HEAD-ANTENNA-AMPLIFIED	RVSAU/V
3	076319-01-701	EA GEAR-ELEVATING-PLASTIC	2200046
4	076319-01-702	EA SHAFTASM-ELEVATING	RVP-400A
5	076319-01-711	EA BASE&LIFTASM	2762802
6	076319-01-706	EA CRANK-ELEVATING-W/SETSCREW-UNIVERSAL	2750897
7	076319-01-705	EA BEARING-NYLON-7/8"ID	3200658
8	076319-01-708	EA CRANKCOVERDECAL	5413002
9	076319-01-707	EA SPRING-HANDLE	5160822
10	076319-01-709	EA PLATE-DIRECTIONAL-FORHEAD	3200621
11	076319-01-712	EA CEILINGPLATE-WINEGARD	3200608
12	076319-01-715	EA NUT(GEARHOUSING)	2200047
13	076319-01-704	EA BEARING-NYLON-1.5"OD	3200657
14	076319-01-713	EA BASEPLATE	3100523
15	076319-01-703	EA BEARING-NYLON-5"OD	3200656
16	076319-01-714	EA HOUSING-ROTATINGGEAR	2200049

AUDIOVIDEOGROUP(CONTINUED)

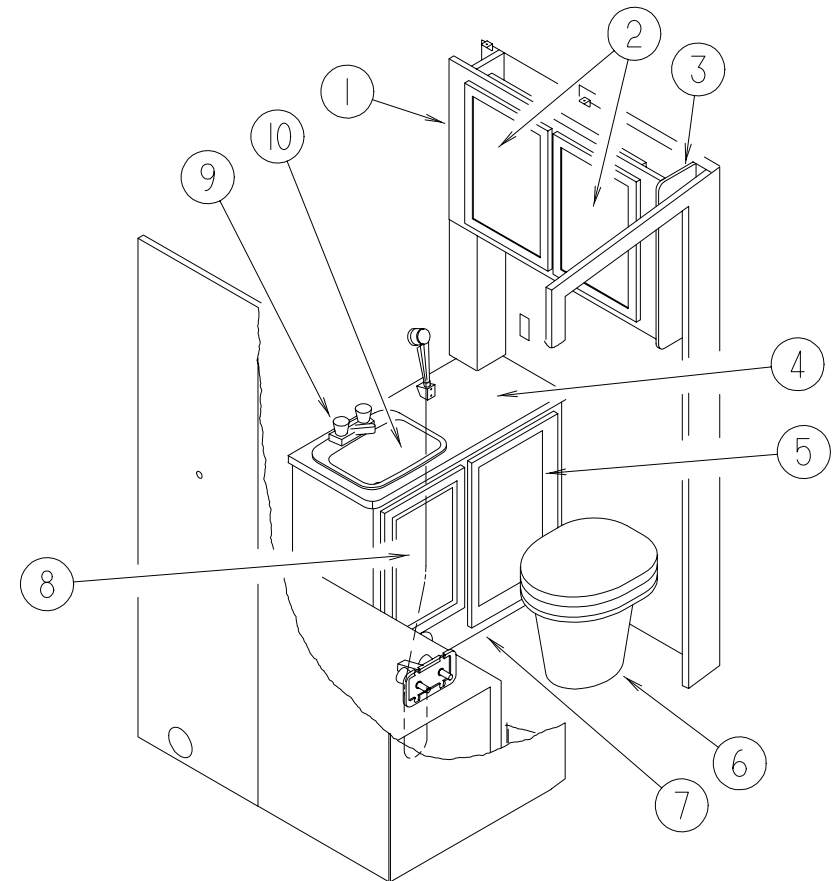
RADIOSYSTEM&ANTENNA

KEY	PARTNUMBER	U/M	DESCRIPTION
	110267-01-000	EA	RADIO-AM/FMSTEREOAUDIOVOX IM-200
	110743-01-000	EA	SPEAKER-RADIO,FADERCONTROL-ASA1410000
	110469-01-000	EA	SPEAKER-4"X6",OVAL-MAGNADYNEF46XB-12
	110470-01-01A	EA	GRILLE-SPEAKER,OVAL-4"X6"-BLACK-MAGNADYNEG46WI
	074979-08-000	EA	SHIELD-SPEAKER-BACK-MOLDEDPLASTIC
	077069-02-000	EA	CABLE-ANTENNA,RADIO-EXTENSION96"-ARA6700667
	090944-01-000	EA	ANTENNA-RADIO,16"RUBBER
	110272-01-000	EA	BRACKET-ANTENNA
	081059-02-000	EA	WIREASM-9-PIN,RADIO-AUDIOVOX112B-1761

TV&COMPONENTS

KEY	PARTNUMBER	U/M	DESCRIPTION	VENDORNO.
	113684-02-000	EA	TV-19"COLORW/1/8"JACK-193/8"WX173/16"HX181/4"D	
	113684-01-700	EA	REMOTE	8822345
	082134-01-000	EA	ADAPTER-TV,CABLETOCABLE-WINEGARDF-81M	
	086777-01-000	EA	WALLPLATE-TVCABLE,W/ANTENNASWITCH-IVORY	
	076319-03-000	FT	CABLE-COAXIAL,75OHM	
	076319-12-000	EA	CONNECTOR-COAXIAL,ONEPIECE	
	093901-03-000	EA	PLATE-COAXIALCABLE	
	076319-06-000	EA	ADAPTOR-CABLEROOFFPLATE,WINEGARDRPJ-1	
	076319-09-000	EA	WALLPLATE-CABLERECEPTACLE,TV-SINGLE-BROWN	
	082136-01-000	EA	NUT-HEXJAM3/8-32,WINEGARD	

BATHGROUP



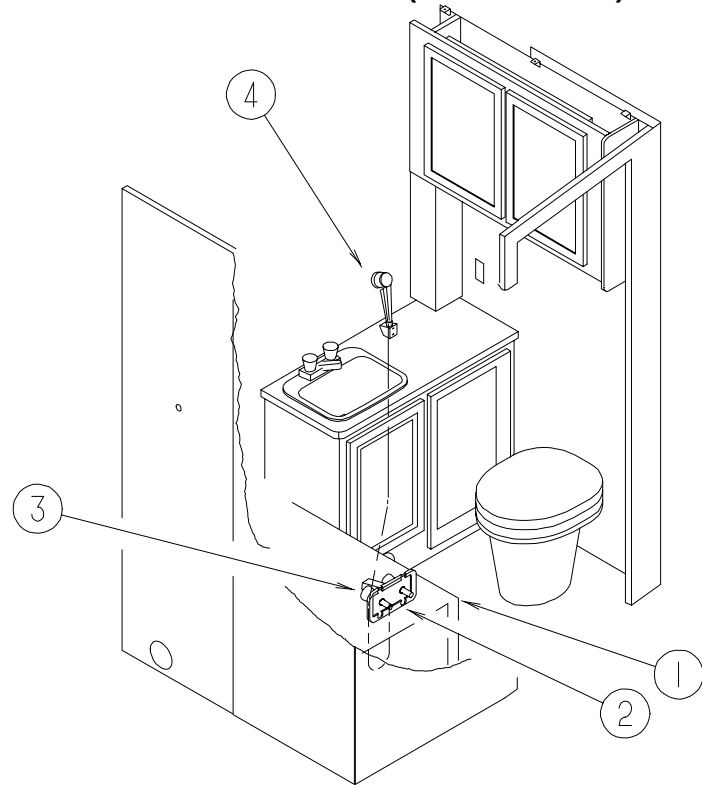
BATHROOMCABINET&COMPONENTS

KEY	PARTNUMBER	U/M	DESCRIPTION	VENDORNO.
1	121381-01-H01	EA	CABINETASM-LINEN/MEDICINE	
2	110140-11-G01	EA	DOOR-MITEREDCORNER/VINYLRAP-13.3"X21.8"-W/OHDW	
3	109908-32-GB1	EA	ENDCAP-OVERHEAD	
4	118124-11-GB1	EA	COUNTERTOPASM(H01)	
4	118124-11-GC1	EA	COUNTERTOPASM(H02)	
5	P18122-01-H01	EA	CABINET-HAMPER-W/OHARDWARE	
6	067487-01-000	EA	TOILET-12.37"-IVORY-HANDFLUSH	
7	118124-01-GB1	EA	CABINET-LAVATORY-W/ODOORS/DRAWERS/HARDWARE(H01)	
7	118124-01-GC1	EA	CABINET-LAVATORY-W/ODOORS/DRAWERS/HARDWARE(H02)	
8	110140-04-G01	EA	DOOR-MITEREDCORNER/VINYLRAP-14.9"X21.8"-W/OHDW	
	075452-02-000	EA	HOLDER-TOILETTISSUE-BRASS	
	075453-02-000	EA	BAR-TOWEL-18"BRASS	
9	075240-06-000	EA	FAUCET-LAVATORY,BONE	
	091253-01-000	EA	GASKET-FAUCET,LAVATORY/GALLEY	
10	096927-01-01A	EA	SINK-LAVATORY-RECTANGULAR-PLASTIC/BONE	
	096927-01-700	EA	PLUG-SINK	M9801
	096927-01-701	EA	TAILPIECE-DRAIN,LAVATORY	M9802
	121449-01-G04	EA	DOOR-BATH	
	094485-03-01A	EA	KNOB-DOOR-BRASS	
	102920-01-01A	EA	HINGE-DOOR-SPRINGLOADED/BRASS	
	110496-01-01A	EA	HINGE-BRASS	
	121449-12-G04	EA	RACK-TOWEL-BATHDOOR	
	100357-01-000	EA	ROD-TOWEL-BRASS	

WARDROBECABINETDOORS

KEY	PARTNUMBER	U/M	DESCRIPTION
	110140-52-G01	EA	DOOR-MIRROR/MTRDCRNR/VINYLRAP-16.1"X65.3"-W/OHDW

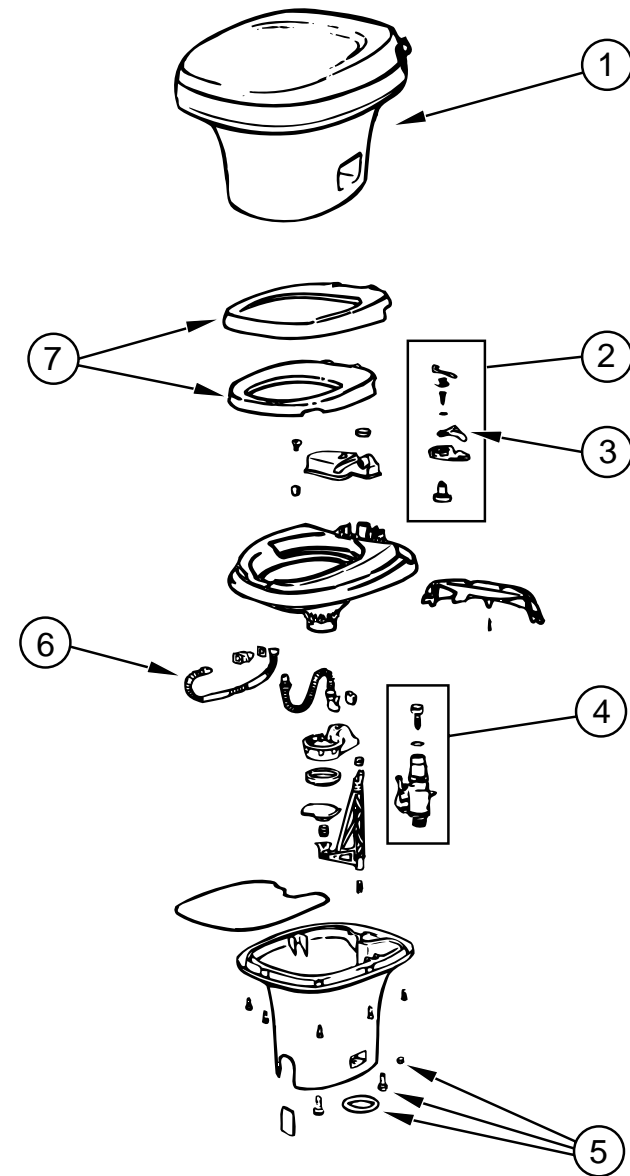
BATHGROUP(CONTINUED)



SHOWER CABINET & COMPONENTS

KEY	PARTNUMBER	U/M DESCRIPTION	VENDOR NO.
1	115611-03-01A	EA SHOWER PANO/W	
	066436-01-000	EA NUT-SLIP, TAILPIECE-1.5"	
	066729-01-000	EA STRAINER-TUB/SHOWER, W/PLUG	
2	075606-01-000	EA PANEL-SHOWER FAUCET	
3	075242-04-000	EA FAUCET-TUB/SHOWER, BONE	
4	103092-01-000	EA SHOWERHEAD-W/60" HOSE	
4	103092-02-000	EA SHOWERHEAD- W/HOSE - CSA	
	103092-01-702	EA SEALS-SPRAYHEAD	24466
	103092-01-700	EA BRACKET-F/SHOWERHEAD, CLEAR	2328028
	011048-03-700	EA BRACKET-F/SHOWERHEAD	2328029-3

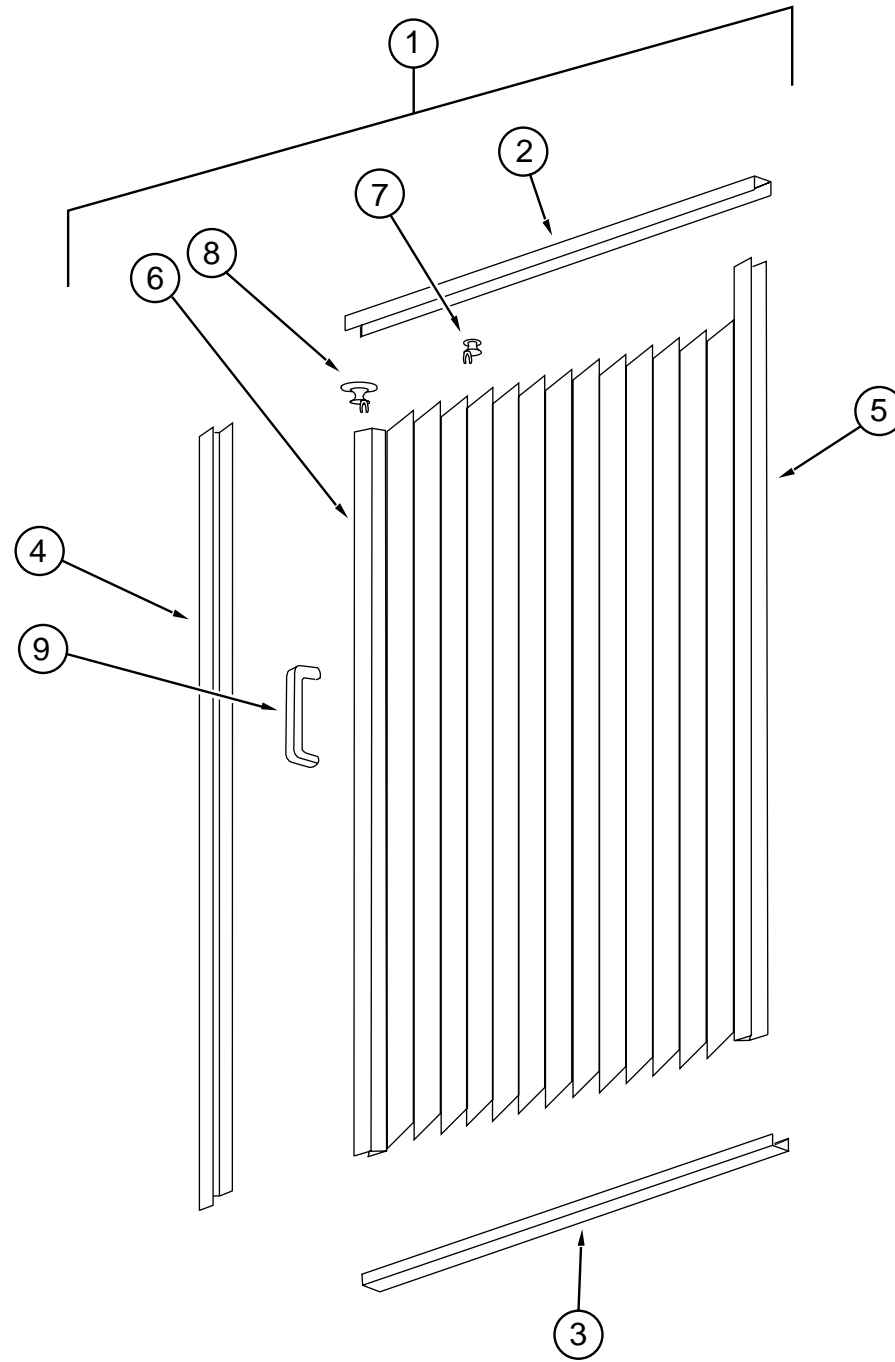
BATHGROUP(CONTINUED)



THETFORD AQUAMAGIC IV TOILET

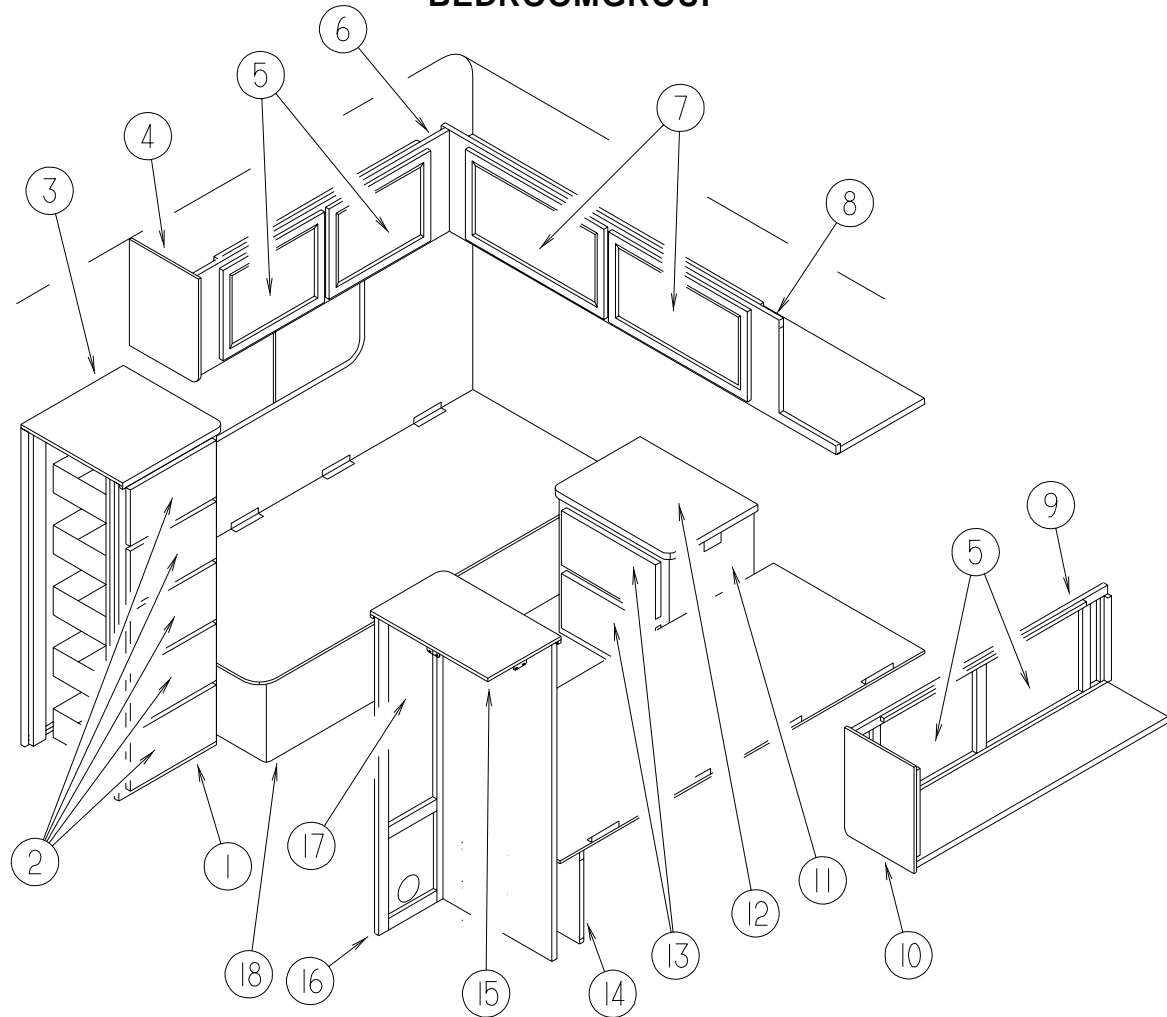
KEY	PARTNUMBER	U/M DESCRIPTION	VENDOR NO.
1	067487-01-000	EA TOILET-12.37", IVORY-HANDFLUSH-THETFORD	150110
2	063740-01-700	EA LEVER-WATER, TOILET	12514
3	063740-01-701	EA LEVER-FLUSH	12515
4	063740-01-714	EA VALVE ASSEMBLY, WATER W/FLOAT & BALL SEAL	13168
5	063740-01-706	EA BOLT PACKAGE-FLOOR FLANGE	12524
6	063740-01-717	EA TUBE-FLUSH	12509
7	063740-02-700	EA SEAT & COVER, PARCHMENT	2464157
	067487-02-702	EA TANK-RESERVOIR	12507

BATHGROUP(CONTINUED)
SHOWERDOOR



KEY	PARTNUMBER	U/M DESCRIPTION
1	117431-03-01A	EA DOOR-SHOWER,FABRIC,PLEATED
2	117431-01-700	EA TRACK-TOP,ALUM.IVORYINSERT 39 3/8
3	117431-01-701	EA TRACK-BOTTOM,393/8
4	117431-01-702	EA RAIL-SIDE,63"
5	117431-01-703	EA RAIL-STATIONARY,63"
6	117431-01-704	EA RAIL-LEAD,63"
7	117431-01-705	EA GLIDE-IVORY,TRAVELER
8	117431-01-706	EA GLIDE-IVORYLEAD,TRAVELER
	117431-01-707	EA LATCH
9	117431-01-708	EA HANDLES&SCREWS
	117431-03-700	EA STRAP-VINYLSHOWER

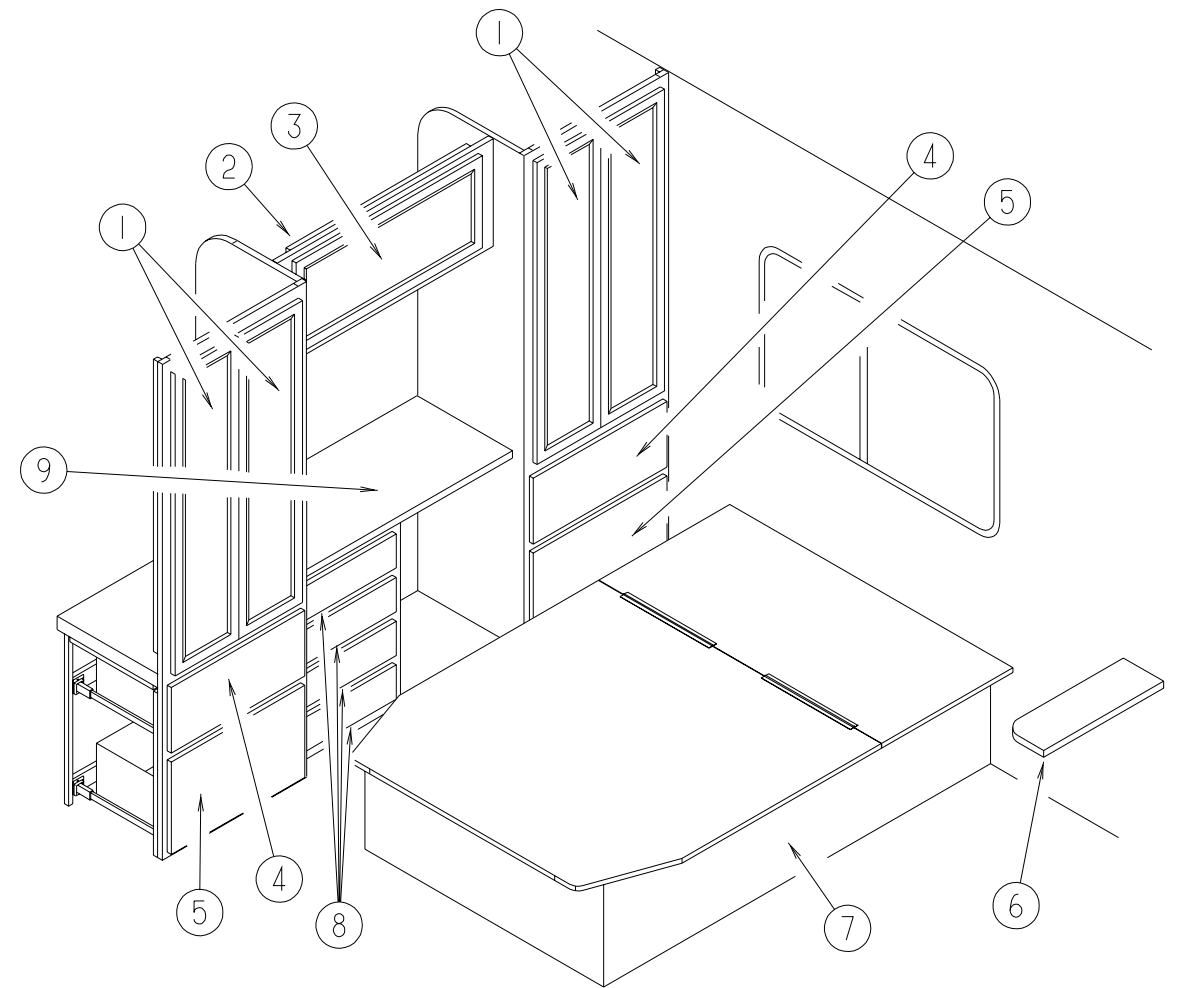
BEDROOMGROUP



TWINBEDROOM

KEY	PARTNUMBER	U/M	DESCRIPTION
1	P18363-01-GB1	EA	CABINETASM-DRESSER,RH,TW
2	P10163-N7-GB1	EA	DRAWERCOMPLETE-SLIDE-DRESSER
3	118363-11-GB1	EA	COUNTERTOPASM(H01)
3	118363-11-GC1	EA	COUNTERTOPASM(H02)
4	109908-31-GB1	EA	CAPASM-END-OVERHEAD
5	110140-27-G01	EA	DOORASM-MITERED-VINYLRAP-0400X0520
6	117093-01-GB1	EA	CABINETASM-OVHD,REAR,RH,TW
7	110140-21-G01	EA	DOORASM-MITERED-VINYLRAP-0400X0710W/MIRROR
7	110140-18-G01	EA	DOORASM-MITERED-VINYLRAP-0400X0710W/OMIRROR
8	117092-01-GB1	EA	CABINETASM-OVHD,REAR,TWIN
9	117093-02-GB1	EA	CABINETASM-OVHD,REAR,LH,TW
10	109908-30-GB1	EA	CAPASM-END-OVERHEAD
11	P17071-01-GB1	EA	CABINETASM-NIGHTSTAND
12	117071-11-GB1	EA	COUNTERTOPASM(H01)
12	117071-11-GC1	EA	COUNTERTOPASM(H02)
13	P10163-N3-GB1	EA	DRAWERCOMPLETE-SLIDE
14	P17070-01-GB1	EA	CABINETASM-BED,TWIN,LH
15	118364-11-GB1	EA	COUNTERTOPASM(H01)
15	118364-11-GC1	EA	COUNTERTOPASM(H02)
16	118364-01-GB1	EA	CABINETASM-CLOSET,SHIRT,LH
17	110140-75-GB1	EA	DOORASM-MITERED-VINYLRAP-0275X0925
18	P17069-01-GB1	EA	CABINETASM-BED,TWIN,RH

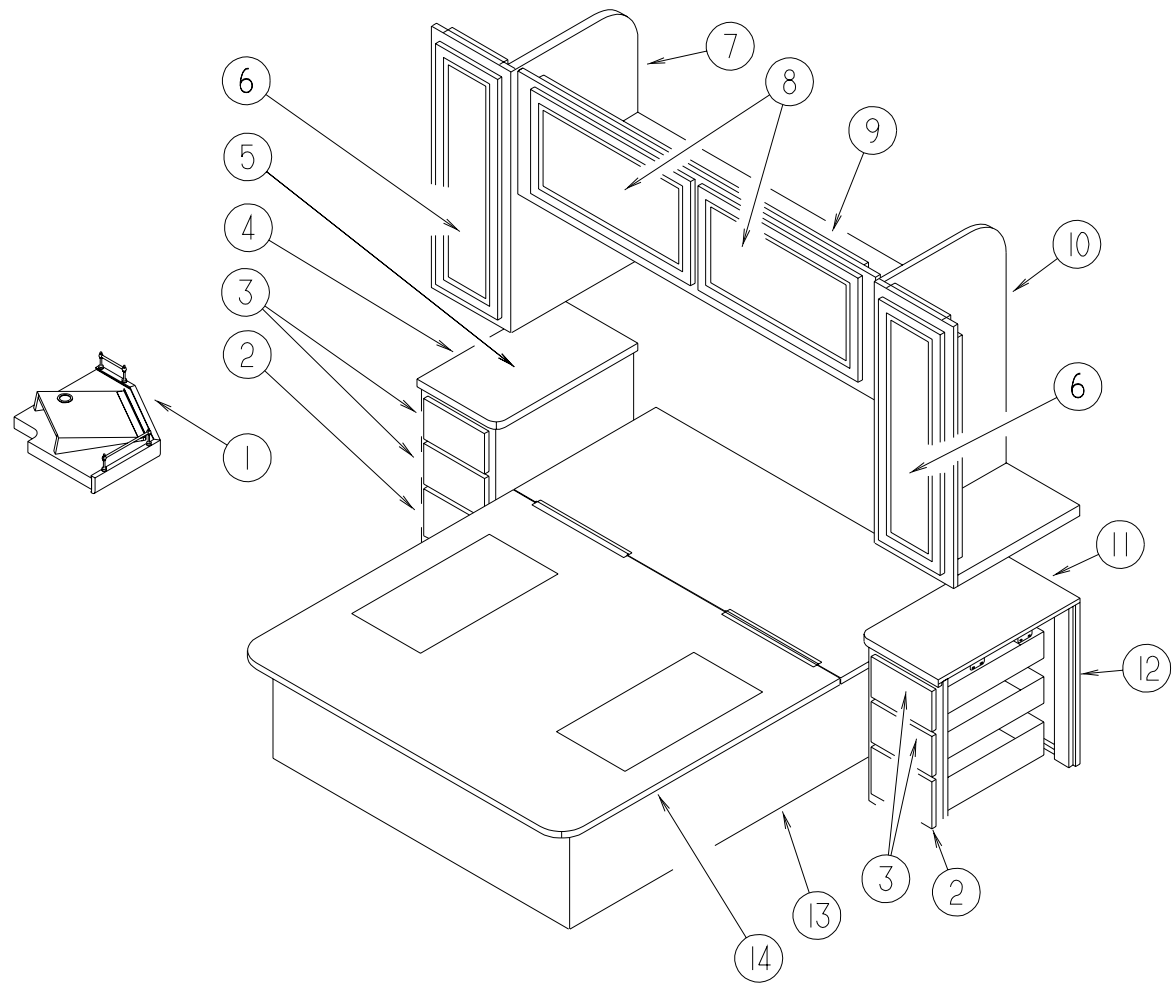
BEDROOMGROUP(CONTINUED)



DOUBLEBEDROOM

KEY	PARTNUMBER	U/M	DESCRIPTION
1	110140-23-G01	EA	DOOR-MIRROR/MTRDCRNR/VINYLRAP-11.9"X48"-W/OHDW
2	121373-01-H01	EA	CABINETASM-OVHD,REAR-DOUBLEBED
3	110140-65-H04	EA	DOOR-MIRROR/MTRDCRNR/VINYLRAP-14.3"X33.4"-W/OHDW
3	110140-05-G01	EA	DOOR-MITEREDCORNER/VINYLRAP-14.3"X33.4"-W/OHDW
3	108536-13-09A	EA	MIRROR-GLASSBOTANICAL
4	P10163-M0-H01	EA	DRAWER-W/OSLIDES/HARDWARE
5	P10163-M1-H01	EA	DRAWER-W/OSLIDES/HARDWARE
6	116842-01-GB1	EA	SHELF-W/PLASTICEDGETRIM-DOUBLEBED(H01)
6	116842-01-GC1	EA	SHELF-W/PLASTICEDGETRIM-DOUBLEBED(H02)
7	P16839-01-GB1	EA	CABINET-DOUBLEBED-W/ODOORS/DRAWERS/HARDWARE
8	P10163-M2-H01	EA	DRAWER-W/OSLIDES/HARDWARE
	P16840-01-GB1	EA	CABINET-DRESSER/REARDOUBLEBED-W/ODOORS/DRAWERS/HDW
9	116840-11-GB1	EA	COUNTERTOP-DOUBLEBED(H01)
9	116840-11-GC1	EA	COUNTERTOP-DOUBLEBED(H02)

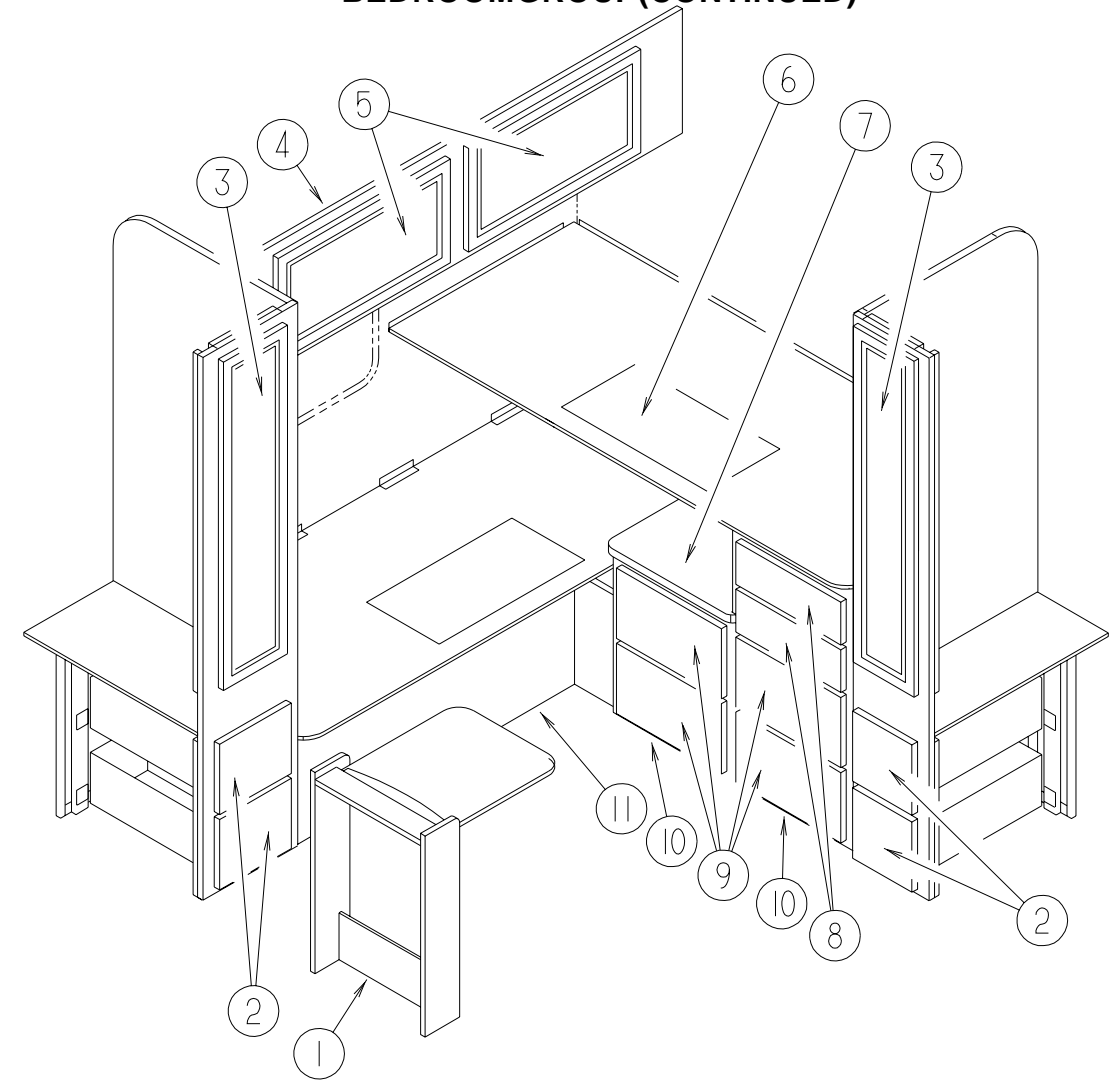
BEDROOMGROUP(CONTINUED)



QUEENBEDROOM

KEY	PARTNUMBER	U/M	DESCRIPTION
1	116553-01-GB1	EA	CABINET-TV SHELF-W/BRASS RODS/POSTENDS
	116553-15-GB1	EA	WEDGE-TV SHELF
	099856-04-000	EA	STRAP ASM TIEDOWN
2	P10163-N8-H01	EA	DRAWER-W/OSLIDES/HARDWARE
3	P10163-N9-H01	EA	DRAWER-W/OSLIDES/HARDWARE
4	P18127-01-GB1	EA	CABINET-NIGHTSTAND-QUEEN/RIGHTHAND-W/ODRS/DWRS/HDW(H01)
4	P18127-01-GC1	EA	CABINET-NIGHTSTAND-QUEEN/RIGHTHAND-W/ODRS/DWRS/HDW(H02)
5	118127-11-GB1	EA	COUNTERTOP-NIGHTSTAND(H01)
5	118127-11-GC1	EA	COUNTERTOP-NIGHTSTAND(H02)
6	110140-75-GB1	EA	DOOR-MITERED CORNER/VINYL WRAP-10.8"X36.4"-W/OHDW
7	121383-02-H01	EA	CABINET ASM-OVHD, SHIRT CLOSET-RH
8	110140-21-H07	EA	DOOR-MIRROR/MTRDCRNR/VINYL WRAP-15.7"X27.9"-W/OHDW
8	110140-18-G01	EA	DOOR-MITERED CORNER/VINYL WRAP-15.7"X27.9"-W/OHDW
9	121377-01-H01	EA	CABINET ASM-OVHD, REAR-QUEEN
10	121383-01-H01	EA	CABINET ASM-OVHD, SHIRT CLOSET-LH
11	118128-11-GB1	EA	COUNTERTOP-NIGHTSTAND(H01)
11	118128-11-GC1	EA	COUNTERTOP-NIGHTSTAND(H02)
12	P18128-01-GB1	EA	CABINET-NIGHTSTAND-QUEEN/LEFTHAND-W/ODRS/DWRS/HDW(H01)
12	P18128-01-GC1	EA	CABINET-NIGHTSTAND-QUEEN/LEFTHAND-W/ODRS/DWRS/HDW(H02)
13	P16997-01-GB1	EA	CABINET-BASE-QUEEN BED-W/ODOORS/DRAWERS/HARDWARE
14	M07501-01-FB1	EA	QUEEN BEDTOP

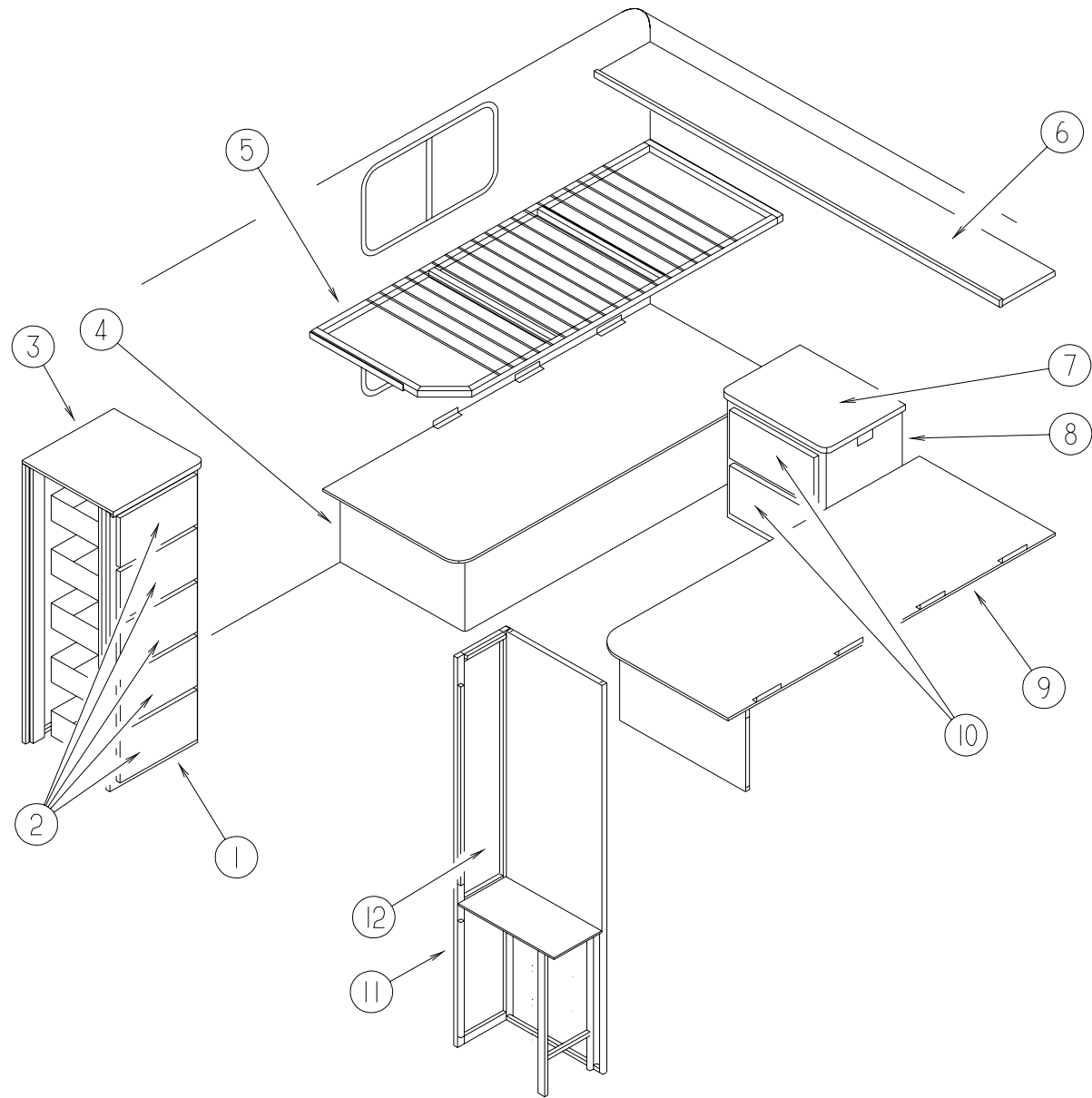
BEDROOMGROUP(CONTINUED)



CROSSEDSTACKEDTWINBEDROOM

KEY	PARTNUMBER	U/M	DESCRIPTION
1	M96873-01-G01	EA	CABINET-F/PULLOUTTABLE-W/OTOP
2	P10163-V6-H01	EA	DRAWER-W/OSLIDES/HARDWARE
3	110140-22-G04	EA	DOOR-MITERED CORNER/VINYL WRAP-12.1"X48"-W/OHDW
4	P21384-01-H01	EA	CABINET ASM-OVHD, REAR
5	110140-21-H07	EA	DOOR-MIRROR/MTRDCRNR/VINYL WRAP-15.7"X27.9"-W/OHDW
6	117066-02-GB1	EA	FRAME ASM-FABRIC, CROSSBUNK(H01)
6	117066-02-GC1	EA	FRAME ASM-FABRIC, CROSSBUNK(H02)
	091261-01-000	FT	BACKING-NON-SKID, 12"X100'
7	120442-11-GB1	EA	COUNTERTOP ASM(H01)
7	120442-11-GC1	EA	COUNTERTOP ASM(H02)
8	P10163-V8-H01	EA	DRAWER-W/OSLIDES/HARDWARE
9	P10163-W7-H01	EA	DRAWER-W/OSLIDES/HARDWARE
10	120442-01-GB1	EA	CABINET-DRESSER LEFTHAND-W/ODOORS/DRAWERS/HARDWARE(H01)
10	120442-01-GC1	EA	CABINET-DRESSER LEFTHAND-W/ODOORS/DRAWERS/HARDWARE(H02)
11	P20469-01-GB1	EA	CABINET-BASE-TWIN BED/REAR-W/ODOORS/DRAWERS/HARDWARE(H01)
11	P20469-01-GC1	EA	CABINET-BASE-TWIN BED/REAR-W/ODOORS/DRAWERS/HARDWARE(H02)
	116553-01-GB1	EA	CABINET-TV SHELF-W/BRASS RODS/POSTENDS

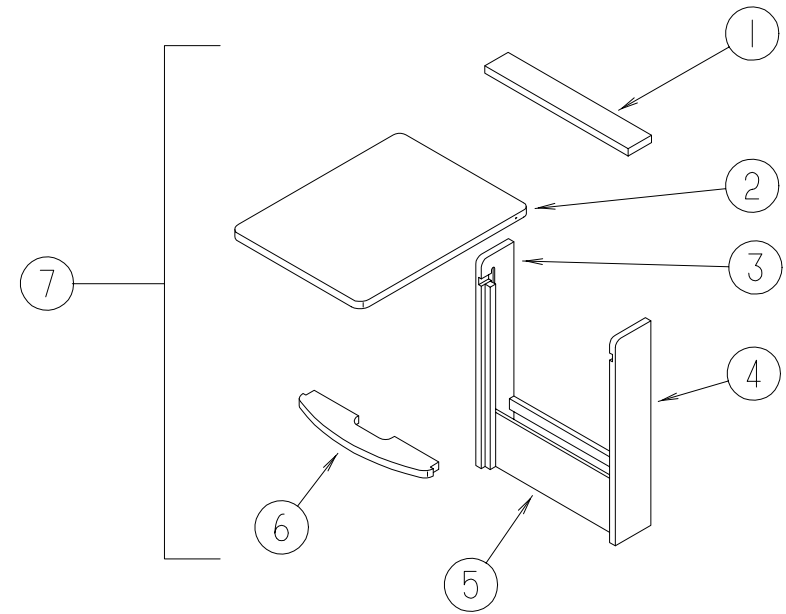
BEDROOMGROUP(CONTINUED)



TWIN & BUNK BEDROOM

KEY	PARTNUMBER	U/M DESCRIPTION
1	P18363-01-GB1	EA CABINET-DRESSER-RIGHTHANDTWIN-W/ODRAWERS/HARDWARE (H01)
1	P18363-01-GC1	EA CABINET-DRESSER-RIGHTHANDTWIN-W/ODRAWERS/HARDWARE (H02)
2	P10163-N7-H01	EA DRAWERCOMPLETE-SLIDE-DRESSER
3	118363-11-GB1	EA COUNTERTOPASM(H01)
3	118363-11-GC1	EA COUNTERTOPASM(H02)
4	P17069-01-GB1	EA CABINET-BASE-TWINBED/RIGHTHAND-W/ODOORS/DWRS/HDW
5	117066-01-GB1	EA FRAMEASM-FABRIC, DBL. BUNK(H01)
5	117066-01-GC1	EA FRAMEASM-FABRIC, DBL. BUNK(H02)
6	117090-01-G01	EA SHELF-OVERHEADBACKWALL-W/OHARDWARE
7	117071-11-GB1	EA COUNTERTOP-NIGHTSTAND(H01)
7	117071-11-GC1	EA COUNTERTOP-NIGHTSTAND(H02)
8	P17071-01-GB1	EA CABINET-NIGHTSTAND-W/ODOORS/DRAWERS/HARDWARE(H01)
8	P17071-01-GC1	EA CABINET-NIGHTSTAND-W/ODOORS/DRAWERS/HARDWARE(H02)
9	P17070-01-GB1	EA CABINET-TWINBED/LEFTHAND-W/ODOORS/DRAWERS/HARDWARE
10	P10163-N3-H01	EA DRAWERCOMPLETE-SLIDE
11	118364-01-GB1	EA CABINET-SHIRT CLOSET LEFTHAND-W/ODOORS/DRAWERS/HDW(H01)
11	118364-01-GC1	EA CABINET-SHIRT CLOSET LEFTHAND-W/ODOORS/DRAWERS/HDW(H02)
12	110140-75-GB1	EA DOOR-MITERED CORNER/VINYL WRAP-10.8" X 36.4" -W/OHDW

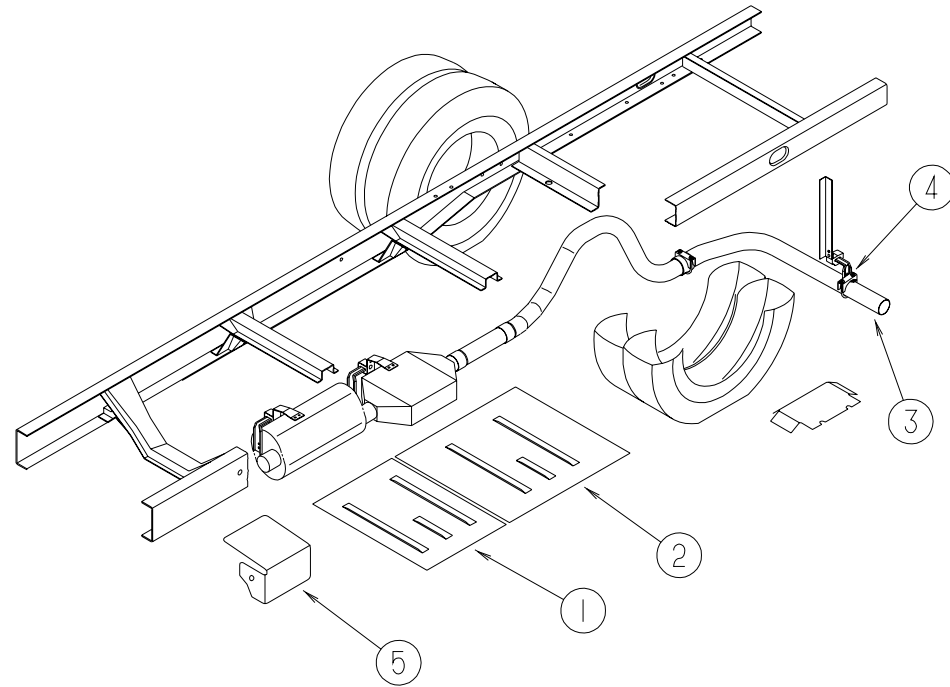
BEDROOMGROUP(CONTINUED)



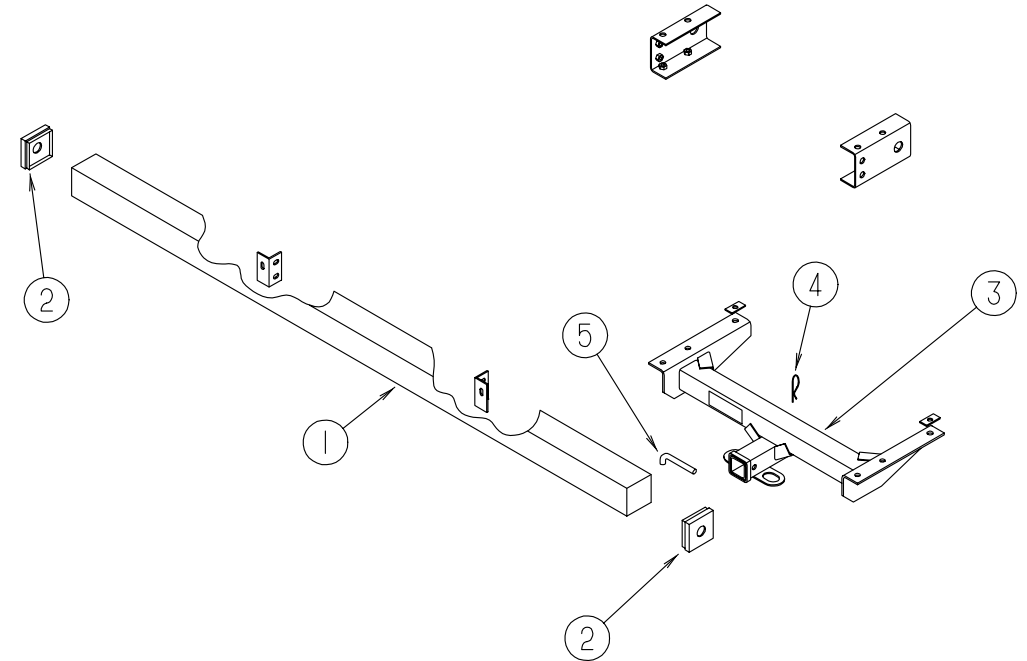
BEDROOM PULLOUT TABLE

KEY	PARTNUMBER	U/M DESCRIPTION
1	096873-15-G01	EA SHELF-SUPPORT-OVERPULLOUTTABLETOP
2	096873-11-G01	EA TABLE-TOPONLY-PULLOUT
3	096873-14-G01	EA SIDE END-TABLE-LEFTSIDE-28.7" X 5.7"
4	096873-13-G01	EA SIDE END-TABLE-RIGHTSIDE-28.7" X 5.7"
5	096873-16-G01	EA TABLEFRONT-BOTTOM-18.1" X 6.7"
6	096873-12-G01	EA SHELF-SUPPORTUNDERTABLETOP
7	M96873-01-G01	EA CABINET-F/PULLOUTTABLE-W/OTOP

CHASSISGROUP



CHASSISGROUP(CONTINUED)



EXHAUSTSYSTEM(GAS)

KEY	PARTNUMBER	U/M DESCRIPTION
1	101544-05-000	EA SHIELD-HEATEXHAUST-19.7"X29.1" FROM: 00-00-00 THRU: 11-24-96
1	101544-01-000	EA SHIELD-HEATEXHAUST-19.7"X29.1" FROM: 11-25-96 THRU: 99-99-99
2	101544-02-000	EA SHIELD-HEATEXHAUST-30"X29.1"
3	098762-05-000	EA EXTENSION-EXHAUST-STRAIGHT-3"O.DX7.9"LONG-SST
4	094918-01-000	EA CLAMP-EXHAUST-3"-GUILLOTINESTYLE
5	119847-01-02B	EA SHIELD-A/COMPRESSOR
	101544-01-000	EA SHIELD-HEATEXHAUST-19.7"X29.1"
	101544-06-000	EA SHIELD-HEATEXHAUST-33.9"X29.1"
	075307-03-000	EA SHIELD-HEAT-LP
	124233-01-02B	EA SHIELD-GENERATOR

REARBUMPER,TRAILERHITCH&COMPONENTS

KEY	PARTNUMBER	U/M DESCRIPTION
1	110231-01-FB1	EA BUMPER-REAR
2	039779-01-000	EA CAP-BUMPER-RUBBER-4"X4"-BLACK
3	107707-01-000	EA HITCHRECEIVER-BOLT-ONCLASSII
4	034513-01-000	EA PIN-HITCH-3/16"WIRE
5	034512-01-000	EA PIN-LOCKING-DRAWBAR
	070579-09-000	EA PLATE-ANCHOR
	113588-02-01B	EA BRACKET-CONNECTOR-TRAILERW/OLIP
	113589-02-000	EA CONNECTOR-SOCKET-TRAILER
	070579-09-000	EA PLATE-ANCHOR
	107707-01-000	EA HITCHRECEIVER-BOLT-ONCLASSII
	113588-02-01B	EA BRACKET-CONNECTOR-TRAILERW/OLIP
	113589-02-000	EA CONNECTOR-SOCKET-TRAILER
	109738-01-01A	EA BRACKET-BUMPER
	113589-01-000	EA CONNECTOR-PLUG-TRAILER

FRONTBUMPERBRACKETS

KEY	PARTNUMBER	U/M DESCRIPTION
	117611-01-02B	EA BRACKET-BUMPER
	117611-02-02B	EA BRACKET-BUMPER

CHASSISGROUP(CONTINUED)

CHASSISMISCELLANEOUS

KEY	PARTNUMBER	U/M DESCRIPTION
	087234-01-000	EA NUT-JACK-1/4"X20THEADS-MOLLY-MOUNTSLICENSEPLATES
	008042-01-000	FT TUBING-VINYL-.65"ID

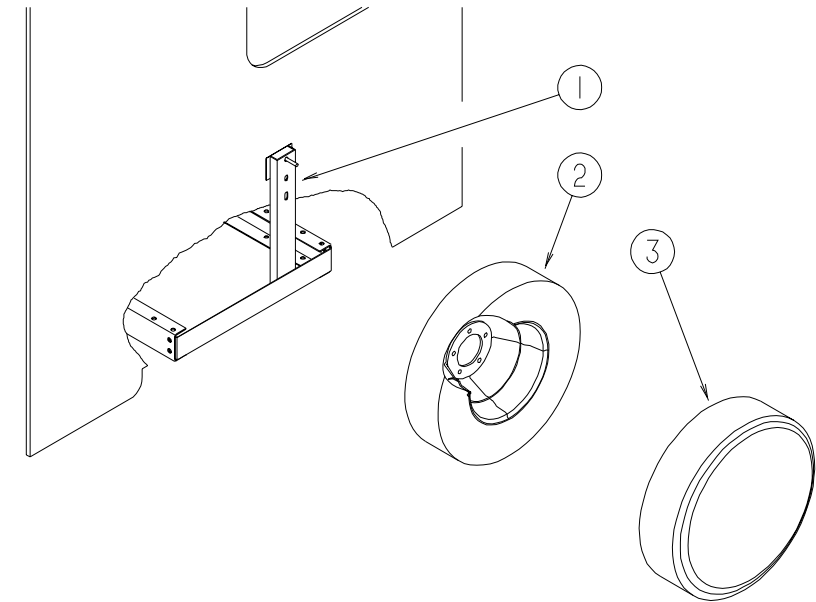
FORDWHEELCOVER

KEY	PARTNUMBER	U/M DESCRIPTION	VENDORNO.
	073322-08-GB1	EA COVER-TIRE,34"	
	073322-50-000	EA COVER-UNIVERSALLINER-WHITETIRECOVER	
	098532-01-000	EA COVER-WHEEL-FORD-16"-SETOF4DICORSH-SD-16	
	098532-01-701	EA WHEELCOVER-WHEEL(FRT&REAR) SH-SD-16COV1ONLY	
	098532-01-700	EA COVER-LUGNUT(CHROME)	SHAU-LNC
	098532-01-700	EA COVER-LUGNUT(CHROME)	SHAU-LNC
	098532-01-701	EA COVER-WHEEL(FRT&REAR)	SH-SD-16COV1ONLY

CHEVYWHEELCOVER

KEY	PARTNUMBER	U/M DESCRIPTION	VENDORNO.
	073322-08-GB1	EA COVER-TIRE,34"	
	073322-50-000	EA COVER-UNIVERSALLINER-WHITETIRECOVER	
	109443-01-000	EA WHEELCOVERSET-(EA=4WHEELCOVERSW/HARDWARE)19.5"	
	109443-01-700	EA COVER-WHEEL19.5FRT/RREA=1	SHAG95
	109443-01-701	EA BRACKET-RET.FRONTWHEEL THERETENTIONBRACKETCOMESWITHJAMBNUTS	SHAG95-FBS
	109443-01-702	EA BRACKET-RET.REARWHEEL	SHAG95-RBS
	109443-01-703	EA CAP-CENTER,HUB-DICOR	SP-AUCAP
	109443-01-704	EA CLIP-RETAINER	V160GM-PNT

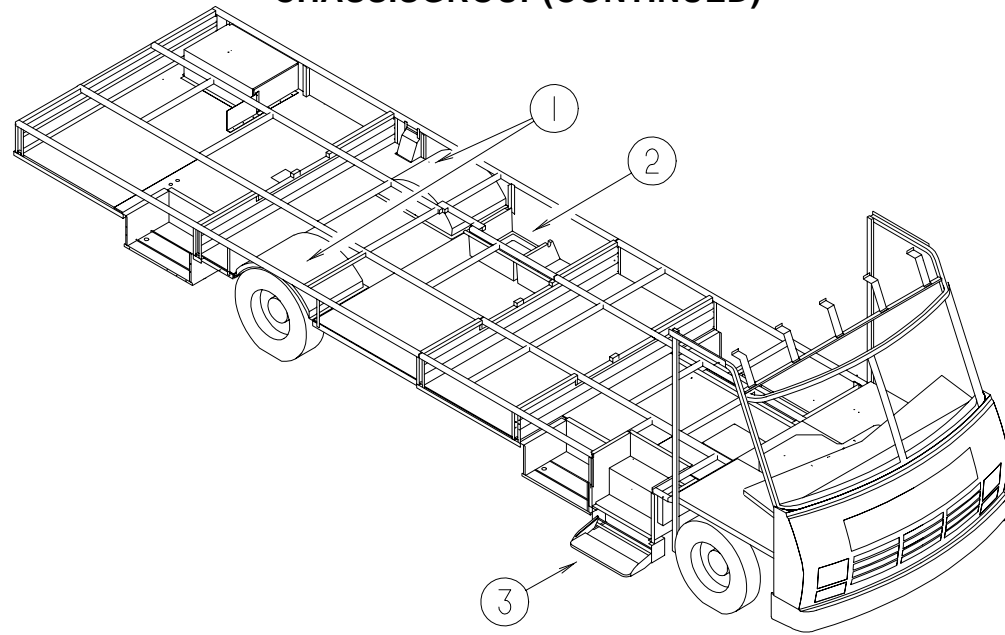
CHASSISGROUP(CONTINUED)



SPARETIRE,WHEELS,&LUGWRENCH&BAR

KEY	PARTNUMBER	U/M DESCRIPTION
1	116671-01-02B	EA BRACKET-SPARETIRE-CHEVY
1	116671-02-02B	EA BRACKET-SPARETIRE-FORD
2	M00080-74-000	EA TIRE-WHLASM,215/85R16LRE - FORDSPLIEDRIM
	051377-05-000	EA VALVESTEMASM-VS938 - EATONVS-938F53-92
	083425-10-000	EA TIRE-LT215/85R16LREXCH4 - MICHELINXCH4ORBL
	083425-05-000	EA TIRE-MICHELIN-LT235/85R16-LOADRANGEE
	095853-02-000	EA WHEEL-STEEL-16X6K-F2TA-1015-NA
	007324-04-000	EA TIRE-8R19.5LRD,MICHELINXZA
	051377-01-000	EA STEM-VALVE,TR500
2	M00080-82-000	EA TIRE-WHEELASM-8R19.5LRF - GM-CHASSIS
	007324-03-000	EA TIRE-MICHELIN-8R-19.5LOADRANGEF
2	M00080-81-000	EA TIRE-WHEELASM225/70R19.5LRF - GM-CHASSSUPPLDRIM
	091673-01-000	EA TIRE-225.70R19.5LRF-XZA
2	M00080-91-000	EA TIRE-WHEELASM225/70R19.5F - GM-CHASSIS
3	073322-50-000	EA COVER-UNIVERSALLINER
3	073322-08-GB1	EA COVER-TIRE-34"
	080208-01-000	EA LUGWRENCH-1.06X1.00
		FROM: 00-00-00 THRU: 09-26-96
	080208-06-000	EA LUGWRENCH-DEEP1"X1.06"
		FROM: 09-27-96 THRU: 99-99-99
	080208-02-000	EA BAR-LEVERAGE-LUGWRENCH

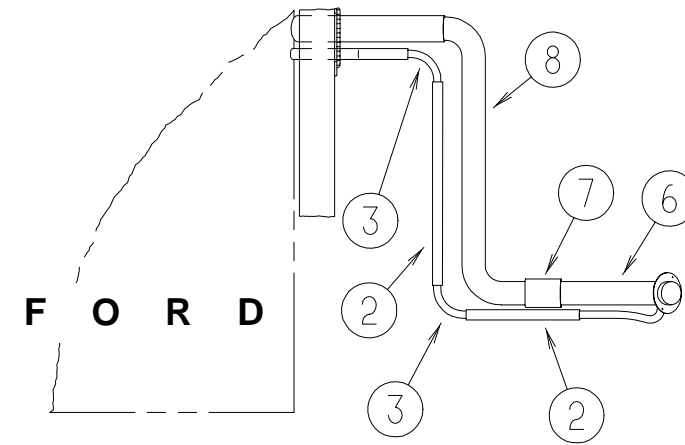
CHASSISGROUP(CONTINUED)



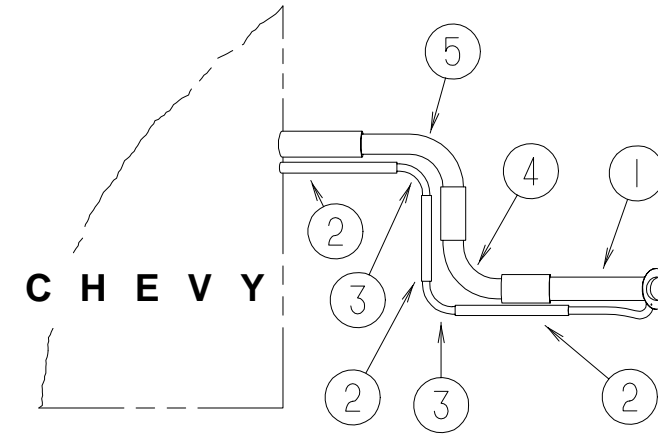
STORAGECOMPARTMENTS&WHEELWELLS

KEY	PARTNUMBER	U/M	DESCRIPTION
1	055080-01-000	EA	WHEELWELL-PLASTIC-REAR-LEFTORRIGHT
2	M06991-03-F36	EA	HATCH-W/FOAM
2	114679-02-01A	EA	COMPARTMENT-STORAGE
	121175-01-01A	EA	LATCH-SWELL-BLACK
	116213-01-02B	EA	BRACKET-SLIDEOUTCONTS,E-CT
3	077848-06-000	EA	STEP-PULLOUT
	065450-05-000	EA	TIEDOWN-BATTERY-8.4" TUBE
	102805-01-000	EA	CHANNEL-EXTENSION-FRONTFRAME
	102805-03-000	EA	CHANNEL-EXTENSION-FRONTFRAME
	104147-02-000	EA	SHIELD-SPLASH-RIGHTHAND
	121552-01-02B	EA	TRAY-BATTERY
	105732-02-000	EA	TRAY-GENERATOR
	105376-01-02A	EA	HINGE-CONTINUOUS-2"X5.5"
	116213-01-02B	EA	BRACKET-SLIDEOUTCONTS,E-CT
	123361-01-000	EA	DUCT-AIRINTAKE
	119847-01-02B	EA	SHIELD-A/C COMPRESSOR
	116213-01-02B	EA	BRACKET-SLIDEOUTCONTS,E-CT
	065450-05-000	EA	TIEDOWN-BATTERY-8.4" TUBE
	102805-01-000	EA	CHANNEL-EXTENSION-FRONTFRAME
	104147-02-000	EA	SHIELD-SPLASH-RIGHTHAND
	M07452-02-F36	EA	COMPARTMENT-STORAGE W/HATCH 11" X 48.9"
	017516-01-000	EA	MUD FLAP - 14" X 18" - BLACK
	001360-01-004	EA	STL-RODCR.375DIAX028.25IN
	033865-01-073	EA	STL-11GAHRP&O02.00X027.40
	112864-01-000	FT	FOAM-BUTYL COATED SEAL-3/8"

CHASSISGROUP(CONTINUED)



F O R D



C H E V Y

FUELSYSTEM

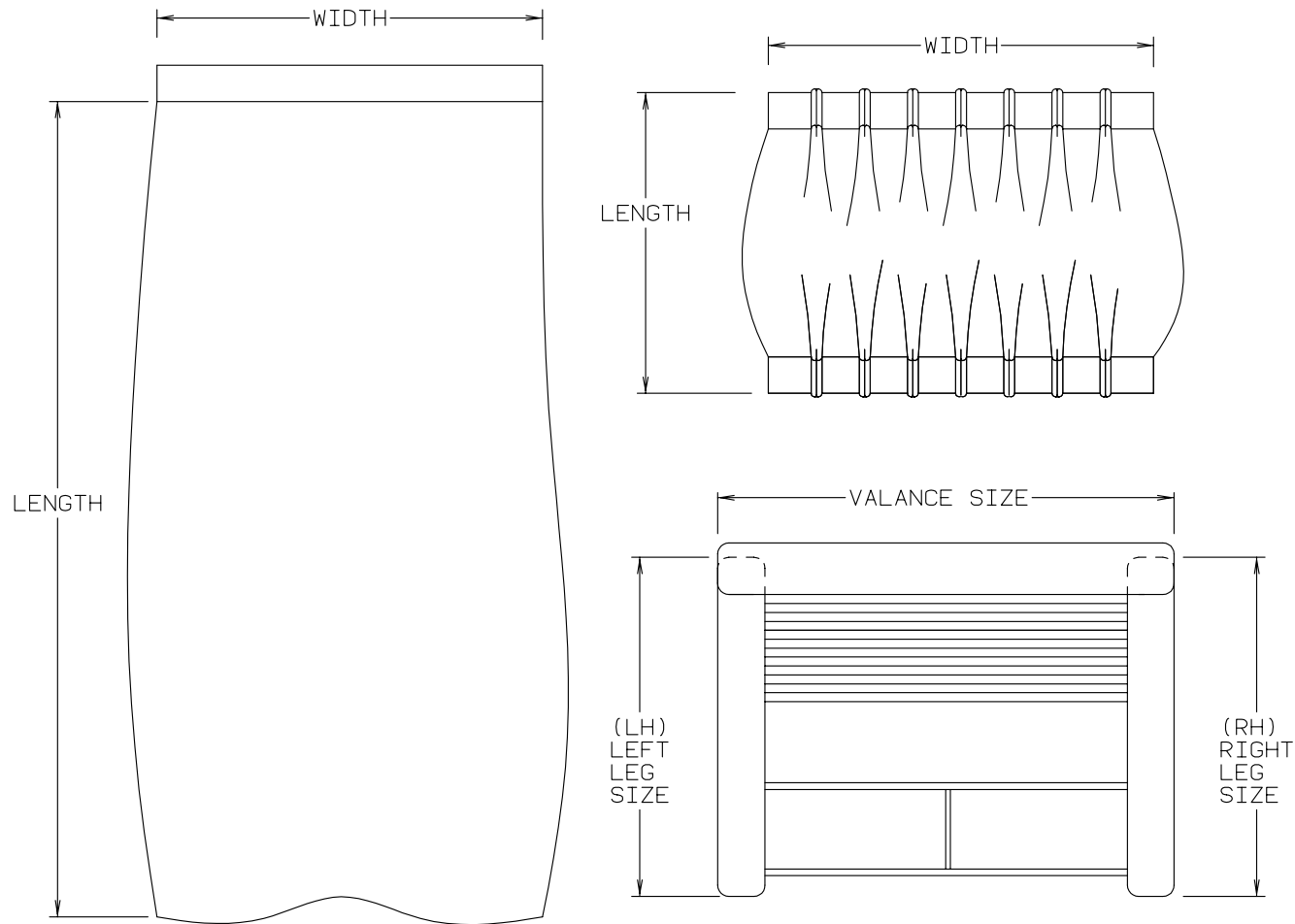
KEY	PARTNUMBER	U/M	DESCRIPTION
	102951-01-06A	EA	SHROUD-FUELFILL-BRIGHTWHITE
	102951-01-01A	EA	SHROUD-FUELFILL-UNFINISHED
1	087256-10-000	EA	NECK-FUELFILL
	073220-02-000	EA	CAP-FILL,FUEL-NONLOCKING-GAS-GM22525302
	078200-01-000	EA	GASKET-FUELFILL-3.5" ODX 2" ID
2	066732-01-000	FT	HOSE-FUEL .62" ID
3	098806-01-000	EA	PIPE-FILL VENT-90 DEGREE BEND-.635 OD-STEEL
4	098807-01-000	EA	PIPE-FUELFILL-90 DEGREE BEND-6.6"-1 3/4 OD
5	098803-02-000	EA	PIPE-FUELFILL
6	087256-07-000	EA	NECK-FUELFILL-FORD
7	007111-02-000	EA	HOSE-FUELFILL-2" ID
8	100140-03-000	EA	TUBE-FUELINLET
	068382-06-000	EA	BUSHING-BRASS-3/8 MPT X 1/8 FPT
	114254-01-000	EA	ADAPTER-1/4 SINGLE BARB X 1/8 MPT
	007063-01-000	FT	HOSE-FUEL 1/4" ID X 1/2" OD
	084884-01-000	EA	PLUG-BRASS-3/8"
	104932-02-000	EA	PANEL-FUELFILL-CHEVY

CURTAIN&CUSHIONGROUP

NOTICE

IN ORDER TO ASSIST OUR PARTS SALES DEPT. IN PROVIDING INTERIOR SOFT GOODS ITEMS, PLEASE INCLUDE THE SERIAL NUMBER AND THE COLOR CODE NUMBER FROM THE VEHICLE CERTIFICATION LABEL WHEN ORDERING. THIS LABEL IS LOCATED ON THE LEFT SIDE WALL AT THE END OF THE DASH (A-BODY), OR ON THE DRIVER'S DOOR LATCH PLATE (C-BODY).

AN EXAMPLE OF A COLOR CODE NUMBER IS B07, WHICH DESIGNATES AN OVERALL COLOR SCHEME OF A PARTICULAR UNIT. THE COLOR LISTED AFTER THE ITEM DESCRIPTION ON THE MICROFICHE, INDICATES THE OVERALL UNIT COLOR. ORDER THE ITEM YOU DESIRE ACCORDING TO UNIT COLOR CODE.



NOTE: USE THIS ILLUSTRATION WHEN DETERMINING LENGTH AND WIDTH MEASUREMENTS FOR CURTAINS. YOU WILL NOTE THE WIDTH MEASUREMENT IS TAKEN ON THE TOP OF THE CURTAIN WITH THE CURTAIN FULLY EXTENDED. THE LENGTH MEASUREMENT IS TAKEN FROM TOP TO BOTTOM. LEFT AND RIGHT WINDOW LEGS ARE DETERMINED WHEN FACING THE WINDOW.

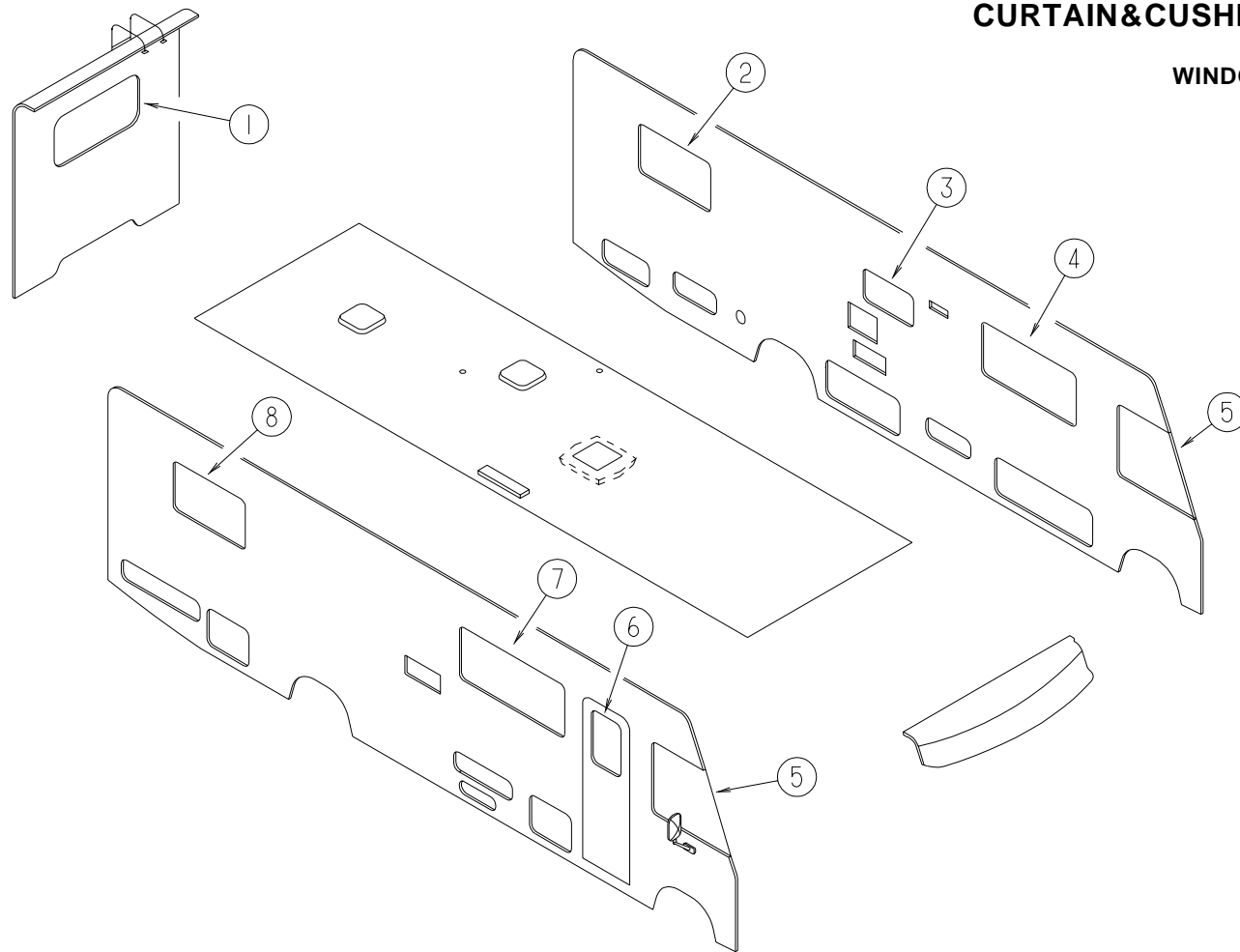
CURTAIN&CUSHIONGROUP(CONTINUED)

WARRIOR FABRICS		
COLOR CODES	H01	H02
MARKETING COLORS	BLUE RIDGE (BLUE)	PAINTED DESERT (TAN / TEAL)
BUCKET SEATS	108446-F7-000 108446-F4-000	108446-C5-000 108446-C6-000
DINETTE	108446-F1-000	108446-F2-000
DINETTE PADS	108446-F7-000	108446-C5-000
SOFA	108446-F1-000	108446-F2-000
SWIVEL CHAIR	108446-F4-000	108446-C6-000
LOUNGE WINDOWS	108446-F1-000 108446-F4-000	108446-F2-000 108446-C6-000
BEDROOM WINDOW	105745-B3-000	105745-A8-000
BEDSPREAD	105745-B3-000 105745-64-000	105745-A8-000 105745-45-000
PILLOW SHAMS	105745-B3-000 105745-64-000	105745-A8-000 105745-45-000
FRT WRAP AROUND	105745-64-000	105745-45-000
DIVIDER CURTAIN	105745-64-000 105745-B3-000	105745-45-000 105745-A8-000
DRAPERY LINING	087272-03-000	087272-03-000
VINYL-EXPANDED	103907-05-000 106569-01-01A	103907-05-000 106569-01-01A

NOTE: THE FABRIC LISTED FIRST, IN A BLOCK, IS THE LARGEST QUANTITY OF FABRIC USED.

CURTAIN&CUSHIONGROUP(CONTINUED)

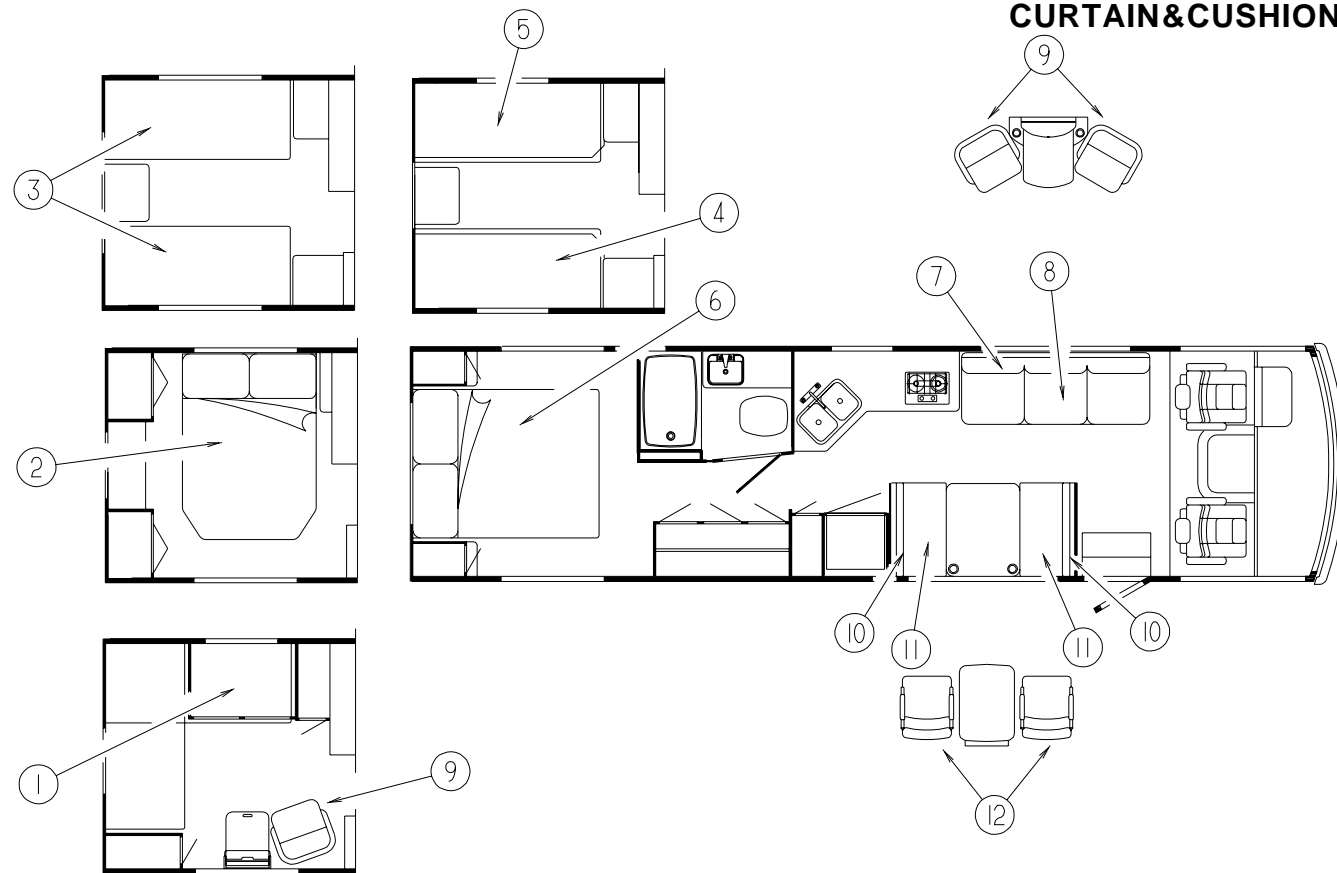
WINDOWTREATMENT



KEY	PARTNUMBER	U/M DESCRIPTION
1	118064-01-GB1	EA VALANCE-VALENCIA-52"(QUEEN&TWIN)(H01)
1	118064-01-GC1	EA VALANCE-VALENCIA-52"(QUEEN&TWIN)(H02)
1	118064-03-GB1	EA VALANCE-VALENCIA-29"(BUNK&DOUBLE)(H01)
1	118064-03-GC1	EA VALANCE-VALENCIA-29"(BUNK&DOUBLE)(H02)
1	084755-92-F15	EA SHADE-PULL-50.25"(QUEEN&TWIN)
1	084755-57-E07	EA SHADE-PULL-27.25"(BUNK&DOUBLE)
1	111910-19-H01	EA BLIND-DAY/NIGHTER-50"X28"(QUEEN&TWIN)(H01)
1	111910-19-H02	EA BLIND-DAY/NIGHTER-50"X28"(QUEEN&TWIN)(H02)
		FROM: 00-00-00 THRU: 10-27-96
1	111910-19-HA2	EA BLIND-DAY/NIGHTER-50"X28"(QUEEN&TWIN)(H02)
		FROM: 10-28-96 THRU: 99-99-99
1	111910-20-G22	EA BLIND-DAY/NIGHTER-28"X28"(DOUBLE&BUNK)(H01)
1	111910-20-GC1	EA BLIND-DAY/NIGHTER-28"X28"(DOUBLE&BUNK)(H02)
		FROM: 00-00-00 THRU: 10-27-96
1	111910-20-HA2	EA BLIND-DAY/NIGHTER-28"X28"(DOUBLE&BUNK)(H02)
		FROM: 10-28-96 THRU: 99-99-99
1	101034-53-GB1	EA CURTAIN-RIGHTHAND-30.5"X19"(CROSSSTACKED)(H01)
1	101034-53-GC1	EA CURTAIN-RIGHTHAND-30.5"X19"(CROSSSTACKED)(H02)
1	101034-54-GB1	EA CURTAIN-LEFTHAND-30.5"X19"(CROSSSTACKED)(H01)
1	101034-54-GC1	EA CURTAIN-LEFTHAND-30.5"X19"(CROSSSTACKED)(H02)
2	118064-02-GB1	EA VALANCE-VALENCIA-44"(QUEEN, TWIN&DOUBLE)(H01)
2	118064-02-GC1	EA VALANCE-VALENCIA-44"(QUEEN, TWIN&DOUBLE)(H02)
2	084755-93-F15	EA SHADE-PULL-42.25"(QUEEN, TWIN, & DOUBLE)
2	111910-46-G22	EA BLIND-DAY/NIGHTER-43"X26"(QUEEN, TWIN&DOUBLE)(H01)
2	111910-46-H02	EA BLIND-DAY/NIGHTER-43"X26"(QUEEN, TWIN&DOUBLE)(H02)
		FROM: 00-00-00 THRU: 10-27-96
2	111910-46-HA2	EA BLIND-DAY/NIGHTER-43"X26"(QUEEN, TWIN&DOUBLE)(H02)
		FROM: 10-28-96 THRU: 99-99-99
2	101034-49-GB1	EA CURTAIN-RIGHTHAND-19"X19"(BUNK&CROSSSTACKED)(H01)
2	101034-49-GC1	EA CURTAIN-RIGHTHAND-19"X19"(BUNK&CROSSSTACKED)(H02)
2	101034-50-GB1	EA CURTAIN-LEFTHAND-19"X19"(BUNK&CROSSSTACKED)(H01)
2	101034-50-GC1	EA CURTAIN-LEFTHAND-19"X19"(BUNK&CROSSSTACKED)(H02)

KEY	PARTNUMBER	U/M DESCRIPTION
3	109041-44-01A	EA BLIND-MINI-30.5"X18"(H01)
3	109041-44-02A	EA BLIND-MINI-30.5"X18"(H02)
3	109353-10-01A	EA BLIND-SLAT,30.5" *PAR,PURE SILVER (H01)
3	109353-10-02A	EA BLIND-SLAT,30.5" *PAR,C011 BEIGE (H02)
4	118078-05-H01	EA VALANCE-QUEST-64.5"
4	118078-05-H02	EA VALANCE-QUEST-64.5"
4	119333-01-GB1	EA LEG-RIGHT-25"(H01)
4	119333-01-GC1	EA LEG-RIGHT-25"(H02)
4	119333-02-GB1	EA LEG-LEFT-25"(H01)
4	119333-02-GC1	EA LEG-LEFT-25"(H02)
4	084755-96-G01	EA SHADE-PULL-60.25"
4	111910-23-GB1	EA BLIND-DAY/NIGHTER-60"X28.5"(H01)
4	111910-23-GC1	EA BLIND-DAY/NIGHTER-60"X28.5"(H02)
		FROM: 00-00-00 THRU: 10-27-96
4	111910-23-HA2	EA BLIND-DAY/NIGHTER-60"X28.5"(H02)
		FROM: 10-28-96 THRU: 99-99-99
5	101668-31-EB1	EA CURTAIN-LEFTHAND-38"X80"(H01)
5	101668-31-DC4	EA CURTAIN-LEFTHAND-38"X80"(H02)
5	101668-30-EB1	EA CURTAIN-RIGHTHAND-38"X80"(H01)
5	101668-30-DC4	EA CURTAIN-RIGHTHAND-38"X80"(H02)
5	073260-42-FB1	EA TIEBACK-6"X18"(H01)
5	073260-42-GC1	EA TIEBACK-6"X18"(H02)
6	118078-02-GB1	EA VALANCE-QUEST-29"(H01)
6	118078-02-GC1	EA VALANCE-QUEST-29"(H02)
6	084755-95-FB1	EA SHADE-PULL-25.25"
7	118078-03-GB1	EA VALANCE-QUEST-58.5"(H01)
7	118078-03-GC1	EA VALANCE-QUEST-58.5"(H02)
7	119333-01-GB1	EA LEG-RIGHT-25"(H01)
7	119333-01-GC1	EA LEG-RIGHT-25"(H02)
7	119333-02-GB1	EA LEG-LEFT-25"(H01)
7	119333-02-GC1	EA LEG-LEFT-25"(H02)
7	084755-69-F15	EA SHADE-PULL-55.25"
7	111910-23-GB1	EA BLIND-DAY/NIGHTER-54"X28.5"(H01)
7	111910-23-GC1	EA BLIND-DAY/NIGHTER-54"X28.5"(H02)
		FROM: 00-00-00 THRU: 10-27-96
7	111910-23-HA2	EA BLIND-DAY/NIGHTER-54"X28.5"(H02)
		FROM: 10-28-96 THRU: 99-99-99
8	118064-02-GB1	EA VALANCE-VALENCIA-44"(QUEEN, TWIN, DOUBLE&CROSSSTACKED)(H01)
8	118064-02-GC1	EA VALANCE-VALENCIA-44"(QUEEN, TWIN, DOUBLE&CROSSSTACKED)(H02)
8	084755-93-F15	EA SHADE-PULL-42.25"(QUEEN, TWIN, DOUBLE & CROSSSTACKED)
8	111910-46-G22	EA BLIND-DAY/NIGHTER-43"X26"(QUEEN, TWIN, DOUBLE, & CROSSSTACKED)(H01)
8	111910-46-H02	EA BLIND-DAY/NIGHTER-43"X26"(QUEEN, TWIN, DOUBLE, & CROSSSTACKED)(H02)
		FROM: 00-00-00 THRU: 10-27-96
8	111910-46-HA2	EA BLIND-DAY/NIGHTER-43"X26"(QUEEN, TWIN, DOUBLE, & CROSSSTACKED)(H02)
		FROM: 10-28-96 THRU: 99-99-99
8	101034-49-GB1	EA CURTAIN-RIGHTHAND-19"X19"(BUNK)(H01)
8	101034-49-GC1	EA CURTAIN-RIGHTHAND-19"X19"(BUNK)(H02)
8	101034-50-GB1	EA CURTAIN-LEFTHAND-19"X19"(BUNK)(H01)
8	101034-50-GC1	EA CURTAIN-LEFTHAND-19"X19"(BUNK)(H02)
		101668-53-GB1 EA CURTAIN-70"X60"(H01)
		101668-53-GC1 EA CURTAIN-70"X60"(H02)
		073260-63-GB1 EA TIEBACK-4"X15"(H01)
		073260-63-GC1 EA TIEBACK-4"X15"(H02)

CURTAIN&CUSHIONGROUP(CONTINUED)



BUNKS BED CUSHIONS

KEY	PARTNUMBER	U/M DESCRIPTION
4	101123-24-000	EA MATTRESS-FOAM-30"X76"X4"-W/LEFTCUTCORNER
4	P01123-24-000	EA COVER-MATTRESS-30"X76"X4"W/LEFTCUTCORNER
	117067-02-GB1	EA COVER-FITTEDSHEET-LEFT4"(H01)
	117067-02-GC1	EA COVER-FITTEDSHEET-LEFT4"(H02)
5	101123-23-000	EA MATTRESS-FOAM-30"X76"X4"-W/RIGHTCUTCORNER
5	P01123-23-000	EA COVER-MATTRESS30"X76"X4"-W/RIGHTCUTCORNER
	117067-01-GB1	EA COVER-FITTEDSHEET-RIGHT4"(H01)
	117067-01-GC1	EA COVER-FITTEDSHEET-RIGHT4"(H02)
	104176-02-GB1	EA SHAM-PILLOW(H01)
	104176-02-GC1	EA SHAM-PILLOW(H02)

QUEEN BED CUSHIONS

KEY	PARTNUMBER	U/M DESCRIPTION
6	101123-26-000	EA MATTRESS-FOAM-59"X74"X5"-SQUARECUT
6	P01123-26-000	EA COVER-MATTRESS-60"X74"X5"-SQUARECUT
6	123471-11-H01	EA BEDSPREAD/THROW-60"X75"
6	123471-11-H02	EA BEDSPREAD/THROW-60"X75"
	104176-04-GB1	EA SHAM-PILLOW(H01)
	104176-04-GC1	EA SHAM-PILLOW(H02)

PASSENGERSSIDE COUCH

KEY	PARTNUMBER	U/M DESCRIPTION
7	120549-01-GB1	EA BACK-SOFA/BED-74"(H01)
7	120549-01-GC1	EA BACK-SOFA/BED-74"(H02)
8	100032-43-GB1	EA SEAT-SOFA/BEDW/FRAE-74"-W/OARMS(H01)
8	100032-43-GC1	EA SEAT-SOFA/BEDW/FRAE-74"-W/OARMS(H02)
	P00032-43-GB1	EA COVER-SEAT-SOFA/BED-74"-W/OARMS(H01)
	P00032-43-GC1	EA COVER-SEAT-SOFA/BED-74"-W/OARMS(H02)
	083125-07-000	EA BRACE-COUCH-2.5"
	101085-06-000	EA FRAME-BASE-SOFA/BED-74.75"
	101085-04-000	EA FRAME-SEAT-SOFA/BED-74.75"
	101085-10-000	EA FRAME-BACK-SOFA/BED-74.5"

NOTE: COUCH FRONT AND SIDE PANELS ARE FOUND IN THE LOUNGE GROUP.

CROSS STACKED TWIN BED CUSHIONS

KEY	PARTNUMBER	U/M DESCRIPTION
1	101123-19-000	EA MATTRESS-FOAM 32"X74"X5"
1	P01123-19-000	EA COVER-MATTRESS 32"X74"X5"
	117067-03-GB1	EA COVER-FITTEDSHEET-UNIVERSAL5"(H01)
	117067-03-GC1	EA COVER-FITTEDSHEET-UNIVERSAL5"(H02)

DOUBLE BED

KEY	PARTNUMBER	U/M DESCRIPTION
2	101123-22-000	EA MATTRESS-FOAM-54"X75"X5"W/2CUTCORNERS
2	P01123-22-000	EA COVER-MATTRESS 54"X75"X5"W/2CUTCORNERS
2	123471-10-H01	EA BEDSPREAD/THROW-54"X75"
2	123471-10-H02	EA BEDSPREAD/THROW-54"X75"
	104176-02-GB1	EA SHAM-PILLOW(H01)
	104176-02-GC1	EA SHAM-PILLOW(H02)

TWIN BED CUSHIONS

KEY	PARTNUMBER	U/M DESCRIPTION
3	101123-19-000	EA MATTRESS-FOAM 32"X74"X5"
3	P01123-19-000	EA COVER-MATTRESS 32"X74"X5"
	117067-03-GB1	EA COVER-FITTEDSHEET-UNIVERSAL5"(H01)
	117067-03-GC1	EA COVER-FITTEDSHEET-UNIVERSAL5"(H02)
3	123471-12-H01	EA BEDSPREAD/THROW-32"X75"
3	123471-12-H02	EA BEDSPREAD/THROW-32"X75"
	104176-04-GB1	EA SHAM-PILLOW(H01)
	104176-04-GC1	EA SHAM-PILLOW(H02)

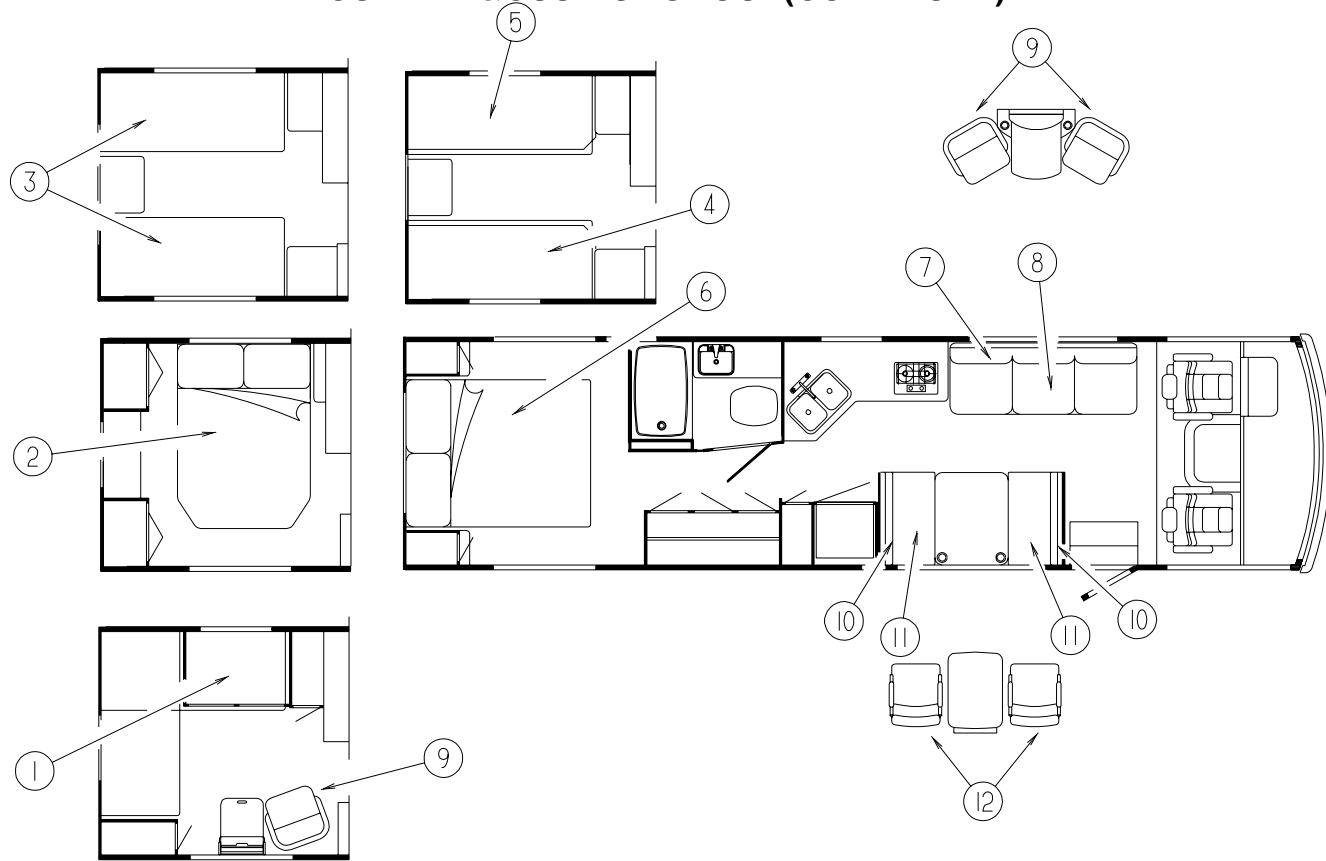
SIERRA CHAIR

KEY	PARTNUMBER	U/M DESCRIPTION
9	115470-01-GB1	EA CHAIR-SWIVEL(H01)
9	115470-01-F08	EA CHAIR-SWIVEL(H02)
	P15470-01-GB1	EA COVER-CHAIR(H01)
	P15470-01-F08	EA COVER-CHAIR(H02)

DINETTE CUSHIONS

KEY	PARTNUMBER	U/M DESCRIPTION
10	116134-01-H01	EA CUSHION-BACKREST-13"X38"X5"
10	116134-01-H02	EA CUSHION-BACKREST-13"X38"X5"
	P16134-01-GB1	EA COVER-BACKRESTCUSHION-13"X38"X5"(H01)
	P16134-01-GC1	EA COVER-BACKRESTCUSHION-13"X38"X5"(H02)
11	088927-87-GB1	EA CUSHION-SEATBOTTOM-23"X38"X5"(H01)
11	088927-87-GC1	EA CUSHION-SEATBOTTOM-23"X38"X5"(H02)
	M88927-87-GB1	EA COVER-SEATCUSHION-23"X38"X5"(H01)
	M88927-87-GC1	EA COVER-SEATCUSHION-23"X38"X5"(H02)
	078155-01-000	EA STRAP-SNAP-BACKCUSHION

CURTAIN&CUSHIONGROUP(CONTINUED)



CURTAIN&CUSHIONGROUP(CONTINUED)

FABRIC TRIMS, SEATBELTS & ASSIST HANDLE

KEY	PARTNUMBER	U/M	DESCRIPTION
	007021-01-000	EA	BELT - SEAT - 2" X 90" - BLACK
	056271-01-000	EA	BELT - SEAT, 2" X 102" - BLACK
	070578-02-B10	EA	BUTTON - SCREW - STUD - #30 VINYL
			FROM: 00-00-00 THRU: 06-01-96
	070578-11-H01	EA	BUTTON - #30
			FROM: 06-02-96 THRU: 99-99-99
	070578-02-B29	EA	BUTTON - SCREW - STUD - #30 VINYL
	000C16-07-16B	EA	BOLT - CARRIAGE - ASSIST HANDLE - 7/16" - 14 X 1"
	000D20-07-00B	EA	NUT - ACORN - ASSIST HANDLE - 7/16 - 14
	053552-02-AA8	EA	HANDLE - ASSIST - INTERIOR/ENTRY DOOR - VINYL/OFFWHITE
	069178-02-000	EA	BRACKET - MOUNTING ASSIST HANDLE

CHAIR

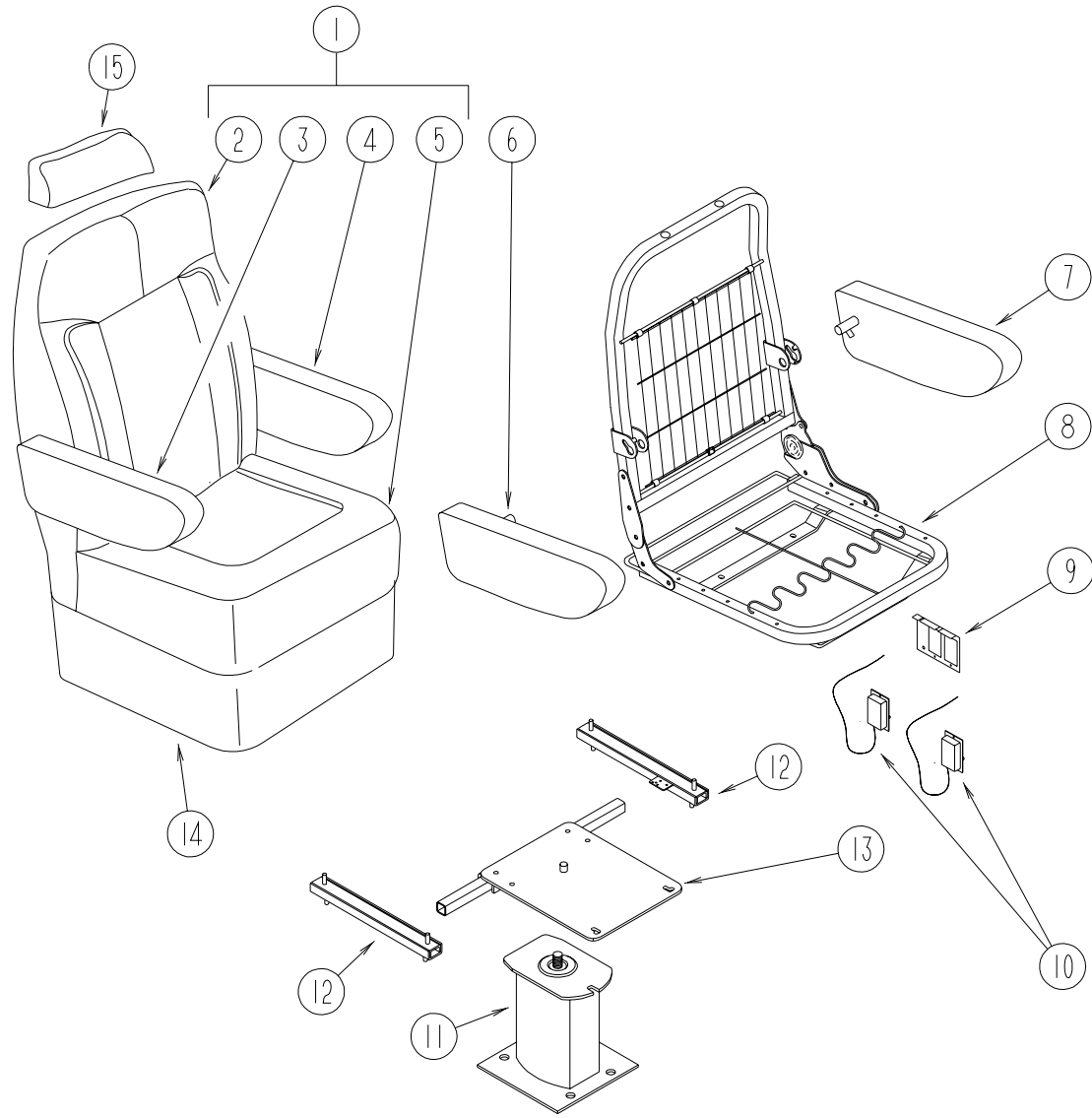
KEY	PARTNUMBER	U/M	DESCRIPTION
12	122739-01-H01	EA	CHAIR
12	122739-01-H02	EA	CHAIR
	P22739-01-H01	EA	COVER - BACK/SEAT - KITCHEN CHAIR
	P22739-01-H02	EA	COVER - BACK/SEAT - KITCHEN CHAIR
	119105-01-000	EA	PLATE - SWIVEL, RETURN-O-MATIC
	119705-02-03B	EA	PEDESTAL ASM, O/W
	119705-11-02B	EA	PLATE - SEATE - COAT
	120109-01-02B	EA	ADAPTER BRKT - CHAIR ASM 200KC
	116080-02-G35	EA	COVER - CHAIR LEG

FRONT BUNK CUSHIONS

KEY	PARTNUMBER	U/M	DESCRIPTION
	079145-10-000	EA	CUSHION - BUNK - 25" X 80" X 2.5"
	M79145-10-000	EA	COVER - BUNK CUSHION - 25" X 80" X 2.5"

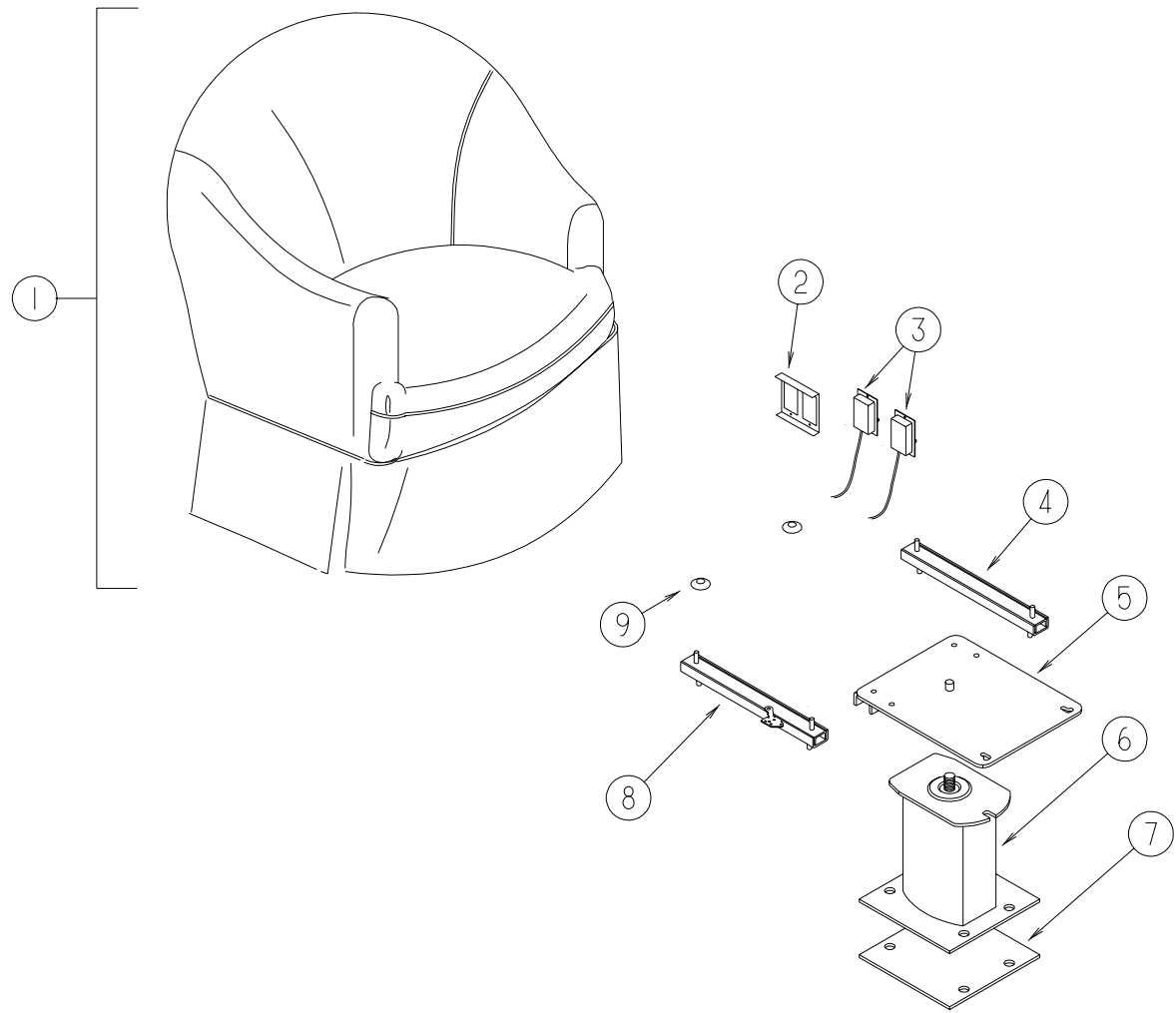
CURTAIN&CUSHIONGROUP(CONTINUED)

DRIVER&PASSENGERBUCKETSEATS



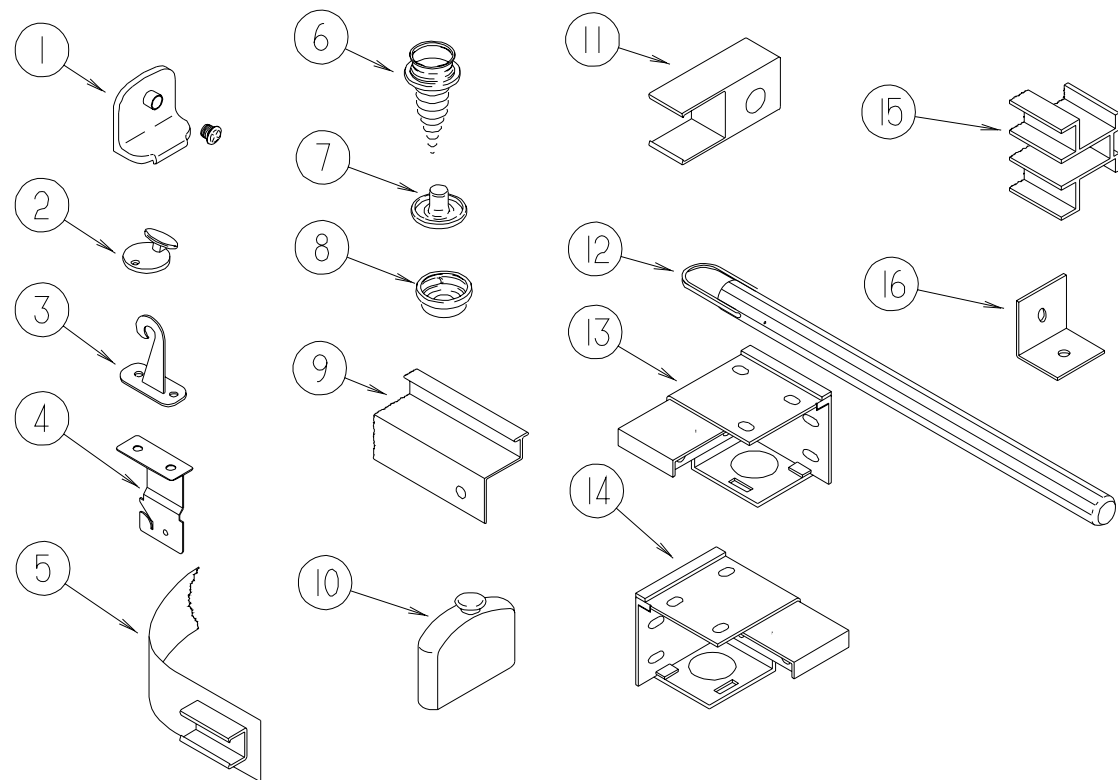
KEY	PARTNUMBER	U/M	DESCRIPTION
1	110148-08-H01	EA	SEAT-BUCKET-W/HEADREST
1	110148-08-H02	EA	SEAT-BUCKET-W/HEADREST
2	M05962-33-H01	EA	COVER-BACK
2	M05962-33-H02	EA	COVER-BACK
3	122780-01-H01	EA	ARMREST-RHF/520CHAIR
3	122780-01-H02	EA	ARMREST-RHF/520CHAIR
	P22780-01-H01	EA	COVER-ARMREST-RIGHTHAND
	P22780-01-H02	EA	COVER-ARMREST-RIGHTHAND
4	122780-02-H01	EA	ARMREST-LHF/520CHAIR
4	122780-02-H02	EA	ARMREST-LHF/520CHAIR
	P22780-02-H01	EA	COVER-ARMREST-LEFTHAND
	P22780-02-H02	EA	COVER-ARMREST-LEFTHAND
5	M05962-34-H01	EA	COVER-SEAT
5	M05962-34-H02	EA	COVER-SEAT
6	115617-03-000	EA	ARMREST-W/COVER-RIGHTHAND
7	115617-04-000	EA	ARMREST-W/COVER-LEFTHAND
8	122695-02-01B	EA	FRAME-SEAT/BACK
	122378-02-01B	EA	FRAME-BACK
9	108049-02-000	EA	CLIP-CABLE/PEDESTAL
	080730-08-000	EA	HANDLE-RECLINER
	080730-09-000	EA	SHIELD-RECLINERHANDLE
	080730-11-000	EA	SHIELD-RUBBERBOOT
10	108049-03-000	EA	CABLE/CONTROL25.5" SHEATH/28.5" CABLEW/DOGLEG
11	107921-01-000	EA	PEDESTALASM-SEAT9-3/4"-FLEXSTEEL3060MSPD
	108445-02-000	EA	PLATE/FLOORMOUNTED-PEDESTALSEAT
12	119952-06-000	EA	SLIDE/SEAT-HEAVYDUTYLOCKING-4STUDS
13	107921-05-000	EA	PLATETOP-W/SEATBELTBAR
	107921-06-000	EA	BEARINGKIT-PEDESTAL
	117125-01-02B	EA	BRACKET-CABLEMOUNT-ADJUSTERW/LOCK
	119952-07-000	EA	WIRE-LATCHRELEASE/ROTARY
14	071126-41-GB1	EA	SKIRT-SINGLE-7"W/SLOTS(H01)
14	071126-41-GC1	EA	SKIRT-SINGLE-7"W/SLOTS(H02)
15	119509-01-H01	EA	HEADREST-BUCKETSEAT
15	119509-01-H02	EA	HEADREST-BUCKETSEAT
	P19509-01-H01	EA	COVER-HEADREST
	P19509-01-H02	EA	COVER-HEADREST
	113977-12-000	EA	HEADRESTINSERT-W/OLOCK
	113977-13-000	EA	HEADRESTINSERT-W/LOCK
	114791-03-000	EA	FRAME-HEADREST
	097683-02-000	EA	BRACKET-REMOTE SIDEMOUNT-DOUBLE

CURTAIN&CUSHIONGROUP(CONTINUED)
SWIVELCHAIR(RECLINER)



KEY	PARTNUMBER	U/M	DESCRIPTION
1	115470-01-GB1	EA	CHAIR-SWIVEL(H01)
1	115470-01-F11	EA	CHAIRASM-SIERRA(H02)
	P15470-01-GB1	EA	COVER-CHAIR(H01)
	P15470-01-F11	EA	COVER-CHAIR(H02)
	P07977-01-GB1	EA	COVER-SKIRT-DIPLOMATCHAIR(H01)
	P07977-01-F11	EA	COVER-SKIRT,CHAIR,DIPLOMAT(H02)
2	097683-02-000	EA	BRACKET-REMOTE SIDEMOUNT-DOUBLE
3	108049-03-000	EA	CABLE-W/CONTROL25.5"SHEATH/28.5"CABLEW/DOGLEG
	108049-02-000	EA	CLIP-CABLE/PEDESTAL
4	119952-01-000	EA	SLIDE-SEAT-NONLOCKINGHEAD
5	107921-08-000	EA	TOPPLATE-PEDESTAL-W/OSEATBELTBAR
	107921-06-000	EA	BEARINGKIT-PEDESTAL
6	107921-01-000	EA	PEDESTALFLOORMOUNTED-W/9.75"EXTENSION
7	108445-02-000	EA	PLATE-FLOORMOUNTEDPEDESTAL/SEAT
8	119952-03-000	EA	SLIDE-SEAT/HEAVYDUTY/LOCKINGW/2STUDS
9	007221-01-000	EA	SPACER-SEAT/ADJUSTER
	117125-01-02B	EA	BRACKET-CABLEMOUNT-ADJUSTERW/LOCK
	010495-01-000	EA	CLAMP-CABLE,9/16
	000D39-05-00B	EA	NUT-HEX-SERFLGLK5/16-18ZN

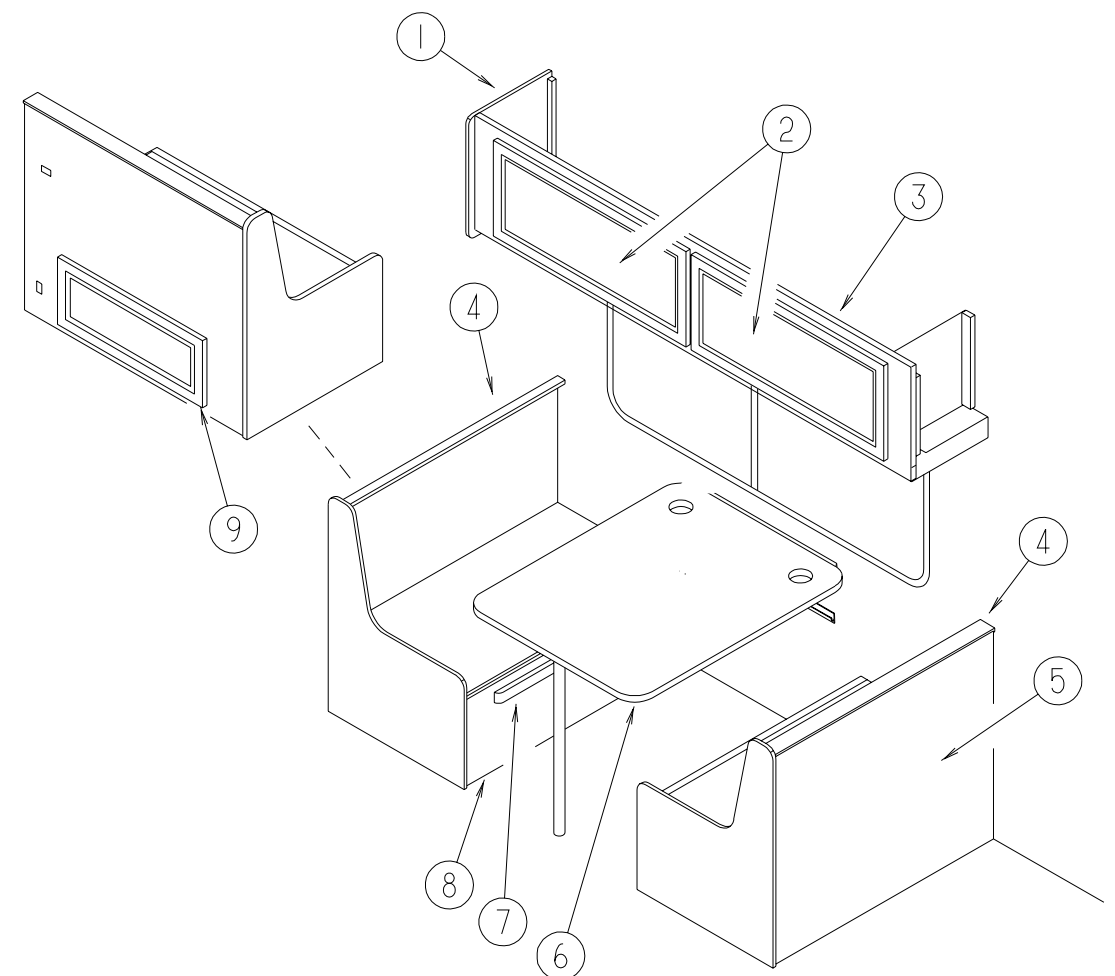
CURTAIN&CUSHIONGROUP(CONTINUED)



CURTAINHARDWARE

KEY	PARTNUMBER	U/M	DESCRIPTION
1	106544-01-000	EA	PULL-SHADE,BRASS
	106544-01-001	EA	SCREW-BRASS,SHADE
2	102555-01-000	EA	CLEAT-CORD,BLIND-OFFWHITE
3	109441-01-000	EA	HOLDDOWN-BLIND,HOOK
4	084434-01-000	EA	BRACKET-MOUNTING,ROLLERSHADE-13/8"
	084433-05-000	EA	SHADE-ROLLER,72.25"
	096843-01-000	EA	SPRING-REWIND,ROLLERSHADE
	084432-06-000	FT	SLAT-ROLLERSHADE,WOOD
5	101031-01-000	YD	TAPE-GLIDE,CURTAIN-4.25"SPACING
6	029130-01-000	EA	SCREW-SNAPSOCKET,8PHX5/8"
7	029155-01-000	EA	CAP-SNAP,5/32"O.D.OFPIN
8	029156-01-000	EA	SOCKET-SNAP,9/16"O.D.
9	105324-02-01A	EA	TRACK-CURTAIN,WRAPAROUND-PASSENGERSIDE-OFFWHITE
9	105324-03-01A	EA	TRACK-CURTAIN,WRAPAROUND-DRIVERSIDE-OFFWHITE
9	105450-08-01A	EA	TRACK-CURTAIN,38"LONG-ALUMINUM-OFFWHITE
10	093475-01-701	EA	ENDCAP-BLIND,W/STUD
11	101033-02-000	EA	ENDCAP-TRACK,CLEAR
12	093475-01-700	EA	WAND-BLIND,W/METALCLIP-8"LONG
13	083170-01-000	EA	BRACKET-BLIND,RIGHTSIDE
14	083170-02-000	EA	BRACKET-BLIND,LEFTSIDE
15	101033-03-000	EA	TRACK-WALL,WHITE
16	083125-07-000	EA	BRACE-COUCH,O/W
	046867-01-000	EA	GROMMET-BRASS,7/16"IDX1"OD
	088792-01-000	YD	VELCRO-HOOK,.75"WIDE-BEIGE
	088792-02-000	YD	VELCROTAPE-LOOP,ADHESIVEBACKED-.75"WIDE-BEIGE
	088792-06-000	YD	VELCRO-3/4"NON-ADH.,LOOPBUFMED
	048394-02-000	YD	VELCROTAPE-HOOK,ADHESIVEBACK-.75"WIDE-BEIGE
	086276-01-000	EA	TAPE-DOUBLESIDED,1/2"

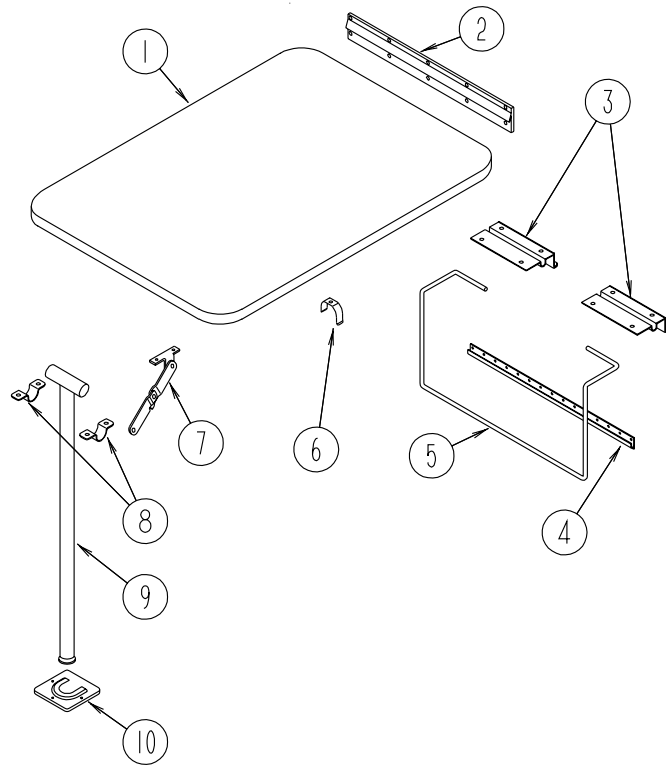
DINETTEGROUP



DINETTECABINERY

KEY	PARTNUMBER	U/M	DESCRIPTION
1	109908-35-GB1	EA	ENDCAP-OVERHEAD
2	110140-65-H04	EA	DOOR-MIRROR/MTRDCRNR/VINYLRAP-14.3"X33.4"-W/OHDW
2	110140-05-G01	EA	DOOR-MITEREDCORNER/VINYLRAP-14.3"X33.4"-W/OHDW
3	121837-01-H01	EA	CABINET-OVERHEAD/DINETTE-W/ODOORS/HARDWARE
4	111338-09-H01	EA	PADASM-DINETTE(H01)
4	111338-09-G02	EA	PADASM-DINETTE(H02)
5	M04175-75-GB1	EA	CABINET-SEATBOTTOM/RIGHTHAND-W/ODOORS/DRAWERS/HDW
	M04174-75-GB1	EA	CABINET-SEATBACK/RIGHTHAND-W/OHARDWARE
6	081322-17-GB1	EA	TABLE-DINETTE-W/OHARDWARE(H01)
6	081322-17-GC1	EA	TABLE-DINETTE-W/OHARDWARE(H02)
7	081295-01-G01	EA	SUPPORT-BED-DINETTE-712LG
8	M04175-92-H01	EA	CABINET-SEATBOTTOM/LEFTHAND-W/ODOORS/DRAWERS/HDW
	M04174-91-H01	EA	CABINET-SEATBACK/LEFTHAND-W/OHARDWARE
9	110140-01-G01	EA	DOOR-MITEREDCORNER/VINYLRAP-10.0"X25.2"-W/OHDW

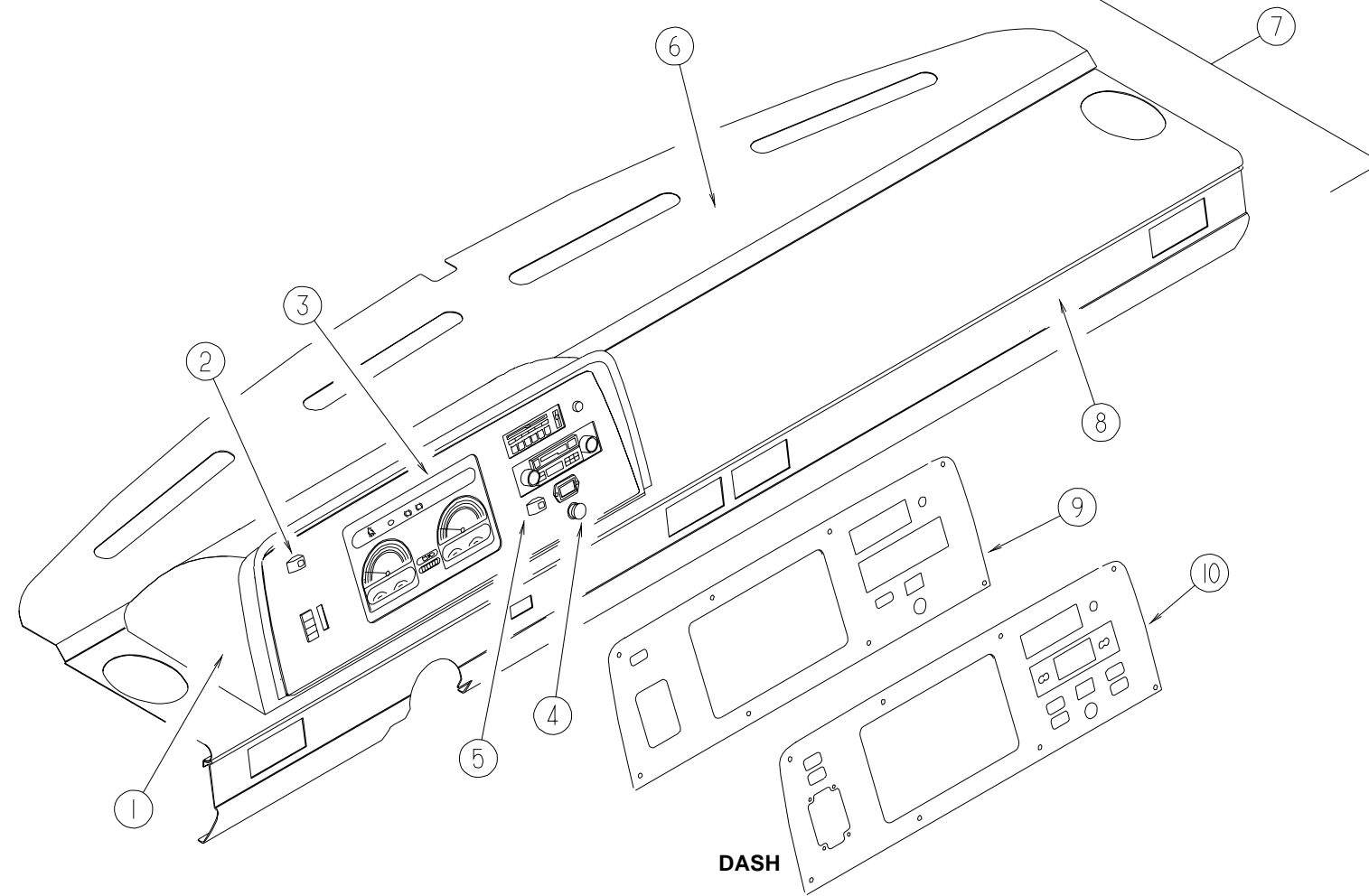
DINETTEGROUP(CONTINUED)



DINETTETABLE

KEY	PARTNUMBER	U/M	DESCRIPTION
1	081322-17-GB1	EA	TABLE-DINETTE, W/OCUPHOLDERORHARDWARE(H01)
1	081322-17-GC1	EA	TABLE-DINETTE, W/OCUPHOLDERORHARDWARE(H02)
	064781-06-000	EA	HOLDER-CUP, TWOSTEP-OFFWHITE
2	053200-12-000	EA	SUPPORT-TABLE, 23.50"-OFFWHITE
3	088410-02-000	EA	HANGER-TABLE, OFFWHITE
4	024281-14-000	EA	BRACKET-TABLELIFT, 22.12"-OFFWHITE
5	024275-12-000	EA	ROD-TABLELIFT, OFFWHITE
6	024283-01-000	EA	CLIP-LEG, 1"-1.125"OD-BLACK
7	024282-01-000	EA	BRACE-TABLELEG, HINGED
8	064050-05-000	EA	HINGE-TABLELEG, OFFWHITE
9	024276-23-000	EA	LEGASM-TABLEOFFWHITE
10	049493-12-000	EA	CATCH-TABLELEG, OFFWHITE
10	049493-11-700	EA	CATCH-LEG, FLOORMOUNTED-2.5"X2.7"-METAL-E-COAT

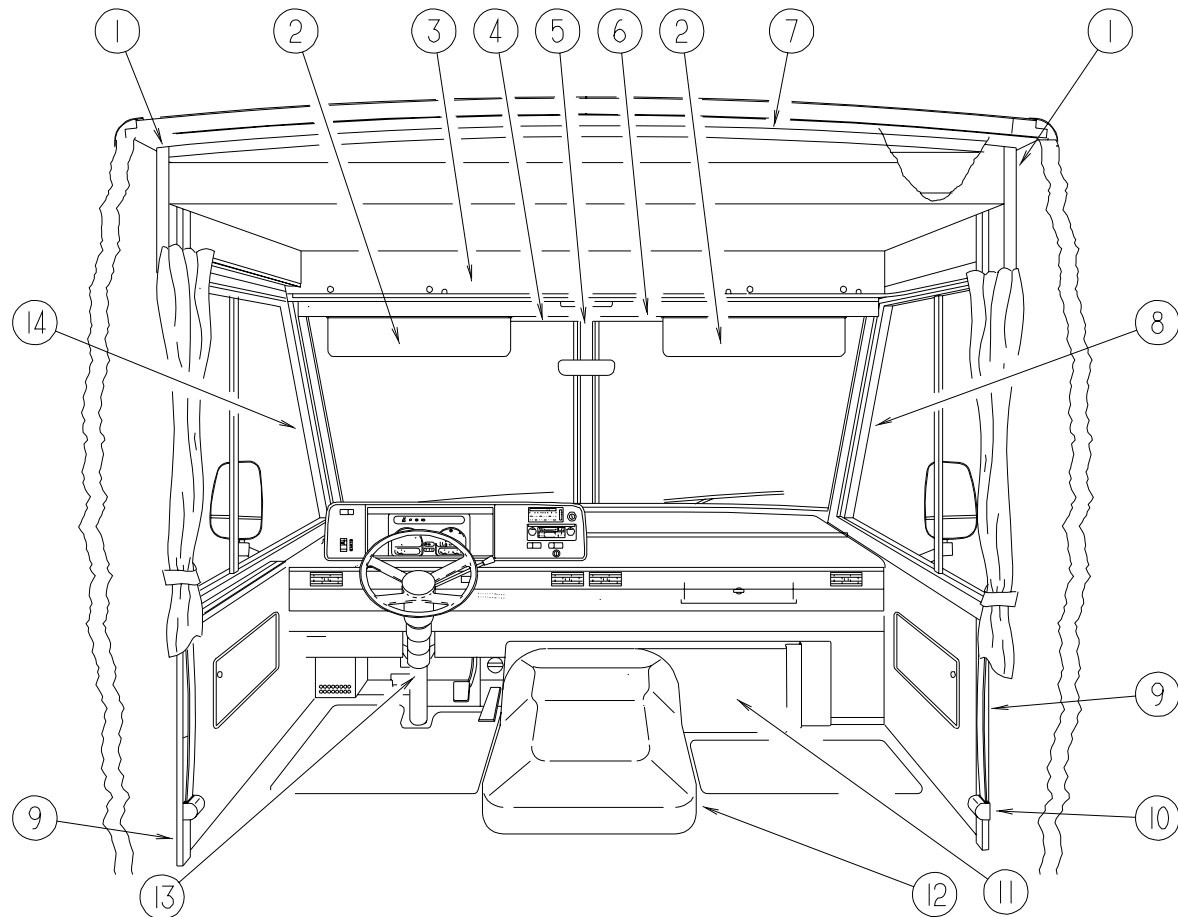
DRIVERSCOMPARTMENTGROUP



DASH

KEY	PARTNUMBER	U/M	DESCRIPTION
	M05946-37-GB1	EA	DASHPOD-W/OINSTRUMENTPANEL-CHEVY
	M05946-36-GB1	EA	DASHPOD-W/OINSTRUMENTPANEL-FORD
1	121118-01-01A	EA	POD-INSTRUMENTPANEL-CHEVY
1	121118-02-01A	EA	POD-INSTRUMENTPANEL-FORD
	077539-01-000	EA	BRACKET-MOUNTING/DASHPANEL-L/SHAPED-2.5"X1"X1.5"
	100138-01-000	EA	MODULE-DAYTIMERUNNINGLIGHT
	077031-01-000	EA	FILM-BLACK-1"X1.75"
	077031-03-000	EA	FILM-WHITE-.75"X1"
	103603-01-000	EA	BULB-12VOLT-#74-.12AWEDGE-GE22-25USEDINDASH
	0G1108-12-140	EA	SCREW-8-18X.75"PPH-CAMBRIDGEBISQUE
2	108357-09-000	EA	SWITCH-ROCKERSPDTMOM/OFF/MOM-CARLINGV8D1160B-0-GENERATOR
2	108356-02-01A	EA	COVER-SWITCHW/DIMPLES, CARLINGVVAZC00BLA
3	094796-07-000	EA	CLUSTER-INSTRUMENTPANEL-KILOMETER-GAS-CANADIAN-CHEVY
			FROM: 00-00-00 THRU: 10-06-96
3	125001-02-000	EA	CLUSTER-INSTRUMENTPANEL-KILOMETERS/MILES-CANADIAN-CHEVY
			FROM: 10-07-96 THRU: 99-99-99
	094794-06-000	EA	CLUSTER-INSTRUMENTPANEL-KILOMETERS-CANADIAN-FORD
4	089294-01-000	EA	LIGHTER-CIGARETTE-W/OWIRES
5	108357-10-000	EA	SWITCH-ROCKER, SPDTMOM/OFF/MOM-CARLINGV8D1160B-0-GENERATOR
5	108356-04-01A	EA	COVER-SWITCHW/DIMPLES&LENS, CARLINGVVAZC00
	106569-02-04A	EA	VINYL-LAMINATECAMBRIDGEBISQUE-1/4"X16"X96-.2LB
6	105927-02-000	EA	PANEL-DASHTOP-W/STUD
7	P03817-11-000	EA	DASH-CHEVY-W/OVINYLANDINSTRUMENTPOD
	P03817-10-000	EA	DASH-FORD-W/OVINYLANDINSTRUMENTPOD
8	103812-01-05A	EA	TRIM-DASH, LOWER-CHEVY-CAMBRIDGEBISQUE
	103812-01-03A	EA	TRIM-DASH, LOWER-CHEVY-MILL
	111528-01-05A	EA	TRIM-DASH, LOWER-RH-FORD-CAMBRIDGEBISQUE
	117306-01-F04	EA	TRIMASM-DASH, LOWER-LH-FORD-CAMBRIDGEBISQUE
9	110073-01-01A	EA	APPLIQUE-BEZEL-INSTRUMENTPANEL-CHEVY
	120918-01-01A	EA	APPLIQUE-BEZEL-INSTRUMENTPANEL-FORD
10	109829-01-01A	EA	BEZEL-INSTRUMENTPANEL-CHEVY
	120919-01-02B	EA	BEZEL-INSTRUMENTPANEL-FORD
	049176-01-000	EA	HEDLOCKII-3/4"DIAMETER, SCREWMOUNT

DRIVERSCOMPARTMENTGROUP(CONTINUED)

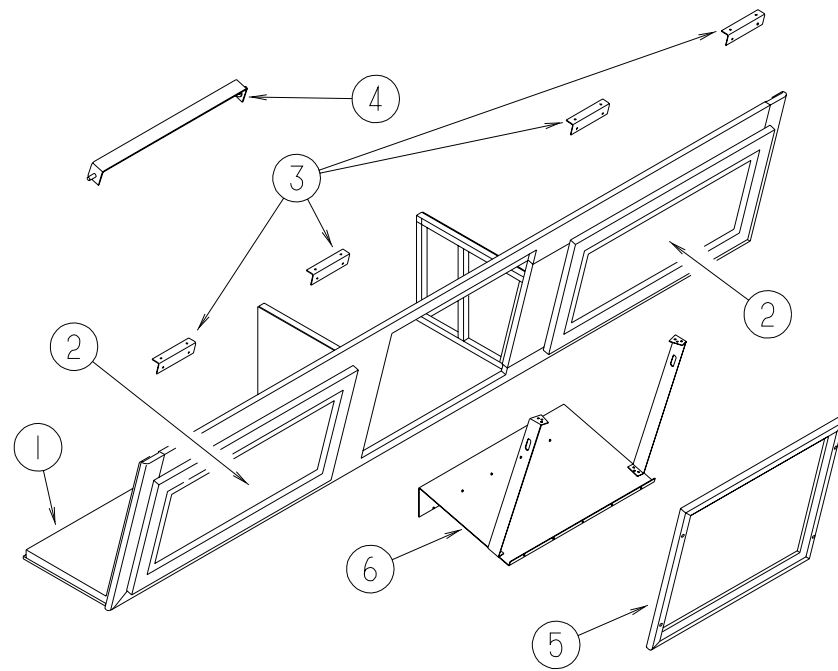


DRIVERSCOMPARTMENT

KEY	PARTNUMBER	U/M DESCRIPTION	VENDORNO.
	040714-01-000	EA MIRROR-REAR VIEW/ARMMOUNT & SET SCREW - GM#911722	
	067490-01-000	EA BUTTON-MIRROR/REARVIEW	
6	078579-07-000	EA TRIM-WINDSHIELD-UPPER/INNERPASSENGER FROM: 00-00-00 THRU: 06-01-96	
6	078579-23-000	EA TRIM-WINDSHIELD-UPPER/INNERPASSENGER FROM: 06-02-96 THRU: 99-99-99	
7	024700-51-000	EA COVER-ROLLBAR, OFFWHITE - 88.00"	
8	103931-01-01A	EA COVER-PASSENGER-A-PILLAR-OFFWHITE FROM: 00-00-00 THRU: 06-01-96	
8	103931-01-05A	EA COVER-PASSENGER-A-PILLAR-CAMBRIDGEBISQUE FROM: 06-02-96 THRU: 99-99-99	
9	024700-44-000	EA COVER-ROLLBAR-53"-LOWER-DRIVER/PASSENGER	
	110056-01-01A	EA COVER-ROLLBAR, 90°-OFFWHITE	
10	091990-04-01A	EA SEATBELT-3POINT, BLACK	
	091990-01-701	EA EXTENDER 9" FOR A84083PT	I-1331-02
	109146-01-000	EA BOLT-SHOULDER/SEATBELT	
	103961-01-01A	EA COVER-BRACKET, SEATBELT O/W	
11	095757-03-GB1	EA COVER ASM-HEATER (H01)	
11	095757-03-F26	EA COVER ASM-HEATER (H02)	
	111618-01-GB1	EA TRAY-BEVERAGE W/COMPARTMENT	
	111618-13-GB1	EA LID ASM	
12	115840-01-01A	EA COVER-MOTOR-W/O CARPET	
12	115840-02-01A	EA COVER-MOTOR-W/O CARPET/PADF/1996 CHEV VORTE COPTION	
	115852-01-02B	EA STRIKE-LATCH-MOTOR COVER-E-COATED	
	115860-01-01A	EA TRIM-MOTOR COVER	
	116833-01-02B	EA WRENCH-HEX, MOTOR COVER, E-CT	
	115850-01-02B	EA RETAINER ASM-LATCH, MOTOR COVER	
	116581-01-000	EA LATCH-MOTOR COVER	
13	103498-06-000	EA BOOT-COLUMN, BLACK VINYL-CHEVY FROM: 00-00-00 THRU: 12-18-96	
13	103498-09-000	EA BOOT-COLUMN, BLACK VINYL-CHEVY FROM: 12-19-96 THRU: 99-99-99	
	111521-03-01A	EA COVER-STEERING COLUMN, PLASTIC-FORD	
	111521-04-01A	EA COVER-STEERING COLUMN, PLASTIC-FORD	
	112634-01-01A	EA TRIM-STEERING COLUMN, PLASTIC-RIGHT HAND-FORD	
	112634-02-01A	EA TRIM-STEERING COLUMN, PLASTIC-LEFT HAND-FORD	
14	103931-02-01A	EA COVER-DRIVERS-A-PILLAR-OFFWHITE FROM: 00-00-00 THRU: 06-01-96	
14	103931-02-05A	EA COVER-DRIVERS-A-PILLAR-BISQUE FROM: 06-02-96 THRU: 99-99-99	
	118718-01-01A	EA HOLDER-COLLAPSIBLE MUG/DRINK-BLACK PLASTIC	
	119919-14-000	EA FRONT-STEP BOX INSERT	

KEY	PARTNUMBER	U/M DESCRIPTION	VENDORNO.
1	024700-53-000	EA COVER-ROLLBAR, OFFWHITE 19.1" INCHES W/BUNK	
2	082286-18-D12	EA SUNVISOR ASM, W/O POCKET FROM: 00-00-00 THRU: 06-01-96	
2	123298-01-01A	EA SUNVISOR ASM-7" X 28.5" FROM: 06-02-96 THRU: 99-99-99	
	007211-01-000	EA HINGE-SUNVISOR, 25.5" X 1.5"-METAL FROM: 00-00-00 THRU: 06-01-96	
	081987-05-000	EA ROD-SUNVISOR, BLACK FROM: 00-00-00 THRU: 06-01-96	
	074012-01-000	EA CLIP-SUNVISOR, SQUARE-PINCHON FROM: 00-00-00 THRU: 06-01-96	
	102377-01-000	EA BRACKET-SUNVISOR, 1PIECE-STEEL FROM: 00-00-00 THRU: 06-01-96	
3	109795-02-FB1	EA PANEL-HEADLINER FROM: 00-00-00 THRU: 06-01-96	
3	109795-02-H01	EA PANEL-HEADLINER FROM: 06-02-96 THRU: 99-99-99	
	078811-07-FB1	EA PANEL-HEADER, HORIZONTAL SECTION-W/LIGHT & SPEAKER CUTOUTS FROM: 00-00-00 THRU: 06-01-96	
	078811-07-H01	EA PANEL-HEADER, HORIZONTAL SECTION-W/LIGHT & SPEAKER CUTOUTS FROM: 06-02-96 THRU: 99-99-99	
4	078579-08-000	EA TRIM-WINDSHIELD, UPPER-INNER-DRIVER-OFFWHITE FROM: 00-00-00 THRU: 06-01-96	
4	078579-24-000	EA TRIM-WINDSHIELD, DRIVER UPPER, INNER-CAMBRIDGEBISQUE FROM: 06-02-96 THRU: 99-99-99	
5	079765-07-000	EA TRIM-WINDSHIELD, CENTER-PRE-CUT ENDS-OFFWHITE FROM: 00-00-00 THRU: 06-01-96	
5	079765-15-000	EA TRIM-WINDSHIELD, CENTER-PRE-CUT ENDS-CAMBRIDGEBISQUE FROM: 06-02-96 THRU: 99-99-99	
5	079765-09-000	EA TRIM-WINDSHIELD, CENTER-UNCUT-OFFWHITE FROM: 00-00-00 THRU: 06-01-96	

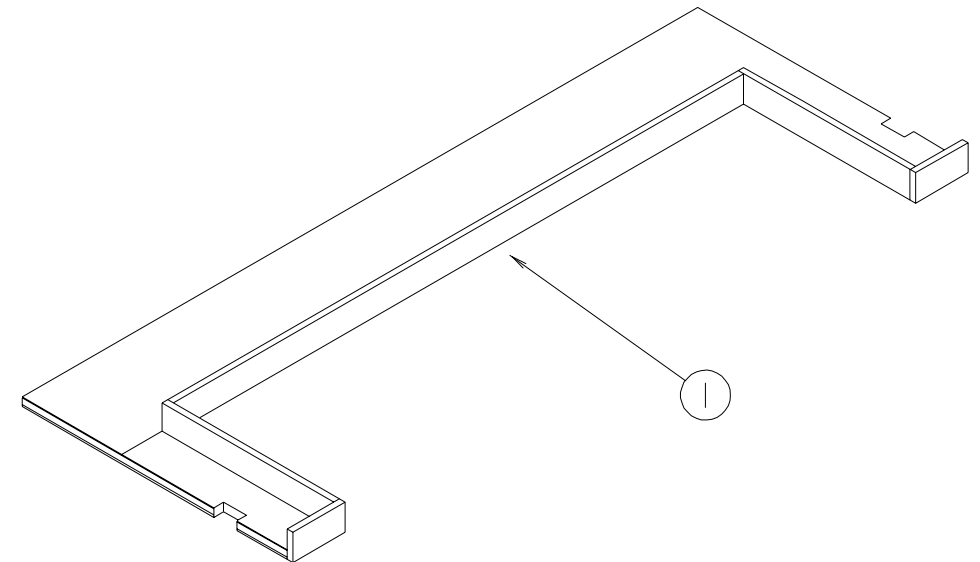
DRIVERSCOMPARTMENTGROUP(CONTINUED)



DRIVERSCOMPARTMENTTV CABINET

KEY	PARTNUMBER	U/M	DESCRIPTION
1	120196-01-GB1	EA	CABINET-TV OVERHEAD-W/ODOORS/HARDWARE FROM: 00-00-00 THRU: 06-01-96
1	120196-01-H01	EA	CABINET-TV OVERHEAD-W/ODOORS/HARDWARE FROM: 06-02-96 THRU: 99-99-99
2	110140-18-G01	EA	DOOR ASM-MITERED, VINYL WRAP - 15.7" X 27.9" - W/O HARDWARE
3	106699-01-01A	EA	BRACKET-CABINET, OVHDTV-O/W
	099717-03-000	EA	TV TIEDOWN STRAP - W/5.1" FEMALE STRAP & 7.9" MALE STRAP
4	120175-02-02B	EA	SUPPORT ASM-SHELF, TV-E-COAT
5	120198-01-GB1	EA	CABINET ASM-FRAME, TV
6	120178-01-01B	EA	SHELF-TV-W/O HARDWARE
	120197-01-GB1	EA	PANEL-HEADLINER FROM: 00-00-00 THRU: 06-01-96
	120197-01-H01	EA	PANEL-HEADLINER FROM: 06-02-96 THRU: 99-99-99

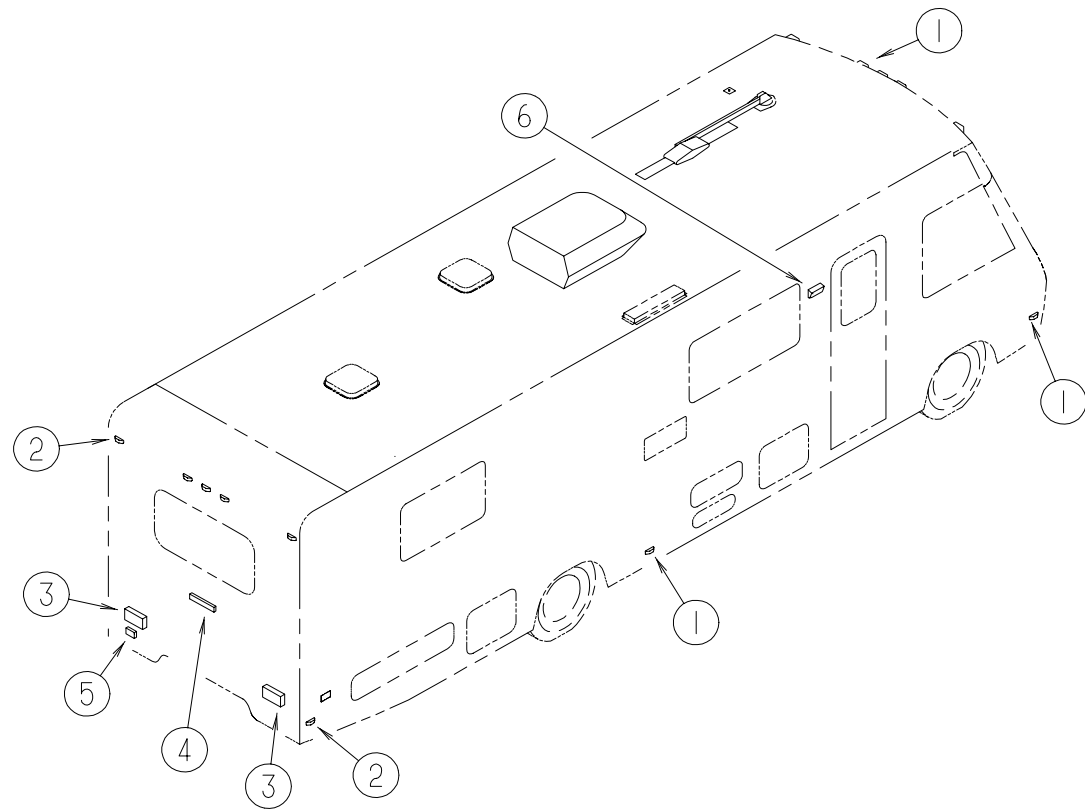
DRIVERSCOMPARTMENTGROUP(CONTINUED)



DRIVERSCOMPARTMENTBLANKET CABINET

KEY	PARTNUMBER	U/M	DESCRIPTION
1	104417-02-GB1	EA	CABINET ASM-BLANKET
OVERHEAD BUNK			
	076760-04-000	EA	BUNK HARDWARE-OVERHEAD-(COIL SPRING)
	110007-01-GB1	EA	BED-BUNK-FRONT
	118257-01-FB1	EA	COVER-HEADLINER FROM: 00-00-00 THRU: 06-01-96
	118257-01-H01	EA	COVER-HEADLINER FROM: 06-02-96 THRU: 99-99-99

ELECTRICAL GROUP



EXTERIOR LIGHTS

KEY	PART NUMBER	U/M DESCRIPTION
1	111102-01-000	EA BASE-CLEARANCE/SIDEMARKER LIGHT W/BULB - PLASTIC - WHITE
1	111102-02-000	EA LENS-CLEARANCE/SIDEMARKER LIGHT - W/REFLEX - AMBER
1	036196-01-000	EA BULB - 12V, #194 - .27AMP - BAYONETTE
	109566-01-000	EA BACKING - LIGHT - ROOF CAP
2	111102-01-000	EA BASE-CLEARANCE/SIDEMARKER LIGHT - W/BULB - PLASTIC - WHITE
2	111102-03-000	EA LENS - CLEARANCE/SIDEMARKER LIGHT - W/REFLEX - RED
2	036196-01-000	EA BULB - 12V, #194 - .27AMP - BAYONETTE
3	115632-03-02A	EA LIGHT - STOP/TAIL/BACKUP
3	121620-01-01A	EA POD - TAIL LIGHT
	037935-01-000	EA BULB - 12V - #1157 OR #2057 - 2.1 AMP - CLEAR GLASS
4	121950-01-000	EA LIGHT - BRAKE - CENTER MOUNT
5	066432-02-000	EA LIGHT - LICENSE - BLACK
5	066432-03-000	EA BRACKET - LICENSE PLATE
6	097917-01-06A	EA LIGHT - PORCH - BRIGHT WHITE
6	008215-01-000	EA BULB - 12 VOLT - #1003 - .94 AMP
6	097917-01-700	EA LENS-LIGHT, CLEAR
	070907-02-000	EA HEADLAMP - BLACK RETAINING RING
	070907-01-000	EA HEADLAMP - RECTANGULAR
	106687-02-000	EA SOCKET - LIGHT - 3-WIRE
	049359-01-000	EA SPRING - RETAINER - HEADLAMP - GM #496096
	110750-01-000	EA SCREW - HEADLAMP ADJUSTING
	121949-01-000	EA LIGHT - TURN/AMBER - RIGHT HAND - FRONT END
	121949-02-000	EA LIGHT - TURN/AMBER - LEFT HAND - FRONT END

30-78-021

ELECTRICAL GROUP (CONTINUED) MISCELLANEOUS ELECTRICAL COMPONENTS

KEY	PART NUMBER	U/M DESCRIPTION
	007093-01-000	EA SIGNAL FLASHER
	008188-01-000	EA SOLENOID - 3 POST - BATTERY CHANGE OVER
	063910-01-000	EA HOUSING - RELAY
	086233-01-000	EA STUD - ISOLATED - 3/8" X 7/8" LONG
	086273-01-000	EA RELAY - BATTERY DISCONNECT

POWER CORD, ELECTRICAL BOXES & COVERS

KEY	PART NUMBER	U/M DESCRIPTION
	008052-01-000	EA CORD - POWER - 10/3 - 30 AMP - 25' - CANADIAN
	008054-01-000	EA CORD - POWER - 10/3 - 30 AMP - 25'
	008289-01-000	EA BOX - ELECTRIC/STEEL - 1/2" & 3/4" KNOCKOUTS - 4" X 4"
	008289-02-000	EA BOX - ELECTRIC/STEEL - 1/2" & 3/4" KNOCKOUTS - 4" X 4" - CAN
	008294-01-000	EA COVER - ELECTRICAL BOX - BLANK/STEEL - 4" X 4" - GRAY
	008294-02-000	EA COVER - ELECTRICAL BOX - BLANK STEEL - 4" X 4" - CANADIAN
	069238-01-000	EA COVER - ELECTRICAL BOX - W/HOLE - 4" X 4" - GRAY USED WITH 30 AMP RECEPTACLE
	074890-01-000	EA BOX - EXTENSION/STEEL - OPEN SIDES - 4"X4"X 1 1/2"
	074897-01-000	EA COVER - ELECTRICAL BOX W/HOLES - 4" X 4"
	091910-01-000	EA BOX - ELECTRIC - 3.75" X 3.5" X 1.75" - PLASTIC
	091910-02-000	EA BOX - ELECTRIC - 2.24" X 3.45" - PLASTIC
	093603-01-000	EA BOX/ELECTRIC - 4" X 2 1/8 X 2 1/8"
	111509-01-000	EA BOX - ELECTRICAL - FRONT
	111510-01-000	EA DOOR - ELECTRICAL BOX - FRONT

POWER CONVERTER

KEY	PART NUMBER	U/M DESCRIPTION
	083208-01-000	EA CONVERTER - POWER - 32A AMP - 120V/12V

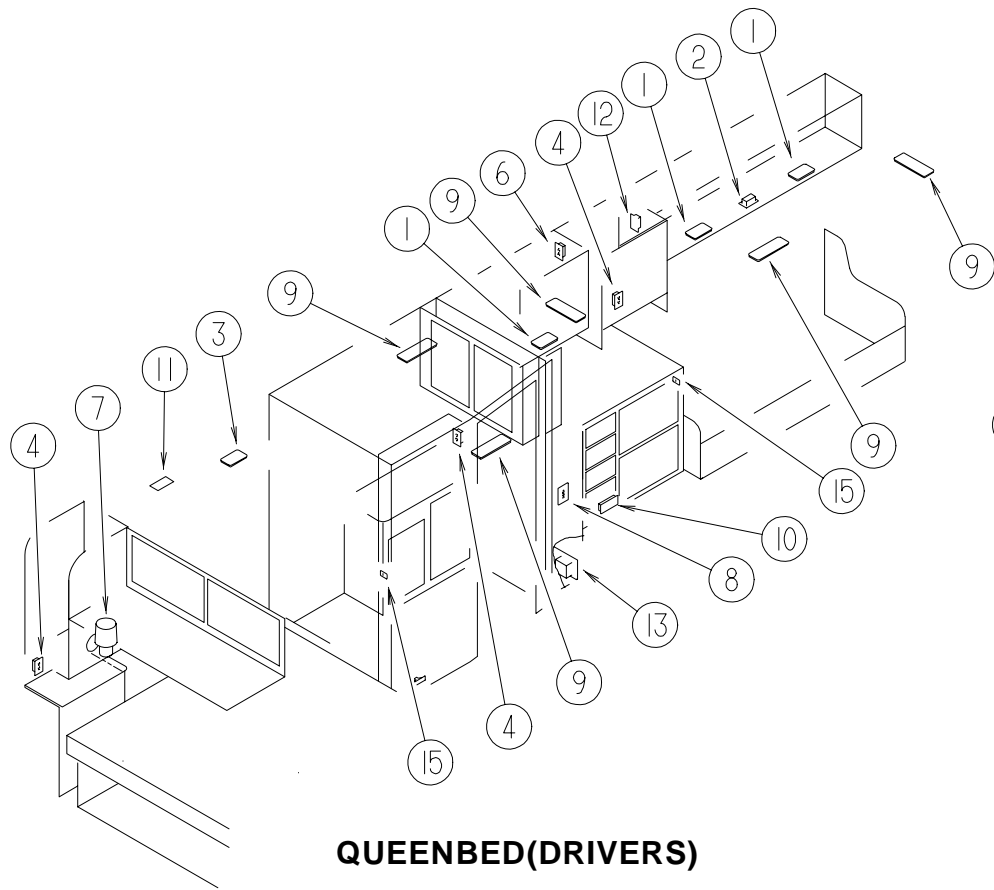
WIRE ASSEMBLIES

KEY	PART NUMBER	U/M DESCRIPTION
	096449-01-000	EA WIRE ASSEMBLY - WATER TANK TO MONITOR PANEL
	097618-01-000	EA WIRE ASSEMBLY - MONITOR PANEL - W/3 WIRES & ORANGE RESISTOR ORANGE RESISTOR W/3 (ORANGE-GREEN-BLUE) WIRES
	113134-03-000	EA WIRE ASSEMBLY - WIPER/WASHER

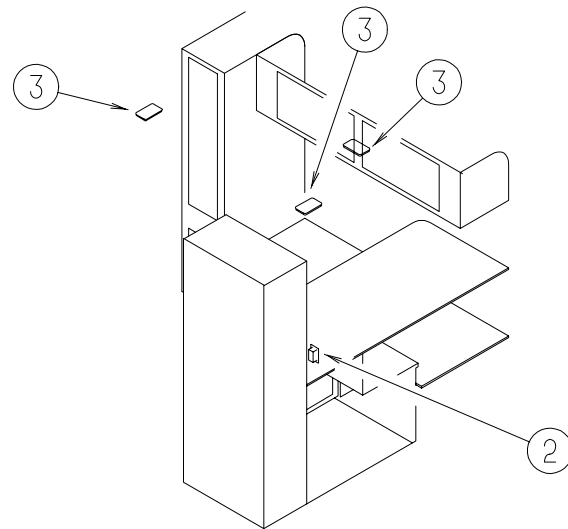
ELECTRICAL CONNECTORS & COVERS

KEY	PART NUMBER	U/M DESCRIPTION
	007954-01-000	EA RECEPTACLE - HOUSING - 6 POSITION
	007956-05-000	EA INSULATOR - SHRINK - .25 ID X 1.50
	008311-01-000	EA CONNECTOR - WIRE NUT - INSULATED - RED
	008313-01-000	EA CONNECTOR - WIRE NUT - INSULATED - YELLOW

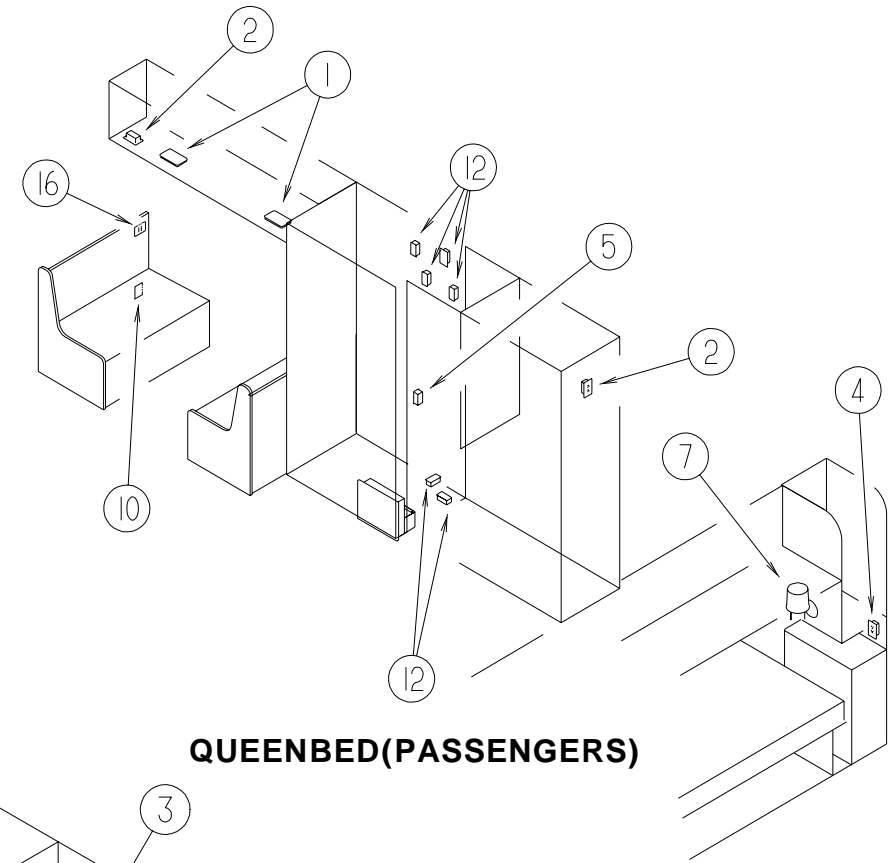
ELECTRICALGROUP(CONTINUED)
LIGHTS,SWITCHES&RECEPTACLE



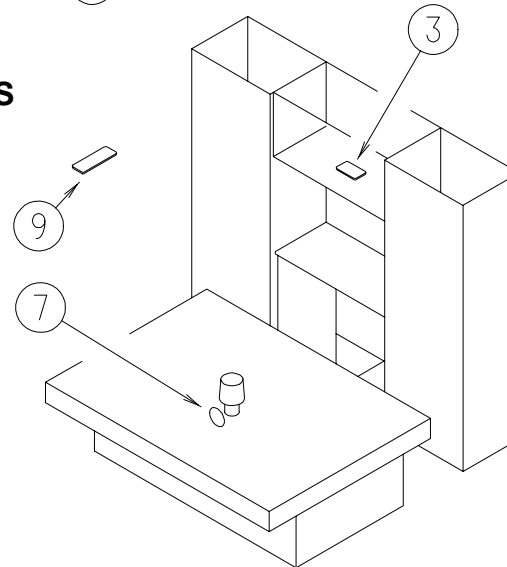
QUEENBED(DRIVERS)



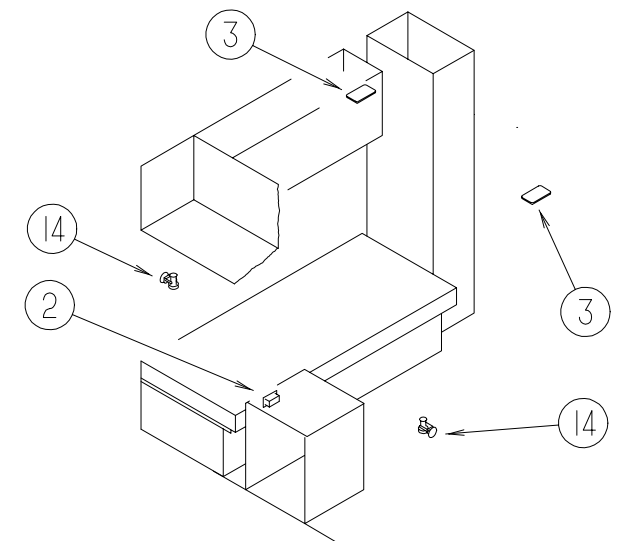
CROSSSTACKEDBUNKS



QUEENBED(PASSENGERS)



DOUBLEBED



TWINBED

KEY	PARTNUMBER	U/M	DESCRIPTION	VENDOR NO.
1	098024-05-02A	EA	LIGHT-DOME-1BULB-SKYLITEWHITE	
	008218-01-000	EA	BULB-DOME LIGHT-12VOLT-NO.1141	
	098024-01-701	EA	LENS-OPTICLEAR-SKYLIGHT	
2	058708-01-000	EA	RECEPTACLE-ELECTRIC-DOUBLE-BROWN	
3	098024-01-03A	EA	LIGHT-DOME-1BULB-WHITE	809902
	008218-01-000	EA	BULB-DOME LIGHT-12VOLT-NO.1141	
	098024-01-700	EA	LENS-LIGHT	
4	058708-02-000	EA	RECEPTACLE-ELECTRIC-DOUBLE-IVORY	
	102568-01-GB1	EA	SPACER-RECEPTACLE-SIDEWALL	
5	058707-01-000	EA	RECEPTACLE-ELECTRIC-SINGLE-BROWN	
6	058708-05-000	EA	RECEPTACLE-SINGLE-BROWN	
7	119258-02-01A	EA	LAMP-WALL	
	119258-01-700	EA	FINIAL(PYRAMID)	12-0322
	067479-01-000	EA	BULB-WALLLAMP,12VOLT-#1076-1.80AMP	
7	119257-03-01A	EA	SHADE-LAMP-LINEN	
8	084076-02-000	EA	RECEPTACLE-GFI-15AMP-125VOLT-BROWN	
8	097734-01-01A	EA	EXTENSION-RECEPTACLE,3.2"X5"X.7"-PLASTIC-IVORY-CSA	
9	098024-03-02A	EA	LIGHT-DOME-2BULB-WHITE	
	008218-01-000	EA	BULB-DOME LIGHT-12VOLT-NO.1141	
	098024-01-700	EA	LENS-LIGHT	807877
10	061424-01-000	EA	LIGHT-AISLE,12V-RECTANGULAR	
	008103-01-000	EA	BULB-DASH/AISLE LIGHT,#53-12V-.12AMP	
11	091927-01-000	EA	COVER-RECEPTACLE-DOUBLE-IVORY(W/O ROOFA/C)	
11	102568-02-H01	EA	SPACER-RECEPTACLE-SIDEWALL(W/O ROOFA/C)	
12	058707-02-000	EA	RECEPTACLE-BLANK-JUNCTION	
13	024924-02-000	EA	RECEPTACLE-POWERCORD-W/PARTIALPLATE	
14	104173-02-01A	EA	LIGHT-DESIGNER,BLACK-81-903-US	
	104173-01-700	EA	BULB-US	81900
14	104172-01-01A	EA	LIGHT-BULLET(BULB#9312V)-CSA	
15	079364-02-000	EA	SWITCH-LOCK/LOCK,ROCKER-BLACK	
16	079364-04-000	EA	SWITCH-ON/OFF,ROCKER-BLACK	

ELECTRICALGROUP(CONTINUED)
FUSES&CIRCUITBREAKERS

KEY	PARTNUMBER	U/M	DESCRIPTION
	062037-01-000	EA	HOUSING-AUTOFUSE-NATURAL
	062037-02-000	EA	HOUSING-AUTOFUSE-GREEN
	062037-03-000	EA	HOUSING-AUTOFUSE-BLACK
	062037-04-000	EA	HOUSING-AUTOFUSE-BLUE
	062037-05-000	EA	HOUSING-AUTOFUSE-GRAY
	062037-06-000	EA	HOUSING-AUTOFUSE-BROWN
	062037-07-000	EA	HOUSING-AUTOFUSE-RED
	062901-02-000	EA	FUSE-5AMPS-AUTOMOTIVE
	062901-05-000	EA	FUSE-15AMPS-AUTOMOTIVE
	062901-07-000	EA	FUSE-25AMPS-AUTOMOTIVE
	062901-08-000	EA	FUSE-30AMPS-AUTOMOTIVE
	083209-02-000	EA	CIRCUITBREAKER-15/15AMP-120VOLT
	083209-03-000	EA	CIRCUITBREAKER-15/20AMP-120VOLT
	083209-04-000	EA	CIRCUITBREAKER-30AMP-120VOLT
	108669-01-000	EA	HOUSING-AUTOFUSEHOLDER

SWITCHES

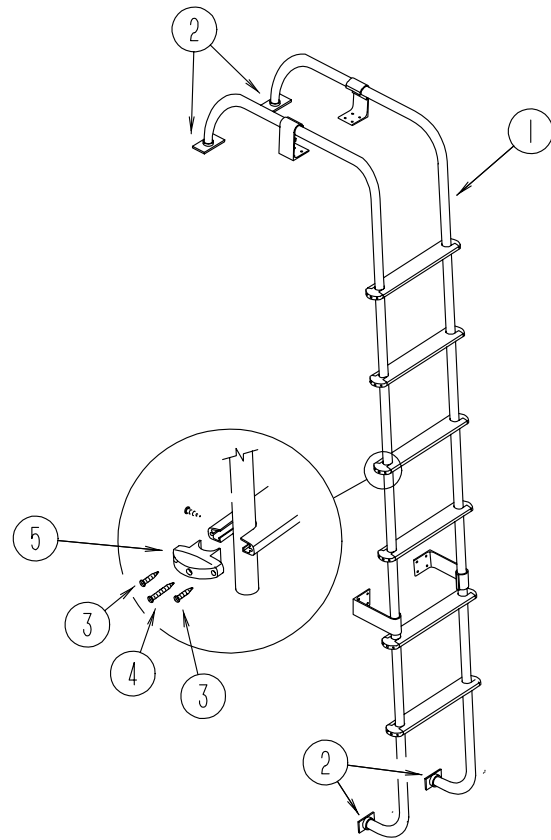
KEY	PARTNUMBER	U/M	DESCRIPTION
	079364-02-000	EA	SWITCH-LOCK/LOCK,ROCKER-BLACK
	079364-04-000	EA	SWITCH-ON/OFF,ROCKER-BLACK
	095188-01-01A	EA	SPACER-SWITCH,2.3"X3.4"-PLASTIC-DARKBROWN
	102568-02-H01	EA	SPACER-RECEPTACLE-SIDEWALL
	096241-03-000	EA	SWITCH-BLANK
	098351-01-01A	EA	PLATE-SWITCH-1GANGPOLISHEDBRASS
	098351-06-01A	EA	PLATE-SWITCH-2GANGPOLISHEDBRASS
	098351-07-01A	EA	PLATE-SWITCH-GENERATOR-POLISHEDBRASS
	108355-01-000	EA	HOUSING-SWITCH
	108356-11-01A	EA	ACTUATOR/COVER-SWITCH-3GROOVES
	108357-06-000	EA	SWITCH-ROCKERSPDT-MON/OFF/MOM-6TERMINAL

ELECTRICALGROUP(CONTINUED)
ELECTRICALCONNECTORS&COVERS(CONTINUED)

KEY	PARTNUMBER	U/M	DESCRIPTION
	008314-01-000	EA	CONNECTOR-WIRENUT-INSULATED-GRAY
	008326-01-000	EA	TERMINAL-RING-16/14WIRE-3/8"STUD
	008328-01-000	EA	TERMINAL-RING-12/10WIRE-#10STUDFIT
	008331-01-000	EA	TERMINAL-RING-TONGUE-#4WIRE-3/8"STUD-COPPER
	008348-01-000	EA	TERMINAL-RING-3/8"STUD2GA.WIRE
	008355-01-000	EA	CONNECTOR-CABLECLAMPING-3/4"
	008356-01-000	EA	CONNECTOR-PLASTIC-3/8"AVG
	008398-01-000	EA	CONNECTOR-1/2"X90DEGREE-FLEXCONDUIT-UL&CSA
	022756-02-000	EA	COVER-PROTECTIVE-5.5"ENDS X8.2"
	022756-03-000	EA	COVER-A/CPLASTIC
	035416-04-000	EA	TERMINAL-RING-#10STUDFIT-INSULATEDBARREL#16/14
	041480-01-000	EA	CONNECTOR-STRAIGHT-1/2'FLEXCONDUIT
	041953-01-000	FT	CONDUIT-CONVOLUTE SLIT-.5"ID
	041953-01-000	FT	CONDUIT-CONVOLUTE SLIT-.5"ID
	041953-03-000	FT	CONDUIT-CONVOLUTE SLIT-1"ID(CLOTHESRODCOVER)
	041953-05-000	FT	CONDUIT-CONVOLUTE SOLID-.62"ID
	041953-06-000	FT	CONDUIT-CONVOLUTE SLIT-.375"ID
	041953-07-000	FT	CONDUIT-CONVOLUTE SLIT-.25"ID
	041953-08-000	FT	CONDUIT-CONVOLUTE SLIT-1.50"ID
	041953-09-000	FT	CONDUIT-CONVOLUTE SLIT-.50"ID
	041953-10-000	FT	CONDUIT-CONVOLUTE SLIT-.75"ID
	041953-11-000	FT	CONDUIT-CONVOLUTE SLIT-1.06"ID
	047443-01-000	EA	TERMINAL-.250RECEPTACLEFIT-INSULATED-16/14AWG
	058028-01-000	EA	CONNECTOR-ELECTRICALPIGTAIL-NYLON-CLEAR
	062036-01-000	EA	TERMINAL-PACK-CON-12/10AWG
	062036-02-000	EA	TERMINAL-PACK-CON-16/14AWG
	080015-02-000	EA	RECEPTACLE-FLAG-.185-16/13GAUGE-AMP3
	087225-01-000	FT	SLEEVING-1/2"-TYPEH
	088267-01-000	EA	TERMINAL-FEMALE-1/4
	088473-01-000	EA	HOUSING-PIN-12CAVITY
	088473-02-000	EA	HOUSING-PIN-15CAVITY
	088473-06-000	EA	HOUSING-PIN-6CAVITY
	088473-08-000	EA	HOUSING-PIN-4CAVITY
	088473-09-000	EA	HOUSING-PIN-3CAVITY
	088473-10-000	EA	HOUSING-PIN-2CAVITY
	088474-01-000	EA	HOUSING-SOCKET-12CAVITY
	088474-02-000	EA	HOUSING-SOCKET-12CAVITY
	088474-03-000	EA	HOUSING-SOCKET-9CAVITY
	088474-06-000	EA	HOUSING-SOCKET-6CAVITY
	088474-08-000	EA	HOUSING-SOCKET-4CAVITY
	088474-10-000	EA	HOUSING-SOCKET-2CAVITY
	088475-01-000	EA	PIN-CONNECTOR-14-20AWG
	088475-02-000	EA	PIN-CONNECTOR-10-12AWG
	088476-01-000	EA	SOCKET-CONNECTOR-BRASS-PRE-TIN
	088476-02-000	EA	SOCKET-CONNECTOR-12-10GA-PRE-TIN
	103987-02-000	EA	SEAL-SOLENOIDACCESS
	104100-01-000	EA	HOUSING-1POSITION-75AMPS
	104100-03-000	EA	TERMINAL-75AMP
	106006-01-000	EA	HOUSING-1POSITION-FEMALE
	106007-01-000	EA	TERMINAL-FEMALE-14-16AWG
	106655-01-000	EA	TERMINAL-FUSEBLOCK-14-16AWG
	106655-02-000	EA	TERMINAL-FUSEBLOCK-10-12AWG
	110178-01-000	EA	HOUSING-WIPERMOTOR
	112823-01-000	EA	SPLICE-REDUCER-16-14TO18-22
	113306-01-000	EA	TERMINAL-FEMALE-M/P-14-16
	113307-01-000	EA	TERMINAL-FEMALE-M/P-16-20
	113468-01-000	EA	HOUSING-2POSITION-FEMALE USEDONWIPER/WASHERWIREASM
	115556-01-000	EA	HOUSING-3POSITION-FEM
	119248-02-000	EA	HOUSING-7POSITION-FEMALE
	125323-02-000	EA	HOUSING-8POSITION-MALE
	125324-01-000	EA	TERMINAL-MALE
	125325-01-000	EA	SEAL-CAVITY

FROM: 10-24-96 THRU: 99-99-99
FROM: 10-24-96 THRU: 99-99-99
FROM: 10-24-96 THRU: 99-99-99

EXTERIORBODYGROUP



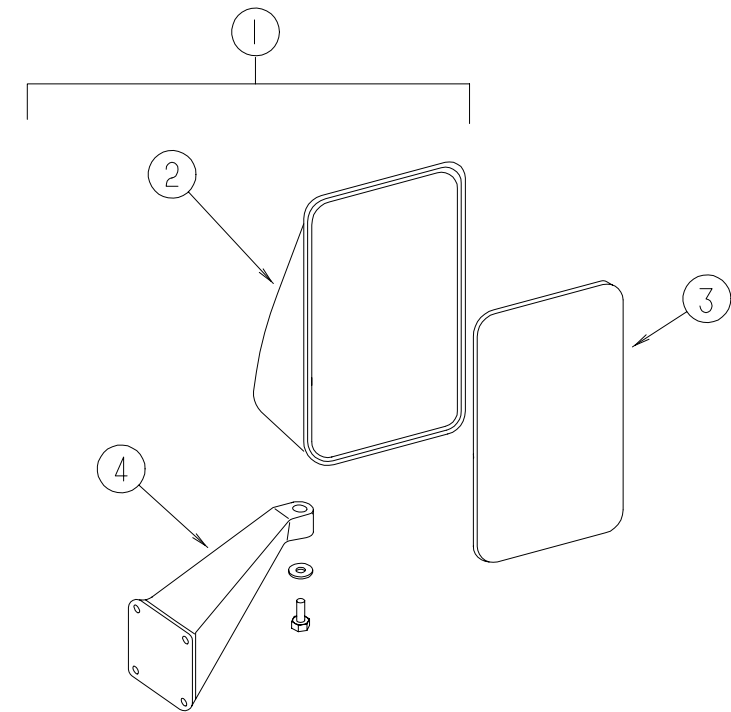
LADDER

KEY	PARTNUMBER	U/M DESCRIPTION
1	102953-14-FB1	EA LADDERASM
2	067165-01-000	EA MOUNTINGBRACKET-LOWERLADDER
3	000G39-06-10T	EA SCREW-SELFDIVING-6-20X5/8"PPH-BLACK
4	000G67-10-36T	EA SCREW-10-12X2.25"PPH-BLACK
5	076980-02-000	EA ENDCAP-STEP-BLACK
	069726-02-000	EA BUMPER-.88"DIAMETERX.40"-BLACK
	038327-01-000	EA TAPE-ANTI-SLIP-2"X60'

FIBERGLASS,STYROFOAM,ALUMINUM&STEELTUBING

KEY	PARTNUMBER	U/M DESCRIPTION
	000870-05-000	SF STYROFOAM-.5"X2'X8'INCREMENTSOFF16SF
	000870-08-000	SF STYROFOAM-.75"X4'X8'-PLANED
	002726-01-001	EA GARNISH-U-CHANNEL-1.38"X19'-SERRATED
	033381-17-001	FT STEEL-TUBE-16GAUGE1.5"X1.5"X16'
	055278-51-323	EA STEEL-TUBE-18GAUGE-.75"X1.5"X20"
	058267-01-000	FT CHANNEL-STEEL-W/HOLES-SIDEWALLSTIFFENER-2"X20'
	068716-01-001	EA BRACE-90DEGREEEL-ANGLE-16'
	089297-01-000	SF PLYWOOD-LUAN-OVERLAYGRADE-48"X96"
	100619-01-000	BF FOAM-EXPANDEDPOLYSTYRENE-1.34"X48"X96"
	100619-04-000	BF FOAM-EXPANDEDPOLYSTYRENE-.5"X48"X96"
	100619-05-000	BF FOAM-EXPANDEDPOLYSTYRENE-.75"X48"X96"
	100619-16-000	BF FOAM-EXPANDEDPOLYSTYRENE-.75"X48"X96"
	108535-04-705	EA FIBERGLASSSHEET-6"X34'BRIGHTWHITE
	076054-S1-000	EA FIBERGLASSSHEET-96"X108"BRIGHTWHITE
	076054-T7-000	EA FIBERGLASSSHEET108.8"X362.2"BRIGHTWHITE
	077517-62-000	EA FIBERGLASS-SHEET-48"X96"BRIGHTWHITE
	108535-05-702	EA FIBERGLASSSHEET-FLAT-110"X396"BRIGHTWHITE-ROOF
	108535-06-700	EA FIBERGLASSSHEET-102"X102"BRIGHTWHITE

EXTERIORBODYGROUP(CONTINUED)

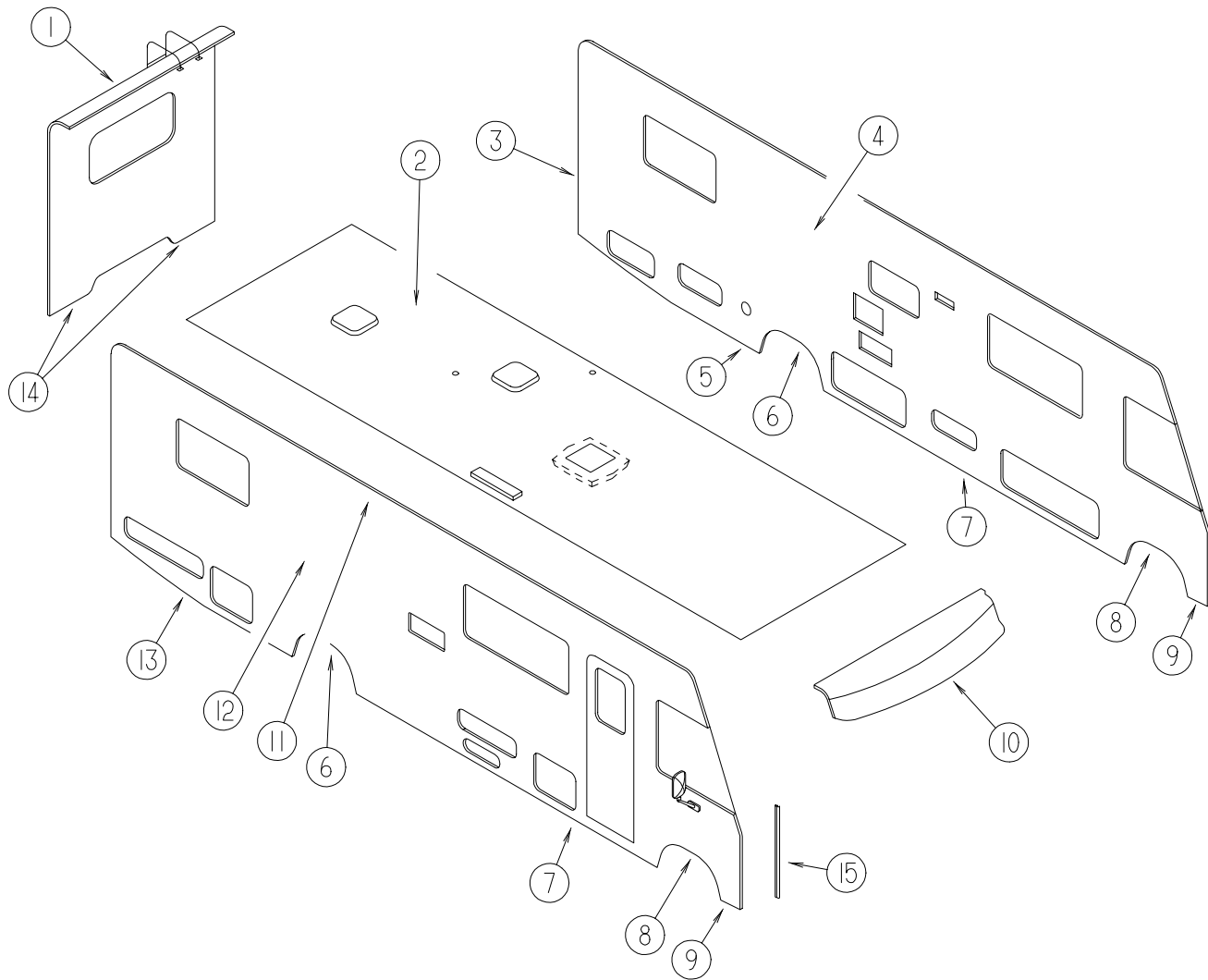


EXTERIORMIRROR

KEY	PARTNUMBER	U/M DESCRIPTION	VENDOR NO.
1	123297-01-01A	EA MIRROR-EXTERIOR-ADJUSTABLEGLASS-DRIVER	
1	123297-02-01A	EA MIRROR-EXTERIOR-ADJUSTABLEGLASS-PASSENGER	
2	105076-01-703	EA MIRROR-HEAD,FLATBLACK	709275-8
3	049347-01-700	EA GLASS-EXT.MIRROR7.5X10.5	702081
4	105076-01-704	EA ARM	Q780521-9

EXTERIORBODYGROUP(CONTINUED)

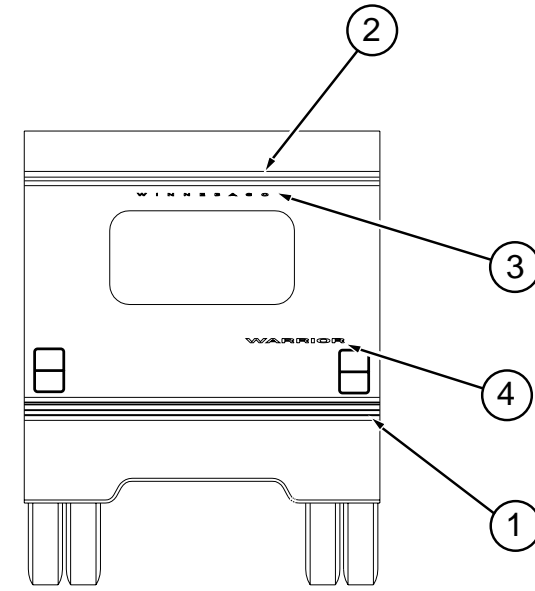
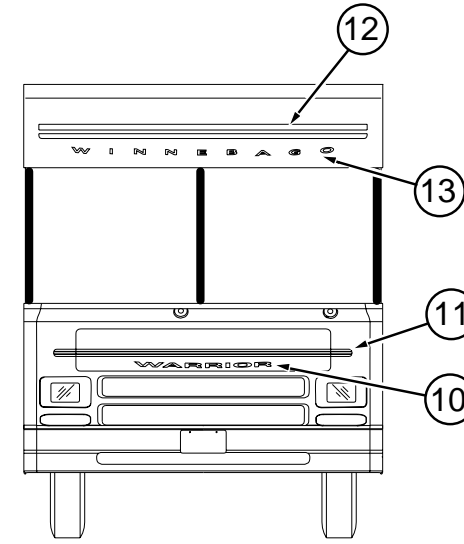
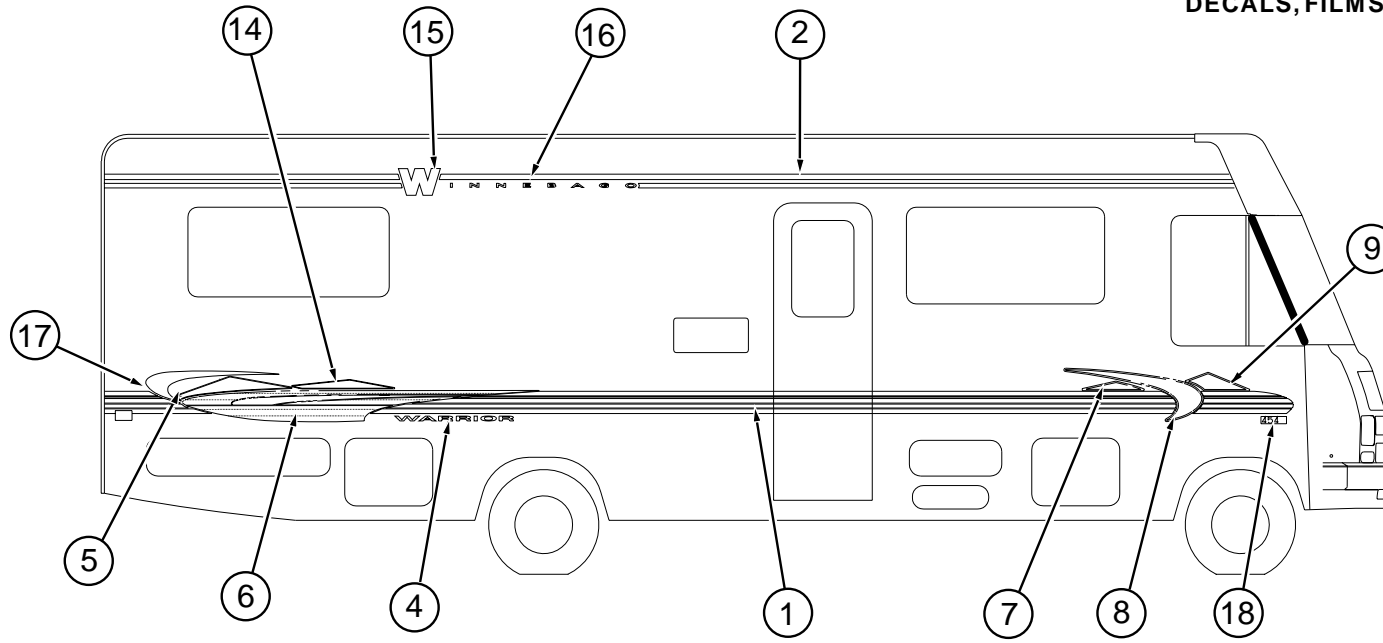
EXTERIORBODYPANELSANDTRIM



KEY	PARTNUMBER	U/M	DESCRIPTION
1	M08063-12-H01	EA	BACKWALL-W/OWINDOW/TRIM-TWINBED
1	M08063-12-H02	EA	BACKWALL-W/OWINDOW/TRIM-TWINBED
1	M08063-11-H01	EA	BACKWALL-W/OWINDOW/TRIM-QUEENBED
1	M08063-11-H02	EA	BACKWALL-W/OWINDOW/TRIM-QUEENBED
1	M08063-13-H01	EA	BACKWALL-W/OWINDOW/TRIM-BUNKBED
1	M08063-13-H02	EA	BACKWALL-W/OWINDOW/TRIM-BUNKBED
1	M08063-14-H01	EA	BACKWALL-W/OWINDOW/TRIM-CROSS/STACKEDTWINBEDS
1	M08063-14-H02	EA	BACKWALL-W/OWINDOW/TRIM-CROSS/STACKEDTWINBEDS
2	121835-01-H01	EA	ROOF-W/OLIGHTS/VENTS-W/WIRING(H01,H02)
3	096854-04-02A	EA	TRIM-CONTOUR-W/OVINYLINSERT-BRIGHTWHITE
4	M08044-08-H01	EA	SIDEWALL-DRIVER-W/OWINDOWS/TRIMS-TWINBED
4	M08044-08-H02	EA	SIDEWALL-DRIVER-W/OWINDOWS/TRIMS-TWINBED
4	M08044-09-H01	EA	SIDEWALL-DRIVER-W/OWINDOWS/TRIMS-BUNKBED
4	M08044-09-H02	EA	SIDEWALL-DRIVER-W/OWINDOWS/TRIMS-BUNKBED
4	M08044-10-H01	EA	SIDEWALL-DRIVER-W/OWINDOWS/TRIMS-DOUBLEBED
4	M08044-10-H02	EA	SIDEWALL-DRIVER-W/OWINDOWS/TRIMS-DOUBLEBED
4	M08044-07-H01	EA	SIDEWALL-DRIVER-W/OWINDOWS/TRIMS-CROSSSTACKEDBEDS
4	M08044-07-H02	EA	SIDEWALL-DRIVER-W/OWINDOWS/TRIMS-CROSSSTACKEDBEDS
4	M08044-06-H01	EA	SIDEWALL-DRIVER-W/OWINDOWS/TRIMS-QUEENBED
4	M08044-06-H02	EA	SIDEWALL-DRIVER-W/OWINDOWS/TRIMS-QUEENBED
5	108038-31-01A	EA	TRIM-SIDEWALL-U-CHANNEL-2597MMLONG-BOTTOM-REAR-BRIGHTWHITE
6	108070-01-04A	EA	TRIM-WHEELWELL-REAR-BRIGHTWHITE
7	108039-06-01A	EA	TRIM-SIDEWALL-U-CHANNE-3877MMLONG-BOTTOM-CENTER-BRIGHTWHITE
8	108069-05-01A	EA	TRIM-WHEELWELL-FRONT-BRIGHTWHITE
9	108109-01-04A	EA	TRIM-SIDEWALL-U-CHANNEL-247MMLONG-LOW-FRONT-BRIGHTWHITE
10	117012-01-01A	EA	CAP-FRONT-W/OWIRING&CLEARANCELIGHTS-BRIGHTWHITE
11	099583-55-003	EA	TRIM-CONTOUR-ROOF-AWNINGRAIL-3048MM-BRIGHTWHITE-PASSENGERS
	096864-01-02A	EA	TRIM-CONTOUR-ROOFBRIGHTWHITE-DRIVERS
12	M08043-03-GB1	EA	SIDEWALL-PASSENGER-W/OWINDOWS/TRIMS-TWINBED(H01)
12	M08043-03-GC1	EA	SIDEWALL-PASSENGER-W/OWINDOWS/TRIMS-TWINBED(H02)
12	M08043-04-GB1	EA	SIDEWALL-PASSENGER-W/OWINDOWS/TRIMS-BUNKBED(H01)
12	M08043-04-GC1	EA	SIDEWALL-PASSENGER-W/OWINDOWS/TRIMS-BUNKBED(H02)
12	M08043-05-GB1	EA	SIDEWALL-PASSENGER-W/OWINDOWS/TRIMS-DOUBLEBED(H01)
12	M08043-05-GC1	EA	SIDEWALL-PASSENGER-W/OWINDOWS/TRIMS-DOUBLEBED(H02)
12	M08043-02-GB1	EA	SIDEWALL-PASSENGER-W/OWINDOWS/TRIM-CROSSSTACKEDBUNK(H01)
12	M08043-02-GC1	EA	SIDEWALL-PASSENGER-W/OWINDOWS/TRIMS-CROSSSTACKEDBDS(H02)
12	M08043-01-GB1	EA	SIDEWALL-PASSENGER-W/OWINDOWS/TRIMS-QUEENBED(H01)
12	M08043-01-GC1	EA	SIDEWALL-PASSENGER-W/OWINDOWS/TRIMS-QUEENBED(H02)
13	108038-39-02A	EA	TRIM-SIDEWALL-U-CHANNEL-2597MMLONG-BOTTOM-REAR-BRIGHTWHITE
14	050406-21-000	EA	TRIM-BACKWALL-LOWER-BRIGHTWHITE
15	089922-34-000	EA	TRIM-FIBERGLASS-PANELB/W
			FROM: 00-00-00 THRU: 12-15-96
	123680-03-01A	EA	TRIM-FIBERGLASS-PANELB/W
			FROM: 12-16-96 THRU: 99-99-99
	105312-01-07A	FT	INSERT-FEATURESTRIPVINYL-BRIGHTWHITE
	108651-01-01A	EA	ENDCAP-FEATURESTRIP
	108688-01-03A	EA	STRIP-FEATURE-W/OINSERT/ENDCAPS-15'

EXTERIOR BODY GROUP (CONTINUED)

DECALS, FILM STRIPES & PAINT



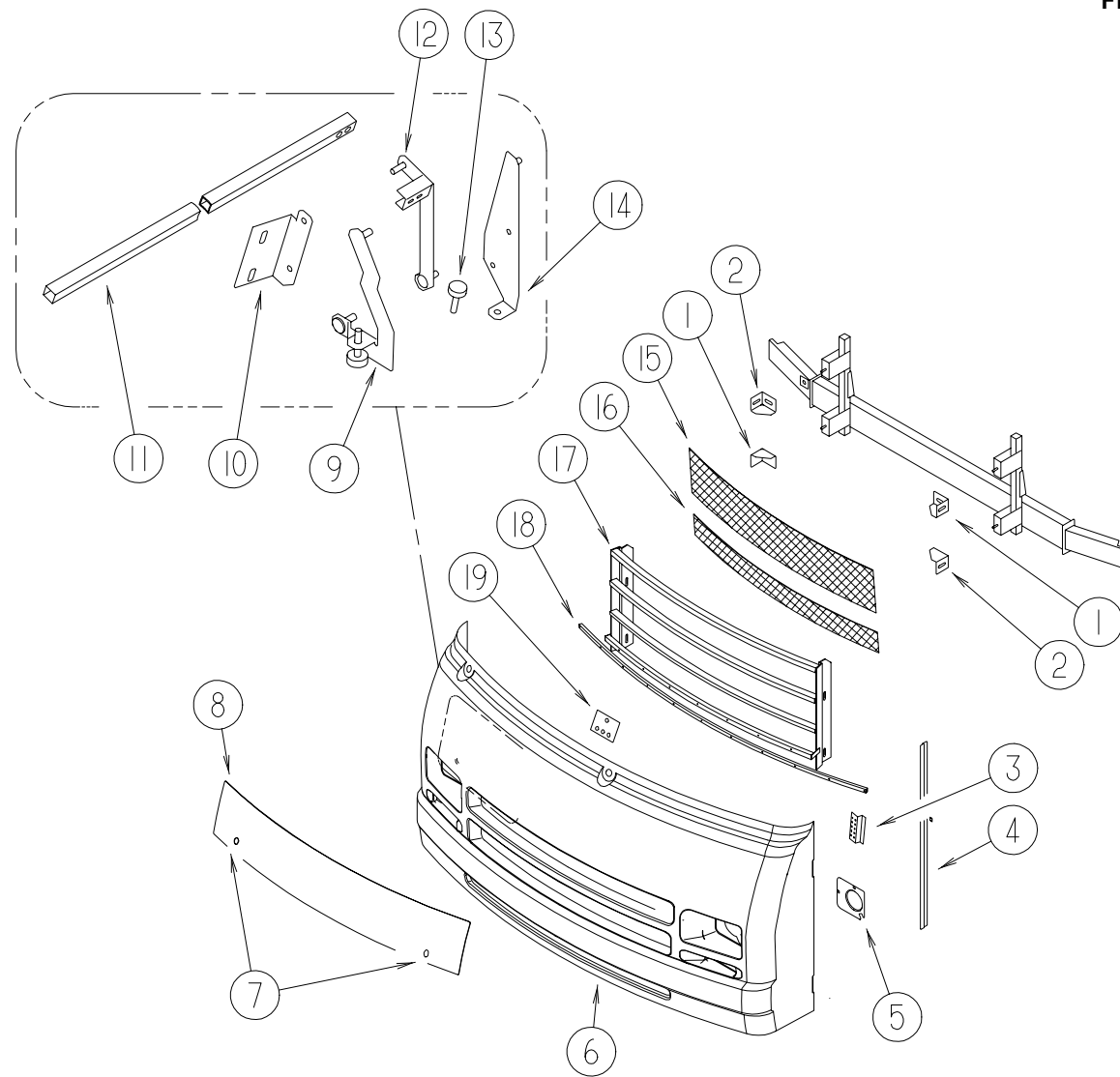
KEY	PARTNUMBER	U/M	DESCRIPTION
1	094445-04-01A	FT	FILM-MULTISTRIPE-154.0MMX150SEFO/BRN/FGR/ORC/BZ
2	105781-50-01A	FT	FILM-MULTISTRIPE95.3MMX150' BLZBLU/DKBLU
3	120841-01-01A	EA	DECAL-LOGO-WINNEBAGO DKBLUE
4	120816-01-01A	EA	DECAL-LOGO-WARRIOR-LG BLZBLU/DKBLUE
	120816-02-01A	EA	DECAL-LOGO-WARRIOR-SML BLZBLU/DKBLUE
5	120804-01-01A	EA	DECAL-MOUNTAIN-#1-RH ORCHID
	120804-02-01A	EA	DECAL-MOUNTAIN-#1-LH ORCHID
6	120806-01-01A	EA	DECAL-SCENE BASE-RH BLZB/ORCH/FGRN/DBLU
	120806-02-01A	EA	DECAL-SCENE BASE-LH BLZB/ORCH/FGRN/DBLU
7	120808-01-01A	EA	DECAL-MOUNTAIN-#3-RH ORCHID
	120808-02-01A	EA	DECAL-MOUNTAIN-#3-LH ORCHID
8	120810-01-01A	EA	DECAL-SWEEP-FRT-RH BLAZEBLUE
	120810-02-01A	EA	DECAL-SWEEP-FRT-LH BLAZEBLUE
9	120809-01-01A	EA	DECAL-MOUNTAIN-#4-RH ORCHID
	120809-02-01A	EA	DECAL-MOUNTAIN-#4-LH ORCHID
10	120813-01-01A	EA	DECAL-LOGO-WARRIOR-SWP BLZBLU/DKBLU
11	120812-01-01A	EA	DECAL-HOOD FGRN/ORCH/BLZBL
12	120811-01-01A	EA	DECAL-FRONT CAP-UPPR BLZBLU/DKBLU
13	120814-01-01A	EA	DECAL-LOGO-WINNEBAGO-SWP DKBLUE
14	120805-01-01A	EA	DECAL-MOUNTAIN-#2-RH ORCHID
	120805-02-01A	EA	DECAL-MOUNTAIN-#2-LH ORCHID
15	120815-01-01A	EA	DECAL-LOGO-W BLAZEBLUE
16	120815-02-01A	EA	DECAL-LOGO-INNEBAGO DKBLUE
17	120807-01-01A	EA	DECAL-SWEEP-RR-RH BLAZEBLUE
	120807-02-01A	EA	DECAL-SWEEP-RR-LH BLAZEBLUE
18	122312-01-01A	EA	DECAL-VORTEC7400
	041561-03-000	EA	PAINT-16OZ SPRAY-OFF WHITE
	004308-01-000	EA	PAINT-BLACK SPRAY
	041561-03-000	EA	PAINT-16OZ SPRAY-OFF WHITE

DUPONT PAINT COLOR CODES

OFFWHITE	INTERIOR	DUPONTL8723
BRIGHTWHITE	INTERIOR	DUPONTB8951U
FORESTGREENMETALIC	FILM	DUPONTGM186
SEAFOAMMETALIC	FILM	DUPONTGM165
BLAZEBLUEMETALIC	FILM	DUPONTBM354
DARKBLUEMETALIC	FILM	DUPONTBM226
ORCHIDMETALIC	FILM	DUPONTF2984
BROWNMETALIC	FILM	DUPONTH8223

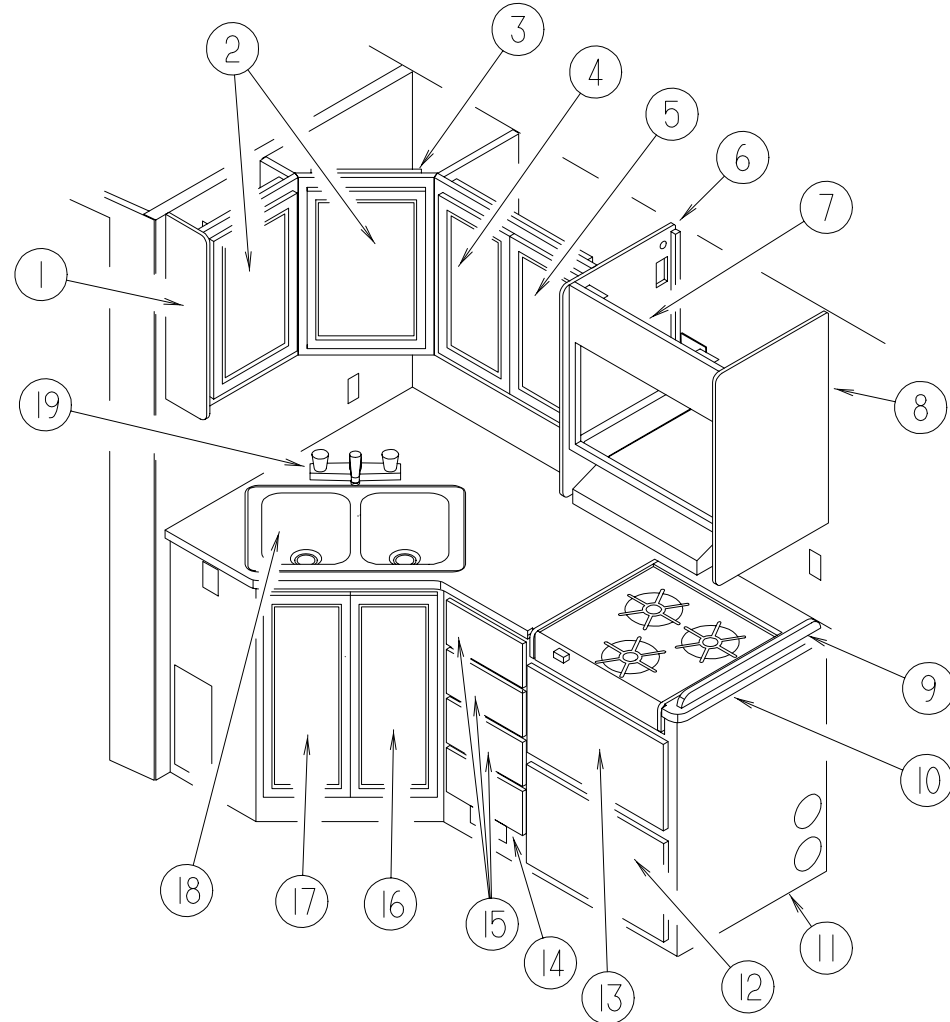
EXTERIORBODYGROUP(CONTINUED)

FRONTENDCOMPONENTS



KEY	PARTNUMBER	U/M	DESCRIPTION
1	117611-02-02B	EA	BRACKET-BUMPER
2	117611-01-02B	EA	BRACKET-BUMPER
	116617-02-02B	EA	SPACER-BUMPER
3	113495-02-02B	EA	SUPPORT-HINGE
4	089922-34-000	EA	TRIM-FIBERGLASS-PANEIB/W
			FROM: 00-00-00 THRU: 12-15-96
4	123680-03-01A	EA	TRIM-FIBERGLASS
			FROM: 12-16-96 THRU: 99-99-99
5	115951-02-02B	EA	PLATE-HEADLAMP-DUAL/LEFTHAND
	115951-01-02B	EA	PLATE-HEADLAMP-DUAL/RIGHTHAND
6	121628-01-01A	EA	PANEL-LOWERFRONT
7	102330-02-000	EA	HOODLOCK-SINGLEHOLE-VISEACTION
	102328-01-000	EA	BARRELKEY-HOODLOCK
8	115976-04-H01	EA	PANEL-HOOD
9	109930-15-000	EA	LINK-HINGE-HOOD/LOWERPASSENGERSIDE
	109930-16-000	EA	LINK-HINGE-HOOD/LOWERDRIVERSIDE
10	109927-03-000	EA	ANGLE-LINK-HOODRIGHTHAND
	109927-04-000	EA	ANGLE-LINK-HOODLEFTHAND
11	105096-10-000	EA	TUBE-HOODHINGETIMINGW/WELDNUTS
	106748-04-000	EA	LATCH-HOOD-FRONTEND
12	109929-07-000	EA	LINK-UPPERHOODHINGE-PASSENGERSIDE
	109929-08-000	EA	LINK-UPPERHOODHINGE-DRIVERSIDE
13	058786-01-000	EA	BOLT-ADJUSTINGHOOD-W/BLACKPAD-.31"-18X2
14	109926-23-000	EA	BRACKET-HOODHINGELINK-PASSENGERSIDE
	109926-24-000	EA	BRACKET-HOODHINGELINK-DRIVERSIDE
15	115924-06-02A	EA	GRILLE-WOVENWIRE-FLATBLACK
16	115924-07-02A	EA	GRILLE-WOVENWIRE-FLATBLACK
17	122096-01-H01	EA	GRILLEASM-FRONT
18	122099-01-01A	EA	TUBE-GRILLE-HORIZONTAL
19	119445-01-02B	EA	PLATE-W/HOLES
	070579-06-000	EA	PLATE-ANCHOR-W/7/16WELDNUT-1.5"X3.3"
	070579-07-000	EA	PLATE-ANCHORW/ONUT
	077001-01-000	EA	ANGLE-MOUNTING-ROOFPANEL-3"X2.4"X1.5"

GALLEYGROUP



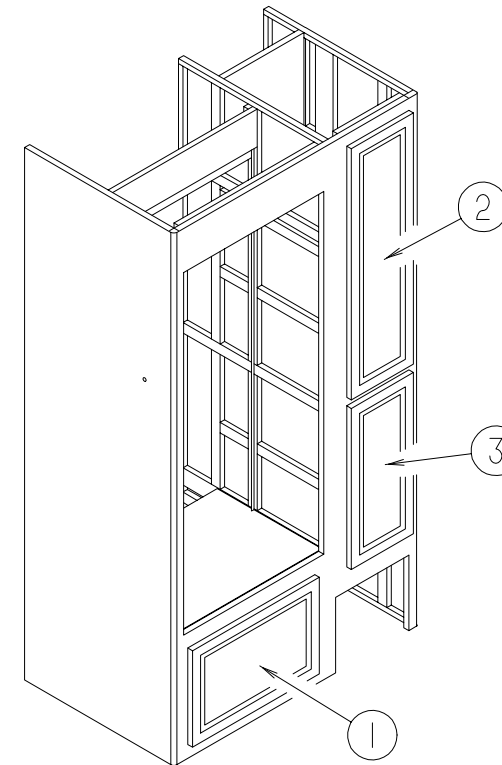
GALLEYCABINETRY

KEY	PARTNUMBER	U/M DESCRIPTION
1	109908-38-GB1	EA CAPASM-END,OVHD
2	110140-11-G01	EA DOOR-MITEREDCORNER/VINYLRAP-13.3"X21.8"-W/OHDW
3	121836-01-H01	EA CABINET-OVERHEAD/GALLEY-W/ODOORS/HARDWARE
	121836-11-H01	EA SHELF-W/PLASTICEDGEMOLDING
	121836-12-H01	EA SHELF-W/PLASTICEDGEMOLDING
	121836-13-H01	EA SHELF-W/PLASTICEDGEMOLDING
4	110140-79-GB1	EA DOOR-MITEREDCORNER/VINYLRAP-11.4"X21.8"-W/OHDW
5	110140-79-GB1	EA DOOR-MITEREDCORNER/VINYLRAP-11.4"X21.8"-W/OHDW
6	109908-50-H01	EA CAPASM-END,OVHD
7	120369-01-H01	EA CABINET-OVERHEAD/MICROWAVE-W/ODOORS/HARDWARE
8	109908-36-GB1	EA CAPASM-END,OVHD
9	098335-07-E38	EA RAIL-GALLEY-22.2"(H01)
9	098335-07-G42	EA RAIL-GALLEY-22.2"(H02)
10	121912-12-H01	EA COUNTERTOP-GALLEY
10	121912-12-H02	EA COUNTERTOP-GALLEY
11	121912-01-H01	EA CABINET-GALLEY-W/ODOORS/DRAWERS/HARDWARE(W/COUCH)
11	121912-01-H02	EA CABINET-GALLEY-W/ODOORS/DRAWERS/HARDWARE(W/COUCH)
11	121912-02-H01	EA CABINET-GALLEY-W/ODOORS/DRAWERS/HARDWARE(W/TABLE&CHAIRS)
11	121912-02-H02	EA CABINET-GALLEY-W/ODOORS/DRAWERS/HARDWARE(W/TABLE&CHAIRS)
12	P10163-M7-H01	EA DRAWER-19.8"WX13.8"D-W/OSLIDES/HARDWARE
13	110140-77-GB1	EA DOOR-MITEREDCORNER/VINYLRAP-21.8"X12.0"-W/OHDW
14	P10163-V5-H01	EA DRAWER-9.8"WX15.7"D-W/OSLIDES/HARDWARE
15	P10163-M6-H01	EA DRAWER-9.8"WX17.7"D-W/OSLIDES/HARDWARE
16	110140-80-GB1	EA DOOR-MITEREDCORNER/VINYLRAP-9.8"X27.9"-W/OHDW
17	110140-80-GB1	EA DOOR-MITEREDCORNER/VINYLRAP-9.8"X27.9"-W/OHDW

GALLEYGROUP(CONTINUED)

GALLEYCABINETRY(CONTINUED)

KEY	PARTNUMBER	U/M DESCRIPTION
18	102551-01-000	EA SINK/STAINLESSSTEEL-DOUBLE-17"X25"
	066437-01-000	EA STRAINER/SINK-W/BASKET
19	103243-01-000	EA FAUCET-DUALCONTROL
	110012-02-GB1	EA COVER-SINK-10.8"X14.9"-LEFTCORNERCUTOUT(H01)
	110012-02-G01	EA COVER-SINK-10.8"X14.9"-LEFTCORNERCUTOUT(H02)
	110012-03-GB1	EA COVER-SINK-10.8"X14.9"-RIGHTCORNERCUTOUT(H01)
	110012-03-GC1	EA COVER-SINK-10.8"X14.9"-RIGHTCORNERCUTOUT(H02)



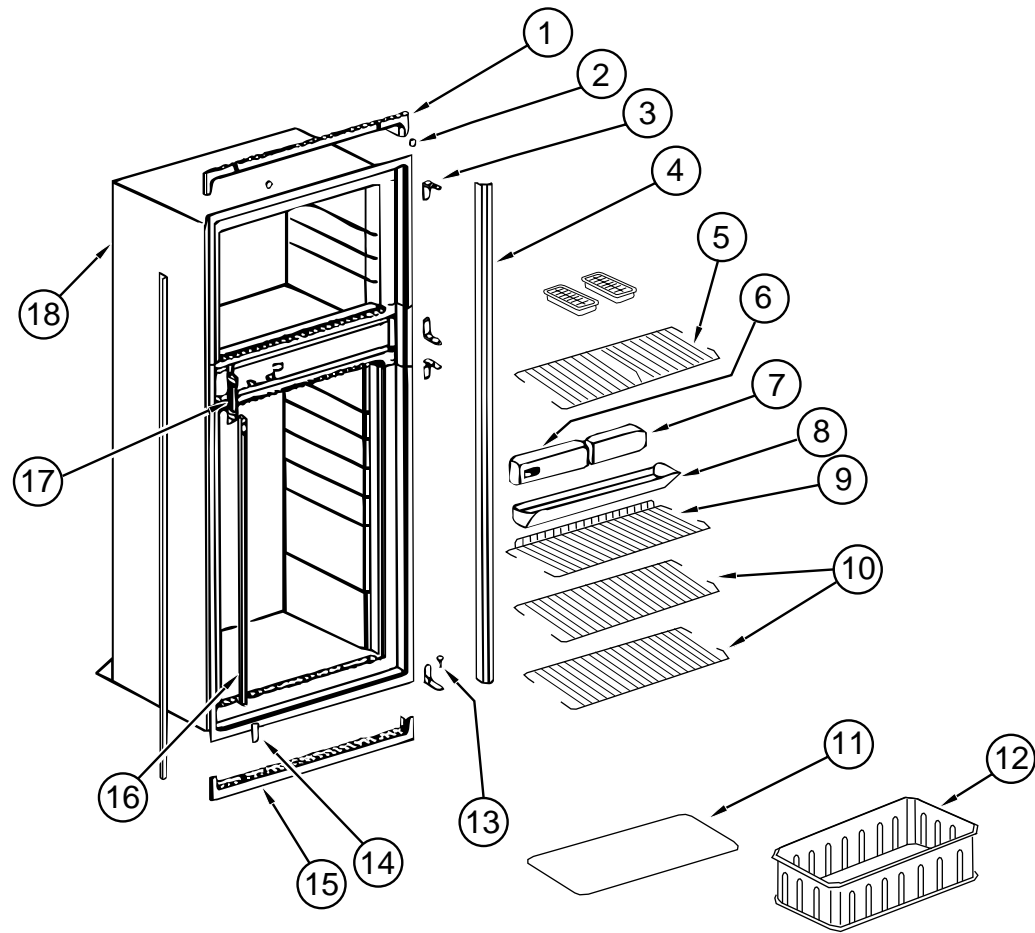
REFRIGERATORCABINETDOORS

KEY	PARTNUMBER	U/M DESCRIPTION
1	110140-04-G01	EA DOOR-MITEREDCORNER/VINYLRAP-14.9"X21.8"-W/OHDW
2	110140-75-GB1	EA DOOR-MITEREDCORNER/VINYLRAP-10.8"X36.4"-W/OHDW
3	110140-78-GB1	EA DOOR-MITEREDCORNER/VINYLRAP-10.8"X23.8"-W/OHDW
	090329-01-000	FT SEAL/T-REFRIGERATORCABINET

MICROWAVE

KEY	PARTNUMBER	U/M DESCRIPTION	VENDORNO
	115303-01-000	EA MICROWAVE OVEN-14 1/8"HX21 7/8"WX13 1/4"D	
	115303-01-700	EA TRIMF/VENT, TOP	2100309
	115401-01-01A	EA TRIM-MICROWAVE	
	094750-07-000	EA BRACKET-MICROWAVE-89DEGREE	
	094756-02-01A	EA BRACKET-L-MICROWAVE-6.1"LONGX3.9"WIDE-STEEL	
	094756-03-G15	EA BRACKET-ANGLE-W/HOLES	
	094756-01-02A	EA BRACKET-ANGLE-W/HOLES	

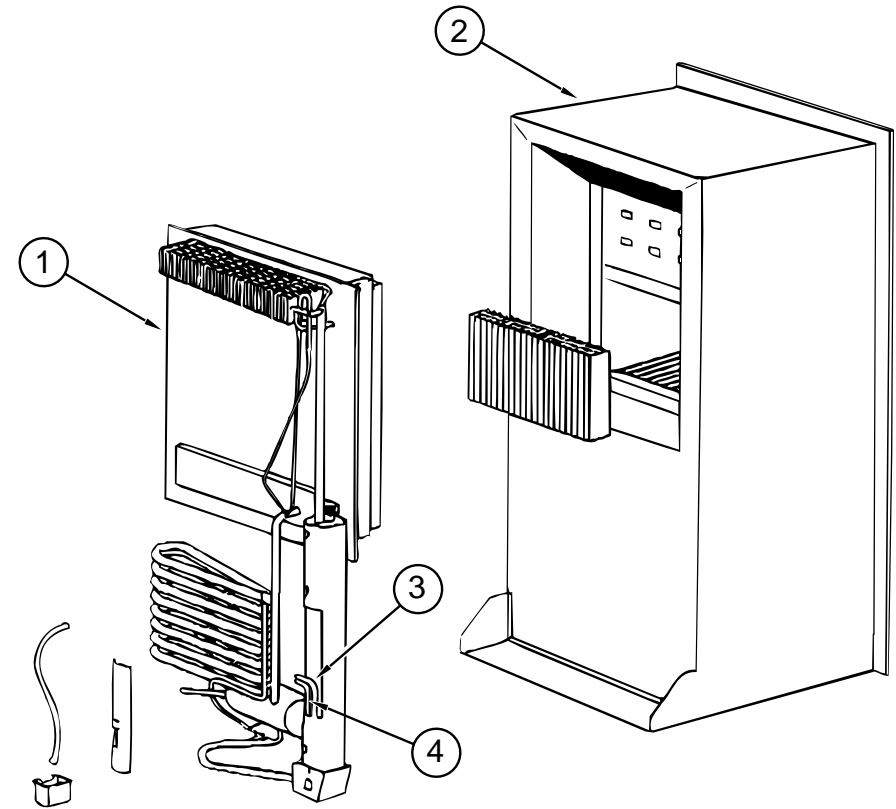
GALLEYGROUP(CONTINUED)



NORCOLDMODEL9162REFRIGERATORCABINETASMWITHTRAY,TIEDOWNS&LEVEL

KEY	PARTNUMBER	U/M DESCRIPTION	VENDORNO.
	121568-01-01A	EA REFRIGERATOR-DOUBLEDOOR-2-WAY-NORCOLD9162R	
1	120075-01-713	EA TRIM-TOPPIECE	618124
2	120075-01-714	EA PLUG-HOLE	618170
3	120075-01-715	EA HINGE-CABINETSIDE-PAINTED	618512
	120075-01-708	EA BUSHING-DOORHINGE	618144
4	120076-01-702	EA TRIM-SIDEPiece	618133
5	121568-01-705	EA SHELF-WIRE-FREEZER	618620
6	121568-01-706	EA CONTROLBOXASSEMBLY	618588
7	120075-01-718	EA BOX-FILLER	618112
8	120075-01-720	EA TRAY-DRIP	618137
	120075-01-721	EA LOUVER-DRIPTRAY	618176
9	121568-01-707	EA SHELF-WIRE-SHORT	618624
10	121568-01-708	EA SHELF-WIRE	618589
11	120075-01-725	EA COVER-CRISPER	618158
12	121568-01-709	EA CRISPER	618571
13	120075-01-727	EA PIN-HINGE	618145
14	120075-01-728	EA COVER-HINGEHOLE	618171
15	120075-01-729	EA TRIM-BOTTOMPIECE	618136
16	120075-01-730	EA RETAINER-SHELF	618181
17	120075-01-732	EA PLATE-STRIKE	618167
18	120076-01-703	EA CABINET-FOAMED	618260
	120075-01-731	EA PLUG-FACADE	618184
	116751-05-01A	EA TRAY-REFRIGERATOR	
	054450-01-000	EA LEVEL-REFRIGERATOR	
	065225-02-000	EA PLATE-TIEDOWN-REFRIGERATOR	
	093646-01-000	EA BRACKET-TIEDOWN/REFRIGERATOR-RIGHTHAND	
	093646-02-000	EA BRACKET-TIEDOWN/REFRIGERATOR-LEFTHAND	
	090195-08-000	EA BAFFLE-REFRIGERATOR-LOWER	

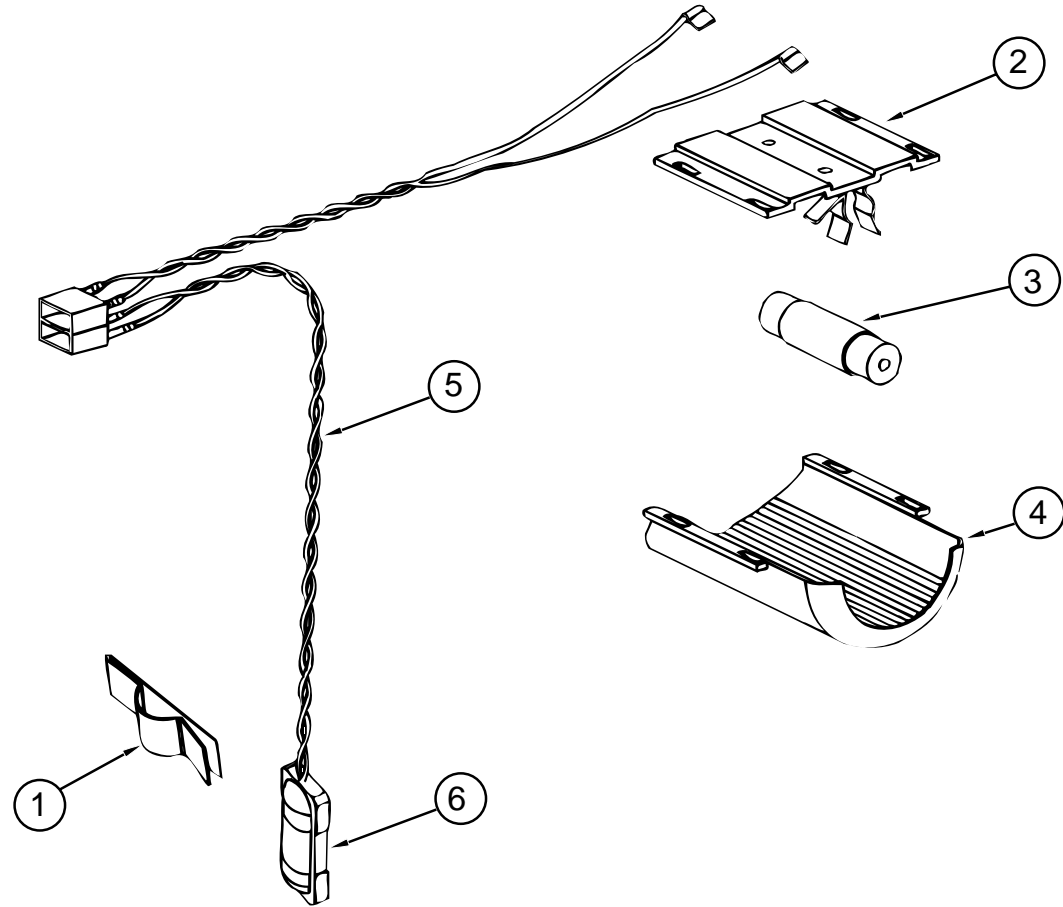
GALLEYGROUP(CONTINUED)



NORCOLDMODEL9162REFRIGERATORCOOLINGUNIT,CABINET,&HEATERS

KEY	PARTNUMBER	U/M DESCRIPTION	VENDORNO.
	121568-01-01A	EA REFRIGERATOR-DOUBLEDOOR-2-WAY-NORCOLD9162R	
1	120076-01-704	EA COOLINGUNIT-SERVICEPACK	618543
2	120076-01-703	EA CABINET-FOAMED	618260
3	088248-01-710	EA HEATER-DC-HORIZONTAL	61562822
4	088248-01-709	EA HEATER-AC(HORIZONTAL)	61562722

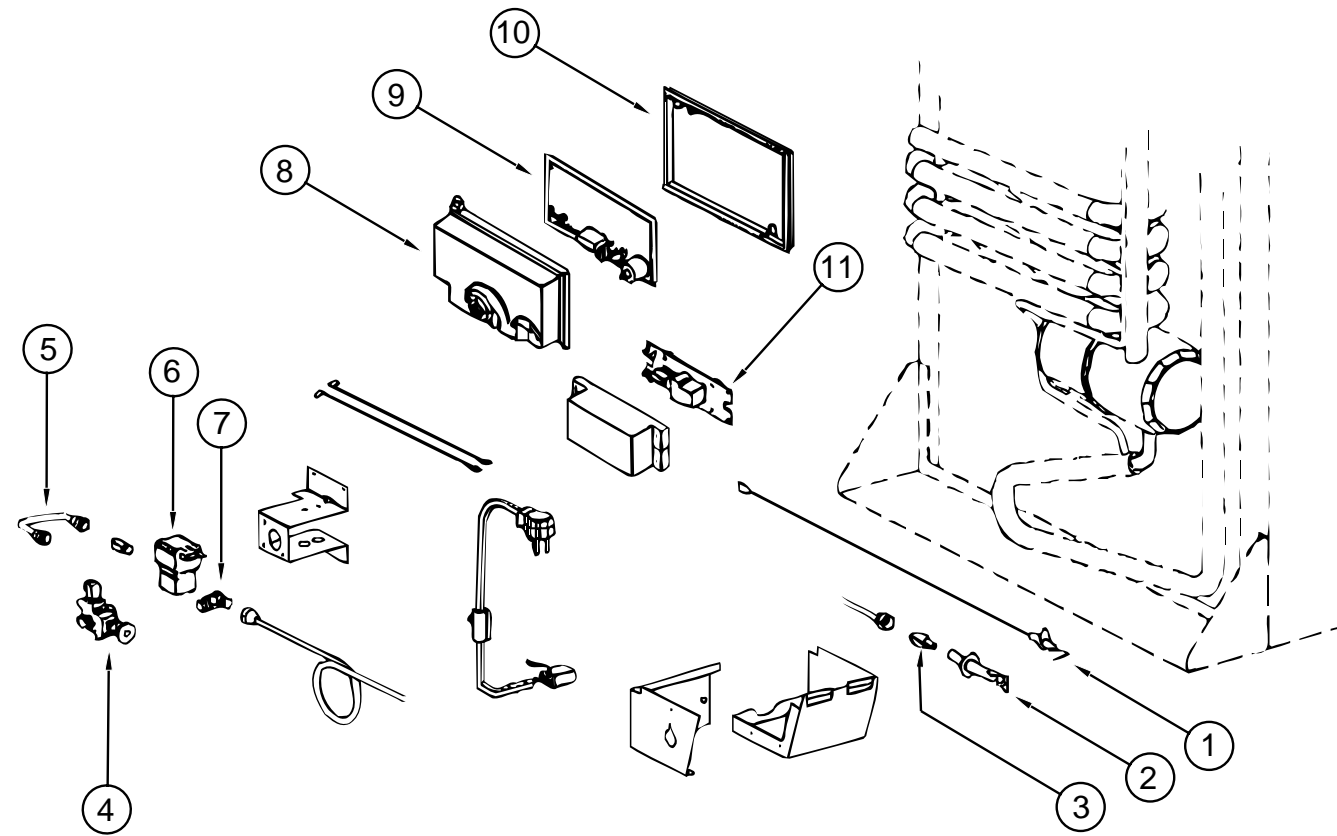
GALLEYGROUP(CONTINUED)



NORCOLDMODEL9162REFRIGERATORLAMPASM

KEY	PARTNUMBER	U/M	DESCRIPTION	VENDORNO.
	121568-01-01A	EA	REFRIGERATOR-DOUBLEDOOR-2-WAY-NORCOLD9162R	
1	084880-03-705	EA	BRACKET-LIGHT-INTERIOR	61629722
2	084880-03-706	EA	BULB-LAMP	61628922
3	084880-03-707	EA	COVER-LAMP-LENS	61627922
4	120075-01-735	EA	WIREASSEMBLY-LAMP	618548
	120075-01-742	EA	THERMISTERONLY	618288
5	084880-01-760	EA	CLIP-THERMISTER	61689122
6	120075-01-742	EA	THERMISTERONLY	618288

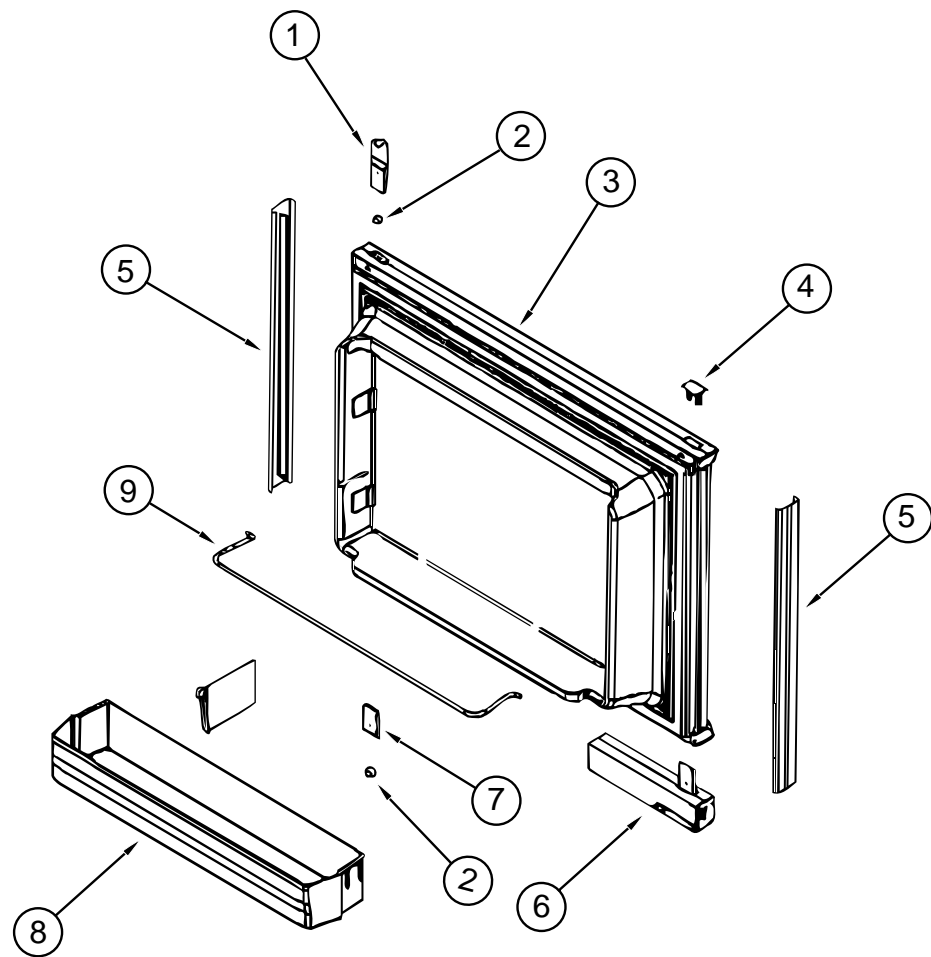
GALLEYGROUP(CONTINUED)



NORCOLDMODEL9162REFRIGERATORBURNER&POWERBOARDS

KEY	PARTNUMBER	U/M	DESCRIPTION	VENDORNO.
	121568-01-01A	EA	REFRIGERATOR-DOUBLEDOOR-2-WAY-NORCOLD9162R	
1	104137-06-715	EA	ELECTRODE-SPARK/SENSOR-SGL	61692222
2	104137-06-714	EA	BURNERASSEMBLY-5SLOT	61705222
3	113737-01-702	EA	PLUG1/8"F/PRESSURETAP	61445322
4	104137-06-709	EA	VALVE-SHUTOFF-MANUAL	61694922
5	113737-01-750	EA	TUBE-UNION	61694622
6	084880-01-718	EA	VALVE-GAS-ASCO	61551822
7	113737-01-716	EA	TAP-PRESSURE	61594422
8	120075-01-738	EA	COVER-POWERBOARD	618185
9	120075-01-739	EA	BOARD-POWER-2-WAY	618198
10	120075-01-740	EA	COVER-BASE-POWERBOARD	618186
11	121568-01-711	EA	BOARD-MODULE-DC	618561

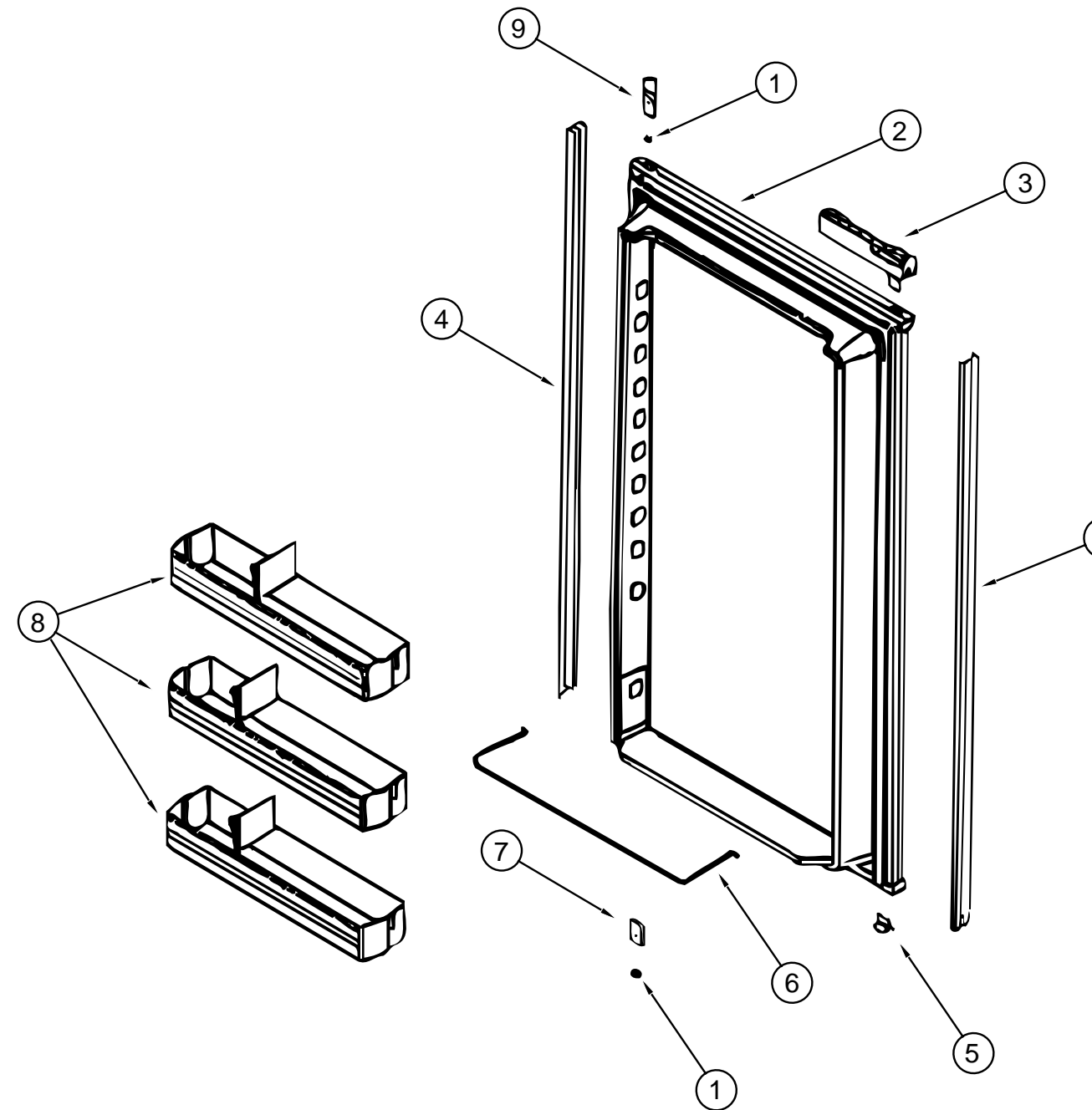
GALLEYGROUP(CONTINUED)



NORCOLDMODEL9162REFRIGERATORUPPERDOOR

KEY	PARTNUMBER	U/M	DESCRIPTION	VENDORNO.
	121568-01-01A	EA	REFRIGERATOR-DOUBLEDOOR-2-WAY-NORCOLD9162R	
1	120075-01-701	EA	HINGE-TOPRH/BOTTOMLH,PAINTED	618511
2	120075-01-708	EA	BUSHING-DOORHINGE	618144
3	120075-01-703	EA	DOORASSEMBLY-FOAMED,W/GASKET	618205
4	120075-01-702	EA	CAP-HINGEPLUG	618160
5	120075-01-700	EA	RETAINER-DOOR,DECORPANEL	618128
6	121568-01-702	EA	HANDLEASSEMBLY-DOOR,LOWERLH/TOPRH	618230
7	120075-01-705	EA	HINGE,PAINTED,TOPLH/BTMRT	618510
8	121568-01-701	EA	BIN-DOOR,WHITE	618619
9	121568-01-700	EA	RAIL-DOOR,UPPER	618618

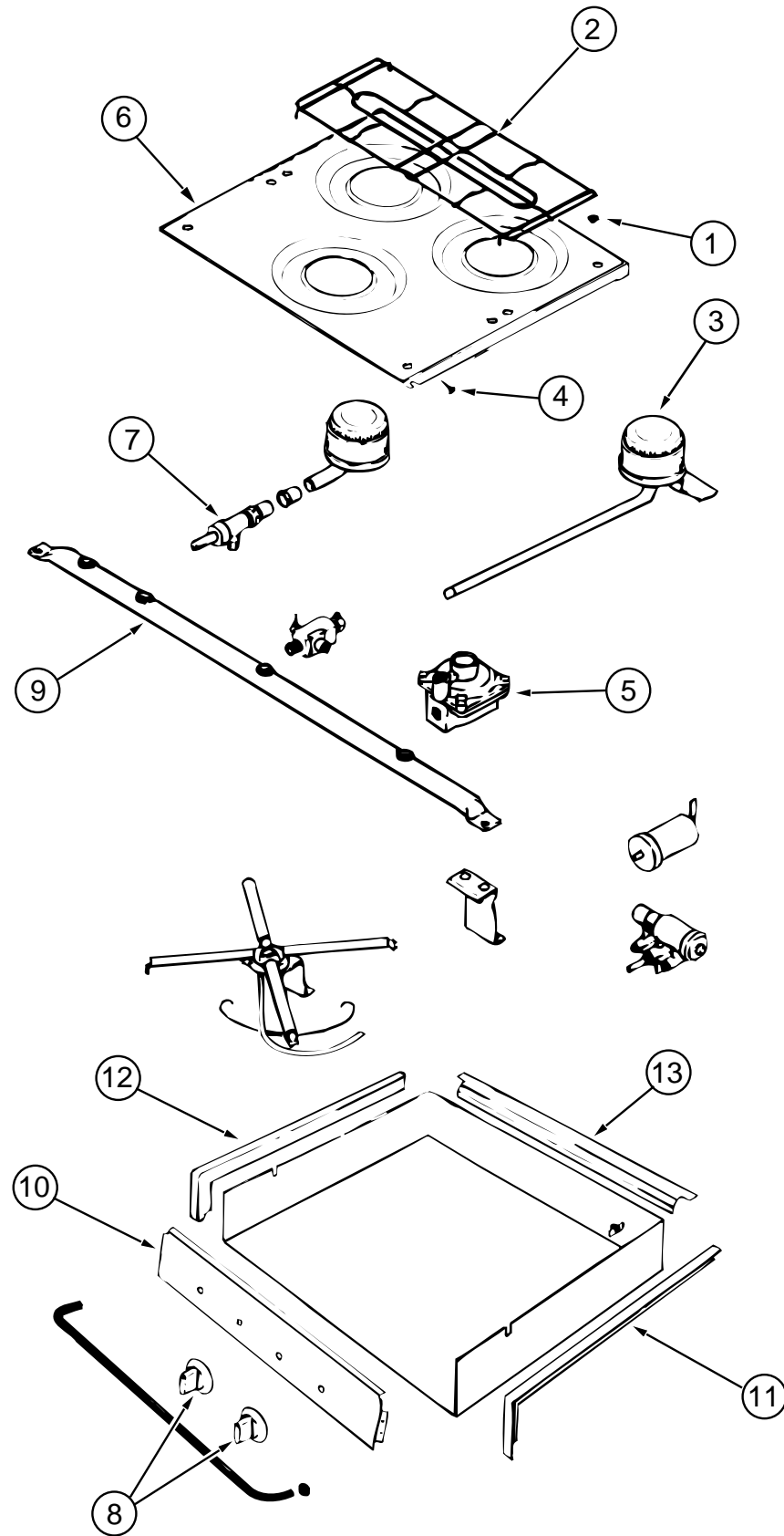
GALLEYGROUP(CONTINUED)



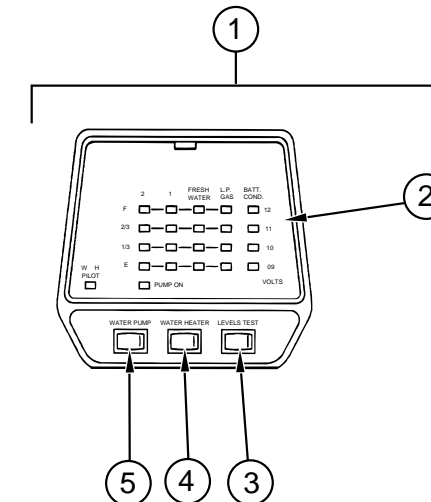
NORCOLDMODEL9162REFRIGERATORLOWERDOOR

KEY	PARTNUMBER	U/M	DESCRIPTION	VENDORNO.
	121568-01-01A	EA	REFRIGERATOR-DOUBLEDOOR-2-WAY-NORCOLD9162R	
1	120075-01-708	EA	BUSHING-DOORHINGE	618144
2	120075-01-710	EA	DOOR-LOWER-FOAMEDW/GASKET	618270
3	120075-01-711	EA	HANDLEASSEMBLY-UPPERRH/LOWER-LH	618235
4	120076-01-700	EA	RETAINER-LOWERDOORPANEL	618132
5	120075-01-702	EA	CAP-HINGEPLUG	618160
6	121568-01-704	EA	RAIL-DOOR-LOWER	618578
7	120075-01-705	EA	HINGE-PAINTED-TOPLH/BOTTOM-RH	618510
8	121568-01-701	EA	BIN-DOOR-WHITE	618619
9	120075-01-701	EA	HINGE-TOPRH/BOTTOMLH-PAINTED	618511

GALLEYGROUP(CONTINUED)



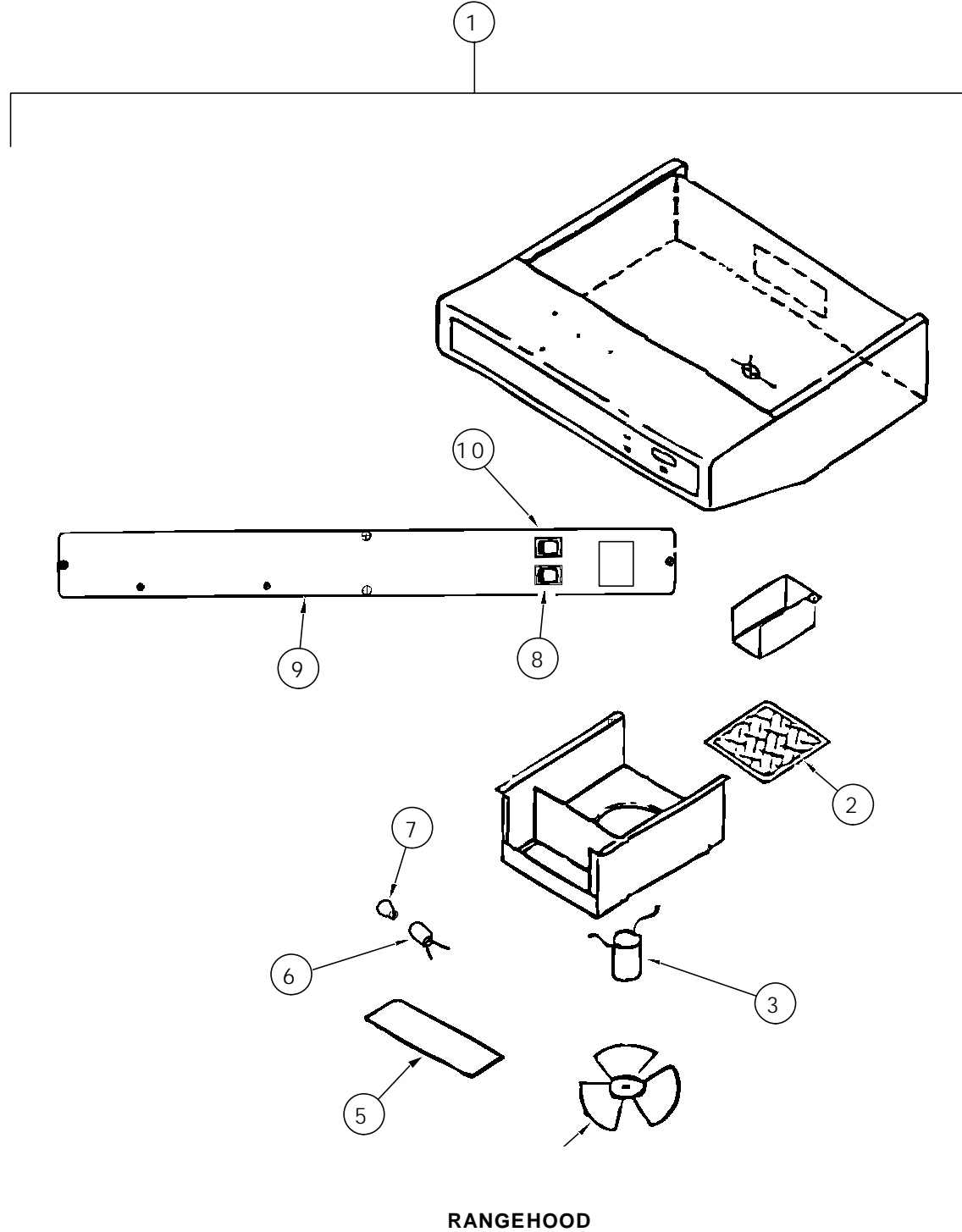
KEY	PARTNUMBER	U/M DESCRIPTION	VENDORNO.
	114030-01-01A	EA RANGE-3BURNERTOP-W/OOVEN-ALMOND	
1	102020-01-709	EA BUMPER-GRATE	8007-P020-60
2	102020-01-711	EA GRATE-TOP	7518P012-60
3	102020-01-722	EA VALVE-TOPBURNER	7502P181-60
4	102020-01-724	EA BUMPER-MAINTOP	8003P008-60
5	102022-01-708	EA REGULATOR-1/4&1/2OUT	7510P041-60
6	112881-01-700	EA RANGE-TOP3-BURNER-ALMOND	2001F110-84
7	112881-01-703	EA VALVE-TOPBURNERHI-OUTPUT	7502P180-60
8	112881-01-705	EA KNOB-TOPBURNER	7733P072-60
	112881-01-718	EA KNOB-HIGHOUTPUT(FLAMEIND)	74001794
9	112881-01-709	EA PIPE-MANIFOLD	7513P097-60
10	114030-01-701	EA PANEL-MANIFOLD	2616F078-70
11	114030-01-702	EA TRIM-RIGHT-BLACK	3608W040-70
			FROM: 00-00-00 THRU: 07-14-96
11	114030-01-704	EA TRIM-RIGHT/BLACKTEXTURED	74002839
			FROM: 07-15-96 THRU: 99-99-99
12	114030-01-703	EA TRIM-LEFT-BLACK	3608W039-70
			FROM: 00-00-00 THRU: 07-14-96
12	114030-01-705	EA TRIM-LEFT/BLACKTEXTURED	74002840
			FROM: 07-15-96 THRU: 99-99-99
13	102019-01-705	EA TRIM-REAR-BLACK	3608F009-70
			FROM: 00-00-00 THRU: 07-14-96
13	114030-01-706	EA TRIM-REAR/BLACKTEXTURED	74002841
			FROM: 07-15-96 THRU: 99-99-99
	081587-03-000	EA BRACKET-TIEDOWN-RANGE-RIGHT	
	081587-04-000	EA BRACKET-TIEDOWN-RANGE-LEFT	



MONITORPANEL-LVS

KEY	PARTNUMBER	U/M DESCRIPTION	VENDORNO.
1	102765-04-01A	EA PANEL-MONITOR2TANKWTRHTR-*LVSW/PLUGALMOND	
2	102765-04-700	EA BOARD-CIRCUIT,2HOLDINGTANK	L5097-41
3	097617-01-702	EA SWITCH(ALMOND)	107
4	097617-01-701	EA SWITCH-ON/OFF,ALMOND	106
5	102765-01-700	EA SWITCH-ON-ON,ALMOND	110-01
	097618-01-000	EA WIREASM-MONITORPANEL-W/4WIRES&BLACKRESISTOR-LVS	

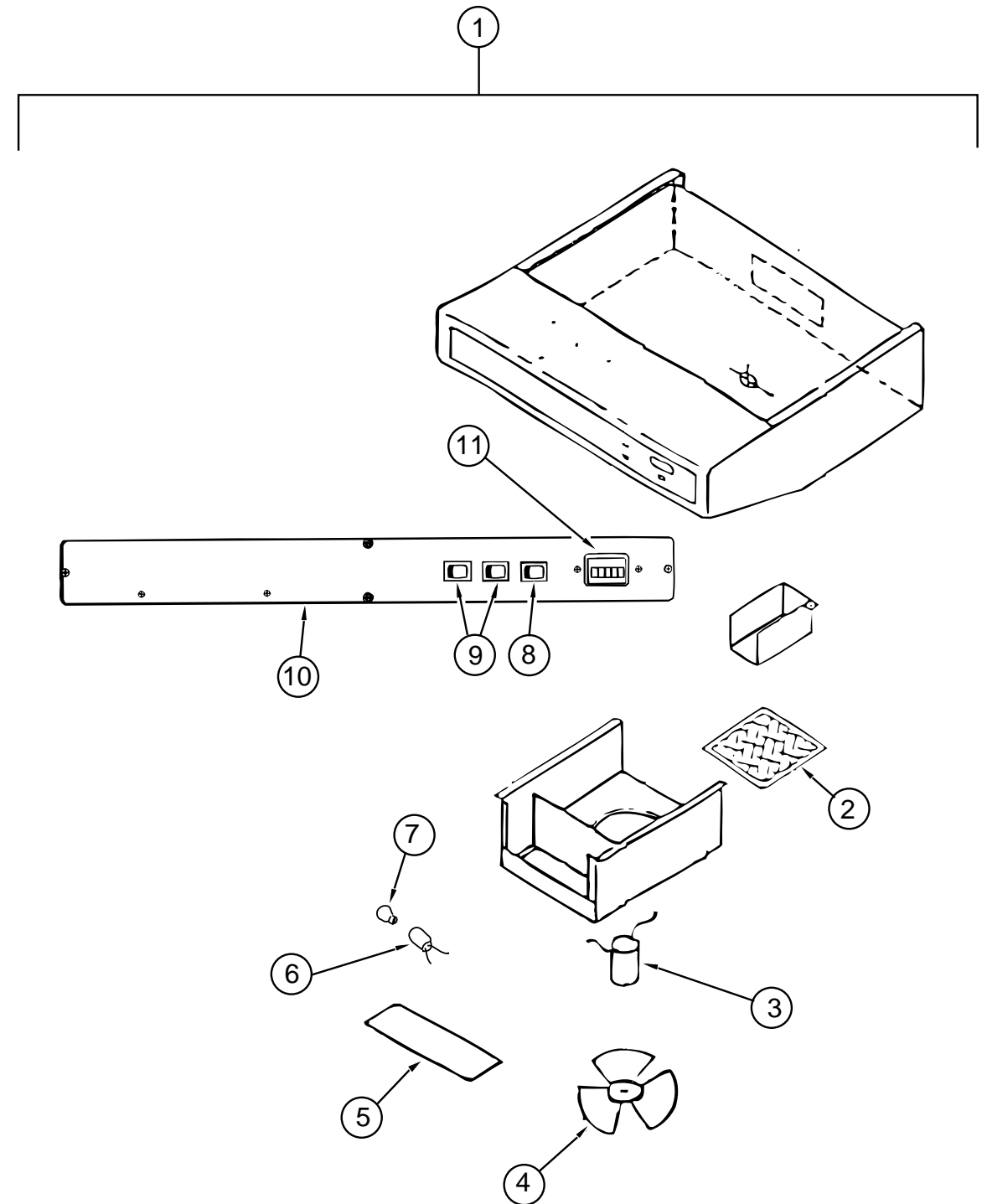
GALLEYGROUP(CONTINUED)



RANGEHOOD

KEY	PARTNUMBER	U/M	DESCRIPTION	VENDORNO.
1	100258-16-04A	EA	HOOD - RANGE - W/OMONITORPANEL	
1	100258-17-04A	EA	HOOD - RANGE - W/OMONITORPANEL (CSA)	
2	096983-01-707	EA	FILTER-MESH	CC246
3	090973-01-700	EA	MOTOR-12VOLT, CSA&UL	CA508-1
4	090973-01-702	EA	BLADE-FAN	VA183-1
5	092696-02-701	EA	LENS-LAMP	CC179-2
6	092696-01-710	EA	HOLDER-LAMP	CB267-2
7	092696-01-709	EA	LAMP#912	VA415
8	096983-01-700	EA	SWITCH-ON/OFF	L0108-00
9	100258-01-700	EA	LABEL-HOODNOSE	CC428
10	096983-01-702	EA	SWITCH-MOM/OFF/MOM,3TERM	L0112-00
	100258-10-01A	EA	GAUGE - HOURMETERW/SWITCH-SCREWONSTYLE (W/GENERATOROPTION)	
	096983-01-702	EA	SWITCH-MOM/OFF/MOM,3TERM	L0112-00(W/GENERATOROPTION)
	100258-10-701	EA	GAUGE-HOURMETER,CLIPON	L0775-00(W/GENERATOROPTION)

GALLEYGROUP(CONTINUED)



RANGEHOOD

KEY	PARTNUMBER	U/M	DESCRIPTION	VENDORNO.
1	100258-18-03A	EA	HOOD - RANGE - W/OMONITORPANEL - W/HOURMETER&SWITCH	
2	096983-01-707	EA	FILTER-MESH	CC246
3	090973-01-700	EA	MOTOR-12VOLT, CSA&UL	CA508-1
4	090973-01-702	EA	BLADE-FAN	VA183-1
5	092696-02-701	EA	LENS-LAMP	CC179-2
6	092696-01-710	EA	HOLDER-LAMP	CB267-2
7	092696-01-709	EA	LAMP#912	VA415
8	096983-01-702	EA	SWITCH-MOM/OFF/MOM,3TERM	L0112-00
9	096983-01-700	EA	SWITCH-ON/OFF	L0108-00
10	100258-01-700	EA	LABEL-HOODNOSE	CC428
11	100258-10-01A	EA	GAUGE - HOURMETERW/SWITCH-SCREWONSTYLE	
	096983-01-702	EA	SWITCH-MOM/OFF/MOM,3TERM	L0112-00
	100258-10-701	EA	GAUGE-HOURMETER,CLIPON	L0775-00

GENERATORGROUP

4000KWGENERATORONANEMERALDPLUSBGE-FA/26100G

KEY	PARTNUMBER	U/M	DESCRIPTION
	100974-01-000	EA	GENERATOR,4.KWEMERALDPLUS,ONANBGE-FA/26100G
	007067-01-000	SF	INSULATION-FIBERGLASS,1"THICKX4'-INCREMENTSOF4SF
	007125-03-000	EA	CLAMP-MUFFLER-1.50"DIAMETER
	007125-04-000	EA	CLAMP-MUFFLER-1.12"DIAMETER
	079654-05-000	EA	PIPE-EXHAUST-ANGLEDW/FLANGE-2"ID
	082272-01-000	EA	MUFFLER-GENERATOR
	094059-01-000	EA	SPACER-GENERATOR-ONAN
	007131-01-000	EA	HANGER-TAILPIPE-6SLOTS
	105958-03-000	EA	PIPE-GENERATOREXHAUST1.5"ODX4.4"X15.7" FROM: 00-00-00 THRU: 07-14-96
	105958-04-000	EA	PIPE-GENERATOREXHAUST1.5"ODX4.4"X15.7" FROM: 07-15-96 THRU: 99-99-99

NOTE:ADDITIONALGENERATORCOMPONENTSAREFOUNDTHECHASSISGROUP.

GENERATORGROUP(CONTINUED)

5000KWGENERATORONANEMERALDPLUS

KEY	PARTNUMBER	U/M	DESCRIPTION
	109303-01-000	EA	GENERATOR-5KW-EMERALDPLUS
	007067-01-000	SF	INSULATION-FIBERGLASS,1"THICKX4'-INCREMENTSOF4SF
	007125-04-000	EA	CLAMP-MUFFLER-1.12"DIAMETER
	079654-05-000	EA	PIPE-EXHAUST-ANGLEDW/FLANGE-2"ID
	082272-01-000	EA	MUFFLER-GENERATOR
	094059-01-000	EA	SPACER-GENERATOR-ONAN
	105958-03-000	EA	PIPE-GENERATOREXHAUST1.5"ODX4.4"X15.7" FROM: 00-00-00 THRU: 07-14-96
	105958-04-000	EA	PIPE-GENERATOREXHAUST1.5"ODX4.4"X15.7" FROM: 07-15-96 THRU: 99-99-99

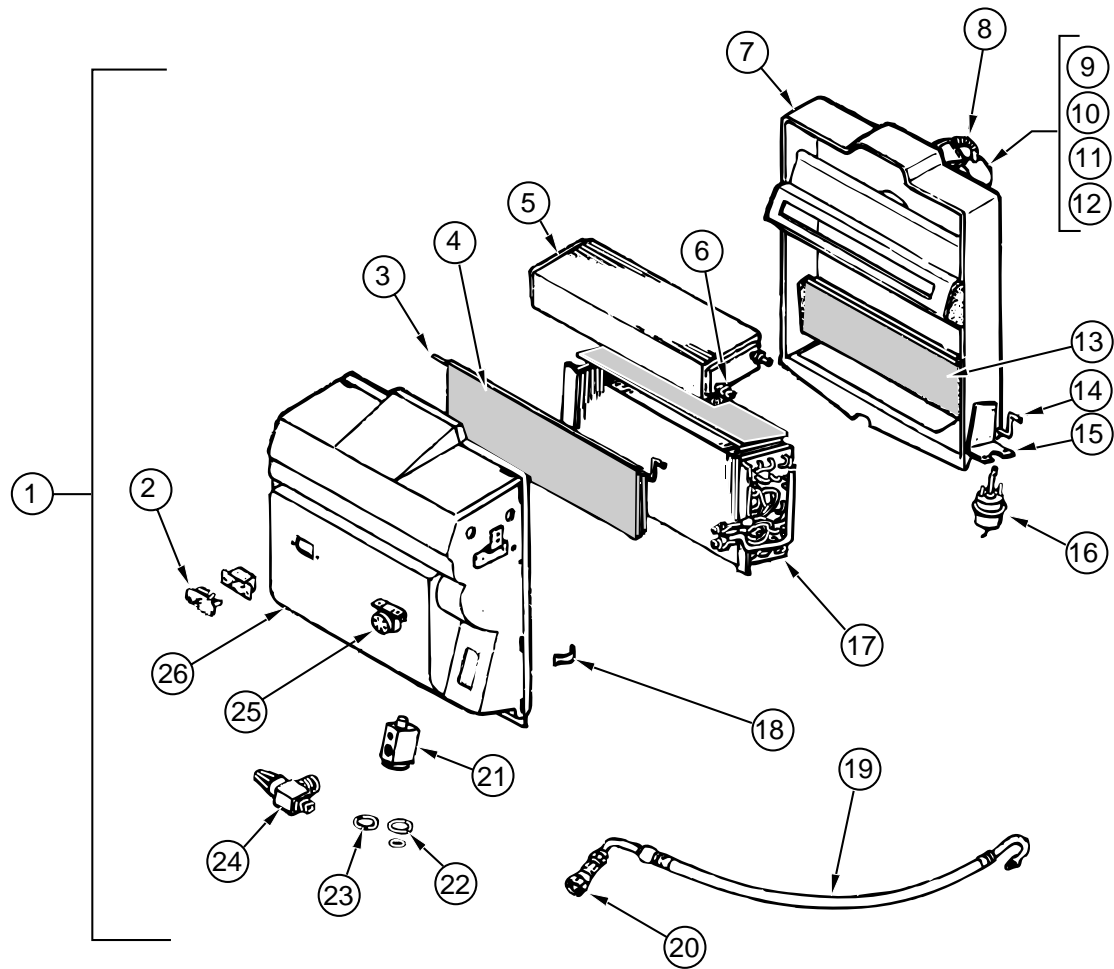
NOTE:ADDITIONALGENERATORCOMPONENTSAREFOUNDTHECHASSISGROUP.

6500KWGENERATORONANEMERALDPLUS

KEY	PARTNUMBER	U/M	DESCRIPTION
	100975-01-000	EA	GENERATOR-6.5KW-EMERALDPLUS
	008401-01-000	EA	STRAP-CONDUIT-3/4"-1HOLE-GALVANIZEDSTEEL
	007067-01-000	SF	INSULATION-FIBERGLASS,1"THICKX4'-INCREMENTSOF4SF
	007125-04-000	EA	CLAMP-MUFFLER-1.12"DIAMETER
	079654-05-000	EA	PIPE-EXHAUST-ANGLEDW/FLANGE-2"ID
	082272-01-000	EA	MUFFLER-GENERATOR
	094059-01-000	EA	SPACER-GENERATOR-ONAN
	105958-14-000	EA	PIPE-GENERATOREXHAUST1.5"ODX4.4"X15.7"

NOTE:ADDITIONALGENERATORCOMPONENTSAREFOUNDTHECHASSISGROUP.

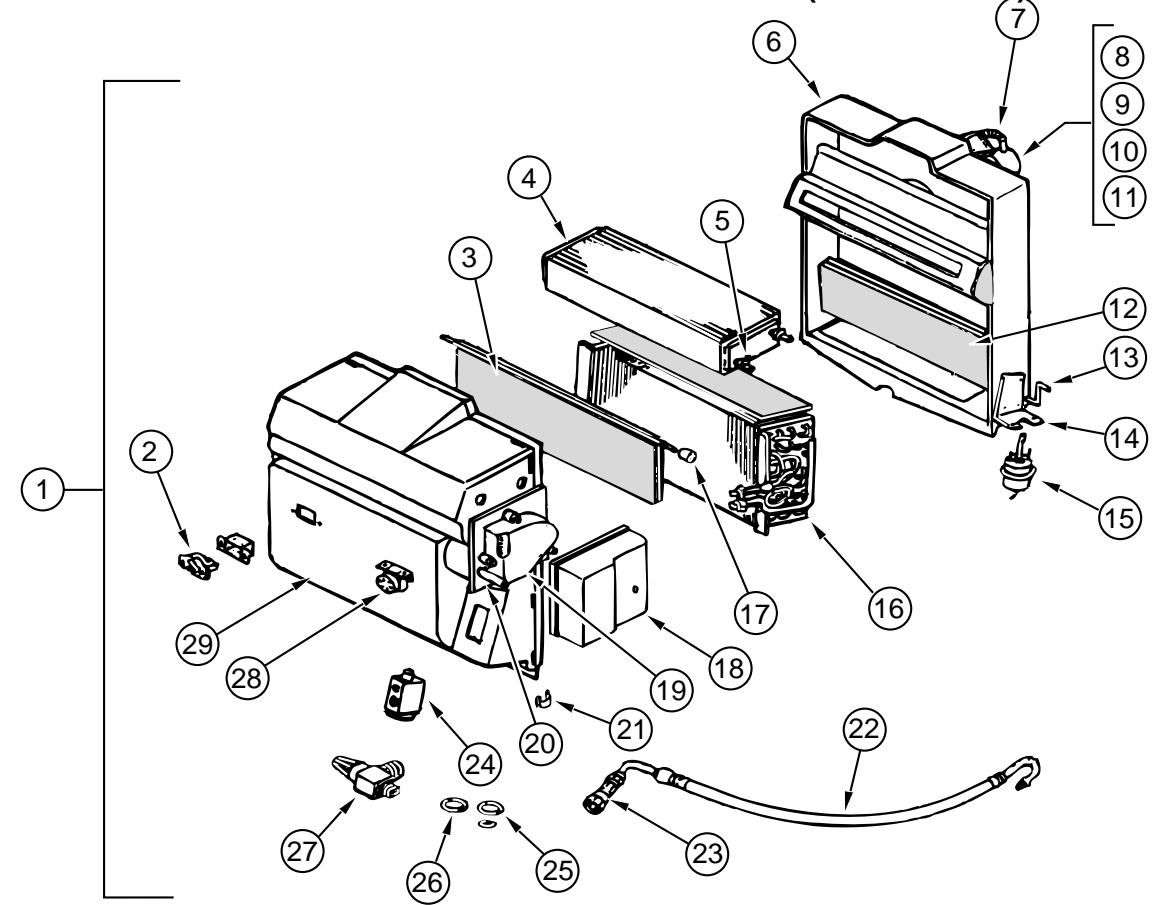
HEATING&AIRCONDITIONINGGROUP



AUTOA/C-EVAPORATOR/HEATER-CHEVY(FROM00-00-00THRU09-01-96)

KEY	PARTNUMBER	U/M DESCRIPTION	VENDORNO.
1	103930-25-000	EA EVAPORATOR/HEATERASSEMBLY-SCS090-00296	FROM: 00-00-00 THRU: 09-01-96
2	103930-01-710	EA RESISTOR-FUSED	035-0006
3	103930-20-702	EA ROD-DOOR,BLENDAIR	073-0039
4	103930-20-703	EA DOOR-BLENDAIR	071-0212
5	103930-01-703	EA CORE-HEATER	042-0010
6	110279-01-712	EA FITTING-HEATER	050-0076
7	103930-20-711	EA CASE-BACK,SUB-ASSEMBLY	062-0147
8	110279-01-703	EA HOSE-VENT,BLOWERMOTOR	051-0034
9	103930-20-707	EA HOUSING-BLOWER	062-0145
10	103930-01-720	EA MOTOR-BLOWER,PM105	030-0004
11	103930-01-717	EA WHEEL-BLOWER,CLOCKWISE	062-0010
12	103930-20-708	EA CLIP-MOTORSHAFT	022-0001
13	103930-20-705	EA PANEL-DOOR,RECIRCULATING	071-0213
14	103930-20-704	EA ROD-DOOR,RECIRCULATING	073-0018
15	103930-01-708	EA BRACKET-VACUUMMOTOR	070-0113
16	103930-02-708	EA MOTOR-VACUUMSERVO,A/C	030-0025
17	103930-01-704	EA COIL-EVAPORATOR	041-0017
18	103930-20-706	EA CLIP-RETAINER	022-0057
19	103930-25-700	EA HOSEASSEMBLY-#6,EVAPORATORODRIER	085-0350
20	103930-12-709	EA FITTING-QUICKCONNECT	050-0120
21	103930-20-700	EA VALVE-EXPANSIONBLOCK,2TON	034-0032
22	103930-17-702	EA O'RING-#10	045-0127
23	113245-01-707	EA O'RING-#8	045-0126
24	103930-20-709	EA VALVE-SERVICE	050-0159
25	103930-01-711	EA THERMOSTAT	033-0003
26	103930-20-710	EA CASE-FRONT,SUB-ASSEMBLY	062-0146
	103930-02-714	EA CLAMP-CLUTCH,BARREL	022-0006
	103930-05-000	EA MANUAL-OWNERS,HEATER-A/C-SCS057-0049	

HEATING&AIRCONDITIONINGGROUP(CONTINUED)



AUTOA/C-EVAPORATOR/HEATER-CHEVY(FROM09-02-96THRU99-99-99)

KEY	PARTNUMBER	U/M DESCRIPTION	VENDORNO.
1	103930-30-000	EA EVAPORATOR/HEATERASM-SERVOMOTORCONTROLLED-SCS090-00296	FROM: 09-02-96 THRU: 99-99-99
2	103930-01-710	EA RESISTOR-FUSED	035-0006
3	103930-30-705	EA PANEL-DOOR,BLENDAIR	071-0568
4	103930-01-703	EA CORE-HEATER	042-0010
5	110279-01-712	EA FITTING-HEATER	050-0076
6	103930-20-711	EA CASE-BACK,SUB-ASSEMBLY	062-0147
7	110279-01-703	EA HOSE-VENT,BLOWERMOTOR	051-0034
8	103930-20-707	EA HOUSING-BLOWER	062-0145
9	103930-01-720	EA MOTOR-BLOWER,PM105	030-0004
9	103930-30-706	EA MOTOR-BLOWER,PM147	FROM: 09-02-96 THRU: 12-21-96 030-0109 FROM: 12-22-96 THRU: 99-99-99
10	103930-01-717	EA WHEEL-BLOWER,CLOCKWISE	062-0010
11	103930-20-708	EA CLIP-MOTORSHAFT	022-0001
12	103930-20-705	EA PANEL-DOOR,RECIRCULATING	071-0213
13	103930-20-704	EA ROD-DOOR,RECIRCULATING	073-0018
14	103930-01-708	EA BRACKET-VACUUMMOTOR	070-0113
15	103930-02-708	EA MOTOR-VACUUMSERVO,A/C	030-0025
16	103930-01-704	EA COIL-EVAPORATOR	041-0017
17	103930-30-702	EA BUSHING-BLENDAIRDOOR	062-0168
18	103930-30-704	EA COVER-SERVO	062-0545
19	103930-30-703	EA MOTOR-SERVO	030-0104
20	103930-30-701	EA PLATE-SERVOMOTORMOUNT	062-0544
21	103930-20-706	EA CLIP-RETAINER	022-0057
22	103930-25-700	EA HOSEASSEMBLY-#6,EVAPORATORODRIER	085-0350
23	103930-12-709	EA FITTING-QUICKCONNECT	050-0120
24	103930-20-700	EA VALVE-EXPANSIONBLOCK,2TON	034-0032
25	103930-17-702	EA O'RING-#10	045-0127
26	113245-01-707	EA O'RING-#8	045-0126
27	103930-20-709	EA VALVE-SERVICE	050-0159
28	103930-01-711	EA THERMOSTAT	033-0003
29	103930-30-700	EA CASE-FRONT	062-0542
	103930-05-000	EA MANUAL-OWNERS,HEATER-A/C-SCS057-0049	

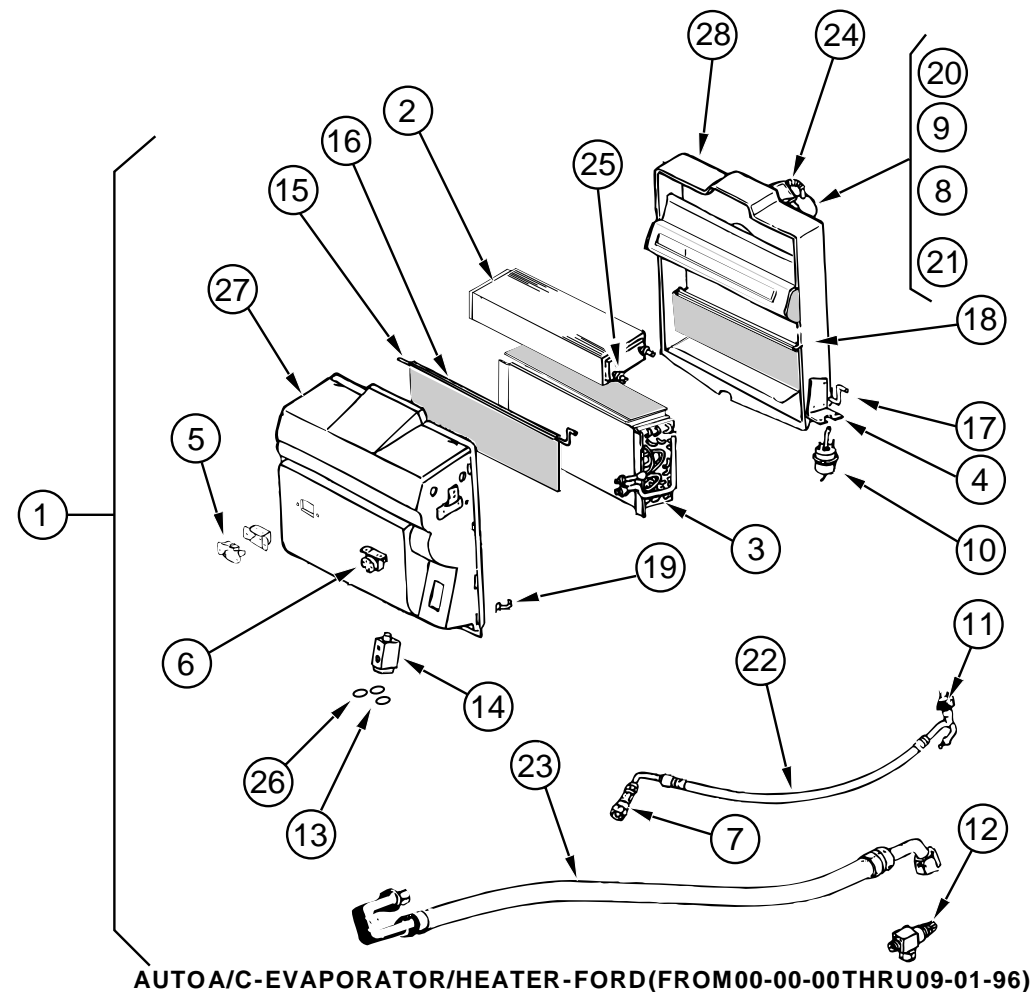
HEATING&AIRCONDITIONINGGROUP(CONTINUED)
AUTOA/C CONTROL PLENUM

KEY	PARTNUMBER	U/M DESCRIPTION	VENDOR NO.
	103930-27-000	EA CONTROL/PLENUMSET,F,G&D	
		FROM: 00-00-00 THRU: 09-01-96	
	103930-02-701	EA SWITCH-VACUUM,CONTROLHEAD	034-0015
	103930-02-702	EA DECAL-CONTROLHEAD	058-0009
	103930-02-705	EA CABLE-BOWDENW/OLEVER89"	074-0011
	103930-02-714	EA CLAMP-CLUTCH,BARREL	022-0006
	103930-02-707	EA RELAY-BOSCHW/RESISTER	031-0001
	103930-02-708	EA MOTOR-VACUUMSERVO,A/C	030-0025
	103930-02-710	EA CANISTER-VACUUM	054-0002
	103930-02-712	EA PANEL-CONT.A/CBLACKBEZEL	032-0054
	103930-26-700	EA HARNESS-WIRECONTROL	036-0444
	103930-26-701	EA HARNESS-VACUUMCONTROL	036-0456
	103930-33-700	EA ROD-DOORDEFROSTER/AC	073-0028
	103930-33-000	EA CONTROL/PLENUM-ROTARYCONTROLHEAD	
		FROM: 09-02-96 THRU: 99-99-99	
	103930-02-707	EA RELAY-BOSCHW/RESISTER	031-0001
	103930-02-708	EA MOTOR-VACUUMSERVO,A/C	030-0025
	103930-02-710	EA CANISTER-VACUUM	054-0002
	103930-33-700	EA ROD-DOORDEFROSTER/AC	073-0028
	103930-33-701	EA MOTOR-VACUUM,3STAGE	030-0105
	103930-33-702	EA CONTROLPANEL	083-0169
	103930-33-703	EA VACUUMHARNESS	036-0466
	103930-33-704	EA WIREHARNESSW/BULBS	036-0465
		FROM: 00-00-00 THRU: 12-21-96	
	103930-33-711	EA WIREHARNESS-MAIN	036-0496
		FROM: 12-22-96 THRU: 99-99-99	
	103930-33-705	EA LIGHTBULBS	035-0030
	103930-33-706	EA ROD-DOORAC/DEFROST	073-0060
	103930-33-707	EA SWITCH-BLOWER	032-0186
	103930-33-708	EA SWITCH-POTENTIOMETER	032-0184
	103930-33-709	EA SWITCH-VACUUM	032-0183
	103930-33-710	EA DECALF/CONTROLHEAD	058-0102

AUTOA/C&HEATSYSTEM

KEY	PARTNUMBER	U/M DESCRIPTION
	007281-01-000	EA HOSE-FLEXIBLEPVC-2.5"IDX50'
	024990-05-000	EA OUTLET-DEFROSTER-4"DIAMETERW/SWIVELDEFLECTORS
	056402-05-000	EA BRACKET-HEATERVENT-ROUNDW/BEND-BLACK
	077075-01-000	EA GASKET-INSTRUMENTPANELTODEFROSTERPLENUM-.6"X11.3"
	077075-03-000	EA GASKET-INSTRUMENTPANELTODEFROSTERPLENUM
	103016-01-000	EA PLENUM-TRANSITION
	103558-01-09A	EA VENT-DEFR,ABS,KORADC.BISQ
	103796-01-01A	EA LOUVER-A/C
	103930-23-000	EA VALVE-WATER-2PORT
	103930-24-000	EA VALVE-WATERCONTROL-4PORTVACUUMCONTROLLED
	024990-05-000	EA OUTLET-DEFROSTER-4"DIAMETERW/SWIVELDEFLECTORS
	009198-01-000	FT DUCT-HEAT-FLEXIBLE-4"IDX25'
	009198-02-000	FT DUCT-FLEXIBLE-2"IDX25'
	009200-01-000	EA TAPE-FURNACE-1 1/2"
	089367-02-000	EA TEE-4"X2"X4"
	056464-09-000	EA VENT-4"W/DAMPNER-BEIGEPLASTIC
	056464-10-000	EA REGISTER-W/ODAMPER-4"DIAMETER
	093614-01-02A	EA GRILLE-RETURNAIR
	093614-07-02A	EA GRILL-RETURNAIR
	007076-01-000	EA HOSE-FLEXIBLEPVC-2"ID-INCREMENTSOF50'
	007108-01-000	FT HOSE-HEATER-5/8"ID-HI-TEMP-FORD
	103930-24-000	EA VALVE-WATER,4PORT

HEATING&AIRCONDITIONINGGROUP(CONTINUED)

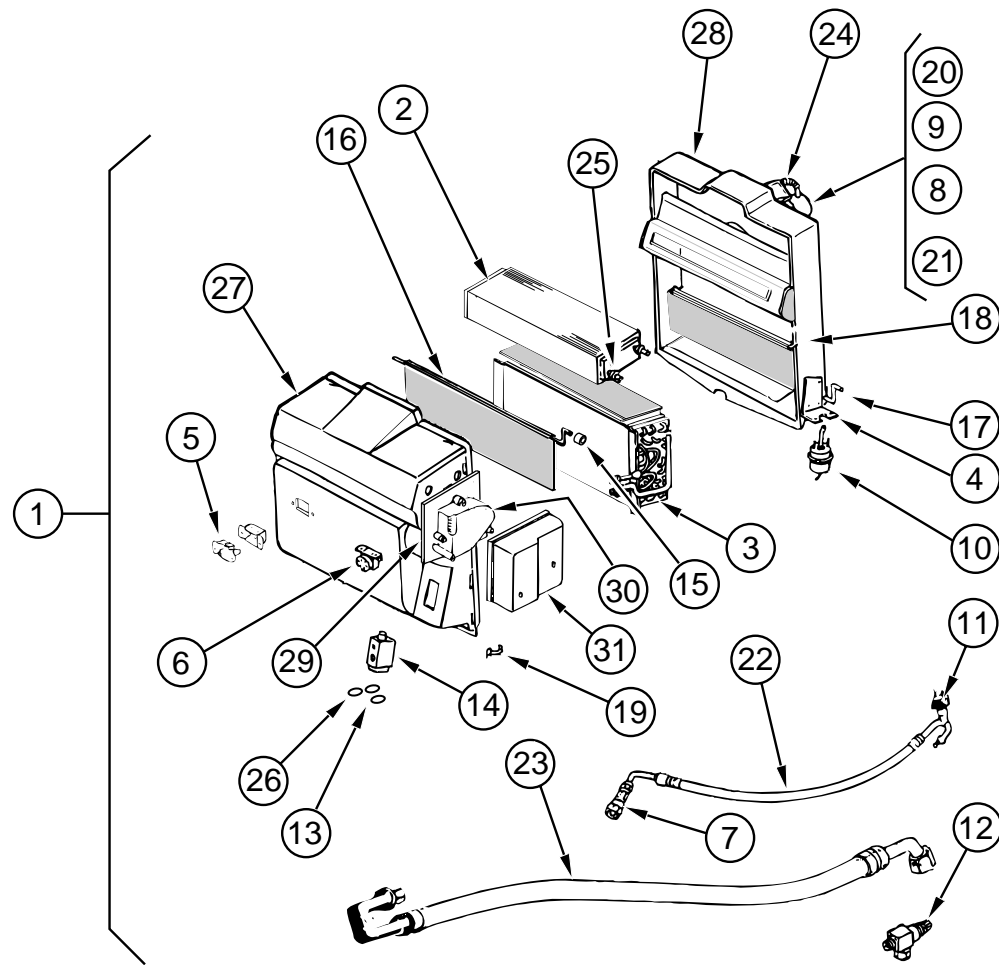


AUTOA/C-EVAPORATOR/HEATER-FORD(FROM00-00-00THRU09-01-96)

KEY	PARTNUMBER	U/M DESCRIPTION	VENDOR NO.
1	103930-21-000	EA EVAPORATER/HEATER-FORD-R134ABLOCK	
		FROM: 00-00-00 THRU: 09-01-96	
2	103930-01-703	EA CORE-HEATER	042-0010
3	103930-01-704	EA COIL-EVAPORATOR	041-0017
4	103930-01-708	EA BRACKET-VACUUMMOTOR	070-0113
5	103930-01-710	EA RESISTOR-FUSED,A/C	035-0006
6	103930-01-711	EA THERMOSTAT	033-0003
7	103930-01-713	EA FITTING-QUICKCONNECT,#4	050-0030
8	103930-01-717	EA WHEEL-BLOWER,CLOCKWISE	062-0010
9	103930-01-720	EA MOTOR-BLOWER,PM105	030-0004
10	103930-02-708	EA MOTOR-VACUUMSERVO,A/C	030-0025
11	103930-12-708	EA SWITCH-BINARY,HI-LOWCUTOUT	032-0048
12	103930-13-702	EA VALVE-SERVICE,W/OCOMP.	050-0152
13	103930-17-702	EA O'RING#10	045-0127
14	103930-20-700	EA VALVE-EXPANSIONBLOCK,2TON	034-0032
15	103930-20-702	EA ROD-DOOR,BLENDAIR	073-0039
16	103930-20-703	EA DOOR-BLENDAIR	071-0212
17	103930-20-704	EA ROD-DOOR,RECIRCULATING	073-0018
18	103930-20-705	EA PANEL-DOOR,RECIRCULATING	071-0213
19	103930-20-706	EA CLIP-RETAINER	022-0057
20	103930-20-707	EA HOUSING-BLOWER	062-0145
21	103930-20-708	EA CLIP-MOTORSHAFT	022-0001
22	103930-21-700	EA HOSEASM.#6EXP.VALVE-DRIER	085-0139
23	103930-21-701	EA HOSEASM#10,EXP.VALVE-COMP	085-0149
24	110279-01-703	EA HOSE-VENT,BLOWERMOTOR	051-0034
25	110279-01-712	EA FITTING-HEATER	050-0076
26	113245-01-707	EA O'RING-#8	045-0126
27	103930-20-710	EA CASE-FRONT,SUB-ASSEMBLY	062-0146
28	103930-20-711	EA CASE-BACK,SUB-ASSEMBLY	062-0147
	103930-05-000	EA MANUAL-OWNERS,HEATER-A/C-SCS057-0049	
	103930-37-000	EA MANUAL-OWNERS-HEATER/A/C	

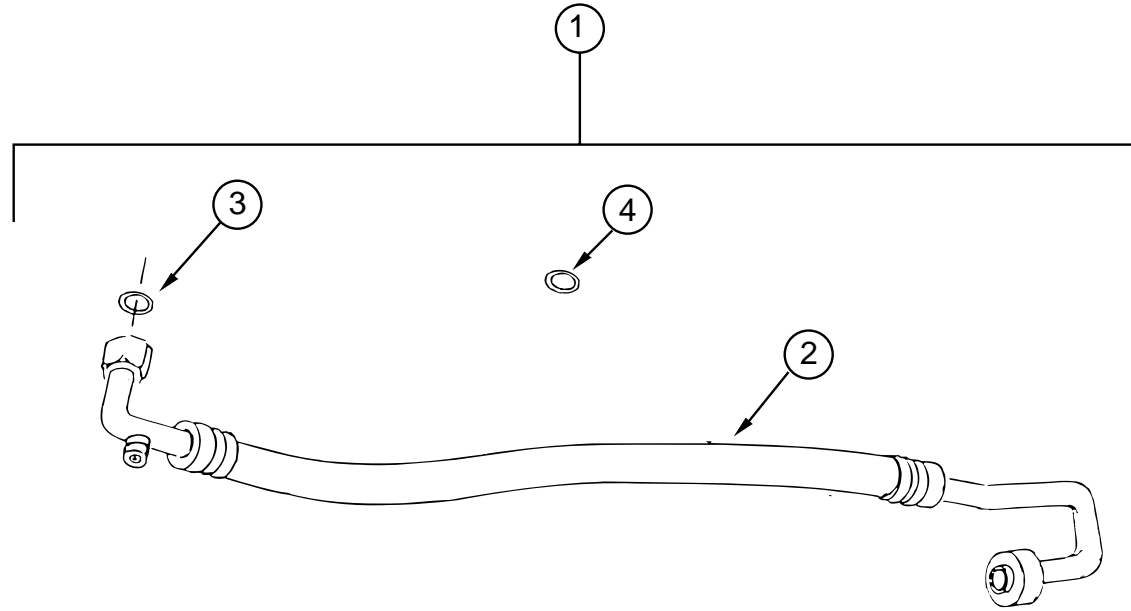
HEATING & AIR CONDITIONING GROUP (CONTINUED)

AUTO A/C - EVAPORATOR/HEATER - FORD (FROM 09-02-96 THRU 99-99-99)



KEY	PARTNUMBER	U/M DESCRIPTION	VENDNO.
1	103930-31-000	EA EVAPORATOR/HEATER-FORD-SERVOMOTORCONTROLLED	FROM: 09-02-96 THRU: 99-99-99
2	103930-01-703	EA CORE-HEATER	042-0010
3	103930-01-704	EA COIL-EVAPORATOR	041-0017
4	103930-01-708	EA BRACKET-VACUUMMOTOR	070-0113
5	103930-01-710	EA RESISTOR-FUSED	035-0006
6	103930-01-711	EA THERMOSTAT	033-0003
7	103930-01-713	EA FITTING-QUICKCONNECT,#4	050-0030
8	103930-01-717	EA WHEEL-BLOWER,CLOCKWISE	062-0010
9	103930-01-720	EA MOTOR-BLOWER,PM105	030-0004
9	103930-30-706	EA MOTOR-BLOWER PM147	FROM: 09-02-96 THRU: 12-21-96 030-0109
10	103930-02-708	EA MOTOR-VACUUMSERVO,A/C	FROM: 12-22-96 THRU: 99-99-99 030-0025
11	103930-12-708	EA SWITCH-BINARY,HI-LOWCUTOUT	032-0048
12	103930-13-702	EA VALVE-SERVICE,W/OCOMP.	050-0152
13	103930-17-702	EA O'RING-#10	045-0127
14	103930-20-700	EA VALVE-EXPANSIONBLOCK,2TON	034-0032
15	103930-30-702	EA BUSHING-BLENDAIRDOOR	062-0168
16	103930-30-705	EA DOOR-BLENDAIR	071-0568
17	103930-20-704	EA ROD-DOOR,RECIRCULATING	073-0018
18	103930-20-705	EA PANEL-DOOR,RECIRCULATING	071-0213
19	103930-20-706	EA CLIP-RETAINER	022-0057
20	103930-20-707	EA HOUSING-BLOWER	062-0145
21	103930-20-708	EA CLIP-MOTORSHAFT	022-0001
22	103930-21-700	EA HOSEASM.#6EXP.VALVE-DRIER	085-0139
23	103930-21-701	EA HOSEASM#10,EXP.VALVE-COMP	085-0149
24	110279-01-703	EA HOSE-VENT,BLOWERMOTOR	051-0034
25	110279-01-712	EA FITTING-HEATER	050-0076
26	113245-01-707	EA O'RING-#8	045-0126
27	103930-30-700	EA CASE-FRONT	062-0542
28	103930-20-711	EA CASE-BACK,SUB-ASSEMBLY	062-0147
29	103930-30-701	EA PLATE-SERVOMOTORMOUNT	062-0544
30	103930-30-703	EA MOTOR-SERVO	030-0104
31	103930-30-704	EA COVER-SERVO	062-0545
	103930-05-000	EA MANUAL-OWNERS,HEATER-A/C-SCS057-0049	

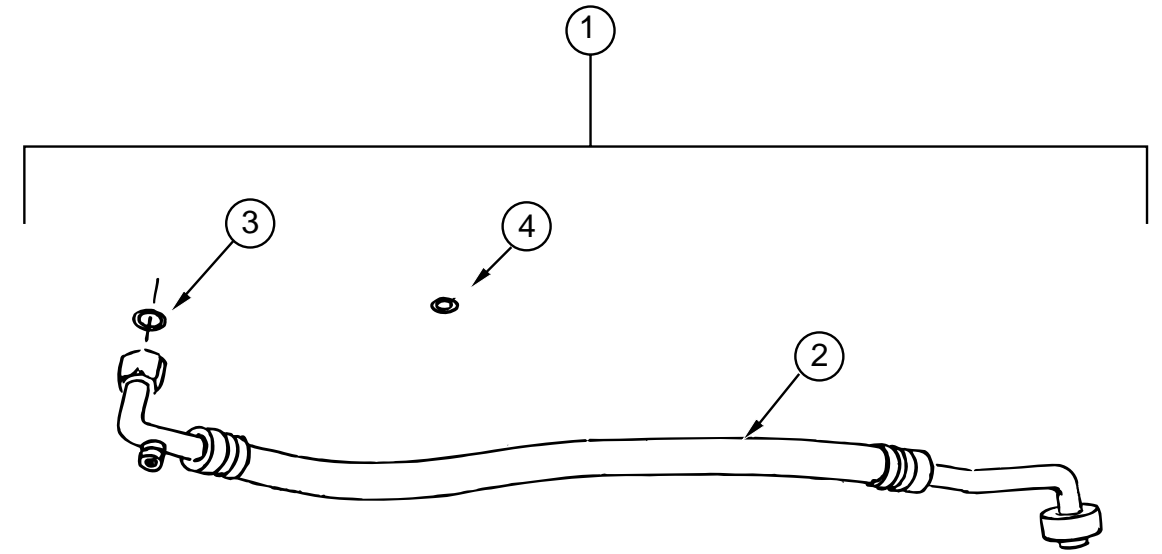
HEATING&AIRCONDITIONINGGROUP(CONTINUED)



CHEVYHOSEKIT-STANDARDGAS

KEY	PARTNUMBER	U/M	DESCRIPTION	VENDORNO.
1	103930-28-000	EA	HOSEKIT#10GM-L-19-SCS093-00426	
2	103930-28-700	EA	HOSEASM#10W/SELTECCOMPRESSOR	085-0347
3	103930-17-702	EA	GASKETORSAE015=#1033-781	045-0127
4	103930-29-701	EA	GASKET-GM,LOWPRESSURESWITCH	045-0483

HEATING&AIRCONDITIONINGGROUP(CONTINUED)



CHEVYHOSEKIT-VORTECGASORDIESELOPTION

KEY	PARTNUMBER	U/M	DESCRIPTION	VENDORNO.
1	103930-29-000	EA	HOSEKIT#10GM-L-29&L-65-SCS093-00427	
2	103930-29-700	EA	HOSEASM#10W/HARRISONCOMPRESSOR	085-0348
3	103930-17-702	EA	GASKETORSAE015=#1033-781	045-0127
4	103930-29-701	EA	GASKET-GM,LOWPRESSURESWITCH	045-0483

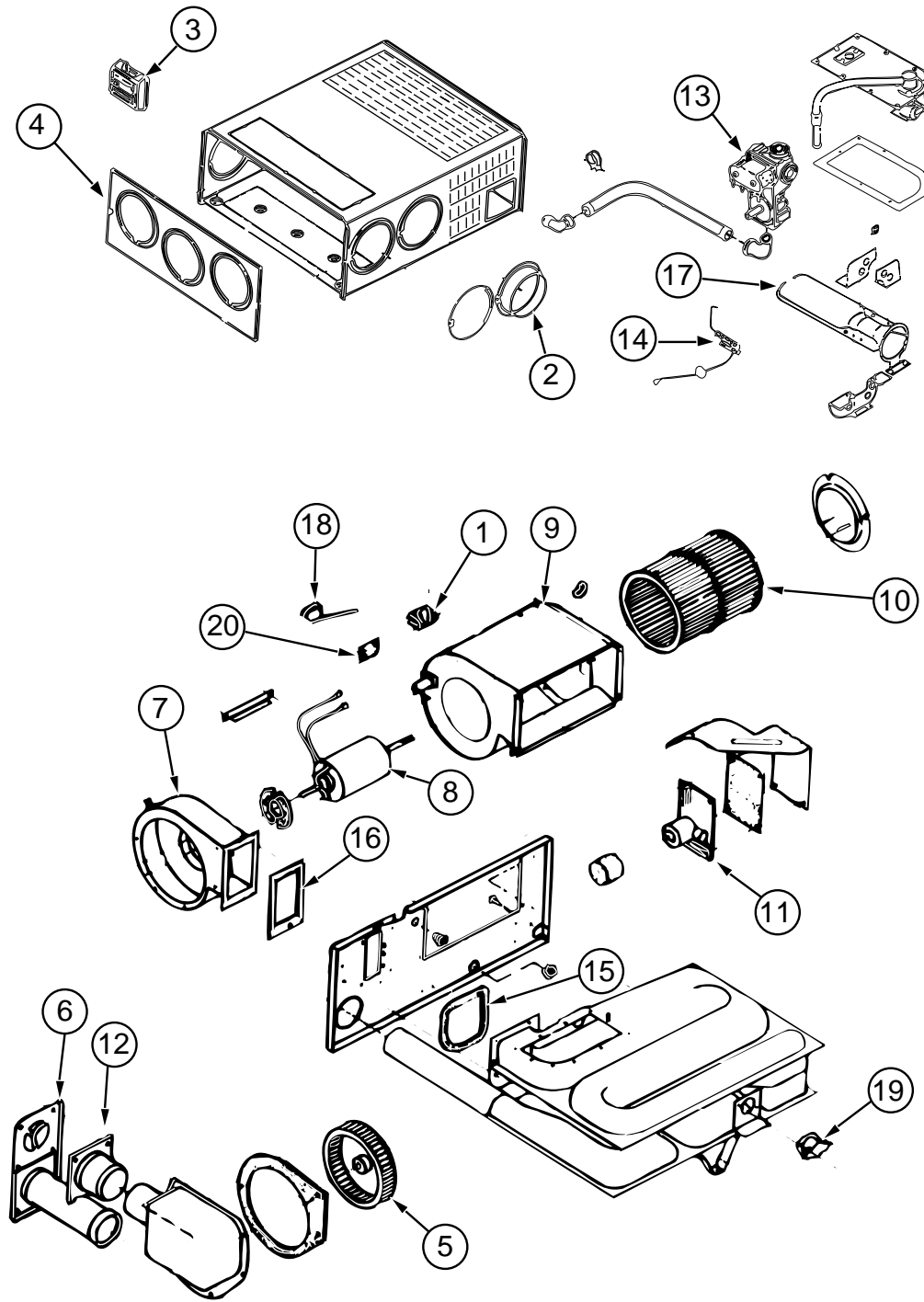
HEATING & AIR CONDITIONING GROUP (CONTINUED)

FURNACE - SUBURBAN - MODEL SF-302273

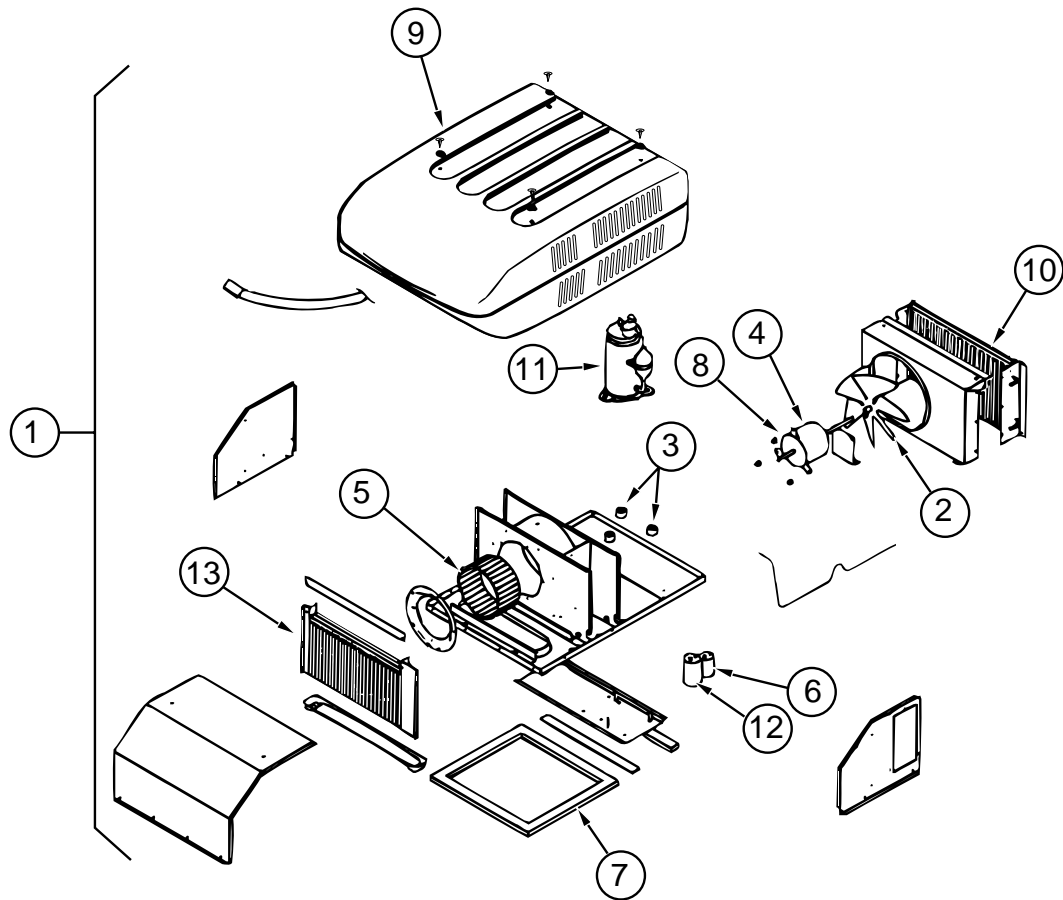
KEY	PARTNUMBER	U/M DESCRIPTION	VENDOR NO.
	098668-20-000	EA FURNACE-30000BTU, SUBURBAN SF-302273	
1	074466-01-702	EA RELAY, TIME DELAY	230625
2	075696-02-703	EA COLLAR-DUCT	050715
3	115764-01-01A	EA THERMOSTAT-FURNACE	
4	098668-01-700	EA CABINET FRONT	101242
5	098668-01-706	EA WHEEL-COMBUSTION AIR	350128
6	098668-01-707	EA TUBE ASSEMBLY, EXHAUST W/CAP	260231
7	098668-01-708	EA HOUSING-BLOWER, COMBUSTION	390441
8	098668-01-709	EA MOTOR ASM., F/SF-25, SF-30	231706
9	098668-01-710	EA HOUSING-BLOWER, ROOM AIR	390440
10	098668-01-711	EA WHEEL-BLOWER, ROOM AIR	350129
11	098668-01-712	EA BOARD-MODULE	520741
12	098668-01-713	EA TUBE ASSEMBLY, INTAKE	051248
13	098668-01-714	EA VALVE-GAS, SFS, N. 921401821	161070
14	098668-01-715	EA ELECTRODE ASM., SINGLE PROBE	232166
15	098668-01-716	EA GASKET-FIREWALL, CHAMBERSIDE	070808
16	098668-01-717	EA GASKET-FIREWALL, BLOWERSIDE	070809
17	098668-02-700	EA BURNER ASSEMBLY, SF-30 & SF35	010745
18	098668-21-700	EA SWITCH-MICRO, W/O FLAG 3/4"	232261
19	098668-21-701	EA SWITCH-LIMIT	231799
20	101990-01-714	EA GASKET-MICROSWITCH	230877
	092300-02-701	EA ORIFICE-MAIN BURNER (NT-30BW)	180214
	098668-23-000	EA DOOR-ACCESS-FURNACE	

CEILING ASSEMBLY - ROOF A/C COOL

KEY	PARTNUMBER	U/M DESCRIPTION	VENDOR NO.
	108891-01-02A	EA CEILING ASSEMBLY - A/C COOL	
	042204-01-709	EA THERMOSTAT-IN 64 OUT 58	6701-3401
	073742-01-701	EA SWITCH-SELECTOR, (5 TERMINAL)	6759-3251
	073742-01-702	EA DECAL-COOL ONLY	6759C3431
	091225-01-713	EA KNOB	6701-3351
	093766-02-701	EA DECAL-LEFT	6799-3971
	108891-01-700	EA PARTS PKG. SGL (KNOB & NUTS)	6792-5991
	108891-01-701	EA CLIP-FILTER RETAINER, 6 PER	6799-3141
	108891-01-702	EA COLLAR-DUCT, W/METL FLANGE	6792-4541
	108891-01-703	EA SHROUD-CEILING WHITE	6769-5051
	102289-01-000	EA SPRING-SCREW-ROOF A/C GASKET	
	122882-06-01A	EA VENT-ROOF-GARNISH 25-65	
	088238-01-000	EA COVER-SWITCH, A/C SELECTOR-FRONT TO REAR A/C	
	088238-02-000	EA COVER-SWITCH, A/C SELECTOR FOR FRONT OR REAR	



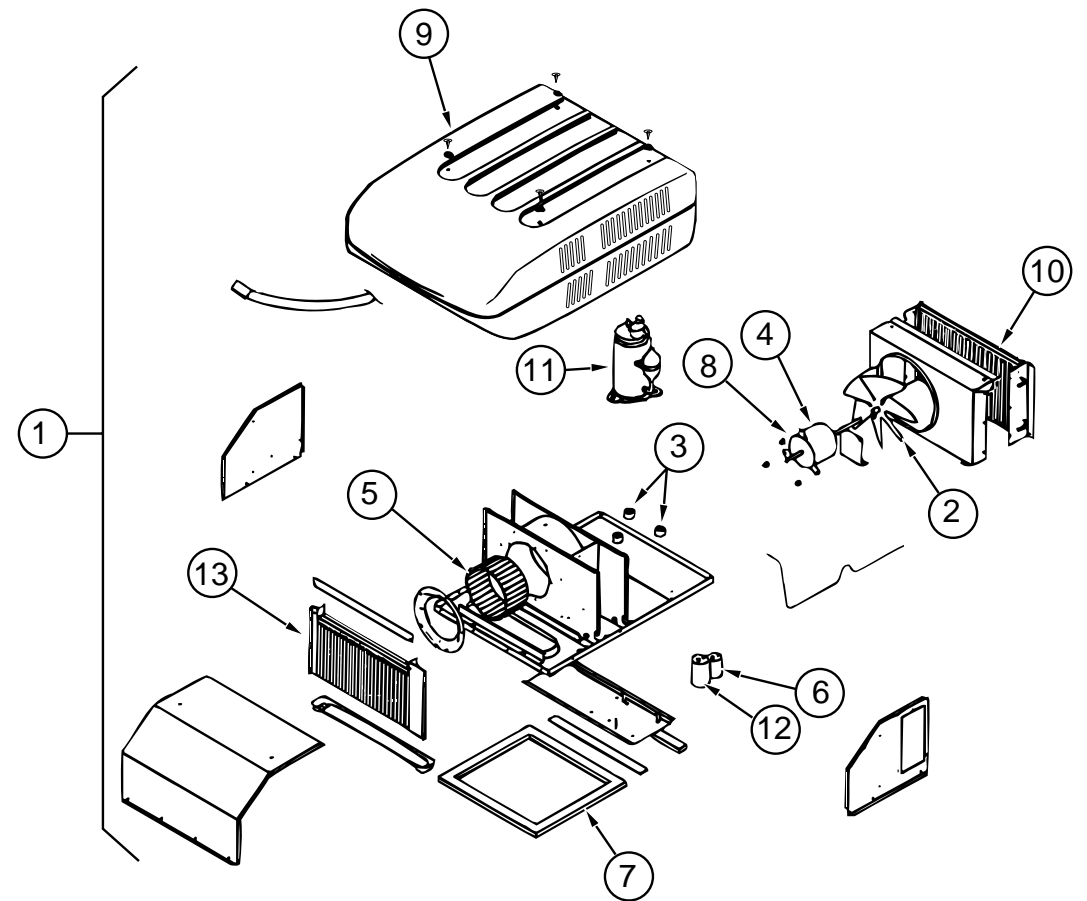
HEATING&AIRCONDITIONINGGROUP(CONTINUED)



14,800COLEMANROOFA/C

KEY	PARTNUMBER	U/M DESCRIPTION	VENDORNO.
1	115219-01-03A	EA A/C-ROOF, 14,800MACH15B/WT -*COLEMAN7335B896	
2	093763-01-712	EA BLADE-FAN-CONDENSER	6733-3221
3	105620-01-706	EA MOUNTINGPKG.,COMP.,3PER	6759-3081
4	108889-01-705	EA MOTOR(115,60HZ)	1468-3049
5	108889-01-706	EA IMPELLOR	1472-1041
6	093763-01-704	EA CAPACITOR-FAN	1499-5461
	108889-01-710	EA PAD-FILLER,CONDENSERSEAL	6759A3971
7	108889-01-711	EA GASKETPKG	6792-3301
8	108889-01-715	EA MOTORMOUNT&SHAFTSEALKIT	6792-3361
9	108889-05-700	EA SHROUD-BRIGHT/WHT.W/OLOGO	7333-4601
10	115219-01-700	EA COIL-CONDENSER	1452-1321
11	N/A	EA COMPRESSOR-PANASONIC	1450-2039
12	115219-01-702	EA CAPACITOR-RUN,COMPRESSOR	1499-5741
	115219-01-703	EA RELAY-START	1497-4151
13	115219-01-704	EA COIL-EVAPORATOR	1452-1331
	115219-01-705	EA LINE-SUCTION,LOWER	7335-130
	115219-01-706	EA LINE-SUCTION,UPPER	7335-131
	115219-01-707	EA LINEASSEMBLY,DISCHARGE	7335A132
	093306-01-701	EA DECALPACKAGE,LEFT&RIGHT	6798B3591
	093306-01-720	EA CAPACITOR-START,21-25MFD33	1497-3351
	102289-01-000	EA SPRING-SCREW-ROOFA/CGASKET	
	084077-03-000	EA COVER-BLANK,ROOFA/C-5.2"X3.5"-IVORY	
	117238-01-01A	EA THERMOSTAT-A/CANDFURNACE	

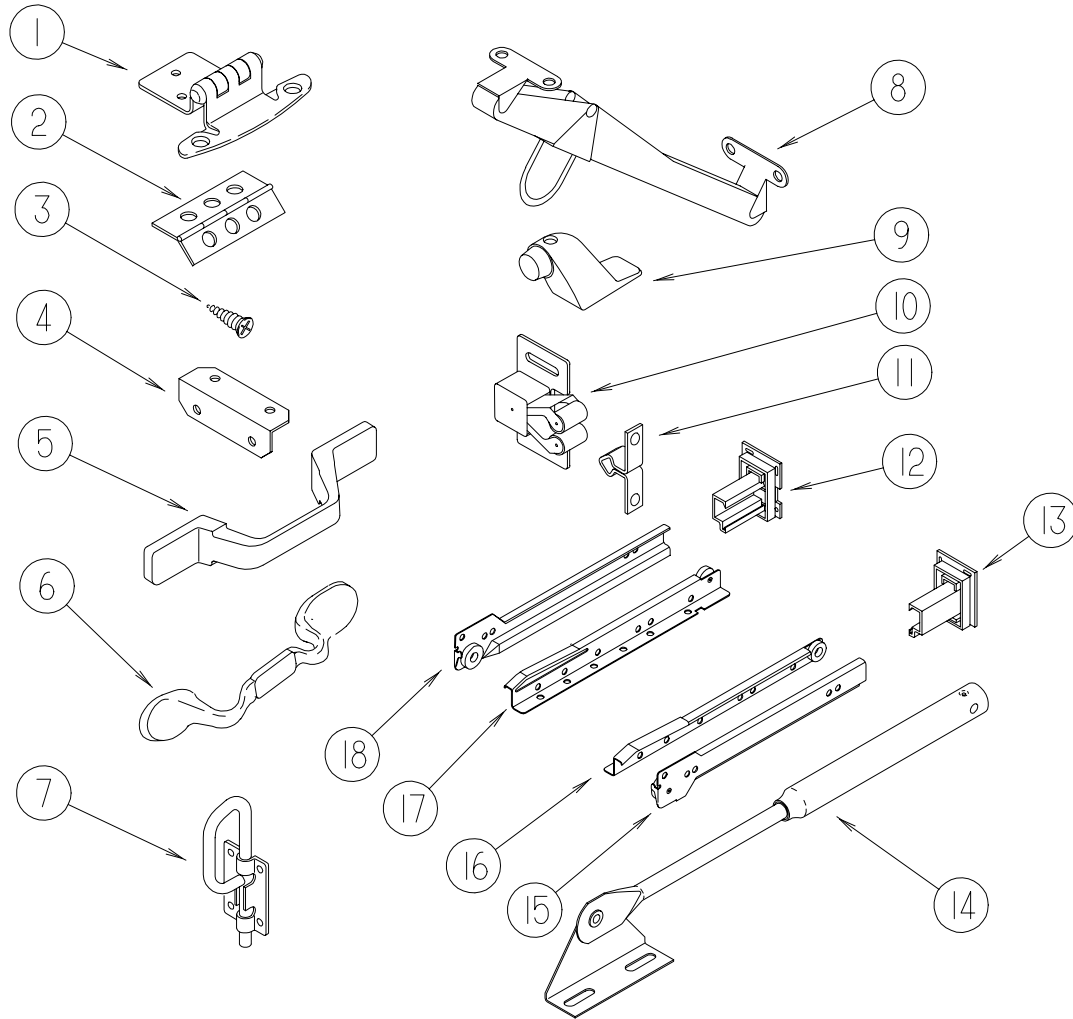
HEATING&AIRCONDITIONINGGROUP(CONTINUED)



13,500BTUCOLEMANROOFA/C

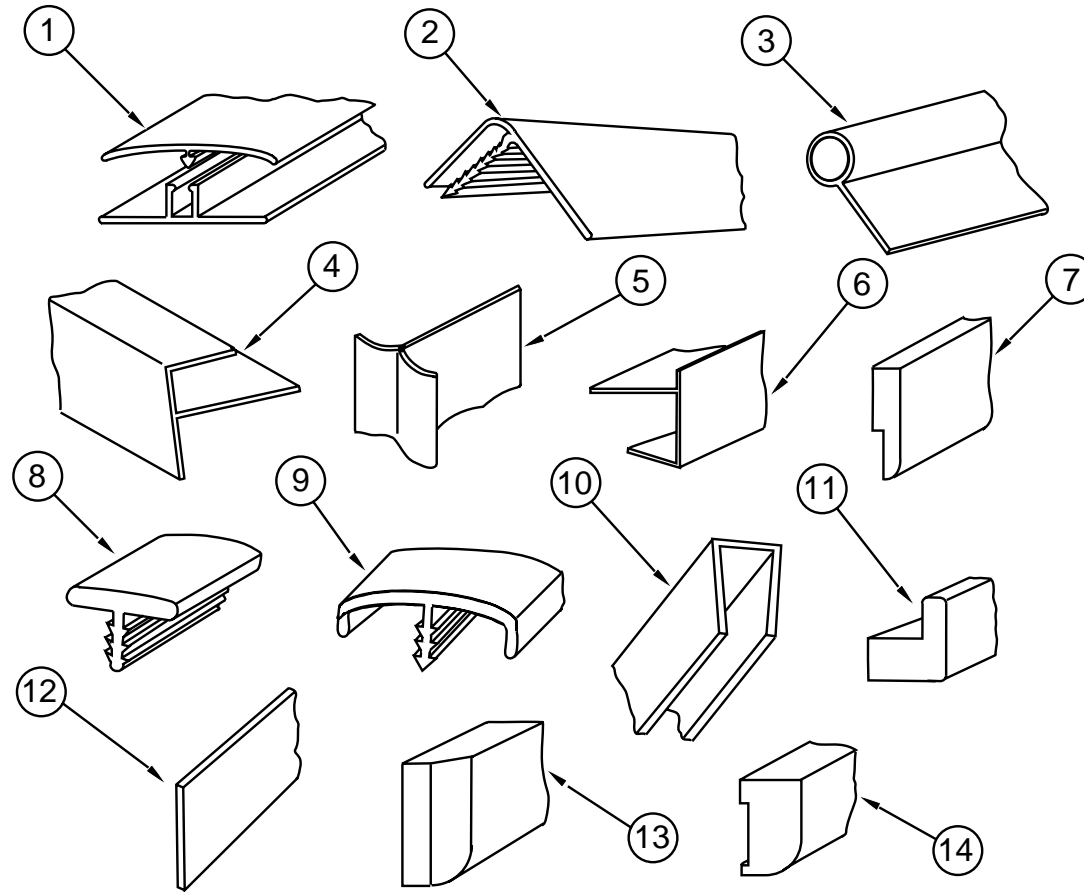
KEY	PARTNUMBER	U/M DESCRIPTION	VENDORNO.
1	108889-01-05A	EA A/C-ROOF- 13,500TSR	
2	093763-01-712	EA BLADE-FAN-CONDENSER	6733-3221
3	105620-01-706	EA MOUNTINGPKG.,COMP.,3PER	6759-3081
4	108889-01-705	EA MOTOR(115,60HZ)	1468-3049
5	108889-01-706	EA IMPELLOR	1472-1041
6	093763-01-704	EA CAPACITOR-FAN	1499-5461
7	108889-01-711	EA GASKETPKG	6792-3301
8	108889-01-715	EA MOTORMOUNT&SHAFTSEALKIT	6792-3361
9	108889-05-700	EA SHROUD-BRIGHT/WHT.W/OLOGO	7333-4601
10	108889-01-703	EA COIL-CONDENSER	1452A1301
11	105620-01-704	EA COMPRESSOR-TECUMSEH,RH&LH	1450-2009
12	108889-01-707	EA CAPACITOR-RUN,COMP-25MFD/370	1499-5661
13	108889-01-709	EA COIL-EVAPORATOR	1452A1311
	091225-01-709	EA RELAY-START	1497-4131
	091225-01-710	EA CAPACITOR-START	1497-0881
	093306-01-701	EA DECALPACKAGE,LEFT&RIGHT	6798B3591
	108889-01-704	EA OVERLOAD(MRA#98693)	6749-3541
	108889-01-710	EA PAD-FILLER,CONDENSERSEAL	6759A3971
	108889-01-712	EA LINE-SUCTION,REDUCER3/8X1/2	1215-2161
	108889-01-713	EA LINE-SUCTION,3/8ODX032WALL	6792-130
	108889-01-714	EA LINEASSEMBLY-DISCHARGE	6792-531
	108889-01-720	EA TUBE-CAP	6792-1351
	092633-02-02A	EA COVER-BLANK-ROOFA/C-5.1"X5.1"	
	102289-01-000	EA SPRING-SCREW-ROOFA/CGASKET	

**INTERIORFINISHGROUP
CABINETHARDWARE**



KEY	PARTNUMBER	U/M	DESCRIPTION
1	108138-01-000	EA	HINGE-DOOR-CABINET-BURNISHEDBRASS SCREW#000G13-06-08G
2	009059-01-000	EA	HINGE-DOOR-2"X1.4"-BRASS
	110496-02-01A	EA	HINGE-BRASS
3	000G13-06-10G	EA	SCREW-6-20X5/8PFH-ANTIQUEBRASS
4	016604-01-000	EA	BRACE-CABINET-ANGLE-2.5"-UNPAINTEDMETAL
4	016604-05-000	EA	BRACE-CABINET-ANGLE-2.5"OFFWHITEMETAL
	065740-01-000	EA	BRACE-CABINET/CORNER-PLASTIC
5	117801-01-01A	EA	PULL-CABINET-BRASS
6	117800-01-01A	EA	PULL-CABINET,BRASS
7	103256-01-000	EA	LATCH-SLIDE
8	104181-01-01A	EA	SUPPORT-LEAF5.3"EXTENDSTO7.5"-SAFETYRING-METAL
9	103257-01-000	EA	STOP-DOOR
10	093586-06-000	EA	CATCH-SPRING-ROLLER
11	093586-05-000	EA	STRIKE-SPRINGSTEEL
12	114045-01-000	EA	BACKSOCKET-ADJUSTABLELEFT
13	114045-02-000	EA	BACKSOCKET-ADJUSTABLERIGHT
14	074493-02-000	EA	SUPPORT-PISTONSPRING-CABINETDOOR
15	114031-02-000	EA	SLIDE-12"-RIGHTSIDE/CABINET
			FROM: 00-00-00 THRU: 06-02-96
15	114031-10-000	EA	SLIDE-16"-RIGHTSIDE/CABINET
15	114031-14-000	EA	SLIDE-18"-RIGHTSIDE/CABINET
			FROM: 00-00-00 THRU: 06-02-96
16	114031-04-000	EA	SLIDE-12"-RIGHTSIDE/DRAWER
16	114031-16-000	EA	SLIDE-18"-RIGHTSIDE/DRAWER
16	114031-20-000	EA	SLIDE-20"-RIGHTSIDE/DRAWER
	076790-01-000	EA	SCREW-6-20X1 1/4PPH-BLACK
17	114031-03-000	EA	SLIDE-12"-LEFTSIDE/DRAWER
17	114031-15-000	EA	SLIDE-18"-LEFTSIDE/DRAWER
17	114031-19-000	EA	SLIDE-20"-LEFTSIDE/DRAWER
18	114031-01-000	EA	SLIDE-12"-LEFTSIDE/CABINET
			FROM: 00-00-00 THRU: 06-02-96
18	114031-09-000	EA	SLIDE-16"-LEFTSIDE/CABINET
18	114031-13-000	EA	SLIDE-18"-LEFTSIDE/CABINET
	004354-01-000	EA	BUMPER-RUBBER-.5"DIA-BROWN
	009112-01-000	EA	FLANGE-1"CLOTHESROD-OFFWHITEPLASTIC
	041389-32-000	EA	HINGE-PIANO,O/WHT,68.0"
	042438-01-000	EA	DOWEL-WOOD-CLOTHESROD-1"DIAMETERX4'
	112053-01-01A	EA	STOP-DRAWERBLK

INTERIORFINISHGROUP(CONTINUED)
MOLDINGS,BATTSTRIPS,&TRIM



KEY	PARTNUMBER	U/M	DESCRIPTION
	085284-B1-000	FT	BATTTAPE-ADHESIVEBACKED-DECORATIVE-METRO/MIST
	085284-C9-000	FT	BATTTAPE-ADHESIVEBACKED-CEILING-IMPACHTPEARL
	085284-D6-000	FT	BATTTAPE-ADHESIVEBACKED-DECORATIVE-EMBOSSDANTIQUE
1	086229-13-000	EA	BATTEN-1"X99.61"-IVORY
1	086229-13-000	EA	BATTEN-1"X99.61"-IVORY
			FROM: 00-00-00 THRU: 06-09-96
1	086229-20-000	EA	BATTEN-1"X98"-BEIGE
			FROM: 06-10-96 THRU: 99-99-99
	069733-83-000	EA	BATTSTRIP-WOODGRAINED/WATERFORDOAK-8'LONG
2	009809-28-000	EA	MOLDING-PLASTIC-OUTSIDECORNER-1"-WATERFORDOAK
3	009767-12-000	FT	MOLDING-SIDEWALLTOCEILING/CABINET-WELTING-OFF/WHT
4	009812-24-000	EA	MOLDING-PLASTIC-OUTSIDECORNER-.50"-IVORY
4	009812-29-000	EA	MOLDING-PLASTIC-OUTSIDECORNER-.50"-WATERFORDOAK
5	022992-11-000	FT	MOLDING-REVERSECOVE-T-SHAPEDVINYL-IVORY
6	103186-01-05A	FT	MOLDING-SHELFEDGE-.78"PLASTIC-WATERFORDOAK
7	105004-01-05A	EA	MOLDING-VINYLRAPPED-1"X8'WATERFORDOAK
	112198-02-000	FT	MOLDING-#90066J-MOLDING - CRILAPLASTICS
8	104676-01-01A	FT	T-MOLDING-5/16"-RIGIDGOLD
8	104676-02-04A	FT	T-MOLDING-1/2"X10'

KEY	PARTNUMBER	U/M	DESCRIPTION
9	083620-12-000	FT	T-MOLDING-3/4"W/EDGELIPS-WATERFORDOAK
10	009778-22-000	FT	U-CHANNEL-1 1/4" - *WATERFORDOAK
10	070504-18-000	FT	U-CHANNEL-.065"X8'INCREMENTS-IVORYPLASTIC
10	070504-19-000	FT	U-CHANNEL-.815"X8'INCREMENTS-BROWNPLASTIC
10	070504-20-000	FT	U-CHANNEL-PLASTIC.815"WIDE-THORPECAN-INC.OF8'
10	070504-26-000	FT	U-CHANNEL-EXTRUSION-20.7"
11	100819-01-05A	EA	MOLDING-VINYLRAP-DOOR-WATERFORDOAK
12	076325-46-000	FT	MOLDING-EDGEBAND 15/16"X.030"-CLOUD(H01)
12	076325-47-000	FT	MOLDING-EDGEBAND-15/16"WIDE-SAND(H02)
12	076325-43-000	FT	MOLDING-EDGEBAND.876"X.024"-CLOUD(H01)
12	076325-44-000	FT	MOLDING-EDGEBAND-.875WIDE-SAND(H02)
12	076325-68-000	FT	MOLDING-EDGEBAND-15/16"X.038-WATERFORDOAK
13	100659-01-G09	EA	MOLDING-TRIM-VINYLFLOOR
14	117268-D2-134	EA	MOLDING-VINYLRAPPED.7"X1.6"X7'WATERFORD
14	117268-F2-134	EA	MOLDING-VINYLRAPPED.7"X2.6"X7'-WATERFORD
14	117268-J2-134	EA	MOLDING-.0005"X3.26"X7'-VINYLRAPPED
	117267-D2-438	EA	LUMBER-VINYLRAPPED-.7"X1 1/2"X8'-WATERFORDOAK
	117267-R2-438	EA	LUMBER-018X076X2438MMVINYL-WRAPPEDWATERFORD
	117267-E2-438	EA	LUMBER-VINYLRAPPED.7"X2"X8'-WATERFORDOAK
	117267-G2-438	EA	LUMBER-VINYLRAPPED-.7"X3"X8'-WATERFORDOAK
	115924-06-02A	EA	GRILLE-WOVENWIREFLATBLK -*KENT5815P
	042356-01-000	EA	PLUG-BUTTON-MAHOGANY-3/8"DIAMETER-WOOD

INTERIORFINISHGROUP(CONTINUED)

PANELING,LAMINATES&PLASTIC

KEY	PARTNUMBER	U/M DESCRIPTION
	000846-01-000	SF PLYWOOD-5/16'X4'X8'
	000885-76-000	SF PARTICLEBOARD-3/8"X4'X8'WATERFORDOAKVINYL1SIDE
	000885-77-000	SF PARTICLEBOARD-3/8"X4'X8'WATERFORDOAKVINYL2SIDE
	000885-78-000	SF PARTICLEBOARD-1/2"X4'X8'WATERFORDOAKVINYL2SIDE
	000885-79-000	SF PARTICLEBOARD-3/4"X4'X8'WATERFORDOAKVINYL2SIDE
	052372-02-000	BF LUMBER-CLASSII,1X4XRL
	074497-28-000	SF PANELING-WATERFORDOAK-4'X8'
	074497-34-000	SF PANELING-CEILING-IMPACTPEARL-4'X8'
	074498-62-000	SF LAMINATE-PLASTIC,GREYFINESSE-5'X8'INCREMENTSO40SF(H01)
	074498-54-000	SF LAMINATE-PLASTICSANDSPEKTRUM-5'X8'INCREMENTS40SF(H02)
	074498-77-000	SF LAMINATE-PLASTIC-ARTCABIN5'X8'INCROF40SQFT
	080215-10-000	SF PANELING--2SIDE-WATERFORD-4'X8'
	088272-E0-000	SF PANELING-DECORATIVEMETRO/MIST-4'X7'
	088272-G1-000	SF PANELING-SHOWER-ANTIQUIEWHT-4'X7'-INC OF 28SQFT
	093743-05-01A	SF PLASTIC-ABSCOILBRIGHTWHITE20"X500"

DETECTORS&FIREEXTINGUISHER

KEY	PARTNUMBER	U/M DESCRIPTION
	072852-02-000	EA DETECTOR-SMOKE-W/9/VOLTBATTERY-CANADIAN
	094499-02-000	EA EXTINGUISHER-FIRE-DRY-1A10BC-CANADIAN
	094499-01-700	EA BRACKETMTG.W/PLAS.STRAP 294039 IFNEEDMETALRETAININGSTRAP,ALSOORDER#09449901701
	103613-02-000	EA DETECTOR-LPGAS FROM: 00-00-00 THRU: 11-10-96
	103613-02-000	EA DETECTOR-LPGAS FROM: 11-11-96 THRU: 99-99-99
	072852-01-000	EA DETECTOR-SMOKE-W/9VOLTBATTERY-US
	094499-01-000	EA EXTINGUISHER-FIRE-DRYW/MOUNTINGBRACKET-10B:C
	094499-01-700	EA BRACKETMTG.W/PLAS.STRAP 294039
	094499-01-701	EA STRAPONLY(METAL) 320351
	112320-03-000	EA DETECTOR-COGASMODEL9D-I FROM: 00-00-00 THRU: 10-20-96
	112320-04-000	EA BATTERY/SENSORMODULE-CO(BLACKMODULE)F/9D-ISYSTEM FROM: 00-00-00 THRU: 10-20-96
	125136-01-000	EA DETECTOR-CO-GAS-MODEL9L-I FROM: 10-21-96 THRU: 99-99-99

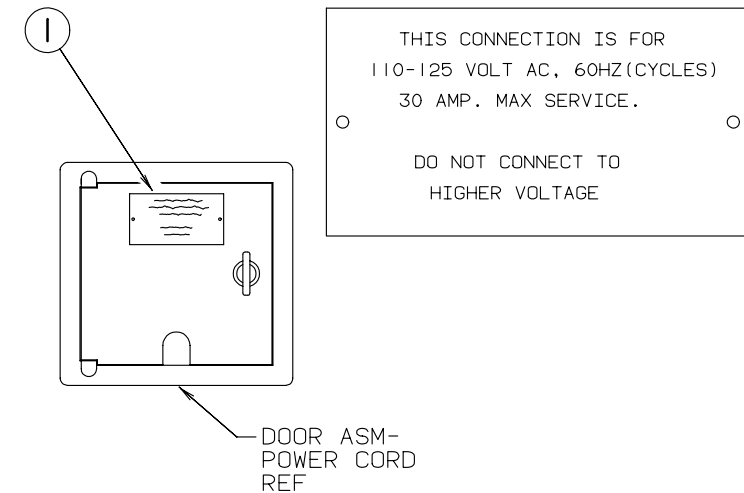
FLOORCOVERINGS&MATS

KEY	PARTNUMBER	U/M DESCRIPTION
	075233-01-000	SY PAD-CARPET,3/8"X6'ROLL
	096060-A2-000	SY CARPET-NEWMADOW-INCREMENTSOF4SQYD(H02)
	096060-96-000	SY CARPET-JUBILATION,CRYSTAL(H01)
	093486-01-000	SY CARPET-COMPARTMENT-54"WIDE-DARKGRAY
	047034-02-000	SF PLASTIC-CARPET,4'WIDE-CLEARPOLY
	042720-13-000	SY VINYL-FLOORCOVERING-CALAY-7.5'WIDE

MIRRORANDCUPHOLDER

KEY	PARTNUMBER	U/M DESCRIPTION
	058331-85-000	EA MIRROR-GLASS,SAFETY - 530MMX900MM
	118718-01-01A	EA HOLDER-COLLAPSIBLEMUG/DRINK-BLACKPLASTIC

LABELSGROUP

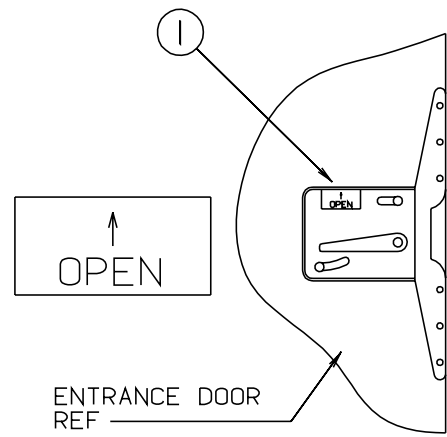


KEY	PARTNUMBER	U/M DESCRIPTION
1	006062-01-000	EA TAG-ELECTRIC-110VCONNECTION

MISCELLANEOUSLABELS

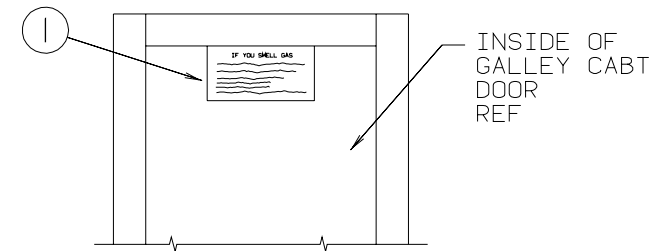
KEY	PARTNUMBER	U/M DESCRIPTION
	098641-01-000	EA LABEL-FUEL-UNLEADED-DASH
	109522-01-000	EA LABEL-BUMPER,SEEOWNERSMANUAL
	091243-01-000	EA LABEL-A/C COVER "AIRCONDITIONINGCIRCUITETC."
	113402-02-000	EA LABEL-CAUTION-FURNACEEXHAUST
	087236-01-000	EA LABEL-CABLE,INPUT
	098379-04-000	EA LABEL-ELECTRICALBOX-SIDE

LABELSGROUP(CONTINUED)



KEY	PARTNUMBER	U/M DESCRIPTION
1	040944-01-000	EA LABEL-ENTRANCEDOOR-"OPEN"

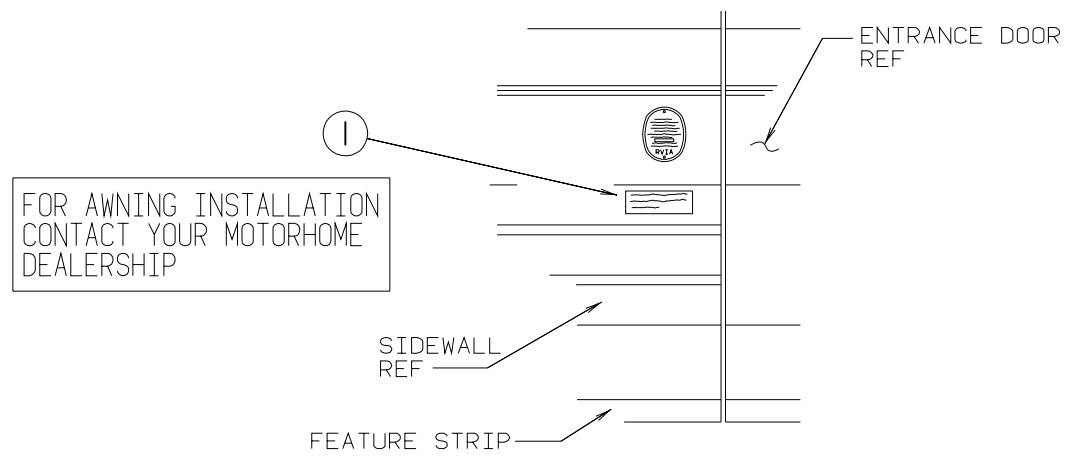
LABELSGROUP(CONTINUED)



IF YOU SMELL GAS

1. EXTINGUISH ANY OPEN FLAME, PILOT LIGHTS AND ALL SMOKING MATERIALS.
2. SHUT OFF THE GAS SUPPLY AT THE TANK VALVE(OR GAS SUPPLY CONNECTION.
3. OPEN DOORS AND OTHER VENTILATING OPENINGS.
4. DO NOT TOUCH ELECTRICAL SWITCHES.
5. LEAVE THE AREA UNTIL ODOR CLEARS.
6. HAVE THE GAS SYSTEM CHECKED AND LEAKAGE SOURCE CORRECTED BEFORE USING AGAIN.

KEY	PARTNUMBER	U/M DESCRIPTION
1	073998-01-000	EA LABEL-LPGODORWARNING



KEY	PARTNUMBER	U/M DESCRIPTION
1	099509-01-000	EA LABEL-AWNINGINSTALLATION

LABELSGROUP(CONTINUED)

CAUTION

THIS MOTOR HOME HAS BEEN DESIGNED, MANUFACTURED AND TESTED WITH CONCERN FOR THE PROTECTION OF IT'S OCCUPANTS. WE RECOMMEND YOU PERFORM THE FOLLOWING INSPECTIONS FOR YOUR SAFETY AND THE SAFETY OF YOUR PASSENGERS BEFORE STARTING YOUR VEHICLE.

1. LP GAS SYSTEM- TURN OFF AT TANK FOR TRAVELING. TEST FOR LEAKS UPON ARRIVAL AT DESTINATION. BEFORE LIGHTING PILOTS.
2. WHEELS- INSPECT FOR DAMAGE AND CHECK LUG NUTS FOR TIGHTNESS.
3. TIRES- INSPECT FOR WEAR AND DAMAGE AND CHECK FOR RECOMMENDED AIR PRESSURE.
4. LIGHTING- TEST FOR PROPER OPERATION OF ALL INTERIOR AND EXTERIOR LIGHTS INCLUDING DASH LIGHTS, HEADLIGHTS, TAIL LIGHTS, BRAKE LIGHTS, CLEARANCE LIGHTS AND TURN SIGNALS.
5. EXITS- INSPECT RELEASE MECHANISM ON EMERGENCY EXIT WINDOW. TEST BOTH LOCKS ON MAIN ENTRANCE DOOR FOR EASE OF OPERATION AND INSTRUCT PASSENGERS HOW TO USE BOTH MEANS OF EXIT.
6. SEAT BELTS- DIRECT PASSENGERS TO DESIGNATED SEATS AND REQUIRE USE OF SEAT BELTS.
7. APPLIANCES- TURN OFF AND LATCH OR LOCK DOORS WHERE PROVIDED.
8. LOOSE PARCELS- STORE SECURELY.
9. UTILITY SUPPLY LINES- DISCONNECT ALL ELECTRIC, SEWER AND WATER LINES AND SECURE PROPERLY.
10. ENTRANCE DOOR STEP- PLACE IN RETRACTED POSITION FOR TRAVELING.

READ YOUR MOTOR HOME AND CHASSIS OWNER'S MANUAL FOR FURTHER PRECAUTIONS

LABELSGROUP(CONTINUED)

DO NOT INSTALL IF HITCH OPTION IS RESTRICTED

BUMPER-REAR REF

TRAILER HITCH REF

DO NOT USE HITCH BEFORE READING OWNERS MANUAL REGARDING VEHICLE LOADING AND TOWING

KEY	PARTNUMBER	U/M DESCRIPTION
1	111104-01-000	EA LABEL-HITCH-READMANUAL

KEY	PARTNUMBER	U/M DESCRIPTION
1	056259-01-000	EA LABEL-SAFETYCHECKLIST

SMOKE DETECTOR REF

1

WARNING: TEST SMOKE DETECTOR OPERATION AFTER VEHICLE HAS BEEN IN STORAGE. BEFORE EACH TRIP AND AT LEAST ONCE PER WEEK DURING USE.

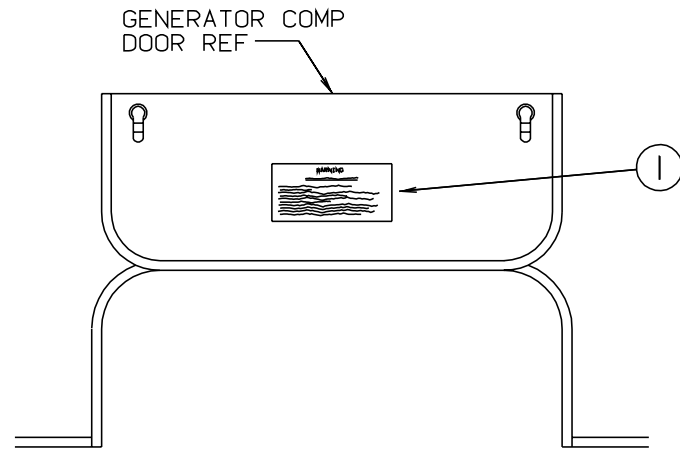
KEY	PARTNUMBER	U/M DESCRIPTION
1	077956-01-000	EA LABEL-WARNING-SMOKEDETECTOR

WARNING DISCONNECT BATTERIES BEFORE CONNECTING EXTERNAL CHARGING EQUIPMENT.

BATTERY COMPARTMENT REF

KEY	PARTNUMBER	U/M DESCRIPTION
1	065748-01-000	EA LABEL-CAUTION-BATTERYCHARGING

LABELSGROUP(CONTINUED)

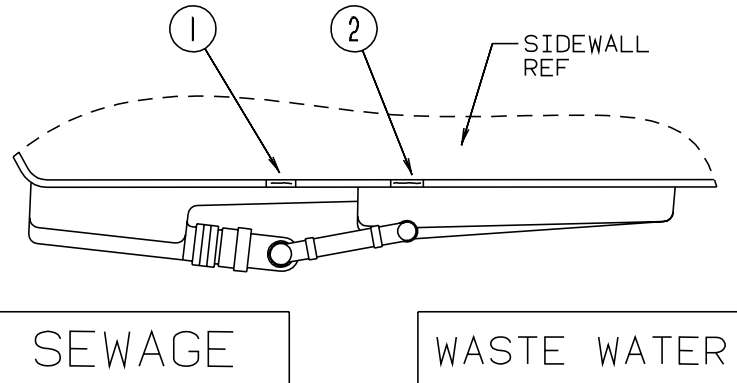


WARNING

WHEN ADDING A GENERATOR SET:

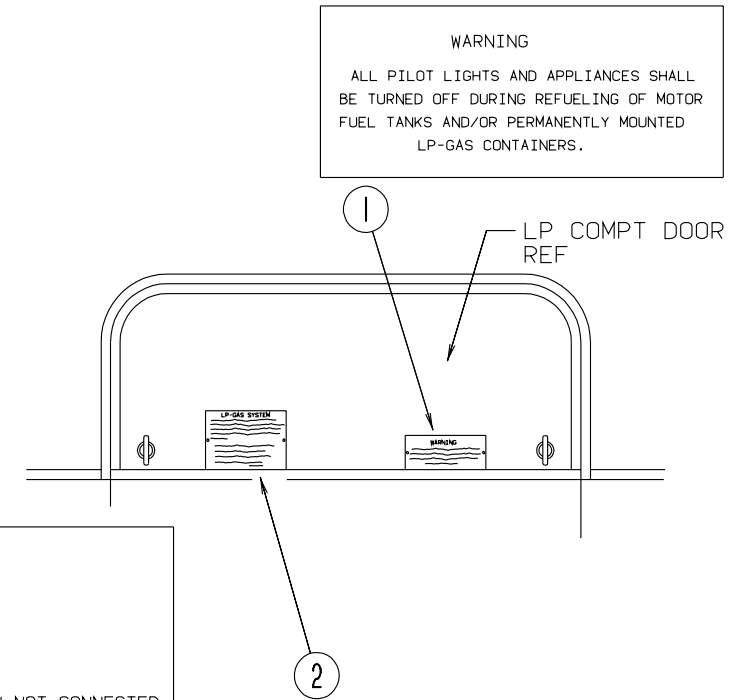
HIGH VOLTAGE-USE EXTREME CAUTION WHEN WORKING ON ELECTRICAL COMPONENTS. HAVE ALL ELECTRICAL INSTALLATION PERFORMED BY A QUALIFIED LICENSED ELECTRICIAN-FOLLOW ALL STATE AND LOCAL CODES. ONLY INSTALL GENERATOR SET APPROVED FOR R.V. APPLICATION. HAVE INSTALLED BY QUALIFIED TECHNICIAN. TO AVOID HEAT BUILD-UP AND TO GUARANTEE AN ADEQUATE AIR SUPPLY TO THE GENERATOR CARBURETOR, FOLLOW INSTALLATION INSTRUCTIONS. GENERATOR ENGINE EXHAUST GASES ARE TOXIC AND MUST NOT TERMINATE UNDER THE VEHICLE-DISCHARGE EXHAUST AWAY FROM VEHICLE.

KEY	PARTNUMBER	U/M DESCRIPTION
1	077510-01-000	EA LABEL-GENERATORPREP



KEY	PARTNUMBER	U/M DESCRIPTION
1	006187-01-000	EA LABEL-SEWAGE
2	006188-01-000	EA LABEL-WASTEWATER

LABELSGROUP(CONTINUED)



WARNING

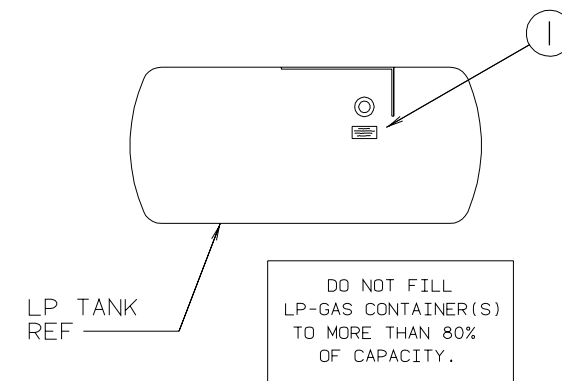
ALL PILOT LIGHTS AND APPLIANCES SHALL BE TURNED OFF DURING REFUELING OF MOTOR FUEL TANKS AND/OR PERMANENTLY MOUNTED LP-GAS CONTAINERS.

LP-GAS SYSTEM

THIS GAS PIPING SYSTEM IS DESIGNED FOR USE OF LIQUEFIED PETROLEUM GAS ONLY. DO NOT CONNECT NATURAL GAS TO THIS SYSTEM.

SECURELY CAP INLET(S) WHEN NOT CONNECTED FOR USE. AFTER TURNING ON GAS, EXCEPT AFTER NORMAL CONTAINER REPLACEMENT, TEST GAS PIPING AND CONNECTIONS TO APPLIANCE FOR LEAKAGE WITH SOAPY WATER OR BUBBLE SOLUTION. DO NOT USE PRODUCTS THAT CONTAIN AMMONIA OR CHLORINE.
P.N. 54531

KEY	PARTNUMBER	U/M DESCRIPTION
1	006040-01-000	EA TAG-GASREFUELINGWARNING
1	006040-02-000	EA TAG-GASREFUELWARNING-CANADIAN
2	054531-01-000	EA LABEL-LPGASONLY
2	023769-01-000	EA LABEL-WARNING-LPG-CANADIAN

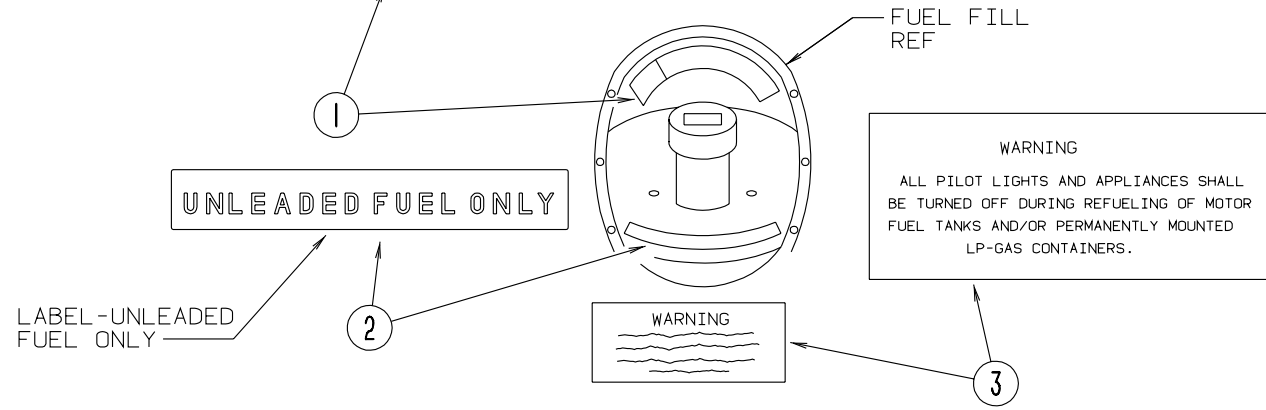


DO NOT FILL LP-GAS CONTAINER(S) TO MORE THAN 80% OF CAPACITY.

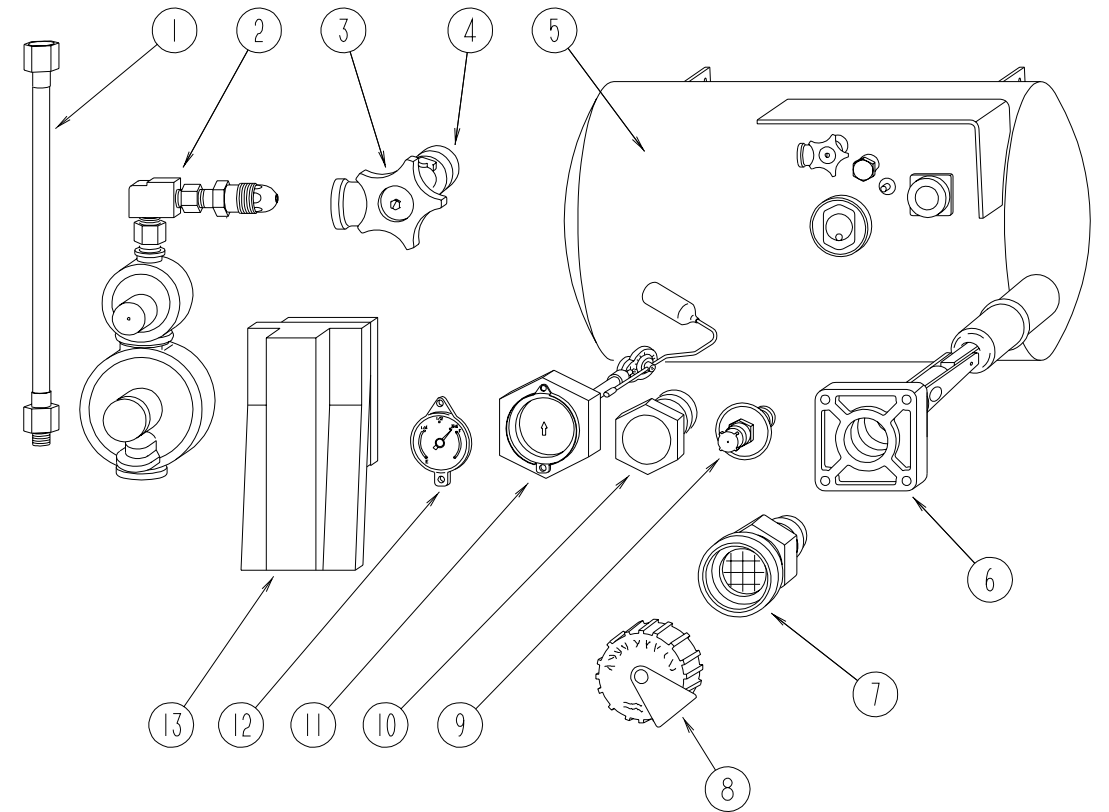
KEY	PARTNUMBER	U/M DESCRIPTION
1	079965-01-000	EA LABEL-LPG80%CAPACITY

LABELSGROUP(CONTINUED)

CAUTION	TO HELP AVOID PERSONAL INJURY DURING REMOVAL OF FUEL FILLER CAP, SLOWLY LOOSEN CAP 1/2 TURN TO ALLOW ANY FUEL PRESSURE TO BE RELIEVED BEFORE TURNING CAP FURTHER.
FUEL SPRAY MAY CAUSE PERSONAL INJURY	STOP ADDING FUEL AFTER FIRST SHUTOFF BY AUTOMATIC NOZZLE WHEN TANK IS NEARLY FULL. DO NOT OVERFILL FUEL TANK. SEE OWNERS MANUAL FOR ADDITIONAL INFORMATION.
	PRINTED IN U.S.A. MLC PT NO 15611763



LPGROUP



LPTANK&COMPONENTS

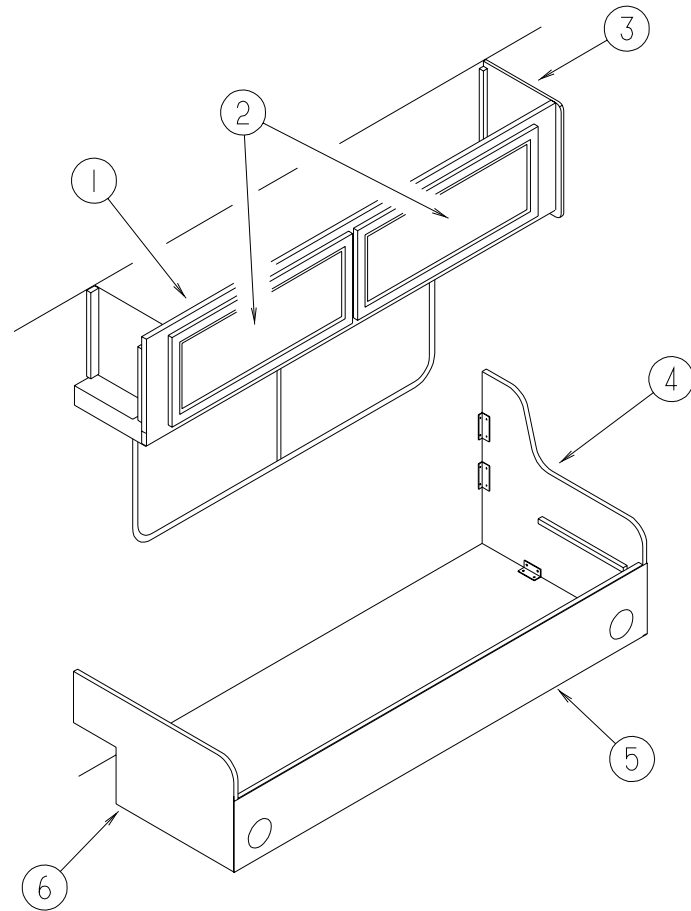
KEY	PARTNUMBER	U/M	DESCRIPTION
1	087207-05-000	EA	LABEL-FUELCAPREMOVAL-GM--15611763
2	062043-01-000	EA	LABEL-FUEL-UNLEADED
3	006040-01-000	EA	TAG-GASREFUELINGWARNING
3	006040-02-000	EA	TAG-GASREFUELWARNING-CANADIAN

KEY	PARTNUMBER	U/M	DESCRIPTION	VENDOR NO.
1	045703-01-000	EA	HOSE-LP, 3/8" ID X 24" - 3/8" MPT X 1/2" F SWIVEL - U.S.	
1	045703-02-000	EA	HOSE-LP, 3/8" ID X 24" - 3/8" MPT X 1/2" F SWIVEL - CANADA	
2	106150-01-000	EA	REGULATOR-TWOSTAGE	
3	040421-01-708	EA	HANDWHEEL-SERVICEVALVE,	G-1015-A
4	040421-01-712	EA	VALVE-SERVICEW/OVAPORRELIEF	29000853
5	088253-01-000	EA	TANK-LP, 80LB - 16" DIAMETER X 30" - BRUNNER	
6	040421-01-711	EA	VALVE-80% W/FLOAT, PLATE-BOLTS & GASKET - BRUNNER	
7	040421-01-701	EA	VALVE-FILL-SHORT, LP	75478
8	040421-01-702	EA	CAP-FILLVALVE, PLASTIC	G-1014-A
9	040421-01-700	EA	VALVE-LIQUIDLEVEL, 20% LP	G-1013
10	040421-01-713	EA	VALVE-VAPORONLY	29000587
11	088253-01-700	EA	GAUGE-FLOATASSEMBLY, L.P.	
12	040440-02-000	EA	TRANSMITTER-DIAL, 0-90 OHM - 2 TERMINAL (POWER & GROUND)	
13	105658-01-000	EA	COMPARTMENT-LPREGULATOR	
	010323-01-000	EA	ADAPTER-BRASS-3/8" FX 1/2" MPT	
	010377-02-000	EA	NUT-BRASS, 3/8" FLARE-FORGED	
	010329-01-000	EA	ADAPTER-BRASS-1/2" FX 1/2" MPT	
	065318-02-000	EA	ELBOW-90 DEGREE - 3/8" MPT TO 3/8" FPT	
	010252-01-000	EA	ELBOW-BRASS-90 DEGREE - 3/8" FX 1/2" MPT	
	035340-01-000	EA	ELBOW-3/8" MPT X 1/2" F - BRASS	
	103613-01-000	EA	DETECTOR-LPGAS	
	103613-02-000	EA	DETECTOR-LPGAS	

FROM: 00-00-00 THRU: 11-10-96

FROM: 11-11-96 THRU: 99-99-99

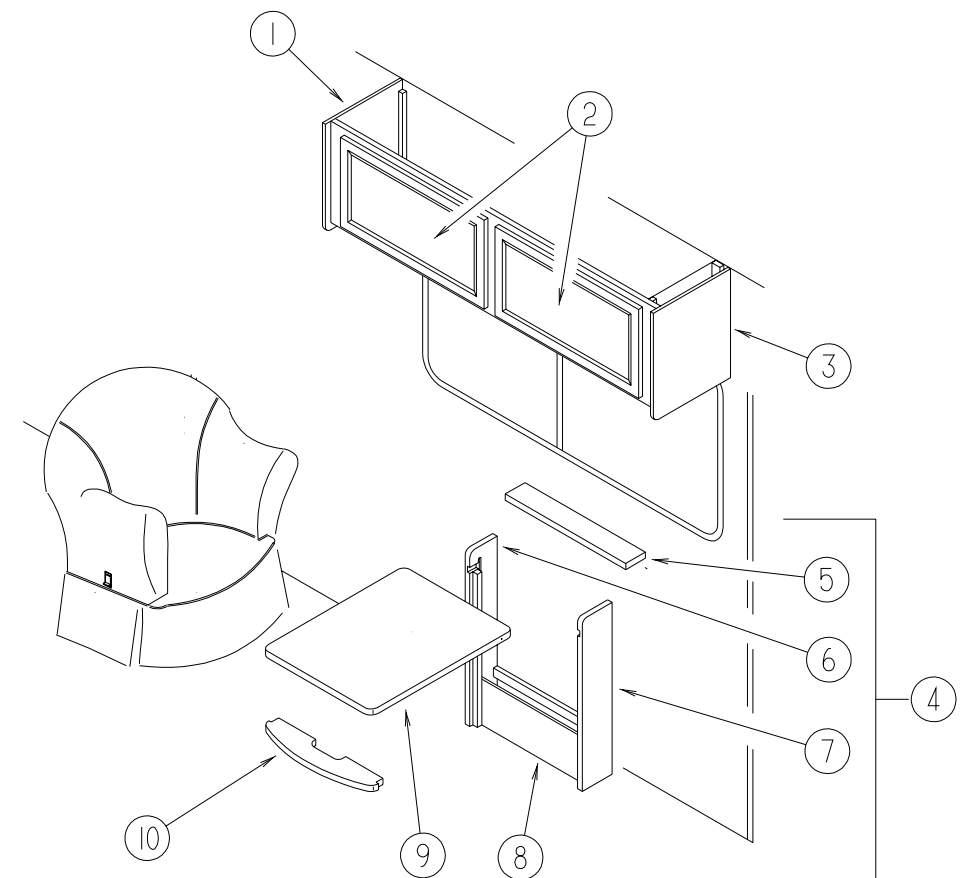
LOUNGE GROUP



FRONT DRIVERSIDE CABINET (COUCH)

KEY	PARTNUMBER	U/M	DESCRIPTION
1	121839-01-H01	EA	CABINET-OVERHEAD/LOUNGE/LEFTHAND-W/ODOORS/HARDWARE
2	110140-65-H04	EA	DOOR-MIRROR/MTRDCRNR/VINYLWRAP-14.3"X33.4"-W/OHARDWARE
2	110140-05-G01	EA	DOOR-MITEREDCORNER/VINYLWRAP-14.3"X33.4"-W/OHARDWARE
3	109908-42-GB1	EA	ENDCAP-OVERHEAD
4	M04187-93-GB1	EA	PANEL-COUCH/LEFTEND-FABRICCOVERED(H01)
4	M04187-93-GC1	EA	PANEL-COUCH/LEFTEND-FABRICCOVERED(H02)
5	M04187-91-GB1	EA	PANEL-FRONTKICK-SOFA/BED-FABRICCOVERED(H01)
5	M04187-91-GC1	EA	PANEL-FRONTKICK-SOFA/BED-FABRICCOVERED(H02)
6	M04187-92-GB1	EA	PANEL-RIGHTEND-SOFA/BED-FABRICCOVERED(H01)
6	M04187-92-GC1	EA	PANEL-RIGHTEND-SOFA/BED-FABRICCOVERED(H02)
	082525-01-000	EA	BRACE-COUCH-FLOORMOUNT-ANGLE3"LONG

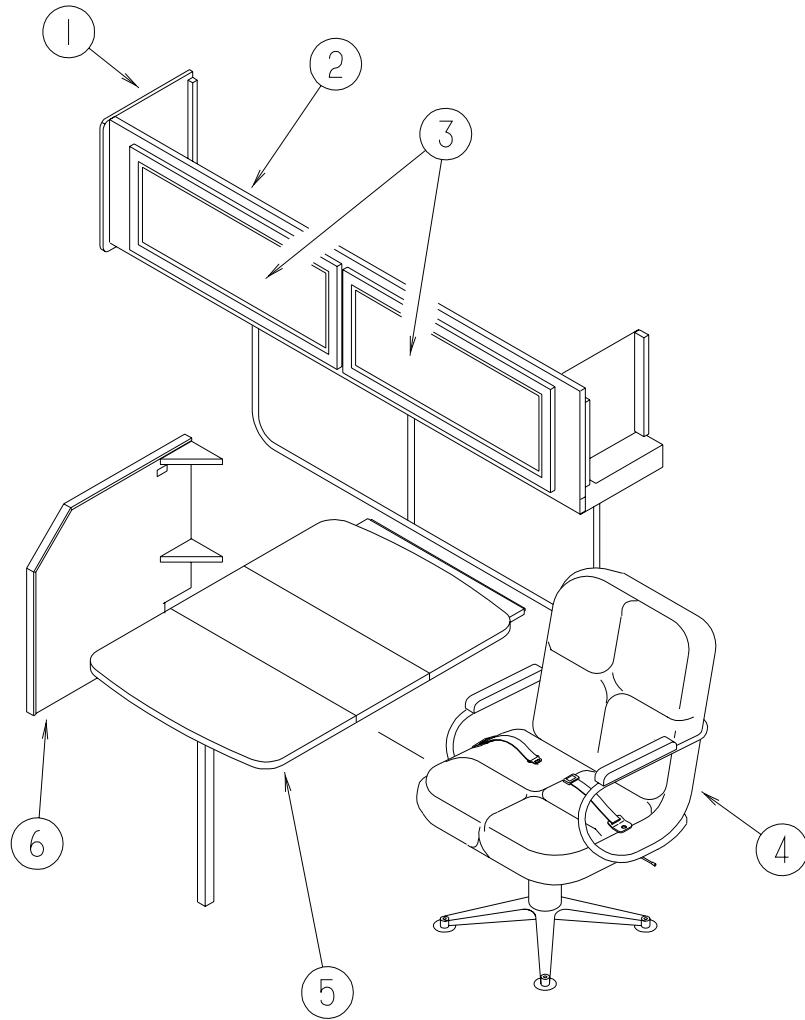
LOUNGE GROUP (CONTINUED)



FRONT DRIVERSIDE CABINET & PULLOUT TABLE

KEY	PARTNUMBER	U/M	DESCRIPTION
1	121839-01-H01	EA	CABINET-OVERHEAD/LOUNGE/LEFTHAND-W/ODOORS/HARDWARE
2	110140-65-H04	EA	DOOR-MIRROR/MTRDCRNR/VINYLWRAP-14.3"X33.4"-W/OHARDWARE
2	110140-05-G01	EA	DOOR-MITEREDCORNER/VINYLWRAP-14.3"X33.4"-W/OHARDWARE
3	109908-42-GB1	EA	ENDCAP-OVERHEAD
4	M96873-01-G01	EA	CABINET-F/PULLOUTTABLE-W/OTOP
5	096873-15-G01	EA	SHELF-SUPPORT-OVERPULLOUTTABLETOP
6	096873-14-G01	EA	SIDEEND-TABLE-28.7"X5.7"-LEFTSIDE
7	096873-13-G01	EA	SIDEEND-TABLE-28.7"X5.7"-RIGHTSIDE
8	096873-16-G01	EA	TABLEFRONT-BOTTOM-18.1"X6.7"
9	096873-11-G01	EA	PULLOUTTOP
	080736-01-000	EA	PULL-RECESSED-1.25"X4"-OAK
	079921-01-000	EA	NYLONROLLERW/SHAFT
10	096873-12-G01	EA	SHELF-SUPPORT-UNDERPULLOUTTABLETOP

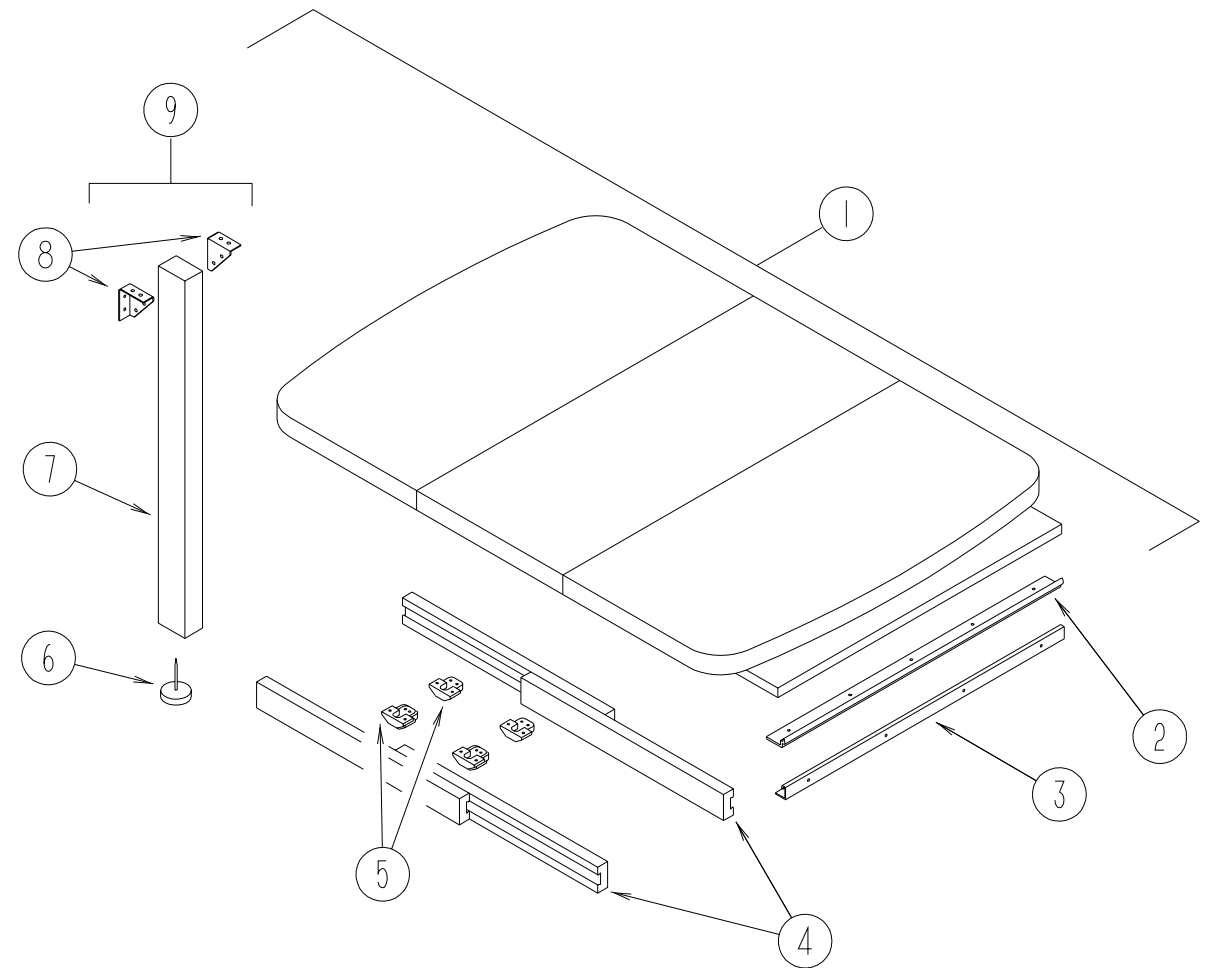
LOUNGE GROUP (CONTINUED)



FRONT PASSENGER SIDE CABINET (CHAIR & TABLE)

KEY	PARTNUMBER	U/M	DESCRIPTION
1	109908-35-GB1	EA	ENDCAP-OVERHEAD
2	121837-01-H01	EA	CABINET-OVERHEAD/DINETTE-W/ODOORS/HARDWARE
3	110140-65-H04	EA	DOOR-MIRROR/MTRDCRNR/VINYLWRAP-14.3"X33.4"-W/OHDW
3	110140-05-G01	EA	DOOR-MITEREDCORNER/VINYLWRAP-14.3"X33.4"-W/OHDW
4	122739-01-H01	EA	CHAIRASM-210KC
4	122739-01-H02	EA	CHAIRASM-210KC
5	120498-01-H01	EA	TABLE-PULLOUT-W/OCUPHOLDERS/LEG
5	120498-01-H02	EA	TABLE-PULLOUT-W/OCUPHOLDERS/LEG
6	120497-01-GB1	EA	CABINET-WALL/STEP-W/OHARDWARE
	091257-10-000	EA	HANDLE-ASSIST-WATERFORDOAK

LOUNGE GROUP (CONTINUED)



FRONT PASSENGER SIDE CABINET (CHAIR & TABLE)

KEY	PARTNUMBER	U/M	DESCRIPTION
1	120498-01-H01	EA	TABLE-PULLOUT-W/LEAF&LEG-W/OWALLMOUNTSUPPORT
1	120498-01-H02	EA	TABLE-PULLOUT-W/LEAF&LEG-W/OWALLMOUNTSUPPORT
2	102201-02-01A	EA	SUPPORT-HINGECATCH, TABLEMOUNTED-ANYCOLOR
3	102200-02-02A	EA	SUPPORT-HINGELOCK-WALLMOUNT-OFFWHITE
4	110749-01-000	EA	SLIDE-TABLE-1934"LONG
5	009050-02-000	EA	LEVELER-TABLETOP-MALEENDW/4SCREWS-PLASTIC
5	009050-03-000	EA	LEVELER-TABLETOP-FEMALEENDW/2SCREWS-PLASTIC
6	102194-01-000	EA	GUIDE-PLASTIC
7	092707-08-06A	EA	LEG-TABLEW/OHARDWARE
8	102810-01-02A	EA	BRACE-LEG, TABLE-OFFWHITE
8	102810-01-03A	EA	BRACE-LEG, TABLE-MILL
9	092708-10-GB1	EA	LEGASM-TABLE

**SEALANTS&FASTENERSGROUP
ADHESIVEANDFASTENERS**

KEY	PARTNUMBER	U/M DESCRIPTION
	062917-03-000	EA ADHESIVE-LOCTITE242
	067788-01-000	EA ADHESIVE-SPRAY,3M-19.5AEROSOLCAN
	053766-08-000	EA BEDDINGCOMPOUND-TUBE -GRAY-SCHNEE#5522
	053766-06-000	EA BEDDINGCOMPOUND-TUBE -CLEAR
	087211-01-000	GL PROMOTER-ADHESIVE
	034552-02-000	EA SILICONE-TUBE -300ML -CLEAR -W/ONOZZLE
	034552-06-000	EA SILICONE-TUBE -300ML -OFFWHITE W/ONOZZLE
	039518-01-000	EA SILICONE-TUBE -300ML -BLACK W/ONOZZLE
	108716-03-000	EA SILICONE-BRIGHTWHITESELFLEVELING-TUBE
	120074-01-01A	EA SILICONE-OFF/WHTW/ONOZZLE
	900390-01-000	EA TIP-2 1/2" X 1/8" ORIFICE - ELLSWORTH#TS216
	900390-03-000	EA NOZZLES-SILICONETUBE-CSL#D10
	102352-01-000	EA SEALER-PUMPABLE-BLACK-COLORIMETRICMS101
	106206-01-000	EA SEALER-PUMPABLE-MANUS30A-BLACK
	069640-01-000	FT SEALER-RIBBON-1/4" DIAMETER-INCREMENTSOF30'
	069640-02-000	FT SEALER-RIBBON-1/2" X 1/8"-INCREMENTSOF30'OR60'
	069640-03-000	FT SEALER-RIBBON-3/4" X 1/8"-INCREMENTSOF60'
	069640-07-000	FT SEALER-RIBBON-2" X 3/32"-INCREMENTSOF30'OR45'
	069640-09-000	FT SEALER-RIBBON-1/32" X 2 1/2"-INCREMENTSOF80'
	063642-01-000	FT TAPE-ADHESIVE, 10MIL. X 1.5" WIDEX 180"
	069640-14-000	FT SEALER-TAPE-1/16" X 1" -GRAY
	072889-01-000	EA SEALANT-URETHANE-BLACK-1/10-ESSEX552.2
	072889-09-000	EA SEALANT-URETHANE-BLACK-TUBE
	072889-10-000	EA SEALANT-URETHANE-(HV)-BRIGHTWHITE
	072889-12-000	EA SEALANT-URETHANE-(LV)-BRIGHTWHITE
	076314-02-000	FT TAPE-CARPETSEAM-HEAT-BOND-4"WIDE
	076322-02-000	FT TAPE-FOAM-DOUBLECOATEDADHESIVEBACKED-1" X 108"
	076322-05-000	FT TAPE-FOAM-DOUBLECOATED-.025" X 1.5" X 108"
	002707-02-000	FT TAPE-SEALER-5/16" X 1/2"-INCREMENTSOF50'
	110274-01-000	FT TAPE-DOUBLESIDEDFOAM-.45" X 1"
	120534-01-01A	EA TAPE-SCOTCH,3M-1/2" FINELINE
	123244-01-000	FT TAPE-DOUBLECOATEDFOAM.80" THICKX.75"WIDE
	108353-01-000	FT SEAL-FOAM,5/16" X 1/2"-ADHESIVEBACK-LUNDELL#4773/1129

BOLTS,NUTS&WASHERS

KEY	PARTNUMBER	U/M DESCRIPTION
	051387-06-000	EA BOLT-CARRIAGE -W/OHOLE-5/16-18X9.5ZINC
	000C12-05-12B	EA BOLT-HEX-5/16-18X.75"-ZINC5
	000C12-05-16B	EA BOLT-HEX-5/16-18X1"-ZINC5
	000C12-05-40B	EA BOLT-HEX-5/16-18X2.5"-ZINC5
	000C12-06-16B	EA BOLT-HEX-3/8-16X1LG-ZINC5
	000C12-08-24B	EA BOLT-HEX-1/2-13X1.50"-ZINC5
	000C12-10-24B	EA BOLT-HEX-5/8-11X1.50"-ZINC5
	000C26-04-10B	EA BOLT-HEX-SERRATEDFLANGE-1/4-20X5/8"-ZINC
	000C26-04-14B	EA BOLT-HEX-SERRATEDFLANGE-1/4-20X7/8"-ZINC
	000C26-04-18B	EA BOLT-HEX-SERRATEDFLANGE-1/4-20X1 1/8"-ZINC
	000C26-05-16B	EA BOLT-HEX-SERRATEDFLANGE-5/16-18X1"-ZINC
	000C26-05-12B	EA BOLT-HEX-SERRATEDFLANGE5/16-18X3/4"-ZINC
	000D24-10-00B	EA NUT-HEX-SELFLOCKING-10-32ZINC
	000D29-05-00B	EA NUT-5/16,18UNC-SF/LOCKING-NYLONWASHERINSERT
	000D39-04-00B	EA NUT-HEX-SERRATEDFLANGELOCKING1/4"-20-ZINC
	000D39-05-00B	EA NUT-HEX-SERRATEDFLANGELOCKING-5/16"-18-ZINC
	000D39-06-00B	EA NUT-HEX-SERRATEDFLANGELOCKING-3/8"-16-ZINC
	000D39-07-00B	EA NUT-HEX-SERRATEDFLANGELOCKING-7/15"-14-ZINC
	000D39-08-00B	EA NUT-HEX-SERRATEDFLANGELOCKING-1/2"-13-ZINC
	000D44-07-00B	EA NUT-HEX-SERRATEDFLANGELOCKING-7/16"-20-ZINC
	000D46-04-00A	EA NUT-HEX,WELD-1/4-20-PLAIN
	104369-01-000	EA NUT-HEX-HEAVY-5/8"-11UNC-SPARETIREINSTL
	063253-07-000	EA NUT-J-#8A.120-.130PNLTHICK
	040921-01-000	EA NUT-SPEED-UTYPE-10-24BLACK
	040921-04-000	EA NUT-SPEED-UTYPE-NO.8-.59"LENGTHX.44"WIDTH
	044364-02-000	EA NUT-SPEED-FLAT-ROUND

**SEALANTS&FASTENERSGROUP(CONTINUED)
BOLTS,NUTS&WASHERS(CONTINUED)**

KEY	PARTNUMBER	U/M DESCRIPTION
	087234-01-000	EA NUT-JACK,1/4X20THD-MOLLY
	044533-01-000	EA WASHER-PLASTIC-13/8"OD-FORBUTTONS
	000E11-07-00B	EA WASHER-LOCKING-7/16" MEDIUMSPLIT-ZINC
	000E13-14-00B	EA WASHER-FLAT-1/4"WIDE-ZINC
	000E13-20-00B	EA WASHER-FLAT-7/16"WIDE-ZINC
	000E13-22-00B	EA WASHER-FLAT-1/2"WIDE-ZINC
	058716-02-000	EA WASHER-FLATNYLON
	110794-01-000	EA WASHER-FLAT,1"ID X 1 3/4"OD
	088787-12-000	EA STUD-WELD,1/4-20X1.0LG-MN
	108067-03-000	EA STUD-WELD,1/4-20X1/2OD

SCREWS

KEY	PARTNUMBER	U/M DESCRIPTION
	0G3908-08-170	EA SCREW-SF/DR-8-18X.50PPH-BRIGHTWHITE
	0G6710-08-170	EA SCREW-10-12X1/2PPH,BRTWHT-TYPEA
	000G11-05-08B	EA SCREW-5-20X.50PPH-ZINC
	000G11-06-06B	EA SCREW-6-20X3/8PPH-ZINC
	000G11-08-08B	EA SCREW-8-18X.50PPH-ZINC
	000G11-08-20B	EA SCREW-8-18X1.25PPH-ZINC
	000G11-08-16S	EA SCREW-8-18X1.00PPH-OFFWHITE
	000G11-08-12T	EA SCREW-8-18X.75PPH-BLACK
	000G11-08-12P	EA SCREW-8-18X.75PPH-DARKBROWN
	000G11-08-12D	EA SCREW-8-18X.75PPH-BLACK
	000G11-08-12B	EA SCREW-8-18X.75PPH-ZINC
	000G11-08-08T	EA SCREW-8-18X1/5PPH-FLUOROCARBONCOATING
	000G11-10-12D	EA SCREW-10-16X3/4PPH-BLACK
	000G11-10-40B	EA SCREW-10-16X2 1/2PPHCAD-34927-01-000
	000G11-10-16B	EA SCREW-10-16X1PPH-ZINC
	000G12-08-16S	EA SCREW-8-18X1.00POH-OFFWHITE
	000G13-06-08B	EA SCREW-6-20X.50PFH-ZINC
	000G13-06-24J	EA SCREW-6-20X1.50PFH-BRASS
	000G13-06-16J	EA SCREW-6-20X1.00PFH-BRASS
	000G13-07-12B	EA SCREW-7-19X.75PFH-ZINC
	000G13-08-10B	EA SCREW-8-18X5/8PFH-ZINC
	000G19-10-20B	EA SCREW-MACHINE-10-32X1 1/14PPH-ZINC
	000G19-10-12F	EA SCREW-MACHINE-10-32X.75-PPH-STAINLESSSTEEL
	000G19-10-08B	EA SCREW-MACHINE-10-32X.50-PPH-ZINC
	000G39-06-10T	EA SCREW-SF/DR-6-20X5/8PPH-BLACK
	000G39-08-08S	EA SCREW-SF/DR-8-18X.50PPH-OFFWHITE
	000G39-08-08B	EA SCREW-SF/DR-8-18X.50PPH-ZINC
	000G39-08-24B	EA SCREW-SF/DR-8-18X1.50PPH-ZINC
	000G39-08-16T	EA SCREW-SF/DR-6-20X1PPH-BLACK
	000G39-08-16R	EA SCREW-SF/DR-8-18X1.00PPH-BEIGE
	000G39-08-16B	EA SCREW-SF/DR-8-18Z1PPH-ZINC
	000G39-08-12B	EA SCREW-SF/DR-8-18X.75PPH-ZINC
	000G39-08-08T	EA SCREW-SF/DR-8-18X.50PPH-BLACK
	000G39-10-10B	EA SCREW-SF/DR-10-16X.625-ZINC
	000G39-10-08B	EA SCREW-SF/DR-10-16X.50PPH-ZINC
	000G39-10-48T	EA SCREW-SF/DR-10-16X3.00PPH-BLACK-FLUROCARBON
	000G39-10-32B	EA SCREW-SF/DR-10-16X2.00-PPH-ZINC
	000G39-10-209	EA SCREW-SF/DR-10-16X1.25PPH-FLUOROCARBONSILVER
	000G39-10-12D	EA SCREW-SF/DR-10-16X.75PPH-BLACK
	000G39-10-12B	EA SCREW-SF/DR-10-16X.75PPH-ZINC
	000G42-04-24B	EA SCREW-SF/DR1/4-14X1 1/2ZN
	000G42-04-20B	EA SCREW-SF/DR1/4-14X1 1/4ZN
	000G46-08-24T	EA SCREW-MACHINE-8-32X1.5PFH-BLACK
	000G50-04-12B	EA SCREW-MACHINE-1/4-20X3/4PPH-ZINC
	000G52-08-18B	EA SCREW-MACHINE-8-32X1 1/8PTH-ZINC
	000G54-04-20B	EA SCREW-1/4-20X1 1/4PTH-TYPE23-ZINCPLATED
	000G55-08-12S	EA SCREW-SF/DR-8-18X.75PWH-OFFWHITE
	000G55-08-16S	EA SCREW-SF/DR-8-18X1.00-PWH-OFFWHITE

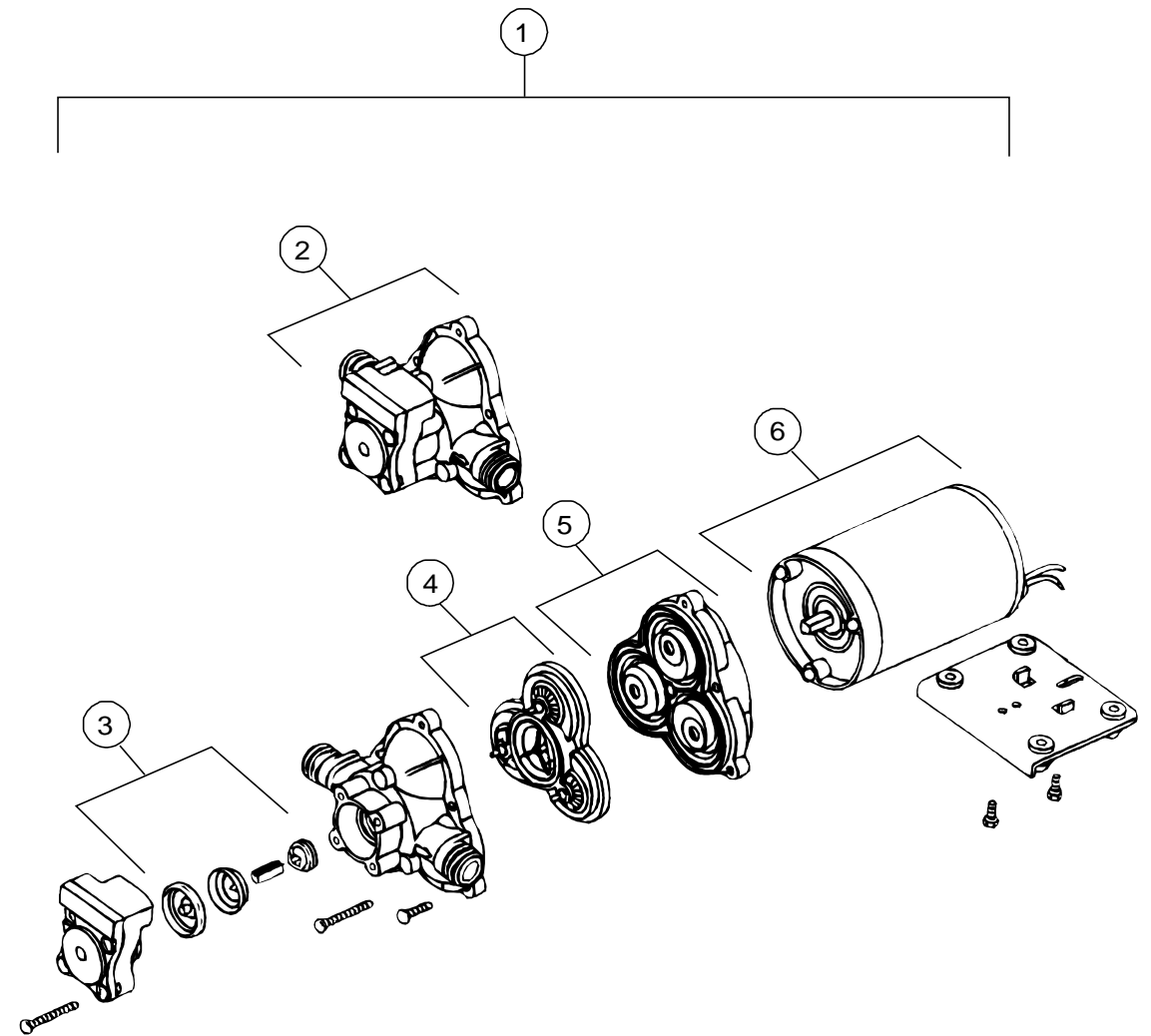
SEALANTS&FASTENERSGROUP(CONTINUED)
SCREWS(CONTINUED)

KEY	PARTNUMBER	U/M DESCRIPTION
	000G56-12-48B	EA SCREW - WOOD, 12- 11 X3POH- SPECIALHARDENED
	000G60-10-28T	EA SCREW -SF/DR -10-16X1.75- BLACK
	000G67-10-08B	EA SCREW -10-12X1/2PPH-ZINC
	000G67-10-36T	EA SCREW -10-12X2.25PPH-BLACK- STALGARD
	000G67-10-120	EA SCREW -10-12X.75PPH-TAN
	000G67-10-12P	EA SCREW -10-12X.75- PPH-DARKBROWN
	000G67-10-12B	EA SCREW -10-12X.75PPH-ZINC
	000G67-10-10B	EA SCREW -10-12X5/8PPH-ZINC-TYPEA
	000G68-06-10G	EA SCREW -6-18X5/8POH- ANTIQUEBRASS
	049465-03-000	EA SCREW -10-16X1POHW/WASHER- OFFWHITE
	054434-02-000	EA SCREW -SF/DR -10-62X2ZINC
	075908-01-000	EA SCREW -MACHINE -10-32X.56PTH- EXTERNALTOOTH-ZINC
	079382-01-000	EA SCREW -SOCKET, 8-18X1"- BLACK
	086256-01-000	EA SCREW -SF/DR -8X.75HWHLONG- PLBODYPNLMT
	101618-01-000	EA SCREW -1/4-20X.75HEX- TAPPING- STALGARDTYPEF

CLAMPS,GROMMETSANDFASTENERS

KEY	PARTNUMBER	U/M DESCRIPTION
	000H16-06-10R	EA RIVET -POP- ALUMINUM-3/16X.501-.625
	007161-01-000	EA CLAMP -HOSE -SPRINGTYPE -1/2"
	010495-01-000	EA CLAMP -CABLE -9/16"
	010497-01-000	EA CLAMP -CLOSED -5/8" ID
	010497-03-000	EA CLAMP -CLOSED -1" ID- CUSHIONED
	010497-04-000	EA CLAMP -CLOSED -1.62" ID
	010497-05-000	EA CLAMP -CLOSED -1/2ID
	010499-01-000	EA CLAMP -CLOSED -3/8" ID
	016188-05-000	EA GROMMET -L/PLINE -3/8" HOLEX1 1/4" LONG- RUBBER
	023942-01-000	EA GROMMET -RUBBER -2" OD
	062401-01-000	EA CLAMP -HOSE -WORMGEAR.25" - 1"
	062401-02-000	EA CLAMP -HOSE -WORMGEAR1.56" -2.5"
	062401-04-000	EA CLAMP -HOSE -WORMGEAR.69"- 1.25"
	062401-06-000	EA CLAMP -HOSE -WORMGEAR.22"- .62"
	062401-11-000	EA CLAMP -HOSE -WORMGEAR3.56"- 4.5"
	071015-26-000	EA GROMMET -RUBBER -1.5" IDX2.12" ODW/.06" GROOVE- BLAC
	075148-02-000	EA CLAMP -GROUNDING -BRONZESCREWS
	077955-01-000	EA CLIP -J- VINYLCOATED- 3/8"
	080734-02-000	EA CLIP -WIRENYLON
	083609-01-000	EA CLAMP -WIRE -DUALEQUAL -5/8" DIAMETER
	083610-01-000	EA CLAMP -WIRE -DUAL -UNEQUALDIAMETERS- .75" & 1.25"
	094362-02-000	EA CLIP -CHRISTMASTREE -FLATHEAD- .5" X.95"
	008343-01-000	EA TIE - WIRE - 6"
	008343-02-000	EA TIE - WIRE - 14"
	008343-03-000	EA TIE -WIRE7.5INBLACK -DENNISON10003
	029094-04-000	YD VELCROTAPE -LOOP -1" WIDE -BLACK
	029096-03-000	YD VELCROTAPE -HOOK -1" WIDE -BLACK
	110943-02-000	FT 3/8" FELTSTRIPADHESIVE

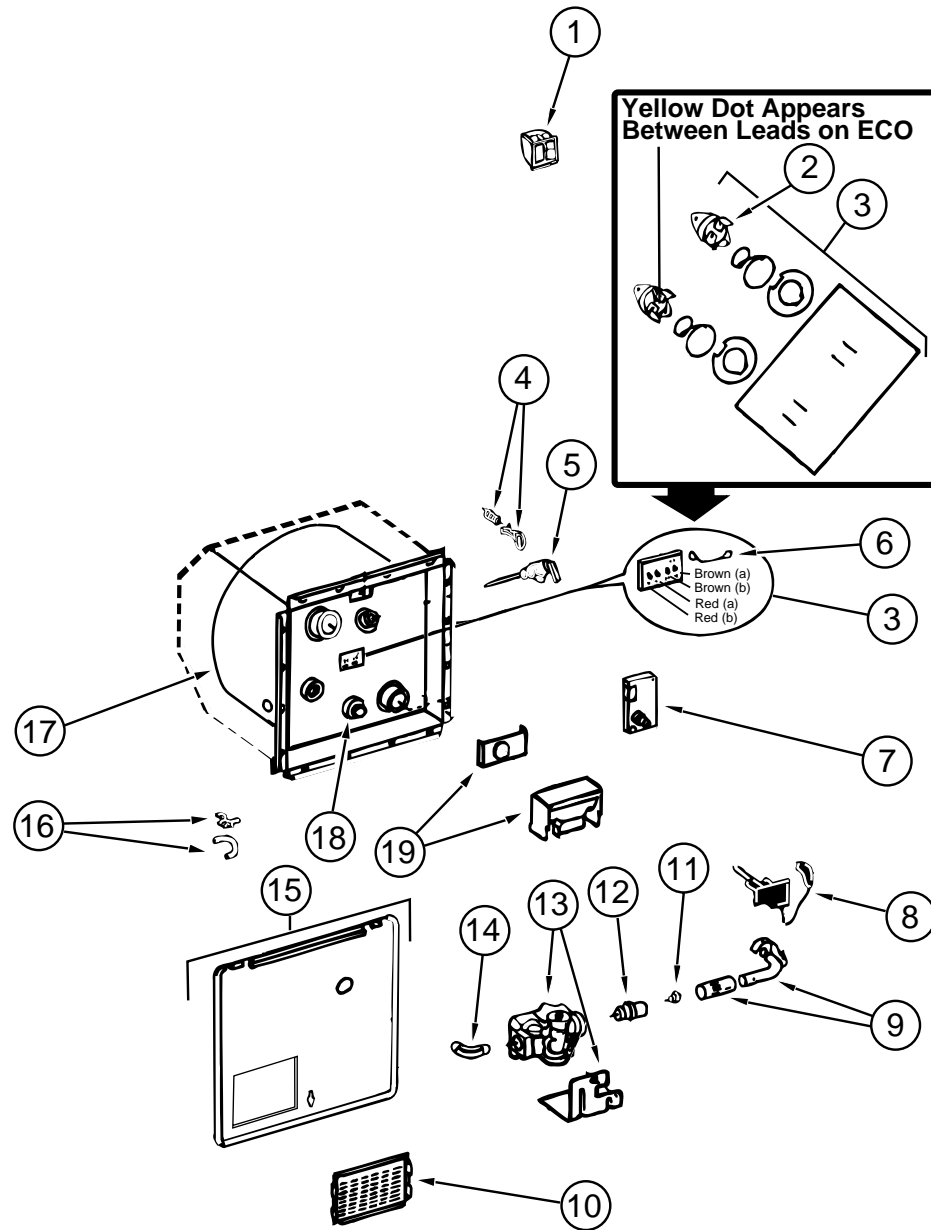
WATER&SEWAGEGROUP



WATERPUMP-SHURFLO

KEY	PARTNUMBER	U/M DESCRIPTION	VENDOR NO.
1	098607-01-000	EA PUMP-WATER, W/.5" MPTFITTING - FLOW2.8GPM - UL	
2	098607-01-706	EA UPPERHOUSING/SWITCH-KIT	94-231-20
3	098607-01-705	EA CHECKVALVE-KIT	94-237-00
4	098607-01-703	EA VALVEASSEMBLY	94-232-00
5	098607-01-702	EA DIAPHRAGM-KIT	94-238-04
6	098607-01-707	EA MOTOR/BASEPLATEREPLACEMENT	94-235-03

WATER&SEWAGEGROUP(CONTINUED)



WATER HEATER W/OMOTOR AID-ATWOOD G6A-8E

KEY	PARTNUMBER	U/M DESCRIPTION	VENDOR NO.
	051391-03-000	EA WATER HEATER-ATWOOD G6A-8E ELECTRIC IGNITION	
1	097967-01-000	EA SWITCH-WATER HEATER, REMOTE W/LIGHT 91959	
2	051391-04-701	EA THERMOSTAT-12VDC-120 PRESET	91470
3	051393-01-721	EA THERMOSTAT-W/ECO, 140 FRONT MOUNT	91447
4	051391-01-705	EA FASTENER-CAM LOCK	92609
5	051391-01-704	EA VALVE-RELIEF, 1/2" FITTING	91604
6	051393-01-723	EA SWITCH-THERMAL-CUTOFF 2/PKG	93866
7	051393-01-724	EA BOARD-CIRCUIT, SPADE TERMINAL	93865
8	051393-01-725	EA ELECTRODE-SINGLE SPADE CONNECTOR	93868
9	051391-04-703	EA BURNER-MAIN	91638
10	051391-01-717	EA GRILLE-WATER HEATER DOOR	92640
	051391-01-716	EA GRILL ONLY (GOES ON FLUE BOX)	91786
11	051391-01-710	EA ORIFICE-MAIN BURNER	92742
12	051391-03-700	EA HOLDER-ORIFICE	91563
13	051393-01-726	EA VALVE-SOLENOID, W/BRAKET	93870
14	051391-01-714	EA FITTING-ELBOW, 45 DEGREE-3/8 FX 3/8 MPT	1044
15	052009-06-000	EA DOOR-WATER HEATER, W/OLATCHES	
	116424-01-000	EA PROTECTOR-WATER HEATER LATCH, ADHESIVE BACKED ROUND VINYL	

**WATER & SEWAGE GROUP (CONTINUED)
WATER HEATER W/OMOTOR AID-ATWOOD G6A-8E (CONTINUED)**

KEY	PARTNUMBER	U/M DESCRIPTION	VENDOR NO.
16	051391-01-700	EA HINGE KIT, (PIN & CLIP)	92568 & 92559
17	051391-04-706	EA TANK-INNER, G6A-4E & 6E-FRONT MOUNT	91641
18	051391-01-715	EA PLUG-DRAIN, 1 EA=2 PER PKG	91857
19	051391-04-707	EA KIT-EXHAUST, (FLUE & GASKET)	90960
	111129-01-711	EA BRACKET-CORNER, SET OFF FOUR	91928

WATER SYSTEM

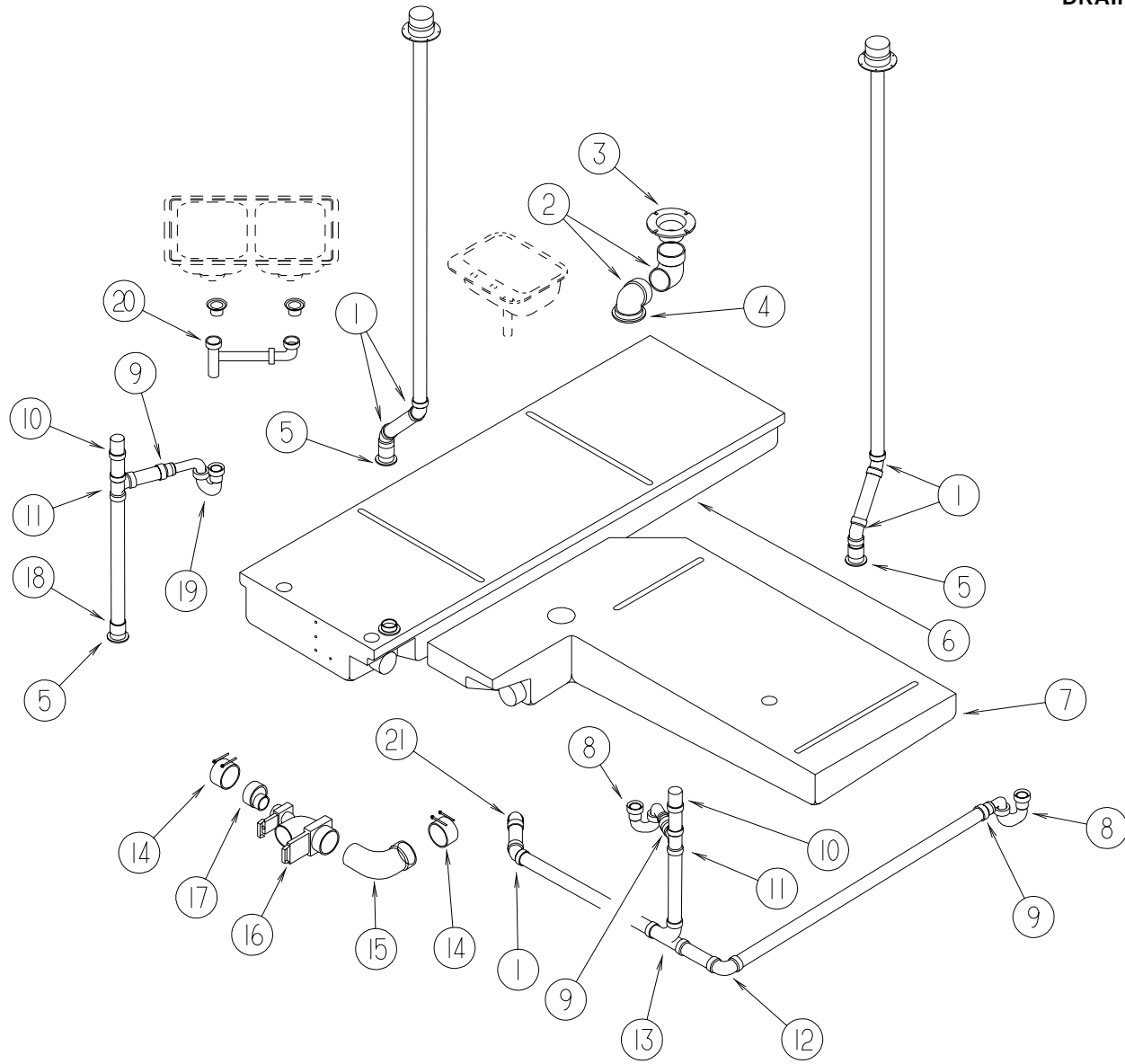
KEY	PARTNUMBER	U/M DESCRIPTION
	010224-01-000	EA ADAPTER-HOSE TO PIPE, 3/8" MPT X 3/8" BARB-PLASTIC
	044927-01-000	EA ADAPTER-HOSE TO PIPE, 1 1/4" MPT X 1 1/4" BARB-BLACK PLASTIC
	010219-01-000	EA ELBOW-1 1/4" MPT X 1 1/4" BARB, WATER FILL-PLASTIC
	035539-01-000	EA ELBOW-PLASTIC-3/8 MPT X 3/8 BARB
	074462-02-000	FT TUBING-VINYL-3/8" ID X 20'-CLEAR
	079381-01-000	FT TUBING-SMOOTH FLEXIBLE-1 3/8" ID X 20'
	010230-06-000	EA FILL-CITY WATER, W/CHECK VALVE MPT
	039800-02-000	FT TUBING-POLYBUTYL, 5/8" OD-INCREMENTS OF 20'-BLACK
	039800-05-000	FT TUBING-POLYBUTYL, 5/8" ODX 20'
	101814-01-000	EA COUPLING-FEMALE, 1/2" X 1/2" FPT W/COMP SLEEVE-GRAY
	113697-01-000	EA CAP-3/8 FTG
	110915-01-01A	EA FILL-WATER, CITY-CHROME-KEVCO 64713
	114428-01-000	EA TEE-1/2 P X 1/2 P X 1/2 P
	114428-02-000	EA TEE-SWIVEL-1/2 P X 1/2 P X 1/2 FPT
	114429-01-000	EA ELBOW-1/2 P X 1/2 P
	114429-02-000	EA ELBOW-1/2 P X 1/2 MPT
	114429-03-000	EA ELBOW-FLAIR-IT SWIVEL-1/2 P X 1/2 FPT
	114430-02-000	EA ADAPTER-SWIVEL-1/2 P X 1/2 FPT
	114430-03-000	EA ADAPTER-1/2 P X 1/2 MPT
	114430-06-000	EA ADAPTER-1/2 P X 3/8 FPT
	114431-01-000	EA WATER VALVE-3 POSITION-"DRAIN VALVE"
	114431-02-000	EA WATER VALVE-2 POSITION-"BYPASS VALVE"
	114431-03-000	EA WATER VALVE-90 DEGREE ELBOW-"WATER DRAIN VALVE"
	114431-04-000	EA WATER VALVE-STRAIGHT THRU-"SHUT OFF VALVE"
	123150-01-000	EA ELBOW-1/2" FPT X 1/2" BARB SWIVEL
	123152-01-000	EA ADAPTER-1/2" FPT X 1/2" BARB-SWIVEL

WATER TANK

KEY	PARTNUMBER	U/M DESCRIPTION
	116700-01-000	EA TANK-WATER, 59 GAL-W/O FITTINGS
	116700-03-000	EA TANK-WATER, 59 GAL-W/FITTINGS (QUEEN BED)
	116700-05-000	EA TANK-WATER, 59 GAL-W/FITTINGS (TWIN BED)
	039861-01-000	EA SENDING UNIT-W/SCREW-WASHER, WELL NUT, & TERMINAL RING
	049032-01-000	EA PATCH-SPINWELD-3/8"-PLASTIC
	042989-03-000	EA FITTING-WATER TANK-SPINWELD-1 1/4" NPT-PLASTIC-WHITE
	042989-04-000	EA FITTING-WATER TANK-SPINWELD-3/8" FPT-PLASTIC-WHITE
	042989-05-000	EA FITTING-WATER TANK-SPINWELD-1/2" FPT-PLASTIC-WHITE
	077954-02-000	EA FILTER-WATER TANK-SCREEN IN TANK

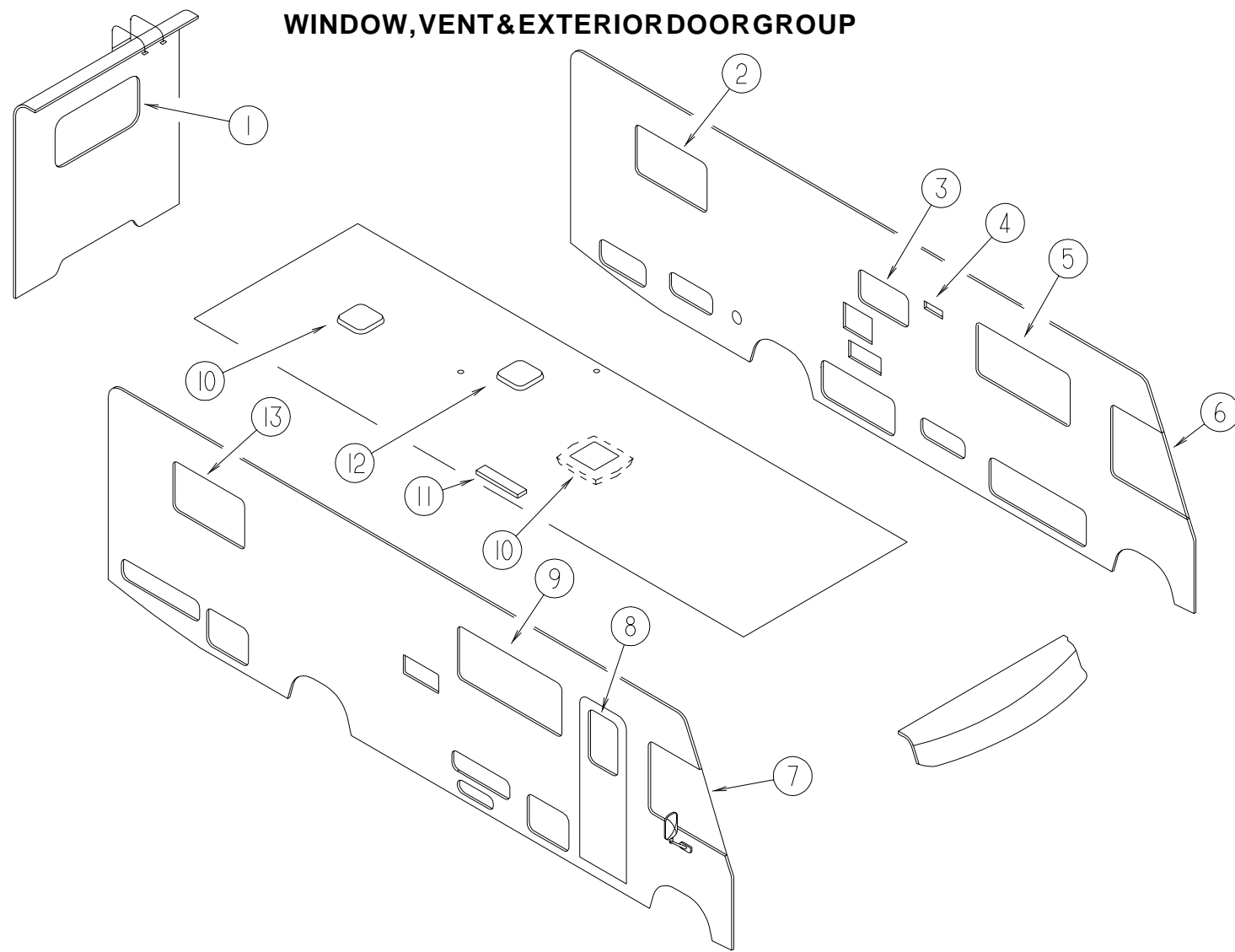
WATER & SEWAGE GROUP (CONTINUED)

DRAINAGE SYSTEM



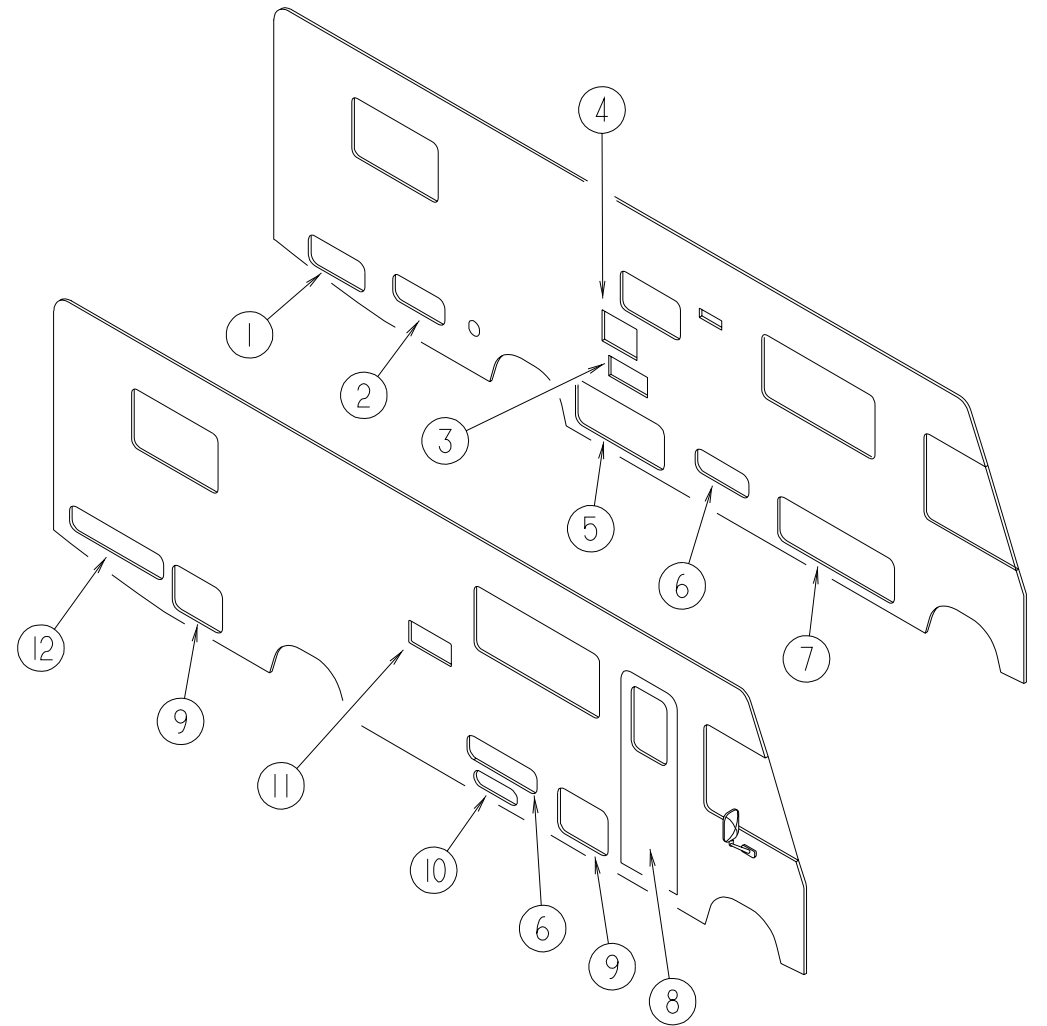
KEY	PARTNUMBER	U/M	DESCRIPTION
1	010006-01-000	EA	ELBOW-45 DEG, 1/8 BEND - 1 1/2" HUB X HUB - BLACK PLASTIC
2	010061-01-000	EA	ELBOW-45 DEGREE, STREET - 1/8 BEND - 3" SXH - PLASTIC
3	063641-01-000	EA	FLANGE-CLOSET, 4" X 3"
3	116644-01-000	EA	FLANGE-CLOSET, 4" X 3"
4	061607-02-000	EA	GROMMET-HOLDING TANK, 3" NPS
5	061607-01-000	EA	GROMMET-HOLDING TANK, 1 1/2" NPS
6	104352-01-000	EA	TANK-HOLDING, 50 GALLON
7	112789-01-000	EA	TANK-HOLDING, 46 GAL
	010071-01-000	EA	TEE-SANITARY, 1 1/2" HUB X HUB X HUB - PLASTIC - BLACK
	010115-01-000	EA	COUPLING-1 1/2" HUB X HUB, PLASTIC
8	011066-02-000	EA	PTRAP-1 1/4" HUB X SLIP JOINT, W/UNION-ABS-CANADIAN N/A USE P.N.#01106603700P-TRAPKIT
8	107538-01-000	EA	PTRAP-PLAS 1 1/4 W/EXT ARM - KEVCOP8141-1/4"
9	109571-01-000	EA	ADAPTER-PTRAP, 1 1/2" P X 1 1/4" MPT
10	079968-01-000	EA	VENT-MECH. TRAP ARM, ANTI-SIPHON-2" DIA X 7.3"-PLASTIC
11	010071-01-000	EA	TEE-SANITARY, 1 1/2" HUB X HUB X HUB - PLASTIC - BLACK
12	010008-01-000	EA	ELBOW-90 DEG, 1/4 BEND - 1 1/2" HUB X HUB - BLACK PLASTIC
13	031365-02-000	EA	TEE-PLAS, 1 1/2 EXT LG TURN - NIBCO 5812-LR-11/2
	033761-01-000	EA	ELBOW-TURN, 1/4 BEND X 1.5" HUB X 1.5" SPIGOT - BLK PLASTIC
14	078406-01-000	EA	COUPLER-RUBBER, W/CLAMPS-3" X 3"
15	041956-01-000	EA	ELBOW-STREET, PLASTIC-1/4 BEND-3" X 90 XLT
16	070916-01-000	EA	VALVE-DUAL DUMP, W/CAP-3" X 1 1/2"-PLASTIC-BLACK
	070916-01-700	EA	VALVE ONLY (WASTE) 3" T1003BU
	070916-01-701	EA	VALVE ONLY (WASTE 1 1/2") T1001BU
	109571-01-000	EA	ADAPTER-PTRAP, 1 1/2" P X 1 1/4" MPT
	069735-01-000	EA	WASHER-STRAINER TOTAL PIECE PLASTIC, 1.5"
17	062422-01-000	EA	ADAPTER-OFFSET REDUCER, 3" X 1 1/2"-PLASTIC-BLACK
18	010115-01-000	EA	COUPLING-1 1/2" HUB X HUB, PLASTIC
19	011071-01-000	EA	PTRAP-PLAS 1 1/2 - NIBCO 5892 1 1/2
19	107538-01-000	EA	PTRAP-PLAS 1 1/4 W/EXT ARM - KEVCOP8141-1/4"
	011069-04-000	EA	TAILPIECE, 1 1/2 X 1 1/4 X 8 - BRASS
20	011091-02-000	EA	PIPE-DRAIN, DOUBLE SINK-BAFFLE TEE-1 1/2" ONE PIPE W/TEE TO DRAIN BOTH SIDES OF SINK
21	033761-01-000	EA	ELBOW-TURN, 1/4 BEND X 1.5" HUB X 1.5" SPIGOT - BLK PLASTIC

WINDOW, VENT & EXTERIOR DOOR GROUP



EXTERIOR WINDOWS & VENTS

WINDOW, VENT & EXTERIOR DOOR GROUP (CONTINUED)



EXTERIOR DOORS

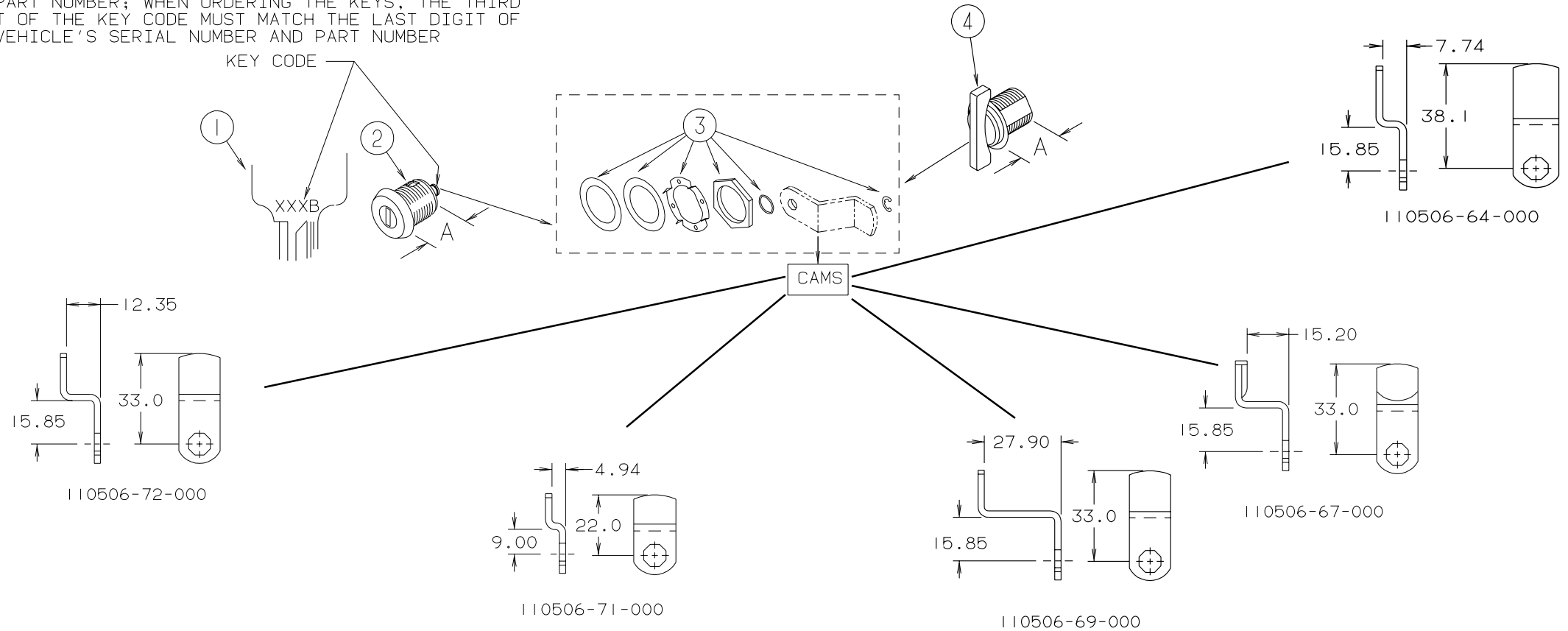
KEY	PARTNUMBER	U/M	DESCRIPTION
1	078528-07-FB1	EA	WINDOW - ESCAPE W/O INSIDE TRIM - CLEAR - 48.5" X 24.5" (QUEEN & TWIN BED)
1	116976-01-01A	EA	WINDOW - REAR ESCAPE - 26.4" X 26.3" (DOUBLE, BUNK & CROSS-STACKED TWIN BED)
2	098647-30-01A	EA	WINDOW - DRIVER HORIZONTAL SLIDER - CLEAR - 24.2" X 41" (QUEEN, DOUBLE & TWIN)
2	098647-32-01A	EA	WINDOW - DRIVER HORIZONTAL SLIDER - CLEAR - 15.7" X 28.5" (CROSS-STACKED TWIN BED)
3	098647-32-01A	EA	WINDOW - DRIVER HORIZONTAL SLIDER - CLEAR - 15.7" X 28.5"
4	084878-09-000	EA	VENT - HOOD - RANGE / SHORT - OFF WHITE
	084616-07-000	EA	VENT - SHROUD - RANGE HOOD - BRIGHT WHITE
5	098647-36-01A	EA	WINDOW - DRIVER HORIZONTAL SLIDER - CLEAR - 26.1" X 53.8"
6	103658-09-01A	EA	WINDOW - DRIVER - CAB 2 GLASS 19.1" TX 45.4" BX 36.7" H
7	103658-10-01A	EA	WINDOW - PASSENGER CAB 2 GLASS 29.1" TX 45.4" BX 36.7" H
8	117053-04-FB1	EA	WINDOW - PICTURE - 17" X 26.4"
	117054-02-02A	EA	RETAINER - TRIM - BRIGHT WHITE
9	098647-27-01A	EA	WINDOW - PASSENGER HORIZONTAL SLIDER - CLEAR - 26.1" X 59.7"
10	122882-01-01A	EA	VENT - ROOF - NONPOWERED
11	084073-07-000	EA	VENT - ROOF - REFRIGERATOR - BRIGHT WHITE
	084073-04-000	EA	BASE - ROOF VENT - REFRIGERATOR
12	122882-02-01A	EA	VENT - ROOF - W/FAN - UL
12	122882-03-01A	EA	VENT - ROOF - W/FAN - CSA
13	098647-29-01A	EA	WINDOW - PASSENGER HORIZONTAL SLIDER - CLEAR - 24.2" X 41" (QUEEN, DOUBLE, TWIN & CROSS-STACKED TWIN BED)
13	098647-31-01A	EA	WINDOW - PASSENGER HORIZONTAL SLIDER - CLEAR - 15.7" X 28.5" (BUNK BEDS)
	083558-03-000	EA	VENT - PLUMBING - PIPE ROOF - W/COVER - OFF WHITE

KEY	PARTNUMBER	U/M	DESCRIPTION	VENDOR NO.
1	104558-31-FB1	EA	DOOR - GENERATOR / STORAGE - W/OPADDLE LATCH - 26.5" X 12"	
	107997-51-001	EA	SPACER - DOOR LOCK - .6" DEEP	
2	104558-30-FB1	EA	DOOR - STORAGE - W/OPADDLE LATCH - 32.7" X 10.3"	
3	052009-06-000	EA	DOOR - WATER HEATER - W/OLATCHES	
4	098668-23-000	EA	DOOR - ACCESS - FURNACE	
5	104558-52-GB1	EA	DOOR - STORAGE W/RADIUS CORNERS - 42" X 17.6"	
6	104558-29-FB1	EA	DOOR - STORAGE - W/OPADDLE LATCH - 24.8" X 9.4"	
	104564-16-02A	EA	JAMB - STORAGE DOOR	
7	104558-24-FB1	EA	DOOR - STORAGE - W/OPADDLE LATCH - 55.4" X 16"	
8	115108-06-H01	EA	DOOR - ENTRY - W/SCREEN DOOR - W/OWINDOW	
8	115108-06-H02	EA	DOOR - ENTRY - W/SCREEN DOOR - W/OWINDOW	
9	104558-26-FB1	EA	DOOR - STORAGE - W/OPADDLE LATCH - 23.6" X 18"	
10	111009-01-GB1	EA	DOOR - COMPARTMENT / LP - 6.5" X 20.8"	
11	084103-08-000	EA	DOOR - REFRIGERATOR - VENTED - W/O JAMB	
	084104-08-000	EA	JAMB - REFRIGERATOR DOOR	
	084104-01-700	EA	LOCK - MALE - FASTENER	201-721-010
	084104-01-701	EA	LOCK - FEMALE - FASTENER	201-802-010
12	104558-42-GB1	EA	DOOR - STORAGE - W/OPADDLE LATCH - 44.5" X 10.3"	
	081240-16-000	EA	DOOR - WATER FILL - LOCKABLE W/O LOCK - 4" X 4 5/8"	

WINDOW, VENT & EXTERIOR DOOR GROUP (CONTINUED)

BRIGGS & STRATTON LOCKS & COMPONENTS

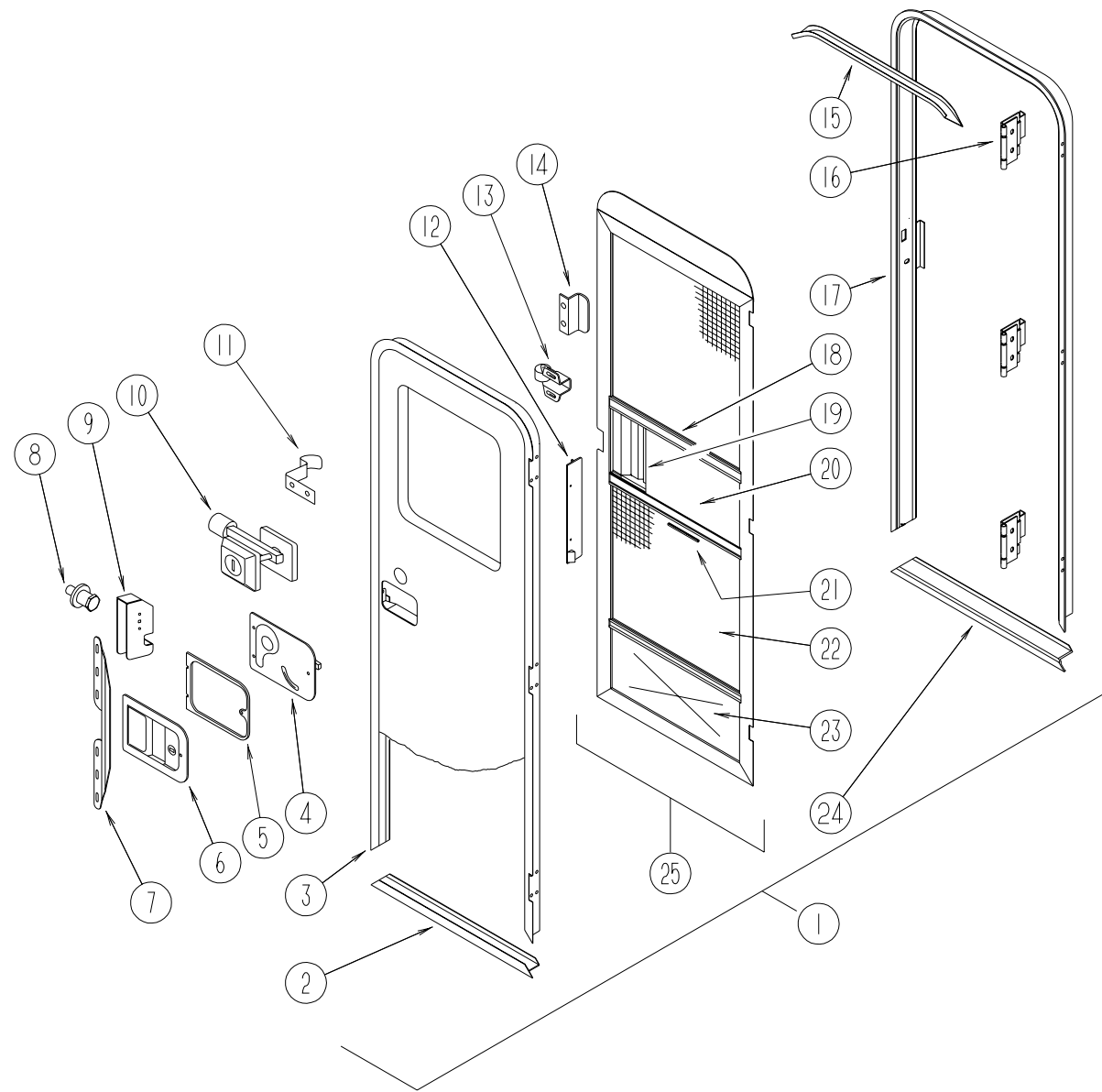
NOTE:
WHEN ORDERING THE LOCK CASE, THE KEY CODE MUST MATCH THE LAST DIGIT OF THE VEHICLE'S SERIAL NUMBER AND PART NUMBER; WHEN ORDERING THE KEYS, THE THIRD DIGIT OF THE KEY CODE MUST MATCH THE LAST DIGIT OF THE VEHICLE'S SERIAL NUMBER AND PART NUMBER



KEY	PARTNUMBER	U/M	DESCRIPTION	VENDOR NO.	KEY	PARTNUMBER	U/M	DESCRIPTION	VENDOR NO.
1	110506-59-000	EA	KEYS-SETOFTWO	596720	1	110506-59-006	EA	KEYS-SETOFTWO	596726
2	110506-52-000	EA	CASE-LOCK-A=17MM	702370	2	110506-52-006	EA	CASE-LOCK-A=17MM	702376
2	110506-53-000	EA	CASE-LOCK-A=25MM	702380	2	110506-53-006	EA	CASE-LOCK-A=25MM	702386
1	110506-59-001	EA	KEYS-SETOFTWO	596721	1	110506-59-007	EA	KEYS-SETOFTWO	596727
2	110506-52-001	EA	CASE-LOCK-A=17MM	702371	2	110506-52-007	EA	CASE-LOCK-A=17MM	702377
2	110506-53-001	EA	CASE-LOCK-A=25MM	702381	2	110506-53-007	EA	CASE-LOCK-A=25MM	702387
1	110506-59-002	EA	KEYS-SETOFTWO	596722	1	110506-59-008	EA	KEYS-SETOFTWO	596728
2	110506-52-002	EA	CASE-LOCK-A=17MM	702372	2	110506-52-008	EA	CASE-LOCK-A=17MM	702378
2	110506-53-002	EA	CASE-LOCK-A=25MM	702382	2	110506-53-008	EA	CASE-LOCK-A=25MM	702388
1	110506-59-003	EA	KEYS-SETOFTWO	596723	1	110506-59-009	EA	KEYS-SETOFTWO	596729
2	110506-52-003	EA	CASE-LOCK-A=17MM	702373	2	110506-52-009	EA	CASE-LOCK-A=17MM	702379
2	110506-53-003	EA	CASE-LOCK-A=25MM	702383	2	110506-53-009	EA	CASE-LOCK-A=25MM	702389
1	110506-59-004	EA	KEYS-SETOFTWO	596724	3	110506-40-700	EA	HARDWAREKIT	
2	110506-52-004	EA	CASE-LOCK-A=17MM	702374	4	110506-50-000	EA	CASE-TWISTLOCK-A=17MM	596952
2	110506-53-004	EA	CASE-LOCK-A=25MM	702384	4	110506-51-000	EA	CASE-TWISTLOCK-A=25MM	596669
1	110506-59-005	EA	KEYS-SETOFTWO	596725	4	110506-55-000	EA	CASE-TWISTLOCK-A=32MM	597312AA1
2	110506-52-005	EA	CASE-LOCK-A=17MM	702375		110506-40-000	EA	CLIP-E-LOCKASM.	93981
2	110506-53-005	EA	CASE-LOCK-A=25MM	702385		110506-59-701	EA	KEYBLANK-GOLD	

WINDOW, VENT & EXTERIOR DOOR GROUP (CONTINUED)

ENTRANCE DOOR



KEY	PARTNUMBER	U/M	DESCRIPTION	VENDOR NO.
1	115108-06-H01	EA	DOOR-ENTRY, W/SCREENDOOR -W/O WINDOW	
1	115108-06-H02	EA	DOOR-ENTRY, W/SCREENDOOR -W/O WINDOW	
2	121893-01-01A	EA	FRAME-DOOR/ENTRANCE	
	090340-01-000	FT	SEAL-FOAM, CLOSED CELL -1/4" X 1/2" X 50'	
3	121894-03-01A	EA	FRAME-ENTRANCEDOOR	
4	039979-06-000	EA	COVER-LATCHPLATE -RIGHTHAND -BLACK TEXTURED	
	039984-01-000	EA	CAP-ROUND, VINYL - .28" IDX .62" LONG -BLACK	
	041546-07-000	EA	BRACKET-DOOR ANGLE	
5	096810-01-01A	EA	PLATE-LATCH-ENTRY DOOR	
6	045017-13-000	EA	LATCH-ENTRANCEDOOR -BLACK TEXTURED	
	045017-11-701	EA	KEY-BLANK, F1 SERIES	81312-02
	045017-11-703	EA	CYLINDER-LOCK ASM. W/KEYS	81266-09
	058025-02-000	EA	CLIP-ROLLER LATCH CATCH, SCREENDOOR	
	063729-04-000	EA	RIVNUT, 10-32 UNF - .010 - .080	
	075671-04-000	FT	SEAL-SPONGE, LAZY T SHAPE -W/ADHESIVE STRIPE - .5" WIDE	
7	098173-01-07A	EA	STIFFENER-ENTRANCEDOOR -SUPPORT SLATCH/STRIKE AREA	
	075673-01-000	FT	SEAL-PILE -ADHESIVE BACK -GRAY	
8	039539-01-000	EA	STRIKE-LOCK, ENTRY DOOR -ROUND W/THREADED WASHER	
9	039540-01-000	EA	LATCH MECHANISM-HOOK, ENTRY DOOR -INTERIOR	
	039715-01-000	EA	NUT-SERT, 1/4" DIAMETER -20 THREADS	
10	101145-01-06A	EA	DEADBOLT-ENTRY DOOR W/O SECURITY BOLT W/2 KEYS -BLACK	
	095229-01-700	EA	KEY-BLANK, DEADBOLT	81205-03
	101145-01-701	EA	CYLINDER-LOCK ASM., W/KEY	81306-03
	101147-01-000	EA	BOLT-SECURITY, 4.12" BACKSET	
	058806-01-000	EA	PLUG-TAPERED, FOR DEADBOLT -PLASTIC - .94" DIAMETER -RED	
	122241-01-01A	EA	BUMPER-FOAM RUBBER, BLACK	
11	100412-01-000	EA	CATCH-SCREENDOOR, THUMB CLIP W/BLACK PLASTIC CAP	
	056746-01-000	EA	PLUG-CAP, 1" DIAMETER	
	039984-01-000	EA	CAP-ROUND, VINYL - .28" IDX .62" LONG -BLACK	
	102768-01-000	EA	HOLDER-ENTRY DOOR, METAL -MILL FINISH	
12	079087-02-000	EA	STRIKE-SLIDER, W/LIP FOR ELBOW CATCH -1.5" X 8.6" -OFF WHITE	
13	100412-01-000	EA	CATCH-SCREENDOOR	
14	050712-06-000	EA	HANDLE - SCREENDOOR -BRIGHT WHITE	
15	044582-44-000	EA	CAP-DRIP, JAMB -BRIGHT WHITE	
	115222-09-01A	EA	GARNISH-RADIUS, ENTRANCEDOOR -OFF WHITE	
	077461-03-000	EA	COVER-STRIKE, ENTRANCEDOOR -6.5" X 2.5" -PLASTIC -WHITE	
	090340-01-000	FT	SEAL-FOAM, CLOSED CELL -1/4" X 1/2" X 50'	
	091876-01-000	EA	RETAINER-DOOR, 1.9" X .8" -METAL	
16	106719-01-01A	EA	HINGE-ENTRANCEDOOR, UNPAINTED	
	102248-01-000	EA	SHIM-DOOR	
17	121898-05-01A	EA	JAMB-ENTRANCEDOOR	
18	078777-01-000	EA	CHANNEL-SLIDE, SCREENDOOR CENTER SLIDER COVER -17.4"	
19	079086-03-000	EA	SLIDER-SCREENDOOR, BRIGHT WHITE	
	079087-03-000	EA	STRIKE-SLIDER -SCREENDOOR -BRIGHT WHITE	
20	001014-01-013	EA	INSERT-CENTER, 10.25" X 16.31" -UNPAINTED	
21	002294-01-000	FT	SPLINE-SCREENING, .135" X .138" -BLACK	
	002748-01-000	EA	CORNER KEY-DOOR	
22	002293-02-000	SF	SCREENING-WINDOW & DOOR, 26" -CHARCOAL	
23	078552-03-000	EA	INSERT-SCREENDOOR, LOWER -UNPAINTED	
	078595-01-000	EA	PLATE-SCREENDOOR	
24	051049-01-000	EA	JAMB-ENTRANCEDOOR, BOTTOM -UNPAINTED	
25	121899-01-G04	EA	DOOR-SCREEN, W/O HARDWARE	

WINDOW, VENT & EXTERIOR DOOR GROUP (CONTINUED)

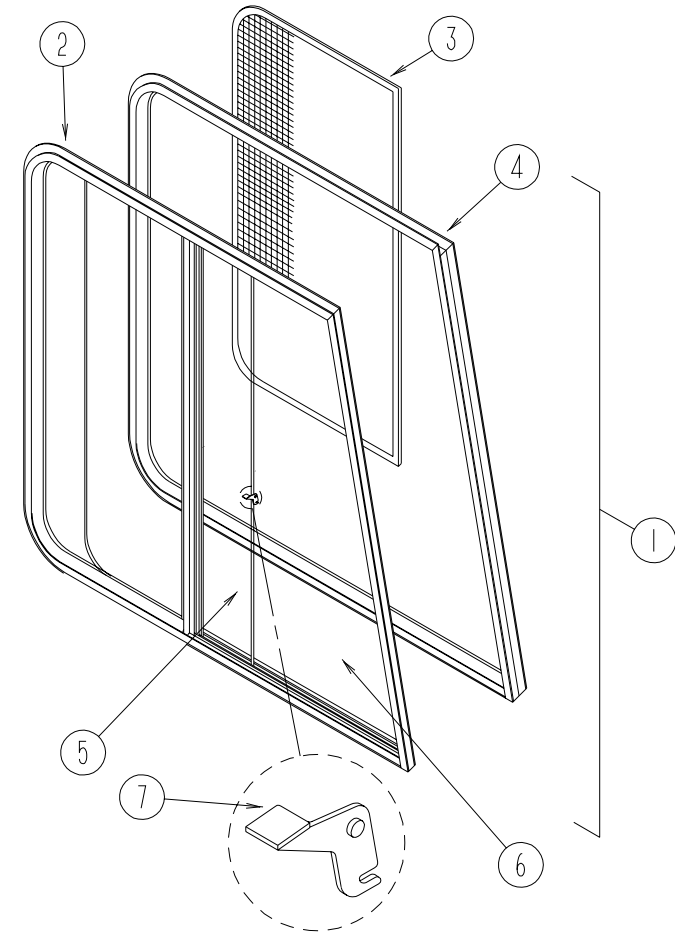
VENTS & SHROUDS

KEY	PARTNUMBER	U/M	DESCRIPTION
	083558-03-000	EA	VENT-PLUMBING-PIPEROOF-W/COVER-OFFWHITE
	084073-07-000	EA	VENT-ROOF-REFRIGERATOR-BRIGHTWHITE
	084073-04-000	EA	BASE-ROOFVENT-REFRIGERATOR
	105028-01-000	EA	FLASHINGASM-VENT,REFRIGERATOR
	103385-01-02A	EA	VENT-RANGEHOOD/OUTSIDE

SEALS AND HARDWARE FOR ACCESS DOORS

KEY	PARTNUMBER	U/M	DESCRIPTION
	076767-06-000	EA	CABLE-SUPPORT, 25.6" - STAINLESS STEEL
	089329-01-000	EA	CLIP-SPRING, 3/8" - METAL
	081801-02-000	EA	HINGE - DOOR - PIANO - 2" X 8"
	081801-V3-000	EA	HINGE - ALUMINUM - 2" X 96"
	081801-T3-000	EA	HINGE - ALUMINUM - 2" X 20.5"
	034007-B3-000	EA	HINGE - CONTINUOUS - 1.5" X 96"
	009065-01-000	EA	HINGE - ALUMINUM, 1 1/2" X 96" - UNPAINTED
	104692-01-000	FT	SEAL - ADHESIVE BACK FOAM SEAL - 3/4" X 3/4"
	107721-01-000	FT	BULB SEAL - "D" SHAPED W/ADHESIVE ON FLAT SIDE
	106850-01-000	FT	SEAL - E-SPONGE RUBBER - .43" X .75"
	107997-51-001	EA	SPACER - DOOR LOCK - .6" DEEP
	102768-01-000	EA	HOLDER - COMPARTMENT/ENTRY DOOR - METAL - MILL FINISH

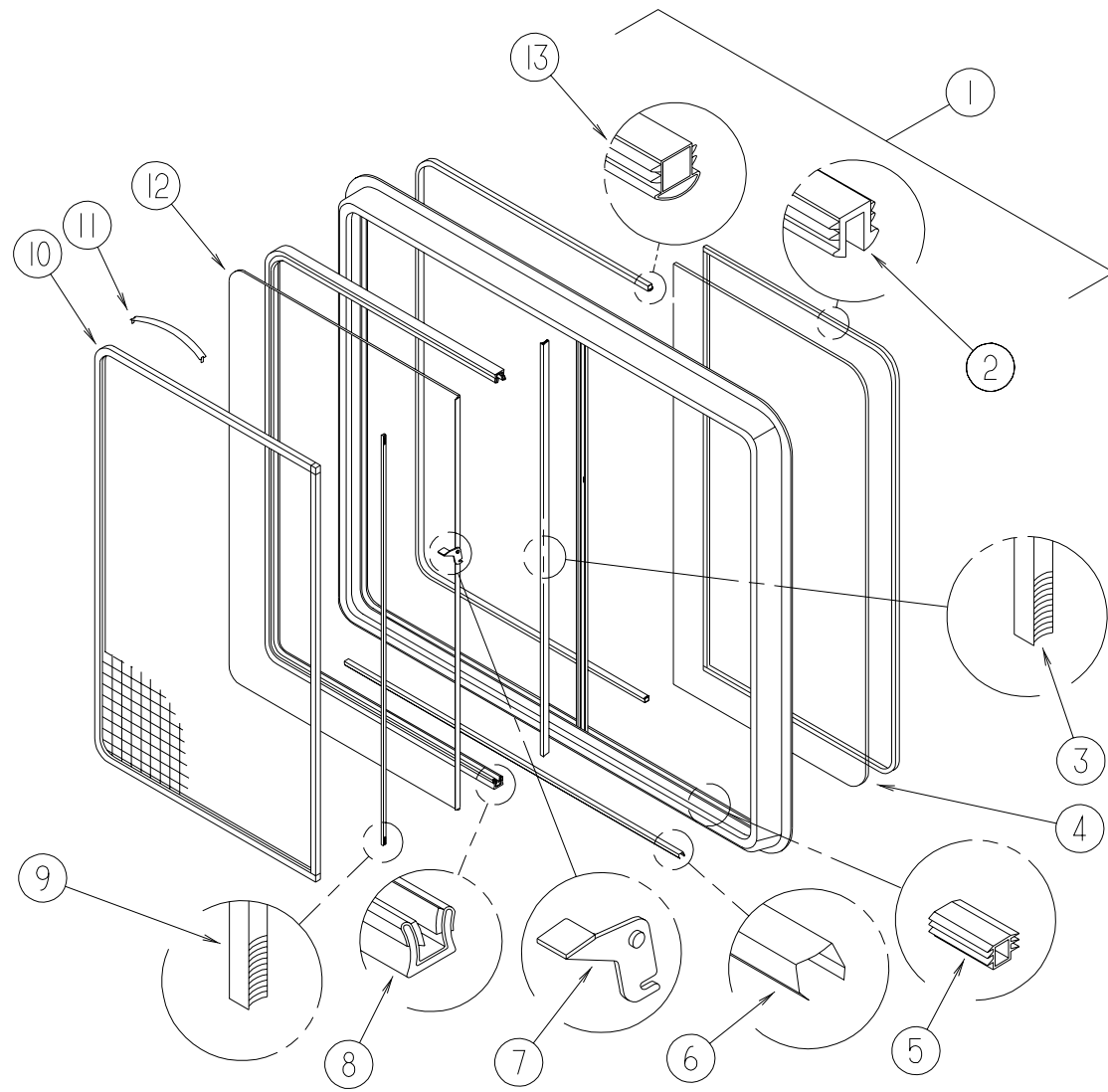
WINDOW, VENT & EXTERIOR DOOR GROUP (CONTINUED)



FRONT CAB WINDOWS (EXCEL)

KEY	PARTNUMBER	U/M	DESCRIPTION	VENDOR NO.
1	103658-09-01A	EA	WINDOW - DRIVER - CAB 2 GLASS 19.1" TX 45.4" BX 36.7" H	
1	103658-10-01A	EA	WINDOW - PASSENGER CAB 2 GLASS 29.1" TX 45.4" BX 36.7" H	
2	103658-09-701	EA	WINDOW ASM., W/OTRIM	H405-A2L
2	103658-10-700	EA	WINDOW ASM., W/OTRIM	H405-A2R
3	103658-09-705	EA	SCREEN ASM. - WINDOW - DRIVER SIDE	410-018973L
3	103658-10-704	EA	SCREEN ASM. - WINDOW - PASSENGER SIDE	410-018973R
	098644-01-717	FT	SCREEN SPLINE	132-004716
	098644-01-713	EA	SPRING-SCREEN FRAME (CLIP), PLASTIC-BLACK	226-016966
	098644-01-710	FT	TRACK-SCREEN SPACER, 6' LENGTH-EXCEL M401-31132-017135	
	098644-01-711	FT	WEATHER STRIP-SCREEN, BLACK-EXCEL	171-016965
4	103658-09-702	EA	RETAINER-TRIM, LEFT	H37366L
4	103658-10-701	EA	RETAINER-TRIM, RIGHT	H37376R
5	103658-10-703	EA	GLASS - SLIDING - W/SASH & LATCH - PASSENGER	H405-A9R
5	103658-09-704	EA	GLASS - SLIDING - W/SASH & LATCH - DRIVER	H405-A9L
6	103658-09-700	EA	GLASS - STATIONARY - BOTTOM - DRIVER OR PASSENGER SIDE	106-018971
7	098644-01-700	EA	LATCH-REPAIR KIT, EXCEL	B801-CK
	098644-01-708	FT	CHANNEL-PIERCED RUN, EXCEL	122-016543
	098644-01-706	FT	WEATHER STRIP, EXCEL	171-010668
	098644-01-716	FT	PLUG-FILLER, EXCEL	132-014470

WINDOW, VENT & EXTERIOR DOOR GROUP (CONTINUED)



WINDOW, VENT & EXTERIOR DOOR GROUP (CONTINUED)
DRIVERS SIDE BEDROOM SINGLE SLIDER WINDOW (EXCEL)

KEY	PARTNUMBER	U/M DESCRIPTION	VENDORNO.
1	098647-30-01A	EA WINDOW-DRIVERS HORIZONTAL SLIDER - CLEAR - 24.2" X 41"	
	098647-30-700	EA WINDOW W/O TRIM	H287-G2L
	098647-29-701	EA TRIM - INSIDE FRAME	W28766
2	098644-01-705	FT GLAZING STRIP	132-010723
3	098644-01-706	FT WEATHERSTRIP - GLASS	171-010668
4	098647-29-702	EA GLASS - STATIONARY	106-017622
5	098644-01-719	EA STOP - SLIDER GLASS	132-014203
6	098644-01-710	FT TRACK - SPACER, FOR SCREEN 12'	132-017135
7	098644-01-700	EA LATCH REPAIR KIT (BLACK)	B801-CK
8	098644-01-708	FT CHANNEL - RUN, PIERCED - GLASS	122-016543
9	098644-01-711	FT WEATHERSTRIP - SCREEN, BLACK	171-016965
10	098647-29-704	EA SCREEN W/SPRING & WEATHERSTRIP	410-019066
11	098644-01-713	EA SCREEN CLIPS (METAL) (BLK)	226-016966
12	098647-29-703	EA GLASS SLIDING, W/SASH & LATCH	H287-G9
13	098644-01-716	FT PLUG - FILLER	132-014470
	098644-01-717	FT SPLINE - SCREEN MFG	132-004716

PASSENGERS DINETTE SLIDER WINDOW (EXCEL)

KEY	PARTNUMBER	U/M DESCRIPTION	VENDORNO.
1	098647-27-01A	EA WINDOW - PASSENGER HORIZONTAL SLIDER - CLEAR - 26.1" X 59.7"	
	098647-27-700	EA WINDOW - SLIDER	H287-C1R
	098647-27-701	EA RETAINER - TRIM	W28766
2	098644-01-705	FT GLAZING STRIP	132-010723
3	098644-01-706	FT WEATHERSTRIP - GLASS	171-010668
4	098647-27-702	EA GLASS - STATIONARY	096-017868
5	098644-01-719	EA STOP - SLIDER GLASS	132-014203
6	098644-01-710	FT TRACK - SPACER, FOR SCREEN 12'	132-017135
7	098644-01-700	EA LATCH REPAIR KIT (BLACK)	B801-CK
8	098644-01-708	FT CHANNEL - RUN, PIERCED - GLASS	122-016543
9	098644-01-711	FT WEATHERSTRIP - SCREEN, BLACK	171-016965
10	098647-23-704	EA SCREEN W/SPRING & WEATHERSTRIP	410-019066
11	098644-01-713	EA SCREEN CLIPS (METAL) (BLK)	226-016966
12	098647-27-703	EA GLASS - SLIDING, W/SASH & LATCH	H287-C8
13	098644-01-716	FT PLUG - FILLER	132-014470
	098644-01-717	FT SPLINE - SCREEN MFG	132-004716

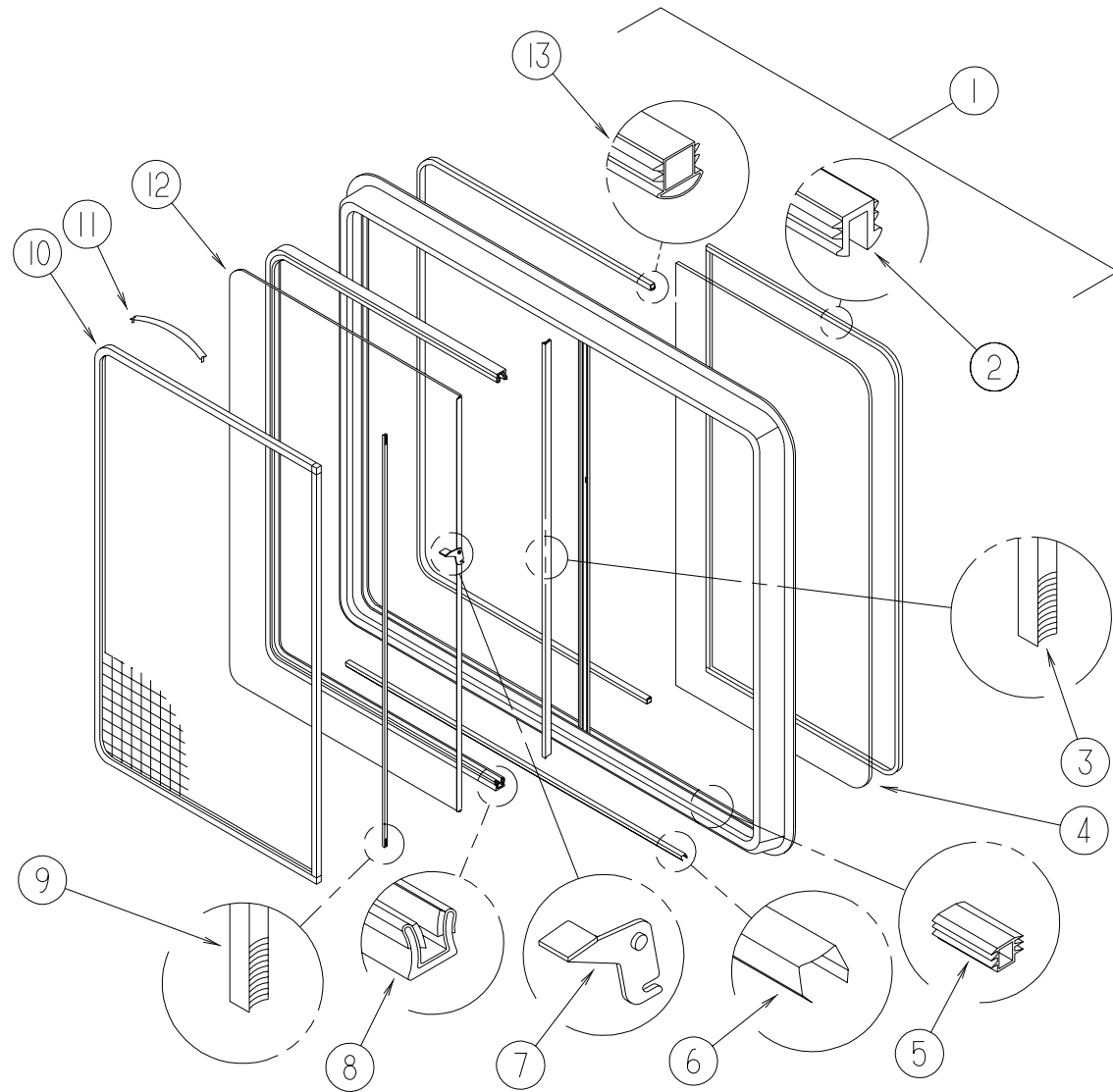
DRIVERS LOUNGE SLIDER WINDOW (EXCEL)

PASSENGERS SIDE QUEEN, DOUBLE, TWIN & CROSS STACKED TWIN BEDS SINGLE SLIDER WINDOW (EXCEL)

KEY	PARTNUMBER	U/M DESCRIPTION	VENDORNO.
1	098647-29-01A	EA WINDOW - PASSENGER HORIZONTAL SLIDER - CLEAR - 24.2" X 41"	
	098647-29-700	EA WINDOW - SLIDER	H172-C1R
	098647-29-701	EA RETAINER - TRIM	CW04-66
2	098644-01-705	FT GLAZING STRIP	132-010723
3	098644-01-706	FT WEATHERSTRIP - GLASS	171-010668
4	098647-29-702	EA GLASS - STATIONARY	106-017622
5	098644-01-719	EA STOP - SLIDER GLASS	132-014203
6	098644-01-710	FT TRACK - SPACER, FOR SCREEN 12'	132-017135
7	098644-01-700	EA LATCH REPAIR KIT (BLACK)	B801-CK
8	098644-01-708	FT CHANNEL - RUN, PIERCED - GLASS	122-016543
9	098644-01-711	FT WEATHERSTRIP - SCREEN, BLACK	171-016965
10	098647-29-704	EA SCREEN W/SPRING & WEATHERSTRIP	410-019066
11	098644-01-713	EA SCREEN CLIPS (METAL) (BLK)	226-016966
12	098647-29-703	EA GLASS SLIDING, W/SASH & LATCH	H287-G9
13	098644-01-716	FT PLUG - FILLER	132-014470
	098644-01-717	FT SPLINE - SCREEN MFG	132-004716

KEY	PARTNUMBER	U/M DESCRIPTION	VENDORNO.
1	098647-36-01A	EA WINDOW - DRIVERS HORIZONTAL SLIDER - CLEAR - 26.1" X 53.8"	
	098647-36-700	EA WINDOW - W/O INSIDE FRAME	H415-C1L
	098647-36-701	EA INSIDE FRAME - OFF WHITE	CW8066
2	098644-01-705	FT GLAZING STRIP - EXCEL	M926-12
3	098644-01-706	FT WEATHERSTRIP	171-010668
4	098647-36-702	EA GLASS - STATIONARY - EXCEL	096-019430
5	098644-01-719	EA STOP - SLIDER GLASS	132-014203
6	098644-01-710	FT TRACK - SCREEN SPACER - 12' LENGTH	M401-31
7	098644-01-700	EA LATCH - REPAIR KIT	B801-CK
8	098644-01-708	FT CHANNEL - PIERCED RUN	122-016543
9	098644-01-711	FT WEATHERSTRIP - SCREEN - BLACK	171-016965
10	098647-36-704	EA SCREEN ASM - W/SEALS & CLIPS	410-017750
11	098644-01-713	EA CLIP - SPRING - METAL	226-016966
12	098647-36-703	EA GLASS - SLIDING - W/SASH & LATCH	279-C8
13	098644-01-716	FT PLUG - FILLER	132-014470
	098644-01-717	FT SPLINE - SCREEN	132-004716

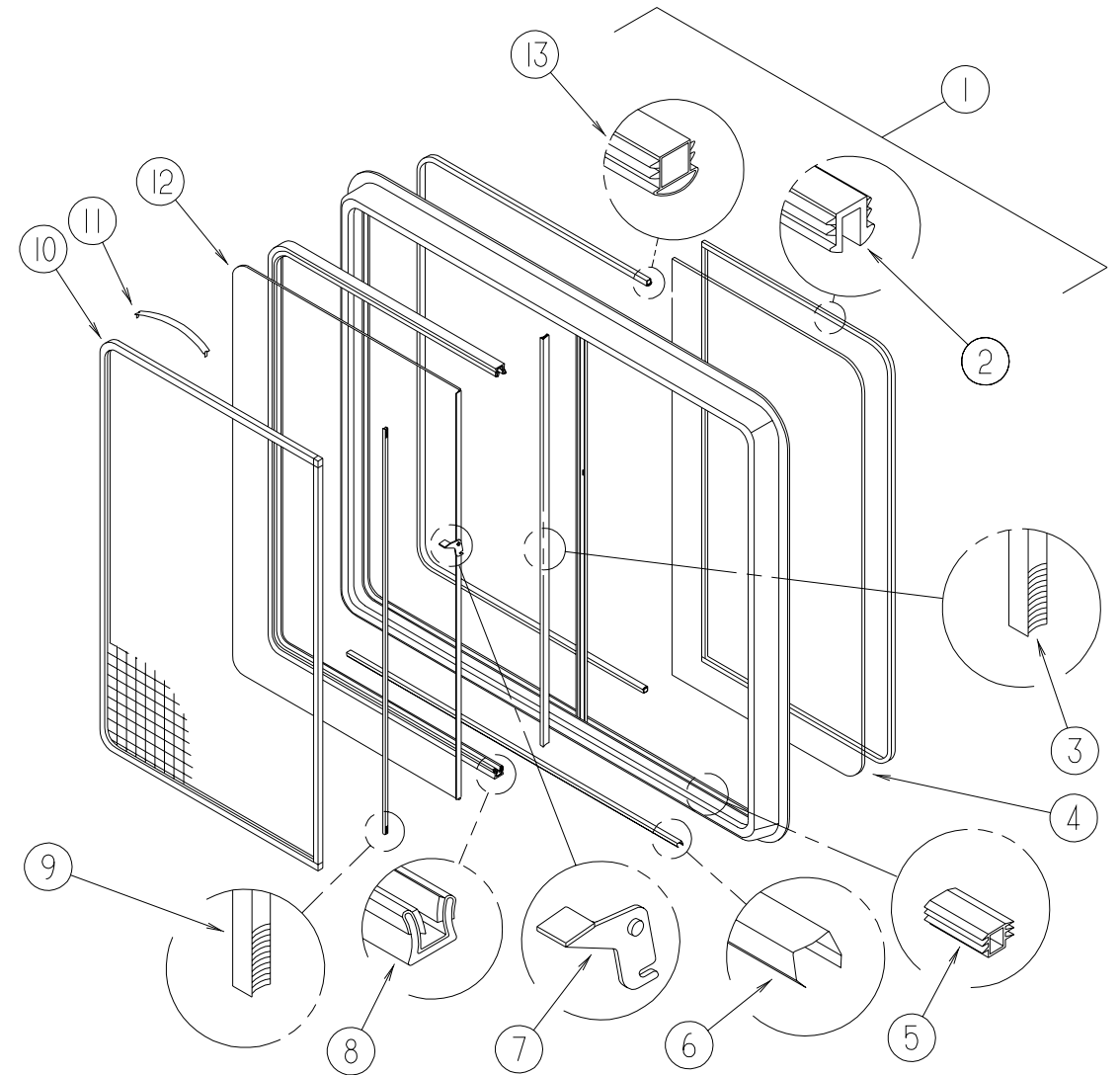
WINDOW, VENT & EXTERIOR DOOR GROUP (CONTINUED)



PASSENGER SIDE SLIDER WINDOW (EXCEL) BUNK WINDOWS

KEY	PART NUMBER	U/M DESCRIPTION	VENDOR NO.
1	098647-31-01A	EA WINDOW-PASSENGER HORIZONTAL SLIDER-CLEAR-15.7"X28.5"	
	098647-31-700	EA WINDOW-W/O INSIDE FRAME	H425-C1R
	098647-31-701	EA INSIDE FRAME-OFF WHITE	CW2966
2	098644-01-705	FT GLAZING-STRIP	132-010231
3	098644-01-706	FT WEATHERSTRIP-GLASS	171-010668
4	098647-31-702	EA GLASS-STATIONARY	096-019299
5	098644-01-719	EA STOP-SLIDER GLASS	132-014203
6	098644-01-710	FT TRACK-SCREEN SPACER-12' LENGTH	M401-31
7	098644-01-700	EA LATCH-REPAIR KIT	B801-CK
8	098644-01-708	FT CHANNEL-PIERCED RUN	122-016543
9	098644-01-711	FT WEATHERSTRIP-SCREEN-BLACK	171-016965
10	098647-31-704	EA SCREEN ASM-W/SEALS & CLIPS	410-019128
11	098644-01-713	EA CLIP-SPRING-METAL	226-016966
12	098647-31-703	EA GLASS-SLIDING-W/SASH & LATCH	H425-C8
13	098644-01-716	FT PLUG-FILLER	132-014470
	098644-01-717	FT SPLINE-SCREEN	132-004716

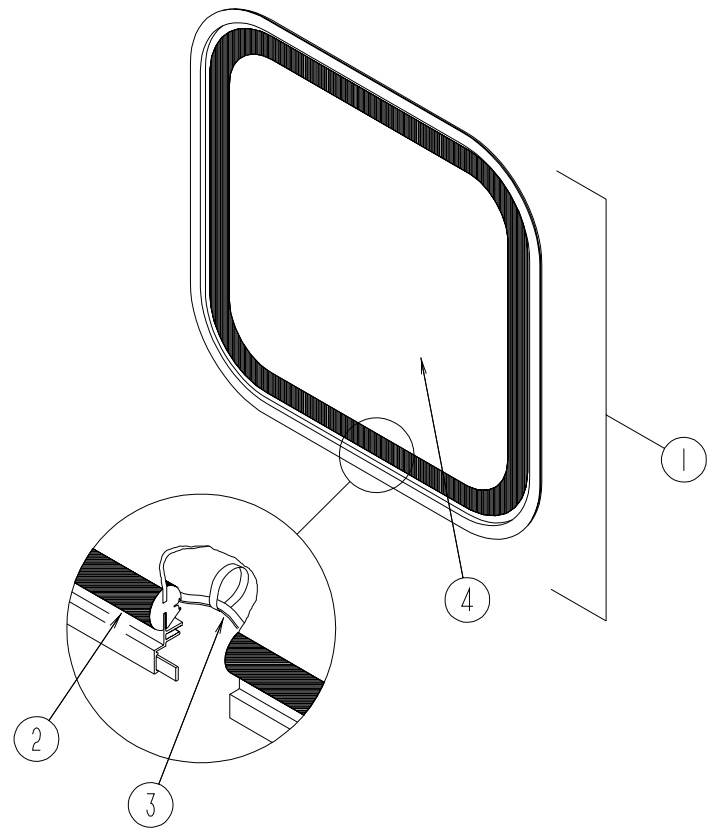
WINDOW, VENT & EXTERIOR DOOR GROUP (CONTINUED)



DRIVER SIDE SLIDER WINDOW (EXCEL) BUNK WINDOWS

KEY	PART NUMBER	U/M DESCRIPTION	VENDOR NO.
1	098647-32-01A	EA WINDOW-DRIVER HORIZONTAL SLIDER-CLEAR-15.7"X28.5"	
	098647-32-700	EA WINDOW-SLIDER	H425-C1L
	098647-31-701	EA RETAINER-TRIM, WHITE	CW2966
2	098644-01-705	FT GLAZING-STRIP	132-010723
3	098644-01-706	FT WEATHERSTRIP-GLASS	171-010668
4	098647-31-702	EA GLASS-STATIONARY	096-019299
5	098644-01-719	EA STOP-SLIDER GLASS	132-014203
6	098644-01-710	FT TRACK-SPACER, FOR SCREEN 12'	132-017135 EXCEL
7	098644-01-700	EA LATCH REPAIR KIT (BLACK)	B801-CK EXCEL
8	098644-01-708	FT CHANNEL-RUN, PIERCED-GLASS	122-016543 EXCEL
9	098644-01-711	FT WEATHERSTRIP-SCREEN, BLACK	171-016965 EXCEL
10	098647-31-704	EA SCREEN ASM., W/SEAL & CLIPS	410-019128
11	098644-01-713	EA SCREEN CLIPS (METAL) (BLK)	226-016966
12	098647-31-703	EA GLASS-SLIDING, W/SASH & LATCH	H425-C8
13	098644-01-716	FT PLUG-FILLER	132-014470
	098644-01-717	FT SPLINE-SCREEN MFG	132-004716

WINDOW, VENT & EXTERIOR DOOR GROUP (CONTINUED)



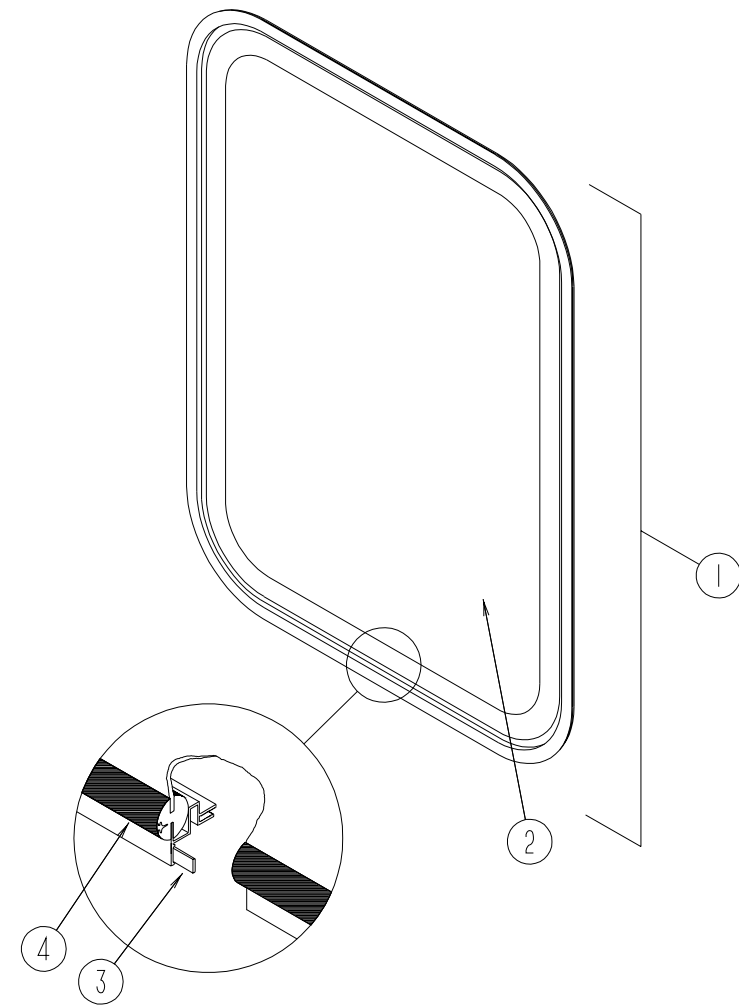
**ESCAPE WINDOW
USED WITH QUEEN BED/TWIN BED**

KEY	PART NUMBER	U/M DESCRIPTION
	074816-11-000	EA RETAINER-TRIM O/W
1	078528-07-FB1	EA WINDOW-ESCAPE W/O INSIDE TRIM-CLEAR-48.5" X 24.5"
2	002282-09-000	EA WEATHERSTRIP-.125" X 133.25"-BLACK
3	002285-01-000	FT FILLER-WEATHERSTRIP-RUBBER-BLACK
4	076337-13-000	EA GLASS-EGRESS 1157 X 548
	102922-01-000	EA TAPE ASM-ESCAPE WINDOW-RED

**ESCAPE WINDOW
USED WITH DOUBLE BED/BUNK BEDS**

KEY	PART NUMBER	U/M DESCRIPTION	VENDOR NO.
	116976-01-01A	EA WINDOW-REARESCAPE-26.4" X 26.3"	
	100322-01-701	FT SEAL-VENT	122-016071
	112898-06-704	EA HANDLE-LATCH, RED-RH	182-11293
	112898-06-705	EA HANDLE-LATCH, RED-LH	182-11294
	116976-01-700	EA GLASS	096-018786
	116976-01-701	EA TRIM	W38653
	116976-01-702	FT FILLER PLUG	132-016065

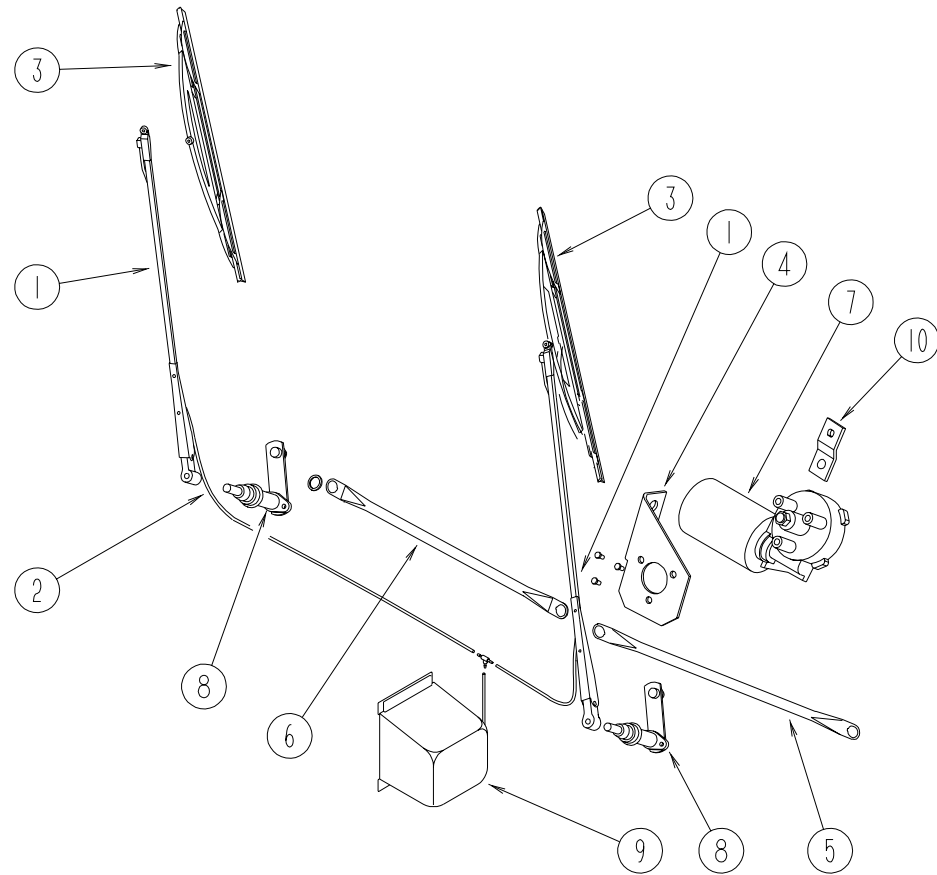
WINDOW, VENT & EXTERIOR DOOR GROUP (CONTINUED)



ENTRY DOOR WINDOW

KEY	PART NUMBER	U/M DESCRIPTION
	117055-02-01A	EA FRAME-WINDOW-ENTRY DOOR-BLACK
1	117053-04-FB1	EA WINDOW-ENTRANCE DOOR-GLASS
2	002181-27-000	EA GLASS-WINDOW, PICTURE 655 X 417 CLEAR 90%
3	069640-03-000	FT SEALER-TAPE, 3/4" X 1/8"-BLACK
4	087561-01-000	FT SEAL-GLASS-EXTERIOR-.5" WIDE-VINYL-BLACK

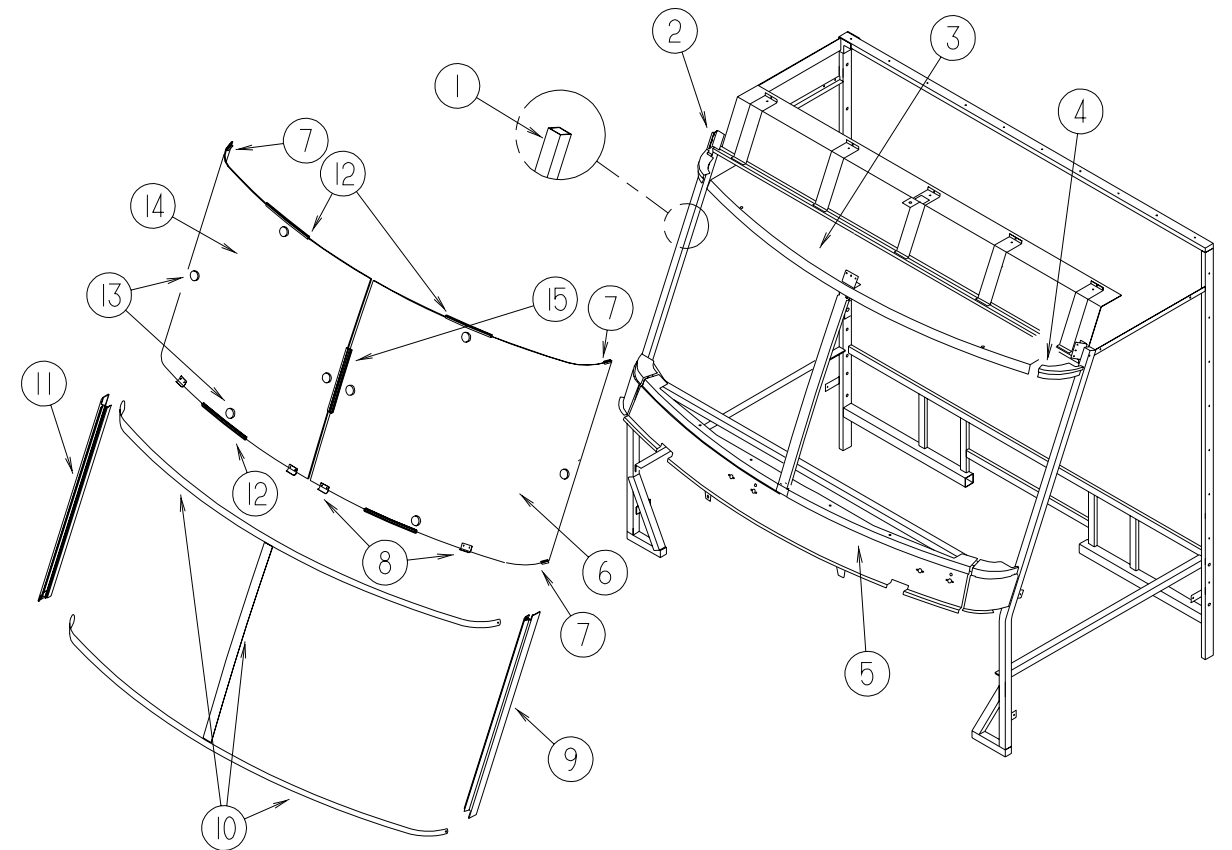
WINDSHIELD&WIPERGROUP



WIPERCOMPONENTS

KEY	PARTNUMBER	U/M	DESCRIPTION	VENDOR NO.
1	103671-01-000	EA	ARM -WIPER - 24"	
2	096931-01-700	FT	HOSE-WIPER	XTU-66-0001
	096931-01-701	EA	NOZZLE-HARDWAREKIT-INCLUDESNOZZLE,NUT,SCREWSANDPLASTICCAP	
	110742-01-000	EA	GASKET-NEOPRENE WIPER ADAPTER SHAFT - 13/4"ODX1"ID	
3	095964-01-000	EA	BLADE -WINDSHIELDWIPER - 24"	
	095964-01-700	EA	BLADE-REFILL 24" EA=1 BLADE	12360
4	104549-01-000	EA	BRACKET-WIPER	
	117322-01-000	EA	SCREW - 1/4-28UNF - 2A - TORX	
5	117008-01-000	EA	LINK/ROD-WIPERCONNECTING-DRIVERSIDE	
6	117008-02-000	EA	LINK/ROD-WIPERCONNECTING-PASSENGERSIDE	
7	104346-04-000	EA	MOTOR-WIPERW/INTERNALBREAKER	
8	096505-05-000	EA	SHAFT/PIVOT-PASSENGERSIDE	
8	096505-06-000	EA	SHAFT/PIVOT-DRIVERSIDE	
	096505-02-700	EA	DRIVER-KNURLED,(HD)BRL.687	NT721017
	096505-02-701	EA	NUT-HEX(HD)W/.687BARREL	NT721021
	096505-02-702	EA	CAP-RUBBER(HD)BARREL.687	CP721084
	096505-02-703	EA	CAP-NUT(ACORN)HDW/.687BRL	51065-40-NT27WC
9	117766-02-000	EA	RESERVOIR/PUMP-WINDSHIELDWASHER	
	056000-01-700	FT	HOSE-VAC.,WIPER7/64X5/32	60-455
10	104347-01-000	EA	ARM-DRIVE-WIPERMOTOR - 1.54" -W/TAPEREDDRIVEHOLE	
	110178-01-000	EA	HOUSING-WIPERMOTOR	
	067188-01-000	EA	STUD-CRANK-WIPER-WINDSHIELD	
	061603-01-000	EA	GROMMET-SNAP-3/16"ID-3/8" HOLE-PLASTICBLACK	
	045794-01-000	FT	HOSE-WASHER-WINDSHIELD-5/32"ID-BLACK	
	117765-03-000	EA	CONNECTOR-5/32"-WINDSHIELDWASHER	
	110605-01-000	EA	TEE-PLASTIC-BARBED-1/8"X1/8"X3/16"	

WINDSHIELD&WIPERGROUP(CONTINUED)



WINDSHIELDMOLDINGS&GLASS

KEY	PARTNUMBER	U/M	DESCRIPTION
1	098788-06-000	EA	CHANNEL-49"PCV
2	077922-03-000	EA	HEADER-WINDSHIELD-RIGHTEND
3	077922-05-000	EA	HEADER-WINDSHIELD-CENTER
4	077922-04-000	EA	HEADER-WINDSHIELD-LEFTEND
5	077847-02-000	EA	SUPPORT-WINDSHIELD-LOWER-W/OBRACKETS
6	088793-04-000	EA	GLASS-WINDSHIELD-DRIVER
7	110268-01-000	EA	WINDSHIELDCARRIER - 50.40"
8	104449-01-000	EA	SUPPORT-WINDSHEILD
9	103107-02-01A	EA	TRIM-WINDSHIELD-SIDE BLACK
10	102936-01-000	FT	MOLDING-REVEAL-WINDSHEILD
11	103107-01-01A	EA	TRIM-WINDSHIELD-SIDE BLK
12	110268-01-000	EA	WINDSHIELDCARRIER - 50.40"
13	081914-01-000	EA	BUMPER-RUBBER-ROUND-.43"DIAMETER-BLACK
14	088793-03-000	EA	GLASS-WINDSHIELD-PASSENGER
15	110268-01-000	EA	WINDSHIELDCARRIER - 50.40"