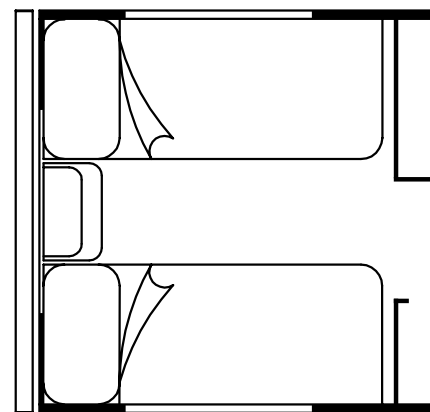
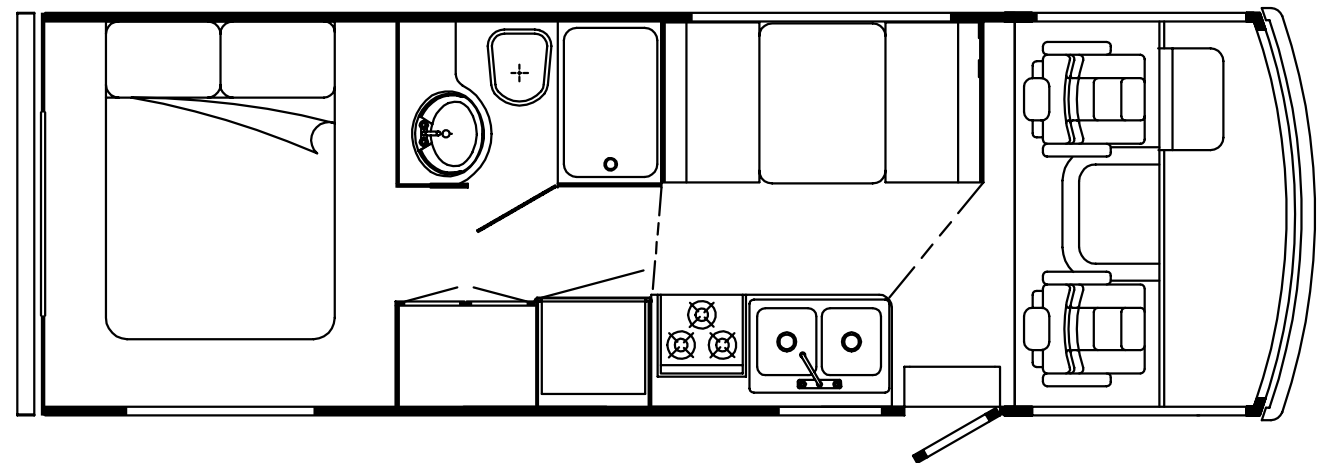
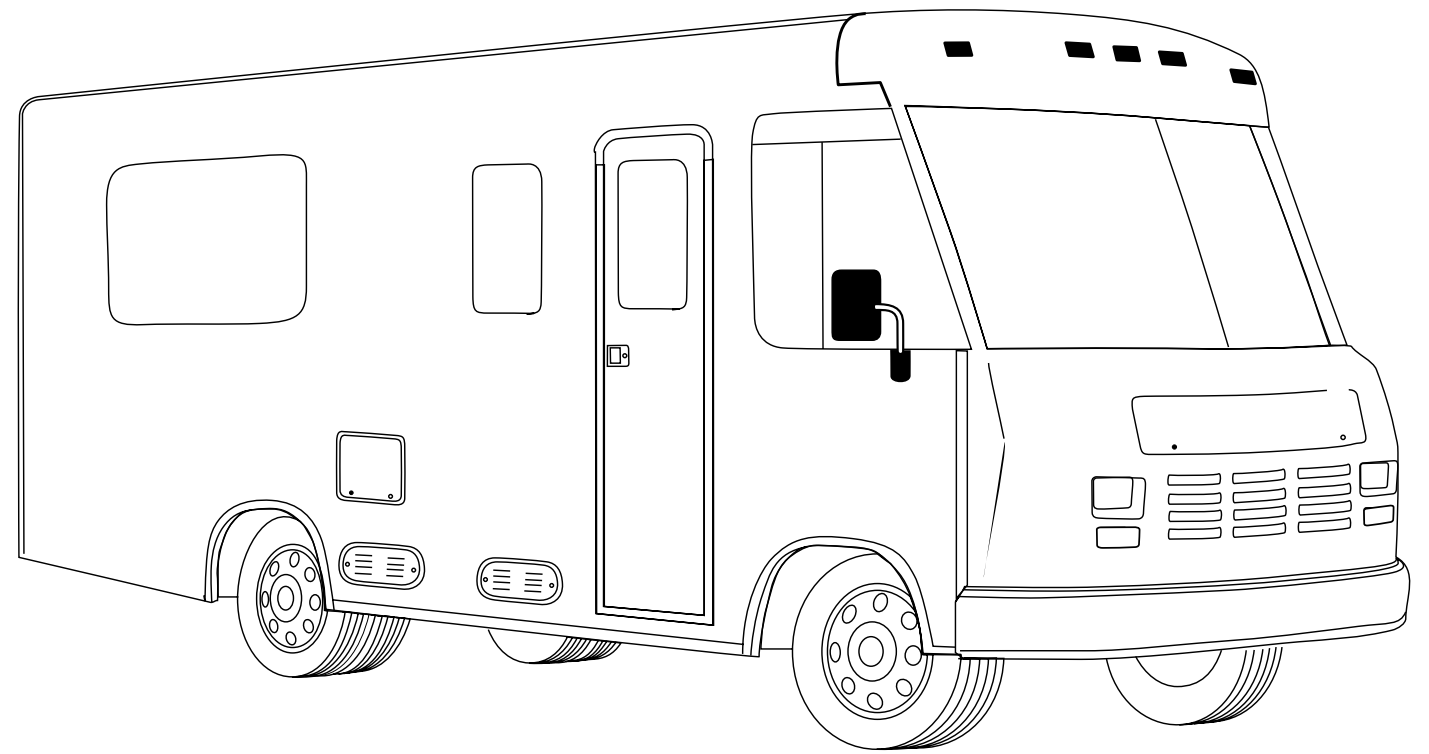


1997
WCD25RU

H01
BLUE RIDGE (BLUE)

H02
PAINTED DESERT (TAN/TEAL)

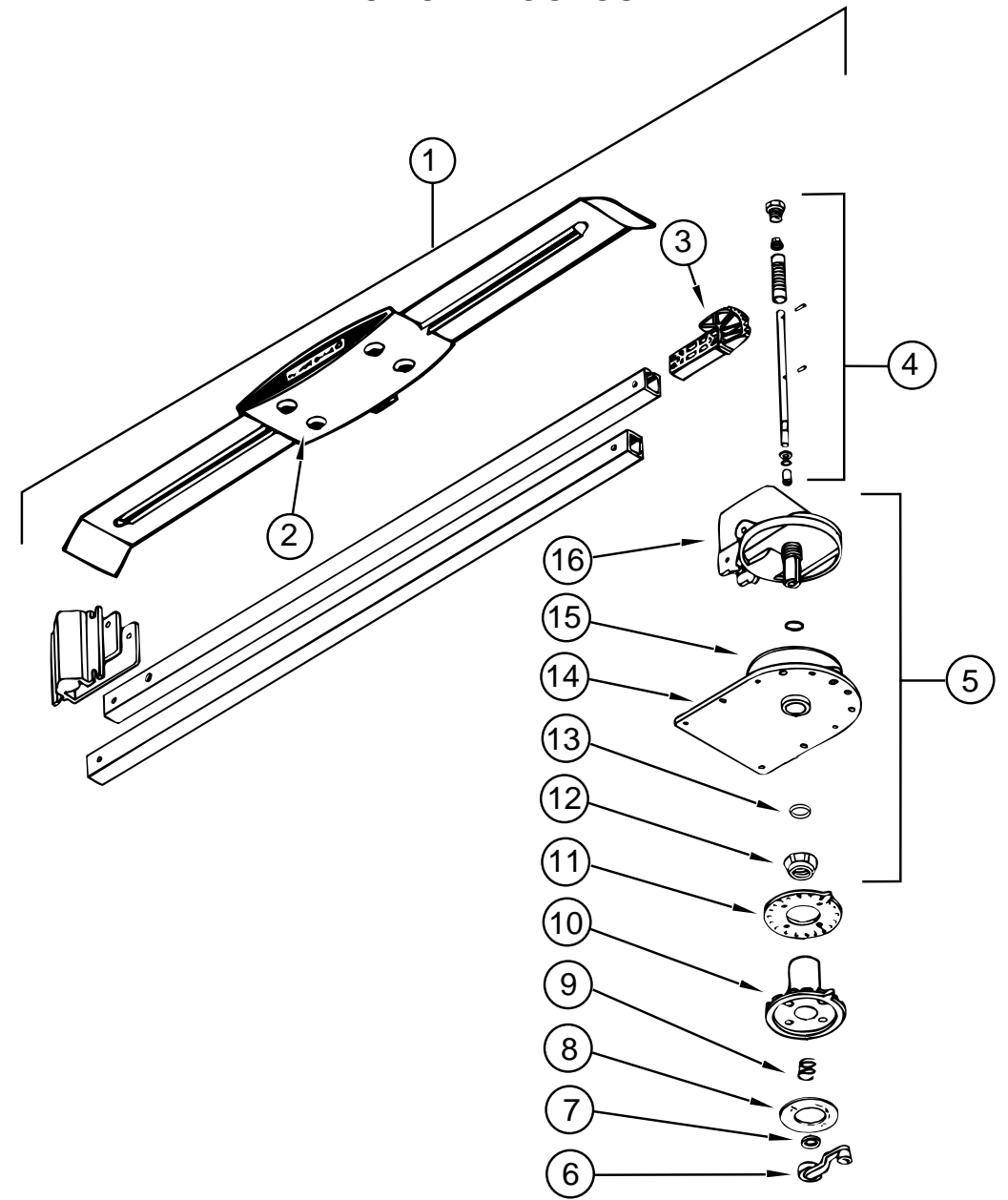


ACCESSORIESGROUP

OPERATORMANUAL

| KEY | PARTNUMBER | U/M DESCRIPTION |
|-----|---------------|--------------------------------------|
| | 054185-F1-000 | EA MANUAL-OPERATOR97WARRIOR D-SERIES |
| | 092318-01-000 | EA BINDER-3RING,MOTORHOME MANUAL |
| | 092319-01-000 | EA POCKETPAGE-3RINGBINDER,PLASTIC |
| | 122317-01-000 | DW TOPLEVELDRAWING,1997D-SERIES |

AUDIOVIDEOGROUP



TV ANTENNA(WINEGARD)

| KEY | PARTNUMBER | U/M DESCRIPTION | VENDORN. |
|-----|---------------|---|----------|
| 1 | 076319-21-000 | EA ANTENNA-TVROOFMOUNT-3"ROOF | |
| 2 | 076319-01-700 | EA HEAD-ANTENNA-AMPLIFIED | RVSAU/V |
| 3 | 076319-01-701 | EA GEAR-ELEVATING-PLASTIC | 2200046 |
| 4 | 076319-01-702 | EA SHAFTASM-ELEVATING | RVP-400A |
| 5 | 076319-01-711 | EA BASE&LIFTASM | 2762802 |
| 6 | 076319-01-706 | EA CRANK-ELEVATING-W/SETSCREW-UNIVERSAL | 2750897 |
| 7 | 076319-01-705 | EA BEARING-NYLON-7/8"ID | 3200658 |
| 8 | 076319-01-708 | EA CRANKCOVERDECAL | 5413002 |
| 9 | 076319-01-707 | EA SPRING-HANDLE | 5160822 |
| 10 | 076319-01-709 | EA PLATE-DIRECTIONAL-FORHEAD | 3200621 |
| 11 | 076319-01-712 | EA CEILINGPLATE-WINEGARD | 3200608 |
| 12 | 076319-01-715 | EA NUT(GEARHOUSING) | 2200047 |
| 13 | 076319-01-704 | EA BEARING-NYLON-1.5"OD | 3200657 |
| 14 | 076319-01-713 | EA BASEPLATE | 3100523 |
| 15 | 076319-01-703 | EA BEARING-NYLON-5"OD | 3200656 |
| 16 | 076319-01-714 | EA HOUSING-ROTATINGGEAR | 2200049 |

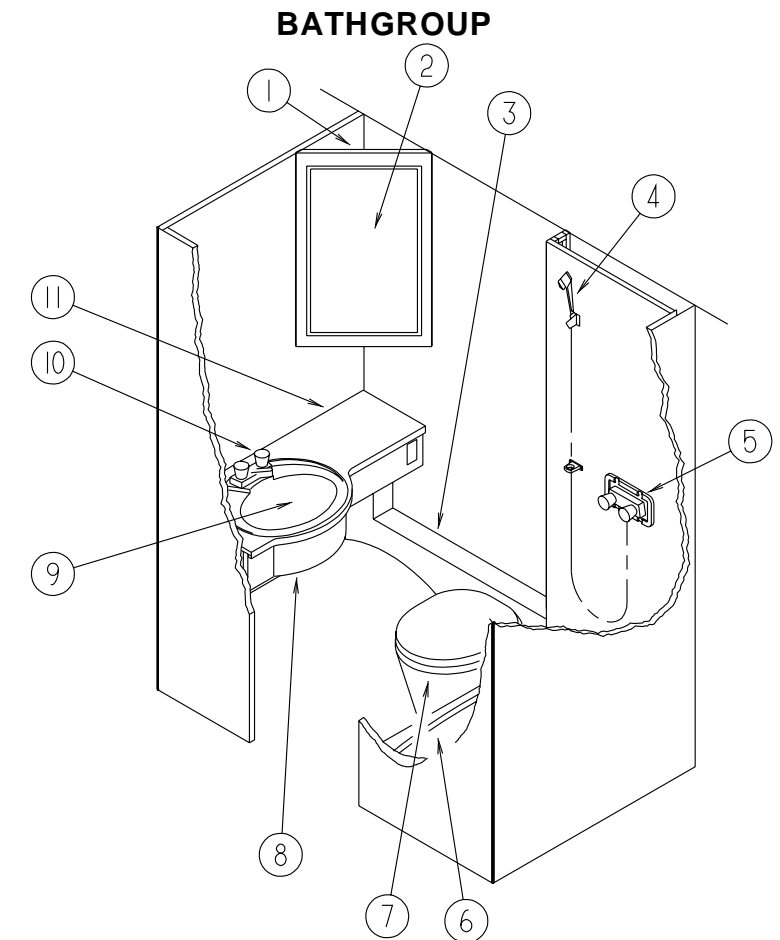
AUDIOVIDEOGROUP(CONTINUED)

RADIO SYSTEM & ANTENNA

| KEY | PARTNUMBER | U/M | DESCRIPTION |
|-----|---------------|-----|-----------------------------------|
| | 110267-01-000 | EA | RADIO-AM/FM STEREO |
| | 081059-02-000 | EA | WIRE ASSEMBLY-9PIN-RADIO |
| | 077069-02-000 | EA | CABLE-EXTENSION-RADIO ANTENNA-96" |
| | 110272-01-000 | EA | BRACKET-ANTENNA |
| | 110469-01-000 | EA | SPEAKER-4" X 6" OVAL-COAXIAL |
| | 110470-01-01A | EA | GRILLE-4" X 6" BLACK OVAL SPEAKER |
| | 090944-01-000 | EA | ANTENNA-RADIO-RUBBER-16" |
| | 105305-01-000 | EA | WIRE ASSEMBLY-SPEAKER-ADAPTER |

TV & COMPONENTS

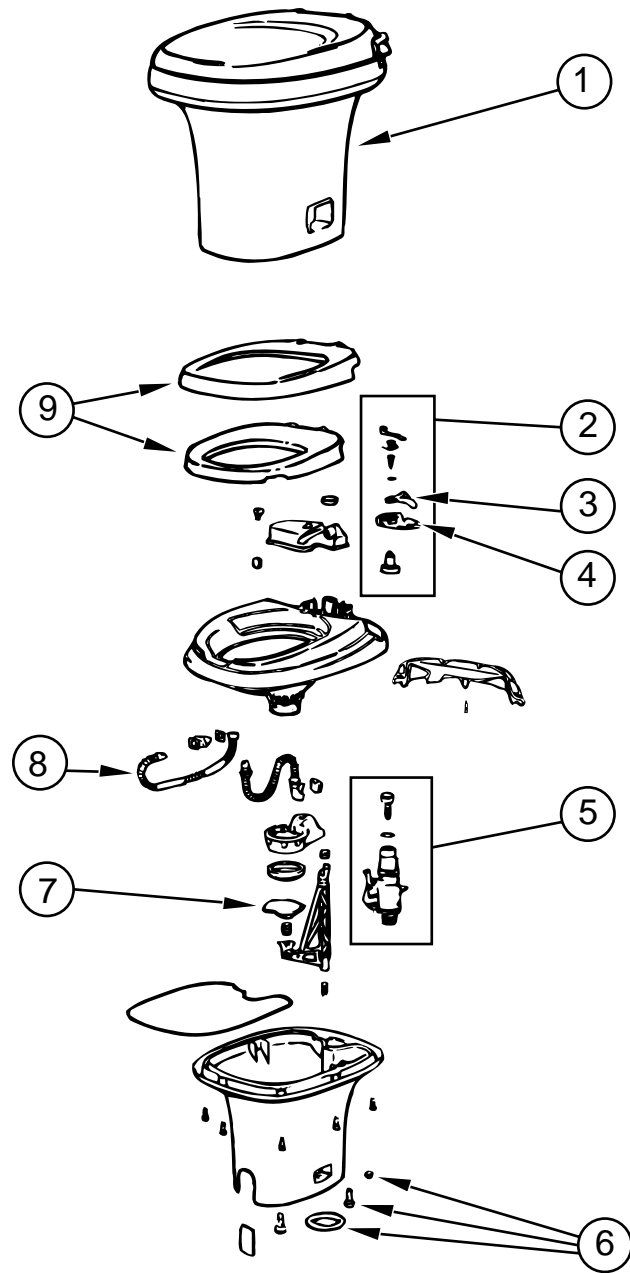
| KEY | PARTNUMBER | U/M | DESCRIPTION | VENDOR NO. |
|-----|---------------|-----|---|------------|
| | 086777-01-000 | EA | WALLPLATE-TV CABLE-W/ANTENNA SWITCH-IVORY | |
| | 113684-02-000 | EA | TV-19" COLOR W/1/8" JACK-19 3/8" W X 17 3/16" H X 18 1/4" D | |
| | 113684-01-700 | EA | REMOTE | 0892345 |
| | 076319-03-000 | FT | CABLE-COAXIAL-75 OHM | |
| | 076319-12-000 | EA | CONNECTOR-COAXIAL-ONE PIECE | |
| | 076319-06-000 | EA | ADAPTER-CABLE ROOF PLATE | |
| | 086777-01-000 | EA | WALLPLATE-TV CABLE-W/ANTENNA SWITCH-IVORY | |



BATHROOM CABINET & COMPONENTS

| KEY | PARTNUMBER | U/M | DESCRIPTION | |
|-----|---------------|-----|--|-------------------------------|
| 1 | 121852-01-H01 | EA | CABINET-MEDICINE-W/ODOORS/HARDWARE | |
| 2 | 110140-13-GB1 | EA | DOOR-MITERED CORNER/VINYL WRAP-15.5" X 29.5"-W/O HDW | |
| | 058331-85-000 | EA | MIRROR-SAFETY GLASS-20.8" X 35.4" | |
| 3 | P10276-01-000 | EA | CABINET-PIPE COVER-W/O CARPET | |
| 4 | 103092-01-000 | EA | SHOWERHEAD-W/60" HOSE | |
| | 103092-02-000 | EA | SHOWERHEAD-W/HOSE-CSA | |
| | 103092-01-700 | EA | BRACKET-F/SHOWERHEAD,CLEAR | 2328028 |
| | 011048-03-700 | EA | BRACKET-F/SHOWERHEAD | 2328029-3 |
| 5 | 109801-01-01A | EA | FAUCET-SHOWER CTRL,PARCHMENT | |
| | 075606-01-000 | EA | PANEL-FAUCET BACK-SHOWER-5" X 9" | |
| 6 | M02630-22-C07 | EA | SHOWER PAN | |
| | 066440-01-000 | EA | STRAINER-SHOWER-W/RUBBER WASHER | |
| | 069735-01-000 | EA | WASHER-STRAINER TOTAL PIECE PLASTIC-1.5" | |
| 7 | 063740-01-000 | EA | TOILET-HIGH,HAND FLUSH,AQUAMAGIC IV | |
| | 116644-01-000 | EA | FLANGE-CLOSET-4" X 3" | |
| | 024676-02-000 | EA | FLANGE-CLOSET-4" X 3"-ABS-CANADIAN | |
| 8 | P10118-01-GB1 | EA | CABINET ASM-LAVATORY | |
| 9 | 109683-01-01A | EA | SINK-LAVATORY-LARGE OVAL-17" X 20" | |
| | 106116-01-01A | EA | STRAINER-SINK-W/STOPPER/TAILPIECE/GASKET & NUT-PLASTIC | |
| 10 | 109800-01-01A | EA | FAUCET-LAVATORY,PARCHMENT | |
| | 105218-01-01A | EA | SPACER-FAUCET/LAVATORY SINK-2" X 5.9"-ABS PLASTIC | |
| 11 | 110118-11-GB1 | EA | COUNTERTOP ASM | |
| | 075452-02-000 | EA | HOLDER-TOILET TISSUE-BRASS | |
| | 075453-02-000 | EA | BAR-TOWEL,18" BRASS | |
| | 121449-03-H01 | EA | DOOR ASM-BATH | |
| | 105394-01-05A | EA | MOLDING/JAMB-PLASTIC | |
| | 094485-03-01A | EA | KNOB-DOOR-BRASS | |
| | 102920-01-01A | EA | HINGE-DOOR-SPRING LOADED/BRASS | |
| | 110496-01-01A | EA | HINGE-BRASS | FROM: 00-00-00 THRU: 06-16-96 |
| | | | | FROM: 06-17-96 THRU: 99-99-99 |
| | 121449-12-G04 | EA | RACK-TOWEL-BATH DOOR | |
| | 100357-01-000 | EA | ROD-TOWEL-BRASS | |

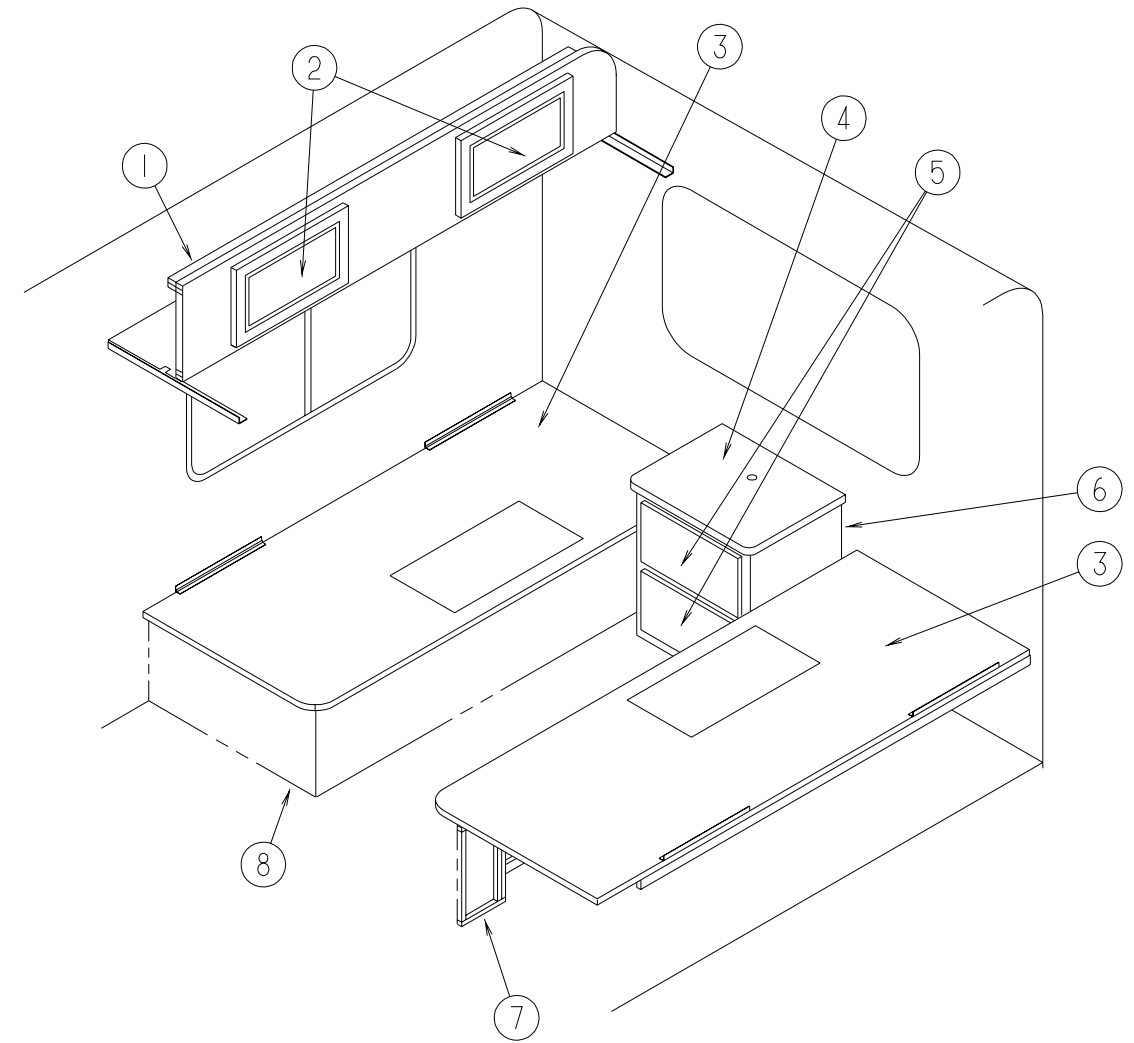
BATHGROUP(CONTINUED)



AQUAMAGICIVHIGHTOILET

| KEY | PARTNUMBER | U/M | DESCRIPTION | VENDORNO. |
|-----|---------------|-----|-----------------------------------|---------------|
| 1 | 063740-01-000 | EA | TOILET-HIGH,HANDFLUSH,AQUAMAGICIV | |
| 2 | 063740-01-720 | EA | LEVERKIT,WAT-FLUSH-BEARING | 24629 |
| 3 | 063740-01-700 | EA | LEVER-WATER | 12514THETFORD |
| 4 | 063740-01-701 | EA | LEVER-FLUSH | 12515THETFORD |
| 5 | 063740-01-714 | EA | VALVEASM(VALVE-BALLSEAL) | 13168 |
| 6 | 063740-01-706 | EA | BOLTPACKAGE-FLOORFLANGE | 12524THETFORD |
| 7 | 063740-01-721 | EA | BLADEONLY | 1248232 |
| 8 | 063740-01-717 | EA | TUBE-FLUSH | 12509 |
| 9 | 063740-02-700 | EA | SEAT&COVER,PARCHMENT | 2464157 |
| | 067487-02-702 | EA | TANK-RESERVOIR | |

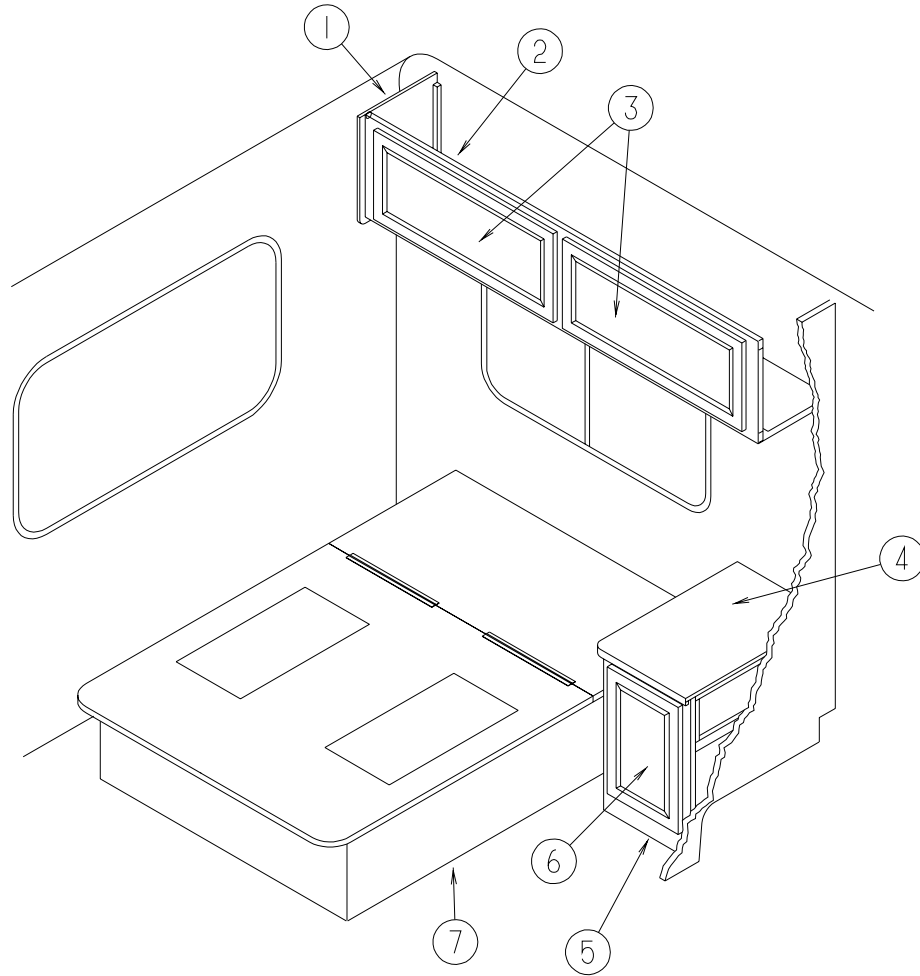
BEDROOMGROUP



TWINBEDROOM

| KEY | PARTNUMBER | U/M | DESCRIPTION |
|-----|---------------|-----|---|
| 1 | 112327-01-GB1 | EA | CABINET-OVERHEAD/BUNK-RIGHTHAND-W/ODOORS/HARDWARE |
| | 112327-02-GB1 | EA | CABINET-OVERHEAD/BUNK-LEFTHAND-W/ODOORS/HARDWARE |
| 2 | 110140-11-G01 | EA | DOOR-MITEREDCORNER/VINYLRAP-13.3"X21.8"-W/OHDW |
| 3 | M05138-13-FB1 | EA | TOP-TWINBED/RIGHTHAND-W/OHARDWARE |
| 3 | M05138-14-000 | EA | TOP-TWINBED/LEFTHAND-W/OHARDWARE |
| 4 | 122711-11-H01 | EA | COUNTERTOP-NIGHTSTAND |
| 5 | P10163-AY-H01 | EA | DRAWER-W/OSLIDES/HARDWARE |
| 6 | 122711-01-H01 | EA | CABINET-NIGHTSTAND |
| 7 | P15169-01-GB1 | EA | CABINET-BASE-TWINBED/RIGHTHAND-W/ODOORS/DWRS/HDW |
| 8 | P15169-02-GB1 | EA | CABINET-BASE-TWINBED/LEFTHAND-W/ODOORS/DWRS/HDW |
| | 098442-02-GB1 | EA | LEG-SUPPORT |

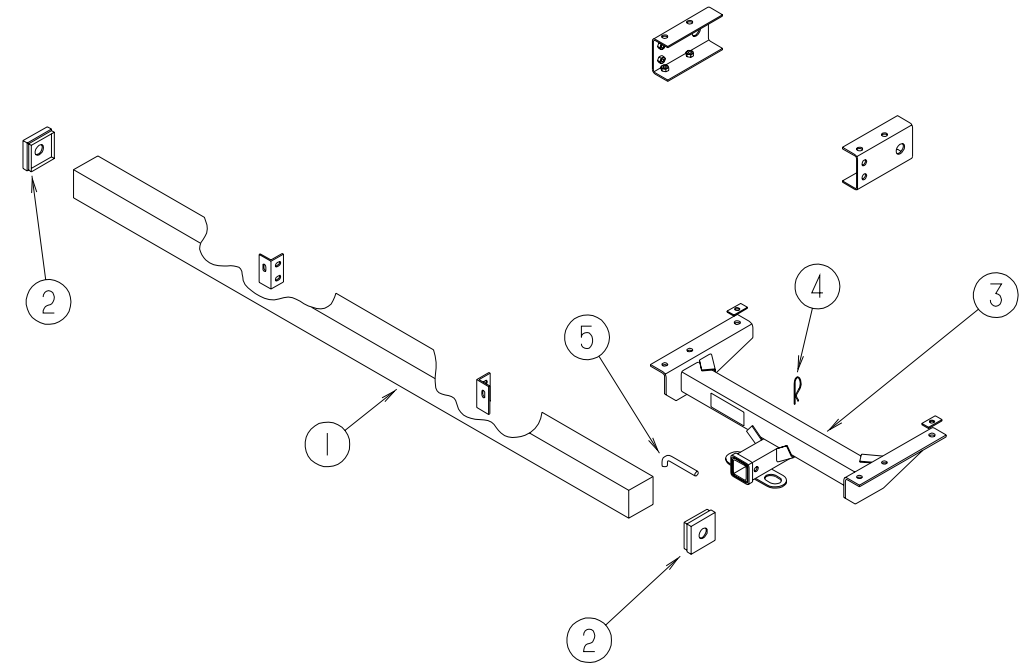
BEDROOMGROUP(CONTINUED)



DOUBLEBEDROOM

| KEY | PARTNUMBER | U/M DESCRIPTION |
|-----|---------------|--|
| 1 | 109908-04-GB1 | EA ENDCAP-OVERHEAD |
| 2 | 121673-01-H01 | EA CABINETASM-OVHD,REAR,LH |
| 3 | 110140-65-H04 | EA DOOR-MIRROR/MTRDCRNR/VINYLRAP-14.3'X33.4"-W/O |
| | 108536-13-09A | EA MIRROR-GLASSBOTANICAL |
| 4 | 112304-11-GB1 | EA COUNTERTOPASM |
| 5 | 112304-01-GB1 | EA CABINETASM-NIGHTSTAND |
| 6 | P10163-AY-H01 | EA DRAWERCOMPL-SLIDE |
| 7 | P15127-01-GB1 | EA CABINETASM-BED |
| | 098442-02-GB1 | EA LEG-SUPPORT |

CHASSISGROUP



REARBUMPER,TRAILERHITCH&COMPONENTS

| KEY | PARTNUMBER | U/M DESCRIPTION |
|-----|---------------|---|
| 1 | 110231-01-FB1 | EA BUMPER-REAR |
| 2 | 039779-01-000 | EA CAP-BUMPER-RUBBER-4"X4"-BLACK |
| 3 | 107707-01-000 | EA HITCHRECEIVER-BOLT-ONCLASSII |
| 4 | 034513-01-000 | EA PIN-HITCH-3/16"WIRE |
| 5 | 034512-01-000 | EA PIN-LOCKING-DRAWBAR |
| | 109738-01-01A | EA BRACKET-BUMPER |
| | 070579-09-000 | EA PLATE-ANCHOR |
| | 097744-02-000 | EA HOUSING-TRAILERPIN,48" |
| | 097746-01-000 | EA HOUSINGCAP-TRAILERPIN |
| | 097745-02-000 | EA HOUSING-RECEPTACLE,TRAILER-48"WIRELENGTH |
| | 113588-02-01B | EA BRACKET-CONNECTOR-TRAILERW/OLIP |
| | 113589-02-000 | EA CONNECTOR-SOCKET-TRAILER |
| | 113589-01-000 | EA CONNECTOR-PLUG-TRAILER |

FRONTBUMPERBRACKETS

| KEY | PARTNUMBER | U/M DESCRIPTION |
|-----|---------------|-----------------------------|
| | 117611-01-02B | EA BRACKETASM-BUMPER,E-CT |
| | 117611-02-02B | EA BRACKETASM-BUMPER,E-COAT |

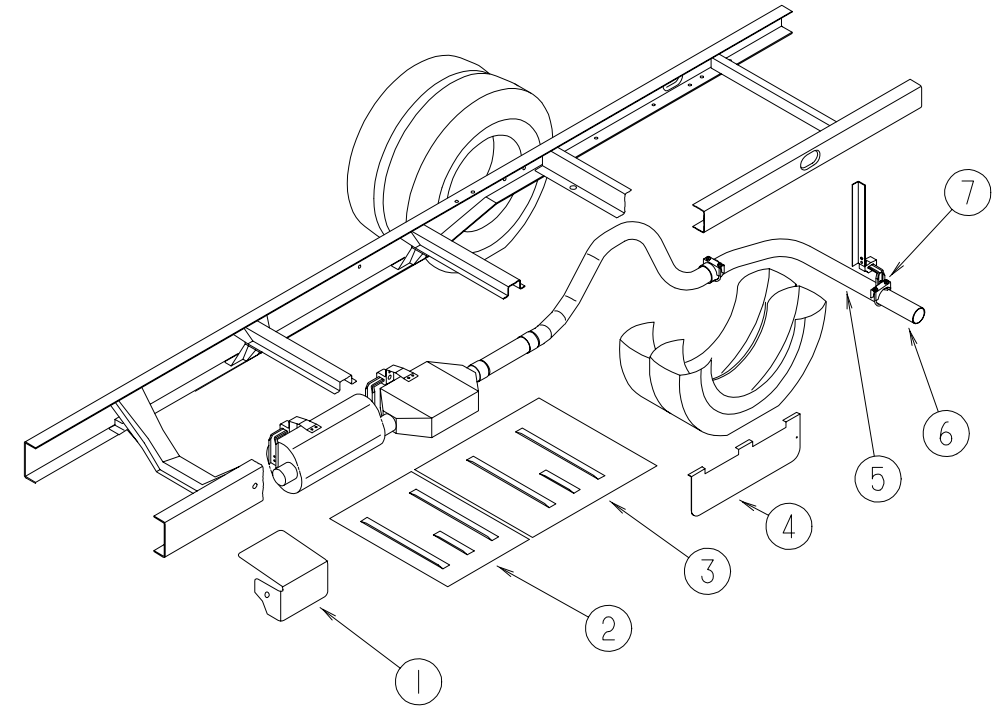
CHASSISGROUP(CONTINUED)

CHASSISMISCELLANEOUS

| KEY | PARTNUMBER | U/M | DESCRIPTION |
|-----|---------------|-----|--|
| | 076310-01-000 | EA | BAFFLE-RADIATOR-.12"X15"X62"-RUBBER |
| | 087234-01-000 | EA | NUT-JACK-1/4"X20THEADS-MOLLY-MOUNTSLICENSEPLATES |
| | 080208-01-000 | EA | LUGWRENCH-1.06'X1.00' |
| | 080208-02-000 | EA | BAR-LEVERAGE-LUGWRENCH |
| | 072877-01-000 | EA | INSULATION-SOUNDBARRIER-1.25"X46"X54" |
| | 072878-01-000 | EA | INSULATION-SOUNDBARRIERPAD-29.25"X40.19" |
| | 113875-01-000 | EA | HOSE-HUMP,3"-TOTURBOCHARGER(DIESELONLY) |
| | 093719-01-000 | EA | HOSE-OILFILL-PREFORMED90DEGREEBEND(DIESELONLY) |
| | 008042-01-000 | FT | TUBING-VINYL-.65"ID |

WHEELCOVER

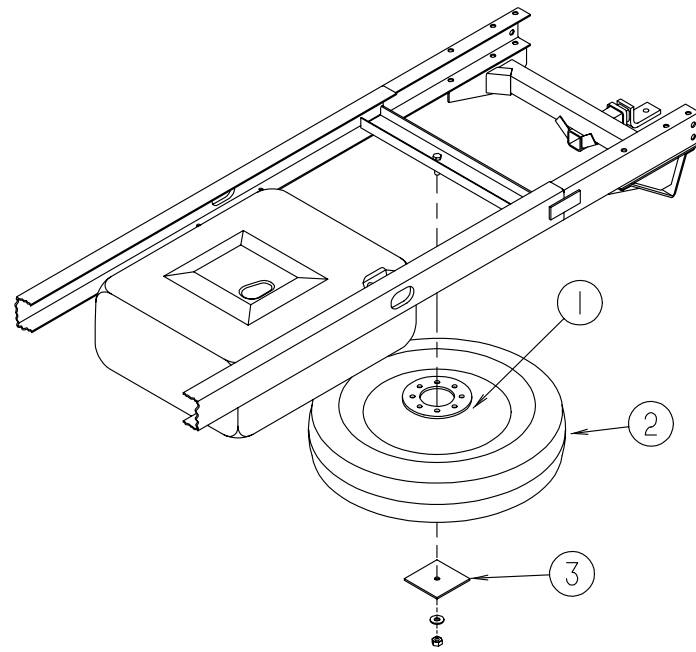
| KEY | PARTNUMBER | U/M | DESCRIPTION | VENDORNO. |
|-----|---------------|-----|--|------------|
| | 109443-01-000 | EA | WHEELCOVERSET-(EA=4WHEELCOVERSW/HARDWARE)19.5" | |
| | 109443-01-700 | EA | COVER-WHEEL19.5FRT/RREA=1 | SHAG95 |
| | 109443-01-701 | EA | BRACKET-RET.FRONTWHEEL | SHAG95-FBS |
| | 109443-01-702 | EA | BRACKET-RET.REARWHEEL | SHAG95-RBS |
| | 109443-01-703 | EA | CAP-CENTER,HUB-DICOR | SP-AUCAP |
| | 109443-01-704 | EA | CLIP-RETAINER | V160GM-PNT |
| | 109443-05-000 | EA | WHEELCOVER-4/SET,16"SS-DICORSHFM16 | |
| | 098532-01-700 | EA | COVER-LUGNUT(CHROME) | SHAU-LNC |
| | 109443-05-700 | EA | COVER-WHEEL,16"SSEA=1 | SHFM16-CVR |



EXHAUSTSYSTEM(GAS)

| KEY | PARTNUMBER | U/M | DESCRIPTION |
|-----|---------------|-----|---|
| 1 | 119847-01-02B | EA | SHIELD-A/CCONDENSER,E-COAT |
| 2 | 101544-01-000 | EA | SHIELD-HEAT-EXHAUST-19.7"X28.9" |
| 3 | 101544-02-000 | EA | SHIELD-HEAT-EXHAUST-30"X28.9"-STEEL |
| 4 | 053322-15-000 | EA | SHIELD-HEAT,EXHAUST - 90ICN27RT |
| 5 | 122529-01-000 | EA | PIPE-EXHAUST |
| 6 | 098762-05-000 | EA | EXTENSION-EXHAUST-STRAIGHT-3"O.DX7.9"LONG-SST |
| 7 | 094918-01-000 | EA | CLAMP-EXHAUST-3"-GUILLOTINESTYLE |
| | 122392-01-02B | EA | HANGER-TAILPIPE |
| | 122392-03-02B | EA | HANGER-TAILPIPEREAR |

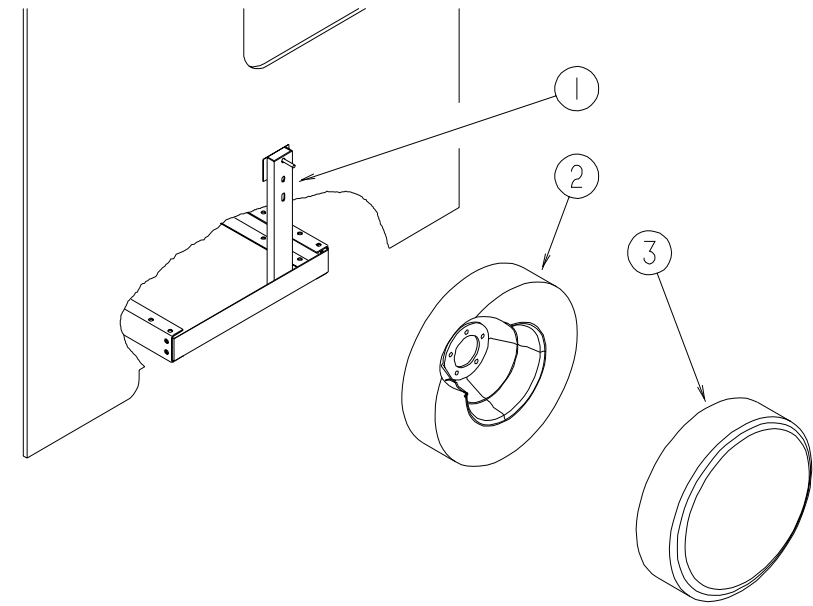
CHASSISGROUP(CONTINUED)



LUGWRENCH, BAR AND SPARE TIRE - 16"

| KEY | PARTNUMBER | U/M | DESCRIPTION |
|-----|---------------|-----|---|
| 1 | 089359-03-000 | EA | WHEEL - STEEL, 16" X 6" K-8 HOLE - PRIMED |
| 2 | 083425-07-000 | EA | TIRE - 7.50XR16LRD, MICHELIN XPSRIB |
| | 051377-03-000 | EA | STEM - VALVE, TRO600HP |
| 3 | 111685-01-000 | EA | PLATE - SPARE TIRE |
| | 080208-01-000 | EA | LUG WRENCH, 1.06" X 1.00" |
| | 080208-02-000 | EA | BAR - LEVERAGE, LUG WRENCH |

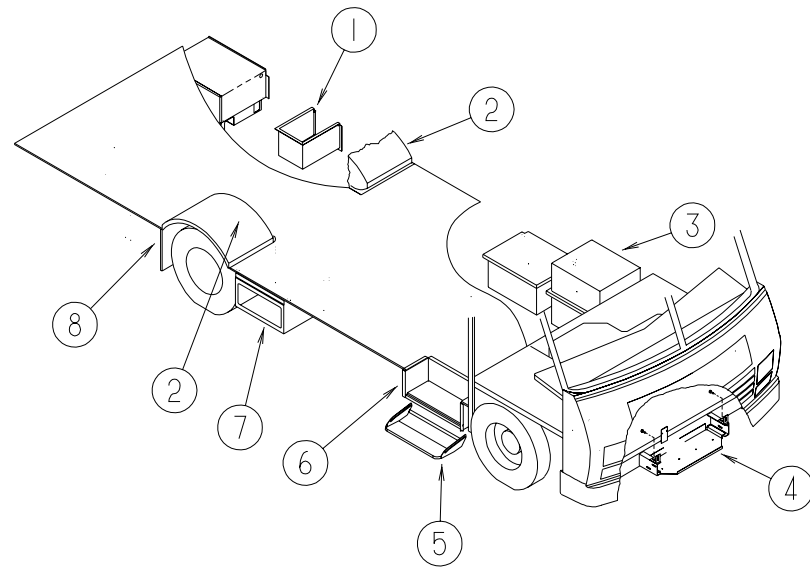
CHASSISGROUP(CONTINUED)



LUGWRENCH, BAR AND SPARE TIRE - 19.5"

| KEY | PARTNUMBER | U/M | DESCRIPTION |
|-----|---------------|-----|--|
| 1 | 116671-01-02B | EA | BRACKET - SPARE TIRE - CHEVY |
| 2 | 064963-01-000 | EA | WHEEL - STEEL - 19.5" X 6" - GM 14005758 |
| 2 | 091673-01-000 | EA | TIRE - 225/70R19.5 LRF, XZA - MICHELIN XZA |
| 2 | 007324-03-000 | EA | TIRE - MICHELIN - 8R - 19.5 LOAD RANGE F |
| | 051377-01-000 | EA | VALVE STEM |
| 3 | 073322-08-GB1 | EA | COVER - TIRE, 34" |
| | 073322-50-000 | EA | COVER - UNIVERSAL LINER |
| | M00080-88-000 | EA | TIRE - WHEEL ASSEMBLY - 8R 19.5LRD |
| | | | FROM: 01-02-96 THRU: 10-21-96 |
| | M00080-91-000 | EA | TIRE - WHEEL ASM 225/70R19.5F - GM-CHASSIS |
| | | | FROM: 10-22-96 THRU: 99-99-99 |
| | 080208-01-000 | EA | LUG WRENCH, 1.06" X 1.00" |
| | 080208-02-000 | EA | BAR - LEVERAGE, LUG WRENCH |

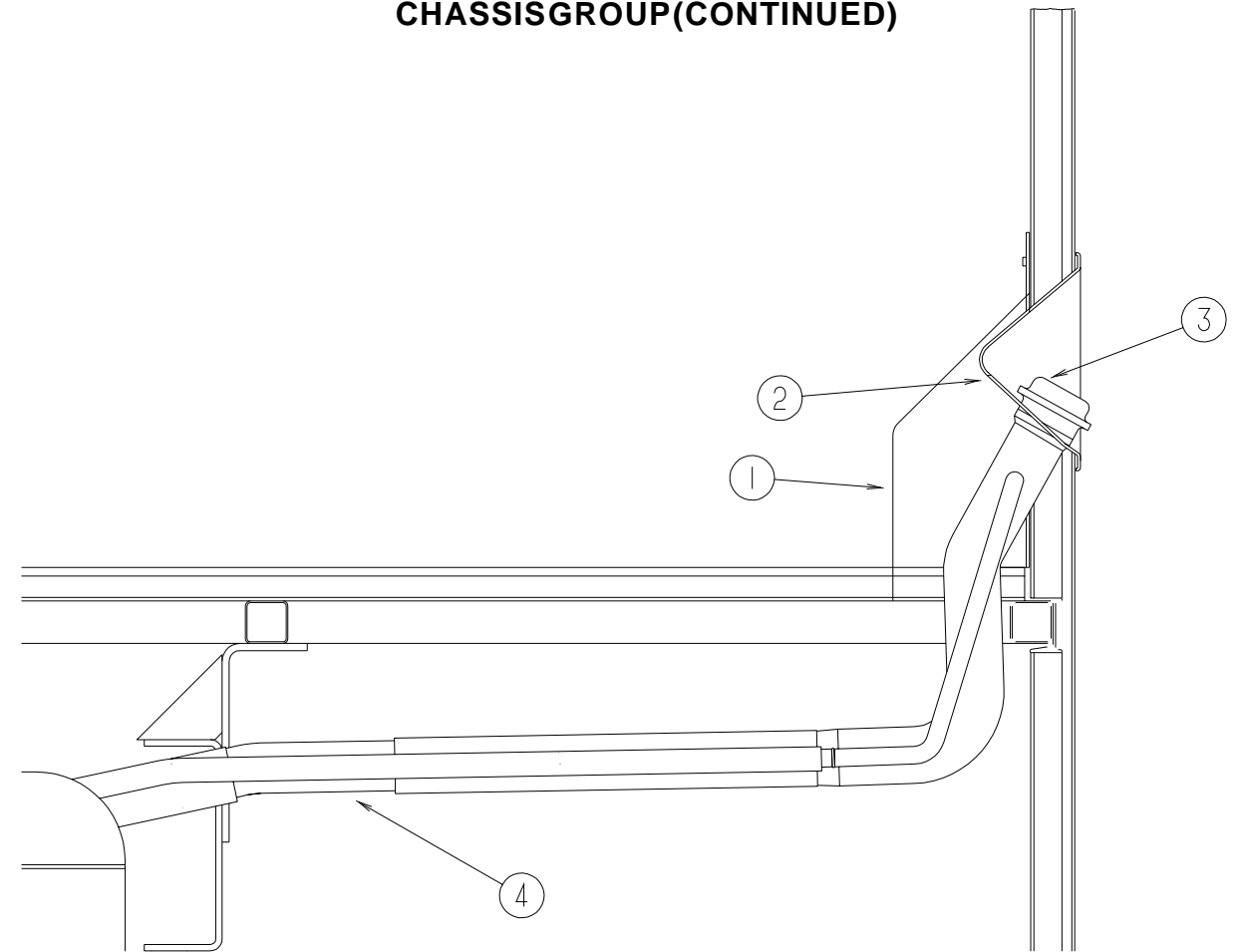
CHASSISGROUP(CONTINUED)



STORAGECOMPARTMENTS&WHEELWELLS

| KEY | PARTNUMBER | U/M | DESCRIPTION |
|-----|---------------|-----|--|
| 1 | 102979-03-000 | EA | BOX-POWERCORD |
| 2 | 055080-01-000 | EA | WHEELWELL-PLASTIC-REAR-BLACK-LEFTORRIGHT |
| 3 | 110184-02-000 | EA | COMPARTMENT-STORAGE |
| 4 | 065450-05-000 | EA | TIEDOWN-BATTERY,8.4" TUBE |
| 5 | 077848-02-000 | EA | STEP-PULLOUT-W/BRACKETS-BLACK |
| | 091176-01-000 | EA | SUPPORT-BASE-ENTRANCESTEP |
| 6 | 076241-12-000 | EA | BOX-SUPPORT,ENTRYDOORSTEP-23.3"X12.3"X11.4"-ST |
| 7 | 109814-02-000 | EA | COMPARTMENT-STORAGE,543X610MM-PLASTIC |
| 8 | 109814-02-000 | EA | COMPARTMENT-STORAGE,543X610MM-PLASTIC |
| | 115361-01-01A | EA | PLUG-PLASTIC |
| | 056746-01-000 | EA | PLUG-CAP-1"DIAMETER |
| | 114070-02-02B | EA | SUPPORT-GENERATOR-LEFT |
| | 114071-02-02B | EA | SUPPORT-GENERATOR-RIGHT |
| | P23361-01-000 | EA | DUCT-AIRINTAKE |
| | 123361-01-000 | EA | DUCT-AIRINTAKE |
| | 119847-01-02B | EA | SHIELD-A/C COMPRESSOR |
| | 116213-01-02B | EA | BRACKET-SLIDEOUTCONTS,E-CT |
| | 102805-01-000 | EA | CHANNEL-EXTENSION-FRONTFRAME |
| | 104147-02-000 | EA | SHIELD-SPLASH-RIGHTHAND |
| | 121552-01-02B | EA | TRAYASM-BATTERY,E-COAT |
| | 115775-01-02B | EA | COMPARTMENTASM-GEN,E-COAT |
| | 001360-01-004 | EA | STL-RODCR.375DIAX028.25IN |
| | 033865-01-073 | EA | STL-11GAHRP&O02.00X027.40 |
| | 112864-01-000 | FT | FOAM-BUTYLCOVERED3/8" |
| | 105376-01-02A | EA | HINGE-CONTINUOUS-2"X5.5" |

CHASSISGROUP(CONTINUED)



FUELSYSTEM

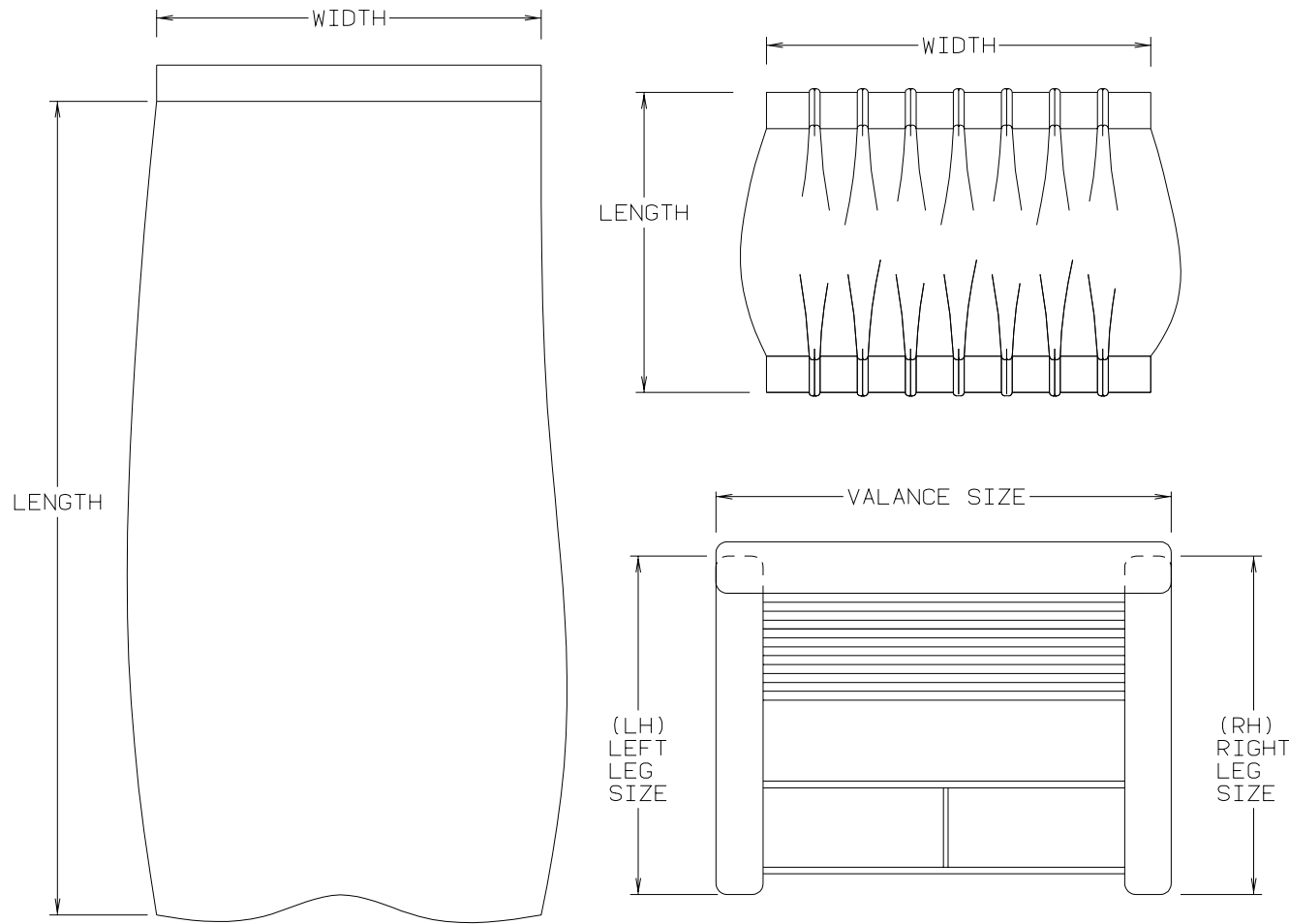
| KEY | PARTNUMBER | U/M | DESCRIPTION |
|-----|---------------|-----|---|
| 1 | 072447-09-000 | EA | SHROUD-FUELFILL |
| | 072447-04-000 | EA | SHROUD-FUELFILL-UPPER |
| | 095854-01-04A | EA | SHROUD-FUELFILL-BRIGHTWHITE |
| 2 | 102951-01-01A | EA | SHROUD-FUELFILL-UNFINISHED |
| 3 | 073220-02-000 | EA | CAP-FILL,FUEL-NONLOCKING-GAS-GM22525302 |
| 4 | N/A | EA | NECK-FUELFILL,LOWERW/BEND-9.3"LONG-GM14042359 |
| | 044317-01-000 | FT | HOSE-FUEL,3/8"ID |
| | 007063-01-000 | FT | HOSE-FUEL 1/4"ID X 1/2"OD |
| | 068382-06-000 | EA | BUSHING-BRASS-3/8MPT X 1/8FPT |
| | 114254-01-000 | EA | ADAPTER-1/4SINGLEBARB X 1/8MPT |
| | 024142-01-000 | EA | TEE-BARB,3/16"-PLASTIC |

CURTAIN&CUSHIONGROUP

NOTICE

IN ORDER TO ASSIST OUR PARTS SALES DEPT. IN PROVIDING INTERIOR SOFT GOODS ITEMS, PLEASE INCLUDE THE SERIAL NUMBER AND THE COLOR CODE NUMBER FROM THE VEHICLE CERTIFICATION LABEL WHEN ORDERING. THIS LABEL IS LOCATED ON THE LEFT SIDE WALL AT THE END OF THE DASH (A-BODY), OR ON THE DRIVER'S DOOR LATCH PLATE (C-BODY).

AN EXAMPLE OF A COLOR CODE NUMBER IS B07, WHICH DESIGNATES AN OVERALL COLOR SCHEME OF A PARTICULAR UNIT. THE COLOR LISTED AFTER THE ITEM DESCRIPTION ON THE MICROFICHE, INDICATES THE OVERALL UNIT COLOR. ORDER THE ITEM YOU DESIRE ACCORDING TO UNIT COLOR CODE.



NOTE: USE THIS ILLUSTRATION WHEN DETERMINING LENGTH AND WIDTH MEASUREMENTS FOR CURTAINS. YOU WILL NOTE THE WIDTH MEASUREMENT IS TAKEN ON THE TOP OF THE CURTAIN WITH THE CURTAIN FULLY EXTENDED. THE LENGTH MEASUREMENT IS TAKEN FROM TOP TO BOTTOM. LEFT AND RIGHT WINDOW LEGS ARE DETERMINED WHEN FACING THE WINDOW.

CURTAIN&CUSHIONGROUP(CONTINUED)

| WARRIOR FABRICS | | |
|-------------------------|--------------------------------|------------------------------------|
| COLOR CODES | H01 | H02 |
| MARKETING COLORS | BLUE RIDGE (BLUE) | PAINTED DESERT (TAN / TEAL) |
| BUCKET SEATS | 108446-F7-000 108446-F4-000 | 108446-C5-000 108446-C6-000 |
| DINETTE | 108446-F1-000 | 108446-F2-000 |
| DINETTE PADS | 108446-F7-000 | 108446-C5-000 |
| SOFA | 108446-F1-000 | 108446-F2-000 |
| SWIVEL CHAIR | 108446-F4-000 | 108446-C6-000 |
| LOUNGE WINDOWS | 108446-F1-000 108446-F4-000 | 108446-F2-000 108446-C6-000 |
| BEDROOM WINDOW | 105745-B3-000 | 105745-A8-000 |
| BEDSPREAD | 105745-B3-000 105745-64-000 | 105745-A8-000 105745-45-000 |
| PILLOW SHAMS | 105745-B3-000 105745-64-000 | 105745-A8-000 105745-45-000 |
| FRT WRAP AROUND | 105745-64-000 | 105745-45-000 |
| DIVIDER CURTAIN | 105745-64-000 105745-B3-000 | 105745-45-000 105745-A8-000 |
| DRAPERY LINING | 087272-03-000 | 087272-03-000 |
| VINYL-EXPANDED | 103907-05-000 106569-01-01A | 103907-05-000 106569-01-01A |

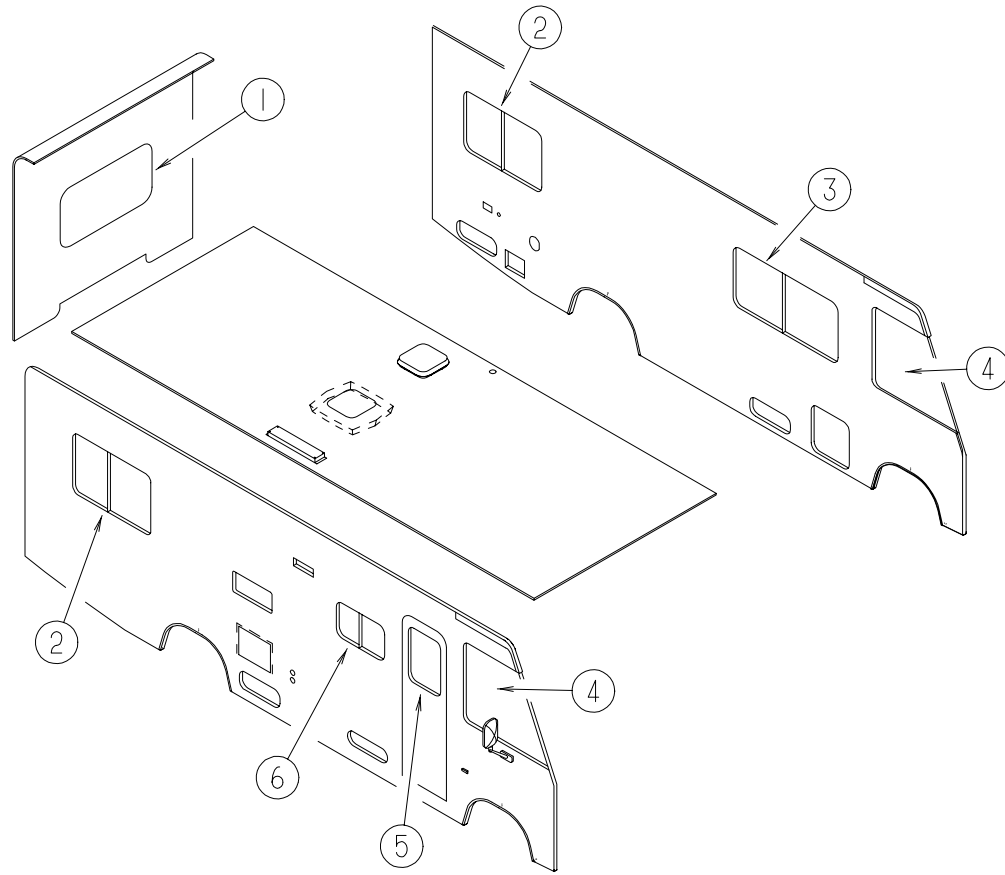
NOTE: FABRIC LISTED FIRST IN A BLOCK, IS THE LARGEST QUANTITY OF FABRIC USED.

FABRIC TRIMS, SEAT BELTS & ASSIST HANDLE

| KEY | PART NUMBER | U/M | DESCRIPTION |
|------------|--------------------|------------|---|
| | 070578-02-B29 | EA | BUTTON-SCREW/STUD-#30 VINYL |
| | 053552-02-AA8 | EA | HANDLE-ASSIST-INTERIOR/ENTRY DOOR-VINYL/OFF WHITE |
| | 057759-01-000 | EA | WASHER BRACKET-SEATBELT-4" DIAMETER |
| | 007021-01-000 | EA | BELT-SEAT-2" X 90"-BLACK |
| | 070578-02-B10 | EA | BUTTON-SCREW-STUD-#30 VINYL |
| | | | FROM: 00-00-00 THRU: 06-01-96 |
| | 070578-11-H01 | EA | BUTTON ASM-#309 VINYL-06 |
| | | | FROM: 06-02-96 THRU: 99-99-99 |
| | 000C16-07-16B | EA | BOLT-CARRIAGE-ASSIST HANDLE-7/16"-14X1" |
| | 000D20-07-00B | EA | NUT-ACORN-ASSIST HANDLE-7/16-14 |

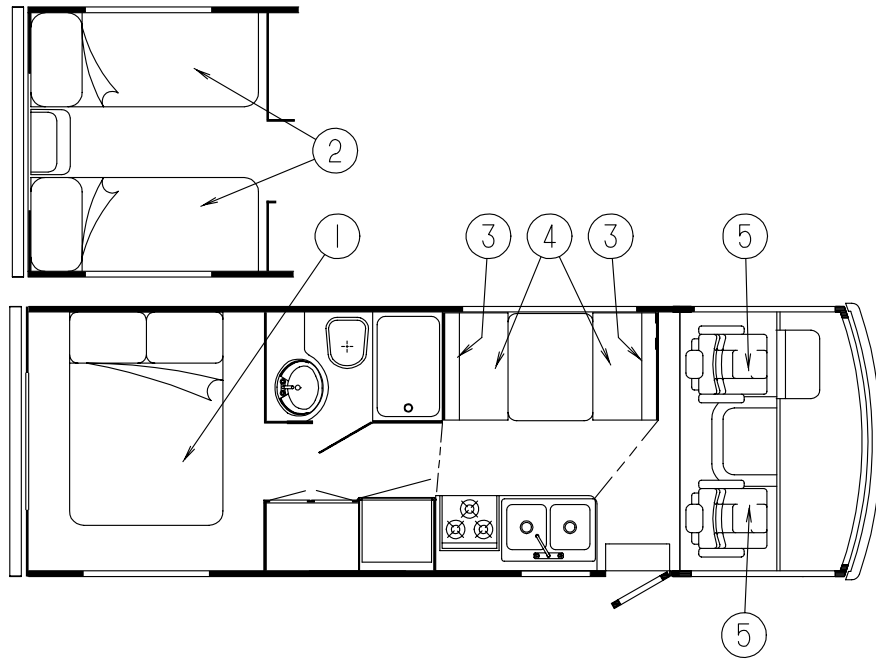
CURTAIN&CUSHIONGROUP(CONTINUED)

WINDOWTREATMENT



| KEY | PARTNUMBER | U/M | DESCRIPTION |
|-----|---------------|-----|--|
| 1 | 118064-01-GB1 | EA | VALANCE-VALENCIA-52"(H01) |
| 1 | 118064-01-GC1 | EA | VALANCE-VALENCIA-52"(H02) |
| 1 | 084755-92-F15 | EA | SHADE-PULL-50.25" |
| 2 | 118064-02-GB1 | EA | VALANCE-VALENCIA-44"(H01) |
| 2 | 118064-02-GC1 | EA | VALANCE-VALENCIA-44"(H02) |
| 2 | 084755-93-F15 | EA | SHADE-PULL-42.25" |
| 3 | 118078-03-GB1 | EA | VALANCE-QUEST-58.5"(H01) |
| 3 | 118078-03-GC1 | EA | VALANCE-QUEST-58.5"(H02) |
| 3 | 084755-69-F15 | EA | SHADE-PULL-55.25" |
| 3 | 119333-01-GB1 | EA | LEG-RIGHT-25"(H01) |
| 3 | 119333-01-GC1 | EA | LEG-RIGHT-25"(H02) |
| 3 | 119333-02-GB1 | EA | LEG-LEFT-25"(H01) |
| 3 | 119333-02-GC1 | EA | LEG-LEFT-25"(H02) |
| 4 | 101668-30-EB1 | EA | CURTAIN-RIGHTHAND-38"X80"(H01) |
| 4 | 101668-30-DC4 | EA | CURTAIN-RIGHTHAND-38"X80"(H02) |
| 4 | 101668-31-EB1 | EA | CURTAIN-LEFTHAND-38"X80"(H01) |
| 4 | 101668-31-DC4 | EA | CURTAIN-LEFTHAND-38"X80"(H02) |
| 5 | 118078-06-GB1 | EA | VAL-29"QUESTLT.OPENEND(H01) |
| 5 | 118078-06-GC1 | EA | VAL-29"QUESTLT.OPENEND(H02) |
| 5 | 084755-95-FB1 | EA | SHADE-PULL-25.25" |
| 6 | 109041-20-01A | EA | BLIND-MINI-31"X18"DROP-PURE SILVER(H01) |
| 6 | 109041-20-02A | EA | BLIND-MINI-31"X18"DROP-BEIGE(H02) |
| 6 | 109353-07-01A | EA | BLIND-SLAT-31"-PURE SILVER(H01) |
| 6 | 109353-07-02A | EA | BLIND-SLAT-31"-BEIGE(H02) |
| | 101668-53-GB1 | EA | CURTAIN-70"X60"-ROOMDIVIDER-LINED-TAPETOP(H01) |
| | 101668-53-GC1 | EA | CURTAIN-70"X60"-ROOMDIVIDER-LINED-TAPETOP(H02) |
| | 073260-63-GB1 | EA | TIEBACKASM-4"X15"(ROOMDIVIDER)(H01) |
| | 073260-63-HA2 | EA | TIEBACKASM-4"X15"(ROOMDIVIDER)(H02) |

CURTAIN&CUSHIONGROUP(CONTINUED)



DOUBLEBED

| KEY | PARTNUMBER | U/M DESCRIPTION |
|-----|---------------|-----------------------------|
| 1 | 101123-17-000 | EA MATTRESS-FOAM-54"X74"X5" |
| | P01123-17-000 | EA COVER-MATTRESS-54"X75" |
| 1 | 123471-10-H01 | EA BEDSPREAD/THROW-54"X75" |
| 1 | 123471-10-H02 | EA BEDSPREAD/THROW-54"X75" |
| 1 | 104176-02-GB1 | EA SHAM-PILLOW(H01) |
| 1 | 104176-02-GC1 | EA SHAM-PILLOW(H02) |

TWINBEDCUSHIONS

| KEY | PARTNUMBER | U/M DESCRIPTION |
|-----|---------------|------------------------------|
| 2 | 101123-18-000 | EA MATTRESS-FOAM-32"X79"X5" |
| | P01123-18-000 | EA COVER-MATTRESS-32"X79"X5" |
| 2 | 123471-13-H01 | EA BEDSPREAD/THROW-32"X80" |
| 2 | 123471-13-H02 | EA BEDSPREAD/THROW-32"X80" |
| 2 | 104176-04-GB1 | EA SHAM-PILLOW(H01) |
| 2 | 104176-04-GC1 | EA SHAM-PILLOW(H02) |

**CURTAIN&CUSHIONGROUP(CONTINUED)
DINETTECUSHIONS**

| KEY | PARTNUMBER | U/M DESCRIPTION |
|-----|---------------|---|
| 3 | 116134-01-GB1 | EA CUSHION-BACKREST-13"X38"X5"(H01) |
| 3 | 116134-01-GC1 | EA CUSHION-BACKREST-13"X38"X5"(H02) |
| | P16134-01-GB1 | EA COVER-DINETTEBACKRESTCUSHION-13"X38"X5"(H01) |
| | P16134-01-GC1 | EA COVER-DINETTEBACKRESTCUSHION-13"X38"X5"(H02) |
| 4 | 088927-87-GB1 | EA CUSHION-SEATBOTTOM-23"X38"X5"(H01) |
| 4 | 088927-87-GC1 | EA CUSHION-SEATBOTTOM-23"X38"X5"(H02) |
| | M88927-87-GB1 | EA COVER-SEATCUSHION-23"X38"X5"(H01) |
| | M88927-87-GC1 | EA COVER-SEATCUSHION-23"X38"X5"(H02) |
| | 078155-01-000 | EA STRAP-SNAP-BACKRESTCUSHION |

BUCKETSEAT

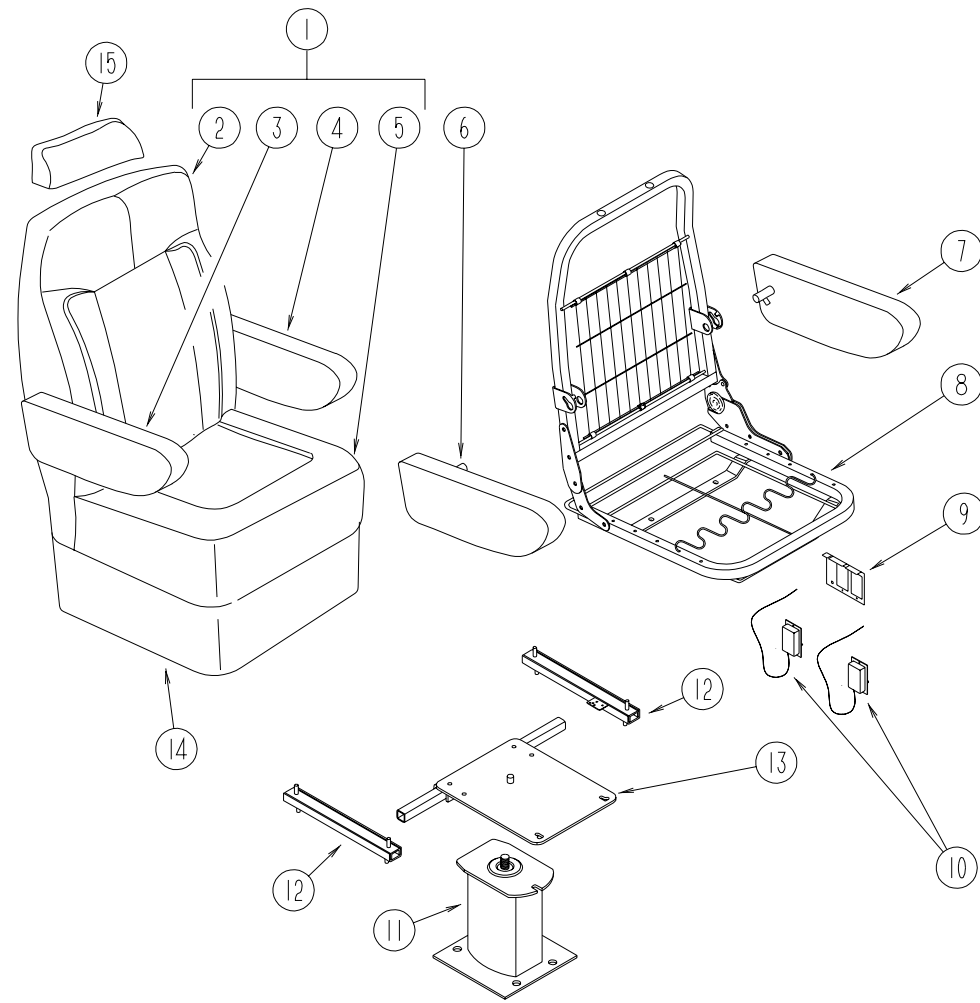
| KEY | PARTNUMBER | U/M DESCRIPTION |
|-----|---------------|--------------------------------|
| 5 | 110148-08-H01 | EA SEAT-BUCKET-W/HEADREST(H01) |
| 5 | 110148-08-H02 | EA SEAT-BUCKET-W/HEADREST(H02) |

FRONTBUNKCUSHIONS

| KEY | PARTNUMBER | U/M DESCRIPTION |
|-----|---------------|-----------------------------------|
| | 079145-10-000 | EA CUSHION-BUNK-25"X80"X2.5" |
| | M79145-10-000 | EA COVER-BUNKCUSHION-25"X80"X2.5" |

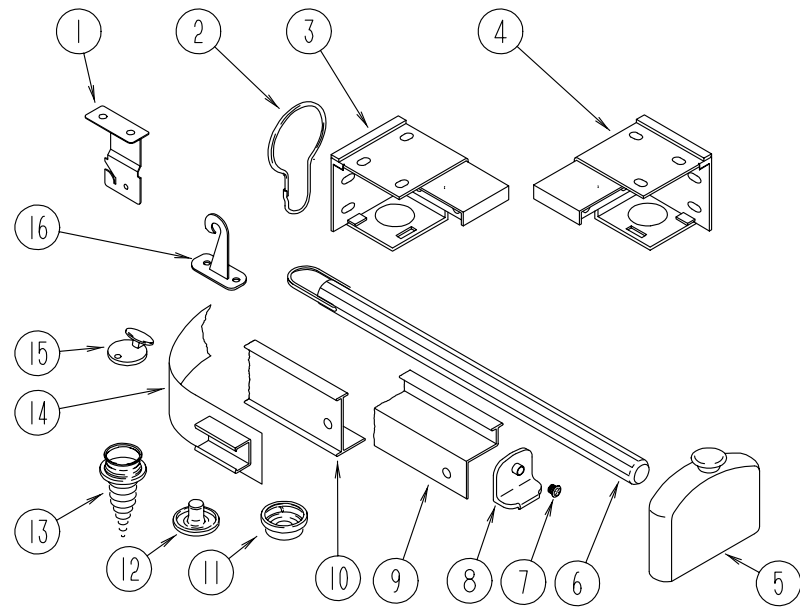
CURTAIN&CUSHIONGROUP(CONTINUED)

DRIVER&PASSENGERBUCKETSEATS



| KEY | PARTNUMBER | U/M | DESCRIPTION |
|-----|---------------|-----|---|
| 1 | 110148-08-H01 | EA | SEAT-BUCKET-W/HEADREST |
| 1 | 110148-08-H02 | EA | SEAT-BUCKET-W/HEADREST |
| 2 | M05962-33-H01 | EA | COVER-BACK |
| 2 | M05962-33-H02 | EA | COVER-BACK |
| 3 | 122780-01-H01 | EA | ARMREST-RHF/520CHAIR |
| 3 | 122780-01-H02 | EA | ARMREST-RHF/520CHAIR |
| | P22780-01-H01 | EA | COVER-ARMREST-RIGHTHAND |
| | P22780-01-H02 | EA | COVER-ARMREST-RIGHTHAND |
| 4 | 122780-02-H01 | EA | ARMREST-LHF/520CHAIR |
| 4 | 122780-02-H02 | EA | ARMREST-LHF/520CHAIR |
| | P22780-02-H01 | EA | COVER-ARMREST-LEFTHAND |
| | P22780-02-H02 | EA | COVER-ARMREST-LEFTHAND |
| 5 | M05962-34-H01 | EA | COVER-SEAT |
| 5 | M05962-34-H02 | EA | COVER-SEAT |
| 6 | 115617-03-000 | EA | ARMREST-W/COVER-RIGHTHAND |
| 7 | 115617-04-000 | EA | ARMREST-W/COVER-LEFTHAND |
| 8 | 122695-02-01B | EA | FRAME-SEAT/BACK |
| | 122378-02-01B | EA | FRAME-BACK |
| 9 | 108049-02-000 | EA | CLIP-CABLE/PEDESTAL |
| | 080730-08-000 | EA | HANDLE-RECLINER |
| | 080730-09-000 | EA | SHIELD-RECLINERHANDLE |
| | 080730-11-000 | EA | SHIELD-RUBBERBOOT |
| 10 | 108049-03-000 | EA | CABLE/CONTROL25.5" SHEATH/28.5" CABLEW/DOGLEG |
| 11 | 107921-01-000 | EA | PEDESTALASM-SEAT9-3/4" -FLEXSTEEL3060MSPD |
| | 108445-02-000 | EA | PLATE/FLOORMOUNTED-PEDESTALSEAT |
| 12 | 119952-06-000 | EA | SLIDE/SEAT-HEAVYDUTYLOCKING-4STUDS |
| 13 | 107921-05-000 | EA | PLATETOP-W/SEATBELTBAR |
| | 107921-06-000 | EA | BEARINGKIT-PEDESTAL |
| | 117125-01-02B | EA | BRACKET-CABLEMOUNT-ADJUSTERW/LOCK |
| | 119952-07-000 | EA | WIRE-LATCHRELEASE/ROTARY |
| 14 | 071126-41-GB1 | EA | SKIRT-SINGLE-7"W/SLOTS(H01) |
| 14 | 071126-41-GC1 | EA | SKIRT-SINGLE-7"W/SLOTS(H02) |
| 15 | 119509-01-H01 | EA | HEADREST-BUCKETSEAT |
| 15 | 119509-01-H02 | EA | HEADREST-BUCKETSEAT |
| | P19509-01-H01 | EA | COVER-HEADREST |
| | P19509-01-H02 | EA | COVER-HEADREST |
| | 113977-12-000 | EA | HEADRESTINSERT-W/OLOCK |
| | 113977-13-000 | EA | HEADRESTINSERT-W/LOCK |
| | 114791-03-000 | EA | FRAME-HEADREST |
| | 097683-02-000 | EA | BRACKET-REMOTE SIDEMOUNT-DOUBLE |

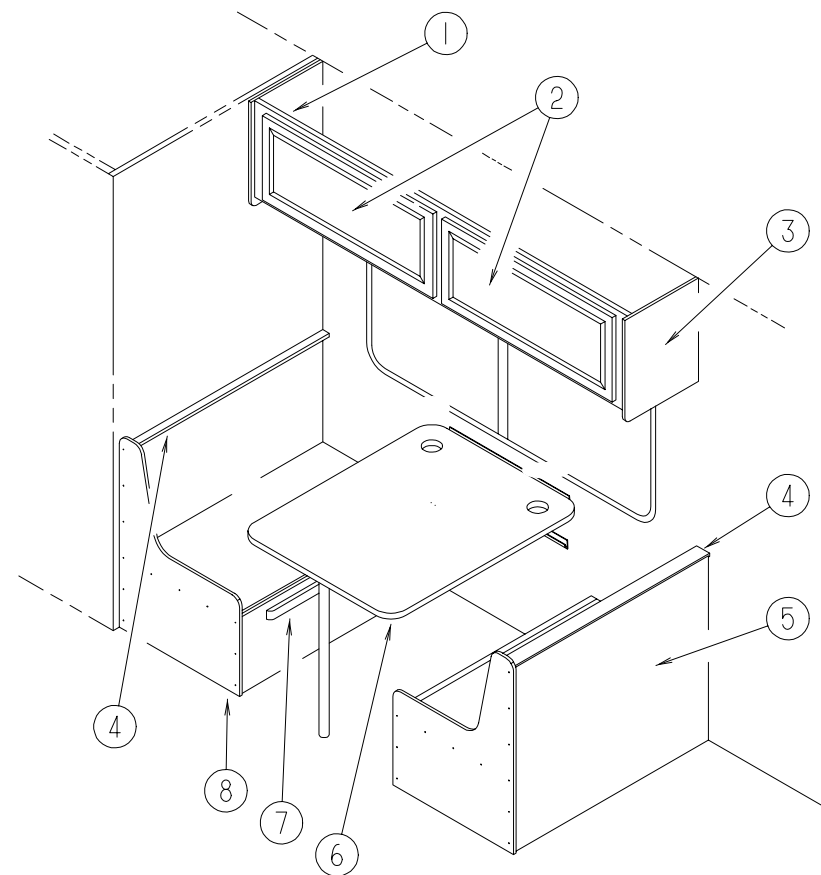
CURTAIN&CUSHIONGROUP(CONTINUED)



CURTAINHARDWARE

| KEY | PARTNUMBER | U/M | DESCRIPTION |
|-----|---------------|-----|---|
| 1 | 084434-01-000 | EA | BRACKET-MOUNTING,ROLLERSHADE-13/8" |
| 2 | 009136-02-000 | EA | HANGER-RING,PINTYPE-CURTAIN-BRASS |
| 3 | 083170-02-000 | EA | BRACKET-BLIND,LEFTSIDE |
| 4 | 083170-01-000 | EA | BRACKET-BLIND,RIGHTSIDE |
| 5 | 093475-01-701 | EA | ENDCAP-BLIND,W/STUD |
| 6 | 093475-01-700 | EA | WAND-BLIND,W/METALCLIP-8"LONG |
| 7 | 106544-01-001 | EA | SCREW-BRASS,SHADE |
| 8 | 106544-01-000 | EA | PULL-SHADE,BRASS |
| | 084432-06-000 | FT | SLAT-ROLLERSHADE,PLASTIC |
| | 096843-01-000 | EA | SPRING-REWIND,ROLLERSHADE |
| 9 | 123750-01-01A | EA | TRACK-WRAPAROUNDCURTAIN |
| 9 | 123750-02-01A | EA | TRACK-WRAPAROUNDCURTAIN |
| 9 | 123750-03-H01 | EA | TRACK-WRAPAROUNDCURTAIN |
| 9 | 123750-04-H01 | EA | TRACK-WRAPAROUNDCURTAIN |
| 9 | 105450-08-01A | EA | TRACK-CURTAIN,38"LONG-ALUMINUM-OFFWHITE |
| 10 | 009700-04-002 | EA | TRACK-CURTAIN,L-SHAPED-195.2"LONG-OFFWHITE |
| 11 | 029156-01-000 | EA | SOCKET-SNAP,9/16"O.D. |
| 12 | 029155-01-000 | EA | CAP-SNAP,5/32"O.D.OFPIN |
| 13 | 029130-01-000 | EA | SCREW-SNAPSOCKET,8PHX5/8" |
| 14 | 101031-01-000 | YD | TAPE-GLIDE,CURTAIN-4.25"SPACING |
| 15 | 102555-01-000 | EA | CLEAT-CORD,BLIND-OFFWHITE |
| 16 | 109441-01-000 | EA | HOLDDOWN-BLIND,HOOK |
| | 009701-01-000 | EA | CARRIER-CURTAIN,LROD |
| | 009702-01-000 | EA | ENDSTOP-CURTAINCARRIER-LROD |
| | 046867-03-000 | EA | GROMMET-HANDYBUTTON#3 |
| | 094896-02-000 | EA | GROMMET-CORD-PLEATEDBLIND-NYLON-GRAY |
| | 094907-02-000 | EA | ENDCAP-TOP/PLEATEDBLIND-PLASTIC-GRAY |
| | 094907-04-701 | EA | ENDCAP-LHBOTTOMBLIND |
| | 094907-04-700 | EA | ENDCAP-RHBOTTOMBLIND |
| | 094907-04-000 | EA | HARDWARE-ENDCAPBOTTOM-PULLTYPE(RH&LH) |
| | 097564-01-000 | EA | HANDLE-T-EZLIFTSHADE |
| | 097591-01-000 | EA | SPRING-EXTENSION/PLEATEDBLIND |
| | 097592-01-000 | EA | SPOOL-CORD-ELEVATEDBLINDHOLDUP-CLEARPLASTIC |
| | 097593-06-000 | FT | CORD-BLIND-PLEATED-PEWTER |
| | 105648-01-02A | EA | BRACE-VALANCE-OFF/WHITE |
| | 048394-02-000 | YD | VELCROTAPE-HOOK-ADHESIVEBACK-.75"WIDE-BEIGE |
| | 088792-01-000 | YD | VELCRO-HOOK,.75"WIDE-BEIGE |
| | 088792-06-000 | YD | VELCRO-3/4"NON-ADH.,LOOP |
| | 086276-01-000 | EA | TAPE-DOUBLESIDED,1/2" |

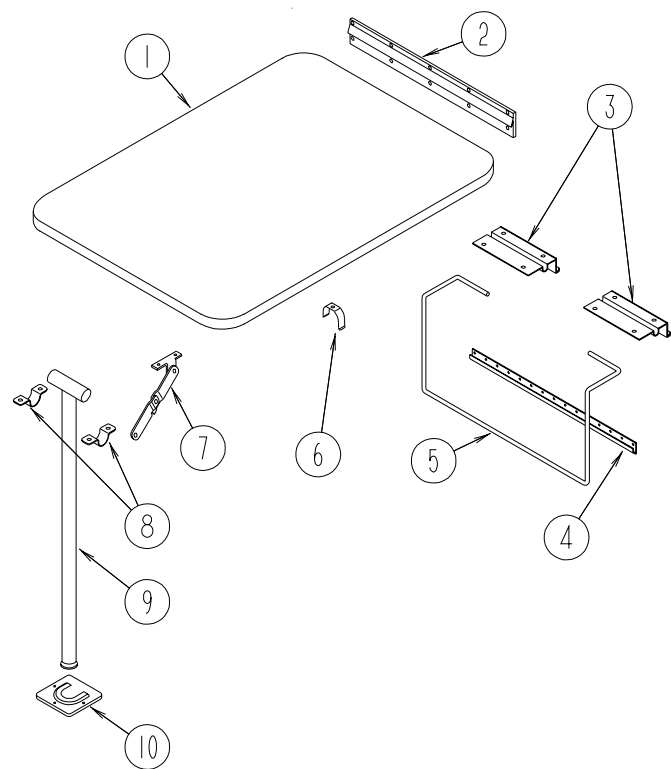
DINETTEGROUP



DINETTECABINERY

| KEY | PARTNUMBER | U/M | DESCRIPTION |
|-----|---------------|-----|--|
| 1 | 121720-01-H01 | EA | CABINETASM-OVHD,FRONT,LT |
| 2 | 110140-65-H04 | EA | DOOR-MIRROR/MTRDCRNR/VINYLRAP-14.3'X33.4"-W/OHDW |
| 3 | 109908-03-GB1 | EA | ENDCAP-OVERHEADCABINET |
| 4 | 109995-01-GB1 | EA | PAD-SEATBACK(H01) |
| 4 | 109995-01-GC1 | EA | PAD-SEATBACK(H02) |
| 5 | M04174-50-GB1 | EA | CABINET-SEATBACKRIGHTHAND-W/OHARDWARE |
| | M04175-50-GB1 | EA | CABINET-SEATBOTTOMRIGHTHAND-W/ODOORS/DRAWERS/HDW |
| 6 | 081322-05-G31 | EA | TABLE-DINETTE-W/OCUPHOLDERS/HARDWARE(H01) |
| 6 | 081322-05-G29 | EA | TABLE-DINETTE-W/OCUPHOLDERS/HARDWARE(H02) |
| 7 | 081295-01-G01 | EA | SUPPORT-BED/DINETTE-28"LONG |
| 8 | M04175-51-GB1 | EA | CABINET-SEATBOTTOMLEFTHAND-W/ODOORS/DRAWERS/HDW |

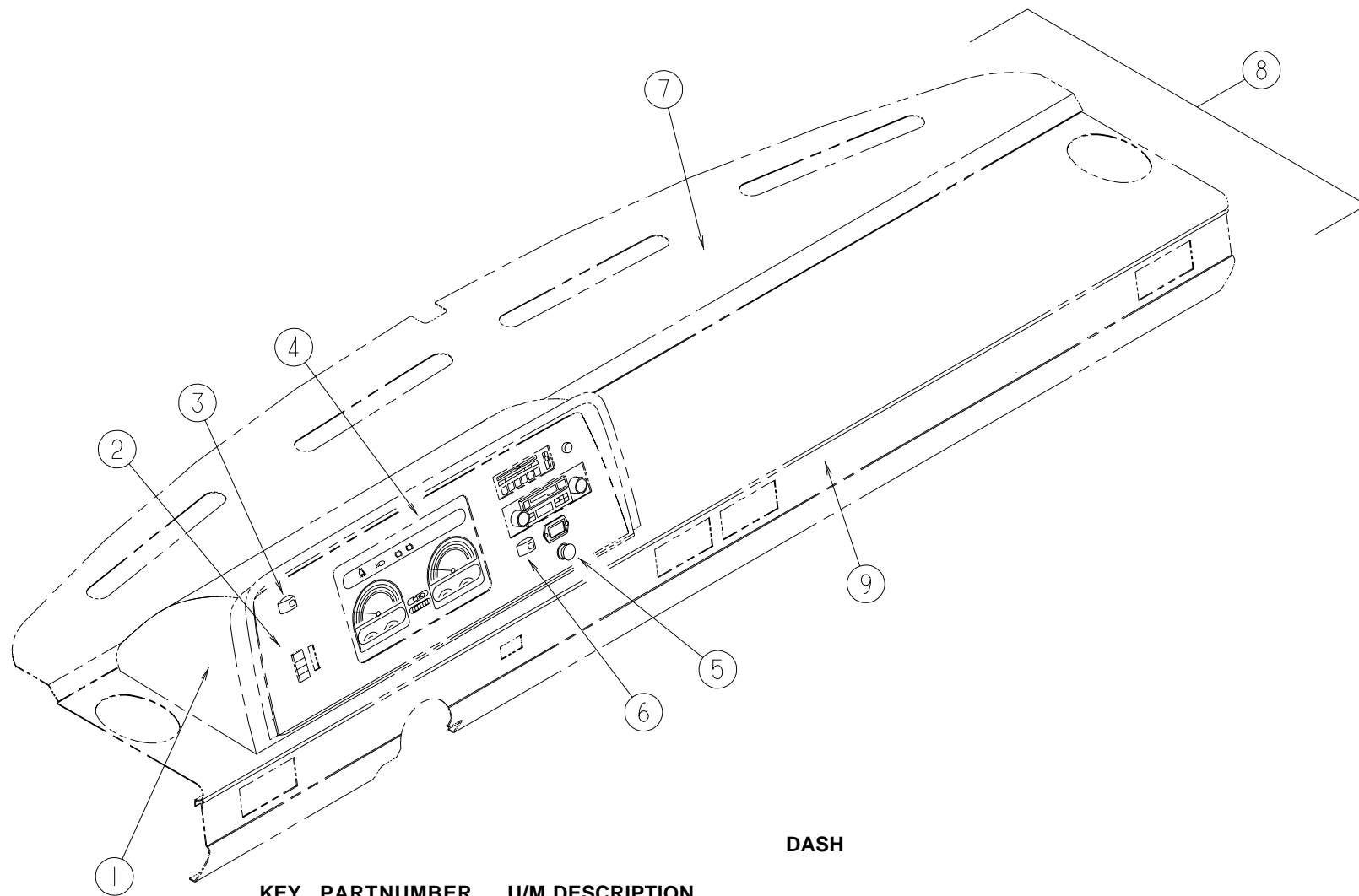
DINETTEGROUP(CONTINUED)



DINETTETABLE

| KEY | PARTNUMBER | U/M | DESCRIPTION |
|-----|---------------|-----|--|
| 1 | 081322-05-G31 | EA | TABLE-DINETTE-W/OCUPHOLDERS/HARDWARE(H01) |
| 1 | 081322-05-G29 | EA | TABLE-DINETTE-W/OCUPHOLDERS/HARDWARE(H02) |
| 2 | 053200-12-000 | EA | BRACKET-TABLESUPPORT-UPPERWALLMOUNTED23.50" |
| | 093550-01-000 | EA | BRACKET-HINGE-MOUNTSTOLEG&TABLETOP-1.7"X2.6" |
| 3 | 088410-02-000 | EA | BRACKET-LIFT-TABLEMOUNTED |
| 4 | 024281-14-000 | EA | BRACKET-LIFTROD/LOWERWALLMOUNTED-22.12" |
| | 002929-01-001 | EA | EXTRUDED-BRACKETTABLE |
| 5 | 024275-12-000 | EA | ROD-TABLELIFT |
| 6 | 024283-01-000 | EA | CLIP-LEG,1"-1.125"OD-BLACK |
| 7 | 024282-01-000 | EA | BRACE-TABLELEG-HINGED |
| 8 | 064050-05-000 | EA | HINGE-TABLELEG-OFFWHITE |
| 9 | 024276-23-000 | EA | LEG-TABLE-OFFWHITEMETAL |
| 10 | 049493-12-000 | EA | CATCH-LEG-FLOORMOUNTED2.5"X2.7" |
| 10 | 049493-11-700 | EA | CATCH-TABLELEG,E-COAT |

DRIVERSCOMPARTMENTGROUP

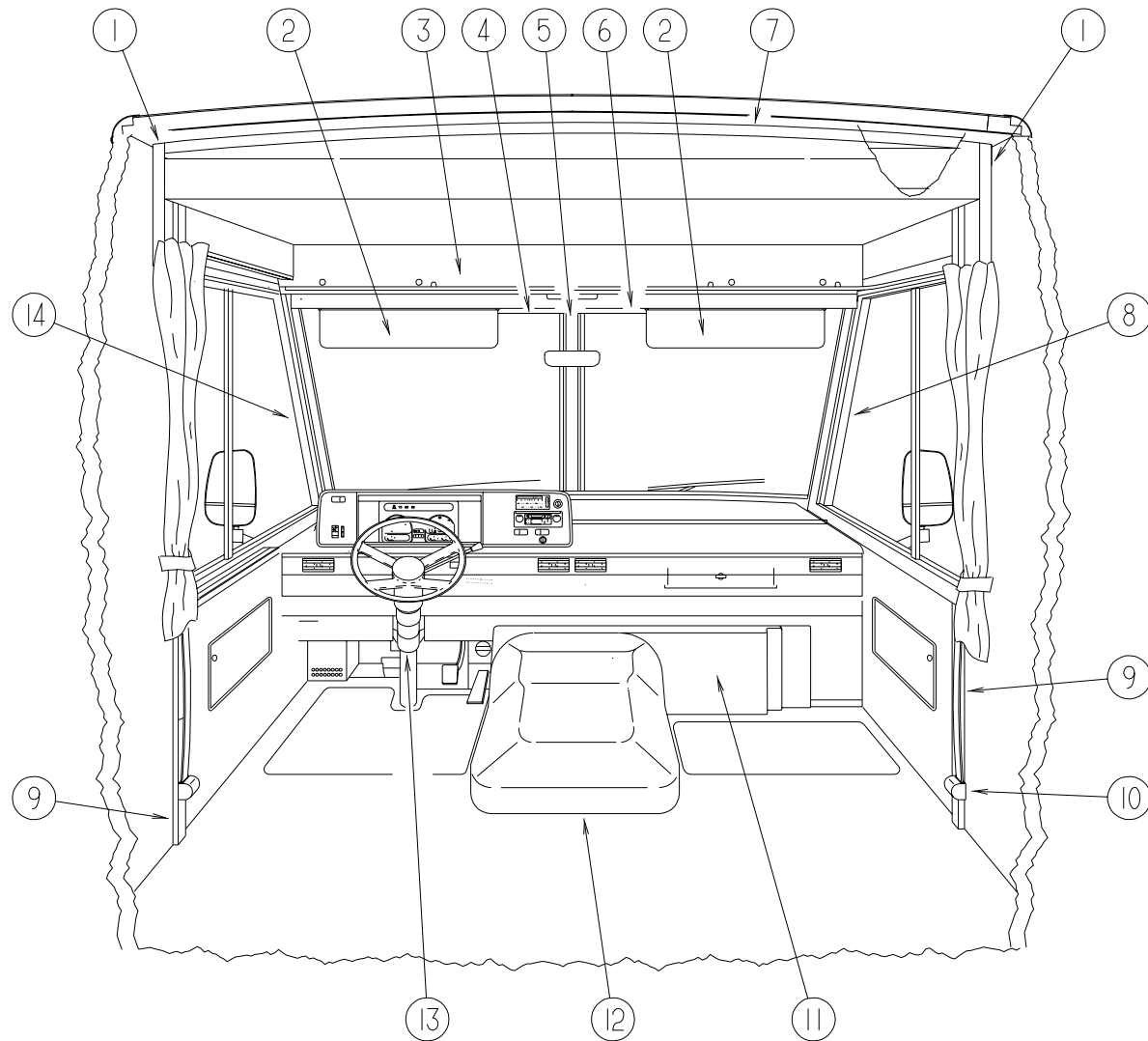


DASH

| KEY | PARTNUMBER | U/M | DESCRIPTION |
|-----|---------------|-----|--|
| | M05946-37-GB1 | EA | DASHPOD-W/OINSTRUMENTPANEL-CHEVY |
| 1 | 121118-01-01A | EA | POD-INSTRUMENTPANEL |
| | 079382-01-000 | EA | SCREW-SOCKET,8-18X1"-BLACK |
| | 103603-01-000 | EA | BULB-12V,#740.12AWEDGE |
| | 077539-01-000 | EA | BRACKET-MOUNTING/DASHPANEL-L/SHAPED-2.5"X1"X1.5" |
| 2 | 109829-01-01A | EA | BEZEL-INSTRUMENTPANEL |
| 2 | 110073-01-01A | EA | APPLIQUE-BEZEL-INSTRUMENTPANEL |
| | 100138-01-000 | EA | MODULE-DAYTIMERUNNINGLIGHT |
| | 077031-01-000 | EA | FILM-BLACK-1"X1.75" |
| | 077031-03-000 | EA | FILM-WHITE-.75"X1" |
| | 105615-01-000 | FT | FILM-PROTECTIVE,CLEAR-34"WIDE |
| 3 | 108357-09-000 | EA | SWITCH-ROCKERSPDTON/NONE/MOM3TERMINAL |
| 3 | 108356-02-01A | EA | COVER-SWITCHW/DIMPLES,CARLINGVVAZC00BLA |
| 4 | 094796-07-000 | EA | CLUSTER-INSTRUMENTPANEL-KILOMETER-GAS |
| 5 | 089294-01-000 | EA | LIGHTER-CIGARETTE-W/OWIRES |
| 6 | 108357-10-000 | EA | SWITCH-ROCKER,SPDTMOM/OFF/MOM-CARLINGV8D1160B-0 |
| | 108357-06-000 | EA | SWITCH-ROCKERDPDTMON/OFF/MOM6TERMINAL |
| 6 | 108356-04-01A | EA | COVER-SWITCHW/DIMPLES&LENS,CARLINGVVAZC00 |
| | 106569-02-04A | EA | VINYL-LAMINATECAMBRIDGEBIS-*1/4"X16"X96.2LB |
| 7 | 105927-02-000 | EA | PANEL-DASHTOP-W/STUDW/OVINYL |
| 8 | P03817-11-000 | EA | DASH-CHEVY-W/OVINYLANDINSTRUMENTPOD |
| 9 | 103812-01-05A | EA | TRIM-DASH,LWR,GMCMBSQ |
| | 103812-01-03A | EA | TRIM-DASH,LOWER,GMMILL |
| | 103558-01-09A | EA | VENT-DEFROSTER,ABS |

DRIVERSCOMPARTMENTGROUP(CONTINUED)

DRIVERSCOMPARTMENT



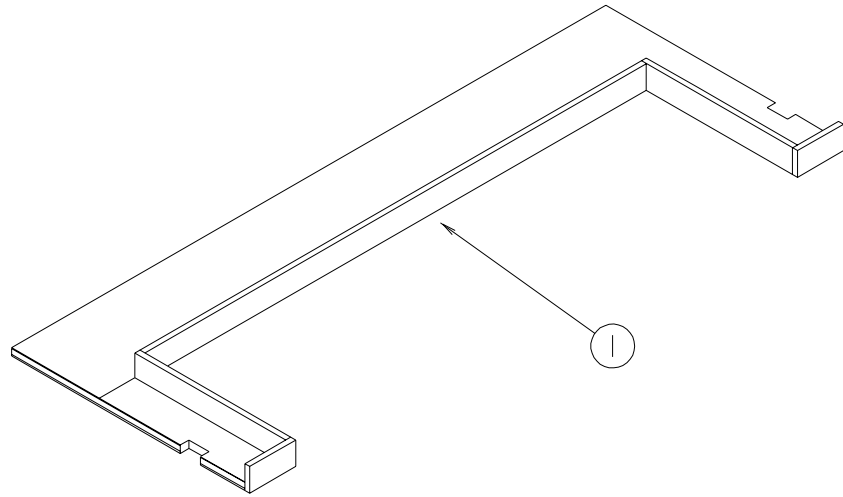
| KEY | PARTNUMBER | U/M DESCRIPTION |
|-----|---------------|--|
| 5 | 079765-15-000 | EA TRIM-WINDSHIELD,CENTER FROM: 06-02-96 THRU: 99-99-99 |
| 5 | 079765-09-000 | EA TRIM-WINDSHIELD-CENTER-UNCUT |
| 6 | 078579-07-000 | EA TRIM-WINDSHIELD-UPPER/INNERPASSENGER FROM: 00-00-00 THRU: 06-01-96 |
| 6 | 078579-23-000 | EA TRIM-WINDSHIELD,PASSENGERUPPERINNER FROM: 06-02-96 THRU: 99-99-99 |
| 7 | 024700-51-000 | EA COVER-ROLLBAR |
| 8 | 103931-01-01A | EA COVER-INTERIOR,A-PILLAR-RIGHT-OFFWHITE FROM: 00-00-00 THRU: 06-01-96 |
| 8 | 103931-01-05A | EA COVER-INT,A-PILLAR,RH,BISQUE FROM: 06-02-96 THRU: 99-99-99 |
| 9 | 024700-44-000 | EA COVER-ROLLBAR-DRIVER/PASSENGERLOWER-53" |
| | 110056-01-01A | EA COVER-ROLLBAR-90DEGREE |
| 10 | 091990-04-01A | EA SEATBELT-SHOULDERHARNES-DRIVERS/PASSENGER-BLACK |
| | 091990-01-701 | EA EXTENDER9"FORA84083PT I-1331-02 |
| | 103961-01-01A | EA COVER-SEATBELTBRACKET |
| | 057759-01-000 | EA WASHERBRACKET-SEATBELT,4"DIAMETER |
| 11 | 095757-03-GB1 | EA COVER-HEATERW/CARPET(H01) |
| 11 | 095757-03-F26 | EA COVER-HEATERW/CARPET(H02) |
| 12 | 111618-01-GB1 | EA TRAY-BEVERAGEW/COMPARTMENT |
| | 111618-13-GB1 | EA LIDASM |
| | 115840-01-01A | EA COVER-MOTOR-W/OCARPET |
| | 115840-02-01A | EA COVER-MOTORF/1996CHEVVORTECOPT.,W/OCARPET/PAD |
| | 115850-01-02B | EA RETAINER-LATCHMOTORCOVER-E-COAT |
| | 116581-01-000 | EA LATCH-MOTORCOVER |
| | 115852-01-02B | EA STRIKE-LATCH-MOTORCOVER-E-COATED |
| | 116833-01-02B | EA WRENCH-HEXMOTORCOVER-E-COATED |
| | 115860-01-01A | EA TRIM-MOTORCOVER |
| | 039623-01-000 | FT SEAL-MOTORCOVER,RUBBERBULBTYPE-BLACK |
| 13 | 103498-06-000 | EA BOOT-STEERINGCOLUMN/UNIVERSAL |
| 14 | 103931-02-01A | EA COVER-DRIVERS-A-PILLAR-39.5" FROM: 00-00-00 THRU: 06-01-96 |
| | 103931-02-05A | EA COVER-A-PILLAR,INTERIORLH FROM: 06-02-96 THRU: 99-99-99 |
| | 084902-08-000 | EA HOLDER-MUG,COLLAPSIBLE-BLACK |
| | 081987-05-000 | EA ROD-SUNVISOR-BLACK |
| | 040714-01-000 | EA MIRROR-REAR VIEW/ARMMOUNT&SETSCREW-GM#911722 |
| | 067490-01-000 | EA BUTTON-MIRROR/REARVIEW |

| KEY | PARTNUMBER | U/M DESCRIPTION |
|-----|---------------|---|
| 1 | 024700-50-000 | EA COVER-ROLLBAR |
| 2 | 082286-18-D12 | EA SUNVISORASM,W/OPCKT FROM: 00-00-00 THRU: 06-01-96 |
| 2 | 123298-01-01A | EA SUNVISORASM7"X28.5" FROM: 06-02-96 THRU: 99-99-99 |
| | 007211-01-000 | EA HINGE-SUNVISOR-25.5"X1.5"-METAL |
| | 074012-01-000 | EA CLIP-SUNVISOR/SQUARE-PINCHON |
| | 102377-01-000 | EA BRACKET-SUNVISOR1PIECE-STEEL |
| 3 | 109795-01-FB1 | EA PANEL-HEADLINER FROM: 00-00-00 THRU: 06-01-96 |
| 3 | 109795-01-H01 | EA PANEL-HEADLINER FROM: 06-02-96 THRU: 99-99-99 |
| | 078811-07-FB1 | EA PANEL-TRIM-HEADER/LOWER FROM: 00-00-00 THRU: 06-01-96 |
| | 078811-07-H01 | EA PANELASM-TRIM,HEADER,LOWER FROM 06-02-96 THRU 99-99-99 |
| 4 | 078579-08-000 | EA TRIM-WINDSHIELD-UPPER/INNERDRIVER FROM: 00-00-00 THRU: 06-01-96 |
| 4 | 078579-24-000 | EA TRIM-WINDSHIELD,DRIVERUPPER,INNER FROM: 06-02-96 THRU: 99-99-99 |
| 5 | 079765-07-000 | EA TRIM-WINDSHIELD-CENTER FROM: 00-00-00 THRU: 06-01-96 |

OVERHEADBUNK

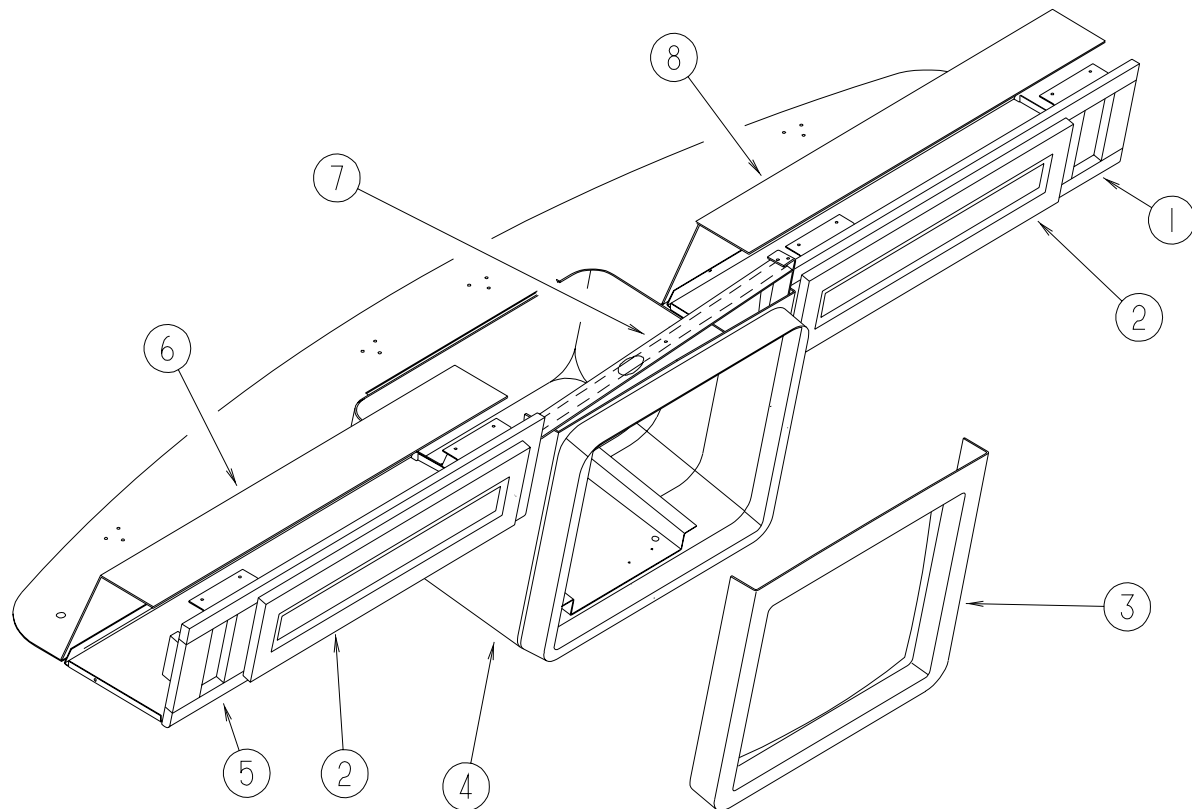
| KEY | PARTNUMBER | U/M DESCRIPTION |
|-----|---------------|---|
| | 076760-04-000 | EA BUNKHARDWARE-OVERHEAD-(COILSPRING) |
| | 110007-01-GB1 | EA BED-BUNK-FRONT |
| | 099717-03-000 | EA STRAP-TVTIEDOWNW/5.1"FEMALESTRAP&7.9"MALESTRAP |

DRIVERSCOMPARTMENTGROUP(CONTINUED)



OVERHEADBLANKET-SHELF

| KEY | PARTNUMBER | U/M DESCRIPTION |
|-----|---------------|--------------------------------|
| 1 | 104417-02-GB1 | EA CABINET-BLANKET-W/OHARDWARE |

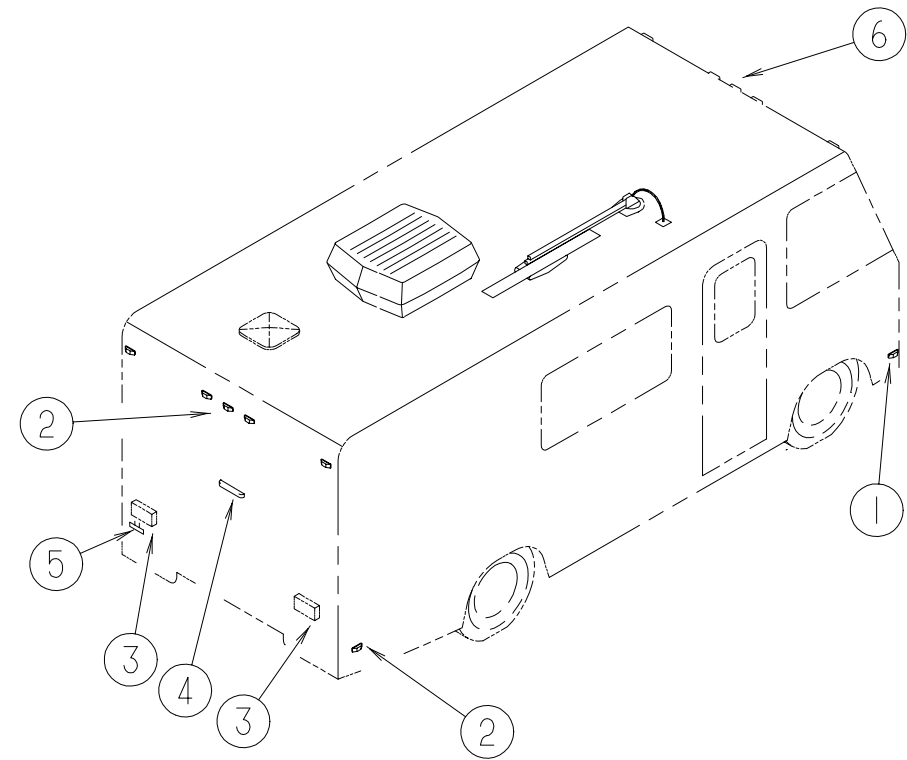


OVERHEADTV-CABINET

| KEY | PARTNUMBER | U/M DESCRIPTION |
|-----|---------------|---|
| 1 | 121504-01-H01 | EA CABINETASM-FACE,OVHD,TV |
| 2 | 110140-95-H01 | EA DOOR-MITEREDCORNER/VINYLRAP-7.1"X23.9"-W/OHDW |
| 3 | 122881-02-01A | EA COVER-TVFACE,OVHDFRTC.BSQ |
| 4 | 118022-05-H01 | EA COVER-TV-OVERHEADFRONT-W/OHARDWARE |
| 5 | 121504-02-H01 | EA CABINETASM-FACE,OVHD,TV |
| 6 | 124254-01-H01 | EA PANEL-HEADLINER |
| 7 | 114706-02-02B | EA SUPPORT-SHELF-TV |
| 8 | 124254-02-H01 | EA PANEL-HEADLINER |
| | 106699-01-01A | EA BRACKET-OVERHEADCABINET/TV |
| | 106699-01-01A | EA BRACKET-OVERHEADCABINET/TV |
| | 099717-03-000 | EA STRAP-TVTIEDOWNW/5.1"FEMALESTRAP&7.9"MALESTRAP |
| | 121441-02-01B | EA BASE-TV-SHELF-W/OHARDWARE |

FROM: 08-20-96 THRU: 99-99-99

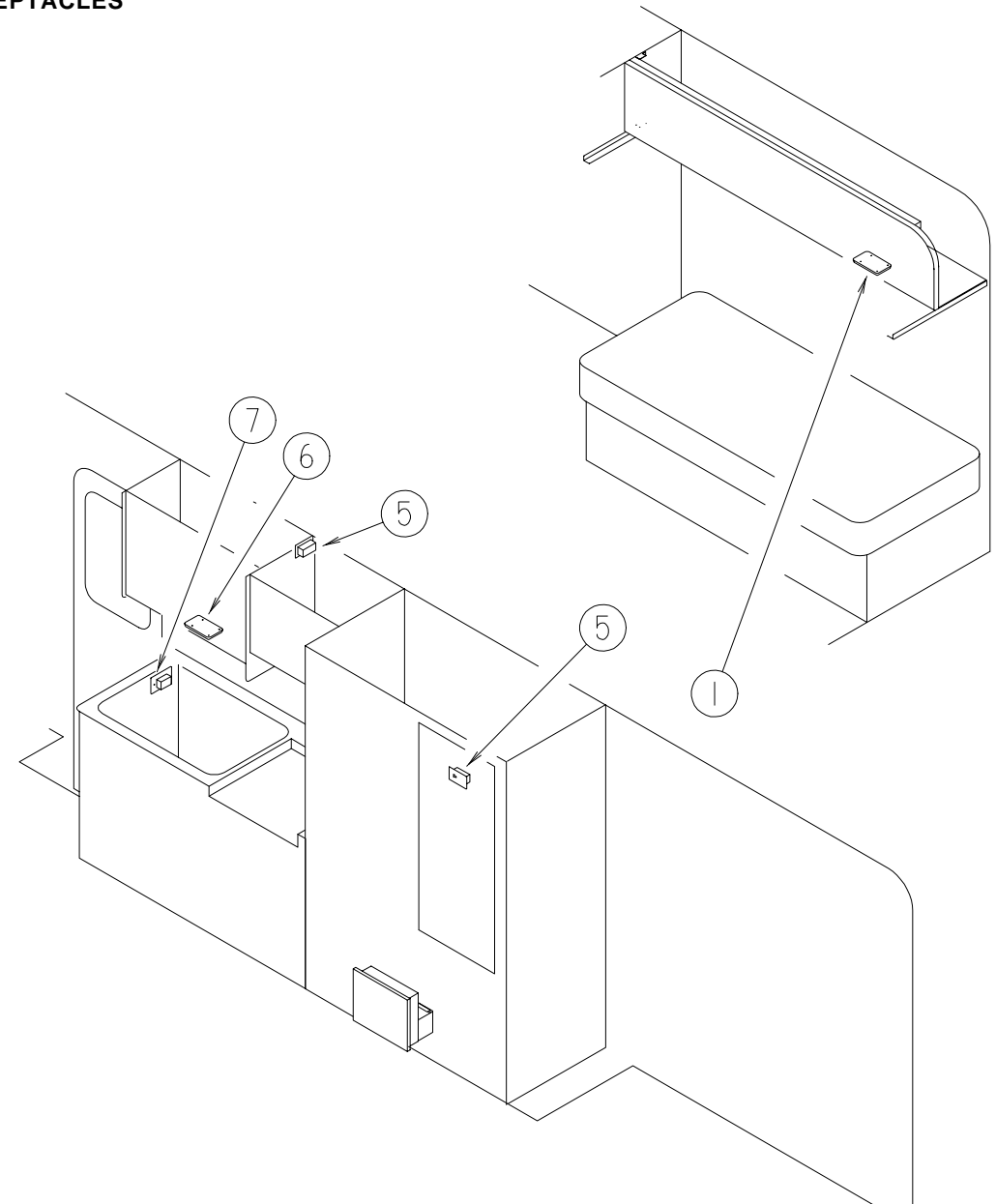
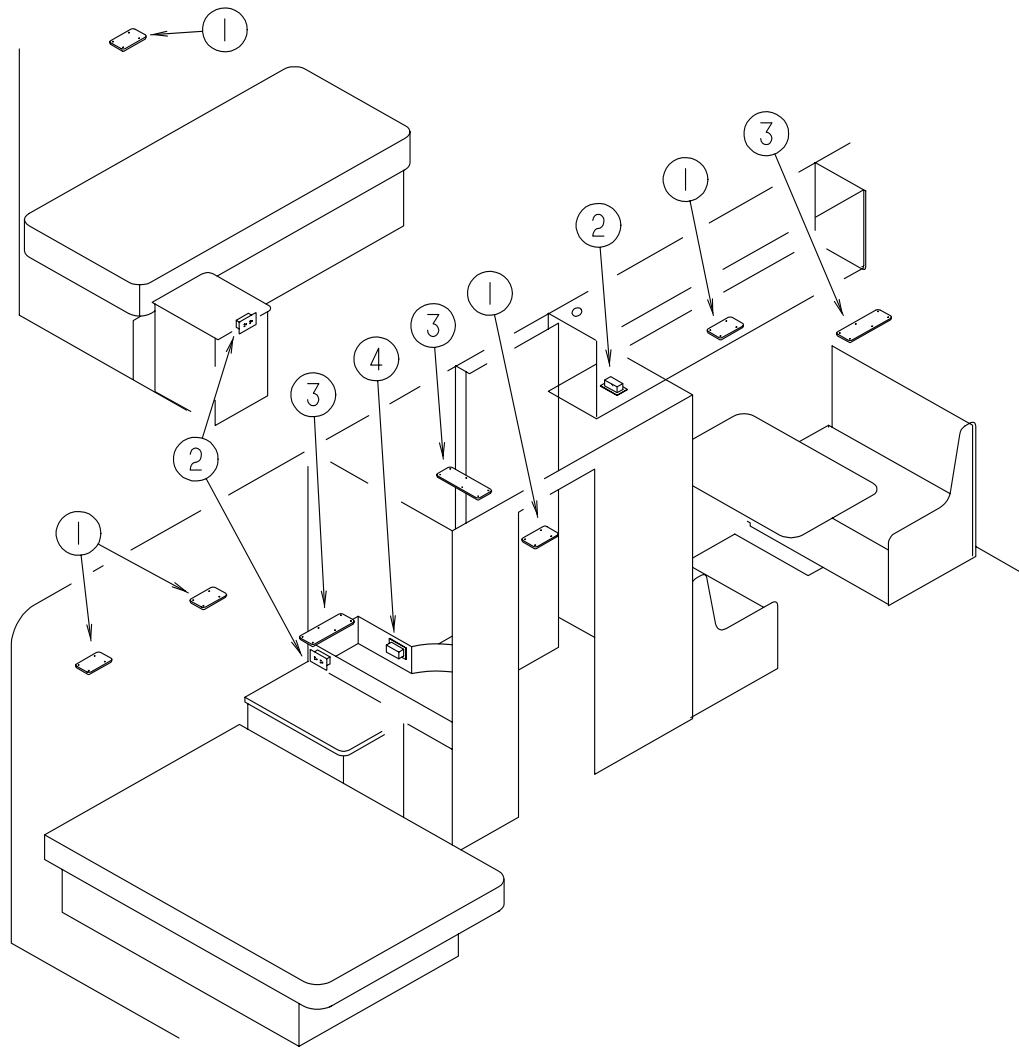
ELECTRICALGROUP



EXTERIORLIGHTS

| KEY | PARTNUMBER | U/M DESCRIPTION |
|-----|---------------|--|
| 1 | 111102-01-000 | EA LAMP-MARKER-BASE |
| 1 | 111102-02-000 | EA LENS-MARKERLAMP-AMBER |
| 1 | 036196-01-000 | EA BULB-12VOLT-#194-.27AMP-BAYONETTE |
| 2 | 111102-01-000 | EA LAMP-MARKER-BASE |
| 2 | 111102-03-000 | EA LENS-MARKERLAMP-RED |
| 3 | 115632-03-02A | EA LIGHT-STOP/TAI/BACKUP |
| 3 | 121620-01-01A | EA POD-TAILLIGHT |
| | 107256-01-03A | EA TAILLIGHTBEZEL-BLACK |
| 4 | 121950-01-000 | EA LIGHT-BRAKE-CENTERMOUNT |
| 4 | 037935-01-000 | EA BULB-12V-#1157OR#2057-2.1AMP-CLEARGLASS |
| 5 | 066432-03-000 | EA BRACKET-LICENSEPLATE |
| 5 | 066432-02-000 | EA LIGHT-LICENSE-BLACK |
| 6 | 111102-01-000 | EA LAMP-MARKER-BASE |
| 6 | 111102-02-000 | EA LENS-MARKERLAMP-AMBER |
| 6 | 036196-01-000 | EA BULB-12VOLT-#194-.27AMP-BAYONETTE |
| | 109566-01-000 | EA BACKING-LIGHT-ROOFCAP |
| | 049359-01-000 | EA SPRING-RETAINER-HEADLAMP-GM#496096 |
| | 070907-02-000 | EA HEADLAMP-BLACKRETAININGRING |
| | 070907-01-000 | EA HEADLAMP-RECTANGULAR |
| | 110750-01-000 | EA SCREW-HEADLAMPADJUSTING |
| | 121949-01-000 | EA LIGHT-TURN/AMBER-RIGHTHAND |
| | 121949-02-000 | EA LIGHT-TURN/AMBER-LEFTHAND |

ELECTRICAL GROUP (CONTINUED)
LIGHTS, SWITCHES & RECEPTACLES



| KEY | PARTNUMBER | U/M | DESCRIPTION | |
|---------------|---------------|-------------------------------------|--|--------------------------------|
| 1 | 098024-05-02A | EA | LIGHT-DOME-1BULB-SKYLITEWHITE | |
| | 008218-01-000 | EA | BULB-DOMELIGHT-12VOLT-NO.1141 | |
| | 098024-01-701 | EA | LENS-OPTICLEAR-SKYLIGHT 809902 | |
| 2 | 058708-01-000 | EA | RECEPTACLE-ELECTRIC-DOUBLE-BROWN | |
| | 3 | 098024-03-02A | EA | LIGHT-DOME-2BULBWHITE |
| | | 008218-01-000 | EA | BULB-DOMELIGHT-12VOLT-NO.1141 |
| 098024-01-700 | | EA | LENS-LIGHT 807877 | |
| 4 | 058708-02-000 | EA | RECEPTACLE-ELECTRIC-DOUBLE-IVORY | |
| 5 | 058707-01-000 | EA | RECEPTACLE-ELECTRIC-SINGLE-BROWN | |
| | 6 | 098024-06-02A | EA | LIGHT-DOME-2BULB-SKYLITE |
| | | 008218-01-000 | EA | BULB-DOMELIGHT-12VOLT-NO.1141 |
| | | 098024-01-701 | EA | LENS-OPTICLEAR-SKYLIGHT 809902 |
| | 117806-01-000 | EA | BULB-12VOLTNO.912-1.0AMPS | |
| 024924-02-000 | EA | RECEPTACLE-POWERCORD-W/PARTIALPLATE | | |
| 7 | 084076-02-000 | EA | RECEPTACLE-GFI-15AMP-125VOLT-BROWN | |
| | 097734-01-01A | EA | EXTENSION-RECEPTACLE,3.2"X5"X.7"-PLASTIC-IVORY | |
| | 102568-01-GB1 | EA | SPACER-RECEPTACLE-SIDEWALL | |
| | 079364-03-000 | EA | SWITCH-ON/OFFROCKER-3PRONGS-BROWN | |
| 7 | 117806-01-000 | EA | BULB-12VOLTNO.912-1.0AMPS | |
| | 103603-01-000 | EA | BULB-12VOLT-#74-.12AWEDGE-GE22-25USEDINDASH | |
| | 061424-01-000 | EA | LIGHT-AISLE-12VOLT-RECTANGULAR | |
| | 008103-01-000 | EA | BULB-DASH/AISLELIGHT-#53-12VOLT-.12AMP | |
| | 098024-01-03A | EA | LIGHT-DOME-1BULB-WHITE | |
| | 008218-01-000 | EA | BULB-DOMELIGHT-12VOLT-NO.1141 | |
| | 098024-01-700 | EA | LENS-LIGHT 807877 | |

ELECTRICALGROUP(CONTINUED)
FUSES&CIRCUITBREAKERS

| KEY | PARTNUMBER | U/M DESCRIPTION |
|-----|---------------|-------------------------------------|
| | 062037-01-000 | EA HOUSING-AUTOFUSE-NATURAL |
| | 062037-02-000 | EA HOUSING-AUTOFUSE-GREEN |
| | 062037-03-000 | EA HOUSING-AUTOFUSE-BLACK |
| | 062037-04-000 | EA HOUSING-AUTOFUSE-BLUE |
| | 062037-05-000 | EA HOUSING-AUTOFUSE,GRAY |
| | 062037-06-000 | EA HOUSING-AUTOFUSE-BROWN |
| | 062037-07-000 | EA HOUSING-AUTOFUSE-RED |
| | 062901-02-000 | EA FUSE-5AMPS-AUTOMOTIVE |
| | 062901-05-000 | EA FUSE-15AMPS-AUTOMOTIVE |
| | 062901-08-000 | EA FUSE-30AMPS-AUTOMOTIVE |
| | 083209-01-000 | EA CIRCUITBREAKER15AMP120V-CANADIAN |
| | 083209-02-000 | EA CIRCUITBREAKER15/15AMP120V |
| | 083209-04-000 | EA CIRCUITBREAKER30AMP120V |
| | 083209-05-000 | EA CIRCUITBREAKER-20A,120V-BWJ-20 |
| | 083209-06-000 | EA CIRCUITBREAKER30/15AMP120V |
| | 108669-01-000 | EA HOUSING-AUTOFUSEHOLDER |

SWITCHES

| KEY | PARTNUMBER | U/M DESCRIPTION |
|-----|---------------|---|
| | 079364-01-000 | EA SWITCH-ON/OFFROCKER-2PRONGS-BROWN |
| | 079364-03-000 | EA SWITCH-ON/OFFROCKER-3PRONGS-BROWN |
| | 095188-01-01A | EA SPACER-SWITCH-2.3"X3.4"-PLASTIC-DARKBROWN |
| | 096241-03-000 | EA SWITCH-BLANK |
| | 098351-01-01A | EA PLATE-SWITCH-1GANGPOLISHEDBRASS |
| | 098351-02-01A | EA PLATE-SWITCH-2GANGPOLISHEDBRASS |
| | 098351-07-01A | EA PLATE-SWITCH-POLISHEDBRASS |
| | 108355-01-000 | EA HOUSING-SWITCH |
| | 108356-02-01A | EA SWITCHCOVER-W/DIMPLES |
| | 108356-04-01A | EA SWITCHCOVER-W/DIMPLES-LIGHTED |
| | 108356-11-01A | EA SWITCHCOVERW/GROOVES |
| | 108357-10-000 | EA SWITCH-ROCKER-SPDTMOM/OFF/MOM-LIGHTED5TERMINAL |

POWERCORD,CONVERTER&WIREASSEMBLIES

| KEY | PARTNUMBER | U/M DESCRIPTION |
|-----|---------------|---|
| | 083208-01-000 | EA CONVERTER-POWER,32A-120V/12V-BW6332 |
| | 113132-01-000 | EA LOADCENTER-120/240VOLT-60AMP |
| | 008052-01-000 | EA CORD-POWER-10/3-30AMP-25'-CANADIAN |
| | 008054-01-000 | EA CORD-POWER-10/3-30AMP-25' |
| | 096449-01-000 | EA WIREASSEMBLY-WATERTANKTOMONITORPANEL |
| | 097618-01-000 | EA WIREASSEMBLY-MONITORPANEL-W/3WIRES&ORANGERESISTOR ORANGERESISTORW/3(ORANGE-GREEN-BLUE)WIRES |
| | 113134-03-000 | EA WIREASSEMBLY-WIPER/WASHER |

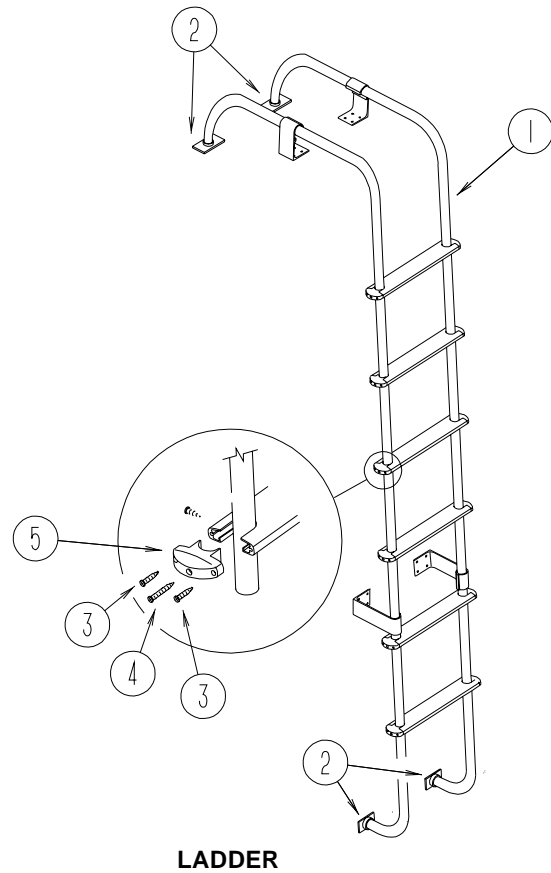
ELECTRICALBOXES&COVERS

| KEY | PARTNUMBER | U/M DESCRIPTION |
|-----|---------------|---|
| | 008289-01-000 | EA BOX-ELECTRIC/STEEL-12"&3/4"KNOCKOUTS-4"X4" |
| | 008289-02-000 | EA BOX-ELECTRICAL-4"X4"-1/2"&3/4"KNOCKOUTS-CANADIAN |
| | 008294-01-000 | EA COVER-ELECTRICALBOX-BLANK/STEEL-4"X4"-GRAY |
| | 069238-01-000 | EA COVER-ELECTRICALBOX-W/HOLE-4"X4"-GRAY USEDWITH30AMPRECEPTACLE |
| | 091910-01-000 | EA BOX-ELECTRIC-3.75"X3.5"X1.75"-PLASTIC |
| | 091910-02-000 | EA BOX-ELECTRIC-PLASTIC-2.24"X3.45" |
| | 111509-01-000 | EA BOX-ELECTRICAL-FRONT |
| | 111510-01-000 | EA DOOR-ELECTRICALBOX-FRONT |

ELECTRICALGROUP(CONTINUED)
ELECTRICALCONNECTORS

| KEY | PARTNUMBER | U/M DESCRIPTION |
|-----|---------------|--|
| | 007954-01-000 | EA RECEPTACLE-HOUSING-6POSITION |
| | 007956-05-000 | EA INSULATOR-SHRINK-.25IDX1.50 |
| | 008311-01-000 | EA CONNECTOR-WIRENUT-INSULATED-RED |
| | 008312-01-000 | EA CONNECTOR-WIRENUT-INSULATED-BLUE |
| | 008313-01-000 | EA CONNECTOR-WIRENUT-INSULATED-YELLOW |
| | 008314-01-000 | EA CONNECTOR-WIRENUT-INSULATED-GRAY |
| | 008326-01-000 | EA TERMINAL-RING-16/14WIRE-3/8"STUD |
| | 008328-01-000 | EA TERMINAL-RING-12/10WIRE-#10STUDFIT |
| | 008331-01-000 | EA TERMINAL-RING-TONGUE-#4WIRE-3/8"STUD-COPPER |
| | 008348-01-000 | EA TERMINAL-RING-3/8"STUD2GA.WIRE |
| | 008355-01-000 | EA CONNECTOR-CABLECLAMPING-3/4" |
| | 008356-01-000 | EA CONNECTOR-PLASTIC-3/8"AVG |
| | 035416-04-000 | EA TERMINAL-RING-#10STUDFIT-INSULATEDBARREL#16/14 |
| | 041480-01-000 | EA CONNECTOR-STRAIGHT-1/2'FLEXCONDUIT |
| | 041953-01-000 | FT CONDUIT-CONVOLUTE SLIT-.5"ID |
| | 041953-01-000 | FT CONDUIT-CONVOLUTE SLIT-.5"ID |
| | 041953-05-000 | FT CONDUIT-CONVOLUTE SOLID-.62"ID |
| | 041953-06-000 | FT CONDUIT-CONVOLUTE SLIT-.375"ID |
| | 041953-07-000 | FT CONDUIT-CONVOLUTE SLIT-.25"ID |
| | 041953-09-000 | FT CONDUIT-CONVOLUTE SLIT-.50"ID |
| | 041953-10-000 | FT CONDUIT-CONVOLUTE SLIT-.75"ID |
| | 041953-11-000 | FT CONDUIT-CONVOLUTE SLIT-1.06"ID |
| | 047443-01-000 | EA TERMINAL-.250RECEPTACLEFIT-INSULATED-16/14AWG |
| | 058028-01-000 | EA CONNECTOR-ELECTRICALPIGTAIL-NYLON-CLEAR |
| | 062036-01-000 | EA TERMINAL-PACK-CON-12/10AWG |
| | 062036-02-000 | EA TERMINAL-PACK-CON-16/14AWG |
| | 080015-03-000 | EA RECEPTACLE-FLAG-14/16GA |
| | 087225-01-000 | FT SLEEVING-1/2"-TYPEH |
| | 088267-01-000 | EA TERMINAL-FEMALE-1/4 |
| | 088473-02-000 | EA HOUSING-PIN-15CAVITY |
| | 088473-03-000 | EA HOUSING-PIN-9CAVITY |
| | 088473-06-000 | EA HOUSING-PIN-6CAVITY |
| | 088473-08-000 | EA HOUSING-PIN-4CAVITY |
| | 088473-09-000 | EA HOUSING-PIN-3CAVITY |
| | 088473-10-000 | EA HOUSING-PIN-2CAVITY |
| | 088474-02-000 | EA HOUSING-SOCKET-12CAVITY |
| | 088474-06-000 | EA HOUSING-SOCKET-6CAVITY |
| | 088474-07-000 | EA HOUSING-SOCKET-5CAVITY |
| | 088474-08-000 | EA HOUSING-SOCKET-4CAVITY |
| | 088474-09-000 | EA HOUSING-SOCKET-3CAVITY |
| | 088474-10-000 | EA HOUSING-SOCKET-2CAVITY |
| | 088475-01-000 | EA PIN-CONNECTOR-14-20AWG |
| | 088476-01-000 | EA SOCKET-CONNECTOR-BRASS-PRE-TIN |
| | 088476-02-000 | EA SOCKET-CONNECTOR-12-10GA-PHOSBRZ-PRE-TIN |
| | 103987-02-000 | EA SEAL-SOLENOIDACCESS |
| | 104100-01-000 | EA HOUSING-1POSITION-75AMPS |
| | 104100-03-000 | EA TERMINAL-75AMP |
| | 106006-01-000 | EA HOUSING-1POSITION-FEMALE |
| | 106007-01-000 | EA TERMINAL-FEMALE-14-16AWG |
| | 106655-01-000 | EA TERMINAL-FUSEBLOCK-14-16AWG |
| | 106655-02-000 | EA TERMINAL-FUSEBLOCK-10-12AWG |
| | 110178-01-000 | EA HOUSING-WIPERMOTOR |
| | 112823-01-000 | EA SPLICE-REDUCER-16-14TO18-22 |
| | 113306-01-000 | EA TERMINAL-FEMALE-M/P-14-16 |
| | 113307-01-000 | EA TERMINAL-FEMALE-M/P-16-20 |
| | 113468-01-000 | EA HOUSING-2POSITION-FEMALE USEDONWIPER/WASHERWIREASM |
| | 119248-02-000 | EA HOUSING-7POSITION-FEMALE |
| | 125323-02-000 | EA HOUSING-8POSITION-MALE |
| | 125324-01-000 | EA TERMINAL-MALE |
| | 125325-01-000 | EA SEAL-CAVITY |
| | 007093-01-000 | EA FLASHER-SIGNAL |
| | 008188-01-000 | EA SOLENOID-3POST-BATTERYCHANGE OVER |
| | 063910-01-000 | EA HOUSING-RELAY |
| | 086273-01-000 | EA RELAY-BATTERYDISCONNECT |

EXTERIORBODYGROUP



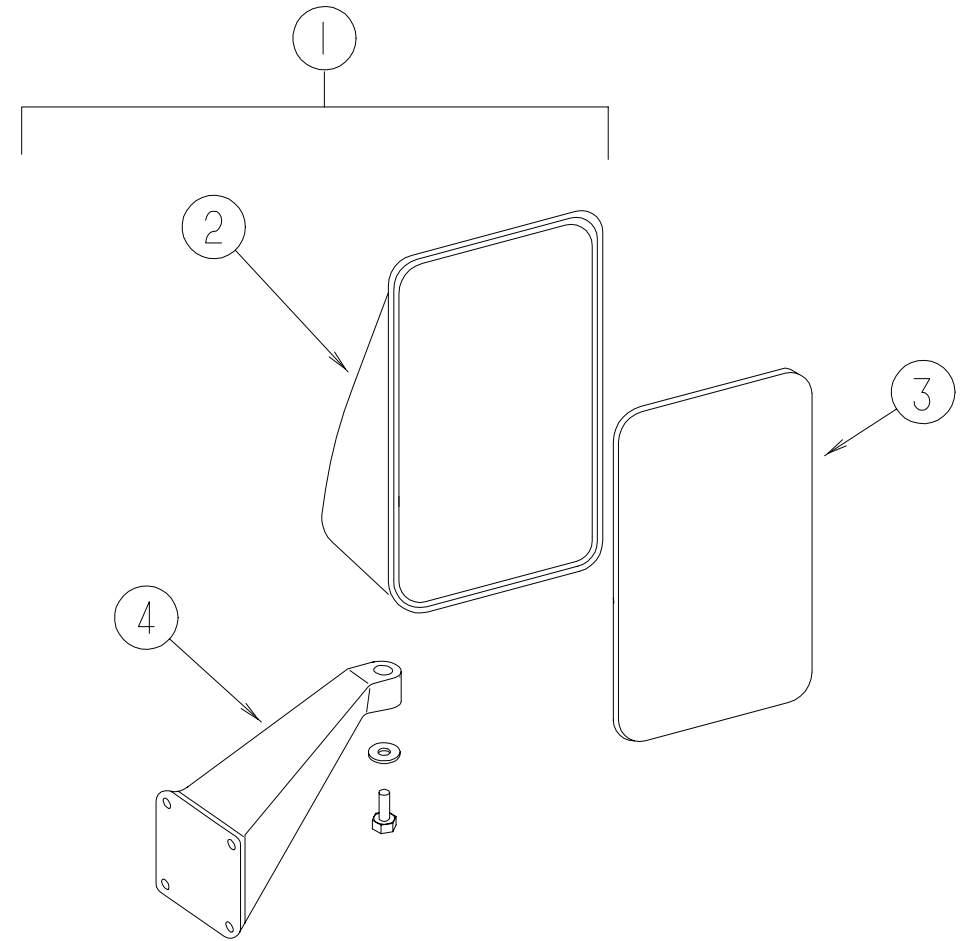
LADDER

| KEY | PARTNUMBER | U/M | DESCRIPTION |
|-----|---------------|-----|--------------------------------------|
| 1 | 102953-08-DB1 | EA | LADDERASSEMBLY |
| 2 | 067165-01-000 | EA | MOUNTINGBRACKET-LOWERLADDER |
| 3 | 000G39-06-10T | EA | SCREW-SELFDIVING, 6-20X5/8"PPH-BLACK |
| 4 | 000G67-10-36T | EA | SCREW, 10-12X2.25"PPH-BLACK |
| 5 | 076980-02-000 | EA | ENDCAP-STEP-BLACK |
| | 038327-01-000 | EA | TAPE-ANTI-SLIP-2"X60' |
| | 069726-02-000 | EA | BUMPER-.88"DIAMETERX.40"-BLACK |

FIBERGLASS,STYROFOAM,ALUMINUM&STEELTUBING

| KEY | PARTNUMBER | U/M | DESCRIPTION |
|-----|---------------|-----|--|
| | 000870-05-000 | SF | STYROFOAM-.5"X2'X8'INCREMENTSOF16SF |
| | 000870-08-000 | SF | STYROFOAM-.75"X4'X8'-PLANED |
| | 002726-01-001 | EA | GARNISH-U-CHANNEL-1.38"X19'-SERRATED |
| | 002766-01-001 | EA | ANGLE-EXTRUDED-1"X1.5"X17' |
| | 033381-17-001 | FT | STEEL-TUBE-16GAUGE1.5"X1.5"X16' |
| | 068716-01-001 | EA | BRACE-90DEGREEL-ANGLE-16' |
| | 076054-N7-000 | EA | FIBERGLASSSHEET-94.7"X280"BRIGHTWHITE |
| | 076054-P4-000 | EA | FIBERGLASSSHEET-96"X97"BRIGHTWHITE |
| | 077517-62-000 | EA | FIBERGLASSSHEET-48"X96"BRIGHTWHITE-FLAT |
| | 076054-N9-000 | EA | FIBERGLASSSHEET-96"X102"BRIGHTWHITE |
| | 089297-01-000 | SF | PLYWOOD-LUAN-OVERLAYGRADE-48"X96" |
| | 100619-01-000 | BF | EXPANDEDFOAMSHEET-1.34"X48"X96" |
| | 100619-04-000 | BF | FOAM-EXPANDEDPOLYSTYRENE-.5"X48"X96" |
| | 100619-05-000 | BF | FOAM-EXPANDEDPOLYSTYRENE-.75"X44"X96" |
| | 108535-04-705 | EA | FIBERGLASSSHEET-6"X34'BRIGHTWHITE |
| | 108535-05-702 | EA | FIBERGLASSSHEET-FLAT-110"X396"BRIGHTWHITE-ROOF |
| | 108535-06-700 | EA | FIBERGLASSSHEET-102"X102"BRIGHTWHITE |

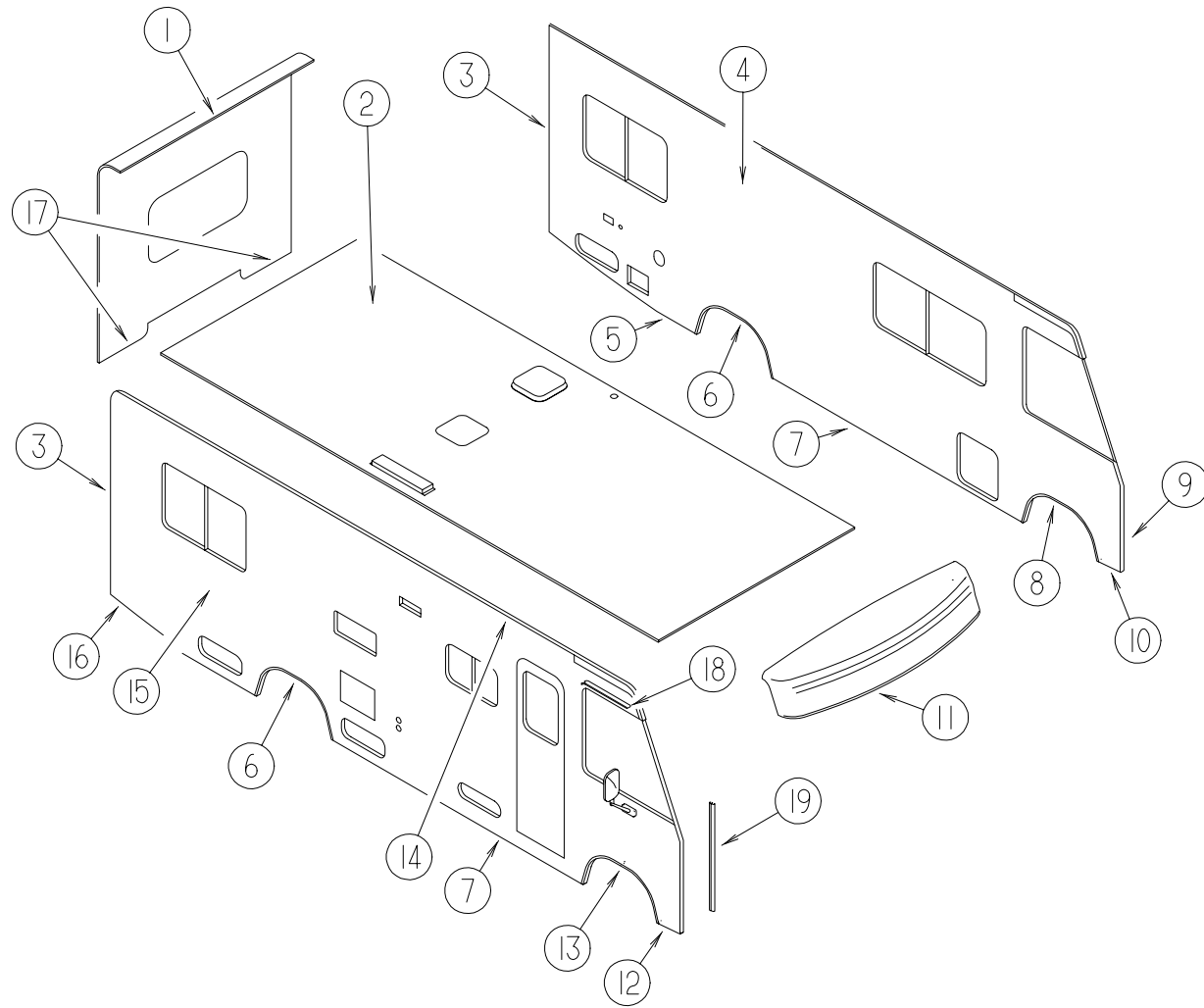
EXTERIORBODYGROUP(CONTINUED)



EXTERIORMIRROR

| KEY | PARTNUMBER | U/M | DESCRIPTION |
|-----|---------------|-----|---|
| 1 | 123297-01-01A | EA | MIRROR-EXTERIOR-ADJUSTABLEGLASS-DRIVER |
| 1 | 123297-02-01A | EA | MIRROR-EXTERIOR-ADJUSTABLEGLASS-PASSENGER |
| 2 | 105076-01-703 | EA | MIRROR-HEAD,FLATBLACK |
| 3 | 049347-01-700 | EA | GLASS-EXT.MIRROR7.5X10.5 |
| 4 | 105076-01-704 | EA | ARM |

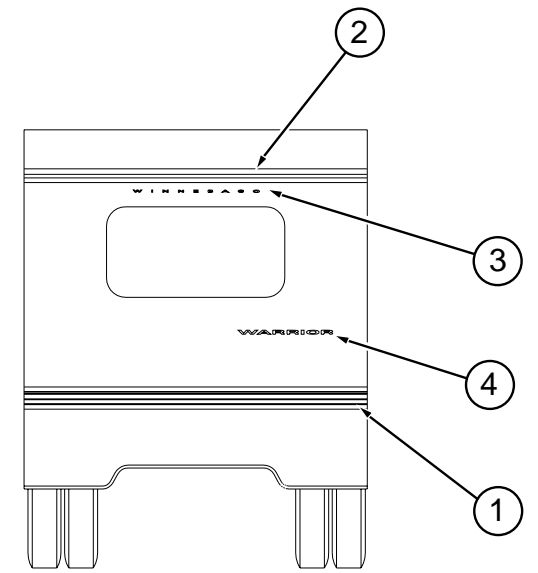
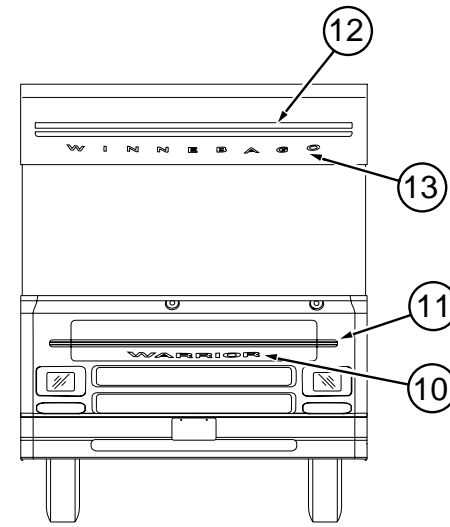
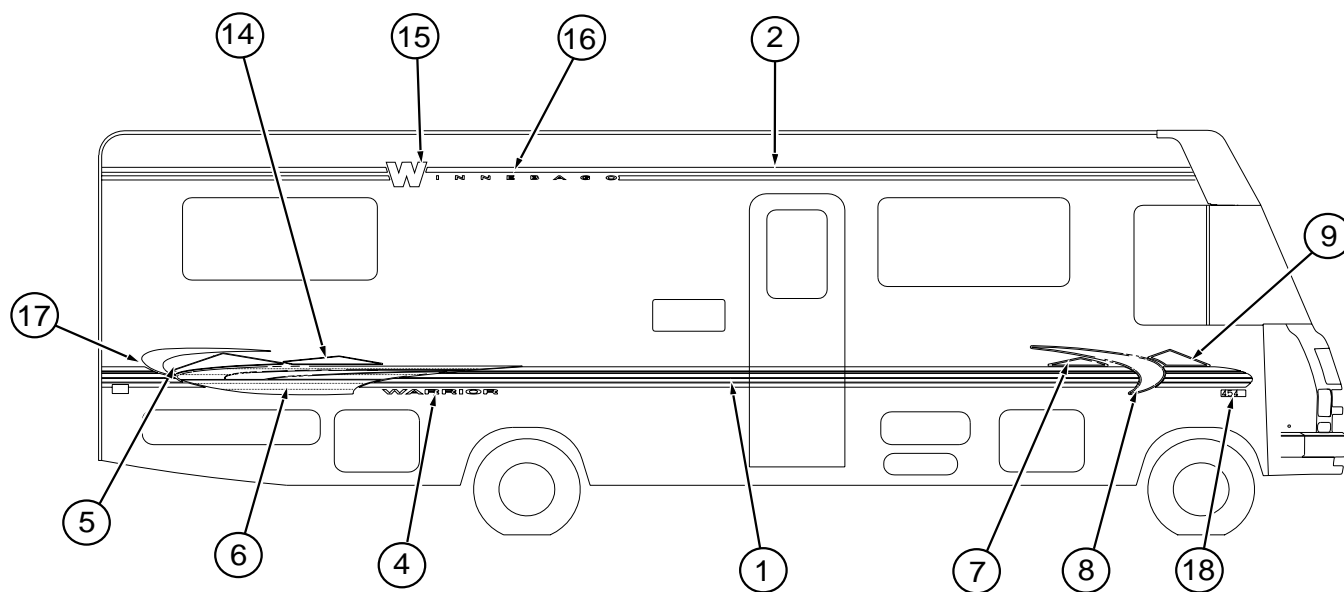
EXTERIORBODYGROUP(CONTINUED)
EXTERIORBODYPANELSANDTRIM



| KEY | PARTNUMBER | U/M | DESCRIPTION |
|-----|---------------|-----|--|
| 1 | M05961-31-H01 | EA | BACKWALLASMD25RU(W) |
| 1 | M05961-31-H02 | EA | BACKWALLASMD25RU(W) |
| 2 | P21747-01-H01 | EA | ROOFASM-D25RU |
| 3 | 096854-02-02A | EA | TRIM-CONTOUR |
| | 096864-01-02A | EA | TRIM-CONTOUR-ROOFTOSIDEWALL |
| 4 | M08009-01-GB1 | EA | SIDEWALLASM-LH,QUEENBED,D25(H01) |
| 4 | M08009-01-GC1 | EA | SIDEWALLASM-LH,QUEENBED,D25(H02) |
| 4 | M08009-02-GB1 | EA | SIDEWALLASM-LH,TWINBED,D25(H01) |
| 4 | M08009-02-GC1 | EA | SIDEWALLASM-LH,TWINBED,D25(H02) |
| 5 | 108038-06-02A | EA | TRIM-S/W,BTM,RRB/W1850,0 |
| 6 | 108070-01-04A | EA | TRIM-REARWHEELWELL-DRIVER/PASSENGER |
| 7 | 108039-01-04A | EA | TRIM-SIDEWALL-BOTTOM/CENTER |
| 8 | 108069-01-04A | EA | TRIM-WHEELWELL,FRONT,BRT/WHT |
| 9 | 103800-11-02A | EA | TRIM-SIDEWALL-FRONT |
| 10 | 108109-05-01A | EA | TRIM-SIDEWALL,LOWERFRONT |
| 11 | 109914-01-02A | EA | PANEL-ROOFCAP |
| 12 | 108109-01-04A | EA | TRIM-SIDEWALLFRONTLOWER-DRIVER/PASSENGER |
| 13 | 108069-05-01A | EA | TRIM-FRONTWHEELWELL-DRIVER/PASSENGER |
| 14 | 099583-55-003 | EA | AWNINGRAIL-120" |
| 15 | M08012-03-H01 | EA | SIDEWALLASM-RHD25RU |
| 15 | M08012-03-H02 | EA | SIDEWALLASM-RHD25RU |
| 15 | M08012-04-H01 | EA | SIDEWALLASM-RHD25RUTWIN |
| 15 | M08012-04-H02 | EA | SIDEWALLASM-RHD25RUTWIN |
| 16 | 108038-07-02A | EA | TRIM-S/W,BTM,RRB/W1850,0 |
| | 113452-01-000 | FT | SEAL-TRIM-FRONTPOPTOP |
| | | | FROM: 02-03-97 THRU: 99-99-99 |
| 17 | 050406-21-000 | EA | TRIM-LOWERBACKWALL-DRIVER/PASSENGER |
| 18 | 108274-03-02A | EA | RAIL-DRIP-FRONT/RIGHTHAND |
| | 108274-04-02A | EA | RAIL-DRIP-FRONT/LEFTHAND |
| | 108651-01-01A | EA | ENDCAP-FEATURESTRIP |
| | 108688-01-03A | EA | STRIP-FEATURE-W/OINSERT/ENDCAPS-15' |
| | 105312-01-07A | FT | INSERT-FEATURESTRIPVINYL-BRIGHTWHITE |
| | 078580-02-000 | EA | TRIM-ROOF/FRONTCAP |
| 19 | 089922-34-000 | EA | TRIM/EXTRUDED-FIBERGLASSPANEL |
| | | | FROM: 00-00-00 THRU: 12-15-96 |
| 19 | 123680-03-01A | EA | TRIM-FIBERGLASS |
| | | | FROM: 12-16-96 THRU: 99-99-99 |

EXTERIOR BODY GROUP (CONTINUED)

DECALS, FILM STRIPES & PAINT



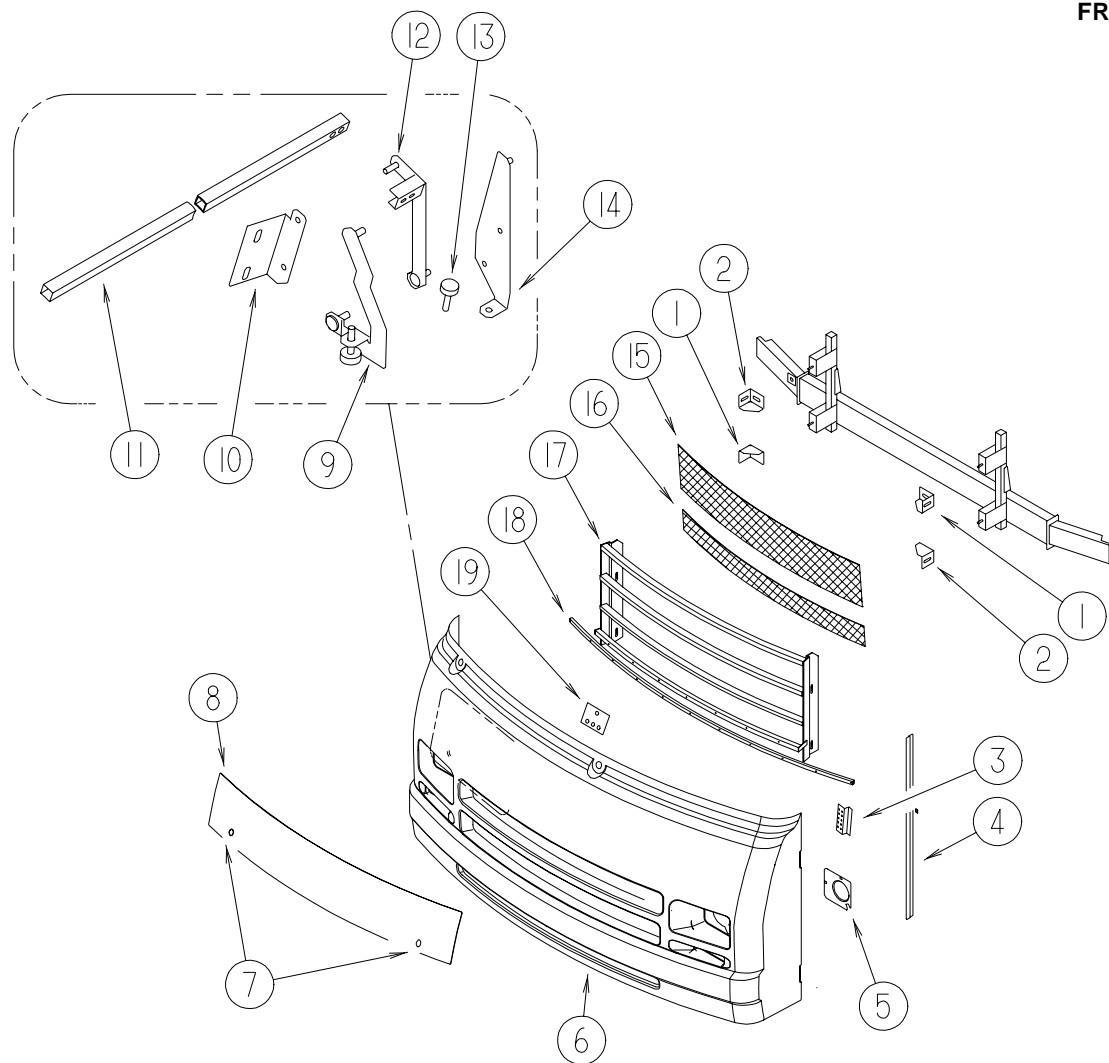
DUPONT PAINT COLOR CODES

| KEY | PART NUMBER | U/M | DESCRIPTION | |
|-----|---------------|-----|------------------------------|---------------------|
| 1 | 094445-04-01A | FT | FILM-MULTISTRIPE,154.0MMX150 | SEFO/BRN/FGR/ORC/BZ |
| 2 | 105781-50-01A | FT | FILM-MULTISTRIPE95.3MMX150' | BLZBLU/DKBLU |
| 3 | 120841-01-01A | EA | DECAL-LOGO,WINNEBAGO | DKBLUE |
| 4 | 120816-01-01A | EA | DECAL-LOGO,WARRIOR,LG | BLZBLU/DKBLUE |
| 4 | 120816-02-01A | EA | DECAL-LOGO,WARRIOR,SML | BLZBLU/DKBLUE |
| 5 | 120804-01-01A | EA | DECAL-MOUNTAIN,#1,RH | ORCHID |
| | 120804-02-01A | EA | DECAL-MOUNTAIN,#1,LH | ORCHID |
| 6 | 120806-01-01A | EA | DECAL-SCENE BASE,RH | BLZB/ORCH/FGRN/DBLU |
| | 120806-02-01A | EA | DECAL-SCENE BASE,LH | BLZB/ORCH/FGRN/DBLU |
| 7 | 120808-01-01A | EA | DECAL-MOUNTAIN,#3,RH | ORCHID |
| | 120808-02-01A | EA | DECAL-MOUNTAIN,#3,LH | ORCHID |
| 8 | 120810-01-01A | EA | DECAL-SWEEP,FRT,RH | BLAZEBLUE |
| | 120810-02-01A | EA | DECAL-SWEEP,FRT,LH | BLAZEBLUE |
| 9 | 120809-01-01A | EA | DECAL-MOUNTAIN,#4,RH | ORCHID |
| | 120809-02-01A | EA | DECAL-MOUNTAIN,#4,LH | ORCHID |
| 10 | 120813-01-01A | EA | DECAL-LOGO,WARRIOR,SWP | BLZBLU/DKBLU |
| 11 | 120812-01-01A | EA | DECAL-HOOD | FGRN/ORCH/BLZBL |
| 12 | 120811-01-01A | EA | DECAL-FRONT CAP,UPPR | BLZBLU/DKBLU |
| 13 | 120814-01-01A | EA | DECAL-LOGO,WINNEBAGO,SWP | DKBLUE |
| 14 | 120805-01-01A | EA | DECAL-MOUNTAIN,#2,RH | ORCHID |
| | 120805-02-01A | EA | DECAL-MOUNTAIN,#2,LH | ORCHID |
| 15 | 120815-01-01A | EA | DECAL-LOGO,W | BLAZEBLUE |
| 16 | 120815-02-01A | EA | DECAL-LOGO,INNEBAGO | DKBLUE |
| 17 | 120807-01-01A | EA | DECAL-SWEEP,RR,RH | BLAZEBLUE |
| | 120807-02-01A | EA | DECAL-SWEEP,RR,LH | BLAZEBLUE |
| 18 | 122312-01-01A | EA | DECAL-VORTEC7400 | |
| | 041561-03-000 | EA | PAINT-16OZSPRAY-OFFWHITE | |
| | 004308-01-000 | EA | PAINT-BLACKSPRAY | |
| | 099399-23-700 | EA | PAINT-SPRAY-BRTWHITEENAMEL | B8951UDUPONT |

| | | |
|--------------------|----------|--------------|
| OFFWHITE | INTERIOR | DUPONTL8723 |
| BRIGHTWHITE | INTERIOR | DUPONTB8951U |
| FORESTGREENMETALIC | FILM | DUPONTGM186 |
| SEAFOAMMETALIC | FILM | DUPONTGM165 |
| BLAZEBLUEMETALIC | FILM | DUPONTBM354 |
| DARKBLUEMETALIC | FILM | DUPONTBM226 |
| ORCHIDMETALIC | FILM | DUPONTF2984 |
| BROWNMETALIC | FILM | DUPONTH8223 |

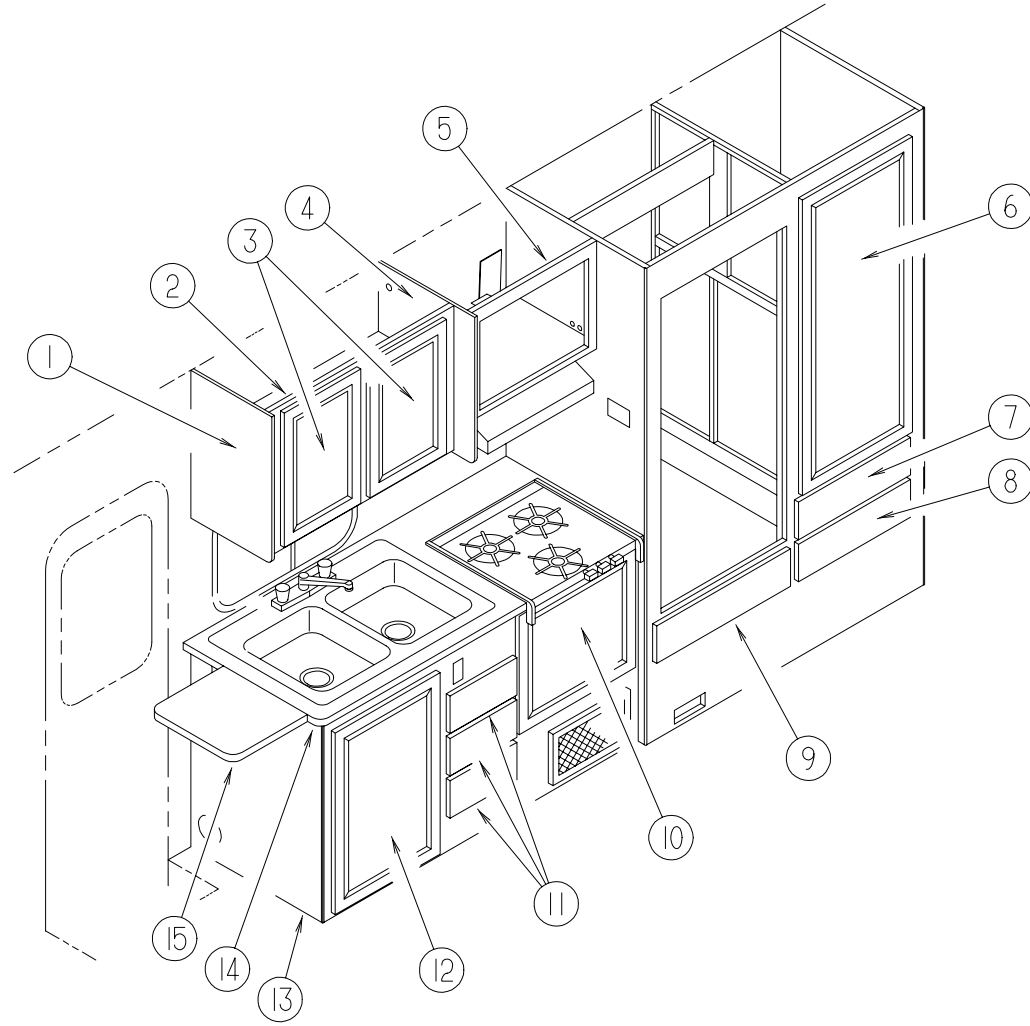
EXTERIORBODYGROUP(CONTINUED)

FRONTENDCOMPONENTS



| KEY | PARTNUMBER | U/M | DESCRIPTION |
|-----|---------------|-----|--|
| 1 | 117611-02-02B | EA | BRACKET-BUMPER |
| 2 | 117611-01-02B | EA | BRACKET-BUMPER |
| | 116617-02-02B | EA | SPACER-BUMPER |
| 3 | 113495-02-02B | EA | SUPPORT-HINGE |
| 4 | 089922-34-000 | EA | TRIM-FIBERGLASS-PANEI B/W |
| | | | FROM: 00-00-00 THRU: 12-15-96 |
| 4 | 123680-03-01A | EA | TRIM-FIBERGLASS |
| | | | FROM: 12-16-96 THRU: 99-99-99 |
| 5 | 115951-02-02B | EA | PLATE-HEADLAMP-DUAL/LEFTHAND |
| | 115951-01-02B | EA | PLATE-HEADLAMP-DUAL/RIGHTHAND |
| 6 | 121628-01-01A | EA | PANEL-LOWERFRONT |
| 7 | 102330-02-000 | EA | HOODLOCK-SINGLEHOLE-VISEACTION |
| | 102328-01-000 | EA | BARRELKEY-HOODLOCK |
| 8 | 115976-04-H01 | EA | PANEL-HOOD |
| 9 | 109930-15-000 | EA | LINK-HINGE-HOOD/LOWERPASSENGERSIDE |
| | 109930-16-000 | EA | LINK-HINGE-HOOD/LOWERDRIVERSIDE |
| 10 | 109927-03-000 | EA | ANGLE-LINK-HOODRIGHTHAND |
| | 109927-04-000 | EA | ANGLE-LINK-HOODLEFTHAND |
| 11 | 105096-10-000 | EA | TUBE-HOODHINGETIMINGW/WELDNUTS |
| | 106748-04-000 | EA | LATCH-HOOD-FRONTEND |
| 12 | 109929-07-000 | EA | LINK-UPPERHOODHINGE-PASSENGERSIDE |
| | 109929-08-000 | EA | LINK-UPPERHOODHINGE-DRIVERSIDE |
| 13 | 058786-01-000 | EA | BOLT-ADJUSTINGHOOD-W/BLACKPAD-.31"-18X2 |
| 14 | 109926-23-000 | EA | BRACKET-HOODHINGELINK-PASSENGERSIDE |
| | 109926-24-000 | EA | BRACKET-HOODHINGELINK-DRIVERSIDE |
| 15 | 115924-06-02A | EA | GRILLE-WOVENWIRE-FLATBLACK |
| 16 | 115924-07-02A | EA | GRILLE-WOVENWIRE-FLATBLACK |
| 17 | 122096-01-H01 | EA | GRILLEASM-FRONT |
| 18 | 122099-01-01A | EA | TUBE-GRILLE-HORIZONTAL |
| 19 | 119445-01-02B | EA | PLATE-W/HOLES |
| | 070579-06-000 | EA | PLATE-ANCHOR-W/7/16WELDNUT-1.5"X3.3" |
| | 070579-07-000 | EA | PLATE-ANCHORW/ONUT |
| | 077001-01-000 | EA | ANGLE-MOUNTINGROOFANEL VANGLE-3"X2.4"X1.5" |

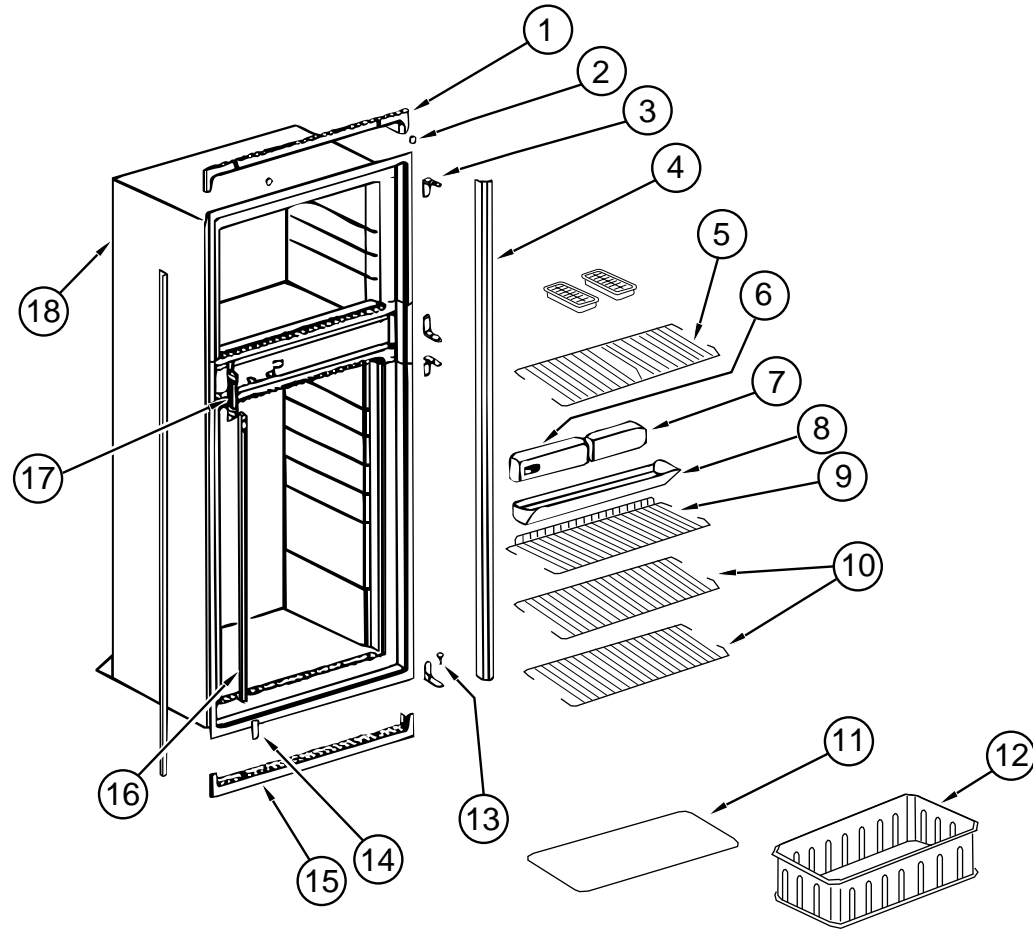
GALLEYGROUP
GALLEYCABINETY



| KEY | PARTNUMBER | U/M | DESCRIPTION |
|-----|---------------|-----|--|
| 1 | 109908-06-GB1 | EA | CAPASM-END,OVHD |
| 2 | 121674-01-H01 | EA | CABINETASM-OVHD,GALLEY |
| 3 | 110140-10-G01 | EA | DOOR-MITEREDCORNER/VINYLRAP-14.3"X21.8"-W/OHDW |
| 4 | 109908-05-GB1 | EA | CAPASM-END,OVHD |
| 5 | 115114-02-GB1 | EA | CABINETASM-MICROWAVEOVHD |
| 6 | 110140-76-GB1 | EA | DOOR-MITEREDCORNER/VINYLRAP-20.6"X45.4"-W/OHDW |
| 7 | P10163-AV-H01 | EA | DRAWERCOMPL-SLIDE |
| 8 | P10163-AX-H01 | EA | DRAWERCOMPL-SLIDE |
| 9 | P10163-AW-H01 | EA | DRAWERCOMPL-SLIDE |
| 10 | 110140-77-GB1 | EA | DOOR-MITEREDCORNER/VINYLRAP-21.8"X12"-W/OHDW |
| 11 | P10163-AS-H01 | EA | DRAWERCOMPL-SLIDE |
| 12 | 110140-08-GB1 | EA | DOOR-MITEREDCORNER/VINYLRAP-19.6"X29.5"-W/OHDW |
| 13 | 122656-01-H01 | EA | CABINETASM-GALLEY |
| 13 | 122656-01-H02 | EA | CABINETASM-GALLEY |
| | 109688-01-000 | EA | SINK-STAINLESSSTEEL-DOUBLE-33"X22" |
| | 109799-01-01A | EA | FAUCET-GALLEY-DUALCONTROL |
| | 092303-01-000 | EA | STRAINER-SINK |
| | 110012-01-GB1 | EA | COVER-SINKW/CUTOUT-14.7"X16.5"(H01) |
| | 110012-01-GC1 | EA | COVER-SINKW/CUTOUT-14.7"X16.5"(H02) |
| 14 | 122656-11-H01 | EA | COUNTERTOPASM |
| 14 | 122656-11-H02 | EA | COUNTERTOPASM |
| 15 | 080812-06-GB1 | EA | EXTENSIONASM-GALLEY(H01) |
| 15 | 080812-06-GC1 | EA | EXTENSIONASM-GALLEY(H02) |
| | 104181-01-01A | EA | SUPPORT-LEAF5.3"EXTENDSTO7.5"-SAFETYRING-METAL |
| | 090329-01-000 | FT | SEAL-T-REFRIGERATORCABINET-.6"WIDETOPX2"TAIL |

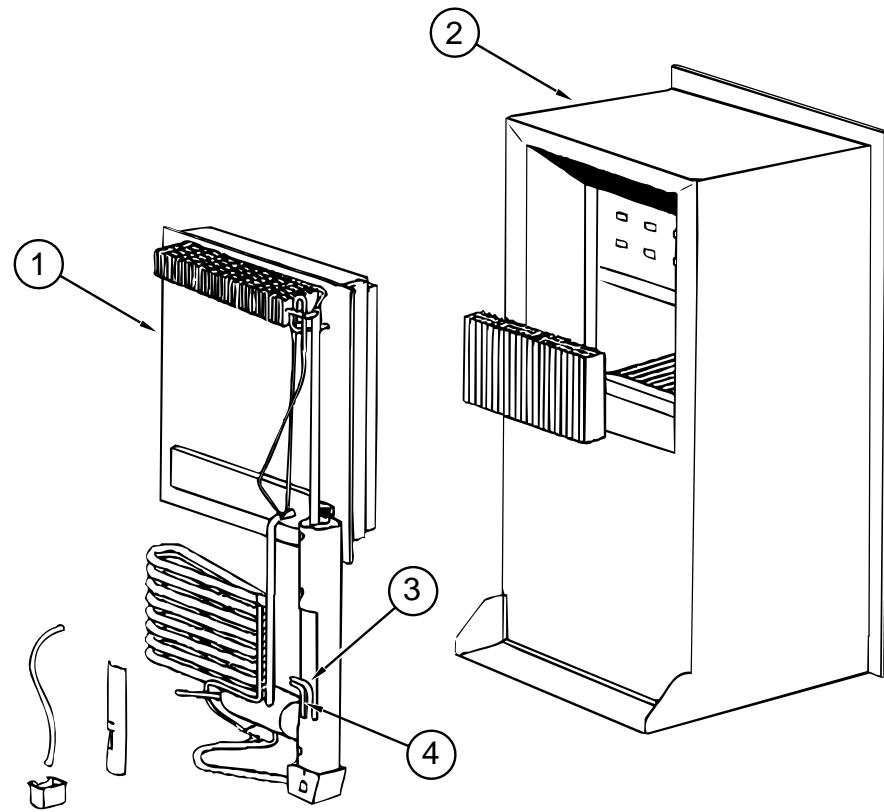
GALLEYGROUP(CONTINUED)

NORCOLDMODEL9162RREFRIGERATORCABINETASMWITHTRAY,TIEDOWNS,&LEVEL



| KEY | PARTNUMBER | U/M | DESCRIPTION | VENDORNO. |
|-----|---------------|-----|---|-----------|
| | 121568-01-01A | EA | REFRIG-SMALLDBLDRBL2-WAY -*NORCOLD9162R | |
| 1 | 120075-01-713 | EA | TRIM-TOPPIECE | 618124 |
| 2 | 120075-01-714 | EA | PLUG-HOLE | 618170 |
| 3 | 120075-01-715 | EA | HINGE-CABINETSIDE-PAINTED | 618512 |
| 4 | 120076-01-702 | EA | TRIM,SIDEPiece | 618133 |
| 5 | 121568-01-705 | EA | SHELF-WIREFREEZER | 618620 |
| 6 | 121568-01-706 | EA | CONTROLBOXASSEMBLY | 618588 |
| | 120075-01-708 | EA | BUSHING-DOORHINGE | 618144 |
| 7 | 120075-01-718 | EA | BOX-FILLER | 618112 |
| 8 | 120075-01-720 | EA | TRAY-DRIP | 618137 |
| | 120075-01-721 | EA | LOUVER-DRIPTRAY | 618176 |
| 9 | 121568-01-707 | EA | SHELF-WIRE-SHORT | 618624 |
| 10 | 121568-01-708 | EA | SHELF-WIRE | 618589 |
| 11 | 120075-01-725 | EA | COVER-CRISPER | 618158 |
| 12 | 121568-01-709 | EA | CRISPER | 618571 |
| 13 | 120075-01-727 | EA | PIN-HINGE | 618145 |
| 14 | 120075-01-728 | EA | COVER-HINGEHOLE | 618171 |
| 15 | 120075-01-729 | EA | TRIM-BOTTOMPIECE | 618136 |
| 16 | 120075-01-730 | EA | RETAINER-SHELF | 618181 |
| 17 | 120075-01-732 | EA | PLATE-STRIKE | 618167 |
| 18 | 120076-01-703 | EA | CABINET-FOAMED | 618260 |
| | 120075-01-731 | EA | PLUG-FACADE | 618184 |
| | 093646-01-000 | EA | BRACKET-TIEDOWN/REFRIGERATOR-RIGHTHAND | |
| | 093646-02-000 | EA | BRACKET-TIEDOWN/REFRIGERATOR-LEFTHAND | |
| | 116751-05-01A | EA | TRAY-REFRIGERATORBLK -*95MOTORHOMES | |
| | 054450-01-000 | EA | LEVEL-REFRIGERATOR | |
| | 065225-02-000 | EA | PLATE-TIEDOWN-REFRIGERATOR | |

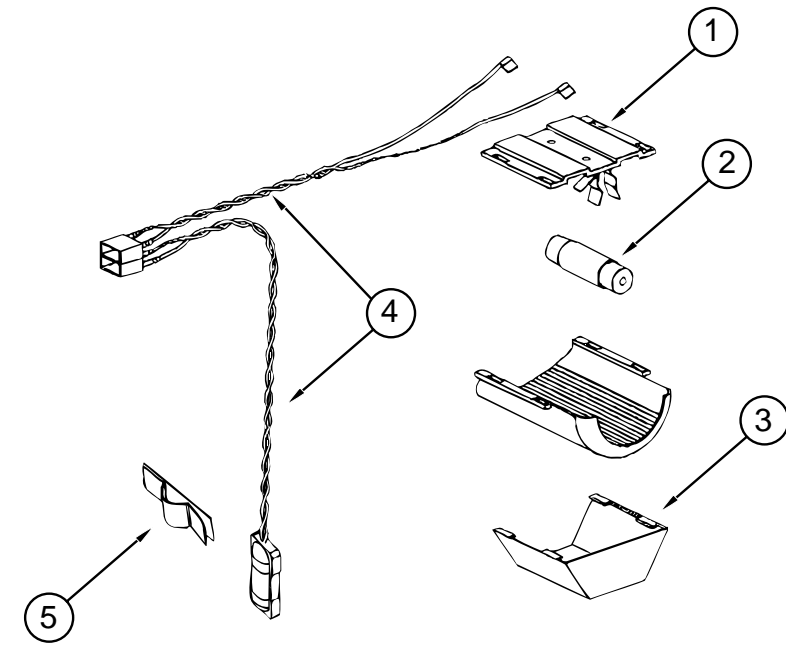
GALLEYGROUP(CONTINUED)



REFRIGERATOR COOLING UNIT, CABINET, & HEATERS

| KEY | PARTNUMBER | U/M | DESCRIPTION | VENDORNO. |
|-----|---------------|-----|---|-----------|
| | 121568-01-01A | EA | REFRIG-SMALLDBLDRBL2-WAY -*NORCOLD9162R | |
| 1 | 120076-01-704 | EA | COOLINGUNIT,SERVICEPACK | 618543 |
| 2 | 120076-01-703 | EA | CABINET-FOAMED | 618260 |
| 3 | 088248-01-710 | EA | HEATERDC(HORIZONTAL) | 61562822 |
| 4 | 088248-01-709 | EA | HEATER-AC(HORIZONTAL) | 61562722 |

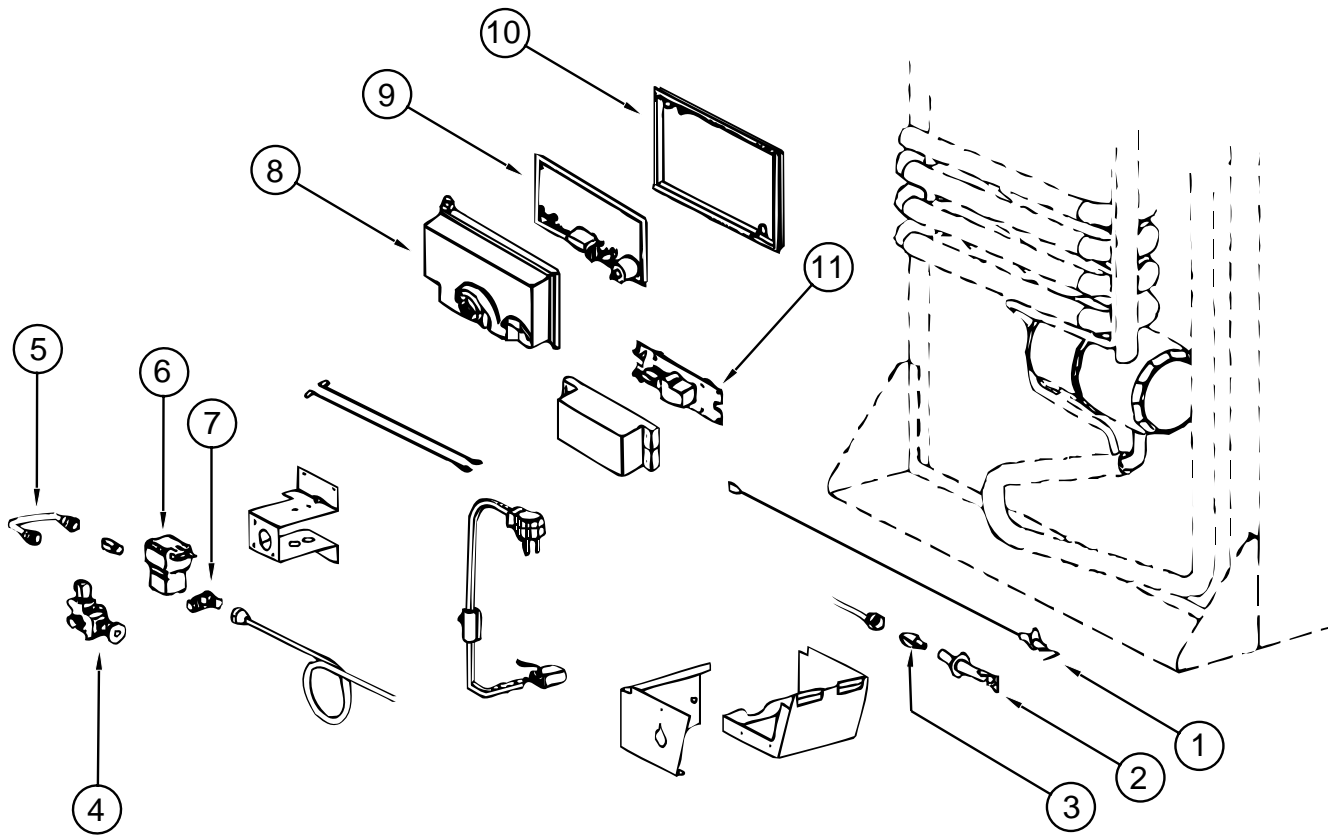
GALLEYGROUP(CONTINUED)



NORCOLD MODEL 9162R REFRIGERATOR LAMP ASM

| KEY | PARTNUMBER | U/M | DESCRIPTION | VENDORNO. |
|-----|---------------|-----|---|-----------|
| | 121568-01-01A | EA | REFRIG-SMALLDBLDRBL2-WAY -*NORCOLD9162R | |
| 1 | 084880-03-705 | EA | BRACKET-LIGHT-INTERIOR | 61629722 |
| 2 | 084880-03-706 | EA | BULB-LAMP | 61628922 |
| 3 | 084880-03-707 | EA | COVER-LAMP,LENS | 61627922 |
| 4 | 120075-01-735 | EA | WIREASM.-LAMP | 618548 |
| 5 | 084880-01-760 | EA | CLIP(THERMISTER) | 61689122 |

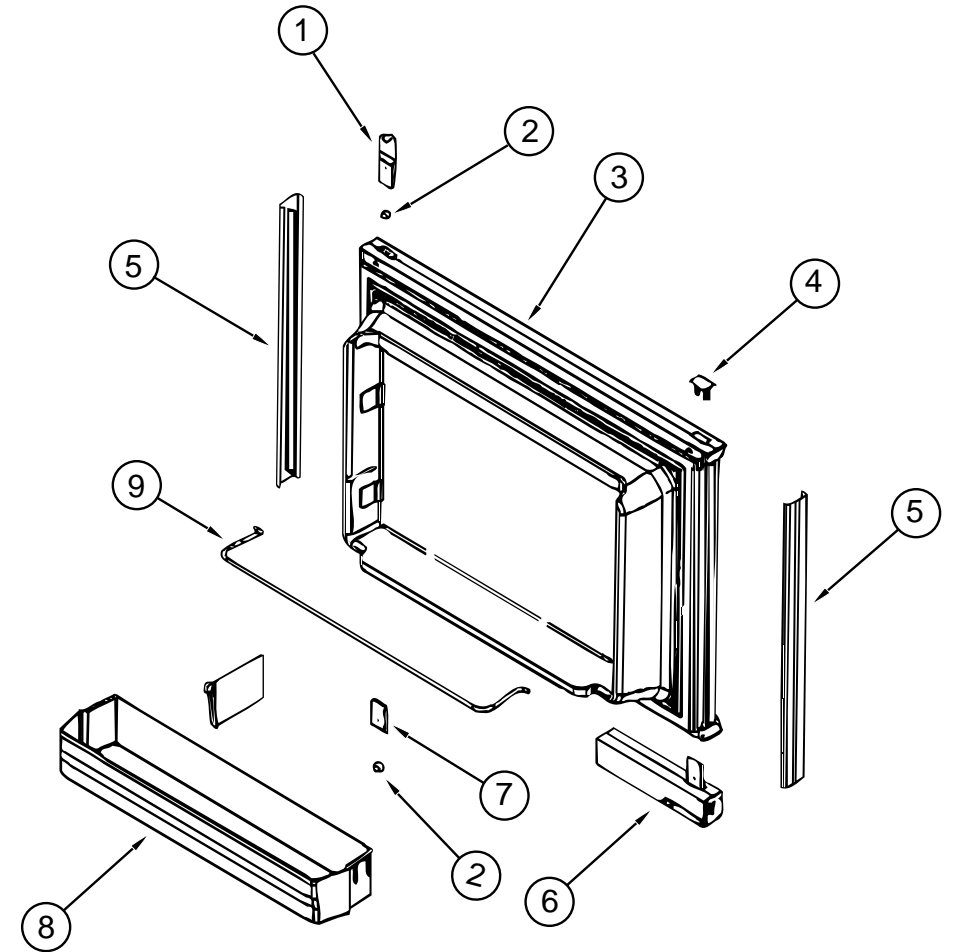
GALLEYGROUP(CONTINUED)



NORCOLDMODEL9162RREFRIGERATORBURNER&POWERBOARDS

| KEY | PARTNUMBER | U/M | DESCRIPTION | VENDORNO. |
|-----|---------------|-----|---|-----------|
| | 121568-01-01A | EA | REFRIG-SMALLDBLDRBL2-WAY -*NORCOLD9162R | |
| 1 | 104137-06-715 | EA | ELECTRODE-SPARK/SENSOR,SGL | 61692222 |
| 2 | 104137-06-714 | EA | BURNERASSEMBLY,5-SLOT | 61705222 |
| 3 | 121568-01-705 | EA | SHELF-WIREFREEZER | 618620 |
| 4 | 104137-06-709 | EA | VALVE-SHUTOFF,MANUAL | 61694922 |
| 5 | 113737-01-750 | EA | TUBE-UNION | 61694622 |
| 6 | 084880-01-718 | EA | VALVE-GAS,(ASCO) | 61551822 |
| 7 | 113737-01-716 | EA | TAP-PRESSURE | 61594422 |
| 8 | 120075-01-738 | EA | COVER-POWERBOARD | 618185 |
| 9 | 120075-01-739 | EA | BOARD-POWER,2-WAY | 618198 |
| 9 | 121568-01-710 | EA | BOARD-POWER-3WAY | 618575 |
| 10 | 120075-01-740 | EA | COVER-BASE,POWERBOARD | 618186 |
| 11 | 121568-01-711 | EA | BOARD-MODULE,DC | 618561 |
| | 113737-01-702 | EA | PLUG1/8"F/PRESSURETAP | 61445322 |

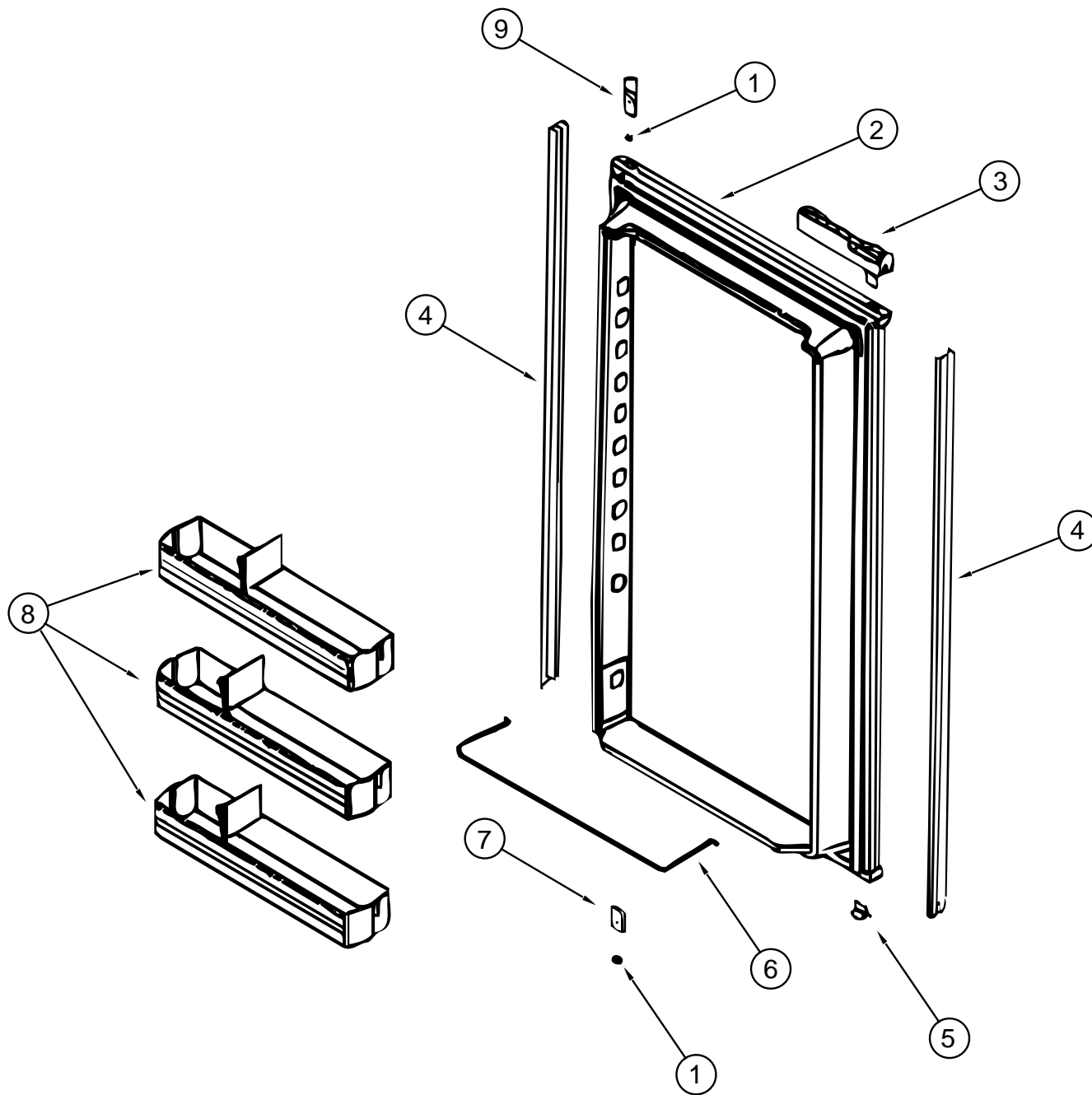
GALLEYGROUP(CONTINUED)



NORCOLDMODEL9162RREFRIGERATORUPPERDOOR

| KEY | PARTNUMBER | U/M | DESCRIPTION | VENDORNO. |
|-----|---------------|-----|---|-----------|
| | 121568-01-01A | EA | REFRIG-SMALLDBLDRBL2-WAY -*NORCOLD9162R | |
| 1 | 120075-01-701 | EA | HINGE-TOPRH/BTMLH,PAINTED | 618511 |
| 2 | 120075-01-708 | EA | BUSHING-DOORHINGE | 618144 |
| 3 | 120075-01-703 | EA | DOORASM.,FOAMED,W/GASKET | 618205 |
| 4 | 120075-01-702 | EA | CAP,(HINGEPLUG) | 618160 |
| 5 | 120075-01-700 | EA | RETAINER-DOOR,DECORPANEL | 618128 |
| 6 | 121568-01-702 | EA | DOORHANDLEASMLWR/LH-TOP/R | 618230 |
| 7 | 120075-01-705 | EA | HINGE-PAINTED,TOPLH/BOTTOMRH | 618510 |
| 8 | 121568-01-701 | EA | BIN-DOORWHITE | 618619 |
| 9 | 121568-01-700 | EA | RAIL-DOORUPPER | 618618 |

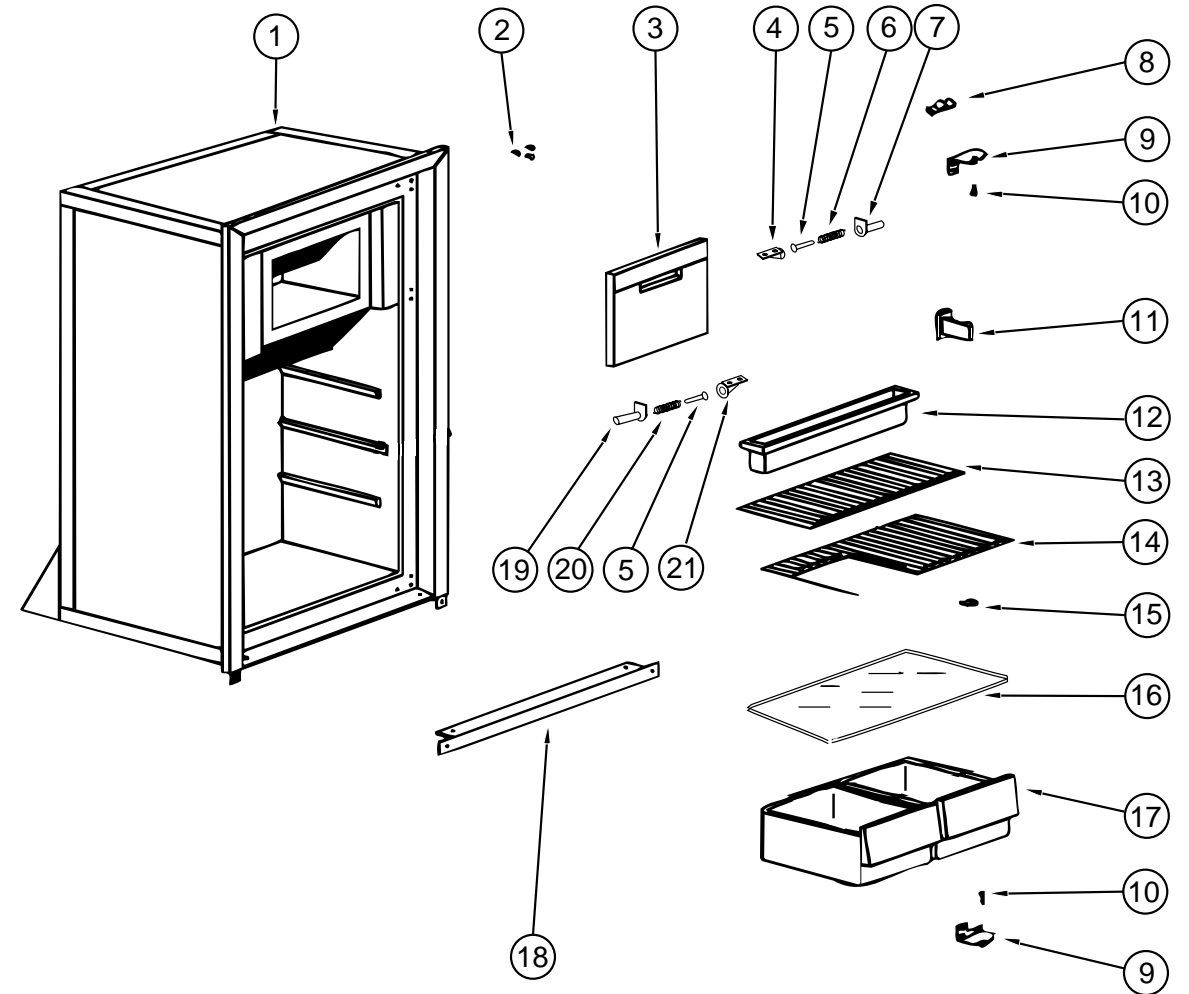
GALLEYGROUP(CONTINUED)



NORCOLDMODEL9162RREFRIGERATORLOWERDOOR

| KEY | PARTNUMBER | U/M DESCRIPTION | VENDORNO. |
|-----|---------------|---|-----------|
| | 121568-01-01A | EA REFRIG-SMALLDBLDRBL2-WAY-*NORCOLD9162R | |
| 1 | 120075-01-708 | EA BUSHING-DOORHINGE | 618144 |
| 2 | 120075-01-710 | EA DOOR-LOWER-FOAMED,W/GASKET | 618270 |
| 3 | 120075-01-711 | EA HANDLEASM,UPPERRH/LOWERLH | 618235 |
| 4 | 120076-01-700 | EA RETAINER-LOWERDOORPANEL | 618132 |
| 5 | 120075-01-702 | EA CAP,(HINGEPLUG) | 618160 |
| 6 | 121568-01-704 | EA RAIL-DOORLOWER | 618578 |
| 7 | 120075-01-705 | EA HINGE,PAINTED,TOPLH/BTMRT | 618510 |
| 8 | 121568-01-701 | EA BIN-DOORWHITE | 618619 |
| 9 | 120075-01-701 | EA HINGE-TOPRH/BTMLH,PAINTED | 618511 |

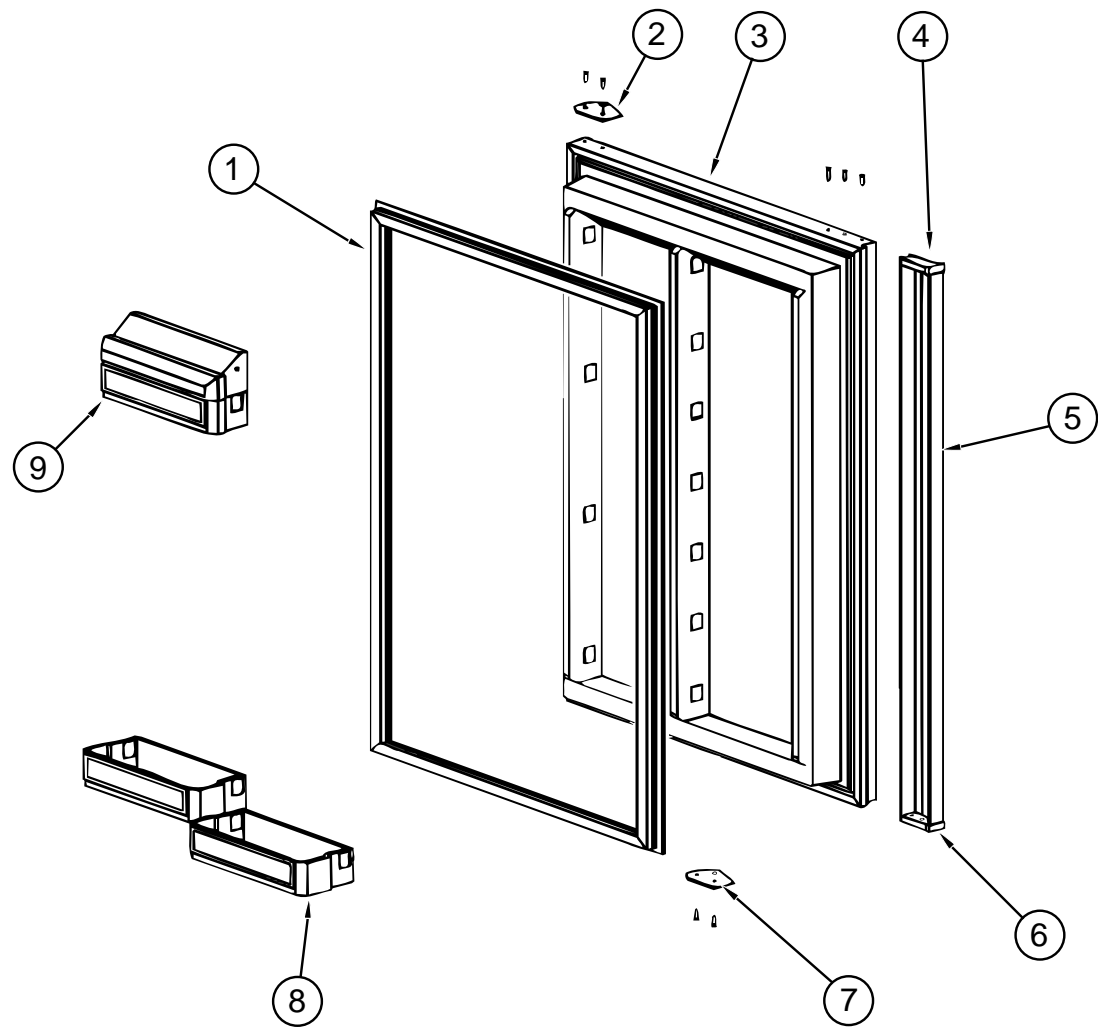
GALLEYGROUP(CONTINUED)



CABINETASSEMBLY&COMPONENTS-NORCOLDREFRIGERATOR-2-WAY-MODEL6052RH

| KEY | PARTNUMBER | U/M DESCRIPTION | VENDORNO. |
|-----|---------------|---|-----------|
| | 102621-04-01A | EA REFRIGERATOR-LARGESINGLEDOOR,2-WAY | |
| 1 | 102621-01-701 | EA CABINET-FOAMED,BLACK | 61620238 |
| 2 | 094039-01-722 | EA HOLEPLUG-HINGEHOLES,BLACK | 61582030 |
| 3 | 102621-01-700 | EA DOOR-EVAPORATORASM | 61620738 |
| 4 | 102621-04-709 | EA CLIPMOUNTING,EVAPORATORDOOR-RH-WHITE | 61632930 |
| 5 | 102621-04-710 | EA SPRING-PIN | 61632622 |
| 6 | 102621-04-711 | EA SPRINGTORSION-EVAPORATORDOOR,RH | 61633222 |
| 7 | 102621-04-703 | EA HOLDER-SPRING,RH-WHITE | 61632830 |
| 8 | 084880-01-760 | EA CLIP-THERMISTER | 61689122 |
| 9 | 094039-01-723 | EA BRACKET-HINGE,TOPRH-BOTTOMLH-BLACK | 61580838 |
| 9 | 094039-01-724 | EA BRACKET-HINGE,TOPLH-BOTTOMRH-BLACK | 61580938 |
| 10 | 094039-01-725 | EA PIN-HINGE,MALE-BLACK | 61578130 |
| | 084880-03-702 | EA PIN-HINGE,TOP/BOTTOM-FEMALE | 61580630 |
| 11 | 084880-01-732 | EA LATCH | 61578522 |
| 12 | 102621-04-704 | EA TRAY-DRIP,WHITE | 61619930 |
| 13 | 104137-06-706 | EA WIRESHLF-SHORT | 61718222 |
| 14 | 094039-01-739 | EA SHELF-CUTOUT | 61646722 |
| 15 | 102621-04-705 | EA RETAINER-GLASSSHELF | 61580322 |
| 16 | 084880-01-722 | EA COVER-CRISPER | 61564122 |
| 17 | 104137-06-707 | EA CRISPER-WHITE | 61571325 |
| 18 | 094039-01-732 | EA FRONTCOVER-BOTTOMTRIM,BLACK | 61622130 |
| 19 | 102621-04-707 | EA HOLDER-SPRING,EVAPORATORDOOR-LH | 61632730 |
| 20 | 102621-04-706 | EA SPRING-EVAPORATORDOOR,TORSION-LH | 61633122 |
| 21 | 102621-04-708 | EA CLIP-MOUNTING,EVAPORATORDOOR-LH | 61633030 |
| | 065225-02-000 | EA PLATE-TIEDOWN,REFRIGERATOR | |
| | 093646-05-000 | EA BRACKETASM-TIEDOWN,REFRIGERATOR | |
| | 116751-01-01A | EA TRAY-REFRIGERATOR,BLK | |
| | 054450-01-000 | EA LEVEL-REFRIGERATOR | |

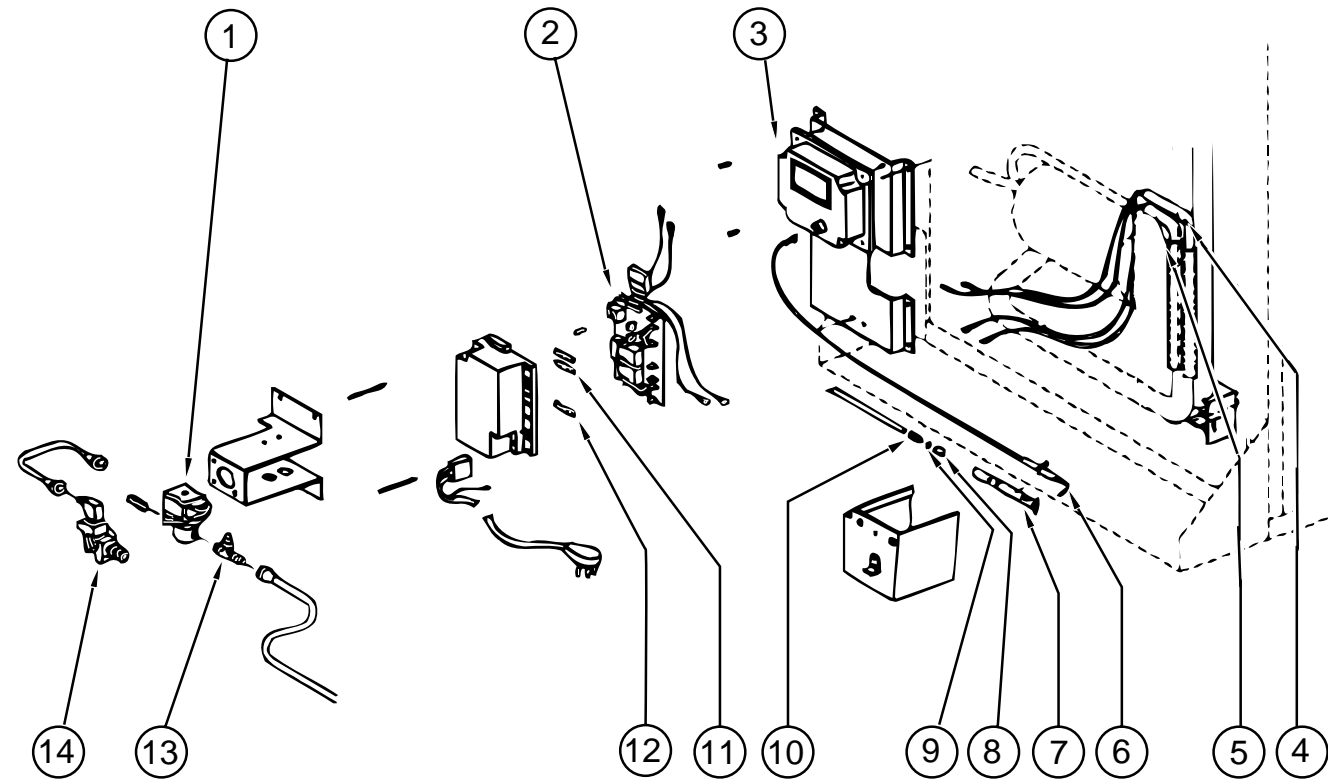
GALLEYGROUP(CONTINUED)



DOOR-NORCOLDREFRIGERATOR-2-WAY-MODEL 6052RH

| KEY | PARTNUMBER | U/M | DESCRIPTION | VENDORNO. |
|-----|---------------|-----|-----------------------------------|------------|
| | 102621-04-01A | EA | REFRIGERATOR-LARGESINGLEDOR,2-WAY | |
| 1 | 094039-01-713 | EA | DOORGASKET-LOWER,GRAY | 61568030 |
| 2 | 094039-01-710 | EA | PLATE-HINGE,BLACK | 61631330 |
| 3 | 094039-01-715 | EA | LINER-LOWERDOOR,FOAMEDBLACK/WHITE | 61581738-B |
| 4 | 084880-01-761 | EA | ENDCAP-SPRINGCATCH,UPPER-BLACK | 61593730 |
| 5 | 094039-01-717 | EA | HANDLE-W/CAP&SPRING,BLACK | 61649938 |
| | 084880-01-720 | EA | SPRING-DOORHANDLE | 61558822 |
| 6 | 084880-01-740 | EA | ENDCAP-STOPCATCH | 61593830 |
| 7 | 094039-01-704 | EA | PLATE-HINGE,BLACK | 61631430 |
| 8 | 104137-06-703 | EA | BIN-DOORSHELF,WHITE | 61564025 |
| 9 | 104137-06-704 | EA | BIN-MILK,WHITE | 61579425 |

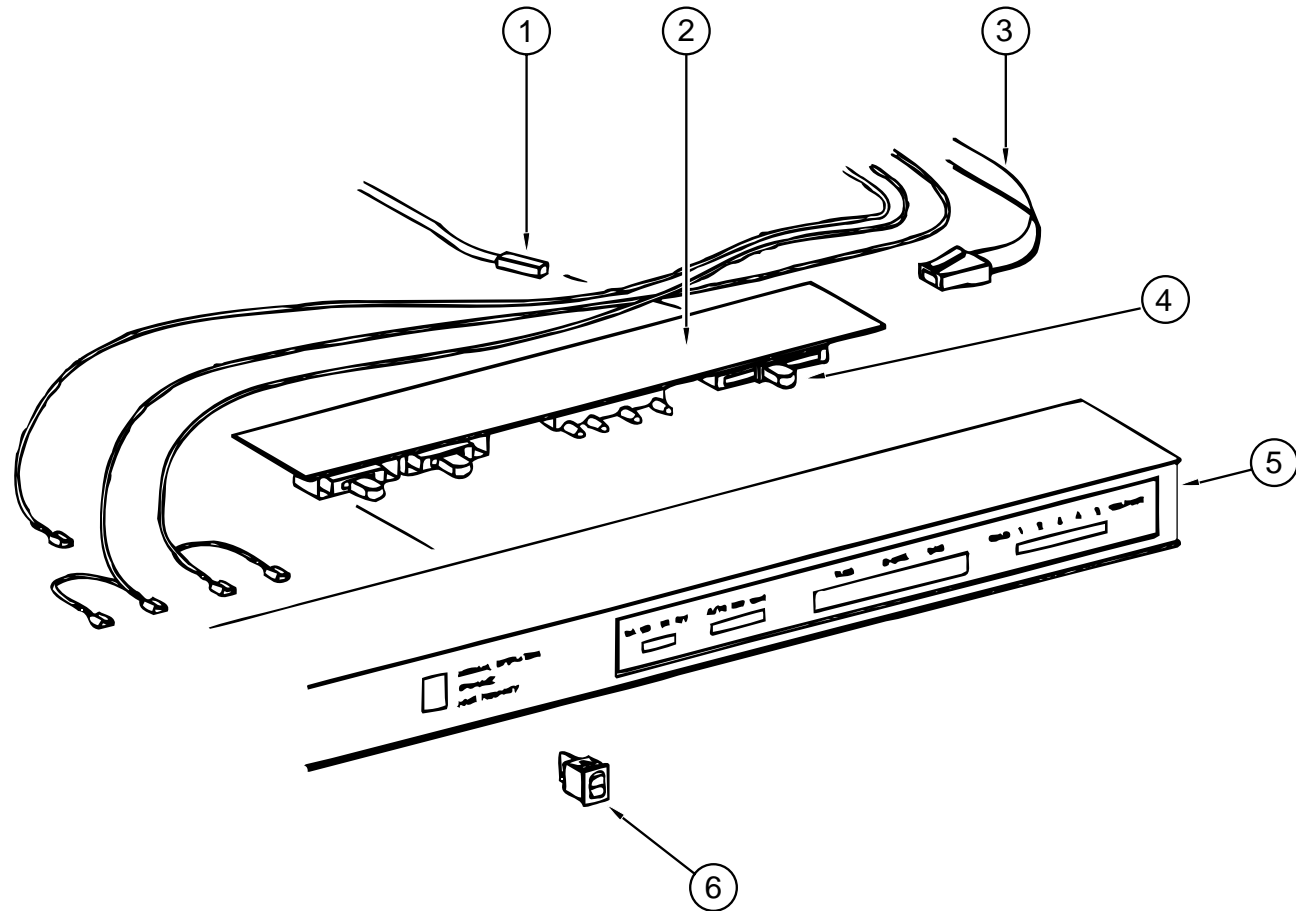
GALLEYGROUP(CONTINUED)



NORCOLD6052REFRIGERATORCONTROLASSEMBLY

| KEY | PARTNUMBER | U/M | DESCRIPTION | VENDORNO. |
|-----|---------------|-----|-----------------------------------|-----------|
| | 102621-04-01A | EA | REFRIGERATOR-LARGESINGLEDOR,2-WAY | |
| 1 | 084880-01-718 | EA | VALVE-GAS | 61551822 |
| 2 | 094039-04-702 | EA | POWERSUPPLY-2WAY | 61647422 |
| 3 | 102621-01-702 | EA | MODULE-IGNITION | 61688922 |
| 4 | 104137-02-700 | EA | MODULE-CONTROL,CHANNEL-NORCOLD | 61717037 |
| 5 | 102621-04-712 | EA | HEATER-DC,HORIZONTALBURNER | 61562622 |
| 5 | 064473-03-701 | EA | HEATER-AC,HORIZONTALBURNER | 61562522 |
| 6 | 064473-03-718 | EA | COOLINGUNIT-HORIZONTALBURNER | 61687137 |
| 6 | 104137-06-715 | EA | SPARK/SENSEELECTRODE-SINGLE | 61692222 |
| 7 | 104137-06-714 | EA | BURNERASSEMBLY-5-SLOT | 61705222 |
| 8 | 064473-01-702 | EA | ORIFICE-6EG-2 | 61452122 |
| 9 | 104137-06-713 | EA | GASKET-ORIFICE | 61475122 |
| 10 | 104137-06-712 | EA | FITTING-GASTUBECONNECTION | 61692722 |
| 11 | 075217-01-734 | EA | FUSE-3AMP | 61538822 |
| 12 | 104137-06-711 | EA | FUSE-5AMP | 61611622 |
| 13 | 104137-06-710 | EA | PRESSURETAP | 61594422 |
| 14 | 104137-06-709 | EA | VALVE-SHUTOFF,MANUAL | 61694922 |

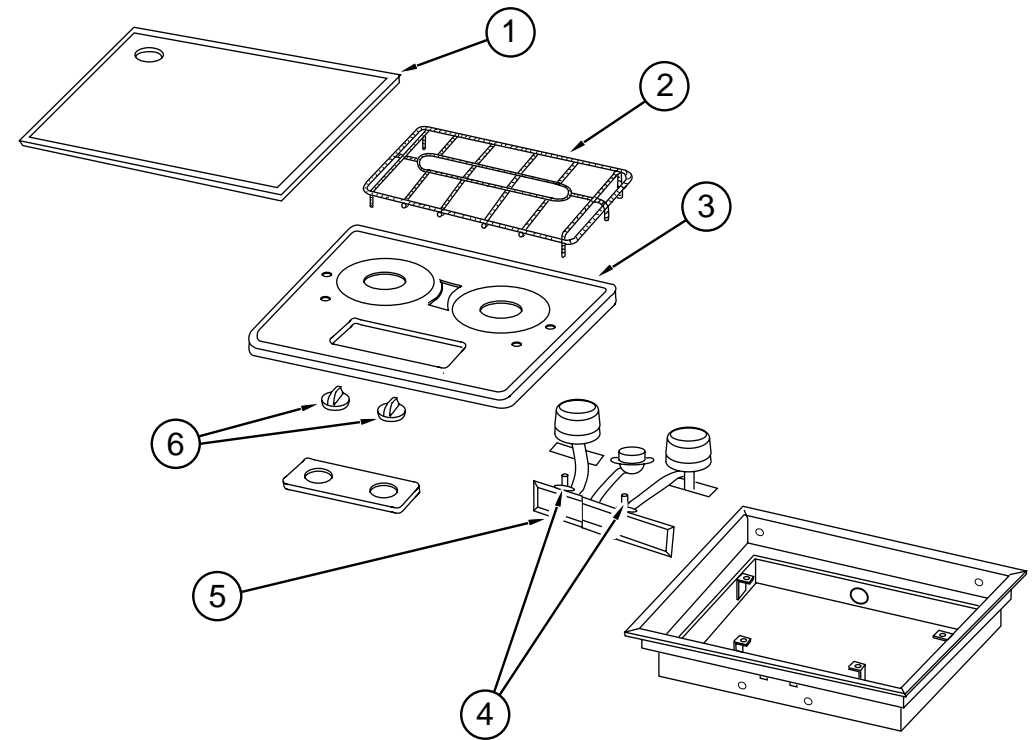
GALLEYGROUP(CONTINUED)



NORCOLD6052REFRIGERATOREYEBROWASSEMBLY

| KEY | PARTNUMBER | U/M DESCRIPTION | VENDORNO. |
|-----|---------------|---|-----------|
| | 102621-04-01A | EA REFRIGERATOR-LARGESINGLEDOR,2-WAY | |
| 1 | 084880-01-753 | EA THERMISTER78" | 61693822 |
| | 084880-01-760 | EA CLIP-THERMISTER | 61689122 |
| 2 | 094039-04-700 | EA PRINTEDCIRCUITBOARD-2WAY | 61647322 |
| 3 | 084880-01-746 | EA CABLE-NORCOLD | 61571522 |
| 4 | 102621-01-703 | EA BUTTON-THERMOSTAT,ADJUSTABLE | 61587422 |
| 5 | 094039-04-701 | EA EYEBROWSHELL,2-WAY-W/OHUMIDITYSWITCHHOLE | 61669822 |
| 5 | 104137-06-700 | EA EYEBROWSHELL,2-WAY-W/HUMIDITYSWITCHHOLE | 61726622 |
| 6 | 075217-01-738 | EA SWITCH-HUMIDITY | 61525922 |

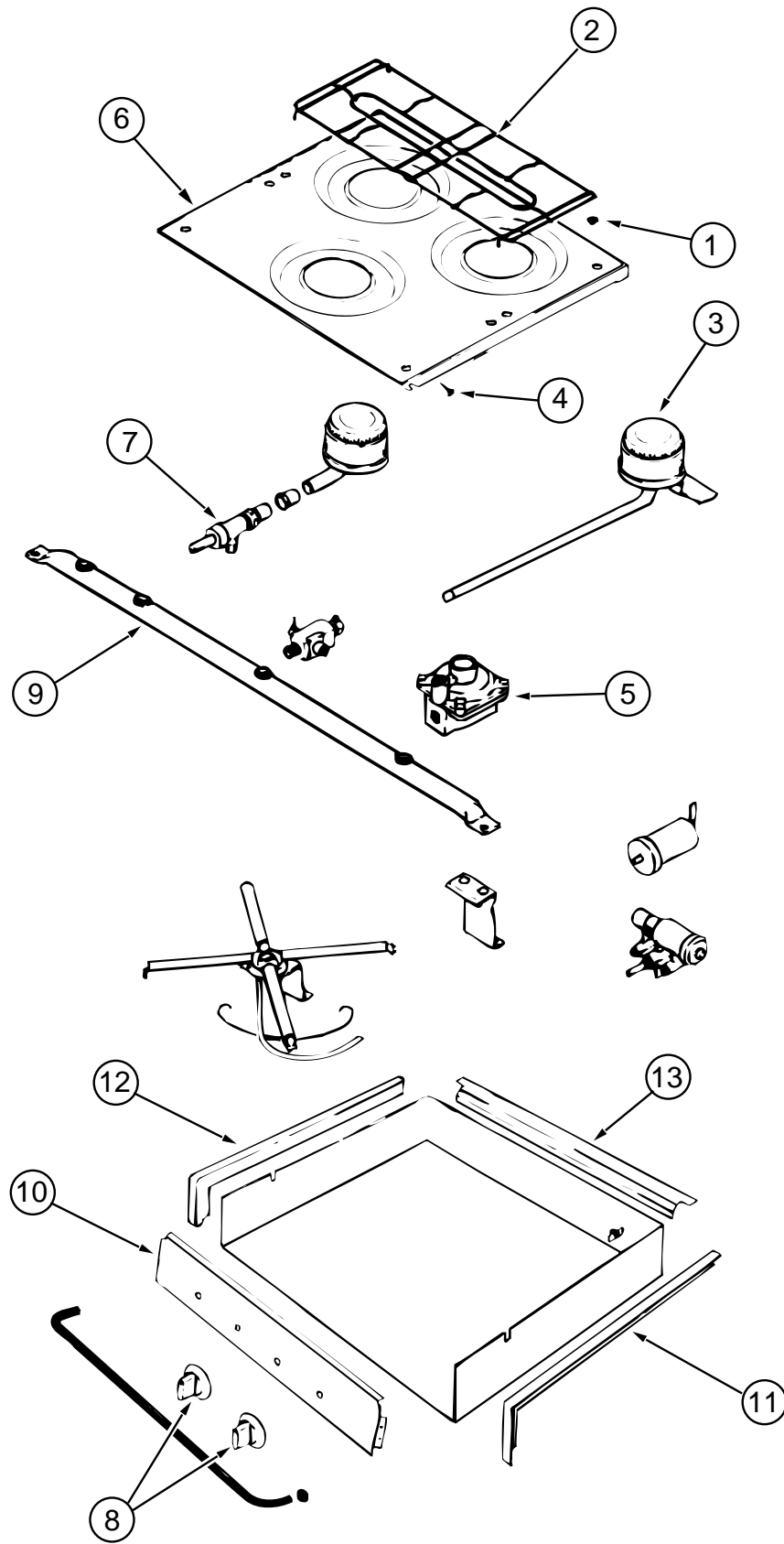
GALLEYGROUP(CONTINUED)



RANGETOPATWOODD25S

| KEY | PARTNUMBER | U/M DESCRIPTION | VENDORNO. |
|-----|---------------|-------------------------------|-------------------------------|
| | 101593-01-000 | EA RANGE-2BURNER-W/OOVEN | |
| | | | FROM: 00-00-00 THRU: 06-02-96 |
| 1 | 101593-01-706 | EA TOP-COOK,ALMOND | 53307 |
| 2 | 101593-01-700 | EA GRATE,DESIGNERSTYLE | 53304 |
| 3 | 101593-01-702 | EA TOP-COOK,BRUSHEDCHROMED25C | 53305 |
| 4 | 101593-01-704 | EA VALVE-BURNER | 52506 |
| 5 | 101593-01-705 | EA MANIFOLD | 52503 |
| 6 | 101593-01-703 | EA KNOB-BURNER | 53000 |
| | 101593-01-701 | EA SCREW-THUMB | 52537 |
| | 107323-01-711 | EA CUSHION-GRATE,RUBBER | 53008 |
| | 107323-01-716 | EA CLIP-GRATE,GREEN | 50005 |

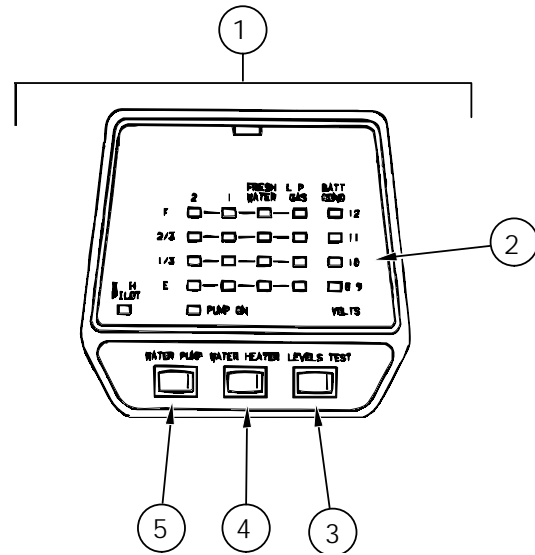
GALLEYGROUP(CONTINUED)
RANGETOPATWOOD



| KEY | PARTNUMBER | U/M | DESCRIPTION | VENDOR NO. |
|-----|---------------|-----|---------------------------------|--------------|
| | 114030-01-01A | EA | RANGE-3BURNERTOP-W/OOVEN-ALMOND | |
| 1 | 102020-01-709 | EA | BUMPER-GRATE | 8007-P020-60 |
| 2 | 102020-01-711 | EA | GRATE-TOP | 7518P012-60 |
| 3 | 102020-01-722 | EA | VALVE-TOPBURNER | 7502P181-60 |
| 4 | 102020-01-724 | EA | BUMPER-MAINTOP | 8003P008-60 |
| 5 | 102022-01-708 | EA | REGULATOR-1/4&1/2OUT | 7510P041-60 |
| 6 | 112881-01-700 | EA | RANGE-TOP3-BURNER-ALMOND | 2001F110-84 |
| 7 | 112881-01-703 | EA | VALVE-TOPBURNERHI-OUTPUT | 7502P180-60 |
| 8 | 112881-01-705 | EA | KNOB-TOPBURNER | 7733P072-60 |
| | 112881-01-718 | EA | KNOB-HIGHOUTPUT(FLAMEIND) | 74001794 |
| 9 | 112881-01-709 | EA | PIPE-MANIFOLD | 7513P097-60 |
| 10 | 114030-01-701 | EA | PANEL-MANIFOLD | 2616F078-70 |
| 11 | 114030-01-702 | EA | TRIM-RIGHT-BLACK | 3608W040-70 |
| | | | FROM: 00-00-00 THRU: 07-14-96 | |
| 11 | 114030-01-704 | EA | TRIM-RIGHT/BLACKTEXTURED | 74002839 |
| | | | FROM: 07-15-96 THRU: 99-99-99 | |
| 12 | 114030-01-703 | EA | TRIM-LEFT-BLACK | 3608W039-70 |
| | | | FROM: 00-00-00 THRU: 07-14-96 | |
| 12 | 114030-01-705 | EA | TRIM-LEFT/BLACKTEXTURED | 74002840 |
| | | | FROM: 07-15-96 THRU: 99-99-99 | |
| 13 | 102019-01-705 | EA | TRIM-REAR-BLACK | 3608F009-70 |
| | | | FROM: 00-00-00 THRU: 07-14-96 | |
| 13 | 114030-01-706 | EA | TRIM-REAR/BLACKTEXTURED | 74002841 |
| | | | FROM: 07-15-96 THRU: 99-99-99 | |
| | 081587-03-000 | EA | BRACKET-TIEDOWN-RANGE-RIGHT | |
| | 081587-04-000 | EA | BRACKET-TIEDOWN-RANGE-LEFT | |

GALLEYGROUP(CONTINUED)
MICROWAVE

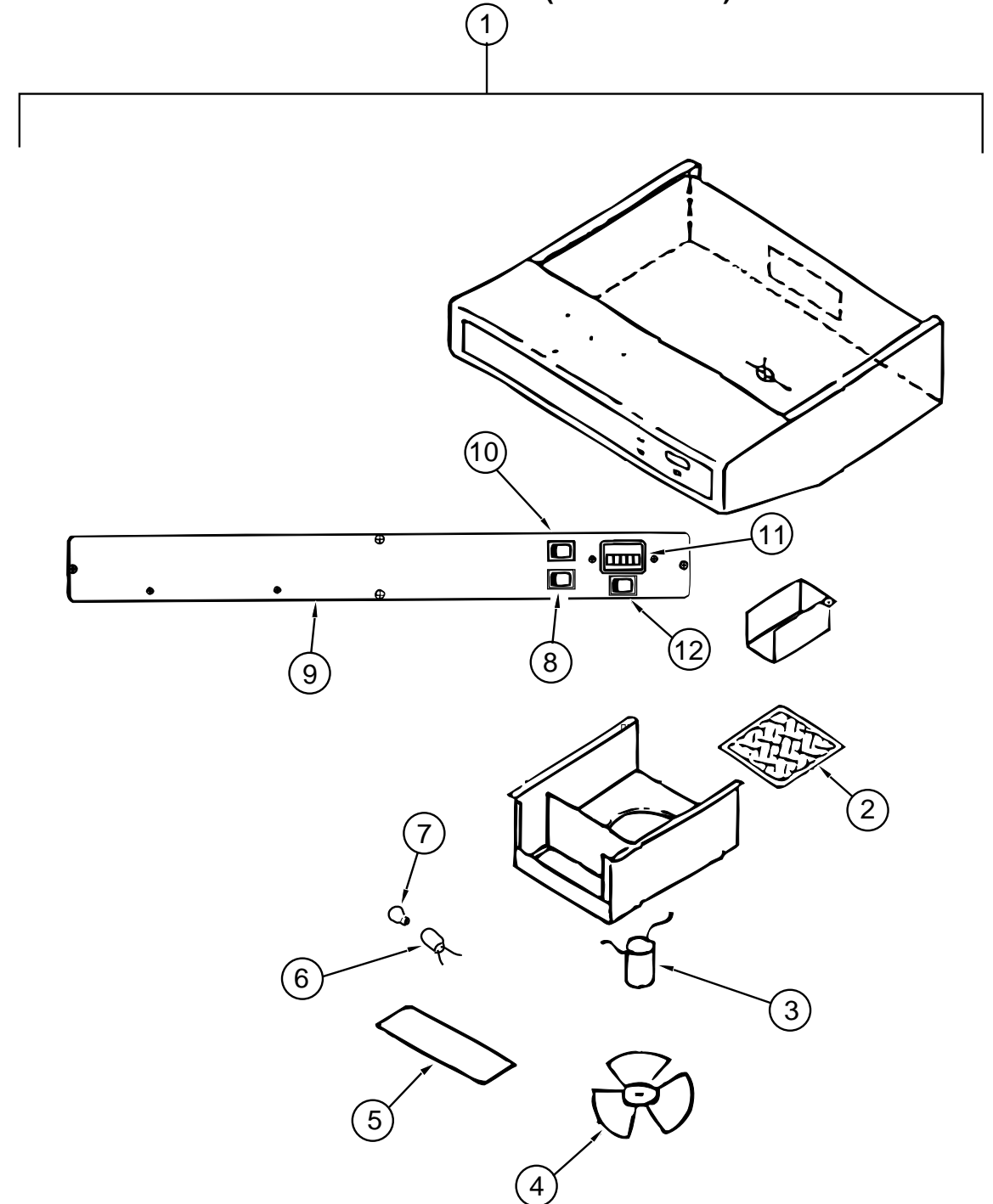
| KEY | PARTNUMBER | U/M | DESCRIPTION | VENDORNO. |
|-----|---------------|-----|---|-----------|
| | 115303-01-000 | EA | M I C R O W A V E O V E N - 1 4 1 / 8 " H X 2 1 7 / 8 " W X 1 3 1 / 4 " D . 8 C U F T . / 7 0 0 W A T T | |
| | 115303-01-700 | EA | TRIM/VENT, TOP | 2100309 |
| | 115401-01-01A | EA | TRIM-MICROWAVE, BLACK | |
| | 094750-07-000 | EA | BRACKET-MICROWAVE-89DEGREE | |



MONITORPANEL

| KEY | PARTNUMBER | U/M | DESCRIPTION | VENDORNO. |
|-----|---------------|-----|---|-----------|
| 1 | 102765-04-01A | EA | PANEL-MONITOR2TANKWTRHTR-*LVSW/PLUGALMOND | |
| 2 | 102765-04-700 | EA | BOARD-CIRCUIT,2HOLDINGTANK | L5097-41 |
| 3 | 097617-01-702 | EA | SWITCH(ALMOND) | 107 |
| 4 | 097617-01-701 | EA | SWITCH-ON/OFF,ALMOND | 106 |
| 5 | 102765-01-700 | EA | SWITCH-ON-ON,ALMOND | 110-01 |
| | 097618-01-000 | EA | WIREASM-MONITORPANEL-W/4WIRES&BLACKRESISTOR-LVS | |

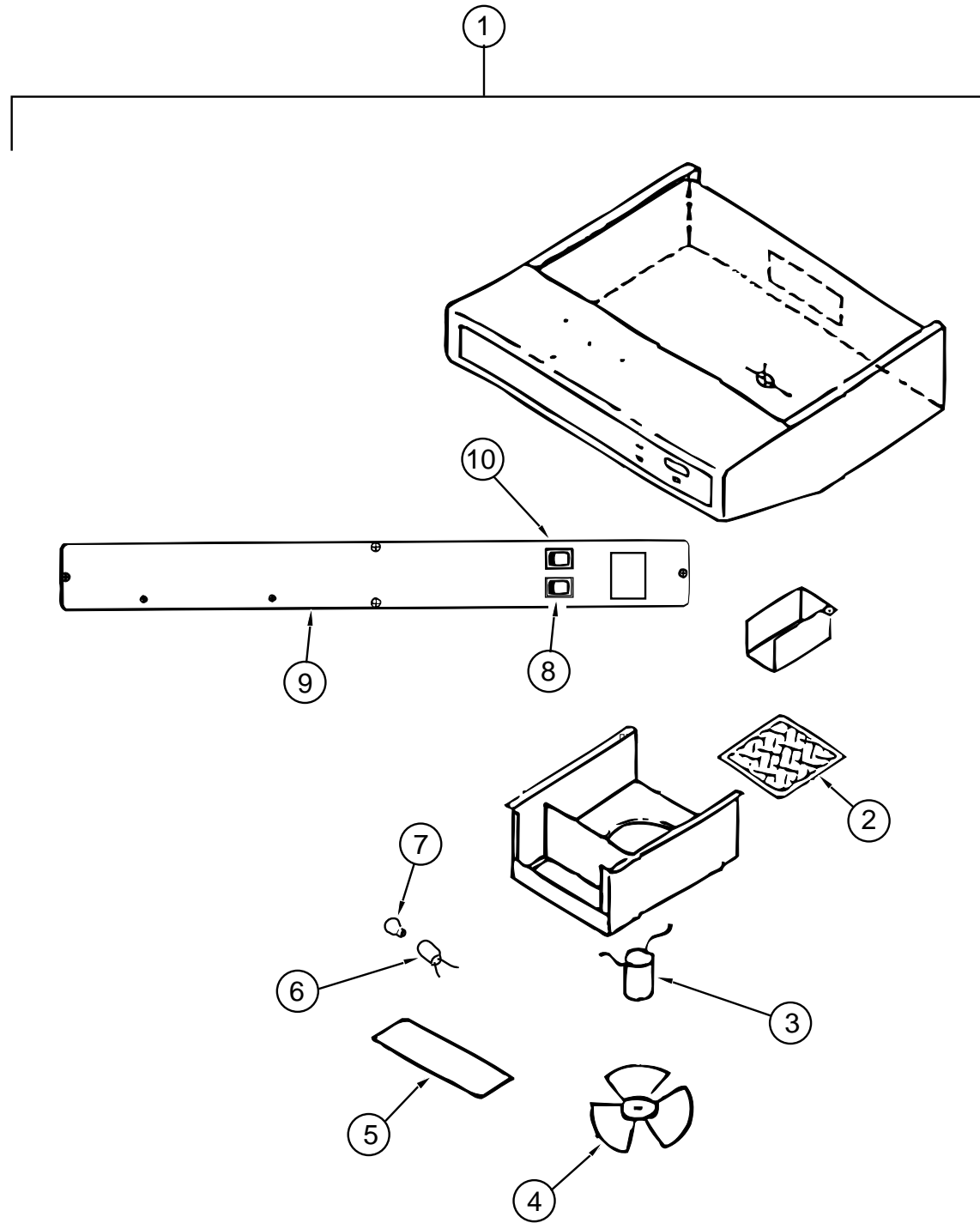
GALLEYGROUP(CONTINUED)



RANGEHOODCANADIAN

| KEY | PARTNUMBER | U/M | DESCRIPTION | VENDORNO. |
|-----|---------------|-----|---------------------------------------|-----------|
| 1 | 100258-17-04A | EA | HOOD-RANGE-W/OMONITORPANEL(CSA) | |
| 2 | 096983-01-707 | EA | FILTER-MESH | CC246 |
| 3 | 090973-01-700 | EA | MOTOR-12VOLT, CSA&UL | CA508-1 |
| 4 | 090973-01-702 | EA | BLADE-FAN | VA183-1 |
| 5 | 092696-02-701 | EA | LENS-LAMP | CC179-2 |
| 6 | 092696-01-710 | EA | HOLDER-LAMP | CB267-2 |
| 7 | 092696-01-709 | EA | LAMP#912 | VA415 |
| 8 | 096983-01-700 | EA | SWITCH-ON/OFF | L0108-00 |
| 9 | 100258-01-700 | EA | LABEL-HOODNOSE | CC428 |
| 10 | 096983-01-702 | EA | SWITCH-MOM/OFF/MOM,3TERM | L0112-00 |
| 11 | 100258-10-01A | EA | GAUGE-HOURMETER W/SWITCH-SCREWONSTYLE | |
| 11 | 100258-10-701 | EA | GAUGE-HOURMETER,CLIPON | L0775-00 |
| 12 | 096983-01-702 | EA | SWITCH-MOM/OFF/MOM,3TERM | L0112-00 |

GALLEYGROUP(CONTINUED)



RANGEHOOD

| KEY | PARTNUMBER | U/M DESCRIPTION | VENDORNO. |
|-----|---------------|---|-----------|
| 1 | 100258-16-04A | EA HOOD-RANGE-W/OMONITORPANEL | |
| 2 | 096983-01-707 | EA FILTER-MESH | CC246 |
| 3 | 090973-01-700 | EA MOTOR-12VOLT,CSA&UL | CA508-1 |
| 4 | 090973-01-702 | EA BLADE-FAN | VA183-1 |
| 5 | 092696-02-701 | EA LENS-LAMP | CC179-2 |
| 6 | 092696-01-710 | EA HOLDER-LAMP | CB267-2 |
| 7 | 092696-01-709 | EA LAMP#912 | VA415 |
| 8 | 096983-01-700 | EA SWITCH-ON/OFF | L0108-00 |
| 9 | 100258-01-700 | EA LABEL-HOODNOSE | CC428 |
| 10 | 096983-01-702 | EA SWITCH-MOM/OFF/MOM,3TERM | L0112-00 |
| | 100258-10-01A | EA GAUGE-HOURMETERW/SWITCH-SCREWONSTYLE | |
| | 096983-01-702 | EA SWITCH-MOM/OFF/MOM,3TERM | L0112-00 |
| | 100258-10-701 | EA GAUGE-HOURMETER,CLIPON | L0775-00 |

GENERATORGROUP

3.3KWONANGENERATORONAN

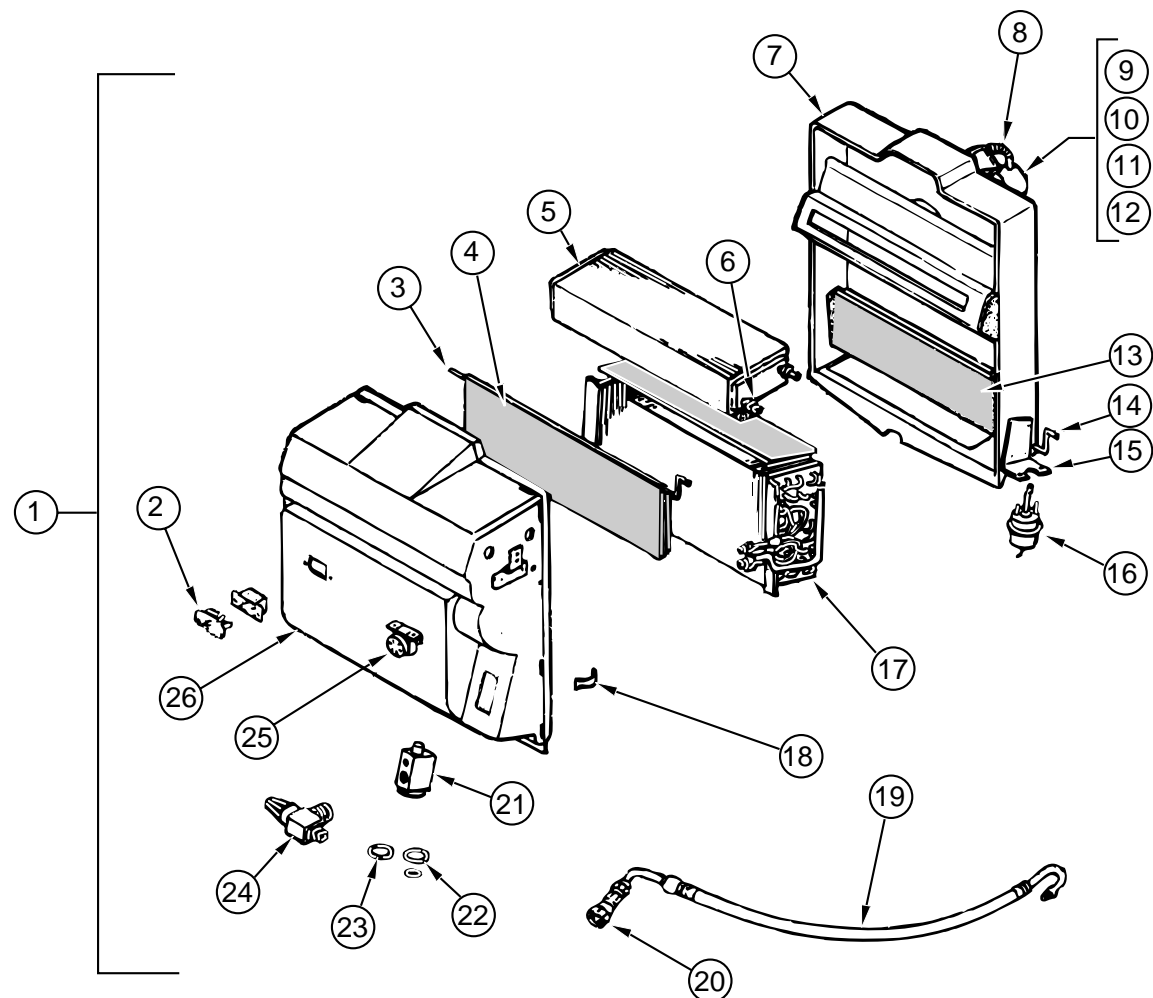
| KEY | PARTNUMBER | U/M DESCRIPTION |
|-----|---------------|---|
| | 109982-05-000 | EA GENERATOR-3.3MICROLITE,ONANKY-FR/26119B |
| | 105958-09-000 | EA PIPE-GENERATOREXHAUST1.25"ODX5.9"X22" |
| | 008401-01-000 | EA STRAP-CONDUIT-3/4"-1HOLE-GALVANIZEDSTEEL |
| | 007125-04-000 | EA CLAMP-MUFFLER-1.12"DIAMETER |
| | 105958-08-000 | EA PIPE-EXHAUST,GENERATOR |

4000KWONANGENERATORONAN

| KEY | PARTNUMBER | U/M DESCRIPTION |
|-----|---------------|---|
| | 109982-03-000 | EA GENERATOR,4.0MICROLITE,ONAN#KY-FA/2600B |
| | 007125-04-000 | EA CLAMP-MUFFLER-1.12"DIAMETER |
| | 105958-08-000 | EA PIPE-EXHAUST,GENERATOR |
| | 008401-01-000 | EA STRAP-CONDUIT-3/4"-1HOLE-GALVANIZEDSTEEL |

NOTE:ADDITIONALGENERATORCOMPONENTSAREFOUNDINTHECHASSISSGROUP.

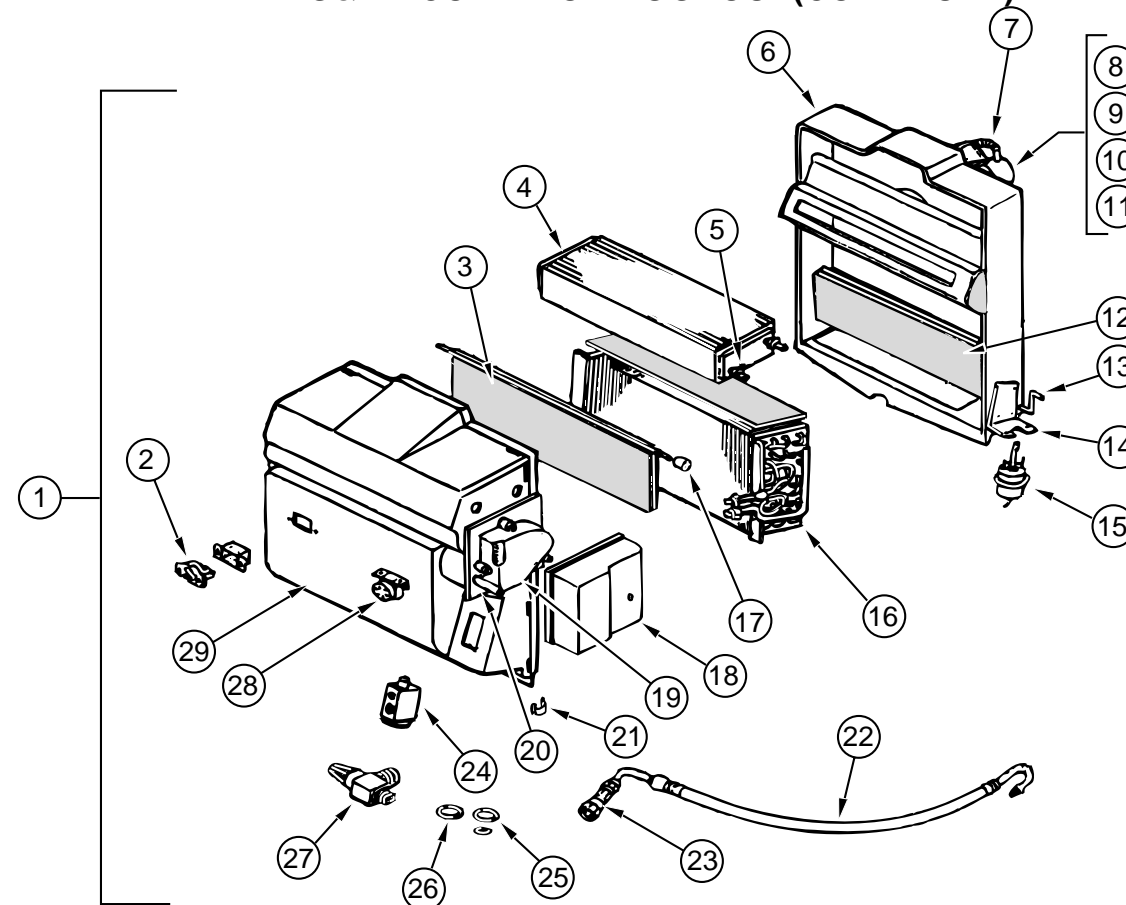
HEATING&AIRCONDITIONINGGROUP



**AUTOA/C-EVAPORATOR/HEATER
FROM00-00-00THRU09-01-96**

| KEY | PARTNUMBER | U/M DESCRIPTION | VENDORNO. |
|-----|---------------|---|-----------|
| 1 | 103930-25-000 | EA EVAPORATOR/HEATERASSEMBLY-SCS090-00296 | |
| 2 | 103930-01-710 | EA RESISTOR-FUSED | 035-0006 |
| 3 | 103930-20-702 | EA ROD-DOOR,BLENDAIR | 073-0039 |
| 4 | 103930-20-703 | EA DOOR-BLENDAIR | 071-0212 |
| 5 | 103930-01-703 | EA CORE-HEATER | 042-0010 |
| 6 | 110279-01-712 | EA FITTING-HEATER | 050-0076 |
| 7 | 103930-20-711 | EA CASE-BACK,SUB-ASSEMBLY | 062-0147 |
| 8 | 110279-01-703 | EA HOSE-VENT,BLOWERMOTOR | 051-0034 |
| 9 | 103930-20-707 | EA HOUSING-BLOWER | 062-0145 |
| 10 | 103930-01-720 | EA MOTOR-BLOWER,PM105 | 030-0004 |
| 11 | 103930-01-717 | EA WHEEL-BLOWER,CLOCKWISE | 062-0010 |
| 12 | 103930-20-708 | EA CLIP-MOTORSHAFT | 022-0001 |
| 13 | 103930-20-705 | EA PANEL-DOOR,RECIRCULATING | 071-0213 |
| 14 | 103930-20-704 | EA ROD-DOOR,RECIRCULATING | 073-0018 |
| 15 | 103930-01-708 | EA BRACKET-VACUUMMOTOR | 070-0113 |
| 16 | 103930-02-708 | EA MOTOR-VACUUMSERVO,A/C | 030-0025 |
| 17 | 103930-01-704 | EA COIL-EVAPORATOR | 041-0017 |
| 18 | 103930-20-706 | EA CLIP-RETAINER | 022-0057 |
| 19 | 103930-25-700 | EA HOSEASSEMBLY-#6,EVAPORATOR TODRIER | 085-0350 |
| 20 | 103930-12-709 | EA FITTING-QUICKCONNECT | 050-0120 |
| 21 | 103930-20-700 | EA VALVE-EXPANSIONBLOCK,2TON | 034-0032 |
| 22 | 103930-17-702 | EA O'RING-#10 | 045-0127 |
| 23 | 113245-01-707 | EA O'RING-#8 | 045-0126 |
| 24 | 103930-20-709 | EA VALVE-SERVICE | 050-0159 |
| 25 | 103930-01-711 | EA THERMOSTAT | 033-0003 |
| 26 | 103930-20-710 | EA CASE-FRONT,SUB-ASSEMBLY | 062-0146 |
| | 103930-02-714 | EA CLAMP-CLUTCH,BARREL | 022-0006 |
| | 110279-02-702 | EA O'RING-#12 | 045-0125 |

HEATING&AIRCONDITIONINGGROUP(CONTINUED)



**AUTOA/C-EVAPORATOR/HEATER
FROM09-02-06THRU99-99-99**

| KEY | PARTNUMBER | U/M DESCRIPTION | VENDORNO. |
|-----|---------------|---|-------------------------------|
| 1 | 103930-30-000 | EA EVAPORATOR/HEATERASM-SERVOMOTORCONTROLLED-SCS090-00296 | |
| 2 | 103930-01-710 | EA RESISTOR-FUSED | 035-0006 |
| 3 | 103930-30-705 | EA PANEL-DOOR,BLENDAIR | 071-0568 |
| 4 | 103930-01-703 | EA CORE-HEATER | 042-0010 |
| 5 | 110279-01-712 | EA FITTING-HEATER | 050-0076 |
| 6 | 103930-20-711 | EA CASE-BACK,SUB-ASSEMBLY | 062-0147 |
| 7 | 110279-01-703 | EA HOSE-VENT,BLOWERMOTOR | 051-0034 |
| 8 | 103930-20-707 | EA HOUSING-BLOWER | 062-0145 |
| 9 | 103930-01-720 | EA MOTOR-BLOWER,PM105 | 030-0004 |
| | | | FROM: 09-02-96 THRU: 12-21-96 |
| 9 | 103930-30-706 | EA MOTOR-BLOWER,PM147 | 030-0109 |
| | | | FROM: 12-22-96 THRU: 99-99-99 |
| 10 | 103930-01-717 | EA WHEEL-BLOWER,CLOCKWISE | 062-0010 |
| 11 | 103930-20-708 | EA CLIP-MOTORSHAFT | 022-0001 |
| 12 | 103930-20-705 | EA PANEL-DOOR,RECIRCULATING | 071-0213 |
| 13 | 103930-20-704 | EA ROD-DOOR,RECIRCULATING | 073-0018 |
| 14 | 103930-01-708 | EA BRACKET-VACUUMMOTOR | 070-0113 |
| 15 | 103930-02-708 | EA MOTOR-VACUUMSERVO,A/C | 030-0025 |
| 16 | 103930-01-704 | EA COIL-EVAPORATOR | 041-0017 |
| 17 | 103930-30-702 | EA BUSHING-BLENDAIRDOOR | 062-0168 |
| 18 | 103930-30-704 | EA COVER-SERVO | 062-0545 |
| 19 | 103930-30-703 | EA MOTOR-SERVO | 030-0104 |
| 20 | 103930-30-701 | EA PLATE-SERVOMOTORMOUNT | 062-0544 |
| 21 | 103930-20-706 | EA CLIP-RETAINER | 022-0057 |
| 22 | 103930-25-700 | EA HOSEASSEMBLY-#6,EVAPORATOR TODRIER | 085-0350 |
| 23 | 103930-12-709 | EA FITTING-QUICKCONNECT | 050-0120 |
| 24 | 103930-20-700 | EA VALVE-EXPANSIONBLOCK,2TON | 034-0032 |
| 25 | 103930-17-702 | EA O'RING-#10 | 045-0127 |
| 26 | 113245-01-707 | EA O'RING-#8 | 045-0126 |
| 27 | 103930-20-709 | EA VALVE-SERVICE | 050-0159 |
| 28 | 103930-01-711 | EA THERMOSTAT | 033-0003 |
| 29 | 103930-30-700 | EA CASE-FRONT | 062-0542 |

HEATING&AIRCONDITIONINGGROUP(CONTINUED)

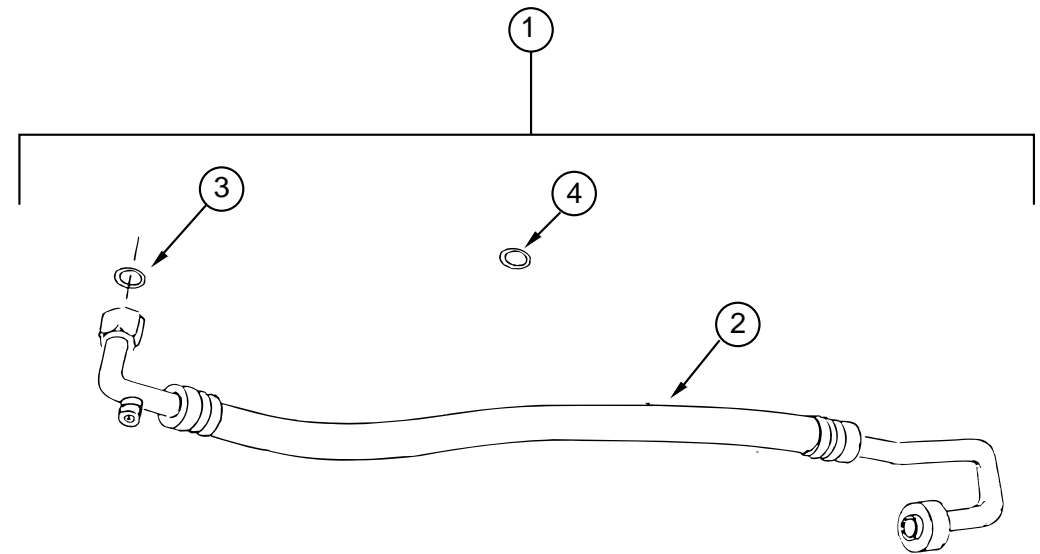
AUTOA/CCONTROLPLENUM

| KEY | PARTNUMBER | U/M DESCRIPTION | VENDORNO. |
|-----|---------------|-------------------------------------|-----------|
| | 103930-27-000 | EA CONTROL/PLENUMSET,F,G&D | |
| | | FROM: 00-00-00 THRU: 09-01-96 | |
| | 103930-02-701 | EA SWITCH-VACUUM,CONTROLHEAD | 034-0015 |
| | 103930-02-702 | EA DECAL-CONTROLHEAD | 058-0009 |
| | 103930-02-705 | EA CABLE-BOWDENW/OLEVER89" | 074-0011 |
| | 103930-02-714 | EA CLAMP-CLUTCH,BARREL | 022-0006 |
| | 103930-02-707 | EA RELAY-BOSCHW/RESISTER | 031-0001 |
| | 103930-02-708 | EA MOTOR-VACUUMSERVO,A/C | 030-0025 |
| | 103930-02-710 | EA CANISTER-VACUUM | 054-0002 |
| | 103930-02-712 | EA PANEL-CONT.A/CBLACKBEZEL | 032-0054 |
| | 103930-26-700 | EA HARNESS-WIRECONTROL | 036-0444 |
| | 103930-26-701 | EA HARNESS-VACUUMCONTROL | 036-0456 |
| | 103930-33-700 | EA ROD-DOORDEFROSTER/AC | 073-0028 |
| | 103930-33-000 | EA CONTROL/PLENUM-ROTARYCONTROLHEAD | |
| | | FROM: 09-02-96 THRU: 99-99-99 | |
| | 103930-02-707 | EA RELAY-BOSCHW/RESISTER | 031-0001 |
| | 103930-02-708 | EA MOTOR-VACUUMSERVO,A/C | 030-0025 |
| | 103930-02-710 | EA CANISTER-VACUUM | 054-0002 |
| | 103930-33-700 | EA ROD-DOORDEFROSTER/AC | 073-0028 |
| | 103930-33-701 | EA MOTOR-VACUUM,3STAGE | 030-0105 |
| | 103930-33-702 | EA CONTROLPANEL | 083-0169 |
| | 103930-33-703 | EA VACUUMHARNESS | 036-0466 |
| | 103930-33-704 | EA WIREHARNESSW/BULBS | 036-0465 |
| | | FROM: 00-00-00 THRU: 12-21-96 | |
| | 103930-33-711 | EA WIREHARNESS-MAIN | 036-0496 |
| | | FROM: 12-22-96 THRU: 99-99-99 | |
| | 103930-33-705 | EA LIGHTBULBS | 035-0030 |
| | 103930-33-706 | EA ROD-DOORAC/DEFROST | 073-0060 |
| | 103930-33-707 | EA SWITCH-BLOWER | 032-0186 |
| | 103930-33-708 | EA SWITCH-POTENTIOMETER | 032-0184 |
| | 103930-33-709 | EA SWITCH-VACUUM | 032-0183 |
| | 103930-33-710 | EA DECALF/CONTROLHEAD | 058-0102 |

AUTOA/C&HEATSYSTEM

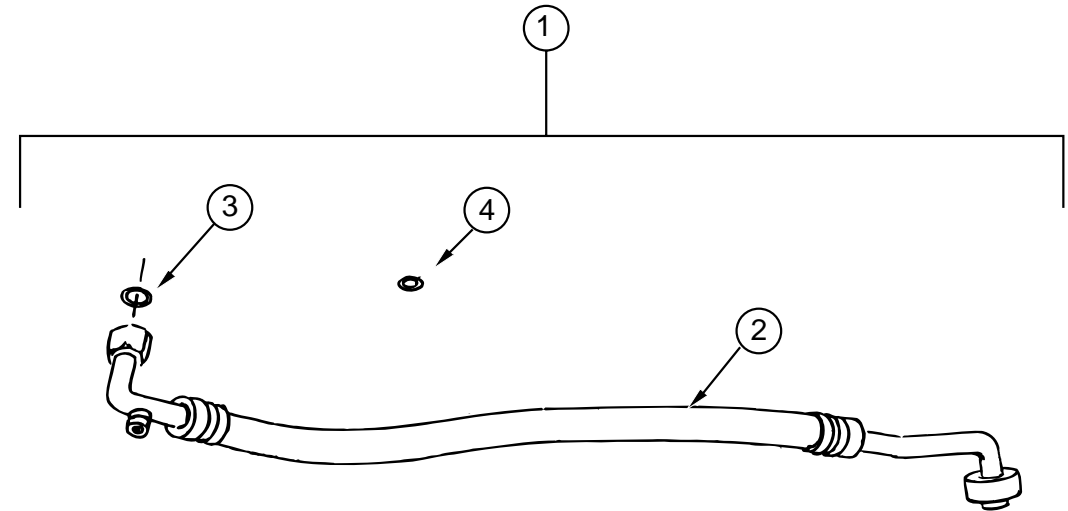
| KEY | PARTNUMBER | U/M DESCRIPTION |
|-----|---------------|--|
| | 007281-01-000 | EA HOSE-FLEXIBLEPVC-2.5"IDX50' |
| | 024990-05-000 | EA OUTLET-DEFROSTER-4"DIAMETERW/SWIVELDEFLECTORS |
| | 056402-05-000 | EA BRACKET-HEATERVENT-ROUNDW/BEND-BLACK |
| | 077075-01-000 | EA GASKET-INSTRUMENTPANELTODEFROSTERPLENUM-.6"X11.3" |
| | 077075-03-000 | EA GASKET-INSTRUMENTPANELTODEFROSTERPLENUM |
| | 103016-01-000 | EA PLENUM-TRANSITION |
| | 103558-01-09A | EA VENT-DEFR,ABS,KORADC.BISQ |
| | 103796-01-01A | EA LOUVER-A/C |
| | 103930-23-000 | EA VALVE-WATER-2PORT |
| | 103930-24-000 | EA VALVE-WATER,4PORT |
| | 024990-05-000 | EA OUTLET-DEFROSTER-4"DIAMETERW/SWIVELDEFLECTORS |
| | 009198-01-000 | FT DUCT-HEAT-FLEXIBLE-4"IDX25' |
| | 009198-02-000 | FT DUCT-FLEXIBLE-2"IDX25' |
| | 009200-01-000 | EA TAPE-FURNACE-1 1/2" |
| | 089367-02-000 | EA TEE-4"X2"X4" |
| | 056464-09-000 | EA VENT-4"W/DAMPNER-BEIGEPLASTIC |
| | 056464-10-000 | EA REGISTER-W/ODAMPER-4"DIAMETER |
| | 093614-01-02A | EA GRILLE-RETURNAIR |
| | 007076-01-000 | EA HOSE-FLEXIBLEPVC-2"ID-INCREMENTSOF50' |
| | 007108-01-000 | FT HOSE-HEATER-5/8"ID-HI-TEMP-FORD |
| | 103930-24-000 | EA VALVE-WATER,4PORT |

HEATING&AIRCONDITIONINGGROUP(CONTINUED)



CHEVYHOSEKIT-STANDARDGAS

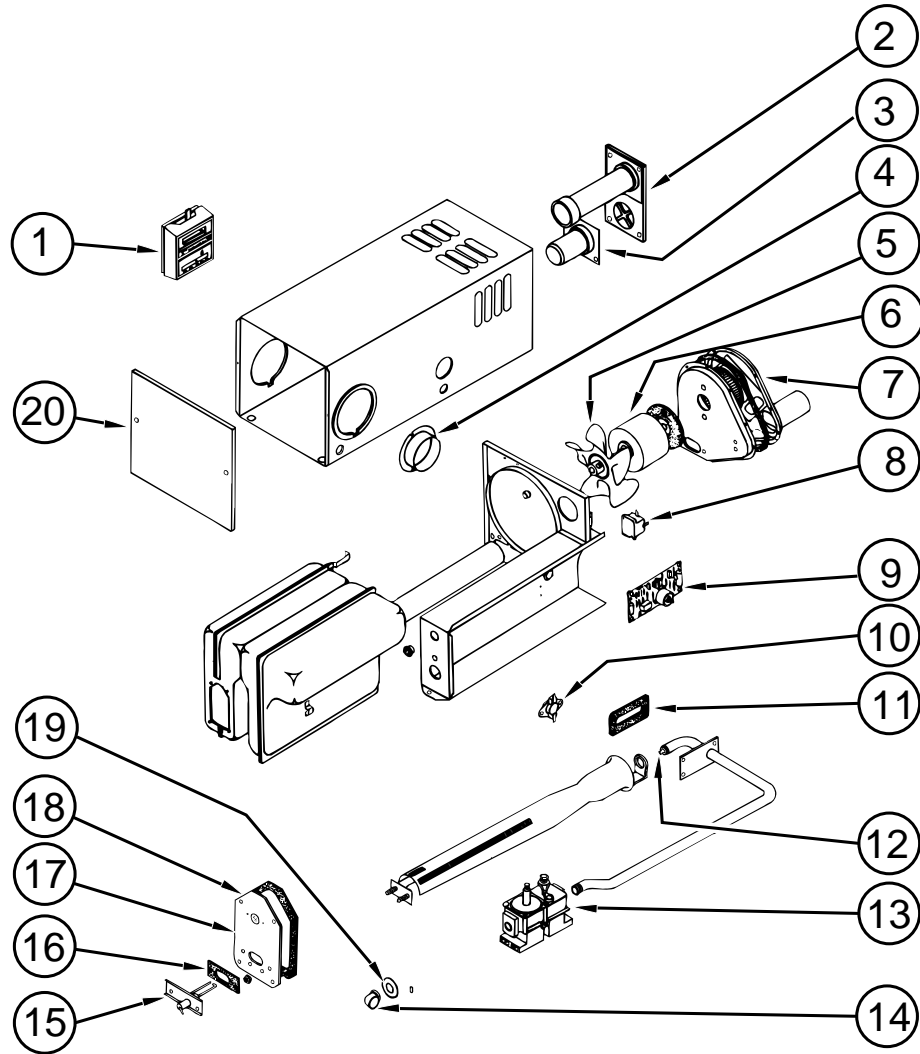
| KEY | PARTNUMBER | U/M DESCRIPTION | VENDORNO. |
|-----|---------------|-----------------------------------|-----------|
| 1 | 103930-28-000 | EA HOSEKIT#10GM-L-19-SCS093-00426 | |
| 2 | 103930-28-700 | EA HOSEASM#10W/SELTECCOMPRESSOR | 085-0347 |
| 3 | 103930-17-702 | EA GASKETORSAE015=#1033-781 | 045-0127 |
| 4 | 103930-29-701 | EA GASKET-GM,LOWPRESSURESWITCH | 045-0483 |



CHEVYHOSEKIT-VORTECGASORDIESELOPTION

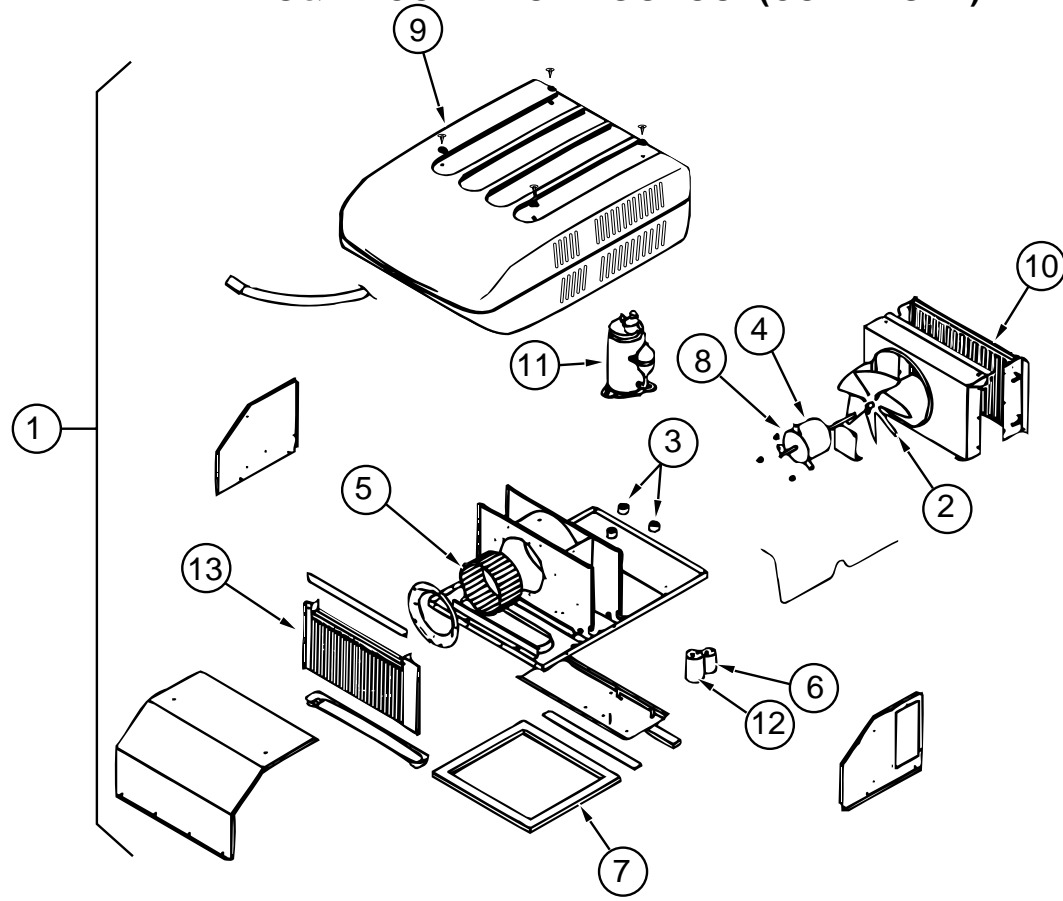
| KEY | PARTNUMBER | U/M DESCRIPTION | VENDORNO. |
|-----|---------------|--|-----------|
| 1 | 103930-29-000 | EA HOSEKIT#10GM-L-29&L-65-SCS093-00427 | |
| 2 | 103930-29-700 | EA HOSEASM#10W/HARRISONCOMPRESSOR | 085-0348 |
| 3 | 103930-17-702 | EA GASKETORSAE015=#1033-781 | 045-0127 |
| 4 | 103930-29-701 | EA GASKET-GM,LOWPRESSURESWITCH | 045-0483 |

HEATING & AIR CONDITIONING GROUP (CONTINUED)
FURNACE-SUBURBAN NT-20S (2281)



| KEY | PARTNUMBER | U/M | DESCRIPTION | VENDOR NO. |
|-----|---------------|-----|---------------------------------|------------|
| | 075697-04-000 | EA | FURNACE-DUCTED, FORCED AIR | |
| 1 | 115764-01-01A | EA | THERMOSTAT-FURNACE | |
| 2 | 075697-01-701 | EA | VENT CAP & EXHAUST ASM 20SE | 260098 |
| 3 | 075696-02-736 | EA | TUBE-INTAKE ASSEMBLY | 050906 |
| 4 | 075696-02-703 | EA | COLLAR-DUCT | 050715 |
| 5 | 075697-04-702 | EA | WHEEL-ROOM AIR | 350083 |
| 6 | 075697-04-701 | EA | MOTOR | 230634 |
| 7 | 074035-01-706 | EA | WHEEL, COMBUSTION AIR | 350082 |
| 8 | 074466-01-702 | EA | RELAY, TIME DELAY | 230625 |
| 9 | 098668-01-712 | EA | BOARD-MODULE | 520741 |
| 10 | 075697-04-700 | EA | SWITCH-LIMIT | 230621 |
| 11 | 075697-01-709 | EA | GASKET-MANIFOLD | 070449 |
| 12 | 074035-01-709 | EA | ORIFICE | 180231 |
| 13 | 069634-01-729 | EA | VALVE-GAS-JOHNSON | 161078 |
| 14 | 069634-01-709 | EA | ELBOW-90 DEGREE, BLACK IRON | 170082 |
| 15 | 075697-04-703 | EA | ELECTRODE-DOUBLE PROBE | 230820 |
| 16 | 092300-01-704 | EA | GASKET-ELECTRODE | 070163 |
| 17 | 075697-04-704 | EA | DOOR-BURNER ACCESS | 030621 |
| 18 | 069634-01-732 | EA | GASKET, BURNER ACCESS DOOR | 070398 |
| 19 | 075696-02-721 | EA | GASKET-GAS INLET PIPE | 070432 |
| 20 | 075697-05-700 | EA | CABINET-FRONT | 100960 |
| | 009198-01-000 | FT | DUCT-HEAT-FLEXIBLE-4" ID X 25' | |
| | 009200-01-000 | EA | TAPE-FURNACE-1 1/2" | |
| | 069634-01-716 | EA | VALVE-MANUEL SHUTOFF | 160740 |
| | 075697-05-701 | EA | MICROSWITCH ASSEMBLY | 230933 |
| | 056464-10-000 | EA | REGISTER-W/O DAMPER-4" DIAMETER | |
| | 093614-03-02A | EA | GRILL-RETURN AIR | |

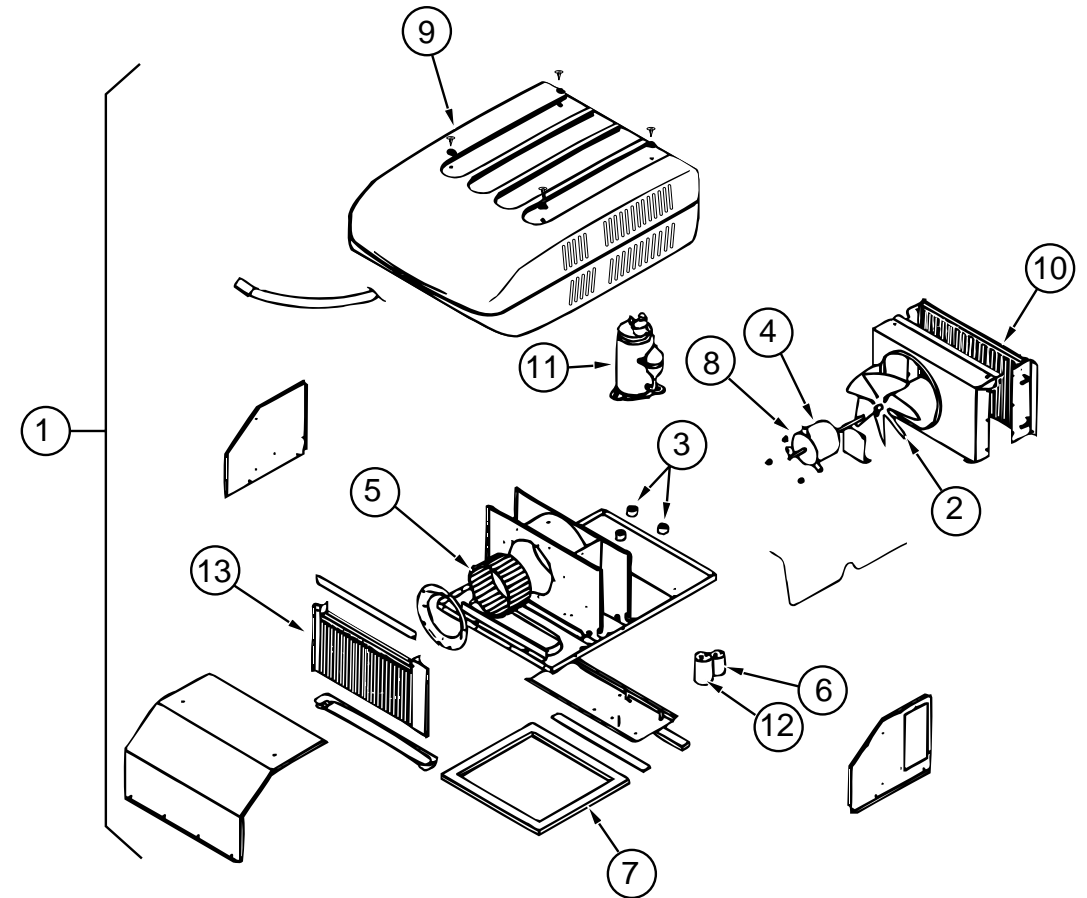
HEATING&AIRCONDITIONINGGROUP(CONTINUED)



**13,500BTUCOLEMANROOFA/C
EUROPEAN**

| KEY | PARTNUMBER | U/M DESCRIPTION | VENDORNNO. |
|-----|---------------|-------------------------------------|------------|
| 1 | 108889-02-03A | EA AIRCONDITIONER-13,500BTU/220VOLT | |
| 2 | 093763-01-712 | EA BLADE-FAN-CONDENSER | 6733-3221 |
| 3 | 105620-01-706 | EA MOUNTINGPKG.,COMP.,3PER | 6759-3081 |
| 4 | 108889-02-701 | EA MOTOR | 1468-3059 |
| 5 | 108889-01-706 | EA IMPELLOR | 1472-1041 |
| 6 | 093763-01-704 | EA CAPACITOR-FAN | 1499-5461 |
| 7 | 108889-01-711 | EA GASKETPKG | 6792-3301 |
| 8 | 108889-01-715 | EA MOTORMOUNT&SHAFTSEALKIT | 6792-3361 |
| 9 | 108889-05-700 | EA SHROUD-BRIGHT/WHT.W/OLOGO | 7333-4601 |
| 10 | 108889-01-703 | EA COIL-CONDENSER | 1452A1301 |
| 11 | 108889-02-700 | EA COMPRESSOR-TECUMSEH | 1450A2029 |
| 12 | 108889-01-707 | EA CAPACITOR-RUN,COMP-25MFD/370 | 1499-5661 |
| 13 | 108889-01-709 | EA COIL-EVAPORATOR | 1452A1311 |
| | 093306-01-701 | EA DECALPACKAGE,LEFT&RIGHT | 6798B3591 |
| | 105620-01-705 | EA PROTECTOR-OVERLOAD,RH&LH | 6759-3791 |
| | 108889-01-710 | EA PAD-FILLER,CONDENSERSEAL | 6759A3971 |
| | 108889-01-713 | EA LINE-SUCTION,3/8ODX032WALL | 6792-130 |
| | 108889-01-714 | EA LINEASSEMBLY-DISCHARGE | 6792-531 |
| | 108889-02-702 | EA CAPACITOR-START | 1497-0891 |
| | 108889-02-703 | EA RELAY-START | 1497-4141 |

HEATING&AIRCONDITIONINGGROUP(CONTINUED)



**13,500BTUCOLEMANROOFA/C
US**

| KEY | PARTNUMBER | U/M DESCRIPTION | VENDORNNO. |
|-----|---------------|---------------------------------|------------|
| 1 | 108889-01-05A | EA A/C-ROOF-13,500TSR | |
| 2 | 093763-01-712 | EA BLADE-FAN-CONDENSER | 6733-3221 |
| 3 | 105620-01-706 | EA MOUNTINGPKG.,COMP.,3PER | 6759-3081 |
| 4 | 108889-01-705 | EA MOTOR(115,60HZ) | 1468-3049 |
| 5 | 108889-01-706 | EA IMPELLOR | 1472-1041 |
| 6 | 093763-01-704 | EA CAPACITOR-FAN | 1499-5461 |
| 7 | 108889-01-711 | EA GASKETPKG | 6792-3301 |
| 8 | 108889-01-715 | EA MOTORMOUNT&SHAFTSEALKIT | 6792-3361 |
| 9 | 108889-05-700 | EA SHROUD-BRIGHT/WHT.W/OLOGO | 7333-4601 |
| 10 | 108889-01-703 | EA COIL-CONDENSER | 1452A1301 |
| 11 | 105620-01-704 | EA COMPRESSOR-TECUMSEH,RH&LH | 1450-2009 |
| 12 | 108889-01-707 | EA CAPACITOR-RUN,COMP-25MFD/370 | 1499-5661 |
| 13 | 108889-01-709 | EA COIL-EVAPORATOR | 1452A1311 |
| | 091225-01-709 | EA RELAY-START | 1497-4131 |
| | 091225-01-710 | EA CAPACITOR-START | 1497-0881 |
| | 093306-01-701 | EA DECALPACKAGE,LEFT&RIGHT | 6798B3591 |
| | 108889-01-704 | EA OVERLOAD(MRA#98693) | 6749-3541 |
| | 108889-01-710 | EA PAD-FILLER,CONDENSERSEAL | 6759A3971 |
| | 108889-01-712 | EA LINE-SUCTION,REDUCER3/8X1/2 | 1215-2161 |
| | 108889-01-713 | EA LINE-SUCTION,3/8ODX032WALL | 6792-130 |
| | 108889-01-714 | EA LINEASSEMBLY-DISCHARGE | 6792-531 |
| | 108889-01-720 | EA TUBE-CAP | 6792-1351 |

HEATING&AIRCONDITIONINGGROUP(CONTINUED)
CEILINGASSEMBLY-A/C COOL

| KEY | PARTNUMBER | U/M DESCRIPTION | VENDORNO. |
|-----|---------------|--------------------------------|-----------|
| | 108891-01-02A | EA CEILINGASSEMBLY-A/C COOL | |
| | 042204-01-709 | EA THERMOSTAT-IN64OUT58 | 6701-3401 |
| | 073742-01-701 | EA SWITCH-SELECTOR,(5TERMINAL) | 6759-3251 |
| | 073742-01-702 | EA DECAL-COOLONLY | 6759C3431 |
| | 091225-01-713 | EA KNOB | 6701-3351 |
| | 093766-02-701 | EA DECAL-LEFT | 6799-3971 |
| | 108891-01-700 | EA PARTSPKG.SGL(KNOB&NUTS) | 6792-5991 |
| | 108891-01-701 | EA CLIP-FILTERRETAINER,6PER | 6799-3141 |
| | 108891-01-702 | EA COLLAR-DUCT,W/METLFLANGE | 6792-4541 |
| | 108891-01-703 | EA SHROUD-CEILINGWHITE | 6769-5051 |
| | 102289-01-000 | EA SPRING-SCREW-ROOFA/C GASKET | |
| | 122882-06-01A | EA VENT-ROOF-GARNISH25-65 | |

INTERIORFINISHGROUP

PANELING,LAMINATES&PLASTIC

| KEY | PARTNUMBER | U/M DESCRIPTION |
|-----|---------------|--|
| | 000846-01-000 | SF PLYWOOD-5/16'X4'X8' |
| | 000885-76-000 | SF PARTICLEBOARD-3/8"X4'X8'WATERFORDOAKVINYL1SIDE |
| | 000885-77-000 | SF PARTICLEBOARD-3/8"X4'X8'WATERFORDOAKVINYL2SIDE |
| | 000885-78-000 | SF PARTICLEBOARD-1/2"X4'X8'WATERFORDOAKVINYL2SIDE |
| | 000885-79-000 | SF PARTICLEBOARD-3/4"X4'X8'WATERFORDOAKVINYL2SIDE |
| | 052372-02-000 | BF LUMBER-CLASSII,1X4XRL |
| | 074497-28-000 | SF PANELING-WATERFORDOAK-4'X8' |
| | 074497-34-000 | SF PANELING-CEILING-IMPACTPEARL-4'X8' |
| | 074498-62-000 | SF LAMINATE-PLASTIC,GREYFINESSE-5'X8'INCREMENTSOF4OSF(H01) |
| | 074498-54-000 | SF LAMINATE-PLASTICSANDSPEKTRUM-5'X8'INCREMENTS40SF(H02) |
| | 080215-10-000 | SF PANELING--2SIDE-WATERFORD-4'X8' |
| | 088272-E0-000 | SF PANELING-DECORATIVE METRO/MIST-4'X7' |
| | 088272-G1-000 | SF PANELING-SHOWER-ANTIQUWHT-4'X7'-INCOF28SQFT |
| | 093743-05-01A | SF PLASTIC-ABSCOILBRIGHTWHITE20"X500" |

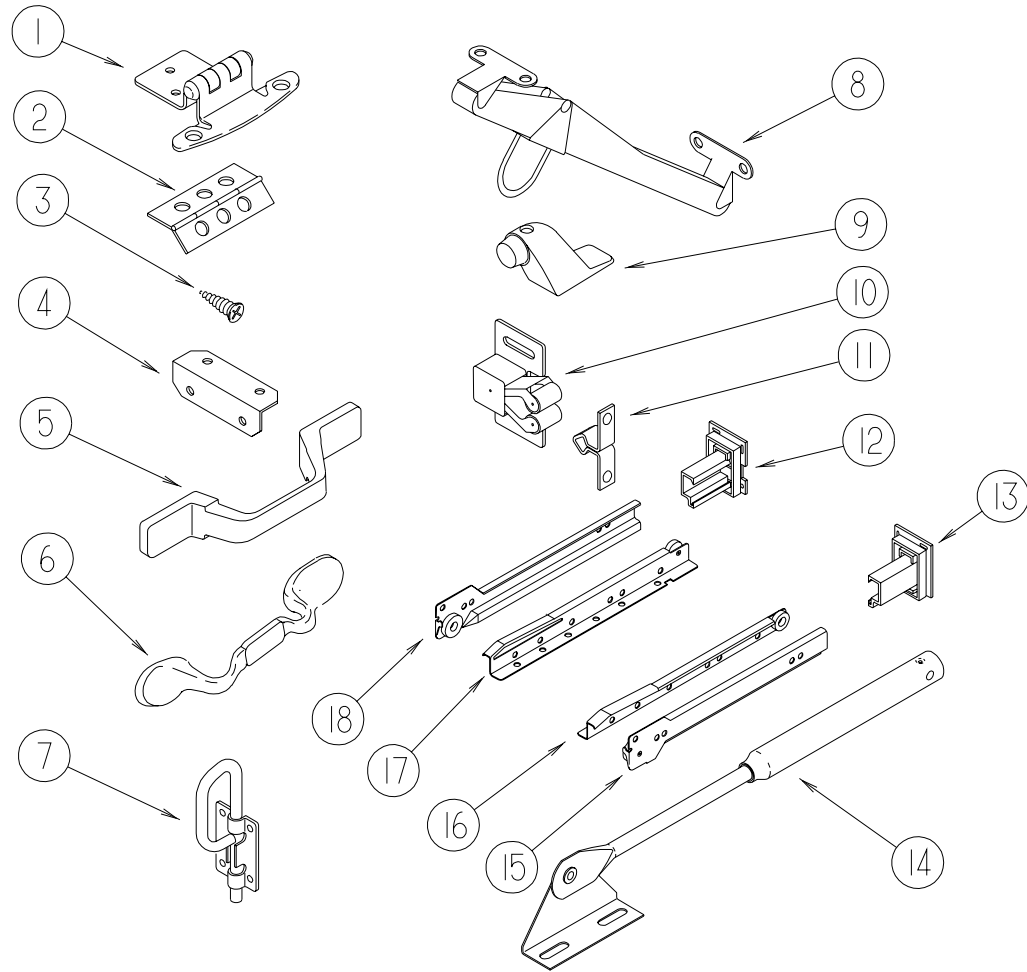
DETECTORS&FIREEXTINGUISHER

| KEY | PARTNUMBER | U/M DESCRIPTION |
|-----|---------------|--|
| | 072852-02-000 | EA DETECTOR-SMOKE-W/9/VOLTBATTERY-CANADIAN |
| | 094499-02-000 | EA EXTINGUISHER-FIRE-DRY-1A10BC-CANADIAN |
| | 094499-01-700 | EA BRACKETMTG.W/PLAS.STRAP 294039 IFNEEDMETALRETAININGSTRAP,ALSOORDER#09449901701 |
| | 103613-02-000 | EA DETECTOR-LPGAS FROM: 00-00-00 THRU: 11-10-96 |
| | 103613-02-000 | EA DETECTOR-LPGAS FROM: 11-11-96 THRU: 99-99-99 |
| | 072852-01-000 | EA DETECTOR-SMOKE-W/9VOLTBATTERY-US |
| | 094499-01-000 | EA EXTINGUISHER-FIRE-DRYW/MOUNTINGBRACKET-10B:C |
| | 094499-01-700 | EA BRACKETMTG.W/PLAS.STRAP 294039 |
| | 094499-01-701 | EA STRAPONLY(METAL) 320351 |
| | 112320-03-000 | EA DETECTOR-COGASMODEL9D-I FROM: 00-00-00 THRU: 10-20-96 |
| | 112320-04-000 | EA BATTERY/SENSORMODULE-CO(BLACKMODULE)F/9D-ISYSTEM FROM: 00-00-00 THRU: 10-20-96 |
| | 125136-01-000 | EA DETECTOR-CO-GAS-MODEL9L-I FROM: 10-21-96 THRU: 99-99-99 |

FLOORCOVERINGS&MATS

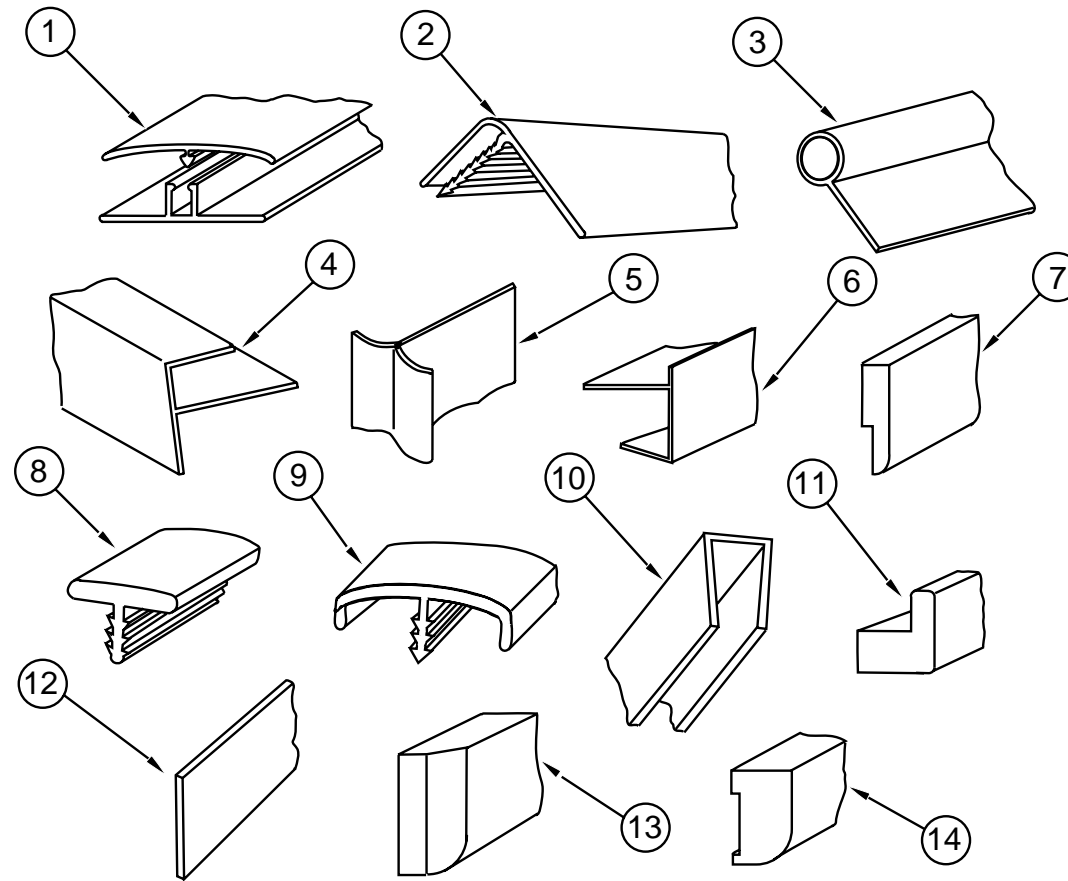
| KEY | PARTNUMBER | U/M DESCRIPTION |
|-----|---------------|---|
| | 075233-01-000 | SY PAD-CARPET,3/8"X6'ROLL |
| | 096060-A2-000 | SY CARPET-NEWMADOW-INCREMENTSOF4SQYD(H02) |
| | 096060-96-000 | SY CARPET-JUBILATION,CRYSTAL(H01) |
| | 093486-01-000 | SY CARPET-COMPARTMENT-54"WIDE-DARKGRAY |
| | 047034-02-000 | SF PLASTIC-CARPET,4'WIDE-CLEARPOLY |
| | 042720-13-000 | SY VINYL-FLOORCOVERING-CALAY-7.5'WIDE |

INTERIORFINISHGROUP(CONTINUED)
CABINETHARDWARE



| KEY | PARTNUMBER | U/M | DESCRIPTION |
|-----|---------------|-----|--|
| 1 | 108138-01-000 | EA | HINGE-DOOR-CABINET-BURNISHEDBRASS SCREW#000G13-06-08G |
| 2 | 009059-01-000 | EA | HINGE-DOOR-2"X1.4"-BRASS |
| | 110496-02-01A | EA | HINGE-BRASS |
| 3 | 000G13-06-10G | EA | SCREW-6-20X5/8PFH-ANTIQUEBRASS |
| 4 | 016604-01-000 | EA | BRACE-CABINET-ANGLE-2.5"-UNPAINTEDMETAL |
| 4 | 016604-05-000 | EA | BRACE-CABINET-ANGLE-2.5"OFFWHITEMETAL |
| | 065740-01-000 | EA | BRACE-CABINET/CORNER-PLASTIC |
| 5 | 117801-01-01A | EA | PULL-CABINET-BRASS |
| 6 | 117800-01-01A | EA | PULL-CABINET,BRASS |
| 7 | 103256-01-000 | EA | LATCH-SLIDE |
| 8 | 104181-01-01A | EA | SUPPORT-LEAF5.3"EXTENDSTO7.5"-SAFETYRING-METAL |
| 9 | 103257-01-000 | EA | STOP-DOOR |
| 10 | 093586-06-000 | EA | CATCH-SPRING-ROLLER |
| 11 | 093586-05-000 | EA | STRIKE-SPRINGSTEEL |
| 12 | 114045-01-000 | EA | BACKSOCKET-ADJUSTABLELEFT |
| 13 | 114045-02-000 | EA | BACKSOCKET-ADJUSTABLERIGHT |
| 14 | 074493-02-000 | EA | SUPPORT-PISTONSRING-CABINETDOOR |
| 15 | 114031-02-000 | EA | SLIDE-12"-RIGHTSIDE/CABINET |
| | | | FROM: 00-00-00 THRU: 06-02-96 |
| 15 | 114031-10-000 | EA | SLIDE-16"-RIGHTSIDE/CABINET |
| 15 | 114031-14-000 | EA | SLIDE-18"-RIGHTSIDE/CABINET |
| | | | FROM: 00-00-00 THRU: 06-02-96 |
| 16 | 114031-04-000 | EA | SLIDE-12"-RIGHTSIDE/DRAWER |
| 16 | 114031-16-000 | EA | SLIDE-18"-RIGHTSIDE/DRAWER |
| 16 | 114031-20-000 | EA | SLIDE-20"-RIGHTSIDE/DRAWER |
| | 076790-01-000 | EA | SCREW-6-20X1 1/4PPH-BLACK |
| 17 | 114031-03-000 | EA | SLIDE-12"-LEFTSIDE/DRAWER |
| 17 | 114031-15-000 | EA | SLIDE-18"-LEFTSIDE/DRAWER |
| 17 | 114031-19-000 | EA | SLIDE-20"-LEFTSIDE/DRAWER |
| 18 | 114031-01-000 | EA | SLIDE-12"-LEFTSIDE/CABINET |
| | | | FROM: 00-00-00 THRU: 06-02-96 |
| 18 | 114031-09-000 | EA | SLIDE-16"-LEFTSIDE/CABINET |
| 18 | 114031-13-000 | EA | SLIDE-18"-LEFTSIDE/CABINET |
| | 004354-01-000 | EA | BUMPER-RUBBER-.5"DIA-BROWN |
| | 009112-01-000 | EA | FLANGE-1"CLOTHESROD-OFFWHITEPLASTIC |
| | 041389-32-000 | EA | HINGE-PIANO-OFF/WHITE-68" |
| | 042356-01-000 | EA | PLUG-BUTTON-MAHOGANY-3/8"DIAMETER-WOOD |
| | 042438-01-000 | EA | DOWEL-WOOD-CLOTHESROD-1"DIAMETERX4' |
| | 058331-85-000 | EA | MIRROR-SAFETYGLASS-20.8"X35.4" |
| | 112053-01-01A | EA | STOP-DRAWERBLK |
| | 118718-01-01A | EA | HOLDER-COLLAPSIBLEMUG/DRINK-BLACKPLASTIC |

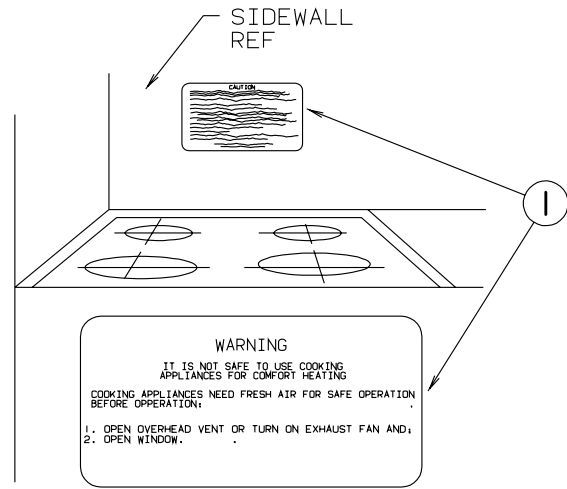
INTERIORFINISHGROUP(CONTINUED)
MOLDINGS,BATTSTRIPS,&TRIM



| KEY | PARTNUMBER | U/M | DESCRIPTION |
|-----|---------------|-----|--|
| | 085284-B1-000 | FT | BATTTAPE-ADHESIVEBACKED-DECORATIVE-METRO/MIST |
| | 085284-C9-000 | FT | BATTTAPE-ADHESIVEBACKED-CEILING-IMPACHTPEARL |
| | 085284-D6-000 | FT | BATTTAPE-ADHESIVEBACKED-DECORATIVE-EMBOSSDANTIQUE |
| 1 | 086229-13-000 | EA | BATTEN-1"X99.61"-IVORY |
| 1 | 086229-20-000 | EA | BATTEN-1"X98"-BEIGE |
| 1 | 086229-13-000 | EA | BATTEN-1"X99.61"-IVORY FROM: 06-10-96 THRU: 99-99-99 |
| | 069733-83-000 | EA | BATTSTRIP-WOODGRAINED/WATERFORDOAK-8'LONG FROM: 00-00-00 THRU: 06-09-96 |
| 2 | 009809-28-000 | EA | MOLDING-PLASTIC-OUTSIDECORNER-1"-WATERFORDOAK |
| 3 | 009767-12-000 | FT | MOLDING-SIDEWALLTOCEILING/CABINET-WELTING-OFF/WHT |
| 4 | 009812-24-000 | EA | MOLDING-PLASTIC-OUTSIDECORNER-.50"-IVORY |
| 4 | 009812-29-000 | EA | MOLDING-PLASTIC-OUTSIDECORNER-.50"-WATERFORDOAK |
| 5 | 022992-11-000 | FT | MOLDING-REVERSECOVE-T-SHAPEDVINYL-IVORY |
| 6 | 103186-01-05A | FT | MOLDING-SHELFEDGE-.78"PLASTIC-WATERFORDOAK |
| 7 | 105004-01-05A | EA | MOLDING-VINYLRAPPED-1"X8"WATERFORDOAK |
| | 112198-02-000 | FT | MOLDING-J |
| 8 | 104676-01-01A | FT | T-MOLDING-5/16"-RIGIDGOLD |
| 8 | 104676-02-04A | FT | T-MOLDING-1/2"X10' |

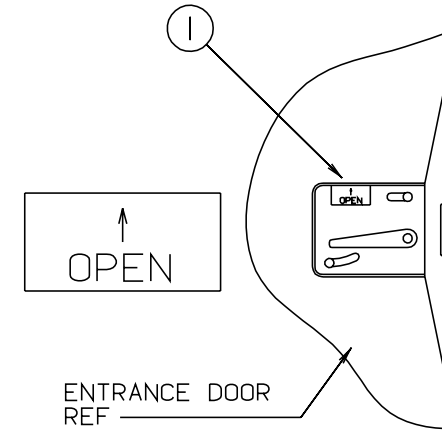
| KEY | PARTNUMBER | U/M | DESCRIPTION |
|-----|---------------|-----|---|
| 9 | 083620-12-000 | FT | T-MOLDING-3/4"W/EDGELIPS-WATERFORDOAK |
| 10 | 009778-22-000 | FT | U-CHANNEL-1 1/4" |
| 10 | 070504-18-000 | FT | U-CHANNEL-.065"X8'INCREMENTS-IVORYPLASTIC |
| 10 | 070504-19-000 | FT | U-CHANNEL-.815"X8'INCREMENTS-BROWNPLASTIC |
| 10 | 070504-20-000 | FT | U-CHANNEL-EXTRUDEDPLASTIC-.81"X84"-THORPECAN |
| 10 | 070504-26-000 | FT | U-CHANNEL-EXTRUDEDPLASTIC-.81"X84"-IVORY |
| 11 | 100819-01-05A | EA | MOLDING-VINYLRAP-DOOR-WATERFORDOAK |
| 12 | 076325-46-000 | FT | MOLDING-EDGEBAND 15/16"X.030"-CLOUD(H01) |
| 12 | 076325-47-000 | FT | MOLDING-EDGEBAND-15/16"WIDE-SAND(H02) |
| 12 | 076325-43-000 | FT | MOLDING-EDGEBAND.876"X.024"-CLOUD(H01) |
| 12 | 076325-44-000 | FT | MOLDING-EDGEBAND-.875WIDE-SAND(H02) |
| 12 | 076325-68-000 | FT | MOLDING-EDGEBAND-15/16"X.038-WATERFORDOAK |
| 13 | 100659-01-G09 | EA | MOLDING-TRIM-VINYLFLOOR |
| 14 | 117268-D2-134 | EA | MOLDING-VINYLRAPPED.7"X1.6"X7'WATERFORD |
| 14 | 117268-F2-134 | EA | MOLDING-VINYLRAPPED.7"X2.6"X7'-WATERFORD |
| 14 | 117268-J2-134 | EA | MOLDING-.0005"X3.26"X7'-VINYLRAPPED |
| | 117268-D2-438 | EA | LUMBER-VINYLRAPPED-.7"X1 1/2"X8'-WATERFORDOAK |
| | 117267-R2-438 | EA | LUMBER-VINYLRAPPED-.7"X3"X96"-WATERFORDOAK |
| | 117267-E2-438 | EA | LUMBER-VINYLRAPPED.7"X2"X8'-WATERFORDOAK |
| | 117267-G2-438 | EA | LUMBER-VINYLRAPPED-.7"X3"X8'-WATERFORDOAK |
| | 115924-06-02A | EA | GRILLE-WOVENWIRE |

LABELSGROUP

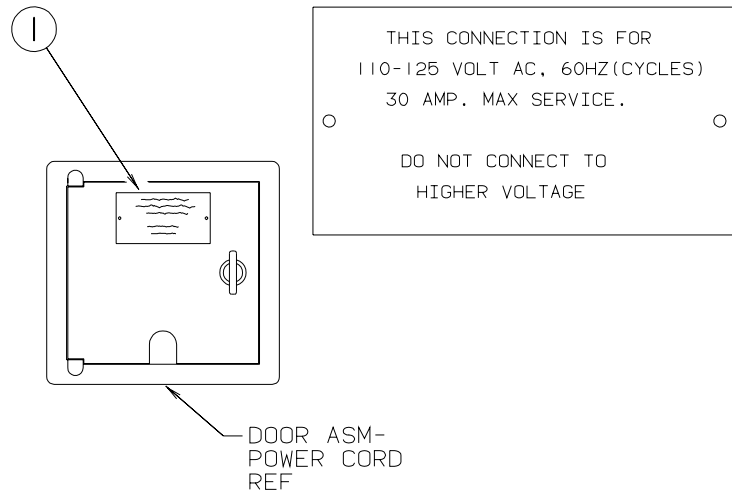


| KEY | PARTNUMBER | U/M DESCRIPTION |
|-----|---------------|-------------------------------------|
| 1 | 050225-01-000 | EA LABEL-WARNING,STOVEVENT-US |
| 1 | 050222-01-000 | EA LABEL-WARNING,STOVEVENT-CANADIAN |

LABELSGROUP(CONTINUED)



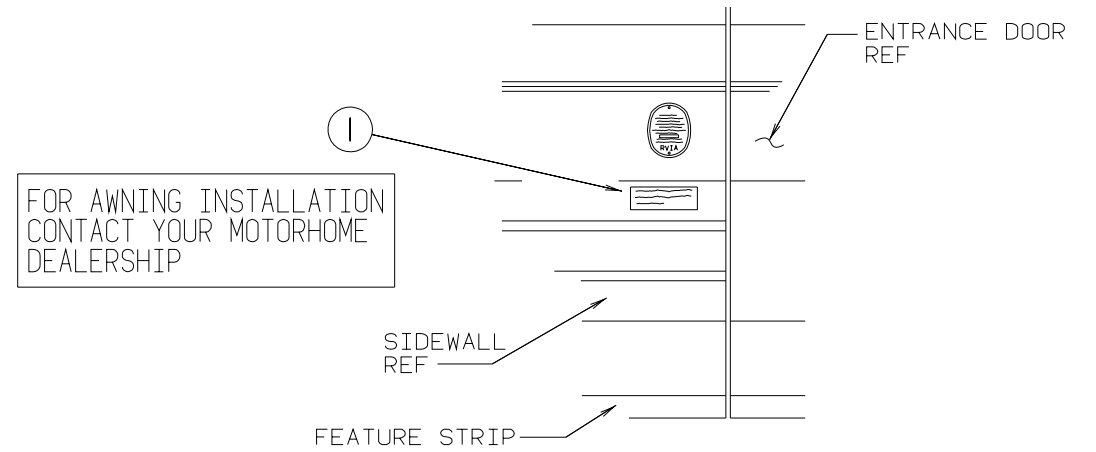
| KEY | PARTNUMBER | U/M DESCRIPTION |
|-----|---------------|------------------------------|
| 1 | 040944-01-000 | EA LABEL-ENTRANCEDOOR-"OPEN" |



| KEY | PARTNUMBER | U/M DESCRIPTION |
|-----|---------------|--------------------------------|
| 1 | 006062-01-000 | EA TAG-ELECTRIC-110VCONNECTION |

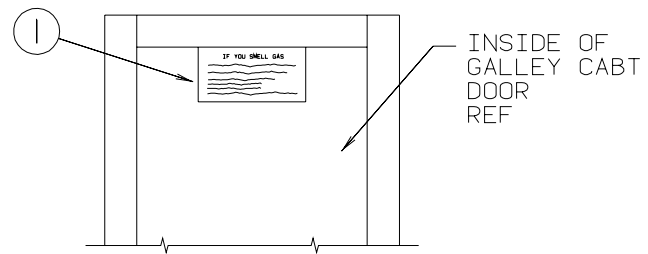
MISCELLANEOUSLABELS

| KEY | PARTNUMBER | U/M DESCRIPTION |
|-----|---------------|--|
| | 091243-01-000 | EA LABEL-A/C COVER-"AIRCONDITIONINGCIRCUIT.ETC." |
| | 098379-04-000 | EA LABEL-ELECTRICALBOX-SIDE |
| | 098641-01-000 | EA LABEL-FUEL-UNLEADED-DASH |
| | 106411-01-000 | EA LABEL-BUMPEROVERLOADINGWARNING |
| | 109522-01-000 | EA LABEL-BUMPER,SEEOWNERSMANUAL |



| KEY | PARTNUMBER | U/M DESCRIPTION |
|-----|---------------|-----------------------------|
| 1 | 099509-01-000 | EA LABEL-AWNINGINSTALLATION |

LABELSGROUP(CONTINUED)

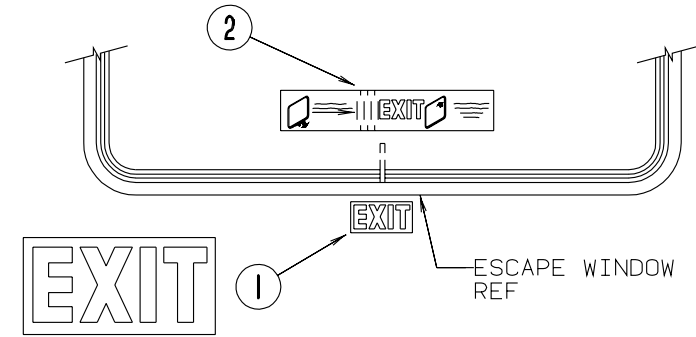
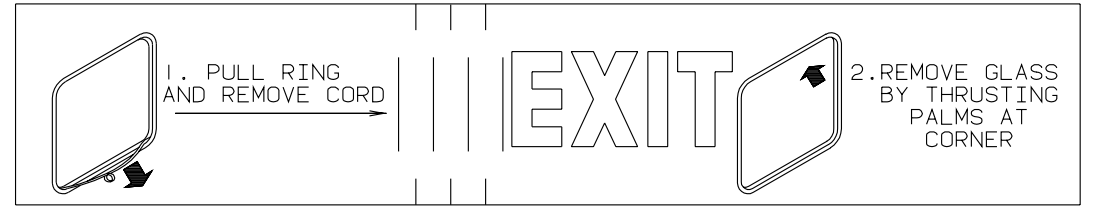


IF YOU SMELL GAS

1. EXTINGUISH ANY OPEN FLAME, PILOT LIGHTS AND ALL SMOKING MATERIALS.
2. SHUT OFF THE GAS SUPPLY AT THE TANK VALVE(OR GAS SUPPLY CONNECTION.
3. OPEN DOORS AND OTHER VENTILATING OPENINGS.
4. DO NOT TOUCH ELECTRICAL SWITCHES.
5. LEAVE THE AREA UNTIL ODOR CLEARS.
6. HAVE THE GAS SYSTEM CHECKED AND LEAKAGE SOURCE CORRECTED BEFORE USING AGAIN.

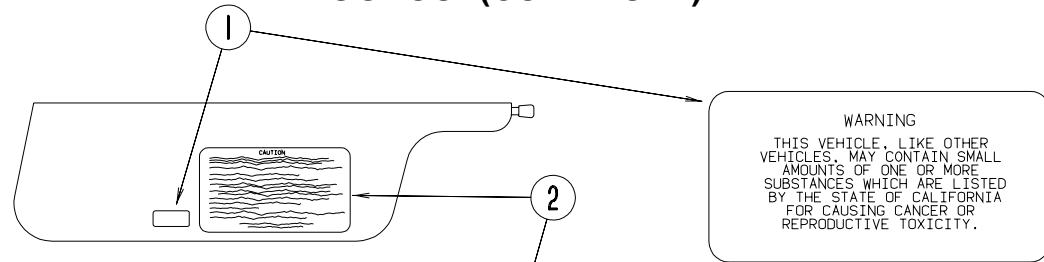
| KEY | PARTNUMBER | U/M DESCRIPTION |
|-----|---------------|-------------------------|
| 1 | 073998-01-000 | EA LABEL-LPGODORWARNING |

LABELSGROUP(CONTINUED)



| KEY | PARTNUMBER | U/M DESCRIPTION |
|-----|---------------|----------------------------|
| 1 | 039290-01-000 | EA LABEL-WARNING-EXIT |
| 2 | 107571-01-000 | EA LABEL-ESCAPEEXIT-WINDOW |

LABELSGROUP(CONTINUED)



WARNING
 THIS VEHICLE, LIKE OTHER VEHICLES, MAY CONTAIN SMALL AMOUNTS OF ONE OR MORE SUBSTANCES WHICH ARE LISTED BY THE STATE OF CALIFORNIA FOR CAUSING CANCER OR REPRODUCTIVE TOXICITY.

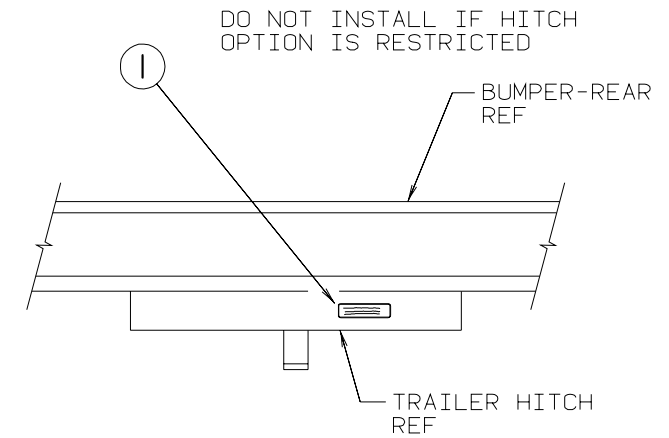
CAUTION

THIS MOTOR HOME HAS BEEN DESIGNED, MANUFACTURED AND TESTED WITH CONCERN FOR THE PROTECTION OF IT'S OCCUPANTS. WE RECOMMEND YOU PERFORM THE FOLLOWING INSPECTIONS FOR YOUR SAFETY AND THE SAFETY OF YOUR PASSENGERS BEFORE STARTING YOUR VEHICLE.

1. LP GAS SYSTEM- TURN OFF AT TANK FOR TRAVELING. TEST FOR LEAKS UPON ARRIVAL AT DESTINATION. BEFORE LIGHTING PILOTS.
2. WHEELS- INSPECT FOR DAMAGE AND CHECK LUG NUTS FOR TIGHTNESS.
3. TIRES- INSPECT FOR WEAR AND DAMAGE AND CHECK FOR RECOMMENDED AIR PRESSURE.
4. LIGHTING- TEST FOR PROPER OPERATION OF ALL INTERIOR AND EXTERIOR LIGHTS INCLUDING DASH LIGHTS, HEADLIGHTS, TAIL LIGHTS, BRAKE LIGHTS, CLEARANCE LIGHTS AND TURN SIGNALS.
5. EXITS- INSPECT RELEASE MECHANISM ON EMERGENCY EXIT WINDOW. TEST BOTH LOCKS ON MAIN ENTRANCE DOOR FOR EASE OF OPERATION AND INSTRUCT PASSENGERS HOW TO USE BOTH MEANS OF EXIT.
6. SEAT BELTS- DIRECT PASSENGERS TO DESIGNATED SEATS AND REQUIRE USE OF SEAT BELTS.
7. APPLIANCES- TURN OFF AND LATCH OR LOCK DOORS WHERE PROVIDED.
8. LOOSE PARCELS- STORE SECURELY.
9. UTILITY SUPPLY LINES- DISCONNECT ALL ELECTRIC, SEWER AND WATER LINES AND SECURE PROPERLY.
10. ENTRANCE DOOR STEP- PLACE IN RETRACTED POSITION FOR TRAVELING.

READ YOUR MOTOR HOME AND CHASSIS OWNER'S MANUAL FOR FURTHER PRECAUTIONS

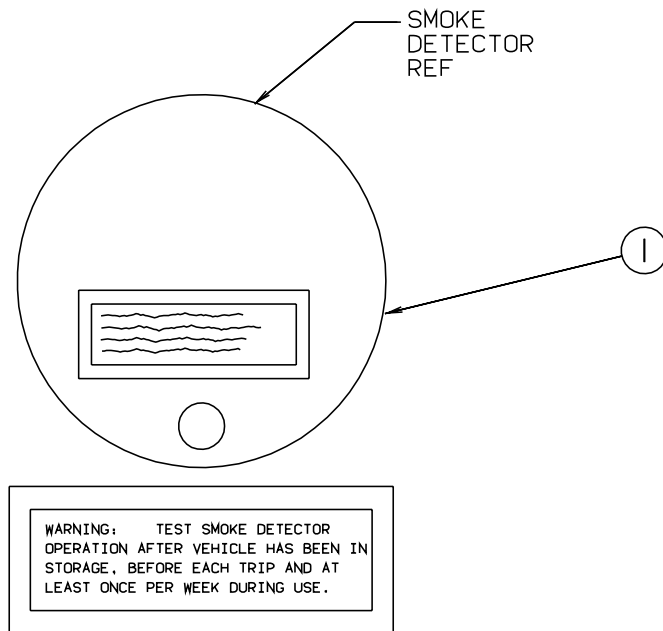
LABELSGROUP(CONTINUED)



DO NOT USE HITCH BEFORE READING OWNERS MANUAL REGARDING VEHICLE LOADING AND TOWING

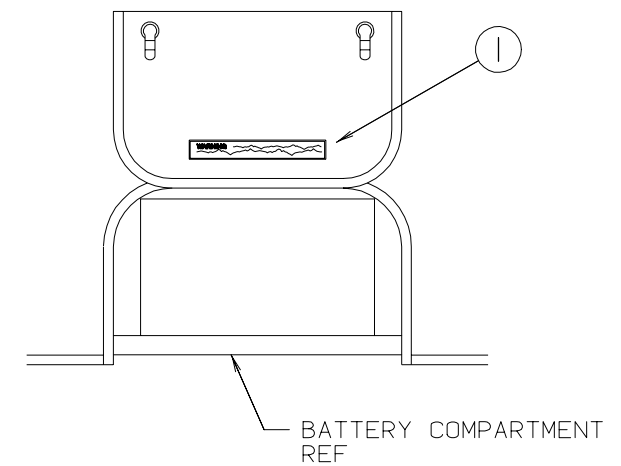
| KEY | PARTNUMBER | U/M DESCRIPTION |
|-----|---------------|---------------------------|
| 1 | 111104-01-000 | EA LABEL-HITCH-READMANUAL |

| KEY | PARTNUMBER | U/M DESCRIPTION |
|-----|---------------|----------------------------------|
| 1 | 099689-01-000 | EA LABEL-WARNING-CANCER/TOXICITY |
| 2 | 056259-01-000 | EA LABEL-SAFETYCHECKLIST |



WARNING: TEST SMOKE DETECTOR OPERATION AFTER VEHICLE HAS BEEN IN STORAGE, BEFORE EACH TRIP AND AT LEAST ONCE PER WEEK DURING USE.

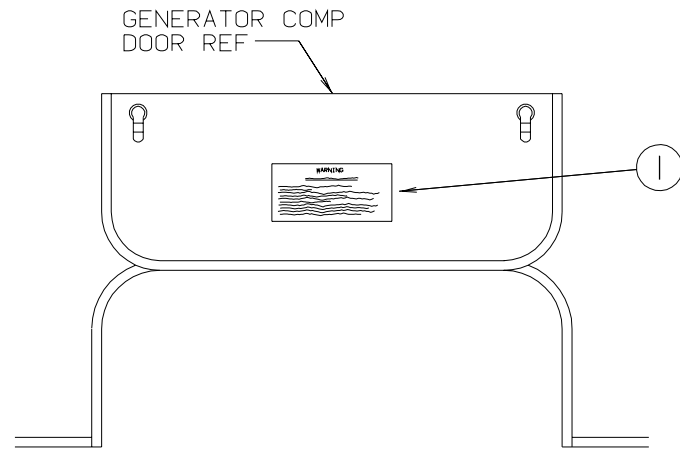
WARNING DISCONNECT BATTERIES BEFORE CONNECTING EXTERNAL CHARGING EQUIPMENT.



| KEY | PARTNUMBER | U/M DESCRIPTION |
|-----|---------------|----------------------------------|
| 1 | 065748-01-000 | EA LABEL-CAUTION-BATTERYCHARGING |

| KEY | PARTNUMBER | U/M DESCRIPTION |
|-----|---------------|--------------------------------|
| 1 | 077956-01-000 | EA LABEL-WARNING-SMOKEDETECTOR |

LABELSGROUP(CONTINUED)

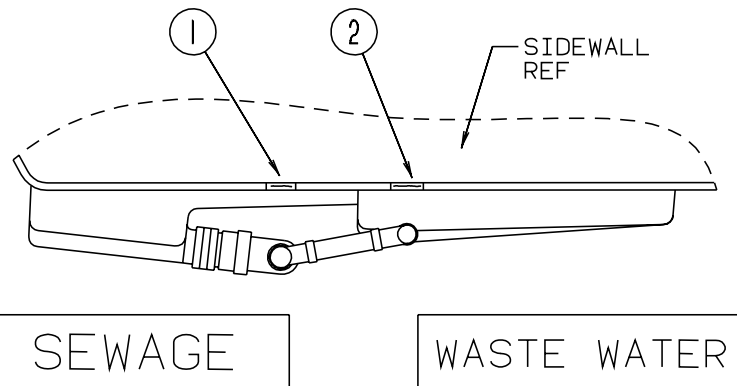


WARNING

WHEN ADDING A GENERATOR SET:

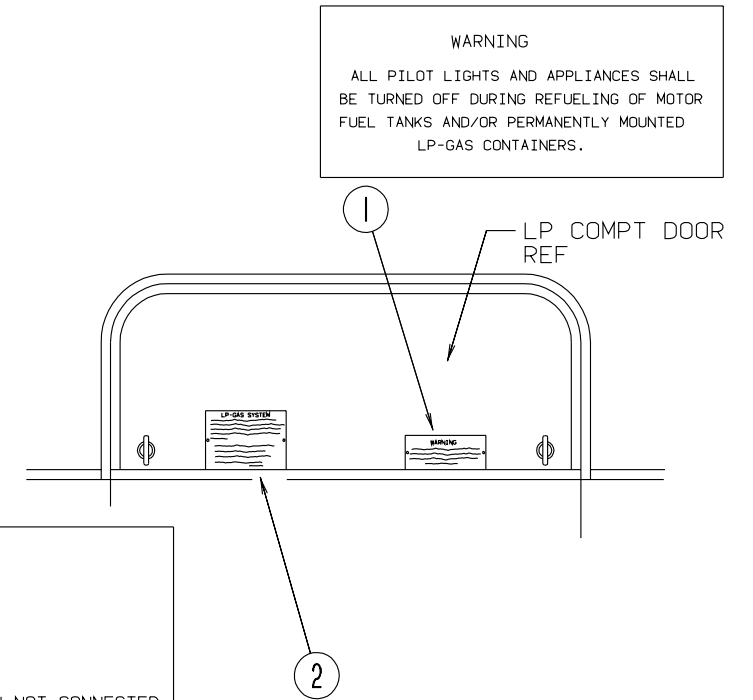
HIGH VOLTAGE-USE EXTREME CAUTION WHEN WORKING ON ELECTRICAL COMPONENTS. HAVE ALL ELECTRICAL INSTALLATION PERFORMED BY A QUALIFIED LICENSED ELECTRICIAN-FOLLOW ALL STATE AND LOCAL CODES. ONLY INSTALL GENERATOR SET APPROVED FOR R.V. APPLICATION. HAVE INSTALLED BY QUALIFIED TECHNICIAN. TO AVOID HEAT BUILD-UP AND TO GUARANTEE AN ADEQUATE AIR SUPPLY TO THE GENERATOR CARBURETOR, FOLLOW INSTALLATION INSTRUCTIONS. GENERATOR ENGINE EXHAUST GASES ARE TOXIC AND MUST NOT TERMINATE UNDER THE VEHICLE-DISCHARGE EXHAUST AWAY FROM VEHICLE.

| KEY | PARTNUMBER | U/M DESCRIPTION |
|-----|---------------|------------------------|
| 1 | 077510-01-000 | EA LABEL-GENERATORPREP |



| KEY | PARTNUMBER | U/M DESCRIPTION |
|-----|---------------|---------------------|
| 1 | 006187-01-000 | EA LABEL-SEWAGE |
| 2 | 006188-01-000 | EA LABEL-WASTEWATER |

LABELSGROUP(CONTINUED)



LP-GAS SYSTEM

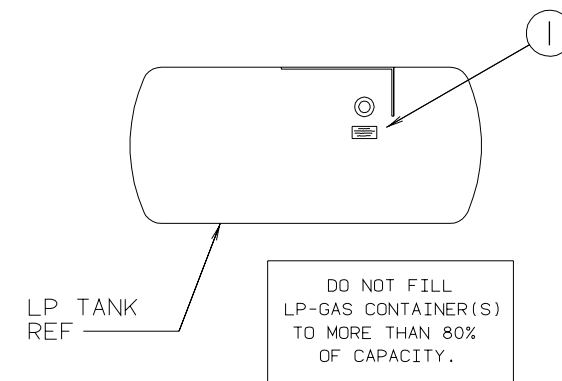
THIS GAS PIPING SYSTEM IS DESIGNED FOR USE OF LIQUEFIED PETROLEUM GAS ONLY. DO NOT CONNECT NATURAL GAS TO THIS SYSTEM.

SECURELY CAP INLET(S) WHEN NOT CONNECTED FOR USE. AFTER TURNING ON GAS, EXCEPT AFTER NORMAL CONTAINER REPLACEMENT, TEST GAS PIPING AND CONNECTIONS TO APPLIANCE FOR LEAKAGE WITH SOAPY WATER OR BUBBLE SOLUTION. DO NOT USE PRODUCTS THAT CONTAIN AMMONIA OR CHLORINE.
P.N. 54531

WARNING

ALL PILOT LIGHTS AND APPLIANCES SHALL BE TURNED OFF DURING REFUELING OF MOTOR FUEL TANKS AND/OR PERMANENTLY MOUNTED LP-GAS CONTAINERS.

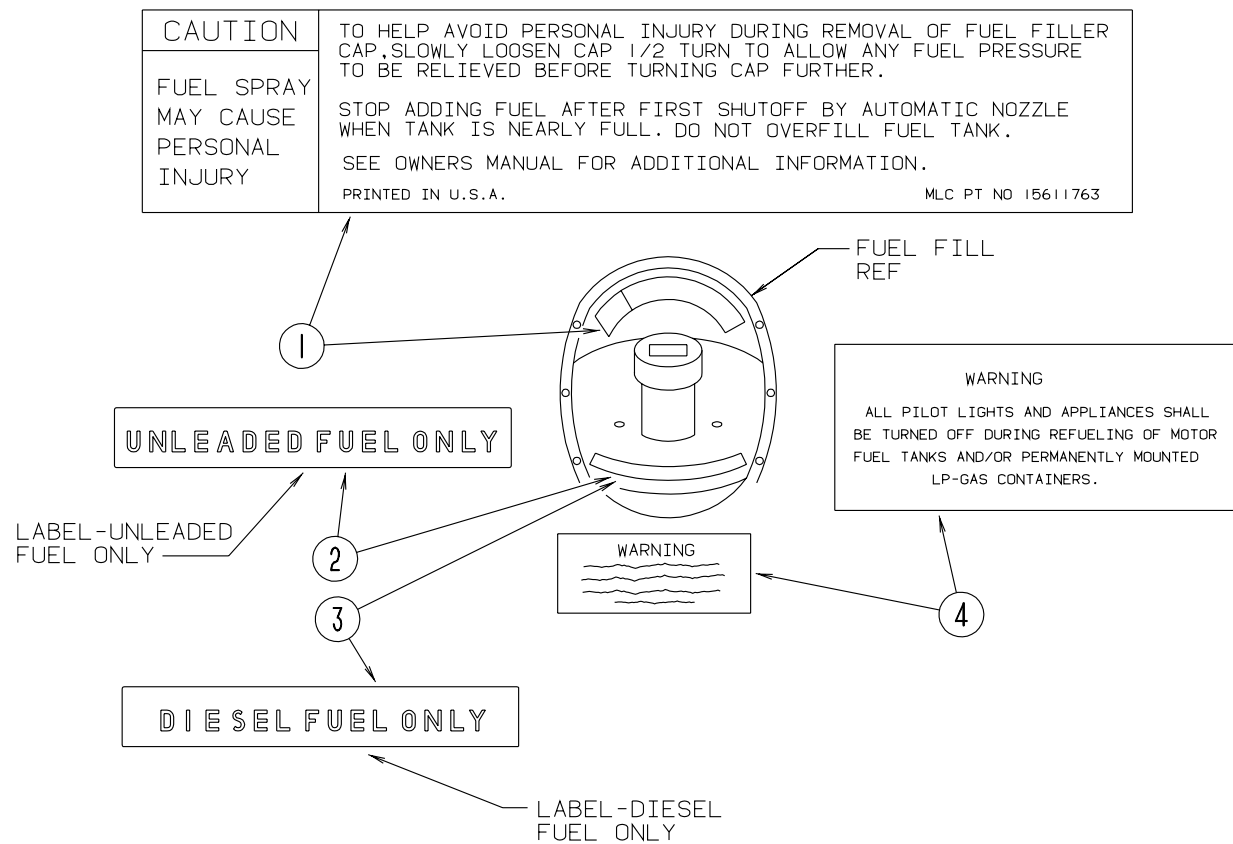
| KEY | PARTNUMBER | U/M DESCRIPTION |
|-----|---------------|----------------------------------|
| 1 | 006040-01-000 | EA TAG-GASREFUELINGWARNING |
| 1 | 006040-02-000 | EA TAG-GASREFUELWARNING-CANADIAN |
| 2 | 054531-01-000 | EA LABEL-LPGASONLY-US |
| 2 | 023769-01-000 | EA LABEL-WARNING-LPG-CANADIAN |



DO NOT FILL LP-GAS CONTAINER(S) TO MORE THAN 80% OF CAPACITY.

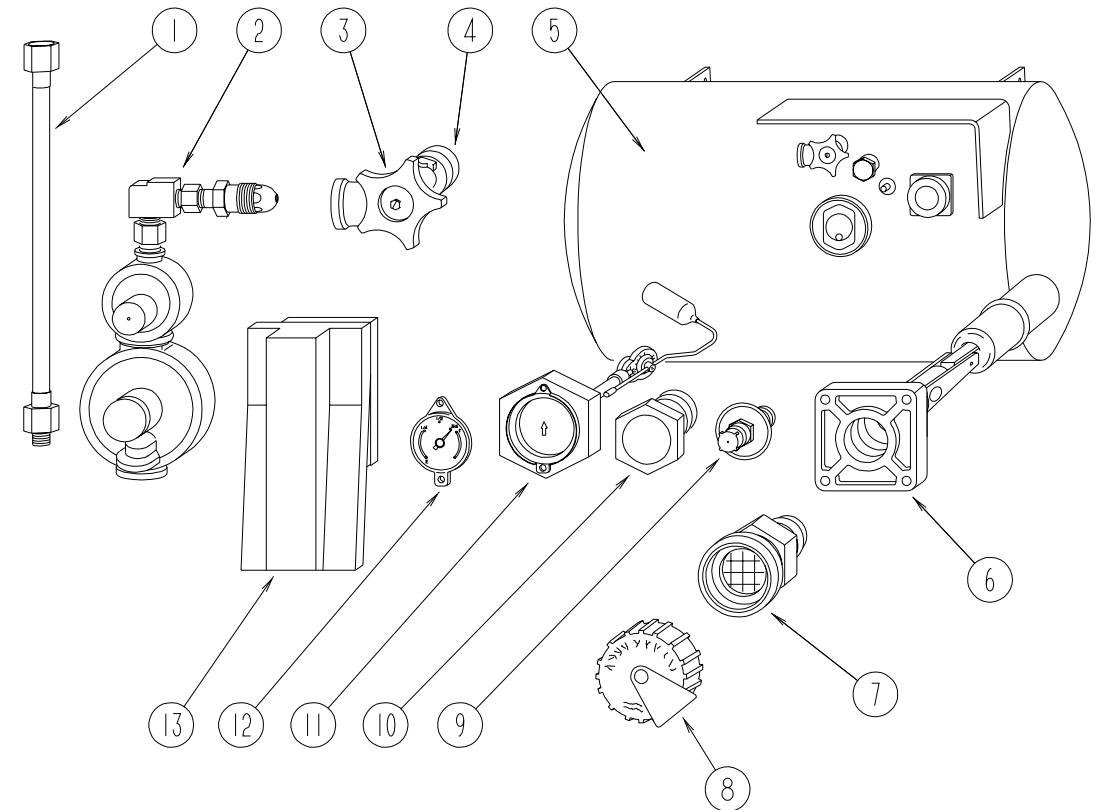
| KEY | PARTNUMBER | U/M DESCRIPTION |
|-----|---------------|-------------------------|
| 1 | 079965-01-000 | EA LABEL-LPG80%CAPACITY |

LABELSGROUP(CONTINUED)



| KEY | PARTNUMBER | U/M | DESCRIPTION |
|-----|---------------|-----|-----------------------------------|
| 1 | 087207-05-000 | EA | LABEL-FUELCAPREMOVAL-GM--15611763 |
| 2 | 062043-01-000 | EA | LABEL-FUEL-UNLEADED |
| 3 | 068383-01-000 | EA | LABEL-DIESELFUEL-GM----557005 |
| 4 | 006040-01-000 | EA | TAG-GASREFUELINGWARNING |
| 4 | 006040-02-000 | EA | TAG-GASREFUELWARNING-CANADIAN |

LPGROUP



LPTANK&SYSTEMCOMPONENTS

| KEY | PARTNUMBER | U/M | DESCRIPTION | VENDOR NO. |
|-----|---------------|-----|---|-------------------------------|
| 1 | 045703-01-000 | EA | HOSE-LP, 3/8" ID X 24" - 3/8" MPT X 1/2" F SWIVEL - U.S. | |
| 1 | 045703-02-000 | EA | HOSE-LP, 3/8" ID X 24" - 3/8" MPT X 1/2" F SWIVEL - CANADA | |
| 2 | 106150-01-000 | EA | REGULATOR-TWOSTAGE-USANDEUROPEAN | |
| 2 | 106150-02-000 | EA | REGULATOR-TWOSTAGE-EUROPEAN | |
| 3 | 040421-01-708 | EA | HANDWHEEL-SERVICEVALVE, BRUNNER | G-1015-A |
| 4 | 040421-01-712 | EA | VALVE-SERVICEW/OVAPORRELIEF | 29000853 |
| 5 | 080450-01-000 | EA | TANK-LP, 42LB-13 DIA X 24 LONG | |
| 6 | 040421-01-711 | EA | VALVE-80% W/FLOAT, PLATE-BOLTS & GASKET - BRUNNER | |
| 7 | 040421-01-701 | EA | VALVE-SHORT LP FILLER, W/YELLOW CAP - BRUNNER | 75478 |
| 8 | 040421-01-702 | EA | CAP-LP FILLER VALVE, PLASTIC - YELLOW - BRUNNER | G-1014-A |
| 9 | 040421-01-700 | EA | VALVE-LIQUID LEVEL, 20% LP - BRUNNER | G-1013 |
| 10 | 040421-01-713 | EA | VALVE-VAPOR ONLY | 29000587 |
| 11 | 074142-01-700 | EA | FLOAT GAUGE - SCREW ON - MACHINE | 13C-SCR |
| 11 | 074142-01-701 | EA | FLOAT GAUGE - BOLTON 13C-BLT | |
| 12 | 040440-02-000 | EA | TRANSMITTER - DIAL - 0-90 OHM - 2 TERMINAL (POWER & GROUND) | |
| 13 | 105658-01-000 | EA | COMPARTMENT-LP REGULATOR | |
| | 010323-01-000 | EA | ADAPTER-BRASS, 3/8" FX 1/2" MPT | |
| | 010329-01-000 | EA | ADAPTER-BRASS, 1/2" FX 1/2" MPT | |
| | 065318-02-000 | EA | ELBOW-90 DEGREE, 3/8" MPT TO 3/8" FPT | |
| | 010377-02-000 | EA | NUT-BRASS, 3/8" FEMALE - FORGED | |
| | 008042-01-000 | FT | TUBING-VINYL, .65" ID | |
| | 010252-01-000 | EA | ELBOW-BRASS, 90 DEGREE - 3/8" FX 1/2" MPT | |
| | 035340-01-000 | EA | ELBOW, 3/8" MPT X 1/2" F - BRASS | |
| | 103613-01-000 | EA | DETECTOR-LPGAS | |
| | | | | FROM: 00-00-00 THRU: 11-10-96 |
| | 103613-02-000 | EA | DETECTOR-LPGAS | |
| | | | | FROM: 11-12-96 THRU: 99-99-99 |
| | 071391-02-000 | EA | NIPPLE-HEX, 1/4 PIPE - 3325 X 4 WEATHERHEAD | |

**SEALANTS&FASTENERSGROUP
ADHESIVEANDFASTENERS**

| KEY | PARTNUMBER | U/M DESCRIPTION |
|-----|---------------|--|
| | 062917-03-000 | EA ADHESIVE-LOCTITE242 |
| | 067788-01-000 | EA ADHESIVE-SPRAY,3M-19.5AEROSOLCAN |
| | 053766-08-000 | EA BEDDINGCOMPOUND-TUBE -GRAY-SCHNEE#5522 |
| | 053766-06-000 | EA BEDDINGCOMPOUND-TUBE -CLEAR |
| | 087211-01-000 | GL PROMOTER-ADHESIVE |
| | 034552-02-000 | EA SILICONE-TUBE -300ML -CLEAR -W/ONOZZLE |
| | 034552-06-000 | EA SILICONE-TUBE -300ML -OFFWHITE W/ONOZZLE |
| | 039518-01-000 | EA SILICONE-TUBE -300ML -BLACK W/ONOZZLE |
| | 108716-03-000 | EA SILICONE-BRIGHTWHITESELFLEVELING-TUBE |
| | 120074-01-01A | EA SILICONE-OFF/WHTW/ONOZZLE |
| | 900390-01-000 | EA TIP-2 1/2" X 1/8" ORIFICE - ELLSWORTH#TS216 |
| | 900390-03-000 | EA NOZZLES-SILICONETUBE-CSL#D10 |
| | 102352-01-000 | EA SEALER-PUMPABLE-BLACK-COLORIMETRICMS101 |
| | 106206-01-000 | EA SEALER-PUMPABLE-MANUS30A-BLACK |
| | 069640-01-000 | FT SEALER-RIBBON-1/4" DIAMETER-INCREMENTSOF30' |
| | 069640-02-000 | FT SEALER-RIBBON-1/2" X 1/8"-INCREMENTSOF30'OR60' |
| | 069640-03-000 | FT SEALER-RIBBON-3/4" X 1/8"-INCREMENTSOF60' |
| | 069640-07-000 | FT SEALER-RIBBON-2" X 3/32"-INCREMENTSOF30'OR45' |
| | 069640-09-000 | FT SEALER-RIBBON-1/32" X 2 1/2"-INCREMENTSOF80' |
| | 063642-01-000 | FT TAPE-ADHESIVE, 10MIL. X 1.5" WIDEX 180" |
| | 069640-14-000 | FT SEALER-TAPE-1/16" X 1" -GRAY |
| | 072889-01-000 | EA SEALANT-URETHANE-BLACK-1/10-ESSEX552.2 |
| | 072889-09-000 | EA SEALANT-URETHANE-BLACK-TUBE |
| | 072889-10-000 | EA SEALANT-URETHANE-(HV)-BRIGHTWHITE |
| | 072889-12-000 | EA SEALANT-URETHANE-(LV)-BRIGHTWHITE |
| | 076314-02-000 | FT TAPE-CARPETSEAM-HEAT-BOND-4"WIDE |
| | 076322-02-000 | FT TAPE-FOAM-DOUBLECOATEDADHESIVEBACKED-1" X 108" |
| | 076322-05-000 | FT TAPE-FOAM-DOUBLECOATED-.025" X 1.5" X 108" |
| | 002707-02-000 | FT TAPE-SEALER-5/16" X 1/2"-INCREMENTSOF50' |
| | 110274-01-000 | FT TAPE-DOUBLESIDEDFOAM-.45" X 1" |
| | 120534-01-01A | EA TAPE-SCOTCH,3M-1/2" FINELINE |
| | 123244-01-000 | FT TAPE-DOUBLECOATEDFOAM.80" THICKX.75"WIDE |
| | 108353-01-000 | FT SEAL-FOAM,5/16" X 1/2"-ADHESIVEBACK-LUNDELL#4773/1129 |

BOLTS,NUTS&WASHERS

| KEY | PARTNUMBER | U/M DESCRIPTION |
|-----|---------------|--|
| | 051387-06-000 | EA BOLT-CARRIAGE -W/OHOLE-5/16-18X9.5ZINC |
| | 000C12-05-12B | EA BOLT-HEX-5/16-18X.75"-ZINC5 |
| | 000C12-05-16B | EA BOLT-HEX-5/16-18X1"-ZINC5 |
| | 000C12-05-40B | EA BOLT-HEX-5/16-18X2.5"-ZINC5 |
| | 000C12-06-16B | EA BOLT-HEX-3/8-16X1LG-ZINC5 |
| | 000C12-08-24B | EA BOLT-HEX-1/2-13X1.50"-ZINC5 |
| | 000C12-10-24B | EA BOLT-HEX-5/8-11X1.50"-ZINC5 |
| | 000C26-04-10B | EA BOLT-HEX-SERRATEDFLANGE-1/4-20X5/8"-ZINC |
| | 000C26-04-14B | EA BOLT-HEX-SERRATEDFLANGE-1/4-20X7/8"-ZINC |
| | 000C26-04-18B | EA BOLT-HEX-SERRATEDFLANGE-1/4-20X1 1/8"-ZINC |
| | 000C26-05-16B | EA BOLT-HEX-SERRATEDFLANGE-5/16-18X1"-ZINC |
| | 000C26-05-12B | EA BOLT-HEX-SERRATEDFLANGE5/16-18X3/4"-ZINC |
| | 000D24-10-00B | EA NUT-HEX-SELFLOCKING-10-32ZINC |
| | 000D29-05-00B | EA NUT-5/16,18UNC-SF/LOCKING-NYLONWASHERINSERT |
| | 000D39-04-00B | EA NUT-HEX-SERRATEDFLANGELOCKING1/4"-20-ZINC |
| | 000D39-05-00B | EA NUT-HEX-SERRATEDFLANGELOCKING-5/16"-18-ZINC |
| | 000D39-06-00B | EA NUT-HEX-SERRATEDFLANGELOCKING-3/8"-16-ZINC |
| | 000D39-07-00B | EA NUT-HEX-SERRATEDFLANGELOCKING-7/15"-14-ZINC |
| | 000D39-08-00B | EA NUT-HEX-SERRATEDFLANGELOCKING-1/2"-13-ZINC |
| | 000D44-07-00B | EA NUT-HEX-SERRATEDFLANGELOCKING-7/16"-20-ZINC |
| | 000D46-04-00A | EA NUT-HEX,WELD-1/4-20-PLAIN |
| | 104369-01-000 | EA NUT-HEX-HEAVY-5/8"-11UNC-SPARETIREINSTL |
| | 063253-07-000 | EA NUT-J-#8A.120-.130PNLTHICK |
| | 040921-01-000 | EA NUT-SPEED-UTYPE-10-24BLACK |
| | 040921-04-000 | EA NUT-SPEED-UTYPE-NO.8-.59"LENGTHX.44"WIDTH |
| | 044364-02-000 | EA NUT-SPEED-FLAT-ROUND |

**SEALANTS&FASTENERSGROUP(CONTINUED)
BOLTS,NUTS&WASHERS(CONTINUED)**

| KEY | PARTNUMBER | U/M DESCRIPTION |
|-----|---------------|--|
| | 087234-01-000 | EA NUT-JACK,1/4X20THD-MOLLY |
| | 044533-01-000 | EA WASHER-PLASTIC-13/8"OD-FORBUTTONS |
| | 000E11-07-00B | EA WASHER-LOCKING-7/16" MEDIUMSPLIT-ZINC |
| | 000E13-14-00B | EA WASHER-FLAT-1/4"WIDE-ZINC |
| | 000E13-20-00B | EA WASHER-FLAT-7/16"WIDE-ZINC |
| | 000E13-22-00B | EA WASHER-FLAT-1/2"WIDE-ZINC |
| | 058716-02-000 | EA WASHER-FLATNYLON |
| | 110794-01-000 | EA WASHER-FLAT,1"ID X 1 3/4"OD |
| | 088787-12-000 | EA STUD-WELD,1/4-20X1.0LG-MN |
| | 108067-03-000 | EA STUD-WELD,1/4-20X1/2OD |

SCREWS

| KEY | PARTNUMBER | U/M DESCRIPTION |
|-----|---------------|---|
| | 0G3908-08-170 | EA SCREW-SF/DR-8-18X.50PPH-BRIGHTWHITE |
| | 0G6710-08-170 | EA SCREW-10-12X1/2PPH,BRTWHT-TYPEA |
| | 000G11-05-08B | EA SCREW-5-20X.50PPH-ZINC |
| | 000G11-06-06B | EA SCREW-6-20X3/8PPH-ZINC |
| | 000G11-08-08B | EA SCREW-8-18X.50PPH-ZINC |
| | 000G11-08-20B | EA SCREW-8-18X1.25PPH-ZINC |
| | 000G11-08-16S | EA SCREW-8-18X1.00PPH-OFFWHITE |
| | 000G11-08-12T | EA SCREW-8-18X.75PPH-BLACK |
| | 000G11-08-12P | EA SCREW-8-18X.75PPH-DARKBROWN |
| | 000G11-08-12D | EA SCREW-8-18X.75PPH-BLACK |
| | 000G11-08-12B | EA SCREW-8-18X.75PPH-ZINC |
| | 000G11-08-08T | EA SCREW-8-18X1/5PPH-FLUOROCARBONCOATING |
| | 000G11-10-12D | EA SCREW-10-16X3/4PPH-BLACK |
| | 000G11-10-40B | EA SCREW-10-16X2 1/2PPHCAD-34927-01-000 |
| | 000G11-10-16B | EA SCREW-10-16X1PPH-ZINC |
| | 000G12-08-16S | EA SCREW-8-18X1.00POH-OFFWHITE |
| | 000G13-06-08B | EA SCREW-6-20X.50PFH-ZINC |
| | 000G13-06-24J | EA SCREW-6-20X1.50PFH-BRASS |
| | 000G13-06-16J | EA SCREW-6-20X1.00PFH-BRASS |
| | 000G13-07-12B | EA SCREW-7-19X.75PFH-ZINC |
| | 000G13-08-10B | EA SCREW-8-18X5/8PFH-ZINC |
| | 000G19-10-20B | EA SCREW-MACHINE-10-32X1 1/14PPH-ZINC |
| | 000G19-10-12F | EA SCREW-MACHINE-10-32X.75-PPH-STAINLESSSTEEL |
| | 000G19-10-08B | EA SCREW-MACHINE-10-32X.50-PPH-ZINC |
| | 000G39-06-10T | EA SCREW-SF/DR-6-20X5/8PPH-BLACK |
| | 000G39-08-08S | EA SCREW-SF/DR-8-18X.50PPH-OFFWHITE |
| | 000G39-08-08B | EA SCREW-SF/DR-8-18X.50PPH-ZINC |
| | 000G39-08-24B | EA SCREW-SF/DR-8-18X1.50PPH-ZINC |
| | 000G39-08-16T | EA SCREW-SF/DR-6-20X1PPH-BLACK |
| | 000G39-08-16R | EA SCREW-SF/DR-8-18X1.00PPH-BEIGE |
| | 000G39-08-16B | EA SCREW-SF/DR-8-18Z1PPH-ZINC |
| | 000G39-08-12B | EA SCREW-SF/DR-8-18X.75PPH-ZINC |
| | 000G39-08-08T | EA SCREW-SF/DR-8-18X.50PPH-BLACK |
| | 000G39-10-10B | EA SCREW-SF/DR-10-16X.625-ZINC |
| | 000G39-10-08B | EA SCREW-SF/DR-10-16X.50PPH-ZINC |
| | 000G39-10-48T | EA SCREW-SF/DR-10-16X3.00PPH-BLACK-FLUROCARBON |
| | 000G39-10-32B | EA SCREW-SF/DR-10-16X2.00-PPH-ZINC |
| | 000G39-10-209 | EA SCREW-SF/DR-10-16X1.25PPH-FLUOROCARBONSILVER |
| | 000G39-10-12D | EA SCREW-SF/DR-10-16X.75PPH-BLACK |
| | 000G39-10-12B | EA SCREW-SF/DR-10-16X.75PPH-ZINC |
| | 000G42-04-24B | EA SCREW-SF/DR1/4-14X1 1/2ZN |
| | 000G42-04-20B | EA SCREW-SF/DR1/4-14X1 1/4ZN |
| | 000G46-08-24T | EA SCREW-MACHINE-8-32X1.5PFH-BLACK |
| | 000G50-04-12B | EA SCREW-MACHINE-1/4-20X3/4PPH-ZINC |
| | 000G52-08-18B | EA SCREW-MACHINE-8-32X1 1/8PTH-ZINC |
| | 000G54-04-20B | EA SCREW-1/4-20X1 1/4PTH-TYPE23-ZINCPLATED |
| | 000G55-08-12S | EA SCREW-SF/DR-8-18X.75PWH-OFFWHITE |
| | 000G55-08-16S | EA SCREW-SF/DR-8-18X1.00-PWH-OFFWHITE |

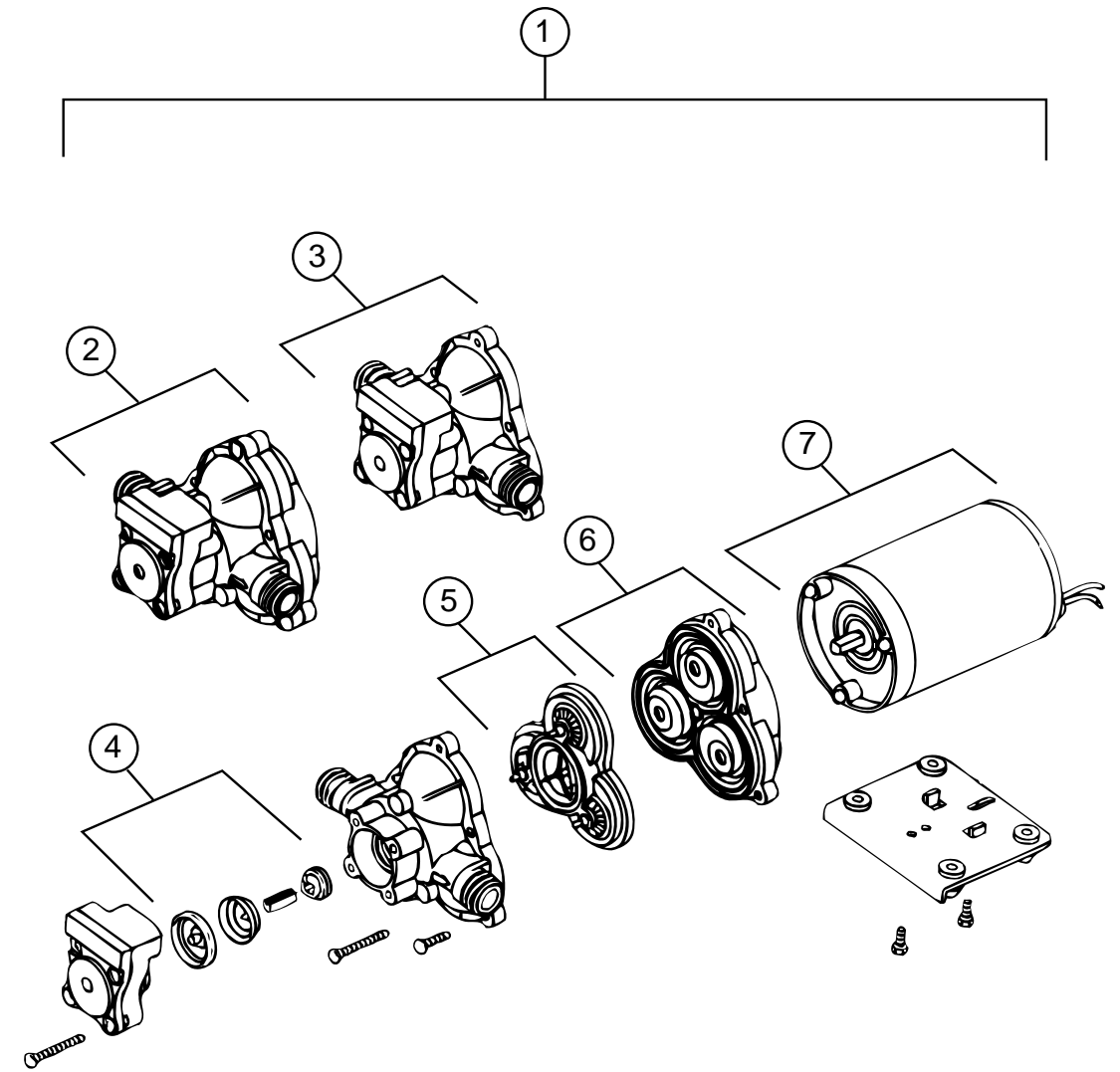
SEALANTS&FASTENERSGROUP(CONTINUED)
SCREWS(CONTINUED)

| KEY | PARTNUMBER | U/M DESCRIPTION |
|-----|---------------|---|
| | 000G56-12-48B | EA SCREW - WOOD, 12-11 X3POH - SPECIALHARDENED |
| | 000G60-10-28T | EA SCREW - SF/DR - 10-16 X 1.75 - BLACK |
| | 000G67-10-08B | EA SCREW - 10-12 X 1/2 PPH - ZINC |
| | 000G67-10-36T | EA SCREW - 10-12 X 2.25 PPH - BLACK - STALGARD |
| | 000G67-10-120 | EA SCREW - 10-12 X .75 PPH - TAN |
| | 000G67-10-12P | EA SCREW - 10-12 X .75 PPH - DARKBROWN |
| | 000G67-10-12B | EA SCREW - 10-12 X .75 PPH - ZINC |
| | 000G67-10-10B | EA SCREW - 10-12 X 5/8 PPH - ZINC - TYPE A |
| | 000G68-06-10G | EA SCREW - 6-18 X 5/8 POH - ANTIQUEBRASS |
| | 049465-03-000 | EA SCREW - 10-16 X 1 POHW/WASHER - OFFWHITE |
| | 054434-02-000 | EA SCREW - SF/DR - 10-62 X 2 ZINC |
| | 075908-01-000 | EA SCREW - MACHINE - 10-32 X .56 PTH - EXTERNALTOOTH - ZINC |
| | 079382-01-000 | EA SCREW - SOCKET, 8-18 X 1" - BLACK |
| | 086256-01-000 | EA SCREW - SF/DR - 8 X .75 HWHLONG - PLBODYPNLMT |
| | 101618-01-000 | EA SCREW - 1/4-20 X .75 HEX - TAPPING - STALGARDTYPEF |

CLAMPS,GROMMETSANDFASTENERS

| KEY | PARTNUMBER | U/M DESCRIPTION |
|-----|---------------|---|
| | 000H16-06-10R | EA RIVET - POP - ALUMINUM - 3/16 X .501 - .625 |
| | 007161-01-000 | EA CLAMP - HOSE - SPRINGTYPE - 1/2" |
| | 010495-01-000 | EA CLAMP - CABLE - 9/16" |
| | 010497-01-000 | EA CLAMP - CLOSED - 5/8" ID |
| | 010497-03-000 | EA CLAMP - CLOSED - 1" ID - CUSHIONED |
| | 010497-04-000 | EA CLAMP - CLOSED - 1.62" ID |
| | 010497-05-000 | EA CLAMP - CLOSED, 1/2" ID |
| | 010499-01-000 | EA CLAMP - CLOSED - 3/8" ID |
| | 016188-05-000 | EA GROMMET - L/PLINE - 3/8" HOLE X 1 1/4" LONG - RUBBER |
| | 023942-01-000 | EA GROMMET - RUBBER - 2" OD |
| | 062401-01-000 | EA CLAMP - HOSE - WORMGEAR .25" - 1" |
| | 062401-02-000 | EA CLAMP - HOSE - WORMGEAR 1.56" - 2.5" |
| | 062401-04-000 | EA CLAMP - HOSE - WORMGEAR .69" - 1.25" |
| | 062401-06-000 | EA CLAMP - HOSE - WORMGEAR .22" - .62" |
| | 062401-11-000 | EA CLAMP - HOSE - WORMGEAR 3.56" - 4.5" |
| | 071015-26-000 | EA GROMMET - RUBBER - 1.5" ID X 2.12" OD W/.06" GROOVE - BLAC |
| | 075148-02-000 | EA CLAMP - GROUNDING - BRONZE SCREWS |
| | 077955-01-000 | EA CLIP - J - VINYLCOATED - 3/8" |
| | 080734-02-000 | EA CLIP - WIRE, NYLON |
| | 083609-01-000 | EA CLAMP - WIRE - DUALEQUAL - 5/8" DIAMETER |
| | 083610-01-000 | EA CLAMP - WIRE - DUAL - UNEQUAL DIAMETERS - .75" & 1.25" |
| | 094362-02-000 | EA CLIP - CHRISTMASTREE - FLATHEAD - .5" X .95" |
| | 008343-01-000 | EA TIE - WIRE - 6" |
| | 008343-02-000 | EA TIE - WIRE - 14" |
| | 008343-03-000 | EA TIE - WIRE 7.5INBLACK - DENNISON10003 |
| | 029094-04-000 | YD VELCROTAPE - LOOP - 1" WIDE - BLACK |
| | 029096-03-000 | YD VELCROTAPE - HOOK - 1" WIDE - BLACK |
| | 110943-02-000 | FT 3/8" FELTSTRIPADHESIVE |

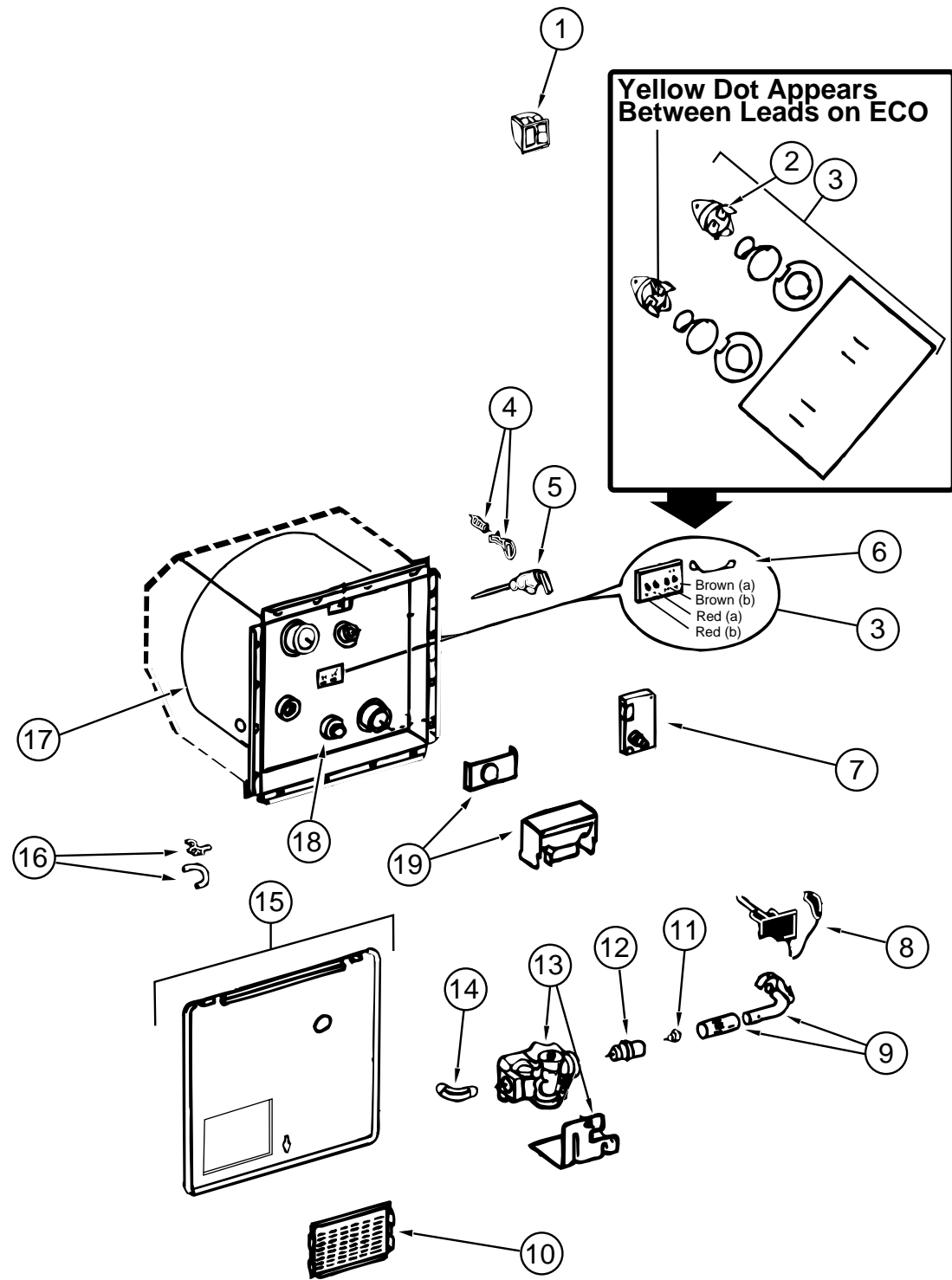
WATER&SEWAGEGROUP



WATERPUMPSHURFLO

| KEY | PARTNUMBER | U/M DESCRIPTION | VENDORNO. |
|-----|---------------|---|-----------|
| 1 | 098607-01-000 | EA PUMP-WATER, W/.5" MPTFITTING - FLOW2.8GPM - UL | |
| | 098607-01-701 | EA DRIVEASSEMBLY | 94-234-03 |
| | 098607-01-704 | EA HOUSING-UPPER | 94-231-01 |
| 2 | 098607-01-700 | EA PUMPHEAD-REPLACEMENT | 94-236-08 |
| 3 | 098607-01-706 | EA UPPERHOUSING/SWITCHKIT | 94-231-20 |
| 4 | 098607-01-705 | EA CHECKVALVE - KIT | 94-237-00 |
| 5 | 098607-01-703 | EA VALVEASM | 94-232-00 |
| 6 | 098607-01-702 | EA DRIVE/DIAPHRAGM-KIT | 94-238-04 |
| 7 | 098607-01-707 | EA MOTORW/BASEPLATE | 11-148-04 |

WATER & SEWAGE GROUP (CONTINUED)
WATER HEATER W/MOTOR AID ATWOOD G6A-8E



| KEY | PARTNUMBER | U/M | DESCRIPTION | VENDOR NO. |
|-----|---------------|-----|--|---------------|
| | 051391-03-B00 | EA | WATERHEATER-ATWOODG6A-8EELECTRICIGNITION | |
| 1 | 097967-01-000 | EA | SWITCH-WATERHEATER, REMOTE W/LIGHT | 91959 |
| 2 | 051391-04-701 | EA | THERMOSTAT-12VDC-120PRESET | 91470 |
| 3 | 051393-01-721 | EA | THERMOSTAT-W/ECO, 140FRONTMOUNT | 91447 |
| 4 | 051391-01-705 | EA | FASTENER-CAMLOCK | 2609 |
| 5 | 051391-01-704 | EA | VALVE-RELIEF, 1/2"FITTING | 91604 |
| 6 | 051393-01-723 | EA | SWITCH-THERMAL-CUTOFF2/PKG | 93866 |
| 7 | 051393-01-724 | EA | BOARD-CIRCUIT, SPADE TERMINAL | 93865 |
| 8 | 051393-01-725 | EA | ELECTRODE-SINGLE SPADE CONNECTOR | 93868 |
| 9 | 051391-04-703 | EA | BURNER-MAIN | 91638 |
| 10 | 051391-01-717 | EA | GRILLE-WATERHEATER DOOR | 92640 |
| | 051391-01-716 | EA | GRILL ONLY (GOES ON FLUE BOX) | 91786 |
| 11 | 051391-01-710 | EA | ORIFICE-MAIN BURNER | 92742 |
| 12 | 051391-03-700 | EA | HOLDER-ORIFICE | 91563 |
| 13 | 051393-01-726 | EA | VALVE-SOLENOID, W/BACKET | 93870 |
| 14 | 051391-01-714 | EA | FITTING-ELBOW, 45 DEGREE-3/8FX3/8MPT | 1044 |
| 15 | 052009-06-000 | EA | DOOR-WATERHEATER, W/OLATCHES | |
| | 116424-01-000 | EA | PROTECTOR-WATERHEATER LATCH, ADHESIVE BACKED ROUND VINYL | |
| 16 | 051391-01-700 | EA | HINGE KIT, (PIN & CLIP) | 92568 & 92559 |
| 17 | 051391-04-706 | EA | TANK-INNER, G6A-4E & 6E-FRONT MOUNT | 91641 |
| 18 | 051391-01-715 | EA | PLUG-DRAIN, 1 EA=2 PER PKG | 91857 |
| 19 | 051391-04-707 | EA | KIT-EXHAUST, (FLUE & GASKET) | 90960 |
| | 111129-01-711 | EA | BRACKET-CORNER, SET OF FOUR | 91928 |

WATER & SEWAGE GROUP (CONTINUED)

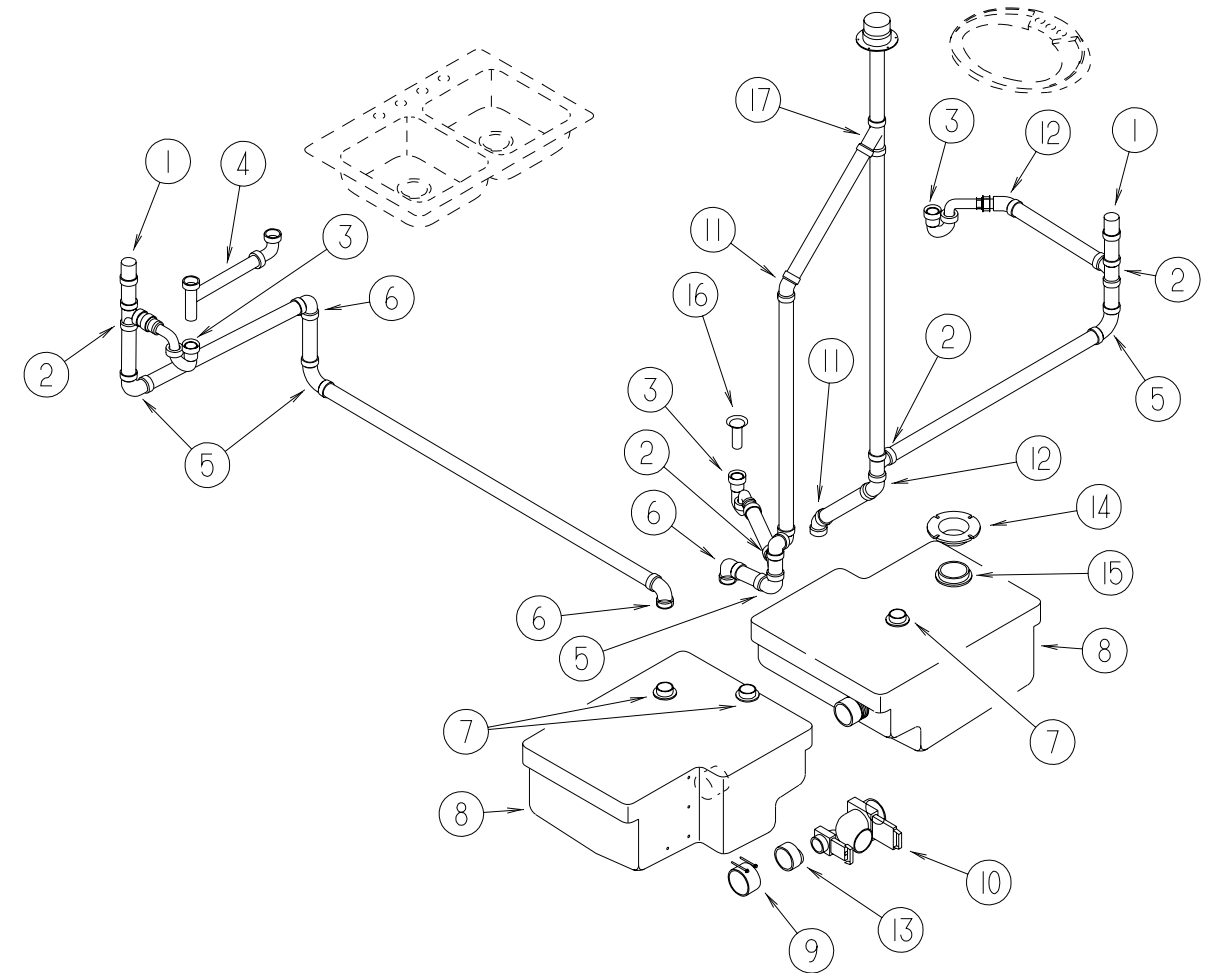
WATER SYSTEM

| KEY | PARTNUMBER | U/M | DESCRIPTION |
|-----|---------------|-----|---|
| | 010219-01-000 | EA | ELBOW - 1 1/4" MPT X 1 1/4" BARB - WATER FILL - PLASTIC |
| | 035539-01-000 | EA | ELBOW - PLASTIC, 3/8" MPT X 3/8" BARB |
| | 074462-02-000 | FT | TUBING - VINYL - 3/8" ID X 20' - CLEAR |
| | 077954-02-000 | EA | FILTER - WATER TANK - SCREEN IN TANK |
| | 079381-01-000 | FT | TUBING - SMOOTH FLEXIBLE - 1 3/8" ID X 20' |
| | 114430-03-000 | EA | ADAPTER - 1/2" P X 1/2" MPT |
| | 074462-02-000 | FT | TUBING - VINYL - 3/8" ID X 20' - CLEAR |
| | 010224-01-000 | EA | ADAPTER - HOSE TO PIPE - 3/8" MPT X 3/8" BARB - BLK PLASTIC |
| | 010230-06-000 | EA | FILL - CITY WATER - W/CHECK VALVE - MPT |
| | 039800-02-000 | FT | TUBING - POLYBUTY - 5/8" OD X 20' - INCR OF 20' - BLACK |
| | 074462-02-000 | FT | TUBING - VINYL - 3/8" ID X 20' - CLEAR |
| | 113697-01-000 | EA | CAP - 3/8" FTG |
| | 114428-01-000 | EA | TEE - 1/2" P X 1/2" P X 1/2" P |
| | 114428-03-000 | EA | TEE - 1/2" P X 1/2" P X 1/2" MPT |
| | 114429-01-000 | EA | ELBOW - 1/2" P X 1/2" P |
| | 114429-02-000 | EA | ELBOW - 1/2" P X 1/2" MPT |
| | 114429-03-000 | EA | ELBOW - FLAIR - IT SWIVEL 1/2" P X 1/2" FPT |
| | 114430-03-000 | EA | ADAPTER - 1/2" P X 1/2" MPT |
| | 114430-06-000 | EA | ADAPTER - 1/2" P X 3/8" FPT |
| | 114431-01-000 | EA | WATER VALVE - 3 POSITION - "DRAIN VALVE" |
| | 114431-04-000 | EA | WATER VALVE - STRAIGHT THRU - "SHUT OFF VALVE" |
| | 123150-01-000 | EA | ELBOW - 1/2" FPT X 1/2" BARB - SWIVEL |
| | 123152-01-000 | EA | ADAPTER - 1/2" FPT X 1/2" BARB SWIVEL |

WATER TANK

| KEY | PARTNUMBER | U/M | DESCRIPTION |
|-----|---------------|-----|--|
| | 112348-01-000 | EA | TANK - WATER, 54 GAL (TWIN BED, QUEEN BED) |
| | 112348-02-000 | EA | TANK ASM - WATER - 54 GAL (QUEEN BED) |
| | 112348-04-000 | EA | TANK ASM - WATER, 54 GAL (TWIN BED) |
| | 039861-01-000 | EA | SENDING UNIT - W/SCREW - WASHER, WELL NUT, & TERMINAL RING |
| | 049032-01-000 | EA | PATCH - SPINWELD - 3/8" - PLASTIC |
| | 042989-03-000 | EA | FITTING - WATER TANK - SPINWELD - 1 1/4" NPT - PLASTIC - WHITE |
| | 042989-04-000 | EA | FITTING - WATER TANK - SPINWELD - 3/8" FPT - PLASTIC - WHITE |
| | 042989-05-000 | EA | FITTING - WATER TANK - SPINWELD - 1/2" FPT - PLASTIC - WHITE |
| | 077954-02-000 | EA | FILTER - WATER TANK - SCREEN IN TANK |

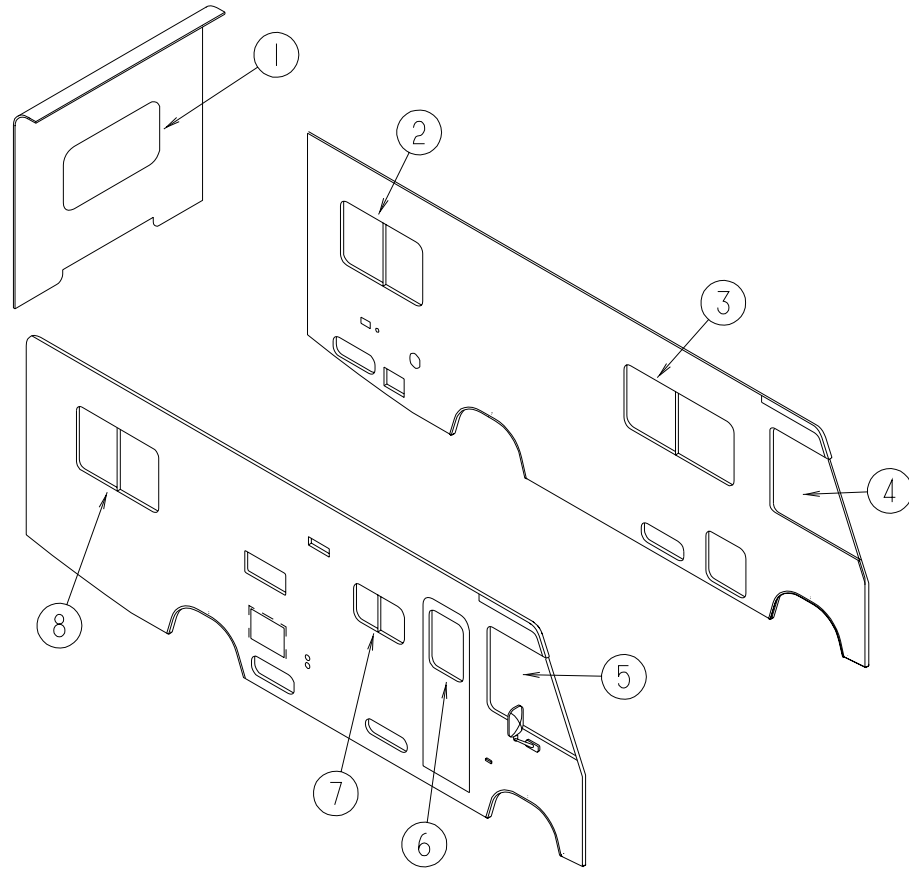
WATER & SEWAGE GROUP (CONTINUED)



DRAINAGE SYSTEM

| KEY | PARTNUMBER | U/M | DESCRIPTION |
|-----|---------------|-----|--|
| 1 | 079968-01-000 | EA | VENT - MECHANICAL TRAP ARM - ANTI-SIPHON - 2" DIA X 7.3" - PLASTIC |
| 2 | 010071-01-000 | EA | TEE - SANITARY - 1 1/2" HUB X HUB X HUB - PLASTIC - BLACK |
| 3 | 107538-01-000 | EA | P-TRAP - PLASTIC - 1 1/4" W/EXT ARM (US) |
| 3 | 011066-03-700 | EA | P-TRAP - 1 1/2" TRAP X 1 1/4" SOCKET - PLASTIC (CSA) |
| 3 | 109571-01-000 | EA | ADAPTER - P-TRAP - 1 1/2" P X 1 1/4" MPT (US) |
| 4 | 011091-02-000 | EA | PIPE - DRAIN - DOUBLE SINK - BAFFLE TEE - 1 1/2" |
| 4 | 011091-03-000 | EA | PIPE - DRAIN - W/SEALS - DOUBLE SINK - EXTENDS 9" TO 16" (CSA) |
| 5 | 010008-01-000 | EA | ELBOW - 90 DEGREE - 1/4 BEND - 1 1/2" HUB X HUB - BLACK PLASTIC |
| 6 | 034250-01-000 | EA | ELBOW - 90 DEGREE - LONG TURN - 1 1/2" HUB X HUB - ABS |
| 7 | 061607-01-000 | EA | GROMMET - HOLDING TANK - 1 1/2" NPS |
| 8 | 117456-01-000 | EA | TANK - HOLDING - 38 GAL - BLANK |
| 9 | 078406-01-000 | EA | COUPLER - RUBBER - W/CLAMPS - 3" X 3" |
| 10 | 070916-01-000 | EA | VALVE - DUAL DUMP, W/CAP - 3" X 1 1/2" - PLASTIC - BLACK |
| 10 | 070916-01-700 | EA | VALVE ONLY, 3" |
| 10 | 070916-01-701 | EA | VALVE ONLY, 1 1/2" |
| 10 | 062415-01-000 | EA | CAP - SEWER - 3" DIAMETER |
| 10 | 062415-01-700 | EA | STRING - SEWER CAP - SV7 STRAP |
| 10 | 109450-01-000 | EA | ADAPTER - PLASTIC HOSE - SEWER - KEVCO 40738 |
| 11 | 010006-01-000 | EA | ELBOW - 45 DEGREE - 1/8 BEND - 1 1/2" HUB X HUB - BLACK PLASTIC |
| 12 | 010051-01-000 | EA | ELBOW - 45 DEGREE BEND - 1 1/2" SPIGOT AND HUB - PLASTIC - BLACK |
| 13 | 062422-01-000 | EA | ADAPTER - OFFSET REDUCER - 3" X 1 1/2" - PLASTIC - BLACK |
| 14 | 116644-01-000 | EA | FLANGE - CLOSET 4 X 3 - SEAL AND 345892 |
| 15 | 061607-02-000 | EA | GROMMET - HOLDING TANK - 3" NPS |
| 16 | 066440-01-000 | EA | TAILPIECE - SHOWER/TUB - W/RUBBER WASHER |
| 17 | 010073-01-000 | EA | WYE - PLASTIC - 1 1/2 X 45 H X H X H - NIBCO 5810-11/2 |
| | 010115-01-000 | EA | COUPLING - 1 1/2" HUB X HUB - PLASTIC |

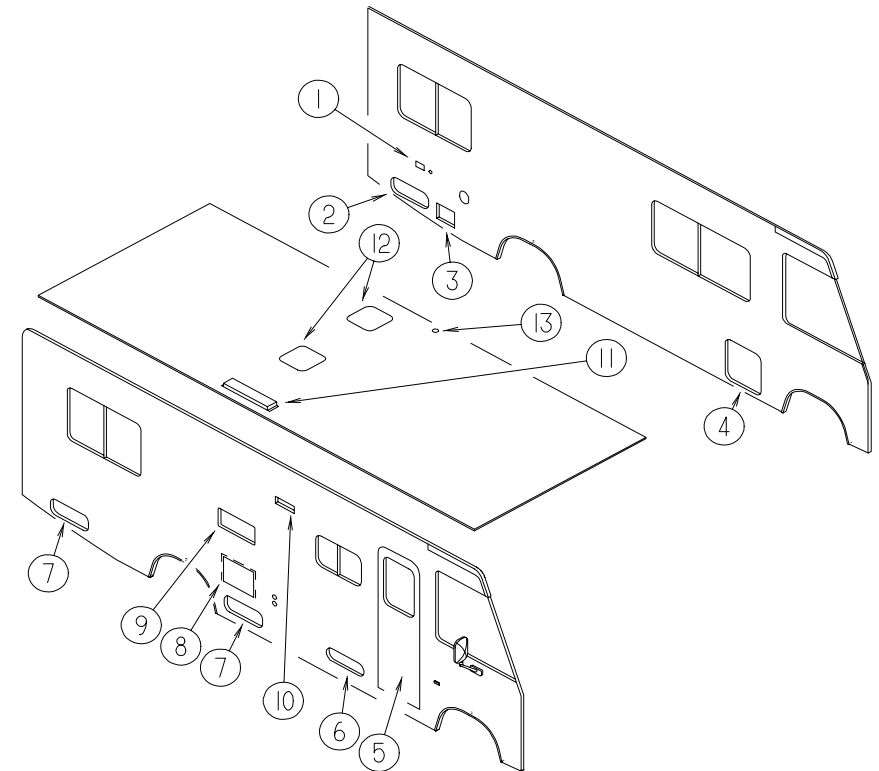
WINDOW, VENT & EXTERIOR DOOR GROUP



EXTERIOR WINDOWS

| KEY | PARTNUMBER | U/M | DESCRIPTION |
|-----|---------------|-----|--|
| 1 | 078528-07-F15 | EA | WINDOW-ESCAPE W/O INSIDE TRIM-CLEAR-48.5"X24.5" |
| 1 | 074816-11-000 | EA | RETAINER-TRIM, O/W |
| 2 | 098647-30-01A | EA | WINDOW-DRIVERS HORIZONTAL SLIDER-CLEAR-24.2"X41" |
| 3 | 098647-36-01A | EA | WINDOW-DRIVERS HORIZONTAL SLIDER-CLEAR-26.1"X53.8" |
| 4 | 103658-09-01A | EA | WINDOW-DRIVERS CAB 2 GLASS-29.1"TX45.4"BX36.7"H |
| 5 | 103658-10-01A | EA | WINDOW-PASSENGER CAB 2 GLASS-29.1"TX45.4"BX36.7"H |
| 6 | 117053-04-FB1 | EA | WINDOW-PICTURE-17"X26.4" |
| | 117054-02-02A | EA | RETAINER-TRIM-BRIGHT WHITE |
| 7 | 098647-31-01A | EA | WINDOW-PASSENGER HORIZONTAL SLIDER-CLEAR-15.7"X28.5" |
| 8 | 098647-29-01A | EA | WINDOW-PASSENGER HORIZONTAL SLIDER-CLEAR-24.2"X41" |

WINDOW, VENT & EXTERIOR DOOR GROUP (CONTINUED)



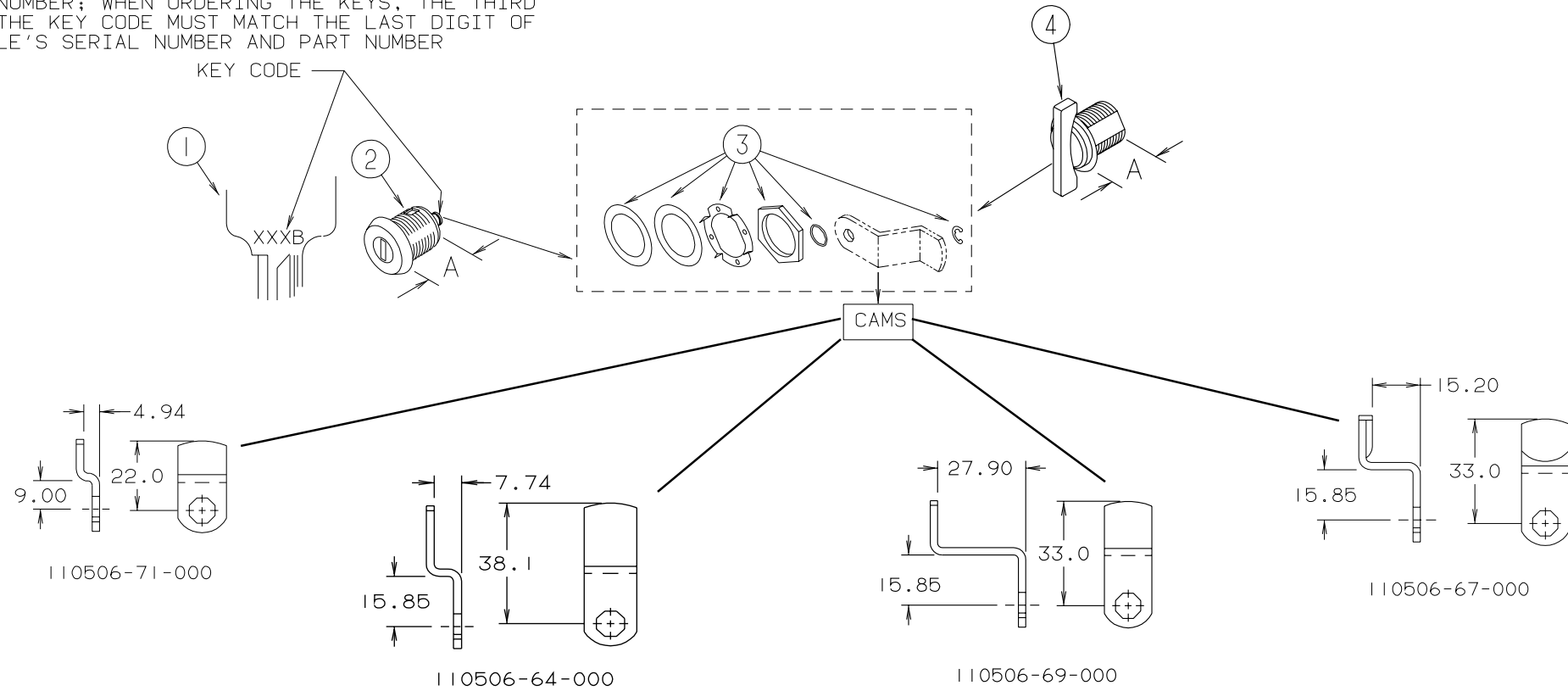
EXTERIOR DOORS & VENTS

| KEY | PARTNUMBER | U/M | DESCRIPTION | VENDOR NO. |
|-----|---------------|-----|---|-------------|
| 1 | 081240-16-000 | EA | DOOR-WATER FILL-LOCKABLE W/O LOCK-4"X45/8" | |
| 2 | 104558-31-FB1 | EA | DOOR-GENERATOR/STORAGE-W/OPADDL LATCH-26.5"X12" | |
| | | | FROM: 00-00-00 THRU: 10-22-96 | |
| 2 | 104558-18-F16 | EA | DOOR-STORAGE-W/OPADDL LATCH-26.5" | |
| | | | FROM: 10-23-96 THRU: 99-99-99 | |
| 3 | 088794-06-000 | EA | DOOR-POWER CORD W/HATCH-11"X9.2" | |
| 4 | 104558-09-FB1 | EA | DOOR ASM-STORAGE | |
| 5 | 115108-03-GB1 | EA | DOOR-ENTRY-W/SCREEN DOOR-W/O WINDOW(H01) | |
| 5 | 115108-03-GC1 | EA | DOOR-ENTRY-W/SCREEN DOOR-W/O WINDOW(H02) | |
| 6 | 111009-01-GB1 | EA | DOOR-COMPARTMENT/LP-6.5"X20.8" | |
| 7 | 104558-08-FB1 | EA | DOOR-STORAGE-W/OPADDL LATCH | |
| 8 | 052009-06-000 | EA | DOOR-WATER HEATER-W/O LATCHES | |
| 9 | 084103-08-000 | EA | DOOR-REFRIGERATOR-VENTED-W/O JAMB | |
| | 084104-08-000 | EA | JAMB-REFRIGERATOR DOOR | |
| | 084104-01-700 | EA | LOCK-MALE-FASTENER | 201-721-010 |
| | 084104-01-701 | EA | LOCK-FEMALE-FASTENER | 201-802-010 |
| 10 | 084878-09-000 | EA | VENT-HOOD-RANGE/SHORT-OFF WHITE | |
| | 084616-07-000 | EA | VENT-SHROUD-RANGE HOOD-BRIGHT WHITE | |
| 11 | 084073-07-000 | EA | VENT-ROOF-REFRIGERATOR-BRIGHT WHITE | |
| | 084073-04-000 | EA | BASE-ROOF VENT-REFRIGERATOR | |
| 12 | 122882-01-01A | EA | VENT-ROOF-NONPOWERED | |
| 13 | 083558-03-000 | EA | VENT-PLUMBING-PIPE ROOF-W/COVER-OFF WHITE | |

WINDOW, VENT & EXTERIOR DOOR GROUP (CONTINUED)

BRIGGS & STRATTON LOCKS & COMPONENTS

NOTE:
 WHEN ORDERING THE LOCK CASE, THE KEY CODE MUST MATCH THE LAST DIGIT OF THE VEHICLE'S SERIAL NUMBER AND PART NUMBER; WHEN ORDERING THE KEYS, THE THIRD DIGIT OF THE KEY CODE MUST MATCH THE LAST DIGIT OF THE VEHICLE'S SERIAL NUMBER AND PART NUMBER

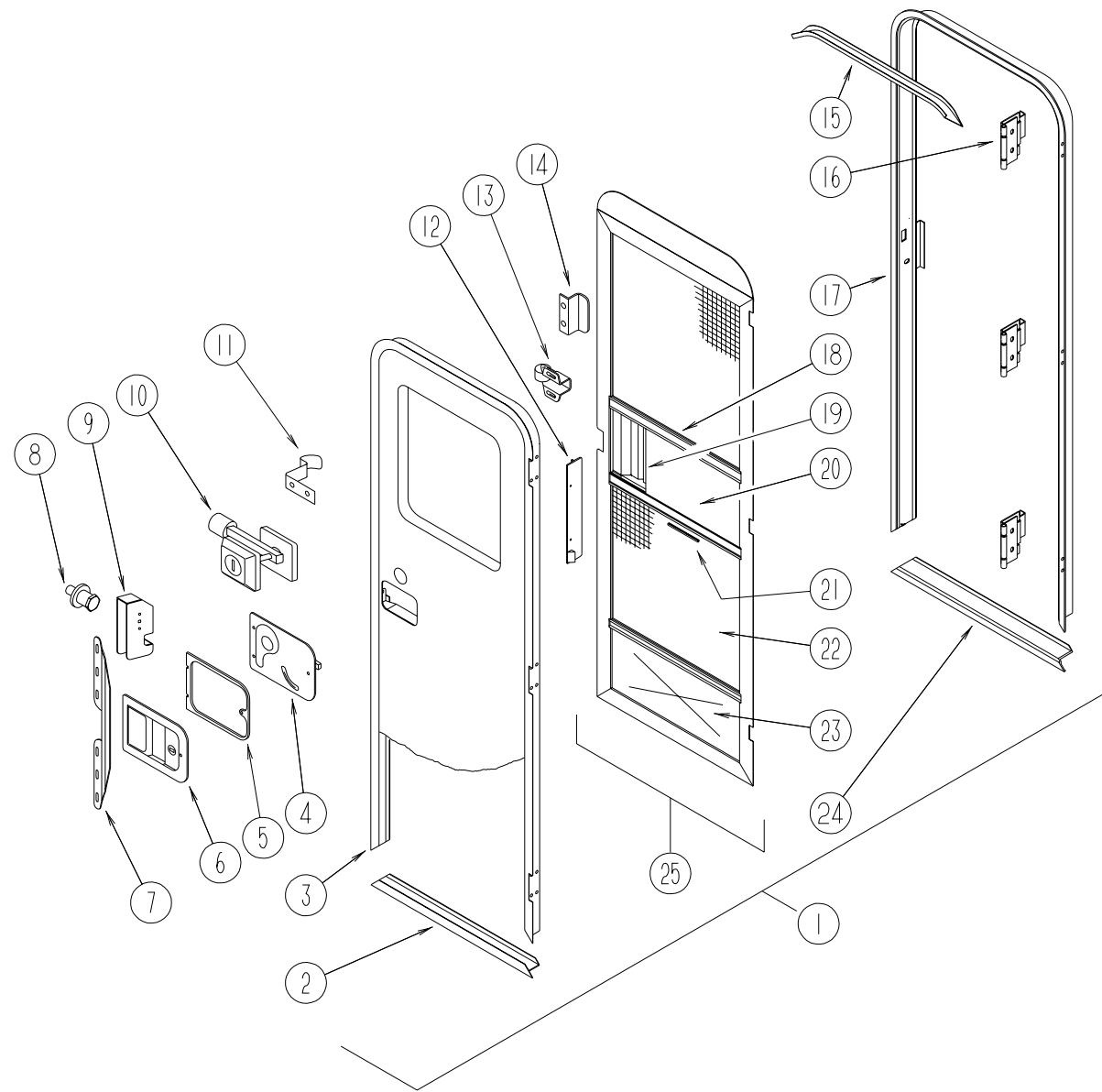


| KEY | PARTNUMBER | U/M | DESCRIPTION | VENDORNO. |
|-----|---------------|-----|------------------|-----------|
| 1 | 110506-59-000 | EA | KEYS-SETOFTWO | 596720 |
| 2 | 110506-52-000 | EA | CASE-LOCK-A=17MM | 702370 |
| 2 | 110506-51-000 | EA | CASE-LOCK-A=25MM | 596669 |
| 2 | 110506-53-000 | EA | CASE-LOCK-A=25MM | 702380 |
| 1 | 110506-59-001 | EA | KEYS-SETOFTWO | 596721 |
| 2 | 110506-52-001 | EA | CASE-LOCK-A=17MM | 702371 |
| 2 | 110506-53-001 | EA | CASE-LOCK-A=25MM | 702381 |
| 1 | 110506-59-002 | EA | KEYS-SETOFTWO | 596722 |
| 2 | 110506-52-002 | EA | CASE-LOCK-A=17MM | 702372 |
| 2 | 110506-53-002 | EA | CASE-LOCK-A=25MM | 702382 |
| 1 | 110506-59-003 | EA | KEYS-SETOFTWO | 596723 |
| 2 | 110506-52-003 | EA | CASE-LOCK-A=17MM | 702373 |
| 2 | 110506-53-003 | EA | CASE-LOCK-A=25MM | 702383 |
| 1 | 110506-59-004 | EA | KEYS-SETOFTWO | 596724 |
| 2 | 110506-52-004 | EA | CASE-LOCK-A=17MM | 702374 |
| 2 | 110506-53-004 | EA | CASE-LOCK-A=25MM | 702384 |
| 1 | 110506-59-005 | EA | KEYS-SETOFTWO | 596725 |
| 2 | 110506-52-005 | EA | CASE-LOCK-A=17MM | 702375 |
| 2 | 110506-53-005 | EA | CASE-LOCK-A=25MM | 702385 |
| 1 | 110506-59-006 | EA | KEYS-SETOFTWO | 596726 |
| 2 | 110506-52-006 | EA | CASE-LOCK-A=17MM | 702376 |
| 2 | 110506-53-006 | EA | CASE-LOCK-A=25MM | 702386 |

| KEY | PARTNUMBER | U/M | DESCRIPTION | VENDORNO. |
|-----|---------------|-----|-----------------------|-----------|
| 1 | 110506-59-007 | EA | KEYS-SETOFTWO | 596727 |
| 2 | 110506-52-007 | EA | CASE-LOCK-A=17MM | 702377 |
| 2 | 110506-53-007 | EA | CASE-LOCK-A=25MM | 702387 |
| 1 | 110506-59-008 | EA | KEYS-SETOFTWO | 596728 |
| 2 | 110506-52-008 | EA | CASE-LOCK-A=17MM | 702378 |
| 2 | 110506-53-008 | EA | CASE-LOCK-A=25MM | 702388 |
| 1 | 110506-59-009 | EA | KEYS-SETOFTWO | 596729 |
| 2 | 110506-52-009 | EA | CASE-LOCK-A=17MM | 702379 |
| 2 | 110506-53-009 | EA | CASE-LOCK-A=25MM | 702389 |
| 3 | 110506-40-700 | EA | HARDWAREKIT | |
| 4 | 110506-50-000 | EA | CASE-TWISTLOCK-A=17MM | 596952 |
| 4 | 110506-51-000 | EA | CASE-TWISTLOCK-A=25MM | 596669 |
| | 110506-40-000 | EA | CLIP-E-LOCKASM. | 93981 |
| | 110506-64-000 | EA | CAM-LOCK | 322280 |
| | 110506-67-000 | EA | CAM-LOCK | 322283 |
| | 110506-71-000 | EA | CAM-LOCK | 322287 |
| | 110506-59-701 | EA | KEYBLANK-GOLD | |

WINDOW, VENT & EXTERIOR DOOR GROUP (CONTINUED)

ENTRANCEDOOR



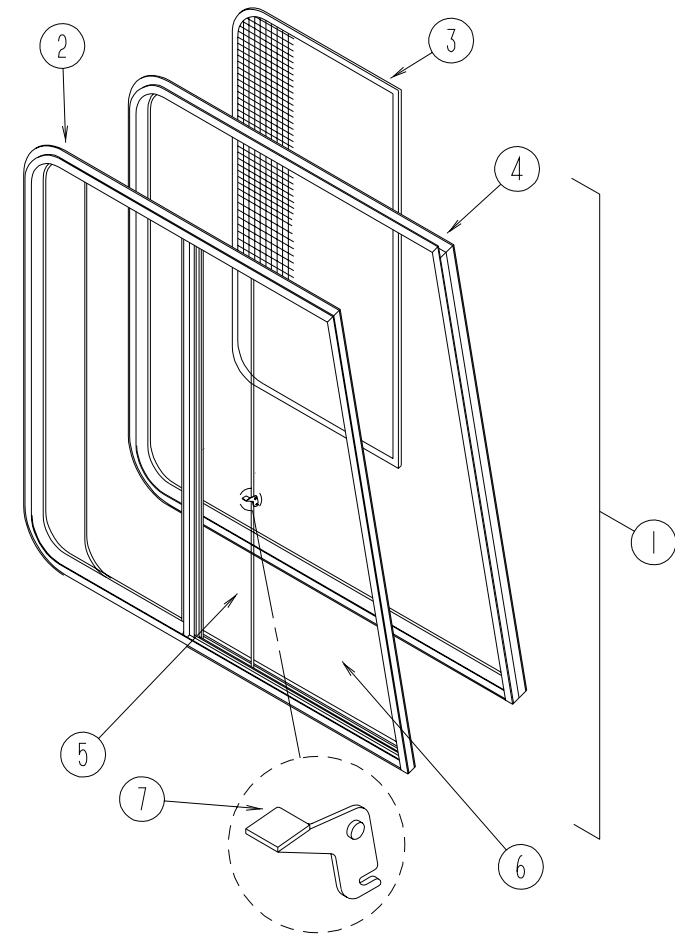
| KEY | PARTNUMBER | U/M | DESCRIPTION | VENDOR NO. |
|-----|---------------|-----|--|------------|
| 1 | 115108-03-GB1 | EA | DOOR-ENTRY-W/SCREENDOOR-W/OWINDOW(H01) | |
| 1 | 115108-03-GC1 | EA | DOOR-ENTRY-W/SCREENDOOR-W/OWINDOW(H02) | |
| 2 | 121893-01-01A | EA | FRAME-DOOR/ENTRANCE | |
| | 090340-01-000 | FT | SEAL-FOAM, CLOSED CELL - 1/4" X 1/2" X 50' | |
| 3 | 121894-01-01A | EA | FRAME-ENTRANCEDOOR | |
| 4 | 039979-06-000 | EA | COVER-LATCHPLATE-RIGHTHAND-BLACKTEXTURED | |
| | 039984-01-000 | EA | CAP-ROUND, VINYL - .28" IDX .62" LONG - BLACK | |
| | 041546-07-000 | EA | BRACKET-DOORANGLE | |
| 5 | 096810-01-01A | EA | PLATE-LATCH-ENTRYDOOR | |
| 6 | 045017-13-000 | EA | LATCH-ENTRANCEDOOR-BLACKTEXTURED | |
| | 045017-11-701 | EA | KEY-BLANK, F1 SERIES | 81312-02 |
| | 045017-11-702 | EA | KEY-MASTER, F SERIES | 81313-02 |
| | 045017-11-703 | EA | CYLINDER-LOCK ASM. W/KEYS | 81266-09 |
| | 058025-02-000 | EA | CLIP-ROLLER LATCH CATCH, SCREENDOOR | |
| | 063729-04-000 | EA | RIVNUT, 10-32 UNF - .010 - .080 | |
| | 075671-04-000 | FT | SEAL-SPONGE, LAZY T SHAPE - W/ADHESIVE STRIPE - .5" WIDE | |
| 7 | 098173-01-07A | EA | STIFFENER-ENTRANCEDOOR-SUPPORTSLATCH/STRIKE AREA | |
| | 075673-01-000 | FT | SEAL-PILE-ADHESIVE BACK - GRAY | |
| 8 | 039539-01-000 | EA | STRIKE-LOCK, ENTRYDOOR-ROUNDW/THREADED WASHER | |
| 9 | 039540-01-000 | EA | LATCH MECHANISM-HOOK, ENTRYDOOR-INTERIOR | |
| | 039715-01-000 | EA | NUT-SERT, 1/4" DIAMETER - 20 THREADS | |
| 10 | 101145-01-06A | EA | DEADBOLT-ENTRYDOOR W/O SECURITY BOLT W/2 KEYS - BLACK | |
| | 095229-01-700 | EA | KEY-BLANK, DEADBOLT | 81205-03 |
| | 101145-01-701 | EA | CYLINDER-LOCK ASM., W/KEY | 81306-03 |
| | 101147-01-000 | EA | BOLT-SECURITY, 4.12" BACKSET | |
| | 058806-01-000 | EA | PLUG-TAPERED, FOR DEADBOLT - PLASTIC - .94" DIAMETER - RED | |
| | 122241-01-01A | EA | BUMPER-FOAM RUBBER, BLACK | |
| 11 | 100412-01-000 | EA | CATCH-SCREENDOOR, THUMBCLIP W/BLACK PLASTIC CAP | |
| | 056746-01-000 | EA | PLUG-CAP, 1" DIAMETER | |
| | 039984-01-000 | EA | CAP-ROUND, VINYL - .28" IDX .62" LONG - BLACK | |
| | 102768-01-000 | EA | HOLDER-ENTRYDOOR, METAL - MILL FINISH | |
| 12 | 079087-02-000 | EA | STRIKE-SLIDER, W/LIP FOR ELBOW CATCH - 1.5" X 8.6" - OFF WHITE | |
| 13 | 100412-01-000 | EA | CATCH-SCREENDOOR | |
| 14 | 050712-06-000 | EA | HANDLE - SCREENDOOR - BRIGHT WHITE | |
| 15 | 044582-47-000 | EA | CAP-DRIP, DOOR JAMB MOUNTED - BRIGHT WHITE | |
| | 115222-10-01A | EA | GARNISH-RADIUS, ENTRANCEDOOR - OFF WHITE | |
| | 077461-03-000 | EA | COVER-STRIKE, ENTRANCEDOOR - 6.5" X 2.5" - PLASTIC - WHITE | |
| | 090340-01-000 | FT | SEAL-FOAM, CLOSED CELL - 1/4" X 1/2" X 50' | |
| | 091876-01-000 | EA | RETAINER-DOOR, 1.9" X .8" - METAL | |
| 16 | 106719-01-01A | EA | HINGE-ENTRANCEDOOR, UNPAINTED | |
| | 102248-01-000 | EA | SHIM-DOOR | |
| 17 | 120310-01-01A | EA | JAMB-ENTRANCEDOOR, BRIGHT WHITE | |
| 18 | 078777-01-000 | EA | CHANNEL-SLIDE, SCREENDOOR CENTER SLIDER COVER - 17.4" | |
| 19 | 079086-03-000 | EA | SLIDER-SCREENDOOR, BRIGHT WHITE | |
| | 079087-03-000 | EA | STRIKE-SLIDER-SCREENDOOR - BRIGHT WHITE | |
| 20 | 001014-01-013 | EA | INSERT-CENTER, 10.25" X 16.31" - UNPAINTED | |
| 21 | 002294-01-000 | FT | SPLINE-SCREENING, .135" X .138" - BLACK | |
| | 002748-01-000 | EA | CORNER KEY-DOOR | |
| 22 | 002293-02-000 | SF | SCREENING-WINDOW & DOOR, 26" - CHARCOAL | |
| 23 | 078552-03-000 | EA | INSERT-SCREENDOOR, LOWER - UNPAINTED | |
| | 078595-01-000 | EA | PLATE-SCREENDOOR | |
| 24 | 051049-01-000 | EA | JAMB-ENTRANCEDOOR, BOTTOM - UNPAINTED | |
| 25 | 079012-01-FB1 | EA | DOOR-SCREEN - BRIGHT WHITE | |

WINDOW, VENT & EXTERIOR DOOR GROUP (CONTINUED)

SEALS AND HARDWARE FOR ACCESS DOORS

| KEY | PART NUMBER | U/M | DESCRIPTION |
|-----|---------------|-----|--|
| | 064075-07-000 | FT | SEAL-BULB, W/WIRED CHANNEL - .3" X .5" CHANNEL - BLACK |
| | 075673-01-000 | FT | SEAL-PILE, ADHESIVE BACK - GRAY |
| | 104692-01-000 | FT | SEAL-3/4" X 3/4" W/ADHESIVE BACK FOAM SEAL |
| | 107721-01-000 | FT | SEAL-"D"-SHAPED W/ADHESIVE BACK |
| | 106850-01-000 | FT | SEAL-"E"-11 X 19 SPONGE RUBBER |
| | 110530-01-000 | FT | SEAL-SPONGE, .31 X .62 |
| | 098408-01-000 | FT | SEAL-SPONGE RUBBER, CLOSED CELL |
| | 102768-01-000 | EA | HOLDER-COMPARTMENT/ENTRY DOOR, METAL-MILL FINISH |
| | 116424-01-000 | EA | PROTECTOR-WATER HEATER LATCH, ATWOOD 92611 |
| | 107997-51-001 | EA | SPACER-.86" X .6", ALUMINUM |
| | 081801-V3-000 | EA | HINGE-AL, 2X2438MM BRT WHT BRT/WHT |
| | 034007-B3-000 | EA | HINGE-CONTAL 1.5X96" BRT WHT |
| | 009065-01-000 | EA | HINGE-ALUMINUM, 1 1/2" X 96"-UNPAINTED |

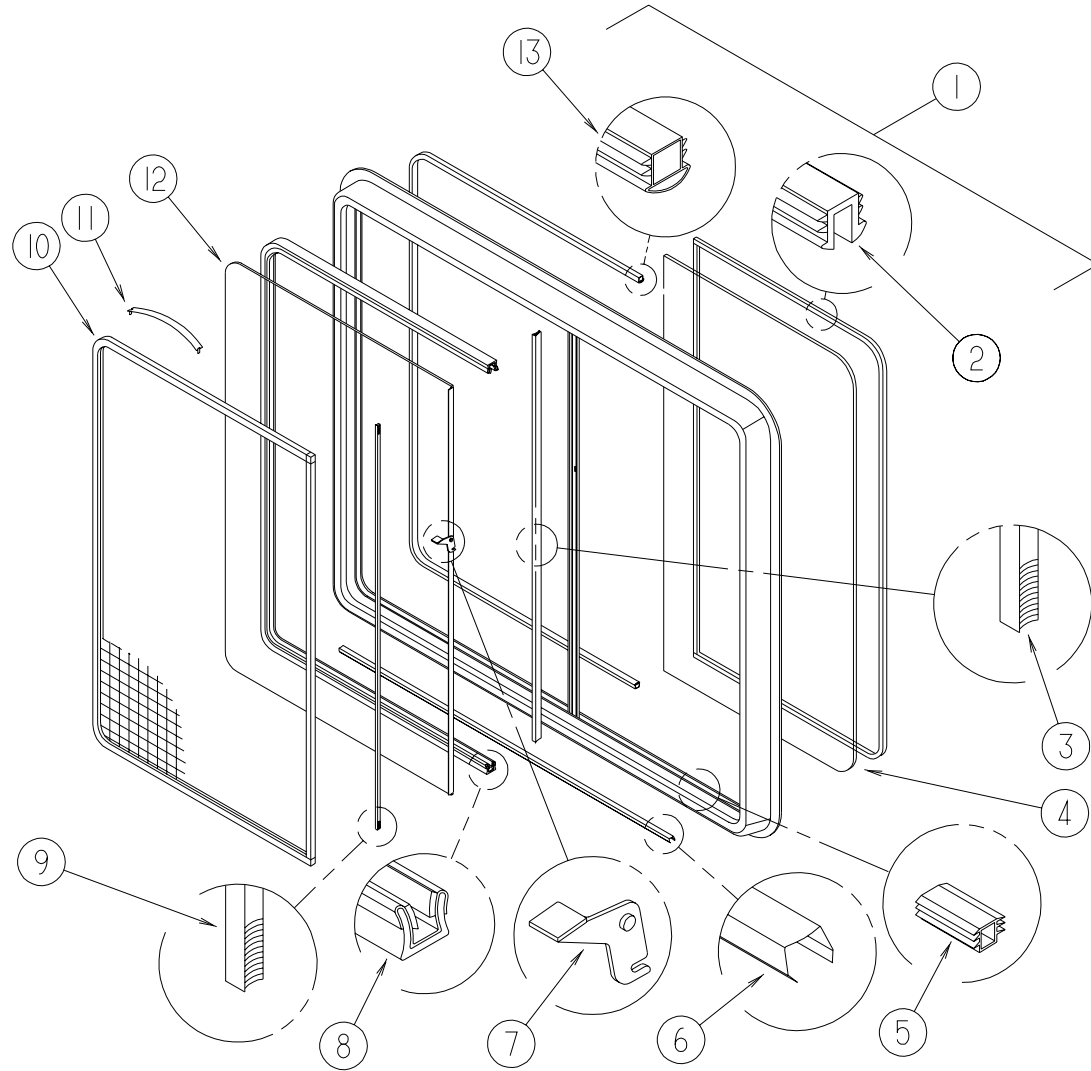
WINDOW, VENT & EXTERIOR DOOR GROUP (CONTINUED)



FRONT CAB WINDOWS (EXCEL)

| KEY | PART NUMBER | U/M | DESCRIPTION | VENDOR NO. |
|-----|---------------|-----|--|---------------|
| 1 | 103658-10-01A | EA | WINDOW-PASSENGER CAB 2 GLASS 29.1" TX 45.4" BX 36.7" H | |
| | 103658-09-01A | EA | WINDOW-DRIVER CAB 2 GLASS 29.1" TX 45.4" BX 36.7" H | |
| 2 | 103658-10-700 | EA | WINDOW ASM., W/OTRIM | H405-A2R |
| | 103658-09-701 | EA | WINDOW ASM., W/OTRIM | H405-A2L |
| 3 | 103658-10-704 | EA | SCREEN ASM - W/SEALS & CLIPS | 410-018973R |
| | 103658-09-705 | EA | SCREEN ASM - W/SEALS & CLIPS | 410-018973L |
| | 098644-01-717 | FT | SPLINE - SCREEN | 132-004716 |
| | 098644-01-713 | EA | CLIP - SPRING - METAL | 226-016966 |
| | 098644-01-710 | FT | TRACK - SCREEN SPACER 12' | 132-017135 |
| | 098644-01-711 | FT | WEATHER STRIP - SCREEN BLACK | 171-016965 |
| | 103658-09-702 | EA | RETAINER - TRIM | H373-66 & 76L |
| 4 | 103658-10-701 | EA | RETAINER - TRIM | H373-66 & 76R |
| 5 | 103658-10-703 | EA | GLASS - SLIDING W/SASH & LATCH | H405-A9R |
| | 103658-09-704 | EA | GLASS - SLIDING W/SASH & LATCH | H405-A9L |
| 6 | 103658-09-700 | EA | GLASS - STATIONARY RH/LH | 106-018971 |
| 7 | 098644-01-700 | EA | LATCH - REPAIR KIT (BLACK) | B801-CK |
| | 098644-01-708 | FT | CHANNEL - RUN PIERCED | 122-016543 |
| | 098644-01-706 | FT | WEATHER STRIP - GLASS | 171-010668 |
| | 098644-01-716 | FT | PLUG - FILLER | 132-014470 |

WINDOW, VENT & EXTERIOR DOOR GROUP (CONTINUED)



PASSENGERSSIDE BEDROOM SINGLE SLIDER WINDOW (EXCEL)

| KEY | PARTNUMBER | U/M DESCRIPTION | VENDOR NO. |
|-----|---------------|---|------------|
| 1 | 098647-29-01A | EA WINDOW-PASSENGER HORIZONTAL SLIDER-CLEAR-24.2" X 41" | |
| | 098647-29-700 | EA WINDOW-SLIDER | H172-C1R |
| | 098647-29-701 | EA RETAINER-TRIM | CW04-66 |
| 2 | 098644-01-705 | FT GLAZING STRIP | 132-010723 |
| 3 | 098644-01-706 | FT WEATHERSTRIP-GLASS | 171-010668 |
| 4 | 098647-29-702 | EA GLASS-STATIONARY | 106-017622 |
| 5 | 098644-01-719 | EA STOP-SLIDER GLASS | 132-014203 |
| 6 | 098644-01-710 | FT TRACK-SPACER, FOR SCREEN 12' | 132-017135 |
| 7 | 098644-01-700 | EA LATCH REPAIR KIT (BLACK) | B801-CK |
| 8 | 098644-01-708 | FT CHANNEL-RUN, PIERCED-GLASS | 122-016543 |
| 9 | 098644-01-711 | FT WEATHERSTRIP-SCREEN, BLACK | 171-016965 |
| 10 | 098647-29-704 | EA SCREEN W/SPRING & WEATHERSTRIP | 410-019066 |
| 11 | 098644-01-713 | EA SCREEN CLIPS (METAL) (BLK) | 226-016966 |
| 12 | 098647-29-703 | EA GLASS SLIDING, W/SASH & LATCH | H287-G9 |
| 13 | 098644-01-716 | FT PLUG-FILLER | 132-014470 |
| | 098644-01-717 | FT SPLINE-SCREEN MFG | 132-004716 |

WINDOW, VENT & EXTERIOR DOOR GROUP (CONTINUED)

DRIVERSSIDE BEDROOM SINGLE SLIDER WINDOW (EXCEL)

| KEY | PARTNUMBER | U/M DESCRIPTION | VENDOR NO. |
|-----|---------------|--|------------|
| 1 | 098647-30-01A | EA WINDOW-DRIVER HORIZONTAL SLIDER-CLEAR-24.2" X 41" | |
| | 098647-30-700 | EA WINDOW W/OTRIM | H287-G2L |
| | 098647-29-701 | EA TRIM-INSIDE FRAME | W28766 |
| 2 | 098644-01-705 | FT GLAZING STRIP | 132-010723 |
| 3 | 098644-01-706 | FT WEATHERSTRIP-GLASS | 171-010668 |
| 4 | 098647-29-702 | EA GLASS-STATIONARY | 106-017622 |
| 5 | 098644-01-719 | EA STOP-SLIDER GLASS | 132-014203 |
| 6 | 098644-01-710 | FT TRACK-SPACER, FOR SCREEN 12' | 132-017135 |
| 7 | 098644-01-700 | EA LATCH REPAIR KIT (BLACK) | B801-CK |
| 8 | 098644-01-708 | FT CHANNEL-RUN, PIERCED-GLASS | 122-016543 |
| 9 | 098644-01-711 | FT WEATHERSTRIP-SCREEN, BLACK | 171-016965 |
| 10 | 098647-29-704 | EA SCREEN W/SPRING & WEATHERSTRIP | 410-019066 |
| 11 | 098644-01-713 | EA SCREEN CLIPS (METAL) (BLK) | 226-016966 |
| 12 | 098647-29-703 | EA GLASS SLIDING, W/SASH & LATCH | H287-G9 |
| 13 | 098644-01-716 | FT PLUG-FILLER | 132-014470 |
| | 098644-01-717 | FT SPLINE-SCREEN MFG | 132-004716 |

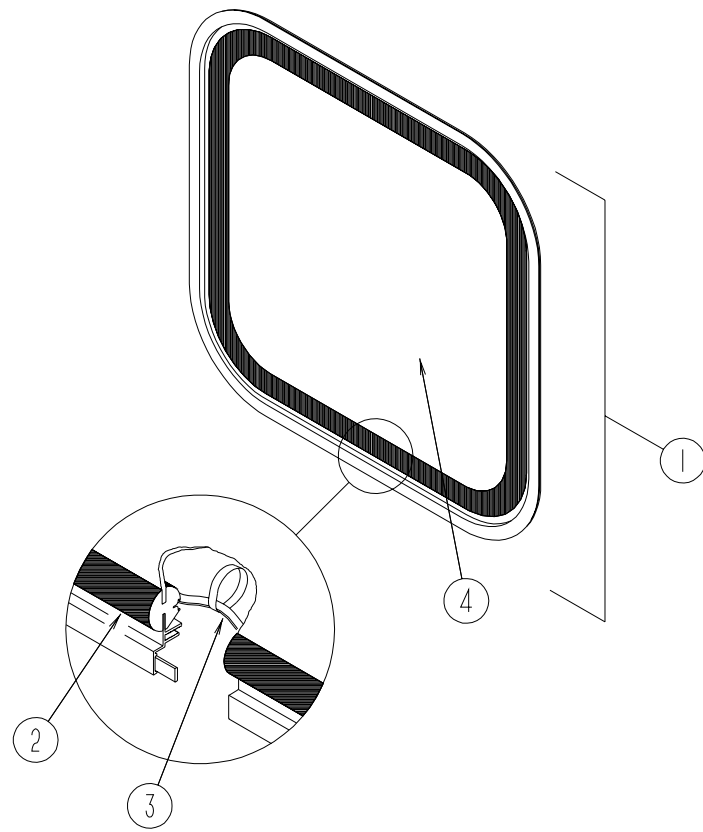
PASSENGERSSIDE SLIDER WINDOW (EXCEL)

| KEY | PARTNUMBER | U/M DESCRIPTION | VENDOR NO. |
|-----|---------------|---|------------|
| 1 | 098647-31-01A | EA WINDOW-PASSENGER HORIZONTAL SLIDER-CLEAR-15.7" X 28.5" | |
| | 098647-31-700 | EA WINDOW W/O INSIDE FRAME | H425-C1R |
| | 098647-31-701 | EA INSIDE FRAME-OFF WHITE | CW2966 |
| 2 | 098644-01-705 | FT GLAZING-STRIP | 132-010231 |
| 3 | 098644-01-706 | FT WEATHERSTRIP-GLASS | 171-010668 |
| 4 | 098647-31-702 | EA GLASS-STATIONARY | 096-019299 |
| 5 | 098644-01-719 | EA STOP-SLIDER GLASS | 132-014203 |
| 6 | 098644-01-710 | FT TRACK-SCREEN SPACER-12' LENGTH | M401-31 |
| 7 | 098644-01-700 | EA LATCH-REPAIR KIT | B801-CK |
| 8 | 098644-01-708 | FT CHANNEL-PIERCED RUN | 122-016543 |
| 9 | 098644-01-711 | FT WEATHERSTRIP-SCREEN-BLACK | 171-016965 |
| 10 | 098647-31-704 | EA SCREEN ASM-W/SEALS & CLIPS | 410-019128 |
| 11 | 098644-01-713 | EA CLIP-SPRING-METAL | 226-016966 |
| 12 | 098647-31-703 | EA GLASS-SLIDING-W/SASH & LATCH | H425-C8 |
| 13 | 098644-01-716 | FT PLUG-FILLER | 132-014470 |
| | 098644-01-717 | FT SPLINE-SCREEN | 132-004716 |

DRIVERSSIDE DINETTE SLIDING WINDOW

| KEY | PARTNUMBER | U/M DESCRIPTION | VENDOR NO. |
|-----|---------------|--|------------------|
| 1 | 098647-36-01A | EA WINDOW-DRIVER HORIZONTAL SLIDER-CLEAR-26.1" X 53.8" | |
| | 098647-36-700 | EA WINDOW W/O INSIDE FRAME | H415-C1L |
| | 098647-36-701 | EA INSIDE FRAME-OFF WHITE | CW8066 |
| 2 | 098644-01-705 | FT GLAZING STRIP | 132-010723 |
| 3 | 098644-01-706 | FT WEATHERSTRIP-GLASS | 171-010668 |
| 4 | 098647-36-702 | EA GLASS-STATIONARY-EXCEL | 096-019430 |
| 5 | 098644-01-719 | EA STOP-SLIDER GLASS | 132-014203 |
| 6 | 098644-01-710 | FT TRACK-SPACER, FOR SCREEN 12' | 132-017135 EXCEL |
| 7 | 098644-01-700 | EA LATCH REPAIR KIT (BLACK) | B801-CK EXCEL |
| 8 | 098644-01-708 | FT CHANNEL-RUN, PIERCED-GLASS | 122-016543 EXCEL |
| 9 | 098644-01-711 | FT WEATHERSTRIP-SCREEN, BLACK | 171-016965 EXCEL |
| 10 | 098647-36-704 | EA SCREEN ASM-W/SEALS & CLIPS | 410-017750 |
| 11 | 098644-01-713 | EA SCREEN CLIPS (METAL) (BLK) | 226-016966 |
| 12 | 098647-36-703 | EA GLASS-SLIDING-W/SASH & LATCH | H279-C8 |
| 13 | 098644-01-716 | FT PLUG-FILLER | 132-014470 |
| | 098644-01-717 | FT SPLINE-SCREEN | 132-004716 |

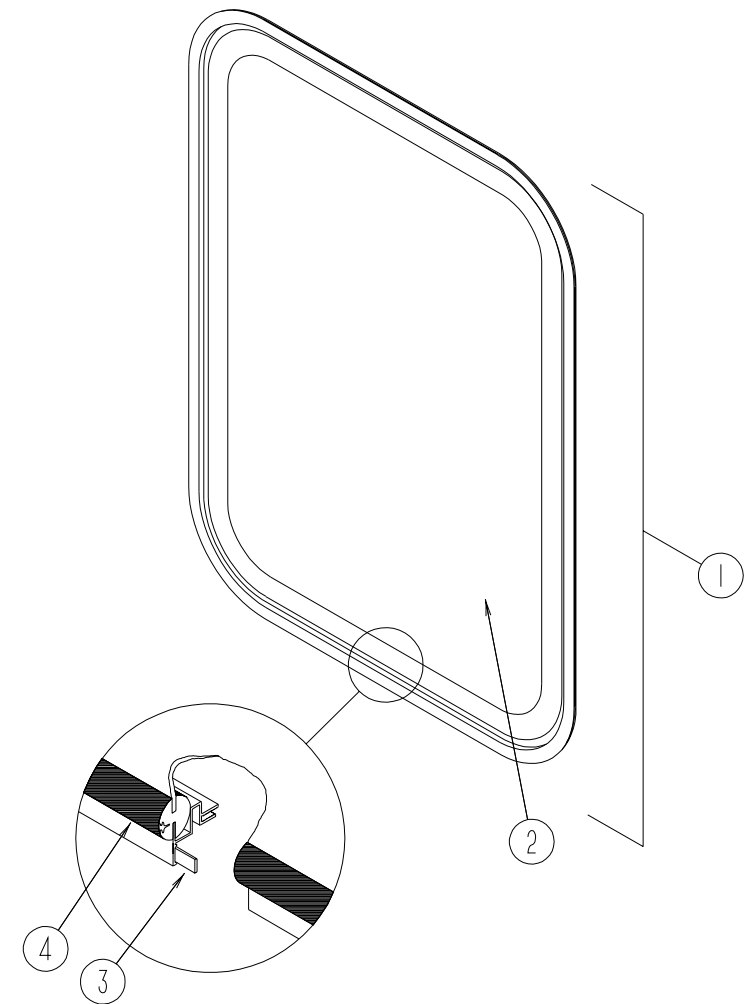
WINDOW, VENT & EXTERIOR DOOR GROUP (CONTINUED)



ESCAPE WINDOW

| KEY | PARTNUMBER | U/M | DESCRIPTION |
|-----|---------------|-----|--|
| | 074816-11-000 | EA | INSIDEFRAME-WINDOW-OFFWHITE |
| 1 | 078528-07-F15 | EA | WINDOW-ESCAPEW/OINSIDETRIM-CLEAR-24.5"X48.5" |
| 2 | 002282-09-000 | EA | WEATHERSTRIP-.125"X133.25"-BLACK |
| 3 | 002285-01-000 | FT | FILLER-WEATHERSTRIP-RUBBER-BLACK |
| 4 | 07633713000 | EA | GLASS-EGRESS-45.5"X21.5" |
| | 077066-01-702 | EA | TAPEASM-ESCAPEWINDOW-RED |

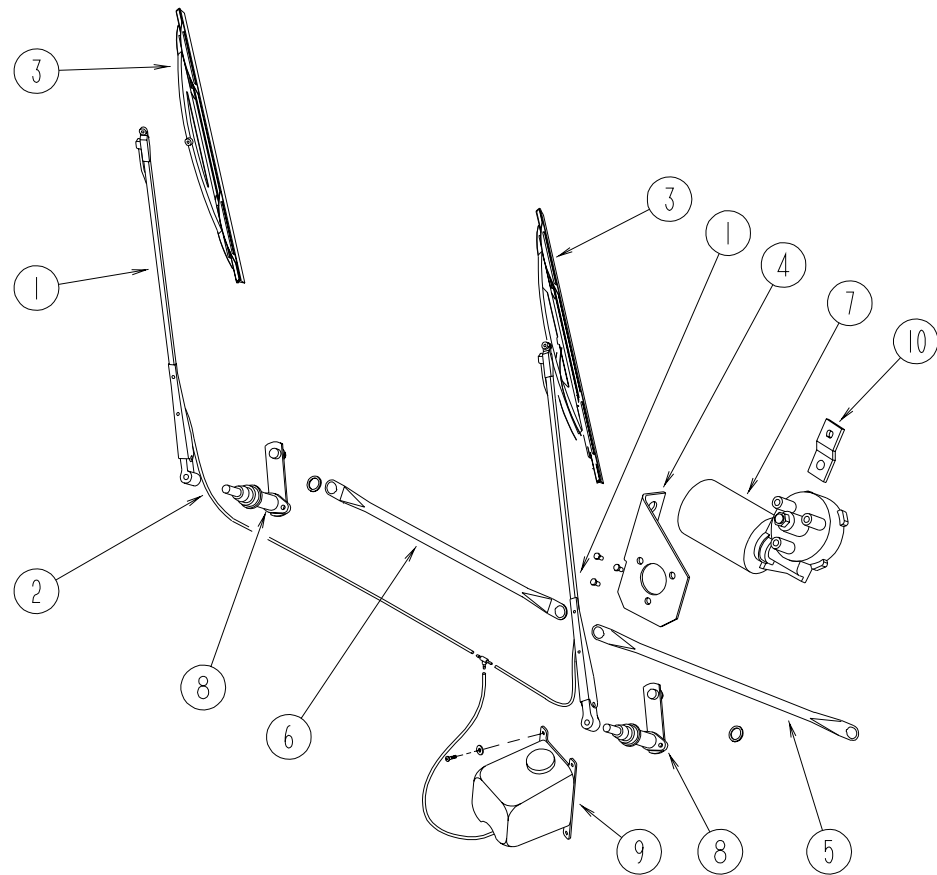
WINDOW, VENT & EXTERIOR DOOR GROUP (CONTINUED)



ENTRY DOOR WINDOW

| KEY | PARTNUMBER | U/M | DESCRIPTION |
|-----|---------------|-----|---|
| | 117055-02-01A | EA | FRAME-WINDOW-ENTRYDOOR-BLACK |
| 1 | 117053-04-FB1 | EA | WINDOW-PICTURE-17"X26.4" |
| 2 | 002181-27-000 | EA | GLASS-PICTURE-25.7"X16.4" |
| 3 | 069640-03-000 | FT | SEALER-TAPE, 3/4"X1/8"-BLACK |
| 4 | 087561-01-000 | FT | SEAL-GLASS-EXTERIOR-.5"WIDE-VINYL-BLACK |

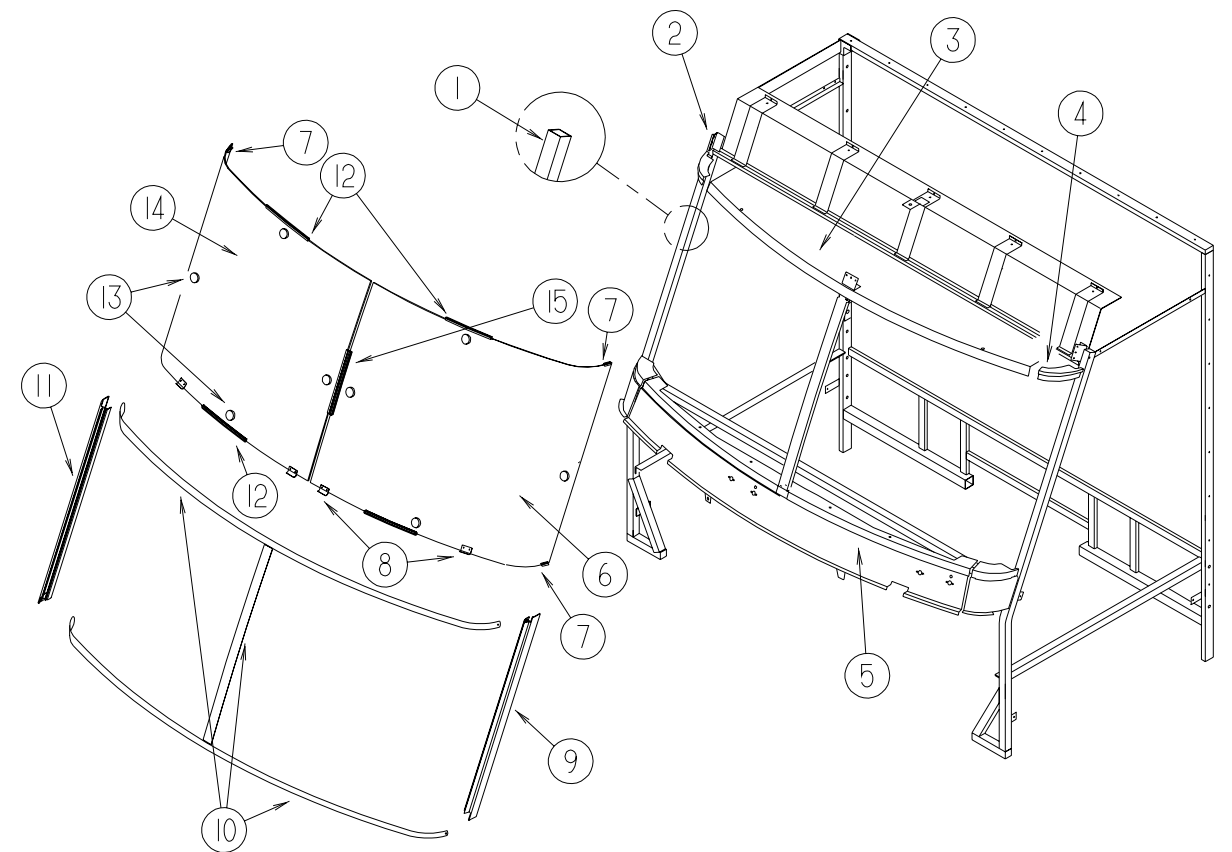
WINDSHIELD&WIPERGROUP



WIPERCOMPONENTS

| KEY | PARTNUMBER | U/M | DESCRIPTION |
|-----|---------------|-----|---|
| 1 | 103671-01-000 | EA | ARM -WIPER - 24" |
| 2 | 096931-01-700 | FT | HOSE-WIPER XTU-66-0001 |
| | 096931-01-701 | EA | NOZZLE-HARDWAREKIT-INCLUDESNOZZLE,NUT,SCREWSANDPLASTICCAP |
| | 110742-01-000 | EA | GASKET-NEOPRENEWIPERADAPTERSHAFT-13/4"ODX1"ID |
| 3 | 095964-01-000 | EA | BLADE-WINDSHIELDWIPER-24" |
| | 095964-01-700 | EA | BLADE-REFILL24"EA=1BLADE 12360 |
| 4 | 104549-01-000 | EA | BRACKET-WIPER |
| | 117322-01-000 | EA | SCREW-1/4-28UNF-2A-TORX |
| 5 | 117008-01-000 | EA | LINK/ROD-WIPERCONNECTING-DRIVERSIDE |
| 6 | 117008-02-000 | EA | LINK/ROD-WIPERCONNECTING-PASSENGERSIDE |
| 7 | 104346-04-000 | EA | MOTOR-WIPERW/INTERNALBREAKER |
| 8 | 096505-05-000 | EA | SHAFT/PIVOT-PASSENGERSIDE |
| 8 | 096505-06-000 | EA | SHAFT/PIVOT-DRIVERSIDE |
| | 096505-02-700 | EA | DRIVER-KNURLED,(HD)BRL.687 NT721017 |
| | 096505-02-701 | EA | NUT-HEX(HD)W/.687BARREL NT721021 |
| | 096505-02-702 | EA | CAP-RUBBER(HD)BARREL.687 CP721084 |
| | 096505-02-703 | EA | CAP-NUT(ACORN)HDW/.687BRL 51065-40-NT27WC |
| 9 | 117766-02-000 | EA | RESERVOIR/PUMP-WINDSHIELDWASHER |
| | 056000-01-700 | FT | HOSE-VAC.,WIPER7/64X5/32 60-455 |
| 10 | 104347-01-000 | EA | ARM-DRIVE-WIPERMOTOR-1.54"-W/TAPEREDDRIVEHOLE |
| | 110178-01-000 | EA | HOUSING-WIPERMOTOR |
| | 067188-01-000 | EA | STUD-CRANK-WIPER-WINDSHIELD |
| | 061603-01-000 | EA | GROMMET-SNAP-3/16"ID-3/8"HOLE-PLASTICBLACK |
| | 045794-01-000 | FT | HOSE-WASHER-WINDSHIELD-5/32"ID-BLACK |
| | 117765-03-000 | EA | CONNECTOR-5/32"-WINDSHIELDWASHER |
| | 110605-01-000 | EA | TEE-PLASTIC-BARBED-1/8"X1/8"X3/16" |

WINDSHIELD&WIPERGROUP(CONTINUED)



WINDSHIELDMOLDINGS&GLASS

| KEY | PARTNUMBER | U/M | DESCRIPTION |
|-----|---------------|-----|--|
| 1 | 098788-06-000 | EA | CHANNEL-49"PCV |
| 2 | 077922-03-000 | EA | HEADER-WINDSHIELD-RIGHTEND |
| 3 | 077922-05-000 | EA | HEADER-WINDSHIELD-CENTER |
| 4 | 077922-04-000 | EA | HEADER-WINDSHIELD-LEFTEND |
| 5 | 077847-02-000 | EA | SUPPORT-WINDSHIELD-LOWER-W/OBRACKETS |
| 6 | 088793-04-000 | EA | GLASS-WINDSHIELD-DRIVER |
| 7 | 110268-01-000 | EA | WINDSHIELDCARRIER-50.40" |
| 8 | 104449-01-000 | EA | SUPPORT-WINDSHEILD |
| 9 | 103107-02-01A | EA | TRIM-WINDSHIELD-SIDEBLACK |
| 10 | 102936-01-000 | FT | MOLDING-REVEAL-WINDSHEILD |
| 11 | 103107-01-01A | EA | TRIM-WINDSHIELD-SIDEBLK |
| 12 | 110268-01-000 | EA | WINDSHIELDCARRIER-50.40" |
| 13 | 081914-01-000 | EA | BUMPER-RUBBER-ROUND-.43"DIAMETER-BLACK |
| 14 | 088793-03-000 | EA | GLASS-WINDSHIELD-PASSENGER |
| 15 | 110268-01-000 | EA | WINDSHIELDCARRIER-50.40" |