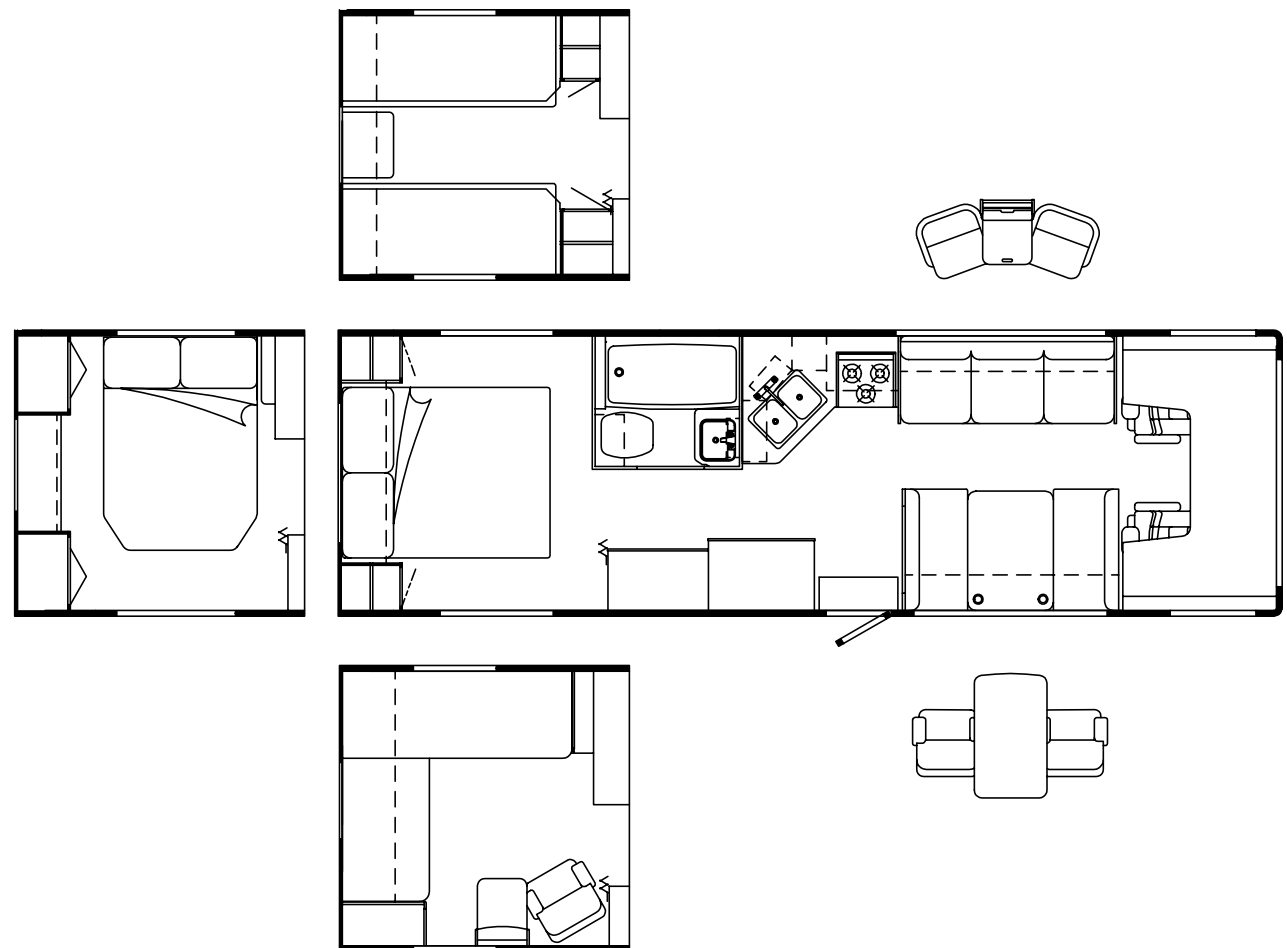
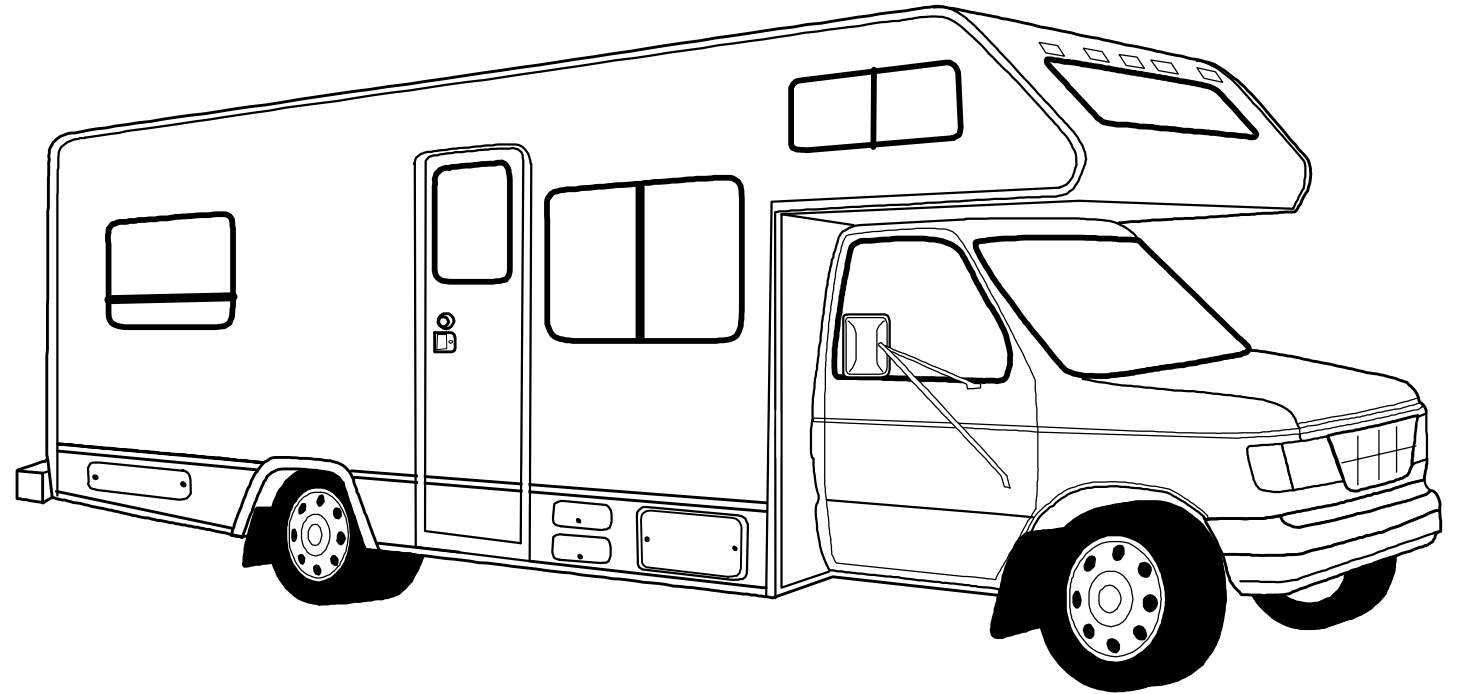


**1997**  
**WF431WQ DL**

**H10**  
**CHAMELEON (COBALT)**

**H11**  
**PASADENA (MOCHA)**



## ACCESSORIES GROUP

### OPERATORS MANUAL

KEY	PART NUMBER	U/M	DESCRIPTION
	054185-F5-000	EA	MANUAL - OPERATOR - 97 MINNIE WINNIE
	092318-01-000	EA	BINDER - 3 RING - MOTOR HOME MANUAL
	092319-01-000	EA	POCKET PAGE - 3 RING BINDER - PLASTIC - (50 PER PKG)
	117936-01-000	DW	TOP LEVEL DRAWING - 1997 C-BODY

## AUDIO VIDEO GROUP

### RADIO SYSTEM & ANTENNA

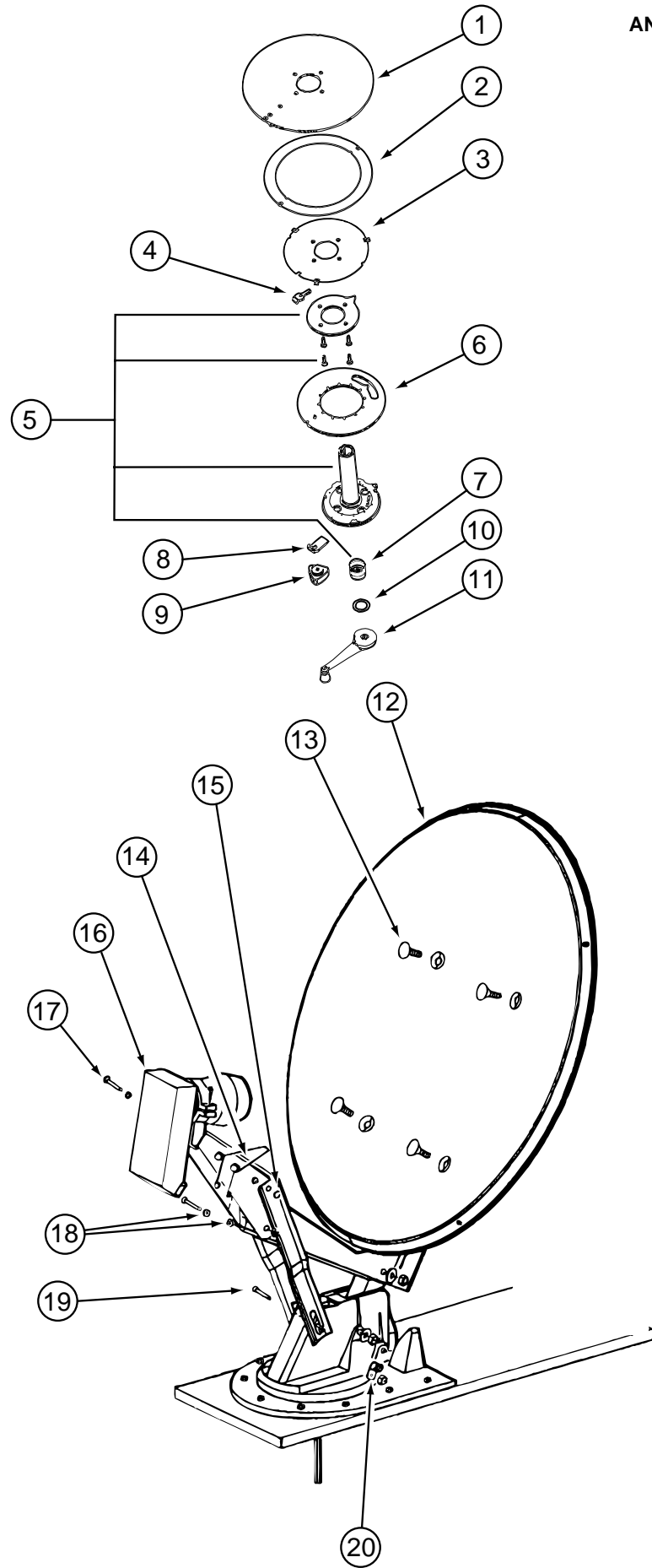
KEY	PART NUMBER	U/M	DESCRIPTION
	N/A	EA	SPEAKER - 5" X 7" OVAL - FORD F2UF-18814-CD
	111177-01-01A	EA	GRILLE - SPEAKER - 6.6" X 8.9" - HOUSING 5" X 7" SPEAKER
	087683-03-000	EA	RADIO - AM/FM STEREO CASSETTE
	090944-01-000	EA	ANTENNA - RADIO - 16" RUBBER
	077069-02-000	EA	CABLE - ANTENNA/EXTENSION - RADIO - 96"
	108137-01-000	EA	PLUG - ANTENNA
	108847-01-000	EA	BRACKET - ANTENNA GROUND
	109889-04-000	EA	EXTENDER - ANTENNA SHAFT - 3"
	110469-01-000	EA	SPEAKER - 4" X 6" OVAL - COAXIAL
	110470-01-01A	EA	GRILLE - 4" X 6" OVAL - BLACK

### TV & VCR SYSTEMS

KEY	PART NUMBER	U/M	DESCRIPTION	VENDOR NO.
	113684-02-000	EA	TV - 19" COLOR W/1/8" JACK - 19 3/8"W X 17 3/16"H X 18 1/4"D	
	113684-02-700	EA	REMOTE	0892345
	119120-02-000	EA	VCR/VHS - CABLE READY W/REMOTE	
			FROM: 00-00-00 THRU: 02-16-97	
	119120-02-700	EA	REMOTE	0994569
			FROM: 00-00-00 THRU: 02-16-97	
	119120-03-000	EA	VCR/VHS - CABLE READY W/REMOTE	
			FROM: 02-17-97 THRU: 99-99-99	
	086231-08-000	EA	TV - 13" COLOR - DC - AUDIOVOX	
	086231-08-700	EA	REMOTE-UNIVERSAL	8822325
	094487-03-000	EA	VIDEO CASSETTE PLAYER W/O REMOTE - AUDIOVOX	
	082134-01-000	EA	ADAPTER-TV - CABLE TO CABLE - WINEGARD F-81M	
	082136-01-000	EA	NUT - HEX JAM - 3/8 - 32	
	076319-09-000	EA	WALLPLATE - CABLE RECEPTACLE - TV - SINGLE - BROWN	
	076319-08-000	EA	WALLPLATE - CABLE RECEPTACLE - TV - SINGLE/IVORY	
	086777-02-000	EA	WALLPLATE - TV CABLE - W/ANTENNA SWITCH	
	086777-06-000	EA	WALLPLATE - ANTENNA 1 OUTPUT	
	086756-01-000	EA	SPLITTER - TV - 2 WAY	
	086757-03-000	EA	CONTROL CENTER - SWITCH - VCR/TV	
	093901-03-000	EA	PLATE - COAXIAL CABLE	
	099717-02-000	EA	STRAP-TV TIE DOWN W/29.9" FEMALE STRAP & 14.2" MALE STRAP	

## AUDIO VIDEO GROUP (CONTINUED)

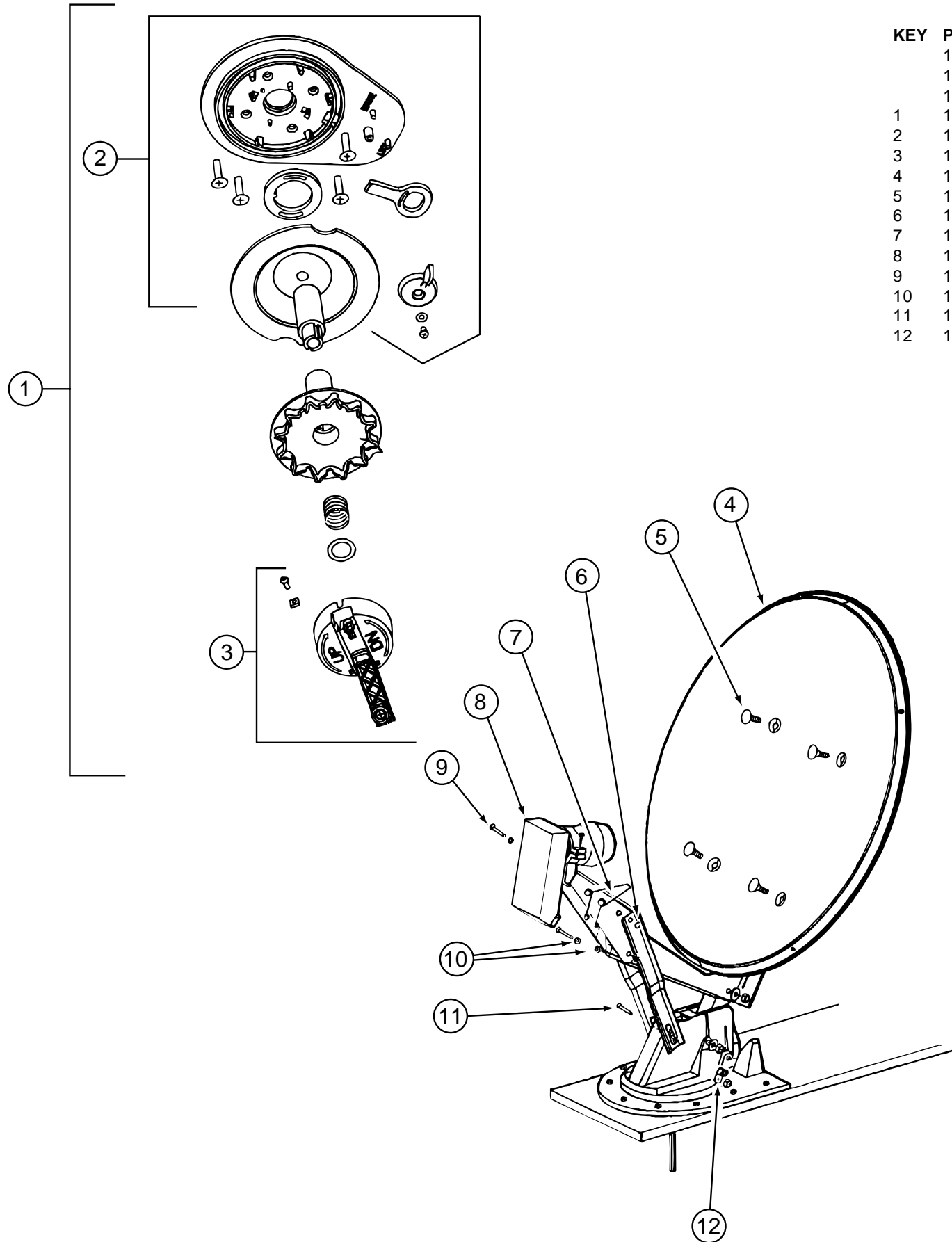
### ANTENNA SATELLITE & RECEIVER SYSTEMS - WINEGARD OLD STYLE



KEY	PART NUMBER	U/M	DESCRIPTION	VENDOR NO.
	120233-01-000	EA	ANTENNA-SATELLITE W/O RECEIVER (DISH & HDW KIT) MANUAL	
	120233-02-000	EA	RECEIVER-SATELLITE ONLY	
	120233-02-700	EA	REMOTE	RC-0012
1	120233-01-700	EA	PLATE-FIXED	3750821
2	120233-01-701	EA	DIAL-DIRECTIONAL	2745056
3	120233-01-702	EA	PIVOT-DIAL, DIRECTIONAL	2745058
4	120233-01-703	EA	STOP-ROTATION	3711281
5	120233-01-704	EA	PLATE-CEILING W/DIRECTIONAL HANDLE	RP-6300
6	120233-01-705	EA	PLATE-ROTATE	3750820
7	120233-01-706	EA	SPRING	RP-6822
8	120233-01-707	EA	CLAMP-ROTATE	3711280
9	120233-01-708	EA	KNOB-CLAMP	2200061
10	120233-01-709	EA	WASHER-NYLON	RP-2658
11	120233-01-710	EA	HANDLE-CRANK	RP-6795
12	120233-01-711	EA	REFLECTOR - 46 CM	2745304
13	120233-01-712	EA	BOLT-FLAT HEAD	2160253
14	120233-01-713	EA	SPRING	2160820
15	120233-01-714	EA	CLIP-E	5160818
16	120233-01-715	EA	GARDINER-LNBF	2780177
17	120233-01-716	EA	PIN	2160814
18	120233-01-717	EA	BEARING-NYLON	2200728
19	120233-01-718	EA	PIN	5160817
20	120233-01-719	EA	CLAMP-CABLE	2200060

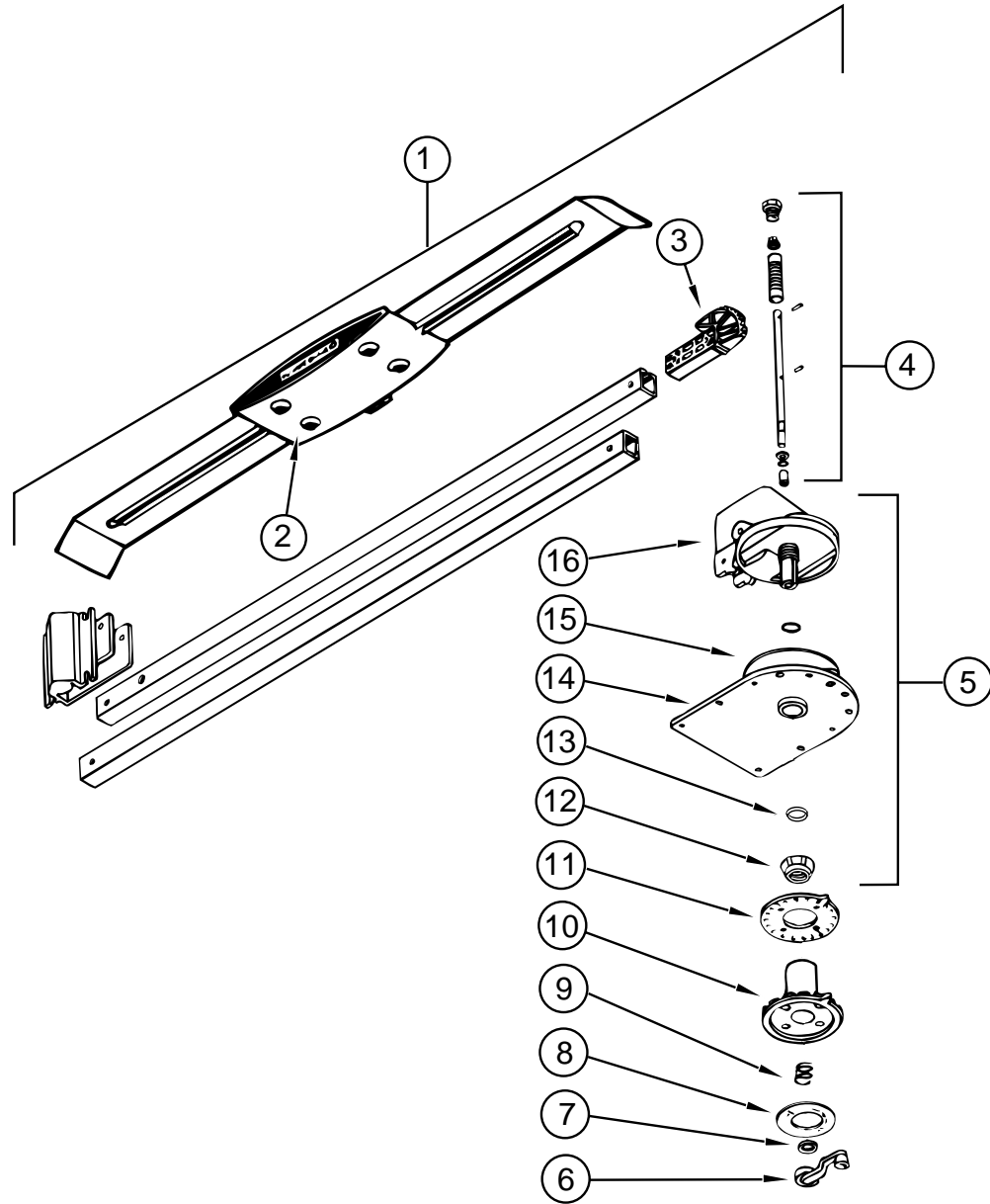
# AUDIO VIDEO GROUP (CONTINUED)

## ANTENNA SATELLITE SYSTEMS - WINEGARD NEW STYLE



KEY	PART NUMBER	U/M	DESCRIPTION	VENDOR NO.
	120233-01-000	EA	ANTENNA-SATELLITE W/O RECEIVER (DISH & HDW KIT) MANUAL	
	120233-02-000	EA	RECEIVER-SATELLITE ONLY	
	120233-02-700	EA	REMOTE	RC-0012
1	120233-01-720	EA	CEILING PLATE ASM (RETRO FIT)	RP-4100
2	120233-01-722	EA	PLATE ASSEMBLY (CEILING)	2762826
3	120233-01-721	EA	CRANK HANDLE ASSEMBLY	2762825
4	120233-01-711	EA	REFLECTOR - 46 CM	2745304
5	120233-01-712	EA	BOLT-FLAT HEAD	2160253
6	120233-01-714	EA	CLIP-E	5160818
7	120233-01-713	EA	SPRING	2160820
8	120233-01-715	EA	GARDINER-LNBF	2780177
9	120233-01-716	EA	PIN	2160814
10	120233-01-717	EA	BEARING-NYLON	2200728
11	120233-01-718	EA	PIN	5160817
12	120233-01-719	EA	CLAMP-CABLE	2200060

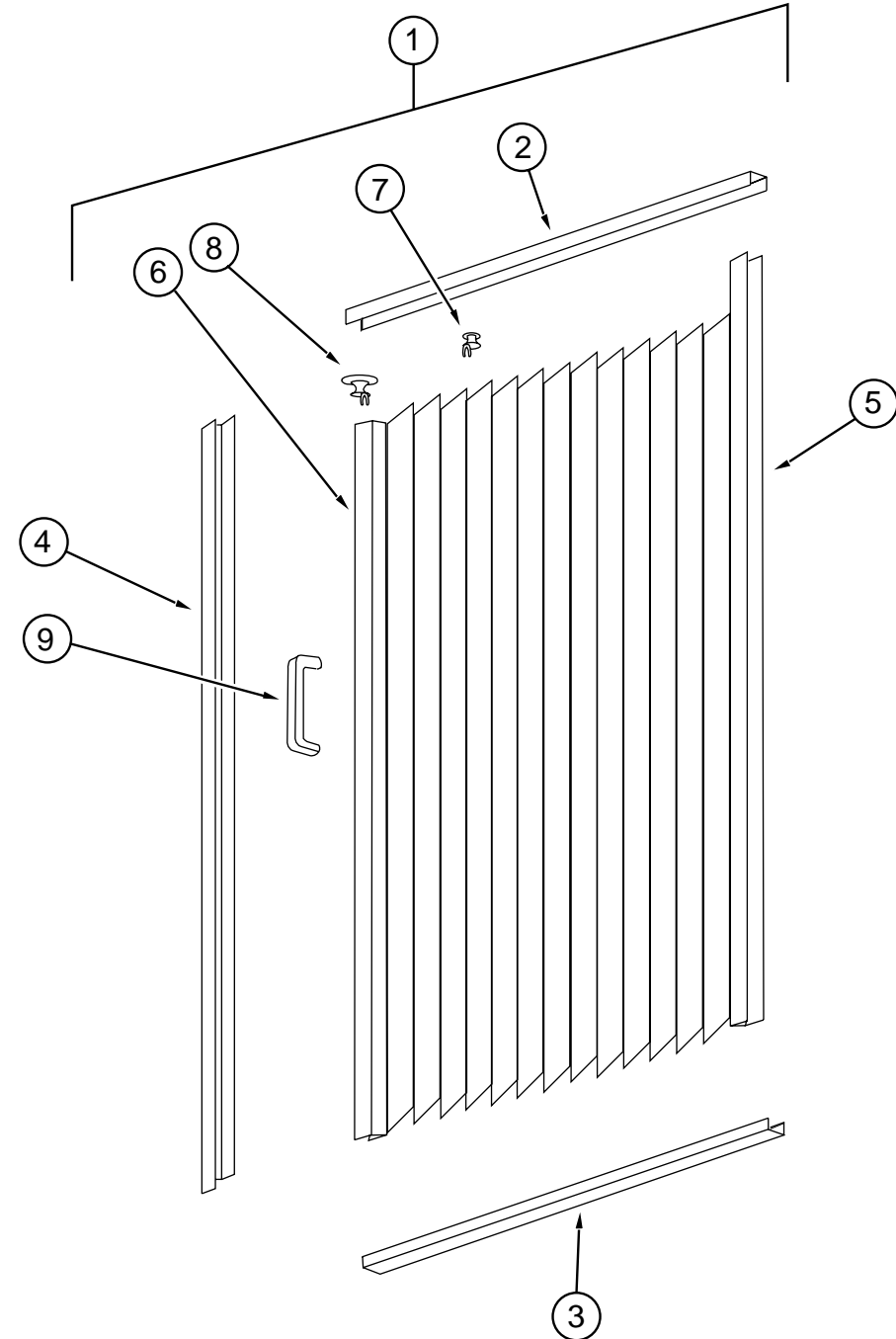
### AUDIO VIDEO GROUP (CONTINUED)



TV ANTENNA - WINEGARD - MODEL RVA W02

KEY	PART NUMBER	U/M	DESCRIPTION	VENDOR NO.
1	076319-21-000	EA	ANTENNA - TV ROOF MOUNT 3" ROOF	
2	076319-01-700	EA	HEAD-ANTENNA, AMPLIFIED	RVSA U/V
3	076319-01-701	EA	GEAR-ELEVATING, PLASTIC	2200046
4	076319-01-702	EA	SHAFT ASM-ELEVATING	RVP-400A
5	076319-01-711	EA	BASE & LIFT ASM	2762802
6	076319-01-706	EA	CRANK-ELEVATING W/SET SCREW	2750897
7	076319-01-705	EA	GROMMET-NYLON, 7/8"ID	3200658
8	076319-01-708	EA	DECAL-CRANK	5413002
9	076319-01-707	EA	SPRING-HANDLE	5160822
10	076319-01-709	EA	PLATE-DIRECTIONAL, F/HEAD	3200621
11	076319-01-712	EA	PLATE-CEILING, DIRECTIONAL	3200608
12	076319-01-715	EA	NUT (GEAR HOUSING)	2200047
13	076319-01-704	EA	BEARING-NYLON, 1.25"OD	3200657
14	076319-01-713	EA	PLATE-BASE, STEEL	3100523
15	076319-01-703	EA	BEARING-NYLON, 5" OD	3200656
16	076319-01-714	EA	HOUSING, ROTATING GEAR	2200049

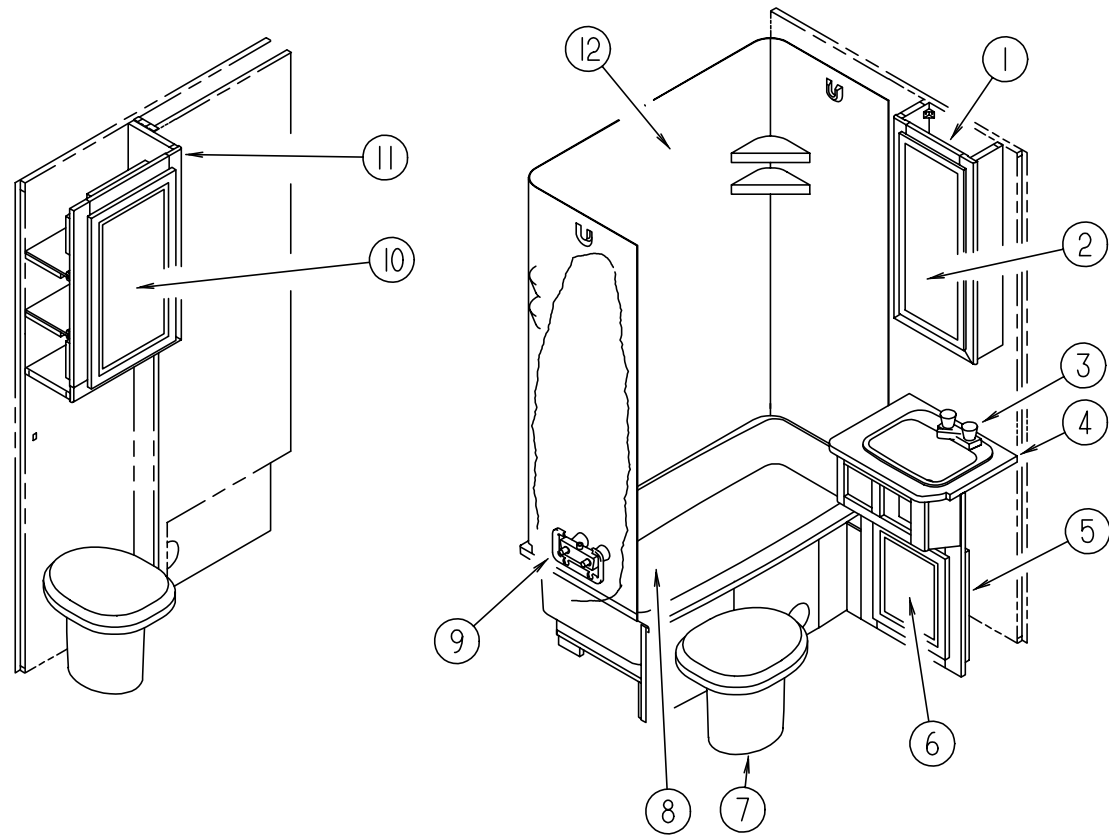
### BATH GROUP



SHOWER DOOR - COASTAL

KEY	PART NUMBER	U/M	DESCRIPTION
1	117431-05-01A	EA	DOOR - SHOWER - PLEATED FABRIC
2	117431-01-700	EA	TRACK-TOP, ALUM.IVORY INSERT
3	117431-01-701	EA	TRACK-BOTTOM, 40 "
4	117431-01-702	EA	RAIL-SIDE, 67"
5	117431-01-703	EA	RAIL-STATIONARY, 67"
6	117431-01-704	EA	RAIL-LEAD, 67"
7	117431-01-705	EA	GLIDE-IVORY, TRAVELER
8	117431-01-706	EA	GLIDE-IVORY LEAD, TRAVELER
9	117431-01-708	EA	HANDLES & SCREWS
	117431-01-707	EA	LATCH
	117431-05-700	EA	STRAP-VINYL SHOWER

**BATH GROUP (CONTINUED)**



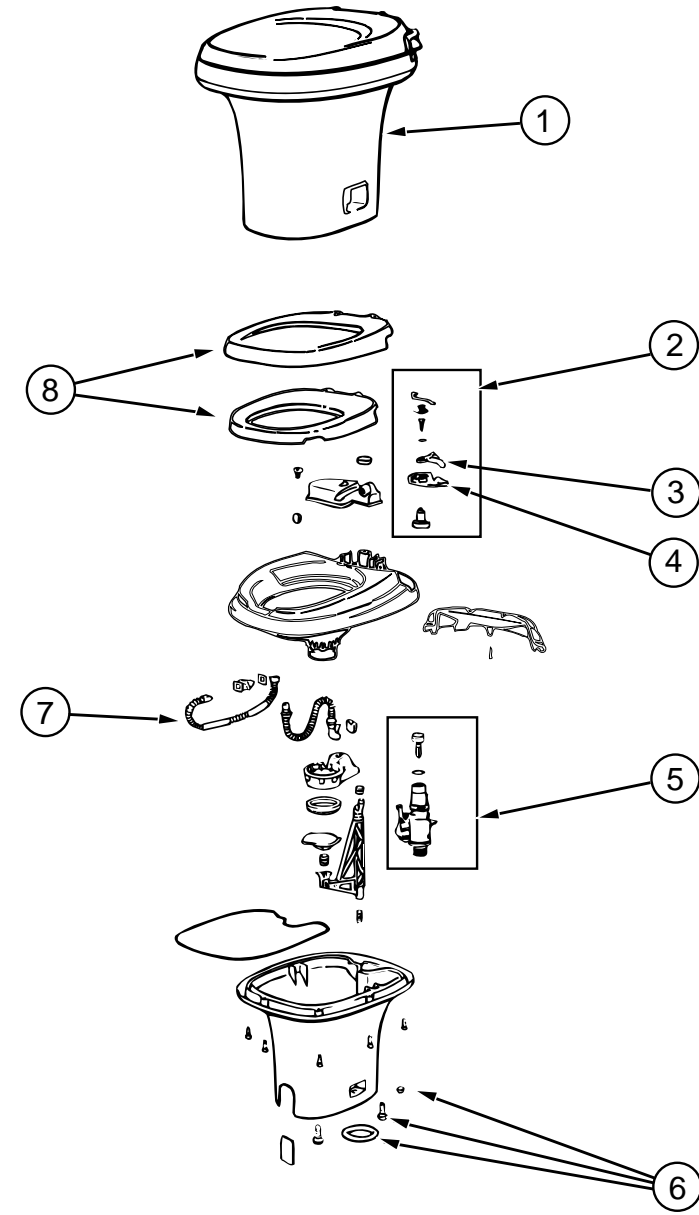
**BATHROOM CABINETS & FIXTURES**

KEY	PART NUMBER	U/M	DESCRIPTION	VENDOR NO.
1	114744-01-F08	EA	CABINET - MEDICINE - W/O DOORS/HARDWARE	
	114744-11-F08	EA	SHELF - W/PLASTIC EDGE TRIM	
2	M06803-A4-H10	EA	DOOR - MITERED CORNER/OGEE EDGE - 10" X 29.5" - W/O HDW	
3	075240-06-000	EA	FAUCET - LAVATORY/BONE	
3	096927-01-01A	EA	SINK - LAVATORY - RECTANGULAR - PLASTIC/BONE	
	096927-01-700	EA	SINK-STOPPER	M9801
	096927-01-701	EA	TAILPIECE-SINK	M9802
4	121282-13-H10	EA	COUNTERTOP - LAVATORY (H10)	
4	121282-13-G07	EA	COUNTERTOP - LAVATORY (H11)	
5	121282-02-H10	EA	CABINET - LAVATORY - W/O DOORS/DRAWERS/HARDWARE (H10)	
5	121282-02-G07	EA	CABINET - LAVATORY - W/O DOORS/DRAWERS/HARDWARE (H11)	
6	M06803-T3-H10	EA	DOOR - MITERED CORNER/OGEE EDGE - 14.3" X 17.9" W/O HARDWARE	
7	063740-01-000	EA	TOILET - HIGH/HAND FLUSH	
8	M02630-32-G04	EA	TUB/SHOWER	
9	075242-04-000	EA	FAUCET-TUB/SHOWER, BONE	
	066729-01-000	EA	STRAINER-TUB/SHOWER - W/PLUG	
	103092-01-000	EA	HEAD-SHOWER - W/60" HOSE	
	103092-02-000	EA	SHOWER HEAD-W/HOSE - CSA	
	103092-01-700	EA	BRACKET ONLY-CLEAR - F/SHOWER HEAD	2328028
	011048-03-700	EA	BRACKET - F/SHOWER HEAD	2328029-3
	075606-01-000	EA	PANEL-FAUCET BACK - SHOWER - 5" X 9" - PLASTIC	
10	M06803-V9-H10	EA	DOOR-MITERED CORNERS/OGEE EDGE - 15.9" X 21.8" - W/O HARDWARE	
11	121325-01-G07	EA	CABINET - LINEN - W/O DOORS/HARDWARE	
	121325-11-G07	EA	SHELF - W/PLASTIC EDGE TRIM	
12	110541-03-01A	EA	SURROUND - SHOWER/TUB - W/MOLDED ROD BRACKETS	
	102075-10-01A	EA	ROD - CURTAIN/SHOWER	
	085278-01-000	EA	HOLDER - TOILET PAPER - RECESSED - BRASS	
	114496-01-01A	EA	PANEL - OUTER SKYLIGHT - 22" X 37"	
	114496-01-02A	EA	PANEL - OUTER SKYLIGHT - 22" X 37"	
	122191-01-01A	EA	PANEL - SKYLITE - INNER W/LIGHT CUTOUT - 20.7" X 35.4"	
	122191-01-02A	EA	PANEL - SKYLITE - INNER W/LIGHT CUTOUT - 20.7" X 35.4"	

**BATH GROUP (CONTINUED)**

**BATH DOOR**

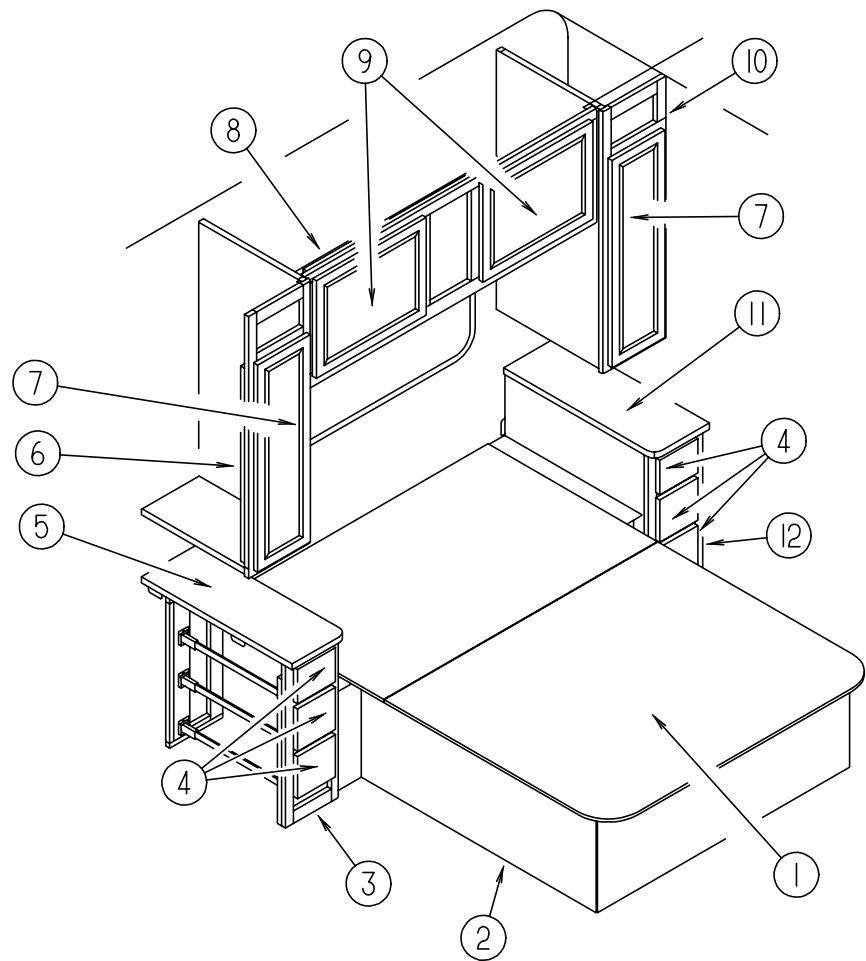
KEY	PART NUMBER	U/M	DESCRIPTION
	121449-01-G07	EA	DOOR - BATH - W/O HARDWARE
	110496-01-01A	EA	HINGE - BRASS
	102920-01-01A	EA	HINGE - SPRING LOADED/BRASS
	094485-03-01A	EA	KNOB - BRASS
	121449-12-G07	EA	RACK - TOWEL - BATH DOOR
	100357-01-000	EA	ROD - F/TOWEL BAR - BRASS
	105394-01-04A	EA	EXTRUDED PLASTIC - DOOR JAMB - CHERRY - 7'



**AQUA MAGIC IV LOW TOILET - THETFORD**

KEY	PART NUMBER	U/M	DESCRIPTION	VENDOR NO.
1	063740-01-000	EA	TOILET - HIGH/HAND FLUSH	
2	063740-01-720	EA	LEVER KIT - WAT-FLUSH-BEARING	24629
3	063740-01-700	EA	LEVER-WATER	12514
4	063740-01-701	EA	LEVER-FLUSH	12515
5	063740-01-714	EA	VALVE ASM. - W/GASKET & FLOAT	13168
6	063740-01-706	EA	BOLT PACKAGE-FLOOR FLANGE	12524
7	063740-01-717	EA	TUBE-FLUSH	12509
8	063740-02-700	EA	SEAT & COVER, PARCHMENT	2464157
	063740-01-721	EA	BLADE ONLY	124832

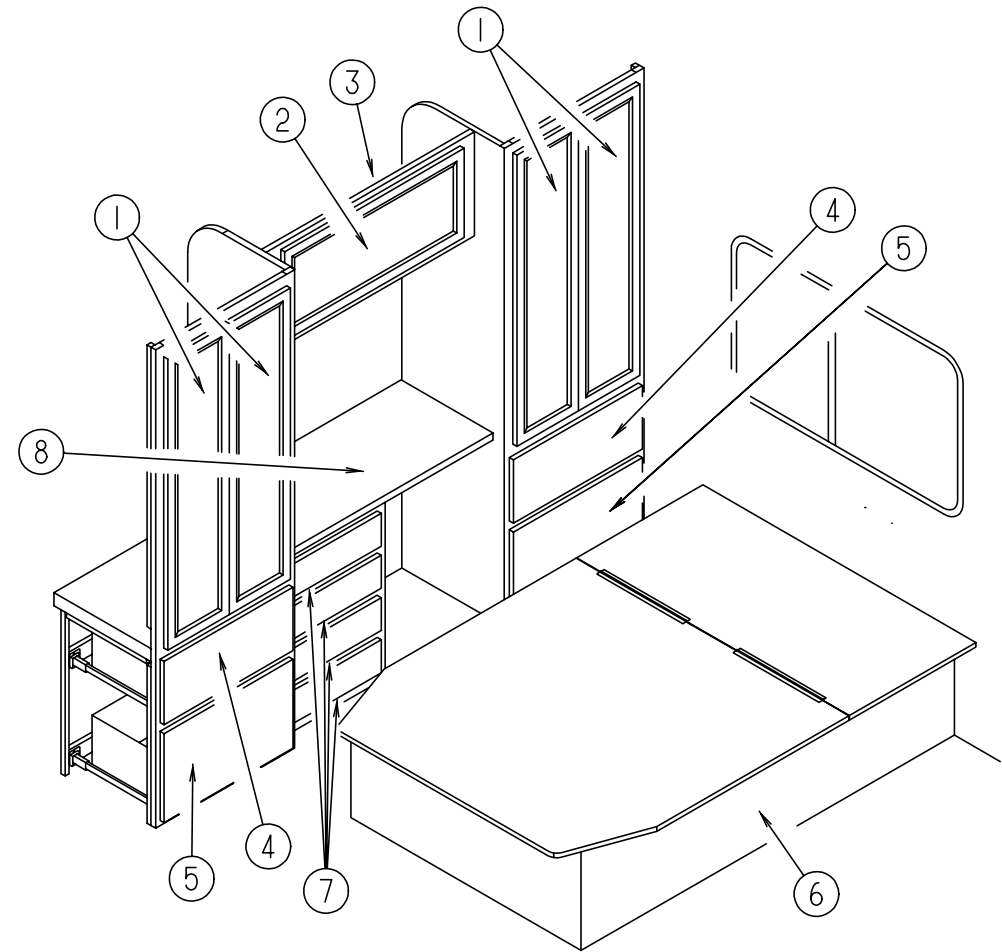
## BEDROOM GROUP



**CENTER QUEEN BEDROOM**

KEY	PART NUMBER	U/M	DESCRIPTION
1	M07550-02-000	EA	TOP - QUEEN BED - W/O HARDWARE
	084413-01-000	EA	HINGE/CONTINUOUS - ALUMINUM 1" X 72" - W/HOLES
	091261-01-000	FT	SLIPNOT - ANTISLIP - 1" WIDE (100' ROLL)
	107796-05-000	EA	BRACKET - SUPPORT - GAS SPRING TO BED - FLAT (LOWER)
	107796-06-000	EA	SPRING/GAS - 12" COMPRESSED/20" EXTENDED - 120 LB.
	107796-07-000	EA	BRACKET - SUPPORT - GAS SPRING TO BED - ANGLE(UPPER)
	097872-04-000	EA	DOWEL - WOOD - 1" DIAMETER X 1.38" LONG
	091952-01-000	EA	CLIP-GRIPPER - 1"
2	P18430-04-G07	EA	CABINET - BASE - QUEEN BED - W/O DOORS/DRAWERS/HARDWARE
3	P21159-02-H10	EA	CABINET - NIGHTSTAND - RIGHT HAND - W/O DOORS/DRAWERS/HDW (H10)
3	P21159-02-G07	EA	CABINET - NIGHTSTAND - RIGHT HAND - W/O DOORS/DRAWERS/HDW (H11)
4	M05971-11-H10	EA	DRAWER - OGEE EDGE - 9.9"W X 17.7"D - W/O SLIDES/HARDWARE
5	121159-12-H10	EA	COUNTERTOP - NIGHTSTAND (H10)
5	121159-12-G07	EA	COUNTERTOP - NIGHTSTAND (H11)
6	121108-01-G07	EA	CABINET - SHIRT CLOSET/RIGHT HAND - W/O DOORS/HARDWARE
7	M06803-G1-H10	EA	DOOR - MIRROR/MTRD CRNR/OGEE EDGE - 14.3"X 36.4" - W/O HDW
8	121165-01-G07	EA	CABINET - OVERHEAD REAR - W/O DOORS/HARDWARE
9	M06803-13-H10	EA	DOOR - MITERED CORNER/OGEE EDGE - 15.7" X 27.9" W/O HDW
9	M06803-82-H10	EA	DOOR - MITERED CORNER/OGEE EDGE - 15.7" X 28" - W/O HDW
10	121112-01-G07	EA	CABINET - SHIRT CLOSET/LEFT HAND - W/O DOORS/HARDWARE
11	121158-12-H10	EA	COUNTERTOP - NIGHTSTAND (H10)
11	121158-12-G07	EA	COUNTERTOP - NIGHTSTAND (H11)
12	P21158-02-H10	EA	CABINET - NIGHTSTAND - LEFT HAND - W/O DOORS/DRAWERS/HDW (H10)
12	P21158-02-G07	EA	CABINET - NIGHTSTAND - LEFT HAND - W/O DOORS/DRAWERS/HDW (H11)

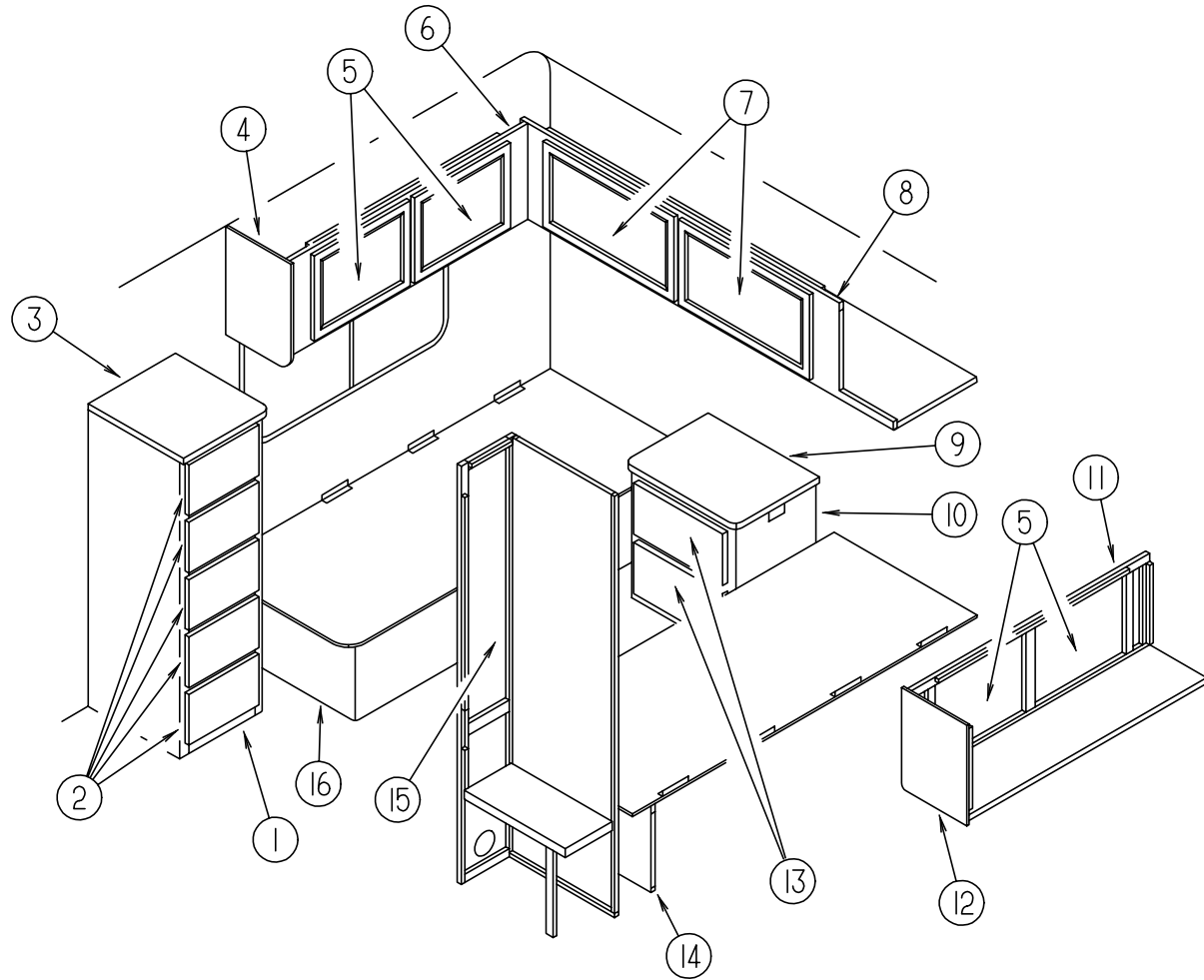
## BEDROOM GROUP (CONTINUED)



**DOUBLE BED & WARDROBE CABINERY**

KEY	PART NUMBER	U/M	DESCRIPTION
1	M05988-81-F08	EA	DOOR - MIRRORED/MTRD CRNR/OGEE EDGE - 12" X 48" - W/O HDW
2	M06803-P4-H10	EA	DOOR - MITERED CORNER/OGEE EDGE-14.3" X 33.4" W/O HDW
2	M06803-P5-H10	EA	DOOR - MITERED CORNER/OGEE EDGE 14.3" X 33.4" W/O HDW
3	118677-01-H10	EA	CABINET - REAR OVERHEAD - W/O DOORS/HARDWARE
3	118677-01-H11	EA	CABINET - REAR OVERHEAD - W/O DOORS/HARDWARE
4	M05971-T3-H10	EA	DRAWER - OGEE EDGE - 21.8"W X 13.8"D - W/O SLIDES/HARDWARE
5	M05971-T4-H10	EA	DRAWER - OGEE EDGE - 21.8"W X 13.8"D - W/O SLIDES/HARDWARE
6	P19644-02-G10	EA	CABINET - BASE - DOUBLE BED - W/O DOORS/DRAWERS/HARDWARE
	084413-01-000	EA	HINGE/CONTINUOUS - ALUMINUM 1" X 72" - W/HOLES
	091261-01-000	FT	SLIPNOT - ANTISLIP - 1" WIDE (100' ROLL)
	107796-05-000	EA	BRACKET - SUPPORT - GAS SPRING TO BED - FLAT (LOWER)
	107796-06-000	EA	SPRING/GAS - 12" COMPRESSED/20" EXTENDED - 120 LB.
	107796-07-000	EA	BRACKET - SUPPORT - GAS SPRING TO BED - ANGLE(UPPER)
	097872-04-000	EA	DOWEL - WOOD - 1" DIAMETER X 1.38" LONG
	091952-01-000	EA	CLIP-GRIPPER - 1"
7	M05971-T5-H10	EA	DRAWER - OGEE EDGE - 15.4"W X 13.8"D - W/O SLIDES/HARDWARE
8	118676-11-G24	EA	COUNTERTOP - VANITY - W/T MOLDING (H10)
8	118676-11-G25	EA	COUNTERTOP - VANITY - W/T MOLDING (H11)
	P18676-01-H10	EA	CABINET - VANITY - W/O DOORS/DRAWERS/HARDWARE (H10)
	P18676-01-G07	EA	CABINET - VANITY - W/O DOORS/DRAWERS/HARDWARE (H11)

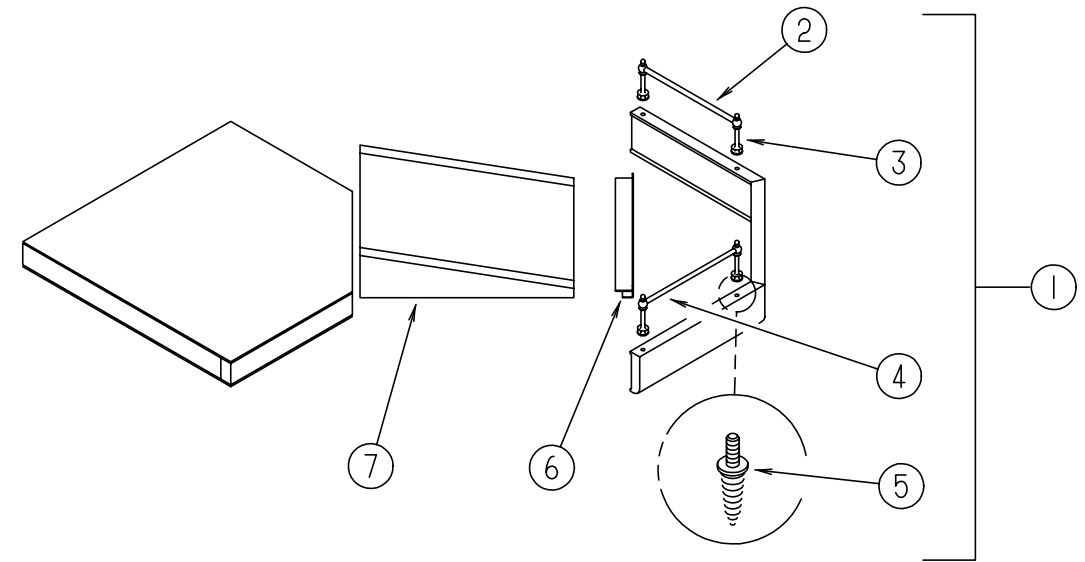
**BEDROOM GROUP (CONTINUED)**



**TWIN BEDS & CABINERY**

KEY	PART NUMBER	U/M	DESCRIPTION
1	P21604-02-H10	EA	CABINET - DRESSER - RIGHT HAND/TWIN - W/O DRAWERS/HARDWARE (H10)
1	P21604-02-G07	EA	CABINET - DRESSER - RIGHT HAND/TWIN - W/O DRAWERS/HARDWARE (H11)
2	M05971-BN-H10	EA	DRAWER - W/O SLIDES/HARDWARE
3	121604-11-H10	EA	COUNTERTOP - DRESSER (H10)
3	121604-11-G07	EA	COUNTERTOP - DRESSER (H11)
4	109908-31-G07	EA	END CAP - OVERHEAD CABINET
5	M06803-B1-H10	EA	DOOR - MITERED CORNERS/OGEE EDGE - 15.7" X 20.4" - W/O HDW
6	121345-01-G07	EA	CABINET - OVERHEAD REAR/RIGHT HAND/TWIN - W/O DRS/HDW
7	M06803-B1-H10	EA	DOOR - MITERED CORNERS/OGEE EDGE - 15.7" X 20.4" - W/O HDW
8	121210-01-G07	EA	CABINET - OVERHEAD REAR - W/O DOORS/HARDWARE
9	121166-12-H10	EA	COUNTERTOP - NIGHTSTAND (H10)
9	121166-12-G07	EA	COUNTERTOP - NIGHTSTAND (H11)
10	P21166-02-H10	EA	CABINET - NIGHTSTAND - W/O DOORS/DRAWERS/HARDWARE (H10)
10	P21166-02-G07	EA	CABINET - NIGHTSTAND - W/O DOORS/DRAWERS/HARDWARE (H11)
11	121345-02-G07	EA	CABINET - OVERHEAD REAR/LEFT HAND/TWIN - W/O DRS/HDW
12	109908-30-G07	EA	END CAP - OVERHEAD CABINET
13	M05971-Y7-H10	EA	DRAWER - OGEE EDGE - W/O SLIDES/HARDWARE
14	P21137-01-G07	EA	CABINET - BASE - TWIN BED/LEFT HAND-W/O DOORS/DRAWERS/HDW
15	M06803-T7-H10	EA	DOOR - MITERED CORNER/OGEE EDGE - 10.02" X 47.9" - W/O HDW
16	P21138-01-G07	EA	CABINET - BASE - TWIN BED/RIGHT HAND-W/O DOORS/DRAWERS/HDW
	084413-01-000	EA	HINGE/CONTINUOUS - ALUMINUM 1" X 72" - W/HOLES
	091261-01-000	FT	SLIPNOT - ANTISLIP - 1" WIDE (100' ROLL)
	107796-05-000	EA	BRACKET - SUPPORT - GAS SPRING TO BED - FLAT (LOWER)
	107796-06-000	EA	SPRING/GAS - 12" COMPRESSED/20" EXTENDED - 120 LB.
	107796-07-000	EA	BRACKET - SUPPORT - GAS SPRING TO BED - ANGLE(UPPER)
	097872-04-000	EA	DOWEL - WOOD - 1" DIAMETER X 1.38" LONG
	091952-01-000	EA	CLIP-GRIPPER - 1"

**BEDROOM GROUP (CONTINUED)**



**TV SHELF - BEDROOM**

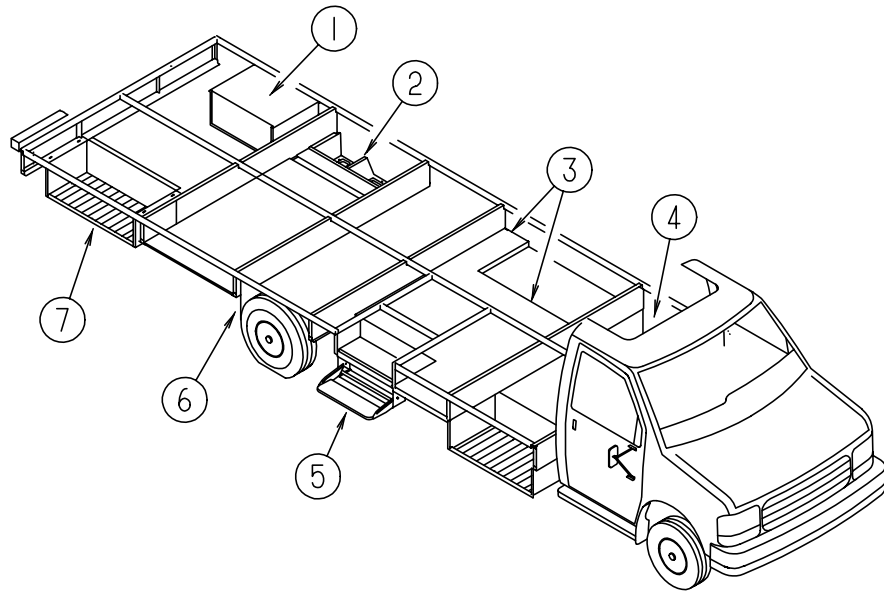
KEY	PART NUMBER	U/M	DESCRIPTION
1	116553-01-G07	EA	CABINET - TV SHELF - W/BRASS RODS/POST ENDS
2	084071-12-000	EA	ROD - BRASS - 4.08" LONG
3	084070-02-000	EA	POST - END - 2.4" - BRASS
4	084071-19-000	EA	ROD - BRASS - 7.09" LONG
5	106166-01-000	EA	BOLT/COLLARED HANGER - 8-32 X 1"
6	103186-01-05A	FT	MOLDING - PLASTIC/3/8" U-CHANNEL W/3/4" FACE- WATERFORD OAK
7	116553-15-G07	EA	WEDGE - TV SHELF

**FOLDING DOOR & HARDWARE**

KEY	PART NUMBER	U/M	DESCRIPTION	VENDOR NO.
	042488-10-000	EA	DOOR - FOLDING - OFF WHITE FABRIC - 37" X 75"	
	080224-01-703	EA	HANDLE W/LATCH-CATCH, ALMOND	DE03505
	080224-01-705	EA	LATCH & CATCH ASM., ALMOND	DE25010 & DE25020
	042488-04-700	EA	LATCH & CATCH ASM. LEAD EDGE	DW-21632
	094856-10-01A	EA	TRACK - FOLDING DOOR - OFF WHITE	



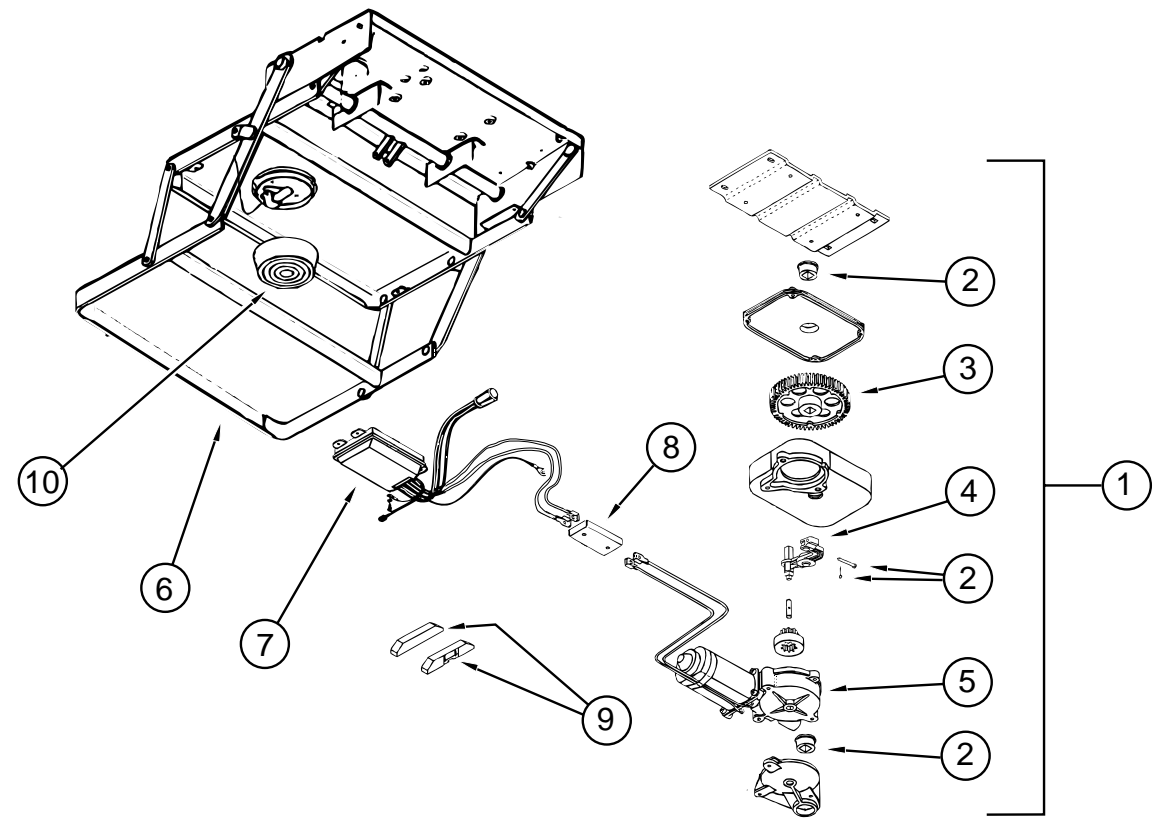
## CHASSIS GROUP



### COMPARTMENTS, PLUGS & SEALS

KEY	PART NUMBER	U/M	DESCRIPTION
1	114070-02-02B	EA	SUPPORT - GENERATOR - LEFT
1	114071-02-02B	EA	SUPPORT - GENERATOR - RIGHT
2	117186-02-G04	EA	COMPARTMENT - STORAGE
2	116926-02-01A	EA	COMPARTMENT - SEWER & 110V POWER CORD
2	M06991-02-FQ0	EA	HATCH - W/FOAM INSULATION (110 POWER)
2	M06991-04-FB1	EA	HATCH - W/FOAM INSULATION (WATER OR SEWER)
2	121175-01-01A	EA	LATCH - SWELL - BLACK
3	117928-05-01A	EA	COMPARTMENT - STORAGE - 23.4" X 53.6"
4	117928-06-01A	EA	COMPARTMENT - STORAGE - 23.4" X 42.4"
	065450-05-000	EA	TIEDOWN - BATTERY - 8.4" TUBE
	084993-01-000	EA	STRAP - BATTERY
5	094707-01-01A	EA	STEP - DOUBLE - ELECTRIC - KWIKEE
	091176-01-000	EA	SUPPORT - BASE - ENTRANCE STEP
6	017516-01-000	EA	MUD FLAP - 14" X 18" - BLACK
7	093873-01-01A	EA	TRIM - CARPET - L-ANGLE 1.1" X 1.3" X 12' - GRAY VINYL
7	093873-01-02A	EA	TRIM - CARPET - L-ANGLE - 1.1" X 1.3" X 12' - TAN VINYL
	119845-01-01A	EA	PLUG - PLASTIC - BLACK
	088270-01-000	FT	SEAL/BULB - RIGID WIRED U-CHANNEL - .5" - RUBBER - BLACK
	121948-01-000	EA	SHIELD - SIGHT

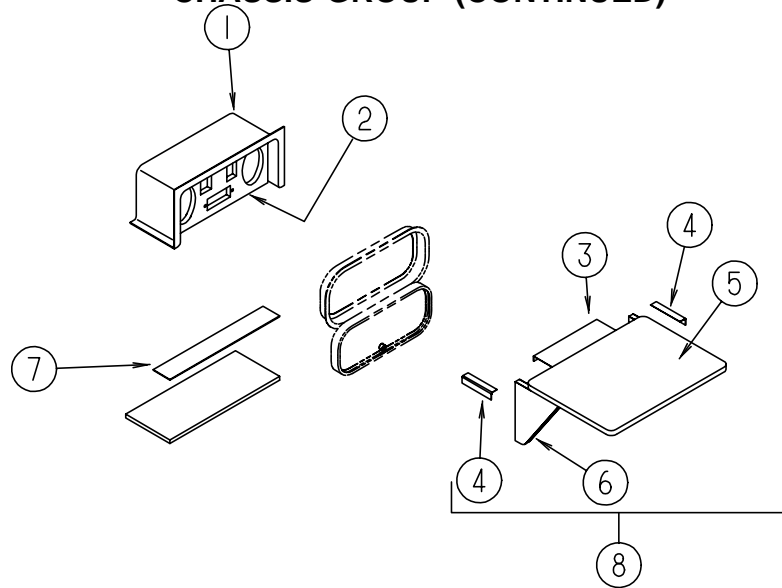
## CHASSIS GROUP (CONTINUED)



### STEP ASSEMBLY (3200 SERIES)

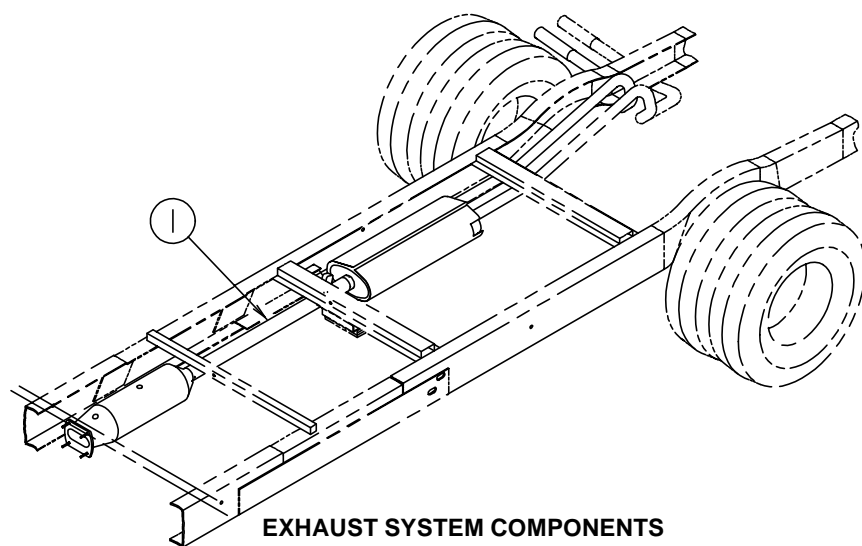
KEY	PART NUMBER	U/M	DESCRIPTION	VENDOR NO.
1	094707-01-01A	EA	STEP - DOUBLE - ELECTRIC - KWIKEE	
2	094707-02-703	EA	BEARING & PINS	909530
3	094707-02-702	EA	GEAR KIT, W/BEARINGS, PIN-CASE	909525
4	094707-02-701	EA	LINKAGE ASM. W/BEARINGS-PINS	909534
5	094707-02-700	EA	MOTOR ASM., W/BEARINGS & PINS	909520
6	094707-01-702	EA	FRAME W/DBL STEP, 3200 SERIES	908032
7	094707-02-705	EA	CONTROL UNIT, WHITE	909513
8	094707-02-704	EA	CONNECTOR-MOTOR ASM. W/PLATES	909537
	094707-02-707	EA	TREAD-NON SKID, BLACK 6"X21"	909333
	094707-02-708	EA	TREAD - NON-SKID - YELLOW	909331
9	116995-01-000	EA	SWITCH/MAGNET - ELECTRIC STEP	
10	088746-01-705	EA	LIGHT-UNDER STEP	9004
	088733-01-700	EA	BULB	9004

### CHASSIS GROUP (CONTINUED)



#### EXTERIOR ENTERTAINMENT COMPARTMENT

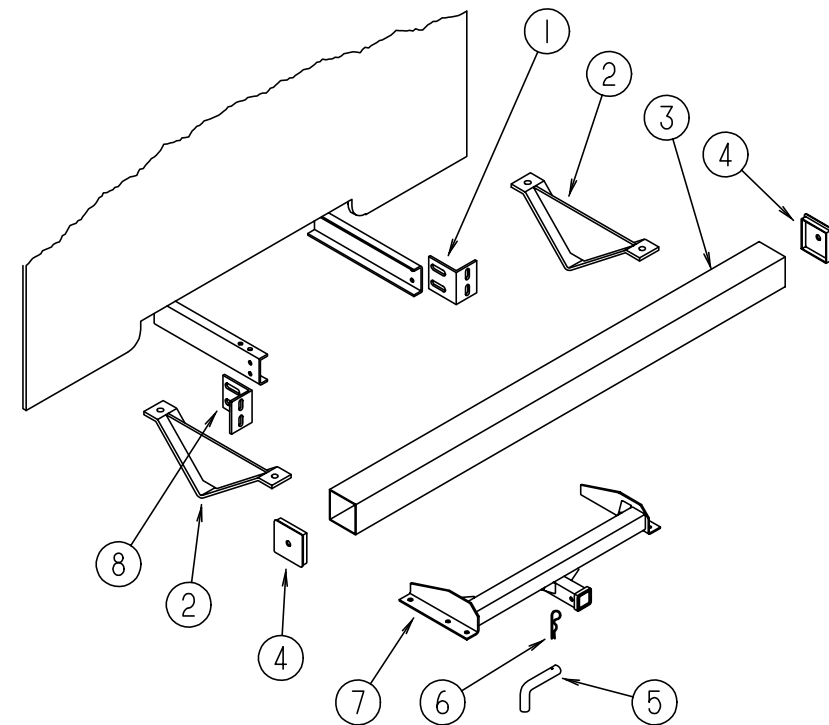
KEY	PART NUMBER	U/M	DESCRIPTION	
1	104897-02-02A	EA	BOX - ENTERTAINMENT CENTER	
2	104899-01-C05	EA	PLATE - RADIO MOUNTING	
3	105377-01-01A	EA	BRACKET - TABLE HANGER	
3	105377-01-04A	EA	BRACKET - TABLE HANGER	FROM: 00-00-00 THRU: 01-05-97
4	105376-01-02A	EA	HINGE - CONTINUOUS - 2" X 5.5"	FROM: 01-06-97 THRU: 99-99-99
4	105376-01-03A	EA	HINGE - CONTINUOUS - 2" X 5.5"	FROM: 00-00-00 THRU: 01-05-97
5	105230-11-E01	EA	SHELF - EXTERIOR ENTERTAINMENT CENTER - W/O HARDWARE	FROM: 01-06-97 THRU: 99-99-99
6	105230-12-F11	EA	SUPPORT - EXTERIOR SHELF	
7	104898-01-02A	EA	PLATE - PLASTIC BOTTOM	
8	105230-01-H33	EA	SHELF - EXTERIOR TV	
	099717-04-000	EA	STRAP-TV TIE DOWN W/21.3" FEMALE STRAP & 27.2" MALE STRAP	



#### EXHAUST SYSTEM COMPONENTS

KEY	PART NUMBER	U/M	DESCRIPTION
1	111478-03-000	EA	PIPE - EXHAUST
	094918-06-000	EA	CLAMP - EXHAUST - 3" - HEAVY DUTY
	098762-15-000	EA	PIPE - EXHAUST - STRAIGHT - 3.5"
	094918-02-000	EA	CLAMP - EXHAUST - 3.5"
	098762-18-000	EA	PIPE - EXHAUST - STRAIGHT - 3"

### CHASSIS GROUP (CONTINUED)



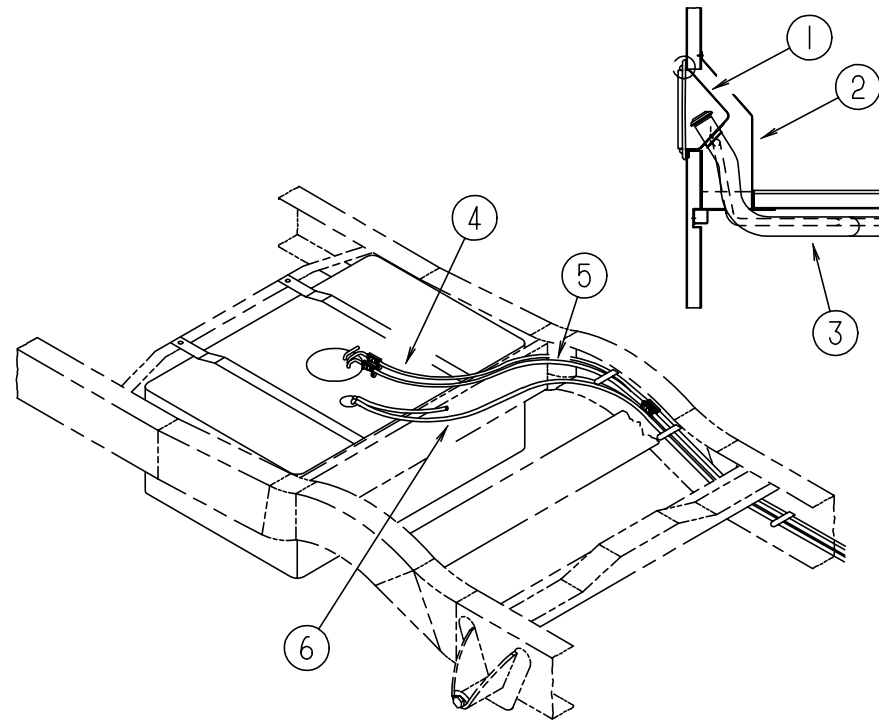
#### REAR BUMPER & HITCH

KEY	PART NUMBER	U/M	DESCRIPTION
1	104420-01-000	EA	SUPPORT/ANGLE - REAR BUMPER
2	083376-01-000	EA	PLATE/SKID - 13.2" X 6" X 2" STEEL
3	103099-05-02A	EA	BUMPER - REAR - BRIGHT WHITE
	105933-01-000	EA	BRACKET - BUMPER - REAR/RIGHT HAND
	105933-02-000	EA	BRACKET - BUMPER - REAR/LEFT HAND
4	106147-01-02A	EA	CAP-END - BUMPER - BLACK
5	034512-01-000	EA	PIN - LOCKING - DRAWBAR
6	034513-01-000	EA	PIN - HITCH - 3/16" WIRE
7	107707-08-000	EA	HITCH RECEIVER - BOLT-ON CLASS II
8	104420-02-000	EA	SUPPORT/ANGLE - REAR BUMPER
	097744-02-000	EA	HOUSING - TRAILER PIN - 48"
	097745-02-000	EA	HOUSING - RECEPTACLE - TRAILER - 48' WIRE LENGTH
	113634-01-000	EA	WIRE ASSEMBLY - TRAILER ADAPTER
	113589-02-000	EA	CONNECTOR - SOCKET - TRAILER
	113589-01-000	EA	CONNECTOR - PLUG - TRAILER
	113588-02-01B	EA	BRACKET - CONNECTOR - TRAILER W/O LIP
	070579-09-000	EA	PLATE - ANCHOR

#### DRIVESHAFT & BRAKE LINE FLARE UNION

KEY	PART NUMBER	U/M	DESCRIPTION
	074833-01-000	EA	SPACER - BEARING - DRIVESHAFT - 2" X 8" X .5" THICK
	085771-03-000	EA	NUT - HEX - FLARE TORQUE - GRADE G - DRIVESHAFT
	088498-01-000	EA	UNION - INVERTED FLARE - BRASS - 3/16
	103653-22-000	EA	BOLT - U-JOINT - 5/16 STRAP & NUT
	103653-23-000	EA	BOLT - U-JOINT - 5/16 -24 X .75
	103653-24-000	EA	STRAP - U-JOINT

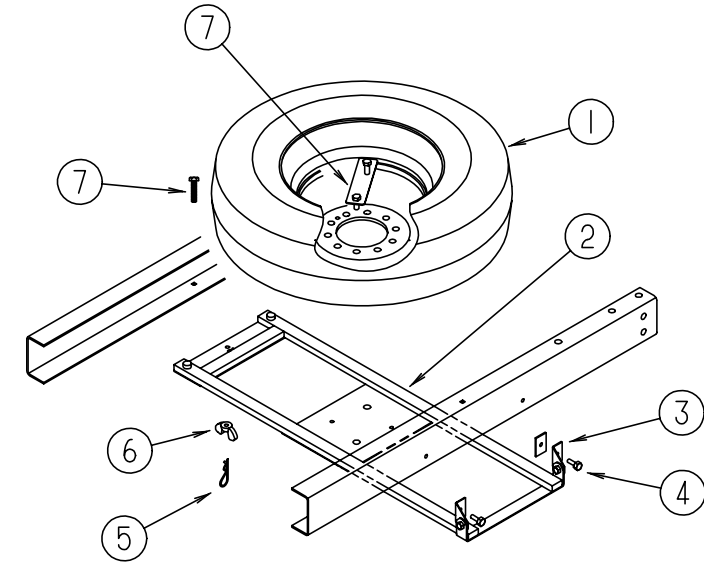
### CHASSIS GROUP (CONTINUED)



#### FUEL SYSTEM COMPONENTS

KEY	PART NUMBER	U/M	DESCRIPTION
1	095854-01-04A	EA	SHROUD - FUEL FILL - BRIGHT WHITE
2	078040-06-000	EA	SHROUD - FUEL FILL - UPPER
3	117934-01-000	EA	NECK - FILLER - FUEL FILL
			FROM: 00-00-00 THRU: 10-13-96
3	124994-01-000	EA	NECK - FILLER - FUEL FILL
			FROM: 10-14-96 THRU: 99-99-99
3	117934-02-000	EA	NECK - FILLER - FUEL FILL (DIESEL)
	078200-01-000	EA	GASKET - FUEL FILL - 3.5" OD X 2" ID
4	N/A	EA	FUEL LINE ASM-FORD - 3/8 HP
5	N/A	EA	FUEL LINE ASM-FORD - 5/16 HP
6	007063-01-000	FT	HOSE - FUEL - 1/4"ID X 1/2"OD
	044317-01-000	FT	HOSE - FUEL - 3/8" ID
			FROM: 00-00-00 THRU: 10-14-96
	125187-01-000	FT	HOSE - FUEL - LOW PERM - 11.1 ID
			FROM: 10-15-96 THRU: 99-99-99
	125187-02-000	FT	HOSE - FUEL - LOW PERM - 12.7 ID
			FROM: 10-15-96 THRU: 99-99-99
	084884-01-000	EA	PLUG - BRASS - 3/8"

### CHASSIS GROUP (CONTINUED)



#### SPARE TIRE

KEY	PART NUMBER	U/M	DESCRIPTION
1	070917-06-000	EA	TIRE - LT225/75R16E - R4S - M/S
1	083617-03-000	EA	WHEEL - STEEL - 16.0 X 6
	095012-05-000	EA	EXTENSION - VALVE STEM - LIVE 5"
	095012-06-000	EA	STABILIZER - VALVE - EXTENSION - L
	112358-01-000	EA	WRENCH - LUG - 7/8" - L-SHAPE
2	116348-01-02B	EA	CRADLE - SPARE TIRE - E-COATED
3	116349-01-02B	EA	BRACKET/HINGE - SPARE TIRE - E-COATED
4	000C26-06-12B	EA	BOLT - HEX - SERRATED FLANGE - 3/8-16 X 3/4 - ZINC
4	000E13-17-00B	EA	WASHER - FLAT - 3/8" AR - ZINC
4	000D34-06-00B	EA	NUT - HEX - LOCKING - 3/8 - 16 GRADE C - ZINC-PREVAILING T
5	034513-01-000	EA	PIN - HITCH - 3/16" WIRE
6	064081-03-000	EA	NUT - WING 3/8-16 - W/WELD NUT
7	116338-02-02B	EA	BRACKET/CLAMP - SPARE TIRE - E-COATED
	000D29-09-00B	EA	NUT - HEX - SELF LOCKING - 9/16-12 - ZINC
	115580-01-000	EA	STRAP - SPARE TIRE

#### WHEEL LINERS & COVERS

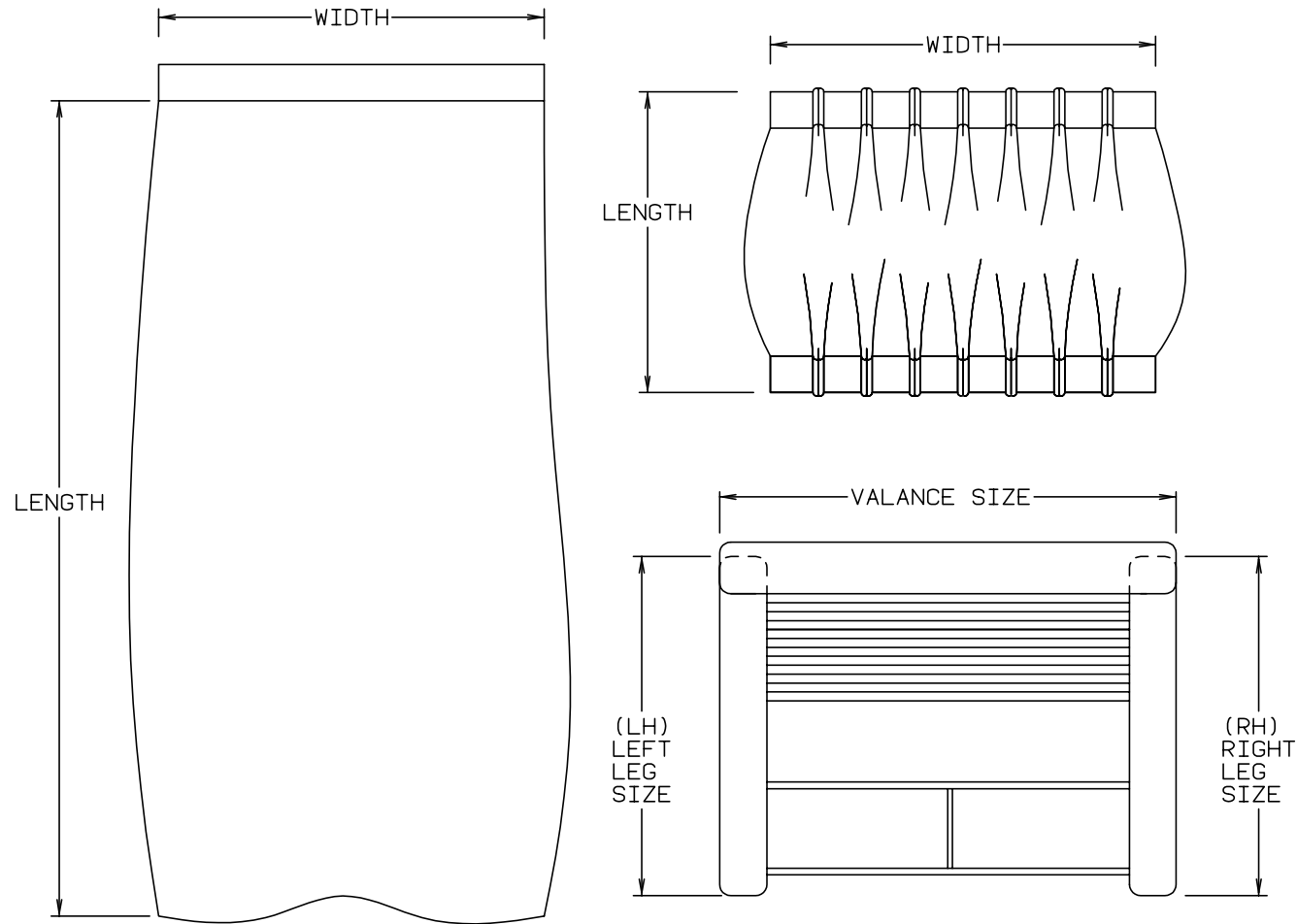
KEY	PART NUMBER	U/M	DESCRIPTION	VENDOR NO.
	110435-02-000	EA	LINER/WHEEL - SET OF 4	
	110435-01-711	EA	DECAL - CENTER CAP, 2"	
	110435-02-700	EA	LINER - WHEEL, FRONT	V160F2-FWC
	110435-02-701	EA	LINER - WHEEL, REAR	V160F2-RWC
	110435-02-702	EA	STUD EXTENDER	V160SD-STX
	110435-02-703	EA	NUT (JAMB)	V160SD-JNT
	110435-02-704	EA	COVER - LUG NUT	V160F0-LNC
	110435-02-705	EA	TOOL F/ JAMB NUT, INSTALL.	V160FO-TOL

## CURTAIN & CUSHION GROUP

### NOTICE

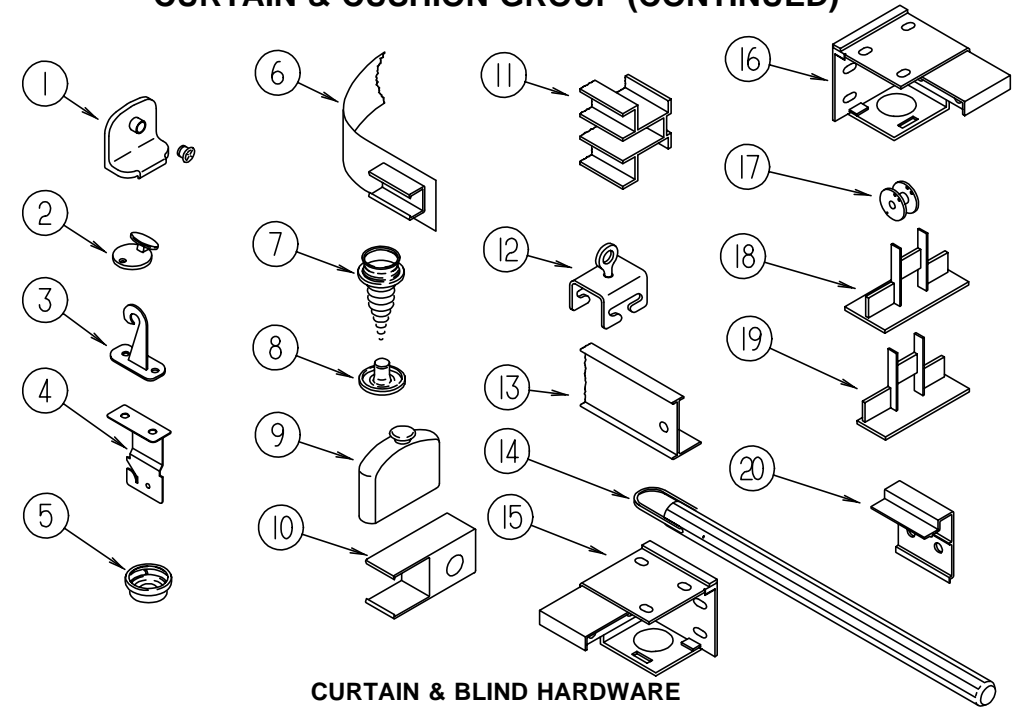
IN ORDER TO ASSIST OUR PARTS SALES DEPT. IN PROVIDING INTERIOR SOFTWARE ITEMS, PLEASE INCLUDE THE SERIAL NUMBER AND THE COLOR CODE NUMBER FROM THE VEHICLE CERTIFICATION LABEL WHEN ORDERING. THIS LABEL IS LOCATED ON THE LEFT SIDEWALL AT THE END OF THE DASH (A-BODY), OR ON THE DRIVER'S DOOR LATCH PLATE (C-BODY).

AN EXAMPLE OF A COLOR CODE NUMBER IS B07, WHICH DESIGNATES AN OVERALL COLOR SCHEME OF A PARTICULAR UNIT. THE COLOR LISTED AFTER THE ITEM DESCRIPTION ON THE MICROFICHE, INDICATES THE OVERALL UNIT COLOR. ORDER THE ITEM YOU DESIRE ACCORDING TO UNIT COLOR CODE.



NOTE: USE THIS ILLUSTRATION WHEN DETERMINING LENGTH AND WIDTH MEASUREMENTS FOR CURTAINS. YOU WILL NOTE THE WIDTH MEASUREMENT IS TAKEN ON THE TOP OF THE CURTAIN WITH THE CURTAIN FULLY EXTENDED. THE LENGTH MEASUREMENT IS TAKEN FROM TOP TO BOTTOM. LEFT AND RIGHT WINDOW LEGS ARE DETERMINED WHEN FACING THE WINDOW.

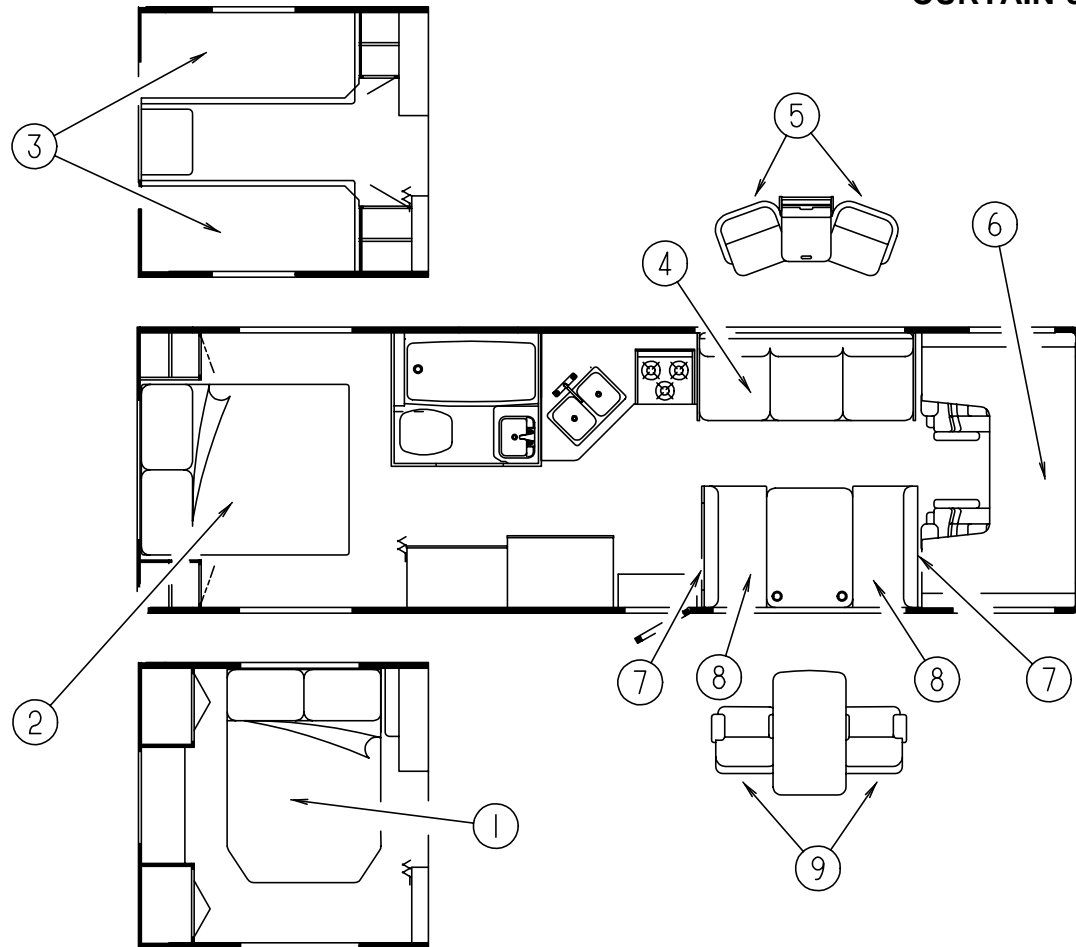
## CURTAIN & CUSHION GROUP (CONTINUED)



CURTAIN & BLIND HARDWARE

KEY	PART NUMBER	U/M	DESCRIPTION
1	106544-01-000	EA	PULL - SHADE/BRASS
	106544-01-001	EA	SCREW - SHADE/BRASS
2	102555-03-000	EA	CLEAT - BLIND CORD - MILKY WHITE PLASTIC
3	109441-03-000	EA	HOLD DOWN - BLIND (CLOUDY)
	109441-02-000	EA	HOLD DOWN - SPACER
4	084434-01-000	EA	BRACKET - MOUNTING - ROLLER SHADE - 1 3/8"
5	029156-01-000	EA	SOCKET - SNAP - 9/16" O.D.
6	101031-01-000	YD	TAPE - GLIDE/CURTAIN - 4.25" SPACING
7	029130-01-000	EA	SCREW - SNAP SOCKET - #8 PH X 5/8"
8	029155-01-000	EA	CAP - SNAP - 5/32" O.D. OF PIN
9	093475-01-701	EA	CAP - END - WITH INVERTED STUD - PAR
10	101033-02-000	EA	END CAP - TRACK/CLEAR
11	101033-04-000	EA	TRACK - WALL - 3'
11	101033-06-000	EA	TRACK - WALL - 6.5'
11	101033-07-000	EA	TRACK - WALL - 2.5'
12	009702-01-000	EA	END STOP - CURTAIN CARRIER - L ROD
13	009700-04-002	EA	TRACK - L-SHAPED 195.5" - OFF WHITE
14	093475-01-700	EA	WAND - BLIND W/METAL CLIP - 8"
15	083170-01-000	EA	BRACKET - BLIND - LEFT SIDE WHEN FACING WINDOW
16	083170-02-000	EA	BRACKET - BLIND - RIGHT SIDE WHEN FACING WINDOW
17	097592-01-000	EA	SPOOL - CORD - ELEVATED BLIND HOLDUP - CLEAR PLASTIC
18	094907-04-000	EA	HARDWARE - END CAP BOTTOM - PULL TYPE (RH & LH)
	094907-04-700	EA	END CAP - RH BOTTOM BLIND
	094907-04-701	EA	END CAP - LH BOTTOM BLIND
19	094907-02-000	EA	END CAP - TOP/PLEATED BLIND - PLASTIC - GRAY
20	097565-01-000	EA	BRACKET - MOUNTING/PLEATED BLIND
	086276-01-000	EA	TAPE - DOUBLE SIDED - 1/2"
	088792-01-000	YD	VELCRO TAPE - HOOK - 5/8" - NON-ADHESIVE BACKED
	088792-02-000	YD	VELCRO TAPE - LOOP - .75" - ADHESIVE BACKED - BEIGE
	088792-06-000	YD	VELCRO TAPE - LOOP - .75" - NON-ADHESIVE BACKED - BUFF
	094896-02-000	EA	GROMMET - CORD/PLEATED BLIND - NYLON - GRAY
	096843-01-000	EA	SPRING - REWIND/ROLLER SHADE
	097564-01-000	EA	HANDLE-T - EZ LIFT SHADE
	097591-01-000	EA	SPRING - EXTENSION/PLEATED BLIND
	075943-10-000	EA	BRACE - VALANCE - 20"
	046867-03-000	EA	GROMMET - HANDY BUTTON #3
	048394-02-000	YD	VELCRO TAPE - HOOK - ADHESIVE BACK - .75" WIDE - BEIGE
	056003-01-000	EA	BRACKET - DRAPERY RETAINING - FRONT - METAL
	056003-02-000	EA	BRACKET - DRAPERY RETAINING - REAR - METAL
	097593-02-000	FT	CORD - BLIND/PLEATED - GRAY
	105648-01-02A	EA	BRACE - VALANCE - OFF/WHITE -

## CURTAIN & CUSHION GROUP (CONTINUED)



**DOUBLE BED, BEDSPREAD, PILLOW & MATTRESS**

KEY	PART NUMBER	U/M	DESCRIPTION
1	101123-32-000	EA	MATTRESS - FOAM - 54" X 75"
1	P01123-16-000	EA	COVER - MATTRESS - W/CUT CORNER - 54" X 74" X 5"
1	123471-03-H10	EA	BEDSPREAD/THROW - 54" X 75"
1	123471-03-H11	EA	BEDSPREAD/THROW - 54" X 75"
	119555-02-H10	EA	PILLOW SHAM - 20" X 30"
	119555-02-H11	EA	PILLOW SHAM - 20" X 30"
	111862-07-H10	EA	PILLOW - 15" X 15"
	111862-07-H11	EA	PILLOW - 15" X 15"

**QUEEN BED, BEDSPREAD, PILLOW & MATTRESS**

KEY	PART NUMBER	U/M	DESCRIPTION
2	123015-06-000	EA	MATTRESS - INNERSPRING - 60" X 74.5"
2	123471-01-H10	EA	BEDSPREAD/THROW - 60" X 75"
2	123471-01-H11	EA	BEDSPREAD/THROW - 60" X 75"
	119555-01-H10	EA	PILLOW SHAM - 20" X 33"
	119555-01-H11	EA	PILLOW SHAM - 20" X 33"
	111862-07-H10	EA	PILLOW - 15" X 15"
	111862-07-H11	EA	PILLOW - 15" X 15"

**TWIN BED, BEDSPREAD, PILLOW & MATTRESS**

KEY	PART NUMBER	U/M	DESCRIPTION
3	101123-29-000	EA	MATTRESS - FOAM - 35" X 74"
3	P01123-29-000	EA	COVER - MATTRESS - 35" X 74"
3	123471-02-H10	EA	BEDSPREAD/THROW - 36" X 75"
3	123471-02-H11	EA	BEDSPREAD/THROW - 36" X 75"
	119555-03-H10	EA	PILLOW SHAM - 22" X 37"
	119555-03-H11	EA	PILLOW SHAM - 22" X 37"
	111862-07-H10	EA	PILLOW - 15" X 15"
	111862-07-H11	EA	PILLOW - 15" X 15"

### COUCH

KEY	PART NUMBER	U/M	DESCRIPTION
4	100032-43-H10	EA	SEAT - SOFA/BED W/FRAME - 74" - W/O ARMS
4	100032-43-H11	EA	SEAT - SOFA/BED W/FRAME - 74" - W/O ARMS
4	P00032-43-H10	EA	COVER - SEAT - SOFA/BED - 74" - W/O ARMS
4	P00032-43-H11	EA	COVER - SEAT - SOFA/BED - 74" - W/O ARMS
4	101085-04-000	EA	FRAME - SEAT - SOFA/BED - 74.75"
	111319-01-H10	EA	BACK - SOFA/BED - W/FRAME - 74"
	112104-01-H11	EA	BACK - COUCH/BED W/O ARMS - 74"
	P11319-01-H10	EA	COVER - BACK - SOFA/BED - 74"
	P12104-01-H11	EA	COVER - BACK - SOFA/BED - 74"
	101085-10-000	EA	FRAME - BACK - SOFA/BED - 74.75"
	101085-06-000	EA	FRAME - BASE - SOFA/BED - 74.75"
	104166-04-H10	EA	PILLOW - 14" X 14"
	104166-04-H11	EA	PILLOW - 14" X 14"
	122556-04-01A	EA	LOCK - JACK KNIFE SEAT
	113990-09-000	EA	LOCK - BRACKET - MALE FLEXSTEEL

**NOTE: COUCH FRONT AND SIDE PANELS ARE FOUND IN THE LOUNGE GROUP.**

### SWIVEL CHAIR

KEY	PART NUMBER	U/M	DESCRIPTION
5	115470-01-H10	EA	CHAIR - SWIVEL
5	115470-01-H11	EA	CHAIR - SWIVEL
	P15470-01-H10	EA	COVER - CHAIR
	P15470-01-H11	EA	COVER - CHAIR

### BUNK CUSHIONS

KEY	PART NUMBER	U/M	DESCRIPTION
6	105573-10-H10	EA	CUSHION - OVERHEAD - REAR BUNK - 27" X 23" X 80" X 5"
6	105573-10-H11	EA	CUSHION - OVERHEAD - REAR BUNK - 27" X 23" X 80" X 5"
	P05573-10-H10	EA	COVER - OVERHEAD - REAR BUNK CUSHION - 27" X 23" X 80" X 5"
	P05573-10-H11	EA	COVER - OVERHEAD - REAR BUNK CUSHION - 27" X 23" X 80" X 5"
	105573-09-H10	EA	CUSHION - OVERHEAD - FRONT BUNK - 32.5" X 80" X 5"
	105573-09-H11	EA	CUSHION - OVERHEAD - FRONT BUNK - 32.5" X 80" X 5"
	P05573-09-H10	EA	COVER - OVERHEAD - FRONT BUNK CUSHION - 32.5" X 80" X 5"
	P05573-09-H11	EA	COVER - OVERHEAD - FRONT BUNK CUSHION - 32.5" X 80" X 5"
	079145-08-000	EA	CUSHION - BUNK - 25" X 74" X 3.5" (FRONT ENTERTAINMENT CENTER)
	M79145-08-000	EA	COVER - CUSHION BUNK - 25" X 74" X 3.5" (FRONT ENTERTAINMENT CENTER)
	094658-02-F08	EA	OAK HANDLE - SALEM CHERRY

### DINETTE CUSHIONS

KEY	PART NUMBER	U/M	DESCRIPTION
7	111897-05-H10	EA	CUSHION - BACK - 13.5" X 42" X 5"
7	111897-05-H11	EA	CUSHION - BACK - 13.5" X 42" X 5"
	P11897-05-H10	EA	COVER - BACK - 13.5" X 42" X 5"
	P11897-05-H11	EA	COVER - BACK - 13.5" X 42" X 5"
8	105603-15-H10	EA	CUSHION - SEAT - 23" X 42" X 5"
8	105603-15-H11	EA	CUSHION - SEAT - 23" X 42" X 5"
	P05603-15-H10	EA	COVER - SEAT - 23" X 42" X 5"
	P05603-15-H11	EA	COVER - SEAT - 23" X 42" X 5"
	078155-01-000	EA	STRAP - SNAP - BACK CUSHION

### DINETTE CHAIRS

KEY	PART NUMBER	U/M	DESCRIPTION
9	122739-01-H10	EA	CHAIR - SWIVEL
9	122739-01-H11	EA	CHAIR - SWIVEL

### FOLDING CHAIRS

KEY	PART NUMBER	U/M	DESCRIPTION
	101604-01-02A	EA	CHAIR - FOLDING/DINETTE - W/O FABRIC
	099717-04-000	EA	STRAP - TIE DOWN W/21.3" FEMALE STRAP & 27.2" MALE STRAP

**CURTAIN & CUSHION GROUP (CONTINUED)**

**VINYL ASSIST HANDLE, BUTTONS, WELTING & SEATBELTS**

KEY	PART NUMBER	U/M	DESCRIPTION
	007021-01-000	EA	SEAT BELT - 2" X 90" - BLACK
	057759-01-000	EA	WASHER BRACKET - SEAT BELT - 4" DIAMETER
	084415-87-000	YD	TRIM - BRAID - HIGHMARK - AMBER (CORD) (H10)
	084415-88-000	YD	TRIM - BRAID - HIGHMARK - AMBER (FRINGE) (H10)
	084415-79-000	YD	TRIM - BRAID - CONSO PROD/64014-C03 SHELL (H11)
	099717-02-000	EA	STRAP - TV TIE DOWN W/29.9" FEMALE STRAP & 14.2" MALE STRP
	069178-02-000	EA	BRACKET - MOUNTING/ASSIST HANDLE
	000C16-07-16B	EA	BOLT - CARRIAGE - ASSIST HANDLE - 7/16" - 14 X 1"
	000D20-07-00B	EA	NUT - ACORN - ASSIST HANDLE - 7/16 - 14
	053552-02-AA8	EA	HANDLE - ASSIST - INTERIOR/ENTRY DOOR - VINYL/OFF WHITE
	057534-06-000	EA	TIEBACK/TIEDOWN - VINYL - 6" BEIGE

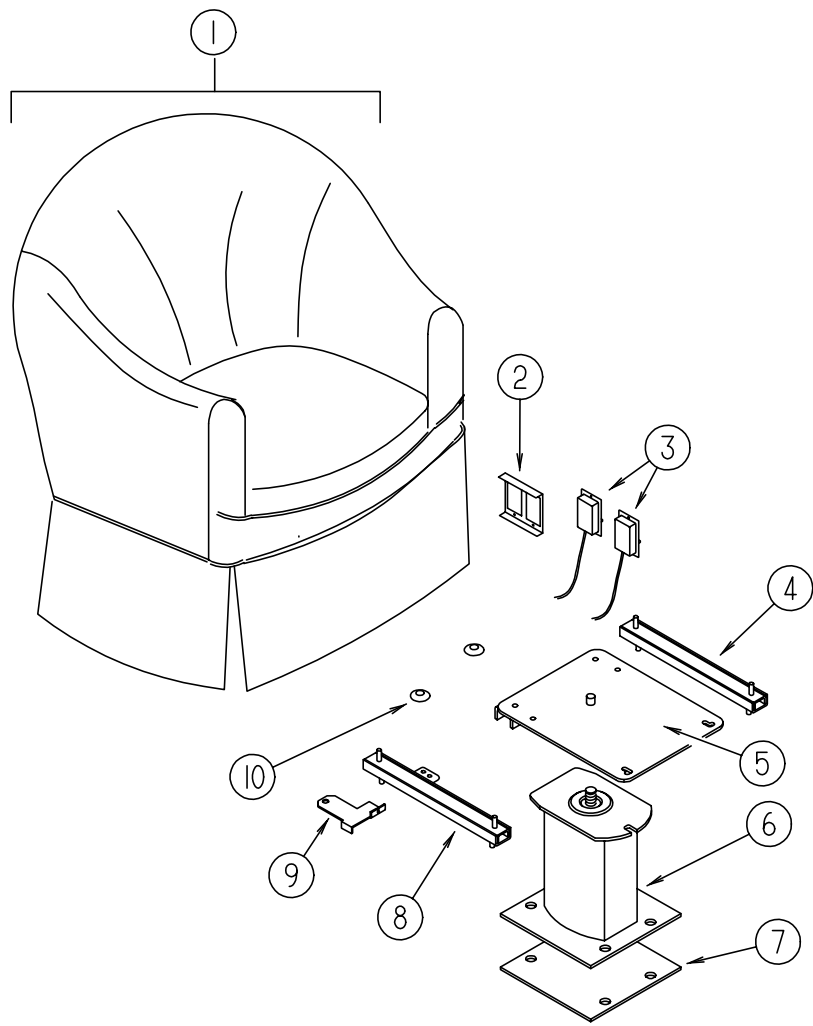
**CURTAIN & CUSHION GROUP (CONTINUED)**

**MINNIE WINNIE DL FABRICS**

Family - 400 DL's	H10 Chameleon	H11 Pasadena
<b>Bucket Seats</b>	108446-G3-000	108446-55-000
<b>Dinette</b>	108446-M8-000	108446-M9-000
<b>Dinette Pads</b>	104233-G3-000	108446-55-000
<b>Sofa</b>	108446-M8-000	108446-M9-000
<b>Swivel Chair</b>	108446-G3-000	108446-N5-000
<b>Lounge Pillow</b>	108446-G3-000	108446-N5-000
<b>Lounge Windows</b>	108446-G3-000 108446-M8-000	108446-M9-000 108446-79-000
<b>Legs</b>	105745-61-000	105745-D0-000
<b>Overhead Bunk</b>	108446-G3-000	108446-N5-000
<b>Bedroom Window</b>	105745-E9-000	105745-E8-000
<b>Bedroom Legs</b>	105745-61-000	105745-D0-000
<b>Bedroom Pillow</b>	105745-E9-000 105745-61-000	105745-E8-000 105745-D0-000
<b>Bedsread</b>	105745-E9-000 084415-87-000	105745-E8-000 084415-79-000
<b>Pillow Shams</b>	105745-E9-000 084415-87-000	105745-E8-000 084415-79-000
<b>Front Wraparound</b>	072333-85-000	072333-85-000
<b>Overhead Curtain</b>	105745-E9-000	105745-E8-000
<b>Day/Nighter</b>	094911-25-000 094911-38-000	094911-30-000 094911-26-000
<b>Ceiling Vinyl</b>	113979-01-01A	113979-01-01A

NOTE: THE FABRIC LISTED FIRST, IN A BLOCK, IS THE LARGEST QUANTITY OF FABRIC USED.

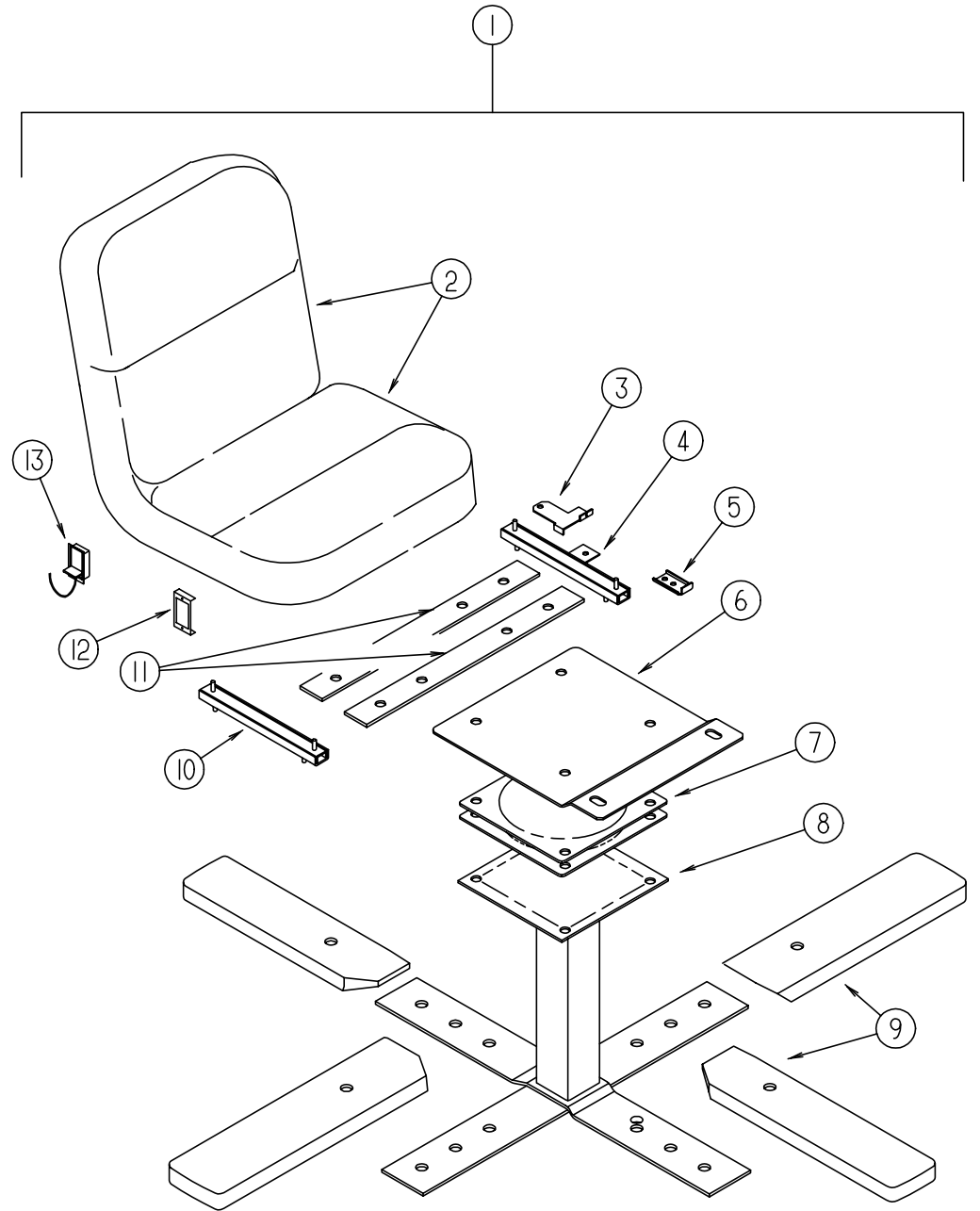
**CURTAIN & CUSHION GROUP (CONTINUED)**



**SWIVEL CHAIR**

KEY	PART NUMBER	U/M	DESCRIPTION
1	115470-01-H10	EA	CHAIR - SWIVEL
1	115470-01-H11	EA	CHAIR - SWIVEL
	P15470-01-H10	EA	COVER - CHAIR
	P15470-01-H11	EA	COVER - CHAIR
	P07977-01-H10	EA	COVER - SKIRT
	P07977-01-H11	EA	COVER - SKIRT
2	097683-02-000	EA	BRACKET - REMOTE/SIDE MOUNT - DOUBLE
3	108049-03-000	EA	CABLE/CONTROL 25.5" SHEATH/28.5" CABLE W/DOG LEG
	108049-02-000	EA	CLIP - CABLE/PEDESTAL
4	119952-01-000	EA	SLIDE/SEAT - HEAVY DUTY NON LOCKING
5	107921-08-000	EA	TOP PLATE - PEDESTAL - W/O SEAT BELT BAR
	107921-06-000	EA	BEARING KIT - PEDESTAL
6	107921-01-000	EA	PEDESTAL/FLOOR MOUNTED - W/9.75" EXTENSION
7	108445-02-000	EA	PLATE/FLOOR MOUNTED - PEDESTAL SEAT
8	119952-03-000	EA	SLIDE/SEAT - HEAVY DUTY LOCKING - 2 STUDS
9	117125-01-02B	EA	BRACKET - CABLE MOUNT - ADJUSTER W/LOCK
10	007221-01-000	EA	SPACER - SEAT/ADJUSTER
	114889-01-000	EA	STOP BAR - UNIVERSAL

**CURTAIN & CUSHION GROUP (CONTINUED)**

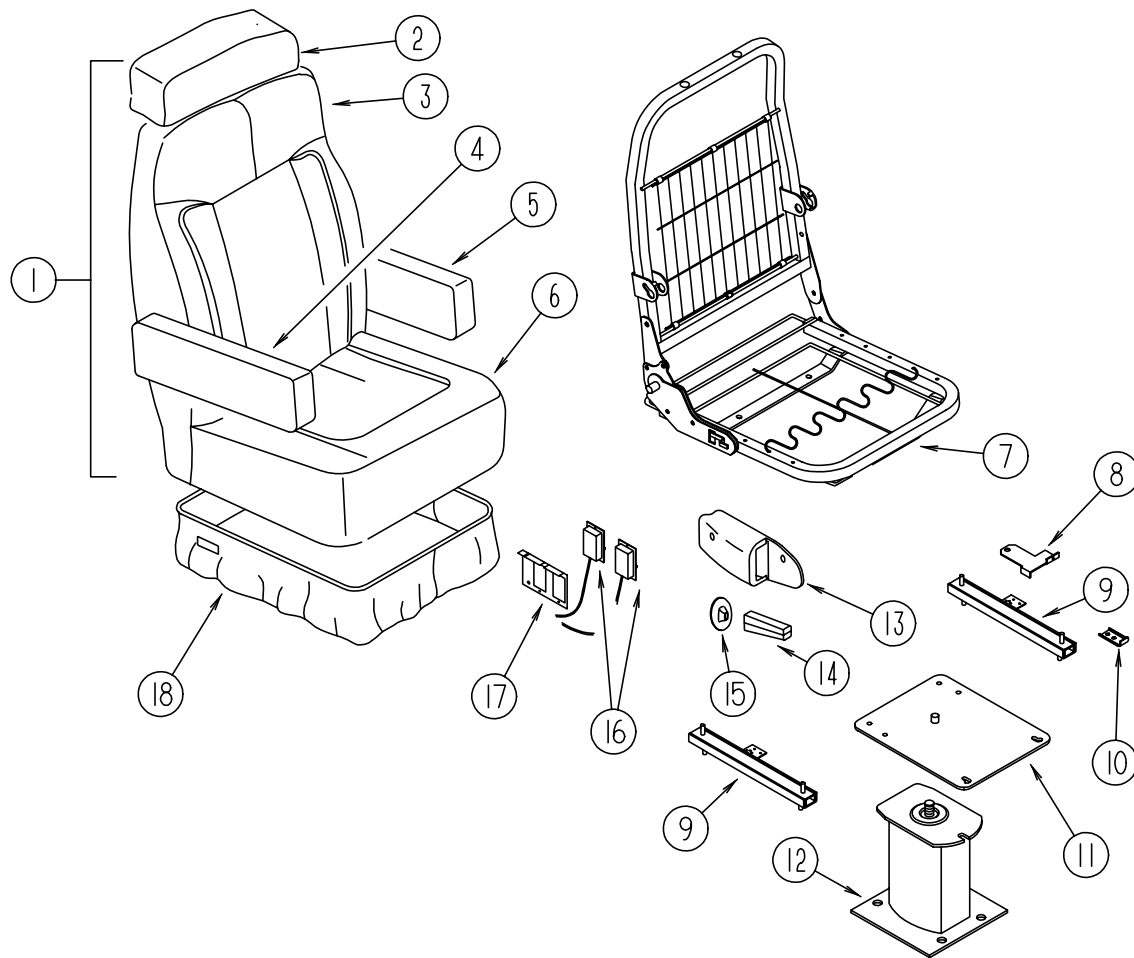


**DINETTE SWIVEL CHAIR**

KEY	PART NUMBER	U/M	DESCRIPTION
1	122739-01-H10	EA	CHAIR - SWIVEL
1	122739-01-H11	EA	CHAIR - SWIVEL
2	P22739-01-H10	EA	COVER - BACK/SEAT/SKIRT - SWIVEL CHAIR
2	P22739-01-H11	EA	COVER - BACK/SEAT/SKIRT - SWIVEL CHAIR
3	117125-01-02B	EA	BRACKET - CABLE MOUNT - ADJUSTER W/LOCK
4	119952-04-000	EA	SLIDE/SEAT - HEAVY DUTY LOCKING - 4 STUDS
5	114889-01-000	EA	STOP BAR - UNIVERSAL
6	119705-11-02B	EA	PLATE - SEAT
7	119105-01-000	EA	PLATE - SWIVEL - RETURN-0-MATIC
8	119705-02-03B	EA	PEDESTAL
9	116080-02-G35	EA	COVER - CHAIR LEG
10	119952-02-000	EA	SLIDE/SEAT - HEAVY DUTY NON LOCKING
11	120109-01-02B	EA	ADAPTER BRACKET - DINETTE SWIVEL CHAIR
12	097683-03-000	EA	BRACKET - REMOTE/SIDE MOUNT - SINGLE
13	108049-03-000	EA	CABLE/CONTROL 25.5" SHEATH/28.5" CABLE W/DOG LEG
	108049-02-000	EA	CLIP - CABLE/PEDESTAL

## CURTAIN & CUSHION GROUP (CONTINUED)

**BUCKET SEATS**  
(FROM: 00-00-00 THRU: 10-13-96)

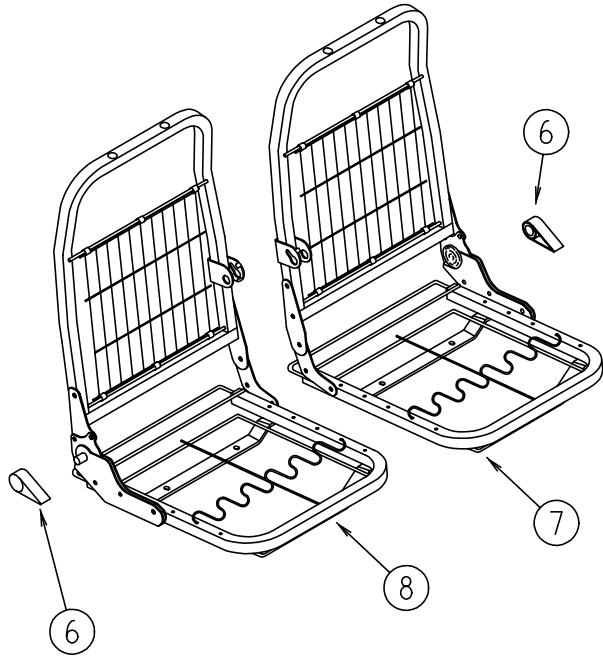
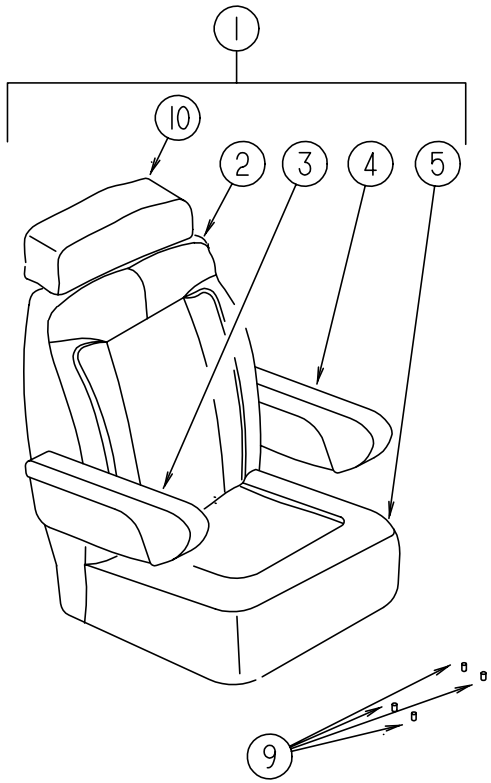


KEY	PART NUMBER	U/M	DESCRIPTION
1	122738-03-H10	EA	SEAT - BUCKET - DRIVER - W/HEADREST/ARMRESTS
1	122738-03-H11	EA	SEAT - BUCKET - DRIVER - W/HEADREST/ARMRESTS
2	119509-01-H10	EA	HEADREST - BUCKET SEAT
2	119509-01-H11	EA	HEADREST - BUCKET SEAT
2	P19509-01-H10	EA	COVER - HEADREST
2	P19509-01-H11	EA	COVER - HEADREST
	113977-12-000	EA	HEADREST INSERT - W/O LOCK
	113977-13-000	EA	HEADREST INSERT - W/ LOCK
3	M05962-41-H10	EA	COVER - BUCKET BACK, 530 NARROW
3	M05962-41-H11	EA	COVER - BUCKET BACK - 530 NARROW
4	122780-01-H10	EA	ARMREST - RIGHT HAND
4	122780-01-H11	EA	ARMREST - RIGHT HAND
4	P22780-01-H10	EA	COVER - ARMREST - RIGHT HAND
4	P22780-01-H11	EA	COVER - ARMREST - RIGHT HAND
4	115617-03-000	EA	ARMREST - W/O COVER - RIGHT HAND
5	122780-02-H10	EA	ARMREST - LEFT HAND
5	122780-02-H11	EA	ARMREST - LEFT HAND
5	P22780-02-H10	EA	COVER - ARMREST - LEFT HAND
5	P22780-02-H11	EA	COVER - ARMREST - LEFT HAND
5	115617-04-000	EA	ARMREST - W/O COVER - LEFT HAND
6	M05962-42-H10	EA	COVER - SEAT
6	M05962-42-H11	EA	COVER - SEAT
7	122695-02-01B	EA	FRAME - SEAT/BACK
8	117125-01-02B	EA	BRACKET-CABLE HOLDER - E-COAT
9	119952-06-000	EA	SLIDE/SEAT - HEAVY DUTY LOCKING - 4 STUDS
9	119952-07-000	EA	WIRE - LATCH RELEASE/ROTARY
10	114889-01-000	EA	STOP BAR-UNIVERSAL - SHROCK
11	107921-08-000	EA	TOP PLATE - PEDESTAL - W/O SEAT BELT BAR
	107921-06-000	EA	BEARING KIT - PEDESTAL
12	107921-09-000	EA	PEDESTAL - SEAT - FORD
13	080730-09-000	EA	SHIELD SCREW-FLEXSTEEL
	000G39-10-12D	EA	SHIELD SCREW
14	080730-08-000	EA	HANDLE - RECLINER - BLACK
15	080730-11-000	EA	SHIELD - RUBBER BOOT
16	108049-03-000	EA	CABLE - 26" Z END CABLE
	108049-02-000	EA	CLIP-CABLE - PEDESTAL - FLEXSTEEL 2592-CA
17	097683-02-000	EA	BRACKET - REMOTE/SIDE MOUNT - DOUBLE
18	071126-42-H10	EA	SKIRT - 7" - W/OPEN BACK CORNERS (H10)
18	071126-42-E22	EA	SKIRT - W/OPEN BACK CORNERS - 7" (H11)
	089323-01-000	FT	STRIP-POLYENTHYLENE - J-CHANNEL FLEX-O-LATORS



## CURTAIN & CUSHION GROUP (CONTINUED)

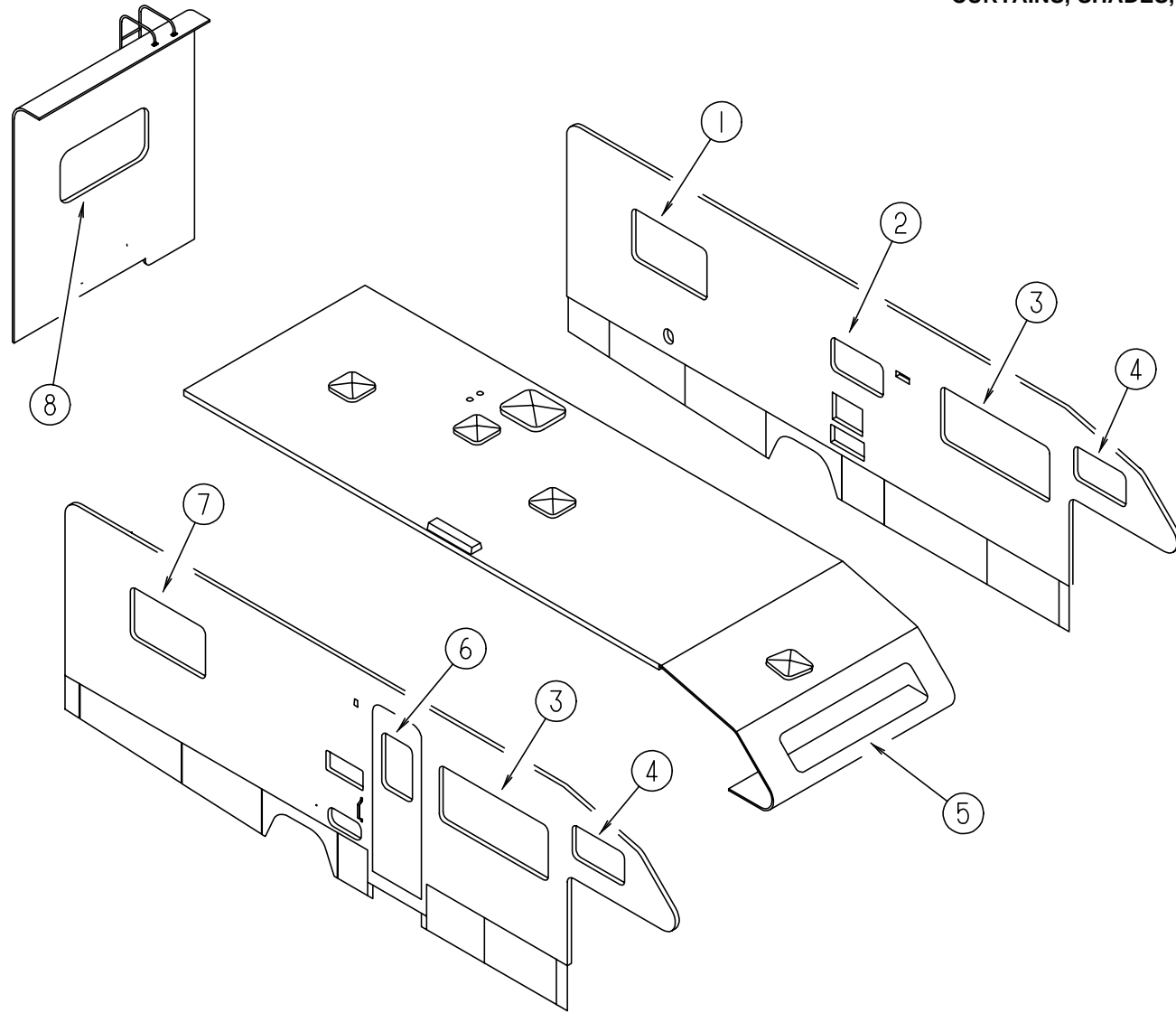
**BUCKET SEATS**  
(FROM: 10-14-96 THRU: 99-99-99)



KEY	PART NUMBER	U/M	DESCRIPTION
1	122738-04-H10	EA	SEAT - BUCKET/PASSENGER - W/HEADREST/LEFT ARMREST
1	122738-04-H11	EA	SEAT - BUCKET/PASSENGER - W/HEADREST/LEFT ARMREST
1	122738-05-H10	EA	SEAT - BUCKET/DRIVER - W/HEADREST/RIGHT ARMREST
1	122738-05-H11	EA	SEAT - BUCKET/DRIVER - W/HEADREST/RIGHT ARMREST
2	M05962-59-H10	EA	COVER - BACK
2	M05962-59-H11	EA	COVER - BACK
3	122780-01-H10	EA	ARMREST - RIGHT HAND
3	122780-01-H11	EA	ARMREST - RIGHT HAND
3	P22780-01-H10	EA	COVER - ARMREST - RIGHT HAND
3	P22780-01-H11	EA	COVER - ARMREST - RIGHT HAND
3	115617-03-000	EA	ARMREST - W/O COVER - RIGHT HAND
4	122780-02-H10	EA	ARMREST - LEFT HAND
4	122780-02-H11	EA	ARMREST - LEFT HAND
4	P22780-02-H10	EA	COVER - ARMREST - LEFT HAND
4	P22780-02-H11	EA	COVER - ARMREST - LEFT HAND
4	115617-04-000	EA	ARMREST - W/O COVER - LEFT HAND
5	M05962-60-H10	EA	COVER - SEAT
5	M05962-60-H11	EA	COVER - SEAT
6	125229-03-000	EA	KNOB - RECLINING
7	125229-02-000	EA	FRAME - SEAT - PASSENGER - W/LEFT ARMREST BRACKET
8	125229-01-000	EA	FRAME - SEAT - DRIVER - W/RIGHT ARMREST BRACKET
9	125229-05-000	EA	PAL NUT
10	119509-01-H10	EA	HEADREST - BUCKET SEAT
10	119509-01-H11	EA	HEADREST - BUCKET SEAT
10	P19509-01-H10	EA	COVER - HEADREST
10	P19509-01-H11	EA	COVER - HEADREST
	113977-12-000	EA	HEADREST INSERT - W/O LOCK
	113977-13-000	EA	HEADREST INSERT - W/ LOCK

# CURTAIN & CUSHION GROUP (CONTINUED)

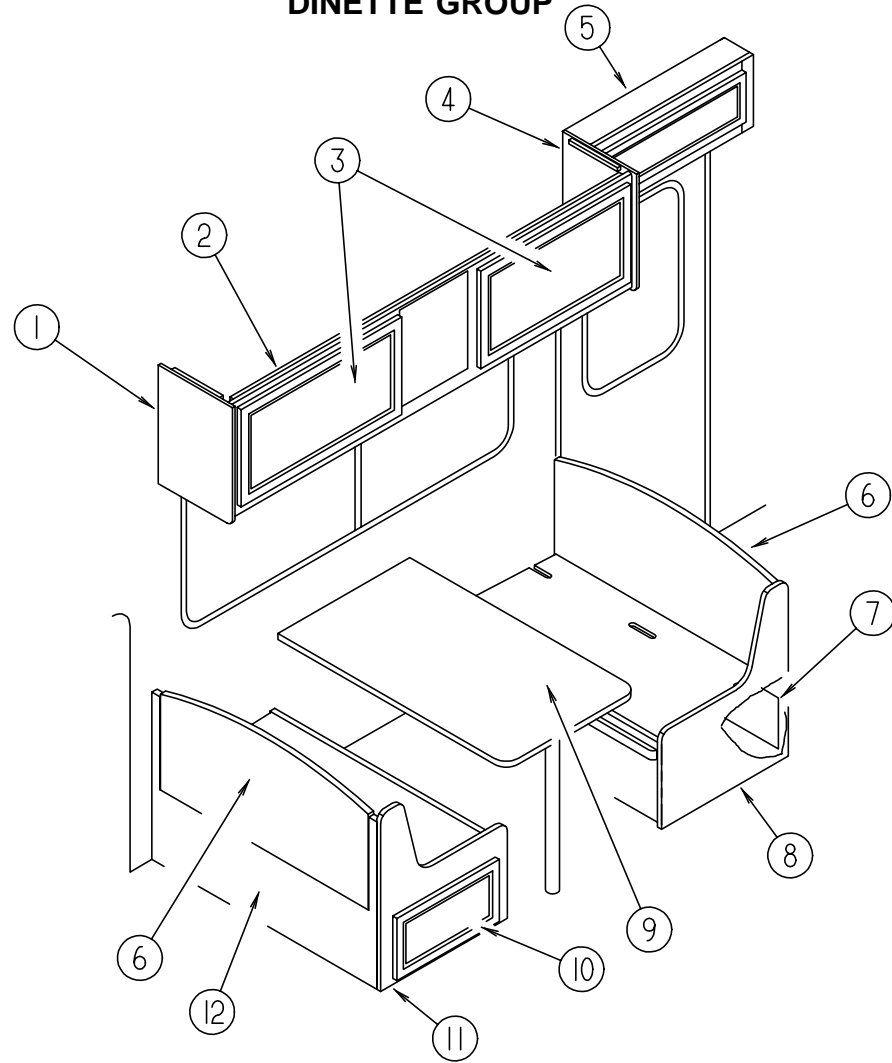
## CURTAINS, SHADES, VALANCES & BLINDS



KEY	PART NUMBER	U/M	DESCRIPTION
1	119299-14-H10	EA	VALANCE - WHITNEY - 45" (QUEEN BED)
1	119299-14-H11	EA	VALANCE - WHITNEY - 45" (QUEEN BED)
1	119299-13-H10	EA	VALANCE - WHITNEY - 53" (TWIN, DOUBLE BED)
1	119299-13-H11	EA	VALANCE - WHITNEY - 53" (TWIN, DOUBLE BED)
1	119333-61-H10	EA	LEG - RIGHT - 28"
1	119333-59-H11	EA	LEG - RIGHT - 28"
1	119333-62-H10	EA	LEG - LEFT - 28"
1	119333-60-H11	EA	LEG - LEFT - 28"
1	111910-25-H10	EA	BLIND - DAY/NIGHTER - 41" X 28.5" (QUEEN BED) (H10)
1	111910-25-H11	EA	BLIND - DAY/NIGHTER - 41" X 28.5" (QUEEN BED) (H11)
			FROM: 00-00-00 THRU: 10-27-96
1	111910-25-HA3	EA	BLIND - DAY/NIGHTER - 41" X 28.5" (QUEEN BED) (H11)
			FROM: 10-28-96 THRU: 99-99-99
1	111910-19-H10	EA	BLIND - DAY/NIGHTER - 50" X 28" (TWIN, DOUBLE BED) (H10)
1	111910-19-H11	EA	BLIND - DAY/NIGHTER - 50" X 28" (TWIN, DOUBLE BED) (H11)
			FROM: 00-00-00 THRU: 10-27-96
1	111910-19-HA3	EA	BLIND - DAY/NIGHTER - 50" X 28" (TWIN, DOUBLE BED) (H11)
			FROM: 10-28-96 THRU: 99-99-99

KEY	PART NUMBER	U/M	DESCRIPTION
2	109041-43-01A	EA	BLIND - MINI - 27" X 20" (H10)
2	109041-43-02A	EA	BLIND - MINI - 27" X 20" (H11)
2	109353-08-01A	EA	BLIND - SLAT - 28" (H10)
2	109353-08-02A	EA	BLIND - SLAT - 28" (H11)
2	109353-04-000	EA	CLIP - VALANCE SLAT MOUNTING - CLEAR PLASTIC
3	111858-15-H10	EA	LAMBREQUIN - WINDSOR - 63.5"
3	111858-33-H11	EA	LAMBREQUIN - WINDSOR - 63.5"
3	111910-22-GB1	EA	BLIND - DAY/NIGHTER - 60" X 28.5" (H10)
3	111910-22-H11	EA	BLIND - DAY/NIGHTER - 60" X 28.5" (H11)
			FROM: 00-00-00 THRU: 10-27-96
3	111910-22-HA3	EA	BLIND - DAY/NIGHTER - 60" X 28.5" (H11)
			FROM: 10-28-96 THRU: 99-99-99
4	101034-51-H10	EA	CURTAIN - RIGHT HAND - 19" X 34"
4	101034-51-H11	EA	CURTAIN - RIGHT HAND - 19" X 34"
4	101034-52-H10	EA	CURTAIN - LEFT HAND - 19" X 34"
4	101034-52-H11	EA	CURTAIN - LEFT HAND - 19" X 34"
5	101034-33-H10	EA	CURTAIN - RIGHT HAND - 21" X 60"
5	101034-33-H11	EA	CURTAIN - RIGHT HAND - 21" X 60"
5	101034-34-H10	EA	CURTAIN - LEFT HAND - 21" X 60"
5	101034-34-H11	EA	CURTAIN - LEFT HAND - 21" X 60"
6	119262-35-H10	EA	VALANCE - MONACO - 11" X 31.75"
6	119262-34-H11	EA	VALANCE - MONACO - 11" X 31.75"
6	084755-57-E07	EA	SHADE - PULL - 27.25"
7	119299-14-H10	EA	VALANCE - WHITNEY - 45" (QUEEN BED)
7	119299-14-H11	EA	VALANCE - WHITNEY - 45" (QUEEN BED)
7	119299-13-H10	EA	VALANCE - WHITNEY - 53" (TWIN, DOUBLE BED)
7	119299-13-H11	EA	VALANCE - WHITNEY - 53" (TWIN, DOUBLE BED)
7	119333-61-H10	EA	LEG - RIGHT - 28"
7	119333-59-H11	EA	LEG - RIGHT - 28"
7	119333-62-H10	EA	LEG - LEFT - 28"
7	119333-60-H11	EA	LEG - LEFT - 28"
7	111910-25-H10	EA	BLIND - DAY/NIGHTER - 41" X 28.5" (QUEEN BED) (H10)
7	111910-25-H11	EA	BLIND - DAY/NIGHTER - 41" X 28.5" (QUEEN BED) (H11)
			FROM: 00-00-00 THRU: 10-27-96
7	111910-25-HA3	EA	BLIND - DAY/NIGHTER - 41" X 28.5" (QUEEN BED) (H11)
			FROM: 10-28-96 THRU: 99-99-99
7	111910-19-H10	EA	BLIND - DAY/NIGHTER - 50" X 28" (TWIN, DOUBLE BED) (H10)
7	111910-19-H11	EA	BLIND - DAY/NIGHTER - 50" X 28" (TWIN, DOUBLE BED) (H11)
			FROM: 00-00-00 THRU: 10-27-96
7	111910-19-HA3	EA	BLIND - DAY/NIGHTER - 50" X 28" (TWIN, DOUBLE BED) (H11)
			FROM: 10-28-96 THRU: 99-99-99
8	119299-13-H10	EA	VALANCE - WHITNEY - 53"
8	119299-13-H11	EA	VALANCE - WHITNEY - 53"
8	119333-61-H10	EA	LEG - RIGHT - 28"
8	119333-59-H11	EA	LEG - RIGHT - 28"
8	119333-62-H10	EA	LEG - LEFT - 28"
8	119333-60-H11	EA	LEG - LEFT - 28"
8	111910-19-H10	EA	BLIND - DAY/NIGHTER - 50" X 28"
8	111910-19-H11	EA	BLIND - DAY/NIGHTER - 50" X 28"
			FROM: 00-00-00 THRU: 10-27-96
8	111910-19-HA3	EA	BLIND - DAY/NIGHTER - 50" X 28"
			FROM: 10-28-96 THRU: 99-99-99
	093487-10-01A	EA	CURTAIN - PLEATED 31" X 100" - BUNK PRIVACY
	076892-23-G07	EA	CURTAIN - 44" X 80"

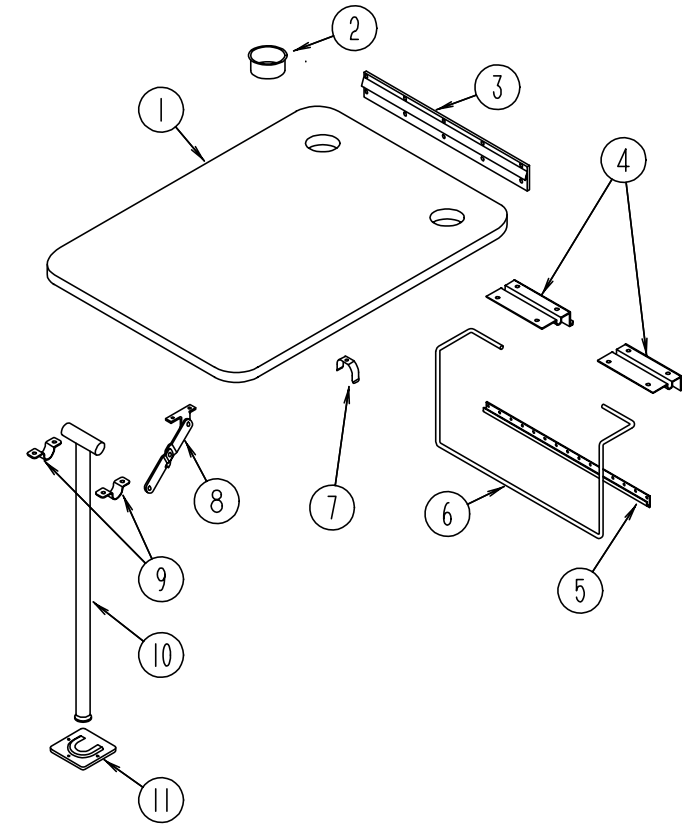
## DINETTE GROUP



### DINETTE CABINETS

KEY	PART NUMBER	U/M	DESCRIPTION
1	109908-08-F08	EA	END CAP - OVERHEAD CABINET
2	124526-01-H10	EA	CABINET - OVERHEAD FRONT - W/O DOORS/HARDWARE
2	124526-01-H11	EA	CABINET - OVERHEAD FRONT - W/O DOORS/HARDWARE
3	M06803-B1-H10	EA	DOOR - MITERED CORNERS/OGEE EDGE - 15.7" X 20.4" - W/O HARDWARE
4	109908-09-F08	EA	END CAP - OVERHEAD CABINET
5	112964-05-J05	EA	CABINET - OVERHEAD ENTRANCE - W/O DOORS/HARDWARE
6	111338-06-H10	EA	PAD - DINETTE SEATBACK (H10) (2 USED)
6	111338-06-E22	EA	PAD - DINETTE SEATBACK (H11) (2 USED)
6	M08123-03-G07	EA	CABINET - SEATBACK - RIGHT HAND - W/O HARDWARE
7	M06803-T6-H10	EA	DOOR - MITERED CORNER/OGEE EDGE - 10.02" X 29.5" - W/O HARDWARE
8	M08122-03-H10	EA	CABINET - SEATBASE - RIGHT HAND - W/END CAP - W/O DOOR/HARDWARE
	081295-04-G04	EA	SUPPORT - BED/DINETTE - 40" LONG
9	081322-16-H10	EA	TABLE TOP ONLY (H10)
9	081322-16-G07	EA	TABLE TOP ONLY (H11)
10	M06803-T5-H10	EA	DOOR - MITERED CORNER/OGEE EDGE - 10" X 19.1" - W/O HARDWARE
11	M08122-04-H10	EA	CABINET - SEATBASE - LEFT HAND - W/END CAP - W/O DOOR/HARDWARE
	081295-04-G04	EA	SUPPORT - BED/DINETTE - 40" LONG
12	M08123-04-H10	EA	CABINET - SEATBACK - LEFT HAND - W/O HARDWARE
	101222-01-02A	EA	BRACKET - CATCH - LID - OFF WHITE
	P14437-02-000	EA	CABINET - LID ENTRANCE DOOR - W/O CARPET

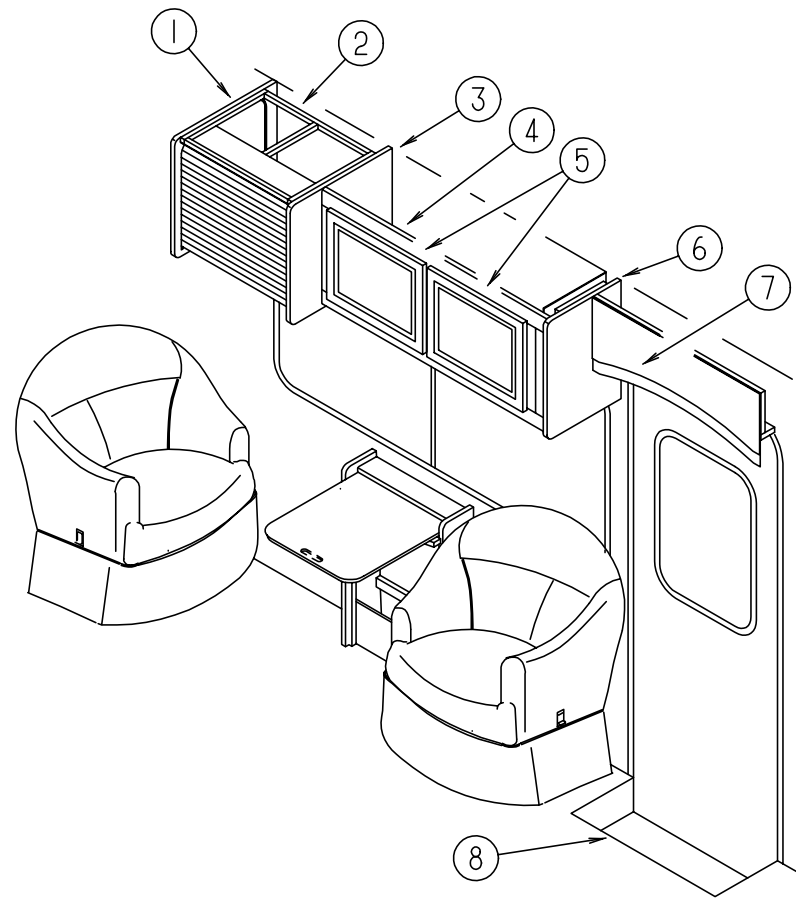
## DINETTE GROUP (CONTINUED)



### DINETTE TABLE

KEY	PART NUMBER	U/M	DESCRIPTION
1	081322-16-H10	EA	TABLE TOP ONLY (H10)
1	081322-16-G07	EA	TABLE TOP ONLY (H11)
2	064781-06-000	EA	HOLDER - CUP - TWO STEP - OFF WHITE
3	053200-12-000	EA	BRACKET - TABLE SUPPORT - UPPER WALL MOUNTED 23.50"
4	088410-02-000	EA	BRACKET - LIFT - TABLE MOUNTED
5	024281-14-000	EA	BRACKET - LIFT ROD/LOWER WALL MOUNTED - 22.12"
6	024275-12-000	EA	ROD - TABLE LIFT
7	024283-01-000	EA	CLIP - LEG - 1" - 1.125" OD - BLACK
8	024282-01-000	EA	BRACE - TABLE LEG - HINGED
9	064050-05-000	EA	HINGE - TABLE LEG - OFF WHITE
10	024276-23-000	EA	LEG - TABLE - METAL - OFF WHITE
11	049493-12-000	EA	CATCH - LEG/FLOOR MOUNTED - 2.5" X 2.7" - OFF WHITE
11	049493-11-700	EA	CATCH-TABLE LEG, E-COAT

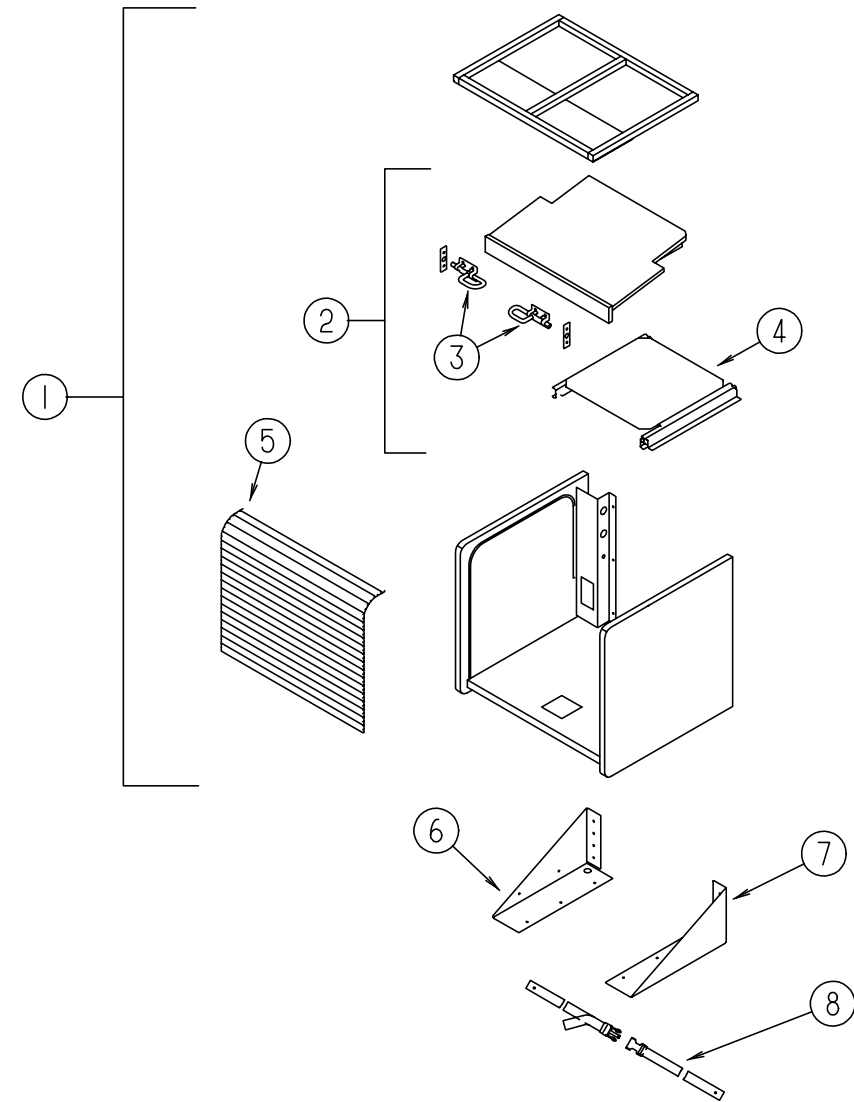
### DINETTE GROUP (CONTINUED)



**PASSENGER SIDE LOUNGE WITH CHAIR**

KEY	PART NUMBER	U/M	DESCRIPTION
1	121877-14-H10	EA	END CAP
2	M08163-01-H10	EA	CABINET - TV/VCP - W/O SHELF/SLIDES/SWIVEL - W/TAMBOUR DOOR
2	M08163-02-H10	EA	CABINET - TV/VCP - W/SHELF/SLIDES/SWIVEL/TAMBOUR DOOR
3	121877-15-H10	EA	END CAP
4	124527-01-H10	EA	CABINET - OVERHEAD FRONT - W/O DOORS/HARDWARE
5	M06803-Y1-H10	EA	DOOR - MITERED CORNER/OGEE EDGE - 14.3" X 17.9" - W/O HARDWARE
6	109908-09-F08	EA	END CAP - OVERHEAD CABINET
7	112964-05-J05	EA	CABINET - OVERHEAD ENTRANCE - W/O DOORS/HARDWARE
8	101222-01-02A	EA	BRACKET - CATCH - LID - OFF WHITE
8	P14437-02-000	EA	CABINET - LID ENTRANCE DOOR - W/O CARPET

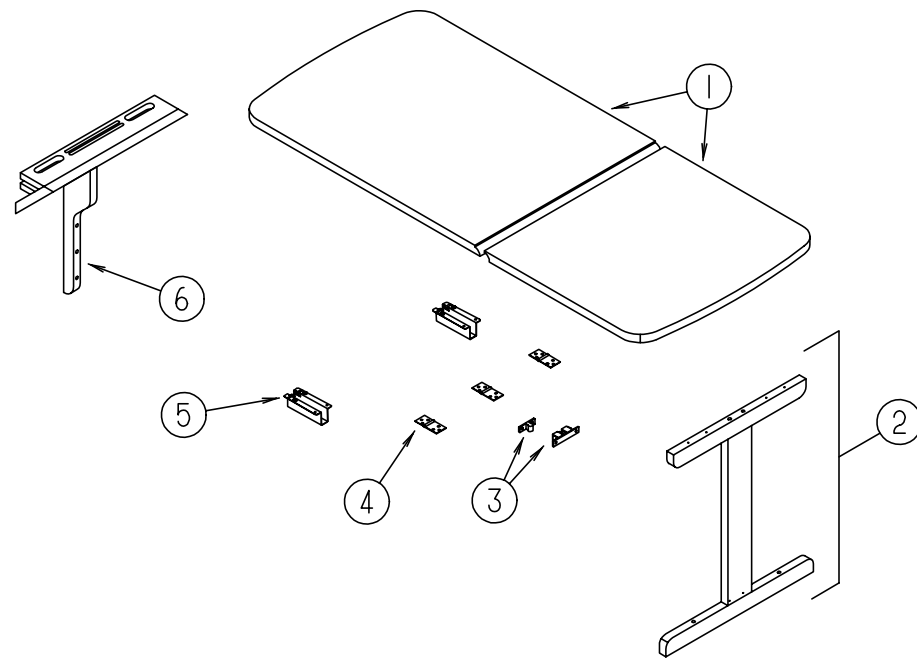
### DINETTE GROUP (CONTINUED)



**PASSENGER SIDE TV CABINET**

KEY	PART NUMBER	U/M	DESCRIPTION
1	M08163-01-H10	EA	CABINET - TV/VCP - W/O SHELF/SLIDES/SWIVEL - W/TAMBOUR DOOR
1	M08163-02-H10	EA	CABINET - TV/VCP - W/SHELF/SLIDES/SWIVEL/TAMBOUR DOOR
2	121877-11-H10	EA	SHELF - W/SLIDE AND SWIVEL
3	103256-01-000	EA	LATCH - SLIDE
4	116773-02-000	EA	SWIVEL/SLIDES - F/TV SHELF
5	121877-20-H04	EA	DOOR-TAMBOUR
6	122298-03-02B	EA	BRACKET - TV/VCR - RIGHT HAND
7	122298-02-02B	EA	BRACKET - TV/VCR - LEFT HAND
8	099717-04-000	EA	STRAP - TIE DOWN W/21.3" FEMALE STRAP & 27.2" MALE STRAP

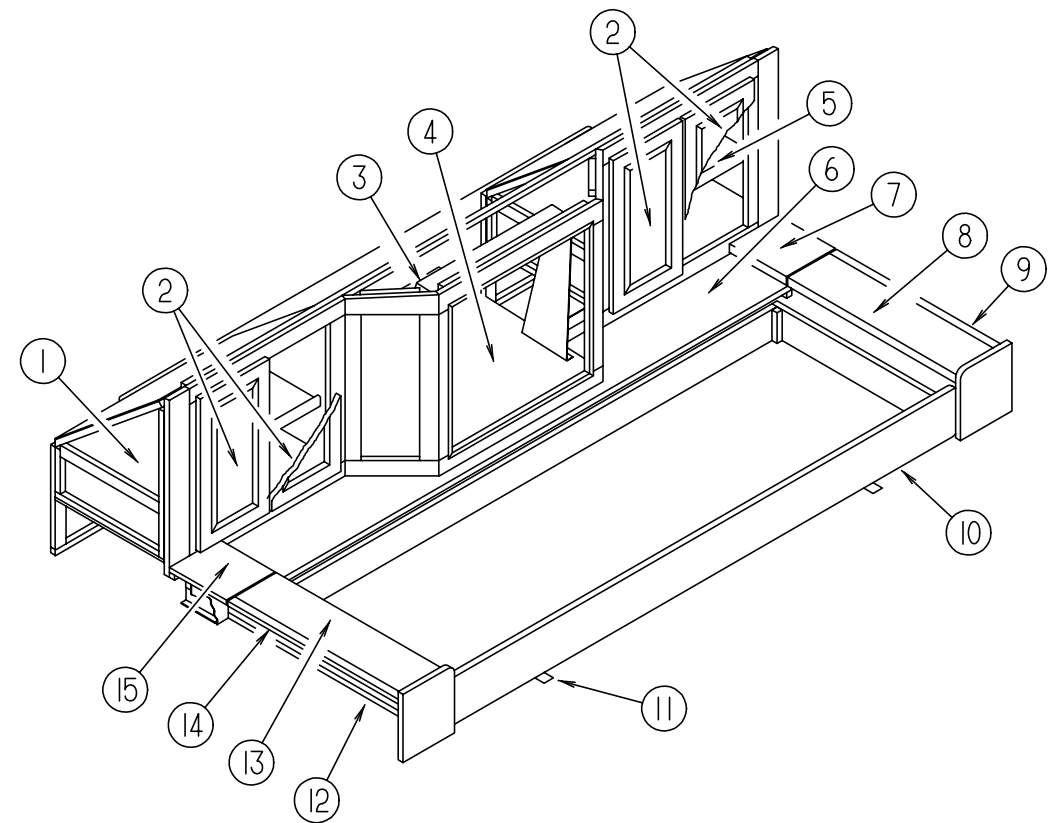
## DINETTE GROUP (CONTINUED)



### FOLDOUT TABLE

KEY	PART NUMBER	U/M	DESCRIPTION
1	120898-21-H10	EA	TABLE TOP - DROP LEAF (H10)
1	120898-21-G07	EA	TABLE TOP - DROP LEAF (H11)
2	120898-26-H10	EA	LEG - W/O HARDWARE
3	084451-01-000	EA	CATCH - BRASS
4	120972-01-01A	EA	HINGE - TABLE/DROP LEAF
5	120973-01-000	EA	SUPPORT - TABLE/DROP LEAF - PAIR
6	120898-25-H10	EA	MOUNT - WALL - DROP LEAF TABLE

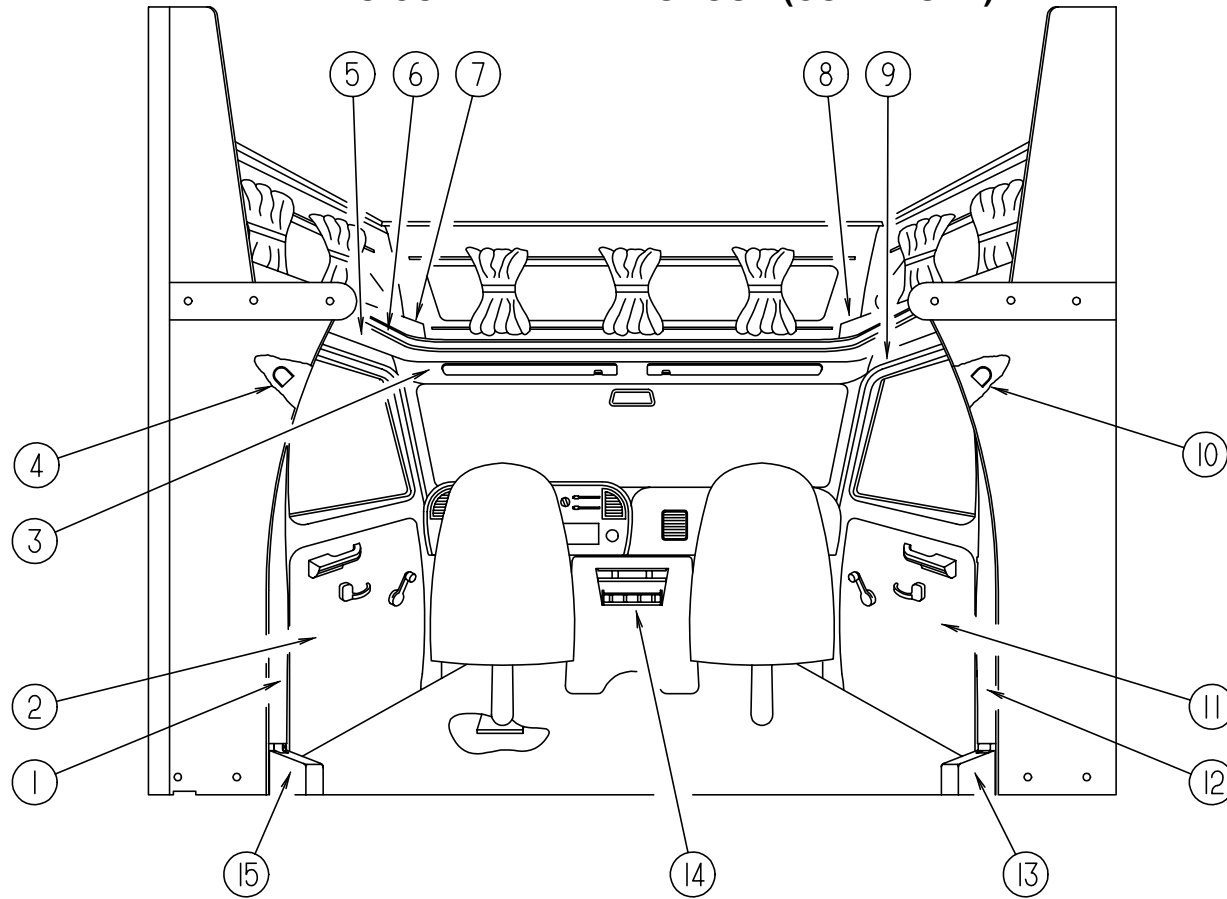
## DRIVERS COMPARTMENT GROUP



### FRONT ENTERTAINMENT CENTER

KEY	PART NUMBER	U/M	DESCRIPTION
1	113156-02-F08	EA	CABINET-ENTERTAINMENT CTR-W/SHELF-DRIVER SIDE-W/O DOOR/HDW
2	M06803-F1-F08	EA	DOOR - MITERED CORNER/OGEE EDGE - 10.6" X 19.9" - W/O HARDWARE
3	110790-02-000	EA	BRACKET - TV TIEDOWN
4	111356-01-G07	EA	SHELF - TV
5	113156-01-F08	EA	CABINET - ENTERTAINMENT CENTER W/SHELF - W/O DOORS/HARDWARE
6	121563-01-H10	EA	FACE - ENTERTAINMENT CENTER - W/O HARDWARE
7	113155-11-F02	EA	COUNTERTOP - ENTERTAINMENT CENTER STORAGE (H10)
7	113155-11-H11	EA	COUNTERTOP - ENTERTAINMENT CENTER STORAGE (H11)
8	113155-12-G24	EA	COUNTERTOP - ENTERTAINMENT CENTER STORAGE (H10)
8	113155-12-H11	EA	COUNTERTOP - ENTERTAINMENT CENTER STORAGE (H11)
9	113155-21-F02	EA	COUNTERTOP - ENTERTAINMENT CENTER (H10)
9	113155-21-F09	EA	COUNTERTOP - ENTERTAINMENT CENTER (H11)
10	113155-01-H10	EA	CABINET/STORAGE - RIGHT END - W/FLIP UP COUNTERTOP
10	113155-01-H11	EA	CABINET/STORAGE - RIGHT END - W/FLIP UP COUNTERTOP
11	100847-01-H10	EA	DRAWER - ENTERTAINMENT CENTER - W/O HARDWARE (H10)
11	100847-01-F09	EA	DRAWER - ENTERTAINMENT CENTER - W/O HARDWARE (H11)
12	093673-01-01A	FT	TRIM/MOLDING - 1.4" WIDE X 8' LONG
13	113155-02-H10	EA	CABINET/STORAGE - FLIP UP - W/FLIP UP COUNTERTOP
13	113155-02-H11	EA	CABINET/STORAGE - FLIP UP - W/FLIP UP COUNTERTOP
14	113155-18-G24	EA	COUNTERTOP - ENTERTAINMENT CENTER (H10)
14	113155-18-H11	EA	COUNTERTOP - ENTERTAINMENT CENTER (H11)
15	113155-19-F02	EA	COUNTERTOP - ENTERTAINMENT CENTER (H10)
15	113155-19-H11	EA	COUNTERTOP - ENTERTAINMENT CENTER (H11)
	106699-01-01A	EA	BRACKET - OVERHEAD CABINET/TV
	099717-02-000	EA	STRAP - TV TIE DOWN W/29.9" FEMALE STRAP & 14.2" MALE STRP

**DRIVERS COMPARTMENT GROUP (CONTINUED)**



**DRIVERS COMPARTMENT**

KEY	PART NUMBER	U/M	DESCRIPTION
1	106446-02-C03	EA	TRIM - CAB B-PILLAR - DRIVERS SIDE FROM: 00-00-00 THRU: 10-13-96
1	125031-02-G04	EA	TRIM - CAB B-PILLAR - DRIVERS SIDE FROM: 10-14-96 THRU: 12-13-96
1	125031-02-H04	EA	TRIM - CAB B-PILLAR - DRIVERS SIDE FROM: 12-14-96 THRU: 99-99-99
2	109573-02-H10	EA	PANEL - DOOR/DRIVER - FORD
2	109573-02-H11	EA	PANEL - DOOR/DRIVER - FORD
3	106448-01-C03	EA	HEADLINER - W/VINYL FROM: 00-00-00 THRU: 10-13-96
3	106448-01-C52	EA	HEADLINER - W/VINYL FROM: 10-14-96 THRU: 12-13-96
3	106448-01-H04	EA	HEADLINER - W/VINYL FROM: 12-14-96 THRU: 99-99-99
4	115038-02-01A	EA	COVER - SEAT BELT UPPER LEFT HAND FROM: 00-00-00 THRU: 10-13-96
5	106447-02-C03	EA	TRIM - CAB DOOR - UPPER - DRIVERS SIDE FROM: 00-00-00 THRU: 10-13-96
5	106447-02-C52	EA	TRIM - CAB DOOR - UPPER - DRIVERS SIDE FROM: 10-14-96 THRU: 12-13-96
5	106447-02-H04	EA	TRIM - CAB DOOR - UPPER - DRIVERS SIDE FROM: 12-14-96 THRU: 99-99-99
6	119520-01-01A	FT	MOLDING-T - 1" W/EDGE LIPS (OFF/WHITE-CREAM)
7	109894-01-H10	EA	CABINET - HAMPER - FRONT - DRIVER
7	109894-01-H11	EA	CABINET - HAMPER - FRONT - DRIVER
8	109894-03-H10	EA	CABINET - HAMPER - FRONT - PASSENGER
8	109894-03-H11	EA	CABINET - HAMPER - FRONT - PASSENGER
9	106447-01-C03	EA	TRIM - CAB DOOR - UPPER - PASSENGER SIDE FROM: 00-00-00 THRU: 10-13-96
9	106447-01-C52	EA	TRIM - CAB DOOR - UPPER - PASSENGER SIDE FROM: 10-14-96 THRU: 12-13-96
9	106447-01-H04	EA	TRIM - CAB DOOR - UPPER - PASSENGER SIDE FROM: 12-14-96 THRU: 99-99-99

**DRIVERS COMPARTMENT GROUP (CONTINUED)**

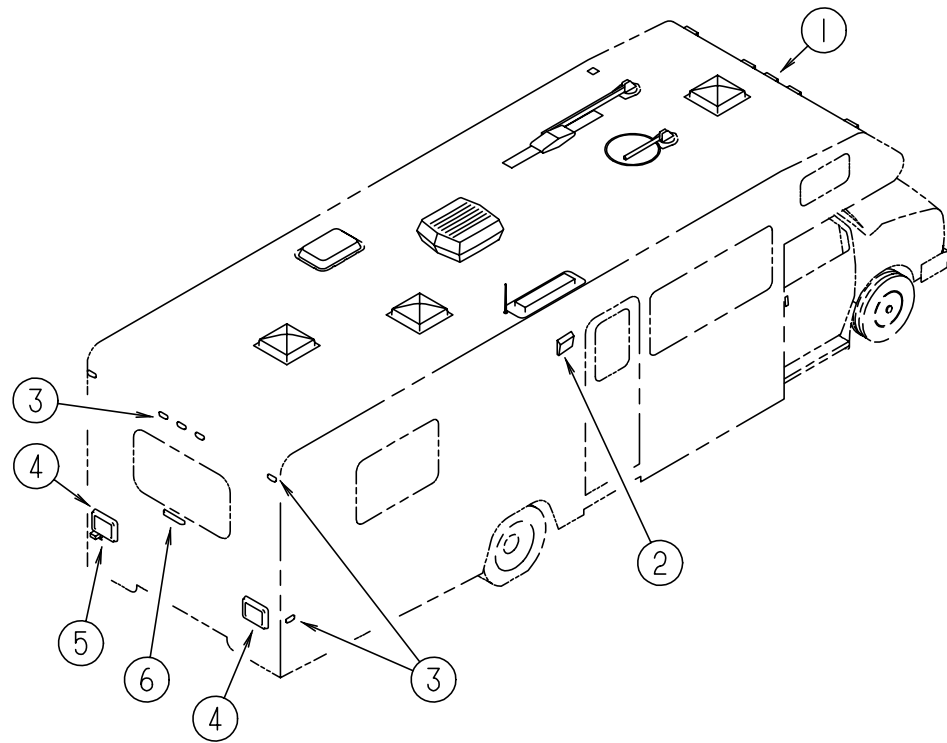
**DRIVERS COMPARTMENT (CONTINUED)**

KEY	PART NUMBER	U/M	DESCRIPTION	VENDOR NO.
10	115038-01-01A	EA	COVER - SEAT BELT UPPER RIGHT HAND FROM: 00-00-00 THRU: 10-13-96	
11	109573-01-H10	EA	PANEL - DOOR/PASSENGER - FORD	
11	109573-01-H11	EA	PANEL - DOOR/PASSENGER - FORD	
12	106446-01-C03	EA	TRIM - CAB B-PILLAR - PASSENGER SIDE FROM: 00-00-00 THRU: 10-13-96	
12	125031-01-G04	EA	TRIM - CAB B-PILLAR - PASSENGER SIDE FROM: 10-14-96 THRU: 12-13-96	
12	125031-01-H04	EA	TRIM - CAB B-PILLAR - PASSENGER SIDE FROM: 12-14-96 THRU: 99-99-99	
13	106431-01-01A	EA	COVER - SEATBELT RECOIL - PASSENGER SIDE - OFF WHITE FROM: 00-00-00 THRU: 12-13-96	
13	106431-01-02A	EA	COVER - SEATBELT RECOIL - PASSENGER SIDE - VW GREY FROM: 12-14-96 THRU: 99-99-99	
14	112185-02-G07	EA	TRAY - BEVERAGE FROM: 00-00-00 THRU: 10-14-96	
14	125291-01-01A	EA	TRAY - BEVERAGE - F/DELUXE MOTOR COVER FROM: 10-15-96 THRU: 99-99-99	
14	046886-03-000	EA	ASHTRAY - CHROME W/COVER FROM: 00-00-00 THRU: 10-14-96	
	069885-23-H10	EA	COVER - MOTOR - W/POCKET (FORD) (H10) FROM: 00-00-00 THRU: 10-14-96	
	069885-23-F29	EA	COVER - MOTOR - W/POCKET (FORD) (H11) FROM: 00-00-00 THRU: 10-14-96	
15	106431-02-01A	EA	COVER - SEATBELT RECOIL - DRIVER SIDE - OFF WHITE FROM: 00-00-00 THRU: 12-13-96	
15	106431-02-02A	EA	COVER - SEATBELT RECOIL - DRIVER SIDE - VW GREY FROM: 12-14-96 THRU: 99-99-99	
	106025-03-01A	EA	LADDER - BUNK - BLACK - 47.3"	
	106025-01-700	EA	BRACKET SET-F/BUNK LADDER	08-0030-00
	091952-01-000	EA	CLIP-GRIPPER - 1"	

**INSTRUMENT CLUSTERS & SWITCHES**

KEY	PART NUMBER	U/M	DESCRIPTION
	094795-09-000	EA	CLUSTER - INSTRUMENT PANEL - KM - GAS/DIESEL - FORD
	100138-01-000	EA	MODULE - DAYTIME/RUNNING LIGHT - CANADIAN
	081994-06-000	EA	PLATE - SWITCH - AUXILIARY START
	108357-09-000	EA	SWITCH - ROCKER SPDT - ON/NONE/MOM - 3 TERMINAL
	108356-07-01A	EA	COVER/ACTUATOR SWITCH-2 ROWS DIMPLES-AUX START-BLACK
	087202-01-000	EA	SWITCH - 4 POSITION W/KNOB 5 TERMINAL (REAR AUTO HEATER)

## ELECTRICAL GROUP



### EXTERIOR LIGHTS

KEY	PART NUMBER	U/M	DESCRIPTION	VENDOR NO.
1	111102-01-000	EA	BASE - LAMP MARKER	
1	111102-02-000	EA	LENS - AMBER - LAMP MARKER	
	036196-01-000	EA	BULB - 12 VOLT - #194 - .27 AMP - BAYONETTE	
2	097917-01-06A	EA	LIGHT - PORCH - BRIGHT WHITE	
	097917-01-700	EA	LENS-LIGHT, CLEAR	30-78-021
	008215-01-000	EA	BULB - 12 VOLT - #1003 - .94 AMP	
2	008089-02-000	EA	LIGHT - PORCH - RECESSED - CANADIAN	
	008089-01-700	EA	LENS-LIGHT, RECESSED - PORCH DECO	
	008214-01-000	EA	BULB - 12 VOLT NO 67 - 0.59 AMP	
	091981-01-000	EA	GASKET - PORCH LIGHT	
3	111102-01-000	EA	BASE - LAMP MARKER	
3	111102-03-000	EA	LENS - RED - LAMP MARKER	
	036196-01-000	EA	BULB - 12 VOLT - #194 - .27 AMP - BAYONETTE	
4	081638-01-000	EA	TAILLIGHT/DOUBLE W/BLACK TRIM - DRIVER/PASSENGER SIDE	
4	081638-01-700	EA	LENS-TAILLIGHT, RED	30-84-010
4	081638-01-701	EA	LENS-TAILLIGHT, W/BACKUP	30-84-700
4	103355-01-05A	EA	POD-TAILLIGHT, BRIGHT WHITE	
4	037934-01-000	EA	BULB - 12V - #1156 - 2.1 AMP CLEAR GLASS	
4	037935-01-000	EA	BULB - 12V - #1157 OR #2057 - 2.1 AMP - CLEAR GLASS	
5	066432-02-000	EA	LIGHT - LICENSE - BLACK	
	066432-03-000	EA	BRACKET - LICENSE PLATE	
6	121950-01-000	EA	LIGHT - BRAKE - CENTER MOUNT	

## ELECTRICAL GROUP (CONTINUED)

### FUSES & CIRCUIT BREAKERS

KEY	PART NUMBER	U/M	DESCRIPTION
	008235-01-000	EA	FUSE - 15 AMP/12VOLT - AUTOMOTIVE
	062901-02-000	EA	FUSE - 05 AMPS - AUTOMOTIVE
	062901-05-000	EA	FUSE - 15 AMPS - AUTOMOTIVE
	100341-01-000	EA	FUSE HOLDER - IN LINE TYPE
	093654-01-000	EA	CIRCUIT BREAKER - 6 AMP - 12 VOLT
	093654-03-000	EA	CIRCUIT BREAKER - 20AMP - 12 VOLT
	083209-02-000	EA	CIRCUIT BREAKER - 15/15 AMP - 120 VOLT
	083209-03-000	EA	CIRCUIT BREAKER - 15/20 AMP - 120 VOLT
	083209-04-000	EA	CIRCUIT BREAKER - 30 AMP - 120 VOLT
	083209-06-000	EA	CIRCUIT BREAKER - 30/15 AMP - 120 VOLT
	093655-01-000	EA	CIRCUIT BREAKER - 25 AMP - 12 VOLT
	093655-02-000	EA	CIRCUIT BREAKER - 30 AMP - 12 VOLT
	108669-01-000	EA	HOUSING - AUTO FUSE HOLDER

### POWER CONVERTER & INVERTER

KEY	PART NUMBER	U/M	DESCRIPTION
	123058-02-000	EA	CONVERTER - 45 AMP, ELECTRONIC - 4 1/8"H X 7"W X 12 3/8"L
	099048-03-000	EA	INVERTER - 130 WATT
	113132-01-000	EA	LOAD CENTER - 120/240 VOLT - 60 AMP

### ELECTRIC BOXES, COVERS & POWER CORDS

KEY	PART NUMBER	U/M	DESCRIPTION
	107165-01-01A	EA	BOX - CIRCUIT BREAKER - 14.6" X 4" - PLASTIC
	107165-03-01A	EA	BOX - CIRCUIT BREAKER
	008289-01-000	EA	BOX - ELECTRIC/STEEL - 1/2" & 3/4" KNOCKOUTS - 4" X 4"
	008289-02-000	EA	BOX - ELECTRICAL - 4" X 4" - 1/2" & 3/4" KNOCKOUTS - CANADIAN
	091910-01-000	EA	BOX - ELECTRIC - 3.8" X 3.5" X 1.8" - PLASTIC
	091910-02-000	EA	BOX - ELECTRIC - 2.2" X 3.5" X 1.7" - PLASTIC
	093257-02-000	EA	BOX - ELECTRIC - CIRCUIT BREAKER
	093603-01-000	EA	BOX - ELECTRIC - 4" X 2 1/8" X 2 1/8"
	008052-01-000	EA	CORD - POWER - 10/3 - 30 AMP - 25' - CANADIAN
	008054-01-000	EA	CORD - POWER - 10/3 - 30 AMP - 25'
	008294-01-000	EA	COVER - ELECTRICAL BOX - BLANK/STEEL - 4" X 4" - GRAY

### RELAY HOUSING & SOLENOID

KEY	PART NUMBER	U/M	DESCRIPTION
	008188-01-000	EA	SOLENOID - 3 POST - BATTERY CHANGE OVER
	063910-01-000	EA	HOUSING - RELAY
	086233-01-000	EA	STUD - ISOLATED - 3/8" X 7/8" LONG
	086273-01-000	EA	RELAY - BATTERY DISCONNECT

FROM: 10-14-96 THRU: 99-99-99

### WIRING ASSEMBLIES

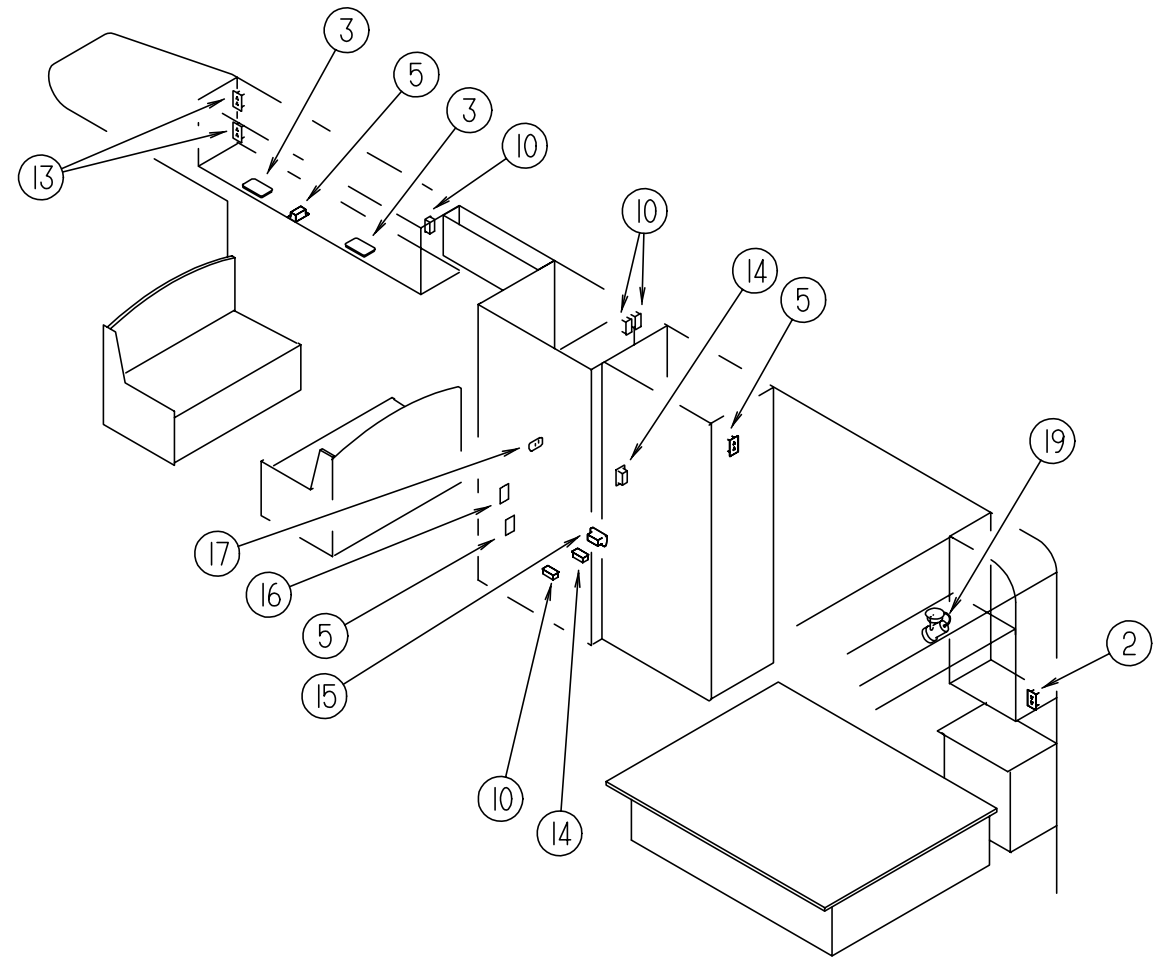
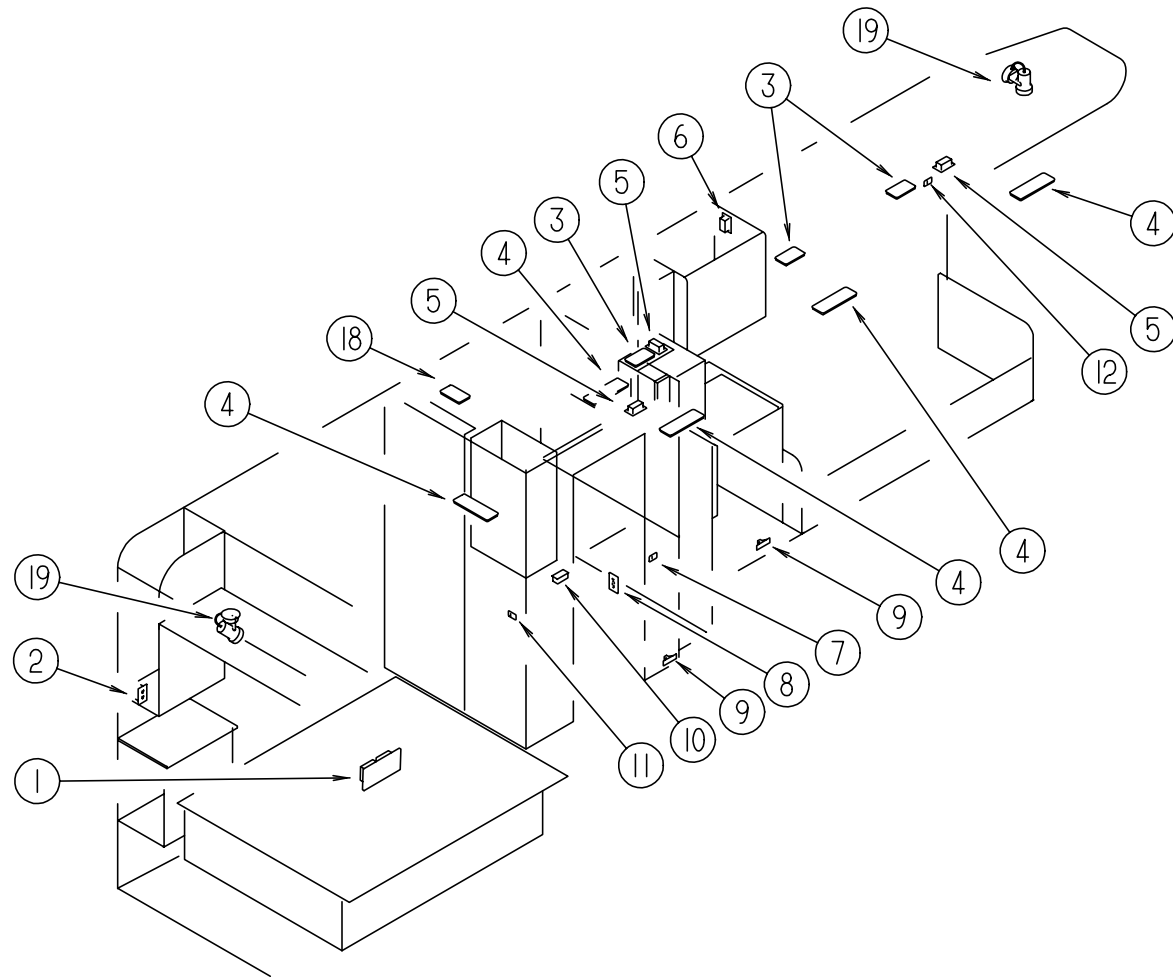
KEY	PART NUMBER	U/M	DESCRIPTION
	073328-B4-000	EA	CABLE ASSEMBLY - BATTERY - W/TERMINALS
	090986-01-000	EA	WIRE ASSEMBLY - ELECTRIC STEP
	096449-01-000	EA	WIRE ASSEMBLY - WATER TANK TO MONITOR PANEL
	097618-01-000	EA	WIRE ASSEMBLY - MONITOR PANEL- W/3 WIRES & ORANGE RESISTOR
	105306-01-000	EA	WIRE ASM-MONITOR PANEL ADAPT
	106851-01-000	EA	WIRE ASSEMBLY - RUNNING LIGHTS - FUSE
	116894-01-000	EA	WIRE ASSEMBLY - SPEED SENSOR EXTENDED

### WATER PUMP SWITCH & COVER/ACTUATOR

KEY	PART NUMBER	U/M	DESCRIPTION
	108357-08-000	EA	SWITCH - ROCKER DPDT - ON/NONE/ON - 6 TERMINAL
	108356-02-01A	EA	COVER/ACTUATOR SWITCH - 2 ROWS DIMPLES - CONTURA II - BLACK

## ELECTRICAL GROUP (CONTINUED)

### LIGHTS, SWITCHES & RECEPTACLES

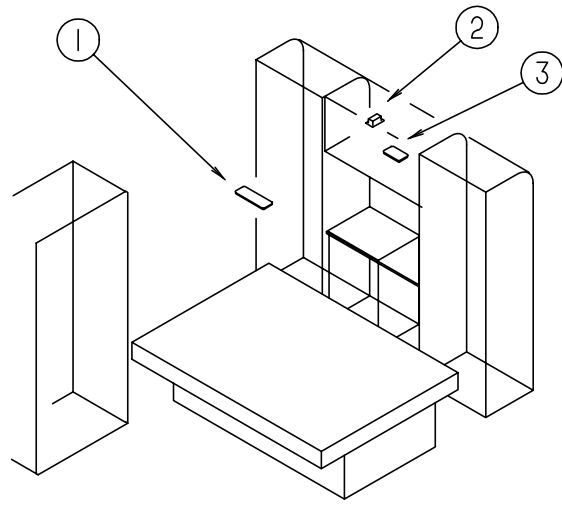


KEY	PART NUMBER	U/M	DESCRIPTION	VENDOR NO.
1	024924-02-000	EA	RECEPTACLE - POWER CORD - W/PARTIAL PLATE	
1	069238-01-000	EA	COVER - ELECTRICAL BOX - W/HOLE - 4" X 4" - GRAY	
2	058708-02-000	EA	RECEPTACLE - ELECTRIC - DOUBLE - IVORY	
2	102568-01-E41	EA	SPACER - RECEPTACLE - SIDEWALL	
3	098024-05-02A	EA	LIGHT - DOME - 1 BULB - SKYLITE - WHITE	
3	008218-01-000	EA	BULB - DOME LIGHT - 12 VOLT - NO. 1141	
3	098024-01-701	EA	LENS - OPTI CLEAR - SKYLITE	809902
4	098024-03-02A	EA	LIGHT - DOME - 2 BULB - WHITE	
4	008218-01-000	EA	BULB - DOME LIGHT - 12 VOLT - NO. 1141	
4	098024-01-700	EA	LENS-LIGHT	807877
5	058708-01-000	EA	RECEPTACLE - ELECTRIC - DOUBLE - BROWN	
6	058708-05-000	EA	RECEPTACLE - SINGLE - BROWN	
7	098351-03-01A	EA	PLATE - SWITCH - 3 GANG POLISHED BRASS	
7	079364-01-000	EA	SWITCH - ON/OFF ROCKER - 2 PRONGS - BROWN - CEILING/SHOWER	
7	079364-03-000	EA	SWITCH - ON/OFF ROCKER - 3 PRONGS - BROWN - PUMP	
7	095188-02-01A	EA	SPACER - SWITCH - 2.3" X 4.1" - PLASTIC - DARK BROWN	
8	084076-02-000	EA	RECEPTACLE - GFI - 15 AMP - 125 VOLT - BROWN	
9	061424-01-000	EA	LIGHT - AISLE - 12 VOLT - RECTANGULAR	
9	008103-01-000	EA	BULB - DASH/AISLE LIGHT - #53 - 12 VOLT - .12 AMP	
10	058707-02-000	EA	RECEPTACLE - BLANK JUNCTION BOX	
11	098351-02-01A	EA	PLATE - SWITCH - 2 GANG POLISHED BRASS	
11	079364-01-000	EA	SWITCH - ON/OFF ROCKER - 2 PRONGS - BROWN - CEILING LIGHT	
11	079364-03-000	EA	SWITCH - ON/OFF ROCKER - 3 PRONGS - BROWN - AISLE LIGHT	
11	095188-01-01A	EA	SPACER - SWITCH - 2.3" X 3.4" - PLASTIC - DARK BROWN	

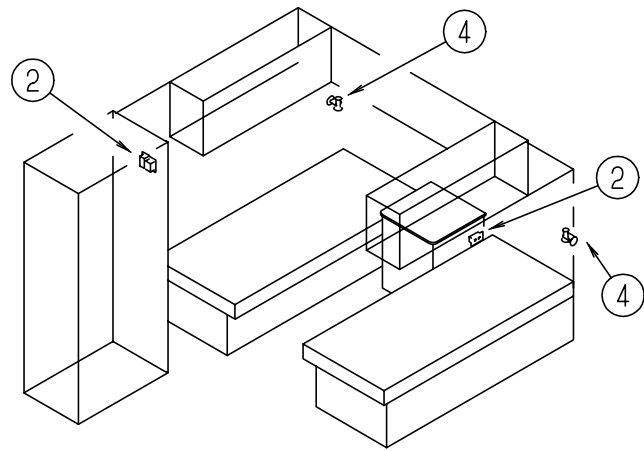
KEY	PART NUMBER	U/M	DESCRIPTION	VENDOR NO.
12	098351-02-01A	EA	PLATE - SWITCH - 2 GANG POLISHED BRASS (W/SIDE TV CABINET)	
12	079364-01-000	EA	SWITCH - ON/OFF ROCKER - 2 PRONGS - BROWN - TV (W/SIDE TV CABINET)	
12	079364-03-000	EA	SWITCH - ON/OFF ROCKER - 3 PRONGS - BROWN - AISLE LIGHT	
12	098351-01-01A	EA	PLATE - SWITCH - 1 GANG POLISHED BRASS (W/O SIDE TV CABINET)	
13	111414-01-000	EA	RECEPTACLE - 12V - W/O BIMETAL	
14	058707-01-000	EA	RECEPTACLE - ELECTRIC - SINGLE - BROWN	
15	112822-01-01A	EA	RECEPTACLE - DUPLEX - IVORY	
15	112824-01-03A	EA	COVER - RECEPTACLE - EXTERIOR DUPLEX	
16	098351-07-01A	EA	PLATE - SWITCH - GENERATOR - POLISHED BRASS	
16	108357-06-000	EA	SWITCH - ROCKER DPDT - MOM/OFF/MOM - 6 TERMINAL	
16	108356-11-01A	EA	COVER-ACTUATOR SWITCH - 3 GROOVES - AUX BATT - BLACK	
17	098351-05-01A	EA	PLATE - SWITCH - 3 GANG POLISHED BRASS	
17	079364-01-000	EA	SWITCH - ON/OFF ROCKER - 2 PRONGS - BROWN - STEP/CEILING/PORCH	
17	095188-02-01A	EA	SPACER - SWITCH - 2.3" X 4.1" - PLASTIC - DARK BROWN	
18	121935-01-01A	EA	LIGHT - DOME - SHOWER	
19	104173-01-01A	EA	LIGHT - DESIGNER - BRASS	
		EA	BULB	81900
19	104172-01-01A	EA	LIGHT - BULLET - BULB #93 12V - CANADIAN	
		EA	LIGHT - SURFACE MOUNT - 12 VOLT	
	086280-01-000	EA	BULB, 12V	ARP1089
	086280-01-700	EA	BULB, 12V	
	097734-01-02A	EA	EXTENSION - RECEPTACLE - 3.2" X 5" X .7" - BROWN PLASTIC	
	108355-01-000	EA	HOUSING - SWITCH	



**ELECTRICAL GROUP (CONTINUED)**



DOUBLE BED



TWIN BEDS

**LIGHTS & RECEPTACLES W/OPTIONAL BEDROOMS**

KEY	PART NUMBER	U/M	DESCRIPTION	VENDOR NO.
1	098024-03-02A	EA	LIGHT - DOME - 2 BULB - WHITE	
1	008218-01-000	EA	BULB - DOME LIGHT - 12 VOLT - NO. 1141	
1	098024-01-700	EA	LENS-LIGHT	807877
2	058708-01-000	EA	RECEPTACLE - ELECTRIC - DOUBLE - BROWN	
3	098024-05-02A	EA	LIGHT - DOME - 1 BULB - SKYLITE - WHITE	
3	008218-01-000	EA	BULB - DOME LIGHT - 12 VOLT - NO. 1141	
3	098024-01-701	EA	LENS - OPTI CLEAR - SKYLITE	809902
4	104173-01-01A	EA	LIGHT - DESIGNER - BRASS	
4	104173-01-700	EA	BULB	81900
4	104172-01-01A	EA	LIGHT - BULLET - BULB #93 12V - CANADIAN	

**ELECTRICAL GROUP (CONTINUED)**

**CONDUIT, CONNECTORS, HOUSINGS & TERMINALS**

KEY	PART NUMBER	U/M	DESCRIPTION
	007956-05-000	EA	INSULATOR - SHRINK - .25 ID X 1.50
	008311-01-000	EA	CONNECTOR - WIRE NUT - INSULATED - RED
	008313-01-000	EA	CONNECTOR - WIRE NUT - INSULATED - YELLOW
	008314-01-000	EA	CONNECTOR - WIRE NUT - INSULATED - GRAY
	008326-01-000	EA	TERMINAL - RING - 16/14 WIRE - 3/8" STUD
	008328-01-000	EA	TERMINAL - RING - 12/10 WIRE - #10 STUD FIT
	008331-01-000	EA	TERMINAL - RING - TONGUE - #4 WIRE - 3/8" STUD - COPPER
	008348-01-000	EA	TERMINAL - RING - 3/8" STUD 2 GA. WIRE
	008355-01-000	EA	CONNECTOR - CABLE CLAMPING - 3/4"
	008356-01-000	EA	CONNECTOR - PLASTIC - 3/8" AVG
	035416-04-000	EA	TERMINAL - RING - #10 STUD FIT - INSULATED BARREL #16/14
	041953-01-000	FT	CONDUIT - CONVOLUTE SLIT - .5" ID
	041953-01-000	FT	CONDUIT - CONVOLUTE SLIT - .5" ID
	041953-03-000	FT	CONDUIT - CONVOLUTE SLIT - 1" ID (CLOTHES ROD COVER)
	041953-05-000	FT	CONDUIT - CONVOLUTE SOLID - .62" ID
	041953-06-000	FT	CONDUIT - CONVOLUTE SLIT - .375" ID
	041953-07-000	FT	CONDUIT - CONVOLUTE SLIT - .25" ID
	041953-08-000	FT	CONDUIT - CONVOLUTE SLIT - 1.50" ID
	041953-09-000	FT	CONDUIT - CONVOLUTE SLIT - .50" ID
	041953-10-000	FT	CONDUIT - CONVOLUTE SLIT - .75" ID
	041953-11-000	FT	CONDUIT - CONVOLUTE SLIT - 1.06" ID
	041953-12-000	FT	CONDUIT - CONVOLUTE NON SLIT - 1.1" ID
	047443-01-000	EA	TERMINAL - .250 RECEPTACLE FIT - INSULATED - 16/14 AWG
	058028-01-000	EA	CONNECTOR - ELECTRICAL PIGTAIL - NYLON - CLEAR
	077479-01-000	EA	BOOT - BATTERY TERMINAL - DOUBLE CABLE
	077479-02-000	EA	BOOT - BATTERY TERMINAL - SINGLE CABLE
	080015-02-000	EA	RECEPTACLE - FLAG - .185 - 16/14 GAUGE
	080015-03-000	EA	RECEPTACLE - FLAG - .250 - 14/16 GAUGE
	087949-01-000	EA	BUSS BAR - 2 POSITION - .6" X 1.5"
	088473-01-000	EA	HOUSING - PIN - 12 CAVITY
	088473-03-000	EA	HOUSING - PIN - 9 CAVITY
	088473-05-000	EA	HOUSING - PIN - 6 CAVITY
	088473-06-000	EA	HOUSING - PIN - 6 CAVITY
	088473-08-000	EA	HOUSING - PIN - 4 CAVITY
	088473-09-000	EA	HOUSING - PIN - 3 CAVITY
	088473-10-000	EA	HOUSING - PIN - 2 CAVITY
	088474-01-000	EA	HOUSING - SOCKET - 12 CAVITY
	088474-02-000	EA	HOUSING - SOCKET - 15 CAVITY
	088474-03-000	EA	HOUSING - SOCKET - 9 CAVITY
	088474-06-000	EA	HOUSING - SOCKET - 6 CAVITY
	088474-07-000	EA	HOUSING - SOCKET - 5 CAVITY
	088474-08-000	EA	HOUSING - SOCKET - 4 CAVITY
	088474-09-000	EA	HOUSING - ELECTRICAL - 3 TERMINAL
	088474-10-000	EA	HOUSING - SOCKET - 2 CAVITY
	088475-01-000	EA	PIN - CONNECTOR - 14 - 20 AWG
	088475-02-000	EA	PIN - CONNECTOR - 10-12 AWG
	088476-01-000	EA	TERMINAL - ELECTRICAL
	088476-02-000	EA	SOCKET - CONNECTOR - 12-10 GA - PRE-TIN
	098262-01-000	EA	SEAL - CONNECTOR - WEATHERPACK
	098265-02-000	EA	PIN - CONNECTOR - WEATHERPACK
	101751-01-000	EA	HOUSING - 1 PIN - WEATHER PACK
	101751-02-000	EA	HOUSING - 1 PIN - WEATHER PACK
	102777-02-000	EA	TERMINAL - RING - #6 STUD - 10 AWG
	106655-01-000	EA	TERMINAL - FUSE BLOCK - 14-16 AWG
	106655-02-000	EA	TERMINAL - FUSE BLOCK - 10-12 AWG
	125323-02-000	EA	HOUSING - 8 POSITION - MALE
	125324-01-000	EA	TERMINAL - MALE
	125325-01-000	EA	SEAL - CAVITY

**EXTERIOR BODY GROUP**

**FIBERGLASS, STYROFOAM & ALUMINUM CHANNEL**

KEY	PART NUMBER	U/M	DESCRIPTION
	000870-08-000	SF	STYROFOAM - .75" X 48" X 96" PLANED EXPANDED BEAD BOARD
	002726-01-001	EA	GARNISH - U-CHANNEL - 1.38" X 19' - SERRATED
	033381-17-001	FT	STEEL - TUBE - 16 GAUGE 1.5" X 1.5" X 16'
	076054-P9-000	EA	FIBERGLASS SHEET - 37.4" X 99.25" - BRIGHT WHITE
	076054-R1-000	EA	FIBERGLASS SHEET - 24" X 65.9" - BRIGHT WHITE
	076054-S3-000	EA	FIBERGLASS SHEET - 101.4" X 106.9" - BRIGHT WHITE
	076054-W2-000	EA	FIBERGLASS SHEET - 85" X 339" - BRIGHT WHITE
	076054-W5-000	EA	FIBERGLASS SHEET - 101.42" X 108.66" - BRIGHT WHITE
	077517-62-000	EA	FIBERGLASS - SHEET - 48" X 96" - BRIGHT WHITE
	083574-06-000	SF	STYROFOAM - .75 X 48" X 108" - INCREMENTS OF 14 SF
	089297-01-000	SF	PLYWOOD - LUAN - OVERLAY GRADE - 48" X 96"
	100619-01-000	BF	FOAM - EXPANDED POLYSTYRENE - 1.34" X 48" X 96"
	100619-02-000	BF	FOAM - EXPANDED POLYSTYRENE - 1.5" X 48" X 96"
	100619-04-000	BF	FOAM - EXPANDED POLYSTYRENE - .5" X 48" X 96"
	100619-05-000	BF	FOAM - EXPANDED POLYSTYRENE - .75" X 48" X 96"
	100619-11-000	BF	FOAM - EXPANDED POLYSTYRENE - 2" X 48" X 96"
	100619-16-000	BF	FOAM - EXPANDED POLYSTYRENE - .75" X 48" X 96"
	108535-05-702	EA	FIBERGLASS SHEET - FLAT - 110" X 396" BRIGHT WHITE - ROOF
	108535-06-700	EA	FIBERGLASS SHEET - 102" X 102" BRIGHT WHITE
	108535-06-01A	SF	FIBERGLASS SHEET - 102" X 500' ROLL - BRIGHT WHITE
	117754-03-01A	EA	FIBERGLASS SHEET - 10.5" X 96" BRIGHT WHITE
	125838-01-002	EA	ACRYLIC SHEET - .125 X 1.8" X 2"

**RUNNING BOARDS**

KEY	PART NUMBER	U/M	DESCRIPTION
	106461-03-000	EA	HARDWARE KIT - RUNNING BOARD
	106461-06-01A	EA	RUNNING BOARD - FORD - RIGHT HAND
	106461-07-01A	EA	RUNNING BOARD - FORD - LEFT HAND
	106461-04-000	EA	TRIM-RUNNING BOARD FORD - QUALITY SET/2
	106461-05-000	EA	NON SKID STRIP-RUNNING BOARD - QUALITY SET/6

**EXTERIOR BODY GROUP (CONTINUED)**

**AWNING & HARDWARE - A & E**

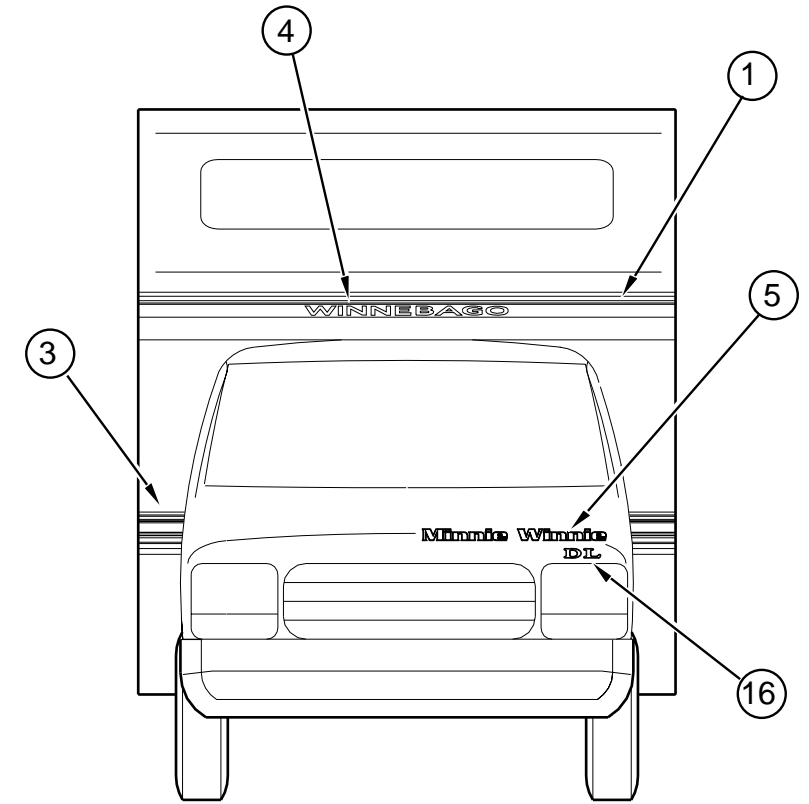
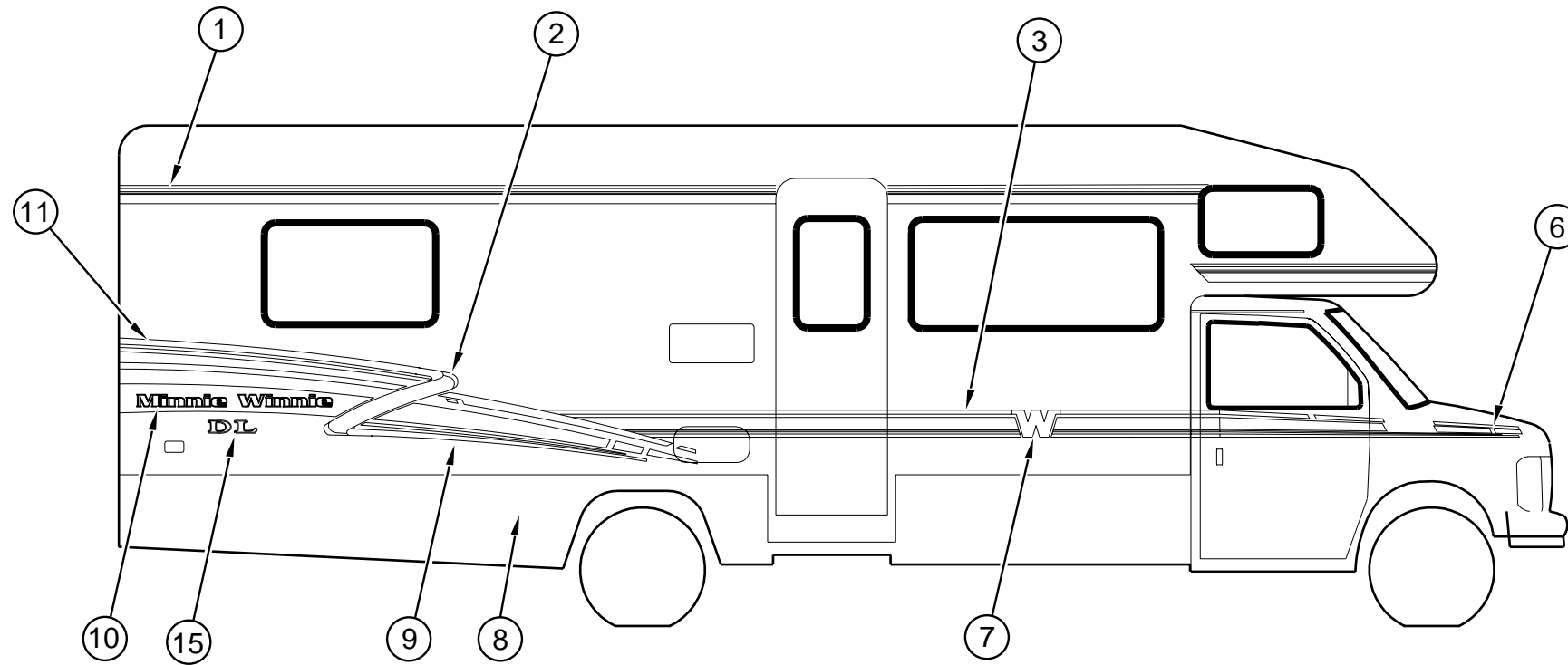
KEY	PART NUMBER	U/M	DESCRIPTION	VENDOR NO.
	113874-05-04A	EA	AWNING - W/O HDW 14' (EMERALD FROST) VINYL	
	111038-01-01A	EA	SPACER - AWNING - LOWER	
	113874-01-02A	EA	HARDWARE KIT - AWNING- W/O STANDOFF BRACKET - BRIGHT WHITE	
	113874-01-702	EA	KNOB - ADJUSTING	3105421.014
	113874-01-703	EA	ROD-CENTER PULL W/ACCESSORYS	830152.102
	113874-01-706	EA	LOCK - TRAVEL	830587.001
	113874-01-707	EA	HANDLE - LIFT W/RIVETS	830644
	113874-01-709	EA	NAIL-SPIKE, 8"	113006
	113874-01-710	EA	PLUG-STOP KIT	830456
	113874-01-712	EA	FOOT - PATIO	730366-001
	113874-01-714	EA	RAFTER - MAIN RH/LH BRT/WHT	830295.536F
	113874-01-715	EA	RAFTER - SECONDARY BRT/WHT	830463.511F
	113874-01-716	EA	ARM - MAIN SUPPORT BRT/WHT	3104502.293/F
	113874-01-717	EA	ARM - ADJUSTABLE BRT/WHT	830467.517/F

**EXTERIOR MIRRORS - VELVAC**

KEY	PART NUMBER	U/M	DESCRIPTION	VENDOR NO.
	120269-08-000	EA	HARNES - ELECTRIC MIRROR	
	120269-05-01A	EA	MIRROR - EXTERIOR - W/HEAT/REMOTE - PASSENGER	
	120269-06-01A	EA	MIRROR - EXTERIOR - W/HEAT/REMOTE - DRIVER	
	120269-05-701	EA	GLASS ONLY REPLACEMENT RH/LH	709411-8
	120269-07-01A	EA	PANEL - DRIVERS DOOR MIRROR CONTROL W/SWITCH & PIGTAIL	

## EXTERIOR BODY GROUP (CONTINUED)

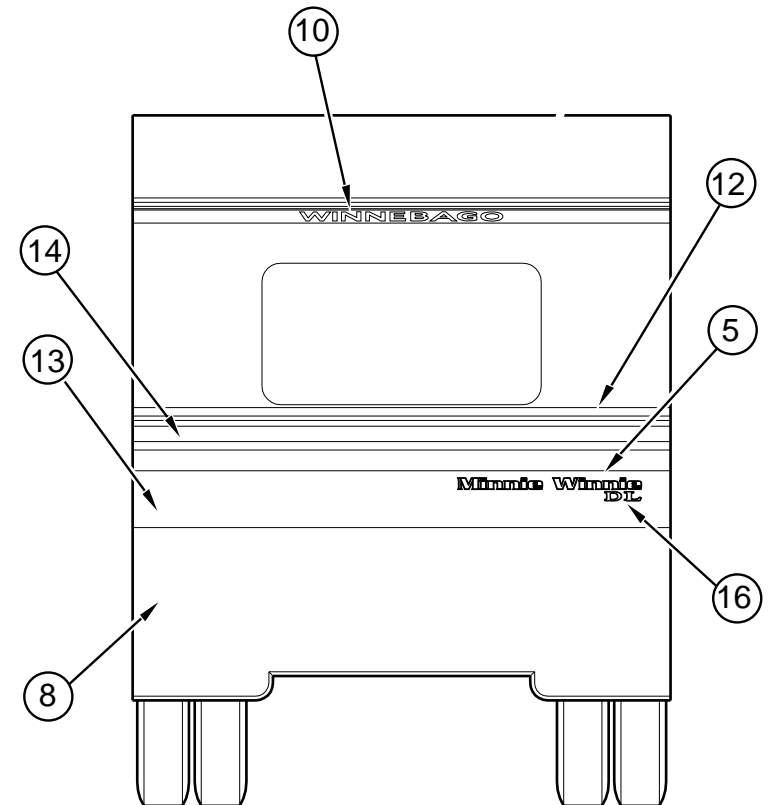
### DECALS, STRIPES & PAINT



KEY	PART NUMBER	U/M	DESCRIPTION
1	094443-44-01A	FT	FILM - MULTISTRIPE - 4.4 WIDE
2	122319-01-01A	EA	DECAL - SWEEP - MIDDLE RIGHT HAND
2	122319-02-01A	EA	DECAL - SWEEP - MIDDLE LEFT HAND
3	093689-22-01A	FT	FILM - MULTISTRIPE - 6.5 WIDE
4,10	120702-01-01A	EA	DECAL - LOGO WINNEBAGO
5	121744-02-01A	EA	DECAL - MINNIE WINNIE SMALL
6	121742-01-01A	EA	DECAL - CAB - DOOR RIGHT HAND
6	121742-02-01A	EA	DECAL - CAB - DOOR LEFT HAND
7	121743-01-01A	EA	DECAL - LOGO - "W"
8	099399-33-000	EA	PAINT-FOREST GREEN
9	121740-01-01A	EA	DECAL - SWEEP - FORWARD RIGHT HAND
9	121740-02-01A	EA	DECAL - SWEEP - FORWARD LEFT HAND
10	121744-01-01A	EA	DECAL - MINNIE WINNIE - LARGE
11	121741-01-01A	EA	DECAL - SWEEP - REAR RIGHT HAND
11	121741-02-01A	EA	DECAL - SWEEP - REAR LEFT HAND
12	105781-53-01A	FT	FILM - MULTISTRIPE - 3.25 WIDE
13	093681-51-01A	FT	FILM - 7" - WIDE
14	093681-50-01A	FT	FILM - 1.50" WIDE
15	123777-01-01A	EA	DECAL - "DL" LOGO - 3" X 8"
16	123777-02-01A	EA	DECAL - "DL" LOGO - 1.3" X 3.4"

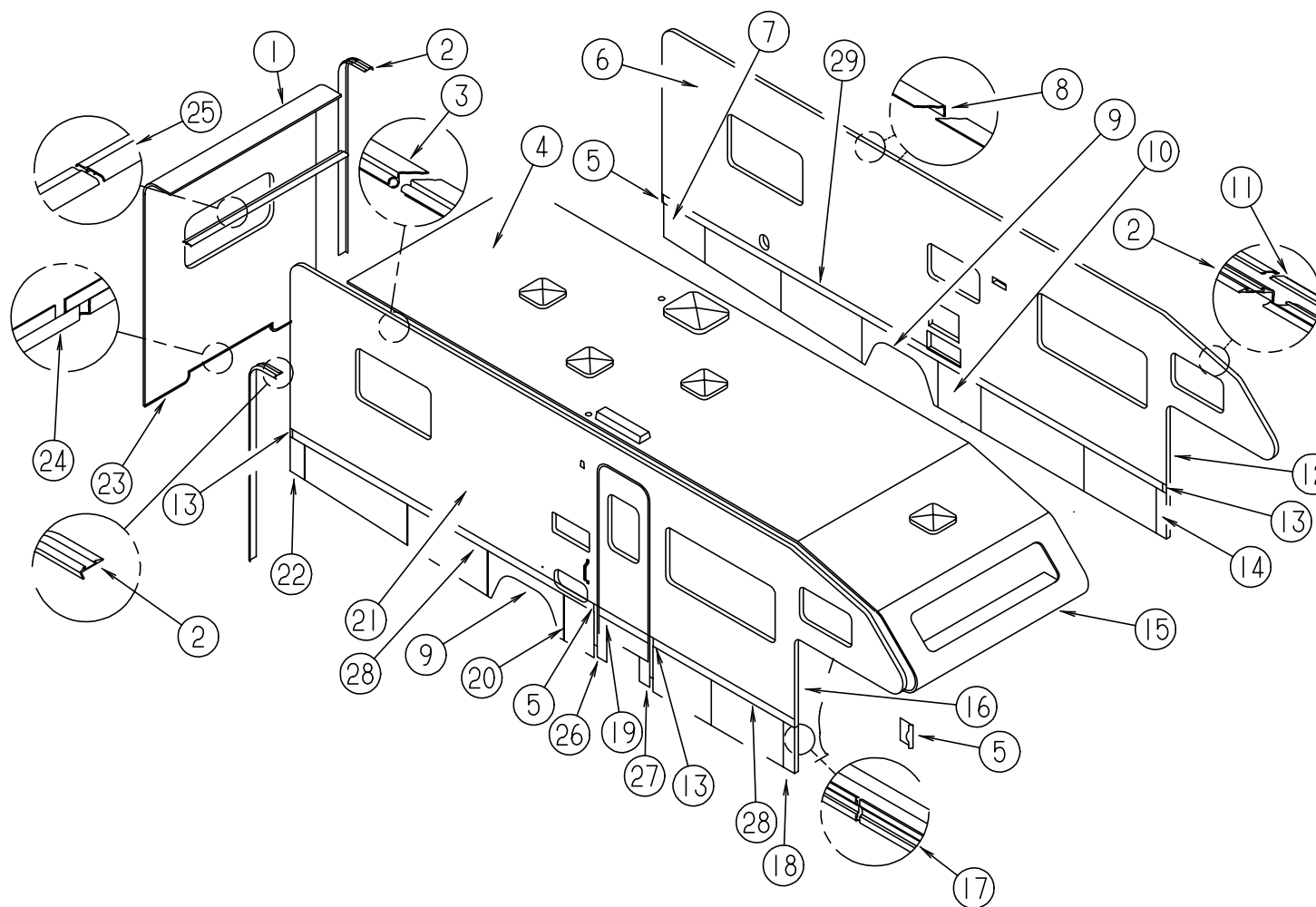
#### DUPONT COLOR CODES

BRIGHT WHITE	B8951
FOREST GREEN	F1917
FOREST GREEN MET	GM221
SEAFOAM MIST MET	GM165
MAGENTA MET	RM017
BLUEBERRY MET	BM159



## EXTERIOR BODY GROUP (CONTINUED)

### BODY PANELS & TRIMS

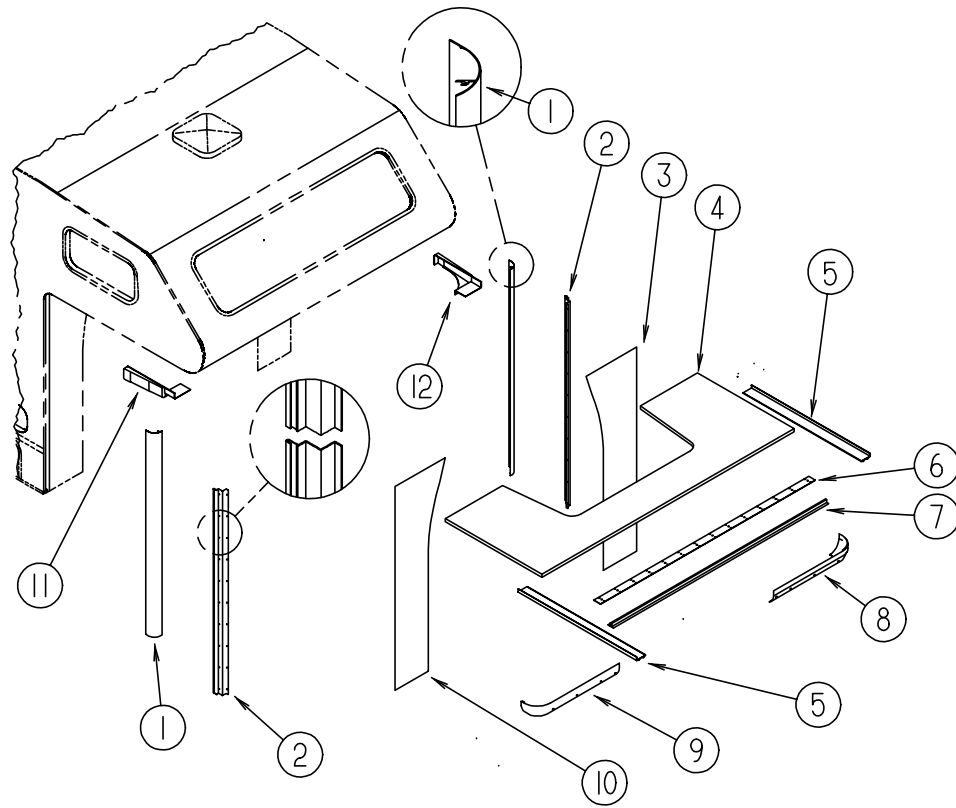


KEY	PART NUMBER	U/M	DESCRIPTION
1	P23953-02-H10	EA	BACKWALL - W/O WINDOW/TRIM - TWIN BED
1	P23953-02-H11	EA	BACKWALL - W/O WINDOW/TRIM - TWIN BED
1	P23953-03-H10	EA	BACKWALL - W/O WINDOW/TRIM - DOUBLE BED
1	P23953-03-H11	EA	BACKWALL - W/O WINDOW/TRIM - DOUBLE BED
1	P23953-01-H10	EA	BACKWALL - W/O WINDOW/TRIM - QUEEN BED
1	P23953-01-H11	EA	BACKWALL - W/O WINDOW/TRIM - QUEEN BED
2	096854-05-02A	EA	TRIM - CONTOUR - 115" LONG - PASSENGER/DRIVER SIDE
3	099583-55-004	EA	AWNING RAIL - 133.9" - BRIGHT WHITE
	099583-55-003	EA	AWNING RAIL - 25.4"
4	P23310-01-H07	EA	ROOF - W/O LIGHTS/VENTS - W/WIRING
5	124132-01-01A	EA	CAP - TRIM - SIDEWALL
6	P24011-02-H10	EA	SIDEWALL - DRIVER - W/O WINDOWS/TRIM
6	P24011-02-H11	EA	SIDEWALL - DRIVER - W/O WINDOWS/TRIM
7	122732-07-H10	EA	PANEL - REAR VALANCE - W/O HARDWARE
8	096864-01-02A	EA	TRIM - CONTOUR ROOF TO SIDEWALL - 10'
8	096864-02-02A	EA	TRIM - CONTOUR/ROOF
9	121304-02-02A	EA	PANEL - WHEEL LIP - REAR
10	122776-11-H10	EA	PANEL - VALANCE - W/O HARDWARE
11	105312-01-07A	FT	INSERT - FEATURE STRIP VINYL - BRIGHT WHITE
12	108037-02-02A	EA	COVER - WINGWALL OUTER-CURVED BRIGHT WHITE ALUMINUM
13	124132-02-01A	EA	CAP - TRIM/SIDEWALL
14	122776-07-H10	EA	PANEL - VALANCE - W/O HARDWARE
15	P21337-01-H07	EA	ROOF - FRONT ONLY - W/O LIGHTS/VENTS - W/WIRING

KEY	PART NUMBER	U/M	DESCRIPTION
16	104479-05-02A	EA	TRIM - FRONT CONTOUR - BRIGHT WHITE
17	124176-01-01A	EA	TRIM - SIDEWALL - BRIGHT WHITE
18	122776-06-H10	EA	PANEL - VALANCE - W/O HARDWARE
19	108688-01-03A	EA	STRIP - FEATURE - 15'
19	108651-01-01A	EA	END CAP - FEATURE STRIP
19	122828-23-01A	EA	TRIM - SIDEWALL - FEATURE STRIP
20	122776-08-H10	EA	PANEL - VALANCE - W/O HARDWARE
21	P24012-02-H10	EA	SIDEWALL - PASSENGER - W/O WINDOWS/TRIM
21	P24012-02-H11	EA	SIDEWALL - PASSENGER - W/O WINDOWS/TRIM
22	122732-06-H10	EA	PANEL - REAR VALANCE - W/O HARDWARE
23	103334-03-02A	EA	TRIM - BACKWALL/LOWER
24	103335-02-02A	EA	TRIM - BACKWALL/LOWER
25	078580-02-000	EA	TRIM-ROOF/FRONT CAP
26	125089-01-H07	EA	TRIM - ENTRANCE STEP
27	125089-02-H07	EA	TRIM - ENTRANCE STEP
28	122801-02-01A	EA	TRIM - SIDEWALL - BRIGHT WHITE
29	122801-01-01A	EA	TRIM - SIDEWALL - BRIGHT WHITE
	107865-01-000	EA	ROD-SUPPORT, VALANCE PANEL
	107865-06-000	EA	ROD - SUPPORT - VALANCE PANEL - 15"
	002726-01-001	EA	GARNISH - U-CHANNEL - 1.38" X 19' - SERRATED
	002365-03-006	EA	U-CHANNEL - EXTRUDED - 1" X 192" - BRIGHT WHITE
	122613-55-005	EA	EXTRUDED - ROCKER PANEL - 192" - FOREST GREEN

FROM: 00-00-00 THRU: 12-19-96

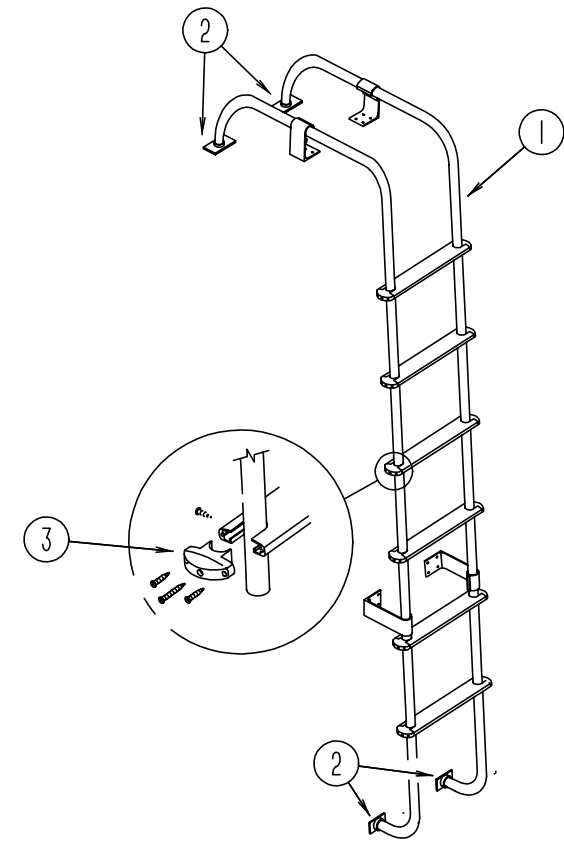
## EXTERIOR BODY GROUP (CONTINUED)



**WINGWALL, SLEEPERBOARD & TRIM**

KEY	PART NUMBER	U/M	DESCRIPTION
1	108037-02-02A	EA	COVER - WINGWALL OUTER-CURVED BRIGHT WHITE ALUMINUM
2	105015-02-02A	EA	TRIM - WINGWALL/SIDEWALL INNER SUPPORT BRACKET
3	118336-02-G07	EA	WINGWALL
4	P18335-01-G04	EA	SLEEPERBOARD
5	096854-05-02A	EA	TRIM - CONTOUR - 115" LONG - PASSENGER/DRIVER SIDE
5	105312-01-07A	FT	INSERT - VINYL FEATURE STRIP - BRIGHT WHITE
6	100086-04-01A	EA	TRIM - SLEEPER BOARD/ROOF - 2" X 96.6"
7	100085-05-01A	EA	TRIM - STRAP - SLEEPERBOARD
8	122910-02-G07	EA	COVER - WINGWALL - DRIVER
9	122910-01-G07	EA	COVER - WINGWALL - PASSENGER
10	118336-01-G07	EA	WINGWALL
11	104444-01-02A	EA	COVER - WINGWALL TRIM - UPPER PASSENGER
12	104444-02-02A	EA	COVER - WINGWALL TRIM - UPPER DRIVER

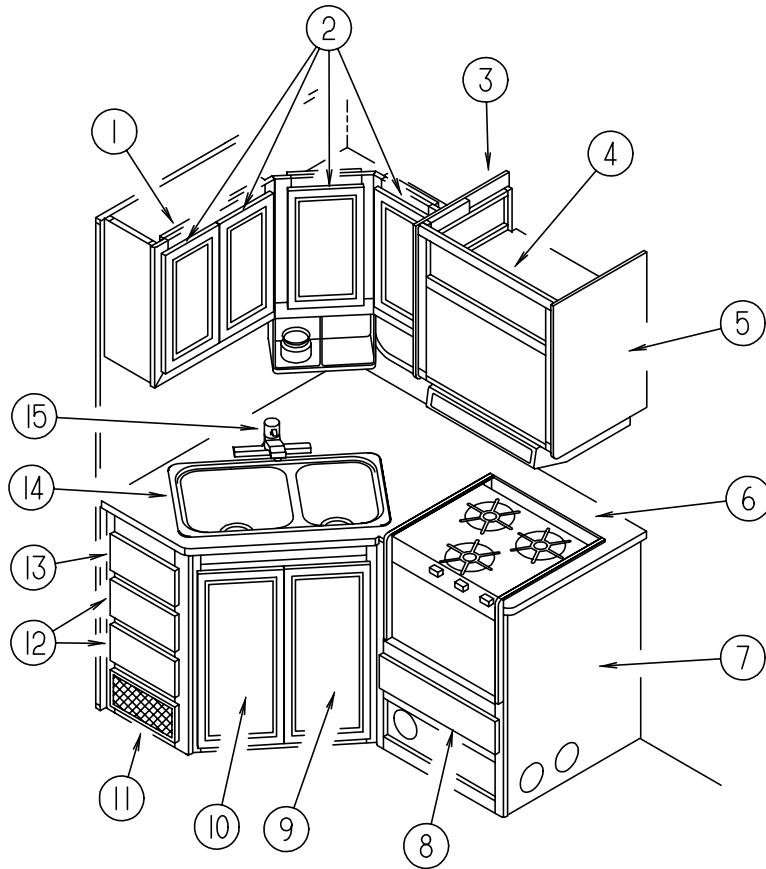
## EXTERIOR BODY GROUP (CONTINUED)



**LADDER**

KEY	PART NUMBER	U/M	DESCRIPTION
1	102953-15-G04	EA	LADDER
2	067165-01-000	EA	BRACKET - MOUNTING - LOWER LADDER
	000G39-06-10T	EA	SCREW-SF/DR - 6-20 X 5/8 PPH - BLACK
	000G68-10-36T	EA	SCREW-10-12 X 2.25 POH BLACK
3	076980-02-000	EA	END CAP - STEP - BLACK
	038327-01-000	EA	TAPE - ANTI-SLIP - 2" X 60'

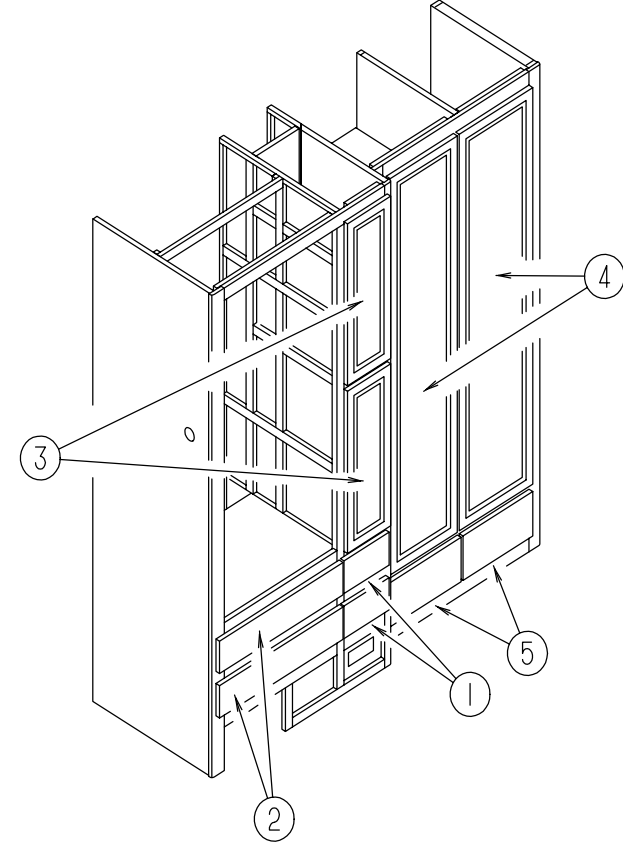
**GALLEY GROUP**



**GALLEY CABINETRY**

KEY	PART NUMBER	U/M	DESCRIPTION
1	121393-01-G07	EA	CABINET - OVERHEAD GALLEY - W/O DOORS/HARDWARE
	121393-13-H10	EA	SHELF - W/PLASTIC EDGE MOLDING
2	M06803-F8-H10	EA	DOOR - MITERED CORNER/OGEE EDGE - 10" X 19.1" - W/O HDW
3	109908-07-G07	EA	END CAP - OVERHEAD CABINET
4	122267-01-H10	EA	CABINET - MICROWAVE - W/O DOORS/HARDWARE
5	109908-21-F08	EA	END CAP - OVERHEAD CABINET
6	121281-16-G24	EA	COUNTERTOP - GALLEY (H10)
6	121281-16-G07	EA	COUNTERTOP - GALLEY (H11)
7	P21281-03-H10	EA	CABINET - GALLEY - W/O DOORS/DRAWERS/HARDWARE
7	P21281-03-H11	EA	CABINET - GALLEY - W/O DOORS/DRAWERS/HARDWARE
8	M05971-X4-H10	EA	DRAWER - OGEE EDGE - 19.7"W X 21.6"D - W/O SLIDES/HARDWARE
9	M06803-E6-F08	EA	DOOR - MITERED CORNER/OGEE EDGE - 10" X 29.5" - W/O HDW
10	M06803-E5-F08	EA	DOOR - MITERED CORNER/OGEE EDGE - 10" X 29.5" - W/O HDW
11	118200-04-01A	EA	MESH - PLASTIC - 1/2 INCH
	118200-01-01A	SF	MESH - PLASTIC - 1/2 INCH
12	M05971-X3-H10	EA	DRAWER - OGEE EDGE - 10.2"W X 21.6"D - W/O SLIDES/HARDWARE
13	M05971-X2-H10	EA	DRAWER - OGEE EDGE - 10.2"W X 11.8"D - W/O SLIDES/HARDWARE
14	104113-01-000	EA	SINK - DOUBLE - STAINLESS STEEL
	092303-01-000	EA	STRAINER - SINK
	103610-01-E04	EA	COVER - SINK - 15.1" X 15.8" (H10)
			FROM: 00-00-00 THRU: 02-12-97
	103610-01-F09	EA	COVER - SINK - 15.1" X 15.8" (H11)
			FROM: 00-00-00 THRU: 02-12-97
	103610-03-H04	EA	COVER - SINK - 15.2" X 11" (H10)
			FROM: 02-13-97 THRU: 99-99-99
	103610-03-H07	EA	COVER - SINK - 15.2" X 11" (H11)
			FROM: 02-13-97 THRU: 99-99-99
15	104114-02-01A	EA	FAUCET - GALLEY - SINGLE CONTROL
	098335-07-G24	EA	RAIL - GALLEY - 22.2" (H10)
	098335-07-G07	EA	RAIL - GALLEY - 22.2" (H11)

**GALLEY GROUP (CONTINUED)**



**REFRIGERATOR & WARDROBE CABINETRY**

KEY	PART NUMBER	U/M	DESCRIPTION
1	M05971-BA-H10	EA	DRAWER - OGEE EDGE - 7.4"W X 17.7"D - W/O SLIDES/HARDWARE
2	M05971-L9-F08	EA	DRAWER - OGEE EDGE - 22.5"W X 21.6"D - W/O SLIDES/HDW
	091257-09-000	EA	HANDLE - ASSIST - CHERRY
3	M06803-G7-H10	EA	DOOR - MITERED CORNER/OGEE EDGE - 9" X 26.5" - W/O HDW
4	M06803-E7-F08	EA	DOOR - MIRROR/MTRD CRNR/OGEE EDGE - 16.1" X 65.2"-W/O HDW
5	M05971-X1-H10	EA	DRAWER - OGEE EDGE - W/O SLIDES/HARDWARE
	121077-13-G10	EA	SHELF - W/PLASTIC EDGE TRIM
	090329-01-000	FT	SEAL/T - REFRIGERATOR CABINET

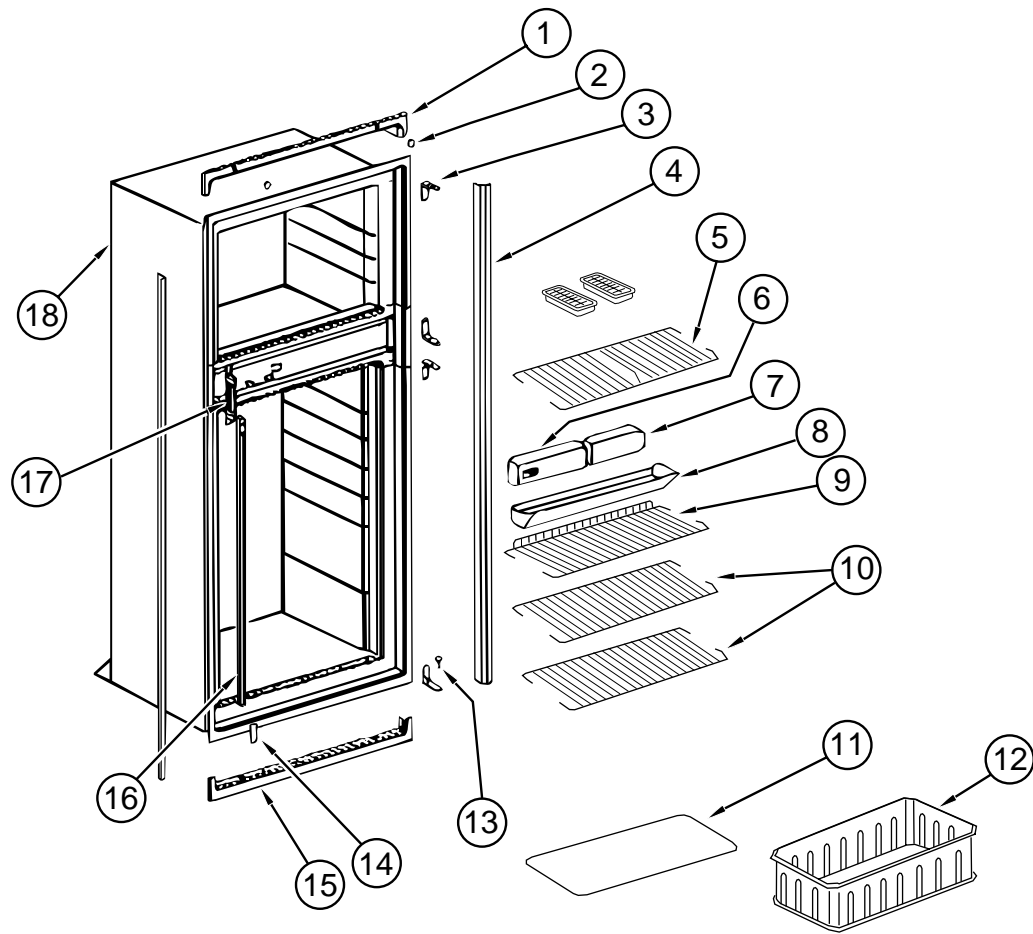
**MICROWAVE**

KEY	PART NUMBER	U/M	DESCRIPTION	VENDOR NO.
	115303-02-000	EA	OVEN - MICROWAVE 1.3 CU FT	
	115401-02-01A	EA	TRIM - MICROWAVE	
	115303-02-700	EA	TRIM-FOR VENT TOP & GRILL	2100310
	094750-07-000	EA	BRACKET-MICROWAVE - 89 DEGREE	
	094756-02-01A	EA	BRACKET-L - MICROWAVE - 6.1" LONG X 3.9" WIDE - STEEL - TAN	

**COFFEE MAKER - BLACK & DECKER**

KEY	PART NUMBER	U/M	DESCRIPTION	VENDOR NO.
	103799-02-01A	EA	COFFEEMAKER WITH CLOCK	
				FROM: 00-00-00 THRU: 04-13-97
	103799-01-701	EA	BRACKETS, WHITE PAIR	164734-06 B & D
				FROM: 00-00-00 THRU: 04-13-97
	126019-01-01A	EA	COFFEEMAKER - OPTIMA	
				FROM: 04-14-97 THRU: 99-99-99

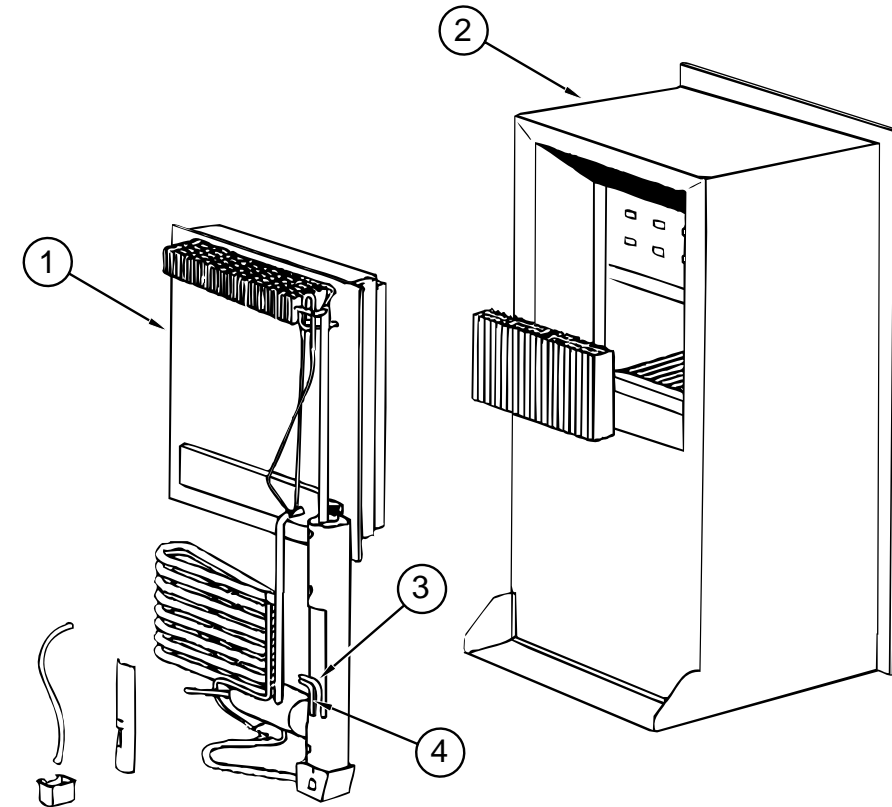
## GALLEY GROUP (CONTINUED)



**NORCOLD MODEL 9162 R REFRIGERATOR CABINET ASM WITH TRAY, TIEDOWNS, & LEVEL**

KEY	PART NUMBER	U/M	DESCRIPTION	VENDOR NO.
	121568-01-01A	EA	REFRIGERATOR - SMALL DOUBLE DOOR - 2-WAY	
1	120075-01-713	EA	TRIM-TOP PIECE	618124
2	120075-01-714	EA	PLUG-HOLE	618170
3	120075-01-715	EA	HINGE-CABINET	618512
4	120076-01-702	EA	TRIM, SIDE PIECE	618133
5	121568-01-705	EA	SHELF - WIRE FREEZER	618620
6	121568-01-706	EA	CONTROL BOX ASSEMBLY	618588
	120075-01-708	EA	BUSHING-DOOR HINGE	618144
7	120075-01-718	EA	BOX-FILLER	618112
8	120075-01-720	EA	TRAY-DRIP	618137
	120075-01-721	EA	LOUVER-DRIP TRAY	618176
9	121568-01-707	EA	SHELF - WIRE - SHORT	618624
10	121568-01-708	EA	SHELF - WIRE	618589
11	120075-01-725	EA	COVER-CRISPER	618158
12	121568-01-709	EA	CRISPER	618571
13	120075-01-727	EA	PIN-HINGE	618145
14	120075-01-728	EA	COVER-HINGE HOLE	618171
15	120075-01-729	EA	TRIM-BOTTOM PIECE	618136
16	120075-01-730	EA	RETAINER-SHELF	618181
17	120075-01-732	EA	PLATE-STRIKE	618167
18	120076-01-703	EA	CABINET-FOAMED	618260
	120075-01-731	EA	PLUG-FACADE	618184
	093646-01-000	EA	BRACKET - TIEDOWN/REFRIGERATOR - RIGHT HAND	
	093646-02-000	EA	BRACKET - TIEDOWN/REFRIGERATOR - LEFT HAND	
	116751-05-01A	EA	TRAY - REFRIGERATOR	
	054450-01-000	EA	LEVEL - REFRIGERATOR	
	065225-02-000	EA	PLATE - TIEDOWN - REFRIGERATOR	
	117089-01-000	FT	HOSE - 1/2" ID - GARDEN	

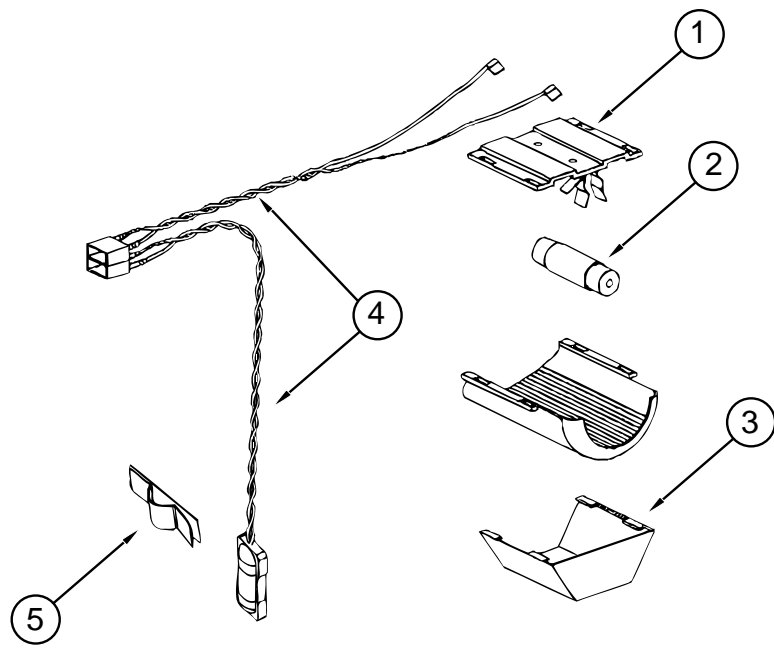
## GALLEY GROUP (CONTINUED)



**COOLING UNIT & CABINET ASM FOR NORCOLD MODEL 9162 R**

KEY	PART NUMBER	U/M	DESCRIPTION	VENDOR NO.
	121568-01-01A	EA	REFRIGERATOR - SMALL DOUBLE DOOR - 2-WAY	
1	120076-01-704	EA	COOLING UNIT, SERVICE PACK	618543
2	120076-01-703	EA	CABINET-FOAMED	618260
3	088248-01-710	EA	HEATER DC (HORIZONTAL)	61562822
4	088248-01-709	EA	HEATER-AC (HORIZONTAL)	61562722

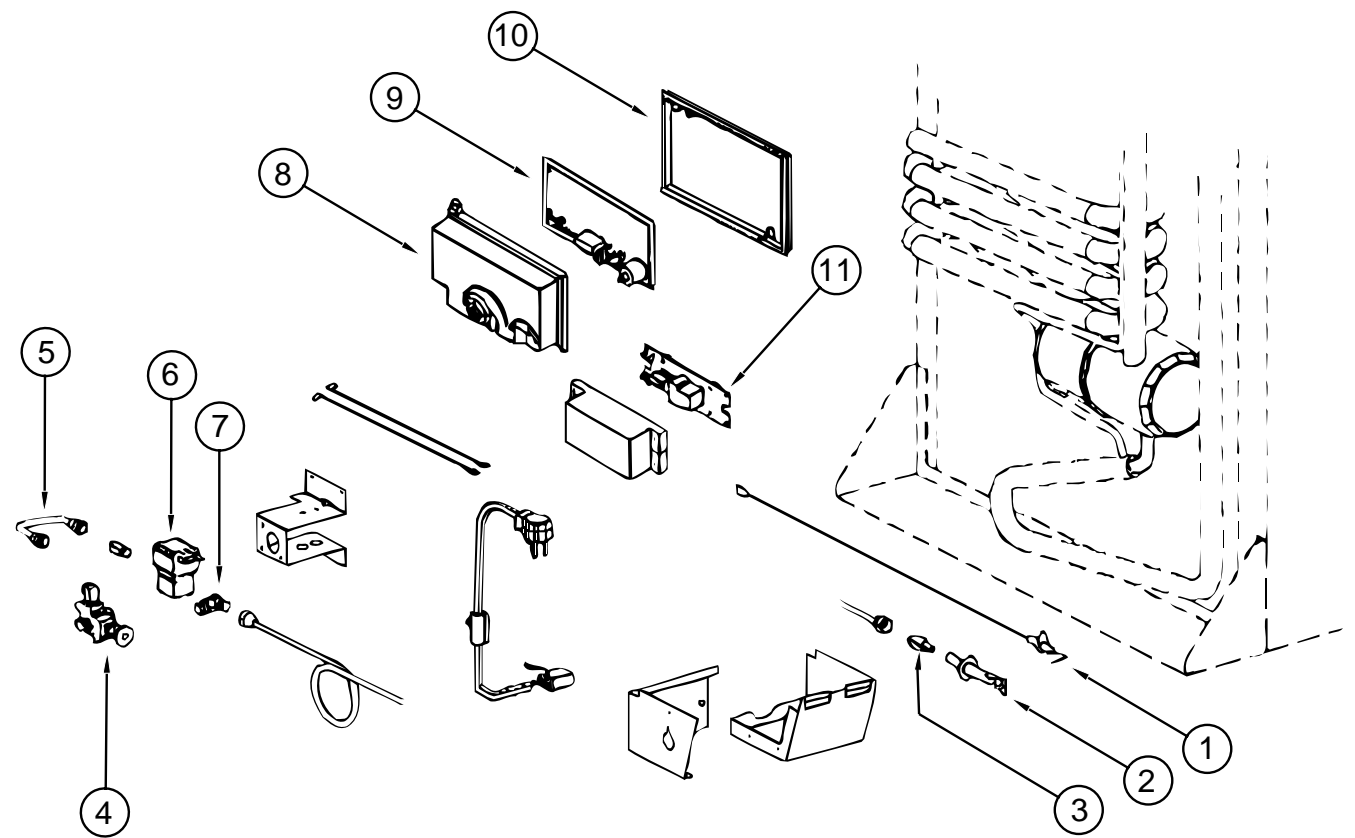
**GALLEY GROUP (CONTINUED)**



**LIGHT FOR NORCOLD MODEL 9162 R**

KEY	PART NUMBER	U/M	DESCRIPTION	VENDOR NO.
	121568-01-01A	EA	REFRIGERATOR - SMALL DOUBLE DOOR - 2-WAY	
1	084880-03-705	EA	BRACKET-LIGHT-INTERIOR	61629722
2	084880-03-706	EA	BULB-LAMP	61628922
3	084880-03-707	EA	COVER-LAMP, LENS	61627922
4	120075-01-735	EA	THERMISTER W/LAMP & WIRE/ASM	618548
5	084880-01-760	EA	CLIP (THERMISTER)	61689122

**GALLEY GROUP (CONTINUED)**

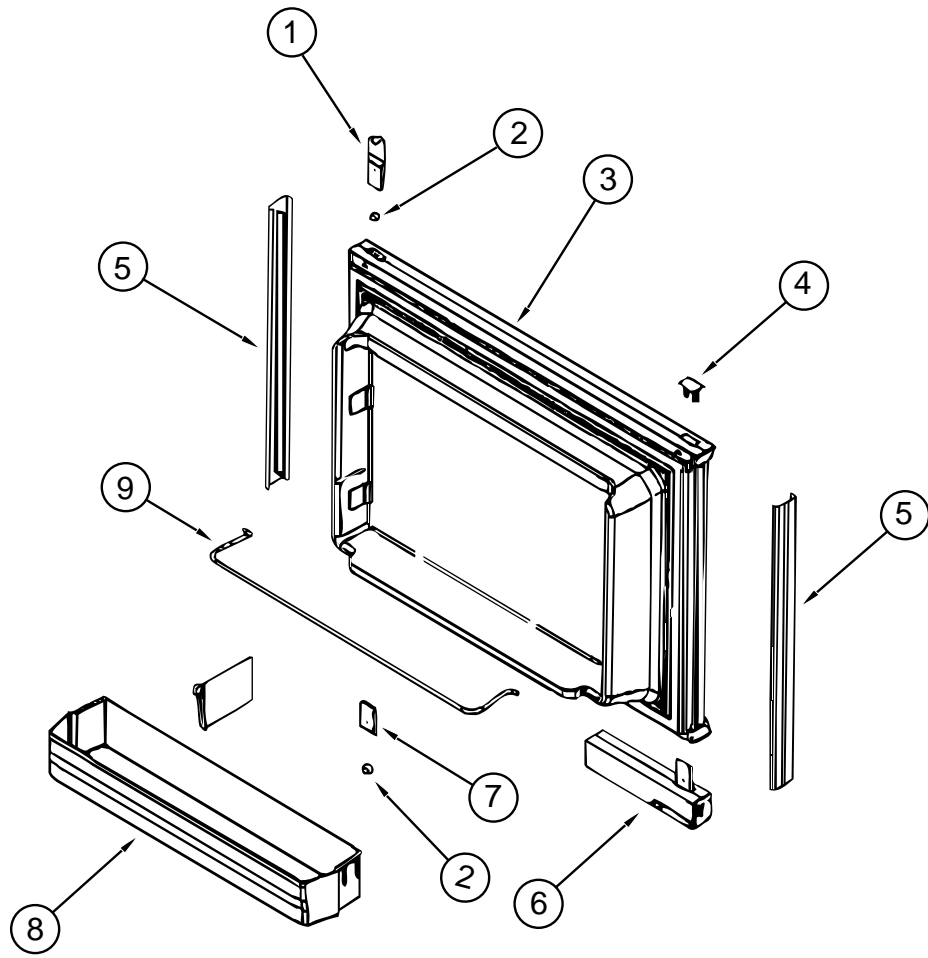


**ELECTRICAL COMPONENTS FOR NORCOLD MODEL 9162 R**

KEY	PART NUMBER	U/M	DESCRIPTION	VENDOR NO.
	121568-01-01A	EA	REFRIGERATOR - SMALL DOUBLE DOOR - 2-WAY	
1	104137-06-715	EA	ELECTRODE-SPARK/SENSOR, SGL	61692222
2	104137-06-714	EA	BURNER ASSEMBLY, 5-SLOT	61705222
3	113737-01-702	EA	PLUG 1/8" F/PRESSURE TAP	61445322
4	104137-06-709	EA	VALVE-SHUT OFF, MANUAL	61694922
5	113737-01-750	EA	TUBE-UNION	61694622
6	084880-01-718	EA	VALVE-GAS, (ASCO)	61551822
7	113737-01-716	EA	TAP-PRESSURE	61594422
8	120075-01-738	EA	COVER-POWER BOARD	618185
9	120075-01-741	EA	BOARD-POWER, 2-WAY	618574
10	120075-01-740	EA	COVER-BASE, POWER BOARD	618186
11	121568-01-711	EA	DC MODULE BOARD	618516



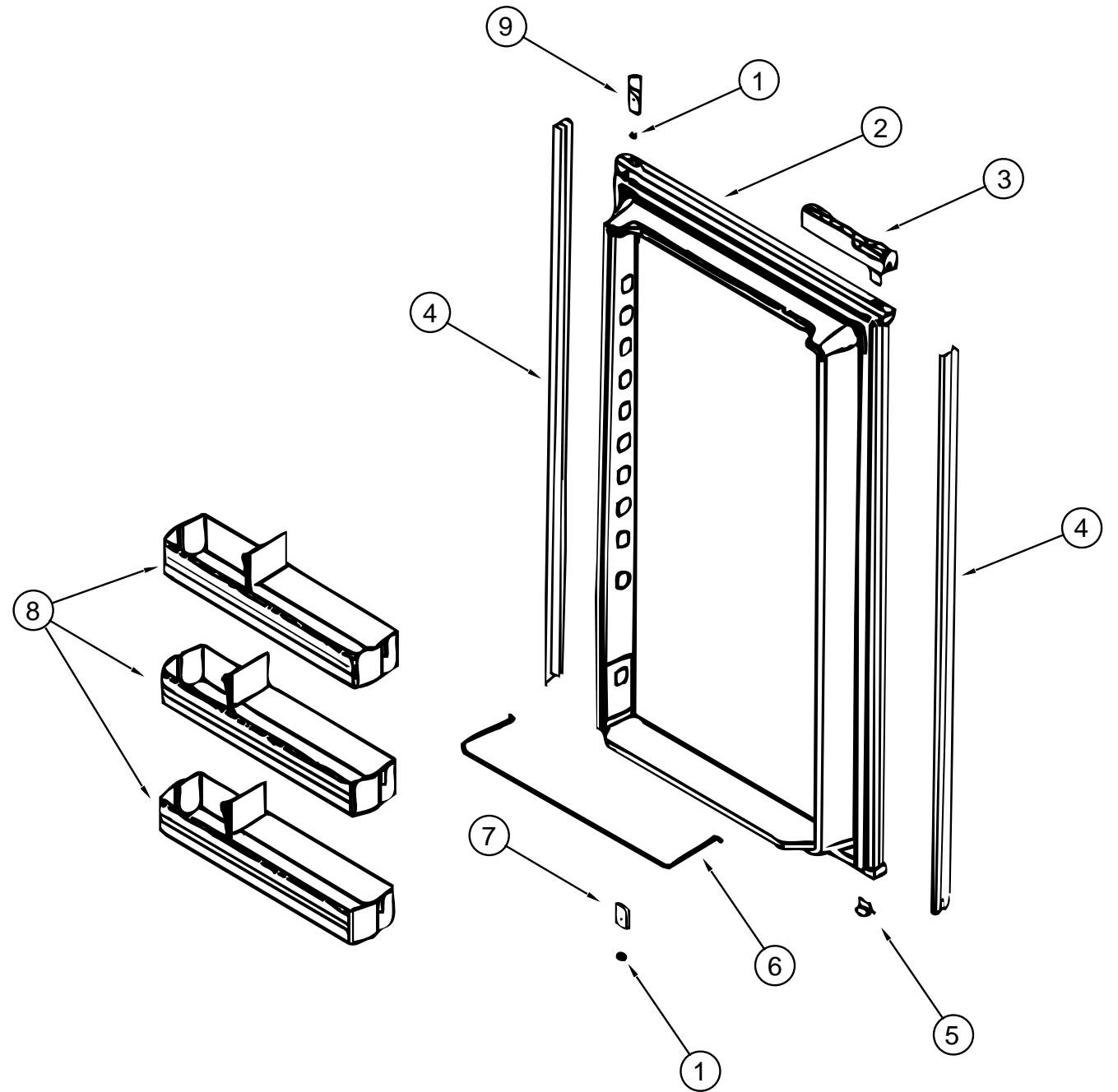
**GALLEY GROUP (CONTINUED)**



**FREEZER DOOR FOR NORCOLD MODEL 9162 R**

KEY	PART NUMBER	U/M	DESCRIPTION	VENDOR NO.
	121568-01-01A	EA	REFRIGERATOR - SMALL DOUBLE DOOR - 2-WAY	
1	120075-01-701	EA	HINGE-TOP RH/BOTTOM LH	618511
2	120075-01-708	EA	BUSHING-DOOR HINGE	618144
3	120075-01-703	EA	DOOR ASM., FOAMED, W/GASKET	618205
4	120075-01-702	EA	CAP, (HINGE PLUG)	618160
5	120075-01-700	EA	RETAINER - DOOR DECOR PANEL	618128
6	121568-01-702	EA	DOOR HANDLE ASM LWR/LH-TOP/RH	618230
7	120075-01-705	EA	HINGE-TOP LH/BOTTOM RH	618510
8	121568-01-701	EA	BIN - DOOR WHITE	618619
9	121568-01-700	EA	RAIL - DOOR UPPER	618618

**GALLEY GROUP (CONTINUED)**

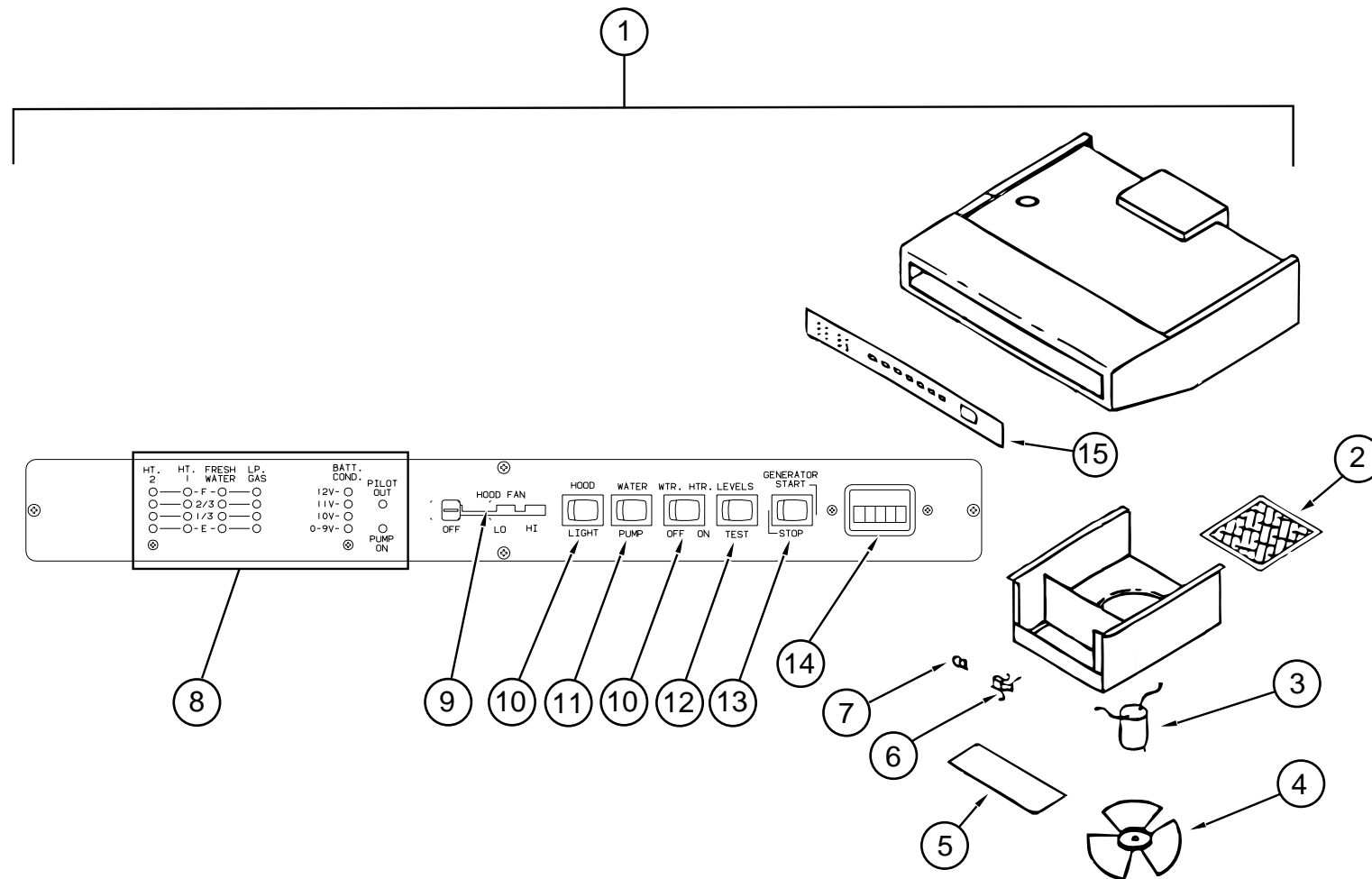


**DOOR FOR NORCOLD MODEL 9162 R**

KEY	PART NUMBER	U/M	DESCRIPTION	VENDOR NO.
	121568-01-01A	EA	REFRIGERATOR - SMALL DOUBLE DOOR - 2-WAY	
1	120075-01-708	EA	BUSHING-DOOR HINGE	618144
2	120076-01-701	EA	DOOR-LOWER-FOAMED, W/GASKET	618210
3	120075-01-711	EA	DOOR HANDLE- UPR LH/LOWER RH	618235
4	120076-01-700	EA	RETAINER-LOWER DOOR PANEL	618132
5	120075-01-702	EA	CAP, (HINGE PLUG)	618160
6	121568-01-704	EA	RAIL - DOOR LOWER	618578
7	120075-01-705	EA	HINGE, PAINTED, TOP LH/BTM RH	618510
8	121568-01-701	EA	BIN - DOOR WHITE	618619
9	120075-01-701	EA	HINGE-TOP RH/BTM LH, PAINTED	618511

# GALLEY GROUP (CONTINUED)

## RANGE HOOD

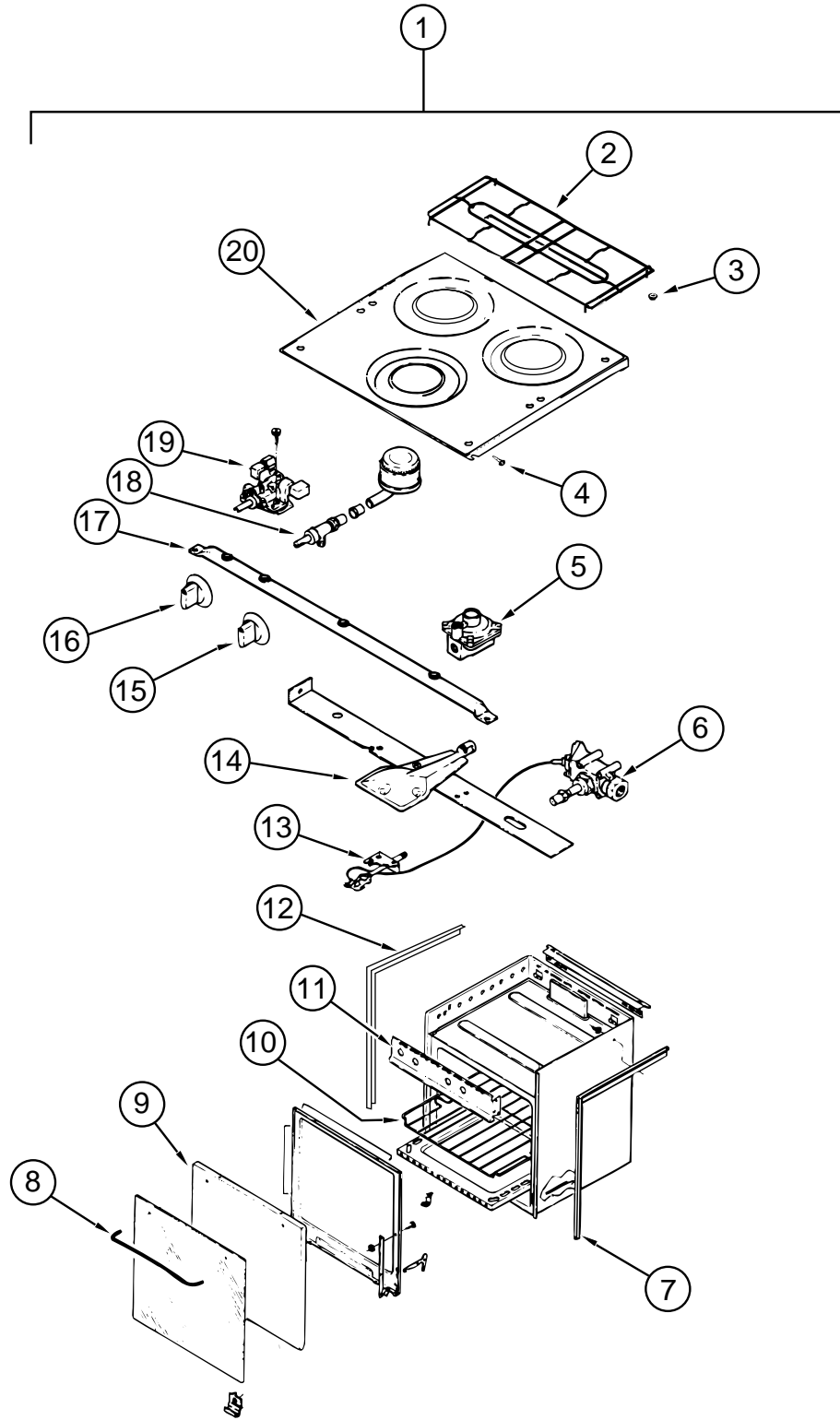


KEY	PART NUMBER	U/M	DESCRIPTION	VENDOR NO.
1	100258-22-03A	EA	HOOD-RANGE, W/O MONITOR PANEL - TMS-5012-SBDL (US)	
1	100258-23-03A	EA	HOOD-RANGE 22 W/MONT PNL TEX - TMS-5012-SBCL (CSA)	
2	096983-01-707	EA	FILTER-MESH	CC246
3	090973-01-700	EA	MOTOR-12 VOLT, CSA & UL	CA508-1
4	090973-01-702	EA	BLADE-FAN	VA183-1
5	092696-02-701	EA	LENS-LAMP	CC179-2
6	092696-01-710	EA	HOLDER-LAMP	CB267-2
7	117806-01-000	EA	BULB - 12 VOLT #912 - 1.0 AMPS	

KEY	PART NUMBER	U/M	DESCRIPTION	VENDOR NO.
8	100258-11-700	EA	BOARD-CIRCUIT	L5099-01
9	100258-04-701	EA	BEZEL-SWITCH LEVER	CC116
9	092696-01-701	EA	KNOB-PLASTIC	CC 225
10	096983-01-700	EA	SWITCH - ON/OFF	L0108-00
11	096983-01-703	EA	SWITCH - ON/ON	L0115-00
12	096983-01-701	EA	SWITCH - SPST/MOM 2 TERMINAL	L0111-00
13	096983-01-702	EA	SWITCH - MOM/OFF/MOM/3 TERM	L0112-00
14	100258-10-01A	EA	GAUGE - HOUR METER W/SWITCH - SCREW ON STYLE	
15	100258-12-700	EA	PANEL-CONTROL ASSEMBLY	LA9076
	092696-01-702	EA	RESISTER-WIRE	L7314
	100258-04-702	EA	SWITCH - LEVER - W/CABLE	CB547-1

# GALLEY GROUP (CONTINUED)

## RANGE - MAGIC CHEF 16RB-3BZ



KEY	PART NUMBER	U/M	DESCRIPTION	VENDOR NO.
1	112881-01-02A	EA	RANGE - 16" - 3 BURNER BLACK - HIGH OUTPUT BURNER	
2	102020-01-711	EA	GRATE-TOP	7518P012-60
3	102020-01-709	EA	BUMPER-GRATE	8007-P020-60
4	102020-01-724	EA	BUMPER-MAIN TOP	8003P008-60
5	102022-01-708	EA	REGULATOR, 1/4 & 1/2 OUT	7510P041-60
6	112881-01-702	EA	VALVE-MERCURY (SAFETY VALVE)	7501P12160&74001018
7	112881-01-720	EA	TRIM-FLAT RH BLACK TEXTURED	74002812
8	102020-01-701	EA	HANDLE,DOOR	7701P092-60
9	102022-01-704	EA	GLASS-OUTER	7902P261-60
10	102020-01-700	EA	SHELF-OVEN	7801-P027-60
11	112881-01-701	EA	PANEL-MANIFOLD	2616F091-70
12	112881-01-719	EA	TRIM-FLAT LH BLACK TEXTURED	74002813
13	112881-01-710	EA	OVEN PILOT	7505P202-60
14	112881-01-711	EA	BURNER-OVEN	3403W025045
15	112881-01-705	EA	KNOB-TOP BURNER	7733P072-60
16	112881-01-704	EA	KNOB-THERMOSTAT	7731P067-60
17	112881-01-709	EA	PIPE-MANIFOLD	7513P097-60
18	102020-01-722	EA	VALVE-TOP BURNER	7502P181-60
18	112881-01-703	EA	VALVE-TOP BURNER HI-OUTPUT	7502P180-60
19	112881-01-722	EA	THERMOSTAT	7515P029-60K
	112881-01-706	EA	THERMOSTAT SER#02C	7515P031-60
	112881-01-715	EA	THERMOSTAT, REF. SER. # 3C	7515P037-60
20	112881-01-712	EA	RANGE TOP-MAIN BLACK	740101486
	112881-01-703	EA	VALVE-TOP BURNER HI-OUTPUT	7502P180-60
	112881-01-721	EA	DEFLECTOR FLUE BLACK TEXTURE	74002809
	112881-01-716	EA	KNOB, THERMOSTAT-SER# 3C	7731P107-60
	112881-01-718	EA	KNOB - TOP BURNER HI-OUTPUT	74001794
	105458-01-000	EA	BRACKET - STOVE TIEDOWN - RH	
	105458-02-000	EA	BRACKET - STOVE TIEDOWN - LH	

## GENERATOR GROUP

### 4 KW ONAN GENERATOR

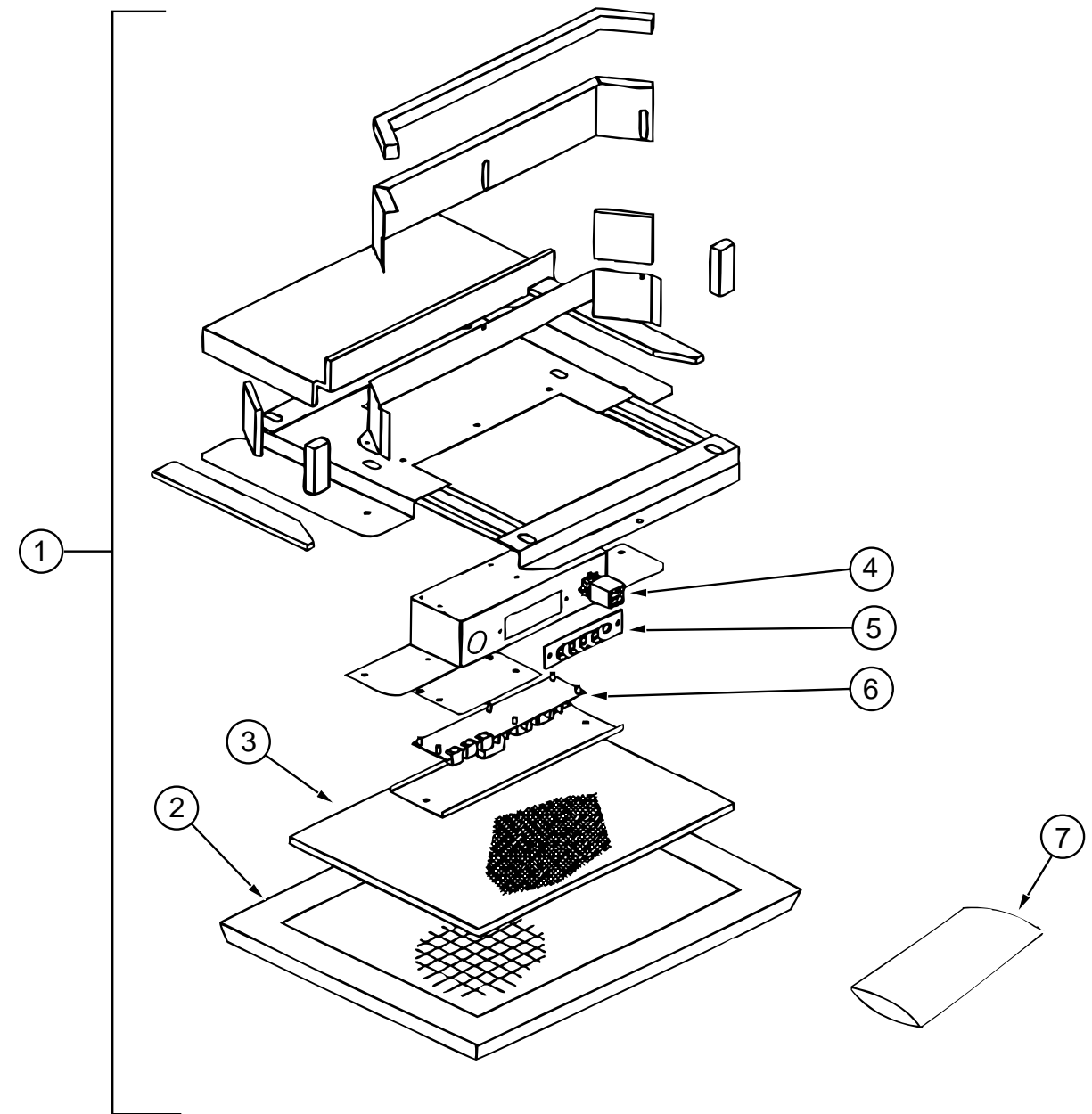
KEY	PART NUMBER	U/M	DESCRIPTION
	109982-03-000	EA	GENERATOR - 4.0 MICROLITE
	007067-01-000	SF	INSULATION-FIBERGLASS - 1" THICK X 4' - INCREMENTS OF 4 SF
	105958-09-000	EA	PIPE - GENERATOR EXHAUST 1.25" OD X 5.9" X 22"
	007125-04-000	EA	CLAMP-MUFFLER - 1.12" DIA
	118248-01-02B	EA	BRACKET - GENERATOR - W/O NOTCH - E-COATED
	118248-02-02B	EA	BRACKET - GENERATOR - W/NOTCH - E-COATED

### 3.6 KW ONAN GENERATOR

KEY	PART NUMBER	U/M	DESCRIPTION
	109982-04-000	EA	GENERATOR - 3.6 MICROLITE
	007067-01-000	SF	INSULATION - FIBERGLASS - 1" THICK X 4' - INCREMENTS/4 SF
	105958-09-000	EA	PIPE - GENERATOR EXHAUST 1.25" OD X 5.9" X 22"
	007125-04-000	EA	CLAMP - MUFFLER - 1.12" DIAMETER
	118248-01-02B	EA	BRACKET - GENERATOR - W/O NOTCH - E-COATED
	118248-02-02B	EA	BRACKET - GENERATOR - W/NOTCH - E-COATED

NOTE: ADDITIONAL GENERATOR COMPONENTS ARE FOUND IN THE CHASSIS GROUP.

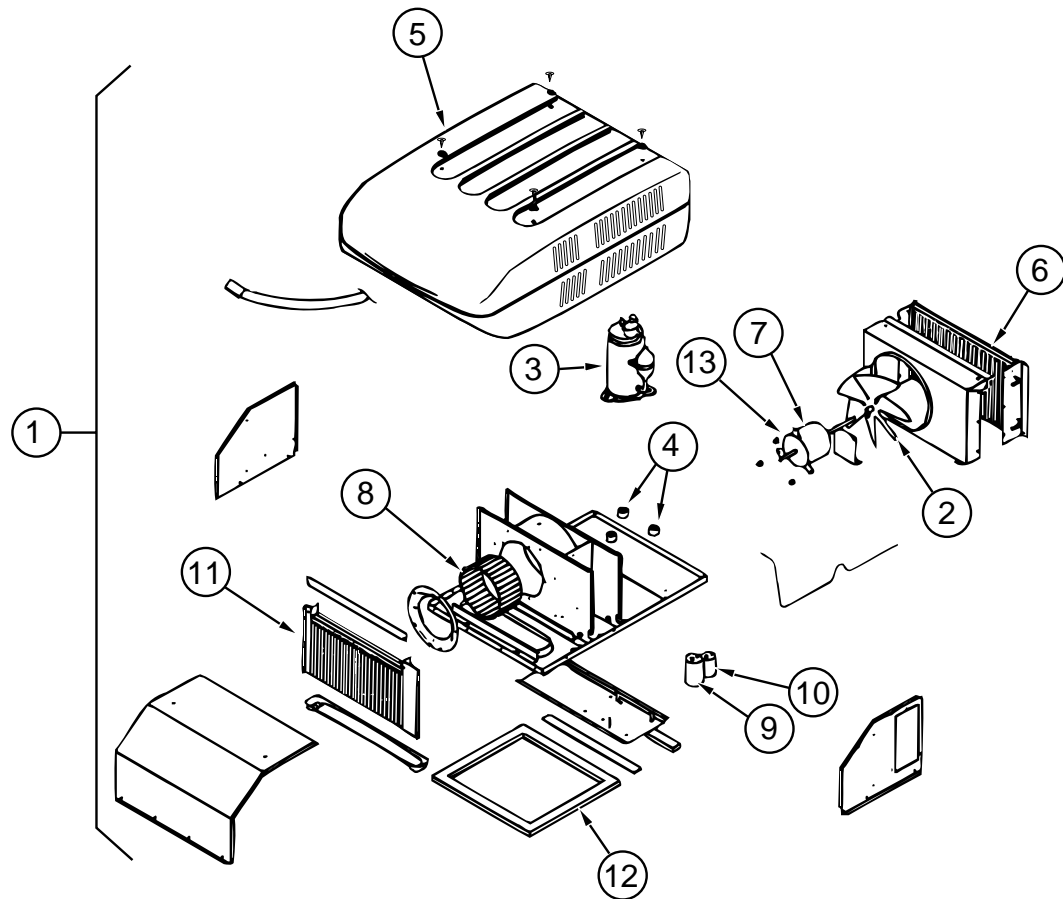
## HEATING & AIR CONDITIONING GROUP



CEILING ASM. - A/C - COLEMAN

KEY	PART NUMBER	U/M	DESCRIPTION	VENDOR NO.
1	108892-01-01A	EA	CEILING ASSEMBLY - A/C DUCTED	6798-3041
2	108892-01-704	EA	GRILLE (PLASTIC)	6798A3761
3	108892-01-703	EA	FILTER	7330-540
4	108892-01-700	EA	PLUG ASSEMBLY	7330-3201
5	108892-01-701	EA	BOARD-TERMINAL	7330A3211
6	108892-01-702	EA	BOARD-P.C.	7330A6101
7	108892-01-705	EA	SMALL PARTS PKG	
	120134-01-02A	EA	REGISTER - 4" TO 5" IN DIAMETER W/DAMPER	
	084077-03-000	EA	COVER/BLANK - ROOF A/C 5.2" X 3.5" - IVORY	
	117238-01-01A	EA	THERMOSTAT - A/C - FURNACE	
	122882-06-01A	EA	VENT - ROOF - GARNISH - 1" TO 2.56"	
	102289-01-000	EA	SPRING - SCREW - ROOF A/C GASKET	

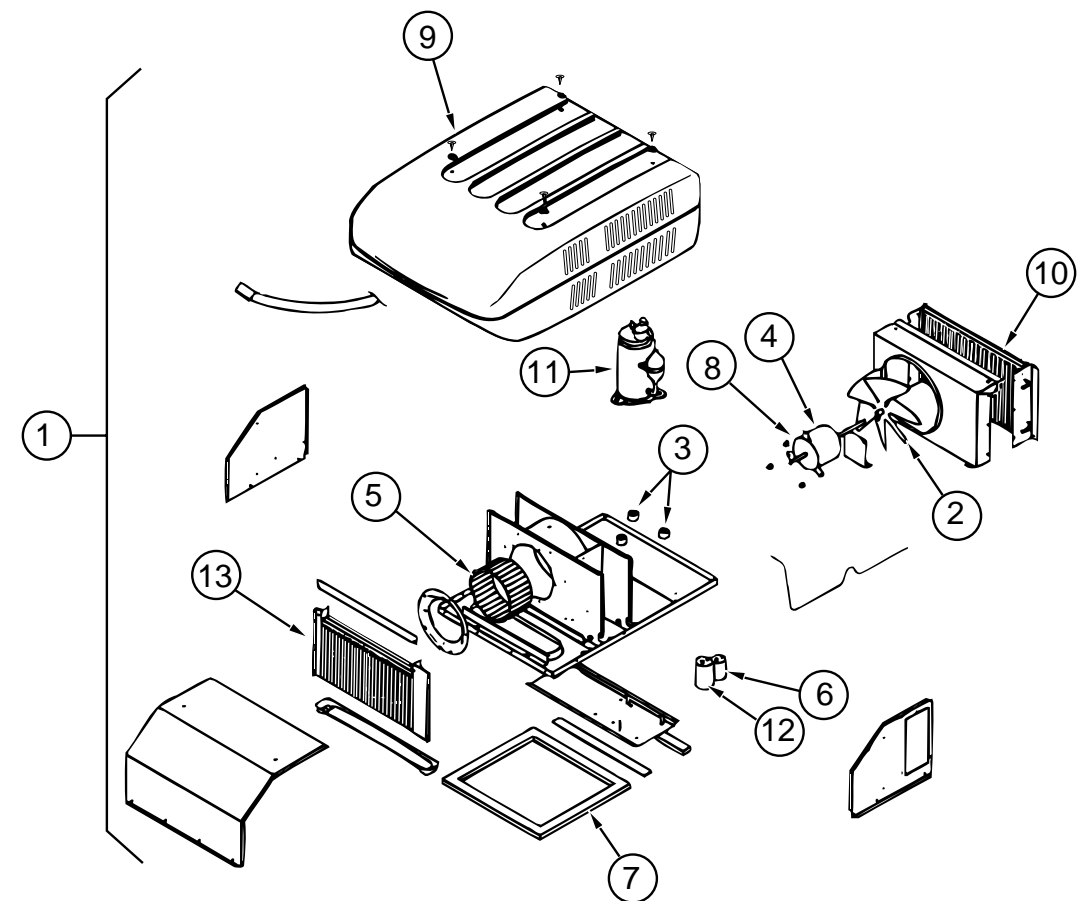
### HEATING & AIR CONDITIONING GROUP (CONTINUED)



**ROOF A/C - COLEMAN - 13,500 TSR 220**

KEY	PART NUMBER	U/M	DESCRIPTION	VENDOR NO.
1	108889-02-03A	EA	AIR CONDITIONER - 13,500 BTU/220 VOLT	
2	093763-01-712	EA	FAN BLADE-CONDENSER - COLEMAN	6733-3221
3	108889-02-700	EA	COMPRESSOR - TECUMSEH	1450A2029
4	105620-01-706	EA	FOOT PKG-COMPRESSOR - 3 PER PKG- COLEMAN	6759-3081
5	108889-05-700	EA	SHROUD - COLEMAN - BRIGHT WHITE	7333-4601
6	108889-01-703	EA	CONDENSER COIL	1452A1301
7	108889-02-701	EA	MOTOR - COLEMAN	1468-3059
8	108889-01-706	EA	IMPELLOR - COLEMAN	1472-1041
9	115219-01-702	EA	RUN CAP - COMP-50 MFD/370V	1499-5741
10	093763-01-704	EA	FAN CAPACITOR - COLEMAN	1499-5461
	108889-01-710	EA	FILLER PAD-COND AIR SEAL - COLEMAN	6759A3971
11	108889-01-709	EA	EVAPORATOR COIL	1499-5661
12	108889-01-711	EA	GASKET PKG - COLEMAN	6792-3301
13	108889-01-715	EA	MOTOR MOUNT & SHAFT SEAL KIT - COLEMAN	6792-3361
	108889-02-703	EA	START RELAY	1497-4141
	108889-01-713	EA	SUCTION LINE - 3/8 OD X 032 WALL	6792-130
	108889-01-714	EA	DISCHARGE LINE ASSY.	6792-531
	093306-01-701	EA	DECAL PKG - LEFT & RIGHT	6798B3591
	108889-02-702	EA	START CAPACITOR	1497-4141
	105620-01-705	EA	PROCTECTOR-OVERLOAD - RIGHT & LEFT	6759-3791
	108889-01-707	EA	CAPACIATOR-RUN -COMP-25MFD/370	1499-5661
	102289-01-000	EA	SPRING-SCREW - ROOF A/C GASKET - COLEMAN 6757-150	
	084077-03-000	EA	COVER-BLANK - ROOF A/C - 5.2" X 3.5" - IVORY	

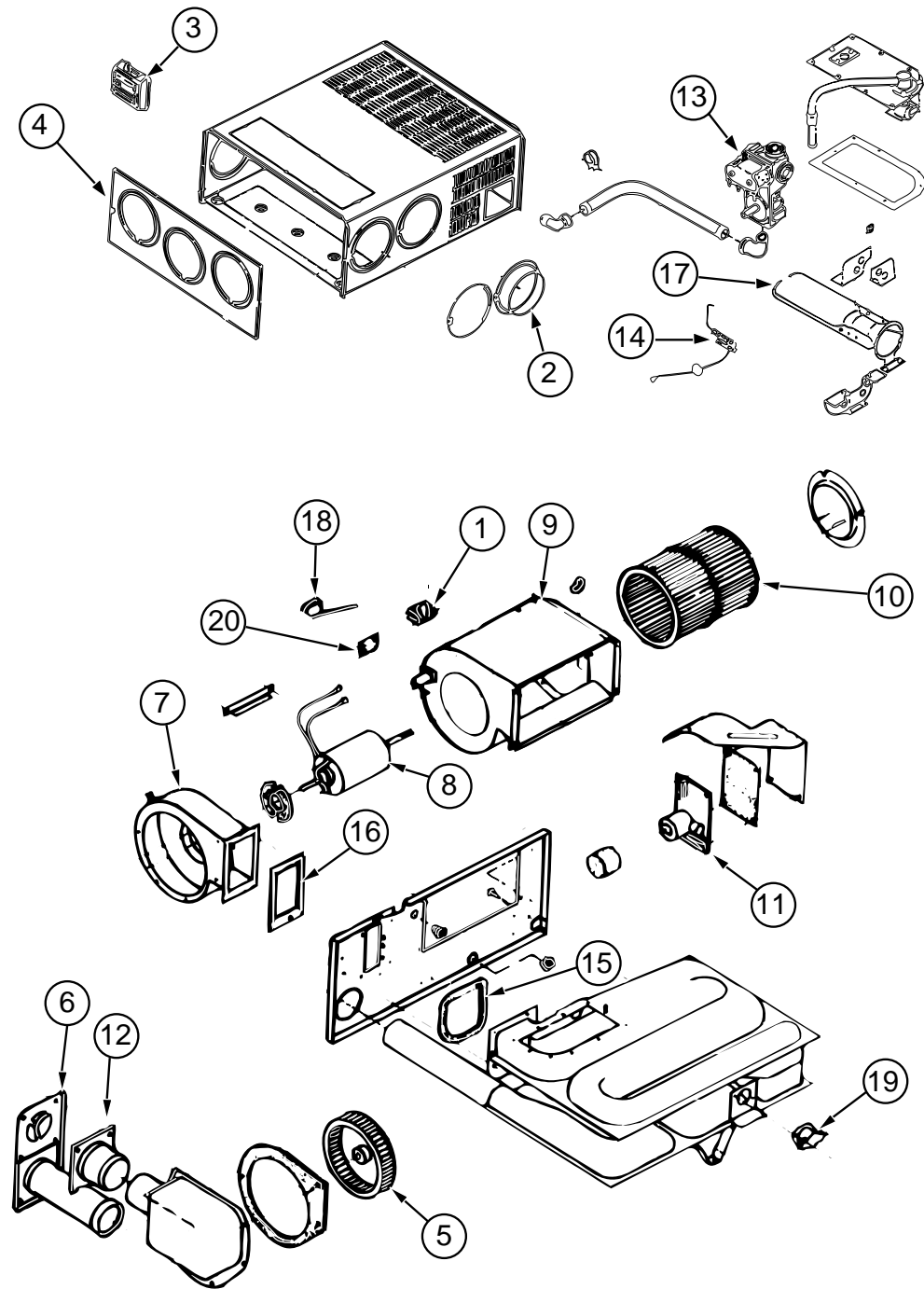
### HEATING & AIR CONDITIONING GROUP (CONTINUED)



**ROOF A/C - COLEMAN - 14,800 MACH 15**

KEY	PART NUMBER	U/M	DESCRIPTION	VENDOR NO.
1	115219-01-03A	EA	A/C-ROOF - 14,800 MACH 15 BRIGHT WHITE - COLEMAN 7335A697	
2	093763-01-712	EA	FAN BLADE-CONDENSER - COLEMAN	6733-3221
3	105620-01-706	EA	FOOT PKG-COMPRESSOR - 3 PER PKG- COLEMAN	6759-3081
4	108889-01-705	EA	MOTOR (115 - 60HZ) COLEMAN	1468-3049
5	108889-01-706	EA	IMPELLOR - COLEMAN	1472-1041
6	093763-01-704	EA	FAN CAPACITOR - COLEMAN	1499-5461
	108889-01-710	EA	FILLER PAD-COND AIR SEAL - COLEMAN	6759A3971
7	108889-01-711	EA	GASKET PKG - COLEMAN	6792-3301
8	108889-01-715	EA	MOTOR MOUNT & SHAFT SEAL KIT - COLEMAN	6792-3361
9	108889-05-700	EA	SHROUD - COLEMAN - BRIGHT WHITE	7333-4601
10	115219-01-700	EA	CONDENSER COIL	1452-1321
11	115219-01-708	EA	COMPRESSOR - PANASONIC	1450-2039
12	115219-01-702	EA	RUN CAP - COMP-50 MFD/370V	1499-5741
	115219-01-703	EA	START RELAY	1497-4151
13	115219-01-704	EA	EVAPORATOR COIL	1452-1331
	115219-01-705	EA	SUCTION LINE - LOWER	7335-130
	115219-01-706	EA	SUCTION LINE - UPPER	7335-131
	115219-01-707	EA	DISCHARGE LINE ASSY.	7335A132
	093306-01-701	EA	DECAL PKG - LEFT & RIGHT	6798B3591
	093306-01-720	EA	START CAPACITOR(21-25 MFD/33	1497-3351
	102289-01-000	EA	SPRING-SCREW - ROOF A/C GASKET - COLEMAN 6757-150	
	084077-03-000	EA	COVER-BLANK - ROOF A/C - 5.2" X 3.5" - IVORY	

## HEATING & AIR CONDITIONING GROUP (CONTINUED)



## HEATING & AIR CONDITIONING GROUP (CONTINUED)

### FURNACE - SUBURBAN - MODEL SF-30 2273

KEY	PART NUMBER	U/M	DESCRIPTION	VENDOR NO.
	098668-20-000	EA	FURNACE - 30000 BTU	
1	074466-01-702	EA	RELAY - TIME DELAY 205 & L & 45000	230625
2	075696-02-703	EA	DUCT COLLAR	050715
3	117238-01-01A	EA	THERMOSTAT - A/C - FURNACE	
4	098668-01-700	EA	CABINET FRONT	101242
5	098668-01-706	EA	WHEEL-COMBUSTION AIR	350128
6	098668-01-707	EA	TUBE ASSEMBLY - EXHAUST W/CAP	260231
7	098668-01-708	EA	HOUSING-BLOWER - COMBUSTION	390441
8	098668-01-709	EA	MOTOR ASM. - F/SF-25, SF-30	231706
9	098668-01-710	EA	HOUSING-BLOWER - ROOM AIR	390440
10	098668-01-711	EA	WHEEL-BLOWER - ROOM AIR	350129
11	098668-01-712	EA	BOARD-MODULE	520741
12	098668-01-713	EA	TUBE ASSEMBLY - INTAKE	051248
13	098668-01-714	EA	VALVE-GAS - SF S.N. 921401821	161070
14	098668-01-715	EA	ELECTRODE ASM. - SINGLE PROBE	232166
15	098668-01-716	EA	GASKET-FIREWALL - CHAMBER SIDE	070808
16	098668-01-717	EA	GASKET-FIREWALL - BLOWER SIDE	070809
17	098668-02-700	EA	BURNER ASSEMBLY - SF-30 & SF35	010745
18	098668-21-700	EA	SWITCH-MICRO - W/O FLAG 3 1/4"	232261
19	098668-21-701	EA	SWITCH-LIMIT	231799
20	101990-01-714	EA	GASKET-MICROSWITCH	230877
	092300-02-701	EA	ORIFICE-MAIN BURNER (NT-30BW)	180214
	098668-23-000	EA	DOOR-ACCESS - FURNACE - 520574	

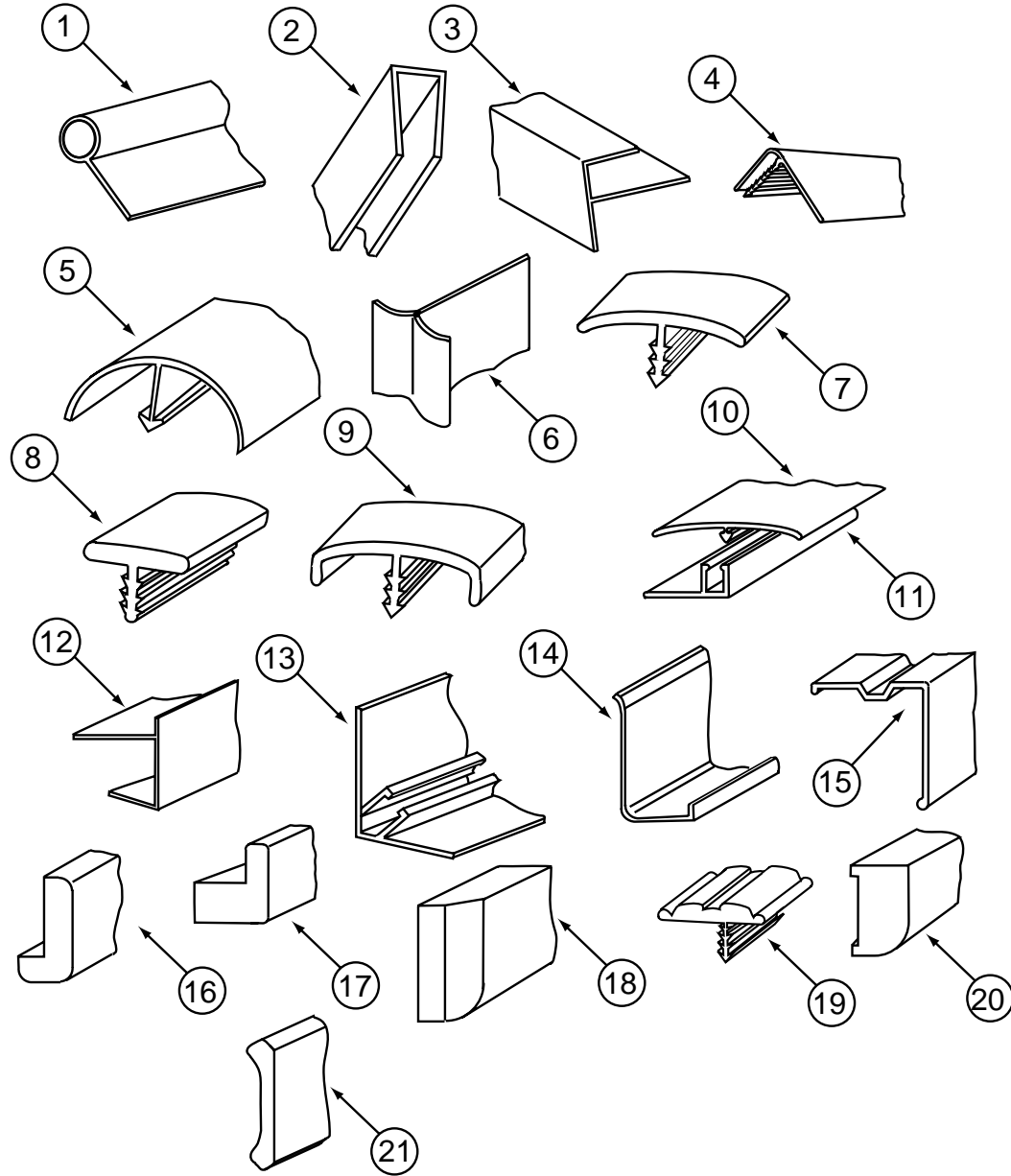
### HEATING SYSTEM

KEY	PART NUMBER	U/M	DESCRIPTION
	093741-01-000	EA	BOX - BOOT - FLOOR REGISTER
	089367-02-000	EA	TEE-4 X 2 X 4"
	069636-02-000	EA	CONNECTOR-DUCT - 4" ID - SUBURBAN 050715
	009198-01-000	FT	DUCT-HEAT - FLEXIBLE - 4" ID X 25 FT
	009198-02-000	FT	DUCT-FLEXIBLE-2" ID X 25 FT
	093614-01-02A	EA	GRILLE - RETURN AIR
	079059-01-000	EA	HOSE - 90 DEGREE - 5/8" ID X 4" X 36"
	079059-13-000	EA	HOSE - 90 DEGREE - .61" ID X 4" X 48"
	007108-01-000	FT	HOSE-HEATER - 5/8" ID - HI-TEMP - FORD ESE-M2D192-A
	056464-09-000	EA	REGISTER-4IN DIA - PLASTIC
	094600-05-01A	EA	REGISTER-HEAT - W/O DAMPER - LIMA 41 - DURA-BEIGE
	056464-10-000	EA	REGISTER-W/O DAMPER - 4" DIAMETER - DURA-BEIGE
	009200-01-000	EA	TAPE-FURNACE - 1 1/2"
	088753-01-000	FT	TUBE-ALUMINIZED STEEL - 5/8" - 18 GAUGE
	008042-01-000	FT	TUBING-VINYL - .65" ID

### REAR HEATER - EVANS

KEY	PART NUMBER	U/M	DESCRIPTION	VENDOR NO.
	084405-01-000	EA	HEATER - REAR - DUCTED - W/MOTOR AID - EVANS	
	084405-01-700	EA	CORE - HEATER	FT200229
	084405-01-701	EA	FAN BLADES	HV029931
	084405-01-702	EA	MOTOR - 12 VOLT ASSY	R0200180
	081994-06-000	EA	PLATE - SWITCH - AUXILIARY START	
	087202-01-000	EA	SWITCH - 4 POSITION W/KNOB 5 TERMINAL	

**INTERIOR FINISH GROUP**



**MOLDINGS & TRIMS**

KEY	PART NUMBER	U/M	DESCRIPTION
1	009767-12-000	FT	WELTING - SIDEWALL/CEILING/CABINET - OFF/WHT
2	009778-18-000	FT	U - CHANNEL - 1" - CHERRY-CHERRY
2	009778-20-700	EA	U - CHANNEL, 1" X 55"
2	070504-18-000	FT	U - CHANNEL - EXTRUDED PLASTIC - .65" X 84" - IVORY
2	070504-30-000	FT	U - CHANNEL - EXTRUDED PLASTIC - .65" X 84" - CHERRY
2	070504-31-000	FT	U - CHANNEL - EXTRUDED PLASTIC - .81" X 84" - CHERRY
3	009812-24-000	EA	MOLDING - PLASTIC - OUTSIDE CORNER - .50" X 7' - IVORY
3	009812-26-000	EA	MOLDING - PLASTIC - OUTSIDE CORNER - .50" X 7' - CHERRY
4	009809-23-000	EA	MOLDING - CORNER - OUTSIDE - 1" X 84" - MODERN IVORY
4	009809-27-000	EA	MOLDING - CORNER - OUTSIDE - 1" X 84" - CHERRY
5	042357-19-000	EA	MOLDING - CORNER - RADIUS/PLASTIC - CHERRY
6	022992-11-000	FT	MOLDING - REVERSE COVE - T-SHAPED VINYL - IVORY
6	022992-01-000	FT	MOLDING - REVERSE COVE - T-SHAPED VINYL - WHITE
7	009815-09-000	FT	MOLDING - T, .75" - IVORY
7	105709-01-000	FT	T-MOLDING - 1" - MODERN IVORY
8	104676-01-01A	FT	T-MOLDING - 5/16" - RIGID GOLD
9	104676-02-03A	FT	T-MOLDING - 1/2" CHERRY
9	083620-09-000	FT	T-MOLDING - .75" - W/EDGE LIPS - MODERN IVORY
9	083620-11-000	FT	MOLDING-T - END CAP EDGE - W/EDGE LIPS - .75" - CHERRY
9	119520-01-01A	FT	MOLDING-T - 1" W/EDGE LIPS (OFF/WHITE-CREAM)

**INTERIOR FINISH GROUP (CONTINUED)**

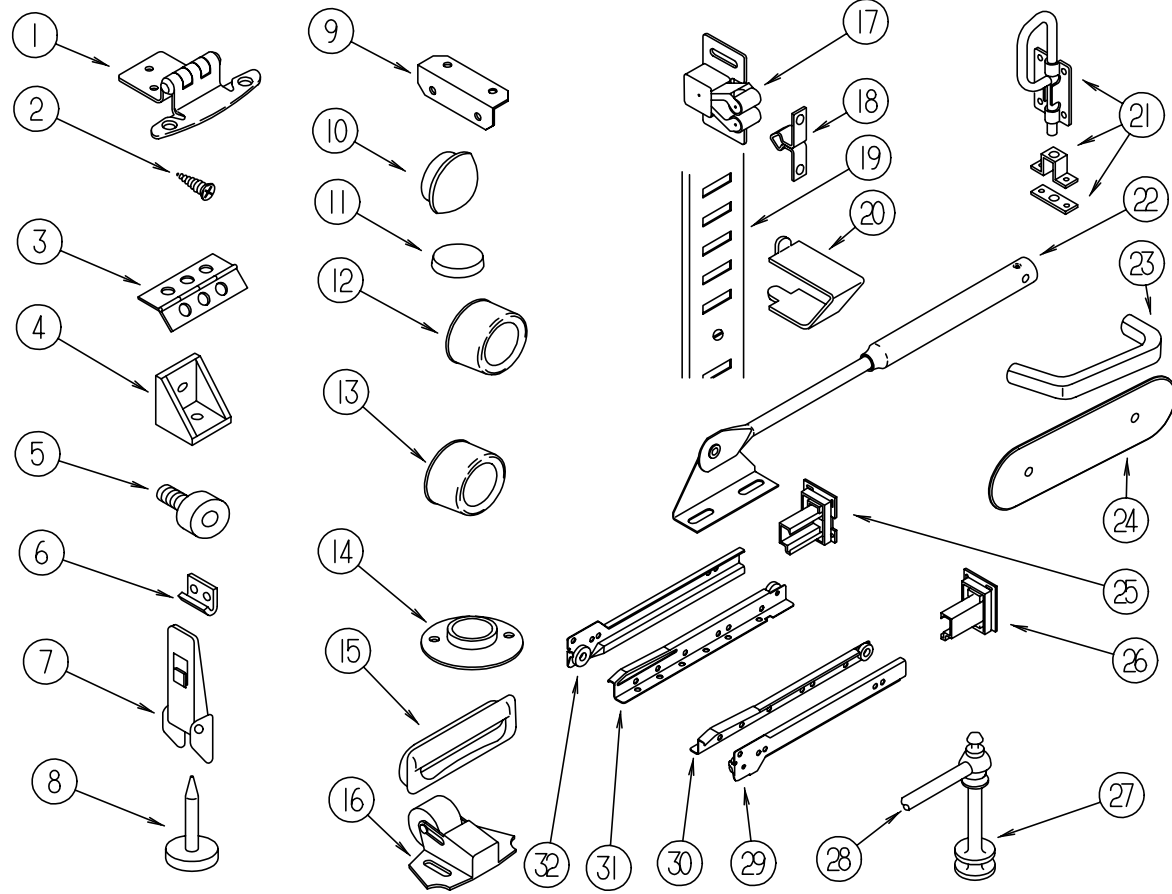
**MOLDINGS & TRIMS**

KEY	PART NUMBER	U/M	DESCRIPTION
10	086229-13-000	EA	BATTEN - 1" X 96" - IVORY
10	086229-18-000	EA	BATTEN - 1" X 97.68" - OFF WHITE
10	086229-20-000	EA	BATTEN - 1" X 96" - BEIGE
11	086229-11-000	EA	RETAINER - OFFSET - 97.01"
12	103186-01-04A	FT	MOLDING - PLASTIC/3/8" U-CHANNEL W/3/4" FACE - CHERRY
13	081521-02-007	EA	MOUNT - METAL MOLDING - F/RADIUS CORNER MOLDING - 12/5" EA
14	085746-04-000	FT	TRIM-J - CARPET 1.2" X .5" ANGLE - 12' LONG - OFF WHITE
15	093873-01-01A	FT	TRIM - CARPET - L-ANGLE 1.1" X 1.3" X 12' - GRAY VINYL
16	077840-01-E41	EA	MOLDING - CAP/WALL - 8' SALEM CHERRY
17	100819-01-04A	EA	MOLDING - VINYL WRAPPED - CHERRY-CHERRY
18	100659-01-G09	EA	MOLDING - TRIM - VINYL FLOOR
19	109736-01-01A	FT	T-MOLDING - 1" - BRASS/BLACK
20	111136-D2-062	EA	MOLDING - .018 X .038 X 2062 M VINYL WRAPPED
20	111136-D2-010	EA	MOLDING - .018 X .038 X 2010 M VINYL WRAPPED
20	111136-D2-001	EA	MOLDING - VINYL WRAPPED - .7" X 1.6" X 7' - CHERRY
20	111136-D2-134	EA	MOLDING - VINYL WRAPPED - .7" X 1.6" X 7' - CHERRY
20	111136-F2-438	EA	MOLDING - VINYL WRAPPED - .7" X 1.6" X 7' - CHERRY
20	111136-F2-134	EA	MOLDING - VINYL WRAPPED - .7" X 2.6" X 7' - CHERRY
21	113794-01-03A	FT	MOLDING - CROWN
	120492-01-02A	FT	STRIP - TRIM - SALEM CHERRY

**EDGE BAND MOLDING**

KEY	PART NUMBER	U/M	DESCRIPTION
	076325-34-000	FT	MOLDING - EDGE BAND - 1 5/16" X .030" - ORCHID MIST
	076325-43-000	FT	MOLDING - EDGE BAND - .875" X .024" - CLOUD (H10)
	076325-40-000	FT	MOLDING - EDGE BAND - .875" X .024" (H11)
	076325-46-000	FT	MOLDING - EDGE BAND - 1 5/16" X .030" - CLOUD (H10)
	076325-39-000	FT	MOLDING - EDGE BAND - 1 5/16" X .030" (H11)
	076325-50-000	FT	MOLDING - EDGE BAND - 1 5/16" X .038 - CHERRY
	076325-52-000	FT	MOLDING - EDGE BAND - 2812 CHERRY - .93 X .024 X 600

**INTERIOR FINISH GROUP (CONTINUED)**



**CABINET & TABLE HARDWARE**

KEY	PART NUMBER	U/M	DESCRIPTION
1	108138-01-000	EA	HINGE - CABINET DOOR - BURNISHED BRASS
2	000G13-06-08G	EA	SCREW - 6-20 X .50 PFH - ANTIQUE BRASS
2	076790-01-000	EA	SCREW - 6-20 X 1 1/4 PPH - BLACK
3	041389-35-000	EA	HINGE - PIANO - OW
3	009059-01-000	EA	HINGE - DOOR - 2" X 1.4" - BRASS
4	065740-01-000	EA	BRACE - CABINET CORNER - PLASTIC
5	079921-01-000	EA	ROLLER - NYLON - W/STEEL SHAFT - BARBED
6	042541-05-000	EA	STRIKE - BRASS - W/O LATCH
7	116975-01-01A	EA	LATCH - W/O STRIKE
8	102194-01-000	EA	GUIDE - PLASTIC
9	016604-01-000	EA	BRACE - CABINET - ANGLE - 2.5" - UNPAINTED METAL
9	016604-05-000	EA	BRACE - CABINET - ANGLE - 2.5" - METAL - OFF WHITE METAL
10	074045-08-000	EA	PLUG - OAK - 1/2" DIAMETER - SALEM CHERRY
11	023320-01-000	EA	PAD - FELT - 3/8" DIAMETER
12	069726-02-000	EA	BUMPER - .88" OD X .40" THICK - BLACK
13	004354-01-000	EA	BUMPER - RUBBER - .5" DIA - BROWN
14	009112-01-000	EA	FLANGE - PLASTIC - 1" CLOTHES ROD - OFF WHITE
15	080728-01-000	EA	HANDLE - PULL - 1.3" X 4.4" - BROWN PLASTIC
16	109403-01-000	EA	CATCH - SINGLE ROLLER - SCREEN DOOR
17	093586-06-000	EA	CATCH - SPRING - ROLLER
18	093586-05-000	EA	STRIKE - SPRING STEEL
19	098980-01-000	EA	PILASTER - ADJUSTABLE SHELF, 18" LONG
20	098979-01-000	EA	CLIP - ADJUSTABLE SHELF
21	103256-01-000	EA	LATCH - SLIDE
22	074493-02-000	EA	SUPPORT-PISTON SPRING - CABINET DOOR
23	111093-01-000	EA	PULL - CABINET - BRASS
24	081376-01-000	EA	BACKPLATE - DOOR PULL - OVAL/BRASS - .8" X 4.25"
25	114045-01-000	EA	BACKSOCKET - ADJUSTABLE LEFT
26	114045-02-000	EA	BACKSOCKET - ADJUSTABLE RIGHT
27	084070-03-000	EA	POST - END - 2.4" - BRASS

**INTERIOR FINISH GROUP (CONTINUED)**

**CABINET & TABLE HARDWARE (CONTINUED)**

KEY	PART NUMBER	U/M	DESCRIPTION
28	084071-05-000	EA	ROD - BRASS - 15"
28	084071-12-000	EA	ROD - BRASS - 4.08" LONG
28	084071-19-000	EA	ROD - BRASS - 7.09" LONG
29	114031-05-000	EA	SLIDE - 14" - LEFT SIDE/CABINET
29	114031-09-000	EA	SLIDE - 16" - LEFT SIDE/CABINET
29	114031-13-000	EA	SLIDE - 18" - LEFT SIDE/CABINET
29	114031-17-000	EA	SLIDE - 20" - LEFT SIDE/CABINET
29	114031-21-000	EA	SLIDE - 22" - LEFT SIDE/CABINET
30	114031-07-000	EA	SLIDE - 14" - LEFT SIDE/DRAWER
30	114031-11-000	EA	SLIDE - 16" - LEFT SIDE/DRAWER
30	114031-15-000	EA	SLIDE - 18" - LEFT SIDE/DRAWER
30	114031-19-000	EA	SLIDE - 20" - LEFT SIDE/DRAWER
30	114031-23-000	EA	SLIDE - 22" - LEFT SIDE/DRAWER
31	114031-08-000	EA	SLIDE - 14" - RIGHT SIDE/DRAWER
31	114031-12-000	EA	SLIDE - 16" - RIGHT SIDE/DRAWER
31	114031-16-000	EA	SLIDE - 18" - RIGHT SIDE/DRAWER
31	114031-20-000	EA	SLIDE - 20" - RIGHT SIDE/DRAWER
31	114031-24-000	EA	SLIDE - 22" - RIGHT SIDE/DRAWER
32	114031-06-000	EA	SLIDE - 14" - RIGHT SIDE/CABINET
32	114031-10-000	EA	SLIDE - 16" - RIGHT SIDE/CABINET
32	114031-14-000	EA	SLIDE - 18" - RIGHT SIDE/CABINET
32	114031-18-000	EA	SLIDE - 20" - RIGHT SIDE/CABINET
32	114031-22-000	EA	SLIDE - 22" - RIGHT SIDE/CABINET
	042438-01-000	EA	DOWEL - WOOD - CLOTHES ROD - 1" DIAMETER X 4'

**BATT STRIPS**

KEY	PART NUMBER	U/M	DESCRIPTION
	069733-82-000	EA	BATT STRIP - WOODGRAINED/SALEM CHERRY - 8'
	085284-97-000	FT	BATT TAPE - ADHESIVE BACKED - WOODGRAINED/SALEM CHERRY
	088263-E6-000	EA	BATT STRIP - DECORATIVE - MONTANNA/FROST - 8' LONG (H10)
	088263-E2-000	EA	BATT STRIP - DECORATIVE - PRIMAVERA/STONE - 8' LONG (H11)
	085284-E0-000	FT	BATT TAPE - ADHESIVE BACKED-DECORATIVE-MONTANNA/FROST (H10)
	085284-D5-000	FT	BATT TAPE - ADHESIVE BACKED - DECORATIVE -PRIMAVERA/STONE (H11)



**INTERIOR FINISH GROUP (CONTINUED)**

**PANELING, LAMINATES & PLASTIC**

KEY	PART NUMBER	U/M	DESCRIPTION
	000846-01-000	SF	PLYWOOD - 5/16" X 48" X 96" - CD GRADE
	000846-02-000	SF	PLYWOOD/UNDERLAYMENT - 5/16" X 48" X 96"
	000885-71-000	SF	PARTICLE BOARD - 3/8" X 48" X 96" - CHERRY/VINYL 1 SIDED
	000885-72-000	SF	PARTICLE BOARD-1/2" X 48" X 96"-CHERRY - 2 SIDED VINYL
	000885-73-000	SF	PARTICLE BOARD - 3/4" X 48" X 96" - CHERRY - 2 SIDE VINYL
	000885-74-000	SF	PARTICLE BOARD - 3/8"X 48"X 96" - CHERRY 2 SIDE VINYL
	057882-04-000	SF	TAMBOUR - 48" X 96" SHEET - UNFINISHED
	074497-23-000	SF	PANELING - CHERRY - .1" X 48" X 96"
	074497-33-000	SF	PANELING - CEILING - IMPACT PEARL - 48" X 108" FROM: 00-00-00 THRU: 11-19-96
	074497-38-000	SF	PANELING - IMPACT PEARL TEXTURE - 48" X 108" FROM: 11-20-96 THRU: 99-99-99
	074498-58-000	SF	LAMINATE - PLASTIC - 5' X 8' - CHERRY - INC OF 40 SF
	074498-62-000	SF	LAMINATE - PLASTIC - GREY FINESSE - 5' X 8' - INC OF 40SF
	074498-67-000	SF	LAMINATE - PLASTIC - ORCHID MIST - 5' X 8' - INC OF 40SF
	080215-09-000	SF	PANELING-2 SIDE CHERRY, 5MM X 48 X 96
	088272-G1-000	SF	PANELING - PEBBLE EMBOSSED - ANTIQUE WHITE - 4' X 7'
	088272-G4-000	SF	PANELING - MONTANA FROST - 4' X 8'
	093743-05-01A	SF	PLASTIC - ABS COIL - BRIGHT WHITE - 20" X 108"
	098531-02-000	SF	PLYWOOD - CHERRY 1/2"
	111134-D2-438	EA	LUMBER - VINYL WRAPPED - .7" X 1.5" X 96" - CHERRY
	111134-E2-438	EA	LUMBER - VINYL WRAPPED - .7" X 2" X 96" - CHERRY
	111134-G2-438	EA	LUMBER - VINYL WRAPPED - .7" X 3" X 96" - CHERRY
	114129-01-02A	SF	LINER - CABINET - .02" X 48" X 96" FROM: 00-00-00 THRU: 04-13-97
	126339-01-000	SF	BOARD - WHEAT - 60" X 72" FROM: 04-14-97 THRU: 99-99-99

**INTERIOR FINISH GROUP (CONTINUED)**

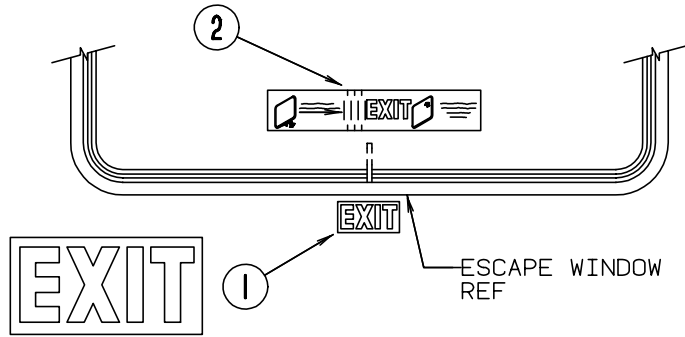
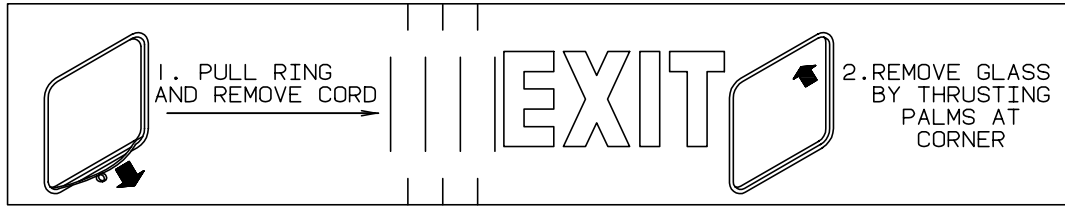
**FIRE EXTINGUISHER, DETECTORS & CLOCK**

KEY	PART NUMBER	U/M	DESCRIPTION	VENDOR NO.
	072852-01-000	EA	DETECTOR - SMOKE - W/9 VOLT BATTERY - US	
	072852-02-000	EA	DETECTOR - SMOKE - W/9/VOLT BATTERY - CANADIAN	
	094499-01-000	EA	EXTINGUISHER - FIRE - DRY W/MOUNTING BRACKET - 10 B:C	
	094499-02-000	EA	EXTINGUISHER - FIRE - DRY - 1A10BC - CANADIAN	
	094499-01-700	EA	BRACKET MTG. W/PLAS. STRAP	294039
	094499-01-701	EA	STRAP ONLY (METAL)	320351
	118081-01-01A	EA	CLOCK - WALL - ROUND 8" - BRASS	
	118081-02-01A	EA	CLOCK - WALL - ROUND 8" BRASS	
	112320-03-000	EA	DETECTOR - CO GASS MODEL 9D-I	
	112320-04-000	EA	BATTERY/SENSOR MODULE - CO (BLACK MODULE) F/9D-I SYSTEM	
	125136-01-000	EA	DETECTOR - CO - GAS - MODEL 9L-I	
				FROM: 00-00-00 THRU: 06-22-97
				FROM: 06-23-97 THRU: 99-99-99
				FROM: 00-00-00 THRU: 10-20-96
				FROM: 00-00-00 THRU: 10-20-96
				FROM: 10-21-96 THRU: 99-99-99

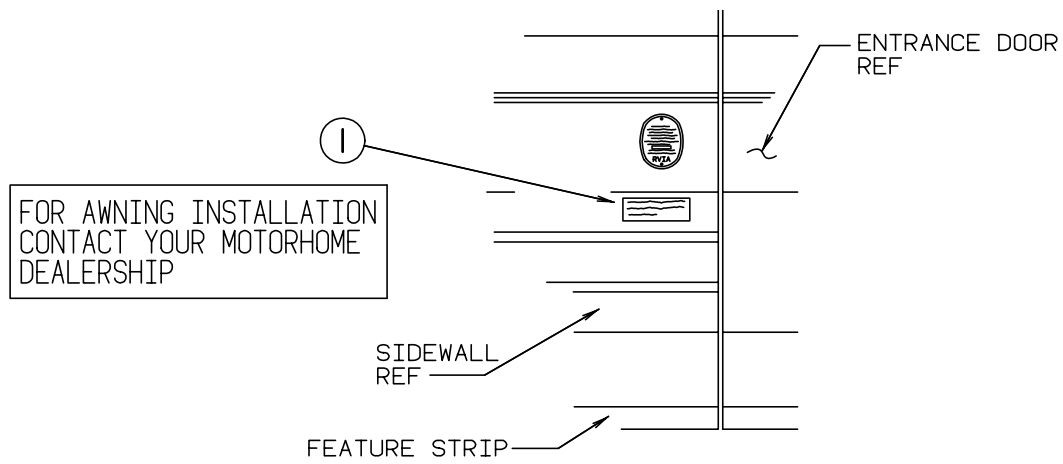
**CARPETING & FLOOR MATS**

KEY	PART NUMBER	U/M	DESCRIPTION
	096060-C4-000	SY	CARPET - JUBILATION - NIGHT NAVY (H10)
	096060-C5-000	SY	CARPET - JUBILATION - SUMMER STR (H11)
	093486-01-000	SY	CARPET - COMPARTMENT - 54" WIDE - DARK GRAY
	093873-01-01A	EA	TRIM - CARPET - L-ANGLE 1.1" X 1.3" X 12' - GRAY VINYL
	081075-03-000	EA	MAT - FLOOR - ENTRANCE - WINNEBAGO
	106884-01-000	EA	MAT - FLOOR - FRONT PASSENGER "W" - FORD
			FROM: 00-00-00 THRU: 02-02-97
	106884-02-000	EA	MAT - FLOOR - FRONT DRIVER "W" - FORD
			FROM: 00-00-00 THRU: 02-02-97
	125780-01-000	EA	MAT - FLOOR - FRONT/PASSENGER - "W" - FORD
			FROM: 02-03-97 THRU: 99-99-99
	125780-02-000	EA	MAT - FLOOR - FRONT/DRIVER - "W" - FORD
			FROM: 02-03-97 THRU: 99-99-99

**LABELS GROUP**

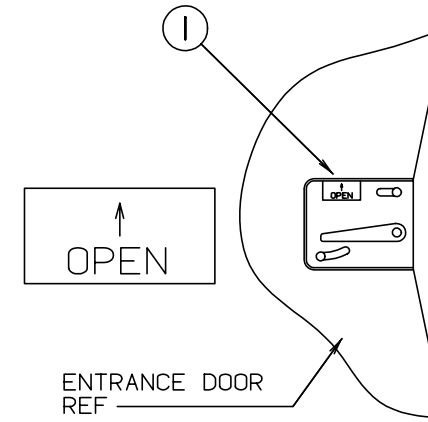


KEY	PART NUMBER	U/M	DESCRIPTION
1	039290-01-000	EA	LABEL - WARNING - EXIT
2	107571-01-000	EA	LABEL - EXIT/ESCAPE WINDOW



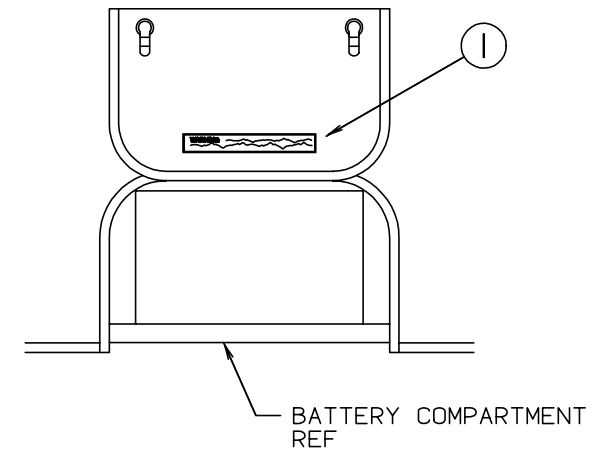
KEY	PART NUMBER	U/M	DESCRIPTION
1	099509-01-000	EA	LABEL - AWNING INSTALLATION

**LABELS GROUP (CONTINUED)**



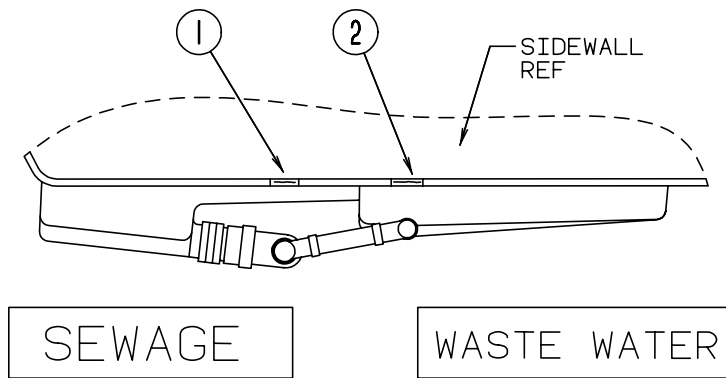
KEY	PART NUMBER	U/M	DESCRIPTION
1	040944-01-000	EA	LABEL - ENTRANCE DOOR - "OPEN"

**WARNING** DISCONNECT BATTERIES BEFORE CONNECTING EXTERNAL CHARGING EQUIPMENT.

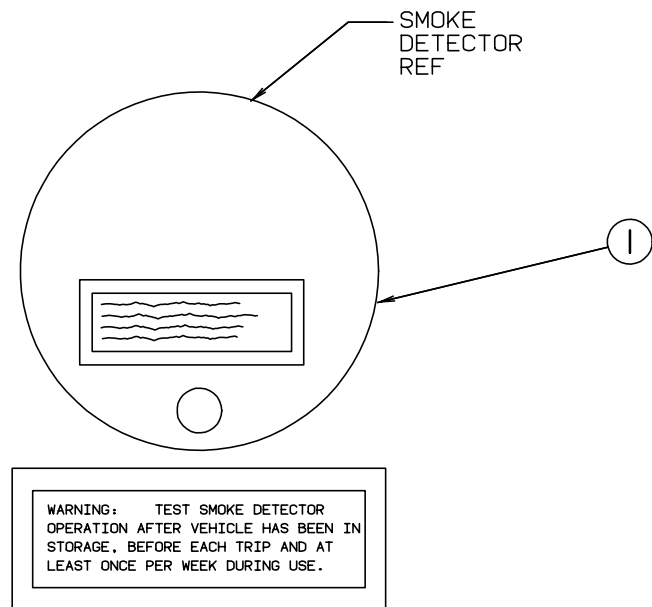


KEY	PART NUMBER	U/M	DESCRIPTION
1	065748-01-000	EA	LABEL - CAUTION - BATTERY CHARGING

**LABELS GROUP (CONTINUED)**



KEY	PART NUMBER	U/M	DESCRIPTION
1	006187-01-000	EA	LABEL - SEWAGE
2	006188-01-000	EA	LABEL - WASTE WATER



KEY	PART NUMBER	U/M	DESCRIPTION
1	077956-01-000	EA	LABEL - WARNING - SMOKE DETECTOR

**LABELS GROUP (CONTINUED)**

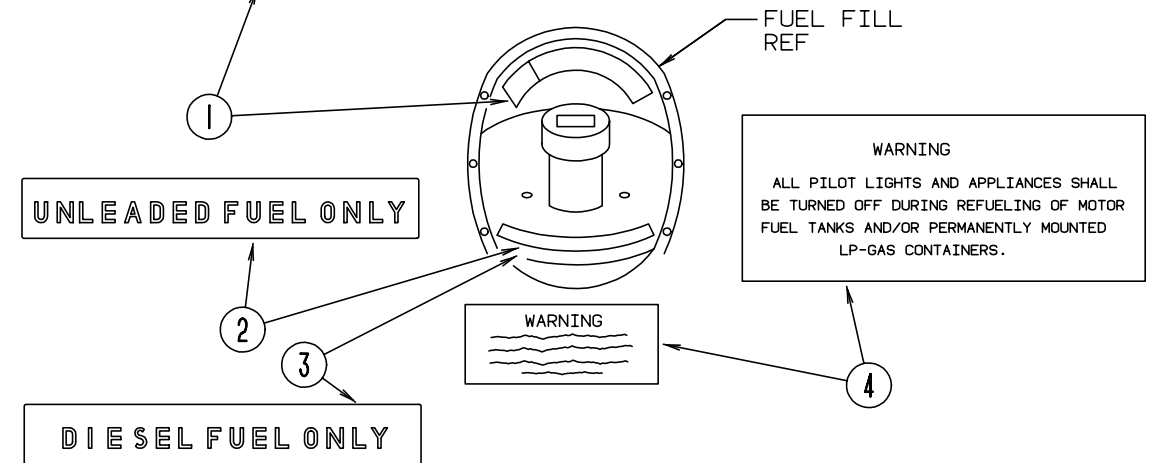
**CAUTION**  
 FUEL SPRAY MAY CAUSE PERSONAL INJURY

TO HELP AVOID PERSONAL INJURY DURING REMOVAL OF FUEL FILLER CAP, SLOWLY LOOSEN CAP 1/2 TURN TO ALLOW ANY FUEL PRESSURE TO BE RELIEVED BEFORE TURNING CAP FURTHER.

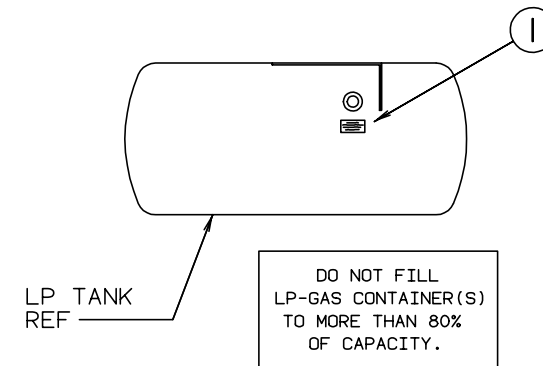
STOP ADDING FUEL AFTER FIRST SHUTOFF BY AUTOMATIC NOZZLE WHEN TANK IS NEARLY FULL. DO NOT OVERFILL FUEL TANK.

SEE OWNERS MANUAL FOR ADDITIONAL INFORMATION.

PRINTED IN U.S.A. MLC PT NO 15611763

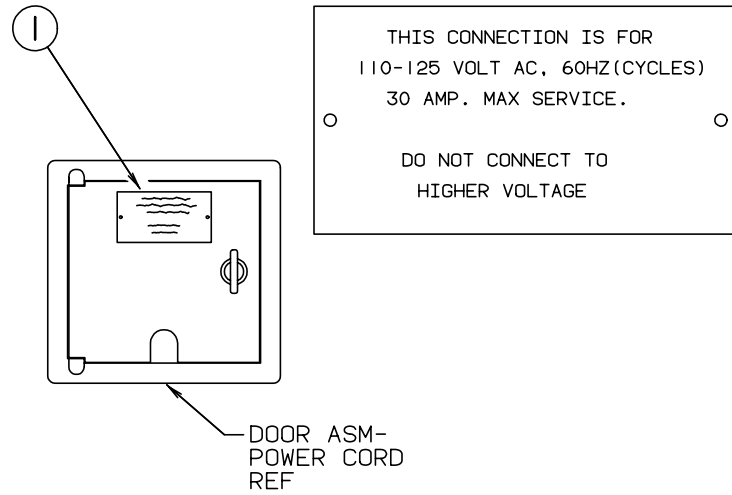


KEY	PART NUMBER	U/M	DESCRIPTION	
1	087207-05-000	EA	LABEL - FUEL CAP REMOVAL	
2	062043-01-000	EA	LABEL - FUEL - UNLEADED	
3	068383-01-000	EA	LABEL - DIESEL FUEL	
4	006040-01-000	EA	REFUEL WARNING - USA	FROM: 00-00-00 THRU: 09-01-96
4	006040-02-000	EA	REFUEL WARNING - CANADIAN	FROM: 00-00-00 THRU: 09-01-96
4	124519-01-02A	EA	REFUEL WARNING - USA	FROM: 09-02-96 THRU: 99-99-99
4	124519-02-02A	EA	REFUEL WARNING - CANADIAN	FROM: 09-02-96 THRU: 99-99-99

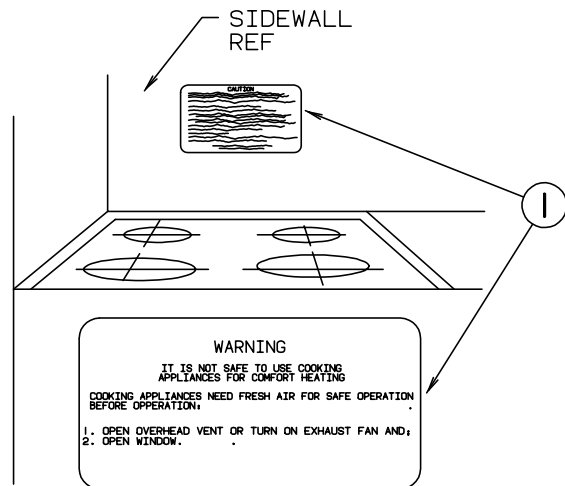


KEY	PART NUMBER	U/M	DESCRIPTION	
1	054531-01-000	EA	LABEL - LP GAS ONLY	FROM: 00-00-00 THRU: 09-01-96
1	124520-01-02A	EA	LABEL - LP GAS ONLY	FROM: 09-02-96 THRU: 99-99-99

**LABELS GROUP (CONTINUED)**

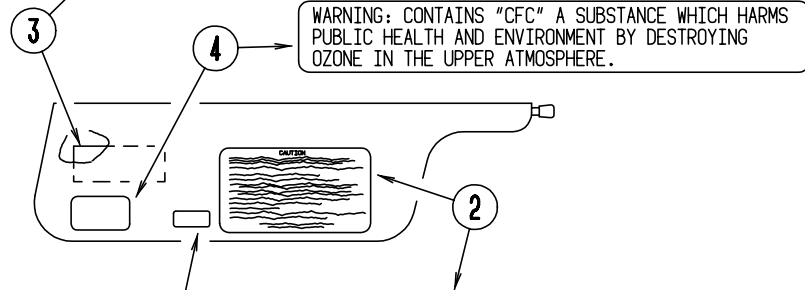
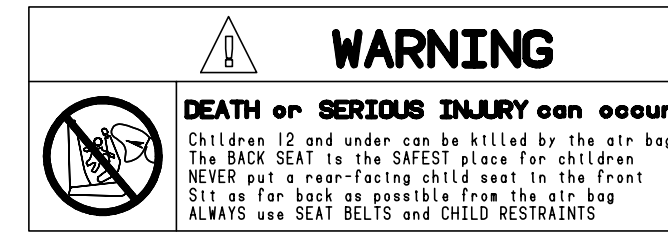


KEY	PART NUMBER	U/M	DESCRIPTION
1	006062-01-000	EA	TAG-ELECTRIC - 110V CONNECTION



KEY	PART NUMBER	U/M	DESCRIPTION
1	050225-01-000	EA	LABEL-WARNING - STOVE VENT - US

**LABELS GROUP (CONTINUED)**



**WARNING**  
THIS VEHICLE, LIKE OTHER VEHICLES, MAY CONTAIN SMALL AMOUNTS OF ONE OR MORE SUBSTANCES WHICH ARE LISTED BY THE STATE OF CALIFORNIA FOR CAUSING CANCER OR REPRODUCTIVE TOXICITY.

**CAUTION**  
THIS MOTOR HOME HAS BEEN DESIGNED, MANUFACTURED AND TESTED WITH CONCERN FOR THE PROTECTION OF IT'S OCCUPANTS. WE RECOMMEND YOU PERFORM THE FOLLOWING INSPECTIONS FOR YOUR SAFETY AND THE SAFETY OF YOUR PASSENGERS BEFORE STARTING YOUR VEHICLE.

1. LP GAS SYSTEM- TURN OFF AT TANK FOR TRAVELING. TEST FOR LEAKS UPON ARRIVAL AT DESTINATION. BEFORE LIGHTING PILOTS.
2. WHEELS- INSPECT FOR DAMAGE AND CHECK LUG NUTS FOR TIGHTNESS.
3. TIRES- INSPECT FOR WEAR AND DAMAGE AND CHECK FOR RECOMMENDED AIR PRESSURE.
4. LIGHTING- TEST FOR PROPER OPERATION OF ALL INTERIOR AND EXTERIOR LIGHTS INCLUDING DASH LIGHTS, HEADLIGHTS, TAIL LIGHTS, BRAKE LIGHTS, CLEARANCE LIGHTS AND TURN SIGNALS.
5. EXITS- INSPECT RELEASE MECHANISM ON EMERGENCY EXIT WINDOW. TEST BOTH LOCKS ON MAIN ENTRANCE DOOR FOR EASE OF OPERATION AND INSTRUCT PASSENGERS HOW TO USE BOTH MEANS OF EXIT.
6. SEAT BELTS- DIRECT PASSENGERS TO DESIGNATED SEATS AND REQUIRE USE OF SEAT BELTS.
7. APPLIANCES- TURN OFF AND LATCH OR LOCK DOORS WHERE PROVIDED.
8. LOOSE PARCELS- STORE SECURELY.
9. UTILITY SUPPLY LINES- DISCONNECT ALL ELECTRIC, SEWER AND WATER LINES AND SECURE PROPERLY.
10. ENTRANCE DOOR STEP- PLACE IN RETRACTED POSITION FOR TRAVELING.

READ YOUR MOTOR HOME AND CHASSIS OWNER'S MANUAL FOR FURTHER PRECAUTIONS

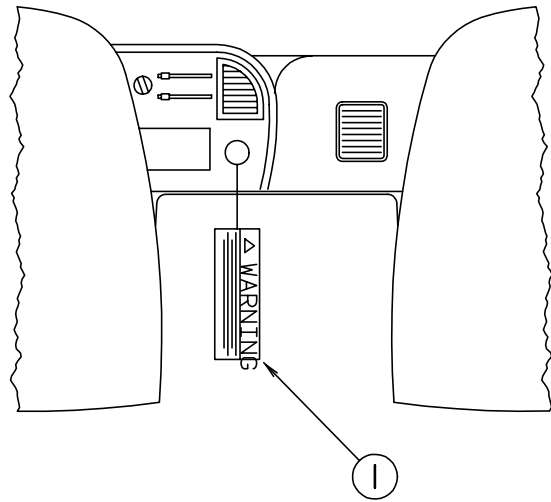
KEY	PART NUMBER	U/M	DESCRIPTION
1	099689-01-000	EA	LABEL-WARNING, CANCER/TOXICITY
2	056259-01-000	EA	LABEL - SAFETY CHECK LIST
3	126611-01-000	EA	LABEL - AIR BAG - VISOR
4	111802-01-000	EA	LABEL - CFC WARNING

FROM: 03-14-97 THRU: 99-99-99

**MISCELLANEOUS LABELS**

KEY	PART NUMBER	U/M	DESCRIPTION
	104236-01-000	EA	LABEL - GENERATOR CIRCUIT
	006064-01-000	EA	LABEL - SEAT W/O SEATBELT (US)
	006064-02-000	EA	LABEL - SEAT W/O SEATBELT (CSA)
			NOT INTENDED FOR USE WHILE COACH IN MOTION
	091243-01-000	EA	LABEL - A/C COVER - "AIR CONDITIONING CIRCUIT. ETC."
	093236-08-000	EA	LABEL - CIRCUIT BREAKER
	111104-01-000	EA	LABEL - HITCH - READ MANUAL
	111104-02-000	EA	LABEL - HITCH - READ MANUAL - BLACK
	023769-01-000	EA	LABEL - WARNING - LPG - CANADIAN
	099689-01-000	EA	LABEL - WARNING - CANCER/TOXICITY
	091224-02-000	EA	LABEL - TRAILER LIGHTING

**LABELS GROUP (CONTINUED)**



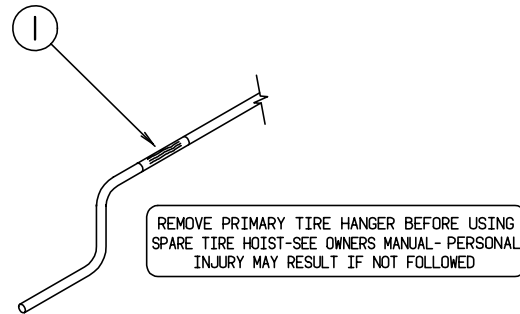
**WARNING**

○ **Children Can be KILLED or INJURED by Passenger Air Bag**

The back seat is the safest place for children 12 and under. Make sure all children use seat belts or child seats.

KEY	PART NUMBER	U/M	DESCRIPTION
1	126612-01-000	EA	LABEL - HANG TAG - AIR BAG - DASH

FROM: 03-14-97 THRU: 99-99-99



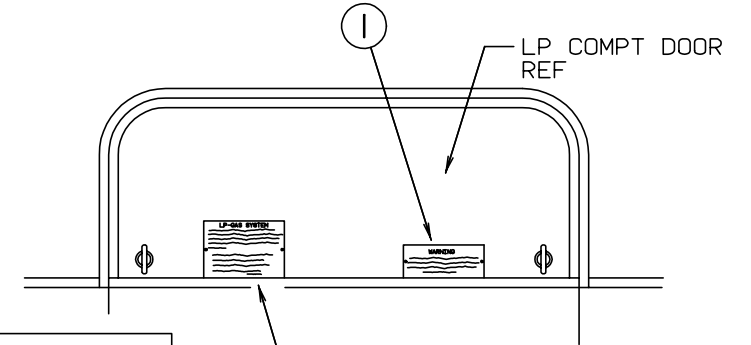
KEY	PART NUMBER	U/M	DESCRIPTION
1	126024-01-01A	EA	LABEL - TIRE HANGER REMOVAL

FROM: 03-14-97 THRU: 99-99-99

**LABELS GROUP (CONTINUED)**

**WARNING**

○ ALL PILOT LIGHTS AND APPLIANCES SHALL BE TURNED OFF DURING REFUELING OF MOTOR FUEL TANKS AND/OR PERMANENTLY MOUNTED LP-GAS CONTAINERS.

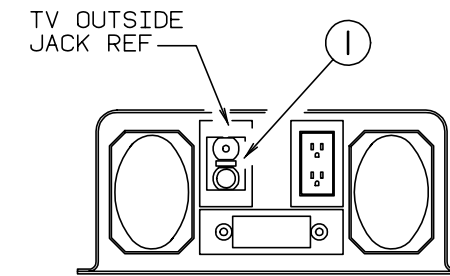


**LP-GAS SYSTEM**

THIS GAS PIPING SYSTEM IS DESIGNED FOR USE OF LIQUEFIED PETROLEUM GAS ONLY. DO NOT CONNECT NATURAL GAS TO THIS SYSTEM.

○ SECURELY CAP INLET(S) WHEN NOT CONNECTED FOR USE. AFTER TURNING ON GAS, EXCEPT AFTER NORMAL CONTAINER REPLACEMENT, TEST GAS PIPING AND CONNECTIONS TO APPLIANCE FOR LEAKAGE WITH SOAPY WATER OR BUBBLE SOLUTION. DO NOT USE PRODUCTS THAT CONTAIN AMMONIA OR CHLORINE.  
P.N. 54531

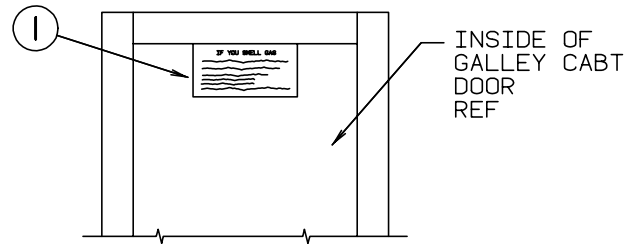
KEY	PART NUMBER	U/M	DESCRIPTION
1	124519-01-02A	EA	LABEL - WARNING/REFUELING
1	124519-02-02A	EA	LABEL - WARNING/REFUELING - CSA
2	124520-01-02A	EA	LABEL - LP GAS ONLY
2	023769-01-000	EA	LABEL - WARNING - LPG - CANADIAN



OUTLET

KEY	PART NUMBER	U/M	DESCRIPTION
1	087236-02-000	EA	LABEL - TV OUTLET

**LABELS GROUP (CONTINUED)**

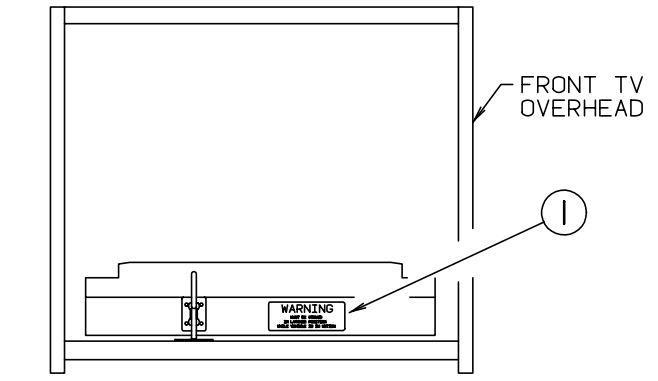


INSIDE OF GALLEY CABT DOOR REF

**IF YOU SMELL GAS**

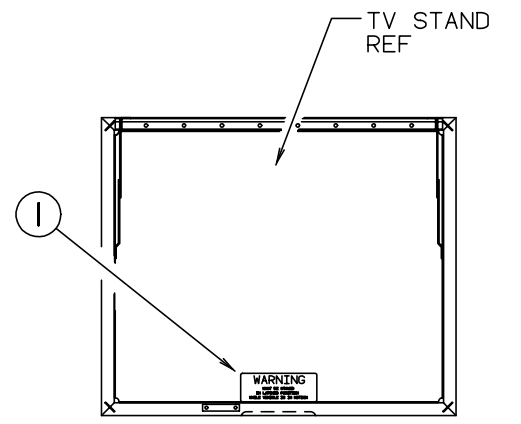
1. EXTINGUISH ANY OPEN FLAME, PILOT LIGHTS AND ALL SMOKING MATERIALS.
2. SHUT OFF THE GAS SUPPLY AT THE TANK VALVE( OR GAS SUPPLY CONNECTION.
3. OPEN DOORS AND OTHER VENTILATING OPENINGS.
4. DO NOT TOUCH ELECTRICAL SWITCHES.
5. LEAVE THE AREA UNTIL ODOR CLEARS.
6. HAVE THE GAS SYSTEM CHECKED AND LEAKAGE SOURCE CORRECTED BEFORE USING AGAIN.

**LABELS GROUP (CONTINUED)**



FRONT TV OVERHEAD

**WARNING**  
MUST BE STOWED IN LATCHED POSITION WHILE VEHICLE IS IN MOTION

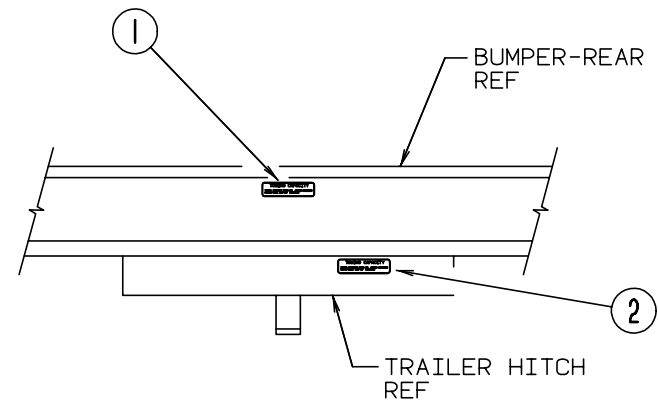


TV STAND REF

**WARNING**  
MUST BE STOWED IN LATCHED POSITION WHILE VEHICLE IS IN MOTION

KEY	PART NUMBER	U/M	DESCRIPTION
1	073998-01-000	EA	LABEL - LPG ODOR WARNING

KEY	PART NUMBER	U/M	DESCRIPTION
1	079966-01-000	EA	LABEL - WARNING - STOWED - MOTION



BUMPER-REAR REF

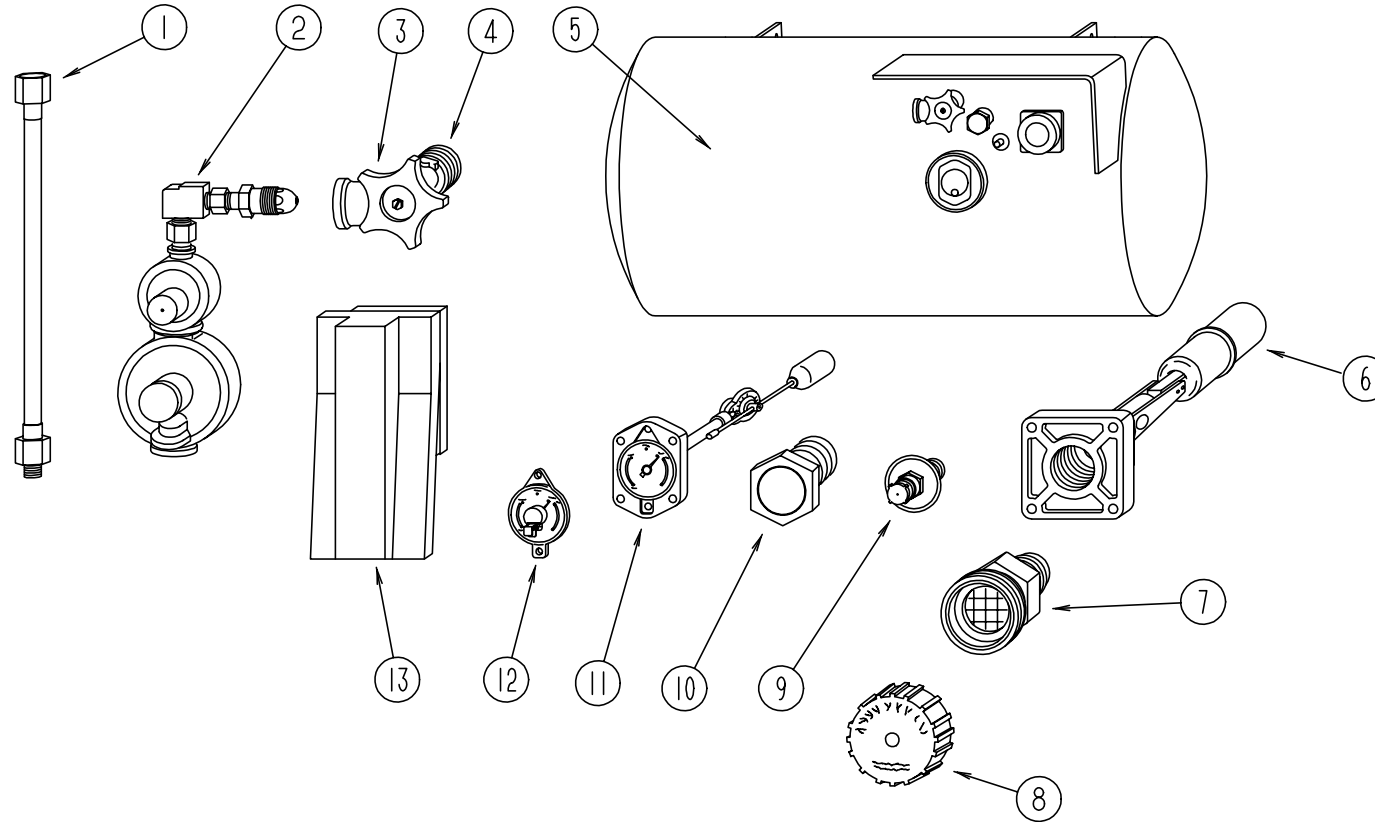
TRAILER HITCH REF

**DO NOT USE HITCH BEFORE READING OWNERS MANUAL REGARDING VEHICLE LOADING AND TOWING**

KEY	PART NUMBER	U/M	DESCRIPTION
1	111104-02-000	EA	LABEL - HITCH - READ MANUAL - BLACK
2	111104-01-000	EA	LABEL - HITCH - READ MANUAL -

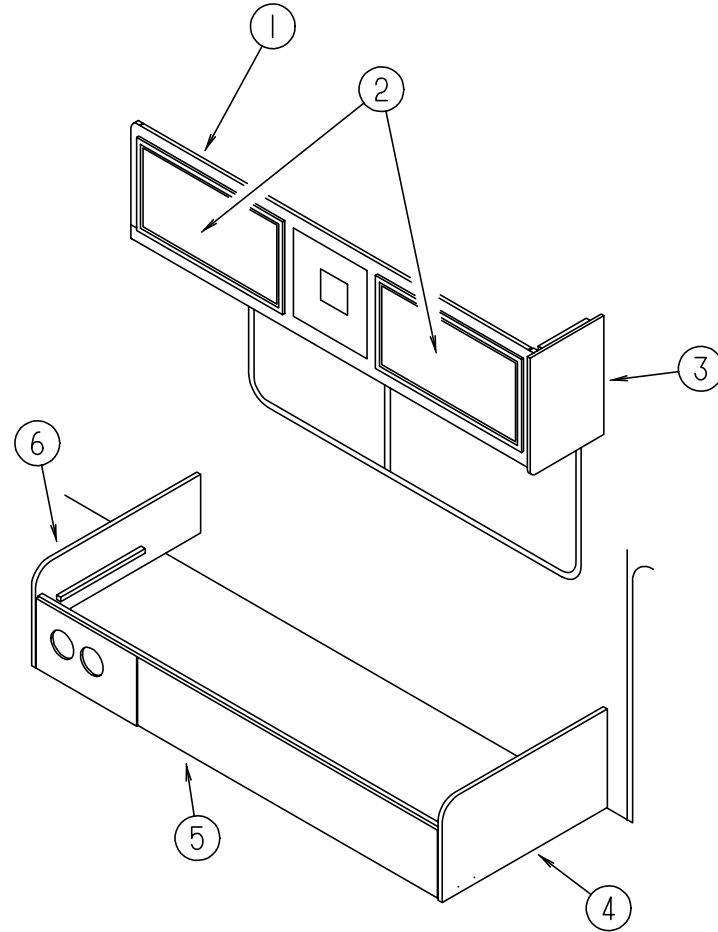
**LP GROUP**

**LP SYSTEM**



KEY	PART NUMBER	U/M	DESCRIPTION	VENDOR NO.
1	045703-01-000	EA	HOSE - LP - 3/8" ID X 24" - 3/8"MPT X 1/2"F SWIVEL - U.S.	
1	045703-05-000	EA	HOSE - LP - 3/8" ID X 28" - 3.8 MPT X 1/2 F SWIVEL - US	
1	045703-06-000	EA	HOSE - LP - 3/8" ID X 28" - 3/8 MPT X 1/2 F SWIVEL - CANADIAN	
	045703-09-000	EA	HOSE - LP - 3/8" ID X 24" - 3/8"F SWIVEL X 3/8"F SWIVEL	
2	106150-01-000	EA	REGULATOR - TWO STAGE	
	106150-02-000	EA	REGULATOR - TWO STAGE	
3	040421-01-708	EA	HANDWHEEL-SERVICE VALVE	G-1015-A
4	040421-01-712	EA	VALVE,SERV. W/O VAPOR RELIEF	29000853
5	097821-01-000	EA	TANK - LP - 60 LB BRUNNER - 14" X 30"	
6	040421-01-711	EA	VALVE-80% FILL W/AUTO STOP	LLL/TL3
7	040421-01-701	EA	VALVE-FILL-SHORT, LP	75478
8	040421-01-702	EA	CAP-FILL VALVE, PLASTIC	G-1014-A
9	040421-01-700	EA	VALVE-LIQUID LEVEL, 20%	G-1013
10	040421-01-713	EA	VALVE-VAPOR ONLY	29000587
11	040421-01-707	EA	FLOAT ASM.(SIGHT GAUGE) 14"	14C
12	040440-02-000	EA	TRANSMITTER - DIAL - 0-90 OHM -2 TERMINAL (POWER & GROUND)	
13	105658-01-000	EA	COMPARTMENT - LP REGULATOR	
	010265-01-000	EA	ELBOW - BRASS - 90 DEGREE - 3/8"F X 1/2"FPT	
	010323-01-000	EA	ADAPTER - BRASS - 3/8"F X 1/2"MPT	
	010377-02-000	EA	NUT - BRASS - 3/8" FLARE - FORGED	
	065318-02-000	EA	ELBOW - 90 DEGREE - 3/8" MPT TO 3/8" FPT	
	024250-01-000	EA	ADAPTER - BRASS - 3/8"F X 1/2"FPT	
	010252-01-000	EA	ELBOW - BRASS - 90 DEGREE - 3/8"F X 1/2"MPT	
	103613-03-000	EA	DETECTOR - LP GAS	

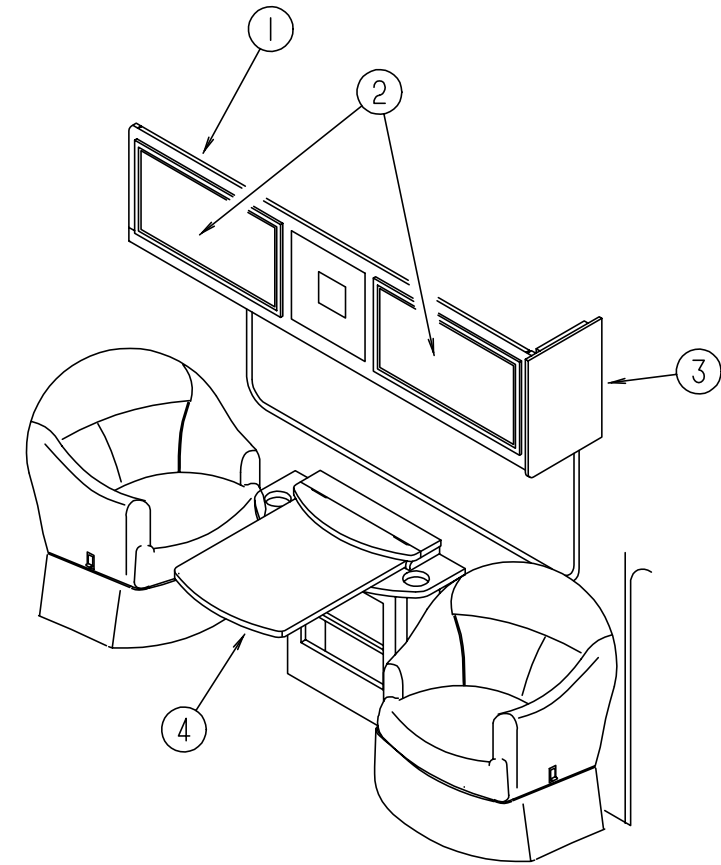
### LOUNGE GROUP



### DRIVER SIDE LOUNGE CABINETRY

KEY	PART NUMBER	U/M	DESCRIPTION
1	122926-01-H10	EA	CABINET - OVERHEAD - DINETTE/LOUNGE - W/O DOORS/HARDWARE
1	122926-01-H11	EA	CABINET - OVERHEAD - DINETTE/LOUNGE - W/O DOORS/HARDWARE
2	M06803-W9-H10	EA	DOOR - MIRROR/MITERED CORNER/OGEE EDGE - 11.4" X 28" - W/O HARDWARE
2	M06803-D5-F08	EA	DOOR - MITERED CORNER/OGEE EDGE - 11.4" X 28" - W/O HARDWARE
3	109908-09-F08	EA	END CAP - OVERHEAD CABINET
4	M08107-01-H10	EA	PANEL - COUCH LEFT END - FABRIC COVERED
4	M08107-01-H11	EA	PANEL - COUCH LEFT END - FABRIC COVERED
5	M08107-18-H10	EA	CABINET - COUCH FACE - FABRIC COVERED
5	M08107-18-H11	EA	CABINET - COUCH FACE - FABRIC COVERED
6	M08107-02-H10	EA	PANEL - COUCH RIGHT END - FABRIC COVERED
6	M08107-02-H11	EA	PANEL - COUCH RIGHT END - FABRIC COVERED
	083125-07-000	EA	BRACE-COUCH - OFF WHITE
	082525-01-000	EA	BRACE-COUCH - FLOOR MOUNT - ANGLE 3" LONG - METAL

### LOUNGE GROUP (CONTINUED)

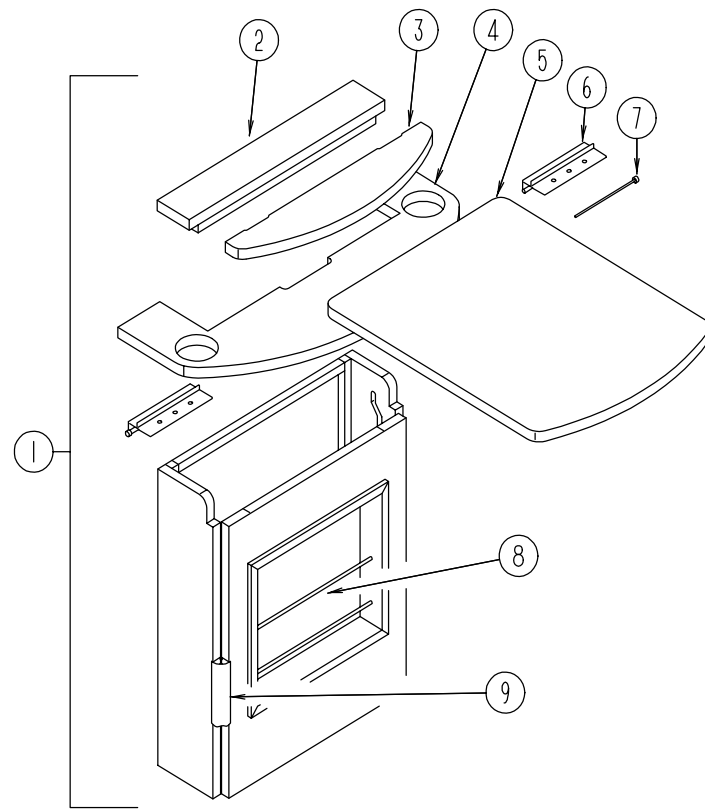


### DRIVER'S SIDE LOUNGE & PULL OUT TABLE

KEY	PART NUMBER	U/M	DESCRIPTION
1	122926-01-H10	EA	CABINET - OVERHEAD - DINETTE/LOUNGE - W/O DOORS/HARDWARE
1	122926-01-H11	EA	CABINET - OVERHEAD - DINETTE/LOUNGE - W/O DOORS/HARDWARE
2	M06803-W9-H10	EA	DOOR - MIRROR/MITERED CORNER/OGEE EDGE - 11.4" X 28" - W/O HARDWARE
2	M06803-D5-F08	EA	DOOR - MITERED CORNER/OGEE EDGE - 11.4" X 28" - W/O HARDWARE
3	109908-09-F08	EA	END CAP - OVERHEAD CABINET
4	096928-04-G07	EA	CABINET - F/TABLE - W/TOPS



## LOUNGE GROUP (CONTINUED)



**FRONT DRIVER'S SIDE PULLOUT TABLE**

KEY	PART NUMBER	U/M	DESCRIPTION
1	096928-04-G07	EA	CABINET - F/TABLE - W/TOPS
2	096928-23-G07	EA	COVER - TOP/BACK PULLOUT TABLE
3	096928-13-G07	EA	SHELF - SUPPORT OVER TABLE TOP
4	096928-24-G07	EA	TOP - PULLOUT TABLE W/CUP HOLES
5	096928-11-G07	EA	TOP - PULLOUT TABLE
6	009059-01-000	EA	HINGE - DOOR - 2" X 1.4" - BRASS
7	079921-01-000	EA	ROLLER - NYLON - W/STEEL SHAFT - BARBED
8	097208-01-H10	EA	MAGAZINE RACK
9	042357-19-000	EA	MOLDING - CORNER - RADIUS/PLASTIC - CHERRY
9	081521-02-007	EA	MOUNT - METAL MOLDING - F/RADIUS CORNER MOLDING - 12.5' EA
	079789-02-000	EA	SUPPORT - TABLE - PULLOUT
	079749-51-001	EA	SUPPORT - TABLE - EXTRUSION - 192"
	096928-21-G07	EA	SIDE END - TABLE - RIGHT SIDE - 27.6" X 6.2"
	096928-22-G07	EA	SIDE END - TABLE - LEFT SIDE - 27.6" X 6.2"
	016604-01-000	EA	BRACE - CABINET - ANGLE - 2.5" - UNPAINTED METAL
	080728-01-000	EA	HANDLE - PULL - 1.3" X 4.4" - BROWN PLASTIC

## SEALANTS & FASTENERS GROUP

### CLAMPS, GROMMETS, CLIPS & RIVETS

KEY	PART NUMBER	U/M	DESCRIPTION
	000H16-04-06R	EA	RIVET - POP ALUMINUM - 1/8" X .313 - .375
	069592-02-000	EA	RIVET-T - POP - 1/4 X .093 - .156
	007161-01-000	EA	CLAMP - HOSE - SPRING TYPE - 1/2"
	010495-01-000	EA	CLAMP - CABLE - 9/16"
	010497-01-000	EA	CLAMP - CLOSED - 5/8" ID
	010497-03-000	EA	CLAMP - CLOSED - 1" ID - CUSHIONED
	010497-04-000	EA	CLAMP - CLOSED - 1.62" ID
	010497-08-000	EA	CLAMP - CLOSED - .125"
	010499-01-000	EA	CLAMP - CLOSED - 3/8" ID
	062401-01-000	EA	CLAMP - HOSE - WORMGEAR - .25" - 1"
	062401-02-000	EA	CLAMP - HOSE - WORMGEAR - 1.56" - 2.5"
	062401-03-000	EA	CLAMP - HOSE - WORMGEAR - .22" - 1"
	062401-04-000	EA	CLAMP - HOSE - WORMGEAR - .69" - 1.25"
	062401-06-000	EA	CLAMP - HOSE - WORMGEAR - .22 - .62 ID
	062401-11-000	EA	CLAMP - HOSE - WORMGEAR - 3.50 - 4.50
	075148-02-000	EA	CLAMP - GROUNDING - BRONZE SCREWS
	083609-01-000	EA	CLAMP - WIRE - DUAL - EQUAL DIAMETERS - 5/8"
	083610-01-000	EA	CLAMP - WIRE - DUAL - UNEQUAL DIAMETERS - 3/4" & 1 1/4"
	083610-02-000	EA	CLAMP - WIRE - DUAL - UNEQUAL DIAMETERS
	016188-05-000	EA	GROMMET - L/P LINE - 3/8" HOLE X 1 1/4" LONG - RUBBER
	023942-01-000	EA	GROMMET - RUBBER - 2" OD
	114208-02-000	EA	GROMMET - EDGE LINER - FITS .625
	071015-26-000	EA	GROMMET - RUBBER - 1.5" ID X 2.12" OD W/.06" GROOVE - BLK
	091952-02-000	EA	CLIP - GRIPPER - 3/4"
	094362-02-000	EA	CLIP - XMAS TREE - FLAT HEAD - .5" X .95"
	101447-01-000	EA	CLIP - U TYPE
	080734-02-000	EA	CLIP - WIRE NYLON
	056134-02-000	EA	HOLDER - RING - 1.8" DIAMETER - METAL

**SEALANTS & FASTENERS GROUP (CONTINUED)**

**SCREWS**

KEY	PART NUMBER	U/M	DESCRIPTION
	0G1208-12-170	EA	SCREW - 8-18 X .75 POH - BRIGHT WHITE
	0G6710-08-170	EA	SCREW - 10-12 X 1/2 PPH - BRIGHT WHITE
	000G11-05-08B	EA	SCREW - 5-20 X .50 PPH - ZINC
	000G11-06-10J	EA	SCREW - 6-20 X 5/8 PPH - BRASS
	000G11-06-08B	EA	SCREW - 6-20 X .50 PPH - ZINC
	000G11-06-06B	EA	SCREW - 6-20 X 3/8 PPH - ZINC
	000G11-07-08B	EA	SCREW - 7-19 X .50 PPH - ZINC
	000G11-08-12B	EA	SCREW - 8-18 X .75 PPH - ZINC
	000G11-08-08B	EA	SCREW - 8-18 X .50 PPH - ZINC
	000G11-08-06B	EA	SCREW - 8-18 X 3/8 PPH - ZINC
	000G11-08-20B	EA	SCREW - 8-18 X 1.25 PPH - ZINC
	000G11-08-16S	EA	SCREW - 8-18 X 1 PPH - OFF WHITE
	000G11-08-12T	EA	SCREW - 8-18 X .75 PPH - BLACK
	000G11-08-12P	EA	SCREW - 8-18 X 3/4 PPH - DARK BROWN
	000G11-08-12D	EA	SCREW - 8-18 X .75 PPH - BLACK
	000G11-10-12S	EA	SCREW - 10-16 X .75" PPH - OFF WHITE
	000G12-06-08T	EA	SCREW - 6-20 X 1/2 POH - BLACK
	000G12-08-12S	EA	SCREW - 8-18 X .75 POH - OFF WHITE
	000G13-05-10B	EA	SCREW - 5-12 X 5/8 PFH - ZINC
	000G13-06-08G	EA	SCREW - 6-20 X .50 PFH - ANTIQUE BRASS
	000G13-06-08B	EA	SCREW - 6-20 X .50 PFH - ZINC
	000G13-06-24J	EA	SCREW - 6-20 X 1.50 PFH - BRASS
	000G13-06-16J	EA	SCREW - 6-20 X 1 PFH - BRASS
	000G13-06-10G	EA	SCREW - 6-20 X 5/8 PFH - ANTIQUE BRASS
	000G13-07-12B	EA	SCREW - 7-19 X .75 PFH - ZINC
	000G32-10-06B	EA	SCREW - 10-32 X 3/8 PPH - ZINC
	000G54-04-20B	EA	SCREW - 1/4-20 X 1.25 PTH - TYPE 23 - ZINC PLATED
	000G56-12-48B	EA	SCREW - WOOD - 12-11 X 3 POH - SPECIAL HARDENED
	000G67-10-08R	EA	SCREW - 10-12 X 1/2 PPH - BEIGE - TYPE A
	000G67-10-08B	EA	SCREW - 10-12 X .50 PPH - ZINC
	000G67-10-36T	EA	SCREW - 10-12 X 2.25 - PPH - BLACK
	000G67-10-32B	EA	SCREW - 10-12 X 2 PPH - ZINC
	000G67-10-24B	EA	SCREW - 10-12 X 1.25 PPH - ZINC
	000G67-10-20D	EA	SCREW - 10-12 X 1.25 PPH - BLACK
	000G67-10-16B	EA	SCREW - 10-12 X 1 PPH - ZINC
	000G67-10-120	EA	SCREW - 10-12 X .75 PPH - TAN
	000G67-10-12P	EA	SCREW - 10-12 X .75 - PPH - DARK BROWN
	000G67-10-12B	EA	SCREW - 10-12 X .75 PPH - ZINC
	000G67-10-10S	EA	SCREW - 10-12 X 5/8 PPH - OFF WHITE
	000G67-10-10D	EA	SCREW - 10-12 X 5/8 PPH - BLACK - TYPE A
	000G67-10-10B	EA	SCREW - 10-12 X 5/8 PPH - ZINC - TYPE A
	000G68-06-10G	EA	SCREW - 6-18 X 5/8 POH - ANTIQUE BRASS
	049465-17-000	EA	SCREW - 10-16 X 1 POH W/WASHER
	0G3908-08-170	EA	SCREW - SF/DR - 8-18 X .50 PPH - BRIGHT WHITE
	0G3908-24-170	EA	SCREW - SF/DR - 8-18 X 1.50 PPH - BRIGHT WHITE
	0G5508-16-250	EA	SCREW - SF/DR - 8-18 X 1.00 PWH
			FROM: 12-16-96 THRU: 99-99-99
	000G39-06-10T	EA	SCREW - SF/DR - 6-20 X 5/8 PPH - BLACK
	000G39-06-08B	EA	SCREW - SF/DR - 6-18 X .50 - ZINC
	000G39-08-24B	EA	SCREW - SF/DR - 8-18 X 1 1/2 PPH - ZINC
	000G39-08-16R	EA	SCREW - SF/DR - 8-18 X 1 PPH - BEIGE
	000G39-08-16B	EA	SCREW - SF/DR - 8-18 X 1 PPH - ZINC
	000G39-08-12B	EA	SCREW - SF/DR - 8-18 X .75 PPH - ZINC
	000G39-08-08T	EA	SCREW - SF/DR - 8-18 X 1/2 PPH - BLACK
	000G39-08-08S	EA	SCREW - SF/DR - 8-18 X .50 PPH - OFF WHITE
	000G39-08-08B	EA	SCREW - SF/DR - 8-18 X 1.50 PPH - ZINC
	000G39-08-06B	EA	SCREW - SF/DR - 8-18 X 3/8 PPH - ZINC
	000G39-10-32B	EA	SCREW - SF/DR - 10-16 X 2 - PPH - ZINC
	000G39-10-20B	EA	SCREW - SF/DR - 10-16 X 1.25 PPH - ZINC
	000G39-10-129	EA	SCREW - SF/DR - 10-16 X .75 PPH - FLUOROCARBON SILVER

**SEALANTS & FASTENERS GROUP (CONTINUED)**

**SCREWS (CONTINUED)**

KEY	PART NUMBER	U/M	DESCRIPTION
	000G39-10-12R	EA	SCREW - SF/DR - 10-16 X .75 PPH - BEIGE
	000G39-10-12D	EA	SCREW - SF/DR - 10-16 X .75 PPH - BLACK
	000G39-10-12B	EA	SCREW - SF/DR - 10-16 X .75 PPH - ZINC
	000G39-10-088	EA	SCREW - SF/DR - 10-16 X 1/2 PPH - FLEX FLUOROCARBON
	000G39-10-08B	EA	SCREW - SF/DR - 10-16 X .50 PPH - ZINC
	000G42-04-16B	EA	SCREW - SF/DR - 1/4-14 X 1 HWH - ZINC
	000G55-08-16S	EA	SCREW - SF/DR - 8-18 X 1.00 - PWH - OFF WHITE
	000G60-10-20B	EA	SCREW - SF/DR - 10-16 X 1.25 POH - ZINC
	000G60-10-28T	EA	SCREW - SF/DR - 10-16 X 1.75 - BLACK
	000G46-08-24T	EA	SCREW - MACHINE - 8-32 X 1.50 PFH - BLACK
	000G50-04-12B	EA	SCREW - MACHINE - 1/4-20 X .75 PPH - ZINC
	000G52-08-18B	EA	SCREW - MACHINE - 8-32 X 1 1/8 PTH - ZINC
	000G19-10-12F	EA	SCREW - MACHINE - 10-32 X .75 - PPH - STAINLESS STEEL
	075908-01-000	EA	SCREW - MACHINE - 10-32 X .56 PTH - EXTERNAL TOOTH - ZINC
	054434-02-000	EA	SCREW - SF/DR - 10-16 X 2 - ZINC
	054434-03-000	EA	SCREW - SF/DR - 10-16 X 2 - PWH - ZINC - W/O WINGS
	086256-01-000	EA	SCREW - SF/DR - 8 X 3/4 HWH LONG
	083554-01-000	EA	SCREW - DRYWALL - 8 X 1.25
	083554-04-000	EA	SCREW - DRYWALL - 8 X 2 1/2
	087721-01-000	EA	SCREW - FLAT HEAD - TAPPING - 1/4" X 1 1/4" LONG - ZINC
	097974-01-000	EA	SCREW - PARTICLE BOARD - 7-9 X 3/4 PPH
	101618-01-000	EA	SCREW - 1/4-20 X 3/4 HEX - TAPPING - STALGARD TYPE F
	105126-01-000	EA	SCREW - CACH - 8-32 X 1 PPH TAPTIT
	106477-01-000	EA	SCREW - 14 - 10 X 3.00 - PFH

**SEALANTS & FASTENERS GROUP (CONTINUED)**

**BOLTS, NUTS & WASHERS**

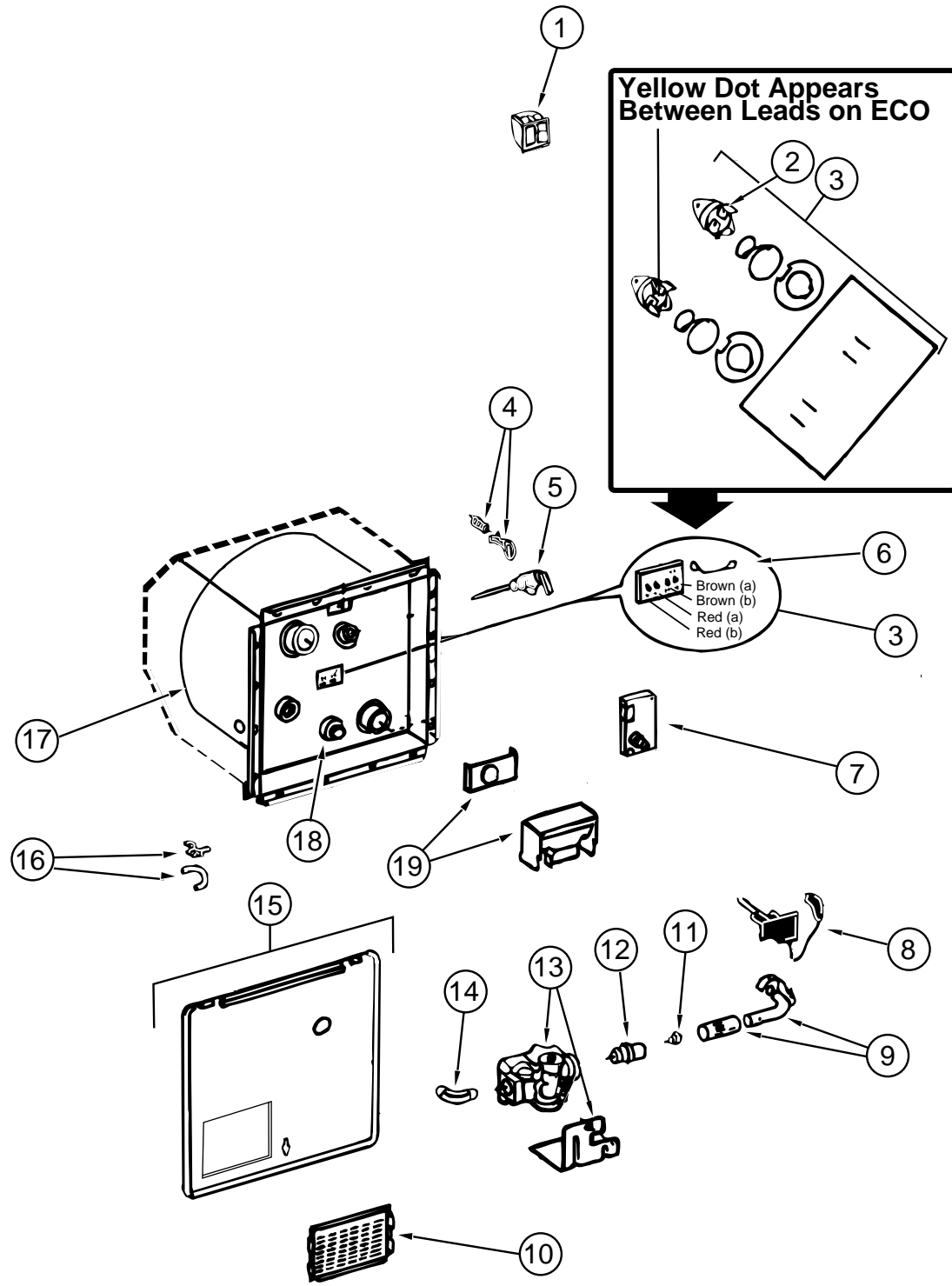
KEY	PART NUMBER	U/M	DESCRIPTION
	0MC31K-08-020	EA	BOLT - HEX - SERRATED FLANGE - M8 X 020
	000C12-05-16B	EA	BOLT - HEX - 5/16-18 X 1 - ZINC 5
	000C12-06-16B	EA	BOLT - HEX - 3/8-16 X 1 LG - ZINC 5
	000C12-07-20B	EA	BOLT - HEX - 7/16-14 X 1 1/4 - ZINC 5
	000C12-08-24B	EA	BOLT - HEX - 1/2-13 X 1.50 - ZINC 5
	000C12-10-24B	EA	BOLT - HEX - 5/8-11 X 1.50 - ZINC 5
	000C13-07-48B	EA	BOLT - HEX - 7/16-20 X 3 - ZINC 5
	000C18-05-40A	EA	BOLT - ELEVATOR - 5/16-18 X 2.50 - PL
	000C18-06-48B	EA	BOLT - ELEVATOR - 3/8-16 X 3 - ZINC - GRADE 5
	000C26-04-14B	EA	BOLT - HEX - SERRATED FLANGE - 1/4-20 X 7/8 - ZINC
	000C26-04-10B	EA	BOLT - HEX - SERRATED FLANGE - 1/4-20 X 5/8 - ZINC
	000C26-05-16B	EA	BOLT - HEX - SERRATED FLANGE - 5/16-18 X 3/4 - ZINC
			FROM: 10-14-96 THRU: 99-99-99
	000C26-05-12B	EA	BOLT - HEX - SERRATED FLANGE - 5/16-18 X 3/4 - ZINC
	000C26-06-16B	EA	BOLT - HEX - SERRATED FLANGE - 3/8-16 X 1 - ZINC
	000C26-06-12B	EA	BOLT - HEX - SERRATED FLANGE - 3/8-16 X 3/4 - ZINC
	091274-03-000	EA	BOLT - J - 3/8-16 X 12.0
	102333-01-06A	EA	BOLT - CARRIAGE - 7/16-14 STAINLESS STEEL CAP
	106166-01-000	EA	BOLT/COLLARED HANGER - 8-32 X 1"
	000C18-06-56A	EA	BOLT - ELEVATOR - 3/8-16 X 3 1/2 - GRADE 5
	051387-06-000	EA	BOLT - CARRIAGE W/O HOLE - 5/16-18 X 9.5 - ZINC
	000D24-10-00B	EA	NUT - HEX - SELF LOCKING - 10-32 ZINC
	000D29-06-00B	EA	NUT - HEX - W/NYLON LOCK - 3/8-16 - ZINC
	000D29-09-00B	EA	NUT - HEX - SELF LOCKING - 9/16-12 - ZINC
	000D34-06-00B	EA	NUT - HEX - LOCKING - 3/8 - 16 GRADE C - ZINC-PREVAILING T
	000D39-04-00B	EA	NUT - HEX - SERRATED FLANGE - LOCKING - 1/4 - 20 - ZINC
	000D39-05-00B	EA	NUT - HEX - SERRATED FLANGE - LOCKING - 5/16 - 18 - ZINC
	000D39-06-00B	EA	NUT - HEX - SERRATED FLANGE - LOCKING - 3/8 - 18 - ZINC
	000D39-07-00B	EA	NUT - HEX - SERRATED FLANGE - LOCKING - 7/16 - 14 - ZINC
	000D39-08-00B	EA	NUT - HEX - SERRATED FLANGE - LOCKING - 1/2 - 13 - ZINC
	000D44-07-00B	EA	NUT - HEX - SERRATED FLANGE - LOCKING - 7/16-20 - ZINC
	040921-01-000	EA	NUT - SPEED - U TYPE - 10-24 BLACK
	044364-02-000	EA	NUT - SPEED - FLAT - ROUND
	087234-01-000	EA	NUT - JACK - 1/4 X 20 THD - MOLLY MOUNTS LICENSE PLATES
	000E11-07-00B	EA	WASHER - LOCKING - 7/16 MED SPLIT - ZINC
	000E13-14-00B	EA	WASHER - FLAT - 1/4 WIDE - ZINC
	000E13-17-00B	EA	WASHER - FLAT - 3/8" AR - ZINC
	000E13-18-00B	EA	WASHER - FLAT - 3/8 WIDE - ZINC
	000E13-20-00B	EA	WASHER - FLAT - 7/16 WIDE - ZINC
	041322-01-000	EA	WASHER - FLANGE - 15/32 ID X 2 3/8 OD - FOR SEAT BELT MOUNT
	077071-01-000	EA	WASHER - FENDER - 3/16"ID X 1" OD

**SEALANTS & FASTENERS GROUP (CONTINUED)**

**ADHESIVE & FASTENERS**

KEY	PART NUMBER	U/M	DESCRIPTION
	004006-05-700	EA	ADHESIVE-NAT. STARCH (5 GAL) 0802
	004020-01-000	QT	ADHESIVE - ABS CEMENT - QUART
	034552-02-000	EA	SILICONE - TUBE - 300 ML - W/O NOZZLE - CLEAR
	034552-06-000	EA	SILICONE - TUBE - 300 ML - W/O NOZZLE - OFF WHITE
	034552-15-000	EA	SILICONE - TUBE - 300 ML - W/O NOZZLE - BRIGHT WHITE
			FROM: 00-00-00 THRU: 01-01-97
	039518-01-000	EA	SILICONE - TUBE - 300 ML - BLACK - W/O NOZZLE
	108716-03-000	EA	SILICONE - TUBE - BRIGHT WHITE/SELF LEVELING
	900390-01-000	EA	TIP - 2 1/2" X 1/8" ORIFICE
	900390-03-000	EA	NOZZLE - SILICONE TUBE
	053766-02-000	EA	BEDDING COMPOUND - TUBE - WHITE
	053766-06-000	EA	BEDDING COMPOUND - TUBE - CLEAR
	069640-01-000	FT	SEALER - RIBBON - 1/4"DIAMETER X 30'
	069640-02-000	FT	SEALER - TAPE - 1/8" THICK X .50" WIDE X 60'
	069640-03-000	FT	SEALER - TAPE - 1/8" THICK X .75" WIDE X 60'
	069640-07-000	FT	SEALER - TAPE - 3/32" THICK X 2" WIDE X 45'
	069640-10-000	FT	SEALER - TAPE - 1/32" THICK X 1.50" WIDE X 90'
	069640-11-000	FT	SEALER - TAPE - 3/16" THICK X 3/8" WIDE X 40'
	069640-15-000	FT	SEALER - TAPE - 1/16" THICK X 3/8" WIDE X 80'
	069640-17-000	FT	SEALER - TAPE - 1/32" THICK X 1" WIDE X 90'
	069640-18-000	FT	SEALER - TAPE - 1/2" THICK X 1/8" X 60'
	102352-01-000	EA	SEALER - PUMPABLE - BLACK - COLORIMETRIC MS101
	102352-02-000	EA	SEALER - PUMPABLE - CLEAR
	106206-01-000	EA	SEALER - PUMPABLE - MANUS 30A - BLACK
	072889-09-000	EA	SEALANT - URETHANE - BLACK (TUBE)
	072889-10-000	EA	SEALANT - URETHANE (HV) - BRIGHT WHITE
	072889-12-000	EA	SEALANT - URETHANE (LV) BRIGHT WHITE
	063642-01-000	FT	TAPE - ADHESIVE - 10 MIL X 1.5" X 180"
	076314-02-000	FT	TAPE - CARPET SEAM - HEAT-BOND - 4" WIDE
	076322-02-000	FT	TAPE - DOUBLE COATED/ADHESIVE BACK - .045" THK X 1" W X 9'
	076322-05-000	FT	TAPE - DOUBLE COATED/ADHESIVE BACK - .045" THK X 75" W X 9'
	076322-07-000	FT	TAPE - DOUBLE COATED/ADHESIVE BACK - .045" THK X .50" W X 9'
	120534-01-01A	EA	TAPE - SCOTCH - 3M - 1/2" FINE LINE
	118085-02-01A	FT	TAPE - FOIL - 1"
	123816-01-000	FT	TAPE - DOUBLE SIDED - 1"
	123816-02-000	FT	TAPE - DOUBLE SIDED - 1/2"
	123816-03-000	FT	TAPE - DOUBLE SIDED - 1/2"
			FROM: 02-04-97 THRU: 99-99-99
	087211-01-000	GL	PROMOTER - ADHESIVE
	091255-02-000	FT	SEAL - ADHESIVE BACKED/FOAM - .18" THICK X 1.5" WIDE

## WATER & SEWAGE GROUP



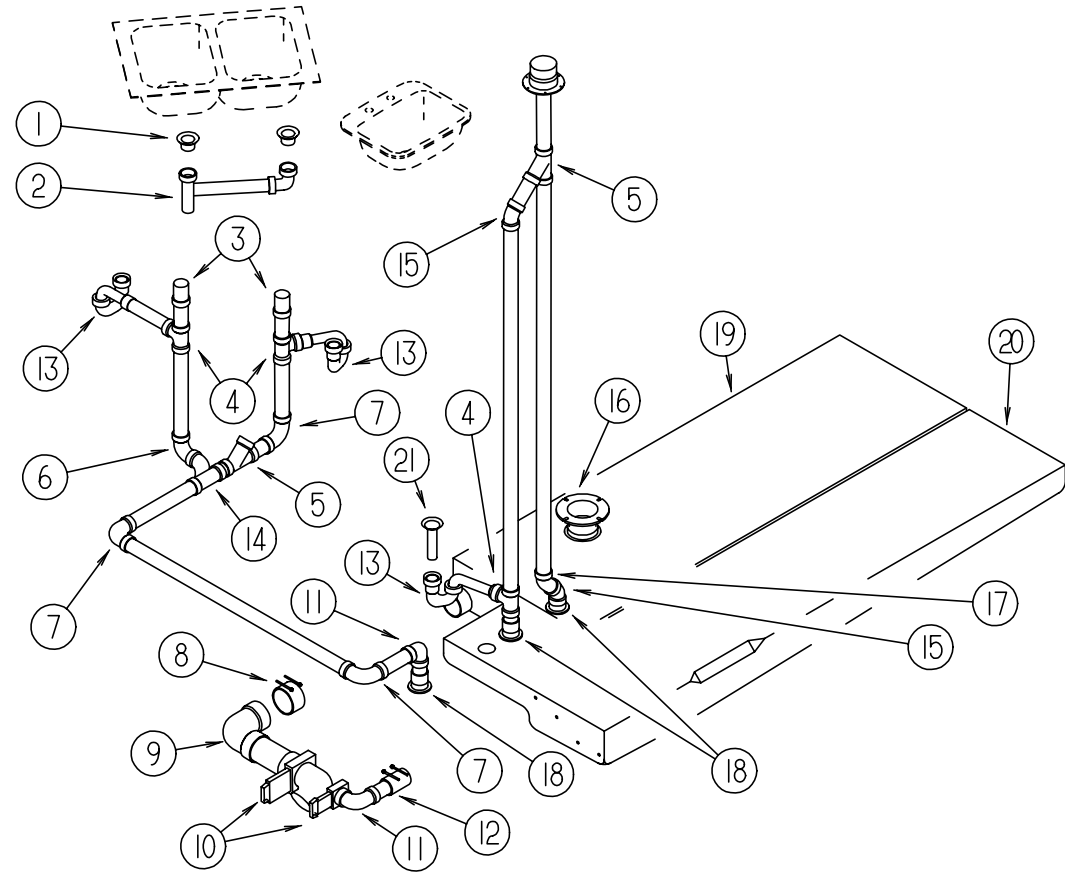
### WATER HEATER W/ELECRIC IGNITION ATWOOD (G6A-8E)

KEY	PART NUMBER	U/M	DESCRIPTION	VENDOR NO.
	051391-03-000	EA	WATER HEATER - W/ ELECTRIC IGNITION	
1	097967-01-000	EA	SWITCH - WATER HEATER - REMOTE W/LIGHT	
2	051391-04-701	EA	THERMOSTAT 12 VDC-120 PRESET	91470
3	051393-01-721	EA	ECO & THERMOSTAT ASM - FRONT MOUNT, 140 DEGREE	91447
4	051391-01-705	EA	FASTENER - CAMLOC	92609
5	051391-01-704	EA	VALVE - RELIEF - 1/2" FITTING	91604
6	051393-01-723	EA	SWITCH - THERMAL - CUT OFF (2/PKG)	93866
7	051393-01-724	EA	CIRCUIT BOARD - SPADE TERMINAL	93865
8	051393-01-725	EA	ELECTRODE - SINGLE SPADE CONNECT	93868
9	051391-04-703	EA	BURNER - MAIN	91638
10	051391-01-717	EA	GRILL ONLY(GOES ON THE DOOR)	92640
11	051391-01-710	EA	ORIFICE - MAIN BURNER	92742
12	051391-03-700	EA	ORFICE - HOLDER	91563
13	051393-01-726	EA	SOLENOID VALVE AND BRACKET - WHITE-ROGERS	93870
14	051391-01-714	EA	FITTING - ELBOW 45 - 3/8 F X 3/8 MPT	1044
15	052009-06-000	EA	DOOR - WATER HEATER - BRIGHT WHITE - 18" X 14.6"	
	116424-01-000	EA	PROTECTOR - WATER HEATER LATCH	
16	051391-01-700	EA	HINGE KIT - W/CLIP	92568 & 92559
17	051391-04-706	EA	TANK - INNER - G6A-4E & 6E - FRONT MOUNT	91641
18	051391-01-715	EA	PLUG - DRAIN - 1 EA = 2 PER PKG	91857
19	051391-04-707	EA	KIT (FLUE & GASKET) FOR EXHAUST	90960
	111129-01-711	EA	BRACKET - CORNER - SET OF FOUR	91928

### WATER HEATER W/MOTOR AID ATWOOD (GH6-8E)

KEY	PART NUMBER	U/M	DESCRIPTION	VENDOR NO.
	051393-01-000	EA	WATER HEATER - W/ MOTOR AID - PILOTLESS IGNITION	
1	097967-01-000	EA	SWITCH - WATER HEATER - REMOTE W/LIGHT	
2	051391-04-701	EA	THERMOSTAT 12 VDC-120 PRESET	91470
3	051393-01-721	EA	ECO & THERMOSTAT ASM - FRONT MOUNT - 140 DEGREE	91447
4	051391-01-705	EA	FASTENER - CAMLOC	92609
5	051391-01-704	EA	VALVE - RELIEF - 1/2" FITTING	91604
6	051393-01-723	EA	SWITCH - THERMAL - CUT OFF (2/PKG)	93866
7	051393-01-724	EA	CIRCUIT BOARD - SPADE TERMINAL - ELECTRIC IGNITION	93865
8	051393-01-725	EA	ELECTRODE - SINGLE SPADE CONNECT. - SPARK PROBE	93868
9	051391-04-703	EA	BURNER - MAIN - 4E AND 6E MODELS	91638
10	051391-01-717	EA	GRILL ONLY(GOES ON THE DOOR)	92640
11	051391-01-710	EA	ORIFICE - MAIN BURNER	92742
12	051391-03-700	EA	ORFICE - HOLDER	91563
13	051393-01-726	EA	SOLENOID VALVE AND BRACKET - WHITE-ROGERS	93870
14	051391-01-714	EA	FITTING - ELBOW 45 - 3/8 F X 3/8 MPT	1044
15	052009-06-000	EA	DOOR - WATER HEATER - BRIGHT WHITE - 18" X 14.6"	
	116424-01-000	EA	PROTECTOR - WATER HEATER LATCH	
16	051391-01-700	EA	HINGE KIT - W/CLIP	92568 & 92559
17	051391-04-704	EA	TANK - INNER - FRONT MOUNT	91642
18	051391-01-715	EA	PLUG - DRAIN - 1 EA = 2 PER PKG	91857
19	051391-04-707	EA	KIT (FLUE & GASKET) FOR EXHAUST	90960
	111129-01-711	EA	BRACKET - CORNER - SET OF FOUR	91928

**WATER & SEWAGE GROUP (CONTINUED)**



**DRAINAGE SYSTEM**

KEY	PART NUMBER	U/M	DESCRIPTION	VENDOR NO.
1	092303-01-000	EA	STRAINER - SINK	
2	011091-02-000	EA	WASTE - CONTINUOUS - DOUBLE SINK	
3	079968-01-000	EA	VENT - MECHANICAL/TRAP ARM - ANTI-SIPHON-2" X 7.3" PLASTIC	
4	010071-01-000	EA	TEE - SANITARY - 1 1/2 HUB X HUB X HUB - PLASTIC	
5	010073-01-000	EA	WYE - 45 DEGREE - 1 1/2" HUB X HUB X HUB - PLASTIC	
	010122-01-000	EA	BUSHING - REDUCER - 1 1/2 SMTH X 1 1/4 THD - BLACK PLASTIC	
	010166-01-000	EA	PLUG - THREADED - 1 1/4" DIAMETER - PLASTIC - BLACK	
6	033761-01-000	EA	ELBOW - TURN - 90 DEGREE 1 1/2" HUB X 1 1/2" SPIGOT	
7	010008-01-000	EA	ELBOW - 90 DEGREE - 1 1/2" HUB X HUB - PLASTIC	
8	078406-01-000	EA	COUPLER - RUBBER - W/CLAMPS - 3" X 3"	
9	031126-01-000	EA	ELBOW - 1/4 BEND - 3" X 90" XLT - BLACK PLASTIC	
10	070916-01-000	EA	VALVE - DUAL DUMP - W/CAP - 3" X 1 1/2"	
	070916-01-700	EA	VALVE ONLY (WASTE) 3"	T1003BU
	070916-01-701	EA	VALVE ONLY (WASTE) 1 1/2"	T1001BU
11	034250-01-000	EA	ELBOW - 90 DEGREE - LONG TURN - 1 1/2" HUB X HUB - ABS	
12	089355-01-000	EA	COUPLER - RUBBER 1 1/2" X 1 1/2"	
13	107538-01-000	EA	P TRAP - PLASTIC - 1 1/4" W/EXTENSION ARM	
13	011071-01-000	EA	P TRAP - PLASTIC - 1 1/2"	
	109571-01-000	EA	ADAPTER - P TRAP - 1 1/2"P X 1 1/4"MPT	
14	031365-02-000	EA	TEE - PLASTIC - 1 1/2" EXT LG TURN	
15	010006-01-000	EA	ELBOW - 45 DEGREE - 1 1/2" HUB X HUB - PLASTIC	
16	116644-01-000	EA	FLANGE - CLOSET - 4" X 3"	
	061607-02-000	EA	GROMMET - HOLDING TANK - 3" NPS	
17	010051-01-000	EA	ELBOW - 45 DEGREE - 1 1/2" SPIGOT & HUB - PLASTIC	
18	061607-01-000	EA	GROMMET - HOLDING TANK - 1 1/2" NPS	
	010115-01-000	EA	COUPLING - 1 1/2" HUB X HUB - PLASTIC	
19	117573-01-000	EA	TANK - HOLDING - 33 GALLON - W/O FITTINGS	
20	117580-01-000	EA	TANK - HOLDING - 33 GALLON - W/O FITTINGS	
21	011069-04-000	EA	TAILPIECE - 1 1/2" X 1 1/4' X 8" - BRASS	
	069735-01-000	EA	WASHER - STRAINER TO TAILPIECE - PLASTIC - 1.5"	
	010201-01-000	EA	HOSE - SEWER - 3" ID X 8'	
	062416-01-000	EA	ADAPTER - SEWER HOSE TO 3" PIPE	
	062415-01-000	EA	CAP - SEWER - 3" DIAMETER	
	062415-01-700	EA	STRING - SEWER CAP	

V#SV7 STRAP

**WATER & SEWAGE GROUP (CONTINUED)**

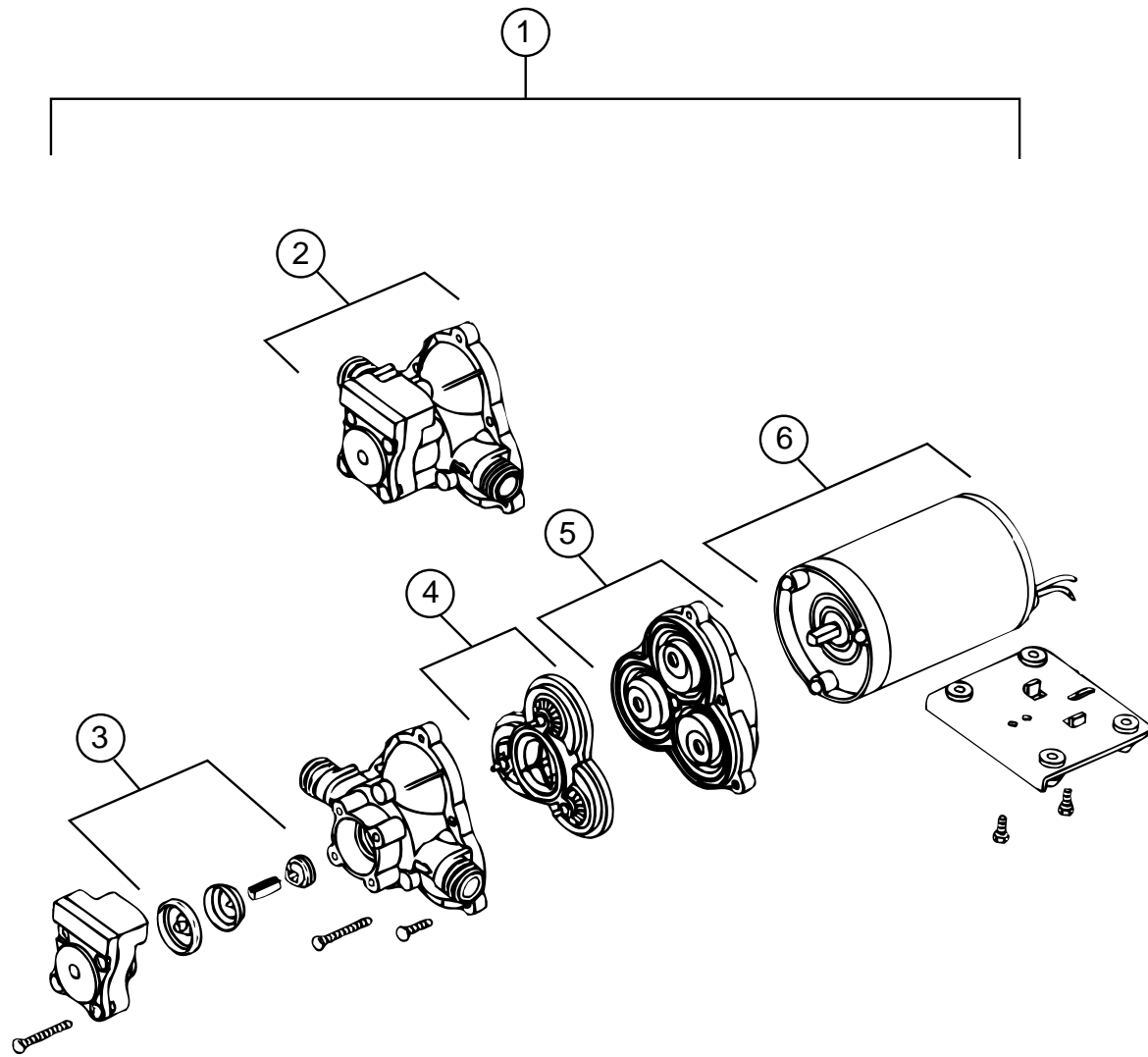
**WATER TANK**

KEY	PART NUMBER	U/M	DESCRIPTION
	119109-06-000	EA	TANK - WATER - 40 GALLON - W/FITTINGS
	119109-01-000	EA	TANK - WATER - 40 GALLON - W/O FITTINGS
	042989-03-000	EA	FITTING - WATER TANK - SPINWELD - 1 1/4"NPT - PLASTIC
	042989-04-000	EA	FITTING - WATER TANK - SPINWELD - 3/8 FPT - WHITE PLASTIC
	042989-05-000	EA	FITTING - WATER TANK - SPINWELD - 1/2"FPT - PLASTIC
	049032-01-000	EA	PATCH - SPINWELD - 3/8" - PLASTIC
	077954-02-000	EA	FILTER - WATER TANK - W/SCREEN IN TANK
	039861-01-000	EA	SENDING UNIT - W/SCREW - WASHER - WELL NUT/TERMINAL RING
	091208-01-000	EA	WASHER - RUBBER - .06" X .75" X .5"

**WATER SYSTEM COMPONENTS**

KEY	PART NUMBER	U/M	DESCRIPTION
	046128-01-000	EA	VALVE - DRAIN - PLASTIC - 1/2" FPT
	101814-01-000	EA	COUPLING - FEMALE - 1/2" X 1/2" FPT - GRAY
	110438-01-000	EA	VALVE - CHECK - BRASS - 1/2 MPT X 1/2 FPT
			FROM: 00-00-00 THRU: 02-16-97
	110438-02-000	EA	VALVE - CHECK - BRASS - 1/2 MPT X 1/2 FPT
			FROM: 02-17-97 THRU: 99-99-99
	010224-01-000	EA	ADAPTER - HOSE TO PIPE - 3/8 MPT X 3/8 BARB - PLASTIC
	044927-01-000	EA	ADAPTER - HOSE TO PIPE - 1 1/4 MPT X 1 1/4 BARB - BLK PLS
	123152-01-000	EA	ADAPTER - 1/2 FPT X 1/2 BARB - SWIVEL
	074462-02-000	FT	TUBING - VINYL - 3/8 ID X 20' - CLEAR
	079381-01-000	FT	TUBING - SMOOTH FLEXIBLE - 1 3/8 ID X 20'
	039800-02-000	FT	TUBING - POLYBUTYL - 5/8 OD X 20' - INC OF 20' (BLUE)
			FROM: 00-00-00 THRU: 05-11-97
	039800-05-000	FT	TUBING - POLYBUTYL - 5/8 OD X 20' (RED)
			FROM: 00-00-00 THRU: 05-11-97
	124188-02-000	FT	TUBING - PEX 1/2" ID X 20' (RED)
			FROM: 05-12-97 THRU: 99-99-99
	010230-05-000	EA	FILL - CITY WATER - W/CHECK VALVE
			FROM: 00-00-00 THRU: 09-25-96
	010230-06-000	EA	FILL - CITY WATER - W/CHECK VALVE - MPT
			FROM: 09-26-96 THRU: 99-99-99
	123150-01-000	EA	ELBOW - 1/2 FPT X 1/2 BARB - SWIVEL
	035539-01-000	EA	ELBOW - PLASTIC - 3/8 MPT X 3/8 BARB
	111223-02-000	EA	ELBOW - PLASTIC - 1/2MPT X 3/8 BARB
	113697-01-000	EA	CAP - 3/8 FTG
	115029-01-000	FT	HOSE - WATER - 3/8 ID
	114428-01-000	EA	TEE - 1/2"P X 1/2"P X 1/2"P
	114428-02-000	EA	TEE - SWIVEL - 1/2"P X 1/2"P X 1/2"FPT
	114428-03-000	EA	TEE - 1/2"P X 1/2"P X 1/2"MPT
	114429-01-000	EA	ELBOW - 1/2"P X 1/2"P
	114429-02-000	EA	ELBOW - 1/2"P X 1/2"MPT
	114429-03-000	EA	ELBOW - FLAIR-IT SWIVEL - 1/2"P X 1/2"FPT
	114430-02-000	EA	ADAPTER - SWIVEL - 1/2"P X 1/2"FPT
	114430-03-000	EA	ADAPTER - 1/2"P X 1/2"MPT
	114430-06-000	EA	ADAPTER - 1/2P X 3/8FPT
	114431-02-000	EA	VALVE - WATER BYPASS - 1/2"P - THREE WAY (WATER HEATER)
	114431-03-000	EA	VALVE - 90 DEGREE DRAIN - 1/2"P

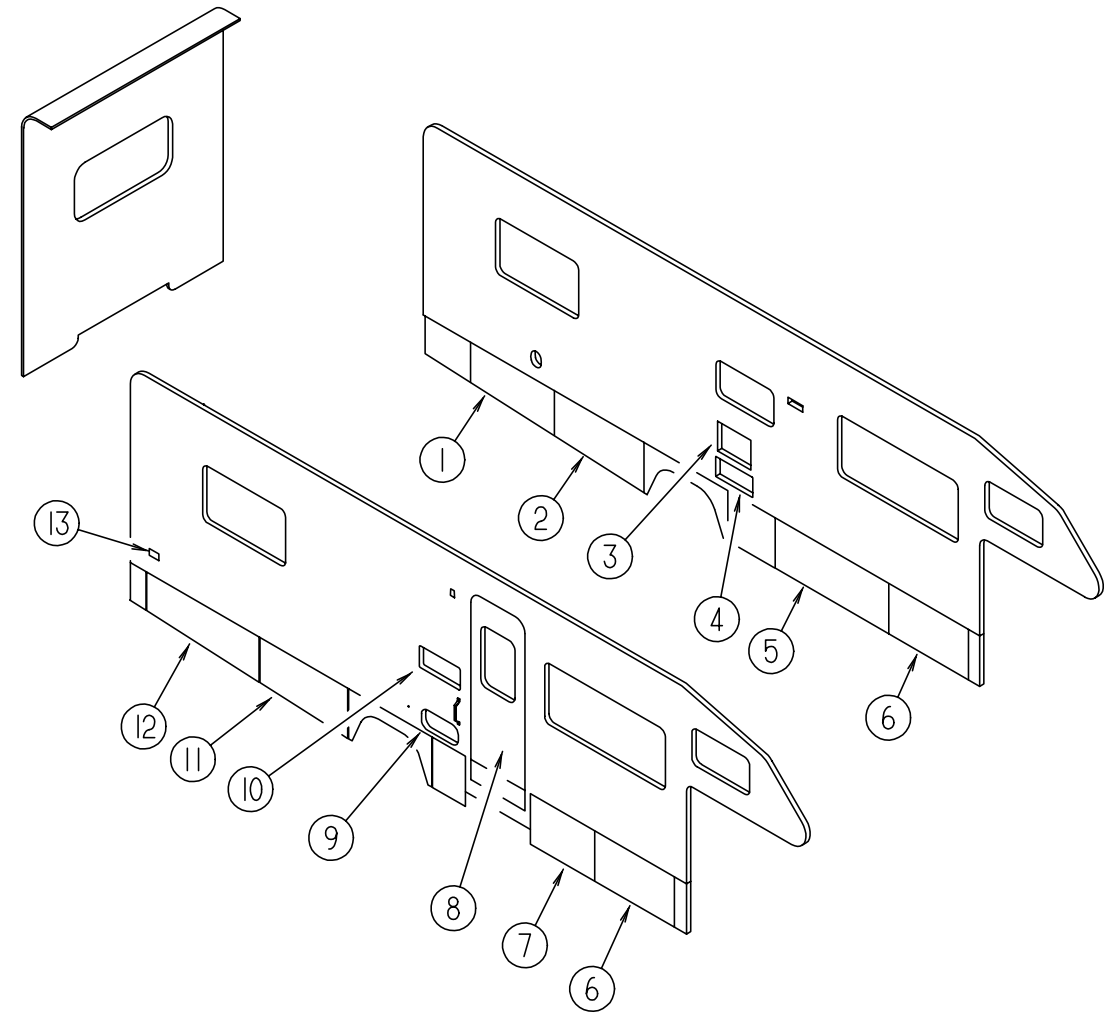
**WATER & SEWAGE GROUP (CONTINUED)**



**WATER PUMP - SHURFLO**

KEY	PART NUMBER	U/M	DESCRIPTION	VENDOR NO.
1	098607-01-000	EA	PUMP - WATER - W/.5" MPT FITTING - FLOW W.9 GPM - UL	
2	098607-01-706	EA	HOUSING - W/ SWITCH ONLY	94-231-20
3	098607-01-705	EA	VALVE - CHECK - KIT	94-237-00
4	098607-01-703	EA	VALVE KIT	94-232-00
5	098607-01-702	EA	DIAPHRAGM/ DRIVE ASSEMBLY KIT	94-238-04
6	098607-01-707	EA	MOTOR W/ BASEPLATE	11-148-04

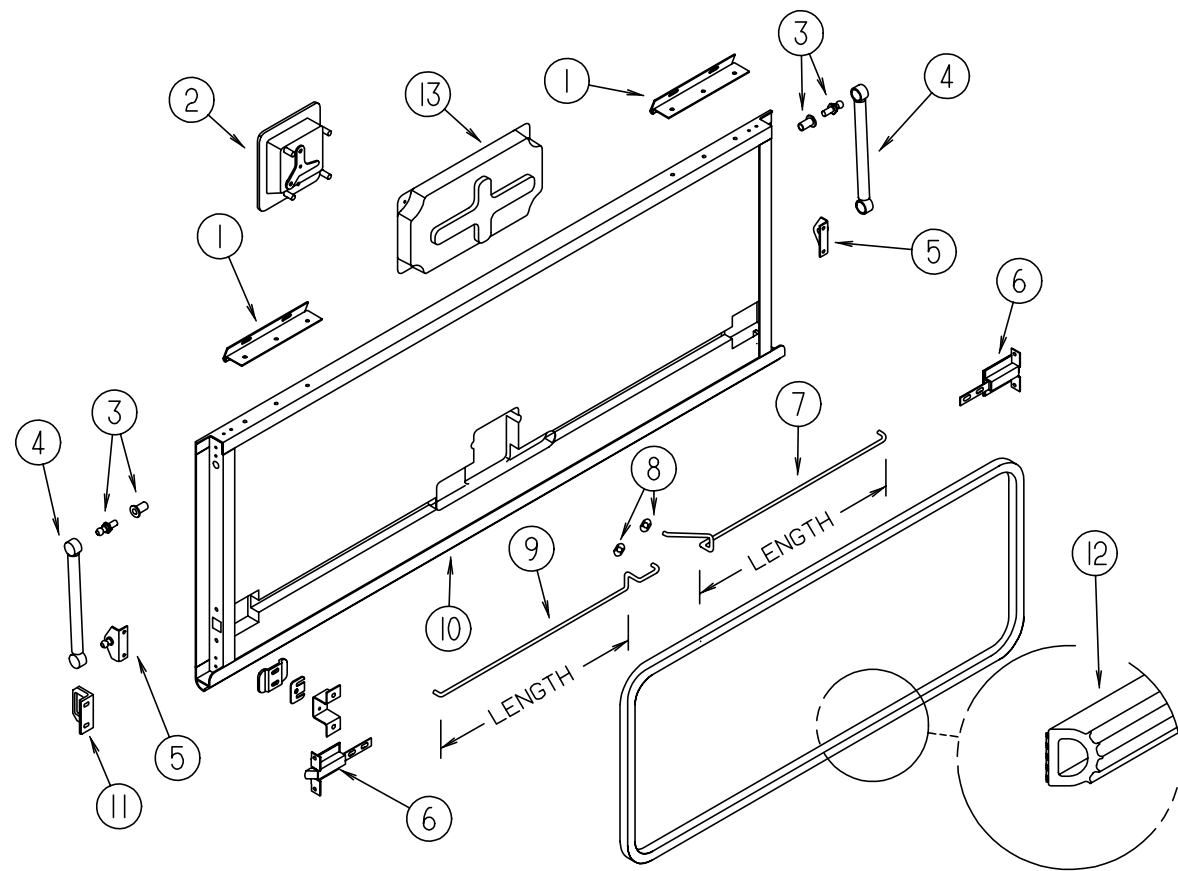
**WINDOW, VENT & EXTERIOR DOOR GROUP**



**EXTERIOR DOORS**

KEY	PART NUMBER	U/M	DESCRIPTION	VENDOR NO.
1	122391-12-H10	EA	DOOR - STORAGE - W/O PADDLE LATCH - 49.5" FROM: 00-00-00 THRU: 09-26-96	
1	122391-38-H10	EA	DOOR - STORAGE - W/O PADDLE LATCH - 49.4" FROM: 09-27-96 THRU: 99-99-99	
2	122391-10-H10	EA	DOOR - STORAGE - W/O PADDLE LATCH - 43.7"	
3	052009-06-000	EA	DOOR - WATER HEATER - BRIGHT WHITE - 18" X 14.6"	
3	116424-01-000	EA	PROTECTOR - LATCH - WATER HEATER	
4	098668-23-000	EA	DOOR - ACCESS - FURNACE - BRIGHT WHITE - SUBURBAN	
5	122239-24-H10	EA	DOOR - STORAGE - W/O PADDLE LATCH - 55.9"	
6	122239-17-H10	EA	DOOR - STORAGE - W/O PADDLE LATCH - 38"	
7	122239-23-H10	EA	DOOR - STORAGE - W/O PADDLE LATCH - 31.8"	
	123478-01-G04	EA	DOOR - COMPARTMENT - W/ LATCH/HINGE (BLACK)	
8	115108-02-H10	EA	DOOR - ENTRY - W/SCREEN DOOR - W/O WINDOW (H10)	
8	115108-02-H38	EA	DOOR - ENTRY - W/SCREEN DOOR - W/O WINDOW (H11)	
9	111017-01-F24	EA	DOOR - STORAGE - W/O LOCK - 8.1" X 17.8"	
9	079775-D3-000	EA	JAMB - DOOR - STORAGE	
10	084103-08-000	EA	DOOR - REFRIGERATOR - VENTED - W/O JAMB	
10	084104-08-000	EA	JAMB - REFRIGERATOR DOOR	
10	084104-01-700	EA	LOCK - MALE - FASTENER	201-721-010
10	084104-01-701	EA	LOCK - FEMALE - FASTENER	201-802-010
11	122391-37-H10	EA	DOOR - ACCESS - TAPERED - 43.5"	
12	122391-11-H10	EA	DOOR - STORAGE - W/O PADDLE LATCH - 55.8"	
13	081240-16-000	EA	DOOR - WATER FILL - LOCKABLE W/O LOCK - 4" X 4 5/8"	

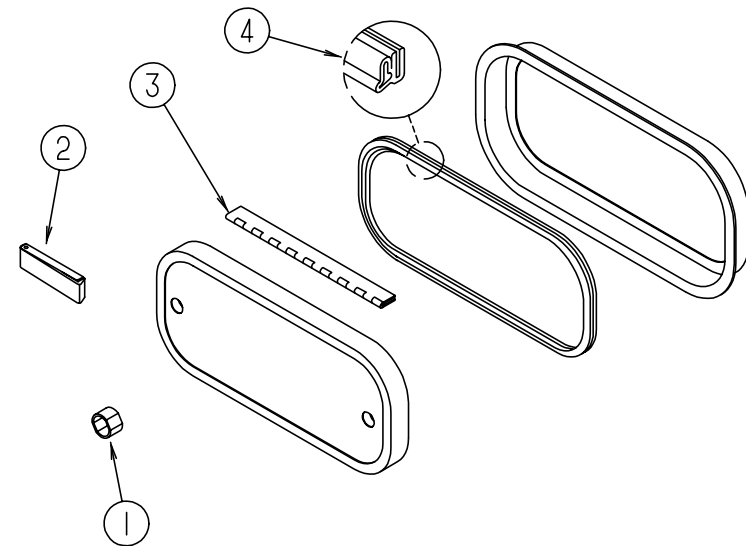
WINDOW, VENT & EXTERIOR DOOR GROUP (CONTINUED)



EXTERIOR DOOR COMPONENTS

KEY	PART NUMBER	U/M	DESCRIPTION
1	121755-01-04A	EA	HINGE - 6.00 INCH
2	112949-01-04A	EA	LATCH - PADDLE W/LOCK W/O KEY - BLACK
2	112949-02-05A	EA	LATCH - PADDLE NON-LOCKING - BLACK
	112949-03-000	EA	KEY - TRI-MARK #TM500
3	057460-08-000	EA	BALL STUD - 10MM BALL - 5/16-18
4	107796-18-000	EA	SPRING - GAS - 10" LENGTH
5	107796-03-000	EA	BRACKET - GAS SPRING - SMALL
5	107796-19-000	EA	BRACKET - GAS SPRING
6	121947-01-01A	EA	BOLT - SLIDE - LATCH - STEEL
7	122269-18-000	EA	ROD - LATCH - 11.28"
7	122269-23-000	EA	ROD - LATCH - 20.19"
7	122269-24-000	EA	ROD - LATCH - 15.09"
7	122269-25-000	EA	ROD - LATCH - 17.04"
7	122269-27-000	EA	ROD - LATCH - 8.22"
7	122269-28-000	EA	ROD - LATCH - 20.29"
8	124304-01-000	EA	CLIP - ROUND PUSH ON
9	122268-18-000	EA	ROD - LATCH - 11.28"
9	122268-23-000	EA	ROD - LATCH - 20.19"
9	122268-24-000	EA	ROD - LATCH - 15.09"
9	122268-25-000	EA	ROD - LATCH - 17.04"
9	122268-27-000	EA	ROD - LATCH - 8.22"
9	122268-28-000	EA	ROD - LATCH - 20.29"
10	122613-55-005	EA	EXTRUDED - ROCKER PANEL - 192" - FOREST GREEN
11	123783-01-01A	EA	STRIKER - DOOR - MILL
	122278-01-01A	EA	PLATE - STRIKE - BLACK
12	107721-01-000	FT	SEAL - ACCESS DOORS
12	107721-04-000	FT	SEAL - ACCESS DOOR (SEWAGE & 110V DOOR ONLY)
13	122277-02-01A	EA	COVER - LATCH - BLACK

WINDOW, VENT & EXTERIOR DOOR GROUP (CONTINUED)



EXTERIOR DOOR COMPONENTS

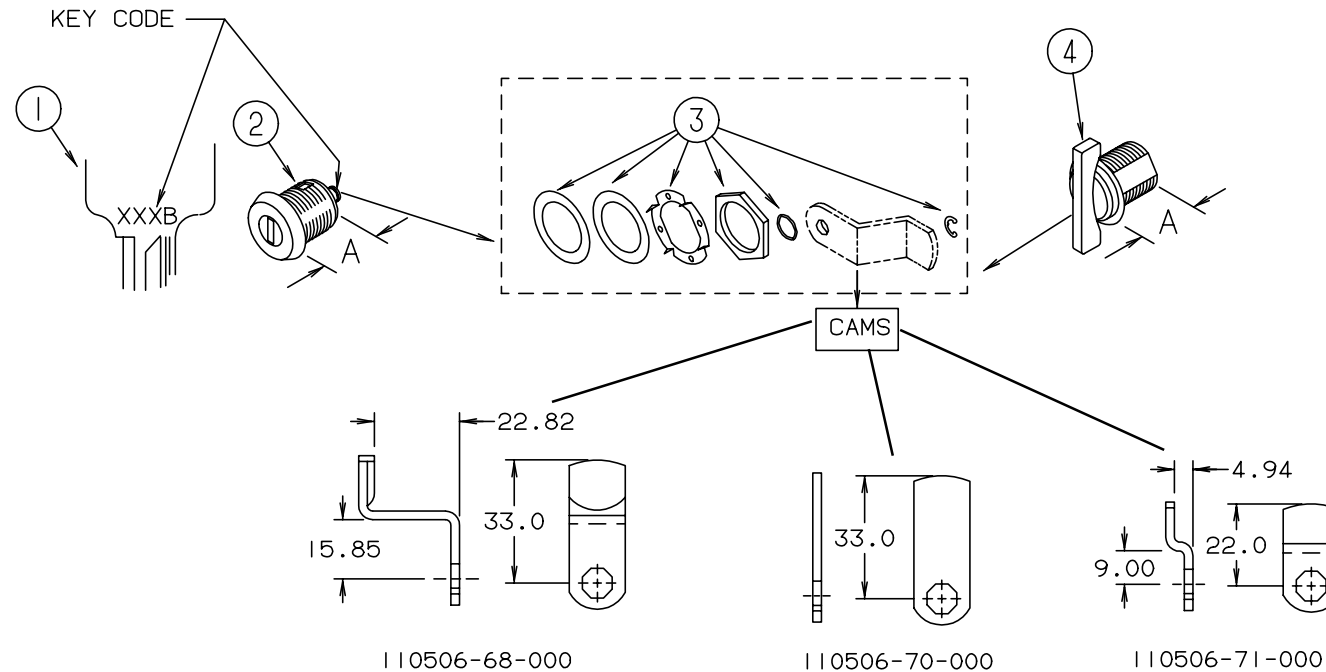
KEY	PART NUMBER	U/M	DESCRIPTION
1	107997-51-001	EA	SPACER - DOOR LOCK - .6" DEEP
	107997-51-002	EA	EXTRUDED - SPACER - 16'
2	102768-01-000	EA	HOLDER - COMPARTMENT/ENTRY DOOR - METAL - MILL FINISH
3	081801-02-000	EA	HINGE - DOOR - PIANO - 2" X 8"
3	081801-V3-000	EA	HINGE - ALUMINUM - 2" X 96"
	009065-01-000	EA	HINGE - CONTINUOUS - 1 1/2" X 96" - UNPAINTED
	064075-07-000	FT	SEAL - BULB - W/WIRED U CHANNEL - .3" X .5" CHANNEL - BLK
4	104692-01-000	FT	SEAL - FOAM/ADHESIVE BACK - .75"THICK X .75"WIDE X 25'

## WINDOW, VENT & EXTERIOR DOOR GROUP (CONTINUED)

### BRIGGS & STRATTON LOCKS & COMPONENTS

**NOTE:**

WHEN ORDERING THE LOCK CASE, THE KEY CODE MUST MATCH THE LAST DIGIT OF THE VEHICLE'S SERIAL NUMBER AND PART NUMBER; WHEN ORDERING THE KEYS, THE THIRD DIGIT OF THE KEY CODE MUST MATCH THE LAST DIGIT OF THE VEHICLE'S SERIAL NUMBER AND PART NUMBER.



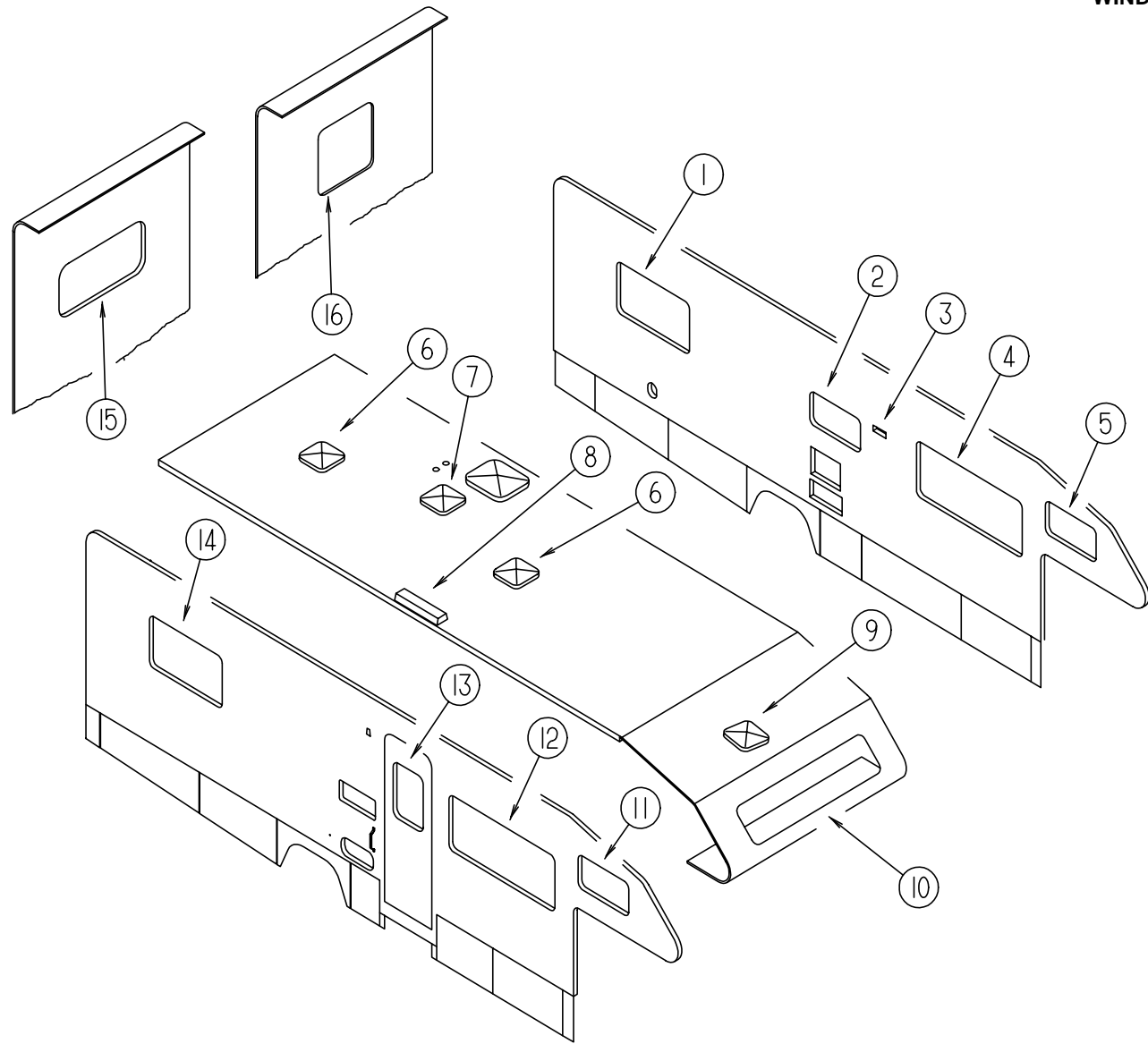
KEY	PART NUMBER	U/M	DESCRIPTION	VENDOR NO.
1	110506-59-000	EA	KEYS - SET OF TWO	596720
2	110506-52-000	EA	CASE - LOCK - A= 17 MM	702370
2	110506-53-000	EA	CASE - LOCK - A= 25 MM	702380
1	110506-59-001	EA	KEYS - SET OF TWO	596721
2	110506-52-001	EA	CASE - LOCK - A= 17 MM	702371
2	110506-53-001	EA	CASE - LOCK - A= 25 MM	702381
1	110506-59-002	EA	KEYS - SET OF TWO	596722
2	110506-52-002	EA	CASE - LOCK - A= 17 MM	702372
2	110506-53-002	EA	CASE - LOCK - A= 25 MM	702382
1	110506-59-003	EA	KEYS - SET OF TWO	596723
2	110506-52-003	EA	CASE - LOCK - A= 17 MM	702373
2	110506-53-003	EA	CASE - LOCK - A= 25 MM	702383
1	110506-59-004	EA	KEYS - SET OF TWO	596724
2	110506-52-004	EA	CASE - LOCK - A= 17 MM	702374
2	110506-53-004	EA	CASE - LOCK - A= 25 MM	702384
1	110506-59-005	EA	KEYS - SET OF TWO	596725
2	110506-52-005	EA	CASE - LOCK - A= 17 MM	702375
2	110506-53-005	EA	CASE - LOCK - A= 25 MM	702385

KEY	PART NUMBER	U/M	DESCRIPTION	VENDOR NO.
1	110506-59-006	EA	KEYS - SET OF TWO	596726
2	110506-52-006	EA	CASE - LOCK - A= 17 MM	702376
2	110506-53-006	EA	CASE - LOCK - A= 25 MM	702386
1	110506-59-007	EA	KEYS - SET OF TWO	596727
2	110506-52-007	EA	CASE - LOCK - A= 17 MM	702377
2	110506-53-007	EA	CASE - LOCK - A= 25 MM	702387
1	110506-59-008	EA	KEYS - SET OF TWO	596728
2	110506-52-008	EA	CASE - LOCK - A= 17 MM	702378
2	110506-53-008	EA	CASE - LOCK - A= 25 MM	702388
1	110506-59-009	EA	KEYS - SET OF TWO	596729
2	110506-52-009	EA	CASE - LOCK - A= 17 MM	702379
2	110506-53-009	EA	CASE - LOCK - A= 25 MM	702389
3	110506-40-700	EA	HARDWARE KIT	596950AAL
4	110506-50-000	EA	CASE - TWIST LOCK - A= 17 MM	596952
4	110506-51-000	EA	CASE - TWIST LOCK - A= 25 MM	596669
	110506-40-000	EA	CLIP-E - LOCK ASM.	93981
	110506-68-000	EA	CAM - LOCK	322284
	110506-70-000	EA	CAM - LOCK	322286
	110506-71-000	EA	CAM - LOCK	322287
	110506-59-701	EA	KEY BLANK - GOLD	



# WINDOW, VENT & EXTERIOR DOOR GROUP (CONTINUED)

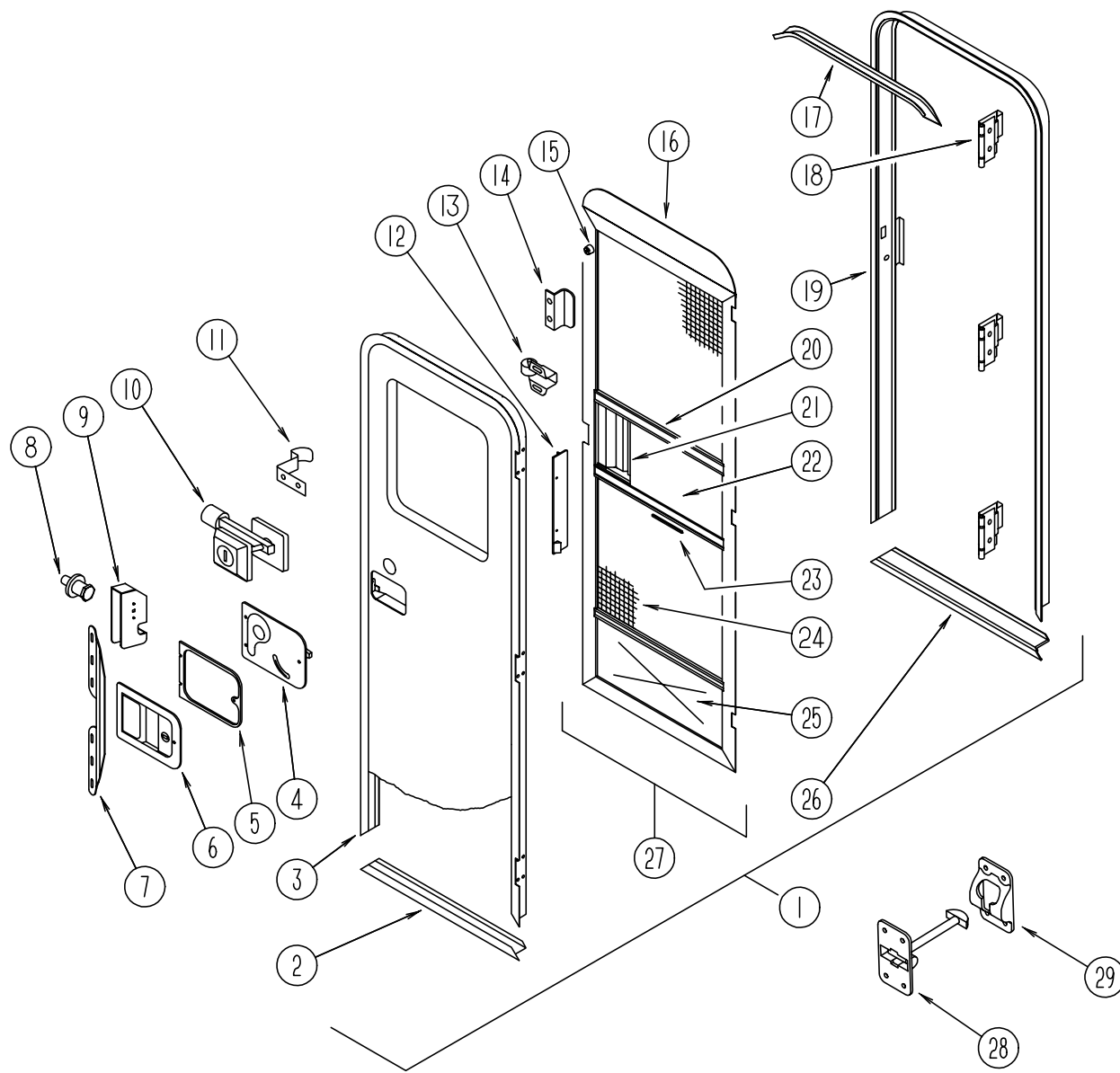
## WINDOWS & VENTS



KEY	PART NUMBER	U/M	DESCRIPTION
1	113500-01-01A	EA	WINDOW - DOUBLE TIPOUT 24.5 X 41.3"(QUEEN)
1	112795-23-01A	EA	WINDOW - DRIVER HORIZONTAL SLIDER THERMO 24 1/2"X 41 1/2" (QUEEN)
1	104691-13-01A	EA	WINDOW - TIPOUT SINGLE - 26.3" X 47.9" (TWIN,DOUBLE)
1	112795-25-01A	EA	WINDOW - DRIVER HORIZONTAL SLIDER THERMO 26 3/8" X 48"(TWIN, DOUBLE)
2	098647-07-02A	EA	WINDOW - DRIVERS HORIZONTAL SLIDER 15" X 23.75"
2	112795-56-01A	EA	WINDOW - DRIVERS/HORIZONTAL SLIDER THERMO 15.2" X 24"
3	084616-07-000	EA	VENT - SHROUD - RANGE HOOD - BRIGHT WHITE
4	098647-22-01A	EA	WINDOW - DRIVERS - HORIZONTAL SLIDER - 26.1" X 59.7"
4	112795-15-01A	EA	WINDOW - DRIVER - HORIZONTAL SLIDER-THERMO - 26 3/8" X 60"
5	098647-34-01A	EA	WINDOW - DRIVERS - HORIZONTAL SLIDER - 15.7" X 28.5"
5	112795-20-01A	EA	WINDOW - DRIVER - HORIZONTAL SLIDER-THERMO - 16.7" X 28.5"
6	122882-01-01A	EA	VENT - ROOF - NONPOWERED
7	122882-02-01A	EA	VENT - ROOF - W/FAN - POWERED
7	122882-03-01A	EA	VENT - ROOF - W/FAN - CSA
8	084073-04-000	EA	BASE - ROOF VENT - REFRIGERATOR
8	084073-07-000	EA	VENT - ROOF - REFRIGERATOR - BRIGHT WHITE
9	122882-01-01A	EA	VENT - ROOF - NONPOWERED
9	123780-03-01A	EA	VENT - EXHAUST - 3" ROOF
9	123780-04-01A	EA	VENT - EXHAUST - 3" ROOF - CSA
10	103313-03-F15	EA	WINDOW - PICTURE - 23.3" X 71.3"
10	115630-01-01A	EA	WINDOW - STATIONARY/THERMOPANE - 17.2" X 72"
11	098647-33-01A	EA	WINDOW - PASSENGER - HORIZONTAL SLIDER - 15.7" X 28.5"
11	112795-19-01A	EA	WINDOW - PASSENGER - HORIZONTAL SLIDER-THERMO - 16.7" X 28.5"
12	098647-23-01A	EA	WINDOW - PASSENGER - HORIZONTAL SLIDER - 26.1" X 59.7"
12	112795-16-01A	EA	WINDOW - PASSENGER - HORIZONTAL SLIDER-THERMO - 26 3/8" X 60"
13	117053-02-F36	EA	WINDOW - PICTURE - ENTRANCE DOOR - 17" X 26.4"
13	113733-01-01A	EA	WINDOW - STATIONARY - THERMOPANE - 17" X 26.4"
14	113500-01-01A	EA	WINDOW - DOUBLE TIPOUT 24.5 X 41.3"(QUEEN)
14	112795-21-01A	EA	WINDOW - PASSENGER/HORIZONTAL SLIDER/THERMO 24.5" X 41.25" (QUEEN)
14	104691-13-01A	EA	WINDOW - TIPOUT SINGLE - 26.3" X 47.9" (TWIN,DOUBLE BED)
14	112795-22-01A	EA	WINDOW - PASSENGER HORIZONTAL SLIDER/THERMO - 26 3/8" X 48"(TWIN,DOUBLE)
15	078528-06-E10	EA	WINDOW - ESCAPE - W/O RETAINER/TRIM - 48.5" X 24.5" (QUEEN,TWIN)
15	113502-01-01A	EA	WINDOW - REAR/ESCAPE - THERMO - 24.8" X 48.7" (QUEEN,TWIN)
16	116976-02-01A	EA	WINDOW - PICTURE/TINTED/ESCAPE - 26.4" X 25.3" (DOUBLE)
16	113502-04-01A	EA	WINDOW - REAR ESCAPE - THERMO - 26.4" X 26.3" (DOUBLE)

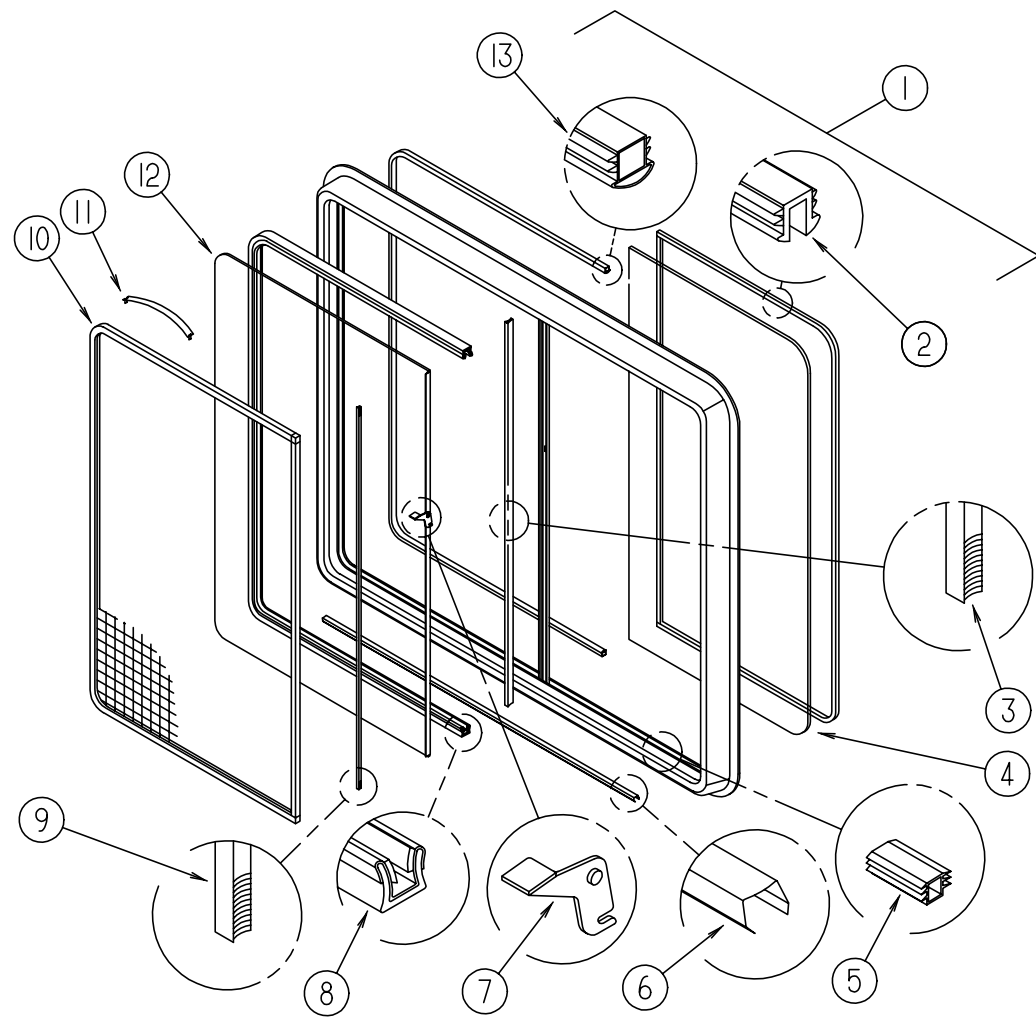
# WINDOW, VENT & EXTERIOR DOOR GROUP (CONTINUED)

## ENTRANCE DOOR



KEY	PART NUMBER	U/M	DESCRIPTION	VENDOR NO.
1	115108-02-H10	EA	DOOR - ENTRY - W/SCREEN DOOR - W/O WINDOW (H10)	
1	115108-02-H38	EA	DOOR - ENTRY - W/SCREEN DOOR - W/O WINDOW (H11)	
2	121893-01-01A	EA	FRAME - ENTRY DOOR - BOTTOM	
3	121894-03-01A	EA	FRAME - ENTRY DOOR	
4	039979-06-000	EA	COVER - LATCH PLATE - RIGHT HAND - BLACK TEXTURED	
5	096810-01-01A	EA	PLATE - LATCH - ENTRY DOOR	
	041546-07-000	EA	BRACKET - DOOR ANGLE	
6	045017-13-000	EA	LATCH - ENTRY DOOR - BLACK TEXTURED	
	036618-02-000	EA	E RING - EXTERNAL - 3/16" SHAFT DIAMETER - LYNOR DOOR LOCK	
	045017-11-701	EA	KEY-BLANK - F1 SERIES	81312-02
	045017-11-703	EA	CYLINDER - LOCK ASM. W/KEYS	81266-09
	075671-04-000	FT	SEAL - SPONGE - LAZY T - W/ADHESIVE STRIP - .5" WIDE	
7	098173-01-07A	EA	STIFFENER - ENTRY DOOR - SUPPORTS LATCH/STRIKE AREA	
7	098173-01-04A	EA	STIFFENER - ENTRY DOOR - SUPPORTS LATCH/STRIKE AREA UNPAINTED	
8	039539-01-000	EA	STRIKE - LOCK - ENTRY DOOR - ROUND W/THREADED WASHER	
	077461-05-000	EA	COVER - STRIKE - ENTRY DOOR - 6.5" X 2.5" - WHITE PLASTIC	
9	039540-01-000	EA	LATCH MECHANISM - HOOK - ENTRY DOOR - INTERIOR	
10	101145-01-06A	EA	DEADBOLT - ENTRY DOOR W/O SECURITY BOLT W/2 KEYS - BLACK	
	095229-01-700	EA	KEY-BLANK - DEADBOLT	81205-03
	101145-01-701	EA	CYLINDER - LOCK ASM. - W/KEY	81306-03
	101147-01-000	EA	BOLT - SECURITY - 4.12"	
11	100412-01-000	EA	CATCH - SCREEN DOOR	
12	079087-03-000	EA	STRIKE - SLIDER - SCREEN DOOR - BRIGHT WHITE	
13	109403-01-000	EA	CATCH - SCREEN DOOR ROLLER	
14	050712-06-000	EA	HANDLE - SCREEN DOOR - BRIGHT WHITE	
15	120863-05-000	EA	BUMPER - RUBBER - SCREEN DOOR	
16	078595-01-000	EA	TOP PLATE - SCREEN DOOR - CURVED TOP - 4.7" X 25.35"	
17	044582-44-000	EA	CAP - DRIP - JAMB - BRIGHT WHITE	
18	106719-01-05A	EA	HINGE - ENTRANCE DOOR	
18	106719-01-01A	EA	HINGE - ENTRANCE DOOR - MILL	
	102248-01-000	EA	SHIM - DOOR	
	039715-01-000	EA	NUT-SERT - 1/4" DIAMETER - 20 THREADS	
	116111-02-01A	EA	SCREW - TAPTITE - 1/4-20 X 3/8 PPH - ZINC	
	118929-01-01A	FT	SEAL - PILE - PUSH ON	
19	121898-01-01A	EA	JAMB - ENTRY DOOR	
	115222-05-01A	EA	GARNISH - RADIUS - ENTRY DOOR	
	078777-01-000	EA	CHANNEL - SLIDE - SCREEN DOOR CENTER SLIDER COVER	
20	079086-03-000	EA	SLIDER - SCREEN DOOR - BRIGHT WHITE	
21	016454-01-000	EA	INSERT - CENTER - LEATHER GRAIN ALUMINUM - UNPAINTED	
22	001014-01-013	EA	INSERT - CENTER - 10.25" X 16.31" - UNPAINTED	
23	002294-01-000	FT	SPLINE - SCREENING - .005" X .0054"	
24	002293-02-000	SF	SCREENING - WINDOW/DOOR - 26"	
25	078552-03-000	EA	KICK PANEL - SCREEN DOOR - LOWER INSERT - UNPAINTED	
26	051049-01-000	EA	JAMB - BOTTOM - ENTRY DOOR - 25.9" - UNPAINTED	
27	121899-01-G04	EA	DOOR - SCREEN - W/O HARDWARE	
	075673-01-000	FT	SEAL - PILE - ADHESIVE BACK - GRAY	
	075673-05-000	FT	SEAL - PILE - ADHESIVE BACK - BLACK	
	086285-05-000	EA	SPACER - NYLON - .7" X .56"	
	122241-01-01A	EA	BUMPER - FOAM RUBBER - BLACK	
28	104099-01-04A	EA	CATCH - DOOR HOLDER - STRIKE	
29	104099-02-04A	EA	CATCH - DOOR HOLDER - RETAINER	
	009126-03-000	EA	HANDLE - ASSIST - BLACK TEXTURED	

**WINDOW, VENT & EXTERIOR DOOR GROUP (CONTINUED)**



**LOUNGE & DINETTE WINDOWS - EXCEL**

KEY	PART NUMBER	U/M	DESCRIPTION	VENDOR NO.
1	098647-22-01A	EA	WINDOW - DRIVER - HORIZONTAL SLIDER 26.1" X 59.7"	
1	098647-23-01A	EA	WINDOW - PASSENGER - HORIZONTAL SLIDER 26.1" X 59.7"	
	098647-23-702	EA	RETAINER - TRIM	W287-66
2	098644-01-705	FT	GLAZING - STRIP	132-010231
3	098644-01-706	FT	WEATHERSTRIP - GLASS	171-010668
4	098647-23-703	EA	GLASS - STATIONARY	106-017622
5	098644-01-719	EA	STOP - SLIDER GLASS	132-014203
6	098644-01-710	FT	TRACK - SCREEN SPACER 12'	132-017135
7	098644-01-700	EA	LATCH REPAIR KIT (BLACK)	B801-CK
8	098644-01-708	FT	CHANNEL - PIERCED RUN	122-016543
9	098644-01-711	FT	WEATHERSTRIP - SCREEN BLACK	171-016965
10	098647-23-704	EA	SCREEN ASM - W/SEALS & CLIPS	
11	098644-01-713	EA	CLIP - SPRING - METAL	226-016966
12	098647-23-700	EA	GLASS - SLIDING - W/SASH & LATCH	H287-G9
13	098644-01-716	FT	PLUG - FILLER	132-014470
	098644-01-717	FT	SPLINE - SCREEN	32-004716

**WINDOW, VENT & EXTERIOR DOOR GROUP (CONTINUED)**

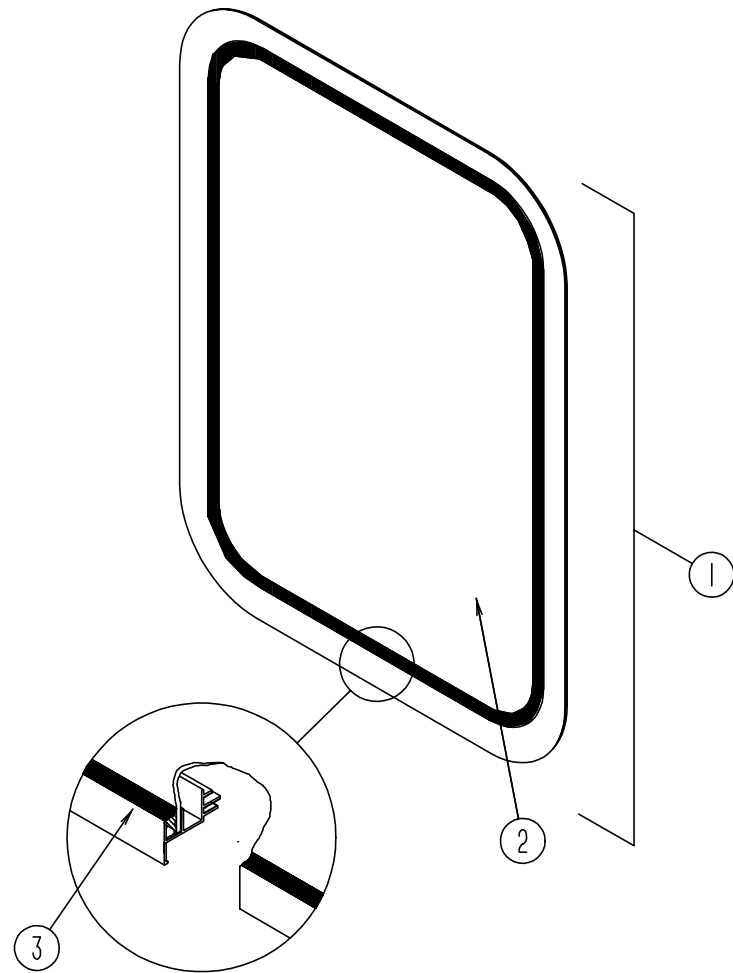
**BUNK WINDOWS - EXCEL**

KEY	PART NUMBER	U/M	DESCRIPTION	VENDOR NO.
1	098647-34-01A	EA	WINDOW - DRIVERS HORIZONTAL SLIDER 15.7" X 28.5"	
1	098647-33-01A	EA	WINDOW - PASSENGER HORIZONTAL SLIDER 15.7" X 28.5"	
	098647-31-701	EA	RETAINER - TRIM	CW2966
2	098644-01-705	FT	GLAZING - STRIP	132-010231
2	100322-01-703	FT	STRIP - GLAZING	132-010723
3	098644-01-706	FT	WEATHERSTRIP	171-010668
4	098647-33-702	EA	GLASS - STATIONARY	106-019297
5	098644-01-719	FT	STOP - SLIDER GLASS	132-014203
6	098644-01-710	FT	TRACK - SCREEN SPACER 12' LENGTH	M401-31
7	098644-01-700	EA	LATCH REPAIR KIT	B801-CK
8	098644-01-708	FT	CHANNEL - PIERCED RUN	122-016543
9	098644-01-711	FT	WEATHERSTRIP - SCREEN BLACK	171-016965
10	098647-33-704	EA	SCREEN ASM. - W/SPRING CLIP	410-019134
11	098644-01-713	EA	CLIP - SPRING - METAL	226-016966
12	098647-33-703	EA	GLASS - SLIDING - W/SASH & LATCH	H425-G9
13	098644-01-716	FT	PLUG - FILLER	132-014470
	098644-01-717	FT	SPLINE - SCREEN MFG	32-004716

**GALLEY WINDOW - EXCEL**

KEY	PART NUMBER	U/M	DESCRIPTION	VENDOR NO.
1	098647-07-02A	EA	WINDOW - DRIVERS HORIZONTAL SLIDER 15" X 23.75"	
	098647-06-706	EA	RETAINER - TRIM	V969-67
2	098644-01-705	FT	GLAZING - STRIP	132-010231
3	098644-01-706	FT	WEATHERSTRIP	171-010668
4	098647-06-700	EA	GLASS - STATIONARY 10.9X13.8	106-016921
5	098644-01-719	FT	STOP - SLIDER GLASS	132-014203
6	098644-01-710	FT	TRACK - SCREEN SPACER 12' LENGTH	M401-31
7	098644-01-700	EA	LATCH REPAIR KIT	B801-CK
8	098644-01-708	FT	CHANNEL - PIERCED RUN	122-016543
9	098644-01-711	FT	WEATHERSTRIP - SCREEN BLACK	171-016965
10	098647-06-703	EA	SCREEN ASM - W/SEALS & CLIPS	410-016477
11	098644-01-713	EA	CLIP - SPRING - METAL	226-016966
12	098647-06-702	EA	GLASS-SLIDING W/SASH & LATCH	B969-G9
13	098644-01-716	FT	PLUG - FILLER	132-014470
	098644-01-717	FT	SPLINE - SCREEN	32-004716

**WINDOW, VENT & EXTERIOR DOOR GROUP (CONTINUED)**



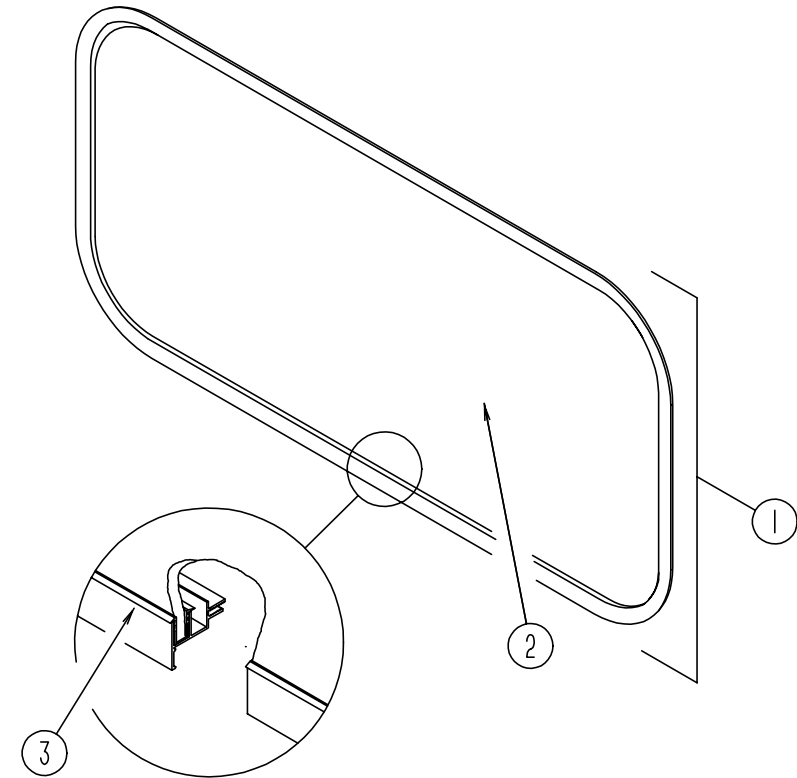
**ENTRY DOOR WINDOW**

KEY	PART NUMBER	U/M	DESCRIPTION
1	117053-02-F36	EA	WINDOW - PICTURE - ENTRANCE DOOR - 17" X 26.4"
	117054-02-02A	EA	RETAINER - TRIM - BRIGHT WHITE
2	002181-25-000	EA	GLASS - PICTURE - 25.7" X 16.4"
3	087561-01-000	FT	SEAL - GLASS - EXTERIOR - .5" WIDE - VINYL BLACK

**THERMOPANE ENTRY DOOR WINDOW - EXCEL**

KEY	PART NUMBER	U/M	DESCRIPTION	VENDOR NO.
	113733-01-01A	EA	WINDOW - STATIONARY - THERMOPANE - 17" X 26.4"	
	113733-01-700	EA	WINDOW ASM. W/O TRIM	DH416-G2
	113733-01-701	EA	RETAINER - TRIM	W41666
	113733-01-702	EA	GLASS - STATIONARY	390-019187
	112795-01-705	FT	VINYL - GLAZING	132-010231

**WINDOW, VENT & EXTERIOR DOOR GROUP (CONTINUED)**



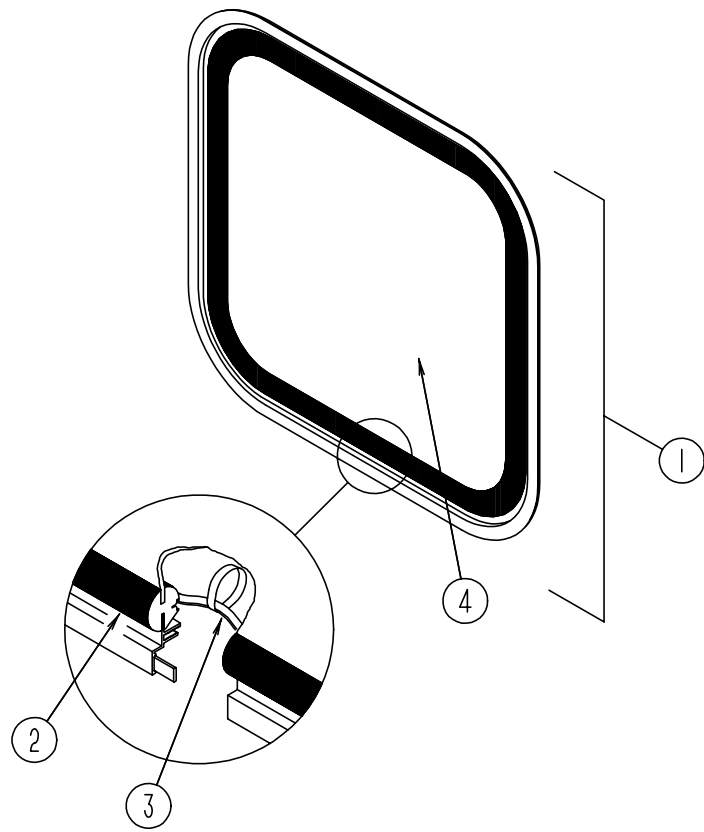
**OVERHEAD BUNK FRONT WINDOW**

KEY	PART NUMBER	U/M	DESCRIPTION
1	103313-03-F15	EA	WINDOW - PICTURE - 23.3" X 71.3"
	117054-01-01A	EA	RETAINER - TRIM
2	002181-29-000	EA	GLASS - PICTURE - 16.4" X 71"
3	099154-01-000	FT	CHANNEL - GLAZING - STATIONARY GLASS - .62" X .45" - BLK

**THERMOPANE OVERHEAD BUNK FRONT WINDOW - EXCEL**

KEY	PART NUMBER	U/M	DESCRIPTION	VENDOR NO.
	115630-01-01A	EA	WINDOW - STATIONARY/THERMOPANE - 17.2" X 72"	
	098644-01-705	FT	GLAZING - STRIP	132-010231
	115630-01-700	EA	WINDOW W/O TRIM	DH438-G2
	115630-01-701	EA	RETAINER - TRIM	W438-58
	115630-01-702	EA	GLASS - STATIONARY	390-019467

**WINDOW, VENT & EXTERIOR DOOR GROUP (CONTINUED)**



**TWIN & QUEEN BED ESCAPE WINDOW**

KEY	PART NUMBER	U/M	DESCRIPTION
1	078528-06-E10	EA	WINDOW - ESCAPE - W/O RETAINER/TRIM - 48.5" X 24.5"
	074816-11-000	EA	RETAINER - TRIM O/W
2	002282-09-000	EA	WEATHERSTRIP - WINDOW - .125" X 130.5" - BLACK
3	002285-01-000	FT	FILLER - WEATHERSTRIP - RUBBER - BLACK
4	076337-12-000	EA	GLASS - EGRESS - 45.5" X 21.5"
	077066-01-702	EA	TAPE - RED ESCAPE WINDOW

**TWIN & QUEEN BED THERMOPANE ESCAPE WINDOW - EXCEL**

KEY	PART NUMBER	U/M	DESCRIPTION	VENDOR NO.
	113502-01-01A	EA	WINDOW - REAR/ESCAPE - THERMO - 24.8" X 48.7"	
	098644-01-705	FT	GLAZING - STRIP	132-010231
	112898-06-704	EA	HANDLE - LATCH, RED-RH	182-11293
	112898-06-705	EA	HANDLE - LATCH, RED-LH	182-11294
	113502-01-703	EA	GLASS - STATIONARY - RH/LH	390-019083
	113502-01-704	EA	GLASS - EGRESS CENTER - ESCP	DH153-G9

**WINDOW, VENT & EXTERIOR DOOR GROUP (CONTINUED)**

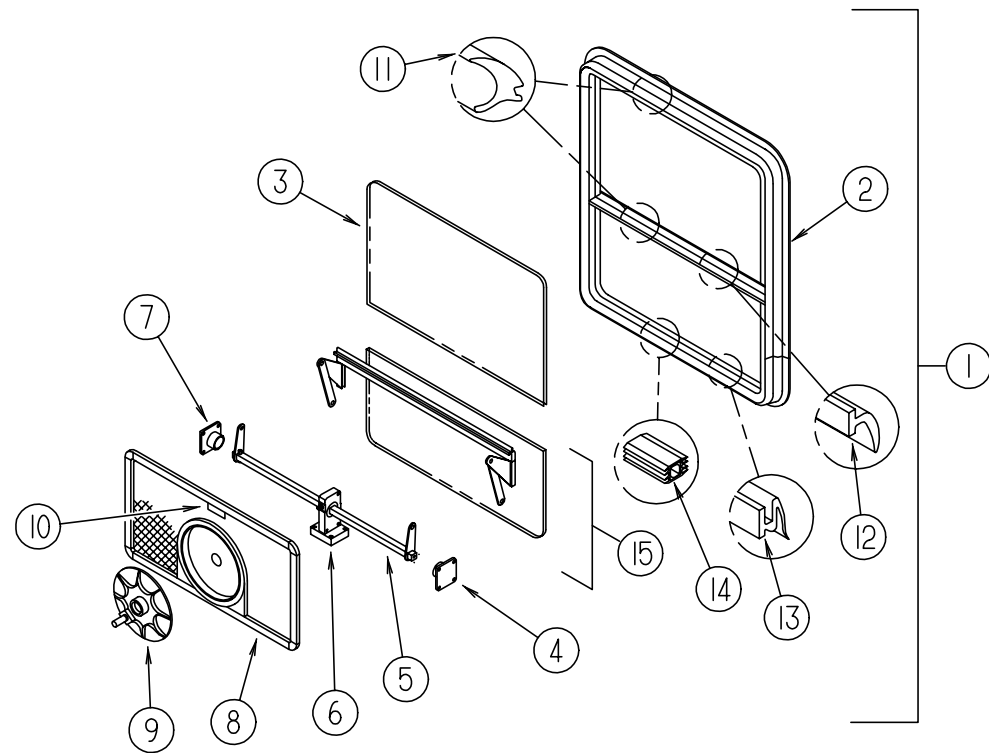
**DOUBLE BED ESCAPE WINDOW - EXCEL**

KEY	PART NUMBER	U/M	DESCRIPTION	VENDOR NO.
	116976-02-01A	EA	WINDOW - PICTURE/TINTED/ESCAPE - 26.4" X 25.3"	
	100322-01-701	FT	SEAL - VENT	122-016071
	112898-06-704	EA	HANDLE - LATCH, RED-RH	182-11293
	112898-06-705	EA	HANDLE - LATCH, RED-LH	182-11294
	116976-01-701	EA	RETAINER - TRIM	W386-53
	116976-01-702	FT	FILLER PLUG	132-016065
	116976-02-700	EA	GLASS - STATIONARY	106-018785

**DOUBLE BED THERMOPANE ESCAPE WINDOW - EXCEL**

KEY	PART NUMBER	U/M	DESCRIPTION	VENDOR NO.
	113502-04-01A	EA	WINDOW - REAR ESCAPE - THERMO - 26.4" X 26.3"	
	098644-01-705	FT	GLAZING - STRIP	132-010231
	112898-06-704	EA	HANDLE - LATCH, RED-RH	182-11293
	112898-06-705	EA	HANDLE - LATCH, RED-LH	182-11294
	113502-04-700	EA	WINDOW W/O TRIM	DH449-G2
	113502-04-701	EA	RETAINER - TRIM	W44958
	113502-04-702	EA	GLASS - STATIONARY	390-019460

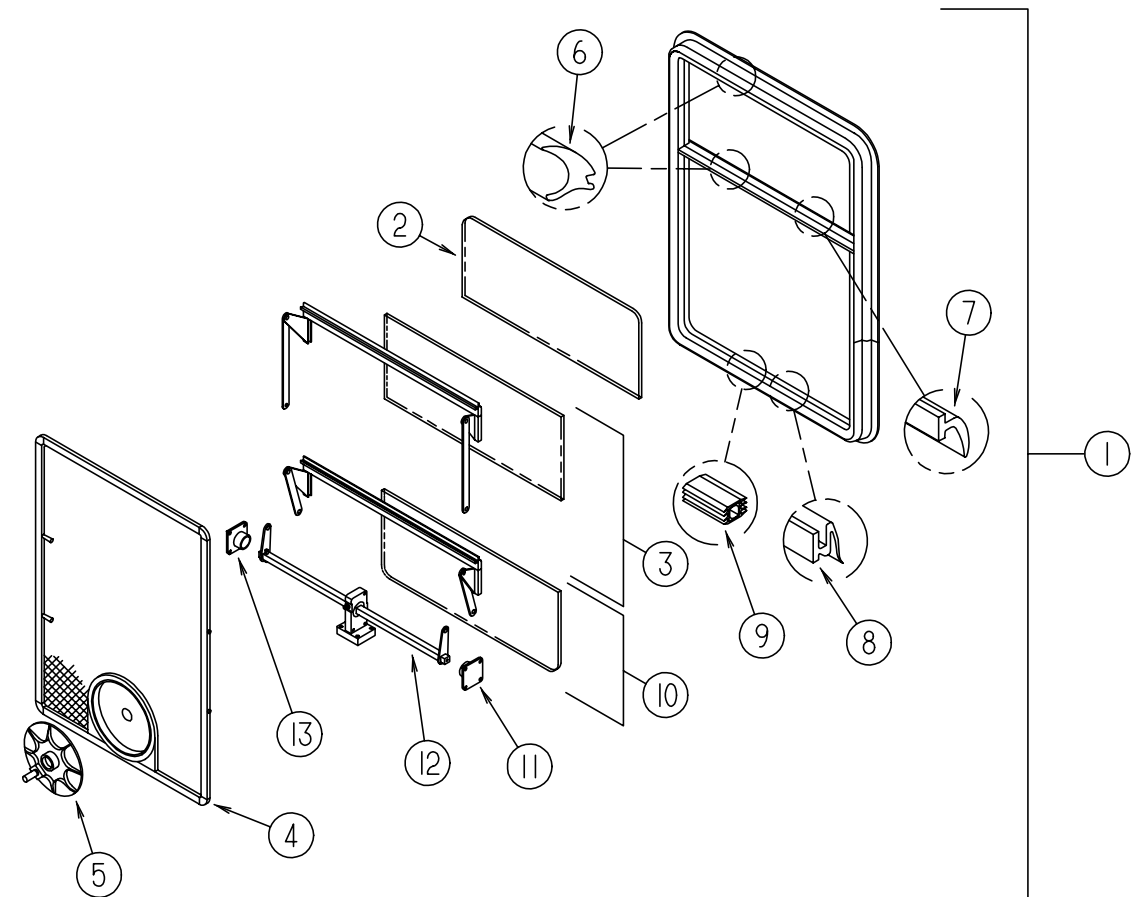
**WINDOW, VENT & EXTERIOR DOOR GROUP (CONTINUED)**



**TWIN & DOUBLE BED SINGLE TIPOUT WINDOW - EXCEL**

KEY	PART NUMBER	U/M	DESCRIPTION	VENDOR NO.
1	104691-13-01A	EA	WINDOW - TIPOUT SINGLE - 26.3" X 47.9"	
2	104691-13-700	EA	WINDOW ASM W/O TRIM	CH37-G2
	104691-13-701	EA	RETAINER - TRIM	W303-59
3	104691-13-702	EA	GLASS - STATIONARY	106-017670
	100322-01-704	FT	TAPE-BUTYL	154-016083
4	100322-01-714	EA	SUPPORT-TORQUE BAR, LH	130-015978
5	104691-13-704	EA	OPERATOR & BAR ASSEMBLY	CH36-15
6	112519-01-702	EA	OPERATOR-VENT	410-016123
7	100322-01-715	EA	SUPPORT-TORQUE BAR, RH	130-015979
8	104691-13-705	EA	SCREEN ASM - W/SEALS & CLIPS	410-017763
9	100322-01-718	EA	HANDLE-DIAL	410-016081
10	112519-01-706	EA	CLIP-SCREEN	CH21-50
11	100322-01-703	FT	VINYL-GLAZING, BUTYL	132-010723
12	100322-01-702	EA	WEATHERSTRIP-HORIZONTAL RAIL	132-015976
13	100322-01-701	FT	SEAL-VENT	122-016071
14	116976-01-702	FT	FILLER PLUG	132-016065
15	104691-13-703	EA	GLASS-VENT ASSEMBLY	CH37-G9

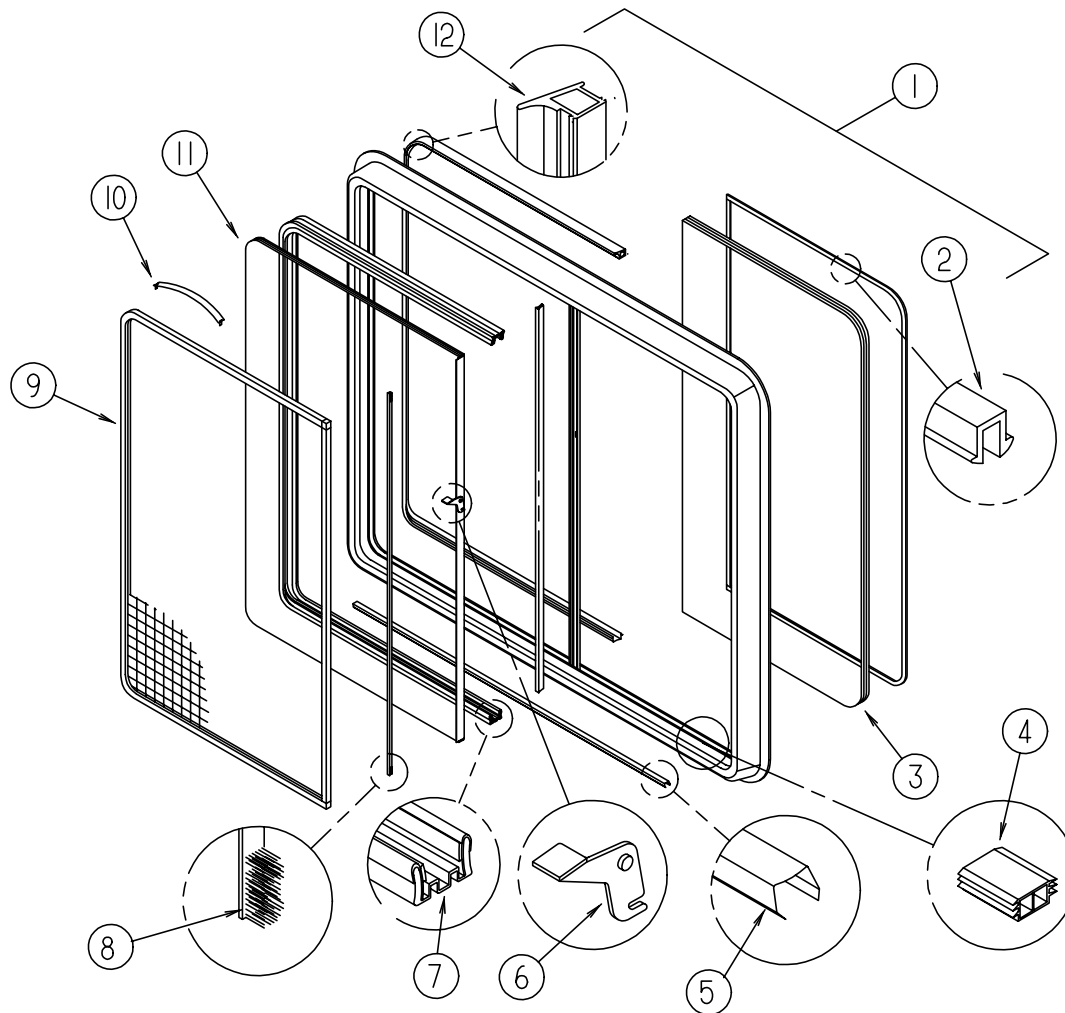
**WINDOW, VENT & EXTERIOR DOOR GROUP (CONTINUED)**



**QUEEN BED DOUBLE TIPOUT WINDOW - EXCEL**

KEY	PART NUMBER	U/M	DESCRIPTION	VENDOR NO.
	113500-01-01A	EA	WINDOW - DOUBLE TIPOUT 24.5 X 41.3"	
1	113500-01-701	EA	WINDOW - W/O RETAINER - TRIM	CH04-G2
	113500-01-702	EA	RETAINER - TRIM	CW04-59
2	113500-01-703	EA	GLASS - TOP STATIONARY	106-015970
3	113500-01-704	EA	GLASS - UPPER VENT ASSEMBLY	CH04-G7
4	113500-01-700	EA	SCREEN ASM - W/SEALS & CLIPS	410-016020
5	100322-01-718	EA	HANDLE - DIAL	410-016081
6	100322-01-703	FT	VINYL - GLAZING - BUTYL	132-010723
7	100322-01-702	EA	WEATHERSTRIP - HORIZONTAL RAIL	132-015976
8	100322-01-701	FT	SEAL - VENT	122-016071
9	098644-01-716	FT	PLUG - FILLER	132-014470
10	113500-01-705	EA	GLASS - LOWER VENT ASSEMBLY	CH04-G9
11	100322-01-714	EA	SUPPORT - TORQUE BAR - LH	130-015978
12	112519-01-702	EA	OPERATOR - VENT	410-016123
	113500-01-706	EA	OPERATOR & BAR ASSEMBLY	CH04-15
13	100322-01-715	EA	SUPPORT - TORQUE BAR - RH	130-015979
	100322-01-704	FT	TAPE - BUTYL	154-016083
	100322-01-717	EA	E - RING	245-015975

**WINDOW, VENT & EXTERIOR DOOR GROUP (CONTINUED)**



**BUNK THERMOPANE WINDOWS - EXCEL**

KEY	PART NUMBER	U/M	DESCRIPTION	VENDOR NO.
1	112795-20-01A	EA	WINDOW - DRIVER HORIZONTAL SLIDER THERMO 16" X 28 3/4"	
1	112795-19-01A	EA	WINDOW - PASSENGER HORIZONTAL SLIDER THERMO 16" X 28 3/4"	
	098647-31-701	EA	RETAINER - TRIM	CW29-66
2	112795-01-705	FT	VINYL-GLAZING	132-019702
3	112795-19-701	EA	GLASS - STATIONARY	390-019134
4	112795-01-701	EA	SLIDE-STOP	132-019092
5	098644-01-710	FT	TRACK - SCREEN SPACER 12'	132-017135
6	112795-01-700	EA	LATCH ASM. - BLK.,(BOLT ON)	DH287-CK
7	112795-01-703	IN	CHANNEL-RUN (INCHES)	122-018736
8	098644-01-711	FT	WEATHERSTRIP - SCREEN BLACK	171-016965
9	098647-31-704	EA	SCREEN ASM - W/SEALS & CLIPS	410-019128
10	098644-01-713	EA	CLIP - SPRING - METAL	226-016966
11	112795-19-702	EA	GLASS-SLIDING W/SASH & LATCH	DC29-G9
12	112795-01-704	FT	PLUG FILLER (DOUBLE GLAZED)	122-018737

**WINDOW, VENT & EXTERIOR DOOR GROUP (CONTINUED)**

**TWIN & DOUBLE BED THERMOPANE SLIDER WINDOWS - EXCEL**

KEY	PART NUMBER	U/M	DESCRIPTION	VENDOR NO.
1	112795-25-01A	EA	WINDOW - DRIVERS HORIZONTAL SLIDER - THERMO 26 3/8" X 48"	
1	112795-22-01A	EA	WINDOW - PASSENGER HORIZONTAL SLIDER - THERMO 26 3/8" X 48"	
	112795-22-701	EA	RETAINER - (TRIM)	W30366
2	112795-01-705	FT	VINYL-GLAZING	132-019702
3	112795-22-702	EA	GLASS-STATIONARY	390-019039
4	112795-01-701	EA	SLIDE-STOP	132-019092
5	098644-01-710	EA	TRACK - SCREEN SPACER 12'	132-017135
6	112795-01-700	EA	LATCH ASM. - BLK. (BOLT ON)	DH287-CK
7	112795-01-703	IN	CHANNEL-RUN (INCHES)	122-018736
8	098644-01-711	EA	WEATHERSTRIP - SCREEN BLACK	171-016965
9	098647-31-704	EA	SCREEN ASM. - W/SEAL & CLIPS	410-019128
10	098644-01-713	EA	CLIP-SPRING - BLACK PLASTIC	226-016966
11	112795-19-702	EA	GLASS-SLIDING - W/SASH&LATCH	DC29-G9
12	112795-01-704	FT	PLUG-FILLER (DOUBLE GLAZED)	122-018737

**QUEEN BED THERMOPANE SLIDER WINDOWS - EXCEL**

KEY	PART NUMBER	U/M	DESCRIPTION	VENDOR NO.
1	112795-23-01A	EA	WINDOW - DRIVERS HORIZONTAL SLIDER - THERMO 24 1/2" X 41 1/2"	
1	112795-21-01A	EA	WINDOW - PASSENGER HORIZONTAL SLIDER - THERMO 24.5" X 41.25"	
	112795-29-701	EA	RETAINER - (TRIM)	CW04-66
2	112795-01-705	FT	VINYL-GLAZING	132-019702
3	112795-21-701	EA	GLASS-STATIONARY	390-019132
4	112795-01-701	EA	SLIDE-STOP	132-019092
5	098644-01-710	EA	TRACK - SCREEN SPACER 12'	132-017135
6	112795-01-700	EA	LATCH ASM. - BLK. (BOLT ON)	DH287-CK
7	112795-01-703	IN	CHANNEL-RUN (INCHES)	122-018736
8	098644-01-711	EA	WEATHERSTRIP - SCREEN BLACK	171-016965
9	098647-29-704	EA	SCREEN ASM. - W/SEAL & CLIPS	410-018864
10	098644-01-713	EA	CLIP-SPRING - BLACK PLASTIC	226-016966
11	112795-21-702	EA	GLASS-SLIDING - W/SASH&LATCH	DC04-G9
12	112795-01-704	FT	PLUG-FILLER (DOUBLE GLAZED)	122-018737

**LOUNGE & DINETTE THERMOPANE SLIDER WINDOWS - EXCEL**

KEY	PART NUMBER	U/M	DESCRIPTION	VENDOR NO.
1	112795-15-01A	EA	WINDOW - DRIVERS HORIZONTAL SLIDER - THERMO-26 3/8" X 60"	
1	112795-16-01A	EA	WINDOW - PASSENGER HORIZONTAL SLIDER - THERMO-26 3/8" X 60"	
	098647-23-702	EA	RETAINER-TRIM - WHITE	W28766
2	112795-01-705	FT	VINYL-GLAZING	132-019702
3	112795-15-701	EA	GLASS-STATIONARY	390-019045
4	112795-01-701	EA	SLIDE-STOP	132-019092
5	098644-01-710	EA	TRACK - SCREEN SPACER 12'	132-017135
6	112795-01-700	EA	LATCH ASM. - BLACK	DH287-CK
7	112795-01-703	IN	CHANNEL-RUN	122-018736
8	098644-01-711	EA	WEATHERSTRIP - SCREEN BLACK	171-016965
9	098647-31-704	EA	SCREEN ASM. - W/SEAL & CLIPS	410-019128
10	098644-01-713	EA	CLIP-SPRING - BLACK PLASTIC	226-016966
11	112795-19-702	EA	GLASS-SLIDING - W/SASH&LATCH	DC29-G9
12	112795-01-704	FT	PLUG-FILLER (DOUBLE GLAZED)	122-018737

# WINDOW, VENT & EXTERIOR DOOR GROUP (CONTINUED)

## POWERED ROOF VENTILATOR

KEY	PART NUMBER	U/M	DESCRIPTION	VENDOR NO.
	123780-03-01A	EA	VENT - EXHAUST - 3" ROOF	
	123780-04-01A	EA	VENT - EXHAUST - 3" ROOF CSA	
	009440-01-000	EA	GEAR/ARM - LIFT - ROOF VENT COVER	
	084079-01-703	EA	KNOB - LIFT, W/EXT. & SCREW	1140K-00
	084079-01-704	EA	BLADE - FAN	1070-00
	084079-01-705	EA	MOTOR	1080-00
	084079-01-707	EA	SWITCH - SAFETY	1122.05
	084079-01-709	EA	SWITCH - MAIN - 3 SPEED	1031-05
	084079-01-711	EA	H-MOLDING - MOTOR MOUNT	
	084079-11-700	EA	MOTOR - BRKT. - FAN BLADE, KIT	4017K-09
	123780-01-700	EA	COVER - VENT W/HINGE & SLIDE	1020K-81
	123780-01-701	EA	GARNISH - INT 3/4-1" BRT/WHT	0040-81

## NONPOWERED VENT

KEY	PART NUMBER	U/M	DESCRIPTION	VENDOR NO.
	122882-01-01A	EA	VENT - ROOF - NONPOWERED	
	009440-01-000	EA	GEAR/ARM - LIFT - ROOF VENT COVER	
	064470-01-700	EA	COVER - VENT - W/O SLIDE BAR	J7291
	064470-01-701	EA	SLIDE BAR - VENT LID	JRP1291B
	122882-01-700	EA	HANDLE - CRANK BLACK	90128
	122882-01-701	EA	SCREEN	JRP-1124-B

## POWERED VENT

KEY	PART NUMBER	U/M	DESCRIPTION	VENDOR NO.
	122882-02-01A	EA	VENT - ROOF - W/FAN - POWERED	
	122882-03-01A	EA	VENT - ROOF - W/FAN - CSA	
	009440-01-000	EA	GEAR/ARM - LIFT - ROOF VENT COVER	
	048648-01-000	EA	MOTOR - ROOF VENT - 1/8 SHAFT - 12VOLT	
	048649-01-000	EA	FAN - ROOF VENT - 6 BLADES - 6"	
	064470-01-700	EA	COVER - VENT - W/O SLIDE BAR	J7291
	064470-01-701	EA	SLIDE BAR - VENT LID	JRP1291B
	110051-03-700	EA	SWITCH - BLACK/PUSH BUTTON	27-0164
	122882-01-700	EA	HANDLE - CRANK BLACK	90128
	122882-01-701	EA	SCREEN	JRP-1124-B
	122882-07-01A	EA	GARNISH - ROOF VENT - 2.50" TO 4.12"	

## VENTS, SHROUDS AND ROOF COVERS

KEY	PART NUMBER	U/M	DESCRIPTION	VENDOR NO.
	084073-07-000	EA	VENT - ROOF - REFRIGERATOR - BRIGHT WHITE	
	084073-04-000	EA	BASE - ROOF VENT - REFRIGERATOR	
	084616-07-000	EA	SHROUD - VENT - RANGE HOOD - BRIGHT WHITE	
	084878-09-000	EA	VENT - HOOD - RANGE/SHORT - OFF WHITE	
	092698-02-05A	EA	VENT - W/DOOR	
	092698-02-700	EA	FASTNER - PUSH	VB430
	092698-02-701	EA	CLAMP-CONDUIT	VB334
	083558-03-000	EA	VENT - PLUMBING - PIPE ROOF - W/COVER - OFF WHITE	