

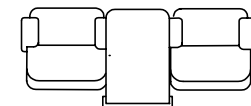
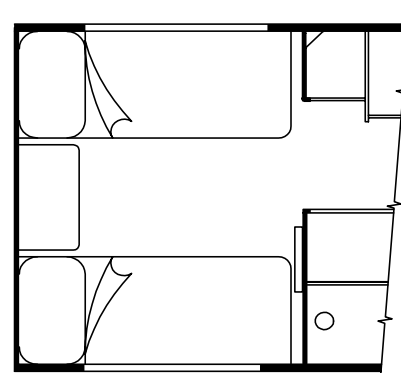
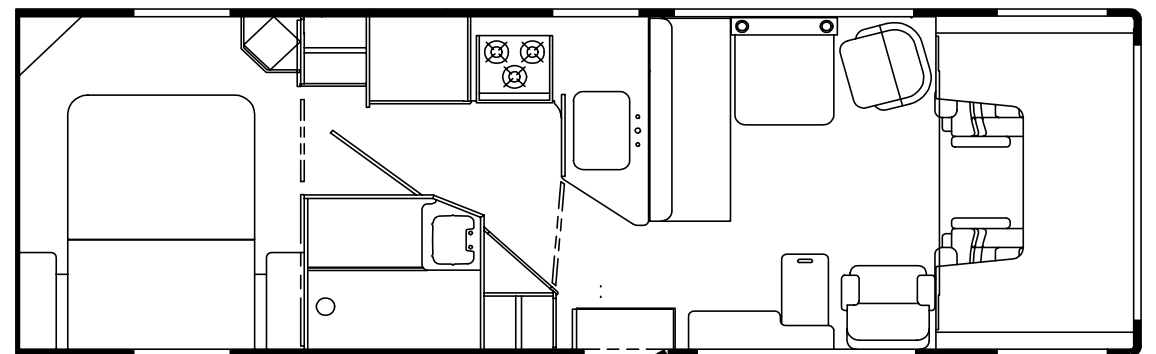
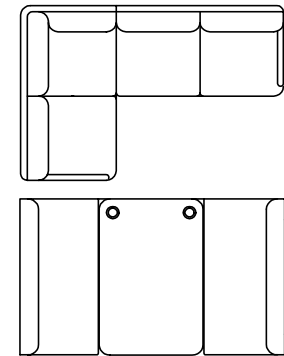
**1997**  
**WF429WU DL**

**H10**

**CHAMELEON (COBALT)**

**H11**

**PASADENA (MOCHA)**



## ACCESSORIES GROUP

### OPERATORS MANUAL

KEY	PART NUMBER	U/M	DESCRIPTION
	054185-F5-000	EA	MANUAL - OPERATOR 97 MINNIE WINNIE
	092318-01-000	EA	BINDER - 3 RING - MOTOR HOME MANUAL
	092319-01-000	EA	PAGE-POCKET - 3 RING BINDER - PLASTIC
	121390-01-000	DW	TOP LEVEL DRAWING - 1997 C-BODY

## AUDIO VIDEO GROUP

### RADIO SYSTEM & ANTENNA

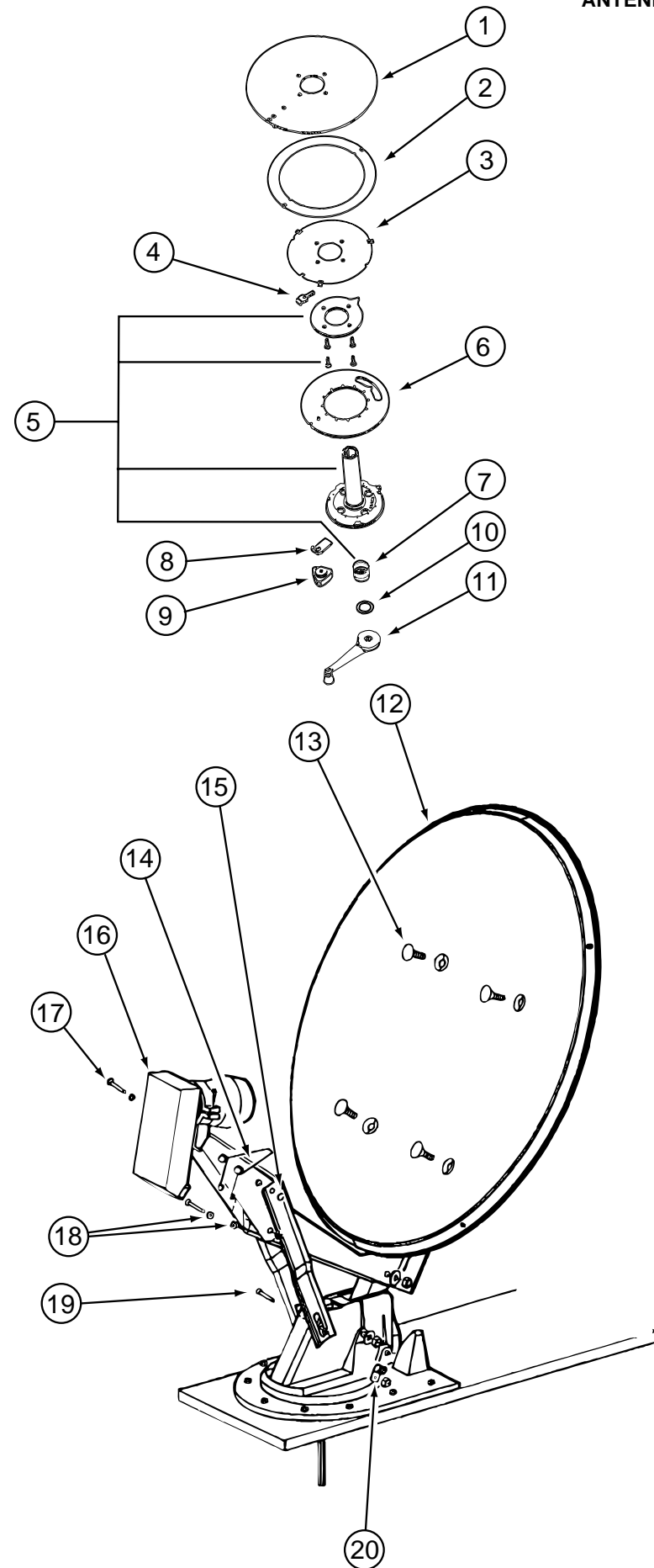
KEY	PART NUMBER	U/M	DESCRIPTION
	N/A	EA	SPEAKER - 5" X 7" OVAL - FORD F2UF-18814-CD
	111177-01-01A	EA	GRILLE - SPEAKER - 6.6" X 8.9" - HOUSING 5" X 7" SPEAKER
	087683-03-000	EA	RADIO - AM/FM STEREO CASSETTE
	090944-01-000	EA	ANTENNA - RADIO - 16" RUBBER
	077069-02-000	EA	CABLE - ANTENNA/EXTENSION - RADIO - 96"
	108137-01-000	EA	PLUG - ANTENNA
	108847-01-000	EA	BRACKET - ANTENNA GROUND
	109889-04-000	EA	EXTENDER - ANTENNA SHAFT - 3"
	110469-01-000	EA	SPEAKER - 4" X 6" OVAL - COAXIAL
	110470-01-01A	EA	GRILLE - 4" X 6" OVAL - BLACK

### TV & VCR SYSTEMS

KEY	PART NUMBER	U/M	DESCRIPTION	VENDOR NO.
	113684-02-000	EA	TV - 19" COLOR W/1/8" JACK - UL/CSA - AUDIOVOX	
	113684-02-700	EA	REMOTE - F/AUDIOVOX AVT-1980	
	119120-02-000	EA	VCR/VHS - CABLE READY W/REMOTE - AUDIOVOX	
			FROM: 00-00-00 THRU: 02-16-97	
	119120-02-700	EA	REMOTE	0994569
			FROM: 00-00-00 THRU: 02-16-97	
	119120-03-000	EA	VCR-VHS - CABLE READY - REMOTE - AUDIOVOX	
	086231-08-000	EA	TV - 13" COLOR - DC - AUDIOVOX	
	086231-08-700	EA	REMOTE - UNIVERSAL	8822325
	094487-03-000	EA	VIDEO CASSETTE PLAYER W/O REMOTE - AUDIOVOX	
	086231-08-700	EA	REMOTE - UNIVERSAL	8822325
	076319-06-000	EA	ADAPTER - CABLE ROOF PLATE	
	082134-01-000	EA	ADAPTER - TV - CABLE TO CABLE	
	082136-01-000	EA	NUT - HEX JAM - 3/8 - 32	
	076319-09-000	EA	WALLPLATE - CABLE RECEPTACLE - TV - SINGLE - BROWN	
	076319-08-000	EA	WALLPLATE - CABLE RECEPTACLE - TV - SINGLE - IVORY	
	086777-02-000	EA	WALLPLATE - TV CABLE - W/ANTENNA SWITCH	
	086777-06-000	EA	WALLPLATE - ANTENNA 1 OUTPUT	
	086756-01-000	EA	SPLITTER - TV - 2 WAY	
	086757-03-000	EA	CONTROL CENTER - SWITCH - VCR/TV	

# AUDIO VIDEO GROUP (CONTINUED)

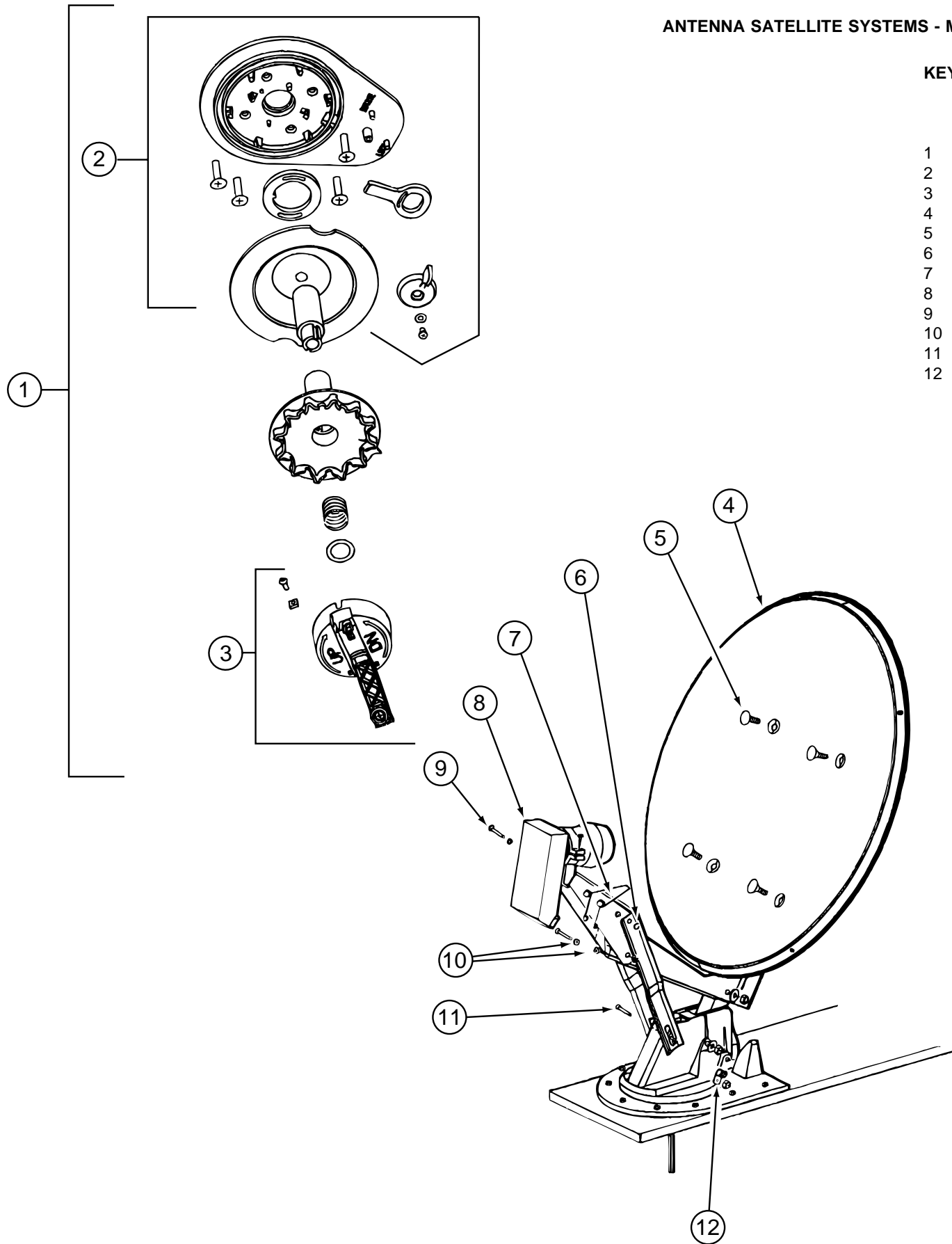
## ANTENNA-SATELLITE & RECEIVER SYSTEMS



KEY	PART NUMBER	U/M	DESCRIPTION	VENDOR NO.
	120233-01-000	EA	ANTENNA-SATELLITE W/O RECEIVER (DISH & HDW KIT)	MANUAL
	120233-02-000	EA	RECEIVER-SATELLITE ONLY	
	120233-02-700	EA	REMOTE	RC-0012
1	120233-01-700	EA	PLATE-FIXED	3750821
2	120233-01-701	EA	DIAL-DIRECTIONAL	2745056
3	120233-01-702	EA	PIVOT-DIAL, DIRECTIONAL	2745058
4	120233-01-703	EA	STOP-ROTATION	3711281
5	120233-01-704	EA	PLATE-CEILING W/DIRECTIONAL HANDLE	RP-6300
6	120233-01-705	EA	PLATE-ROTATE	3750820
7	120233-01-706	EA	SPRING	RP-6822
8	120233-01-707	EA	CLAMP-ROTATE	3711280
9	120233-01-708	EA	KNOB-CLAMP	2200061
10	120233-01-709	EA	WASHER-NYLON	RP-2658
11	120233-01-710	EA	HANDLE-CRANK	RP-6795
12	120233-01-711	EA	REFLECTOR - 46 CM	2745304
13	120233-01-712	EA	BOLT-FLAT HEAD	2160253
14	120233-01-713	EA	SPRING	2160820
15	120233-01-714	EA	CLIP-E	5160818
16	120233-01-715	EA	RCA LNB	278015
17	120233-01-716	EA	PIN	2160814
18	120233-01-717	EA	BEARING-NYLON	2200728
19	120233-01-718	EA	PIN	5160817
20	120233-01-719	EA	CLAMP-CABLE	2200060

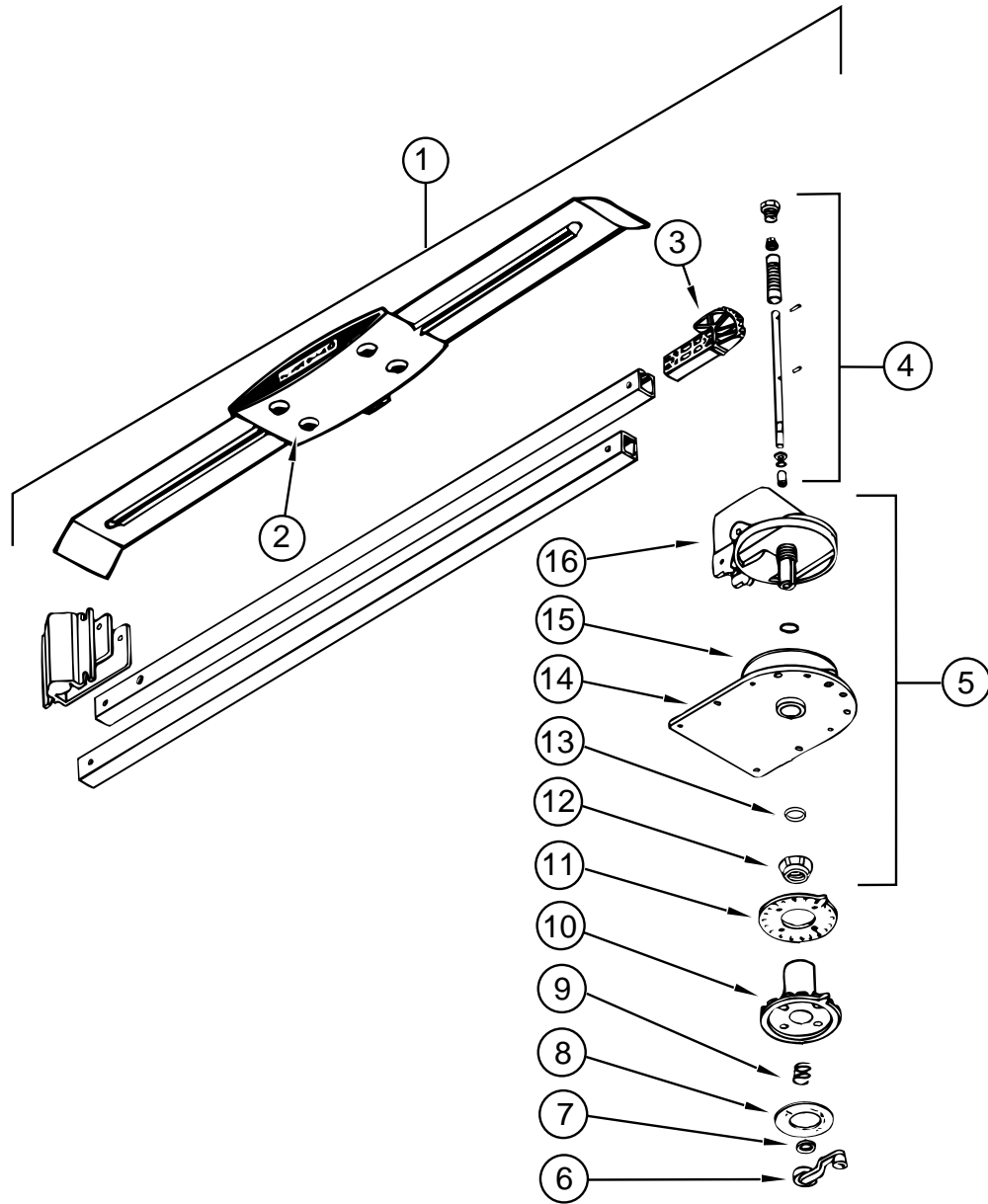
# AUDIO VIDEO GROUP (CONTINUED)

## ANTENNA SATELLITE SYSTEMS - MODEL WINEGARD RC-1000



KEY	PART NUMBER	U/M	DESCRIPTION	VENDOR NO.
	120233-01-000	EA	ANTENNA-SATELLITE W/O RECEIVER (DISH & HDW KIT)	MANUAL
	120233-02-000	EA	RECEIVER-SATELLITE ONLY	
	120233-02-700	EA	REMOTE	RC-0012
1	120233-01-720	EA	CEILING PLATE ASM (RETRO FIT)	RP-4100
2	120233-01-722	EA	PLATE ASSEMBLY (CEILING)	2762826
3	120233-01-721	EA	CRANK HANDLE ASSEMBLY	2762825
4	120233-01-711	EA	REFLECTOR - 46 CM	2745304
5	120233-01-712	EA	BOLT-FLAT HEAD	2160253
6	120233-01-713	EA	SPRING	2160820
7	120233-01-714	EA	CLIP-E	5160818
8	120233-01-715	EA	RCA LNB	278015
9	120233-01-716	EA	PIN	2160814
10	120233-01-717	EA	BEARING-NYLON	2200728
11	120233-01-718	EA	PIN	5160817
12	120233-01-719	EA	CLAMP-CABLE	2200060

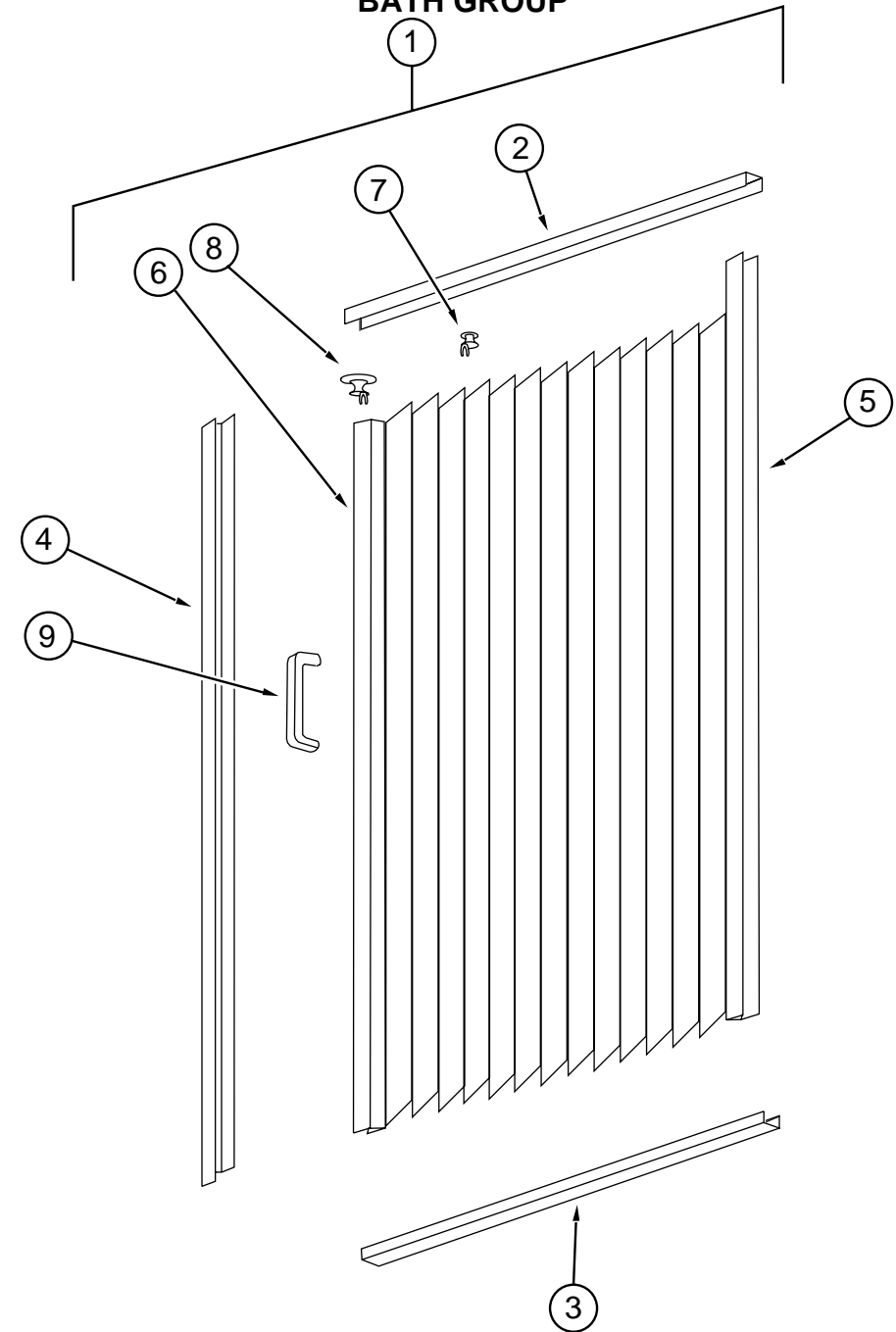
### AUDIO VIDEO GROUP (CONTINUED)



**TV ANTENNA (WINEGARD)**

KEY	PART NUMBER	U/M	DESCRIPTION	VENDOR NO.
1	076319-21-000	EA	ANTENNA - TV ROOF MOUNT 3" ROOF	
2	076319-01-700	EA	HEAD-ANTENNA, AMPLIFIED	RVSA U/V
3	076319-01-701	EA	GEAR-ELEVATING, PLASTIC	2200046
4	076319-01-702	EA	SHAFT ASM-ELEVATING	RVP-400A
5	076319-01-711	EA	BASE & LIFT ASM	2762802
6	076319-01-706	EA	CRANK-ELEVATING W/SET SCREW	2750897
7	076319-01-705	EA	GROMMET-NYLON, 7/8"ID	3200658
8	076319-01-708	EA	DECAL-CRANK	5413002
9	076319-01-707	EA	SPRING-HANDLE	5160822
10	076319-01-709	EA	PLATE-DIRECTIONAL, F/HEAD	3200621
11	076319-01-712	EA	PLATE-CEILING, DIRECTIONAL	3200608
12	076319-01-715	EA	NUT (GEAR HOUSING)	2200047
13	076319-01-704	EA	BEARING-NYLON, 1.25"OD	3200657
14	076319-01-713	EA	PLATE-BASE, STEEL	3100523
15	076319-01-703	EA	BEARING-NYLON, 5" OD	3200656
16	076319-01-714	EA	HOUSING, ROTATING GEAR	2200049

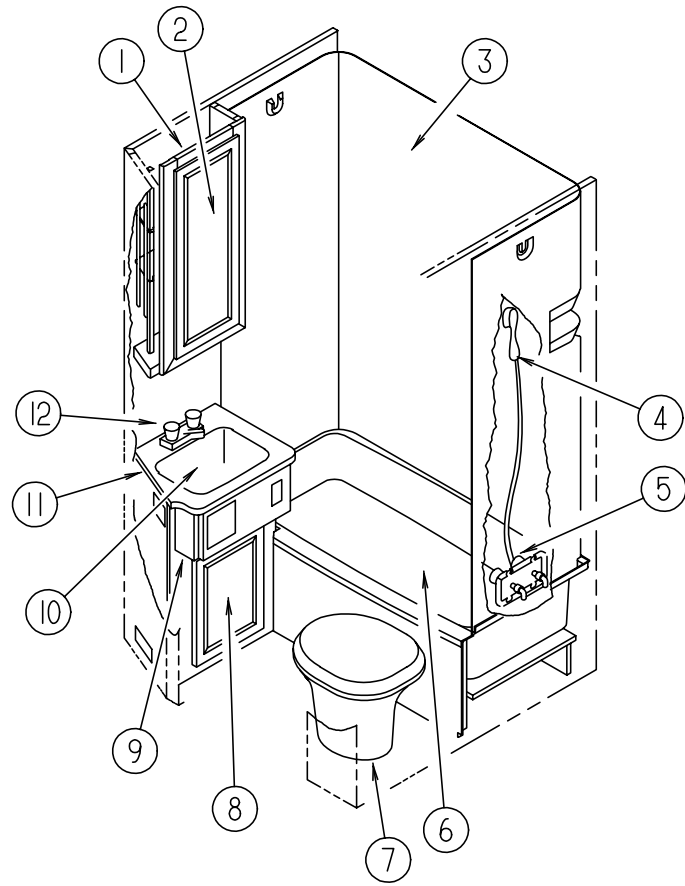
### BATH GROUP



**SHOWER DOOR - COASTAL**

KEY	PART NUMBER	U/M	DESCRIPTION
1	117431-05-01A	EA	DOOR - SHOWER - PLEATED FABRIC
2	117431-01-700	EA	TRACK - TOP, ALUM. IVORY INSERT - 48"
3	117431-01-701	EA	TRACK - BOTTOM, 40 "
4	117431-01-702	EA	RAIL - SIDE, 67"
5	117431-01-703	EA	RAIL - STATIONARY, 67"
6	117431-01-704	EA	RAIL - LEAD, 67"
7	117431-01-705	EA	GLIDE - IVORY, TRAVELER
8	117431-01-706	EA	GLIDE - IVORY LEAD, TRAVELER
	117431-01-707	EA	LATCH
9	117431-01-708	EA	HANDLES & SCREWS
	117431-01-709	EA	STRAP - VINYL SHOWER

**BATH GROUP (CONTINUED)**



**BATHROOM CABINETS & FIXTURES**

KEY	PART NUMBER	U/M DESCRIPTION	VENDOR NO.
1	114744-01-G04	EA CABINET - MEDICINE - W/O DOORS/HARDWARE	
	114744-11-F08	EA SHELF - W/PLASTIC EDGE TRIM	
2	110140-97-H07	EA DOOR - MIRROR/MTRD CRNR/VINYL WRAP - 10.02" X 29.5"- W/O HDW	
3	110541-02-01A	EA SURROUND-SHOWER/TUB W/MOLDED ROD BRACKETS	
	102075-10-01A	EA ROD-CURTAIN - SHOWER	
4	103092-01-000	EA HEAD-SHOWER - W/60" HOSE	
4	103092-02-000	EA SHOWER HEAD-W/HOSE - ONDINE 23213NYLON B	
	103092-01-700	EA BRACKET ONLY-CLEAR - F/SHOWER HEAD	2328028
	011048-03-700	EA BRACKET - F SHOWER HEAD	2328029-3
5	075606-01-000	EA PANEL-FAUCET BACK - SHOWER - 5" X 9" - PLASTIC	
5	075242-04-000	EA FAUCET-TUB/SHOWER - BONE	
6	M02630-26-F01	EA SHOWER PAN ASM	
	066729-01-000	EA STRAINER-TUB/SHOWER - W/PLUG	
7	063740-01-000	EA TOILET-HIGH, HAND FLUSH - THETFORD 150120	
8	110140-36-G01	EA DOOR - MITERED CORNER/VINYL WRAP - 12.7" X 17.7"-W/O HDW	
9	P18429-02-H10	EA CABINET - LAVATORY - W/O DOORS/DRAWERS/HARDWARE	
9	P18429-02-H11	EA CABINET - LAVATORY - W/O DOORS/DRAWERS/HARDWARE	
10	096927-01-01A	EA SINK-LAVATORY - RECTANGULAR - PLASTIC - BONE	
	096927-01-700	EA SINK-STOPPER	
	096927-01-701	EA TAILPIECE-SINK	
11	118429-14-H10	EA COUNTERTOP - LAVATORY (H10)	
11	118429-14-G07	EA COUNTERTOP - LAVATORY (H11)	
12	075240-06-000	EA FAUCET-LAVATORY - BONE	
	091253-01-000	EA GASKET-FAUCET - LAVATORY/GALLEY	
	085278-01-000	EA HOLDER-TOILET PAPER - RECESSED - BRASS	
	075453-02-000	EA BAR - TOWEL - 18" BRASS	

**BATH GROUP (CONTINUED)**

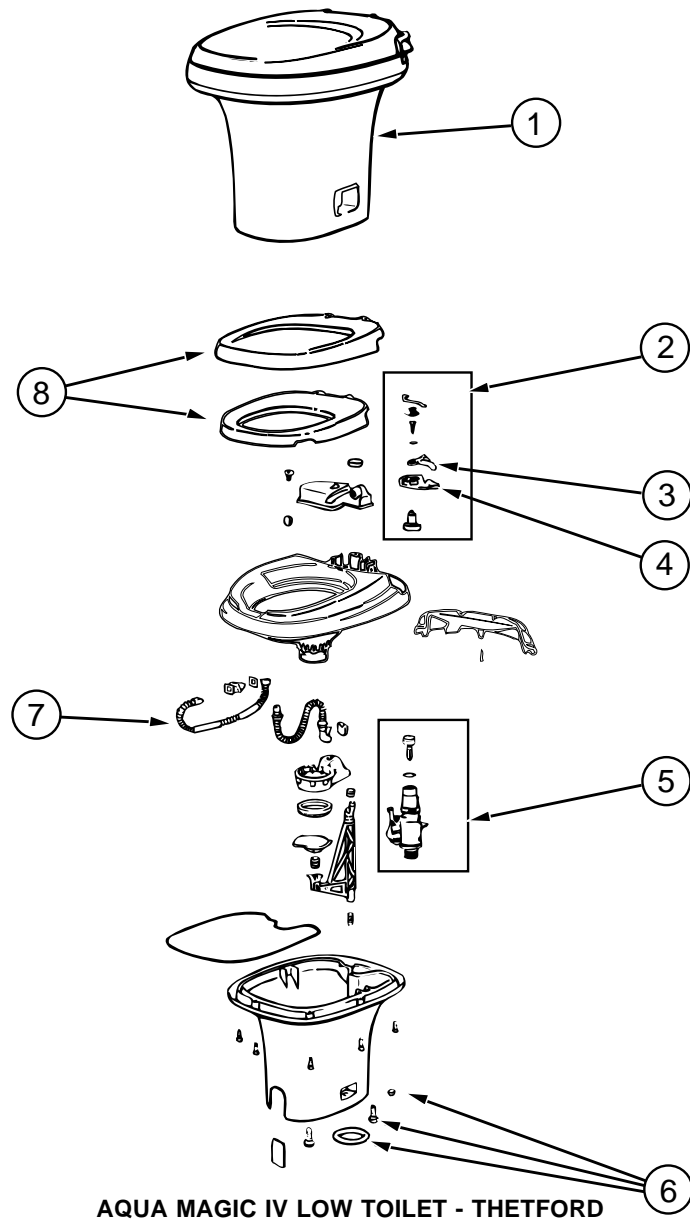
**BATHROOM CABINETS & FIXTURES (CONTINUED)**

KEY	PART NUMBER	U/M DESCRIPTION	
	114496-01-01A	EA PANEL-SKYLITE - OUTER	
	114496-01-02A	EA PANEL-SKYLITE - OUTER	FROM: 00-00-00 THRU: 02-05-97
	122191-01-01A	EA PANEL-SKYLITE - INNER	FROM: 02-06-97 THRU: 99-99-99
	122191-01-02A	EA PANEL-SKYLITE - INNER	FROM: 00-00-00 THRU: 02-05-97
			FROM: 02-06-97 THRU: 99-99-99

**BATH DOOR**

KEY	PART NUMBER	U/M DESCRIPTION
	121449-23-H10	EA DOOR - BATH - W/O HARDWARE
	110496-01-01A	EA HINGE - BRASS
	102920-01-01A	EA HINGE - SPRING LOADED - BRASS
	094485-03-01A	EA KNOB - BRASS
	121449-12-G07	EA RACK - TOWEL - BATH DOOR
	100357-01-000	EA ROD - F/TOWEL BAR - BRASS
	105.394-01-04A	EA MOLDING/JAMB - PLASTIC - CHERRY

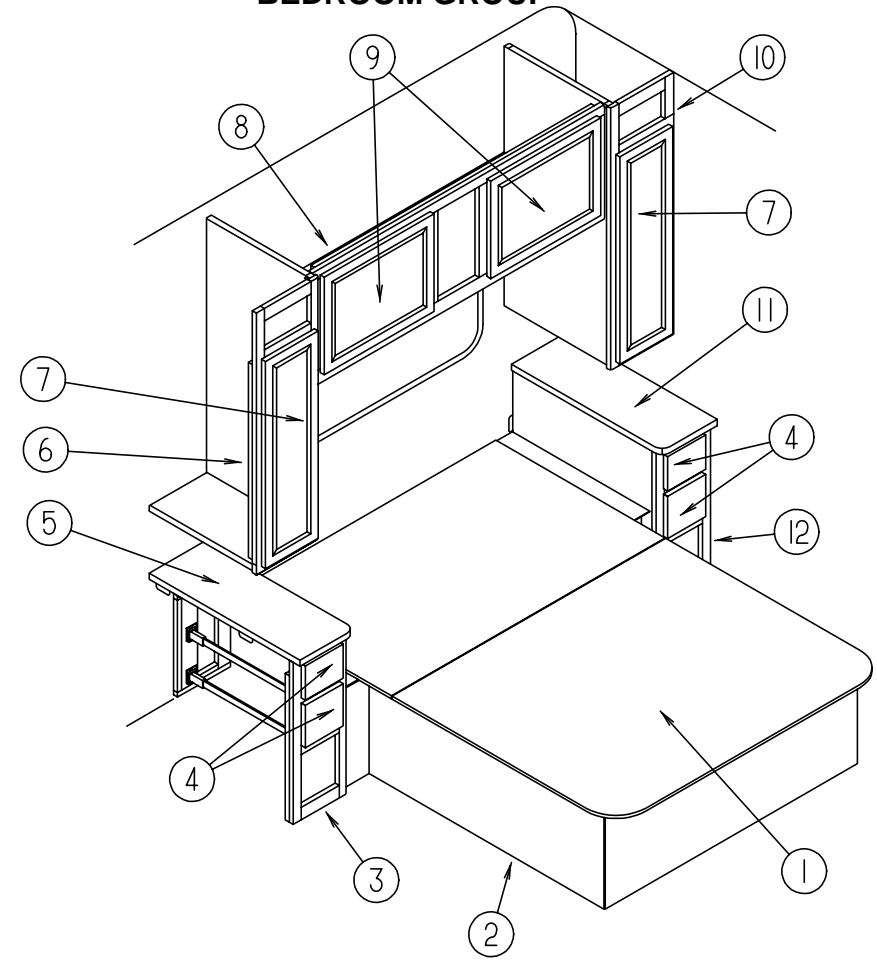
## BATH GROUP (CONTINUED)



**AQUA MAGIC IV LOW TOILET - THETFORD**

KEY	PART NUMBER	U/M DESCRIPTION	VENDOR NO.
1	063740-01-000	EA TOILET - HIGH - HAND FLUSH - THETFORD 150120	
2	063740-01-720	EA LEVER KIT - WAT-FLUSH-BEARING	24629
3	063740-01-700	EA LEVER - WATER	12514
4	063740-01-701	EA LEVER - FLUSH	12515
5	063740-01-714	EA VALVE ASM. - W/GASKET & FLOAT	13168
6	063740-01-706	EA BOLT PACKAGE-FLOOR FLANGE	12524
7	063740-01-717	EA TUBE - FLUSH	12509
8	063740-02-700	EA SEAT & COVER, PARCHMENT	2464157
	063740-01-721	EA BLADE ONLY	124832

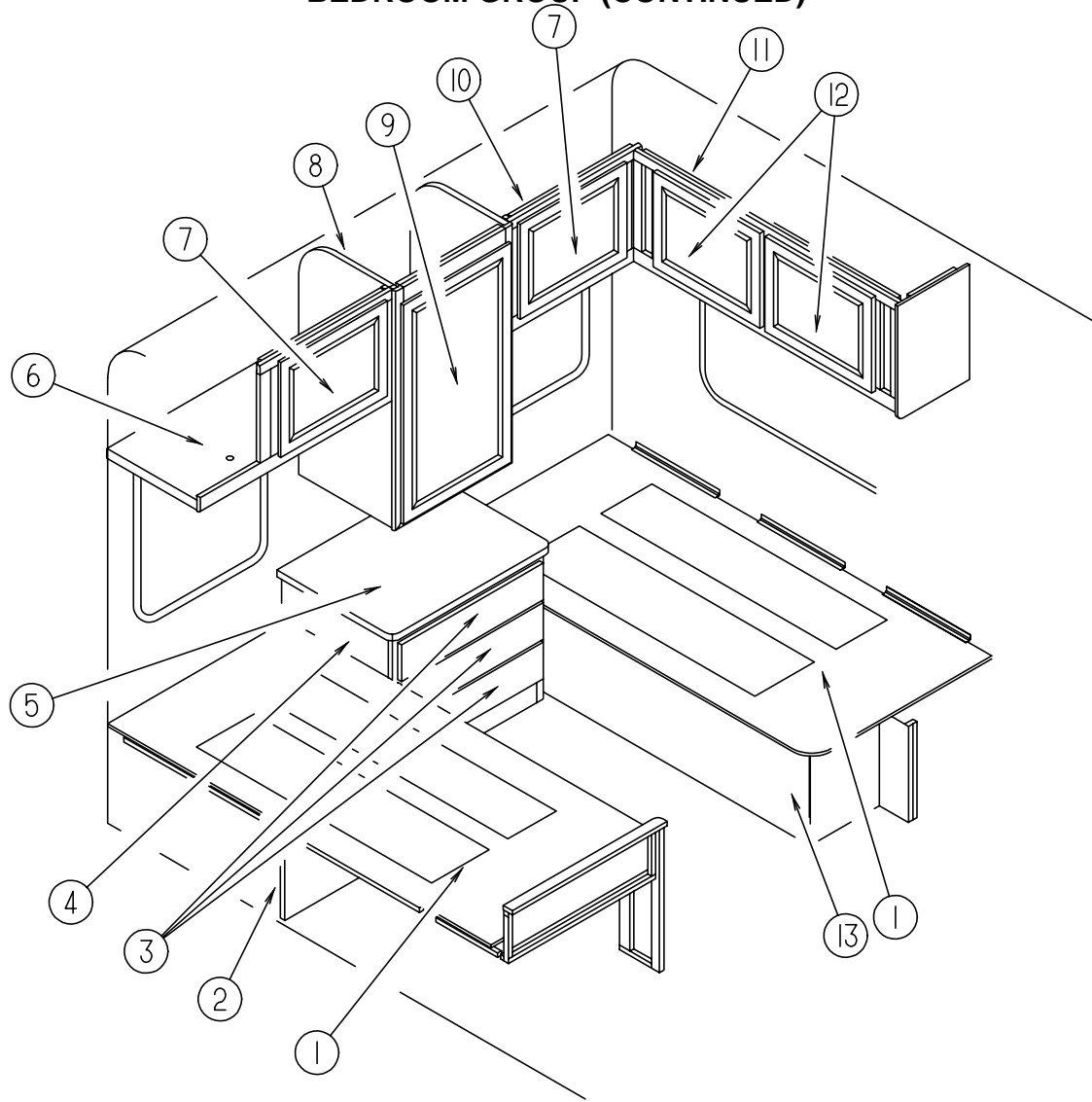
## BEDROOM GROUP



**CENTER QUEEN BEDROOM**

KEY	PART NUMBER	U/M DESCRIPTION
1	M07550-02-000	EA TOP - QUEEN BED - W/O HARDWARE
	091261-01-000	FT BACKING-NON-SKID - 12" X 100' ROLLS
	107796-05-000	EA BRACKET - SUPPORT - GAS SPRING TO BED - FLAT (LOWER)
	107796-06-000	EA GAS SPRING - 12" COMPRESSED/20" EXTENDED - 120 LB.
	107796-07-000	EA BRACKET - SUPPORT - GAS SPRING TO BED - ANGLE(UPPER)
	126263-06-01B	EA BRACKET - GAS SPRING
	126259-01-000	EA STUD - BALL
2	P18430-03-H10	EA CABINET - BASE - QUEEN BED - W/O DOORS/DRAWERS/HARDWARE
3	118440-02-H10	EA CABINET - NIGHTSTAND/Front - W/O DOORS/DRAWERS/HARDWARE
3	118440-02-H11	EA CABINET - NIGHTSTAND/Front - W/O DOORS/DRAWERS/HARDWARE
4	M05970-J6-H07	EA DRAWER - RADIUS EDGE - 6"W X 17.7"D - W/O SLIDES/HDW
5	118440-12-H10	EA COUNTERTOP - NIGHTSTAND (H10)
5	118440-12-G07	EA COUNTERTOP - NIGHTSTAND (H11)
6	P14697-01-F08	EA CABINET - SHIRT CLOSET - LEFT HAND - W/O DOORS/DRAWERS/HDW
	042438-01-000	EA DOWEL - WOOD - CLOTHES ROD - 1" DIAMETER X 4'
	009112-01-000	EA FLANGE - PLASTIC - 1" CLOTHES ROD - OFF WHITE
7	110140-61-G04	EA DOOR - MITERED CORNER/VINYL WRAP - 9.8" X 33.4" - W/O HDW
8	123255-01-H10	EA CABINET - OVERHEAD REAR - W/O DOORS/HARDWARE
9	110140-21-H07	EA DOOR - MIRROR/MTRD CRNR/VINYL WRAP - 15.7" X 27.9"-W/O HDW
9	110140-18-G01	EA DOOR - MITERED CORNER/VINYL WRAP - 15.7" X 27.9" - W/O HDW
10	114608-01-F08	EA CABINET - RIGHT HAND SHIRT CLOSET - W/O DRS/DWRS/HDW
11	118439-12-H10	EA COUNTERTOP - NIGHTSTAND (H10)
11	118439-12-G07	EA COUNTERTOP - NIGHTSTAND (H11)
12	P18439-02-H10	EA CABINET - NIGHTSTAND/REAR - W/O DOORS/DRAWERS/HARDWARE
12	P18439-02-H11	EA CABINET - NIGHTSTAND/REAR - W/O DOORS/DRAWERS/HARDWARE
	119617-02-H10	EA CABINET - CORNER - W/O DOORS/DRAWERS/HARDWARE (H10)
	119617-02-G07	EA CABINET - CORNER - W/O DOORS/DRAWERS/HARDWARE (H11)
	119617-13-G07	EA SHELF - W/EDGE MOLDING
	119617-12-H10	EA COUNTERTOP - CORNER CABINET (H10)
	119617-12-G07	EA COUNTERTOP - CORNER CABINET (H11)
	110140-01-G01	EA DOOR - MITERED CORNER/VINYL WRAP - 10.0" X 25.2" - W/O HDW

**BEDROOM GROUP (CONTINUED)**



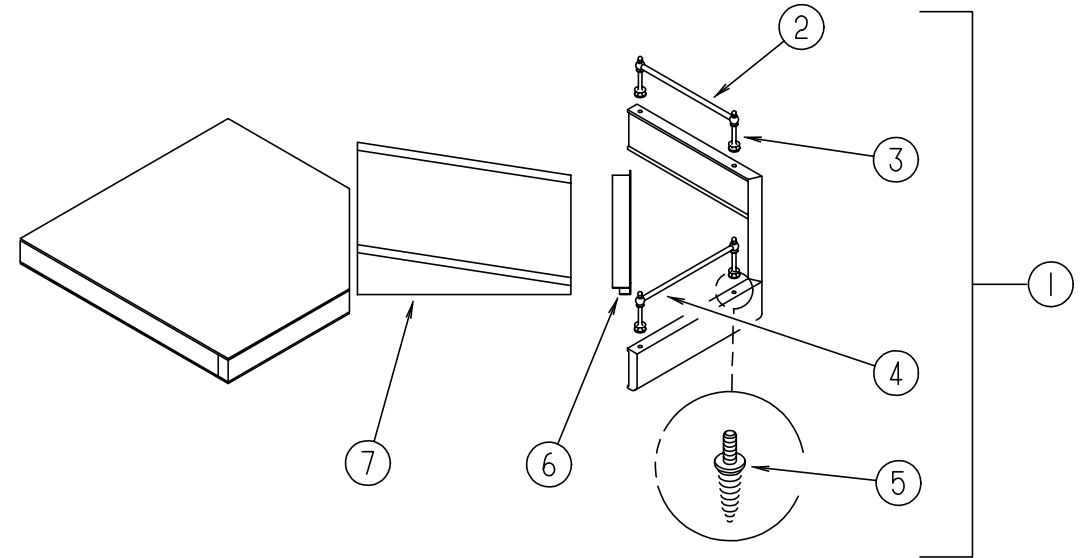
**TWIN BEDROOM**

KEY	PART NUMBER	U/M	DESCRIPTION
1	091261-01-000	EA	BACKING-NON-SKID - 12" X 180'
	107796-05-000	EA	BRACKET - SUPPORT - GAS SPRING TO BED - FLAT (LOWER)
	107796-06-000	EA	GAS SPRING - 12" COMPRESSED/20" EXTENDED - 120 LB.
	107796-07-000	EA	BRACKET - SUPPORT - GAS SPRING TO BED - ANGLE(UPPER)
	105376-01-02A	EA	HINGE-CONTINUOUS - 2" X 140MM - OFF WHITE
2	P18432-01-G07	EA	CABINET - BASE - TWIN BED/RIGHT HAND-W/O DOORS/DRAWERS/HDW
3	M05970-K4-H07	EA	DRAWER - RADIUS EDGE - 14.8"W X 17.7"D - W/O SLIDES/HDW
4	115319-02-H10	EA	CABINET - NIGHTSTAND - REAR - W/O DOORS/DRAWERS/HARDWARE (H10)
4	115319-02-G07	EA	CABINET - NIGHTSTAND - REAR - W/O DOORS/DRAWERS/HARDWARE (H11)
5	115319-12-F28	EA	COUNTERTOP - NIGHTSTAND (H10)
5	115319-12-F09	EA	COUNTERTOP - NIGHTSTAND (H11)
6	110004-03-F08	EA	CABINET - OVERHEAD/REAR - RIGHT HAND TWIN - W/O DRS/HDW
7	110140-29-H07	EA	DOOR - MIRROR/MTRD CRNR/VINYL WRAP - 15.7" X 20.4"-W/O HDW
7	110140-27-G01	EA	DOOR - MITERED CORNER/VINYL WRAP - 15.7" X 20.4" - W/O HDW
8	123051-01-H10	EA	CABINET - SHIRT CLOSET/RIGHT REAR - W/O DOORS/DRAWERS/HDW
	042438-01-000	EA	DOWEL-WOOD - CLOTHES ROD - 1" DIAMETER X 4'
	009112-01-000	EA	FLANGE-1" ROD - CLOTHES - PLASTIC - OFF WHITE
9	110140-47-G04	EA	DOOR - MIRROR/MTRD CRNR/VINYL WRAP - 20.6" X 36.4"-W/O HDW
10	110004-04-F08	EA	CABINET - OVERHEAD REAR LEFT HAND TWIN - W/O DOORS/HDW
11	118427-01-G07	EA	CABINET - OVERHEAD REAR LEFT HAND - W/O DOORS/HARDWARE
	109908-09-G04	EA	END CAP - OVERHEAD CABINET
	118427-02-G07	EA	CABINET - OVERHEAD REAR RIGHT HAND - W/O DOORS/HDW
	109908-08-G04	EA	END CAP - OVERHEAD CABINET

**BEDROOM GROUP (CONTINUED)**

**TWIN BEDROOM**

KEY	PART NUMBER	U/M	DESCRIPTION
12	110140-18-G01	EA	DOOR - MITERED CORNER/VINYL WRAP - 15.7" X 27.9" - W/O HDW
13	P18433-01-G07	EA	CABINET - BASE - TWIN BED/LEFT HAND - W/O DOORS/DWRS/HDW
	084357-01-H10	EA	TV STAND
	084356-07-000	EA	INSERT-TV STAND - METAL - OFF WHITE
	084412-01-000	EA	SUPPORT HINGE KIT (LEFT & RIGHT HINGES)
	084413-01-000	EA	HINGE-CONTINUOUS - ALUMINUM - 1" X 72" - W/HOLES
	084451-01-000	EA	CATCH-TV SHELF - BRASS
	058331-10-000	EA	MIRROR-GLASS - SAFTEY - 14" X 17"



**TV SHELF - BEDROOM**

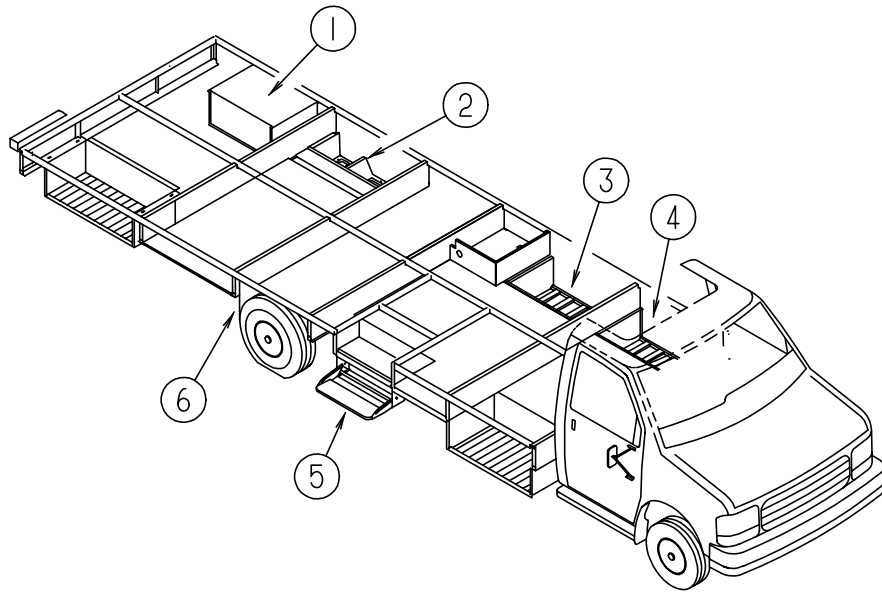
KEY	PART NUMBER	U/M	DESCRIPTION
1	116553-01-G07	EA	CABINET - TV SHELF - W/BRASS RODS/POST ENDS
2	084071-12-000	EA	ROD - BRASS - 4.08" LONG
3	084070-03-000	EA	POST - END - 2.4" - BRASS
4	084071-19-000	EA	ROD - BRASS - 7.09" LONG
5	106166-01-000	EA	BOLT/COLLARED HANGER - 8-32 X 1"
6	103186-01-05A	FT	MOLDING - PLASTIC - SHELF - 3/8" U-CHANNEL W/3/4" FACE
7	116553-15-G07	EA	WEDGE - TV SHELF

**FOLDING DOOR & HARDWARE**

KEY	PART NUMBER	U/M	DESCRIPTION	VENDOR NO.
	042488-10-000	EA	DOOR - FOLDING - OFF WHITE FABRIC - 37" X 75"	
	080224-01-703	EA	HANDLE W/LATCH-CATCH, ALMOND	DE03505
	080224-01-705	EA	LATCH & CATCH ASM., ALMOND	DE25010 & DE25020
	094856-10-01A	EA	TRACK-DOOR - FOLDING - OFF WHITE	
	042488-04-700	EA	LATCH & CATCH ASM. LEAD EDGE	DW-21632
	042488-10-700	EA	LEADRAIL-PREPUNCHED F/HANDLE	DW2100



## CHASSIS GROUP



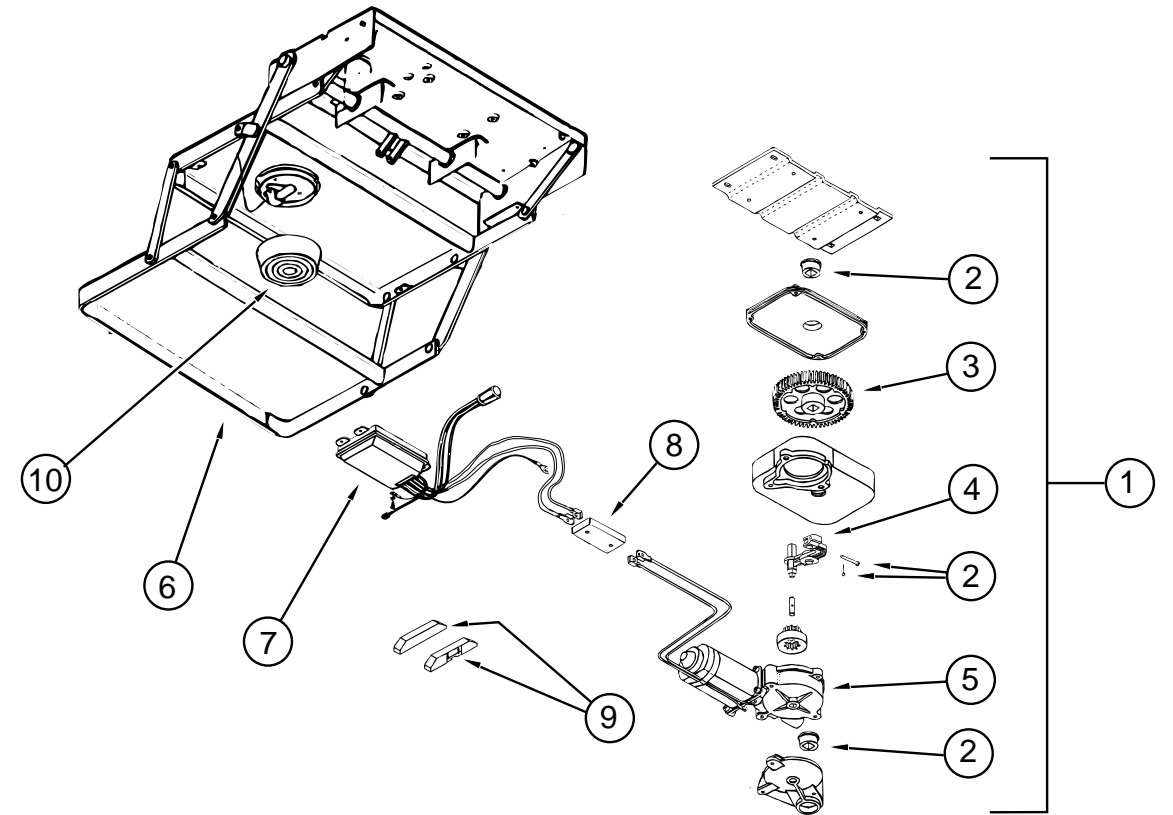
### COMPARTMENTS, PLUGS & SEALS

KEY	PART NUMBER	U/M	DESCRIPTION
1	114070-02-02B	EA	SUPPORT - GENERATOR - LEFT
1	114071-02-02B	EA	SUPPORT - GENERATOR - RIGHT
1	118248-02-02B	EA	BRACKET - GENERATOR - W/NOTCH - E-COATED
1	118248-01-02B	EA	BRACKET - GENERATOR - W/O NOTCH - E-COATED
2	116926-02-01A	EA	COMPARTMENT - SEWER & 110V POWER CORD
2	M06991-02-FQ0	EA	HATCH - W/FOAM INSULATION (110 POWER)
2	M06991-04-FB1	EA	HATCH - W/FOAM INSULATION (WATER OR SEWER)
2	121175-01-01A	EA	LATCH - SWELL - BLACK
3	117928-01-01A	EA	COMPARTMENT - STORAGE
4	117928-06-01A	EA	COMPARTMENT - STORAGE - 23.4" X 42.4"
5	094707-01-01A	EA	STEP - DOUBLE - ELECTRIC - KWIKEE
	091176-01-000	EA	SUPPORT - BASE - ENTRANCE STEP
6	017516-01-000	EA	MUD FLAP - 14" X 18" - BLACK
	084993-02-000	EA	STRAP - BATTERY
	065450-05-000	EA	TIEDOWN - BATTERY - 8.4" TUBE
	112864-01-000	FT	SEAL - FOAM/BUTYL COVERED - 3/8"
	119845-01-01A	EA	PLUG - PLASTIC - BLACK
	121948-01-000	EA	SHIELD - SIGHT
	056746-01-000	EA	PLUG - CAP - 1" DIAMETER
	056748-01-000	EA	PLUG - CAP - 1.5" DIAMETER

FROM: 00-00-00 THRU: 06-01-97

FROM: 00-00-00 THRU: 06-01-97

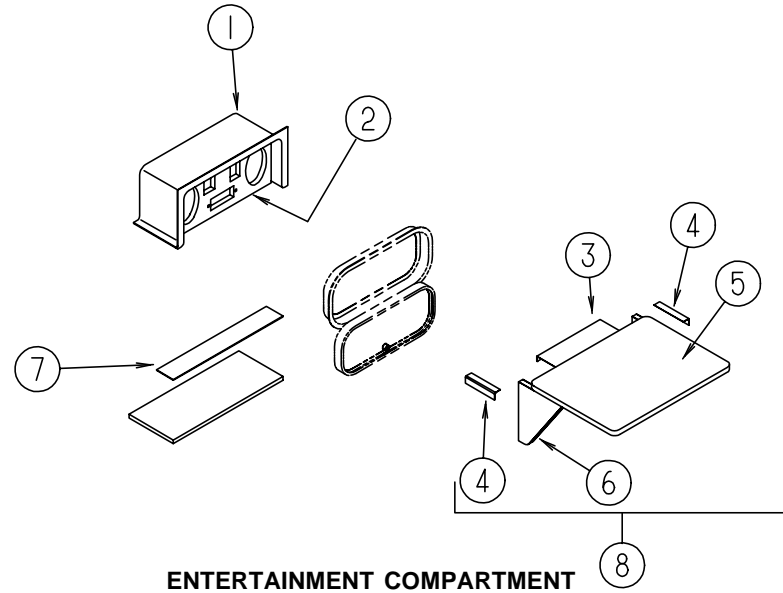
## CHASSIS GROUP (CONTINUED)



### STEP ASSEMBLY (3200 SERIES)

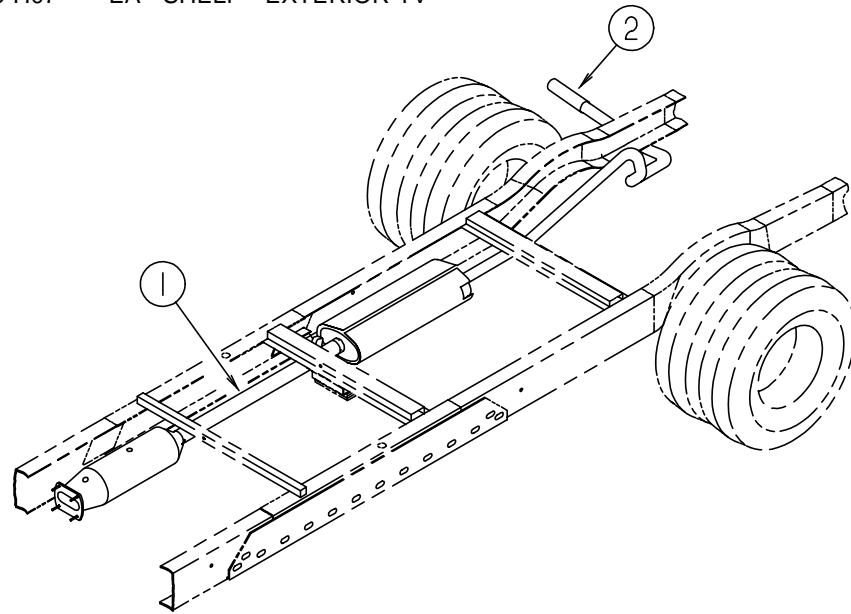
KEY	PART NUMBER	U/M	DESCRIPTION	VENDOR NO.
1	094707-01-01A	EA	STEP-DOUBLE, ELECTRIC - KWIKEE 3218	
2	094707-02-703	EA	BEARING & PINS	909530
3	094707-02-702	EA	GEAR KIT, W/BEARINGS, PIN-CASE	909525
4	094707-02-701	EA	LINKAGE ASM. W/BEARINGS-PINS	909534
5	094707-02-700	EA	MOTOR ASM., W/BEARINGS & PINS	909520
6	094707-01-702	EA	FRAME W/DBL STEP, 3200 SERIES	908032
7	094707-02-705	EA	CONTROL UNIT, WHITE	909513
8	094707-02-704	EA	CONNECTOR-MOTOR ASM. W/PLATES	909537
	094707-02-707	EA	TREAD-NON SKID, BLACK 6"X21"	909333
	094707-02-708	EA	TREAD - NON-SKID - YELLOW	909331
9	116995-01-000	EA	SWITCH/MAGNET-STEP, ELECTRIC, KWIKEE 905306	
10	088746-01-705	EA	LIGHT-UNDER STEP	9004
	088733-01-700	EA	BULB	9004

### CHASSIS GROUP (CONTINUED)



ENTERTAINMENT COMPARTMENT

KEY	PART NUMBER	U/M	DESCRIPTION
1	104897-02-02A	EA	BOX - EXTERIOR ENTERTAINMENT CENTER
2	104899-01-C05	EA	PLATE - RADIO MOUNTING
3	105377-01-01A	EA	BRACKET - TABLE HANGER
			FROM: 00-00-00 THRU: 01-05-97
3	105377-01-04A	EA	BRACKET - TABLE HANGER
			FROM: 01-06-97 THRU: 99-99-99
4	105376-01-02A	EA	HINGE - CONTINUOUS - 2" X 5.5"
			FROM: 00-00-00 THRU: 01-05-97
4	105376-01-03A	EA	HINGE - CONTINUOUS - 2" X 5.5"
			FROM: 01-06-97 THRU: 99-99-99
5	105230-11-E01	EA	SHELF - EXTERIOR ENTERTAINMENT CENTER - W/O HARDWARE
6	105230-13-H07	EA	SUPPORT ASM
7	104898-01-02A	EA	PLATE - PLASTIC BOTTOM
8	105230-03-H07	EA	SHELF - EXTERIOR TV

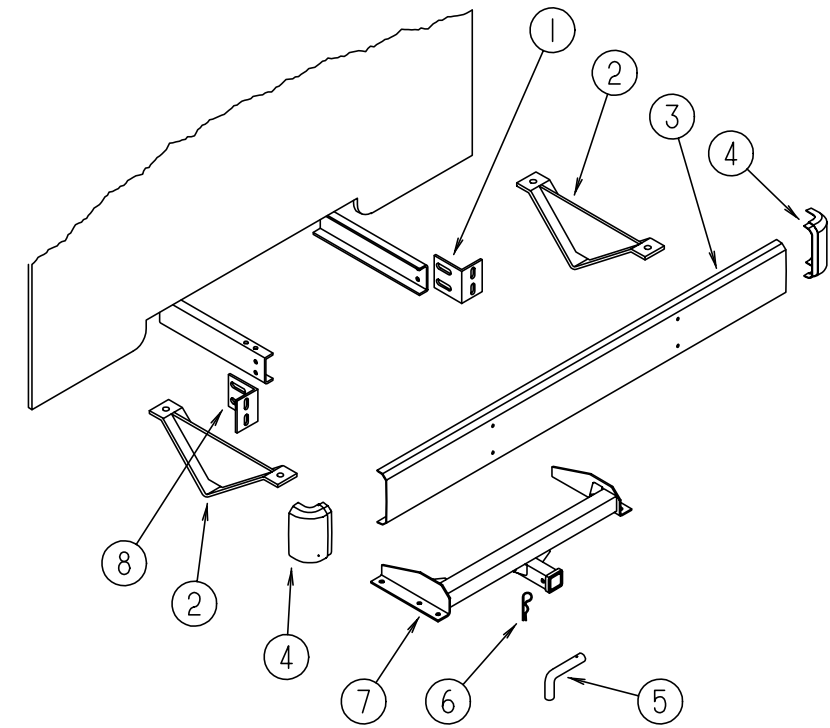


EXHAUST SYSTEM COMPONENTS

KEY	PART NUMBER	U/M	DESCRIPTION
1	111478-02-000	EA	EXHAUST PIPE - DOUBLE WALL STAINLESS STEEL - 33.9" LONG - GAS
	094918-06-000	EA	CLAMP - EXHAUST - 3" - HEAVY DUTY - GAS
1	098762-13-000	EA	PIPE - EXHAUST - STRAIGHT - 3.5" - DIESEL
	094918-02-000	EA	CLAMP - EXHAUST - 3.5" - DIESEL
2	098672-18-000	EA	PIPE - EXHAUST - STRAIGHT

FROM: 10-14-96 THRU: 99-99-99

### CHASSIS GROUP (CONTINUED)



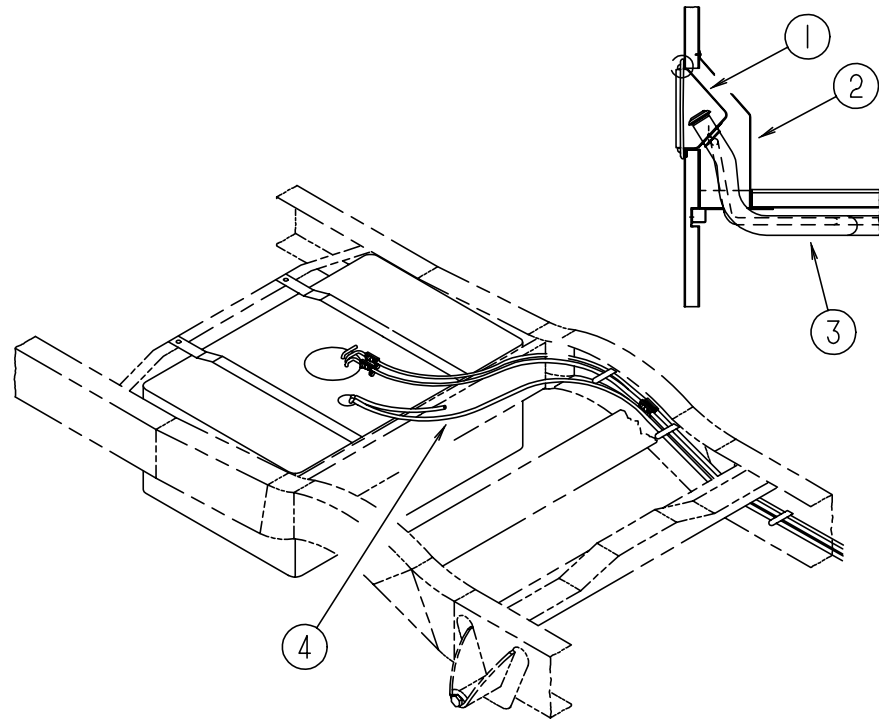
REAR BUMPER & HITCH

KEY	PART NUMBER	U/M	DESCRIPTION
1	104420-01-000	EA	SUPPORT/ANGLE - REAR BUMPER
2	083376-01-000	EA	PLATE/SKID - 13.2" X 6" X 2" STEEL
3	103099-05-02A	EA	BUMPER - REAR - BRIGHT WHITE
	105933-01-000	EA	BRACKET - BUMPER - REAR/RIGHT HAND
	105933-02-000	EA	BRACKET - BUMPER - REAR/LEFT HAND
4	106147-01-02A	EA	CAP-END - BUMPER - BLACK
5	034512-01-000	EA	PIN - LOCKING - DRAWBAR
6	034513-01-000	EA	PIN - HITCH - 3/16" WIRE
7	107707-08-000	EA	HITCH RECEIVER - BOLT-ON CLASS II
8	104420-02-000	EA	SUPPORT/ANGLE - REAR BUMPER
	097744-02-000	EA	HOUSING - TRAILER PIN - 48"
	097745-02-000	EA	HOUSING - RECEPTACLE - TRAILER - 48' WIRE LENGTH
	113634-01-000	EA	WIRE ASSEMBLY - TRAILER ADAPTER
	113589-02-000	EA	CONNECTOR - SOCKET - TRAILER
	113589-01-000	EA	CONNECTOR - PLUG - TRAILER
	113588-02-01B	EA	BRACKET - CONNECTOR - TRAILER W/O LIP
	070579-09-000	EA	PLATE - ANCHOR

DRIVESHAFT & BRAKE LINE FLARE UNION

KEY	PART NUMBER	U/M	DESCRIPTION
	103653-10-000	EA	DRIVESHAFT - BALANCED PAIR - 190" WB - DIESEL ENGINE
	103653-16-000	EA	DRIVESHAFT - BALANCED PAIR - 190" WB - GAS ENGINE
	115043-02-000	EA	BUSHING - STEP-UP - 2.5 OD - 3.5 OD - EXHAUST - DIESEL
	074833-01-000	EA	SPACER - BEARING - DRIVESHAFT - 2" X 8" X .5" THICK
	085771-03-000	EA	NUT - HEX - FLARE TORQUE - GRADE G - DRIVESHAFT
	088498-01-000	EA	UNION - INVERTED FLARE - BRASS - 3/16 BRAKE LINE

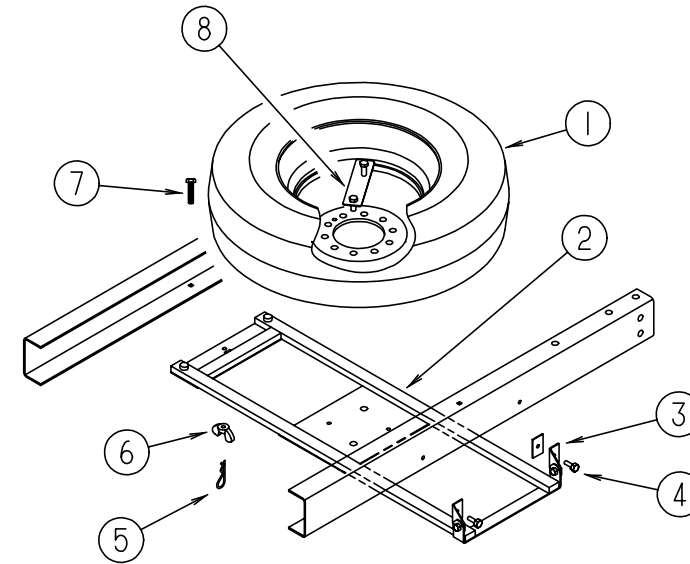
## CHASSIS GROUP (CONTINUED)



**FUEL SYSTEM COMPONENTS**

KEY	PART NUMBER	U/M	DESCRIPTION
1	095854-01-04A	EA	SHROUD - FUEL FILL - BRIGHT WHITE
2	078040-06-000	EA	SHROUD - FUEL FILL - UPPER
3	117934-01-000	EA	NECK - FILLER - FUEL FILL
			FROM: 00-00-00 THRU: 10-13-96
3	124994-01-000	EA	NECK - FILLER - FUEL FILL
			FROM: 10-14-96 THRU: 99-99-99
3	117934-02-000	EA	NECK - FILLER - FUEL FILL - DIESEL
	078200-01-000	EA	GASKET - FUEL FILL - 3.5" OD X 2" ID
4	125187-01-000	FT	HOSE - FUEL - LOW PERM - 11.1 ID
			FROM: 10-15-96 THRU: 99-99-99
4	125187-02-000	FT	HOSE - FUEL - LOW PERM - 12.7 ID
			FROM: 10-15-96 THRU: 99-99-99
	007063-01-000	FT	HOSE - FUEL - 1/4"ID X 1/2"OD
	044317-01-000	FT	HOSE - FUEL - 3/8" ID
	084884-01-000	EA	PLUG - BRASS - 3/8"

## CHASSIS GROUP (CONTINUED)



**SPARE TIRE**

KEY	PART NUMBER	U/M	DESCRIPTION
1	070917-06-000	EA	TIRE - LT225/75R16E - R4S - M/S
1	083617-03-000	EA	WHEEL - STEEL - 16.0 X 6
2	116348-01-02B	EA	CRADLE - SPARE TIRE - E-COATED
3	116349-01-02B	EA	BRACKET/HINGE - SPARE TIRE - E-COATED
4	000C26-06-12B	EA	BOLT-HEX-SER FLANGE - 3/8-16 X 3/4 - ZINC
4	000E13-17-00B	EA	WASHER-FLANGE - 3/8" AR ZINC
4	000D34-06-00B	EA	NUT-HEX, LK - 3/8 - 16 GRADE C ZN - PREVAILING TORQUE
5	034513-01-000	EA	PIN-HITCH - 3/16" WIRE
6	064081-03-000	EA	NUT-WING
7	000C18-06-56A	EA	BOLT - ELEVATOR - 3/8-16 X 3 1/2 - GRADE 5
8	116338-02-02B	EA	BRACKET/CLAMP - SPARE TIRE - E-COATED
8	000D29-09-00B	EA	NUT-HEX SELFLOCK 9/16-12 ZN
	112358-01-000	EA	WRENCH - LUG - 7/8" - L-SHAPE
	115580-01-000	EA	STRAP - SPARE TIRE

**WHEEL LINERS**

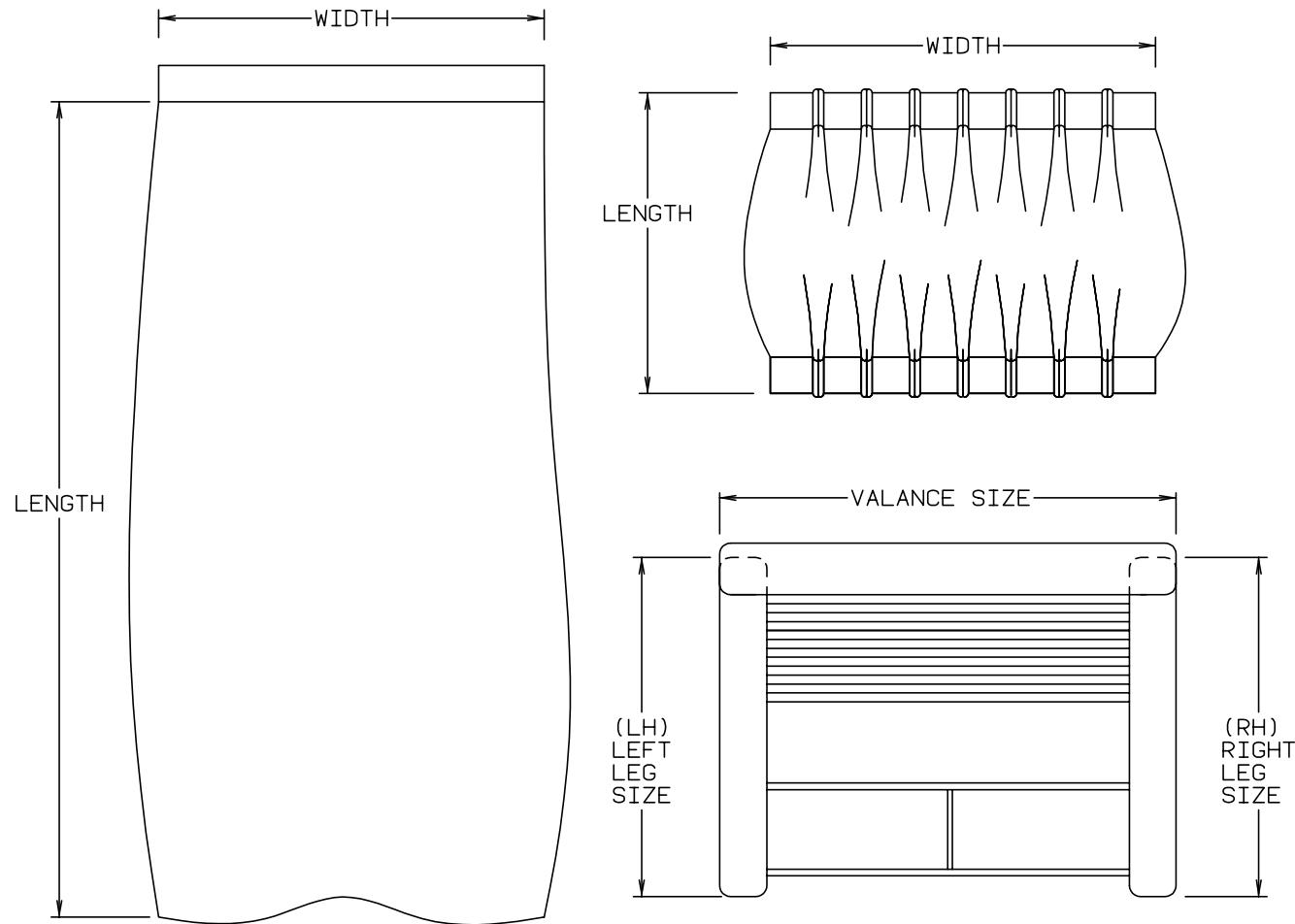
KEY	PART NUMBER	U/M	DESCRIPTION	VENDOR NO.
	110435-02-000	EA	LINER/WHEEL - SET OF 4	
	110435-01-711	EA	DECAL - CENTER CAP, 2"	
	110435-02-700	EA	LINER - WHEEL - FRONT	V160F2-FWC
	110435-02-701	EA	LINER - WHEEL - REAR	V160F2-RWC
	110435-02-702	EA	STUD EXTENDER	V160SD-STX
	110435-02-703	EA	NUT (JAMB)	V160SD-JNT
	110435-02-704	EA	COVER - LUG NUT	V160F0-LNC
	110435-02-705	EA	TOOL F/ JAMB NUT - INSTALL.	V160FO-TOL
	095012-05-000	EA	EXTENSION - VALVE STEM - LIVE 5"	
	095012-06-000	EA	STABILIZER - VALVE - EXTENSION - L	

## CURTAIN & CUSHION GROUP

### NOTICE

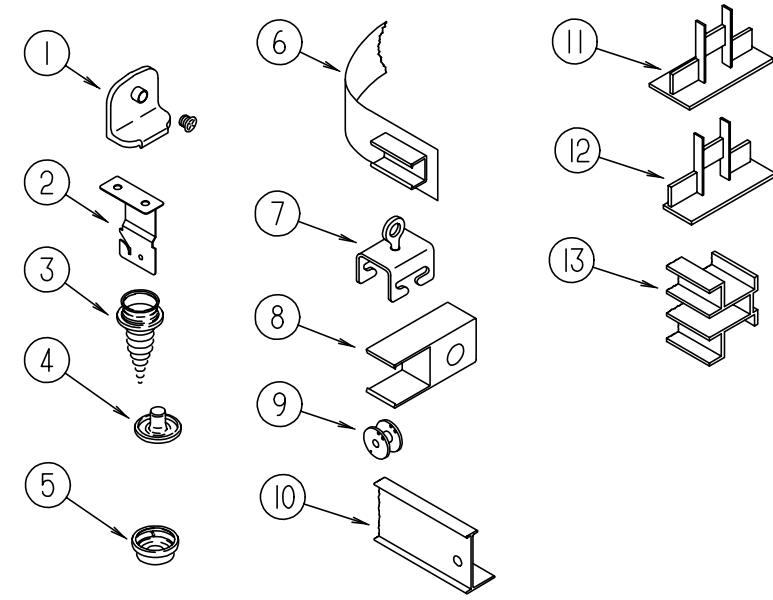
IN ORDER TO ASSIST OUR PARTS SALES DEPT. IN PROVIDING INTERIOR SOFTWARE ITEMS, PLEASE INCLUDE THE SERIAL NUMBER AND THE COLOR CODE NUMBER FROM THE VEHICLE CERTIFICATION LABEL WHEN ORDERING. THIS LABEL IS LOCATED ON THE LEFT SIDEWALL AT THE END OF THE DASH (A-BODY), OR ON THE DRIVER'S DOOR LATCH PLATE (C-BODY).

AN EXAMPLE OF A COLOR CODE NUMBER IS B07, WHICH DESIGNATES AN OVERALL COLOR SCHEME OF A PARTICULAR UNIT. THE COLOR LISTED AFTER THE ITEM DESCRIPTION ON THE MICROFICHE, INDICATES THE OVERALL UNIT COLOR. ORDER THE ITEM YOU DESIRE ACCORDING TO UNIT COLOR CODE.



NOTE: USE THIS ILLUSTRATION WHEN DETERMINING LENGTH AND WIDTH MEASUREMENTS FOR CURTAINS. YOU WILL NOTE THE WIDTH MEASUREMENT IS TAKEN ON THE TOP OF THE CURTAIN WITH THE CURTAIN FULLY EXTENDED. THE LENGTH MEASUREMENT IS TAKEN FROM TOP TO BOTTOM. LEFT AND RIGHT WINDOW LEGS ARE DETERMINED WHEN FACING THE WINDOW.

## CURTAIN & CUSHION GROUP (CONTINUED)

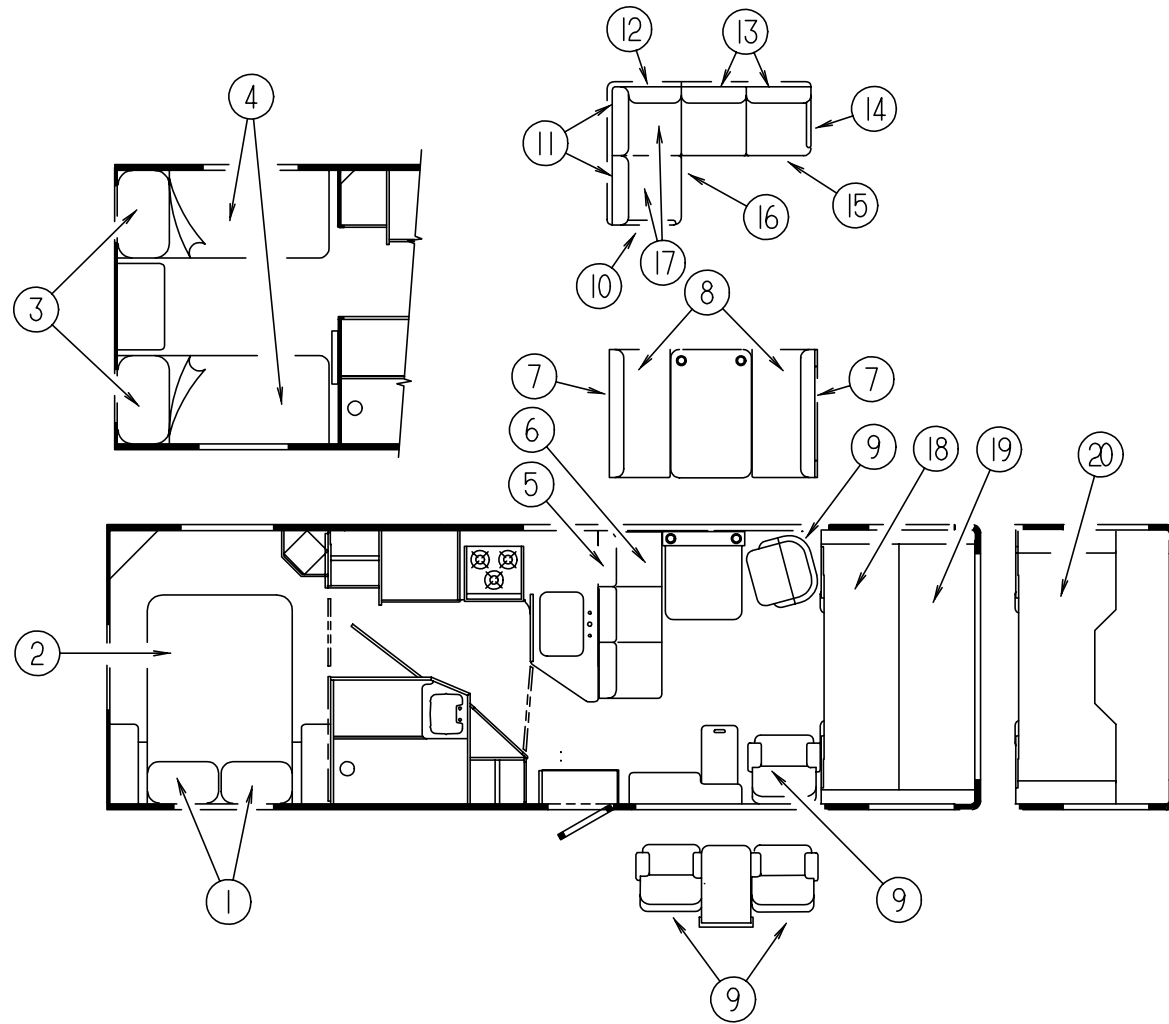


### CURTAIN & BLIND HARDWARE

KEY	PART NUMBER	U/M	DESCRIPTION
1	106544-01-000	EA	PULL - SHADE/BRASS
	106544-01-001	EA	SCREW - SHADE/BRASS
2	084434-01-000	EA	BRACKET-MOUNTING, ROLLER SHADE - 1 3/8"
3	029130-01-000	EA	SCREW-SNAP SOCKET - 8 PH X 5/8"
4	029155-01-000	EA	CAP-SNAP - NICKEL
5	029156-01-000	EA	SOCKET-SNAP FASTENER - NICKEL
6	101031-01-000	YD	TAPE-GLIDE/CURTAIN - 4.25" SPACING
7	009702-01-000	EA	END STOP-CURTAIN CARRIER - L ROD
8	101033-02-000	EA	END CAP-TRACK - CLEAR
9	097592-01-000	EA	SPOOL - CORD - ELEVATED BLIND HOLDUP - CLEAR PLASTIC
10	009700-04-002	EA	TRACK-L-SHAPED 195.2" - OFF WHITE
11	094907-02-000	EA	END CAP - TOP/PLEATED BLIND - PLASTIC - GRAY
12	094907-04-000	EA	HARDWARE - END CAP BOTTOM - PULL TYPE (RH & LH)
	094907-04-701	EA	END CAP-LH BOTTOM BLIND
	094907-04-700	EA	END CAP-RH BOTTOM BLIND
13	101033-04-000	EA	TRACK - WALL - 3'
13	101033-06-000	EA	TRACK - WALL - 6.5'
13	101033-07-000	EA	TRACK - WALL - 2.5'
	094896-02-000	EA	GROMMET - CORD/PLEATED BLIND - NYLON - GRAY
	097564-01-000	EA	HANDLE-T - EZ LIFT SHADE
	097565-01-000	EA	BRACKET - MOUNTING/PLEATED BLIND
	097591-01-000	EA	SPRING - EXTENSION/PLEATED BLIND
	046867-03-000	EA	GROMMET - HANDY BUTTON #3
	048394-02-000	YD	VELCRO TAPE - HOOK - ADHESIVE BACK - .75" WIDE - BEIGE
	075943-10-000	EA	BRACE - VALANCE - 20"
	076827-02-000	EA	BRACKET-LEG, 2.9" X 1.8" TRIANGLE -
	088792-01-000	YD	VELCRO-HOOK - .75" WIDE - BEIGE
	088792-02-000	YD	VELCRO TAPE-LOOP - ADHESIVE BACKED - .75" WIDE - BEIGE
	096843-01-000	EA	SPRING-REWIND - ROLLER SHADE
	086276-01-000	EA	TAPE-DOUBLE SIDED - 1/2" (ON PULL SHADES)
	097593-06-000	FT	CORD - BLIND - PLEATED - PEWTER (H10)
	097593-02-000	FT	CORD - BLIND - PLEATED - DAWN GRAY (H11)
	094907-02-000	EA	END CAP - TOP/PLEATED BLIND - PLASTIC - GRAY
	102555-03-000	EA	CLEAT - BLIND CORD - MILKY WHITE PLASTIC

## CURTAIN & CUSHION GROUP (CONTINUED)

### FORWARD FACING COUCH



KEY	PART NUMBER	U/M DESCRIPTION
5	114969-01-H10	EA BACK - SOFA/BED
5	115469-01-H11	EA BACK - SOFA/BED - FORWARD FACING
	114969-02-H10	EA BACK - SOFA/BED - RIGHT & LEFT CUSHIONS
	115469-02-H11	EA BACK - SOFA/BED - FORWARD FACING - W/O ARMS
	P14969-02-H10	EA COVER - BACK - RIGHT/LEFT CUSHIONS - SOFA/BED
	P15469-02-H11	EA COVER - END - BACK
	114969-03-H10	EA BACK - SOFA/BED - CENTER CUSHION
	115469-03-H11	EA BACK - SOFA/BED - FORWARD FACING CENTER - W/O ARMS
	P14969-03-H10	EA COVER - BACK - RIGHT/LEFT CUSHIONS - SOFA/BED
	P15469-03-H11	EA COVER - SOFA/BED FORWARD FACING CENTER/END
6	114969-04-H10	EA SEAT-COUCH/BED-FORWARD FACING-JACK KNIFE
6	114969-04-H11	EA SEAT-COUCH/BED-FORWARD FACING-JACK KNIFE
	P14969-04-H10	EA COVER - SEAT - SOFA/BED
	P14969-04-H11	EA COVER - SEAT - SOFA/BED
	104166-04-H10	EA PILLOW - 14" X 14"
	104166-04-H11	EA PILLOW - 14" X 14"
	114763-01-000	EA FRAME - FORWARD FACING BASE - SOFA/BED
	114763-02-000	EA FRAME - FORWARD FACING BASE - SOFA/BED
	114763-07-000	EA FRAME - FORWARD FACING LEGS - SOFA/BED
	117125-01-02B	EA BRACKET-CABLE HOLDER - E-COAT
	114726-01-G07	EA TRAY ASM - BEVERAGE

**NOTE: COUCH FRONT AND SIDE PANELS ARE FOUND IN THE LOUNGE GROUP.**

### DINETTE CUSHIONS

KEY	PART NUMBER	U/M DESCRIPTION
7	111897-05-H10	EA CUSHION - BACK - 13.5" X 42" X 5"
7	111897-05-H11	EA CUSHION - BACK - 13.5" X 42" X 5"
	P11897-05-H10	EA COVER - BACK - 13.5" X 42" X 5"
	P11897-05-H11	EA COVER - BACK - 13.5" X 42" X 5"
8	105603-15-H10	EA CUSHION - SEAT - 23" X 42" X 5"
8	105603-15-H11	EA CUSHION - SEAT - 23" X 42" X 5"
	P05603-15-H10	EA COVER - SEAT - 23" X 42" X 5"
	P05603-15-H11	EA COVER - SEAT - 23" X 42" X 5"
	078155-01-000	EA STRAP-SNAP - BACKREST CUSHION

### SWIVEL CHAIR

KEY	PART NUMBER	U/M DESCRIPTION
9	115470-01-H10	EA CHAIR - SWIVEL
9	115470-01-H11	EA CHAIR - SWIVEL
	P15470-01-H10	EA COVER - CHAIR
	P15470-01-H11	EA COVER - CHAIR

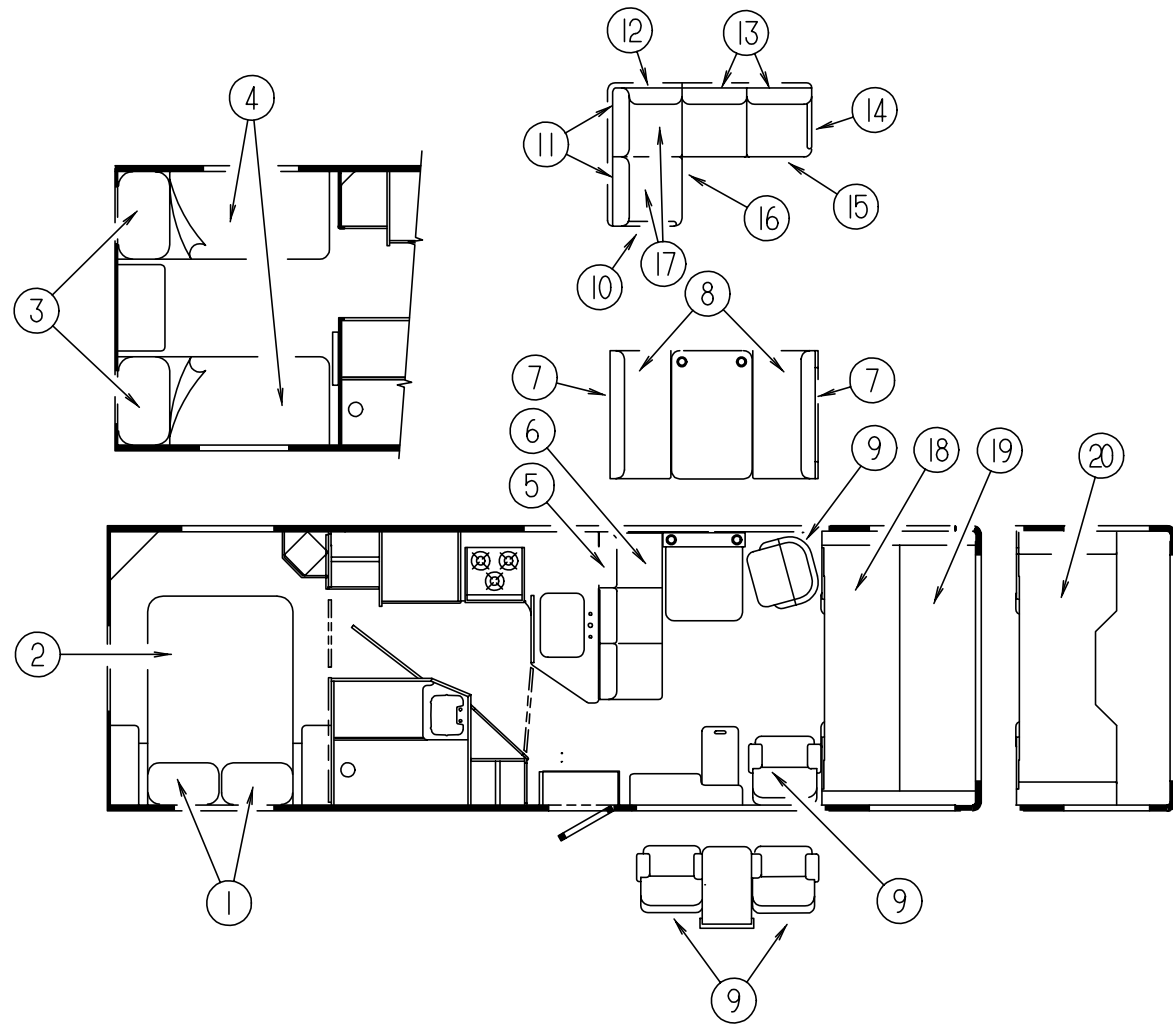
### QUEEN BED BEDSPREAD, PILLOW & MATTRESS

KEY	PART NUMBER	U/M DESCRIPTION
1	119555-01-H10	EA PILLOW SHAM
1	119555-01-H11	EA PILLOW SHAM
2	123015-06-000	EA MATTRESS - INNERSPRING - 60" X 74.5"
2	123471-01-H10	EA BEDSPREAD - THROW - 60" X 75"
2	123471-01-H11	EA BEDSPREAD - THROW - 60" X 75"
	111862-07-H10	EA PILLOW - 15" X 15"
	111862-07-H11	EA PILLOW - 15" X 15"

### TWIN BED BEDSPREAD, PILLOW & MATTRESS

KEY	PART NUMBER	U/M DESCRIPTION
3	119555-03-H10	EA PILLOW SHAM - 22" X 37"
3	119555-03-H11	EA PILLOW SHAM - 22" X 27"
4	101123-30-000	EA MATTRESS - COMPLETE FOAM - 36" X 80" - 1 CORNER CUT
4	P01123-30-000	EA COVER - MATTRESS - 36" X 80" - W/1 CUT CORNER
4	123471-15-H10	EA BEDSPREAD/THROW - 36" X 80"
4	123471-15-H11	EA BEDSPREAD/THROW - 36" X 80"
	111862-07-H10	EA PILLOW - 15" X 15"
	111862-07-H11	EA PILLOW - 15" X 15"

**CURTAIN & CUSHION GROUP (CONTINUED)**



**SECTIONAL COUCH**

KEY	PART NUMBER	U/M	DESCRIPTION
10	125471-01-H10	EA	ARMREST - RIGHT HAND
10	125471-01-H11	EA	ARMREST - RIGHT HAND
11	104655-03-H10	EA	CUSHION - BACK - SOFA/BED
11	104655-03-H11	EA	CUSHION - BACK - SOFA/BED
	P04655-03-H10	EA	COVER - BACK CUSHION
	P04655-03-H11	EA	COVER - BACK CUSHION
12	104655-04-H10	EA	CUSHION - CORNER - SOFA/BED
12	104655-04-H11	EA	CUSHION - CORNER - SOFA/BED
	P04655-04-H10	EA	COVER - CORNER CUSHION
	P04655-04-H11	EA	COVER - CORNER CUSHION
13	125060-01-H10	EA	BED COMPLETE - SOFA/BED
13	125060-01-H11	EA	BED COMPLETE - SOFA/BED
	P25060-01-H10	EA	COVER - SOFA/BED
	P25060-01-H11	EA	COVER - SOFA/BED
14	125471-02-H10	EA	ARMREST - LEFT HAND
14	125471-02-H11	EA	ARMREST - LEFT HAND
15	120992-06-H10	EA	COUCH - FRONT - FABRIC COVERED
15	120992-06-H11	EA	COUCH - FRONT - FABRIC COVERED
16	120992-05-H10	EA	COUCH FRONT - STATIONARY
16	120992-05-H11	EA	COUCH FRONT - STATIONARY
17	125059-01-H10	EA	SEAT - SOFA/BED - STATIONARY
17	125059-01-H11	EA	SEAT - SOFA/BED - STATIONARY
	P25059-01-H10	EA	COVER - SEAT - SOFA/BED
	P25059-01-H11	EA	COVER - SEAT - SOFA/BED
	123622-06-000	EA	FRAME - BASE WITH LEGS - 44"

**CURTAIN & CUSHION GROUP (CONTINUED)**

**BUNK CUSHIONS**

KEY	PART NUMBER	U/M	DESCRIPTION
18	105573-10-H10	EA	CUSHION - OVERHEAD - REAR BUNK - 27" X 23" X 80" X 5"
18	105573-10-H11	EA	CUSHION - OVERHEAD - REAR BUNK - 27" X 23" X 80" X 5"
	P05573-10-H10	EA	COVER - OVERHEAD - REAR BUNK CUSHION - 27"X23"X80"X5"
	P05573-10-H11	EA	COVER - OVERHEAD - REAR BUNK CUSHION - 27"X23"X80"X5"
19	105573-09-H10	EA	CUSHION - OVERHEAD - FRONT BUNK - 32.5" X 80" X 5"
19	105573-09-H11	EA	CUSHION - OVERHEAD - FRONT BUNK - 32.5" X 80" X 5"
	P05573-09-H10	EA	COVER - CUSHION/OVERHEAD FRONT BUNK - 32.5" X 80" X 5"
	P05573-09-H11	EA	COVER - CUSHION/OVERHEAD FRONT BUNK - 32.5" X 80" X 5"
20	079145-08-000	EA	CUSHION - BUNK - 25" X 74" X 3.5' (FRONT ENTERTAINMENT CENTER)
	M79145-08-000	EA	COVER - CUSHION/BUNK - 25" X 74" X 3.5' (FRONT ENTERTAINMENT CENTER)
	094658-02-F08	EA	OAK HANDLE - SALEM CHERRY

**VINYL ASSIST HANDLE, BUTTONS, & SEATBELTS**

KEY	PART NUMBER	U/M	DESCRIPTION
	069178-02-000	EA	BRACKET-MOUNTING - ASSIST HANDLE - L ANGLE - W/HOLES - ST
	053552-02-AA8	EA	HANDLE-ASSIST - INTERIOR - ENTRY DOOR - VINYL - OFF WHITE
	000C16-07-16B	EA	BOLT-CARRIAGE - ASSIST HANDLE - 7/16" - 14 X 1" ZN
	000D20-07-00B	EA	NUT-ACORN - ASSIST HANDLE - 7/16" X 14 ZN
	057759-01-000	EA	WASHER BRACKET-SEAT BELT - 4" DIAMETER
	007021-01-000	EA	BELT-SEAT - 2" X 90" - BLACK
	056271-01-000	EA	BELT-SEAT - 2" X 102" - BLACK
	084415-88-000	YD	TRIM - BRAID - AMBER (H10)
	084415-87-000	YD	TRIM - BRAID - AMBER (H10)
	084415-79-000	YD	TRIM - BRAID - SHELL (H11)

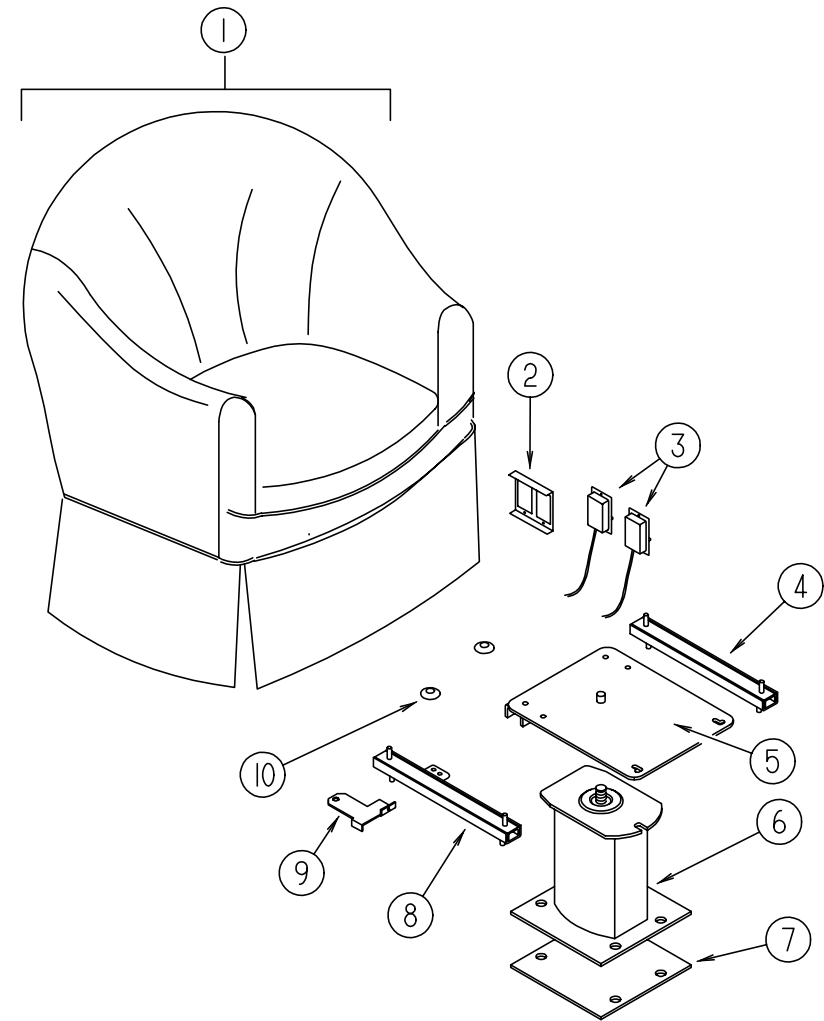
**CURTAIN & CUSHION GROUP (CONTINUED)**

MINNIE WINNIE DL FABRICS

Family - 400 DL's	H10 Chameleon	H11 Pasadena
Bucket Seats	108446-G3-000	108446-55-000
Dinette	108446-M8-000	108446-M9-000
Dinette Pads	104233-G3-000	108446-55-000
Sofa	108446-M8-000	108446-M9-000
Swivel Chair	108446-G3-000	108446-N5-000
Lounge Pillow	108446-G3-000	108446-N5-000
Lounge Windows	108446-G3-000 108446-M8-000	108446-M9-000 108446-79-000
Legs	105745-61-000	105745-D0-000
Overhead Bunk	108446-G3-000	108446-N5-000
Bedroom Window	105745-E9-000	105745-E8-000
Bedroom Legs	105745-61-000	105745-D0-000
Bedroom Pillow	105745-E9-000 105745-61-000	105745-E8-000 105745-D0-000
Bedsread	105745-E9-000 084415-87-000	105745-E8-000 084415-79-000
Pillow Shams	105745-E9-000 084415-87-000	105745-E8-000 084415-79-000
Front Wraparound	072333-85-000	072333-85-000
Overhead Curtain	105745-E9-000	105745-E8-000
Day/Nighter	094911-25-000 094911-38-000	094911-30-000 094911-26-000
Ceiling Vinyl	113979-01-01A	113979-01-01A

NOTE: FABRIC LISTED FIRST IN A BLOCK IS THE LARGEST QUANTITY OF FABRIC USED.

**CURTAIN & CUSHION GROUP (CONTINUED)**

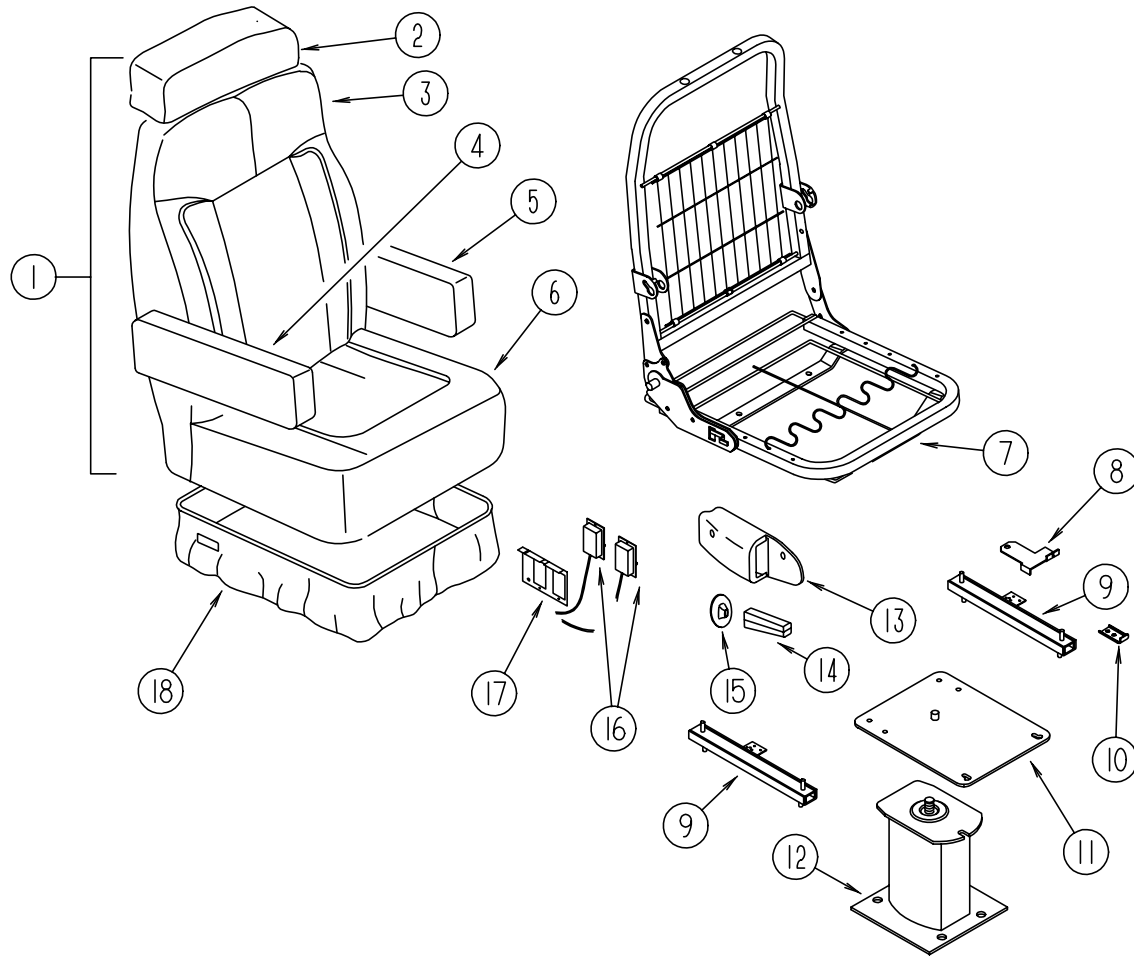


**SWIVEL CHAIR**

KEY	PART NUMBER	U/M	DESCRIPTION
1	115470-01-H10	EA	CHAIR - SWIVEL
1	115470-01-H11	EA	CHAIR - SWIVEL
	P15470-01-H10	EA	COVER - CHAIR
	P15470-01-H11	EA	COVER - CHAIR
	P07977-01-H10	EA	COVER - SKIRT
	P07977-01-H11	EA	COVER - SKIRT
2	097683-02-000	EA	BRACKET - REMOTE/SIDE MOUNT - DOUBLE
3	108049-03-000	EA	CABLE/CONTROL 25.5" SHEATH/28.5" CABLE W/DOG LEG
	108049-02-000	EA	CLIP - CABLE/PEDESTAL
4	119952-01-000	EA	SLIDE/SEAT - HEAVY DUTY NON LOCKING
5	107921-08-000	EA	TOP PLATE - PEDESTAL - W/O SEAT BELT BAR
	107921-06-000	EA	BEARING KIT - PEDESTAL
6	107921-01-000	EA	PEDESTAL/FLOOR MOUNTED - W/9.75" EXTENSION
7	108445-02-000	EA	PLATE/FLOOR MOUNTED - PEDESTAL SEAT
8	119952-03-000	EA	SLIDE/SEAT - HEAVY DUTY LOCKING - 2 STUDS
9	117125-01-02B	EA	BRACKET - CABLE MOUNT - ADJUSTER W/LOCK
10	007221-01-000	EA	SPACER - SEAT/ADJUSTER
	114889-01-000	EA	STOP BAR - UNIVERSAL

## CURTAIN & CUSHION GROUP (CONTINUED)

**BUCKET SEATS**  
(FROM: 00-00-00 THRU: 10-13-96)

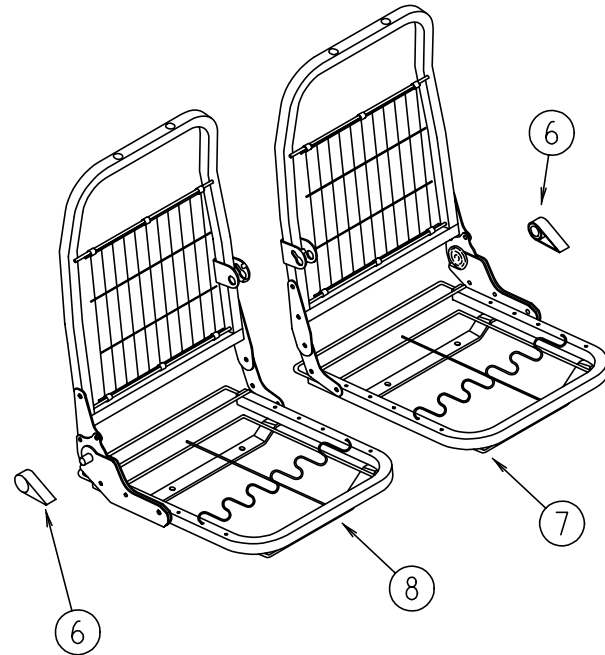
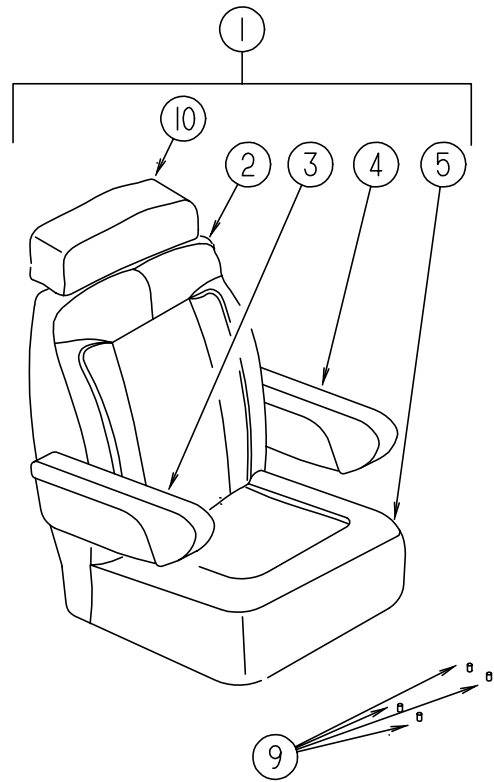


KEY	PART NUMBER	U/M	DESCRIPTION
1	122738-03-H10	EA	SEAT - BUCKET - DRIVER - W/HEADREST/ARMRESTS
1	122738-03-H11	EA	SEAT - BUCKET - DRIVER - W/HEADREST/ARMRESTS
2	119509-01-H10	EA	HEADREST - BUCKET SEAT
2	119509-01-H11	EA	HEADREST - BUCKET SEAT
2	P19509-01-H10	EA	COVER - HEADREST
2	P19509-01-H11	EA	COVER - HEADREST
	113977-12-000	EA	HEADREST INSERT - W/O LOCK
	113977-13-000	EA	HEADREST INSERT - W/ LOCK
3	M05962-41-H10	EA	COVER - BUCKET BACK, 530 NARROW
3	M05962-41-H11	EA	COVER - BUCKET BACK - 530 NARROW
4	122780-01-H10	EA	ARMREST - RIGHT HAND
4	122780-01-H11	EA	ARMREST - RIGHT HAND
4	P22780-01-H10	EA	COVER - ARMREST - RIGHT HAND
4	P22780-01-H11	EA	COVER - ARMREST - RIGHT HAND
4	115617-03-000	EA	ARMREST - W/O COVER - RIGHT HAND
5	122780-02-H10	EA	ARMREST - LEFT HAND
5	122780-02-H11	EA	ARMREST - LEFT HAND
5	P22780-02-H10	EA	COVER - ARMREST - LEFT HAND
5	P22780-02-H11	EA	COVER - ARMREST - LEFT HAND
5	115617-04-000	EA	ARMREST - W/O COVER - LEFT HAND
6	M05962-42-H10	EA	COVER - SEAT
6	M05962-42-H11	EA	COVER - SEAT
7	122695-02-01B	EA	FRAME - SEAT/BACK
8	117125-01-02B	EA	BRACKET-CABLE HOLDER - E-COAT
9	119952-06-000	EA	SLIDE/SEAT - HEAVY DUTY LOCKING - 4 STUDS
9	119952-07-000	EA	WIRE - LATCH RELEASE/ROTARY
10	114889-01-000	EA	STOP BAR-UNIVERSAL - SHROCK
11	107921-08-000	EA	TOP PLATE - PEDESTAL - W/O SEAT BELT BAR
	107921-06-000	EA	BEARING KIT - PEDESTAL
12	107921-09-000	EA	PEDESTAL - SEAT - FORD
13	080730-09-000	EA	SHIELD SCREW-FLEXSTEEL
	000G39-10-12D	EA	SHIELD SCREW
14	080730-08-000	EA	HANDLE - RECLINER - BLACK
15	080730-11-000	EA	SHIELD - RUBBER BOOT
16	108049-03-000	EA	CABLE - 26" Z END CABLE
	108049-02-000	EA	CLIP-CABLE - PEDESTAL - FLEXSTEEL 2592-CA
17	097683-02-000	EA	BRACKET - REMOTE/SIDE MOUNT - DOUBLE
18	071126-42-H10	EA	SKIRT - 7" - W/OPEN BACK CORNERS (H10)
18	071126-42-E22	EA	SKIRT - W/OPEN BACK CORNERS - 7" (H11)
	089323-01-000	FT	STRIP-POLYENTHYLENE - J-CHANNEL FLEX-O-LATORS



## CURTAIN & CUSHION GROUP (CONTINUED)

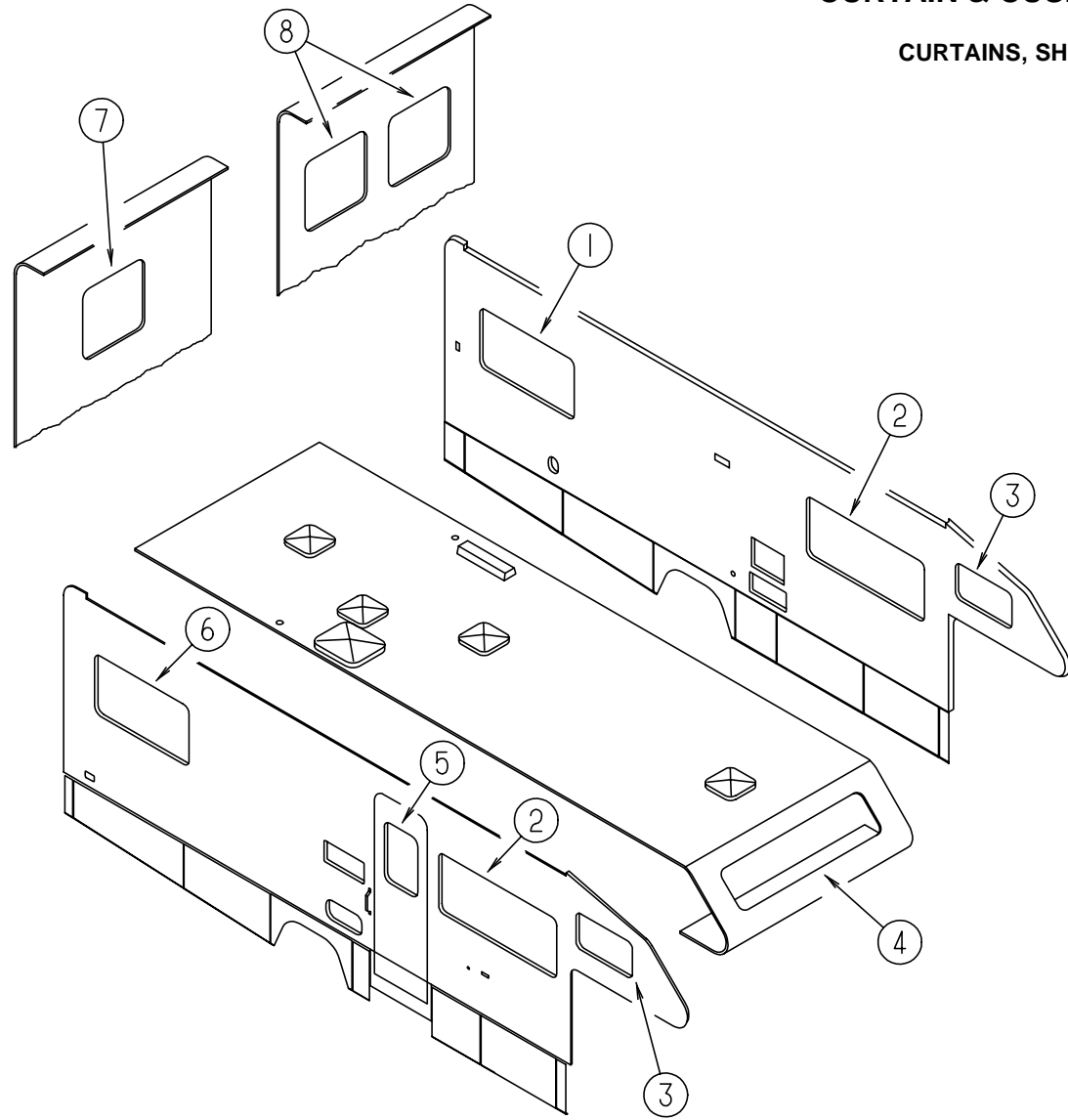
**BUCKET SEATS**  
(FROM: 10-14-96 THRU: 99-99-99)



KEY	PART NUMBER	U/M	DESCRIPTION
1	122738-04-H10	EA	SEAT - BUCKET/PASSENGER - W/HEADREST/LEFT ARMREST
1	122738-04-H11	EA	SEAT - BUCKET/PASSENGER - W/HEADREST/LEFT ARMREST
1	122738-05-H10	EA	SEAT - BUCKET/DRIVER - W/HEADREST/RIGHT ARMREST
1	122738-05-H11	EA	SEAT - BUCKET/DRIVER - W/HEADREST/RIGHT ARMREST
2	M05962-59-H10	EA	COVER - BACK
2	M05962-59-H11	EA	COVER - BACK
3	122780-01-H10	EA	ARMREST - RIGHT HAND
3	122780-01-H11	EA	ARMREST - RIGHT HAND
3	P22780-01-H10	EA	COVER - ARMREST - RIGHT HAND
3	P22780-01-H11	EA	COVER - ARMREST - RIGHT HAND
3	115617-03-000	EA	ARMREST - W/O COVER - RIGHT HAND
4	122780-02-H10	EA	ARMREST - LEFT HAND
4	122780-02-H11	EA	ARMREST - LEFT HAND
4	P22780-02-H10	EA	COVER - ARMREST - LEFT HAND
4	P22780-02-H11	EA	COVER - ARMREST - LEFT HAND
4	115617-04-000	EA	ARMREST - W/O COVER - LEFT HAND
5	M05962-60-H10	EA	COVER - SEAT
5	M05962-60-H11	EA	COVER - SEAT
6	125229-03-000	EA	KNOB - RECLINING
7	125229-02-000	EA	FRAME - SEAT - PASSENGER - W/LEFT ARMREST BRACKET
8	125229-01-000	EA	FRAME - SEAT - DRIVER - W/RIGHT ARMREST BRACKET
9	125229-05-000	EA	PAL NUT
10	119509-01-H10	EA	HEADREST - BUCKET SEAT
10	119509-01-H11	EA	HEADREST - BUCKET SEAT
10	P19509-01-H10	EA	COVER - HEADREST
10	P19509-01-H11	EA	COVER - HEADREST
	113977-12-000	EA	HEADREST INSERT - W/O LOCK
	113977-13-000	EA	HEADREST INSERT - W/ LOCK

## CURTAIN & CUSHION GROUP (CONTINUED)

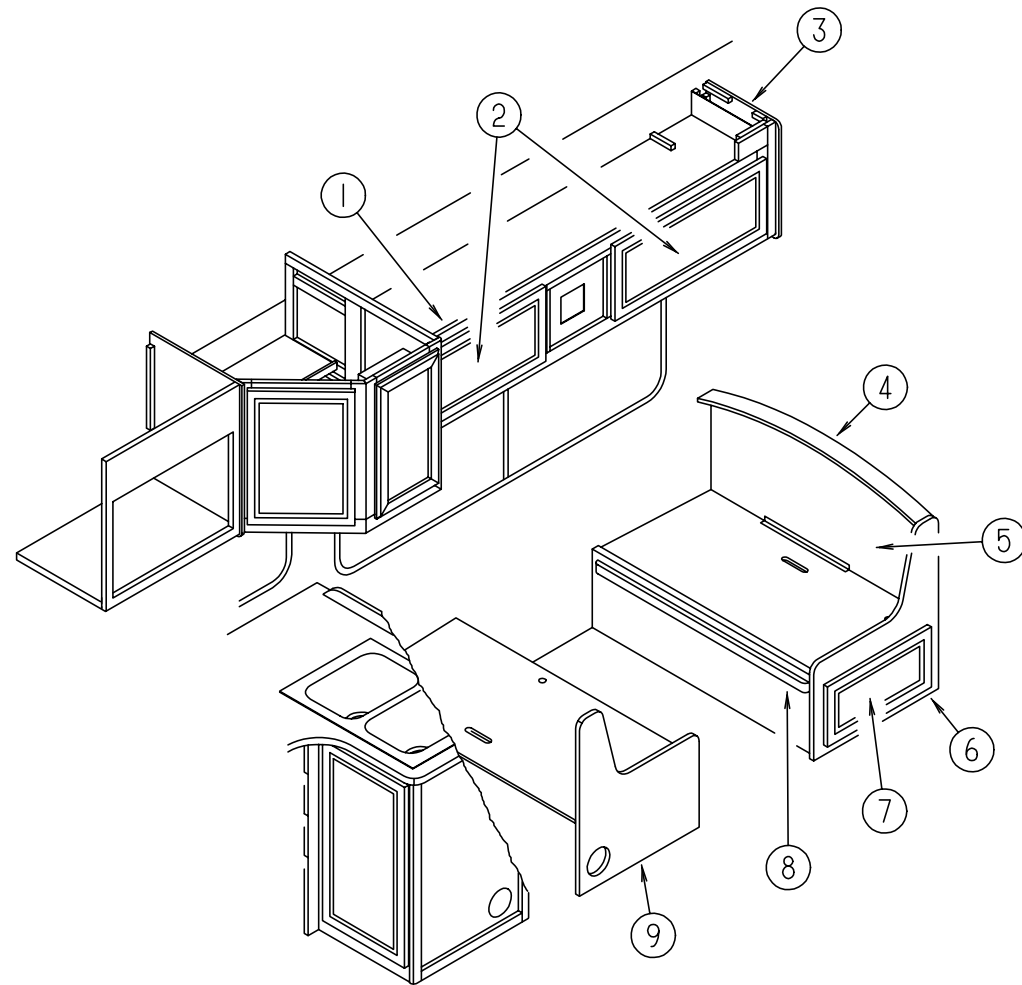
### CURTAINS, SHADES VALANCES & BLINDS



KEY	PART NUMBER	U/M	DESCRIPTION
4	101034-33-H11	EA	CURTAIN - RIGHT HAND - 21" X 60"
4	101034-34-H10	EA	CURTAIN - LEFT HAND - 21" X 60"
4	101034-34-H11	EA	CURTAIN - LEFT HAND - 21" X 60"
5	119262-35-H10	EA	VALANCE - MONACO - 11" X 31.75"
5	119262-34-H11	EA	VALANCE - MONOCO - 11" X 31.75"
5	084755-57-E07	EA	SHADE - PULL - 27.25"
6	119299-14-H10	EA	VALANCE - WHITNEY - 45" (QUEEN)
6	119299-14-H11	EA	VALANCE - WHITNEY - 45" (QUEEN)
6	119299-13-H10	EA	VALANCE - WHITNEY - 53" (TWIN)
6	119299-13-H11	EA	VALANCE - WHITNEY - 53" (TWIN)
6	119333-61-H10	EA	LEG - RIGHT - 28" (QUEEN,TWIN)
6	119333-59-H11	EA	LEG - RIGHT - 28" (QUEEN,TWIN)
6	119333-62-H10	EA	LEG - LEFT - 28" (QUEEN,TWIN)
6	119333-60-H11	EA	LEG - LEFT - 28" (QUEEN,TWIN)
6	111910-25-H10	EA	BLIND - DAY/NIGHTER - 41" X 28.5" (QUEEN)
6	111910-25-H11	EA	BLIND - DAY/NIGHTER - 41" X 28.5" (QUEEN)
6	111910-19-H10	EA	BLIND - DAY/NIGHTER - 50" X 28" (TWIN)
6	111910-19-H11	EA	BLIND - DAY/NIGHTER - 50" X 28" (TWIN)
7	119299-13-H10	EA	VALANCE - WHITNEY - 53" (QUEEN)
7	119299-13-H11	EA	VALANCE - WHITNEY - 53" (QUEEN)
7	119333-61-H10	EA	LEG - RIGHT - 28" (QUEEN)
7	119333-59-H11	EA	LEG - RIGHT - 28" (QUEEN)
7	119333-62-H10	EA	LEG - LEFT - 28" (QUEEN)
7	119333-60-H11	EA	LEG - LEFT - 28" (QUEEN)
7	111910-19-H10	EA	BLIND - DAY/NIGHTER - 50" X 28" (QUEEN)
7	111910-19-H11	EA	BLIND - DAY/NIGHTER - 50" X 28" (QUEEN)
8	119299-15-H10	EA	VALANCE - WHITNEY - 31" (TWIN)
8	119299-15-H11	EA	VALANCE - WHITNEY - 31" (TWIN)
8	119333-35-H10	EA	LEG - RIGHT - 28" (TWIN)
8	119333-57-H11	EA	LEG - RIGHT - 28" (TWIN)
8	119333-36-H10	EA	LEG - LEFT - 28" (TWIN)
8	119333-58-H11	EA	LEG - LEFT - 28" (TWIN)
8	111910-20-GB1	EA	BLIND - DAY/NIGHTER - 28" X 28" (TWIN) (H10)
8	111910-20-H11	EA	BLIND - DAY/NIGHTER - 28" X 28" (TWIN) (H11)
			FROM: 00-00-00 THRU: 10-27-96
8	111910-20-HA3	EA	BLIND - DAY/NIGHTER - 28" X 28" (TWIN) (H11)
			FROM: 10-28-96 THRU: 99-99-99
	093487-10-01A	EA	PLEATED - 31" X 100" - BUNK PRIVACY
	076892-23-G07	EA	CURTAIN - 44" X 80"

KEY	PART NUMBER	U/M	DESCRIPTION
1	119299-14-H10	EA	VALANCE - WHITNEY - 45" (QUEEN)
1	119299-14-H11	EA	VALANCE - WHITNEY - 45" (QUEEN)
1	119299-13-H10	EA	VALANCE - WHITNEY - 53" (TWIN)
1	119299-13-H11	EA	VALANCE - WHITNEY - 53" (TWIN)
1	119333-61-H10	EA	LEG - RIGHT - 28" (QUEEN,TWIN)
1	119333-59-H11	EA	LEG - RIGHT - 28" (QUEEN,TWIN)
1	119333-62-H10	EA	LEG - LEFT - 28" (QUEEN,TWIN)
1	119333-60-H11	EA	LEG - LEFT - 28" (QUEEN,TWIN)
1	111910-25-H10	EA	BLIND - DAY/NIGHTER - 41" X 28.5" (QUEEN)
1	111910-25-H11	EA	BLIND - DAY/NIGHTER E-Z LIFT, 41" X 28.5" (QUEEN)
1	111910-19-H10	EA	BLIND - DAY/NIGHTER - 50" X 28" (TWIN)
1	111910-19-H11	EA	BLIND - DAY/NIGHTER - 50" X 28" (TWIN)
2	111858-15-H10	EA	LAMBREQUIN - WINDSOR, 63.5"
2	111858-33-H11	EA	LAMBREQUIN - WINDSOR, 63.5"
2	111910-22-GB1	EA	BLIND - DAY/NIGHTER - 60" X 28.5" (H10)
2	111910-22-H11	EA	BLIND - DAY/NIGHTER - 60" X 28.5" (H11)
			FROM: 00-00-00 THRU: 10-27-96
2	111910-22-HA3	EA	BLIND - DAY/NIGHTER - 60" X 28.5" (H11)
			FROM: 10-28-96 THRU: 99-99-99
3	101034-51-H10	EA	CURTAIN - RIGHT HAND - 19" X 34"
3	101034-51-H11	EA	CURTAIN - RIGHT HAND - 19" X 34"
3	101034-52-H10	EA	CURTAIN - LEFT HAND - 19" X 34"
3	101034-52-H11	EA	CURTAIN - LEFT HAND - 19" X 34"
4	101034-33-H10	EA	CURTAIN - RIGHT HAND - 21" X 60"

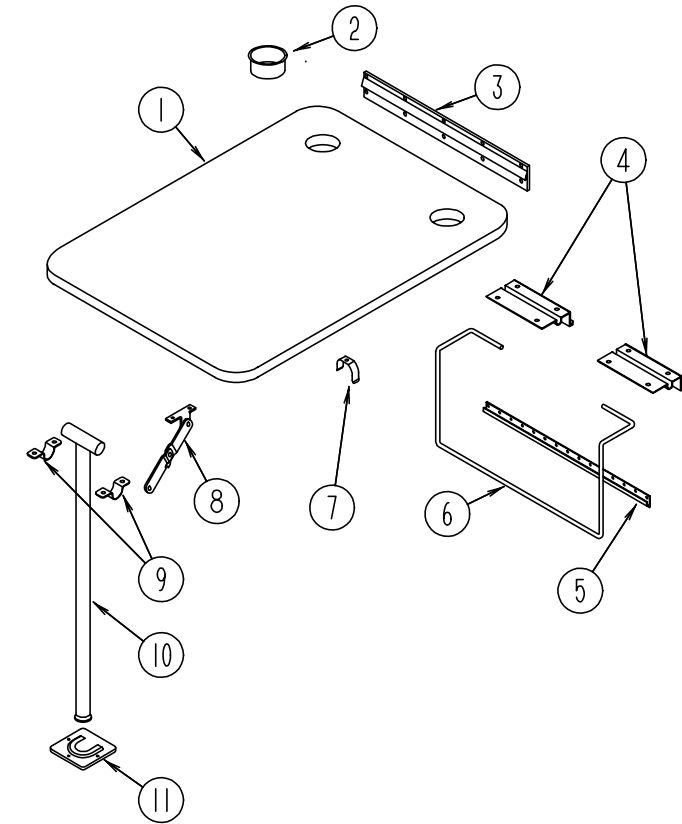
## DINETTE GROUP



### DINETTE CABINETS

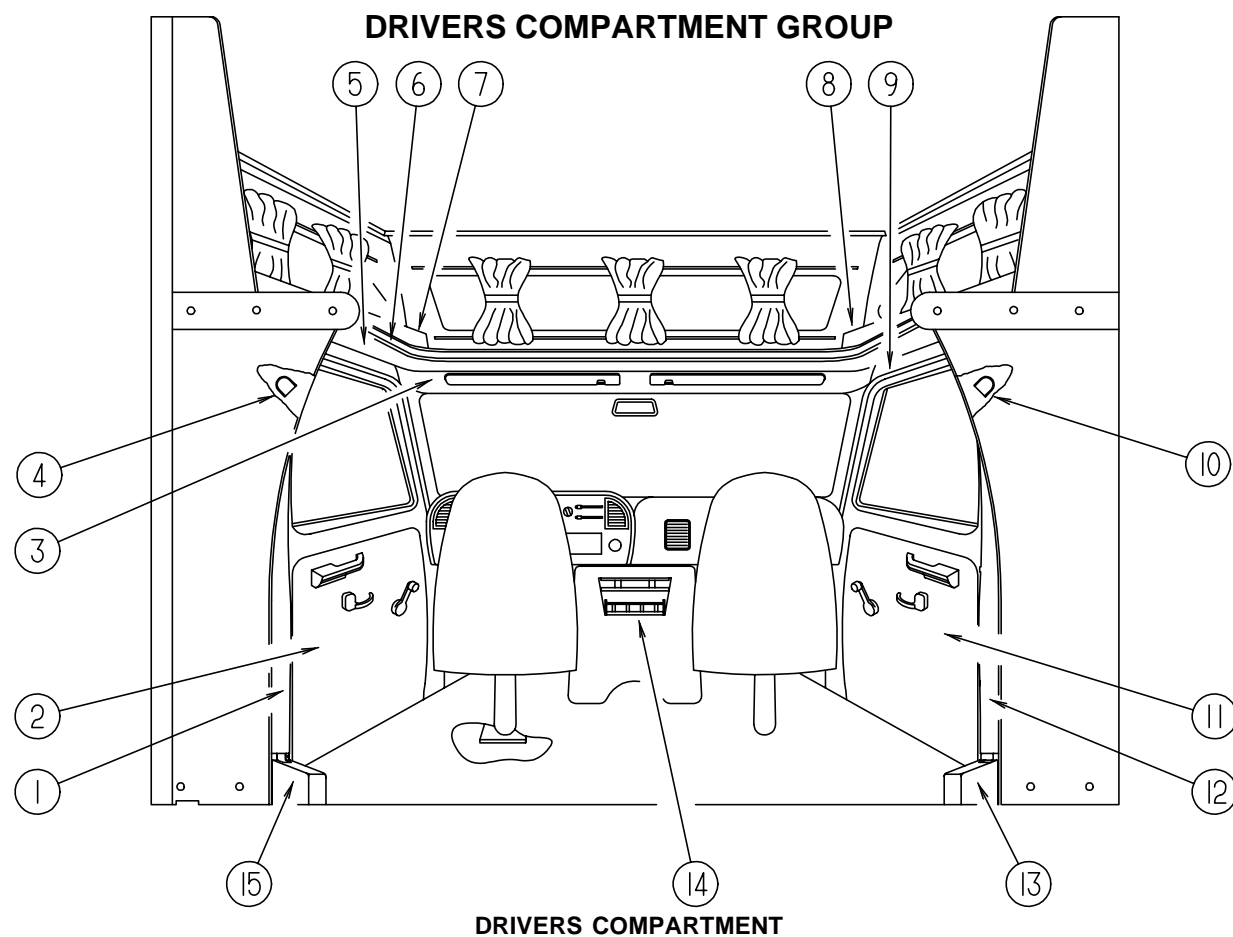
KEY	PART NUMBER	U/M	DESCRIPTION
1	122926-01-H10	EA	CABINET - DINETTE OVERHEAD - W/O DOORS/HARDWARE
1	122926-01-H11	EA	CABINET - DINETTE OVERHEAD - W/O DOORS/HARDWARE
2	M06803-W9-H10	EA	DOOR - MIRROR/MTRD CRNR/OGEE EDGE - 11.4"X 28" - W/O HDW
2	M06803-D5-F08	EA	DOOR - MITERED CORNER/OGEE EDGE - 11.4" X 28" - W/O HDW
3	109908-09-F08	EA	END CAP - OVERHEAD CABINET
4	111338-06-H10	EA	PAD - DINETTE SEATBACK (H10)
4	111338-06-E22	EA	PAD - DINETTE SEATBACK (H11)
5	M08123-03-G07	EA	CABINET - SEATBACK - W/O HARDWARE
6	M08122-10-H10	EA	CABINET - SEATBASE - RIGHT HAND - W/ END CAP - W/O DOOR/HARDWARE
7	M06803-T5-H10	EA	DOOR - MITERED CORNER/OGEE EDGE - 10.0" X 19.1" - W/O HARDWARE
8	081295-04-G04	EA	SUPPORT - BED/DINETTE - 40" LONG
9	M06885-24-H10	EA	CABINET - SEATBASE - LEFT HAND - W/ END CAP - W/O HARDWARE

## DINETTE GROUP (CONTINUED)



### DINETTE TABLE

KEY	PART NUMBER	U/M	DESCRIPTION
1	081322-12-F02	EA	TABLE - DINETTE - W/O CUPHOLDERS/HARDWARE (H10)
1	081322-12-F09	EA	TABLE - DINETTE - W/O CUPHOLDERS/HARDWARE (H11)
2	064781-06-000	EA	HOLDER - CUP - TWO STEP - OFF WHITE
3	053200-12-000	EA	BRACKET - TABLE SUPPORT - UPPER WALL MOUNTED - 23.50" - OFF WHITE
4	088410-02-000	EA	BRACKET - LIFT - TABLE MOUNTED - OFF WHITE
5	024281-14-000	EA	BRACKET - LIFT ROD/LOWER WALL MOUNTED - 22.12" - OFF WHITE
6	024275-12-000	EA	ROD - TABLE LIFT - OFF WHITE
7	024283-01-000	EA	CLIP - LEG - 1" - 1.125" OD - BLACK
8	024282-01-000	EA	BRACE - TABLE LEG - HINGED
9	064050-05-000	EA	HINGE - TABLE LEG - OFF WHITE
10	024276-23-000	EA	LEG - TABLE - METAL - OFF WHITE
11	049493-12-000	EA	CATCH - TABLE LEG/FLOOR MOUNTED - OFF WHITE
11	049493-11-700	EA	CATCH - TABLE LEG/FLOOR MOUNTED - E COATED



**DRIVERS COMPARTMENT**

KEY	PART NUMBER	U/M	DESCRIPTION
1	106446-02-C03	EA	TRIM - CAB B-PILLAR - DRIVERS SIDE FROM: 00-00-00 THRU: 10-13-96
1	125031-02-G04	EA	TRIM - CAB B-PILLAR - DRIVERS SIDE FROM: 10-14-96 THRU: 12-13-96
1	125031-02-H04	EA	TRIM - CAB B-PILLAR - DRIVERS SIDE FROM: 12-14-96 THRU: 99-99-99
2	109573-02-H10	EA	PANEL - DOOR/DRIVER - FORD
2	109573-02-H11	EA	PANEL - DOOR/DRIVER - FORD
3	106448-01-C03	EA	HEADLINER - W/VINYL FROM: 00-00-00 THRU: 10-13-96
3	106448-01-C52	EA	HEADLINER - W/VINYL FROM: 10-14-96 THRU: 12-13-96
3	106448-01-H04	EA	HEADLINER - W/VINYL FROM: 12-14-96 THRU: 99-99-99
4	115038-02-01A	EA	COVER - SEAT BELT UPPER LEFT HAND FROM: 00-00-00 THRU: 10-13-96
5	106447-02-C03	EA	TRIM - CAB DOOR - UPPER - DRIVERS SIDE FROM: 00-00-00 THRU: 10-13-96
5	106447-02-C52	EA	TRIM - CAB DOOR - UPPER - DRIVERS SIDE FROM: 10-14-96 THRU: 12-13-96
5	106447-02-H04	EA	TRIM - CAB DOOR - UPPER - DRIVERS SIDE FROM: 12-14-96 THRU: 99-99-99
6	119520-01-01A	FT	MOLDING-T - 1" W/EDGE LIPS (OFF/WHITE-CREAM)
7	109894-01-H10	EA	CABINET - HAMPER - FRONT - DRIVER
7	109894-01-H11	EA	CABINET - HAMPER - FRONT - DRIVER
8	109894-03-H10	EA	CABINET - HAMPER - FRONT - PASSENGER
8	109894-03-H11	EA	CABINET - HAMPER - FRONT - PASSENGER
9	106447-01-C03	EA	TRIM - CAB DOOR - UPPER - PASSENGER SIDE FROM: 00-00-00 THRU: 10-13-96
9	106447-01-C52	EA	TRIM - CAB DOOR - UPPER - PASSENGER SIDE FROM: 10-14-96 THRU: 12-13-96
9	106447-01-H04	EA	TRIM - CAB DOOR - UPPER - PASSENGER SIDE FROM: 12-14-96 THRU: 99-99-99

**DRIVERS COMPARTMENT GROUP (CONTINUED)**

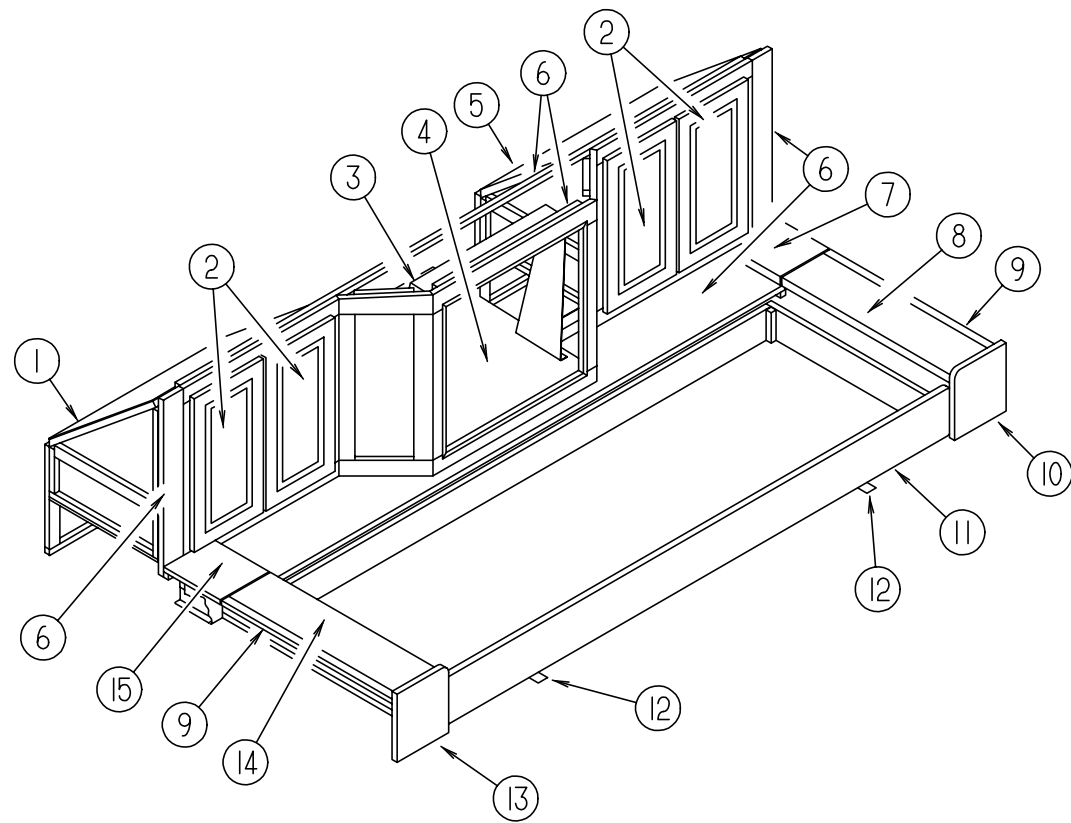
**DRIVERS COMPARTMENT (CONTINUED)**

KEY	PART NUMBER	U/M	DESCRIPTION	VENDOR NO.
10	115038-01-01A	EA	COVER - SEAT BELT UPPER RIGHT HAND FROM: 00-00-00 THRU: 10-13-96	
11	109573-01-H10	EA	PANEL - DOOR/PASSENGER - FORD	
11	109573-01-H11	EA	PANEL - DOOR/PASSENGER - FORD	
12	106446-01-C03	EA	TRIM - CAB B-PILLAR - PASSENGER SIDE FROM: 00-00-00 THRU: 10-13-96	
12	125031-01-G04	EA	TRIM - CAB B-PILLAR - PASSENGER SIDE FROM: 10-14-96 THRU: 12-13-96	
12	125031-01-H04	EA	TRIM - CAB B-PILLAR - PASSENGER SIDE FROM: 12-14-96 THRU: 99-99-99	
13	106431-01-01A	EA	COVER - SEATBELT RECOIL - PASSENGER SIDE - OFF WHITE FROM: 00-00-00 THRU: 12-13-96	
13	106431-01-02A	EA	COVER - SEATBELT RECOIL - PASSENGER SIDE - VW GREY FROM: 12-14-96 THRU: 99-99-99	
14	112185-02-G07	EA	TRAY - BEVERAGE FROM: 00-00-00 THRU: 10-14-96	
14	125291-01-01A	EA	TRAY - BEVERAGE - F/DELUXE MOTOR COVER FROM: 10-15-96 THRU: 99-99-99	
14	046886-03-000	EA	ASHTRAY - CHROME W/COVER FROM: 00-00-00 THRU: 10-14-96	
	069885-23-H10	EA	COVER - MOTOR - W/POCKET (FORD) (H10) FROM: 00-00-00 THRU: 10-14-96	
	069885-23-F29	EA	COVER - MOTOR - W/POCKET (FORD) (H11) FROM: 00-00-00 THRU: 10-14-96	
15	106431-02-01A	EA	COVER - SEATBELT RECOIL - DRIVER SIDE - OFF WHITE FROM: 00-00-00 THRU: 12-13-96	
15	106431-02-02A	EA	COVER - SEATBELT RECOIL - DRIVER SIDE - VW GREY FROM: 12-14-96 THRU: 99-99-99	
	106025-03-01A	EA	LADDER - BUNK - BLACK - 47.3"	
	106025-01-700	EA	BRACKET SET-F/BUNK LADDER	08-0030-00
	091952-01-000	EA	CLIP-GRIPPER - 1"	

**INSTRUMENT CLUSTERS & SWITCHES**

KEY	PART NUMBER	U/M	DESCRIPTION
	094795-09-000	EA	CLUSTER - INSTRUMENT PANEL - KM - GAS/DIESEL - FORD
	100138-01-000	EA	MODULE - DAYTIME/RUNNING LIGHT - CANADIAN
	081994-06-000	EA	PLATE - SWITCH - AUXILIARY START
	108357-09-000	EA	SWITCH - ROCKER SPDT - ON/NONE/MOM - 3 TERMINAL
	108356-07-01A	EA	COVER/ACTUATOR SWITCH-2 ROWS DIMPLES-AUX START-BLACK
	087202-01-000	EA	SWITCH - 4 POSITION W/KNOB 5 TERMINAL (REAR AUTO HEATER)

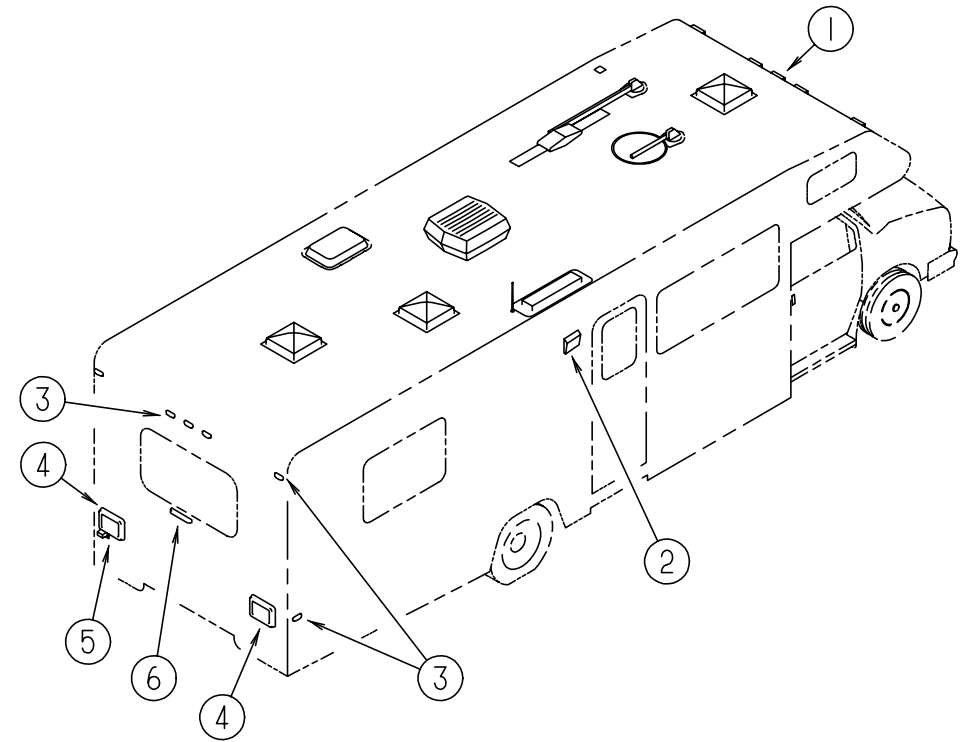
## DRIVERS COMPARTMENT GROUP (CONTINUED)



### FRONT ENTERTAINMENT CENTER

KEY	PART NUMBER	U/M	DESCRIPTION
1	113156-02-F08	EA	CABINET-ENTERTAINMENT CTR-W/SHELF-DRIVER SIDE-W/O DOOR/HDW
2	M06803-F1-F08	EA	DOOR - MITERED CORNER/OGEE EDGE - 10.6" X 19.9" - W/O HARDWARE
3	110790-02-000	EA	BRACKET - TV TIEDOWN
4	111356-01-G07	EA	SHELF - TV
5	113156-01-F08	EA	CABINET - ENTERTAINMENT CENTER W/SHELF - W/O DOORS/HARDWARE
6	121563-01-H10	EA	FACE - ENTERTAINMENT CENTER - W/O HARDWARE
7	113155-11-F02	EA	COUNTERTOP - ENTERTAINMENT CENTER STORAGE (H10)
7	113155-11-H11	EA	COUNTERTOP - ENTERTAINMENT CENTER STORAGE (H11)
8	113155-12-G24	EA	COUNTERTOP - ENTERTAINMENT CENTER STORAGE (H10)
8	113155-12-H11	EA	COUNTERTOP - ENTERTAINMENT CENTER STORAGE (H11)
9	113155-21-F02	EA	COUNTERTOP - ENTERTAINMENT CENTER (H10)
9	113155-21-F09	EA	COUNTERTOP - ENTERTAINMENT CENTER (H11)
10	113155-01-H10	EA	CABINET/STORAGE - RIGHT END - W/FLIP UP COUNTERTOP
10	113155-01-H11	EA	CABINET/STORAGE - RIGHT END - W/FLIP UP COUNTERTOP
11	100847-01-H10	EA	DRAWER-FRONT ENTERTAINMENT, 76.7" X 26.7" - W/O HARDWARE (H10)
11	100847-01-F09	EA	DRAWER-FRONT ENTERTAINMENT, 76.7" X 26.7" - W/O HARDWARE (H11)
12	093673-01-01A	FT	TRIM/MOLDING - 1.4" WIDE X 8' LONG
13	113155-02-H10	EA	CABINET/STORAGE - FLIP UP - W/FLIP UP COUNTERTOP
13	113155-02-H11	EA	CABINET/STORAGE - FLIP UP - W/FLIP UP COUNTERTOP
14	113155-18-G24	EA	COUNTERTOP - ENTERTAINMENT CENTER (H10)
14	113155-18-H11	EA	COUNTERTOP - ENTERTAINMENT CENTER (H11)
15	113155-19-F02	EA	COUNTERTOP - ENTERTAINMENT CENTER (H10)
15	113155-19-H11	EA	COUNTERTOP - ENTERTAINMENT CENTER (H11)
	106699-01-01A	EA	BRACKET - OVERHEAD CABINET/TV
	099717-02-000	EA	STRAP - TV TIE DOWN W/29.9" FEMALE STRAP & 14.2" MALE STRP

## ELECTRICAL GROUP



### EXTERIOR LIGHTS

KEY	PART NUMBER	U/M	DESCRIPTION	VENDOR NO.
1	111102-01-000	EA	BASE - LAMP MARKER	
1	111102-02-000	EA	LENS - AMBER - LAMP MARKER	
	036196-01-000	EA	BULB - 12 VOLT - #194 - .27 AMP - BAYONETTE	
2	097917-01-06A	EA	LIGHT - PORCH - BRIGHT WHITE	
	097917-01-700	EA	LENS-LIGHT, CLEAR	30-78-021
	008215-01-000	EA	BULB - 12 VOLT - #1003 - .94 AMP	
2	008089-02-000	EA	LIGHT - PORCH - RECESSED - CANADIAN	
	008089-01-700	EA	LENS-LIGHT, RECESSED - PORCH DECO	
	008214-01-000	EA	BULB - 12 VOLT NO 67 - 0.59 AMP	
	091981-01-000	EA	GASKET - PORCH LIGHT	
3	111102-01-000	EA	BASE - LAMP MARKER	
3	111102-03-000	EA	LENS - RED - LAMP MARKER	
	036196-01-000	EA	BULB - 12 VOLT - #194 - .27 AMP - BAYONETTE	
4	081638-01-000	EA	TAILLIGHT/DOUBLE W/BLACK TRIM - DRIVER/PASSENGER SIDE	
4	081638-01-700	EA	LENS-TAILLIGHT, RED	30-84-010
4	081638-01-701	EA	LENS-TAILLIGHT, W/BACKUP	30-84-700
4	103355-01-05A	EA	POD-TAILLIGHT, BRIGHT WHITE	
4	037934-01-000	EA	BULB - 12V - #1156 - 2.1 AMP CLEAR GLASS	
4	037935-01-000	EA	BULB - 12V - #1157 OR #2057 - 2.1 AMP - CLEAR GLASS	
5	066432-02-000	EA	LIGHT - LICENSE - BLACK	
	066432-03-000	EA	BRACKET - LICENSE PLATE	
6	121950-01-000	EA	LIGHT - BRAKE - CENTER MOUNT	

## ELECTRICAL GROUP (CONTINUED)

### FUSES & CIRCUIT BREAKERS

KEY	PART NUMBER	U/M	DESCRIPTION
	008235-01-000	EA	FUSE - 15 AMP/12VOLT - AUTOMOTIVE
	062901-02-000	EA	FUSE - 5 AMPS - AUTOMOTIVE
	062901-05-000	EA	FUSE - 15 AMPS - AUTOMOTIVE
	083209-02-000	EA	CIRCUIT BREAKER - 15/15 AMP - 120 VOLT
	083209-03-000	EA	CIRCUIT BREAKER - 15/20 AMP - 120 VOLT
	083209-04-000	EA	CIRCUIT BREAKER - 30 AMP - 120 VOLT
	083209-06-000	EA	CIRCUIT BREAKER - 30/15 AMP - 120 VOLT
	093654-01-000	EA	CIRCUIT BREAKER - 6 AMP - 12 VOLT
	093654-03-000	EA	CIRCUIT BREAKER - 20AMP - 12 VOLT
	093655-01-000	EA	CIRCUIT BREAKER - 25 AMP - 12 VOLT
	093655-02-000	EA	CIRCUIT BREAKER - 30 AMP - 12 VOLT
	100341-01-000	EA	FUSE HOLDER - IN LINE TYPE
	108669-01-000	EA	HOUSING - AUTO FUSE HOLDER

### POWER CONVERTER & INVERTER

KEY	PART NUMBER	U/M	DESCRIPTION
	099048-03-000	EA	INVERTER - 130 WATT
	113132-01-000	EA	LOAD CENTER - 120/240 VOLT - 60 AMP
	123058-02-000	EA	CONVERTER - 45 AMP - ELECTRONIC - 4 1/8" H X 7" W X 12 3/8" L

### WIRING ASSEMBLIES

KEY	PART NUMBER	U/M	DESCRIPTION
	073328-B4-000	EA	CABLE ASSEMBLY - BATTERY - W/TERMINALS
	090986-01-000	EA	WIRE ASSEMBLY - ELECTRIC STEP - KWIKEE 9009
	096449-01-000	EA	WIRE ASSEMBLY - WATER TANK TO MONITOR PANEL
	097618-01-000	EA	WIRE ASSEMBLY - MONITOR PANEL- W/3 WIRES & ORANGE RESISTOR
	105306-01-000	EA	WIRE ASSEMBLY - MONITOR PANEL ADAPTER
	106851-01-000	EA	WIRE ASSEMBLY - RUNNING LIGHTS - FUSE
	116894-01-000	EA	WIRE ASSEMBLY - SPEED SENSOR EXTENDED

### ELECTRIC BOXES, COVERS & POWER CORDS

KEY	PART NUMBER	U/M	DESCRIPTION
	008052-01-000	EA	CORD - POWER - 10/3 - 30 AMP - 25' - CANADIAN
	008054-01-000	EA	CORD - POWER - 10/3 - 30 AMP - 25'
	008289-01-000	EA	BOX - ELECTRIC/STEEL - 12" & 3/4" KNOCKOUTS - 4" X 4"
	008289-02-000	EA	BOX - ELECTRIC/STEEL - 1/2" & 3/4" KNOCKOUTS - 4" X 4" - CANADIAN
	008294-01-000	EA	COVER - ELECTRICAL BOX - BLANK/STEEL - 4" X 4" - GRAY
	091910-01-000	EA	BOX - ELECTRIC - 3.8" X 3.5" X 1.8" - PLASTIC
	091910-02-000	EA	BOX - ELECTRIC - 2.2" X 3.5" X 1.7" - PLASTIC
	093257-02-000	EA	BOX - ELECTRIC - CIRCUIT BREAKER
	093603-01-000	EA	BOX - ELECTRIC - 4" X 2 1/8" X 2 1/8"
			FROM: 00-00-00 THRU: 10-13-96
	107165-01-01A	EA	BOX - CIRCUIT BREAKER - 14.6" X 4" - PLASTIC
	107165-03-01A	EA	BOX - CIRCUIT BREAKER

### RELAY HOUSING & SOLENOID

KEY	PART NUMBER	U/M	DESCRIPTION
	008188-01-000	EA	SOLENOID - 3 POST - BATTERY CHANGE OVER
	063910-01-000	EA	HOUSING - RELAY
	086233-01-000	EA	STUD - ISOLATED - 3/8" X 7/8" LONG
			FROM: 10-14-96 THRU: 99-99-99
	086273-01-000	EA	RELAY - BATTERY DISCONNECT

### WATER PUMP SWITCH & COVER/ACTUATOR

KEY	PART NUMBER	U/M	DESCRIPTION
	108357-08-000	EA	SWITCH - ROCKER DPDT - ON/NONE/ON - 6 TERMINAL
	108356-02-01A	EA	COVER/ACTUATOR SWITCH - 2 ROWS DIMPLES - CONTURA II - BLACK

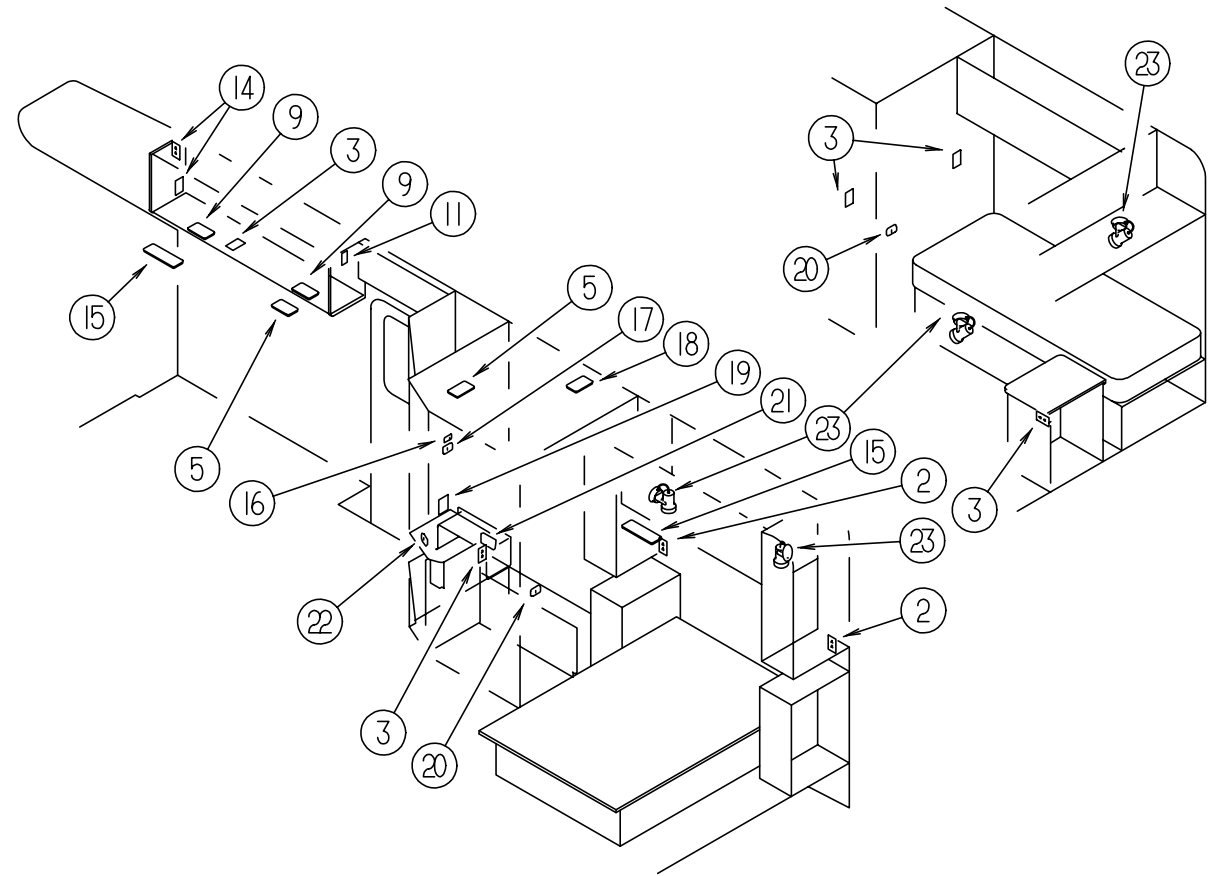
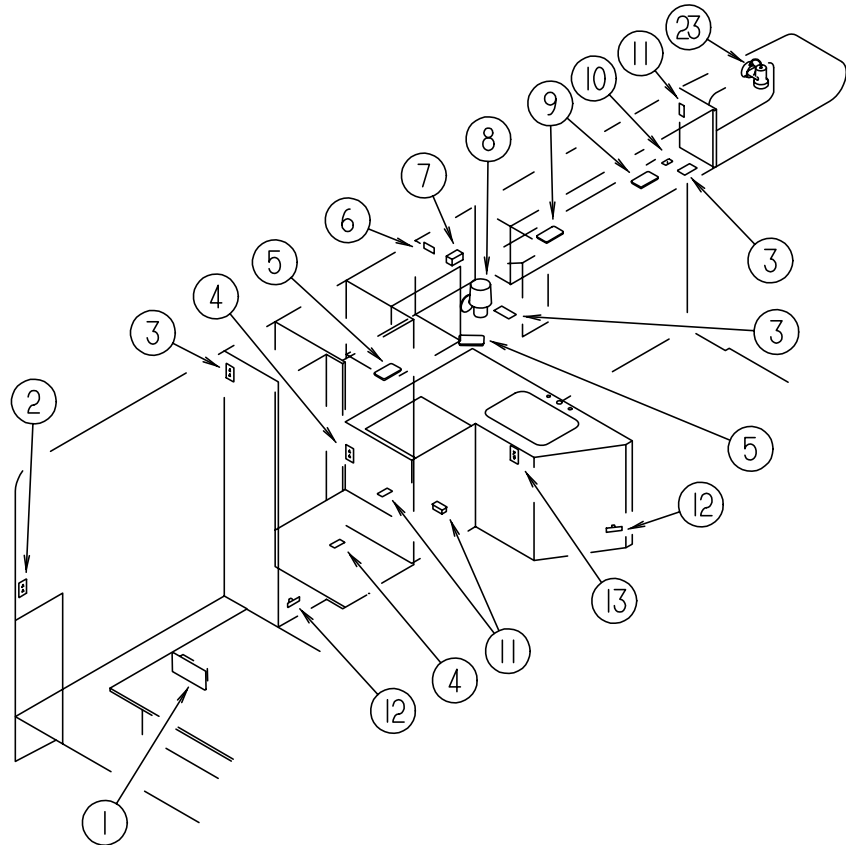
## ELECTRICAL GROUP (CONTINUED)

### CONDUIT, CONNECTORS, HOUSINGS & TERMINALS

KEY	PART NUMBER	U/M	DESCRIPTION
	007956-05-000	EA	INSULATOR - SHRINK - .25 ID X 1.50
	008311-01-000	EA	CONNECTOR - WIRE NUT - INSULATED - RED
	008313-01-000	EA	CONNECTOR - WIRE NUT - INSULATED - YELLOW
	008314-01-000	EA	CONNECTOR - WIRE NUT - INSULATED - GRAY
	008326-01-000	EA	TERMINAL - RING 16/14 WIRE - 3/8" STUD
	008328-01-000	EA	TERMINAL - RING - 12/10 WIRE - #10 STUD FIT
	008331-01-000	EA	TERMINAL - RING - TONGUE - #4 WIRE - 3/8" STUD - COPPER
	008348-01-000	EA	TERMINAL - RING - 3/8" STUD 2 GA. WIRE
	008355-01-000	EA	CONNECTOR - CABLE CLAMPING - 3/4"
	008356-01-000	EA	CONNECTOR - PLASTIC - 3/8" AVG
	035416-04-000	EA	TERMINAL - RING - #10 STUD FIT - INSULATED BARREL #16/14
	041953-01-000	FT	CONDUIT - CONVOLUTE SLIT - .5" ID
	041953-03-000	FT	CONDUIT - CONVOLUTE SLIT - 1" ID (CLOTHES ROD COVER)
	041953-05-000	FT	CONDUIT - CONVOLUTE SOLID - .62" ID
	041953-06-000	FT	CONDUIT - CONVOLUTE SLIT - .375" ID
	041953-07-000	FT	CONDUIT - CONVOLUTE SLIT - .25" ID
	041953-08-000	FT	CONDUIT - CONVOLUTE SLIT - 1.50" ID
	041953-09-000	FT	CONDUIT - CONVOLUTE SLIT - .50" ID
	041953-10-000	FT	CONDUIT - CONVOLUTE SLIT - .75" ID
	041953-11-000	FT	CONDUIT - CONVOLUTE SLIT - 1.06" ID
	041953-12-000	FT	CONDUIT - CONVOLUTE NON SLIT - 1.1" ID
	047443-01-000	EA	TERMINAL - .250 RECEPTACLE FIT - INSULATED - 16/14 AWG
	058028-01-000	EA	CONNECTOR - ELECTRICAL PIGTAIL - NYLON - CLEAR
	077479-01-000	EA	BOOT - BATTERY TERMINAL - DOUBLE CABLE
	077479-02-000	EA	BOOT - BATTERY TERMINAL - SINGLE CABLE
	080015-02-000	EA	RECEPTACLE - FLAG - .185 - 16/14 GAUGE
	080015-03-000	EA	RECEPTACLE - FLAG - .250 - 14/16 GAUGE
	087949-01-000	EA	BUSS BAR - 2 POSITION - .6" X 1.5"
	088473-01-000	EA	HOUSING - PIN - 12 CAVITY
	088473-02-000	EA	HOUSING - PIN - 15 CAVITY
	088473-03-000	EA	HOUSING - PIN - 9 CAVITY
	088473-05-000	EA	HOUSING - PIN - 6 CAVITY
	088473-06-000	EA	HOUSING - PIN - 6 CAVITY
	088473-07-000	EA	HOUSING - PIN - 5 CAVITY
	088473-08-000	EA	HOUSING - PIN - 4 CAVITY
	088473-09-000	EA	HOUSING - PIN - 3 CAVITY
	088473-10-000	EA	HOUSING - PIN - 2 CAVITY
	088474-01-000	EA	HOUSING - SOCKET - 12 CAVITY
	088474-02-000	EA	HOUSING - SOCKET - 15 CAVITY
	088474-03-000	EA	HOUSING - SOCKET - 9 CAVITY
	088474-07-000	EA	HOUSING - SOCKET - 5 CAVITY
	088474-08-000	EA	HOUSING - SOCKET - 4 CAVITY
	088474-09-000	EA	HOUSING - SOCKET - 3 CAVITY
	088474-10-000	EA	HOUSING - SOCKET - 2 CAVITY
	088475-01-000	EA	PIN - CONNECTOR - 14 - 20 AWG
	088475-02-000	EA	PIN - CONNECTOR - 10-12 AWG
	088476-01-000	EA	TERMINAL - ELECTRICAL
	088476-02-000	EA	SOCKET - CONNECTOR - 12-10 GA - PHOS BRZ - PRE - TIN
	098262-01-000	EA	SEAL - CONNECTOR - WEATHER PACK
	098265-02-000	EA	PIN-CONNECTOR,WEATHER PACK - PACKARD12089305
	101751-01-000	EA	HOUSING-1 PIN, WEATHER PACK
	101751-02-000	EA	HOUSING-1 PIN, WEATHER PACK
	102777-02-000	EA	TERMINAL - RING - #6 STUD - 10 AWG
	106655-01-000	EA	TERMINAL - FUSE BLOCK - 14-16 AWG
	106655-02-000	EA	TERMINAL - FUSE BLOCK - 10-12 AWG
	125323-02-000	EA	HOUSING - 8 POSITION - MALE
	125324-01-000	EA	TERMINAL - MALE
	125325-01-000	EA	SEAL - CAVITY

# ELECTRICAL GROUP (CONTINUED)

## LIGHTS, SWITCHES & RECEPTACLES

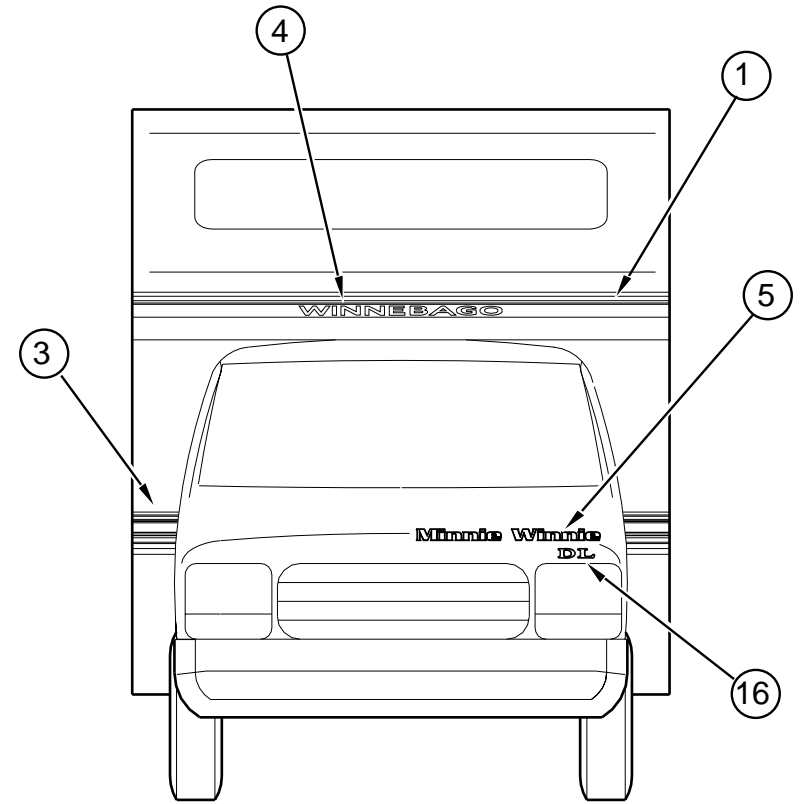
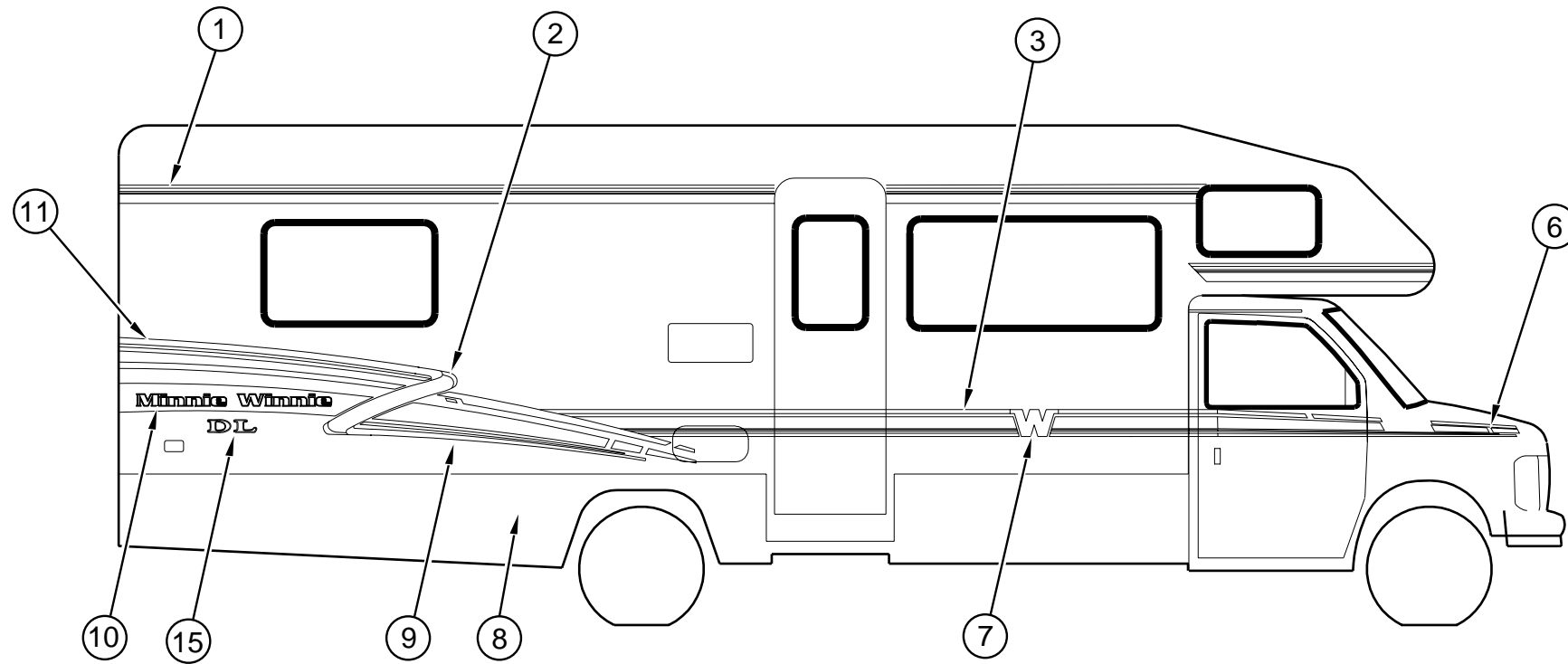


KEY	PART NUMBER	U/M	DESCRIPTION	VENDOR NO.
1	024924-02-000	EA	RECEPTACLE - POWER CORD - W/PARTIAL PLATE	
1	069238-01-000	EA	COVER - ELECTRICAL BOX - W/HOLE - 4" X 4" - GRAY	
2	058708-02-000	EA	RECEPTACLE - ELECTRIC - DOUBLE - IVORY	
2	102568-01-E41	EA	SPACER - RECEPTACLE - SIDEWALL	
3	058708-01-000	EA	RECEPTACLE - ELECTRIC - DOUBLE - BROWN	
4	058707-01-000	EA	RECEPTACLE - ELECTRIC - SINGLE - BROWN	
5	098024-01-03A	EA	LIGHT - DOME - 1 BULB - WHITE	
5	008218-01-000	EA	BULB - DOME LIGHT - 12 VOLT - NO. 1141	
5	098024-01-700	EA	LENS-LIGHT	807877
6	058708-05-000	EA	RECEPTACLE - SINGLE - BROWN	
7	091927-01-000	EA	COVER - RECEPTACLE - DOUBLE - IVORY	
FROM: 10-14-96 THRU: 99-99-99				
8	065202-24-000	EA	LAMP - WALL/BRASS - W/O SHADE	
8	067479-01-000	EA	BULB - 12 VOLT - #1076 - 1.80 AMP	
8	065201-12-000	EA	SHADE - LAMP - FABRIC	
9	098024-05-02A	EA	LIGHT - DOME - 1 BULB - SKYLITE - WHITE	
9	008218-01-000	EA	BULB - DOME LIGHT - 12 VOLT - NO. 1141	
9	098024-01-701	EA	LENS - OPTI CLEAR - SKYLITE	809902
10	098351-02-01A	EA	PLATE - SWITCH - 2 GANG POLISHED BRASS (W/SIDE TV CABINET)	
10	079364-01-000	EA	SWITCH - ON/OFF ROCKER - 2 PRONGS - BROWN - TV (W/SIDE TV CABINET)	
10	079364-03-000	EA	SWITCH - ON/OFF ROCKER - 3 PRONGS - BROWN - COURTESY LIGHT	
10	098351-01-01A	EA	PLATE - SWITCH - 1 GANG POLISHED BRASS (W/O SIDE TV CABINET)	
11	058707-02-000	EA	RECEPTACLE - BLANK JUNCTION BOX	
12	061424-01-000	EA	LIGHT - AISLE - 12 VOLT - RECTANGULAR	
12	008103-01-000	EA	BULB - DASH/AISLE LIGHT - #53 - 12 VOLT - .12 AMP	
13	084076-02-000	EA	RECEPTACLE - GFI - 15 AMP - 125 VOLT - BROWN	
14	111414-01-000	EA	RECEPTACLE - 12V - W/O BIMETAL	

KEY	PART NUMBER	U/M	DESCRIPTION	VENDOR NO.
15	098024-03-02A	EA	LIGHT - DOME - 2 BULB - WHITE	
15	008218-01-000	EA	BULB - DOME LIGHT - 12 VOLT - NO. 1141	
15	098024-01-700	EA	LENS-LIGHT	807877
16	098351-06-01A	EA	PLATE - SWITCH - 2 GANG POLISHED BRASS	
16	079364-01-000	EA	SWITCH - ON/OFF ROCKER - 2 PRONGS - BROWN - CEILING/PORCH	
17	098351-01-01A	EA	PLATE - SWITCH - 1 GANG POLISHED BRASS	
17	079364-01-000	EA	SWITCH - ON/OFF ROCKER - 2 PRONGS - BROWN - STEP	
18	121935-01-01A	EA	LIGHT - DOME - SHOWER	
19	098351-07-01A	EA	PLATE - SWITCH - GENERATOR - POLISHED BRASS	
19	108357-06-000	EA	SWITCH - ROCKER DPDT - MOM/OFF/MOM - 6 TERMINAL	
19	108356-11-01A	EA	COVER-ACTUATOR SWITCH - 3 GROOVES - AUX BATT - BLACK	
20	098351-02-01A	EA	PLATE - SWITCH - 2 GANG POLISHED BRASS	
20	079364-01-000	EA	SWITCH - ON/OFF ROCKER - 2 PRONGS - BROWN - CEILING LIGHT	
20	079364-03-000	EA	SWITCH - ON/OFF ROCKER - 3 PRONGS - BROWN - AISLE LIGHT	
20	095188-01-01A	EA	SPACER - SWITCH - 2.3" X 3.4" - PLASTIC - DARK BROWN	
21	112822-01-01A	EA	RECEPTACLE - DUPLEX - IVORY	
21	112824-01-03A	EA	COVER - RECEPTACLE - EXTERIOR DUPLEX	
22	098351-03-01A	EA	PLATE - SWITCH - 3 GANG POLISHED BRASS	
22	079364-01-000	EA	SWITCH - ON/OFF ROCKER - 2 PRONGS - BROWN - CEILING/SHOWER	
22	079364-03-000	EA	SWITCH - ON/OFF ROCKER - 3 PRONGS - BROWN - PUMP	
22	095188-02-01A	EA	SPACER - SWITCH - 2.3" X 4.1" - PLASTIC - DARK BROWN	
23	104173-01-01A	EA	LIGHT - DESIGNER - BRASS	
23	104173-01-700	EA	BULB	81900
23	104172-01-01A	EA	LIGHT - BULLET - BULB #93 12V - CANADIAN	
	086280-01-000	EA	LIGHT - SURFACE MOUNT - 12 VOLT	
	086280-01-700	EA	BULB, 12V	ARP1089
	108355-01-000	EA	HOUSING - SWITCH	
	097734-01-02A	EA	EXTENSION - RECEPTACLE - 3.2" X 5" X .7" - BROWN PLASTIC	

## EXTERIOR BODY GROUP (CONTINUED)

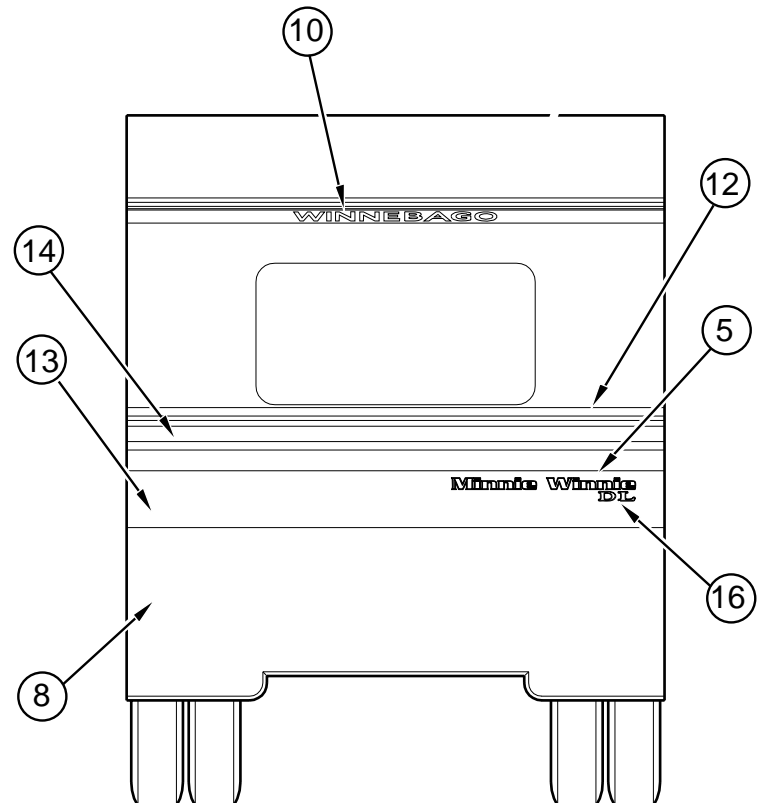
### DECALS, STRIPES & PAINT



KEY	PART NUMBER	U/M	DESCRIPTION
1	094443-44-01A	FT	FILM - MULTISTRIPE - 4.4 WIDE
2	122319-01-01A	EA	DECAL - SWEEP - MIDDLE RIGHT HAND
2	122319-02-01A	EA	DECAL - SWEEP - MIDDLE LEFT HAND
3	093689-22-01A	FT	FILM - MULTISTRIPE - 6.5 WIDE
4,10	120702-01-01A	EA	DECAL - LOGO WINNEBAGO
5	121744-02-01A	EA	DECAL - MINNIE WINNIE SMALL
6	121742-01-01A	EA	DECAL - CAB - DOOR RIGHT HAND
6	121742-02-01A	EA	DECAL - CAB - DOOR LEFT HAND
7	121743-01-01A	EA	DECAL - LOGO - "W"
8	099399-33-000	EA	PAINT-FOREST GREEN
9	121740-01-01A	EA	DECAL - SWEEP - FORWARD RIGHT HAND
9	121740-02-01A	EA	DECAL - SWEEP - FORWARD LEFT HAND
10	121744-01-01A	EA	DECAL - MINNIE WINNIE - LARGE
11	121741-01-01A	EA	DECAL - SWEEP - REAR RIGHT HAND
11	121741-02-01A	EA	DECAL - SWEEP - REAR LEFT HAND
12	105781-53-01A	FT	FILM - MULTISTRIPE - 3.25 WIDE
13	093681-51-01A	FT	FILM - 7" - WIDE
14	093681-50-01A	FT	FILM - 1.50" WIDE
15	123777-01-01A	EA	DECAL - "DL" LOGO - 3" X 8"
16	123777-02-01A	EA	DECAL - "DL" LOGO - 1.3" X 3.4"

#### DUPONT COLOR CODES

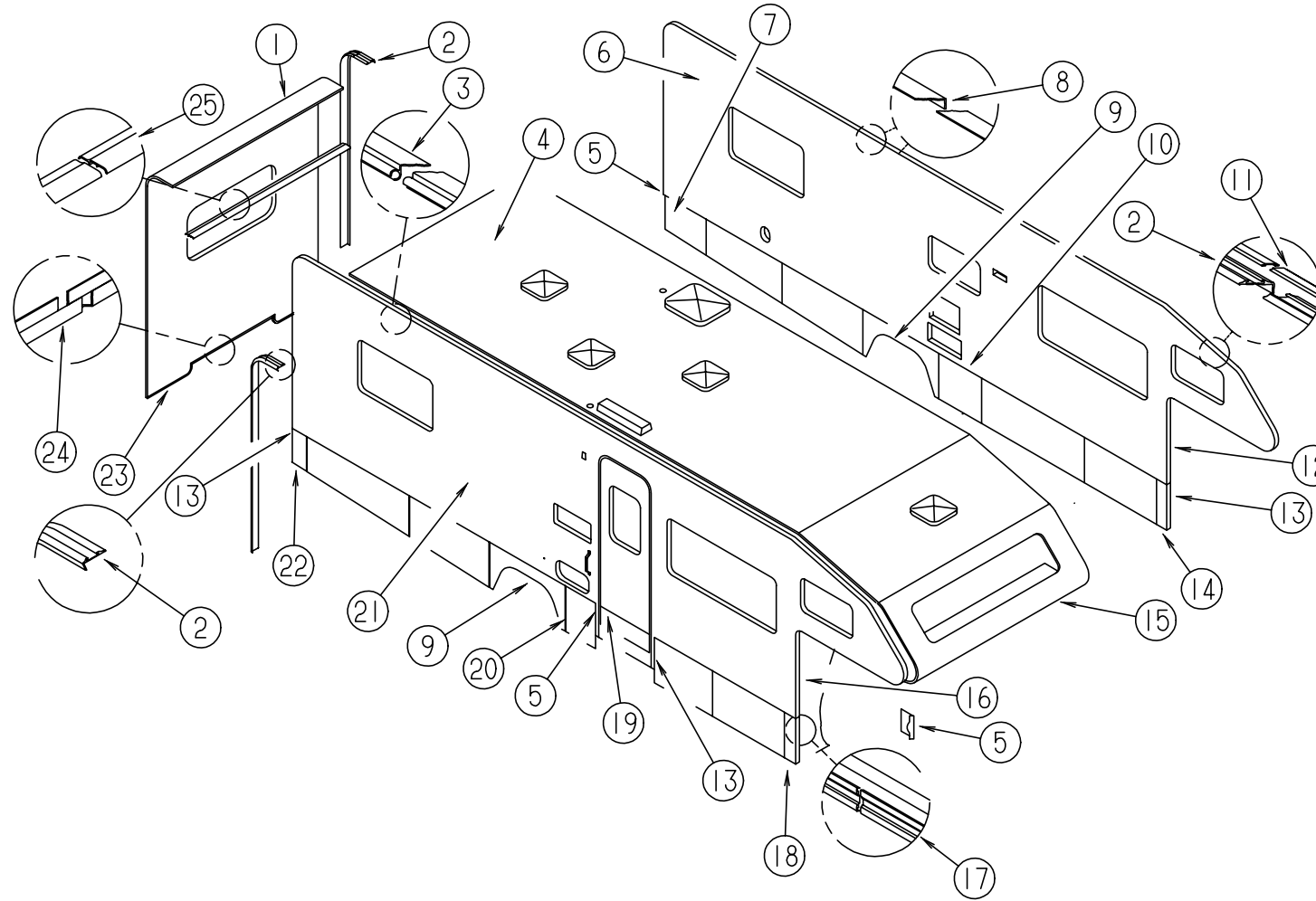
BRIGHT WHITE	B8951
FOREST GREEN	F1917
FOREST GREEN MET	GM221
SEAFOAM MIST MET	GM165
MAGENTA MET	RM017
BLUEBERRY MET	BM159





## EXTERIOR BODY GROUP (CONTINUED)

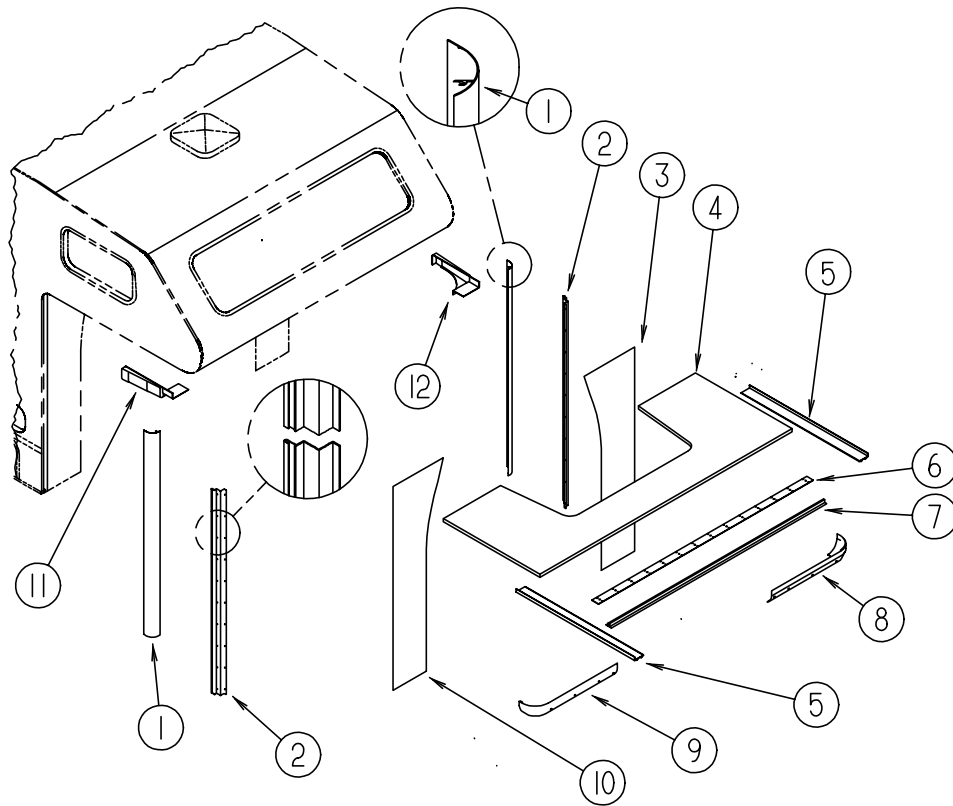
### BODY PANELS & TRIMS



KEY	PART NUMBER	U/M	DESCRIPTION
1	P22390-01-H10	EA	BACKWALL - W/O WINDOW/TRIM - CENTER QUEEN BED
1	P22390-01-H11	EA	BACKWALL - W/O WINDOW/TRIM - CENTER QUEEN BED
1	P22390-02-H10	EA	BACKWALL - W/O WINDOW/TRIM - TWIN BED
1	P22390-02-H11	EA	BACKWALL - W/O WINDOW/TRIM - TWIN BED
2	096854-05-02A	EA	TRIM - CONTOUR - 115" LONG - PASSENGER/DRIVER SIDE
3	099583-55-004	EA	AWNING RAIL - 133.9" - BRIGHT WHITE
	099583-55-003	EA	AWNING RAIL - 25.4"
4	P23146-01-H07	EA	ROOF - W/O LIGHTS/VENTS - W/WIRING
5	124132-01-01A	EA	CAP - TRIM - SIDEWALL
6	P22287-01-H10	EA	SIDEWALL - DRIVER - W/O WINDOWS/TRIMS
6	P22287-01-H11	EA	SIDEWALL - DRIVER - W/O WINDOWS/TRIMS
7	122732-04-H10	EA	PANEL - REAR VALANCE
8	096864-02-02A	EA	TRIM - CONTOUR
9	121304-02-01A	EA	PANEL - WHEEL LIP - REAR
			FROM: 00-00-00 THRU: 11-10-96
9	121304-02-02A	EA	PANEL - WHEEL LIP - REAR
			FROM: 11-11-96 THRU: 99-99-99
10	122776-10-H10	EA	PANEL - VALANCE - W/O HARDWARE
11	105312-01-07A	FT	INSERT - FEATURE STRIP VINYL - BRIGHT WHITE
12	108037-02-02A	EA	COVER - WINGWALL OUTER-CURVED BRIGHT WHITE ALUMINUM
12	105015-02-02A	EA	TRIM - WINGWALL/SIDEWALL INNER SUPPORT BRACKET
12	076322-03-000	FT	TAPE - DOUBLE COATED/ADHESIVE BACK -.045"THK X .50"W X 9'

KEY	PART NUMBER	U/M	DESCRIPTION
13	124132-02-01A	EA	CAP - TRIM - SIDEWALL
14	122776-07-H10	EA	PANEL - VALANCE - W/O HARDWARE
15	P21337-01-H07	EA	ROOF - FRONT ONLY - W/O LIGHTS/VENTS - W/WIRING
16	108037-02-02A	EA	COVER - WINGWALL OUTER-CURVED BRIGHT WHITE ALUMINUM
16	105015-02-02A	EA	TRIM - WINGWALL/SIDEWALL INNER SUPPORT BRACKET
16	076322-03-000	FT	TAPE - DOUBLE COATED/ADHESIVE BACK -.045"THK X .50"W X 9'
17	124176-01-01A	EA	TRIM - SIDEWALL - BRIGHT WHITE
	105312-01-07A	FT	INSERT - FEATURE STRIP VINYL - BRIGHT WHITE
18	122776-06-H10	EA	PANEL - VALANCE - W/O HARDWARE
19	108688-01-03A	EA	STRIP - FEATURE - 15'
20	122776-03-H10	EA	PANEL - REAR VALANCE - W/O HARDWARE
21	P22288-01-H10	EA	SIDEWALL - PASSENGER - W/O WINDOWS/TRIM
21	P22288-01-H11	EA	SIDEWALL - PASSENGER - W/O WINDOWS/TRIM
22	122732-03-H10	EA	PANEL - VALANCE/REAR - W/O HARDWARE
23	103334-03-02A	EA	TRIM - BACKWALL/LOWER
24	103335-02-02A	EA	TRIM - BACKWALL/LOWER
25	078580-02-000	EA	TRIM - ROOF/FRONT CAP
	107865-06-000	EA	ROD - SUPPORT - VALANCE PANEL - 15"
	107865-01-000	EA	ROD - SUPPORT - VALANCE PANEL - 14.3"
	107865-07-000	EA	ROD - SUPPORT - VALANCE PANEL - 14.3"
	002726-01-001	EA	GARNISH - U-CHANNEL - 1.38" X 19' - SERRATED
	002365-03-006	EA	U-CHANNEL - EXTRUDED - 1" X 192" - BRIGHT WHITE

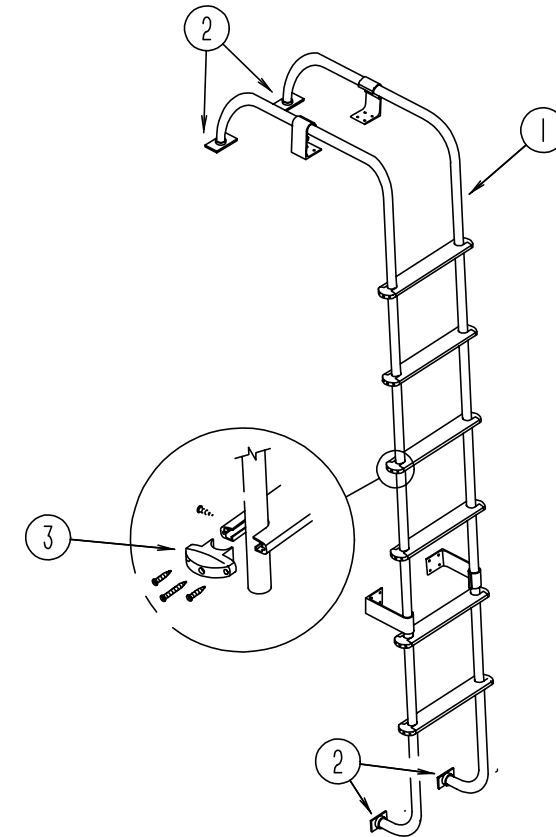
**EXTERIOR BODY GROUP (CONTINUED)**



**WINGWALL, SLEEPERBOARD & TRIM**

KEY	PART NUMBER	U/M	DESCRIPTION
1	108037-02-02A	EA	COVER - WINGWALL OUTER-CURVED BRIGHT WHITE ALUMINUM
2	105015-02-02A	EA	TRIM - WINGWALL/SIDEWALL INNER SUPPORT BRACKET
3	118336-02-G07	EA	WINGWALL
4	P18335-01-G04	EA	SLEEPERBOARD
5	096854-05-02A	EA	TRIM - CONTOUR - 115" LONG - PASSENGER/DRIVER SIDE
5	105312-01-07A	FT	INSERT - VINYL FEATURE STRIP - BRIGHT WHITE
6	100086-04-01A	EA	TRIM - SLEEPER BOARD/ROOF - 2" X 96.6"
7	100085-05-01A	EA	TRIM - STRAP - SLEEPERBOARD
8	122910-02-G07	EA	COVER - WINGWALL
9	122910-01-G07	EA	COVER - WINGWALL
10	118336-01-G07	EA	WINGWALL
11	104444-01-02A	EA	COVER - WINGWALL TRIM - UPPER PASSENGER
12	104444-02-02A	EA	COVER - WINGWALL TRIM - UPPER DRIVER

**EXTERIOR BODY GROUP (CONTINUED)**



**LADDER**

KEY	PART NUMBER	U/M	DESCRIPTION
1	102953-15-G04	EA	LADDER
2	067165-01-000	EA	BRACKET - MOUNTING - LOWER LADDER
	000G39-06-10T	EA	SCREW-SF/DR - 6-20 X 5/8 PPH - BLACK
	000G68-10-36T	EA	SCREW-10-12 X 2.25 POH BLACK
3	076980-02-000	EA	END CAP - STEP - BLACK
	038327-01-000	EA	TAPE - ANTI-SLIP - 2" X 60'

**EXTERIOR MIRRORS - VELVAC**

KEY	PART NUMBER	U/M	DESCRIPTION	VENDOR NO.
	120269-05-01A	EA	MIRROR - EXTERIOR - W/HEAT/REMOTE - PASSENGER	
	120269-05-701	EA	GLASS ONLY REPLACEMENT RH/LH	709411-8
	120269-06-01A	EA	MIRROR - EXTERIOR - W/HEAT/REMOTE - DRIVER	
	120269-05-701	EA	GLASS ONLY REPLACEMENT RH/LH	709411-8
	120269-07-01A	EA	PANEL - DRIVERS DOOR MIRROR CONTROL W/SWITCH & PIGTAIL	
	120269-08-000	EA	HARNES - ELECTRIC MIRROR	

**EXTERIOR BODY GROUP (CONTINUED)**

**AWNING & HARDWARE - A & E**

KEY	PART NUMBER	U/M	DESCRIPTION	VENDOR NO.
	113874-05-04A	EA	AWNING - W/O HDW 14' (EMERALD FROST) VINYL	
	113874-01-02A	EA	HARDWARE KIT - AWNING- W/O STANDOFF BRACKET - BRIGHT WHITE	
	113874-01-702	EA	KNOB - ADJUSTING	3105421.014
	113874-01-703	EA	ROD-CENTER PULL W/ACCESSORYS	830152.102
	113874-01-706	EA	LOCK - TRAVEL	830587.001
	113874-01-707	EA	HANDLE - LIFT W/RIVETS	830644
	113874-01-709	EA	NAIL-SPIKE, 8"	113006
	113874-01-710	EA	PLUG-STOP KIT	830456
	113874-01-712	EA	FOOT - PATIO	730366-001
	113874-01-714	EA	RAFTER - MAIN RH/LH BRT/WHT	830295.536F
	113874-01-715	EA	RAFTER - SECONDARY BRT/WHT	830463.511F
	113874-01-716	EA	ARM - MAIN SUPPORT BRT/WHT	3104502.293/F
	113874-01-717	EA	ARM - ADJUSTABLE BRT/WHT	830467.517/F
	111038-01-01A	EA	SPACER - AWNING - LOWER	

**RUNNING BOARDS**

KEY	PART NUMBER	U/M	DESCRIPTION
	106461-03-000	EA	HARDWARE KIT - RUNNING BOARD
	106461-06-01A	EA	RUNNING BOARD - FORD - RIGHT HAND
	106461-07-01A	EA	RUNNING BOARD - FORD - LEFT HAND
	106461-04-000	EA	TRIM-RUNNING BOARD FORD - QUALITY SET/2
	106461-05-000	EA	NON SKID STRIP-RUNNING BOARD - QUALITY SET/6

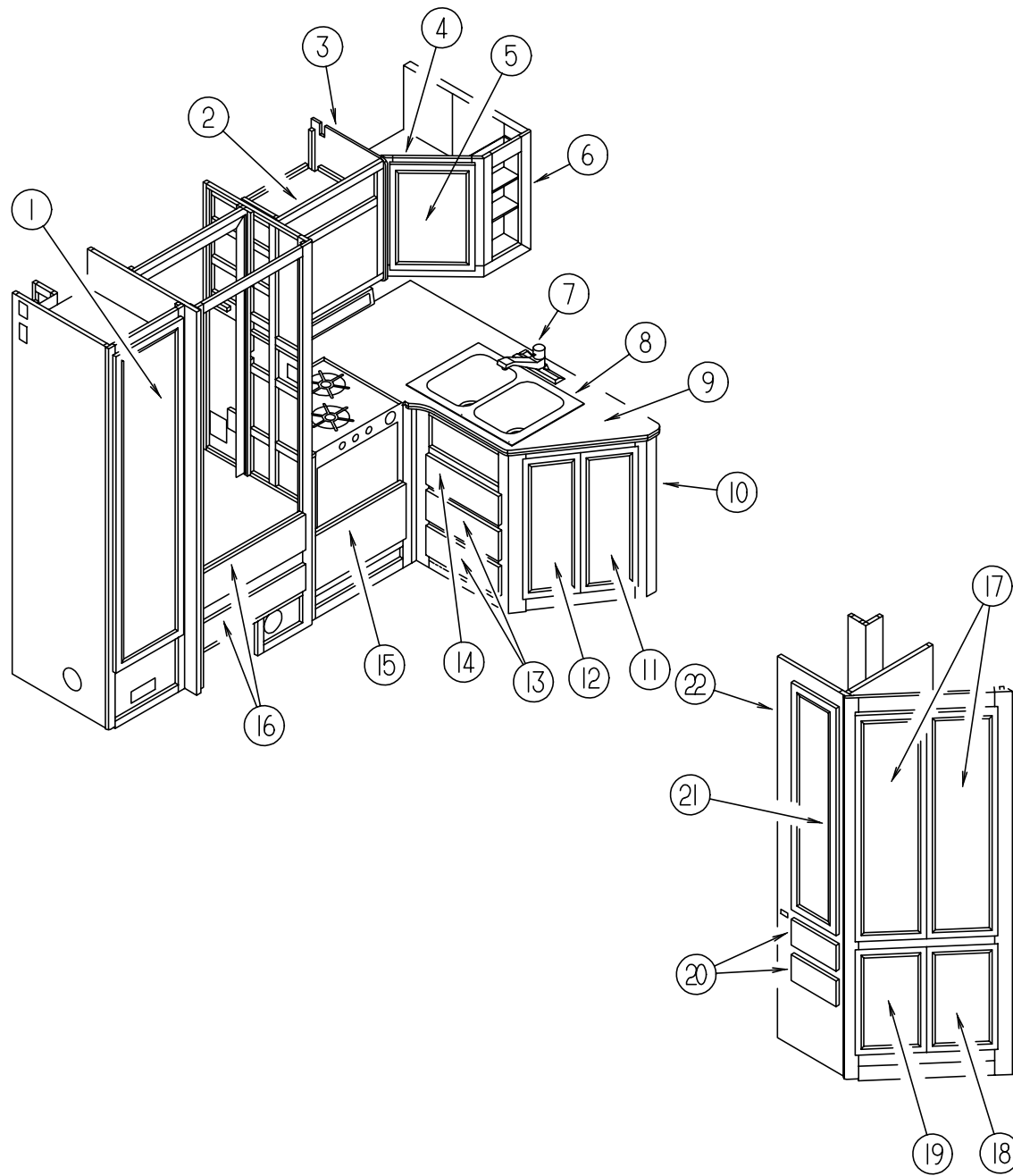
**EXTERIOR BODY GROUP (CONTINUED)**

**FIBERGLASS, STYROFOAM & ALUMINUM CHANNEL**

KEY	PART NUMBER	U/M	DESCRIPTION
	000870-08-000	SF	STYROFOAM - .75" X 48" X 96" PLANED EXPANDED BEAD BOARD
	002726-01-001	EA	GARNISH - U-CHANNEL - 1.38" X 19' - SERRATED
	033381-17-001	FT	STEEL - TUBE - 16 GAUGE 1.5" X 1.5" X 16'
	068716-01-001	EA	BRACE - 90 DEGREE L-ANGLE - 16'
	076054-P9-000	EA	FIBERGLASS SHEET - 37.4" X 99.25" - BRIGHT WHITE
	076054-R1-000	EA	FIBERGLASS SHEET - 24" X 65.9" - BRIGHT WHITE
	076054-S3-000	EA	FIBERGLASS SHEET - 101.4" X 106.9" - BRIGHT WHITE
			FROM: 00-00-00 THRU: 09-19-96
	076054-W2-000	EA	FIBERGLASS SHEET - 85" X 339" - BRIGHT WHITE
	076054-W5-000	EA	FIBERGLASS SHEET - 101.42" X 108.66" - BRIGHT WHITE
	077517-62-000	EA	FIBERGLASS - SHEET - 48" X 96" - BRIGHT WHITE
	083574-06-000	SF	STYROFOAM - .75 X 48" X 108" - INCREMENTS OF 14 SF
	089297-01-000	SF	PLYWOOD - LUAN - OVERLAY GRADE - 48" X 96"
	100619-01-000	BF	FOAM - EXPANDED POLYSTYRENE - 1.34" X 48" X 96"
	100619-02-000	BF	FOAM - EXPANDED POLYSTYRENE - 1.5" X 48" X 96"
	100619-04-000	BF	FOAM - EXPANDED POLYSTYRENE - .5" X 48" X 96"
	100619-05-000	BF	FOAM - EXPANDED POLYSTYRENE - .75" X 48" X 96"
	100619-11-000	BF	FOAM - EXPANDED POLYSTYRENE - 2" X 48" X 96"
	100619-13-000	BF	FOAM - EXPANDED POLYSTYRENE - .34" X 34.65" X 96"
	100619-16-000	BF	FOAM - EXPANDED POLYSTYRENE - .75" X 48" X 96"
	108535-05-702	EA	FRP FLAT 110" X 396" BRT WHT PARTS DEPT
	108535-06-700	EA	FRP FLAT 102" X 102" BRT WHT PARTS SALES
	117754-03-01A	EA	FIBERGLASS SHEET - 10.5" X 96" BRIGHT WHITE
	125838-01-002	EA	ACRYLIC SHEET - .125 X 1.8" X 2"

# GALLEY GROUP

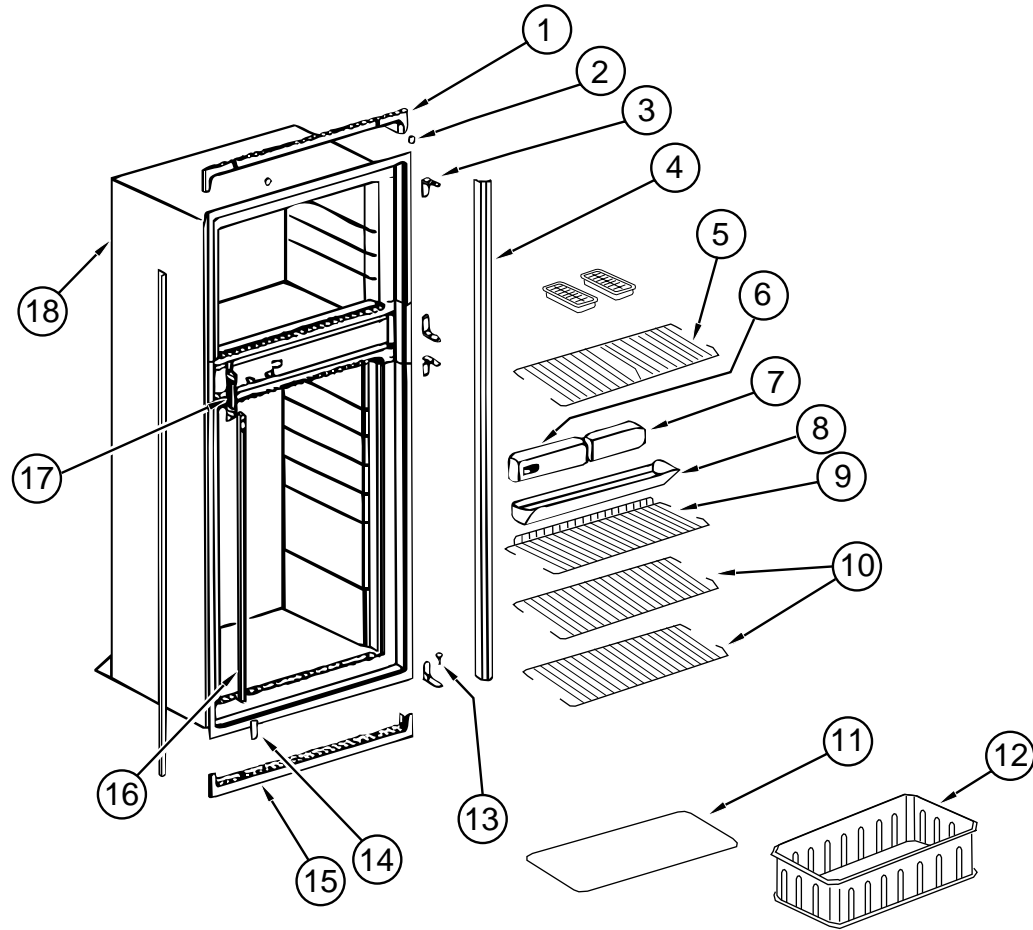
## CABINETS & FIXTURES



KEY	PART NUMBER	U/M	DESCRIPTION
1	M06803-E7-F08	EA	DOOR-RAIL, MTRD/OG - 0410 X 1660
	123122-12-H10	EA	SHELF - W/PLASTIC EDGE TRIM
2	122267-01-H10	EA	CABINET - MICROWAVE - W/O DOORS/HARDWARE
3	109908-21-F08	EA	END CAP - OVERHEAD CABINET
4	P14876-01-F08	EA	CABINET - GALLEY OVERHEAD W/SPICE RACK - W/O DOORS/HDW
	114876-11-F08	EA	SHELF - W/PLASTIC EDGE TRIM
5	M06803-93-F08	EA	DOOR - MITERED CORNER/OGEE EDGE - 14.3" X 21.8" - W/O HDW
6	114875-01-F08	EA	CABINET - SPICE RACK - W/O DOORS/HARDWARE
	098335-15-G24	EA	RAIL - GALLEY - 46.1" (H10)
	098335-15-G07	EA	RAIL - GALLEY - 46.1" (H11)
7	104114-02-01A	EA	FAUCET-GALLEY - SINGLE CONTROL - CHROME
8	104113-01-000	EA	SINK-DOUBLE - STAINLESS STEEL
	092303-01-000	EA	STRAINER-SINK
	103610-01-E04	EA	COVER - SINK - 15.1" X 15.8" (H10)
			FROM: 00-00-00 THRU: 02-12-97
	103610-03-H04	EA	COVER - SINK - 15.2" X 11" (H10)
			FROM: 02-13-97 THRU: 99-99-99
	103610-01-F09	EA	COVER - SINK - 15.1" X 15.8" (H11)
			FROM: 00-00-00 THRU: 02-12-97
	103610-03-H07	EA	COVER - SINK - 15.2" X 11" (H11)
			FROM: 02-13-97 THRU: 99-99-99
9	123123-20-H08	EA	COUNTERTOP (H10)
9	123123-20-H07	EA	COUNTERTOP (H11)
10	M07554-03-H10	EA	CABINET - GALLEY - W/O DOORS/DRAWERS/HARDWARE - W/COUCH
10	M07554-03-H11	EA	CABINET - GALLEY - W/O DOORS/DRAWERS/HARDWARE - W/COUCH
10	M07554-04-H10	EA	CABINET - GALLEY - W/O DOORS/DRAWERS/HARDWARE - W/DINETTE
10	M07554-04-H11	EA	CABINET - GALLEY - W/O DOORS/DRAWERS/HARDWARE - W/DINETTE
10	M07554-05-H10	EA	CABINET - GALLEY - W/O DRS/DWRS/HDW - F/COUCH/CANADIAN
10	M07554-05-H11	EA	CABINET - GALLEY - W/O DRS/DWRS/HDW - F/COUCH/CANADIAN
10	M07554-06-H10	EA	CABINET - GALLEY - W/O DRS/DWRS/HDW - F/DINETTE/CANADIAN
10	M07554-06-H11	EA	CABINET - GALLEY - W/O DRS/DWRS/HDW - F/DINETTE/CANADIAN
	123123-17-H10	EA	SHELF - W/PLASTIC EDGE TRIM
11	M06803-E5-F08	EA	DOOR - MITERED CORNER/OGEE EDGE - 10" X 29.5" - W/O HDW
12	M06803-E6-F08	EA	DOOR - MITERED CORNER/OGEE EDGE - 10" X 29.5" - W/O HDW
13	M05971-J4-F08	EA	DRAWER - OGEE EDGE - 15.4"W X 17.7"D - W/O SLIDES/HARDWARE
14	M05971-J3-F08	EA	DRAWER - OGEE EDGE - 12.5"W X 8.6"D - W/O SLIDES/HARDWARE
15	M05971-E7-H10	EA	DRAWER - OGEE EDGE - 19.7"W X 15.7"D - W/O SLIDES/HDW
16	M05971-L9-F08	EA	DRAWER - OGEE EDGE - 22.5"W X 21.6"D - W/O SLIDES/HDW
	090329-01-000	FT	SEAL-T- REFRIGERATOR CABINET - .6" WIDE TOP X 2" TAIL
17	M06803-66-H10	EA	DOOR-MITERED CORNER/OGEE EDGE 12" X 50" W/O HDW
18	M06803-D6-F08	EA	DOOR - MITERED CORNER/OGEE EDGE - 12" X 27" - W/O HDW
19	M06803-D7-F08	EA	DOOR - MITERED CORNER/OGEE EDGE - 12" X 22" - W/O HDW
20	M05971-J1-F08	EA	DRAWER - OGEE EDGE - 9.8"W X 13.8"D - W/O SLIDES/HARDWARE
21	M06803-E9-F08	EA	DOOR - MITERED CORNER/OGEE EDGE - 12" X 47.9" - W/O HDW
22	114308-01-H10	EA	CABINET - PANTRY - W/O DOORS/DRAWERS/HARDWARE
	114308-12-F08	EA	SHELF - W/PLASTIC EDGE TRIM (3 USED)
	114308-16-H10	EA	SHELF - W/PLASTIC EDGE TRIM (1 USED)

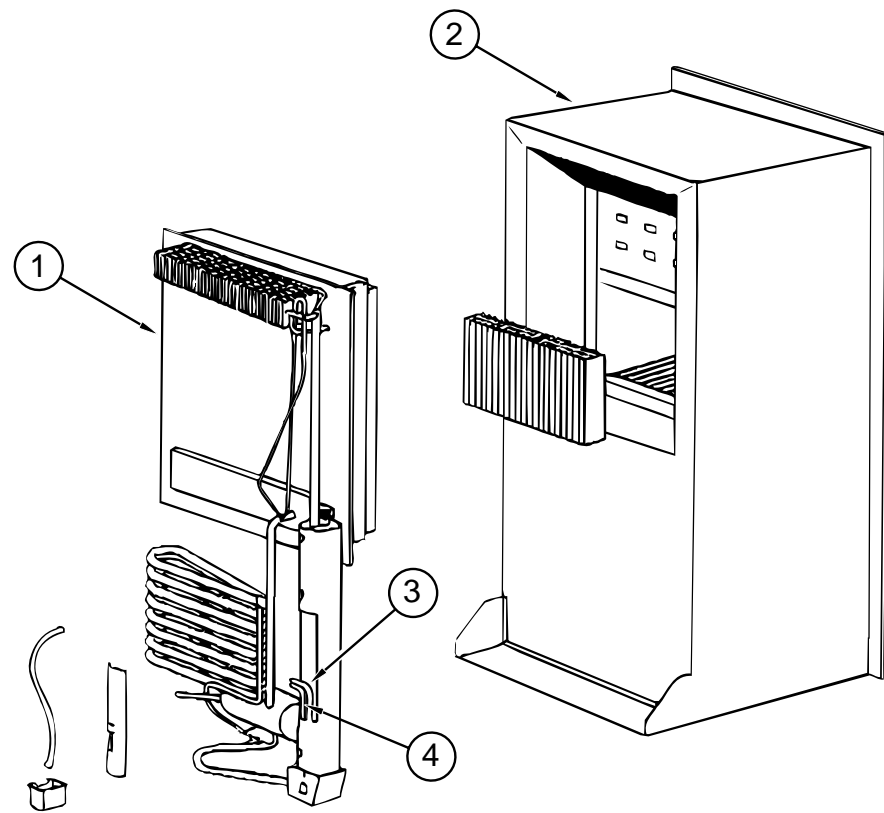
## GALLEY GROUP (CONTINUED)

### NORCOLD MODEL 9162 REFRIGERATOR CABINET ASM WITH TRAY, TIEDOWNS & LEVEL



KEY	PART NUMBER	U/M	DESCRIPTION	VENDOR NO.
	121568-02-01A	EA	REFRIGERATOR - SMALL DOUBLE DOOR - LEFT HAND - 2-WAY	
1	120075-01-713	EA	TRIM - TOP PIECE	618124
2	120075-01-714	EA	PLUG - HOLE	618170
3	120075-01-715	EA	HINGE - CABINET	618512
	120075-01-708	EA	BUSHING - DOOR HINGE	618144
4	120076-01-702	EA	TRIM, SIDE PIECE	618133
5	121568-01-705	EA	SHELF - WIRE FREEZER	618620
6	121568-01-706	EA	CONTROL BOX ASSEMBLY	618588
7	120075-01-718	EA	BOX - FILLER	618112
8	120075-01-720	EA	TRAY - DRIP	618137
	120075-01-721	EA	LOUVER - DRIP TRAY	618176
9	121568-01-707	EA	SHELF - WIRE, SHORT	618624
10	121568-01-708	EA	SHELF - WIRE	618589
11	120075-01-725	EA	COVER - CRISPER	618158
12	121568-01-709	EA	CRISPER	618571
13	120075-01-727	EA	PIN - HINGE	618145
14	120075-01-728	EA	COVER - HINGE HOLE	618171
15	120075-01-729	EA	TRIM - BOTTOM PIECE	618136
16	120075-01-730	EA	RETAINER - SHELF	618181
17	120075-01-732	EA	PLATE - STRIKE	618167
18	120076-01-703	EA	CABINET - FOAMED	618260
	120075-01-731	EA	PLUG - FACADE	618184
	116751-06-01A	EA	TRAY - REFRIGERATOR - BLACK	
	054450-01-000	EA	LEVEL - REFRIGERATOR	
	065225-02-000	EA	PLATE - TIEDOWN, REFRIGERATOR	
	093646-01-000	EA	BRACKET - TIEDOWN/REFRIGERATOR - RIGHT HAND	
	093646-02-000	EA	BRACKET - TIEDOWN/REFRIGERATOR - LEFT HAND	

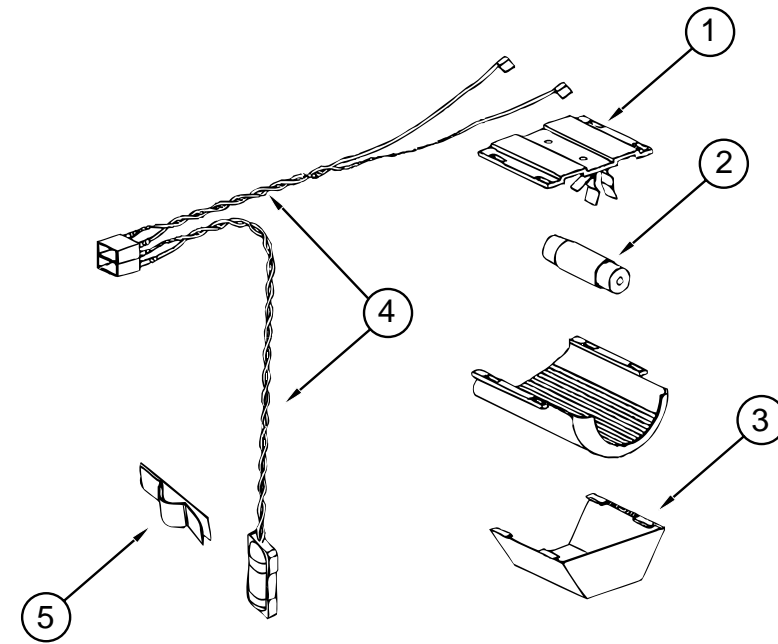
**GALLEY GROUP (CONTINUED)**



**NORCOLD MODEL 9162 REFRIGERATOR COOLING UNIT, CABINET, & HEATERS**

KEY	PART NUMBER	U/M	DESCRIPTION	VENDOR NO.
	121568-02-01A	EA	REFRIGERATOR - SMALL DOUBLE DOOR - LEFT HAND - 2-WAY	
1	120076-01-704	EA	COOLING UNIT-SERVICE PACK	618543
2	120076-01-703	EA	CABINET - FOAMED	618260
3	088248-01-710	EA	HEATER - DC, HORIZONTAL	61562822
4	088248-01-709	EA	HEATER - AC, HORIZONTAL	61562722

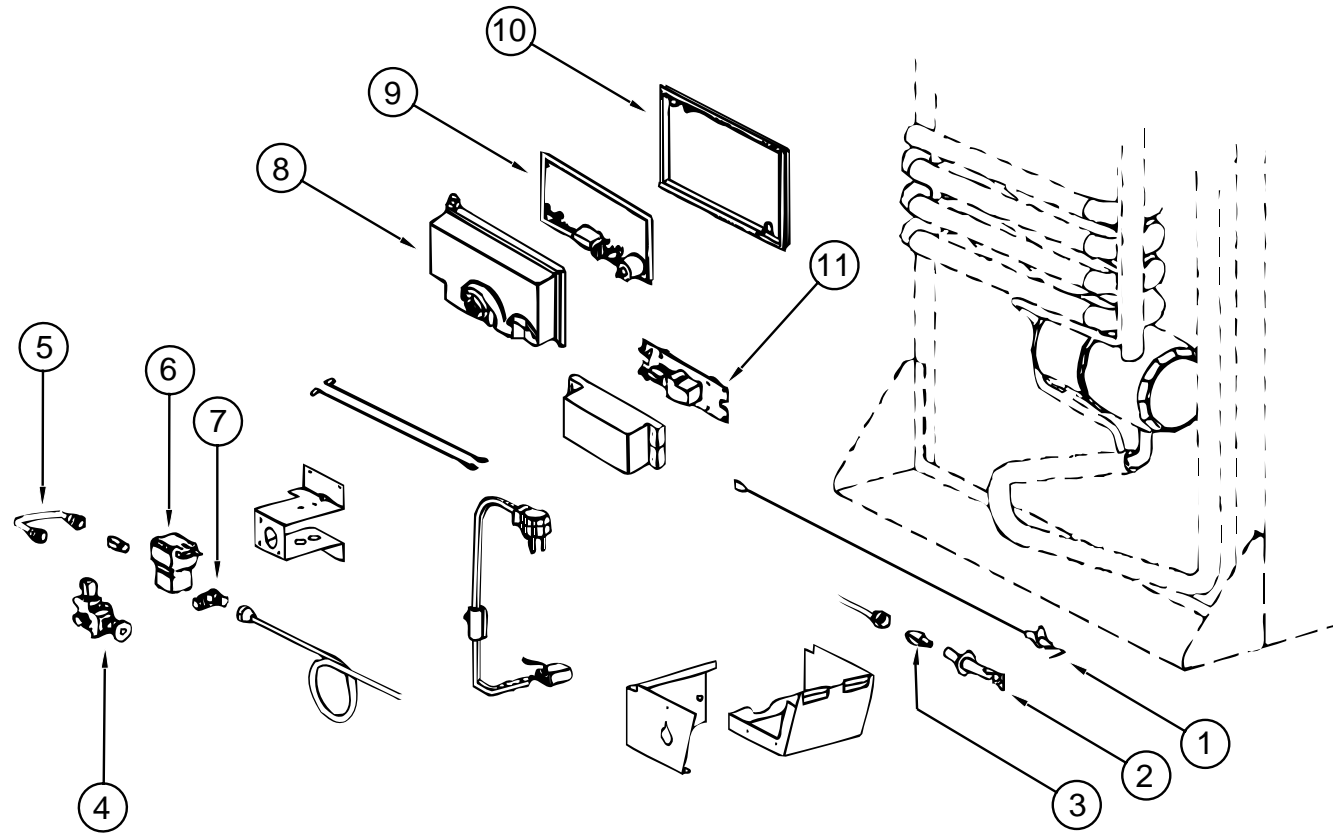
**GALLEY GROUP (CONTINUED)**



**NORCOLD MODEL 9162 REFRIGERATOR LAMP ASM**

KEY	PART NUMBER	U/M	DESCRIPTION	VENDOR NO.
	121568-02-01A	EA	REFRIGERATOR - SMALL DOUBLE DOOR - LEFT HAND - 2-WAY	
1	084880-03-705	EA	BRACKET - LIGHT, INTERIOR	61629722
2	084880-03-706	EA	BULB - LAMP	61628922
3	084880-03-707	EA	COVER - LAMP, LENS	61627922
4	120075-01-735	EA	THERMISTER W/LAMP & WIRE/ASM	618548
5	084880-01-760	EA	CLIP - THERMISTER	61689122

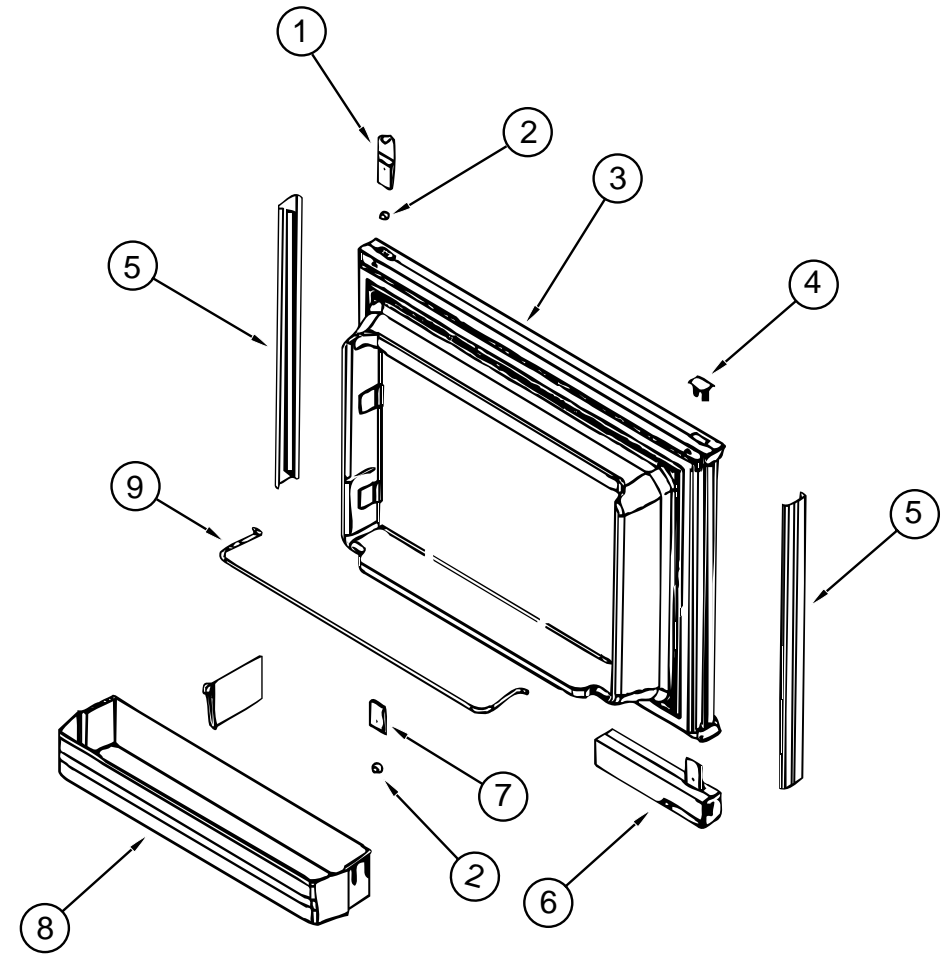
**GALLEY GROUP (CONTINUED)**



**NORCOLD MODEL 9162 REFRIGERATOR BURNER & POWER BOARDS**

KEY	PART NUMBER	U/M DESCRIPTION	VENDOR NO.
	121568-02-01A	EA REFRIGERATOR - SMALL DOUBLE DOOR - LEFT HAND - 2-WAY	
1	104137-06-715	EA ELECTRODE - SPARK/SENSOR, SGL	61692222
2	104137-06-714	EA BURNER ASSEMBLY, 5 SLOT	61705222
3	120076-01-705	EA ORIFICE - JEWEL, .015	618283
4	104137-06-709	EA VALVE - SHUT OFF, MANUAL	61694922
5	113737-01-750	EA TUBE - UNION	61694622
6	084880-01-718	EA VALVE - GAS, ASCO	61551822
7	113737-01-716	EA TAP - PRESSURE	61594422
8	120075-01-738	EA COVER - POWER BOARD	618185
9	120075-01-739	EA BOARD - POWER, 2-WAY	618198
9	120075-01-741	EA BOARD - POWER, 2-WAY	618574
10	120075-01-740	EA COVER - BASE, POWER BOARD	618186
11	121568-01-711	EA BOARD - DC MODULE	618561
	113737-01-702	EA PLUG - 1/8" F/PRESSURE TAP	61445322

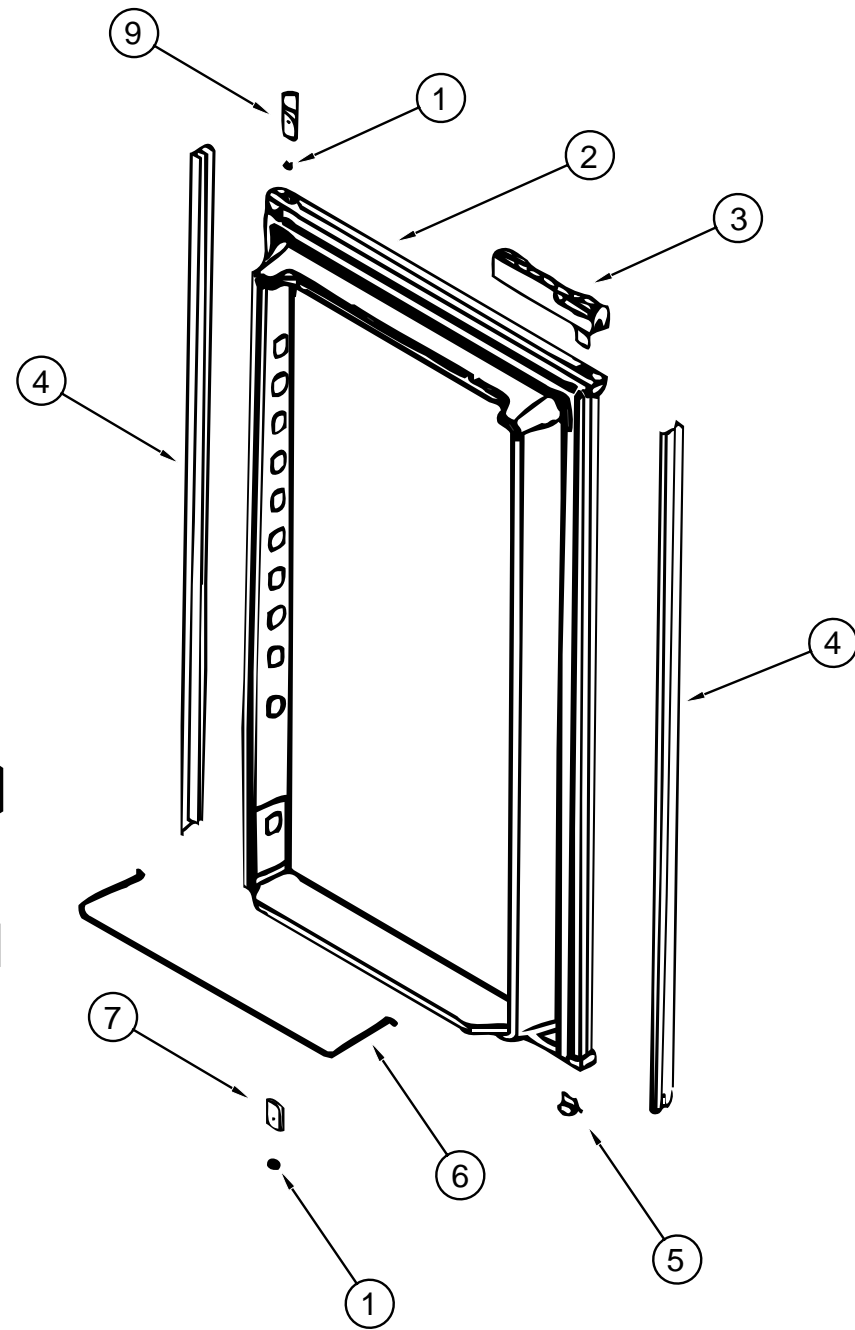
**GALLEY GROUP (CONTINUED)**



**NORCOLD MODEL 9162 REFRIGERATOR UPPER DOOR**

KEY	PART NUMBER	U/M DESCRIPTION	VENDOR NO.
	121568-02-01A	EA REFRIGERATOR - SMALL DOUBLE DOOR - LEFT HAND - 2-WAY	
1	120075-01-701	EA HINGE-TOP RH/BOTTOM LH	618511
2	120075-01-708	EA BUSHING-DOOR HINGE	618144
3	120075-01-703	EA DOOR ASSEMBLY-FOAMED, W/GASKET	618205
4	120075-01-702	EA CAP-HINGE PLUG	618160
5	120075-01-700	EA RETAINER-DOOR, DECOR PANEL	618128
6	121568-01-702	EA HANDLE ASSEMBLY-DOOR, LOWER LH/TOP RH	618230
7	120075-01-705	EA HINGE-PAINTED, TOP LH/BOTTOM RH	618510
8	121568-01-701	EA BIN-DOOR, WHITE	618619
9	121568-01-700	EA RAIL-DOOR, UPPER	618618
	103251-07-01A	EA INSERT - ACRYLIC/BLACK - 21.60" X 14.53"	

**GALLEY GROUP (CONTINUED)**



**GALLEY GROUP (CONTINUED)**

**MICROWAVE**

KEY	PART NUMBER	U/M DESCRIPTION	VENDOR NO.
	115303-02-000	EA OVEN - MICROWAVE 1.3 CU FT	
	115401-02-01A	EA TRIM - MICROWAVE	
	115303-02-700	EA TRIM-FOR VENT TOP & GRILL	2100310
	094750-07-000	EA BRACKET-MICROWAVE - 89 DEGREE	
	094756-02-01A	EA BRACKET-L - MICROWAVE - 6.1" LONG X 3.9" WIDE - STEEL - TAN	

**COFFEE MAKER - BLACK & DECKER**

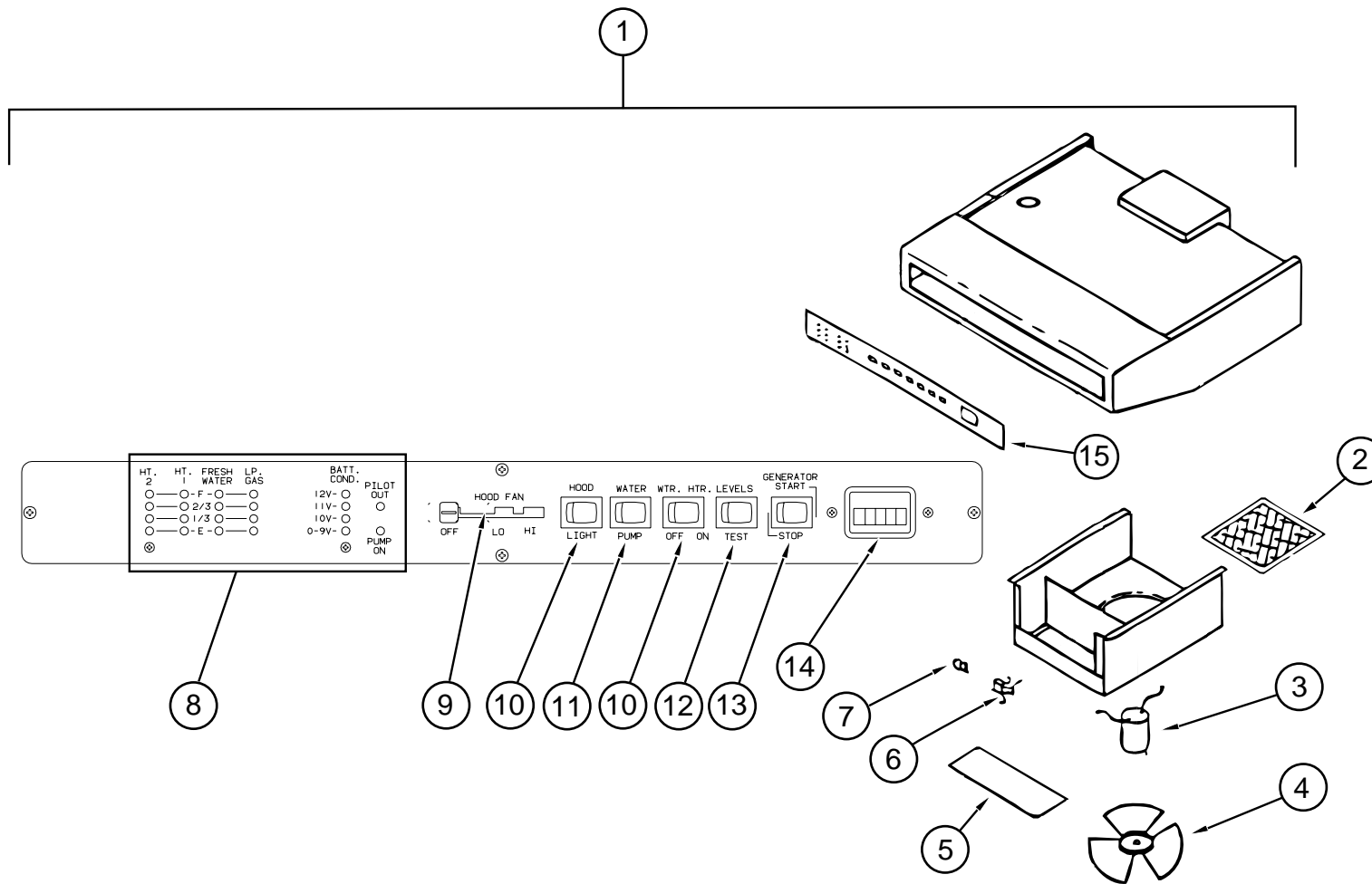
KEY	PART NUMBER	U/M DESCRIPTION	VENDOR NO.
	103799-02-01A	EA COFFEEMAKER WITH CLOCK	
	103799-01-701	EA BRACKETS, WHITE PAIR	FROM: 00-00-00 THRU: 04-13-97 164734-06 B & D
	126019-01-01A	EA COFFEEMAKER - OPTIMA - W/BRACKETS	FROM: 00-00-00 THRU: 04-13-97 FROM: 04-14-97 THRU: 99-99-99

**NORCOLD MODEL 9162 REFRIGERATOR LOWER DOOR**

KEY	PART NUMBER	U/M DESCRIPTION	VENDOR NO.
	121568-02-01A	EA REFRIGERATOR - SMALL DOUBLE DOOR - LEFT HAND - 2-WAY	
1	120075-01-708	EA BUSHING-DOOR HINGE	618144
2	120076-01-701	EA DOOR-LOWER, FOAMED W/GASKET	618210
3	120075-01-711	EA HANDLE ASSEMBLY-UPPER RH/LOWER LH	618235
4	120076-01-700	EA RETAINER-LOWER DOOR PANEL	618132
5	120075-01-702	EA CAP-HINGE PLUG	618160
6	121568-01-704	EA RAIL-DOOR, LOWER	618578
7	120075-01-705	EA HINGE-PAINTED, TOP LH/BOTTOM RH	618510
8	121568-01-701	EA BIN-DOOR, WHITE	618619
9	120075-01-701	EA HINGE-TOP RH/BOTTOM LH, PAINTED	618511
	103251-08-01A	EA INSERT - ACRYLIC/BLACK - 21.6" X 31.6"	



## GALLEY GROUP (CONTINUED)

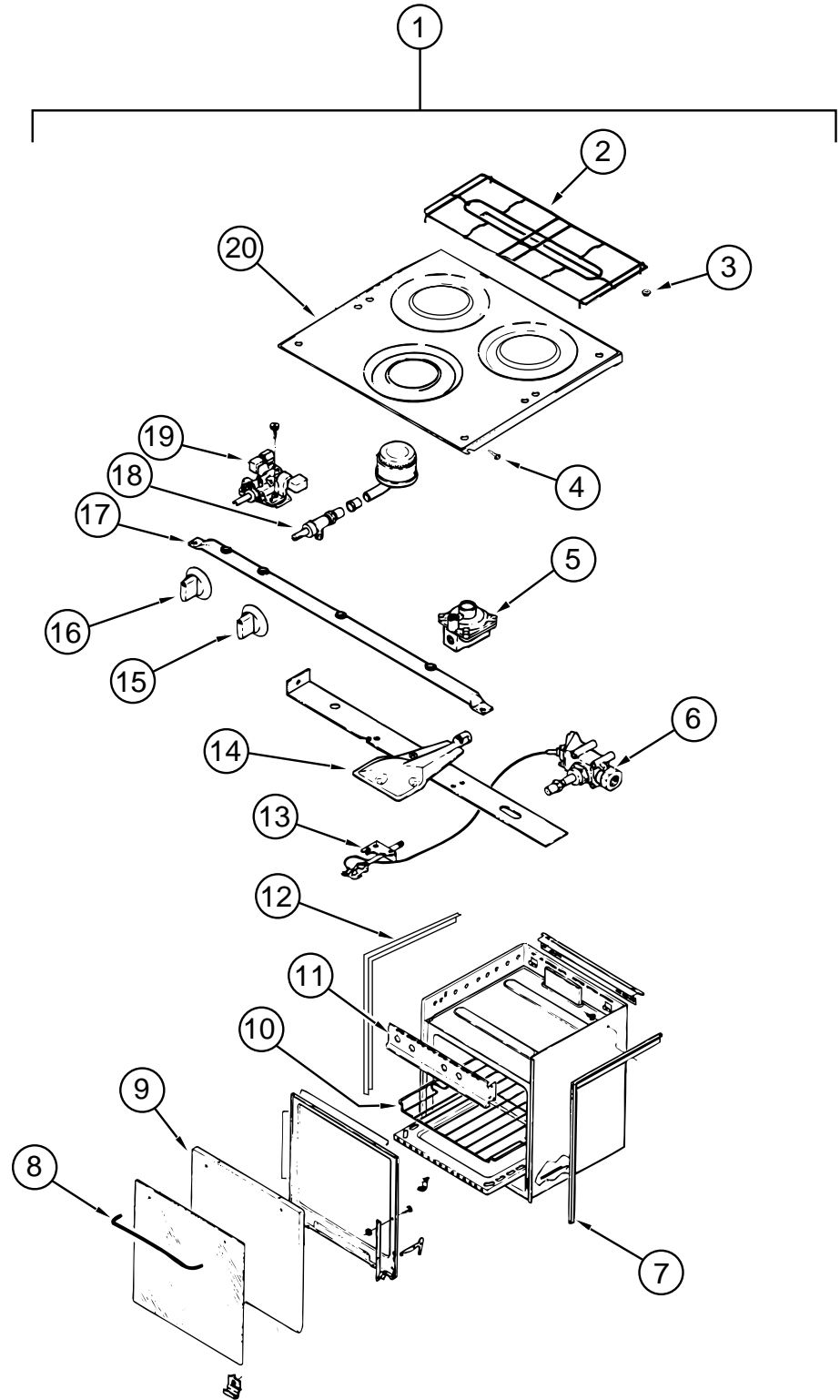


### RANGE HOOD

KEY	PART NUMBER	U/M	DESCRIPTION	VENDOR NO.
1	100258-22-03A	EA	HOOD-RANGE, W/O MONITOR PANEL - TMS-5012-SBDL (US)	
1	100258-23-03A	EA	HOOD-RANGE 22 W/MONT PNL TEX - TMS-5012-SBCL (CSA)	
2	096983-01-707	EA	FILTER-MESH	CC246
3	090973-01-700	EA	MOTOR-12 VOLT, CSA & UL	CA508-1
4	090973-01-702	EA	BLADE-FAN	VA183-1
5	092696-02-701	EA	LENS-LAMP	CC179-2
6	092696-01-710	EA	HOLDER-LAMP	CB267-2
7	117806-01-000	EA	BULB - 12 VOLT #912 - 1.0 AMPS	
8	100258-11-700	EA	BOARD-CIRCUIT	L5099-01
9	100258-04-701	EA	BEZEL-SWITCH LEVER	CC116
9	092696-01-701	EA	KNOB-PLASTIC	CC 225
10	096983-01-700	EA	SWITCH - ON/OFF	L0108-00
11	096983-01-703	EA	SWITCH - ON/ON	L0115-00
12	096983-01-701	EA	SWITCH - SPST/MOM 2 TERMINAL	L0111-00
13	096983-01-702	EA	SWITCH - MOM/OFF/MOM/3 TERM	L0112-00
14	100258-10-01A	EA	GAUGE - HOUR METER W/SWITCH - SCREW ON STYLE	
15	100258-12-700	EA	PANEL-CONTROL ASSEMBLY	LA9076
	092696-01-702	EA	RESISTER-WIRE	L7314
	100258-04-702	EA	SWITCH - LEVER - W/CABLE	CB547-1

# GALLEY GROUP (CONTINUED)

RANGE - MAGIC CHEF - MODEL 16RB-3B49



KEY	PART NUMBER	U/M	DESCRIPTION	VENDOR NO.
1	112881-01-02A	EA	RANGE - 16" - 3 BURNER BLACK - HIGH OUTPUT BURNER	
2	102020-01-711	EA	GRATE-TOP	7518P012-60
3	102020-01-709	EA	BUMPER-GRATE	8007-P020-60
4	102020-01-724	EA	BUMPER-MAIN TOP	8003P008-60
5	102022-01-708	EA	REGULATOR, 1/4 & 1/2 OUT	7510P041-60
6	112881-01-702	EA	VALVE-MERCURY (SAFETY VALVE)	7501P12160=74001018
7	112881-01-708	EA	TRIM-FLAT (RIGHT) (BLK)	3608W036-70
				FROM: 00-00-00 THRU: 07-14-96
7	112881-01-720	EA	TRIM-FLAT RH BLACK TEXTURED	74002812
				FROM: 07-15-96 THRU: 99-99-99
8	102020-01-701	EA	HANDLE, DOOR	7701P092-60
9	112881-01-714	EA	PANEL-OVEN DOOR, GLASS	2401F114-70
				FROM: 00-00-00 THRU: 07-14-96
9	102022-01-704	EA	GLASS-OUTER	7902P261-60
				FROM: 07-15-96 THRU: 99-99-99
10	102020-01-700	EA	SHELF-OVEN	7801-P027-60
11	112881-01-701	EA	PANEL-MANIFOLD	2616F091-70
12	112881-01-707	EA	TRIM-FLAT (LEFT) (BLK)	3608W035-70
				FROM: 00-00-00 THRU: 07-14-96
12	112881-01-719	EA	TRIM-FLAT LH BLACK TEXTURED	74002813
				FROM: 07-15-96 THRU: 99-99-99
13	112881-01-710	EA	OVEN PILOT	7505P202-60
14	112881-01-711	EA	BURNER-OVEN	3403W025045
15	112881-01-705	EA	KNOB-TOP BURNER	7733P072-60
16	112881-01-704	EA	KNOB-THERMOSTAT	7731P067-60
17	112881-01-709	EA	PIPE-MANIFOLD	7513P097-60
18	102020-01-722	EA	VALVE-TOP BURNER	7502P181-60
18	112881-01-703	EA	VALVE-TOP BURNER HI-OUTPUT	7502P180-60
19	112881-01-722	EA	THERMOSTAT	7515P029-60K
				7515P031-60
				7515P037-60
20	112881-01-712	EA	RANGE TOP-MAIN BLACK	740101486
				7502P180-60
				74002809
				FROM: 07-15-96 THRU: 99-99-99
				7731P107-60
				74001794
	112881-01-716	EA	KNOB, THERMOSTAT-SER# 3C	
	112881-01-718	EA	KNOB - TOP BURNER HI-OUTPUT	
	105458-01-000	EA	BRACKET - STOVE TIEDOWN - RH	
	105458-02-000	EA	BRACKET - STOVE TIEDOWN - LH	
	105458-02-000	EA	BRACKET - STOVE TIEDOWN - LH - MONITOR PANEL - LVS	

## GENERATOR GROUP

### 4 KW ONAN GAS GENERATOR

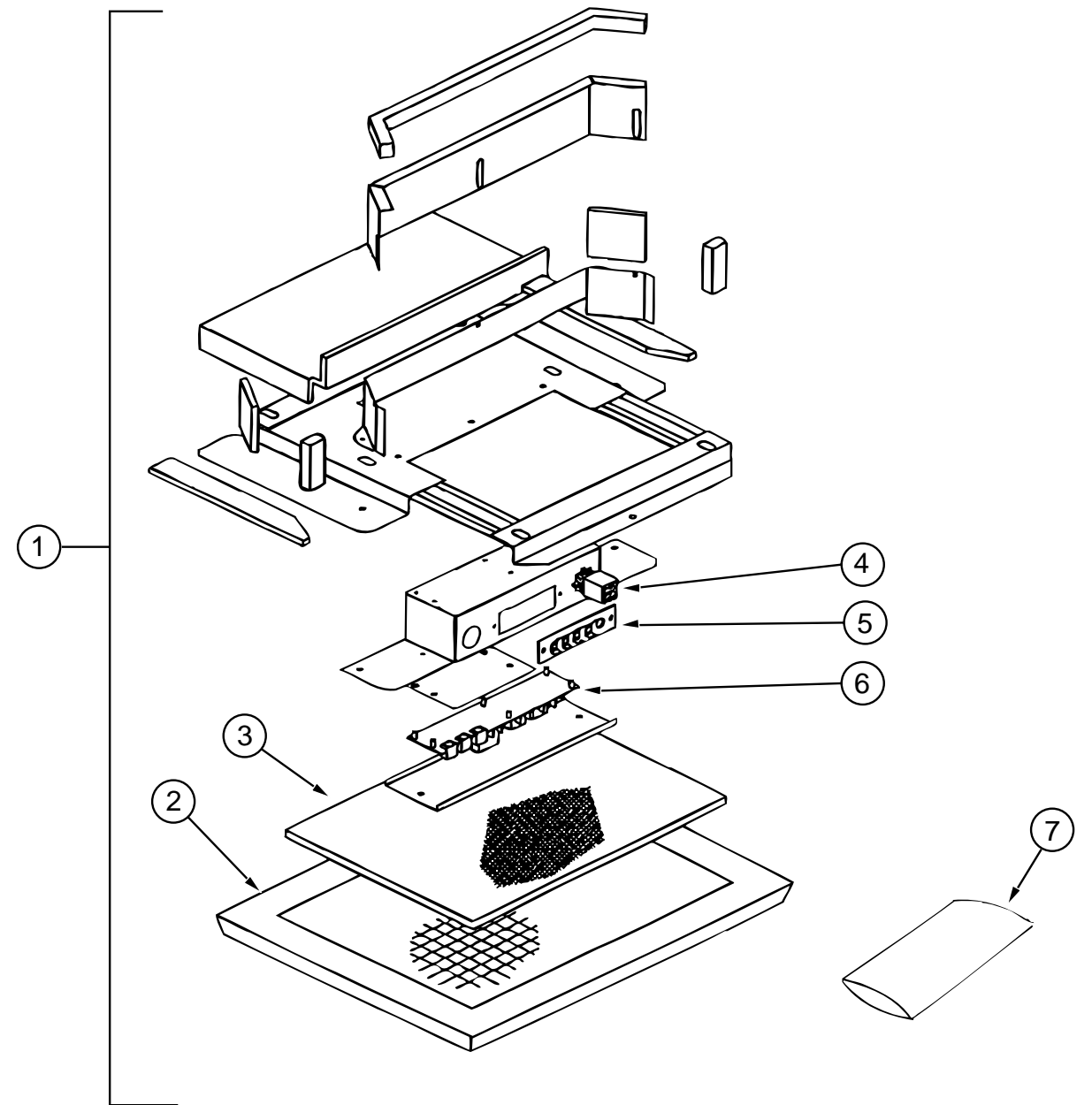
KEY	PART NUMBER	U/M	DESCRIPTION
	109982-03-000	EA	GENERATOR - 4.0 MICROLITE
	007067-01-000	SF	INSULATION-FIBERGLASS - 1" THICK X 4' - INCREMENTS OF 4 SF
	105958-09-000	EA	PIPE - GENERATOR EXHAUST 1.25" OD X 5.9" X 22"
	007125-04-000	EA	CLAMP-MUFFLER - 1.12" DIA
	118248-01-02B	EA	BRACKET - GENERATOR - W/O NOTCH - E-COATED
	118248-02-02B	EA	BRACKET - GENERATOR - W/NOTCH - E-COATED

### 3.6 KW ONAN LP GENERATOR

KEY	PART NUMBER	U/M	DESCRIPTION
	109982-04-000	EA	GENERATOR - 3.6 MICROLITE
	007067-01-000	SF	INSULATION - FIBERGLASS - 1" THICK X 4' - INCREMENTS/4 SF
	105958-09-000	EA	PIPE - GENERATOR EXHAUST 1.25" OD X 5.9" X 22"
	007125-04-000	EA	CLAMP - MUFFLER - 1.12" DIAMETER
	118248-01-02B	EA	BRACKET - GENERATOR - W/O NOTCH - E-COATED
	118248-02-02B	EA	BRACKET - GENERATOR - W/NOTCH - E-COATED

NOTE: ADDITIONAL GENERATOR COMPONENTS ARE FOUND IN THE CHASSIS GROUP.

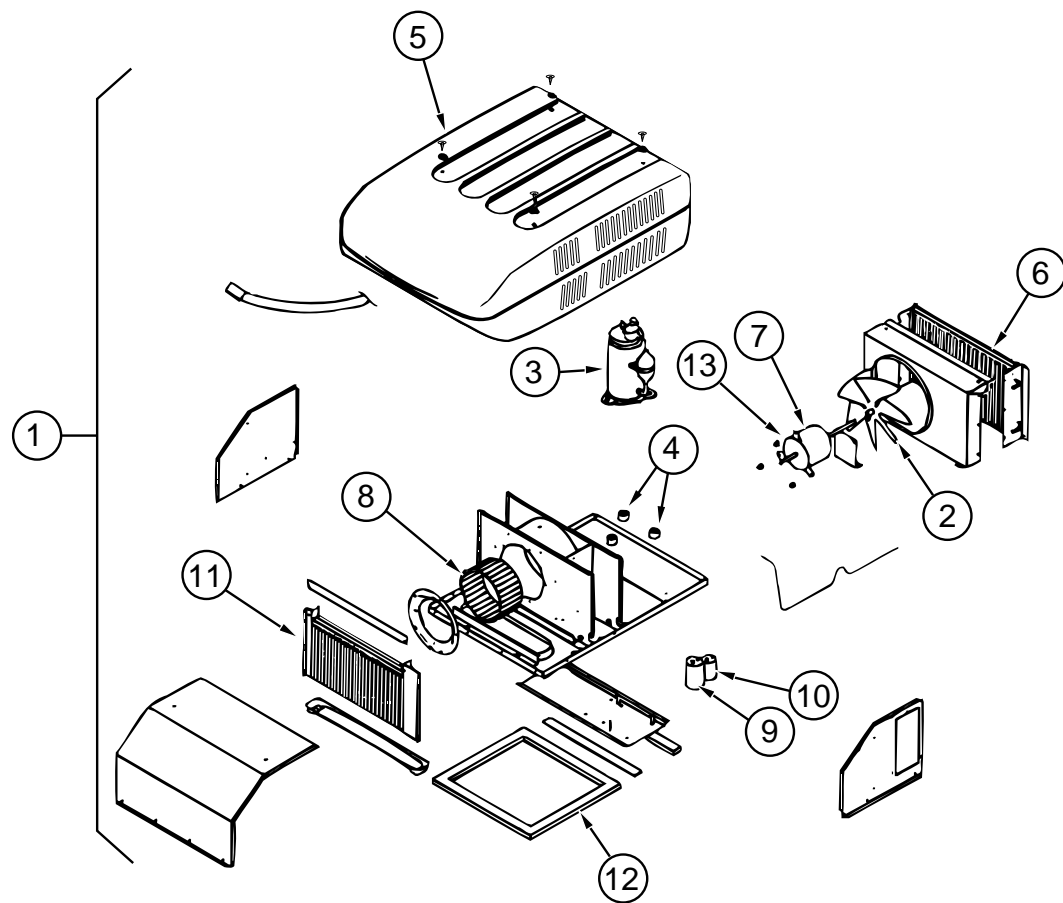
## HEATING & AIR CONDITIONING GROUP



CEILING ASM. - A/C - COLEMAN

KEY	PART NUMBER	U/M	DESCRIPTION	VENDOR NO.
1	108892-01-01A	EA	CEILING ASSEMBLY - A/C DUCTED	6798-3041
2	108892-01-704	EA	GRILLE (PLASTIC)	6798A3761
3	108892-01-703	EA	FILTER	7330-540
4	108892-01-700	EA	PLUG ASSEMBLY	7330-3201
5	108892-01-701	EA	BOARD-TERMINAL	7330A3211
6	108892-01-702	EA	BOARD-P.C.	7330A6101
7	108892-01-705	EA	SMALL PARTS PKG	

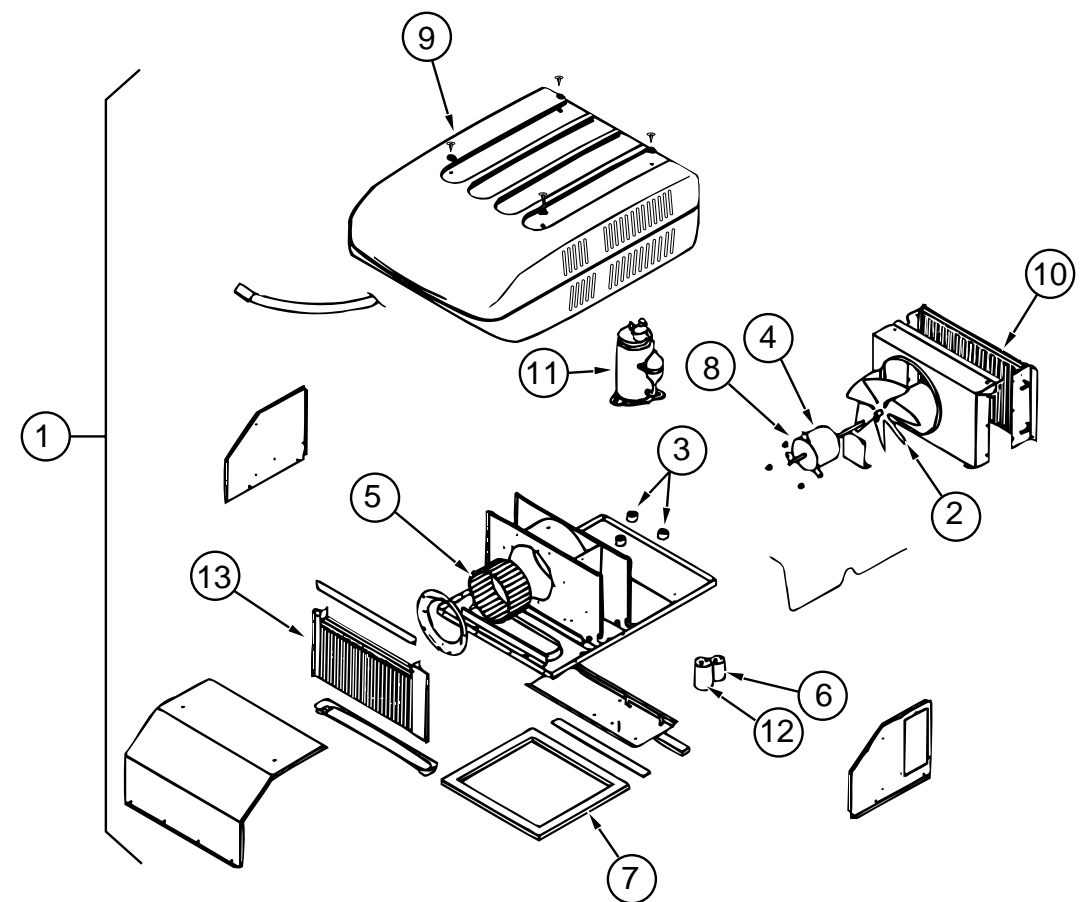
**HEATING & AIR CONDITIONING GROUP (CONTINUED)**



**ROOF A/C - COLEMAN - 13,500 TSR 220**

KEY	PART NUMBER	U/M	DESCRIPTION	VENDOR NO.
1	108889-02-03A	EA	A/C-ROOF - 13,500 TSR 220 BRIGHT WHITE - COLEMAN 7373(EXPORT)	
2	093763-01-712	EA	FAN BLADE-CONDENSER - COLEMAN	6733-3221
3	108889-02-700	EA	COMPRESSOR - TECUMSEH	1450A2029
4	105620-01-706	EA	FOOT PKG-COMPRESSOR - 3 PER PKG- COLEMAN	6759-3081
5	108889-05-700	EA	SHROUD - COLEMAN - BRIGHT WHITE	7333-4601
6	108889-01-703	EA	CONDENSER COIL	1452A1301
7	108889-02-701	EA	MOTOR - COLEMAN	1468-3059
8	108889-01-706	EA	IMPELLOR - COLEMAN	1472-1041
9	115219-01-702	EA	RUN CAP - COMP-50 MFD/370V	1499-5741
10	093763-01-704	EA	FAN CAPACITOR - COLEMAN	1499-5461
	108889-01-710	EA	FILLER PAD-COND AIR SEAL - COLEMAN	6759A3971
11	108889-01-709	EA	EVAPORATOR COIL	1499-5661
12	108889-01-711	EA	GASKET PKG - COLEMAN	6792-3301
13	108889-01-715	EA	MOTOR MOUNT & SHAFT SEAL KIT - COLEMAN	6792-3361
	108889-02-703	EA	START RELAY	1497-4141
	108889-01-713	EA	SUCTION LINE - 3/8 OD X 032 WALL	6792-130
	108889-01-714	EA	DISCHARGE LINE ASSY.	6792-531
	093306-01-701	EA	DECAL PKG - LEFT & RIGHT	6798B3591
	108889-02-702	EA	START CAPACITOR	1497-4141
	105620-01-705	EA	PROCTECTOR-OVERLOAD - RIGHT & LEFT	6759-3791
	108889-01-707	EA	CAPACIATOR-RUN -COMP-25MFD/370	1499-5661
	102289-01-000	EA	SPRING-SCREW - ROOF A/C GASKET - COLEMAN 6757-150	
	084077-03-000	EA	COVER-BLANK - ROOF A/C - 5.2" X 3.5" - IVORY	

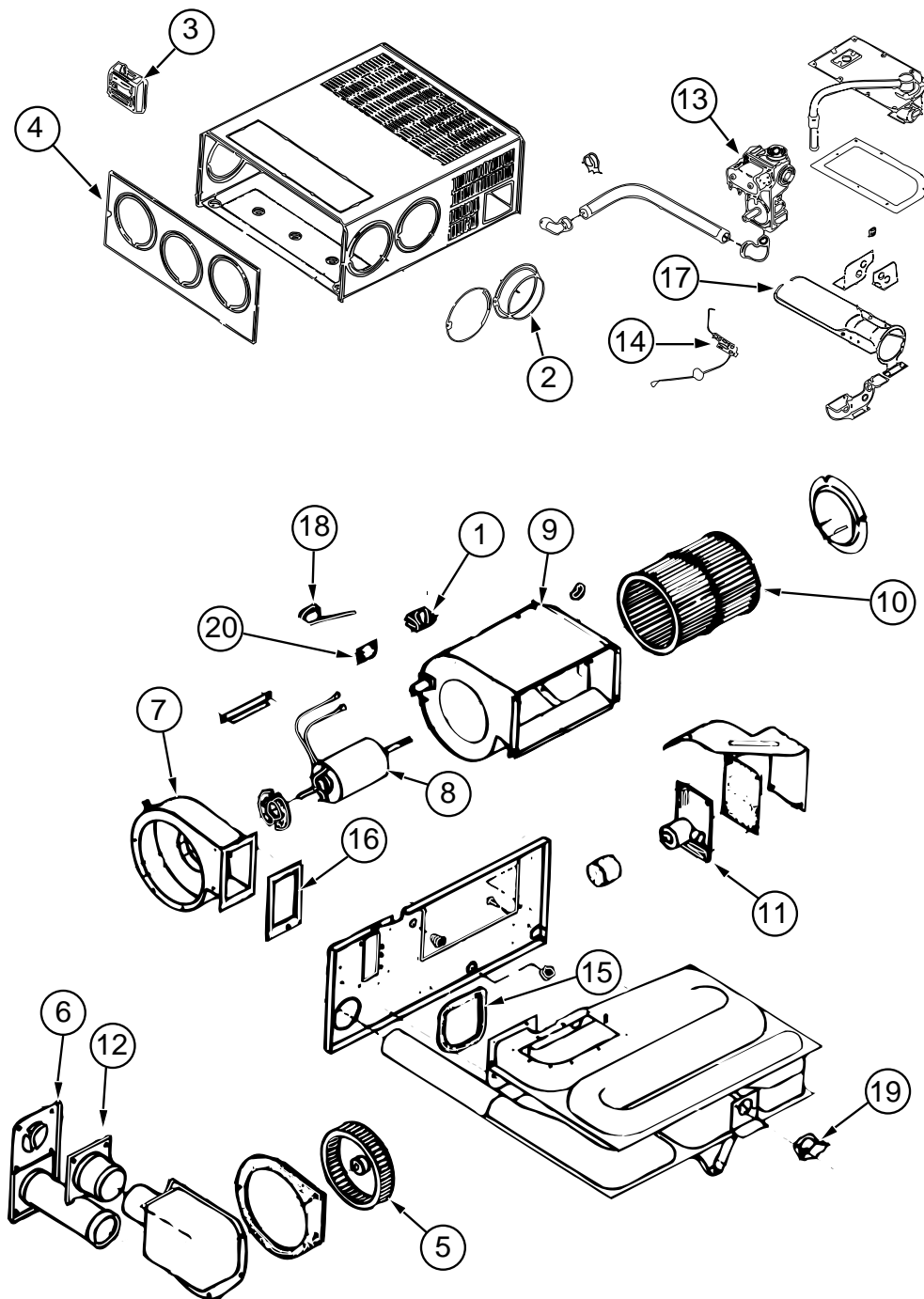
**HEATING & AIR CONDITIONING GROUP (CONTINUED)**



**ROOF A/C - COLEMAN - 14,800 MACH 15**

KEY	PART NUMBER	U/M	DESCRIPTION	VENDOR NO.
1	115219-01-03A	EA	A/C-ROOF - 14,800 MACH 15 BRIGHT WHITE - COLEMAN 7335A697	
2	093763-01-712	EA	FAN BLADE-CONDENSER - COLEMAN	6733-3221
3	105620-01-706	EA	FOOT PKG-COMPRESSOR - 3 PER PKG- COLEMAN	6759-3081
4	108889-01-705	EA	MOTOR (115 - 60HZ) COLEMAN	1468-3049
5	108889-01-706	EA	IMPELLOR - COLEMAN	1472-1041
6	093763-01-704	EA	FAN CAPACITOR - COLEMAN	1499-5461
	108889-01-710	EA	FILLER PAD-COND AIR SEAL - COLEMAN	6759A3971
7	108889-01-711	EA	GASKET PKG - COLEMAN	6792-3301
8	108889-01-715	EA	MOTOR MOUNT & SHAFT SEAL KIT - COLEMAN	6792-3361
9	108889-05-700	EA	SHROUD - COLEMAN - BRIGHT WHITE	7333-4601
10	115219-01-700	EA	CONDENSER COIL	1452-1321
	115219-01-701	EA	COMPRESSOR - PANASONIC	1450-2039
12	115219-01-702	EA	RUN CAP - COMP-50 MFD/370V	1499-5741
	115219-01-703	EA	START RELAY	1497-4151
13	115219-01-704	EA	EVAPORATOR COIL	1452-1331
	115219-01-705	EA	SUCTION LINE - LOWER	7335-130
	115219-01-706	EA	SUCTION LINE - UPPER	7335-131
	115219-01-707	EA	DISCHARGE LINE ASSY.	7335A132
	093306-01-701	EA	DECAL PKG - LEFT & RIGHT	6798B3591
	093306-01-720	EA	START CAPACITOR(21-25 MFD/33	1497-3351
	102289-01-000	EA	SPRING-SCREW - ROOF A/C GASKET - COLEMAN 6757-150	
	084077-03-000	EA	COVER-BLANK - ROOF A/C - 5.2" X 3.5" - IVORY	

### HEATING & AIR CONDITIONING GROUP (CONTINUED)



### HEATING & AIR CONDITIONING GROUP (CONTINUED)

#### FURNACE - SUBURBAN - MODEL SF-30 2273

KEY	PART NUMBER	U/M	DESCRIPTION	VENDOR NO.
	098668-20-000	EA	FURNACE - 30000 BTU	
1	074466-01-702	EA	RELAY - TIME DELAY 205 & L & 45000	230625
2	075696-02-703	EA	DUCT COLLAR	050715
3	117238-01-01A	EA	THERMOSTAT - A/C - FURNACE	
4	098668-01-700	EA	CABINET FRONT	101242
5	098668-01-706	EA	WHEEL-COMBUSTION AIR	350128
6	098668-01-707	EA	TUBE ASSEMBLY - EXHAUST W/CAP	260231
7	098668-01-708	EA	HOUSING-BLOWER - COMBUSTION	390441
8	098668-01-709	EA	MOTOR ASM. - F/SF-25, SF-30	231706
9	098668-01-710	EA	HOUSING-BLOWER - ROOM AIR	390440
10	098668-01-711	EA	WHEEL-BLOWER - ROOM AIR	350129
11	098668-01-712	EA	BOARD-MODULE	520741
12	098668-01-713	EA	TUBE ASSEMBLY - INTAKE	051248
13	098668-01-714	EA	VALVE-GAS - SF S.N. 921401821	161070
14	098668-01-715	EA	ELECTRODE ASM. - SINGLE PROBE	232166
15	098668-01-716	EA	GASKET-FIREWALL - CHAMBER SIDE	070808
16	098668-01-717	EA	GASKET-FIREWALL - BLOWER SIDE	070809
17	098668-02-700	EA	BURNER ASSEMBLY - SF-30 & SF35	010745
18	098668-21-700	EA	SWITCH-MICRO - W/O FLAG 3 1/4"	232261
19	098668-21-701	EA	SWITCH-LIMIT	231799
20	101990-01-714	EA	GASKET-MICROSWITCH	230877
	092300-02-701	EA	ORIFICE-MAIN BURNER (NT-30BW)	180214
	098668-23-000	EA	DOOR-ACCESS - FURNACE - 520574	

#### HEATING SYSTEM

KEY	PART NUMBER	U/M	DESCRIPTION
	093741-01-000	EA	BOX-BOOT - FLOOR REGISTER
	089367-02-000	EA	TEE-4 X 2 X 4"
	069636-02-000	EA	CONNECTOR-DUCT - 4" ID - SUBURBAN 050715
	009198-01-000	FT	DUCT-HEAT - FLEXIBLE - 4" ID X 25 FT
	009198-02-000	FT	DUCT-FLEXIBLE-2" ID X 25 FT
	093614-01-02A	EA	GRILLE-RETURN AIR,DURA BIEGE - LIMA,19H-14X6BR-RAG
	079059-01-000	EA	HOSE - 90 DEGREE - 5/8" ID X 4" X 36"
	079059-13-000	EA	HOSE - 90 DEGREE - .61" ID X 4" X 48"
	007108-01-000	FT	HOSE-HEATER - 5/8" ID - HI-TEMP - FORD ESE-M2D192-A
	056464-09-000	EA	REGISTER-4IN DIA - PLASTIC
	094600-05-01A	EA	REGISTER-HEAT - W/O DAMPER - LIMA 41 - DURA-BEIGE
	056464-10-000	EA	REGISTER-W/O DAMPER - 4" DIAMETER - DURA-BEIGE
	009200-01-000	EA	TAPE-FURNACE - 1 1/2"
	088753-01-000	FT	TUBE-ALUMINIZED STEEL - 5/8" - 18 GAUGE
	008042-01-000	FT	TUBING-VINYL - .65" ID

#### REAR HEATER - EVANS

KEY	PART NUMBER	U/M	DESCRIPTION	VENDOR NO.
	084405-01-000	EA	HEATER - REAR - DUCTED - W/MOTOR AID - EVANS	
	084405-01-700	EA	CORE - HEATER	FT200229
	084405-01-701	EA	FAN BLADES	HV029931
	084405-01-702	EA	MOTOR - 12 VOLT ASSY	R0200180
	087202-01-000	EA	SWITCH - 4 POSITION W/KNOB 5 TERMINAL	

## INTERIOR FINISH GROUP

### FIRE EXTINGUISHER, DETECTORS & CLOCK

KEY	PART NUMBER	U/M	DESCRIPTION
	072852-01-000	EA	DETECTOR - SMOKE - W/9 VOLT BATTERY - US
	072852-02-000	EA	DETECTOR - SMOKE - W/9/VOLT BATTERY - CANADIAN
	094499-01-000	EA	EXTINGUISHER - FIRE - DRY W/MOUNTING BRACKET - 10 B:C
	094499-02-000	EA	EXTINGUISHER - FIRE - DRY - 1A10BC - CANADIAN
	094499-01-700	EA	BRACKET MTG. W/PLAS. STRAP 294039
	094499-01-701	EA	STRAP ONLY (METAL) 320351
	118081-01-01A	EA	CLOCK - WALL - ROUND 8" - BRASS
			FROM: 00-00-00 THRU: 06-22-97
	118081-02-01A	EA	CLOCK - WALL - ROUND 8" BRASS
			FROM: 06-23-97 THRU: 99-99-99
	112320-03-000	EA	DETECTOR - CO GASS MODEL 9D-I
			FROM: 00-00-00 THRU: 10-20-96
	112320-04-000	EA	BATTERY/SENSOR MODULE - CO (BLACK MODULE) F/9D-I SYSTEM
			FROM: 00-00-00 THRU: 10-20-96
	125136-01-000	EA	DETECTOR - CO - GAS - MODEL 9L-I
			FROM: 10-21-96 THRU: 99-99-99

### CARPETING & FLOOR MATS

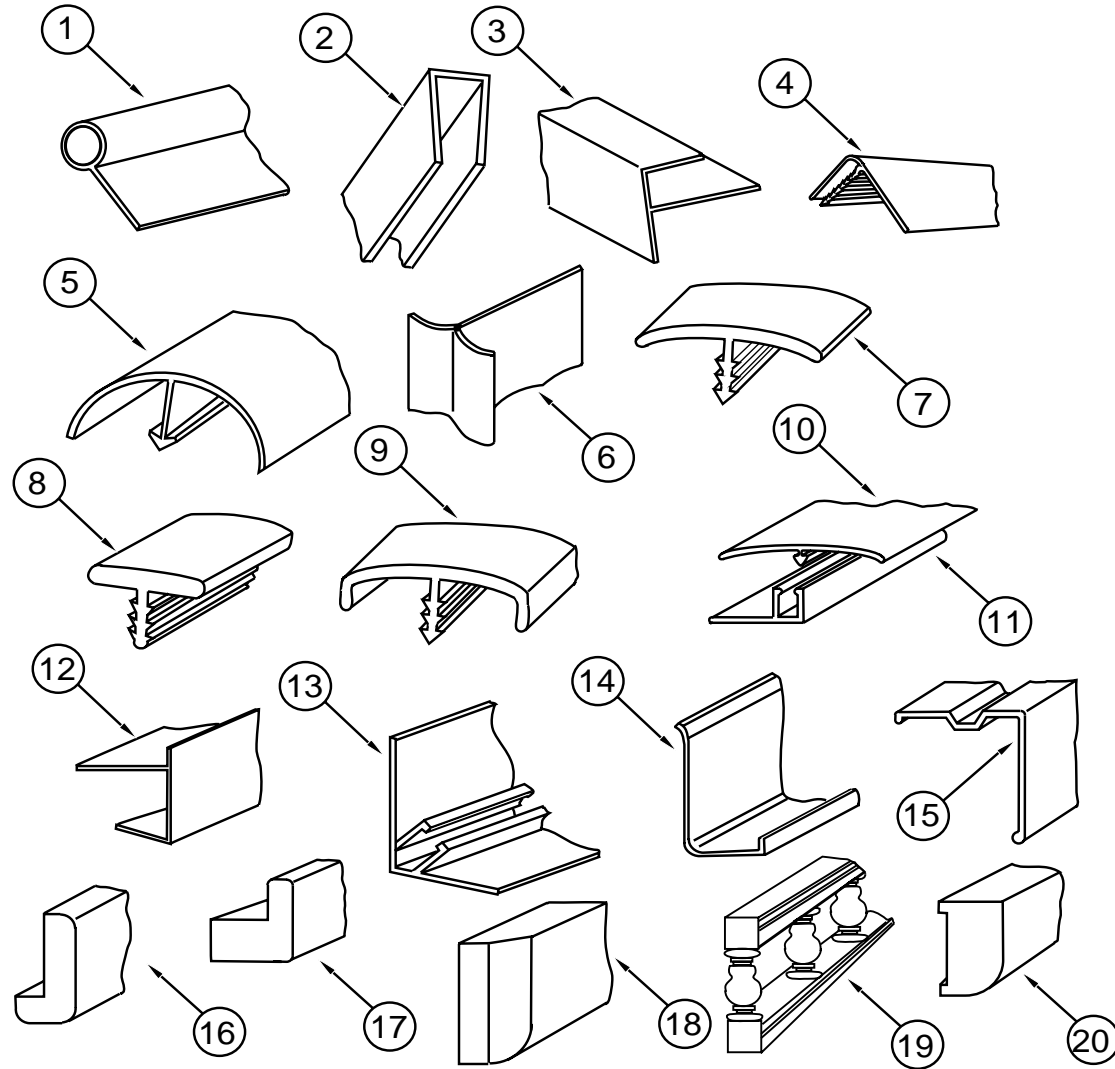
KEY	PART NUMBER	U/M	DESCRIPTION
	096060-C4-000	SY	CARPET-JUBILATION,NIGHT NAVY (H10)
	096060-C5-000	SY	CARPET-JUBILATION,SUMMER STR (H11)
	093486-01-000	SY	CARPET - COMPARTMENT - 54" WIDE - DARK GRAY
	093873-01-01A	EA	TRIM - CARPET - L-ANGLE 1.1" X 1.3" X 12' - GRAY VINYL
	081075-03-000	EA	MAT - FLOOR - ENTRANCE - WINNEBAGO
	106884-01-000	EA	MAT - FLOOR - FRONT PASSENGER "W" - FORD
	106884-02-000	EA	MAT - FLOOR - FRONT DRIVER "W" - FORD

## INTERIOR FINISH GROUP (CONTINUED)

### PANELING, LAMINATES & PLASTIC

KEY	PART NUMBER	U/M	DESCRIPTION
	000846-02-000	SF	PLYWOOD - 5/16" X 48" X 96"
	000885-72-000	SF	PARTICLE BOARD-1/2" X 48" X 96"-CHERRY - 2 SIDE VINYL
	000885-73-000	SF	PARTICLE BOARD - 3/4" X 48" X 96" - CHERRY - 2 SIDE VINYL
	000885-74-000	SF	PARTICLE BOARD - 3/8"X 48"X 96" - CHERRY 2 SIDE VINYL
	052372-02-000	BF	LUMBER - CLASS II - 1" X 48" X RL
	057882-04-000	SF	TAMBOUR - 48" X 72" SHEET - UNFINISHED
	074497-23-000	SF	PANELING - CHERRY - .1" X 48" X 96"
	074497-33-000	SF	PANELING - CEILING - IMPACT PEARL - 48" X 108"
			FROM: 00-00-00 THRU: 11-19-96
	074497-38-000	SF	PANELING - IMPACT PEARL TEXTURE - 4' X 9'
			FROM: 11-20-96 THRU: 99-99-99
	074498-67-000	SF	LAMINATE - PLASTIC - ORCHID MIST - 5' X 8' - INC OF 40SF
			FROM: 00-00-00 THRU: 01-05-97
	074498-40-000	SF	LAMINATE - PLASTIC - 5' X 8' - OFF WHITE - INC OF 40 SF
			FROM: 01-06-97 THRU: 99-99-99
	074498-58-000	SF	LAMINATE - PLASTIC - CHERRY
	074498-62-000	SF	LAMINATE - PLASTIC - GREY FINESSE - 5' X 8' - INC OF 40SF (H10)
	074498-71-000	SF	LAMINATE - PLASTIC - NEUTRAL SANTOS - 5'X8' - INC OF 40SF (H11)
	080215-09-000	SF	PANELING - 2 SIDE - .2" X 4' X 8' - CHERRY
	088272-G1-000	SF	PANELING - PEBBLE EMBOSSSED - ANTIQUE WHITE - 4' X 7'
	088272-G4-000	SF	PANELING - MONTANA FROST - 4' X 8' (H10)
	088272-F9-000	SF	PANELING - PRIMAVERA STONE - 4' X 8' (H11)
	088272-98-000	SF	PANELING - TRAVERTINE - ANTIQUE WHITE - 4' X 7'
			FROM: 00-00-00 THRU: 01-14-96
	093743-05-01A	SF	PLASTIC - ABS COIL - BRIGHT WHITE - 20" X 108"
	098531-02-000	SF	PLYWOOD - CHERRY 1/2"
	111134-D2-438	EA	LUMBER-.7" X 1.49" X 96" VINYL WRAPPED CHERRY
	111134-E2-438	EA	LUMBER - .7" X 2" X 96" - VINYL WRAPPED CHERRY
	111134-G2-438	EA	LUMBER - .7" X 3" X 96" - VINYL WRAPPED CHERRY
	114129-01-02A	SF	LINER - CABINET - .02" X 48" X 96"
			FROM: 00-00-00 THRU: 04-13-97
	126339-01-000	SF	BOARD - WHEAT - 60" X 72"
			FROM: 04-14-97 THRU: 99-99-99

**INTERIOR FINISH GROUP (CONTINUED)**



**MOLDINGS & TRIMS**

KEY	PART NUMBER	U/M DESCRIPTION
1	009767-12-000	FT WELTING - SIDEWALL/CEILING/CABINET - OFF/WHT
2	009778-18-000	FT U-CHANNEL - 1" - CHERRY-CHERRY
2	009778-20-700	EA U - CHANNEL, 1" X 55"
2	070504-30-000	FT U-CHANNEL - EXTRUDED PLASTIC - .65" X 84" - CHERRY
2	070504-31-000	FT U-CHANNEL - EXTRUDED PLASTIC - .81" X 84" - CHERRY
3	009812-24-000	EA MOLDING - PLASTIC - OUTSIDE CORNER - .50" - IVORY
3	009812-26-000	EA MOLDING - PLASTIC - CORNER - CHERRY
4	009809-23-000	EA MOLDING - CORNER - OUTSIDE - 1" X 84" - MODERN IVORY
4	009809-27-001	EA MOLDING-O/S LG CABT,2133MM
4	009809-27-000	EA MOLDING - CORNER - OUTSIDE - 1" X 84" - CHERRY
5	042357-19-000	EA MOLDING - CORNER - RADIUS/PLASTIC - CHERRY
6	022992-01-000	FT MOLDING-REVERSE COVE, T-SHAPED - VINYL - WHITE
6	022992-11-000	FT MOLDING - REVERSE COVE - T-SHAPED VINYL - IVORY
7	009815-09-000	FT MOLDING-T - .75" IVORY
7	105709-01-000	FT T-MOLDING - 1" - MODERN IVORY
8	104676-01-01A	FT T-MOLDING - 5/16" - RIGID GOLD
8	104676-02-03A	FT MOLDING-T - 1/2" CHERRY
9	083620-09-000	FT MOLDING-T - END CAP EDGE - W/EDGE LIPS - .75"-MODERN IVORY
9	083620-11-000	FT MOLDING-T - END CAP EDGE - W/EDGE LIPS - .75" - CHERRY
9	119520-01-01A	FT MOLDING-T - 1" W/EDGE LIPS (OFF/WHITE-CREAM)

**INTERIOR FINISH GROUP (CONTINUED)**

**MOLDINGS & TRIMS (CONTINUED)**

KEY	PART NUMBER	U/M DESCRIPTION
10	086229-12-000	EA BATTEN - 1.5" OFFSET X 97.01" - T-MOLDING - 1" - BRASS/BLACK
10	086229-18-000	EA BATTEN - 1" X 97.68" - OFF WHITE
10	086229-13-000	EA BATTEN - 1" X 96" - IVORY
10	086229-20-000	EA BATTEN - 1" X 96" - BEIGE
11	086229-11-000	EA RETAINER - OFFSET - 97.01"
12	103186-01-04A	FT MOLDING - PLASTIC - SHELF - 3/8" U-CHANNEL W/3/4" FACE
13	081521-02-007	EA MOUNT - METAL MOLDING - F/RADIUS CORNER MOLDING - 12/5" EA
14	085746-04-000	FT TRIM-J - CARPET 1.2" X .5" ANGLE - 12' LONG - OFF WHITE
15	093873-01-01A	FT TRIM - CARPET - L-ANGLE 1.1" X 1.3" X 12' - GRAY VINYL
16	077840-01-E41	EA MOLDING - WALL CAP - 8'
17	100819-01-04A	EA MOLDING - VINYL WRAPPED - CHERRY/CHERRY
18	100659-01-E74	EA MOLDING - TRIM - VINYL FLOOR
19	075249-01-000	EA RAILING-OAK, 72" UNFINISHED
20	111136-D2-438	EA MOLDING - VINYL WRAPPED - .7" X 1.6" X 8' - CHERRY
20	111136-D2-001	EA MOLDING - VINYL WRAPPED - .7" X 1.6" X 7' - CHERRY
20	111136-D2-134	EA MOLDING - VINYL WRAPPED - .7" X 1.6" X 7' - CHERRY
20	111136-F2-134	EA MOLDING - VINYL WRAPPED - .7" X 2.6" X 7' - CHERRY
20	111136-F2-438	EA MOLDING - VINYL WRAPPED - .7" X 1.6" X 7' - CHERRY
120492-01-02A	FT STRIP - TRIM - SALEM CHERRY	

**BATT STRIP & TAPE**

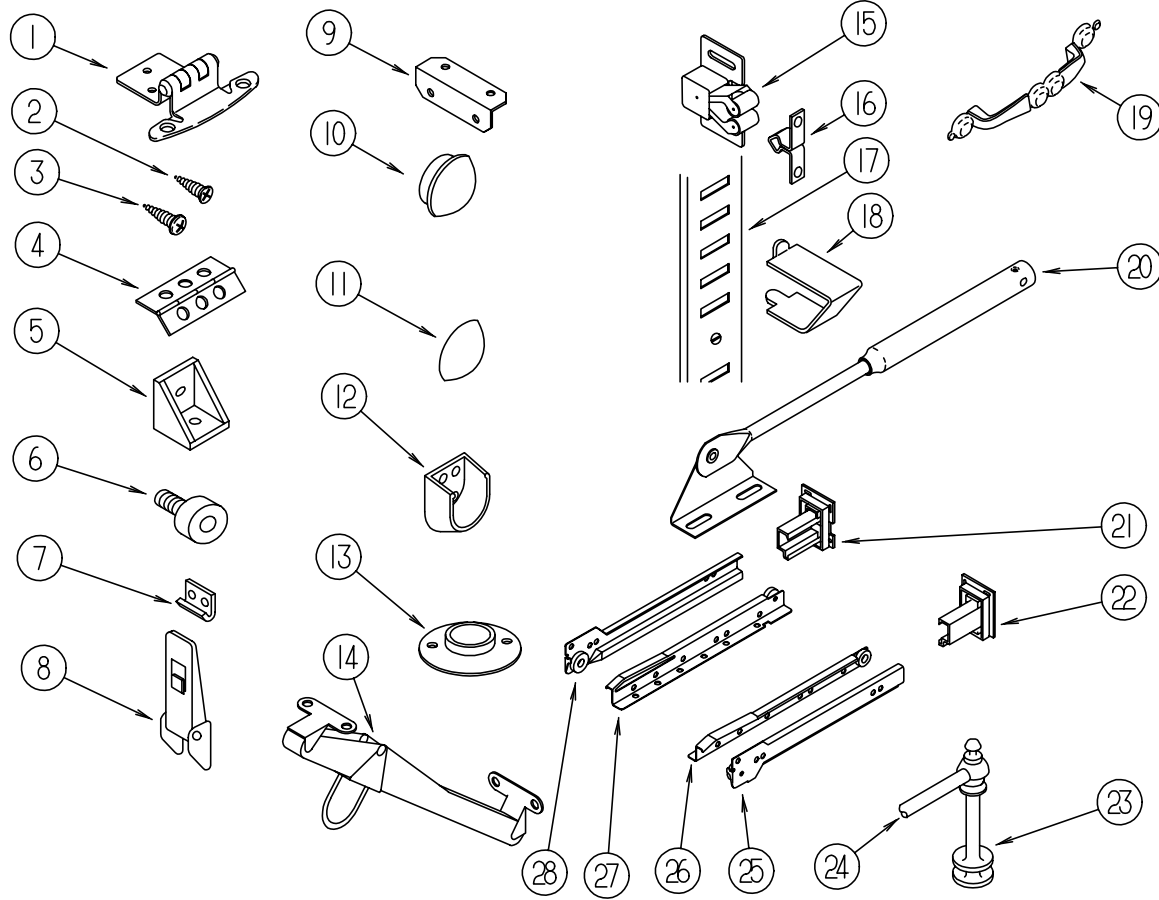
KEY	PART NUMBER	U/M DESCRIPTION
	069733-82-000	EA BATT STRIP - WOODGRAINED/SALEM CHERRY - 8'
	079653-20-000	EA BATT STRIP - CHERRY - 8'
	085284-97-000	FT BATT TAPE - ADHESIVE BACKED - WOODGRAINED/SALEM CHERRY
	088263-E6-000	EA BATT STRIP - DECORATIVE - MONTANNA/FROST - 8' LONG (H10)
	085284-E0-000	FT BATT TAPE - ADHESIVE BACKED - DECORATIVE - MONTANA FROST(H10)
	088263-E2-000	EA BATT STRIP - DECORATIVE - PRIMAVERA/STONE - 8' LONG (H11)
	085284-D5-000	FT BATT TAPE - ADHESIVE BACKED - DECORATIVE - PRIMAVERA/STONE (H11)
	093873-01-01A	EA TRIM - CARPET - L-ANGLE 1.1" X 1.3" X 12' - GRAY VINYL

**EDGE BAND MOLDING**

KEY	PART NUMBER	U/M DESCRIPTION
	076325-34-000	FT MOLDING - EDGE BAND - 1 5/16" X .030" - ORCHID MIST
	076325-46-000	FT MOLDING - EDGE BAND 1 5/16" X .030" - CLOUD (H10)
	076325-43-000	FT MOLDING - EDGE BAND .876" X .024" - CLOUD (H10)
	076325-39-000	FT MOLDING - EDGE BAND - 1 5/16" X .030"(H11)
	076325-40-000	FT MOLDING - EDGE BAND - .875" X .024" (H11)
	076325-50-000	FT MOLDING - EDGE BAND - 1 5/16" X .030" - CHERRY
	076325-52-000	FT MOLDING - EDGE BAND - .93" X .024" - CHERRY

# INTERIOR FINISH GROUP (CONTINUED)

## CABINET & TABLE HARDWARE

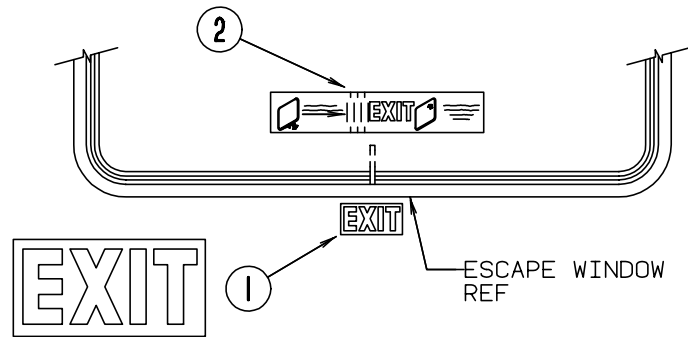
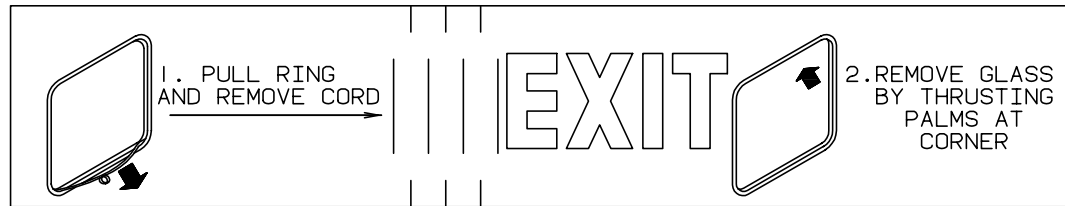


KEY	PART NUMBER	U/M	DESCRIPTION
1	108138-01-000	EA	HINGE - CABINET DOOR - BURNISHED BRASS
2	000G13-06-10G	EA	SCREW - 6-20 X 5/8 PFH - ANTIQUE BRASS
3	000G68-06-10G	EA	SCREW - 6-18 X 5/8 POH - ANTIQUE BRASS
4	009059-01-000	EA	HINGE - DOOR - 2" X 1.4" - BRASS
5	065740-01-000	EA	BRACE - CABINET/CORNER - PLASTIC
6	079921-01-000	EA	ROLLER - NYLON - W/STEEL SHAFT - BARBED
7	042541-05-000	EA	STRIKE
8	116975-01-01A	EA	LATCH - W/O STRIKE
9	016604-01-000	EA	BRACE - CABINET - ANGLE - 2.5" - UNPAINTED METAL
9	016604-05-000	EA	BRACE - CABINET - ANGLE - 2.5" - OFF WHITE METAL
10	074045-10-000	EA	PLUG - OAK - 1/2" DIAMETER
11	057671-01-000	EA	COVER - SCREW - #8 - PLASTIC - OFF WHITE
11	057671-15-000	EA	COVER - SCREW - #8 - PLASTIC - BRIGHT WHITE
12	113236-01-01A	EA	BRACKET - CLOTHES - ROD
13	009112-01-000	EA	FLANGE - PLASTIC - 1" CLOTHES ROD - OFF WHITE
14	104181-01-01A	EA	SUPPORT - LEAF 5.3" EXTENDS TO 7.5" - SAFETY RING - METAL
15	093586-06-000	EA	CATCH - SPRING - ROLLER
16	093586-05-000	EA	STRIKE - SPRING STEEL
17	098980-05-000	EA	PILASTER - ADJUSTABLE SHELF - 15" LONG
18	098979-01-000	EA	CLIP - ADJUSTABLE SHELF
19	111093-01-000	EA	PULL - CABINET - BRASS
20	074493-02-000	EA	SUPPORT - PISTON SPRING - CABINET DOOR
21	114045-01-000	EA	BACKSOCKET - ADJUSTABLE LEFT
22	114045-02-000	EA	BACKSOCKET - ADJUSTABLE RIGHT
23	084070-03-000	EA	POST - END - 2.4" - BRASS

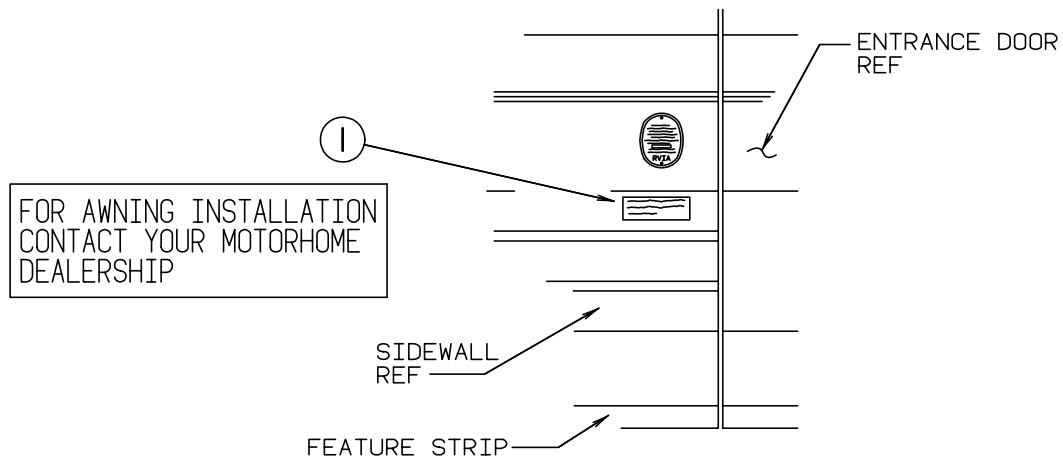
KEY	PART NUMBER	U/M	DESCRIPTION
24	084071-12-000	EA	ROD - BRASS - 4.08" LONG
24	084071-19-000	EA	ROD - BRASS - 7.09" LONG
25	114031-02-000	EA	SLIDE - 12" - RIGHT SIDE/CABINET
25	114031-06-000	EA	SLIDE - 14" - RIGHT SIDE/CABINET
25	114031-10-000	EA	SLIDE - 16" - RIGHT SIDE/CABINET
25	114031-14-000	EA	SLIDE - 18" - RIGHT SIDE/CABINET
25	114031-18-000	EA	SLIDE - 20" - RIGHT SIDE/CABINET
25	114031-22-000	EA	SLIDE - 22" - RIGHT SIDE/CABINET
26	114031-04-000	EA	SLIDE - 12" - RIGHT SIDE/DRAWER
26	114031-08-000	EA	SLIDE - 14" - RIGHT SIDE/DRAWER
26	114031-12-000	EA	SLIDE - 16" - RIGHT SIDE/DRAWER
26	114031-16-000	EA	SLIDE - 18" - RIGHT SIDE/DRAWER
26	114031-20-000	EA	SLIDE - 20" - RIGHT SIDE/DRAWER
26	114031-24-000	EA	SLIDE - 22" - RIGHT SIDE/DRAWER
27	114031-03-000	EA	SLIDE - 12" - LEFT SIDE/DRAWER
27	114031-07-000	EA	SLIDE - 14" - LEFT SIDE/DRAWER
27	114031-11-000	EA	SLIDE - 16" - LEFT SIDE/DRAWER
27	114031-15-000	EA	SLIDE - 18" - LEFT SIDE/DRAWER
27	114031-19-000	EA	SLIDE - 20" - LEFT SIDE/DRAWER
27	114031-23-000	EA	SLIDE - 22" - LEFT SIDE/DRAWER
28	114031-01-000	EA	SLIDE - 12" - LEFT SIDE/CABINET
28	114031-05-000	EA	SLIDE - 14" - LEFT SIDE/CABINET
28	114031-09-000	EA	SLIDE - 16" - LEFT SIDE/CABINET
28	114031-13-000	EA	SLIDE - 18" - LEFT SIDE/CABINET
28	114031-17-000	EA	SLIDE - 20" - LEFT SIDE/CABINET
28	114031-21-000	EA	SLIDE - 22" - LEFT SIDE/CABINET
	004354-01-000	EA	BUMPER - RUBBER - .5" DIA - BROWN
	076790-01-000	EA	SCREW - 6-20 X 1 1/4 PPH - BLACK
	102194-01-000	EA	GUIDE - PLASTIC
	023320-01-000	EA	PAD - FELT 3/8" DIAMETER
	041389-35-000	EA	HINGE - PIANO - OW
	042438-01-000	EA	DOWEL - WOOD - CLOTHES ROD - 1" DIAMETER X 4'



### LABELS GROUP

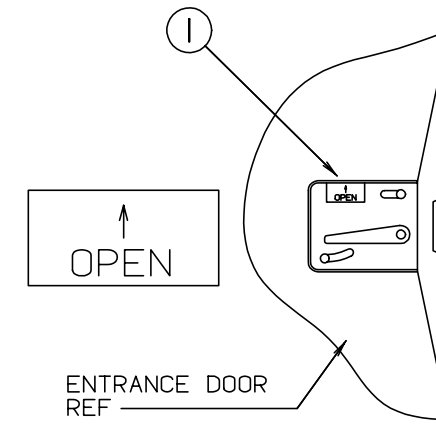


KEY	PART NUMBER	U/M DESCRIPTION
1	039290-01-000	EA LABEL-WARNING - EXIT
2	107571-01-000	EA LABEL-EXIT - ESCAPE WINDOW



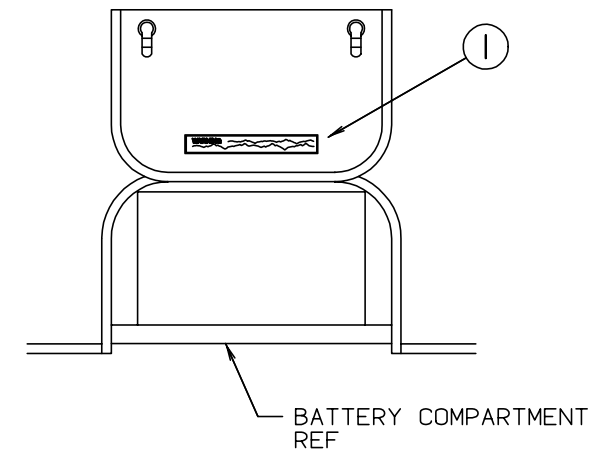
KEY	PART NUMBER	U/M DESCRIPTION
1	099509-01-000	EA LABEL-AWNING INSTALLATION

### LABELS GROUP (CONTINUED)



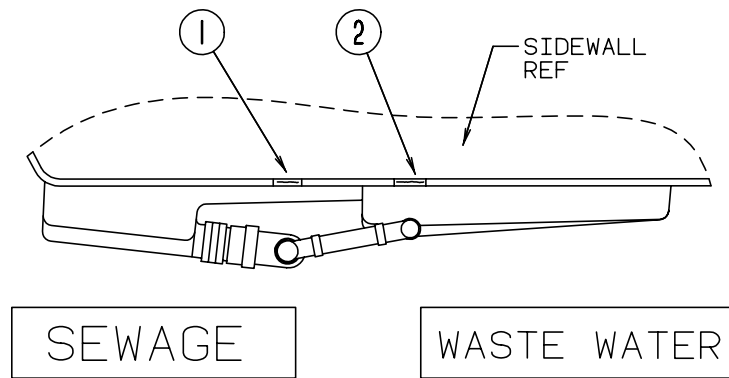
KEY	PART NUMBER	U/M DESCRIPTION
1	040944-01-000	EA LABEL-ENTRANCE DOOR, "OPEN"

**WARNING** DISCONNECT BATTERIES BEFORE CONNECTING EXTERNAL CHARGING EQUIPMENT.



KEY	PART NUMBER	U/M DESCRIPTION
1	065748-01-000	EA LABEL-CAUTION, BATTERY CHARGING

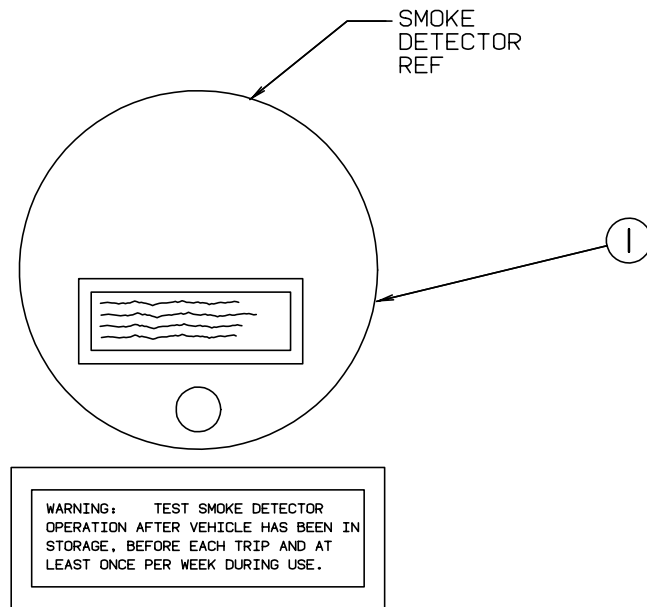
**LABELS GROUP (CONTINUED)**



SEWAGE

WASTE WATER

KEY	PART NUMBER	U/M DESCRIPTION
1	006187-01-000	EA LABEL-SEWAGE
2	006188-01-000	EA LABEL-WASTE WATER

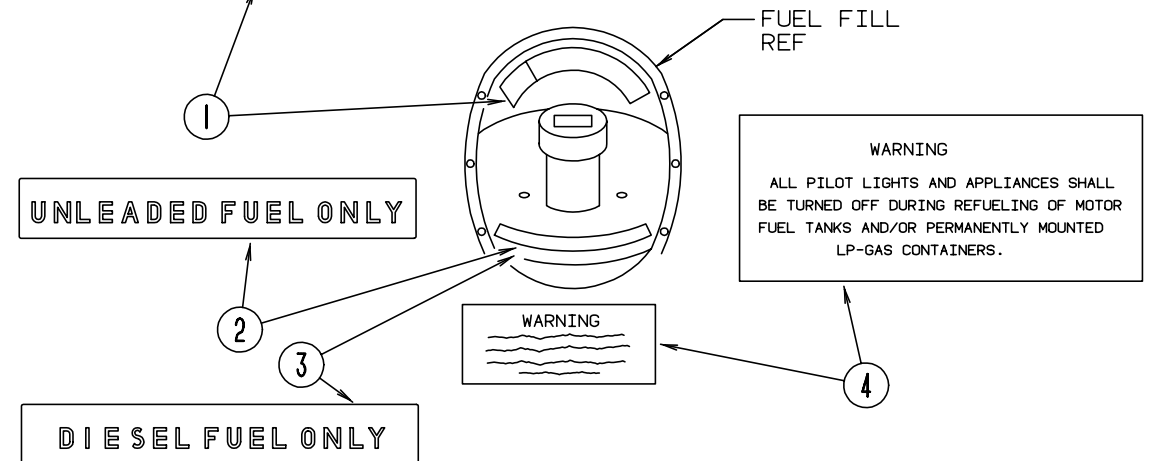


WARNING: TEST SMOKE DETECTOR OPERATION AFTER VEHICLE HAS BEEN IN STORAGE, BEFORE EACH TRIP AND AT LEAST ONCE PER WEEK DURING USE.

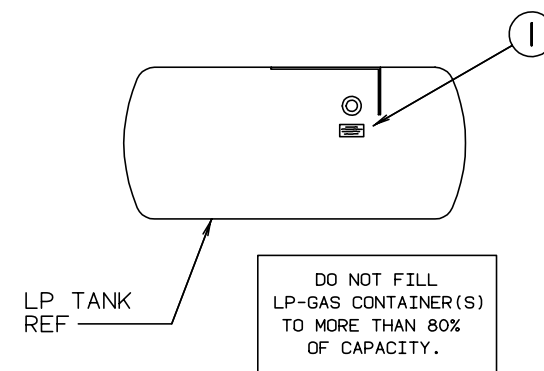
KEY	PART NUMBER	U/M DESCRIPTION
1	077956-01-000	EA LABEL-WARNING - SMOKE DETECTOR

**LABELS GROUP (CONTINUED)**

**CAUTION**  
 TO HELP AVOID PERSONAL INJURY DURING REMOVAL OF FUEL FILLER CAP, SLOWLY LOOSEN CAP 1/2 TURN TO ALLOW ANY FUEL PRESSURE TO BE RELIEVED BEFORE TURNING CAP FURTHER.  
**FUEL SPRAY MAY CAUSE PERSONAL INJURY**  
 STOP ADDING FUEL AFTER FIRST SHUTOFF BY AUTOMATIC NOZZLE WHEN TANK IS NEARLY FULL. DO NOT OVERFILL FUEL TANK.  
 SEE OWNERS MANUAL FOR ADDITIONAL INFORMATION.  
 PRINTED IN U.S.A. MLC PT NO 15611763



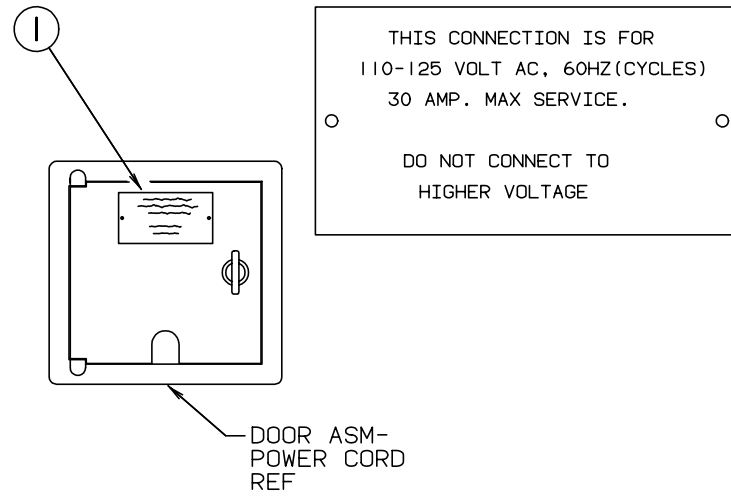
KEY	PART NUMBER	U/M DESCRIPTION	
1	087207-05-000	EA LABEL-FUEL CAP REMOVAL	
2	062043-01-000	EA LABEL-FUEL - UNLEADED	
3	068383-01-000	EA LABEL-FUEL - DIESEL	
4	006040-01-000	EA REFUEL WARNING - USA	FROM: 00-00-00 THRU: 09-01-96
4	006040-02-000	EA REFUEL WARNING - CANADIAN	FROM: 00-00-00 THRU: 09-01-96
4	124519-01-02A	EA REFUEL WARNING - USA	FROM: 09-02-96 THRU: 99-99-99
4	124519-02-02A	EA REFUEL WARNING - CANADIAN	FROM: 09-02-96 THRU: 99-99-99



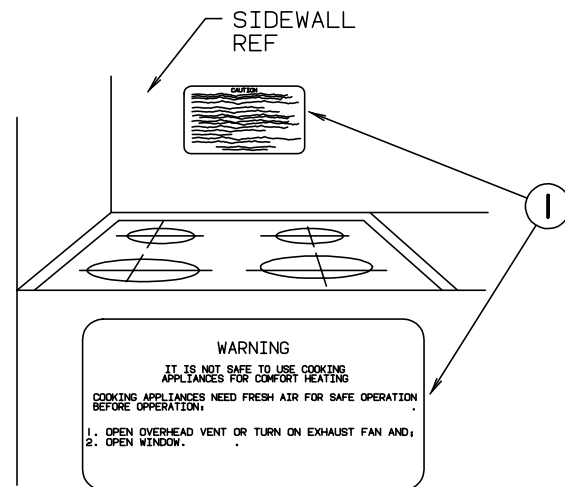
DO NOT FILL LP-GAS CONTAINER(S) TO MORE THAN 80% OF CAPACITY.

KEY	PART NUMBER	U/M DESCRIPTION	
1	054531-01-000	EA LABEL-LP GAS ONLY	FROM: 00-00-00 THRU: 09-01-96
1	124520-01-02A	EA LABEL - LP GAS ONLY	FROM: 09-02-96 THRU: 99-99-99

**LABELS GROUP (CONTINUED)**

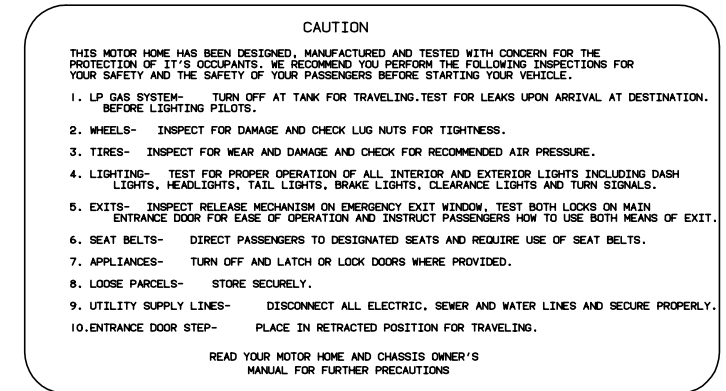
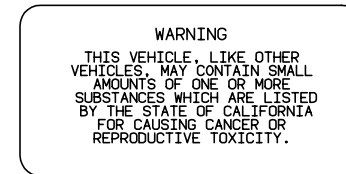
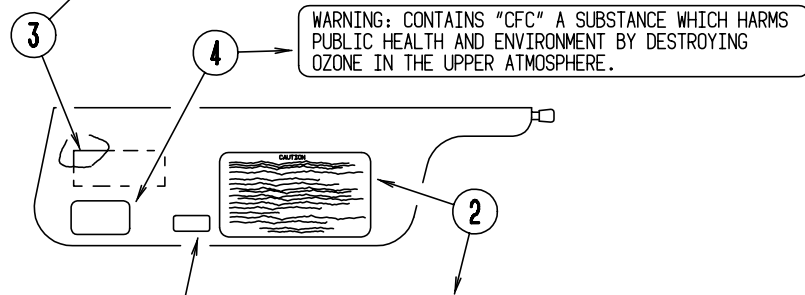
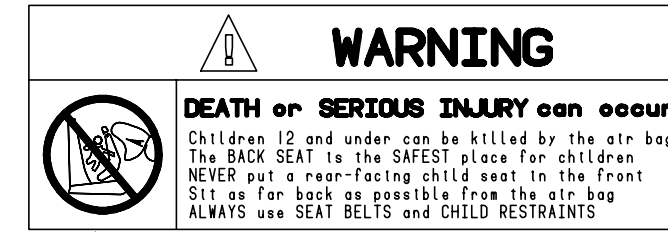


KEY	PART NUMBER	U/M DESCRIPTION
1	006062-01-000	EA TAG-ELECTRIC - 110V CONNECTION



KEY	PART NUMBER	U/M DESCRIPTION
1	050225-01-000	EA LABEL-WARNING - STOVE VENT - US

**LABELS GROUP (CONTINUED)**



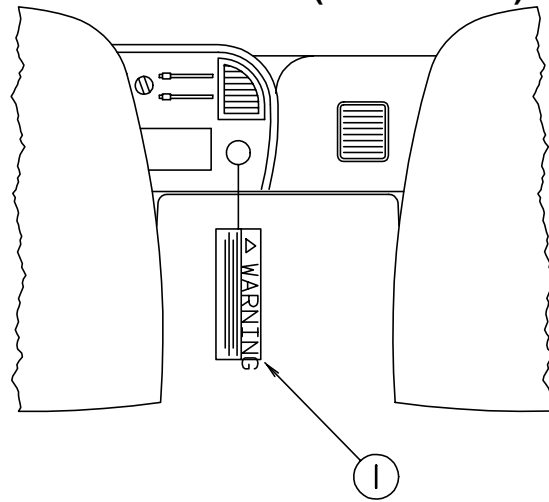
KEY	PART NUMBER	U/M DESCRIPTION
1	099689-01-000	EA LABEL-WARNING, CANCER/TOXICITY
2	056259-01-000	EA LABEL-SAFETY CHECK LIST
3	126611-01-000	EA LABEL - AIR BAG - VISOR
4	111802-01-000	EA LABEL-CFC WARNING

FROM: 03-14-97 THRU: 99-99-99

**MISCELLANEOUS LABELS**

KEY	PART NUMBER	U/M DESCRIPTION
	104236-01-000	EA LABEL - GENERATOR CIRCUIT
	006064-01-000	EA LABEL - SEAT W/O SEATBELT (US)
	006064-02-000	EA LABEL - SEAT W/O SEATBELT (CSA) NOT INTENDED FOR USE WHILE COACH IN MOTION
	091243-01-000	EA LABEL - A/C COVER - "AIR CONDITIONING CIRCUIT. ETC."
	093236-08-000	EA LABEL - CIRCUIT BREAKER
	111104-01-000	EA LABEL - HITCH - READ MANUAL
	111104-02-000	EA LABEL - HITCH - READ MANUAL - BLACK
	023769-01-000	EA LABEL - WARNING - LPG - CANADIAN
	099689-01-000	EA LABEL - WARNING - CANCER/TOXICITY
	091224-02-000	EA LABEL - TRAILER LIGHTING

**LABELS GROUP (CONTINUED)**

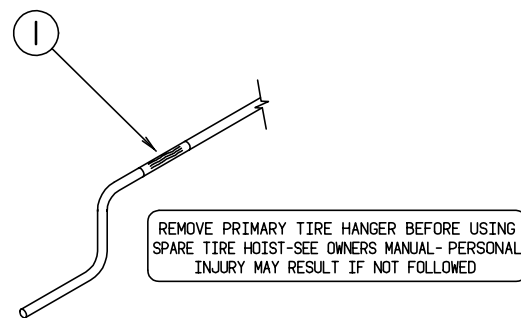


**WARNING**

Children Can be **KILLED** or **INJURED** by Passenger Air Bag

The back seat is the safest place for children 12 and under. Make sure all children use seat belts or child seats.

KEY	PART NUMBER	U/M DESCRIPTION
1	126612-01-000	EA LABEL - HANG TAG - AIR BAG - DASH FROM: 03-14-97 THRU: 99-99-99



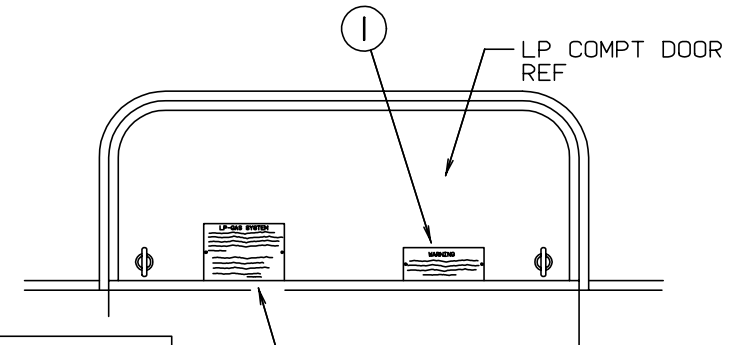
REMOVE PRIMARY TIRE HANGER BEFORE USING SPARE TIRE HOIST-SEE OWNERS MANUAL- PERSONAL INJURY MAY RESULT IF NOT FOLLOWED

KEY	PART NUMBER	U/M DESCRIPTION
1	126024-01-01A	EA LABEL - TIRE HANGER REMOVAL FROM: 03-14-97 THRU: 99-99-99

**LABELS GROUP (CONTINUED)**

**WARNING**

ALL PILOT LIGHTS AND APPLIANCES SHALL BE TURNED OFF DURING REFUELING OF MOTOR FUEL TANKS AND/OR PERMANENTLY MOUNTED LP-GAS CONTAINERS.

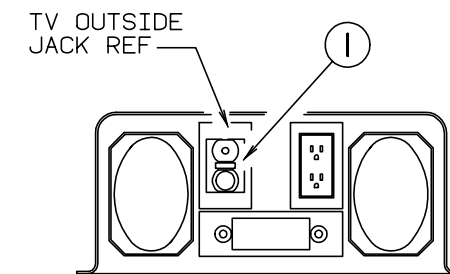


**LP-GAS SYSTEM**

THIS GAS PIPING SYSTEM IS DESIGNED FOR USE OF LIQUEFIED PETROLEUM GAS ONLY. DO NOT CONNECT NATURAL GAS TO THIS SYSTEM.

SECURELY CAP INLET(S) WHEN NOT CONNECTED FOR USE. AFTER TURNING ON GAS, EXCEPT AFTER NORMAL CONTAINER REPLACEMENT, TEST GAS PIPING AND CONNECTIONS TO APPLIANCE FOR LEAKAGE WITH SOAPY WATER OR BUBBLE SOLUTION. DO NOT USE PRODUCTS THAT CONTAIN AMMONIA OR CHLORINE.  
P.N. 54531

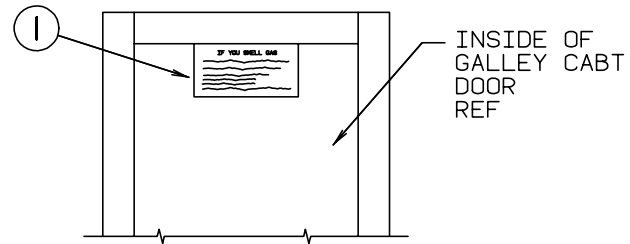
KEY	PART NUMBER	U/M DESCRIPTION
1	124519-01-02A	EA LABEL - WARNING/REFUELING
1	124519-02-02A	EA LABEL - WARNING/REFUELING - CSA
2	124520-01-02A	EA LABEL - LP GAS ONLY
2	023769-01-000	EA LABEL - WARNING - LPG - CANADIAN



OUTLET

KEY	PART NUMBER	U/M DESCRIPTION
1	087236-02-000	EA LABEL - TV OUTLET

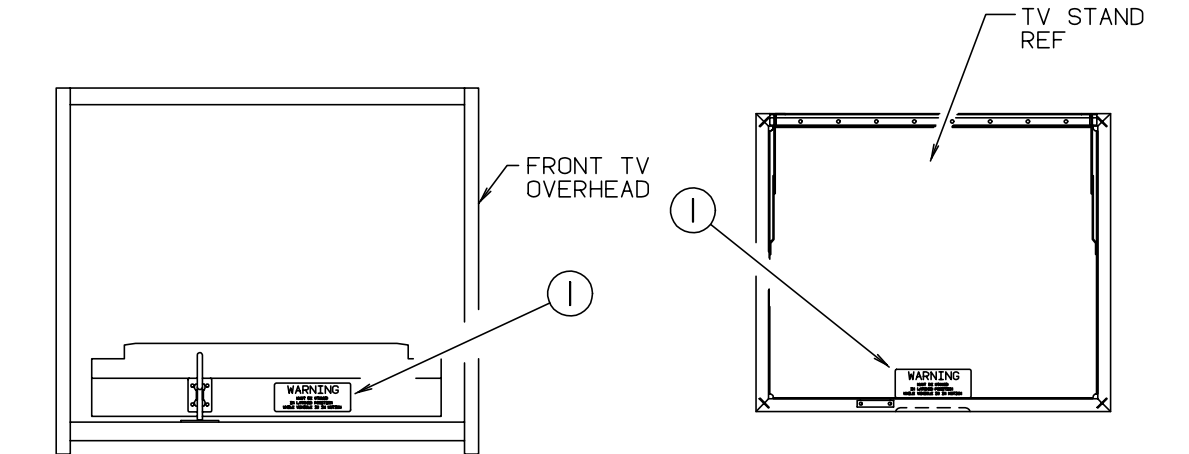
**LABELS GROUP (CONTINUED)**



**IF YOU SMELL GAS**

1. EXTINGUISH ANY OPEN FLAME, PILOT LIGHTS AND ALL SMOKING MATERIALS.
2. SHUT OFF THE GAS SUPPLY AT THE TANK VALVE( OR GAS SUPPLY CONNECTION.
3. OPEN DOORS AND OTHER VENTILATING OPENINGS.
4. DO NOT TOUCH ELECTRICAL SWITCHES.
5. LEAVE THE AREA UNTIL ODOR CLEARS.
6. HAVE THE GAS SYSTEM CHECKED AND LEAKAGE SOURCE CORRECTED BEFORE USING AGAIN.

**LABELS GROUP (CONTINUED)**

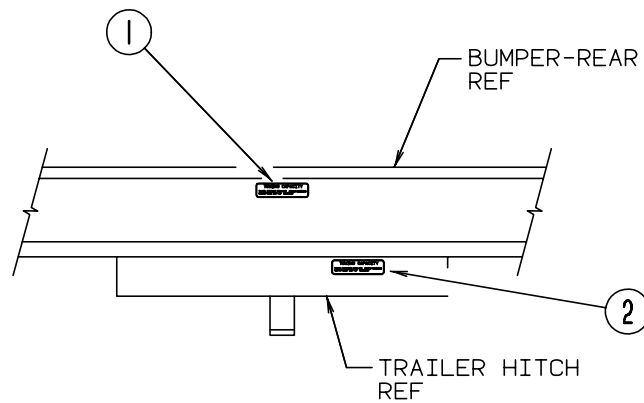


**WARNING**  
MUST BE STOWED  
IN LATCHED POSITION  
WHILE VEHICLE IS IN MOTION

**WARNING**  
MUST BE STOWED  
IN LATCHED POSITION  
WHILE VEHICLE IS IN MOTION

KEY	PART NUMBER	U/M DESCRIPTION
1	073998-01-000	EA LABEL - LPG ODOR WARNING

KEY	PART NUMBER	U/M DESCRIPTION
1	079966-01-000	EA LABEL - WARNING - STOWED - MOTION

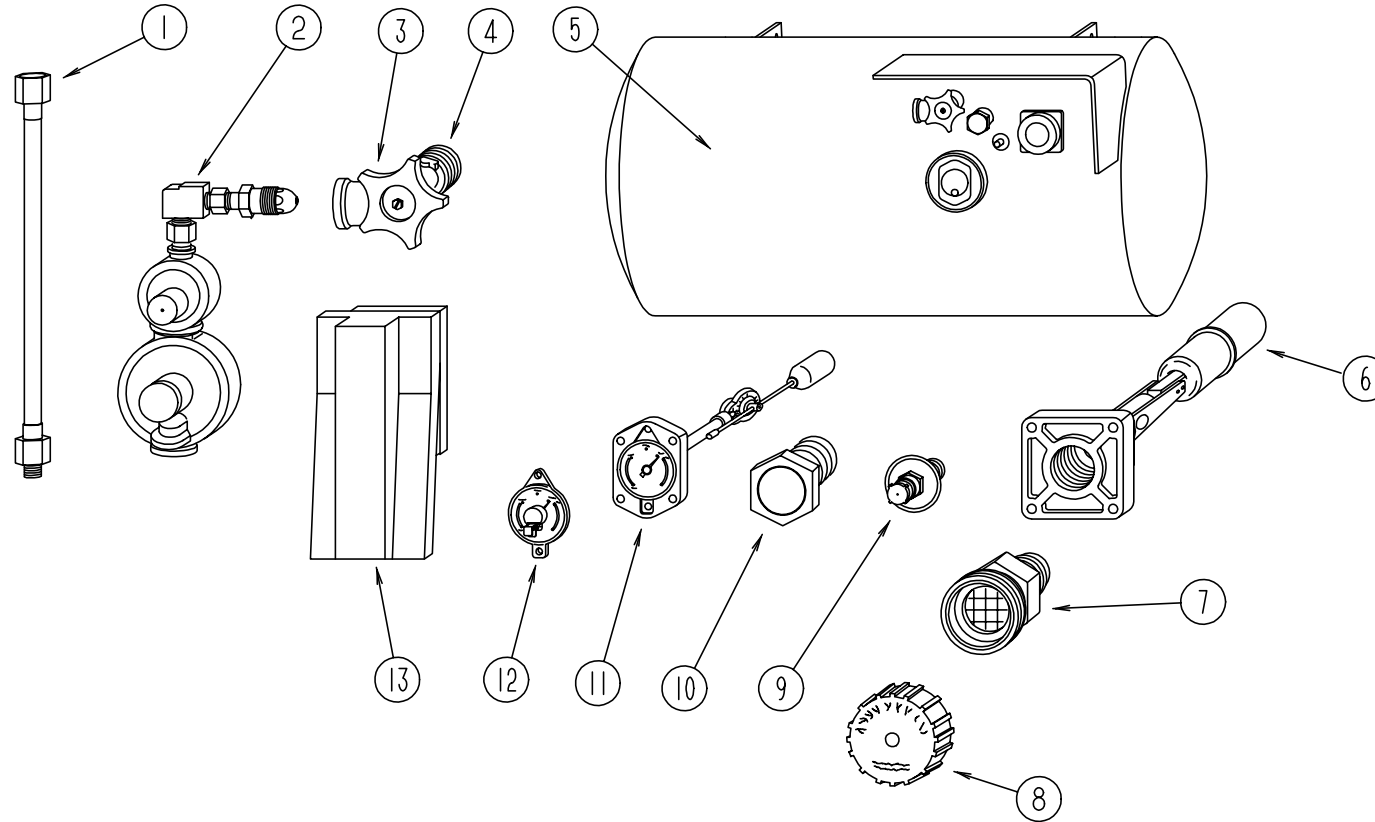


**DO NOT USE HITCH BEFORE  
READING OWNERS MANUAL REGARDING  
VEHICLE LOADING AND TOWING**

KEY	PART NUMBER	U/M DESCRIPTION
1	111104-02-000	EA LABEL - HITCH - READ MANUAL - BLACK
2	111104-01-000	EA LABEL - HITCH - READ MANUAL -

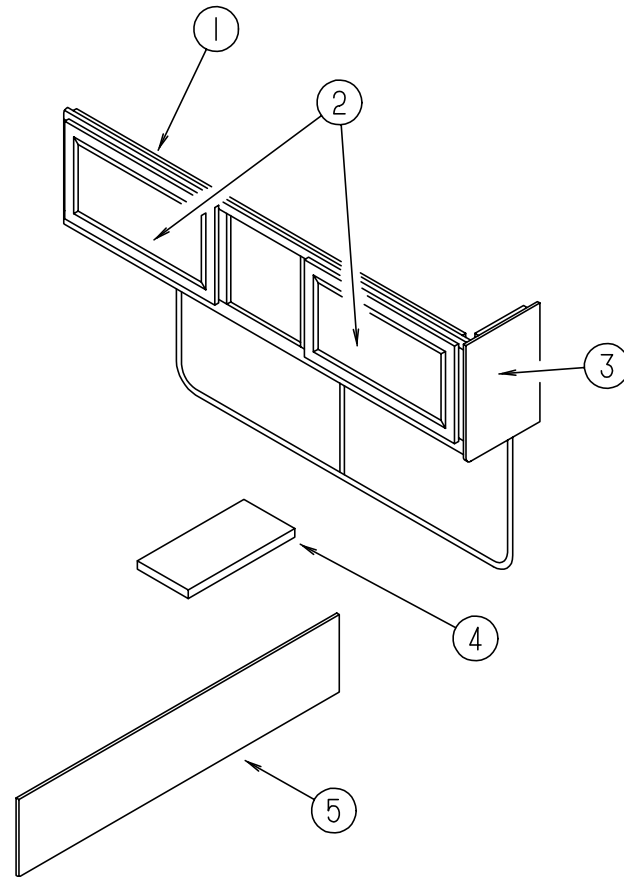
# LP GROUP

## LP SYSTEM



KEY	PART NUMBER	U/M	DESCRIPTION	VENDOR NO.
1	045703-01-000	EA	HOSE-LP - 3/8" ID X 24" - 3/8" MPT X 1/2 F SWIVEL (US)	
1	045703-02-000	EA	HOSE-LP - 3/8" ID X 24" - 3/8" MPT X 1/2" F SWIVEL (CANADA)	
1	045703-05-000	EA	HOSE-LP - 3/8" ID X 28" - 3/8" MPT X 1/2" F SWIVEL (US)	
1	045703-06-000	EA	HOSE-LP - 3/8" ID X 28" - 3/8" MPT X 1/2" F SWIVEL (CANADIAN)	
	045703-09-000	EA	HOSE ASM-LP 3/8" ID X 24" US & CGA 3/8" F SWIVEL X 3/8" F SWIVEL	
2	106150-01-000	EA	REGULATOR-TWO STAGE - M'BRASS 293-00	
3	040421-01-708	EA	HANDWHEEL-SERVICE VALVE - BRUNNER	G-1015-A
4	040421-01-712	EA	VALVE-SERVICE W/O VAPOR RELIEF	29000853
5	097821-01-000	EA	TANK - LP - 60 LB BRUNNER - 14" X 30"	
6	040421-01-711	EA	VALVE - 80% - W/FLOAT & GASKET	
7	040421-01-701	EA	VALVE-SHORT LP FILLER W/YELLOW CAP - BRUNNER	75478
8	040421-01-702	EA	CAP-LP FILLER VALVE - PLASTIC - YELLOW - BRUNNER	G-1014-A
9	040421-01-700	EA	VALVE-LIQUID LEVEL - 20% LP - BRUNNER	G-1013
10	040421-01-713	EA	VALVE-VAPOR ONLY	29000587
11	040421-01-707	EA	FLOAT ASM. (SIGHT GAUGE) 14"	14C
12	040440-02-000	EA	TRANSMITTER-DIAL - 0-90 OHM	
13	105658-01-000	EA	COMPARTMENT-LP REGULATOR	
	010265-01-000	EA	ELBOW-BRASS - 90 DEGREE - 3/8"F X 1/2"FPT	
	010323-01-000	EA	ADAPTER-BRASS - 3/8" F X 1/2" MPT	
	010377-02-000	EA	NUT-BRASS - 3/8" FEMALE - FORGED	
	010380-02-000	EA	NUT - BRASS - 1/2" FLARE - FORGED	
	065318-02-000	EA	ELBOW- 90 DEGREE - 3/8" MPT TO 3/8" FPT	
	095624-01-000	EA	ELBOW- 90 DEGREE - 1/4" FPT X 1/4" FPT - BRASS	
	103613-03-000	EA	DETECTOR-LP GAS	
	106150-02-000	EA	REGULATOR-TWO STAGE - M'BRASS 290-00	
	071391-02-000	EA	NIPPLE-HEX - 1/4 PIPE - 3325 X 4 WEATHERHEAD	

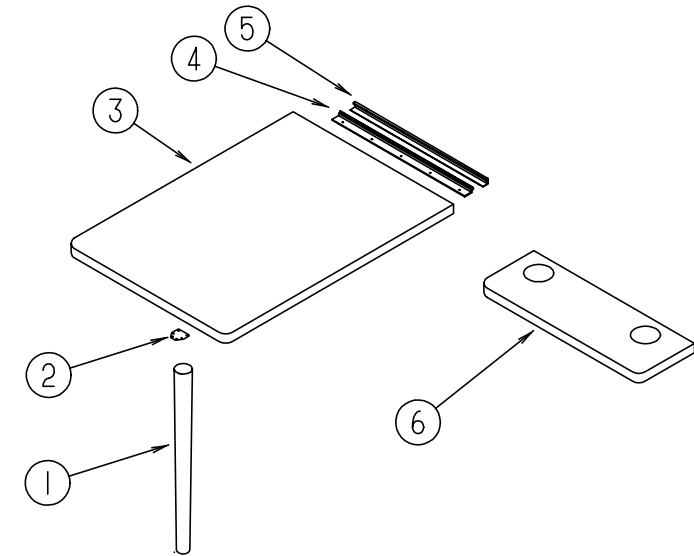
## LOUNGE GROUP



**FRONT FACING COUCH, TABLE & CABINTRY**

KEY	PART NUMBER	U/M	DESCRIPTION
1	122926-01-H10	EA	CABINET - DINETTE OVERHEAD - W/O DOORS/HARDWARE
1	122926-01-H11	EA	CABINET - DINETTE OVERHEAD - W/O DOORS/HARDWARE
2	M06803-W9-H10	EA	DOOR - MIRROR/MTRD CRNR/OGEE EDGE - 11.4"X 28" - W/O HDW
2	M06803-D5-F08	EA	DOOR - MITERED CORNER/OGEE EDGE - 11.4" X 28" - W/O HDW
3	109908-09-F08	EA	END CAP - OVERHEAD CABINET
4	P14725-01-000	EA	COVER - AIR RETURN W/O CARPET
5	M02634-01-H10	EA	PANEL - COUCH FRONT - FABRIC COVERED
5	M02634-01-H11	EA	PANEL - COUCH FRONT - FABRIC COVERED
	082525-01-000	EA	BRACE - COUCH - FLOOR MOUNT - ANGLE 3" LONG
	105947-01-000	EA	BRACKET-HOLD DOWN, COUCH - CANADIAN
	083125-07-000	EA	BRACE - COUCH - 2.5"
	114693-01-01A	EA	SUPPORT - COUCH - BLACK - RIGHT
	114693-02-01A	EA	SUPPORT - COUCH - BLACK - LEFT
	114739-01-01A	EA	PAD - NON SKID - PSA - 1 EACH = PAIR

## LOUNGE GROUP (CONTINUED)



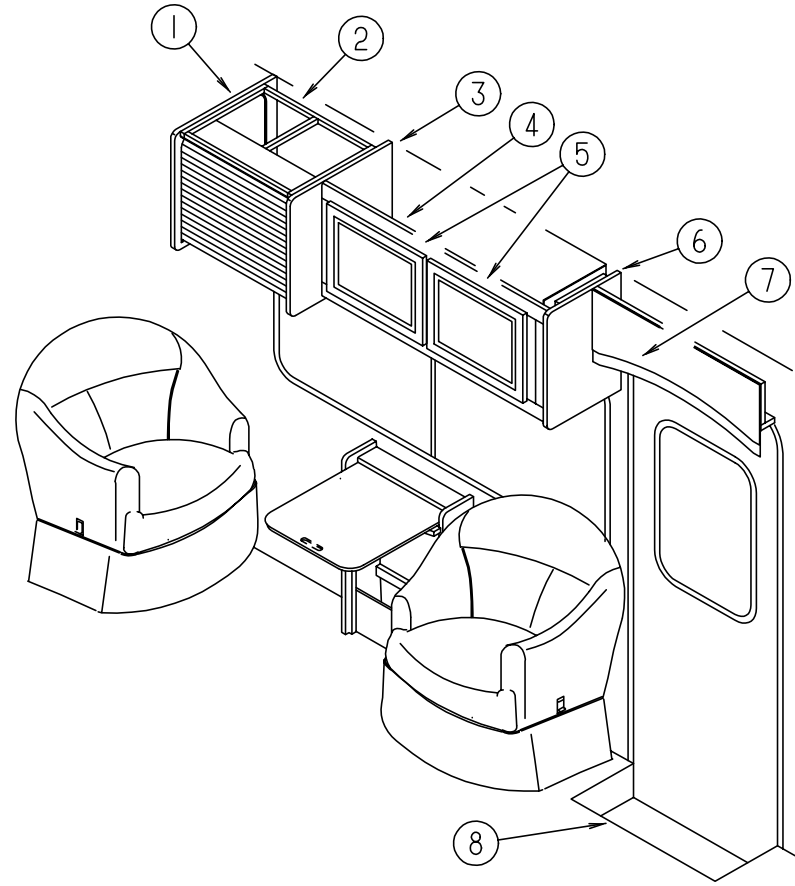
**DRIVER SIDE TABLE W/FRONT FACING COUCH**

KEY	PART NUMBER	U/M	DESCRIPTION
1	114724-01-05A	EA	LEG - TABLE/TAPERED - WOOD - CHERRY
1	114724-01-01A	EA	LEG - TABLE - TAPERED WOOD - UNFINISHED
2	114724-02-000	EA	PLATE - TABLE LEG
3	081322-14-H10	EA	TABLE TOP ONLY (H10)
3	081322-14-G07	EA	TABLE TOP ONLY (H11)
4	102201-04-02A	EA	SUPPORT - HINGE CATCH - TABLE MOUNTED - OFF WHITE
5	118933-01-01A	EA	SUPPORT - HINGE LOCK - OFF WHITE
6	114681-01-F02	EA	TABLE - LOUNGE/SMALL - W/O HARDWARE (H10)
6	114681-01-F09	EA	TABLE - LOUNGE/SMALL - W/O HARDWARE (H11)
	069726-02-000	EA	BUMPER - .88" OD X .40" THICK - BLACK
	064781-06-000	EA	HOLDER - CUP - TWO STEP - OFF WHITE

**DRIVER SIDE TABLE W/SECTIONAL SLEEPER COUCH**

KEY	PART NUMBER	U/M	DESCRIPTION
	081298-01-H08	EA	TABLE - DINETTE - W/O HARDWARE (H10)
	081298-01-H07	EA	TABLE - DINETTE - W/O HARDWARE (H11)
	041194-01-000	EA	BASE - TABLE/FLUSH - FLOOR MOUNTED
	009040-02-000	EA	PEDESTAL TABLE LEG - 27.5" X 2.25" DIAMETER
	009040-03-000	EA	BASE - TABLE/RAISED - TABLE MOUNTED
	042438-02-000	EA	DOWEL - WOOD - 2" X 2"
	062046-01-000	EA	CLIP - LEG - PEDESTAL - 1.7" X 2.2" - DIA FROM 2 - 2.5"

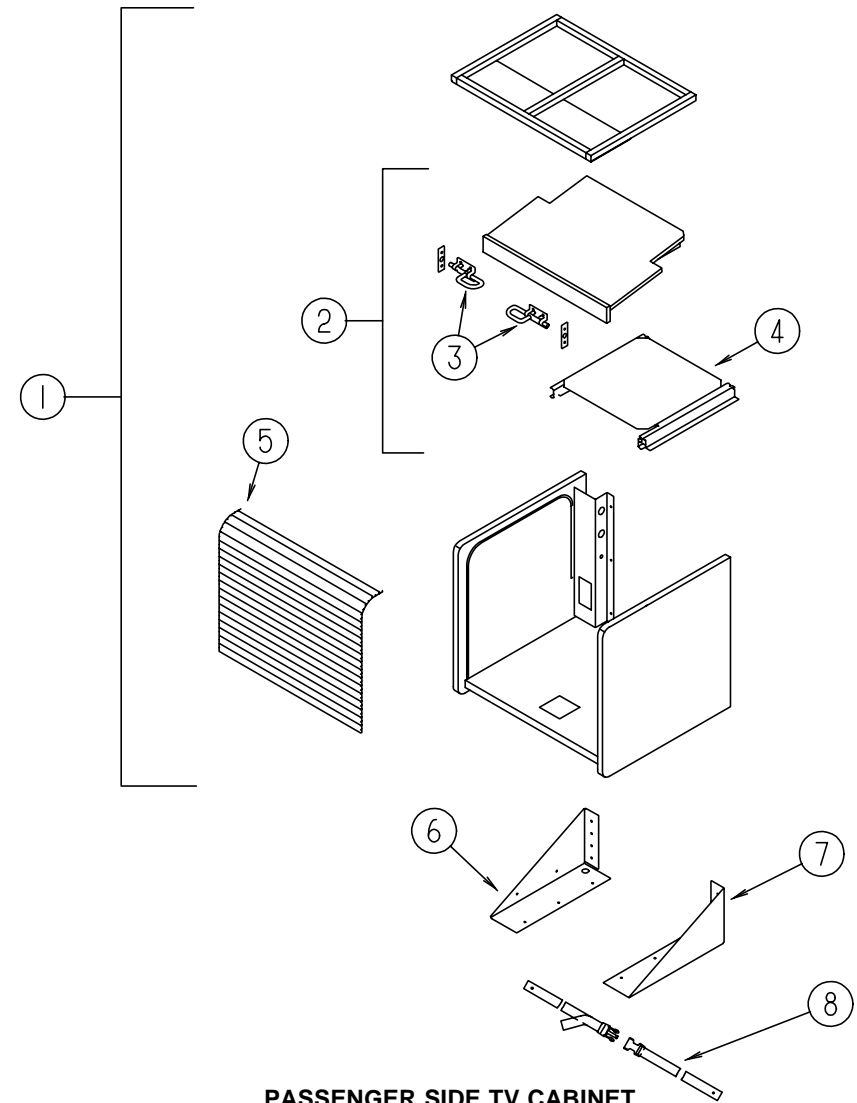
### LOUNGE GROUP (CONTINUED)



#### PASSENGER SIDE OVERHEAD CABINETRY W/TV CABINET

KEY	PART NUMBER	U/M	DESCRIPTION
1	121877-14-H10	EA	END CAP
2	M08163-01-H10	EA	CABINET - TV/VCP - W/O SHELF/SLIDES/SWIVEL- W/TAMBOUR DOOR
2	M08163-02-H10	EA	CABINET - TV/VCP - W/SHELF/SLIDES/SWIVEL/TAMBOUR DOOR
3	121877-15-H10	EA	END CAP
4	122777-01-H10	EA	CABINET - OVERHEAD FRONT - W/O DOORS/HARDWARE
5	M06803-Y1-H10	EA	DOOR-MITERED CORNER/OGEE EDGE - 14.3" X 17.8" - W/O HARDWARE
6	109908-09-F08	EA	END CAP - OVERHEAD CABINET
7	112964-01-G04	EA	CABINET - OVERHEAD ENTRANCE
8	P14437-02-000	EA	CABINET - LID ENTRANCE DOOR - W/O CARPET
8	101222-01-02A	EA	BRACKET - CATCH - LID - OFF WHITE

### LOUNGE GROUP (CONTINUED)

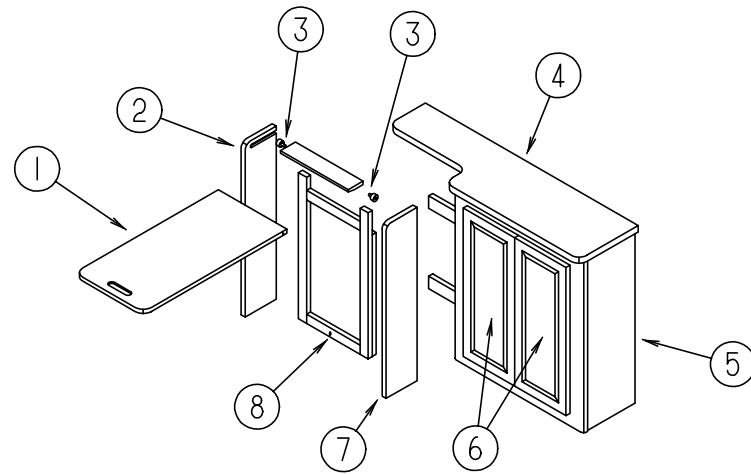


#### PASSENGER SIDE TV CABINET

KEY	PART NUMBER	U/M	DESCRIPTION
1	M08163-01-H10	EA	CABINET - TV/VCP - W/O SHELF/SLIDES/SWIVEL- W/TAMBOUR DOOR
1	M08163-02-H10	EA	CABINET - TV/VCP - W/SHELF/SLIDES/SWIVEL/TAMBOUR DOOR
2	121877-11-H10	EA	SHELF - W/SLIDE AND SWIVEL
3	103256-01-000	EA	LATCH - SLIDE
4	116773-02-000	EA	SWIVEL/SLIDES - F/TV SHELF
5	121877-20-H04	EA	DOOR-TAMBOUR
6	122298-03-02B	EA	BRACKET - TV/VCR - RIGHT HAND
7	122298-02-02B	EA	BRACKET - TV/VCR - LEFT HAND
8	099717-04-000	EA	STRAP - TIE DOWN W/21.3" FEMALE STRAP & 27.2" MALE STRAP

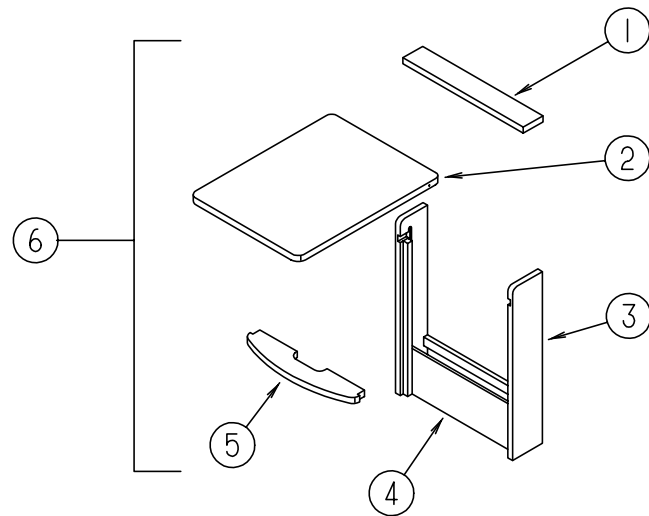


## LOUNGE GROUP (CONTINUED)



**PASSENGER SIDE HUTCH TABLE**

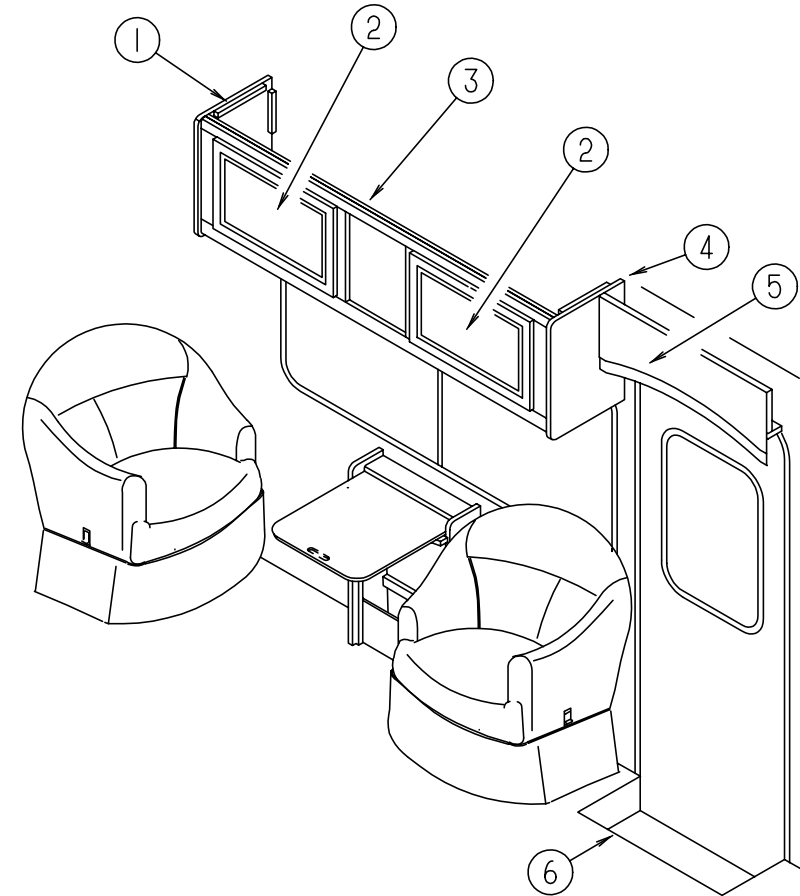
KEY	PART NUMBER	U/M DESCRIPTION
1	114796-15-G07	EA TABLE - PULLOUT - HUTCH CABINET
2	114796-13-F08	EA PANEL - OUTSIDE - FLIP UP TABLE CABINET
3	079921-01-000	EA ROLLER-NYLON - W/STEEL SHAFT - BARBED
4	114796-11-F02	EA COUNTERTOP - HUTCH CABINET (H10)
4	114796-11-F09	EA COUNTERTOP - HUTCH CABINET (H11)
5	114796-01-H10	EA CABINET - HUTCH PASS LOUNGE - W/PULLOUT TBL-W/O DOORS/HDW (H10)
5	114796-01-G07	EA CABINET - HUTCH PASS LOUNGE - W/PULLOUT TBL-W/O DOORS/HDW (H11)
6	M06803-20-F08	EA DOOR - MITERED CORNER/OGEE EDGE - 10.02" X 25.2" - W/O HARDWARE
7	114796-12-G07	EA PANEL - INSIDE - FLIP UP TABLE CABINET
8	049176-01-000	EA HEDLOCK II - 3/4 DIAMETER, SCREW MOUNT



**PASSENGER SIDE PULL OUT TABLE W/ SWIVEL CHAIRS**

KEY	PART NUMBER	U/M DESCRIPTION
1	096873-15-G07	EA SHELF - SUPPORT - OVER PULLOUT TABLE TOP
2	096873-11-F08	EA TABLE TOP ONLY - PULLOUT
	080736-01-000	EA PULL - RECESSED - 1.25 X 4" - OAK
3	096873-14-F08	EA SIDE END - TABLE - LEFT SIDE - 28.7" X 5.7"
	096873-13-F08	EA SIDE END - TABLE - RIGHT SIDE - 28.7" X 5.7"
4	096873-16-G07	EA TABLE FRONT - BOTTOM - 18.1" X 6.7"
5	096873-12-G07	EA SHELF - SUPPORT UNDER TABLE TOP
6	M96873-01-G07	EA CABINET - F/PULLOUT TABLE - W/O TABLE TOP

## LOUNGE GROUP (CONTINUED)



**PASSENGER SIDE LOUNGE CABINETRY W/O TV CABINET**

KEY	PART NUMBER	U/M DESCRIPTION
1	109908-08-F08	EA END CAP - OVERHEAD CABINET
2	M06803-B1-H10	EA DOOR - MITERED CORNERS/OGEE EDGE - 15.7" X 20.4" - W/O HARDWARE
3	120939-01-H10	EA CABINET - OVERHEAD FRONT - W/O DOORS/HARDWARE
3	120939-01-H11	EA CABINET - OVERHEAD FRONT - W/O DOORS/HARDWARE
4	109908-09-F08	EA END CAP - OVERHEAD CABINET
5	112964-01-G04	EA CABINET - OVERHEAD ENTRANCE
6	P14437-02-000	EA CABINET - LID ENTRANCE DOOR - W/O CARPET
6	101222-01-02A	EA BRACKET - CATCH - LID - OFF WHITE

## SEALANTS & FASTENERS GROUP

### SCREWS

KEY	PART NUMBER	U/M	DESCRIPTION
	0G1208-12-170	EA	SCREW - 8-18 X .75 POH - BRIGHT WHITE
	0G3908-08-170	EA	SCREW - SF/DR - 8-18 X .50 PPH - BRIGHT WHITE
	0G3908-24-170	EA	SCREW - SF/DR - 8-18 X 1.50 PPH - BRIGHT WHITE
	0G5508-16-250	EA	SCREW - SF/DR - 8-18 X 1.00 PWH
			FROM: 12-16-96 THRU: 99-99-99
	0G6710-08-170	EA	SCREW - 10-12 X 1/2 PPH - BRIGHT WHITE
	000C18-06-56A	EA	BOLT - ELEVATOR - 3/8-16 X 3 1/2 - GRADE 5
	000G11-05-08B	EA	SCREW - 5-20 X .50 PPH - ZINC
	000G11-06-10J	EA	SCREW - 6-20 X 5/8 PPH - BRASS
	000G11-06-08B	EA	SCREW - 6-20 X .50 PPH - ZINC
	000G11-06-06B	EA	SCREW - 6-20 X 3/8 PPH - ZINC
	000G11-07-08B	EA	SCREW - 7-19 X .50 PPH - ZINC
	000G11-08-20B	EA	SCREW - 8-18 X 1.25 PPH - ZINC
	000G11-08-16S	EA	SCREW - 8-18 X 1 PPH - OFF WHITE
	000G11-08-12T	EA	SCREW - 8-18 X .75 PPH - BLACK
	000G11-08-12P	EA	SCREW - 8-18 X 3/4 PPH - DARK BROWN
	000G11-08-12P	EA	SCREW - 8-18 X 3/4 PPH - DARK BROWN
	000G11-08-12D	EA	SCREW - 8-18 X .75 PPH - BLACK
	000G11-08-12B	EA	SCREW - 8-18 X .75 PPH - ZINC
	000G11-08-08B	EA	SCREW - 8-18 X .50 PPH - ZINC
	000G11-08-06B	EA	SCREW - 8-18 X 3/8 PPH - ZINC
	000G11-10-12S	EA	SCREW - 10-16 X .75" PPH - OFF WHITE
	000G12-08-12S	EA	SCREW - 8-18 X .75 POH - OFF WHITE
	000G13-05-10B	EA	SCREW - 5-12 X 5/8 PFH - ZINC
	000G13-06-24J	EA	SCREW - 6-20 X 1.50 PFH - BRASS
	000G13-06-16J	EA	SCREW - 6-20 X 1 PFH - BRASS
	000G13-06-10G	EA	SCREW - 6-20 X 5/8 PFH - ANTIQUE BRASS
	000G13-06-08B	EA	SCREW - 6-20 X .50 PFH - ZINC
	000G13-07-12B	EA	SCREW - 7-19 X .75 PFH - ZINC
	000G19-10-12F	EA	SCREW - MACHINE - 10-32 X .75 - PPH - STAINLESS STEEL
	000G32-10-06B	EA	SCREW - 10-32 X 3/8 PPH - ZINC
	000G39-06-08B	EA	SCREW - SF/DR - 6-18 X .50 - ZINC
	000G39-06-10T	EA	SCREW - SF/DR - 6-20 X 5/8 PPH - BLACK
	000G39-06-10T	EA	SCREW - SF/DR - 6-20 X 5/8 PPH - BLACK
	000G39-08-08S	EA	SCREW - SF/DR - 8-18 X .50 PPH - OFF WHITE
	000G39-08-08B	EA	SCREW - SF/DR - 8-18 X 1.50 PPH - ZINC
	000G39-08-06B	EA	SCREW - SF/DR - 8-18 X 3/8 PPH - ZINC
	000G39-08-24B	EA	SCREW - SF/DR - 8-18 X 1 1/2 PPH - ZINC
	000G39-08-16R	EA	SCREW - SF/DR - 8-18 X 1 PPH - BEIGE
	000G39-08-16B	EA	SCREW - SF/DR - 8-18 X 1 PPH - ZINC
	000G39-08-12B	EA	SCREW - SF/DR - 8-18 X .75 PPH - ZINC
	000G39-08-08T	EA	SCREW - SF/DR - 8-18 X 1/2 PPH - BLACK
	000G39-10-12B	EA	SCREW - SF/DR - 10-16 X .75 PPH - ZINC
	000G39-10-088	EA	SCREW - SF/DR - 10-16 X 1/2 PPH - FLEX FLUOROCARBON
	000G39-10-08B	EA	SCREW - SF/DR - 10-16 X .50 PPH - ZINC
	000G39-10-32B	EA	SCREW - SF/DR - 10-16 X 2 - PPH - ZINC
	000G39-10-20B	EA	SCREW - SF/DR - 10-16 X 1.25 PPH - ZINC
	000G39-10-129	EA	SCREW - SF/DR - 10-16 X .75 PPH - FLUOROCARBON SILVER
	000G39-10-12R	EA	SCREW - SF/DR - 10-16 X .75 PPH - BEIGE
	000G39-10-12D	EA	SCREW - SF/DR - 10-16 X .75 PPH - BLACK
	000G42-04-16B	EA	SCREW - SF/DR - 1/4-14 X 1 HWH - ZINC
	000G46-08-24T	EA	SCREW - MACHINE - 8-32 X 1.50 PFH - BLACK
	000G50-04-12B	EA	SCREW - MACHINE - 1/4-20 X .75 PPH - ZINC
	000G52-08-18B	EA	SCREW - MACHINE - 8-32 X 1 1/8 PTH - ZINC
	000G54-04-20B	EA	SCREW - 1/4-20 X 1.25 PTH - TYPE 23 - ZINC PLATED
	000G55-08-16S	EA	SCREW - SF/DR - 8-18 X 1.00 - PWH - OFF WHITE
	000G60-10-20B	EA	SCREW - SF/DR - 10-16 X 1.25 POH - ZINC
	000G60-10-28T	EA	SCREW - SF/DR - 10-16 X 1.75 - BLACK
	000G67-10-08R	EA	SCREW - 10-12 X 1/2 PPH - BEIGE - TYPE A
	000G67-10-08B	EA	SCREW - 10-12 X .50 PPH - ZINC
	000G67-10-36T	EA	SCREW - 10-12 X 2.25 - PPH - BLACK
	000G67-10-32B	EA	SCREW - 10-12 X 2 PPH - ZINC
	000G67-10-24B	EA	SCREW - 10-12 X 1.25 PPH - ZINC
	000G67-10-20D	EA	SCREW - 10-12 X 1.25 PPH - BLACK

## SEALANTS & FASTENERS GROUP (CONTINUED)

### SCREWS (CONTINUED)

KEY	PART NUMBER	U/M	DESCRIPTION
	000G67-10-16B	EA	SCREW - 10-12 X 1 PPH - ZINC
	000G67-10-120	EA	SCREW - 10-12 X .75 PPH - TAN
	000G67-10-120	EA	SCREW - 10-12 X .75 PPH - TAN
	000G67-10-12R	EA	SCREW - 10-12 X .75 PPH - BEIGE
	000G67-10-12P	EA	SCREW - 10-12 X .75 - PPH - DARK BROWN
	000G67-10-12B	EA	SCREW - 10-12 X .75 PPH - ZINC
	000G67-10-10S	EA	SCREW - 10-12 X 5/8 PPH - OFF WHITE
	000G67-10-10D	EA	SCREW - 10-12 X 5/8 PPH - BLACK - TYPE A
	000G67-10-10B	EA	SCREW - 10-12 X 5/8 PPH - ZINC - TYPE A
	000G68-06-10G	EA	SCREW - 6-18 X 5/8 POH - ANTIQUE BRASS
	049465-03-000	EA	SCREW - 10-16 X 1 POH W/WASHER - OFF WHITE
	054434-02-000	EA	SCREW - SF/DR - 10-16 X 2 - ZINC
	075908-01-000	EA	SCREW - MACHINE - 10-32 X .56 PTH - EXTERNAL TOOTH - ZINC
	083554-01-000	EA	SCREW - DRYWALL - 8 X 1.25
	086256-01-000	EA	SCREW - SF/DR - 8 X 3/4 HWH LONG
	087721-01-000	EA	SCREW - FLAT HEAD - TAPPING - 1/4" X 1 1/4" LONG - ZINC
	097974-01-000	EA	SCREW - PARTICLE BOARD - 7-9 X 3/4 PPH
	101618-01-000	EA	SCREW - 1/4-20 X 3/4 HEX - TAPPING - STALGARD TYPE F
	105126-01-000	EA	SCREW - MACH - 8-32 X 1 PPH TAPTIT

### BOLTS, NUTS & WASHERS

KEY	PART NUMBER	U/M	DESCRIPTION
	0MC31K-08-020	EA	BOLT - HEX - SERRATED FLANGE - M8 X 020
	000C12-05-16B	EA	BOLT - HEX - 5/16-18 X 1 - ZINC 5
	000C12-06-16B	EA	BOLT - HEX - 3/8-16 X 1 LG - ZINC 5
	000C12-07-20B	EA	BOLT - HEX - 7/16-14 X 1 1/4 - ZINC 5
	000C12-08-24B	EA	BOLT - HEX - 1/2-13 X 1.50 - ZINC 5
	000C12-10-24B	EA	BOLT - HEX - 5/8-11 X 1.50 - ZINC 5
	000C13-07-48B	EA	BOLT - HEX - 7/16-20 X 3 - ZINC 5
	000C18-05-40A	EA	BOLT - ELEVATOR - 5/16-18 X 2.50 - PL
	000C18-06-48B	EA	BOLT - ELEVATOR - 3/8-16 X 3 - ZINC - GRADE 5
	000C26-04-14B	EA	BOLT - HEX - SERRATED FLANGE - 1/4-20 X 7/8 - ZINC
	000C26-04-10B	EA	BOLT - HEX - SERRATED FLANGE - 1/4-20 X 5/8 - ZINC
	000C26-05-12B	EA	BOLT - HEX - SERRATED FLANGE - 5/16-18 X 3/4 - ZINC
	000C26-06-16B	EA	BOLT - HEX - SERRATED FLANGE - 3/8-16 X 1 - ZINC
	000C26-06-12B	EA	BOLT - HEX - SERRATED FLANGE - 3/8-16 X 3/4 - ZINC
	000D24-10-00B	EA	NUT - HEX - SELF LOCKING - 10-32 ZINC
	000D29-06-00B	EA	NUT - HEX - W/NYLON LOCK - 3/8-16 - ZINC
	000D29-09-00B	EA	NUT - HEX - SELF LOCKING - 9/16-12 - ZINC
	000D34-06-00B	EA	NUT - HEX - LOCKING - 3/8 - 16 GRADE C - ZINC-PREVAILING T
	000D39-04-00B	EA	NUT - HEX - SERRATED FLANGE - LOCKING - 1/4 - 20 - ZINC
	000D39-05-00B	EA	NUT - HEX - SERRATED FLANGE - LOCKING - 5/16 - 18 - ZINC
	000D39-06-00B	EA	NUT - HEX - SERRATED FLANGE - LOCKING - 3/8 - 18 - ZINC
	000D39-07-00B	EA	NUT - HEX - SERRATED FLANGE - LOCKING - 7/16 - 14 - ZINC
	000D39-08-00B	EA	NUT - HEX - SERRATED FLANGE - LOCKING - 1/2 - 13 - ZINC
	000D44-07-00B	EA	NUT - HEX - SERRATED FLANGE - LOCKING - 7/16-20 - ZINC
	000E11-07-00B	EA	WASHER - LOCKING - 7/16 MED SPLIT - ZINC
	000E13-14-00B	EA	WASHER - FLAT - 1/4 WIDE - ZINC
	000E13-17-00B	EA	WASHER - FLAT - 3/8" AR - ZINC
	000E13-18-00B	EA	WASHER - FLAT - 3/8 WIDE - ZINC
	000E13-20-00B	EA	WASHER - FLAT - 7/16 WIDE - ZINC
	040921-01-000	EA	NUT - SPEED - U TYPE - 10-24 BLACK
	041322-01-000	EA	WASHER - FLANGE - 15/32 ID X 2 3/8 OD - FOR SEAT BELT MOUN
	044364-02-000	EA	NUT - SPEED - FLAT - ROUND
	044533-01-000	EA	WASHER - PLASTIC - 1 3/8" OD - FOR BUTTONS
	051387-06-000	EA	BOLT - CARRIAGE W/O HOLE - 5/16-18 X 9.5 - ZINC
	087234-01-000	EA	NUT - JACK - 1/4 X 20 THD - MOLLY - MOUNTS LICENSE PLATES
	091274-03-000	EA	BOLT - J - 3/8-16 X 12.0
	102333-01-06A	EA	BOLT - CARRIAGE - 7/16-14 STAINLESS STEEL CAP
	106166-01-000	EA	BOLT/COLLARED HANGER - 8-32 X 1"

## SEALANTS & FASTENERS GROUP (CONTINUED)

### CLAMPS, GROMMETS, CLIPS & RIVETS

KEY	PART NUMBER	U/M	DESCRIPTION
	000H16-04-06R	EA	RIVET - POP ALUMINUM - 1/8" X .313 - .375
	007161-01-000	EA	CLAMP - HOSE - SPRING TYPE - 1/2"
	010495-01-000	EA	CLAMP - CABLE - 9/16"
	010497-01-000	EA	CLAMP - CLOSED - 5/8" ID
	010497-03-000	EA	CLAMP - CLOSED - 1" ID - CUSHIONED
	010497-04-000	EA	CLAMP - CLOSED - 1.62" ID
	010497-08-000	EA	CLAMP - CLOSED - .125"
	010499-01-000	EA	CLAMP - CLOSED - 3/8" ID
	016188-05-000	EA	GROMMET - L/P LINE - 3/8" HOLE X 1 1/4" LONG - RUBBER
	023942-01-000	EA	GROMMET - RUBBER - 2" OD
	056134-02-000	EA	HOLDER - RING - 1.8" DIAMETER - METAL
	062401-01-000	EA	CLAMP - HOSE - WORMGEAR - .25" - 1"
	062401-02-000	EA	CLAMP - HOSE - WORMGEAR - 1.56" - 2.5"
	062401-03-000	EA	CLAMP - HOSE - WORMGEAR - .22" - 1"
	062401-04-000	EA	CLAMP - HOSE - WORMGEAR - .69" - 1.25"
	062401-06-000	EA	CLAMP - HOSE - WORMGEAR - .22 - .62 ID
	062401-11-000	EA	CLAMP - HOSE - WORMGEAR - 3.50 - 4.50
	069592-02-000	EA	RIVET-T - POP - 1/4 X .093 - .156
	071015-26-000	EA	GROMMET - RUBBER - 1.5" ID X 2.12" OD W/.06" GROOVE - BLK
	075148-02-000	EA	CLAMP - GROUNDING - BRONZE SCREWS
	080734-02-000	EA	CLIP - WIRE NYLON
	09436202000	EA	CLIP - XMAS TREE - FLAT HEAD - .5" X .95"
	083609-01-000	EA	CLAMP - WIRE - DUAL - EQUAL DIAMETERS - 5/8"
	083610-01-000	EA	CLAMP - WIRE - DUAL - UNEQUAL DIAMETERS - 3/4" & 1 1/4"
	083610-02-000	EA	CLAMP - WIRE - DUAL - UNEQUAL DIAMETERS
	091952-02-000	EA	CLIP - GRIPPER - 3/4"
	101447-01-000	EA	CLIP - U TYPE - HOLDS SHOWER SURROUND TOGETHER
	114208-02-000	EA	GROMMET - EDGE LINER - FITS .625

### TIES, PLUGS & FASTENERS

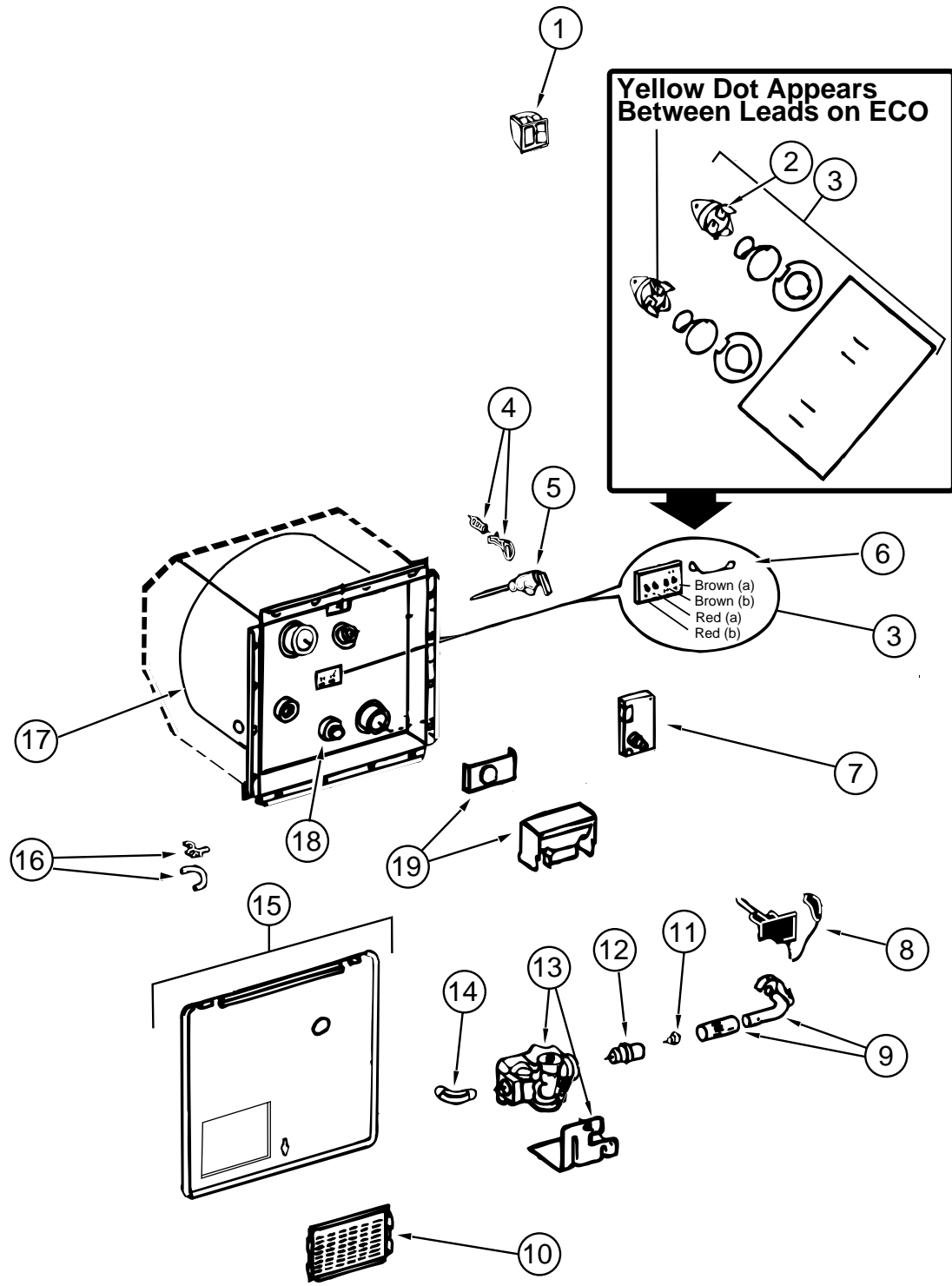
KEY	PART NUMBER	U/M	DESCRIPTION
	008343-01-000	EA	TIE - WIRE - 6"
	061420-09-000	EA	PLUG/PLASTIC - 1.00" - DIAMETER
	061420-10-000	EA	PLUG/PLASTIC - 1.50" DIAMETER - BLACK
	081211-05-000	EA	PLUG - PLASTIC - .188 DIAMETER - NATURAL
			FROM: 10-14-96 THRU: 99-99-99
	085774-01-000	FT	FASTENER - DUAL HOOK - 1" WIDE - ADHESIVE BACK - BLACK
	085774-02-000	FT	FASTENER - DUAL LOOP - 1" WIDE - ADHESIVE BACK - BLACK
	108046-01-000	EA	CABLE TIE - SCREW MOUNT 8"
	108046-02-000	EA	CABLE TIE - SCREW MOUNT 15"
	110943-02-000	FT	FELTSTRIP - 3/8" - ADHESIVE BACK - WHITE
			FROM: 09-02-96 THRU: 99-99-99

## SEALANTS & FASTENERS GROUP (CONTINUED)

### ADHESIVE & FASTENERS

KEY	PART NUMBER	U/M	DESCRIPTION
	004006-05-700	EA	ADHESIVE-NAT. STARCH (5 GAL) 0802
	004020-01-000	QT	ADHESIVE - ABS CEMENT - QUART
	034552-02-000	EA	SILICONE - TUBE - 300 ML - W/O NOZZLE - CLEAR
	034552-06-000	EA	SILICONE - TUBE - 300 ML - W/O NOZZLE - OFF WHITE
	034552-15-000	EA	SILICONE - TUBE - 300 ML - W/O NOZZLE - BRIGHT WHITE
			FROM: 00-00-00 THRU: 01-01-97
	039518-01-000	EA	SILICONE - TUBE - 300 ML - BLACK - W/O NOZZLE
	053766-02-000	EA	BEDDING COMPOUND - TUBE - WHITE
	053766-06-000	EA	BEDDING COMPOUND - TUBE - CLEAR
	063642-01-000	FT	TAPE - ADHESIVE - 10 MIL X 1.5" X 180"
	069640-01-000	FT	SEALER - RIBBON - 1/4"DIAMETER X 30'
	069640-02-000	FT	SEALER - TAPE - 1/8"THICK X .50"WIDE X 60'
	069640-03-000	FT	SEALER - TAPE - 1/8"THICK X .75"WIDE X 60'
	069640-07-000	FT	SEALER - TAPE - 3/32"THICK X 2"WIDE X 45'
	069640-10-000	FT	SEALER - TAPE - 1/32"THICK X 1.50"WIDE X 90'
	069640-11-000	FT	SEALER - TAPE - 3/16"THICK X 3/8"WIDE X 40'
	069640-15-000	FT	SEALER - TAPE - 1/16"THICK X 3/8"WIDE X 80'
	069640-17-000	FT	SEALER - TAPE - 1/32" THICK X 1"WIDE X 90'
	069640-18-000	FT	SEALER - TAPE - 1/2" THICK X 1/8" X 60'
	072889-09-000	EA	SEALANT - URETHANE - BLACK (TUBE)
	072889-10-000	EA	SEALANT - URETHANE (HV) - BRIGHT WHITE
	072889-12-000	EA	SEALANT - URETHANE (LV) BRIGHT WHITE
	076314-02-000	FT	TAPE - CARPET SEAM - HEAT-BOND - 4" WIDE
	076322-02-000	FT	TAPE - DOUBLE COATED/ADHESIVE BACK - .045"THK X 1"W X 9'
	076322-05-000	FT	TAPE - DOUBLE COATED/ADHESIVE BACK - .045"THK X 75"W X 9'
	076322-07-000	FT	TAPE - DOUBLE COATED/ADHESIVE BACK - .045"THK X .50"W X 9'
	087211-01-000	GL	PROMOTER - ADHESIVE
	091255-02-000	FT	SEAL - ADHESIVE BACKED/FOAM - .18" THICK X 1.5" WIDE
	102352-01-000	EA	SEALER - PUMPABLE - BLACK - COLORIMETRIC MS101
	102352-02-000	EA	SEALER - PUMPABLE - CLEAR
	106206-01-000	EA	SEALER - PUMPABLE - MANUS 30A - BLACK
	108716-03-000	EA	SILICONE - TUBE - BRIGHT WHITE/SELF LEVELING
	118085-02-01A	FT	TAPE - FOIL - 1"
	120534-01-01A	EA	TAPE - SCOTCH - 3M - 1/2" FINE LINE
	123816-01-000	FT	TAPE - DOUBLE SIDED - 1"
	123816-02-000	FT	TAPE - DOUBLE SIDED - 1/2"
	123816-03-000	FT	TAPE - DOUBLE SIDED - 1/2"
			FROM: 02-04-97 THRU: 99-99-99
	900390-01-000	EA	TIP - 2 1/2" X 1/8" ORIFICE
	900390-03-000	EA	NOZZLE - SILICONE TUBE

## WATER & SEWAGE GROUP



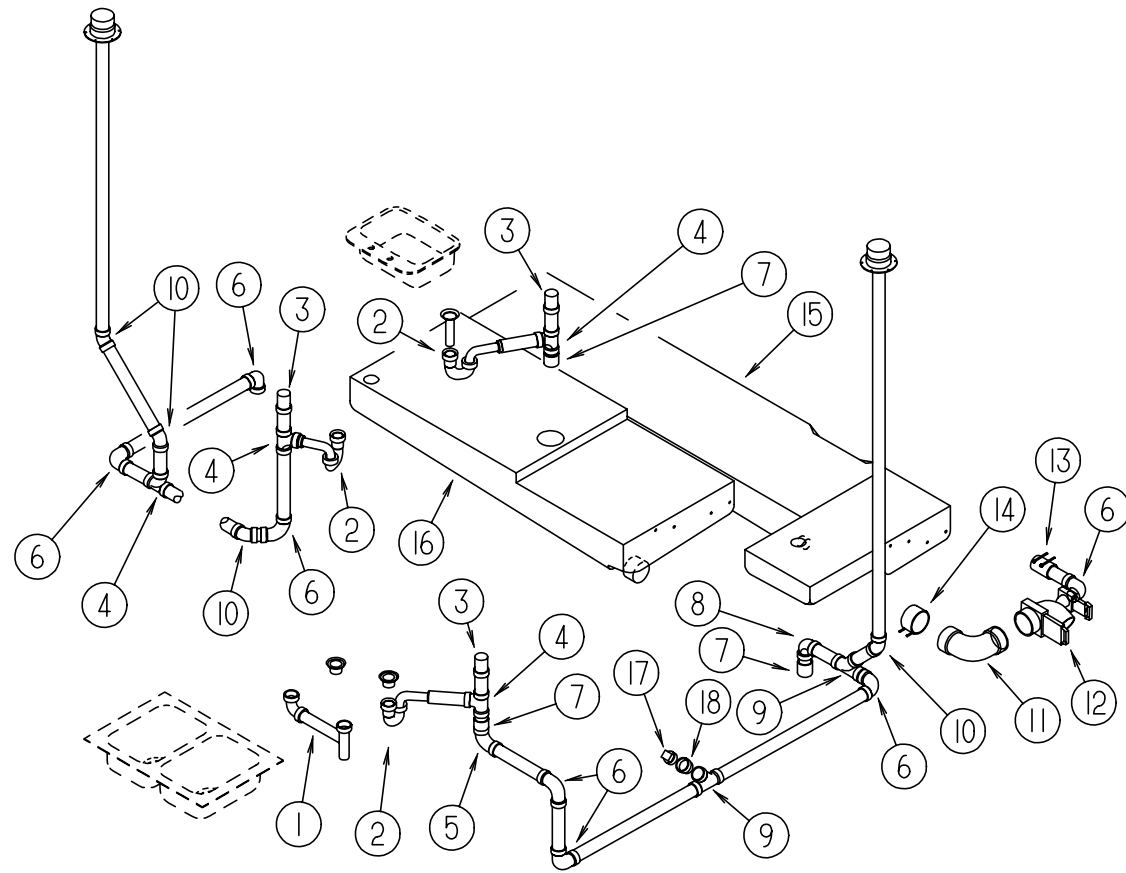
### WATER HEATER W/ELECRIC IGNITION ATWOOD (G6A-8E)

KEY	PART NUMBER	U/M	DESCRIPTION	VENDOR NO.
	051391-03-000	EA	WATER HEATER - W/ ELECTRIC IGNITION	
1	097967-01-000	EA	SWITCH - WATER HEATER - REMOTE W/LIGHT	
2	051391-04-701	EA	THERMOSTAT 12 VDC-120 PRESET	# 91470
3	051393-01-721	EA	ECO & THERMOSTAT ASM-FRONT MOUNT, 140 DEGREE	# 91447
4	051391-01-705	EA	FASTENER-CAMLOC	# 92609
5	051391-01-704	EA	VALVE-RELIEF - 1/2" FITTING	# 91604
6	051393-01-723	EA	SWITCH-THERMAL-CUT OFF (2/PKG)	# 93866
7	051393-01-724	EA	CIRCUIT BOARD-SPADE TERMINAL	# 93865
8	051393-01-725	EA	ELECTRODE-SINGLE SPADE CONNECT	# 93868
9	051391-04-703	EA	BURNER-MAIN	# 91638
10	051391-01-717	EA	GRILL ONLY(GOES ON THE DOOR)	# 92640
11	051391-01-710	EA	ORIFICE-MAIN BURNER	# 92742
12	051391-03-700	EA	ORFICE-HOLDER	# 91563
13	051393-01-726	EA	SOLENOID VALVE AND BRACKET-WHITE-ROGERS	# 93870
14	051391-01-714	EA	FITTING-ELBOW 45 - 3/8 F X 3/8 MPT	# 1044
15	052009-06-000	EA	DOOR - WATER HEATER - BRIGHT WHITE - 18" X 14.6"	
	116424-01-000	EA	PROTECTOR-WATER HEATER LATCH	
16	051391-01-700	EA	HINGE KIT-W/CLIP	# 92568 & 92559
17	051391-04-706	EA	TANK-INNER - G6A-4E & 6E - FRONT MOUNT	# 91641
18	051391-01-715	EA	PLUG-DRAIN, 1 EA = 2 PER PKG	# 91857
19	051391-04-707	EA	KIT-(FLUE & GASKET) FOR EXHAUST	# 90960
	111129-01-711	EA	BRACKET-CORNER - SET OF FOUR	# 91928

### WATER HEATER WMOTOR AID ATWOOD (GH6-8E)

KEY	PART NUMBER	U/M	DESCRIPTION	VENDOR NO.
	051393-01-000	EA	WATER HEATER - W/ MOTOR AID - PILOTLESS IGNITION	
1	097967-01-000	EA	SWITCH - WATER HEATER - REMOTE W/LIGHT	
2	051391-04-701	EA	THERMOSTAT 12 VDC-120 PRESET	# 91470
3	051393-01-721	EA	ECO & THERMOSTAT ASM-FRONT MOUNT, 140 DEGREE	# 91447
4	051391-01-705	EA	FASTENER-CAMLOC	# 92609
5	051391-01-704	EA	VALVE-RELIEF - 1/2" FITTING	# 91604
6	051393-01-723	EA	SWITCH-THERMAL-CUT OFF (2/PKG)	# 93866
7	051393-01-724	EA	CIRCUIT BOARD-SPADE TERMINAL-ELECTRIC IGNITION	# 93865
8	051393-01-725	EA	ELECTRODE-SINGLE SPADE CONNECT.-SPARK PROBE	# 93868
9	051391-04-703	EA	BURNER-MAIN - 4E AND 6E MODELS	# 91638
10	051391-01-717	EA	GRILL ONLY(GOES ON THE DOOR)	# 92640
11	051391-01-710	EA	ORIFICE-MAIN BURNER	# 92742
12	051391-03-700	EA	ORFICE-HOLDER	# 91563
13	051393-01-726	EA	SOLENOID VALVE AND BRACKET-WHITE-ROGERS	# 93870
14	051391-01-714	EA	FITTING-ELBOW 45 - 3/8 F X 3/8 MPT	# 1044
15	052009-06-000	EA	DOOR - WATER HEATER - BRIGHT WHITE - 18" X 14.6"	
	116424-01-000	EA	PROTECTOR-WATER HEATER LATCH	
16	051391-01-700	EA	HINGE KIT-W/CLIP	# 92568 & 92559
17	051391-04-704	EA	TANK-INNER - FRONT MOUNT	# 91642
18	051391-01-715	EA	PLUG-DRAIN, 1 EA = 2 PER PKG	# 91857
19	051391-04-707	EA	KIT-(FLUE & GASKET) FOR EXHAUST	# 90960
	111129-01-711	EA	BRACKET-CORNER, SET OF FOUR	# 91928

## WATER & SEWAGE GROUP (CONTINUED)



**DRAINAGE SYSTEM**

KEY	PART NUMBER	U/M DESCRIPTION
1	011091-02-000	EA PIPE-DRAIN - DOUBLE SINK - BAFFLE TEE - 1 1/2"
1	011091-03-000	EA PIPE-DRAIN - W/SEALS - DOUBLE SINK - EXTENDS 9" TO 16"- CANADIAN
2	109571-01-000	EA ADAPTER-P TRAP - 1 1/2" P X 1 1/4" MPT
2	107538-01-000	EA P TRAP-PLASTIC 1 1/4" W/EXT ARM - KEVCO P814 1-1/4"
2	011071-01-000	EA P TRAP-PLASTIC 1 1/2" - NIBCO 5892 1 1/2(CSA)
3	079968-01-000	EA VENT-MECHANICAL TRAP ARM - ANTI-SIPHON - 2" DIA X 7.3" - PLASTIC
4	010071-01-000	EA TEE-SANITARY - 1 1/2" HUB X HUB X HUB - PLASTIC - BLACK
5	010051-01-000	EA ELBOW - 45 DEGREE - 1 1/2" SPIGOT & HUB - PLASTIC
6	010008-01-000	EA ELBOW - 90 DEGREE - 1/4" BEND - 1 1/2" HUB X HUB - BLACK PLASTIC
7	010115-01-000	EA COUPLING - 1 1/2" HUB X HUB - PLASTIC
8	034250-01-000	EA ELBOW - 90 DEGREE - LONG TURN - 1 1/2" HUB X HUB - ABS
9	010073-01-000	EA WYE - 45 DEGREE - 1 1/2" HUB X HUB X HUB - PLASTIC
10	010006-01-000	EA ELBOW - 45 DEGREE - 1 1/2" HUB X HUB - PLASTIC
11	031126-01-000	EA ELBOW - 1/4 BEND - 3" X 90" XLT - BLACK PLASTIC
12	070916-01-000	EA VALVE-DUAL DUMP - W/CAP - 3" X 1 1/2" - PLASTIC - BLACK
	070916-01-700	EA VALVE ONLY (WASTE) 3" - T1003BU
	070916-01-701	EA VALVE ONLY (WASTE 1 1/2" - T1001BU
12	062415-01-000	EA CAP-SEWER - 3" DIAMETER
	062415-01-700	EA STRING-SEWER CAP- V#SV7 STRAP
	010201-01-000	EA HOSE-SEWER - 3" ID X 8'
	062416-01-000	EA ADAPTER-SEWER HOSE TO 3" PIPE
13	089355-01-000	EA COUPLER - RUBBER 1 1/2" X 1 1/2"
14	078406-01-000	EA COUPLER - RUBBER - W/CLAMPS - 3" X 3"
15	117580-01-000	EA TANK - HOLDING - 33 GALLON - W/O FITTINGS
16	117573-01-000	EA TANK - HOLDING - 33 GALLON - W/O FITTINGS
17	010166-01-000	EA PLUG - THREADED - 1 1/4" DIAMETER - PLASTIC - BLACK
18	010122-01-000	EA BUSHING - REDUCER - 1 1/2 SMTH X 1 1/4 THD - BLACK PLASTIC

## WATER & SEWAGE GROUP (CONTINUED)

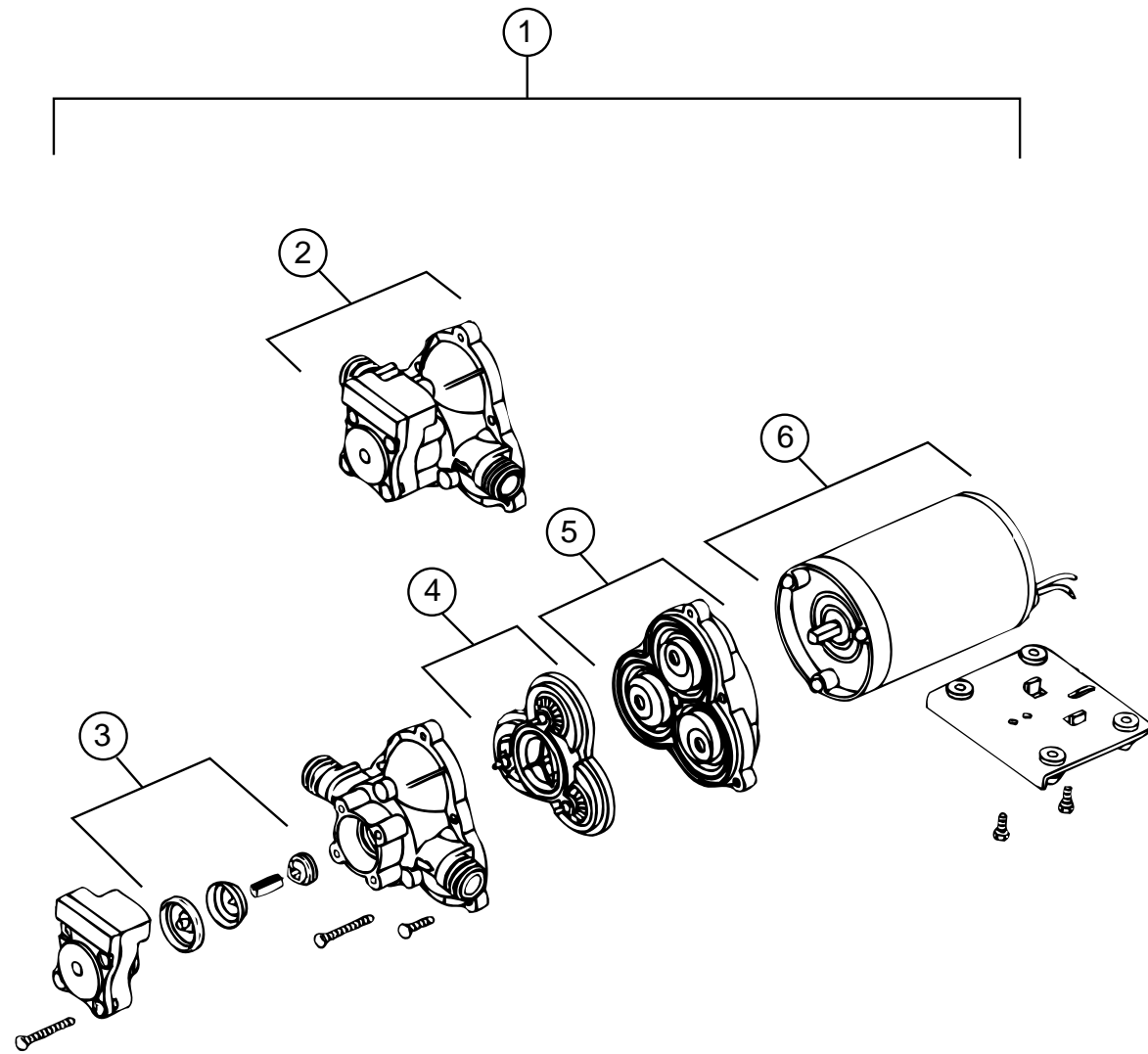
### DRAINAGE SYSTEM (CONTINUED)

KEY	PART NUMBER	U/M DESCRIPTION
	061607-01-000	EA GROMMET - HOLDING TANK - 1 1/2" NPS
	061607-02-000	EA GROMMET - HOLDING TANK - 3" NPS
	069735-01-000	EA WASHER - STRAINER TO TAILPIECE PLASTIC - 1.5"
	011069-04-000	EA TAILPIECE-TUB/SHOWER - 1 1/2" X 1 1/4" X 8" - BRASS
	041956-01-000	EA ELBOW - STREET - 1/4" BARB X 90 DEGREE X 3 XLT
	116644-01-000	EA FLANGE-CLOSET 4" X 3"

### FRESH WATER TANK & WATER SYSTEM

KEY	PART NUMBER	U/M DESCRIPTION
	119109-06-000	EA TANK - WATER - 40 GALLON - W/FITTINGS
	119109-01-000	EA TANK - WATER - 40 GALLON - W/O FITTINGS
	077954-02-000	EA FILTER - WATER TANK - SCREEN IN TANK
	042989-03-000	EA FITTING - WATER TANK - SPINWELD - 1 1/4"NPT - WHITE PLASTIC
	042989-04-000	EA FITTING - WATER TANK - SPINWELD - 3/8" FPT - PLASTIC - WHITE
	042989-05-000	EA FITTING - WATER TANK - SPINWELD - 1/2"FPT - WHITE PLASTIC
	049032-01-000	EA PATCH - SPINWELD - 3/8" - PLASTIC
	039861-01-000	EA SENDING UNIT - W/SCREW - WASHER - WELL NUT & TERMINAL RING
	079381-01-000	FT TUBING - SMOOTH FLEXIBLE - 1 3/8" ID X 20'
	114430-02-000	EA ADAPTER - SWIVEL - 1/2P X 1/2FPT
	114430-03-000	EA ADAPTER - 1/2P X 1/2MPT
	114430-06-000	EA ADAPTER - 1/2P X 3/8FPT
	123152-01-000	EA ADAPTER - 1/2" FPT X 1/2" BARB SWIVEL
	010224-01-000	EA ADAPTER - HOSE TO PIPE - 3/8" MPT X 3/8" BARB-BLK PLASTIC
	044927-01-000	EA ADAPTER-HOSE TO PIPE, 1 1/4"MPT X 1 1/4"BARB-BLACK PLASTIC
	113697-01-000	EA CAP - 3/8 FTG
	101814-01-000	EA COUPLING - FEMALE - 1/2" X 1/2"FPT W/COMP SLEEVE - GRAY
	123150-01-000	EA ELBOW - 1/2" FPT X 1/2" BARB - SWIVEL
	114429-01-000	EA ELBOW - 1/2P X 1/2P
	114429-02-000	EA ELBOW - 1/2P X 1/2MPT
	114429-03-000	EA ELBOW- FLAIR-IT SWIVEL 1/2"P X 1/2"FPT
	010230-05-000	EA CITY WATER FILL W/CHECK VALVE
		FROM: 00-00-00 THRU: 09-25-96
	010230-06-000	EA FILL - CITY WATER - W/CHECK VALVE - MPT
		FROM: 09-26-96 THRU: 99-99-99
	115029-01-000	FT HOSE-3/8ID,WATER - LAVANTURE PR86
	046128-01-000	EA VALVE-DRAIN, PLASTIC - 1/2" FPT
	114428-02-000	EA TEE - SWIVEL - 1/2P X 1/2P X 1/2FPT
	114428-03-000	EA TEE - 1/2P X 1/2P X 1/2 MPT
	039800-02-000	FT TUBING - POLYBUTYL - 5/8 OD X 20' - INC OF 20'
	074462-02-000	FT TUBING - VINYL - 3/8" ID X 20' - CLEAR
	112176-01-000	FT TUBING - VINYL - REINFORCED - 1/2" ID
	114431-02-000	EA WATER VALVE - 2 POSITION - "BYPASS VALVE"
	114431-03-000	EA WATER VALVE - 90 DEGREE ELBOW - "WATER DRAIN VALVE"
	110438-01-000	EA VALVE - CHECK - BRASS - 1/2 MPT X 1/2 FPT
		FROM: 00-00-00 THRU: 02-16-97
	110438-02-000	EA VALVE - CHECK - BRASS - 1/2 MPT X 1/2 FPT
		FROM: 02-17-97 THRU: 99-99-99
	035539-01-000	EA ELBOW - PLASTIC - 3/8 MPT X 3/8 BARB

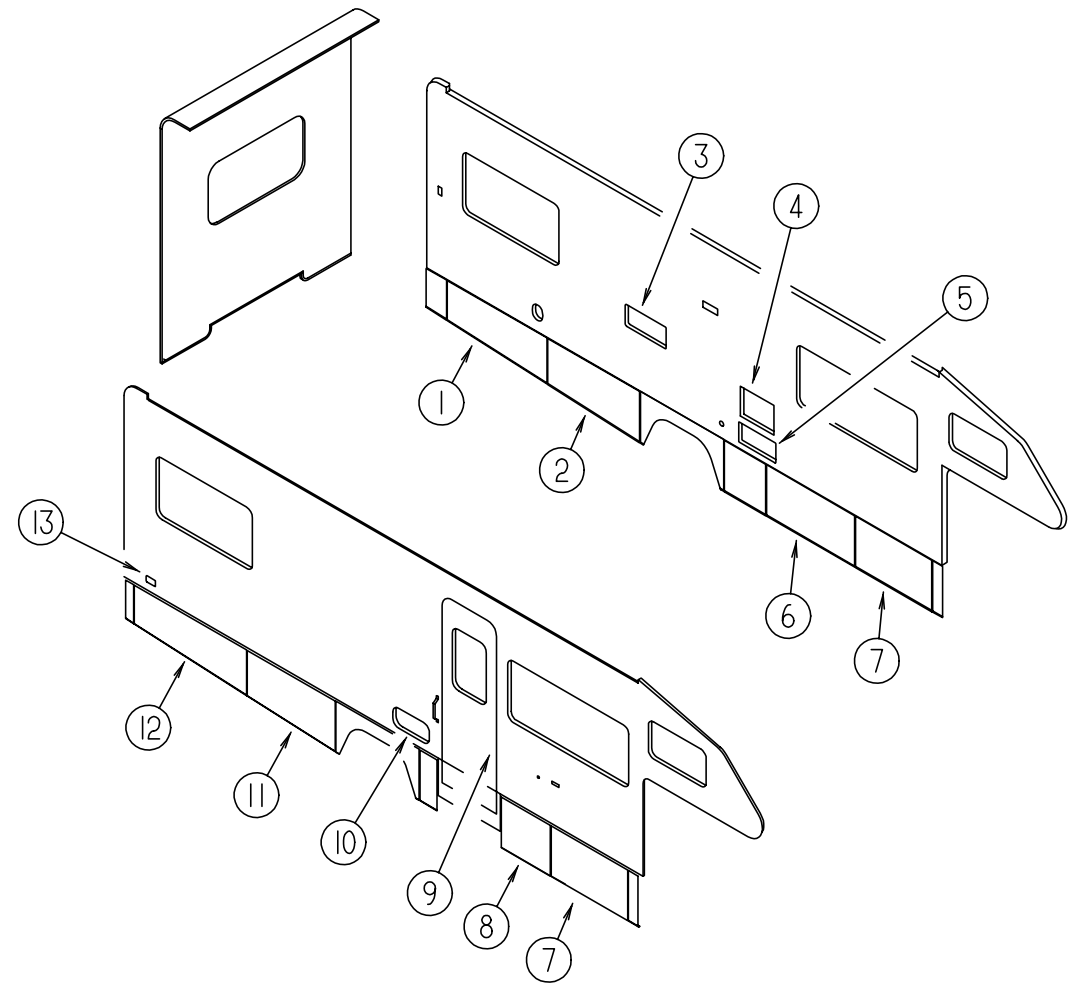
## WATER & SEWAGE GROUP (CONTINUED)



**WATER PUMP - SHURFLO**

KEY	PART NUMBER	U/M DESCRIPTION	VENDOR NO.
1	098607-01-000	EA PUMP-WATER - W/.5" MPT FITTING - FLOW 2.8 GPM - UL	
2	098607-01-706	EA HOUSING W/SWITCH ONLY	94-231-20
3	098607-01-705	EA CHECK VALVE-KIT	94-237-00
4	098607-01-703	EA VALVE KIT	94-232-00
5	098607-01-702	EA DIAPHRAGM/DRIVE ASSEMBLY KIT	94-238-04
6	098607-01-707	EA MOTOR W/BASEPLATE	11-148-04

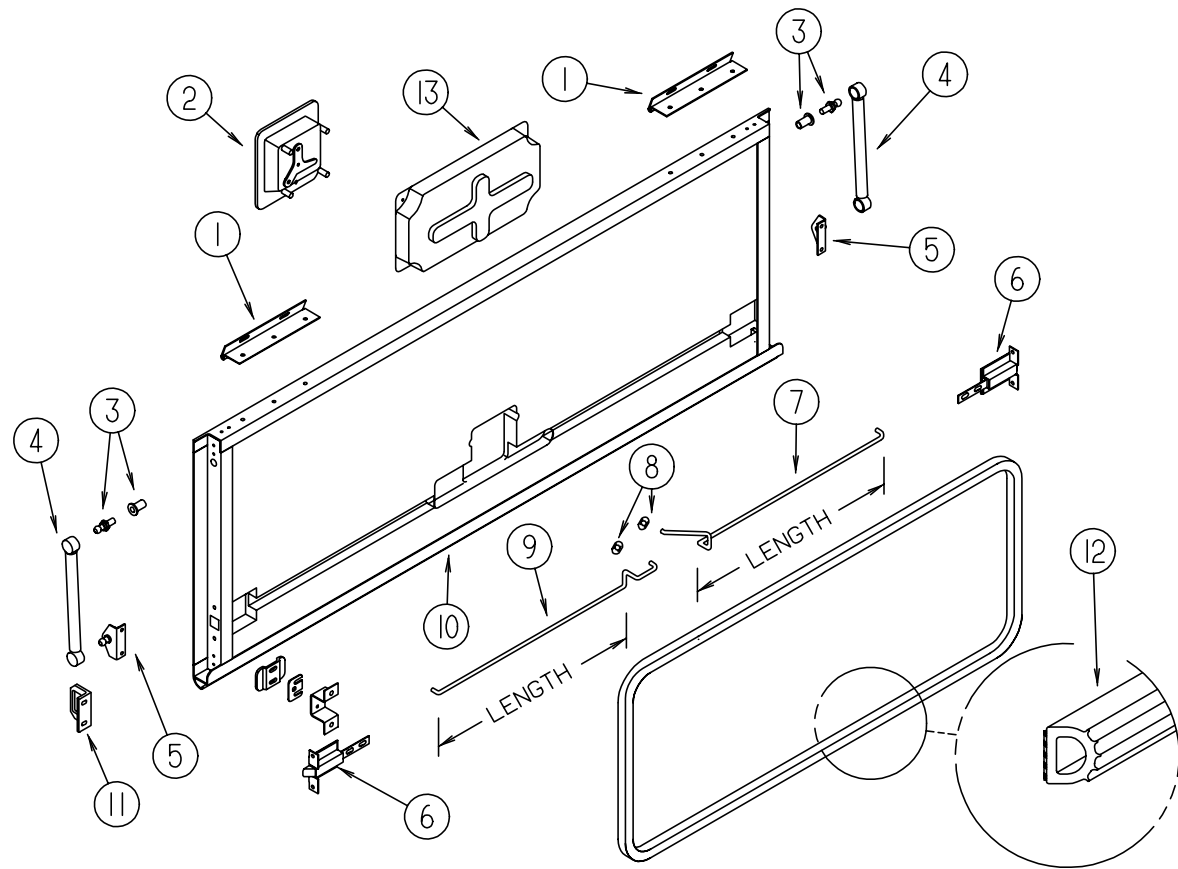
## WINDOW, VENT & EXTERIOR DOOR GROUP



**EXTERIOR DOORS**

KEY	PART NUMBER	U/M DESCRIPTION
1	122391-12-H07	EA DOOR - STORAGE - W/O PADDLE LATCH - 49.5" FROM: 00-00-00 THRU: 09-26-96
1	122391-38-H07	EA DOOR - STORAGE - W/O PADDLE LATCH - 49.4" FROM: 09-27-96 THRU: 99-99-99
2	122391-10-H07	EA DOOR - STORAGE - W/O PADDLE LATCH - 43.7"
3	084103-08-000	EA DOOR - REFRIGERATOR - VENTED - W/O JAMB
3	084104-08-000	EA JAMB - REFRIGERATOR DOOR
3	084104-01-700	EA LOCK-MALE, FASTENER 201-721-010
3	084104-01-701	EA LOCK-FEMALE, FASTENER 201-802-010
4	052009-06-000	EA DOOR - WATER HEATER - BRIGHT WHITE - 18" X 14.6"
4	116424-01-000	EA PROTECTOR - LATCH - WATER HEATER
5	098668-23-000	EA DOOR-ACCESS - FURNACE - BRIGHT WHITE - SUBURBAN
6	122239-18-H07	EA DOOR-STORAGE W/O PADDLE LATCH - 43.9" WIDE
7	122239-17-H07	EA DOOR-STORAGE W/O PADDLE LATCH - 38" WIDE
8	122239-20-H07	EA DOOR - STORAGE - W/O PADDLE LATCH - 24.5"
	123478-02-H07	EA DOOR - COMPARTMENT - W/O LATCH/HINGE
9	115108-02-H07	EA DOOR - ENTRY - W/SCREEN DOOR - W/O WINDOW
9	115108-02-H08	EA DOOR - ENTRY - W/SCREEN DOOR - W/O WINDOW
10	111017-01-H23	EA DOOR - PATIO ENTERTAINMENT CENTER-W/O LATCH - 17.8" X 8.1"
11	122391-09-H07	EA DOOR - STORAGE - W/O PADDLE LATCH - 43.7"
12	122391-11-H07	EA DOOR - STORAGE - W/O PADDLE LATCH - 55.8"
13	081240-16-000	EA DOOR - WATER FILL - LOCKABLE W/O LOCK - 4" X 4 5/8"

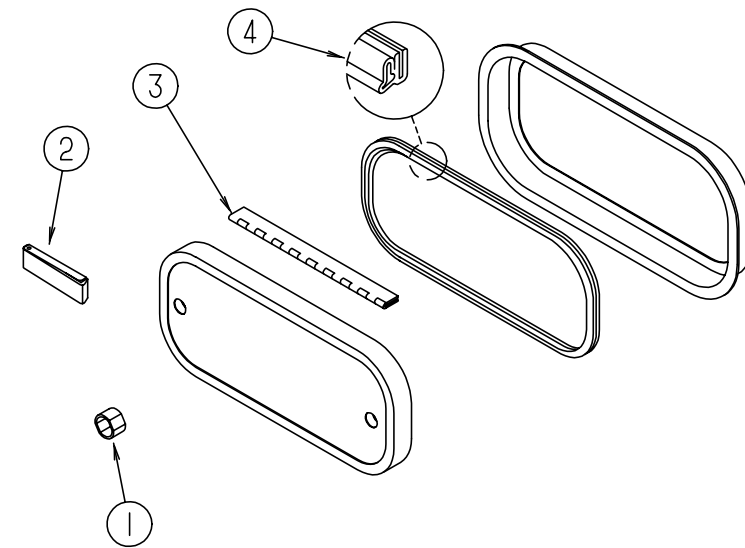
**WINDOW, VENT & EXTERIOR DOOR GROUP (CONTINUED)**



**EXTERIOR DOOR COMPONENTS**

KEY	PART NUMBER	U/M	DESCRIPTION
1	121755-01-04A	EA	HINGE - 6.00 INCH
2	112949-01-04A	EA	LATCH - PADDLE W/LOCK W/O KEY - BLACK
2	112949-02-05A	EA	LATCH - PADDLE NON-LOCKING - BLACK
	112949-03-000	EA	KEY - TRI-MARK #TM500
3	057460-08-000	EA	BALL STUD - 10MM BALL - 5/16-18
4	107796-18-000	EA	SPRING - GAS - 10" LENGTH
5	107796-03-000	EA	BRACKET - GAS SPRING - SMALL
5	107796-19-000	EA	BRACKET - GAS SPRING
6	121947-01-01A	EA	BOLT - SLIDE - LATCH - STEEL
7	122269-18-000	EA	ROD - LATCH - 11.28"
7	122269-19-000	EA	ROD - LATCH - 14.22"
7	122269-21-000	EA	ROD - LATCH - 4.52"
7	122269-23-000	EA	ROD - LATCH - 20.19"
7	122269-24-000	EA	ROD - LATCH - 15.09"
7	122269-25-000	EA	ROD - LATCH - 17.04"
8	124304-01-000	EA	CLIP - ROUND PUSH ON
9	122268-18-000	EA	ROD - LATCH - 11.28"
9	122268-19-000	EA	ROD - LATCH - 14.22"
9	122268-21-000	EA	ROD - LATCH - 4.52"
9	122268-23-000	EA	ROD - LATCH - 20.19"
9	122268-24-000	EA	ROD - LATCH - 15.09"
9	122268-25-000	EA	ROD - LATCH - 17.04"
10	122613-55-005	EA	EXTRUDED - ROCKER PANEL - 192" - FOREST GREEN
11	123783-01-01A	EA	STRIKER - DOOR - MILL
	122278-01-01A	EA	PLATE - STRIKE - BLACK
12	107721-01-000	FT	SEAL - ACCESS DOORS
12	107721-04-000	FT	SEAL - ACCESS DOOR (SEWAGE & 110V DOOR ONLY) FROM: 00-00-00 THRU: 03-11-97
12	107721-07-000	FT	SEAL - ACCESS DOOR (SEWAGE & 110V DOOR ONLY) FROM: 03-12-97 THRU: 99-99-99
13	122277-02-01A	EA	COVER - LATCH - BLACK

**WINDOW, VENT & EXTERIOR DOOR GROUP (CONTINUED)**



**EXTERIOR DOOR COMPONENTS**

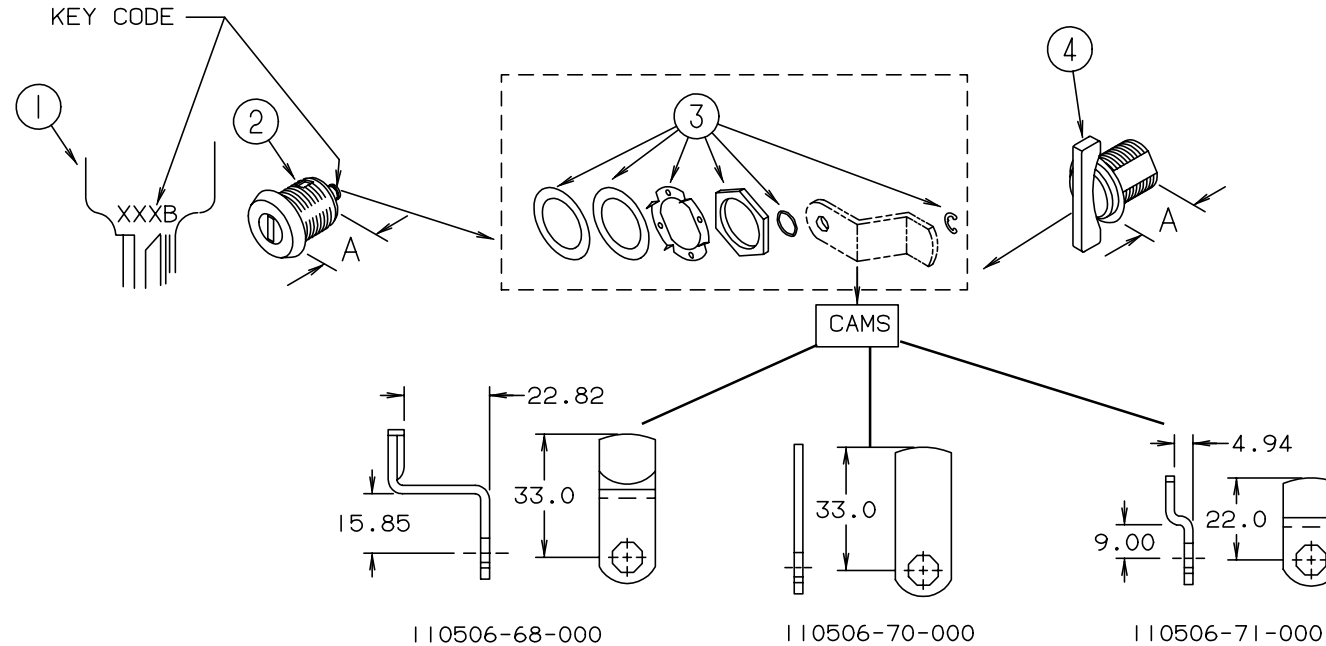
KEY	PART NUMBER	U/M	DESCRIPTION
1	107997-51-001	EA	SPACER - DOOR LOCK - .6" DEEP
	107997-51-002	EA	EXTRUDED - SPACER - 16'
2	102768-01-000	EA	HOLDER - COMPARTMENT/ENTRY DOOR - METAL - MILL FINISH
3	081801-02-000	EA	HINGE - DOOR - PIANO - 2" X 8'
3	081801-V3-000	EA	HINGE - ALUMINUM - 2" X 96"
3	009065-01-000	EA	HINGE - CONTINUOUS - 1 1/2" X 96" - UNPAINTED
	064075-07-000	FT	SEAL - BULB - W/WIRED U CHANNEL - .3" X .5" CHANNEL - BLK
4	104692-01-000	FT	SEAL - FOAM/ADHESIVE BACK - .75"THICK X .75"WIDE X 25'

## WINDOW, VENT & EXTERIOR DOOR GROUP (CONTINUED)

### BRIGGS & STRATTON LOCKS & COMPONENTS

**NOTE:**

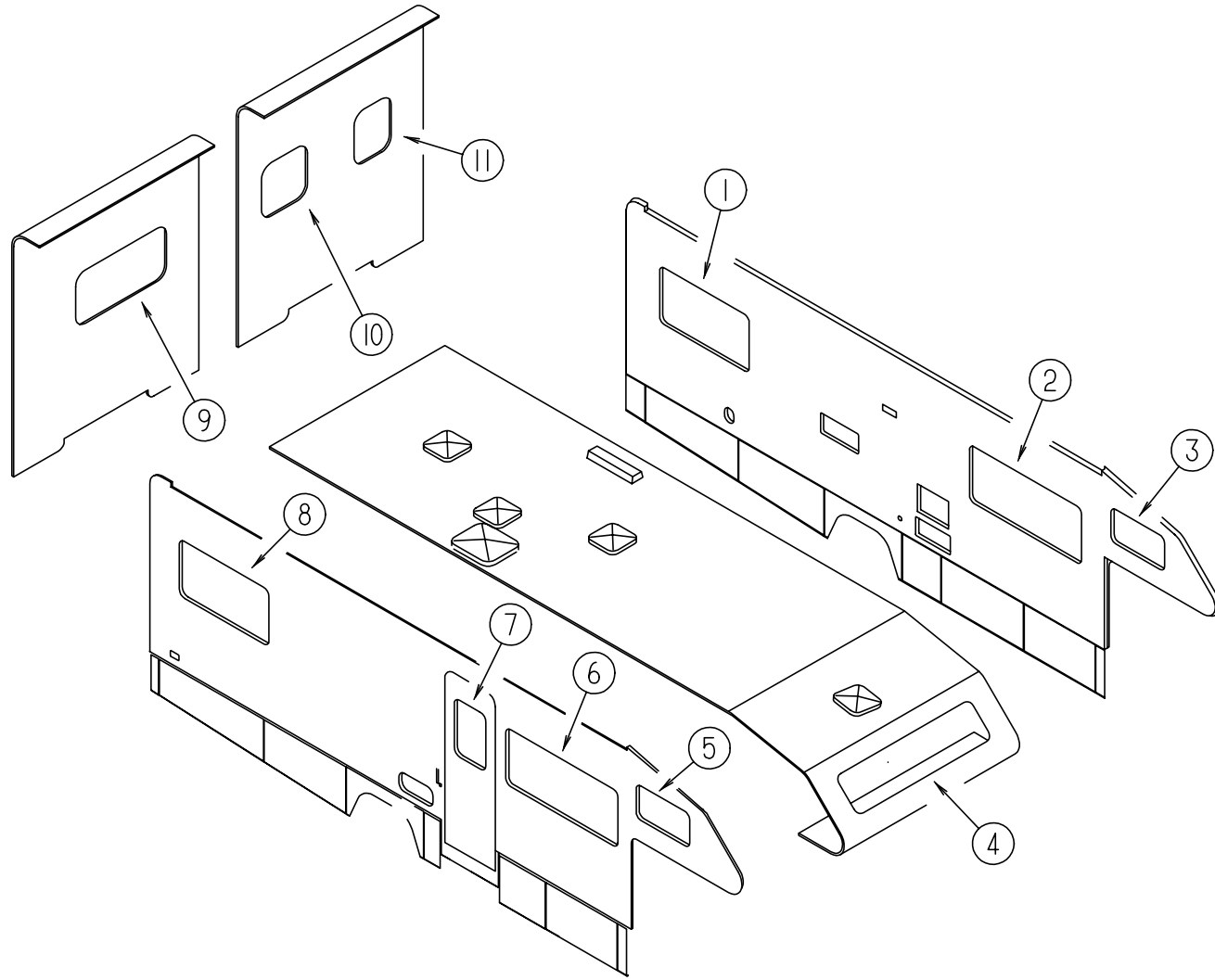
WHEN ORDERING THE LOCK CASE, THE KEY CODE MUST MATCH THE LAST DIGIT OF THE VEHICLE'S SERIAL NUMBER AND PART NUMBER; WHEN ORDERING THE KEYS, THE THIRD DIGIT OF THE KEY CODE MUST MATCH THE LAST DIGIT OF THE VEHICLE'S SERIAL NUMBER AND PART NUMBER.



KEY	PART NUMBER	U/M	DESCRIPTION	VENDOR NO.	KEY	PART NUMBER	U/M	DESCRIPTION	VENDOR NO.
1	110506-59-000	EA	KEYS-SET OF 2	596720	1	110506-59-006	EA	KEYS-SET OF 2	597936
2	110506-52-000	EA	CASE - LOCK - A= 17 MM	702370	2	110506-52-006	EA	CASE - LOCK - A= 17 MM	702376
2	110506-53-000	EA	CASE - LOCK - A= 25MM	702380	2	110506-53-006	EA	CASE - LOCK - A= 25 MM	702386
1	110506-59-001	EA	KEYS-SET OF 2	596721	1	110506-59-007	EA	KEYS-SET OF 2	597937
2	110506-52-001	EA	CASE - LOCK - A= 17 MM	702371	2	110506-52-007	EA	CASE - LOCK - A= 17 MM	702377
2	110506-53-001	EA	CASE - LOCK - A= 25 MM	702381	2	110506-53-007	EA	CASE - LOCK - A= 25 MM	702387
1	110506-59-002	EA	KEYS-SET OF 2	596722	1	110506-59-008	EA	KEYS-SET OF 2	596728
2	110506-52-002	EA	CASE - LOCK - A= 17 MM	702372	2	110506-52-008	EA	CASE - LOCK - A= 17 MM	702378
2	110506-53-002	EA	CASE - LOCK - A= 25 MM	702382	2	110506-53-008	EA	CASE - LOCK - A= 25 MM	702388
1	110506-59-003	EA	KEYS-SET OF 2	596723	1	110506-59-009	EA	KEYS-SET OF 2	596729
2	110506-52-003	EA	CASE - LOCK - A- 17 MM	702373	2	110506-52-009	EA	CASE - LOCK - A= 17 MM	702379
2	110506-53-003	EA	CASE - LOCK - A- 25 MM	702383	2	110506-53-009	EA	CASE - LOCK - A= 25 MM	702389
1	110506-59-004	EA	KEYS-SET OF 2	596724	3	110506-40-700	EA	HARDWARE PACKAGE-CYLINDER/CASE	
2	110506-52-004	EA	CASE - LOCK - A- 17 MM	702374	4	110506-50-000	EA	CASE/CYLINDER - TWIST LATCH W/O CAM - .65"	
2	110506-53-004	EA	CASE - LOCK - A= 25 MM	702384	4	110506-51-000	EA	CASE/CYLINDER - TWIST LATCH W/O CAM - 1"	
1	110506-59-005	EA	KEYS-SET OF 2	596725		110506-68-000	EA	CAM - LATCHING - DOG LEGGED 1.3" LONG	
2	110506-52-005	EA	CASE - LOCK - A= 17 MM	702375		110506-70-000	EA	CAM - LATCHING - STRAIGHT 1.3" LONG	
2	110506-53-005	EA	CASE - LOCK - A= 25 MM	702385		110506-71-000	EA	CAM - LATCHING - DOG LEGGED .86" LONG	
						110506-59-701	EA	KEY BLANK - GOLD	



**WINDOW, VENT & EXTERIOR DOOR GROUP (CONTINUED)**



**WINDOWS**

KEY	PART NUMBER	U/M	DESCRIPTION
1	104691-13-01A	EA	WINDOW - TIPOUT SINGLE - 26.3" X 47.9"
1	112795-25-01A	EA	WINDOW - DRIVER HORIZONTAL SLIDER THERMO 26 3/8" X 48"
2	098647-22-01A	EA	WINDOW - DRIVERS - HORIZONTAL SLIDER - 26.1" X 59.7"
2	112795-15-01A	EA	WINDOW - DRIVER - HORIZONTAL SLIDER-THERMO - 26 3/8" X 60"
3	098647-34-01A	EA	WINDOW - DRIVERS - HORIZONTAL SLIDER - 15.7" X 28.5"
3	112795-20-01A	EA	WINDOW - DRIVER - HORIZONTAL SLIDER-THERMO - 16.7" X 28.5"
4	103313-03-F15	EA	WINDOW - PICTURE - 23.3" X 71.3"
4	115630-01-01A	EA	WINDOW - STATIONARY - 17.2" X 72"
5	098647-33-01A	EA	WINDOW - PASSENGER - HORIZONTAL SLIDER - 15.7" X 28.5"
5	112795-19-01A	EA	WINDOW - PASSENGER - HORIZONTAL SLIDER-THERMO - 16.7" X 28.5"
6	098647-23-01A	EA	WINDOW - PASSENGER - HORIZONTAL SLIDER - 26.1" X 59.7"
6	112795-16-01A	EA	WINDOW - PASSENGER - HORIZONTAL SLIDER-THERMO - 26 3/8" X 60"
7	117053-02-F36	EA	WINDOW - PICTURE - ENTRANCE DOOR - 17" X 26.4"
7	113733-01-01A	EA	WINDOW - STATIONARY - THERMOPANE - 17" X 26.4"
8	104691-13-01A	EA	WINDOW - TIPOUT SINGLE - 26.3" X 47.9"
8	112795-22-01A	EA	WINDOW - PASSENGER HORIZONTAL SLIDER/THERMO - 26 3/8" X 48"
9	078528-06-E10	EA	WINDOW - ESCAPE - W/O RETAINER/TRIM - 48.5" X 24.5"
9	113502-01-01A	EA	WINDOW - REAR/ESCAPE - THERMO - 24.8" X 48.7"
10	116976-04-01A	EA	WINDOW - PICTURE/TINTED - 26.4" X 26.3"
10	113733-02-01A	EA	WINDOW - STATIONARY - THERMOPANE - 26.4" X 26.25"
11	116976-02-01A	EA	WINDOW - PICTURE/TINTED/ESCAPE - 26.4" X 25.3"
11	113502-04-01A	EA	WINDOW - REAR ESCAPE - THERMO - 26.4" X 26.3"

**WINDOW, VENT & EXTERIOR DOOR GROUP (CONTINUED)**

**POWERED ROOF VENTILATOR**

KEY	PART NUMBER	U/M	DESCRIPTION	VENDOR NO.
	123780-01-01A	EA	VENT - EXHAUST - 1" ROOF	
	123780-02-01A	EA	VENT - ROOF - 1" CEILING	
	009440-01-000	EA	GEAR/ARM - LIFT - ROOF VENT COVER	
	084079-01-703	EA	KNOB - LIFT, W/EXT. & SCREW	1140K-00
	084079-01-704	EA	BLADE - FAN	1070-00
	084079-01-705	EA	MOTOR	1080-00
	084079-01-707	EA	SWITCH - SAFETY	1122.05
	084079-01-709	EA	SWITCH - MAIN - 3 SPEED	1031-05
	084079-01-711	EA	H-MOLDING - MOTOR MOUNT	
	084079-11-700	EA	MOTOR - BRKT. - FAN BLADE, KIT	4017K-09
	123780-01-700	EA	COVER - VENT W/HINGE & SLIDE	1020K-81
	123780-01-701	EA	GARNISH - INT 3/4-1" BRT/WHT	0040-81

**NONPOWERED VENT**

KEY	PART NUMBER	U/M	DESCRIPTION	VENDOR NO.
	122882-01-01A	EA	VENT - ROOF - NONPOWERED	
	009440-01-000	EA	GEAR/ARM - LIFT - ROOF VENT COVER	
	064470-01-700	EA	COVER - VENT - W/O SLIDE BAR	J7291
	064470-01-701	EA	SLIDE BAR - VENT LID	JRP1291B
	122882-01-700	EA	HANDLE - CRANK BLACK	90128
	122882-01-701	EA	SCREEN	JRP-1124-B

**POWERED VENT**

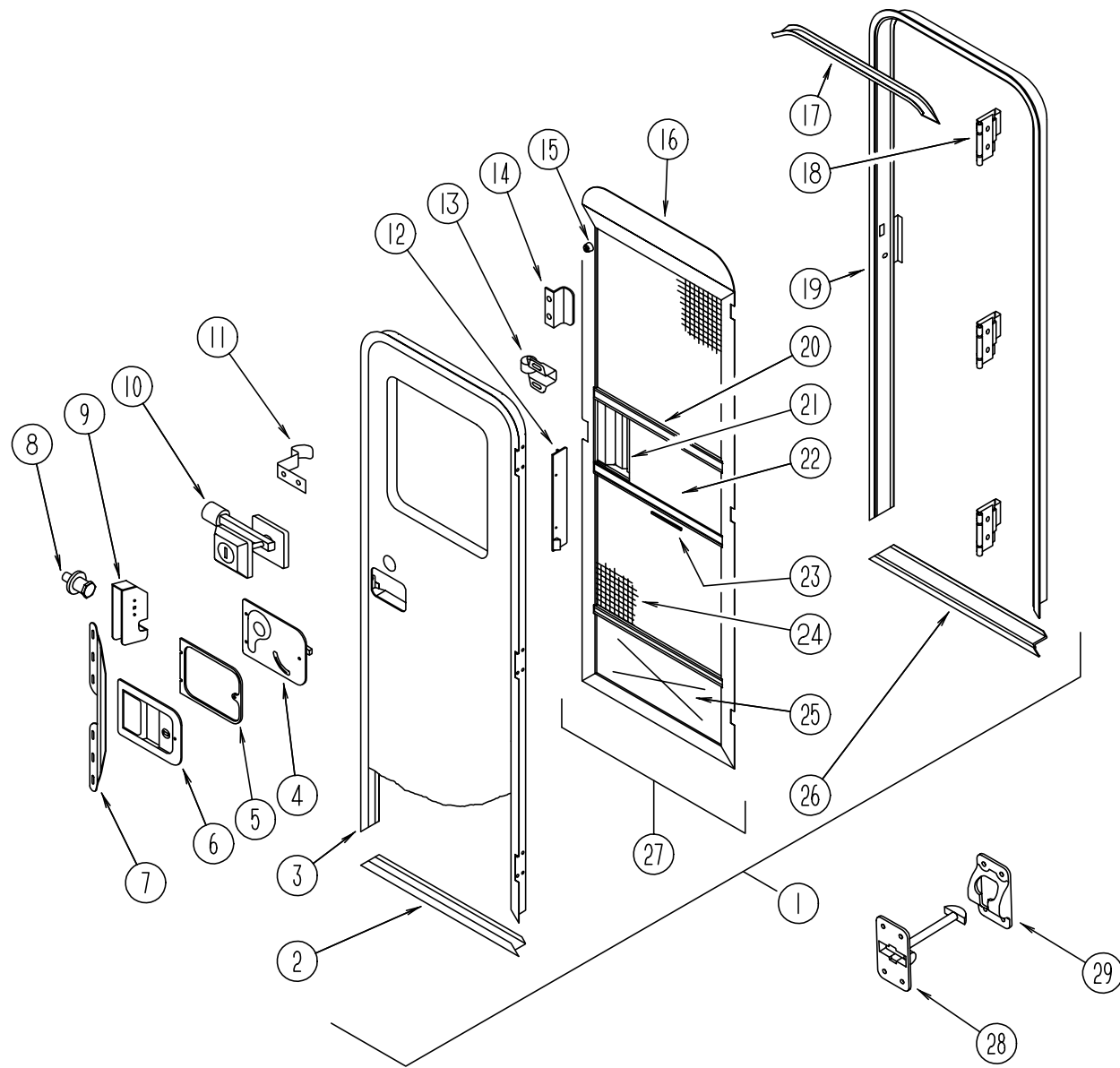
KEY	PART NUMBER	U/M	DESCRIPTION	VENDOR NO.
	122882-02-01A	EA	VENT - ROOF - W/FAN - POWERED	
	122882-03-01A	EA	VENT - ROOF - W/FAN - CSA	
	009440-01-000	EA	GEAR/ARM - LIFT - ROOF VENT COVER	
	048648-01-000	EA	MOTOR - ROOF VENT - 1/8 SHAFT - 12VOLT	
	048649-01-000	EA	FAN - ROOF VENT - 6 BLADES - 6"	
	064470-01-700	EA	COVER - VENT - W/O SLIDE BAR	J7291
	064470-01-701	EA	SLIDE BAR - VENT LID	JRP1291B
	110051-03-700	EA	SWITCH - BLACK/PUSH BUTTON	27-0164
	122882-01-700	EA	HANDLE - CRANK BLACK	90128
	122882-01-701	EA	SCREEN	JRP-1124-B
	122882-07-01A	EA	GARNISH - ROOF VENT - 2.50" TO 4.12"	

**VENTS, SHROUDS AND ROOF COVERS**

KEY	PART NUMBER	U/M	DESCRIPTION	VENDOR NO.
	084073-07-000	EA	VENT - ROOF - REFRIGERATOR - BRIGHT WHITE	
	084073-04-000	EA	BASE - ROOF VENT - REFRIGERATOR	
	084616-07-000	EA	SHROUD - VENT - RANGE HOOD - BRIGHT WHITE	
	084878-09-000	EA	VENT - HOOD - RANGE/SHORT - OFF WHITE	
	092698-02-05A	EA	VENT - W/DOOR	
	092698-02-700	EA	FASTNER - PUSH	VB430
	092698-02-701	EA	CLAMP-CONDUIT	VB334
	083558-03-000	EA	VENT - PLUMBING - PIPE ROOF - W/COVER - OFF WHITE	

# WINDOW, VENT & EXTERIOR DOOR GROUP (CONTINUED)

## ENTRANCE DOOR

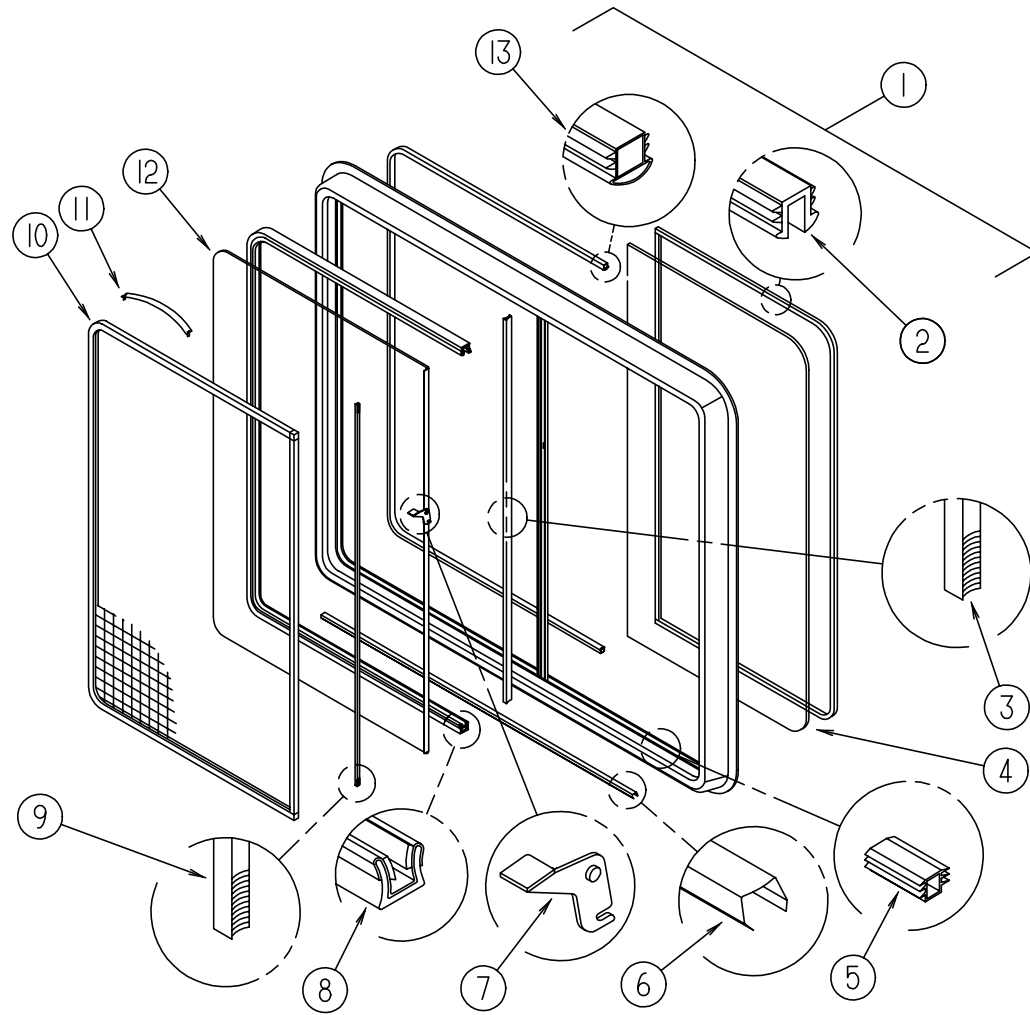


KEY	PART NUMBER	U/M	DESCRIPTION	VENDOR NO.
1	115108-02-H07	EA	DOOR - ENTRY - W/SCREEN DOOR - W/O WINDOW	
1	115108-02-H08	EA	DOOR - ENTRY - W/SCREEN DOOR - W/O WINDOW	
2	121893-01-01A	EA	FRAME - ENTRY DOOR - BOTTOM	
3	121894-03-01A	EA	FRAME - ENTRY DOOR	
4	039979-06-000	EA	COVER - LATCH PLATE - RIGHT HAND - BLACK TEXTURED	
5	096810-01-01A	EA	PLATE - LATCH - ENTRY DOOR	
	041546-07-000	EA	BRACKET - DOOR ANGLE	
6	045017-13-000	EA	LATCH - ENTRY DOOR - BLACK TEXTURED	
	036618-02-000	EA	E RING - EXTERNAL - 3/16" SHAFT DIAMETER - LYNOR DOOR LOCK	
	045017-11-701	EA	KEY-BLANK - F1 SERIES	81312-02
	045017-11-703	EA	CYLINDER - LOCK ASM. W/KEYS	81266-09
	075671-04-000	FT	SEAL - SPONGE - LAZY T - W/ADHESIVE STRIP - .5" WIDE	
7	098173-01-07A	EA	STIFFENER - ENTRY DOOR - SUPPORTS LATCH/STRIKE AREA	
7	098173-01-04A	EA	STIFFENER - ENTRY DOOR - SUPPORTS LATCH/STRIKE AREA UNPAINTED	
8	039539-01-000	EA	STRIKE - LOCK - ENTRY DOOR - ROUND W/THREADED WASHER	
	077461-03-000	EA	COVER - STRIKE - ENTRY DOOR - 6.5" X 2.5" - WHITE PLASTIC	
9	039540-01-000	EA	LATCH MECHANISM - HOOK - ENTRY DOOR - INTERIOR	
10	101145-01-06A	EA	DEADBOLT - ENTRY DOOR W/O SECURITY BOLT W/2 KEYS - BLACK	
	095229-01-700	EA	KEY-BLANK - DEADBOLT	81205-03
	101145-01-701	EA	CYLINDER - LOCK ASM. - W/KEY	81306-03
	101147-01-000	EA	BOLT - SECURITY - 4.12"	
11	100412-01-000	EA	CATCH - SCREEN DOOR	
12	079087-03-000	EA	STRIKE - SLIDER - SCREEN DOOR - BRIGHT WHITE	
13	109403-01-000	EA	CATCH - SCREEN DOOR ROLLER	
14	050712-06-000	EA	HANDLE - SCREEN DOOR - BRIGHT WHITE	
15	120863-05-000	EA	BUMPER - RUBBER - SCREEN DOOR	
16	078595-01-000	EA	TOP PLATE - SCREEN DOOR - CURVED TOP - 4.7" X 25.35"	
17	044582-44-000	EA	CAP - DRIP - JAMB - BRIGHT WHITE	
18	106719-01-05A	EA	HINGE - ENTRANCE DOOR	
18	106719-01-01A	EA	HINGE - ENTRANCE DOOR - MILL	
	102248-01-000	EA	SHIM - DOOR	
	039715-01-000	EA	NUT-SERT - 1/4" DIAMETER - 20 THREADS	
	116111-02-01A	EA	SCREW - TAPTITE - 1/4-20 X 3/8 PPH - ZINC	
	118929-01-01A	FT	SEAL - PILE - PUSH ON	
19	121898-01-01A	EA	JAMB - ENTRY DOOR	
	115222-05-01A	EA	GARNISH - RADIUS - ENTRY DOOR	
	078777-01-000	EA	CHANNEL - SLIDE - SCREEN DOOR CENTER SLIDER COVER	
20	079086-03-000	EA	SLIDER - SCREEN DOOR - BRIGHT WHITE	
21	016454-01-000	EA	INSERT - CENTER - LEATHER GRAIN ALUMINUM - UNPAINTED	
22	001014-01-013	EA	INSERT - CENTER - 10.25" X 16.31" - UNPAINTED	
23	002294-01-000	FT	SPLINE - SCREENING - .005" X .0054"	
24	002293-02-000	SF	SCREENING - WINDOW/DOOR - 26"	
25	078552-03-000	EA	KICK PANEL - SCREEN DOOR - LOWER INSERT - UNPAINTED	
26	051049-01-000	EA	JAMB - BOTTOM - ENTRY DOOR - 25.9" - UNPAINTED	
27	121899-01-G04	EA	DOOR - SCREEN - W/O HARDWARE	
	075673-01-000	FT	SEAL - PILE - ADHESIVE BACK - GRAY	
	075673-05-000	FT	SEAL - PILE - ADHESIVE BACK - BLACK	
	086285-05-000	EA	SPACER - NYLON - .7" X .56"	
	122241-01-01A	EA	BUMPER - FOAM RUBBER - BLACK	
28	104099-01-04A	EA	CATCH - DOOR HOLDER - STRIKE	
29	104099-02-04A	EA	CATCH - DOOR HOLDER - RETAINER	
	009126-03-000	EA	HANDLE - ASSIST - BLACK TEXTURED	

**WINDOW, VENT & EXTERIOR DOOR GROUP (CONTINUED)**

**WINDOW, VENT & EXTERIOR DOOR GROUP (CONTINUED)**

**DRIVER/PASSENGER SIDE WINDOW - EXCEL**

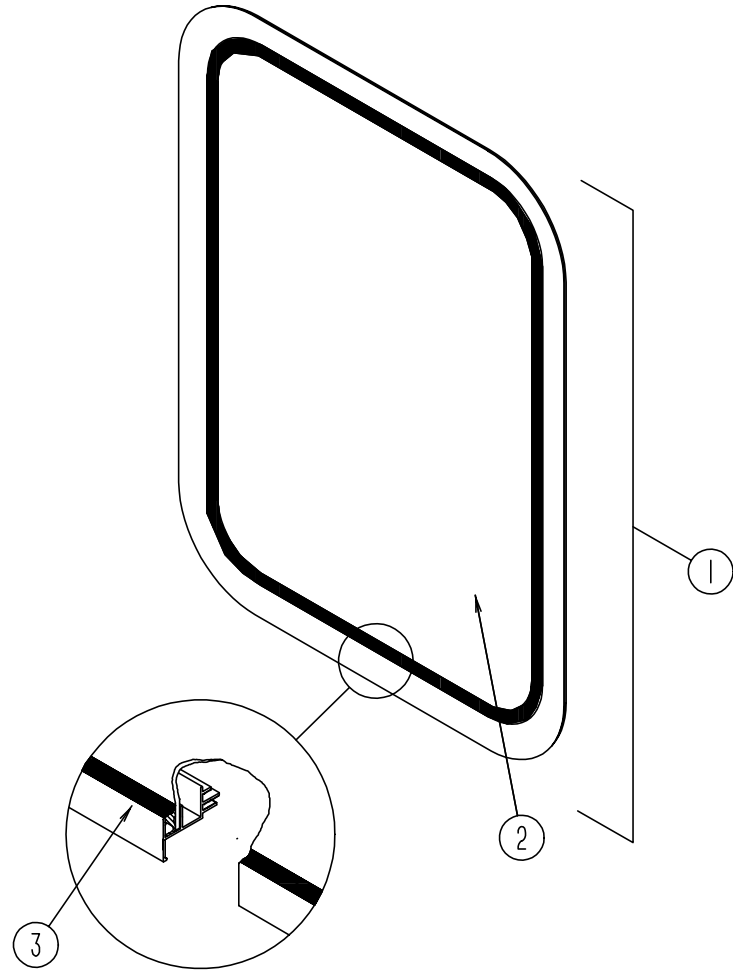


KEY	PART NUMBER	U/M	DESCRIPTION	VENDOR NO.
1	098647-34-01A	EA	WINDOW - DRIVERS HORIZONTAL SLIDER 15.7" X 28.5"	
1	098647-33-01A	EA	WINDOW - PASSENGER HORIZONTAL SLIDER 15.7" X 28.5"	
1	098647-34-700	EA	WINDOW - SLIDER	H425-G2L
1	098647-33-700	EA	WINDOW - SLIDER	H425-G2R
	098647-31-701	EA	RETAINER - TRIM - WHITE	CW2966
2	098644-01-705	FT	GLAZING - STRIP	132-010231
3	098644-01-706	FT	WEATHERSTRIP - GLASS	171-010668
4	098647-33-702	EA	GLASS - STATIONARY	106-019297
5	098644-01-719	FT	STOP - SLIDER GLASS	132-014203
6	098644-01-710	FT	TRACK - SCREEN SPACER 12' LENGTH	M401-31
7	098644-01-700	EA	LATCH REPAIR KIT (BLACK)	B801-CK
8	098644-01-708	FT	CHANNEL - PIERCED RUN	122-016543
9	098644-01-711	FT	WEATHERSTRIP - SCREEN BLACK	171-016965
10	098647-33-704	EA	SCREEN ASM - W/SEALS & CLIPS	410-019134
11	098644-01-713	EA	CLIP - SPRING - METAL	226-016966
12	098647-33-703	EA	GLASS - SLIDING - W/SASH & LATCH	H425-G9
13	098644-01-716	FT	PLUG - FILLER	132-014470
	098644-01-717	FT	SPLINE - SCREEN	32-004716

**DRIVER/PASSENGER SIDE WINDOW - EXCEL**

KEY	PART NUMBER	U/M	DESCRIPTION	VENDOR NO.
1	098647-22-01A	EA	WINDOW - DRIVERS HORIZONTAL SLIDER 26.1" X 59.7"	
1	098647-23-01A	EA	WINDOW - PASSENGER HORIZONTAL SLIDER 26.1" X 59.7"	
1	098647-22-700	EA	WINDOW - SLIDING W/O RETAINER	H287-G2L
1	098647-23-701	EA	WINDOW - SLIDER W/O RETAINER	H287-G2R
	098647-23-702	EA	RETAINER - TRIM	W287-66
2	098644-01-705	FT	GLAZING - STRIP	132-010231
3	098644-01-706	FT	WEATHERSTRIP - GLASS	171-010668
4	098647-23-703	EA	GLASS - STATIONARY	106-017622
5	098644-01-719	EA	STOP - SLIDER GLASS	132-014203
6	098644-01-710	FT	TRACK - SCREEN SPACER 12'	132-017135
7	098644-01-700	EA	LATCH REPAIR KIT (BLACK)	B801-CK
8	098644-01-708	FT	CHANNEL - PIERCED RUN	122-016543
9	098644-01-711	FT	WEATHERSTRIP - SCREEN BLACK	171-016965
10	098647-23-704	EA	SCREEN ASM - W/SEALS & CLIPS	
11	098644-01-713	EA	CLIP - SPRING - METAL	226-016966
12	098647-23-700	EA	GLASS - SLIDING - W/SASH & LATCH	H287-G9
13	098644-01-716	FT	PLUG - FILLER	132-014470
	098644-01-717	FT	SPLINE - SCREEN	32-004716

**WINDOW, VENT & EXTERIOR DOOR GROUP (CONTINUED)**



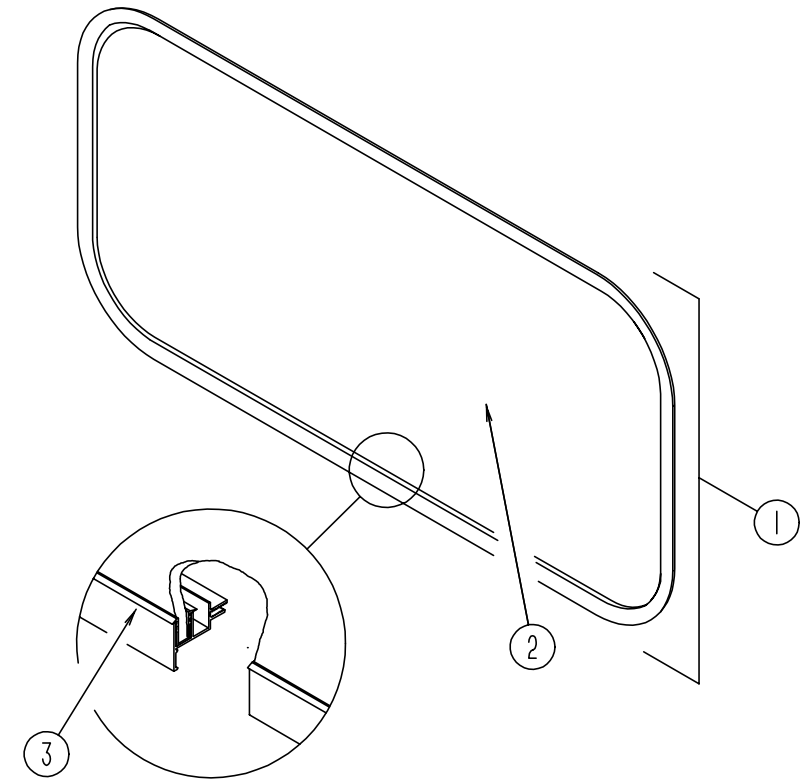
**ENTRY DOOR WINDOW**

KEY	PART NUMBER	U/M	DESCRIPTION
1	117053-02-F36	EA	WINDOW - PICTURE - ENTRANCE DOOR - 17" X 26.4"
	117054-02-02A	EA	RETAINER - TRIM - BRIGHT WHITE
2	002181-25-000	EA	GLASS - PICTURE - 25.7" X 16.4"
3	087561-01-000	FT	SEAL - GLASS - EXTERIOR - .5" WIDE - VINYL BLACK

**THERMOPANE ENTRY DOOR WINDOW - EXCEL**

KEY	PART NUMBER	U/M	DESCRIPTION	VENDOR NO.
	113733-01-01A	EA	WINDOW - STATIONARY - THERMOPANE - 17" X 26.4"	
	113733-01-700	EA	WINDOW ASM. W/O TRIM	DH416-G2
	113733-01-701	EA	RETAINER - TRIM	W41666
	113733-01-702	EA	GLASS - STATIONARY	390-019187
	112795-01-705	FT	VINYL - GLAZING	132-010231

**WINDOW, VENT & EXTERIOR DOOR GROUP (CONTINUED)**



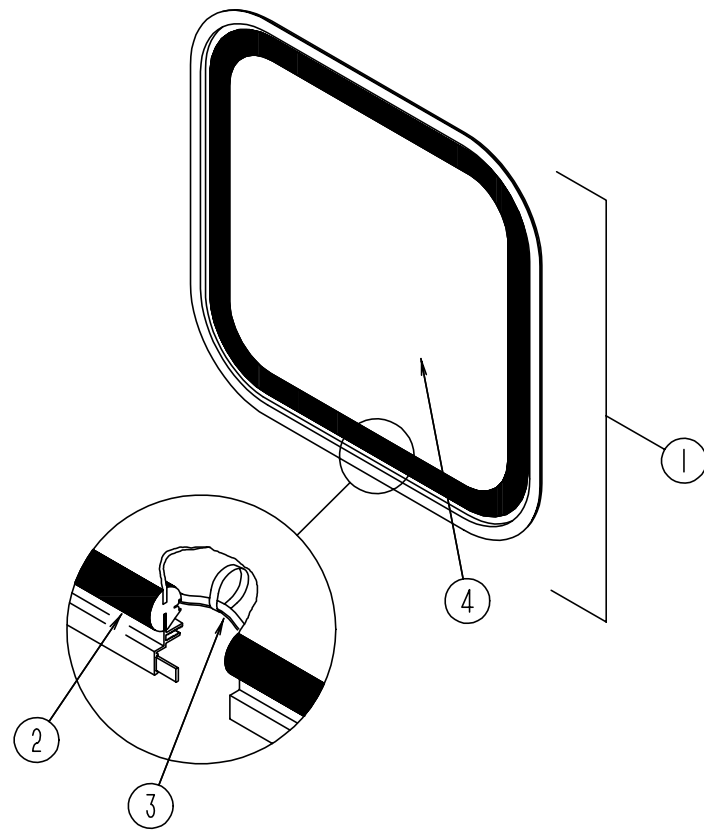
**OVERHEAD BUNK FRONT WINDOW**

KEY	PART NUMBER	U/M	DESCRIPTION
1	103313-03-F15	EA	WINDOW - PICTURE - 23.3" X 71.3"
	117054-01-01A	EA	RETAINER - TRIM
2	002181-29-000	EA	GLASS - PICTURE - 16.4" X 71"
3	099154-01-000	FT	CHANNEL - GLAZING - STATIONARY GLASS - .62" X .45" - BLK

**THERMOPANE OVERHEAD BUNK FRONT WINDOW - EXCEL**

KEY	PART NUMBER	U/M	DESCRIPTION	VENDOR NO.
	115630-01-01A	EA	WINDOW - STATIONARY - 17.2" X 72"	
	098644-01-705	FT	GLAZING - STRIP	132-010231
	115630-01-700	EA	WINDOW W/O TRIM	DH438-G2
	115630-01-701	EA	RETAINER - TRIM	W438-58
	115630-01-702	EA	GLASS - STATIONARY	390-019467

**WINDOW, VENT & EXTERIOR DOOR GROUP (CONTINUED)**



**QUEEN BED ESCAPE WINDOW**

KEY	PART NUMBER	U/M DESCRIPTION
1	078528-06-E10	EA WINDOW - ESCAPE - W/O RETAINER/TRIM - 48.5" X 24.5"
	074816-11-000	EA RETAINER - TRIM O/W
2	002282-09-000	EA WEATHERSTRIP - WINDOW - .125" X 130.5" - BLACK
3	002285-01-000	FT FILLER - WEATHERSTRIP - RUBBER - BLACK
4	076337-12-000	EA GLASS - EGRESS - 45.5" X 21.5"
	077066-01-702	EA TAPE - RED ESCAPE WINDOW

**QUEEN BED THERMOPANE ESCAPE WINDOW - EXCEL**

KEY	PART NUMBER	U/M DESCRIPTION	VENDOR NO.
	113502-01-01A	EA WINDOW - REAR/ESCAPE - THERMO - 24.8" X 48.7"	
	098644-01-705	FT GLAZING - STRIP	132-010231
	112898-06-704	EA HANDLE - LATCH, RED-RH	182-11293
	112898-06-705	EA HANDLE - LATCH, RED-LH	182-11294
	113502-01-703	EA GLASS - STATIONARY - RH/LH	390-019083
	113502-01-704	EA GLASS - EGRESS CENTER - ESCP	DH153-G9

**TWIN BED ESCAPE WINDOW - EXCEL**

KEY	PART NUMBER	U/M DESCRIPTION	VENDOR NO.
	116976-02-01A	EA WINDOW - PICTURE/TINTED/ESCAPE - 26.4" X 25.3"	
	100322-01-701	FT SEAL - VENT	122-016071
	112898-06-704	EA HANDLE - LATCH, RED-RH	182-11293
	112898-06-705	EA HANDLE - LATCH, RED-LH	182-11294
	116976-01-701	EA RETAINER - TRIM	W386-53
	116976-01-702	FT FILLER PLUG	132-016065
	116976-02-700	EA GLASS - STATIONARY	106-018785

**WINDOW, VENT & EXTERIOR DOOR GROUP (CONTINUED)**

**TWIN BED THERMOPANE ESCAPE WINDOW - EXCEL**

KEY	PART NUMBER	U/M DESCRIPTION	VENDOR NO.
	113502-04-01A	EA WINDOW - REAR ESCAPE - THERMO - 26.4" X 26.3"	
	098644-01-705	FT GLAZING - STRIP	132-010231
	112898-06-704	EA HANDLE - LATCH, RED-RH	182-11293
	112898-06-705	EA HANDLE - LATCH, RED-LH	182-11294
	113502-04-700	EA WINDOW W/O TRIM	DH449-G2
	113502-04-701	EA RETAINER - TRIM	W44958
	113502-04-702	EA GLASS - STATIONARY	390-019460

**TWIN BEDROOM PICTURE WINDOW - EXCEL**

KEY	PART NUMBER	U/M DESCRIPTION	VENDOR NO.
	116976-04-01A	EA WINDOW - PICTURE/TINTED - 26.4" X 26.3"	
	113733-02-701	EA RETAINER - TRIM	W386-60
	116976-03-701	FT GLAZING VINYL	132-016071
	116976-04-700	EA GLASS	106-019678

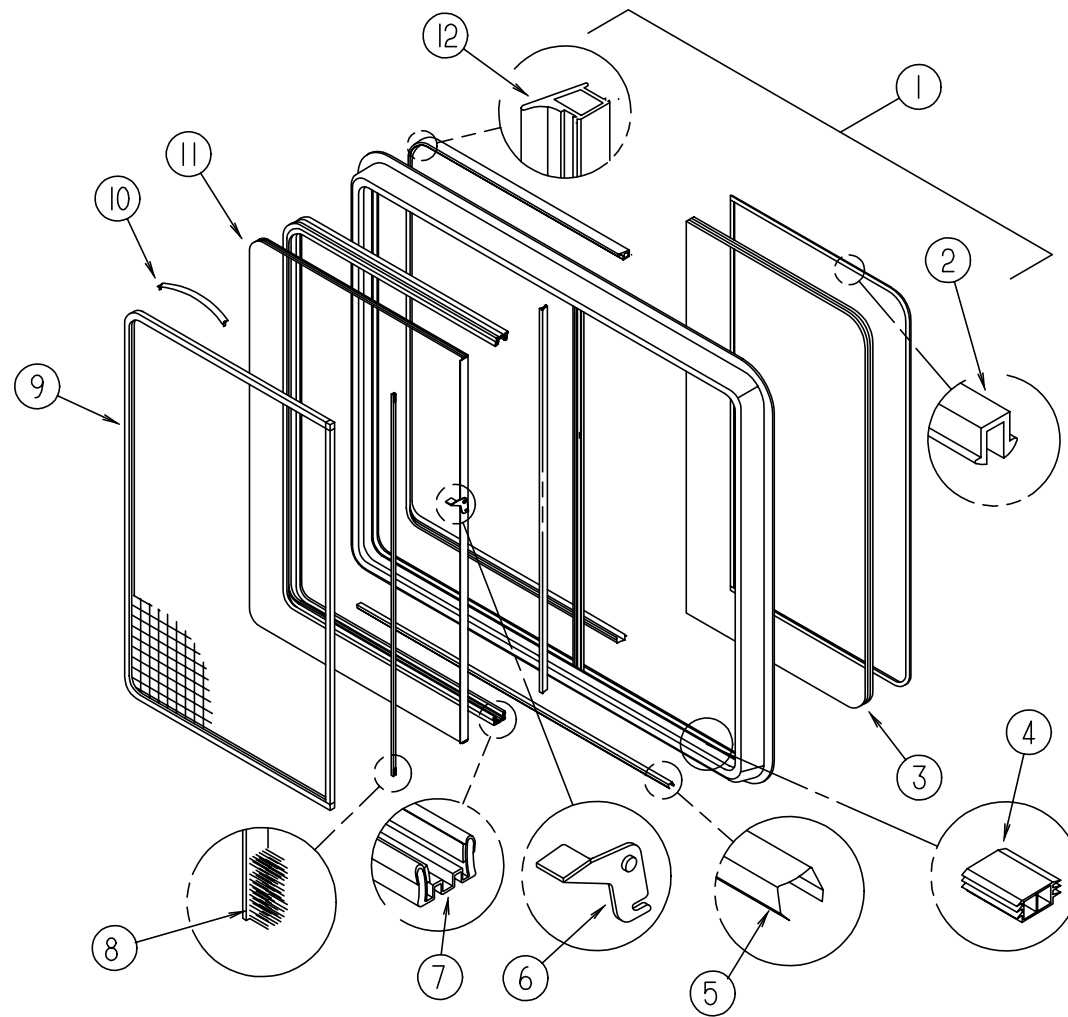
**TWIN BED THERMOPANE WINDOW**

KEY	PART NUMBER	U/M DESCRIPTION	VENDOR NO.
	113733-02-01A	EA WINDOW - STATIONARY - THERMOPANE - 26.4" X 26.25"	
	113733-02-701	EA RETAINER - TRIM	W386-60
	112795-01-705	FT VINYL - GLAZING	132-025736
	113733-02-700	EA WINDOW W/O TRIM	DH400-G2
	113733-02-702	EA GLASS - STATIONARY	390-019461

**TWIN & QUEEN BED TIPOUT WINDOW - EXCEL**

KEY	PART NUMBER	U/M DESCRIPTION	VENDOR NO.
	104691-13-01A	EA WINDOW - TIPOUT SINGLE - 26.3" X 47.9"	
	100322-01-701	FT SEAL - VENT	122-016071
	100322-01-702	EA WEATHERSTRIP - HORIZONTAL RAIL	132-015976
	100322-01-703	FT VINYL - GLAZING, BUTYL	132-010723
	100322-01-704	FT TAPE - BUTYL	154-016083
	100322-01-714	EA SUPPORT - TORQUE BAR, LH	130-015978
	100322-01-715	EA SUPPORT - TORQUE BAR, RH	130-015979
	100322-01-718	EA HANDLE - DIAL	410-016081
	104691-13-700	EA WINDOW ASM W/O TRIM	CH37-G2
	104691-13-701	EA RETAINER - TRIM	W303-59
	104691-13-702	EA GLASS - STATIONARY	106-017670
	104691-13-703	EA GLASS - VENT ASSEMBLY	CH37-G9
	104691-13-704	EA OPERATOR & BAR ASSEMBLY	CH36-18
	104691-13-705	EA SCREEN ASM - W/SEALS & CLIPS	410-017763
	112519-01-702	EA OPERATOR - VENT	410-016123
	112519-01-706	EA CLIP - SCREEN	CH21-50
	116976-01-702	FT FILLER PLUG	132-016065

**WINDOW, VENT & EXTERIOR DOOR GROUP (CONTINUED)**



**WINDOW, VENT & EXTERIOR DOOR GROUP (CONTINUED)**

**TWIN & QUEEN BEDROOM THERMOPANE SLIDER WINDOW - EXCEL**

KEY	PART NUMBER	U/M	DESCRIPTION	VENDOR NO.
1	112795-22-01A	EA	WINDOW - PASSENGER HORIZONTAL SLIDER - THERMO 26 3/8" X 48"	
1	112795-25-01A	EA	WINDOW - DRIVERS HORIZONTAL SLIDER - THERMO 26 3/8" X 48"	
	112795-22-701	EA	RETAINER - (TRIM)	W30366
2	112795-01-705	FT	VINYL-GLAZING	132-019702
3	112795-22-702	EA	GLASS-STATIONARY	390-019039
4	112795-01-701	EA	SLIDE-STOP	132-019092
5	098644-01-710	EA	TRACK - SCREEN SPACER 12'	132-017135
6	112795-01-700	EA	LATCH ASM. - BLK. (BOLT ON)	DH287-CK
7	112795-01-703	IN	CHANNEL-RUN (INCHES)	122-018736
8	098644-01-711	EA	WEATHERSTRIP - SCREEN BLACK	171-016965
9	098647-31-704	EA	SCREEN ASM. - W/SEAL & CLIPS	410-019128
10	098644-01-713	EA	CLIP - SPRING - METAL	226-016966
11	112795-19-702	EA	GLASS-SLIDING - W/SASH&LATCH	DC29-G9
12	112795-01-704	FT	PLUG-FILLER (DOUBLE GLAZED)	122-018737

**DRIVER & PASSENGER THERMOPANE SLIDER WINDOW - EXCEL**

KEY	PART NUMBER	U/M	DESCRIPTION	VENDOR NO.
1	112795-15-01A	EA	WINDOW - DRIVERS HORIZONTAL SLIDER - THERMO-26 3/8" X 60"	
1	112795-16-01A	EA	WINDOW - PASSENGER HORIZONTAL SLIDER - THERMO-26 3/8" X 60"	
	098647-23-702	EA	RETAINER-TRIM - WHITE	W28766
2	112795-01-705	FT	VINYL-GLAZING	132-019702
3	112795-15-701	EA	GLASS-STATIONARY	390-019045
4	112795-01-701	EA	SLIDE-STOP	132-019092
5	098644-01-710	EA	TRACK - SCREEN SPACER 12'	132-017135
6	112795-01-700	EA	LATCH ASM. - BLACK	DH287-CK
7	112795-01-703	IN	CHANNEL-RUN	122-018736
8	098644-01-711	EA	WEATHERSTRIP - SCREEN BLACK	171-016965
9	098647-31-704	EA	SCREEN ASM. - W/SEAL & CLIPS	410-019128
10	098644-01-713	EA	CLIP - SPRING - METAL	226-016966
11	112795-19-702	EA	GLASS-SLIDING - W/SASH&LATCH	DC29-G9
12	112795-01-704	FT	PLUG-FILLER (DOUBLE GLAZED)	122-018737

**DRIVER & PASSENGER THERMOPANE OVERHEAD BUNK WINDOWS - EXCEL**

KEY	PART NUMBER	U/M	DESCRIPTION	VENDOR NO.
1	112795-20-01A	EA	WINDOW - DRIVER HORIZONTAL SLIDER THERMO 16" X 28 3/4"	
1	112795-19-01A	EA	WINDOW - PASSENGER HORIZONTAL SLIDER THERMO 16" X 28 3/4"	
	112795-20-700	EA	WINDOW W/O TRIM	DC29-G2L
	112795-19-700	EA	WINDOW W/O TRIM	DC29-G2R
	098647-31-701	EA	RETAINER - TRIM	CW29-66
2	112795-01-705	FT	VINYL-GLAZING	132-019702
3	112795-19-701	EA	GLASS - STATIONARY	390-019134
4	112795-01-701	EA	SLIDE-STOP	132-019092
5	098644-01-710	FT	TRACK - SCREEN SPACER 12'	132-017135
6	112795-01-700	EA	LATCH ASM. - BLK.,(BOLT ON)	DH287-CK
7	112795-01-703	IN	CHANNEL-RUN (INCHES)	122-018736
8	098644-01-711	FT	WEATHERSTRIP - SCREEN BLACK	171-016965
9	098647-31-704	EA	SCREEN ASM - W/SEALS & CLIPS	410-019128
10	098644-01-713	EA	CLIP - SPRING - METAL	226-016966
11	112795-19-702	EA	GLASS-SLIDING W/SASH & LATCH	DC29-G9
12	112795-01-704	FT	PLUG FILLER (DOUBLE GLAZED)	122-018737