

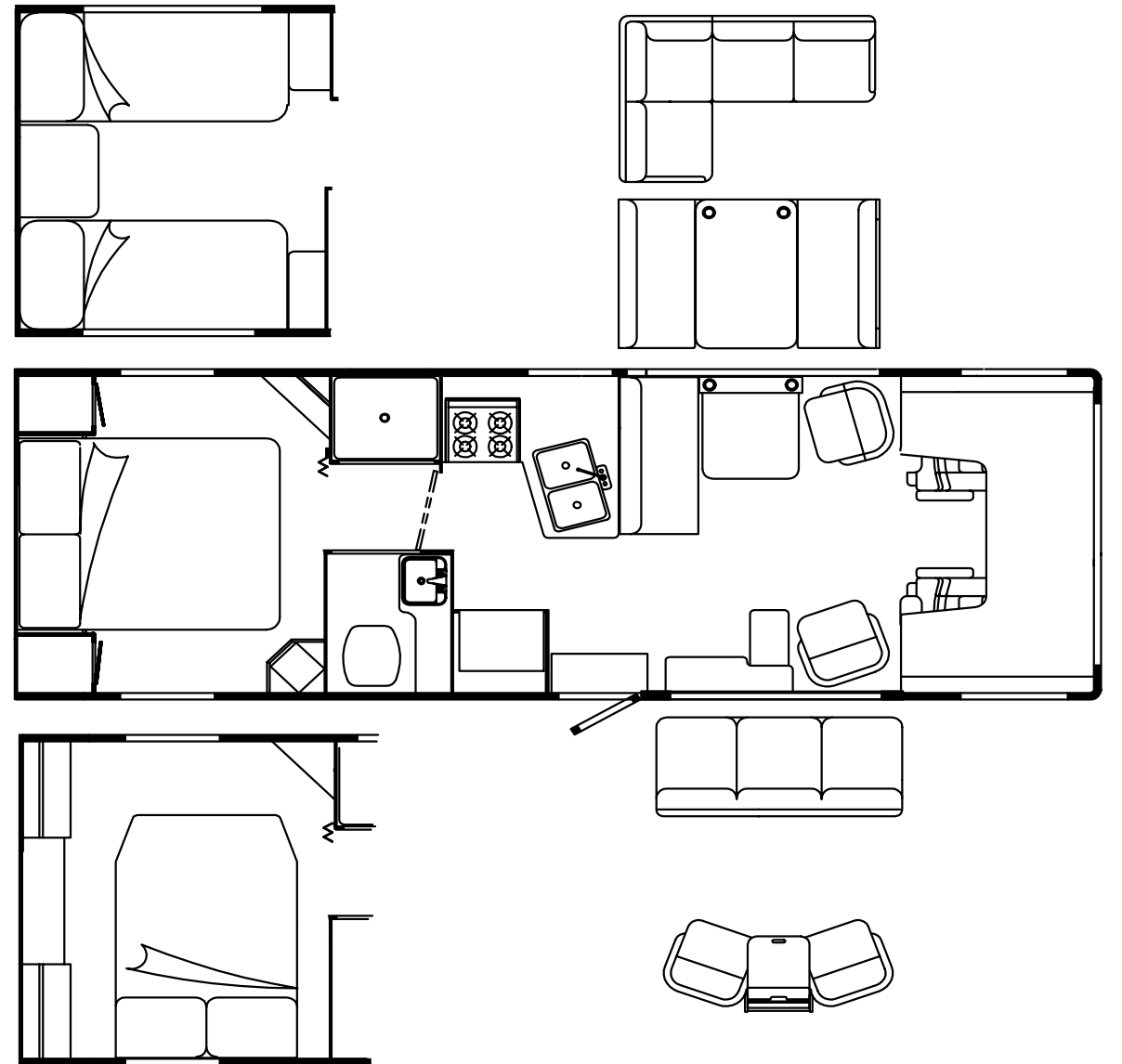
1997
WF429WQ DL

H10

CHAMELEON (COBALT)

H11

PASADENA (MOCHA)



ACCESSORIES GROUP

OPERATORS MANUAL

KEY	PART NUMBER	U/M	DESCRIPTION
	054185-F5-000	EA	MANUAL - OPERATOR 97 MINNIE WINNIE
	092318-01-000	EA	BINDER-3 RING, MOTOR HOME MANUAL
	092319-01-000	EA	POCKET PAGE- 3 RING BINDER - PLASTIC - (50 PER PKG)
	121390-01-000	DW	TOP LEVEL-C,1997

AUDIO VIDEO GROUP

RADIO SYSTEM & ANTENNA

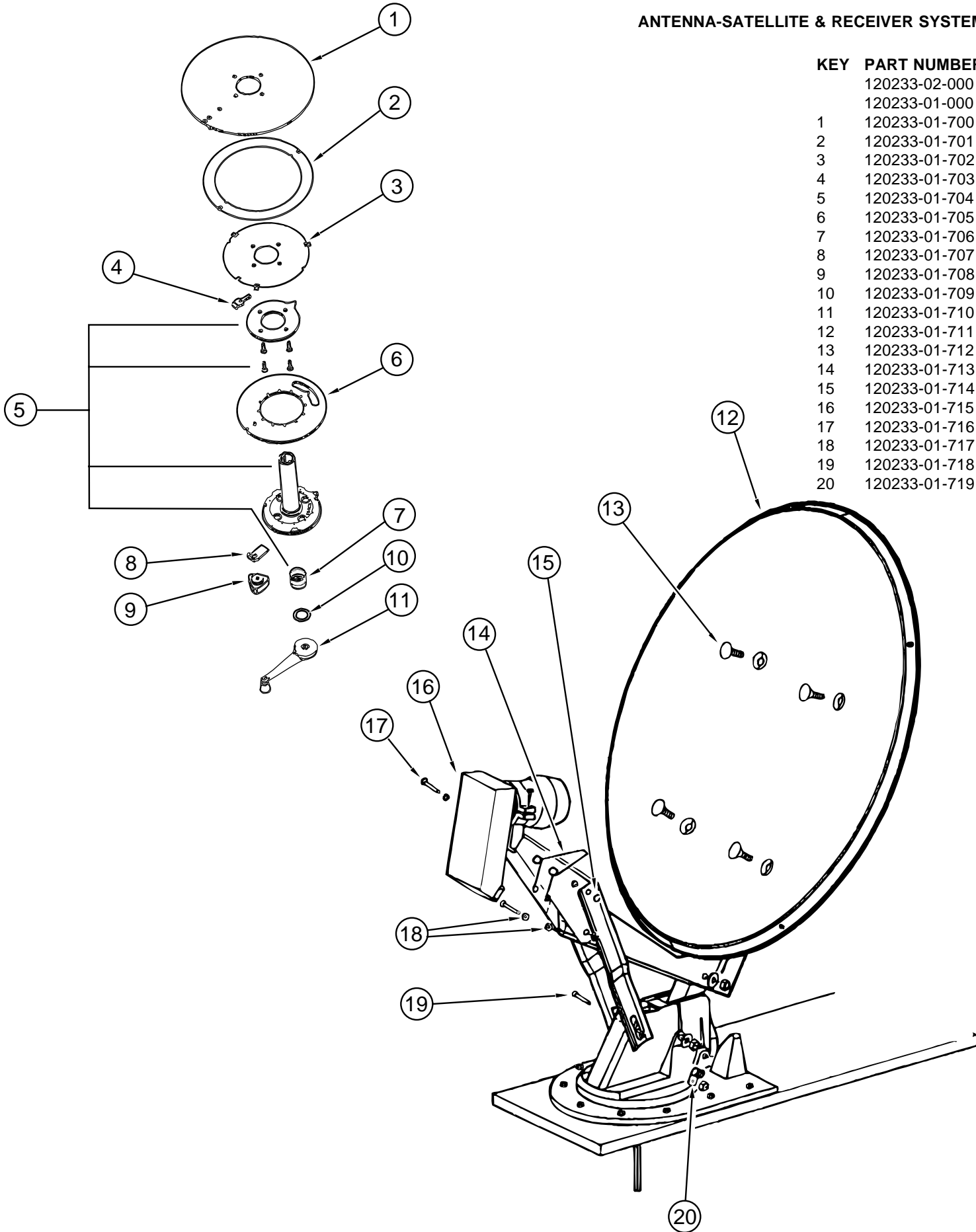
KEY	PART NUMBER	U/M	DESCRIPTION
	N/A	EA	SPEAKER - 5" X 7" OVAL - FORD F2UF-18814-CD
	111177-01-01A	EA	GRILLE - 8.9" X 6.5" HOUSING F/5" X 7" OVAL SPEAKER - GRAY
	087683-03-000	EA	RADIO - AM/FM STEREO CASSETTE
	090944-01-000	EA	ANTENNA - RADIO - RUBBER - 16"
	077069-02-000	EA	CABLE - EXTENSION - RADIO ANTENNA 96"
	108137-01-000	EA	PLUG-ANTENNA HOLE,92 E350 - WARD PRODUCTS
	108847-01-000	EA	BRACKET - ANTENNA GROUND
	109889-04-000	EA	EXTENDER - ANTENNA SHAFT - 3"
	110469-01-000	EA	SPEAKER - 4" X 6" OVAL - COAXIAL
	110470-01-01A	EA	GRILLE - 4" X 6" BLACK OVAL SPEAKER
	093901-03-000	EA	PLATE - COAXIAL CABLE
	105230-03-H07	EA	SHELF - EXTERIOR TV

TV & VCR SYSTEMS

KEY	PART NUMBER	U/M	DESCRIPTION	VENDOR NO.
	113684-01-000	EA	TELEVISION-19" COLOR - 19 3/8"W X 17 3/8"H X 18 1/4"D FROM: 00-00-00 THRU: 06-16-96	
	113684-02-000	EA	TV - 19" COLOR W/1/8" JACK-19 3/8"W X 17 3/16"H X 18 1/4"D FROM: 06-17-96 THRU: 99-99-99	
	113684-01-700	EA	REMOTE	0892345
	086231-08-000	EA	TV-COLOR 13" DC AUDIOVOX - AVT-1475	
	086231-08-700	EA	REMOTE-UNIVERSAL	8822325
	119120-02-000	EA	VCR/VHS - CABLE READY W/REMOTE	
	119120-02-700	EA	REMOTE FOR MODEL	8874569
	094487-03-000	EA	VIDEO CASSETTE PLAYER W/O REMOTE - AUDIOVOX AVP-6750	
	082134-01-000	EA	ADAPTER - TV - CABLE TO CABLE	
	082136-01-000	EA	NUT - HEX JAM - 3/8 - 32	
	076319-06-000	EA	ADAPTER - CABLE ROOF PLATE	
	076319-08-000	EA	WALLPLATE - CABLE RECEPTACLE - TV - SINGLE/IVORY	
	086777-02-000	EA	WALLPLATE - TV CABLE - W/ANTENNA SWITCH	
	086777-06-000	EA	WALLPLATE - ANTENNA 1 OUTPUT	
	086756-01-000	EA	SPLITTER - TV - 2 WAY	
	086757-03-000	EA	CONTROL CENTER - SWITCH - VCR/TV	
	099717-02-000	EA	STRAP-TV TIE DOWN W/29.9" FEMALE STRAP & 14.2" MALE STRAP	

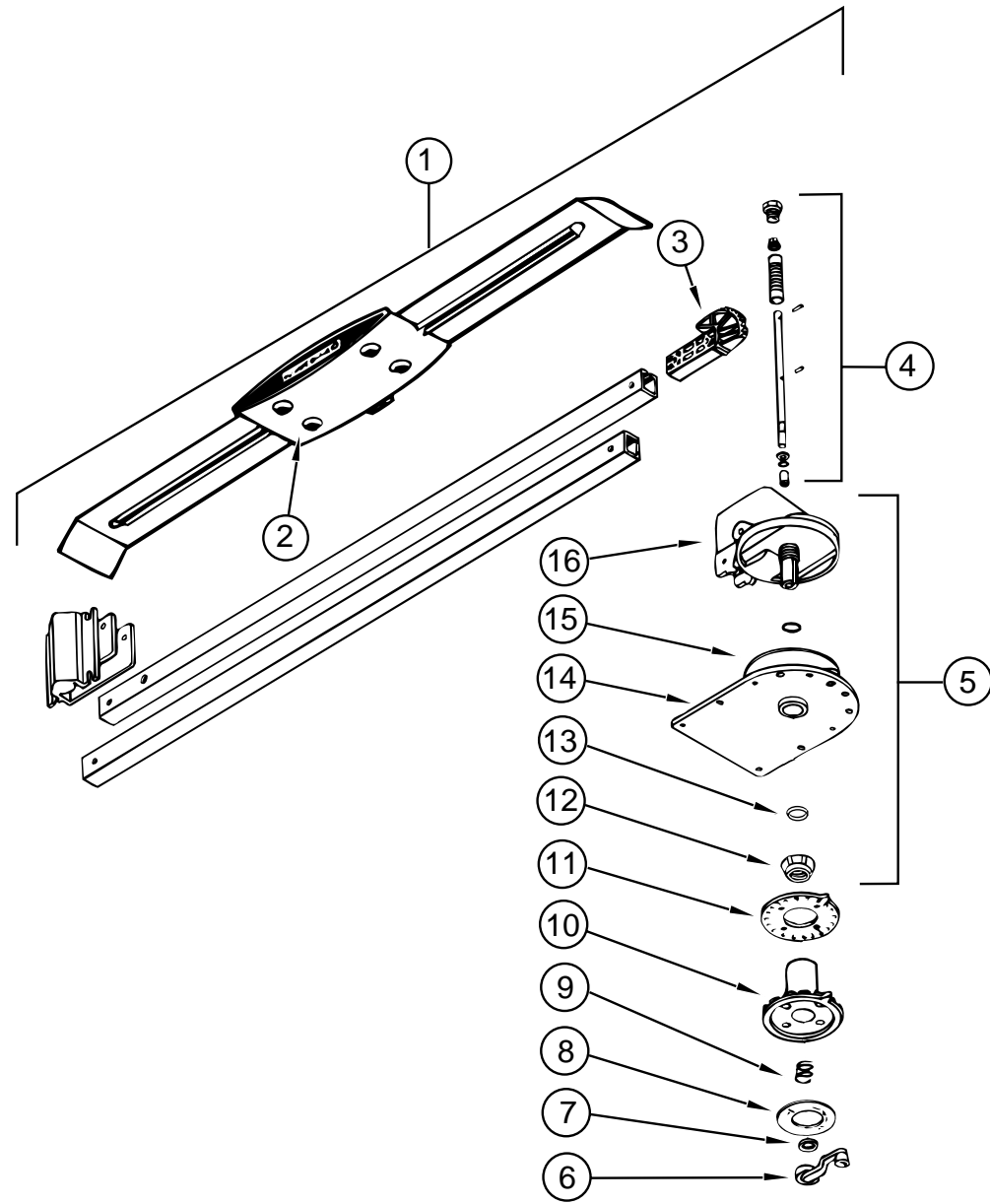
AUDIO VIDEO GROUP (CONTINUED)

ANTENNA-SATELLITE & RECEIVER SYSTEMS



KEY	PART NUMBER	U/M	DESCRIPTION	VENDOR NO.
	120233-02-000	EA	RECEIVER-SATELLITE ONLY	
	120233-01-000	EA	ANTENNA-SATELLITE W/O RECEIVER (DISH & HDW KIT) MANUAL	
1	120233-01-700	EA	PLATE-FIXED	3750821
2	120233-01-701	EA	DIAL-DIRECTIONAL	2745056
3	120233-01-702	EA	PIVOT-DIAL-DIRECTIONAL	2745058
4	120233-01-703	EA	STOP-ROTATION	3711281
5	120233-01-704	EA	PLATE-CEILING W/DIR. HANDLE	RP-6300
6	120233-01-705	EA	PLATE-ROTATE	3750820
7	120233-01-706	EA	SPRING	RP-6822
8	120233-01-707	EA	CLAMP-ROTATE	3711280
9	120233-01-708	EA	KNOB-CLAMP	2200061
10	120233-01-709	EA	WASHER-NYLON	RP-2658
11	120233-01-710	EA	HANDLE-CRANK	RP-6795
12	120233-01-711	EA	REFLECTOR-46CM	2745304
13	120233-01-712	EA	BOLT-FLAT HEAD	2160253
14	120233-01-713	EA	SPRING	2160820
15	120233-01-714	EA	CLIP-E	5160818
16	120233-01-715	EA	RCA LNB	278015
17	120233-01-716	EA	PIN	2160814
18	120233-01-717	EA	BEARING-NYLON	2200728
19	120233-01-718	EA	PIN	5160817
20	120233-01-719	EA	CLAMP-CABLE	2200060

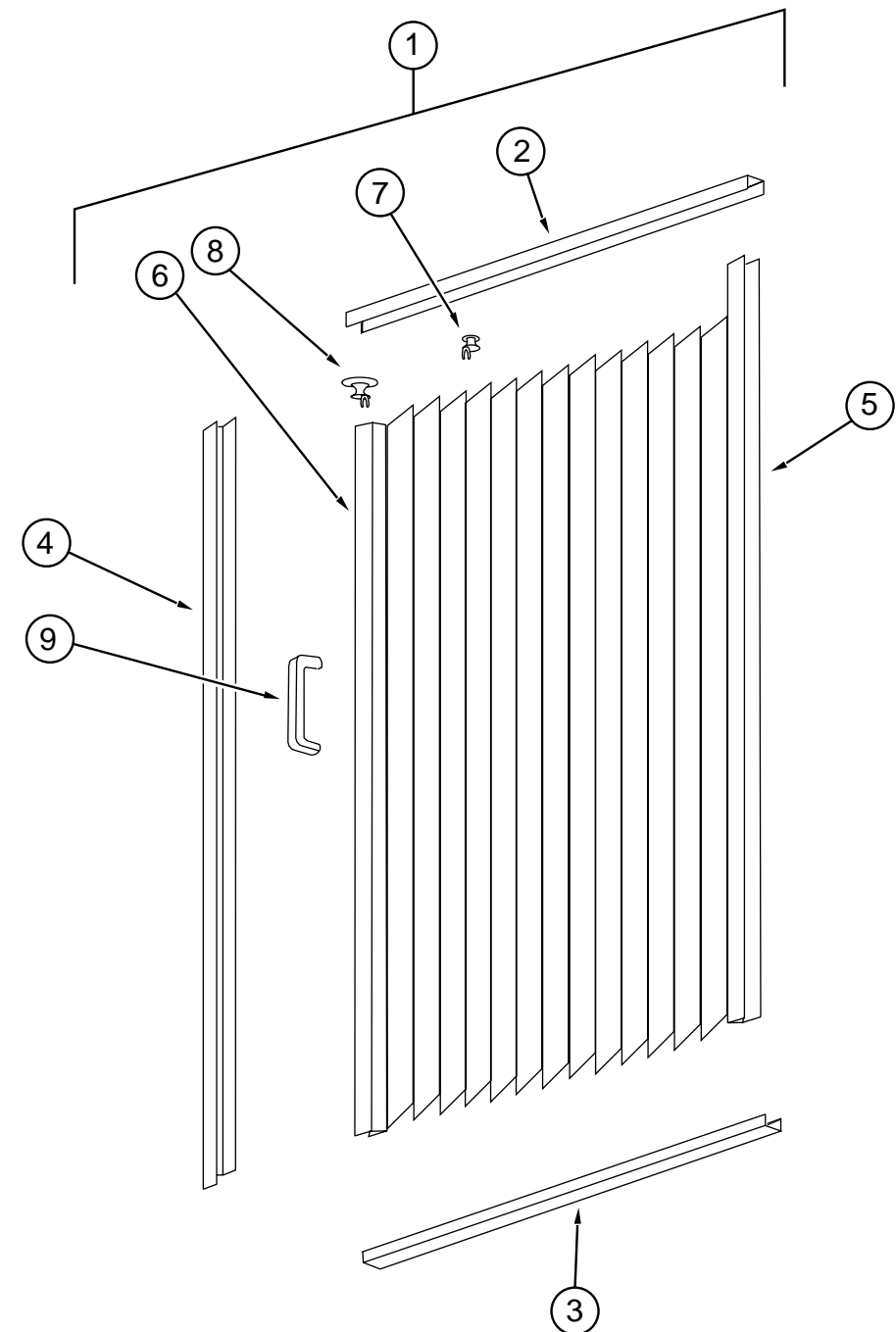
AUDIO VIDEO GROUP (CONTINUED)



TV ANTENNA (WINEGARD)

KEY	PART NUMBER	U/M DESCRIPTION	VENDOR NO.
1	076319-21-000	EA ANTENNA - TV ROOF MOUNT 3" ROOF	
2	076319-01-700	EA HEAD-ANTENNA, AMPLIFIED	RVSA U/V
3	076319-01-701	EA GEAR-ELEVATING, PLASTIC	2200046
4	076319-01-702	EA SHAFT ASM-ELEVATING	RVP-400A
5	076319-01-711	EA BASE & LIFT ASM	2762802
6	076319-01-706	EA CRANK-ELEVATING W/SET SCREW	2750897
7	076319-01-705	EA GROMMET-NYLON, 7/8"ID	3200658
8	076319-01-708	EA DECAL-CRANK	5413002
9	076319-01-707	EA SPRING-HANDLE	5160822
10	076319-01-709	EA PLATE-DIRECTIONAL, F/HEAD	3200621
11	076319-01-712	EA PLATE-CEILING, DIRECTIONAL	3200608
12	076319-01-715	EA NUT (GEAR HOUSING)	2200047
13	076319-01-704	EA BEARING-NYLON, 1.25"OD	3200657
14	076319-01-713	EA PLATE-BASE, STEEL	3100523
15	076319-01-703	EA BEARING-NYLON, 5" OD	3200656
16	076319-01-714	EA HOUSING, ROTATING GEAR	2200049

BATH GROUP

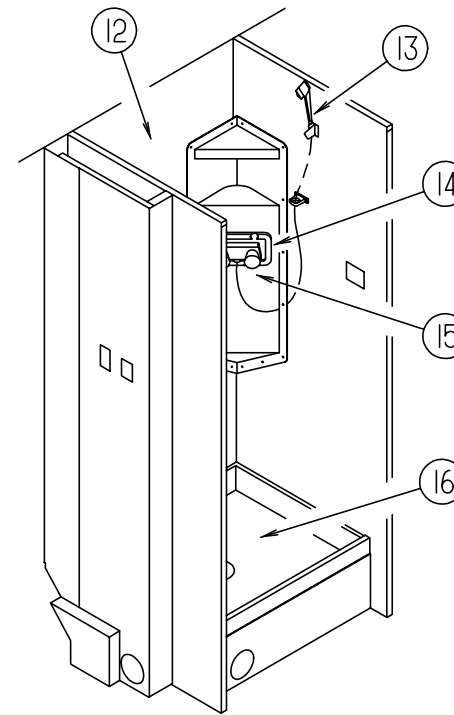
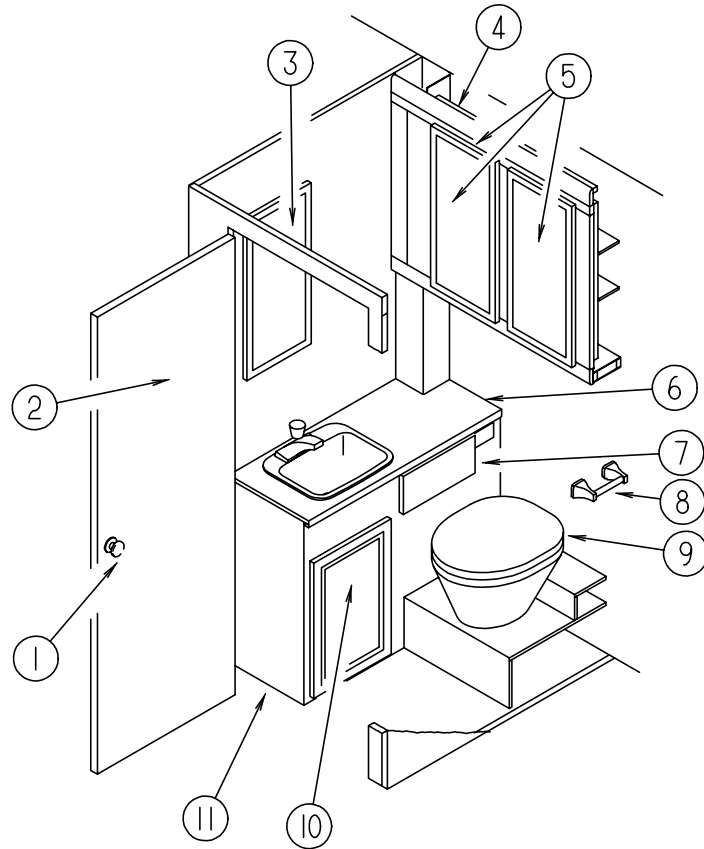


SHOWER DOOR - COASTAL

KEY	PART NUMBER	U/M DESCRIPTION
1	108351-05-01A	EA DOOR - SHOWER - FABRIC PLEATED - 29.6" X 63.0"
2	117431-01-700	EA TRACK-TOP, ALUM.IVORY INSERT 48"
3	117431-01-701	EA TRACK-BOTTOM, 40 "
4	117431-01-702	EA RAIL-SIDE, 67"
5	117431-01-703	EA RAIL-STATIONARY, 67"
6	117431-01-704	EA RAIL-LEAD, 67"
7	117431-01-705	EA GLIDE-IVORY, TRAVELER
8	117431-01-706	EA GLIDE-IVORY LEAD, TRAVELER
	117431-01-707	EA LATCH
9	117431-01-708	EA HANDLES & SCREWS
	117431-01-709	EA STRAP-VINYL SHOWER

BATH GROUP (CONTINUED)

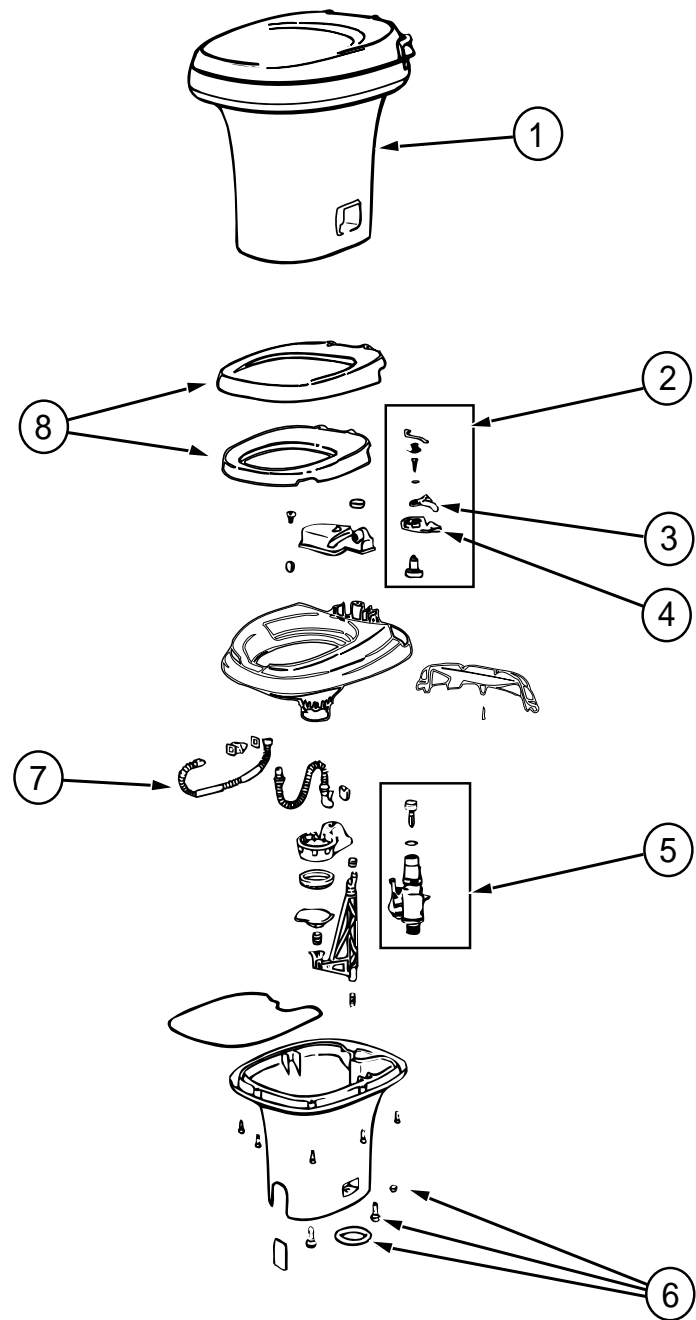
BATHROOM CABINETS & FIXTURES



KEY	PART NUMBER	U/M	DESCRIPTION	VENDOR NO.
1	094485-03-01A	EA	KNOB - DOOR - BRASS	
	105394-01-04A	EA	EXTR-DOOR JAMB	
2	121449-04-H10	EA	DOOR - BATH - W/O HARDWARE	
	121449-12-G07	EA	RACK - TOWEL - BATH DOOR	
	100357-01-000	EA	ROD - TOWEL - BRASS W/ENDS BENT F/BACK OF BATH DOOR	
	110496-01-01A	EA	HINGE - BRASS *STOCKER	
	102920-01-01A	EA	HINGE - DOOR - SPRING LOADED/BRASS	
3	058331-01-000	EA	MIRROR - SAFETY GLASS - 19" X 26"	
4	122820-01-H10	EA	CABINET - MEDICINE	
	109908-54-H10	EA	END CAP - OVERHEAD CABINET	
4	122820-12-H10	EA	SHELF - W/PLASTIC EDGE TRIM	
	109180-03-H10	EA	CABINET - PIPE COVER W/O HARDWARE	
	109180-03-H11	EA	CABINET - PIPE COVER W/O HARDWARE	
5	110140-94-H07	EA	DOOR - MITERED CORNER/VINYL WRAP - 14.3" X 16.1" - W/O HDW	
6	123571-12-H10	EA	COUNTERTOP - LAVATORY	
6	123571-12-H11	EA	COUNTERTOP - LAVATORY	
	096927-01-01A	EA	SINK - LAVATORY - RECTANGULAR - PLASTIC/BONE	
	096927-01-700	EA	PLUG-SINK	M9801
	096927-01-701	EA	TAILPIECE-DRAIN-LAVATORY	M9802
	075240-06-000	EA	FAUCET - LAVATORY BONE	
	091253-01-000	EA	GASKET - FAUCET - LAVATORY/GALLEY	
7	M05971-BM-H10	EA	DRAWER COMPL-SLIDE RAD	
8	075452-02-000	EA	HOLDER - TOILET TISSUE - BRASS	
9	063740-01-000	EA	TOILET - HIGH/HAND FLUSH - AQUA MAGIC IV	
10	M06803-V8-H10	EA	DOOR - MITERED CORNER/OGEE EDGE - 14.3" X 21.8" - W/O HDW	

KEY	PART NUMBER	U/M	DESCRIPTION	VENDOR NO.
11	P23571-02-H10	EA	CABINET - LAVATORY - W/O DOORS/DRAWERS/HARDWARE	
11	P23571-02-H11	EA	CABINET - LAVATORY - W/O DOORS/DRAWERS/HARDWARE	
12	105629-01-01A	EA	SURROUND-SHOWER OFF WHITE	
	102075-09-01A	EA	ROD-CURTAIN,SHOWER O/W	
13	103092-01-000	EA	SHOWER HEAD - W/60" HOSE	
13	103092-02-000	EA	SHOWER HEAD - W/HOSE - CSA	
	103092-01-700	EA	BRACKET-F/SHOWER HEAD, CLEAR	
	093527-02-000	EA	BRACKET-SQUEEGEE/SHOWER HEAD	2328028
	011048-03-700	EA	BRACKET-F/SHOWER HEAD	2328029-3
14	075241-05-000	EA	FAUCET-SHOWER-BONE W/ 3/4" MPT X 1.4" LONG INLET PIPES	
15	075606-01-000	EA	PANEL - FAUCET BACK - SHOWER - 5" X 9"	
16	M02673-05-B13	EA	PAN - SHOWER - 29.8" X 22.7" X 5.7"	
	066436-01-000	EA	NUT - SLIP - TAILPIECE 1.5"	
	122192-01-01A	EA	PANEL - SKYLITE - OUTER - 16.4" X 27.8"	
	122192-01-02A	EA	PANEL - SKYLITE - OUTER	FROM: 00-00-00 THRU: 02-13-97
	122193-01-01A	EA	PANEL - SKYLITE - INNER	FROM: 02-14-97 THRU: 99-99-99
	122193-01-02A	EA	PANEL - SKYLITE - INNER	FROM: 00-00-00 THRU: 02-13-97
				FROM: 02-14-97 THRU: 99-99-99

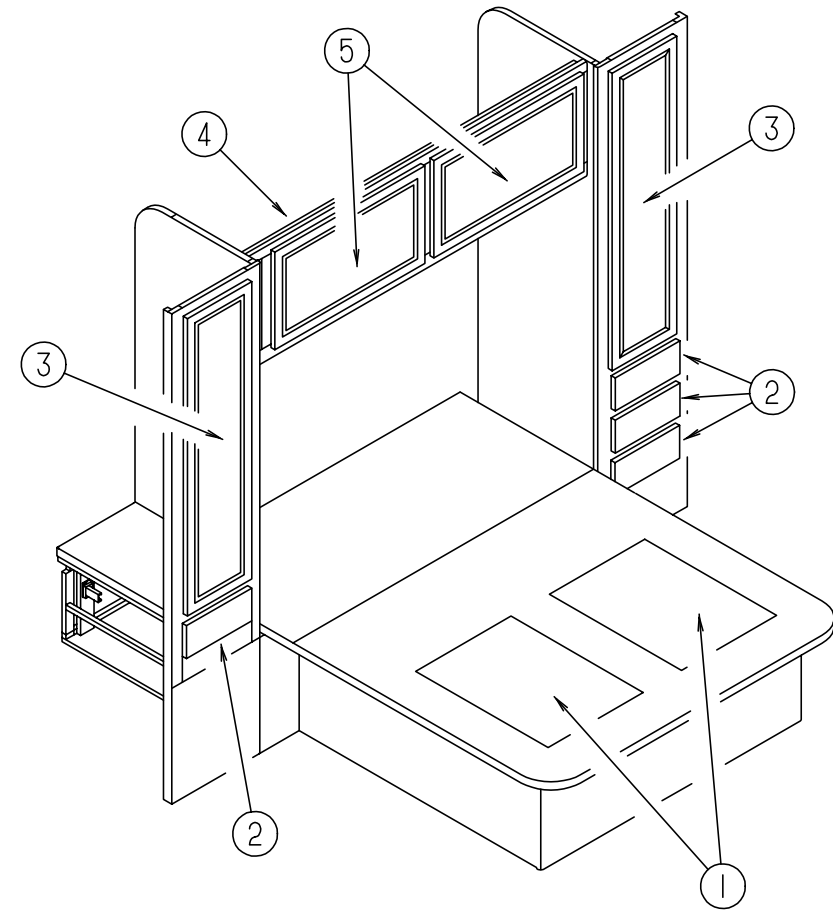
BATH GROUP (CONTINUED)



AQUA MAGIC IV LOW TOILET - THETFORD

KEY	PART NUMBER	U/M	DESCRIPTION	VENDOR NO.
1	063740-01-000	EA	TOILET - HIGH/HAND FLUSH - AQUA MAGIC IV	
2	063740-01-720	EA	LEVER KIT, WAT-FLUSH-BEARING	24629
3	063740-01-700	EA	LEVER-WATER	12514 THETFORD
4	063740-01-701	EA	LEVER-FLUSH	12515 THETFORD
5	063740-01-714	EA	VALVE ASM (VALVE-BALL SEAL)	13168
6	063740-01-706	EA	BOLT PACKAGE-FLOOR FLANGE	12524 THETFORD
7	063740-01-717	EA	TUBE-FLUSH	12509
8	063740-02-700	EA	SEAT & COVER, PARCHMENT	2464157
	063740-01-721	EA	BLADE ONLY	1248232

BEDROOM GROUP

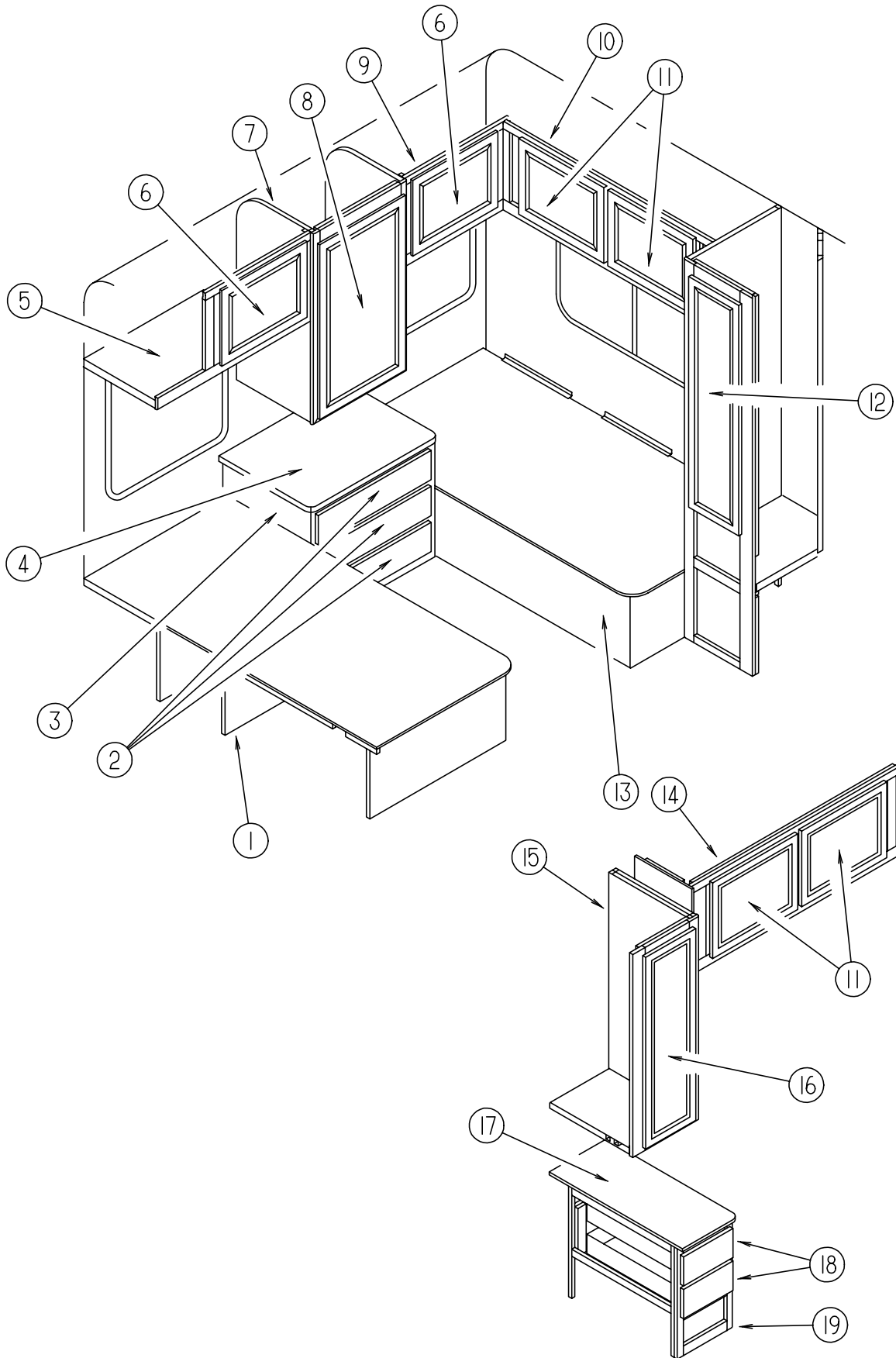


CENTER QUEEN BEDROOM

KEY	PART NUMBER	U/M	DESCRIPTION
1	091261-01-000	FT	SLIPNOT - ANTISLIP - 1" WIDE (100' ROLL)
	P18430-04-G07	EA	CABINET - BASE - QUEEN BED - W/O DOORS/HARDWARE
	M07550-02-000	EA	QUEEN BED TOP - W/O HARDWARE
	107796-05-000	EA	BRACKET - SUPPORT - GAS SPRING TO BED - FLAT (LOWER)
	107796-06-000	EA	GAS SPRING - 12" COMPRESSED/20" EXTENDED - 120 LB.
	107796-07-000	EA	BRACKET - SUPPORT - GAS SPRING TO BED - ANGLE(UPPER)
	097872-04-000	EA	DOWEL - WOOD - 1" DIAMETER X 1.38" LONG
2	M05971-49-F08	EA	DRAWER - OGEE EDGE - 9.8" X 17.7" - W/O SLIDES/HARDWARE
3	M06803-66-H10	EA	DOOR-MITERED CORNER/OGEE EDGE 12" X 50" W/O HDW
	097872-04-000	EA	DOWEL - WOOD - 1" DIAMETER X 1.38" LONG
	091952-01-000	EA	CLIP - GRIPPER - 1"
	009112-01-000	EA	FLANGE - 1" CLOTHES ROD - OFF WHITE PLASTIC
4	120419-01-H10	EA	CABINET ASM-OVERHEAD,REAR
5	M06803-13-H10	EA	DOOR-MITERED CORNER/OGEE EDGE-15.7" X 27.9" W/O HDW
5	M06803-82-H10	EA	DOOR - MITERED CORNER/OGEE EDGE - 15.7" X 28" - W/O HDW (EXPORT)
	120071-02-H10	EA	CABINET - CORNER - W/O DOORS/DRAWERS/HARDWARE
	120071-02-H11	EA	CABINET - CORNER - W/O DOORS/DRAWERS/HARDWARE
	120071-12-H10	EA	COUNTERTOP - CORNER CABINET
	120071-12-H11	EA	COUNTERTOP - CORNER CABINET
	116553-03-G07	EA	CABINET - TV SHELF - W/BRASS RODS/POST ENDS
	116553-15-G07	EA	WEDGE - TV SHELF

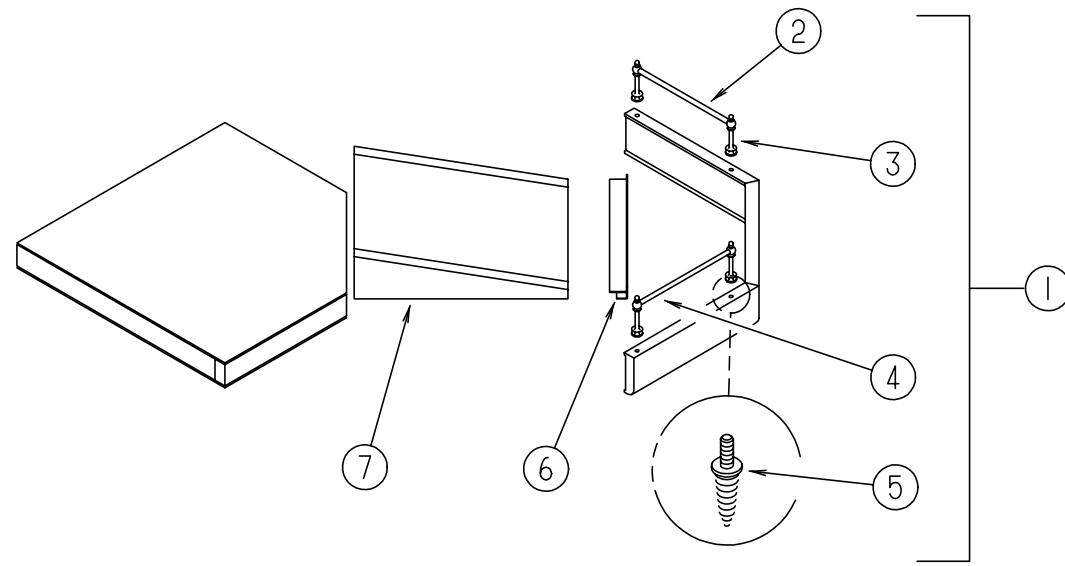
BEDROOM GROUP (CONTINUED)

TWIN BEDROOM



KEY	PART NUMBER	U/M	DESCRIPTION
1	P18690-01-G07	EA	CABINET ASM-BED,TWIN,RH
	107796-05-000	EA	BRACKET - SUPPORT - GAS SPRING TO BED - FLAT (LOWER)
	107796-06-000	EA	GAS SPRING - 12" COMPRESSED/20" EXTENDED - 120 LB.
	107796-07-000	EA	BRACKET - SUPPORT - GAS SPRING TO BED - ANGLE(UPPER)
	091952-01-000	EA	CLIP-GRIPPER
	097872-04-000	EA	DOWEL-WOOD,1.00DIA X 1.38LG
	091261-01-000	FT	SLIPNOT - ANTISLIP - 1" WIDE (100' ROLL)
2	M05971-M3-H10	EA	DRAWER - OGEE EDGE, 19.9" X 11.8" W/O SLIDES/HARDWARE
3	118679-02-H10	EA	CABINET-NIGHTSTAND - REAR
3	118679-02-H11	EA	CABINET-NIGHTSTAND - REAR
4	118679-12-H10	EA	COUNTERTOP - NIGHTSTAND
4	118679-12-H11	EA	COUNTERTOP - NIGHTSTAND
5	110004-01-F08	EA	CABINET - OVERHEAD - REAR RIGHT HAND - W/O DOORS/HARDWARE
6	M06803-B1-H10	EA	DOOR - MITERED CORNERS/OGEE EDGE - 15.7" X 20.4" - W/O HDW
6	M06803-41-H10	EA	DOOR - MITERED CORNER/OGEE EDGE - 15.7" X 20.4" W/O HDW (EXPORT)
7	123051-01-H10	EA	CABINET - SHIRT CLOSET, RIGHT REAR - W/O DOORS/DRAWERS/HDW
8	110140-47-G04	EA	DOOR - MIRROR/MTRD CRNR/VINYL WRAP - 20.6" X 36.4"-W/O HDW
9	110004-02-F08	EA	CABINET - OVERHEAD - REAR LEFT HAND - W/O DOORS/HARDWARE
10	109578-04-H10	EA	CABINET - OVERHEAD - LEFT REAR - W/O DOORS/HARDWARE
10	109578-04-H11	EA	CABINET - OVERHEAD, LEFT REAR - W/O DRS/DRWS/HARDWARE
	109908-09-F08	EA	END CAP - OVERHEAD CABINET
11	M06803-41-H10	EA	DOOR - MITERED CORNER/OGEE EDGE - 15.7" X 20.4" W/O HDW
12	M06803-E9-F08	EA	DOOR - MITERED CORNER/OGEE EDGE - 12" X 47.9" - W/O HDW
13	P18689-01-G07	EA	CABINET - BASE - TWIN BED/LEFT HAND-W/O DOORS/DRAWER/HDW
14	109578-03-H10	EA	CABINET - OVERHEAD, RIGHT REAR - W/O DRS/DRWS/ HARDWARE
14	109578-03-H11	EA	CABINET - OVERHEAD, RIGHT REAR - W/O DRS/DRWS/ HARDWARE
	109908-08-F08	EA	END CAP - OVERHEAD CABINET
15	112831-01-G07	EA	CABINET - SHIRT CLOSET/RIGHT HAND - W/O DOORS/HARDWARE
16	M06803-F3-F08	EA	DOOR - MITERED CORNER/VINYL WRAP - 12" X 40" - W/O HDW
	042438-01-000	EA	DOWEL - WOOD - CLOTHES ROD - 1" DIAMETER X 4'
	009112-01-000	EA	FLANGE - 1" CLOTHES ROD - OFF WHITE PLASTIC
17	118680-12-H10	EA	COUNTERTOP - NIGHTSTAND
17	118680-12-H11	EA	COUNTERTOP - NIGHTSTAND
18	M05971-U4-H10	EA	DRAWER - OGEE EDGE, 9.4" X 23.6" W/O SLIDES/HARDWARE
19	P18680-02-H10	EA	CABINET - NIGHTSTAND/RIGHT HAND - W/O DOORS/DRAWERS/HDW
19	P18680-02-H11	EA	CABINET - NIGHTSTAND/RIGHT HAND - W/O DOORS/DRAWERS/HDW
	084357-02-H10	EA	TV STAND - FOLD DOWN W/MIRROR
	058331-14-000	EA	MIRROR - SAFETY GLASS - 14" X 12.7"
	084356-08-000	EA	INSERT - TV STAND - W/SUPPORT HINGE
	084412-01-000	EA	SUPPORT/HINGE KIT (LEFT & RIGHT HINGES)
	084451-01-000	EA	CATCH - BRASS

BEDROOM GROUP (CONTINUED)



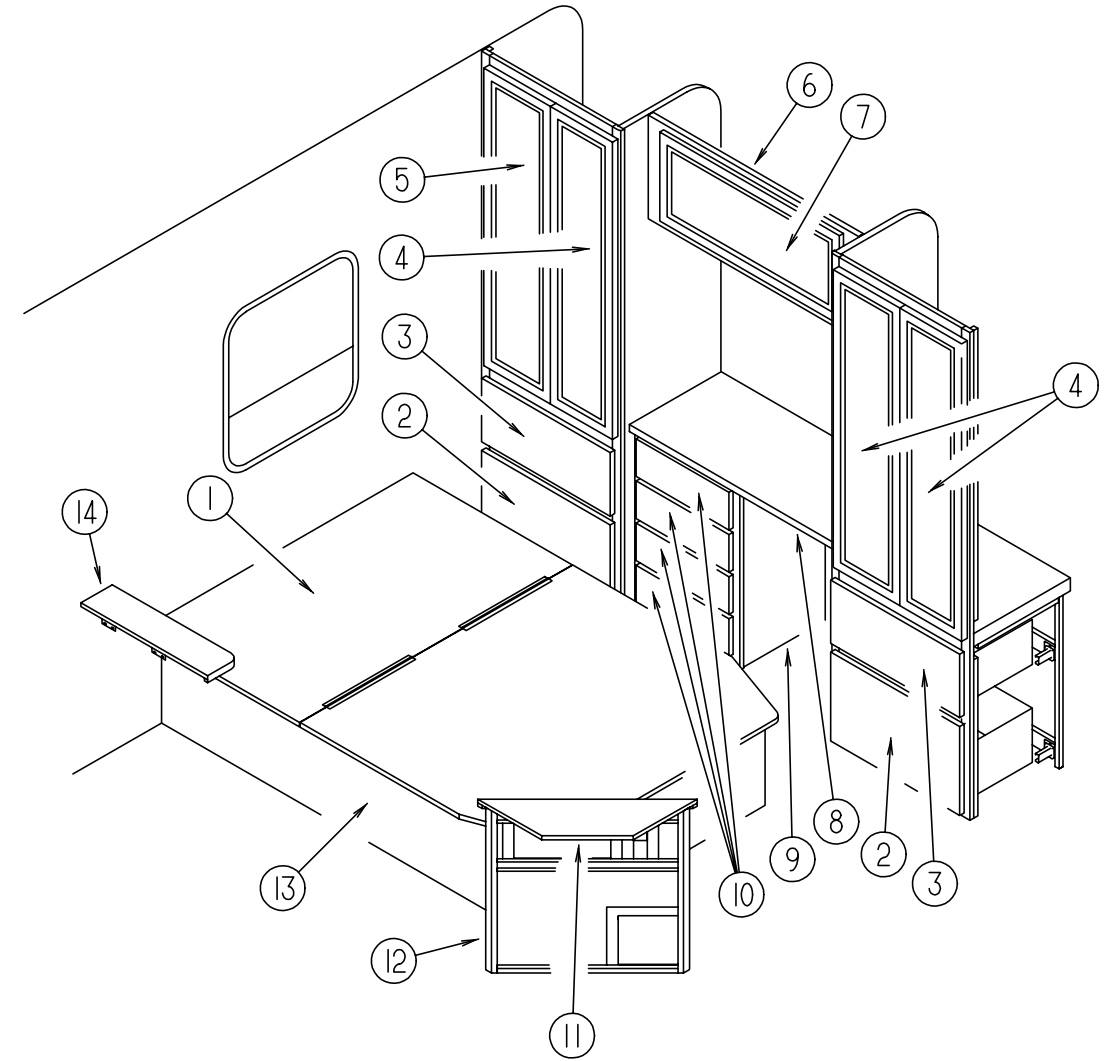
TV SHELF - BEDROOM

KEY	PART NUMBER	U/M	DESCRIPTION
1	116553-03-G07	EA	CABINET - TV SHELF - W/BRASS RODS/POST ENDS
2	084071-12-000	EA	ROD - BRASS - 4.08" LONG
	084071-19-000	EA	ROD - BRASS - 7.8" LONG
3	084070-02-000	EA	POST - END - 2.4" - BRASS
			FROM: 00-00-00 THRU: 07-14-96
3	084070-03-000	EA	POST - END - BRASS
			FROM: 07-15-96 THRU: 99-99-99
4	106166-01-000	EA	BOLT-COLLARED HANGER
5	105247-01-000	EA	INSERT NUT - 8-32 THD X .394LG
6	103186-01-05A	FT	MOLDING-PLASTIC - SHELF
7	116553-15-G07	EA	WEDGE - TV SHELF

BEDROOM FOLDING DOOR

KEY	PART NUMBER	U/M	DESCRIPTION	VENDOR NO.
	094856-10-01A	EA	TRACK-DOOR, FOLDING O/W	
	042488-10-000	EA	DOOR - FABRIC FOLDING - 37" X 75" - OFF WHITE	
	042488-04-700	EA	LATCH & CATCH ASM. LEAD EDGE	DW-21632
	042488-10-700	EA	LEADRAIL-PREPUNCHED F/HANDLE	DW2100
	080224-01-703	EA	HANDLE W/LATCH-CATCH, ALMOND	NE03505
	080224-01-705	EA	LATCH & CATCH ASM., ALMOND	DE25010 & DE25020

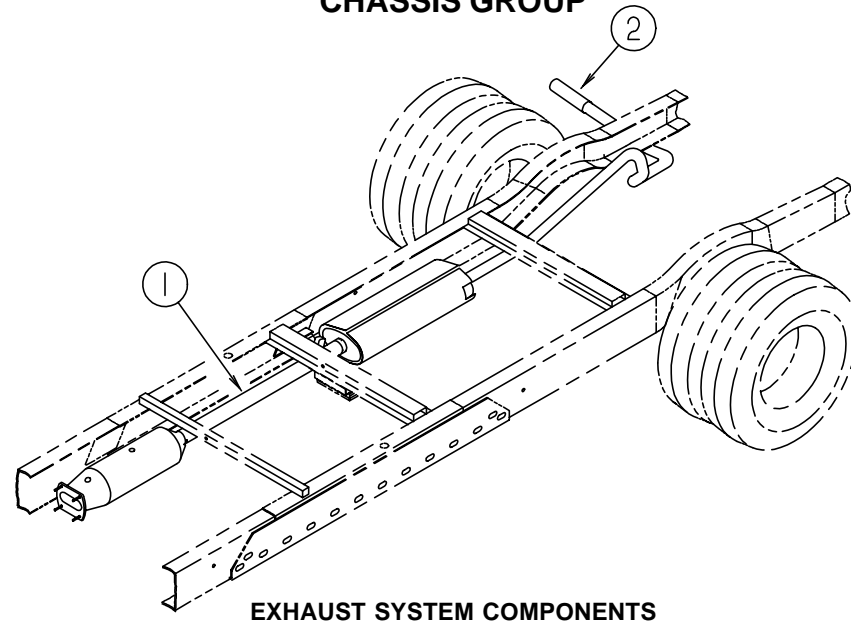
BEDROOM GROUP (CONTINUED)



DOUBLE BEDROOM & FOLDING DOOR

KEY	PART NUMBER	U/M	DESCRIPTION
1	091261-01-000	FT	SLIPNOT - ANTISLIP - 1" WIDE (100' ROLL)
	107796-05-000	EA	BRACKET - SUPPORT - GAS SPRING TO BED - FLAT (LOWER)
	107796-06-000	EA	SPRING/GAS - 12" COMPRESSED/20" EXTENDED - 120 LB.
	107796-07-000	EA	BRACKET - SUPPORT - GAS SPRING TO BED - ANGLE(UPPER)
	097872-04-000	EA	DOWEL-WOOD,1.00DIA X 1.38LG
2	M05971-T3-H10	EA	DRAWER - OGEE EDGE - 21.8"W X 13.8"D - W/O SLIDES/HARDWARE
3	M05971-T4-H10	EA	DRAWER - OGEE EDGE - 21.8"W X 13.8"D - W/O SLIDES/HARDWARE
4	M06803-R8-H10	EA	DOOR - MITERED CORNER/OGEE EDGE - 12" X 48" - W/O HARDWARE
5	M06803-66-H10	EA	DOOR - MITERED CORNER/OGEE EDGE 12" X 50" W/O HDW
	009112-01-000	EA	FLANGE - 1" CLOTHES ROD - OFF WHITE PLASTIC
	042438-01-000	EA	DOWEL - WOOD - CLOTHES ROD - 1" DIAMETER X 4'
6	118677-01-H10	EA	CABINET - REAR OVERHEAD - W/O DOORS/HARDWARE
6	118677-01-H11	EA	CABINET - REAR OVERHEAD - W/O DOORS/HARDWARE
7	M06803-P5-H10	EA	DOOR-MITERED CORNER/OGEE EDGE 14.3" X 33.4" W/O HDW
7	M06803-P4-H10	EA	DOOR-MITERED CORNER/OGEE EDGE 14.3" X 33.4" W/O HDW (EXPORT)
8	118676-12-H10	EA	COUNTERTOP - VANITY
8	118676-12-H11	EA	COUNTERTOP - VANITY
9	P18676-02-H10	EA	CABINET - VANITY - W/O DOORS/DRAWERS/HARDWARE
9	P18676-02-H11	EA	CABINET - VANITY - W/O DOORS/DRAWERS/HARDWARE
10	M05971-T5-H10	EA	DRAWER - OGEE EDGE - 15.4"W X 13.8"D - W/O SLIDES/HARDWARE
11	120071-12-H10	EA	COUNTERTOP - CORNER CABINET
11	120071-12-H11	EA	COUNTERTOP - CORNER CABINET
12	120071-02-H10	EA	CABINET - CORNER - W/O DOORS/DRAWERS/HARDWARE
12	120071-02-H11	EA	CABINET - CORNER - W/O DOORS/DRAWERS/HARDWARE
13	P19644-02-H10	EA	CABINET - BASE - DOUBLE BED - W/O DOORS/DRAWERS/HARDWARE
14	116842-02-G24	EA	SHELF - DOUBLE BED - W/O HARDWARE (H10)
14	116842-02-H11	EA	SHELF - DOUBLE BED - W/O HARDWARE (H11)

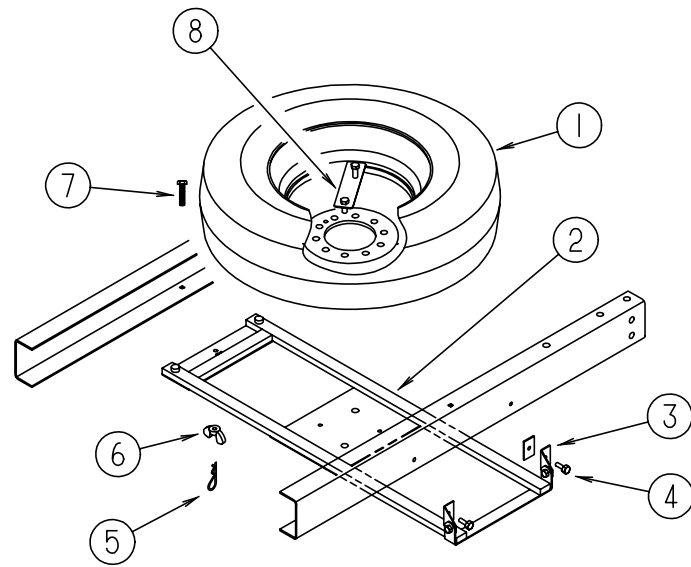
CHASSIS GROUP



EXHAUST SYSTEM COMPONENTS

KEY	PART NUMBER	U/M	DESCRIPTION
1	111478-02-000	EA	EXHAUST PIPE - DOUBLE WALL STAINLESS STEEL - 33.9" LONG - GAS
	094918-06-000	EA	CLAMP - EXHAUST - 3" - HEAVY DUTY - GAS
1	098762-13-000	EA	PIPE - EXHAUST - STRAIGHT - 3.5" - DIESEL
	094918-02-000	EA	CLAMP - EXHAUST - 3.5" - DIESEL
2	098672-18-000	EA	PIPE - EXHAUST - STRAIGHT

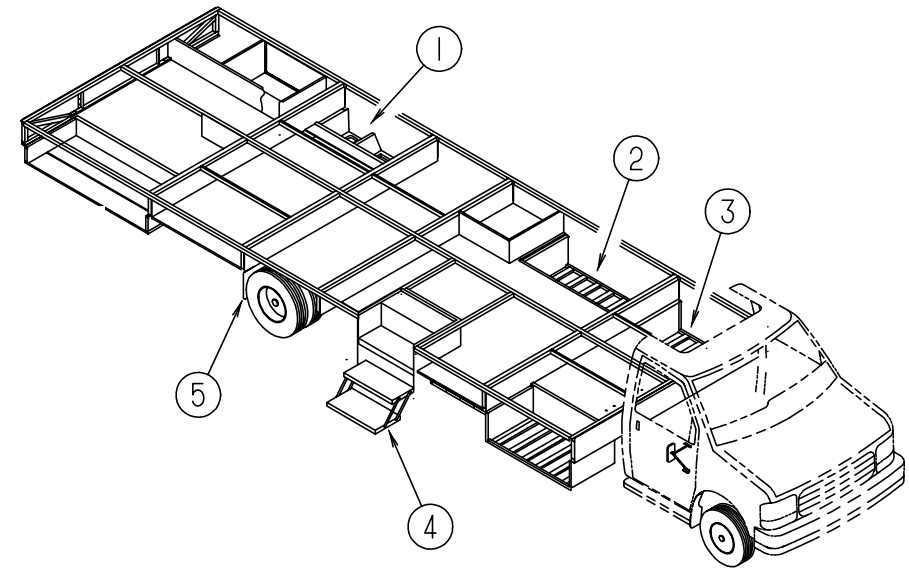
FROM: 10-14-96 THRU: 99-99-99



SPARE TIRE

KEY	PART NUMBER	U/M	DESCRIPTION
1	070917-06-000	EA	TIRE - LT225/75R16E - R4S - M/S
1	083617-03-000	EA	WHEEL - STEEL - 16.0 X 6
2	116348-01-02B	EA	CRADLE - SPARE TIRE - E-COATED
3	116349-01-02B	EA	BRACKET/HINGE - SPARE TIRE - E-COATED
4	000C26-06-12B	EA	BOLT-HEX-SER FLANGE - 3/8-16 X 3/4 - ZINC
4	000E13-17-00B	EA	WASHER-FLANGE - 3/8" AR ZINC
4	000D34-06-00B	EA	NUT-HEX, LK - 3/8 - 16 GRADE C ZN - PREVAILING TORQUE
5	034513-01-000	EA	PIN-HITCH - 3/16" WIRE
6	064081-03-000	EA	NUT-WING, 3/8-16, W/WELD NUT
7	000C18-06-56A	EA	BOLT - ELEVATOR - 3/8-16 X 3 1/2 - GRADE 5
8	116338-02-02B	EA	BRACKET/CLAMP - SPARE TIRE - E-COATED
8	000D29-09-00B	EA	NUT - HEX - SELF LOCKING - 9/16-12 - ZINC
	112358-01-000	EA	WRENCH - LUG - 7/8" - L-SHAPE
	115580-01-000	EA	STRAP - SPARE TIRE

CHASSIS GROUP (CONTINUED)



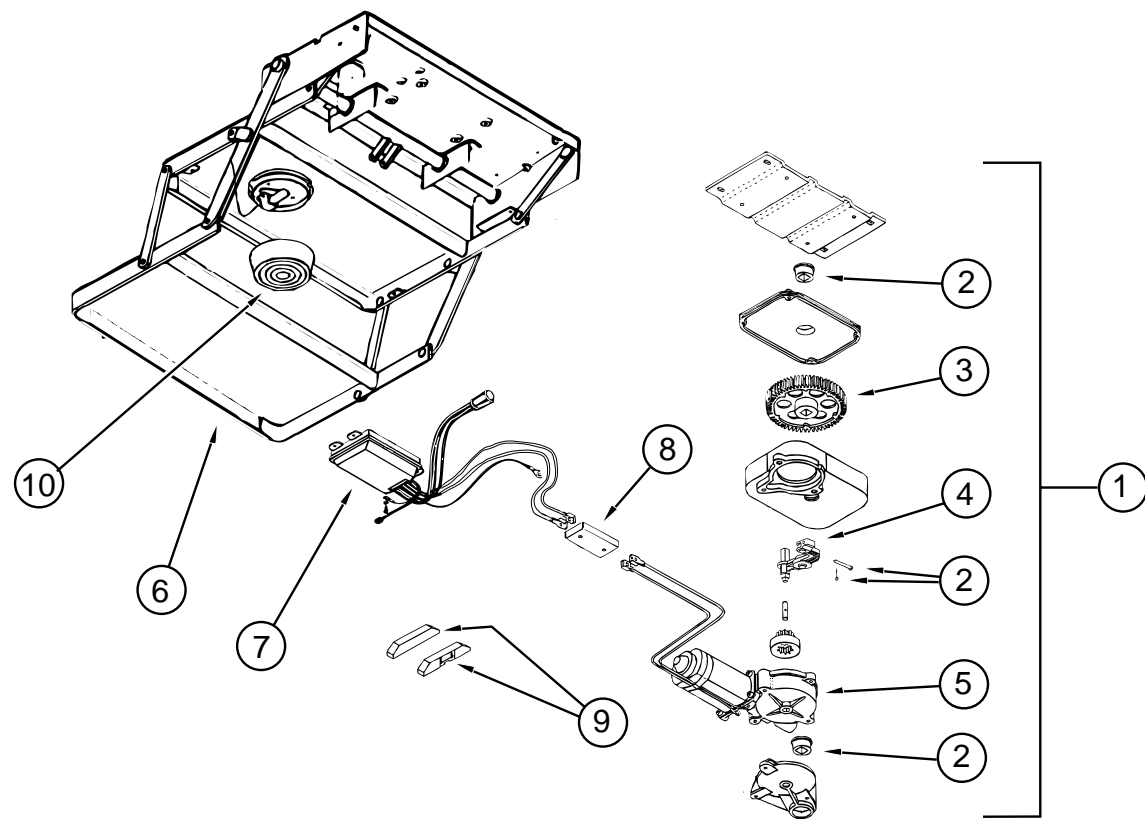
COMPARTMENTS, PLUGS & SEALS

KEY	PART NUMBER	U/M	DESCRIPTION
1	116926-02-01A	EA	COMPARTMENT - SEWER & 110V POWER CORD
	M06991-02-FQ0	EA	HATCH - W/FOAM INSULATION (110 POWER)
	M06991-04-FB1	EA	HATCH - W/FOAM INSULATION (WATER OR SEWER)
	121175-01-01A	EA	LATCH - SWELL - BLACK
2	117928-01-01A	EA	COMPARTMENT - STORAGE
	093873-01-01A	EA	TRIM - CARPET - L-ANGLE 1.1" X 1.3" X 12' - GRAY VINYL
3	117928-06-01A	EA	COMPARTMENT-STORAGE
4	094707-01-01A	EA	STEP - DOUBLE - ELECTRIC - KWIKEE
5	017516-01-000	EA	FLAP - MUD - 14" X 18" - BLACK
	065450-05-000	EA	TIEDOWN BATTERY - 8.4" TUBE
	084993-01-000	EA	STRAP-BATTERY
	121948-01-000	EA	SHIELD-SIGHT
	119845-01-01A	EA	PLUG - PLASTIC - BLACK
	115361-01-01A	EA	PLUG - PLASTIC
	056746-01-000	EA	PLUG - CAP - 1" DIAMETER
	056748-01-000	EA	PLUG - CAP - 1.5" DIAMETER
	112864-01-000	FT	FOAM-BUTYL COVERED 3/8"

WHEEL LINERS & COVERS

KEY	PART NUMBER	U/M	DESCRIPTION	VENDOR NO.
	110435-02-000	EA	LINER/WHEEL - SET OF 4	
	110435-01-711	EA	DECAL - CENTER CAP, 2"	2" DECAL
	110435-02-700	EA	LINER - WHEEL - FRONT	V160F2-FWC
	110435-02-701	EA	LINER - WHEEL - REAR	V160F2-RWC
	110435-02-702	EA	STUD EXTENDER	V160SD-STX
	110435-02-703	EA	NUT (JAMB)	V160SD-JNT
	110435-02-704	EA	COVER - LUG NUT	V160F0-LNC
	110435-02-705	EA	TOOL F/ JAMB NUT - INSTALL.	V160FO-TOL
	095012-05-000	EA	EXTENSION - VALVE STEM - LIVE 5"	
	095012-06-000	EA	STABILIZER - VALVE - EXTENSION - L	

CHASSIS GROUP (CONTINUED)



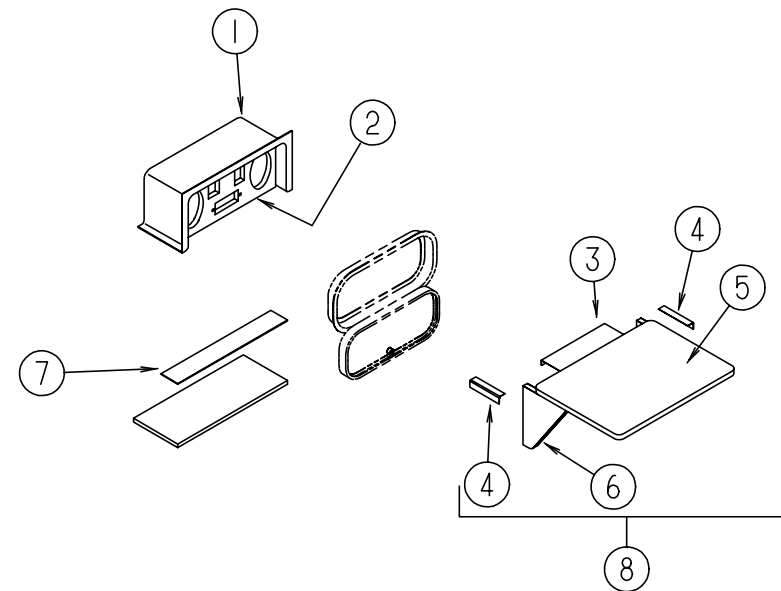
STEP ASSEMBLY

KEY	PART NUMBER	U/M DESCRIPTION	VENDOR NO.
1	094707-01-01A	EA STEP - DOUBLE - ELECTRIC - KWIKEE	
2	094707-02-703	EA BEARING & PINS	909530
3	094707-02-702	EA GEAR KIT - W/BEARINGS - PIN-CASE	909525
4	094707-02-701	EA LINKAGE ASM. - W/BEARINGS - PINS	909534
5	094707-02-700	EA MOTOR ASM. - W/BEARINGS & PINS	909520
6	094707-01-702	EA FRAME W/DBL STEP - 3200 SERIES	908032
7	094707-02-705	EA CONTROL UNIT - WHITE	909513
8	094707-02-704	EA CONNECTOR - MOTOR ASM.W/PLATES	909537
	094707-02-707	EA TREAD - NON SKID - BLACK 6" X 21"	909333
9	116995-01-000	EA SWITCH/MAGNET - ELECTRIC STEP	
10	088746-01-705	EA LIGHT - UNDER STEP	9004
	088733-01-700	EA BULB	9004

DRIVESHAFT & BRAKE LINE FLARE UNION

KEY	PART NUMBER	U/M DESCRIPTION
	103653-10-000	EA DRIVESHAFT - BALANCED PAIR - 190" WB - DIESEL ENGINE
	115043-02-000	EA BUSHING - INCREASE - 2.5 OD - 3.5 OD
	074833-01-000	EA SPACER - BEARING - DRIVESHAFT - 2" X 8" X .5" THICK
	085771-03-000	EA NUT - HEX - FLARE TORQUE - GRADE G - DRIVESHAFT
	088498-01-000	EA UNION - INVERTED FLARE - BRASS - 3/16 - 3/8 - 24THD
	103653-16-000	EA DRIVESHAFT - BALANCED PAIR - 190" WB - GAS ENGINE

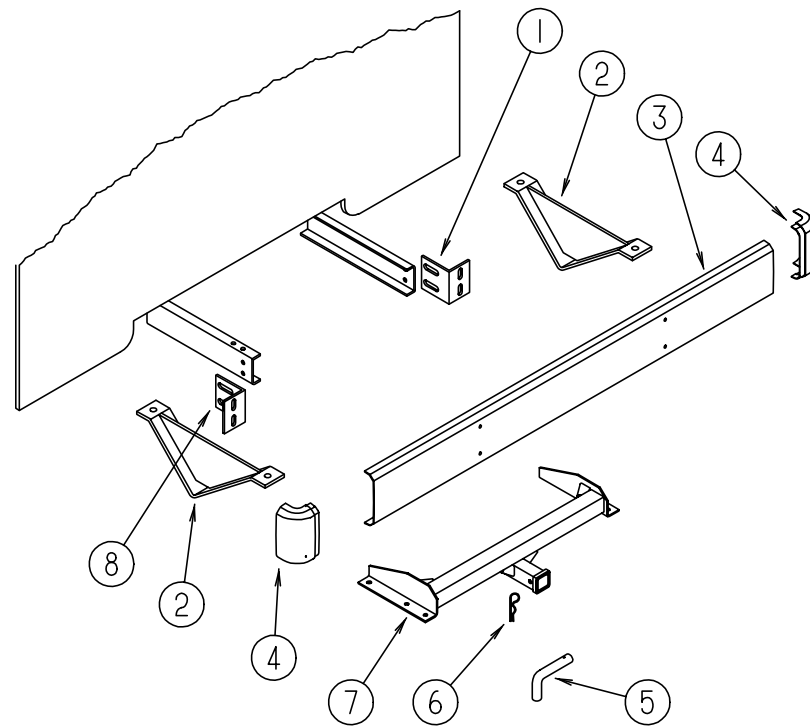
CHASSIS GROUP (CONTINUED)



ENTERTAINMENT COMPARTMENT

KEY	PART NUMBER	U/M DESCRIPTION	
1	104897-02-02A	EA BOX - EXTERIOR ENTERTAINMENT CENTER	
2	104899-01-C05	EA PLATE - RADIO MOUNTING	
3	105377-01-01A	EA BRACKET - TABLE HANGER	FROM: 00-00-00 THRU: 01-05-97
3	105377-01-04A	EA BRACKET - TABLE HANGER	FROM: 01-06-97 THRU: 99-99-99
4	105376-01-02A	EA HINGE - CONTINUOUS - 2" X 5.5"	FROM: 00-00-00 THRU: 01-05-97
4	105376-01-03A	EA HINGE - CONTINUOUS - 2" X 5.5"	FROM: 01-06-97 THRU: 99-99-99
5	105230-11-E01	EA SHELF - EXTERIOR ENTERTAINMENT CENTER - W/O HARDWARE	
6	105230-13-H07	EA SUPPORT ASM	
7	104898-01-02A	EA PLATE - PLASTIC BOTTOM	
8	105230-03-H07	EA SHELF - EXTERIOR TV	

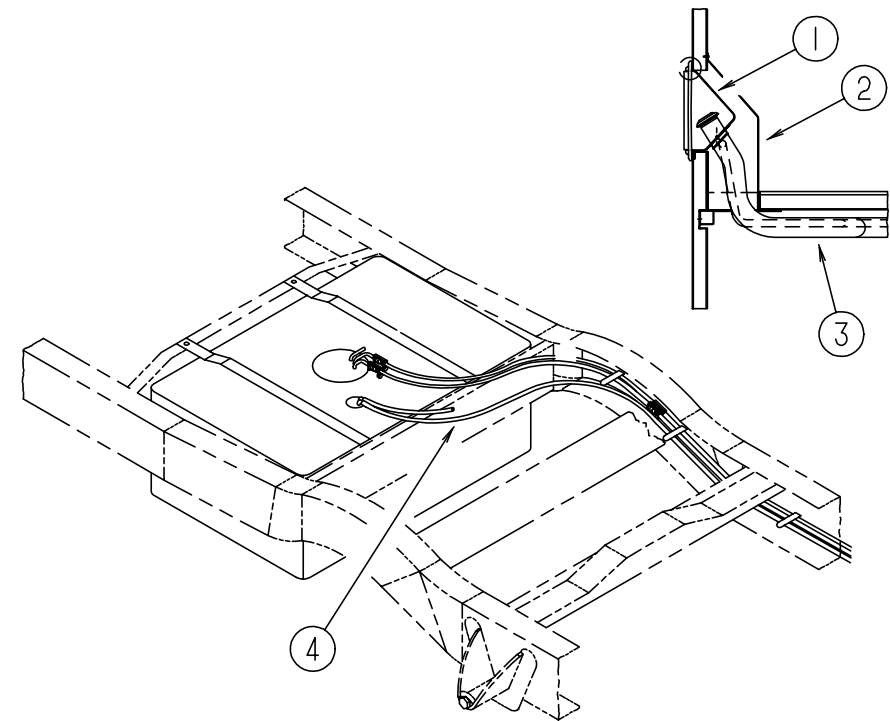
CHASSIS GROUP (CONTINUED)



REAR BUMPER & HITCH

KEY	PART NUMBER	U/M	DESCRIPTION
1	104420-01-000	EA	SUPPORT/ANGLE - REAR BUMPER
2	083376-01-000	EA	PLATE/SKID - 13.2" X 6" X 2" STEEL
3	103099-05-02A	EA	BUMPER - REAR - BRIGHT WHITE
	105933-01-000	EA	BRACKET - BUMPER - REAR/RIGHT HAND
	105933-02-000	EA	BRACKET - BUMPER - REAR/LEFT HAND
4	106147-01-02A	EA	CAP-END - BUMPER - BLACK
5	034512-01-000	EA	PIN - LOCKING - DRAWBAR
6	034513-01-000	EA	PIN - HITCH - 3/16" WIRE
7	107707-08-000	EA	HITCH RECEIVER - BOLT-ON CLASS II
8	104420-02-000	EA	SUPPORT/ANGLE - REAR BUMPER
	097744-02-000	EA	HOUSING - TRAILER PIN - 48"
	097745-02-000	EA	HOUSING - RECEPTACLE - TRAILER - 48' WIRE LENGTH
	113634-01-000	EA	WIRE ASSEMBLY - TRAILER ADAPTER
	113589-02-000	EA	CONNECTOR - SOCKET - TRAILER
	113589-01-000	EA	CONNECTOR - PLUG - TRAILER
	113588-02-01B	EA	BRACKET - CONNECTOR - TRAILER W/O LIP
	070579-09-000	EA	PLATE - ANCHOR

CHASSIS GROUP (CONTINUED)



FUEL SYSTEM COMPONENTS

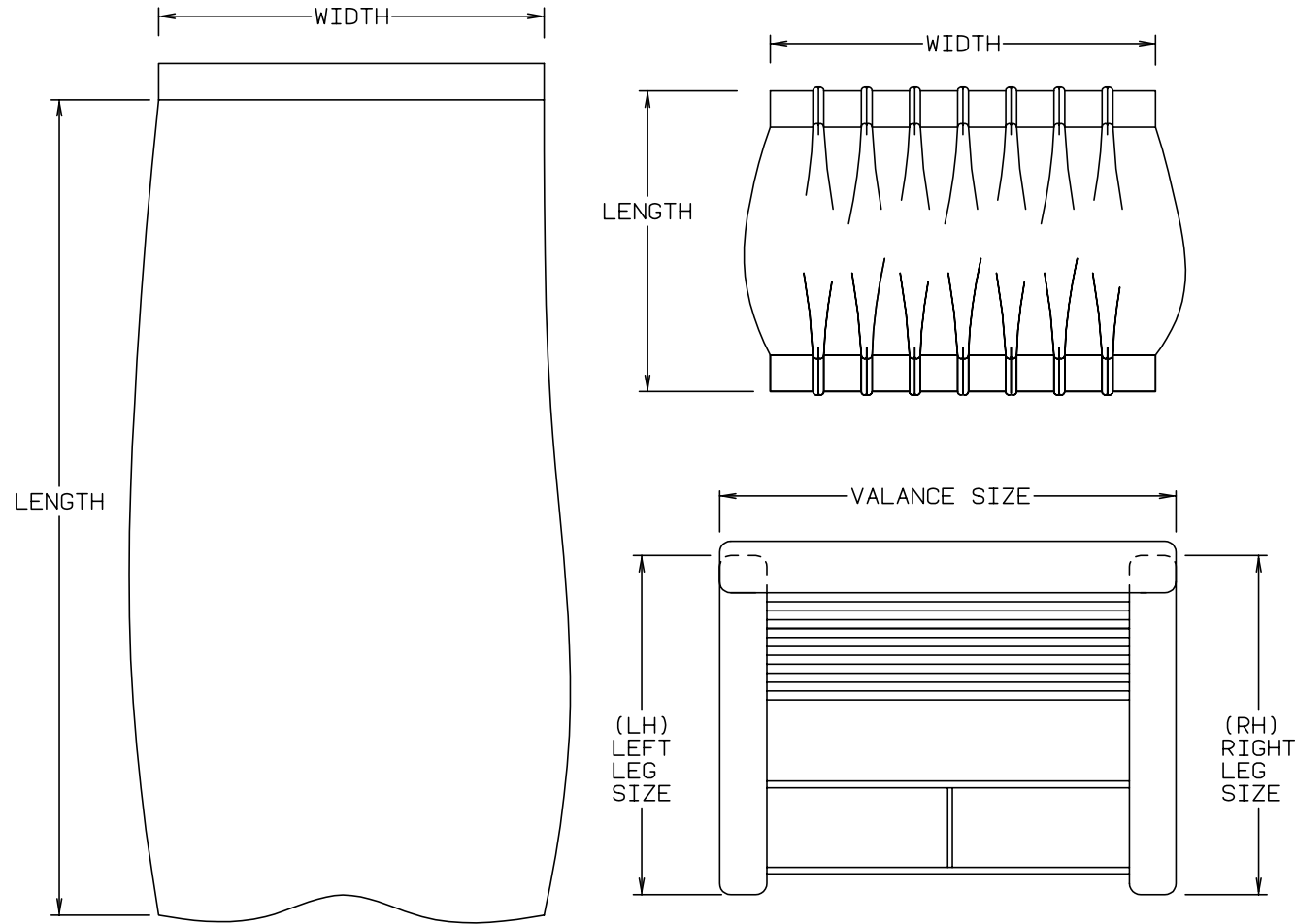
KEY	PART NUMBER	U/M	DESCRIPTION
1	095854-01-04A	EA	SHROUD - FUEL FILL - BRIGHT WHITE
2	078040-06-000	EA	SHROUD-FUEL FILL,UPPER
3	117934-01-000	EA	NECK-FILLER,FUEL FILL - BAUER WELD UNLEAD
			FROM: 00-00-00 THRU: 10-13-96
3	124994-01-000	EA	NECK - FILLER - FUEL FILL
			FROM: 10-14-96 THRU: 99-99-99
3	117934-02-000	EA	NECK-FILLER,FUEL FILL - BAUER WELD DIESEL
	078200-01-000	EA	GASKET - FUEL FILL - 3.5" OD X 2" ID
4	007063-01-000	FT	HOSE - FUEL 1/4" ID X 1/2" OD
	044317-01-000	FT	HOSE - FUEL - 3/8" ID
			FROM: 00-00-00 THRU: 10-14-96
	125187-03-000	EA	HOSE - FUEL - 11.1" ID - LOW PERM
			FROM: 10-15-96 THRU: 99-99-99
	125187-04-000	EA	HOSE - FUEL - 12.7" ID - LOW PERM
			FROM: 10-15-96 THRU: 99-99-99
	084884-01-000	EA	PLUG - BRASS - 3/8"

CURTAIN & CUSHION GROUP

NOTICE

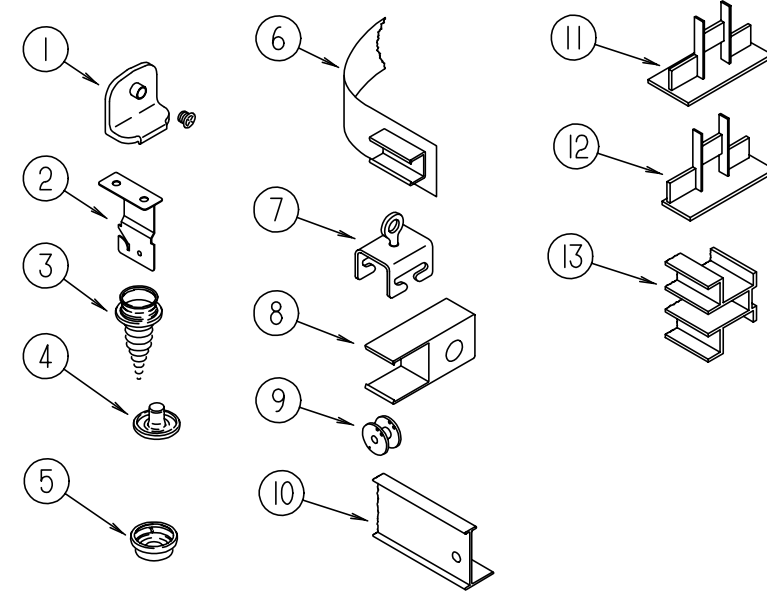
IN ORDER TO ASSIST OUR PARTS SALES DEPT. IN PROVIDING INTERIOR SOFTWARE ITEMS, PLEASE INCLUDE THE SERIAL NUMBER AND THE COLOR CODE NUMBER FROM THE VEHICLE CERTIFICATION LABEL WHEN ORDERING. THIS LABEL IS LOCATED ON THE LEFT SIDEWALL AT THE END OF THE DASH (A-BODY), OR ON THE DRIVER'S DOOR LATCH PLATE (C-BODY).

AN EXAMPLE OF A COLOR CODE NUMBER IS B07, WHICH DESIGNATES AN OVERALL COLOR SCHEME OF A PARTICULAR UNIT. THE COLOR LISTED AFTER THE ITEM DESCRIPTION ON THE MICROFICHE, INDICATES THE OVERALL UNIT COLOR. ORDER THE ITEM YOU DESIRE ACCORDING TO UNIT COLOR CODE.



NOTE: USE THIS ILLUSTRATION WHEN DETERMINING LENGTH AND WIDTH MEASUREMENTS FOR CURTAINS. YOU WILL NOTE THE WIDTH MEASUREMENT IS TAKEN ON THE TOP OF THE CURTAIN WITH THE CURTAIN FULLY EXTENDED. THE LENGTH MEASUREMENT IS TAKEN FROM TOP TO BOTTOM. LEFT AND RIGHT WINDOW LEGS ARE DETERMINED WHEN FACING THE WINDOW.

CURTAIN & CUSHION GROUP (CONTINUED)

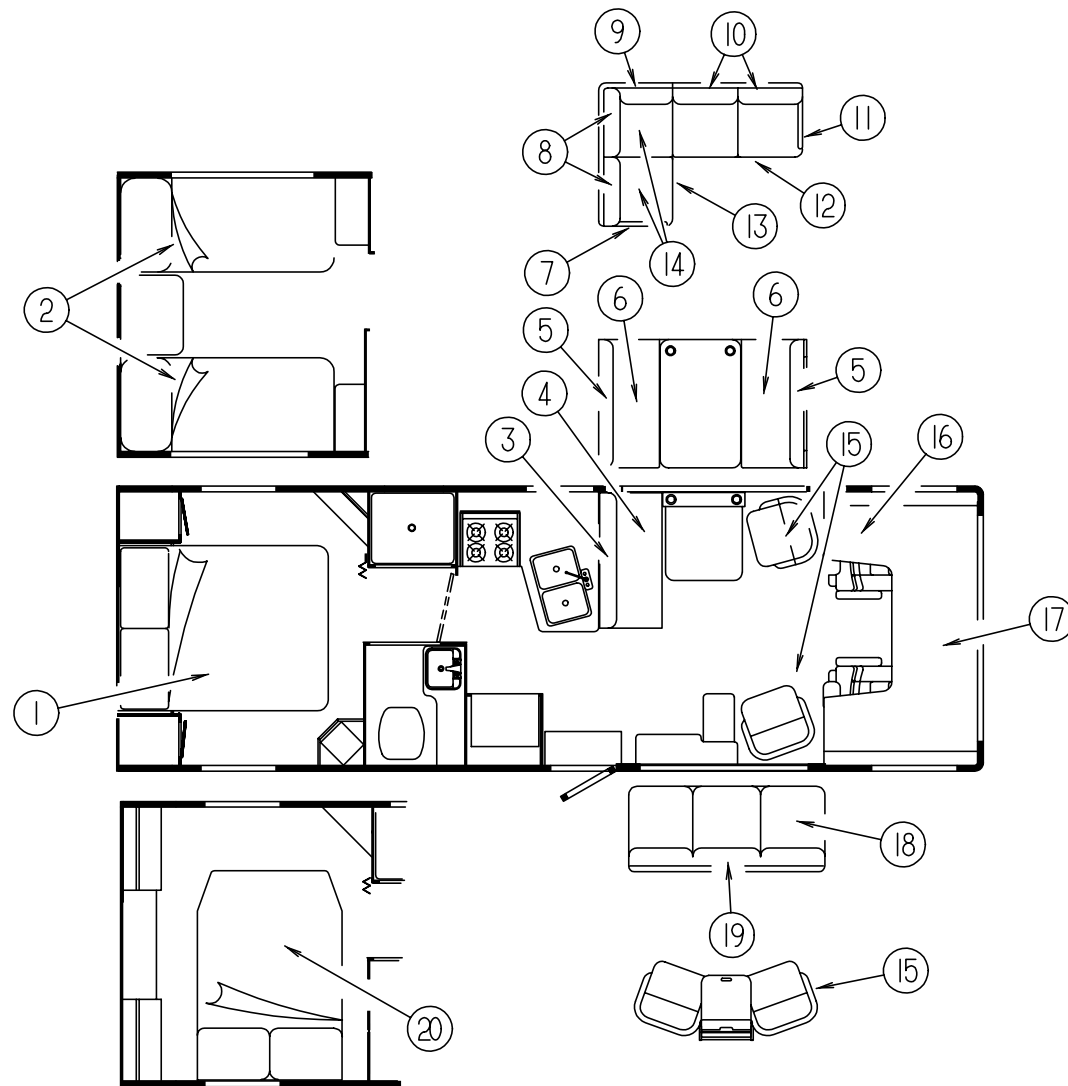


CURTAIN & BLIND HARDWARE

KEY	PART NUMBER	U/M	DESCRIPTION
1	106544-01-000	EA	PULL - SHADE/BRASS
	106544-01-001	EA	SCREW - SHADE/BRASS
2	084434-01-000	EA	BRACKET-MOUNTING, ROLLER SHADE - 1 3/8"
3	029130-01-000	EA	SCREW-SNAP SOCKET - 8 PH X 5/8"
4	029155-01-000	EA	CAP-SNAP - NICKEL
5	029156-01-000	EA	SOCKET-SNAP FASTENER - NICKEL
6	101031-01-000	YD	TAPE-GLIDE/CURTAIN - 4.25" SPACING
7	009702-01-000	EA	END STOP-CURTAIN CARRIER - L ROD
8	101033-02-000	EA	END CAP-TRACK - CLEAR
9	097592-01-000	EA	SPOOL - CORD - ELEVATED BLIND HOLDUP - CLEAR PLASTIC
10	009700-04-002	EA	TRACK-L-SHAPED 195.2" - OFF WHITE
11	094907-02-000	EA	END CAP - TOP/PLEATED BLIND - PLASTIC - GRAY
12	094907-04-000	EA	HARDWARE - END CAP BOTTOM - PULL TYPE (RH & LH)
	094907-04-701	EA	END CAP-LH BOTTOM BLIND
	094907-04-700	EA	END CAP-RH BOTTOM BLIND
13	101033-04-000	EA	TRACK - WALL - 3'
13	101033-06-000	EA	TRACK - WALL - 6.5'
13	101033-07-000	EA	TRACK - WALL - 2.5'
	094896-02-000	EA	GROMMET - CORD/PLEATED BLIND - NYLON - GRAY
	097564-01-000	EA	HANDLE-T - EZ LIFT SHADE
	097565-01-000	EA	BRACKET - MOUNTING/PLEATED BLIND
	097591-01-000	EA	SPRING - EXTENSION/PLEATED BLIND
	046867-03-000	EA	GROMMET - HANDY BUTTON #3
	048394-02-000	YD	VELCRO TAPE - HOOK - ADHESIVE BACK - .75" WIDE - BEIGE
	075943-10-000	EA	BRACE - VALANCE - 20"
	076827-02-000	EA	BRACKET-LEG, 2.9" X 1.8" TRIANGLE -
	088792-01-000	YD	VELCRO-HOOK - .75" WIDE - BEIGE
	088792-02-000	YD	VELCRO TAPE-LOOP - ADHESIVE BACKED - .75" WIDE - BEIGE
	096843-01-000	EA	SPRING-REWIND - ROLLER SHADE
	086276-01-000	EA	TAPE-DOUBLE SIDED - 1/2" (ON PULL SHADES)
	097593-06-000	FT	CORD - BLIND - PLEATED - PEWTER (H10)
	097593-02-000	FT	CORD - BLIND - PLEATED - DAWN GRAY (H11)

CURTAIN & CUSHION GROUP (CONTINUED)

FORWARD FACING COUCH



KEY	PART NUMBER	U/M DESCRIPTION
3	114969-01-H10	EA BACK - COUCH/BED - FORWARD FACING BACK - JACK KNIFE
3	115469-01-H11	EA BACK - SOFA/BED - FORWARD FACING
	114969-02-H10	EA BACK - COUCH/BED - FORWARD FACING BACK END - JACK KNIFE
	115469-02-H11	EA BACK - SOFA/BED - FORWARD FACING - W/O ARMS
	P14969-02-H10	EA COVER - BACK - RIGHT/LEFT CUSHIONS - SOFA/BED
	P15469-02-H11	EA COVER - END - BACK
	114969-03-H10	EA BACK - COUCH/BED - FORWARD FACING CENTER END - JACK KNIFE
	115469-03-H11	EA BACK - SOFA/BED - FORWARD FACING CENTER - W/O ARMS
	P14969-03-H10	EA COVER - CENTER, END - FORWARD FACING - JACK KNIFED
	P15469-03-H11	EA COVER - SOFA/BED FORWARD FACING CENTER/END
4	114969-04-H10	EA SEAT-COUCH/BED-FORWARD FACING-JACK KNIFE
4	114969-04-H11	EA SEAT-COUCH/BED-FORWARD FACING-JACK KNIFE
	P14969-04-H10	EA COVER - SEAT, FORWARD FACING - JACK KNIFED
	P14969-04-H11	EA COVER - SEAT, FORWARD FACING - JACK KNIFED
	104166-04-H10	EA PILLOW - 14" X 14"
	104166-04-H11	EA PILLOW - 14" X 14"
	114763-01-000	EA FRAME - FORWARD FACING BASE
	114763-02-000	EA FRAME - FORWARD FACING SEAT
	114763-07-000	EA FRAME - FORWARD FACING LEGS
	117125-01-02B	EA BRACKET-CABLE HOLDER - E-COAT
	114726-01-G07	EA TRAY ASM - BEVERAGE

NOTE: COUCH FRONT AND SIDE PANELS ARE FOUND IN THE LOUNGE GROUP.

DINETTE CUSHIONS

KEY	PART NUMBER	U/M DESCRIPTION
5	111897-05-H10	EA CUSHION - BACK - 13.5" X 42" X 5"
5	111897-05-H11	EA CUSHION - BACK - 13.5" X 42" X 5"
	P11897-05-H10	EA COVER - BACK - 13.5" X 42" X 5"
	P11897-05-H11	EA COVER - BACK - 13.5" X 42" X 5"
6	105603-15-H10	EA CUSHION - SEAT - 23" X 42" X 5"
6	105603-15-H11	EA CUSHION - SEAT - 23" X 42" X 5"
	P05603-15-H10	EA COVER - SEAT - 23" X 42" X 5"
	P05603-15-H11	EA COVER - SEAT - 23" X 42" X 5"
	078155-01-000	EA STRAP-SNAP - BACKREST CUSHION

SECTIONAL COUCH

KEY	PART NUMBER	U/M DESCRIPTION
7	125471-01-H10	EA ARMREST - RIGHT HAND
7	125471-01-H11	EA ARMREST - RIGHT HAND
8	104655-03-H10	EA CUSHION - BACK - SOFA/BED
8	104655-03-H11	EA CUSHION - BACK - SOFA/BED
	P04655-03-H10	EA COVER - BACK CUSHION
	P04655-03-H11	EA COVER - BACK CUSHION
9	104655-04-H10	EA CUSHION - CORNER - SOFA/BED
9	104655-04-H11	EA CUSHION - CORNER - SOFA/BED
	P04655-04-H10	EA COVER - CORNER CUSHION
	P04655-04-H11	EA COVER - CORNER CUSHION
10	125060-01-H10	EA BED COMPLETE - SOFA/BED
10	125060-01-H11	EA BED COMPLETE - SOFA/BED
	P25060-01-H10	EA COVER - SOFA/BED
	P25060-01-H11	EA COVER - SOFA/BED
11	125471-02-H10	EA ARMREST - LEFT HAND
11	125471-02-H11	EA ARMREST - LEFT HAND
12	120992-06-H10	EA COUCH - FRONT - FABRIC COVERED
12	120992-06-H11	EA COUCH - FRONT - FABRIC COVERED
13	120992-05-H10	EA COUCH FRONT - STATIONARY
13	120992-05-H11	EA COUCH FRONT - STATIONARY
14	125059-01-H10	EA SEAT - SOFA/BED - STATIONARY
14	125059-01-H11	EA SEAT - SOFA/BED - STATIONARY
	P25059-01-H10	EA COVER - SEAT - SOFA/BED
	P25059-01-H11	EA COVER - SEAT - SOFA/BED
	123622-06-000	EA FRAME - BASE WITH LEGS - 44"

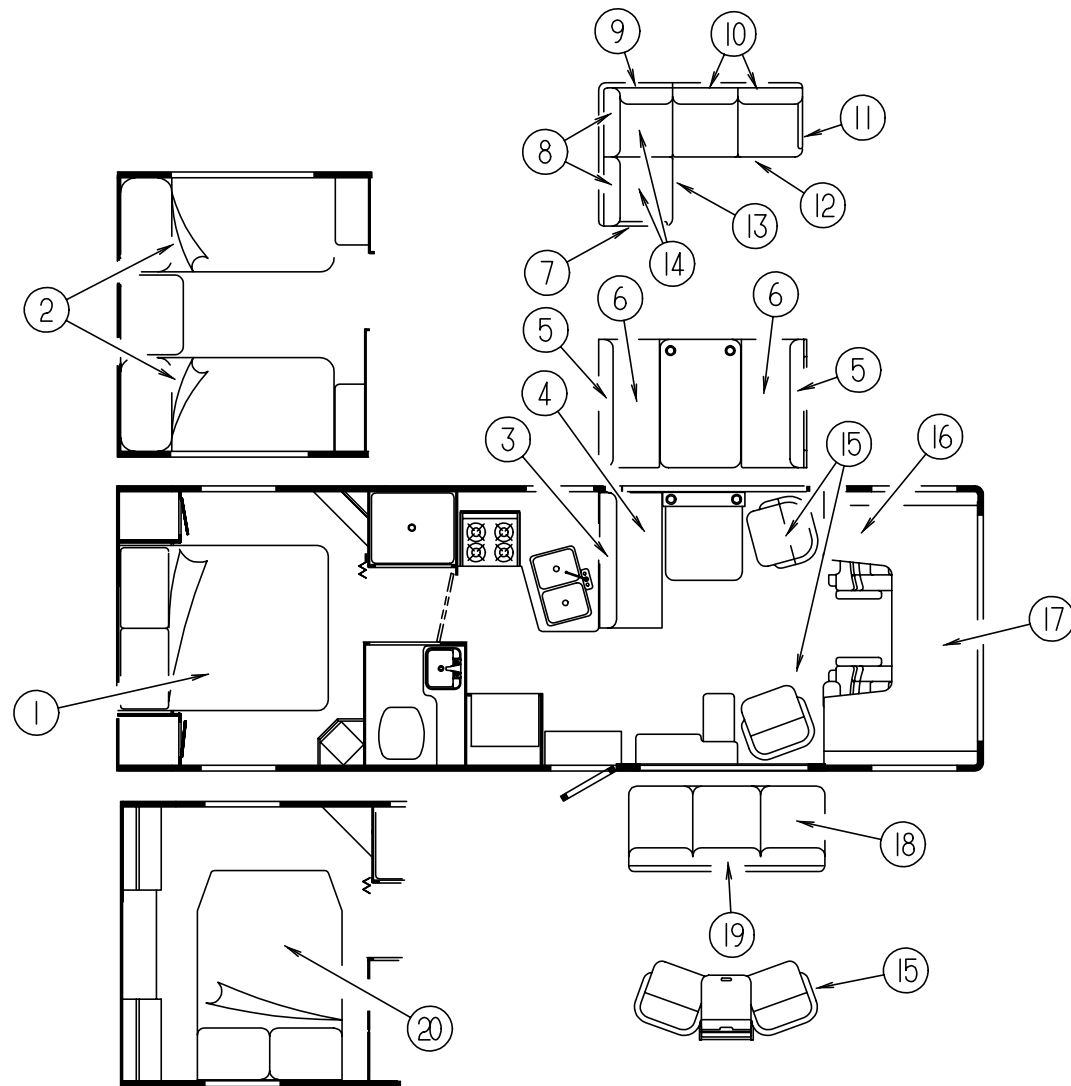
QUEEN BED BEDSPREAD, PILLOW & MATTRESS

KEY	PART NUMBER	U/M DESCRIPTION
1	123015-06-000	EA MATTRESS - INNERSPRING - 60" X 74.5"
	123471-01-H10	EA BEDSPREAD - THROW - 60" X 75"
	123471-01-H11	EA BEDSPREAD - THROW - 60" X 75"
	119555-01-H10	EA PILLOW SHAM
	119555-01-H11	EA PILLOW SHAM
	111862-07-H10	EA PILLOW - 15" X 15"
	111862-07-H11	EA PILLOW - 15" X 15"

TWIN BED BEDSPREAD, PILLOW & MATTRESS

KEY	PART NUMBER	U/M DESCRIPTION
2	101123-29-000	EA MATTRESS - FOAM - 35" X 74"
2	P01123-29-000	EA COVER - MATTRESS - 35" X 74"
	123471-02-H10	EA BEDSPREAD - THROW - 36" X 75"
	123471-02-H11	EA BEDSPREAD - THROW - 36" X 75"
	111955-03-H10	EA PILLOW SHAM
	119555-03-H11	EA PILLOW SHAM
	111862-07-H10	EA PILLOW - 15" X 15"
	111862-07-H11	EA PILLOW - 15" X 15"

CURTAIN & CUSHION GROUP (CONTINUED)



SWIVEL CHAIR

KEY	PART NUMBER	U/M	DESCRIPTION
15	115470-01-H10	EA	CHAIR - SWIVEL
15	115470-01-H11	EA	CHAIR - SWIVEL
	P15470-01-H10	EA	COVER - CHAIR
	P15470-01-H11	EA	COVER - CHAIR

BUNK CUSHIONS

KEY	PART NUMBER	U/M	DESCRIPTION
16	105573-10-H10	EA	CUSHION - OVERHEAD - REAR BUNK - 27" X 23" X 80" X 5"
16	105573-10-H11	EA	CUSHION - OVERHEAD - REAR BUNK - 27" X 23" X 80" X 5"
	P05573-10-H10	EA	COVER - OVERHEAD - REAR BUNK CUSHION - 27" X 23" X 80" X 5"
	P05573-10-H11	EA	COVER - OVERHEAD - REAR BUNK CUSHION - 27" X 23" X 80" X 5"
17	105573-09-H10	EA	CUSHION - OVERHEAD - FRONT BUNK - 32.5" X 80" X 5"
17	105573-09-H11	EA	CUSHION - OVERHEAD - FRONT BUNK - 32.5" X 80" X 5"
	P05573-09-H10	EA	COVER - OVERHEAD - FRONT BUNK CUSHION - 32.5" X 80" X 5"
	P05573-09-H11	EA	COVER - OVERHEAD - FRONT BUNK CUSHION - 32.5" X 80" X 5"
	079145-08-000	EA	CUSHION - BUNK - 25" X 74" X 3.5' (FRONT ENTERTAINMENT CENTER)
	M79145-08-000	EA	COVER - BUNK CUSHION - 25" X 74" X 3.5' (FRONT ENTERTAINMENT CENTER)
	094658-02-F08	EA	OAK HANDLE - SALEM CHERRY

PASSENGER SIDE COUCH

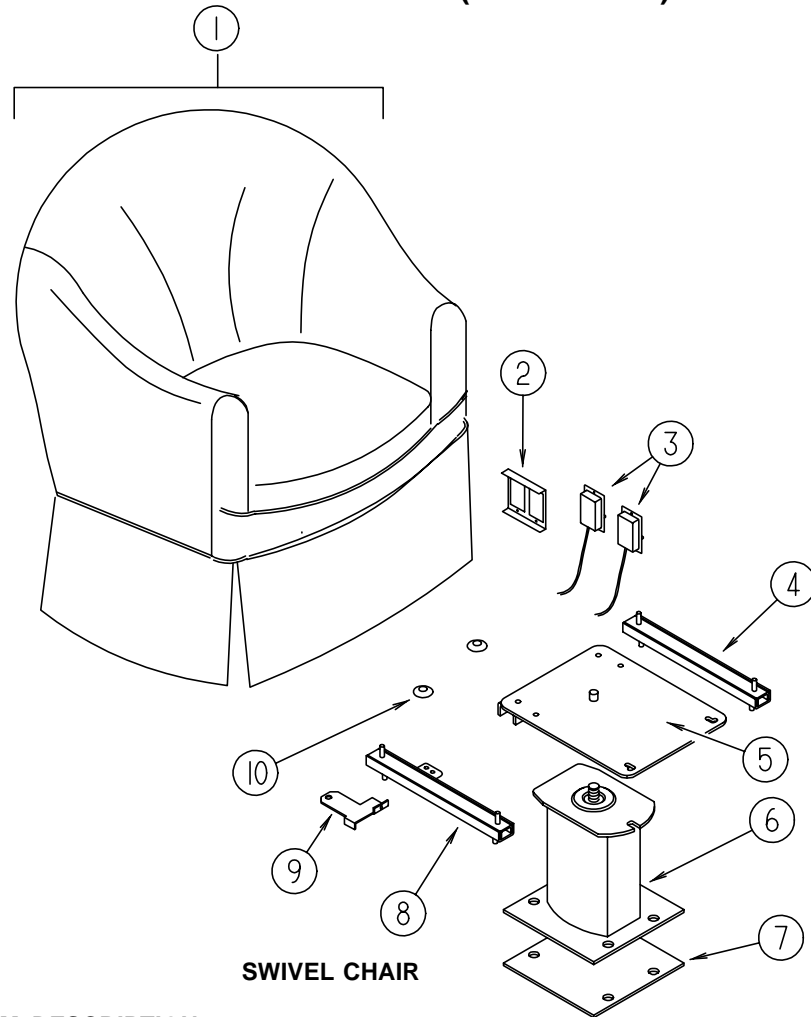
KEY	PART NUMBER	U/M	DESCRIPTION
18	100032-37-H10	EA	SEAT - 66.5" COUCH/BED - JACK KNIFE W/FRAME
18	100032-37-H11	EA	SEAT - 66.5" COUCH/BED - JACK KNIFE W/FRAME
	P00032-37-H10	EA	COVER - SEAT - SOFA/BED - 66.5"
	P00032-37-H11	EA	COVER - SEAT - SOFA/BED - 66.5"
	101085-01-000	EA	FRAME - SOFA SEAT - 66.5"
	101085-03-000	EA	FRAME - BASE - COUCH - 66.5"
19	111319-03-H10	EA	BACK - 66.5" COUCH/BED-JACK KNIFE W/FRAME
19	111319-03-H11	EA	BACK-66.5" COUCH/BED-JACK KNIFE W/FRAME
	P11319-03-H10	EA	COVER - BACK - SOFA/BED JACK KNIFE 66.5"
	P11319-03-H11	EA	COVER - BACK - SOFA/BED JACK KNIFE 66.5"
	104166-04-H10	EA	PILLOW - 14" X 14"
	104166-04-H11	EA	PILLOW - 14" X 14"
	101085-09-000	EA	FRAME - BACK - SOFA/BACK - 66.5" X 16"

NOTE: COUCH FRONT AND SIDE PANELS ARE FOUND IN THE LOUNGE GROUP.

DOUBLE BED BEDSPREAD, PILLOW & MATTRESS

KEY	PART NUMBER	U/M	DESCRIPTION
20	101123-01-000	EA	MATTRESS - 53" X 74" - TICKING COVERED
20	P01123-01-000	EA	COVER - MATTRESS - W/CUT CORNER - 54" X 74" X 5"
	123471-03-H10	EA	BEDSPREAD/THROW - 54" X 75"
	123471-03-H11	EA	BEDSPREAD/THROW - 54" X 75"
	119555-02-H10	EA	PILLOW SHAM - 20" X 30"
	119555-02-H11	EA	PILLOW SHAM - 20" X 30"
	111862-07-H10	EA	PILLOW - 15" X 15"
	111862-07-H11	EA	PILLOW - 15" X 15"

CURTAIN & CUSHION GROUP (CONTINUED)



SWIVEL CHAIR

KEY	PART NUMBER	U/M	DESCRIPTION
1	115470-01-H10	EA	CHAIR - SWIVEL
1	115470-01-H11	EA	CHAIR - SWIVEL
	P15470-01-H10	EA	COVER - CHAIR
	P15470-01-H11	EA	COVER - CHAIR
	P07977-01-H10	EA	COVER - SKIRT
	P07977-01-H11	EA	COVER - SKIRT
2	097683-02-000	EA	BRACKET - REMOTE/SIDE MOUNT - DOUBLE
3	108049-03-000	EA	CABLE/CONTROL 25.5" SHEATH/28.5" CABLE W/DOG LEG
	108049-02-000	EA	CLIP - CABLE/PEDESTAL
4	119952-01-000	EA	SLIDE/SEAT - HEAVY DUTY NON LOCKING
5	107921-08-000	EA	TOP PLATE - PEDESTAL - W/O SEAT BELT BAR
	107921-06-000	EA	BEARING KIT - PEDESTAL
6	107921-01-000	EA	PEDESTAL/FLOOR MOUNTED - W/9.75" EXTENSION
7	108445-02-000	EA	PLATE/FLOOR MOUNTED - PEDESTAL SEAT
8	119952-03-000	EA	SLIDE/SEAT - HEAVY DUTY LOCKING - 2 STUDS
9	117125-01-02B	EA	BRACKET - CABLE MOUNT - ADJUSTER W/LOCK
10	007221-01-000	EA	SPACER - SEAT/ADJUSTER
	114889-01-000	EA	STOP BAR - UNIVERSAL

VINYL ASSIST HANDLE, BUTTONS, & SEATBELTS

KEY	PART NUMBER	U/M	DESCRIPTION
	069178-02-000	EA	BRACKET-MOUNTING - ASSIST HANDLE - L ANGLE - W/HOLES - ST
	053552-02-AA8	EA	HANDLE-ASSIST - INTERIOR - ENTRY DOOR - VINYL - OFF WHITE
	000C16-07-16B	EA	BOLT-CARRIAGE - ASSIST HANDLE - 7/16" - 14 X 1" ZN
	000D20-07-00B	EA	NUT-ACORN - ASSIST HANDLE - 7/16" X 14 ZN
	057759-01-000	EA	WASHER BRACKET-SEAT BELT - 4" DIAMETER
	007021-01-000	EA	BELT-SEAT - 2" X 90" - BLACK
	056271-01-000	EA	BELT-SEAT - 2" X 102" - BLACK
	084415-88-000	YD	TRIM-BRAID, HIGHMARK, AMBER (H10)
	084415-87-000	YD	TRIM-BRAID, HIGHMARK, AMBER (H10)
	084415-79-000	YD	TRIM-BRAID,64014-C03,SHELL (H11)

CURTAIN & CUSHION GROUP (CONTINUED)

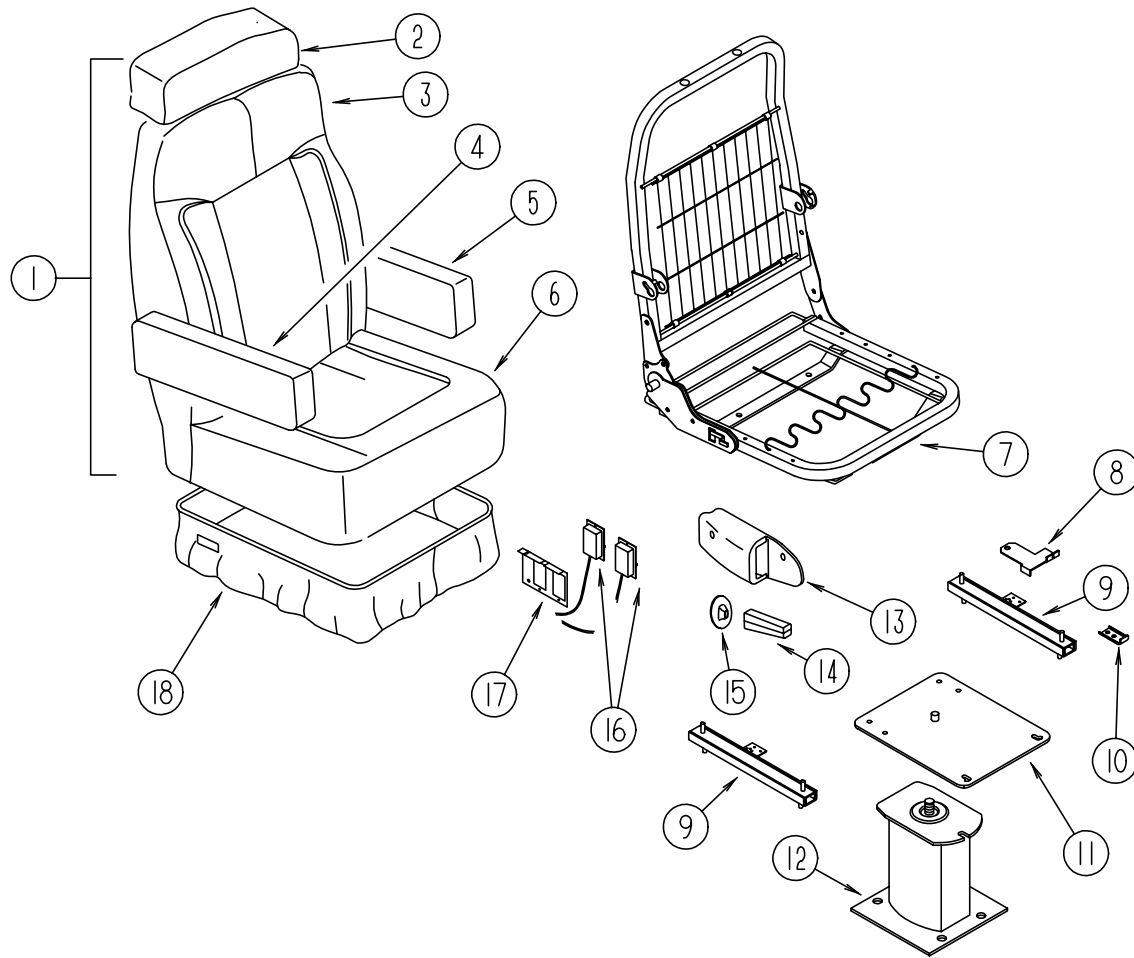
MINNIE WINNIE DL FABRICS

Family - 400 DL's	H10 Chameleon	H11 Pasadena
Bucket Seats	108446-G3-000	108446-55-000
Dinette	108446-M8-000	108446-M9-000
Dinette Pads	104233-G3-000	108446-55-000
Sofa	108446-M8-000	108446-M9-000
Swivel Chair	108446-G3-000	108446-N5-000
Lounge Pillow	108446-G3-000	108446-N5-000
Lounge Windows	108446-G3-000 108446-M8-000	108446-M9-000 108446-79-000
Legs	105745-61-000	105745-D0-000
Overhead Bunk	108446-G3-000	108446-N5-000
Bedroom Window	105745-E9-000	105745-E8-000
Bedroom Legs	105745-61-000	105745-D0-000
Bedroom Pillow	105745-E9-000 105745-61-000	105745-E8-000 105745-D0-000
Bedspread	105745-E9-000 084415-87-000	105745-E8-000 084415-79-000
Pillow Shams	105745-E9-000 084415-87-000	105745-E8-000 084415-79-000
Front Wraparound	072333-85-000	072333-85-000
Overhead Curtain	105745-E9-000	105745-E8-000
Day/Nighter	094911-25-000 094911-38-000	094911-30-000 094911-26-000

NOTE: FABRIC LISTED FIRST IN A BLOCK IS THE LARGEST QUANTITY OF FABRIC USED.

CURTAIN & CUSHION GROUP (CONTINUED)

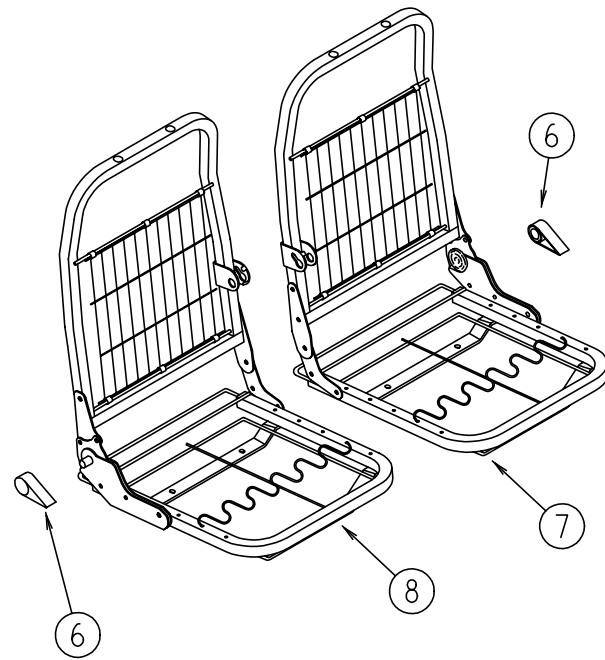
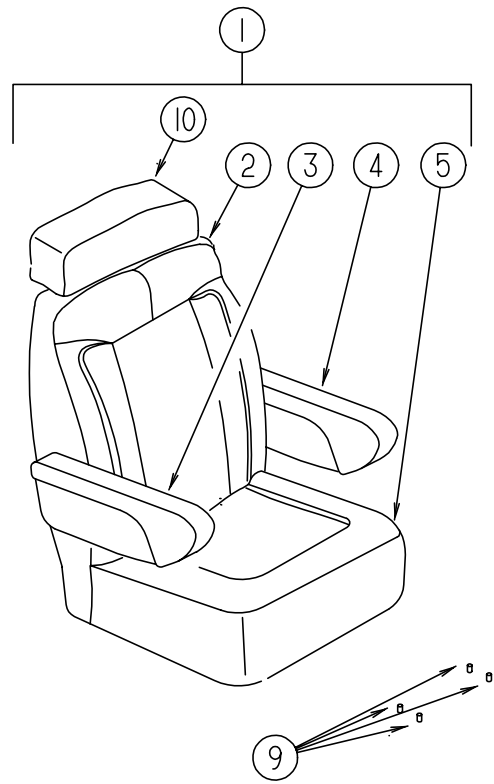
BUCKET SEATS
(FROM: 00-00-00 THRU: 10-13-96)



KEY	PART NUMBER	U/M	DESCRIPTION
1	122738-03-H10	EA	SEAT - BUCKET - DRIVER - W/HEADREST/ARMRESTS
1	122738-03-H11	EA	SEAT - BUCKET - DRIVER - W/HEADREST/ARMRESTS
2	119509-01-H10	EA	HEADREST - BUCKET SEAT
2	119509-01-H11	EA	HEADREST - BUCKET SEAT
	P19509-01-H10	EA	COVER - HEADREST
	P19509-01-H11	EA	COVER - HEADREST
	113977-12-000	EA	HEADREST INSERT - W/O LOCK
	113977-13-000	EA	HEADREST INSERT - W/ LOCK
	114791-03-000	EA	FRAME - HEADREST
3	M05962-41-H10	EA	COVER - BUCKET BACK, 530 NARROW
3	M05962-41-H11	EA	COVER - BUCKET BACK - 530 NARROW
4	122780-01-H10	EA	ARMREST - RIGHT HAND
4	122780-01-H11	EA	ARMREST - RIGHT HAND
	P22780-01-H10	EA	COVER - ARMREST - RIGHT HAND
	P22780-01-H11	EA	COVER - ARMREST - RIGHT HAND
	115617-03-000	EA	ARMREST - W/O COVER - RIGHT HAND
5	122780-02-H10	EA	ARMREST - LEFT HAND
5	122780-02-H11	EA	ARMREST - LEFT HAND
	P22780-02-H10	EA	COVER - ARMREST - LEFT HAND
	P22780-02-H11	EA	COVER - ARMREST - LEFT HAND
	115617-04-000	EA	ARMREST - W/O COVER - LEFT HAND
6	M05962-42-H10	EA	COVER - BUCKET SEAT, 530 NARROW
6	M05962-42-H11	EA	COVER - BUCKET SEAT, 530 NARROW
7	122695-02-01B	EA	FRAME - SEAT/BACK
8	117125-01-02B	EA	BRACKET-CABLE HOLDER - E-COAT
9	119952-06-000	EA	SLIDE/SEAT - HEAVY DUTY LOCKING - 4 STUDS
9	119952-07-000	EA	WIRE - LATCH RELEASE/ROTARY
10	114889-01-000	EA	STOP BAR-UNIVERSAL - SHROCK
11	107921-08-000	EA	TOP PLATE - PEDESTAL - W/O SEAT BELT BAR
	107921-06-000	EA	BEARING KIT - PEDESTAL
12	107921-09-000	EA	PEDESTAL - SEAT - FORD
13	080730-09-000	EA	SHIELD SCREW-FLEXSTEEL
	000G39-10-12D	EA	SHIELD SCREW
14	080730-08-000	EA	HANDLE - RECLINER - BLACK
15	080730-11-000	EA	SHIELD - RUBBER BOOT
16	108049-03-000	EA	CABLE - 26" Z END CABLE
	108049-02-000	EA	CLIP-CABLE - PEDESTAL - FLEXSTEEL 2592-CA
17	097683-02-000	EA	BRACKET - REMOTE/SIDE MOUNT - DOUBLE
18	071126-42-H10	EA	SKIRT - 7" - W/OPEN BACK CORNERS (H10)
18	071126-42-E22	EA	SKIRT - W/OPEN BACK CORNERS - 7" (H11)
	089323-01-000	FT	STRIP-POLYENTHYLENE - J-CHANNEL FLEX-O-LATORS

CURTAIN & CUSHION GROUP (CONTINUED)

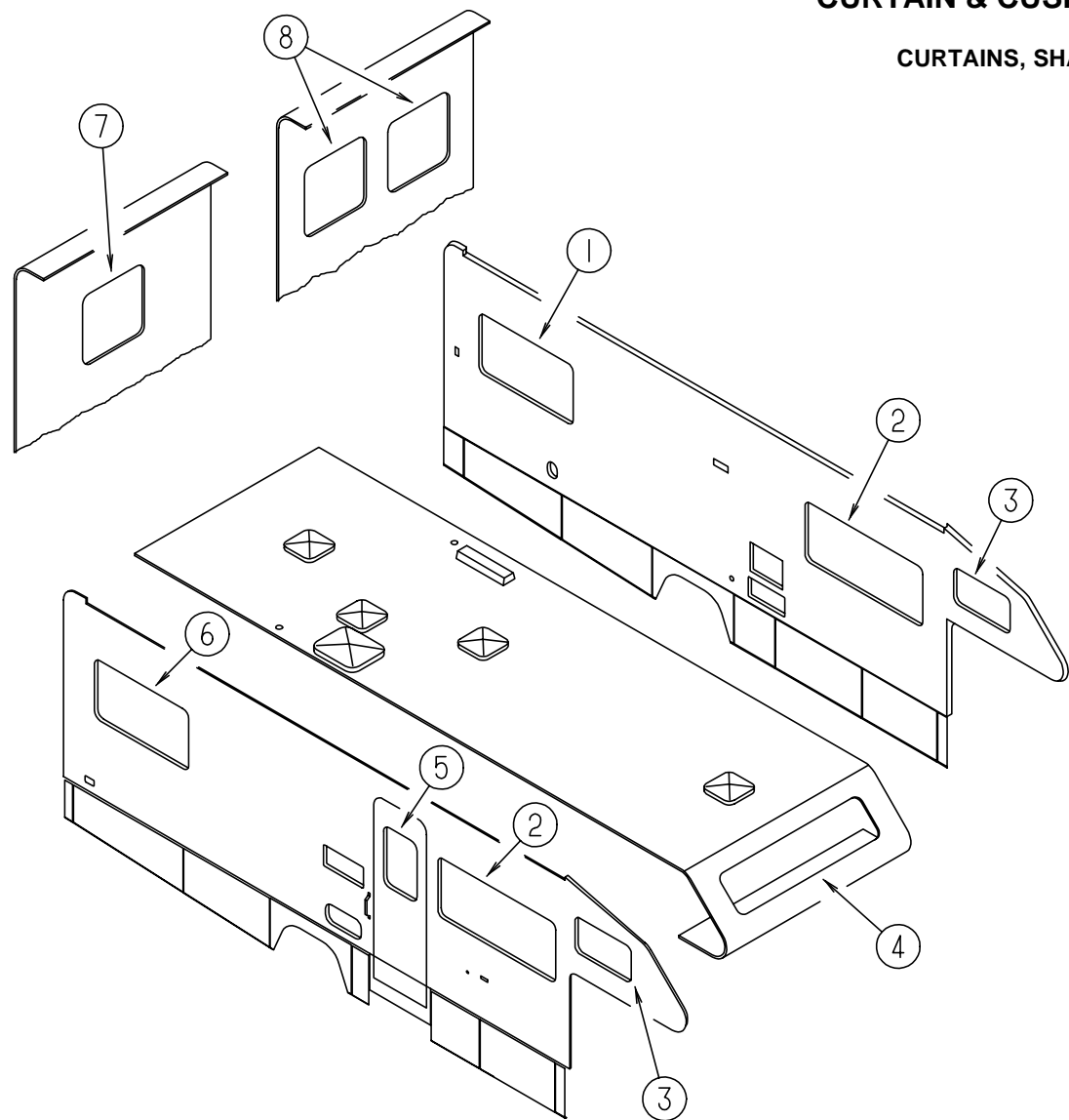
BUCKET SEATS
(FROM: 10-14-96 THRU: 99-99-99)



KEY	PART NUMBER	U/M	DESCRIPTION
1	122738-04-H10	EA	SEAT - BUCKET/PASSENGER - W/HEADREST/LEFT ARMREST
1	122738-04-H11	EA	SEAT - BUCKET/PASSENGER - W/HEADREST/LEFT ARMREST
1	122738-05-H10	EA	SEAT - BUCKET/DRIVER - W/HEADREST/RIGHT ARMREST
1	122738-05-H11	EA	SEAT - BUCKET/DRIVER - W/HEADREST/RIGHT ARMREST
2	M05962-59-H10	EA	COVER - BACK
2	M05962-59-H11	EA	COVER - BACK
3	122780-01-H10	EA	ARMREST - RIGHT HAND
3	122780-01-H11	EA	ARMREST - RIGHT HAND
	P22780-01-H10	EA	COVER - ARMREST - RIGHT HAND
	P22780-01-H11	EA	COVER - ARMREST - RIGHT HAND
	115617-03-000	EA	ARMREST - W/O COVER - RIGHT HAND
	111169-01-000	EA	PLATE-BACK - ARMREST
	080211-03-000	EA	CLIP - XMAS TREE - DECOR PADS
4	122780-02-H10	EA	ARMREST - LEFT HAND
4	122780-02-H11	EA	ARMREST - LEFT HAND
	P22780-02-H10	EA	COVER - ARMREST - LEFT HAND
	P22780-02-H11	EA	COVER - ARMREST - LEFT HAND
	115617-04-000	EA	ARMREST - W/O COVER - LEFT HAND
	111169-01-000	EA	PLATE-BACK - ARMREST
	080211-03-000	EA	CLIP - XMAS TREE - DECOR PADS
5	M05962-60-H10	EA	COVER - SEAT
5	M05962-60-H11	EA	COVER - SEAT
6	125229-03-000	EA	KNOB - RECLINING
7	125229-02-000	EA	FRAME - SEAT - PASSENGER - W/LEFT ARMREST BRACKET
8	125229-01-000	EA	FRAME - SEAT - DRIVER - W/RIGHT ARMREST BRACKET
9	125229-05-000	EA	PAL NUT
10	119509-01-H10	EA	HEADREST - BUCKET SEAT
10	119509-01-H11	EA	HEADREST - BUCKET SEAT
	P19509-01-H10	EA	COVER - HEADREST
	P19509-01-H11	EA	COVER - HEADREST
	113977-12-000	EA	HEADREST INSERT - W/O LOCK
	113977-13-000	EA	HEADREST INSERT - W/ LOCK

CURTAIN & CUSHION GROUP (CONTINUED)

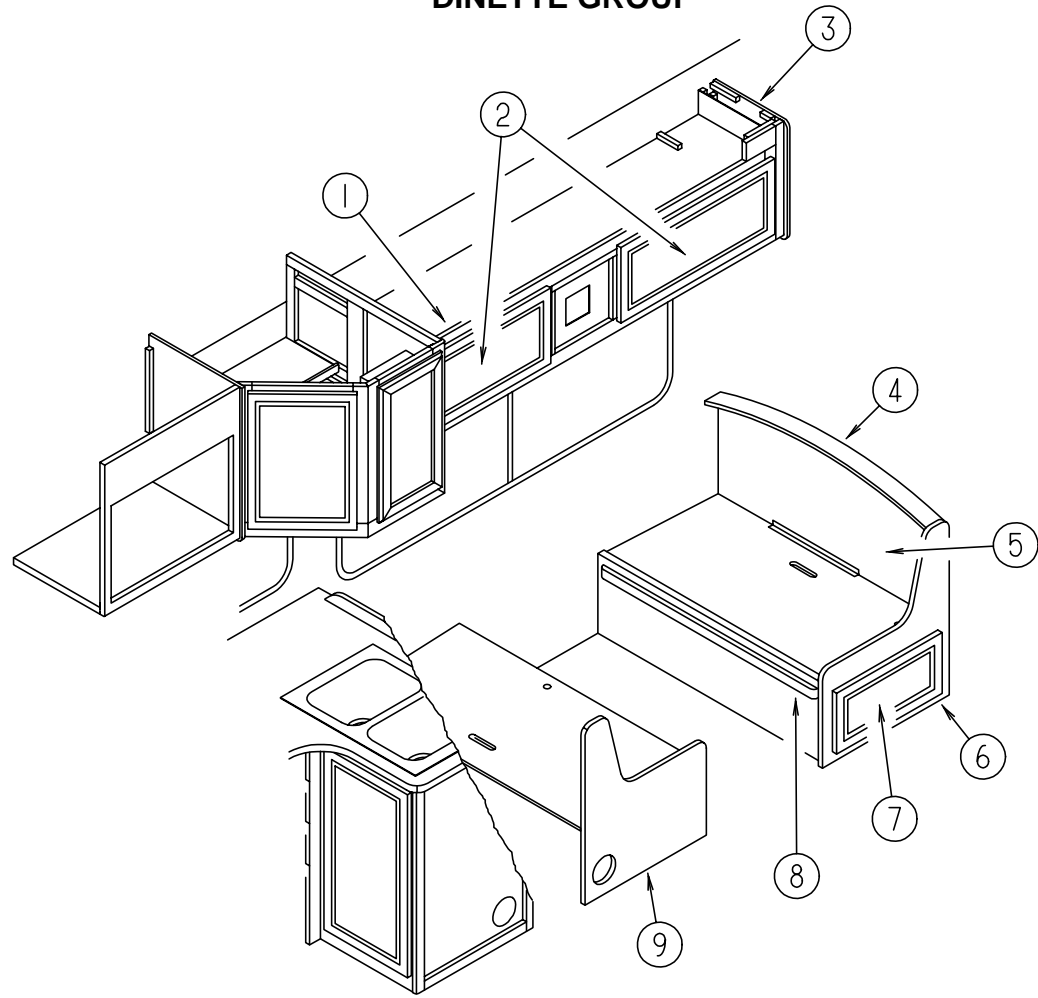
CURTAINS, SHADES VALANCES & BLINDS



KEY	PART NUMBER	U/M	DESCRIPTION
4	101034-33-H11	EA	CURTAIN - RIGHT HAND - 21" X 60"
4	101034-34-H10	EA	CURTAIN - LEFT HAND - 21" X 60"
4	101034-34-H11	EA	CURTAIN - LEFT HAND - 21" X 60"
5	119262-35-H10	EA	VALANCE - 11 X 31.75, MONACO W/WELT
5	119262-34-H11	EA	VALANCE - MONOCO - 11" X 31.75"
5	084755-57-E07	EA	SHADE - PULL - 27.25"
6	119299-14-H10	EA	VALANCE - WHITNEY REVERSE - 45" (QUEEN)
6	119299-14-H11	EA	VALANCE - WHITNEY - 45" (QUEEN)
6	119299-13-H10	EA	VALANCE - WHITNEY - 53" (TWIN & DOUBLE)
6	119299-13-H11	EA	VALANCE - WHITNEY - 53" (TWIN & DOUBLE)
6	119333-61-H10	EA	LEG - RIGHT - 28" (QUEEN,TWIN & DOUBLE)
6	119333-59-H11	EA	LEG - RIGHT - 28" (QUEEN,TWIN & DOUBLE)
6	119333-62-H10	EA	LEG - LEFT - 28" (QUEEN,TWIN & DOUBLE)
6	119333-60-H11	EA	LEG - LEFT - 28" (QUEEN,TWIN & DOUBLE)
6	111910-25-H10	EA	BLIND - DAY/NIGHTER - 41" X 28.5" (QUEEN)
6	111910-25-H11	EA	BLIND - DAY/NIGHTER E-Z LIFT, 41" X 28.5" (QUEEN)
6	111910-19-H10	EA	BLIND - DAY/NIGHTER - 50" X 28" (TWIN & DOUBLE)
6	111910-19-H11	EA	BLIND - DAY/NIGHTER - 50" X 28" (TWIN & DOUBLE)
7	119299-13-H10	EA	VALANCE - WHITNEY - 53" (QUEEN)
7	119299-13-H11	EA	VALANCE - WHITNEY - 53" (QUEEN)
7	119299-15-H10	EA	VALANCE - 31" WHITNEY REVERSE PLEATS (DOUBLE)
7	119299-15-H11	EA	VALANCE - 31" WHITNEY REVERSE PLEATS (DOUBLE)
7	119333-61-H10	EA	LEG - RIGHT - 28" (QUEEN)
7	119333-59-H11	EA	LEG - RIGHT - 28" (QUEEN)
7	119333-39-H10	EA	LEG - RIGHT - 25" (DOUBLE)
7	119333-37-H11	EA	LEG - RIGHT - 25" (DOUBLE)
7	119333-62-H10	EA	LEG - LEFT - 28" (QUEEN)
7	119333-60-H11	EA	LEG - LEFT - 28" (QUEEN)
7	119333-40-H10	EA	LEG - LEFT - 25" (DOUBLE)
7	119333-38-H11	EA	LEG - LEFT - 25" (DOUBLE)
7	111910-19-H10	EA	BLIND - DAY/NIGHTER - 50" X 28" (QUEEN)
7	111910-19-H11	EA	BLIND - DAY/NIGHTER - 50" X 28" (QUEEN)
7	111910-20-GB1	EA	BLIND - DAY/NIGHTER - 28" X 28" (DOUBLE) (H10)
7	111910-20-H11	EA	BLIND - DAY/NIGHTER - 28" X 28" (DOUBLE) (H11)
			FROM: 00-00-00 THRU: 10-27-96
7	111910-20-HA3	EA	BLIND - DAY/NIGHTER - 28" X 28" (DOUBLE) (H11)
			FROM: 10-28-96 THRU: 99-99-99
8	119299-15-H10	EA	VALANCE - 31" WHITNEY REVERSE PLEATS (TWIN)
8	119299-15-H11	EA	VALANCE - 31" WHITNEY REVERSE PLEATS (TWIN)
8	119333-35-H10	EA	LEG - RIGHT - 28" (TWIN)
8	119333-57-H11	EA	LEG - RIGHT - 28" (TWIN)
8	119333-36-H10	EA	LEG - LEFT - 28" (TWIN)
8	119333-58-H11	EA	LEG - LEFT - 28" (TWIN)
8	111910-20-GB1	EA	BLIND - DAY/NIGHTER - 28" X 28" (TWIN) (H10)
8	111910-20-H11	EA	BLIND - DAY/NIGHTER - 28" X 28" (TWIN) (H11)
			FROM: 00-00-00 THRU: 10-27-96
8	111910-20-HA3	EA	BLIND - DAY/NIGHTER - 28" X 28" (TWIN) (H11)
			FROM: 10-28-96 THRU: 99-99-99
	093487-10-01A	EA	PLEATED - 31" X 100" - BUNK PRIVACY
	076892-23-G07	EA	CURTAIN - 44" X 80"

KEY	PART NUMBER	U/M	DESCRIPTION
1	119299-14-H10	EA	VALANCE - WHITNEY REVERSE - 45" (QUEEN)
1	119299-14-H11	EA	VALANCE - WHITNEY - 45" (QUEEN)
1	119299-13-H10	EA	VALANCE - WHITNEY - 53" (TWIN & DOUBLE)
1	119299-13-H11	EA	VALANCE - WHITNEY - 53" (TWIN & DOUBLE)
1	119333-61-H10	EA	LEG - RIGHT - 28" (QUEEN,TWIN & DOUBLE)
1	119333-59-H11	EA	LEG - RIGHT - 28" (QUEEN,TWIN & DOUBLE)
1	119333-62-H10	EA	LEG - LEFT - 28" (QUEEN,TWIN & DOUBLE)
1	119333-60-H11	EA	LEG - LEFT - 28" (QUEEN,TWIN & DOUBLE)
1	111910-25-H10	EA	BLIND - DAY/NIGHTER - 41" X 28.5" (QUEEN)
1	111910-25-H11	EA	BLIND - DAY/NIGHTER E-Z LIFT, 41" X 28.5" (QUEEN)
1	111910-19-H10	EA	BLIND - DAY/NIGHTER - 50" X 28" (TWIN & DOUBLE)
1	111910-19-H11	EA	BLIND - DAY/NIGHTER - 50" X 28" (TWIN & DOUBLE)
2	111858-15-H10	EA	LAMBREQUIN - WINDSOR, 63.5"
2	111858-33-H11	EA	LAMBREQUIN - WINDSOR, 63.5"
2	111910-22-GB1	EA	BLIND - DAY/NIGHTER - 60" X 28.5" (H10)
2	111910-22-H11	EA	BLIND - DAY/NIGHTER - 60" X 28.5" (H11)
			FROM: 00-00-00 THRU: 10-27-96
2	111910-22-HA3	EA	BLIND - DAY/NIGHTER - 60" X 28.5" (H11)
			FROM: 10-28-96 THRU: 99-99-99
3	101034-51-H10	EA	CURTAIN - RIGHT HAND - 19" X 34"
3	101034-51-H11	EA	CURTAIN - RIGHT HAND - 19" X 34"
3	101034-52-H10	EA	CURTAIN - LEFT HAND - 19" X 34"
3	101034-52-H11	EA	CURTAIN - LEFT HAND - 19" X 34"
4	101034-33-H10	EA	CURTAIN - RIGHT HAND - 21" X 60"

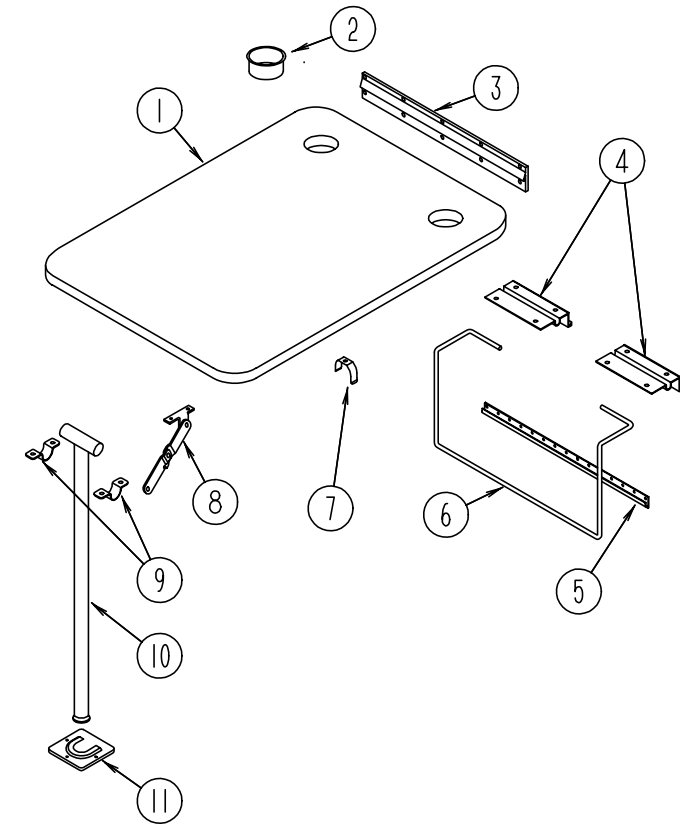
DINETTE GROUP



DINETTE CABINETS

KEY	PART NUMBER	U/M	DESCRIPTION
1	122926-01-H10	EA	CABINET - DINETTE OVERHEAD - W/O DOORS/HARDWARE
1	122926-01-H11	EA	CABINET - DINETTE OVERHEAD - W/O DOORS/HARDWARE
2	M06803-W9-H10	EA	DOOR - MIRROR/MTRD CRNRS/OGEE EDGE - 11.4"X 28" - W/O HDW
2	M06803-D5-F08	EA	DOOR - MITERED CORNER/OGEE EDGE - 11.4" X 28" - W/O HDW
3	109908-09-F08	EA	END CAP - OVERHEAD CABINET
4	111338-06-H10	EA	PAD - DINETTE SEATBACK (H10)
4	111338-06-E22	EA	PAD - DINETTE SEATBACK (H11)
5	M08123-04-G07	EA	CABINET - SEATBACK - W/O HARDWARE
6	M08122-10-H10	EA	CABINET - SEATBASE - RIGHT HAND - W/ END CAP - W/O DOOR/HARDWARE
7	M06803-T5-H10	EA	DOOR - MITERED CORNER/OGEE EDGE - 10.0" X 19.1" - W/O HARDWARE
8	081295-04-G04	EA	SUPPORT - BED/DINETTE - 40" LONG
9	M06885-24-H10	EA	CABINET - SEATBASE - LEFT HAND - W/ END CAP - W/O HARDWARE

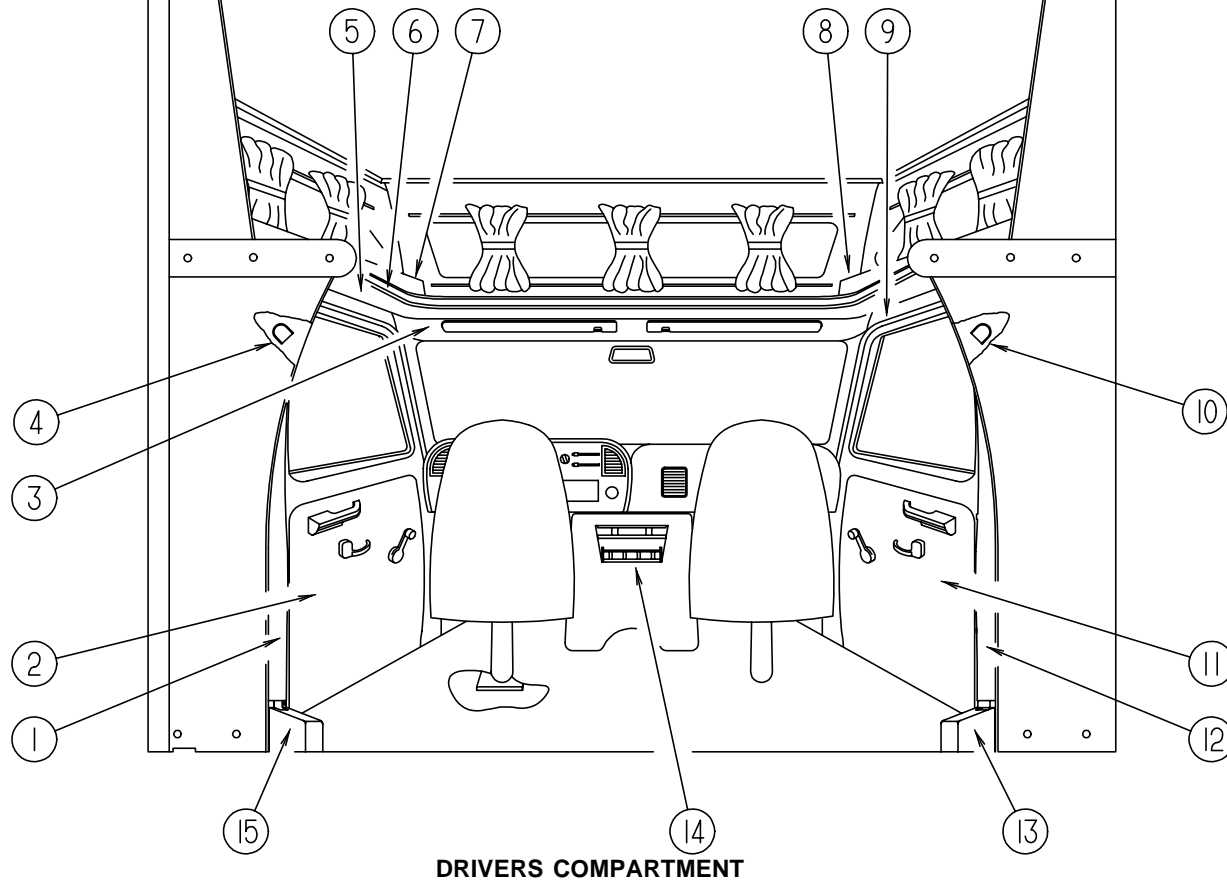
DINETTE GROUP (CONTINUED)



DINETTE TABLE

KEY	PART NUMBER	U/M	DESCRIPTION
1	081322-12-H37	EA	TABLE TOP ONLY (H10)
1	081322-12-F09	EA	TABLE TOP ONLY (H11)
2	064781-06-000	EA	HOLDER - CUP - TWO STEP - OFF WHITE
3	053200-12-000	EA	BRACKET - TABLE SUPPORT - UPPER WALL MOUNTED - 23.50" - OFF WHITE
4	088410-02-000	EA	BRACKET - LIFT - TABLE MOUNTED - OFF WHITE
5	024281-14-000	EA	BRACKET - LIFT ROD/LOWER WALL MOUNTED - 22.12" - OFF WHITE
6	024275-12-000	EA	ROD - TABLE LIFT - OFF WHITE
7	024283-01-000	EA	CLIP - LEG - 1" - 1.125" OD - BLACK
8	024282-01-000	EA	BRACE - TABLE LEG - HINGED
9	064050-05-000	EA	HINGE - TABLE LEG - OFF WHITE
10	024276-23-000	EA	LEG - TABLE - METAL - OFF WHITE
11	049493-12-000	EA	CATCH - LEG, FLOOR MOUNTED - 2.5" X 2.7" - OFF WHITE
11	049493-11-700	EA	CATCH-LEG, FLOOR MOUNTED - 2.5" X 2.7" - METAL - E-COAT

DRIVERS COMPARTMENT GROUP



DRIVERS COMPARTMENT

KEY	PART NUMBER	U/M	DESCRIPTION
1	106446-02-C03	EA	TRIM - CAB B-PILLAR - DRIVERS SIDE FROM: 00-00-00 THRU: 10-13-96
1	125031-02-G04	EA	TRIM - CAB B-PILLAR - DRIVERS SIDE FROM: 10-14-96 THRU: 12-13-96
1	125031-02-H04	EA	TRIM - CAB B-PILLAR - DRIVERS SIDE FROM: 12-14-96 THRU: 99-99-99
2	109573-02-H10	EA	PANEL - DOOR, DRIVER
2	109573-02-H11	EA	PANEL - DOOR, DRIVER
3	106448-01-C03	EA	HEADLINER - W/VINYL FROM: 00-00-00 THRU: 10-13-96
3	106448-01-C52	EA	HEADLINER - W/VINYL FROM: 10-14-96 THRU: 12-13-96
3	106448-01-H04	EA	HEADLINER - W/VINYL FROM: 12-14-96 THRU: 99-99-99
4	115038-02-01A	EA	COVER - SEAT BELT UPPER LEFT HAND FROM: 00-00-00 THRU: 10-13-96
5	106447-02-C03	EA	TRIM - CAB DOOR - UPPER - DRIVERS SIDE FROM: 00-00-00 THRU: 10-13-96
5	106447-02-C52	EA	TRIM - CAB DOOR - UPPER - DRIVERS SIDE FROM: 10-14-96 THRU: 12-13-96
5	106447-02-H04	EA	TRIM - CAB DOOR - UPPER - DRIVERS SIDE FROM: 12-14-96 THRU: 99-99-99
6	119520-01-01A	FT	MOLDING-T - 1" W/EDGE LIPS (OFF/WHITE-CREAM)
7	109894-01-H10	EA	CABINET - HAMPER - FRONT - DRIVER
7	109894-01-H11	EA	CABINET - HAMPER - FRONT - DRIVER
8	109894-03-H10	EA	CABINET - HAMPER - FRONT - PASSENGER
8	109894-03-H11	EA	CABINET - HAMPER - FRONT - PASSENGER
9	106447-01-C03	EA	TRIM - CAB DOOR - UPPER - PASSENGER SIDE FROM: 00-00-00 THRU: 10-13-96
9	106447-01-C52	EA	TRIM - CAB DOOR - UPPER - PASSENGER SIDE FROM: 10-14-96 THRU: 12-13-96
9	106447-01-H04	EA	TRIM - CAB DOOR - UPPER - PASSENGER SIDE FROM: 12-14-96 THRU: 99-99-99

DRIVERS COMPARTMENT GROUP (CONTINUED)

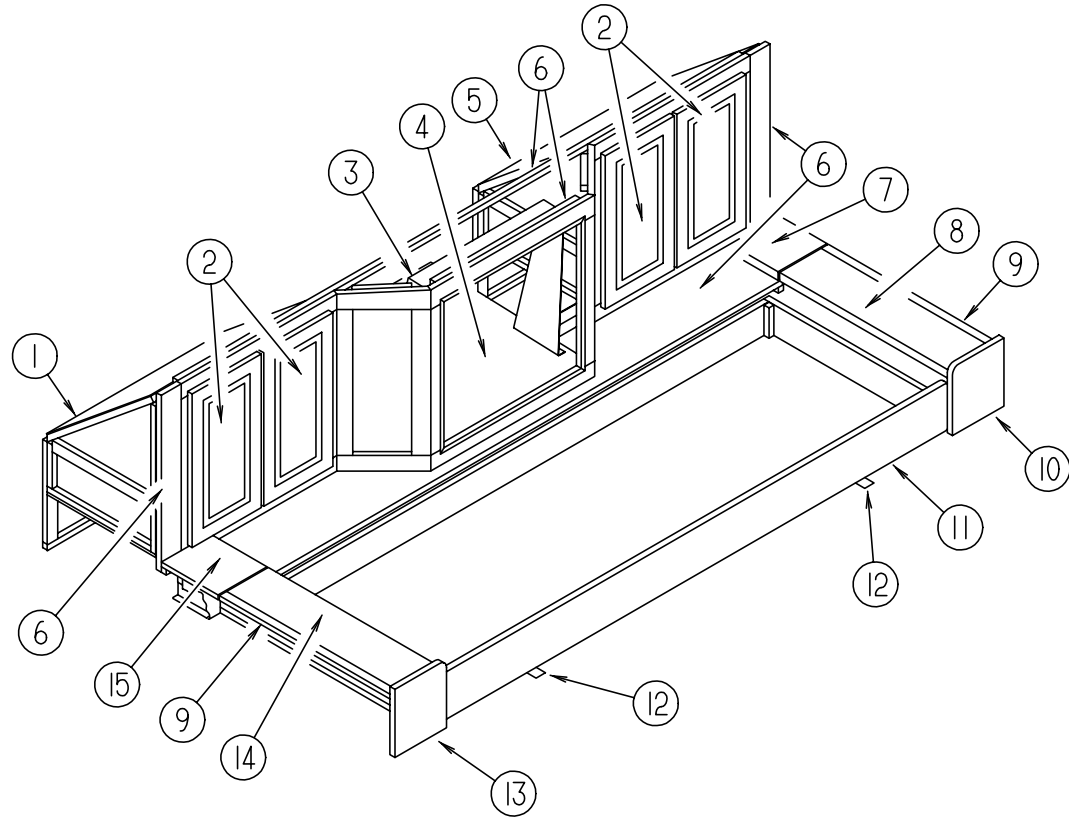
DRIVERS COMPARTMENT (CONTINUED)

KEY	PART NUMBER	U/M	DESCRIPTION	VENDOR NO.
10	115038-01-01A	EA	COVER - SEAT BELT UPPER RIGHT HAND FROM: 00-00-00 THRU: 10-13-96	
11	109573-01-H10	EA	PANEL - DOOR PASSENGER	
11	109573-01-H11	EA	PANEL - DOOR PASSENGER	
12	106446-01-C03	EA	TRIM - CAB B-PILLAR - PASSENGER SIDE FROM: 00-00-00 THRU: 10-13-96	
12	125031-01-G04	EA	TRIM - CAB B-PILLAR - PASSENGER SIDE FROM: 10-14-96 THRU: 12-13-96	
12	125031-01-H04	EA	TRIM - CAB B-PILLAR - PASSENGER SIDE FROM: 12-14-96 THRU: 99-99-99	
13	106431-01-01A	EA	COVER - SEATBELT RECOIL - PASSENGER SIDE - OFF WHITE FROM: 00-00-00 THRU: 12-13-96	
13	106431-01-02A	EA	COVER - SEATBELT RECOIL - PASSENGER SIDE - VW GREY FROM: 12-14-96 THRU: 99-99-99	
14	112185-02-G07	EA	TRAY - BEVERAGE FROM: 00-00-00 THRU: 10-14-96	
14	046886-03-000	EA	ASHTRAY - CHROME W/COVER FROM: 00-00-00 THRU: 10-14-96	
14	125291-01-01A	EA	TRAY - BEVERAGE - F/DELUXE MOTOR COVER FROM: 10-15-96 THRU: 99-99-99	
	069885-23-H10	EA	COVER - MOTOR - W/POCKET (FORD)(H10)	
	069885-23-F29	EA	COVER - MOTOR - W/POCKET (FORD)(H11)	
15	106431-02-01A	EA	COVER - SEATBELT RECOIL - DRIVER SIDE - OFF WHITE FROM: 00-00-00 THRU: 12-13-96	
15	106431-02-02A	EA	COVER - SEATBELT RECOIL - DRIVER SIDE - VW GREY FROM: 12-14-96 THRU: 99-99-99	
	106025-03-01A	EA	LADDER - BUNK - BLACK - 47.3"	
	106025-01-700	EA	BRACKET SET-F/BUNK LADDER	08-0030-00
	091952-01-000	EA	CLIP-GRIPPER - 1"	

INSTRUMENT CLUSTERS & BATTERY SWITCH

KEY	PART NUMBER	U/M	DESCRIPTION
	094795-09-000	EA	CLUSTER - INSTRUMENT PANEL - KM - GAS/DIESEL - FORD
	100138-01-000	EA	MODULE - DAYTIME/RUNNING LIGHT - CANADIAN
	081994-06-000	EA	PLATE - SWITCH - AUXILIARY START
	108357-09-000	EA	SWITCH - ROCKER SPDT - ON/NONE/MOM - 3 TERMINAL
	108356-07-01A	EA	COVER/ACTUATOR SWITCH-2 ROWS DIMPLES-AUX START-BLACK
	087202-01-000	EA	SWITCH - 4 POSITION W/KNOB 5 TERMINAL (REAR AUTO HEATER)

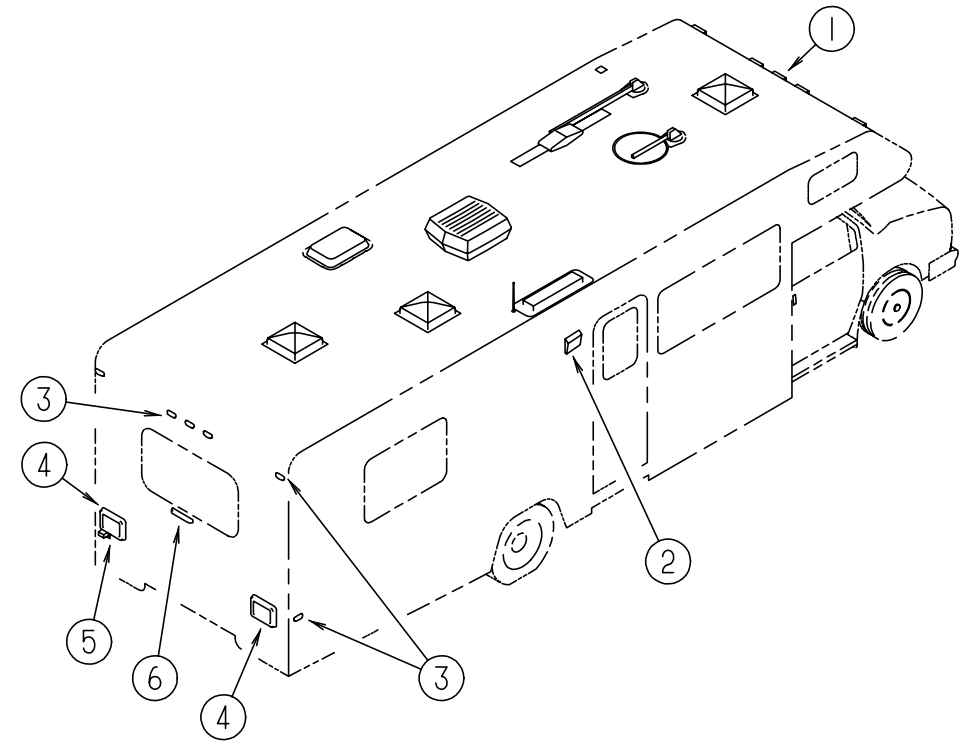
DRIVERS COMPARTMENT GROUP (CONTINUED)



FRONT ENTERTAINMENT CENTER

KEY	PART NUMBER	U/M	DESCRIPTION
1	113156-02-F08	EA	CABINET-ENTERTAINMENT CTR-W/SHELF-DRIVER SIDE-W/O DOOR/HDW
2	M06803-F1-F08	EA	DOOR - MITERED CORNER/OGEE EDGE - 10.6" X 19.9" - W/O HDW
3	110790-02-000	EA	BRACKET - TV TIEDOWN
4	111356-01-G07	EA	SHELF - TV
5	113156-01-F08	EA	CABINET-ENTERTAINMENT CTR-W/SHELF-PASS SIDE-W/O DOOR/HDW
6	121563-01-H10	EA	FACE - ENTERTAINMENT CENTER - W/O HARDWARE
7	113155-11-F02	EA	COUNTERTOP - ENTERTAINMENT CENTER (H10)
7	113155-11-H11	EA	COUNTERTOP - ENTERTAINMENT CENTER (H11)
8	113155-12-G24	EA	COUNTERTOP - HINGED, ENTERTAINMENT CENTER (H10)
8	113155-12-H11	EA	COUNTERTOP - HINGED, ENTERTAINMENT CENTER (H11)
9	113155-21-F02	EA	COUNTERTOP - ENTERTAINMENT CENTER (H10)
9	113155-21-F09	EA	COUNTERTOP - ENTERTAINMENT CENTER (H11)
10	113155-01-H10	EA	CABINET/STORAGE - RIGHT END - W/FLIP UP COUNTERTOP
10	113155-01-H11	EA	CABINET/STORAGE - RIGHT END - W/FLIP UP COUNTERTOP
11	100847-01-H10	EA	DRAWER-FRONT ENTERTAINMENT, 76.7" X 26.7" - W/O HARDWARE (H10)
11	100847-01-F09	EA	DRAWER-FRONT ENTERTAINMENT, 76.7" X 26.7" - W/O HARDWARE (H11)
12	093673-01-01A	FT	TRIM/MOLDING - 1.4" WIDE X 8' LONG
13	113155-02-H10	EA	CABINET/STORAGE - FLIP UP - W/FLIP UP COUNTERTOP
13	113155-02-H11	EA	CABINET/STORAGE - FLIP UP - W/FLIP UP COUNTERTOP
14	113155-18-G24	EA	COUNTERTOP - HINGED, ENTERTAINMENT CENTER (H10)
14	113155-18-H11	EA	COUNTERTOP - HINGED, ENTERTAINMENT CENTER (H11)
15	113155-19-F02	EA	COUNTERTOP - ENTERTAINMENT CENTER (H10)
15	113155-19-H11	EA	COUNTERTOP - ENTERTAINMENT CENTER (H11)
	106699-01-01A	EA	BRACKET - OVERHEAD CABINET/TV
	099717-02-000	EA	STRAP - TV TIE DOWN W/29.9" FEMALE STRAP & 14.2" MALE STRP

ELECTRICAL GROUP



EXTERIOR LIGHTS

KEY	PART NUMBER	U/M	DESCRIPTION	VENDOR NO.
1	111102-01-000	EA	LAMP - MARKER - BASE	
1	111102-02-000	EA	LENS - MARKER LAMP - AMBER	
	036196-01-000	EA	BULB - 12 VOLT - #194 - .27 AMP - BAYONETTE	
2	097917-01-06A	EA	LIGHT - PORCH - BRIGHT WHITE	
	097917-01-700	EA	LENS-LIGHT, CLEAR	30-78-021
	008215-01-000	EA	BULB - 12 VOLT - #1003 - .94 AMP	
2	008089-02-000	EA	LIGHT - PORCH - RECESSED - CANADIAN	
	008089-01-700	EA	LENS-LIGHT,RECESSED,PORCH	DECO
	008214-01-000	EA	BULB - 12 VOLT NO 67 - 0.59 AMP	
	091981-01-000	EA	GASKET - PORCH LIGHT	
3	111102-01-000	EA	LAMP - MARKER - BASE	
3	111102-03-000	EA	LENS - MARKER LAMP - RED	
	036196-01-000	EA	BULB - 12 VOLT - #194 - .27 AMP - BAYONETTE	
4	081638-01-000	EA	TAILLIGHT/DOUBLE W/BLACK TRIM - DRIVER/PASSENGER SIDE	
4	081638-01-700	EA	LENS-TAILLIGHT, RED	30-84-010
4	081638-01-701	EA	LENS-TAILLIGHT, W/BACKUP	30-84-700
4	103355-01-05A	EA	POD-TAILLIGHT, BRIGHT WHITE	
4	037934-01-000	EA	BULB - 12V - #1156 - 2.1 AMP CLEAR GLASS	
4	037935-01-000	EA	BULB - 12V - #1157 OR #2057 - 2.1 AMP - CLEAR GLASS	
5	066432-02-000	EA	LIGHT - LICENSE - BLACK	
	066432-03-000	EA	BRACKET - LICENSE PLATE	
6	121950-01-000	EA	LIGHT - BRAKE - CENTER MOUNT	

ELECTRICAL GROUP (CONTINUED)

FUSES & CIRCUIT BREAKERS

KEY	PART NUMBER	U/M	DESCRIPTION
	008235-01-000	EA	FUSE-AUTOMOTIVE, 12V - 15AMP
	062901-02-000	EA	FUSE - 5 AMPS - AUTOMOTIVE
	062901-05-000	EA	FUSE - 15 AMPS - AUTOMOTIVE
	083209-02-000	EA	CIRCUIT BREAKER - 15/15 AMP - 120 VOLT
	083209-03-000	EA	CIRCUIT BREAKER - 15/20 AMP - 120 VOLT
	083209-04-000	EA	CIRCUIT BREAKER - 30 AMP - 120 VOLT
	083209-06-000	EA	CIRCUIT BREAKER - 30/15 AMP - 120 VOLT
	093654-01-000	EA	CIRCUIT BREAKER - 6 AMP - 12 VOLT
	093654-03-000	EA	CIRCUIT BREAKER - 20AMP - 12 VOLT
	093655-01-000	EA	CIRCUIT BREAKER - 25 AMP - 12 VOLT
	093655-02-000	EA	CIRCUIT BREAKER - 30 AMP - 12 VOLT
	100341-01-000	EA	FUSE HOLDER - IN LINE TYPE
	108669-01-000	EA	HOUSING - AUTO FUSE HOLDER

POWER CONVERTER & INVERTER

KEY	PART NUMBER	U/M	DESCRIPTION
	099048-02-000	EA	100 WATT INVERTER W/EXTRA SURGE CAPACITY FROM: 00-00-00 THRU: 06-16-96
	099048-03-000	EA	INVERTER - 130 WATT FROM: 06-17-96 THRU: 99-99-99
	113132-01-000	EA	LOAD CENTER - 120/240 VOLT - 60 AMP
	123058-02-000	EA	CONVERTER - 45 AMP - ELECTRONIC - 4 1/8" H X 7" W X 12 3/8" L

WIRING ASSEMBLIES

KEY	PART NUMBER	U/M	DESCRIPTION
	073328-B4-000	EA	CABLE ASSEMBLY - BATTERY - W/TERMINALS
	090986-01-000	EA	WIRE ASSEMBLY - ELECTRIC STEP - KWIKEE 9009
	096449-01-000	EA	WIRE ASSEMBLY - WATER TANK TO MONITOR PANEL
	097618-01-000	EA	WIRE ASSEMBLY - MONITOR PANEL- W/3 WIRES & ORANGE RESISTOR
	106851-01-000	EA	WIRE ASM-DAY RUN LAMP,FUSE
	116894-01-000	EA	WIRE ASM-SPEED SENSOR EXTEND, JFB L-322B

ELECTRIC BOXES, COVERS & POWER CORDS

KEY	PART NUMBER	U/M	DESCRIPTION
	008052-01-000	EA	CORD - POWER - 10/3 - 30 AMP - 25' - CANADIAN
	008054-01-000	EA	CORD - POWER - 10/3 - 30 AMP - 25'
	008289-01-000	EA	BOX - ELECTRIC/STEEL - 12" & 3/4" KNOCKOUTS - 4" X 4"
	008289-02-000	EA	BOX - ELECTRICAL - 4"X4" - 1/2"&3/4" KNOCKOUTS-CANADIAN
	008294-01-000	EA	COVER - ELECTRICAL BOX - BLANK/STEEL - 4" X 4" - GRAY
	091910-01-000	EA	BOX - ELECTRIC - 3.8" X 3.5" X 1.8" - PLASTIC
	091910-02-000	EA	BOX - ELECTRIC - 2.2" X 3.5" X 1.7" - PLASTIC
	093257-02-000	EA	BOX-ELECTRIC, CIRCUIT BREAKER - B&W RV80-9
	093603-01-000	EA	BOX-ELECTRIC, 4" X 2 1/8" X 2 1/8" - STEEL FROM: 00-00-00 THRU: 10-13-96
	107165-01-01A	EA	BOX-CIRCUIT BREAKER MOUNT, 14.6" X 4" - BLACK PLASTIC
	107165-03-01A	EA	BOX - CIRCUIT BREAKER

RELAY HOUSING & SOLENOID

KEY	PART NUMBER	U/M	DESCRIPTION
	008188-01-000	EA	SOLENOID - 3 POST - BATTERY CHANGE OVER
	063910-01-000	EA	HOUSING - RELAY
	086233-01-000	EA	STUD - ISOLATED - 3/8" X 7/8" LONG FROM: 10-14-96 THRU: 99-99-99
	086273-01-000	EA	RELAY - BATTERY DISCONNECT

ELECTRICAL GROUP (CONTINUED)

CONDUIT, CONNECTORS, HOUSINGS & TERMINALS

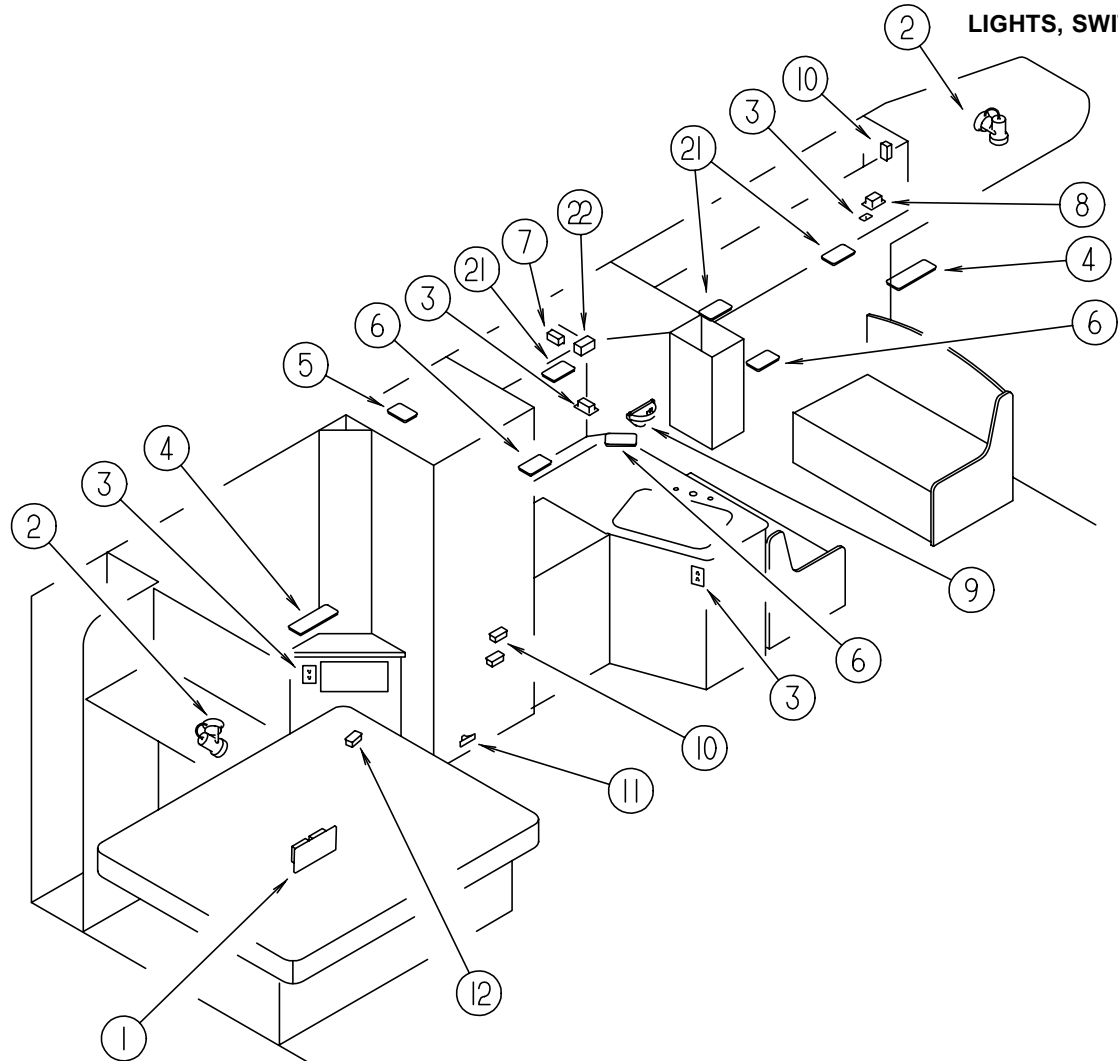
KEY	PART NUMBER	U/M	DESCRIPTION
	007956-05-000	EA	INSULATOR - SHRINK - .25 ID X 1.50
	008311-01-000	EA	CONNECTOR - WIRE NUT - INSULATED - RED
	008313-01-000	EA	CONNECTOR - WIRE NUT - INSULATED - YELLOW
	008314-01-000	EA	CONNECTOR - WIRE NUT - INSULATED - GRAY
	008326-01-000	EA	TERMINAL - RING 16/14 WIRE - 3/8" STUD
	008328-01-000	EA	TERMINAL - RING - 12/10 WIRE - #10 STUD FIT
	008331-01-000	EA	TERMINAL - RING - TONGUE - #4 WIRE - 3/8" STUD - COPPER
	008348-01-000	EA	TERMINAL - RING - 3/8" STUD 2 GA. WIRE
	008355-01-000	EA	CONNECTOR - CABLE CLAMPING - 3/4"
	008356-01-000	EA	CONNECTOR - PLASTIC - 3/8" AVG
	035416-04-000	EA	TERMINAL - RING - #10 STUD FIT - INSULATED BARREL #16/14
	041953-01-000	FT	CONDUIT - CONVOLUTE SLIT - .5" ID
	041953-03-000	FT	CONDUIT - CONVOLUTE SLIT - 1" ID (CLOTHES ROD COVER)
	041953-05-000	FT	CONDUIT - CONVOLUTE SOLID - .62" ID
	041953-06-000	FT	CONDUIT - CONVOLUTE SLIT - .375" ID
	041953-07-000	FT	CONDUIT - CONVOLUTE SLIT - .25" ID
	041953-08-000	FT	CONDUIT - CONVOLUTE SLIT - 1.50" ID
	041953-09-000	FT	CONDUIT - CONVOLUTE SLIT - .50" ID
	041953-10-000	FT	CONDUIT - CONVOLUTE SLIT - .75" ID
	041953-11-000	FT	CONDUIT - CONVOLUTE SLIT - 1.06" ID
	041953-12-000	FT	CONDUIT - CONVOLUTE NON SLIT - 1.1" ID
	047443-01-000	EA	TERMINAL - .250 RECEPTACLE FIT - INSULATED - 16/14 AWG
	058028-01-000	EA	CONNECTOR - ELECTRICAL PIGTAIL - NYLON - CLEAR
	077479-01-000	EA	BOOT - BATTERY TERMINAL - DOUBLE CABLE
	077479-02-000	EA	BOOT - BATTERY TERMINAL - SINGLE CABLE
	080015-02-000	EA	RECEPTACLE - FLAG - .185 - 16/14 GAUGE - AMP 3
	080015-03-000	EA	RECEPTACLE-FLAG, .250 - 14/16 GA
	087949-01-000	EA	BUSS BAR - 2 POSITION - .6" X 1.5"
	088473-01-000	EA	HOUSING - PIN - 12 CAVITY
	088473-02-000	EA	HOUSING - PIN - 15 CAVITY
	088473-03-000	EA	HOUSING - PIN - 9 CAVITY
	088473-05-000	EA	HOUSING - PIN - 6 CAVITY
	088473-08-000	EA	HOUSING - PIN - 4 CAVITY
	088473-09-000	EA	HOUSING - PIN - 3 CAVITY
	088473-10-000	EA	HOUSING - PIN - 2 CAVITY
	088474-01-000	EA	HOUSING - SOCKET - 12 CAVITY
	088474-02-000	EA	HOUSING - SOCKET - 12 CAVITY
	088474-03-000	EA	HOUSING - SOCKET - 9 CAVITY
	088474-07-000	EA	HOUSING - SOCKET - 5 CAVITY
	088474-08-000	EA	HOUSING - SOCKET - 4 CAVITY
	088474-09-000	EA	HOUSING - SOCKET - 3 CAVITY
	088474-10-000	EA	HOUSING - SOCKET - 2 CAVITY
	088475-01-000	EA	PIN - CONNECTOR - 14 - 20 AWG
	088475-02-000	EA	PIN - CONNECTOR - 10-12 AWG
	088476-01-000	EA	SOCKET - CONNECTOR - BRASS - PRE-TIN
	088476-02-000	EA	SOCKET - CONNECTOR - 12-10 GA - PHOS BRZ - PRE - TIN
	098262-01-000	EA	SEAL - CONNECTOR - WEATHER PACK
	098265-02-000	EA	PIN-CONNECTOR,WEATHER PACK - PACKARD12089305
	101751-01-000	EA	HOUSING-1 PIN, WEATHER PACK
	101751-02-000	EA	HOUSING-1 PIN, WEATHER PACK
	102777-02-000	EA	TERMINAL-RING #6 STUD, 10 AWG
	106655-01-000	EA	TERMINAL - FUSE BLOCK - 14-16 AWG
	106655-02-000	EA	TERMINAL - FUSE BLOCK - 10-12 AWG
	125323-02-000	EA	HOUSING - 8 POSITION - MALE
	125324-01-000	EA	TERMINAL - MALE
	125325-01-000	EA	SEAL - CAVITY

WATER PUMP SWITCH & COVER/ACTUATOR

KEY	PART NUMBER	U/M	DESCRIPTION
	108357-08-000	EA	SWITCH - ROCKER DPDT - ON/NONE/ON - 6 TERMINAL
	108356-02-01A	EA	COVER/ACTUATOR SWITCH - 2 ROWS DIMPLES - CONTURA II - BLACK

ELECTRICAL GROUP (CONTINUED)

LIGHTS, SWITCHES & RECEPTACLES



KEY	PART NUMBER	U/M	DESCRIPTION	VENDOR NO.
1	024924-02-000	EA	RECEPTACLE - POWER CORD - W/PARTIAL PLATE	
1	069238-01-000	EA	COVER - ELECTRICAL BOX - W/HOLE - 4" X 4" - GRAY	
2	104173-01-01A	EA	LIGHT - DESIGNER - BRASS	
2	104173-01-700	EA	BULB	81900
2	104172-01-01A	EA	LIGHT - BULLET - BULB #93 12V - CANADIAN	
3	058708-01-000	EA	RECEPTACLE - ELECTRIC - DOUBLE - BROWN	
4	098024-03-02A	EA	LIGHT - DOME - 2 BULB - WHITE	
4	008218-01-000	EA	BULB - DOME LIGHT - 12 VOLT - NO. 1141	
4	098024-01-700	EA	LENS-LIGHT	807877
5	121935-01-01A	EA	LIGHT - DOME - SHOWER	
6	098024-01-03A	EA	LIGHT - DOME - 1 BULB - WHITE	
6	008218-01-000	EA	BULB - DOME LIGHT - 12 VOLT - NO. 1141	
6	098024-01-700	EA	LENS-LIGHT	807877
7	058708-05-000	EA	RECEPTACLE - SINGLE - BROWN	
8	098351-02-01A	EA	PLATE - SWITCH - 2 GANG POLISHED BRASS (W/SIDE TV CABINET)	
8	079364-01-000	EA	SWITCH - ON/OFF ROCKER - 2 PRONGS - BROWN - TV (W/SIDE TV CABINET)	
8	079364-03-000	EA	SWITCH - ON/OFF ROCKER - 3 PRONGS - BROWN - COURTESY LIGHT	
8	098351-01-01A	EA	PLATE - SWITCH - 1 GANG POLISHED BRASS (W/O SIDE TV CABINET)	
9	065202-24-000	EA	LAMP - WALL/BRASS - W/O SHADE	
9	067479-01-000	EA	BULB - 12 VOLT - #1076 - 1.80 AMP	
9	065201-12-000	EA	SHADE - LAMP - FABRIC	
10	058707-02-000	EA	RECEPTACLE - BLANK JUNCTION BOX	
11	061424-01-000	EA	LIGHT - AISLE - 12 VOLT - RECTANGULAR	
11	008103-01-000	EA	BULB - DASH/AISLE LIGHT - #53 - 12 VOLT - .12 AMP	
12	058707-01-000	EA	RECEPTACLE - ELECTRIC - SINGLE - BROWN	
13	098351-05-01A	EA	PLATE - SWITCH - 3 GANG POLISHED BRASS	
13	079364-01-000	EA	SWITCH - ON/OFF ROCKER - 2 PRONGS - BROWN - STEP/CEILING/PORCH	
13	095188-02-01A	EA	SPACER - SWITCH - 2.3" X 4.1" - PLASTIC - DARK BROWN	

KEY	PART NUMBER	U/M	DESCRIPTION	VENDOR NO.
14	058708-02-000	EA	RECEPTACLE - ELECTRIC - DOUBLE - IVORY	
14	102568-01-E41	EA	SPACER - RECEPTACLE - SIDEWALL	
15	084076-02-000	EA	RECEPTACLE - GFI - 15 AMP - 125 VOLT - BROWN	
16	058708-02-000	EA	RECEPTACLE - ELECTRIC - DOUBLE - IVORY	
17	098351-02-01A	EA	PLATE - SWITCH - 2 GANG POLISHED BRASS	
17	095188-01-01A	EA	SPACER - SWITCH - 2.3" X 3.4" - PLASTIC - DARK BROWN	
17	079364-01-000	EA	SWITCH - ON/OFF ROCKER - 2 PRONGS - BROWN - CEILING	
17	079364-03-000	EA	SWITCH - ON/OFF ROCKER - 3 PRONGS - BROWN - COURTESY	
18	112822-01-01A	EA	RECEPTACLE - DUPLEX - IVORY	
18	112824-01-03A	EA	COVER - RECEPTACLE - EXTERIOR DUPLEX	
19	098351-03-01A	EA	PLATE - SWITCH - 3 GANG POLISHED BRASS	
19	079364-01-000	EA	SWITCH - ON/OFF ROCKER - 2 PRONGS - BROWN - CEILING/SHOWER	
19	079364-03-000	EA	SWITCH - ON/OFF ROCKER - 3 PRONGS - BROWN - PUMP	
19	095188-02-01A	EA	SPACER - SWITCH - 2.3" X 4.1" - PLASTIC - DARK BROWN	
20	098351-07-01A	EA	PLATE - SWITCH - GENERATOR - POLISHED BRASS	
20	108357-06-000	EA	SWITCH - ROCKER DPDT - MOM/OFF/MOM - 6 TERMINAL	
20	108356-11-01A	EA	COVER-ACTUATOR SWITCH - 3 GROOVES - AUX BATT - BLACK	
21	098024-05-02A	EA	LIGHT - DOME - 1 BULB - SKYLITE - WHITE	
21	008218-01-000	EA	BULB - DOME LIGHT - 12 VOLT - NO. 1141	
21	098024-01-701	EA	LENS - OPTI CLEAR - SKYLITE	809902
22	091927-01-000	EA	COVER - RECEPTACLE - DOUBLE - IVORY	
			FROM: 10-14-96 THRU: 99-99-99	
23	111414-01-000	EA	RECEPTACLE - 12V - W/O BIMETAL	
	086280-01-000	EA	LIGHT - SURFACE MOUNT - 12 VOLT	
	086280-01-700	EA	BULB, 12V	ARP1089
	108355-01-000	EA	HOUSING - SWITCH	

EXTERIOR BODY GROUP

FIBERGLASS, STYROFOAM & ALUMINUM CHANNEL

KEY	PART NUMBER	U/M	DESCRIPTION
	100619-01-000	BF	EXPANDED FOAM SHEET - 4' X 8' X 1.34"
	100619-02-000	BF	FOAM - EXPANDED POLYSTYRENE
	100619-04-000	BF	FOAM - EXPANDED POLYSTYRENE - .5" X 4' X 8'
	100619-05-000	BF	FOAM - EXPANDED POLYSTYRENE - .75" X 4' X 8'
	100619-11-000	BF	FOAM - EXPANDED POLYSTYRENE - 4' X 8' X 2"
	100619-13-000	BF	FOAM - EXPANDED POLYSTYRENE - 34.65" X 8' X .34"
	117754-03-01A	EA	FIBERGLASS SHEET - 10.5" X 96" BRIGHT WHITE
	076054-P9-000	EA	FIBERGLASS SHEET - 37.4" X 99.25" BRIGHT WHITE
	076054-R1-000	EA	FIBERGLASS SHEET - 24" X 65.9" BRIGHT WHITE
	076054-S3-000	EA	FIBERGLASS SHEET - 101.4" X 106.9" BRIGHT WHITE
FROM: 00-00-00 THRU: 09-19-96			
	076054-W2-000	EA	FIBERGLASS SHEET 85" X 339" BRIGHT WHITE
	076054-W5-000	EA	FIBERGLASS SHEET - 101.42" X 108.66" BRT WHT
	077517-65-000	EA	FIBERGLASS - SHEET - 48" X 96" BRIGHT WHITE
	076054-N9-000	EA	FIBERGLASS SHEET - 96" X 102" BRIGHT WHITE
	000870-08-000	SF	STYROFOAM - .75" X 4' X 8' - PLANED
	083574-06-000	SF	STYROFOAM - .75 X 48" X 108" - INCREMENTS OF 14 SF
	068716-01-001	EA	BRACE - 90 DEGREE L-ANGLE - 16'
	002726-01-001	EA	GARNISH - U-CHANNEL - 1.38" X 19' - SERRATED
	089297-01-000	SF	PLYWOOD - LUAN - OVERLAY GRADE - 4' X 8'
	108535-06-701	SF	FIBERGLASS SHEET - 102" X 396' ROLL - BRIGHT WHITE

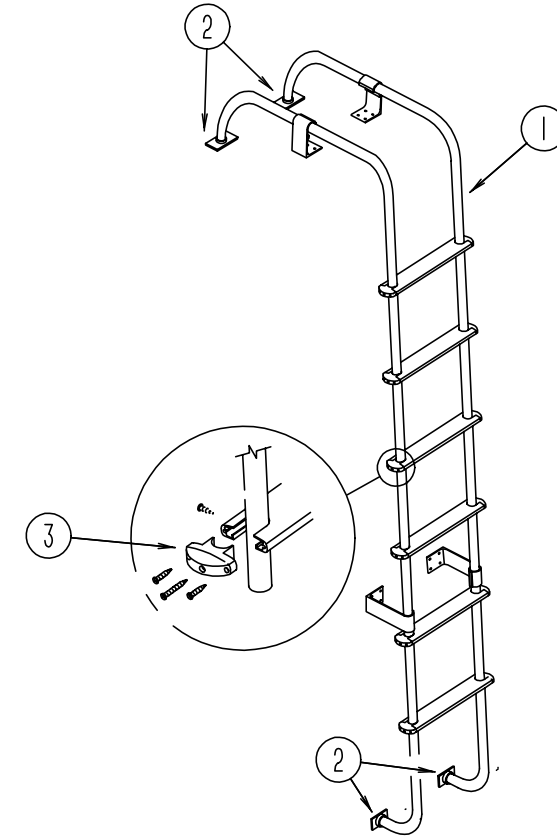
RUNNING BOARDS

KEY	PART NUMBER	U/M	DESCRIPTION
	106461-06-01A	EA	RUNNING BOARD - FORD - RIGHT HAND
	106461-07-01A	EA	RUNNING BOARD - FORD - LEFT HAND
	106461-03-000	EA	HARDWARE KIT - RUNNING BOARD
	106461-04-000	EA	TRIM-RUNNING BOARD FORD - QUALITY SET/2
	106461-05-000	EA	NON SKID STRIP-RUNNING BOARD - QUALITY SET/6

AWNING - A & E

KEY	PART NUMBER	U/M	DESCRIPTION	VENDOR NO.
	113874-01-02A	EA	AWNING - HARDWARE KIT - BRIGHT WHITE	
	113874-01-702	EA	KNOB - ADJUSTING	3105421.014
	113874-01-703	EA	ROD-CENTER PULL W/ACCESSORYS	830152.102
	113874-01-706	EA	LOCK - TRAVEL	830587.001
	113874-01-707	EA	HANDLE - LIFT W/RIVETS	830644
	113874-01-709	EA	NAIL-SPIKE, 8"	113006
	113874-01-710	EA	PLUG-STOP KIT	830456
	113874-01-712	EA	FOOT - PATIO	730366-001
	113874-01-714	EA	RAFTER - MAIN RH/LH BRT/WHT	830295.536F
	113874-01-715	EA	RAFTER - SECONDARY BRT/WHT	830463.511F
	113874-01-716	EA	ARM - MAIN SUPPORT BRT/WHT	3104502.293/F
	113874-01-717	EA	ARM - ADJUSTABLE BRT/WHT	830467.517/F
	113874-05-04A	EA	AWNING - W/O HDW 14' (EMERALD FROST) VINYL	
	111038-01-01A	EA	SPACER - AWNING - LOWER	

EXTERIOR BODY GROUP (CONTINUED)



LADDER

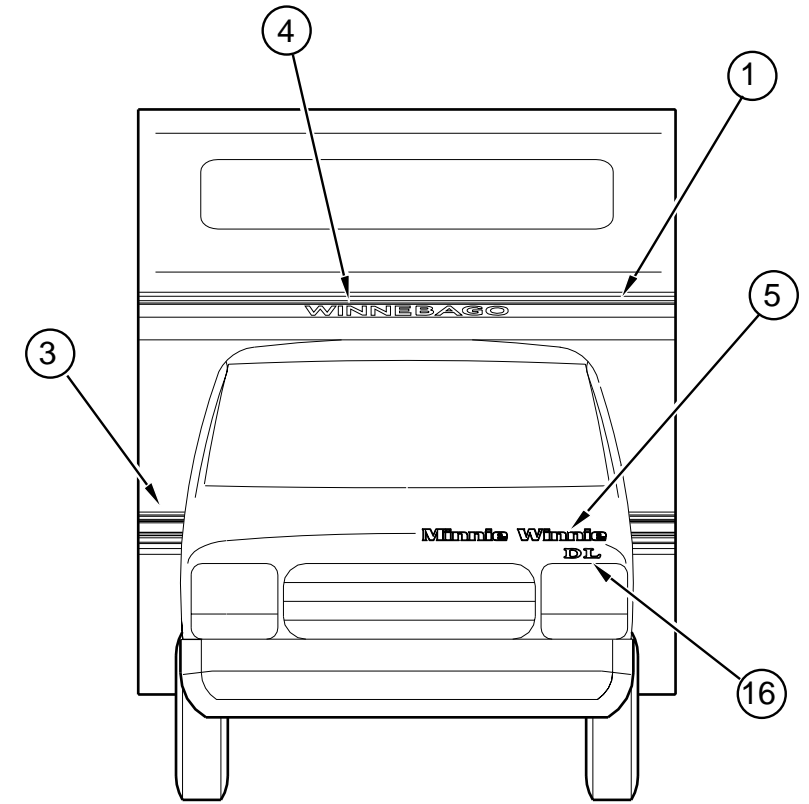
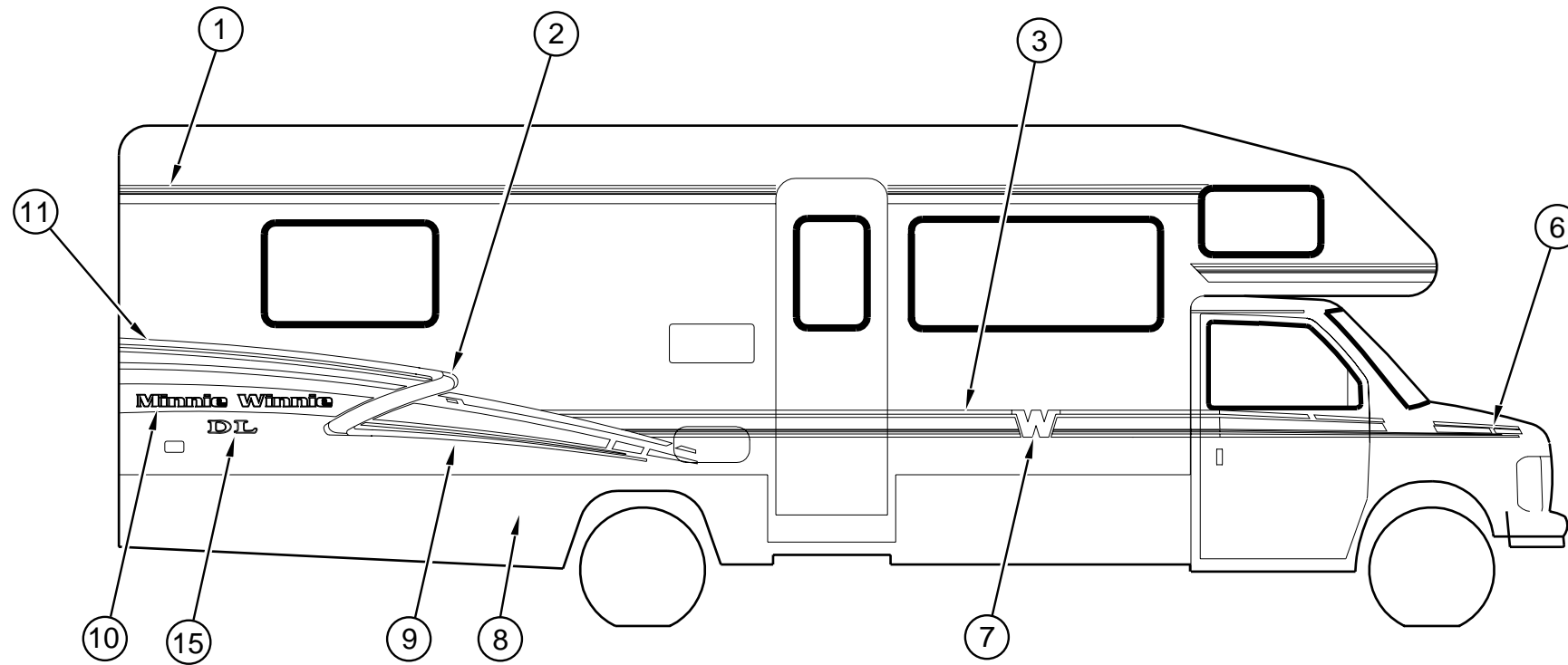
KEY	PART NUMBER	U/M	DESCRIPTION
1	102953-15-G04	EA	LADDER
2	067165-01-000	EA	BRACKET - MOUNTING - LOWER LADDER
	000G39-06-10T	EA	SCREW-SF/DR - 6-20 X 5/8 PPH - BLACK
	000G68-10-36T	EA	SCREW-10-12 X 2.25 POH BLACK
3	076980-02-000	EA	END CAP - STEP - BLACK
	038327-01-000	EA	TAPE - ANTI-SLIP - 2" X 60'

EXTERIOR MIRRORS - VELVAC

KEY	PART NUMBER	U/M	DESCRIPTION	VENDOR NO.
	120269-05-01A	EA	MIRROR - EXTERIOR - W/HEAT/REMOTE - PASSENGER	
	120269-06-01A	EA	MIRROR - EXTERIOR - W/HEAT/REMOTE - DRIVER	
	120269-05-701	EA	GLASS ONLY REPLACEMENT RH/LH	709411-8
	120269-07-01A	EA	PANEL - DRIVERS DOOR MIRROR CONTROL W/SWITCH & PIGTAIL	
	120269-08-000	EA	HARNES - ELECTRIC MIRROR	

EXTERIOR BODY GROUP (CONTINUED)

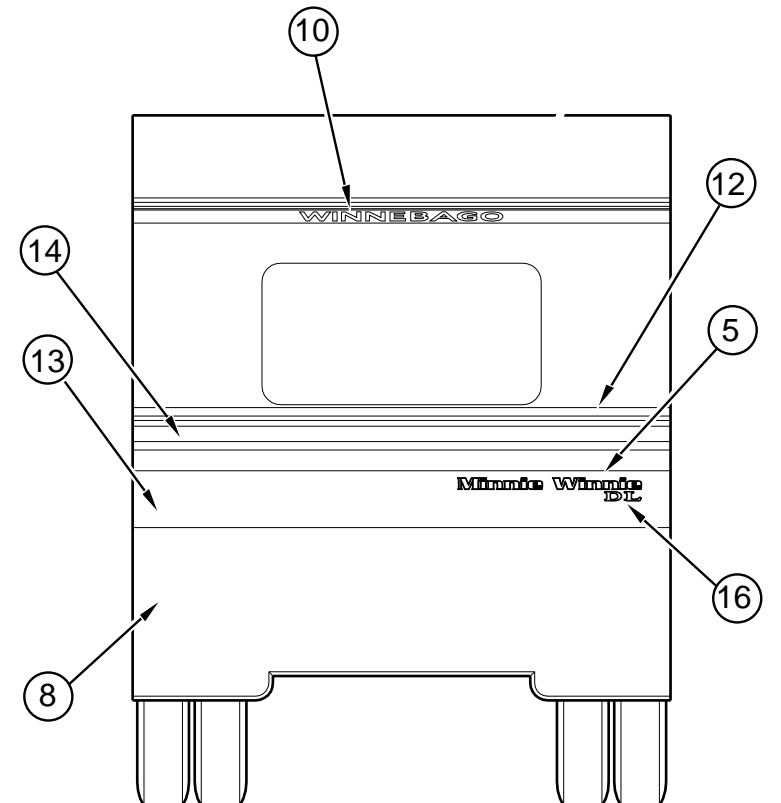
DECALS, STRIPES & PAINT



KEY	PART NUMBER	U/M	DESCRIPTION
1	094443-44-01A	FT	FILM - MULTISTRIPE - 4.4 WIDE
2	122319-01-01A	EA	DECAL - SWEEP - MIDDLE RIGHT HAND
2	122319-02-01A	EA	DECAL - SWEEP - MIDDLE LEFT HAND
3	093689-22-01A	FT	FILM - MULTISTRIPE - 6.5 WIDE
4,10	120702-01-01A	EA	DECAL - LOGO WINNEBAGO
5	121744-02-01A	EA	DECAL - MINNIE WINNIE SMALL
6	121742-01-01A	EA	DECAL - CAB - DOOR RIGHT HAND
6	121742-02-01A	EA	DECAL - CAB - DOOR LEFT HAND
7	121743-01-01A	EA	DECAL - LOGO - "W"
8	099399-33-000	EA	PAINT-FOREST GREEN
9	121740-01-01A	EA	DECAL - SWEEP - FORWARD RIGHT HAND
9	121740-02-01A	EA	DECAL - SWEEP - FORWARD LEFT HAND
10	121744-01-01A	EA	DECAL - MINNIE WINNIE - LARGE
11	121741-01-01A	EA	DECAL - SWEEP - REAR RIGHT HAND
11	121741-02-01A	EA	DECAL - SWEEP - REAR LEFT HAND
12	105781-53-01A	FT	FILM - MULTISTRIPE - 3.25 WIDE
13	093681-51-01A	FT	FILM - 7" - WIDE
14	093681-50-01A	FT	FILM - 1.50" WIDE
15	123777-01-01A	EA	DECAL - "DL" LOGO - 3" X 8"
16	123777-02-01A	EA	DECAL - "DL" LOGO - 1.3" X 3.4"

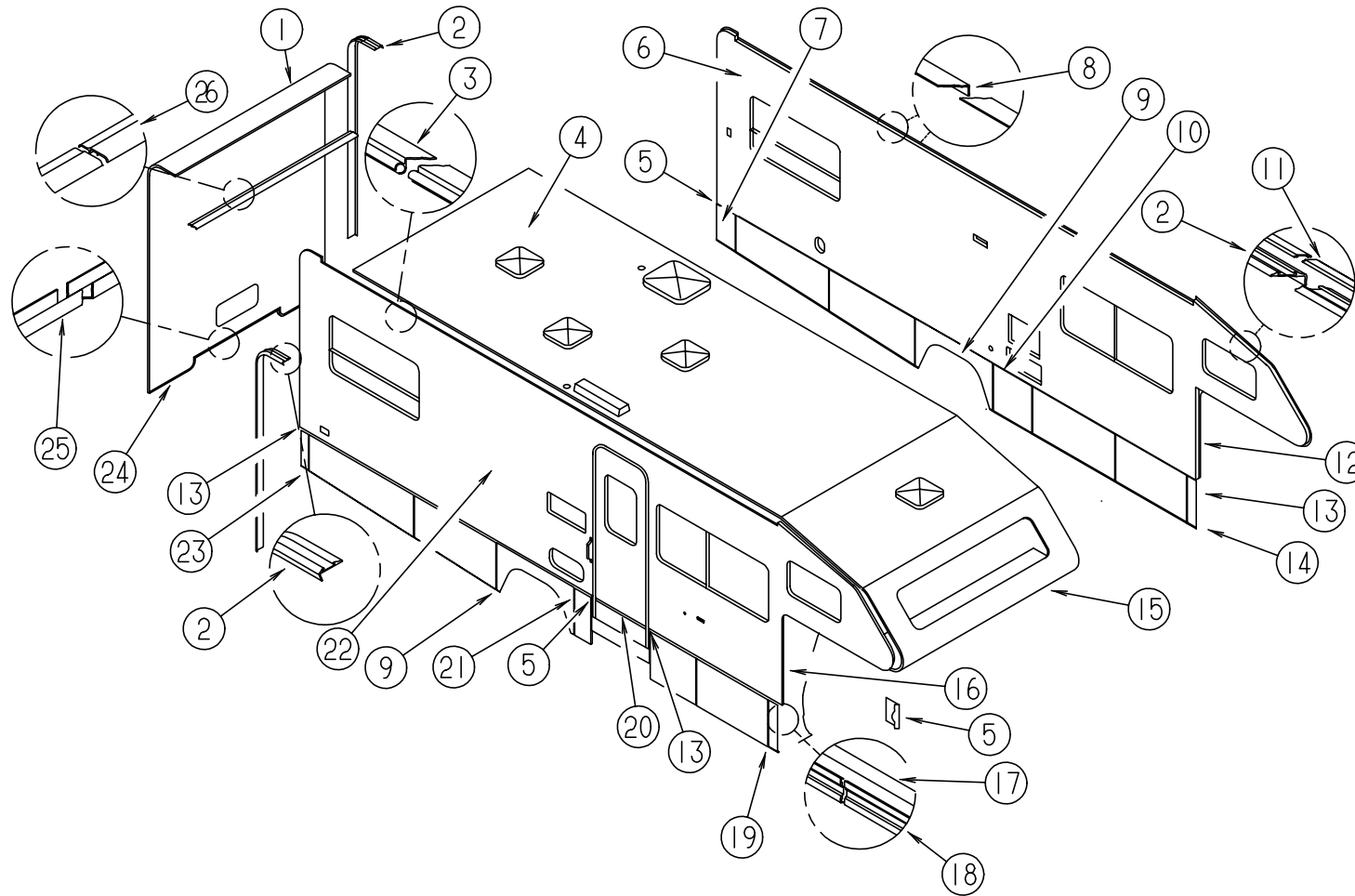
DUPONT COLOR CODES

BRIGHT WHITE	B8951
FOREST GREEN	F1917
FOREST GREEN MET	GM221
SEAFOAM MIST MET	GM165
MAGENTA MET	RM017
BLUEBERRY MET	BM159



EXTERIOR BODY GROUP (CONTINUED)

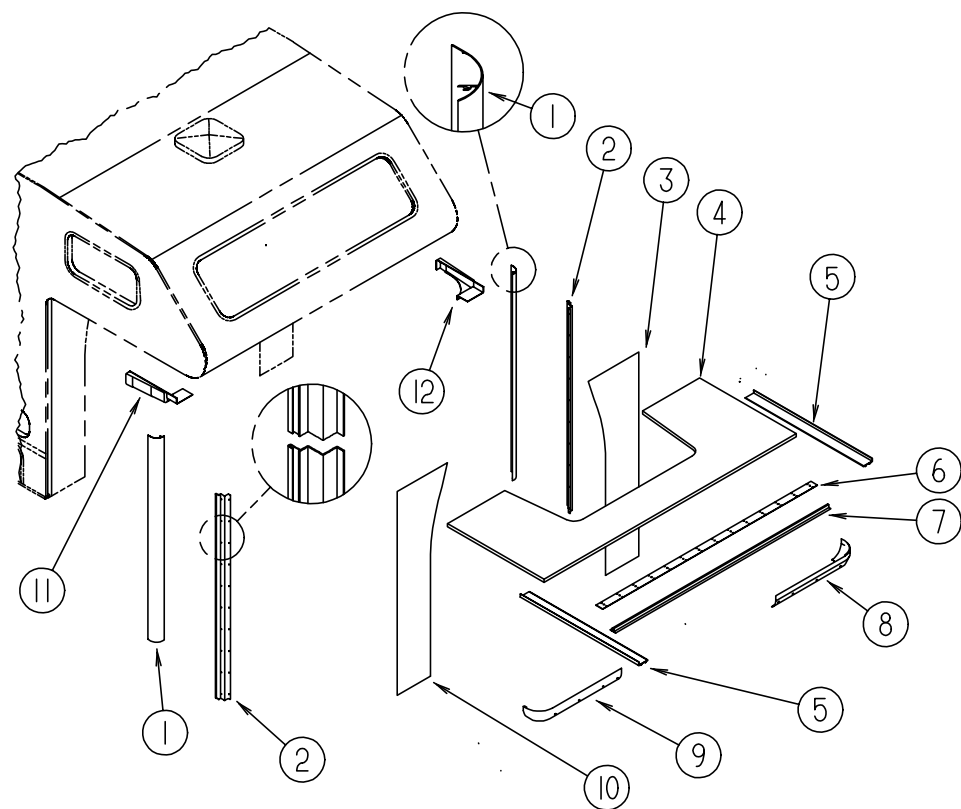
BODY PANELS & TRIMS



KEY	PART NUMBER	U/M	DESCRIPTION
1	P22251-01-H10	EA	BACKWALL - W/O WINDOW/TRIM - QUEEN BED
1	P22251-01-H11	EA	BACKWALL - W/O WINDOW/TRIM - QUEEN BED
1	P22251-02-H10	EA	BACKWALL - W/O WINDOW/TRIM - TWIN BED
1	P22251-02-H11	EA	BACKWALL - W/O WINDOW/TRIM - TWIN BED
1	P22251-03-H10	EA	BACKWALL - W/O WINDOW/TRIM - DOUBLE BED
1	P22251-03-H11	EA	BACKWALL - W/O WINDOW/TRIM - DOUBLE BED
2	096854-05-02A	EA	TRIM - CONTOUR - 115" LONG - PASSENGER/DRIVER SIDE
3	099583-55-004	EA	AWNING RAIL - 133.9" - BRIGHT WHITE
	099583-55-003	EA	AWNING RAIL - 25.4"
4	P22250-01-H07	EA	ROOF - W/O LIGHTS/VENTS - W/WIRING
5	124132-01-01A	EA	CAP - TRIM - SIDEWALL
FROM: 06-24-96 THRU: 99-99-99			
6	P22248-02-H10	EA	SIDEWALL - DRIVER - W/O WINDOWS/TRIM
6	P22248-02-H11	EA	SIDEWALL - DRIVER - W/O WINDOWS/TRIM
7	122732-04-H10	EA	PANEL - REAR VALANCE
8	096864-01-02A	EA	TRIM - CONTOUR
8	096864-02-02A	EA	TRIM - CONTOUR
9	121304-02-02A	EA	PANEL - WHEEL LIP - REAR
10	122776-10-H10	EA	PANEL - VALANCE - W/O HARDWARE
11	105312-01-07A	FT	INSERT - FEATURE STRIP VINYL - BRIGHT WHITE
12	108037-02-02A	EA	COVER - WINGWALL OUTER-CURVED BRIGHT WHITE ALUMINUM
12	105015-02-02A	EA	TRIM - WINGWALL/SIDEWALL INNER SUPPORT BRACKET
12	076322-03-000	FT	TAPE - DOUBLE COATED/ADHESIVE BACK -.045"THK X .50"W X 9'

KEY	PART NUMBER	U/M	DESCRIPTION
13	124132-02-01A	EA	CAP - TRIM/SIDEWALL
FROM: 06-24-96 THRU: 99-99-99			
14	122776-07-H10	EA	PANEL - VALANCE - W/O HARDWARE
15	P21337-01-H07	EA	ROOF - W/O LIGHTS/VENTS - W/WIRING
16	108037-02-02A	EA	COVER - WINGWALL OUTER-CURVED BRIGHT WHITE ALUMINUM
16	105015-02-02A	EA	TRIM - WINGWALL/SIDEWALL INNER SUPPORT BRACKET
16	076322-03-000	FT	TAPE - DOUBLE COATED/ADHESIVE BACK -.045"THK X .50"W X 9'
17	122802-01-01A	EA	TRIM-RETAINER,MILL
18	124176-01-01A	EA	TRIM - SIDEWALL - BRIGHT WHITE
19	122776-06-H10	EA	PANEL - VALANCE - W/O HARDWARE
20	108688-01-03A	EA	STRIP - FEATURE - 15'
20	122828-23-01A	EA	TRIM - SIDEWALL - FEATURE STRIP
21	122776-03-H10	EA	PANEL - VALANCE
22	P22249-02-H10	EA	SIDEWALL - PASSENGER - W/O WINDOWS/TRIM
22	P22249-02-H11	EA	SIDEWALL - PASSENGER - W/O WINDOWS/TRIM
23	122732-03-H10	EA	PANEL-REAR VALANCE
24	103334-03-02A	EA	TRIM - BACKWALL/LOWER
25	103335-02-02A	EA	TRIM - BACKWALL/LOWER
26	078580-02-000	EA	TRIM-ROOF/FRONT CAP
	107865-01-000	EA	ROD - SUPPORT - VALANCE PANEL - 14.3"
	122613-55-005	EA	EXTRUDED - ROCKER PANEL - 192" - FOREST GREEN

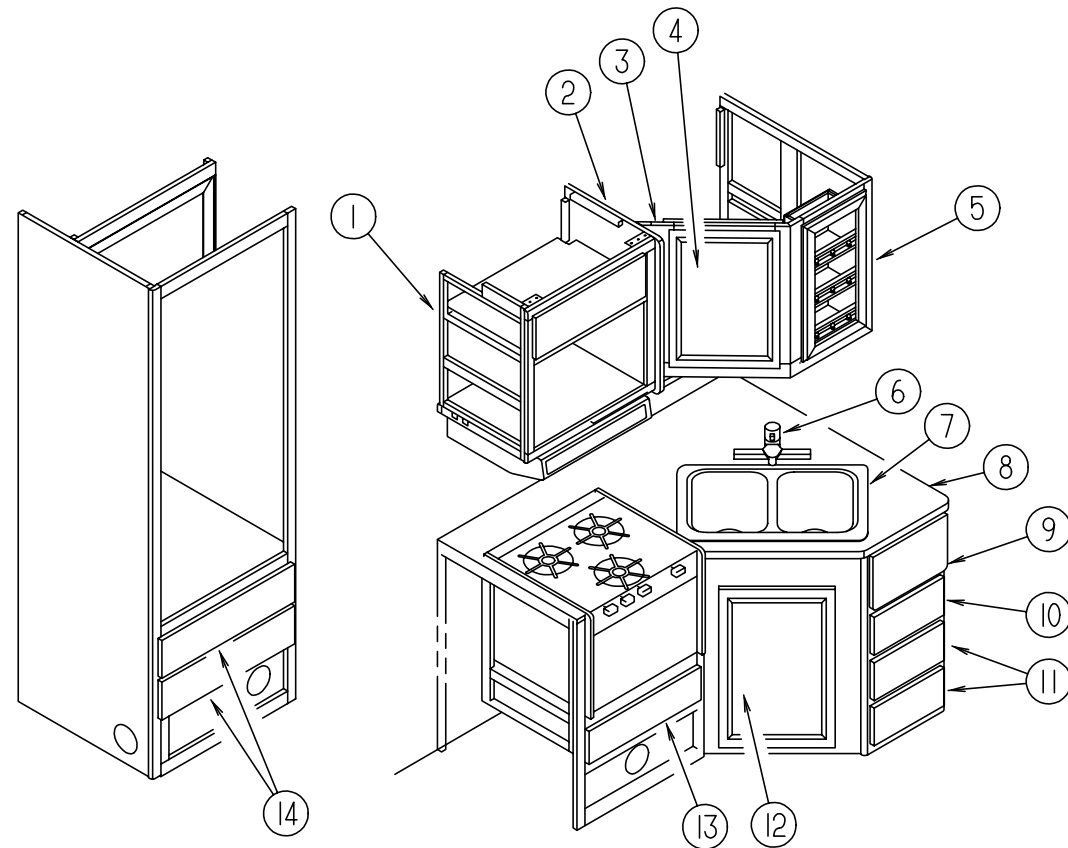
EXTERIOR BODY GROUP (CONTINUED)



WINGWALL, SLEEPERBOARD & TRIM

KEY	PART NUMBER	U/M	DESCRIPTION
1	108037-02-02A	EA	COVER - WINGWALL OUTER-CURVED BRIGHT WHITE ALUMINUM
2	105015-02-02A	EA	TRIM-WINGWALL/SIDEWALL INNER SUPPORT BRKT - BRIGHT WHITE
3	118336-02-G07	EA	WINGWALL
4	P18335-01-G04	EA	SLEEPERBOARD
5	096854-05-02A	EA	TRIM-CONTOUR - BRIGHT WHITE - PASSENGER OR DRIVERS SIDE
5	105312-01-07A	FT	INSERT - FEATURE STRIP VINYL - BRIGHT WHITE
6	100086-04-01A	EA	TRIM - SLEEPER BOARD/ROOF - BRIGHT WHITE - 2" X 96.6"
7	100085-05-01A	EA	TRIM - STRAP - SLEEPERBOARD
8	122910-02-G07	EA	COVER - WINGWALL
9	122910-01-G07	EA	COVER - WINGWALL
10	118336-01-G07	EA	WINGWALL
11	104444-01-02A	EA	COVER-TRIM - WINGWALL - PASSENGER- BRIGHT WHITE
12	104444-02-02A	EA	COVER-TRIM - WINGWALL - DRIVER - BRIGHT WHITE

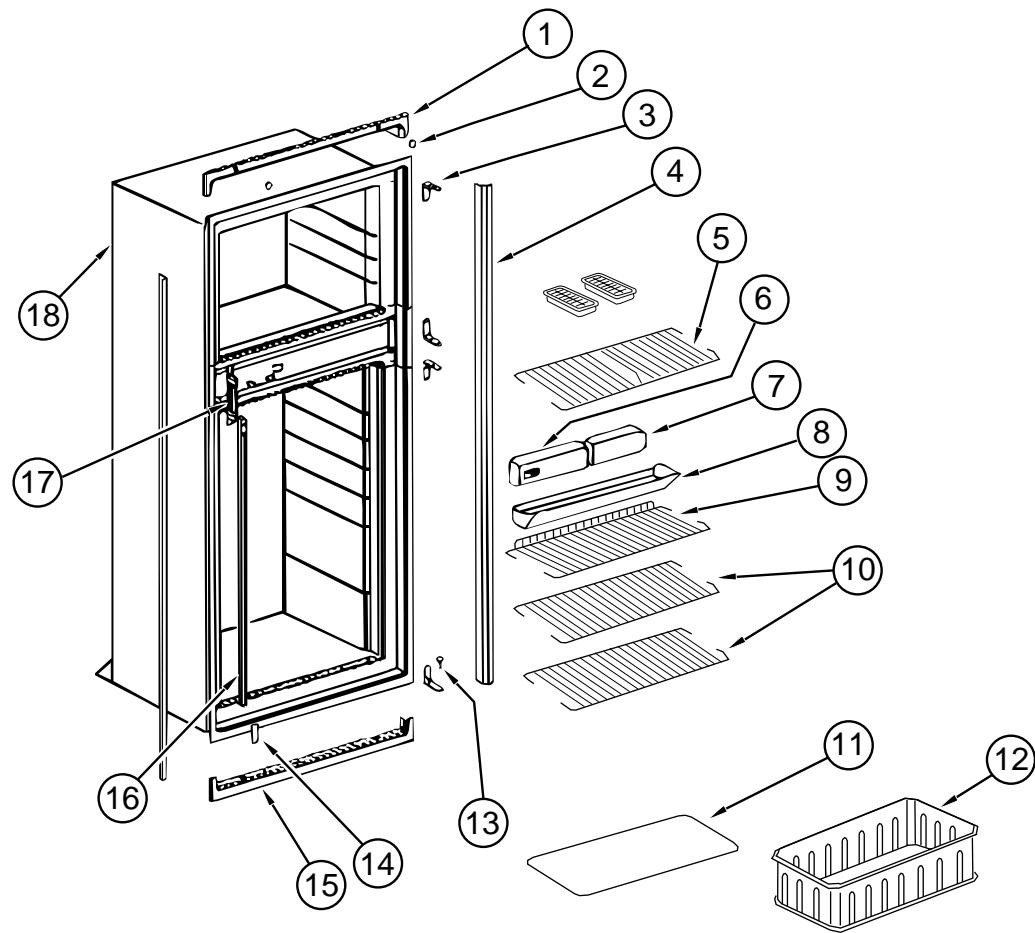
GALLEY GROUP



CABINETS & FIXTURES

KEY	PART NUMBER	U/M	DESCRIPTION
1	122267-01-H10	EA	CABINET - MICROWAVE - W/O DOORS/HARDWARE
2	109908-21-F08	EA	END CAP - OVERHEAD CABINET
3	116669-01-H10	EA	CABINET ASM-OVHD,GALLEY
4	M06803-V8-H10	EA	DOOR-MITERED CORNERS/OGEE EDGE - 14.3" X 21.8" - W/O HDW
5	112076-03-F08	EA	CABINET - SPICE RACK - W/O DOORS/HARDWARE
6	104114-02-01A	EA	FAUCET - GALLEY - SINGLE CONTROL
7	104113-01-000	EA	SINK - DOUBLE - STAINLESS STEEL
	092303-01-000	EA	STRAINER - SINK
	103610-01-E04	EA	COVER - SINK - 15.1" X 15.8" (H10)
			FROM: 00-00-00 THRU: 02-12-97
	103610-03-H04	EA	COVER - SINK - 15.1" X 15.8" (H10)
			FROM: 02-13-97 THRU: 99-99-99
	103610-01-F09	EA	COVER - SINK - 15.1" X 15.8" (H11)
			FROM: 00-00-00 THRU: 02-12-97
	103610-03-H07	EA	COVER - SINK - 15.1" X 15.8" (H11)
			FROM: 02-13-97 THRU: 99-99-99
8	122362-13-H08	EA	COUNTERTOP - GALLEY (H10)
8	122362-13-H07	EA	COUNTERTOP - GALLEY (H11)
8	P22362-01-H10	EA	CABINET - GALLEY/DINETTE - W/O DOORS/DRAWERS/HARDWARE
8	P22362-01-H11	EA	CABINET - GALLEY/DINETTE - W/O DOORS/DRAWERS/HARDWARE
8	P22362-02-H10	EA	CABINET - GALLEY/COUCH - W/O DOORS/DRAWERS/HARDWARE
8	P22362-02-H11	EA	CABINET - GALLEY/COUCH - W/O DOORS/DRAWERS/HARDWARE
9	080812-08-G24	EA	EXTENSION - GALLEY (H10)
9	080812-08-G07	EA	EXTENSION - GALLEY (H11)
10	M05971-F4-H10	EA	DRAWER - RADIUS EDGE 14.3" X 11.8" W/O HARDWARE
11	M05971-E6-H10	EA	DRAWER - RADIUS EDGE 14.3" X 21.7" W/O HARDWARE
12	M06803-32-F08	EA	DOOR - MITERED CORNER/OGEE EDGE - 13.6" X 30.3" - W/O HDW
13	M05971-E7-H10	EA	DRAWER - RADIUS EDGE 19.8" X 15.7" W/O HARDWARE
	090329-01-000	FT	SEAL/T - REFRIGERATOR CABINET
	103251-07-01A	EA	INSERT - ACRYLIC/BLACK - 21.60" X 14.53"
	103251-08-01A	EA	INSERT-ACRYLIC BLACK - *21.60 X 31.62
14	M05971-S0-H10	EA	DRAWER - RADIUS EDGE 22.5" X 19.7" W/O HARDWARE
	098335-14-H08	EA	RAIL - GALLEY - 41" (H10)
	098335-14-H07	EA	RAIL - GALLEY - 41" (H11)

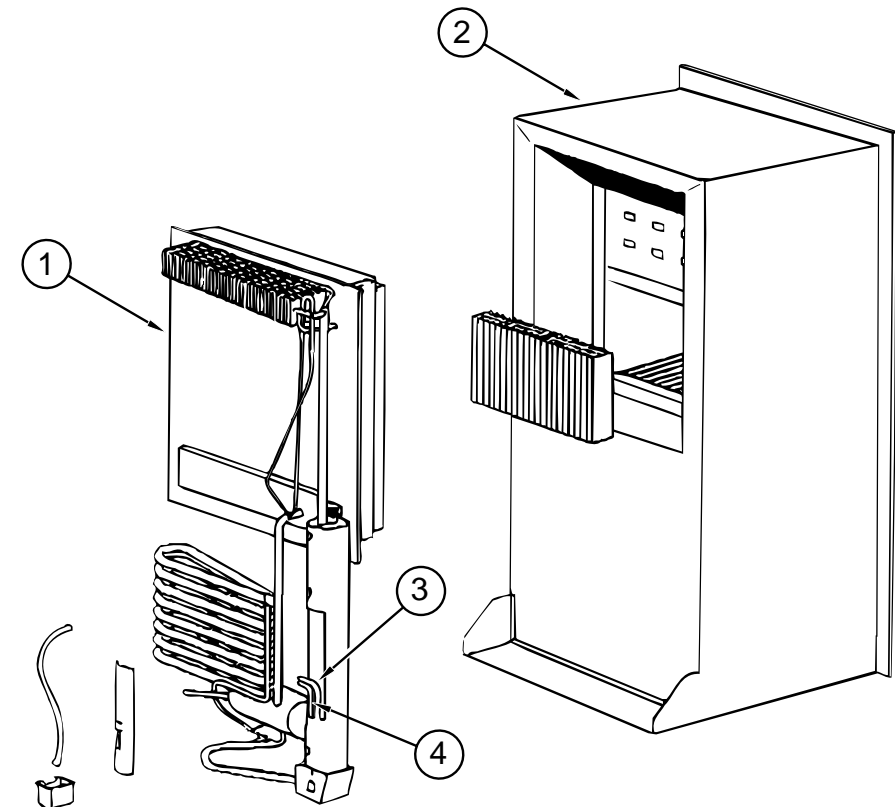
GALLEY GROUP (CONTINUED)



NORCOLD MODEL 9162 R REFRIGERATOR CABINET ASM WITH TRAY, TIEDOWNS, & LEVEL

KEY	PART NUMBER	U/M	DESCRIPTION	VENDOR NO.
	121568-01-01A	EA	REFRIGERATOR - SMALL DOUBLE DOOR - 2-WAY	
1	120075-01-713	EA	TRIM-TOP PIECE	618124
2	120075-01-714	EA	PLUG-HOLE	618170
3	120075-01-715	EA	HINGE-CABINET	618512
4	120076-01-702	EA	TRIM, SIDE PIECE	618133
5	121568-01-705	EA	SHELF - WIRE FREEZER	618620
6	121568-01-706	EA	CONTROL BOX ASSEMBLY	618588
	120075-01-708	EA	BUSHING-DOOR HINGE	618144
7	120075-01-718	EA	BOX-FILLER	618112
8	120075-01-720	EA	TRAY-DRIP	618137
	120075-01-721	EA	LOUVER-DRIP TRAY	618176
9	121568-01-707	EA	SHELF - WIRE - SHORT	618624
10	121568-01-708	EA	SHELF - WIRE	618589
11	120075-01-725	EA	COVER-CRISPER	618158
12	121568-01-709	EA	CRISPER	618571
13	120075-01-727	EA	PIN-HINGE	618145
14	120075-01-728	EA	COVER-HINGE HOLE	618171
15	120075-01-729	EA	TRIM-BOTTOM PIECE	618136
16	120075-01-730	EA	RETAINER-SHELF	618181
17	120075-01-732	EA	PLATE-STRIKE	618167
18	120076-01-703	EA	CABINET-FOAMED	618260
	120075-01-731	EA	PLUG-FACADE	618184
	093646-01-000	EA	BRACKET - TIEDOWN/REFRIGERATOR - RIGHT HAND	
	093646-02-000	EA	BRACKET - TIEDOWN/REFRIGERATOR - LEFT HAND	
	116751-05-01A	EA	TRAY - REFRIGERATOR	
	054450-01-000	EA	LEVEL - REFRIGERATOR	
	065225-02-000	EA	PLATE - TIEDOWN - REFRIGERATOR	
	117089-01-000	FT	HOSE - 1/2" ID - GARDEN	

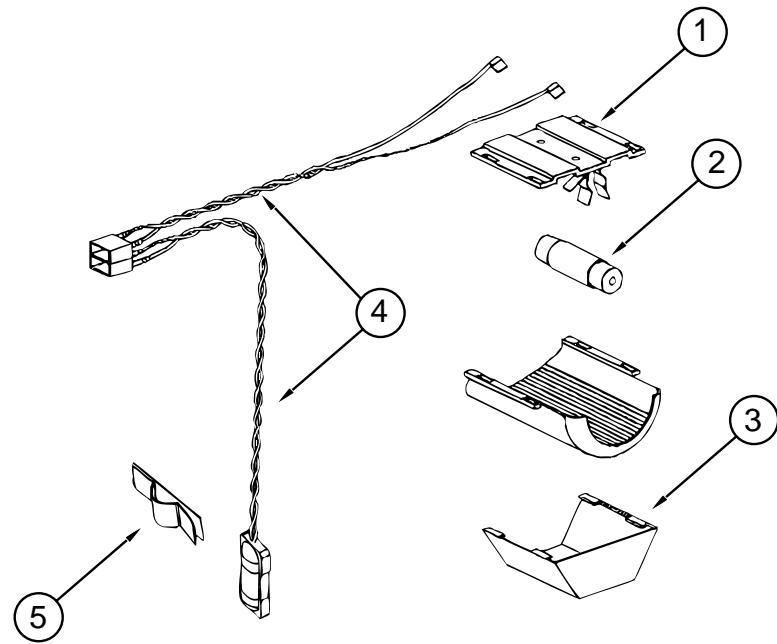
GALLEY GROUP (CONTINUED)



COOLING UNIT & CABINET ASM FOR NORCOLD MODEL 9162 R

KEY	PART NUMBER	U/M	DESCRIPTION	VENDOR NO.
	121568-01-01A	EA	REFRIGERATOR - SMALL DOUBLE DOOR - 2-WAY	
1	120076-01-704	EA	COOLING UNIT, SERVICE PACK	618543
2	120076-01-703	EA	CABINET-FOAMED	618260
3	088248-01-710	EA	HEATER DC (HORIZONTAL)	61562822
4	088248-01-709	EA	HEATER-AC (HORIZONTAL)	61562722

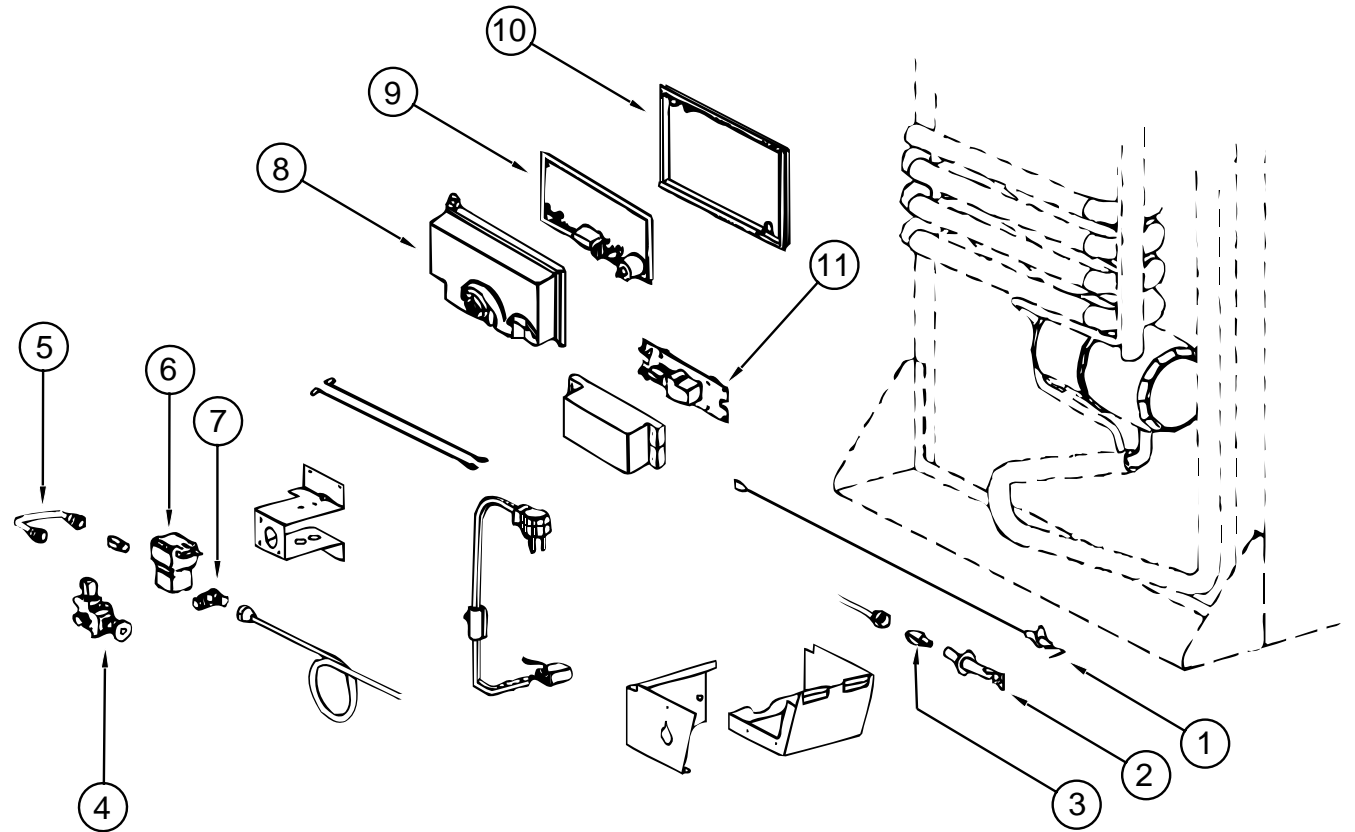
GALLEY GROUP (CONTINUED)



LIGHT FOR NORCOLD MODEL 9162 R

KEY	PART NUMBER	U/M	DESCRIPTION	VENDOR NO.
	121568-01-01A	EA	REFRIGERATOR - SMALL DOUBLE DOOR - 2-WAY	
1	084880-03-705	EA	BRACKET-LIGHT-INTERIOR	61629722
2	084880-03-706	EA	BULB-LAMP	61628922
3	084880-03-707	EA	COVER-LAMP, LENS	61627922
4	120075-01-735	EA	THERMISTER W/LAMP & WIRE/ASM	618548
5	084880-01-760	EA	CLIP (THERMISTER)	61689122

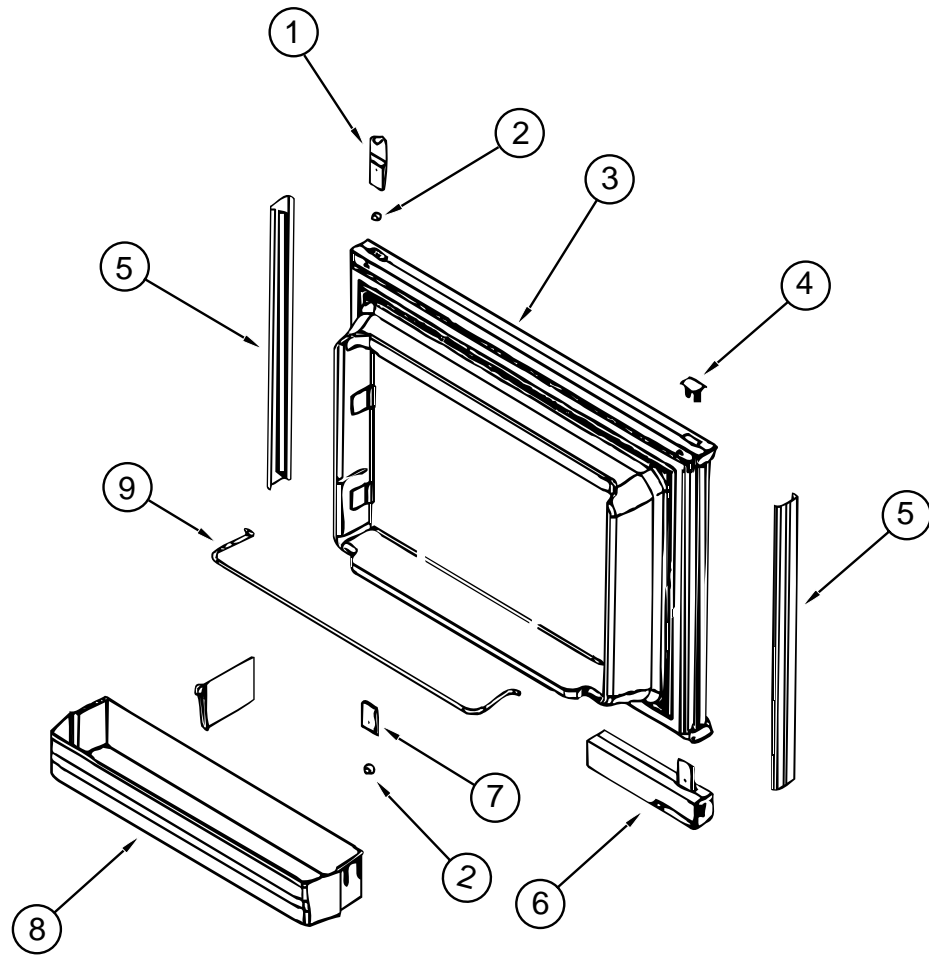
GALLEY GROUP (CONTINUED)



ELECTRICAL COMPONENTS FOR NORCOLD MODEL 9162 R

KEY	PART NUMBER	U/M	DESCRIPTION	VENDOR NO.
	121568-01-01A	EA	REFRIGERATOR - SMALL DOUBLE DOOR - 2-WAY	
1	104137-06-715	EA	ELECTRODE-SPARK/SENSOR, SGL	61692222
2	104137-06-714	EA	BURNER ASSEMBLY, 5-SLOT	61705222
3	113737-01-702	EA	PLUG 1/8" F/PRESSURE TAP	61445322
4	104137-06-709	EA	VALVE-SHUT OFF, MANUAL	61694922
5	113737-01-750	EA	TUBE-UNION	61694622
6	084880-01-718	EA	VALVE-GAS, (ASCO)	61551822
7	113737-01-716	EA	TAP-PRESSURE	61594422
8	120075-01-738	EA	COVER-POWER BOARD	618185
9	120075-01-741	EA	BOARD-POWER, 2-WAY	618574
10	120075-01-740	EA	COVER-BASE, POWER BOARD	618186
11	121568-01-711	EA	BOARD - DC MODULE	618516

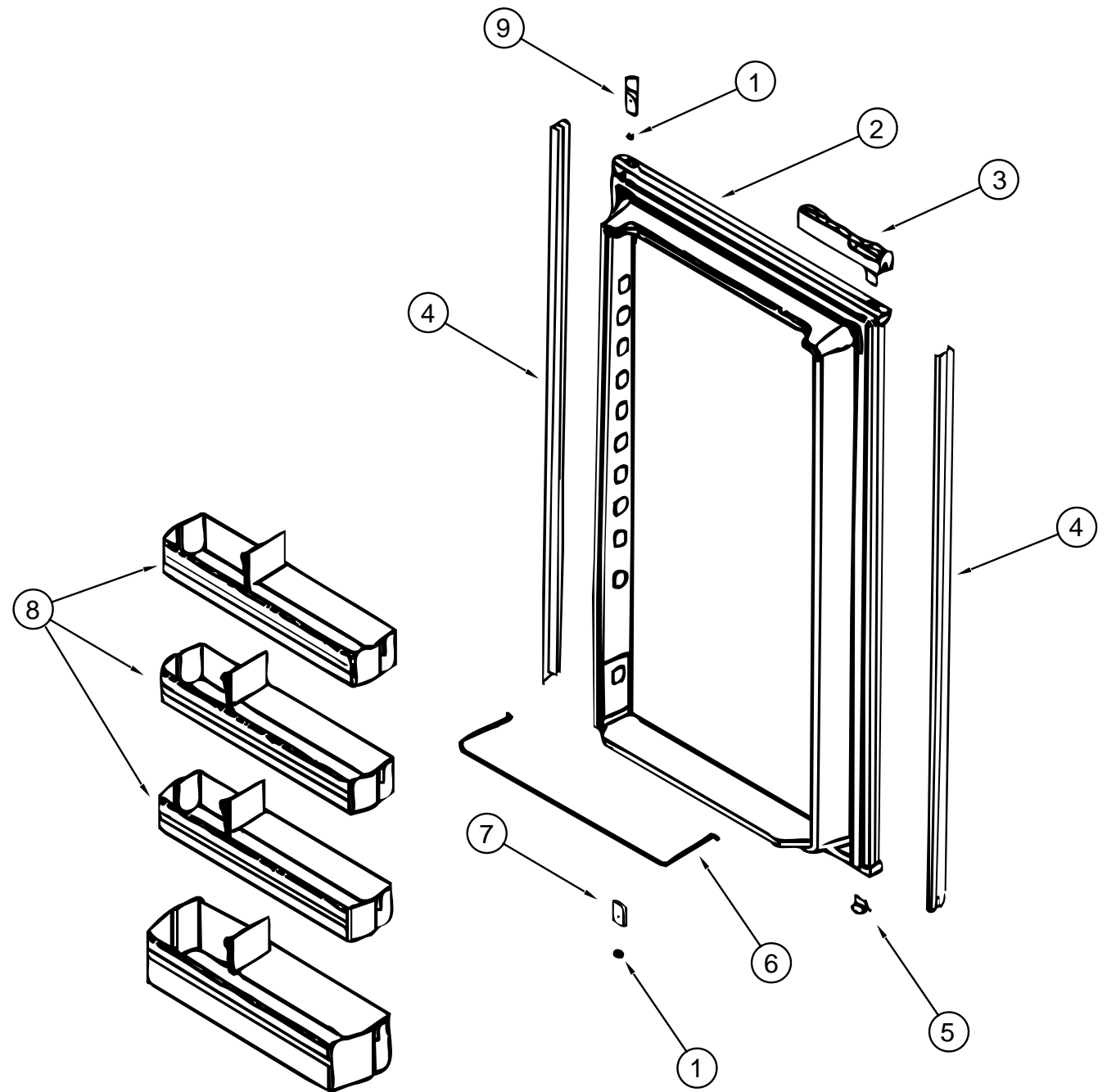
GALLEY GROUP (CONTINUED)



FREEZER DOOR FOR NORCOLD MODEL 9162 R

KEY	PART NUMBER	U/M DESCRIPTION	VENDOR NO.
	121568-01-01A	EA REFRIGERATOR - SMALL DOUBLE DOOR - 2-WAY	
1	120075-01-701	EA HINGE-TOP RH/BOTTOM LH	618511
2	120075-01-708	EA BUSHING-DOOR HINGE	618144
3	120075-01-703	EA DOOR ASM., FOAMED, W/GASKET	618205
4	120075-01-702	EA CAP, (HINGE PLUG)	618160
5	120075-01-700	EA RETAINER - DOOR DECOR PANEL	618128
6	121568-01-702	EA DOOR HANDLE ASM LWR/LH-TOP/RH	618230
7	120075-01-705	EA HINGE-TOP LH/BOTTOM RH	618510
8	121568-01-701	EA BIN - DOOR WHITE	618619
9	121568-01-700	EA RAIL - DOOR UPPER	618618

GALLEY GROUP (CONTINUED)

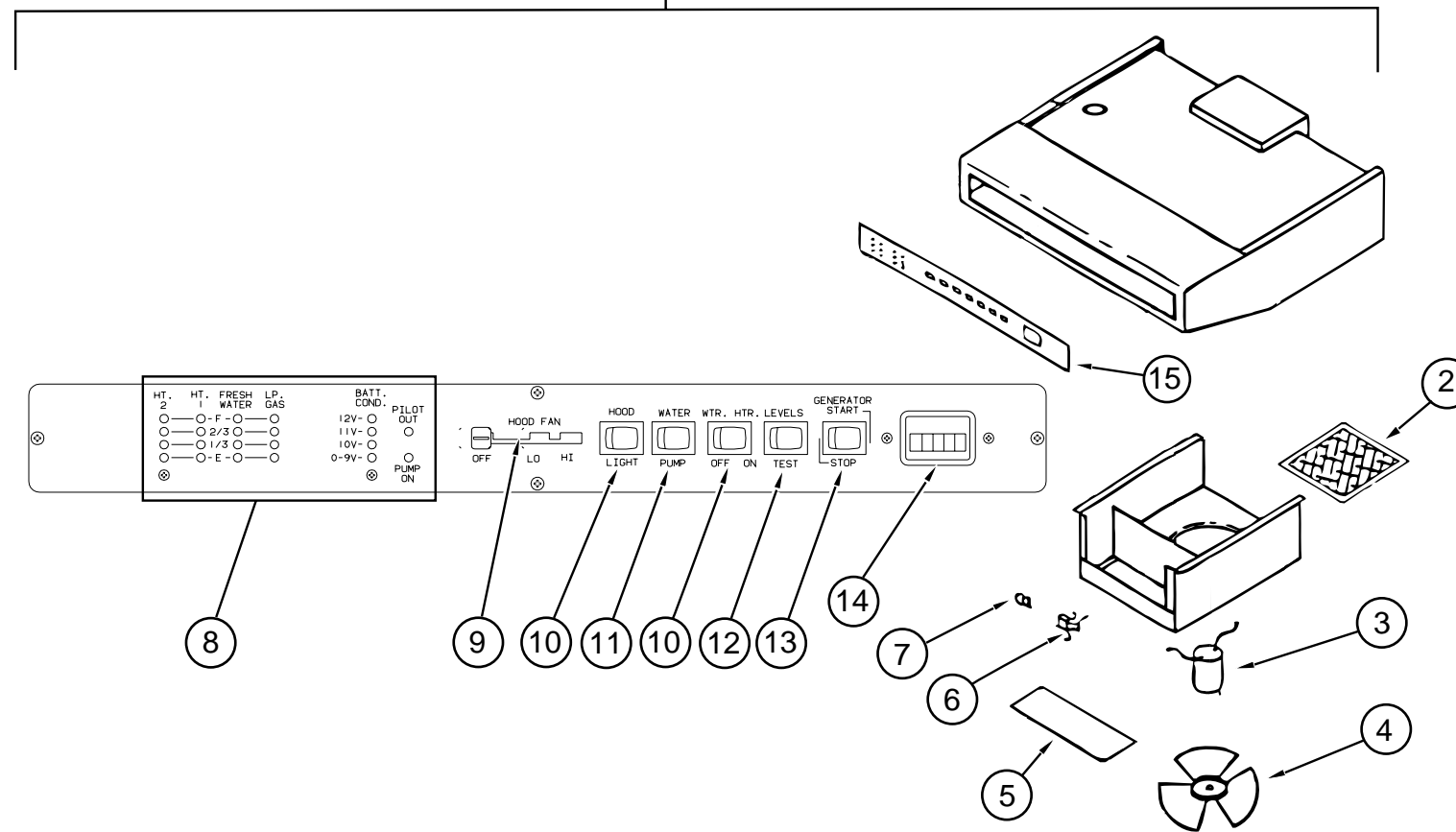


DOOR FOR NORCOLD MODEL 9162 R

KEY	PART NUMBER	U/M DESCRIPTION	VENDOR NO.
	121568-01-01A	EA REFRIGERATOR - SMALL DOUBLE DOOR - 2-WAY	
1	120075-01-708	EA BUSHING-DOOR HINGE	618144
2	120076-01-701	EA DOOR-LOWER-FOAMED, W/GASKET	618210
3	120075-01-711	EA DOOR HANDLE- UPR LH/LOWER RH	618235
4	120076-01-700	EA RETAINER-LOWER DOOR PANEL	618132
5	120075-01-702	EA CAP, (HINGE PLUG)	618160
6	121568-01-704	EA RAIL - DOOR LOWER	618578
7	120075-01-705	EA HINGE, PAINTED, TOP LH/BTM RH	618510
8	121568-01-701	EA BIN - DOOR WHITE	618619
9	120075-01-701	EA HINGE-TOP RH/BTM LH, PAINTED	618511

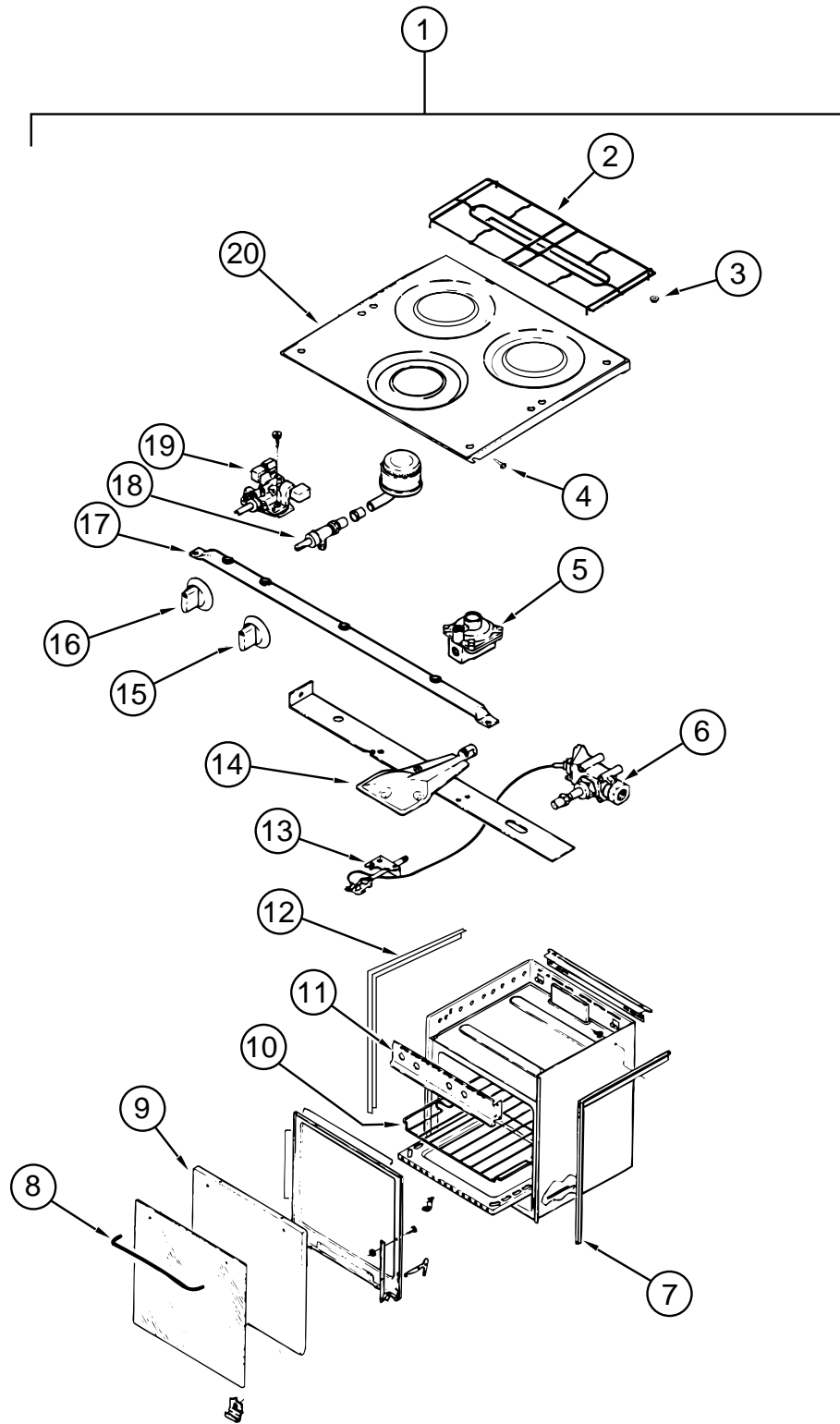
GALLEY GROUP (CONTINUED)

① RANGE HOOD



KEY	PART NUMBER	U/M	DESCRIPTION	VENDOR NO.
1	100258-22-03A	EA	HOOD-RANGE, W/O MONITOR PANEL - TMS-5012-SBDL (US)	
1	100258-23-03A	EA	HOOD-RANGE 22 W/MONT PNL TEX - TMS-5012-SBCL (CSA)	
2	096983-01-707	EA	FILTER-MESH	CC246
3	090973-01-700	EA	MOTOR-12 VOLT, CSA & UL	CA508-1
4	090973-01-702	EA	BLADE-FAN	VA183-1
5	092696-02-701	EA	LENS-LAMP	CC179-2
6	092696-01-710	EA	HOLDER-LAMP	CB267-2
7	117806-01-000	EA	BULB - 12 VOLT #912 - 1.0 AMPS	
8	100258-11-700	EA	BOARD-CIRCUIT	L5099-01
9	100258-04-701	EA	BEZEL-SWITCH LEVER	CC116
9	092696-01-701	EA	KNOB-PLASTIC	CC 225
10	096983-01-700	EA	SWITCH - ON/OFF	L0108-00
11	096983-01-703	EA	SWITCH - ON/ON	L0115-00
12	096983-01-701	EA	SWITCH - SPST/MOM 2 TERMINAL	L0111-00
13	096983-01-702	EA	SWITCH - MOM/OFF/MOM/3 TERM	L0112-00
14	100258-10-01A	EA	GAUGE - HOUR METER W/SWITCH - SCREW ON STYLE	
15	100258-12-700	EA	PANEL-CONTROL ASSEMBLY	LA9076
	092696-01-702	EA	RESISTER-WIRE	L7314
	100258-04-702	EA	SWITCH - LEVER - W/CABLE	CB547-1

GALLEY GROUP (CONTINUED)



GALLEY GROUP (CONTINUED)

RANGE - MAGIC CHEF 16RB-3BZ

KEY	PART NUMBER	U/M	DESCRIPTION	VENDOR NO.
1	112881-01-02A	EA	RANGE - 16" - 3 BURNER BLACK - HIGH OUTPUT BURNER	
2	102020-01-711	EA	GRATE-TOP	7518P012-60
3	102020-01-709	EA	BUMPER-GRATE	8007-P020-60
4	102020-01-724	EA	BUMPER-MAIN TOP	8003P008-60
5	102022-01-708	EA	REGULATOR, 1/4 & 1/2 OUT	7510P041-60
6	112881-01-702	EA	VALVE-MERCURY (SAFETY VALVE)	7501P12160=74001018
7	112881-01-708	EA	TRIM-FLAT (RIGHT) (BLK)	3608W036-70
				FROM: 00-00-00 THRU: 07-14-96
7	112881-01-720	EA	TRIM-FLAT RH BLACK TEXTURED	74002812
				FROM: 07-15-96 THRU: 99-99-99
8	102020-01-701	EA	HANDLE,DOOR	7701P092-60
9	112881-01-714	EA	PANEL-OVEN DOOR, GLASS	2401F114-70
				FROM: 00-00-00 THRU: 07-14-96
9	102022-01-704	EA	GLASS-OUTER	7902P261-60
				FROM: 07-15-96 THRU: 99-99-99
10	102020-01-700	EA	SHELF-OVEN	7801-P027-60
11	112881-01-701	EA	PANEL-MANIFOLD	2616F091-70
12	112881-01-707	EA	TRIM-FLAT (LEFT) (BLK)	3608W035-70
				FROM: 00-00-00 THRU: 07-14-96
12	112881-01-719	EA	TRIM-FLAT LH BLACK TEXTURED	74002813
				FROM: 07-15-96 THRU: 99-99-99
13	112881-01-710	EA	OVEN PILOT	7505P202-60
14	112881-01-711	EA	BURNER-OVEN	3403W025045
15	112881-01-705	EA	KNOB-TOP BURNER	7733P072-60
16	112881-01-704	EA	KNOB-THERMOSTAT	7731P067-60
17	112881-01-709	EA	PIPE-MANIFOLD	7513P097-60
18	102020-01-722	EA	VALVE-TOP BURNER	7502P181-60
18	112881-01-703	EA	VALVE-TOP BURNER HI-OUTPUT	7502P180-60
19	112881-01-722	EA	THERMOSTAT	7515P029-60K
	112881-01-706	EA	THERMOSTAT SER#02C	7515P031-60
	112881-01-715	EA	THERMOSTAT, REF. SER. # 3C	7515P037-60
20	112881-01-712	EA	RANGE TOP-MAIN BLACK	740101486
	112881-01-703	EA	VALVE-TOP BURNER HI-OUTPUT	7502P180-60
	112881-01-721	EA	DEFLECTOR FLUE BLACK TEXTURE	74002809
				FROM: 07-15-96 THRU: 99-99-99
	112881-01-716	EA	KNOB, THERMOSTAT-SER# 3C	7731P107-60
	112881-01-718	EA	KNOB - TOP BURNER HI-OUTPUT	74001794
	105458-01-000	EA	BRACKET - STOVE TIEDOWN - RH	
	105458-02-000	EA	BRACKET - STOVE TIEDOWN - LH	

MICROWAVE

KEY	PART NUMBER	U/M	DESCRIPTION
	115303-02-000	EA	OVEN - MICROWAVE 1.3 CU FT
	115401-02-01A	EA	TRIM - MICROWAVE
	094756-02-01A	EA	BRACKET - L - MICROWAVE - 6.1" LONG X 3.9" WIDE - STEEL
	094750-07-000	EA	BRACKET - MICROWAVE - 89 DEGREE

COFFEE MAKER - BLACK & DECKER

KEY	PART NUMBER	U/M	DESCRIPTION	VENDOR NO.
	103799-02-01A	EA	COFFEEMAKER WITH CLOCK	
				FROM: 00-00-00 THRU: 04-13-97
	103799-01-701	EA	BRACKETS, WHITE PAIR	164734-06 B & D
				FROM: 00-00-00 THRU: 04-13-97
	126019-01-01A	EA	COFFEEMAKER - OPTIMA	
				FROM: 04-14-97 THRU: 99-99-99

GENERATOR GROUP

GENERATOR-4 W M/LITE

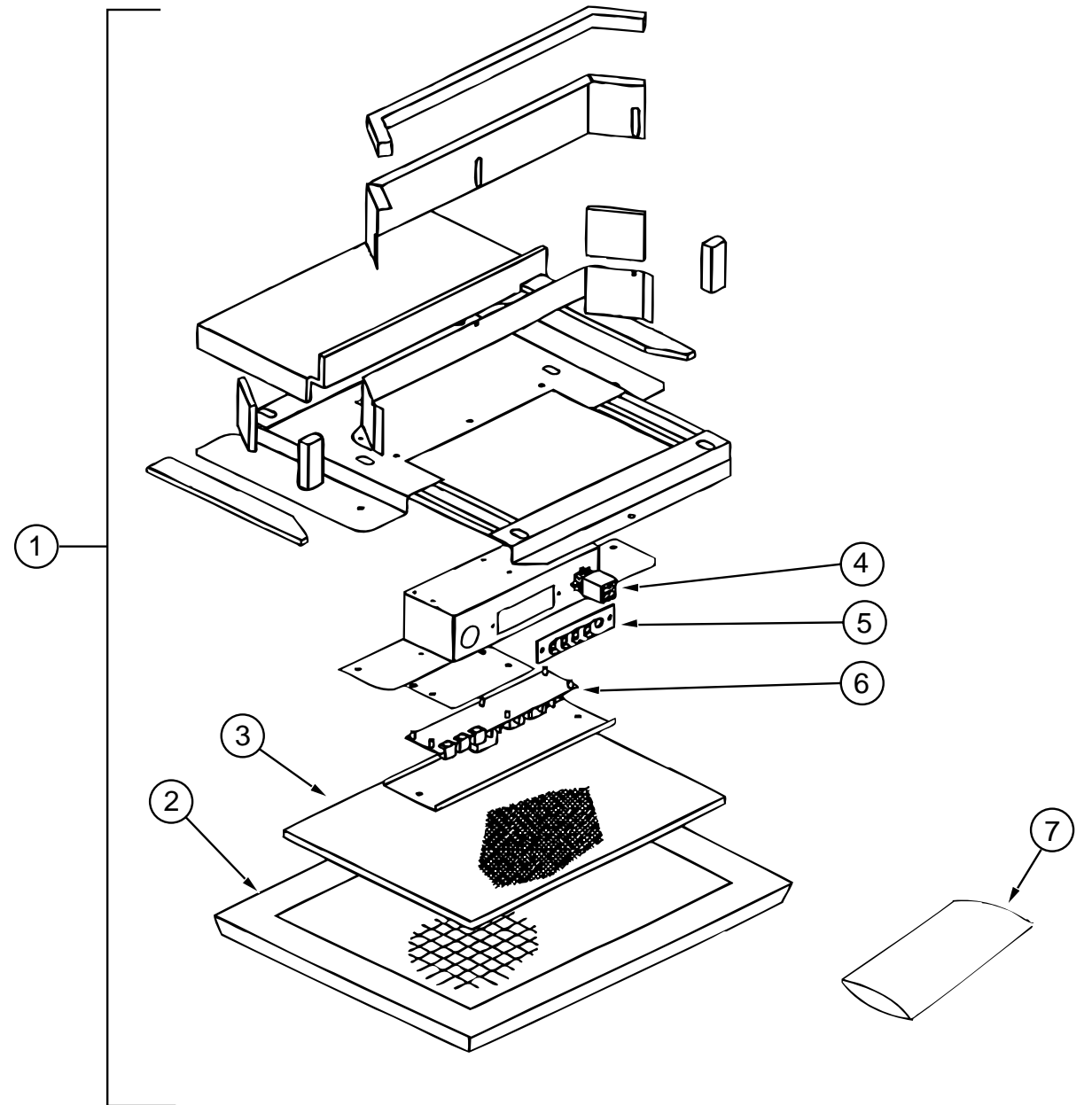
KEY	PART NUMBER	U/M	DESCRIPTION
	109982-03-000	EA	GENERATOR - 4.0 MICROLITE
	007067-01-000	SF	INSULATION - FIBERGLASS - 1" THICK X 4' - INCREMENTS/4 SF
	118248-01-02B	EA	BRACKET - GENERATOR - W/O NOTCH - E-COATED
	118248-02-02B	EA	BRACKET - GENERATOR - W/NOTCH - E-COATED
	007125-04-000	EA	CLAMP - MUFFLER - 1.12" DIAMETER
	105958-09-000	EA	PIPE - GENERATOR EXHAUST 1.25" OD X 5.9" X 22"

GENERATOR-3.6W M/LITE

KEY	PART NUMBER	U/M	DESCRIPTION
	109982-04-000	EA	GENERATOR - 3.6 MICROLITE
	007067-01-000	SF	INSULATION - FIBERGLASS - 1" THICK X 4' - INCREMENTS/4 SF
	118248-01-02B	EA	BRACKET - GENERATOR - W/O NOTCH - E-COATED
	118248-02-02B	EA	BRACKET - GENERATOR - W/NOTCH - E-COATED
	007125-04-000	EA	CLAMP - MUFFLER - 1.12" DIAMETER
	105958-09-000	EA	PIPE - GENERATOR EXHAUST 1.25" OD X 5.9" X 22"

NOTE: ADDITIONAL GENERATOR COMPONENTS ARE FOUND IN THE CHASSIS GROUP.

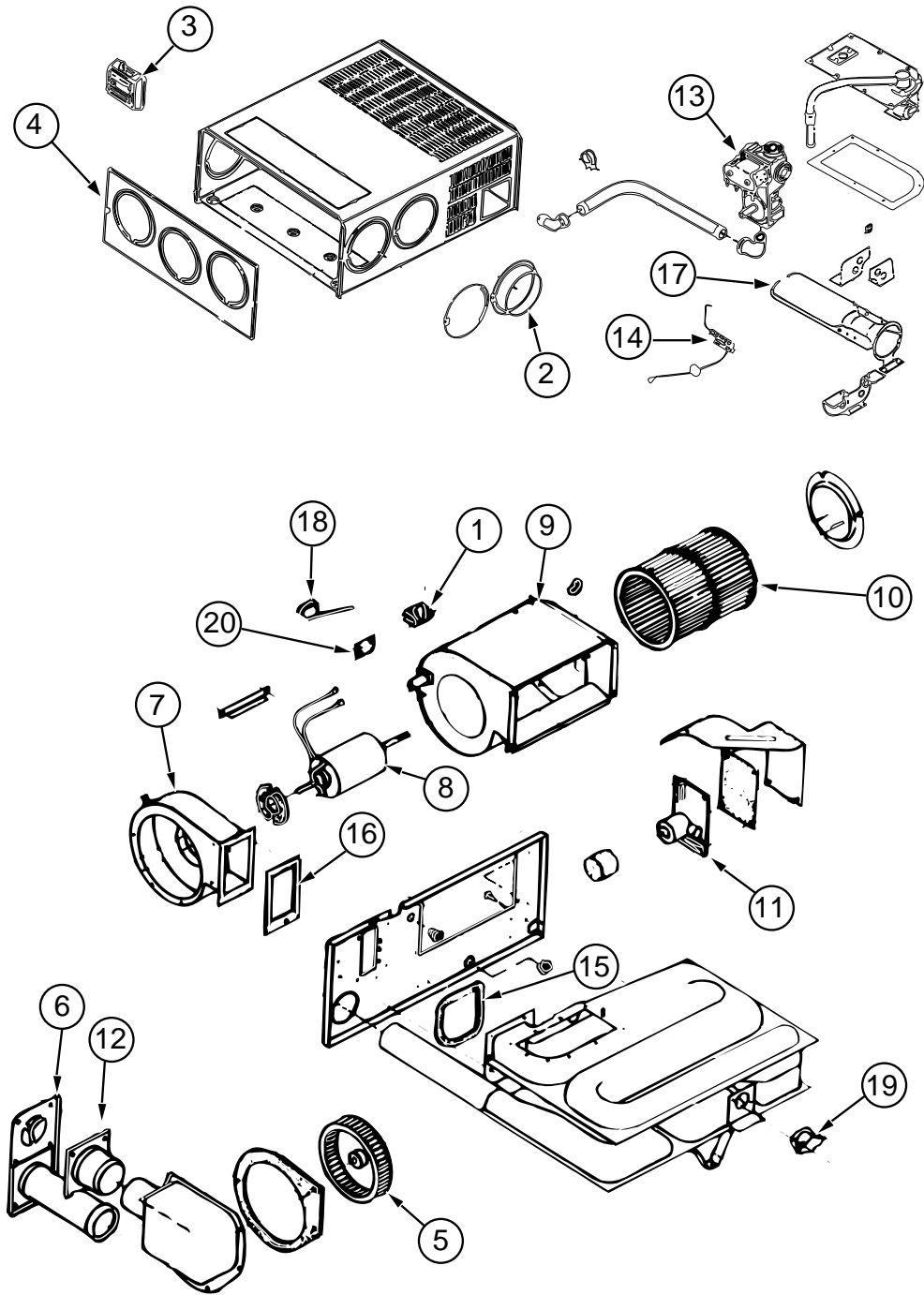
HEATING & AIR CONDITIONING GROUP



CEILING ASM. - A/C - COLEMAN

KEY	PART NUMBER	U/M	DESCRIPTION	VENDOR NO.
1	108892-01-01A	EA	CEILING ASSEMBLY - A/C DUCTED	
2	108892-01-704	EA	GRILLE (PLASTIC)	6798-3041
3	108892-01-703	EA	FILTER	6798A3761
4	108892-01-700	EA	PLUG ASSEMBLY	7330-540
5	108892-01-701	EA	BOARD-TERMINAL	7330-3201
6	108892-01-702	EA	BOARD-P.C.	7330A3211
7	108892-01-705	EA	SMALL PARTS PKG	7330A6101

HEATING & AIR CONDITIONING GROUP (CONTINUED)



HEATING & AIR CONDITIONING GROUP (CONTINUED)

FURNACE - SUBURBAN - MODEL SF-30 2273

KEY	PART NUMBER	U/M	DESCRIPTION	VENDOR NO.
	098668-20-000	EA	FURNACE-30000 BTU, SUBURBAN SF-30 2273	
1	074466-01-702	EA	RELAY, TIME DELAY	230625
2	075696-02-703	EA	COLLAR-DUCT	050715
3	115764-01-01A	EA	THERMOSTAT - FURNACE	
4	098668-01-700	EA	CABINET FRONT	101242
5	098668-01-706	EA	WHEEL-COMBUSTION AIR	350128
6	098668-01-707	EA	TUBE ASSEMBLY, EXHAUST W/CAP	260231
7	098668-01-708	EA	HOUSING-BLOWER, COMBUSTION	390441
8	098668-01-709	EA	MOTOR ASM., F/SF-25, SF-30	231706
9	098668-01-710	EA	HOUSING-BLOWER, ROOM AIR	390440
10	098668-01-711	EA	WHEEL-BLOWER, ROOM AIR	350129
11	098668-01-712	EA	BOARD-MODULE	520741
12	098668-01-713	EA	TUBE ASSEMBLY, INTAKE	051248
13	098668-01-714	EA	VALVE-GAS,SF S.N. 921401821	161070
14	098668-01-715	EA	ELECTRODE ASM., SINGLE PROBE	232166
15	098668-01-716	EA	GASKET-FIREWALL,CHAMBER SIDE	070808
16	098668-01-717	EA	GASKET-FIREWALL, BLOWER SIDE	070809
17	098668-02-700	EA	BURNER ASSEMBLY,SF-30 & SF35	010745
18	098668-21-700	EA	SWITCH-MICRO,W/O FLAG 3 1/4"	232261
19	098668-21-701	EA	SWITCH-LIMIT	231799
20	101990-01-714	EA	GASKET-MICROSWITCH	230877
	092300-02-701	EA	ORIFICE-MAIN BURNER (NT-30BW)	180214
	098668-23-000	EA	DOOR - ACCESS - FURNACE	

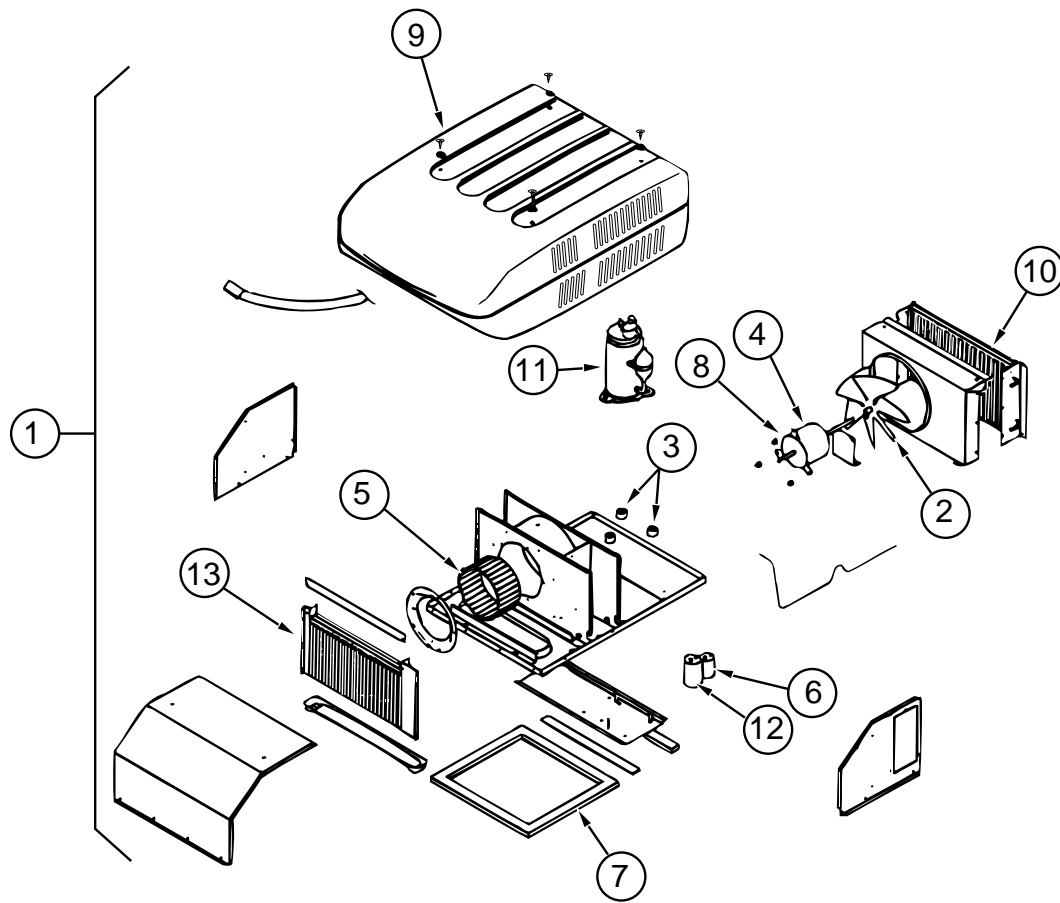
HEATING SYSTEM

KEY	PART NUMBER	U/M	DESCRIPTION
	093741-01-000	EA	BOX - BOOT - FLOOR REGISTER
	069636-02-000	EA	CONNECTOR - DUCT - 4" ID
	009198-01-000	FT	DUCT - HEAT - FLEXIBLE - 4" ID X 25'
	009198-02-000	FT	DUCT - FLEXIBLE - 2" ID X 25'
	093614-01-02A	EA	GRILLE - RETURN AIR
	093614-02-02A	EA	GRILL - RETURN AIR
	079059-02-000	EA	HOSE - 90 DEGREE - .61" ID X 4" X 6"
	007108-01-000	FT	HOSE - HEATER - 5/8" ID - HI -TEMP - FORD
	120134-01-02A	EA	REGISTER - 4-5 " DIAMETER W/DAMPER
	056464-10-000	EA	REGISTER - W/O DAMPER - 4" DIAMETER
	094600-05-01A	EA	REGISTER - HEAT W/O DAMPER
	009200-01-000	EA	TAPE - FURNACE - 1 1/2"
	089367-02-000	EA	TEE - 4" X 2" X 4"
	008042-01-000	FT	TUBING - VINYL - .65" ID
	056464-09-000	EA	VENT - 4" W/DAMPNER - BEIGE PLASTIC

REAR HEATER - EVANS

KEY	PART NUMBER	U/M	DESCRIPTION	VENDOR NO.
	084405-01-000	EA	HEATER - REAR - DUCTED - W/MOTOR AID - EVANS	
	084405-01-700	EA	CORE-HEATER	FT200229
	084405-01-701	EA	FAN BLADES	HV029931
	084405-01-702	EA	MOTOR ASSEMBLY, 12 VOLT	R0200180
	081994-06-000	EA	PLATE - SWITCH - AUXILIARY START	
	087202-01-000	EA	SWITCH - 4 POSITION W/KNOB 5 TERMINAL	

HEATING & AIR CONDITIONING GROUP (CONTINUED)



ROOF A/C - COLEMAN

KEY	PART NUMBER	U/M DESCRIPTION	VENDOR NO.
1	115219-01-03A	EA A/C-ROOF,14,800 MACH 15 B/W/T - *COLEMAN 7335B896	
2	093763-01-712	EA BLADE-FAN-CONDENSER	6733-3221
3	105620-01-706	EA MOUNTING PKG.,COMP., 3 PER	6759-3081
4	108889-01-705	EA MOTOR (115, 60HZ)	1468-3049
5	108889-01-706	EA IMPELLOR	1472-1041
6	093763-01-704	EA CAPACITOR-FAN	1499-5461
	108889-01-710	EA PAD-FILLER, CONDENSER SEAL	6759A3971
7	108889-01-711	EA GASKET PKG	6792-3301
8	108889-01-715	EA MOTOR MOUNT & SHAFT SEAL KIT	6792-3361
9	108889-05-700	EA SHROUD-BRIGHT/WHT. W/O LOGO	7333-4601
10	115219-01-700	EA COIL-CONDENSER	1452-1321
11	N/A	EA COMPRESSOR - PANASONIC	1450-2039
12	115219-01-702	EA CAPACITOR-RUN, COMPRESSOR	1499-5741
	115219-01-703	EA RELAY-START	1497-4151
13	115219-01-704	EA COIL-EVAPORATOR	1452-1331
	115219-01-705	EA LINE-SUCTION, LOWER	7335-130
	115219-01-706	EA LINE-SUCTION, UPPER	7335-131
	115219-01-707	EA LINE ASSEMBLY, DISCHARGE	7335A132
	093306-01-701	EA DECAL PACKAGE, LEFT & RIGHT	6798B3591
	093306-01-720	EA CAPACITOR-START, 21-25 MFD33	1497-3351
	102289-01-000	EA SPRING - SCREW - ROOF A/C GASKET	
	084077-03-000	EA COVER-BLANK, ROOF A/C - 5.2" X 3.5" - IVORY	
	092633-01-02A	EA FRAME - PLATE - ROOF A/C - 5.7" X 3.9" ANY COLOR	
		FROM: 10-14-96 THRU: 99-99-99	
	117238-01-01A	EA THERMOSTAT - A/C AND FURNACE	

INTERIOR FINISH GROUP

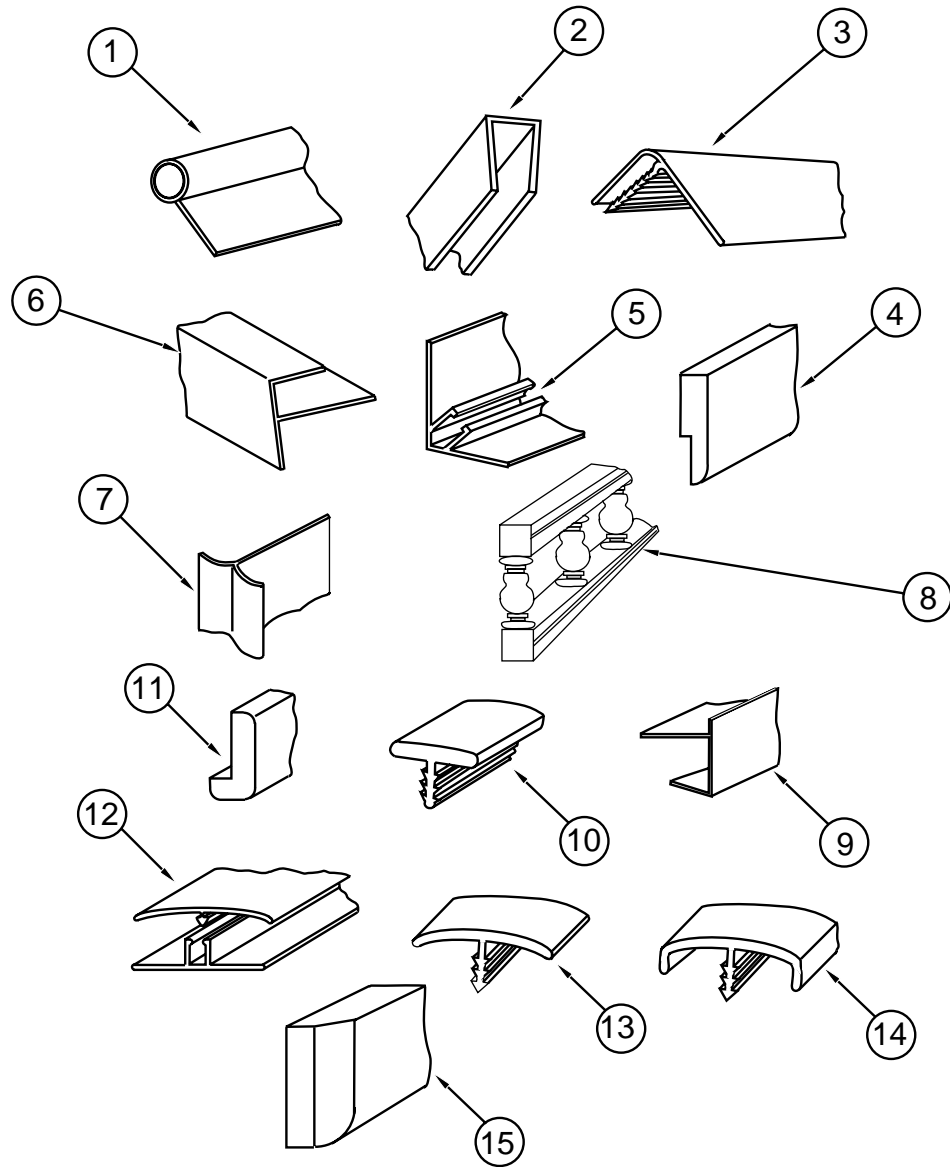
PANELING, LAMINATES & PLASTIC

KEY	PART NUMBER	U/M DESCRIPTION
	000846-01-000	SF PLYWOOD - 5/16" X 48" X 96"
	000846-02-000	SF PLYWOOD - 5/16" X 48" X 96"
	000885-72-000	SF PARTICLE BOARD-1/2" X 48" X 96"-CHERRY - 2 SIDE VINYL
	000885-73-000	SF PARTICLE BOARD - 3/4" X 48" X 96" - CHERRY - 2 SIDE VINYL
	000885-74-000	SF PARTICLE BOARD - 3/8" X 48" X 96" - CHERRY 2 SIDE VINYL
	057882-04-000	SF TAMBOUR - 48" X 72" SHEET - UNFINISHED
	074497-23-000	SF PANELING - CHERRY - .1" X 48" X 96"
	074497-33-000	SF PANELING - CEILING - IMPACT PEARL - 48" X 108"
		FROM: 00-00-00 THRU: 11-19-96
	074497-38-000	SF PANELING - IMPACT PEARL TEXTURE - 4' X 9'
		FROM: 11-20-96 THRU: 99-99-99
	074498-67-000	SF LAMINATE - PLASTIC - ORCHID MIST - 5' X 8' - INC OF 40SF
		FROM: 00-00-00 THRU: 01-05-97
	074498-40-000	SF LAMINATE - PLASTIC - 5' X 8' - OFF WHITE - INC OF 40 SF
		FROM: 01-06-97 THRU: 99-99-99
	074498-58-000	SF LAMINATE-PLASTIC,PROV.CHERRY
	074498-62-000	SF LAMINATE - PLASTIC - GREY FINESSE - 5' X 8' - INC OF 40SF (H10)
	074498-71-000	SF LAMINATE - PLASTIC - NEUTRAL SANTOS - 5'X8' - INC OF 40SF (H11)
	080215-09-000	SF PANELING - 2 SIDE -.2" X 4' X 8' - CHERRY
	088272-G1-000	SF PANELING - PEBBLE EMBOSSED - ANTIQUE WHITE - 4' X 7'
	088272-G4-000	SF PANELING - MONTANA FROST - 4' X 8' (H10)
	088272-F9-000	SF PANELING - PRIMAVERA STONE - 4' X 8' (H11)
	088272-98-000	SF PANELING - TRAVERTINE - ANTIQUE WHITE - 4' X 7'
		FROM: 00-00-00 THRU: 01-14-96
	093743-05-01A	SF PLASTIC - ABS COIL - BRIGHT WHITE - 20" X 108"
	098531-02-000	SF PLYWOOD - CHERRY 1/2"
	111134-D2-438	EA LUMBER - VINYL WRAPPED - .7" X 1.5" X 96" - CHERRY
	111134-E2-438	EA LUMBER - VINYL WRAPPED - .7" X 1.5" X 96" - CHERRY
	111134-G2-438	EA LUMBER - VINYL WRAPPED - .7" X 1.5" X 96" - CHERRY
	114129-01-02A	SF LINER - CABINET - .02" X 48" X 96"
		FROM: 00-00-00 THRU: 04-13-97
	126339-01-000	SF BOARD - WHEAT - 60" X 72"
		FROM: 04-14-97 THRU: 99-99-99

CARPETING & FLOOR MATS

KEY	PART NUMBER	U/M DESCRIPTION
	096060-C4-000	SY CARPET - JUBILATION - NIGHT NAVY (H10)
	096060-C5-000	SY CARPET - JUBILATION - SUMMER STR (H11)
	093486-01-000	SY CARPET - COMPARTMENT - 54" WIDE - DARK GRAY
	093873-01-01A	EA TRIM - CARPET - L-ANGLE 1.1" X 1.3" X 12' - GRAY VINYL
	081075-03-000	EA MAT - FLOOR - ENTRANCE - WINNEBAGO
	106884-01-000	EA MAT - FLOOR - FRONT PASSENGER "W" - FORD
	106884-02-000	EA MAT - FLOOR - FRONT DRIVER "W" - FORD

INTERIOR FINISH GROUP (CONTINUED)



MOLDINGS & TRIMS

KEY	PART NUMBER	U/M DESCRIPTION
1	009767-12-000	FT WELTING - SIDEWALL/CEILING/CABINET - OFF/WHT
2	009778-18-000	FT U-CHANNEL - 1" - CHERRY-CHERRY
2	009778-20-700	EA U-CHANNEL, 1"X55" MODERN IVORY
2	070504-30-000	FT U-CHANNEL - EXTRUDED PLASTIC - .65" X 84" - CHERRY
2	070504-31-000	FT U-CHANNEL - EXTRUDED PLASTIC - .81" X 84" - CHERRY
3	009809-23-000	EA MOLDING - CORNER - OUTSIDE - 1" X 84" - MODERN IVORY
3	009809-27-001	EA MOLDING-O/S LG CABT,2133MM
3	009809-27-000	EA MOLDING - CORNER - OUTSIDE - 1" X 84" - CHERRY
4	111136-D2-438	EA MOLDING - VINYL WRAPPED - .7" X 1.6" X 8' - CHERRY
4	111136-D2-001	EA MOLDING - VINYL WRAPPED - .7" X 1.6" X 7' - CHERRY
4	111136-D2-134	EA MOLDING - VINYL WRAPPED - .7" X 1.6" X 7' - CHERRY
4	111136-F2-134	EA MOLDING - .7" X 2.6" X 7' - VINYL WRAPPED - CHERRY
		FROM: 00-00-00 THRU: 12-01-96
4	111136-F2-438	EA MOLDING - VINYL WRAPPED - .7" X 1.6" X 7' - CHERRY
		FROM: 12-02-96 THRU: 99-99-99
5	100819-01-04A	EA MOLDING - VINYL WRAPPED - CHERRY/CHERRY
6	009812-24-000	EA MOLDING - PLASTIC - OUTSIDE CORNER - .50" - IVORY
6	009812-26-000	EA MOLDING - PLASTIC - CORNER - CHERRY

INTERIOR FINISH GROUP (CONTINUED)

MOLDINGS & TRIMS (CONTINUED)

KEY	PART NUMBER	U/M DESCRIPTION
7	022992-01-000	FT MOLDING-REVERSE COVE, T-SHAPED - VINYL - WHITE
7	022992-11-000	FT MOLDING - REVERSE COVE - T-SHAPED VINYL - IVORY
8	075249-01-000	EA RAILING-OAK, 72" UNFINISHED
9	103186-01-04A	FT MOLDING - PLASTIC - SHELF - 3/8" U-CHANNEL W/3/4" FACE
10	104676-01-01A	FT T-MOLDING - 5/16" - RIGID GOLD
10	104676-02-03A	FT T-MOLDING,1/2X10 FT - *CHERRY-CHERRY
11	077840-01-E41	EA MOLDING - WALL CAP - 8'
12	086229-11-000	EA RETAINER - OFFSET - 97.01"
12	086229-12-000	EA BATTEN - 1.5" OFFSET X 97.01" - T-MOLDING - 1" - BRASS/BLACK
12	086229-18-000	EA BATTEN - 1" X 97.68" - OFF WHITE
12	086229-13-000	EA BATTEN - 1" X 96" - IVORY
		FROM: 00-00-00 THRU: 06-09-96
12	086229-20-000	EA BATTEN - 1" X 96" - BEIGE
		FROM: 06-10-96 THRU: 99-99-99
13	009815-09-000	FT MOLDING-T - .75" IVORY
13	105709-01-000	FT T-MOLDING - 1" - MODERN IVORY
14	083620-09-000	FT T-MOLDING - .75" W/EDGE LIPS
14	083620-11-000	FT T-MOLDING - 3/4" W/EDGE LIPS - CHERRY-CHERRY
14	119520-01-01A	FT MOLDING-T - 1" W/EDGE LIPS (OFF/WHITE-CREAM)
15	100659-01-E74	EA MOLDING - TRIM - VINYL FLOOR
	120492-01-04A	FT STRIP - TRIM

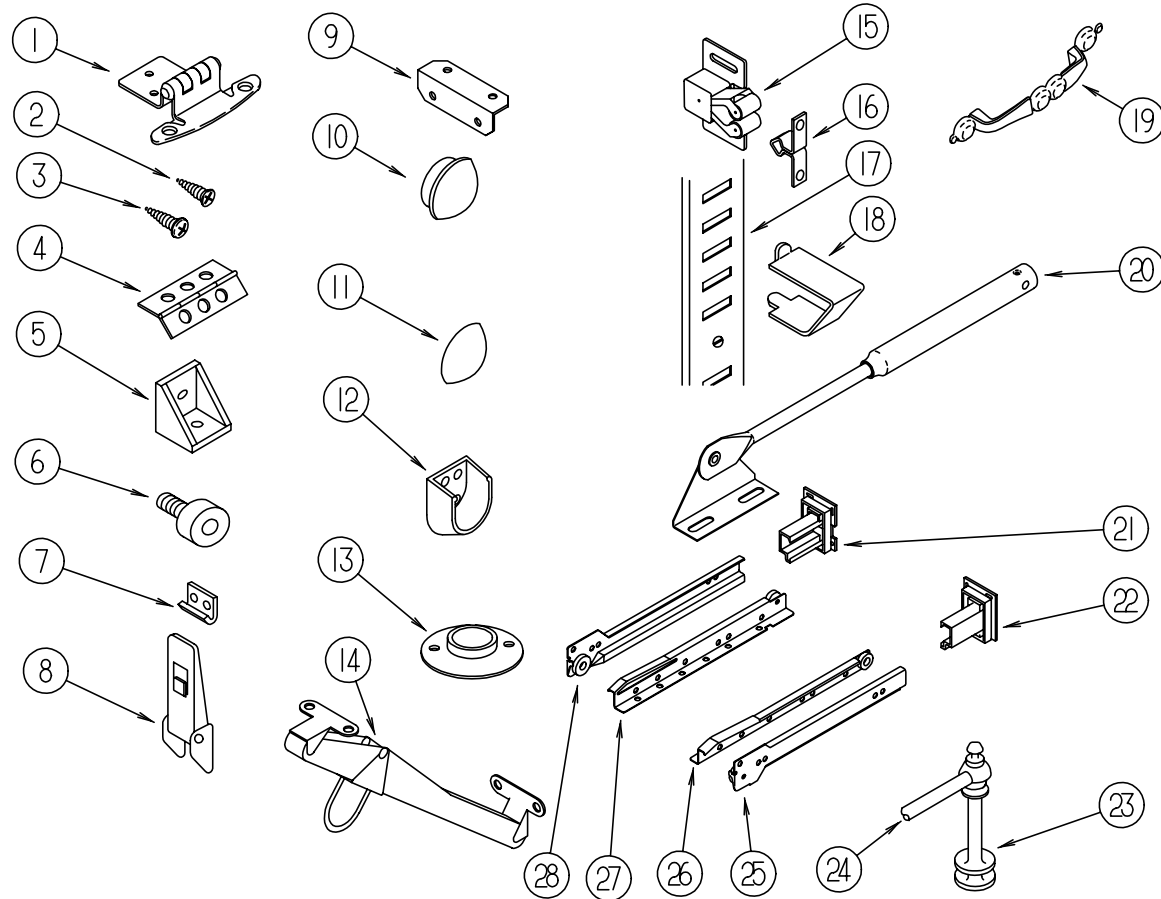
EDGE BAND MOLDING

KEY	PART NUMBER	U/M DESCRIPTION
	076325-34-000	FT MOLDING - EDGE BAND - 1 5/16" X .030" - ORCHID MIST
	076325-46-000	FT MOLDING - EDGE BAND 1 5/16" X .030" - CLOUD (H10)
	076325-43-000	FT MOLDING - EDGE BAND .876" X .024" - CLOUD (H10)
	076325-39-000	FT MOLDING - EDGE BAND - 1 5/16" X .030"(H11)
	076325-40-000	FT MOLDING - EDGE BAND - .875" X .024" (H11)
	076325-50-000	FT MOLDING - EDGE BAND - 1 5/16" X .030" - CHERRY
	076325-52-000	FT MOLDING-EDGE BAND,2812 CHERRY - .93X.024X600

BATT STRIP & TAPE

KEY	PART NUMBER	U/M DESCRIPTION
	069733-82-000	EA BATT STRIP - WOODGRAINED/SALEM CHERRY - 8'
	085284-97-000	FT BATT TAPE - ADHESIVE BACKED - WOODGRAINED/SALEM CHERRY
	088263-E6-000	EA BATT STRIP - DECORATIVE - MONTANNA/FROST - 8' LONG (H10)
	085284-E0-000	FT BATT TAPE - ADHESIVE BACKED - DECORATIVE - MONTANA FROST (H10)
	088263-E2-000	EA BATT STRIP - DECORATIVE - PRIMAVERA/STONE - 8' LONG (H11)
	085284-D5-000	FT BATT TAPE - ADHESIVE BACKED - DECORATIVE - PRIMAVERA/STONE (H11)
	093873-01-01A	EA TRIM - CARPET - L-ANGLE 1.1" X 1.3" X 12' - GRAY VINYL

INTERIOR FINISH GROUP (CONTINUED)



CABINET & TABLE HARDWARE

KEY	PART NUMBER	U/M	DESCRIPTION
1	108138-01-000	EA	HINGE - CABINET DOOR - BURNISHED BRASS
2	000G13-06-10G	EA	SCREW - 6-20 X 5/8 PFH - ANTIQUE BRASS
3	000G68-06-10G	EA	SCREW - 6-18 X 5/8 POH - ANTIQUE BRASS
4	009059-01-000	EA	HINGE - DOOR - 2" X 1.4" - BRASS
5	065740-01-000	EA	BRACE - CABINET/CORNER - PLASTIC
6	079921-01-000	EA	ROLLER - NYLON - W/STEEL SHAFT - BARBED
7	042541-05-000	EA	STRIKE
8	116975-01-01A	EA	LATCH - W/O STRIKE
9	016604-01-000	EA	BRACE - CABINET - ANGLE - 2.5" - UNPAINTED METAL
9	016604-05-000	EA	BRACE - CABINET - ANGLE - 2.5" - OFF WHITE METAL
10	074045-10-000	EA	PLUG - OAK - 1/2" DIAMETER
11	057671-01-000	EA	COVER - SCREW - #8 - PLASTIC - OFF WHITE
11	057671-15-000	EA	COVER - SCREW - #8 - PLASTIC - BRIGHT WHITE
12	009112-01-000	EA	FLANGE - PLASTIC - 1" CLOTHES ROD - OFF WHITE
13	113236-01-01A	EA	BRACKET - CLOTHES - ROD
14	104181-01-01A	EA	SUPPORT - LEAF 5.3" EXTENDS TO 7.5" - SAFETY RING - METAL
15	093586-06-000	EA	CATCH - SPRING - ROLLER
16	093586-05-000	EA	STRIKE - SPRING STEEL
17	098980-05-000	EA	PILASTER - ADJUSTABLE SHELF - 15" LONG
18	098979-01-000	EA	CLIP - ADJUSTABLE SHELF
19	111093-01-000	EA	PULL - CABINET - BRASS
20	074493-02-000	EA	SUPPORT - PISTON SPRING - CABINET DOOR
21	114045-01-000	EA	BACKSOCKET - ADJUSTABLE LEFT
22	114045-02-000	EA	BACKSOCKET - ADJUSTABLE RIGHT
23	084070-02-000	EA	POST - END - 2.4" - BRASS
			FROM: 00-00-00 THRU: 07-14-96
23	084070-03-000	EA	POST - END - 2.4" - BRASS
			FROM: 07-15-96 THRU: 99-99-99

INTERIOR FINISH GROUP (CONTINUED)

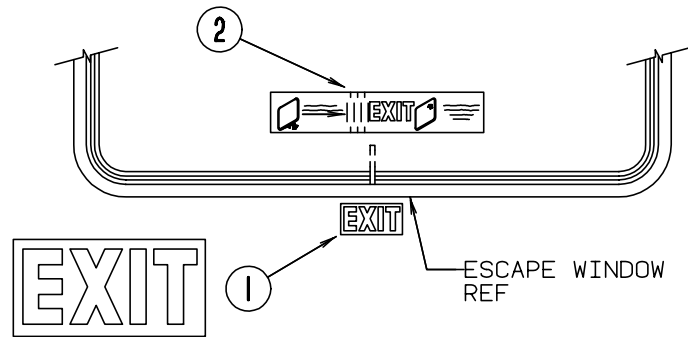
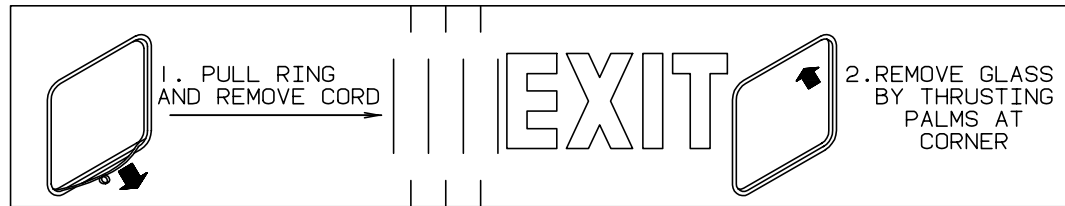
CABINET & TABLE HARDWARE (CONTINUED)

KEY	PART NUMBER	U/M	DESCRIPTION
24	084071-12-000	EA	ROD - BRASS - 4.08" LONG
24	084071-19-000	EA	ROD - BRASS - 7.09" LONG
25	114031-02-000	EA	SLIDE - 12" - RIGHT SIDE/CABINET
25	114031-06-000	EA	SLIDE - 14" - RIGHT SIDE/CABINET
25	114031-10-000	EA	SLIDE - 16" - RIGHT SIDE/CABINET
25	114031-14-000	EA	SLIDE - 18" - RIGHT SIDE/CABINET
25	114031-18-000	EA	SLIDE - 20" - RIGHT SIDE/CABINET
25	114031-22-000	EA	SLIDE - 22" - RIGHT SIDE/CABINET
26	114031-04-000	EA	SLIDE - 12" - RIGHT SIDE/DRAWER
26	114031-08-000	EA	SLIDE - 14" - RIGHT SIDE/DRAWER
26	114031-12-000	EA	SLIDE - 16" - RIGHT SIDE/DRAWER
26	114031-16-000	EA	SLIDE - 18" - RIGHT SIDE/DRAWER
26	114031-20-000	EA	SLIDE - 20" - RIGHT SIDE/DRAWER
26	114031-24-000	EA	SLIDE - 22" - RIGHT SIDE/DRAWER
27	114031-03-000	EA	SLIDE - 12" - LEFT SIDE/DRAWER
27	114031-07-000	EA	SLIDE - 14" - LEFT SIDE/DRAWER
27	114031-11-000	EA	SLIDE - 16" - LEFT SIDE/DRAWER
27	114031-15-000	EA	SLIDE - 18" - LEFT SIDE/DRAWER
27	114031-19-000	EA	SLIDE - 20" - LEFT SIDE/DRAWER
27	114031-23-000	EA	SLIDE - 22" - LEFT SIDE/DRAWER
28	114031-01-000	EA	SLIDE - 12" - LEFT SIDE/CABINET
28	114031-05-000	EA	SLIDE - 14" - LEFT SIDE/CABINET
28	114031-09-000	EA	SLIDE - 16" - LEFT SIDE/CABINET
28	114031-13-000	EA	SLIDE - 18" - LEFT SIDE/CABINET
28	114031-17-000	EA	SLIDE - 20" - LEFT SIDE/CABINET
28	114031-21-000	EA	SLIDE - 22" - LEFT SIDE/CABINET
	004354-01-000	EA	BUMPER - RUBBER - .5" DIA - BROWN
	076790-01-000	EA	SCREW - 6-20 X 1 1/4 PPH - BLACK
	102194-01-000	EA	GUIDE - PLASTIC
	023320-01-000	EA	PAD - FELT 3/8" DIAMETER
	041389-35-000	EA	HINGE - PIANO - OW
	042438-01-000	EA	DOWEL - WOOD - CLOTHES ROD - 1" DIAMETER X 4'

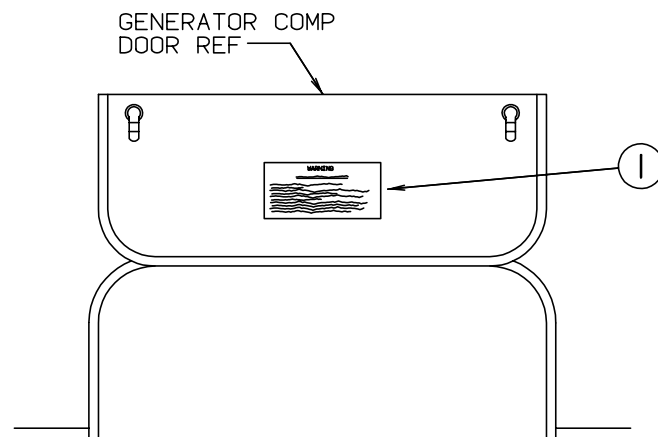
FIRE EXTINGUISHER, DETECTORS & CLOCK

KEY	PART NUMBER	U/M	DESCRIPTION	VENDOR NO.
	072852-01-000	EA	DETECTOR - SMOKE - W/9 VOLT BATTERY - US	
	072852-02-000	EA	DETECTOR - SMOKE - W/9/VOLT BATTERY - CANADIAN	
	094499-01-000	EA	EXTINGUISHER - FIRE - DRY W/MOUNTING BRACKET - 10 B:C	
	094499-02-000	EA	EXTINGUISHER - FIRE - DRY - 1A10BC - CANADIAN	
	094499-01-700	EA	BRACKET MTG. W/PLAS. STRAP	294039
	094499-01-701	EA	STRAP ONLY (METAL)	320351
	118081-01-01A	EA	CLOCK - WALL - ROUND 8" - BRASS	
				FROM: 00-00-00 THRU: 06-22-97
	118081-02-01A	EA	CLOCK - WALL - ROUND 8" BRASS	
				FROM: 06-23-97 THRU: 99-99-99
	112320-03-000	EA	DETECTOR - CO GASS MODEL 9D-I	
				FROM: 00-00-00 THRU: 10-20-96
	112320-04-000	EA	BATTERY/SENSOR MODULE - CO (BLACK MODULE) F/9D-I SYSTEM	
				FROM: 00-00-00 THRU: 10-20-96
	125136-01-000	EA	DETECTOR - CO - GAS - MODEL 9L-I	
				FROM: 10-21-96 THRU: 99-99-99
	099717-04-000	EA	STRAP-TV TIE DOWN W/21.3" FEMALE STRAP & 27.2" MALE STRAP	

LABELS GROUP



KEY	PART NUMBER	U/M DESCRIPTION
1	039290-01-000	EA LABEL-WARNING - EXIT
2	107571-01-000	EA LABEL - EXIT/ESCAPE - WINDOW



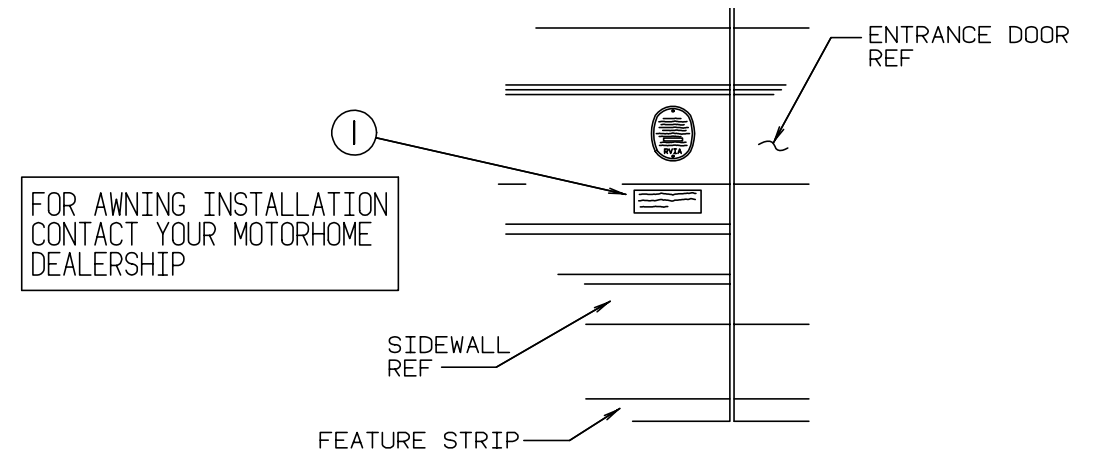
WARNING

WHEN ADDING A GENERATOR SET:

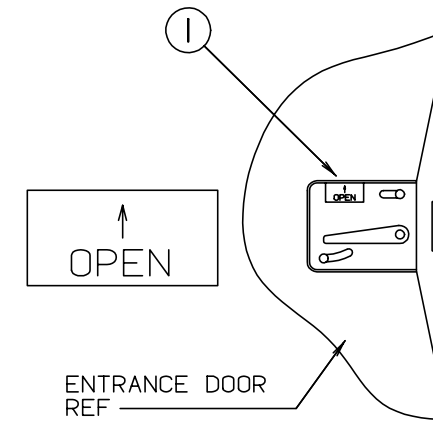
HIGH VOLTAGE-USE EXTREME CAUTION WHEN WORKING ON ELECTRICAL COMPONENTS. HAVE ALL ELECTRICAL INSTALLATION PERFORMED BY A QUALIFIED LICENSED ELECTRICIAN-FOLLOW ALL STATE AND LOCAL CODES. ONLY INSTALL GENERATOR SET APPROVED FOR R.V. APPLICATION. HAVE INSTALLED BY QUALIFIED TECHNICIAN. TO AVOID HEAT BUILD-UP AND TO GUARANTEE AN ADEQUATE AIR SUPPLY TO THE GENERATOR CARBURETOR, FOLLOW INSTALLATION INSTRUCTIONS. GENERATOR ENGINE EXHAUST GASES ARE TOXIC AND MUST NOT TERMINATE UNDER THE VEHICLE-DISCHARGE EXHAUST AWAY FROM VEHICLE.

KEY	PART NUMBER	U/M DESCRIPTION
1	077510-01-000	EA LABEL-GENERATOR PREP

LABELS GROUP (CONTINUED)

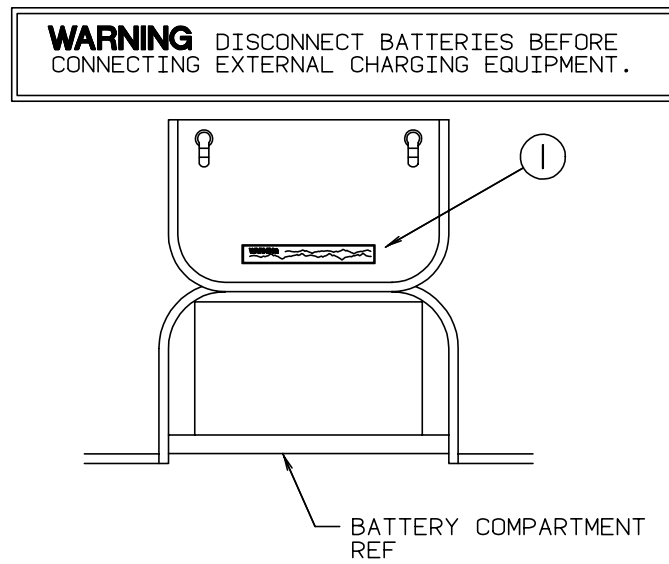


KEY	PART NUMBER	U/M DESCRIPTION
1	099509-01-000	EA LABEL - AWNING INSTALLATION

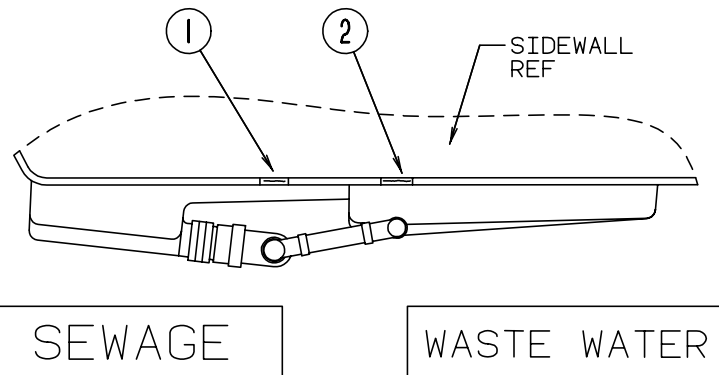


KEY	PART NUMBER	U/M DESCRIPTION
1	040944-01-000	EA LABEL - ENTRANCE DOOR - "OPEN"

LABELS GROUP (CONTINUED)

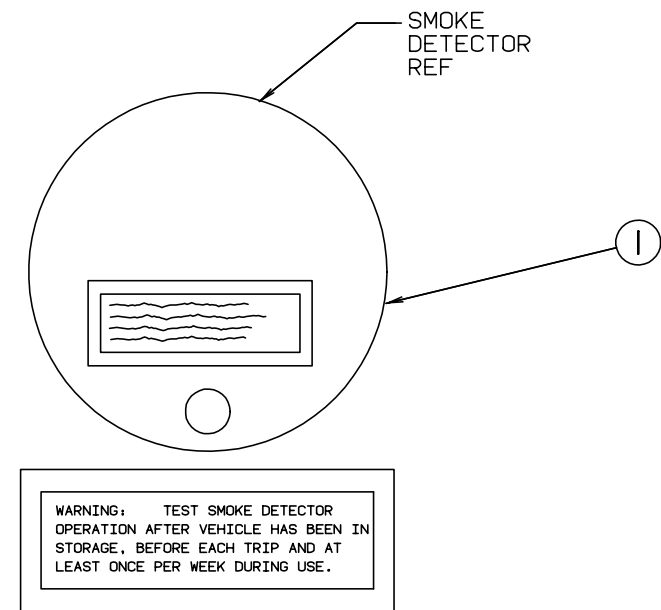


KEY	PART NUMBER	U/M DESCRIPTION
1	065748-01-000	EA LABEL - CAUTION - BATTERY CHARGING

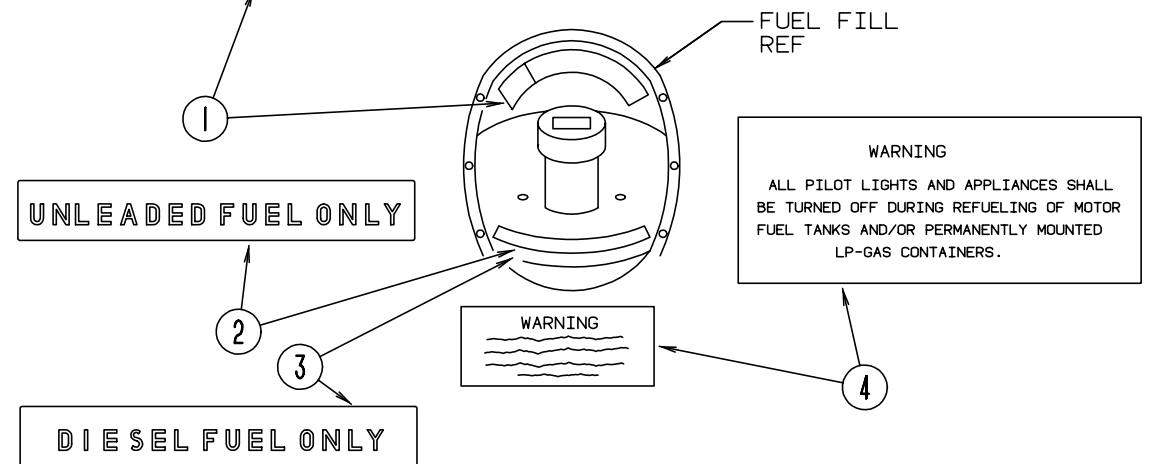
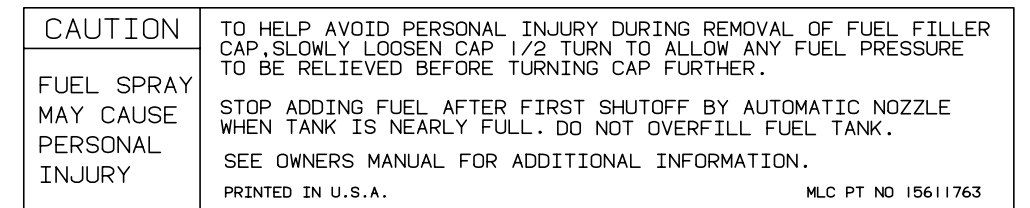


KEY	PART NUMBER	U/M DESCRIPTION
1	006187-01-000	EA LABEL - SEWAGE
2	006188-01-000	EA LABEL - WASTE WATER

LABELS GROUP (CONTINUED)

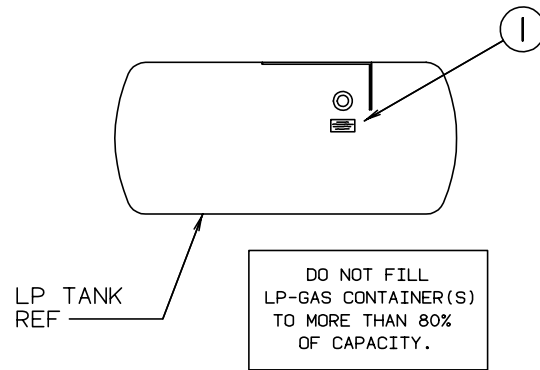


KEY	PART NUMBER	U/M DESCRIPTION
1	077956-01-000	EA LABEL - WARNING - SMOKE DETECTOR

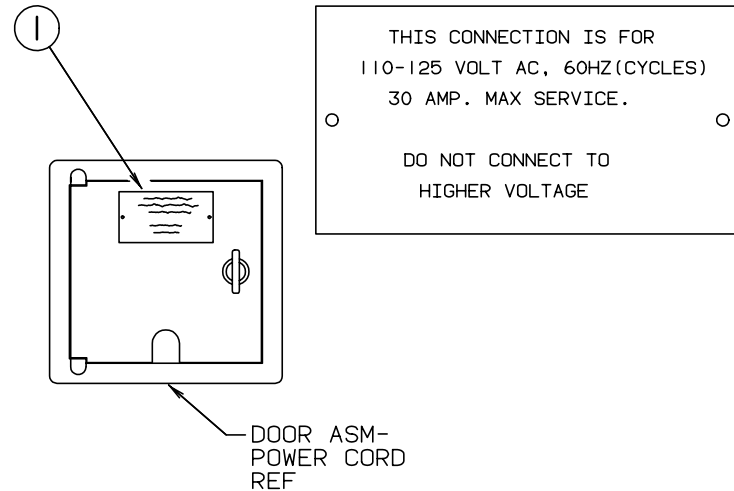


KEY	PART NUMBER	U/M DESCRIPTION	FROM:	THRU:
1	087207-05-000	EA LABEL-FUEL CAP REMOVAL		
2	062043-01-000	EA LABEL - FUEL - UNLEADED		
3	068383-01-000	EA LABEL-FUEL - DIESEL		
4	006040-01-000	EA TAG - GAS REFUELING - WARNING		
4	006040-02-000	EA TAG - GAS - REFUEL WARNING - CANADIAN	00-00-00	09-01-96
4	124519-01-02A	EA LABEL - WARNING/REFUELING	00-00-00	09-01-96
4	124519-02-02A	EA LABEL - WARNING/REFUELING - CSA	09-02-96	99-99-99
4			09-02-96	99-99-99

LABELS GROUP (CONTINUED)



KEY	PART NUMBER	U/M	DESCRIPTION	
1	054531-01-000	EA	LABEL - LP GAS ONLY	FROM: 00-00-00 THRU: 09-01-96
1	124520-01-02A	EA	LABEL - LP GAS ONLY	FROM: 09-02-96 THRU: 99-99-99

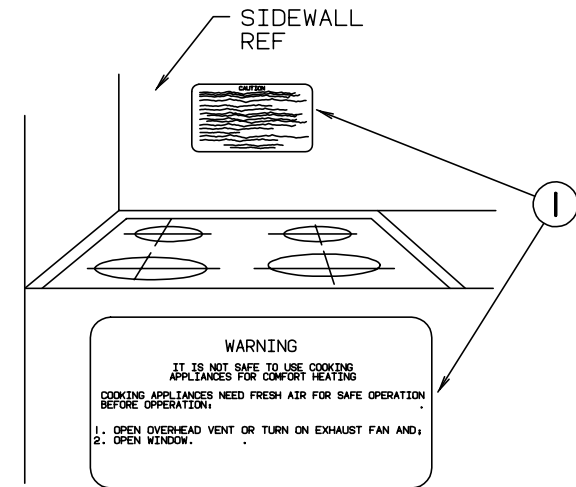


KEY	PART NUMBER	U/M	DESCRIPTION
1	006062-01-000	EA	TAG-ELECTRIC - 110V CONNECTION

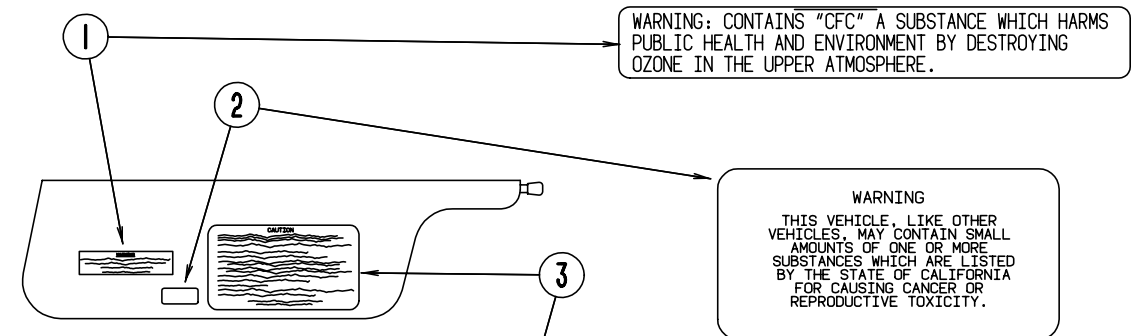
MISCELLANEOUS LABELS

KEY	PART NUMBER	U/M	DESCRIPTION
	104236-01-000	EA	LABEL-GENERATOR CIRCUIT
	006064-01-000	EA	LABEL - SEAT W/O SEATBELT (US)
	006064-02-000	EA	LABEL-SEAT W/O SEATBELT (CSA) NOT INTENDED FOR USE WHILE COACH IN MOTION
	091243-01-000	EA	LABEL - A/C COVER "AIR CONDITIONING CIRCUIT ETC."
	091243-02-000	EA	LABEL-COVER - "MICROWAVE CIRCUIT. ETC."
	093236-08-000	EA	LABEL-CIRCUIT BREAKER
	098641-01-000	EA	LABEL-FUEL - UNLEADED - DASH
	073998-01-000	EA	LABEL - LPG ODOR WARNING
	061417-01-000	EA	LABEL-FUEL,ON FUEL FILL DOOR
	111104-01-000	EA	LABEL - HITCH - READ MANUAL
	111104-02-000	EA	LABEL - HITCH - READ MANUAL
	006062-01-000	EA	LABEL - ELECTRIC - 110 VOLT CONNECTION
	023769-01-000	EA	LABEL - WARNING - LPG - CANADIAN
	079966-01-000	EA	LABEL - WARNING - STOWED - MOTION
	087236-01-000	EA	LABEL - CABLE - INPUT
	093236-08-000	EA	LABEL-CIRCUIT BREAKER

LABELS GROUP (CONTINUED)



KEY	PART NUMBER	U/M	DESCRIPTION
1	050225-01-000	EA	LABEL - WARNING - STOVE VENT - US



CAUTION

THIS MOTOR HOME HAS BEEN DESIGNED, MANUFACTURED AND TESTED WITH CONCERN FOR THE PROTECTION OF IT'S OCCUPANTS. WE RECOMMEND YOU PERFORM THE FOLLOWING INSPECTIONS FOR YOUR SAFETY AND THE SAFETY OF YOUR PASSENGERS BEFORE STARTING YOUR VEHICLE.

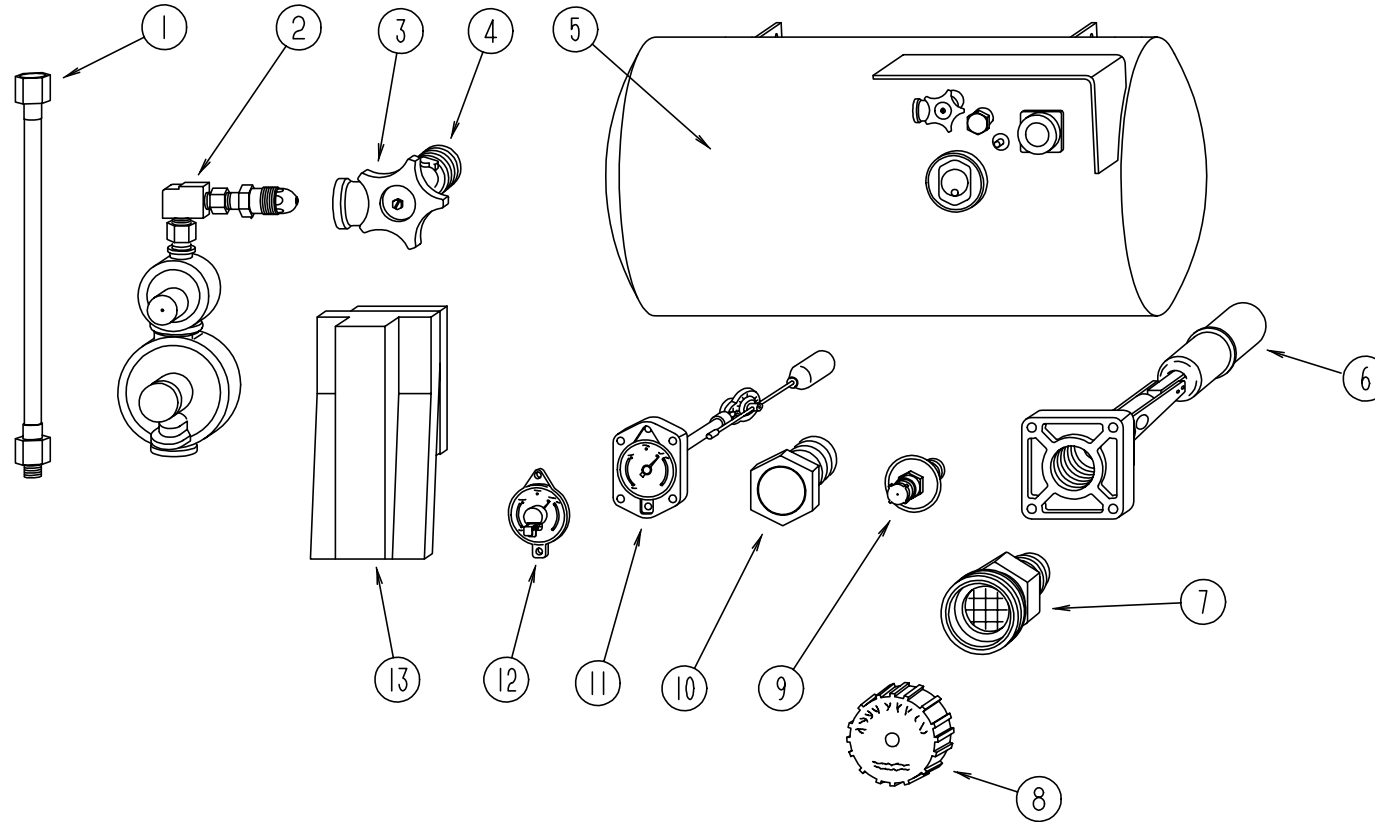
1. LP GAS SYSTEM- TURN OFF AT TANK FOR TRAVELING. TEST FOR LEAKS UPON ARRIVAL AT DESTINATION. BEFORE LIGHTING PILOTS.
2. WHEELS- INSPECT FOR DAMAGE AND CHECK LUG NUTS FOR TIGHTNESS.
3. TIRES- INSPECT FOR WEAR AND DAMAGE AND CHECK FOR RECOMMENDED AIR PRESSURE.
4. LIGHTING- TEST FOR PROPER OPERATION OF ALL INTERIOR AND EXTERIOR LIGHTS INCLUDING DASH LIGHTS, HEADLIGHTS, TAIL LIGHTS, BRAKE LIGHTS, CLEARANCE LIGHTS AND TURN SIGNALS.
5. EXITS- INSPECT RELEASE MECHANISM ON EMERGENCY EXIT WINDOW. TEST BOTH LOCKS ON MAIN ENTRANCE DOOR FOR EASE OF OPERATION AND INSTRUCT PASSENGERS HOW TO USE BOTH MEANS OF EXIT.
6. SEAT BELTS- DIRECT PASSENGERS TO DESIGNATED SEATS AND REQUIRE USE OF SEAT BELTS.
7. APPLIANCES- TURN OFF AND LATCH OR LOCK DOORS WHERE PROVIDED.
8. LOOSE PARCELS- STORE SECURELY.
9. UTILITY SUPPLY LINES- DISCONNECT ALL ELECTRIC, SEWER AND WATER LINES AND SECURE PROPERLY.
10. ENTRANCE DOOR STEP- PLACE IN RETRACTED POSITION FOR TRAVELING.

READ YOUR MOTOR HOME AND CHASSIS OWNER'S MANUAL FOR FURTHER PRECAUTIONS

KEY	PART NUMBER	U/M	DESCRIPTION
1	111802-01-000	EA	LABEL - CFC WARNING
2	099689-01-000	EA	LABEL - WARNING - CANCER/TOXICITY
3	056259-01-000	EA	LABEL - SAFETY CHECK LIST

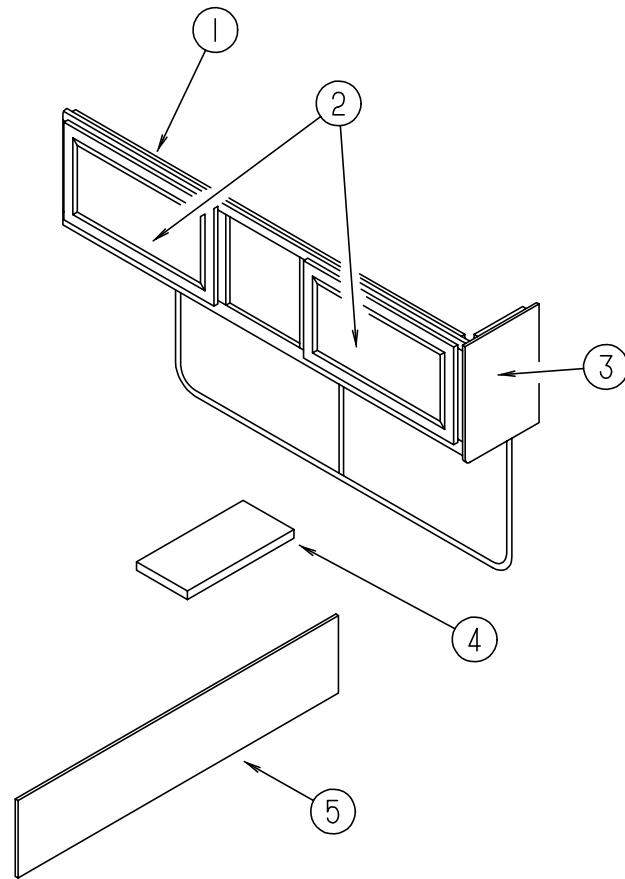
LP GROUP

LP SYSTEM



KEY	PART NUMBER	U/M	DESCRIPTION	VENDOR NO.
1	045703-01-000	EA	HOSE - LP - 3/8" ID X 24" - 3/8"MPT X 1/2" SWIVEL - U.S.	
1	045703-02-000	EA	HOSE - LP - 3/8" ID X 24" - 3/8"MPT X 1/2"F - SWIVEL - CAN	
	045703-09-000	EA	HOSE ASM-LP 3/8IDX24 US&CGA 3/8F SWI X 3/8F SWI	
2	106150-01-000	EA	REGULATOR - TWO STAGE	
2	106150-02-000	EA	REGULATOR-TWO STAGE M'BRASS 290-00	
3	040421-01-708	EA	HANDWHEEL-SERVICE VALVE	G-1015-A
4	040421-01-712	EA	VALVE,SERV. W/O VAPOR RELIEF	29000853
5	097821-01-000	EA	TANK-LP, 60 LB BRUNNER - 14" X 30"	
6	040421-01-711	EA	VALVE-80% FILL W/AUTO STOP	LLL/TL3
7	040421-01-701	EA	VALVE-FILL-SHORT, LP	75478
8	040421-01-702	EA	CAP-FILL VALVE, PLASTIC	G-1014-A
9	040421-01-700	EA	VALVE-LIQUID LEVEL, 20%	G-1013
10	040421-01-713	EA	VALVE-VAPOR ONLY	29000587
11	040421-01-707	EA	FLOAT ASM.(SIGHT GAUGE) 14"	14C
	040421-01-701	EA	VALVE-FILL-SHORT, LP	75478
12	040440-02-000	EA	TRANSMITTER - DIAL - 0-90 OHM -2 TERMINAL (POWER & GROUND)	
13	105658-01-000	EA	COMPARTMENT - LP REGULATOR	
	010265-01-000	EA	ELBOW - BRASS - 90 DEGREE - 3/8"F X 1/2"FPT	
	010323-01-000	EA	ADAPTER-BRASS, 3/8F X 1/2MPT	
	010252-01-000	EA	ELBOW - BRASS - 90 DEGREE - 3/8F X 1/2MPT	
	010377-02-000	EA	NUT - BRASS - 3/8" FLARE - FORGED	
	065318-02-000	EA	ELBOW - 90 DEGREE - 3/8" MPT TO 3/8" FPT	
	103613-01-000	EA	DETECTOR - LP GAS CCI 7730/PRE-TELL	
			FROM: 00-00-00 THRU: 11-10-96	
	103613-02-000	EA	DETECTOR - LP GAS CCI 7740.271	
			FROM: 11-11-96 THRU: 04-27-97	
	103613-03-000	EA	DETECTOR - LP GAS CCI 7770.274	
			FROM: 04-28-97 THRU: 99-99-99	
	045703-06-000	EA	HOSE - LP - 3/8" ID X 28" - 3/8" X 1/2 F SWIVEL - CANADIAN	

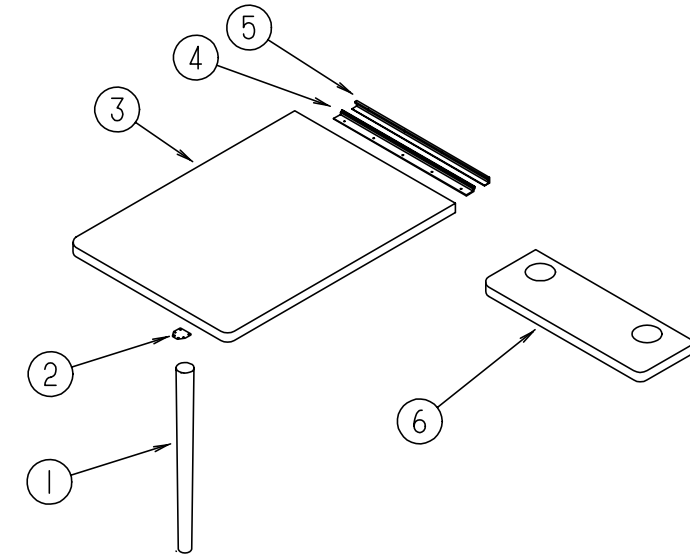
LOUNGE GROUP



FRONT FACING COUCH, TABLE & CABINTRY

KEY	PART NUMBER	U/M	DESCRIPTION
1	122926-01-H10	EA	CABINET - DINETTE OVERHEAD - W/O DOORS/HARDWARE
1	122926-01-H11	EA	CABINET - DINETTE OVERHEAD - W/O DOORS/HARDWARE
2	M06803-W9-H10	EA	DOOR - MIRROR/MTRD CRNRS/OGEE EDGE - 11.4"X 28" - W/O HDW
2	M06803-D5-F08	EA	DOOR - MITERED CORNER/OGEE EDGE - 11.4" X 28" - W/O HDW
3	109908-09-F08	EA	END CAP - OVERHEAD CABINET
4	P14725-01-000	EA	COVER - AIR RETURN W/O CARPET
5	M02634-01-H10	EA	PANEL - COUCH FRONT - FABRIC COVERED
5	M02634-01-H11	EA	PANEL - COUCH FRONT - FABRIC COVERED
	082525-01-000	EA	BRACE - COUCH - FLOOR MOUNT - ANGLE 3" LONG
	105947-01-000	EA	BRACKET - HOLD DOWN - COUCH - CANADIAN
	083125-07-000	EA	BRACE - COUCH - 2.5"
	114693-01-01A	EA	SUPPORT - COUCH - BLACK - RIGHT
	114693-02-01A	EA	SUPPORT - COUCH - BLACK - LEFT
	114726-01-G07	EA	TRAY - BEVERAGE
	114739-01-01A	EA	PAD - NON SKID - PSA - 1 EACH = PAIR

LOUNGE GROUP (CONTINUED)



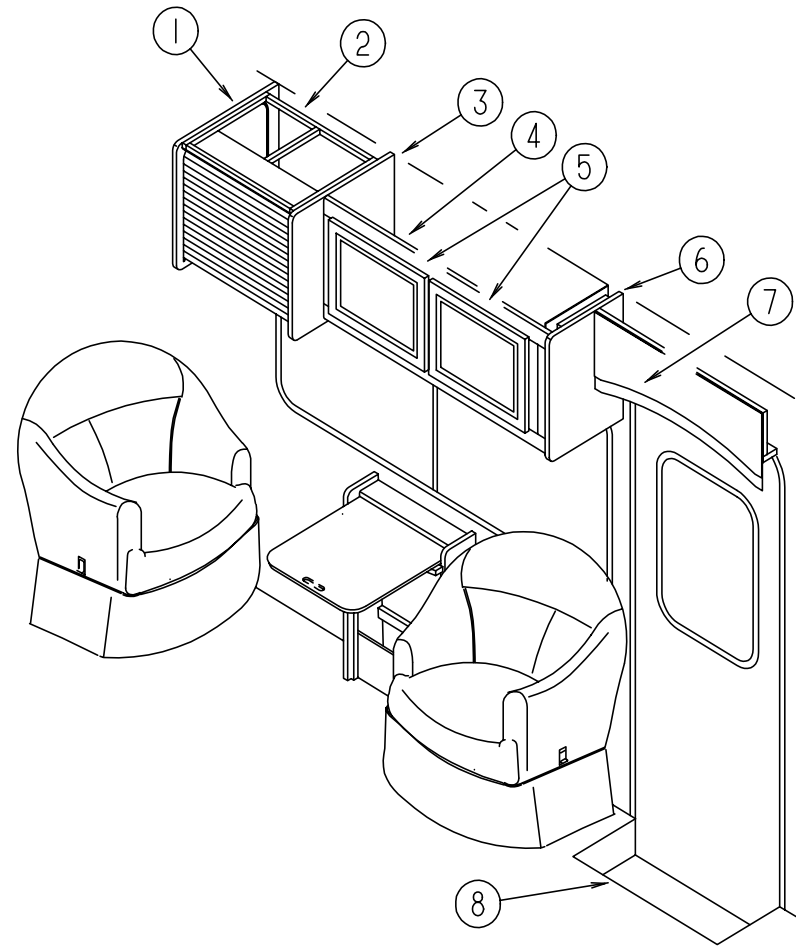
DRIVER SIDE TABLE W/FRONT FACING COUCH

KEY	PART NUMBER	U/M	DESCRIPTION
1	114724-01-05A	EA	LEG - TABLE - TAPERERED WOOD - CHERRY
1	114724-01-01A	EA	LEG - TABLE - TAPERERED WOOD
2	114724-02-000	EA	PLATE - TABLE LEG
3	081322-14-H10	EA	TABLE TOP ONLY (H10)
3	081322-14-G07	EA	TABLE TOP ONLY (H11)
4	102201-04-02A	EA	SUPPORT - HINGE CATCH - TABLE MOUNTED
5	118933-01-01A	EA	SUPPORT - HINGE LOCK - OFF WHITE
6	114681-01-F02	EA	TABLE - LOUNGE/SMALL - W/O HARDWARE (H10)
6	114681-01-F09	EA	TABLE - LOUNGE/SMALL - W/O HARDWARE (H11)
	069726-02-000	EA	BUMPER - .88" OD X .40" THICK - BLACK
	064781-06-000	EA	HOLDER - CUP - TWO STEP - OFF WHITE

DRIVER SIDE TABLE W/SECTIONAL SLEEPER COUCH

KEY	PART NUMBER	U/M	DESCRIPTION
	081298-01-H08	EA	TABLE TOP ONLY (H10)
	081298-01-H07	EA	TABLE TOP ONLY (H11)
	041194-01-000	EA	BASE - TABLE/FLUSH - FLOOR MOUNTED
	009040-02-000	EA	PEDESTAL TABLE LEG - 27.5" X 2.25" DIAMETER
	009040-03-000	EA	BASE - TABLE/RAISED - TABLE MOUNTED
	042438-02-000	EA	DOWEL - WOOD - 2" X 2"

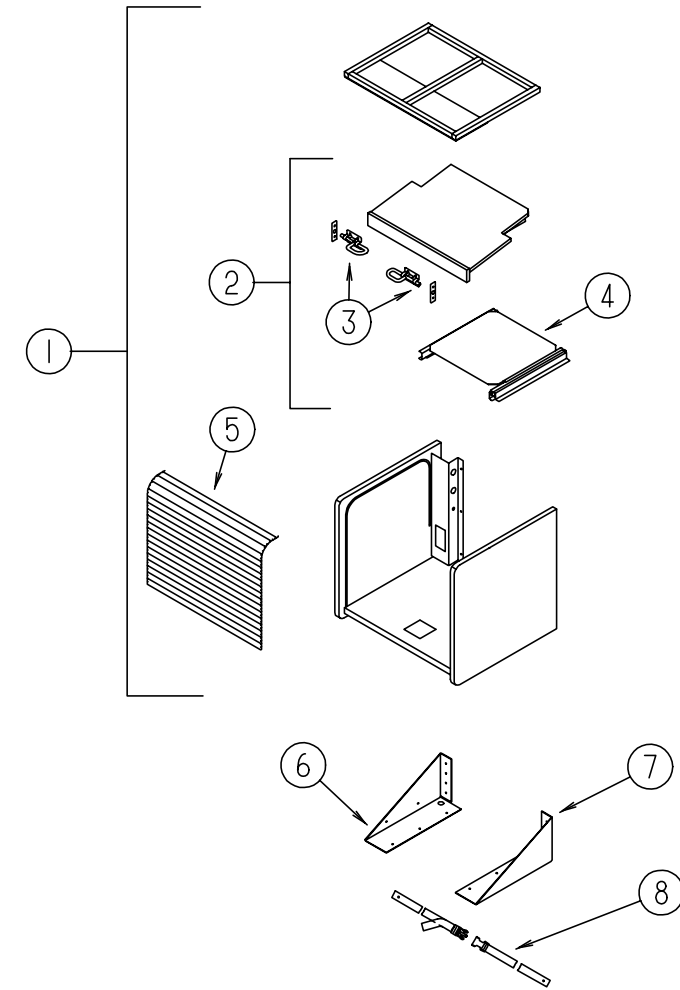
LOUNGE GROUP (CONTINUED)



PASSENGER SIDE OVERHEAD CABINETRY W/TV CABINET

KEY	PART NUMBER	U/M	DESCRIPTION
1	121877-14-H10	EA	END CAP
2	M08163-01-H10	EA	CABINET - TV/VCP - W/O SHELF/SLIDES/SWIVEL- W/TAMBOUR DOOR
2	M08163-02-H10	EA	CABINET - TV/VCP - W/SHELF/SLIDES/SWIVEL/TAMBOUR DOOR
3	121877-15-H10	EA	END CAP
4	122777-01-H10	EA	CABINET - OVERHEAD FRONT - W/O DOORS/HARDWARE
5	M06803-Y1-H10	EA	DOOR-MITERED CORNER/OGEE EDGE - 14.3" X 17.8" - W/O HARDWARE
6	109908-09-F08	EA	END CAP - OVERHEAD CABINET
7	112964-01-G04	EA	CABINET - OVERHEAD ENTRANCE
8	P14437-02-000	EA	CABINET - LID ENTRANCE DOOR - W/O CARPET
8	101222-01-02A	EA	BRACKET - CATCH - LID - OFF WHITE

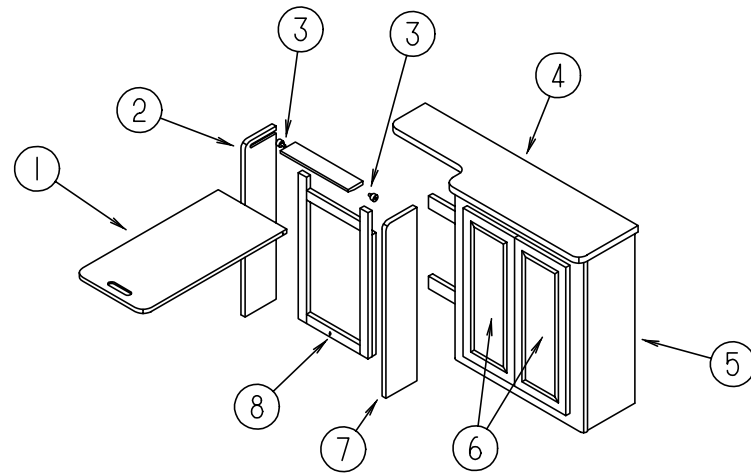
LOUNGE GROUP (CONTINUED)



PASSENGER SIDE TV CABINET

KEY	PART NUMBER	U/M	DESCRIPTION
1	M08163-01-H10	EA	CABINET - TV/VCP - W/O SHELF/SLIDES/SWIVEL- W/TAMBOUR DOOR
1	M08163-02-H10	EA	CABINET - TV/VCP - W/SHELF/SLIDES/SWIVEL/TAMBOUR DOOR
2	121877-11-H10	EA	SHELF - W/SLIDE AND SWIVEL
3	103256-01-000	EA	LATCH - SLIDE
4	116773-02-000	EA	SWIVEL/SLIDES - F/TV SHELF
5	121877-20-H04	EA	DOOR-TAMBOUR
6	122298-03-02B	EA	BRACKET - TV/VCR - RIGHT HAND
7	122298-02-02B	EA	BRACKET - TV/VCR - LEFT HAND
8	099717-04-000	EA	STRAP - TIE DOWN W/21.3" FEMALE STRAP & 27.2" MALE STRAP

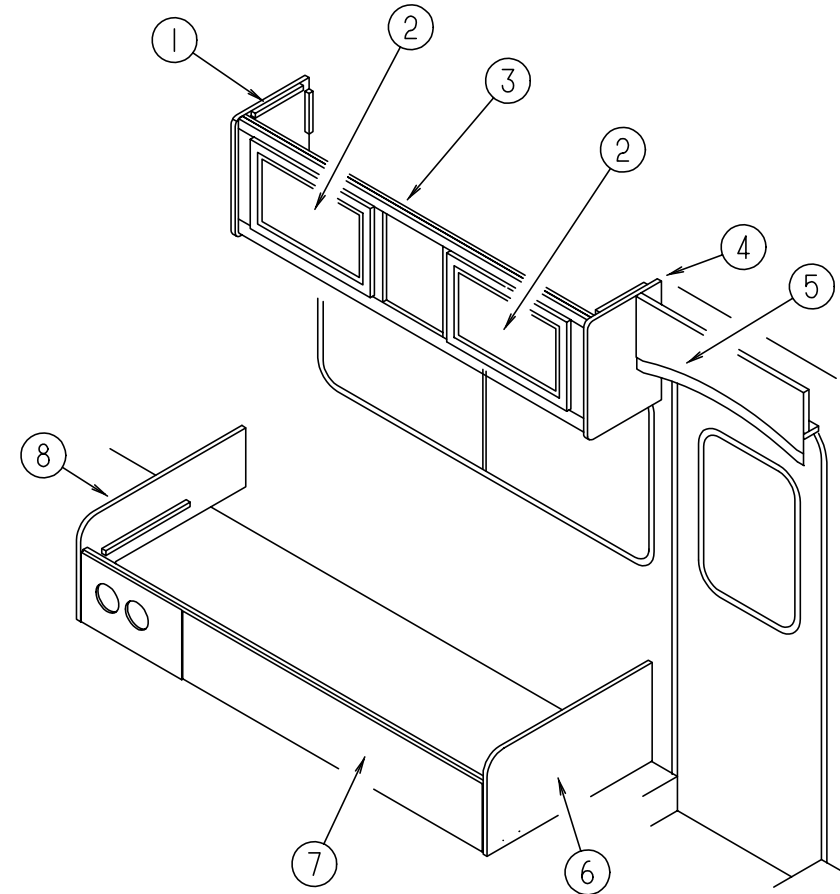
LOUNGE GROUP (CONTINUED)



PASSENGER SIDE HUTCH TABLE

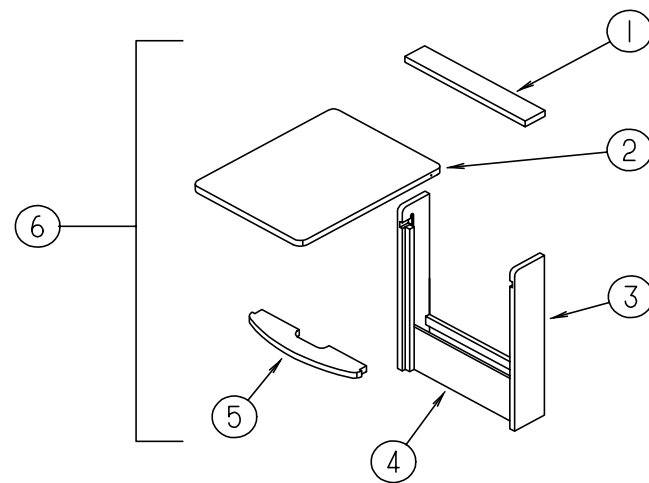
KEY	PART NUMBER	U/M DESCRIPTION
1	114796-15-G07	EA TABLE - PULLOUT - HUTCH CABINET
2	114796-13-F08	EA PANEL - OUTSIDE - FLIP UP TABLE CABINET
3	079921-01-000	EA ROLLER-NYLON - W/STEEL SHAFT - BARBED
4	114796-11-F02	EA COUNTERTOP - HUTCH CABINET (H10)
4	114796-11-F09	EA COUNTERTOP - HUTCH CABINET (H11)
5	114796-01-H10	EA CABINET - HUTCH - FRONT RH - W/PULLOUT TABLE - W/O DRS/HDW (H10)
5	114796-01-G07	EA CABINET - HUTCH - FRONT RH - W/PULLOUT TABLE - W/O DRS/HDW (H11)
6	M06803-20-F08	EA DOOR - MITERED CORNER/OGEE EDGE - 10.02" X 25.2" - W/O HARDWARE
7	114796-12-G07	EA END-TABLE, LEFT
8	049176-01-000	EA HEDLOCK II - 3/4 DIAMETER, SCREW MOUNT

LOUNGE GROUP (CONTINUED)



PASSENGER SIDE LOUNGE CABINETRY W/O TV CABINET

KEY	PART NUMBER	U/M DESCRIPTION
1	109908-08-F08	EA END CAP - OVERHEAD CABINET
2	M06803-B1-H10	EA DOOR - MITERED CORNERS/OGEE EDGE - 15.7" X 20.4" - W/O HARDWARE
3	120939-01-H10	EA CABINET - OVERHEAD FRONT - W/O DOORS/HARDWARE
3	120939-01-H11	EA CABINET - OVERHEAD FRONT - W/O DOORS/HARDWARE
4	109908-09-F08	EA END CAP - OVERHEAD CABINET
5	112964-01-G04	EA CABINET - OVERHEAD ENTRANCE
6	M08107-07-H10	EA PANEL - COUCH/LEFT END - FABRIC COVERED
6	M08107-07-H11	EA PANEL - COUCH/LEFT END - FABRIC COVERED
7	M08107-05-H10	EA PANEL - COUCH FACE - FABRIC COVERED
7	M08107-05-H11	EA PANEL - COUCH FACE - FABRIC COVERED
8	M08107-06-H10	EA PANEL - COUCH/RIGHT END - FABRIC COVERED
8	M08107-06-H11	EA PANEL - COUCH/RIGHT END - FABRIC COVERED
	P14437-02-000	EA CABINET - LID ENTRANCE DOOR - W/O CARPET
	101222-01-02A	EA BRACKET - CATCH - LID - OFF WHITE
	082525-01-000	EA BRACE - COUCH - FLOOR MOUNT - ANGLE 3" LONG
	105947-01-000	EA BRACKET - HOLD DOWN - COUCH - CANADIAN
	083125-07-000	EA BRACE-ANGLE - COUCH - 2.5" - OFF WHITE



PASSENGER SIDE PULL OUT TABLE W/ SWIVEL CHAIRS

KEY	PART NUMBER	U/M DESCRIPTION
1	096873-15-G07	EA SHELF - SUPPORT - OVER PULLOUT TABLE TOP
2	096873-11-F08	EA TABLE-TOP ONLY - PULLOUT
	080736-01-000	EA PULL - RECESSED - 1.25 X 4" - OAK
3	096873-14-F08	EA SIDE END - TABLE - LEFT SIDE - 28.7" X 5.7"
	096873-13-F08	EA SIDE END - TABLE - RIGHT SIDE - 28.7" X 5.7"
4	096873-16-G07	EA TABLE FRONT - BOTTOM - 18.1" X 6.7"
5	096873-12-G07	EA SHELF - SUPPORT - UNDER TABLE TOP
6	M96873-01-G07	EA CABINET - F/PULLOUT TABLE - W/O TABLE TOP

SEALANTS & FASTENERS GROUP

SCREWS

KEY	PART NUMBER	U/M	DESCRIPTION
	101618-01-000	EA	SCREW - 1/4-20 X .75 HEX - TAPPING - STALGARD TYPE F
	000G54-04-20B	EA	SCREW - 1/4-20 X 1 1/4 PTH - TYPE 23 - ZINC PLATED
	000G11-05-08B	EA	SCREW - 5-20 X .50 PPH - ZINC
	000G68-06-10G	EA	SCREW - 6-18 X 5/8 POH - ANTIQUE BRASS
	000G11-06-08B	EA	SCREW - 6-20 X .50 PPH - ZINC
	000G11-06-06B	EA	SCREW - 6-20 X 3/8 PPH - ZINC
	000G11-06-10J	EA	SCREW - 6-20 X 5/8 PPH - BRASS
	000G12-06-08T	EA	SCREW - 6-20 X .50 POH - BLACK
	000G13-06-08B	EA	SCREW - 6-20 X .50 PFH - ZINC
	000G13-06-16J	EA	SCREW - 6-20 X 1.00 PFH - BRASS
	000G13-06-24J	EA	SCREW - 6-20 X 1.50 PFH - BRASS
	000G11-07-08B	EA	SCREW - 7-19 X .50 PPH - ZINC
	000G13-07-12B	EA	SCREW - 7-19 X .75 PFH - ZINC
	000G11-08-06B	EA	SCREW - 8-18 X 3/8 PPH - ZINC
	000G11-08-08B	EA	SCREW - 8-18 X .50 PPH - ZINC
	000G11-08-12B	EA	SCREW - 8-18 X .75 PPH - ZINC
	000G11-08-12D	EA	SCREW - 8-18 X .75 PPH - BLACK
	000G11-08-12P	EA	SCREW - 8-18 X .75 PPH - DARK BROWN
	0G1208-12-170	EA	SCREW - 8-18 X .75 POH - BRIGHT WHITE
	000G12-08-12S	EA	SCREW - 8-18 X .75 POH - OFF WHITE
	000G11-08-12S	EA	SCREW - 8-18 X .75 PPH - OFF WHITE
	000G11-08-12T	EA	SCREW - 8-18 X .75 PPH - BLACK
	000G11-08-16S	EA	SCREW - 8-18 X 1.00 PPH - OFF WHITE
	000G11-08-20B	EA	SCREW - 8-18 X 1.25 PPH - ZINC
	000G67-10-120	EA	SCREW - 10-12 X .75 PPH - TAN
	000G11-10-12S	EA	SCREW - 10-16 X .75 PPH - OFF WHITE
	000G32-10-06B	EA	SCREW - 10-32 X 3/8" - PPH - ZINC
	000G67-10-08B	EA	SCREW - 10-12 X 1/2 PPH - ZINC
	000G67-10-08R	EA	SCREW - 10-12 X 1/2 PPH - BEIGE - TYPE A
	000G67-10-10B	EA	SCREW - 10-12 X 5/8 PPH - ZINC - TYPE A
	000G67-10-10D	EA	SCREW - 10-12 X 5/8 PPH - BLACK - TYPE A
	000G67-10-10S	EA	SCREW - 10-12 X 5/8 - PPH - OFF WHITE
	000G67-10-12B	EA	SCREW - 10-12 X .75 PPH - ZINC
	000G67-10-12P	EA	SCREW - 10-12 X .75 - PPH - DARK BROWN
	000G67-10-12R	EA	SCREW - 10-12 X .75 PPH - BEIGE
	000G67-10-16B	EA	SCREW - 10-12 X 1 PPH - ZINC
	000G67-10-20D	EA	SCREW - 10-12 X 1.25 PPH - BLACK
	000G67-10-24B	EA	SCREW - 10-12 X 1.50 PPH - ZINC
	000G67-10-32B	EA	SCREW - 10-12 X 2 PPH - ZINC
	000G67-10-36T	EA	SCREW - 10-12 X 2.25 PPH - BLACK - STALGARD
	000G50-04-12B	EA	SCREW - MACHINE - 1/4-20 X 3/4 PPH - ZINC
	000G46-08-24T	EA	SCREW - MACHINE - 8-32 X 1.5 PFH - BLACK
	000G52-08-18B	EA	SCREW - MACHINE - 8-32 X 1 1/8 PTH - ZINC
	075908-01-000	EA	SCREW - MACHINE - 10-32 X .56 PTH - EXTERNAL TOOTH - ZINC
	000G42-04-16B	EA	SCREW - SF/DR -1/4"-14 X 1 HWH - ZINC
	000G39-06-08B	EA	SCREW - SF/DR - 6-18 X .50 - ZINC
	000G39-06-10T	EA	SCREW - SF/DR - 6-20 X 5/8 PPH - BLACK
	000G39-06-16T	EA	SCREW - SF/DR - 6-20 X 1 PPH - BLACK
	000G39-08-06B	EA	SCREW - SF/DR - 8-18 X 3/8 PPH - ZINC
	000G39-08-08B	EA	SCREW - SF/DR - 8-18 X .50 PPH - ZINC
	000G39-08-08T	EA	SCREW - SF/DR - 8-18 X .50 PPH - BLACK
	000G39-08-08S	EA	SCREW - SF/DR - 8-18 X .50 PPH - OFF WHITE
	0G3908-08-170	EA	SCREW - SF/DR - 8-18 X .50 PPH - BRIGHT WHITE
	000G39-08-12B	EA	SCREW - SF/DR - 8-18 X .75 PPH - ZINC
	0G5508-12-170	EA	SCREW - SF/DR-8-18 X .75 PWH
	086256-01-000	EA	SCREW - SF/DR - 8 X .75 HWH LONG - PL BODY PNL MT
	000G39-08-12T	EA	SCREW - SF/DR - 8-18 X 3/4 PPH - BLACK
	000G55-08-16S	EA	SCREW - SF/DR - 8-18 X 1.00 - PWH - OFF WHITE
	0G5508-16-250	EA	SCREW - SF/DR - 8-18 X 1.00 PWH
	000G39-08-16B	EA	SCREW - SF/DR - 8-18 Z 1 PPH - ZINC
	000G39-08-16R	EA	SCREW - SF/DR - 8-18 X 1.00 PPH - BEIGE
	000G39-08-24B	EA	SCREW - SF/DR - 8-18 X 1.50 PPH - ZINC
	0G3908-24-170	EA	SCREW - SF/DR - 8-18 X 1.50 PPH - BRIGHT WHITE

SEALANTS & FASTENERS GROUP (CONTINUED)

SCREWS (CONTINUED)

KEY	PART NUMBER	U/M	DESCRIPTION
	000G39-10-088	EA	SCREW - SF/DR - 10-16 X PPH - DRILL - FLEX F'CARBON
	000G39-10-08B	EA	SCREW - SF/DR - 10-16 X .50 PPH - ZINC
	000G39-10-12D	EA	SCREW - SF/DR - 10-16 X .75 PPH - BLACK
	000G39-10-129	EA	SCREW - SF/DR - 10-16 X .75 PPH - FLUOROCARBON SILVER
	000G39-10-12B	EA	SCREW - SF/DR - 10-16 X .75 PPH - ZINC
	000G39-10-12R	EA	SCREW - SF/DR - 10-16 X .75 PPH - BEIGE
	000G39-10-20B	EA	SCREW - SF/DR - 10-16 X 1.25 PPH - ZINC
	000G39-10-209	EA	SCREW - SF/DR - 10-16 X 1.25 PPH - FLUOROCARBON SILVER
	000G60-10-20B	EA	SCREW - SF/DR - 10-16 X 1.25 POH - ZINC
	000G60-10-28T	EA	SCREW - SF/DR - 10-16 X 1.75 - BLACK
	000G39-10-32B	EA	SCREW - SF/DR - 10-16 X 2.00 - PPH - ZINC
	054434-02-000	EA	SCREW - SF/DR - 10-16 X 2 - ZINC
	054434-03-000	EA	SCREW - SF/DR - 10-16 X 2 - PWH - ZINC - W/O WINGS
	000G39-12-12E	EA	SCREW - SF/DR - 12-14 X .75 PPH - CHROME
	105126-01-000	EA	SCREW - MACH - 8-32 X 1 PPH TAPTIT
	087721-01-000	EA	SCREW - FLAT HEAD - TAPPING - 1/4" X 1 1/4" LONG - ZINC
	057671-01-000	EA	COVER - SCREW - #8 - PLASTIC - OFF WHITE
	097974-01-000	EA	SCREW - PART BD 7-9 X .75 PPH - FHM 0543 PLAIN
	000G19-10-12F	EA	SCREW - MACHINE - 10-32 X .75 - PPH - STAINLESS STEEL
	116111-02-01A	EA	SCREW - TAPTITE - 1/4-20 X 3/8 PPH - ZINC
	102540-03-000	EA	SEAL - SCREW

ADHESIVE & FASTENERS

KEY	PART NUMBER	U/M	DESCRIPTION
	004006-05-700	EA	ADHESIVE-NAT. STARCH (5 GAL) 0802
	004020-01-000	QT	ADHESIVE - ABS CEMENT - QUART
	034552-02-000	EA	SILICONE - TUBE - 300 ML - W/O NOZZLE - CLEAR
	039518-01-000	EA	SILICONE - TUBE - 300 ML - BLACK - W/O NOZZLE
	063642-01-000	FT	TAPE - ADHESIVE - 10 MIL X 1.5" X 180"
	069640-01-000	FT	SEALER - RIBBON - 1/4"DIAMETER X 30'
	069640-02-000	FT	SEALER - TAPE - 1/8"THICK X .50"WIDE X 60'
	069640-03-000	FT	SEALER - TAPE - 1/8"THICK X .75"WIDE X 60'
	069640-07-000	FT	SEALER - TAPE - 3/32"THICK X 2"WIDE X 45'
	069640-10-000	FT	SEALER - TAPE - 1/32"THICK X 1.50"WIDE X 90'
	069640-11-000	FT	SEALER - TAPE - 3/16"THICK X 3/8"WIDE X 40'
	069640-15-000	FT	SEALER - TAPE - 1/16"THICK X 3/8"WIDE X 80'
	069640-17-000	FT	SEALER - TAPE - 1/32" THICK X 1"WIDE X 90'
	072889-09-000	EA	SEALANT - URETHANE - BLACK (TUBE)
	072889-12-000	EA	SEALANT - URETHANE (LV) BRIGHT WHITE
	076314-02-000	FT	TAPE - CARPET SEAM - HEAT-BOND - 4" WIDE
	076322-01-000	FT	TAPE - DOUBLE COATED ADHESIVE BACKED FOAM - .25" X 216'
	076322-02-000	EA	TAPE - DOUBLE COATED/ADHESIVE BACK - .045"THK X 1"W X 9'
	076322-03-000	FT	TAPE - DOUBLE COATED ADHESIVE BACKED FOAM - .5" X 108'
	076322-05-000	FT	TAPE - DOUBLE COATED/ADHESIVE BACK - .045"THK X 75"W X 9'
	076322-07-000	FT	TAPE - DOUBLE COATED/ADHESIVE BACK - .045"THK X .50"W X 9'
	087211-01-000	GL	PROMOTER - ADHESIVE
	091255-02-000	FT	SEAL - ADHESIVE BACKED FOAM - .18" THICK X 1.5" WIDE
	102352-01-000	EA	SEALER - PUMPABLE - BLACK
	118085-02-01A	FT	TAPE - FOIL - 1"
	120534-01-01A	EA	TAPE - SCOTCH - 3M - 1/2" FINE LINE
	076322-02-000	EA	TAPE - DOUBLE COATED/ADHESIVE BACK - .045"THK X 1"W X 9'
	076322-03-000	EA	TAPE - DOUBLE COATED/ADHESIVE BACK -.045"THK X .50"W X 9'
	900390-01-000	EA	TIP - 2 1/2" X 1/8" ORIFICE
	900390-03-000	EA	NOZZLE - SILICONE TUBE

SEALANTS & FASTENERS GROUP (CONTINUED)

BOLTS, NUTS & WASHERS

KEY	PART NUMBER	U/M	DESCRIPTION
	0MC31K-08-020	EA	BOLT - HEX - SERRATED FLANGE - M8 X 020
	000C12-05-16B	EA	BOLT - HEX - 5/16-18 X 1 - ZINC 5
	000C12-06-16B	EA	BOLT - HEX - 3/8-16 X 1 LG - ZINC 5
	000C12-09-20B	EA	BOLT - HEX - 9/16-12 X 1.25 - ZINC 5
	000C12-07-20B	EA	BOLT - HEX - 7/16-14 X 1 1/4 - ZINC 5
	000C12-08-24B	EA	BOLT - HEX - 1/2-13 X 1.50 - ZINC 5
	000C12-10-24B	EA	BOLT - HEX - 5/8-11 X 1.50 - ZINC - 5
	000C13-07-48B	EA	BOLT - HEX - 7/16-20 X 3 - ZINC 5
	000C18-05-40A	EA	BOLT - ELEVATOR - 5/16-18 X 2.50 - PL
	000C18-06-56A	EA	BOLT - ELEVATOR - 3/8-16 X 3 1/2 - GRADE 5
	000C18-06-48B	EA	BOLT - ELEVATOR - 3/8-16 X 3 - ZINC - GRADE 5
	000C26-04-10B	EA	BOLT - HEX - SERRATED FLANGE - 1/4-20 X 5/8 - ZINC
	000C26-05-12B	EA	BOLT - HEX - SERRATED FLANGE - 5/16-18 X 3/4 - ZINC
	000C26-06-12B	EA	BOLT - HEX - SERRATED FLANGE - 3/8 -16 X 3/4 - ZINC
	000C26-06-16B	EA	BOLT - HEX - SERRATED FLANGE - 3/8-16 X 1 - ZINC
	000C26-04-14B	EA	BOLT - HEX - SERRATED FLANGE - 1/4 X 20 X 7/8 - ZINC
	091274-03-000	EA	BOLT - J - 3/8-16 X 12.0
	000G45-05-16B	EA	BOLT - LAG 5/16-9 X 1 - ZINC
	102333-01-06A	EA	BOLT - CARRIAGE - 7/16-14 STAINLESS STEEL CAP
	051387-06-000	EA	BOLT - CARRIAGE W/O HOLE - 5/16-18 X 9.5 - ZINC
	106166-01-000	EA	BOLT COLLARED HANGER - 8-32 X 1"
	000D29-06-00B	EA	NUT - HEX - W/NYLON LOCK - 3/8-16 - ZINC
	000D24-10-00B	EA	NUT - HEX - SF/LOCKING - 10-32 ZINC
	000D29-09-00B	EA	NUT - HEX SELFLOCKING - 9/16-12 - ZINC
	000D34-06-00B	EA	NUT - HEX -LOCKING-3/8-16 GRADE C ZINC - PREVAILING T
	000D39-04-00B	EA	NUT - HEX - SERRATED FLANGE LOCKING 1/4-20 - ZINC
	000D39-05-00B	EA	NUT - HEX - SERRATED FLANGE LOCKING - 5/16-18 - ZINC
	000D39-06-00B	EA	NUT - HEX - SERRATED FLANGE LOCKING - 3/8-16 - ZINC
	000D39-07-00B	EA	NUT - HEX - SER FLG LK - 7/15 - 14 ZINC
	000D39-08-00B	EA	NUT - HEX - SERRATED FLANGE LOCKING - 1/2-13 - ZINC
	000D44-07-00B	EA	NUT - HEX - SERRATED FLANGE LOCKING - 7/16-20 - ZINC
	044364-02-000	EA	NUT - SPEED - FLAT - ROUND - T'MN C9186-014-1
	040921-01-000	EA	NUT - SPEED - U TYPE - 10-24 BLACK
	077071-01-000	EA	WASHER - FENDER - 3/16"ID X 1" OD
	000E11-07-00B	EA	WASHER - LOCKING - 7/16 MED SPLIT - ZINC
	000E11-08-00B	EA	WASHER - LOCKING - 1/2 MED SPLIT - ZINC
	041322-01-000	EA	WASHER - FLANGE - 15/32 ID X 2 3/8 OD - FOR SEAT BELT MOUNT
	000E13-21-00B	EA	WASHER - FLANGE - W/2 NAR - ZINC
	000E13-14-00B	EA	WASHER - FLAT - 1/4" WIDE - ZINC
	000E13-17-00B	EA	WASHER - FLAT - 3/8" AR - ZINC
	000E13-18-00B	EA	WASHER - FLAT - 3/8 WIDE - ZINC
	000E13-20-00B	EA	WASHER - FLAT - 7/16" WIDE - ZINC
	044533-01-000	EA	WASHER - PLASTIC - 1 3/8 OD - FOR BUTTONS
	008343-01-000	EA	TIE - WIRE - 6"
	081211-05-000	EA	PLUG - PLASTIC - .188 DIAMETER - NATURAL
	085774-01-000	FT	FASTENER - DUAL HOOK - 1" WIDE - ADHESIVE BACK - BLACK
	085774-02-000	FT	FASTENER - DUAL LOOP - 1" WIDE - ADHESIVE BACK - BLACK
	108046-01-000	EA	CABLE TIE - SCREW MOUNT 8" - DENNISON 08415
	108046-02-000	EA	CABLE TIE - SCREW MOUNT 15" - DENNISON 10035

SEALANTS & FASTENERS GROUP (CONTINUED)

CLAMPS, GROMMETS, CLIPS & RIVETS

KEY	PART NUMBER	U/M	DESCRIPTION
	000H16-04-06R	EA	RIVET-POP, AL 1/8 X .313-.375
	007161-01-000	EA	CLAMP - HOSE - SPRING TYPE - 1/2"
	010495-01-000	EA	CLAMP - CABLE - 9/16"
	010497-01-000	EA	CLAMP - CLOSED - 5/8" ID
	010497-03-000	EA	CLAMP - CLOSED - 1" ID - CUSHIONED
	010497-04-000	EA	CLAMP - CLOSED - 1.62" ID
	010497-08-000	EA	CLAMP-CLOSED, .125"
	010499-01-000	EA	CLAMP - CLOSED - 3/8" ID
	016188-05-000	EA	GROMMET - L/P LINE - 3/8" HOLE X 1 1/4" LONG - RUBBER
	023942-01-000	EA	GROMMET - RUBBER - 2" OD
	056134-01-000	EA	HOLDER - RING - 3.6" DIAMETER - METAL
	062401-01-000	EA	CLAMP - HOSE - WORMGEAR .25" - 1"
	062401-02-000	EA	CLAMP - HOSE - WORMGEAR 1.56" - 2.5"
	062401-03-000	EA	CLAMP - HOSE - WORMGEAR - .22"- 1"
	062401-04-000	EA	CLAMP - HOSE - WORMGEAR .69"- 1.25"
	062401-06-000	EA	CLAMP - HOSE - WORMGEAR .22"-.62"
	062401-11-000	EA	CLAMP - HOSE - WORMGEAR 3.56"- 4.5"
	069592-02-000	EA	RIVET-T - POP - 1/4 X .093 - .156
	071015-26-000	EA	GROMMET - RUBBER - 1.5" ID X 2.12" OD W/.06" GROOVE - BLK
	075148-02-000	EA	CLAMP - GROUNDING - BRONZE SCREWS
	080734-02-000	EA	CLIP - WIRE NYLON
	083609-01-000	EA	CLAMP - WIRE - DUAL EQUAL - 5/8" DIAMETER
	083610-01-000	EA	CLAMP - WIRE - DUAL - UNEQUAL DIAMETERS - .75" & 1.25"
	083610-02-000	EA	CLAMP - WIRE - DUAL UNEQUAL DIAMETER
	091952-02-000	EA	CLIP - GRIPPER - 3/4"
	101447-01-000	EA	CLIP - U TYPE
	094362-02-000	EA	CLIP - XMAS TREE - FLAT HEAD - .5" X .95"
	114208-02-000	EA	GROMMET - EDGE LINER - FITS .625

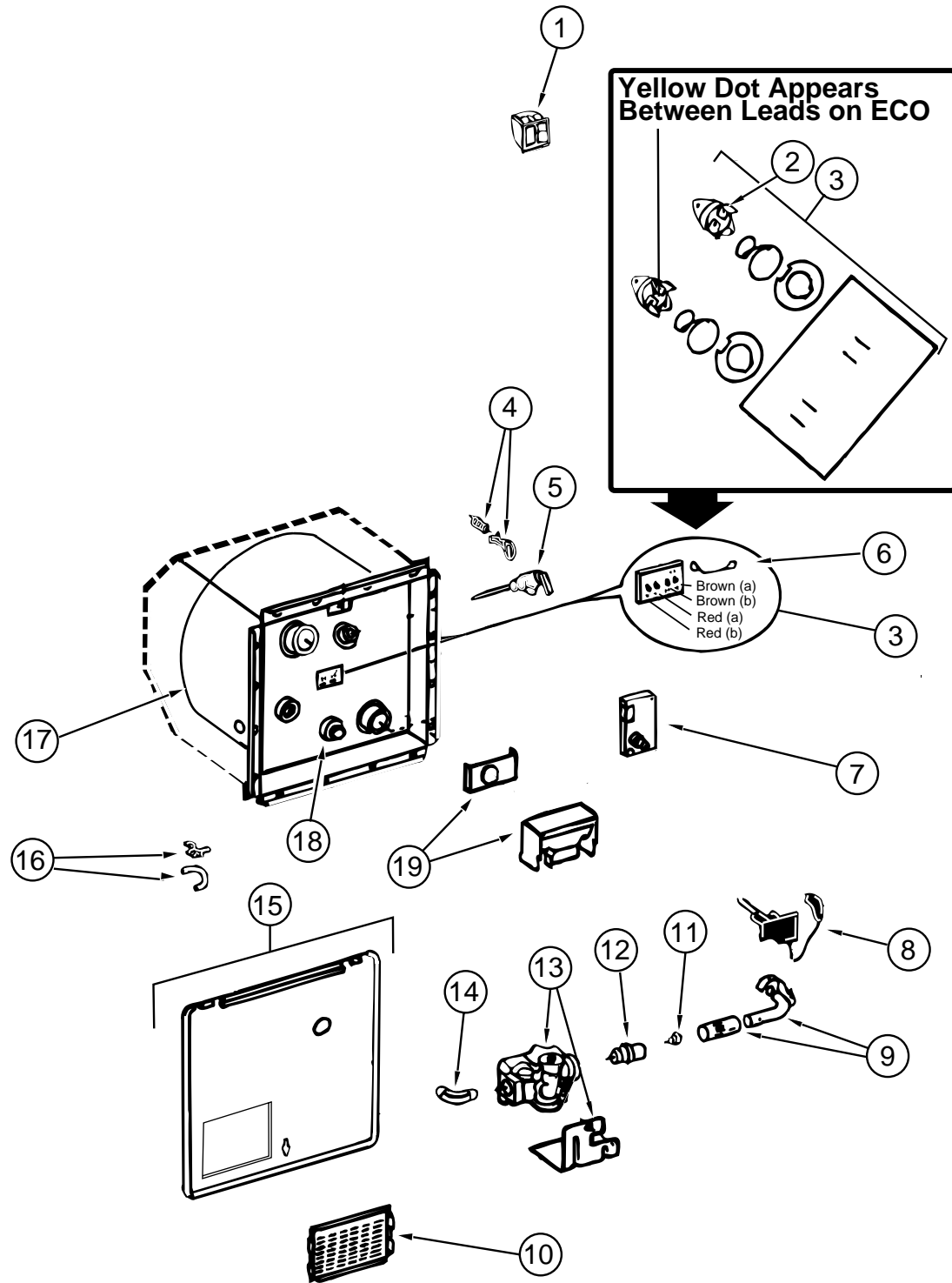
WATER & SEWAGE GROUP

WATER HEATER W/ELECTRONIC IGNITION ATWOOD (G6A-8E)

KEY	PART NUMBER	U/M	DESCRIPTION	VENDOR NO.
	051391-03-000	EA	WATER HEATER G6A-8E ELECTRONIC IGNITION	
1	097967-01-000	EA	SWITCH - WATER HEATER - REMOTE W/LIGHT	
2	051391-04-701	EA	THERMOSTAT 12VDC-120 PRESET	91470
3	051393-01-721	EA	THERMOSTAT W/ECO, 140 FRT MT	91447
4	051391-01-705	EA	FASTENER-CAMLOCK	92609
5	051391-01-704	EA	VALVE-RELIEF, 1/2" FITTING	91604
6	051393-01-723	EA	SWITCH-THERMAL-CUT OFF 2/PKG	93866
7	051393-01-724	EA	BOARD-CIRCUIT, SPADE TERMINAL	93865
8	051393-01-725	EA	ELECTRODE-SGL SPADE CONNECT.	93868
9	051391-04-703	EA	BURNER-MAIN	91638
10	051391-01-717	EA	GRILLE-WATER HEATER DOOR	92640
11	051391-01-710	EA	ORIFICE-MAIN BURNER	92742
12	051391-03-700	EA	HOLDER-ORIFICE	91563
13	051393-01-726	EA	VALVE-SOLENOID, W/BRACKET	93870
14	051391-01-714	EA	ELBOW - 45 DEGREE - 3/8" F X 3/8" MPT	# 91044
15	052009-06-000	EA	DOOR - WATER HEATER - BRIGHT WHITE - 18" X 14.6"	
	116424-01-000	EA	PROTECTOR - WATER HEATER LATCH	
16	051391-01-700	EA	HINGE KIT, (PIN & CLIP)	92568&92559
17	051391-04-706	EA	TANK-INNER, G6A-4E&6E FRT. MT	91641
18	051391-01-715	EA	PLUG-DRAIN, 1 EA = 2 PER PKG	91857
19	051391-04-707	EA	KIT-EXHAUST, (FLUE & GASKET)	90960
	111129-01-711	EA	BRACKET-CORNER, SET OF FOUR	91928

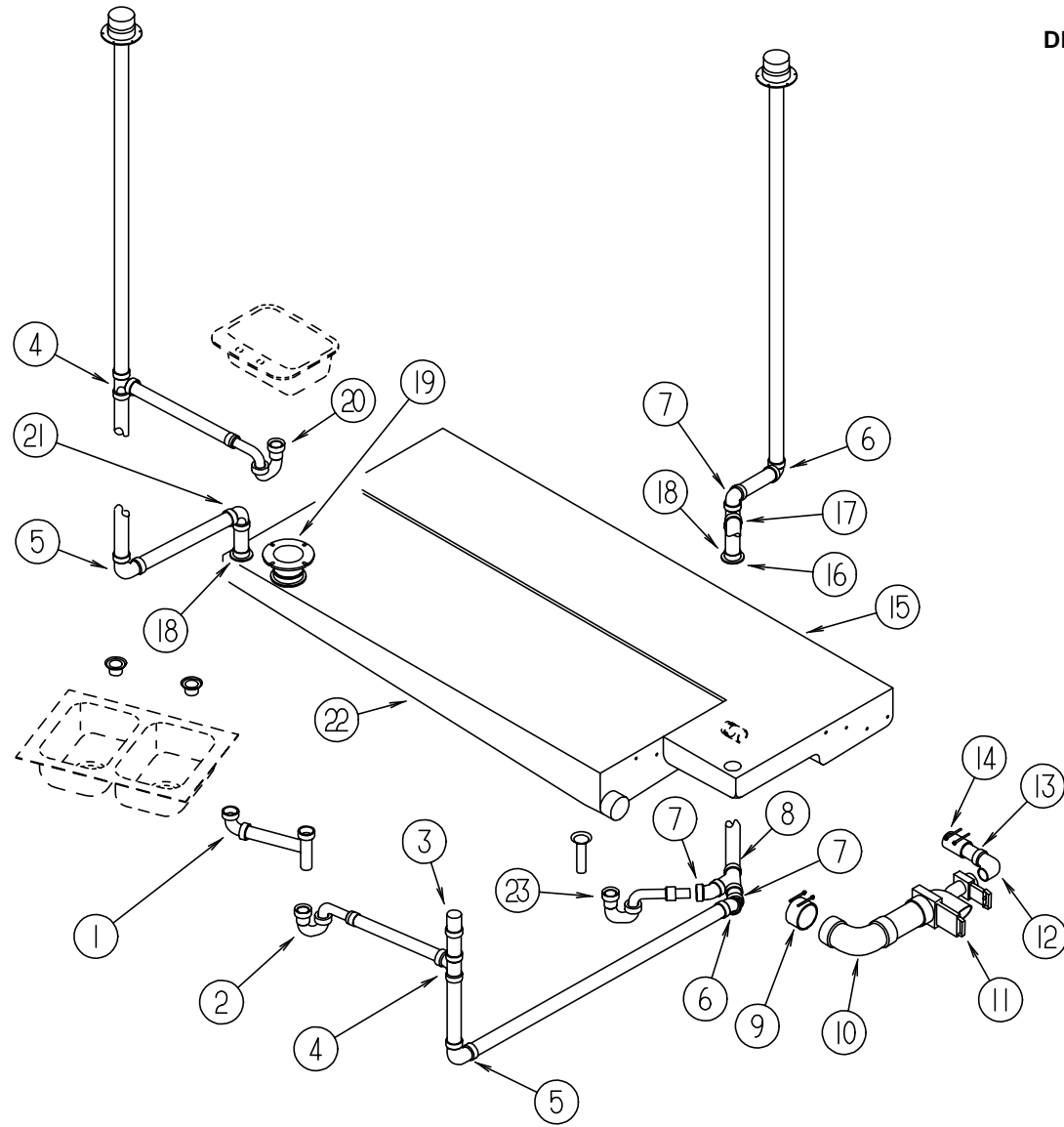
WATER HEATER W/MOTOR AID ATWOOD (GH6-8E)

KEY	PART NUMBER	U/M	DESCRIPTION	VENDOR NO.
	051393-01-000	EA	WATER HEATER GH6-8E ELECTRONIC IGNITION W/MOTOR AID	
1	097967-01-000	EA	SWITCH - WATER HEATER - REMOTE W/LIGHT	
2	051391-04-701	EA	THERMOSTAT 12VDC-120 PRESET	91470
3	051393-01-721	EA	THERMOSTAT W/ECO, 140 FRT MT	91447
4	051391-01-705	EA	FASTENER-CAMLOCK	92609
5	051391-01-704	EA	VALVE-RELIEF, 1/2" FITTING	91604
6	051393-01-723	EA	SWITCH-THERMAL-CUT OFF 2/PKG	93866
7	051393-01-724	EA	BOARD-CIRCUIT, SPADE TERMINAL	93865
8	051393-01-725	EA	ELECTRODE-SGL SPADE CONNECT.	93868
9	051391-04-703	EA	BURNER-MAIN	91638
10	051391-01-717	EA	GRILLE-WATER HEATER DOOR	92640
11	051391-01-710	EA	ORIFICE-MAIN BURNER	92742
12	051391-03-700	EA	HOLDER-ORIFICE	91563
13	051393-01-726	EA	VALVE-SOLENOID, W/BRACKET	93870
14	051391-01-714	EA	FITTING-ELBOW 45, 3/8" F X 3/8" MPT 1044	
15	052009-06-000	EA	DOOR - WATER HEATER - BRIGHT WHITE - 18" X 14.6"	
	116424-01-000	EA	PROTECTOR - WATER HEATER LATCH	
16	051391-01-700	EA	HINGE KIT, (PIN & CLIP)	92568&92559
17	051391-04-704	EA	TANK-INNER (FRT-MT)	91642
18	051391-01-715	EA	PLUG-DRAIN, 1 EA = 2 PER PKG	91857
19	051391-04-707	EA	KIT-EXHAUST, (FLUE & GASKET)	90960
	111129-01-711	EA	BRACKET-CORNER, SET OF FOUR	91928



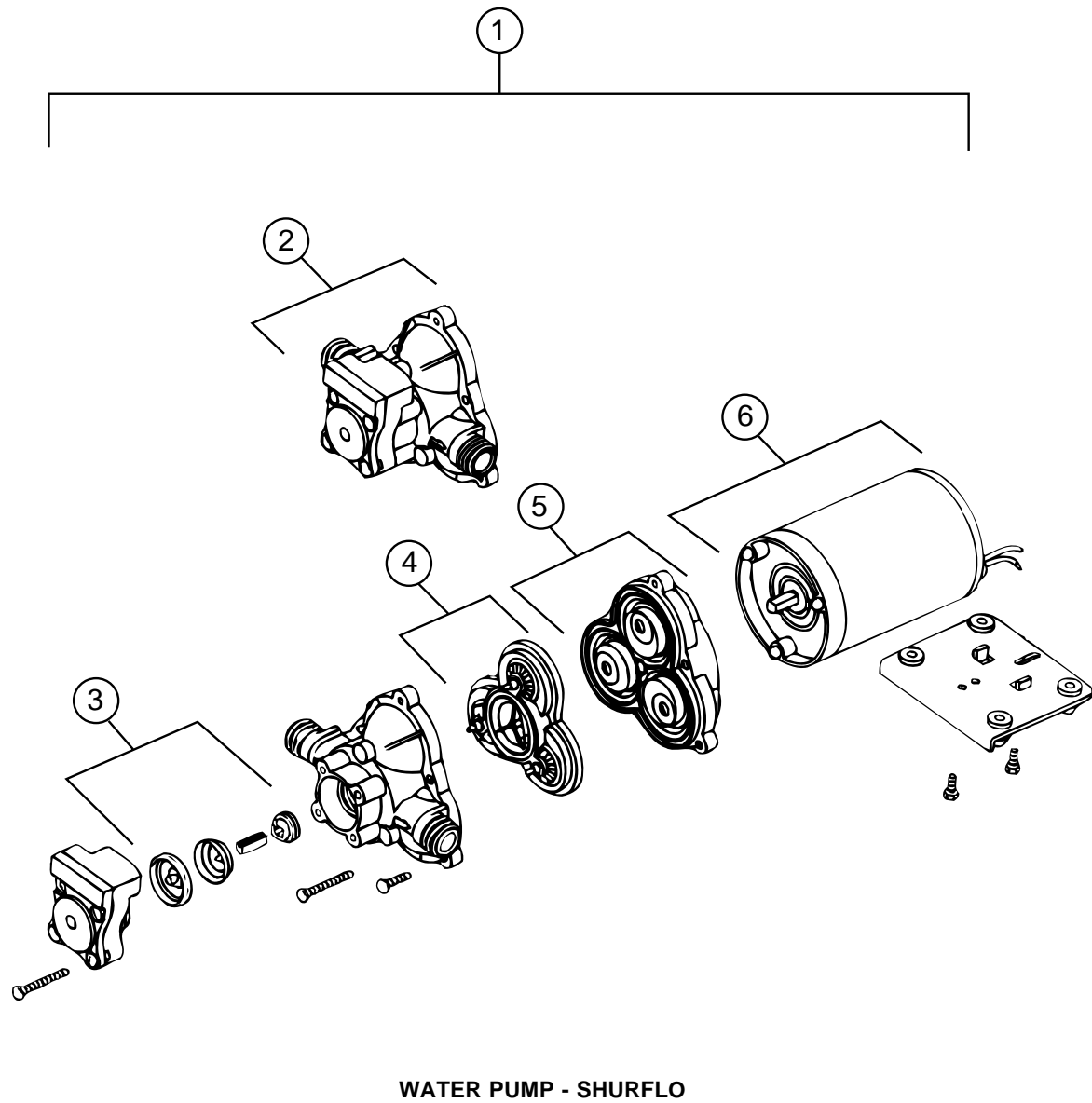
WATER & SEWAGE GROUP (CONTINUED)

DRAINAGE SYSTEM



KEY	PART NUMBER	U/M	DESCRIPTION
1	011091-02-000	EA	WASTE - CONTINUOUS - DOUBLE SINK
1	011091-03-000	EA	WASTE - CONTINUOUS - DOUBLE SINK - CSA
2	109571-01-000	EA	ADAPTER-P TRAP - 1 1/2" P X 1 1/4" MPT
2	107538-01-000	EA	P TRAP - PLASTIC - 1 1/4" W/EXTENSION ARM
2	011071-01-000	EA	P TRAP - PLASTIC - 1 1/2"
3	079968-01-000	EA	VENT-MECHANICAL TRAP ARM - ANTI-SIPHON - 2" DIA X 7.3" - PLASTIC
4	010071-01-000	EA	TEE-SANITARY - 1 1/2" HUB X HUB X HUB - PLASTIC - BLACK
5	010008-01-000	EA	ELBOW - 90 DEGREE - 1/4" BEND - 1 1/2" HUB X HUB - BLACK PLASTIC
6	010006-01-000	EA	ELBOW - 45 DEGREE - 1/8 BEND - 1 1/2" HUB X HUB - BLACK PLASTIC
7	010051-01-000	EA	ELBOW - 45 DEGREE - 1 1/2" SPIGOT & HUB - PLASTIC
8	010073-01-000	EA	WYE - 45 DEGREE - 1 1/2" HUB X HUB X HUB - PLASTIC
9	078406-01-000	EA	COUPLER - RUBBER - W/CLAMPS - 3" X 3"
10	031126-01-000	EA	ELBOW - 1/4 BEND - 3" X 90" XLT - BLACK PLASTIC
11	070916-01-000	EA	VALVE - DUAL DUMP - W/CAP - 3" X 1 1/2"
	070916-01-700	EA	VALVE ONLY (WASTE) 3" - T1003BU
	070916-01-701	EA	VALVE ONLY (WASTE) 1 1/2" - T1001BU
11	062415-01-000	EA	CAP - SEWER - 3" DIAMETER
	062415-01-700	EA	STRING-SEWER CAP- V#SV7 STRAP
	010201-01-000	EA	HOSE - SEWER - 3" ID X 8'
	062416-01-000	EA	ADAPTER - SEWER HOSE TO 3" PIPE
12	033761-01-000	EA	ELBOW-TURN - 1/4 BEND X 1.5" HUB X 1.5" SPIGOT - BLK PLASTIC
13	089355-01-000	EA	COUPLER-RUBBER - 1 1/2" X 1 1/2"
14	N/A		NIPPLE-PLASTIC - 1.5" X 2.62" - TOE
15	117580-01-000	EA	TANK - HOLDING - 33 GALLON - W/O FITTINGS
16	061607-01-000	EA	GROMMET - HOLDING TANK - 1 1/2" NPS
17	010071-02-000	EA	TEE - PLASTIC - 1 1/2 W/BAFFLE - H X H X H
18	010115-01-000	EA	COUPLING-1 1/2" HUB X HUB - PLASTIC
19	061607-02-000	EA	GROMMET-HOLDING TANK - 3" NPS
20	109571-01-000	EA	ADAPTER-P TRAP - 1 1/2" P X 1 1/4" MPT
20	107538-01-000	EA	P TRAP - PLASTIC - 1 1/4" W/EXTENSION ARM
20	011066-03-700	EA	P TRAP-1 1/4" HUB X SLIP JOINT - W/UNION - ABS - CANADIAN
21	034250-01-000	EA	ELBOW - 90 DEGREE - LONG TURN - 1 1/2" HUB X HUB - ABS
22	117573-01-000	EA	TANK - HOLDING - 33 GALLON - W/O FITTINGS
23	069735-01-000	EA	WASHER - STRAINER TO TAILPIECE - PLASTIC - 1.5"
	066729-01-000	EA	STRAINER - TUB/SHOWER - W/PLUG
	010166-01-000	EA	PLUG - THREADED - 1 1/4" DIAMETER - PLASTIC - BLACK
	011069-02-000	EA	TAILPIECE-TUB/SHOWER - 1 1/2" X 1 1/4" X 4" - BRASS
	041956-01-000	EA	ELBOW-STREET - PLASTIC - 1/4 BEND - 3" X 90 XLT
	066440-01-000	EA	STRAINER-SHOWER - W/RUBBER WASHER
	116644-01-000	EA	FLANGE-CLOSET 4" X 3" - SEALAND 345892

WATER & SEWAGE GROUP (CONTINUED)



WATER PUMP - SHURFLO

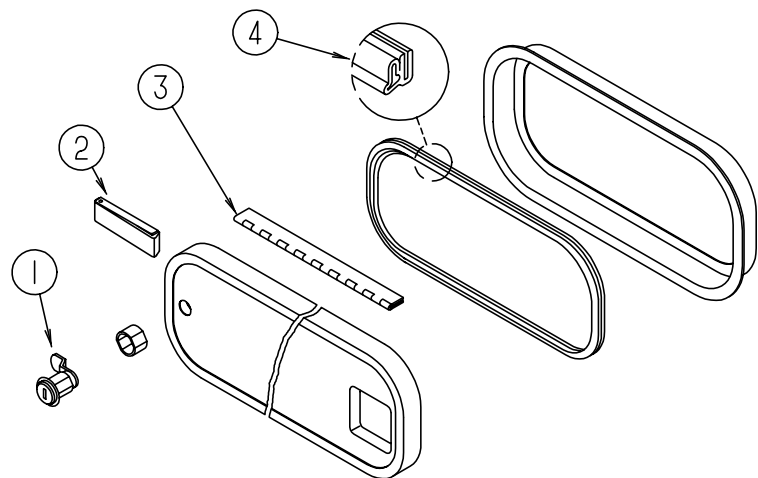
KEY	PART NUMBER	U/M DESCRIPTION	VENDOR NO.
1	098607-01-000	EA PUMP-WATER - W/.5" MPT FITTING - FLOW 2.8 GPM - UL	
2	098607-01-706	EA HOUSING W/SWITCH ONLY	94-231-20
3	098607-01-705	EA CHECK VALVE-KIT	94-237-00
4	098607-01-703	EA VALVE KIT	94-232-00
5	098607-01-702	EA DIAPHRAGM/DRIVE ASSEMBLY KIT	94-238-04
6	098607-01-707	EA MOTOR W/BASEPLATE	11-148-04

WATER & SEWAGE GROUP (CONTINUED)

FRESH WATER TANK & WATER SYSTEM

KEY	PART NUMBER	U/M DESCRIPTION
	119109-06-000	EA TANK - WATER - 40 GALLON - W/FITTINGS
	119109-01-000	EA TANK - WATER - 40 GALLON - W/O FITTINGS
	077954-02-000	EA FILTER - WATER TANK - SCREEN IN TANK
	042989-03-000	EA FITTING - WATER TANK - SPINWELD - 1 1/4"NPT-WHITE PLASTIC
	042989-04-000	EA FITTING - WATER TANK - SPINWELD - 3/8 FPT - WHITE PLASTIC
	042989-05-000	EA FITTING - WATER TANK - SPINWELD - 1/2"FPT - WHITE PLASTIC
	049032-01-000	EA PATCH - SPINWELD - 3/8" - PLASTIC
	039861-01-000	EA SENDING UNIT - W/SCREW - WASHER - WELL NUT & TERMINAL RING
	079381-01-000	FT TUBING - SMOOTH FLEXIBLE - 1 3/8" ID X 20'
	114430-02-000	EA ADAPTER - SWIVEL - 1/2P X 1/2FPT
	114430-03-000	EA ADAPTER - 1/2P X 1/2MPT
	114430-06-000	EA ADAPTER - 1/2P X 3/8FPT
	123152-01-000	EA ADAPTER - 1/2" FPT X 1/2" BARB SWIVEL
	010224-01-000	EA ADAPTER - HOSE TO PIPE - 3/8 MPT X 3/8 BARB - PLASTIC
	044927-01-000	EA ADAPTER - HOSE TO PIPE - 1 1/4 MPT X 1 1/4 BARB - BLK PLS
	113697-01-000	EA CAP - 3/8 FTG
	101814-01-000	EA COUPLING - FEMALE - 1/2" X 1/2"FPT W/COMP SLEEVE - GRAY
	123150-01-000	EA ELBOW - 1/2" FPT X 1/2" BARB - SWIVEL
	114429-01-000	EA ELBOW - 1/2P X 1/2P
	114429-02-000	EA ELBOW - 1/2P X 1/2MPT
	114429-03-000	EA ELBOW- FLAIR-IT SWIVEL 1/2"P X 1/2"FPT
	010230-05-000	EA FILL - CITY WATER - W/CHECK VALVE
		FROM: 00-00-00 THRU: 09-25-96
	010230-06-000	EA FILL - CITY WATER - W/CHECK VALVE - MPT
		FROM: 09-26-96 THRU: 99-99-99
	115029-01-000	FT HOSE-3/8ID,WATER - LAVANTURE PR86
	046128-01-000	EA VALVE - DRAIN - PLASTIC - 1/2" FPT
	039861-01-000	EA SENDING UNIT - W/SCREW - WASHER - WELL NUT & TERMINAL RING
	114428-02-000	EA TEE - SWIVEL - 1/2P X 1/2P X 1/2FPT
	114428-03-000	EA TEE - 1/2P X 1/2P X 1/2 MPT
	039800-02-000	FT TUBING - POLYBUTY - 5/8" OD X 20' - INCR OF 20' - BLACK
	074462-02-000	FT TUBING - VINYL - 3/8" ID X 20' - CLEAR
	112176-01-000	FT TUBING - VINYL - REINFORCED - 1/2" ID
	114431-02-000	EA WATER VALVE - 2 POSITION - "BYPASS VALVE"
	114431-03-000	EA WATER VALVE - 90 DEGREE ELBOW - "WATER DRAIN VALVE"
	110438-01-000	EA VALVE - BRASS CHECK
	091208-01-000	EA WASHER - RUBBER - .06" X .75" X .5"
		FROM: 00-00-00 THRU: 07-16-96

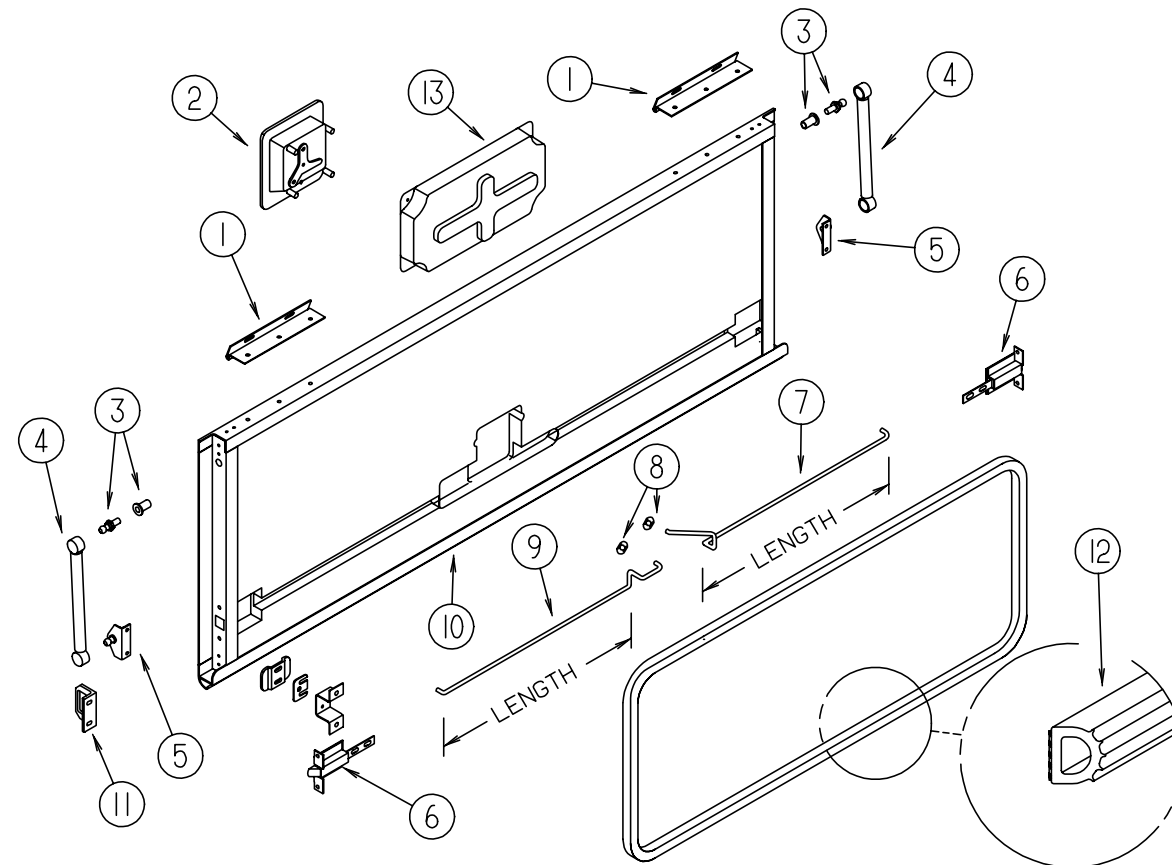
WINDOW, VENT & EXTERIOR DOOR GROUP



EXTERIOR DOOR & COMPONENTS

KEY	PART NUMBER	U/M	DESCRIPTION
1	110506-02-000	EA	LOCK-KEYED, 13.64 MM - BRIGGS & STRATTON
1	110506-12-000	EA	LOCK - KEYED - 1.93"
1	110506-01-000	EA	LOCK ASM-KEYED,17.65MM
	107997-51-001	EA	SPACER - DOOR LOCK - .6" DEEP
	107997-51-002	EA	EXTRUDED - SPACER - 16'
2	102768-01-000	EA	HOLDER - COMPARTMENT/ENTRY DOOR - METAL - MILL FINISH
3	081801-02-000	EA	HINGE - DOOR - PIANO - 2" X 8'
3	081801-V3-000	EA	HINGE - ALUMINUM - 2" X 8' - BRIGHT WHITE
3	009065-01-000	EA	HINGE-ALUMINUM, 1 1/2" X 96" - UNPAINTED
3	121755-01-04A	EA	HINGE - 6.00 INCH
4	064075-07-000	FT	SEAL - BULB - W/WIRED U CHANNEL - .3" X .5" CHANNEL - BLK
	104692-01-000	FT	SEAL - 3/4" X 3/4" - ADHESIVE BACK FOAM SEAL
	120863-02-000	EA	BUMPER - RUBBER - 1" DIAMETER X 1.50"

WINDOW, VENT & EXTERIOR DOOR GROUP (CONTINUED)

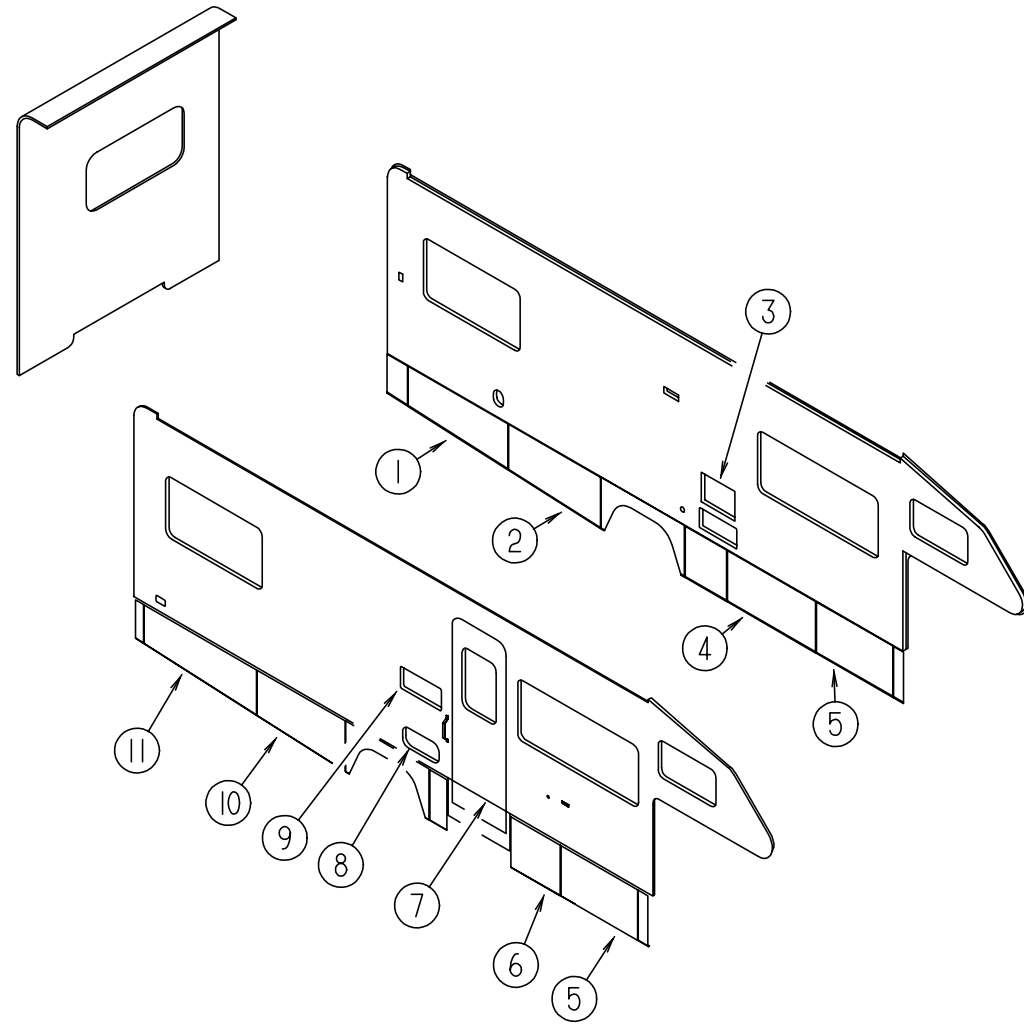


EXTERIOR DOOR COMPONENTS

KEY	PART NUMBER	U/M	DESCRIPTION
1	121755-01-04A	EA	HINGE - 6.00 INCH
2	112949-01-04A	EA	LATCH - PADDLE W/LOCK W/O KEY - BLACK
2	112949-02-05A	EA	LATCH - PADDLE NON-LOCKING - BLACK
	112949-03-000	EA	KEY - TRI-MARK #TM500
3	057460-08-000	EA	BALL STUD - 10MM BALL - 5/16-18
4	107796-18-000	EA	SPRING - GAS - 10" LENGTH
5	107796-03-000	EA	BRACKET - GAS SPRING - SMALL
5	107796-19-000	EA	BRACKET - GAS SPRING
6	121947-01-01A	EA	BOLT - SLIDE - LATCH - STEEL
7	122269-21-000	EA	ROD - LATCH - 4.52"
7	122269-18-000	EA	ROD - LATCH - 11.28"
7	122269-19-000	EA	ROD - LATCH - 14.22"
7	122269-24-000	EA	ROD - LATCH - 15.09"
7	122269-25-000	EA	ROD - LATCH - 17.04"
7	122269-23-000	EA	ROD - LATCH - 20.19"
8	124304-01-000	EA	CLIP - ROUND PUSH ON
9	122268-21-000	EA	ROD - LATCH - 4.52"
9	122268-18-000	EA	ROD - LATCH - 11.28"
9	122268-19-000	EA	ROD - LATCH - 14.22"
9	122268-24-000	EA	ROD - LATCH - 15.09"
9	122268-25-000	EA	ROD - LATCH - 17.04"
9	122268-23-000	EA	ROD - LATCH - 20.19"
10	122613-55-005	EA	EXTRUDED - ROCKER PANEL - 192" - FOREST GREEN
11	123783-01-01A	EA	STRIKER - DOOR - MILL
	122278-01-01A	EA	PLATE - STRIKE - BLACK
12	107721-04-000	FT	SEAL - ACCESS DOOR
12	107721-01-000	FT	"D" SHAPED BULB SEAL W/ADHESIVE ON FLAT SIDE
13	122277-01-01A	EA	COVER - LATCH - BLACK
13	122277-02-01A	EA	COVER - LATCH - BLACK

FROM: 00-00-00 THRU: 08-01-96
 FROM: 08-02-96 THRU: 99-99-99
 FROM: 00-00-00 THRU: 03-22-97
 FROM: 03-23-97 THRU: 99-99-99

WINDOW, VENT & EXTERIOR DOOR GROUP (CONTINUED)



EXTERIOR DOORS

KEY	PART NUMBER	U/M	DESCRIPTION
1	122391-12-H10	EA	DOOR - STORAGE - W/O PADDLE LATCH - 49.5" FROM: 00-00-00 THRU: 09-26-96
1	122391-38-H10	EA	DOOR - STORAGE - W/O PADDLE LATCH - 49.4" FROM: 09-27-96 THRU: 99-99-99
2	122391-10-H10	EA	DOOR - STORAGE - TAPERED - W/O PADDLE LATCH - 43.7"
3	052009-06-000	EA	DOOR - WATER HEATER - W/O LATCHES
3	116424-01-000	EA	PROTECTOR - LATCH - WATER HEATER
4	122239-18-H10	EA	DOOR - STORAGE - W/O PADDLE LATCH - 43.9"
5	122239-17-H10	EA	DOOR - STORAGE - W/O PADDLE LATCH - 38"
6	122239-20-H10	EA	DOOR - STORAGE - W/O PADDLE LATCH - 24.5"
6	123478-02-H07	EA	DOOR - COMPARTMENT - W/O LATCH/HINGE
7	115108-02-H10	EA	DOOR - ENTRY - W/SCREEN DOOR - W/O WINDOW (H10)
7	115108-02-H38	EA	DOOR - ENTRY - W/SCREEN DOOR - W/O WINDOW (H11)
8	111017-01-H23	EA	DOOR - PATIO ENTERTAINMENT CENTER-W/O LATCH - 17.8" X 8.1"
9	084103-08-000	EA	DOOR - REFRIGERATOR - VENTED - W/O JAMB
9	084104-08-000	EA	JAMB - REFRIGERATOR DOOR
9	084104-01-700	EA	LOCK-MALE, FASTENER 201-721-010
9	084104-01-701	EA	LOCK-FEMALE, FASTENER 201-802-010
10	122391-09-H10	EA	DOOR - STORAGE - W/O PADDLE LATCH - 43.7"
11	122391-11-H10	EA	DOOR - STORAGE - W/O PADDLE LATCH - 55.8"
	081240-16-000	EA	DOOR - WATER FILL - LOCKABLE W/O LOCK - 4" X 4 5/8"
	098668-23-000	EA	DOOR-ACCESS - FURNACE - BRIGHT WHITE - SUBURBAN

WINDOW, VENT & EXTERIOR DOOR GROUP (CONTINUED)

POWERED ROOF VENTILATOR

KEY	PART NUMBER	U/M	DESCRIPTION	VENDOR NO.
	123780-01-01A	EA	VENT - EXHAUST - 1" ROOF	
	123780-02-01A	EA	VENT - ROOF - 1" CEILING	
	009440-01-000	EA	GEAR/ARM-VENT COVER, LIFT	
	084079-01-703	EA	KNOB-LIFT, W/EXT. & SCREW	1140K-00
	084079-01-704	EA	BLADE-FAN	1070-00
	084079-01-705	EA	MOTOR	1080-00
	084079-01-707	EA	SWITCH-SAFETY	1122.05
	084079-01-709	EA	SWITCH-MAIN, 3 SPEED	1031-05
	084079-01-711	EA	H-MOLDING, MOTOR MOUNT	
	084079-11-700	EA	MOTOR, BRKT., FAN BLADE, KIT	4017K-09
	123780-01-700	EA	COVER - VENT W/HINGE & SLIDE	1020K-81
	123780-01-701	EA	GARNISH - INT 3/4-1" BRT/WHT	0040-81

NONPOWERED VENT

KEY	PART NUMBER	U/M	DESCRIPTION	VENDOR NO.
	122882-01-01A	EA	VENT - ROOF - NONPOWERED	
	009440-01-000	EA	GEAR/ARM - LIFT - ROOF VENT COVER	
	064470-01-700	EA	COVER - VENT - W/O SLIDE BAR	J7291
	064470-01-701	EA	SLIDE BAR - VENT LID	JRP1291B
	122882-01-700	EA	HANDLE-CRANK BLACK	90128
	122882-01-701	EA	SCREEN	JRP-1124-B

POWERED VENT

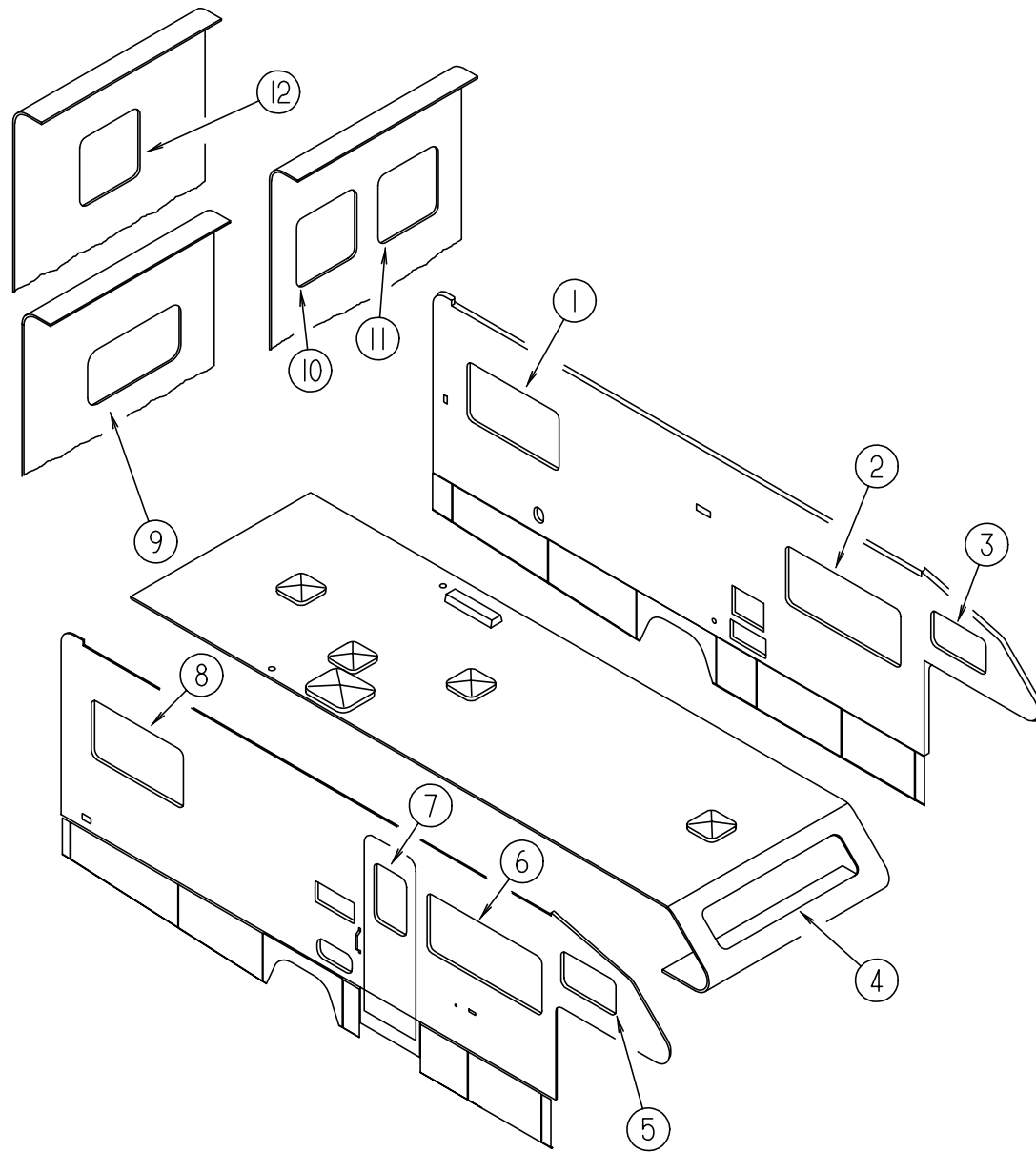
KEY	PART NUMBER	U/M	DESCRIPTION	VENDOR NO.
	122882-02-01A	EA	VENT - ROOF - W/FAN - POWERED	
	122882-03-01A	EA	VENT - ROOF - W/FAN - CSA	
	009440-01-000	EA	GEAR/ARM - LIFT - ROOF VENT COVER	
	048648-01-000	EA	MOTOR - ROOF VENT - 1/8 SHAFT - 12VOLT	
	048649-01-000	EA	FAN - ROOF VENT - 6 BLADES - 6"	
	064470-01-700	EA	COVER - VENT - W/O SLIDE BAR	J7291
	064470-01-701	EA	SLIDE BAR - VENT LID	JRP1291B
	110051-03-700	EA	SWITCH-BLACK/PUSH BUTTON	27-0164
	122882-01-700	EA	HANDLE-CRANK BLACK	90128
	122882-01-701	EA	SCREEN	JRP-1124-B
	122882-07-01A	EA	GARNISH - ROOF VENT - 2.50" TO 4.12"	

VENTS, SHROUDS AND ROOF COVERS

KEY	PART NUMBER	U/M	DESCRIPTION	VENDOR NO.
	084073-07-000	EA	VENT - ROOF - REFRIGERATOR - BRIGHT WHITE	
	084073-04-000	EA	BASE - ROOF VENT - REFRIGERATOR	
	092698-02-05A	EA	VENT-W/DOOR	
	092698-02-700	EA	FASTNER-PUSH	VB430
	092698-02-701	EA	CLAMP-CONDUIT	VB334
	083558-03-000	EA	VENT - PLUMBING - PIPE ROOF - W/COVER - OFF WHITE	

WINDOW, VENT & EXTERIOR DOOR GROUP (CONTINUED)

WINDOW



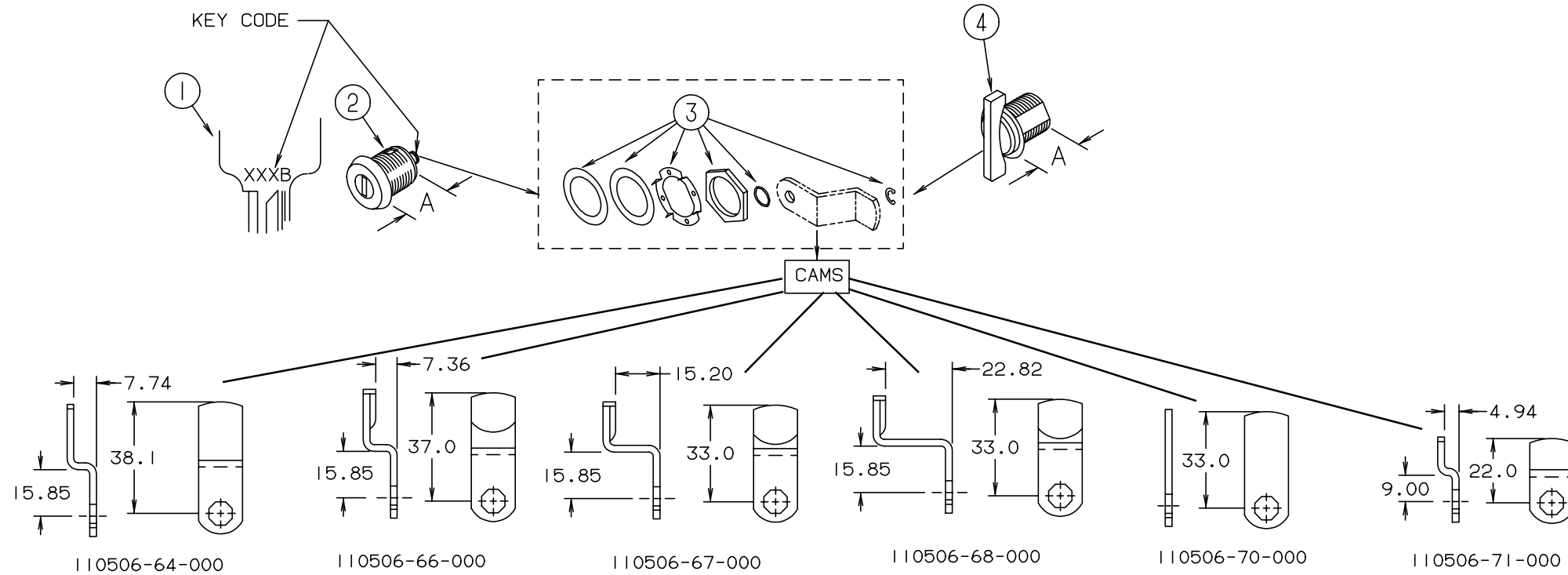
KEY	PART NUMBER	U/M	DESCRIPTION
1	104691-13-01A	EA	WINDOW - TIPOUT SINGLE - 26.3" X 47.9"(TWIN & DOUBLE)
1	112795-25-01A	EA	WINDOW-DRIVERS HORIZONTAL SLIDER THERMO 26 3/8" X 48"(TWIN & DOUBLE)
1	113500-01-01A	EA	WINDOW - DOUBLE TIPOUT 24.5 X 41.3"(CENTER QUEEN)
1	112795-23-01A	EA	WINDOW-DRIVERS HORIZONTAL SLIDER THERMO 24 1/2" X 41 1/2"(CENTER QUEEN)
2	098647-22-01A	EA	WINDOW - DRIVERS HORIZONTAL SLIDER 26.1" X 59.7"
2	112795-15-01A	EA	WINDOW-DRIVERS HORIZONTAL SLIDER THERMO 26 3/8" X 60"
3	098647-34-01A	EA	WINDOW - DRIVERS HORIZONTAL SLIDER 15.7" X 28.5"
3	112795-20-01A	EA	WINDOW-DRIVER HORIZONTAL SLIDER THERMO 16" X 28 3/4"
4	103313-03-F15	EA	WINDOW-PICTURE/ESCAPE 23.3" X 71.3"
4	115630-01-01A	EA	WINDOW-STATIONARY 17.2" X 72"
5	098647-33-01A	EA	WINDOW - PASSENGER HORIZONTAL SLIDER 15.7" X 28.5"
5	112795-19-01A	EA	WINDOW-PASSENGER HORIZONTAL SLIDER THERMO 16" X 28 3/4"
6	098647-23-01A	EA	WINDOW - PASSENGER HORIZONTAL SLIDER 26.1" X 59.7"
6	112795-16-01A	EA	WINDOW-PASSENGER HORIZONTAL SLIDER THERMO 26 3/8" X 60"
7	117053-02-F36	EA	WINDOW - PICTURE - ENTRANCE DOOR - 17" X 26.4"
7	113733-01-01A	EA	WINDOW - STATIONARY THERMOPANE 26.4" X 17"
8	104691-13-01A	EA	WINDOW - TIPOUT SINGLE - 26.3" X 47.9"(TWIN & DOUBLE)
8	112795-22-01A	EA	WINDOW-PASSENGER HORIZONTAL SLIDER THERMO 26 3/8" X 48"(TWIN & DOUBLE)
8	113500-01-01A	EA	WINDOW - DOUBLE TIPOUT 24.5 X 41.3"(CENTER QUEEN)
8	112795-21-01A	EA	WINDOW-PASSENGER HORIZONTAL SLIDER THERMO 24.5" X 41.25"(CENTER QUEEN)
9	078528-06-E10	EA	WINDOW - ESCAPE W/O RETAINER/TRIM 48.5" X 24.5"(CENTER QUEEN)
9	113502-01-01A	EA	WINDOW - REAR ESCAPE THERMO - 24.8" X 48.7"(CENTER QUEEN)
10	116976-02-01A	EA	WINDOW-REAR TINTED ESCAPE 26.4" X 26.25"(TWIN)
10	113502-04-01A	EA	WINDOW-REAR ESCAPE THERMO - 26.4" X 26.25"(TWIN)
11	116976-04-01A	EA	WINDOW-REAR TINTED PICTURE 26.4" X 26.25"(TWIN)
11	113733-02-01A	EA	WINDOW-STATIONARY THERMOPANE 26.4" X 26.25"(TWIN)
12	116976-02-01A	EA	WINDOW-REAR TINTED ESCAPE 26.4" X 26.25"(DOUBLE)
12	113502-04-01A	EA	WINDOW-REAR ESCAPE THERMO - 26.4" X 26.25"(DOUBLE)

WINDOW, VENT & EXTERIOR DOOR GROUP (CONTINUED)

BRIGGS & STRATTON LOCKS & COMPONENTS

NOTE:

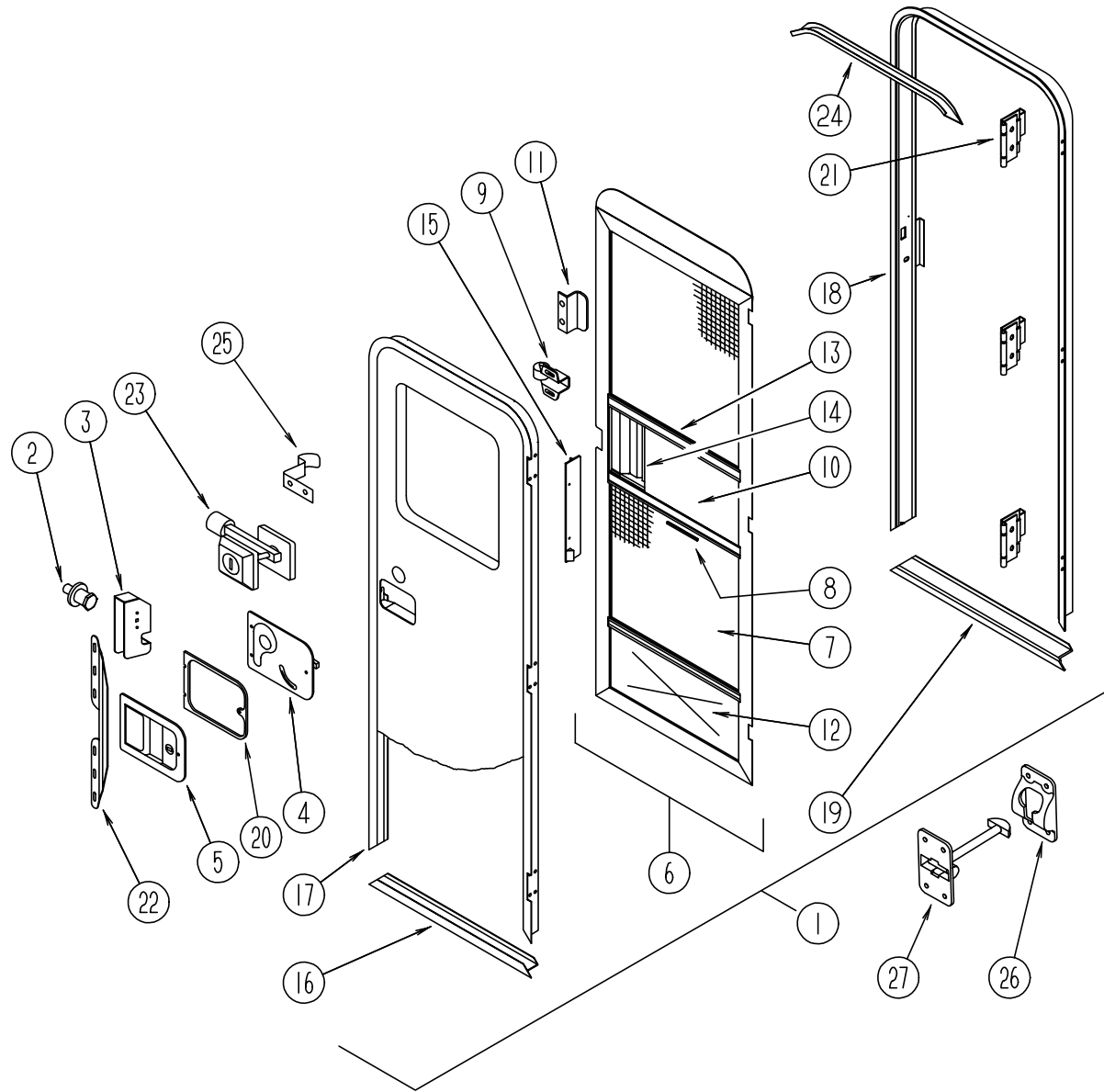
WHEN ORDERING THE LOCK CASE, THE KEY CODE MUST MATCH THE LAST DIGIT OF THE VEHICLE'S SERIAL NUMBER AND PART NUMBER; WHEN ORDERING THE KEYS, THE THIRD DIGIT OF THE KEY CODE MUST MATCH THE LAST DIGIT OF THE VEHICLE'S SERIAL NUMBER AND PART NUMBER.



KEY	PART NUMBER	U/M	DESCRIPTION	VENDOR NO.	KEY	PART NUMBER	U/M	DESCRIPTION	VENDOR NO.
1	110506-59-000	EA	KEYS-SET OF 2	596720	1	110506-59-006	EA	KEYS-SET OF 2	597936
2	110506-52-000	EA	CASE - LOCK - A= 17 MM	702370	2	110506-52-006	EA	CASE - LOCK - A= 17 MM	702376
2	110506-53-000	EA	CASE - LOCK - A= 25MM	702380	2	110506-53-006	EA	CASE - LOCK - A= 25 MM	702386
1	110506-59-001	EA	KEYS-SET OF 2	596721	1	110506-59-007	EA	KEYS-SET OF 2	597937
2	110506-52-001	EA	CASE - LOCK - A= 17 MM	702371	2	110506-52-007	EA	CASE - LOCK - A= 17 MM	702377
2	110506-53-001	EA	CASE - LOCK - A= 25 MM	702381	2	110506-53-007	EA	CASE - LOCK - A= 25 MM	702387
1	110506-59-002	EA	KEYS-SET OF 2	596722	1	110506-59-008	EA	KEYS-SET OF 2	596728
2	110506-52-002	EA	CASE - LOCK - A= 17 MM	702372	2	110506-52-008	EA	CASE - LOCK - A= 17 MM	702378
2	110506-53-002	EA	CASE - LOCK - A= 25 MM	702382	2	110506-53-008	EA	CASE - LOCK - A= 25 MM	702388
1	110506-59-003	EA	KEYS-SET OF 2	596723	1	110506-59-009	EA	KEYS-SET OF 2	596729
2	110506-52-003	EA	CASE - LOCK - A- 17 MM	702373	2	110506-52-009	EA	CASE - LOCK - A= 17 MM	702379
2	110506-53-003	EA	CASE - LOCK - A- 25 MM	702383	2	110506-53-009	EA	CASE - LOCK - A= 25 MM	702389
1	110506-59-004	EA	KEYS-SET OF 2	596724	1	110506-59-009	EA	KEYS-SET OF 2	596729
2	110506-52-004	EA	CASE - LOCK - A- 17 MM	702374	2	110506-52-009	EA	CASE/CYLINDER - LOCKING W/O CAM - .65"	
2	110506-53-004	EA	CASE - LOCK - A= 25 MM	702384	2	110506-53-009	EA	CASE/CYLINDER - LOCKING W/O CAM - 1"	
1	110506-59-005	EA	KEYS-SET OF 2	596725	3	110506-40-700	EA	HARDWARE PACKAGE-CYLINDER/CASE	
2	110506-52-005	EA	CASE - LOCK - A= 17 MM	702375	4	110506-50-000	EA	CASE ASM-TWIST LOCK 17 MM	596932
2	110506-53-005	EA	CASE - LOCK - A= 25 MM	702385	4	110506-51-000	EA	CASE ASM-TWIST LOCK 25 MM	596669
						110506-64-000	EA	CAM-LOCK	322280
						110506-66-000	EA	CAM-LOCK	322282
						110506-67-000	EA	CAM-LOCK	322283
						110506-68-000	EA	CAM - LOCKING	322284
						110506-70-000	EA	CAM-LOCKING	322286
						110506-71-000	EA	CAM-LOCKING	322287
						110506-59-701	EA	KEY BLANK - GOLD	

WINDOW, VENT & EXTERIOR DOOR GROUP (CONTINUED)

ENTRANCE DOOR

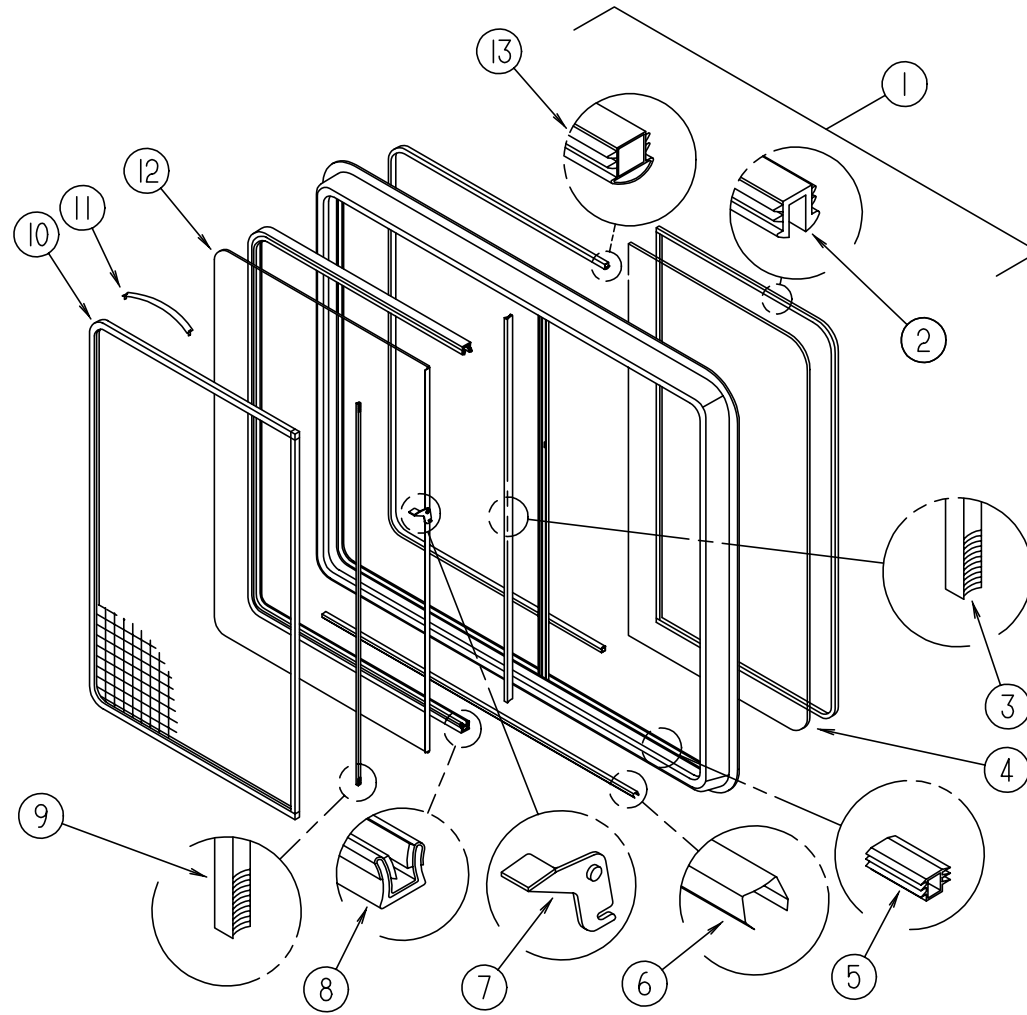


KEY	PART NUMBER	U/M	DESCRIPTION	VENDOR NO.
1	115108-02-H10	EA	DOOR - ENTRY - W/SCREEN DOOR - W/O WINDOW (H10)	
1	115108-02-H38	EA	DOOR - ENTRY - W/SCREEN DOOR - W/O WINDOW (H11)	
2	039539-01-000	EA	STRIKE-LOCK - ENTRY DOOR - ROUND/THREADED WASHER	
3	039540-01-000	EA	LATCH MECHANISM-HOOK - ENTRY DOOR - INTERIOR	
	039715-01-000	EA	NUT-SERT - 1/4" DIAMETER - 20 THREADS	
4	039979-06-000	EA	COVER - LATCH PLATE - RIGHT HAND - BLACK TEXTURED	
	039984-01-000	EA	CAP-ROUND - VINYL - .28" ID X .62" LONG - BLACK	
	041546-05-000	EA	BRACKET-DOOR ANGLE - 5" X 1.9" - OFF WHITE - METAL	
5	045017-13-000	EA	LATCH - ENTRY DOOR - BLACK TEXTURED	
	045017-11-701	EA	KEY-BLANK - ROUND TOP - SILVER - TRI/MARK	
	045017-11-703	EA	CYLINDER-LOCK ASM. W/KEYS	81266-09
	072893-04-000	EA	NUTSERT-10-32	
	075671-04-000	FT	SEAL-SPONGE - LAZY T SHAPE - W/ ADHESIVE STRIPE - .5" WIDE	
6	121899-01-G04	EA	DOOR ASM-SCREEN - BRIGHT WHITE	
7	002293-02-000	SF	SCREENING - WINDOW/DOOR - 26"	
8	002294-01-000	FT	SPLINE - SCREENING - .005" X .0054"	
9	109403-01-000	EA	CATCH - SINGLE ROLLER - SCREEN DOOR	
10	001014-01-013	EA	INSERT - CENTER - 10.25" X 16.31" - UNPAINTED	
11	050712-06-000	EA	HANDLE-SCREEN DOOR - ALUMINUM - BRIGHT WHITE	
12	078552-03-000	EA	KICK PANEL - SCREEN DOOR - LOWER INSERT - UNPAINTED	
	078595-01-000	EA	PLATE-SCREEN DOOR	
13	078777-01-000	EA	CHANNEL-SLIDE - SCREEN DOOR CENTER SLIDER COVER - 17.4"	
14	079086-03-000	EA	SLIDER-SCREEN DOOR - BRIGHT WHITE	
15	079087-03-000	EA	STRIKE-SLIDER - W/LIP FOR ELBOW CATCH - 1.5" X 8.6" - BRIGHT WHITE	
16	121893-03-01A	EA	FRAME-DOOR - ENTRANCE - BRIGHT WHITE	
	090340-01-000	FT	SEAL-FOAM - CLOSED CELL - 1/4" X 1/2" X 50'	
17	121894-03-01A	EA	FRAME-DOOR - ENTRANCE - BRIGHT WHITE	
18	121898-05-01A	EA	JAMB ASM-ENTRANCE DOOR BRIGHT/WHITE	
19	121893-01-01A	EA	FRAME-DOOR - ENTRANCE - BRIGHT WHITE	
20	096810-01-01A	EA	PLATE-LATCH - ENTRY DOOR - PLASTIC - BLACK	
21	106719-01-01A	EA	HINGE-ENTRY DOOR - MILL	
22	098173-01-04A	EA	STIFFENER-ENTRY DOOR - SUPPORTS LATCH/STRIKE - BRIGHT WHITE	
	118929-01-01A	FT	SEAL-PILE - PUSH-ON - AMESBURY XC-964	
23	101145-01-06A	EA	DEADBOLT ASM-BLACKTEXD/BLACK - *T/M #11840-02	
	101145-01-701	EA	CYLINDER-LOCK ASM. - W/KEY	81306-03
	101147-01-000	EA	BOLT-SECURITY - 4.12" BACKSET	
	102524-01-000	EA	BUMPER-RUBBER - FLAT - BLACK	
24	044582-44-000	EA	CAP-DRIP - DOOR JAMB MOUNTED - BRIGHT WHITE	
	115222-05-01A	EA	GARNISH-ENTRANCE DOOR - OFF WHITE	
25	100412-01-000	EA	CATCH-SCREEN DOOR - THUMB CLIP W/BLACK PLASTIC CAP	
26	104099-02-04A	EA	CATCH-DOOR HOLDER - RETAINER - PLASTIC - BRIGHT WHITE	
27	104099-01-04A	EA	CATCH-DOOR HOLDER - STRIKE - PLASTIC - BRIGHT WHITE	
	009126-03-000	EA	HANDLE-ASSIST - ENTRY DOOR - BLACK - TEXTURED	
	041546-07-000	EA	BRACKET-ASM-DOOR ANGLE - OFF WHITE	

WINDOW, VENT & EXTERIOR DOOR GROUP (CONTINUED)

WINDOW, VENT & EXTERIOR DOOR GROUP (CONTINUED)

DRIVER/PASSENGER SIDE WINDOW - EXCEL

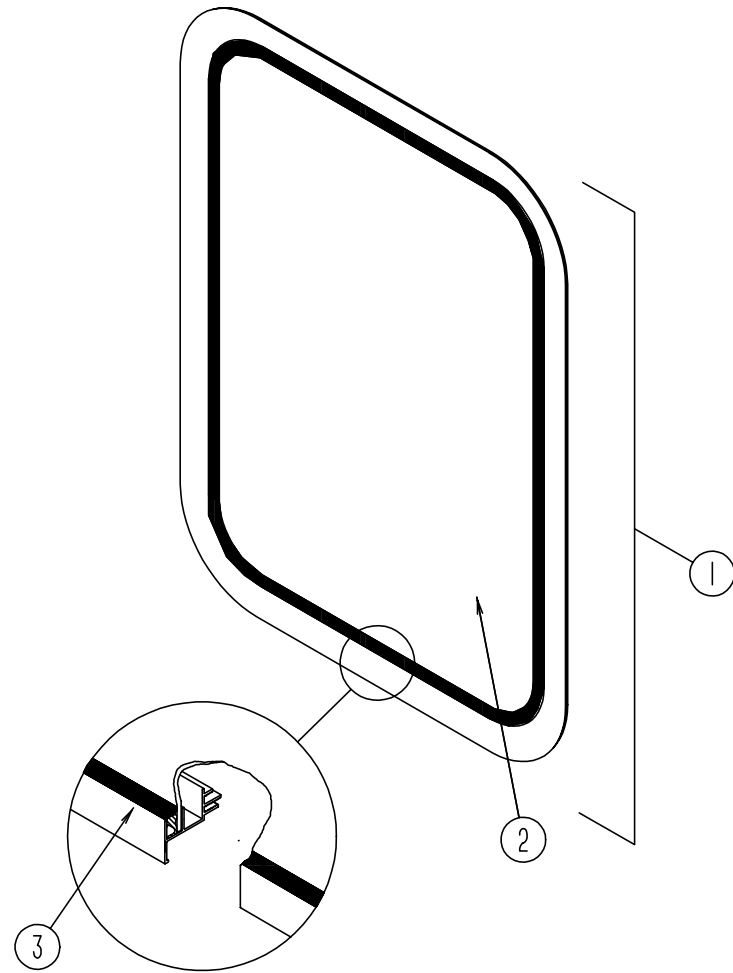


KEY	PART NUMBER	U/M	DESCRIPTION	VENDOR NO.
1	098647-34-01A	EA	WINDOW - DRIVERS HORIZONTAL SLIDER 15.7" X 28.5"	
1	098647-33-01A	EA	WINDOW - PASSENGER HORIZONTAL SLIDER 15.7" X 28.5"	
1	098647-34-700	EA	WINDOW - SLIDER	H425-G2L
1	098647-33-700	EA	WINDOW - SLIDER	H425-G2R
	098647-31-701	EA	RETAINER-TRIM - WHITE	CW2966
2	100322-01-703	FT	STRIP-GLAZING	132-010723
3	098644-01-706	FT	WEATHERSTRIP	171-010668
4	098647-33-702	EA	GLASS-STATIONARY	106-019297
5	098644-01-719	FT	STOP-SLIDER GLASS	132-014203
6	098644-01-710	FT	TRACK-SCREEN SPACER 12' LENGTH	M401-31
7	098644-01-700	EA	LATCH REPAIR KIT	B801-CK
8	098644-01-708	FT	CHANNEL-PIERCED RUN	122-016543
9	098644-01-711	FT	WEATHERSTRIP-SCREEN BLACK	171-016965
10	098647-33-704	EA	SCREEN ASM. - W/SPRING CLIP	410-019134
11	098644-01-713	EA	CLIP - SPRING - METAL	226-016966
12	098647-33-703	EA	GLASS-SLIDING - W/SASH & LATCH	H425-G9
13	098644-01-716	FT	PLUG-FILLER	132-014470
	098644-01-717	FT	SPLINE-SCREEN MFG	32-004716

DRIVER/PASSENGER SIDE WINDOW - EXCEL

KEY	PART NUMBER	U/M	DESCRIPTION	VENDOR NO.
1	098647-22-01A	EA	WINDOW - DRIVERS HORIZONTAL SLIDER 26.1" X 59.7"	
1	098647-23-01A	EA	WINDOW - PASSENGER HORIZONTAL SLIDER 26.1" X 59.7"	
1	098647-22-700	EA	WINDOW-SLIDING W/O RETAINER	H287-G2L
1	098647-23-701	EA	WINDOW - SLIDER W/O RETAINER	H287-G2R
	098647-23-702	EA	RETAINER-TRIM	W287-66
2	098644-01-705	FT	GLAZING - STRIP	132-010231
3	098644-01-706	FT	WEATHERSTRIP - GLASS	171-010668
4	098647-23-703	EA	GLASS-STATIONARY	106-017622
5	098644-01-719	EA	STOP-SLIDER GLASS	132-014203
6	098644-01-710	FT	TRACK - SCREEN SPACER 12'	132-017135
7	098644-01-700	EA	LATCH REPAIR KIT (BLACK)	B801-CK
8	098644-01-708	FT	CHANNEL-PIERCED RUN	122-016543
9	098644-01-711	FT	WEATHERSTRIP-SCREEN BLACK	171-016965
10	098647-23-704	EA	SCREEN ASM - W/SEALS & CLIPS	
11	098644-01-713	EA	CLIP - SPRING - METAL	226-016966
12	098647-23-700	EA	GLASS-SLIDING - W/SASH & LATCH	H287-G9
13	098644-01-716	FT	PLUG-FILLER	132-014470
	098644-01-717	FT	SPLINE-SCREEN	32-004716

WINDOW, VENT & EXTERIOR DOOR GROUP (CONTINUED)



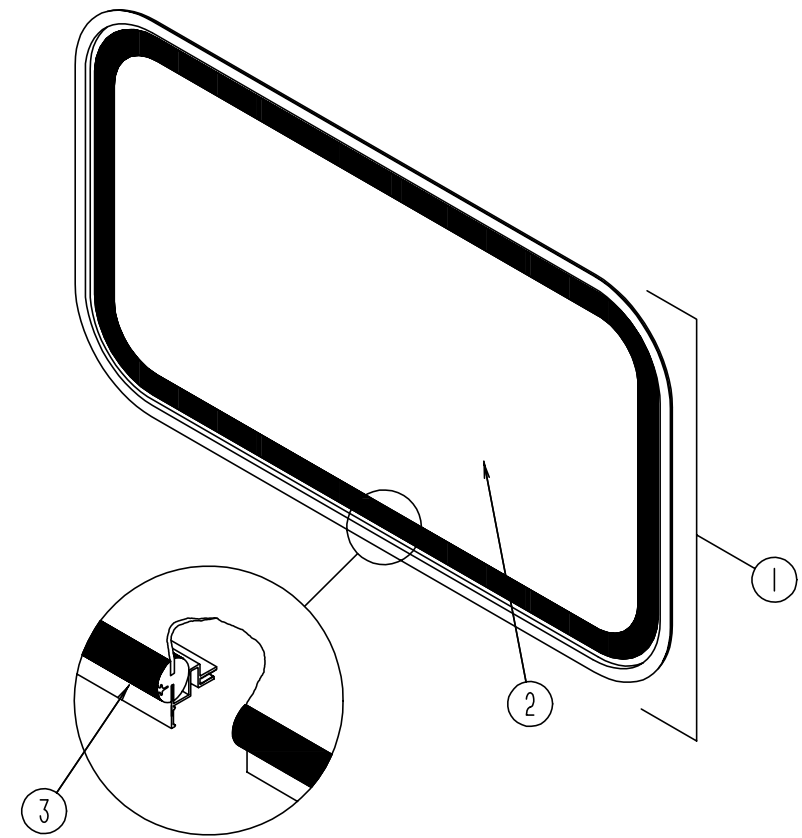
ENTRY DOOR WINDOW

KEY	PART NUMBER	U/M	DESCRIPTION
	117054-02-02A	EA	RETAINER - TRIM - BRIGHT WHITE
1	117053-02-F36	EA	WINDOW - PICTURE - ENTRANCE DOOR - 17" X 26.4"
2	002181-25-000	EA	GLASS - PICTURE 25.7" X 16.4"
	069640-11-000	FT	SEALER-TAPE - 3/16" X 3/8" - BLACK
3	087561-01-000	FT	SEAL - GLASS - EXTERIOR - .5" WIDE - VINYL BLACK

THERMOPANE ENTRY DOOR WINDOW - EXCEL

KEY	PART NUMBER	U/M	DESCRIPTION	VENDOR NO.
	113733-01-01A	EA	WINDOW - STATIONARY THERMOPANE 26.4" X 17"	
	112795-01-705	FT	VINYL - GLAZING	132-025736
	113733-01-700	EA	WINDOW ASM. W/O TRIM	DH416-G2
	113733-01-701	EA	RETAINER - TRIM	W41666
	113733-01-702	EA	GLASS - STATIONARY	390-019187

WINDOW, VENT & EXTERIOR DOOR GROUP (CONTINUED)



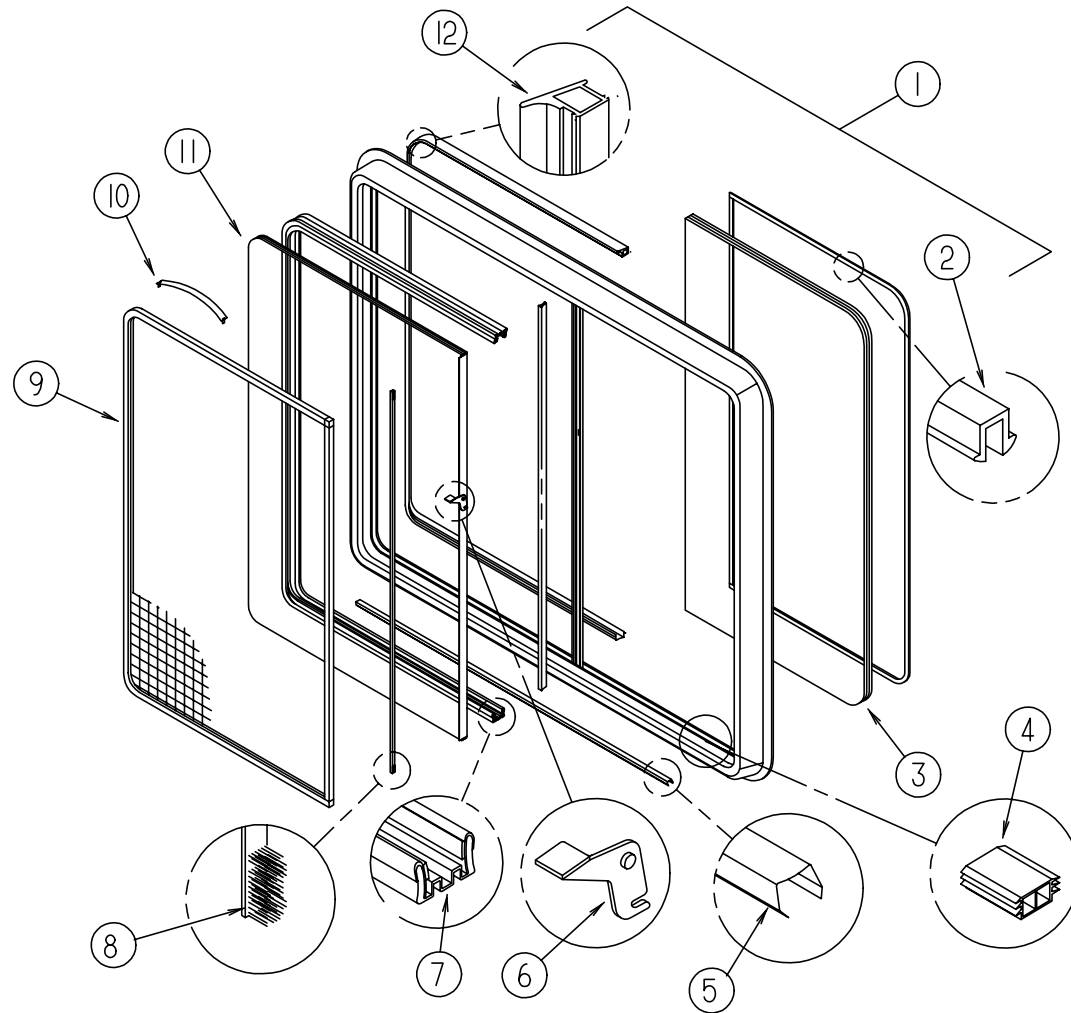
OVERHEAD BUNK FRONT WINDOW

KEY	PART NUMBER	U/M	DESCRIPTION
	117054-01-01A	EA	FRAME-INSIDE - WINDOW
1	103313-03-F15	EA	WINDOW-PICTURE/ESCAPE 23.3" X 71.3"
2	002181-29-000	EA	GLASS - PICTURE 71" X 16.4"
	069640-11-000	FT	SEALER-TAPE - 3/16" X 3/8" - BLACK
3	099154-01-000	FT	CHANNEL-GLAZING, STATIONARY GLASS - .62" X .45" - BLACK

THERMOPANE OVERHEAD BUNK FRONT WINDOW - EXCEL

KEY	PART NUMBER	U/M	DESCRIPTION	VENDOR NO.
	115630-01-01A	EA	WINDOW-STATIONARY 17.2" X 72"	
	098644-01-705	FT	GLAZING - STRIP	132-010231
	115630-01-700	EA	WINDOW W/O TRIM	DH438-G2
	115630-01-701	EA	RETAINER - TRIM	W438-58
	115630-01-702	EA	GLASS - STATIONARY	390-019467

WINDOW, VENT & EXTERIOR DOOR GROUP (CONTINUED)



DRIVER & PASSENGER THERMOPANE OVERHEAD BUNK WINDOWS - EXCEL

KEY	PART NUMBER	U/M	DESCRIPTION	VENDOR NO.
1	112795-20-01A	EA	WINDOW-DRIVER HORIZONTAL SLIDER THERMO 16" X 28 3/4"	
1	112795-19-01A	EA	WINDOW-PASSENGER HORIZONTAL SLIDER THERMO 16" X 28 3/4"	
	112795-20-700	EA	WINDOW W/O TRIM	DC29-G2L
	112795-19-700	EA	WINDOW W/O TRIM	DC29-G2R
	098647-31-701	EA	RETAINER - TRIM	CW29-66
2	112795-01-705	FT	VINYL-GLAZING	132-019702
3	112795-19-701	EA	GLASS - STATIONARY	390-019134
4	112795-01-701	EA	SLIDE-STOP	132-019092
5	098644-01-710	FT	TRACK - SCREEN SPACER 12'	132-017135
6	112795-01-700	EA	LATCH ASM., BLK.,(BOLT ON)	DH287-CK
7	112795-01-703	IN	CHANNEL-RUN (INCHES)	122-018736
8	098644-01-711	FT	WEATHERSTRIP - SCREEN BLACK	171-016965
9	098647-31-704	EA	SCREEN ASM - W/SEALS & CLIPS	410-019128
10	098644-01-713	EA	CLIP - SPRING - METAL	226-016966
11	112795-19-702	EA	GLASS-SLIDING W/SASH & LATCH	DC29-G9
12	112795-01-704	FT	PLUG FILLER (DOUBLE GLAZED)	122-018737

WINDOW, VENT & EXTERIOR DOOR GROUP (CONTINUED)

DRIVER & PASSENGER THERMOPANE SLIDER WINDOW - CENTER QUEEN

KEY	PART NUMBER	U/M	DESCRIPTION	VENDOR NO.
1	112795-21-01A	EA	WINDOW-PASSENGER HORIZONTAL SLIDER THERMO 24.5" X 41 1/4"	
1	112795-23-01A	EA	WINDOW-DRIVERS HORIZONTAL SLIDER THERMO 24 1/2" X 41 1/2"	
	098647-29-701	EA	RETAINER - TRIM	CW04-66
2	112795-01-705	FT	VINYL-GLAZING	132-019702
3	112795-21-701	EA	GLASS - STATIONARY	390-019132
4	112795-01-701	EA	SLIDE-STOP	132-019092
5	098644-01-710	FT	TRACK - SCREEN SPACER 12'	132-017135
6	112795-01-700	EA	LATCH ASM., BLK.,(BOLT ON)	DH287-CK
7	112795-01-703	IN	CHANNEL-RUN (INCHES)	122-018736
8	098644-01-711	FT	WEATHERSTRIP - SCREEN BLACK	171-016965
9	098647-29-704	EA	SCREEN ASM - W/SEALS & CLIPS	410-018864
10	098644-01-713	EA	CLIP - SPRING - METAL	226-016966
11	112795-21-702	EA	GLASS-SLIDING W/SASH & LATCH	DC04-G9
12	112795-01-704	FT	PLUG FILLER (DOUBLE GLAZED)	122-018737

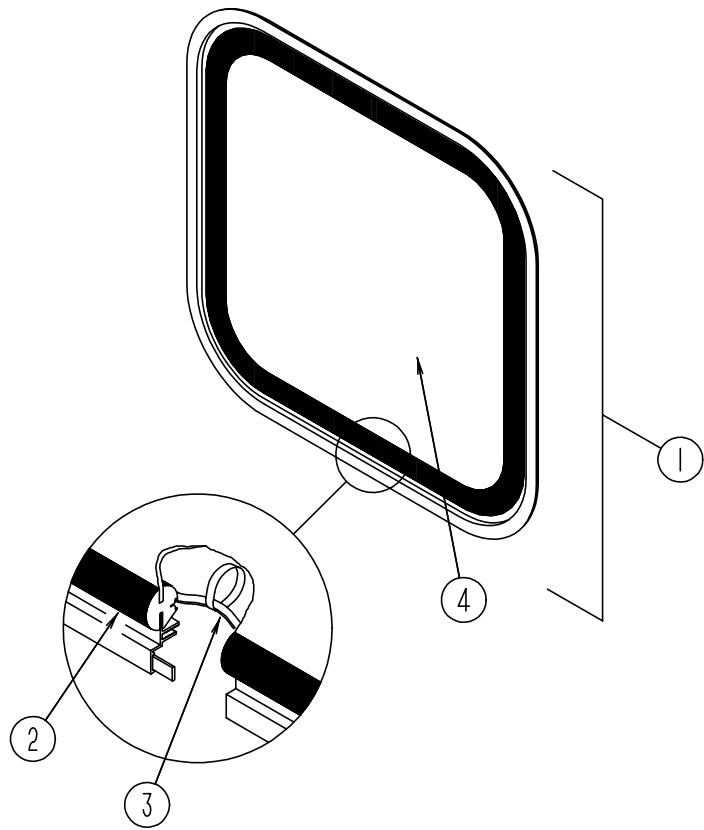
DRIVER & PASSENGER THERMOPANE SLIDER WINDOW - TWIN & DOUBLE

KEY	PART NUMBER	U/M	DESCRIPTION	VENDOR NO.
1	112795-22-01A	EA	WINDOW-PASSENGER HORIZONTAL SLIDER THERMO 26 3/8" X 48"	
1	112795-25-01A	EA	WINDOW-DRIVERS HORIZONTAL SLIDER THERMO 26 3/8" X 48"	
	112795-22-701	EA	RETAINER - (TRIM)	W30366
2	112795-01-705	FT	VINYL-GLAZING	132-019702
3	112795-22-702	EA	GLASS-STATIONARY	390-019039
4	112795-01-701	EA	SLIDE-STOP	132-019092
5	098644-01-710	EA	TRACK - SCREEN SPACER 12'	132-017135
6	112795-01-700	EA	LATCH ASM., BLK.,(BOLT ON)	DH287-CK
7	112795-01-703	IN	CHANNEL-RUN (INCHES)	122-018736
8	098644-01-711	EA	WEATHERSTRIP - SCREEN BLACK	171-016965
9	098647-31-704	EA	SCREEN ASM., W/SEAL & CLIPS	410-019128
10	098644-01-713	EA	CLIP-SPRING, BLACK PLASTIC	226-016966
11	112795-19-702	EA	GLASS-SLIDING, W/SASH&LATCH	DC29-G9
12	112795-01-704	FT	PLUG-FILLER (DOUBLE GLAZED)	122-018737

DRIVER & PASSENGER THERMOPANE SLIDER WINDOW - EXCEL

KEY	PART NUMBER	U/M	DESCRIPTION	VENDOR NO.
1	112795-15-01A	EA	WINDOW-DRIVERS HORIZONTAL SLIDER-THERMO-26 3/8" X 60"	
1	112795-16-01A	EA	WINDOW-PASSENGER HORIZONTAL SLIDER-THERMO-26 3/8" X 60"	
	098647-23-702	EA	RETAINER-TRIM - WHITE	W28766
2	112795-01-705	FT	VINYL-GLAZING	132-019702
3	112795-15-701	EA	GLASS-STATIONARY	390-019045
4	112795-01-701	EA	SLIDE-STOP	132-019092
5	098644-01-710	EA	TRACK - SCREEN SPACER 12'	132-017135
6	112795-01-700	EA	LATCH ASM. - BLACK	DH287-CK
7	112795-01-703	IN	CHANNEL-RUN	122-018736
8	098644-01-711	EA	WEATHERSTRIP - SCREEN BLACK	171-016965
9	098647-31-704	EA	SCREEN ASM., W/SEAL & CLIPS	410-019128
10	098644-01-713	EA	CLIP-SPRING, BLACK PLASTIC	226-016966
11	112795-19-702	EA	GLASS-SLIDING, W/SASH&LATCH	DC29-G9
12	112795-01-704	FT	PLUG-FILLER (DOUBLE GLAZED)	122-018737

WINDOW, VENT & EXTERIOR DOOR GROUP (CONTINUED)



CENTER QUEEN BED ESCAPE WINDOW

KEY	PART NUMBER	U/M	DESCRIPTION
	074816-11-000	EA	FRAME-INSIDE - WINDOW - OFF WHITE
1	078528-06-E10	EA	WINDOW - ESCAPE W/O RETAINER/TRIM 48.5" X 24.5"
2	002282-09-000	EA	WEATHERSTRIP - WINDOW - .125" X 130.5" - BLACK
3	002285-01-000	FT	FILLER - WEATHERSTRIP - RUBBER - BLACK
4	076337-12-000	EA	GLASS - EGRESS - 45.5" X 21.5"
	077066-01-702	EA	TAPE ASM-ESCAPE WINDOW

CENTER QUEEN BED THERMOPANE ESCAPE WINDOW - EXCEL

KEY	PART NUMBER	U/M	DESCRIPTION	VENDOR NO.
	113502-01-01A	EA	WINDOW - REAR ESCAPE THERMO - 24.8" X 48.7"	
	098644-01-705	FT	GLAZING - STRIP	132-010231
	112898-06-704	EA	HANDLE-LATCH, RED-RH	182-11293
	112898-06-705	EA	HANDLE-LATCH, RED-LH	182-11294
	113502-01-703	EA	GLASS - STATIONARY - RH/LH	390-019083
	113502-01-704	EA	GLASS - EGRESS CENTER - ESCP	DH153-G9

WINDOW, VENT & EXTERIOR DOOR GROUP (CONTINUED)

QUEEN BED TIPOUT WINDOW - EXCEL

KEY	PART NUMBER	U/M	DESCRIPTION	VENDOR NO.
	113500-01-01A	EA	WINDOW - DOUBLE TIPOUT 24.5 X 41.3"	
	098644-01-716	FT	PLUG - FILLER	132-014470
	100322-01-701	FT	SEAL-VENT	122-016071
	100322-01-702	EA	WEATHERSTRIP-HORIZONTAL RAIL	132-015976
	100322-01-703	FT	VINYL-GLAZING, BUTYL	132-010723
	100322-01-704	FT	TAPE-BUTYL	154-016083
	100322-01-717	EA	E-RING	245-015975
	100322-01-718	EA	HANDLE-DIAL	410-016081
	112519-01-702	EA	OPERATOR-VENT	410-016123
	113500-01-700	EA	SCREEN ASM - W/SEALS & CLIPS	410-016020
	113500-01-701	EA	WINDOW W/O TRIM	CH04-G2
	113500-01-702	EA	RETAINER - TRIM	CW04-59
	113500-01-703	EA	GLASS - TOP STATIONARY	106-015970
	113500-01-704	EA	GLASS - UPPER VENT ASSEMBLY	CH04-G7
	113500-01-705	EA	GLASS - LOWER VENT ASSEMBLY	CH04-G9
	113500-01-706	EA	OPERATOR & BAR ASSEMBLY	CH04-15
	100322-01-715	EA	SUPPORT-TORQUE BAR, RH	130-015979
	100322-01-714	EA	SUPPORT-TORQUE BAR, LH	130-015978
	117054-01-01A	EA	FRAME-WINDOW,INSIDE WHT	

TWIN/DOUBLE BED SLIDER WINDOW - EXCEL

KEY	PART NUMBER	U/M	DESCRIPTION	VENDOR NO.
	104691-13-01A	EA	WINDOW - TIPOUT SINGLE - 26.3" X 47.9"	
	100322-01-701	FT	SEAL-VENT	122-016071
	100322-01-702	EA	WEATHERSTRIP-HORIZONTAL RAIL	132-015976
	100322-01-703	FT	VINYL-GLAZING, BUTYL	132-010723
	100322-01-704	FT	TAPE-BUTYL	154-016083
	100322-01-714	EA	SUPPORT-TORQUE BAR, LH	130-015978
	100322-01-715	EA	SUPPORT-TORQUE BAR, RH	130-015979
	100322-01-718	EA	HANDLE-DIAL	410-016081
	104691-13-700	EA	WINDOW ASM W/O TRIM	CH37-G2
	104691-13-701	EA	RETAINER - TRIM	W303-59
	104691-13-702	EA	GLASS - STATIONARY	106-017670
	104691-13-703	EA	GLASS-VENT ASSEMBLY	CH37-G9
	104691-13-704	EA	OPERATOR & BAR ASSEMBLY	CH36-15
	104691-13-705	EA	SCREEN ASM - W/SEALS & CLIPS	410-017763
	112519-01-702	EA	OPERATOR-VENT	410-016123
	112519-01-706	EA	CLIP-SCREEN	CH21-50
	116976-01-702	FT	FILLER PLUG	132-016065

WINDOW, VENT & EXTERIOR DOOR GROUP (CONTINUED)

TWIN BED PICTURE WINDOW - EXCEL

KEY	PART NUMBER	U/M	DESCRIPTION	VENDOR NO.
	116976-04-01A	EA	WINDOW-REAR TINTED PICTURE 26.4" X 26.25"	
	113733-02-701	EA	RETAINER - TRIM	W386-60
	116976-03-701	FT	GLAZING VINYL	132-016071
	116976-04-700	EA	GLASS	106-019678

TWIN BED THERMOPANE REAR PICTURE WINDOW - EXCEL

KEY	PART NUMBER	U/M	DESCRIPTION	VENDOR NO.
	113733-02-01A	EA	WINDOW-STATIONARY THERMOPANE 26.4" X 26.25"	
	112795-01-705	FT	VINYL - GLAZING	132-025736
	113733-02-700	EA	WINDOW W/O TRIM	DH400-G2
	113733-02-701	EA	RETAINER - TRIM	W386-60
	113733-02-702	EA	GLASS - STATIONARY	390-019461

TWIN/DOUBLE BED REAR ESCAPE WINDOW - EXCEL

KEY	PART NUMBER	U/M	DESCRIPTION	VENDOR NO.
	116976-02-01A	EA	WINDOW-REAR TINTED ESCAPE 26.4" X 26.25"	
	100322-01-701	FT	SEAL-VENT	122-016071
	112898-06-704	EA	HANDLE-LATCH, RED-RH	182-11293
	112898-06-705	EA	HANDLE-LATCH, RED-LH	182-11294
	116976-01-701	EA	RETAINER - TRIM	W386-53
	116976-01-702	FT	FILLER PLUG	132-016065
	116976-02-700	EA	GLASS - STATIONARY	106-018785

TWIN/DOUBLE BED THERMOPANE ESCAPE WINDOW - EXCEL

KEY	PART NUMBER	U/M	DESCRIPTION	VENDOR NO.
	113502-04-01A	EA	WINDOW-REAR ESCAPE THERMO - 26.4" X 26.25"	
	098644-01-705	FT	GLAZING - STRIP	132-010231
	112898-06-704	EA	HANDLE-LATCH, RED-RH	182-11293
	112898-06-705	EA	HANDLE-LATCH, RED-LH	182-11294
	113502-04-700	EA	WINDOW W/O TRIM	DH449-G2
	113502-04-701	EA	RETAINER - TRIM	W449-58
	113502-04-702	EA	GLASS - STATIONARY	390-019460