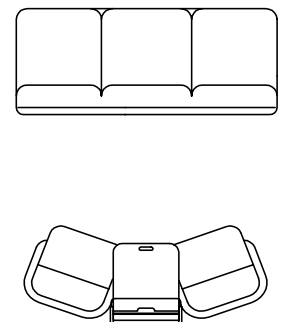
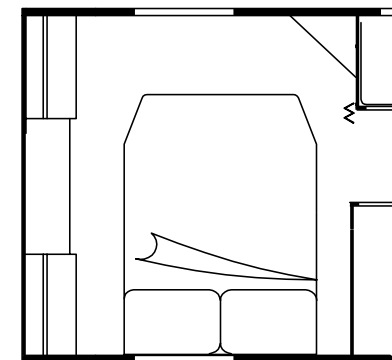
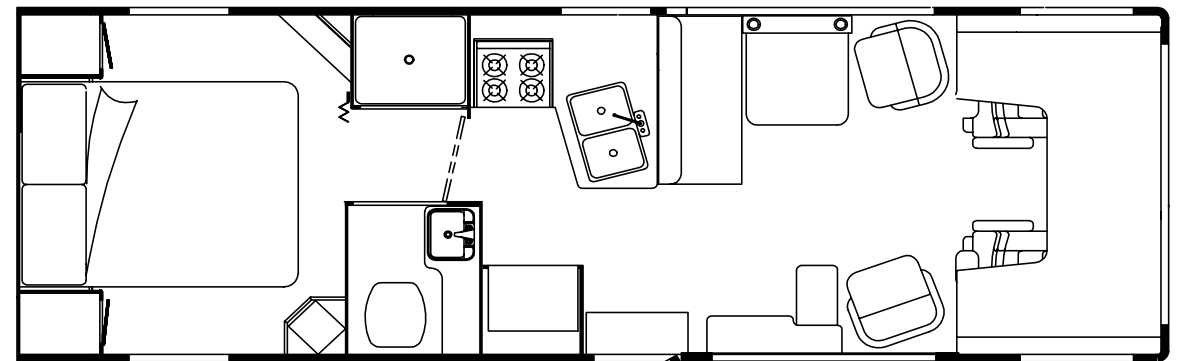
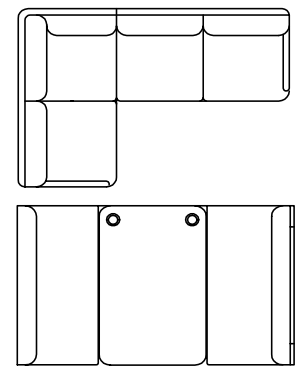
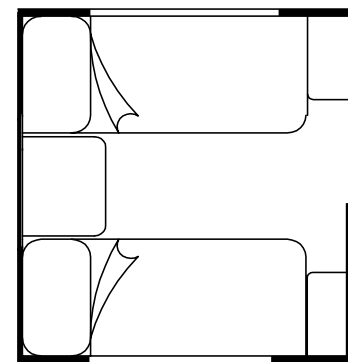
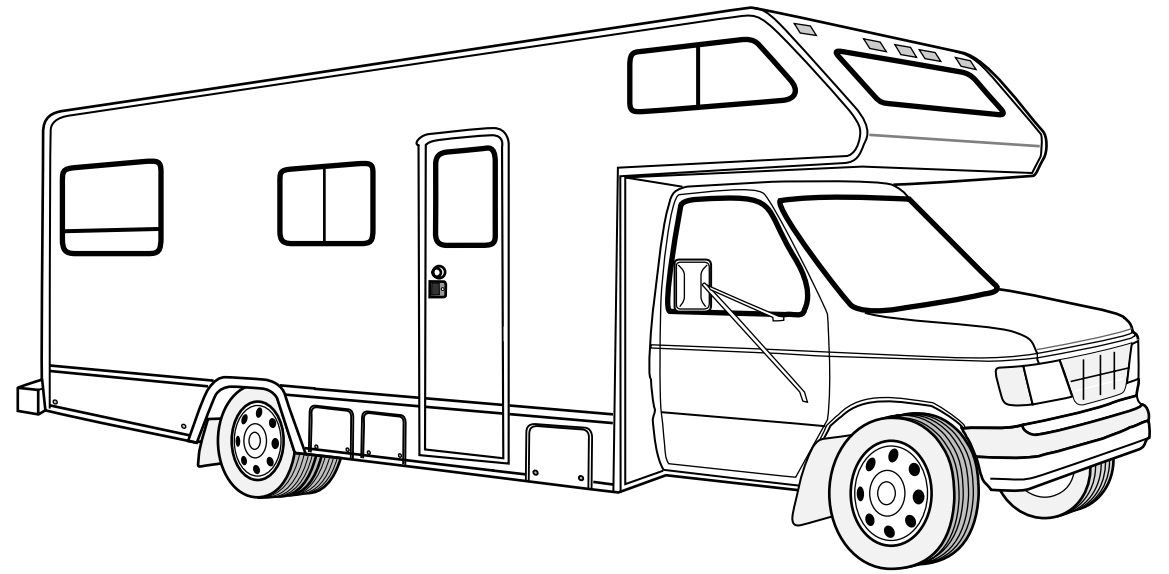


1997
WF429WQ

H07
NORTH SHORE (TAUPE)

H08
ZEPHYR (BLUE)



ACCESSORIES GROUP

OPERATORS MANUAL

KEY	PARTNUMBER	U/M	DESCRIPTION
	054185-F5-000	EA	MANUAL - OPERATOR 97 MINNIE WINNIE
	092318-01-000	EA	BINDER-3 RING, MOTOR HOME MANUAL
	092319-01-000	EA	POCKET PAGE- 3 RING BINDER - PLASTIC - (50 PER PKG)
	121390-01-000	DW	TOP LEVEL-C,1997

AUDIO VIDEO GROUP

RADIO SYSTEM & ANTENNA

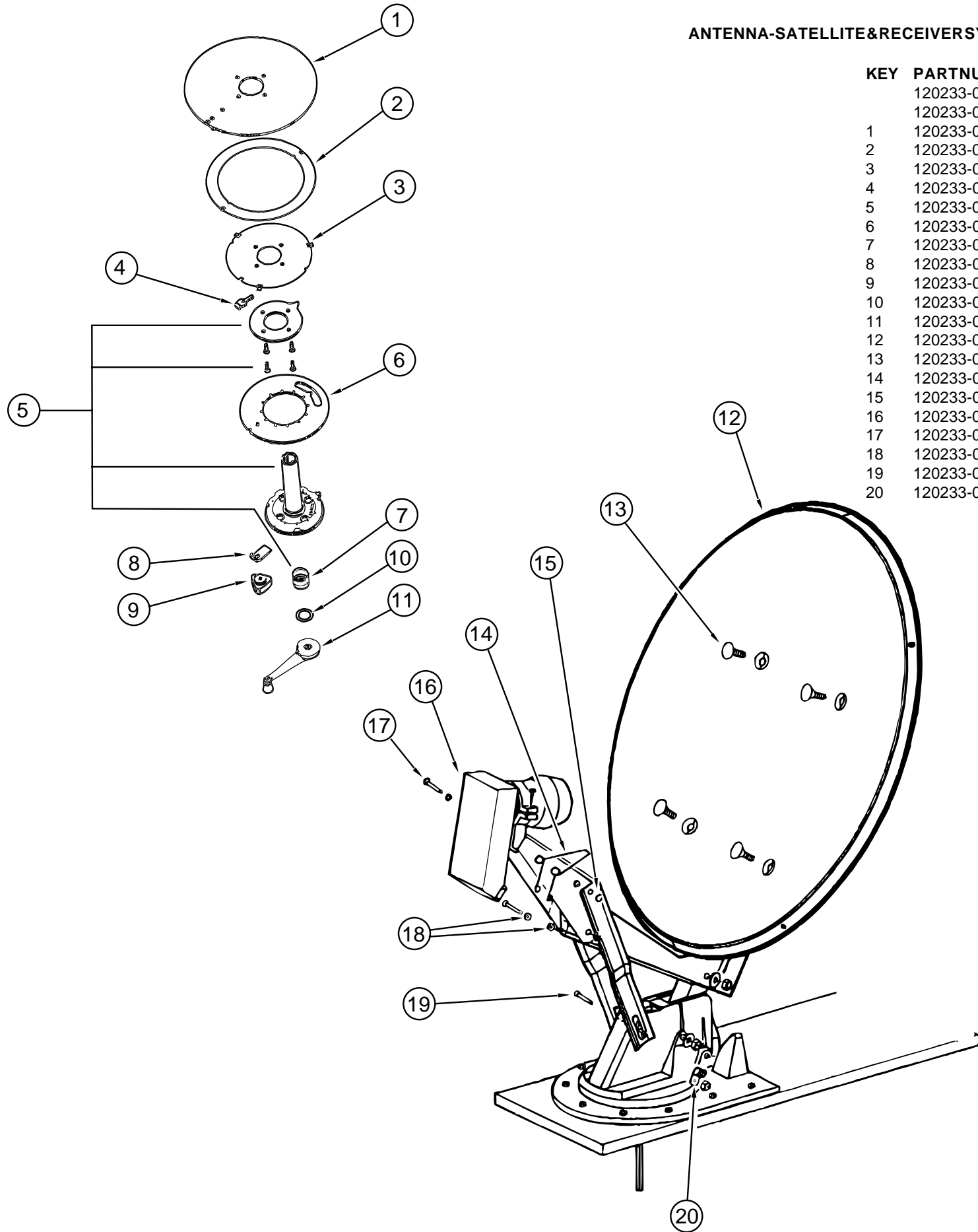
KEY	PARTNUMBER	U/M	DESCRIPTION
	N / A	EA	SPEAKER-5"X7"OVAL-FORDF2UF-18814-CD
	111177-01-01A	EA	GRILLE-8.9"X6.5"HOUSINGF/5"X7"OVALSPEAKER-GRAY
	087683-03-000	EA	RADIO-AM/FMSTEREOCASSETTE
	090944-01-000	EA	ANTENNA-RADIO-RUBBER-16"
	077069-02-000	EA	CABLE-EXTENSION-RADIOANTENNA96"
	108137-01-000	EA	PLUG-ANTENNAHOLE,92E350 - WARDPRODUCTS
	108847-01-000	EA	BRACKET-ANTENNAGROUND
	109889-04-000	EA	EXTENDER-ANTENNASHAFT-3"
	110469-01-000	EA	SPEAKER-4"X6"OVAL-COAXIAL
	110470-01-01A	EA	GRILLE-4"X6"BLACKOVALSPEAKER
	093901-03-000	EA	PLATE-COAXIALCABLE
	105230-03-H07	EA	SHELF-EXTERIORTV

TV & VCR SYSTEMS

KEY	PARTNUMBER	U/M	DESCRIPTION	VENDOR NO.
	113684-01-000	EA	TELEVISION-19"COLOR-193/8"WX173/8"HX181/4"D FROM: 00-00-00 THRU: 06-16-96	
	113684-02-000	EA	TV-19"COLORW/1/8"JACK-193/8"WX173/16"HX181/4"D FROM: 06-17-96 THRU: 99-99-99	
	113684-01-700	EA	REMOTE	0892345
	086231-08-000	EA	TV-COLOR13"DCAUDIOVOX - AVT-1475	
	086231-08-700	EA	REMOTE-UNIVERSAL	8822325
	119120-02-000	EA	VCR/VHS-CABLEREADYW/REMOTE	
	119120-02-700	EA	REMOTE	8874569
	094487-03-000	EA	VIDEO CASSETTE PLAYER W/O REMOTE - AUDIOVOX AVP-6750	
	082134-01-000	EA	ADAPTER - TV - CABLE TO CABLE	
	082136-01-000	EA	NUT-HEXJAM-3/8-32	
	076319-06-000	EA	ADAPTER-CABLEROOFPLATE	
	076319-08-000	EA	WALLPLATE-CABLERECEPTACLE-TV-SINGLE/IVORY	
	086777-02-000	EA	WALLPLATE-TV CABLE -W/ANTENNASWITCH	
	086777-06-000	EA	WALLPLATE-ANTENNA1OUTPUT	
	086756-01-000	EA	SPLITTER-TV-2WAY	
	086757-03-000	EA	CONTROLCENTER-SWITCH-VCR/TV	
	099717-02-000	EA	STRAP-TV TIEDOWNW/29.9"FEMALE STRAP&14.2"MALE STRAP	

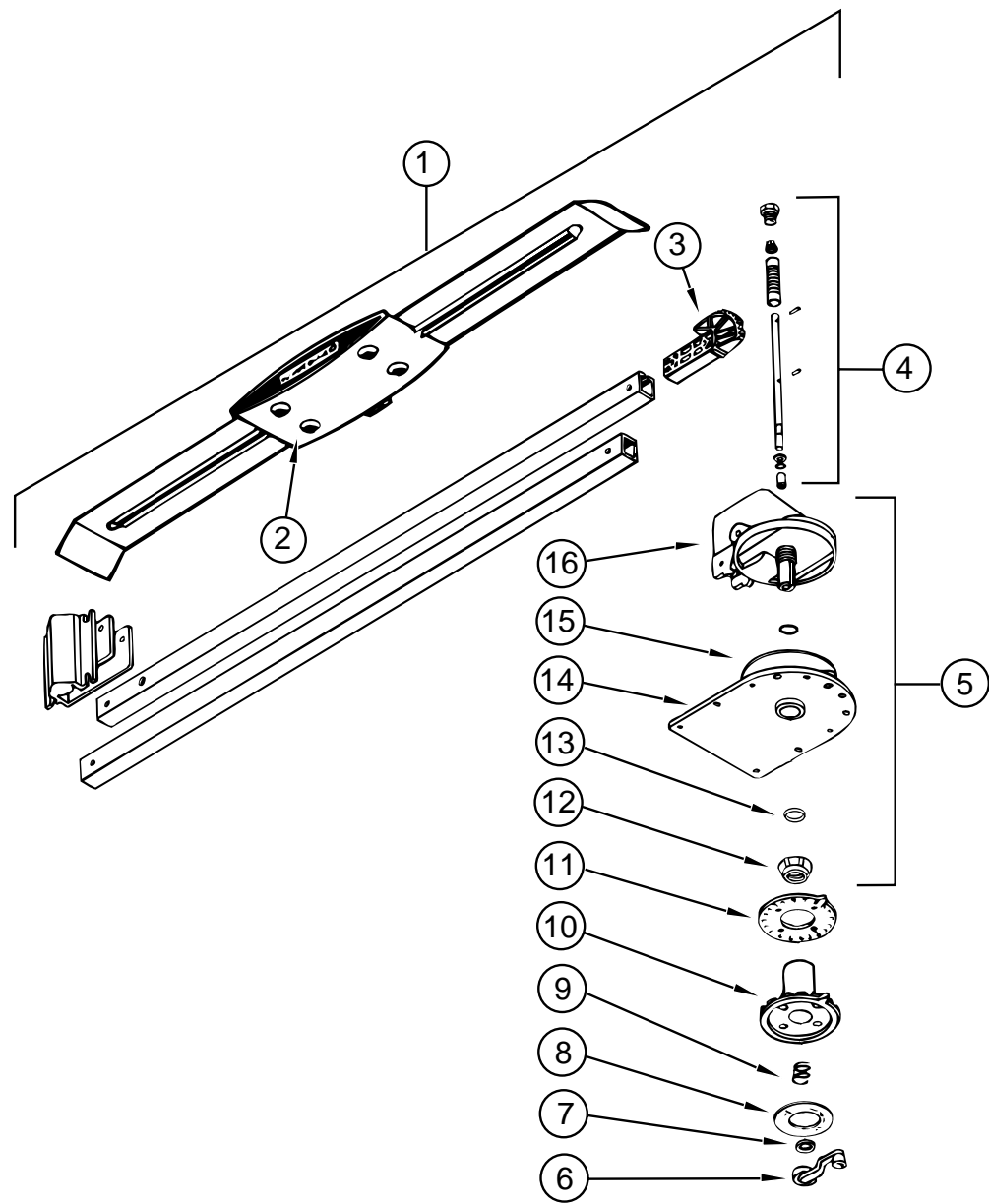
AUDIOVIDEOGROUP(CONTINUED)

ANTENNA-SATELLITE&RECEIVERSYSTEMS



KEY	PARTNUMBER	U/M	DESCRIPTION	VENDORNO.
	120233-02-000	EA	RECEIVER-SATELLITEONLY	
	120233-01-000	EA	ANTENNA-SATELLITEW/ORECEIVER(DISH&HDWKIT)MANUAL	
1	120233-01-700	EA	PLATE-FIXED	3750821
2	120233-01-701	EA	DIAL-DIRECTIONAL	2745056
3	120233-01-702	EA	PIVOT-DIAL-DIRECTIONAL	2745058
4	120233-01-703	EA	STOP-ROTATION	3711281
5	120233-01-704	EA	PLATE-CEILINGW/DIR.HANDLE	RP-6300
6	120233-01-705	EA	PLATE-ROTATE	3750820
7	120233-01-706	EA	SPRING	RP-6822
8	120233-01-707	EA	CLAMP-ROTATE	3711280
9	120233-01-708	EA	KNOB-CLAMP	2200061
10	120233-01-709	EA	WASHER-NYLON	RP-2658
11	120233-01-710	EA	HANDLE-CRANK	RP-6795
12	120233-01-711	EA	REFLECTOR-46CM	2745304
13	120233-01-712	EA	BOLT-FLATHEAD	2160253
14	120233-01-713	EA	SPRING	2160820
15	120233-01-714	EA	CLIP-E	5160818
16	120233-01-715	EA	RCALNB	278015
17	120233-01-716	EA	PIN	2160814
18	120233-01-717	EA	BEARING-NYLON	2200728
19	120233-01-718	EA	PIN	5160817
20	120233-01-719	EA	CLAMP-CABLE	2200060

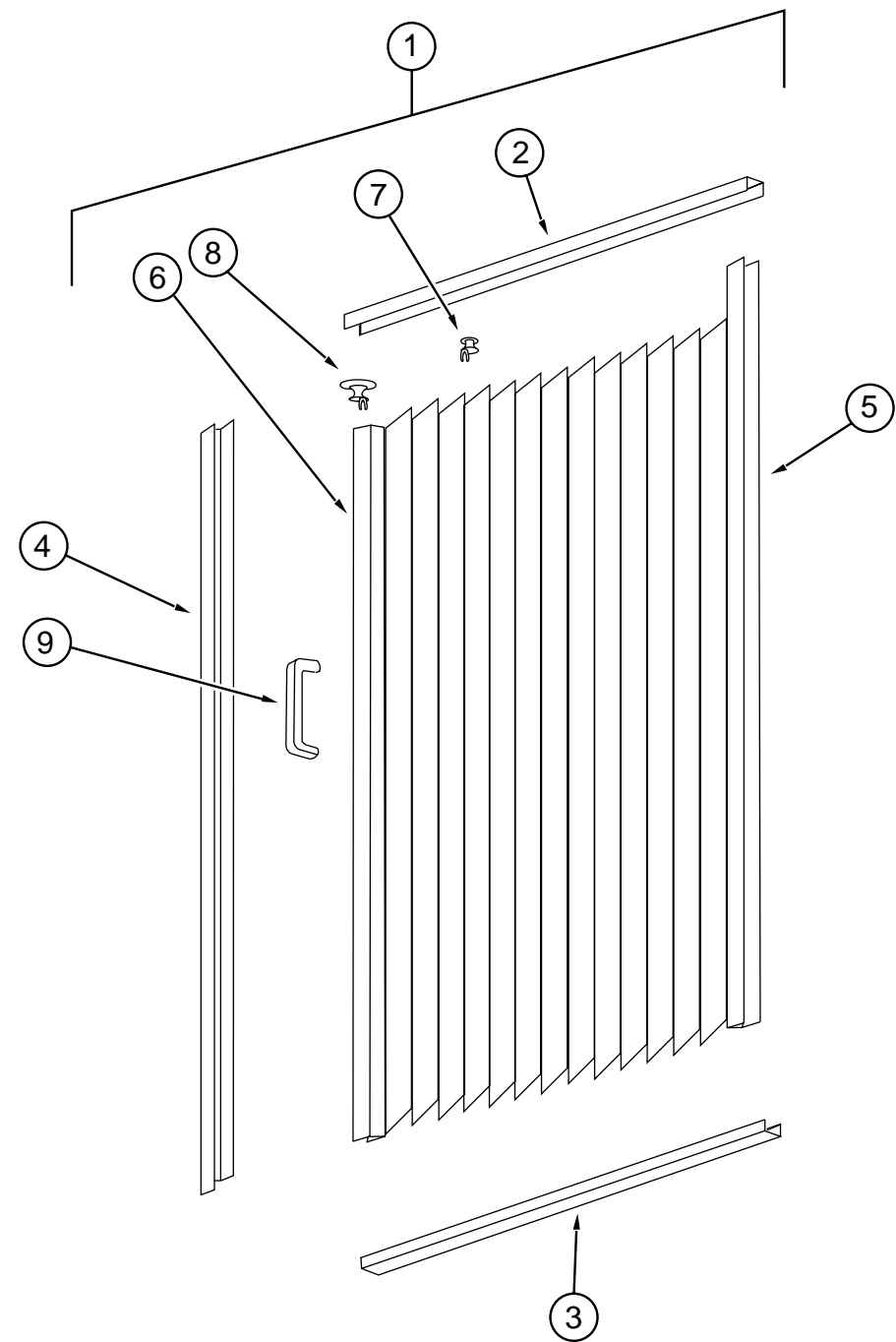
AUDIOVIDEOGROUP(CONTINUED)



TV ANTENNA(WINEGARD)

KEY	PARTNUMBER	U/M	DESCRIPTION	VENDOR NO.
1	076319-21-000	EA	ANTENNA-TVROOFMOUNT3" ROOF	
2	076319-01-700	EA	HEAD-ANTENNA,AMPLIFIED	RVSAU/V
3	076319-01-701	EA	GEAR-ELEVATING,PLASTIC	2200046
4	076319-01-702	EA	SHAFTASM-ELEVATING	RVP-400A
5	076319-01-711	EA	BASE & LIFT ASM	2762802
6	076319-01-706	EA	CRANK-ELEVATINGW/SETSCREW	2750897
7	076319-01-705	EA	GROMMET-NYLON,7/8"ID	3200658
8	076319-01-708	EA	DECAL-CRANK	5413002
9	076319-01-707	EA	SPRING-HANDLE	5160822
10	076319-01-709	EA	PLATE-DIRECTIONAL,F/HEAD	3200621
11	076319-01-712	EA	PLATE-CEILING,DIRECTIONAL	3200608
12	076319-01-715	EA	NUT(GEARHOUSING)	2200047
13	076319-01-704	EA	BEARING-NYLON,1.25"OD	3200657
14	076319-01-713	EA	PLATE-BASE,STEEL	3100523
15	076319-01-703	EA	BEARING-NYLON,5"OD	3200656
16	076319-01-714	EA	HOUSING,ROTATINGGEAR	2200049

BATHGROUP

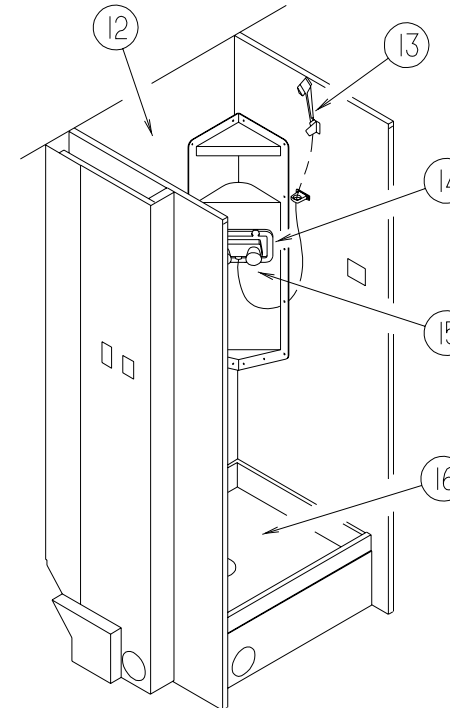
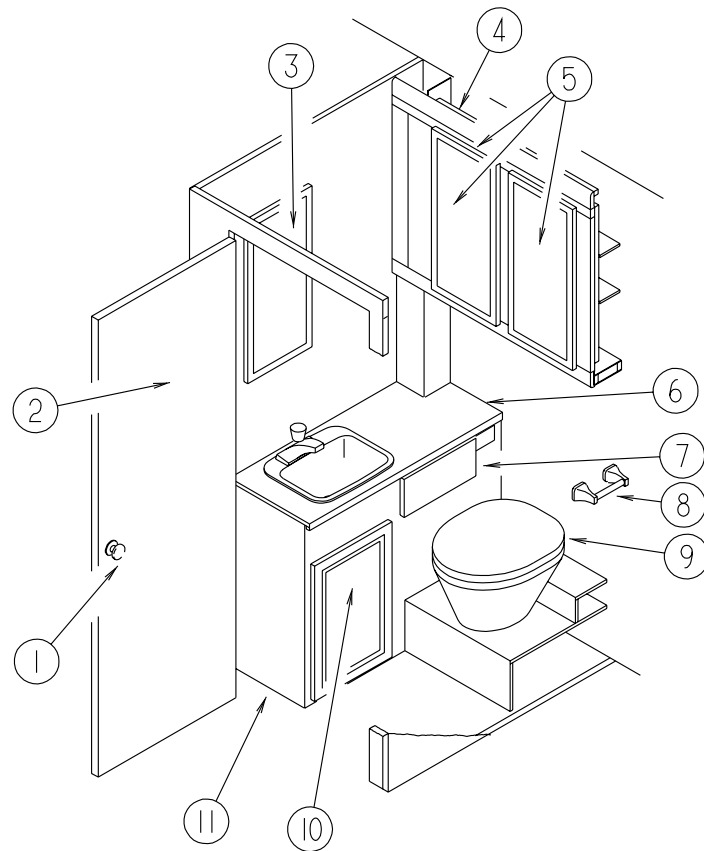


SHOWER DOOR-COASTAL

KEY	PARTNUMBER	U/M	DESCRIPTION
1	108351-05-01A	EA	DOOR - SHOWER - FABRIC PLEATED - 29.6" X 63.0"
2	117431-01-700	EA	TRACK-TOP,ALUM.IVORYINSERT 48"
3	117431-01-701	EA	TRACK-BOTTOM,40"
4	117431-01-702	EA	RAIL-SIDE,67"
5	117431-01-703	EA	RAIL-STATIONARY,67"
6	117431-01-704	EA	RAIL-LEAD,67"
7	117431-01-705	EA	GLIDE-IVORY,TRAVELER
8	117431-01-706	EA	GLIDE-IVORYLEAD,TRAVELER
9	117431-01-707	EA	LATCH
	117431-01-708	EA	HANDLES&SCREWS
	117431-01-709	EA	STRAP-VINYLSHOWER
	105394-01-05A	EA	EXTR-DOORJAMB

BATHGROUP(CONTINUED)

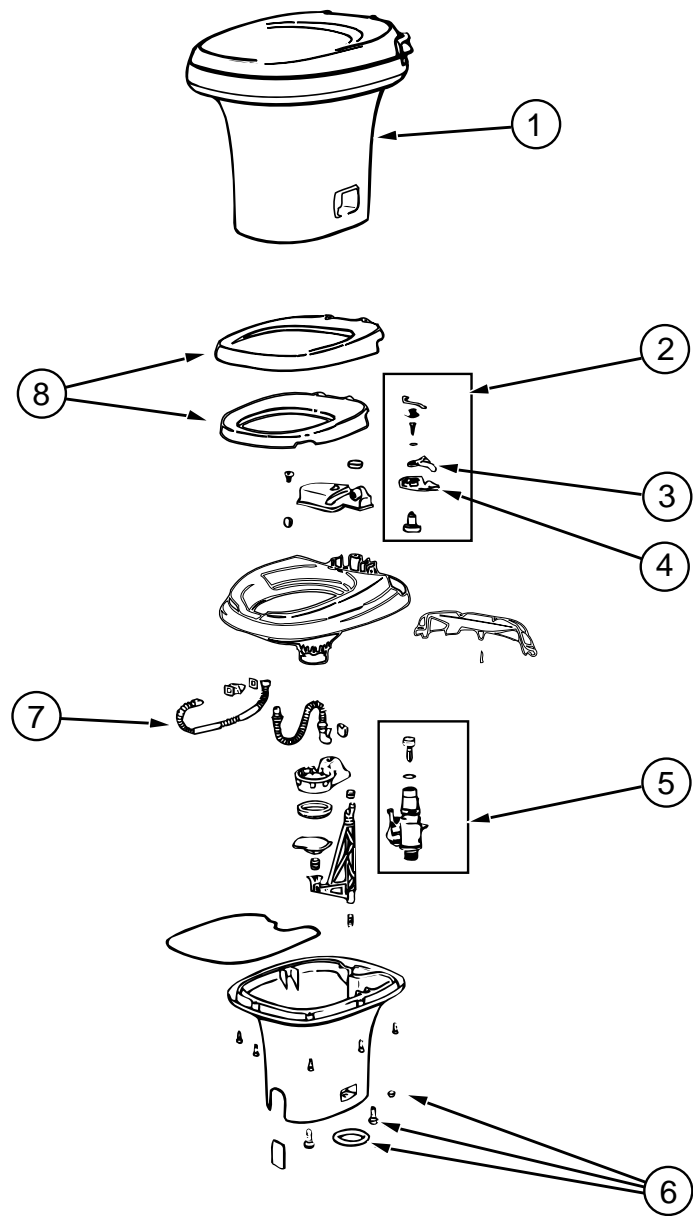
BATHROOMCABINETS&FIXTURES



KEY	PARTNUMBER	U/M	DESCRIPTION	VENDORN.
1	094485-03-01A	EA	KNOB-DOOR-BRASS	
2	121449-04-H04	EA	DOOR-BATH-W/OHARDWARE	
	121449-12-G04	EA	RACK-TOWEL-BATHDOOR	
	100357-01-000	EA	ROD-TOWEL-BRASSW/ENDSBENTF/BACKOFBATHDOOR	
	110496-01-01A	EA	HINGE-BRASS*STOCKER	
	102920-01-01A	EA	HINGE-DOOR-SPRINGLOADED/BRASS	
3	058331-01-000	EA	MIRROR-SAFETYGLASS-19"X26"	
4	122820-01-H07	EA	CABINET-MEDICINE	
	109908-54-H07	EA	ENDCAP-OVERHEADCABINET	
			FROM: 08-30-96 THRU: 99-99-99	
4	122820-12-H07	EA	SHELF-W/PLASTICEDGETRIM	
	109180-03-H07	EA	CABINET-PIPECOVERW/OHARDWARE	
	109180-03-H08	EA	CABINET-PIPECOVERW/OHARDWARE	
5	110140-94-H07	EA	DOOR-MITEREDCORNER/VINYLWRAP-14.3"X16.1"-W/OHDW	
6	123571-11-H07	EA	COUNTERTOP-LAVATORY	
6	123571-11-H08	EA	COUNTERTOP-LAVATORY	
	096927-01-01A	EA	SINK-LAVATORY-RECTANGULAR-PLASTIC/BONE	
	096927-01-700	EA	PLUG-SINK	M9801
	096927-01-701	EA	TAILPIECE-DRAIN-LAVATORY	M9802
	075240-06-000	EA	FAUCET-LAVATORYBONE	
	091253-01-000	EA	GASKET-FAUCET-LAVATORY/GALLEY	
7	M05970-BM-H07	EA	DRAWERCOMPL-SLIDERAD	
8	075452-02-000	EA	HOLDER-TOILETTISSUE-BRASS	
9	063740-01-000	EA	TOILET-HIGH/HANDFLUSH-AQUAMAGICIV	

KEY	PARTNUMBER	U/M	DESCRIPTION	VENDORN.
10	110140-04-G01	EA	DOOR-MITEREDCORNER/VINYLWRAP-14.9"X21.8"-W/OHDW	
11	P23571-01-H07	EA	CABINET-LAVATORY-W/ODOORS/DRAWERS/HARDWARE	
11	P23571-01-H08	EA	CABINET-LAVATORY-W/ODOORS/DRAWERS/HARDWARE	
12	105629-01-01A	EA	SURROUND-SHOWER	
13	103092-01-000	EA	SHOWERHEAD-W/60"HOSE	
	103092-02-000	EA	SHOWERHEAD-W/HOSE-CSA	
	103092-01-700	EA	BRACKET-F/SHOWERHEAD.CLEAR	
	093527-02-000	EA	BRACKET-EXTERIORSHOWERHEAD/SQUEEGEE	
	011048-03-700	EA	BRACKET-F/SHOWERHEAD	2328029-3
14	075241-05-000	EA	FAUCET-SHOWER-BONEW/3/4"MPTX1.4"LONGINLETPIPES	
15	075606-01-000	EA	PANEL-FAUCETBACK-SHOWER-5"X9"	
16	M02673-05-B13	EA	PAN-SHOWER-29.8"X22.7"X5.7"	
	066436-01-000	EA	NUT-SLIP-TAILPIECE1.5"	
	122192-01-01A	EA	PANEL-SKYLITE-OUTER-16.4"X27.8"	
			FROM: 00-00-00 THRU: 02-13-97	
	122192-01-02A	EA	PANEL-SKYLITE-OUTER	
			FROM: 02-14-97 THRU: 99-99-99	
	122193-01-01A	EA	PANEL-SKYLITE-INNER	
			FROM: 00-00-00 THRU: 02-13-97	
	122193-01-02A	EA	PANEL-SKYLITE-INNER	
			FROM: 02-14-97 THRU: 99-99-99	

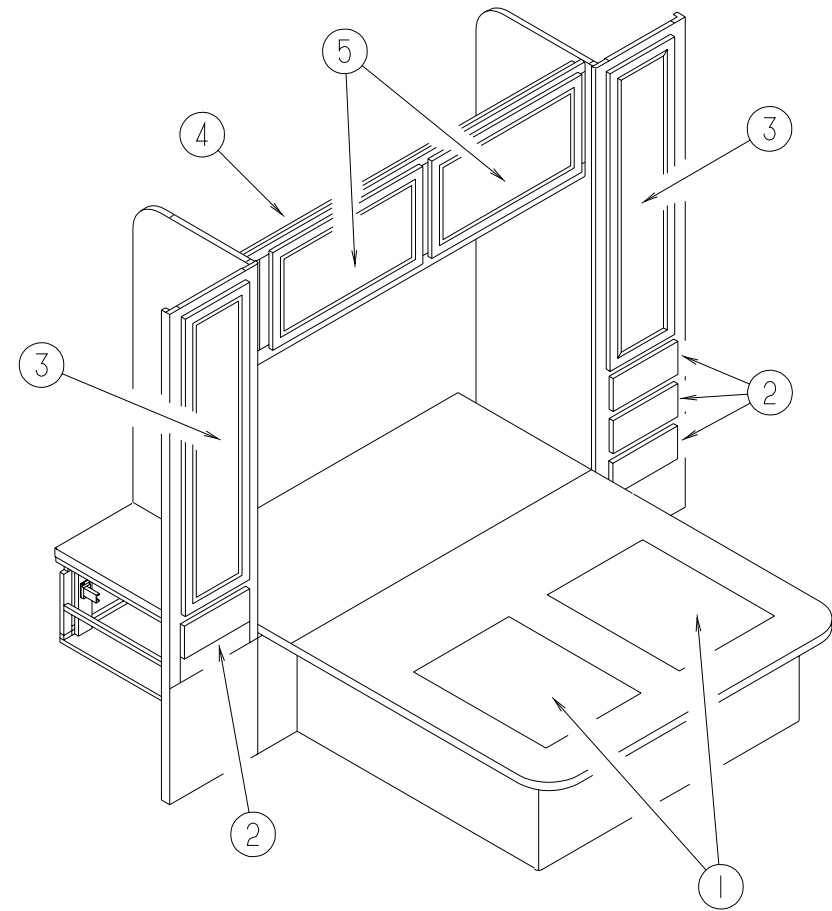
BATHGROUP(CONTINUED)



AQUAMAGICIVLOWTOILET-THETFORD

KEY	PARTNUMBER	U/M	DESCRIPTION	VENDORNO.
1	063740-01-000	EA	TOILET-HIGH/HANDFLUSH-AQUAMAGICIV	
2	063740-01-720	EA	LEVERKIT,WAT-FLUSH-BEARING	24629
3	063740-01-700	EA	LEVER-WATER	12514THETFORD
4	063740-01-701	EA	LEVER-FLUSH	12515THETFORD
5	063740-01-714	EA	VALVEASM(VALVE-BALLSEAL)	13168
6	063740-01-706	EA	BOLTPACKAGE-FLOORFLANGE	12524THETFORD
7	063740-01-717	EA	TUBE-FLUSH	12509
8	063740-02-700	EA	SEAT&COVER,PARCHMENT	2464157
	063740-01-721	EA	BLADEONLY	1248232

BEDROOMGROUP

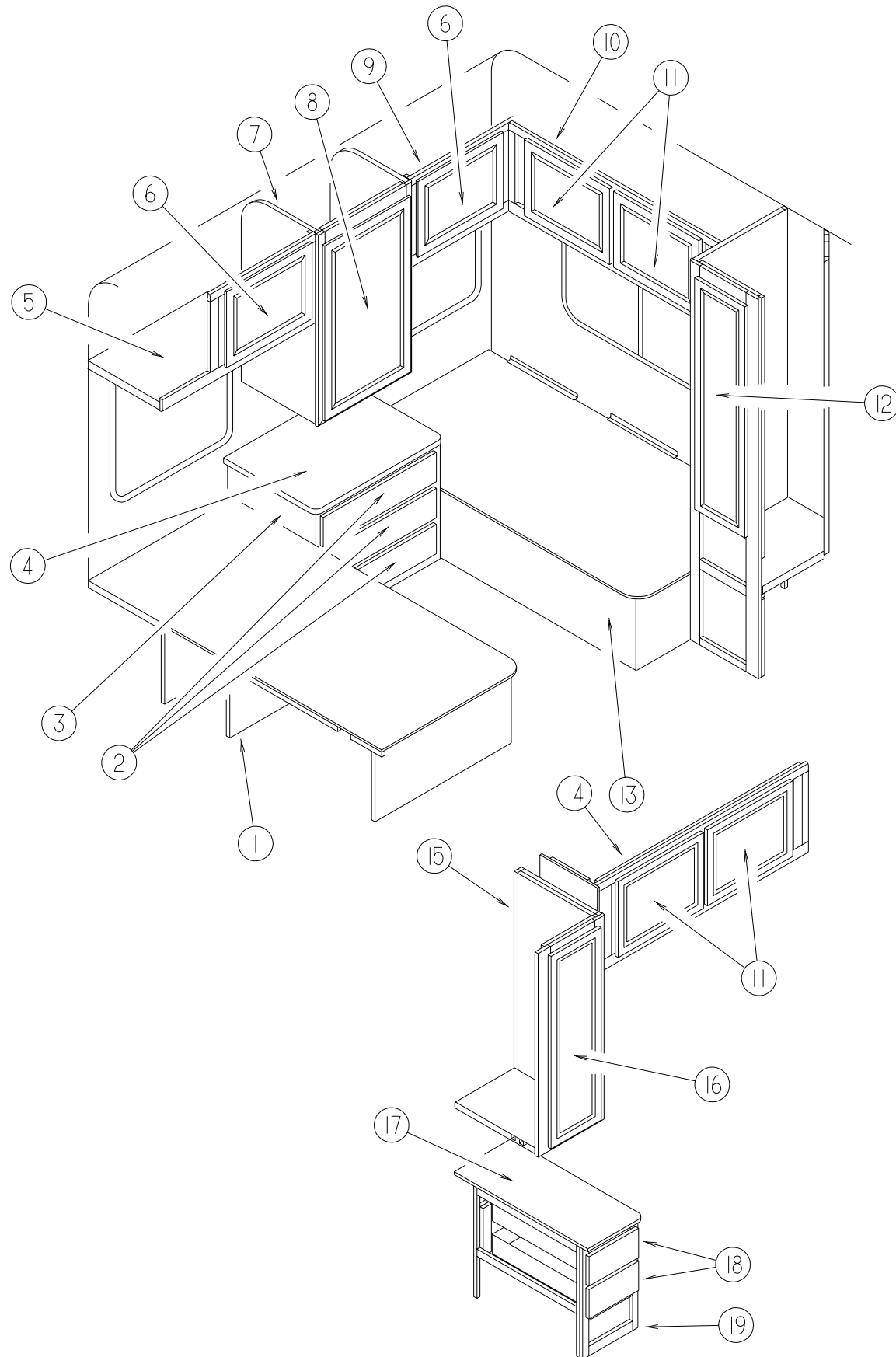


CENTERQUEENBEDCABINERY

KEY	PARTNUMBER	U/M	DESCRIPTION
1	091261-01-000	FT	SLIPNOT-ANTISLIP-1"WIDE(100'ROLL)
	P18430-04-G04	EA	CABINET-BASE-QUEENBED-W/ODOORS/DRAWERS/HARDWARE
	M07550-02-000	EA	QUEENBEDTOP-W/OHARDWARE
	107796-05-000	EA	BRACKET-SUPPORT-GASSPRINGTOBED-FLAT(LOWER)
	107796-06-000	EA	GASSPRING-12"COMPRESSED/20"EXTENDED-120LB.
	107796-07-000	EA	BRACKET-SUPPORT-GASSPRINGTOBED-ANGLE(UPPER)
	097872-04-000	EA	DOWEL-WOOD-1"DIAMETERX1.38"LONG
2	M05970-49-H07	EA	DRAWER-RADIUSEDGE-9.8"X17.7"W/OSLIDES/HARDWARE
3	110140-23-G01	EA	DOOR-MIRROR/MTRDCRNR/VINYLRAP-12"X48"-W/OHDW
	097872-04-000	EA	DOWEL-WOOD-1"DIAMETERX1.38"LONG
	091952-01-000	EA	CLIP-GRIPPER-1"
	009112-01-000	EA	FLANGE-1"CLOTHESROD-OFFWHITEPLASTIC
4	120419-01-G04	EA	CABINET-OVERHEAD,REAR-W/ODOORS/DRAWERS/HARDWARE
5	110140-21-H07	EA	DOOR-MIRROR/MTRDCRNR/VINYLRAP-15.7"X27.9"-W/OHDW
5	110140-18-G01	EA	DOOR-MITEREDCORNER/VINYLRAP-15.7"X27.9"-W/OHDW
	120071-01-G25	EA	CABINET-CORNER-W/ODOORS/DRAWERS/HARDWARE(H07)
	120071-01-G24	EA	CABINET-CORNER-W/ODOORS/DRAWERS/HARDWARE(H08)
	120071-11-G25	EA	COUNTERTOP-CORNERCABINET(H07)
	120071-11-G24	EA	COUNTERTOP-CORNERCABINET(H08)
	116553-03-G04	EA	CABINET-TVSHELF-W/BRASSRODS/POSTENDS
	116553-15-GB1	EA	WEDGE-TVSHELF

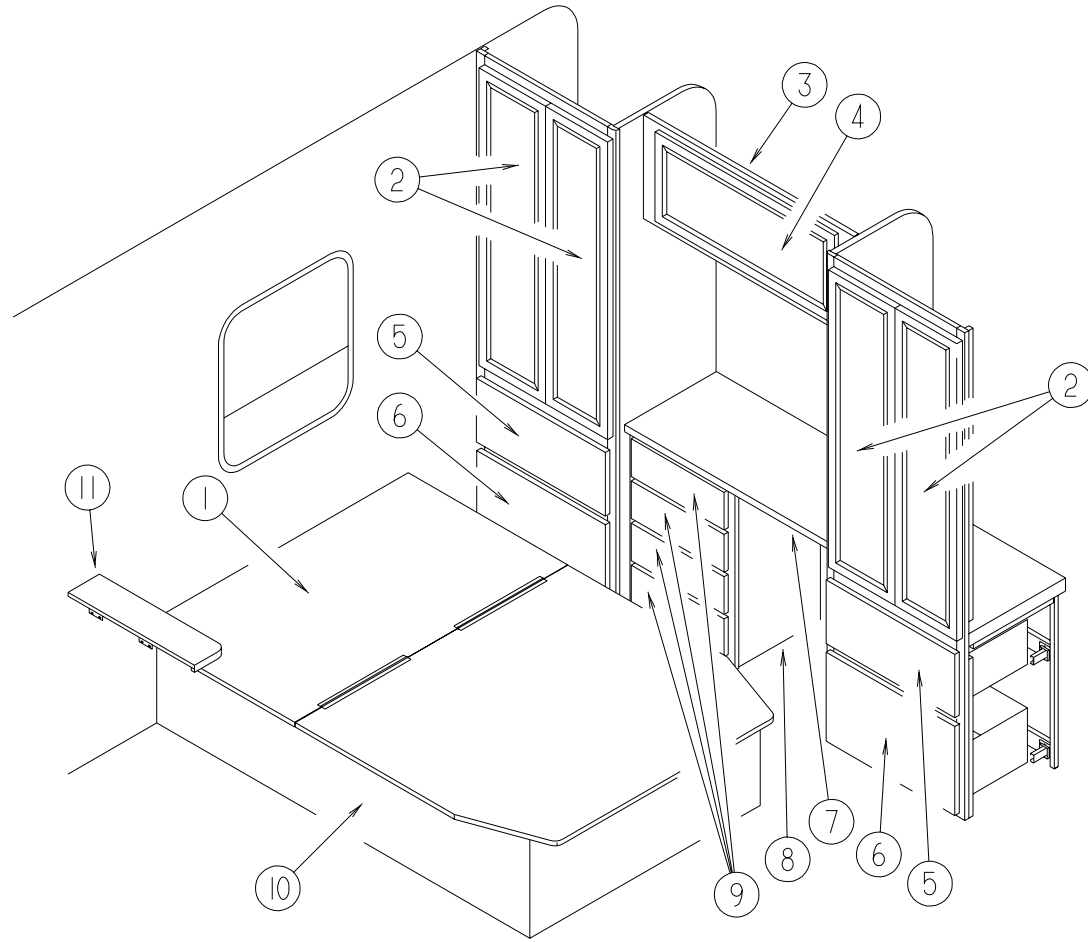
BEDROOMGROUP(CONTINUED)

TWINBEDCABINERY



KEY	PARTNUMBER	U/M	DESCRIPTION
1	P18690-01-G04	EA	CABINETASM-BED,TWIN,RH
	107796-05-000	EA	BRACKET-SUPPORT-GASSPRINGTOBED-FLAT(LOWER)
	107796-06-000	EA	GASSPRING-12"COMPRESSED/20"EXTENDED-120LB.
	107796-07-000	EA	BRACKET-SUPPORT-GASSPRINGTOBED-ANGLE(UPPER)
	091952-01-000	EA	CLIP-GRIPPER
	097872-04-000	EA	DOWEL-WOOD,1.00DIAX1.38LG
	091261-01-000	FT	SLIPNOT-ANTISLIP-1"WIDE(100'ROLL)
2	M05970-M3-H07	EA	DRAWER-RADIUSEDGE14.9"X11.8"W/OHARDWARE
3	118679-01-H07	EA	CABINET-NIGHTSTAND-REAR
3	118679-01-H08	EA	CABINET-NIGHTSTAND-REAR
4	118679-11-G25	EA	COUNTERTOPASM(H07)
4	118679-11-G24	EA	COUNTERTOPASM(H08)
5	110004-01-G04	EA	CABINET-OVERHEAD-REARRIGHTHAND-W/ODOORS/HARDWARE
6	110140-29-H07	EA	DOOR-MIRROR/MTRDCRNR/VINYLRAP-15.7"X20.4"-W/OHDW
6	110140-27-G01	EA	DOOR-MITEREDCORNER/VINYLRAP-15.7"X20.4"-W/OHDW
7	123051-01-H07	EA	CABINET-SHIRT CLOSET,RIGHTREAR-W/ODOORS/DRAWERS/HDW
8	110140-47-G04	EA	DOOR-MIRROR/MTRDCRNR/VINYLRAP-20.6"X36.4"-W/OHDW
9	110004-02-G04	EA	CABINETASM-OVHD,REAR,LH
10	109578-04-H07	EA	CABINET-OVERHEAD-LEFTREAR-W/ODOORS/HARDWARE
10	109578-04-H08	EA	CABINET-OVERHEAD,LEFTREAR-W/ODRS/DWRS/HARDWARE
	109908-09-G04	EA	ENDCAP-OVERHEADCABINET
11	110140-27-G01	EA	DOOR-MITEREDCORNER/VINYLRAP-15.7"X20.4"-W/OHDW
12	110140-22-G04	EA	DOOR-MITEREDCORNER/VINYLRAP-12.1"X48"-W/OHDW
13	P18689-01-G04	EA	CABINET-BASE-TWINBED/LEFTHAND-W/ODOORS/DRAWER/HDW
14	109578-03-H07	EA	CABINET-OVERHEAD-RIGHTREAR-W/ODOORS/HARDWARE
14	109578-03-H08	EA	CABINET-OVERHEAD,RIGHTREAR-W/ODRS/DRWS/HARDWARE
	109908-08-G04	EA	ENDCAP-OVERHEADCABINET
15	112831-01-G04	EA	CABINETASM-SHIRT CLOSET,RH
16	110140-28-G01	EA	DOOR-MITEREDCORNER/VINYLRAP-12"X40"-W/OHDW
	042438-01-000	EA	DOWEL-WOOD-CLOTHESROD-1"DIAMETERX4'
	009112-01-000	EA	FLANGE-1"CLOTHESROD-OFFWHITEPLASTIC
17	118680-11-G25	EA	COUNTERTOP-NIGHTSTAND(H07)
17	118680-11-G24	EA	COUNTERTOP-NIGHTSTAND(H08)
18	M05970-U4-H07	EA	DRAWER-RADIUSEDGE-9.4"X24"W/OSLIDES/HARDWARE
19	P18680-01-G25	EA	CABINET-NIGHTSTAND/RIGHTHAND-W/ODOORS/DRAWERS/HDW(H07)
19	P18680-01-G24	EA	CABINET-NIGHTSTAND/RIGHTHAND-W/ODOORS/DRAWERS/HDW(H08)
	084357-02-H07	EA	TVSTAND-FOLDDOWNW/MIRROR
	058331-14-000	EA	MIRROR-SAFETYGLASS-14"X12.7"
	084356-08-000	EA	INSERT-TVSTAND-W/SUPPORTHINGE
	084412-01-000	EA	SUPPORT/HINGEKIT(LEFT&RIGHTHINGES)
	084451-01-000	EA	CATCH-BRASS

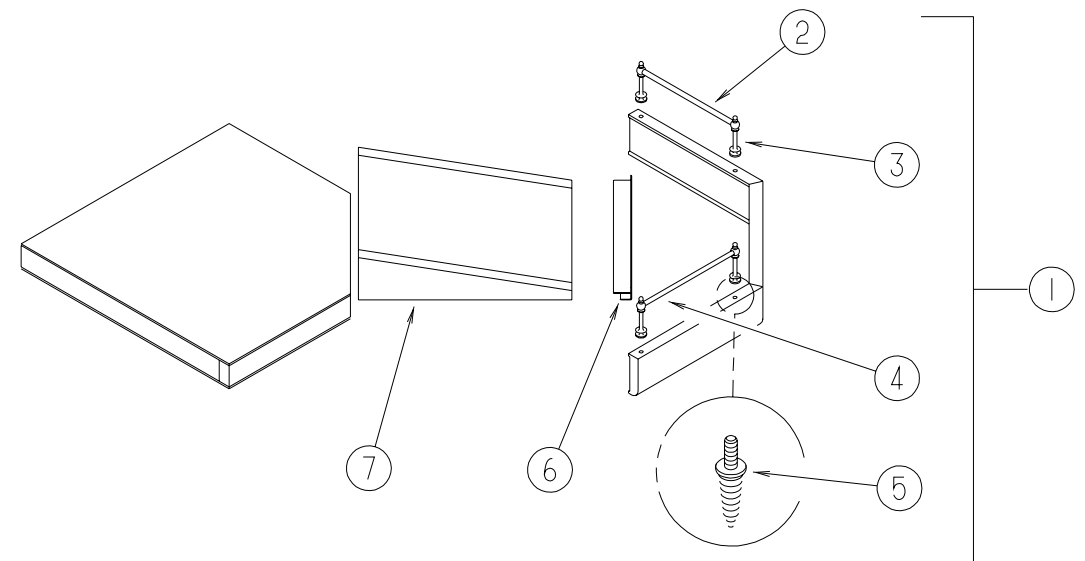
BEDROOMGROUP(CONTINUED)



DOUBLEBEDCABINTRY

KEY	PARTNUMBER	U/M DESCRIPTION
1	091261-01-000	FT SLIPNOT-ANTISLIP-1"WIDE(100'ROLL)
	107796-05-000	EA BRACKET-SUPPORT-GASSPRINGTOBED-FLAT(LOWER)
	107796-06-000	EA GASSPRING-12"COMPRESSED/20"EXTENDED-120LB.
	107796-07-000	EA BRACKET-SUPPORT-GASSPRINGTOBED-ANGLE(UPPER)
	097872-04-000	EA DOWEL-WOOD,1.00DIA X1.38LG
2	110140-23-G01	EA DOOR-MIRROR/MTRDCRNR/VINYLRAP-11.9"X48"-W/OHDW
	009112-01-000	EA FLANGE-1"CLOTHESROD-OFFWHITEPLASTIC
	042438-01-000	EA DOWEL-WOOD-CLOTHESROD-1"DIAMETERX4'
3	118677-01-H07	EA CABINET-REAROVERHEAD-W/ODOORS/HARDWARE
3	118677-01-H08	EA CABINET-REAROVERHEAD-W/ODOORS/HARDWARE
4	110140-65-H04	EA DOOR-MIRROR/MTRDCRNR/VINYLRAP-14.3'X33.4"-W/OHDW
4	110140-05-G01	EA DOOR-MITEREDCORNER/VINYLRAP-14.3"X33.4"-W/OHDW
5	M05970-T4-H07	EA DRAWER-RADIUSEDGE-21.8"X13.8"W/OSLIDES/HARDWARE
6	M05970-T3-H07	EA DRAWER-RADIUSEDGE 21.8"X13.8"W/OSLIDES/HARDWARE
7	118676-11-G25	EA COUNTERTOP-VANITY(H07)
7	118676-11-G24	EA COUNTERTOP-VANITY(H08)
8	P18676-01-G25	EA CABINET-VANITY-W/ODOORS/DRAWERS/HARDWARE(H07)
8	P18676-01-G24	EA CABINET-VANITY-W/ODOORS/DRAWERS/HARDWARE(H08)
9	M05970-T5-H07	EA DRAWER-RADIUSEDGE-15.4"X12"W/OSLIDES/HARDWARE
10	P19644-02-G04	EA CABINETBASE-DOUBLEBED-W/ODOORS/DRAWERS/HARDWARE
11	116842-02-G25	EA SHELF-DOUBLEBED-W/OHARDWARE(H07)
11	116842-02-G24	EA SHELF-DOUBLEBED-W/OHARDWARE(H08)
	120071-01-G25	EA CABINET-CORNER-W/ODOORS/DRAWERS/HARDWARE(H07)
	120071-01-G24	EA CABINET-CORNER-W/ODOORS/DRAWERS/HARDWARE(H08)
	120071-11-G25	EA COUNTERTOP-CORNERCABINET(H07)
	120071-11-G24	EA COUNTERTOP-CORNERCABINET(H08)

BEDROOMGROUP(CONTINUED)



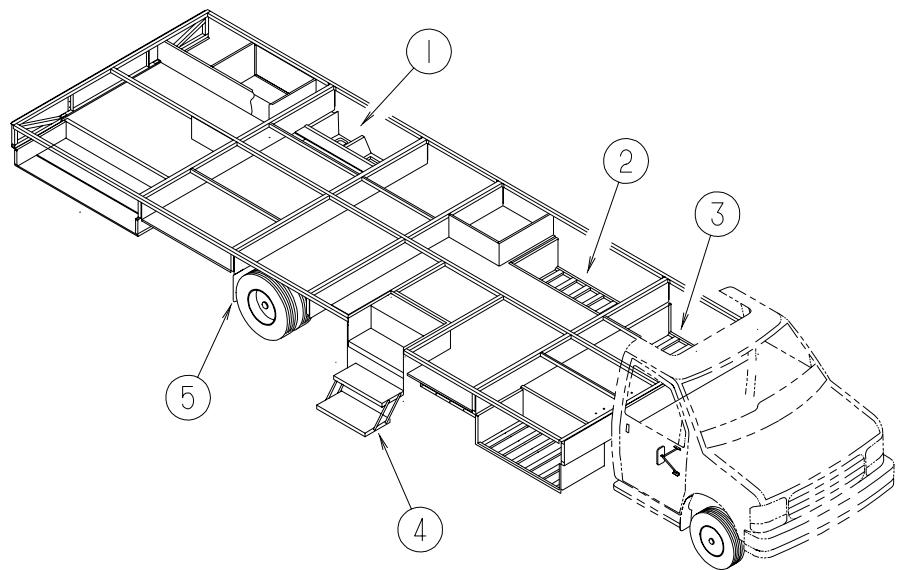
TVSHELF-BEDROOM

KEY	PARTNUMBER	U/M DESCRIPTION	
1	116553-03-G04	EA CABINET-TV SHELF-W/BRASSRODS/POSTENDS	
2	084071-12-000	EA ROD-BRASS-4.08"LONG	
	084071-19-000	EA ROD-BRASS-7.8"LONG	
3	084070-02-000	EA POST-END-2.4"-BRASS	FROM: 00-00-00 THRU: 07-14-96
3	084070-03-000	EA POST-END-BRASS	FROM: 07-15-96 THRU: 99-99-99
4	106166-01-000	EA BOLT-COLLARED HANGER	
5	105247-01-000	EA INSERT NUT-8-32 THDX.394LG	
6	103186-01-05A	FT MOLDING-PLASTIC-SHELF	
7	116553-15-GB1	EA WEDGE-TV SHELF	

BEDROOM FOLDING DOOR

KEY	PARTNUMBER	U/M DESCRIPTION	VENDOR NO.
	094856-10-01A	EA TRACK-DOOR, FOLDING O/W	
	042488-10-000	EA DOOR-FABRIC FOLDING-37"X75"-OFF WHITE	DW-21632
	042488-04-700	EA LATCH & CATCH ASM. LEADEDGE	DW2100
	042488-10-700	EA LEAD RAIL-PREPUNCHED F/HANDLE	NE03505
	080224-01-703	EA HANDLE/LATCH-CATCH, ALMOND	DE25010 & DE25020
	080224-01-705	EA LATCH & CATCH ASM., ALMOND	

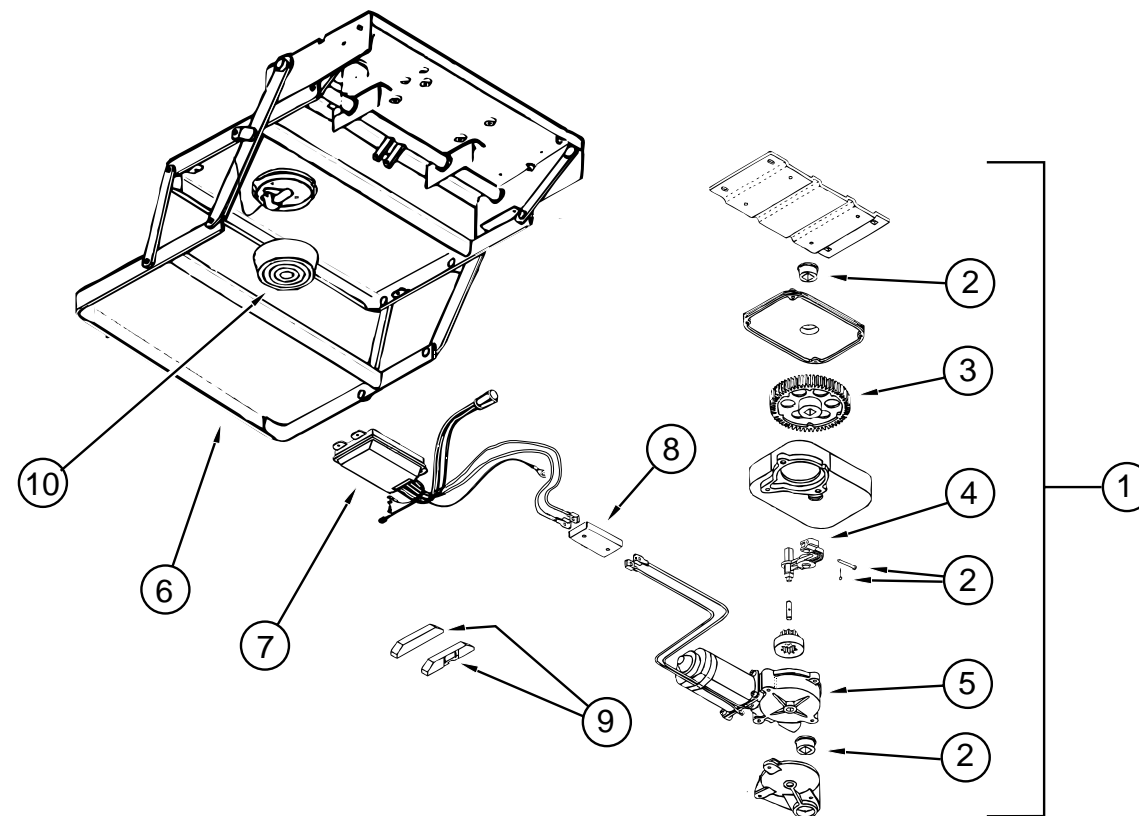
CHASSISGROUP



COMPARTMENTS, PLUGS & SEALS

KEY	PARTNUMBER	U/M	DESCRIPTION
1	116926-02-01A	EA	COMPARTMENT-SEWER&110VPOWERCORD
	M06991-02-FQ0	EA	HATCH-W/FOAMINSULATION(110POWER)
	M06991-04-FB1	EA	HATCH-W/FOAMINSULATION(WATERORSEWER)
	121175-01-01A	EA	LATCH-SWELL-BLACK
2	117928-01-01A	EA	COMPARTMENT-STORAGE
	093873-01-01A	EA	TRIM-CARPET-L-ANGLE 1.1" X 1.3" X 12'-GRAY VINYL
3	117928-06-01A	EA	COMPARTMENT-STORAGE
4	094707-01-01A	EA	STEP-DOUBLE-ELECTRIC-KWIKEE
5	017516-01-000	EA	FLAP-MUD-14" X 18"-BLACK
	065450-05-000	EA	TIEDOWNBATTERY-8.4" TUBE
	084993-01-000	EA	STRAP-BATTERY
	121948-01-000	EA	SHIELD-SIGHT
	119845-01-01A	EA	PLUG-PLASTIC-BLACK
	115361-01-01A	EA	PLUG-PLASTIC
	056746-01-000	EA	PLUG-CAP-1" DIAMETER
	056748-01-000	EA	PLUG-CAP-1.5" DIAMETER
	112864-01-000	FT	FOAM-BUTYL COVERED 3/8"

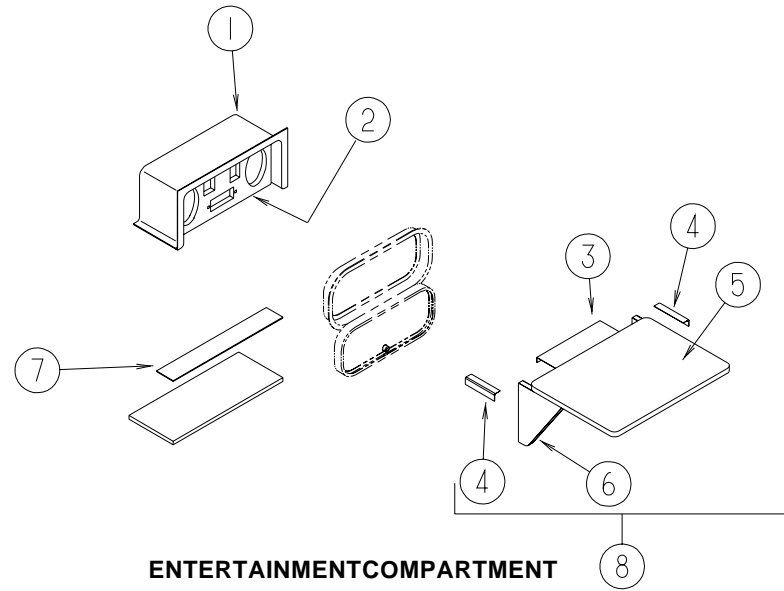
CHASSISGROUP(CONTINUED)



STEP ASSEMBLY

KEY	PARTNUMBER	U/M	DESCRIPTION	VENDOR NO.
1	094707-01-01A	EA	STEP-DOUBLE-ELECTRIC-KWIKEE	
2	094707-02-703	EA	BEARING&PINS	909530
3	094707-02-702	EA	GEAR KIT, W/BEARINGS, PIN-CASE	909525
4	094707-02-701	EA	LINKAGE ASM. W/BEARINGS-PINS	909534
5	094707-02-700	EA	MOTOR ASM., W/BEARINGS&PINS	909520
6	094707-01-702	EA	FRAME W/DBL STEP, 3200 SERIES	908032
7	094707-02-705	EA	CONTROL UNIT, WHITE	909513
8	094707-02-704	EA	CONNECTOR-MOTOR ASM. W/PLATES	909537
	094707-02-707	EA	TREAD-NONSKID, BLACK 6" X 21"	909333
9	116995-01-000	EA	SWITCH/MAGNET-STEP-ELECTRIC-KWIKEE-905306	
10	088746-01-705	EA	LIGHT-UNDERSTEP	9004
	088733-01-700	EA	BULB	9004
	091176-01-000	EA	SUPPORT-BASE-ENTRANCE STEP	

CHASSISGROUP(CONTINUED)



ENTERTAINMENTCOMPARTMENT

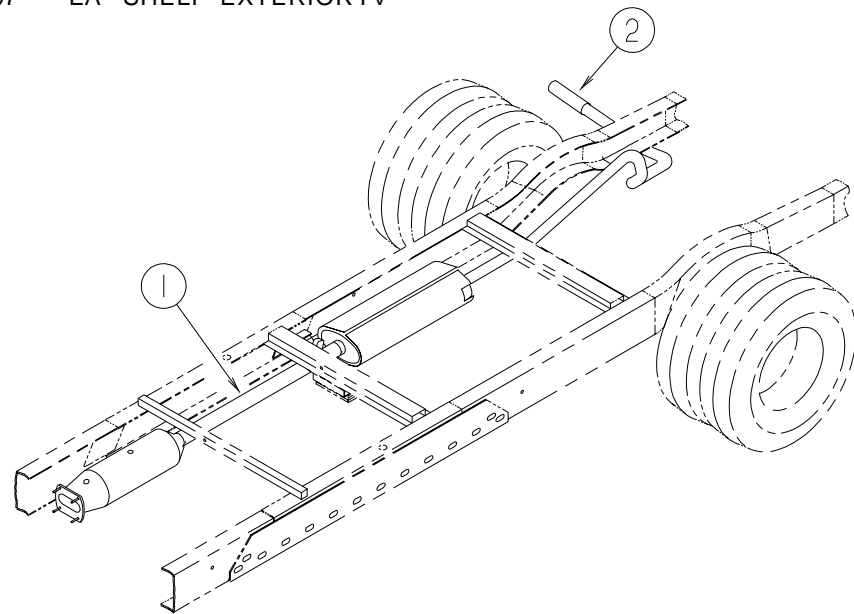
KEY	PARTNUMBER	U/M	DESCRIPTION
1	104897-02-02A	EA	BOX-EXTERIORENTERTAINMENTCENTER
2	104899-01-C05	EA	PLATE-RADIOMOUNTING
3	105377-01-01A	EA	BRACKET-TABLEHANGER
3	105377-01-04A	EA	BRACKET-TABLEHANGER
4	105376-01-02A	EA	HINGE-CONTINUOUS-2"X5.5"
4	105376-01-03A	EA	HINGE-CONTINUOUS-2"X5.5"
5	105230-11-E01	EA	SHELF-EXTERIORENTERTAINMENTCENTER-W/OHARDWARE
6	105230-13-H07	EA	SUPPORTASM
7	104898-01-02A	EA	PLATE-PLASTICBOTTOM
8	105230-03-H07	EA	SHELF-EXTERIORTV

FROM: 00-00-00 THRU: 01-05-97

FROM: 01-06-97 THRU: 99-99-99

FROM: 00-00-00 THRU: 01-05-97

FROM: 01-06-97 THRU: 99-99-99



EXHAUSTSYSTEMCOMPONENTS

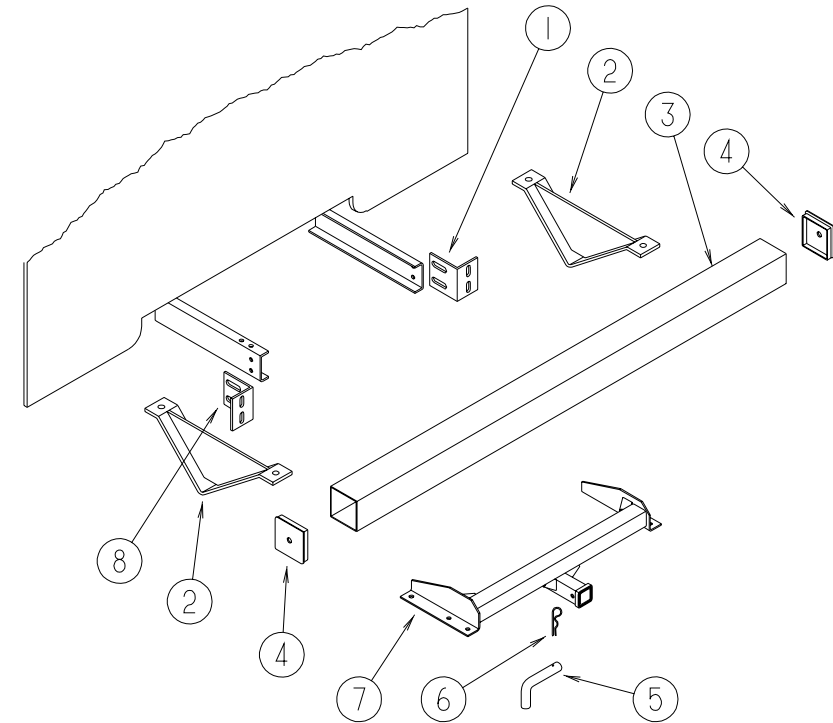
KEY	PARTNUMBER	U/M	DESCRIPTION
1	111478-02-000	EA	EXHAUSTPIPE-DOUBLEWALLSTAINLESSSTEEL-33.9"LONG-GAS
	094918-06-000	EA	CLAMP-EXHAUST-3"-HEAVYDUTY-GAS
1	098762-13-000	EA	PIPE-EXHAUST-STRAIGHT-3.5"-DIESEL
	094918-02-000	EA	CLAMP-EXHAUST-3.5"-DIESEL
2	098672-18-000	EA	PIPE-EXHAUST-STRAIGHT

FROM: 10-14-96 THRU: 99-99-99

CHASSISGROUP(CONTINUED)

DRIVESHAFT&BRAKELINEFLAREUNION

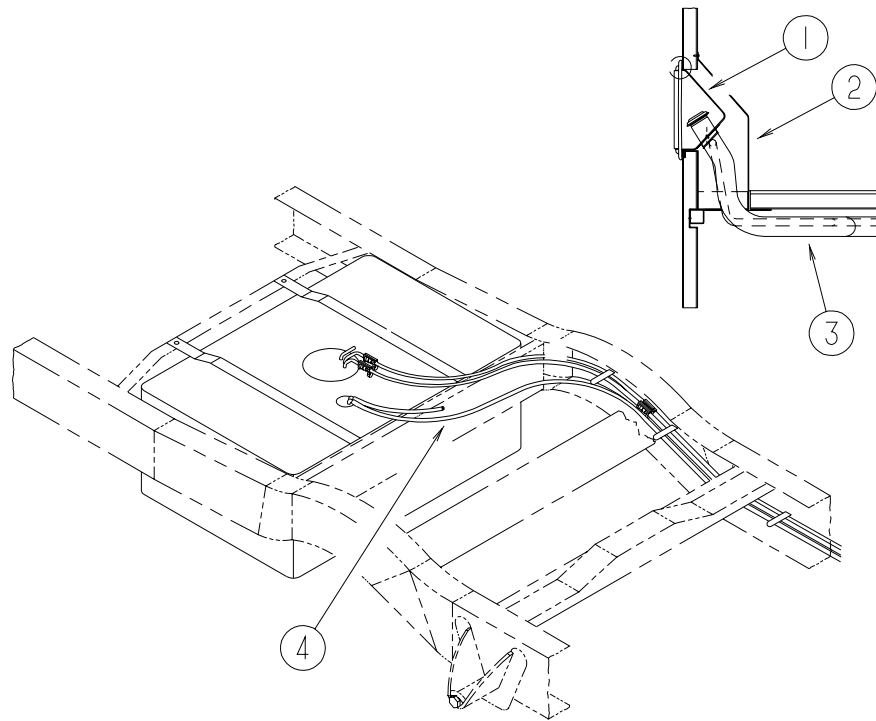
KEY	PARTNUMBER	U/M	DESCRIPTION
	103653-10-000	EA	DRIVESHAFT-BALANCEDPAIR-190"WB-DIESELENGINE
	115043-02-000	EA	BUSHING-INCREASE-2.5OD-3.5OD
	074833-01-000	EA	SPACER-BEARING-DRIVESHAFT-2"X8"X.5"THICK
	085771-03-000	EA	NUT-HEX-FLARETORQUE-GRADEG-DRIVESHAFT
	088498-01-000	EA	UNION-INVERTEDFLARE-BRASS-3/16-3/8-24THD
	103653-16-000	EA	DRIVESHAFT-BALANCEDPAIR-190"WB-GASENGINE



REARBUMPER&HITCH

KEY	PARTNUMBER	U/M	DESCRIPTION
1	104420-01-000	EA	SUPPORT/ANGLE-REARBUMPER
2	083376-01-000	EA	PLATE/SKID-13.2"X6"X2"STEEL
3	103422-05-02A	EA	BUMPER/ALUMINUM-SQUARETUBE
4	039779-01-000	EA	CAP-BUMPER-RUBBER-4"X4"-BLACK
5	034512-01-000	EA	PIN-LOCKING-DRAWBAR
6	034513-01-000	EA	PIN-HITCH-3/16" WIRE
7	107707-08-000	EA	HITCHRECEIVER-BOLT-ONCLASSII
8	104420-02-000	EA	SUPPORT/ANGLE-REARBUMPER
	097744-02-000	EA	HOUSING-TRAILERPIN-48"
	097745-02-000	EA	HOUSING-RECEPTACLE-TRAILER-48" WIRELENGTH
	113634-01-000	EA	WIREASSEMBLY-TRAILERADAPTER
	113589-02-000	EA	CONNECTOR-SOCKET-TRAILER
	113589-01-000	EA	CONNECTOR-PLUG-TRAILER
	113588-02-01B	EA	BRACKET-CONNECTOR-TRAILERW/OLIP
	070579-09-000	EA	PLATE-ANCHOR

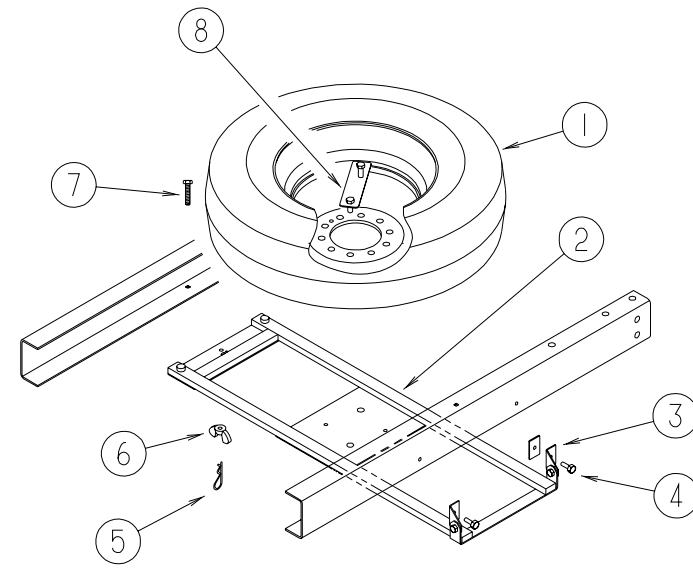
CHASSISGROUP(CONTINUED)



FUELSYSTEMCOMPONENTS

KEY	PARTNUMBER	U/M	DESCRIPTION
1	095854-01-04A	EA	SHROUD-FUELFILL-BRIGHTWHITE
2	078040-06-000	EA	SHROUD-FUELFILL,UPPER
3	117934-01-000	EA	NECK-FILLER,FUELFILL -BAUERWELDUNLEAD FROM: 00-00-00 THRU: 10-13-96
3	124994-01-000	EA	NECK-FILLER-FUELFILL FROM: 10-14-96 THRU: 99-99-99
3	117934-02-000	EA	NECK-FILLER,FUELFILL-BAUERWELDDIESEL
	078200-01-000	EA	GASKET-FUELFILL-3.5"ODX2"ID
4	007063-01-000	FT	HOSE-FUEL 1/4"IDX1/2"OD
	044317-01-000	FT	HOSE-FUEL-3/8"ID FROM: 00-00-00 THRU: 10-14-96
	125187-03-000	EA	HOSE-FUEL-11.1"ID-LOWPERM FROM: 10-15-96 THRU: 99-99-99
	125187-04-000	EA	HOSE-FUEL-12.7"ID-LOWPERM FROM: 10-15-96 THRU: 99-99-99
	084884-01-000	EA	PLUG-BRASS-3/8"

CHASSISGROUP(CONTINUED)



SPARETIRE

KEY	PARTNUMBER	U/M	DESCRIPTION
1	070917-06-000	EA	TIRE-LT225/75R16E-R4S-M/S
1	083617-03-000	EA	WHEEL-STEEL-16.0X6
2	116348-01-02B	EA	CRADLE-SPARETIRE-E-COATED
3	116349-01-02B	EA	BRACKET/HINGE-SPARETIRE-E-COATED
4	000C26-06-12B	EA	BOLT-HEX-SERFLANGE-3/8-16X3/4-ZINC
4	000E13-17-00B	EA	WASHER-FLANGE-3/8"ARZINC
4	000D34-06-00B	EA	NUT-HEX,LK-3/8-16GRADECZN-PREVAILINGTORQUE
5	034513-01-000	EA	PIN-HITCH-3/16"WIRE
6	064081-03-000	EA	NUT-WING,3/8-16,W/WELDNUT
7	000C18-06-56A	EA	BOLT-ELEVATOR-3/8-16X3 1/2-GRADE5
8	116338-02-02B	EA	BRACKET/CLAMP-SPARETIRE-E-COATED
8	000D29-09-00B	EA	NUT-HEX-SELFLOCKING-9/16-12-ZINC
	112358-01-000	EA	WRENCH-LUG-7/8"-L-SHAPE
	115580-01-000	EA	STRAP-SPARETIRE

WHELLINERS&COVERS

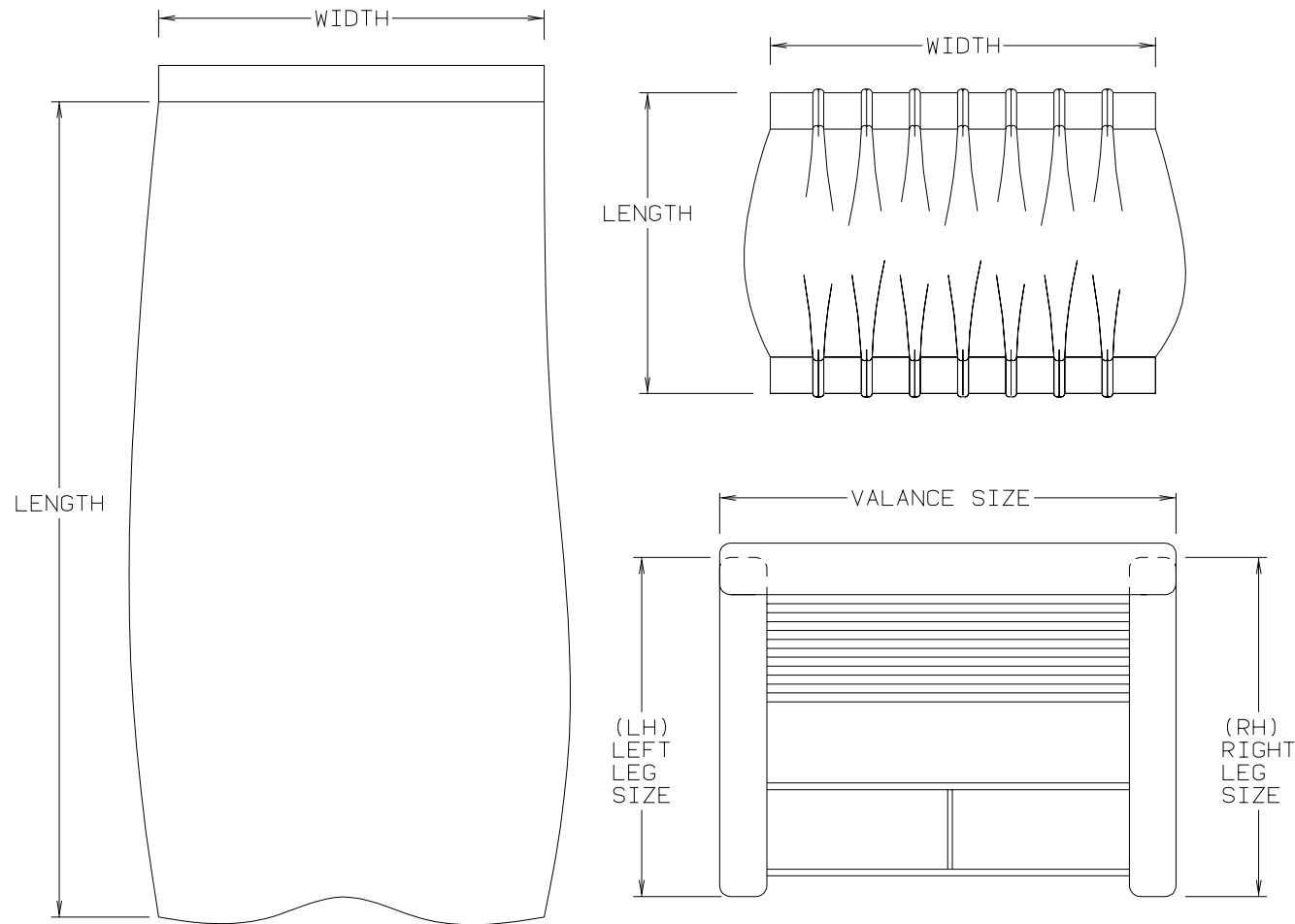
KEY	PARTNUMBER	U/M	DESCRIPTION	VENDORNO.
	109443-05-000	EA	WHEELCOVER-4/SET-16"STAINLESSSTEEL	
	098532-01-700	EA	COVER-LUGNUT(CHROME)	SHAU-LNC
	109443-05-700	EA	COVER-WHEEL-16"SEA=1	SHFM16-CVR

CURTAIN&CUSHIONGROUP

NOTICE

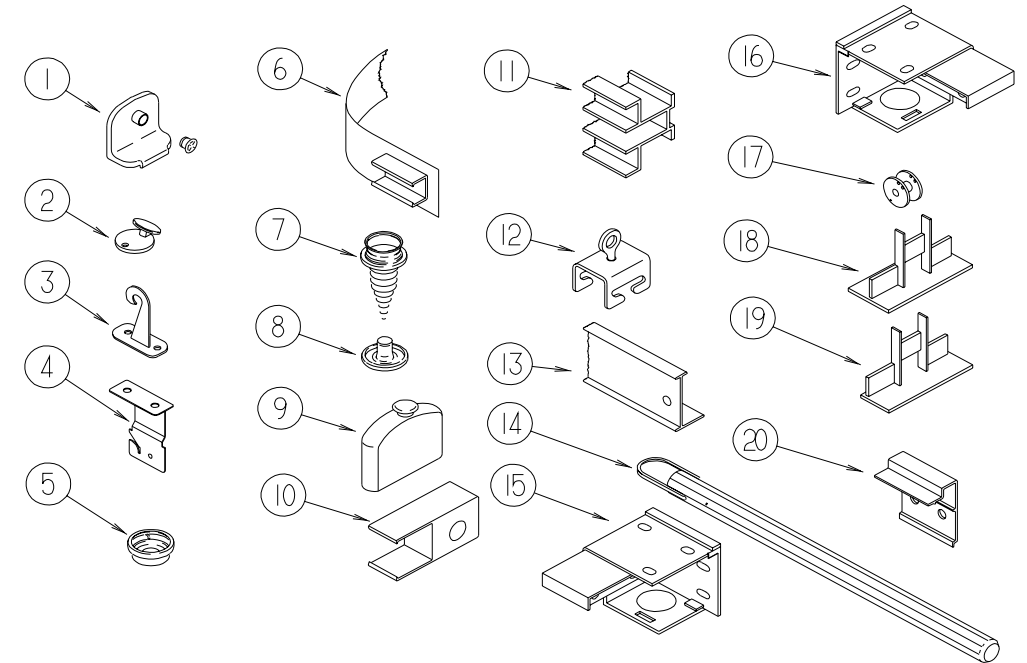
IN ORDER TO ASSIST OUR PARTS SALES DEPT. IN PROVIDING INTERIOR SOFTWARE ITEMS, PLEASE INCLUDE THE SERIAL NUMBER AND THE COLOR CODE NUMBER FROM THE VEHICLE CERTIFICATION LABEL WHEN ORDERING. THIS LABEL IS LOCATED ON THE LEFT SIDE WALL AT THE END OF THE DASH (A-BODY), OR ON THE DRIVER'S DOOR LATCH PLATE (C-BODY).

AN EXAMPLE OF A COLOR CODE NUMBER IS B07, WHICH DESIGNATES AN OVERALL COLOR SCHEME OF A PARTICULAR UNIT. THE COLOR LISTED AFTER THE ITEM DESCRIPTION ON THE MICROFICHE, INDICATES THE OVERALL UNIT COLOR. ORDER THE ITEM YOU DESIRE ACCORDING TO UNIT COLOR CODE.



NOTE: USE THIS ILLUSTRATION WHEN DETERMINING LENGTH AND WIDTH MEASUREMENTS FOR CURTAINS. YOU WILL NOTE THE WIDTH MEASUREMENT IS TAKEN ON THE TOP OF THE CURTAIN WITH THE CURTAIN FULLY EXTENDED. THE LENGTH MEASUREMENT IS TAKEN FROM TOP TO BOTTOM. LEFT AND RIGHT WINDOW LEGS ARE DETERMINED WHEN FACING THE WINDOW.

CURTAIN&CUSHIONGROUP(CONTINUED)

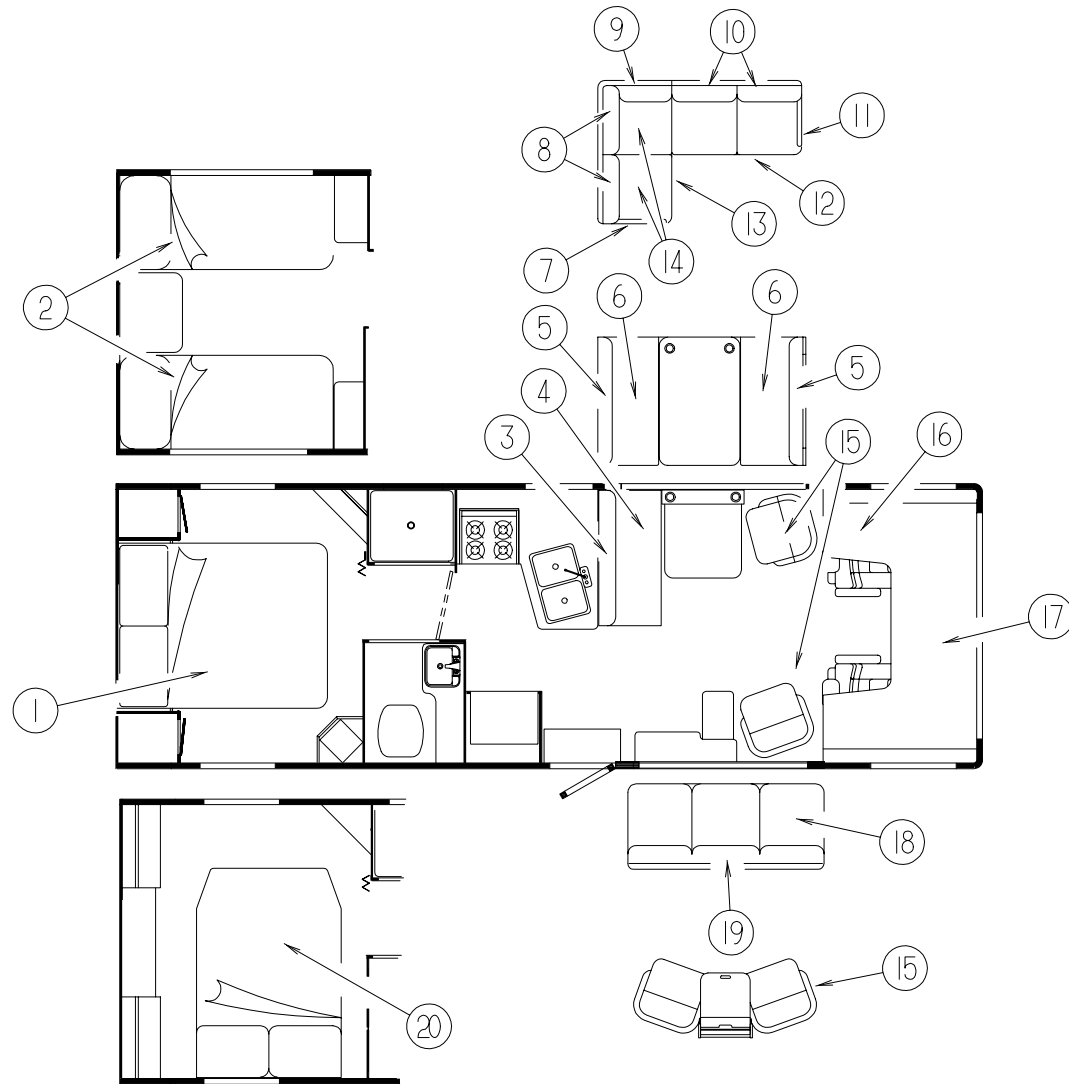


CURTAIN&BLINDHARDWARE

KEY	PARTNUMBER	U/M	DESCRIPTION
1	106544-01-000	EA	PULL-SHADE-BRASS
1	106544-01-001	EA	SCREW-BRASS-PULL SHADE
2	102555-03-000	EA	CLEAT-BLIND CORD-MILKY WHITE PLASTIC
3	109441-03-000	EA	HOLD DOWN-BLIND-CLOUDY
4	084434-01-000	EA	BRACKET-MOUNTING, ROLLER SHADE-1 3/8"
5	029156-01-000	EA	SOCKET-SNAP FASTENER-NICKEL
6	101031-01-000	YD	TAPE-GLIDE/CURTAIN-4.25" SPACING
7	029130-01-000	EA	SCREW-SNAP SOCKET-8PH X 5/8"
8	029155-01-000	EA	CAP-SNAP-NICKEL
9	093475-01-701	EA	CAP-END, WITH INVERTED STUD PAR
10	101033-02-000	EA	ENDCAP-TRACK-CLEAR
11	101033-04-000	EA	TRACK-WALL-3'
11	101033-06-000	EA	TRACK-WALL-6.5'
11	101033-07-000	EA	TRACK-WALL-2.5'
12	009702-01-000	EA	ENDSTOP-CURTAIN CARRIER-L ROD
13	009700-04-002	EA	TRACK-L-SHAPED 195.2"-OFF WHITE
14	093475-01-700	EA	WAND-BLIND W/METAL CLIP, 8" NONE
15	083170-01-000	EA	BRACKET-BLIND-RIGHT SIDE
16	083170-02-000	EA	BRACKET-BLIND-LEFT SIDE
17	097592-01-000	EA	SPOOL-CORD-ELEVATED BLIND HOLD UP-CLEAR PLASTIC
18	094907-04-000	EA	HARDWARE-ENDCAP BOTTOM-PULL TYPE (RH & LH)
	094907-04-700	EA	ENDCAP-RH BOTTOM BLIND
	094907-04-701	EA	ENDCAP-LH BOTTOM BLIND
19	094907-02-000	EA	ENDCAP-TOP/PLEATED BLIND-PLASTIC-GRAY
20	097565-01-000	EA	BRACKET-MOUNTING/PLEATED BLIND
	046867-03-000	EA	GROMMET-HANDY BUTTON-NO. 3
	048394-02-000	YD	VELCRO TAPE-HOOK-ADHESIVE BACK-.75" WIDE-BEIGE
	075943-10-000	EA	BRACE-VALANCE-20 IN-OFF WHITE
	056003-01-000	EA	BRACKET-DRAPERY RETAINING, FRONT-METAL
	056003-02-000	EA	BRACKET-DRAPERY RETAINING, REAR-METAL
	076827-02-000	EA	BRACKET-LEG, 2.9" X 1.8" TRIANGLE-
	088792-01-000	YD	VELCRO-HOOK-.75" WIDE-BEIGE
	088792-02-000	YD	VELCRO TAPE-LOOP-ADHESIVE BACKED-.75" WIDE-BEIGE
	096843-01-000	EA	SPRING-REWIND-ROLLER SHADE
	086276-01-000	EA	TAPE-DOUBLE SIDED-1/2" (ON PULL SHADES)
	094896-02-000	EA	GROMMET-CORD/PLEATED BLIND-NYLON-GRAY
	097564-01-000	EA	HANDLE-T-EZ LIFT SHADE
	097591-01-000	EA	SPRING-EXTENSION/PLEATED BLIND
	097593-02-000	FT	CORD-BLIND-PLEATED-DAWN GRAY

CURTAIN&CUSHIONGROUP(CONTINUED)

FORWARDFACINGCOUCH



KEY	PARTNUMBER	U/M	DESCRIPTION
3	114969-01-H07	EA	BACK-SOFA/BED-FORWARDFACING-JACKKNIFE
3	114969-01-H08	EA	BACK-SOFA/BED-FORWARDFACING-JACKKNIFE
	114969-02-H07	EA	BACK-SOFA/BEDBACKREST-RIGHTANDLEFTCUSHION
	114969-02-H08	EA	BACK-SOFA/BEDBACKREST-RIGHTANDLEFTCUSHION
	P14969-02-H07	EA	COVER-BACK-RIGHTANDLEFTCUSHIONS
	P14969-02-H08	EA	COVER-BACK-RIGHTANDLEFTCUSHIONS
	114969-03-H07	EA	BACK-COUCHEB-FORWARDFACINGCENTEREND-JACKKNIFE
	114969-03-H08	EA	BACK-COUCHEB-FORWARDFACINGCENTEREND-JACKKNIFE
	P14969-03-H07	EA	COVER-CENTER,END-FORWARDFACING-JACKKNIFED
	P14969-03-H08	EA	COVER-CENTER,END-FORWARDFACING-JACKKNIFED
4	114969-04-H07	EA	SEAT-SOFA/BED-W/OBACKREST
4	114969-04-H08	EA	SEAT-SOFA/BED-W/OBACKREST
	P14969-04-H07	EA	COVER-SEAT, FORWARDFACING-JACKKNIFED
	P14969-04-H08	EA	COVER-SEAT, FORWARDFACING-JACKKNIFED
	111637-02-H07	EA	PILLOW - 22" X 22"
	111637-02-H08	EA	PILLOW - 22" X 22"
	114763-01-000	EA	FRAME-FORWARDFACINGBASE-SOFA/BED
	114763-02-000	EA	FRAME-FORWARDFACINGSEAT-SOFA/BED
	114763-07-000	EA	FRAME-FORWARDFACINGLEGS-SOFA/BED
	117125-01-02B	EA	BRACKET-CABLEHOLDER-E-COAT
	120962-01-000	EA	BRACKET-QUICKRELEASECLAMP
	114726-01-GB1	EA	TRAYASM-BEVERAGE

NOTE: COUCHFRONT AND SIDE PANELS ARE FOUND IN THE LOUNGE GROUP.

DINETTECUSHIONS

KEY	PARTNUMBER	U/M	DESCRIPTION
5	111897-05-GV7	EA	CUSHION-BACK-13.5"X42"X5"(H07)
5	111897-05-H19	EA	CUSHION-BACK-13.5"X42"X5"(H08)
	P11897-05-GV7	EA	COVER-BACK-13.5"X42"X5"(H07)
	P11897-05-H19	EA	COVER-BACK-13.5"X42"X5"(H08)
6	105603-15-GV7	EA	CUSHION-SEAT-23"X42"X5"(H07)
6	105603-15-H19	EA	CUSHION-SEAT-23"X42"X5"(H08)
	P05603-15-GV7	EA	COVER-SEAT-23"X42"X5"(H07)
	P05603-15-V19	EA	COVER-SEAT-23"X42"X5"(H08)
	078155-01-000	EA	STRAP-SNAP-BACKRESTCUSHION

SECTIONALCOUCH

KEY	PARTNUMBER	U/M	DESCRIPTION
7	125471-01-H07	EA	ARMREST-RIGHTHAND
7	125471-01-H08	EA	ARMREST-RIGHTHAND
8	104655-03-H07	EA	CUSHION-BACK-SOFA/BED
8	104655-03-H08	EA	CUSHION-BACK-SOFA/BED
	P04655-03-H07	EA	COVER-BACKCUSHION
	P04655-03-H08	EA	COVER-BACKCUSHION
9	104655-04-H07	EA	CUSHION-CORNER-SOFA/BED
9	104655-04-H08	EA	CUSHION-CORNER-SOFA/BED
	P04655-04-H07	EA	COVER-CORNERCUSHION
	P04655-04-H08	EA	COVER-CORNERCUSHION
10	125060-01-H07	EA	BEDCOMPLETE-SOFA/BED
10	125060-01-H08	EA	BEDCOMPLETE-SOFA/BED
	P25060-01-H07	EA	COVER-SOFA/BED
	P25060-01-H08	EA	COVER-SOFA/BED
11	125471-02-H07	EA	ARMREST-LEFTHAND
11	125471-02-H08	EA	ARMREST-LEFTHAND
12	120992-06-H07	EA	COUCH-FRONT-FABRICCOVERED
12	120992-06-H08	EA	COUCH-FRONT-FABRICCOVERED
13	120992-05-H07	EA	COUCHFRONT-STATIONARY
13	120992-05-H08	EA	COUCHFRONT-STATIONARY
14	125059-01-H07	EA	SEAT-SOFA/BED-STATIONARY
14	125059-01-H08	EA	SEAT-SOFA/BED-STATIONARY
	P25059-01-H07	EA	COVER-SEAT-SOFA/BED
	P25059-01-H08	EA	COVER-SEAT-SOFA/BED
	123622-06-000	EA	FRAME-BASEWITHLEGS-44"

QUEENBEDBEDSPREAD,PILLOW&MATTRESS

KEY	PARTNUMBER	U/M	DESCRIPTION
1	123015-06-000	EA	MATTRESS-INNERSPRING-60"X74.5"
	123471-04-H07	EA	BEDSPREAD-THROW-60"X75"
	123471-04-H08	EA	BEDSPREAD-THROW-60"X75"
	111863-05-H07	EA	PILLOWSHAM
	111863-05-H08	EA	PILLOWSHAM
	111862-03-H07	EA	PILLOW - 15" X 15"
	111862-03-H08	EA	PILLOW - 15" X 15"

TWINBEDBEDSPREAD,PILLOW&MATTRESS

KEY	PARTNUMBER	U/M	DESCRIPTION
2	101123-29-000	EA	MATTRESS-FOAM-35"X74"
2	P01123-29-000	EA	COVER-MATTRESS-35"X74"
	123471-06-H07	EA	BEDSPREAD-THROW-36"X75"
	123471-06-H08	EA	BEDSPREAD-THROW-36"X75"
	111863-07-H07	EA	PILLOWSHAM
	111863-07-H08	EA	PILLOWSHAM
	111862-03-H07	EA	PILLOW - 15" X 15"
	111862-03-H08	EA	PILLOW - 15" X 15"

CURTAIN&CUSHIONGROUP(CONTINUED)

SWIVELCHAIR

KEY	PARTNUMBER	U/M	DESCRIPTION
15	115470-01-H07	EA	CHAIR-SWIVEL
15	115470-01-H08	EA	CHAIR-SWIVEL
	P15470-01-H07	EA	COVER-CHAIR
	P15470-01-H08	EA	COVER-CHAIR

BUNKCUSHIONS

KEY	PARTNUMBER	U/M	DESCRIPTION
16	105573-10-H07	EA	CUSHION-OVERHEAD-REARBUNK-27"X23"X80"X5"
16	105573-10-H08	EA	CUSHION-OVERHEAD-REARBUNK-27"X23"X80"X5"
	P05573-10-H07	EA	COVER-OVERHEAD-REARBUNKCUSHION-27"X23"X80"X5"
	P05573-10-H08	EA	COVER-OVERHEAD-REARBUNKCUSHION-27"X23"X80"X5"
17	105573-09-H07	EA	CUSHION-OVERHEAD-FRONTBUNK-32.5"X80"X5"
17	105573-09-H08	EA	CUSHION-OVERHEAD-FRONTBUNK-32.5"X80"X5"
	P05573-09-H07	EA	COVER-OVERHEAD-FRONTBUNKCUSHION-32.5"X80"X5"
	P05573-09-H08	EA	COVER-OVERHEAD-FRONTBUNKCUSHION-32.5"X80"X5"
	079145-08-000	EA	CUSHION-BUNK-25"X74"X3.5"(FRONTENTERTAINMENTCENTER)
	M79145-08-000	EA	COVER-CUSHIONBUNK-25"X74"X3.5"(FRONTENTERTAINMENTCENTER)
	094658-02-G04	EA	HANDLE-WATERFORDOAK

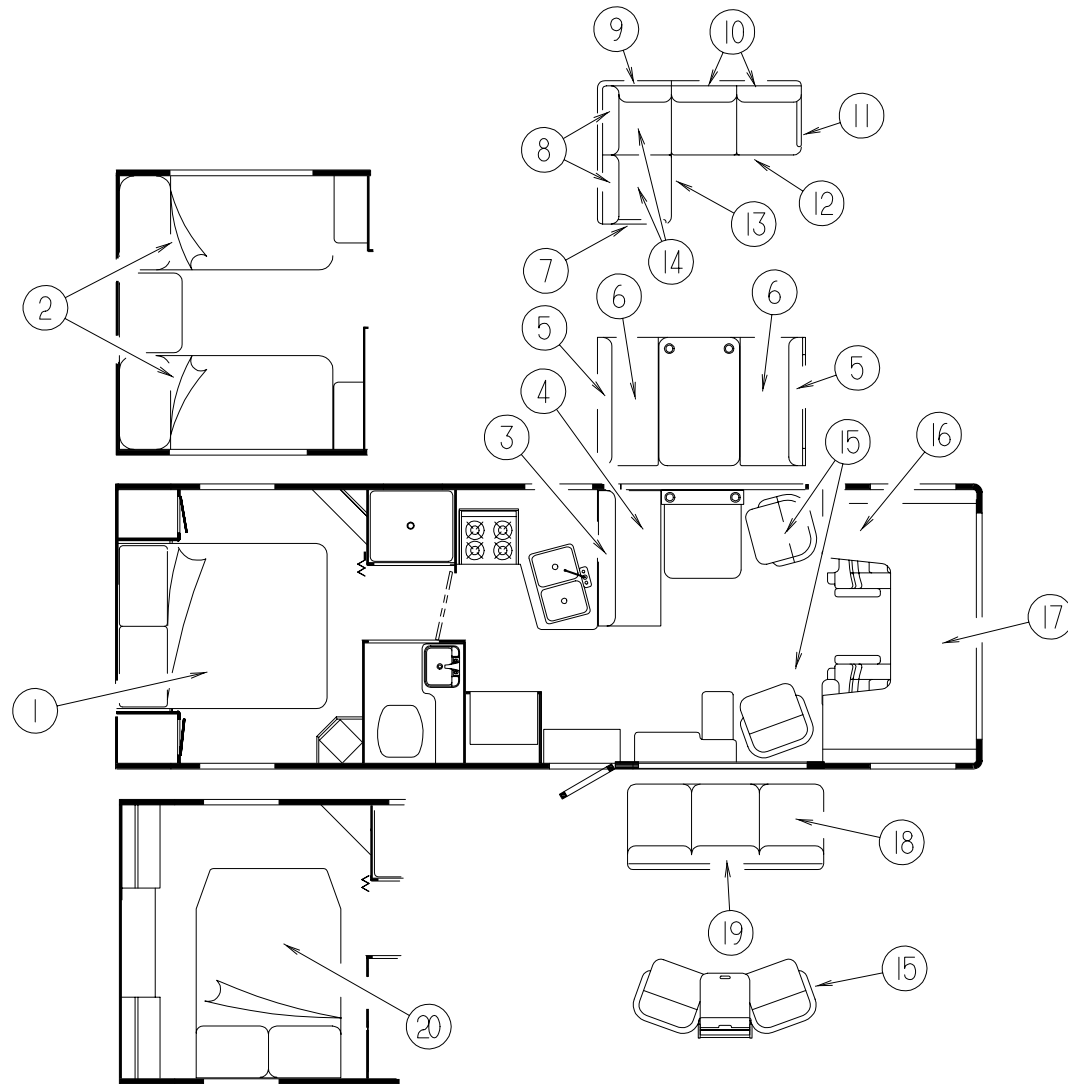
PASSENGERSIDECOUCH

KEY	PARTNUMBER	U/M	DESCRIPTION
18	100032-37-H07	EA	SEAT-66.5"SOFA/BED-JACKKNIFEW/FRAME
18	100032-37-H08	EA	SEAT-66.5"SOFA/BED-JACKKNIFEW/FRAME
	P00032-37-H07	EA	COVER-SEAT-SOFA/BED-66.5"
	P00032-37-H08	EA	COVER-SEAT-SOFA/BED-66.5"
	101085-01-000	EA	FRAME-SEAT-COUCH-66.5"
	101085-03-000	EA	FRAME-BASE-COUCH-66.5"
19	111319-03-H07	EA	BACK-SOFA/BED-W/FRAME-66.5"
19	111319-03-H08	EA	BACK-SOFA/BED-W/FRAME-66.5"
	P11319-03-H07	EA	COVER-BACK-SOFA/BEDJACKKNIFE66.5"
	P11319-03-H08	EA	COVER-BACK-SOFA/BEDJACKKNIFE66.5"
	111637-02-H07	EA	PILLOW-22"X22"
	111637-02-H08	EA	PILLOW-22"X22"
	101085-09-000	EA	FRAME-66.5"X16"-BACKFRAME-JACKKNIFE
	120962-01-000	EA	BRACKET-QUICKRELEASECLAMP

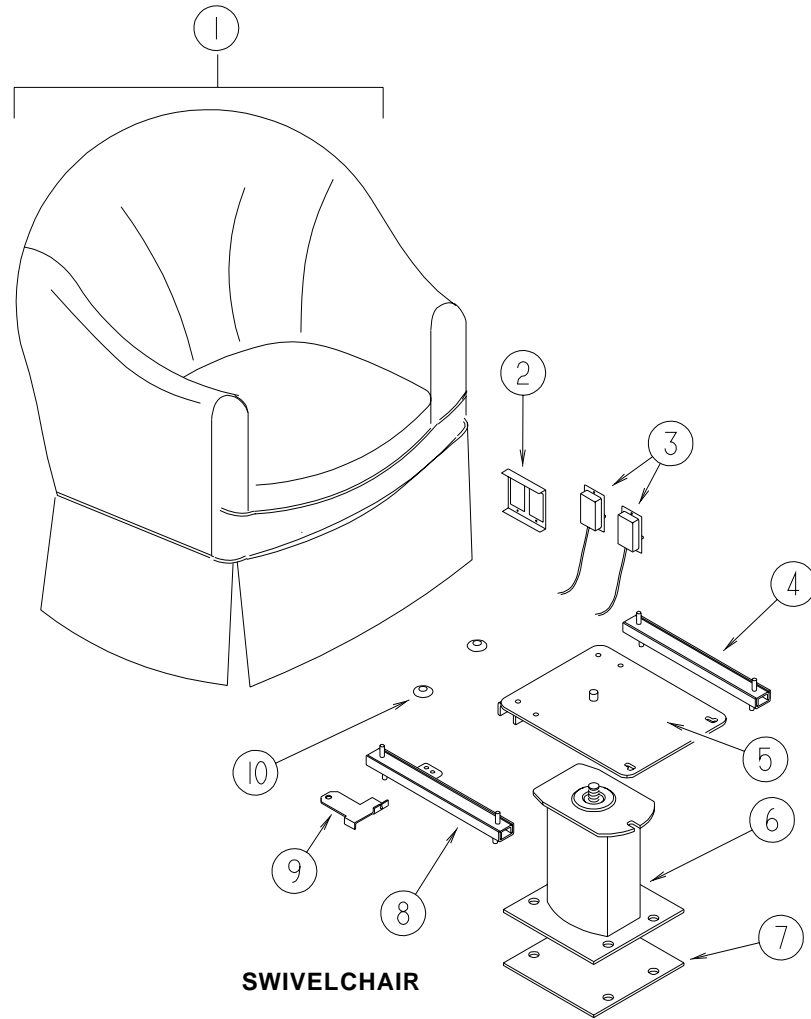
NOTE: COUCHFRONTANDSIDE PANELSARE FOUNDINTHE LOUNGE GROUP.

DOUBLEBEDBEDSPREAD,PILLOW&MATTRESS

KEY	PARTNUMBER	U/M	DESCRIPTION
20	101123-32-000	EA	MATTRESS-FOAM-54"X75"
	P01123-16-000	EA	COVER-MATTRESS-W/CUTCORNER-54"X74"X5"
	123471-05-H07	EA	BEDSPREAD-THROW-54"X75"
	123471-05-H08	EA	BEDSPREAD-THROW-54"X75"
	111863-06-H07	EA	PILLOWSHAM
	111863-06-H08	EA	PILLOWSHAM
	111862-03-H07	EA	PILLOW-15"X15"
	111862-03-H08	EA	PILLOW-15"X15"



CURTAIN&CUSHIONGROUP(CONTINUED)



KEY	PARTNUMBER	U/M	DESCRIPTION
1	115470-01-H07	EA	CHAIR-SWIVEL
1	115470-01-H08	EA	CHAIR-SWIVEL
	P15470-01-H07	EA	COVER-CHAIR
	P15470-01-H08	EA	COVER-CHAIR
	P07977-01-H07	EA	COVER-SKIRT
	P07977-01-H08	EA	COVER-SKIRT
2	097683-02-000	EA	BRACKET-REMOTE/SIDEMOUNT-DOUBLE
3	108049-03-000	EA	CABLE/CONTROL25.5"SHEATH/28.5"CABLEW/DOGLEG
	108049-02-000	EA	CLIP-CABLE/PEDESTAL
4	119952-01-000	EA	SLIDE/SEAT-HEAVYDUTYNONLOCKING
5	107921-08-000	EA	TOPPLATE-PEDESTAL-W/OSEATBELTBAR
	107921-06-000	EA	BEARINGKIT-PEDESTAL
6	107921-01-000	EA	PEDESTAL/FLOORMOUNTED-W/9.75"EXTENSION
7	108445-02-000	EA	PLATE/FLOORMOUNTED-PEDESTALSEAT
8	119952-03-000	EA	SLIDE/SEAT-HEAVYDUTYLOCKING-2STUDS
9	117125-01-02B	EA	BRACKET-CABLEMOUNT-ADJUSTERW/LOCK
10	007221-01-000	EA	SPACER-SEAT/ADJUSTER
	114889-01-000	EA	STOPBAR-UNIVERSAL

VINYLAASSISTHANDLE,BUTTONS,WELTING&SEATBELTS

KEY	PARTNUMBER	U/M	DESCRIPTION
	079349-04-H18	YD	WELT-NARROW(H07)
	079349-04-H19	YD	WELT-NARROW(H08)
	069178-02-000	EA	BRACKET-MOUNTING/ASSISTHANDLE
	053552-02-AA8	EA	HANDLE-ASSIST-INTERIOR/ENTRYDOOR-VINYL/OFFWHITE
	000C16-07-16B	EA	BOLT-CARRIAGE-ASSISTHANDLE-7/16"-14X1"ZN
	000D20-07-00B	EA	NUT-ACORN-ASSISTHANDLE-7/16"X14ZN
	057759-01-000	EA	WASHERBRACKET-SEATBELT-4"DIAMETER
	007021-01-000	EA	BELT-SEAT-2"X90"-BLACK

CURTAIN&CUSHIONGROUP(CONTINUED)

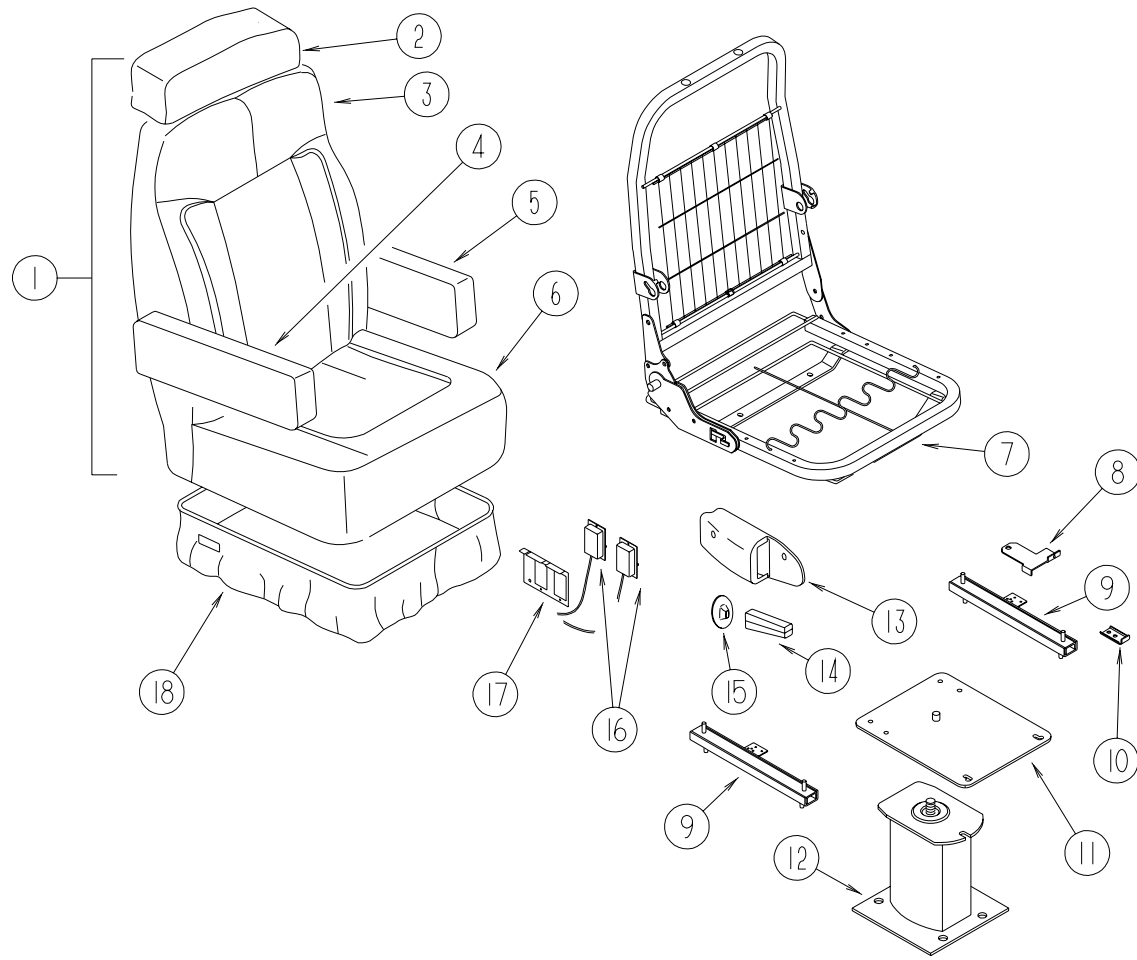
MINNIE WINNIE FABRICS

Family - 400's	H07 North Shore	H08 Zephyr
Bucket Seats	108446-J4-000	108446-M4-000
Dinette	108446-N0-000	108446-M3-000
Dinette Pads	108446-J4-000	108446-M4-000
Sofa	108446-N0-000	108446-M3-000
Swivel Chair	108446-J3-000	108446-M4-000
Lounge Pillow	108446-J3-000	108446-M4-000
Lounge Windows	108446-J3-000 108446-N0-000	108446-M4-000 108446-M3-000
Overhead Bunk	108446-J3-000	108446-M4-000
Bedroom Window	105745-C6-000 105745-C5-000	105745-64-000 105745-D9-000
W/Pencil Pleats	105745-C5-000	105745-D9-000
Bedroom Pillow	105745-C6-000 105745-C5-000	105745-64-000 105745-D9-000
Bedspread	105745-C5-000 105745-C6-000	105745-D9-000 105745-64-000
Pillow Shams	105745-C5-000 105745-C6-000	105745-D9-000 105745-64-000
Front Wraparound	072333-82-000	07233-82-000
Overhead Curtain	105745-C5-000	105745-D9-000
Ceiling Vinyl	113979-01-01A	113979-01-01A

NOTE: FABRIC LISTED FIRST IN A BLOCK IS THE LARGEST QUANTITY OF FABRIC USED.

CURTAIN&CUSHIONGROUP(CONTINUED)

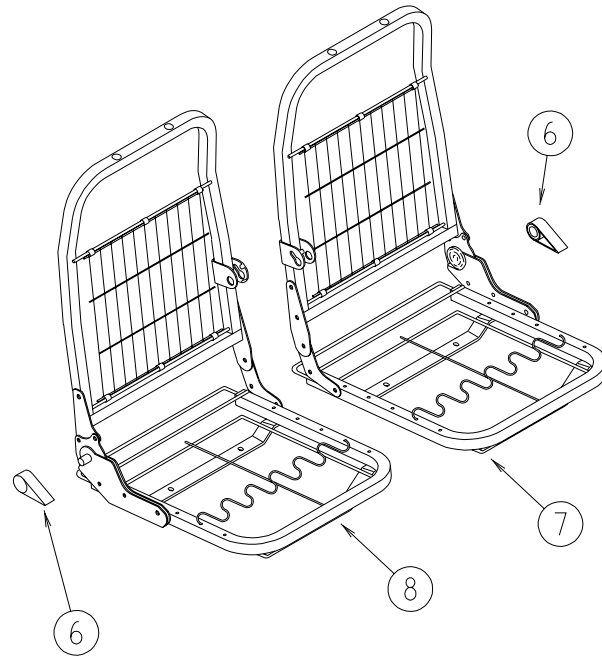
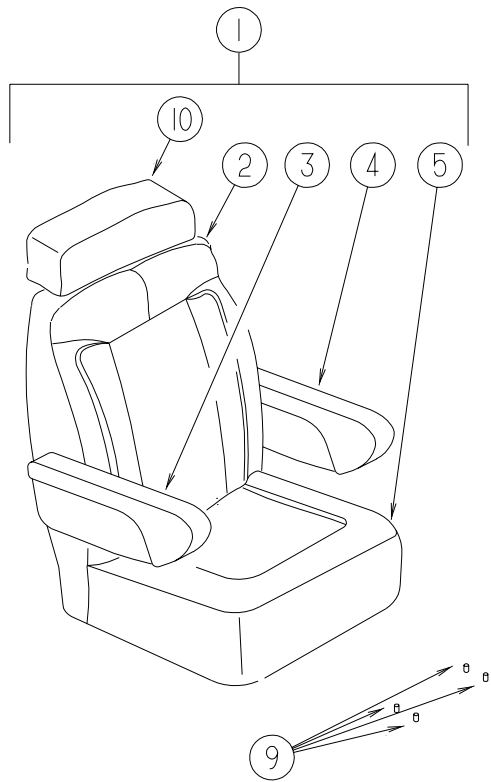
BUCKETSEATS
(FROM: 00-00-00 THRU: 10-13-96)



KEY	PARTNUMBER	U/M	DESCRIPTION
1	119508-08-H07	EA	SEAT-BUCKET-W/ARMREST/HEADREST/RECLINING
1	119508-08-H08	EA	SEAT-BUCKET-W/ARMREST/HEADREST/RECLINING
2	119509-01-H18	EA	HEADREST-BUCKETSEAT(H07)
2	119509-01-H19	EA	HEADREST-BUCKETSEAT(H08)
2	P19509-01-H18	EA	COVER-HEADREST(H07)
2	P19509-01-H19	EA	COVER-HEADREST(H08)
	113977-12-000	EA	INSERT/HEADREST-W/OLOCK
	113977-13-000	EA	INSERT/HEADREST-W/LOCK
3	M05962-45-H07	EA	COVER-BACK
3	M05962-45-H08	EA	COVER-BACK
4	122780-01-H07	EA	ARMREST-RIGHTHAND(H07)
4	122780-01-H19	EA	ARMREST-RIGHTHAND(H08)
4	P22780-01-H07	EA	COVER-ARMREST-RIGHTHAND(H07)
4	P22780-01-H19	EA	COVER-ARMREST-RIGHTHAND(H08)
4	115617-03-000	EA	ARMREST-W/OCOVER-RIGHTHAND
5	122780-02-H07	EA	ARMREST-LEFTHAND
5	122780-02-H08	EA	ARMREST-LEFTHAND
5	P22780-02-H07	EA	COVER-ARMREST-LEFTHAND
5	P22780-02-H08	EA	COVER-ARMREST-LEFTHAND
5	115617-04-000	EA	ARMREST-W/OCOVER-LEFTHAND
6	M05962-46-H07	EA	COVER-SEAT
6	M05962-46-H08	EA	COVER-SEAT
7	122695-02-01B	EA	FRAME-SEAT/BACK
8	117125-01-02B	EA	BRACKET-CABLEMOUNT-ADJUSTERW/LOCK
9	119952-06-000	EA	SLIDE/SEAT-HEAVYDUTYLOCKING-4STUDS
	119952-07-000	EA	WIRE-LATCHRELEASE/ROTARY
10	114889-01-000	EA	STOPBAR-UNIVERSAL
11	107921-08-000	EA	TOPPLATE-PEDESTAL-W/OSEATBELTBAR
	107921-06-000	EA	BEARINGKIT-PEDESTAL
12	107921-09-000	EA	PEDESTAL-SEAT-FORD
13	080730-09-000	EA	SHIELD-RECLINERHANDLE
	000G39-10-000	EA	SHIELDSCREW
14	080730-08-000	EA	HANDLE-RECLINER
15	080730-11-000	EA	SHIELD-RUBBERBOOT
16	108049-03-000	EA	CABLE/CONTROL25.5"SHEATH/28.5"CABLEW/DOGLEG
	108049-02-000	EA	CLIP-CABLE/PEDESTAL
17	097683-02-000	EA	BRACKET-REMOTE/SIDEMOUNT-DOUBLE
18	071126-42-H07	EA	SKIRT-7"-W/OPENBACKCORNERS
18	071126-42-H08	EA	SKIRT-7"-W/OPENBACKCORNERS
	089323-01-000	FT	STRIP-POLYENTHYLENE-J-CHANNEL

CURTAIN&CUSHIONGROUP(CONTINUED)

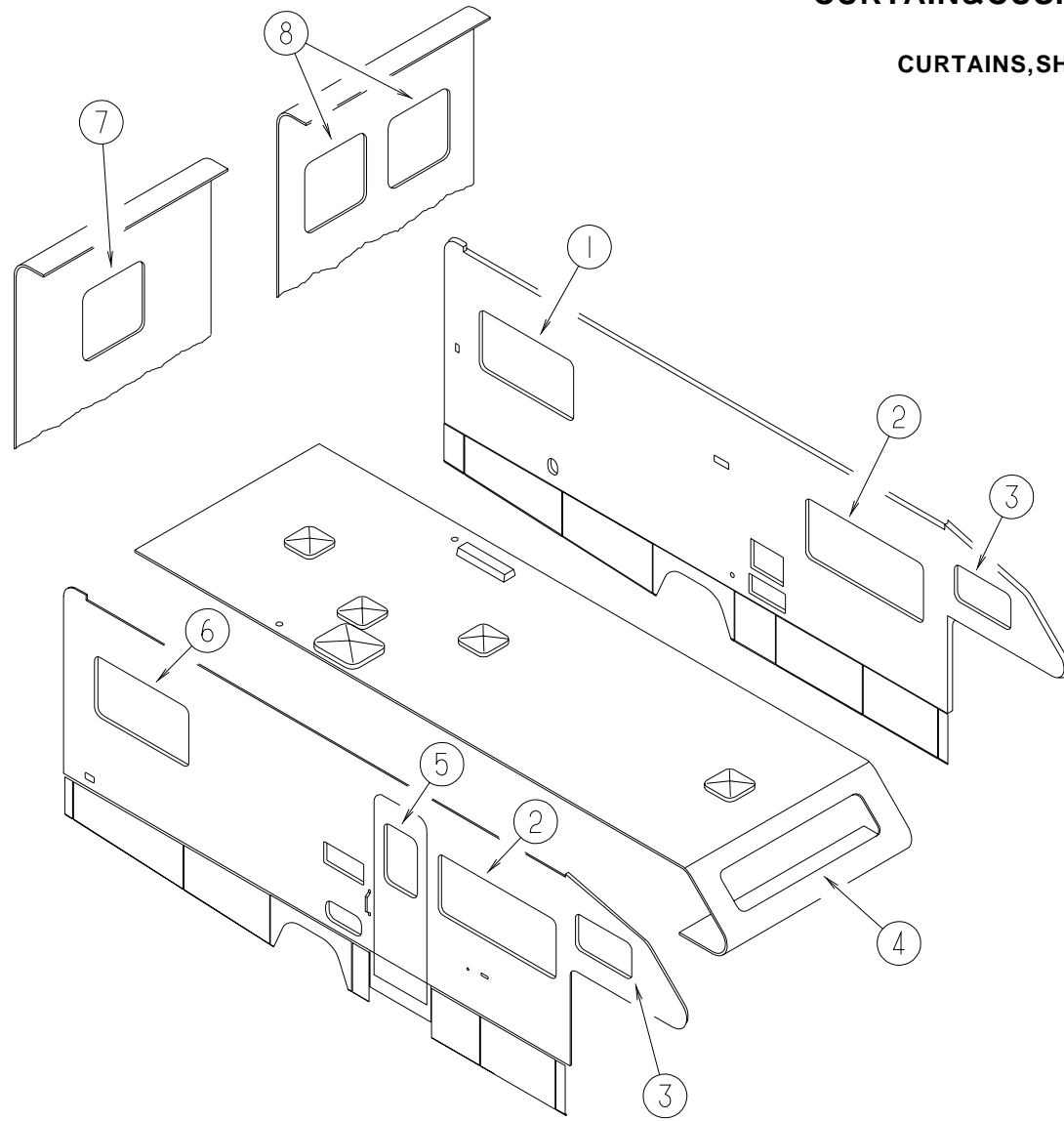
BUCKETSEATS (FROM: 10-14-96 THRU: 99-99-99)



KEY	PARTNUMBER	U/M	DESCRIPTION
1	122684-07-H07	EA	SEAT-BUCKET-RIGHT(PASSENGER)
1	122684-07-H08	EA	SEAT-BUCKET-RIGHT(PASSENGER)
1	122684-08-H07	EA	SEAT-BUCKET-LEFT(DRIVER)
1	122684-08-H08	EA	SEAT-BUCKET-LEFT(DRIVER)
2	M05962-57-H07	EA	COVER-BACK
2	M05962-57-H08	EA	COVER-BACK
3	122780-01-H07	EA	ARMREST-RIGHTHAND(H07)
3	122780-01-H19	EA	ARMREST-RIGHTHAND(H08)
3	P22780-01-H07	EA	COVER-ARMREST-RIGHTHAND(H07)
3	P22780-01-H19	EA	COVER-ARMREST-RIGHTHAND(H08)
3	115617-03-000	EA	ARMREST-W/OCOVER-RIGHTHAND
4	122780-02-H07	EA	ARMREST-LEFTHAND
4	122780-02-H08	EA	ARMREST-LEFTHAND
4	P22780-02-H07	EA	COVER-ARMREST-LEFTHAND
4	P22780-02-H08	EA	COVER-ARMREST-LEFTHAND
4	115617-04-000	EA	ARMREST-W/OCOVER-LEFTHAND
5	M05962-58-H07	EA	COVER-SEAT
5	M05962-58-H08	EA	COVER-SEAT
6	125229-03-000	EA	KNOB-RECLINING
7	125229-01-000	EA	FRAME-SEAT-DRIVER-W/RIGHTARMRESTBRACKET
8	125229-02-000	EA	FRAME-SEAT-PASSENGER-W/LEFTARMRESTBRACKET
9	125229-05-000	EA	PALNUT
10	119509-01-H18	EA	HEADREST-BUCKETSEAT(H07)
10	119509-01-H19	EA	HEADREST-BUCKETSEAT(H08)
10	P19509-01-H18	EA	COVER-HEADREST(H07)
10	P19509-01-H19	EA	COVER-HEADREST(H08)
	113977-12-000	EA	HEADRESTINSERT-W/OLOCK
	113977-13-000	EA	HEADRESTINSERT-W/LOCK

CURTAIN&CUSHIONGROUP(CONTINUED)

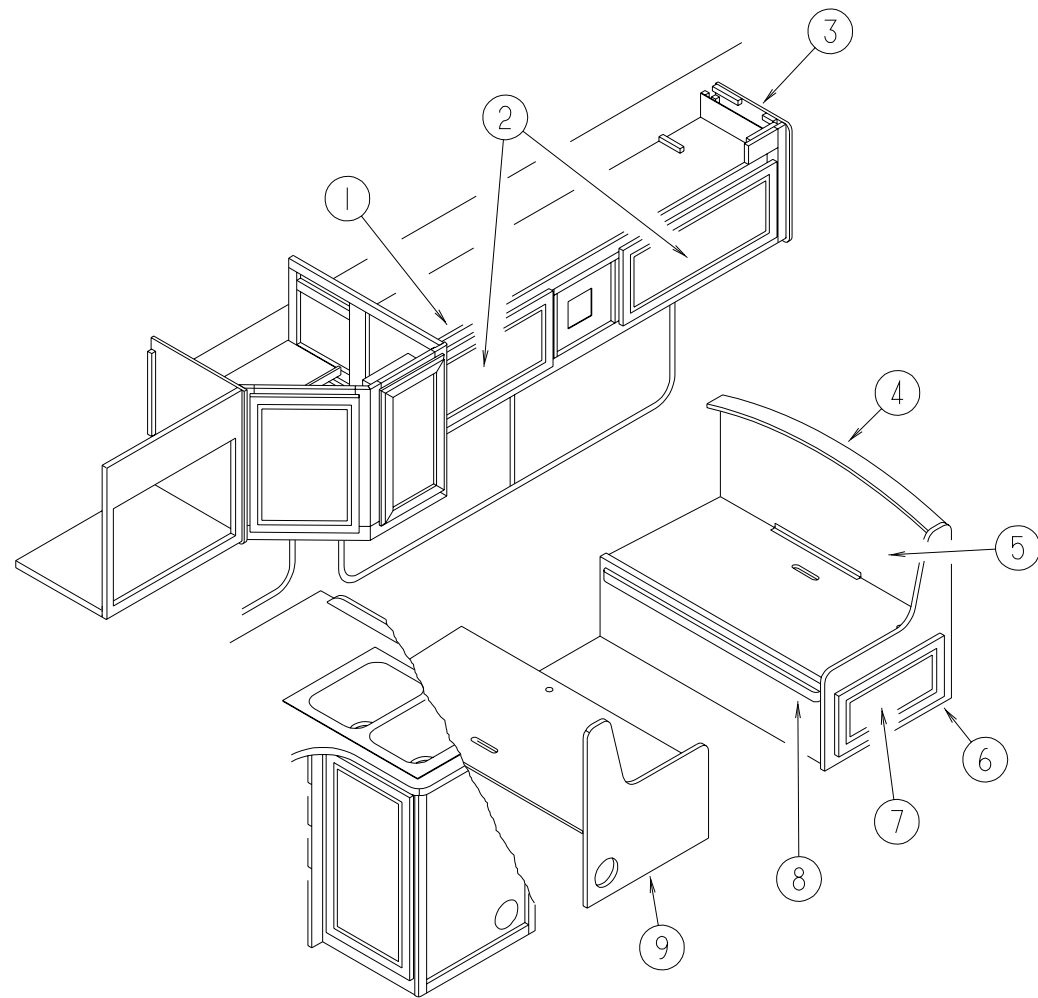
CURTAINS,SHADESVALANCES&BLINDS



KEY	PARTNUMBER	U/M	DESCRIPTION
4	101034-33-H07	EA	CURTAIN-RIGHTHAND-21"X60"
4	101034-33-H08	EA	CURTAIN-RIGHTHAND-21"X60"
4	101034-34-H07	EA	CURTAIN-DRIVER-21"X60"
4	101034-34-H08	EA	CURTAIN-DRIVER-21"X60"
5	118537-08-H07	EA	VALANCE-GALAXY,FLAT-11"X31.75"
5	118537-08-H08	EA	VALANCE-GALAXY,FLAT-11"X31.75"
5	084755-57-E07	EA	SHADE-PULL-27.25"
6	118537-17-H07	EA	VALANCE-GALAXY-45"(QUEEN)
6	118537-17-H08	EA	VALANCE-GALAXY-45"(QUEEN)
6	118537-09-H07	EA	VALANCE-GALAXY-52"(TWIN&DOUBLE)
6	118537-09-H08	EA	VALANCE-GALAXY-52"(TWIN&DOUBLE)
6	112986-12-H07	EA	CURTAIN-29.5"X6"(QUEEN&TWIN)
6	112986-12-H08	EA	CURTAIN-29.5"X6"(QUEEN&TWIN)
6	112986-15-H07	EA	CURTAIN-31.5"X6"(DOUBLE)
6	112986-15-H08	EA	CURTAIN-31.5"X6"(DOUBLE)
6	109041-33-02A	EA	BLIND-MINI-42"X28"DROP(QUEEN)(H07)
6	109041-33-01A	EA	BLIND-MINI-42"X28"DROP(QUEEN)(H08)
6	093475-55-04A	EA	BLIND-MINI-48"X28"DROP(TWIN&DOUBLE)(H07)
6	093475-55-03A	EA	BLIND-MINI-48"X28"DROP(TWIN&DOUBLE)(H08)
6	111910-25-HA3	EA	BLIND-DAY/NIGHTER-41"X28.5"(QUEEN)
6	111910-19-HA3	EA	BLIND-DAY/NIGHTER-50"X28"(TWIN&DOUBLE)
7	118537-09-H07	EA	VALANCE-GALAXY-52"(QUEEN)
7	118537-09-H08	EA	VALANCE-GALAXY-52"(QUEEN)
7	118537-10-H07	EA	VALANCE-GALAXY,31"(DOUBLE)
7	118537-10-H08	EA	VALANCE-GALAXY,31"(DOUBLE)
7	112986-12-H07	EA	CURTAIN-29.5"X6"
7	112986-12-H08	EA	CURTAIN-29.5"X6"
7	093475-55-04A	EA	BLIND-MINI-48"X28"DROP(QUEEN)(H07)
7	093475-55-03A	EA	BLIND-MINI-48"X28"DROP(QUEEN)(H08)
7	109041-39-02A	EA	BLIND-MINI-28"X29.5"(DOUBLE)(H07)
7	109041-39-01A	EA	BLIND-MINI-28"X29.5"(DOUBLE)(H08)
7	111910-19-HA3	EA	BLIND-DAY/NIGHTER-50"X28"(QUEEN)
7	111910-20-HA3	EA	BLIND-DAY/NIGHTER-28"X28"(DOUBLE)
8	118537-10-H07	EA	VALANCE-GALAXY,31"(TWIN)
8	118537-10-H08	EA	VALANCE-GALAXY,31"(TWIN)
8	112986-12-H07	EA	CURTAIN-29.5"X6"
8	112986-12-H08	EA	CURTAIN-29.5"X6"
8	093475-28-07A	EA	BLIND-MINI-28"X28"DROP(TWIN)(H07)
8	093475-28-06A	EA	BLIND-MINI-28"X28"DROP(TWIN)(H08)
8	111910-20-HA3	EA	BLIND-DAY/NIGHTER-28"X28"(TWIN)
	076892-23-G05	EA	CURTAIN-44"X80"
	093487-10-01A	EA	PLEATEDCURTAIN-31"X100"BUNKPRIVACY

KEY	PARTNUMBER	U/M	DESCRIPTION
1	118537-17-H07	EA	VALANCE-GALAXY-45"(QUEEN)
1	118537-17-H08	EA	VALANCE-GALAXY-45"(QUEEN)
1	118537-09-H07	EA	VALANCE-GALAXY-52"(TWIN&DOUBLE)
1	118537-09-H08	EA	VALANCE-GALAXY-52"(TWIN&DOUBLE)
1	112986-12-H07	EA	CURTAIN-29.5"X6"
1	112986-12-H08	EA	CURTAIN-29.5"X6"
1	109041-33-02A	EA	BLIND-MINI-42"X28"DROP(QUEEN)(H07)
1	109041-33-01A	EA	BLIND-MINI-42"X28"DROP(QUEEN)(H08)
1	093475-55-04A	EA	BLIND-MINI-48"X28"DROP(TWIN&DOUBLE)(H07)
1	093475-55-03A	EA	BLIND-MINI-48"X28"DROP(TWIN&DOUBLE)(H08)
1	111910-25-HA3	EA	BLIND-DAY/NIGHTER-41"X28.5"(QUEEN)
1	111910-19-HA3	EA	BLIND-DAY/NIGHTER-50"X28"(TWIN&DOUBLE)
2	118537-07-H07	EA	VALANCE-GALAXY,64.5"
2	118537-07-H08	EA	VALANCE-GALAXY,64.5"
2	109041-01-03A	EA	BLIND-MINI-62"X28.5"DROP(H07)
2	109041-01-02A	EA	BLIND-MINI-62"X28.5"DROP(H08)
2	111910-22-HA3	EA	BLIND-DAY/NIGHTER-60"X28.5"
3	101034-51-H07	EA	CURTAIN-RIGHTHAND-19"X34"
3	101034-51-H08	EA	CURTAIN-RIGHTHAND-19"X34"
3	101034-52-H07	EA	CURTAIN-LEFTHAND-19"X34"
3	101034-52-H08	EA	CURTAIN-LEFTHAND-19"X34"

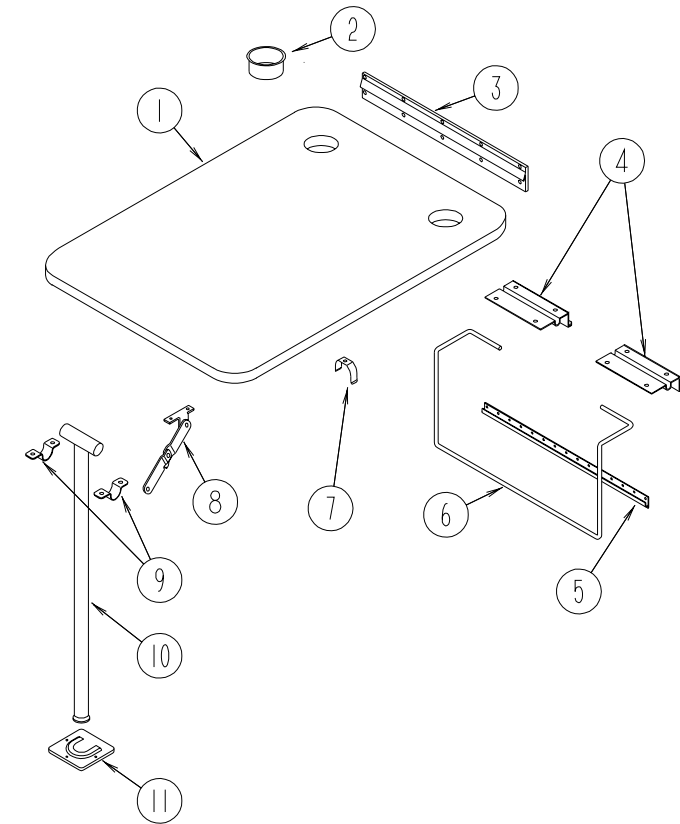
DINETTEGROUP



DINETTECABINETS

KEY	PARTNUMBER	U/M	DESCRIPTION
1	122926-01-H07	EA	CABINET-DINETTEOVERHEAD-W/ODOORS/HARDWARE
1	122926-01-H08	EA	CABINET-DINETTEOVERHEAD-W/ODOORS/HARDWARE
2	110140-32-H07	EA	DOOR-MIRROR/MTRDCRNR/VINYLRAP-11.4"X28.1"-W/OHDW
2	110140-38-G04	EA	DOOR-MITEREDCORNER/VINYLRAP-11.4"X28.1"-W/OHDW
3	109908-09-G04	EA	ENDCAP-OVERHEADCABINET
4	111338-06-H18	EA	PAD-DINETTESEATBACK(H07)
4	111338-06-H19	EA	PAD-DINETTESEATBACK(H08)
5	M08123-04-G04	EA	CABINET-SEATBACK-W/OHARDWARE
6	M08122-10-H07	EA	CABINET-SEATBASE-RIGHTHAND-W/ODOORS/DRAWERS/HDW
7	110140-88-G04	EA	DOOR-MITEREDCORNER/VINYLRAP-10.1"X19.1"-W/OHDW
8	081295-04-G04	EA	SUPPORT-BED/DINETTE-40"LONG
9	M06885-24-G04	EA	CABINET-SEATBASE-LEFTHAND-W/ODOORS/DRAWERS/HARDWARE

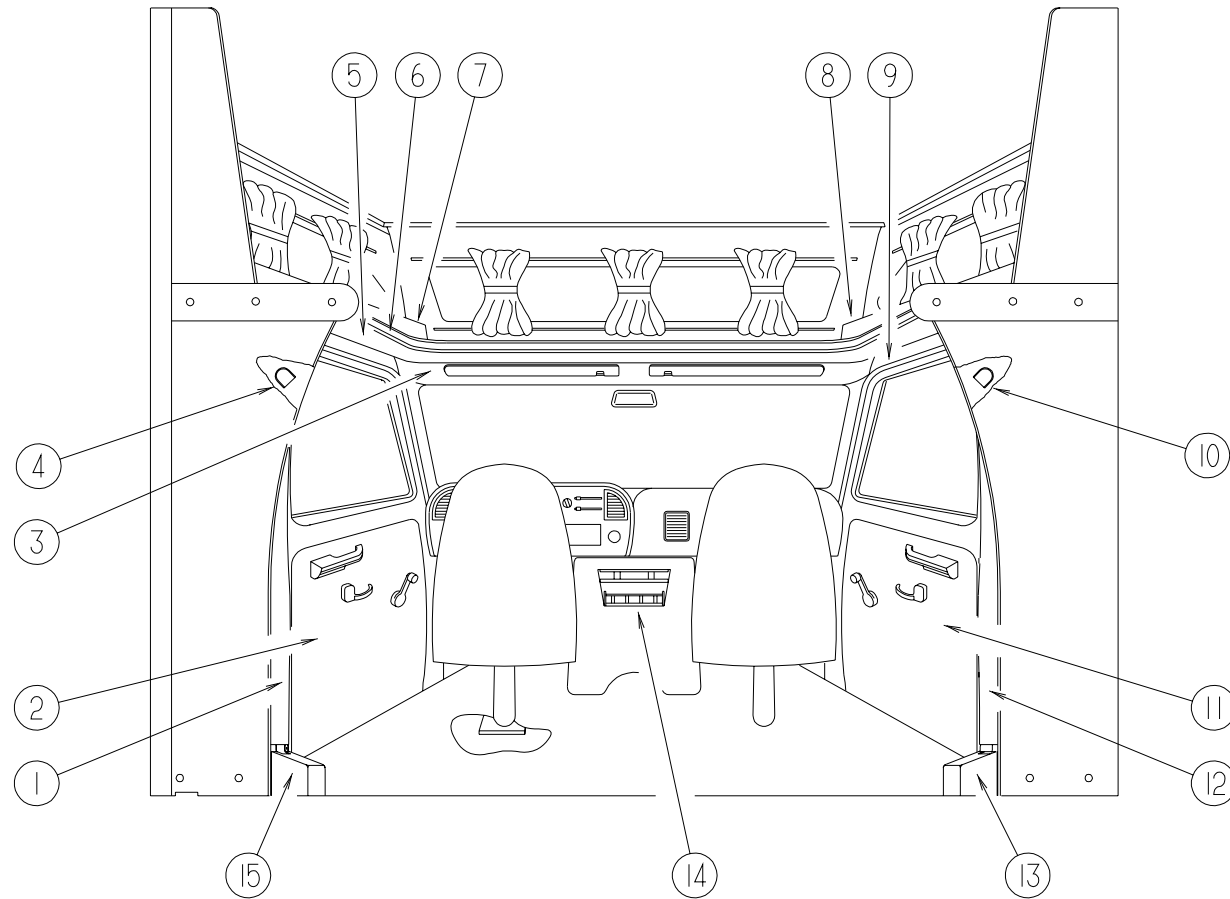
DINETTEGROUP(CONTINUED)



DINETTETABLE

KEY	PARTNUMBER	U/M	DESCRIPTION
1	081322-12-F09	EA	TABLETOPONLY(H07)
1	081322-12-F02	EA	TABLETOPONLY(H08)
2	064781-06-000	EA	HOLDER-CUP-TWOSTEP-OFFWHITE
3	053200-12-000	EA	BRACKET-TABLESUPPORT-UPPERWALLMOUNTED 23.50"
4	088410-02-000	EA	BRACKET-LIFT-TABLEMOUNTED
5	024281-14-000	EA	BRACKET-LIFTRODLOWERWALLMOUNTED-22.12"
6	024275-12-000	EA	ROD-TABLELIFT
7	024283-01-000	EA	CLIP-LEG-1"-1.125"OD_BLACK
8	024282-01-000	EA	BRACE-TABLELEG-HINGED
9	064050-05-000	EA	HINGE-TABLELEG-OFFWHITE
10	024276-23-000	EA	LEG-TABLE-METAL
11	049493-11-700	EA	CATCH-TABLELEG,E-COAT
	049493-12-000	EA	CATCH-LEGFLOORMOUNTED2.5"X2.7"
	002929-01-001	EA	EXTRUDED-BRACKETTABLE

DRIVERSCOMPARTMENTGROUP



DRIVERSCOMPARTMENT

KEY	PARTNUMBER	U/M	DESCRIPTION
1	106446-02-C52	EA	TRIM-CABB-PILLAR-DRIVERSSIDE FROM: 00-00-00 THRU: 10-13-96
1	125031-01-G04	EA	TRIM-CABB-PILLAR-DRIVERSSIDE FROM: 10-14-96 THRU: 12-15-96
1	125031-01-H04	EA	TRIM-CABB-PILLAR-DRIVERSSIDE FROM: 12-16-96 THRU: 99-99-99
2	N/A	EA	CHASSISSUPPLIED
3	106448-01-C52	EA	HEADLINER-W/VINYL FROM: 00-00-00 THRU: 12-15-96
3	106448-01-H04	EA	HEADLINER-W/VINYL FROM: 12-16-96 THRU: 99-99-99
4	115038-02-01A	EA	COVER-SEATBELTUPPERLEFTHAND FROM: 00-00-00 THRU: 10-13-96
5	106447-02-C52	EA	TRIM-CABDOOR-UPPER-DRIVERSSIDE FROM: 00-00-00 THRU: 12-15-96
5	106447-02-H04	EA	TRIM-CABDOOR-UPPER-DRIVERSSIDE FROM: 12-16-96 THRU: 99-99-99
6	119520-01-01A	FT	T-MOLDING-1W/EDGE LIPS
7	109894-01-H07	EA	CABINET-HAMPER-FRONT-DRIVER
8	109894-03-H07	EA	CABINET-HAMPER-FRONT-PASSENGER
9	106447-01-C52	EA	TRIM-CABDOOR-UPPER-PASSENGERSIDE FROM: 00-00-00 THRU: 12-15-96
9	106447-01-H04	EA	TRIM-CABDOOR-UPPER-PASSENGERSIDE FROM: 12-16-96 THRU: 99-99-99
10	115038-01-01A	EA	COVER-SEATBELTUPPERRIGHTHAND FROM: 00-00-00 THRU: 10-13-96
11	N/A	EA	CHASSISSUPPLIED

DRIVERSCOMPARTMENTGROUP(CONTINUED)

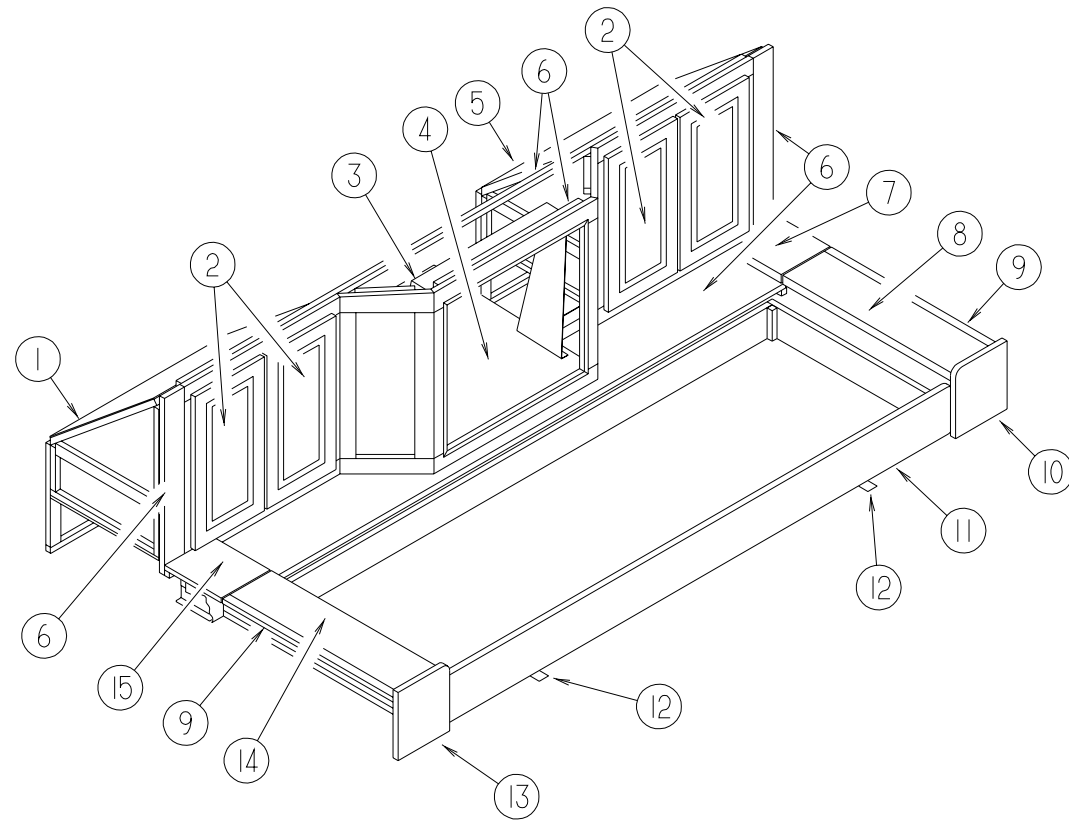
DRIVERSCOMPARTMENT(CONTINUED)

KEY	PARTNUMBER	U/M	DESCRIPTION	VENDOR NO.
12	106446-01-C52	EA	TRIM-CABB-PILLAR-PASSENGERSIDE FROM: 00-00-00 THRU: 10-13-96	
12	125031-01-G04	EA	TRIM-CAB-B-PILLAR FROM: 10-14-96 THRU: 12-15-96	
12	125031-01-H04	EA	TRIM-CAB-B-PILLAR FROM: 12-16-96 THRU: 99-99-99	
13	106431-01-01A	EA	COVER-SEATBELTRECOIL-PASSENGERSIDE-OFFWHITE(FORD) FROM: 00-00-00 THRU: 12-15-96	
13	106431-01-02A	EA	COVER-SEATBELTRECOIL-PASSENGERSIDE FROM: 12-16-96 THRU: 99-99-99	
14	108899-01-G04	EA	TRAY-BEVERAGE-LOWPROFILE	
	122717-04-01A	EA	PAD-NONSKID FROM: 07-05-96 THRU: 99-99-99	
14	112185-02-H07	EA	TRAY-BEVERAGE(DIESEL) FROM: 00-00-00 THRU: 10-14-96	
14	046886-03-000	EA	ASHTRAY-CHROME W/COVER FROM: 00-00-00 THRU: 10-14-96	
14	125291-01-01A	EA	TRAY-BEVERAGE-F/DELUXEMOTORCOVER(DIESEL) FROM: 10-15-96 THRU: 99-99-99	
	069885-23-H07	EA	COVER-MOTOR-W/POCKET(FORD)	
	069885-23-H08	EA	COVER-MOTOR-W/POCKET(FORD)	
15	106431-02-01A	EA	COVER-RECOIL, SEATBELT-DRIVERSIDE-OFFWHITE(FORD) FROM: 00-00-00 THRU: 12-15-96	
15	106431-02-02A	EA	COVER-SEATBELTRECOIL-PASSENGER FROM: 12-16-96 THRU: 99-99-99	
	106025-03-01A	EA	LADDER-BUNK(BLACK), 1197MM	
	106025-01-700	EA	BRACKETSET-F/BUNKLADDER	08-0030-00
	091952-01-000	EA	CLIP-GRIPPER-1"	

INSTRUMENTCLUSTERS&BATTERY SWITCH

KEY	PARTNUMBER	U/M	DESCRIPTION
	094795-09-000	EA	CLUSTER-INSTRUMENTPANEL-KM-GAS/DIESEL-FORD
	100138-01-000	EA	MODULE-DAYTIME/RUNNINGLIGHT
	108357-09-000	EA	SWITCH-ROCKER SPDT-ON/NONE/MOM-3TERMINAL
	108357-06-000	EA	SWITCH-ROCKER DPDT-MOM/OFF/MOM-6TERMINAL

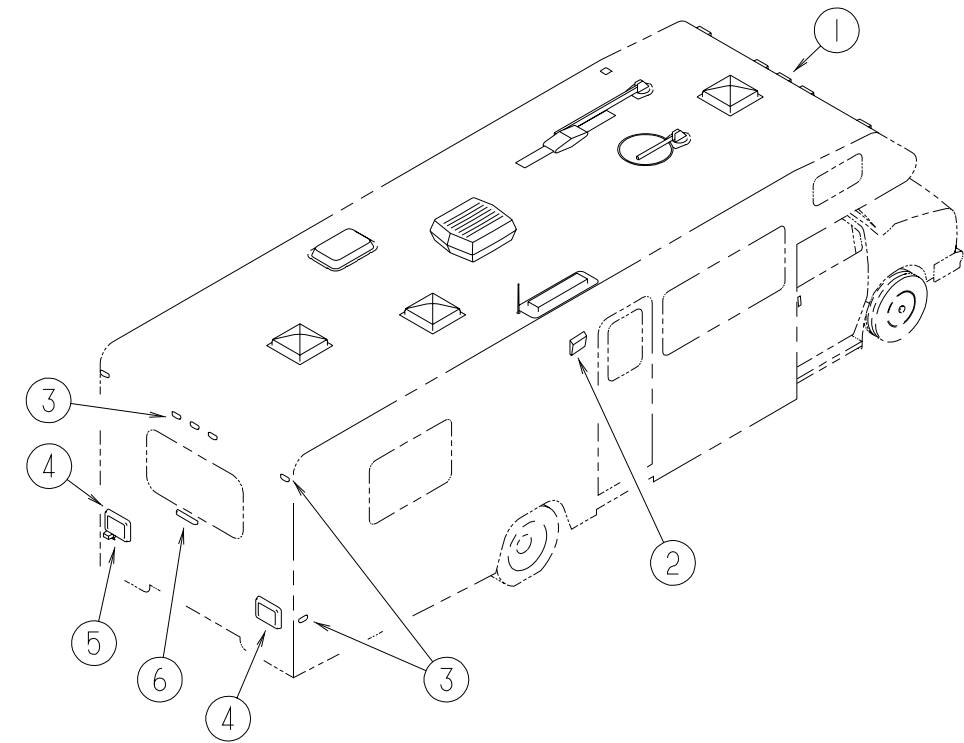
DRIVERSCOMPARTMENTGROUP(CONTINUED)



FRONTENTERTAINMENTCENTER

KEY	PARTNUMBER	U/M	DESCRIPTION
1	113156-02-G04	EA	CABINET-ENTERTAINMENTCTR-W/SHELF-DRIVERSIDE-W/ODOOR/HDW
2	110140-25-G01	EA	DOOR-MITEREDCORNER/VINYLWRAP-10.6"X19.9"-W/OHDW
3	110790-02-000	EA	BRACKET-TIEDOWN,TV
4	111356-01-G01	EA	SHELF-TV
5	113156-01-F08	EA	CABINET-ENTERTAINMENTCTR-W/SHELF-PASSSIDE-W/ODOOR/HDW
6	121563-01-H10	EA	FACE-ENTERTAINMENTCENTER-W/OHARDWARE
7	113155-11-F09	EA	COUNTERTOP-ENTERTAINMENTCENTER(H07)
7	113155-11-F02	EA	COUNTERTOP-ENTERTAINMENTCENTER(H08)
8	113155-12-G07	EA	COUNTERTOP-ENTERTAINMENTCENTER(H07)
8	113155-12-G24	EA	COUNTERTOP-ENTERTAINMENTCENTER(H08)
9	113155-21-F09	EA	COUNTERTOP-ENTERTAINMENTCENTER(H07)
9	113155-21-F02	EA	COUNTERTOP-ENTERTAINMENTCENTER(H08)
10	113155-01-H07	EA	CABINET/STORAGE-RIGHTEND-W/FLIPUPCOUNTERTOP
10	113155-01-H08	EA	CABINET/STORAGE-RIGHTEND-W/FLIPUPCOUNTERTOP
11	100847-01-H07	EA	DRAWER-ENTERTAINMENT,FRONT76.7"X27.7"W/OSLIDES/HDW.
11	100847-01-H08	EA	DRAWER-ENTERTAINMENT,FRONT76.7"X27.7"W/OSLIDES/HDW.
12	093673-01-01A	FT	MOLDING-BODY-OFFWHITE
13	113155-02-G25	EA	CABINET/STORAGE-FLIPUP-W/FLIPUPCOUNTERTOP(H07)
13	113155-02-G24	EA	CABINET/STORAGE-FLIPUP-W/FLIPUPCOUNTERTOP(H08)
14	113155-18-G07	EA	COUNTERTOP-ENTERTAINMENTCENTER(H07)
14	113155-18-G24	EA	COUNTERTOP-ENTERTAINMENTCENTER(H08)
15	113155-19-F09	EA	COUNTERTOP-ENTERTAINMENTCENTER(H07)
15	113155-19-F02	EA	COUNTERTOP-ENTERTAINMENTCENTER(H08)
	106699-01-01A	EA	BRACKET-OVERHEADCABINET/TV
	099717-02-000	EA	STRAP-TVTIEDOWNW/29.9" FEMALE STRAP&14.2" MALE STRP

ELECTRICALGROUP



EXTERIORLIGHTS

KEY	PARTNUMBER	U/M	DESCRIPTION	VENDORNO.
1	111102-01-000	EA	LAMP-MARKER-BASE	
1	111102-02-000	EA	LENS-MARKERLAMP-AMBER	
	036196-01-000	EA	BULB-12VOLT-#194-.27AMP-BAYONETTE	
2	097917-01-06A	EA	LIGHT-PORCH-BRIGHTWHITE	
	097917-01-700	EA	LENS-LIGHT,CLEAR	30-78-021
	008215-01-000	EA	BULB-12VOLT-#1003-.94AMP	
2	008089-02-000	EA	LIGHT-PORCH-RECESSED-CANADIAN	
	008089-01-700	EA	LENS-LIGHT,RECESSED,PORCH	DECO
	008214-01-000	EA	BULB-12VOLTNO67-0.59AMP	
	091981-01-000	EA	GASKET-PORCHLIGHT	
3	111102-01-000	EA	LAMP-MARKER-BASE	
3	111102-03-000	EA	LENS-MARKERLAMP-RED	
	036196-01-000	EA	BULB-12VOLT-#194-.27AMP-BAYONETTE	
4	081638-01-000	EA	TAILLIGHT-DOUBLE,W/BLACKTRIM-DRIVER&PASSENGERSIDE	
4	081638-01-700	EA	LENS-TAILLIGHT,RED	30-84-010
4	081638-01-701	EA	LENS-TAILLIGHT,W/BACKUP	30-84-700
4	103355-01-05A	EA	POD-TAILLIGHT,BRIGHTWHITE	
4	037934-01-000	EA	BULB-12V-#1156-2.1AMPCLEARGLASS	
4	037935-01-000	EA	BULB-12V-#1157OR#2057-2.1AMP-CLEARGLASS	
5	066432-02-000	EA	LIGHT-LICENSE-BLACK	
	066432-03-000	EA	BRACKET-LICENSEPLATE	
6	121950-01-000	EA	LIGHT-BRAKE-CENTERMOUNT	

ELECTRICALGROUP(CONTINUED)**FUSES&CIRCUITBREAKERS**

KEY	PARTNUMBER	U/M	DESCRIPTION
	008235-01-000	EA	FUSE-AUTOMOTIVE,12V-15AMP
	062901-02-000	EA	FUSE-5AMPS-AUTOMOTIVE
	062901-05-000	EA	FUSE-15AMPS-AUTOMOTIVE
	083209-02-000	EA	CIRCUITBREAKER15/15AMP120V
	083209-03-000	EA	CIRCUITBREAKER15/20AMP120V
	083209-04-000	EA	CIRCUITBREAKER30AMP120V
	083209-06-000	EA	CIRCUITBREAKER30/15AMP120V
	093654-01-000	EA	CIRCUITBREAKER6AMP12V
	093654-03-000	EA	CIRCUITBREAKER-20A-12V
	093655-01-000	EA	CIRCUITBREAKER-25AMP12V
	093655-02-000	EA	CIRCUITBREAKER-30AMP12V
	100341-01-000	EA	FUSEHOLDER-INLINETYPE
	108669-01-000	EA	HOUSING-AUTOFUSEHOLDER

POWERCONVERTER&INVERTER

KEY	PARTNUMBER	U/M	DESCRIPTION
	099048-02-000	EA	100WATTINVERTERW/EXTRASURGECAPACITY FROM: 00-00-00 THRU: 06-16-96
	099048-03-000	EA	INVERTER-130WATT FROM: 06-17-96 THRU: 99-99-99
	113132-01-000	EA	LOADCENTER-120/240VOLT-60AMP
	123058-02-000	EA	CONVERTER-45AMP-ELECTRONIC-4 1/8"HX7"WX12 3/8"L

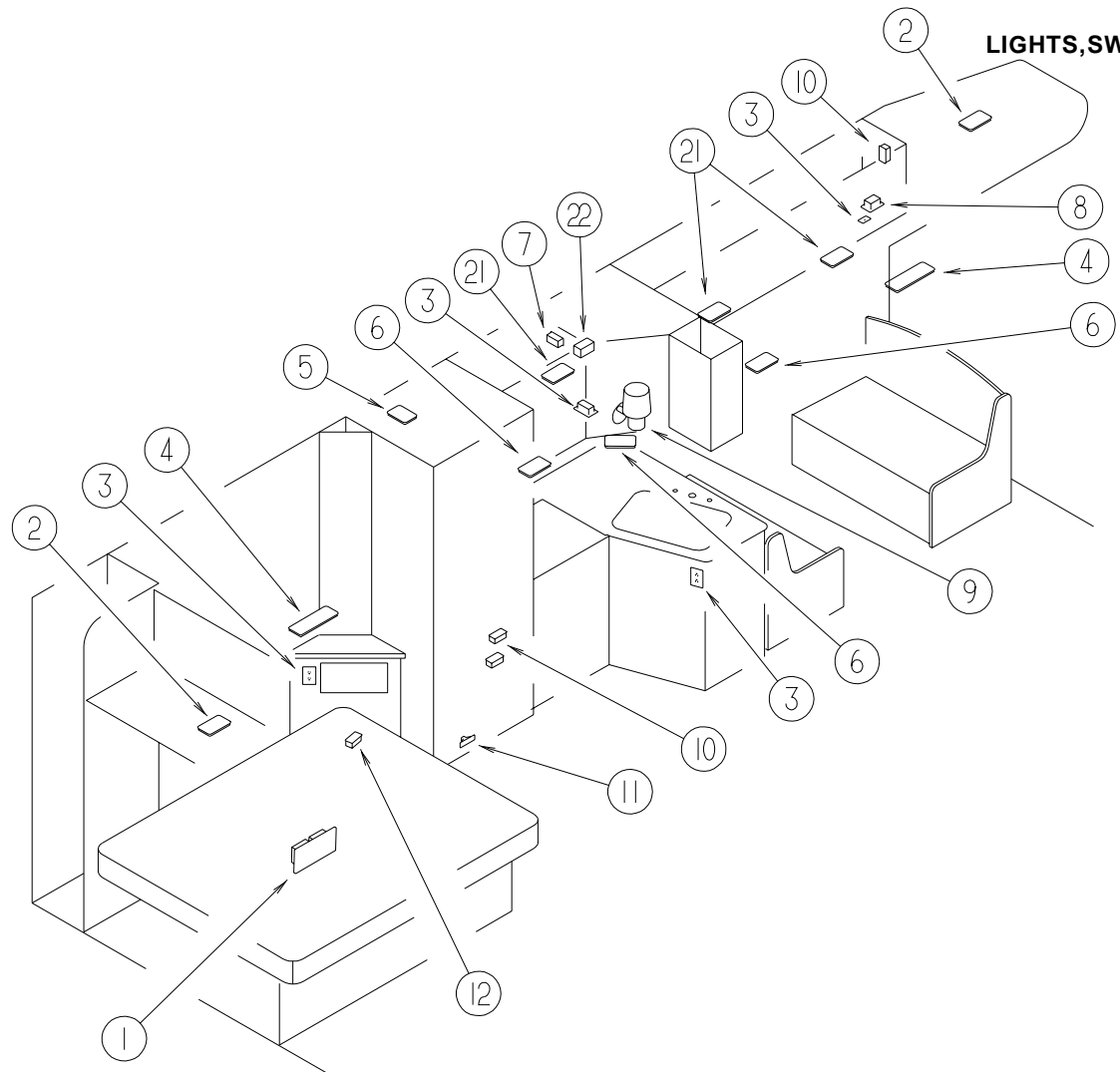
WIRINGASSEMBLIES

KEY	PARTNUMBER	U/M	DESCRIPTION
	073328-B4-000	EA	CABLEASSEMBLY-BATTERY-W/TERMINALS
	090986-01-000	EA	WIREASSEMBLY-ELECTRICSTEP-KWIKEE9009
	096449-01-000	EA	WIREASSEMBLY-WATERTANKTOMONITORPANEL
	097618-01-000	EA	WIREASSEMBLY-MONITORPANEL-W/3WIRES&ORANGERESISTOR
	106851-01-000	EA	WIREASM-DAYRUNLAMP,FUSE
	116894-01-000	EA	WIREASM-SPEEDSENSOREXTEND,JFBL-322B

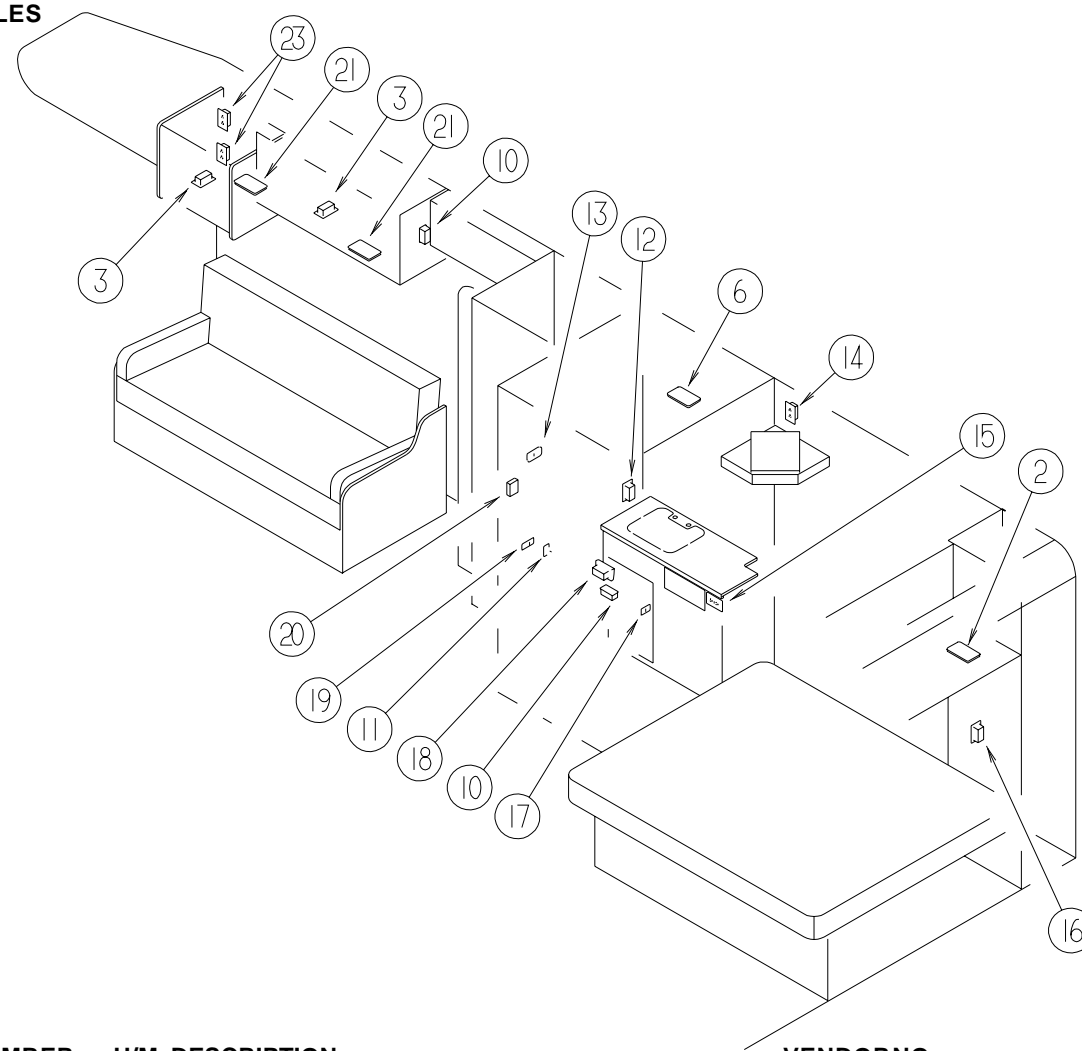
ELECTRICALGROUP(CONTINUED)**CONDUIT,CONNECTORS,HOUSINGS&TERMINALS**

KEY	PARTNUMBER	U/M	DESCRIPTION
	007956-05-000	EA	INSULATOR-SHRINK-.25IDX1.50
	008311-01-000	EA	CONNECTOR-WIRENUT-INSULATED-RED
	008313-01-000	EA	CONNECTOR-WIRENUT-INSULATED-YELLOW
	008314-01-000	EA	CONNECTOR-WIRENUT-INSULATED-GRAY
	008326-01-000	EA	TERMINAL-RING16/14WIRE-3/8"STUD
	008328-01-000	EA	TERMINAL-RING-12/10WIRE-#10STUDFIT
	008331-01-000	EA	TERMINAL-RING-TONGUE-#4WIRE-3/8"STUD-COPPER
	008348-01-000	EA	TERMINAL-RING-3/8"STUD2GA.WIRE
	008355-01-000	EA	CONNECTOR-CABLECLAMPING-3/4"
	008356-01-000	EA	CONNECTOR-PLASTIC-3/8"AVG
	035416-04-000	EA	TERMINAL-RING-#10STUDFIT-INSULATEDBARREL#16/14
	041953-01-000	FT	CONDUIT-CONVOLUTE SLIT-.5"ID
	041953-03-000	FT	CONDUIT-CONVOLUTE SLIT-1"ID(CLOTHESRODCOVER)
	041953-05-000	FT	CONDUIT-CONVOLUTE SOLID-.62"ID
	041953-06-000	FT	CONDUIT-CONVOLUTE SLIT-.375"ID
	041953-07-000	FT	CONDUIT-CONVOLUTE SLIT-.25"ID
	041953-08-000	FT	CONDUIT-CONVOLUTE SLIT-1.50"ID
	041953-09-000	FT	CONDUIT-CONVOLUTE SLIT-.50"ID
	041953-10-000	FT	CONDUIT-CONVOLUTE SLIT-.75"ID
	041953-11-000	FT	CONDUIT-CONVOLUTE SLIT-1.06"ID
	041953-12-000	FT	CONDUIT-CONVOLUTE NONSLIT-1.1"ID
	047443-01-000	EA	TERMINAL-.250RECEPTACLEFIT-INSULATED-16/14AWG
	058028-01-000	EA	CONNECTOR-ELECTRICALPIGTAIL-NYLON-CLEAR
	077479-01-000	EA	BOOT-BATTERYTERMINAL-DOUBLECABLE
	077479-02-000	EA	BOOT-BATTERYTERMINAL-SINGLECABLE
	080015-02-000	EA	RECEPTACLE-FLAG-.185-16/14GAUGE-AMP3
	080015-03-000	EA	RECEPTACLE-FLAG,.250-14/16GA
	087949-01-000	EA	BUSSBAR-2POSITION-.6"X1.5"
	088473-01-000	EA	HOUSING-PIN-12CAVITY
	088473-02-000	EA	HOUSING-PIN-15CAVITY
	088473-03-000	EA	HOUSING-PIN-9CAVITY
	088473-05-000	EA	HOUSING-PIN-6CAVITY
	088473-08-000	EA	HOUSING-PIN-4CAVITY
	088473-09-000	EA	HOUSING-PIN-3CAVITY
	088473-10-000	EA	HOUSING-PIN-2CAVITY
	088474-01-000	EA	HOUSING-SOCKET-12CAVITY
	088474-02-000	EA	HOUSING-SOCKET-12CAVITY
	088474-03-000	EA	HOUSING-SOCKET-9CAVITY
	088474-07-000	EA	HOUSING-SOCKET-5CAVITY
	088474-08-000	EA	HOUSING-SOCKET-4CAVITY
	088474-09-000	EA	HOUSING-SOCKET-3CAVITY
	088474-10-000	EA	HOUSING-SOCKET-2CAVITY
	088475-01-000	EA	PIN-CONNECTOR-14-20AWG
	088475-02-000	EA	PIN-CONNECTOR-10-12AWG
	088476-01-000	EA	SOCKET-CONNECTOR-BRASS-PRE-TIN
	088476-02-000	EA	SOCKET-CONNECTOR-12-10GA-PHOSBRZ-PRE-TIN
	098262-01-000	EA	SEAL-CONNECTOR-WEATHERPACK
	098265-02-000	EA	PIN-CONNECTOR,WEATHERPACK-PACKARD12089305
	101751-01-000	EA	HOUSING-1PIN,WEATHERPACK
	101751-02-000	EA	HOUSING-1PIN,WEATHERPACK
	102777-02-000	EA	TERMINAL-RING#6STUD,10AWG
	106655-01-000	EA	TERMINAL-FUSEBLOCK-14-16AWG
	106655-02-000	EA	TERMINAL-FUSEBLOCK-10-12AWG
	125323-02-000	EA	HOUSING-8POSITION-MALE
	125324-01-000	EA	TERMINAL-MALE
	125325-01-000	EA	SEAL-CAVITY

ELECTRICAL GROUP (CONTINUED)



LIGHTS, SWITCHES & RECEPTACLES



KEY	PARTNUMBER	U/M	DESCRIPTION	VENDOR NO.
1	024924-02-000	EA	RECEPTACLE-POWERCORD-W/PARTIALPLATE	
1	069238-01-000	EA	COVER-ELECTRICALBOX-W/HOLE-4"X4"-GRAY	
2	098024-05-02A	EA	LIGHT-DOME-1BULB-SKYLITE-WHITE	
2	008218-01-000	EA	BULB-DOMELIGHT-12VOLT-NO.1141	
2	098024-01-701	EA	LENS-OPTICLEAR-SKYLITE	809902
3	058708-01-000	EA	RECEPTACLE-ELECTRIC-DOUBLE-BROWN	
4	098024-03-02A	EA	LIGHT-DOME-2BULB-WHITE	
4	008218-01-000	EA	BULB-DOMELIGHT-12VOLT-NO.1141	
4	098024-01-700	EA	LENS-LIGHT	807877
5	121935-01-01A	EA	LIGHT-DOME-SHOWER	
6	098024-01-03A	EA	LIGHT-DOME-1BULB-WHITE	
6	008218-01-000	EA	BULB-DOMELIGHT-12VOLT-NO.1141	
6	098024-01-700	EA	LENS-LIGHT	807877
7	058708-05-000	EA	RECEPTACLE-SINGLE-BROWN	
8	098351-02-01A	EA	PLATE-SWITCH-2GANGPOLISHEDBRASS(W/SIDETVCABINET)	
8	079364-01-000	EA	SWITCH-ON/OFFROCKER-2PRONGS-BROWN-TV(W/SIDETVCABINET)	
8	079364-03-000	EA	SWITCH-ON/OFFROCKER-3PRONGS-BROWN-COURTESYLIGHT	
8	098351-01-01A	EA	PLATE-SWITCH-1GANGPOLISHEDBRASS(W/SIDETVCABINET)	
9	065202-24-000	EA	LAMP-WALL/BRASS-W/OSHADE	
9	067479-01-000	EA	BULB-12VOLT-#1076-1.80AMP	
9	065201-12-000	EA	SHADE-LAMP-FABRIC	
10	058707-02-000	EA	RECEPTACLE-BLANKJUNCTIONBOX	
11	061424-01-000	EA	LIGHT-AISLE-12VOLT-RECTANGULAR	
11	008103-01-000	EA	BULB-DASH/AISLELIGHT-#53-12VOLT-.12AMP	
12	058707-01-000	EA	RECEPTACLE-ELECTRIC-SINGLE-BROWN	
13	098351-05-01A	EA	PLATE-SWITCH-3GANGPOLISHEDBRASS	
13	079364-01-000	EA	SWITCH-ON/OFFROCKER-2PRONGS-BROWN-STEP/CEILING/PORCH	
13	095188-02-01A	EA	SPACER-SWITCH-2.3"X4.1"-PLASTIC-DARKBROWN	

KEY	PARTNUMBER	U/M	DESCRIPTION	VENDOR NO.
14	058708-02-000	EA	RECEPTACLE-ELECTRIC-DOUBLE-IVORY	
14	102568-01-E41	EA	SPACER-RECEPTACLE-SIDEWALL	
15	084076-02-000	EA	RECEPTACLE-GFI-15AMP-125VOLT-BROWN	
16	058708-02-000	EA	RECEPTACLE-ELECTRIC-DOUBLE-IVORY	
17	098351-02-01A	EA	PLATE-SWITCH-2GANGPOLISHEDBRASS	
17	095188-01-01A	EA	SPACER-SWITCH-2.3"X3.4"-PLASTIC-DARKBROWN	
17	079364-01-000	EA	SWITCH-ON/OFFROCKER-2PRONGS-BROWN-CEILING	
17	079364-03-000	EA	SWITCH-ON/OFFROCKER-3PRONGS-BROWN-COURTESY	
18	112822-01-01A	EA	RECEPTACLE-DUPLEX-IVORY	
18	112824-01-03A	EA	COVER-RECEPTACLE-EXTERIORDUPLEX	
19	098351-03-01A	EA	PLATE-SWITCH-3GANGPOLISHEDBRASS	
19	079364-01-000	EA	SWITCH-ON/OFFROCKER-2PRONGS-BROWN-CEILING/SHOWER	
19	079364-03-000	EA	SWITCH-ON/OFFROCKER-3PRONGS-BROWN-PUMP	
19	095188-02-01A	EA	SPACER-SWITCH-2.3"X4.1"-PLASTIC-DARKBROWN	
20	098351-07-01A	EA	PLATE-SWITCH-GENERATOR-POLISHEDBRASS	
20	108357-06-000	EA	SWITCH-ROCKERDPDT-MOM/OFF/MOM-6TERMINAL	
20	108356-11-01A	EA	COVER-ACTUATORSWITCH-3GROOVES-AUXBATT-BLACK	
21	098024-05-02A	EA	LIGHT-DOME-1BULB-SKYLITE-WHITE	
21	008218-01-000	EA	BULB-DOMELIGHT-12VOLT-NO.1141	
21	098024-01-701	EA	LENS-OPTICLEAR-SKYLITE	809902
22	091927-01-000	EA	COVER-RECEPTACLE-DOUBLE-IVORY	
			FROM: 10-14-96 THRU: 99-99-99	
23	111414-01-000	EA	RECEPTACLE-12V-W/OBIMETAL	
	086280-01-000	EA	LIGHT-SURFACEMOUNT-12VOLT	
	086280-01-700	EA	BULB,12V	ARP1089
	108355-01-000	EA	HOUSING-SWITCH	

ELECTRICALGROUP(CONTINUED)

ELECTRICBOXES,COVERS&POWERCORDS

KEY	PARTNUMBER	U/M	DESCRIPTION
	008052-01-000	EA	CORD-POWER-10/3-30AMP-25'-CANADIAN
	008054-01-000	EA	CORD-POWER-10/3-30AMP-25'
	008289-01-000	EA	BOX-ELECTRIC/STEEL-12"&3/4"KNOCKOUTS-4"X4"
	008289-02-000	EA	BOX-ELECTRICAL-4"X4"-1/2"&3/4"KNOCKOUTS-CANADIAN
	008294-01-000	EA	COVER-ELECTRICALBOX-BLANK/STEEL-4"X4"-GRAY
	091910-01-000	EA	BOX-ELECTRIC-3.75"X3.5"X1.75"-PLASTIC
	091910-02-000	EA	BOX-ELECTRIC-PLASTIC-2.24"X3.45"
	093257-02-000	EA	BOX-ELECTRIC,CIRCUITBREAKER-B&WRV80-9
	093603-01-000	EA	BOX-ELECTRIC,4"X2 1/8"X2 1/8"-STEEL
			FROM: 00-00-00 THRU: 10-13-96
	107165-01-01A	EA	BOX-CIRCUITBREAKERMOUNT,14.6"X4"-BLACKPLASTIC
	107165-03-01A	EA	BOX-CIRCUITBREAKERMNTBLK-*96400SERIES

RELAYHOUSING&SOLENOID

KEY	PARTNUMBER	U/M	DESCRIPTION
	008188-01-000	EA	SOLENOID-3POST-BATTERYCHANGEOVER
	063910-01-000	EA	HOUSING-RELAY
	086233-01-000	EA	STUD-ISOLATED-3/8"X7/8"LONG
			FROM: 10-14-96 THRU: 99-99-99
	086273-01-000	EA	RELAY-BATTERYDISCONNECT

EXTERIORBODYGROUP

FIBERGLASS,STYROFOAM&ALUMINUMCHANNEL

KEY	PARTNUMBER	U/M	DESCRIPTION
	100619-01-000	BF	EXPANDEDFOAMSHEET-4'X8'X1.34"
	100619-02-000	BF	FOAM-EXPANDEDPOLYSTYRENE
	100619-04-000	BF	FOAM-EXPANDEDPOLYSTYRENE-.5"X4'X8'
	100619-05-000	BF	FOAM-EXPANDEDPOLYSTYRENE-.75"X4'X8'
	100619-11-000	BF	FOAM-EXPANDEDPOLYSTYRENE-4'X8'X2"
	100619-13-000	BF	FOAM-EXPANDEDPOLYSTYRENE-34.65"X8'X.34"
	117754-03-01A	EA	FIBERGLASSSHEET-10.5"X96"BRIGHTWHITE
	076054-P9-000	EA	FIBERGLASSSHEET-37.4"X99.25"BRIGHTWHITE
	076054-R1-000	EA	FIBERGLASSSHEET-24"X65.9"BRIGHTWHITE
	076054-S3-000	EA	FIBERGLASSSHEET-101.4"X106.9"BRIGHTWHITE
			FROM: 00-00-00 THRU: 09-19-96
	076054-W2-000	EA	FIBERGLASSSHEET85"X339"BRIGHTWHITE
	076054-W5-000	EA	FIBERGLASSSHEET-101.42"X108.66"BRTWHT
	077517-65-000	EA	FIBERGLASS-SHEET-48"X96" BRIGHTWHITE
	076054-N9-000	EA	FIBERGLASSSHEET-96"X102" BRIGHTWHITE
	000870-08-000	SF	STYROFOAM-.75"X4'X8'-PLANED
	083574-06-000	SF	STYROFOAM-.75X48"X108"-DOWTYPE SM
	068716-01-001	EA	BRACE-90DEGREEEL-ANGLE-16'
	002726-01-001	EA	GARNISH-U-CHANNEL-1.38"X19'-SERRATED
	089297-01-000	SF	PLYWOOD-LUAN-OVERLAYGRADE-4'X8'
	108535-06-701	SF	FIBERGLASSSHEET-102"X396'ROLL-BRIGHTWHITE

RUNNINGBOARDS

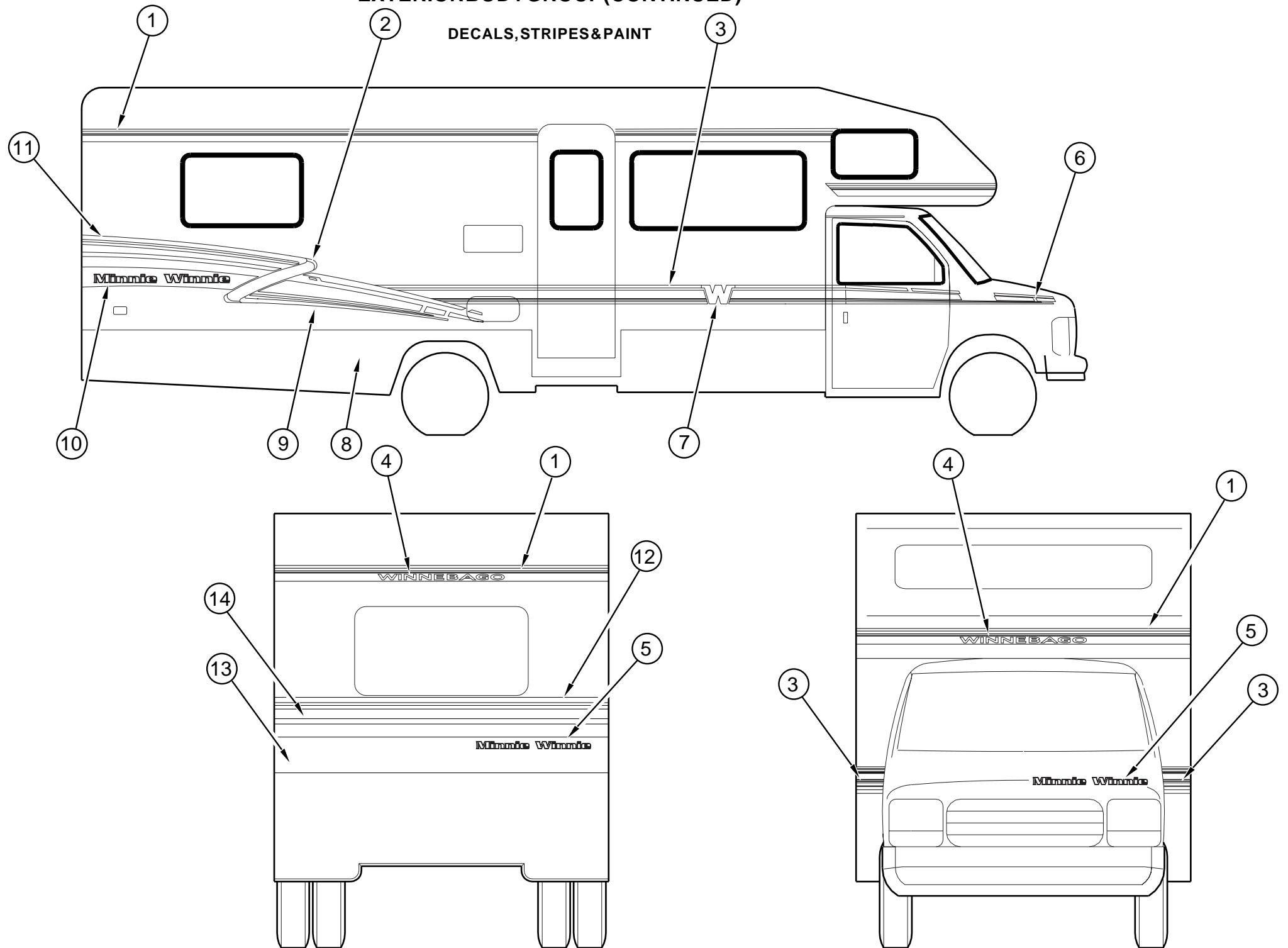
KEY	PARTNUMBER	U/M	DESCRIPTION	VENDORNO.
	072884-27-000	EA	RUNNINGBOARDSET-39"-FORD-ALUMINUM	
	072884-27-700	EA	BRACKETSET12"92	RB2BRK/M
	072884-27-701	EA	RUNNINGBOARD-FORD39",RT<	
	072884-27-702	FT	TREADTAPE	RB9202
	072884-27-703	EA	MUDFLAPW/HOLES,1EA=PAIR	99171
	072884-27-704	EA	CAP-ENDS,1EA=PAIR	99148

AWNING - A & E

KEY	PARTNUMBER	U/M	DESCRIPTION	VENDORNO.
	113874-05-04A	EA	AWNING -W/OHDW14'(EMERALDFROST)VINYL	
	113874-01-02A	EA	AWNING-HARDWAREKIT-BRIGHTWHITE	
	113874-01-702	EA	KNOB-ADJUSTING,W/HARDWARE	143249
	113874-01-703	EA	ROD-CENTERPULL,W/GRIP	830152.002
	113874-01-706	EA	LOCK-TRAVEL	830587
	113874-01-707	EA	HANDLE-LIFT	830644
	113874-01-709	EA	NAIL-SPIKE,8"	113006
	113874-01-710	EA	PLUG-STOPKIT	830456
	113874-01-711	EA	ARM-ADJUSTABLE/TALLSATIN	830466.016
	113874-01-712	EA	FOOT-PATIO	730366
	113874-01-716	EA	ARM-MAINSUPPORTBRT/WHT	3104502.277F
	113874-01-717	EA	ARM-ADJUSTABLEBRT/WHT	830466.016/F
	113874-01-714	EA	RAFTER-MAINRH/LHBRT/WHT	830295.036F
	113874-01-715	EA	RAFTER-SECONDARYBRT/WHT	830463.011F
	111038-01-01A	EA	SPACER-AWNING,LOWERBLACK	

EXTERIOR BODY GROUP (CONTINUED)

DECALS, STRIPES & PAINT



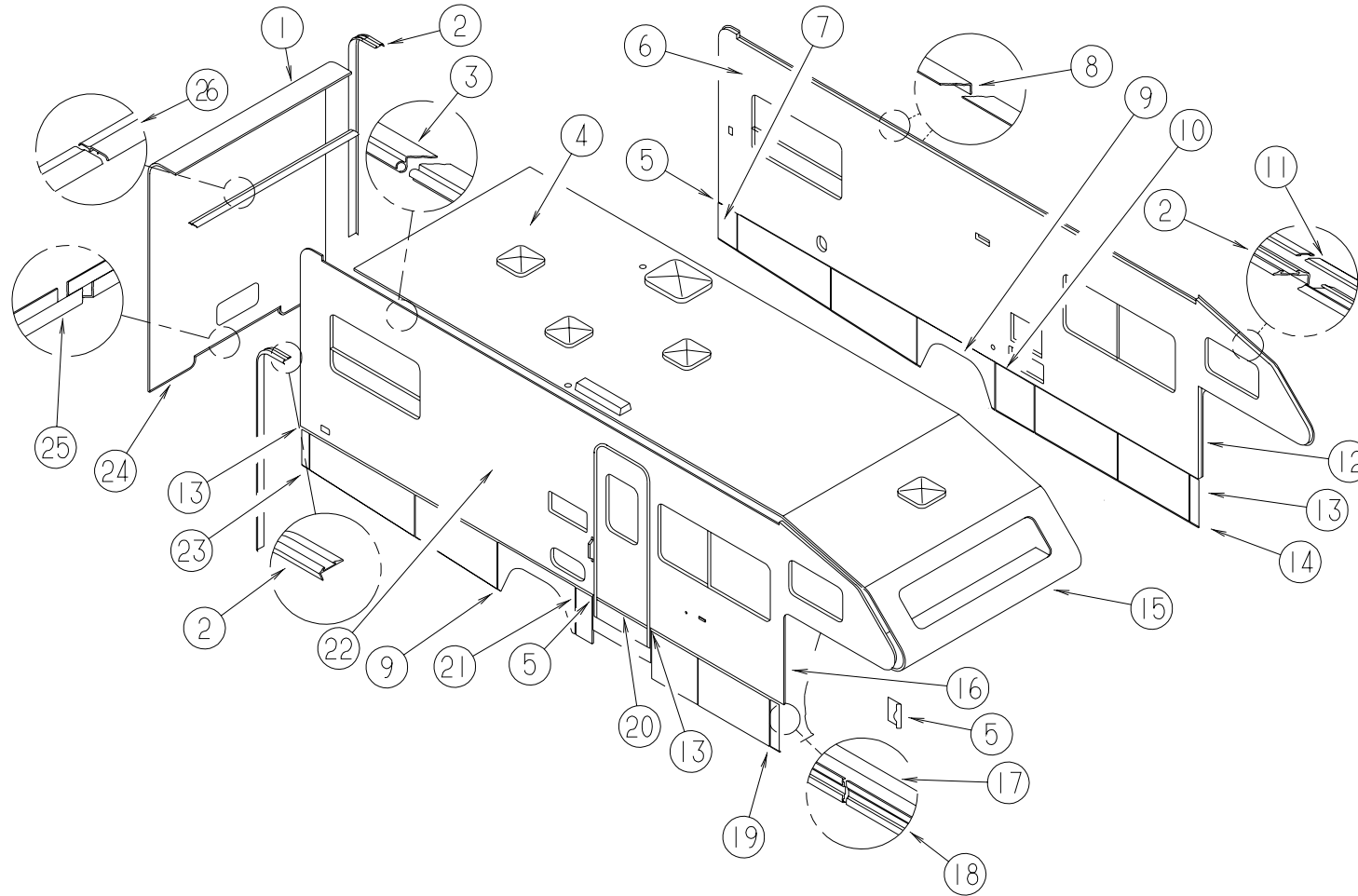
KEY	PARTNUMBER	U/M	DESCRIPTION
1	094443-44-01A	FT	FILM-MULTISTRIPE-4.4WIDE
2	122319-01-01A	EA	DECAL-SWEEP-MIDDLE RIGHTHAND
2	122319-02-01A	EA	DECAL-SWEEP-MIDDLE LEFTHAND
3	093689-22-01A	FT	FILM-MULTISTRIPE-6.5WIDE
4	120702-01-01A	EA	DECAL-LOGO WINNEBAGO
5	121744-02-01A	EA	DECAL-MINNIE WINNIE SMALL
6	121742-01-01A	EA	DECAL-CAB-DOOR RIGHTHAND
6	121742-02-01A	EA	DECAL-CAB-DOOR LEFTHAND
7	121743-01-01A	EA	DECAL-LOGO-"W"
8	099399-33-000	EA	PAINT-FORESTGREEN
9	121740-01-01A	EA	DECAL-SWEEP-FORWARD RIGHTHAND
9	121740-02-01A	EA	DECAL-SWEEP-FORWARD LEFTHAND
10	121744-01-01A	EA	DECAL-MINNIE WINNIE-LARGE

KEY	PARTNUMBER	U/M	DESCRIPTION
11	121741-01-01A	EA	DECAL-SWEEP-REAR RIGHTHAND
11	121741-02-01A	EA	DECAL-SWEEP-REAR LEFTHAND
12	105781-53-01A	FT	FILM-MULTISTRIPE-3.25WIDE
13	093681-51-01A	FT	FILM-7"-WIDE
14	093681-50-01A	FT	FILM-1.50"WIDE

DUPONT COLOR CODES	
BRIGHTWHITE	B8951
FORESTGREEN	F1917
FORESTGREENMET	GM221
SEAFOAMMISTMET	GM165
MAGENTAMET	RM017
BLUEBERRYMET	BM159

EXTERIORBODYGROUP(CONTINUED)

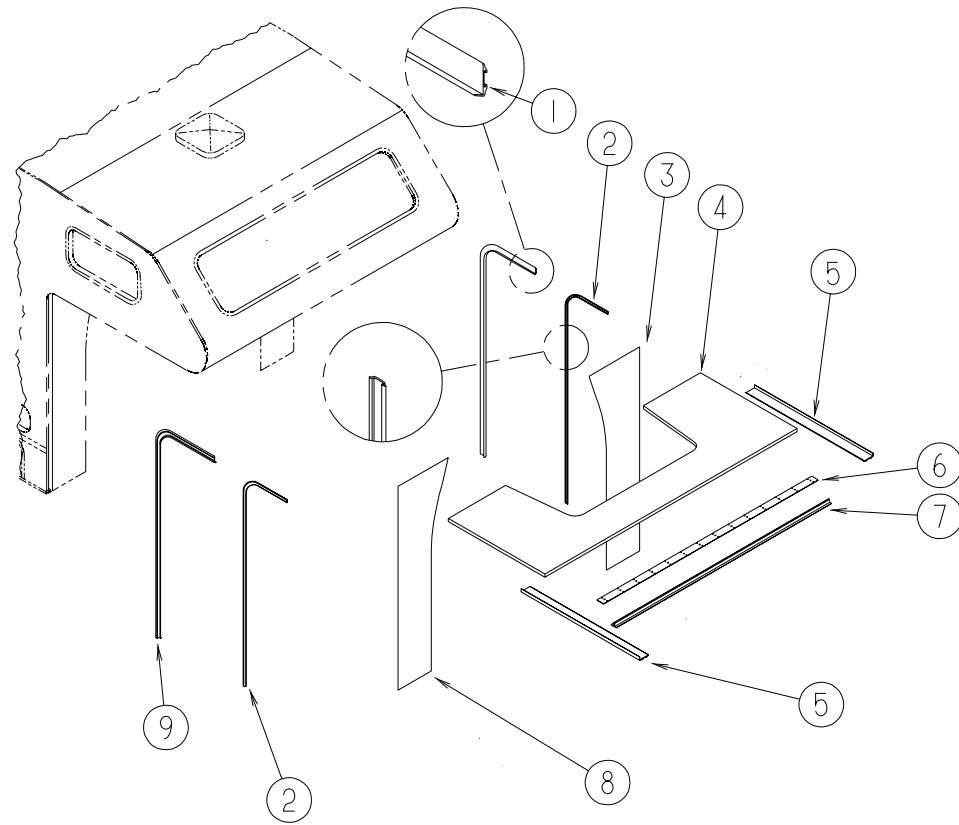
BODYPANELS&TRIMS



KEY	PARTNUMBER	U/M	DESCRIPTION
1	P22251-01-H07	EA	BACKWALL-W/OWINDOW/TRIM-QUEENBED
1	P22251-01-H08	EA	BACKWALL-W/OWINDOW/TRIM-QUEENBED
1	P22251-02-H07	EA	BACKWALL-W/OWINDOW/TRIM-TWINBED
1	P22251-02-H08	EA	BACKWALL-W/OWINDOW/TRIM-TWINBED
1	P22251-03-H07	EA	BACKWALL-W/OWINDOW/TRIM-DOUBLEBED
1	P22251-03-H08	EA	BACKWALL-W/OWINDOW/TRIM-DOUBLEBED
2	096854-05-02A	EA	TRIM-CONTOUR-115"LONG-PASSENGER/DRIVERSIDE
3	099583-55-004	EA	AWNINGRAIL-133.9"-BRIGHTWHITE
	099583-55-003	EA	AWNINGRAIL-25.4"
4	P22250-01-H07	EA	ROOF-W/OLIGHTS/VENTS-W/WIRING
5	124132-01-01A	EA	CAP-TRIM-SIDEWALL
			FROM: 06-24-96 THRU: 99-99-99
6	P22248-01-H07	EA	SIDEWALL-DRIVER-W/OWINDOWS/TRIM
6	P22248-01-H08	EA	SIDEWALL-DRIVER-W/OWINDOWS/TRIM
7	122732-04-H07	EA	PANEL-VALANCE/REAR-W/OHARDWAR
8	096864-01-02A	EA	TRIM-CONTOUR
8	096864-02-02A	EA	TRIM-CONTOUR
9	121304-02-01A	EA	PANEL-WHEELIP-REAR
10	122776-10-H07	EA	PANEL-VALANCE-W/OHARDWARE
11	105312-01-07A	FT	INSERT-FEATURESTRIPVINYL-BRIGHTWHITE
12	104479-06-02A	EA	TRIM-FRONTCONTOUR-BRIGHTWHITE

KEY	PARTNUMBER	U/M	DESCRIPTION
13	124132-02-01A	EA	CAP-TRIM-SIDEWALL
			FROM: 06-24-96 THRU: 99-99-99
14	122776-02-H07	EA	PANEL-VALANCE-W/OHARDWARE
15	P21337-01-H07	EA	ROOF-W/OLIGHTS/VENTS-W/WIRING
16	104479-05-02A	EA	TRIM-FRONTCONTOUR-BRIGHTWHITE
17	122802-01-01A	EA	TRIM-RETAINER,MILL
18	124176-01-01A	EA	TRIM-SIDEWALL-BRIGHTWHITE
19	122776-01-H07	EA	PANEL-VALANCE
20	108688-01-03A	EA	STRIP-FEATURE-15'
20	122828-23-01A	EA	TRIM-SIDEWALL-FEATURESTRIP
21	122776-03-H07	EA	PANEL-VALANCE
22	P22249-01-H07	EA	SIDEWALL-PASSENGER-W/OWINDOWS/TRIM
22	P22249-01-H08	EA	SIDEWALL-PASSENGER-W/OWINDOWS/TRIM
23	122732-03-H07	EA	PANEL-REARVALANCE
24	103334-03-02A	EA	TRIM-BACKWALL/LOWER
25	103335-02-02A	EA	TRIM-BACKWALL/LOWER
26	078580-02-000	EA	TRIM-ROOF/FROTCAP
	107865-06-000	EA	ROD-SUPPORT-VALANCEPANEL
	107865-01-000	EA	ROD-SUPPORT-VALANCEPANEL
	107865-07-000	EA	ROD-SUPPORT-VALANCEPANEL
	002726-01-001	EA	GARNISH-U-CHANNEL-1.38"X19"-SERRATED
	002365-03-006	EA	U-CHANNEL-EXTRUDED-1"X192"-BRIGHTWHITE
	122613-55-001	EA	EXTRUDED-ROCKERPANEL-192"-BRIGHTWHITE

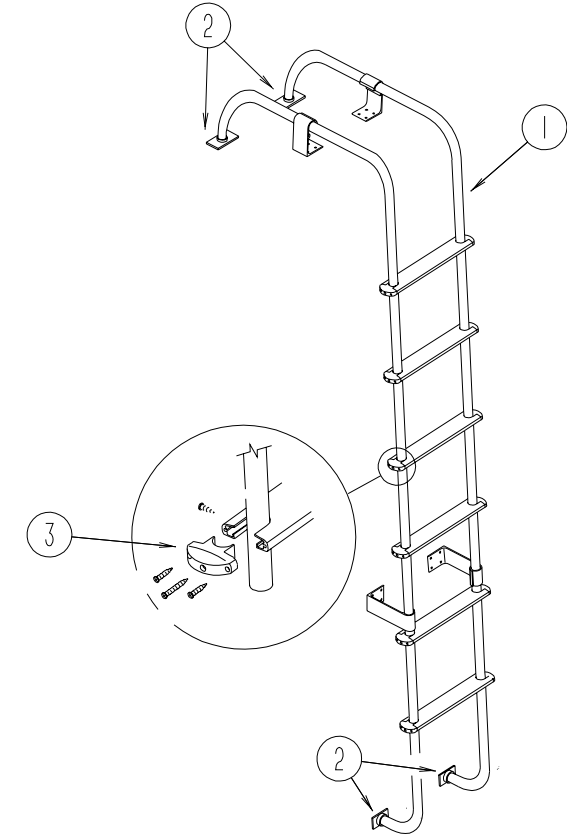
EXTERIORBODYGROUP(CONTINUED)



WINGWALL,SLEEPERBOARD&TRIM

KEY	PARTNUMBER	U/M	DESCRIPTION
1	104479-06-02A	EA	TRIM-FRONTCONTOUR-BRIGHTWHITE
2	105312-01-07A	FT	INSERT-FEATURESTRIPVINYL-BRIGHTWHITE
3	118334-02-G04	EA	WINGWALL
4	P18335-01-G04	EA	SLEEPERBOARD
5	096854-05-02A	EA	TRIM-CONTOUR-115"LONG-PASSENGER/DRIVERSIDE
6	100086-04-01A	EA	TRIM-SLEEPERBOARD/ROOF-BRIGHTWHITE-2"X96.6"
7	100085-05-01A	EA	TRIM-STRAP-SLEEPERBOARD
8	118334-01-G04	EA	WINGWALL
9	104479-05-02A	EA	TRIM-FRONTCONTOUR-BRIGHTWHITE
	002365-03-006	EA	U-CHANNEL-EXTRUDED-1"X192"-BRIGHTWHITE

EXTERIORBODYGROUP(CONTINUED)



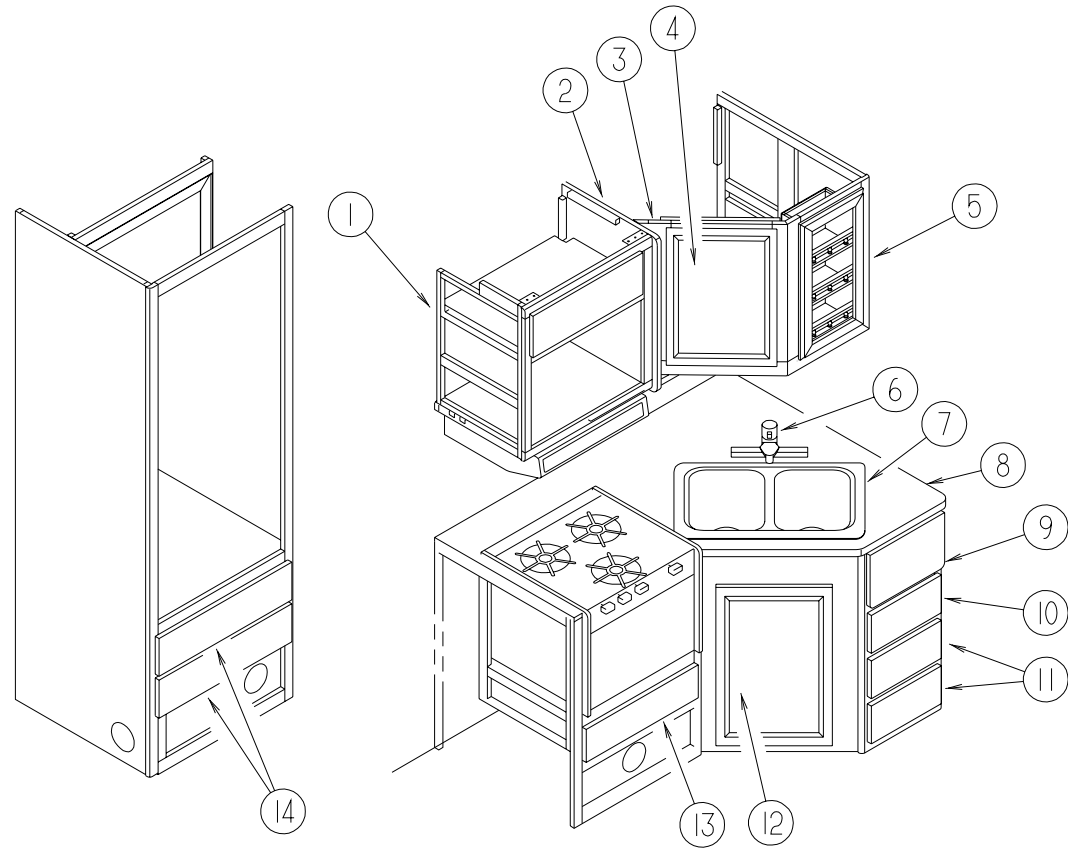
LADDER

KEY	PARTNUMBER	U/M	DESCRIPTION
1	102953-15-G04	EA	LADDERASM
2	067165-01-000	EA	MOUNTINGBRACKET-LOWERLADDER
	000G39-06-10T	EA	SCREW-SF/DR-6-20X5/8PPH-BLACK
	000G68-10-36T	EA	SCREW-10-12X2.25POHBLACK
3	076980-02-000	EA	ENDCAP-STEP-BLACK
	038327-01-000	EA	TAPE-ANTI-SLIP-2"X60'

EXTERIORMIRRORS-VELVAC

KEY	PARTNUMBER	U/M	DESCRIPTION	VENDORNO.
	120269-03-01A	EA	MIRROR-EXTERIOR-PASSENGER	
	120269-04-01A	EA	MIRROR-EXTERIOR-DRIVER	
	120269-01-700	EA	GLASSKITW/BEZELRH/LH	709407-8

GALLEYGROUP



CABINETS&FIXTURES

KEY	PARTNUMBER	U/M	DESCRIPTION
1	122267-01-H07	EA	CABINET-MICROWAVE,W/ODOORS/DRAWERS/HARDWARE
2	109908-21-G04	EA	ENDCAP-OVERHEADCABINET
3	116669-01-G04	EA	CABINET-GALLEYOVERHEAD-W/ODOORS/HARDWARE
	116669-11-G04	EA	SHELF-W/PLASTICEDGETRIM
4	110140-10-G01	EA	DOOR-MITEREDCORNER/VINYLWRAP-14.3"X21.8"-W/OHDW
5	112076-02-G04	EA	CABINET-SPICERACK-W/ODOORS/HARDWARE
6	104114-02-01A	EA	FAUCET-SINGLECONTROL
7	104113-01-000	EA	SINK-DOUBLE-STAINLESSSTEEL
	092303-01-000	EA	STRAINER-SINK
	103610-01-F09	EA	COVER-SINK-15.1"X15.8"(H07)
			FROM: 00-00-00 THRU: 02-12-97
	103610-03-H07	EA	COVER-SINK-15.1"X15.8"(H07)
			FROM: 02-13-97 THRU: 99-99-99
	103610-01-E04	EA	COVER-SINK-15.1"X15.8"(H08)
			FROM: 00-00-00 THRU: 02-12-97
	103610-03-H04	EA	COVER-SINK-15.1"X15.8"(H08)
			FROM: 02-13-97 THRU: 99-99-99
8	122362-13-H07	EA	COUNTERTOP
8	122362-13-H08	EA	COUNTERTOP
8	P22362-01-H07	EA	CABINET-GALLEY/DINETTE-W/ODOORS/DRAWERS/HARDWARE
8	P22362-01-H08	EA	CABINET-GALLEY/DINETTE-W/ODOORS/DRAWERS/HARDWARE
8	P22362-02-H07	EA	CABINET-GALLEY/COUCH-W/ODOORS/DRAWERS/HARDWARE
8	P22362-02-H08	EA	CABINET-GALLEY/COUCH-W/ODOORS/DRAWERS/HARDWARE
9	080812-08-G07	EA	EXTENSION-GALLEYCOUNTETOP(H07)
9	080812-08-G24	EA	EXTENSION-GALLEYCOUNTETOP(H08)
10	M05970-F4-H07	EA	DRAWER-RADIUSEDGE14.3"X11.8"W/OHARDWARE
11	M05970-E6-H07	EA	DRAWER-RADIUSEDGE14.3"X21.7"W/OHARDWARE
12	110140-54-G04	EA	DOOR-MITEREDCORNER/VINYLWRAP-13.6"X30.3"-W/OHDW
13	M05970-E7-H07	EA	DRAWER-RADIUSEDGE19.8"X15.7"W/OHARDWARE
	090329-01-000	FT	SEAL-T-REFRIGERATORCABINET-.6"WIDETOPX2"TAIL
14	M05970-S0-H07	EA	DRAWER-RADIUSEDGE22.5"X19.7"W/OHARDWARE
	091257-10-000	EA	HANDLE-ASSIST-WATERFORDOAK
	098335-14-H07	EA	RAIL-GALLEY-41"
	098335-14-H08	EA	RAIL-GALLEY-41"

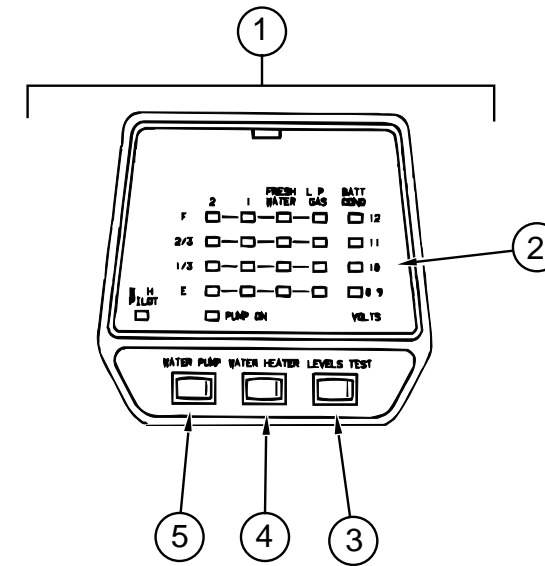
GALLEYGROUP(CONTINUED)

MICROWAVE

KEY	PARTNUMBER	U/M	DESCRIPTION
	115303-02-000	EA	OVEN-MICROWAVE 1.3CUFT
	115401-02-01A	EA	TRIM-MICROWAVE
	094756-02-01A	EA	BRACKET-L-MICROWAVE-6.1"LONGX3.9"WIDE-STEEL
	094750-07-000	EA	BRACKET-MICROWAVE-89DEGREE

COFFEEMAKER-BLACK&DECKER

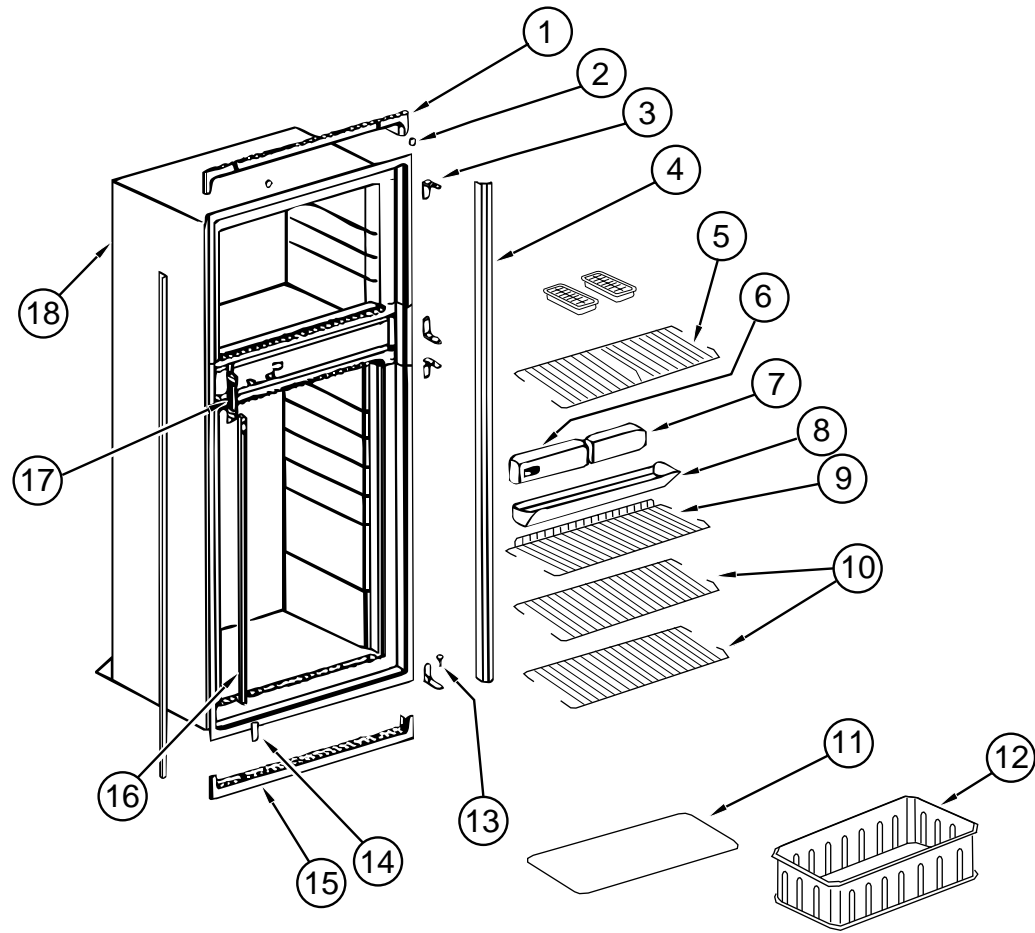
KEY	PARTNUMBER	U/M	DESCRIPTION	VENDORNO.
	103799-02-01A	EA	COFFEEMAKERWITHCLOCK	FROM: 00-00-00 THRU: 04-13-97
	103799-01-701	EA	BRACKETS,WHITEPAIR	164734-06B&D
	126019-01-01A	EA	COFFEEMAKER-OPTIMA-W/BRACKETS	FROM: 00-00-00 THRU: 04-13-97
				FROM: 04-14-97 THRU: 99-99-99



MONITORPANEL-LVS

KEY	PARTNUMBER	U/M	DESCRIPTION	VENDORNO.
1	102765-04-01A	EA	PANEL-MONITOR2TANKWTRHTR-*LVSW/PLUGALMOND	
2	102765-04-700	EA	BOARD-CIRCUIT,2HOLDINGTANK	L5097-41
3	097617-01-702	EA	SWITCH(ALMOND)	107
4	097617-01-701	EA	SWITCH-ON/OFF,ALMOND	106
5	102765-01-700	EA	SWITCH-ON-ON,ALMOND	110-01
	097618-01-000	EA	WIREASM-MONITORPANEL-W/4WIRES&BLACKRESISTOR-LVS	

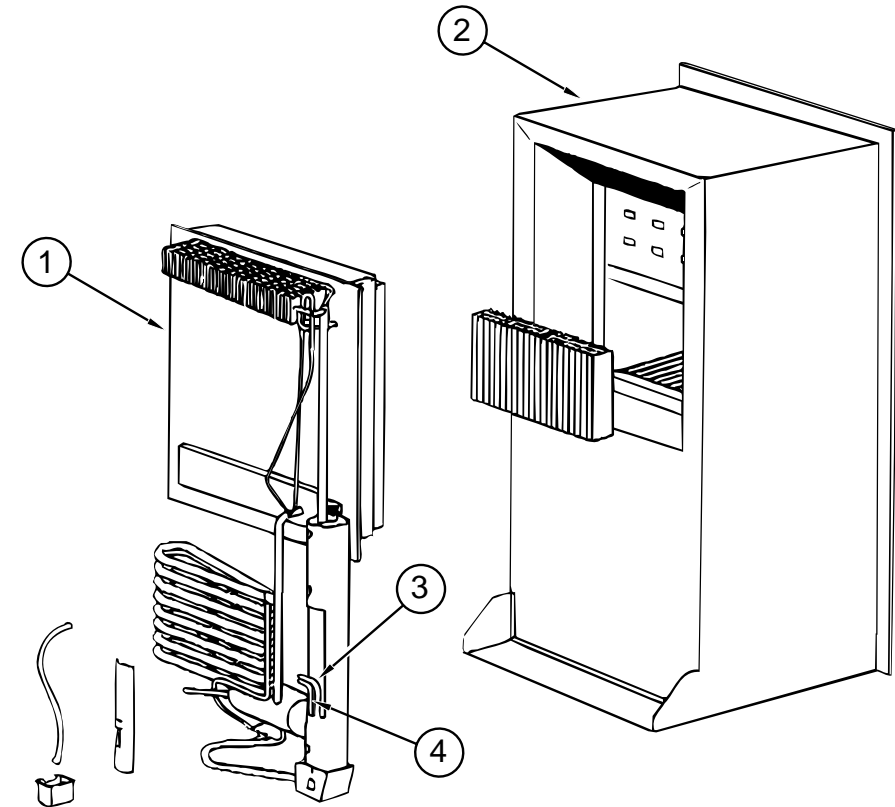
GALLEYGROUP(CONTINUED)



NORCOLDMODEL9162RREFRIGERATORCABINETASMWITHTRAY,TIEDOWNS,&LEVEL

KEY	PARTNUMBER	U/M	DESCRIPTION	VENDORNO.
	121568-01-01A	EA	REFRIG-SMALLDBLDRBL2-WAY -*NORCOLD9162R	
1	120075-01-713	EA	TRIM-TOPPIECE	618124
2	120075-01-714	EA	PLUG-HOLE	618170
3	120075-01-715	EA	HINGE-CABINETSIDE-PAINTED	618512
4	120076-01-702	EA	TRIM,SIDEPIECE	618133
5	121568-01-705	EA	SHELF-WIREFREEZER	618620
6	121568-01-706	EA	CONTROLBOXASSEMBLY	618588
	120075-01-708	EA	BUSHING-DOORHINGE	618144
7	120075-01-718	EA	BOX-FILLER	618112
8	120075-01-720	EA	TRAY-DRIP	618137
	120075-01-721	EA	LOUVER-DRIPTRAY	618176
9	121568-01-707	EA	SHELF-WIRE-SHORT	618624
10	121568-01-708	EA	SHELF-WIRE	618589
11	120075-01-725	EA	COVER-CRISPER	618158
12	121568-01-709	EA	CRISPER	618571
13	120075-01-727	EA	PIN-HINGE	618145
14	120075-01-728	EA	COVER-HINGEHOLE	618171
15	120075-01-729	EA	TRIM-BOTTOMPIECE	618136
16	120075-01-730	EA	RETAINER-SHELF	618181
17	120075-01-732	EA	PLATE-STRIKE	618167
18	120076-01-703	EA	CABINET-FOAMED	618260
	120075-01-731	EA	PLUG-FACADE	618184
	093646-01-000	EA	BRACKET-TIEDOWN/REFRIGERATOR-RIGHTHAND	
	093646-02-000	EA	BRACKET-TIEDOWN/REFRIGERATOR-LEFTHAND	
	116751-05-01A	EA	TRAY-REFRIGERATOR	
	054450-01-000	EA	LEVEL-REFRIGERATOR	
	065225-02-000	EA	PLATE-TIEDOWN-REFRIGERATOR	
	117089-01-000	FT	HOSE - 1/2" ID-GARDEN	

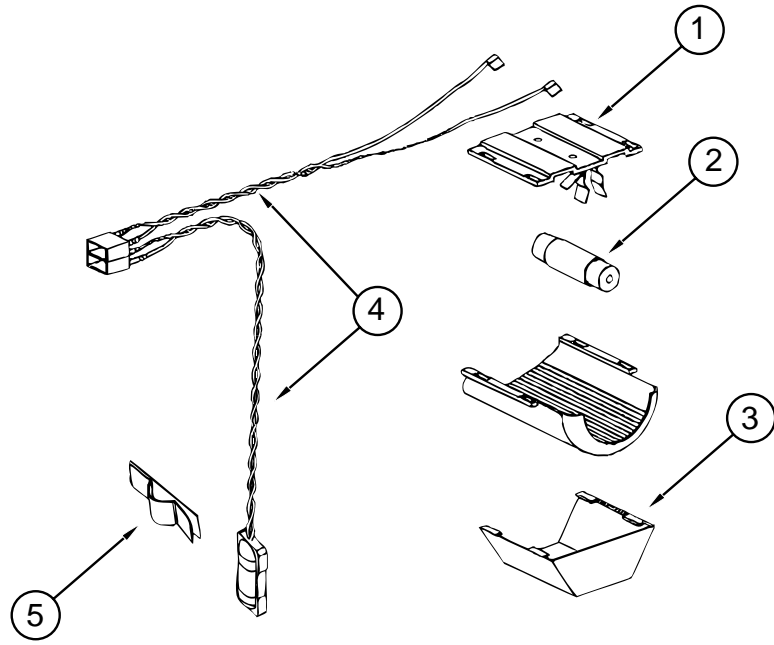
GALLEYGROUP(CONTINUED)



COOLINGUNIT & CABINETASMFORNORCOLDMODEL9162R

KEY	PARTNUMBER	U/M	DESCRIPTION	VENDORNO.
	121568-01-01A	EA	REFRIG-SMALLDBLDRBL2-WAY -*NORCOLD9162R	
1	120076-01-704	EA	COOLINGUNIT,SERVICEPACK	618543
2	120076-01-703	EA	CABINET-FOAMED	618260
3	088248-01-710	EA	HEATERDC(HORIZONTAL)	61562822
4	088248-01-709	EA	HEATER-AC(HORIZONTAL)	61562722

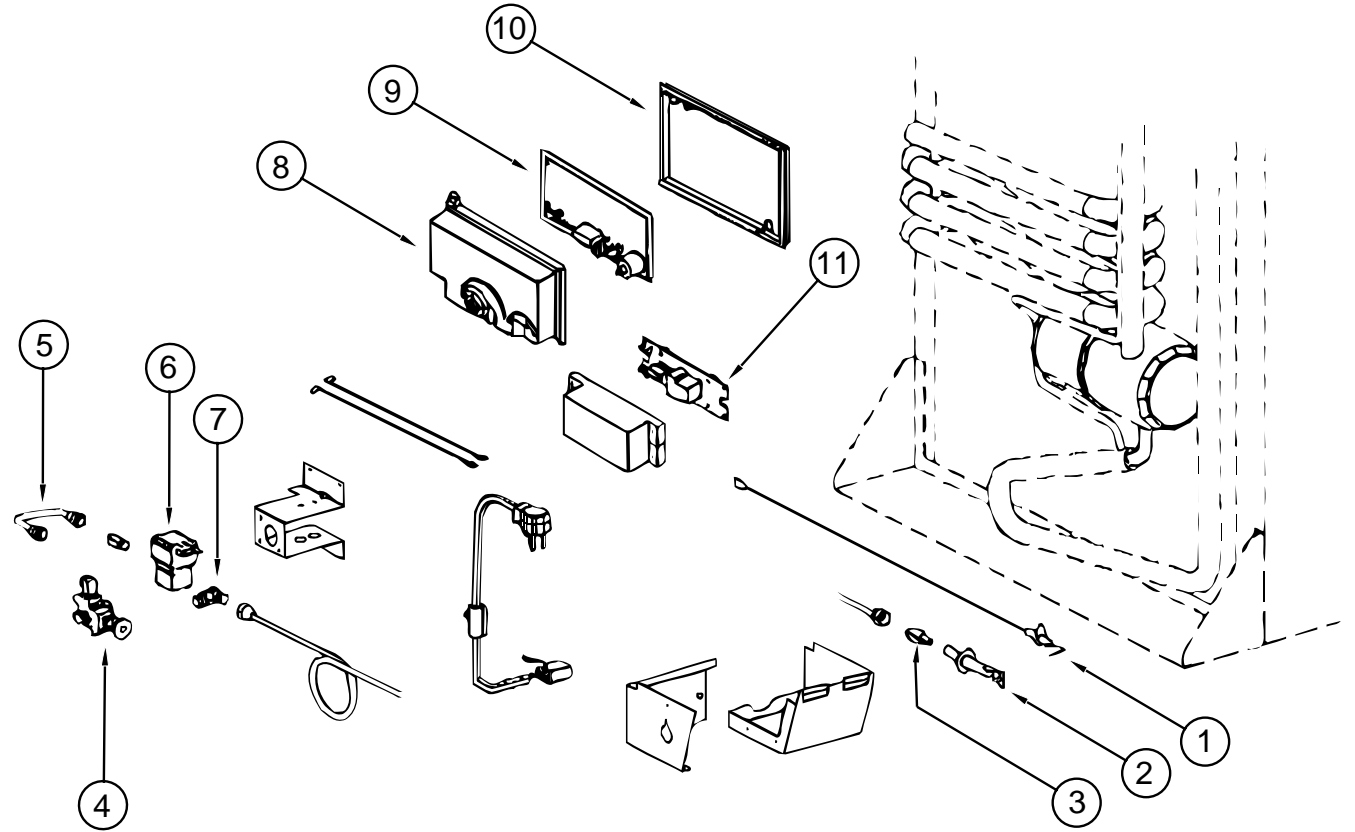
GALLEYGROUP(CONTINUED)



LIGHTFORNORCOLDMODEL9162R

KEY	PARTNUMBER	U/M	DESCRIPTION	VENDORNO.
	121568-01-01A	EA	REFRIG-SMALLDBLDRBL2-WAY -*NORCOLD9162R	
1	084880-03-705	EA	BRACKET-LIGHT-INTERIOR	61629722
2	084880-03-706	EA	BULB-LAMP	61628922
3	084880-03-707	EA	COVER-LAMP, LENS	61627922
4	120075-01-735	EA	WIREASM.-LAMP	618548
5	084880-01-760	EA	CLIP(THERMISTER)	61689122

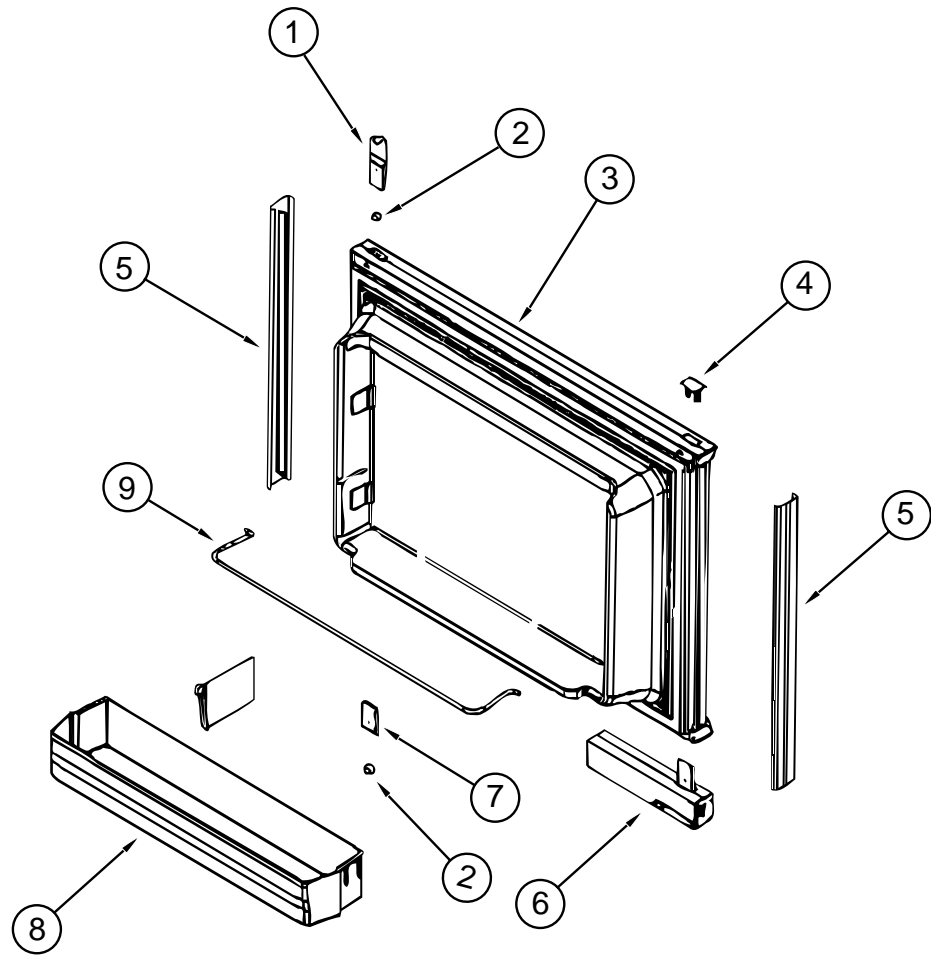
GALLEYGROUP(CONTINUED)



ELECTRICALCOMPONENTSFORNORCOLDMODEL9162R

KEY	PARTNUMBER	U/M	DESCRIPTION	VENDORNO.
	121568-01-01A	EA	REFRIG-SMALLDBLDRBL2-WAY -*NORCOLD9162R	
1	104137-06-715	EA	ELECTRODE-SPARK/SENSOR, SGL	61692222
2	104137-06-714	EA	BURNERASSEMBLY, 5-SLOT	61705222
3	113737-01-703	EA	PLUG 1/8" F/PRESSURE TAP	61445322
4	104137-06-709	EA	VALVE-SHUTOFF, MANUAL	61694922
5	113737-01-750	EA	TUBE-UNION	61694622
6	084880-01-718	EA	VALVE-GAS, (ASCO)	61551822
7	113737-01-716	EA	TAP-PRESSURE	61594422
8	120075-01-738	EA	COVER-POWERBOARD	618185
9	120075-01-739	EA	BOARD-POWER, 2-WAY	618198
9	121568-01-710	EA	BOARD-POWER-3WAY	618575
10	120075-01-740	EA	COVER-BASE, POWERBOARD	618186
11	121568-01-711	EA	BOARD-DCMODULE	618516
	113737-01-702	EA	PLUG 1/8" F/PRESSURE TAP	61445322

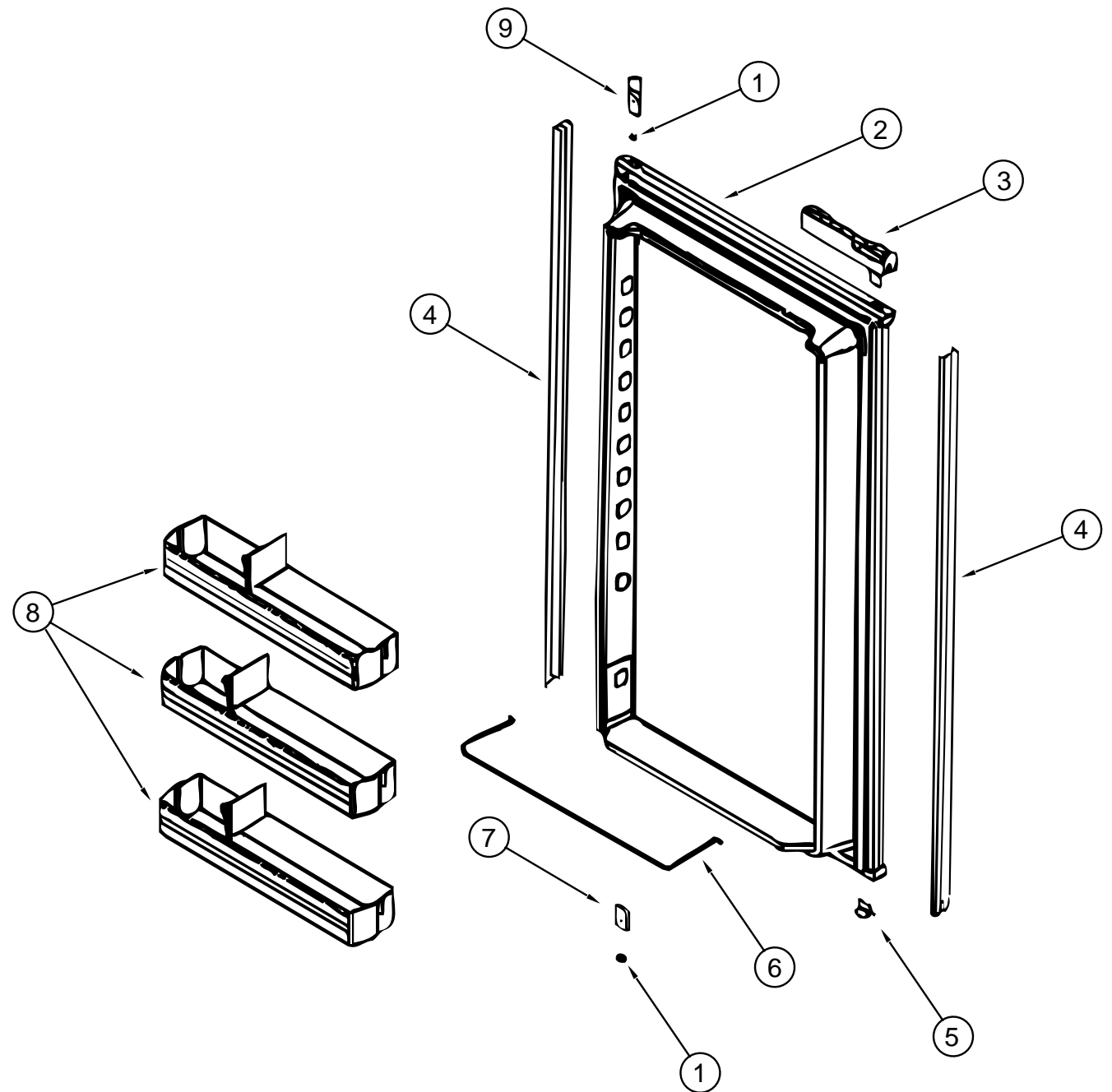
GALLEYGROUP(CONTINUED)



FREEZER DOOR FOR NORCOLD MODEL 9162R

KEY	PARTNUMBER	U/M	DESCRIPTION	VENDORNO.
	121568-01-01A	EA	REFRIGERATOR-SMALL DOUBLE DOOR-2-WAY	
1	120075-01-701	EA	HINGE-TOP RH/BT MLH, PAINTED	618511
2	120075-01-708	EA	BUSHING-DOOR HINGE	618144
3	120075-01-703	EA	DOOR ASM., FOAMED, W/GASKET	618205
4	120075-01-702	EA	CAP, (HINGE PLUG)	618160
5	120075-01-700	EA	RETAINER-DOOR, DECOR PANEL	618128
6	121568-01-702	EA	DOOR HANDLE ASM LWR/LH-TOP/RH	618230
7	120075-01-705	EA	HINGE, PAINTED, TOP LH/BT MRT	618510
8	121568-01-701	EA	BIN-DOOR WHITE	618619
9	121568-01-700	EA	RAIL-DOOR UPPER	618618

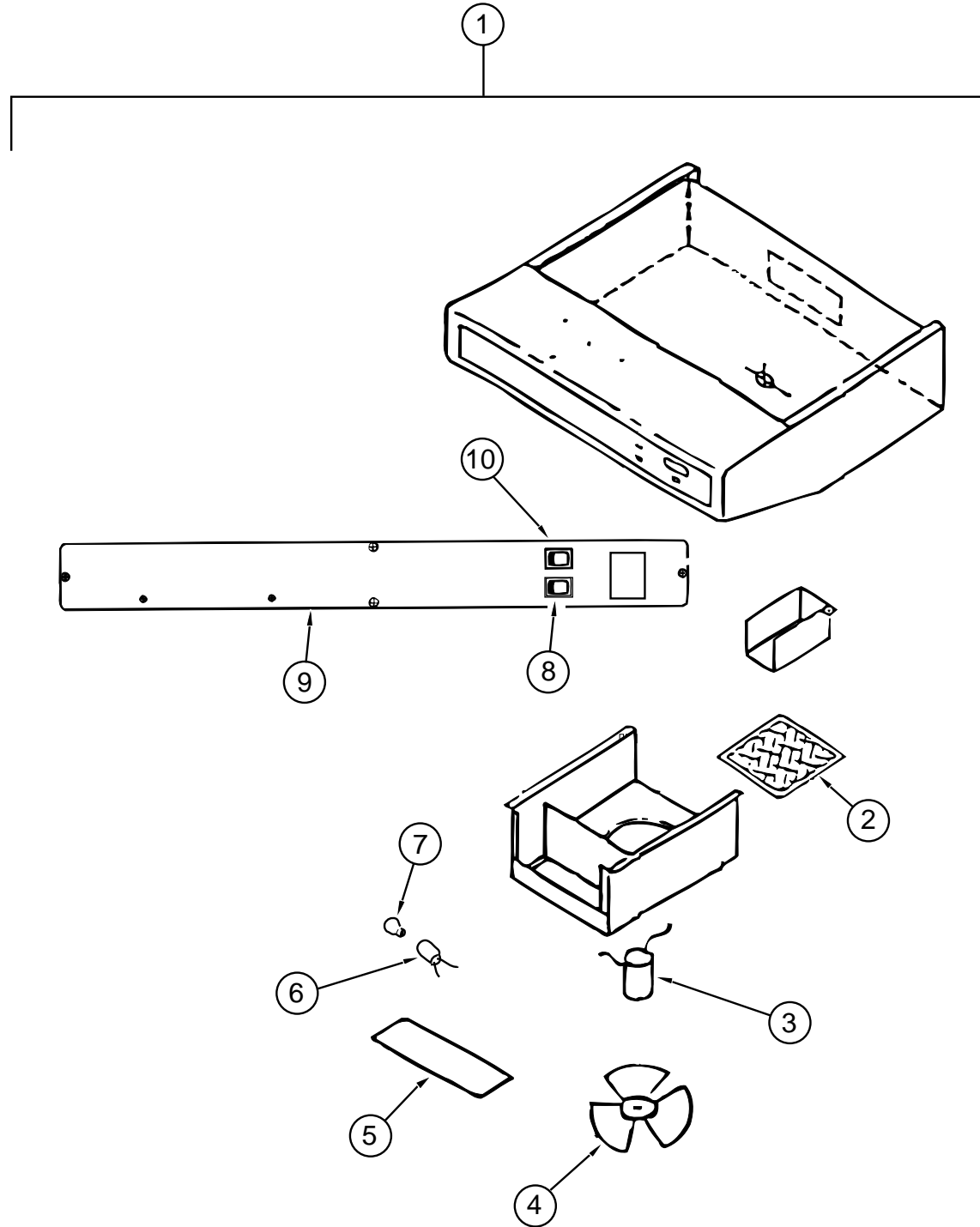
GALLEYGROUP(CONTINUED)



DOOR FOR NORCOLD MODEL 9162R

KEY	PARTNUMBER	U/M	DESCRIPTION	VENDORNO.
	121568-01-01A	EA	REFRIG-SMALL DBL DRBL 2-WAY - *NORCOLD 9162R	
1	120075-01-708	EA	BUSHING-DOOR HINGE	618144
2	120075-01-710	EA	DOOR-LOWER-FOAMED, W/GASKET	618270
3	120075-01-711	EA	HANDLE ASM, UPPER RH/LOWER LH	618235
4	120076-01-700	EA	RETAINER-LOWER DOOR PANEL	618132
5	120075-01-702	EA	CAP, (HINGE PLUG)	618160
6	121568-01-704	EA	RAIL-DOOR LOWER	618578
7	120075-01-705	EA	HINGE, PAINTED, TOP LH/BT MRH	618510
8	121568-01-701	EA	BIN-DOOR WHITE	618619
9	120075-01-701	EA	HINGE-TOP RH/BT MLH, PAINTED	618511

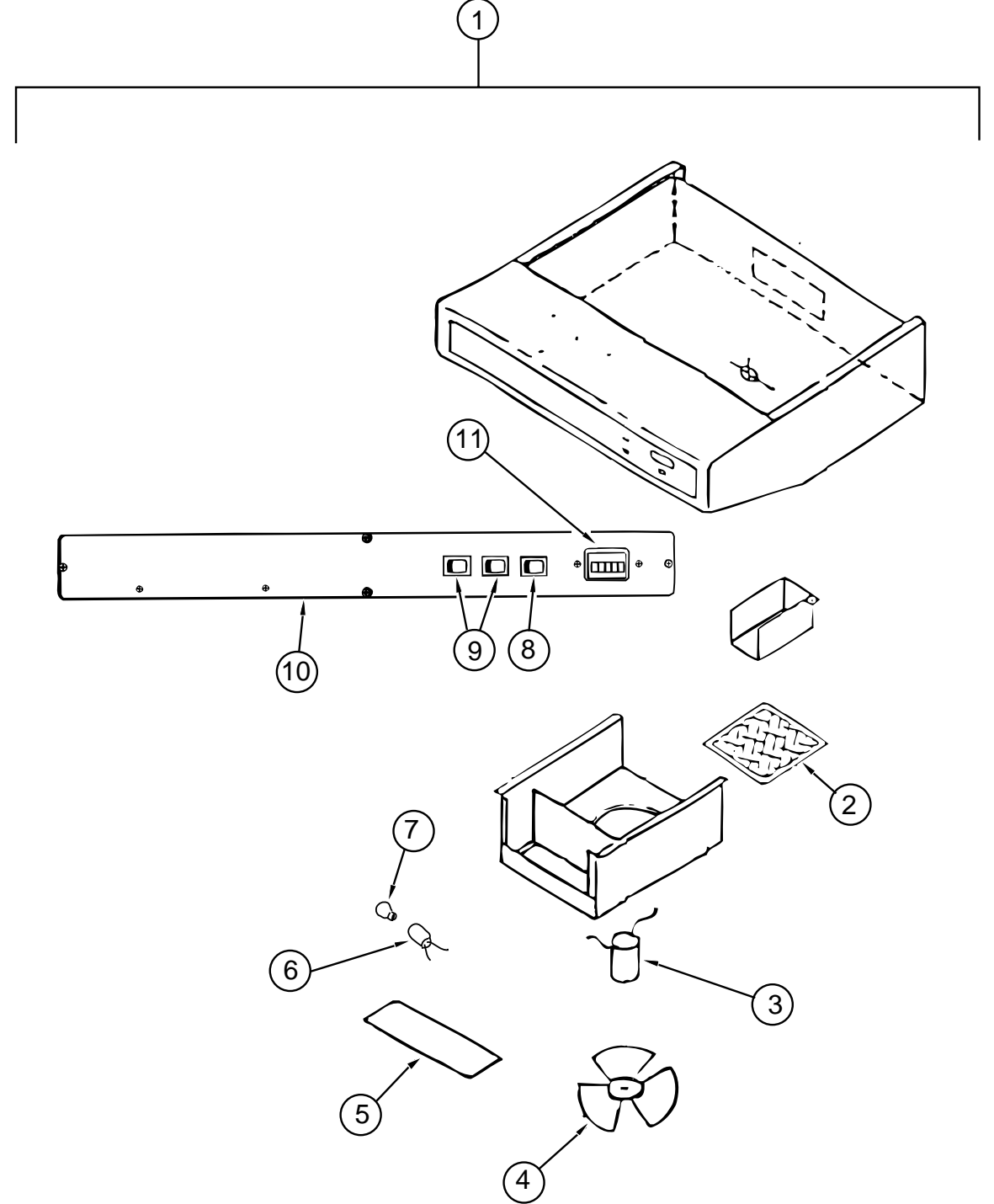
GALLEYGROUP(CONTINUED)



RANGEHOOD-VENTLINE

KEY	PARTNUMBER	U/M	DESCRIPTION	VENDORNO.
1	100258-16-04A	EA	HOOD-RANGE-W/OMONITORPANEL-TCS-5008-NBDL	
1	100258-17-04A	EA	HOOD-RANGE-W/OMONITORPANEL-TCS-500-NBCLG	
2	096983-01-707	EA	FILTER-MESH	CC246
3	090973-01-700	EA	MOTOR-12VOLT-CSA&UL	CA508-1
4	090973-01-702	EA	BLADE-FAN	VA183-1
5	092696-02-701	EA	LENS-LAMP	CC179-2
6	092696-01-710	EA	HOLDER-LAMP	CB267-2
7	092696-01-709	EA	LAMP#912	VA415
	117806-01-000	EA	BULB-12VNO.9121.0AMPS	
8	096983-01-700	EA	SWITCH-ON/OFF	108
9	100258-01-700	EA	LABEL-HOODNOSE	CC428
10	096983-01-702	EA	SWITCH-MOM/MOM	112
	100258-10-01A	EA	GAUGE-HOURMETERW/SWITCH-SCREWONSTYLE	
	100258-10-701	EA	GAUGE-HOURMETER-CLIPON	L0775-00

GALLEYGROUP(CONTINUED)

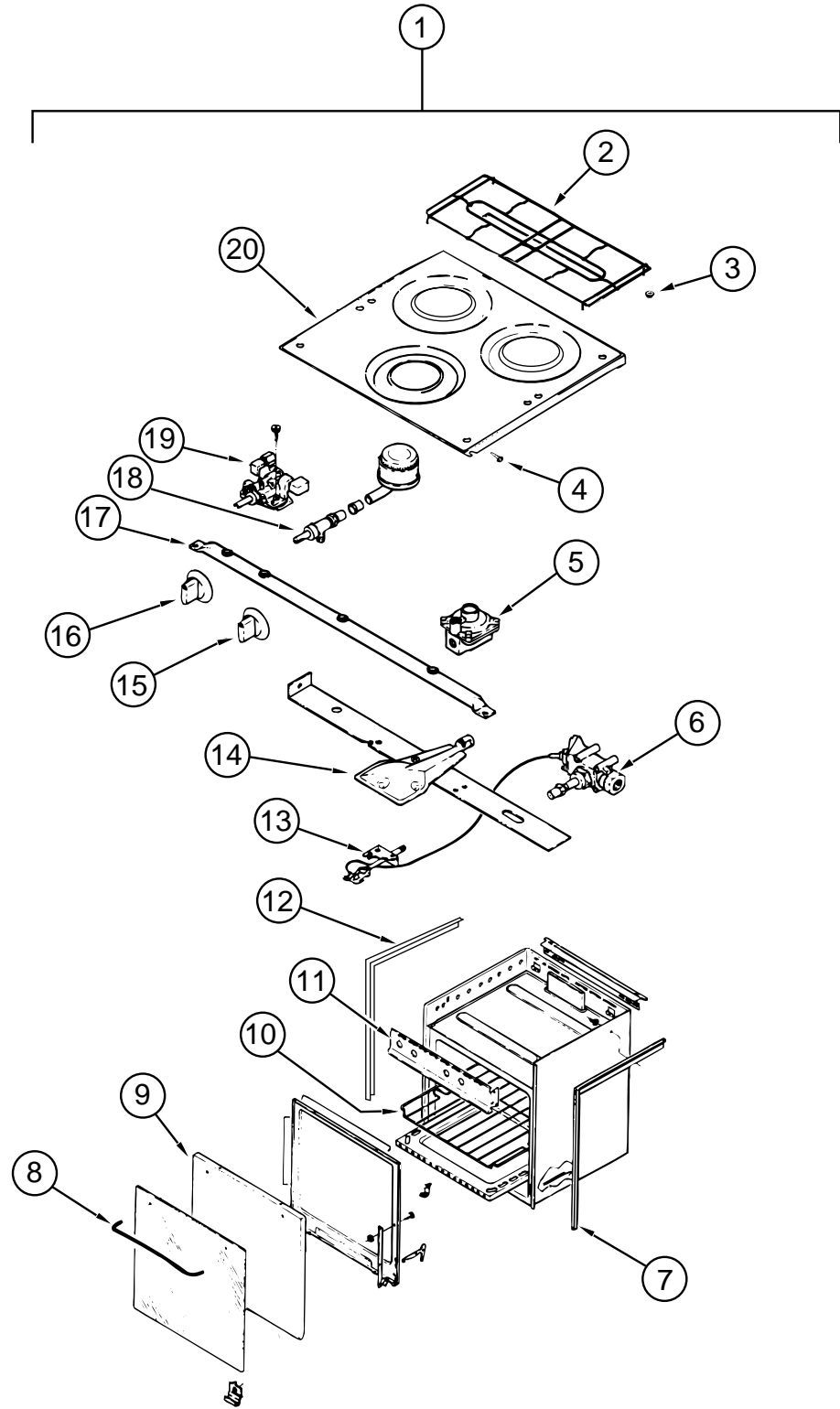


RANGEHOOD-VENTLINE

KEY	PARTNUMBER	U/M	DESCRIPTION	VENDORNO.
1	100258-18-03A	EA	HOOD-RANGE-W/OMONITORPANEL-TCS-55009-SOB-L	
2	096983-01-707	EA	FILTER-MESH	CC246
3	090973-01-700	EA	MOTOR-12VOLT-CSA&UL	CA508-1
4	090973-01-702	EA	BLADE-FAN	VA183-1
5	092696-02-701	EA	LENS-LAMP	CC179-2
6	092696-01-710	EA	HOLDER-LAMP	CB267-2
7	092696-01-709	EA	LAMP#912	VA415
	117806-01-000	EA	BULB-12VNO.9121.0AMPS	
8	096983-01-702	EA	SWITCH-MOM/MOM	112
9	096983-01-700	EA	SWITCH-ON/OFF	108
10	100258-01-700	EA	LABEL-HOODNOSE	CC428
11	100258-10-01A	EA	HOUR METER - 150	
	100258-10-701	EA	GAUGE-HOURMETER-CLIPON	L0775-00

GALLEYGROUP(CONTINUED)

RANGE-MAGICCHEF16TB-3B



KEY	PARTNUMBER	U/M	DESCRIPTION	VENDOR NO.
1	112881-01-04A	EA	RANGE - 16" - 3 BURNER BLACK DOOR - BLACK TEXTURED	
2	102020-01-711	EA	GRATE - TOP	7518P012-60
3	102020-01-709	EA	BUMPER - GRATE	8007-P020-60
4	102020-01-724	EA	BUMPER - MAINTOP	8003P008-60
5	102022-01-708	EA	REGULATOR, 1/4 & 1/2 OUT	7510P041-60
6	112881-01-702	EA	VALVE - MERCURY (SAFETY VALVE)	7501P12160=74001018
7	112881-01-708	EA	TRIM - FLAT (RIGHT) (BLK)	3608W036-70
				FROM: 00-00-00 THRU: 07-14-96
7	112881-01-720	EA	TRIM - FLAT RH BLACK TEXTURED	74002812
				FROM: 07-15-96 THRU: 99-99-99
8	102020-01-701	EA	HANDLE, DOOR	7701P092-60
9	112881-01-713	EA	DOOR - OVEN - TEXTURED, BLACK	2401F126-70
10	102020-01-700	EA	SHELF - OVEN	7801-P027-60
11	112881-01-701	EA	PANEL - MANIFOLD	2616F091-70
12	112881-01-707	EA	TRIM - FLAT (LEFT) (BLK)	3608W035-70
				FROM: 00-00-00 THRU: 07-14-96
12	112881-01-719	EA	TRIM - FLAT LH BLACK TEXTURED	74002813
				FROM: 07-15-96 THRU: 99-99-99
13	112881-01-710	EA	OVEN PILOT	7505P202-60
14	112881-01-711	EA	BURNER - OVEN	3403W025045
15	112881-01-705	EA	KNOB - TOP BURNER	7733P072-60
16	112881-01-704	EA	KNOB - THERMOSTAT	7731P067-60
17	112881-01-709	EA	PIPE - MANIFOLD	7513P097-60
18	102020-01-722	EA	VALVE - TOP BURNER	7502P181-60
18	112881-01-703	EA	VALVE - TOP BURNER HI - OUTPUT	7502P180-60
19	112881-01-722	EA	THERMOSTAT	7515P029-60K
	112881-01-706	EA	THERMOSTAT SER#02C	7515P031-60
	112881-01-715	EA	THERMOSTAT, REF. SER. #3C	7515P037-60
20	112881-01-712	EA	RANGE TOP - MAIN BLACK	740101486
	112881-01-703	EA	VALVE - TOP BURNER HI - OUTPUT	7502P180-60
	112881-01-721	EA	DEFLECTOR FLUE BLACK TEXTURE	74002809
				FROM: 07-15-96 THRU: 99-99-99
	112881-01-716	EA	KNOB, THERMOSTAT - SER#3C	7731P107-60
	112881-01-718	EA	KNOB - TOP BURNER HI - OUTPUT	74001794
	105458-01-000	EA	BRACKET - STOVETIEDOWN - RH	
	105458-02-000	EA	BRACKET - STOVETIEDOWN - LH	

GENERATORGROUP

GENERATOR-4WM/LITE

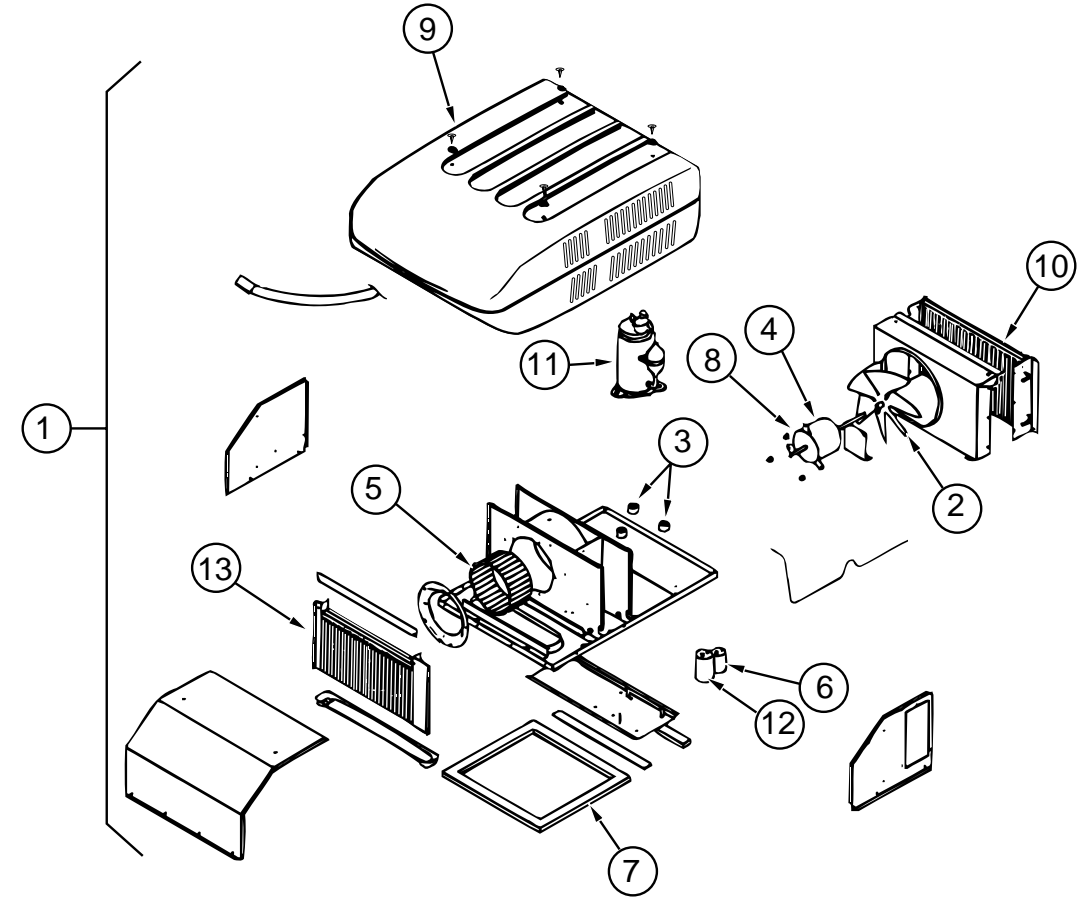
KEY	PARTNUMBER	U/M	DESCRIPTION
	109982-03-000	EA	GENERATOR-4.0MICROLITE
	007067-01-000	SF	INSULATION-FIBERGLASS-1"THICKX4'-INCREMENTS/4SF
	118248-01-02B	EA	BRACKET-GENERATOR-W/ONOTCH-E-COATED
	118248-02-02B	EA	BRACKET-GENERATOR-W/NOTCH-E-COATED
	007125-04-000	EA	CLAMP-MUFFLER-1.12"DIAMETER
	105958-09-000	EA	PIPE-GENERATOREXHAUST1.25"ODX5.9"X22"

GENERATOR-3.6WM/LITE

KEY	PARTNUMBER	U/M	DESCRIPTION
	109982-04-000	EA	GENERATOR-3.6MICROLITE
	007067-01-000	SF	INSULATION-FIBERGLASS-1"THICKX4'-INCREMENTS/4SF
	118248-01-02B	EA	BRACKET-GENERATOR-W/ONOTCH-E-COATED
	118248-02-02B	EA	BRACKET-GENERATOR-W/NOTCH-E-COATED
	007125-04-000	EA	CLAMP-MUFFLER-1.12"DIAMETER
	105958-09-000	EA	PIPE-GENERATOREXHAUST1.25"ODX5.9"X22"

NOTE: ADDITIONAL GENERATOR COMPONENTS ARE FOUND IN THE CHASSIS GROUP.

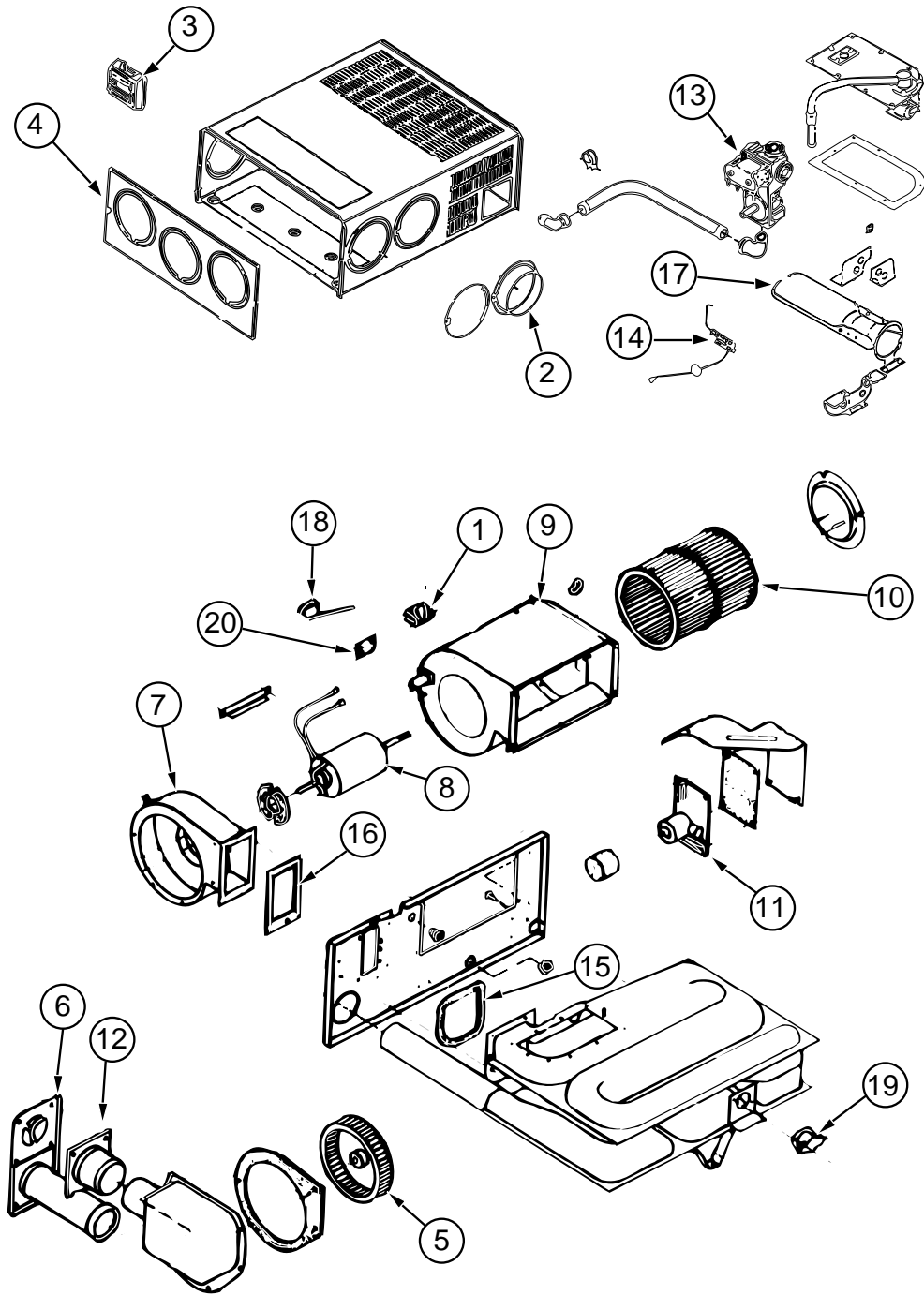
HEATING & AIR CONDITIONING GROUP



ROOFA/C-COLEMAN

KEY	PARTNUMBER	U/M	DESCRIPTION	VENDOR NO.
1	115219-01-03A	EA	A/C-ROOF, 14,800 MACH 15B/WT -*COLEMAN7335B896	
2	093763-01-712	EA	BLADE-FAN-CONDENSER	6733-3221
3	105620-01-706	EA	MOUNTING PKG., COMP., 3PER	6759-3081
4	108889-01-705	EA	MOTOR (115, 60HZ)	1468-3049
5	108889-01-706	EA	IMPELLOR	1472-1041
6	093763-01-704	EA	CAPACITOR-FAN	1499-5461
	108889-01-710	EA	PAD-FILLER, CONDENSER SEAL	6759A3971
7	108889-01-711	EA	GASKET PKG	6792-3301
8	108889-01-715	EA	MOTOR MOUNT & SHAFT SEAL KIT	6792-3361
9	108889-05-700	EA	SHROUD-BRIGHT/WHT. W/OLOGO	7333-4601
10	115219-01-700	EA	COIL-CONDENSER	1452-1321
11	115219-01-708	EA	COMPRESSOR-PANASONIC	1450-2039
12	115219-01-702	EA	CAPACITOR-RUN, COMPRESSOR	1499-5741
	115219-01-703	EA	RELAY-START	1497-4151
13	115219-01-704	EA	COIL-EVAPORATOR	1452-1331
	115219-01-705	EA	LINE-SUCTION, LOWER	7335-130
	115219-01-706	EA	LINE-SUCTION, UPPER	7335-131
	115219-01-707	EA	LINE ASSEMBLY, DISCHARGE	7335A132
	093306-01-701	EA	DECAL PACKAGE, LEFT & RIGHT	6798B3591
	093306-01-720	EA	CAPACITOR-START, 21-25MFD33	1497-3351
	102289-01-000	EA	SPRING-SCREW-ROOFA/C GASKET	
	084077-03-000	EA	COVER-BLANK, ROOFA/C-5.2"X3.5"-IVORY	
	092633-01-02A	EA	FRAME-PLATE-ROOFA/C-5.7"X3.9" ANY COLOR	
			FROM: 10-14-96 THRU: 99-99-99	
	117238-01-01A	EA	THERMOSTAT-A/C AND FURNACE	

HEATING & AIR CONDITIONING GROUP (CONTINUED)



HEATING & AIR CONDITIONING GROUP (CONTINUED)

FURNACE - SUBURBAN - MODEL SF-302273

KEY	PARTNUMBER	U/M	DESCRIPTION	VENDOR NO.
	098668-20-000	EA	FURNACE-30000BTU, SUBURBAN SF-302273	
1	074466-01-702	EA	RELAY, TIME DELAY	230625
2	075696-02-703	EA	COLLAR-DUCT	050715
3	115764-01-01A	EA	THERMOSTAT-FURNACE	
4	098668-01-700	EA	CABINET FRONT	101242
5	098668-01-706	EA	WHEEL-COMBUSTION AIR	350128
6	098668-01-707	EA	TUBE ASSEMBLY, EXHAUST W/CAP	260231
7	098668-01-708	EA	HOUSING-BLOWER, COMBUSTION	390441
8	098668-01-709	EA	MOTOR ASM., F/SF-25, SF-30	231706
9	098668-01-710	EA	HOUSING-BLOWER, ROOM AIR	390440
10	098668-01-711	EA	WHEEL-BLOWER, ROOM AIR	350129
11	098668-01-712	EA	BOARD-MODULE	520741
12	098668-01-713	EA	TUBE ASSEMBLY, INTAKE	051248
13	098668-01-714	EA	VALVE-GAS, SFS, N. 921401821	161070
14	098668-01-715	EA	ELECTRODE ASM., SINGLE PROBE	232166
15	098668-01-716	EA	GASKET-FIREWALL, CHAMBERSIDE	070808
16	098668-01-717	EA	GASKET-FIREWALL, BLOWERSIDE	070809
17	098668-02-700	EA	BURNER ASSEMBLY, SF-30 & SF35	010745
18	098668-21-700	EA	SWITCH-MICRO, W/O FLAG 3/4"	232261
19	098668-21-701	EA	SWITCH-LIMIT	231799
20	101990-01-714	EA	GASKET-MICROSWITCH	230877
	092300-02-701	EA	ORIFICE-MAIN BURNER (NT-30BW)	180214
	098668-23-000	EA	DOOR-ACCESS-FURNACE	

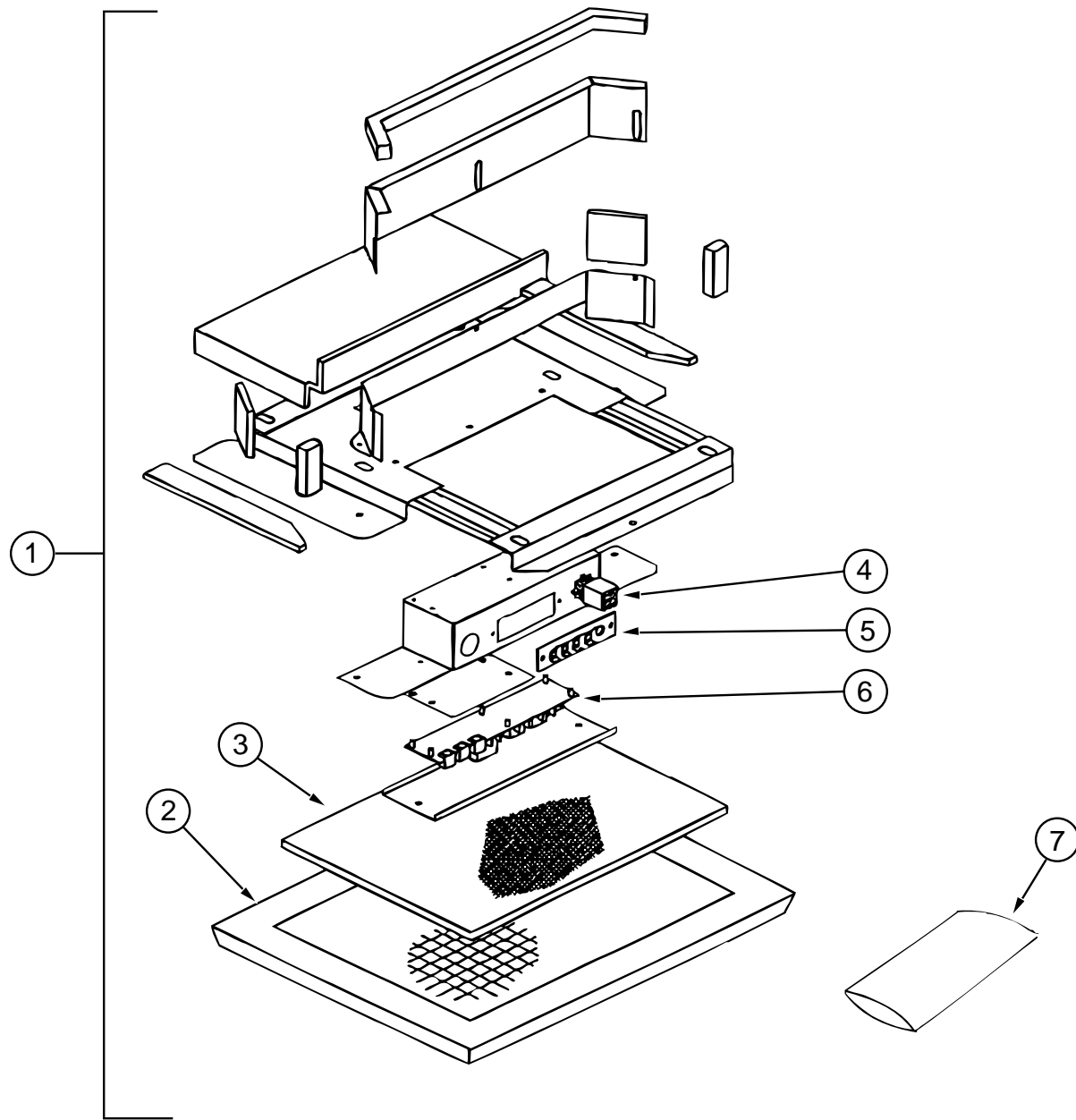
HEATING SYSTEM

KEY	PARTNUMBER	U/M	DESCRIPTION
	093741-01-000	EA	BOX-BOOT-FLOOR REGISTER
	069636-02-000	EA	CONNECTOR-DUCT-4" ID
	009198-01-000	FT	DUCT-HEAT-FLEXIBLE-4" ID X 25'
	009198-02-000	FT	DUCT-FLEXIBLE-2" ID X 25'
	093614-01-02A	EA	GRILLE-RETURN AIR
	093614-02-02A	EA	GRILL-RETURN AIR
	079059-02-000	EA	HOSE-90 DEGREE-.61" ID X 4" X 6"
	007108-01-000	FT	HOSE-HEATER-5/8" ID-HI-TEMP-FORD
	120134-01-02A	EA	REGISTER-4-5" DIAMETER W/DAMPER
	056464-10-000	EA	REGISTER-W/O DAMPER-4" DIAMETER
	094600-05-01A	EA	REGISTER-HEAT W/O DAMPER
	009200-01-000	EA	TAPE-FURNACE-1 1/2"
	089367-02-000	EA	TEE-4" X 2" X 4"
	008042-01-000	FT	TUBING-VINYL-.65" ID
	056464-09-000	EA	VENT-4" W/DAMPNER-BEIGE PLASTIC

REAR HEATER - EVANS

KEY	PARTNUMBER	U/M	DESCRIPTION	VENDOR NO.
	084405-01-000	EA	HEATER-REAR-DUCTED-W/MOTOR AID-EVANS	
	084405-01-700	EA	CORE-HEATER	FT200229
	084405-01-701	EA	FAN BLADES	HV029931
	084405-01-702	EA	MOTOR ASSEMBLY, 12VOLT	R0200180
	081994-06-000	EA	PLATE-SWITCH-AUXILIARY START	
	087202-01-000	EA	SWITCH-4 POSITION W/KNOB 5 TERMINAL	

HEATING&AIRCONDITIONINGGROUP(CONTINUED)



CEILING ASM. - A/C - COLEMAN

KEY	PARTNUMBER	U/M	DESCRIPTION	VENDOR NO.
1	108892-01-01A	EA	CEILINGASSEMBLY-A/CDUCTED	
2	108892-01-704	EA	GRILLE(PLASTIC)	6798-3041
3	108892-01-703	EA	FILTER	6798A3761
4	108892-01-700	EA	PLUGASSEMBLY	7330-540
5	108892-01-701	EA	BOARD-TERMINAL	7330-3201
6	108892-01-702	EA	BOARD-P.C.	7330A3211
7	108892-01-705	EA	SMALLPARTSPKG	7330A6101

INTERIORFINISHGROUP

EDGEANDMOLDING

KEY	PARTNUMBER	U/M	DESCRIPTION
	076325-68-000	FT	MOLDING-EDGEAND-15/16"X.038-WATERORDOAK
	076325-67-000	FT	MOLDING-EDGEAND-.93"X.024" WATERFORDOAK
	076325-39-000	FT	MOLDING-EDGEAND-15/16"X.030"(H07)
	076325-40-000	FT	MOLDING-EDGEAND-.875"X.024"(H07)
	076325-43-000	FT	MOLDING-EDGEAND-.876X.024X600-CLOUD(H08)
	076325-46-000	FT	MOLDING-EDGEAND-15/16X.030X600-CLOUD(H08)
	076325-34-000	FT	MOLDING-EDGEAND-15/16"X.030"-ORCHIDMIST

BATTSTRIP&TAPE

KEY	PARTNUMBER	U/M	DESCRIPTION
	069733-83-000	EA	BATTSTRIP-WOODGRAINED/WATERFORDOAK-8'LONG
	088263-D6-000	EA	BATTSTRIP-DECORATIVE-IMPACTPEARL-8'LONG
	085284-C9-000	FT	BATTTAPE-ADHESIVEBACKED-CEILING-IMPACTPEARL
	088263-D2-000	EA	BATTSTRIP-DECORATIVE-WASH/VANILLA-8'LONG(H07)
	085284-C5-000	FT	BATTTAPE-ADHESIVEBACKED-DECORATIVE-FRENCHWASH/VANILLA(H07)
	088263-E4-000	EA	BATTSTRIP-DECORATIVE-LAJOLLA/SEAMIST-8'LONG(H08)
	085284-D7-000	FT	BATTTAPE-ADHESIVEBACKED-DECORATIVE-LAJOLLA/SEAMIST(H08)
	085284-B5-000	FT	BATTTAPE-ADHESIVEBACKED-WOODGRAINED/WATERFORDOAK

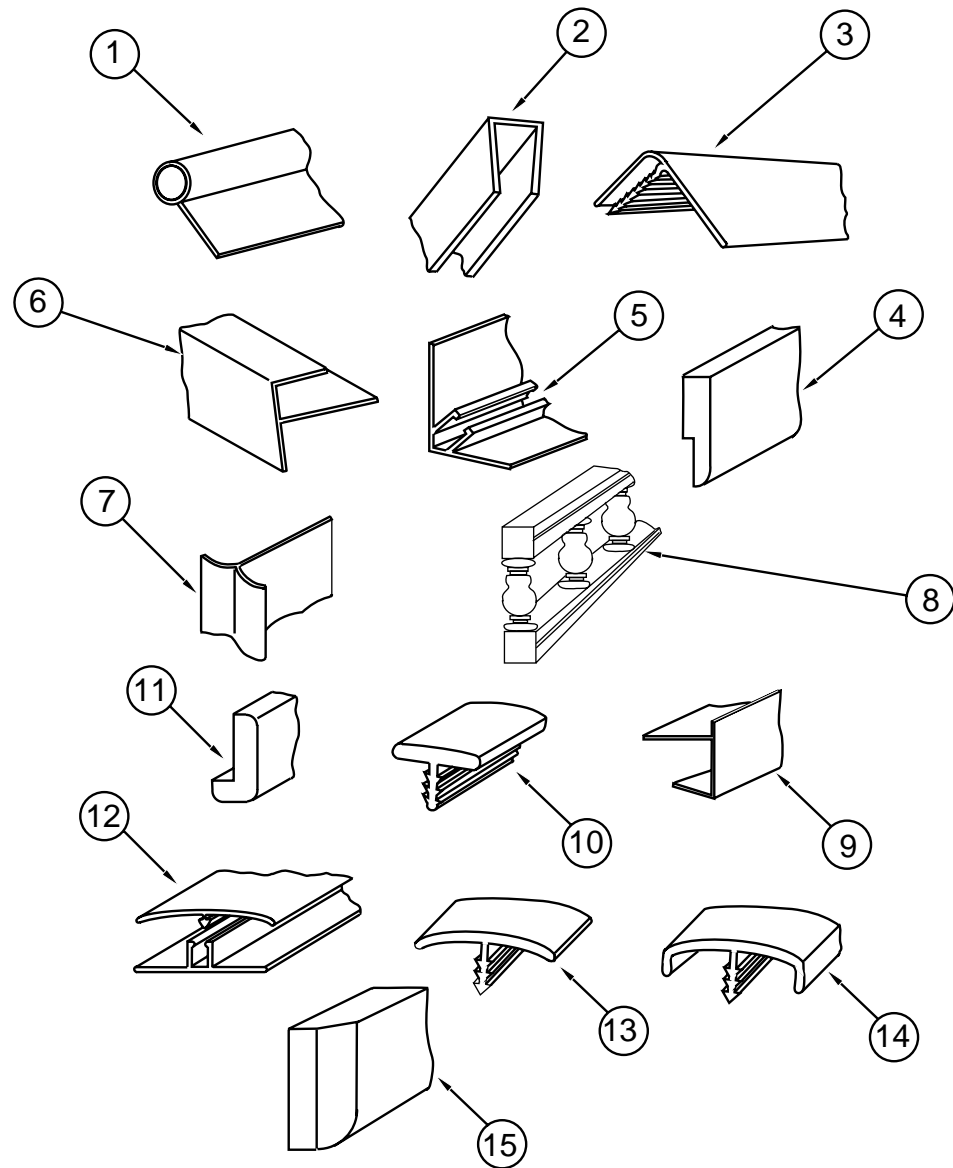
PANELING,LAMINATES&PLASTIC

KEY	PARTNUMBER	U/M	DESCRIPTION
	074497-28-000	SF	PANELING-WATERFORDOAK-4'X8'
	074497-33-000	SF	PANELING-CEILING-IMPACTPEARL-4'X9'
	074498-71-000	SF	LAMINATE-PLASTICNEUTRALSANTOS-5'X8'INCREMENTS(H07)
	074498-62-000	SF	LAMINATE-PLASTIC-GREYFINESSE-5'X8'INCREMENTSOF40SF(H08)
	074498-67-000	SF	LAMINATE-PLASTIC-ORCHIDMIST-5'X8'INCROF40SF
	074498-77-000	SF	LAMINATE-PLASTICARTCABIN5'X8'INCROF40SQFT
	080215-10-000	SF	PANELING--2SIDE-WATERFORD-4'X8'
	088272-F3-000	SF	PANELING-FRENCHWASH,VANILLA(H07)
	088272-G2-000	SF	PANELING-LAJOLLA,SEAMIST(H08)
	088272-G1-000	SF	PANELING-SHOWER-ANTUQUEWHT-4'X7'-INCROF28SQFT
	000885-76-000	SF	PARTICLEBOARD-3/8"X4'X8'WATERFORDOAKVINYL1SIDE
	000885-77-000	SF	PARTICLEBOARD3/8"X4'X8'-WATERFORDOAKVINYL2SIDED
	000885-78-000	SF	PARTICLEBOARD-1/2"X4'X8'WATERFORDOAK-VINYL2SIDE
	000885-79-000	SF	PARTICLEBOARD-3/4"X4'X8'WATERFORDOAKVINYL2SIDED
	117267-E2-438	EA	LUMBER-VINYLWRAPPED-.7"X2"X8'-WATERFORDOAK
	117267-G2-438	EA	LUMBER-VINYLWRAPPED-.7"X3"X8'-WATERFORDOAK
	057882-04-000	SF	TAMBOUR-48"X72" SHEET-UNFINISHED
	089297-01-000	SF	PLYWOOD-LUAN-OVERLAYGRADE-4'X8'
	093743-05-01A	SF	PLASTIC-ABSCOILBRIGHTWHITE20"X500"
	098531-03-000	SF	PLYWOOD-ASH1/2"
	000846-01-000	SF	PLYWOOD-5/16'X4'X8'
	000846-02-000	SF	PLYWOOD-UNDR-5/16"X4'X8'
	114129-01-02A	SF	LINER-CABINET-.02"X48"X96"

126339-01-000 SF BOARD-WHEAT-60"X72" FROM: 00-00-00 THRU: 04-13-97

FROM: 04-14-97 THRU: 99-99-99

INTERIORFINISHGROUP(CONTINUED)



MOLDINGS&TRIMS

KEY	PARTNUMBER	U/M	DESCRIPTION
1	009767-12-000	FT	MOLDING-SIDEWALLTOCEILING/CABINET-WELTING-OFF/WHT
2	009778-21-000	FT	U-CHANNEL-1"X8"INCREMENTS-PLASTIC
2	009778-20-700	EA	U-CHANNEL,1"X55" MODERNIVORY
2	070504-36-000	FT	U-CHANNEL-PLASTIC-1.65"WIDE-INCREMENTSOF8'
2	070504-37-000	FT	U-CHANNEL-PLASTIC-.815"WIDE-INCREMENTSOF8'
3	009809-23-000	EA	MOLDING-CORNER-OUTSIDE-1"PLASTIC-IVORY
3	009809-28-000	EA	MOLDING-PLASTIC-OUTSIDE CORNER-1"-WATERFORDOAK
4	105004-01-05A	EA	MOLDING-VINYLRAPPED-1"X8'WATERFORDOAK
5	100819-01-05A	EA	MOLDING-VINYLRAP-DOOR-WATERFORDOAK
6	009812-29-000	EA	MOLDING-PLASTIC-OUTSIDE CORNER-.50"-WATERFORDOAK
6	009812-24-000	EA	MOLDING-PLASTIC-OUTSIDE CORNER-.50"-IVORY
7	022992-11-000	FT	MOLDING-REVERSE COVE-T-SHAPEDVINYLR-IVORY
8	075249-01-000	EA	RAILING-OAK,72"UNFINISHED
9	103186-01-05A	FT	MOLDING-SHELFEDGE-.78"PLASTIC-WATERFORDOAK
10	104676-01-01A	FT	T-MOLDING-5/16"-RIGIDGOLD
11	077840-01-G01	EA	MOLDING-CAP-WALL-8'

INTERIORFINISHGROUP(CONTINUED)

MOLDINGS&TRIMS

KEY	PARTNUMBER	U/M	DESCRIPTION
12	086229-11-000	EA	RETAINER-OFFSET
12	086229-12-000	EA	BATTEN-1.5"OFFSET
12	086229-13-000	EA	BATTEN-CEILING-1"-MODERNIVORY
			FROM: 00-00-00 THRU: 06-09-96
12	086229-20-000	EA	BATTEN-1"CEILING-BEIGE
			FROM: 06-10-96 THRU: 99-99-99
13	009815-09-000	FT	MOLDING-T,.75"-IVORY
13	105709-01-000	FT	T-MOLDING-1"MODERNIVORY
14	083620-09-000	FT	T-MOLDING,3/4W/EDGELIPS-MODERNIVORY
14	083620-12-000	FT	T-MOLDING-3/4"W/EDGELIPS-WATERFORDOAK
14	104676-02-04A	FT	T-MOLDING-1/2"X10'
14	119520-01-01A	FT	T-MOLDING-1"W/EDGELIPS(OFF/WHITE-CREAM)
15	100659-01-G09	EA	MOLDING-TRIM-VINYLFLOOR
	120492-01-04A	FT	STRIP-TRIM
	117267-D2-438	EA	LUMBER-VINYLRAPPED-.7"X1.5"X96"-WATERFORDOAK
	117268-D2-134	EA	MOLDING-VINYLRAPPED-.7"X1.6"X84"-WATERFORDOAK
	117268-F2-438	EA	MOLDING-VINYLRAPPED-.7"X2.6"X96"-WATERFORDOAK

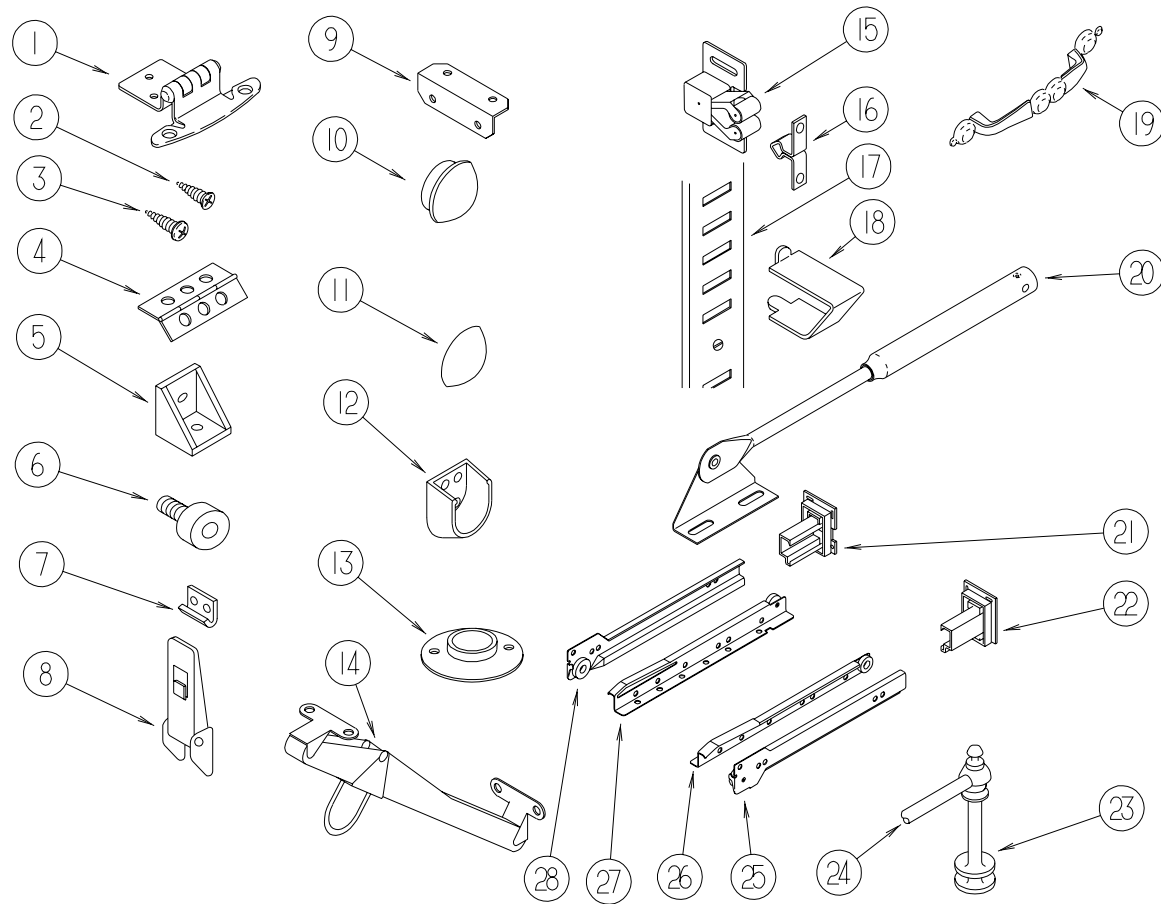
FIREEXTINGUISHER,DETECTORS&CLOCK

KEY	PARTNUMBER	U/M	DESCRIPTION	VENDOR NO.
	072852-01-000	EA	DETECTOR-SMOKE-W/9VOLT BATTERY-US	
	072852-02-000	EA	DETECTOR-SMOKE-W/9VOLT BATTERY-CANADIAN	
	094499-01-000	EA	EXTINGUISHER-FIRE-DRYW/MOUNTING BRACKET-10B:C	
	094499-02-000	EA	EXTINGUISHER-FIRE-DRY-1A10BC-CANADIAN	
	094499-01-700	EA	BRACKET MTG.W/PLAS.STRAP	294039
	094499-01-701	EA	STRAPONLY(METAL)	320351
	118081-01-01A	EA	CLOCK-WALL-ROUND8"-BRASS	
			FROM: 00-00-00 THRU: 06-22-97	
	118081-02-01A	EA	CLOCK-WALL-ROUND8"BRASS	
			FROM: 06-23-97 THRU: 99-99-99	
	112320-03-000	EA	DETECTOR-COGASSMODEL9D-I	
			FROM: 00-00-00 THRU: 10-20-96	
	112320-04-000	EA	BATTERY/SENSOR MODULE-CO(BLACKMODULE)F/9D-ISYSTEM	
			FROM: 00-00-00 THRU: 10-20-96	
	125136-01-000	EA	DETECTOR-CO-GAS-MODEL9L-I	
			FROM: 10-21-96 THRU: 99-99-99	

CARPETING&FLOORMATS

KEY	PARTNUMBER	U/M	DESCRIPTION
	096060-95-000	SY	CARPET-DOESKIN-INCREMENTSOF4SQYD(H07)
	096060-C2-000	SY	CARPET-JUBILATION,BISCANYN.B CARRIAGE(H08)
	093486-01-000	SY	CARPET-COMPARTMENT-54"WIDE-DARKGRAY
	109583-01-G36	EA	CARPET-PEDESTALCOVERUP
	093873-01-01A	EA	TRIM-CARPET-L-ANGLE1.1"X1.3"X12'-GRAYVINYLR
	081075-03-000	EA	MAT-FLOOR-ENTRANCE-WINNEBAGO
	106884-01-000	EA	MAT-FLOOR-FRONT PASSENGER"W"-FORD
	106884-02-000	EA	MAT-FLOOR-FRONT DRIVER"W"-FORD

INTERIORFINISHGROUP(CONTINUED)



CABINET&TABLEHARDWARE

KEY	PARTNUMBER	U/M	DESCRIPTION
1	108138-01-000	EA	HINGE-CABINETDOOR-BURNISHEDBRASS
2	000G13-06-10G	EA	SCREW-6-20X5/8PFH-ANTIQUBRASS
3	000G68-06-10G	EA	SCREW-6-18X5/8POH-ANTIQUBRASS
4	009059-01-000	EA	HINGE-DOOR-2"X1.4"-BRASS
5	065740-01-000	EA	BRACE-CABINET/CORNER-PLASTIC
6	079921-01-000	EA	ROLLER-NYLON-W/STEELSHAFT-BARBED
7	042541-05-000	EA	STRIKE
8	116975-01-01A	EA	LATCH-W/OSTRIKE
9	016604-01-000	EA	BRACE-CABINET-ANGLE-2.5"-UNPAINTEDMETAL
9	016604-05-000	EA	BRACE-CABINET-ANGLE-2.5"-OFFWHITEMETAL
10	074045-10-000	EA	PLUG-OAK-1/2"DIAMETER
11	057671-01-000	EA	COVER-SCREW-#8-PLASTIC-OFFWHITE
11	057671-15-000	EA	COVER-SCREW-#8-PLASTIC-BRIGHTWHITE
12	009112-01-000	EA	FLANGE-PLASTIC-1"CLOTHESROD-OFFWHITE
13	113236-01-01A	EA	BRACKET-CLOTHES-ROD
14	104181-01-01A	EA	SUPPORT-LEAF5.3"EXTENDSTO7.5"-SAFETYRING-METAL
15	093586-06-000	EA	CATCH-SPRING-ROLLER
16	093586-05-000	EA	STRIKE-SPRINGSTEEL
17	098980-05-000	EA	PILASTER-ADJUSTABLESHELF-15"LONG
18	098979-01-000	EA	CLIP-ADJUSTABLESHELF
19	111093-01-000	EA	PULL-CABINET-BRASS
20	074493-02-000	EA	SUPPORT-PISTONSRING-CABINETDOOR
21	114045-01-000	EA	BACKSOCKET-ADJUSTABLELEFT
22	114045-02-000	EA	BACKSOCKET-ADJUSTABLERIGHT
23	084070-02-000	EA	POST-END-2.4"-BRASS
23	084070-03-000	EA	POST-END-2.4"-BRASS

FROM: 00-00-00 THRU: 07-14-96

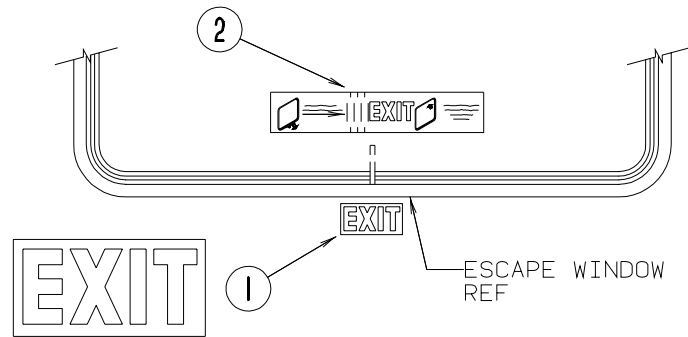
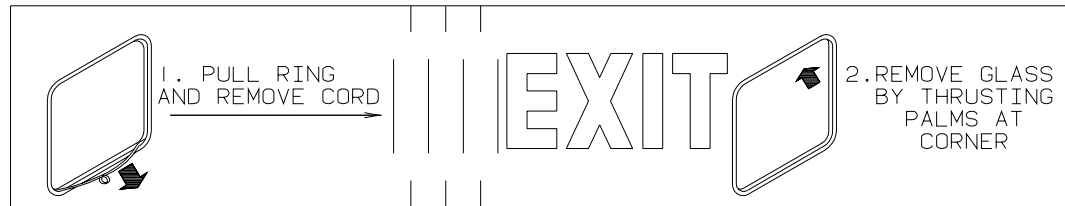
FROM: 07-15-96 THRU: 99-99-99

INTERIORFINISHGROUP(CONTINUED)

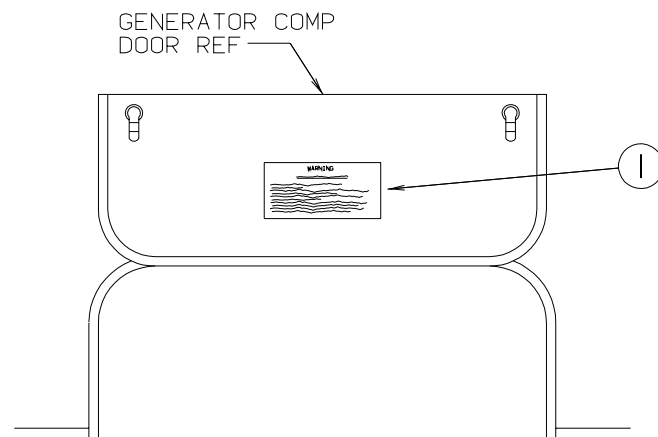
CABINET&TABLEHARDWARE(CONTINUED)

KEY	PARTNUMBER	U/M	DESCRIPTION
24	084071-12-000	EA	ROD-BRASS-4.08"LONG
24	084071-19-000	EA	ROD-BRASS-7.09"LONG
25	114031-02-000	EA	SLIDE-12"-RIGHTSIDE/CABINET
25	114031-06-000	EA	SLIDE-14"-RIGHTSIDE/CABINET
25	114031-10-000	EA	SLIDE-16"-RIGHTSIDE/CABINET
25	114031-14-000	EA	SLIDE-18"-RIGHTSIDE/CABINET
25	114031-18-000	EA	SLIDE-20"-RIGHTSIDE/CABINET
25	114031-22-000	EA	SLIDE-22"-RIGHTSIDE/CABINET
26	114031-04-000	EA	SLIDE-12"-RIGHTSIDE/DRAWER
26	114031-08-000	EA	SLIDE-14"-RIGHTSIDE/DRAWER
26	114031-12-000	EA	SLIDE-16"-RIGHTSIDE/DRAWER
26	114031-16-000	EA	SLIDE-18"-RIGHTSIDE/DRAWER
26	114031-20-000	EA	SLIDE-20"-RIGHTSIDE/DRAWER
26	114031-24-000	EA	SLIDE-22"-RIGHTSIDE/DRAWER
27	114031-03-000	EA	SLIDE-12"-LEFTSIDE/DRAWER
27	114031-07-000	EA	SLIDE-14"-LEFTSIDE/DRAWER
27	114031-11-000	EA	SLIDE-16"-LEFTSIDE/DRAWER
27	114031-15-000	EA	SLIDE-18"-LEFTSIDE/DRAWER
27	114031-19-000	EA	SLIDE-20"-LEFTSIDE/DRAWER
27	114031-23-000	EA	SLIDE-22"-LEFTSIDE/DRAWER
28	114031-01-000	EA	SLIDE-12"-LEFTSIDE/CABINET
28	114031-05-000	EA	SLIDE-14"-LEFTSIDE/CABINET
28	114031-09-000	EA	SLIDE-16"-LEFTSIDE/CABINET
28	114031-13-000	EA	SLIDE-18"-LEFTSIDE/CABINET
28	114031-17-000	EA	SLIDE-20"-LEFTSIDE/CABINET
28	114031-21-000	EA	SLIDE-22"-LEFTSIDE/CABINET
	004354-01-000	EA	BUMPER-RUBBER-.5"DIA-BROWN
	076790-01-000	EA	SCREW-6-20X1 1/4PPH-BLACK
	102194-01-000	EA	GUIDE-PLASTIC
	023320-01-000	EA	PAD-FELT3/8"DIAMETER
	041389-35-000	EA	HINGE-PIANO-OW
	042438-01-000	EA	DOWEL-WOOD-CLOTHESROD-1"DIAMETERX4'

LABELSGROUP



KEY	PARTNUMBER	U/M DESCRIPTION
1	039290-01-000	EA LABEL-WARNING-EXIT
2	107571-01-000	EA LABEL-EXIT/ESCAPE-WINDOW



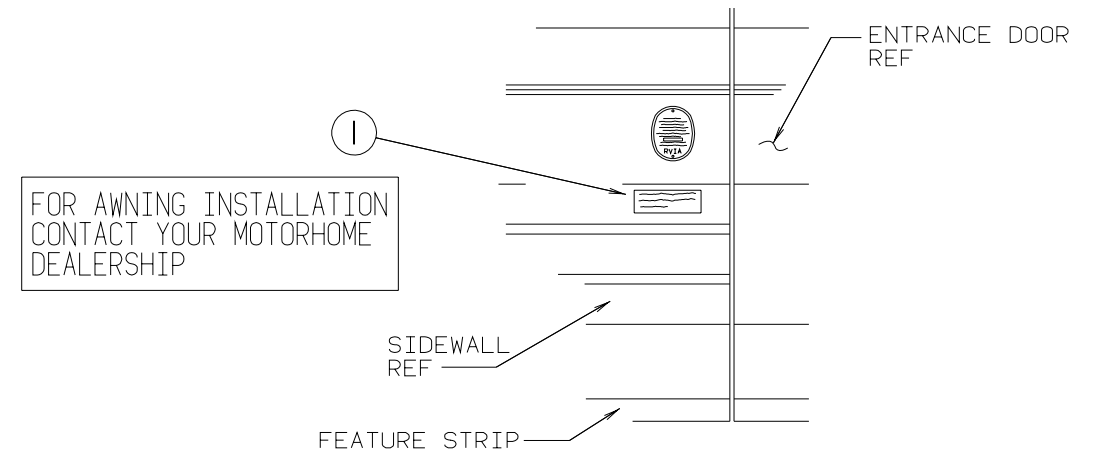
WARNING

WHEN ADDING A GENERATOR SET:

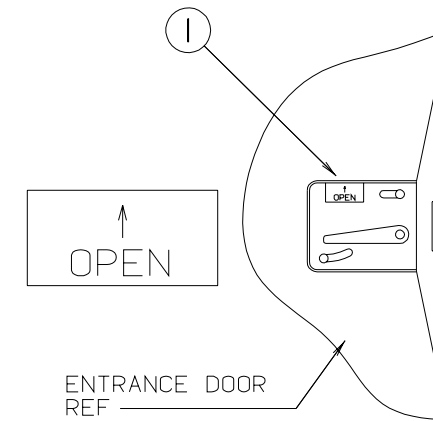
HIGH VOLTAGE-USE EXTREME CAUTION WHEN WORKING ON ELECTRICAL COMPONENTS.
 HAVE ALL ELECTRICAL INSTALLATION PERFORMED BY A QUALIFIED LICENSED ELECTRICIAN-FOLLOW ALL STATE AND LOCAL CODES.
 ONLY INSTALL GENERATOR SET APPROVED FOR R.V. APPLICATION. HAVE INSTALLED BY QUALIFIED TECHNICIAN.
 TO AVOID HEAT BUILD-UP AND TO GUARANTEE AN ADEQUATE AIR SUPPLY TO THE GENERATOR CARBURETOR, FOLLOW INSTALLATION INSTRUCTIONS.
 GENERATOR ENGINE EXHAUST GASES ARE TOXIC AND MUST NOT TERMINATE UNDER THE VEHICLE-DISCHARGE EXHAUST AWAY FROM VEHICLE.

KEY	PARTNUMBER	U/M DESCRIPTION
1	077510-01-000	EA LABEL-GENERATORPREP

LABELSGROUP(CONTINUED)

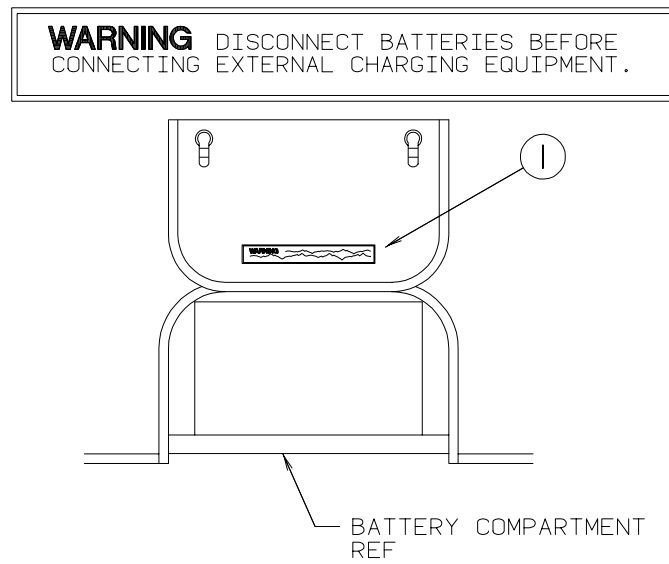


KEY	PARTNUMBER	U/M DESCRIPTION
1	099509-01-000	EA LABEL-AWNINGINSTALLATION

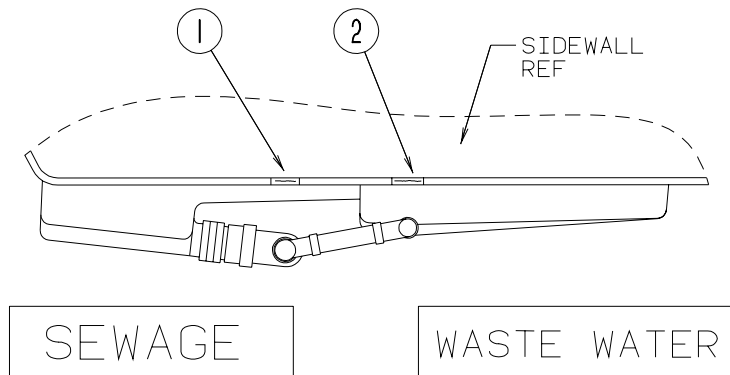


KEY	PARTNUMBER	U/M DESCRIPTION
1	040944-01-000	EA LABEL-ENTRANCEDOOR-"OPEN"

LABELSGROUP(CONTINUED)

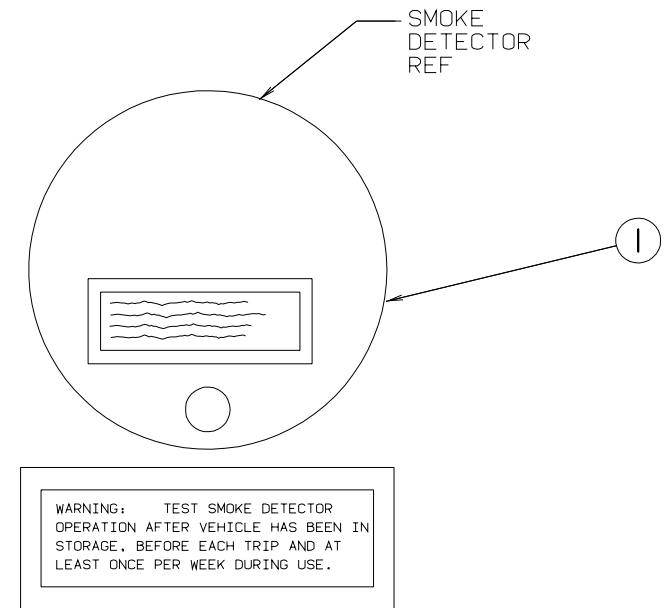


KEY	PARTNUMBER	U/M DESCRIPTION
1	065748-01-000	EA LABEL-CAUTION-BATTERYCHARGING

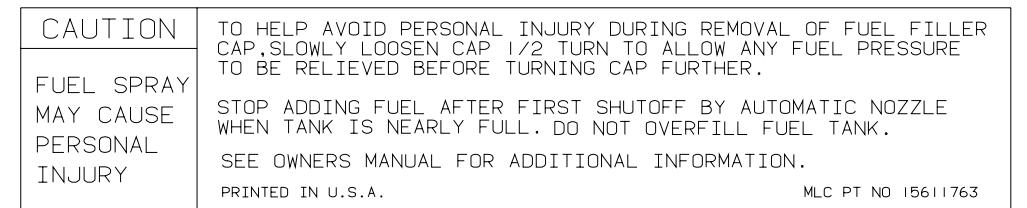


KEY	PARTNUMBER	U/M DESCRIPTION
1	006187-01-000	EA LABEL-SEWAGE
2	006188-01-000	EA LABEL-WASTEWATER

LABELSGROUP(CONTINUED)



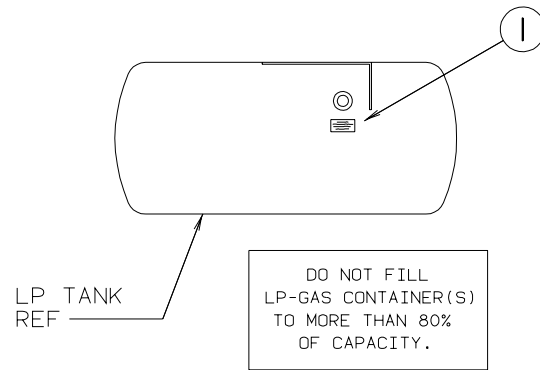
KEY	PARTNUMBER	U/M DESCRIPTION
1	077956-01-000	EA LABEL-WARNING-SMOKEDETECTOR



KEY	PARTNUMBER	U/M DESCRIPTION
1	087207-05-000	EA LABEL-FUELCAPREMOVAL
2	062043-01-000	EA LABEL-FUEL-UNLEADED
3	068383-01-000	EA LABEL-FUEL-DIESEL
4	006040-01-000	EA TAG-GASREFUELING-WARNING
4	006040-02-000	EA TAG-GAS-REFUELWARNING-CANADIAN
4	124519-01-01A	EA LABEL-WARNING/REFUELING
4	124519-02-01A	EA LABEL-WARNING/REFUELING-CSA

FROM: 00-00-00 THRU: 09-01-96
 FROM: 00-00-00 THRU: 09-01-96
 FROM: 09-02-96 THRU: 99-99-99
 FROM: 09-02-96 THRU: 99-99-99

LABELSGROUP(CONTINUED)

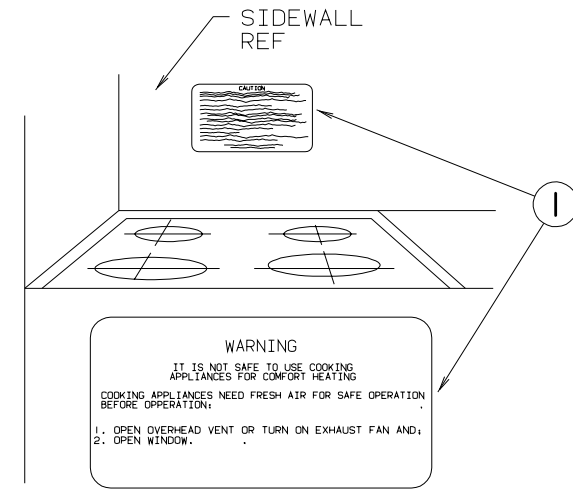


KEY	PARTNUMBER	U/M	DESCRIPTION
1	054531-01-000	EA	LABEL-LPGASONLY
1	124520-01-01A	EA	LABEL-LPGASONLY

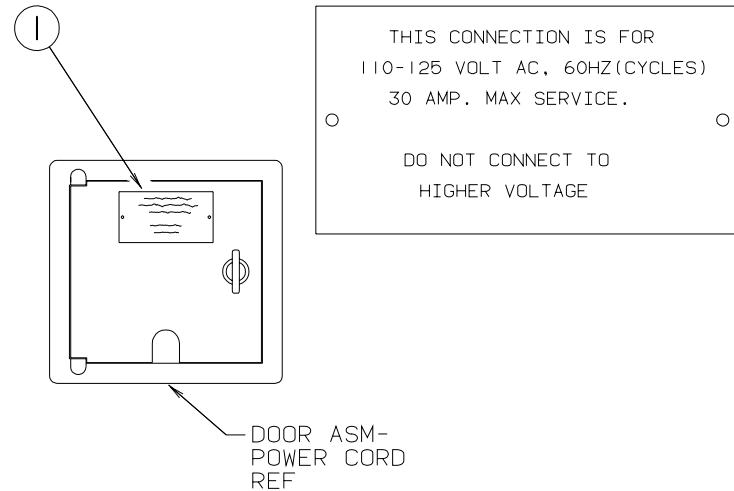
FROM: 00-00-00 THRU: 09-01-96

FROM: 09-02-96 THRU: 99-99-99

LABELSGROUP(CONTINUED)



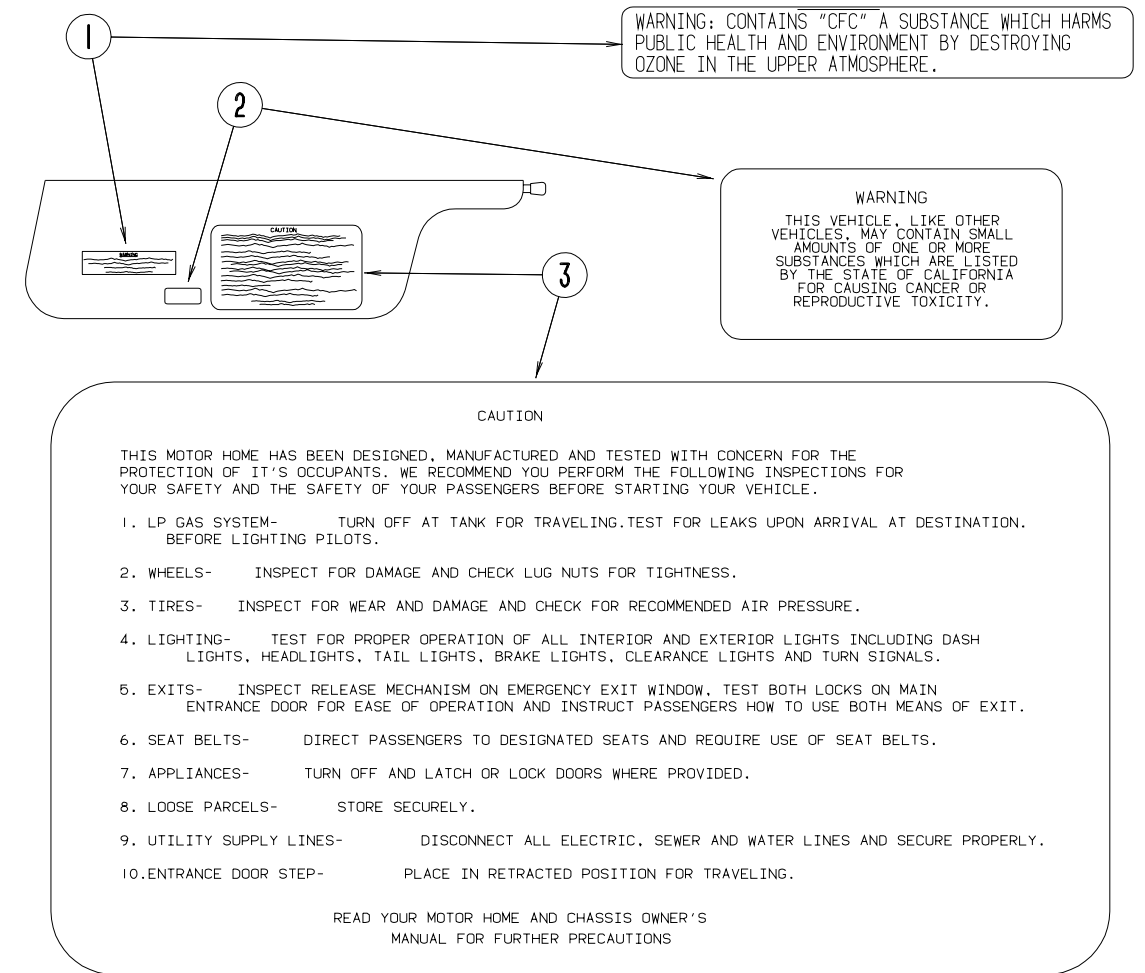
KEY	PARTNUMBER	U/M	DESCRIPTION
1	050225-01-000	EA	LABEL-WARNING-STOVEVENT-US



KEY	PARTNUMBER	U/M	DESCRIPTION
1	006062-01-000	EA	TAG-ELECTRIC-110VCONNECTION

MISCELLANEOUSLABELS

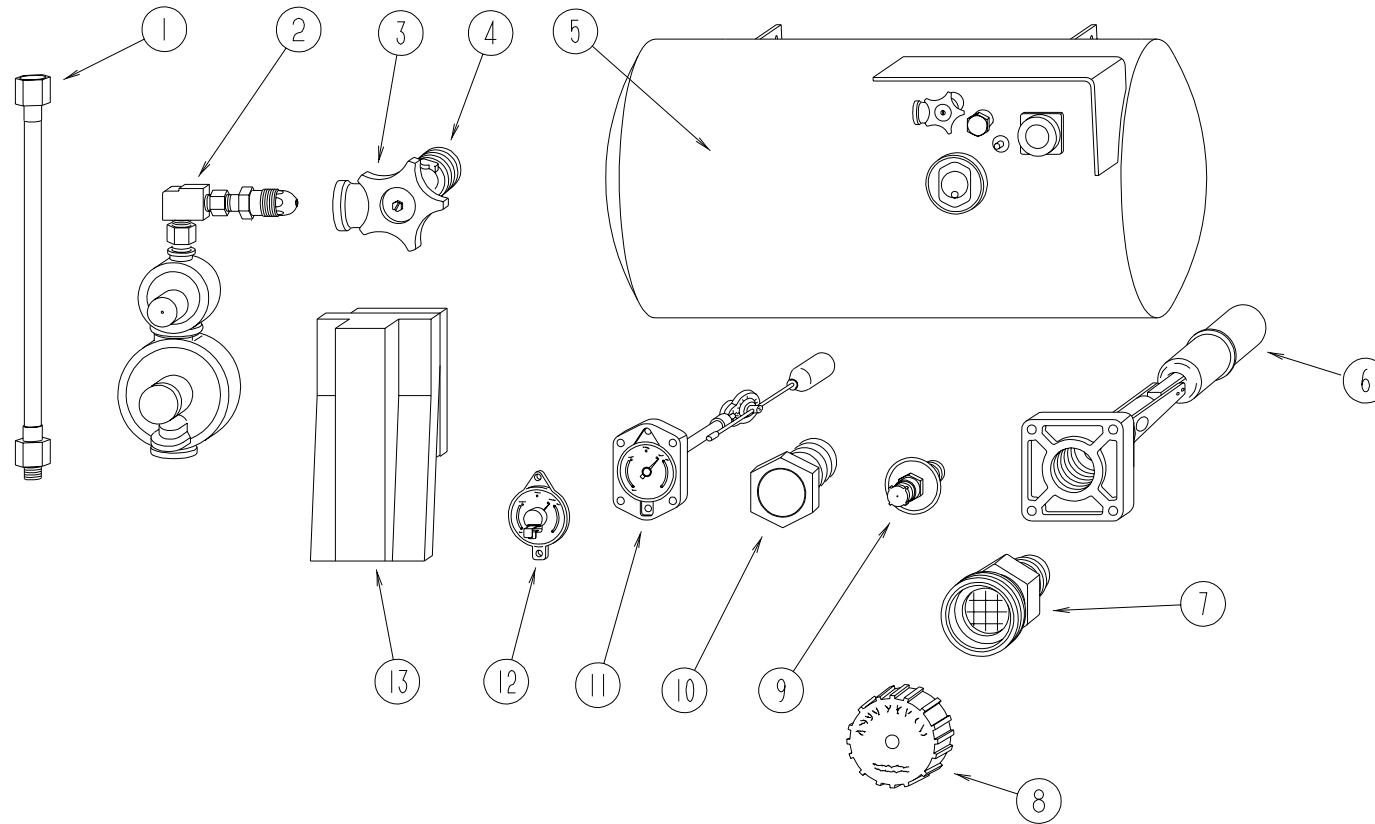
KEY	PARTNUMBER	U/M	DESCRIPTION
	104236-01-000	EA	LABEL-GENERATORCIRCUIT
	006064-01-000	EA	LABEL-SEATW/OSEATBELT(US)
	006064-02-000	EA	LABEL-SEATW/OSEATBELT(CSA)
			NOTINTENDEDFORUSEWHILECOACHINMOTION
	091243-01-000	EA	LABEL-A/C COVER "AIRCONDITIONINGCIRCUITETC."
	091243-02-000	EA	LABEL-COVER-"MICROWAVECIRCUIT.ETC."
	093236-08-000	EA	LABEL-CIRCUITBREAKER
	098641-01-000	EA	LABEL-FUEL-UNLEADED-DASH
	073998-01-000	EA	LABEL-LPG ODOR WARNING
	061417-01-000	EA	LABEL-FUEL, ON FUEL FILL DOOR
	111104-01-000	EA	LABEL-HITCH-READ MANUAL
	111104-02-000	EA	LABEL-HITCH-READ MANUAL
	006062-01-000	EA	LABEL-ELECTRIC-110VOLT CONNECTION
	023769-01-000	EA	LABEL-WARNING-LPG-CANADIAN
	079966-01-000	EA	LABEL-WARNING-STOWED-MOTION
	087236-01-000	EA	LABEL-CABLE-INPUT
	093236-08-000	EA	LABEL-CIRCUITBREAKER



KEY	PARTNUMBER	U/M	DESCRIPTION
1	111802-01-000	EA	LABEL-CFC WARNING
2	099689-01-000	EA	LABEL-WARNING-CANCER/TOXICITY
3	056259-01-000	EA	LABEL-SAFETY CHECKLIST

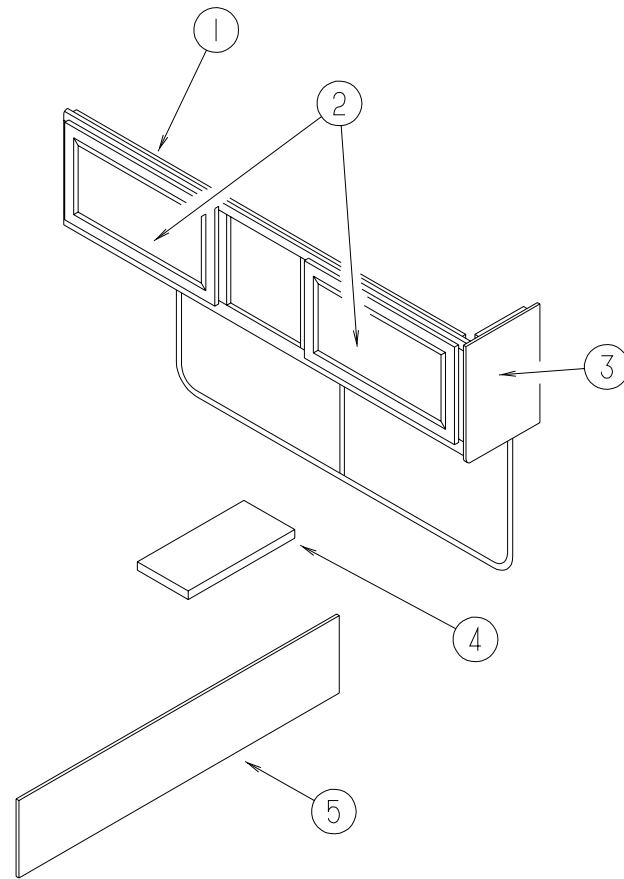
LPGROUP

LPSYSTEM



KEY	PARTNUMBER	U/M	DESCRIPTION	VENDOR NO.
1	045703-01-000	EA	HOSE-LP-3/8"IDX24"-3/8"MPTX1/2"SWIVEL-U.S.	
1	045703-02-000	EA	HOSE-LP-3/8"IDX24"-3/8"MPTX1/2"F-SWIVEL-CAN	
	045703-09-000	EA	HOSE-LP-3/8"IDX24"-3/8"FSWIVELX3/8"FSWIVEL	
2	106150-01-000	EA	REGULATOR-TWOSTAGE	
2	106150-02-000	EA	REGULATOR-TWOSTAGEM'BRASS290-00	
3	040421-01-708	EA	HANDWHEEL-SERVICEVALVE	G-1015-A
4	040421-01-712	EA	VALVE,SERV.W/OVAPORRELIEF	29000853
5	097821-01-000	EA	TANK-LP-60LBBRUNNER-14"X30"	
6	040421-01-711	EA	VALVE-80%FILLW/AUTOSTOP	LLL/TL3
7	040421-01-701	EA	VALVE-FILL-SHORT,LP	75478
8	040421-01-702	EA	CAP-FILLVALVE,PLASTIC	G-1014-A
9	040421-01-700	EA	VALVE-LIQUIDLEVEL,20%	G-1013
10	040421-01-713	EA	VALVE-VAPORONLY	29000587
11	040421-01-707	EA	FLOATASM.(SIGHTGAUGE)14"	14C
	040421-01-701	EA	VALVE-FILL-SHORT,LP	75478
12	040440-02-000	EA	TRANSMITTER-DIAL-0-90OHM-2TERMINAL(POWER&GROUND)	
13	105658-01-000	EA	COMPARTMENT-LPREGULATOR	
	010265-01-000	EA	ELBOW-BRASS-90DEGREE-3/8"FX1/2"FPT	
	010323-01-000	EA	ADAPTER-BRASS-3/8"FX1/2"MPT	
	010252-01-000	EA	ELBOW-BRASS-90DEGREE-3/8FX1/2MPT	
	010377-02-000	EA	NUT-BRASS-3/8"FLARE-FORGED	
	065318-02-000	EA	ELBOW-90DEGREE-3/8"MPTTO3/8"FPT	
	103613-01-000	EA	DETECTOR-LPGAS	
			FROM: 00-00-00 THRU: 11-10-96	
	103613-02-000	EA	DETECTOR-LPGAS	
			FROM: 11-11-96 THRU: 99-99-99	

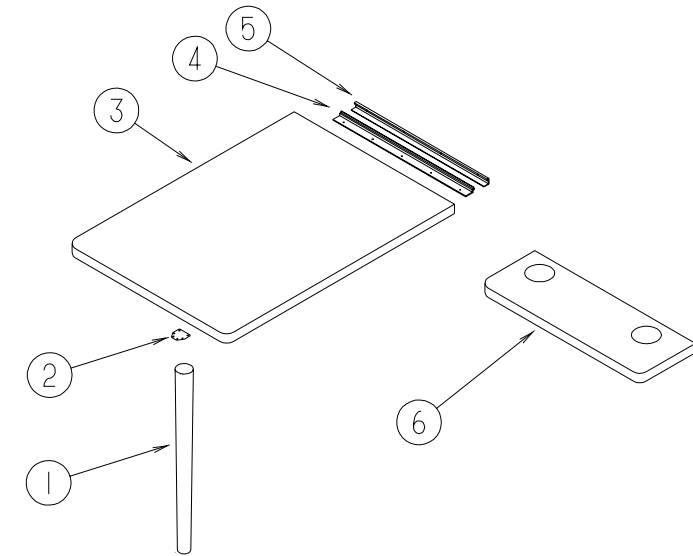
LOUNGE GROUP



FRONT FACING COUCH, TABLE & CABINETRY

KEY	PARTNUMBER	U/M	DESCRIPTION
1	122926-01-H07	EA	CABINET-DINETTE OVERHEAD-W/O DOORS/HARDWARE
1	122926-01-H08	EA	CABINET-DINETTE OVERHEAD-W/O DOORS/HARDWARE
2	110140-32-G01	EA	DOOR-MIRROR/MTRDCRNR/VINYL WRAP-11.4"X28"W/OHDW
2	110140-38-G04	EA	DOOR-MITERED CORNER/VINYL WRAP-11.4"X28"-W/OHDW
3	109908-09-G04	EA	ENDCAP-OVERHEAD CABINET
4	P14725-01-000	EA	COVER-AIR RETURN W/O CARPET
5	M02634-01-H07	EA	PANEL-KICKBOARD-W/FABRIC
5	M02634-01-H08	EA	PANEL-KICKBOARD-W/FABRIC
	082525-01-000	EA	BRACE-COUCH-FLOOR MOUNT-ANGLE 3" LONG
	105947-01-000	EA	BRACKET-HOLD DOWN-COUCH-CANADIAN
	083125-07-000	EA	BRACE-COUCH-2.5"
	114693-01-01A	EA	SUPPORT-COUCH-BLACK-RIGHT
	114693-02-01A	EA	SUPPORT-COUCH-BLACK-LEFT
	114726-01-GB1	EA	TRAY-BEVERAGE
	114739-01-01A	EA	PAD-NONSKID-PSA-1 EACH=PAIR

LOUNGE GROUP (CONTINUED)



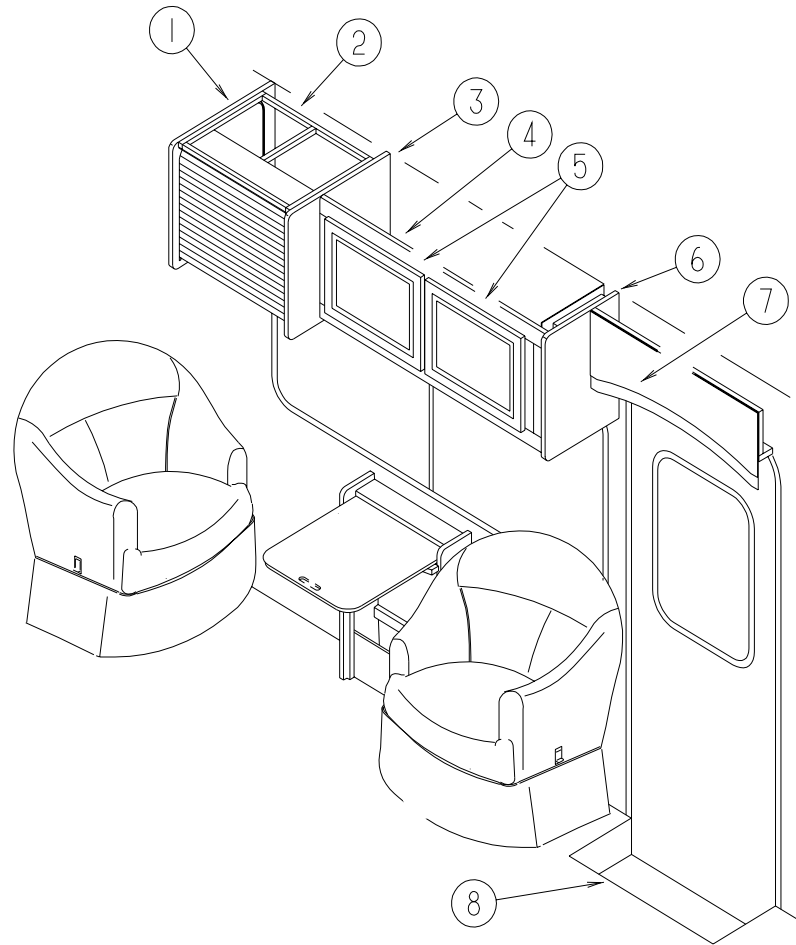
DRIVERSIDE TABLE/FRONT FACING COUCH

KEY	PARTNUMBER	U/M	DESCRIPTION
1	114724-01-03A	EA	LEG-TABLE/TAPERED WOOD-WATER FOR DOAK
1	114724-01-01A	EA	LEG-TABLE/TAPERED WOOD
2	114724-02-000	EA	PLATE-TABLE LEG
3	081322-14-G07	EA	TABLE TOP ONLY (H07)
3	081322-14-F02	EA	TABLE TOP ONLY (H08)
4	102201-04-02A	EA	SUPPORT-HINGE CATCH-TABLE MOUNTED
5	118933-01-01A	EA	SUPPORT-HINGE LOCK
6	114681-01-F09	EA	TABLE-LOUNGE/SMALL-W/O HARDWARE (H07)
6	114681-01-F02	EA	TABLE-LOUNGE/SMALL-W/O HARDWARE (H08)
	069726-02-000	EA	BUMPER-.88" O.D X .40" THICK-BLACK
	064781-06-000	EA	HOLDER-CUP-TWO STEP-OFF WHITE

DRIVERSIDE TABLE/SECTIONAL SLEEPER COUCH

KEY	PARTNUMBER	U/M	DESCRIPTION
	081298-01-H07	EA	TABLE TOP ONLY
	081298-01-H08	EA	TABLE TOP ONLY
	041194-01-000	EA	BASE-TABLE/FLUSH-FLOOR MOUNTED
	009040-02-000	EA	PEDESTAL TABLE LEG-27.5" X 2.25" DIAMETER
	009040-03-000	EA	BASE-TABLE/RAISED-TABLE MOUNTED
	042438-02-000	EA	DOWEL-WOOD-2" X 2"

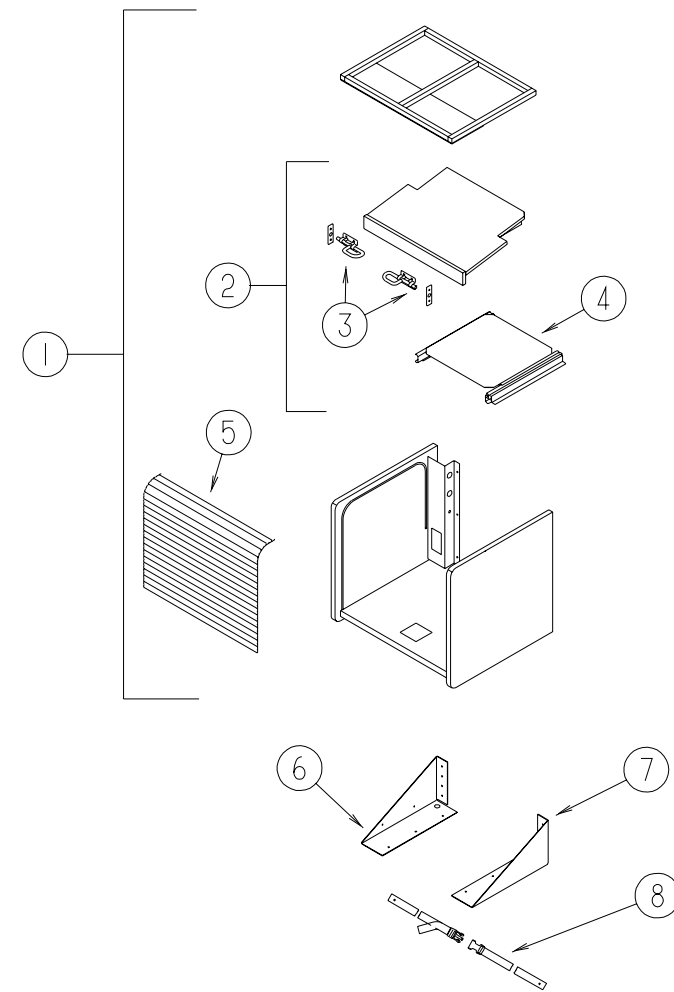
LOUNGE GROUP (CONTINUED)



PASSENGERSIDE OVERHEAD CABINETS W/ TV CABINET

KEY	PART NUMBER	U/M	DESCRIPTION
1	121877-14-H04	EA	ENDCAP
2	M08163-01-H04	EA	CABINET-TV/VCP-W/OSHELF/SLIDES/SWIVEL-W/TAMBOURDOOR
2	M08163-02-H04	EA	CABINET-TV/VCP-W/SHELF/SLIDES/SWIVEL/TAMBOURDOOR
3	121877-15-H04	EA	ENDCAP
4	122777-01-H07	EA	CABINET-OVERHEADFRONT-W/ODOORS/DRAWERS/HARDWARE
5	110140-66-G01	EA	DOOR-MITEREDCORNER/VINYLWRAP-14.3\"X17.9\"-W/OHDW
6	109908-09-G04	EA	ENDCAP-OVERHEAD CABINET
7	112964-01-G04	EA	CABINET-OVERHEAD ENTRANCE-W/ODOORS/HARDWARE
8	P14437-02-000	EA	CABINET-LID ENTRANCE DOOR-W/O CARPET
8	101222-01-02A	EA	BRACKET-CATCH-LID-OFF WHITE

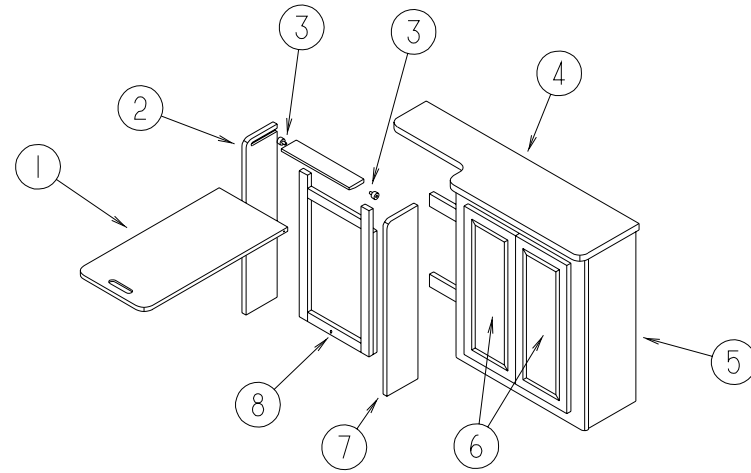
LOUNGE GROUP (CONTINUED)



PASSENGER SIDE TV CABINET

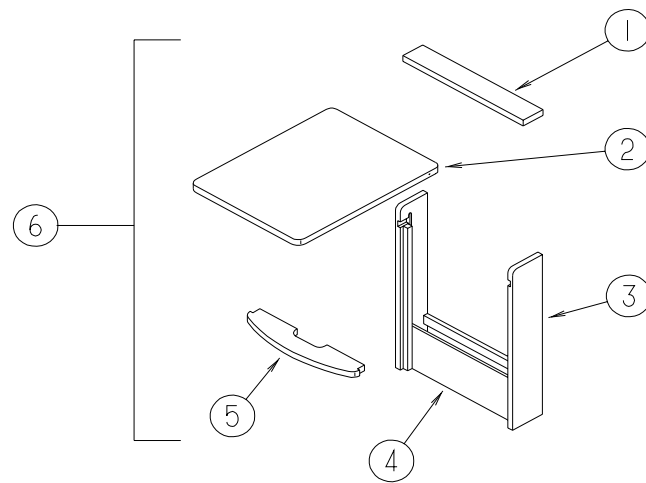
KEY	PART NUMBER	U/M	DESCRIPTION
1	M08163-01-H04	EA	CABINET-TV/VCP-W/OSHELF/SLIDES/SWIVEL-W/TAMBOURDOOR
1	M08163-02-H04	EA	CABINET-TV/VCP-W/SHELF/SLIDES/SWIVEL/TAMBOURDOOR
2	121877-11-H04	EA	SHELF-W/SLIDE AND SWIVEL
3	103256-01-000	EA	LATCH-SLIDE
4	116773-02-000	EA	SWIVEL/SLIDES-F/TV SHELF
5	057882-04-000	SF	TAMBOUR-48\"X72\" SHEET-UNFINISHED W/O HANDLE
6	122298-03-02B	EA	BRACKET-TV/VCR-RIGHT HAND
7	122298-02-02B	EA	BRACKET-TV/VCR-LEFT HAND
8	099717-04-000	EA	STRAP-TIEDOWN W/21.3\" FEMALE STRAP & 27.2\" MALE STRAP

LOUNGE GROUP (CONTINUED)



PASSENGER SIDE HUTCH TABLE

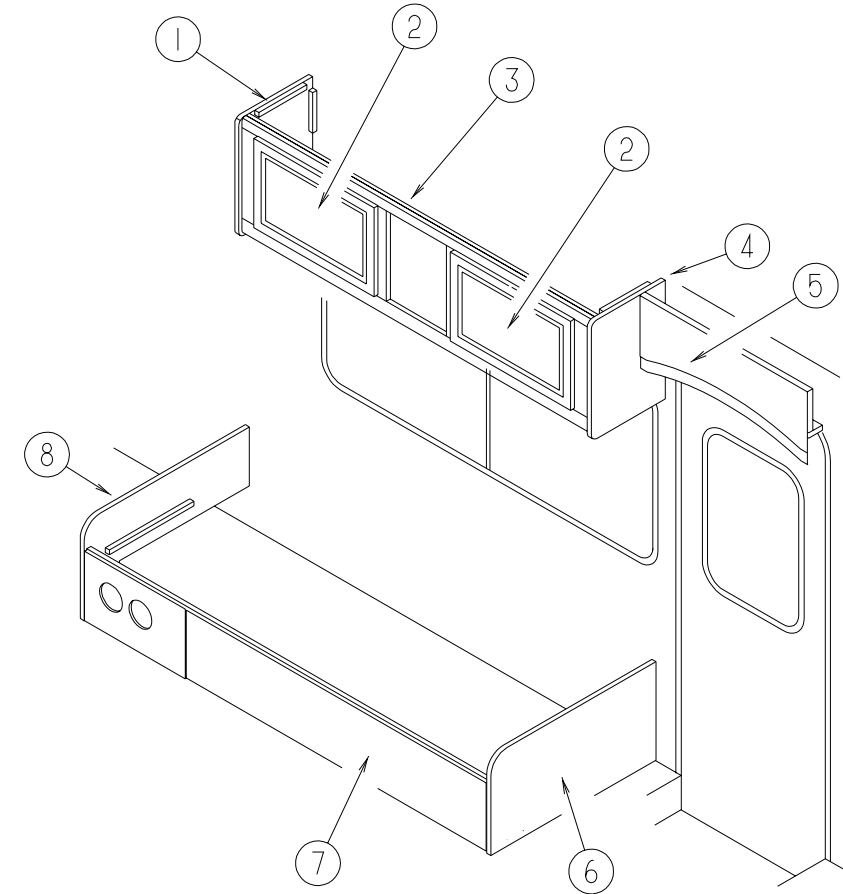
KEY	PARTNUMBER	U/M	DESCRIPTION
1	114796-15-G07	EA	TABLE - PULLOUT - HUTCH CABINET
2	114796-13-F08	EA	PANEL - OUTSIDE - FLIP UP TABLE CABINET
3	079921-01-000	EA	ROLLER - NYLON - W/STEEL SHAFT - BARBED
4	114796-11-F09	EA	COUNTERTOP - HUTCH CABINET (H07)
4	114796-11-F02	EA	COUNTERTOP - HUTCH CABINET (H08)
5	114796-01-GD1	EA	CABINET - HUTCH - FRONT RH - W/PULLOUT TABLE - W/ODRS/HDW
5	114796-01-GB1	EA	CABINET - HUTCH - FRONT RH - W/PULLOUT TABLE - W/ODRS/HDW
6	110140-01-G01	EA	DOOR - MITERED CORNER/VINYL WRAP - 10.02" X 25.2" - W/OHDW
7	114796-12-G04	EA	PANEL - INSIDE - FLIP UP TABLE CABINET
8	049176-01-000	EA	HEDLOCK II - 3/4 DIAMETER SCREW MOUNT



PASSENGER SIDE PULLOUT TABLE W/SWIVEL CHAIRS

KEY	PARTNUMBER	U/M	DESCRIPTION
1	096873-15-G01	EA	SHELF - SUPPORT - OVER PULLOUT TABLE TOP
2	096873-11-G01	EA	PANEL - PULLOUT TABLE
	080736-01-000	EA	PULL - RECESSED - 1.25 X 4" - OAK
3	096873-14-G01	EA	SIDE END - TABLE - LEFT SIDE - 28.7" X 5.7"
	096873-13-G01	EA	SIDE END - TABLE - RIGHT SIDE - 28.7" X 5.7"
4	096873-16-G01	EA	TABLE FRONT - BOTTOM - 18.1" X 6.7"
5	096873-12-G01	EA	SHELF - SUPPORT UNDER TABLE TOP
6	M96873-01-G010	EA	CABINET - PULLOUT TABLE

LOUNGE GROUP (CONTINUED)



PASSENGER SIDE LOUNGE CABINETRY W/OTV CABINET

KEY	PARTNUMBER	U/M	DESCRIPTION
1	109908-08-G04	EA	ENDCAP - OVERHEAD CABINET
2	110140-27-G01	EA	DOOR - MITERED CORNER/VINYL WRAP - 15.7" X 20.4" - W/OHDW
3	120939-01-H07	EA	CABINET - OVERHEAD FRONT - W/ODOORS/HARDWARE
3	120939-01-H08	EA	CABINET - OVERHEAD FRONT - W/ODOORS/HARDWARE
4	109908-09-G04	EA	ENDCAP - OVERHEAD CABINET
5	112964-01-G04	EA	CABINET - OVERHEAD ENTRANCE - W/ODOORS/HARDWARE
6	M08107-07-H07	EA	CABINET - LH COUCH END - FABRIC COVERED
6	M08107-07-H08	EA	CABINET - LH COUCH END - FABRIC COVERED
7	M08107-05-H07	EA	CABINET - COUCH FACE/KICK PANEL - FABRIC COVERED
7	M08107-05-H08	EA	CABINET - COUCH FACE/KICK PANEL - FABRIC COVERED
8	M08107-06-H07	EA	CABINET - RH COUCH END - FABRIC COVERED
8	M08107-06-H08	EA	CABINET - RH COUCH END - FABRIC COVERED
	101222-01-02A	EA	BRACKET - CATCH - LID - OFF WHITE
	P14437-02-000	EA	CABINET - LID ENTRANCE DOOR - W/O CARPET
	082525-01-000	EA	BRACE - COUCH - FLOOR MOUNT - ANGLE 3" LONG
	105947-01-000	EA	BRACKET - HOLD DOWN, COUCH CSA UNITS
	083125-07-000	EA	BRACE - ANGLE - COUCH - 2.5" - OFF WHITE

SEALANTS&FASTENERSGROUP

SCREWS

KEY	PARTNUMBER	U/M	DESCRIPTION
	101618-01-000	EA	SCREW-1/4-20X.75HEX-TAPPING-STALGARDTYPEF
	000G54-04-20B	EA	SCREW-1/4-20X1 1/4PTH-TYPE23-ZINCPLATED
	000G11-05-08B	EA	SCREW-5-20X.50PPH-ZINC
	000G68-06-10G	EA	SCREW-6-18X5/8POH-ANTIQUETRASS
	000G11-06-08B	EA	SCREW-6-20X.50PPH-ZINC
	000G11-06-06B	EA	SCREW-6-20X3/8PPH-ZINC
	000G11-06-10J	EA	SCREW-6-20X5/8PPH-BRASS
	000G12-06-08T	EA	SCREW-6-20X.50POH-BLACK
	000G13-06-08B	EA	SCREW-6-20X.50PFH-ZINC
	000G13-06-16J	EA	SCREW-6-20X1.00PFH-BRASS
	000G13-06-24J	EA	SCREW-6-20X1.50PFH-BRASS
	000G11-07-08B	EA	SCREW-7-19X.50PPH-ZINC
	000G13-07-12B	EA	SCREW-7-19X.75PFH-ZINC
	000G11-08-06B	EA	SCREW-8-18X3/8PPH-ZINC
	000G11-08-08B	EA	SCREW-8-18X.50PPH-ZINC
	000G11-08-12B	EA	SCREW-8-18X.75PPH-ZINC
	000G11-08-12D	EA	SCREW-8-18X.75PPH-BLACK
	000G11-08-12P	EA	SCREW-8-18X.75PPH-DARKBROWN
	0G1208-12-170	EA	SCREW-8-18X.75POH-BRIGHTWHITE
	000G12-08-12S	EA	SCREW-8-18X.75POH-OFFWHITE
	000G11-08-12S	EA	SCREW-8-18X.75PPH-OFFWHITE
	000G11-08-12T	EA	SCREW-8-18X.75PPH-BLACK
	000G11-08-16S	EA	SCREW-8-18X1.00PPH-OFFWHITE
	000G11-08-20B	EA	SCREW-8-18X1.25PPH-ZINC
	000G67-10-120	EA	SCREW-10-12X.75PPH-TAN
	000G11-10-12S	EA	SCREW-10-16X.75PPH-OFFWHITE
	000G32-10-06B	EA	SCREW-10-32X3/8"-PPH-ZINC
	000G67-10-08B	EA	SCREW-10-12X1/2PPH-ZINC
	000G67-10-08R	EA	SCREW-10-12X1/2PPH-BEIGE-TYPEA
	000G67-10-10B	EA	SCREW-10-12X5/8PPH-ZINC-TYPEA
	000G67-10-10D	EA	SCREW-10-12X5/8PPH-BLACK-TYPEA
	000G67-10-10S	EA	SCREW-10-12X5/8-PPH-OFFWHITE
	000G67-10-12B	EA	SCREW-10-12X.75PPH-ZINC
	000G67-10-12P	EA	SCREW-10-12X.75-PPH-DARKBROWN
	000G67-10-12R	EA	SCREW-10-12X.75PPH-BEIGE
	000G67-10-16B	EA	SCREW-10-12X1PPH-ZINC
	000G67-10-20D	EA	SCREW-10-12X1.25PPH-BLACK
	000G67-10-24B	EA	SCREW-10-12X1.50PPH-ZINC
	000G67-10-32B	EA	SCREW-10-12X2PPH-ZINC
	000G67-10-36T	EA	SCREW-10-12X2.25PPH-BLACK-STALGARD
	000G50-04-12B	EA	SCREW-MACHINE-1/4-20X3/4PPH-ZINC
	000G46-08-24T	EA	SCREW-MACHINE-8-32X1.5PFH-BLACK
	000G52-08-18B	EA	SCREW-MACHINE-8-32X1 1/8PTH-ZINC
	075908-01-000	EA	SCREW-MACHINE-10-32X.56PTH-EXTERNALTOOTH-ZINC
	000G42-04-16B	EA	SCREW-SF/DR-1/4"-14X1HWH-ZINC
	000G39-06-08B	EA	SCREW-SF/DR-6-18X.50-ZINC
	000G39-06-10T	EA	SCREW-SF/DR-6-20X5/8PPH-BLACK
	000G39-06-16T	EA	SCREW-SF/DR-6-20X1PPH-BLACK
	000G39-08-06B	EA	SCREW-SF/DR-8-18X3/8PPH-ZINC
	000G39-08-08B	EA	SCREW-SF/DR-8-18X.50PPH-ZINC
	000G39-08-08T	EA	SCREW-SF/DR-8-18X.50PPH-BLACK
	000G39-08-08S	EA	SCREW-SF/DR-8-18X.50PPH-OFFWHITE
	0G3908-08-170	EA	SCREW-SF/DR-8-18X.50PPH-BRIGHTWHITE
	000G39-08-12B	EA	SCREW-SF/DR-8-18X.75PPH-ZINC
	0G5508-12-170	EA	SCREW-SF/DR-8-18X.75PWH
	086256-01-000	EA	SCREW-SF/DR-8X.75HWHLONG-PLBODYPNLMT
	000G39-08-12T	EA	SCREW-SF/DR-8-18X3/4PPH-BLACK
	000G55-08-16S	EA	SCREW-SF/DR-8-18X1.00-PWH-OFFWHITE
	0G5508-16-250	EA	SCREW-SF/DR-8-18X1.00PWH
	000G39-08-16B	EA	SCREW-SF/DR-8-18Z1PPH-ZINC
	000G39-08-16R	EA	SCREW-SF/DR-8-18X1.00PPH-BEIGE
	000G39-08-24B	EA	SCREW-SF/DR-8-18X1.50PPH-ZINC
	0G3908-24-170	EA	SCREW-SF/DR-8-18X1.50PPH-BRIGHTWHITE

SEALANTS&FASTENERSGROUP(CONTINUED)

SCREWS(CONTINUED)

KEY	PARTNUMBER	U/M	DESCRIPTION
	000G39-10-088	EA	SCREW-SF/DR-10-16XPPH-DRILL-FLEXF'CARBON
	000G39-10-08B	EA	SCREW-SF/DR-10-16X.50PPH-ZINC
	000G39-10-12D	EA	SCREW-SF/DR-10-16X.75PPH-BLACK
	000G39-10-129	EA	SCREW-SF/DR-10-16X.75PPH-FLUOROCARBONSILVER
	000G39-10-12B	EA	SCREW-SF/DR-10-16X.75PPH-ZINC
	000G39-10-12R	EA	SCREW-SF/DR-10-16X.75PPH-BEIGE
	000G39-10-20B	EA	SCREW-SF/DR-10-16X1.25PPH-ZINC
	000G39-10-209	EA	SCREW-SF/DR-10-16X1.25PPH-FLUOROCARBONSILVER
	000G60-10-20B	EA	SCREW-SF/DR-10-16X1.25POH-ZINC
	000G60-10-28T	EA	SCREW-SF/DR-10-16X1.75-BLACK
	000G39-10-32B	EA	SCREW-SF/DR-10-16X2.00-PPH-ZINC
	054434-02-000	EA	SCREW-SF/DR-10-16X2ZN-TORQ'S#25HEAD
	054434-03-000	EA	SCREW-SF/DR-10-16X2-PWH-ZINC-W/OWINGS
	000G39-12-12E	EA	SCREW-SF/DR-12-14X.75PPH-CHROME
	105126-01-000	EA	SCREW-MACH-8-32X1PPHTAPTIT
	087721-01-000	EA	SCREW-FLATHEAD-TAPPING-1/4"X1 1/4"LONG-ZINC
	057671-01-000	EA	COVER-SCREW-#8-PLASTIC-OFFWHITE
	097974-01-000	EA	SCREW-PARTBD7-9X.75PPH-FHM0543PLAIN
	000G19-10-12F	EA	SCREW-MACHINE-10-32X.75-PPH-STAINLESSSTEEL
	116111-02-01A	EA	SCREW-TAPTITE-1/4-20X3/8PPH-ZINC
	102540-03-000	EA	SEAL-SCREW

ADHESIVE&FASTENERS

KEY	PARTNUMBER	U/M	DESCRIPTION
	004006-05-700	EA	ADHESIVE-NAT.STARCH(5GAL) 0802
	004020-01-000	QT	ADHESIVE-ABSCEMENT-QUART
	034552-02-000	EA	SILICONE-TUBE-300ML-W/ONOZZLE-CLEAR
	039518-01-000	EA	SILICONE-TUBE-300ML-BLACK-W/ONOZZLE
	063642-01-000	FT	TAPE-ADHESIVE-10MIL.X1.5"WIDEX180"
	069640-01-000	FT	SEALER-RIBBON-1/4"DIAMETER-INCREMENTSOF30'
	069640-02-000	FT	SEALER-RIBBON-1/2"X1/8"-INCREMENTSOF60'
	069640-03-000	FT	SEALER-RIBBON-3/4"X1/8"-INCREMENTSOF60'
	069640-07-000	FT	SEALER-RIBBON-2"X3/32"-INCREMENTSOF45'
	069640-10-000	FT	SEALER-RIBBON-1/32"X1 1/2"INCREMENTSOF90'
	069640-11-000	FT	SEALER-TAPE-3/16"THICKX3/8"WIDEX40'
	069640-15-000	FT	SEALER-TAPE-1/16"THICKX3/8"WIDEX80'
	069640-17-000	FT	SEALER-TAPE-1/32"THICKX1"WIDEX90'
	072889-09-000	EA	SEALANT-URETHANE-BLACK(TUBE)
	072889-12-000	EA	SEALANT-URETHANE(LV)BRIGHTWHITE
	076314-02-000	FT	TAPE-CARPETSEAM-HEAT-BOND-4"WIDE
	076322-01-000	FT	TAPE-DOUBLECOATEDADHESIVEBACKEDFOAM-.25"X216'
	076322-02-000	EA	TAPE-DOUBLECOATED/ADHESIVEBACK-.045"THKX1"WX9'
	076322-03-000	FT	TAPE-DOUBLECOATEDADHESIVEBACKEDFOAM-.5"X108'
	076322-05-000	FT	TAPE-DOUBLECOATED/ADHESIVEBACK-.045"THKX75"WX9'
	076322-07-000	FT	TAPE-DOUBLECOATED/ADHESIVEBACK-.045"THKX.50"WX9'
	087211-01-000	GL	PROMOTER-ADHESIVE
	091255-02-000	FT	SEAL-ADHESIVEBACKEDFOAM-.18"THICKX1.5"WIDE
	094401-01-000	EA	SEALER-BODYSEAMSEALER-3MFLEXICLEAR
	102352-01-000	EA	SEALER-PUMPABLE-BLACK-COLORIMETRICMS101
	118085-02-01A	FT	TAPE-FOIL-1"
	120534-01-01A	EA	TAPE-SCOTCH-3M-1/2"FINELINE
	900390-01-000	EA	TIP-2 1/2"X1/8"ORIFICE
	900390-03-000	EA	NOZZLE-SILICONETUBE

SEALANTS&FASTENERSGROUP(CONTINUED)

BOLTS,NUTS&WASHERS

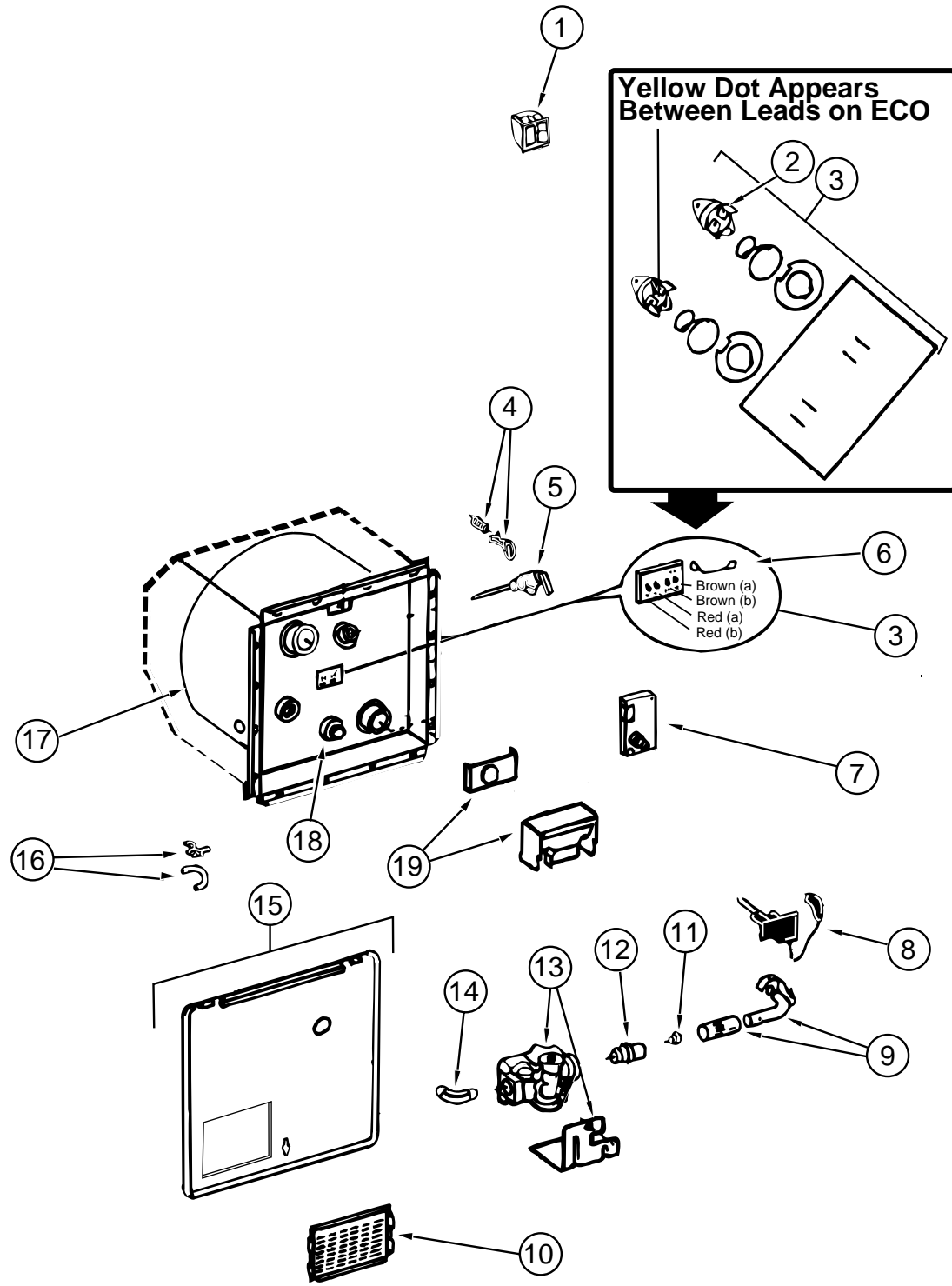
KEY	PARTNUMBER	U/M	DESCRIPTION
	0MC31K-08-020	EA	BOLT-HEX-SERRATEDFLANGE-M8X020
	000C12-05-16B	EA	BOLT-HEX-5/16-18X1-ZINC5
	000C12-06-16B	EA	BOLT-HEX-3/8-16X1LG-ZINC5
	000C12-09-20B	EA	BOLT-HEX-9/16-12X1.25-ZINC5
	000C12-07-20B	EA	BOLT-HEX-7/16-14X11/4-ZINC5
	000C12-08-24B	EA	BOLT-HEX-1/2-13X1.50-ZINC5
	000C12-10-24B	EA	BOLT-HEX-5/8-11X1.50-ZINC-5
	000C13-07-48B	EA	BOLT-HEX-7/16-20X3-ZINC5
	000C18-05-40A	EA	BOLT-ELEVATOR-5/16-18X2.50-PL
	000C18-06-56A	EA	BOLT-ELEVATOR-3/8-16X31/2-GRADE5
	000C18-06-48B	EA	BOLT-ELEVATOR-3/8-16X3-ZINC-GRADE5
	000C26-04-10B	EA	BOLT-HEX-SERRATEDFLANGE-1/4-20X5/8-ZINC
	000C26-05-12B	EA	BOLT-HEX-SERRATEDFLANGE-5/16-18X3/4-ZINC
	000C26-06-12B	EA	BOLT-HEX-SERRATEDFLANGE-3/8-16X3/4-ZINC
	000C26-06-16B	EA	BOLT-HEX-SERRATEDFLANGE-3/8-16X1-ZINC
	000C26-04-14B	EA	BOLT-HEX-SERRATEDFLANGE-1/4X20X7/8-ZINC
	091274-03-000	EA	BOLT-J-3/8-16X12.0
	000G45-05-16B	EA	BOLT-LAG5/16-9X1-ZINC
	102333-01-06A	EA	BOLT-CARRIAGE-7/16-14STAINLESSSTEELCAP
	051387-06-000	EA	BOLT-CARRIAGEW/OHOLE-5/16-18X9.5-ZINC
	106166-01-000	EA	BOLTCOLLAREDHANGER-8-32X1"
	000D29-06-00B	EA	NUT-HEX-W/NYLONLOCK-3/8-16-ZINC
	000D24-10-00B	EA	NUT-HEX-SF/LOCKING-10-32ZINC
	000D29-09-00B	EA	NUT-HEXSELFLOCKING-9/16-12-ZINC
	000D34-06-00B	EA	NUT-HEX-LOCKING-3/8-16GRADEZINC-PREVAILINGT
	000D39-04-00B	EA	NUT-HEX-SERRATEDFLANGELOCKING1/4-20-ZINC
	000D39-05-00B	EA	NUT-HEX-SERRATEDFLANGELOCKING-5/16-18-ZINC
	000D39-06-00B	EA	NUT-HEX-SERRATEDFLANGELOCKING-3/8-16-ZINC
	000D39-07-00B	EA	NUT-HEX-SERFLGLK-7/15-14ZINC
	000D39-08-00B	EA	NUT-HEX-SERRATEDFLANGELOCKING-1/2-13-ZINC
	000D44-07-00B	EA	NUT-HEX-SERRATEDFLANGELOCKING-7/16-20-ZINC
	044364-02-000	EA	NUT-SPEED-FLAT-ROUND-T'MNC9186-014-1
	040921-01-000	EA	NUT-SPEED-UTYPE-10-24BLACK
	077071-01-000	EA	WASHER-FENDER-3/16"IDX1"OD
	000E11-07-00B	EA	WASHER-LOCKING-7/16MEDSPLIT-ZINC
	000E11-08-00B	EA	WASHER-LOCKING-1/2MEDSPLIT-ZINC
	041322-01-000	EA	WASHER-FLANGE-15/32IDX23/8OD-FORSEATBELTMOUNT
	000E13-21-00B	EA	WASHER-FLANGE-W/2NAR-ZINC
	000E13-14-00B	EA	WASHER-FLAT-1/4"WIDE-ZINC
	000E13-17-00B	EA	WASHER-FLAT-3/8"AR-ZINC
	000E13-18-00B	EA	WASHER-FLAT-3/8WIDE-ZINC
	000E13-20-00B	EA	WASHER-FLAT-7/16"WIDE-ZINC
	044533-01-000	EA	WASHER-PLASTIC-13/8OD-FORBUTTONS
	008343-01-000	EA	TIE-WIRE-6"
	081211-05-000	EA	PLUG-PLASTIC-.188DIAMETER-NATURAL
	085774-01-000	FT	FASTENER-DUALHOOK-1"WIDE-ADHESIVEBACK-BLACK
	085774-02-000	FT	FASTENER-DUALLOOP-1"WIDE-ADHESIVEBACK-BLACK
	108046-01-000	EA	CABLETIE-SCREWMOUNT8"-DENNISON08415
	108046-02-000	EA	CABLETIE-SCREWMOUNT15"-DENNISON10035

SEALANTS&FASTENERSGROUP(CONTINUED)

CLAMPS,GROMMETS,CLIPS&RIVETS

KEY	PARTNUMBER	U/M	DESCRIPTION
	000H16-04-06R	EA	RIVET-POP,AL1/8X.313-.375
	007161-01-000	EA	CLAMP-HOSE-SPRINGTYPE-1/2"
	010495-01-000	EA	CLAMP-CABLE-9/16"
	010497-01-000	EA	CLAMP-CLOSED-5/8"ID
	010497-03-000	EA	CLAMP-CLOSED-1"ID-CUSHIONED
	010497-04-000	EA	CLAMP-CLOSED-1.62"ID
	010497-08-000	EA	CLAMP-CLOSED,.125"
	010499-01-000	EA	CLAMP-CLOSED-3/8"ID
	016188-05-000	EA	GROMMET-L/PLINE-3/8"HOLEX11/4"LONG-RUBBER
	023942-01-000	EA	GROMMET-RUBBER-2"OD
	056134-01-000	EA	HOLDER-RING-3.6"DIAMETER-METAL
	062401-01-000	EA	CLAMP-HOSE-WORMGEAR.25"-1"
	062401-02-000	EA	CLAMP-HOSE-WORMGEAR1.56"-2.5"
	062401-03-000	EA	CLAMP-HOSE-WORMGEAR-.22"-1"
	062401-04-000	EA	CLAMP-HOSE-WORMGEAR.69"-1.25"
	062401-06-000	EA	CLAMP-HOSE-WORMGEAR.22"-.62"
	062401-11-000	EA	CLAMP-HOSE-WORMGEAR3.56"-4.5"
	069592-02-000	EA	RIVET-T-POP-1/4X.093-.156
	071015-26-000	EA	GROMMET-RUBBER-1.5"IDX2.12"ODW/.06"GROOVE-BLK
	075148-02-000	EA	CLAMP-GROUNDING-BRONZESCREWS
	080734-02-000	EA	CLIP-WIRENYLON
	083609-01-000	EA	CLAMP-WIRE-DUALEQUAL-5/8"DIAMETER
	083610-01-000	EA	CLAMP-WIRE-DUAL-UNEQUALDIAMETERS-.75"&1.25"
	083610-02-000	EA	CLAMP-WIRE-DUALUNEQUALDIAMETER
	091952-02-000	EA	CLIP-GRIPPER-3/4"
	101447-01-000	EA	CLIP-UTYPE-TINNERMAN
	114208-02-000	EA	GROMMET-EDGELINER-FITS.625-HEYCO2073

WATER & SEWAGE GROUP



WATER HEATER W/ELECTRONIC IGNITION AT WOOD (G6A-8E)

KEY	PART NUMBER	U/M	DESCRIPTION	VENDOR NO.
	051391-03-000	EA	WATER HEATER G6A-8E ELECTRONIC IGNITION	
1	097967-01-000	EA	SWITCH-WATER HEATER-REMOTE W/LIGHT	
2	051391-04-701	EA	THERMOSTAT 12VDC-120 PRESET	91470
3	051393-01-721	EA	THERMOSTAT W/ECO, 140 FRT MT	91447
4	051391-01-705	EA	FASTENER-CAM LOCK	92609
5	051391-01-704	EA	VALVE-RELIEF, 1/2" FITTING	91604
6	051393-01-723	EA	SWITCH-THERMAL-CUTOFF 2/PKG	93866
7	051393-01-724	EA	BOARD-CIRCUIT, SPADE TERMINAL	93865
8	051393-01-725	EA	ELECTRODE-SGL SPADE CONNECT.	93868
9	051391-04-703	EA	BURNER-MAIN	91638
10	051391-01-717	EA	GRILLE-WATER HEATER DOOR	92640
11	051391-01-710	EA	ORIFICE-MAIN BURNER	92742
12	051391-03-700	EA	HOLDER-ORIFICE	91563
13	051393-01-726	EA	VALVE-SOLENOID, W/BACKET	93870
14	051391-01-714	EA	ELBOW-45 DEGREE-3/8" FX 3/8" MPT	#91044
15	052009-06-000	EA	DOOR-WATER HEATER-BRIGHT WHITE-18" X 14.6"	
	116424-01-000	EA	PROTECTOR-WATER HEATER LATCH	
16	051391-01-700	EA	HINGE KIT, (PIN & CLIP)	92568 & 92559
17	051391-04-706	EA	TANK-INNER, G6A-4E & 6E FRT. MT	91641
18	051391-01-715	EA	PLUG-DRAIN, 1 EA=2 PER PKG	91857
19	051391-04-707	EA	KIT-EXHAUST, (FLUE & GASKET)	90960
	111129-01-711	EA	BRACKET-CORNER, SET OF FOUR	91928

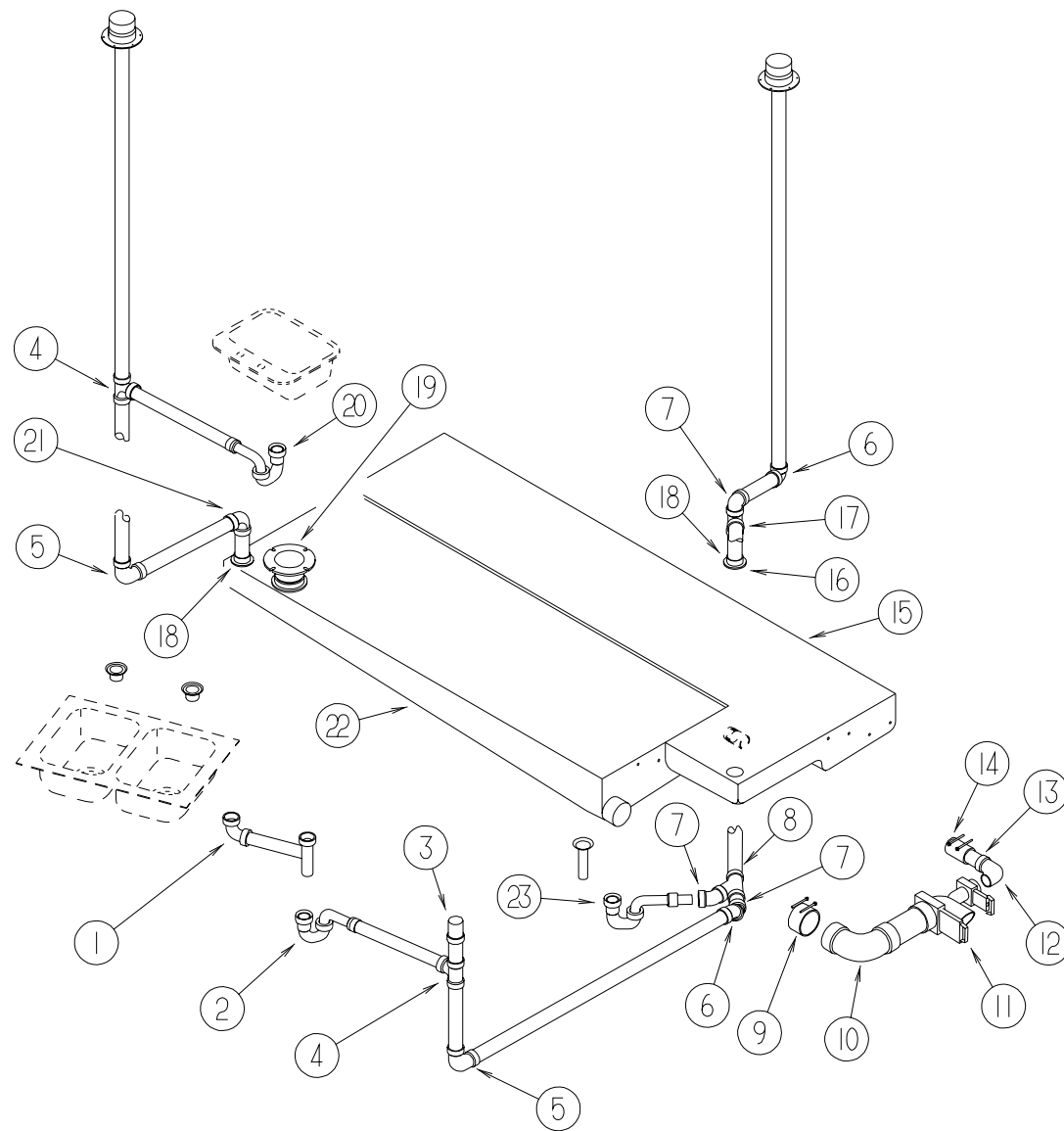
WATER HEATER W/MOTOR AID AT WOOD (GH6-8E)

KEY	PART NUMBER	U/M	DESCRIPTION	VENDOR NO.
	051393-01-000	EA	WATER HEATER GH6-8E ELECTRONIC IGNITION W/MOTOR AID	
1	097967-01-000	EA	SWITCH-WATER HEATER-REMOTE W/LIGHT	
2	051391-04-701	EA	THERMOSTAT 12VDC-120 PRESET	91470
3	051393-01-721	EA	THERMOSTAT W/ECO, 140 FRT MT	91447
4	051391-01-705	EA	FASTENER-CAM LOCK	92609
5	051391-01-704	EA	VALVE-RELIEF, 1/2" FITTING	91604
6	051393-01-723	EA	SWITCH-THERMAL-CUTOFF 2/PKG	93866
7	051393-01-724	EA	BOARD-CIRCUIT, SPADE TERMINAL	93865
8	051393-01-725	EA	ELECTRODE-SGL SPADE CONNECT.	93868
9	051391-04-703	EA	BURNER-MAIN	91638
10	051391-01-717	EA	GRILLE-WATER HEATER DOOR	92640
11	051391-01-710	EA	ORIFICE-MAIN BURNER	92742
12	051391-03-700	EA	HOLDER-ORIFICE	91563
13	051393-01-726	EA	VALVE-SOLENOID, W/BACKET	93870
14	051391-01-714	EA	FITTING-ELBOW 45, 3/8 FX 3/8 MPT 1044	
15	052009-06-000	EA	DOOR-WATER HEATER-BRIGHT WHITE-18" X 14.6"	
	116424-01-000	EA	PROTECTOR-WATER HEATER LATCH	
16	051391-01-700	EA	HINGE KIT, (PIN & CLIP)	92568 & 92559
17	051391-04-704	EA	TANK-INNER (FRT-MT)	91642
18	051391-01-715	EA	PLUG-DRAIN, 1 EA=2 PER PKG	91857
19	051391-04-707	EA	KIT-EXHAUST, (FLUE & GASKET)	90960
	111129-01-711	EA	BRACKET-CORNER, SET OF FOUR	91928

WATER&SEWAGEGROUP(CONTINUED)

WATER&SEWAGEGROUP(CONTINUED)

DRAINAGESYSTEM(CONTINUED)



DRAINAGESYSTEM

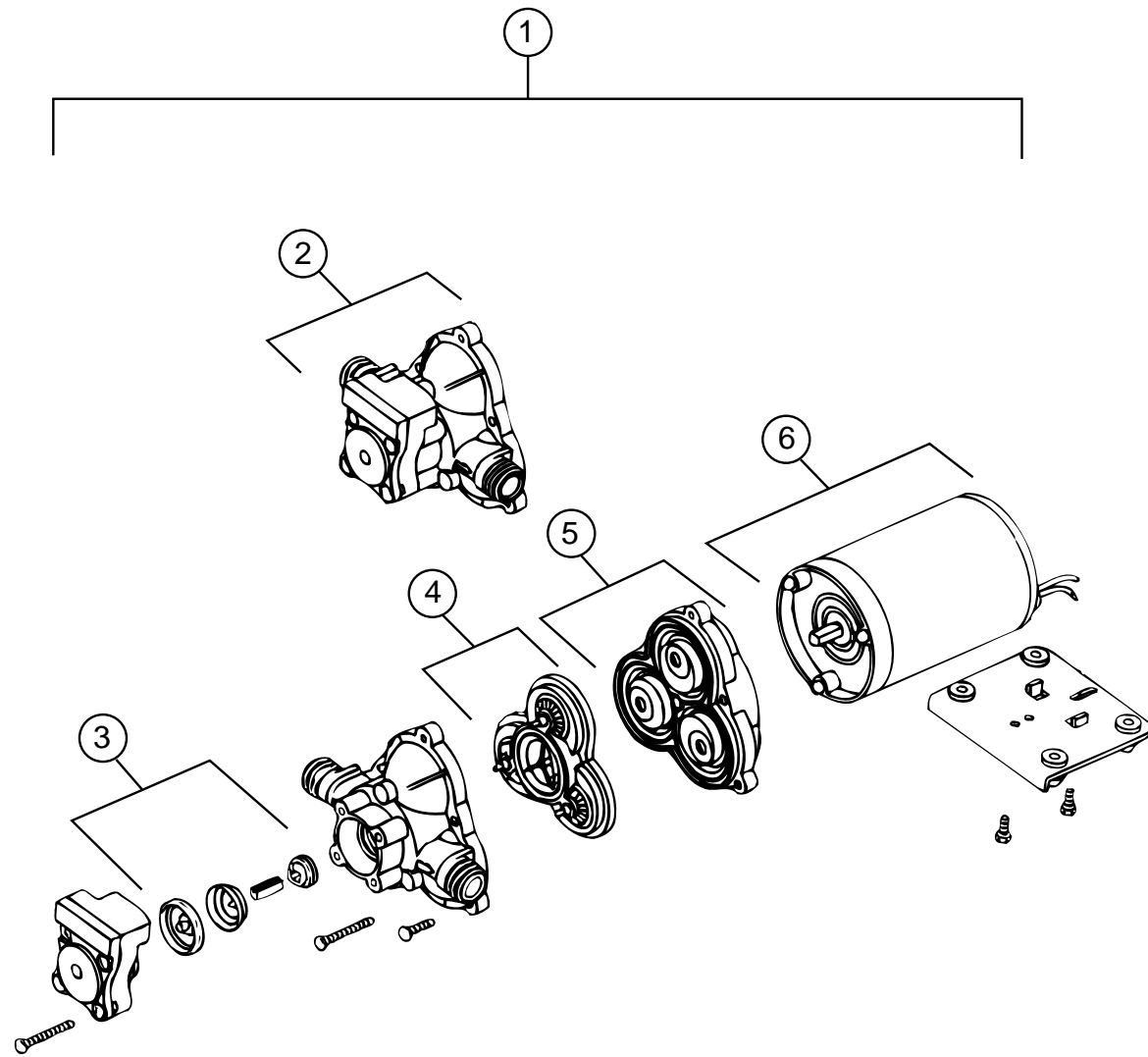
KEY	PARTNUMBER	U/M	DESCRIPTION
1	011091-02-000	EA	WASTE-CONTINUOUS-DOUBLE SINK
1	011091-03-000	EA	WASTE-CONTINUOUS-DOUBLE SINK-CSA
2	109571-01-000	EA	ADAPTER-PTRAP-1 1/2" P X 1 1/4" MPT
2	107538-01-000	EA	PTRAP-PLASTIC-1 1/4" W/EXTENSION ARM
2	011071-01-000	EA	PTRAP-PLASTIC-1 1/2"
3	079968-01-000	EA	VENT-MECHANICAL TRAP ARM-ANTI-SIPHON-2" DIA X 7.3"-PLASTIC
4	010071-01-000	EA	TEE-SANITARY-1 1/2" HUB X HUB X HUB-PLASTIC-BLACK
5	010008-01-000	EA	ELBOW-90 DEGREE-1/4" BEND-1 1/2" HUB X HUB-BLACK PLASTIC
6	010006-01-000	EA	ELBOW-45 DEGREE-1/8" BEND-1 1/2" HUB X HUB-BLACK PLASTIC
7	010051-01-000	EA	ELBOW-45 DEGREE-1 1/2" SPIGOT & HUB-PLASTIC
8	010073-01-000	EA	WYE-45 DEGREE-1 1/2" HUB X HUB X HUB-PLASTIC
9	078406-01-000	EA	COUPLER-RUBBER-W/CLAMPS-3" X 3"
10	031126-01-000	EA	ELBOW-1/4 BEND-3" X 90" XLT-BLACK PLASTIC
11	070916-01-000	EA	VALVE-DUAL DUMP-W/CAP-3" X 1 1/2"
	070916-01-700	EA	VALVE ONLY (WASTE) 3"-T1003BU
	070916-01-701	EA	VALVE ONLY (WASTE) 1 1/2"-T1001BU
11	062415-01-000	EA	CAP-SEWER-3" DIAMETER
	062415-01-700	EA	STRING-SEWER CAP-V#SV7 STRAP
	010201-01-000	EA	HOSE-SEWER-3" ID X 8'
	062416-01-000	EA	ADAPTER-SEWER HOSE TO 3" PIPE
12	033761-01-000	EA	ELBOW-TURN-1/4 BEND X 1.5" HUB X 1.5" SPIGOT-BLK PLASTIC
13	089355-01-000	EA	COUPLER-RUBBER-1 1/2" X 1 1/2"

KEY	PARTNUMBER	U/M	DESCRIPTION
14	N/A	EA	NIPPLE-PLASTIC-1.5" X 2.62"-TOE
15	117580-01-000	EA	TANK-HOLDING-33 GALLON-W/O FITTINGS
16	061607-01-000	EA	GROMMET-HOLDING TANK-1 1/2" NPS
17	010071-02-000	EA	TEE-PLASTIC-1 1/2" W/BAFFLE-HXHXH
18	010115-01-000	EA	COUPLING-1 1/2" HUB X HUB-PLASTIC
19	061607-02-000	EA	GROMMET-HOLDING TANK-3" NPS
20	109571-01-000	EA	ADAPTER-PTRAP-1 1/2" P X 1 1/4" MPT
20	107538-01-000	EA	PTRAP-PLASTIC-1 1/4" W/EXTENSION ARM
20	011066-03-700	EA	PTRAP-1 1/4" HUB X SLIP JOINT-W/UNION-ABS-CANADIAN
21	034250-01-000	EA	ELBOW-90 DEGREE-LONG TURN-1 1/2" HUB X HUB-ABS
22	117573-01-000	EA	TANK-HOLDING-33 GALLON-W/O FITTINGS
23	069735-01-000	EA	WASHER-STRAINER TAILPIECE-PLASTIC-1.5"
	066729-01-000	EA	STRAINER-TUB/SHOWER-W/PLUG
	010166-01-000	EA	PLUG-THREADED-1 1/4" DIAMETER-PLASTIC-BLACK
	011069-02-000	EA	TAILPIECE-TUB/SHOWER-1 1/2" X 1 1/4" X 4"-BRASS
	041956-01-000	EA	ELBOW-STREET-PLASTIC-1/4 BEND-3" X 90 XLT
	066440-01-000	EA	STRAINER-SHOWER-W/RUBBER WASHER
	116644-01-000	EA	FLANGE-CLOSET 4" X 3"-SEALAND 345892

FRESHWATER TANK & WATER SYSTEM

KEY	PARTNUMBER	U/M	DESCRIPTION
	119109-06-000	EA	TANK-WATER-40 GALLON-W/FITTINGS
	119109-01-000	EA	TANK-WATER-40 GALLON-W/O FITTINGS
	077954-02-000	EA	FILTER-WATER TANK-SCREEN IN TANK
	042989-03-000	EA	FITTING-WATER TANK-SPINWELD-1 1/4" NPT-WHITE PLASTIC
	042989-04-000	EA	FITTING-WATER TANK-SPINWELD-3/8 FPT-WHITE PLASTIC
	042989-05-000	EA	FITTING-WATER TANK-SPINWELD-1/2" FPT-WHITE PLASTIC
	049032-01-000	EA	PATCH-SPINWELD-3/8"-PLASTIC
	039861-01-000	EA	SENDING UNIT-W/SCREW-WASHER-WELL NUT & TERMINAL RING
	079381-01-000	FT	TUBING-SMOOTH FLEXIBLE-1 3/8" ID X 20'
	114430-02-000	EA	ADAPTER-SWIVEL-1/2 P X 1/2 FPT
	114430-03-000	EA	ADAPTER-1/2 P X 1/2 MPT
	114430-06-000	EA	ADAPTER-1/2 P X 3/8 FPT
	123152-01-000	EA	ADAPTER-1/2" FPT X 1/2" BARB SWIVEL
	010224-01-000	EA	ADAPTER-HOSE TO PIPE-3/8 MPT X 3/8 BARB-PLASTIC
	044927-01-000	EA	ADAPTER-HOSE TO PIPE-1 1/4 MPT X 1 1/4 BARB-BLK PLS
	113697-01-000	EA	CAP-3/8 FTG
	101814-01-000	EA	COUPLING-FEMALE-1/2" X 1/2" FPT W/COMP SLEEVE-GRAY
	123150-01-000	EA	ELBOW-1/2" FPT X 1/2" BARB-SWIVEL
	114429-01-000	EA	ELBOW-1/2 P X 1/2 P
	114429-02-000	EA	ELBOW-1/2 P X 1/2 MPT
	114429-03-000	EA	ELBOW-FLAIR-ITSWIVEL 1/2" P X 1/2" FPT
	010230-05-000	EA	FILL-CITY WATER-W/CHECK VALVE
			FROM: 00-00-00 THRU: 09-25-96
	010230-06-000	EA	FILL-CITY WATER-W/CHECK VALVE-MPT
			FROM: 09-26-96 THRU: 99-99-99
	115029-01-000	FT	HOSE-3/8 ID, WATER - LAVANTURE PR86
	046128-01-000	EA	VALVE-DRAIN-PLASTIC-1/2" FPT
	039861-01-000	EA	SENDING UNIT-W/SCREW-WASHER-WELL NUT & TERMINAL RING
	114428-02-000	EA	TEE-SWIVEL-1/2 P X 1/2 P X 1/2 FPT
	114428-03-000	EA	TEE-1/2 P X 1/2 P X 1/2 MPT
	039800-02-000	FT	TUBING-POLYBUTY-5/8" OD X 20'-INCR OF 20'-BLACK
	074462-02-000	FT	TUBING-VINYL-3/8" ID X 20'-CLEAR
	112176-01-000	FT	TUBING-VINYL-REINFORCED-1/2" ID
	114431-02-000	EA	WATER VALVE-2 POSITION-"BYPASS VALVE"
	114431-03-000	EA	WATER VALVE-90 DEGREE ELBOW-"WATER DRAIN VALVE"
	110438-01-000	EA	VALVE-BRASS CHECK
	091208-01-000	EA	WASHER-RUBBER-.06" X .75" X .5"
			FROM: 00-00-00 THRU: 07-16-96

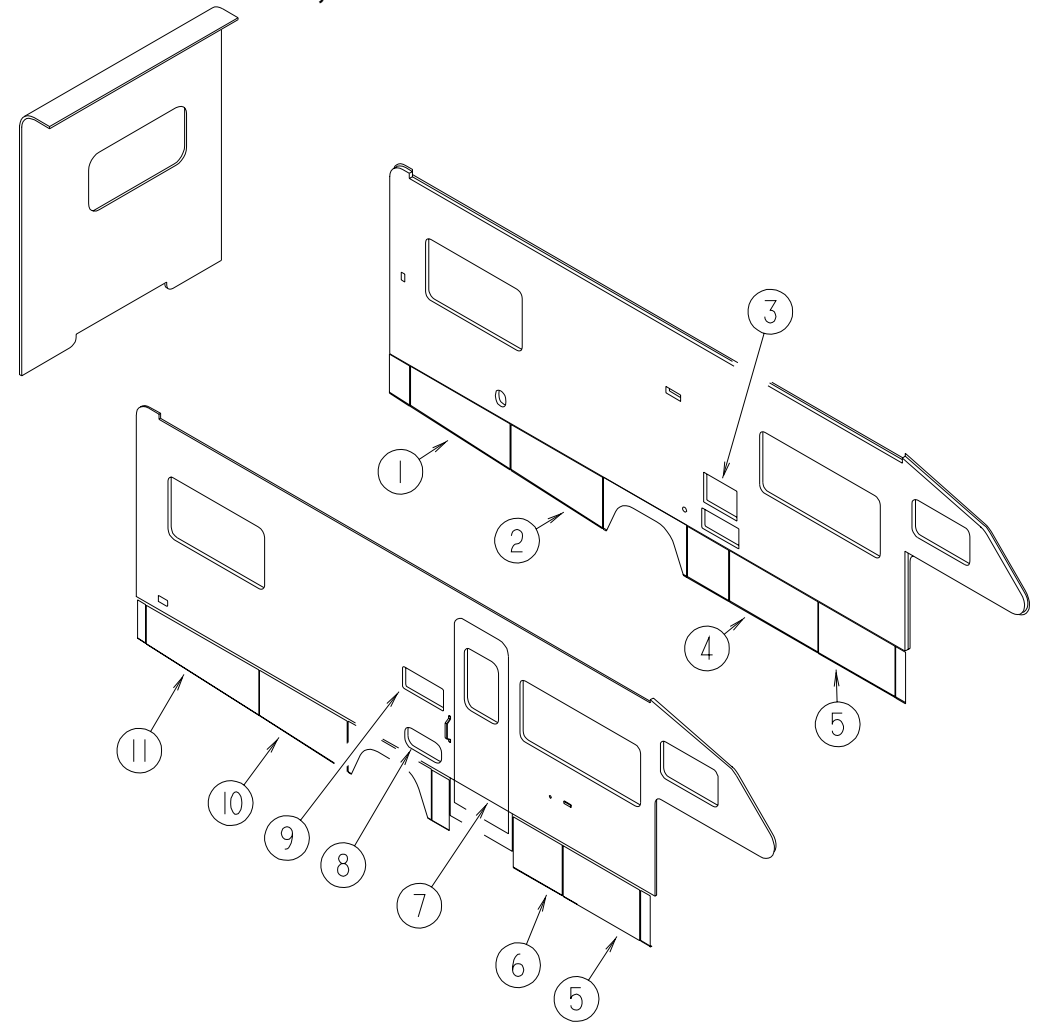
WATER & SEWAGE GROUP (CONTINUED)



WATER PUMP - SHURFLO

KEY	PARTNUMBER	U/M	DESCRIPTION	VENDOR NO.
1	098607-01-000	EA	PUMP-WATER - W/.5" MPT FITTING - FLOW 2.8 GPM - UL	
2	098607-01-706	EA	HOUSING W/SWITCH ONLY	94-231-20
3	098607-01-705	EA	CHECK VALVE - KIT	94-237-00
4	098607-01-703	EA	VALVE KIT	94-232-00
5	098607-01-702	EA	DIAPHRAGM/DRIVE ASSEMBLY KIT	94-238-04
6	098607-01-707	EA	MOTOR W/BASE PLATE	11-148-04

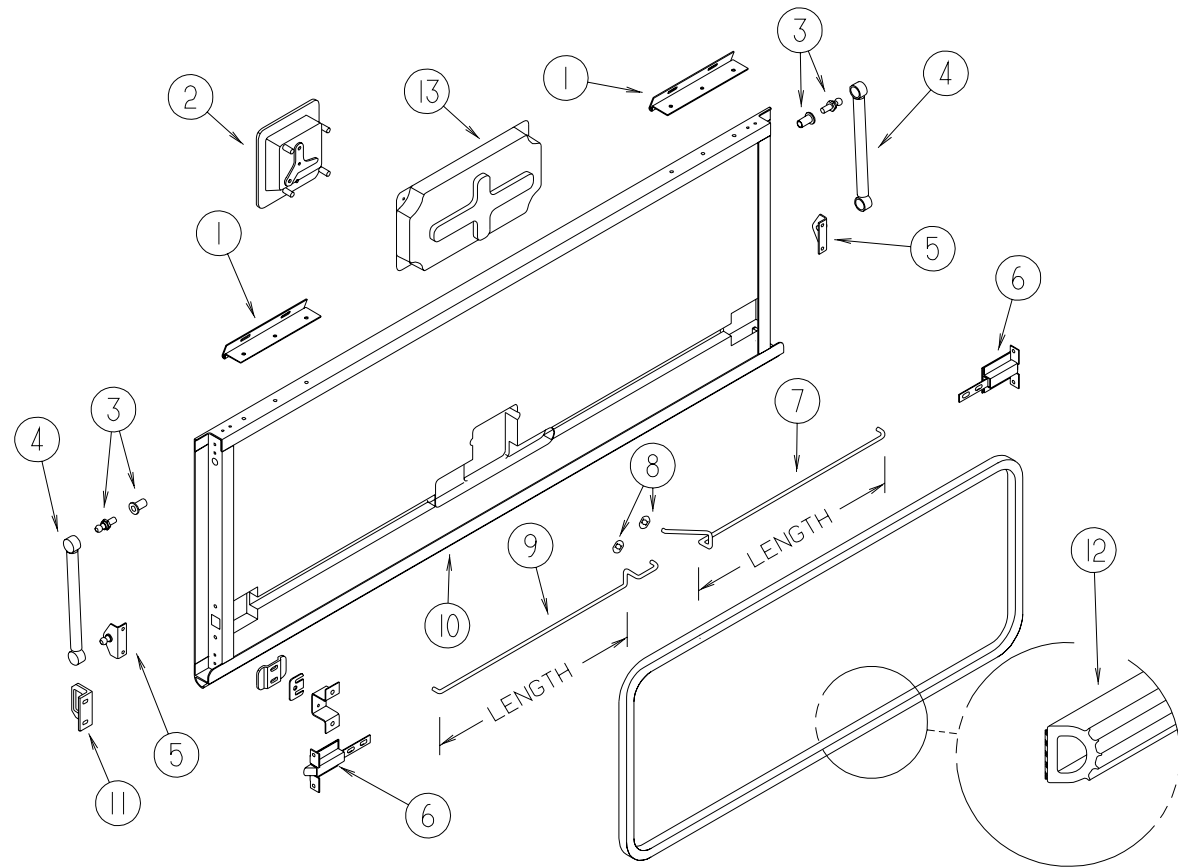
WINDOW, VENT & EXTERIOR DOOR GROUP



EXTERIOR DOORS

KEY	PARTNUMBER	U/M	DESCRIPTION	VENDOR NO.
1	122391-12-H07	EA	DOOR - STORAGE - W/OPADDL LATCH - 49.5"	
			FROM: 00-00-00 THRU: 09-26-96	
1	122391-38-H07	EA	DOOR - STORAGE - W/OPADDL LATCH - 49.4"	
			FROM: 09-27-96 THRU: 99-99-99	
2	122391-10-H07	EA	DOOR - STORAGE - TAPERED - W/OPADDL LATCH - 43.7"	
3	052009-06-000	EA	DOOR - WATER HEATER - W/OLATCHES	
3	116424-01-000	EA	PROTECTOR - LATCH - WATER HEATER	
4	122239-18-H07	EA	DOOR - STORAGE - W/OPADDL LATCH - 43.9"	
5	122239-17-H07	EA	DOOR - STORAGE - W/OPADDL LATCH - 38"	
6	122239-20-H07	EA	DOOR - STORAGE - W/OPADDL LATCH - 24.5"	
6	123478-02-H07	EA	DOOR - COMPARTMENT - W/OLATCH/HINGE	
7	115108-02-H07	EA	DOOR - ENTRY - W/SCREEN DOOR - W/O WINDOW	
7	115108-02-H08	EA	DOOR - ENTRY - W/SCREEN DOOR - W/O WINDOW	
8	111017-01-H23	EA	DOOR - PATIO ENTERTAINMENT CENTER - W/OLATCH - 17.8" X 8.1"	
9	084103-08-000	EA	DOOR - REFRIGERATOR - VENTED - W/O JAMB	
9	084104-08-000	EA	JAMB - REFRIGERATOR DOOR	
9	084104-01-700	EA	LOCK - MALE, FASTENER	201-721-010
9	084104-01-701	EA	LOCK - FEMALE, FASTENER	201-802-010
10	122391-09-H07	EA	DOOR - STORAGE - W/OPADDL LATCH - 43.7"	
11	122391-11-H07	EA	DOOR - STORAGE - W/OPADDL LATCH - 55.8"	
	081240-16-000	EA	DOOR - WATER FILL - LOCKABLE W/O LOCK - 4" X 4 5/8"	
	098668-23-000	EA	DOOR - ACCESS - FURNACE - BRIGHT WHITE - SUBURBAN	

WINDOW, VENT & EXTERIOR DOOR GROUP (CONTINUED)



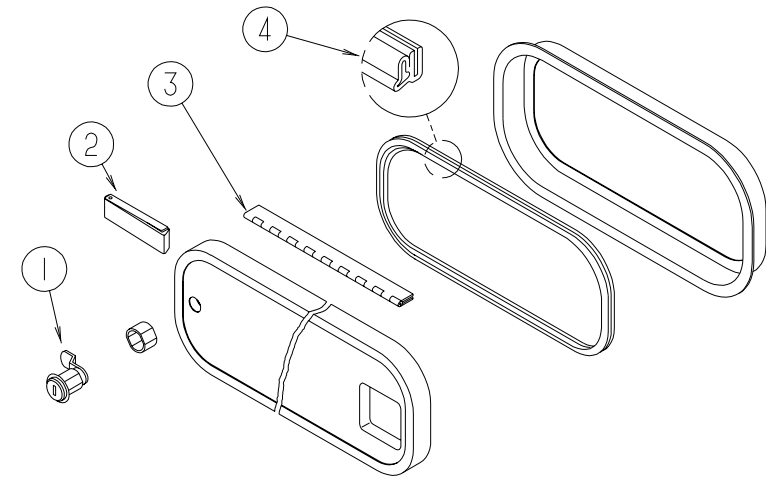
EXTERIOR DOOR COMPONENTS

KEY	PARTNUMBER	U/M	DESCRIPTION
1	121755-01-04A	EA	HINGE - 6.00 INCH
2	112949-01-03A	EA	LATCH - PADDLE W/ LOCK W/O KEY - BLACK
2	112949-02-04A	EA	LATCH - PADDLE NON-LOCKING - BLACK
	112949-03-000	EA	KEY - TRI-MARK # TM500
3	057460-08-000	EA	BALL STUD - 10MM BALL - 5/16-18
4	107796-18-000	EA	SPRING - GAS - 10" LENGTH
5	107796-03-000	EA	BRACKET - GAS SPRING - SMALL
5	107796-19-000	EA	BRACKET - GAS SPRING
6	121947-01-01A	EA	BOLT - SLIDE - LATCH - STEEL
7	122269-21-000	EA	ROD - LATCH - 4.52"
7	122269-18-000	EA	ROD - LATCH - 11.28"
7	122269-19-000	EA	ROD - LATCH - 14.22"
7	122269-24-000	EA	ROD - LATCH - 15.09"
7	122269-25-000	EA	ROD - LATCH - 17.04"
7	122269-23-000	EA	ROD - LATCH - 20.19"
8	124304-01-000	EA	CLIP - ROUND PUSH ON
9	122268-21-000	EA	ROD - LATCH - 4.52"
9	122268-18-000	EA	ROD - LATCH - 11.28"
9	122268-19-000	EA	ROD - LATCH - 14.22"
9	122268-24-000	EA	ROD - LATCH - 15.09"
9	122268-25-000	EA	ROD - LATCH - 17.04"
9	122268-23-000	EA	ROD - LATCH - 20.19"
10	122613-55-001	EA	EXTRUDED - ROCKER PANEL - 192" - BRIGHT WHITE
11	123783-01-01A	EA	STRIKER - DOOR - MILL
	122278-01-01A	EA	PLATE - STRIKE - BLACK

WINDOW, VENT & EXTERIOR DOOR GROUP (CONTINUED)

EXTERIOR DOOR COMPONENTS

KEY	PARTNUMBER	U/M	DESCRIPTION	
12	107721-04-000	FT	SEAL - ACCESS DOOR	FROM: 00-00-00 THRU: 08-01-96
12	107721-01-000	FT	SEAL - ACCESS DOOR	FROM: 08-02-96 THRU: 99-99-99
13	122277-01-01A	EA	COVER - LATCH - BLACK	FROM: 00-00-00 THRU: 03-22-97
13	122277-02-01A	EA	COVER - LATCH - BLACK	FROM: 03-23-97 THRU: 99-99-99

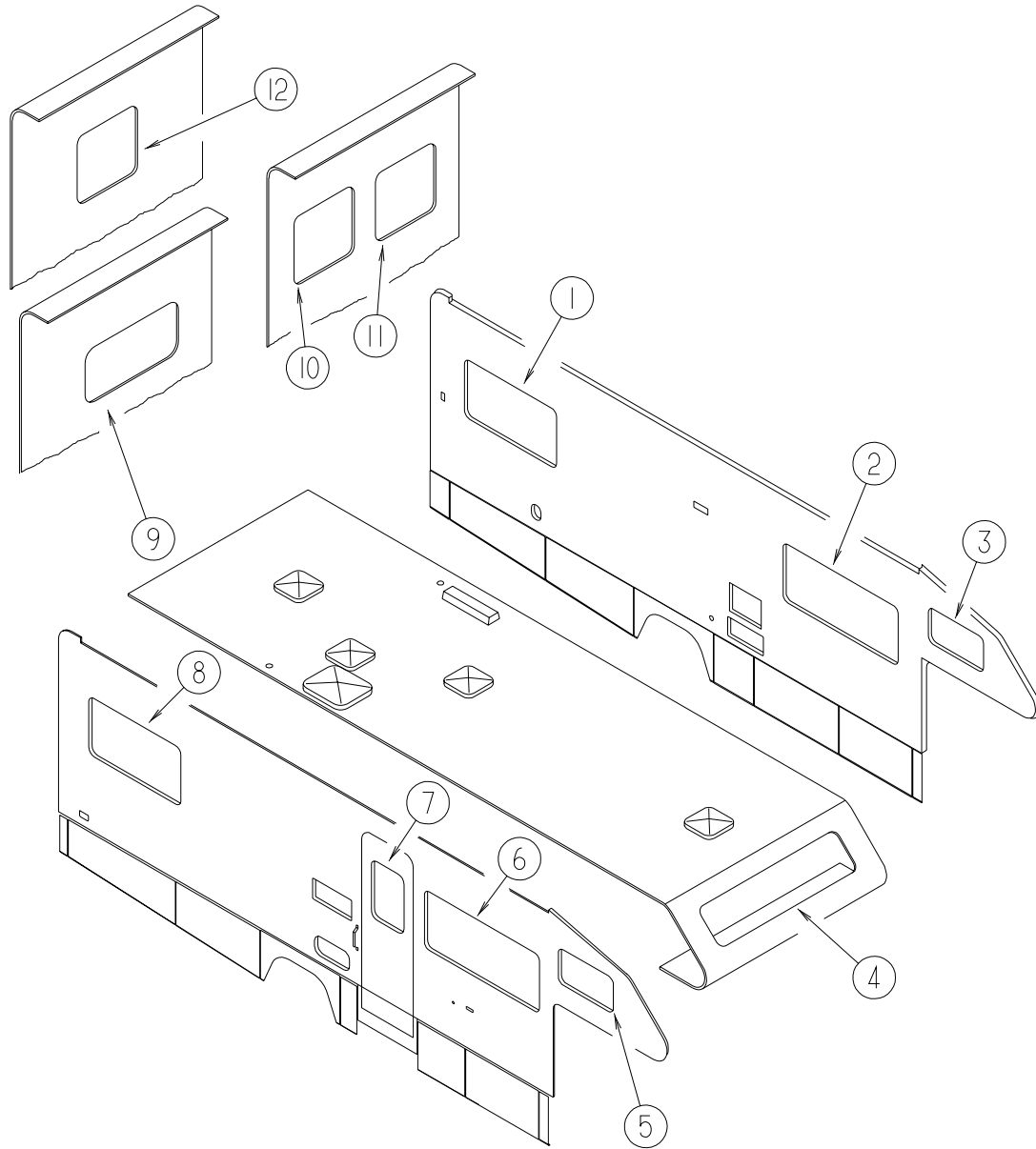


EXTERIOR DOOR & COMPONENTS

KEY	PARTNUMBER	U/M	DESCRIPTION
1	110506-02-000	EA	LOCK - KEYED, 13.64MM - BRIGGS & STRATTON
1	110506-12-000	EA	LOCK - KEYED - 1.93"
1	110506-01-000	EA	LOCK ASM - KEYED, 17.65MM
	107997-51-001	EA	SPACER - DOOR LOCK - .6" DEEP
	107997-51-002	EA	EXTRUDED - SPACER - 16'
2	102768-01-000	EA	HOLDER - COMPARTMENT / ENTRY DOOR - METAL - MILL FINISH
3	081801-02-000	EA	HINGE - DOOR - PIANO - 2" X 8'
3	081801-V3-000	EA	HINGE - ALUMINUM - 2" X 8' - BRIGHT WHITE
3	009065-01-000	EA	HINGE - ALUMINUM, 1 1/2" X 96" - UNPAINTED
3	121755-01-04A	EA	HINGE - 6.00 INCH
4	064075-07-000	FT	SEAL - BULB - W/ WIRED U CHANNEL - .3" X .5" CHANNEL - BLK
	104692-01-000	FT	SEAL - 3/4" X 3/4" - ADHESIVE BACK FOAM SEAL
	120863-02-000	EA	BUMPER - RUBBER - 1" DIAMETER X 1.50"

WINDOW, VENT & EXTERIOR DOOR GROUP (CONTINUED)

WINDOWS

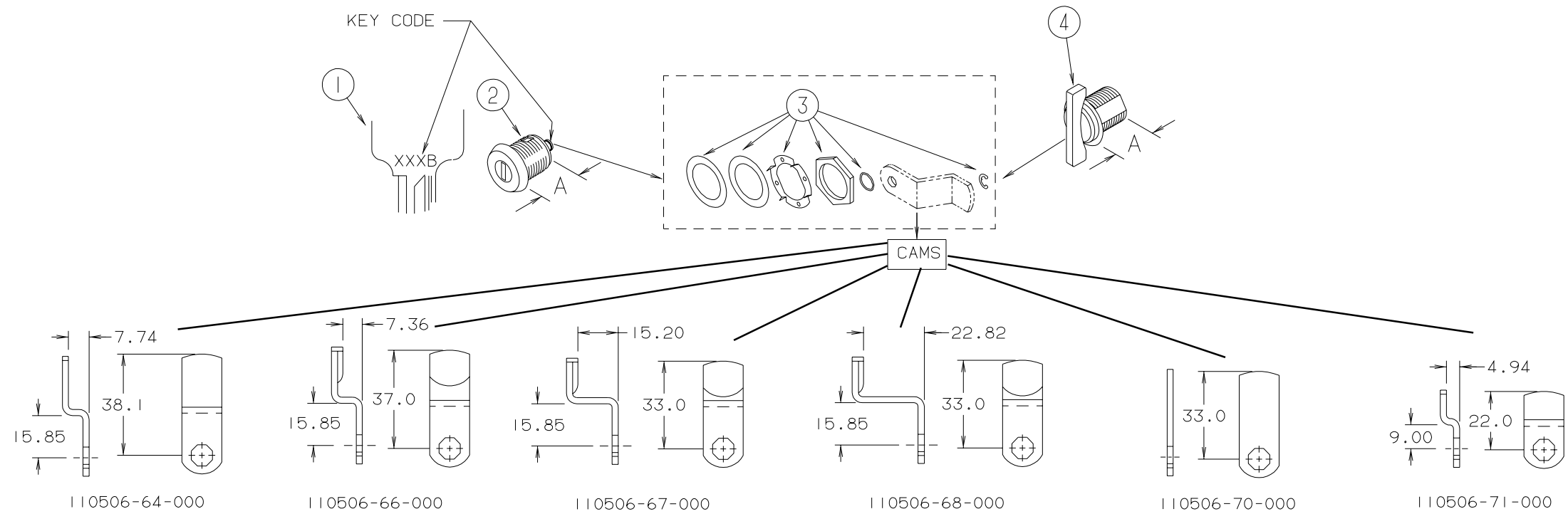


KEY	PARTNUMBER	U/M	DESCRIPTION
1	104691-13-01A	EA	WINDOW-TIPOUT SINGLE -26.3" X47.9"(TWIN&DOUBLE)
1	112795-25-01A	EA	WINDOW-DRIVERSHORIZONTALSLIDER THERMO263/8" X48"(TWIN&DOUBLE)
1	113500-01-01A	EA	WINDOW-DOUBLE TIPOUT 24.5 X41.3"(CENTERQUEEN)
1	112795-23-01A	EA	WINDOW-DRIVERSHORIZONTALSLIDER THERMO24 1/2" X41 1/2"(CENTERQUEEN)
2	098647-22-01A	EA	WINDOW-DRIVERSHORIZONTALSLIDER 26.1" X59.7"
2	112795-15-01A	EA	WINDOW-DRIVERSHORIZONTALSLIDER THERMO263/8" X60"
3	098647-34-01A	EA	WINDOW-DRIVERSHORIZONTALSLIDER 15.7" X28.5"
3	112795-20-01A	EA	WINDOW-DRIVERHORIZONTALSLIDER THERMO16" X283/4"
4	103313-03-F15	EA	WINDOW-PICTURE/ESCAPE 23.3" X71.3"
4	115630-01-01A	EA	WINDOW-STATIONARY 17.2" X72"
5	098647-33-01A	EA	WINDOW-PASSENGERHORIZONTALSLIDER 15.7" X28.5"
5	112795-19-01A	EA	WINDOW-PASSENGERHORIZONTALSLIDER THERMO16" X283/4"
6	098647-23-01A	EA	WINDOW-PASSENGERHORIZONTALSLIDER 26.1" X59.7"
6	112795-16-01A	EA	WINDOW-PASSENGERHORIZONTALSLIDER THERMO263/8" X60"
7	117053-02-F36	EA	WINDOW-PICTURE-ENTRANCEDOOR-17" X26.4"
7	113733-01-01A	EA	WINDOW-STATIONARY THERMOPANE 26.4" X17"
8	104691-13-01A	EA	WINDOW-TIPOUT SINGLE -26.3" X47.9"(TWIN&DOUBLE)
8	112795-22-01A	EA	WINDOW-PASSENGERHORIZONTALSLIDER THERMO263/8" X48"(TWIN&DOUBLE)
8	113500-01-01A	EA	WINDOW-DOUBLE TIPOUT 24.5 X41.3"(CENTERQUEEN)
8	112795-21-01A	EA	WINDOW-PASSENGERHORIZONTALSLIDER THERMO24.5" X41 1/4"(CENTERQUEEN)
9	078528-06-E10	EA	WINDOW-ESCAPE W/O RETAINER/TRIM 48.5" X24.5"(CENTERQUEEN)
9	113502-01-01A	EA	WINDOW-REARESCAPE THERMO-24.8" X48.7"(CENTERQUEEN)
10	116976-02-01A	EA	WINDOW-REARTINTEDESCAPE 26.4" X26.25"(TWIN)
10	113502-04-01A	EA	WINDOW-REARESCAPE THERMO-26.4" X26.25"(TWIN)
11	116976-04-01A	EA	WINDOW-REARTINTED PICTURE 26.4" X26.25"(TWIN)
11	113733-02-01A	EA	WINDOW-STATIONARY THERMOPANE 26.4" X26.25"(TWIN)
12	116976-02-01A	EA	WINDOW-REARTINTEDESCAPE 26.4" X26.25"(DOUBLE)
12	113502-04-01A	EA	WINDOW-REARESCAPE THERMO-26.4" X26.25"(DOUBLE)

WINDOW, VENT & EXTERIOR DOOR GROUP (CONTINUED)

BRIGGS & STRATTON LOCKS & COMPONENTS

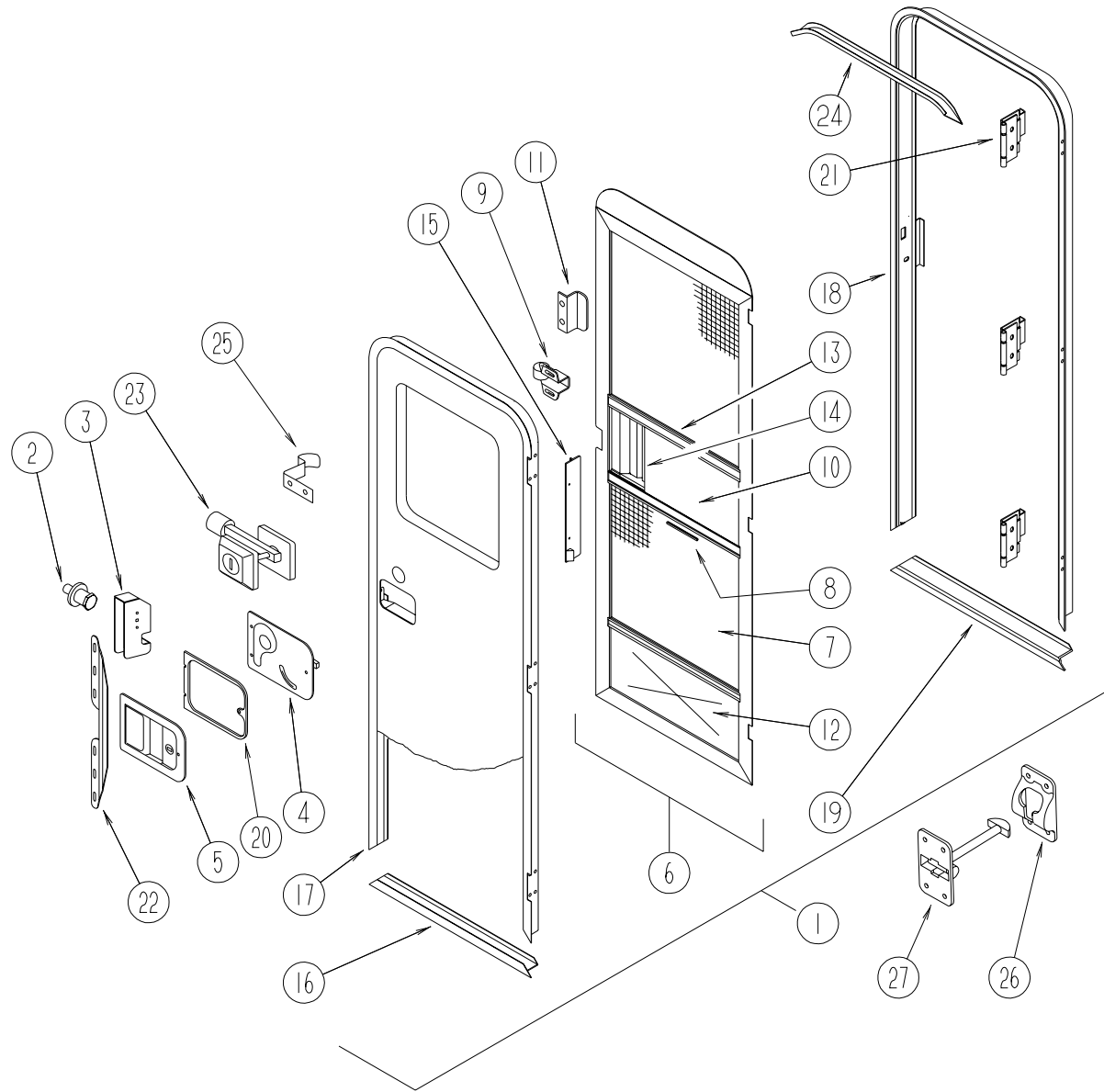
NOTE:
WHEN ORDERING THE LOCK CASE, THE KEY CODE MUST MATCH THE LAST DIGIT OF THE VEHICLE'S SERIAL NUMBER AND PART NUMBER; WHEN ORDERING THE KEYS, THE THIRD DIGIT OF THE KEY CODE MUST MATCH THE LAST DIGIT OF THE VEHICLE'S SERIAL NUMBER AND PART NUMBER.



KEY	PARTNUMBER	U/M	DESCRIPTION	VENDORNO.	KEY	PARTNUMBER	U/M	DESCRIPTION	VENDORNO.
1	110506-59-000	EA	KEYS-SET OF 2	596720	1	110506-59-006	EA	KEYS-SET OF 2	597936
2	110506-52-000	EA	CASE - LOCK - A= 17 MM	702370	2	110506-52-006	EA	CASE - LOCK - A= 17 MM	702376
2	110506-53-000	EA	CASE - LOCK - A= 25 MM	702380	2	110506-53-006	EA	CASE - LOCK - A= 25 MM	702386
1	110506-59-001	EA	KEYS-SET OF 2	596721	1	110506-59-007	EA	KEYS-SET OF 2	597937
2	110506-52-001	EA	CASE - LOCK - A= 17 MM	702371	2	110506-52-007	EA	CASE - LOCK - A= 17 MM	702377
2	110506-53-001	EA	CASE - LOCK - A= 25 MM	702381	2	110506-53-007	EA	CASE - LOCK - A= 25 MM	702387
1	110506-59-002	EA	KEYS-SET OF 2	596722	1	110506-59-008	EA	KEYS-SET OF 2	596728
2	110506-52-002	EA	CASE - LOCK - A= 17 MM	702372	2	110506-52-008	EA	CASE - LOCK - A= 17 MM	702378
2	110506-53-002	EA	CASE - LOCK - A= 25 MM	702382	2	110506-53-008	EA	CASE - LOCK - A= 25 MM	702388
1	110506-59-003	EA	KEYS-SET OF 2	596723	1	110506-59-009	EA	KEYS-SET OF 2	596729
2	110506-52-003	EA	CASE - LOCK - A= 17 MM	702373	2	110506-52-009	EA	CASE - LOCK - A= 17 MM	702379
2	110506-53-003	EA	CASE - LOCK - A= 25 MM	702383	2	110506-53-009	EA	CASE - LOCK - A= 25 MM	702389
1	110506-59-004	EA	KEYS-SET OF 2	596724	3	110506-40-700	EA	HARDWARE PACKAGE - CYLINDER / CASE	
2	110506-52-004	EA	CASE - LOCK - A= 17 MM	702374	4	110506-50-000	EA	CASE ASM - TWIST LOCK 17 MM	596932
2	110506-53-004	EA	CASE - LOCK - A= 25 MM	702384	4	110506-51-000	EA	CASE ASM - TWIST LOCK 25 MM	596669
1	110506-59-005	EA	KEYS-SET OF 2	596725		110506-64-000	EA	CAM-LOCK	322280
2	110506-52-005	EA	CASE - LOCK - A= 17 MM	702375		110506-66-000	EA	CAM-LOCK	322282
2	110506-53-005	EA	CASE - LOCK - A= 25 MM	702385		110506-67-000	EA	CAM-LOCK	322283
						110506-68-000	EA	CAM-LOCKING	322284
						110506-70-000	EA	CAM-LOCKING	322286
						110506-71-000	EA	CAM-LOCKING	322287
						110506-59-701	EA	KEY BLANK - GOLD	

WINDOW, VENT & EXTERIOR DOOR GROUP (CONTINUED)

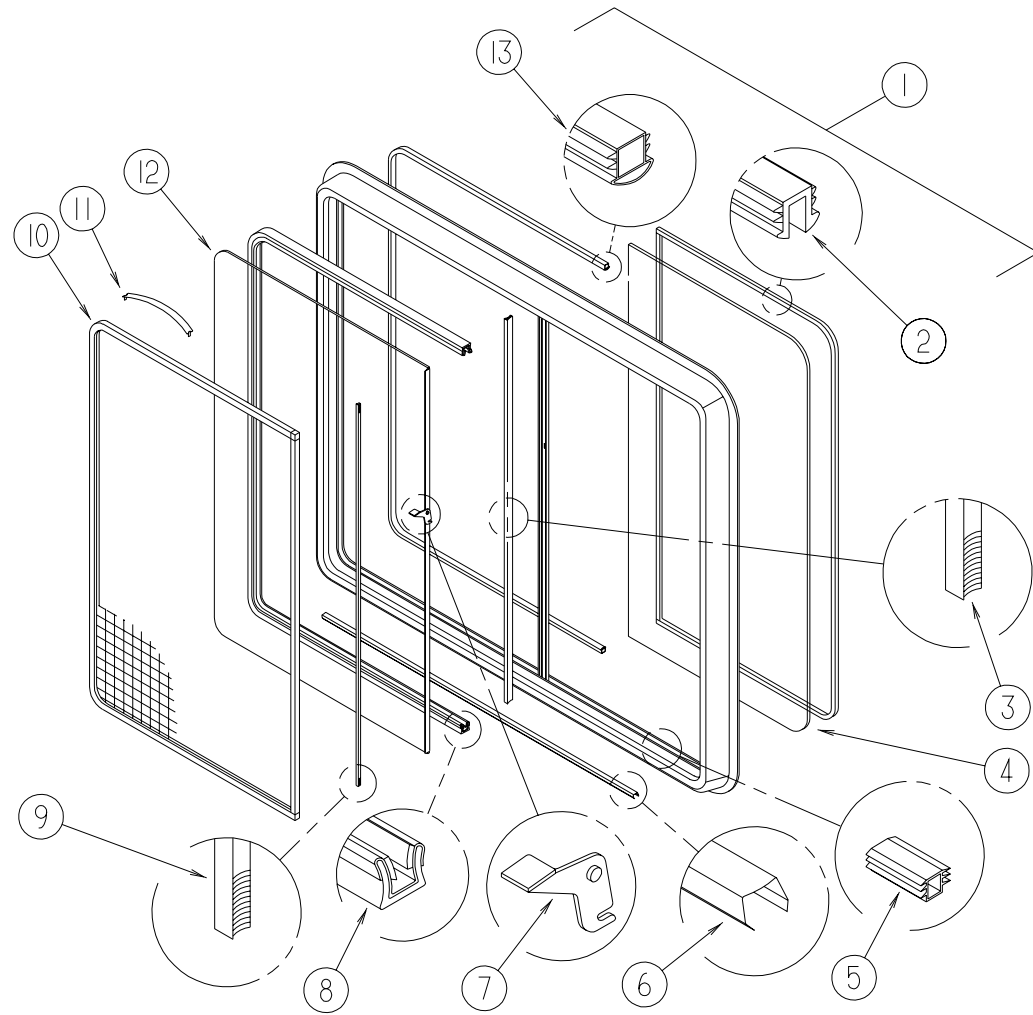
ENTRANCE DOOR



KEY	PARTNUMBER	U/M	DESCRIPTION	VENDOR NO.
1	115108-02-H07	EA	DOOR-ENTRY-W/SCREENDOOR-W/OWINDOW	
1	115108-02-H08	EA	DOOR-ENTRY-W/SCREENDOOR-W/OWINDOW	
2	039539-01-000	EA	STRIKE-LOCK-ENTRYDOOR-ROUND/THREADEDWASHER	
3	039540-01-000	EA	LATCHMECHANISM-HOOK-ENTRYDOOR-INTERIOR	
	039715-01-000	EA	NUT-SERT-1/4"DIAMETER-20THREADS	
4	039979-06-000	EA	COVER-LATCHPLATE-RIGHTHAND-BLACKTEXTURED	
	039984-01-000	EA	CAP-ROUND-VINYL-.28"IDX.62"LONG-BLACK	
	041546-05-000	EA	BRACKET-DOORANGLE-5"X1.9"-OFFWHITE-METAL	
5	045017-13-000	EA	LATCH-ENTRYDOOR-BLACKTEXTURED	
	045017-11-701	EA	KEY-BLANK-ROUNDTOP-SILVER-TRI/MARK	
	045017-11-703	EA	CYLINDER-LOCKASM.W/KEYS	81266-09
	072893-04-000	EA	NUTSERT-10-32	
	075671-04-000	FT	SEAL-SPONGE-LAZYTSHAPE-W/ADHESIVESTRIPE-.5"WIDE	
6	121899-01-G04	EA	DOORASM-SCREEN-BRIGHTWHITE	
7	002293-02-000	SF	SCREENING-WINDOW/DOOR-26"	
8	002294-01-000	FT	SPLINE-SCREENING-.005"X.0054"	
9	109403-01-000	EA	CATCH-SINGLEROLLER-SCREENDOOR	
10	001014-01-013	EA	INSERT-CENTER-10.25"X16.31"-UNPAINTED	
11	050712-06-000	EA	HANDLE-SCREENDOOR-ALUMINUM-BRIGHTWHITE	
12	078552-03-000	EA	KICKPANEL-SCREENDOOR-LOWERINSERT-UNPAINTED	
	078595-01-000	EA	PLATE-SCREENDOOR	
13	078777-01-000	EA	CHANNEL-SLIDE-SCREENDOORCENTERSLIDCOVER-17.4"	
14	079086-03-000	EA	SLIDER-SCREENDOOR-BRIGHTWHITE	
15	079087-03-000	EA	STRIKE-SLIDER-W/LIPFORELBOWCATCH-1.5"X8.6"-BRIGHTWHITE	
16	121893-03-01A	EA	FRAME-DOOR-ENTRANCE-BRIGHTWHITE	
	090340-01-000	FT	SEAL-FOAM-CLOSEDCELL-1/4"X1/2"X50'	
17	121894-03-01A	EA	FRAME-DOOR-ENTRANCE-BRIGHTWHITE	
18	121898-05-01A	EA	JAMB-ENTRYDOOR	
19	121893-01-01A	EA	FRAME-DOOR-ENTRANCE-BRIGHTWHITE	
20	096810-01-01A	EA	PLATE-LATCH-ENTRYDOOR-PLASTIC-BLACK	
21	106719-01-01A	EA	HINGE-ENTRYDOOR-MILL	
22	098173-01-04A	EA	STIFFENER-ENTRYDOOR-SUPPORTSLATCH/STRIKE-BRIGHTWHITE	
	118929-01-01A	FT	SEAL-PILE-PUSHON	
23	101145-01-06A	EA	DEADBOLT-ENTRYDOORW/OSECURITBOLTW/2KEYS-BLACK	
	101145-01-701	EA	CYLINDER-LOCKASM.-W/KEY	81306-03
	101147-01-000	EA	BOLT-SECURITY-4.12"BACKSET	
	102524-01-000	EA	BUMPER-RUBBER-FLAT-BLACK	
24	044582-44-000	EA	CAP-DRIP-DOORJAMB MOUNTED-BRIGHTWHITE	
	115222-05-01A	EA	GARNISH-RADIUS-ENTRYDOOR	
25	100412-01-000	EA	CATCH-SCREENDOOR-THUMBCLIPW/BLACKPLASTICCAP	
26	104099-02-04A	EA	CATCH-DOORHOLDER-RETAINER-PLASTIC-BRIGHTWHITE	
27	104099-01-04A	EA	CATCH-DOORHOLDER-STRIKE-PLASTIC-BRIGHTWHITE	
	009126-03-000	EA	HANDLE-ASSIST-ENTRYDOOR-BLACK-TEXTURED	
	041546-07-000	EA	BRACKET-DOORANGLE	

WINDOW, VENT & EXTERIOR DOOR GROUP (CONTINUED)

WINDOW, VENT & EXTERIOR DOOR GROUP (CONTINUED)



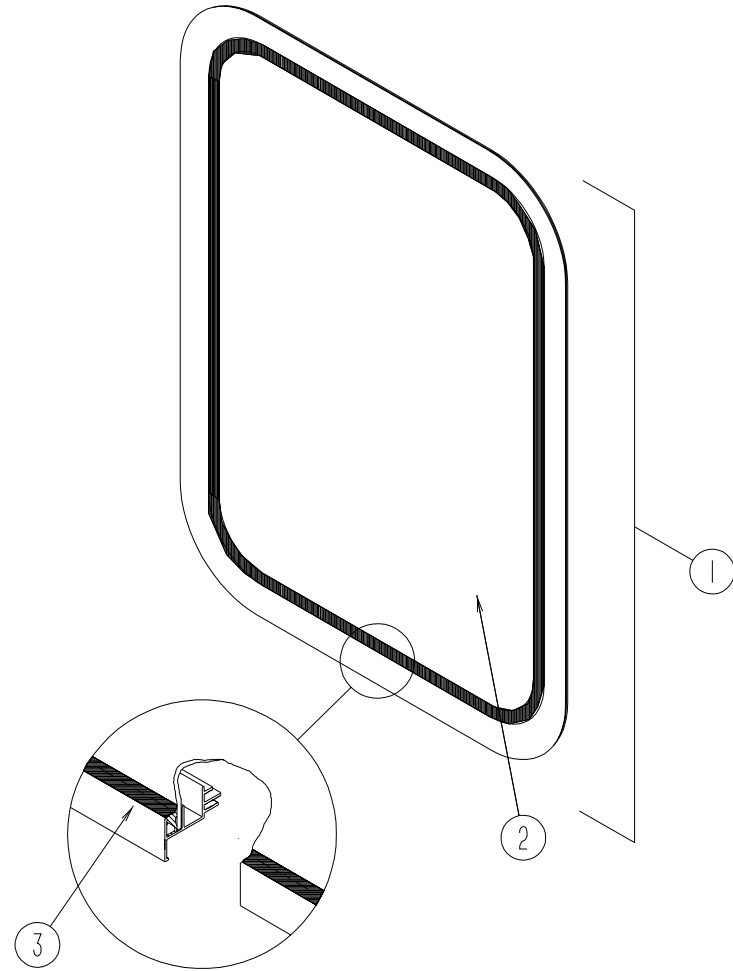
DRIVER/PASSENGER SIDE WINDOW-EXCEL

KEY	PARTNUMBER	U/M	DESCRIPTION	VENDOR NO.
1	098647-34-01A	EA	WINDOW-DRIVERS HORIZONTAL SLIDER 15.7" X 28.5"	
1	098647-33-01A	EA	WINDOW-PASSENGER HORIZONTAL SLIDER 15.7" X 28.5"	
1	098647-34-700	EA	WINDOW-SLIDER	H425-G2L
1	098647-33-700	EA	WINDOW-SLIDER	H425-G2R
	098647-31-701	EA	RETAINER-TRIM-WHITE	CW2966
2	100322-01-703	FT	STRIP-GLAZING	132-010723
3	098644-01-706	FT	WEATHERSTRIP	171-010668
4	098647-33-702	EA	GLASS-STATIONARY	106-019297
5	098644-01-719	FT	STOP-SLIDER GLASS	132-014203
6	098644-01-710	FT	TRACK-SCREEN SPACER 12' LENGTH	M401-31
7	098644-01-700	EA	LATCH REPAIR KIT	B801-CK
8	098644-01-708	FT	CHANNEL-PIERCE DRUN	122-016543
9	098644-01-711	FT	WEATHERSTRIP-SCREEN BLACK	171-016965
10	098647-33-704	EA	SCREEN ASM.-W/SPRING CLIP	410-019134
11	098644-01-713	EA	CLIP-SPRING-METAL	226-016966
12	098647-33-703	EA	GLASS-SLIDING-W/SASH & LATCH	H425-G9
13	098644-01-716	FT	PLUG-FILLER	132-014470
	098644-01-717	FT	SPLINE-SCREEN MFG	32-004716

DRIVER/PASSENGER SIDE WINDOW-EXCEL

KEY	PARTNUMBER	U/M	DESCRIPTION	VENDOR NO.
1	098647-22-01A	EA	WINDOW-DRIVERS HORIZONTAL SLIDER 26.1" X 59.7"	
1	098647-23-01A	EA	WINDOW-PASSENGER HORIZONTAL SLIDER 26.1" X 59.7"	
1	098647-22-700	EA	WINDOW-SLIDING W/O RETAINER	H287-G2L
1	098647-23-701	EA	WINDOW-SLIDER W/O RETAINER	H287-G2R
	098647-23-702	EA	RETAINER-TRIM	W287-66
2	098644-01-705	FT	GLAZING-STRIP	132-010231
3	098644-01-706	FT	WEATHERSTRIP-GLASS	171-010668
4	098647-23-703	EA	GLASS-STATIONARY	106-017622
5	098644-01-719	EA	STOP-SLIDER GLASS	132-014203
6	098644-01-710	FT	TRACK-SCREEN SPACER 12'	132-017135
7	098644-01-700	EA	LATCH REPAIR KIT (BLACK)	B801-CK
8	098644-01-708	FT	CHANNEL-PIERCE DRUN	122-016543
9	098644-01-711	FT	WEATHERSTRIP-SCREEN BLACK	171-016965
10	098647-23-704	EA	SCREEN ASM.-W/SEALS & CLIPS	
11	098644-01-713	EA	CLIP-SPRING-METAL	226-016966
12	098647-23-700	EA	GLASS-SLIDING-W/SASH & LATCH	H287-G9
13	098644-01-716	FT	PLUG-FILLER	132-014470
	098644-01-717	FT	SPLINE-SCREEN	32-004716

WINDOW, VENT & EXTERIOR DOOR GROUP (CONTINUED)



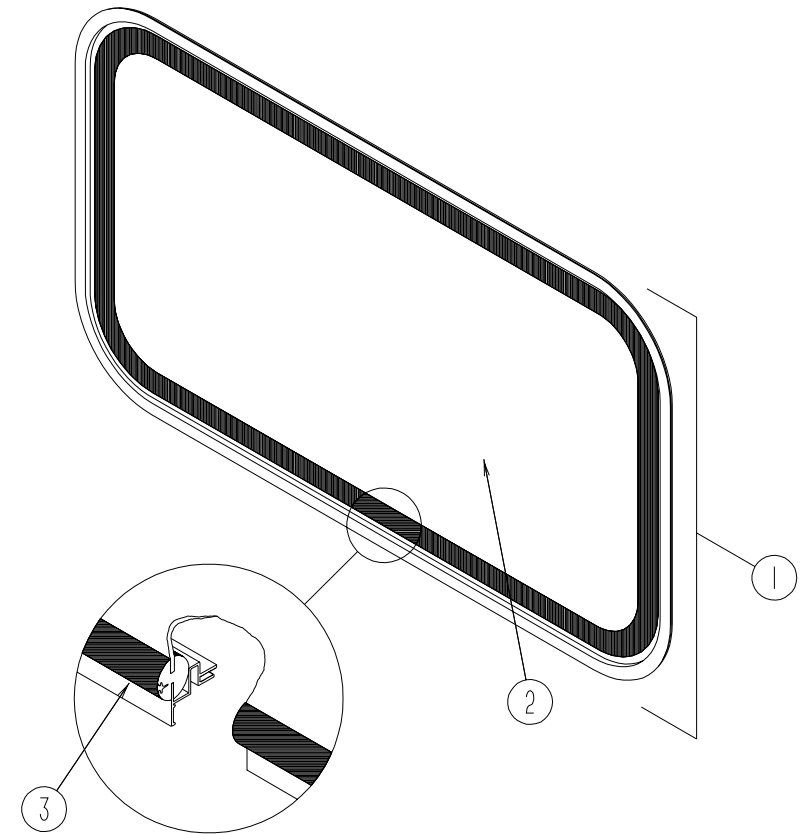
ENTRY DOOR WINDOW

KEY	PART NUMBER	U/M	DESCRIPTION
	117054-02-02A	EA	RETAINER-TRIM-BRIGHT WHITE
1	117053-02-F36	EA	WINDOW-PICTURE-ENTRANCEDOOR-17"X26.4"
2	002181-25-000	EA	GLASS-PICTURE 25.7" X 16.4"
	069640-11-000	FT	SEALER-TAPE-3/16" X 3/8"-BLACK
3	087561-01-000	FT	SEAL-GLASS-EXTERIOR-.5"WIDE-VINYLBK

THERMOPANE ENTRY DOOR WINDOW-EXCEL

KEY	PART NUMBER	U/M	DESCRIPTION	VENDOR NO.
	113733-01-01A	EA	WINDOW-STATIONARY THERMOPANE 26.4" X 17"	
	112795-01-705	FT	VINYL-GLAZING	132-025736
	113733-01-700	EA	WINDOW ASM. W/OTRIM	DH416-G2
	113733-01-701	EA	RETAINER-TRIM	W41666
	113733-01-702	EA	GLASS-STATIONARY	390-019187

WINDOW, VENT & EXTERIOR DOOR GROUP (CONTINUED)



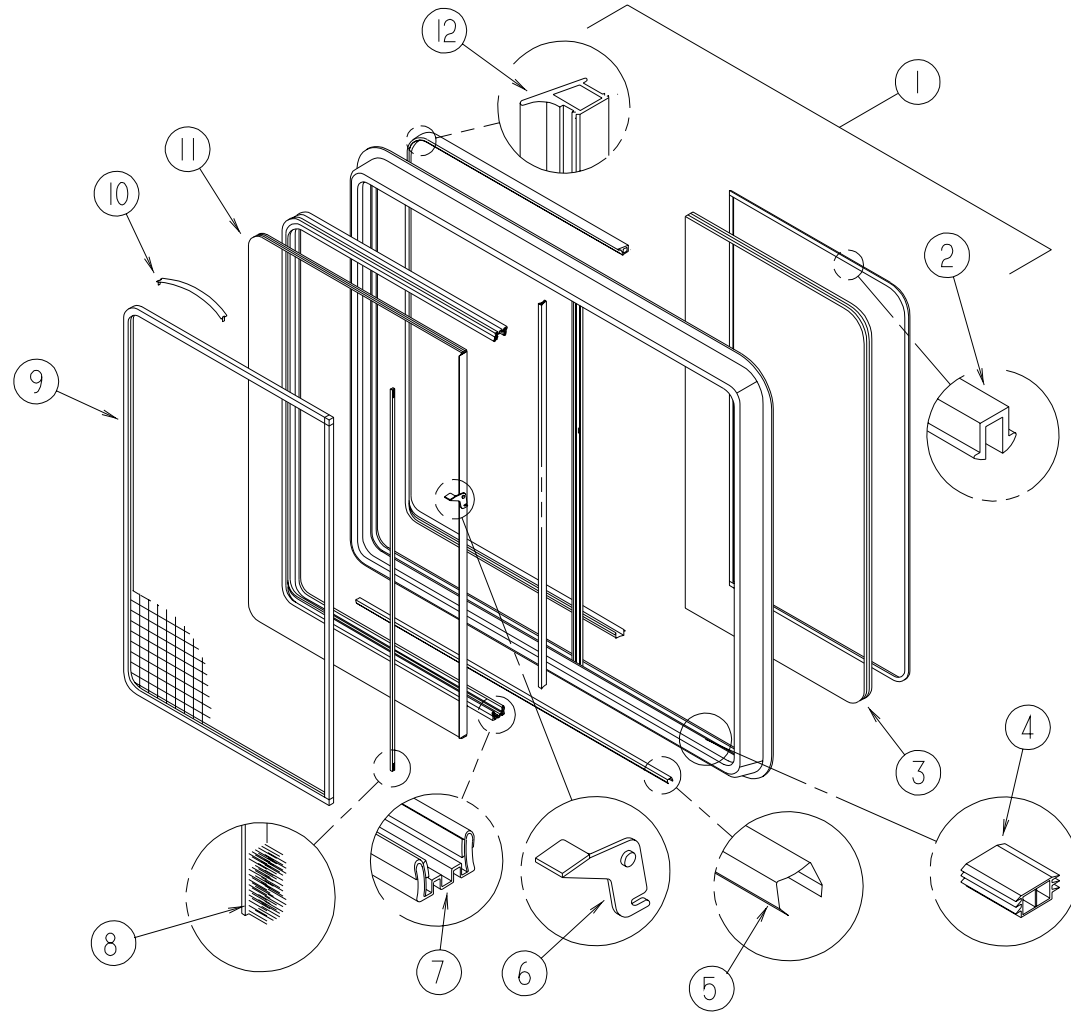
OVERHEAD BUNK FRONT WINDOW

KEY	PART NUMBER	U/M	DESCRIPTION
	117054-01-01A	EA	FRAME-INSIDE-WINDOW
1	103313-03-F15	EA	WINDOW-PICTURE/ESCAPE 23.3" X 71.3"
2	002181-29-000	EA	GLASS-PICTURE 71" X 16.4"
	069640-11-000	FT	SEALER-TAPE-3/16" X 3/8"-BLACK
3	099154-01-000	FT	CHANNEL-GLAZING, STATIONARY GLASS-.62" X .45"-BLACK

THERMOPANE OVERHEAD BUNK FRONT WINDOW-EXCEL

KEY	PART NUMBER	U/M	DESCRIPTION	VENDOR NO.
	115630-01-01A	EA	WINDOW-STATIONARY 17.2" X 72"	
	098644-01-705	FT	GLAZING-STRIP	132-010231
	115630-01-700	EA	WINDOW W/OTRIM	DH438-G2
	115630-01-701	EA	RETAINER-TRIM	W438-58
	115630-01-702	EA	GLASS-STATIONARY	390-019467

WINDOW, VENT & EXTERIOR DOOR GROUP (CONTINUED)



DRIVER & PASSENGER THERMOPANE OVERHEAD BUNK WINDOWS - EXCEL

KEY	PARTNUMBER	U/M	DESCRIPTION	VENDORNO.
1	112795-20-01A	EA	WINDOW-DRIVER HORIZONTAL SLIDER THERMO 16" X 28 3/4"	
1	112795-19-01A	EA	WINDOW-PASSENGER HORIZONTAL SLIDER THERMO 16" X 28 3/4"	
	112795-20-700	EA	WINDOW W/OTRIM	DC29-G2L
	112795-19-700	EA	WINDOW W/OTRIM	DC29-G2R
	098647-31-701	EA	RETAINER-TRIM	CW29-66
2	112795-01-705	FT	VINYL-GLAZING	132-019702
3	112795-19-701	EA	GLASS-STATIONARY	390-019134
4	112795-01-701	EA	SLIDE-STOP	132-019092
5	098644-01-710	FT	TRACK-SCREENSPACER 12'	132-017135
6	112795-01-700	EA	LATCH ASM., BLK., (BOLTON)	DH287-CK
7	112795-01-703	IN	CHANNEL-RUN (INCHES)	122-018736
8	098644-01-711	FT	WEATHERSTRIP-SCREENBLACK	171-016965
9	098647-31-704	EA	SCREEN ASM. W/SEALS & CLIPS	410-019128
10	098644-01-713	EA	CLIP-SPRING-METAL	226-016966
11	112795-19-702	EA	GLASS-SLIDING W/SASH & LATCH	DC29-G9
12	112795-01-704	FT	PLUG FILLER (DOUBLE GLAZED)	122-018737

WINDOW, VENT & EXTERIOR DOOR GROUP (CONTINUED)

DRIVER & PASSENGER THERMOPANE SLIDER WINDOW - CENTER QUEEN

KEY	PARTNUMBER	U/M	DESCRIPTION	VENDORNO.
1	112795-21-01A	EA	WINDOW-PASSENGER HORIZONTAL SLIDER THERMO 24.5" X 41 1/4"	
1	112795-23-01A	EA	WINDOW-DRIVER HORIZONTAL SLIDER THERMO 24 1/2" X 41 1/2"	
	098647-29-701	EA	RETAINER-TRIM	CW04-66
2	112795-01-705	FT	VINYL-GLAZING	132-019702
3	112795-21-701	EA	GLASS-STATIONARY	390-019132
4	112795-01-701	EA	SLIDE-STOP	132-019092
5	098644-01-710	FT	TRACK-SCREENSPACER 12'	132-017135
6	112795-01-700	EA	LATCH ASM., BLK., (BOLTON)	DH287-CK
7	112795-01-703	IN	CHANNEL-RUN (INCHES)	122-018736
8	098644-01-711	FT	WEATHERSTRIP-SCREENBLACK	171-016965
9	098647-29-704	EA	SCREEN ASM. W/SEALS & CLIPS	410-018864
10	098644-01-713	EA	CLIP-SPRING-METAL	226-016966
11	112795-21-702	EA	GLASS-SLIDING W/SASH & LATCH	DC04-G9
12	112795-01-704	FT	PLUG FILLER (DOUBLE GLAZED)	122-018737

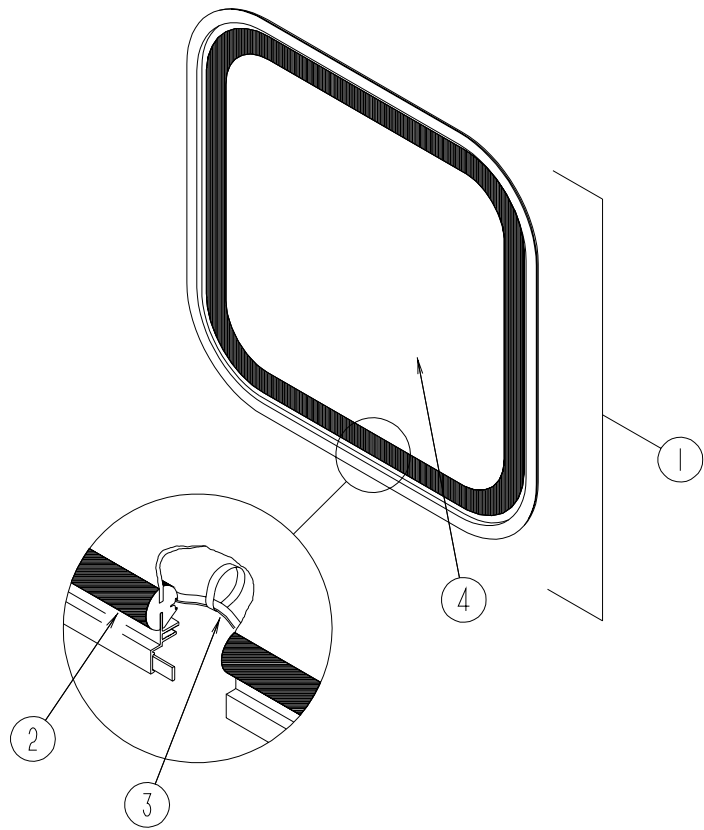
DRIVER & PASSENGER THERMOPANE SLIDER WINDOW - TWIN & DOUBLE

KEY	PARTNUMBER	U/M	DESCRIPTION	VENDORNO.
1	112795-22-01A	EA	WINDOW-PASSENGER HORIZONTAL SLIDER THERMO 26 3/8" X 48"	
1	112795-25-01A	EA	WINDOW-DRIVER HORIZONTAL SLIDER THERMO 26 3/8" X 48"	
	112795-22-701	EA	RETAINER-(TRIM)	W30366
2	112795-01-705	FT	VINYL-GLAZING	132-019702
3	112795-22-702	EA	GLASS-STATIONARY	390-019039
4	112795-01-701	EA	SLIDE-STOP	132-019092
5	098644-01-710	EA	TRACK-SCREENSPACER 12'	132-017135
6	112795-01-700	EA	LATCH ASM., BLK., (BOLTON)	DH287-CK
7	112795-01-703	IN	CHANNEL-RUN (INCHES)	122-018736
8	098644-01-711	EA	WEATHERSTRIP-SCREENBLACK	171-016965
9	098647-31-704	EA	SCREEN ASM., W/SEAL & CLIPS	410-019128
10	098644-01-713	EA	CLIP-SPRING, BLACK PLASTIC	226-016966
11	112795-19-702	EA	GLASS-SLIDING, W/SASH & LATCH	DC29-G9
12	112795-01-704	FT	PLUG-FILLER (DOUBLE GLAZED)	122-018737

DRIVER & PASSENGER THERMOPANE SLIDER WINDOW - EXCEL

KEY	PARTNUMBER	U/M	DESCRIPTION	VENDORNO.
1	112795-15-01A	EA	WINDOW-DRIVER HORIZONTAL SLIDER-THERMO-26 3/8" X 60"	
1	112795-16-01A	EA	WINDOW-PASSENGER HORIZONTAL SLIDER-THERMO-26 3/8" X 60"	
	098647-23-702	EA	RETAINER-TRIM-WHITE	W28766
2	112795-01-705	FT	VINYL-GLAZING	132-019702
3	112795-15-701	EA	GLASS-STATIONARY	390-019045
4	112795-01-701	EA	SLIDE-STOP	132-019092
5	098644-01-710	EA	TRACK-SCREENSPACER 12'	132-017135
6	112795-01-700	EA	LATCH ASM. -BLACK	DH287-CK
7	112795-01-703	IN	CHANNEL-RUN	122-018736
8	098644-01-711	EA	WEATHERSTRIP-SCREENBLACK	171-016965
9	098647-31-704	EA	SCREEN ASM., W/SEAL & CLIPS	410-019128
10	098644-01-713	EA	CLIP-SPRING, BLACK PLASTIC	226-016966
11	112795-19-702	EA	GLASS-SLIDING, W/SASH & LATCH	DC29-G9
12	112795-01-704	FT	PLUG-FILLER (DOUBLE GLAZED)	122-018737

WINDOW, VENT & EXTERIOR DOOR GROUP (CONTINUED)



CENTER QUEEN BED ESCAPE WINDOW

KEY	PARTNUMBER	U/M	DESCRIPTION
	074816-11-000	EA	FRAME-INSIDE-WINDOW-OFFWHITE
1	078528-06-E10	EA	WINDOW-ESCAPEW/O RETAINER/TRIM 48.5" X 24.5"
2	002282-09-000	EA	WEATHERSTRIP-WINDOW-.125" X 130.5" - BLACK
3	002285-01-000	FT	FILLER-WEATHERSTRIP-RUBBER-BLACK
4	076337-12-000	EA	GLASS-EGRESS-45.5" X 21.5"
	077066-01-702	EA	TAPE ASM-ESCAPE WINDOW

CENTER QUEEN BED THERMO PANE ESCAPE WINDOW-EXCEL

KEY	PARTNUMBER	U/M	DESCRIPTION	VENDOR NO.
	113502-01-01A	EA	WINDOW-REAR ESCAPE THERMO-24.8" X 48.7"	
	098644-01-705	FT	GLAZING-STRIP	132-010231
	112898-06-704	EA	HANDLE-LATCH, RED-RH	182-11293
	112898-06-705	EA	HANDLE-LATCH, RED-LH	182-11294
	113502-01-703	EA	GLASS-STATIONARY-RH/LH	390-019083
	113502-01-704	EA	GLASS-EGRESS CENTER-ESCP	DH153-G9

WINDOW, VENT & EXTERIOR DOOR GROUP (CONTINUED)

QUEEN BED TIPOUT WINDOW-EXCEL

KEY	PARTNUMBER	U/M	DESCRIPTION	VENDOR NO.
	113500-01-01A	EA	WINDOW-DOUBLE TIPOUT 24.5" X 41.3"	
	098644-01-716	FT	PLUG-FILLER	132-014470
	100322-01-701	FT	SEAL-VENT	122-016071
	100322-01-702	EA	WEATHERSTRIP-HORIZONTAL RAIL	132-015976
	100322-01-703	FT	VINYL-GLAZING, BUTYL	132-010723
	100322-01-704	FT	TAPE-BUTYL	154-016083
	100322-01-717	EA	E-RING	245-015975
	100322-01-718	EA	HANDLE-DIAL	410-016081
	112519-01-702	EA	OPERATOR-VENT	410-016123
	113500-01-700	EA	SCREEN ASM-W/SEALS & CLIPS	410-016020
	113500-01-701	EA	WINDOW W/OTRIM	CH04-G2
	113500-01-702	EA	RETAINER-TRIM	CW04-59
	113500-01-703	EA	GLASS-TOP STATIONARY	106-015970
	113500-01-704	EA	GLASS-UPPER VENT ASSEMBLY	CH04-G7
	113500-01-705	EA	GLASS-LOWER VENT ASSEMBLY	CH04-G9
	113500-01-706	EA	OPERATOR & BAR ASSEMBLY	CH04-15
	100322-01-715	EA	SUPPORT-TORQUEBAR, RH	130-015979
	100322-01-714	EA	SUPPORT-TORQUEBAR, LH	130-015978
	117054-01-01A	EA	FRAME-WINDOW, INSIDE WHT	

TWIN/DOUBLE BED SLIDER WINDOW-EXCEL

KEY	PARTNUMBER	U/M	DESCRIPTION	VENDOR NO.
	104691-13-01A	EA	WINDOW-TIPOUT SINGLE-26.3" X 47.9"	
	100322-01-701	FT	SEAL-VENT	122-016071
	100322-01-702	EA	WEATHERSTRIP-HORIZONTAL RAIL	132-015976
	100322-01-703	FT	VINYL-GLAZING, BUTYL	132-010723
	100322-01-704	FT	TAPE-BUTYL	154-016083
	100322-01-714	EA	SUPPORT-TORQUEBAR, LH	130-015978
	100322-01-715	EA	SUPPORT-TORQUEBAR, RH	130-015979
	100322-01-718	EA	HANDLE-DIAL	410-016081
	104691-13-700	EA	WINDOW ASM W/OTRIM	CH37-G2
	104691-13-701	EA	RETAINER-TRIM	W303-59
	104691-13-702	EA	GLASS-STATIONARY	106-017670
	104691-13-703	EA	GLASS-VENT ASSEMBLY	CH37-G9
	104691-13-704	EA	OPERATOR & BAR ASSEMBLY	CH36-15
	104691-13-705	EA	SCREEN ASM-W/SEALS & CLIPS	410-017763
	112519-01-702	EA	OPERATOR-VENT	410-016123
	112519-01-706	EA	CLIP-SCREEN	CH21-50
	116976-01-702	FT	FILLER PLUG	132-016065

WINDOW,VENT&EXTERIORDOORGROUP(CONTINUED)

TWINBEDPICTUREWINDOW-EXCEL

KEY	PARTNUMBER	U/M	DESCRIPTION	VENDORNO.
	116976-04-01A	EA	WINDOW-REARTINTEDPICTURE 26.4"X26.25"	
	113733-02-701	EA	RETAINER-TRIM	W386-60
	116976-03-701	FT	GLAZINGVINYL	132-016071
	116976-04-700	EA	GLASS	106-019678

TWINBEDTHERMOPANEREARPICTUREWINDOW-EXCEL

KEY	PARTNUMBER	U/M	DESCRIPTION	VENDORNO.
	113733-02-01A	EA	WINDOW-STATIONARYTHERMOPANE26.4"X26.25"	
	112795-01-705	FT	VINYL-GLAZING	132-025736
	113733-02-700	EA	WINDOWW/OTRIM	DH400-G2
	113733-02-701	EA	RETAINER-TRIM	W386-60
	113733-02-702	EA	GLASS-STATIONARY	390-019461

TWIN/DOUBLEBEDREARESCAPEWINDOW-EXCEL

KEY	PARTNUMBER	U/M	DESCRIPTION	VENDORNO.
	116976-02-01A	EA	WINDOW-REARTINTEDESCAPE 26.4"X26.25"	
	100322-01-701	FT	SEAL-VENT	122-016071
	112898-06-704	EA	HANDLE-LATCH,RED-RH	182-11293
	112898-06-705	EA	HANDLE-LATCH,RED-LH	182-11294
	116976-01-701	EA	RETAINER-TRIM	W386-53
	116976-01-702	FT	FILLERPLUG	132-016065
	116976-02-700	EA	GLASS-STATIONARY	106-018785

TWIN/DOUBLEBEDTHERMOPANEESCAPEWINDOW-EXCEL

KEY	PARTNUMBER	U/M	DESCRIPTION	VENDORNO.
	113502-04-01A	EA	WINDOW-REARESCAPETHERMO-26.4"X26.25"	
	098644-01-705	FT	GLAZING-STRIP	132-010231
	112898-06-704	EA	HANDLE-LATCH,RED-RH	182-11293
	112898-06-705	EA	HANDLE-LATCH,RED-LH	182-11294
	113502-04-700	EA	WINDOWW/OTRIM	DH449-G2
	113502-04-701	EA	RETAINER-TRIM	W449-58
	113502-04-702	EA	GLASS-STATIONARY	390-019460

WINDOW,VENT&EXTERIORDOORGROUP(CONTINUED)

POWEREDROOFVENTILATOR

KEY	PARTNUMBER	U/M	DESCRIPTION	VENDORNO.
	123780-01-01A	EA	VENT-EXHAUST-1" ROOF	
	123780-02-01A	EA	VENT-ROOF-1" CEILING	
	009440-01-000	EA	GEAR/ARM-VENTCOVER,LIFT	
	084079-01-703	EA	KNOB-LIFT,W/EXT.&SCREW	1140K-00
	084079-01-704	EA	BLADE-FAN	1070-00
	084079-01-705	EA	MOTOR	1080-00
	084079-01-707	EA	SWITCH-SAFETY	1122.05
	084079-01-709	EA	SWITCH-MAIN,3SPEED	1031-05
	084079-01-711	EA	H-MOLDING,MOTORMOUNT	
	084079-11-700	EA	MOTOR,BRKT.,FANBLADE,KIT	4017K-09
	123780-01-700	EA	COVER-VENTW/HINGE&SLIDE	1020K-81
	123780-01-701	EA	GARNISH-INT3/4-1"BRT/WHT	0040-81

NONPOWEREDVENT

KEY	PARTNUMBER	U/M	DESCRIPTION	VENDORNO.
	122882-01-01A	EA	VENT-ROOF-NONPOWERED	
	009440-01-000	EA	GEAR/ARM-LIFT-ROOFVENTCOVER	
	064470-01-700	EA	COVER-VENT-W/OSLIDE BAR	J7291
	064470-01-701	EA	SLIDE BAR-VENTLID	JRP1291B
	122882-01-700	EA	HANDLE-CRANKBLACK	90128
	122882-01-701	EA	SCREEN	JRP-1124-B

POWEREDVENT

KEY	PARTNUMBER	U/M	DESCRIPTION	VENDORNO.
	122882-02-01A	EA	VENT-ROOF-W/FAN-POWERED	
	122882-03-01A	EA	VENT-ROOF-W/FAN-CSA	
	009440-01-000	EA	GEAR/ARM-LIFT-ROOFVENTCOVER	
	048648-01-000	EA	MOTOR-ROOFVENT-1/8 SHAFT-12VOLT	
	048649-01-000	EA	FAN-ROOFVENT-6BLADES-6"	
	064470-01-700	EA	COVER-VENT-W/OSLIDE BAR	J7291
	064470-01-701	EA	SLIDE BAR-VENTLID	JRP1291B
	110051-03-700	EA	SWITCH-BLACK/PUSHBUTTON	27-0164
	122882-01-700	EA	HANDLE-CRANKBLACK	90128
	122882-01-701	EA	SCREEN	JRP-1124-B
	122882-07-01A	EA	GARNISH-ROOFVENT-2.50" TO 4.12"	

VENTS,SHROUDSANDROOFCOVERS

KEY	PARTNUMBER	U/M	DESCRIPTION
	084073-07-000	EA	VENT-ROOF-REFRIGERATOR-BRIGHTWHITE
	084073-04-000	EA	BASE-ROOFVENT-REFRIGERATOR
	084616-07-000	EA	SHROUD-VENT-RANGEHOOD-BRIGHTWHITE
	084878-09-000	EA	VENT-HOOD-RANGE/SHORT-OFFWHITE
	083558-03-000	EA	VENT-PLUMBING-PIPEROOF-W/COVER-OFFWHITE