

**1997
WF331WU**

H04

BLUE LAGOON (BLUE)

H05

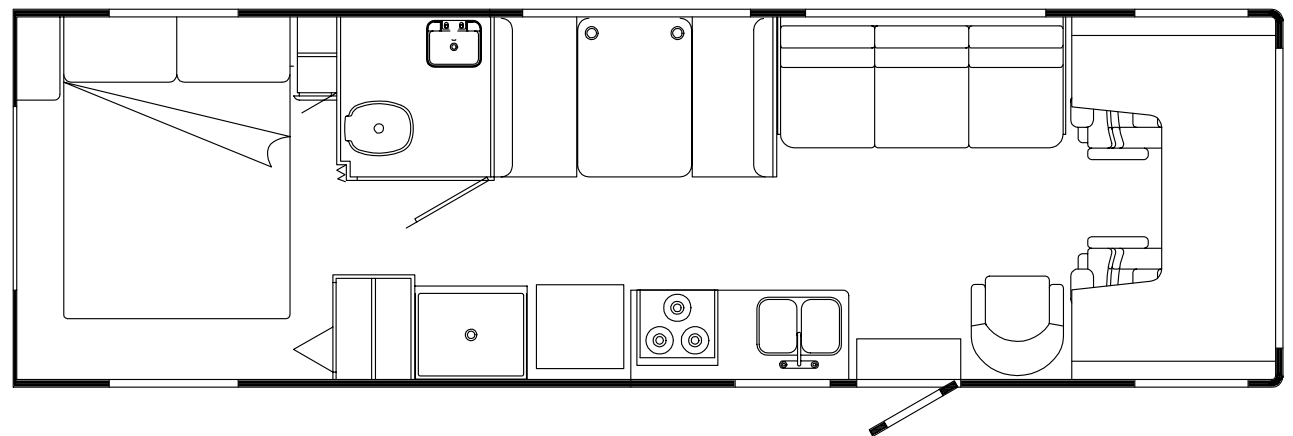
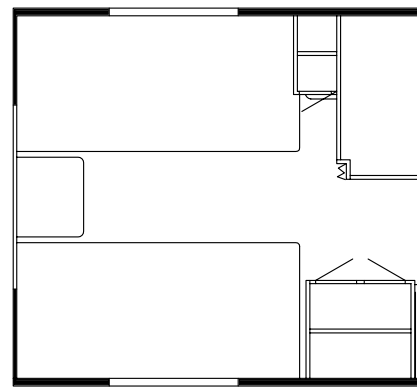
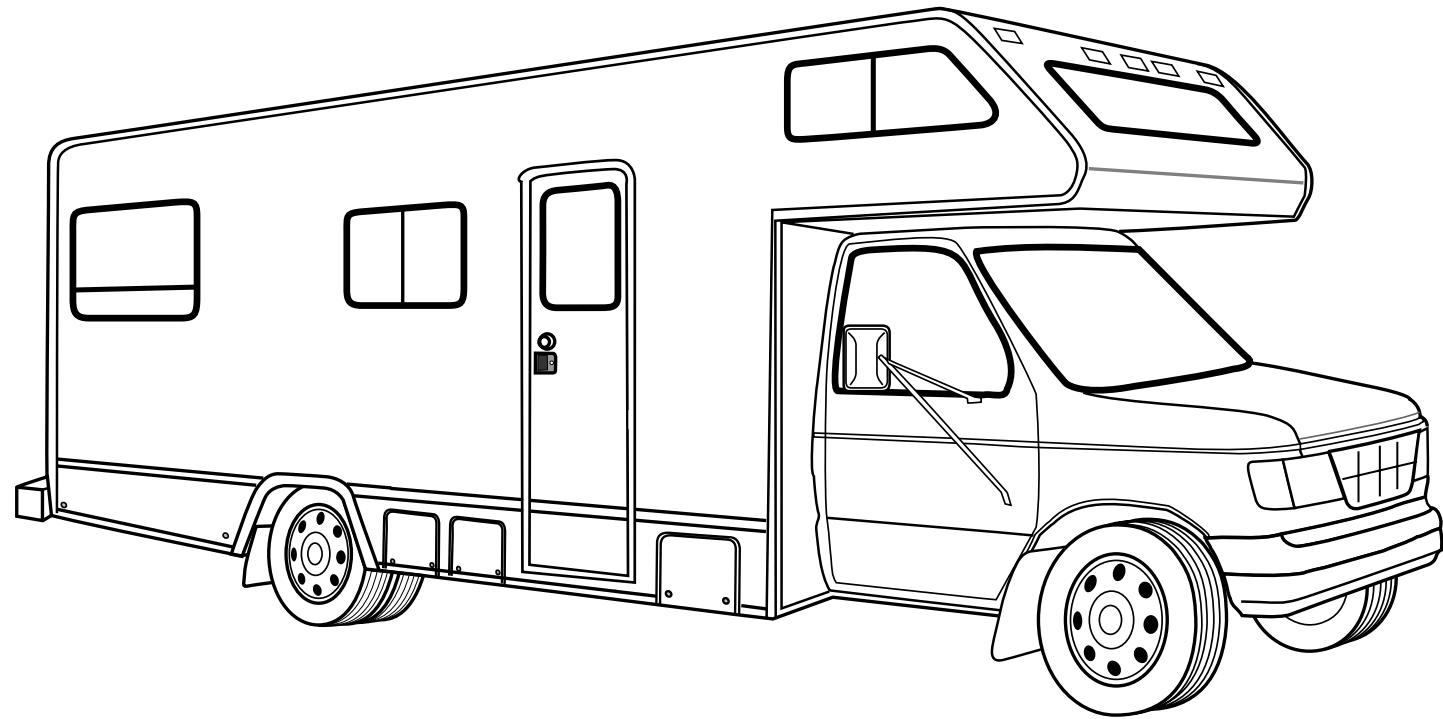
KRYPTONITE (TAUPE)

H24

COPPER CANYON (TERRA COTTA)

H26

COPPER CREEK (TAN)

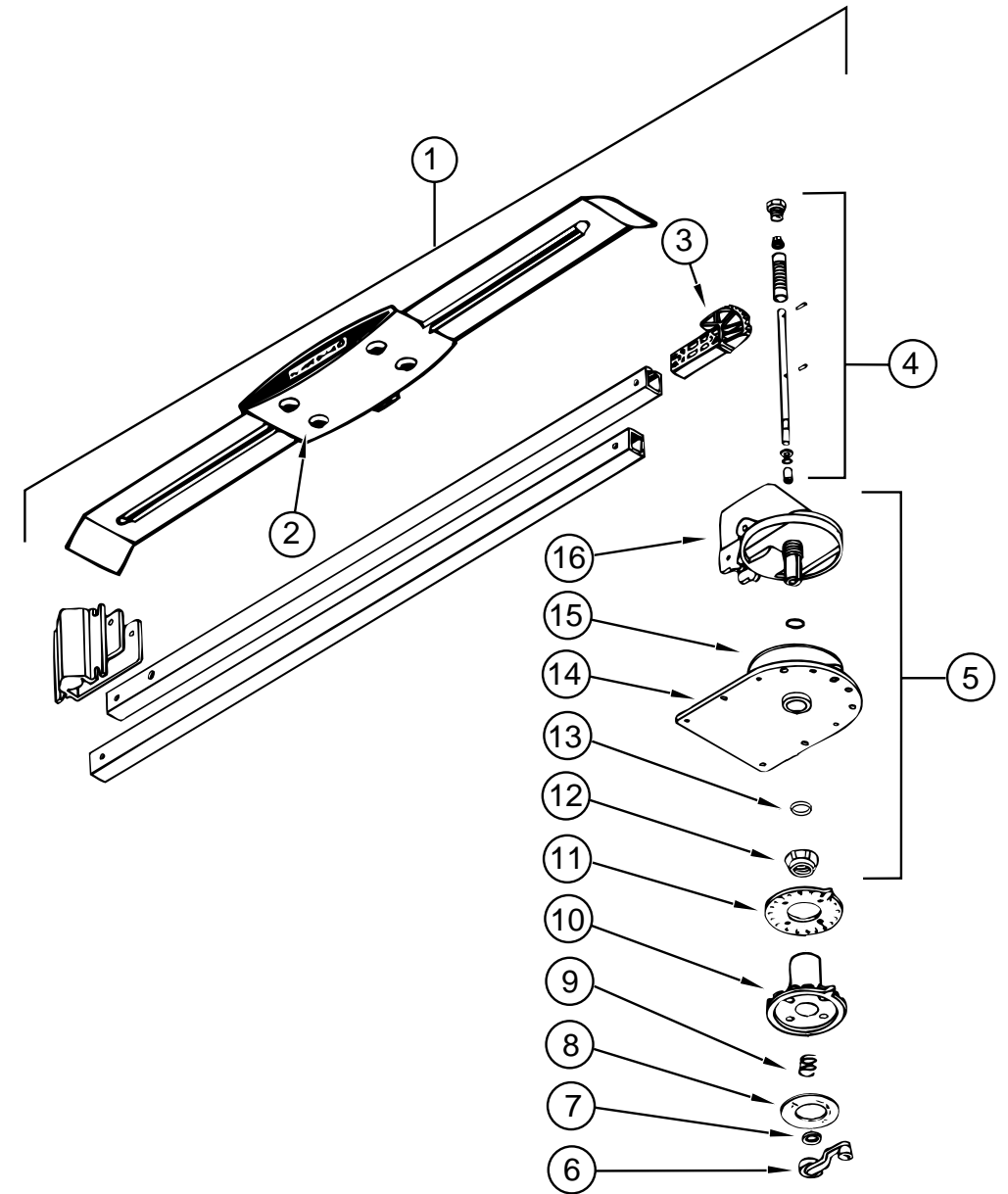


ACCESSORIESGROUP

OPERATORSMANUAL

KEY	PARTNUMBER	U/M DESCRIPTION
	054185-F3-000	EA MANUAL-OPERATOR, 1997MINNIE -300SERIES
	092318-01-000	EA BINDER-3RING, MOTORHOME MANUAL
	092319-01-000	EA POCKETPAGE-3RINGBINDER, PLASTIC
	121390-01-000	DW TOPLEVELDRAWING-1997C BODY

AUDIOVIDEOGROUP



TVANTENNA-WINEGARD-MODELRVAW02

KEY	PARTNUMBER	U/M DESCRIPTION	VENDORNO,
1	076319-20-000	EA ANTENNA-TV, ROOFMOUNT-1" ROOF	
2	076319-01-700	EA HEAD-ANTENNA, AMPLIFIED	RVSAU/V
3	076319-01-701	EA GEAR-ELEVATING, PLASTIC	2200046
4	076319-01-702	EA SHAFTASSEMBLY-ELEVATING	RVP-400A
5	076319-01-711	EA BASE & LIFTASSEMBLY	2762802
6	076319-01-706	EA CRANK-ELEVATING, W/SETSCREW	5755100
7	076319-01-705	EA GROMMET-NYLON, 7/8" ID	200658
8	076319-01-708	EA DECAL-CRANK	5413002
9	076319-01-707	EA SPRING-HANDLE	5160800
10	076319-01-709	EA PLATE-DIRECTIONAL, FORHEAD	3200644
11	076319-01-712	EA PLATE-CEILING	3200608
12	076319-01-715	EA NUT-GEARHOUSING	2200047
13	076319-01-704	EA BEARING-NYLON, 1.25" OD	3200657
14	076319-01-713	EA PLATE-BASE, STEEL	3100523
15	076319-01-703	EA BEARING-NYLON, 5" OD	3200656
16	076319-01-714	EA HOUSING, ROTATING GEAR	2200049

AUDIOVIDEOGROUP(CONTINUED)

RADIOSPEAKER

KEY	PARTNUMBER	U/M	DESCRIPTION
	074979-01-000	EA	SHIELD-SPEAKER, BACK-MOLDED PLASTIC-8"X9"-BEIGE
	111177-01-01A	EA	GRILLE-SPEAKER, OVAL 5"X7"-GRAY-MAGNADYNE SB68
	108137-01-000	EA	PLUG-ANTENNAHOLE, WARD PRODUCTS

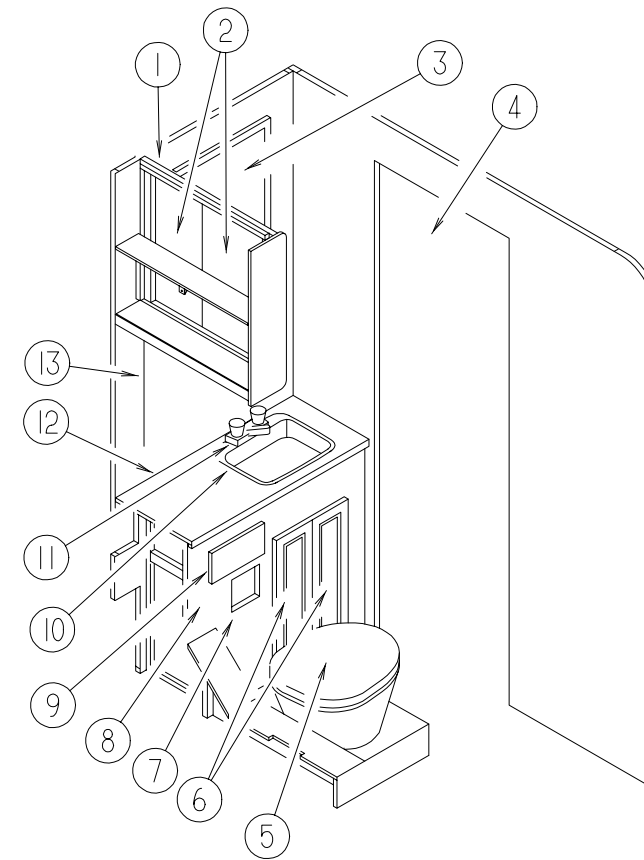
RADIO-PATIOENTERTAINMENTCENTER

KEY	PARTNUMBER	U/M	DESCRIPTION
	087683-03-000	EA	RADIO-AM/FM STEREO CASSETTE-AUDIOVOX RS-100
	090944-01-000	EA	ANTENNA-RADIO, 16" RUBBER
	108847-01-000	EA	BRACKET-ANTENNA GROUND
	077069-02-000	EA	CABLE-ANTENNA, RADIO-EXTENSION 96"-ARA 6700667
	076319-03-000	FT	CABLE-COAXIAL, 75OHM
	076319-12-000	EA	CONNECTOR-COAXIAL, ONEPIECE
	082134-01-000	EA	ADAPTER-CABLE TO CABLE, WINEGARD F-81M
	086756-01-000	EA	SPLITTER-TV, 2WAY
	109889-01-000	EA	EXTENDER-SHAFT, ANTENNA-1"-MAGNADYNE RV71EX1
	110469-01-000	EA	SPEAKER-OVAL, 4"X6"-COAXIAL-MAGNADYNE F46XB-12
	110470-01-01A	EA	GRILLE-SPEAKER, OVAL 4"X6"-BLACK-MAGNADYNE G46WI

TV-VCR SYSTEMS

KEY	PARTNUMBER	U/M	DESCRIPTION	VENDOR NO.
	113684-02-000	EA	TV-19" COLOR UL/CSA 1/8" JACK-AUDIOVOX AVT-1980	
	113684-02-700	EA	REMOTE	0892355
	086231-08-000	EA	TV-COLOR 13" DCAUDIOVOX-AVT-1475	
	086231-08-700	EA	REMOTE-UNIVERSAL	8822325
	119120-02-000	EA	VCR-VHSCABLE READY W/REMOTE	
	094487-03-000	EA	VIDEOCASSETTE PLAYER W/OREMOTE-AUDIOVOX AVP-6750	
	086757-03-000	EA	CONTROL CENTER-SWITCH, VCR/TV-AUDIOVOX AVCC-100	
	086777-02-000	EA	WALLPLATE-TV CABLE, W/ANTENNA SWITCH-BROWN	
	086777-06-000	EA	PLATE-WALL, ANT 1 OUTPUT BROW-WINEGARD RV-0931	
	076319-09-000	EA	WALLPLATE-CABLE RECEPTACLE, TV-SINGLE-BROWN	
	076319-06-000	EA	ADAPTER-CABLE ROOF PLATE	
	082136-01-000	EA	NUT-HEX JAM 3/8-32, WINEGARD	
	082134-01-000	EA	ADAPTER-TV, CABLE TO CABLE-WINEGARD F-81M	
	086756-01-000	EA	SPLITTER-TV, 2WAY	
	076319-03-000	FT	CABLE-COAXIAL, 75OHM	
	076319-12-000	EA	CONNECTOR-COAXIAL, ONEPIECE	

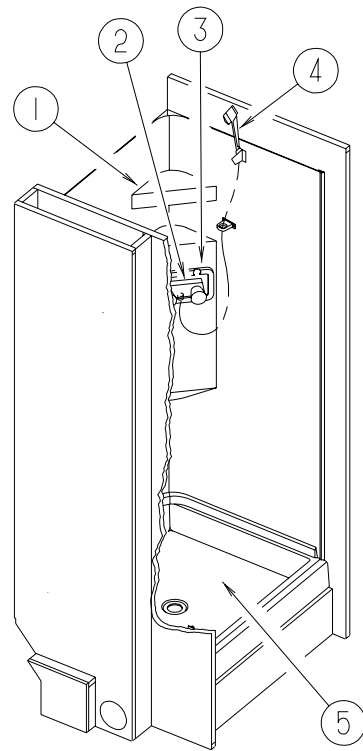
BATHGROUP



BATHROOM CABINETS & FIXTURES

KEY	PARTNUMBER	U/M	DESCRIPTION
1	124539-01-H04	EA	CABINET-MEDICINE-W/ODOORS/HARDWARE
	124539-12-H04	EA	SHELF-W/PLASTIC EDGE MOLDING
2	110140-92-G04	EA	DOOR-MITERED CORNER/VINYL WRAP-15.9"X21.8"-W/OHDW
2	M06803-U9-H04	EA	DOOR-MITERED CORNER/OGEE EDGE-16"X21.8"-W/OHDW
3	058331-01-000	EA	MIRROR-SAFETY GLASS-19"X26"
4	121449-32-H04	EA	DOOR-BATH
5	063740-01-000	EA	TOILET-HIGH, HAND FLUSH, AQUAMAGIC IV
6	110140-96-H04	EA	DOOR-MITERED CORNER/VINYL WRAP-10.6"X19.9"-W/OHDW
6	M06803-R6-H04	EA	DOOR-MITERED CORNER/OGEE EDGE-10.6"X19.8"-W/OHDW
7	075452-02-000	EA	HOLDER-TOILET TISSUE-BRASS
8	P24247-01-H04	EA	CABINET-LAVATORY-W/ODOORS/DRAWERS/HARDWARE (H04)
8	P24247-01-H05	EA	CABINET-LAVATORY-W/ODOORS/DRAWERS/HARDWARE (H05)
8	P24247-01-H24	EA	CABINET-LAVATORY-W/ODOORS/DRAWERS/HARDWARE (H24/H26)
9	P10163-CL-H04	EA	DRAWER-W/OSLIDES/HARDWARE
9	M05971-EV-H04	EA	DRAWER-OGEE EDGE-W/OSLIDES/HARDWARE
10	096927-01-01A	EA	SINK-LAVATORY-RECTANGULAR-PLASTIC/BONE
	096927-01-700	EA	PLUG-SINK M9801
	096927-01-701	EA	TAILPIECE-DRAIN-LAVATORY M9802
11	075240-06-000	EA	FAUCET-LAVATORY/BONE
	091253-01-000	EA	GASKET-FAUCET-LAVATORY/GALLEY
12	124247-13-H04	EA	COUNTERTOP-LAVATORY (H04)
12	124247-13-H05	EA	COUNTERTOP-LAVATORY (H05)
12	124247-13-H24	EA	COUNTERTOP-LAVATORY (H24/H26)
13	109180-04-H04	EA	CABINET-PIPE COVER (H04)
13	109180-04-H05	EA	CABINET-PIPE COVER (H05)
13	109180-04-H24	EA	CABINET-PIPE COVER (H24/H26)
	075454-02-000	EA	RING-TOWEL-W/MOUNTING HARDWARE-BRASS

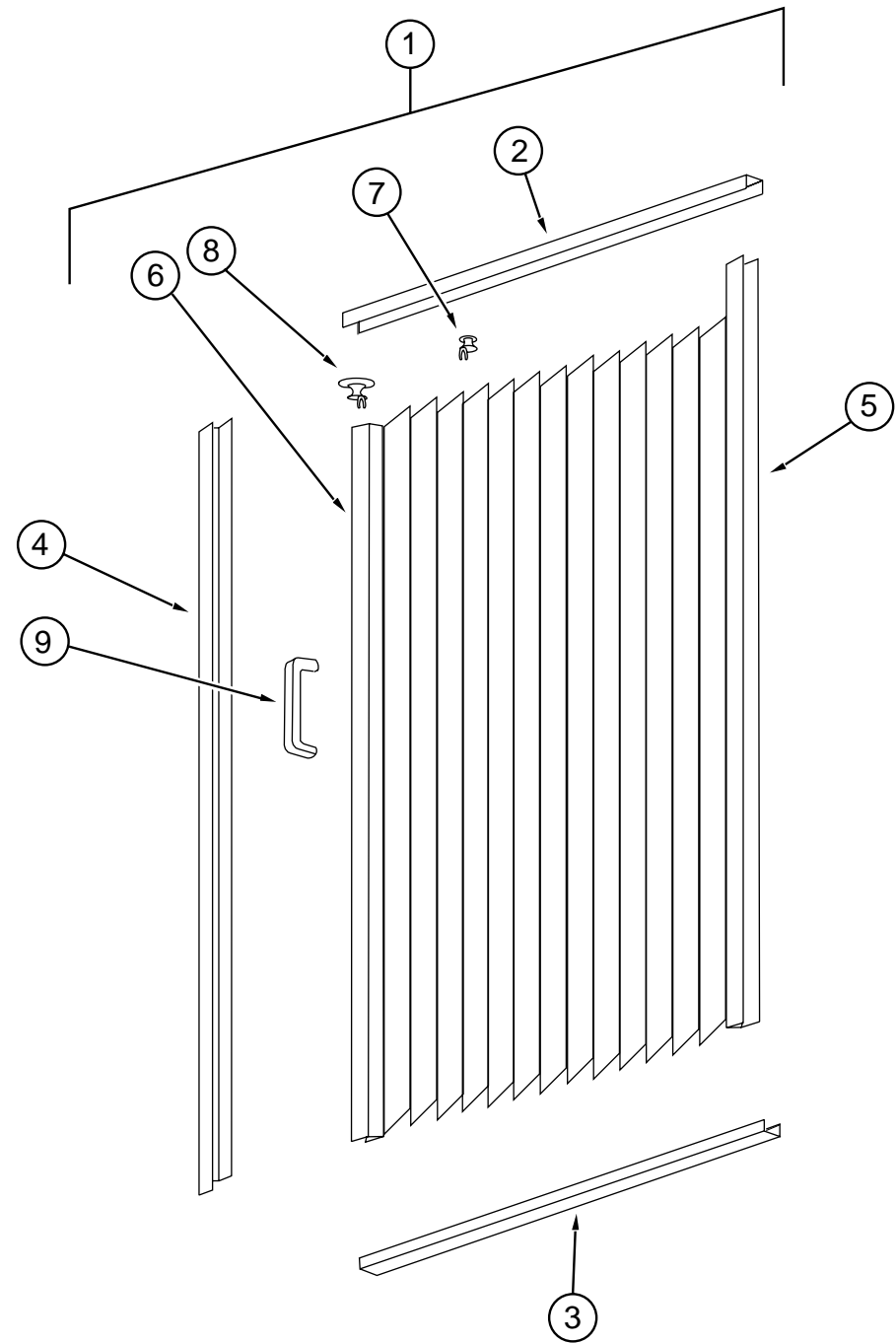
BATHGROUP(CONTINUED)



SHOWER CABINET & FIXTURES

KEY	PARTNUMBER	U/M	DESCRIPTION	VENDOR NO.
1	105707-01-01A	EA	CADDY-SHOWER	
2	075241-05-000	EA	FAUCET-SHOWER-BONEW/3/4" MPT X 1.4" LONG INLET PIPES	
3	075606-01-000	EA	PANEL-FAUCETBACK-SHOWER-5" X 9"	
4	103092-02-000	EA	SHOWERHEAD-W/HOSE-CSA	
4	103092-01-000	EA	SHOWERHEAD-W/60" HOSE	
	103092-01-700	EA	BRACKET-F/SHOWERHEAD,CLEAR	2328028
	011048-03-700	EA	BRACKET-F/SHOWERHEAD	2328029-3
5	M02673-05-B13	EA	PAN-SHOWER 29.8 X 22.7" X 5.7"	
	066440-01-000	EA	STRAINER-SHOWER,W/RUBBER WASHER	
	069735-01-000	EA	WASHER-STRAINER TOTAL PIECE PLASTIC, 1.5"	
	011069-02-000	EA	TAILPIECE-TUB/SHOWER, 1 1/2" X 1 1/4" X 4" - BRASS	
	066436-01-000	EA	NUT-SLIP-TAILPIECE 1.5"	
	057671-01-000	EA	COVER-SCREW,#8-PLASTIC-OFFWHITE	

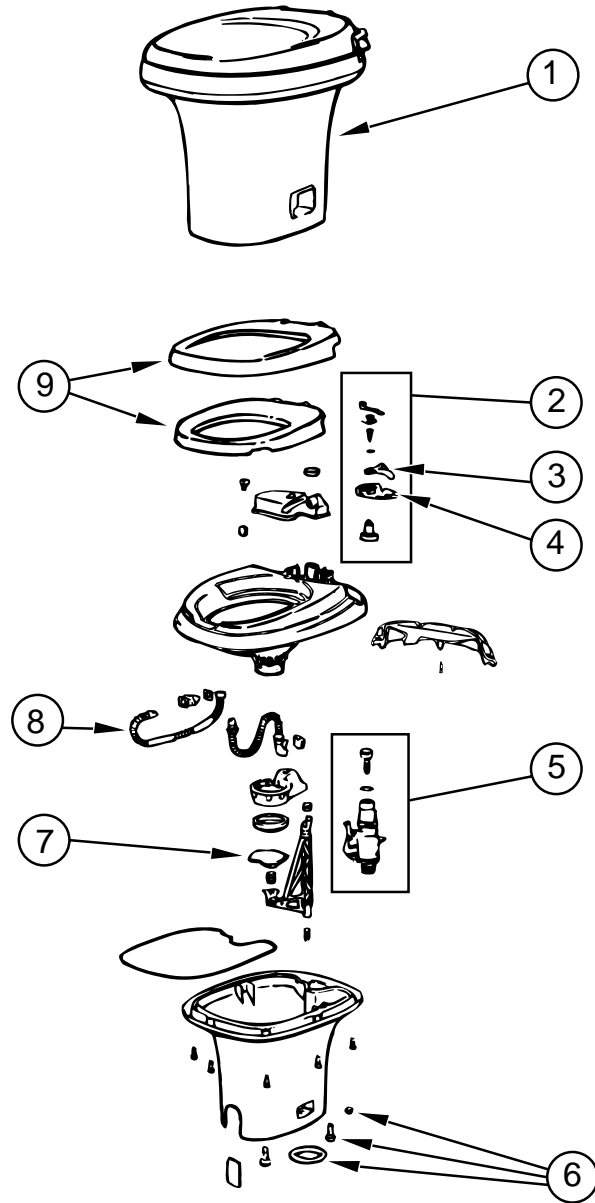
BATHGROUP(CONTINUED)



SHOWER DOOR

KEY	PARTNUMBER	U/M	DESCRIPTION
1	117431-01-01A	EA	DOOR-SHOWER-FABRIC PLEATED 29.6" X 63"
2	117431-01-700	EA	TRACK-TOP,ALUM.IVORY INSERT 48"
3	117431-01-701	EA	TRACK-BOTTOM,40"
4	117431-01-702	EA	RAIL-SIDE,67"
5	117431-01-703	EA	RAIL-STATIONARY,67"
6	117431-01-704	EA	RAIL-LEAD,67"
7	117431-01-705	EA	GLIDE-IVORY,TRAVELER
8	117431-01-706	EA	GLIDE-IVORY LEAD,TRAVELER
9	117431-01-708	EA	HANDLES & SCREWS
	117431-01-707	EA	LATCH
	117431-01-709	EA	STRAP-VINYL
	105394-01-05A	EA	EXTR-DOOR JAMB, WATERFORD OAK

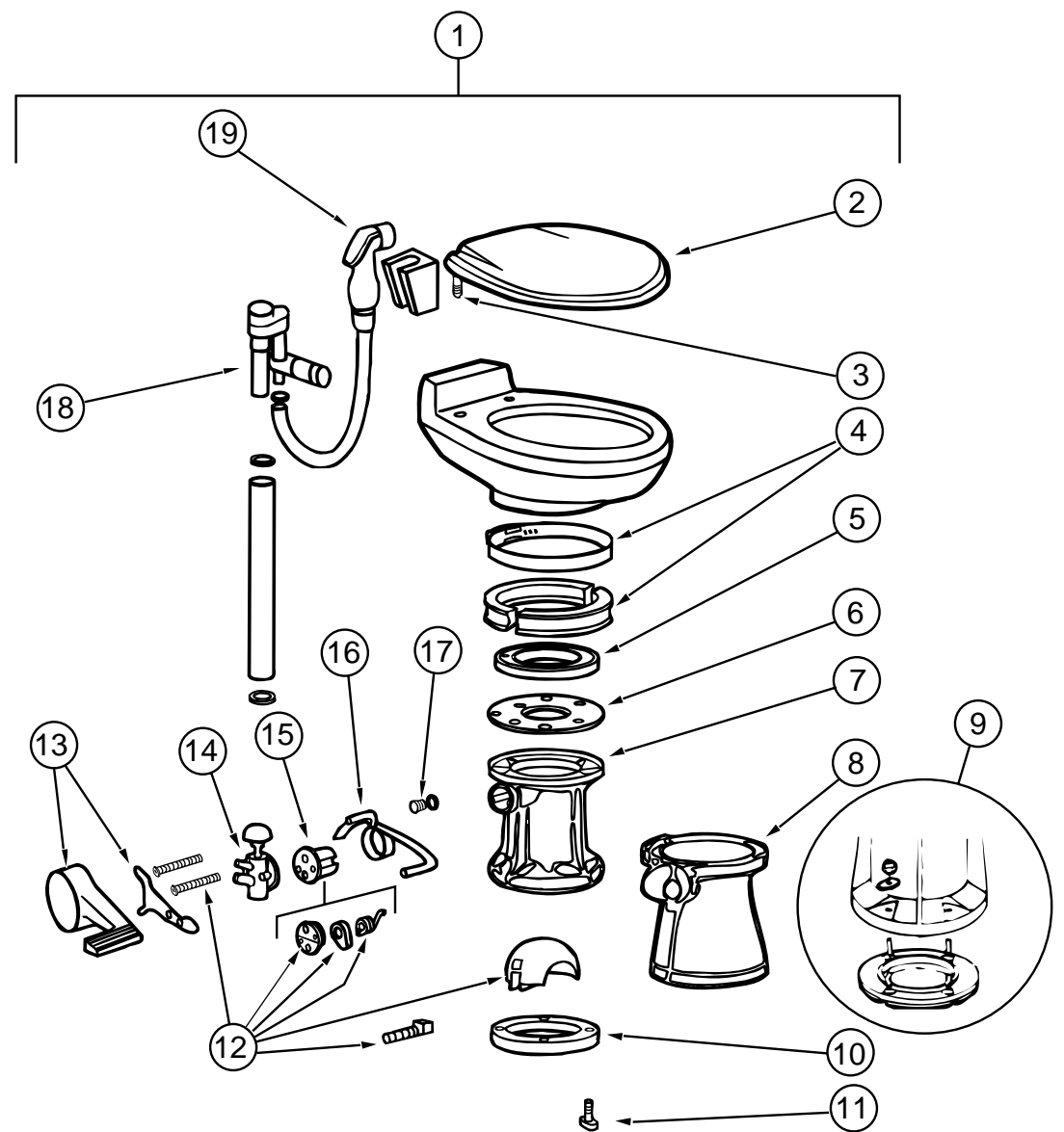
BATHGROUP(CONTINUED)



TOILET&COMPONENTS-THETFORD-MODEL-AQUAMAGICIVHIGH

KEY	PARTNUMBER	U/M	DESCRIPTION	VENDORNO.
1	063740-01-000	EA	TOILET-HIGH,HANDFLUSH,AQUAMAGICIV	
2	063740-01-720	EA	LEVERKIT,WAT-FLUSH-BEARING	24629
3	063740-01-700	EA	LEVER-WATER	12514
4	063740-01-701	EA	LEVER-FLUSH	12515
5	063740-01-714	EA	VALVEASM(VALVE-BALLSEAL)	13168
6	063740-01-706	EA	BOLTPACKAGE-FLOORFLANGE	12524
7	063740-01-721	EA	BLADEONLY	1248232
8	063740-01-717	EA	TUBE-FLUSH	12509
9	063740-02-700	EA	SEAT&COVER,PARCHMENT	2464157
	067487-02-702	EA	TANK-RESERVOIR	12507

BATHGROUP(CONTINUED)



TOILET&COMPONENTS-SEALAND-MODEL591003-MCCLAINSANNIVERSARYOPTION

KEY	PARTNUMBER	U/M	DESCRIPTION	VENDORNO.
1	085330-06-000	EA	TOILET-SHORTYCHINAW/SPRAY-BONE	
2	085330-06-700	EA	SEATASSEMBLY,BONE	340591
3	085330-06-702	EA	HINGEHARDWARE(BONE)SET	342131
4	085330-01-703	EA	RING&HALFCLAMPS,BONE	385310048
5	085330-01-704	EA	TEFLON&RUBBERSEALKIT	385316140
6	085330-01-705	EA	SUPPORT-SEAL,PLASTIC	390346405
7	085330-02-700	EA	BASEASM	310121
8	085330-02-702	EA	COVER-PEDESTAL,BONE510	310112
9	085330-01-718	EA	SEAL&BASEW/MOUNTINGHDW	3853100-63
10	085330-01-714	EA	SEAL-FLANGE,FLOOR	390343892
11	085330-01-717	EA	STOOLMTG.,PKG.BOLT&SEAL	3100-64
12	085330-01-706	EA	BALL(FLAPPER)SHAFT/CARTRIDGE	385318162
13	085330-02-703	EA	COVER-PEDAL,BONENEWSTYLE	310115
14	085330-01-709	EA	VALVE-WATER	385314349
15	085330-01-707	EA	CARTRIDGESPRINGASSEMBLY	381236096
16	085330-06-703	EA	LEVER-FLUSH	340873
17	085330-01-710	EA	DRAIN-KIT,PLUG-CAPW/SEAL	230384
18	085330-06-701	EA	BREAKER-VACUUM/DIVERTER(900)	230335
19	085330-04-701	EA	HANDSPRAYW/HOSE(500&900)	340683

BATHGROUP(CONTINUED)

SKYLIGHT

KEY	PARTNUMBER	U/M DESCRIPTION
	122192-01-01A	EA PANEL-SKYLIGHT-OUTER-16.4"X27.8"
	122193-01-01A	EA PANEL-SKYLIGHT-INNER

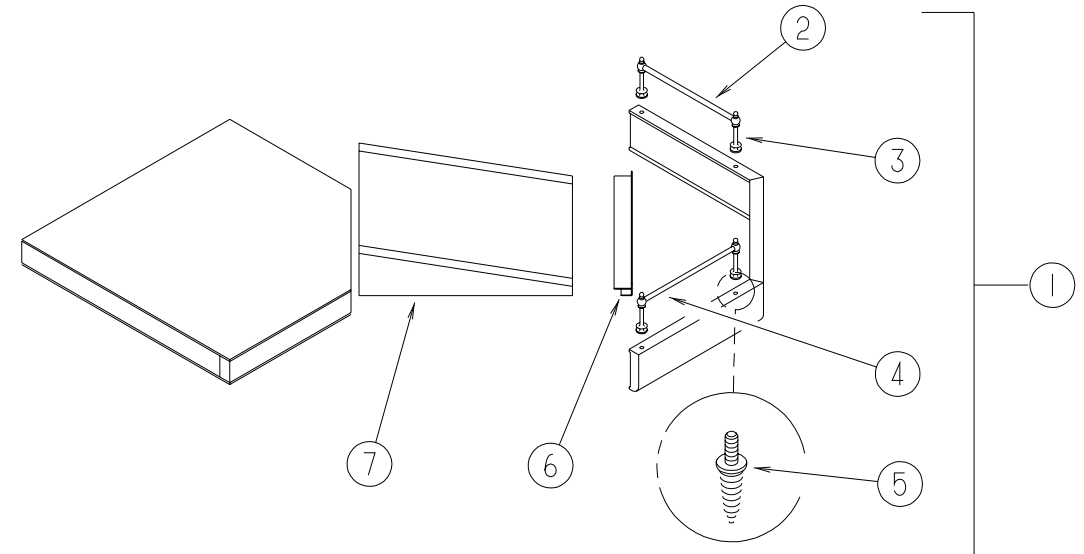
BATHDOOR

KEY	PARTNUMBER	U/M DESCRIPTION
	121449-32-H04	EA DOOR-BATH
	094485-03-01A	EA KNOB-DOOR-BRASS
	102920-01-01A	EA HINGE-DOOR-SPRINGLOADED/BRASS
	110496-01-01A	EA HINGE-BRASS
	121449-12-G04	EA RACK-TOWEL-BATHDOOR
	100357-01-000	EA ROD-TOWEL-BRASS

BATH/BEDROOMPRIVACYDOOR

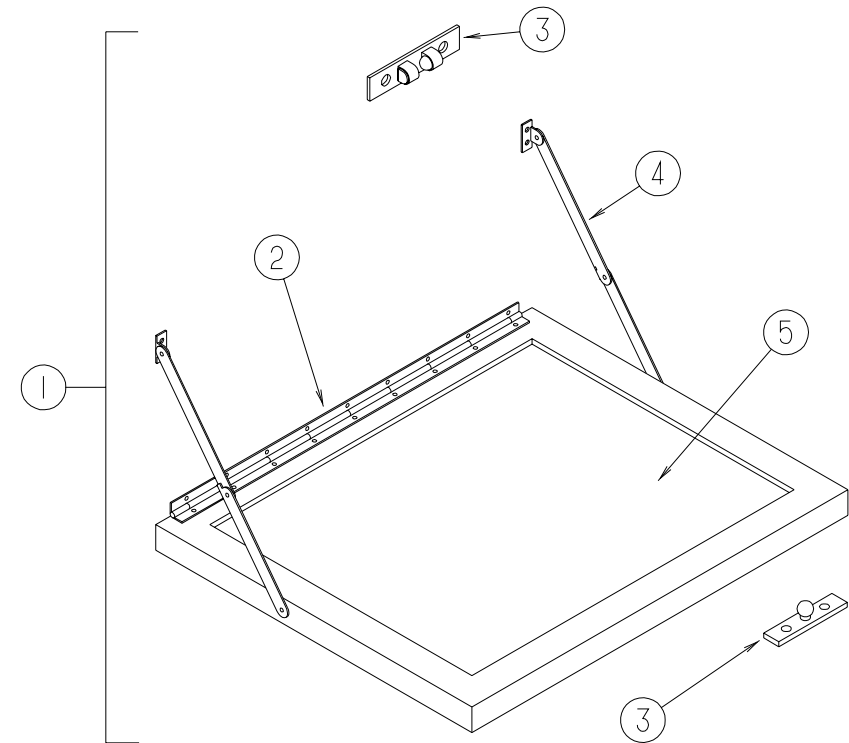
KEY	PARTNUMBER	U/M DESCRIPTION
	042488-10-000	EA DOOR-FABRICFOLDING-37"X75"-OFFWHITE
	080224-01-703	EA HANDLEW/LATCH-CATCH,ALMOND NE03505
	080224-01-705	EA LATCH&CATCHASM.,ALMOND DE25010&DE25020
	094856-14-01A	EA TRACK-FOLDINGDOOR-OFFWHITE
	029130-01-000	EA SCREW-SNAPSOCKET-#8PHX5/8"
	009702-01-000	EA ENDSTOP-CURTAINCARRIER-LROD

BEDROOMGROUP



TVSHELF-QUEENBED

KEY	PARTNUMBER	U/M DESCRIPTION
1	116553-01-G15	EA CABINET-TV SHELF-W/BRASS RODS/POST ENDS
2	084071-12-000	EA ROD-BRASS,104MMLONG
3	084070-03-000	EA POST-END,BRIGHTBRASSFINISH
4	084071-19-000	EA ROD-BRASS,198MMLONG
5	106166-01-000	EA BOLT COLLARED HANGER-8-32X1"
6	103186-01-05A	FT MOLDING-PLASTIC,SHELF-WATERFORDOAK
7	116553-15-GB1	EA WEDGE-TV SHELF

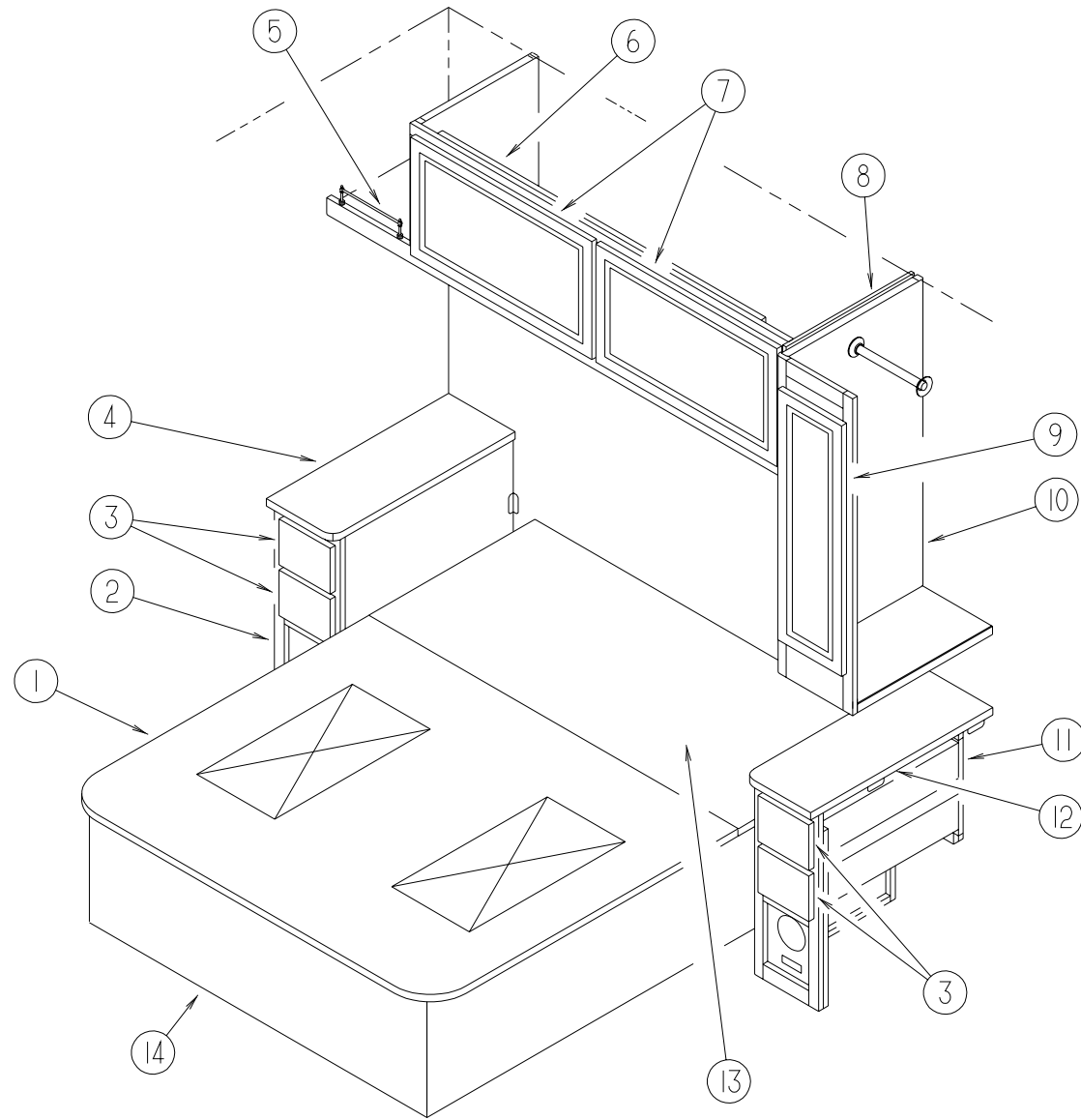


TVSHELF-TWINBED

KEY	PARTNUMBER	U/M DESCRIPTION
1	084357-02-H07	EA TV STAND-FOLDDOWNW/MIRROR
2	084413-01-000	EA HINGE-CONTINUOUS-ALUMINUM1"X72"-W/HOLES
3	088451-01-000	EA CATCH-TV SHELF, BRASS
4	084412-01-000	EA SUPPORTHINGEKIT
5	084356-08-000	EA INSERT-TV STANDW/SUPPORTHINGE

BEDROOMGROUP(CONTINUED)

QUEENBEDROOMCABINETS

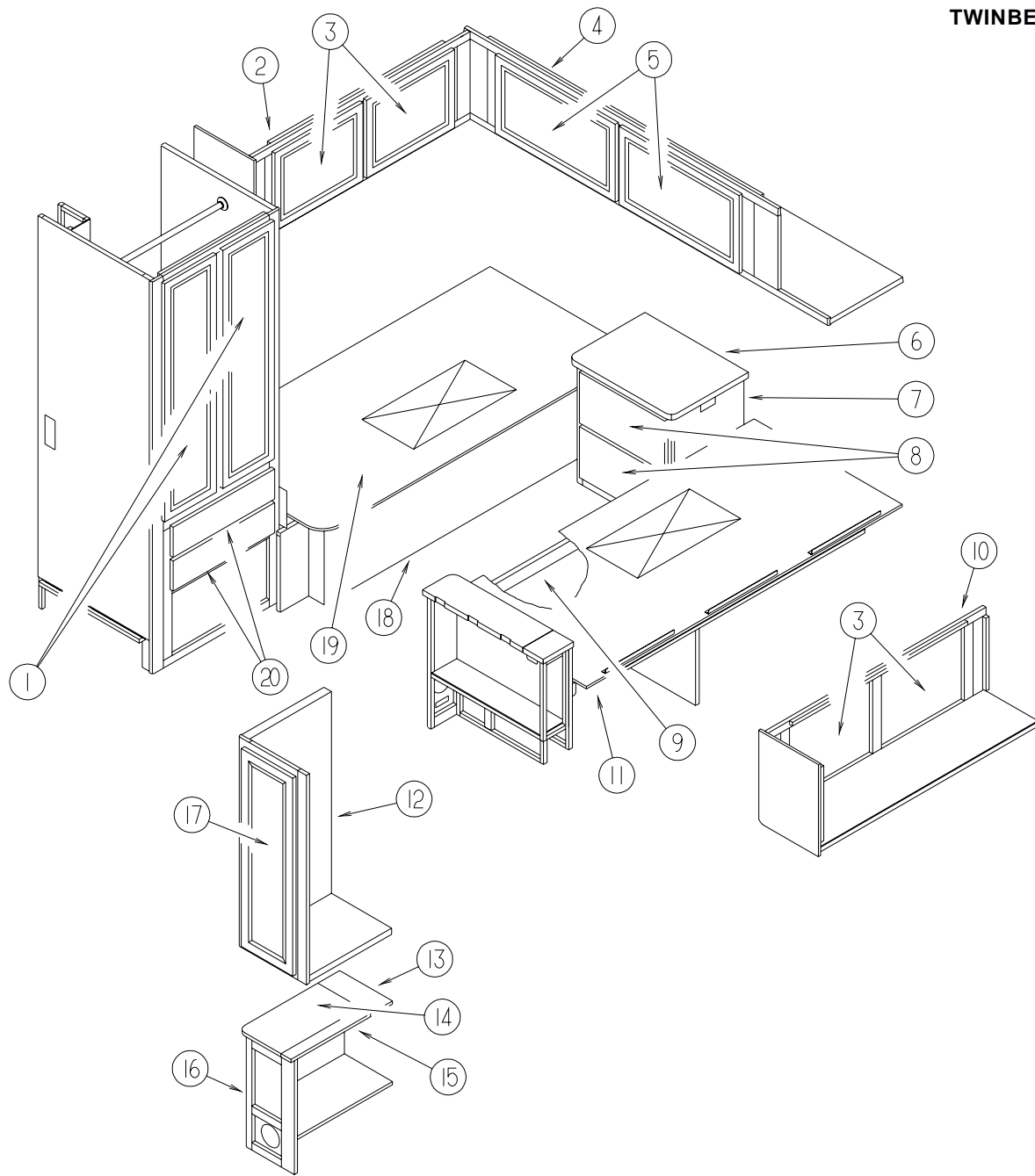


KEY	PARTNUMBER	U/M	DESCRIPTION
9	110140-61-G04	EA	DOOR-MITEREDCORNER/VINYLRAP-9.8"X33.4"-W/OHDW
9	M06803-84-H04	EA	DOOR-MITEREDCORNER/OGEEEDGE-9.8"X33.4"-W/OHDW
10	124354-01-H04	EA	CABINET-SHIRT CLOSET/LEFTHAND-W/ODOORS/HARDWARE
	097872-04-000	EA	DOWEL-WOOD-1"DIAMETERX1.38"LONG
11	P24347-01-H04	EA	CABINET-NIGHTSTAND/RIGHTHAND-W/ODOORS/HARDWARE(H04)
11	P24347-01-H05	EA	CABINET-NIGHTSTAND/RIGHTHAND-W/ODOORS/HARDWARE(H05)
11	P24347-01-H24	EA	CABINET-NIGHTSTAND/RIGHTHAND-W/ODOORS/HARDWARE(H24/H26)
12	124347-11-H04	EA	COUNTERTOP-NIGHTSTAND(H04)
12	124347-11-H05	EA	COUNTERTOP-NIGHTSTAND(H05)
12	124347-11-H24	EA	COUNTERTOP-NIGHTSTAND(H24/H26)
13	M08110-04-H04	EA	TOP-QUEENBED-W/OHARDWARE
14	P24367-01-H04	EA	CABINET-BASE-QUEENBED-W/OHARDWARE
	107796-05-000	EA	BRACKET-GASSPRING,FLAT
	107796-06-000	EA	SPRING-GAS,20"LENGTH-120LB
	107796-07-000	EA	BRACKET-GASSPRING
	P16841-01-H04	EA	DOOR-MIRROREDWARDROBE-BI-FOLD-11.9"X47.9"
	P16841-02-H04	EA	DOOR-WARDROBE-BI-FOLD

KEY	PARTNUMBER	U/M	DESCRIPTION
1	M08110-05-000	EA	TOP-QUEENBED-W/OHARDWARE
	091261-01-000	FT	BACKING-NON-SKID,12"X100'
	041389-25-000	EA	HINGE-PIANO-1.50"X55"
2	P24345-01-H04	EA	CABINET-NIGHTSTAND/LEFTHAND-W/ODOORS/HARDWARE(H04)
2	P24345-01-H05	EA	CABINET-NIGHTSTAND/LEFTHAND-W/ODOORS/HARDWARE(H05)
2	P24345-01-H24	EA	CABINET-NIGHTSTAND/LEFTHAND-W/ODOORS/HARDWARE(H24/H26)
3	P10163-CD-H04	EA	DRAWER-W/OSLIDES/HARDWARE
3	M05971-EP-H04	EA	DRAWER-OGEEEDGE-W/OSLIDES/HARDWARE
4	124345-11-H04	EA	COUNTERTOP-NIGHTSTAND(H04)
4	124345-11-H05	EA	COUNTERTOP-NIGHTSTAND(H05)
4	124345-11-H24	EA	COUNTERTOP-NIGHTSTAND(H24/H26)
5	116553-02-G09	EA	SHELF-TVW/BRASSRAILING&WEDGE-17.45"X16.6"
6	124351-01-H04	EA	CABINET-OVERHEADREAR/LEFTHAND-W/ODOORS/HARDWARE
7	110140-21-H04	EA	DOOR-MIRROR/MTRDCRNR/VINYLRAP-15.7"X27.9"-W/OHDW
	108536-04-09A	EA	MIRROR-GLASS-BOTANICAL-12.5"X24.6"
7	110140-18-G01	EA	DOOR-MITEREDCORNER/VINYLRAP-15.7"X27.9"-W/OHDW
7	M06803-02-G15	EA	DOOR-M06803-02-G15 DESC:DOOR-RAIL,MTRD/OG0400X0710
8	109908-51-H04	EA	ENDCAP-OVERHEAD

BEDROOMGROUP(CONTINUED)

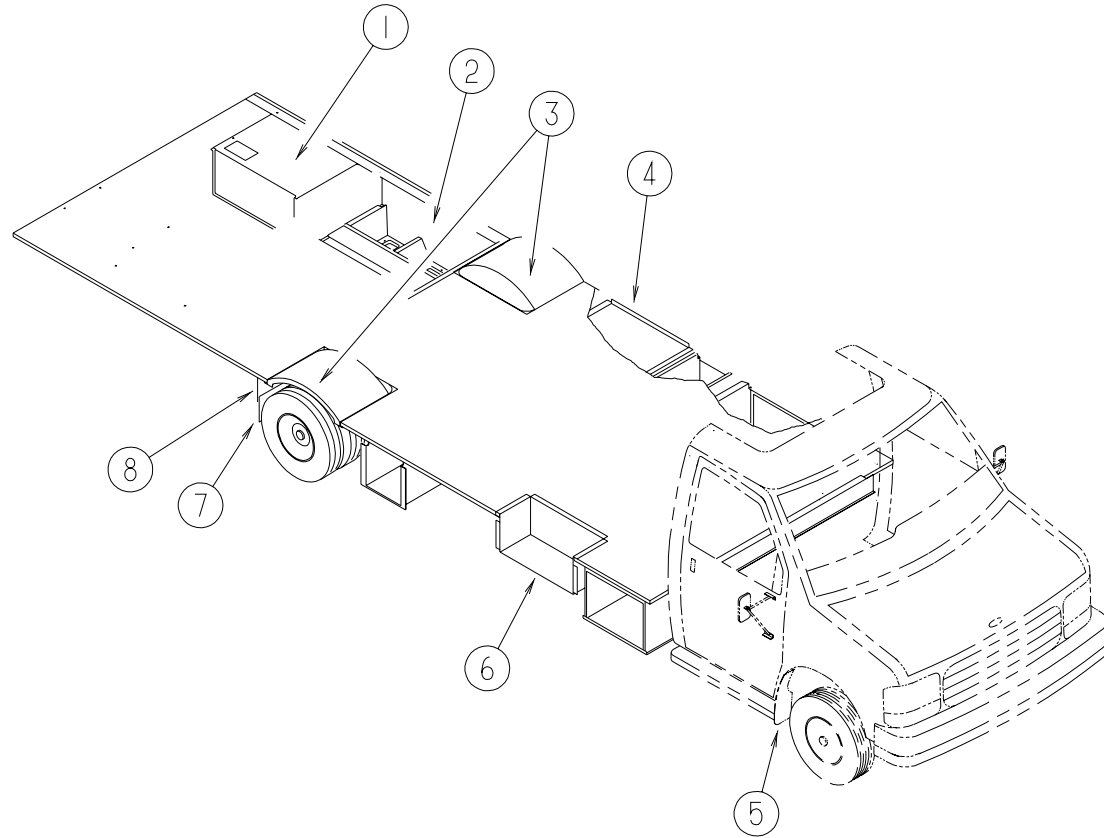
TWINBEDROOMCABINETS



KEY	PARTNUMBER	U/M	DESCRIPTION
7	P21166-01-H04	EA	CABINET-NIGHTSTAND-W/ODOORS/DRAWERS/HARDWARE(H04)
7	P21166-01-H05	EA	CABINET-NIGHTSTAND-W/ODOORS/DRAWERS/HARDWARE(H05)
7	P21166-01-H24	EA	CABINET-NIGHTSTAND-W/ODOORS/DRAWERS/HARDWARE(H24/H26)
8	P10163-CK-H04	EA	DRAWER-W/OSLIDES/HARDWARE
8	M05971-ES-H04	EA	DRAWER-OGEEEDGE-W/OSLIDES/HARDWARE
9	P25691-01-H04	EA	CABINET-BASE-TWINBED/LEFTHAND-W/ODOORS/DRAWERS/HDW
10	121345-04-H04	EA	CABINET-OVERHEAD/REAR-W/ODOORS/HARDWARE-F/TWINBED
11	M07551-05-G04	EA	CABTASM-TWINBEDTOPLH
12	124354-01-H04	EA	CABINET-SHIRT CLOSET/LEFTHAND-W/ODOORS/HARDWARE
	097872-04-000	EA	DOWEL-WOOD-1"DIAMETERX1.38"LONG
13	124658-11-H04	EA	COUNTERTOP-NIGHTSTAND/LEFTHAND(H04)
13	124658-11-H05	EA	COUNTERTOP-NIGHTSTAND/LEFTHAND(H05)
13	124658-11-H24	EA	COUNTERTOP-NIGHTSTAND/LEFTHAND(H24/H26)
14	124658-12-H04	EA	COUNTERTOP-NIGHTSTAND/LEFTHAND(H04)
14	124658-12-H05	EA	COUNTERTOP-NIGHTSTAND/LEFTHAND(H05)
14	124658-12-H24	EA	COUNTERTOP-NIGHTSTAND/LEFTHAND(H24/H26)
15	124658-13-H04	EA	COUNTERTOP-NIGHTSTAND(H04)
15	124658-13-H05	EA	COUNTERTOP-NIGHTSTAND(H05)
15	124658-13-H24	EA	COUNTERTOP-NIGHTSTAND(H24/H26)
16	P24658-01-H04	EA	CABINET-NIGHTSTANDLEFTHAND-W/ODRAWERS/HARDWARE(H04)
16	P24658-01-H05	EA	CABINET-NIGHTSTANDLEFTHAND-W/ODRAWERS/HARDWARE(H05)
16	P24658-01-H24	EA	CABINET-NIGHTSTANDLEFTHAND-W/ODRAWERS/HARDWARE(H24/H26)
17	110140-61-G04	EA	DOOR-MITEREDCORNER/VINYLRAP-9.8"X33.4"-W/OHDW
17	M06803-84-H04	EA	DOOR-MITEREDCORNER/OGEEEDGE-9.8"X33.4"-W/OHDW
18	P21138-01-G04	EA	CABINET-BASE-TWINBED/RIGHTHAND-W/ODOORS/DRAWERS/HDW
	P24613-11-000	EA	SHELFASM
19	121138-11-G04	EA	TOP-BED
20	P10163-CJ-H04	EA	DRAWER-W/OSLIDES/HARDWARE
	M05971-ER-H04	EA	DRAWER-OGEEEDGE-W/OSLIDES/HARDWARE
	107796-05-000	EA	BRACKET-GASSPRING,FLAT
	107796-06-000	EA	SPRING-GAS,20"LENGTH-120LB
	107796-07-000	EA	BRACKET-GASSPRING

KEY	PARTNUMBER	U/M	DESCRIPTION
1	110140-23-G01	EA	DOOR-MIRROR/MTRDCRNR/VINYLRAP-11.9"X48"-W/OHDW
1	M06803-66-H04	EA	DOOR-MITEREDCORNER/OGEEEDGE-12"X48"-W/OHARDWARE
2	121345-03-H04	EA	CABINET-OVERHEAD/REAR-W/ODOORS/HARDWARE-F/TWINBED
3	110140-27-G01	EA	DOOR-MITEREDCORNER/VINYLRAP-15.7"X20.4"-W/OHDW
3	110140-29-H04	EA	DOOR-MIRROR/MTRDCRNR/VINYLRAP-15.7"X10.4-W/OHDW
	108536-03-09A	EA	MIRROR-GLASS-BOTANICAL-12.5"X17.2"
3	M06803-41-H04	EA	DOOR-MITEREDCORNER/OGEEEDGE-15.7"X20.4"-W/OHDW
4	121210-01-G04	EA	CABINET-OVERHEADREAR-W/ODOORS/HARDWARE
5	110140-18-G01	EA	DOOR-MITEREDCORNER/VINYLRAP-15.7"X27.9"-W/OHDW
5	110140-21-H04	EA	DOOR-MIRROR/MTRDCRNR/VINYLRAP-15.7"X27.9"-W/OHDW
	108536-04-09A	EA	MIRROR-GLASS-BOTANICAL-12.5"X24.6"
5	M06803-02-G15	EA	DOOR-RAIL,MTRD/OG0400X0710
6	121166-11-H04	EA	COUNTERTOP-NIGHTSTAND(H04)
6	121166-11-H05	EA	COUNTERTOP-NIGHTSTAND(H05)
6	121166-11-H24	EA	COUNTERTOP-NIGHTSTAND(H24/H26)

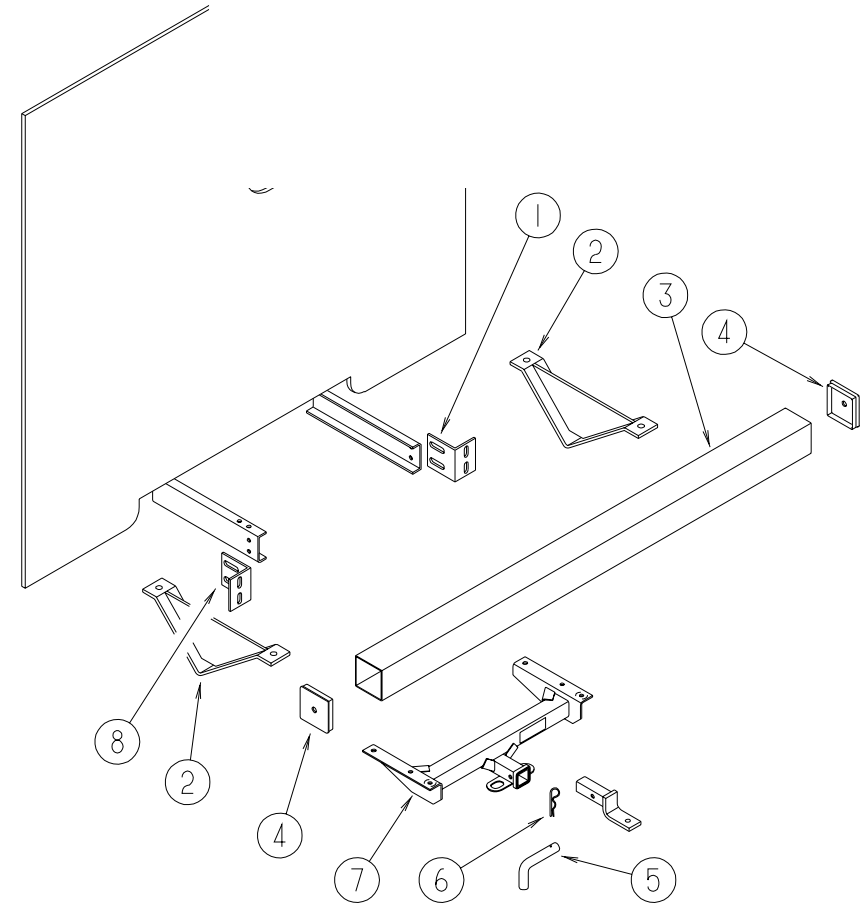
CHASSISGROUP



MISCELLANEOUSCHASSISCOMPONENTS

KEY	PARTNUMBER	U/M	DESCRIPTION
1	114394-01-02B	EA	COMPARTMENTASM-GEN,E-COAT
	114070-02-02B	EA	SUPPORTASM-GENERATOR,LH-E-COAT
	114071-02-02B	EA	SUPPORTASM-GENERATOR,RH-E-COAT
2	106208-01-01A	EA	COMPARTMENT-EXTERIORSHOWER
3	112435-03-000	EA	WHEELWELL
4	102979-04-000	EA	BOX-POWERCORD
5	072884-27-703	EA	MUDFLAPS-W/HOLES,PAIR 99171
6	077848-02-000	EA	STEP-PULLOUT
	077848-05-000	EA	STEPASM-PULLOUT
	104452-03-000	EA	SUPPORT-STEP
	077441-06-000	EA	BRACKET-STEP,PULLOUT
	084993-01-000	EA	STRAP-BATTERY
	084993-02-000	EA	STRAPASM
	065450-05-000	EA	TIEDOWN-BATTERY-8.4" TUBE
7	045731-06-000	EA	GUARD-ROCK
8	017516-01-000	EA	FLAP-MUD-14" X 18" - BLACK
	099717-04-000	EA	STRAP-TIEDOWNW/21.3" FEMALE STRAP & 27.2" MALE STRAP
	061420-01-000	EA	PLUG-PLASTIC,1.75" - BROWN
	056746-01-000	EA	PLUG-CAP-1" DIAMETER
	056748-01-000	EA	PLUG-CAP-1.5" DIAMETER
	061420-05-000	EA	PLUG-PLASTIC,1.8" DIAMETER

CHASSISGROUP(CONTINUED)



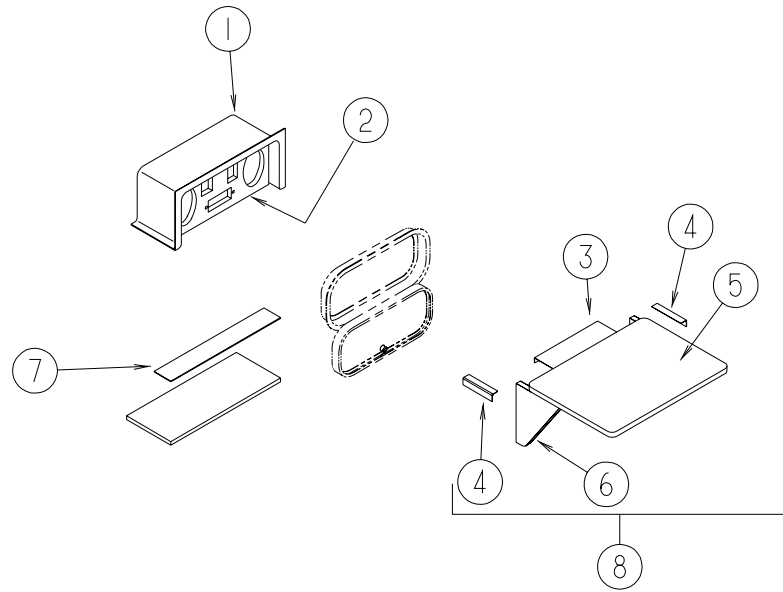
REAR BUMPER & HITCH

KEY	PARTNUMBER	U/M	DESCRIPTION
1	104420-01-000	EA	SUPPORT-ANGLE,BUMPERREAR
2	083376-01-000	EA	PLATE-SKID,13.2" X 6" X 2" - STEEL
3	103422-05-02A	EA	BUMPER-SQUARE,ALBRT/WHT
4	039779-01-000	EA	CAP-BUMPER-RUBBER-4" X 4" - BLACK
5	034512-01-000	EA	PIN-LOCKING-DRAWBAR
6	034513-01-000	EA	PIN-HITCH-3/16" WIRE
7	107707-08-000	EA	HITCHRECEIVER-BOLT-ONCLASSII
8	104420-02-000	EA	SUPPORT-ANGLE,BUMPERREAR
	070579-09-000	EA	PLATE-ANCHOR
	097745-02-000	EA	HOUSING-RECEPTACLE-TRAILER-48' WIRE LENGTH
	113589-02-000	EA	CONNECTOR-SOCKET-TRAILER
	097744-02-000	EA	HOUSING-TRAILERPIN-48"
	113589-01-000	EA	CONNECTOR-PLUG-TRAILER
	113588-02-01B	EA	BRACKET-CONNECTOR-TRAILERW/OLIP
	113634-01-000	EA	WIREASM-TRAILER,ADAPTER

DRIVESHAFT

KEY	PARTNUMBER	U/M	DESCRIPTION
	103653-10-000	EA	DRIVESHAFTASM-BALANCEDPAIR-E350190"WB(158)
	115043-02-000	EA	BUSHING-INCREASE2.5OD-3.5OD-NEAPCOFORDDIESEL
	074833-01-000	EA	SPACER-BEARING-DRIVESHAFT-2" X 8" X .5" THICK
	085771-03-000	EA	NUT-HEX-FLARETORQUE-GRADEG-DRIVESHAFT
	088498-01-000	EA	UNION-INVERTEDFLARE-BRASS-3/16-3/8-24THD-BRAKELINE
	103653-22-000	EA	BOLT-U-JOINT,5/16,STRAP&NUT-DANA3-70-58,1410
	103653-23-000	EA	BOLT-U-JOINT5/16-24X.75-DANA231142
	103653-24-000	EA	STRAP-U-JOINT1410SERIES-DANA3-70-89

CHASSISGROUP(CONTINUED)



EXTERIORENTERTAINMENTCENTER

KEY	PARTNUMBER	U/M DESCRIPTION
1	104897-01-02A	EA BOX-ENTERTAINMENTCENTER
2	104899-01-C05	EA PLATE-RADIOMOUNTING
3	105377-01-01A	EA BRACKET-TABLEHANGER
3	105377-01-04A	EA BRACKET-TABLEHANGAR
		FROM: 00-00-00 THRU: 01-05-97
4	105376-01-02A	EA HINGE-CONTINUOUS-2"X5.5"
		FROM: 01-06-97 THRU: 99-99-99
4	105376-01-03A	EA HINGE-CONTINUOUS-2"X5.5"
		FROM: 00-00-00 THRU: 01-05-97
		FROM: 01-06-97 THRU: 99-99-99
5	105230-11-E01	EA SHELF-EXTERIORENTERTAINMENTCENTER
6	105230-12-F11	EA SUPPORT
7	104898-01-02A	EA PLATE-PLASTICBOTTOM
8	105230-01-H33	EA SHELF-EXTERIOR-TV

WHELLINERS-DICOR

KEY	PARTNUMBER	U/M DESCRIPTION	VENDORNO.
	110435-02-000	EA LINER-WHEEL,SET 4E350 DICOR V160F2	
	110435-01-711	EA DECAL-CENTERCAP,2" 2" DECAL	
	110435-02-700	EA LINER-WHEEL,FRONT	V160F2-FWC
	110435-02-701	EA LINER-WHEEL,REAR	V160F2-RWC
	110435-02-702	EA STUDEXTENDER	V160SD-STX
	110435-02-703	EA NUT(JAMB)	V160SD-JNT
	110435-02-704	EA COVER-LUGNUT	V160F0-LNC
	110435-02-705	EA TOOLF/JAMBNUT,INSTALL.	V160FO-TOL

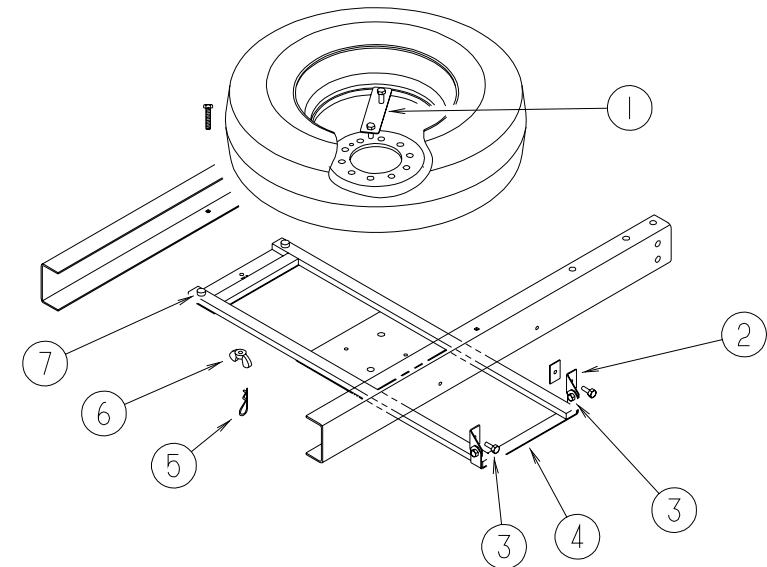
WHEELCOVERS-DICOR

KEY	PARTNUMBER	U/M DESCRIPTION	VENDORNO.
	109443-05-000	EA WHEELCOVER-4/SET,16" STAINLESSSTEEL SHFM16	
	109443-05-700	EA COVER-WHEEL,16" SSEA=1	SHFM16-CVR
	098532-01-700	EA COVER-LUGNUT(CHROME)	SHAU-LNC

CHASSISGROUP(CONTINUED)

TIRE&WHEEL

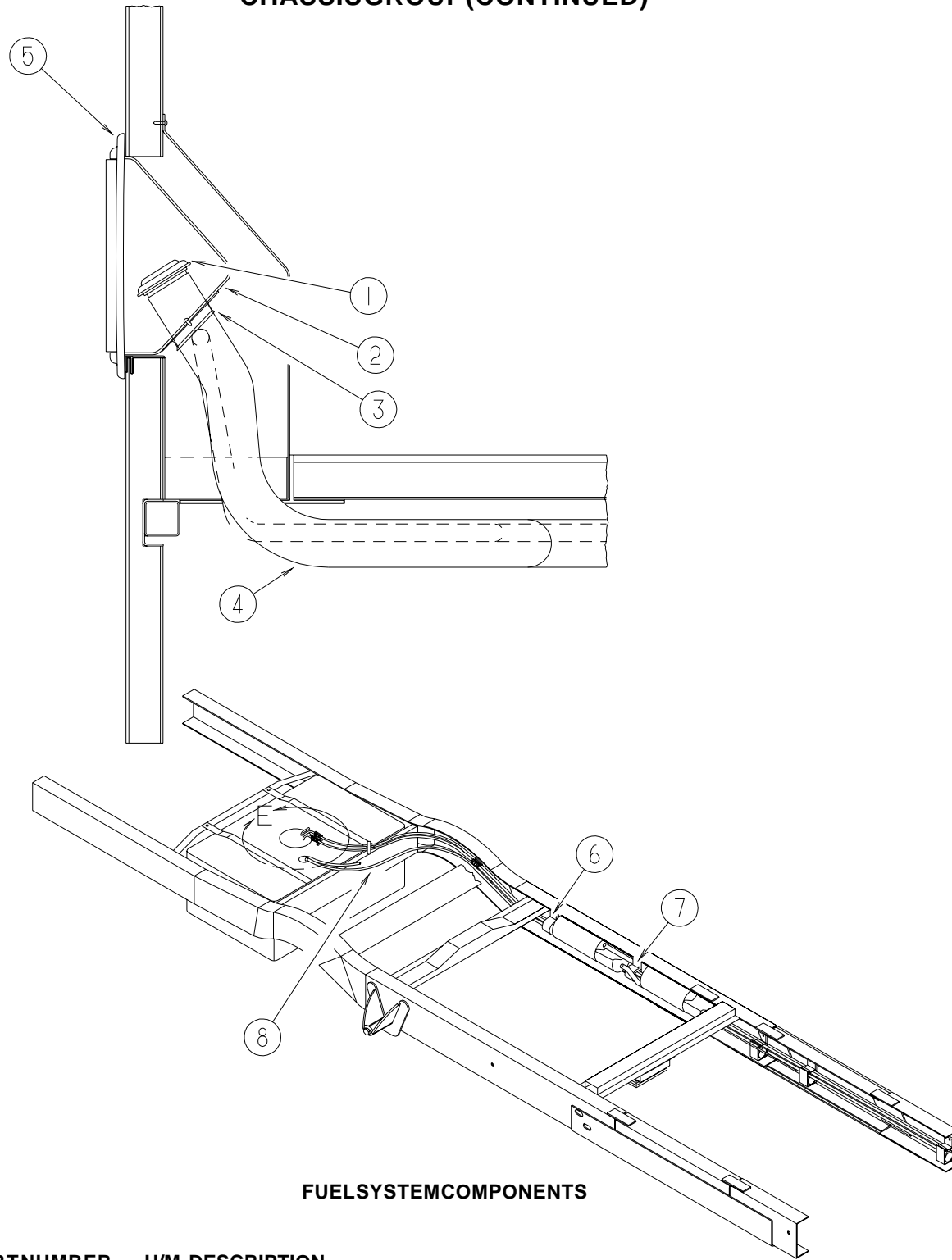
KEY	PARTNUMBER	U/M DESCRIPTION
	070917-06-000	EA TIRE-LT225/75R16E,R4S,M/S - FIRESTONE STEELTEX
	083617-03-000	EA WHEEL-STL.16.0X6,92E350 - ACCURIDE 28618
	095012-05-000	EA EXTENSION-VALVESTEM-LIVE5"
	095012-06-000	EA STABILIZER-VALVE-EXTENSION-L



SPARETIREINSTALLATION

KEY	PARTNUMBER	U/M DESCRIPTION
1	116338-02-02B	EA BRACKET-CLAMP,SPARETIRE,E-C
	000D29-09-00B	EA NUT-HEXSELFLOCKING-9/16-12-ZINC
2	116349-01-02B	EA BRACKET-HINGE,SPARETIRE,E-C
3	000C26-06-12B	EA BOLT-HEX-SERRATEDFLANGE,3/8-16X3/4
	000D34-06-00B	EA NUT-HEX-LOCKING-3/8-16GRADEZINC-PREVAILINGTORQUE
	000E13-17-00B	EA WASHER-FLARE,3/8AR-ZINC
4	116348-01-02B	EA CRADLEASM-SPARETIRE,E-COAT
5	034513-01-000	EA PIN-HITCH,3/16WIRE
6	064081-03-000	EA NUT-WING,3/8-16,W/WELDNUT
7	069726-02-000	EA BUMPER-.88DIAMETER-40-BLACK
	112358-01-000	EA WRENCH-LUG-7/8"-L-SHAPE

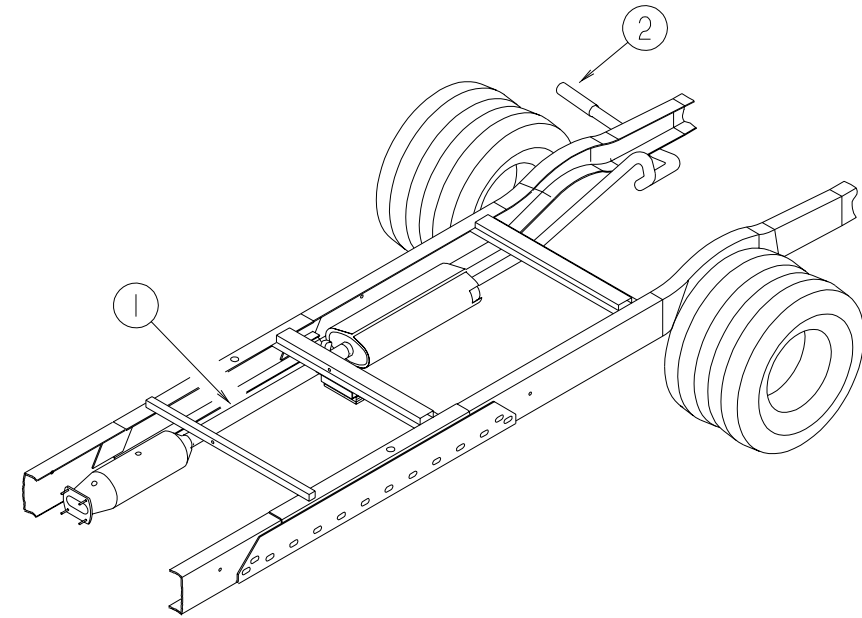
CHASSISGROUP(CONTINUED)



FUELSYSTEMCOMPONENTS

KEY	PARTNUMBER	U/M	DESCRIPTION
1	095854-01-04A	EA	SHROUD-FUELFILL-BRIGHTWHITE
2	078040-06-000	EA	SHROUD-FUELFILL-UPPER
3	078200-01-000	EA	GASKET-FUELFILL-3.5"ODX2"ID
4	106413-02-000	EA	NECK-FILLER,FUELFILL-DIESEL
4	124993-01-000	EA	NECK-FILLER-FUELFILL
5	077963-01-000	EA	GASKET-DOOR,FUELFILL-10.1"X8"-W/PSA
6	010497-04-000	EA	CLAMP-CLOSED-1.62"ID
7	125187-02-000	FT	HOSE-FUEL-LOWPERM-12.7ID
8	125187-01-000	FT	HOSE-FUEL-LOWPERM-11.1ID
	007063-01-000	FT	HOSE-FUEL 1/4"IDX 1/2"OD
	084884-01-000	EA	PLUG-BRASS-3/8"
	088258-02-000	EA	CLIP-RETAINING,FUELLINESGL

CHASSISGROUP(CONTINUED)



EXHAUSTSYSTEMCOMPONENTS

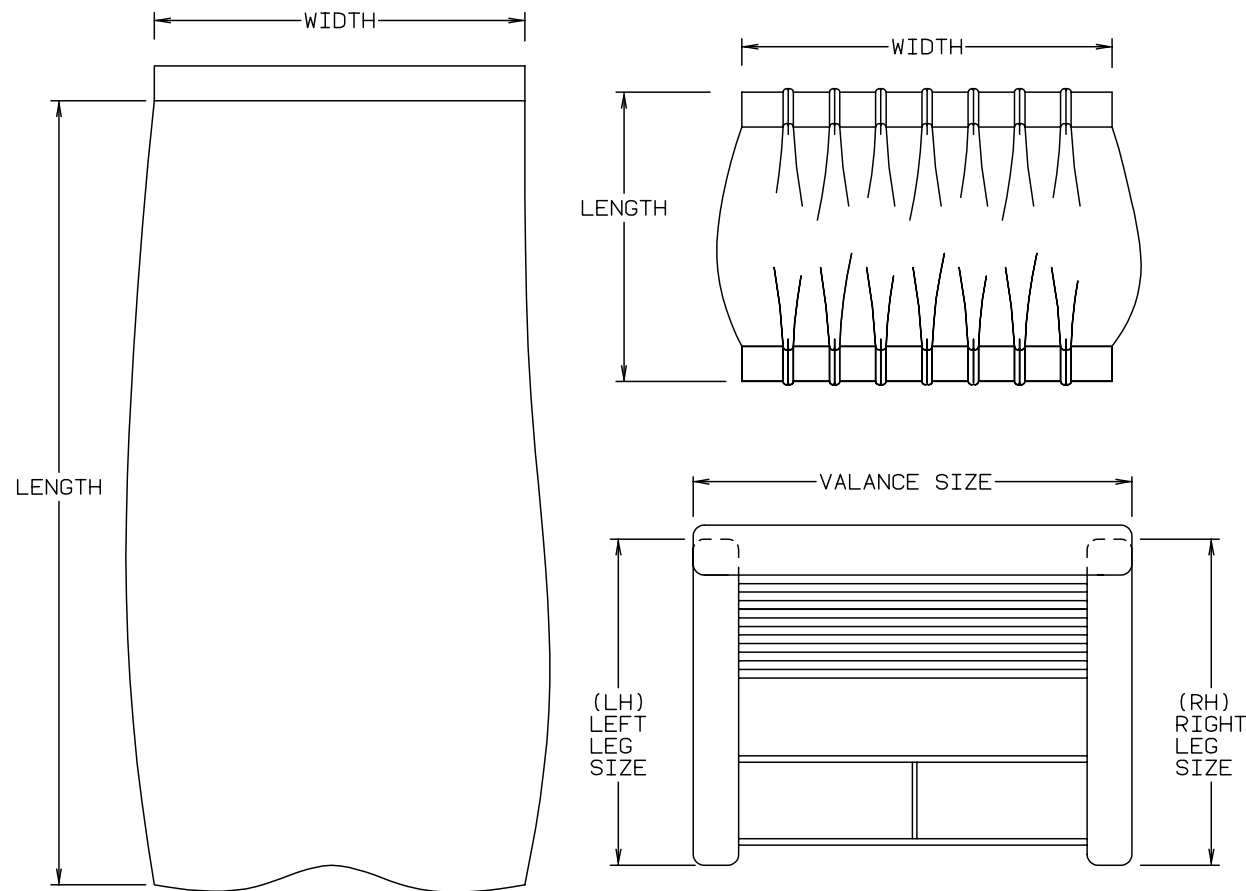
KEY	PARTNUMBER	U/M	DESCRIPTION
1	111478-03-000	EA	PIPE-EXHAUST
	094918-06-000	EA	CLAMP-EXHAUST3.00HVYDUTY -HECO24698
1	098762-15-000	EA	PIPE-EXHAUST,STRAIGHT,3.5INDIESEL
	094918-02-000	EA	CLAMP-EXHAUST3.5INCH -GUILLOTINESTYLE
2	098762-18-000	EA	PIPE-EXHAUST-STRAIGHT-3"
	094918-02-000	EA	CLAMP-EXHAUST3.5INCH -GUILLOTINESTYLE

CURTAIN & CUSHION GROUP

NOTICE

IN ORDER TO ASSIST OUR PARTS SALES DEPT. IN PROVIDING INTERIOR SOFTWARE ITEMS, PLEASE INCLUDE THE SERIAL NUMBER AND THE COLOR CODE NUMBER FROM THE VEHICLE CERTIFICATION LABEL WHEN ORDERING. THIS LABEL IS LOCATED ON THE LEFT SIDEWALL AT THE END OF THE DASH (A-BODY), OR ON THE DRIVER'S DOOR LATCH PLATE (C-BODY).

AN EXAMPLE OF A COLOR CODE NUMBER IS B07, WHICH DESIGNATES AN OVERALL COLOR SCHEME OF A PARTICULAR UNIT. THE COLOR LISTED AFTER THE ITEM DESCRIPTION ON THE MICROFICHE, INDICATES THE OVERALL UNIT COLOR. ORDER THE ITEM YOU DESIRE ACCORDING TO UNIT COLOR CODE.



NOTE: USE THIS ILLUSTRATION WHEN DETERMINING LENGTH AND WIDTH MEASUREMENTS FOR CURTAINS. YOU WILL NOTE THE WIDTH MEASUREMENT IS TAKEN ON THE TOP OF THE CURTAIN WITH THE CURTAIN FULLY EXTENDED. THE LENGTH MEASUREMENT IS TAKEN FROM TOP TO BOTTOM. LEFT AND RIGHT WINDOW LEGS ARE DETERMINED WHEN FACING THE WINDOW.

CURTAIN & CUSHION GROUP (CONTINUED)

FABRICS

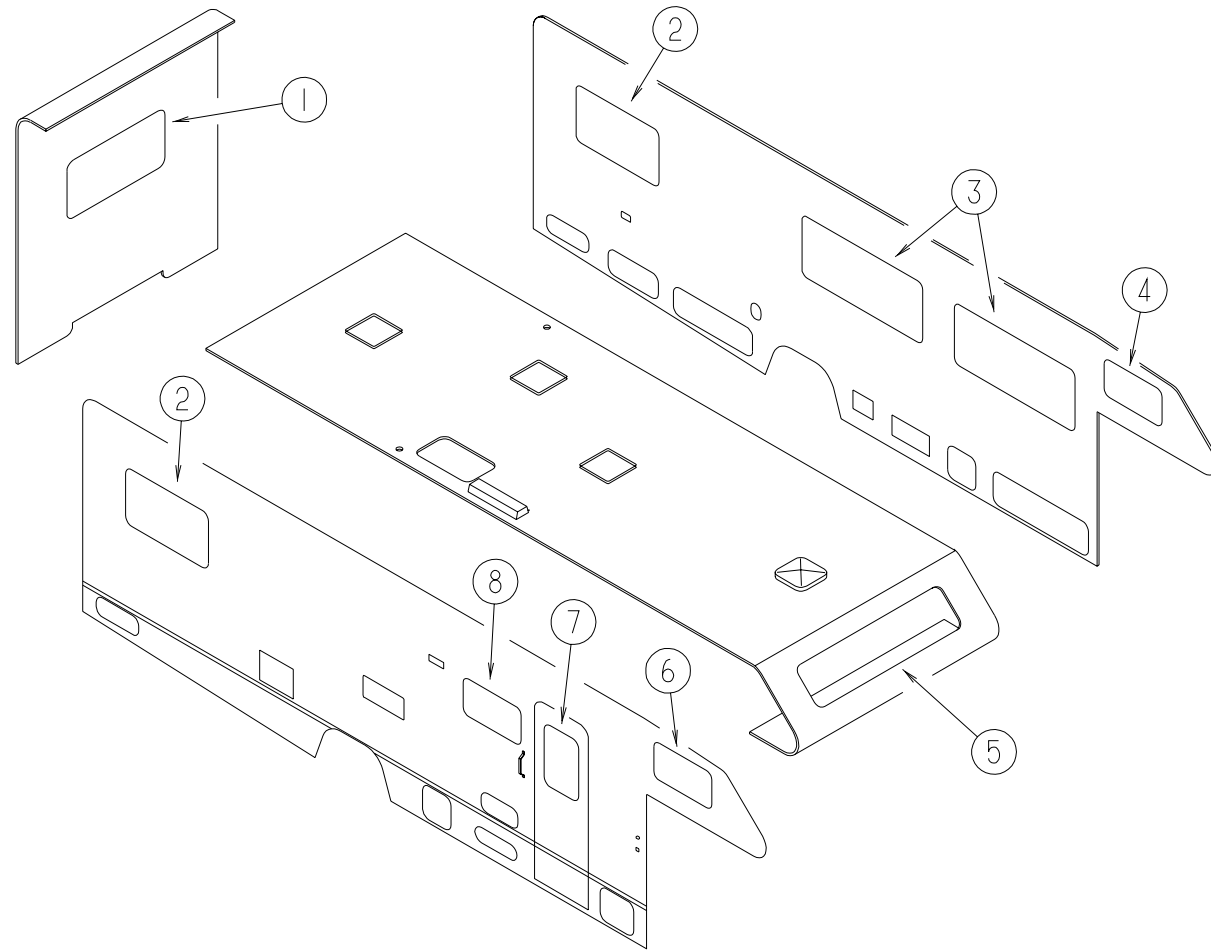
COLOR CODES	H04	H05	H24	H26
	BLUE LAGOON (BLUE)	KRIPTONITE (TAUPE)	COPPER CANYON (TERRA COTTA)	COPPER CREEK (TAN)
BUCKET SEATS	108446-K9-000	108446-77-000 108446-G2-000	108446-L4-000 108446-F3-000	108446-L4-000 108446-F3-000
DINETTE CUSHIONS	108446-K7-000	108446-K8-000	108446-H0-000	108446-H0-000
DINETTE PADS	108446-K9-000	108446-77-000	108446-L4-000	108446-L4-000
SOFA	108446-K7-000	108446-K8-000	108446-H0-000	108446-H0-000
SWIVEL CHAIR	108446-K9-000	108446-G2-000	108446-F3-000	108446-F3-000
LOUNGE/DINETTE VALANCE	108446-K7-000 108446-K9-000	108446-K8-000 108446-G2-000	108446-H0-000 108446-F3-000	108446-H0-000 108446-F3-000
LOUNGE/DINETTE LEG	108446-K9-000	108446-G2-000	108446-F3-000	108446-F3-000
BEDROOM VALANCE	105745-B3-000	105745-D5-000	105745-A2-000	105745-A2-000
BEDSPREAD	105745-B3-000 105745-61-000	105745-D5-000 105745-62-000	105745-99-000 105745-45-000	105745-99-000 105745-45-000
PILLOWS/SHAMS	105745-B3-000	105745-D5-000 105745-62-000	105745-99-000 105745-45-000	105745-99-000 105745-45-000
ENTRANCE DOOR VALANCE	108446-K7-000	108446-K8-000	108446-H0-000	108446-H0-000
BUNK CUSHIONS	108446-K9-000	108446-G2-000	108446-F3-000	108446-F3-000
OVERHEAD BUNK CURTAINS	105745-B3-000	105745-D5-000	105745-99-000	105745-99-000
BUNK PRIVACY	105745-B3-000	105745-D5-000	105745-99-000	105745-99-000
FRONT PRIVACY	105745-B3-000	105745-D5-000	105745-99-000	105745-99-000
BEDROOM PRIVACY	105745-B3-000	105745-D5-000	105745-99-000	105745-99-000
DRAPERY LINING	087272-03-000	087272-03-000	087272-03-000	087272-03-000
TIRE COVER	103907-05-000	103907-05-000	103907-05-000	103907-05-000
TIRE COVER LINER	069627-02-000	069627-02-000	069627-02-000	069627-02-000
HEADLINER	103907-01-06A	103907-01-06A	103907-01-06A	103907-01-06A

NOTE: FABRIC LISTED FIRST, IN A BLOCK, IS THE LARGEST QUANTITY OF FABRIC USED

BUTTONS & WELT

KEY	PART NUMBER	U/M	DESCRIPTION
	070578-10-H04	EA	BUTTON-SCREW STUD - #30 (H04)
	070578-10-G22	EA	BUTTON-SCREW STUD - #30 (H05)
	070578-10-H24	EA	BUTTON-SCREW STUD - #30 (H24/H26)

CURTAIN&CUSHIONGROUP(CONTINUED)



CURTAINS&WINDOWTREATMENT

KEY	PARTNUMBER	U/M	DESCRIPTION
1	118064-01-GB1	EA	VALANCE-VALENCIA-52")(H04)
1	118064-01-H05	EA	VALANCE-VALENCIA-52")(H05)
1	118064-01-H24	EA	VALANCE-VALENCIA-52")(H24/H26)
1	084755-92-F15	EA	SHADE-PULL-50.25"
1	111910-19-H01	EA	BLIND-DAY/NIGHTER-50"X28"(H04)
1	111910-19-HA3	EA	BLIND-DAY/NIGHTER,50"X28"(H05/H24/H26)
2	118064-02-GB1	EA	VALANCE-VALENCIA-44"(H04)
2	118064-02-H05	EA	VALANCE-VALENCIA-29"(H05)
2	118064-02-H24	EA	VALANCE-VALENCIA-29"(H24/H26)
2	084755-93-F15	EA	SHADE-PULL-42.25"
2	111910-46-G22	EA	BLIND-DAY/NIGHTER-43"X26"(H04)
2	111910-46-HA3	EA	BLIND-DAY/NIGHTER-43"X26"(H05/H24/H26)
3	118078-01-H04	EA	VALANCE-QUEST-64.5"(H04)
3	118078-01-H05	EA	VALANCE-QUEST-64.5"(H05)
3	118078-01-H24	EA	VALANCE-QUEST-64.5"(H24/H26)
3	084755-96-G01	EA	SHADE-PULL-60.25"
3	111910-22-GB1	EA	BLIND-DAY/NIGHTER-60"X28.5"(H04)
3	111910-22-HA3	EA	BLIND-DAY/NIGHTER-60"X28.5"(H05/H24/H26)
3	119333-01-H04	EA	LEG-RIGHT-25"(H04)
3	119333-01-G16	EA	LEG-RIGHT-25"(H05)
3	119333-01-GE1	EA	LEG-RIGHT-25"(H24/H26)
3	119333-02-H04	EA	LEG-LEFT-25"(H04)
3	119333-02-G16	EA	LEG-LEFT-25"(H05)
3	119333-02-GE1	EA	LEG-LEFT-25"(H24/H26)

CURTAIN&CUSHIONGROUP(CONTINUED)

CURTAINS&WINDOWTREATMENT(CONTINUED)

KEY	PARTNUMBER	U/M	DESCRIPTION
4	101034-52-H04	EA	CURTAIN-LEFTHAND-19"X34"(H04)
4	101034-52-H05	EA	CURTAIN-LEFTHAND-19"X34"(H05)
4	101034-52-G04	EA	CURTAIN-LEFTHAND-19"X34"(H24\H26)
5	101034-34-H04	EA	CURTAIN-LEFTHAND-21"X60"(H04)
5	101034-34-H05	EA	CURTAIN-LEFTHAND-21"X60"(H05)
5	101034-34-G04	EA	CURTAIN-LEFTHAND-21"X60"(H24\H26)
5	101034-33-H04	EA	CURTAIN-RIGHTHAND-21"X60"(H04)
5	101034-33-H05	EA	CURTAIN-RIGHTHAND-21"X60"(H05)
5	101034-33-G04	EA	CURTAIN-RIGHTHAND-21"X60"(H24\H26)
6	101034-51-H04	EA	CURTAIN-RIGHTHAND-19"X34"(H04)
6	101034-51-H05	EA	CURTAIN-RIGHTHAND-19"X34"(H05)
6	101034-51-G04	EA	CURTAIN-RIGHTHAND-19"X34"(H24\H26)
7	118078-04-H04	EA	VALANCE-QUEST-29"(H04)
7	118078-04-H05	EA	VALANCE-QUEST-29"(H05)
7	118078-04-H24	EA	VALANCE-QUEST-29"(H24\H26)
7	084755-57-E07	EA	SHADE-PULL-27.25"
8	109041-44-01A	EA	BLIND-MINI-30.5"X18"(H04)
	109353-10-01A	EA	BLIND-SLAT-30.5"(H04)
8	109041-44-02A	EA	BLIND-MINI-30.5"X18"(H05/H24/H26)
	109353-10-02A	EA	BLIND-SLAT-30.5"(H05/H24/H26)

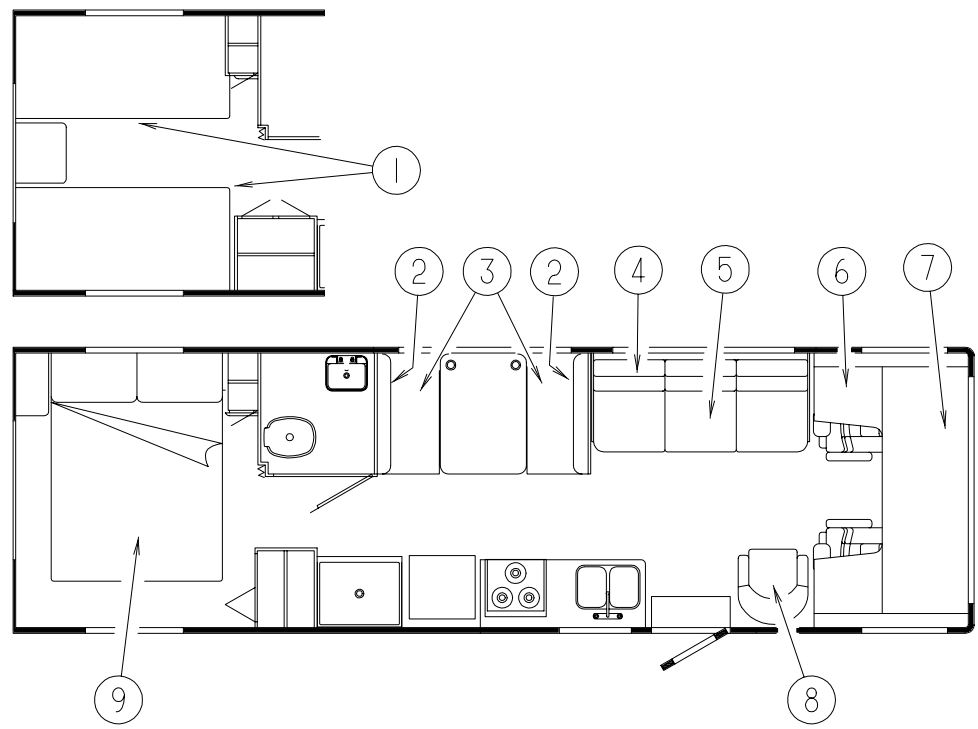
PRIVACYCURTAINS

KEY	PARTNUMBER	U/M	DESCRIPTION
	101668-40-H04	EA	CURTAIN-LEFTHAND-35"X50"(H04)
	101668-40-F16	EA	CURTAIN-LEFTHAND-35"X50"(H05)
	101668-40-H24	EA	CURTAIN-LEFTHAND-35"X50"(H24\H26)
	101668-39-H04	EA	CURTAIN-RIGHTHAND-35"X50"(H04)
	101668-39-F16	EA	CURTAIN-RIGHTHAND-35"X50"(H05)
	101668-39-H24	EA	CURTAIN-RIGHTHAND-35"X50"(H24\H26)
	076892-20-H04	EA	CURTAIN-50"X78"(H04)
	076892-20-F16	EA	CURTAIN-50"X78"(H05)
	076892-20-H24	EA	CURTAIN-50"X78"(H24\H26)

CURTAINTIEBACKS

KEY	PARTNUMBER	U/M	DESCRIPTION
	073260-23-H04	EA	TIEBACK-BUNKPRIVACYCURTAIN,3"X18"(H04)
	073260-23-F16	EA	TIEBACK-BUNKPRIVACYCURTAIN,3"X18"(H05)
	073260-23-H24	EA	TIEBACK-BUNKPRIVACYCURTAIN,3"X18"(H24\H26)
	057534-01-000	EA	TIEBACK/TIEDOWN-BED/CURTAIN/DOOR-6"-PLASTIC-CLEAR
	057534-06-000	EA	TIEBACK/TIEDOWN-VINYL,6"-BEIGE

CURTAIN&CUSHIONGROUP(CONTINUED)



DINETTECUSHIONS

KEY	PARTNUMBER	U/M	DESCRIPTION
2	116134-02-H04	EA	CUSHION-BACK-13.5"X42"X5"(H04)
2	116134-02-H05	EA	CUSHION-BACK-13.5"X42"X5"(H05)
2	116134-02-H24	EA	CUSHION-BACK-13.5"X42"X5"(H24\H26)
	P16134-02-H04	EA	COVER-CUSHIONBACK-13.5"X42"X5"(H04)
	P16134-02-H54	EA	COVER-CUSHIONBACK-13.5"X42"X5"(H05)
	P16134-02-H24	EA	COVER-CUSHIONBACK-13.5"X42"X5"(H24\H26)
	078155-01-000	EA	STRAP-SNAP,BACKRESTCUSHION
3	105603-15-H04	EA	CUSHION-SEAT-23"X42"X5"(H04)
3	105603-15-H05	EA	CUSHION-SEAT-23"X42"X5"(H05)
3	105603-15-H24	EA	CUSHION-SEAT-23"X42"X5"(H24\H26)
	P05603-15-H04	EA	COVER-SEAT-23"X42"X5"(H04)
	P05603-15-H05	EA	COVER-SEAT-23"X42"X5"(H05)
	P05603-15-H24	EA	COVER-SEAT-23"X42"X5"(H24\H26)

DRIVERSIDECOUCH

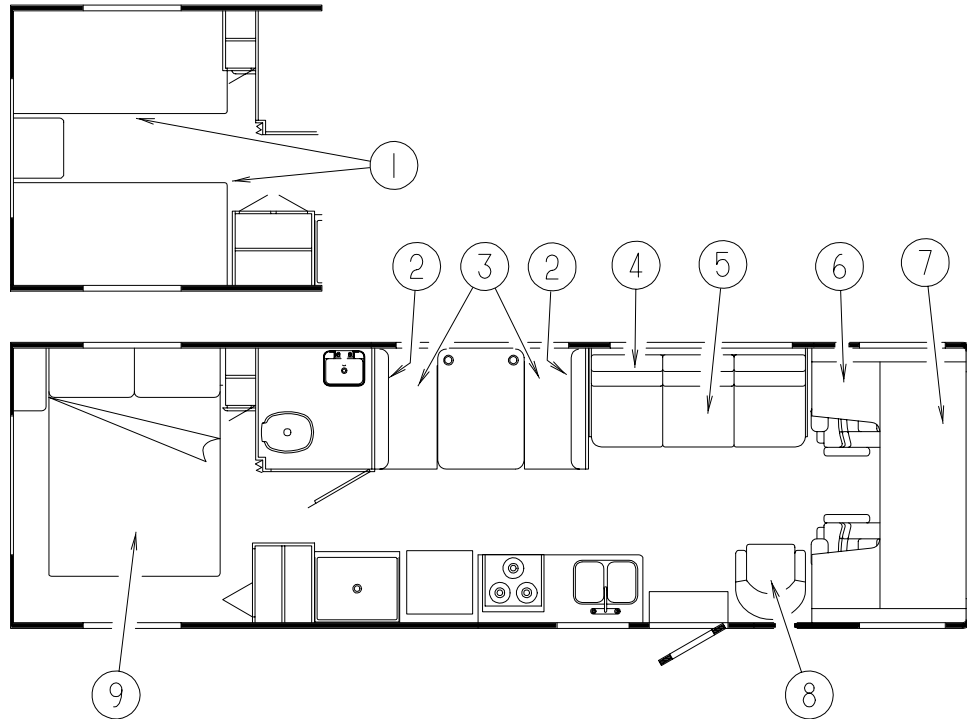
KEY	PARTNUMBER	U/M	DESCRIPTION
4	120549-01-H04	EA	BACK-SOFA/BED-74"(H04)
4	120549-01-H05	EA	BACK-SOFA/BED-74"(H05)
4	120549-01-H24	EA	BACK-SOFA/BED-74"(H24\H26)
	P20549-01-H04	EA	COVER-BACK-SOFA/BED-74"(H04)
	P20549-01-H05	EA	COVER-BACK-SOFA/BED-74"(H05)
	P20549-01-H24	EA	COVER-BACK-SOFA/BED-74"(H24\H26)
	101085-10-000	EA	FRAME-BACK-SOFA/BED74.5"X16"
5	100032-43-H04	EA	SEAT-SOFA/BED-74"(H04)
5	100032-43-H05	EA	SEAT-SOFA/BED-74"(H05)
5	100032-43-G13	EA	SEAT-SOFA/BED-74"(H24\H26)
	P00032-43-H04	EA	COVER-SEAT-SOFA/BEDJACKKNIFE74"(H04)
	P00032-43-H05	EA	COVER-SEAT-SOFA/BEDJACKKNIFE74"(H05)
	P00032-43-G13	EA	COVER-SEAT-SOFA/BEDJACKKNIFE74"(H24\H26)
	101085-04-000	EA	FRAME-SEAT-SOFA/BED-74.75"
	101085-06-000	EA	FRAME-BASE-SOFA/BED-74.75"
	105947-01-000	EA	BRACKET-HOLDDOWN,COUCH-CANADIAN

NOTE: COUCHFRONTANDSIDE PANELSARE FOUNDIN LOUNGE GROUP

TWINBEDSPREAD&MATTRESS

KEY	PARTNUMBER	U/M	DESCRIPTION
1	123471-17-H04	EA	BEDSPREAD/THROW-36"X75"(H04)
1	123471-17-H05	EA	BEDSPREAD/THROW-36"X75"(H05)
1	123471-17-H24	EA	BEDSPREAD/THROW-36"X75"(H24\H26)
	104176-08-H04	EA	SHAM-PILLOW(H04)
	104176-08-H05	EA	SHAM-PILLOW(H05)
	104176-08-H24	EA	SHAM-PILLOW(H24\H26)
	101123-29-000	EA	MATTRESS-FOAM-35"X74"
	P01123-29-000	EA	COVER-MATTRESS-35"X74"

CURTAIN&CUSHIONGROUP(CONTINUED)



BUNKCUSHIONS

KEY	PARTNUMBER	U/M DESCRIPTION
6	105573-10-H04	EA CUSHION-OVHD, REAR -27" X23" X80" X5" (H04)
6	105573-10-H05	EA CUSHION-OVHD, REAR -27" X23" X80" X5" (H05)
6	105573-10-H24	EA CUSHION-OVHD, REAR -27" X23" X80" X5" (H24\H26)
	P05573-10-H04	EA COVER-OVHD, REAR -27" X23" X80" X5" (H04)
	P05573-10-H05	EA COVER-OVHD, REAR -27" X23" X80" X5" (H05)
	P05573-10-H24	EA COVER-OVHD, REAR -27" X23" X80" X5" (H24\H26)
7	105573-09-H04	EA CUSHION-OVHD, FRONT -32.5" X80" X5" (H04)
7	105573-09-G05	EA CUSHION-OVHD, FRONT -32.5" X80" X5" (H05)
7	105573-09-H24	EA CUSHION-OVHD, FRONT -32.5" X80" X5" (H24\H26)
	P05573-09-H04	EA COVER-OVHD, FRONT -32.5" X80" X5" (H04)
	P05573-09-G05	EA COVER-OVHD, FRONT -32.5" X80" X5" (H05)
	P05573-09-H24	EA COVER-OVHD, FRONT -32.5" X80" X5" (H24\H26)

BUNKCUSHIONS-OVERHEADENTERTAINMENTCENTER

KEY	PARTNUMBER	U/M DESCRIPTION
	079145-08-000	EA CUSHION-BUNK, 25" X74" X3.5"
	M79145-08-000	EA COVER-CUSHION, BUNK-25" X74" X3.5"

CURTAIN&CUSHIONGROUP(CONTINUED)

CHAIR-SEIRRA

KEY	PARTNUMBER	U/M DESCRIPTION
8	115470-01-H04	EA CHAIRASM-SEIRRA(H04)
8	115470-01-G05	EA CHAIRASM-SEIRRA(H05)
8	115470-01-GE1	EA CHAIRASM-SEIRRA(H24\H26)

QUEENBEDSPREAD&MATTRESS

KEY	PARTNUMBER	U/M DESCRIPTION
9	123471-16-H04	EA BEDSPREAD/THROW -60" X80"(H04)
9	123471-16-H05	EA BEDSPREAD/THROW -60" X80"(H05)
9	123471-16-H24	EA BEDSPREAD/THROW -60" X80"(H24\H26)
	104176-04-H04	EA SHAM-PILLOW(H04)
	104176-04-H05	EA SHAM-PILLOW(H05)
	104176-04-H24	EA SHAM-PILLOW(H24\H26)
	123015-07-000	EA MATTRESS-INNERSPRING-60" X79.5"

DECORATORPILLOWS-MCCLAINSANNIVERSARYOPTION

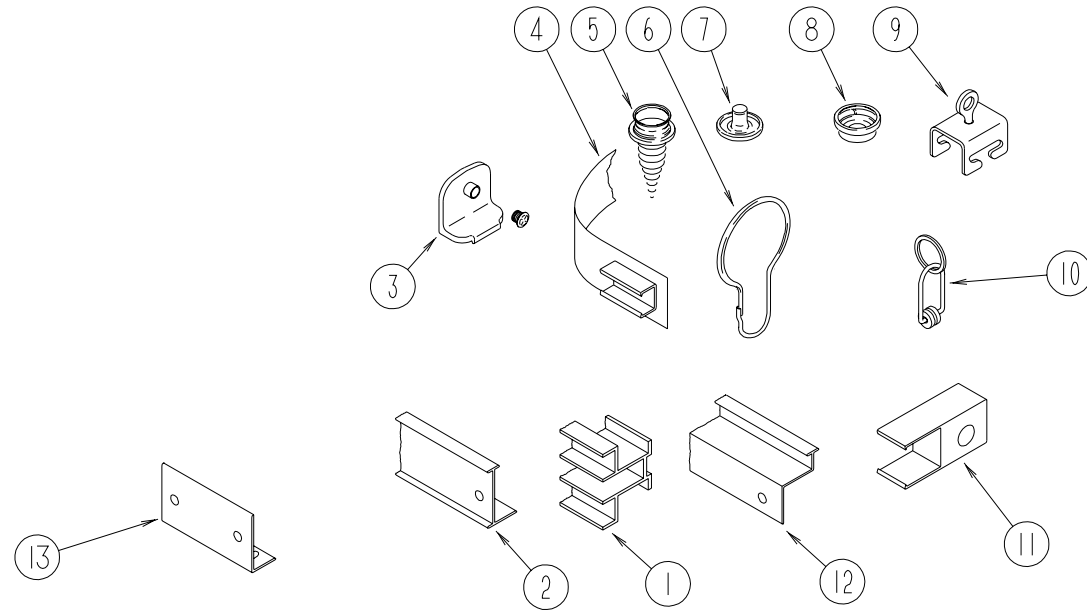
KEY	PARTNUMBER	U/M DESCRIPTION
	111862-08-H04	EA PILLOW -15" X15" -W/.5" -NON-GATHEREDWELT(H04)
	111862-08-H05	EA PILLOW -15" X15" -W/.5" -NON-GATHEREDWELT(H05)
	111862-08-H24	EA PILLOW -15" X15" -W/.5" -NON-GATHEREDWELT(H24\H26)
	104504-09-H04	EA PILLOW -16" ROUND -W/.5" WELT(H04)
	104504-09-H05	EA PILLOW -16" ROUND -W/.5" WELT(H05)
	104504-09-H24	EA PILLOW -16" ROUND -W/.5" WELT(H24\H26)

ASSISTHANDLE&SEATBELTS

KEY	PARTNUMBER	U/M DESCRIPTION
	053552-02-AA8	EA HANDLE-ASSIST-INTERIOR/ENTRYDOOR-VINYL/OFFWHITE
	069178-02-000	EA BRACKET-MOUNTINGASSISTHANDLE
	000C16-07-16B	EA BOLT-CARRIAGE, ASSISTHANDLE -7/16" -14X1" ZN
	000D20-07-00B	EA NUT-ACORN, ASSISTHANDLE -7/16" X14ZN
	057759-01-000	EA WASHERBRACKET-SEATBELT, 4" DIAMETER
	007021-01-000	EA BELT-SEAT, 2" X90" -BLACK-DINETTESEATS&COUCH
	056271-01-000	EA BELT-SEAT, 2" X102" -BLACK-SWIVELCHAIR

CURTAIN&CUSHIONGROUP(CONTINUED)

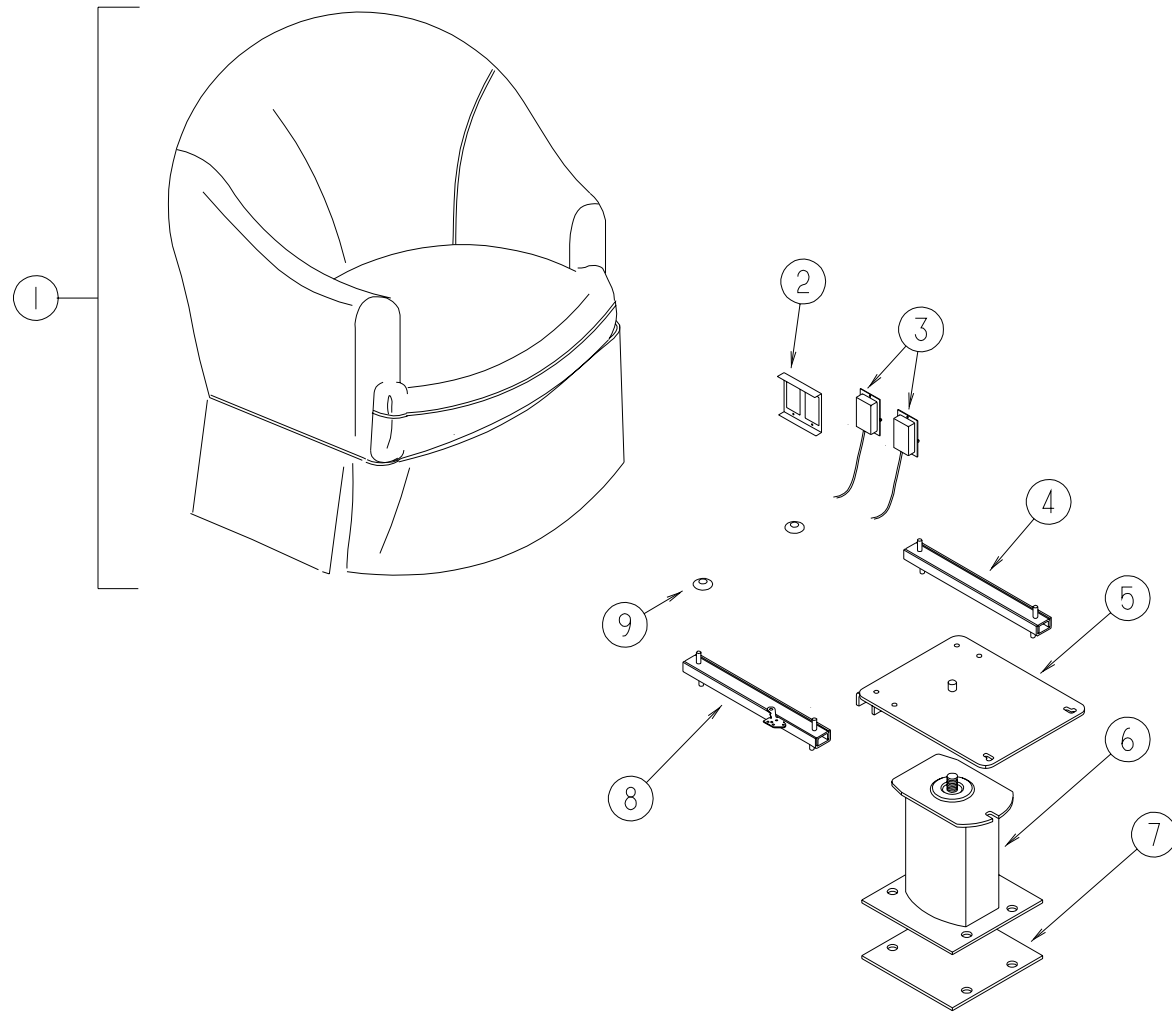
CURTAIN&BLINDHARDWARE



KEY	PARTNUMBER	U/M	DESCRIPTION
	046867-03-000	EA	GROMMET-HANDYBUTTONNO3
	048394-02-000	YD	VELCROTAPE-HOOK,ADHESIVEBACK-.75"WIDE-BEIGE
	075943-10-000	EA	BRACE-VALANCE,20IN-OFF/WHITE
	084433-05-000	EA	SHADE-ROLLER,72.25"
	084434-01-000	EA	BRACKET-MOUNTING,ROLLERSHADE-13/8"
	086276-01-000	EA	TAPE-DOUBLESIDED,1/2"
	088792-01-000	YD	VELCRO-HOOK,.75"WIDE-BEIGE
	088792-02-000	YD	VELCROTAPE-LOOP,ADHESIVEBACKED-.75"WIDE-BEIGE
	088792-06-000	YD	VELCRO-3/4"NON-ADH.,LOOPBUFF
	096843-01-000	EA	SPRING-REWIND/ROLLERSHADE
	076827-02-000	EA	BRACKET-LEG,2.9"X1.8"TRIANGLE
	083170-01-000	EA	BRACKET-BLIND-LEFTSIDEWHENFACINGWINDOW
	083170-02-000	EA	BRACKET-BLIND-RIGHTSIDEWHENFACINGWINDOW
	109441-03-000	EA	HOLDDOWN-BLIND(CLOUDY)
	094896-02-000	EA	GROMMET-CORD,PLEATEDBLIND-NYLON-GRAY
	097593-06-000	FT	CORD-BLIND,PLEATED-PEWTER(H04)
	097593-02-000	EA	CORD-PLEATEDBLIND,DAWNGRAY(H05/H24)
	094907-02-000	EA	ENDCAP-TOP/PLEATEDBLIND-PLASTIC-GRAY
	094907-04-700	EA	ENDCAP-RHBOTTOMBLIND
	094907-04-701	EA	ENDCAP-LHBOTTOMBLIND
	117237-01-000	EA	BRACKET-MOUNTING,2.5"X.75"-CLEARACRYLIC
	097564-01-000	EA	HANDLE-T,EZLIFTSHADE
	097591-01-000	EA	SPRING-EXTENSION/PLEATEDBLIND
	097592-01-000	EA	SPOOL-CORD-ELEVATEDBLINDHOLDUP-CLEARPLASTIC
	105648-01-02A	EA	BRACE-VALANCE,OFF/WHITE

KEY	PARTNUMBER	U/M	DESCRIPTION
1	101033-04-000	EA	TRACK-WALL,36"
1	101033-06-000	EA	TRACK-WALL79"
2	009700-04-002	EA	TRACK,L-SHAPED-195.2"-OFFWHITE
3	106544-01-000	EA	PULL-SHADE/BRASS
	106544-01-001	EA	SCREW-SHADE/BRASS
4	101031-01-000	YD	TAPE-GLIDE/CURTAIN-4.25"SPACING
5	029130-01-000	EA	SCREW-SNAP SOCKET -#8PHX5/8"
6	009136-02-000	EA	HANGER-RING,PINTYPE-CURTAIN-BRASS
7	029155-01-000	EA	CAP-SNAP-5/32"O.D.OFPIN
8	029156-01-000	EA	SOCKET-SNAP-9/16"O.D.
9	009702-01-000	EA	ENDSTOP-CURTAINCARRIER-LROD
10	009701-01-000	EA	CARRIER-CURTAIN,LROD
	009702-01-000	EA	ENDSTOP-CURTAINCARRIER,LROD
11	101033-02-000	EA	ENDCAP-TRACK,CLEAR
12	105450-01-01A	EA	TRACKW/BRKTS-CURTAINLEFTHANDWRAPAROUND-30.8"
12	105450-06-01A	EA	TRACK-CURTAIN,88"LONG-ALUMINUM-OFFWHITE
13	083125-07-000	EA	BRACE-COUCH-2.5"

CURTAIN&CUSHIONGROUP(CONTINUED)



SWIVELCHAIR

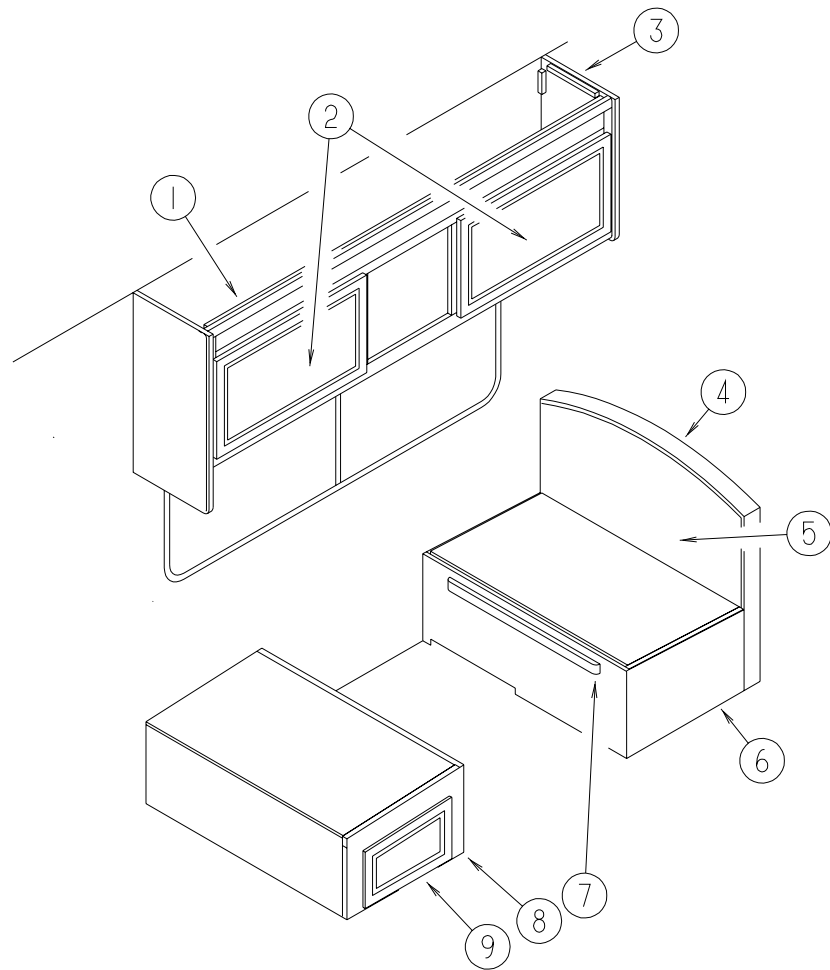
KEY	PARTNUMBER	U/M DESCRIPTION
1	115470-01-H04	EA CHAIRASM-SEIRRA(H04)
1	115470-01-G05	EA CHAIRASM-SEIRRA(H05)
1	115470-01-GE1	EA CHAIRASM-SEIRRA(H24\H26)
	P15470-01-H04	EA COVER-CHAIR, SEIRRA(H04)
	P15470-01-G05	EA COVER-CHAIR, SEIRA(HH05)
	P15470-01-GE1	EA COVER-CHAIR, SEIRRA(H24\H26)
2	097683-02-000	EA BRACKET-MOUNT,REMOTE
3	108049-03-000	EA CABLE-W/CONTROL25.5"SHEATH/28.5"CABLEW/DOGLEG
	108049-02-000	EA CLIP-CABLE/PEDESTAL
	117125-01-02B	EA BRACKET-CABLEMOUNT-ADJUSTERW/LOCK
4	119952-01-000	EA SLIDE-SEAT-NONLOCKINGHD
5	107921-08-000	EA TOPPLATE-PEDESTAL-WOSEATBELTBAR
	107921-06-000	EA BEARINGKIT-PEDESTAL
6	107921-01-000	EA BASE-PEDESTAL, W/9.75"EXTENSION-FLEXSTEEL3060MSPD
7	108445-02-000	EA SUB-PLATE,PEDESTAL-FLOORMOUNTED
8	119952-03-000	EA SLIDE-SEAT/HEAVYDUTY/LOCKINGW/2STUDS
9	007221-01-000	EA SPACER-SEATADJUSTER

CURTAIN&CUSHIONGROUP(CONTINUED)

DRIVER&PASSENGERBUCKETSEAT-ECONOMIZERIII

KEY	PARTNUMBER	U/M DESCRIPTION
	110148-10-H04	EA SEAT-BUCKET-W/RIGHTARMREST(H04)
	110148-10-H05	EA SEAT-BUCKET-W/RIGHTARMREST(H05)
	110148-10-H24	EA SEAT-BUCKET-W/RIGHTARMREST(H24/H26)
	122684-09-H04	EA SEAT-BUCKET-W/RIGHTARMREST-LEATHERMCCCLAINSANNIVERSARYOPTION
	110148-11-H04	EA SEAT-BUCKET-W/LEFTARMREST(H04)
	110148-11-H05	EA SEAT-BUCKET-W/LEFTARMREST(H05)
	110148-11-H24	EA SEAT-BUCKET-W/LEFTARMREST(H24/H26)
	122684-10-H04	EA SEAT-BUCKET-W/LEFTARMREST-LEATHERMCCCLAINSANNIVERSARYOPTION
	119509-01-H04	EA HEADREST-BUCKETSEAT(H04)
	119509-01-H05	EA HEADREST-BUCKETSEAT(H05)
	119509-01-H24	EA HEADREST-BUCKETSEAT(H24/H26)
	119509-02-H04	EA HEADREST-BUCKETSEAT-LEATHERMCCCLAINSANNIVERSARYOPTION
	P19509-01-H04	EA COVER-HEADRESTBUCKETSEAT(H04)
	P19509-01-H05	EA COVER-HEADRESTBUCKETSEAT(H05)
	P19509-01-H24	EA COVER-HEADRESTBUCKETSEAT(H24/H26)
	P19509-02-H04	EA COVER-HEADRESTBUCKETSEAT-LEATHERMCCCLAINSANNIVERSARYOPTION
	113977-12-000	EA HEADRESTINSERT-W/OLOCK
	113977-13-000	EA HEADRESTINSERT,W/LOCK-FLEXSTEEL
	M05962-55-H04	EA COVER-BACK(H04)
	M05962-55-H05	EA COVER-BACK(H05)
	M05962-55-H24	EA COVER-BACK(H24/H26)
	M05962-61-H04	EA COVER-BACK-LEATHERMCCCLAINSANNIVERSARYOPTION
	124896-11-000	EA KIT-BACK-LEATHERMCCCLAINSANNIVERSARYOPTION
	122780-01-H04	EA ARMREST-RIGHTHAND(H04)
	122780-01-H05	EA ARMREST-RIGHTHAND(H05)
	122780-01-H24	EA ARMREST-RIGHTHAND(H24/H26)
	122780-03-H04	EA ARMREST-RIGHTHAND-LEATHERMCCCLAINSANNIVERSARYOPTION
	P22780-01-H04	EA COVER-ARMREST,RIGHTHAND(H04)
	P22780-01-H05	EA COVER-ARMREST,RIGHTHAND(H05)
	P22780-01-H24	EA COVER-ARMREST,RIGHTHAND(H24/H26)
	P22780-03-H04	EA COVER-ARMREST,RIGHTHAND-LEATHER
	115617-03-000	EA BRACKET-ARM,RH-LEGACEY-PLYFOAM,#170068
	122780-02-H04	EA ARMREST-LEFTHAND(H04)
	122780-02-H05	EA ARMREST-LEFTHAND(H05)
	122780-02-H24	EA ARMREST-LEFTHAND(H24/H26)
	122780-04-H04	EA ARMREST-LEFTHAND-LEATHERMCCCLAINSANNIVERSARYOPTION
	P22780-02-H04	EA COVER-ARMREST,LEFTHAND(H04)
	P22780-02-H05	EA COVER-ARMREST,LEFTHAND(H05)
	P22780-02-H24	EA COVER-ARMREST,LEFTHAND(H24/H26)
	P22780-04-H04	EA COVER-ARMREST,LEFTHAND-LEATHERMCCCLAINSANNIVERSARYOPTION
	M05962-56-H04	EA COVER-SEAT(H04)
	M05962-56-H05	EA COVER-SEAT(H05)
	M05962-56-H24	EA COVER-SEAT(H24/H26)
	M05962-62-H04	EA COVER-SEAT-LEATHERMCCCLAINSANNIVERSARYOPTION
	124896-12-000	EA KIT-SEAT-LEATHER
	125229-01-000	EA FRAME-C-BODY,LEFT
	125229-02-000	EA FRAME-C-BODY,RIGHT
	125229-03-000	EA FRAME-C-BODY,REC.KNOB
	125229-05-000	EA FRAME-C-BODY,PALNUT
	117125-01-02B	EA BRACKET-CABLEMOUNT-ADJUSTERW/LOCK
	119952-06-000	EA SLIDE-SEATHEAVYDUTYLOCKING-4STUDS
	119952-07-000	EA WIRE-LATCHRELEASE/ROTARY
	107921-08-000	EA TOPPLATE-PEDESTAL-WOSEATBELTBAR
	107921-01-000	EA PEDESTAL/FLOORMOUNTED-W/9.75"EXTENSION
	107921-06-000	EA BEARINGKIT-PEDESTAL
	114889-01-000	EA STOPBAR-UNIVERSAL
	097683-02-000	EA BRACKET-MOUNT,REMOTE-DOUBLE
	108049-03-000	EA CABLE-W/CONTROL25.5"SHEATH/28.5"CABLEW/DOGLEG
	108049-02-000	EA CLIP-CABLE/PEDESTAL

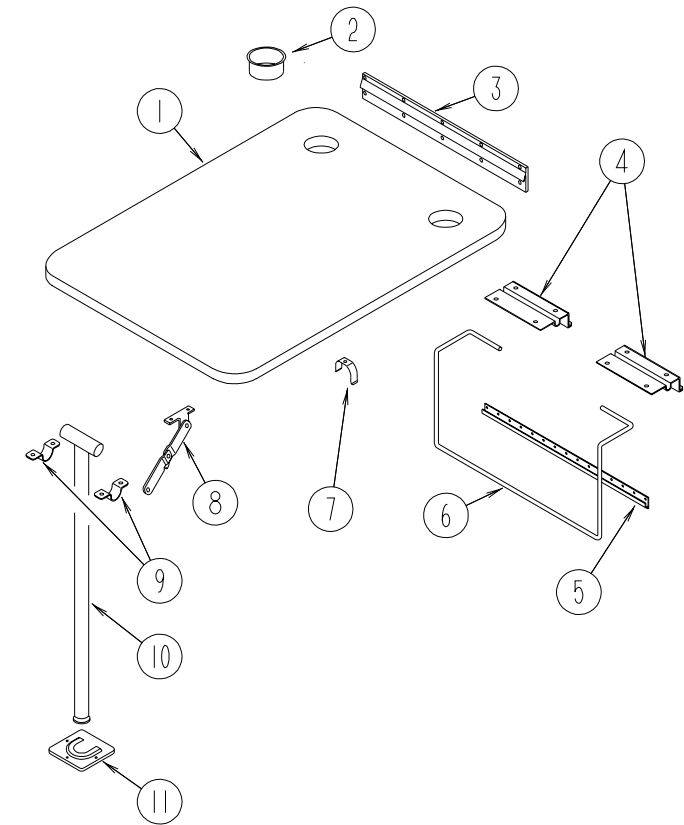
DINETTEGROUP



DINETTE CABINETS, PADS & TABLE

KEY	PARTNUMBER	U/M	DESCRIPTION
1	124476-02-H04	EA	CABINET-OVERHEAD DINETTE-W/ODOORS/HARDWARE
2	110140-21-H04	EA	DOOR-MIRROR/MTRDCRNR/VINYLRAP-15.7"X27.9"-W/OHDW
	108536-04-09A	EA	MIRROR-GLASS-BOTANICAL-12.5"X24.6"
2	110140-18-G01	EA	DOOR-MITEREDCORNER/VINYLRAP-15.7"X27.9"-W/OHDW
2	M06803-82-G15	EA	DOOR-MTRDCORNER/OGEEEDGE-15.7"X27.9"W/OHDW
3	109908-22-H04	EA	ENDCAP-OVERHEAD
4	111338-11-H04	EA	PAD-DINETTE(H04)
4	111338-11-H05	EA	PAD-DINETTE(H05)
4	111338-11-H24	EA	PAD-DINETTE(H24/H26)
5	M08123-15-H04	EA	CABINET-SEATBASE-RIGHTHAND
6	M08122-15-H04	EA	CABINET-SEATBASE-RIGHTHAND-W/ODOORS/DRAWERS/HDW
7	081295-01-G01	EA	SUPPORT-BED/DINETTE-28"
8	M08122-16-H04	EA	CABINET-SEATBASE-LEFTHAND-W/ODOORS/DRAWERS/HDW
9	110140-88-G04	EA	DOOR-MITEREDCORNER/VINYLRAP-10.1"X19.1"-W/OHDW
9	M06803-T5-H13	EA	DOOR-MITEREDCORNER/OGEEEDGE-10.02"X19.06"W/OHDW

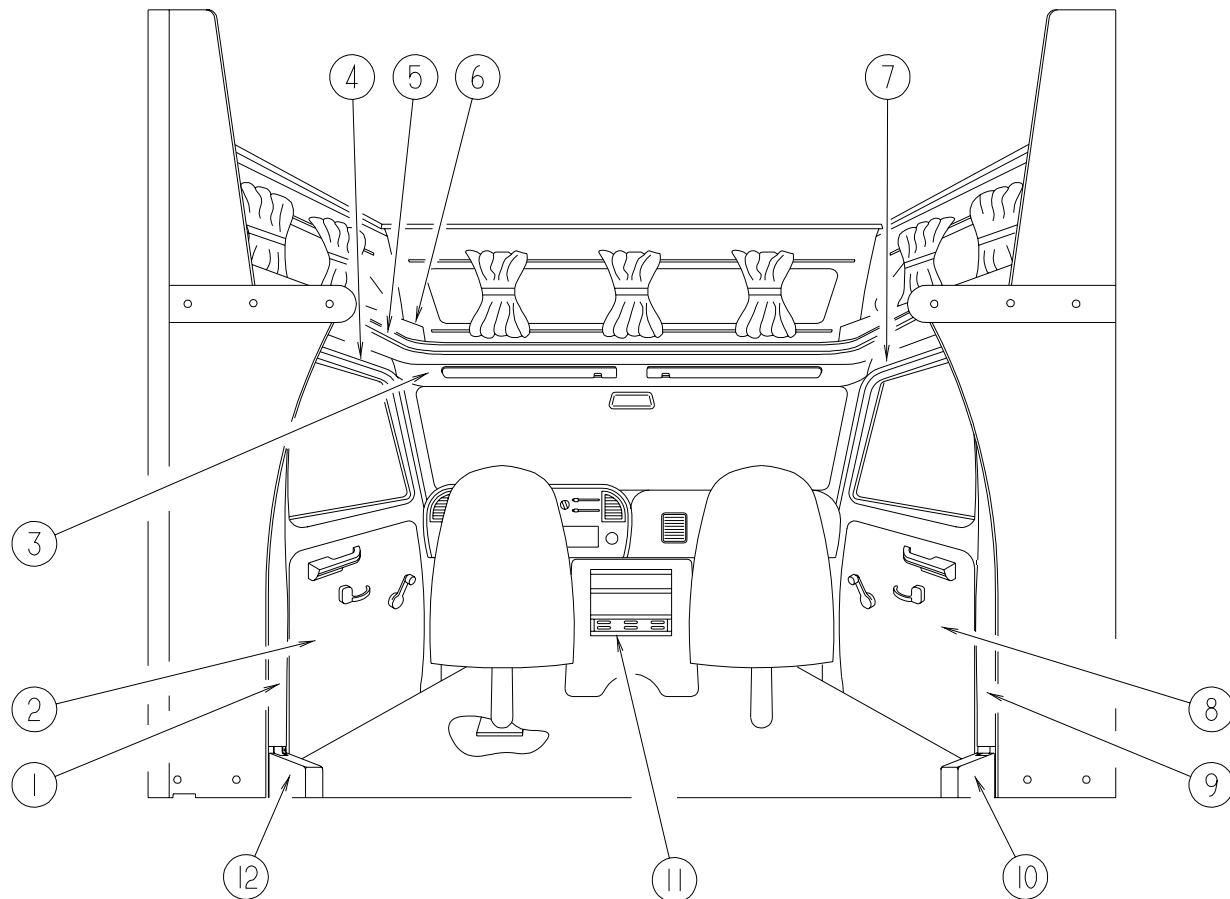
DINETTEGROUP(CONTINUED)



DINETTE TABLE & HARDWARE

KEY	PARTNUMBER	U/M	DESCRIPTION
1	081322-15-H19	EA	TABLEASM-DINETTE(H04)
1	081322-15-H05	EA	TABLEASM-DINETTE(H05)
1	081322-15-H24	EA	TABLEASM-DINETTE(H24/H26)
2	064781-06-000	EA	HOLDER-CUP, TWOSTAGE-OFFWHITE
3	053200-12-000	EA	BRACKET-TABLESUPPORT-UPPERWALLMOUNTED-23.50"
4	088410-02-000	EA	BRACKET-LIFT-TABLEMOUNTED
5	024281-14-000	EA	BRACKET-LIFTRODLOWERWALLMOUNTED-22.12"
6	024275-12-000	EA	ROD-TABLELIFT
7	024283-01-000	EA	CLIP-LEG, 1"-1.125"OD-BLACK
8	024282-01-000	EA	BRACE-TABLELEG, HINGED
9	064050-05-000	EA	HINGE-TABLELEG-OFFWHITE
10	024276-23-000	EA	LEG-TABLE-METAL
11	049493-11-700	EA	CATCH-TABLELEG, E-COAT
	049493-12-000	EA	CATCH-LEGFLOORMOUNTED-2.5"X2.7"

DRIVERSCOMPARTMENTGROUP



FORDDRIVERSCOMPARTMENT

KEY	PARTNUMBER	U/M DESCRIPTION
1	125031-02-G04	EA TRIM-CAB-B-PILLAR FROM: 00-00-00 THRU: 12-16-96
1	125031-02-H04	EA TRIM-CAB-B-PILLAR FROM: 12-17-96 THRU: 99-99-99
2	106432-02-H04	EA PANEL-DOOR-INNER/DRIVER(H04)
2	106432-02-H05	EA PANEL-DOOR-INNER/DRIVER(H05)
2	106432-02-H24	EA PANEL-DOOR-INNER/DRIVER(H24/H26)
3	106448-01-C52	EA HEADLINER-W/VINYL FROM: 00-00-00 THRU: 12-16-96
3	106448-01-H04	EA HEADLINER-W/VINYL FROM: 12-17-96 THRU: 99-99-99
4	106447-02-C03	EA TRIMASM-CABDOOR,UPPER,LH FROM: 00-00-00 THRU: 12-16-96
4	106447-02-H04	EA TRIM-CABDOOR-UPPER-DRIVERSSIDE FROM: 12-17-96 THRU: 99-99-99
5	119520-01-01A	FT T-MOLDING-1"W/EDGELIPS(OFF/WHITE-CREAM)
6	109894-01-H04	EA CABINET-HAMPER-FRONT-DRIVER(H04)
6	109894-01-H05	EA CABINET-HAMPER-FRONT-DRIVER(H05)
6	109894-01-H24	EA CABINET-HAMPER-FRONT-DRIVER(H24/H26)
7	106447-01-C03	EA TRIMASM-CABDOOR,UPPER,RH FROM: 00-00-00 THRU: 12-16-96
7	106447-01-H04	EA TRIM-CABDOOR-UPPER-PASSENGERSIDE FROM: 12-17-96 THRU: 99-99-99
8	106432-01-H04	EA PANEL-DOOR-INNER/PASSENGER(H04)
8	106432-01-H05	EA PANEL-DOOR-INNER/PASSENGER(H05)
8	106432-01-H24	EA PANEL-DOOR-INNER/PASSENGER(H24/H26)

DRIVERSCOMPARTMENTGROUP

FORDDRIVERSCOMPARTMENT1997CHASSIS(CONTINUED)

KEY	PARTNUMBER	U/M DESCRIPTION
9	125031-01-G04	EA TRIM-CAB-B-PILLAR FROM: 00-00-00 THRU: 12-16-96
9	125031-01-H04	EA TRIM-CAB-B-PILLAR FROM: 12-17-96 THRU: 99-99-99
10	106431-01-01A	EA COVER-SEATBELTRECOIL-PASSENGERSIDE-OFFWHITE(FORD) FROM: 00-00-00 THRU: 12-16-96
10	106431-01-02A	EA COVER-SEATBELTRECOIL-PASSENGERSIDE FROM: 12-17-96 THRU: 99-99-99
11	112185-02-G01	EA TRAY-BEVERAGE-DIESEL
	046886-03-000	EA ASHTRAY-CHROME/WCOVER
12	106431-02-01A	EA COVER-RECOIL-SEATBELT-DRIVERSIDE-OFFWHITEFORD FROM: 00-00-00 THRU: 12-16-96
12	106431-02-02A	EA COVER-SEATBELTRECOIL-PASSENGER FROM: 12-17-96 THRU: 99-99-99

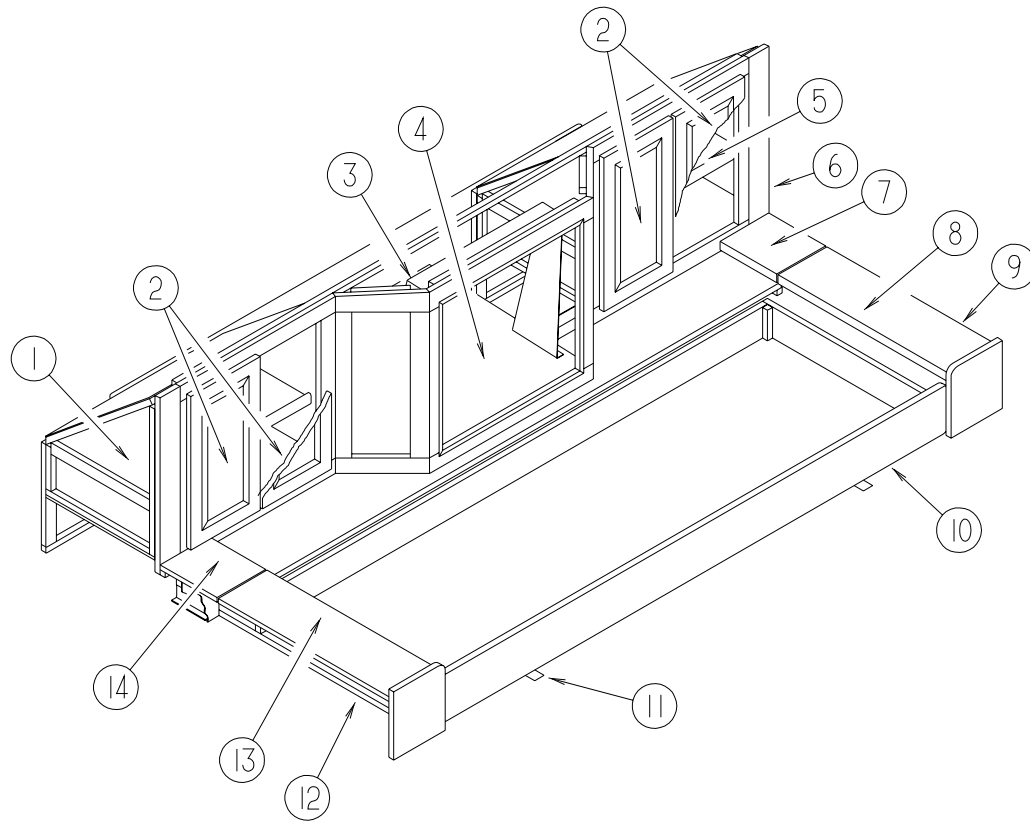
MCCLAINSANNIVERSARYOPTION

KEY	PARTNUMBER	U/M DESCRIPTION
	120269-07-01A	EA PANEL-DRIVERSDOORMIRRORCONTROLW/SWITCH&PIGTAIL

INSTRUMENTCLUSTERS

KEY	PARTNUMBER	U/M DESCRIPTION
	094795-09-000	EA CLUSTER-IP,KM,95E350GAS/DSL-FORDF5UZ-10849-B
	100138-01-000	EA MODULE-DAYTIMERUNNINGLIGHT
	111414-01-000	EA RECEPTACLE-12VW/OBIMETAL,INTERTEK
	108357-09-000	EA SWITCH-AUXILIARY,SPDTON/NONE/MOM-CARLINGV5D1000B-0
	108356-07-01A	EA ACTUATOR-SWITCHDIMPLEII,CARLINGVVAZCXX-XW
	081994-07-000	EA PLATE-SWITCH,AUXILIARYSTART
	108357-06-000	EA SWITCH-ROCKERDPDTMON/OFF/MOM6TERMINAL

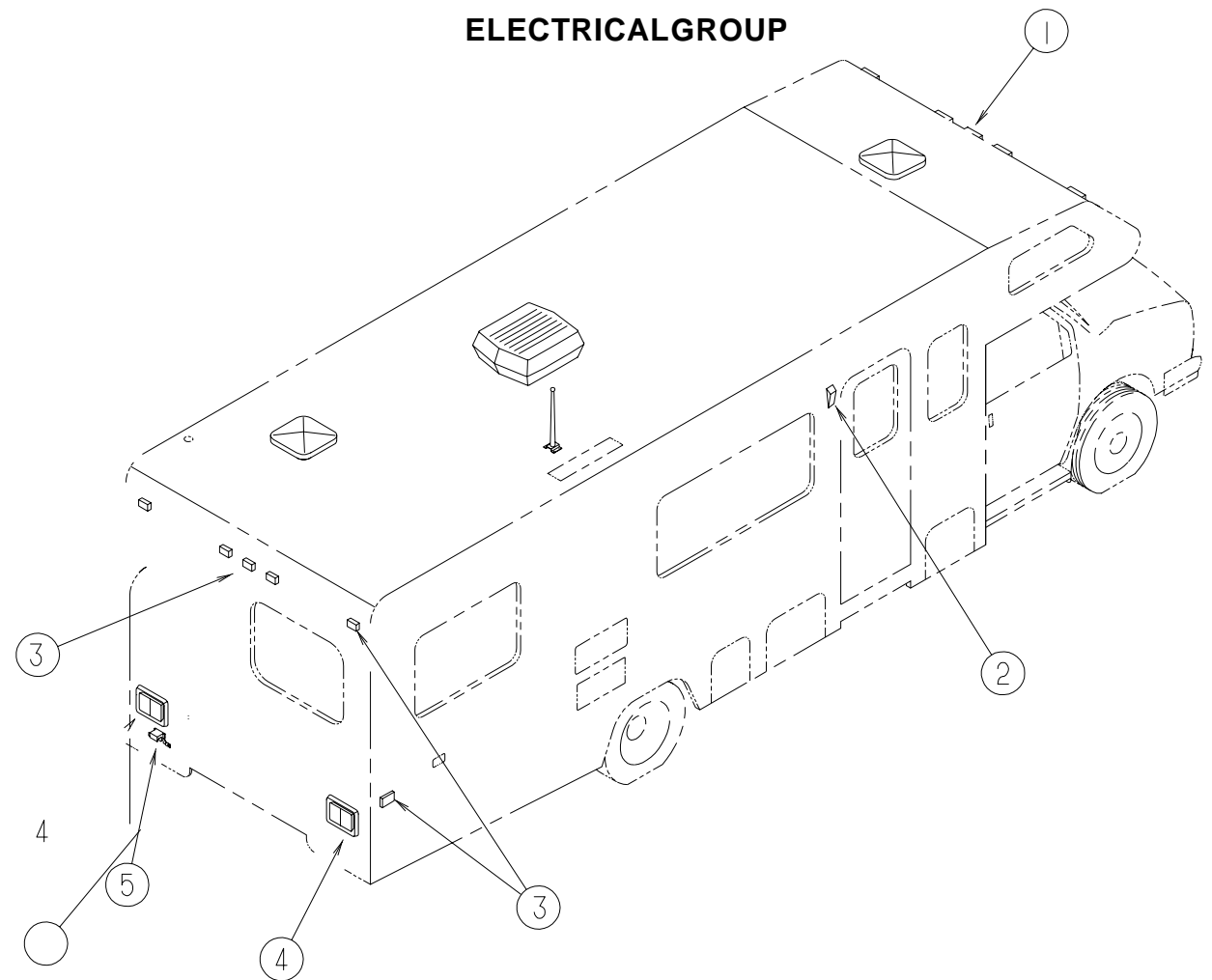
DRIVERSCOMPARTMENTGROUP(CONTINUED)



FRONTENTERTAINMENTCENTER

KEY	PARTNUMBER	U/M	DESCRIPTION
1	110796-02-G01	EA	CABINET-ENTERTAINMENTCENTER/SHELF-W/ODOORS/HDW
2	110140-25-G01	EA	DOOR-MITEREDCORNER/VINYLRAP-10.6"X19.9"-W/OHDW
2	M06803-F1-H04	EA	DOOR-MITEREDCORNER/OGEEEDGE-10.6"X19.8"-W/OHDW
3	110795-11-H04	EA	PANEL(H04)
3	110795-11-H05	EA	PANEL(H05)
3	110795-11-H24	EA	PANEL(H24\H26)
4	111356-01-G01	EA	SHELF-TV
5	110796-01-G01	EA	CABINET-ENTERTAINMENTCENTER/SHELF-W/ODOORS/HDW
6	110795-01-G01	EA	CABINET-ENTERTAINMENTCENTER-W/ODOORS/HARDWARE
7	110797-11-E04	EA	COUNTERTOP-ENTERTAINMENTCENTER(H04)
7	110797-11-F29	EA	COUNTERTOP-ENTERTAINMENTCENTER(H05)
7	110797-11-E01	EA	COUNTERTOP-ENTERTAINMENTCENTER(H24\H26)
8	110797-12-E04	EA	COUNTERTOP-ENTERTAINMENTCENTER(H04)
8	110797-12-F29	EA	COUNTERTOP-ENTERTAINMENTCENTE(HH05)
8	110797-12-E01	EA	COUNTERTOP-ENTERTAINMENTCENTER(H24\H26)
9	110797-01-H04	EA	CABINET-ENTERTAINMENTCENTER/STORAGE-W/ODOORS/HARDWARE(H04)
9	110797-01-H05	EA	CABINET-ENTERTAINMENTCENTER/STORAGE-W/ODOORS/HARDWARE(H05)
9	110797-01-G01	EA	CABINET-ENTERTAINMENTCENTER/STORAGE-W/ODOORS/HARDWARE(H24\H26)
10	100847-01-H04	EA	DRAWER-ENTERTAINMENTCENTER-76.7"X26.7"-W/OHARDWARE(H04)
10	100847-01-H05	EA	DRAWER-ENTERTAINMENTCENTER-76.7"X26.7"-W/OHARDWARE(H05)
10	100847-01-H24	EA	DRAWER-ENTERTAINMENTCENTER-76.7"X26.7"-W/OHARDWARE(H24\H26)
11	093673-01-01A	FT	MOLDING-BODY,1.4"WIDEX8'LONG-OFFWHITE-PLASTIC
12	110797-02-H04	EA	CABINET-ENTERTAINMENTCENTER/STORAGE-W/ODOORS/HARDWARE(H04)
12	110797-02-H05	EA	CABINET-ENTERTAINMENTCENTER/STORAGE-W/ODOORS/HARDWARE(H05)
12	110797-02-G01	EA	CABINET-ENTERTAINMENTCENTER/STORAGE-W/ODOORS/HARDWARE(H24\H26)
13	110797-23-E04	EA	COUNTERTOP-ENTERTAINMENTCENTER(H04)
13	110797-23-F29	EA	COUNTERTOP-ENTERTAINMENTCENTER(H05)
13	110797-23-E01	EA	COUNTERTOP-ENTERTAINMENTCENTER(H24\H26)
14	110797-21-E04	EA	COUNTERTOP-ENTERTAINMENTCENTER(H04)
14	110797-21-F29	EA	COUNTERTOP-ENTERTAINMENTCENTER(H05)
14	110797-21-E01	EA	COUNTERTOP-ENTERTAINMENTCENTER(H24\H26)
	110790-02-000	EA	BRACKET-TV TIEDOWN
	106699-01-01A	EA	BRACKET-OVERHEADCABINET/TV

ELECTRICALGROUP

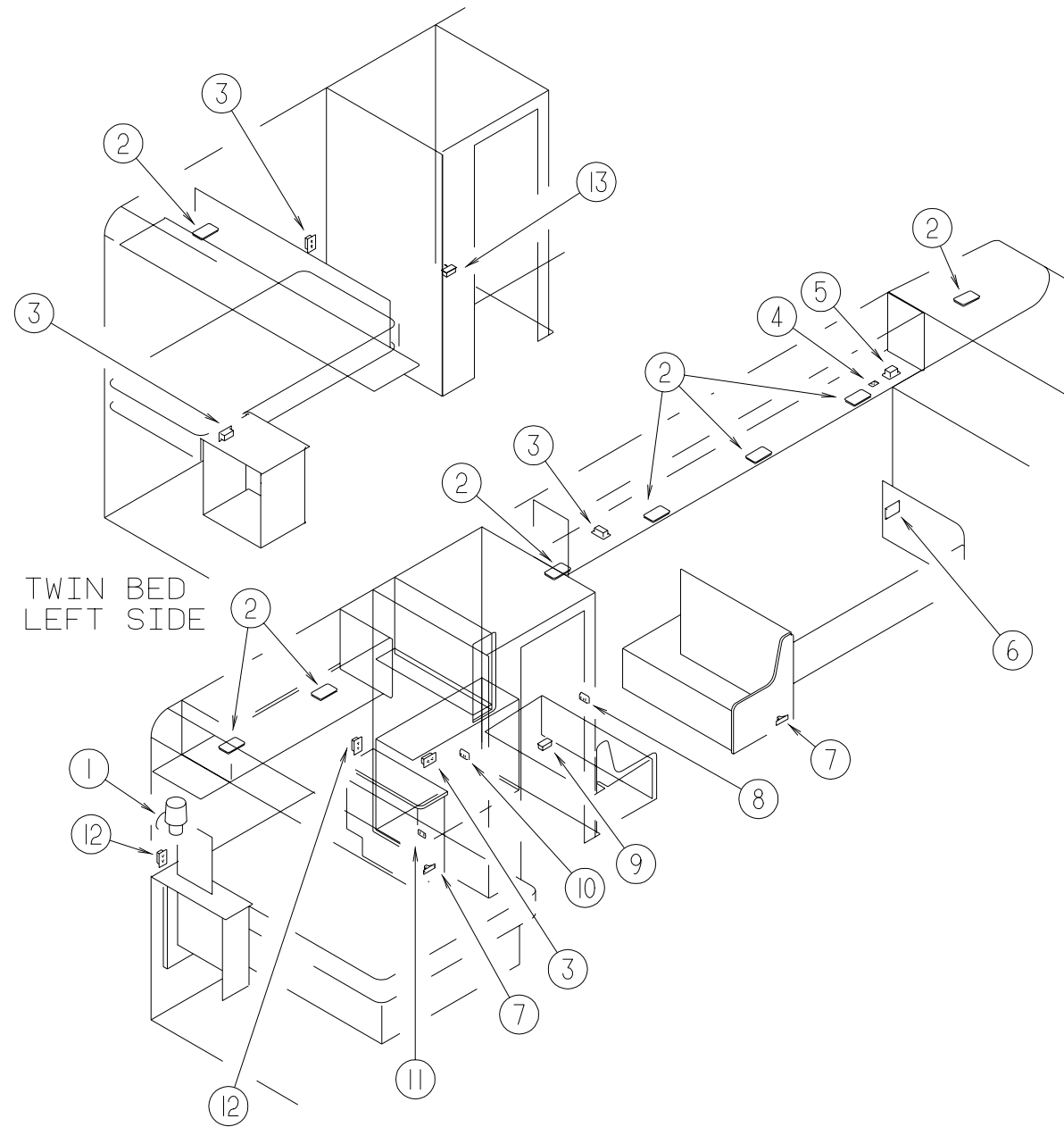


EXTERIORLIGHTS

KEY	PARTNUMBER	U/M	DESCRIPTION
1	111102-02-000	EA	LENS-MARKERLAMP,AMBER-TRIPLEX118A
	111102-01-000	EA	LAMP-MARKER,BASE-TRIPLEX117XAS
	091983-01-000	EA	GASKET-CLEARANCE/SIDEMARKERLIGHT
	036196-01-000	EA	BULB-12V,#194-.27AMP-BAYONETTE
	112823-01-000	EA	SPLICE-REDUCER,16-14T018-22 ETCBA-631X
2	097917-01-06A	EA	LIGHT-PORCH,ENTRYDOOR-BRIGHTWHITE
	008215-01-000	EA	BULB-12V,#1003-.94AMP
	097917-01-700	EA	LENS-LIGHT,PORCH
3	111102-03-000	EA	LENS-MARKERLAMP,RED-TRIPLEX117R
	111102-01-000	EA	LAMP-MARKER,BASE-TRIPLEX117XAS
	091983-01-000	EA	GASKET-CLEARANCE/SIDEMARKERLIGHT
	036196-01-000	EA	BULB-12V,#194-.27AMP-BAYONETTE
	112823-01-000	EA	SPLICE-REDUCER,16-14T018-22 ETCBA-631X
4	103355-01-05A	EA	POD-TAILLIGHT,BRIGHTWHITE
	081638-01-000	EA	TAILLIGHT-DOUBLE,W/BLACKTRIM-DRIVER&PASSENGERSIDE
	037934-01-000	EA	BULB-12V,#1156-2.1AMP-CLEARGLASS-BACKUP&TURN SIGNALBULB
	037935-01-000	EA	BULB-12V,#1157OR#2057-2.1AMP-CLEARGLASS-BRAKELIGHT
	081638-01-700	EA	LENS-TAILLIGHT,RED-BARGMAN30-84-010
	081638-01-701	EA	LENS-TAILLIGHT,W/BACKUP-BARGMAN30-84-700
5	066432-02-000	EA	LIGHT-LICENSEPLATE
	066432-03-000	EA	BRACKET-LICENSEPLATELIGHT

ELECTRICALGROUP(CONTINUED)

LIGHTS,SWITCHES&RECEPTACLES-DRIVERSIDE-QUEEN&TWINBED

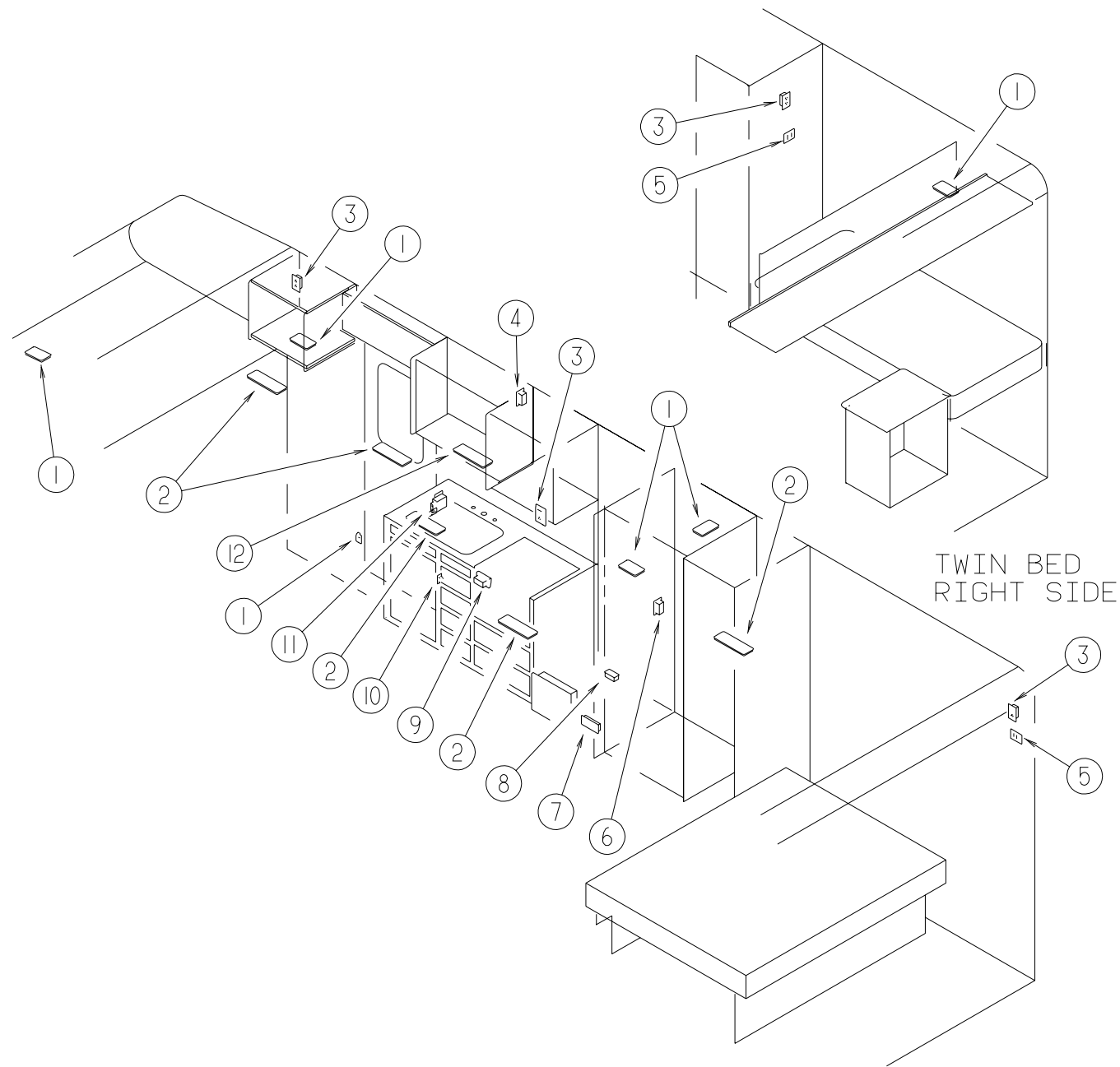


KEY	PARTNUMBER	U/M	DESCRIPTION
1	119258-05-01A	EA	LAMP-WALL
	067479-01-000	EA	BULB-12VOLT-#1076-1.80AMP
2	098024-05-02A	EA	LIGHT-DOME-1BULB-SKYLITEWHITE
	008218-01-000	EA	BULB-DOMELIGHT-12VOLT-NO.1141
	098024-01-701	EA	LENS-OPTICLEAR-SKYLIGHT 809902
3	058708-01-000	EA	RECEPTACLE-ELECTRIC-DOUBLE-BROWN
4	098351-02-01A	EA	PLATE-SWITCH-2GANGPOLISHEDBRASS
4	079364-01-000	EA	SWITCH-ON/OFFROCKER-2PRONGS-BROWN
4	079364-03-000	EA	SWITCH-ON/OFFROCKER-3PRONGS-BROWN
4	098351-01-01A	EA	PLATE-SWITCH-1GANGPOLISHEDBRASS-W/OSIDETVCABINET
4	079364-02-000	EA	SWITCH-ON/OFF-ROCKER-W/OSIDETVCABINET
5	058708-01-000	EA	RECEPTACLE-ELECTRIC-DOUBLE-BROWN
5	086777-02-000	EA	WALLPLATE-TVCABLE-W/ANTENNASWITCH
5	086777-06-000	EA	WALLPLATE-ANTENNA1OUTPUT
6	084077-03-000	EA	COVER/BLANK-ROOFA/C5.2"X3.5"-IVORY
7	061424-01-000	EA	LIGHT-AISLE-12VOLT-RECTANGULAR
	008103-01-000	EA	BULB-DASH/AISLELIGHT-#53-12VOLT-.12AMP

KEY	PARTNUMBER	U/M	DESCRIPTION
8	098351-02-01A	EA	PLATE-SWITCH-2GANGPOLISHEDBRASS
8	079364-01-000	EA	SWITCH-ON/OFFROCKER-2PRONGS-BROWN
	095188-01-01A	EA	SPACER-SWITCH-2.3"X3.4"-PLASTIC-DARKBROWN
9	058707-02-000	EA	RECEPTACLE-BLANK-JUNCTION
10	098351-02-01A	EA	PLATE-SWITCH-2GANGPOLISHEDBRASS
10	079364-01-000	EA	SWITCH-ON/OFFROCKER-2PRONGS-BROWN
10	079364-03-000	EA	SWITCH-ON/OFFROCKER-3PRONGS-BROWN
	095188-01-01A	EA	SPACER-SWITCH-2.3"X3.4"-PLASTIC-DARKBROWN
11	108357-08-000	EA	SWITCH-ROCKERDPDTON/NONE/ON6TERMINAL
	108356-02-01A	EA	ACTUATOR/COVER-SWITCH-2DIMPLES
12	058708-02-000	EA	RECEPTACLE-ELECTRIC-DOUBLE-IVORY
13	058708-02-000	EA	RECEPTACLE-ELECTRIC-DOUBLE-IVORY-CANADIAN

ELECTRICALGROUP(CONTINUED)

LIGHTS,SWITCHES&RECEPTACLES-PASSENGERSIDE-QUEEN&TWINBED



KEY	PARTNUMBER	U/M	DESCRIPTION
1	098024-05-02A	EA	LIGHT-DOME-1BULB-SKYLITEWHITE
	008218-01-000	EA	BULB-DOMELIGHT-12VOLT-NO.1141
	098024-01-701	EA	LENS-OPTICLEAR-SKYLIGHT 809902
2	098024-03-02A	EA	LIGHT-DOME-2BULBWHITE
	008218-01-000	EA	BULB-DOMELIGHT-12VOLT-NO.1141
	098024-01-700	EA	LENS-LIGHT 807877
3	058708-01-000	EA	RECEPTACLE-ELECTRIC-DOUBLE-BROWN
4	058708-05-000	EA	RECEPTACLE-SINGLE-BROWN
5	076319-09-000	EA	WALLPLATE-CABLERECEPTACLE-TV-SINGLE-BROWN
6	058707-01-000	EA	RECEPTACLE-ELECTRIC-SINGLE-BROWN
7	024924-02-000	EA	RECEPTACLE-POWERCORD-W/PARTIALPLATE

KEY	PARTNUMBER	U/M	DESCRIPTION
8	058707-02-000	EA	RECEPTACLE-BLANK-JUNCTION
9	112822-01-01A	EA	RECEPTACLE-DUPLEX-IVORY
	112824-01-03A	EA	COVER-EXTERIOR-DUPLEXRECEPTACLE
10	098351-07-01A	EA	PLATE-SWITCH-POLISHEDBRASS
10	108357-06-000	EA	SWITCH-ROCKERDPDTMON/OFF/MOM6TERMINAL
11	084076-02-000	EA	RECEPTACLE-GFI-15AMP-125VOLT-BROWN
12	098024-06-02A	EA	LIGHT-DOME-2BULB-SKYLITE
	008218-01-000	EA	BULB-DOMELIGHT-12VOLT-NO.1141
	098024-01-701	EA	LENS-OPTICLEAR-SKYLIGHT 809902

ELECTRICAL GROUP (CONTINUED)
FUSES & CIRCUIT BREAKERS

KEY	PARTNUMBER	U/M	DESCRIPTION
	008235-01-000	EA	FUSE-AUTOMOTIVE, 12V-15AMP
	062901-02-000	EA	FUSE-5AMPS-AUTOMOTIVE
	062901-05-000	EA	FUSE-15AMPS-AUTOMOTIVE
	083209-02-000	EA	CIRCUITBREAKER-15/15AMP-120VOLT
	083209-03-000	EA	CIRCUITBREAKER-15/20AMP-120VOLT
	083209-04-000	EA	CIRCUITBREAKER-30AMP-120VOLT
	083209-06-000	EA	CIRCUITBREAKER-30/15AMP-120VOLT
	093654-01-000	EA	CIRCUITBREAKER-6AMP-12VOLT
	093654-03-000	EA	CIRCUITBREAKER-20AMP-12VOLT
	093655-02-000	EA	CIRCUITBREAKER-30AMP 12V
	100341-01-000	EA	FUSEHOLDER-INLINETYPE

ELECTRIC BOXES, COVERS & POWER CORDS

KEY	PARTNUMBER	U/M	DESCRIPTION
	008052-01-000	EA	CORD-POWER-10/3-30AMP-25'-CANADIAN
	008054-01-000	EA	CORD-POWER-10/3-30AMP-25'
	008289-01-000	EA	BOX-ELECTRIC/STEEL-12" & 3/4" KNOCKOUTS-4" X 4"
	008289-02-000	EA	BOX-ELECTRICAL-4" X 4" - 1/2" & 3/4" KNOCKOUTS-CANADIAN
	008294-01-000	EA	COVER-ELECTRICALBOX-BLANK/STEEL-4" X 4"-GRAY
	008294-02-000	EA	COVER-ELECTRICALBOX-BLANKSTEEL-4" X 4"-CANADIAN
	069238-01-000	EA	COVER-ELECTRICALBOX-W/HOLE-4" X 4"-GRAY USEDWITH30AMPRECEPTACLE
	091910-02-000	EA	BOX-ELECTRIC-PLASTIC-2.24" X 3.45"
	093603-01-000	EA	BOX-ELECTRIC, 4" X 2 1/8" X 2 1/8"-STEEL
	107165-01-01A	EA	BOX-CIRCUITBREAKER 14.6" X 4"-BLACKPLASTIC

CONDUIT

KEY	PARTNUMBER	U/M	DESCRIPTION
	041953-01-000	FT	CONDUIT-CONVOLUTESLIT-.5"ID
	041953-01-000	FT	CONDUIT-CONVOLUTESLIT-.5"ID
	041953-01-000	FT	CONDUIT-CONVOLUTESLIT-.5"ID
	041953-03-000	FT	CONDUIT-CONVOLUTESLIT-1"ID(CLOTHESRODCOVER)
	041953-06-000	FT	CONDUIT-CONVOLUTESLIT-.375"ID
	041953-07-000	FT	CONDUIT-CONVOLUTESLIT-.25"ID
	041953-08-000	FT	CONDUIT-CONVOLUTESLIT-1.50"ID
	041953-09-000	FT	CONDUIT-CONVOLUTESLIT-.50"ID
	041953-10-000	FT	CONDUIT-CONVOLUTESLIT-.75"ID
	041953-11-000	FT	CONDUIT-CONVOLUTESLIT-1.06"ID
	041953-12-000	FT	CONDUIT-CONVOLUTENONSLIT-1.1"ID

POWER CONVERTER & INVERTER

KEY	PARTNUMBER	U/M	DESCRIPTION
	083208-02-000	EA	CONVERTER-POWER-45A-120/12V
	099048-03-000	EA	INVERTER-130WATT
	113132-01-000	EA	LOADCENTER-120/240VOLT-60AMP

SOLAR PANEL-MCCLAINS ANNIVERSARY OPTION

KEY	PARTNUMBER	U/M	DESCRIPTION
	115504-01-000	EA	PANEL-SOLAR 10WATT
	115504-01-700	EA	PLUG & CABLE, 10WATT PANEL 600-016
	115505-01-000	EA	LIGHT-MONITOR/SOLAR PANEL-RED LED INDICATOR

ELECTRICAL MISCELLANEOUS

KEY	PARTNUMBER	U/M	DESCRIPTION
	008188-01-000	EA	SOLENOID-3POST-BATTERY CHANGE OVER
	063910-01-000	EA	HOUSING-RELAY
	086273-01-000	EA	RELAY-BATTERY DISCONNECT

ELECTRICAL GROUP (CONTINUED)

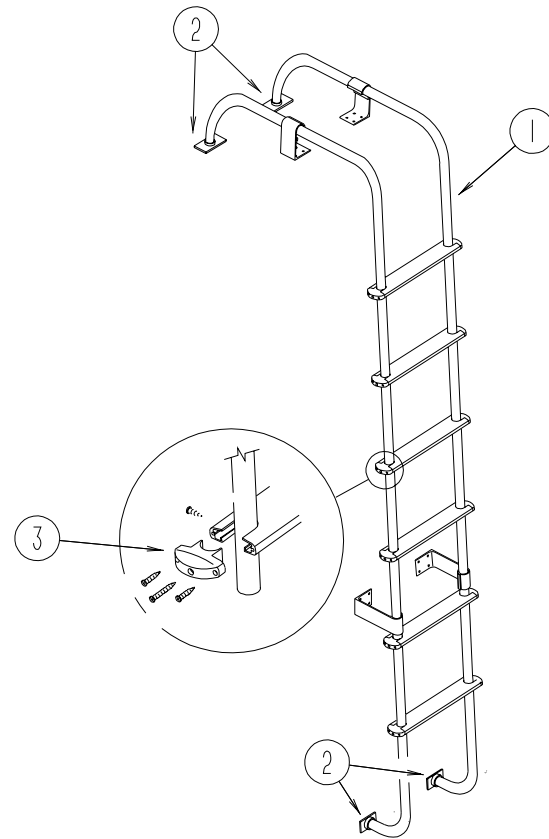
CONNECTORS, HOUSINGS, & TERMINALS

KEY	PARTNUMBER	U/M	DESCRIPTION
	007956-05-000	EA	INSULATOR-SHRINK-.25ID X 1.50
	008311-01-000	EA	CONNECTOR-WIRENUT-INSULATED-RED
	008312-01-000	EA	CONNECTOR-WIRENUT-INSULATED-BLUE
	008313-01-000	EA	CONNECTOR-WIRENUT-INSULATED-YELLOW
	008314-01-000	EA	CONNECTOR-WIRENUT-INSULATED-GRAY
	008326-01-000	EA	TERMINAL-RING 16/14 WIRE-3/8" STUD
	008328-01-000	EA	TERMINAL-RING-12/10 WIRE-#10 STUD FIT
	008331-01-000	EA	TERMINAL-RING-TONGUE-#4 WIRE-3/8" STUD-COPPER
	008348-01-000	EA	TERMINAL-RING-3/8" STUD 2 GA. WIRE
	008355-01-000	EA	CONNECTOR-CABLE CLAMPING-3/4"
	008356-01-000	EA	CONNECTOR-PLASTIC-3/8" AVG
	022756-02-000	EA	COVER-PROTECTIVE, 5.5" ENDS X 8.2"
	022756-03-000	EA	COVER-A/C PLASTIC
	035416-04-000	EA	TERMINAL-RING-#10 STUD FIT-INSULATED BARREL #16/14
	047443-01-000	EA	TERMINAL-.250 RECEPTACLE FIT-INSULATED-16/14 AWG
	047443-02-000	EA	TERMINAL-.250 RECEPTACLE FIT-INSULATED-12/10 AWG
	058028-01-000	EA	CONNECTOR-ELECTRICAL PIGTAIL-NYLON-CLEAR
	077479-01-000	EA	BOOT-BATTERY TERMINAL-DOUBLE CABLE
	077479-02-000	EA	BOOT-BATTERY TERMINAL-SINGLE CABLE
	080015-02-000	EA	RECEPTACLE-FLAG-.185-16/14 GAUGE-AMP 3
	080015-03-000	EA	RECEPTACLE-FLAG-14/16 GA
	087949-01-000	EA	BUSSBAR-2 POSITION-.6" X 1.5"
	088473-01-000	EA	HOUSING-PIN-12 CAVITY
	088473-02-000	EA	HOUSING-PIN-15 CAVITY
	088473-03-000	EA	HOUSING-PIN-9 CAVITY
	088473-06-000	EA	HOUSING-PIN-6 CAVITY
	088473-08-000	EA	HOUSING-PIN-4 CAVITY
	088473-09-000	EA	HOUSING-PIN-3 CAVITY
	088473-10-000	EA	HOUSING-PIN-2 CAVITY
	088474-01-000	EA	HOUSING-SOCKET-12 CAVITY
	088474-02-000	EA	HOUSING-SOCKET-12 CAVITY
	088474-03-000	EA	HOUSING-SOCKET-9 CAVITY
	088474-06-000	EA	HOUSING-SOCKET-6 CAVITY
	088474-09-000	EA	HOUSING-SOCKET-3 CAVITY
	088474-10-000	EA	HOUSING-SOCKET-2 CAVITY
	088475-01-000	EA	PIN-CONNECTOR-14-20 AWG
	088475-02-000	EA	PIN-CONNECTOR-10-12 AWG
	088476-01-000	EA	SOCKET-CONNECTOR-BRASS-PRE-TIN
	088476-02-000	EA	SOCKET-CONNECTOR-12-10 GA-PHOSBRZ-PRE-TIN
	098262-01-000	EA	SEAL-CONNECTOR-WEATHERPACK
	098265-02-000	EA	PIN-CONNECTOR-WEATHERPACK
	101751-01-000	EA	HOUSING-1 PIN-WEATHERPACK
	101751-02-000	EA	HOUSING-1 PIN-WEATHERPACK
	102777-02-000	EA	TERMINAL-RING-3_STUD-10 AWG
	112823-01-000	EA	SPLICE-REDUCER-16-14 TO 18-22
	125323-02-000	EA	HOUSING-8 POSITION-MALE
	125324-01-000	EA	TERMINAL-MALE
	125325-01-000	EA	SEAL-CAVITY

WIRING ASSEMBLIES

KEY	PARTNUMBER	U/M	DESCRIPTION
	096449-01-000	EA	WIRE ASSEMBLY-WATER TANK TO MONITOR PANEL
	097618-01-000	EA	WIRE ASSEMBLY-MONITOR PANEL-W/3 WIRES & ORANGERESISTOR ORANGERESISTOR W/3 (ORANGE-GREEN-BLUE) WIRES
	116894-01-000	EA	WIRE ASM-SPEED SENSOR EXTEND, JFBL-322B
	106851-01-000	EA	WIRE ASM-DAY RUN LAMP, FUSE

EXTERIORBODYGROUP



LADDER

KEY	PARTNUMBER	U/M DESCRIPTION
1	102953-10-F15	EA LADDERASSEMBLY
2	067165-01-000	EA MOUNTINGBRACKET-LADDER,LOWER
3	076980-02-000	EA ENDCAP-STEP,BLACK
	000G39-06-10T	EA SCREW-SF/DR-6-20X5/8PPH-BLACK
	000G68-10-36T	EA SCREW-10-12X2.25POH-BLACK
	038327-01-000	EA TAPE-ANTISLIP,2"X60'

EXTERIORBODYGROUP(CONTINUED)

EXTERIORMIRRORS-PLATEMOUNT-VELVAC

KEY	PARTNUMBER	U/M DESCRIPTION	VENDORNO.
	120269-03-02A	EA MIRROR-EXTERIOR-PASSENGER-102"	
	120269-04-02A	EA MIRROR-EXTERIOR-DRIVER-102"	
	120269-01-700	EA GLASSKITW/BEZELRH/LH	709407-8

EXTERIORMIRRORS-W/HEAT&REMOTE-MCCLAINSANNIVERSARYOPTION

KEY	PARTNUMBER	U/M DESCRIPTION
	120269-06-01A	EA MIRROR-EXTERIOR-W/HEAT/REMOTE-DRIVER
	120269-05-01A	EA MIRROR-EXTERIOR-W/HEAT/REMOTE-PASSENGER
	120269-08-000	EA HARNESS-ELECTMIRROR VELVAC748304-8

RUNNINGBOARDS

KEY	PARTNUMBER	U/M DESCRIPTION	VENDORNO.
	072884-27-000	EA RUNNINGBOARD-39"-FORD	
	072884-27-700	EA BRACKETSET12"92	RB2BRK/M
	072884-27-701	EA RUNNINGBOARD-FORD39",RH&LH	
	072884-27-702	FT TREADTAPE	RB9202
	072884-27-703	EA MUDFLAPW/HOLES,1EA=PAIR	99171
	072884-27-704	EA CAP-ENDS,1EA=PAIR	99148

EXTERIORBODYGROUP(CONTINUED)

FIBERGLASS,ALUMINUM,STYROFOAM,PLYWOOD&CHANNEL

KEY	PARTNUMBER	U/M	DESCRIPTION
	000870-08-000	SF	STYROFOAM-.75"X4'X8'-PLANED
	002726-01-001	EA	GARNISH-U-CHANNEL,1.38"X19'-SERRATED-MILLALUMINUM
	002766-01-001	EA	ANGLE-EXTRUDED,1"X1.5"X17'
	068716-01-001	EA	BRACE-90DEGREEL-ANGLE-16'
	076054-N9-000	EA	FIBERGLASSSHEET-96"X102"BRIGHTWHITE
	076054-P9-000	EA	FIBERGLASSSHEET-37.4"X99.25"BRIGHTWHITE
	076054-R1-000	EA	FIBERGLASSSHEET-24"X65.9"BRIGHTWHITE
	076054-S2-000	EA	FIBERGLASSSHEET-106.3"X320.9"BRIGHTWHITE
	076054-N9-000	EA	FIBERGLASSSHEET-96"X102"BRIGHTWHITE
	089297-01-000	SF	PLYWOOD-LUAN,OVERLAYGRADE-4'X8'
	100619-01-000	BF	EXPANDEDFOAMSHEET-4'X8'X1.34"
	100619-04-000	BF	FOAM-EXPANDEDPOLYSTYRENE-.5"X4'X8'
	100619-05-000	BF	FOAM-EXPANDEDPOLYSTYRENE-.75"X4'X8'
	108535-04-705	EA	FIBERGLASSSHEET-6"X34'BRIGHTWHITE
	108535-04-701	EA	FIBERGLASSSHEET-104"X396"BRIGHTWHITE

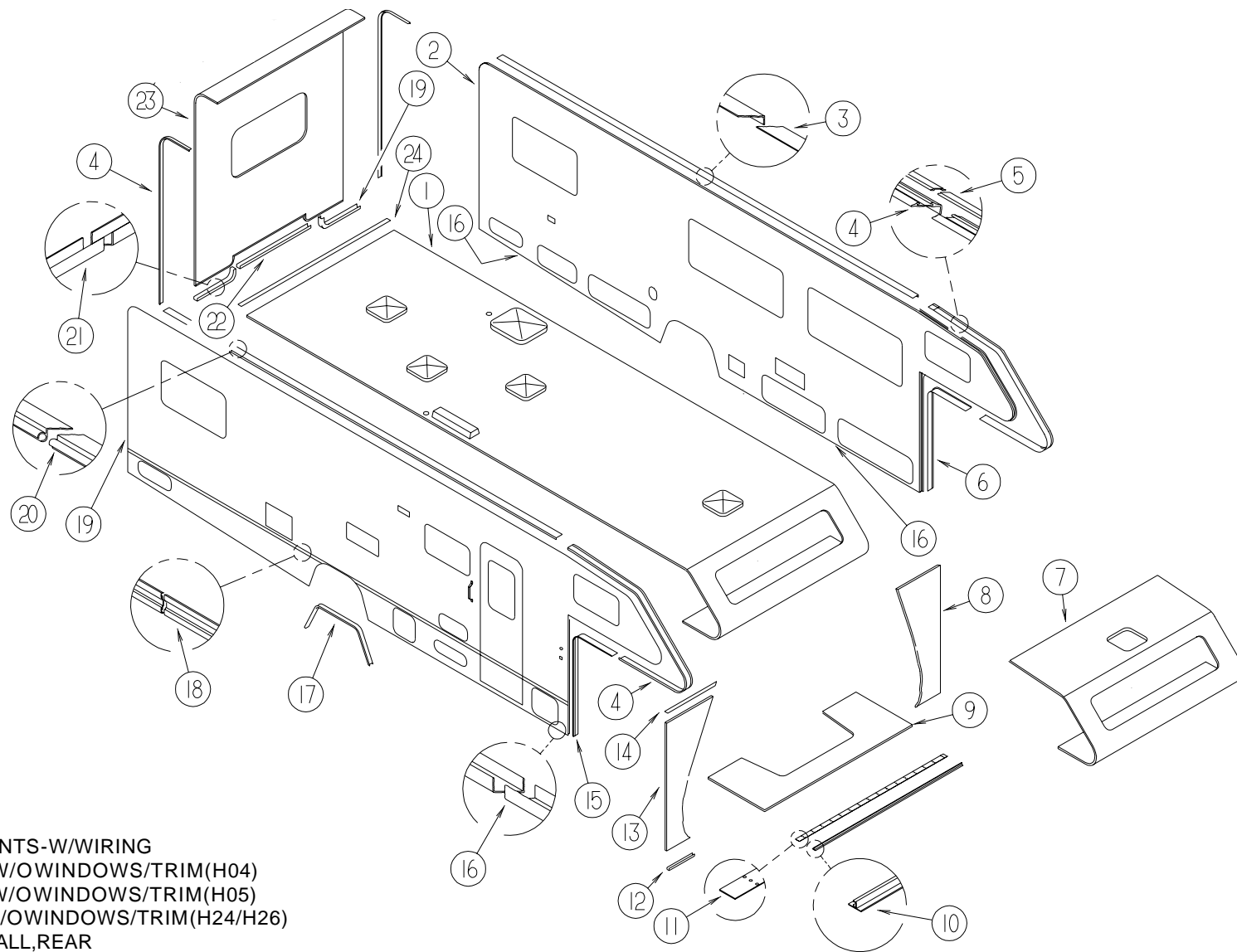
EXTERIORBODYGROUP(CONTINUED)

AWNING

KEY	PARTNUMBER	U/M	DESCRIPTION	VENDORNO.
	113874-05-02A	EA	AWNING,W/OHDW,14'(POLARNAVYTEAL)VINYL	
	111038-01-01A	EA	SPACER-AWNING,LOWERBLACK	
	113874-01-02A	EA	AWNING-HARDWAREKIT-BRIGHTWHITE	
	113874-01-702	EA	KNOB-ADJUSTING,W/HARDWARE	143249
	113874-01-703	EA	ROD-CENTERPULL,W/GRIP	830152.002
	113874-01-706	EA	LOCK-TRAVEL	830587
	113874-01-707	EA	HANDLE-LIFT	830644
	113874-01-709	EA	NAIL-SPIKE,8"	113006
	113874-01-710	EA	PLUG-STOPKIT	830456
	113874-01-711	EA	ARM-ADJUSTABLE/TALLSATIN	830466.016
	113874-01-712	EA	FOOT-PATIO	730366
	113874-01-714	EA	RAFTER-MAINRH/LHBRT/WHT	830295.036F
	113874-01-715	EA	RAFTER-SECONDARYBRT/WHT	830463.011F
	113874-01-716	EA	ARM-MAINSUPPORTBRT/WHT	3104502.277F
	113874-01-717	EA	ARM-ADJUSTABLEBRT/WHT	830466.016/F
	113874-10-01A	EA	SPACER-AWNING,LOWERBRACKET	

EXTERIORBODYGROUP(CONTINUED)

EXTERIORBODYPANELS&TRIM

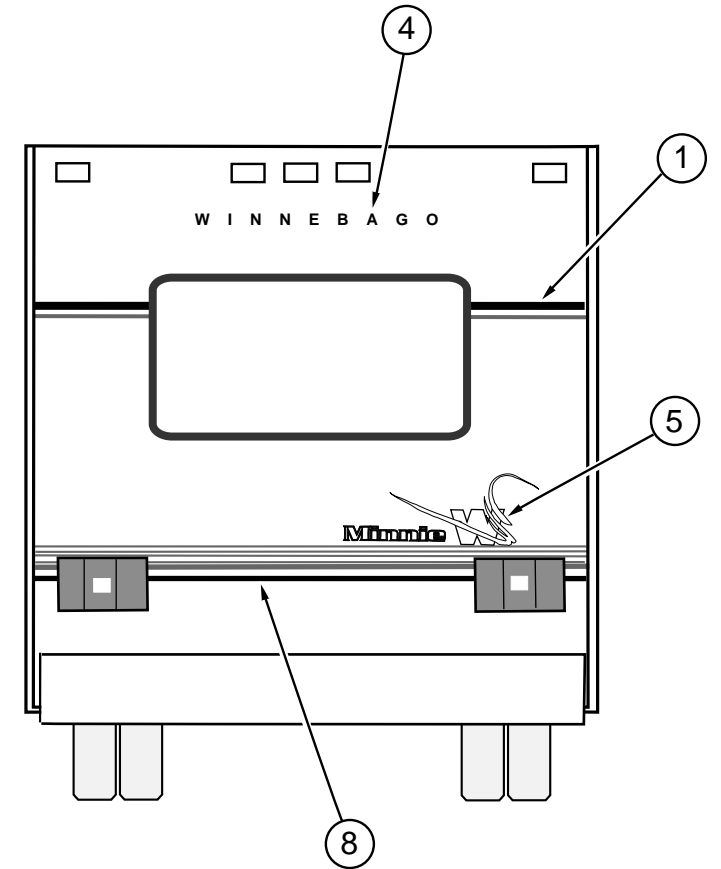
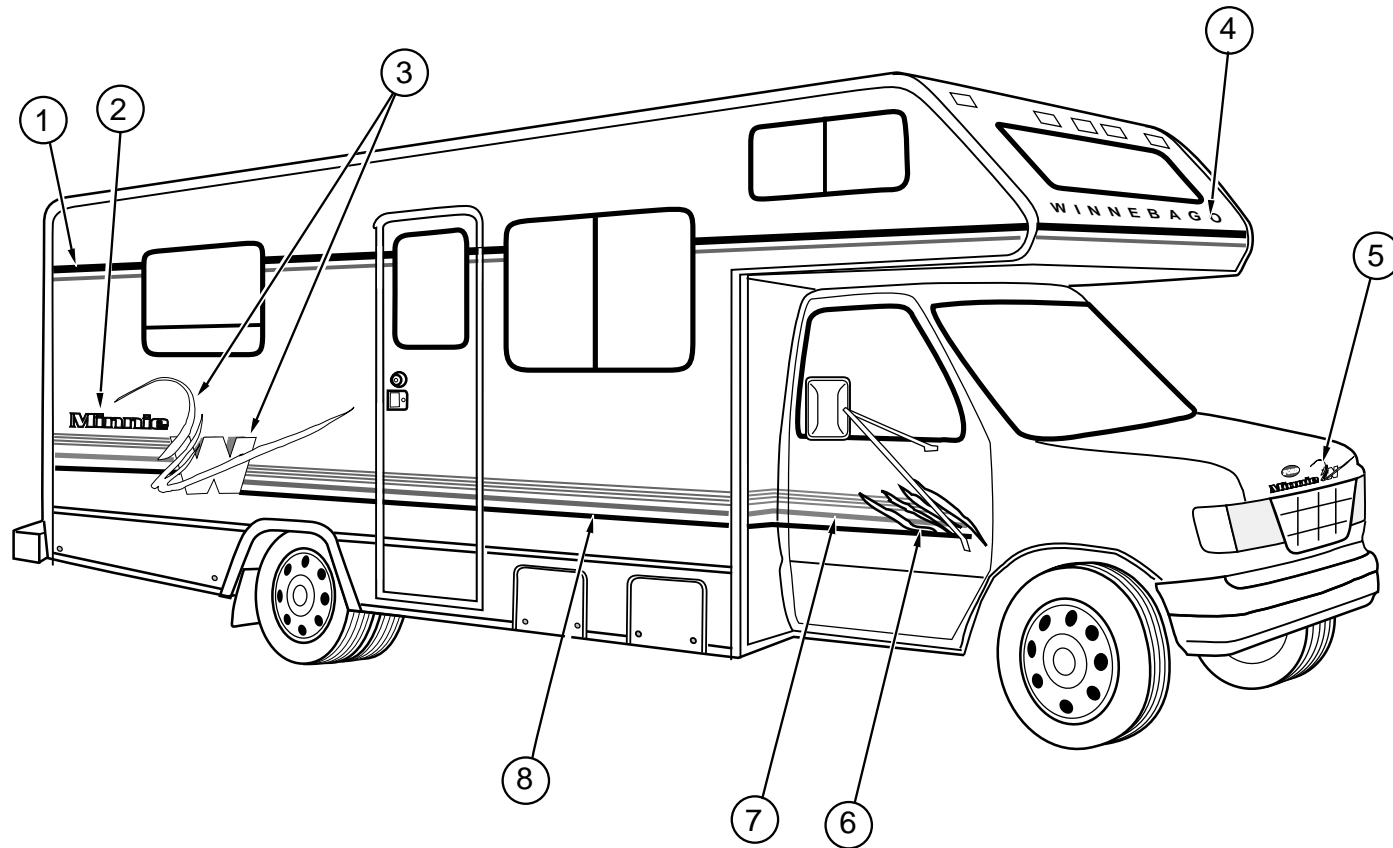


KEY	PARTNUMBER	U/M	DESCRIPTION
1	P24365-01-H04	EA	ROOF-W/OLIGHTS/VENTS-W/WIRING
2	P24273-01-H04	EA	SIDEWALL-DRIVER-W/OWINDOWS/TRIM(H04)
2	P24273-01-H05	EA	SIDEWALL-DRIVER-W/OWINDOWS/TRIM(H05)
2	P24273-01-H24	EA	SIDEWALL-DRIVER-W/OWINDOWS/TRIM(H24/H26)
	104437-01-000	EA	TUBE-FORMED,SIDEWALL,REAR
	064675-54-003	EA	STEEL-ANGLEROOFJOINT-4'-OFF/WHITE
	064675-54-004	EA	STEEL-ANGLEROOFJOINT-1.7'-OFF/WHITE
3	096864-01-02A	EA	TRIM-CONTOUR-ROOFTOSIDEWALL
4	096854-04-02A	EA	TRIM-CONTOUR
5	105312-01-07A	FT	INSERT-FEATURESTRIPVINYL-BRIGHTWHITE
6	104479-06-02A	EA	TRIM-FRONTCONTOUR-BRIGHTWHITE
7	M76177-01-700	EA	CAP-FRONT,OVERHEADCABTOFIRSTSEAMOFROOF
8	118334-04-H04	EA	WINGWALLASM
9	P18335-01-G04	EA	SLEEPERBOARD
10	100086-04-01A	EA	TRIM-SLEEPERBOARD/ROOF-BRIGHTWHITE-2"X96.6"
11	100085-05-01A	EA	TRIM-STRAP-SLEEPERBOARD
12	002365-03-006	EA	UCHANNEL-EXTRUDED/POWDERPAINTED1"X192"
13	118334-03-H04	EA	WINGWALLASM
14	022992-14-000	FT	MOLDING-REVERSECOVE,BRT/WHTW&BUVSTABLE
15	104479-05-02A	EA	TRIM-FRONTCONTOUR-BRIGHTWHITE
16	098072-55-003	EA	EXTR-CHANNEL,BRTWHT4877MM
17	105100-02-02A	EA	TRIM-WHEELWELLBRT/WHT

KEY	PARTNUMBER	U/M	DESCRIPTION
	069362-06-000	EA	TUBE-SUPPORT,FLOORTOVALANCEPANEL-17"
18	108688-01-03A	EA	STRIP-FEATURE-W/OINSERT/ENDCAPS-15'
	105312-01-07A	FT	INSERT-FEATURESTRIPVINYL-BRIGHTWHITE
	108651-01-01A	EA	ENDCAP-FEATURESTRIP
19	P24272-01-H04	EA	SIDEWALL-PASSENGER-W/OWINDOWS/TRIM(H04)
19	P24272-01-H05	EA	SIDEWALL-PASSENGER-W/OWINDOWS/TRIM(H05)
19	P24272-01-H24	EA	SIDEWALL-PASSENGER-W/OWINDOWS/TRIM(H24/H26)
20	100483-01-02A	EA	TRIM-CONTOUR,ROOFBRTWHT
	099583-55-004	EA	AWNINGRAIL-133.9"BRIGHTWHITE
	099583-55-003	EA	AWNINGRAIL-120"
21	103334-03-02A	EA	TRIM-BACKWALL/LOWER
22	103335-02-02A	EA	TRIM-BACKWALL,LOWERBRT/WHT
23	P24380-01-H04	EA	BACKWALL-W/OWINDOW/TRIM-QUEENBED(H04)
23	P24380-01-H05	EA	BACKWALL-W/OWINDOW/TRIM-QUEENBED(H05)
23	P24380-01-H24	EA	BACKWALL-W/OWINDOW/TRIM-QUEENBED(H24/H26)
23	P24380-02-H04	EA	BACKWALL-W/OWINDOW/TRIM-TWINBED(H04)
23	P24380-02-H05	EA	BACKWALL-W/OWINDOW/TRIM-TWINBED(H05)
23	P24380-02-H24	EA	BACKWALL-W/OWINDOW/TRIM-TWINBED(H24/H26)
24	078580-02-000	EA	TRIM-ROOF/FROTCAP

EXTERIOR BODY GROUP (CONTINUED)

DECALS, STRIPES & PAINT



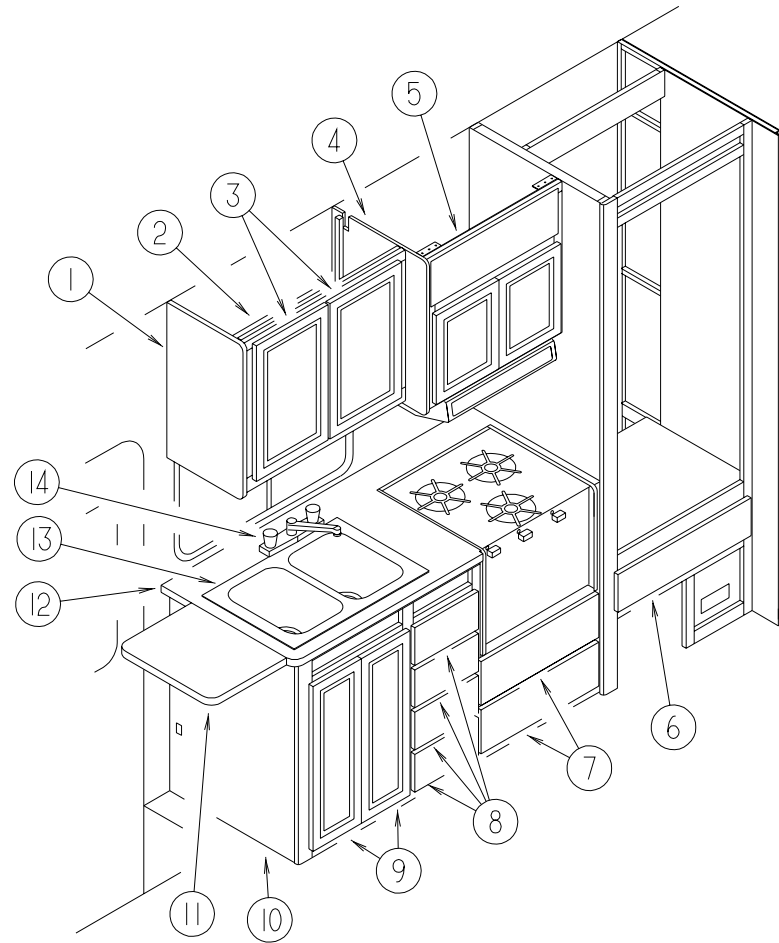
KEY	PARTNUMBER	U/M	DESCRIPTION
1	093689-17-02A	FT	FILM-MULTISTRIPE,66.7MM-AQUAESSENCE/DARKBLUE#AWAIINPUNCHPEARL
2	116849-01-02A	EA	DECAL-LOGO,MINNIE,LG-AQUAESSENCE/DARKBLUE
3	116848-01-02A	EA	DECAL-LOGO,W,LG,RH-DARKBLUE/AQUAESSENCE#AWAIINPUNCHPEARL/WHITE/BLACK
3	116848-02-02A	EA	DECAL-LOGO,W,LG,LH-DARKBLUE/AQUAESSENCE#AWAIINPUNCHPEARL/WHITE/BLACK
4	110206-02-06A	EA	DECAL-WINNEBAGO-DARKBLUE
5	116994-01-02A	EA	DECAL-LOGO,MINNIE,W,SML-DARKBLUE/AQUAESSENCE#AWAIINPUNCHPEARL/WHITE/BLACK
6	116846-01-02A	EA	DECAL-CABDOOR,SWOOSH,RH-HAWAIINPUNCHPEARL/WHITE/BLACK
6	116846-02-02A	EA	DECAL-CABDOOR,SWOOSH,LH-HAWAIINPUNCHPEARL/WHITE/BLACK
7	117752-01-02A	EA	DECAL-CABDOOR,STRIPES,RH-AQUAESSENCE/DARKBLUE#AWAIINPUNCHPEARL
7	117752-02-02A	EA	DECAL-CABDOOR,STRIPES,LH-AQUAESSENCE/DARKBLUE#AWAIINPUNCHPEARL
8	116847-01-02A	FT	FILM-MULTI,OVER,209.6MM-AQUAESSENCE/DARKBLUE#AWAIINPUNCHPEARL
	126511-01-01A	EA	DECAL-MCCLAINSRV34THANNIVERSARY-S-MARLINBLUE
	041561-03-000	EA	PAINT-16OZSPRAY-OFFWHITE-ACRYLICENAMEL

DUPONT PAINT COLOR CODES

BRIGHTWHITE
LIGHTSILVERMETALLIC

DUPONTB8951U
DUPONTF2573U-MCCLAINSANNIVERSARYOPTION

GALLEYGROUP



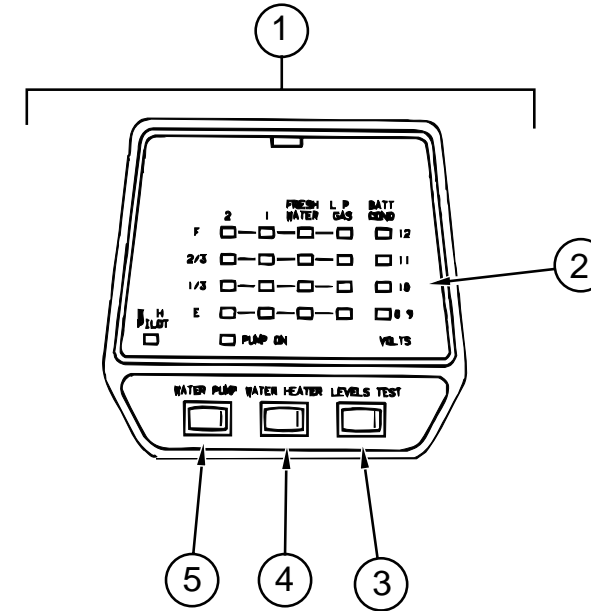
GALLEYCABINETS&FIXTURES

KEY	PARTNUMBER	U/M	DESCRIPTION
1	109908-53-H04	EA	ENDCAP-OVERHEAD
2	124210-01-H04	EA	CABINET-OVERHEADGALLEY-W/ODOORS/HARDWARE
3	110140-11-G01	EA	DOOR-MITEREDCORNER/VINYLRAP-13.3"X21.8"-W/OHDW
3	M06803-AF-H04	EA	DOOR-RAIL,MTRD/OG0340X0555
4	109908-52-H04	EA	ENDCAP-OVERHEAD
5	115956-05-H04	EA	CABINET-MICROWAVE-W/ODOORS/HARDWARE
6	P10163-CF-H04	EA	DRAWER-W/OSLIDES/HARDWARE
6	M05971-J5-H04	EA	DRAWER-OGEEEDGE-W/OSLIDES/HARDWARE
	090329-01-000	FT	SEAL-T-REFRIGERATORCABINET
7	P10163-CH-H04	EA	DRAWER-W/OSLIDES/HARDWARE
7	M05971-50-H04	EA	DRAWER-OGEEEDGE-W/OSLIDES/HARDWARE
8	P10163-CG-H04	EA	DRAWER-W/OSLIDES/HARDWARE
8	M05971-EM-H04	EA	DRAWER-OGEEEDGE-W/OSLIDES/HARDWARE
9	110140-46-G04	EA	DOOR-MITEREDCORNER/VINYLRAP-9.04"X26.5"-W/OHDW
9	M06803-09-G15	EA	DOOR-RAIL,MTRD/OG0230X0675
10	P24208-01-H04	EA	CABINET-GALLEY-W/ODOORS/DRAWERS/HARDWARE(H04)
10	P24208-01-H05	EA	CABINET-GALLEY-W/ODOORS/DRAWERS/HARDWARE(H05)
10	P24208-01-H24	EA	CABINET-GALLEY-W/ODOORS/DRAWERS/HARDWRE(HH24/H26)
11	080812-04-G31	EA	EXTENSION-GALLEYCOUNTERTOP(H04)
11	080812-04-G14	EA	EXTENSION-GALLEYCOUNTERTOP(H05)
11	080812-04-G29	EA	EXTENSION-GALLEYCOUNTERTOP(H24/H26)
12	124208-11-H04	EA	COUNTERTOP-GALLEY(H04)
12	124208-11-H05	EA	COUNTERTOP-GALLEY(H05)
12	124208-11-H24	EA	COUNTERTOP-GALLEY(H24/H26)
13	104113-01-000	EA	SINK-DOUBLE-STAINLESSSTEEL
	092303-01-000	EA	STRAINER-SINK

GALLEYGROUP(CONTINUED)

GALLEYCABINETS&FIXTURES(CONTINUED)

KEY	PARTNUMBER	U/M	DESCRIPTION
	103610-01-E04	EA	COVER-SINK-15.1"X15.8"(H04)
	103610-01-F29	EA	COVER-SINK-15.1"X15.8"(H05)
	103610-01-G01	EA	COVER-SINK-15.1"X15.8"(H24/H26)
14	103243-01-000	EA	FAUCET-GALLEY,DUALCONTROL-P5043

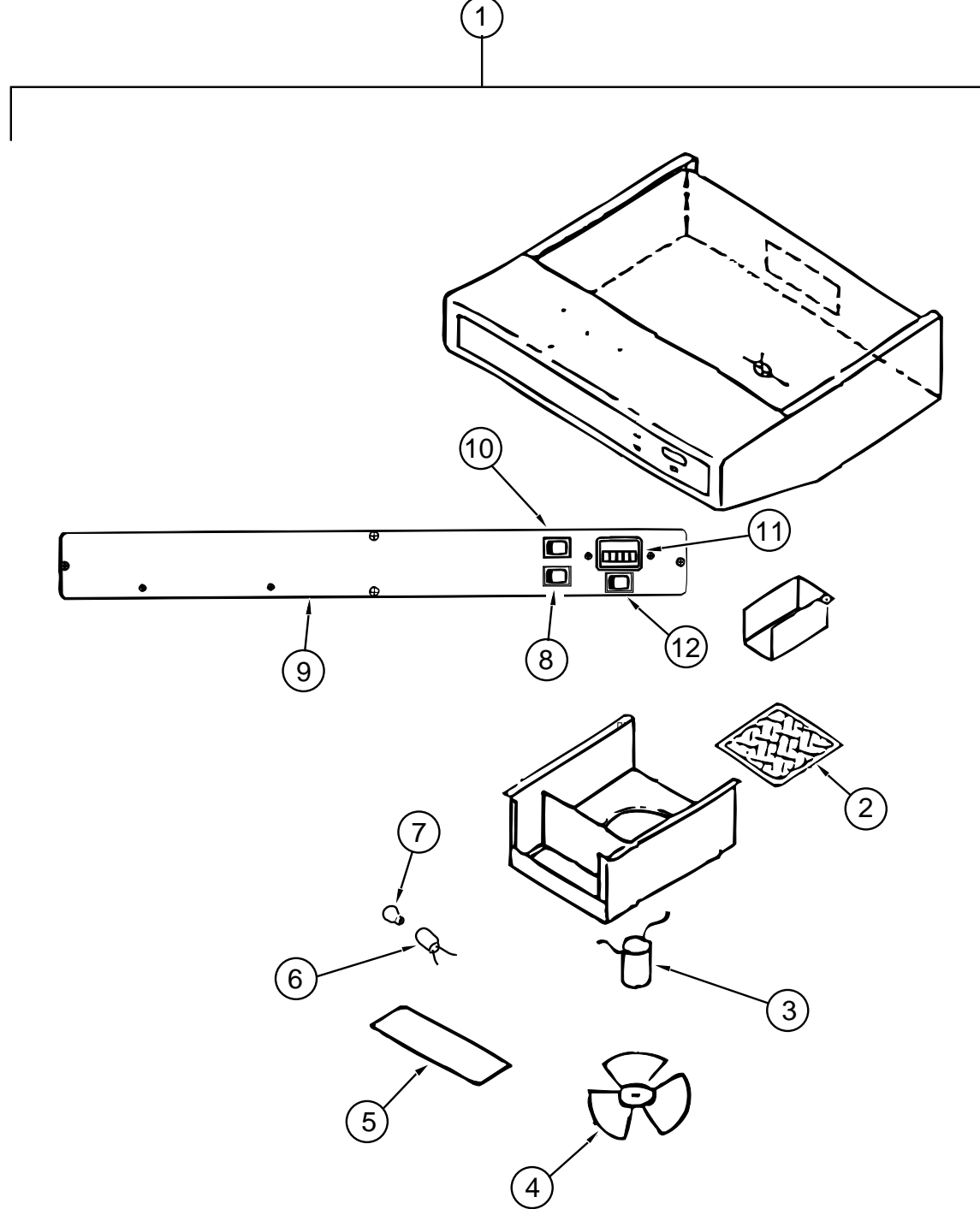


MONITORPANEL-LVS

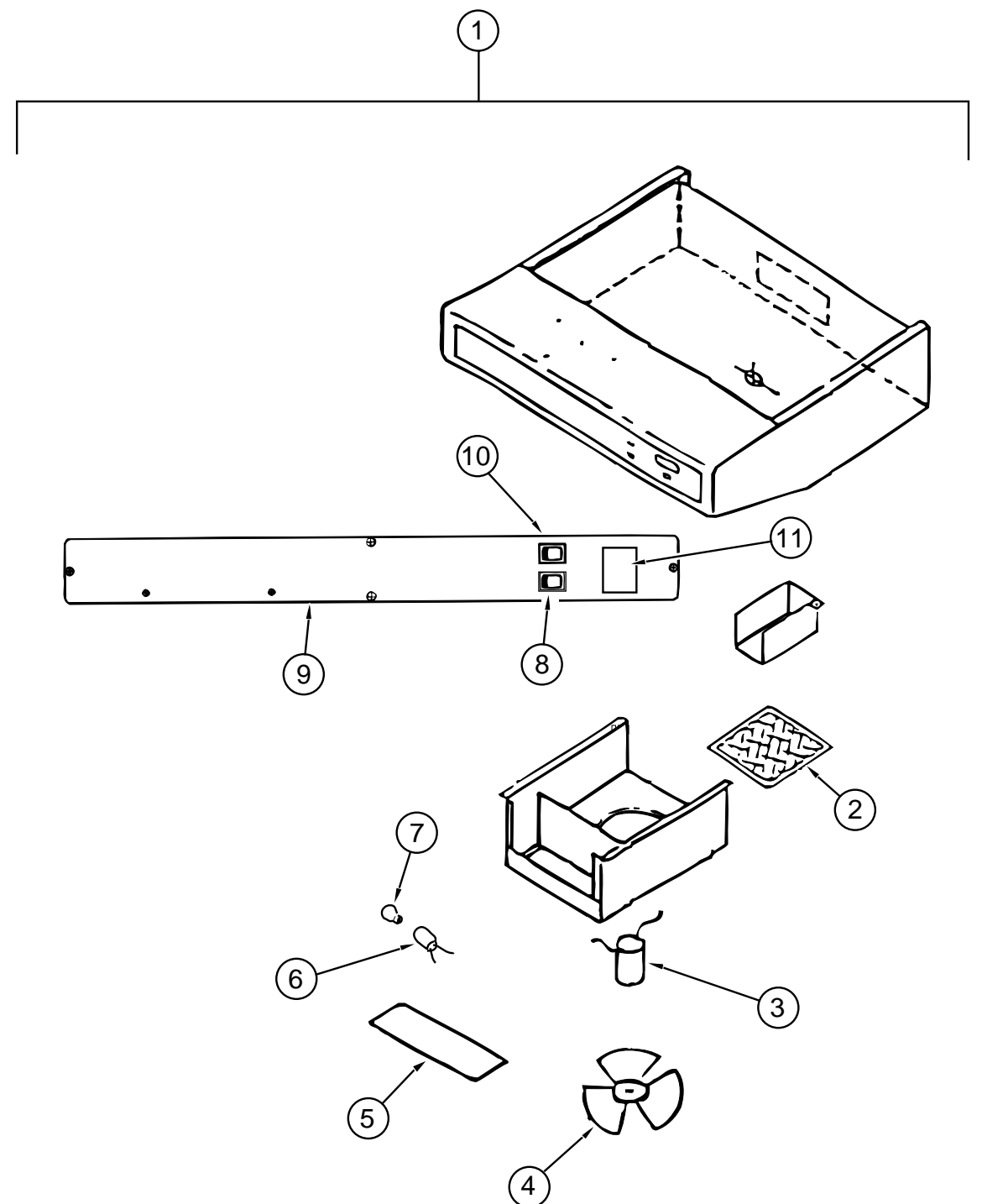
KEY	PARTNUMBER	U/M	DESCRIPTION	VENDORNO.
1	102765-04-01A	EA	PANEL-MONITOR2TANKWATERHEATER-LVSW/PLUG-ALMOND	
2	102765-04-700	EA	BOARD-CIRCUIT,2HOLDINGTANK	L5097-41
3	097617-01-702	EA	SWITCH(ALMOND)	107
4	097617-01-701	EA	SWITCH-ON/OFF,ALMOND	106
5	102765-01-700	EA	SWITCH-ON-ON,ALMOND	110-01

MICROWAVEOVEN

KEY	PARTNUMBER	U/M	DESCRIPTION	VENDORNO.
	115303-01-000	EA	OVEN-MICROWAVE MCD-DM15K-7B	
	115303-01-700	EA	TRIMF/VENT, TOP	2100309
	115401-01-01A	EA	TRIM-MICROWAVE, BLACK	
	098916-08-01A	EA	BRACE-MICROWAVECABINET, LEFT-STEEL	
	098916-09-01A	EA	BRACE-MICROWAVECABINET, RIGHT-STEEL	
	094750-07-000	EA	BRACKET-MICROWAVE, 89DEGREE	



RANGEHOODW/OMONITORPANEL-U.S.-MODELTPS-5009-SADLG

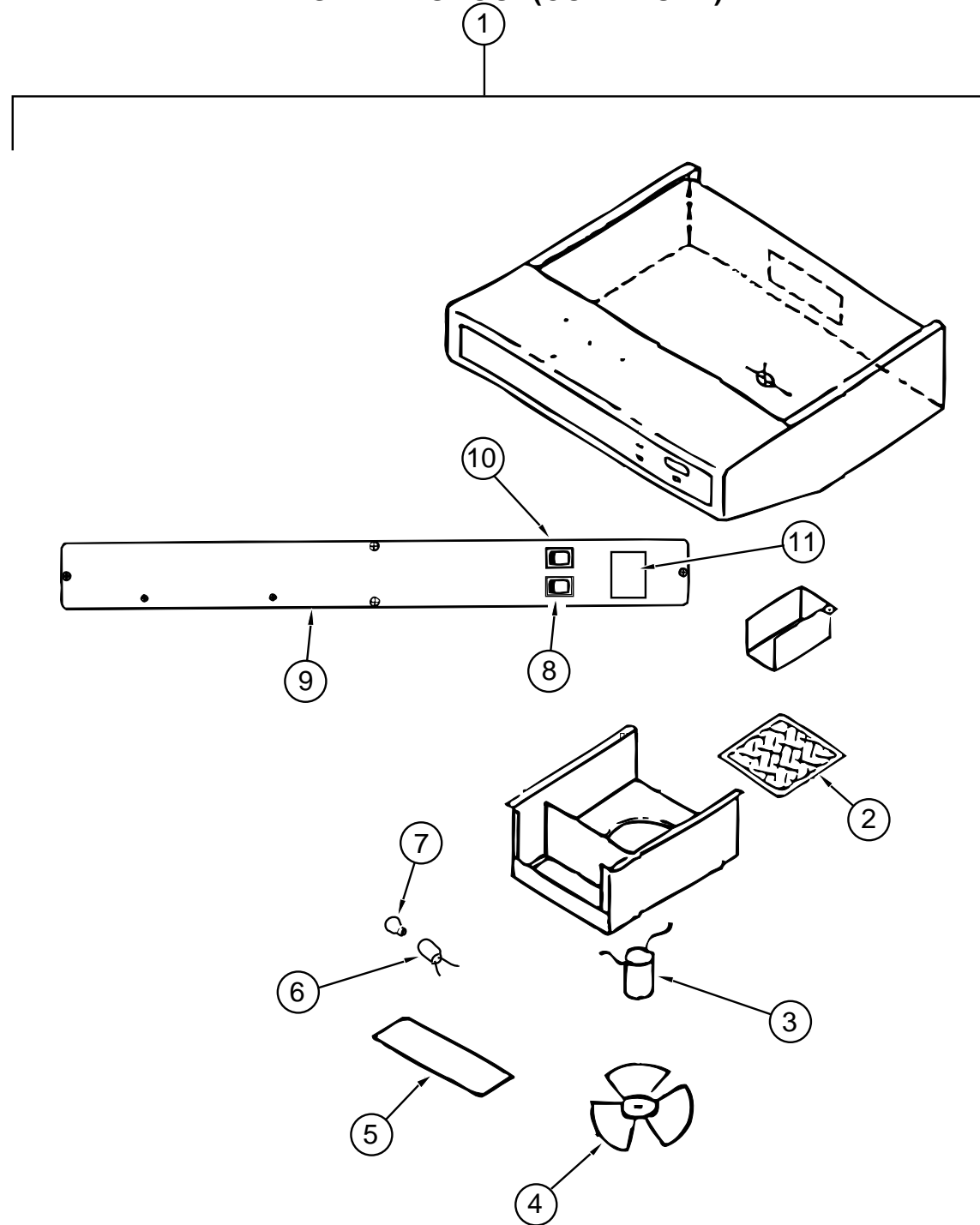


RANGEHOODW/OMONITORPANEL-U.S.-MODELTCS-5008-NADL

KEY	PARTNUMBER	U/M	DESCRIPTION
1	100258-18-02A	EA	HOOD-RANGE,W/OMONITORPANEL-TEXTURED-VENTLINE
2	096983-01-707	EA	FILTER-MESH
3	090973-01-700	EA	MOTOR-LVS
4	090973-01-702	EA	BLADE-FAN,LVS
5	092696-02-701	EA	LENS-LAMP,LVS
6	092696-01-710	EA	HOLDER-LAMP
7	117806-01-000	EA	BULB-12VNO.9121.0AMPS
8	096983-01-702	EA	SWITCH-TWOWAYMOMENTARY,VENTLINE
9	100258-01-700	EA	HOOD-NOSELABEL,
10	096983-01-700	EA	SWITCH-ON/OFF,VENTLINE
11	100258-10-01A	EA	GAUGE-HOURMETER,W/SWITCH-SCREWON150
11	100258-10-701	EA	GAUGE-HOURMETER,CLIPON
12	096983-01-702	EA	SWITCH-TWOWAYMOMENTARY,VENTLINE-GENERATOR

VENDORNO.	KEY	PARTNUMBER	U/M	DESCRIPTION	VENDORNO.
CC246	1	100258-16-03A	EA	HOOD-RANGE,W/OMONITORPANEL-TEXTURED-VENTLINE	CC246
CA508-1	2	096983-01-707	EA	FILTER-MESH	CA508-1
VA183-1	3	090973-01-700	EA	MOTOR-LVS	VA183-1
CC179-2	4	090973-01-702	EA	BLADE-FAN,LVS	CC179-2
CB267-2	5	092696-02-701	EA	LENS-LAMP,LVS	CB267-2
	6	092696-01-710	EA	HOLDER-LAMP	
	7	117806-01-000	EA	BULB-12VNO.9121.0AMPS	
112	8	096983-01-700	EA	SWITCH-ON/OFF,VENTLINE	108
CC428	9	100258-01-700	EA	HOOD-NOSELABEL	CC428
108	10	096983-01-702	EA	SWITCH-TWOWAYMOMENTARY,VENTLINE	112
	11	100258-10-01A	EA	GAUGE-HOURMETER,W/SWITCH-SCREWON150	
L0775-00	11	100258-10-701	EA	GAUGE-HOURMETER,CLIPON	L0775-00
112	11	097944-03-700	EA	PLATE-COVER,HOURMETER-VENTLINE	L6052

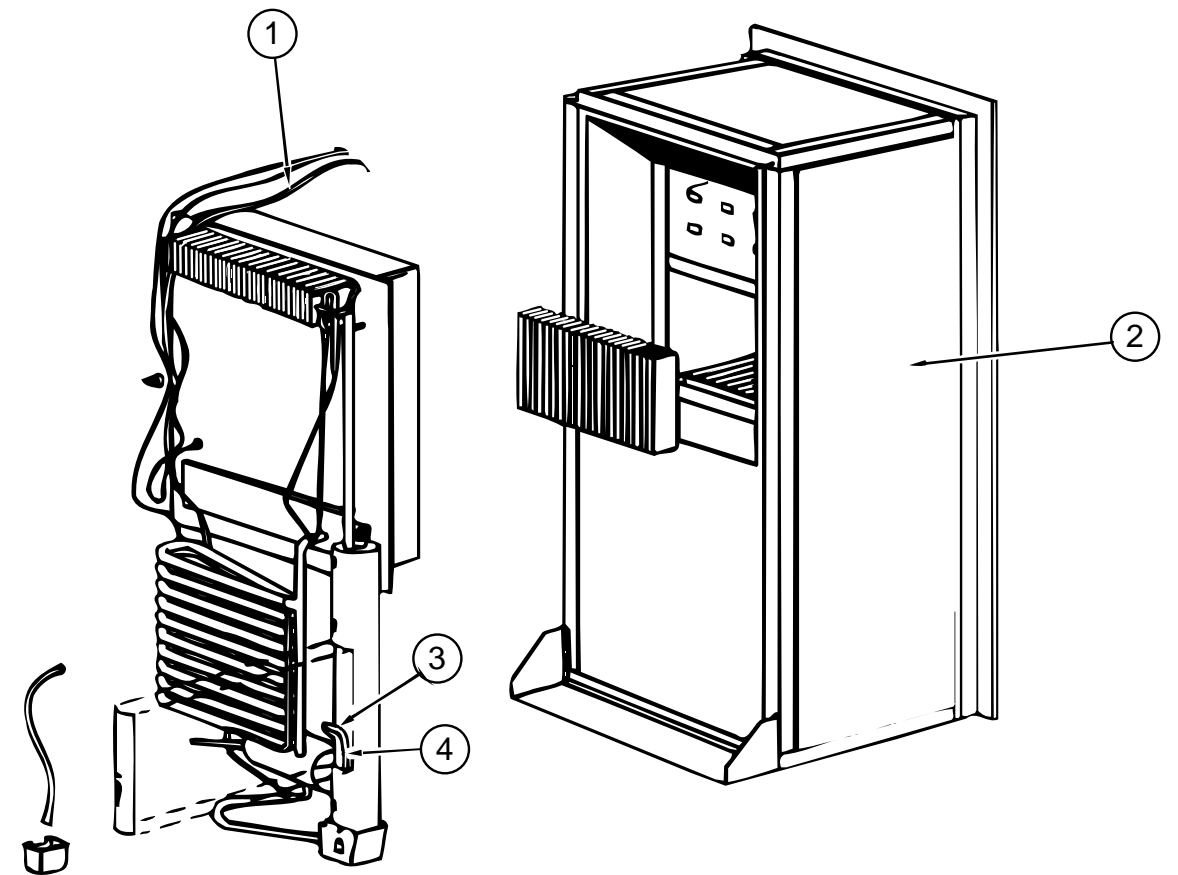
GALLEYGROUP(CONTINUED)



RANGEHOODW/OMONITORPANEL-CANADIAN-MODELTCS-5008-NACL

KEY	PARTNUMBER	U/M DESCRIPTION	VENDORNO.
1	100258-17-03A	EA HOOD-RANGE,W/OMONITORPANEL-TEXTURED-VENTLINE	
2	096983-01-707	EA FILTER-MESH	CC246
3	090973-01-700	EA MOTOR-LVS	CA508-1
4	090973-01-702	EA BLADE-FAN,LVS	VA183-1
5	092696-02-701	EA LENS-LAMP,LVS	CC179-2
6	092696-01-710	EA HOLDER-LAMP	CB267-2
7	117806-01-000	EA BULB-12VNO.9121.0AMPS	
8	096983-01-700	EA SWITCH-ON/OFF,VENTLINE	108
9	100258-01-700	EA HOOD-NOSELABEL	CC428
10	096983-01-702	EA SWITCH-TWOWAYMOMENTARY,VENTLINE	112
11	100258-10-01A	EA GAUGE-HOURMETER,W/SWITCH-SCREWON150	
11	100258-10-701	EA GAUGE-HOURMETER,CLIPON	L0775-00
11	097944-03-700	EA PLATE-COVER,HOURMETER-VENTLINE	L6052

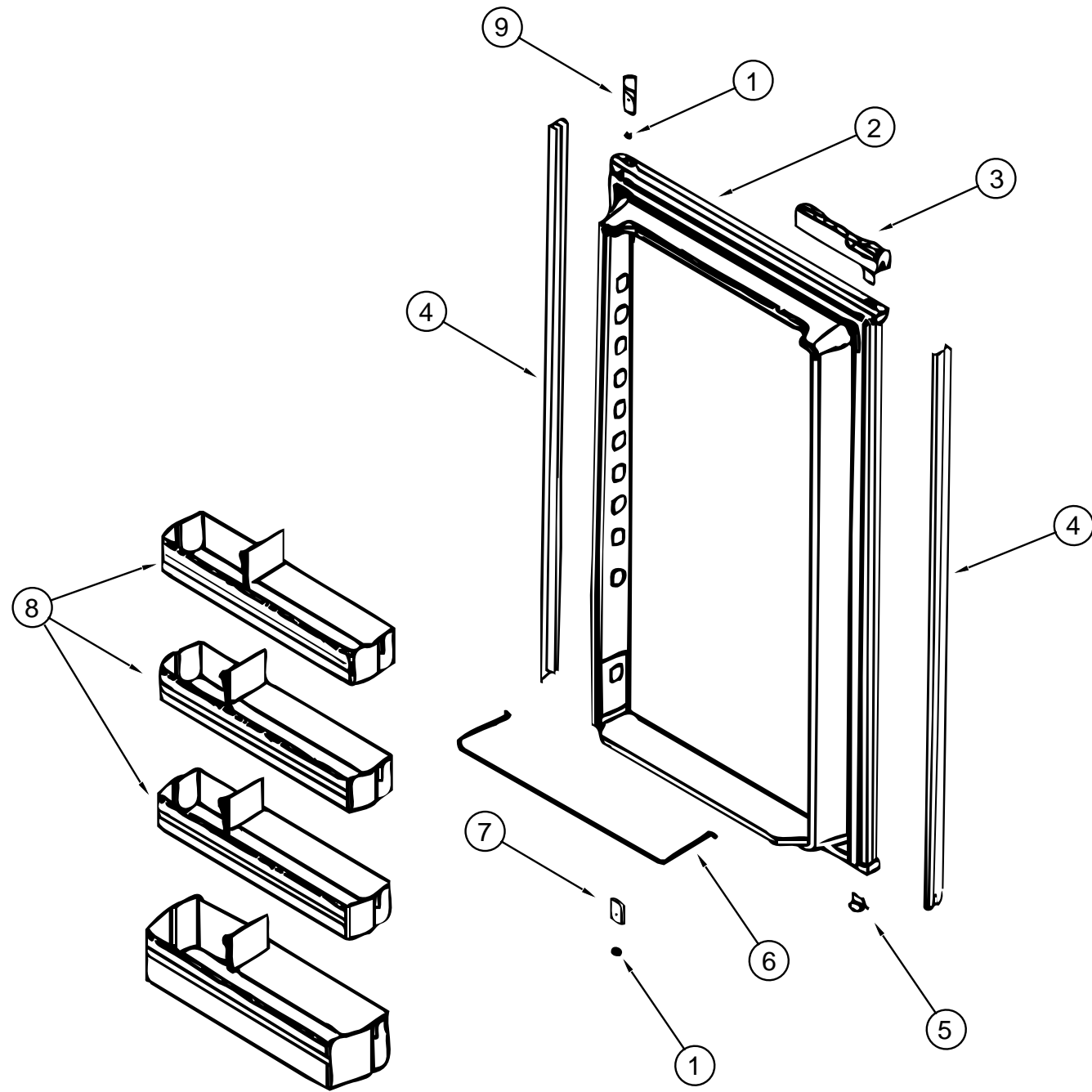
GALLEYGROUP(CONTINUED)



CABINET&COOLINGUNIT-NORCOLDREFRIGERATORSMALLDOUBLEDOOR-MODEL9162L

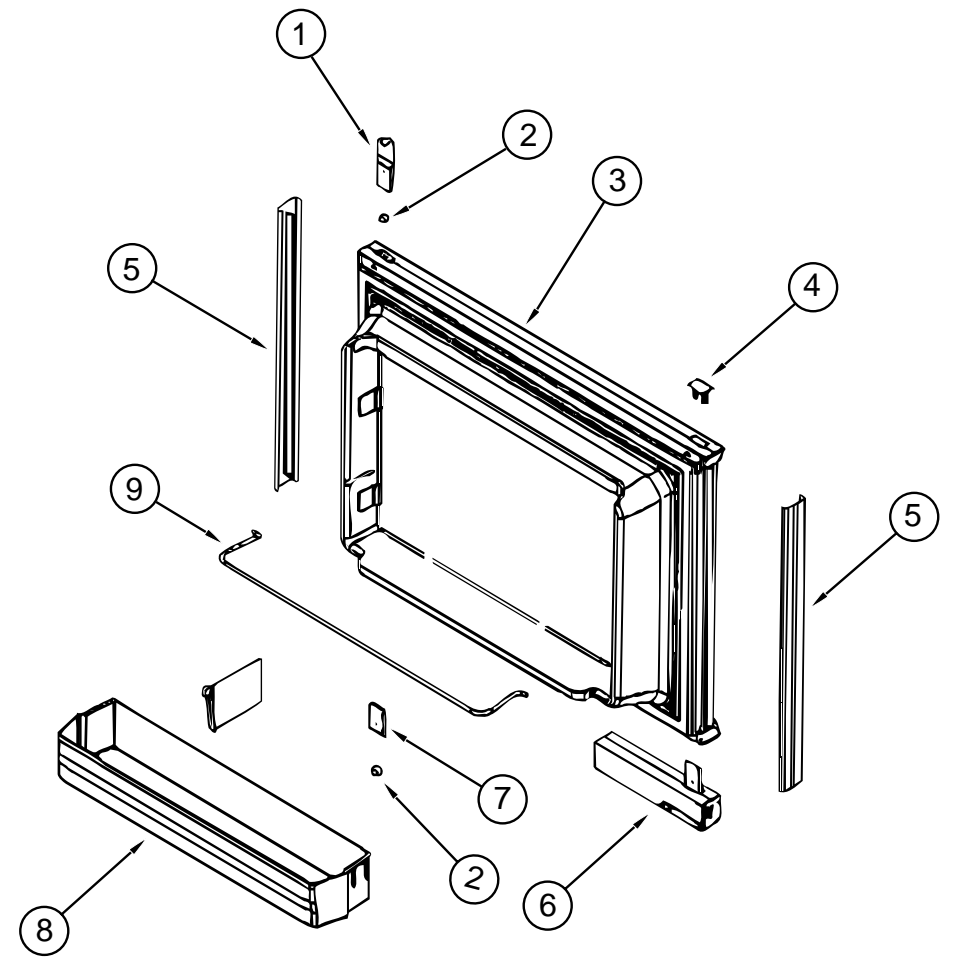
KEY	PARTNUMBER	U/M DESCRIPTION	VENDORNO.
	121568-02-01A	EA REFRIG-SMALLDBLDRBL2-WAY-NORCOLD9162L	
1	120076-01-704	EA COOLINGUNIT,SERVICEPACK	618543
2	120076-01-703	EA CABINET-FOAMED	618260
3	088248-01-710	EA HEATERDC(HORIZONTAL)	61562822
4	088248-01-709	EA HEATER-AC(HORIZONTAL)	61562722

GALLEYGROUP(CONTINUED)



DOOR-NORCOLDREFRIGERATORSMALLDOUBLEDOOR-MODEL9162L

GALLEYGROUP(CONTINUED)

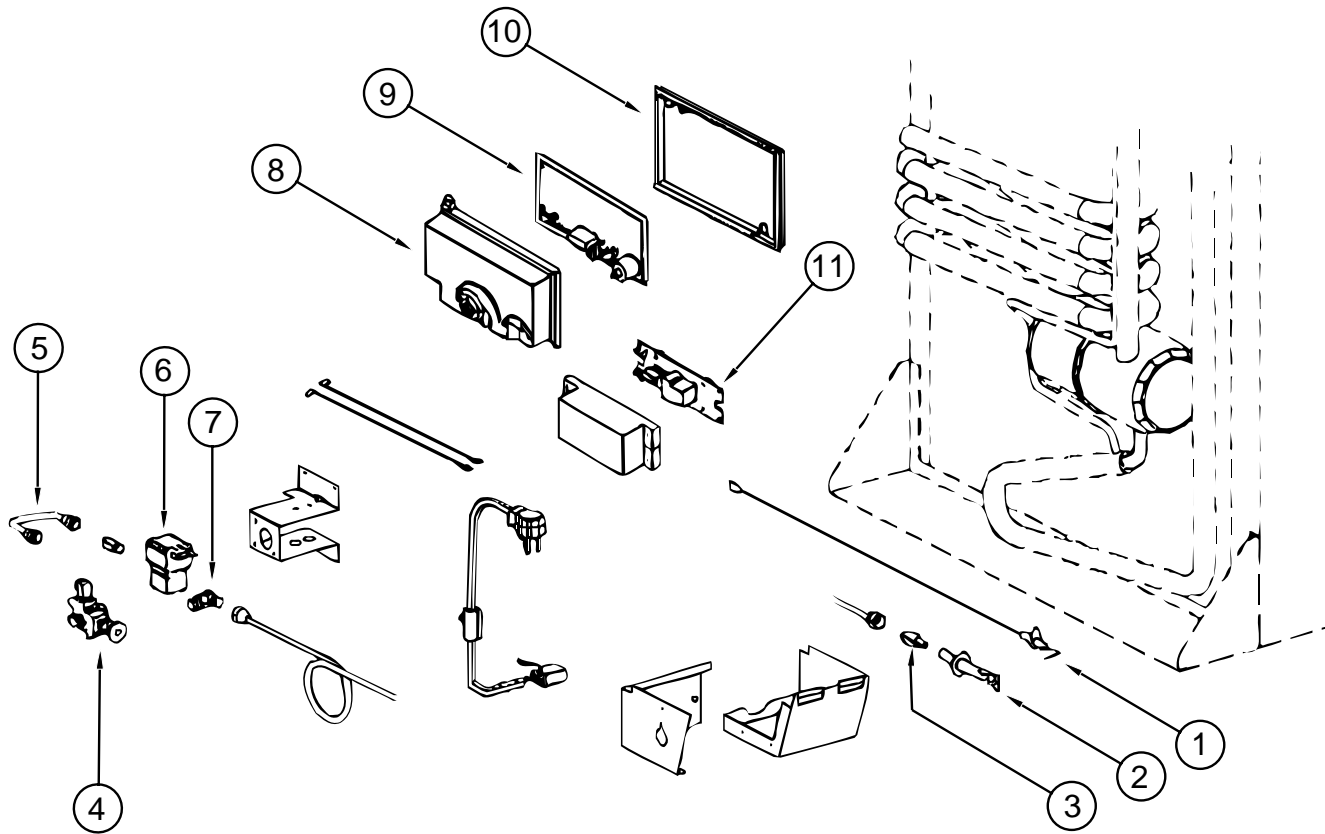


FREEZERDOOR-NORCOLDREFRIGERATORSMALLDOUBLEDOOR-MODEL9162L

KEY	PARTNUMBER	U/M	DESCRIPTION	VENDORNO.
	121568-02-01A	EA	REFRIG-SMALLDBLDRBL2-WAY-NORCOLD9162L	
1	120075-01-708	EA	BUSHING-DOORHINGE	618144
2	120075-01-710	EA	DOOR-LOWER-FOAMED,W/GASKET	618270
3	120075-01-711	EA	HANDLEASM,UPPERRH/LOWERLH	618235
4	120076-01-700	EA	RETAINER-LOWERDOORPANEL	618132
5	120075-01-702	EA	CAP,(HINGEPLUG)	618160
6	121568-01-704	EA	RAIL-DOORLOWER	618578
7	120075-01-705	EA	HINGE,PAINTED,TOPLH/BTMRH	618510
8	121568-01-701	EA	BIN-DOORWHITE	618619
9	120075-01-701	EA	HINGE-TOPRH/BTMLH,PAINTED	618511

KEY	PARTNUMBER	U/M	DESCRIPTION	VENDORNO.
	121568-02-01A	EA	REFRIG-SMALLDBLDRBL2-WAY-NORCOLD9162L	
1	120075-01-701	EA	HINGE-TOPRH/BTMLH,PAINTED	618511
2	120075-01-708	EA	BUSHING-DOORHINGE	618144
3	120075-01-703	EA	DOORASM.,FOAMED,W/GASKET	618205
4	120075-01-702	EA	CAP,(HINGEPLUG)	618160
5	120075-01-700	EA	RETAINER-DOOR,DECORPANEL	618128
6	121568-01-702	EA	DOORHANDLEASMLWR/LH-TOP/RH	618230
7	120075-01-705	EA	HINGE,PAINTED,TOPLH/BTMRH	618510
8	121568-01-701	EA	BIN-DOORWHITE	618619
9	121568-01-700	EA	RAIL-DOORUPPER	618618

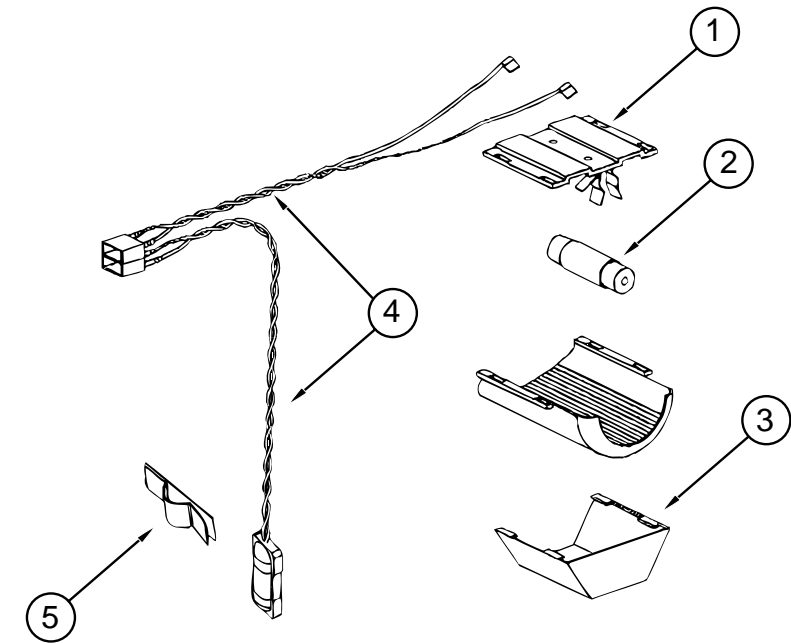
GALLEYGROUP(CONTINUED)



ELECTRICALCOMPONENTS-NORCOLDREFRIGERATORSMALLDOUBLEDOOR-MODEL9162L

KEY	PARTNUMBER	U/M DESCRIPTION	VENDORNO.
	121568-02-01A	EA REFRIG-SMALLDBLDRBL2-WAY-NORCOLD9162L	
1	104137-06-715	EA ELECTRODE-SPARK/SENSOR,SGL	61692222
2	104137-06-714	EA BURNERASSEMBLY,5-SLOT	61705222
3	121568-01-705	EA SHELF-WIREFREEZER	618620
4	104137-06-709	EA VALVE-SHUTOFF,MANUAL	61694922
5	113737-01-750	EA TUBE-UNION	61694622
6	084880-01-718	EA VALVE-GAS,(ASCO)	61551822
7	113737-01-716	EA TAP-PRESSURE	61594422
8	120075-01-738	EA COVER-POWERBOARD	618185
9	120075-01-739	EA BOARD-POWER,2-WAY	618198
9	121568-01-710	EA BOARD-POWER-3WAY	618575
10	120075-01-740	EA COVER-BASE,POWERBOARD	618186
11	121568-01-711	EA BOARD-MODULE,DC	618561
	113737-01-702	EA PLUG1/8"F/PRESSURETAP	61445322

GALLEYGROUP(CONTINUED)

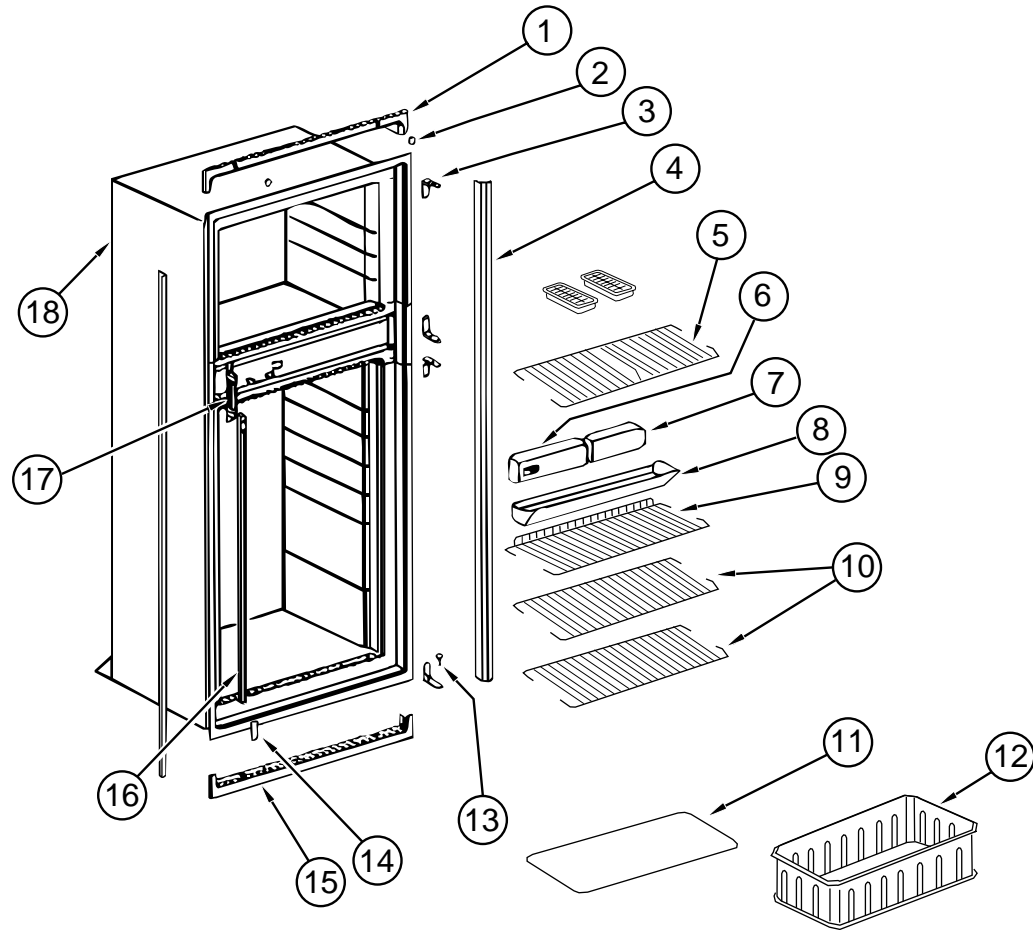


LIGHT-NORCOLDREFRIGERATORSMALLDOUBLEDOOR-MODEL9162L

KEY	PARTNUMBER	U/M DESCRIPTION	VENDORNO.
	121568-02-01A	EA REFRIG-SMALLDBLDRBL2-WAY-NORCOLD9162L	
1	084880-03-705	EA BRACKET-LIGHT-INTERIOR	61629722
2	084880-03-706	EA BULB-LAMP	61628922
3	084880-03-707	EA COVER-LAMP,LENS	61627922
4	120075-01-735	EA WIREASM.-LAMP	618548
5	084880-01-760	EA CLIP(THERMISTER)	61689122

GALLEYGROUP(CONTINUED)

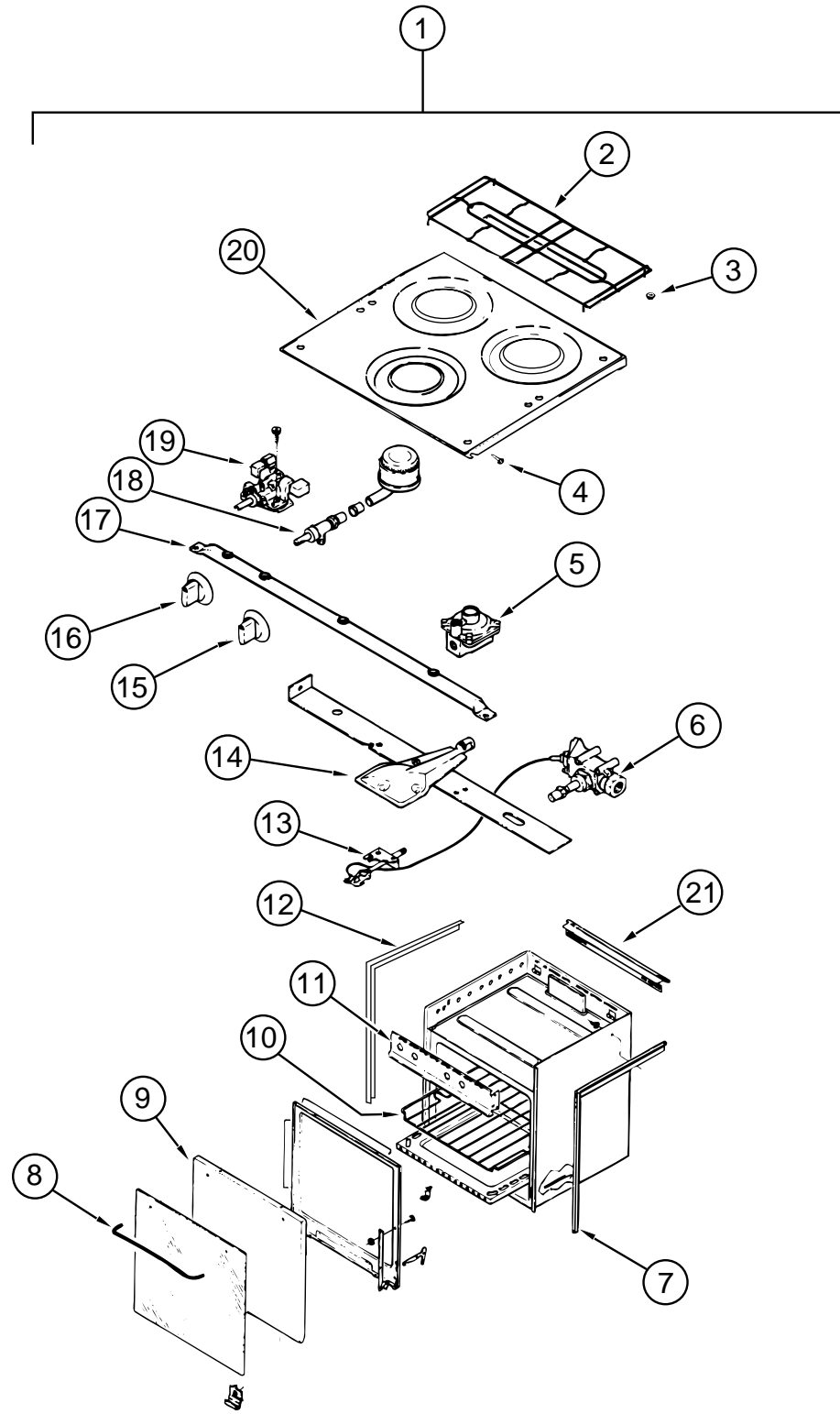
NORCOLDMODEL9162LREFRIGERATORCABINETASMWITHTRAY,TIEDOWNS&LEVEL



KEY	PARTNUMBER	U/M	DESCRIPTION	VENDOR NO.
	121568-02-01A	EA	REFRIG-SMALLDBLDRBL2-WAY-NORCOLD9162L	
1	120075-01-713	EA	TRIM-TOPPIECE	618124
2	120075-01-714	EA	PLUG-HOLE	618170
3	120075-01-715	EA	HINGE-CABINETSIDE-PAINTED	618512
4	120076-01-702	EA	TRIM,SIDEPiece	618133
5	121568-01-705	EA	SHELF-WIREFREEZER	618620
6	121568-01-706	EA	CONTROLBOXASSEMBLY	618588
7	120075-01-708	EA	BUSHING-DOORHINGE	618144
8	120075-01-718	EA	BOX-FILLER	618112
9	120075-01-720	EA	TRAY-DRIP	618137
	120075-01-721	EA	LOUVER-DRIPTRAY	618176
10	121568-01-707	EA	SHELF-WIRE-SHORT	618624
11	121568-01-708	EA	SHELF-WIRE	618589
12	120075-01-725	EA	COVER-CRISPER	618158
13	121568-01-709	EA	CRISPER	618571
14	120075-01-727	EA	PIN-HINGE	618145
15	120075-01-728	EA	COVER-HINGEHOLE	618171
16	120075-01-729	EA	TRIM-BOTTOMPIECE	618136
17	120075-01-730	EA	RETAINER-SHELF	618181
18	120075-01-732	EA	PLATE-STRIKE	618167
	120076-01-703	EA	CABINET-FOAMED	618260
	120075-01-731	EA	PLUG-FACADE	618184
	093646-01-000	EA	BRACKET-TIEDOWN/REFRIGERATOR-RIGHTHAND	
	093646-02-000	EA	BRACKET-TIEDOWN/REFRIGERATOR-LEFTHAND	
	116751-01-01A	EA	TRAY-REFRIGERATORBLK	
	054450-01-000	EA	LEVEL-REFRIGERATOR	

GALLEYGROUP(CONTINUED)

RANGEW/OVEN-MAGICCHEF-MODEL16RA-3B49



KEY	PARTNUMBER	U/M	DESCRIPTION	VENDNO.
1	112881-01-03A	EA	RANGE-16",3BURNER-ALMOND-BLACKTEXTURED	DOOR
2	102020-01-711	EA	GRATE-TOP	7518P012-60
3	102020-01-709	EA	BUMPER-GRATE	8007-P020-60
4	102020-01-724	EA	BUMPER-MAINTOP	8003P008-60
5	102022-01-708	EA	REGULATOR,1/4&1/2OUT	7510P041-60
6	112881-01-702	EA	VALVE-MERCURY(SAFETYVALVE)	7501P12160=74001018
7	112881-01-720	EA	TRIM-FLATRHBLACKTEXTURED	74002812
7	112881-01-708	EA	TRIM-FLAT(RIGHT)(BLK)	3608W036-70
8	102020-01-701	EA	HANDLE,DOOR	7701P092-60
9	112881-01-713	EA	DOOR-OVEN-TEXTURED,BLACK	2401F126-70
10	102020-01-700	EA	SHELF-OVEN	7801-P027-60
11	112881-01-701	EA	PANEL-MANIFOLD	2616F091-70
12	112881-01-719	EA	TRIM-FLATLHBLACKTEXTURED	74002813
12	112881-01-707	EA	TRIM-FLAT(LEFT)(BLK)	3608W035-70
13	112881-01-710	EA	OVENPILOT	7505P202-60
14	112881-01-711	EA	BURNER-OVEN	3403W025045
15	112881-01-705	EA	KNOB-TOPBURNER	7733P072-60
15	112881-01-718	EA	KNOB,HIGHOUTPUT(FLAMEIND)	74001794
16	112881-01-704	EA	KNOB-THERMOSTAT	7731P067-60
16	112881-01-706	EA	THERMOSTATSER#02C	7515P031-60
16	112881-01-716	EA	KNOB,THERMOSTAT-SER#3C	7731P107-60
17	112881-01-709	EA	PIPE-MANIFOLD	7513P097-60
18	102020-01-722	EA	VALVE-TOPBURNER	7502P181-60
18	112881-01-703	EA	VALVE-TOPBURNERHI-OUTPUT	7502P180-60
19	112881-01-706	EA	THERMOSTAT	12400026
19	112881-01-715	EA	THERMOSTAT,REF.SER.#3C	7515P037-60
20	112881-01-700	EA	RANGE-TOP,3BURNER,ALMOND	2001F110-84
21	112881-01-721	EA	DEFLECTORFLUEBLACKTEXTURED	
	105458-01-000	EA	TIEDOWNBRACKET-STOVE-RH	
	105458-02-000	EA	TIEDOWNBRACKET-STOVE-LH	

GENERATORGROUP

3.6KWONANGENERATOR

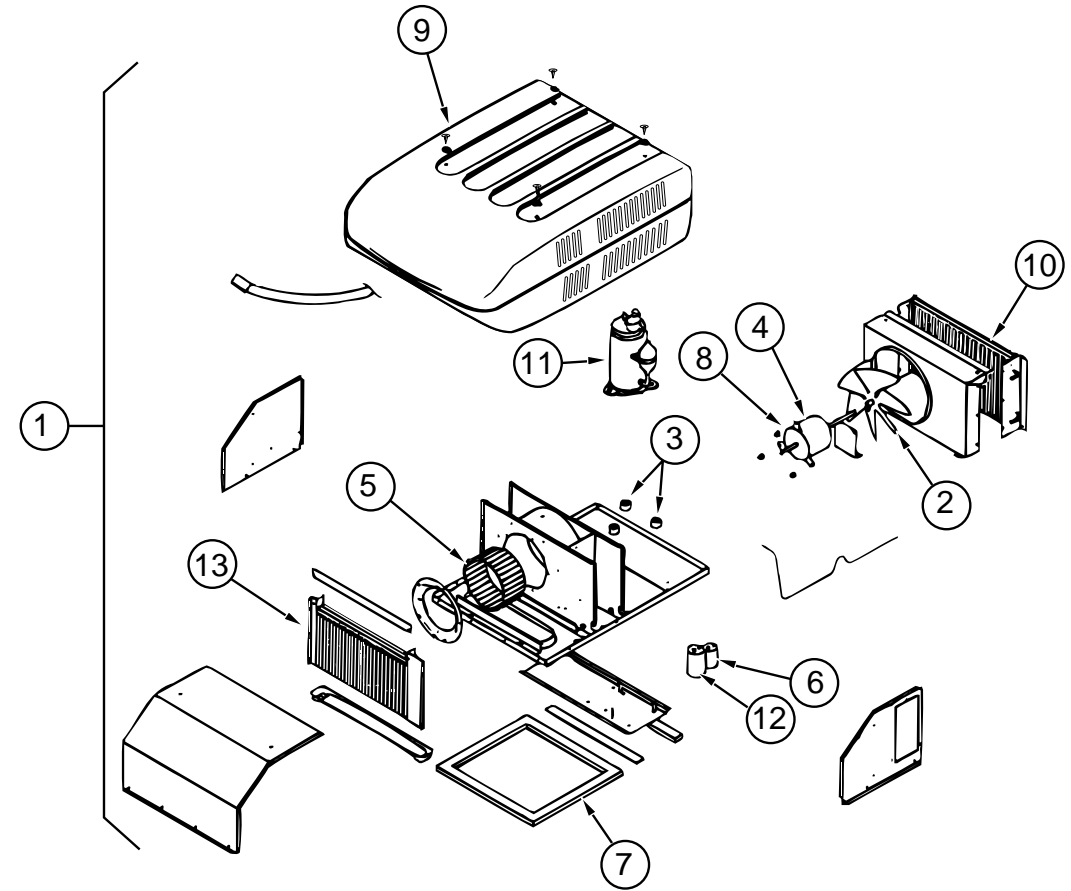
KEY	PARTNUMBER	U/M	DESCRIPTION
	109982-04-000	EA	GENERATOR-3.6MICROLITE,ONANKY-FA/26120B
	105958-10-000	EA	PIPE-EXHAUST,GENERATOR
	007125-03-000	EA	CLAMP-MUFFLER,1.5"DIAMETER
	007067-01-000	SF	INSULATION-FIBERGLASS,1"THICKX4'-INCREMENTSOF4SF

4.0KWONANGENERATOR

KEY	PARTNUMBER	U/M	DESCRIPTION
	109982-03-000	EA	GENERATOR,4.0MICROLITE,ONAN#KY-FA/2600B
	007067-01-000	SF	INSULATION-FIBERGLASS,1"THICKX4'-INCREMENTSOF4SF
	007125-03-000	EA	CLAMP-MUFFLER,1.5"DIA
	105958-10-000	EA	PIPE-EXHAUST,GENERATOR

NOTE:ADDITIONALGENERATORCOMPONENTSAREFOUNDINTHECHASSISGROUP

HEATING&AIRCONDITIONINGGROUP



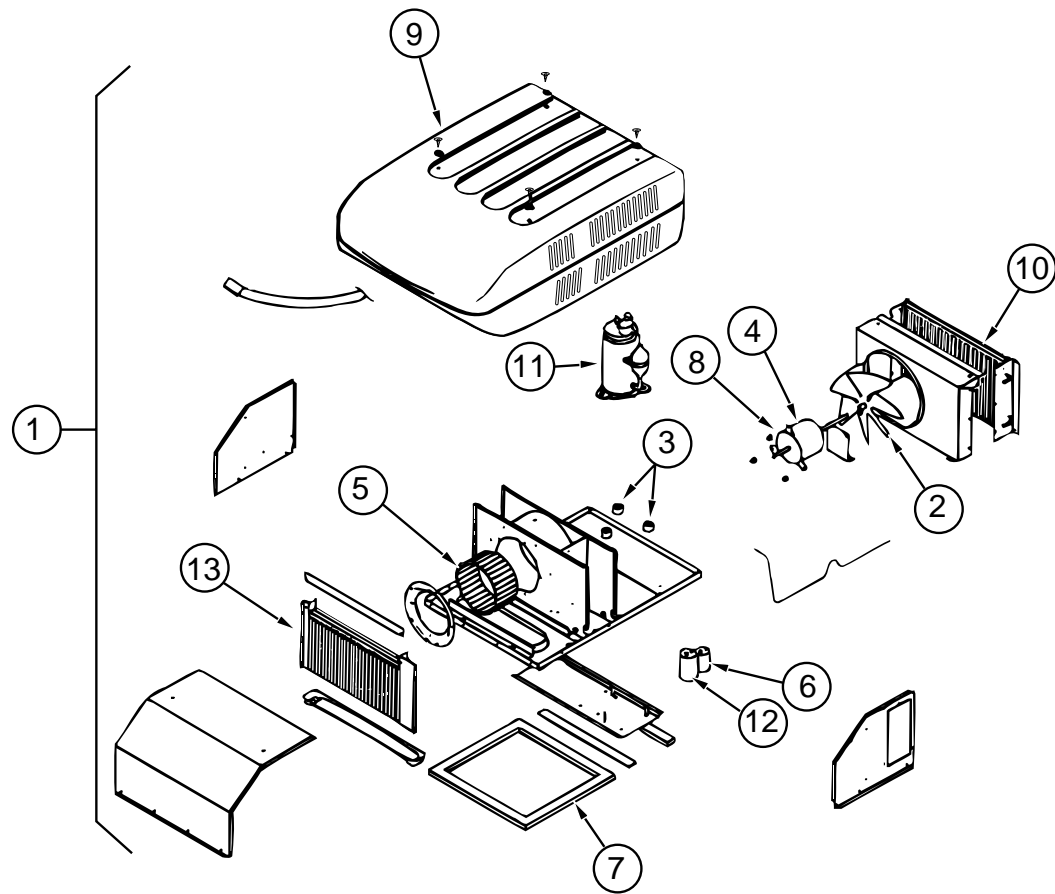
ROOFA/C-13,500BTU-COLEMAN-MODEL-TSRHO

KEY	PARTNUMBER	U/M	DESCRIPTION	VENDORNO.
1	108889-01-05A	EA	A/C-ROOF, 13,500TSRHOBRIGHTWHITE-7333A886	
	102289-01-000	EA	SPRING-SCREW, ROOFA/CGASKET 6757-150	
2	093763-01-712	EA	BLADE-FAN-CONDENSER	6733-3221
3	105620-01-706	EA	MOUNTINGPKG.,COMP.,3PER	6759-3081
4	108889-01-705	EA	MOTOR(115,60HZ)	1468-3049
5	108889-01-706	EA	IMPELLOR	1472-1041
6	093763-01-704	EA	CAPACITOR-FAN	1499-5461
	108889-01-710	EA	PAD-FILLER,CONDENSERSEAL	6759A3971
7	108889-01-711	EA	GASKETPKG	6792-3301
8	108889-01-715	EA	MOTORMOUNT&SHAFTSEALKIT	6792-3361
9	108889-05-700	EA	SHROUD-BRIGHTWHITEW/OLOGO	7333-4601
10	108889-01-703	EA	COIL-CONDENSER	1452A1301
11	105620-01-704	EA	COMPRESSOR-TECUMSEH,RH&LH	1450-2009
12	108889-01-707	EA	CAPACITOR-RUN,COMP-25MFD/370	1499-5661
	091225-01-709	EA	RELAY-START	1497-4131
13	108889-01-709	EA	COIL-EVAPORATOR	1452A1311
	091225-01-710	EA	CAPACITOR-START	1497-0881
	108889-01-720	EA	TUBE-CAP	6792-1351
	108889-01-704	EA	OVERLOAD(MRA#98693)	6749-3541
	108889-01-712	EA	LINE-SUCTION,REDUCER3/8X1/2	1215-2161
	108889-01-713	EA	LINE-SUCTION,3/8ODX032WALL	6792-130
	108889-01-714	EA	LINEASSEMBLY-DISCHARGE	6792-531
	093306-01-701	EA	DECALPACKAGE,LEFT&RIGHT	6798B3591

HEATING&AIRCONDITIONINGGROUP(CONTINUED)

HEATING&AIRCONDITIONINGGROUP(CONTINUED)

CEILINGA/C-COLEMAN



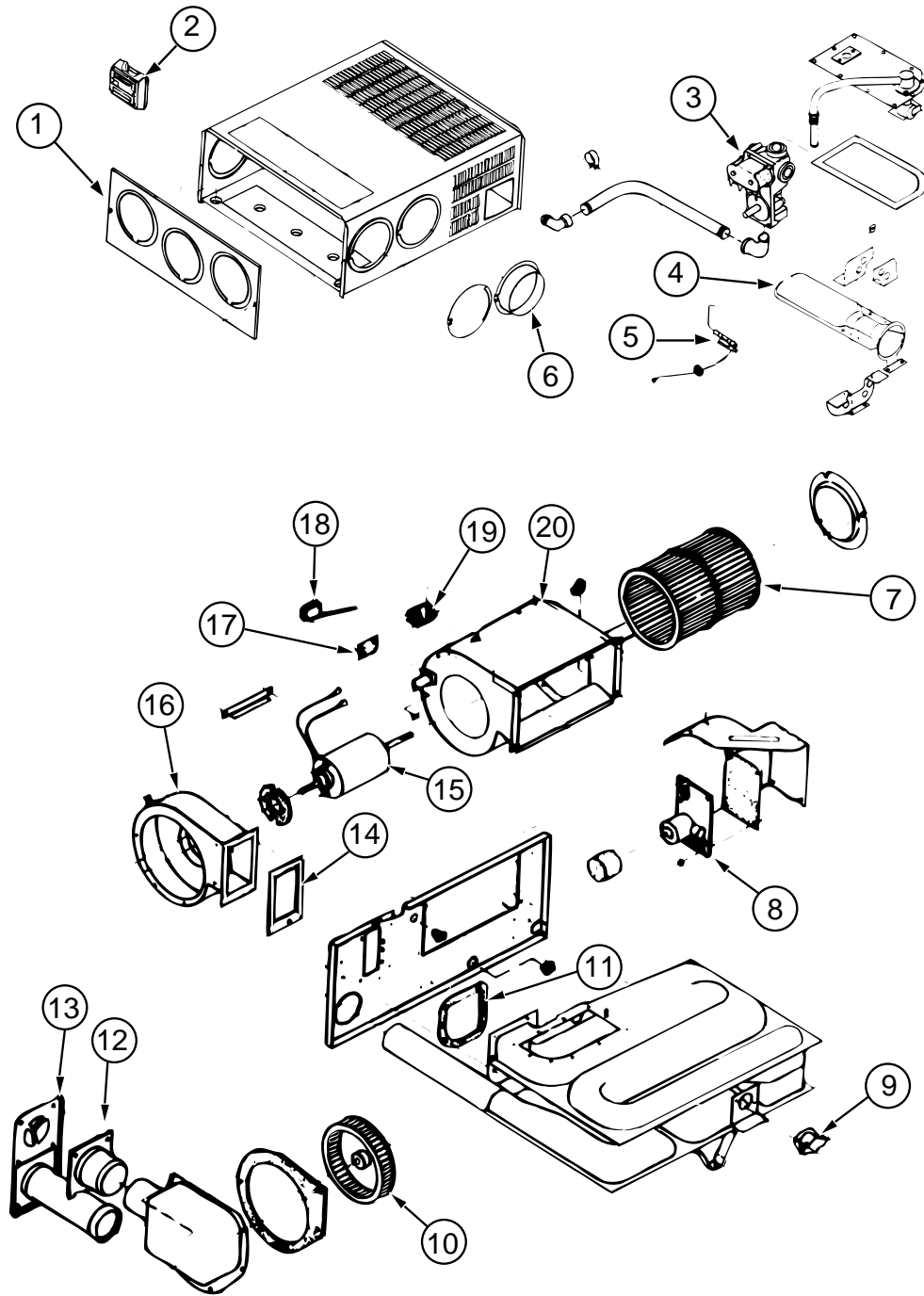
A/C-13,500BTU-EUROPE-COLEMAN-MODELTSR220

KEY	PARTNUMBER	U/M	DESCRIPTION	VENDORNO.
	108891-01-02A	EA	CEILINGASM-A/C COOLTSRHO-COLEMAN7330-713WH	
	042204-01-709	EA	THERMOSTAT-IN64OUT58	6701-3401
	073742-01-701	EA	SELECTORSWITCH-5TERMINAL	6759-3251
	073742-01-702	EA	DECALCOOLONLY	6759C3431
	108891-01-703	EA	SHROUD-CEILINGWHITE	6769-5051
	091225-01-713	EA	KNOB-2PERPACKAGE	6701-3351
	091225-01-717	EA	DECAL-THERMOSTAT,COOLONLY	6799A3441
	093766-02-701	EA	DECAL-LEFTSIDE	6799-3971
	108891-01-700	EA	SINGLEPARTSPACKAGE-KNOBS&NUTS	6792-5991
	108891-01-701	EA	RETAINERCLIPS-FILTER,6PER	6799-3141
	108891-01-701	EA	RETAINERCLIPS-FILTER,6PER	6799-3141
	108891-01-702	EA	COLLAR-DUCT,W/METALFLANGE	6792-4541
	076303-01-717	EA	FILTER	
	022756-03-000	EA	COVER-A/CPLASTIC	
	022756-02-000	EA	COVER-PROTECTIVE,5.5"ENDSx8.2"	
	084077-03-000	EA	COVER-BLANK,ROOFA/C-5.2"X3.5"-IVORY	

KEY	PARTNUMBER	U/M	DESCRIPTION	VENDORNO.
1	108889-02-03A	EA	AIRCONDITIONER-13,500BTU/220VOLT	
2	093763-01-712	EA	BLADE-FAN-CONDENSER	6733-3221
3	105620-01-706	EA	MOUNTINGPKG.,COMP.,3PER	6759-3081
4	108889-02-701	EA	MOTOR	1468-3059
5	108889-01-706	EA	IMPELLOR	1472-1041
6	093763-01-704	EA	CAPACITOR-FAN	1499-5461
	108889-01-710	EA	PAD-FILLER,CONDENSERSEAL	6759A3971
7	108889-01-711	EA	GASKETPKG	6792-3301
8	108889-01-715	EA	MOTORMOUNT&SHAFTSEALKIT	6792-3361
9	108889-05-700	EA	SHROUD-BRIGHTWHITEW/OLOGO	7333-4601
10	108889-01-703	EA	COIL-CONDENSER	1452A1301
11	108889-02-700	EA	COMPRESSOR-TECUMSEH	1450A2029
12	108889-01-707	EA	CAPACITOR-RUN,COMP-25MFD/370	1499-5661
	108889-02-703	EA	RELAY-START	1497-4141
13	108889-01-709	EA	COIL-EVAPORATOR	1452A1311
	108889-02-702	EA	CAPACITOR-START	1497-0891
	105620-01-705	EA	PROTECTOR-OVERLOAD,RH&LH	6759-3791
	108889-01-713	EA	LINE-SUCTION,3/8ODX032WALL	6792-130
	108889-01-714	EA	LINEASSEMBLY-DISCHARGE	6792-531
	093306-01-701	EA	DECALPACKAGE,LEFT&RIGHT	6798B3591

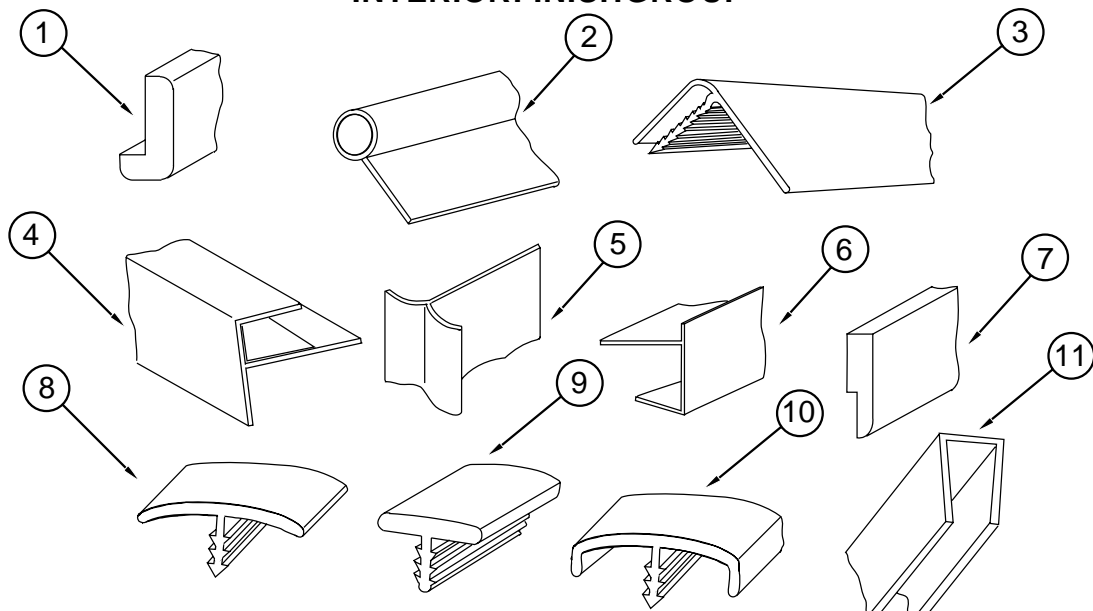
HEATING & AIR CONDITIONING GROUP (CONTINUED)

FURNACE-25,000 BTU-SUBURBAN-MODEL SF-302273



KEY	PARTNUMBER	U/M	DESCRIPTION	VENDOR NO.
	098668-20-000	EA	FURNACE-30,000BTU	
1	098668-01-700	EA	CABINETFRONT	101242
2	115764-01-01A	EA	THERMOSTAT-FURNACE 160902	
3	098668-01-714	EA	VALVE-GAS	161070
4	098668-02-700	EA	BURNERASSEMBLY-COMPLETE	010745
5	098668-01-715	EA	ELECTRODEASSEMBLY-SINGLEPROBE	232166
6	075696-02-703	EA	COLLAR-DUCT	050715
7	098668-01-711	EA	WHEEL-ROOMAIR	350123
8	098668-01-712	EA	BOARD-MODULE	231741
9	098668-21-701	EA	SWITCH-LIMIT	231799
10	098668-01-706	EA	WHEEL-COMBUSTIONAIR	350122
11	098668-01-716	EA	GASKET-FIREWALL,CHAMBERSIDE	070808
12	098668-01-713	EA	TUBEASM-INTAKEVENT	051248
13	098668-01-707	EA	VENTCAP&EXHAUSTTUBEASSEMBLY	260193
14	098668-01-717	EA	GASKETFIREWALL-BLOWERSIDE	070809
15	098668-01-709	EA	MOTORASSEMBLY	231706
16	098668-01-708	EA	BLOWERASSEMBLY-COMBUSTIONAIR	390441
17	101990-01-714	EA	GASKET-MICROSWITCH	230877
18	098668-21-700	EA	MICROSWITCH-W/OFLAG,31/4"	232261
19	074466-01-702	EA	RELAY-TIMEDELAY	230625
20	098668-01-710	EA	BLOWERASSEMBLY-ROOMAIR	390440
	092300-02-701	EA	ORIFICE-MAINBURNER	180214
	098668-23-000	EA	DOOR-ACCESS-FURNACE	
	009198-01-000	FT	DUCT-HEAT,FLEXIBLE-4"IDX25FT	
	009200-01-000	EA	TAPE-FURNACE,1 1/2"	
	069636-02-000	EA	CONNECTOR-DUCT,4"ID-SUBURBAN050715	
	089367-01-000	EA	TEE-4"OD,7"LONG-METAL	
	056464-10-000	EA	REGISTER-W/ODAMPER,4"DIAMETER-DURA-BEIGE	
	093614-01-02A	EA	GRILLE-RETURNAIR,DURABEIGE	

INTERIORFINISHGROUP



MOLDINGS&TRIMS

KEY	PARTNUMBER	U/M	DESCRIPTION
1	077840-01-G01	EA	MOLDING-CAP-WALL-8'
2	009767-12-000	FT	WELTING-SIDEWALL/CEILING/CABINET-OFF/WHT
3	009809-23-000	EA	MOLDING-CORNER-OUTSIDE-1"X84"-IVORYPLASTIC
3	009809-28-000	EA	MOLDING-CORNER-OUTSIDE-1"X84"-WATERFORDOAK
4	009812-29-000	EA	MOLDING-PLASTIC-OUTSIDECORNER-.50"-WATERFORDOAK
4	009812-24-000	EA	MOLDING-PLASTIC-OUTSIDECORNER-.50"-IVORY
5	022992-11-000	FT	MOLDING-REVERSECOVE-T-SHAPEDVINYL-IVORY
5	022992-12-000	FT	MOLDING-REVERSECOVE
6	103186-01-05A	FT	MOLDING-PLASTIC-SHELF-3/8"U-CHANNELW/3/4"FACE-WATERFORDOAK
7	105004-01-05A	EA	MOLDING-VINYLWRAPPED-1"X8"-WATERFORDOAK
8	009815-09-000	FT	MOLDING-T-.75"IVORY
9	104676-01-01A	FT	T-MOLDING-5/16"-RIGIDGOLD
10	104676-02-04A	FT	T-MOLDING-1/2"X10" WATERFORD OAK
10	083620-09-000	FT	T-MOLDING,3/4W/EDGELIPS-MODERNIVORY
10	083620-12-000	FT	MOLDING-T-.75"-W/EDGELIPS-WATERFORDOAK
10	119520-01-01A	FT	MOLDING-T-1"W/EDGELIPS(OFF/WHITE-CREAM)
11	009778-21-000	FT	U-CHANNEL-1"X96"-INCREMENTS-PLASTIC
11	070504-36-000	FT	U-CHANNEL-EXTRUDEDPLASTIC-.65"X72"-WATERFORDOAK
11	070504-37-000	FT	U-CHANNEL-EXTRUDEDPLASTIC-.81"X84"-WATERFORDOAK
	117267-D2-438	EA	LUMBER-018X038X2438MMVINYL-WRAPPEDWATERFORD
	117267-E2-438	EA	LUMBER-VINYLWRAPPED-.7"X2"X8'
	117267-G2-438	EA	LUMBER-VINYLWRAPPED-.7"X3"X8'
	117268-D2-134	EA	MOLDING-VINYLWRAPPED-.7"X1.6"X7'WATERFORD
	117268-F2-438	EA	MOLDING-VINYLWRAPPED-.7"X2.6"X8'-WATERFORD
	100818-01-05A	EA	MOLDING-VINYLWRAPPED-1.65"X.4"X7' WATERFORD OAK
	100819-01-05A	EA	MOLDING-VINYLWRAP-DOOR-WATERFORDOAK
	117268-F2-134	EA	MOLDING-VINYLWRAPPED.7"X2.6"X7'-WATERFORD
	079653-28-000	EA	MOLDING-BATTSTRIP,KERFED-WATERFORDOAK
	081294-02-000	EA	MOLDING-SHELF-NOTCHEDWOOD-8'
	009767-15-000	FT	WELTING-WATERFORDOAK
	076325-34-000	FT	MOLDING-EDGEBAND-15/16"X.030"-ORCHIDMIST
	076325-43-000	FT	MOLDING-EDGEBAND-.876"X.024"-CLOUD(H04)
	076325-38-000	FT	MOLDING-EDGEBAND-.876"X.024"-NEUTRAL(H05)
	076325-44-000	FT	MOLDING-EDGEBAND-.876"X.024"-SAND(H24/H26)
	076325-46-000	FT	MOLDING-EDGEBAND-15/16"X.030"-CLOUD(H04)
	076325-37-000	FT	MOLDING-EDGEBAND-15/16"X.030"-NEUTRAL(H05)
	076325-47-000	FT	MOLDING-EDGEBAND-15/16"X.030"-SAND(H24/H26)
	076325-67-000	FT	MOLDING-EDGEBAND-.93"X.024" WATERFORDOAK
	076325-68-000	FT	MOLDING-EDGEBAND-15/16"X.038-WATERORDOAK
	100659-01-G09	EA	MOLDING-TRIM-VINYL FLOOR
	112198-02-000	FT	MOLDING-J
	075249-01-000	EA	RAILING-OAK-72"UNFINISHED
	093873-01-01A	EA	TRIM-CARPET-L-ANGLE1.1"X1.3"X12'-GRAYVINYL
	085746-04-000	FT	TRIM-J-CARPET1.2"X.5"ANGLE-12'LONG-OFFWHITE

INTERIORFINISHGROUP(CONTINUED)

BATTSTRIPS

KEY	PARTNUMBER	U/M	DESCRIPTION
	088263-D8-000	EA	BATTSTRIP-DECORATIVE-MICKENSIE/CREAM-8'LONG(H04)
	088263-D7-000	EA	BATTSTRIP-DECORATIVE-WINDY/WILLOW-8'LONG(H05)
	088263-C7-000	EA	BATTSTRIP-DECORATIVE-ETCHINGS/SAGE-8'LONG(H24/H26)
	088263-D6-000	EA	BATTSTRIP-DECORATIVE-IMPACTPEARL-8'LONG
	069733-83-000	EA	BATTSTRIP-WOODGRAINED/WATERFORDOAK-8'LONG
	085284-D2-000	FT	BATTTAPE-ADHESIVEBACKED-DECORATIVE-MICKENSIE/CREAM(H04)
	085284-D1-000	FT	BATTTAPE-ADHESIVEBACKED-DECORATIVE-WINDY/WILLOW(H05)
	085284-C1-000	FT	BATTTAPE-ADHESIVEBACKED-DECORATIVE-ETCHINGS/SAGE(H24/H26)
	085284-C9-000	FT	BATTTAPE-ADHESIVEBACKED-CEILING-IMPACTPEARL
	085284-D6-000	FT	BATTTAPE-ADHESIVEBACKED-DECORATIVE-EMBOSSEDANTIQUE
	085284-B5-000	FT	BATTTAPE-ADHESIVEBACKED-WOODGRAINED/WATERFORDOAK
	086229-01-000	EA	RETAINER-BATTEN-.75"X92.24"-IVORY
	086229-13-000	EA	BATTEN-1"CEILINGMODERNIVORY
	086229-20-000	EA	BATTEN-1"CEILING,BEIGE

PANELING,LAMINATES&PLASTIC

KEY	PARTNUMBER	U/M	DESCRIPTION
	074497-33-000	SF	PANELING-CEILING-IMPACTPEARL-4'X9'
	074497-28-000	SF	PANELING-WATERFORDOAK-4'X8'
	080215-10-000	SF	PANELING-2SIDE-WATERFORD-4'X8'
	088272-F6-000	SF	PANELING-MCKENSIECREAM(H04)
	088272-F5-000	SF	PANELING-WINDY/WILLOW(H05)
	088272-E8-000	SF	PANELING-DECORATIVE ETCHINGS/SAGE-4'X7'(H24/H26)
	088272-G1-000	SF	PANELING-PEBBLEEMBOSSSED-ANTIQUWHITE-4'X7'
	088272-98-000	SF	PANELING-TRAVERTINE-ANTIQUWHITE-4'X7'
	074498-62-000	SF	LAMINATE-PLASTIC-GREYFINESSE-5'X8'INCOF40SF(H04)
	074498-72-000	SF	LAMINATE-PLASTIC-PEBBLE SANTOS-5'X8'INCOF40SF(H05)
	074498-54-000	SF	LAMINATE-PLASTIC-SANDSPECKTRUM-5'X8'INCOF40SF(H24/H26)
	074498-67-000	SF	LAMINATE-PLASTIC-ORCHIDMIST-60"X96"
	074498-77-000	SF	LAMINATE-PLASTICARTCABIN5'X8'INCROF40SQFT
	000885-76-000	SF	PARTICLEBOARD-3/8"X4'X8'WATERFORDOAKVINYL1SIDE
	000885-77-000	SF	PARTICLEBOARD-3/8"X4'X8'WATERFORDOAKVINYL2SIDED
	000885-78-000	SF	PARTICLEBOARD-1/2"X4'X8'WATERFORDOAK-VINYL2SIDE
	000885-79-000	SF	PARTICLEBOARD-3/4"X4'X8'WATERFORDOAKVINYL2SIDED
	057882-04-000	SF	TAMBOUR-48"X72" SHEET-UNFINISHED
	000846-01-000	SF	PLYWOOD-5/16"X4'X8'
	000846-02-000	SF	PLYWOOD-UNDR-5/16"X4'X8'
	093743-05-01A	SF	PLASTIC-ABSCOIL-BRIGHTWHITE-20"X108"

CARPETING&FLOORMATS

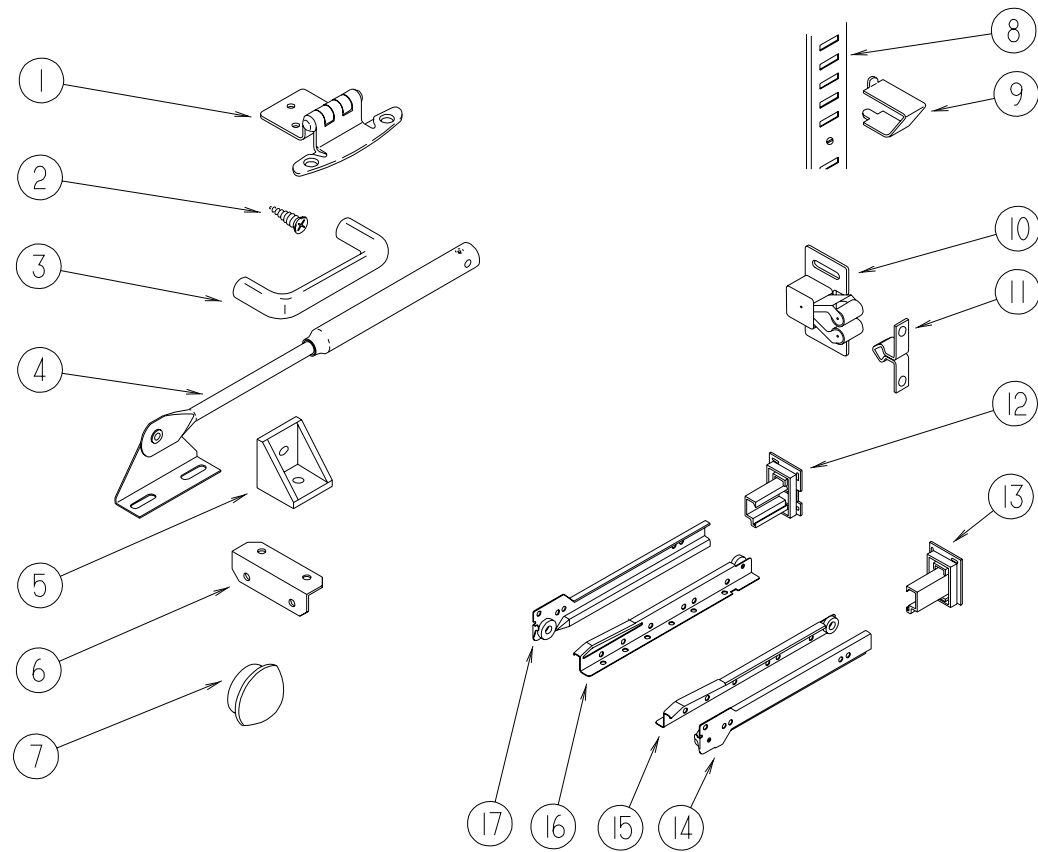
KEY	PARTNUMBER	U/M	DESCRIPTION
	096060-A8-000	SY	CARPET-BLUELAGOON-INCREMENTSOF4SQYD(H04)
	096060-99-000	SY	CARPET-PARCHMENT-INCREMENTSOF4SQYD(H05)
	096060-B2-000	SY	CARPET-JUBLIATION-INCREMENTSOF4SQYD(H24)
	096060-95-000	SY	CARPET-DOESKIN-INCREMENTSOF4SQYD(H26)
	093486-01-000	SY	CARPET-COMPARTMENT-54"WIDE-DARKGRAY
	106884-01-000	EA	MAT-FLOOR-FRONTPASSENGER"W"-FORD
	106884-02-000	EA	MAT-FLOOR-FRONTDRIVER"W"-FORD
	102569-04-000	EA	MAT-ANTISLIP

FIREEXTINGUISHER&DETECTORS

KEY	PARTNUMBER	U/M	DESCRIPTION
	072852-02-000	EA	DETECTOR-SMOKE-W/9VOLT BATTERY-CANADIAN
	072852-01-000	EA	DETECTOR-SMOKE-W/9VOLT BATTERY-US
	112320-03-000	EA	DETECTOR-COGASMODEL9D-I
	103613-02-000	EA	DETECTOR-LPGAS
	112320-04-000	EA	BATTERY/SENSORMODULE-CO(BLACKMODULE)F/9D-ISYSTEM
	094499-02-000	EA	EXTINGUISHER-FIRE, DRY-1A10BC-CANADIAN
	094499-01-000	EA	EXTINGUISHER-FIRE, DRYW/MOUNTINGBRACKET-10BC
	094499-01-700	EA	BRACKETMTG.W/PLAS.STRAP 294039
	094499-01-701	EA	STRAPONLY(METAL) 320351

INTERIOR FINISH GROUP (CONTINUED)

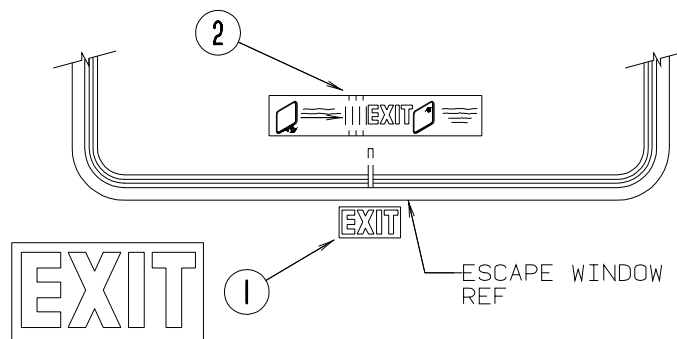
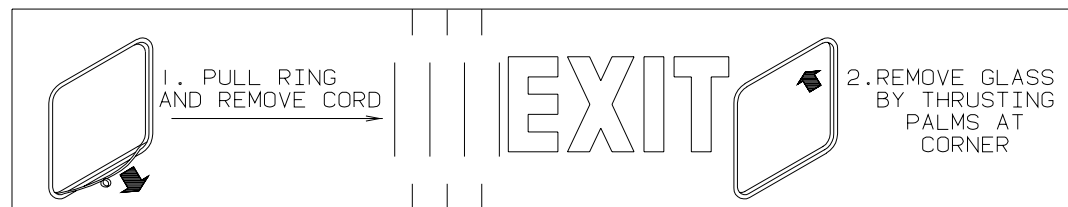
CABINET & TABLE HARDWARE



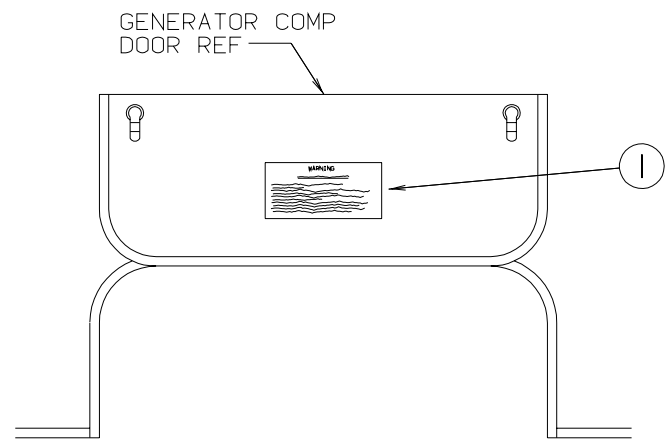
KEY	PARTNUMBER	U/M	DESCRIPTION
15	114031-04-000	EA	SLIDE-12"-RIGHTSIDE/DRAWER
15	114031-08-000	EA	SLIDE-14"-RIGHTSIDE/DRAWER
15	114031-12-000	EA	SLIDE-16"-RIGHTSIDE/DRAWER
15	114031-16-000	EA	SLIDE-18"-RIGHTSIDE/DRAWER
15	114031-20-000	EA	SLIDE-20"-RIGHTSIDE/DRAWER
16	114031-03-000	EA	SLIDE-12"-LEFTSIDE/DRAWER
16	114031-07-000	EA	SLIDE-14"-LEFTSIDE/DRAWER
16	114031-11-000	EA	SLIDE-16"-LEFTSIDE/DRAWER
16	114031-15-000	EA	SLIDE-18"-LEFTSIDE/DRAWER
16	114031-19-000	EA	SLIDE-20"-LEFTSIDE/DRAWER
17	114031-01-000	EA	SLIDE-12"-LEFTSIDE/CABINET
17	114031-05-000	EA	SLIDE-14"-LEFTSIDE/CABINET
17	114031-09-000	EA	SLIDE-16"-LEFTSIDE/CABINET
17	114031-13-000	EA	SLIDE-18"-LEFTSIDE/CABINET
17	114031-17-000	EA	SLIDE-20"-LEFTSIDE/CABINET
	004354-01-000	EA	BUMPER-RUBBER,.5"DIA-BROWN
	009112-01-000	EA	FLANGE-1"CLOTHESROD-OFFWHITEPLASTIC
	023320-01-000	EA	PAD-FELT,3/8"DIAMETER-BROWN
	041389-35-000	EA	HINGE-PIANO,O/W,0787.4
	042438-01-000	EA	DOWEL-WOOD,CLOTHESROD-1"DIAMETERX4'
	042438-02-000	EA	DOWEL-WOOD-2"X2"
	076790-01-000	EA	SCREW,6-20X1 1/4PPH-BLACK
	076790-05-000	EA	SCREW-6-20X1/2PPH-BLACK-THREADCUTTING,WOOD
	079921-01-000	EA	ROLLER-NYLON,W/STEELSHAFT-BARBED
	084451-01-000	EA	CATCH-TV SHELF-BRASS
	102194-01-000	EA	GUIDE-PLASTIC
	103256-01-000	EA	LATCH-SLIDE

KEY	PARTNUMBER	U/M	DESCRIPTION
1	108138-01-000	EA	HINGE-DOOR,CABINET-BURNISHEDBRASS
2	000G13-06-10G	EA	SCREW-6-20X5/8PFH,ANTIQUEBRASS
3	117800-01-01A	EA	PULL-CABINET,BRASS
4	074493-02-000	EA	SUPPORT-PISTONSPRING,CABINETDOOR
5	065740-01-000	EA	BRACE-CABINETCORNER,PLASTIC
6	016604-01-000	EA	BRACE-CABINET,ANGLE-2.5"-UNPAINTED
6	016604-05-000	EA	BRACE-CABINET, LANGLE-2.5"-OFFWHITE
7	074045-07-000	EA	PLUG-WOOD,1/2"
8	098980-01-000	EA	PILASTER-ADJUSTABLESHELF,18"LONG-WOODGRAINAPPEARANCE
9	098979-01-000	EA	CLIP-ADJUSTABLESHELF
10	093586-06-000	EA	CATCH-SPRING,ROLLER-FASTECC411-AC
11	093586-05-000	EA	STRIKE-SPRINGSTEEL,FASTECS411-AC
12	114045-01-000	EA	BACKSOCKET-ADJUSTABLELEFT
13	114045-02-000	EA	BACKSOCKET-ADJUSTABLERIGHT
14	114031-02-000	EA	SLIDE-12"-RIGHTSIDE/CABINET
14	114031-06-000	EA	SLIDE-14"-RIGHTSIDE/CABINET
14	114031-10-000	EA	SLIDE-16"-RIGHTSIDE/CABINET
14	114031-14-000	EA	SLIDE-18"-RIGHTSIDE/CABINET
14	114031-18-000	EA	SLIDE-20"-RIGHTSIDE/CABINET

LABELSGROUP



KEY	PARTNUMBER	U/M DESCRIPTION
1	006199-01-000	EA LABEL-EXIT-ESCAPEWINDOW
2	039290-01-000	EA LABEL-WARNING-EXIT



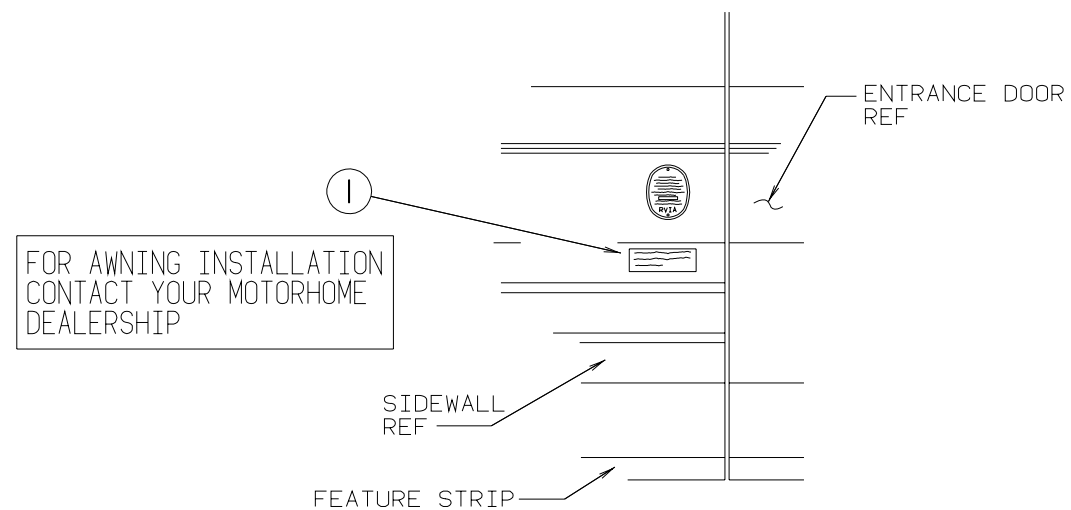
WARNING

WHEN ADDING A GENERATOR SET:

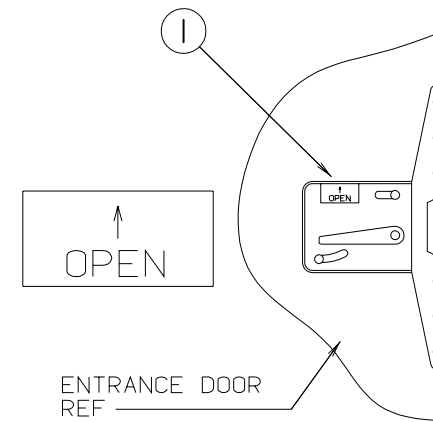
HIGH VOLTAGE-USE EXTREME CAUTION WHEN WORKING ON ELECTRICAL COMPONENTS.
 HAVE ALL ELECTRICAL INSTALLATION PERFORMED BY A QUALIFIED LICENSED ELECTRICIAN-FOLLOW ALL STATE AND LOCAL CODES.
 ONLY INSTALL GENERATOR SET APPROVED FOR R.V. APPLICATION. HAVE INSTALLED BY QUALIFIED TECHNICIAN.
 TO AVOID HEAT BUILD-UP AND TO GUARANTEE AN ADEQUATE AIR SUPPLY TO THE GENERATOR CARBURETOR, FOLLOW INSTALLATION INSTRUCTIONS.
 GENERATOR ENGINE EXHAUST GASES ARE TOXIC AND MUST NOT TERMINATE UNDER THE VEHICLE-DISCHARGE EXHAUST AWAY FROM VEHICLE.

KEY	PARTNUMBER	U/M DESCRIPTION
1	077510-01-000	EA LABEL-GENERATORPREP

LABELSGROUP(CONTINUED)



KEY	PARTNUMBER	U/M DESCRIPTION
1	099509-01-000	EA LABEL-AWNINGINSTALLATION

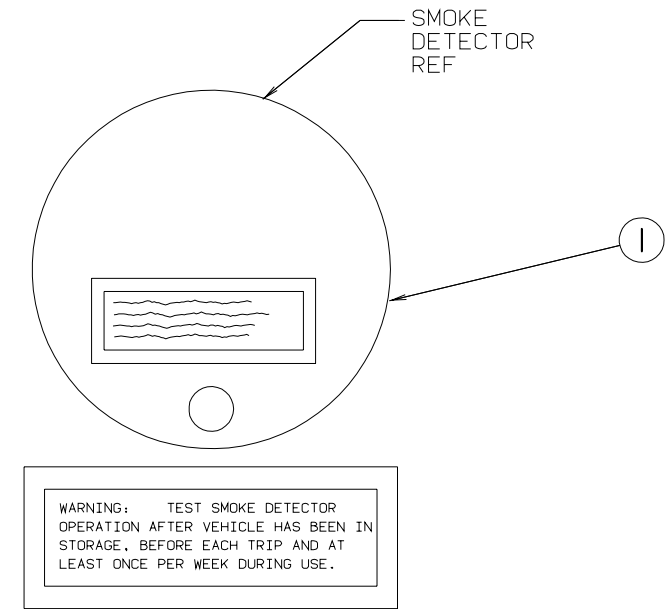


KEY	PARTNUMBER	U/M DESCRIPTION
1	040944-01-000	EA LABEL-ENTRANCEDOOR-"OPEN"

LABELSGROUP(CONTINUED)
MISCELLANEOUSLABELS

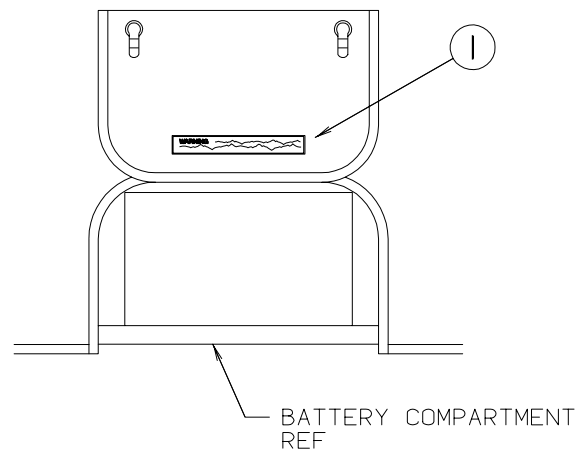
KEY	PARTNUMBER	U/M DESCRIPTION
	104236-01-000	EA LABEL-GENERATORCIRCUIT
	006064-01-000	EA LABEL-SEATW/OSEATBELT NOTINTENDEDFORUSEWHILECOACHINMOTION
	091224-02-000	EA LABEL-TRAILERLIGHTING
	091243-01-000	EA LABEL-A/C COVER, "AIRCONDITIONINGCIRCUIT.ETC."
	091243-02-000	EA LABEL-COVER, "MICROWAVECIRCUIT.ETC."
	093236-08-000	EA LABEL-CIRCUITBREAKER
	098641-01-000	EA LABEL-FUEL, UNLEADED-DASH
	073998-01-000	EA LABEL-LPGODORWARNING
	087236-01-000	EA LABEL-CABLE, INPUT
	061417-01-000	EA LABEL-FUEL, ONFUELFILLDOOR
	062043-01-000	EA LABEL-FUEL, UNLEADED
	111104-01-000	EA LABEL-HITCH, READMANUAL
	111104-02-000	EA LABEL-HITCH-READMANUAL
	124520-01-01A	EA LABEL-LPGASONLY
	006040-01-000	EA TAG-GASREFUELINGWARNING
	124519-01-01A	EA LABEL-WARNING/REFUELING
	124519-02-01A	EA LABEL-WARNING/REFUELING-CSA
	112518-01-000	EA LABEL-HANGTAG, CODETECTOR
	087207-06-000	EA LABEL-GASOVERFILL
	111802-01-000	EA LABEL-CFCWARNING

LABELSGROUP(CONTINUED)

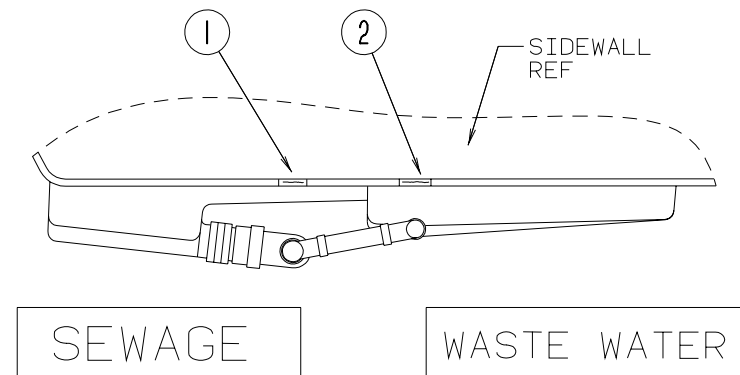


KEY	PARTNUMBER	U/M DESCRIPTION
1	077956-01-000	EA LABEL-WARNING-SMOKEDETECTOR

WARNING DISCONNECT BATTERIES BEFORE CONNECTING EXTERNAL CHARGING EQUIPMENT.

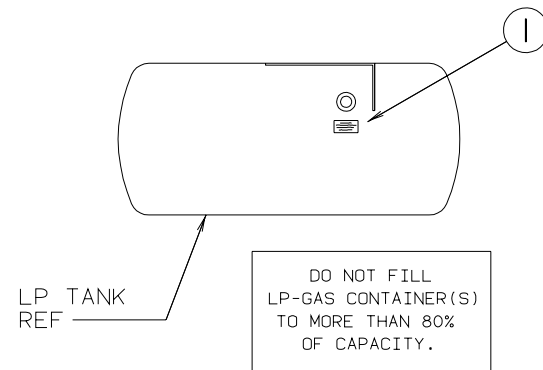


KEY	PARTNUMBER	U/M DESCRIPTION
1	065748-01-000	EA LABEL-CAUTION-BATTERYCHARGING



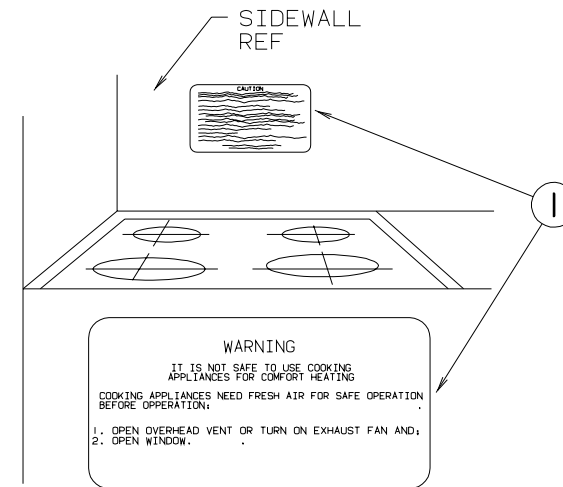
KEY	PARTNUMBER	U/M DESCRIPTION
1	006187-01-000	EA LABEL-SEWAGE
2	006188-01-000	EA LABEL-WASTEWATER

LABELSGROUP(CONTINUED)

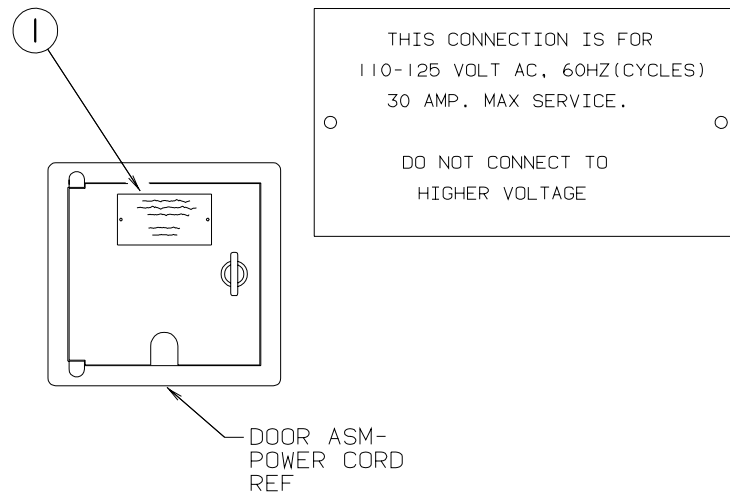


KEY	PARTNUMBER	U/M DESCRIPTION
1	079965-01-000	EA LABEL-LPG-80%CAPACITY

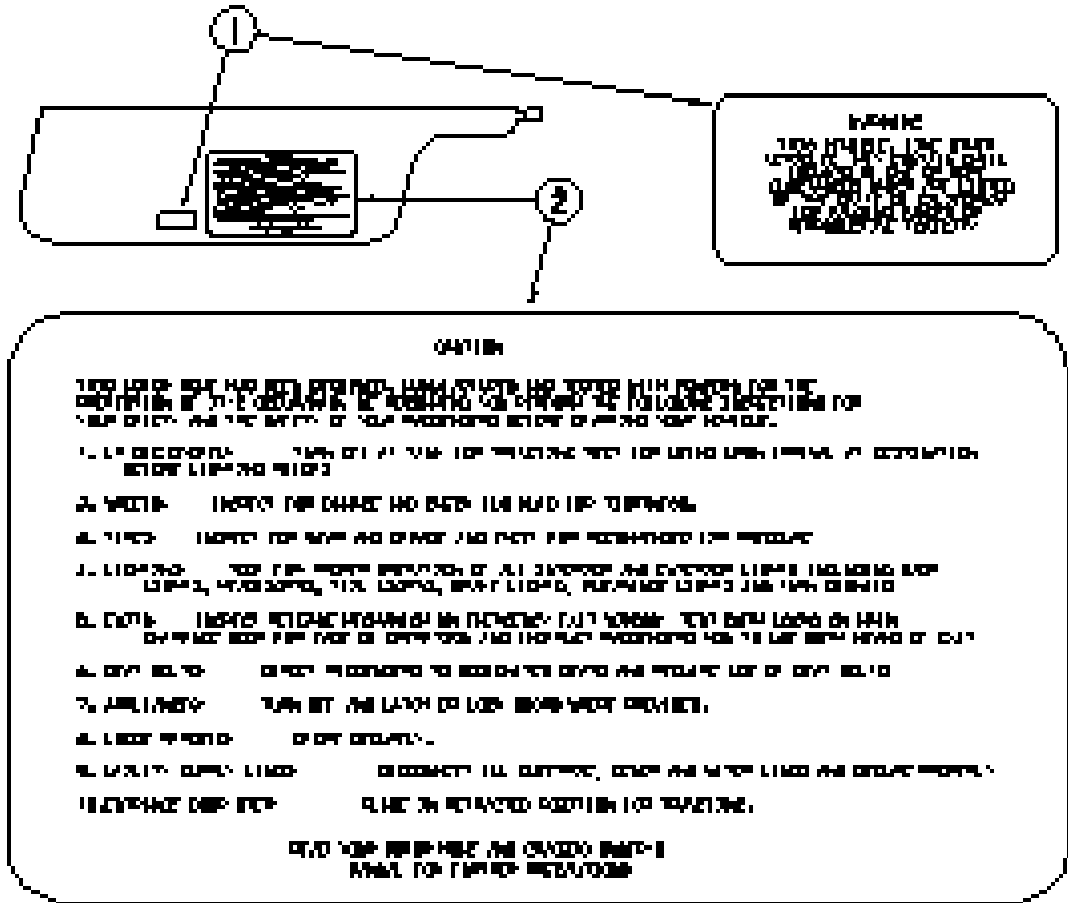
LABELSGROUP(CONTINUED)



KEY	PARTNUMBER	U/M DESCRIPTION
1	050225-01-000	EA LABEL-WARNING-STOVEVENT-US

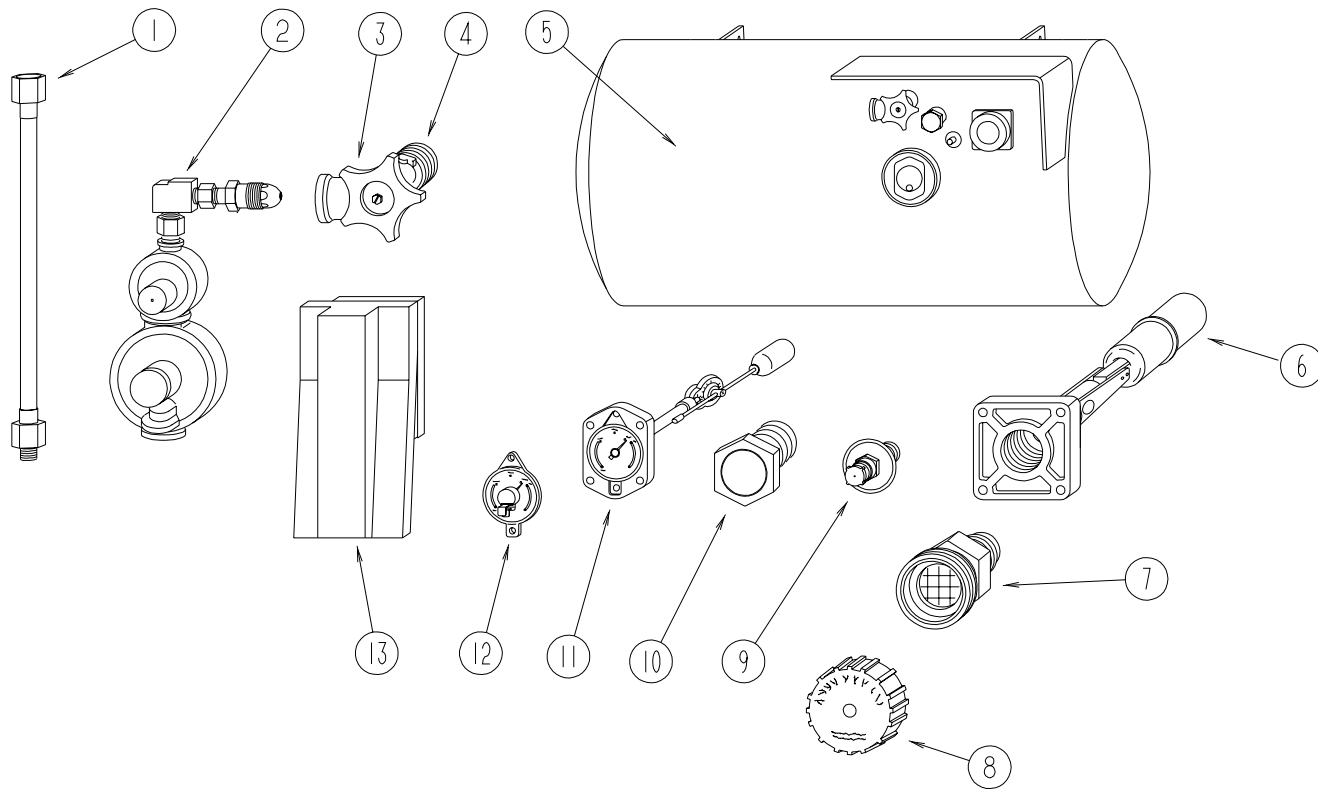


KEY	PARTNUMBER	U/M DESCRIPTION
1	006062-01-000	EA TAG-ELECTRIC-110VCONNECTION



KEY	PARTNUMBER	U/M DESCRIPTION
1	099689-01-000	EA LABEL-WARNING,CANCER/TOXICITY
2	056259-01-000	EA LABEL-SAFETYCHECKLIST

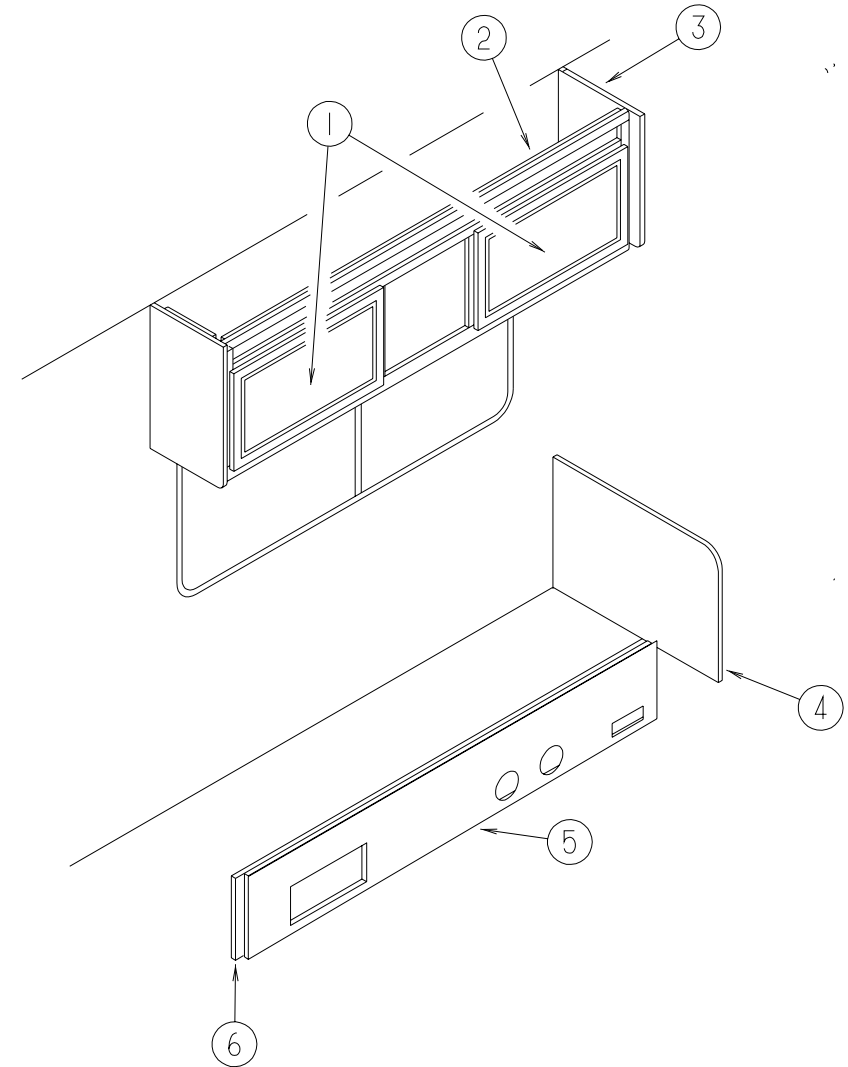
LPGROUP



LPSYSTEM

KEY	PARTNUMBER	U/M	DESCRIPTION	VENDORNO.
1	045703-06-000	EA	HOSE-LP, 3/8"IDX28" - 3/8MPTX 1/2FSWIVEL - CANADIAN	
1	045703-01-000	EA	HOSE-LP, 3/8"IDX24" - 3/8MPTX 1/2FSWIVEL - U.S.	
1	045703-02-000	EA	HOSE-LP, 3/8"IDX24" - 3/8" MPTX 1/2" FSWIVEL - CANADA	
1	045703-09-000	EA	HOSE ASM-LP, 3/8IDX24 - US & CGA 3/8FSWIVELX3/8FSWIVEL	
2	106150-01-000	EA	REGULATOR-TWOSTAGE-M'BRASS290-303	
2	106150-02-000	EA	REGULATOR-TWOSTAGE-M'BRASS290-00	
3	040421-01-708	EA	HANDWHEEL-SERVICEVALVE	G-1015-A
4	040421-01-712	EA	VALVE, SERV. W/OVAPORRELIEF	29000853
5	080450-01-000	EA	TANK-LP, 42LB- 13"DIAMETERX24"LONG	
6	040421-01-711	EA	VALVE -80%FILLW/AUTOSTOP	LLL/TL3
7	040421-01-701	EA	VALVE-FILL-SHORT,LP	75478
8	040421-01-702	EA	CAP-FILLVALVE, PLASTIC	G-1014-A
9	040421-01-700	EA	VALVE-LIQUIDLEVEL, 20%	G-1013
10	040421-01-713	EA	VALVE-VAPORONLY	29000587
11	074142-01-700	EA	FLOATASM.-SCREWONF/13"TANK	13C-SCR
	074142-01-701	EA	FLOATASM.- (SIGHTGAUGE)BOLT	13C-BLT
12	040421-01-706	EA	VISIBLEVOLUMEDIAL, W/OMONITORPANEL	
12	040440-02-000	EA	TRANSMITTER-DIAL, 0-90OHM-2TERMINAL (POWER&GROUND)	
13	105658-01-000	EA	COMPARTMENT-LPREGULATOR	
	010323-01-000	EA	ADAPTER-BRASS, 3/8FX 1/2MPT	
	057042-01-000	EA	ADAPTER-CROSS 1/2PIPE	
	010377-02-000	EA	NUT-BRASS, 3/8"FLARE-FORGED	
	065318-02-000	EA	ELBOW-90DEGREE, 3/8" MPTTO 3/8" FPT	
	010265-01-000	EA	ELBOW-BRASS, 90DEGREE - 3/8"FX 1/2" FPT	
	010252-01-000	EA	ELBOW-BRASS, 90DEGREE, 3/8FX 1/2MPT	
	071391-02-000	EA	NIPPLE-HEX, 1/4" PIPE -3325X4WEATHERHEAD	
	075148-02-000	EA	CLAMP-GROUNDING, BRONZESCREWS	
	103613-02-000	EA	DETECTOR-LPGAS	

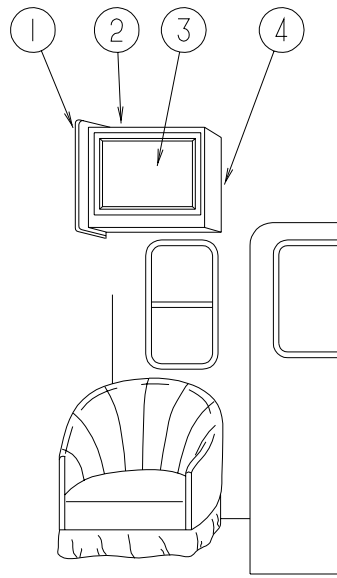
LOUNGROUP



DRIVERSIDECOUCHCABINETS

KEY	PARTNUMBER	U/M	DESCRIPTION
1	110140-18-G01	EA	DOOR-MITEREDCORNER/VINYLRAP- 15.7"X27.9"-W/OHDW
1	110140-21-H04	EA	DOOR-MIRROR/MTRDCRNR/VINYLRAP- 15.7"X27.9"-W/OHDW
	108536-04-09A	EA	MIRROR-GLASS-BOTANICAL- 12.5"X24.6"
1	M06803-82-G15	EA	DOOR-MTRDCORNER/OGEEEDGE- 15.7"X27.9"W/OHDW
2	124476-01-H04	EA	CABINET-OVERHEADLOUNGE-W/ODOORS/HARDWARE
3	109908-22-H04	EA	CAP-OVERHEADEND
4	M08107-20-H04	EA	PANEL-COUCH-RIGHTEND-FABRICCOVERED(H04)
4	M08107-20-H05	EA	PANEL-COUCH-RIGHTEND-FABRICCOVERED(H05)
4	M08107-20-H24	EA	PANEL-COUCH-RIGHTEND-FABRICCOVERED(H24/H26)
5	124540-12-H04	EA	DOOR-COUCHCABINET-W/OHARDWARE(H04)
	M08107-19-H04	EA	PANEL-COUCH-FABRICCOVERED(H04)
5	124540-12H 05	EA	DOOR-COUCHCABINET-W/OHARDWARE(H05)
	M08107-19-H05	EA	PANEL-COUCH-FABRICCOVERED(H05)
5	124540-12H 24	EA	DOOR-COUCHCABINET-W/OHARDWARE(H24/H26)
	M08107-19-H24	EA	PANEL-COUCH-FABRICCOVERED(H24/H26)
6	M08107-21-H04	EA	PANEL-COUCH-FRONTKICKPANEL-FABRICCOVERED(H04)
6	M08107-21-H05	EA	PANEL-COUCH-FRONTKICKPANEL-FABRICCOVERED(H05)
6	M08107-21-H24	EA	PANEL-COUCH-FRONTKICKPANEL-FABRICCOVERED(H24/H26)
	082525-01-000	EA	BRACE-COUCH-FLOORMOUNT-ANGLE 3"LONG
	083125-07-000	EA	BRACE-ANGLE, COUCH-OFFWHITE

LOUNGE GROUP (CONTINUED)



CABINET W/TV/VCP-W/OTV/VCR

KEY	PARTNUMBER	U/M	DESCRIPTION
1	121877-14-H04	EA	ENDCAP-OVERHEAD
2	M08163-01-H04	EA	CABINET-W/OTV/VCR OPTION
	122298-02-02B	EA	BRACKET-TV/VCR-E-COATED
3	057882-04-700	EA	DOOR-TAMBOUR 4'X4'
4	121877-15-H04	EA	ENDCAP-OVERHEAD

CABINET W/TV/VCP-W/TV/VCR

KEY	PARTNUMBER	U/M	DESCRIPTION
1	121877-14-H04	EA	ENDCAP-OVERHEAD
2	M08163-02-H04	EA	CABINET-W/TV/VCR OPTION
	122298-02-02B	EA	BRACKET-TV/VCR-E-COATED
	091261-01-000	FT	SLIPNOT-ANTISLIP-1" WIDE (100' ROLL)
	099717-04-000	EA	STRAP-TIEDOWN W/21.3" FEMALE STRAP & 27.2" MALE STRAP
	103256-01-000	EA	LATCH-SLIDE
	116773-02-000	EA	SLIDE-SWIVEL-TV
3	057882-04-700	EA	DOOR-TAMBOUR 4'X4'
4	121877-15-H04	EA	ENDCAP-OVERHEAD

CABINET-OVERHEAD

KEY	PARTNUMBER	U/M	DESCRIPTION
1	104335-23-H04	EA	ENDCAP-OVERHEAD
2	124390-01-H04	EA	CABINET-OVERHEAD FRONT/RIGHT HAND-W/ODOORS/HARDWARE
3	110140-98-H04	EA	DOOR-MITERED CORNER/VINYL WRAP-24.9" X 19.6"
3	M06803-M9-G15	EA	DOOR-RAIL, MTRD/OG 0400 X 0500
4	104335-22-H04	EA	ENDCAP-OVERHEAD

LID-ENTRANCEDOOR CABINET

KEY	PARTNUMBER	U/M	DESCRIPTION
	P14437-03-000	EA	CABINET-LID ENTRANCEDOOR-W/O CARPET
	101222-01-02A	EA	BRACKET-CATCH-LID-OFF WHITE

SEALANTS & FASTENERS GROUP

ADHESIVES AND SEALERS

KEY	PARTNUMBER	U/M	DESCRIPTION
	002707-02-000	FT	TAPE-SEALER-5/16" X 1/2" - INCREMENTS OF 50 FT
	004006-05-700	EA	ADHESIVE-NAT. STARCH (5 GAL) 0802
	034552-02-000	EA	SILICONE-TUBE-300ML-W/NOZZLE-CLEAR
	039518-01-000	EA	SILICONE-TUBE, 300ML-BLACK
	053766-02-000	EA	BEDDING COMPOUND-TUBE, WHITE SCHNEE #5522
	053766-08-000	EA	BEDDING COMPOUND-TUBE, GRAY-SCHNEE #5522
	063642-01-000	FT	TAPE-ADHESIVE-10 MIL. X 1.5" WIDE X 180"
	069640-01-000	FT	SEALER-RIBBON-1/4" DIAMETER-INCREMENTS OF 30'
	069640-02-000	FT	SEALER-RIBBON-1/2" X 1/8" - INCREMENTS OF 60'
	069640-03-000	FT	SEALER-RIBBON-3/4" X 1/8" - INCREMENTS OF 60'
	069640-07-000	FT	SEALER-RIBBON-2" X 3/32" - INCREMENTS OF 45'
	069640-10-000	FT	SEALER-RIBBON-1/32" X 1 1/2" INCREMENTS OF 90'
	069640-11-000	FT	SEALER-TAPE-3/16" X 3/8", BLACK-MANUS
	072889-12-000	EA	SEALANT-URETHANE (LV) BRIGHT WHITE-MANUS 75AM
	076322-01-000	FT	TAPE-FOAM-DOUBLE COATED ADHESIVE BACKED-.75" X 216'
	076322-02-000	FT	TAPE-FOAM, DOUBLE COATED ADHESIVE BACKED-1" X 108'
	076322-03-000	FT	TAPE-FOAM-DOUBLE COATED ADHESIVE BACKED-.5" X 108'
	076322-05-000	FT	TAPE-DOUBLE COATED ADHESIVE BACKED FOAM.45" X .75"
	076322-07-000	FT	TAPE-FOAM, DBL COATED .045 X .50 - NORTV 2000
	087211-01-000	GL	PROMOTER-ADHESIVE
	091255-02-000	FT	SEAL-ADHESIVE BACKED FOAM-.18" THICK X 1.5" WIDE
	102352-01-000	EA	SEALER-PUMPABLE-BLACK-COLORIMETRIC MS101
	106206-01-000	EA	SEALER-PUMPABLE-MANUS 30A-BLACK
	108716-03-000	EA	SILICONE-BRIGHT WHITE SELF LEVELING-TUBE
	120534-01-01A	EA	TAPE-SCOTCH 3M, 1/2" FINELINE-#471 GREEN
	900390-01-000	EA	TIP-2 1/2" X 1/8" ORIFICE-ELLSWORTH #2180
	900390-03-000	EA	NOZZLES-SILICONE TUBE-CSL #D10
	110943-02-000	FT	3/8" FELT STRIP ADHESIVE

WASHERS

KEY	PARTNUMBER	U/M	DESCRIPTION
	000E11-07-00B	EA	WASHER-LOCKING-7/16 MED SPLIT-ZINC
	000E11-08-00B	EA	WASHER-LOCKING-1/2 MED SPLIT-ZINC
	000E13-14-00B	EA	WASHER-FLAT-1/4" WIDE-ZINC
	000E13-17-00B	EA	WASHER-FLAT-3/8" AR-ZINC
	000E13-18-00B	EA	WASHER-FLAT-3/8 WIDE-ZINC
	000E13-20-00B	EA	WASHER-FLAT-7/16" WIDE-ZINC
	000E13-21-00B	EA	WASHER-FLAT-W/2 NAR-ZINC
	041322-01-000	EA	WASHER-FLANGE-15/32 IDX 23/8 OD-FOR SEATBELT MOUN
	044533-01-000	EA	WASHER-PLASTIC-13/8 OD-FOR BUTTONS
	077071-01-000	EA	WASHER-FENDER, 3/16" IDX 1" OD

GROMMETS

KEY	PARTNUMBER	U/M	DESCRIPTION
	016188-03-000	EA	GROMMET-L/PLINE-3/8" HOLE X 2 1/2" LONG-RUBBER
	023942-01-000	EA	GROMMET-RUBBER-2" OD
	114208-02-000	EA	GROMMET-EDGE LINER-FITS.625-HEYCO 2073
	071015-11-000	EA	GROMMET-1.00 ID-FITS.12 MATL-MINOR RUBBER Z-3065
	071015-26-000	EA	GROMMET-RUBBER-1.5" IDX 2.12" OD W/.06" GROOVE-BLACK
	071015-29-000	EA	GROMMET-RUBBER-1/2 IDX 1 1/4 OD W.12 GROOVE-BLK-MCCLAIN

SEALANTS&FASTENERSGROUP(CONTINUED)

NUTSANDRIVETS

KEY	PARTNUMBER	U/M	DESCRIPTION
	000D24-10-00B	EA	NUT-HEX-SELFLOCKING-10-32ZINC
	000D29-09-00B	EA	NUT-HEX-SELFLOCKING-9/16-12-ZINC
	000D34-06-00B	EA	NUT-HEX-LOCKING-3/8-16GRADEZINC-PREVAILING T
	000D39-04-00B	EA	NUT-HEX-SERRATEDFLANGELOCKING 1/4-20-ZINC
	000D39-05-00B	EA	NUT-HEX-SERRATEDFLANGELOCKING-5/16-18-ZINC
	000D39-06-00B	EA	NUT-HEX-SERRATEDFLANGELOCKING-3/8-16-ZINC
	000D39-07-00B	EA	NUT-HEX-SERFLG LK-7/15-14ZINC
	000D39-08-00B	EA	NUT-HEX-SERRATEDFLANGELOCKING-1/2-13-ZINC
	000D44-07-00B	EA	NUT-HEX-SERRATEDFLANGELOCKING-7/16-20-ZINC
	000D46-04-00A	EA	NUT-HEX-WELD-1/4-20-PLAIN
	040921-01-000	EA	NUT-SPEED-UTYPE-10-24BLACK
	000H16-04-06R	EA	RIVET-POP,AL1/8X.313-.375
	069592-02-000	EA	RIVET-T-POP-1/4X.093-.156

CLAMPSANDTIES

KEY	PARTNUMBER	U/M	DESCRIPTION
	007161-01-000	EA	CLAMP-HOSE-SPRINGTYPE-1/2"
	010495-01-000	EA	CLAMP-CABLE-9/16"
	010497-01-000	EA	CLAMP-CLOSED-5/8"ID
	010497-03-000	EA	CLAMP-CLOSED-1"ID-CUSHIONED
	010497-04-000	EA	CLAMP-CLOSED-1.62"ID
	010497-08-000	EA	CLAMP-CLOSED,.125"
	010499-01-000	EA	CLAMP-CLOSED-3/8"ID
	056134-01-000	EA	HOLDER-RING-3.6"DIAMETER-METAL
	056134-02-000	EA	HOLDER-RING,1.8"DIAMETER-METAL
	062401-01-000	EA	CLAMP-HOSE-WORMGEAR.25"-1"
	062401-02-000	EA	CLAMP-HOSE-WORMGEAR1.56"-2.5"
	062401-03-000	EA	CLAMP-HOSE-WORMGEAR.22"-1"
	062401-04-000	EA	CLAMP-HOSE-WORMGEAR.69"-1.25"
	062401-06-000	EA	CLAMP-HOSE-WORMGEAR.22"-.62"
	062401-11-000	EA	CLAMP-HOSE-WORMGEAR3.56"-4.5"
	075148-02-000	EA	CLAMP-GROUNDING-BRONZESCREWS
	080211-05-000	EA	CLIP-XMASTREE-36MM-FASNAP09-280297
	080734-02-000	EA	CLIP-WIRE,NYLON
	083609-01-000	EA	CLAMP-WIRE-DUALEQUAL-5/8"DIAMETER
	083610-01-000	EA	CLAMP-WIRE-DUAL-UNEQUALDIAMETERS-.75"&1.25"
	091952-01-000	EA	CLIP-GRIPPER-1"
	091952-02-000	EA	CLIP-GRIPPER-3/4"
	101447-01-000	EA	CLIP-UTYPE-TINNERMAN HOLDSSHOWERSURROUNDTOGETHER
	008343-01-000	EA	TIE-WIRE-6"
	008343-02-000	EA	TIE-WIRE-14"
	008343-03-000	EA	TIE-WIRE7.5INBLACK-DENNISON10003
	085774-01-000	FT	FASTENER-DUALHOOK-1"WIDE-ADHESIVEBACK-BLACK
	085774-02-000	FT	FASTENER-DUALLOOP-1"WIDE-ADHESIVEBACK-BLACK
	108046-01-000	EA	CABLETIE-SCREWMOUNT8"-DENNISON08415
	108046-02-000	EA	CABLETIE-SCREWMOUNT15"-DENNISON10035

SEALANTS&FASTENERSGROUP(CONTINUED)

SCREWS

KEY	PARTNUMBER	U/M	DESCRIPTION
	0G3908-08-170	EA	SCREW-SF/DR-8-18X.50PPH-BRIGHTWHITE
	0G3910-12-170	EA	SCREW-SF/DR,10-16X.75PPH-BRIGHTWHITE
	0G6008-16-170	EA	SCREW-SF/DR,8-18X1.00POH-BRIGHTWHITE
	0G6710-08-170	EA	SCREW-10-12X1/2PPH,BRIGHTWHITE-TYPEA
	000C18-06-56A	EA	BOLT-ELEVATOR,3/8"-16X31/2"GRADE5
	000G11-05-08B	EA	SCREW-5-20X.50PPH-ZINC
	000G11-06-10J	EA	SCREW-6-20X5/8PPH-BRASS
	000G11-06-08B	EA	SCREW-6-20X.50PPH-ZINC
	000G11-06-06B	EA	SCREW-6-20X3/8PPH-ZINC
	000G11-07-08B	EA	SCREW-7-19X.50PPH-ZINC
	000G11-08-12B	EA	SCREW-8-18X.75PPH-ZINC
	000G11-08-08B	EA	SCREW-8-18X.50PPH-ZINC
	000G11-08-06B	EA	SCREW-8-18X3/8PPH-ZINC
	000G11-08-16S	EA	SCREW-8-18X1.00PPH-OFFWHITE
	000G11-08-12T	EA	SCREW-8-18X.75PPH-BLACK
	000G11-08-12S	EA	SCREW-8-18X.75PPH-OFFWHITE
	000G11-08-12P	EA	SCREW-8-18X.75PPH-DARKBROWN
	000G11-08-20B	EA	SCREW-8-18X1.25PPH-ZINC
	000G11-10-12S	EA	SCREW-10-16X.75PPH-OFFWHITE
	000G12-06-08T	EA	SCREW-6-20X.50POH-BLACK
	000G12-08-12S	EA	SCREW-8-18X.75POH-OFFWHITE
	000G13-05-10B	EA	SCREW-5-12X5/8PFHZN
	000G13-06-16J	EA	SCREW-6-20X1.00PFH-BRASS
	000G13-06-08B	EA	SCREW-6-20X.50PFH-ZINC
	000G13-06-24J	EA	SCREW-6-20X1.50PFH-BRASS
	000G13-07-12B	EA	SCREW-7-19X.75PFH-ZINC
	000G13-08-10B	EA	SCREW-8-18X5/8PFH-ZINC
	000G19-10-12F	EA	SCREW-MACHINE-10-32X.75-PPH-STAINLESSSTEEL
	000G32-10-06B	EA	SCREW-10-32X3/8"-PPH-ZINC
	000G39-06-16T	EA	SCREW-SF/DR-6-20X1PPH-BLACK
	000G39-06-10T	EA	SCREW-SF/DR-6-20X5/8PPH-BLACK
	000G39-06-08B	EA	SCREW-SF/DR-6-18X.50-ZINC
	000G39-08-24B	EA	SCREW-SF/DR-8-18X1.50PPH-ZINC
	000G39-08-16R	EA	SCREW-SF/DR-8-18X1.00PPH-BEIGE
	000G39-08-16B	EA	SCREW-SF/DR-8-18X1PPH-ZINC
	000G39-08-12B	EA	SCREW-SF/DR-8-18X.75PPH-ZINC
	000G39-08-08T	EA	SCREW-SF/DR-8-18X.50PPH-BLACK
	000G39-08-08S	EA	SCREW-SF/DR-8-18X.50PPH-OFFWHITE
	000G39-08-08B	EA	SCREW-SF/DR-8-18X.50PPH-ZINC
	000G39-10-08B	EA	SCREW-SF/DR-10-16X.50PPH-ZINC
	000G39-10-32B	EA	SCREW-SF/DR,10-16X2.00PPH-ZINC
	000G39-10-20B	EA	SCREW-SF/DR-10-16X1.25PPH-ZINC
	000G39-10-12R	EA	SCREW-SF/DR-10-16X.75PPH-BEIGE
	000G39-10-12D	EA	SCREW-SF/DR-10-16X.75PPH-BLACK
	000G39-10-12B	EA	SCREW-SF/DR-10-16X.75PPH-ZINC
	000G42-04-16B	EA	SCREW-SF/DR-1/4"-14X1HWH-ZINC
	000G42-04-12B	EA	SCREW-SF/DR-1/4-14X3/4HWH-ZINC
	000G46-08-24T	EA	SCREW-MACHINE-8-32X1.5PFH-BLACK
	000G50-04-12B	EA	SCREW-MACHINE-1/4-20X3/4PPH-ZINC
	000G52-08-18B	EA	SCREW-MACHINE-8-32X11/8PTH-ZINC
	000G54-04-20B	EA	SCREW-1/4-20X11/4PTH-TYPE23-ZINCPLATED
	000G55-08-16S	EA	SCREW-SF/DR-8-18X1.00-PWH-OFFWHITE
	000G55-08-12S	EA	SCREW-SF/DR-8-18X.75PWH-OFFWHITE
	000G56-12-48B	EA	SCREW-WOOD,12-11X3POH-SPECIALHARDENED
	000G60-10-20B	EA	SCREW-SF/DR,10-16X1.25POH-ZN

SEALANTS&FASTENERSGROUP(CONTINUED)

SCREWS(CONTINUED)

KEY	PARTNUMBER	U/M	DESCRIPTION
	000G60-10-28T	EA	SCREW-SF/DR,10-16X1.75-BLACK
	000G67-10-10B	EA	SCREW-10-12X5/8PPH-ZINC-TYPEA
	000G67-10-08R	EA	SCREW-10-12X1/2PPH-BEIGE-TYPEA
	000G67-10-08B	EA	SCREW-10-12X1/2PPH-ZINC
	000G67-10-12P	EA	SCREW-10-12X.75PPH-DARKBROWN
	000G67-10-12B	EA	SCREW-10-12X.75PPH-ZINC
	000G67-10-10S	EA	SCREW-10-12X5/8PPH-OFFWHITE
	000G67-10-10D	EA	SCREW-10-12X5/8PPH-BLACK-TYPEA
	000G67-10-36T	EA	SCREW-10-12X2.25PPH-BLACK-STALGARD
	000G67-10-32B	EA	SCREW-10-12X2PPH-ZINC
	000G67-10-24B	EA	SCREW-10-12X1.50PPH-ZINC
	000G67-10-20D	EA	SCREW-10-12X1.25PPH-BLACK
	000G67-10-16B	EA	SCREW-10-12X1PPH-ZINC
	000G67-10-120	EA	SCREW-10-12X.75PPH-TAN
	000G67-10-120	EA	SCREW-10-12X.75PPH-TAN
	000G67-10-12R	EA	SCREW-10-12X.75PPH-BEIGE
	000G68-06-10G	EA	SCREW-6-18X5/8POH-ANTIQUEBRASS
	049465-03-000	EA	SCREW,10-16X1POHW/WASHER-OFFWHITE
	054434-02-000	EA	SCREW-SF/DR-10-16X2ZN-TORQ'S#25HEAD
	057671-01-000	EA	COVER-SCREW-#8-PLASTIC-OFFWHITE
	087721-01-000	EA	SCREW-FLATHEAD-TAPPING-1/4"X1 1/4"LONG-ZINC
	097974-01-000	EA	SCREW-PARTBD7-9X.75PPH-FHM0543PLAIN
	101618-01-000	EA	SCREW-1/4-20X.75HEX-TAPPING-STALGARDTYPEF
	105126-01-000	EA	SCREW-CACH-8-32X1PPHTAPTIT-NW/LITEWAX

SEALANTS&FASTENERSGROUP(CONTINUED)

BOLTS

KEY	PARTNUMBER	U/M	DESCRIPTION
	0MC31K-08-020	EA	BOLT-HEX-SERRATEDFLANGE-M8X020
	000C12-05-16B	EA	BOLT-HEX-5/16-18X1-ZINC5
	000C12-06-16B	EA	BOLT-HEX-3/8-16X1LG-ZINC5
	000C12-07-20B	EA	BOLT-HEX,7/16-14X1 1/4"-ZN5
	000C12-08-24B	EA	BOLT-HEX-1/2-13X1.50-ZINC5
	000C12-10-24B	EA	BOLT-HEX-5/8-11X1.50-ZINC-5
	000C13-07-48B	EA	BOLT-HEX-7/16-20X3-ZINC5
	000C18-05-40A	EA	BOLT-ELEVATOR-5/16-18X2.50-PL
	000C18-06-48B	EA	BOLT-ELEVATOR-3/8-16X3-ZINC-GRADE5
	000C26-04-14B	EA	BOLT-HEX-SERRATEDFLANGE-1/4-20X7/8-ZINC
	000C26-04-10B	EA	BOLT-HEX-SERRATEDFLANGE-1/4-20X5/8-ZINC
	000C26-05-12B	EA	BOLT-HEX-SERRATEDFLANGE-5/16-18X3/4-ZINC
	000C26-05-16B	EA	BOLT-HEX-SERRATEDFLANGE-5/16-18X1-ZINC
	000C26-06-12B	EA	BOLT-HEX-SERRATEDFLANGE-3/8-16X3/4-ZINC
	000G45-05-16B	EA	BOLT-LAG5/16-9X1-ZINC
	106166-01-000	EA	BOLTCOLLAREDHANGER-8-32X1"

WATER & SEWAGE GROUP

FRESHWATER TANK

KEY	PARTNUMBER	U/M	DESCRIPTION
	064214-19-000	EA	TANK-WATER-31 GALLON W/FITTINGS
	064214-01-000	EA	TANK-WATER, 31 GALLONS-W/O FITTINGS-24" X 12.75" X 30"
	042989-03-000	EA	FITTING-WATERTANK-SPINWELD-1 1/4" NPT-PLASTIC
	042989-04-000	EA	FITTING-WATERTANK, SPINWELD-3/8" FPT-PLASTIC-WHITE
	042989-05-000	EA	FITTING-WATERTANK-SPINWELD-1/2" FPT-PLASTIC
	049032-01-000	EA	PATCH-SPINWELD-3/8"-PLASTIC
	077954-02-000	EA	FILTER-WATERTANK-W/SCREEN INTANK
	010224-01-000	EA	ADAPTER-HOSE TO PIPE-3/8" MPT X 3/8" BARB-PLASTIC
	044927-01-000	EA	ADAPTER-HOSE TO PIPE, 1 1/4" MPT X 1 1/4" BARB-BLACK PLASTIC

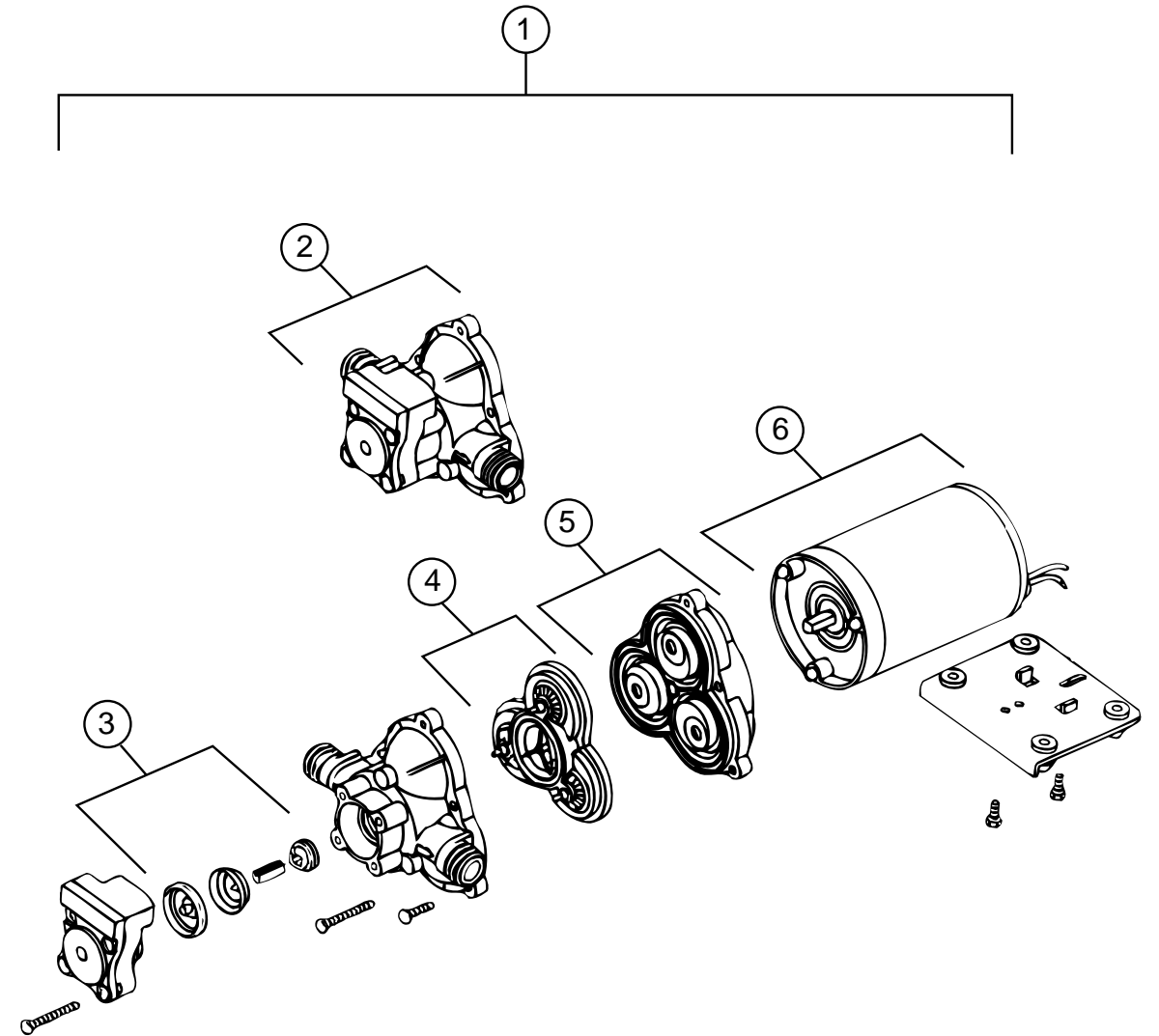
WATER SYSTEM

KEY	PARTNUMBER	U/M	DESCRIPTION
	046128-01-000	EA	VALVE-DRAIN-PLASTIC-1/2" FPT
	110438-01-000	EA	VALVE-CHECK-BRASS
	110438-02-000	EA	VALVE-CHECK-BRASS-MPT X MPT FROM: 00-00-00 THRU: 02-16-97 FROM: 02-17-97 THRU: 99-99-99
	046128-01-000	EA	VALVE-DRAIN-PLASTIC-1/2" FPT
	114430-02-000	EA	ADAPTER-SWIVEL-1/2" P X 1/2" FPT
	114430-03-000	EA	ADAPTER-1/2" P X 1/2" MPT
	114430-06-000	EA	ADAPTER-1/2" P X 3/8" FPT
	010224-01-000	EA	ADAPTER-HOSE TO PIPE-3/8" MPT X 3/8" BARB-PLASTIC
	123152-01-000	EA	ADAPTER-1/2" FPT X 1/2" BARB-SWIVEL
	079381-01-000	FT	TUBING-SMOOTH FLEXIBLE-1 3/8" ID X 20'
	039800-02-000	FT	TUBING-POLYBUTYL-5/8" OD X 20'-INCR OF 20'
	039800-05-000	FT	TUBING-POLYBUTYL-5/8" OD X 20'
	074462-02-000	FT	TUBING-VINYL-3/8" ID X 20'-CLEAR
	114428-01-000	EA	TEE-1/2" P X 1/2" P X 1/2" P
	114428-02-000	EA	TEE-SWIVEL-1/2" P X 1/2" P X 1/2" FPT
	114429-01-000	EA	ELBOW-1/2" P X 1/2" P
	114429-02-000	EA	ELBOW-1/2" P X 1/2" MPT
	114429-03-000	EA	ELBOW-FLAIR-IT SWIVEL-1/2" P X 1/2" FPT
	114429-04-000	EA	ELBOW-1/2" P X 3/8" MPT-MCCLAINS ANNIVERSARY OPTION
	123150-01-000	EA	ELBOW-1/2" FPT X 1/2" BARB-SWIVEL
	114431-01-000	EA	WATER VALVE-3 POSITION-"DRAIN VALVE"
	114431-02-000	EA	WATER VALVE-2 POSITION-"BYPASS VALVE"
	110915-01-01A	EA	FILL-WATER, CITY-CHROME-KEVCO 64713
	113697-01-000	EA	CAP-3/8" FTG
	115029-01-000	FT	HOSE-3/8" ID, WATER

EXTERIOR SHOWER

KEY	PARTNUMBER	U/M	DESCRIPTION
	106208-01-01A	EA	COMPARTMENT-EXTERIOR SHOWER, OFF WHITE PLASTIC
	103092-02-000	EA	SHOWERHEAD-W/HOSE, CANADIAN
	103092-01-000	EA	SHOWERHEAD-W/60" HOSE
	093527-02-000	EA	BRACKET-SQUEEGEE/SHOWERHEAD
	091952-02-000	EA	CLIP-3/4" GRIPPER
	075241-05-000	EA	FAUCET-SHOWER, BONE
	114428-01-000	EA	TEE-1/2" P X 1/2" P X 1/2" P-FLAIR-IT 02820
	114429-03-000	EA	ELBOW-FLAIR-IT SWIVEL 1/2" P X 1/2" FPT
	057457-01-000	EA	ELBOW-UNION, 1/2" P X 1/2" FLARE
	046128-01-000	EA	VALVE-DRAIN, PLASTIC-1/2" FPT
	052959-02-000	EA	CONNECTOR, 1/2" F X 1/2" MPT-PLASTIC-GRAY
	114430-02-000	EA	ADAPTER-SWIVEL, 1/2" P X 1/2" FPT-FLAIR-IT 02873

WATER & SEWAGE GROUP (CONTINUED)



WATER PUMP-SHURFLO

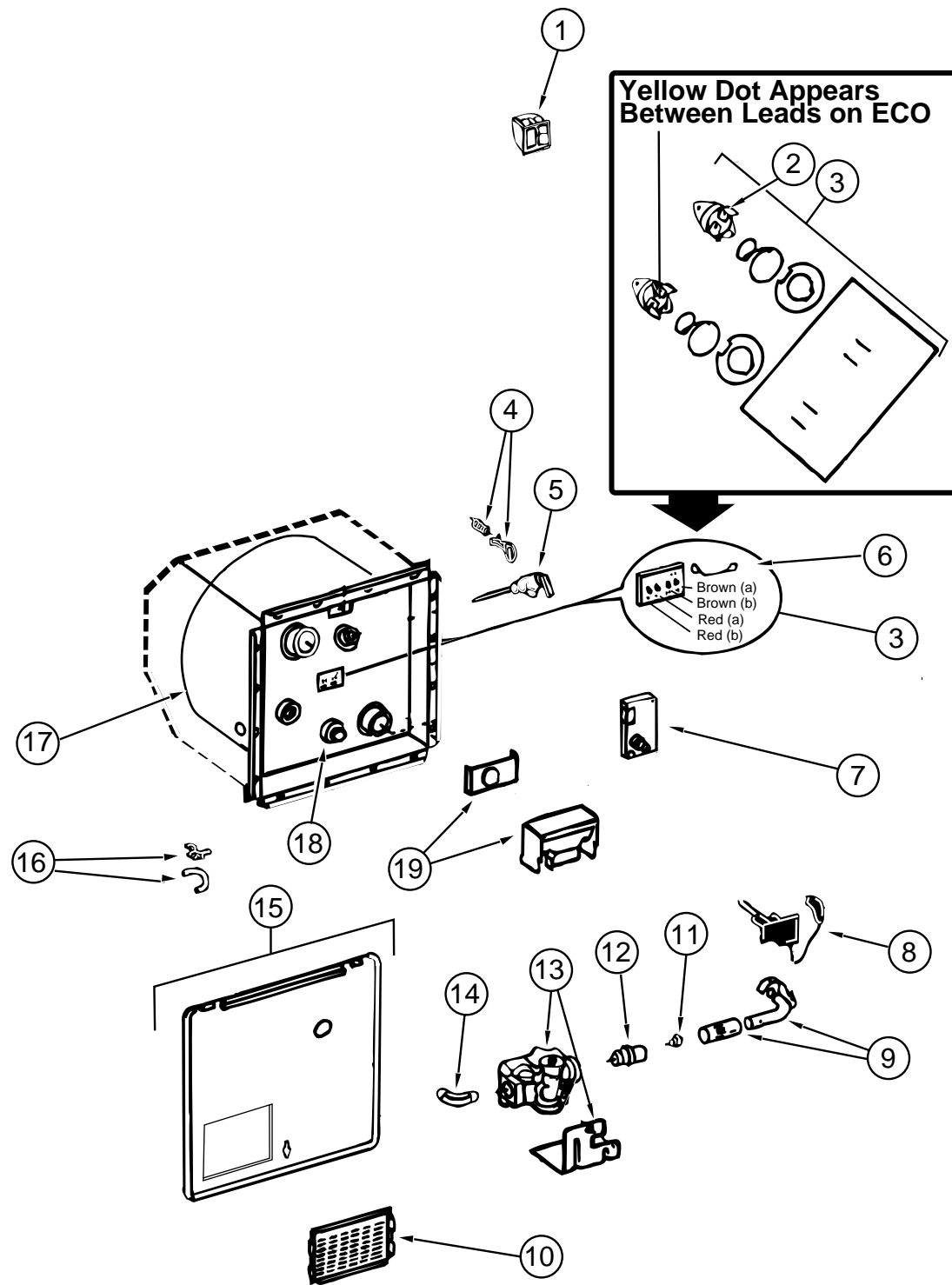
KEY	PARTNUMBER	U/M	DESCRIPTION	VENDOR NO.
1	098607-01-000	EA	PUMP-WATER, W/.5" MPT FITTING-FLOW 2.8 GPM-UL	
2	098607-01-706	EA	HOUSING, W/SWITCH ONLY	94-231-20
3	098607-01-705	EA	VALVE-CHECK, KIT	94-237-00
4	098607-01-703	EA	VALVE KIT	94-232-00
5	098607-01-702	EA	DIAPHRAGM/DRIVE ASSEMBLY KIT	94-238-04
6	098607-01-707	EA	MOTOR W/BASE PLATE	11-148-04

WATER FILTER-MCCLAINS ANNIVERSARY OPTION

KEY	PARTNUMBER	U/M	DESCRIPTION	VENDOR NO.
	701069-01-000	EA	WATER PURIFICATION SYSTEM	9252
	701069-03-700	EA	CARTRIDGE REPLACEMENT	9592-06

WATER & SEWAGE GROUP (CONTINUED)

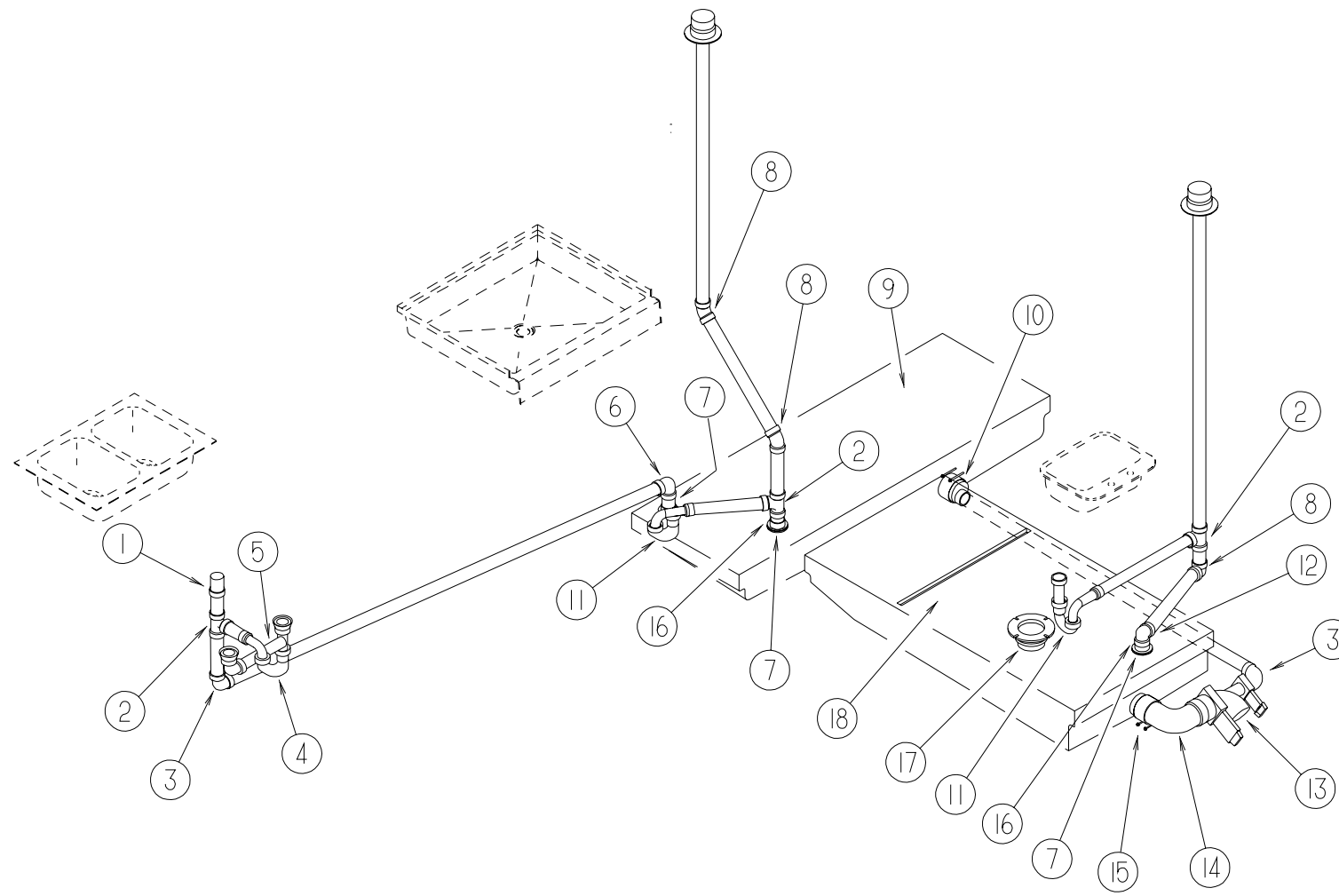
WATER HEATER W/O MOTOR AID - ATWOOD G6A-8E



KEY	PARTNUMBER	U/M	DESCRIPTION	VENDOR NO.
	051391-03-000	EA	WATERHEATER-ATWOODG6A-8EELECTRICIGNITION	
1	097967-01-000	EA	SWITCH-WATERHEATER, REMOTEW/LIGHT 91959	
2	051391-04-701	EA	THERMOSTAT 12VDC-120PRESET	91470
3	051393-01-721	EA	THERMOSTAT W/ECO, 140 FRONT MOUNT	91447
4	051391-01-705	EA	FASTENER-CAM LOCK	92609
5	051391-01-704	EA	VALVE-RELIEF, 1/2" FITTING	91604
6	051393-01-723	EA	SWITCH-THERMAL-CUTOFF 2/PKG	93866
7	051393-01-724	EA	BOARD-CIRCUIT, SPADE TERMINAL	93865
8	051393-01-725	EA	ELECTRODE-SGL SPADE CONNECT.	93868
9	051391-04-703	EA	BURNER-MAIN	91638
10	051391-01-717	EA	GRILLE-WATERHEATER DOOR	92640
	051391-01-716	EA	GRILLE ONLY (GOES ON FLUE BOX)	91786
11	051391-01-710	EA	ORIFICE-MAIN BURNER	92742
12	051391-03-700	EA	HOLDER-ORIFICE	91563
13	051393-01-726	EA	VALVE-SOLENOID, W/BRACKET	93870
14	051391-01-714	EA	FITTING-ELBOW, 45 DEGREE - 3/8" X 3/8" MPT	1044
15	052009-07-000	EA	DOOR-WATERHEATER, 18" X 14.6" - METAL - SABLE	
	116424-01-000	EA	PROTECTOR-WATERHEATER LATCH, ADHESIVE BACKED ROUND VINYL	
16	051391-01-700	EA	HINGE KIT, (PIN & CLIP)	92568 & 92559
17	051391-04-706	EA	TANK-INNER, G6A-4E & 6E FRONT MOUNT	91641
18	051391-01-715	EA	PLUG-DRAIN, 1 EA = 2 PER PKG	91857
19	051391-04-707	EA	KIT-EXHAUST, (FLUE & GASKET)	90960
	111129-01-711	EA	BRACKET-CORNER, SET OF FOUR	91928

WATER & SEWAGE GROUP (CONTINUED)

DRAINAGE SYSTEM

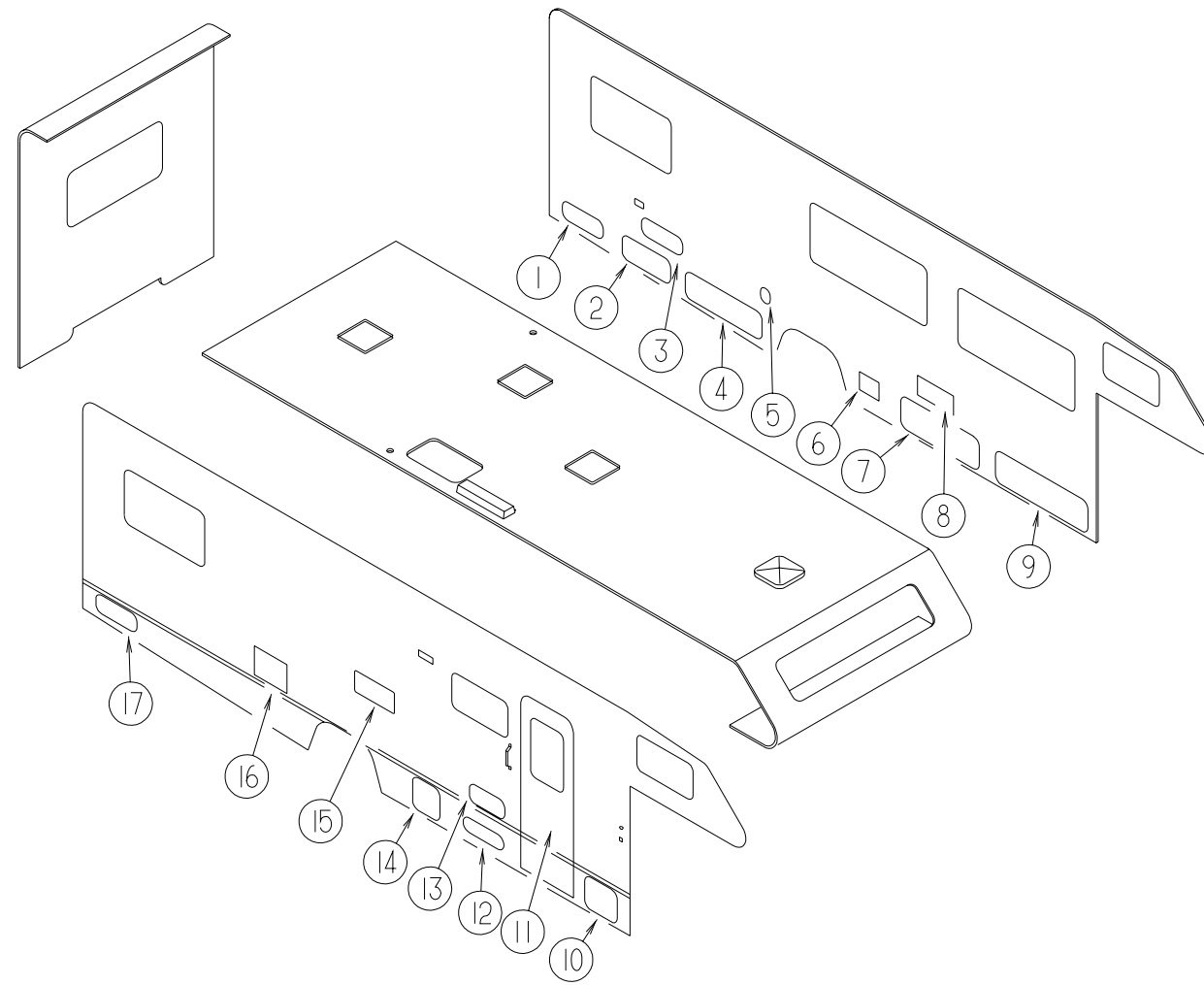


KEY	PARTNUMBER	U/M	DESCRIPTION
1	079968-01-000	EA	VENT-MECHANICAL/TRAP ARM-ANTI-SIPHON-2"X7.3"PLASTIC
2	010071-01-000	EA	TEE-SANITARY, 1 1/2" HUB X HUB X HUB-PLASTIC-BLACK
3	010008-01-000	EA	ELBOW-90 DEG-1/4 BEND-1 1/2" HUB X HUB-PLASTIC
4	107538-01-000	EA	P-TRAP-PLASTIC-1 1/4" W/EXTENSION ARM
4	011071-01-000	EA	PTRAP-PLASTIC 1 1/2"-CANADIAN
	109571-01-000	EA	ADAPTER-P-TRAP-1 1/2" P X 1 1/4" MPT
5	011091-02-000	EA	WASTE-CONTINUOUS-DOUBLE SINK
6	034250-01-000	EA	ELBOW-90 DEG-LONG TURN-1 1/2" HUB X HUB-ABS
7	061607-01-000	EA	GROMMET-HOLDING TANK-1 1/2" NPS
8	010006-01-000	EA	ELBOW-45 DEG-1/8 BEND-1 1/2" HUB X HUB-PLASTIC
9	123803-01-000	EA	TANK-HOLDING, 33 GALLON
10	089355-01-000	EA	COUPLER-RUBBER 1 1/2" X 1 1/2"
11	107538-01-000	EA	P-TRAP-PLASTIC-1 1/4" W/EXTENSION ARM
11	011066-03-700	EA	PTRAPKIT 1 1/2" X 1 1/2" P-TRAP W/1 1/2" TO 1 1/4" REDUCER-CANADIAN
	109571-01-000	EA	ADAPTER-P-TRAP-1 1/2" P X 1 1/4" MPT

KEY	PARTNUMBER	U/M	DESCRIPTION
12	010051-01-000	EA	ELBOW-45 DEGREE-1 1/2" SPIGOT & HUB-BLACK PLASTIC
13	070916-01-000	EA	VALVE-DUAL DUMP-W/CAP-3" X 1 1/2"
	070916-01-700	EA	VALVE ONLY (WASTE) 3" T1003BU
	070916-01-701	EA	VALVE ONLY (WASTE 1 1/2") T1001BU
	062419-05-000	EA	BRACKET-VALVE, LOCKING - KEVCO T1003-UC
	062419-06-000	EA	HANDLE-T - KEVCO CT1003-6
	010201-01-000	EA	HOSE-SEWER-3" ID X 8'
	062416-01-000	EA	ADAPTER-SEWER HOSE TO 3" PIPE
14	041956-01-000	EA	ELBOW-STREET-PLASTIC-1/4 BEND-3" X 90 XLT
15	078406-01-000	EA	COUPLER-RUBBER-W/CLAMPS-3" X 3"
16	010115-01-000	EA	COUPLING-1 1/2" HUB X HUB-PLASTIC
17	061607-02-000	EA	GROMMET-HOLDING TANK-3" NPS
	063641-01-000	EA	FLANGE-CLOSET-4" X 3"
	116644-01-000	EA	FLANGE-CLOSET-4" X 3"-MCCLAINS ANNIVERSARY OPTION
18	102762-01-000	EA	TANK/HOLDING-42 GALLON 57.4" X 8.4" X 29"-AUXILIARY

WINDOW, VENT & EXTERIOR DOOR GROUP

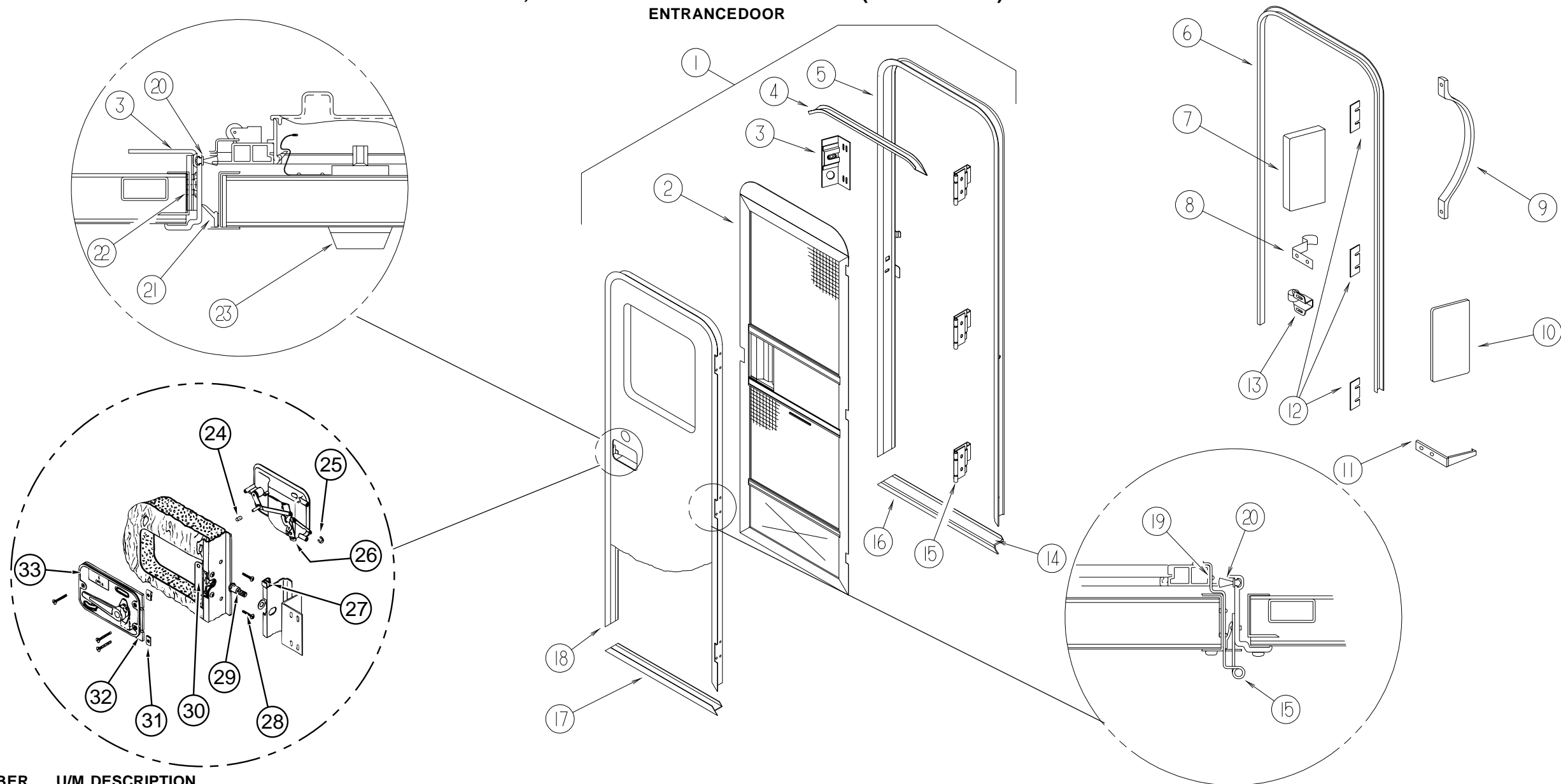
EXTERIOR DOORS



KEY	PARTNUMBER	U/M	DESCRIPTION
1	104558-08-FB1	EA	DOORASM-STORAGE
2	104558-56-H04	EA	DOOR-STORAGE-W/OPADDLELATCH
3	111017-02-F24	EA	DOOR-STORAGE/EXTERIORSHOWER
4	104558-57-H04	EA	DOOR-STORAGE-W/OPADDLELATCH
5	081240-16-000	EA	DOOR-WATERFILL-LOCKABLEW/OLOCK-4"X45/8"
6	088794-06-000	EA	DOOR-POWERCORDW/HATCH-11"X9.2"
7	104558-43-G04	EA	DOOR-STORAGEW/OPADDLELATCH-29.12"WIDE
	089329-01-000	EA	CLIP-SPRING,3/8"-METAL
	101667-05-000	EA	PROPROD
8	098668-23-000	EA	DOOR-ACCESS-FURNACE
9	104558-13-F16	EA	DOOR-STORAGEW/OPADDLELATCH-47"HIGH
10	104558-19-F16	EA	DOORASM-STORAGE
11	115108-01-H04	EA	DOOR-ENTRY,W/SCREENDOOR-W/OWINDOW(H04)
11	115108-01-H05	EA	DOOR-ENTRY,W/SCREENDOOR-W/OWINDOW(H05)
11	115108-01-H24	EA	DOOR-ENTRY,W/SCREENDOOR-W/OWINDOW(H24/H26)

KEY	PARTNUMBER	U/M	DESCRIPTION
12	111009-01-GB1	EA	DOOR-COMPARTMENT/LP-6.5"X20.8"
13	111017-01-H23	EA	DOOR-PATIOENTERTAINMENTCENTER-W/OLATCH-17.8"X8.1"
14	104558-14-F16	EA	DOOR-STORAGE-W/OPADDLELATCH-13.6"
15	084103-08-000	EA	DOOR-REFRIGERATOR-VENTED-W/OJAMB
	084104-08-000	EA	JAMB-REFRIGERATORDOOR
	084104-01-700	EA	LOCK-MALE,FASTENER 201-721-010
	084104-01-701	EA	LOCK-FEMALE,FASTENER 201-802-010
16	052009-06-000	EA	DOOR-WATERHEATER-W/OLATCHES
	116424-01-000	EA	PROTECTOR-WATERHEATERLATCH
17	104558-06-H33	EA	DOORASM-STORAGE

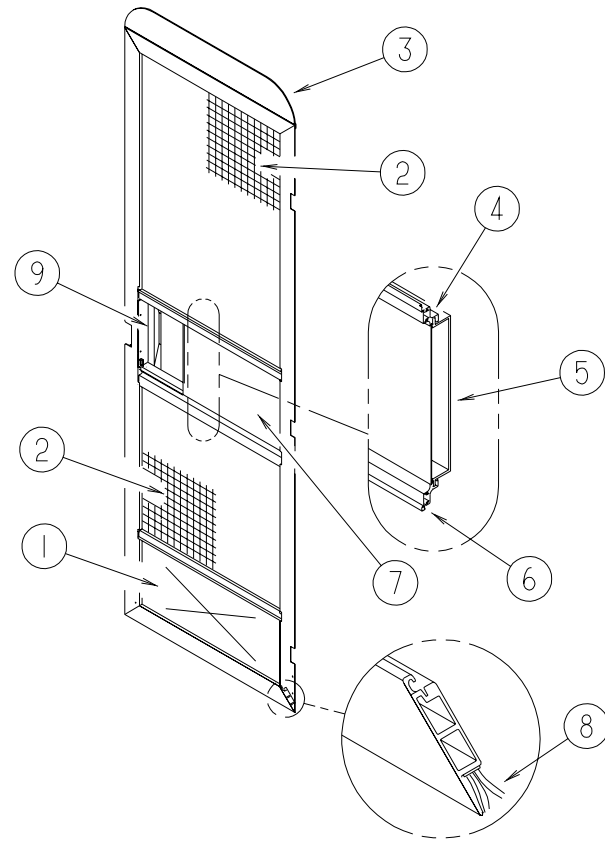
WINDOW, VENT & EXTERIOR DOOR GROUP (CONTINUED)
ENTRANCE DOOR



KEY	PARTNUMBER	U/M	DESCRIPTION
1	115108-01-H04	EA	DOOR-ENTRY, W/SCREENDOOR-W/OWINDOW(H04)
1	115108-01-H05	EA	DOOR-ENTRY, W/SCREENDOOR-W/OWINDOW(H05)
1	115108-01-H24	EA	DOOR-ENTRY, W/SCREENDOOR-W/OWINDOW(H24/H26)
2	121899-03-GB1	EA	DOORASM-SCREEN
3	041546-07-000	EA	BRACKET-DOORANGLE
4	044582-44-000	EA	CAP-DRIP-JAMBMTD, BRIGHTWHITE
5	121898-03-01A	EA	JAMB-DOOR/ENTRANCE-BRIGHTWHITE
6	115222-04-01A	EA	GARNISH-DOOR/ENTRY-RADIUS-OFFWHITE
7	077461-05-000	EA	COVER/BRACKET-STRIKE-OFFWHITE
8	100412-01-000	EA	CATCH-SCREENDOOR
9	009126-03-000	EA	HANDLE-ASSIST-BLACKTEXTURED
10	076725-02-000	EA	COVER-HINGE, ENTRYDOOR-6"X3.2"
11	102768-01-000	EA	HOLDER-COMPARTMENT/ENTRYDOOR, METAL-MILLFINISH
12	102248-01-000	EA	SHIM-DOOR
13	100412-01-000	EA	CATCH-SCREENDOOR
14	038327-01-000	EA	TAPE-ANTISLIP, 2"X60'
15	106719-01-05A	EA	HINGE-ENTRANCEDOOR, BRIGHTWHITE
	106719-01-01A	EA	HINGE-ENTRANCEDOOR, MILL
	039715-01-000	EA	NUT-SERT, 1/4" DIAMETER-20 THREADS-ENTRANCEDOORHINGE
	116111-02-01A	EA	SCREW-TAPTITE-1/4-20X3/8PPH-ZINC
16	051049-01-000	EA	JAMB-BOTTOM, ENTRYDOOR-25.9"-UNPAINTED
17	121893-01-01A	EA	FRAME-ENTRYDOOR-BOTTOM-BRIGHTWHITE
18	121894-07-01A	EA	FRAME-ENTRYDOOR-BRIGHTWHITE
	098173-01-07A	EA	STIFFENER-ENTRYDOOR, BRIGHTWHITE
	098173-01-04A	EA	STIFFENER-ENTRYDOOR, SUPPORTSLATCH/STRIKEAREA
	072893-04-000	EA	NUTSERT-10-32, ENTRANCEDOORSTIFFENER

KEY	PARTNUMBER	U/M	DESCRIPTION
19	122241-01-01A	EA	BUMPER-FOAMRUBBER-BLACK
20	100128-02-000	FT	SEAL-FOAM, ADHESIVEBACK-.37"WX.37"THICK
21	118929-01-01A	FT	SEAL-PILE-PUSHON
22	075671-04-000	FT	SEAL-SPONGE, LAZYT SHAPE-W/ADHESIVESTRIP-.5"WIDE
23	104692-01-000	FT	SEAL-ADHESIVEBACKFOAMSEAL-3/4"X3/4"
	101145-01-06A	EA	DEADBOLT-ENTRYDOORW/SECURITYBOLTW/2KEYS-BLACK
	101147-01-000	EA	BOLT-SECURITY, 4.12"BACKSET
	095229-01-700	EA	KEY-BLANK, DEADBOLT 81205-03
	101145-01-701	EA	CYLINDER-LOCKASM., W/KEY 81306-03
24	039984-01-000	EA	CAP-ROUND-VINYL-.28"IDX.62"-BLACK
25	036618-02-000	EA	ERING-EXTERNAL-3/16"SHAFTDIAMETER-LYNORDOORLOCK
26	045017-13-000	EA	LATCH-ENTRYDOOR-BLACKTEXTURED
	045017-11-701	EA	KEY-BLANK, F1SERIES 81312-02
	045017-11-703	EA	CYLINDER-LOCKASM.W/KEYS 81266-09
	045017-11-703	EA	CYLINDER-LOCKASM.W/KEYS 81266-09
27	064075-07-000	FT	SEAL-BULB, W/WIREDUCHANNEL-.3"X.5"CHANNEL-BLACK
28	000G54-04-20B	EA	SCREW-1/4-20X11/4PTH TYP23
29	039539-01-000	EA	STRIKE-LOCK, ENTRYDOOR-ROUNDW/THREADEDWASHER
30	039540-01-000	EA	LATCHMECHANISM-HOOK-ENTRYDOOR-INTERIOR
31	040921-01-000	EA	NUT-SPEED-UTYPE10-24BLACK
32	096810-01-01A	EA	PLATE-LATCH, ENTRYDOOR-PLASTIC-BLACK
33	039979-06-000	EA	COVER-LATCHPLATE-RIGHTHAND-BLACKTEXTURED
	086285-05-000	EA	SPACER-NYLON, 17.91ODX14.3-MICROPLAS17W07051
	104099-01-04A	EA	CATCH-DOORHOLDER, STRIKE-BRIGHTWHITE
	104099-02-04A	EA	CATCH-DOORHOLDER, RETAINER-BRIGHTWHITE

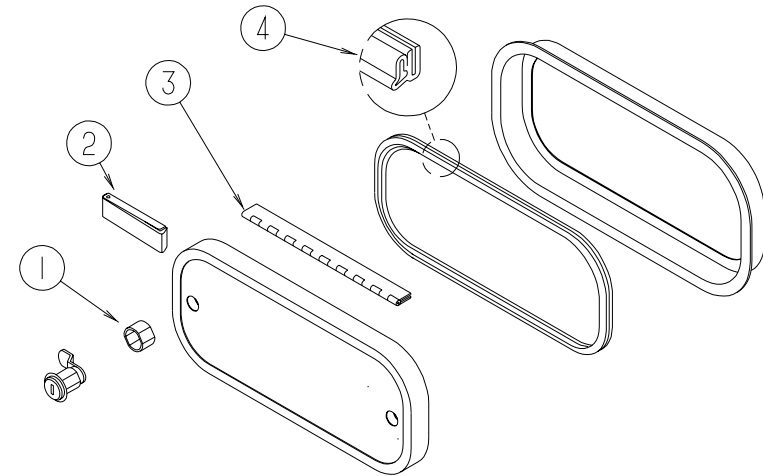
WINDOW, VENT & EXTERIOR DOOR GROUP (CONTINUED)



SCREEN DOOR COMPONENTS

KEY	PARTNUMBER	U/M	DESCRIPTION
	121899-03-GB1	EA	DOOR-SCREEN-W/O HARDWARE
1	078552-03-000	EA	KICK PANEL-SCREEN DOOR-LOWER INSERT-UNPAINTED
2	002293-02-000	SF	SCREENING-WINDOW/DOOR-26"
3	078595-01-000	EA	TOP PLATE-SCREEN DOOR-CURVED TOP-4.7" X 25.35"
4	078777-01-000	EA	CHANNEL-SLIDE-SCREEN DOOR CENTER SLIDER COVER
5	079086-03-000	EA	SLIDER-SCREEN DOOR-BRIGHT WHITE
	079087-03-000	EA	STRIKE-SLIDER-SCREEN DOOR-BRIGHT WHITE
6	002294-01-000	FT	SPLINE-SCREENING-.005" X .0054"
7	016454-01-000	EA	INSERT-CENTER-LEATHER GRAIN ALUMINUM-UNPAINTED
	001014-01-013	EA	INSERT-CENTER-10.25" X 16.31"-UNPAINTED
8	075673-01-000	FT	SEAL-PILE-ADHESIVE BACK-GRAY
9	050712-06-000	EA	HANDLE-SCREEN DOOR-BRIGHT WHITE

WINDOW, VENT & EXTERIOR DOOR GROUP (CONTINUED)

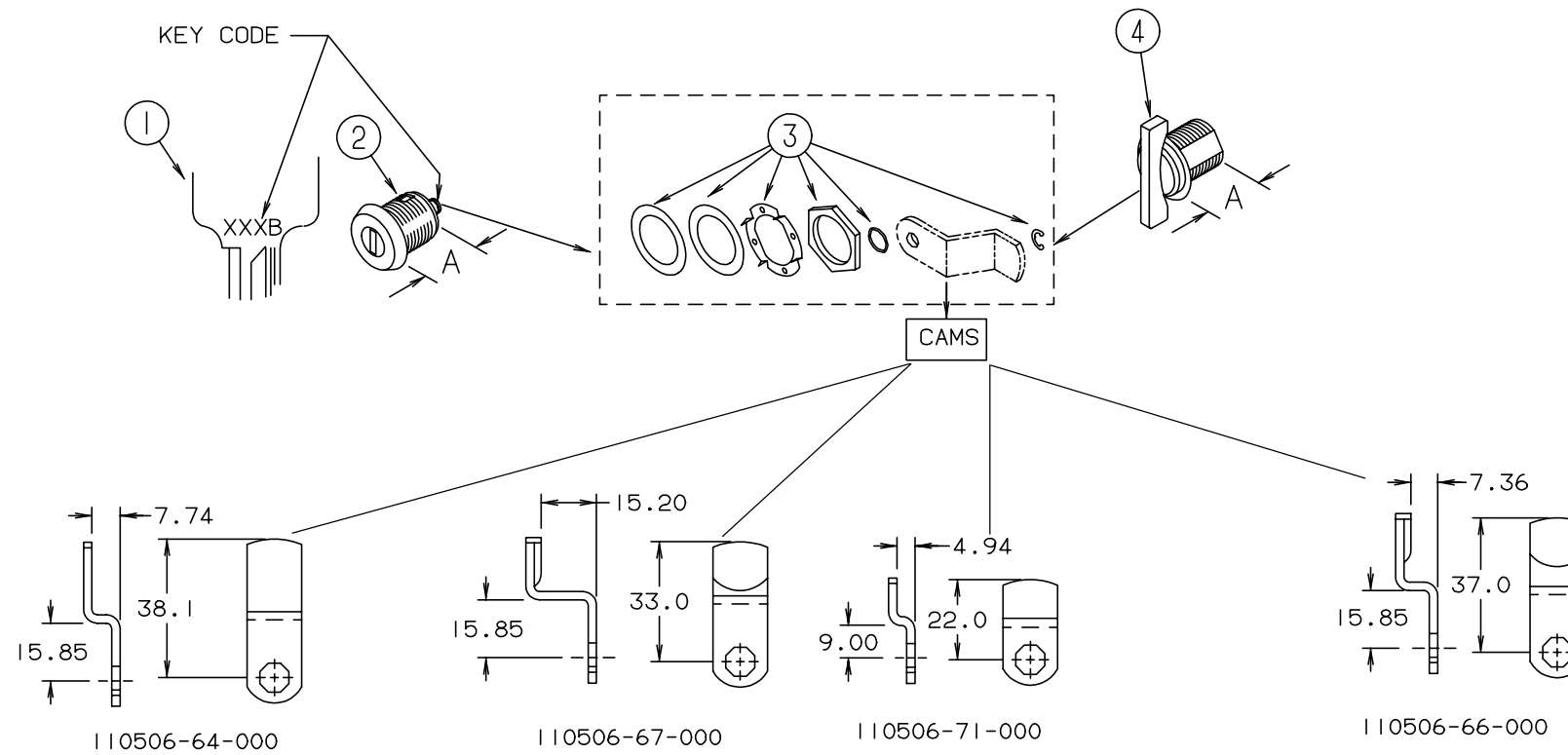


EXTERIOR DOOR COMPONENTS

KEY	PARTNUMBER	U/M	DESCRIPTION
1	107997-51-001	EA	SPACER-DOOR LOCK-.6" DEEP
	107997-51-002	EA	EXTRUDED-SPACER-16'
2	102768-01-000	EA	HOLDER-COMPARTMENT/ENTRY DOOR-METAL-MILL FINISH
3	081801-V3-000	EA	HINGE-ALUMINUM-2" X 96"-BRIGHT WHITE
3	034007-B3-000	EA	HINGE-CONTINUOUS-1.5" X 96"-BRIGHT WHITE
	081801-02-000	EA	HINGE-DOOR-PIANO-2" X 96"
	081801-T3-000	EA	HINGE-ALUMINUM-2" X 20.5"-BRIGHT WHITE
	009065-01-000	EA	HINGE-ALUMINUM-1 1/2" X 96"-UNPAINTED
4	064075-07-000	FT	SEAL-BULB-W/WIRED CHANNEL-.3" X .5" CHANNEL-BLK
	106850-01-000	FT	SEAL-E-SPONGERUBBER-.43" X .75"
	104692-01-000	FT	SEAL-ADHESIVE BACK FOAM SEAL-3/4" X 3/4"
	091876-01-000	EA	RETAINER-DOOR-1.9" X .8"-METAL

WINDOW, VENT & EXTERIOR DOOR GROUP (CONTINUED)

NOTE:
 WHEN ORDERING THE LOCK CASE, THE KEY CODE MUST MATCH THE LAST DIGIT OF THE VEHICLE'S SERIAL NUMBER AND PART NUMBER; WHEN ORDERING THE KEYS, THE THIRD DIGIT OF THE KEY CODE MUST MATCH THE LAST DIGIT OF THE VEHICLE'S SERIAL NUMBER AND PART NUMBER

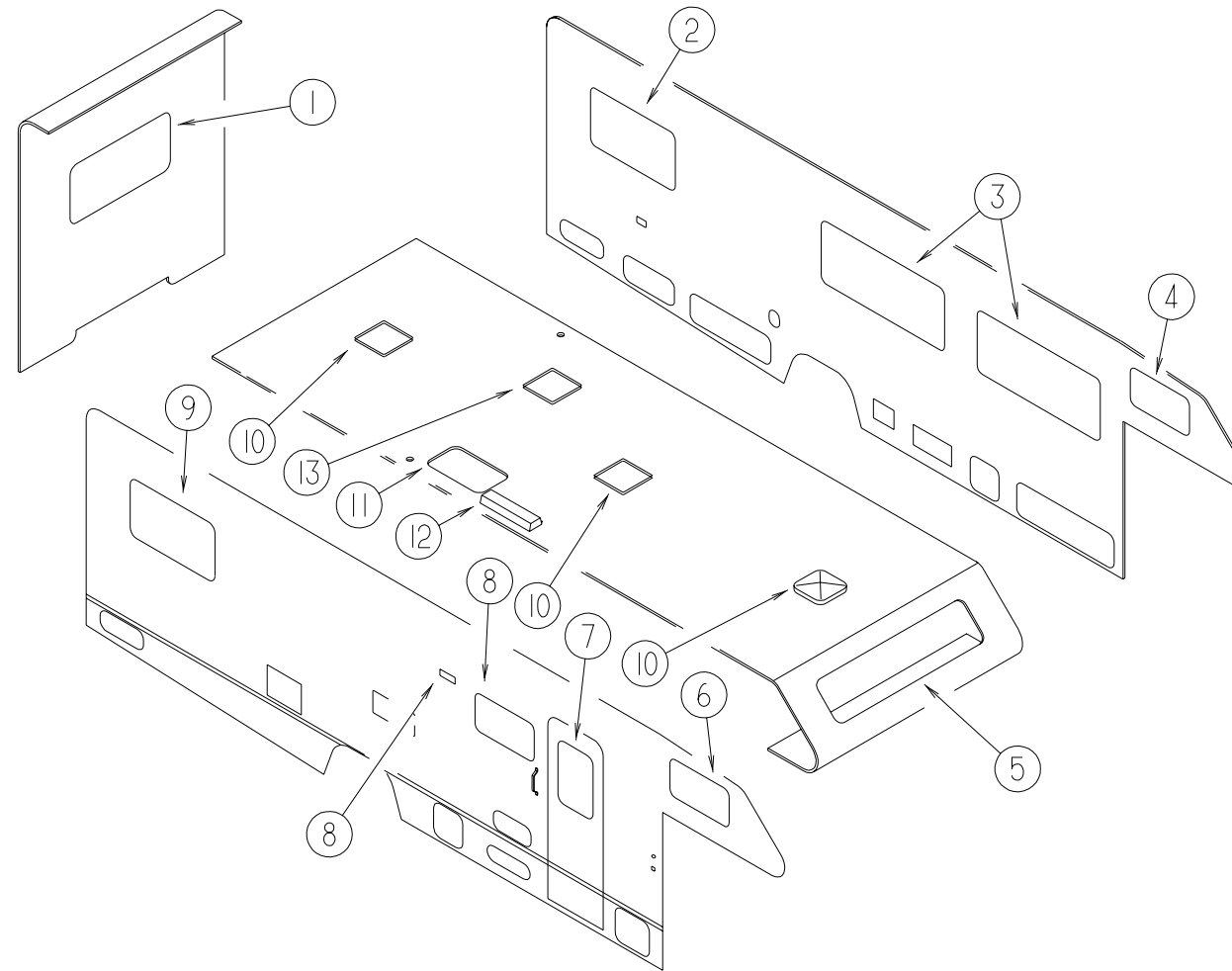


BRIGGS & STRATTON LOCKS & COMPONENTS

KEY	PART NUMBER	U/M	DESCRIPTION	VENDOR NO.	KEY	PART NUMBER	U/M	DESCRIPTION	VENDOR NO.
1	110506-59-000	EA	KEYS-SET OF TWO	596720	1	110506-59-007	EA	KEYS-SET OF TWO	596727
2	110506-52-000	EA	CASE-LOCK, A = 17 MM	702370	2	110506-52-007	EA	CASE-LOCK, A = 17 MM	702377
2	110506-53-000	EA	CASE-LOCK, A = 25 MM	702380	2	110506-53-007	EA	CASE-LOCK, A = 25 MM	702387
1	110506-59-001	EA	KEYS-SET OF TWO	596721	1	110506-59-008	EA	KEYS-SET OF TWO	596728
2	110506-52-001	EA	CASE-LOCK, A = 17 MM	702371	2	110506-52-008	EA	CASE-LOCK, A = 17 MM	702378
2	110506-53-001	EA	CASE-LOCK, A = 25 MM	702381	2	110506-53-008	EA	CASE-LOCK, A = 25 MM	702388
1	110506-59-002	EA	KEYS-SET OF TWO	596722	1	110506-59-009	EA	KEYS-SET OF TWO	596729
2	110506-52-002	EA	CASE-LOCK, A = 17 MM	702372	2	110506-52-009	EA	CASE-LOCK - A = 17 MM	702379
2	110506-53-002	EA	CASE-LOCK, A = 25 MM	702382	2	110506-53-009	EA	CASE-LOCK - A = 25 MM	702389
1	110506-59-003	EA	KEYS-SET OF TWO	596723	3	110506-40-700	EA	HARDWARE KIT	
2	110506-52-003	EA	CASE-LOCK, A = 17 MM	702373	4	110506-50-000	EA	CASE-TWIST LOCK, A = 17 MM	596952
2	110506-53-003	EA	CASE-LOCK, A = 25 MM	702383	4	110506-51-000	EA	CASE-TWIST LOCK, A = 25 MM	596669
1	110506-59-004	EA	KEYS-SET OF TWO	596724		110506-40-000	EA	CLIP-E LOCK ASSEMBLY	93981
2	110506-52-004	EA	CASE-LOCK, A = 17 MM	702374		110506-64-000	EA	CAM-LOCK	322280
2	110506-53-004	EA	CASE-LOCK, A = 25 MM	702384		110506-67-000	EA	CAM-LOCK	322283
1	110506-59-005	EA	KEYS-SET OF TWO	596725		110506-71-000	EA	CAM-LOCK	322287
2	110506-52-005	EA	CASE-LOCK, A = 17 MM	702375		110506-72-000	EA	CAM-LOCK	322354
2	110506-53-005	EA	CASE-LOCK, A = 25 MM	702385		110506-59-701	EA	KEY-BLANK, GOLD	
1	110506-59-006	EA	KEYS-SET OF TWO	596726					
2	110506-52-006	EA	CASE-LOCK, A = 17 MM	702376					
2	110506-53-006	EA	CASE-LOCK, A = 25 MM	702386					

WINDOW, VENT & EXTERIOR DOOR GROUP (CONTINUED)

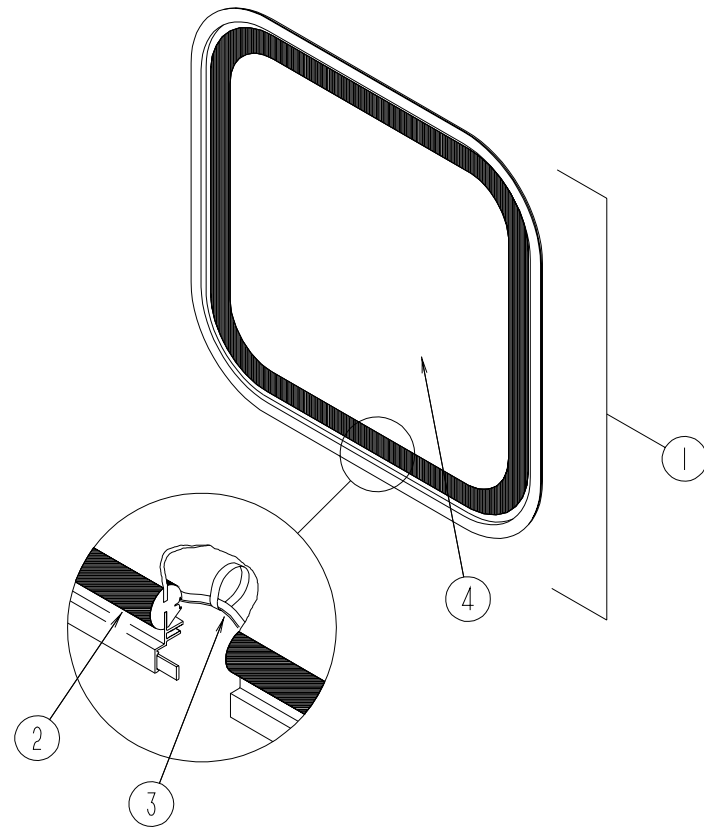
WINDOWS & VENTS



KEY	PARTNUMBER	U/M	DESCRIPTION
1	113502-01-01A	EA	WINDOW-REAR ESCAPE THERMO-24.8"X48.7"
1	078528-07-F15	EA	WINDOW-ESCAPE W/O INSIDE TRIM-CLEAR-48.5"X24.5"
2	112795-23-01A	EA	WINDOW-DRIVER HORIZONTAL SLIDER THERMO 24 1/2"X41 1/2"
2	098647-30-01A	EA	WINDOW-DRIVER HORIZONTAL SLIDER-CLEAR-24.2"X41"
3	112795-15-01A	EA	WINDOW-DRIVER HORIZONTAL SLIDER THERMO 26 3/8"X60"
3	098647-28-01A	EA	WINDOW-DRIVER HORIZONTAL SLIDER-CLEAR-26.1"X59.7"
4	112795-20-01A	EA	WINDOW-DRIVER HORIZONTAL SLIDER THERMO 16"X28 3/4"
4	098647-32-01A	EA	WINDOW-DRIVER HORIZONTAL SLIDER-CLEAR-15.7"X28.5"
5	115630-01-01A	EA	WINDOW-STATIONARY 17.2"X72"
5	103313-03-F15	EA	WINDOW-PICTURE/ESCAPE 23.3"X71.3"
6	112795-19-01A	EA	WINDOW-HORIZONTAL SLIDER THERMO 16"X28 3/4"
6	098647-31-01A	EA	WINDOW-PASSENGER HORIZONTAL SLIDER-CLEAR-15.7"X28.5"

KEY	PARTNUMBER	U/M	DESCRIPTION
7	113733-01-01A	EA	WINDOW-STATIONARY THERMO PANE 26.4"X17"
7	117053-04-FB1	EA	WINDOW-PICTURE, 17"X26.4"
8	084878-09-000	EA	VENT-RANGE HOOD-SHORT, LVS-OFF WHITE
9	112795-21-01A	EA	WINDOW-PASSENGER HORIZONTAL SLIDER THERMO, 24.5"X41 1/4"
9	098647-29-01A	EA	WINDOW-PASSENGER HORIZONTAL SLIDER-CLEAR-24.2"X41"
10	122882-01-01A	EA	VENT-ROOF, NONPOWERED-ELIXIR V971201 WHITE
11	122192-01-01A	EA	PANEL-SKYLIGHT, OUTER
12	084073-07-000	EA	COVER-ROOF VENT, REFRIGERATOR-BRIGHT WHITE-NORCOLD
13	122882-02-01A	EA	VENT-ROOF, POWERED
13	122882-03-01A	EA	VENT-ROOF, POWERED CSA

WINDOW, VENT & EXTERIOR DOOR GROUP (CONTINUED)



WINDOW, VENT & EXTERIOR DOOR GROUP (CONTINUED)

BACKWALL ESCAPE WINDOW - QUEEN & TWIN BED - THERMO

KEY	PARTNUMBER	U/M DESCRIPTION	VENDOR NO.
	113502-01-01A	EA WINDOW-REARESCAPE THERMO - 24.8" X 48.7"	
	098644-01-705	FT GLAZING-STRIP	132-010231
	112898-06-704	EA HANDLE-LATCH, RED-RH	182-11293
	112898-06-705	EA HANDLE-LATCH, RED-LH	182-11294
	113502-01-703	EA GLASS-STATIONARY-RH/LH	390-019083
	113502-01-704	EA GLASS-EGRESS CENTER-ESCAPE	DH153-G9

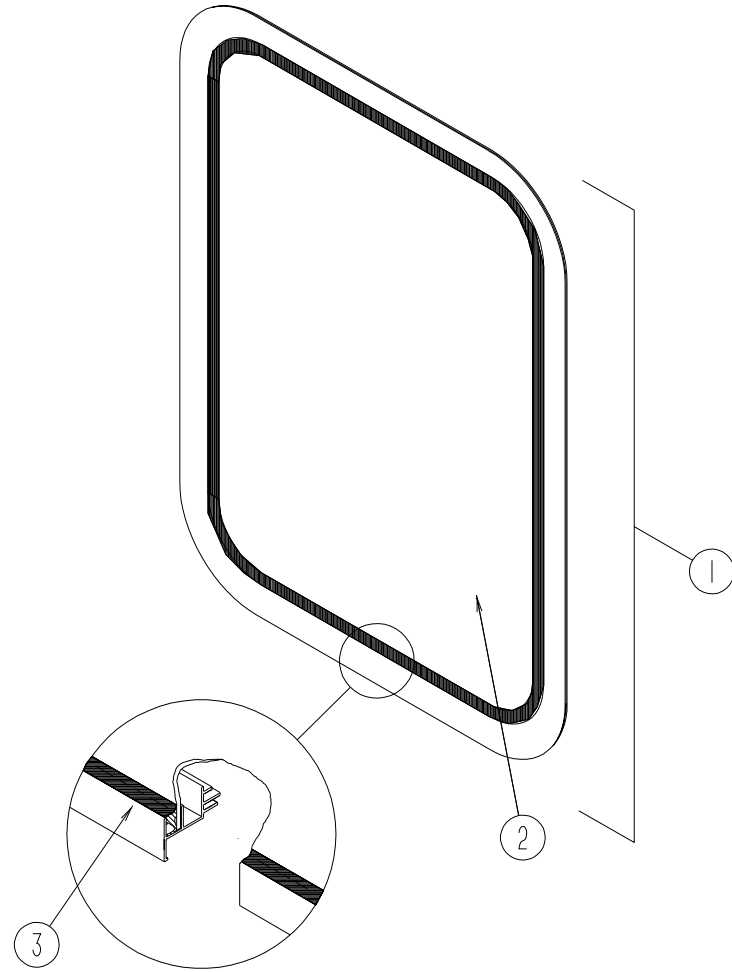
BACKWALL ESCAPE WINDOW - DOUBLE BED - EXCEL

KEY	PARTNUMBER	U/M DESCRIPTION	VENDOR NO.
1	116976-01-01A	EA WINDOW-REARESCAPE 26.4" X 26.25"	
	116976-01-701	EA RETAINER-TRIM	W386-53
2	100322-01-701	FT SEAL-VENT	122-016071
3	116976-01-702	FT FILLER PLUG	132-016065
4	116976-01-700	EA GLASS	096-018786
	112898-06-704	EA HANDLE-LATCH, RED-RH	182-11293
	112898-06-705	EA HANDLE-LATCH, RED-LH	182-11294

BACKWALL ESCAPE WINDOW - QUEEN & TWIN BED

KEY	PARTNUMBER	U/M DESCRIPTION
1	078528-07-F15	EA WINDOW-ESCAPE W/O INSIDE TRIM - CLEAR - 48.5" X 24.5"
	074816-11-000	EA FRAME-ESCAPE WINDOW, INSIDE - OFF WHITE
2	002282-09-000	EA WEATHER STRIP - WINDOW - .125" X 130.5" BLACK
3	002285-01-000	FT FILLER-WEATHER STRIP, RUBBER - BLACK
4	076337-13-000	EA GLASS-EGRESS - 45.5" X 21.5"
	077066-01-702	EA TAPE ASM-ESCAPE WINDOW

WINDOW, VENT & EXTERIOR DOOR GROUP (CONTINUED)



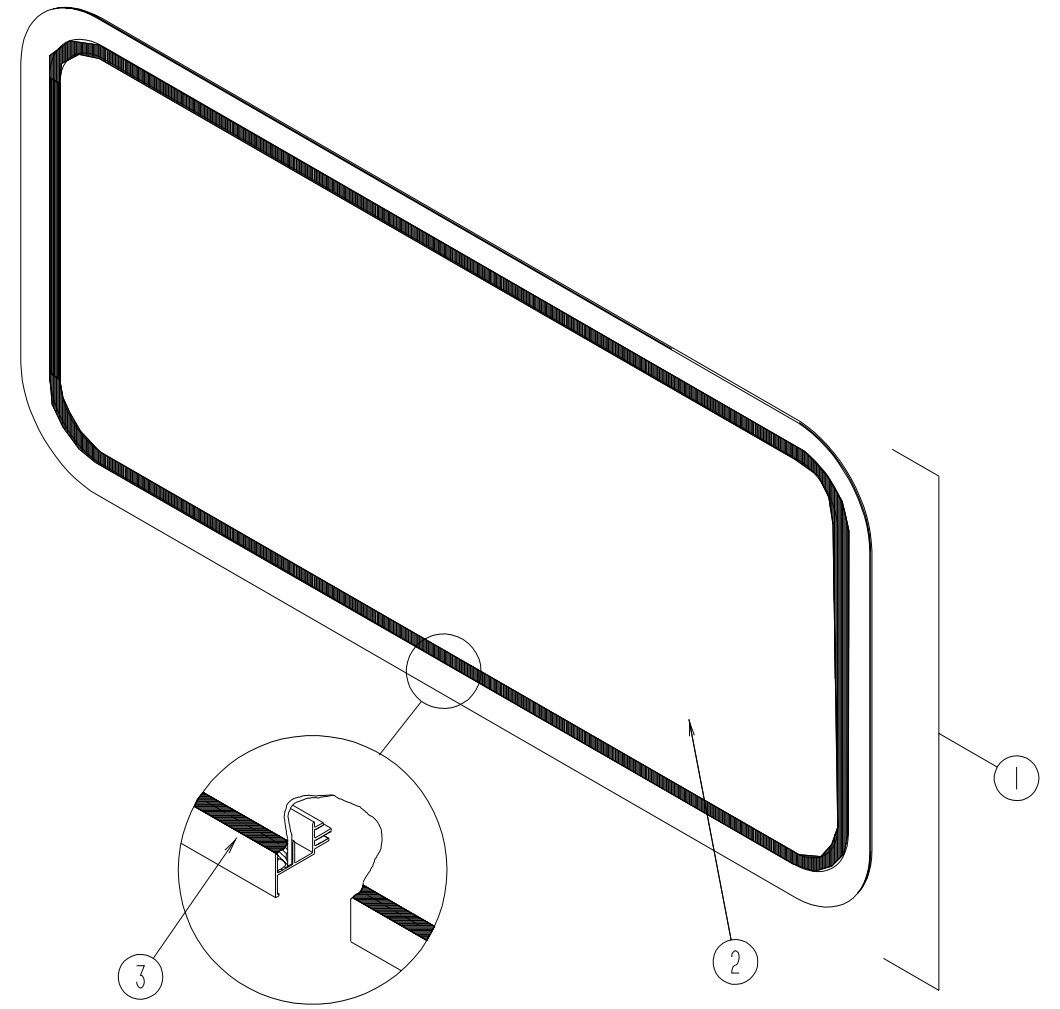
ENTRANCEDOORWINDOW

KEY	PARTNUMBER	U/M	DESCRIPTION
1	117053-04-FB1	EA	WINDOW-PICTURE 17"X26.4"
2	002181-27-000	EA	GLASS-PICTURE 655X41759R - CLEAR 90%
3	087561-01-000	FT	SEAL-GLASS, EXTERIOR-.5"WIDE-VINYL-BLACK
	117054-02-02A	EA	RETAINER-TRIM, BRIGHT/WHITE

ENTRANCEDOORWINDOW-THERMO

KEY	PARTNUMBER	U/M	DESCRIPTION	VENDOR NO.
	113733-01-01A	EA	WINDOW-STATIONARY THERMOPANE 26.4"X17"	
	113733-01-702	EA	GLASS-STATIONARY	390-019187
	112795-01-705	FT	VINYL-GLAZING	132-019702
	113733-01-700	EA	WINDOW ASM. W/OTRIM	DH416-G2
	113733-01-701	EA	RETAINER-TRIM	W41666

WINDOW, VENT & EXTERIOR DOOR GROUP (CONTINUED)



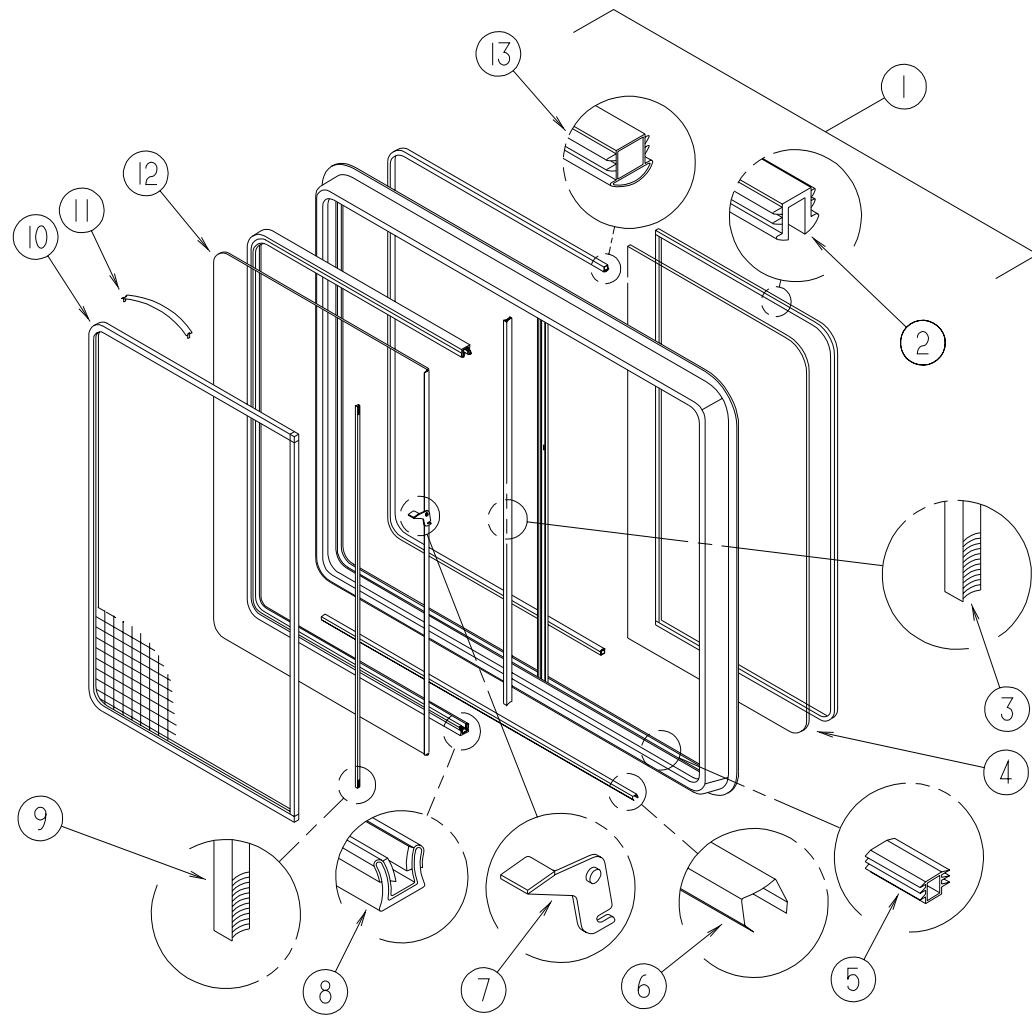
FRONT OVERHEAD BUNK WINDOW

KEY	PARTNUMBER	U/M	DESCRIPTION
	117054-01-01A	EA	FRAME-WINDOW, INSIDE WHT
1	103313-03-F15	EA	WINDOW-PICTURE/ESCAPE 23.3"X71.3"
2	002181-29-000	EA	GLASS-PICTURE 71"X16.4"
3	099154-01-000	FT	CHANNEL-GLAZING, STATIONARY GLASS-.62"X.45"-BLACK

FRONT OVERHEAD BUNK WINDOW-THERMO

KEY	PARTNUMBER	U/M	DESCRIPTION	VENDOR NO.
	115630-01-01A	EA	WINDOW-STATIONARY 17.2"X72"	
	098644-01-705	FT	GLAZING-STRIP	132-010231
	115630-01-700	EA	WINDOW W/OTRIM	DH438-G2
	115630-01-701	EA	RETAINER-TRIM	W438-58
	115630-01-702	EA	GLASS-STATIONARY	390-019467

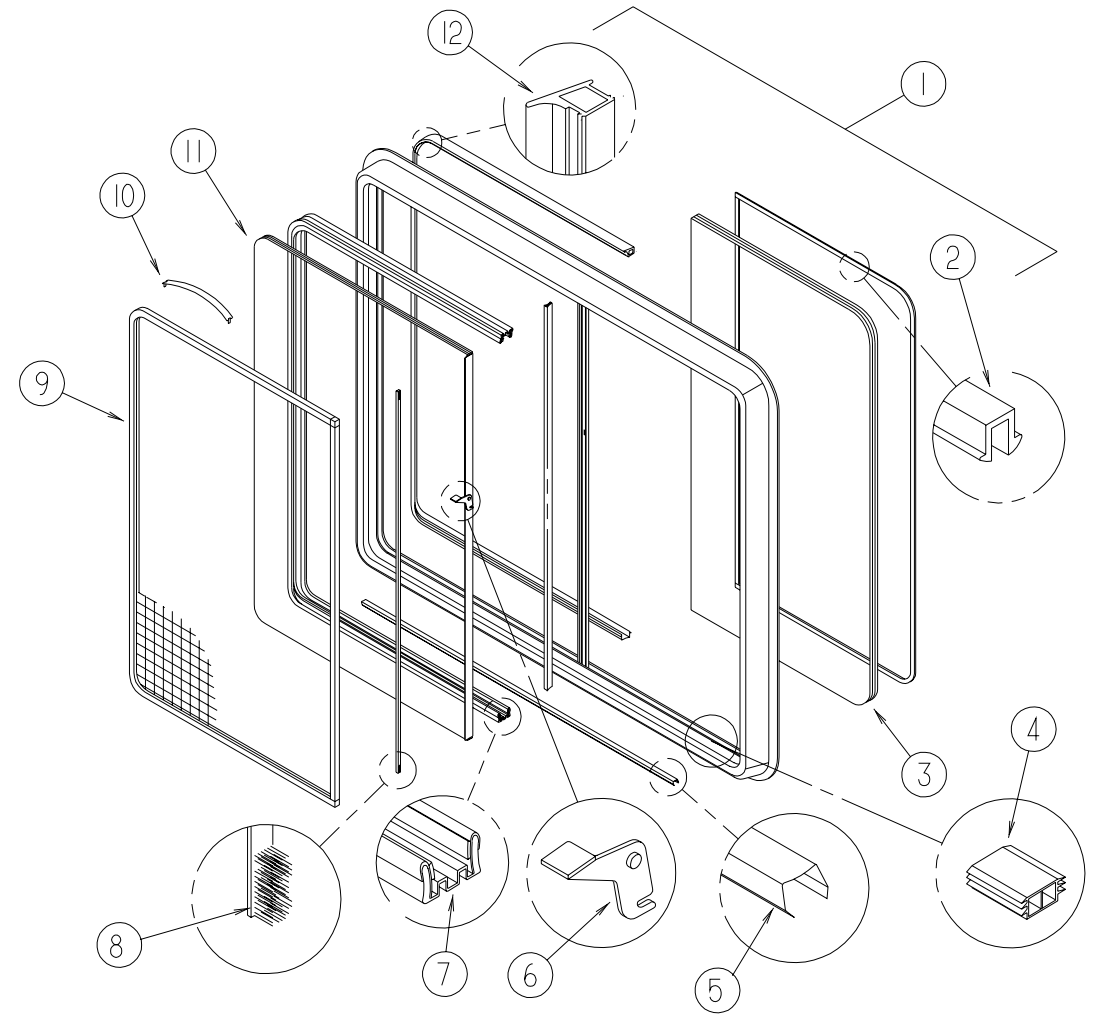
WINDOW, VENT & EXTERIOR DOOR GROUP (CONTINUED)



DRIVERSIDE BEDROOM SLIDER WINDOW-EXCEL

KEY	PART NUMBER	U/M	DESCRIPTION	VENDOR NO.
1	098647-30-01A	EA	WINDOW-DRIVERS HORIZONTAL SLIDER-CLEAR-24.2" X 41"	
	098647-30-700	EA	WINDOW-SLIDER	H172-C1L
	098647-29-701	EA	RETAINER-TRIM	CW04-66
2	098644-01-705	FT	GLAZING-STRIP	132-010231
3	098644-01-706	FT	WEATHERSTRIP-GLASS	171-010668
4	098647-29-702	EA	GLASS-STATIONARY	096-019295
5	098644-01-719	EA	STOP-SLIDER GLASS	132-014203
6	098644-01-710	FT	TRACK-SCREEN SPACER 12'	132-017135
7	098644-01-700	EA	LATCH-REPAIR KIT (BLACK)	B801-CK
8	098644-01-708	FT	CHANNEL-RUN PIERCED	122-016543
9	098644-01-711	FT	WEATHERSTRIP-SCREEN BLACK	171-016965
10	098647-29-704	EA	SCREEN ASM-W/SEALS & CLIPS	410-018864
	098644-01-717	FT	SPLINE-SCREEN	132-004716
11	098644-01-713	EA	CLIP-SPRING-METAL	226-016966
12	098647-29-703	EA	GLASS-SLIDING W/SASH & LATCH	H172-C8
13	098644-01-716	FT	PLUG-FILLER	132-014470

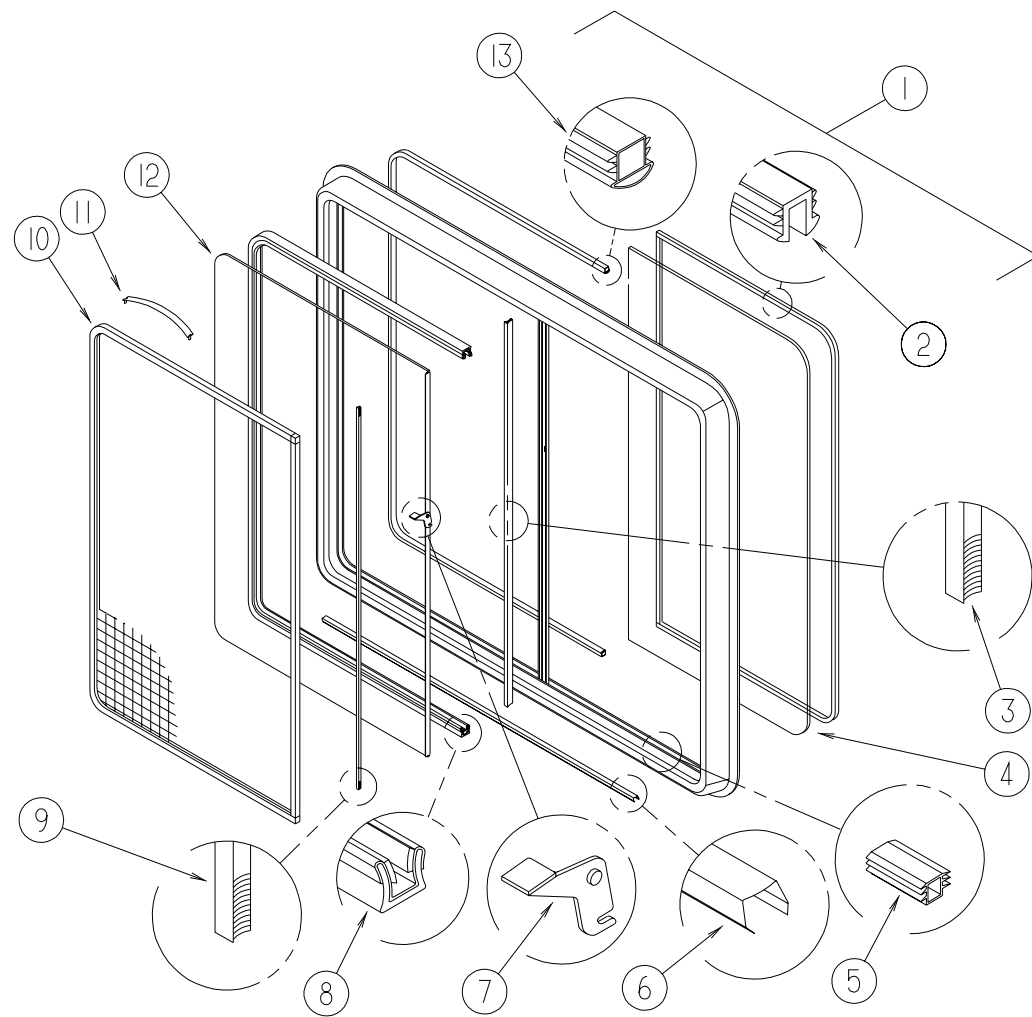
WINDOW, VENT & EXTERIOR DOOR GROUP (CONTINUED)



DRIVERSIDE BEDROOM SLIDER WINDOW-EXCEL-THERMO

KEY	PART NUMBER	U/M	DESCRIPTION	VENDOR NO.
1	112795-23-01A	EA	WINDOW-DRIVERS HORIZONTAL SLIDER THERMO 24 1/2" X 41 1/2"	
	112795-23-700	EA	WINDOW W/OTRIM	DC04-G2L
	098647-29-701	EA	RETAINER-TRIM	CW04-66
2	112795-01-705	FT	VINYL-GLAZING	132-019702
3	112795-21-701	EA	GLASS-STATIONARY	390-019132
4	112795-01-701	EA	SLIDE-STOP	132-019092
5	098644-01-710	FT	TRACK-SCREEN SPACER 12'	132-017135
6	112795-01-700	EA	LATCH ASM., BLK., (BOLTON)	DH287-CK
7	112795-01-703	IN	CHANNEL-RUN (INCHES)	122-018736
8	098644-01-711	FT	WEATHERSTRIP-SCREEN BLACK	171-016965
9	098647-29-704	EA	SCREEN ASM-W/SEALS & CLIPS	410-018864
10	098644-01-713	EA	CLIP-SPRING-METAL	226-016966
11	112795-21-702	EA	GLASS-SLIDING W/SASH & LATCH	DC04-G9
12	112795-01-704	FT	PLUG FILLER (DOUBLE GLAZED)	122-018737

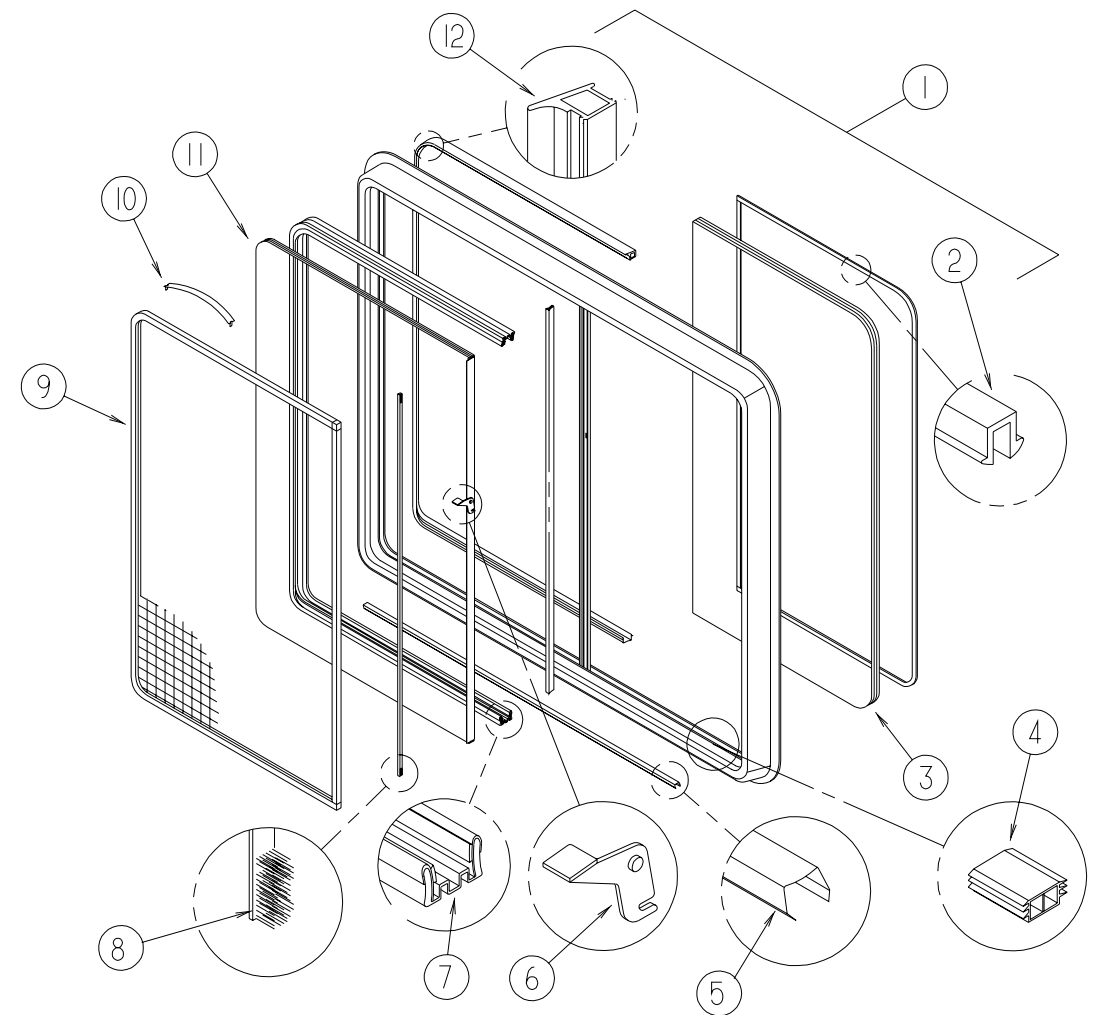
WINDOW, VENT & EXTERIOR DOOR GROUP (CONTINUED)



PASSENGERSIDE BEDROOM SLIDER WINDOW-EXCEL

KEY	PARTNUMBER	U/M	DESCRIPTION	VENDOR NO.
1	098647-29-01A	EA	WINDOW-PASSENGER HORIZONTAL SLIDER-CLEAR-24.2" X 41"	
	098647-29-700	EA	WINDOW-SLIDER	H172-C1R
	098647-29-701	EA	RETAINER-TRIM	CW04-66
2	098644-01-705	FT	GLAZING-STRIP	132-010231
3	098644-01-706	FT	WEATHERSTRIP-GLASS	171-010668
4	098647-29-702	EA	GLASS-STATIONARY	096-019295
5	098644-01-719	EA	STOP-SLIDER GLASS	132-014203
6	098644-01-710	FT	TRACK-SCREEN SPACER 12'	132-017135
7	098644-01-700	EA	LATCH-REPAIR KIT (BLACK)	B801-CK
8	098644-01-708	FT	CHANNEL-RUN PIERCED	122-016543
9	098644-01-711	FT	WEATHERSTRIP-SCREEN BLACK	171-016965
10	098647-29-704	EA	SCREEN ASM-W/SEALS & CLIPS	410-018864
	098644-01-717	FT	SPLINE-SCREEN	132-004716
11	098644-01-713	EA	CLIP-SPRING-METAL	226-016966
12	098647-29-703	EA	GLASS-SLIDING W/SASH & LATCH	H172-C8
13	098644-01-716	FT	PLUG-FILLER	132-014470

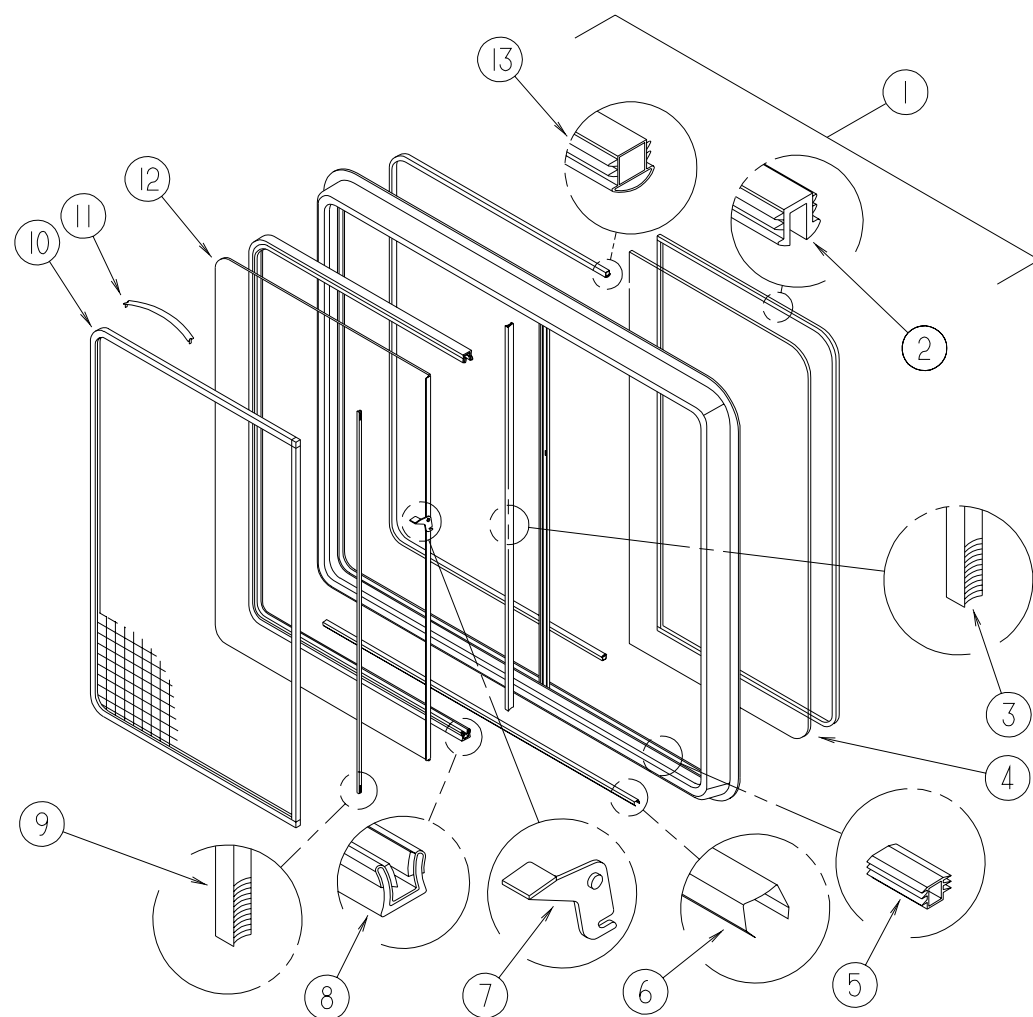
WINDOW, VENT & EXTERIOR DOOR GROUP (CONTINUED)



PASSENGERSIDE BEDROOM SLIDER WINDOW-EXCEL-THERMO

KEY	PARTNUMBER	U/M	DESCRIPTION	VENDOR NO.
1	112795-21-01A	EA	WINDOW-PASSENGER HORIZONTAL SLIDER THERMO 24.5" X 41 1/4"	
	098647-29-701	EA	RETAINER-TRIM	CW04-66
	112795-21-700	EA	WINDOW W/OTRIM	DC04-G2R
2	112795-01-705	FT	VINYL-GLAZING	132-019702
3	112795-21-701	EA	GLASS-STATIONARY	390-019132
4	112795-01-701	EA	SLIDE-STOP	132-019092
5	098644-01-710	FT	TRACK-SCREEN SPACER 12'	132-017135
6	112795-01-700	EA	LATCH ASM., BLK., (BOLTON)	DH287-CK
7	112795-01-703	IN	CHANNEL-RUN (INCHES)	122-018736
8	098644-01-711	FT	WEATHERSTRIP-SCREEN BLACK	171-016965
9	098647-29-704	EA	SCREEN ASM-W/SEALS & CLIPS	410-018864
10	098644-01-713	EA	CLIP-SPRING-METAL	226-016966
11	112795-21-702	EA	GLASS-SLIDING W/SASH & LATCH	DC04-G9
12	112795-01-704	FT	PLUG FILLER (DOUBLE GLAZED)	122-018737

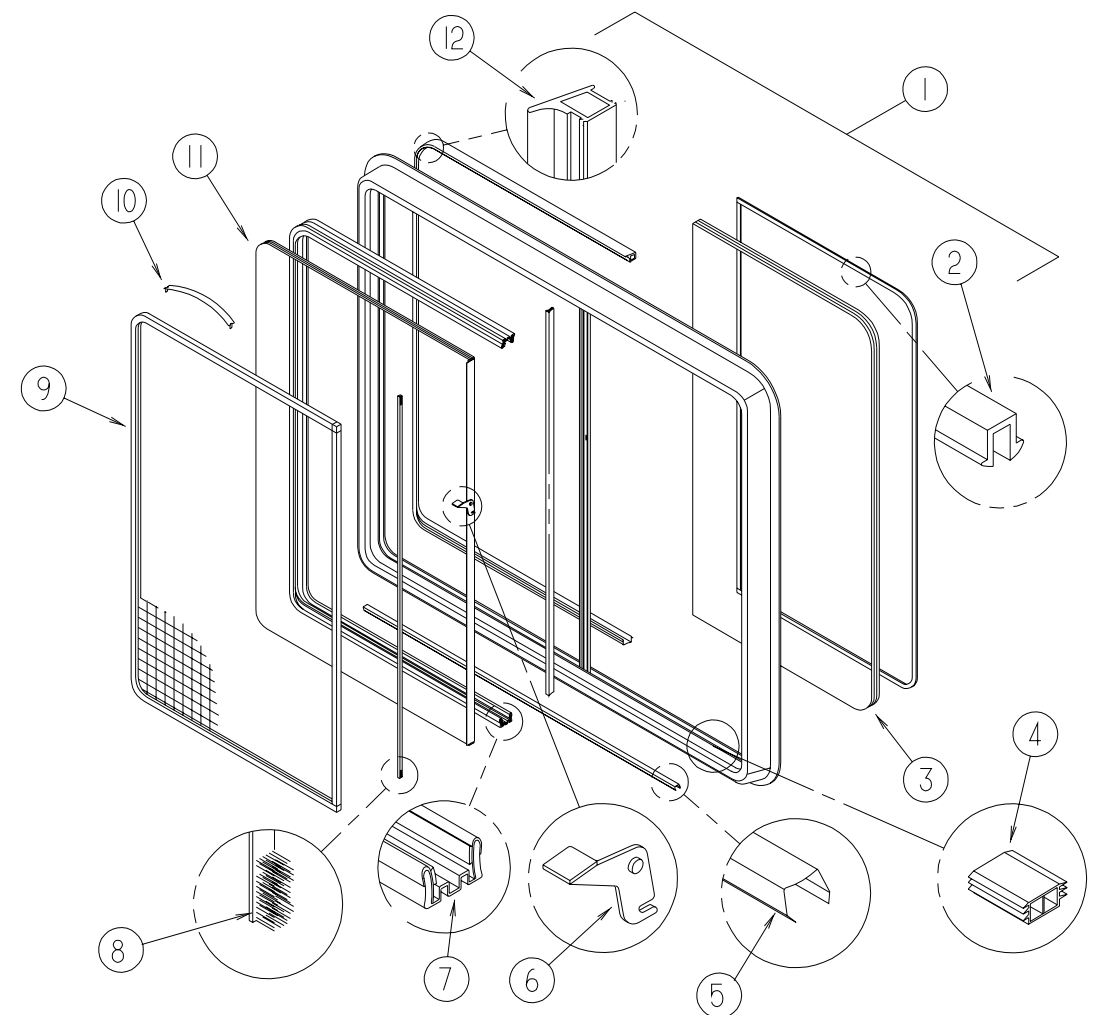
WINDOW, VENT & EXTERIOR DOOR GROUP (CONTINUED)



SLIDER WINDOWS-OVERHEAD BUNK-PASSENGER SIDE-EXCEL

KEY	PARTNUMBER	U/M	DESCRIPTION	VENDOR NO.
1	098647-31-01A	EA	WINDOW-PASSENGER HORIZONTAL SLIDER-CLEAR-15.7"X28.5"	
	098647-31-700	EA	WINDOW-SLIDER	H425-C1R
	098647-31-701	EA	RETAINER-TRIM	CW29-66
2	098644-01-705	FT	GLAZING-STRIP	132-010231
3	098644-01-706	FT	WEATHERSTRIP-GLASS	171-010668
4	098647-31-702	EA	GLASS-STATIONARY	096-019299
5	098644-01-719	EA	STOP-SLIDER GLASS	132-014203
6	098644-01-710	FT	TRACK-SCREEN SPACER 12'	132-017135
7	098644-01-700	EA	LATCH-REPAIR KIT (BLACK)	B801-CK
8	098644-01-708	FT	CHANNEL-RUN PIERCED	122-016543
9	098644-01-711	FT	WEATHERSTRIP-SCREEN BLACK	171-016965
10	098647-31-704	EA	SCREEN ASM-W/SEALS & CLIPS	410-019128
	098644-01-717	FT	SPLINE-SCREEN	132-004716
11	098644-01-713	EA	CLIP-SPRING-METAL	226-016966
12	098647-31-703	EA	GLASS-SLIDING W/SASH & LATCH	H425-C8
13	098644-01-716	FT	PLUG-FILLER	132-014470

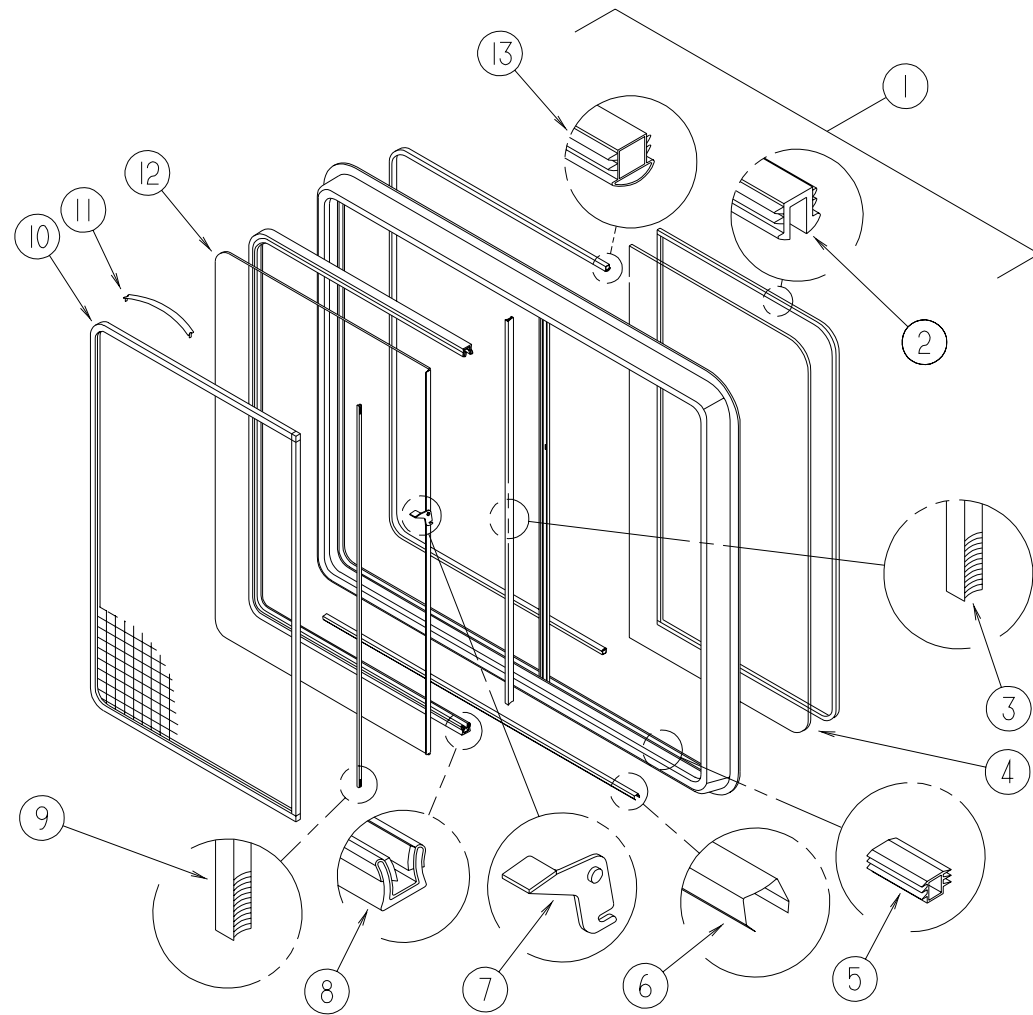
WINDOW, VENT & EXTERIOR DOOR GROUP (CONTINUED)



SLIDER WINDOWS-OVERHEAD BUNK-PASSENGER SIDE-EXCEL-THERMO

KEY	PARTNUMBER	U/M	DESCRIPTION	VENDOR NO.
1	112795-19-01A	EA	WINDOW-HORIZONTAL SLIDER THERMO 16" X 28 3/4"	
	112795-19-700	EA	WINDOW W/OTRIM	DC29-G2R
	098647-31-701	EA	RETAINER-TRIM	CW29-66
2	112795-01-705	FT	VINYL-GLAZING	132-019702
3	112795-19-701	EA	GLASS-STATIONARY	390-019134
4	112795-01-701	EA	SLIDE-STOP	132-019092
5	098644-01-710	FT	TRACK-SCREEN SPACER 12'	132-017135
6	112795-01-700	EA	LATCH ASM., BLK., (BOLTON)	DH287-CK
7	112795-01-703	IN	CHANNEL-RUN (INCHES)	122-018736
8	098644-01-711	FT	WEATHERSTRIP-SCREEN BLACK	171-016965
9	098647-31-704	EA	SCREEN ASM-W/SEALS & CLIPS	410-019128
10	098644-01-713	EA	CLIP-SPRING-METAL	226-016966
11	112795-19-702	EA	GLASS-SLIDING W/SASH & LATCH	DC29-G9
12	112795-01-704	FT	PLUG FILLER (DOUBLE GLAZED)	122-018737

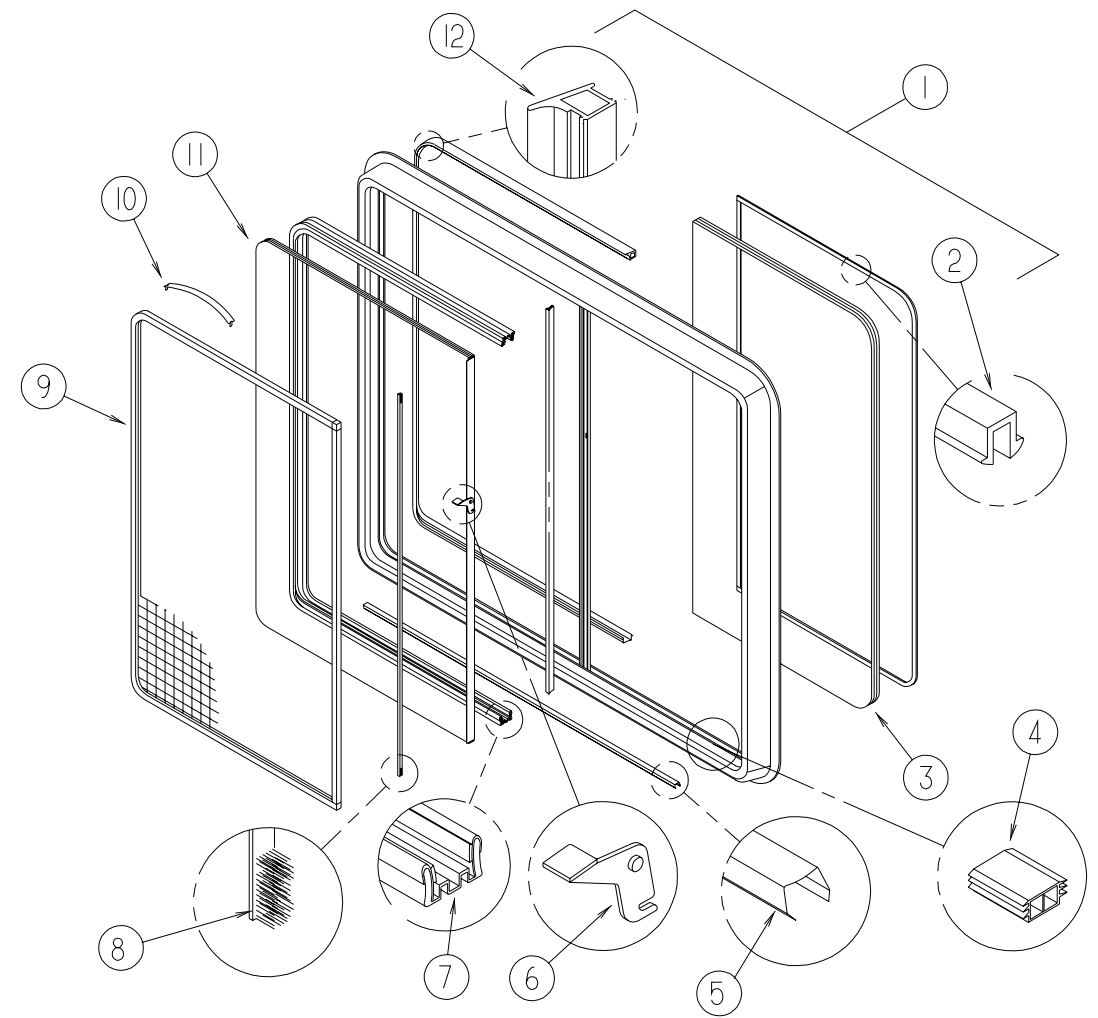
WINDOW, VENT & EXTERIOR DOOR GROUP (CONTINUED)



SLIDER WINDOWS-OVERHEAD BUNK & GALLEY-DRIVER SIDE-EXCEL

KEY	PARTNUMBER	U/M	DESCRIPTION	VENDOR NO.
1	098647-32-01A	EA	WINDOW-DRIVERS HORIZONTAL SLIDER-CLEAR-15.7"X28.5"	
	098647-32-700	EA	WINDOW-SLIDER	H425-C1L
	098647-31-701	EA	RETAINER-TRIM	CW29-66
2	098644-01-705	FT	GLAZING-STRIP	132-010231
3	098644-01-706	FT	WEATHERSTRIP-GLASS	171-010668
4	098647-31-702	EA	GLASS-STATIONARY	096-019299
5	098644-01-719	EA	STOP-SLIDER GLASS	132-014203
6	098644-01-710	FT	TRACK-SCREEN SPACER 12'	132-017135
7	098644-01-700	EA	LATCH-REPAIR KIT (BLACK)	B801-CK
8	098644-01-708	FT	CHANNEL-RUN PIERCED	122-016543
9	098644-01-711	FT	WEATHERSTRIP-SCREEN BLACK	171-016965
10	098647-31-704	EA	SCREEN ASM-W/SEALS & CLIPS	410-019128
	098644-01-717	FT	SPLINE-SCREEN	132-004716
11	098644-01-713	EA	CLIP-SPRING-METAL	226-016966
12	098647-31-703	EA	GLASS-SLIDING W/SASH & LATCH	H425-C8
13	098644-01-716	FT	PLUG-FILLER	132-014470

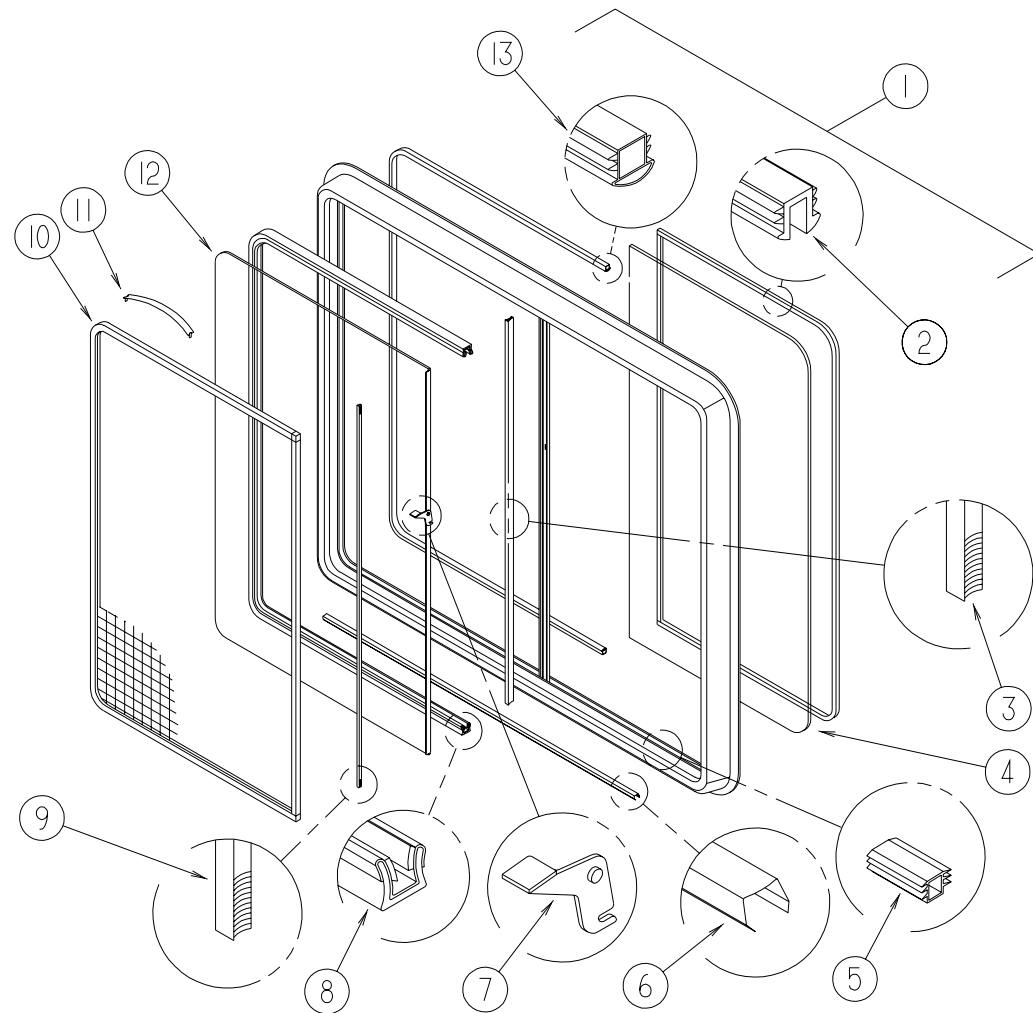
WINDOW, VENT & EXTERIOR DOOR GROUP (CONTINUED)



SLIDER WINDOWS-OVERHEAD BUNK & GALLEY-DRIVER SIDE-EXCEL

KEY	PARTNUMBER	U/M	DESCRIPTION	VENDOR NO.
1	112795-20-01A	EA	WINDOW-DRIVER HORIZONTAL SLIDER THERMO 16"X28 3/4"	
	112795-20-700	EA	WINDOW W/OTRIM	DC29-G2L
	098647-31-701	EA	RETAINER-TRIM	CW29-66
2	112795-01-705	FT	VINYL-GLAZING	132-019702
3	112795-19-701	EA	GLASS-STATIONARY	390-019134
4	112795-01-701	EA	SLIDE-STOP	132-019092
5	098644-01-710	FT	TRACK-SCREEN SPACER 12'	132-017135
6	112795-01-700	EA	LATCH ASM., BLK., (BOLTON)	DH287-CK
7	112795-01-703	IN	CHANNEL-RUN (INCHES)	122-018736
8	098644-01-711	FT	WEATHERSTRIP-SCREEN BLACK	171-016965
9	098647-31-704	EA	SCREEN ASM-W/SEALS & CLIPS	410-019128
10	098644-01-713	EA	CLIP-SPRING-METAL	226-016966
11	112795-19-702	EA	GLASS-SLIDING W/SASH & LATCH	DC29-G9
12	112795-01-704	FT	PLUG FILLER (DOUBLE GLAZED)	122-018737

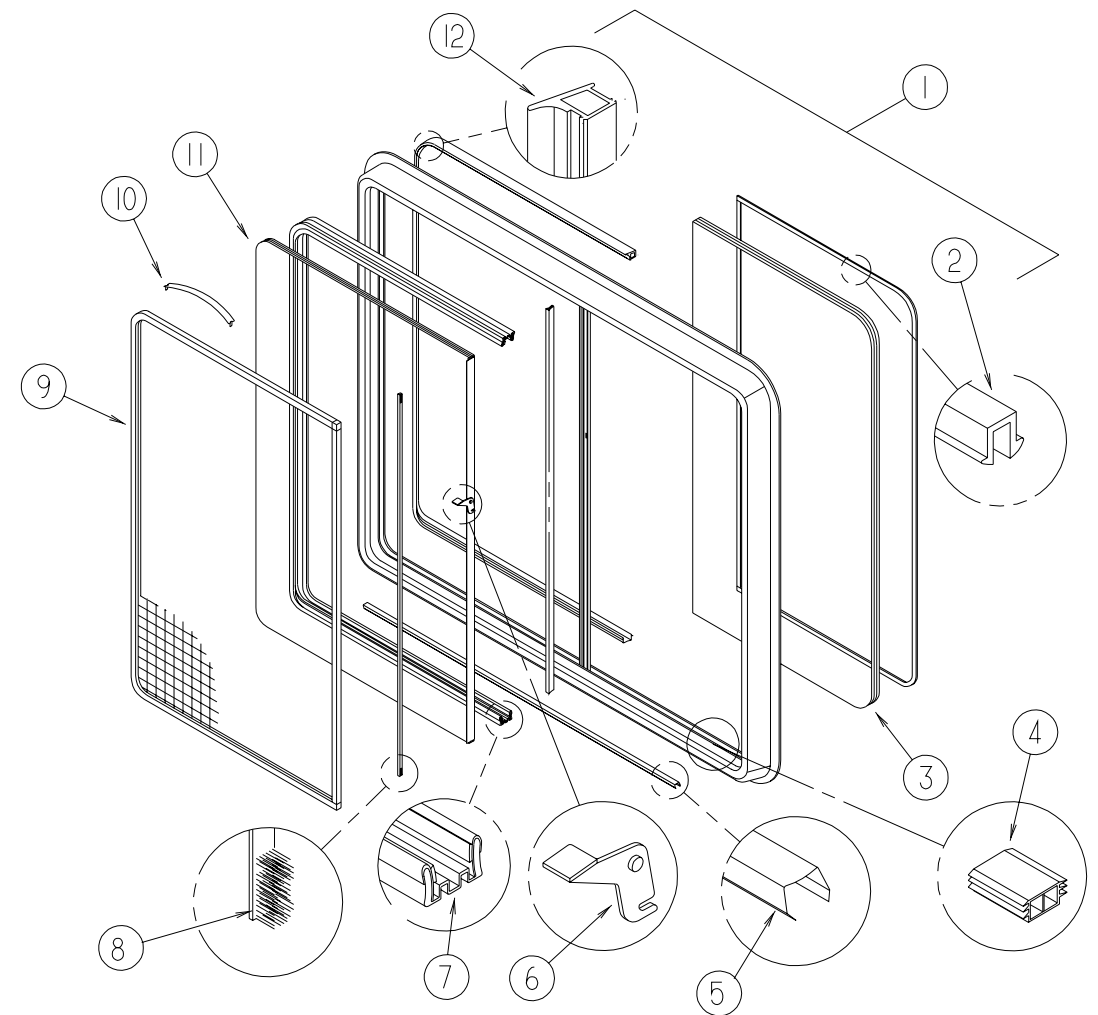
WINDOW, VENT & EXTERIOR DOOR GROUP (CONTINUED)



SINGLE SLIDER WINDOW - DINETTE & LOUNGE - DRIVER SIDE - EXCEL

KEY	PART NUMBER	U/M	DESCRIPTION	VENDOR NO.
1	098647-28-01A	EA	WINDOW-DRIVERSHORIZONTALSLIDER-CLEAR-26.1"X59.7"	
	098647-28-700	EA	WINDOW-SLIDER	H287-C1L
	098647-27-701	EA	RETAINER-TRIM	W287-66
2	098644-01-705	FT	GLAZING-STRIP	132-010231
3	098644-01-706	FT	WEATHERSTRIP-GLASS	171-010668
4	098647-27-702	EA	GLASS-STATIONARY	096-017868
5	098644-01-719	EA	STOP-SLIDERGLASS	132-014203
6	098644-01-710	FT	TRACK-SCREENSPACER 12'	132-017135
7	098644-01-700	EA	LATCH-REPAIRKIT (BLACK)	B801-CK
8	098644-01-708	FT	CHANNEL-RUNPIERCED	122-016543
9	098644-01-711	FT	WEATHERSTRIP-SCREENBLACK	171-016965
10	098647-23-704	EA	SCREENASM-W/SEALS&CLIPS	410-019066
	098644-01-717	FT	SPLINE-SCREEN	132-004716
11	098644-01-713	EA	CLIP-SPRING-METAL	226-016966
12	098647-27-703	EA	GLASS-SLIDINGW/SASH&LATCH	H287-C8
13	098644-01-716	FT	PLUG-FILLER	132-014470

WINDOW, VENT & EXTERIOR DOOR GROUP (CONTINUED)



SINGLE SLIDER WINDOW - DINETTE & LOUNGE - DRIVER SIDE EXCEL - THERMO

KEY	PART NUMBER	U/M	DESCRIPTION	VENDOR NO.
1	112795-15-01A	EA	WINDOW-DRIVERSHORIZONTALSLIDERTHERMO263/8"X60"	
	112795-15-700	EA	WINDOWW/OTRIM	DH287-G2L
	098647-23-702	EA	RETAINER-TRIM	W287-66
2	112795-01-705	FT	VINYL-GLAZING	132-019702
3	112795-15-701	EA	GLASS-STATIONARY	390-019045
4	112795-01-701	EA	SLIDE-STOP	132-019092
5	098644-01-710	FT	TRACK-SCREENSPACER 12'	132-017135
6	112795-01-700	EA	LATCHASM., BLK., (BOLTON)	DH287-CK
7	112795-01-703	IN	CHANNEL-RUN (INCHES)	122-018736
8	098644-01-711	FT	WEATHERSTRIP-SCREENBLACK	171-016965
9	098647-23-704	EA	SCREENASM-W/SEALS&CLIPS	410-019066
10	098644-01-713	EA	CLIP-SPRING-METAL	226-016966
11	112795-15-702	EA	GLASS-SLIDINGW/SASH&LATCH	DH287-G9
12	112795-01-704	FT	PLUGFILLER (DOUBLEGLAZED)	122-018737

WINDOW, VENT & EXTERIOR DOOR GROUP (CONTINUED)

POWERED ROOF VENT - JENSEN - US

KEY	PARTNUMBER	U/M DESCRIPTION
	122882-02-01A	EA VENT-ROOF, POWERED
	122882-06-01A	EA VENT-ROOF, GARNISH25-65-ELIXIRJRP2101WHITE

POWERED ROOF VENT - JENSEN - CANADIAN

KEY	PARTNUMBER	U/M DESCRIPTION
	122882-03-01A	EA VENT-ROOF, POWEREDCSA
	122882-06-01A	EA VENT-ROOF, GARNISH25-65-ELIXIRJRP2101WHITE

WINDOW, VENT & EXTERIOR DOOR GROUP (CONTINUED)

NONPOWERED ROOF VENT

KEY	PARTNUMBER	U/M DESCRIPTION
	122882-01-01A	EA VENT-ROOF, NONPOWERED
	122882-06-01A	EA VENT-ROOF, GARNISH25-65-ELIXIRJRP2101WHITE

VENTS, SHROUDS AND ROOF COVERS

KEY	PARTNUMBER	U/M DESCRIPTION
	084616-07-000	EA SHROUD-VENT, RANGEHOOD, BRIGHTWHITE
	084878-09-000	EA VENT-RANGEHOOD, SHORT-LVS
	083558-03-000	EA VENT-PLUMBINGPIPEROOF, W/COVER-OFFWHITE
	084073-04-000	EA BASE-ROOFVENT, REFRIGERATOR
	084073-07-000	EA VENT-ROOF, REFRIGERATOR, BRIGHTWHITE-NORCOLD