

1997
WF324RC

H04
BLUE LAGOON(BLUE)

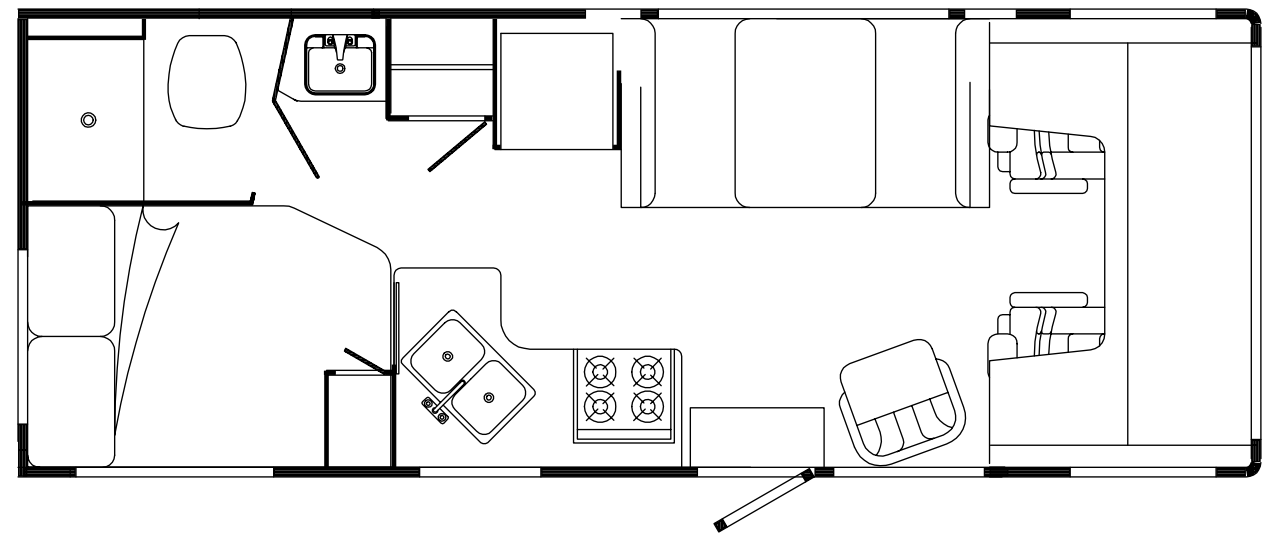
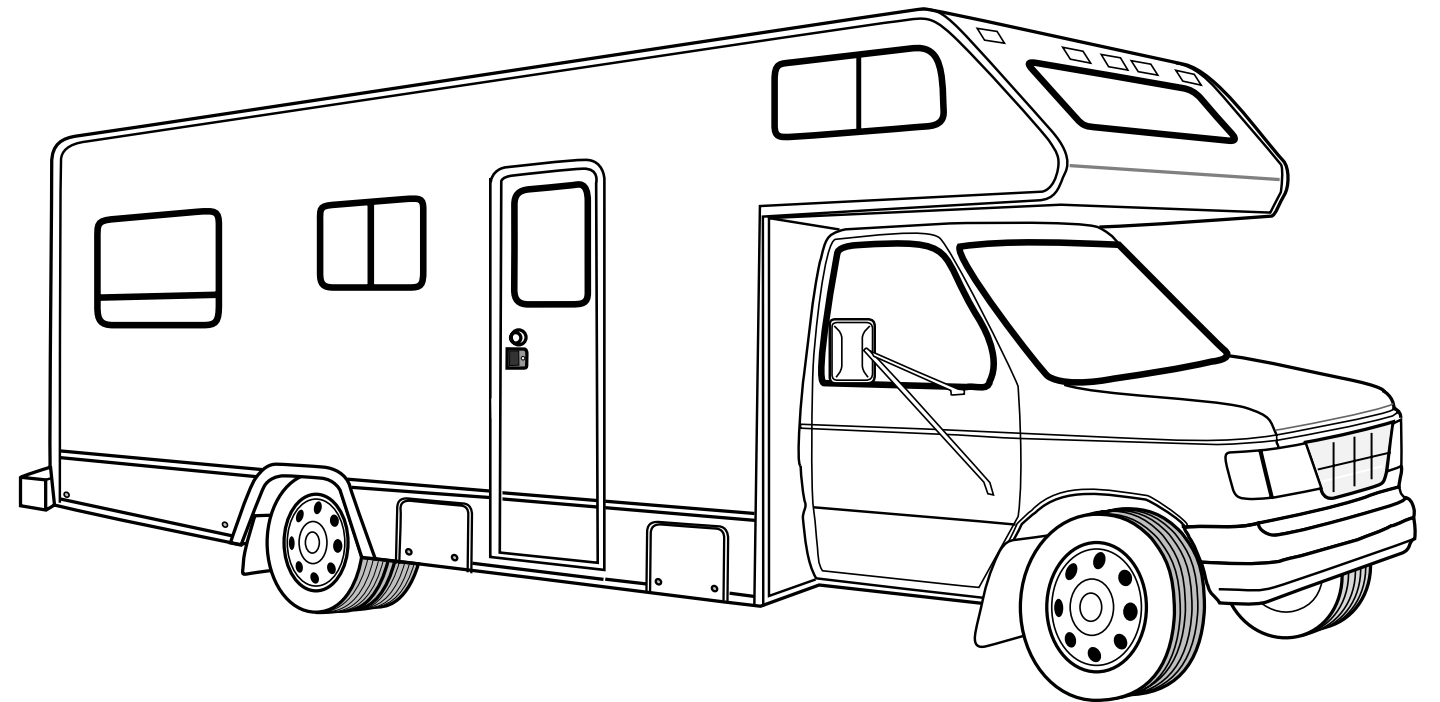
H05
KRYPTONITE(TAUPE)

H10
CHAMELEON(COBALT)

H11
PASADENA(MOCHA)

H24
COPPER CANYON(TERRACOTTA)

H26
COPPER CREEK(TAN)

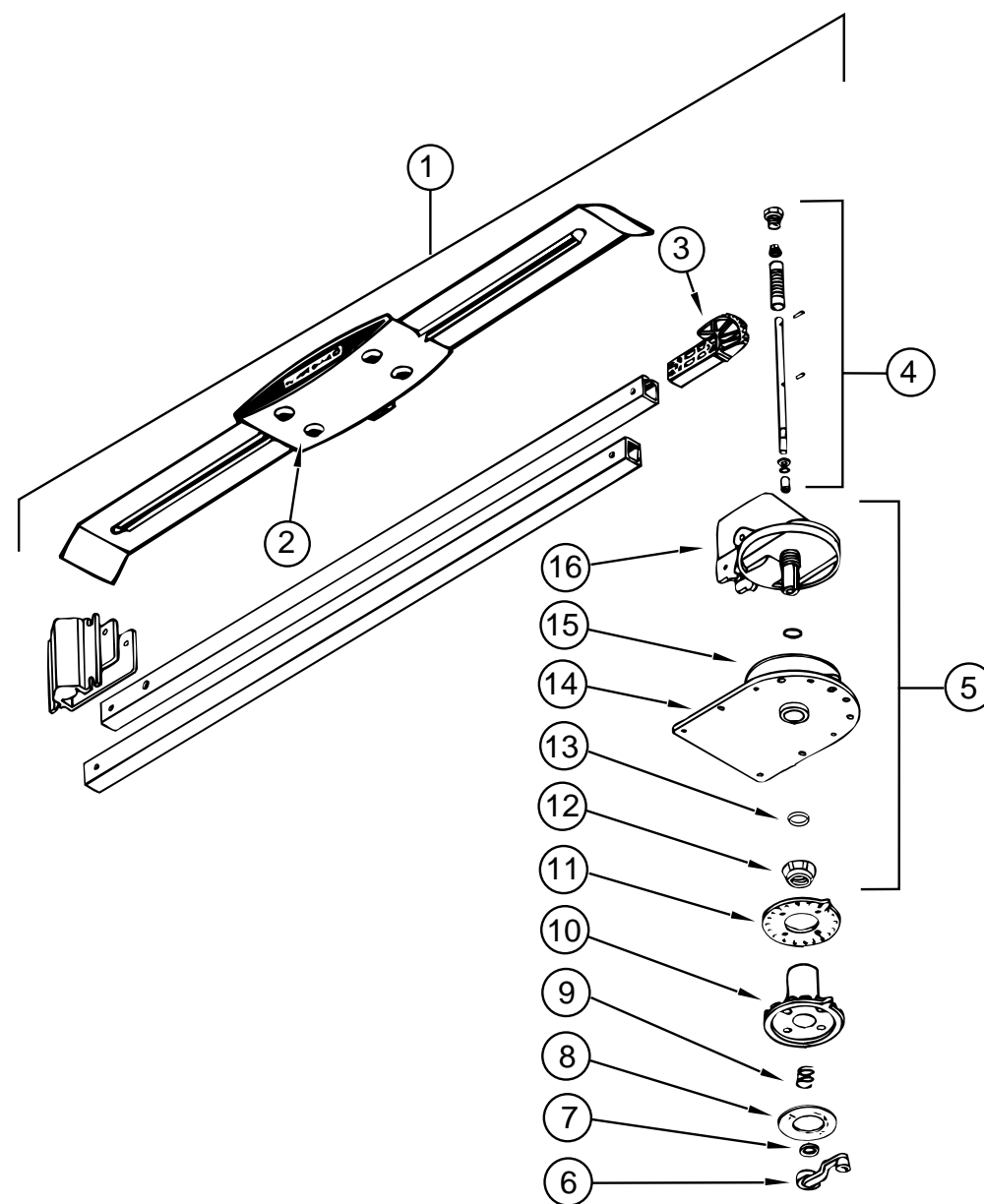


ACCESSORIESGROUP

OPERATORS MANUAL

| KEY | PARTNUMBER | UM | DESCRIPTION |
|-----|---------------|----|---|
| | 054185-F3-000 | EA | MANUAL-OPERATOR97MINNIE300 |
| | 092318-01-000 | EA | BINDER-3RING-MOTORHOMEMANUAL |
| | 092319-01-000 | EA | POCKETPAGE-3RINGBINDER-PLASTIC-(50PERPKG) |
| | 121390-01-000 | DW | TOPELVEL-C,1997 |

AUDIOVIDEOGROUP



TVANTENNA-WINEGARD-MODELRVAW02

| KEY | PARTNUMBER | U/M | DESCRIPTION | VENDOR NO, |
|-----|---------------|-----|-------------------------------|------------|
| 1 | 076319-20-000 | EA | ANTENNA-TV, ROOFMOUNT-1" ROOF | |
| 2 | 076319-01-700 | EA | HEAD-ANTENNA, AMPLIFIED | RVSAU/V |
| 3 | 076319-01-701 | EA | GEAR-ELEVATING, PLASTIC | 2200046 |
| 4 | 076319-01-702 | EA | SHAFTASSEMBLY-ELEVATING | RVP-400A |
| 5 | 076319-01-711 | EA | BASE & LIFTASSEMBLY | 2762802 |
| 6 | 076319-01-706 | EA | CRANK-ELEVATING, W/SETSCREW | 5755100 |
| 7 | 076319-01-705 | EA | GROMMET-NYLON, 7/8" ID | 200658 |
| 8 | 076319-01-708 | EA | DECAL-CRANK | 5413002 |
| 9 | 076319-01-707 | EA | SPRING-HANDLE | 5160800 |
| 10 | 076319-01-709 | EA | PLATE-DIRECTIONAL, FORHEAD | 3200644 |
| 11 | 076319-01-712 | EA | PLATE-CEILING | 3200608 |
| 12 | 076319-01-715 | EA | NUT-GEARHOUSING | 2200047 |
| 13 | 076319-01-704 | EA | BEARING-NYLON, 1.25" OD | 3200657 |
| 14 | 076319-01-713 | EA | PLATE-BASE, STEEL | 3100523 |
| 15 | 076319-01-703 | EA | BEARING-NYLON, 5" OD | 3200656 |
| 16 | 076319-01-714 | EA | HOUSING, ROTATING GEAR | 2200049 |

AUDIOVIDEOGROUP(CONTINUED)

RADIO SPEAKER

| KEY | PARTNUMBER | U/M | DESCRIPTION |
|-----|---------------|-----|---|
| | 074979-01-000 | EA | SHIELD-SPEAKER-BACK-MOLDEDPLASTIC-8"X9" |
| | 111177-01-01A | EA | GRILLE-SPEAKER-6.6"X8.9"-HOUSING5"X7" SPEAKER |
| | 108137-01-000 | EA | PLUG-ANTENNA |

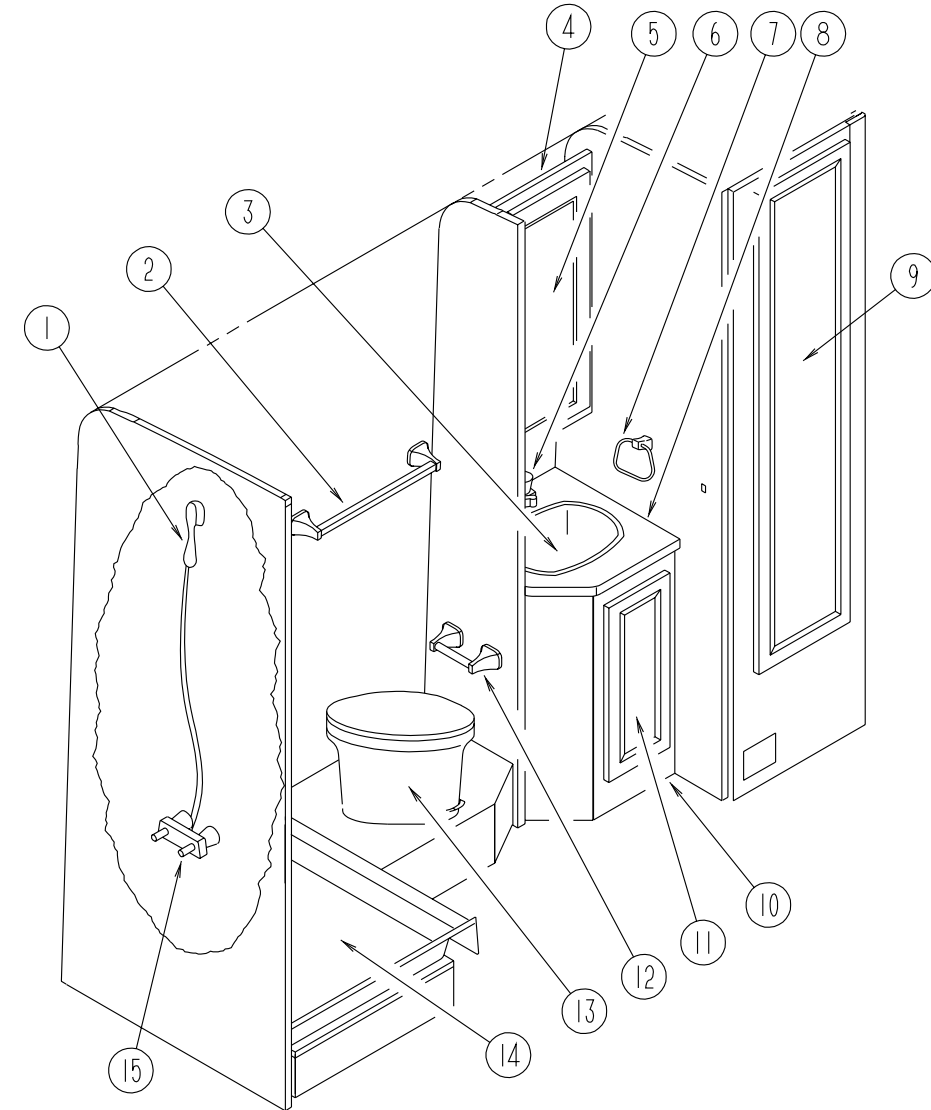
RADIO-PATIOENTERTAINMENTCENTER

| KEY | PARTNUMBER | U/M | DESCRIPTION |
|-----|---------------|-----|-----------------------------------|
| | 087683-03-000 | EA | RADIO-AM/FMSTEREOCASSETTE |
| | 090944-01-000 | EA | ANTENNA-RADIO-16" RUBBER |
| | 108847-01-000 | EA | BRACKET-ANTENNAGROUND |
| | 077069-02-000 | EA | CABLE-ANTENNA/EXTENSION-RADIO-96" |
| | 076319-03-000 | FT | CABLE-COAXIAL-75OHM |
| | 076319-12-000 | EA | CONNECTOR-COAXIAL-ONEPIECE |
| | 082134-01-000 | EA | ADAPTER-TV-CABLETOCABLE |
| | 086756-01-000 | EA | SPLITTER-TV-2WAY |
| | 109889-01-000 | EA | EXTENDER-SHAFT-ANTENNA 1" |
| | 110469-01-000 | EA | SPEAKER-4"X6" OVAL-COAXIAL |
| | 110470-01-01A | EA | GRILLE-4"X6" OVAL-BLACK |
| | 108137-01-000 | EA | PLUG-ANTENNA |

TV-VCR SYSTEMS

| KEY | PARTNUMBER | U/M | DESCRIPTION | VENDOR NO. |
|-----|---------------|-----|--|------------|
| | 113684-02-000 | EA | TV-19" COLOR W/1/8" JACK-UL/CSA-AUDIOVOX | |
| | 119120-02-700 | EA | REMOTE | 0994569 |
| | 086231-08-000 | EA | TV-13" COLOR-DC-AUDIOVOX | |
| | 086231-08-700 | EA | REMOTE-UNIVERSAL | 8822325 |
| | 119120-02-000 | EA | VCR/VHS-CABLE READY W/REMOTE | |
| | | | FROM: 00-00-00 THRU 02-16-97 | |
| | 119120-02-700 | EA | REMOTE | 0994569 |
| | 119120-03-000 | EA | VCR-VHS-CABLE READY-REMOTE | |
| | | | FROM: 02-17-97 THRU: 99-99-99 | |
| | 119120-03-700 | EA | REMOTE | 0994571 |
| | 094487-03-000 | EA | VIDEOCASSETTE PLAYER W/OREMOTE-AUDIOVOX | |
| | 086757-03-000 | EA | CONTROL CENTER-SWITCH-VCR/TV | |
| | 086777-02-000 | EA | WALLPLATE-TV CABLE-W/ANTENNA SWITCH | |
| | 076319-09-000 | EA | WALLPLATE-CABLE RECEPTACLE-TV-SINGLE-BROWN | |
| | 086777-06-000 | EA | WALLPLATE-ANTENNA 1 OUTPUT | |
| | 076319-06-000 | EA | ADAPTER-CABLE ROOF PLATE | |
| | 082134-01-000 | EA | ADAPTER-TV-CABLE TO CABLE | |
| | 082136-01-000 | EA | NUT-HEX JAM-3/8-32 | |
| | 086756-01-000 | EA | SPLITTER-TV-2WAY | |
| | 076319-03-000 | FT | CABLE-COAXIAL-75OHM | |
| | 076319-12-000 | EA | CONNECTOR-COAXIAL-ONEPIECE | |

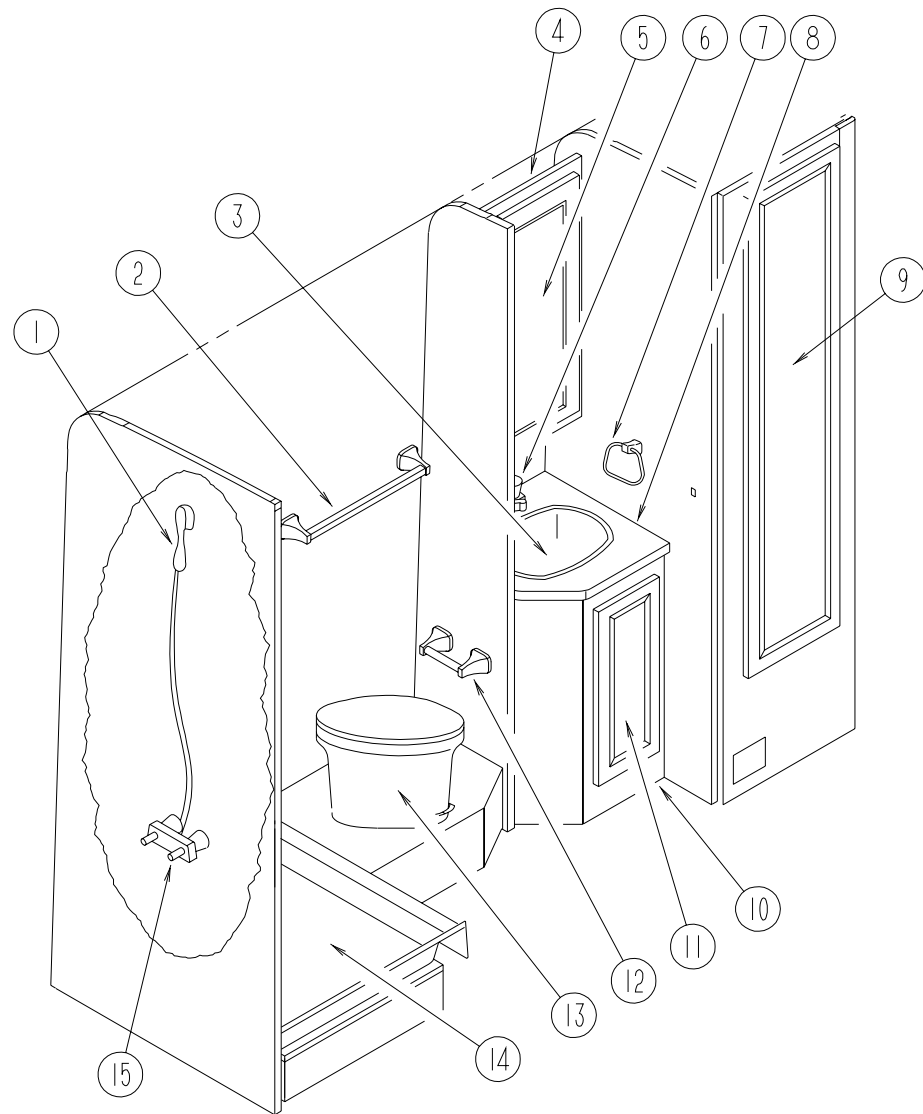
BATHGROUP



BATHROOM CABINETS & FIXTURES

| KEY | PARTNUMBER | U/M | DESCRIPTION | VENDOR NO. |
|-----|---------------|-----|---|------------|
| 1 | 103092-02-000 | EA | SHOWERHEAD-W/HOSE-CSA | |
| 1 | 103092-01-700 | EA | BRACKET-F/SHOWERHEAD,CLEAR | 2328028 |
| | 011048-03-700 | EA | BRACKET-F/SHOWERHEAD | 2328029-3 |
| 2 | 075453-02-000 | EA | BAR-TOWEL-18" BRASS | |
| 3 | 096927-01-01A | EA | SINK-LAVATORY-RECTANGULAR-PLASTIC/BONE | |
| | 096927-01-700 | EA | PLUG-SINK | M9801 |
| | 096927-01-701 | EA | TAILPIECE-DRAIN-LAVATORY | M9802 |
| 4 | 116863-01-H04 | EA | CABINET-MEDICINE-W/ODOORS/HARDWARE-WATERFORDOAK | |
| 4 | 116863-01-G07 | EA | CABINET-MEDICINE-W/ODOORS/HARDWARE-SALEMCHERRY | |
| 5 | 115237-04-G01 | EA | DOOR-MIRROR-BATH-W/OHARDWARE-WATERFORDOAK | |
| 5 | 115237-04-F08 | EA | DOOR-MIRROR-BATH-W/OHARDWARE-SALEMCHERRY | |
| | 093606-03-000 | EA | MIRROR-BEVELED-15.1"X28.3" | |
| 6 | 075240-06-000 | EA | FAUCET-LAVATORY/BONE | |
| | 091253-01-000 | EA | GASKET-FAUCET-LAVATORY/GALLEY | |
| 7 | 075454-02-000 | EA | RING-TOWEL-W/MOUNTINGHARDWARE-BRASS | |
| 8 | 123296-13-H04 | EA | COUNTERTOP-LAVATORY(H04/H10) | |
| 8 | 123296-13-H05 | EA | COUNTERTOP-LAVATORY(H05) | |
| 8 | 123296-13-H11 | EA | COUNTERTOP-LAVATORY(H11) | |
| 8 | 123296-13-H24 | EA | COUNTERTOP-LAVATORY(H24/H26) | |
| 9 | 110140-30-G01 | EA | DOOR-MIRROR/VINYLWRAP-15.5"X45.4"-W/OHDW-WATERFORDOAK | |
| 9 | M06803-91-F08 | EA | DOOR-OGEEEDGE-15.5"X45.4"-W/OHDW SALEM CHERRY | |

BATHGROUP(CONTINUED)



BATHROOMCABINETS&FIXTURES(CONTINUED)

| KEY | PARTNUMBER | U/M DESCRIPTION |
|-----|---------------|---|
| 10 | P23296-01-H04 | EA CABINET-LAVATORY-W/ODOORS/DRAWERS/HARDWARE(H04) |
| 10 | P23296-01-H05 | EA CABINET-LAVATORY-W/ODOORS/DRAWERS/HARDWARE(H05) |
| 10 | P23296-01-H24 | EA CABINET-LAVATORY-W/ODOORS/DRAWERS/HARDWARE(H24/H26) |
| 10 | P23296-01-H10 | EA CABINET-LAVATORY-W/ODOORS/DRAWERS/HARDWARE(H10)JAPANEXPORT |
| 10 | P23296-01-H11 | EA CABINET-LAVATORY-W/ODOORS/DRAWERS/HARDWARE(H11)JAPANEXPORT |
| 10 | P23296-02-H10 | EA CABINET-LAVATORY-W/ODOORS/DRAWERS/HARDWARE(H10)WIEEXPORT |
| 10 | P23296-02-H11 | EA CABINET-LAVATORY-W/ODOORS/DRAWERS/HARDWARE(H11)WIEEXPORT |
| 11 | 110140-09-G01 | EA DOOR-VINYLRAP-13.3"X21.8"-W/OHDW-WATERFORDOAK |
| 11 | M06803-80-H10 | EA DOOR-OGEEEDGE-13.4"X21.8"-W/OHDW-SALEMCHERRY |
| 12 | 075452-02-000 | EA HOLDER-TOILETTISSUE-BRASS |
| 13 | 067487-01-000 | EA TOILET-12.37"-IVORY-HANDFLUSH |
| 13 | 085330-07-000 | EA TOILET-CHINA-SHORTYW/SPRAY-BONE-MCCLAINSANNIVERSARYOPTION |
| 14 | M02673-05-B13 | EA PAN-SHOWER-29.8"X22.7"X5.7" |
| | 066436-01-000 | EA NUT-SLIP-TAILPIECE1.5" |
| | 066440-01-000 | EA STRAINER-SHOWERDRAIN-W/RUBBERWASHER |
| | 069735-01-000 | EA WASHER-STRAINERTOTAILPIECE-PLASTIC-1.5" |
| 15 | 075241-05-000 | EA FAUCET/SHOWER-BONE 3/4"MPTX1.4"LONGINLETPIPES |
| | 075606-01-000 | EA PANEL-FAUCETBACK-SHOWER-5"X9" |
| | 057671-01-000 | EA COVER-SCREW-#8-PLASTIC-OFFWHITE |
| | 105629-01-01A | EA SURROUNDSSHOWER-OFFWHITE-JAPAN/WIEEXPORT |

BATHGROUP(CONTINUED)

BATHPRIVACYDOOR-WATERFORDOAK

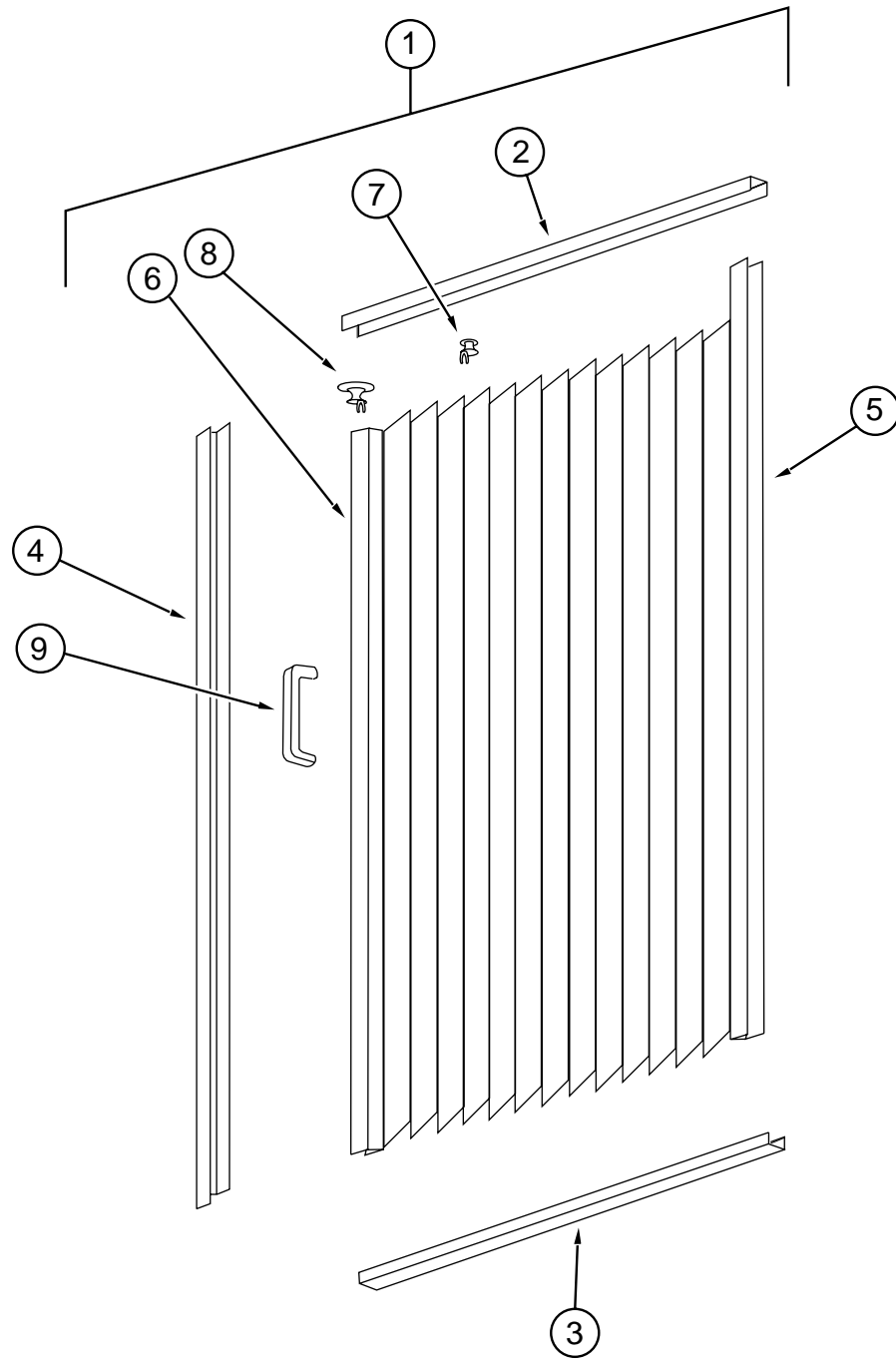
| KEY | PARTNUMBER | U/M DESCRIPTION |
|-----|---------------|----------------------------------|
| | 121449-21-H04 | EA DOOR-BATHW/OHARDWARE |
| | 094485-03-01A | EA KNOB-DOOR-BRASS |
| | 102920-01-01A | EA HINGE-DOOR-SPRINGLOADED/BRASS |
| | 110496-01-01A | EA HINGE-BRASS |
| | 121449-12-G04 | EA RACK-TOWEL-BATHDOOR |
| | 100357-01-000 | EA ROD-TOWEL-BRASS |

BATHPRIVACYDOOR-SALEMCHERRY

| KEY | PARTNUMBER | U/M DESCRIPTION |
|-----|---------------|----------------------------------|
| | 121449-21-H10 | EA DOOR-BATHW/OHARDWARE |
| | 094485-03-01A | EA KNOB-DOOR-BRASS |
| | 102920-01-01A | EA HINGE-DOOR-SPRINGLOADED/BRASS |
| | 110496-01-01A | EA HINGE-BRASS |
| | 121449-12-G07 | EA RACK-TOWEL-BATHDOOR |
| | 100357-01-000 | EA ROD-TOWEL-BRASS |

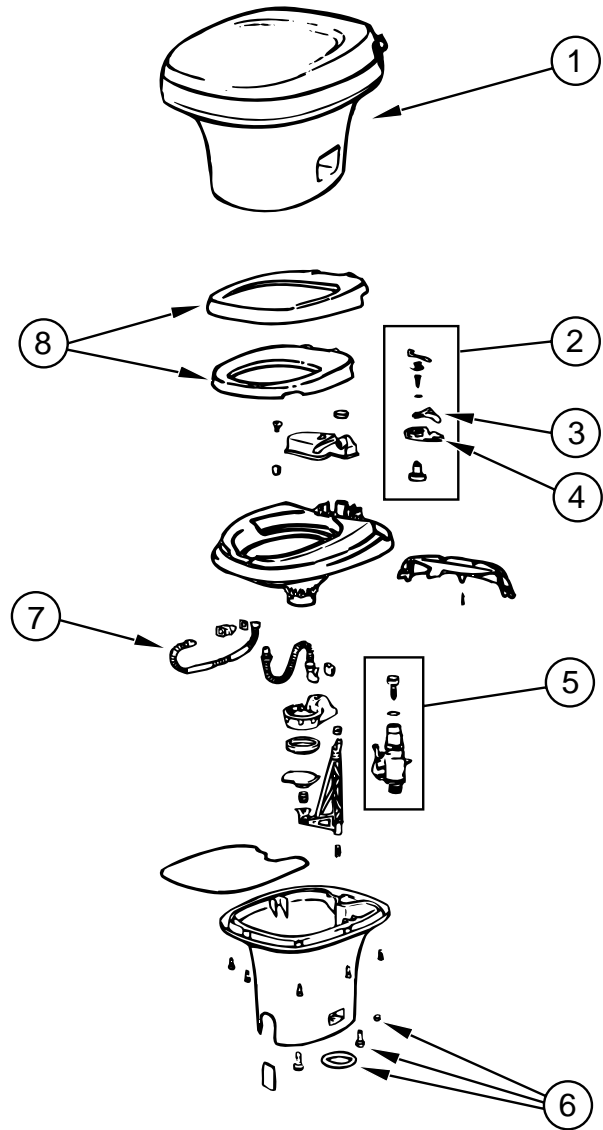
BATHGROUP(CONTINUED)

SHOWERDOOR



| KEY | PARTNUMBER | U/M | DESCRIPTION |
|-----|---------------|-----|---|
| 1 | 117431-01-01A | EA | DOOR-SHOWER-FABRICPLEATED-29.6"X63.0" |
| 2 | 117431-01-700 | EA | TRACK-TOP,ALUMINUM-IVORYINSERT-48" |
| 3 | 117431-01-701 | EA | TRACK-BOTTOM,40" |
| 4 | 117431-01-702 | EA | RAIL-SIDE,67" |
| 5 | 117431-01-703 | EA | RAIL-STATIONARY,67" |
| 6 | 117431-01-704 | EA | RAIL-LEAD,67" |
| 7 | 117431-01-705 | EA | GLIDE-IVORY,TRAVELER |
| 8 | 117431-01-706 | EA | GLIDE-IVORYLEAD,TRAVELER |
| 9 | 117431-01-708 | EA | HANDLES&SCREWS |
| | 117431-01-707 | EA | LATCH |
| | 117431-01-709 | EA | STRAP-VINYLSHOWER |
| | 105394-01-05A | EA | EXTRUDEDPLASTIC-DOORJAMB-7'WATERFORDOAK |
| | 105394-01-04A | EA | EXTRUDEDPLASTIC-DOORJAMB-7'SALEMCHERRY |

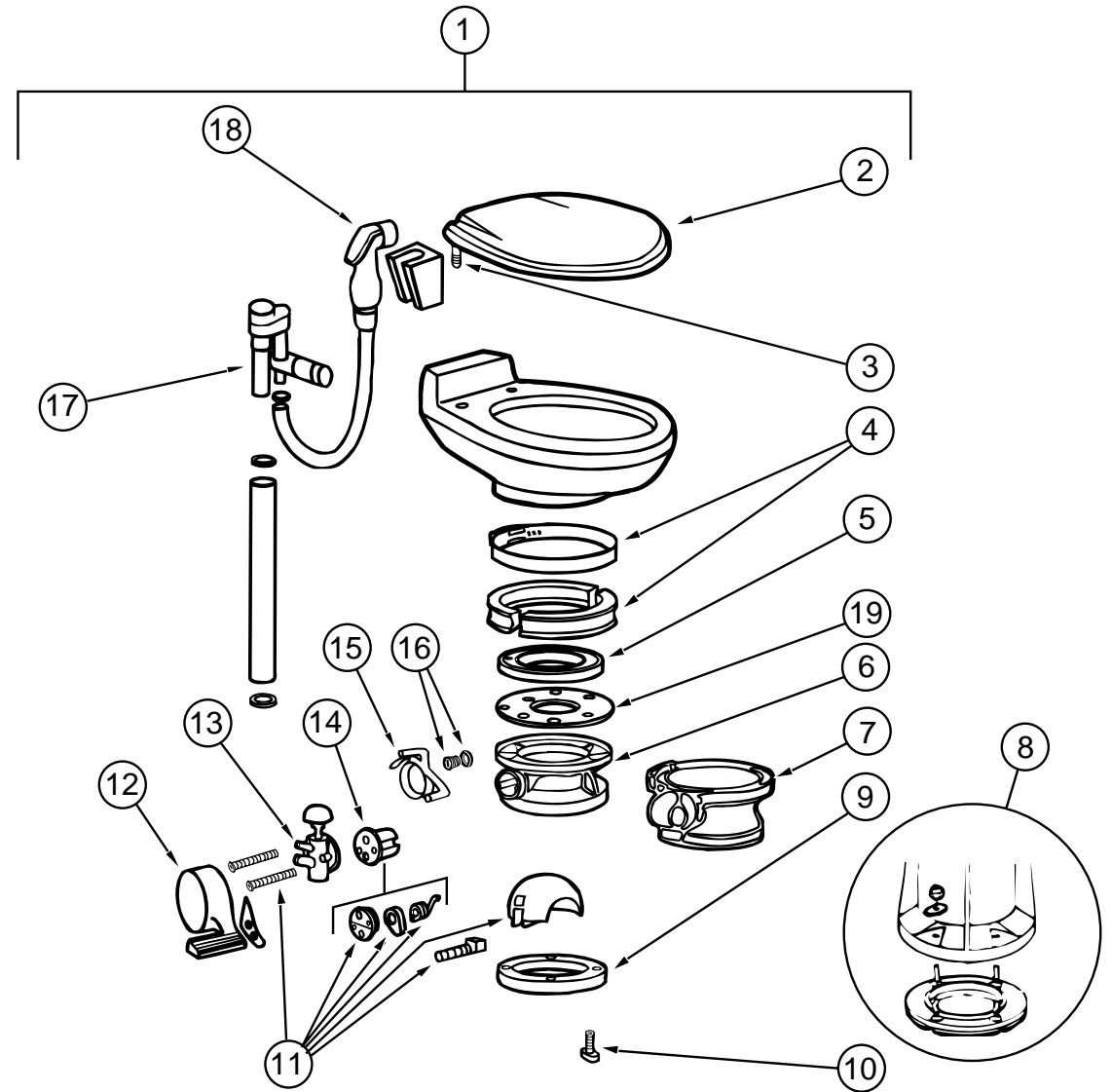
BATHGROUP(CONTINUED)



TOILET&COMPONENTS-THETFORD-MODEL-AQUAMAGICIVLOW

| KEY | PARTNUMBER | U/M | DESCRIPTION | VENDORNO. |
|-----|---------------|-----|-------------------------------|-----------|
| 1 | 067487-01-000 | EA | TOILET-12.37"-IVORY-HANDFLUSH | |
| 2 | 063740-01-700 | EA | LEVER-WATER | 12514 |
| 3 | 063740-01-701 | EA | LEVER-FLUSH | 12515 |
| 4 | 063740-01-713 | EA | SEAL-BALLVALVETO BOWL | 12502 |
| 5 | 063740-01-714 | EA | VALVEASSEMBLY-WATER | 12492 |
| 6 | 063740-01-706 | EA | BOLTPACKAGE-CLOSET | 12524 |
| 7 | 063740-01-717 | EA | TUBE-FLUSH,TOILET | 12509 |
| 8 | 063740-02-700 | EA | SEAT&COVER,PARCHMENT | 2464157 |

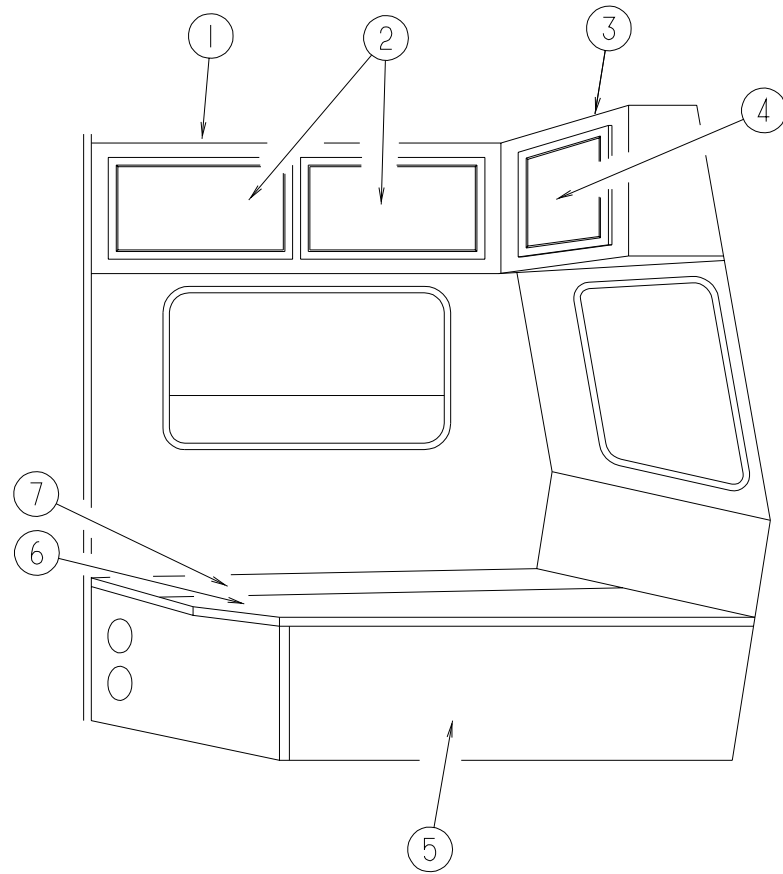
BATHGROUP(CONTINUED)



TOILET&COMPONENTS-SEALAND-MODEL591103-MCCLAINSANNIVERSARYOPTION

| KEY | PARTNUMBER | U/M | DESCRIPTION | VENDORNO. |
|-----|---------------|-----|--------------------------------|------------|
| 1 | 085330-07-000 | EA | TOILET-SHORTYCHINAW/SPRAY-BONE | |
| 2 | 085330-06-700 | EA | SEATASSEMBLY,BONE | 340591 |
| 3 | 085330-06-702 | EA | HINGEHARDWARE(BONE)SET | 342131 |
| 4 | 085330-01-703 | EA | RING&HALFCLAMPS,BONE | 385310048 |
| 5 | 085330-01-705 | EA | SUPPORT-SEAL,PLASTIC | 390346405 |
| 6 | 085330-04-704 | EA | BASEASM | 310124 |
| 7 | 085330-04-705 | EA | COVER-PEDESTAL,BONE510 | 310109 |
| 8 | 085330-01-718 | EA | SEAL&BASEW/MOUNTINGHDW | 3853100-63 |
| 9 | 085330-01-714 | EA | SEAL-FLANGE,FLOOR | 390343892 |
| 10 | 085330-01-717 | EA | STOOLMTG.,PKG.BOLT&SEAL | 3100-64 |
| 11 | 085330-01-706 | EA | BALL(FLAPPER)SHAFT/CARTRIDGE | 385318162 |
| 12 | 085330-04-703 | EA | COVERASSEMBLY-PEDAL | 310118 |
| 13 | 085330-01-709 | EA | VALVE-WATER | 385314349 |
| 14 | 085330-01-707 | EA | CARTRIDGESPRINGASSEMBLY | 381236096 |
| 15 | 085330-04-702 | EA | LEVER-FLUSH | 340825 |
| 16 | 085330-01-710 | EA | DRAIN-KIT,PLUG-CAPW/SEAL | 230384 |
| 17 | 085330-06-701 | EA | BREAKER-VACUUM/DIVERTER(900) | 230335 |
| 18 | 085330-04-701 | EA | HANDSPRAYW/HOSE(500&900) | 340683 |
| 19 | 085330-01-704 | EA | TEFLON&RUBBERSEALKIT | 385316140 |

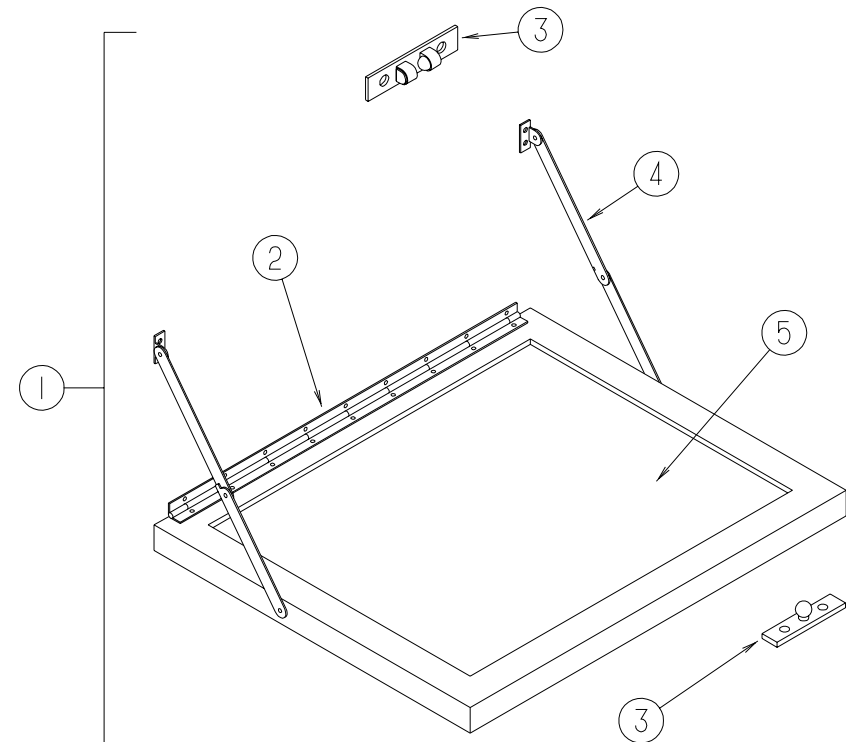
BEDROOMGROUP



BEDROOMCABINETS

| KEY | PARTNUMBER | U/M | DESCRIPTION |
|-----|---------------|-----|---|
| 1 | 122609-01-H04 | EA | CABINET-OVERHEAD/REAR-W/ODOORS/HARDWARE-WATERFORDOAK |
| 1 | 122609-01-H10 | EA | CABINET-OVERHEAD/REAR-W/ODOORS/HARDWARE-SALEMCHERRY |
| 2 | 110140-18-G01 | EA | DOOR-VINYLRAP-15.7"X27.9"-W/OHDW-WATERFORDOAK |
| 2 | M06803-K3-H10 | EA | DOOR-OGEEEDGE-15.7"X27.9"-W/OHDW-SALEMCHERRY |
| 3 | 122974-01-H04 | EA | CABINET-REAROVERHEAD-W/ODOORS/HARDWARE-WATERFORDOAK |
| 3 | 122974-01-H10 | EA | CABINET-REAROVERHEAD-W/ODOORS/HARDWARE-SALEMCHERRY |
| 4 | 110140-18-G01 | EA | DOOR-VINYLRAP-15.7"X27.9"-W/OHDW-WATERFORDOAK |
| 4 | M06803-K3-H10 | EA | DOOR-OGEEEDGE-15.7"X27.9"-W/OHDW-SALEMCHERRY |
| 4 | 110140-21-H04 | EA | DOOR-MIRROR/MTRDCRNR/OGEEEDGE-15.7"X27.9"-W/OHDW-WATERFORDOAK |
| 4 | M06803-X8-H10 | EA | DOOR-MIRROR/MTRDCRNR/OGEEEDGE-15.7"X27.9"-W/OHDW-SALEMCHERRY |
| 5 | P23018-01-H04 | EA | BASE-DOUBLEBED-W/ODOORS/DRAWERS/HARDWARE-WATERFORDOAK |
| 5 | P23018-01-H10 | EA | BASE-DOUBLEBED-W/ODOORS/DRAWERS/HARDWARE-SALEMCHERRY |
| 5 | P23018-02-H04 | EA | BASE-DOUBLEBED-RAISEDBEDEXCHANGE-WATERFORDOAK |
| 5 | P23018-02-H10 | EA | BASE-DOUBLEBED-RAISEDBEDEXCHANGE-SALEMCHERRY |
| 6 | M07448-04-H04 | EA | TOP-DOUBLEBED-W/OHARDWARE-WATERFORDOAK |
| 6 | M07448-02-G01 | EA | TOP-DOUBLEBED-W/OHARDWARE-SALEMCHERRY |
| 7 | M07448-03-000 | EA | TOP-DOUBLEBED-W/OHARDWARE-WATERFORDOAK |
| 7 | M07448-01-000 | EA | TOP-DOUBLEBED-W/OHARDWARE-SALEMCHERRY |
| | 126259-01-000 | EA | STUD-BALL |
| | 057460-02-000 | EA | STUDBALL-GASSPRING-.39"-5/16"-18-RAISEDBEDEXCHANGE |
| | 107796-10-000 | EA | BRACKET-GASSPRING-90DEGREE SMALL |
| | | | FROM: 00-00-00 THRU: 08-24-97 |
| | 126263-03-01B | EA | BRACKET-GASSPRING |
| | | | FROM: 08-25-97 THRU: 99-99-99 |
| | 108998-04-000 | EA | SPRING/GAS12"COMPRESSED/20"EXTENDED-60LB. |
| | 089076-08-000 | EA | H-CHANNEL-SUPPORT/BED |

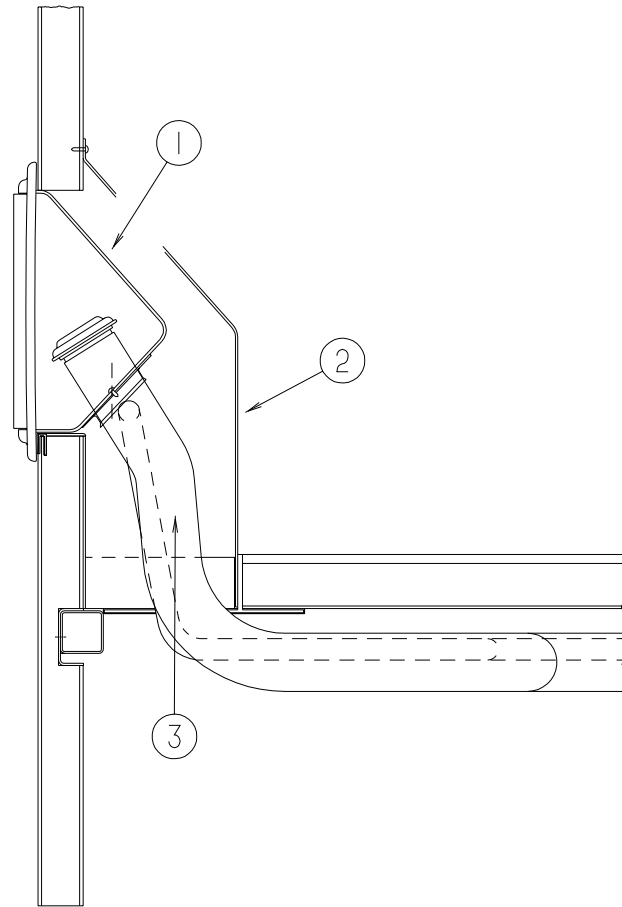
BEDROOMGROUP(CONTINUED)



TVSHELF-JAPAN/WIEEXPORT

| KEY | PARTNUMBER | U/M | DESCRIPTION |
|-----|---------------|-----|---|
| 1 | 084357-02-G07 | EA | TVSTAND-FOLDDOWNW/MIRROR |
| 2 | 084413-01-000 | EA | HINGE/CONTINUOUS-ALUMINUM1"X72"-W/HOLES |
| 3 | 088451-01-000 | EA | CATCH-TVSHELF, BRASS |
| 4 | 084412-01-000 | EA | SUPPORTHINGEKIT |
| 5 | 084356-08-000 | EA | INSERT-TVSTANDW/SUPPORTHINGE |

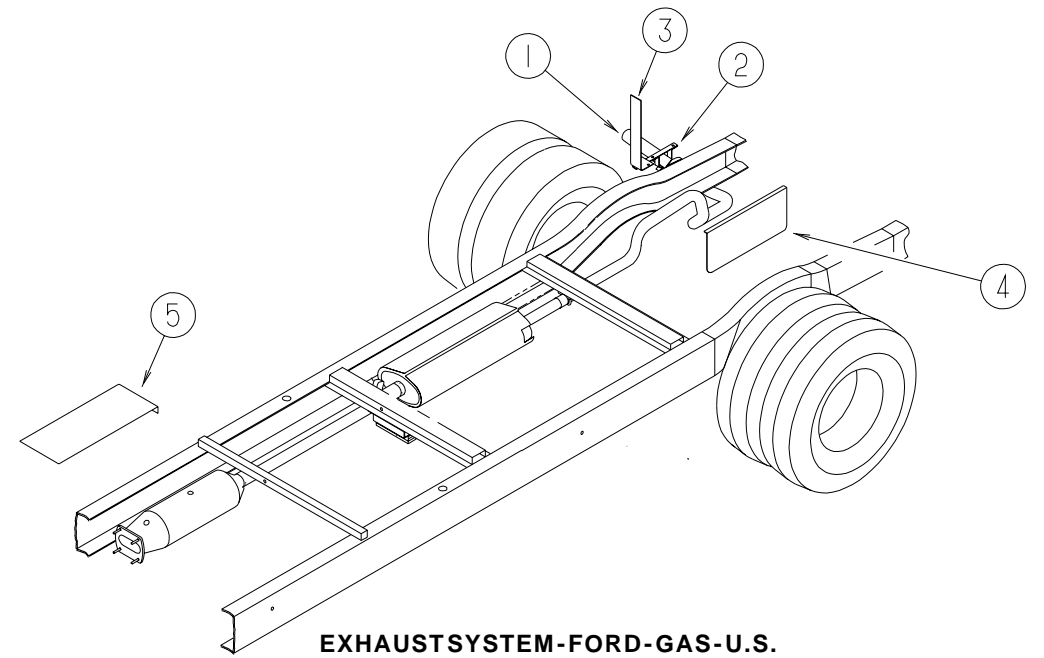
CHASSISGROUP



FUELSYSTEMCOMPONENTS

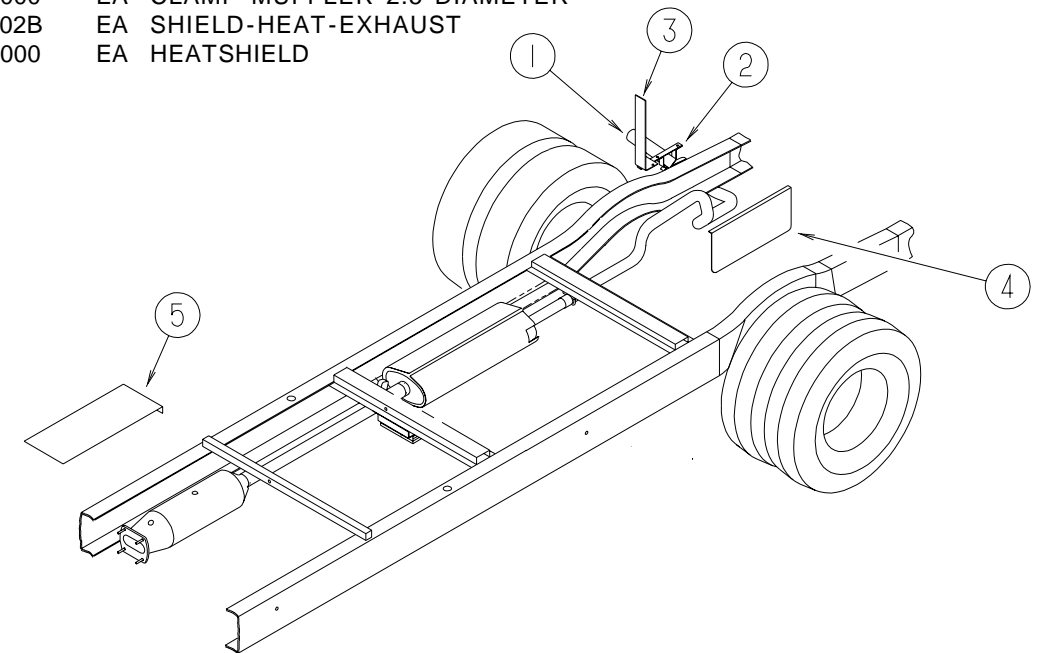
| KEY | PARTNUMBER | U/M DESCRIPTION |
|-----|---------------|--|
| 1 | 095854-01-04A | EA SHROUD-FUELFILL-BRIGHTWHITE |
| 2 | 078040-05-000 | EA SHROUD-FUELFILL-UPPER |
| 3 | 116043-01-000 | EA NECK-FUELFILL-UNLEADED-FORD |
| | | FROM: 00-00-00 THRU: 12-01-96 |
| 3 | 124995-01-000 | EA NECK-FUELFILL-UNLEADED-FORD |
| | | FROM: 12-02-96 THRU: 99-99-99 |
| 3 | 116043-02-000 | EA NECK-FILLER,FUELFILL-DIESEL-FORD |
| 3 | 124326-01-000 | EA NECK-FILLER-FUELFILL-UNLEADED-CHEVY |
| 3 | 124326-02-000 | EA NECK-FILLER-FUELFILL-DIESEL-CHEVY |
| | 007063-01-000 | FT HOSE-FUEL 1/4" ID X 1/2" OD |
| | 084884-01-000 | EA PLUG-BRASS-3/8" |

CHASSISGROUP(CONTINUED)



EXHAUSTSYSTEM-FORD-GAS-U.S.

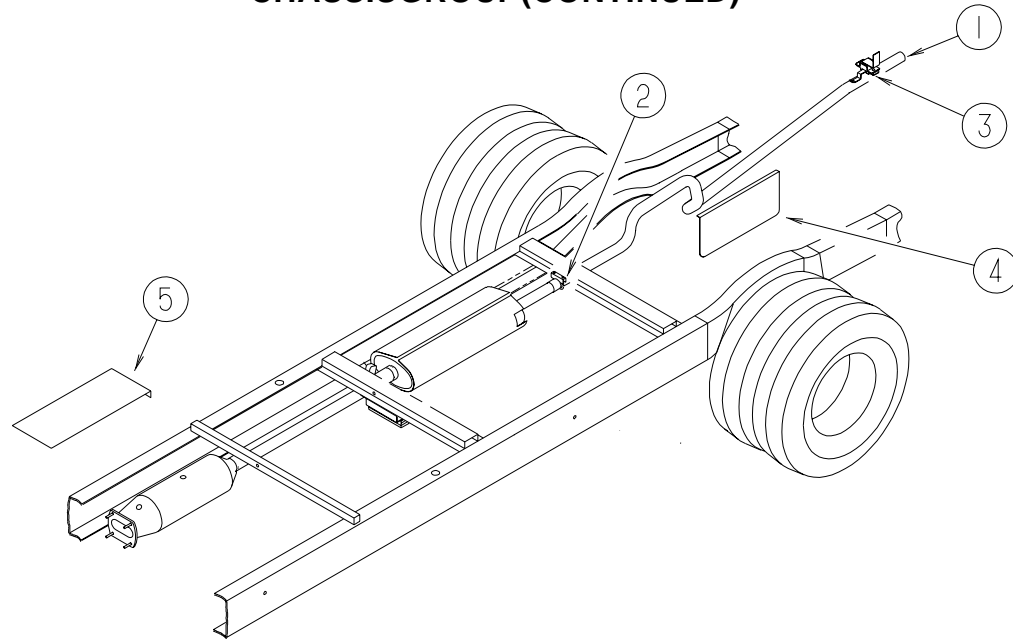
| KEY | PARTNUMBER | U/M DESCRIPTION |
|-----|---------------|-------------------------------|
| 1 | 098762-18-000 | EA PIPE-EXHAUST-STRAIGHT |
| | | FROM: 00-00-00 THRU: 12-01-96 |
| 1 | 098762-19-000 | EA PIPE-EXHAUST-STRAIGHT |
| | | FROM: 12-02-96 THRU: 05-30-97 |
| 2 | 007125-08-000 | EA CLAMP-MUFFLER-3" |
| 3 | 007131-01-000 | EA HANGER-TAILPIPE-6SLOTS |
| 3 | 007125-07-000 | EA CLAMP-MUFFLER-2.5"DIAMETER |
| 4 | 111848-01-02B | EA SHIELD-HEAT-EXHAUST |
| 5 | 091182-01-000 | EA HEATSHIELD |



EXHAUSTSYSTEM-FORD-JAPANEXPORT-GAS

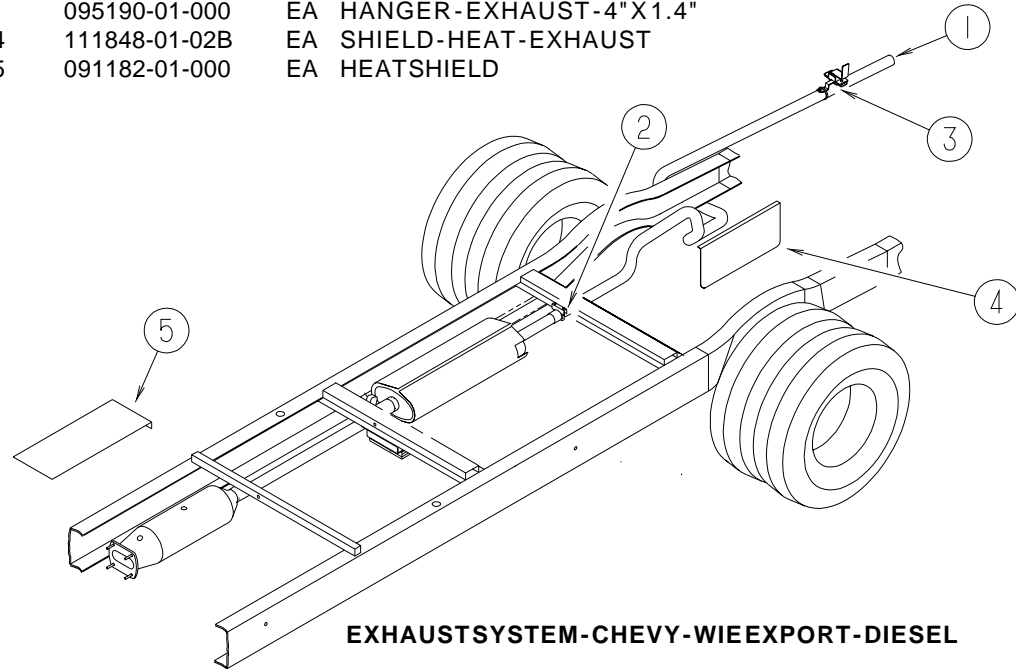
| KEY | PARTNUMBER | U/M DESCRIPTION |
|-----|---------------|-------------------------------|
| 1 | 125282-01-000 | EA PIPE-EXHAUST |
| 2 | 007125-08-000 | EA CLAMP-MUFFLER-3" |
| 3 | 007131-01-000 | EA HANGER-TAILPIPE-6SLOTS |
| 3 | 007125-07-000 | EA CLAMP-MUFFLER-2.5"DIAMETER |
| 4 | 111848-01-02B | EA SHIELD-HEAT-EXHAUST |
| 5 | 091182-01-000 | EA HEATSHIELD |

CHASSISGROUP(CONTINUED)



EXHAUSTSYSTEM-FORD-WIEEXPORT-DIESEL

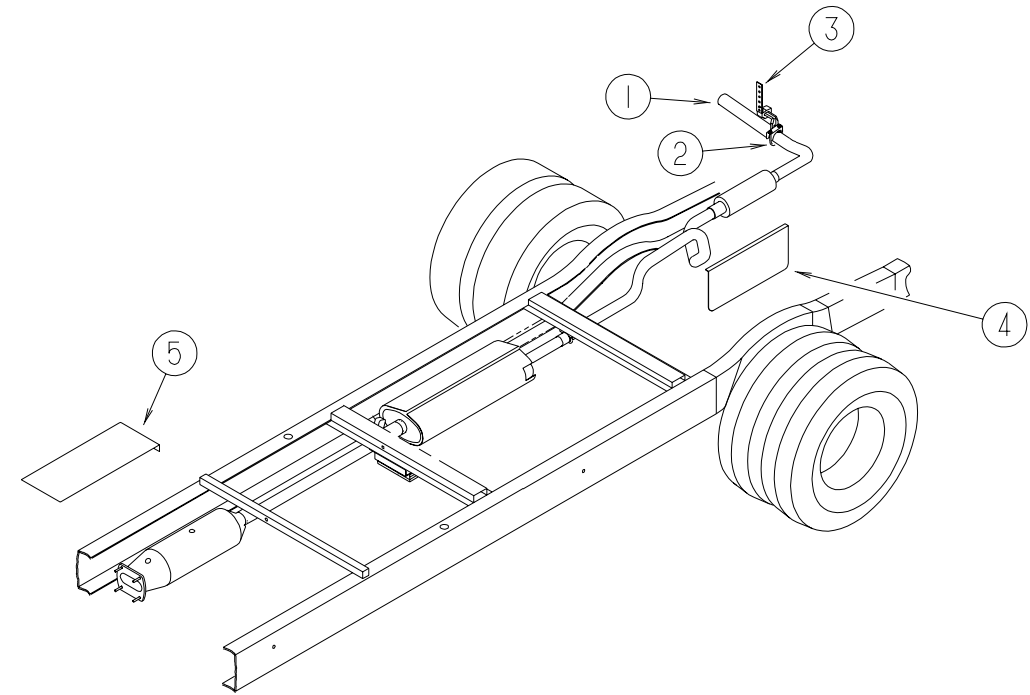
| KEY | PARTNUMBER | U/M | DESCRIPTION |
|-----|---------------|-----|------------------------|
| 1 | 117832-01-000 | EA | PIPE-EXHAUST-TAIL |
| 2 | 094918-02-000 | EA | CLAMP-EXHAUST-3.5" |
| 3 | 117380-01-02B | EA | HANGER-TAILPIPE |
| | 102116-02-000 | EA | BRACKET-EXHAUST-UPPER |
| | 094918-02-000 | EA | CLAMP-EXHAUST-3.5" |
| | 096054-04-000 | EA | SUPPORT-EXHAUSTPIPE |
| | 095190-01-000 | EA | HANGER-EXHAUST-4"X1.4" |
| 4 | 111848-01-02B | EA | SHIELD-HEAT-EXHAUST |
| 5 | 091182-01-000 | EA | HEATSHIELD |



EXHAUSTSYSTEM-CHEVY-WIEEXPORT-DIESEL

| KEY | PARTNUMBER | U/M | DESCRIPTION |
|-----|---------------|-----|--------------------------------|
| 1 | 098762-17-000 | EA | PIPE-EXHAUST-STRAIGHT2.5INSIDE |
| 2 | 007125-07-000 | EA | CLAMP-MUFFLER-2.5"DIAMETER |
| 3 | 117380-01-02B | EA | HANGER-TAILPIPE |
| | 102116-02-000 | EA | BRACKET-EXHAUST-UPPER |
| | 094918-02-000 | EA | CLAMP-EXHAUST-3.5" |
| | 096054-04-000 | EA | SUPPORT-EXHAUSTPIPE |
| | 095190-01-000 | EA | HANGER-EXHAUST-4"X1.4" |
| 4 | 111848-01-02B | EA | SHIELD-HEAT-EXHAUST |
| 5 | 091182-01-000 | EA | HEATSHIELD |

CHASSISGROUP(CONTINUED)

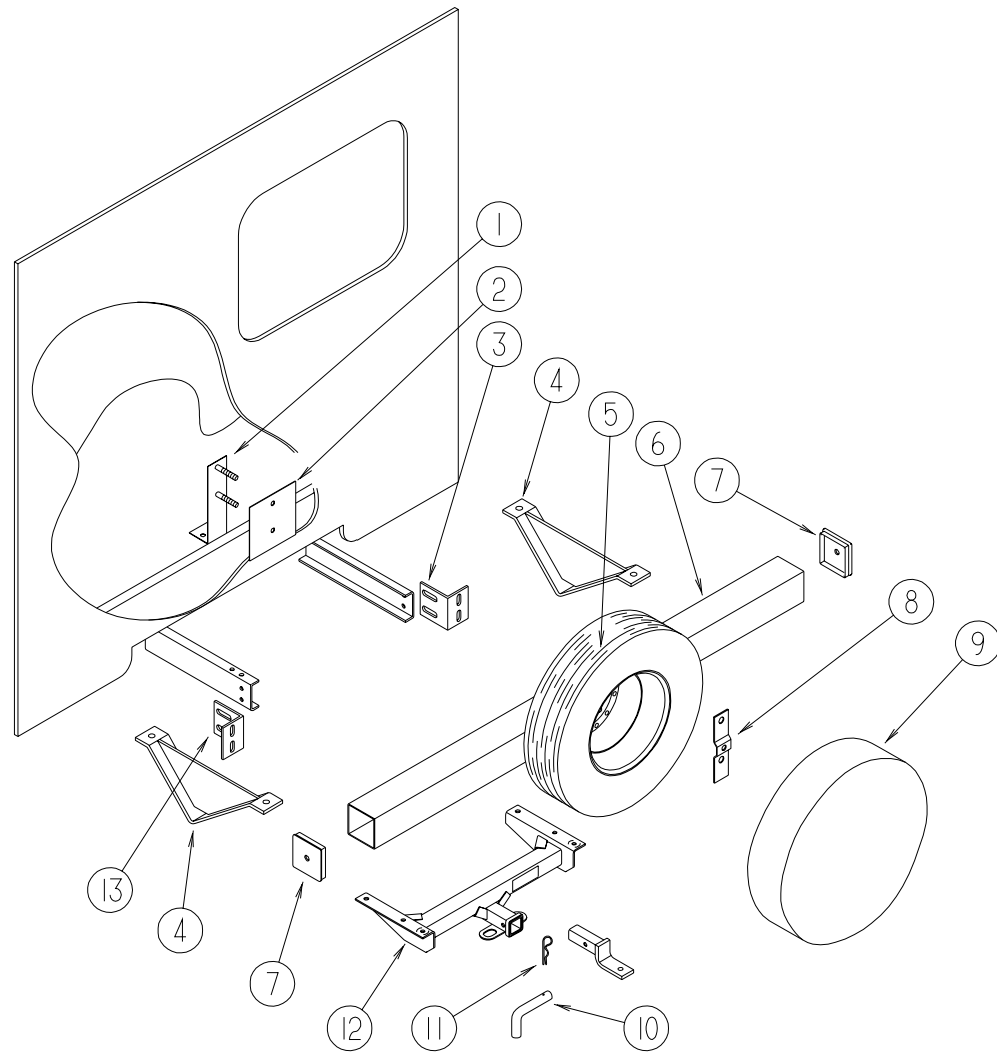


EXHAUSTSYSTEM-CHEVY-GAS

| KEY | PARTNUMBER | U/M | DESCRIPTION |
|-----|---------------|-----|----------------------------|
| 1 | 124570-01-000 | EA | PIPE-EXHAUST-TAIL |
| 2 | 007125-07-000 | EA | CLAMP-MUFFLER-2.5"DIAMETER |
| 3 | 00713101000 | EA | HANGER-TAILPIPE-6SLOTS |
| | 007125-07-000 | EA | CLAMP-MUFFLER-2.5"DIAMETER |
| 4 | 111848-01-02B | EA | SHIELD-HEAT-EXHAUST |
| 5 | 091182-01-000 | EA | HEATSHIELD |

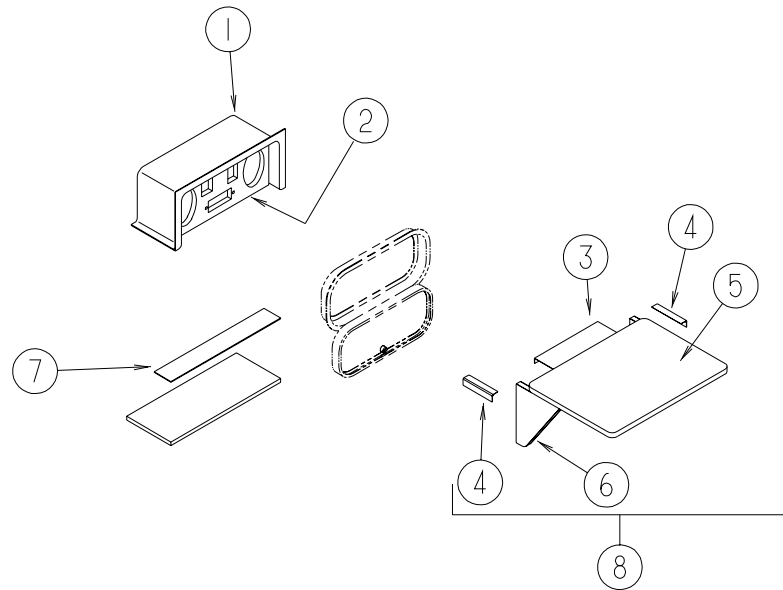
CHASSISGROUP(CONTINUED)

REARBUMPER,HITCH&SPARETIRECARRIER



| KEY | PARTNUMBER | U/M | DESCRIPTION |
|-----|---------------|-----|--|
| 1 | 105209-04-C52 | EA | BRACKET-SPARETIRE-CHEVY |
| 1 | 105209-06-C52 | EA | BRACKET-SPARETIRE-FORD |
| 1 | 105209-09-H10 | EA | BRACKET-SPARETIRE-EXPORTOPTION |
| 2 | 105208-01-000 | EA | PLATE-SPARETIRE |
| 3 | 104420-01-000 | EA | SUPPORT/ANGLE-REARBUMPER |
| 4 | 083376-01-000 | EA | PLATE/SKID-13.2"X6"X2"STEEL |
| 5 | 106715-01-000 | EA | TIRE-LT225/75R16-LRD550AS-CHEVY |
| 5 | 070917-05-000 | EA | TIRE-LT225/75R16D-R4SM/S-FORD |
| 6 | 103422-02-02A | EA | BUMPER-SQUARE,ALUMINUM-BRIGHTWHITE |
| 6 | 103099-08-02A | EA | BUMPER-REAR-BRIGHTWHITE-WIEEXPORT |
| 6 | 103099-02-04A | EA | BUMPER-REAR-BRIGHTWHITE-JAPANEXPORT |
| 7 | 039779-01-000 | EA | CAP-BUMPER-RUBBER-4"X4"-BLACK |
| 7 | 106147-01-02A | EA | END-CAP-BUMPER-BLACK-EXPORTOPTION |
| 8 | 105531-02-000 | EA | RETAINER-SPARETIRE |
| 9 | 073322-07-F15 | EA | COVER-TIRE-31" |
| 9 | 073322-50-000 | EA | COVER-UNIVERSALLINER |
| 9 | 079799-02-000 | EA | COVER-TIRE-JAPANEXPORT |
| 9 | M02047-01-F15 | EA | PANEL-DOOR-TIRECOVER-JAPANEXPORT |
| | 064082-02-000 | EA | NUT-RETAINING-WHEELCOVER |
| | 077408-02-000 | EA | LOCK-KEYTYPE |
| 10 | 034512-01-000 | EA | PIN-LOCKING-DRAWBAR |
| 11 | 034513-01-000 | EA | PIN-HITCH-3/16"WIRE |
| 12 | 107707-08-000 | EA | HITCHRECEIVER-BOLT-ONCLASSII |
| | 070579-09-000 | EA | PLATE-ANCHOR |
| 13 | 104420-02-000 | EA | SUPPORT/ANGLE-REARBUMPER |
| | 097744-02-000 | EA | HOUSING-TRAILERPIN-48" |
| | 097745-02-000 | EA | HOUSING-RECEPTACLE-TRAILER-48"WIRELENGTH |
| | 113589-01-000 | EA | CONNECTOR-PLUG-TRAILER |
| | 113589-02-000 | EA | CONNECTOR-SOCKET-TRAILER |
| | 113588-02-01B | EA | BRACKET-CONNECTOR-TRAILERW/OLIP |
| | 113634-01-000 | EA | WIREASSEMBLY-TRAILERADAPTER |

CHASSISGROUP(CONTINUED)



EXTERIORENTERTAINMENTCENTER

| KEY | PARTNUMBER | U/M DESCRIPTION | |
|-----|---------------|--------------------------------------|-------------------------------|
| 1 | 104897-01-02A | EA BOX-ENTERTAINMENTCENTER | |
| 2 | 104899-01-C05 | EA PLATE-RADIOMOUNTING | |
| 3 | 105377-01-01A | EA BRACKET-TABLEHANGER | FROM: 00-00-00 THRU: 01-05-97 |
| 3 | 105377-01-04A | EA BRACKET-TABLEHANGER | FROM: 01-06-97 THRU: 99-99-99 |
| 4 | 105376-01-02A | EA HINGE-CONTINUOUS-2"X5.5" | FROM: 00-00-00 THRU: 01-05-97 |
| 4 | 105376-01-03A | EA HINGE-CONTINUOUS-2"X5.5" | FROM: 01-06-97 THRU: 99-99-99 |
| 5 | 105230-11-E01 | EA SHELF-EXTERIORENTERTAINMENTCENTER | |
| 6 | 105230-12-F11 | EA SUPPORT-EXTERIORSHELF | |
| 7 | 104898-01-02A | EA PLATE-PLASTICBOTTOM | |
| 8 | 105230-01-H33 | EA SHELF-EXTERIORTV | |

REARAIRBAGS-FORD-FROM: 00-00-00 THRU: 06-20-97

| KEY | PARTNUMBER | U/M DESCRIPTION | VENDORNO. |
|-----|---------------|--|-----------|
| | 106067-03-000 | EA AIRSPRING-4"DIAMETER TWIN | |
| | 106067-03-700 | EA AIRBAGREPL.KIT(2BAGS) | RK-FH3 |
| | 109236-01-000 | EA PLATE-VALVE-AIRSPRING | |
| | 010497-01-000 | EA CLAMP-CLOSED-5/8"ID | |
| | 083609-01-000 | EA CLAMP-WIRE-DUAL-EQUALDIAMETERS-5/8" | |

REARAIRBAGS-FORD-FROM: 06-21-97 THRU: 99-99-99

| KEY | PARTNUMBER | U/M DESCRIPTION | VENDORNO. |
|-----|---------------|--|-----------|
| | 100293-02-000 | EA AIRSPRING-4"DIAMETER | |
| | 100293-02-700 | EA BAG-AIR,W/CABLE | RK-E3 |
| | 100332-01-000 | EA PLATE-VALVE-AIRSPRING | |
| | 010497-01-000 | EA CLAMP-CLOSED-5/8"ID | |
| | 083609-01-000 | EA CLAMP-WIRE-DUAL-EQUALDIAMETERS-5/8" | |

CHASSISGROUP(CONTINUED)

WHELLINERS-DICOR-FORD

| KEY | PARTNUMBER | U/M DESCRIPTION | VENDORNO. |
|-----|---------------|----------------------------|------------|
| | 110435-02-000 | EA LINER/WHEEL-SETOF4-E350 | |
| | 110435-01-711 | EA DECAL-CENTERCAP,2"DECAL | |
| | 110435-02-700 | EA LINER-WHEEL,FRONT | V160F2-FWC |
| | 110435-02-701 | EA LINER-WHEEL,REAR | V160F2-RWC |
| | 110435-02-702 | EA STUDEXTENDER | V160SD-STX |
| | 110435-02-703 | EA NUT(JAMB) | V160SD-JNT |
| | 110435-02-704 | EA COVER-LUGNUT | V160F0-LNC |
| | 110435-02-705 | EA TOOLF/JAMBNUT,INSTALL. | V160FO-TOL |

WHELLINERS-KAPER-CHEVY

| KEY | PARTNUMBER | U/M DESCRIPTION | VENDORNO. |
|-----|---------------|--|------------|
| | 091209-05-000 | EA LINER-WHEEL,SETOF4-16"-STAINLESSSTEEL | |
| | 091209-03-702 | EA COVER-AXLE,FRONT,8LUG | 64UE |
| | 091209-03-703 | EA COVER-AXLE,REAR,8LUG | 65UE |
| | 091209-03-704 | EA RING-SNAP | 00 |
| | 091209-05-700 | EA LINER-WHEEL,FRONT | 57-88KAPER |
| | 091209-05-701 | EA LINER-WHEEL,REAR | 58-88 |
| | 077030-02-000 | EA EXTENSION-VALVESTEM-1.25" | |

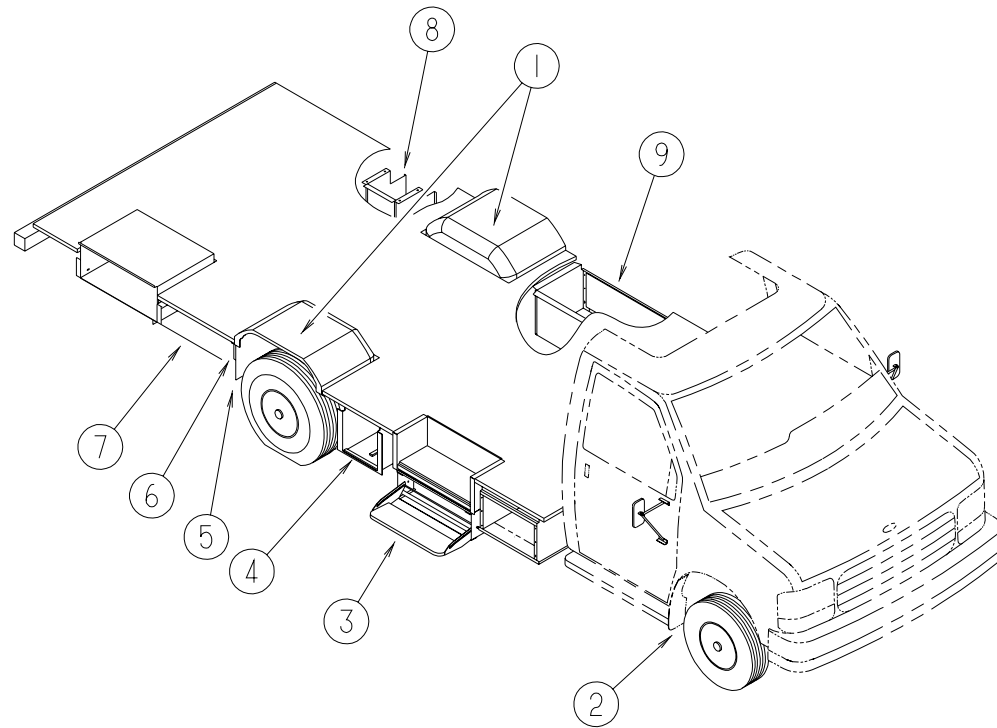
WHEELCOVERS-DICOR-FORD

| KEY | PARTNUMBER | U/M DESCRIPTION | VENDORNO. |
|-----|---------------|---------------------------------------|------------|
| | 109443-05-000 | EA WHEELCOVER-4/SET-16"STAINLESSSTEEL | |
| | 098532-01-700 | EA COVER-LUGNUT(CHROME) | SHAU-LNC |
| | 109443-05-700 | EA COVER-WHEEL,16" SSEA=1 | SHFM16-CVR |

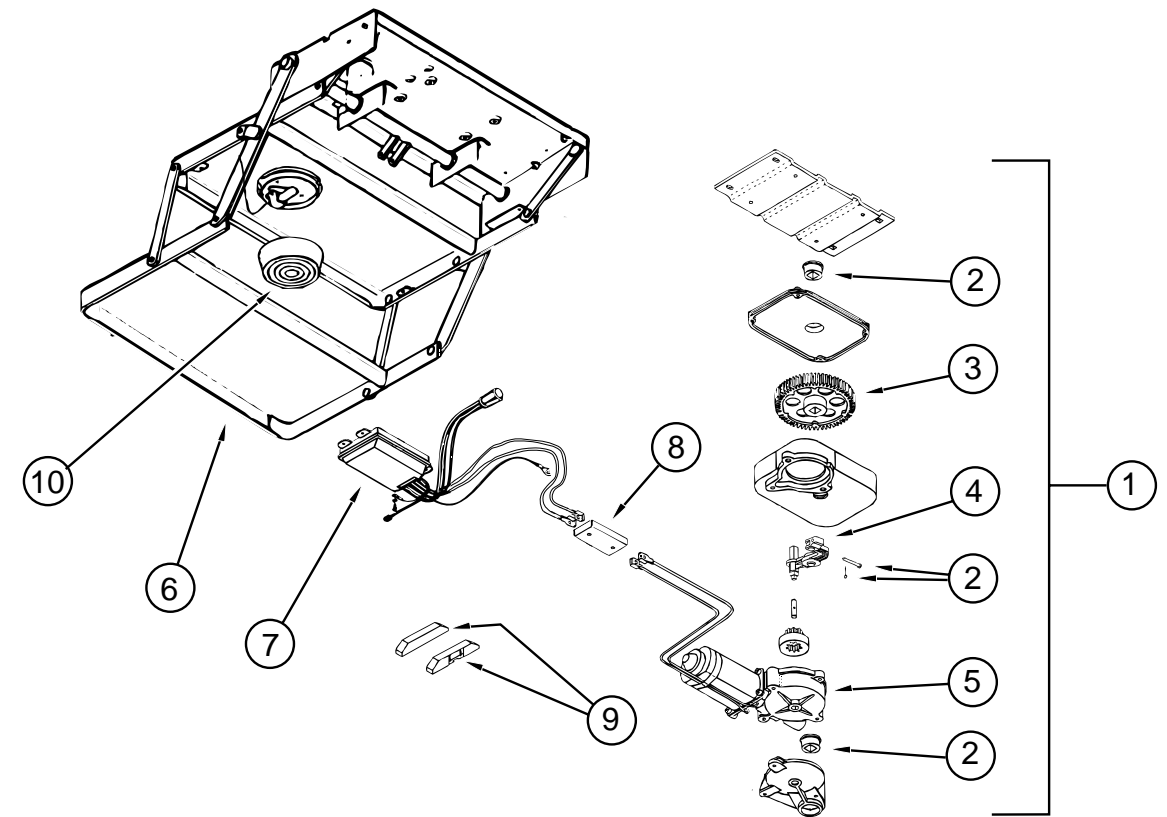
TIRE & WHEEL

| KEY | PARTNUMBER | U/M DESCRIPTION | |
|-----|---------------|----------------------------------|-------------------------------|
| | 106715-01-000 | EA TIRE-LT225/75R16-LRD550AS-GM | |
| | 070917-05-000 | EA TIRE-LT225/75R16D-R4SM/S-FORD | |
| | 083617-03-000 | EA WHEEL-STEEL-16.0X6 | |
| | 051377-03-000 | EA VALVESTEM | |
| | 112358-01-000 | EA WRENCH-LUG-7/8"-L-SHAPE-FORD | |
| | 080208-01-000 | EA LUGWRENCH-1.06X1.00-GM | FROM: 00-00-00 THRU: 09-26-96 |
| | 080208-06-000 | EA WRENCH-LUG-DEEP1"X1.06"-GM | FROM: 09-27-96 THRU: 99-99-99 |
| | 080208-02-000 | EA BAR-LEVERAGE-LUGWRENCH-GM | |

CHASSISGROUP(CONTINUED)



CHASSISGROUP(CONTINUED)



MISCELLANEOUSCHASSISCOMPONENTS

| KEY | PARTNUMBER | U/M | DESCRIPTION |
|-----|---------------|-----|--|
| 1 | 096322-01-000 | EA | WHEELWELL-REAR-DRIVER/PASSENGER-PLASTIC |
| 2 | 072884-27-703 | EA | MUDFLAPW/HOLES, 1EA=PAIR 99171-FORD |
| 2 | 072884-28-701 | EA | FRONT FLAP - PAIR 99153-CHEVY |
| 3 | 077848-02-000 | EA | STEP-PULLOUT |
| | 102569-04-000 | EA | MAT-ANTISLIP |
| | 076241-14-000 | EA | SUPPORT-STEP |
| | 091176-01-000 | EA | SUPPORT-BASE-ENTRANCESTEP |
| | P00796-03-000 | EA | LINER-STEP-W/ANTI-SLIPTAPE |
| 4 | 105203-04-000 | EA | COMPARTMENT-BATTERY |
| | 084993-01-000 | EA | STRAP-BATTERY |
| | 084993-02-000 | EA | STRAP-BATTERY |
| 5 | 017516-01-000 | EA | MUDFLAP - 14" X 18" - BLACK |
| 5 | 106141-01-000 | EA | MUDFLAP - W/HOLES&WINNEBAGOLOGO - BLACK-EXPORTOPTION |
| 6 | 045731-05-000 | EA | GUARD-ROCK |
| 7 | 085967-01-000 | EA | COMPARTMENT-SEWERHOSE 6" X 6.6" X 17.8" - PLASTIC-EXPORTOPTION |
| 8 | 101868-08-000 | EA | COMPARTMENT-POWERCORD |
| | 101667-03-000 | EA | PROP-ROD |
| 9 | 114070-02-02B | EA | SUPPORT-GENERATOR-LEFT |
| 9 | 114071-02-02B | EA | SUPPORT-GENERATOR-RIGHT |
| | 056748-01-000 | EA | PLUG-CAP-1.5" DIAMETER |
| | | | FROM: 00-00-00 THRU: 06-01-97 |
| | 061420-10-000 | EA | PLUG/PLASTIC-1.50" DIAMETER-BLACK |
| | | | FROM: 06-02-97 THRU: 99-99-99 |
| | 115361-01-01A | EA | PLUG-PLASTIC |
| | 061420-01-000 | EA | PLUG/PLASTIC-1.75" - BROWN |
| | 061420-05-000 | EA | PLUG/PLASTIC-1.8" DIAMETER |
| | 099717-04-000 | EA | STRAP-TIEDOWNW/21.3" FEMALE STRAP&27.2" MALE STRAP |

ELECTRICSTEP-EXPORTOPTION

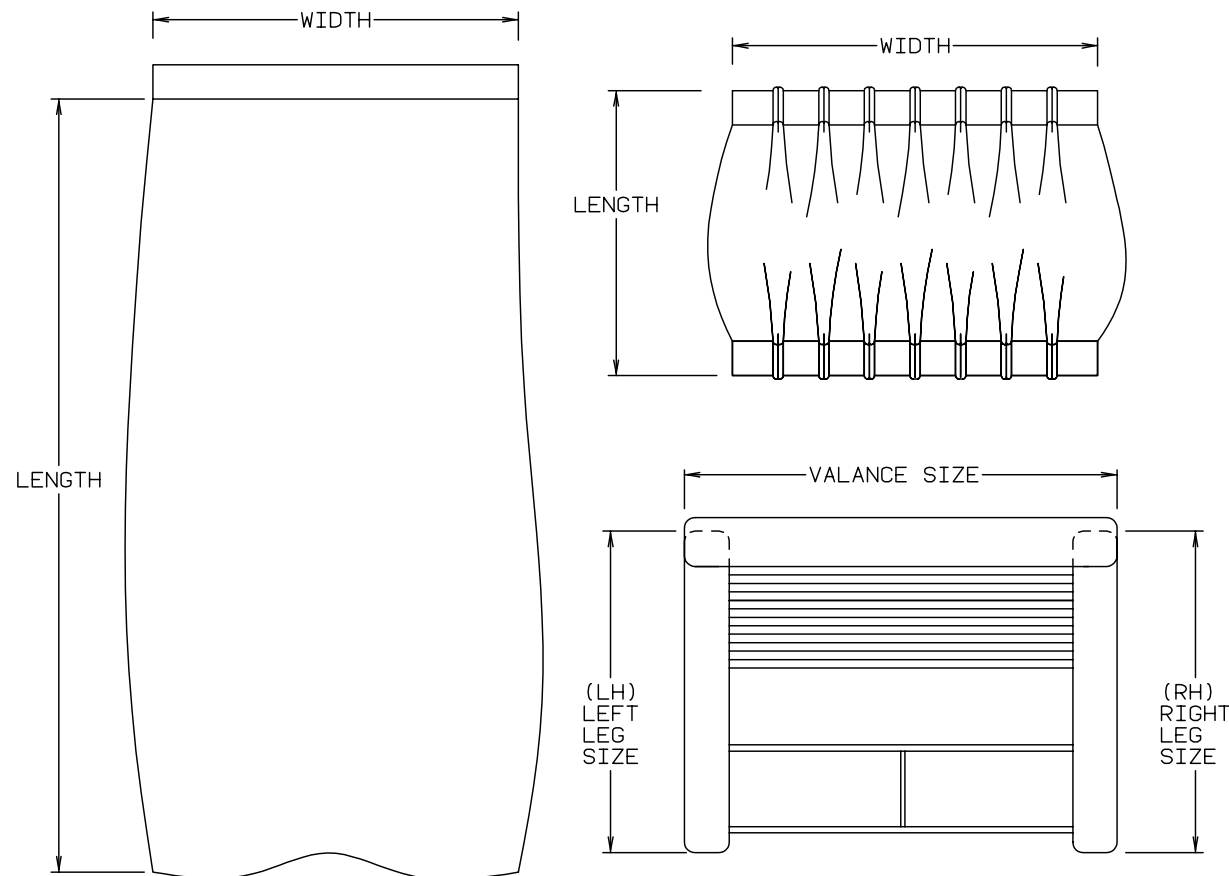
| KEY | PARTNUMBER | U/M | DESCRIPTION | VENDOR NO. |
|-----|---------------|-----|---|------------|
| 1 | 094708-01-01A | EA | STEP-ENTRY DOOR-ELECTRIC-SINGLE-W/ODOORSWITCH | |
| 2 | 094707-02-703 | EA | BEARING&PINS | 909530 |
| 3 | 094707-02-702 | EA | GEARKIT, W/BEARINGS, PIN-CASE | 909525 |
| 4 | 094708-03-700 | EA | LINKAGE ASSEMBLY-SERIES 28 | 909533 |
| 5 | 094707-02-700 | EA | MOTOR ASM., W/BEARINGS&PINS | 909520 |
| 6 | 088746-01-709 | EA | FRAMEW/SGL STEP, 2800 SERIES | 908028 |
| 7 | 094707-02-705 | EA | CONTROL UNIT, WHITE | 909513 |
| 8 | 094707-02-704 | EA | CONNECTOR-MOTOR ASM. W/PLATES | 909537 |
| | 094707-02-707 | EA | TREAD-NON-SKID-BLACK 6" X 21" | |
| 9 | 116995-01-000 | EA | SWITCH/MAGNET-STEP-ELECTRIC | |
| 10 | 088746-01-705 | EA | LIGHT-UNDERSTEP | 9004 |
| | 088733-01-700 | EA | BULB | 9004 |

CURTAIN & CUSHION GROUP

NOTICE

IN ORDER TO ASSIST OUR PARTS SALES DEPT. IN PROVIDING INTERIOR SOFTWARE ITEMS, PLEASE INCLUDE THE SERIAL NUMBER AND THE COLOR CODE NUMBER FROM THE VEHICLE CERTIFICATION LABEL WHEN ORDERING. THIS LABEL IS LOCATED ON THE LEFT SIDEWALL AT THE END OF THE DASH (A-BODY), OR ON THE DRIVER'S DOOR LATCH PLATE (C-BODY).

AN EXAMPLE OF A COLOR CODE NUMBER IS B07, WHICH DESIGNATES AN OVERALL COLOR SCHEME OF A PARTICULAR UNIT. THE COLOR LISTED AFTER THE ITEM DESCRIPTION ON THE MICROFICHE, INDICATES THE OVERALL UNIT COLOR. ORDER THE ITEM YOU DESIRE ACCORDING TO UNIT COLOR CODE.



NOTE: USE THIS ILLUSTRATION WHEN DETERMINING LENGTH AND WIDTH MEASUREMENTS FOR CURTAINS. YOU WILL NOTE THE WIDTH MEASUREMENT IS TAKEN ON THE TOP OF THE CURTAIN WITH THE CURTAIN FULLY EXTENDED. THE LENGTH MEASUREMENT IS TAKEN FROM TOP TO BOTTOM. LEFT AND RIGHT WINDOW LEGS ARE DETERMINED WHEN FACING THE WINDOW.

CURTAIN & CUSHION GROUP (CONTINUED)

FABRICS

| COLOR CODES | H04 | H05 | H10 | H11 | H24 | H26 |
|------------------------|--------------------------------|--------------------------------|--------------------------------|--------------------------------|--------------------------------|--------------------------------|
| | BLUE LAGOON (BLUE) | KRIPTONITE (TAUPE) | CHAMELEON (COBALT) | PASADENA (MOCHA) | COPPER CANYON (TERRA COTTA) | COPPER CREEK (TAN) |
| BUCKET SEATS | 108446-K9-000 | 108446-77-000 108446-G2-000 | 108446-G3-000 | 108446-55-000 108446-N5-000 | 108446-L4-000 108446-F3-000 | 108446-L4-000 108446-F3-000 |
| BUCKET SEATS MC CLAIMS | 079680-26-000 | 079680-26-000 | | | 079680-26-000 | |
| DINETTE CUSHIONS | 108446-K7-000 | 108446-K8-000 | 108446-G3-000 108446-M8-000 | 108446-M9-000 | 108446-H0-000 | 108446-H0-000 |
| DINETTE PADS | 108446-K9-000 | 108446-77-000 | 108446-G3-000 | 108446-55-000 | 108446-L4-000 | 108446-L4-000 |
| SOFA | 108446-K7-000 | 108446-K8-000 | | | 108446-H0-000 | 108446-H0-000 |
| SWIVEL CHAIR | 108446-K9-000 | 108446-G2-000 | 108446-G3-000 | 108446-N5-000 | 108446-F3-000 | 108446-F3-000 |
| LOUNGE/DINETTE VALANCE | 108446-K7-000 108446-K9-000 | 108446-K8-000 108446-G2-000 | 108446-55-000 108446-M8-000 | 108446-55-000 108446-M9-000 | 108446-H0-000 108446-F3-000 | 108446-H0-000 108446-F3-000 |
| LOUNGE/DINETTE LEG | 108446-K9-000 | 108446-G2-000 | 108446-G3-000 | | 108446-F3-000 | 108446-F3-000 |
| BEDROOM VALANCE | 105745-B3-000 | 105745-D5-000 | 105745-E9-000 105745-61-000 | 105745-E8-000 105745-D0-000 | 105745-A2-000 | 105745-A2-000 |
| BEDROOM LEG | | | 105745-61-000 | 105745-D0-000 | | |
| BEDSPREAD | 105745-B3-000 105745-61-000 | 105745-D5-000 105745-62-000 | 105745-E9-000 | 105745-E8-000 | 105745-99-000 105745-45-000 | 105745-99-000 105745-45-000 |
| PILLOWS/SHAMS | 105745-B3-000 | 105745-D5-000 105745-62-000 | 105745-E9-000 | 105745-E8-000 | 105745-99-000 105745-45-000 | 105745-99-000 105745-45-000 |
| DECORATOR PILLOW | | | 105745-E9-000 105745-61-000 | 105745-E8-000 105745-D0-000 | | |
| ENTRANCE DOOR VALANCE | 108446-K7-000 | 108446-K8-000 | 108446-G3-000 108446-M8-000 | 108446-55-000 108446-M9-000 | 108446-H0-000 | 108446-H0-000 |
| BUNK CUSHIONS | 108446-K9-000 | 108446-G2-000 | 108446-G3-000 | 108446-N5-000 | 108446-F3-000 | 108446-F3-000 |
| OVERHEAD BUNK CURTAINS | 105745-B3-000 | 105745-D5-000 | 105745-E9-000 | 105745-E8-000 | 105745-99-000 | 105745-99-000 |
| BUNK PRIVACY | 105745-B3-000 | 105745-D5-000 | 072333-85-000 | 072333-85-000 | 105745-99-000 | 105745-99-000 |
| FRONT PRIVACY | 105745-B3-000 | 105745-D5-000 | 072333-85-000 | 072333-85-000 | 105745-99-000 | 105745-99-000 |
| BEDROOM PRIVACY | 105745-B3-000 | 105745-D5-000 | 105745-E9-000 105745-61-000 | 105745-E8-000 105745-D0-000 | 105745-99-000 | 105745-99-000 |
| DRAPERY LINING | 087272-03-000 | 087272-03-000 | 087272-03-000 | 087272-03-000 | 087272-03-000 | 087272-03-000 |
| TIRE COVER | 103907-05-000 | 103907-05-000 | 103907-05-000 | 103907-05-000 | 103907-05-000 | 103907-05-000 |
| TIRE COVER LINER | 069627-02-000 | 069627-02-000 | 069627-02-000 | 069627-02-000 | 069627-02-000 | 069627-02-000 |
| HEADLINER | 103907-01-06A | 103907-01-06A | 103907-01-06A | 103907-01-06A | 103907-01-06A | 103907-01-06A |

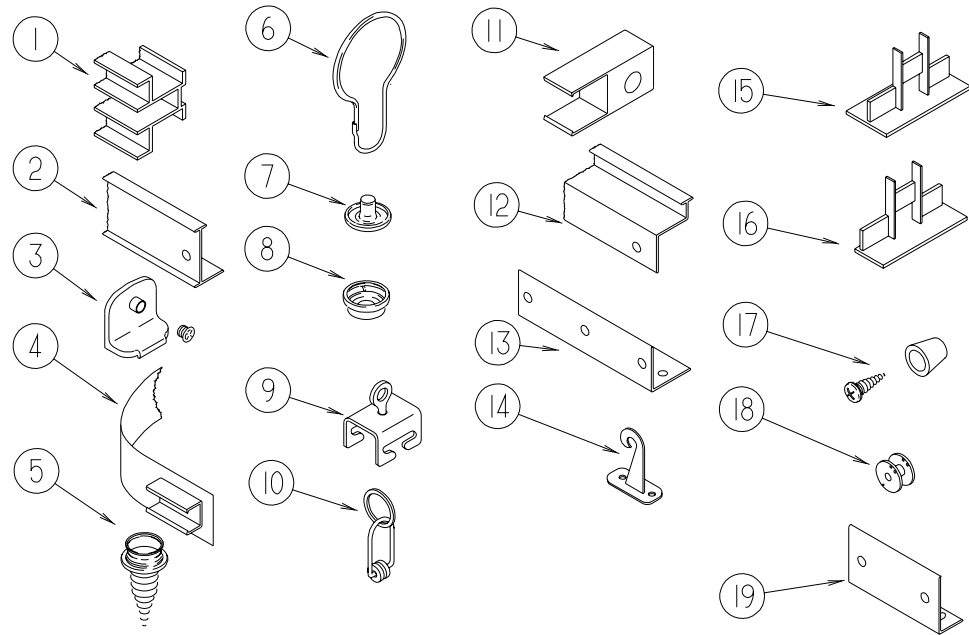
NOTE: FABRIC LISTED FIRST IN A BLOCK, IS THE LARGEST QUANTITY OF FABRIC USED

BUTTONS - TRIMS

| KEY | PART NUMBER | U/M DESCRIPTION |
|-----|---------------|--------------------------------------|
| | 070578-10-H04 | EA BUTTON-SCREW STUD - #30 (H04) |
| | 070578-10-G22 | EA BUTTON-SCREW STUD - #30 (H05) |
| | 070578-10-H10 | EA BUTTON-SCREW STUD - #30 (H10) |
| | 070578-10-E22 | EA BUTTON-SCREW STUD - #30 (H11) |
| | 070578-10-H24 | EA BUTTON-SCREW STUD - #30 (H24/H26) |
| | 084415-87-000 | EA TRIM - BRAID - AMBER (H10) |
| | 084415-79-000 | EA TRIM - BRAID - SHELL (H11) |

CURTAIN&CUSHIONGROUP(CONTINUED)

CURTAIN&BLINDHARDWARE

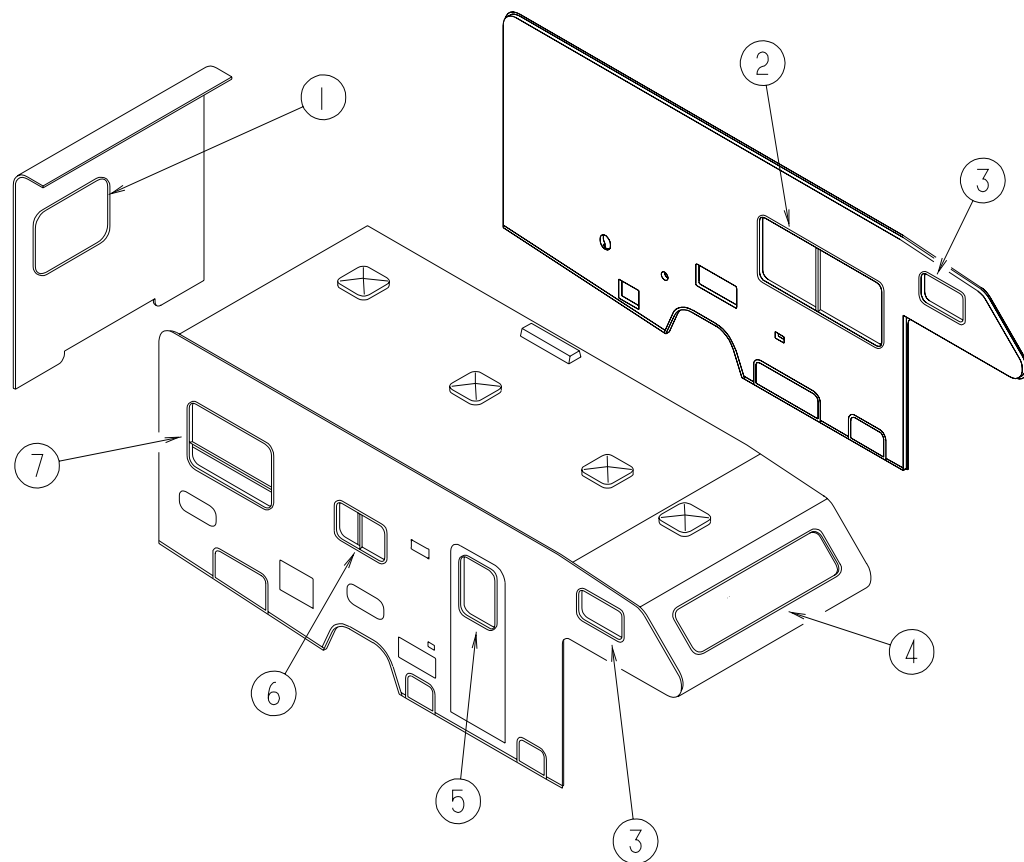


| KEY | PARTNUMBER | U/M | DESCRIPTION |
|-----|---------------|-----|--|
| | 046867-03-000 | EA | GROMMET-HANDYBUTTONNO3 |
| | 048394-02-000 | YD | VELCROTAPE-HOOK-ADHESIVEBACK-.75"WIDE-BEIGE |
| | 075943-10-000 | EA | BRACE-VALANCE-20" |
| | 084433-05-000 | EA | SHADE-ROLLER-72.25" |
| | 084434-01-000 | EA | BRACKET-MOUNTING-ROLLERSHADE-13/8" |
| | 086276-01-000 | EA | TAPE-DOUBLESIDED-1/2" |
| | 088792-01-000 | YD | VELCROTAPE-HOOK-5/8"-NON-ADHESIVEBACKED |
| | 088792-02-000 | YD | VELCROTAPE-LOOP-.75"-ADHESIVEBACKED-BEIGE |
| | 088792-06-000 | YD | VELCROTAPE-LOOP-.75"-NON-ADHESIVEBACKED-BUFF |
| | 096843-01-000 | EA | SPRING-REWIND/ROLLERSHADE |
| | 076827-02-000 | EA | BRACKET-LEG-2.9"X1.8"-TRIANGLE |
| | 083170-01-000 | EA | BRACKET-BLIND-LEFTSIDEWHENFACINGWINDOW |
| | 083170-02-000 | EA | BRACKET-BLIND-RIGHTSIDEWHENFACINGWINDOW |
| | 094896-02-000 | EA | GROMMET-CORD/PLEATEDBLIND-NYLON-GRAY |
| | 097593-06-000 | FT | CORD-BLIND-PLEATED-PEWTER(H04/H10) |
| | 097593-02-000 | EA | CORD-BLIND-PLEATEDDAWNGRAY(H05/H11/H24/H26) |
| | 094907-04-701 | EA | ENDCAP-LHBOTTOMBLIND |
| | 083125-07-000 | EA | BRACE-COUCH-2.5" |
| | 097591-01-000 | EA | SPRING-EXTENSION/PLEATEDBLIND |

| KEY | PARTNUMBER | U/M | DESCRIPTION |
|-----|---------------|-----|--|
| 1 | 101033-04-000 | EA | TRACK-WALL,36" |
| 1 | 101033-06-000 | EA | TRACK-WALL79" |
| 2 | 009700-04-002 | EA | TRACK-L-SHAPED-195.5"-OFFWHITE |
| 3 | 106544-01-000 | EA | PULL-SHADE/BRASS |
| | 106544-01-001 | EA | SCREW-SHADE/BRASS |
| 4 | 101031-01-000 | YD | TAPE-GLIDE/CURTAIN-4.25"SPACING |
| 5 | 029130-01-000 | EA | SCREW-SNAPSOCKET-#8PHX5/8" |
| 6 | 009136-02-000 | EA | HANGER-RING-PINTYPE-CURTAIN-BRASS |
| 7 | 029155-01-000 | EA | CAP-SNAP-5/32"O.D.OFPIN |
| 8 | 029156-01-000 | EA | SOCKET-SNAP-9/16"O.D. |
| 9 | 009702-01-000 | EA | ENDSTOP-CURTAINCARRIER-LROD |
| 10 | 009701-01-000 | EA | CARRIER-CURTAIN-LROD |
| 11 | 101033-02-000 | EA | ENDCAP-TRACK/CLEAR |
| 12 | 105450-01-01A | EA | TRACKW/BRKTS-CURTAINLEFTHANDWRAPAROUND-30.8" |
| 12 | 105450-06-01A | EA | TRACK-CURTAIN-88"LONG |
| 13 | 105648-01-02A | EA | BRACE-VALANCE-OFF/WHITE-14" |
| 14 | 109441-03-000 | EA | HOLDDOWN-BLIND(CLOUDY) |
| 15 | 094907-02-000 | EA | ENDCAP-TOP/PLEATEDBLIND-PLASTIC-GRAY |
| 16 | 094907-04-700 | EA | ENDCAP-RHBOTTOMBLIND |
| 17 | 097564-01-000 | EA | HANDLE-T-EZLIFTSHADE |
| 18 | 097592-01-000 | EA | SPOOL-CORD-ELEVATEDBLINDHOLDUP-CLEARPLASTIC |
| 19 | 083125-07-000 | EA | BRACE-COUCH-2.5" |

CURTAIN&CUSHIONGROUP(CONTINUED)

CURTAINS&WINDOWTREATMENT



| KEY | PARTNUMBER | U/M | DESCRIPTION |
|-----|---------------|-----|--|
| 1 | 118064-01-GB1 | EA | VALANCE-VALENCIA-52"(H04) |
| 1 | 118064-01-H05 | EA | VALANCE-VALENCIA-52"(H05) |
| 1 | 119299-13-H10 | EA | VALANCE-WHITNEY-53"(H10) |
| 1 | 119299-13-H11 | EA | VALANCE-WHITNEY-53"(H11) |
| 1 | 118064-01-H24 | EA | VALANCE-VALENCIA-52"(H24/H26) |
| 1 | 084755-92-F15 | EA | SHADE-PULL-50.25"(H04/H05/H24/H26) |
| 1 | 111910-19-H01 | EA | BLIND-DAY/NIGHTER-50"X28"(H04) |
| 1 | 111910-19-H11 | EA | BLIND-DAY/NIGHTER-50"X28"(H05/H11/H24/H26) |
| | | | FROM: 00-00-00 THRU: 10-27-96 |
| 1 | 111910-19-HA3 | EA | BLIND-DAY/NIGHTER-50"X28"(H05/H11/H24/H26) |
| | | | FROM: 10-28-96 THRU: 99-99-99 |
| 1 | 111910-19-H10 | EA | BLIND-DAY/NIGHTER-50"X28"(H10) |
| 1 | 119333-07-H10 | EA | LEG-RIGHT-25"(H10) |
| 1 | 119333-07-H11 | EA | LEG-RIGHT-25"(H11) |
| 1 | 119333-08-H10 | EA | LEG-LEFT-25"(H10) |
| 1 | 119333-08-H11 | EA | LEG-LEFT-25"(H11) |
| 2 | 118078-01-H04 | EA | VALANCE-QUEST-64.5"(H04) |
| 2 | 118078-01-H05 | EA | VALANCE-QUEST-64.5"(H05) |
| 2 | 113637-28-H10 | EA | VALANCE-ROSEANNE-64"(H10) |
| 2 | 113637-28-H11 | EA | VALANCE-ROSEANNE-64"(H11) |
| 2 | 118078-01-H24 | EA | VALANCE-QUEST-64.5"(H24/H26) |
| 2 | 084755-96-G01 | EA | SHADE-PULL-60.25"(H04/H05/H24/H26) |

| KEY | PARTNUMBER | U/M | DESCRIPTION |
|-----|---------------|-----|--|
| 2 | 111910-22-GB1 | EA | BLIND-DAY/NIGHTER-60"X28.5"(H04/H10) |
| 2 | 111910-22-H11 | EA | BLIND-DAY/NIGHTER-50"X28"(H05/H11/H24/H26) |
| | | | FROM: 00-00-00 THRU: 10-27-96 |
| 2 | 111910-22-HA3 | EA | BLIND-DAY/NIGHTER-50"X28"(H05/H11/H24/H26) |
| | | | FROM: 10-28-96 THRU: 99-99-99 |
| 2 | 119333-01-H04 | EA | LEG-RIGHT-25"(H04) |
| 2 | 119333-01-G16 | EA | LEG-RIGHT-25"(H05) |
| 2 | 119333-11-H10 | EA | LEG-RIGHT-25"(H10) |
| 2 | 119333-11-H11 | EA | LEG-RIGHT-25"(H11) |
| 2 | 119333-01-GE1 | EA | LEG-RIGHT-25"(H24/H26) |
| 2 | 119333-02-H04 | EA | LEG-LEFT-25"(H04) |
| 2 | 119333-02-G16 | EA | LEG-LEFT-25"(H05) |
| 2 | 119333-12-H10 | EA | LEG-LEFT-25"(H10) |
| 2 | 119333-12-H11 | EA | LEG-LEFT-25"(H11) |
| 2 | 119333-02-GE1 | EA | LEG-LEFT-25"(H24/H26) |
| 3 | 101034-51-H04 | EA | CURTAIN-RIGHTHAND-19"X34"(H04) |
| 3 | 101034-51-H05 | EA | CURTAIN-RIGHTHAND-19"X34"(H05) |
| 3 | 101034-51-H10 | EA | CURTAIN-RIGHTHAND-19"X34"(H10) |
| 3 | 101034-51-H11 | EA | CURTAIN-RIGHTHAND-19"X34"(H11) |
| 3 | 101034-51-G04 | EA | CURTAIN-RIGHTHAND-19"X34"(H24/H26) |
| 3 | 101034-52-H04 | EA | CURTAIN-LEFTHAND-19"X34"(H04) |
| 3 | 101034-52-H05 | EA | CURTAIN-LEFTHAND-19"X34"(H05) |
| 3 | 101034-52-H10 | EA | CURTAIN-LEFTHAND-19"X34"(H10) |
| 3 | 101034-52-H11 | EA | CURTAIN-LEFTHAND-19"X34"(H11) |
| 3 | 101034-52-G04 | EA | CURTAIN-LEFTHAND-19"X34"(H24/H26) |
| 4 | 101034-33-H04 | EA | CURTAIN-RIGHTHAND-21"X60"(H04) |
| 4 | 101034-33-H05 | EA | CURTAIN-RIGHTHAND-21"X60"(H05) |
| 4 | 101034-33-H10 | EA | CURTAIN-RIGHTHAND-21"X60"(H10) |
| 4 | 101034-33-H11 | EA | CURTAIN-RIGHTHAND-21"X60"(H11) |
| 4 | 101034-33-G04 | EA | CURTAIN-RIGHTHAND-21"X60"(H24/H26) |
| 4 | 101034-34-H04 | EA | CURTAIN-LEFTHAND-21"X60"(H04) |
| 4 | 101034-34-H05 | EA | CURTAIN-LEFTHAND-21"X60"(H05) |
| 4 | 101034-34-H10 | EA | CURTAIN-LEFTHAND-21"X60"(H10) |
| 4 | 101034-34-H11 | EA | CURTAIN-LEFTHAND-21"X60"(H11) |
| 4 | 101034-34-G04 | EA | CURTAIN-LEFTHAND-21"X60"(H24/H26) |
| 5 | 118078-04-H04 | EA | VALANCE-QUEST-29"(H04) |
| 5 | 118078-04-H05 | EA | VALANCE-QUEST-29"(H05) |
| 5 | 113637-26-H10 | EA | VALANCE-ROSEANNE-29"(H10) |
| 5 | 113637-26-H11 | EA | VALANCE-ROSEANNE-29"(H11) |
| 5 | 118078-04-H24 | EA | VALANCE-QUEST-29"(H24/H26) |
| 5 | 084755-57-E07 | EA | SHADE-PULL-27.25" |
| 6 | 109041-44-01A | EA | BLIND-MINI-30.5"X18"(H04/H10) |
| 6 | 109041-44-02A | EA | BLIND-MINI-30.5"X18"(H05/H11/H24/H26) |
| | 109353-04-000 | EA | CLIP-VALANCE SLAT MOUNTING-CLEAR PLASTIC |
| 7 | 118064-01-GB1 | EA | VALANCE-VALENCIA-52"(H04) |
| 7 | 118064-01-H05 | EA | VALANCE-VALENCIA-52"(H05) |
| 7 | 119299-13-H10 | EA | VALANCE-WHITNEY-53"(H10) |
| 7 | 119299-13-H11 | EA | VALANCE-WHITNEY-53"(H11) |
| 7 | 118064-01-H24 | EA | VALANCE-VALENCIA-52"(H24/H26) |
| 7 | 084755-92-F15 | EA | SHADE-PULL-50.25"(H04/H05/H24/H26) |
| 7 | 111910-19-H01 | EA | BLIND-DAY/NIGHTER-50"X28"(H04) |
| 7 | 111910-19-H11 | EA | BLIND-DAY/NIGHTER-50"X28"(H05/H11/H24/H26) |
| | | | FROM: 00-00-00 THRU: 10-27-96 |
| 7 | 111910-19-HA3 | EA | BLIND-DAY/NIGHTER-50"X28"(H05/H11/H24/H26) |
| | | | FROM: 10-28-96 THRU: 99-99-99 |
| 7 | 111910-19-H10 | EA | BLIND-DAY/NIGHTER-50"X28"(H10) |
| 7 | 119333-07-H10 | EA | LEG-RIGHT-25"(H10) |
| 7 | 119333-07-H11 | EA | LEG-RIGHT-25"(H11) |
| 7 | 119333-08-H10 | EA | LEG-LEFT-25"(H10) |
| 7 | 119333-08-H11 | EA | LEG-LEFT-25"(H11) |

CURTAIN&CUSHIONGROUP(CONTINUED)

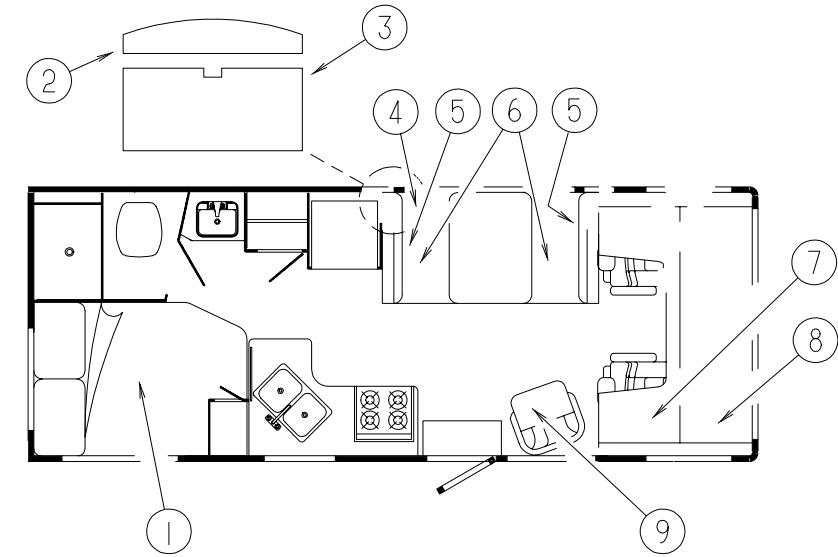
PRIVACYCURTAINS

| KEY | PARTNUMBER | U/M | DESCRIPTION |
|-----|---------------|-----|---|
| | 101668-39-H04 | EA | CURTAIN-RIGHTHAND-35"X50"(H04) |
| | 101668-39-F16 | EA | CURTAIN-RIGHTHAND-35"X50"(H05) |
| | 101668-39-D06 | EA | CURTAIN-RIGHTHAND-35"X50"(H10/H11) |
| | 101668-39-H24 | EA | CURTAIN-RIGHTHAND-35"X50"(H24/H26) |
| | 101668-40-H04 | EA | CURTAIN-LEFTHAND-35"X50"(H04) |
| | 101668-40-F16 | EA | CURTAIN-LEFTHAND-35"X50"(H05) |
| | 101668-40-D06 | EA | CURTAIN-LEFTHAND-35"X50"(H10/H11) |
| | 101668-40-H24 | EA | CURTAIN-LEFTHAND-35"X50"(H24/H26) |
| | 101668-53-H04 | EA | CURTAIN-70"X60"(H04) |
| | 101668-53-H05 | EA | CURTAIN-70"X60"(H05) |
| | 101668-53-H10 | EA | CURTAIN-70"X60"(H10) |
| | 101668-53-H11 | EA | CURTAIN-70"X60"(H11) |
| | 101668-53-H24 | EA | CURTAIN-70"X60"(H24/H26) |
| | 076892-20-H04 | EA | CURTAIN-50"X78"(H04) |
| | 076892-20-F16 | EA | CURTAIN-50"X78"(H05) |
| | 076892-20-H24 | EA | CURTAIN-50"X78"(H24/H26) |
| | 076892-23-G07 | EA | CURTAIN-44"X80"(H10/H11) |
| | 093487-10-01A | EA | CURTAIN-PLEATED31"X100"BUNKPRIVACY(H10/H11) |

CURTAINTIEBACKS

| KEY | PARTNUMBER | U/M | DESCRIPTION |
|-----|---------------|-----|---|
| | 073260-23-H04 | EA | TIEBACK-CURTAIN-3"X18"(H04) |
| | 073260-23-F16 | EA | TIEBACK-CURTAIN-3"X18"(H05) |
| | 073260-23-D06 | EA | TIEBACK-CURTAIN-3"X18"(H10/H11) |
| | 073260-23-H24 | EA | TIEBACK-CURTAIN-3"X18"(H24/H26) |
| | 073260-63-GB1 | EA | TIEBACK-4"X15"(H04) |
| | 073260-63-H05 | EA | TIEBACK-4"X15"(H05) |
| | 073260-63-H10 | EA | TIEBACK-4"X15"(H10) |
| | 073260-63-H11 | EA | TIEBACK-4"X15"(H11) |
| | 073260-63-H24 | EA | TIEBACK-4"X15"(H24/H26) |
| | 057534-01-000 | EA | TIEBACK/TIEDOWN-BED/CURTAIN/DOOR,6"-PLASTIC-CLEAR |

CURTAIN&CUSHIONGROUP(CONTINUED)



DOUBLEBEDSPREAD,PILLOW&MATTRESS

| KEY | PARTNUMBER | U/M | DESCRIPTION |
|-----|---------------|-----|---------------------------------------|
| 1 | 123471-10-H04 | EA | BEDSPREAD/THROW-54"X75"(H04) |
| 1 | 123471-10-H05 | EA | BEDSPREAD/THROW-54"X75"(H05) |
| 1 | 123471-03-H10 | EA | BEDSPREAD/THROW-54"X75"(H10) |
| 1 | 123471-03-H11 | EA | BEDSPREAD/THROW-54"X75"(H11) |
| 1 | 123471-10-H24 | EA | BEDSPREAD/THROW-54"X75"(H24/H26) |
| | 104176-02-H04 | EA | SHAM-PILLOW(H04) |
| | 104176-02-H05 | EA | SHAM-PILLOW(H05) |
| | 119555-02-H10 | EA | PILLOWSHAM-20"X30"(H10) |
| | 119555-02-H11 | EA | PILLOWSHAM-20"X30"(H11) |
| | 104176-02-H24 | EA | SHAM-PILLOW(H24/H26) |
| | 101123-16-000 | EA | MATTRESS-FOAM-W/CUTCORNER-54"X74"X5" |
| | P01123-16-000 | EA | COVER-MATTRESS-W/CUTCORNER-54"X74"X5" |

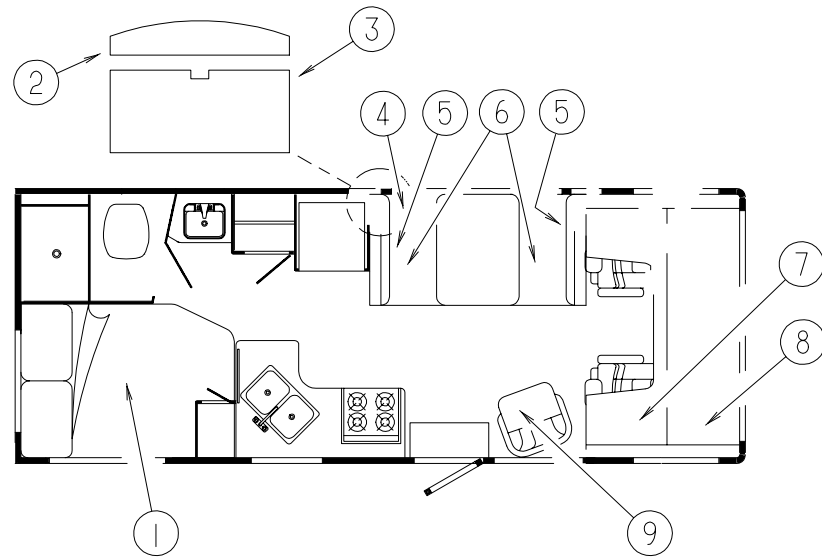
DECORATORPILLOWS

| KEY | PARTNUMBER | U/M | DESCRIPTION | |
|-----|---------------|-----|------------------|-------------------------------|
| | 104504-05-H10 | EA | PILLOW-ROUND-16" | FROM: 00-00-00 THRU: 09-19-96 |
| | 111862-07-H10 | EA | PILLOW-15"X15" | FROM: 09-20-96 THRU: 99-99-99 |
| | 104504-05-H11 | EA | PILLOW-ROUND-16" | FROM: 00-00-00 THRU: 09-19-96 |
| | 111862-07-H11 | EA | PILLOW-15"X15" | FROM: 09-20-96 THRU: 99-99-99 |

DECORATORPILLOWS-MCCLAINSANNIVERSARYOPTION

| KEY | PARTNUMBER | U/M | DESCRIPTION |
|-----|---------------|-----|--|
| | 111862-08-H04 | EA | PILLOW-15"X15"-W/.5"-NON-GATHEREDWELT(H04) |
| | 111862-08-H05 | EA | PILLOW-15"X15"-W/.5"-NON-GATHEREDWELT(H05) |
| | 111862-08-H24 | EA | PILLOW-15"X15"-W/.5"-NON-GATHEREDWELT(H24/H26) |
| | 104504-09-H04 | EA | PILLOW-16"ROUND-W/.5"WELT(H04) |
| | 104504-09-H05 | EA | PILLOW-16"ROUND-W/.5"WELT(H05) |
| | 104504-09-H24 | EA | PILLOW-16"ROUND-W/.5"WELT(H24/H26) |

CURTAIN&CUSHIONGROUP(CONTINUED)



DINETTECUSHIONS-WIEEXPORT

| KEY | PARTNUMBER | U/M | DESCRIPTION |
|-----|---------------|-----|--|
| 2 | 120968-03-H10 | EA | CUSHION-DINETTE TOPBACK-WIEEXPORT |
| 2 | 120968-03-H11 | EA | CUSHION-DINETTE TOPBACK-WIEEXPORT |
| | P20968-03-H10 | EA | COVER-TOP-BACK-WIEEXPORT |
| | P20968-03-H11 | EA | COVER-TOP-BACK-WIEEXPORT |
| 3 | 120968-01-H10 | EA | CUSHION-BACKW/NOTCH-23"X41"X5"-DINETTE-WIEEXPORT |
| 3 | 120968-01-H11 | EA | CUSHION-BACKW/NOTCH-23"X41"X5"-DINETTE-WIEEXPORT |
| | P20968-01-H10 | EA | COVER-REARFACINGBACK-41"X28"X5"-WIEEXPORT |
| | P20968-01-H11 | EA | COVER-REARFACINGBACK-41"X28"X5"-WIEEXPORT |
| 4 | 120968-02-H10 | EA | CUSHION-SEATW/NOTCH-23"X41"X5"-DINETTE-WIEEXPORT |
| 4 | 120968-02-H11 | EA | CUSHION-SEATW/NOTCH-23"X41"X5"-DINETTE-WIEEXPORT |
| | P20968-02-H10 | EA | COVER-SEAT-23"X41"X5"-WIEEXPORT |
| | P20968-02-H11 | EA | COVER-SEAT-23"X41"X5"-WIEEXPORT |
| 5 | 120968-05-H10 | EA | CUSHION-DINETTE SEAT-23"X41"X5"-WIEEXPORT |
| 5 | 120968-05-H11 | EA | CUSHION-DINETTE SEAT-23"X41"X5"-WIEEXPORT |
| | P20968-05-H10 | EA | COVER-REARFACING SEAT-23"X41"X5"-WIEEXPORT |
| | P20968-05-H11 | EA | COVER-REARFACING SEAT-23"X41"X5"-WIEEXPORT |
| 6 | 120968-04-H10 | EA | CUSHION-BACK-41"X28"X5"-DINETTE-WIEEXPORT |
| 6 | 120968-04-H11 | EA | CUSHION-BACK-41"X28"X5"-DINETTE-WIEEXPORT |
| | P20968-04-H10 | EA | COVER-REARFACINGBACK-41"X28"X5"-WIEEXPORT |
| | P20968-04-H11 | EA | COVER-REARFACINGBACK-41"X28"X5"-WIEEXPORT |
| | 078155-01-000 | EA | STRAP-SNAP-BACKCUSHION |

CURTAIN&CUSHIONGROUP(CONTINUED)

DINETTECUSHIONS

| KEY | PARTNUMBER | U/M | DESCRIPTION |
|-----|---------------|-----|---------------------------------------|
| 5 | 116134-01-H04 | EA | CUSHION-BACKREST-13"X38"X5"(H04) |
| 5 | 116134-01-H05 | EA | CUSHION-BACKREST-13"X38"X5"(H05) |
| 5 | 116134-01-H10 | EA | CUSHION-BACKREST-13"X38"X5"(H10) |
| 5 | 116134-01-H11 | EA | CUSHION-BACKREST-13"X38"X5"(H11) |
| 5 | 116134-01-H24 | EA | CUSHION-BACKREST-13"X38"X5"(H24/H26) |
| | P16134-01-H04 | EA | COVER-BACKCUSHION-13"X38"X5"(H04) |
| | P16134-01-H05 | EA | COVER-BACKCUSHION-13"X38"X5"(H05) |
| | P16134-01-H10 | EA | COVER-BACKCUSHION-13"X38"X5"(H10) |
| | P16134-01-H11 | EA | COVER-BACKCUSHION-13"X38"X5"(H11) |
| | P16134-01-H24 | EA | COVER-BACKCUSHION-13"X38"X5"(H24/H26) |
| | 078155-01-000 | EA | STRAP-SNAP-BACKCUSHION |
| 6 | 088927-87-H04 | EA | CUSHION-SEAT-23"X38"X5"(H04) |
| 6 | 088927-87-H05 | EA | CUSHION-SEAT-23"X38"X5"(H05) |
| 6 | 088927-87-H10 | EA | CUSHION-SEAT-23"X38"X5"(H10) |
| 6 | 088927-87-H11 | EA | CUSHION-SEAT-23"X38"X5"(H11) |
| 6 | 088927-87-G13 | EA | CUSHION-SEAT-23"X38"X5"(H24/H26) |
| | M88927-87-H04 | EA | COVER-SEATCUSHION-23"X38"X5"(H04) |
| | M88927-87-H05 | EA | COVER-SEATCUSHION-23"X38"X5"(H05) |
| | M88927-87-H10 | EA | COVER-SEATCUSHION-23"X38"X5"(H10) |
| | M88927-87-H11 | EA | COVER-SEATCUSHION-23"X38"X5"(H11) |
| | M88927-87-G13 | EA | COVER-SEATCUSHION-23"X38"X5"(H24/H26) |

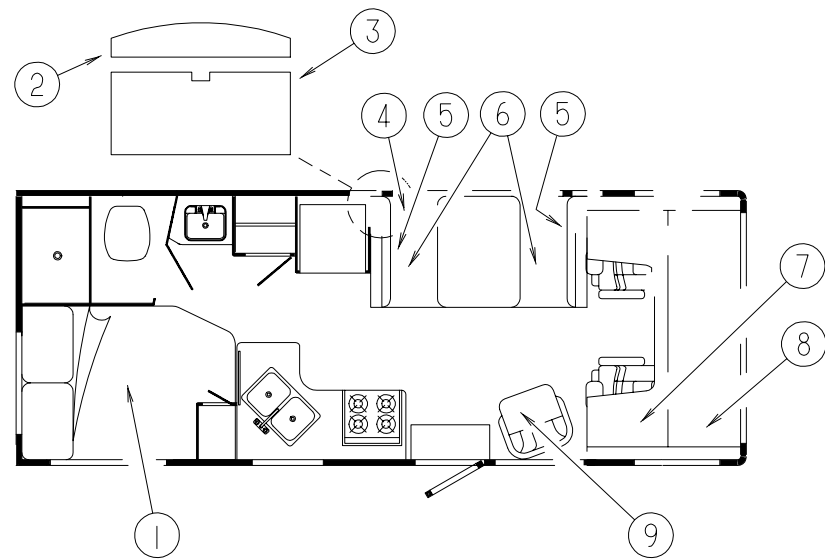
BUNKCUSHIONS

| KEY | PARTNUMBER | U/M | DESCRIPTION |
|-----|---------------|-----|---|
| 7 | 105573-10-H04 | EA | CUSHION-OVERHEAD/REAR-27"X23"X80"X5"(H04) |
| 7 | 105573-10-H05 | EA | CUSHION-OVERHEAD/REAR-27"X23"X80"X5"(H05) |
| 7 | 105573-10-H10 | EA | CUSHION-OVERHEAD/REAR-27"X23"X80"X5"(H10) |
| 7 | 105573-10-H11 | EA | CUSHION-OVERHEAD/REAR-27"X23"X80"X5"(H11) |
| 7 | 105573-10-H24 | EA | CUSHION-OVERHEAD/REAR-27"X23"X80"X5"(H24/H26) |
| | P05573-10-H04 | EA | COVER-OVERHEAD/REAR CUSHION-27"X23"X80"X5"(H04) |
| | P05573-10-H05 | EA | COVER-OVERHEAD/REAR CUSHION-27"X23"X80"X5"(H05) |
| | P05573-10-H10 | EA | COVER-OVERHEAD/REAR CUSHION-27"X23"X80"X5"(H10) |
| | P05573-10-H11 | EA | COVER-OVERHEAD/REAR CUSHION-27"X23"X80"X5"(H11) |
| | P05573-10-H24 | EA | COVER-OVERHEAD/REAR CUSHION-27"X23"X80"X5"(H24/H26) |
| 8 | 105573-09-H04 | EA | CUSHION-OVERHEAD/FRONT-32.5"X80"X5"(H04) |
| 8 | 105573-09-G05 | EA | CUSHION-OVERHEAD/FRONT-32.5"X80"X5"(H05) |
| 8 | 105573-09-H10 | EA | CUSHION-OVERHEAD/FRONT-32.5"X80"X5"(H10) |
| 8 | 105573-09-H11 | EA | CUSHION-OVERHEAD/FRONT-32.5"X80"X5"(H11) |
| 8 | 105573-09-H24 | EA | CUSHION-OVERHEAD/FRONT-32.5"X80"X5"(H24/H26) |
| | P05573-09-H04 | EA | COVER-OVERHEAD/FRONT CUSHION-32.5"X80"X5"(H04) |
| | P05573-09-G05 | EA | COVER-OVERHEAD/FRONT CUSHION-32.5"X80"X5"(H05) |
| | P05573-09-H10 | EA | COVER-OVERHEAD/FRONT CUSHION-32.5"X80"X5"(H10) |
| | P05573-09-H11 | EA | COVER-OVERHEAD/FRONT CUSHION-32.5"X80"X5"(H11) |
| | P05573-09-H24 | EA | COVER-OVERHEAD/FRONT CUSHION-32.5"X80"X5"(H24/H26) |

BUNKCUSHIONS-OVERHEAD ENTERTAINMENT CENTER

| KEY | PARTNUMBER | U/M | DESCRIPTION |
|-----|---------------|-----|---------------------------------|
| | 079145-08-000 | EA | CUSHION-BUNK-25"X74"X3.5" |
| | M79145-08-000 | EA | COVER-CUSHION BUNK-25"X74"X3.5" |

CURTAIN&CUSHIONGROUP(CONTINUED)



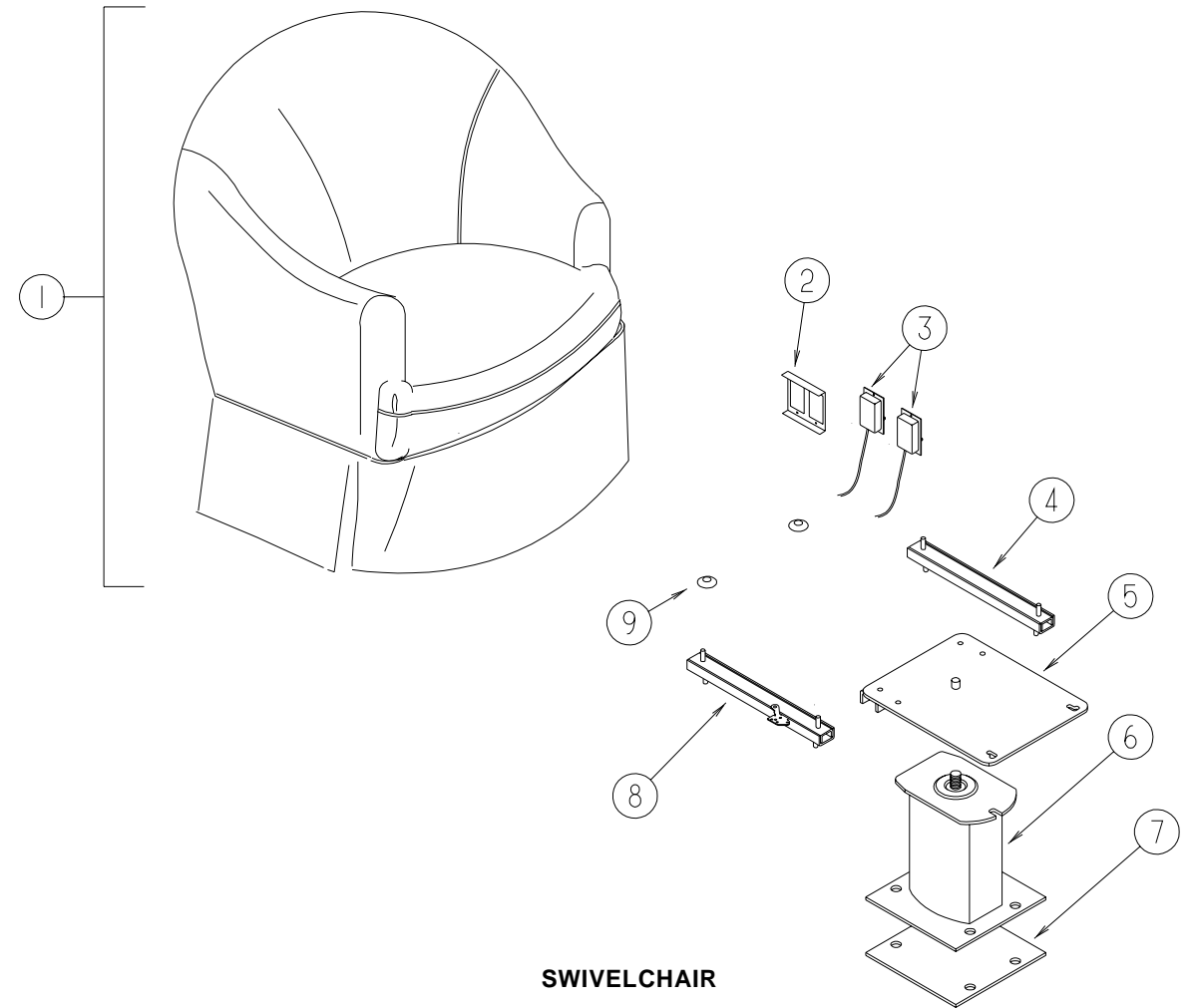
SWIVELCHAIR

| KEY | PARTNUMBER | U/M | DESCRIPTION |
|-----|---------------|-----|-----------------------|
| 9 | 115470-01-H04 | EA | CHAIR-SWIVEL(H04) |
| 9 | 115470-01-G05 | EA | CHAIR-SWIVEL(H05) |
| 9 | 115470-01-H10 | EA | CHAIR-SWIVEL(H10) |
| 9 | 115470-01-H11 | EA | CHAIR-SWIVEL(H11) |
| 9 | 115470-01-GE1 | EA | CHAIR-SWIVEL(H24/H26) |

ASSISTHANDLE&SEATBELTS

| KEY | PARTNUMBER | U/M | DESCRIPTION |
|-----|---------------|-----|---|
| | 053552-02-AA8 | EA | HANDLE-ASSIST-INTERIOR/ENTRYDOOR-VINYL/OFFWHITE |
| | 069178-02-000 | EA | BRACKET-MOUNTINGASSISTHANDLE |
| | 000C16-07-16B | EA | BOLT-CARRIAGE-ASSISTHANDLE-7/16"-14X1" |
| | 000D20-07-00B | EA | NUT-ACORN-ASSISTHANDLE-7/16-14 |
| | 057759-01-000 | EA | WASHERBRACKET-SEATBELT,4"DIAMETER |
| | 007021-01-000 | EA | SEATBELT-2"X90"-BLACK-DINETTESEATS&COUCH |
| | 056271-01-000 | EA | BELT-SEAT-2"X102"-BLACK-SWIVELCHAIR |

CURTAIN&CUSHIONGROUP(CONTINUED)

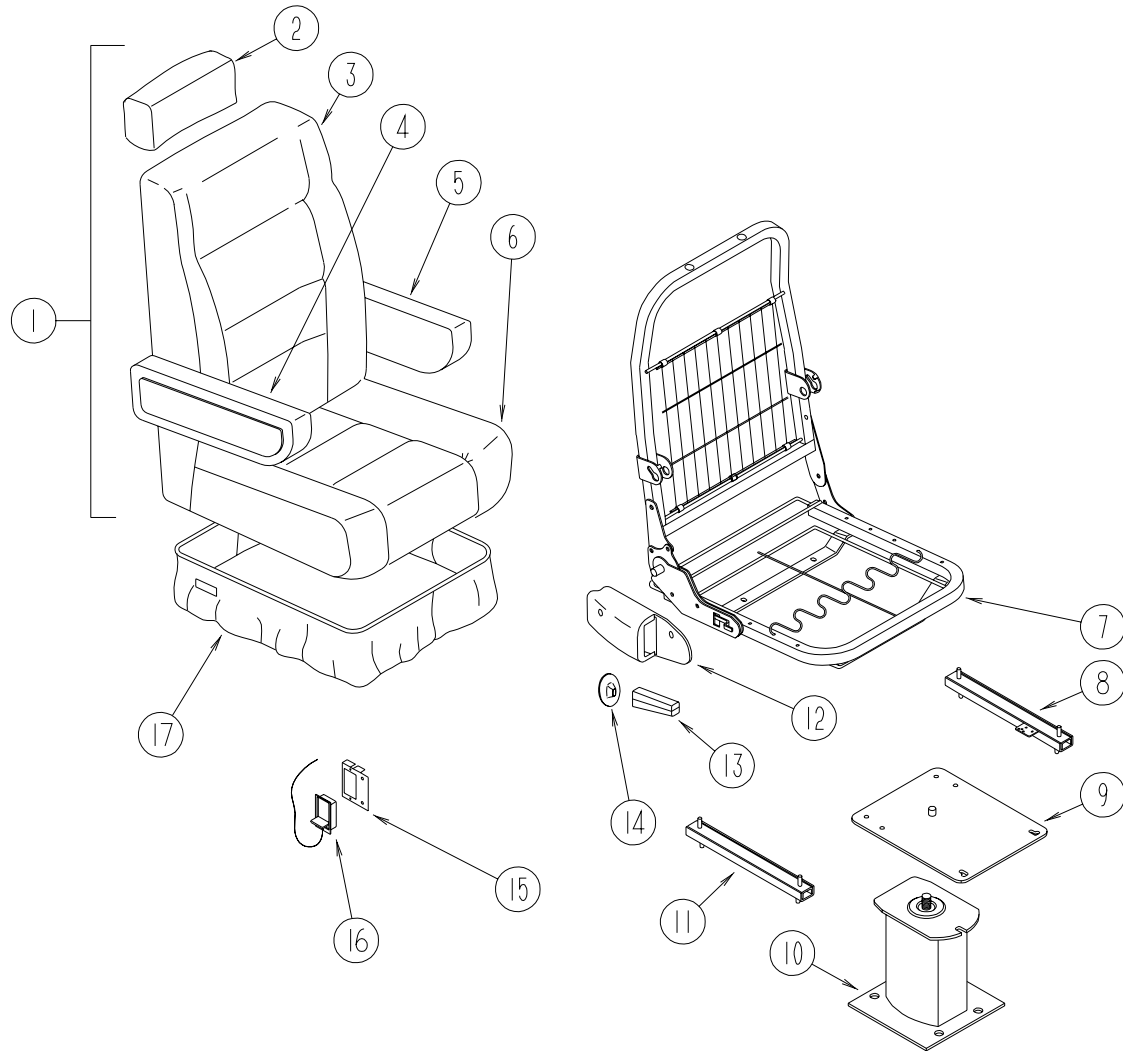


SWIVELCHAIR

| KEY | PARTNUMBER | U/M | DESCRIPTION |
|-----|---------------|-----|--|
| 1 | 115470-01-H04 | EA | CHAIR-SWIVEL(H04) |
| 1 | 115470-01-G05 | EA | CHAIR-SWIVEL(H05) |
| 1 | 115470-01-H10 | EA | CHAIR-SWIVEL(H10) |
| 1 | 115470-01-H11 | EA | CHAIR-SWIVEL(H11) |
| 1 | 115470-01-GE1 | EA | CHAIR-SWIVEL(H24/H26) |
| | P15470-01-H04 | EA | COVER-CHAIR(H04) |
| | P15470-01-G05 | EA | COVER-CHAIR(H05) |
| | P15470-01-H10 | EA | COVER-CHAIR(H10) |
| | P15470-01-H11 | EA | COVER-CHAIR(H11) |
| | P15470-01-GE1 | EA | COVER-CHAIR(H24/H26) |
| | P07977-01-H04 | EA | COVER-SKIRT(H04) |
| | P07977-01-G05 | EA | COVER-SKIRT(H05) |
| | P07977-01-H10 | EA | COVER-SKIRT(H10) |
| | P07977-01-H11 | EA | COVER-SKIRT(H11) |
| | P07977-01-GE1 | EA | COVER-SKIRT(H24/H26) |
| 2 | 097683-02-000 | EA | BRACKET-MOUNT,REMOTE |
| 3 | 108049-03-000 | EA | CABLE-W/CONTROL25.5"SHEATH/28.5"CABLEW/DOGLEG |
| | 108049-02-000 | EA | CLIP-CABLE/PEDESTAL |
| | 117125-01-02B | EA | BRACKET-CABLEMOUNT-ADJUSTERW/LOCK |
| 4 | 119952-01-000 | EA | SLIDE-SEAT-NONLOCKINGHD |
| 5 | 107921-08-000 | EA | TOPPLATE-PEDESTAL-WOSEATBELTBAR |
| | 107921-06-000 | EA | BEARINGKIT-PEDESTAL |
| 6 | 107921-01-000 | EA | BASE-PEDESTAL,W/9.75"EXTENSION-FLEXSTEEL3060MSPD |
| 7 | 108445-02-000 | EA | SUB-PLATE,PEDESTAL-FLOORMOUNTED |
| 8 | 119952-03-000 | EA | SLIDE-SEAT/HEAVYDUTY/LOCKINGW/2STUDS |
| 9 | 007221-01-000 | EA | SPACER-SEATADJUSTER |

CURTAIN&CUSHIONGROUP(CONTINUED)

BUCKETSEAT -FROM: 00-00-00 THRU: 10-20-96



| KEY | PARTNUMBER | U/M | DESCRIPTION |
|-----|---------------|-----|-----------------------------------|
| 1 | 110148-08-H04 | EA | SEAT-BUCKET-HEADREST(H04) |
| 1 | 110148-08-H05 | EA | SEAT-BUCKET-HEADREST(H05) |
| 1 | 110148-08-H10 | EA | SEAT-BUCKET-HEADREST(H10) |
| 1 | 110148-08-H11 | EA | SEAT-BUCKET-HEADREST(H11) |
| 1 | 110148-08-H24 | EA | SEAT-BUCKET-HEADREST(H24/H26) |
| 2 | 119509-01-H04 | EA | HEADREST-BUCKETSEAT(H04) |
| 2 | 119509-01-H05 | EA | HEADREST-BUCKETSEAT(H05) |
| 2 | 119509-01-H10 | EA | HEADREST-BUCKETSEAT(H10) |
| 2 | 119509-01-H11 | EA | HEADREST-BUCKETSEAT(H11) |
| 2 | 119509-01-H24 | EA | HEADREST-BUCKETSEAT(H24/H26) |
| | P19509-01-H04 | EA | COVER-HEADRESTBUCKETSEAT(H04) |
| | P19509-01-H05 | EA | COVER-HEADRESTBUCKETSEAT(H05) |
| | P19509-01-H10 | EA | COVER-HEADRESTBUCKETSEAT(H10) |
| | P19509-01-H11 | EA | COVER-HEADRESTBUCKETSEAT(H11) |
| | P19509-01-H24 | EA | COVER-HEADRESTBUCKETSEAT(H24/H26) |
| | 113977-12-000 | EA | HEADRESTINSERT-W/OLOCK |
| | 113977-13-000 | EA | HEADRESTINSERT,W/LOCK-FLEXSTEEL |
| 3 | M05962-33-H04 | EA | COVER-BACK(H04) |
| 3 | M05962-33-H05 | EA | COVER-BACK(H05) |
| 3 | M05962-33-H10 | EA | COVER-BACK(H10) |
| 3 | M05962-33-H11 | EA | COVER-BACK(H11) |
| 3 | M05962-33-H24 | EA | COVER-BACK(H24/H26) |

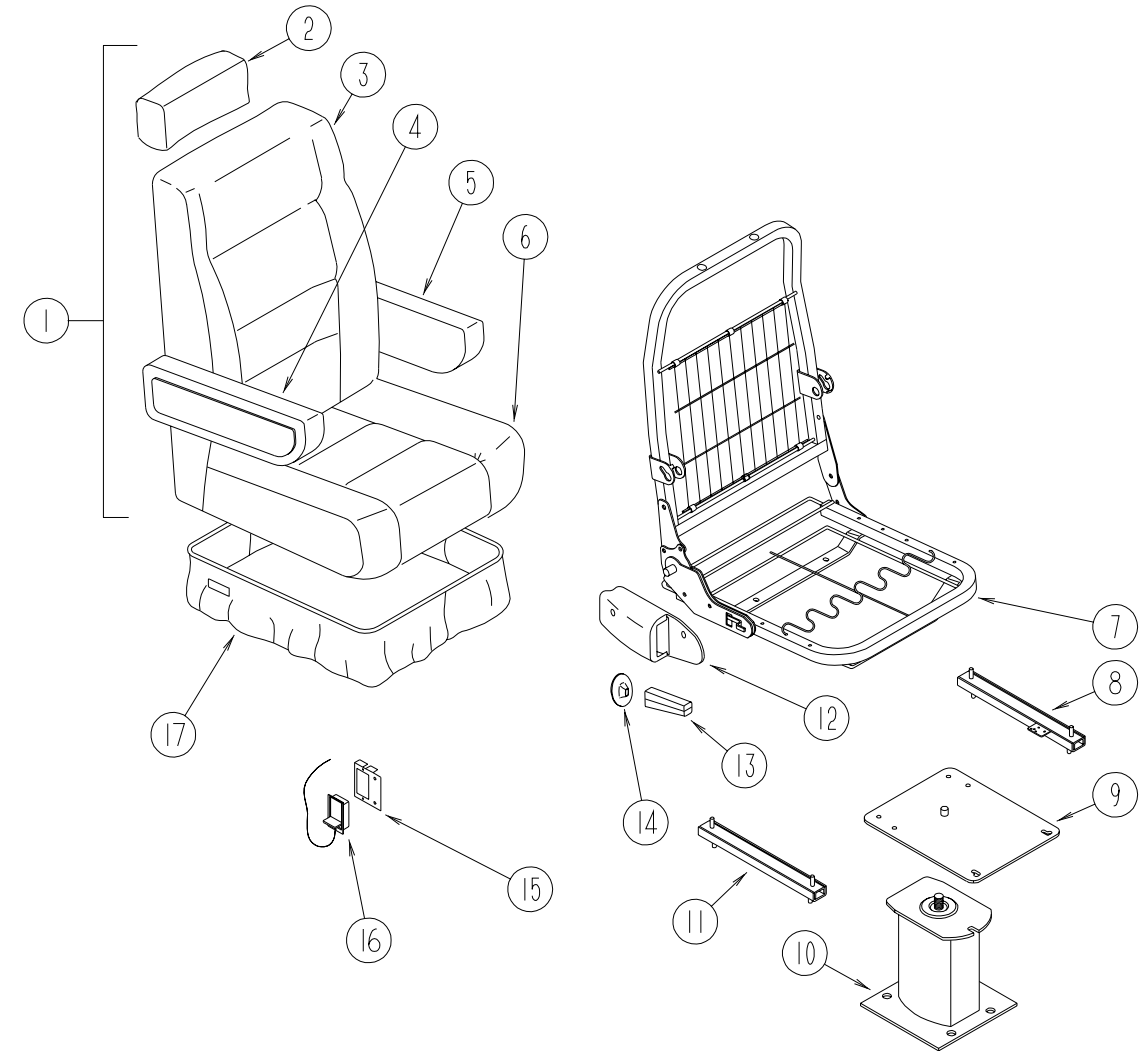
| KEY | PARTNUMBER | U/M | DESCRIPTION |
|-----|---------------|-----|---|
| 4 | 122780-01-H04 | EA | ARMREST-RIGHTHAND(H04) |
| 4 | 122780-01-H05 | EA | ARMREST-RIGHTHAND(H05) |
| 4 | 122780-01-H10 | EA | ARMREST-RIGHTHAND(H10) |
| 4 | 122780-01-H11 | EA | ARMREST-RIGHTHAND(H11) |
| 4 | 122780-01-H24 | EA | ARMREST-RIGHTHAND(H24/H26) |
| | P22780-01-H04 | EA | COVER-ARMREST-RIGHTHAND(H04) |
| | P22780-01-H05 | EA | COVER-ARMREST-RIGHTHAND(H05) |
| | P22780-01-H10 | EA | COVER-ARMREST-RIGHTHAND(H10) |
| | P22780-01-H11 | EA | COVER-ARMREST-RIGHTHAND(H11) |
| | P22780-01-H24 | EA | COVER-ARMREST-RIGHTHAND(H24/H26) |
| | 115617-03-000 | EA | ARMREST-W/OCOVER-RIGHTHAND |
| 5 | 122780-02-H04 | EA | ARMREST-LEFTHAND(H04) |
| 5 | 122780-02-H05 | EA | ARMREST-LEFTHAND(H05) |
| 5 | 122780-02-H10 | EA | ARMREST-LEFTHAND(H10) |
| 5 | 122780-02-H11 | EA | ARMREST-LEFTHAND(H11) |
| 5 | 122780-02-H24 | EA | ARMREST-LEFTHAND(H24/H26) |
| | P22780-02-H04 | EA | COVER-ARMREST-LEFTHAND(H04) |
| | P22780-02-H05 | EA | COVER-ARMREST-LEFTHAND(H05) |
| | P22780-02-H10 | EA | COVER-ARMREST-LEFTHAND(H10) |
| | P22780-02-H11 | EA | COVER-ARMREST-LEFTHAND(H11) |
| | P22780-02-H24 | EA | COVER-ARMREST-LEFTHAND(H24/H26) |
| | 115617-04-000 | EA | ARMREST-W/OCOVER-LEFTHAND |
| 6 | M05962-34-H04 | EA | COVER-SEAT(H04) |
| 6 | M05962-34-H05 | EA | COVER-SEAT(H05) |
| 6 | M05962-34-H10 | EA | COVER-SEAT(H10) |
| 6 | M05962-34-H11 | EA | COVER-SEAT(H11) |
| 6 | M05962-34-H24 | EA | COVER-SEAT(H24/H26) |
| 7 | 122695-02-01B | EA | FRAME-SEAT/BACK |
| | 117125-01-02B | EA | BRACKET-CABLEMOUNT-ADJUSTERW/LOCK |
| 8 | 119952-06-000 | EA | SLIDE-SEATHEAVYDUTYLOCKING-4STUDS |
| | 119952-07-000 | EA | WIRE-LATCHRELEASE/ROTARY |
| 9 | 107921-08-000 | EA | TOPPLATE-PEDESTAL-WOSEATBELTBAR |
| 10 | 107921-09-000 | EA | PEDESTAL-SEAT-FORD |
| 10 | 107921-10-000 | EA | PEDESTAL-SEAT-CHEVY/DRIVER |
| 10 | 107921-11-000 | EA | PEDESTAL-SEAT-CHEVY-PASSENGER |
| | 107921-06-000 | EA | BEARINGKIT-PEDESTAL |
| | 114889-01-000 | EA | STOPBAR-UNIVERSAL |
| 11 | 119952-02-000 | EA | ADJUSTERASSEMBLY-NONLOCK,4STUDS |
| 12 | 080730-09-000 | EA | SHIELD-RECLINERHANDLE |
| 13 | 080730-08-000 | EA | HANDLE-RECLINER |
| 14 | 080730-11-000 | EA | SHIELD-RUBBERBOOT |
| 15 | 097683-02-000 | EA | BRACKET-MOUNT,REMOTE-DOUBLE |
| 16 | 108049-03-000 | EA | CABLE-W/CONTROL25.5"SHEATH/28.5"CABLEW/DOGLEG |
| | 108049-02-000 | EA | CLIP-CABLE/PEDESTAL |
| 17 | 071126-42-H04 | EA | SKIRT-7"-W/OPENBACKCORNERS(H04) |
| 17 | 071126-42-E24 | EA | SKIRT-7"-W/OPENBACKCORNERS(H05) |
| 17 | 071126-42-H10 | EA | SKIRT-7"-W/OPENBACKCORNERS(H10) |
| 17 | 071126-42-E22 | EA | SKIRT-7"-W/OPENBACKCORNERS(H11) |
| 17 | 071126-42-H24 | EA | SKIRT-7"-W/OPENBACKCORNERS(H24/H26) |

CURTAIN&CUSHIONGROUP(CONTINUED)

BUCKETSEAT-FROM: 10-21-96 THRU: 99-99-99-FORD

| KEY | PARTNUMBER | U/M | DESCRIPTION |
|-----|---------------|-----|---|
| | 110148-10-H04 | EA | SEAT-BUCKET-W/RIGHTARMREST(H04) |
| | 110148-10-H05 | EA | SEAT-BUCKET-W/RIGHTARMREST(H05) |
| | 110148-10-H24 | EA | SEAT-BUCKET-W/RIGHTARMREST(H24/H26) |
| | 110148-11-H04 | EA | SEAT-BUCKET-W/LEFTARMREST(H04) |
| | 110148-11-H05 | EA | SEAT-BUCKET-W/LEFTARMREST(H05) |
| | 110148-11-H24 | EA | SEAT-BUCKET-W/LEFTARMREST(H24/H26) |
| | 119509-01-H04 | EA | HEADREST-BUCKETSEAT(H04) |
| | 119509-01-H05 | EA | HEADREST-BUCKETSEAT(H05) |
| | 119509-01-H24 | EA | HEADREST-BUCKETSEAT(H24/H26) |
| | P19509-01-H04 | EA | COVER-HEADRESTBUCKETSEAT(H04) |
| | P19509-01-H05 | EA | COVER-HEADRESTBUCKETSEAT(H05) |
| | P19509-01-H24 | EA | COVER-HEADRESTBUCKETSEAT(H24/H26) |
| | 113977-12-000 | EA | HEADRESTINSERT-W/OLOCK |
| | 113977-13-000 | EA | INSERT/HEADREST-W/LOCK |
| | M05962-55-H04 | EA | COVER-BACK(H04) |
| | M05962-55-H05 | EA | COVER-BACK(H05) |
| | M05962-55-H24 | EA | COVER-BACK(H24/H26) |
| | 122780-01-H04 | EA | ARMREST-RIGHTHAND(H04) |
| | 122780-01-H05 | EA | ARMREST-RIGHTHAND(H05) |
| | 122780-01-H24 | EA | ARMREST-RIGHTHAND(H24/H26) |
| | P22780-01-H04 | EA | COVER-ARMREST-RIGHTHAND(H04) |
| | P22780-01-H05 | EA | COVER-ARMREST-RIGHTHAND(H05) |
| | P22780-01-H24 | EA | COVER-ARMREST-RIGHTHAND(H24/H26) |
| | 115617-03-000 | EA | ARMREST-W/OCOVER-RIGHTHAND |
| | 122780-02-H04 | EA | ARMREST-LEFTHAND(H04) |
| | 122780-02-H05 | EA | ARMREST-LEFTHAND(H05) |
| | 122780-02-H24 | EA | ARMREST-LEFTHAND(H24/H26) |
| | P22780-02-H04 | EA | COVER-ARMREST-LEFTHAND(H04) |
| | P22780-02-H05 | EA | COVER-ARMREST-LEFTHAND(H05) |
| | P22780-02-H24 | EA | COVER-ARMREST-LEFTHAND(H24/H26) |
| | 115617-04-000 | EA | ARMREST-W/OCOVER-LEFTHAND |
| | M05962-56-H04 | EA | COVER-SEAT(H04) |
| | M05962-56-H05 | EA | COVER-SEAT(H05) |
| | M05962-56-H24 | EA | COVER-SEAT(H24/H26) |
| | 125229-01-000 | EA | FRAME-SEAT-LEFT |
| | 125229-02-000 | EA | FRAME-SEAT-RIGHT |
| | 125229-03-000 | EA | KNOB-RECLINING |
| | 125229-05-000 | EA | PALNUT |
| | 117125-01-02B | EA | BRACKET-CABLEMOUNT-ADJUSTERW/LOCK |
| | 119952-06-000 | EA | SLIDE-SEATHEAVYDUTYLOCKING-4STUDS |
| | 119952-07-000 | EA | WIRE-LATCHRELEASE/ROTARY |
| | 107921-08-000 | EA | TOPPLATE-PEDESTAL-WOSEATBELTBAR |
| | 107921-01-000 | EA | PEDESTAL/FLOORMOUNTED-W/9.75"EXTENSION |
| | 107921-06-000 | EA | BEARINGKIT-PEDESTAL |
| | 114889-01-000 | EA | STOPBAR-UNIVERSAL |
| | 097683-02-000 | EA | BRACKET-MOUNT,REMOTE-DOUBLE |
| | 108049-03-000 | EA | CABLE-W/CONTROL25.5"SHEATH/28.5"CABLEW/DOGLEG |

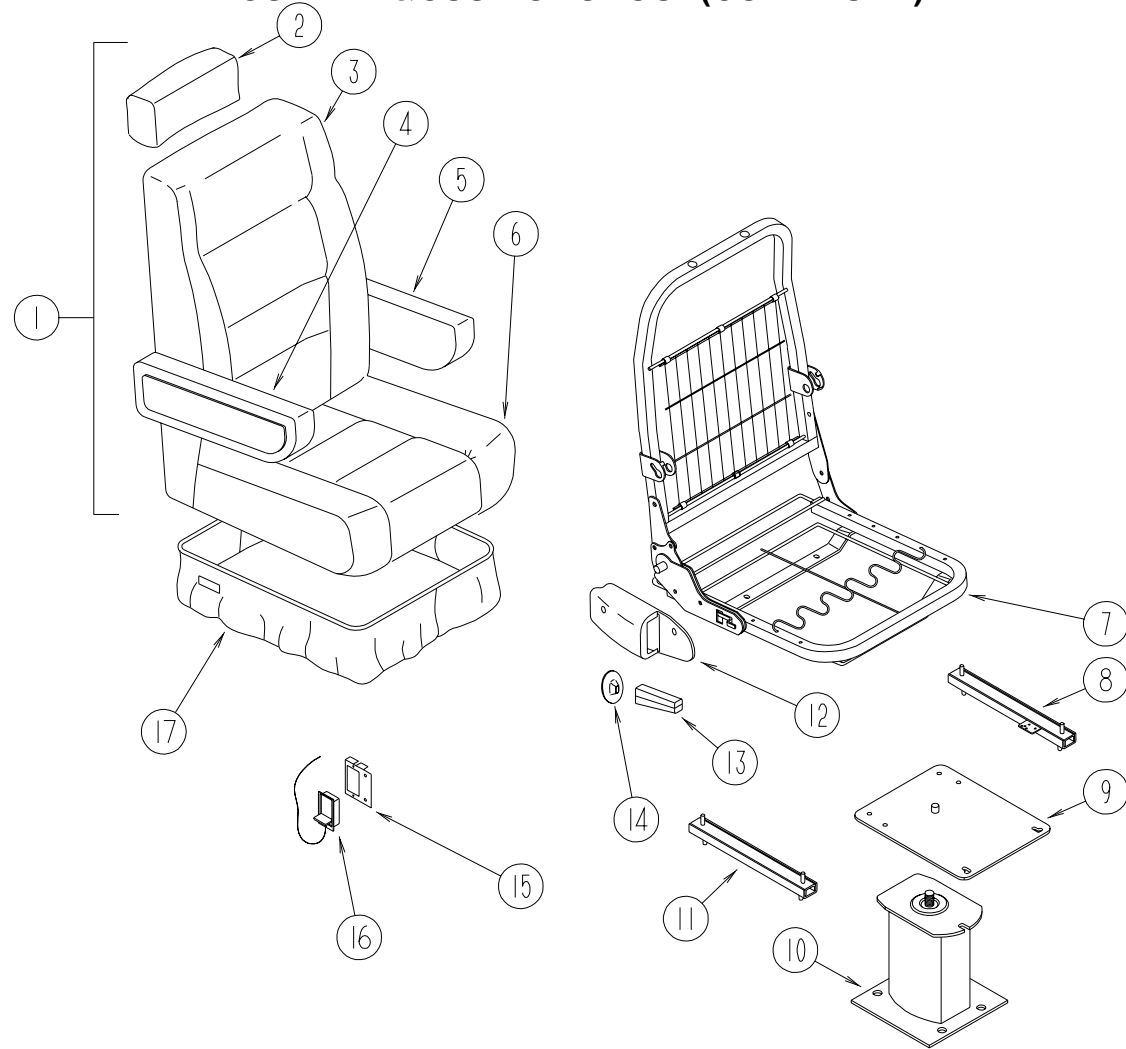
CURTAIN&CUSHIONGROUP(CONTINUED)



BUCKETSEAT-FROM: 00-00-00 THRU: 10-13-96-EXPORT&CHEVY

| KEY | PARTNUMBER | U/M | DESCRIPTION |
|-----|---------------|-----|-----------------------------------|
| 1 | 122738-03-H10 | EA | SEAT-BUCKET-W/HEADREST/ARMRESTS |
| 1 | 122738-03-H11 | EA | SEAT-BUCKET-W/HEADREST/ARMRESTS |
| 2 | 119509-01-H10 | EA | HEADREST-BUCKETSEAT |
| 2 | 119509-01-H11 | EA | HEADREST-BUCKETSEAT |
| | P19509-01-H10 | EA | COVER-HEADREST |
| | P19509-01-H11 | EA | COVER-HEADREST |
| | 113977-12-000 | EA | HEADRESTINSERT-W/OLOCK |
| | 113977-13-000 | EA | INSERT/HEADREST-W/LOCK |
| 3 | M05962-41-H10 | EA | COVER-BACK |
| 3 | M05962-41-H11 | EA | COVER-BACK |
| 4 | 122780-01-H10 | EA | ARMREST-RIGHTHAND |
| 4 | 122780-01-H11 | EA | ARMREST-RIGHTHAND |
| | P22780-01-H10 | EA | COVER-ARMREST-RIGHTHAND |
| | P22780-01-H11 | EA | COVER-ARMREST-RIGHTHAND |
| | 115617-03-000 | EA | ARMREST-W/OCOVER-RIGHTHAND |
| 5 | 122780-02-H10 | EA | ARMREST-LEFTHAND |
| 5 | 122780-02-H11 | EA | ARMREST-LEFTHAND |
| | P22780-02-H10 | EA | COVER-ARMREST-LEFTHAND |
| | P22780-02-H11 | EA | COVER-ARMREST-LEFTHAND |
| | 115617-04-000 | EA | ARMREST-W/OCOVER-LEFTHAND |
| 6 | M05962-42-H10 | EA | COVER-SEAT |
| 6 | M05962-42-H11 | EA | COVER-SEAT |
| 7 | 122695-02-01B | EA | FRAME-SEAT/BACK |
| 7 | 122378-02-01B | EA | FRAME-BACK |
| | 117125-01-02B | EA | BRACKET-CABLEMOUNT-ADJUSTERW/LOCK |

CURTAIN&CUSHIONGROUP(CONTINUED)



BUCKETSEAT-FROM: 00-00-00 THRU: 10-13-96-EXPORT & CHEVY (CONTINUED)

| KEY | PARTNUMBER | U/M | DESCRIPTION |
|-----|---------------|-----|---|
| 8 | 119952-06-000 | EA | SLIDE-SEATHEAVYDUTYLOCKING-4STUDS |
| | 119952-07-000 | EA | WIRE-LATCHRELEASE/ROTARY |
| 9 | 107921-08-000 | EA | TOPPLATE-PEDESTAL-WOSEATBELTBAR |
| 10 | 107921-10-000 | EA | PEDESTAL-SEAT-CHEVY/DRIVER |
| 10 | 107921-11-000 | EA | PEDESTAL-SEAT-CHEVY-PASSENGER |
| | 107921-06-000 | EA | BEARINGKIT-PEDESTAL |
| | 114889-01-000 | EA | STOPBAR-UNIVERSAL |
| 11 | 119952-02-000 | EA | ADJUSTERASSEMBLY-NONLOCK,4STUDS |
| 12 | 080730-09-000 | EA | SHIELD-RECLINERHANDLE |
| 13 | 080730-08-000 | EA | HANDLE-RECLINER |
| 14 | 080730-11-000 | EA | SHIELD-RUBBERBOOT |
| 15 | 097683-02-000 | EA | BRACKET-MOUNT,REMOTE-DOUBLE |
| 16 | 108049-03-000 | EA | CABLE-W/CONTROL25.5"SHEATH/28.5"CABLEW/DOGLEG |
| | 108049-02-000 | EA | CLIP-CABLE/PEDESTAL |
| | 114889-01-000 | EA | STOPBAR-UNIVERSAL |
| 17 | 071126-42-H10 | EA | SKIRT-7",W/OPENBACKCORNERS(H10) |
| 17 | 071126-42-E22 | EA | SKIRT-7",W/OPENBACKCORNERS(H11) |

CURTAIN&CUSHIONGROUP(CONTINUED)

BUCKETSEAT-FROM: 10-14-96 THRU: 99-99-99-EXPORT

| KEY | PARTNUMBER | U/M | DESCRIPTION |
|-----|---------------|-----|---|
| | 122738-04-H10 | EA | SEAT-BUCKET/PASSENGER-W/HEADREST/LEFTARMREST |
| | 122738-04-H11 | EA | SEAT-BUCKET/PASSENGER-W/HEADREST/LEFTARMREST |
| | 122738-05-H10 | EA | SEAT-BUCKET/PASSENGER-W/HEADREST/RIGHTARMREST |
| | 122738-05-H11 | EA | SEAT-BUCKET/PASSENGER-W/HEADREST/RIGHTARMREST |
| | 119509-01-H10 | EA | HEADREST-BUCKETSEAT |
| | 119509-01-H11 | EA | HEADREST-BUCKETSEAT |
| | P19509-01-H10 | EA | COVER-HEADRESTBUCKETSEAT |
| | P19509-01-H11 | EA | COVER-HEADRESTBUCKETSEAT |
| | 113977-12-000 | EA | HEADRESTINSERT-W/OLOCK |
| | 113977-13-000 | EA | INSERT/HEADREST-W/LOCK |
| | M05962-59-H10 | EA | COVER-BACK |
| | M05962-59-H11 | EA | COVER-BACK |
| | 122780-01-H10 | EA | ARMREST-RIGHTHAND |
| | 122780-01-H11 | EA | ARMREST-RIGHTHAND |
| | P22780-01-H10 | EA | COVER-ARMREST-RIGHTHAND |
| | P22780-01-H11 | EA | COVER-ARMREST-RIGHTHAND |
| | 115617-03-000 | EA | ARMREST-W/OCOVER-RIGHTHAND |
| | 122780-02-H10 | EA | ARMREST-LEFTHAND |
| | 122780-02-H11 | EA | ARMREST-LEFTHAND |
| | P22780-02-H10 | EA | COVER-ARMREST-LEFTHAND |
| | P22780-02-H11 | EA | COVER-ARMREST-LEFTHAND |
| | 115617-04-000 | EA | ARMREST-W/OCOVER-LEFTHAND |
| | M05962-60-H10 | EA | COVER-SEAT |
| | M05962-60-H11 | EA | COVER-SEAT |
| | 125229-01-000 | EA | FRAME-SEAT-DRIVER-W/RIGHTARMRESTBRACKET |
| | 125229-02-000 | EA | RAME-SEAT-PASSENGER-W/LEFTARMRESTBRACKET |
| | 125229-03-000 | EA | LEVER-RECLINING |
| | 125229-05-000 | EA | PALNUT |
| | 119952-06-000 | EA | SLIDE-SEATHEAVYDUTYLOCKING-4STUDS |
| | 119952-07-000 | EA | WIRE-LATCHRELEASE/ROTARY |
| | 108049-03-000 | EA | CABLE/CONTROL25.5"SHEATH/28.5"CABLEW/DOGLEG |
| | 108049-02-000 | EA | CLIP-CABLE/PEDESTAL |
| | 107921-06-000 | EA | BEARINGKIT-PEDESTAL |
| | 107921-08-000 | EA | TOPPLATE-PEDESTAL-WOSEATBELTBAR |
| | 114889-01-000 | EA | STOPBAR-UNIVERSAL |
| | 117125-01-02B | EA | BRACKET-CABLEMOUNT-ADJUSTERW/LOCK |
| | 097683-02-000 | EA | BRACKET-REMOTE/SIDEMOUNT-DOUBLE |
| | 107921-01-000 | EA | PEDESTAL/FLOORMOUNTED-W/9.75"EXTENSION |

CURTAIN&CUSHIONGROUP(CONTINUED)
BUCKETSEAT-FROM: 10-14-96 THRU: 99-99-99-CHEVY

| KEY | PARTNUMBER | U/M DESCRIPTION |
|-----|---------------|--|
| | 122684-14-H10 | EA SEAT-BUCKET-W/RIGHTARMREST |
| | 122684-14-H11 | EA SEAT-BUCKET-W/RIGHTARMREST |
| | 122684-15-H10 | EA SEAT-BUCKET-W/LEFTARMREST |
| | 122684-15-H11 | EA SEAT-BUCKET-W/LEFTARMREST |
| | 119509-01-H10 | EA HEADREST-BUCKETSEAT |
| | 119509-01-H11 | EA HEADREST-BUCKETSEAT |
| | P19509-01-H10 | EA COVER-HEADREST |
| | P19509-01-H11 | EA COVER-HEADREST |
| | 113977-12-000 | EA HEADRESTINSERT-W/OLOCK |
| | 113977-13-000 | EA INSERT/HEADREST-W/LOCK |
| | M05962-57-H10 | EA COVER-BACK |
| | M05962-57-H11 | EA COVER-BACK |
| | 122780-01-H10 | EA ARMREST-RIGHTHAND |
| | 122780-01-H11 | EA ARMREST-RIGHTHAND |
| | P22780-01-H10 | EA COVER-ARMREST-RIGHTHAND |
| | P22780-01-H11 | EA COVER-ARMREST-RIGHTHAND |
| | 115617-03-000 | EA ARMREST-W/OCOVER-RIGHTHAND |
| | 122780-02-H10 | EA ARMREST-LEFTHAND |
| | 122780-02-H11 | EA ARMREST-LEFTHAND |
| | P22780-02-H10 | EA COVER-ARMREST-LEFTHAND |
| | P22780-02-H11 | EA COVER-ARMREST-LEFTHAND |
| | 115617-04-000 | EA ARMREST-W/OCOVER-LEFTHAND |
| | M05962-70-H10 | EA COVER-SEAT |
| | M05962-70-H11 | EA COVER-SEAT |
| | 125229-01-000 | EA FRAME-SEAT-DRIVER-W/RIGHTARMRESTBRACKET |
| | 125229-02-000 | EA RAME-SEAT-PASSENGER-W/LEFTARMRESTBRACKET |
| | 125229-03-000 | EA LEVER-RECLINING |
| | 125229-05-000 | EA PALNUT |
| | 119952-06-000 | EA SLIDE-SEATHEAVYDUTYLOCKING-4STUDS |
| | 119952-07-000 | EA WIRE-LATCHRELEASE/ROTARY |
| | 108049-03-000 | EA CABLE/CONTROL25.5"SHEATH/28.5"CABLEW/DOGLEG |
| | 108049-02-000 | EA CLIP-CABLE/PEDESTAL |
| | 107921-06-000 | EA BEARINGKIT-PEDESTAL |
| | 107921-08-000 | EA TOPPLATE-PEDESTAL-WOSEATBELTBAR |
| | 114889-01-000 | EA STOPBAR-UNIVERSAL |
| | 117125-01-02B | EA BRACKET-CABLEMOUNT-ADJUSTERW/LOCK |
| | 097683-02-000 | EA BRACKET-REMOTE/SIDEMOUNT-DOUBLE |
| | 107921-01-000 | EA PEDESTAL/FLOORMOUNTED-W/9.75"EXTENSION |

BUCKETSEAT-CHEVY

| KEY | PARTNUMBER | U/M DESCRIPTION |
|-----|---------------|--|
| | 110148-14-H04 | EA SEAT-BUCKET-W/RIGHTARMREST(H04) |
| | 110148-14-H05 | EA SEAT-BUCKET-W/RIGHTARMREST(H05) |
| | 110148-14-H24 | EA SEAT-BUCKET-W/RIGHTARMREST(H24/H26) |
| | 110148-15-H04 | EA SEAT-BUCKET-W/LEFTARMREST(H04) |
| | 110148-15-H05 | EA SEAT-BUCKET-W/LEFTARMREST(H05) |
| | 110148-15-H24 | EA SEAT-BUCKET-W/LEFTARMREST(H24/H26) |
| | 119509-01-H04 | EA HEADREST-BUCKETSEAT(H04) |
| | 119509-01-H05 | EA HEADREST-BUCKETSEAT(H05) |
| | 119509-01-H24 | EA HEADREST-BUCKETSEAT(H24/H26) |
| | P19509-01-H04 | EA COVER-HEADREST(H04) |
| | P19509-01-H05 | EA COVER-HEADREST(H05) |
| | P19509-01-H24 | EA COVER-HEADREST(H24/H26) |
| | 113977-12-000 | EA HEADRESTINSERT-W/OLOCK |
| | 113977-13-000 | EA INSERT/HEADREST-W/LOCK |
| | M05962-55-H04 | EA COVER-BACK(H04) |
| | M05962-55-H05 | EA COVER-BACK(H05) |
| | M05962-55-H24 | EA COVER-BACK(H24/H26) |
| | 122780-01-H04 | EA ARMREST-RIGHTHAND(H04) |
| | 122780-01-H05 | EA ARMREST-RIGHTHAND(H05) |
| | 122780-01-H24 | EA ARMREST-RIGHTHAND(H24/H26) |

CURTAIN&CUSHIONGROUP(CONTINUED)

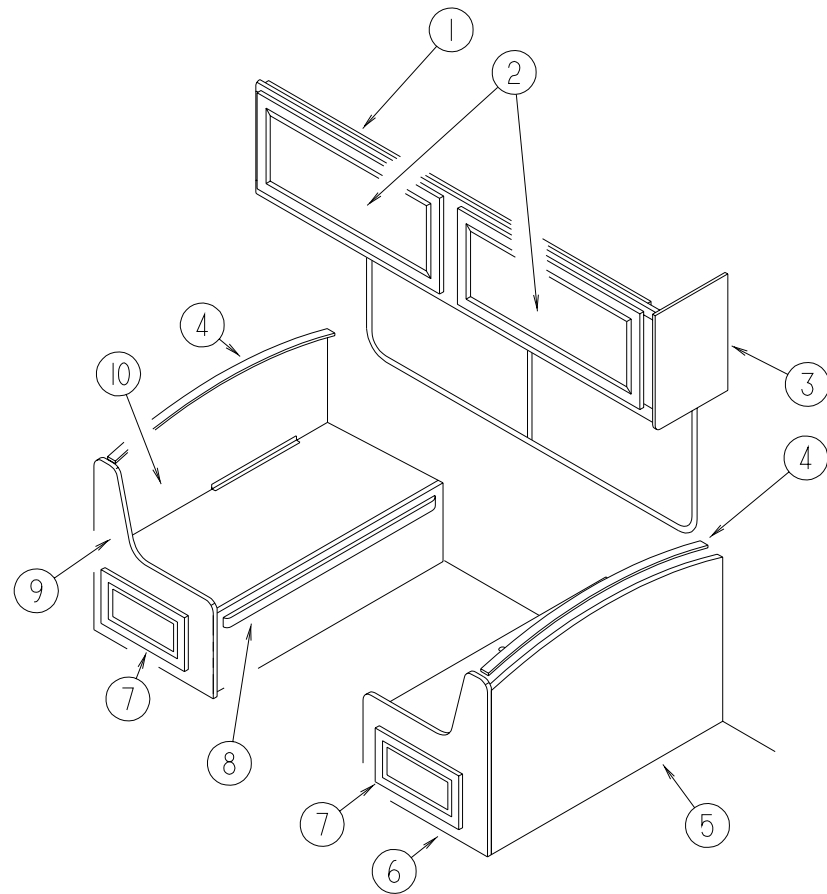
BUCKETSEAT-CHEVY(CONTINUED)

| KEY | PARTNUMBER | U/M DESCRIPTION |
|-----|---------------|--|
| | P22780-01-H04 | EA COVER-ARMREST-RIGHTHAND(H04) |
| | P22780-01-H05 | EA COVER-ARMREST-RIGHTHAND(H05) |
| | P22780-01-H24 | EA COVER-ARMREST-RIGHTHAND(H24/H26) |
| | 115617-03-000 | EA ARMREST-W/OCOVER-RIGHTHAND |
| | 122780-02-H04 | EA ARMREST-LEFTHAND(H04) |
| | 122780-02-H05 | EA ARMREST-LEFTHAND(H05) |
| | 122780-02-H24 | EA ARMREST-LEFTHAND(H24/H26) |
| | P22780-02-H04 | EA COVER-ARMREST-LEFTHAND(H04) |
| | P22780-02-H05 | EA COVER-ARMREST-LEFTHAND(H05) |
| | P22780-02-H24 | EA COVER-ARMREST-LEFTHAND(H24/H26) |
| | 115617-04-000 | EA ARMREST-W/OCOVER-LEFTHAND |
| | M05962-56-H04 | EA COVER-SEAT(H04) |
| | M05962-56-H05 | EA COVER-SEAT(H05) |
| | M05962-56-H24 | EA COVER-SEAT(H24/H26) |
| | 125229-01-000 | EA FRAME-SEAT-LEFT |
| | 125229-02-000 | EA FRAME-SEAT-RIGHT |
| | 125229-03-000 | EA KNOB-RECLINING |
| | 125229-05-000 | EA PALNUT |
| | 117125-01-02B | EA BRACKET-CABLEMOUNT-ADJUSTERW/LOCK |
| | 119952-06-000 | EA SLIDE-SEATHEAVYDUTYLOCKING-4STUDS |
| | 119952-07-000 | EA WIRE-LATCHRELEASE/ROTARY |
| | 107921-08-000 | EA TOPPLATE-PEDESTAL-WOSEATBELTBAR |
| | 107921-01-000 | EA PEDESTAL/FLOORMOUNTED-W/9.75"EXTENSION |
| | 107921-06-000 | EA BEARINGKIT-PEDESTAL |
| | 114889-01-000 | EA STOPBAR-UNIVERSAL |
| | 097683-02-000 | EA BRACKET-REMOTE/SIDEMOUNT-DOUBLE |
| | 108049-03-000 | EA CABLE/CONTROL25.5"SHEATH/28.5"CABLEW/DOGLEG |

BUCKETSEAT-MCCLAINSANNIVERSARYOPTION

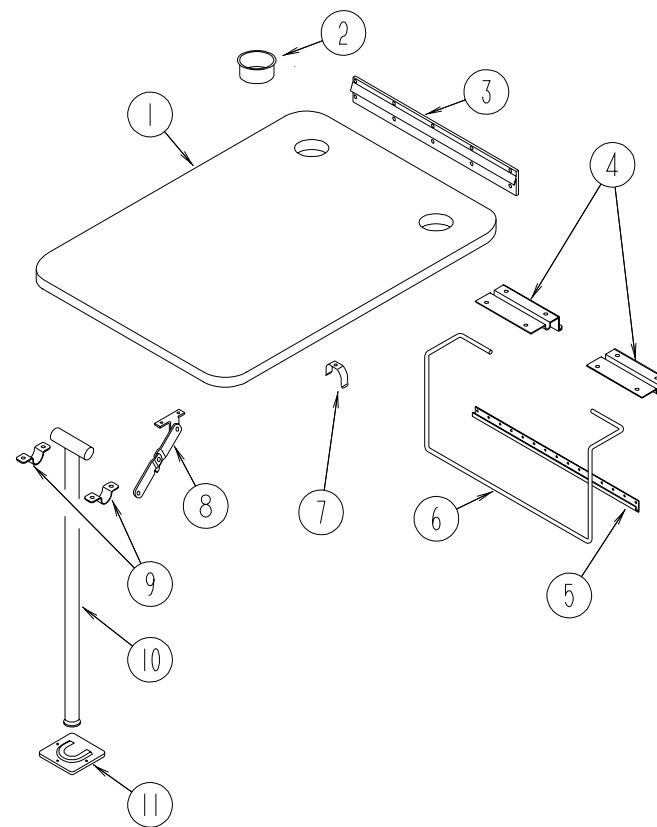
| KEY | PARTNUMBER | U/M DESCRIPTION |
|-----|---------------|--|
| | 122684-09-H04 | EA SEAT-BUCKET-W/RIGHTARMREST-LEATHER |
| | 122684-10-H04 | EA SEAT-BUCKET-W/LEFTARMREST-LEATHER |
| | 119509-02-H04 | EA HEADREST-BUCKETSEAT-LEATHER |
| | P19509-02-H04 | EA COVER-HEADRESTBUCKETSEAT-LEATHER |
| | 113977-12-000 | EA HEADRESTINSERT-W/OLOCK |
| | 113977-13-000 | EA INSERT/HEADREST-W/LOCK |
| | M05962-61-H04 | EA COVER-BACK-LEATHER |
| | 124896-11-000 | EA KIT-BACK-LEATHER |
| | 122780-03-H04 | EA ARMREST-RIGHTHAND-LEATHER |
| | P22780-03-H04 | EA COVER-ARMREST-RIGHTHAND-LEATHER |
| | 115617-03-000 | EA ARMREST-W/OCOVER-RIGHTHAND |
| | 122780-04-H04 | EA ARMREST-LEFTHAND-LEATHER |
| | P22780-04-H04 | EA COVER-ARMREST-LEFTHAND-LEATHER |
| | 115617-04-000 | EA ARMREST-W/OCOVER-LEFTHAND |
| | M05962-62-H04 | EA COVER-SEAT-LEATHER |
| | 124896-12-000 | EA KIT-SEAT-LEATHER |
| | 125229-01-000 | EA FRAME-SEAT-LEFT |
| | 125229-02-000 | EA FRAME-SEAT-RIGHT |
| | 125229-03-000 | EA KNOB-RECLINING |
| | 125229-05-000 | EA PALNUT |
| | 117125-01-02B | EA BRACKET-CABLEMOUNT-ADJUSTERW/LOCK |
| | 119952-06-000 | EA SLIDE-SEATHEAVYDUTYLOCKING-4STUDS |
| | 119952-07-000 | EA WIRE-LATCHRELEASE/ROTARY |
| | 107921-08-000 | EA TOPPLATE-PEDESTAL-WOSEATBELTBAR |
| | 107921-01-000 | EA PEDESTAL/FLOORMOUNTED-W/9.75"EXTENSION |
| | 107921-06-000 | EA BEARINGKIT-PEDESTAL |
| | 114889-01-000 | EA STOPBAR-UNIVERSAL |
| | 097683-02-000 | EA BRACKET-REMOTE/SIDEMOUNT-DOUBLE |
| | 108049-03-000 | EA CABLE/CONTROL25.5"SHEATH/28.5"CABLEW/DOGLEG |

DINETTEGROUP



DINETTE CABINETS & PADS

DINETTEGROUP (CONTINUED)

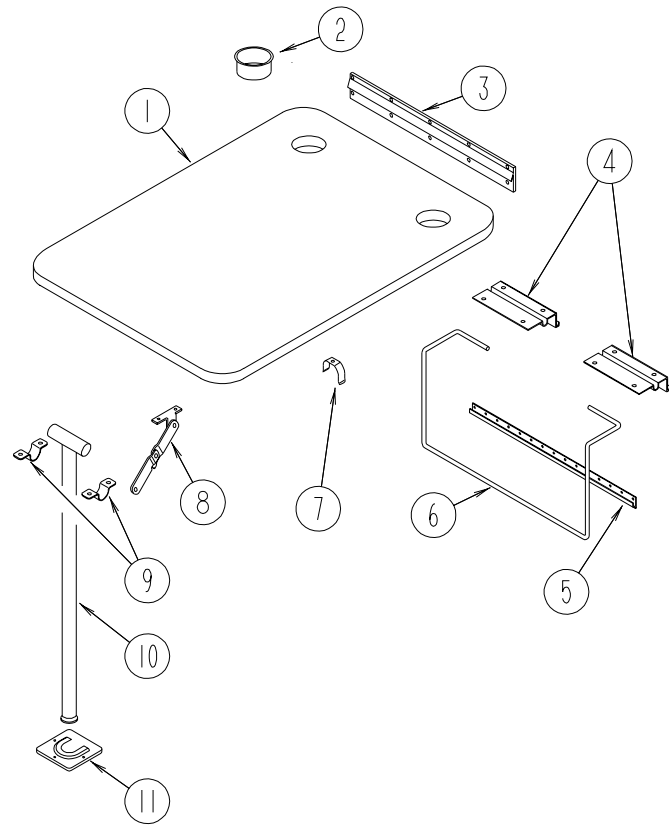


DINETTE TABLE & HARDWARE

| KEY | PARTNUMBER | U/M | DESCRIPTION |
|-----|---------------|-----|---|
| 1 | 122610-01-H04 | EA | CABINET-OVERHEAD/DINETTE-W/ODOORS/HARDWARE-WATERFORDOAK |
| 1 | 122610-02-H10 | EA | CABINET-OVERHEAD/DINETTE-W/ODOORS/HARDWARE-SALEMCHERRY |
| 2 | 110140-18-G01 | EA | DOOR-MTRDCORNER/VINYLRAP-15.7"X27.9"-W/OHDW-WATERFORDOAK |
| 2 | M06803-K3-H10 | EA | DOOR-OGEEEDGE-15.7"X27.9"-W/OHDW-SALEMCHERRY |
| 2 | 110140-21-H04 | EA | DOOR-MIRROR/VINYLRAP-15.7"X27.9"-W/OHDW-WATERFORDOAK |
| 2 | M06803-X8-H10 | EA | DOOR-MIRROR/MTRDCRNR/OGEDGE-15.7"X27.9"-W/OHDW-SALEMCHERRY |
| 3 | 109908-22-H04 | EA | ENDCAP-OVERHEADCABINET-WATERFORDOAK |
| 3 | 109908-22-H10 | EA | ENDCAP-OVERHEADCABINET-SALEMCHERRY |
| 4 | 111338-09-H04 | EA | PAD-SEATBACK(H04) |
| 4 | 111338-09-G22 | EA | PAD-SEATBACK(H05) |
| 4 | 111338-09-H10 | EA | PAD-SEATBACK(H10) |
| 4 | 104787-09-H10 | EA | PAD-SEATBACK(H10)-JAPANEXPORT |
| 4 | 104787-10-G38 | EA | PAD-SEATBACK(H10)-WIEEXPORT |
| 4 | 111338-09-H11 | EA | PAD-SEATBACK(H11) |
| 4 | 104787-09-H11 | EA | PAD-SEATBACK(H11)-JAPANEXPORT |
| 4 | 104787-10-G11 | EA | PAD-SEATBACK(H11)-WIEEXPORT |
| 4 | 111338-09-H24 | EA | PAD-SEATBACK(H24/H26) |
| 5 | M08123-01-H04 | EA | CABINET-SEATBACK-RIGHTHAND-WATERFORDOAK |
| 5 | M04174-95-H10 | EA | CABINET-SEATBACKRIGHTHAND-W/OHARDWARE-WIEEXPORT |
| 5 | M08123-01-H10 | EA | CABINET-SEATBACK-RIGHTHAND-JAPANEXPORT |
| 6 | M08122-01-H04 | EA | CABINET-SEATBASE-RH-W/ODOORS/DRAWERS/HDW-WATERFORDOAK |
| 6 | M04175-95-H10 | EA | CABINET-SEATBASE-RH-W/ODOORS/DRAWERS/HDW-WIEEXPORT |
| 6 | M08122-19-H10 | EA | CABINET-SEATBASE-RH-W/ODOORS/DRAWERS/HDW-JAPANEXPORT |
| 7 | 110140-88-G04 | EA | DOOR-MITEREDCORNER/VINYLRAP-10.1"X19.1"-W/OHDW-WATERFORDOAK |
| 7 | M06803-T5-H10 | EA | DOOR-MITEREDCORNER/OGEEEDGE-10"X19.1"-W/OHDW-SALEMCHERRY |
| 8 | 081295-04-G04 | EA | SUPPORT-BED/DINETTE-28"LONGWATERFORDOAK |
| 8 | 081295-01-G01 | EA | SUPPORT-BED/DINETTE-28"LONGSALEMCHERRY |
| 9 | M08122-11-H04 | EA | CABINET-SEATBASE-LH-W/ODOORS/DRAWERS/HDW-WATERFORDOAK |
| 9 | M04174-82-H10 | EA | CABINET-SEATBASE-LH-W/ODOORS/DRAWERS/HDW-WIEEXPORT |
| 9 | M08122-11-H10 | EA | CABINET-SEATBASE-LH-W/ODOORS/DRAWERS/HDW-JAPANEXPORT |
| 10 | M08123-08-H04 | EA | CABINET-SEATBACK-LEFTHAND-WATERFORDOAK |
| 10 | M04174-83-H10 | EA | CABINET-SEATBACK-LEFTHAND-WIEEXPORT |
| 10 | M08123-08-H10 | EA | CABINET-SEATBACK-LEFTHAND-JAPANEXPORT |

| KEY | PARTNUMBER | U/M | DESCRIPTION |
|-----|---------------|-----|---|
| 1 | 081322-01-G31 | EA | TABLE-DINETTE-W/OCUPHOLDERS/HARDWARE(H04) |
| 1 | 081322-01-H05 | EA | TABLE-DINETTE-W/OCUPHOLDERS/HARDWARE(H05) |
| 1 | 081322-01-G09 | EA | TABLE-DINETTE-W/OCUPHOLDERS/HARDWARE(H24/H26) |
| 2 | 064781-06-000 | EA | HOLDER-CUP-TWOSTEP-OFFWHITE |
| 3 | 053200-12-000 | EA | BRACKET-TABLESUPPORT-UPPERWALLMOUNTED23.50" |
| 4 | 088410-02-000 | EA | BRACKET-LIFT-TABLEMOUNTED |
| 5 | 024281-14-000 | EA | BRACKET-LIFTROD/LOWERWALLMOUNTED-22.12" |
| 6 | 024275-12-000 | EA | ROD-TABLELIFT |
| 7 | 024283-01-000 | EA | CLIP-LEG-1"-1.125"OD_BLACK |
| 8 | 024282-01-000 | EA | BRACE-TABLELEG-HINGED |
| 9 | 064050-05-000 | EA | HINGE-TABLELEG-OFFWHITE |
| 10 | 024276-23-000 | EA | LEG-TABLE-METAL |
| 11 | 049493-11-700 | EA | CATCH-TABLELEG/FLOORMOUNTED-ECOATED |
| | 049493-12-000 | EA | CATCH-LEG/FLOORMOUNTED-2.5"X2.7" |

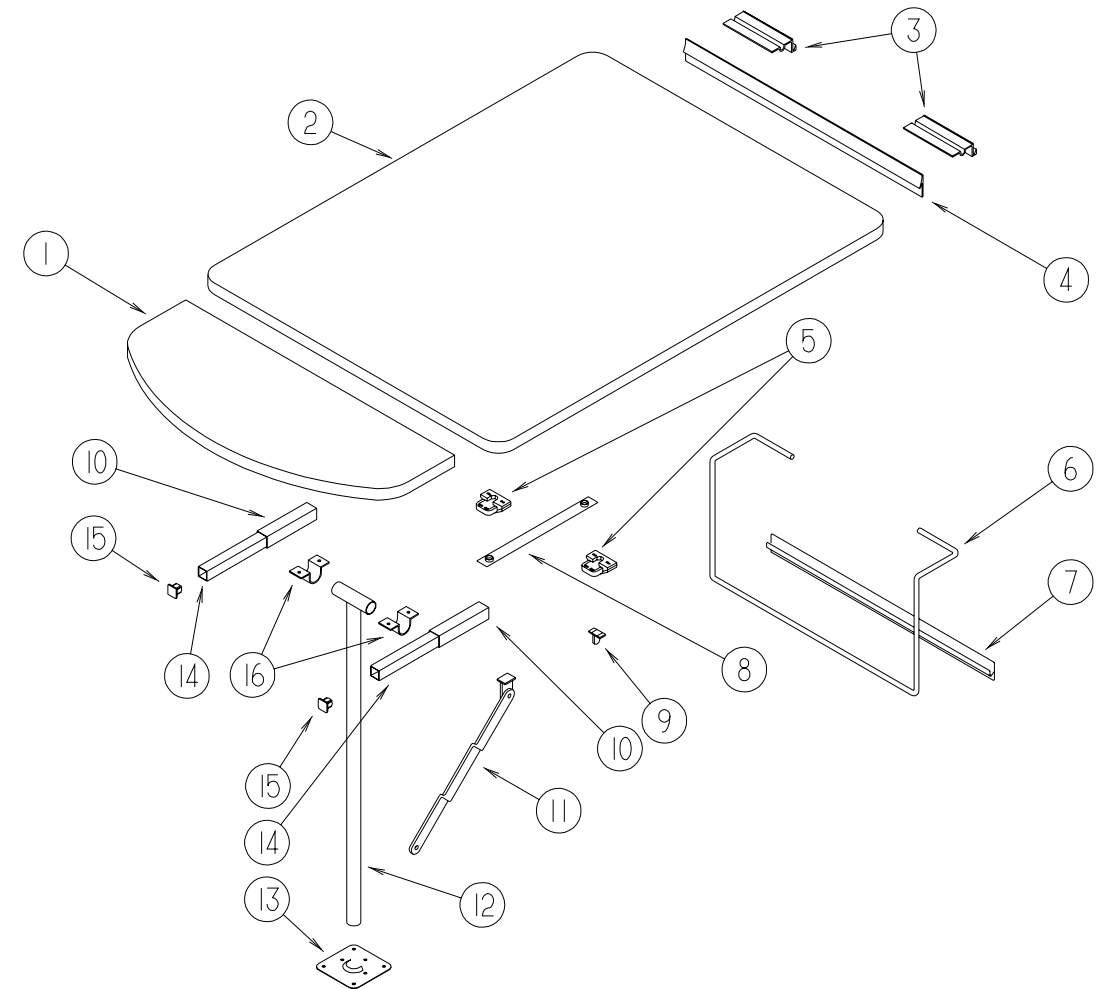
DINETTEGROUP(CONTINUED)



DINETTETABLE&HARDWARE-JAPANEXPORT

| KEY | PARTNUMBER | U/M | DESCRIPTION |
|-----|---------------|-----|---|
| 1 | 081322-01-G31 | EA | TABLE-DINETTEW/OCUPHOLDERS/HARDWARE(H10) |
| 1 | 081322-01-G10 | EA | TABLE-DINETTEW/OCUPHOLDERS/HARDWARE(H11) |
| 2 | 064781-06-000 | EA | HOLDER-CUP-TWOSTEP-OFFWHITE |
| 3 | 053200-12-000 | EA | BRACKET-TABLESUPPORT-UPPERWALLMOUNTED23.50" |
| 4 | 088410-02-000 | EA | BRACKET-LIFT-TABLEMOUNTED |
| 5 | 024281-14-000 | EA | BRACKET-LIFTROD/LOWERWALLMOUNTED-22.12" |
| 6 | 024275-12-000 | EA | ROD-TABLELIFT |
| 7 | 024283-01-000 | EA | CLIP-LEG-1"-1.125"OD_BLACK |
| 8 | 024282-01-000 | EA | BRACE-TABLELEG-HINGED |
| 9 | 064050-05-000 | EA | HINGE-TABLELEG-OFFWHITE |
| 10 | 092708-06-F08 | EA | LEG-TABLE-W/OHARDWARE |
| 11 | 049493-11-700 | EA | CATCH-TABLELEG,E-COAT |
| | 049493-12-000 | EA | CATCH-LEG/FLOORMOUNTED-2.5"X2.7" |

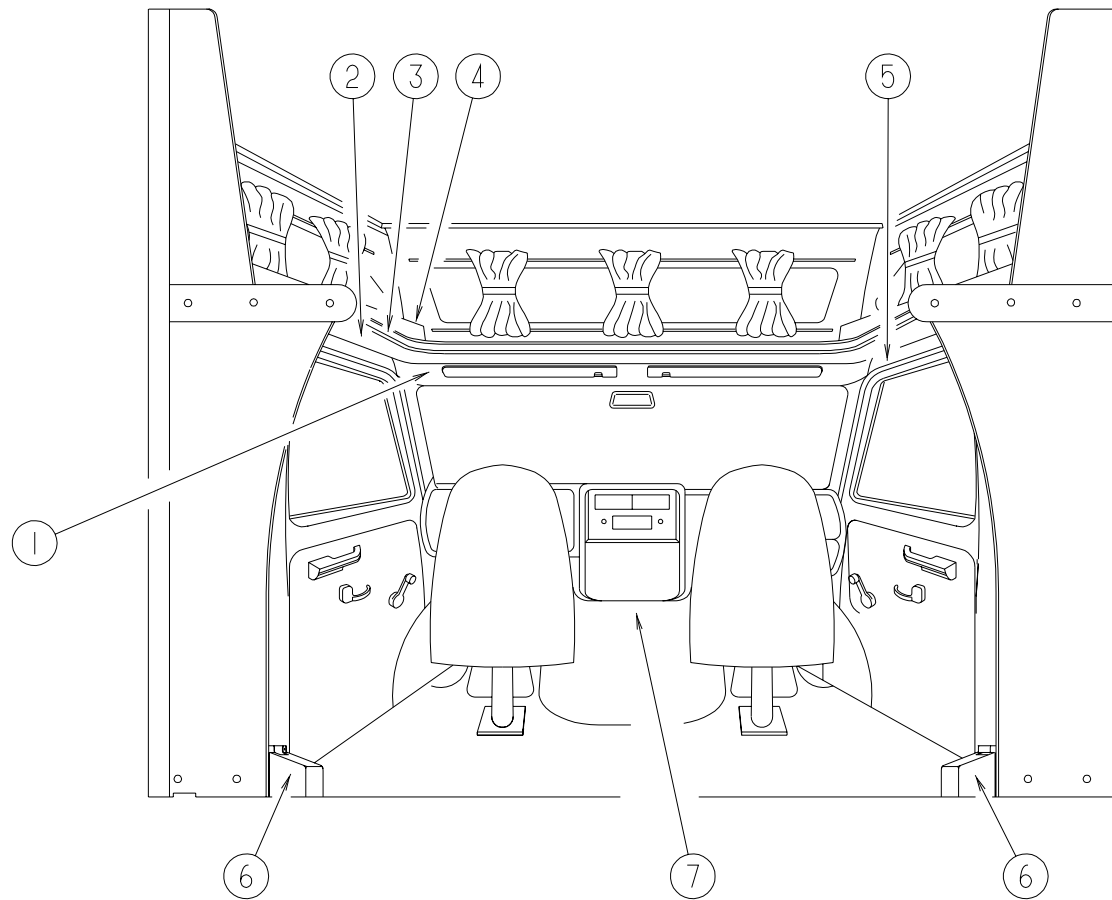
DINETTEGROUP(CONTINUED)



DINETTETABLE&HARDWARE-WIEEXPORT

| KEY | PARTNUMBER | U/M | DESCRIPTION |
|-----|---------------|-----|--|
| 1 | 119963-12-G45 | EA | EXTENSION-TABLE(H10) |
| 1 | 119963-12-G07 | EA | EXTENSION-TABLE(H11) |
| 2 | 119963-11-G45 | EA | TABLETOP-W/OEXTENSION(H10) |
| 2 | 119963-11-G07 | EA | TABLETOP-W/OEXTENSION(H11) |
| 3 | 088410-02-000 | EA | BRACKET-LIFT-TABLEMOUNTED |
| 4 | 053200-12-000 | EA | BRACKET-TABLESUPPORT-UPPERWALLMOUNTED23.50" |
| 5 | 009050-02-000 | EA | LEVELER-TABLETOP-MALEENDW/4SCREWS-PLASTIC |
| 6 | 024275-12-000 | EA | ROD-TABLELIFT |
| 7 | 024281-14-000 | EA | BRACKET-LIFTROD/LOWERWALLMOUNTED-22.12" |
| 8 | 057534-01-000 | EA | TIEBACK/TIEDOWN-BED/CURTAIN/DOOR6"-PLASTIC/CLEAR |
| 9 | 024283-01-000 | EA | CLIP-LEG-1"-1.125"OD_BLACK |
| 10 | 113729-01-02A | EA | TUBE-SUPPORT,TABLEO/W |
| 11 | 024282-01-000 | EA | BRACE-TABLELEG-HINGED |
| 12 | 024276-22-000 | EA | LEG-TABLE-METAL |
| 13 | 049493-12-000 | EA | CATCH-LEG/FLOORMOUNTED-2.5"X2.7" |
| | 049493-11-700 | EA | CATCH-TABLELEG/FLOORMOUNTED2.5"X2.7"-E/COATED |
| 14 | 113728-01-02A | EA | TUBE-SUPPORT,TABLEO/W |
| 15 | 110550-01-000 | EA | CAP-TUBE.9"SQUARE |
| 16 | 064050-05-000 | EA | HINGE-TABLELEG-OFFWHITE |
| | 002929-01-001 | EA | EXTRUDED-BRACKETTABLE |

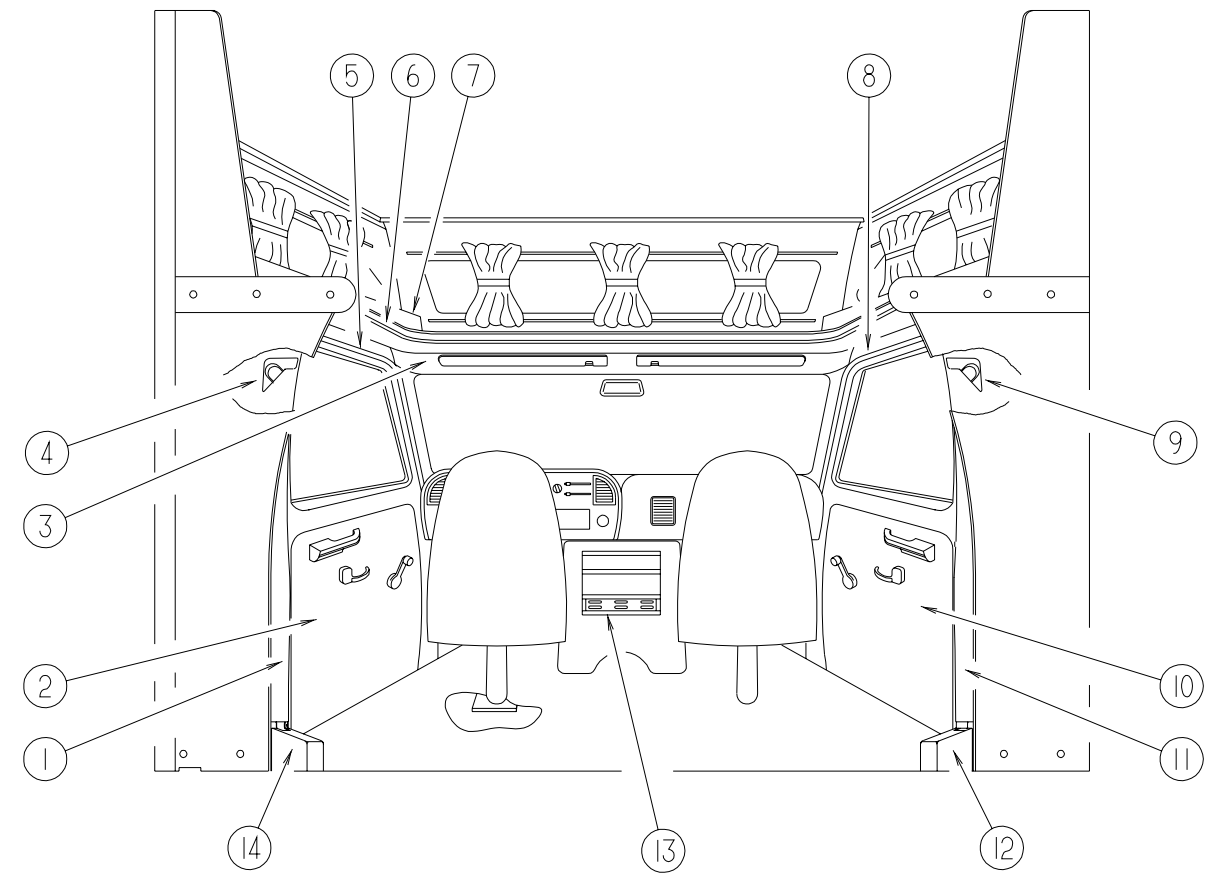
DRIVERSCOMPARTMENTGROUP



CHEVYDRIVERSCOMPARTMENT

| KEY | PARTNUMBER | U/M DESCRIPTION |
|-----|---------------|---|
| 1 | 124818-01-H04 | EA HEADLINER-W/VINYL |
| 2 | 124819-01-H04 | EA TRIM-CABDOOR-UPPER/LEFTHAND |
| 3 | 119520-01-01A | FT T-MOLDING-1"W/EDGELIPS(OFF/WHITE-CREAM) |
| 4 | 109894-01-H04 | EA CABINET-HAMPER-FRONT-DRIVER(H04) |
| 4 | 109894-01-H05 | EA CABINET-HAMPER-FRONT-DRIVER(H05) |
| 4 | 109894-01-H10 | EA CABINET-HAMPER-FRONT-DRIVER(H10) |
| 4 | 109894-01-H11 | EA CABINET-HAMPER-FRONT-DRIVER(H11) |
| 4 | 109894-01-H24 | EA CABINET-HAMPER-FRONT-DRIVER(H24/H26) |
| 5 | 124817-01-H04 | EA TRIM-CABDOOR-UPPER-DRIVERSSIDE |
| 6 | 076302-03-000 | EA SEATBELT-DRIVER/PASSENGER |
| | 087932-03-000 | EA BRACKET-SHOULDERHARNESS |
| | 087932-04-000 | EA BRACKET-SHOULDERHARNESS |
| 7 | 100516-01-G01 | EA TRAY-BEVERAGE-W/OCUPHOLDERS-WATERFORDOAK |
| | M04194-01-G01 | EA TRAY-BEVERAGE-UNSTAINED |
| 7 | 100516-01-H10 | EA TRAY-BEVERAGE-W/OCUPHOLDERS-SALEMCHERRY |
| | M04194-01-H10 | EA TRAY-BEVERAGE-UNSTAINED |

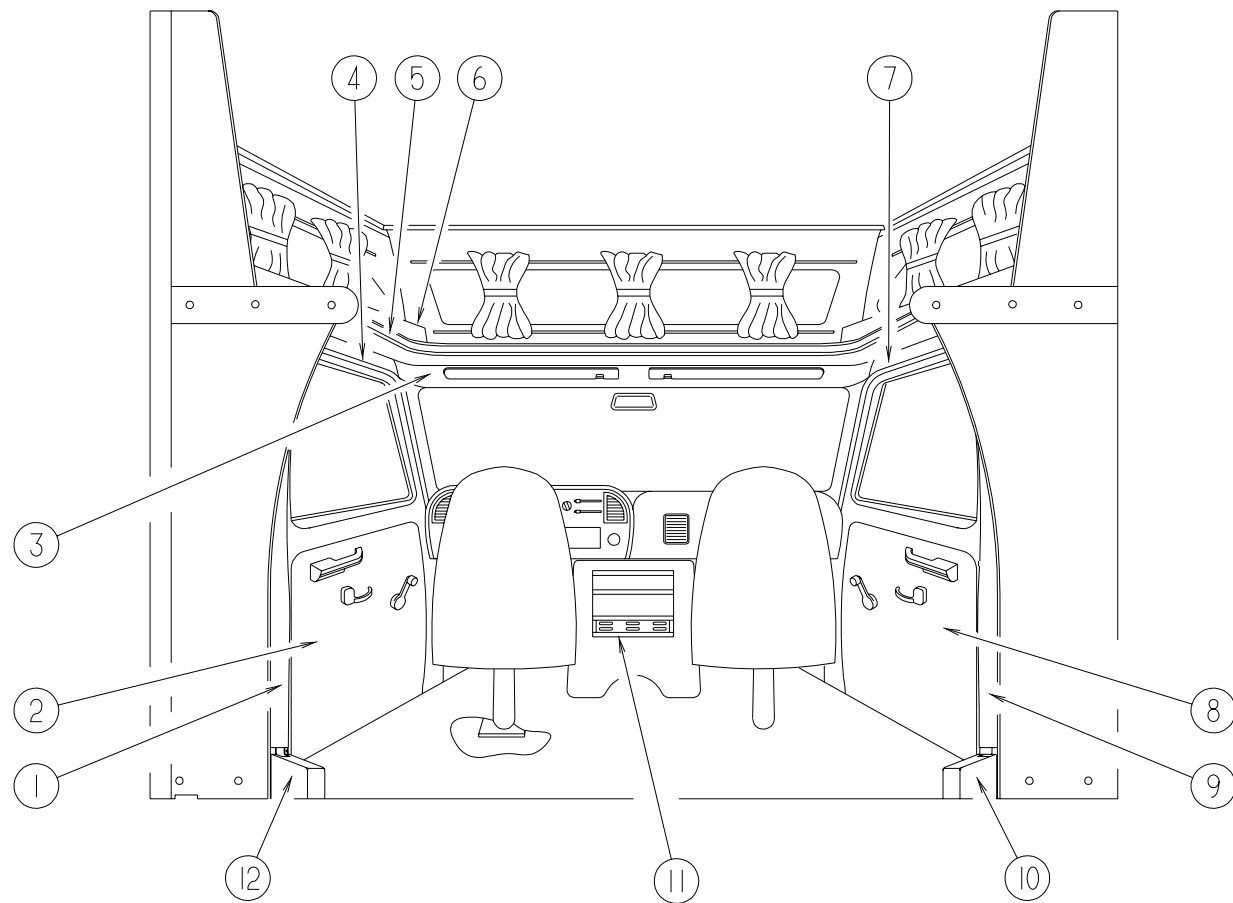
DRIVERSCOMPARTMENTGROUP(CONTINUED)



FORDDRIVERSCOMPARTMENT1996CHASSIS

| KEY | PARTNUMBER | U/M DESCRIPTION |
|-----|---------------|--|
| 1 | 106446-02-C03 | EA TRIM-CABB-PILLAR-DRIVERSSIDE |
| 2 | 106432-02-H04 | EA PANEL-DOOR-INNER/DRIVER(H04) |
| 2 | 106432-02-H05 | EA PANEL-DOOR-INNER/DRIVER(H05) |
| 2 | 106432-02-H10 | EA PANEL-DOOR-INNER/DRIVER(H10) |
| 2 | 106432-02-H11 | EA PANEL-DOOR-INNER/DRIVER(H11) |
| 2 | 106432-02-H24 | EA PANEL-DOOR-INNER/DRIVER(H24/H26) |
| 3 | 106448-01-C52 | EA HEADLINER-W/VINYL |
| 4 | 115038-02-01A | EA COVER-SEATBELTUPPERLEFTHAND |
| 5 | 106447-02-C03 | EA TRIM-CABDOOR-UPPER-DRIVERSSIDE |
| 6 | 119520-01-01A | FT T-MOLDING-1"W/EDGELIPS(OFF/WHITE-CREAM) |
| 7 | 109894-01-H04 | EA CABINET-HAMPER-FRONT-DRIVER(H04) |
| 7 | 109894-01-H05 | EA CABINET-HAMPER-FRONT-DRIVER(H05) |
| 7 | 109894-01-H10 | EA CABINET-HAMPER-FRONT-DRIVER(H10) |
| 7 | 109894-01-H11 | EA CABINET-HAMPER-FRONT-DRIVER(H11) |
| 7 | 109894-01-H24 | EA CABINET-HAMPER-FRONT-DRIVER(H24/H26) |
| 8 | 106447-01-C03 | EA TRIM-CABDOOR-UPPER-PASSENGERSIDE |
| 9 | 115038-01-01A | EA COVER-SEATBELTUPPERRIGHTHAND |
| 10 | 106432-01-H04 | EA PANEL-DOOR-INNER/PASSENGER(H04) |
| 10 | 106432-01-H05 | EA PANEL-DOOR-INNER/PASSENGER(H05) |
| 10 | 106432-01-H10 | EA PANEL-DOOR-INNER/PASSENGER(H10) |
| 10 | 106432-01-H11 | EA PANEL-DOOR-INNER/PASSENGER(H11) |
| 10 | 106432-01-H24 | EA PANEL-DOOR-INNER/PASSENGER(H24/H26) |
| 11 | 106446-01-C03 | EA TRIM-CABB-PILLAR-PASSENGERSIDE |
| 12 | 106431-01-01A | EA COVER-SEATBELTRECOIL-PASSENGERSIDE-OFFWHITE(FORD) |
| 13 | 112185-02-G01 | EA TRAY-BEVERAGE-WATERFORDOAK |
| 13 | 112185-02-G07 | EA TRAY-BEVERAGE-SALEMCHERRY |
| 13 | 125291-01-01A | EA TRAY-BEVERAGE-F/DELUXEMOTORCOVER |
| | 046886-03-000 | EA ASHTRAY-CHROME/COVER |
| 14 | 106431-02-01A | EA COVER-RECOIL-SEATBELT-DRIVERSSIDE-OFFWHITE(FORD) |

DRIVERSCOMPARTMENTGROUP(CONTINUED)



FORDDRIVERSCOMPARTMENT1997CHASSIS

| KEY | PARTNUMBER | U/M DESCRIPTION |
|-----|---------------|--|
| 1 | 125031-02-G04 | EA TRIM-CAB-B-PILLAR FROM: 00-00-00 THRU: 12-15-96 |
| 1 | 125031-02-H04 | EA TRIM-CAB-B-PILLAR FROM: 12-16-96 THRU: 99-99-99 |
| 2 | 106432-02-H04 | EA PANEL-DOOR-INNER/DRIVER(H04) |
| 2 | 106432-02-H05 | EA PANEL-DOOR-INNER/DRIVER(H05) |
| 2 | 106432-02-H10 | EA PANEL-DOOR-INNER/DRIVER(H10) |
| 2 | 106432-02-H11 | EA PANEL-DOOR-INNER/DRIVER(H11) |
| 2 | 106432-02-H24 | EA PANEL-DOOR-INNER/DRIVER(H24/H26) |
| 3 | 106448-01-C52 | EA HEADLINER-W/VINYL FROM: 00-00-00 THRU: 12-15-96 |
| 3 | 106448-01-H04 | EA HEADLINER-W/VINYL FROM: 12-16-96 THRU: 99-99-99 |
| 4 | 106447-02-C52 | EA TRIM-CABDOOR-UPPER-DRIVERSSIDE FROM: 00-00-00 THRU: 12-15-96 |
| 4 | 106447-02-H04 | EA TRIM-CABDOOR-UPPER-DRIVERSSIDE FROM: 12-16-96 THRU: 04-06-97 |
| 4 | 106447-03-H04 | EA TRIM-CABDOOR-UPPER-DRIVERSSIDE FROM: 04-07-97 THRU: 99-99-99 |
| 5 | 119520-01-01A | FT T-MOLDING-1"W/EDGELIPS(OFF/WHITE-CREAM) |
| 6 | 109894-01-H04 | EA CABINET-HAMPER-FRONT-DRIVER(H04) |
| 6 | 109894-01-H05 | EA CABINET-HAMPER-FRONT-DRIVER(H05) |
| 6 | 109894-01-H10 | EA CABINET-HAMPER-FRONT-DRIVER(H10) |
| 6 | 109894-01-H11 | EA CABINET-HAMPER-FRONT-DRIVER(H11) |
| 6 | 109894-01-H24 | EA CABINET-HAMPER-FRONT-DRIVER(H24/H26) |

DRIVERSCOMPARTMENTGROUP(CONTINUED)

FORDDRIVERSCOMPARTMENT1997CHASSIS(CONTINUED)

| KEY | PARTNUMBER | U/M DESCRIPTION |
|-----|---------------|--|
| 7 | 106447-01-C52 | EA TRIM-CABDOOR-UPPER-PASSENGERSIDE FROM: 00-00-00 THRU: 12-15-96 |
| 7 | 106447-01-H04 | EA TRIM-CABDOOR-UPPER-PASSENGERSIDE FROM: 12-16-96 THRU: 04-06-97 |
| 7 | 106447-03-H04 | EA TRIM-CABDOOR-UPPER-PASSENGERSIDE FROM: 04-07-97 THRU: 99-99-99 |
| 8 | 106432-01-H04 | EA PANEL-DOOR-INNER/PASSENGER(H04) |
| 8 | 106432-01-H05 | EA PANEL-DOOR-INNER/PASSENGER(H05) |
| 8 | 106432-01-H10 | EA PANEL-DOOR-INNER/PASSENGER(H10) |
| 8 | 106432-01-H11 | EA PANEL-DOOR-INNER/PASSENGER(H11) |
| 8 | 106432-01-H24 | EA PANEL-DOOR-INNER/PASSENGER(H24/H26) |
| 9 | 125031-01-G04 | EA TRIM-CAB-B-PILLAR FROM: 00-00-00 THRU: 12-15-96 |
| 9 | 125031-01-H04 | EA TRIM-CAB-B-PILLAR FROM: 12-16-96 THRU: 99-99-99 |
| 10 | 106431-01-01A | EA COVER-SEATBELTRECOIL-PASSENGERSIDE-OFFWHITE/FORD FROM: 00-00-00 THRU: 12-15-96 |
| 10 | 106431-01-02A | EA COVER-SEATBELTRECOIL-PASSENGERSIDE-VWGREY FROM: 12-16-96 THRU: 99-99-99 |
| 11 | N/A | EA TRAY-BEVERAGE-DIESEL-CHASSISSUPPLIED |
| 11 | 112185-02-G07 | EA TRAY-BEVERAGE-SALEMCHERRY-DIESELEXPORT FROM: 00-00-00 THRU: 11-14-96 |
| | 046886-03-000 | EA ASHTRAY-CHROME/WCOVER |
| 11 | 125291-01-01A | EA TRAY-BEVERAGE-F/DELUXEMOTORCOVER-DIESELEXPORT FROM: 11-15-96 THRU: 99-99-99 |
| 12 | 106431-02-01A | EA COVER-SEATBELTRECOIL-DRIVERSSIDE-OFFWHITE/FORD FROM: 00-00-00 THRU: 12-15-96 |
| 12 | 106431-02-02A | EA COVER-SEATBELTRECOIL-DRIVERSIDE-VWGRAY FROM: 12-16-96 THRU: 99-99-99 |

MCCLAINSANNIVERSARYOPTION

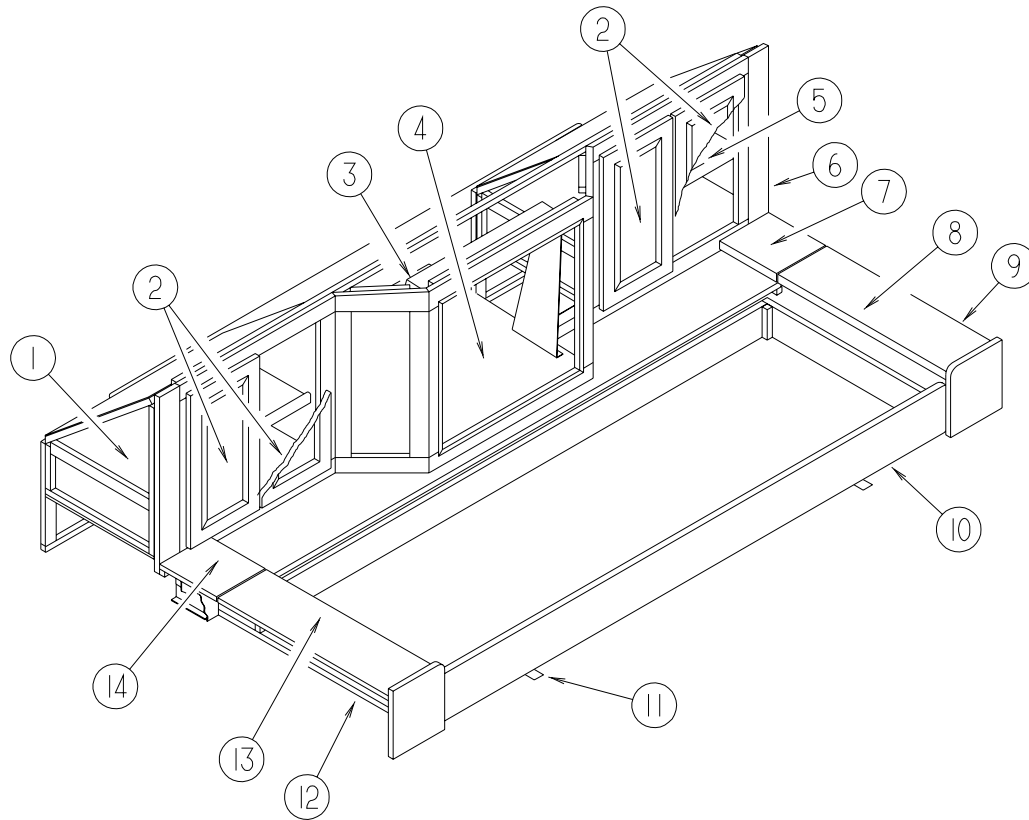
| KEY | PARTNUMBER | U/M DESCRIPTION |
|-----|---------------|---|
| | 120269-07-01A | EA PANEL-DRIVERSDOORMIRRORCONTROLW/SWITCH&PIGTAIL |

INSTRUMENTCLUSTERS

| KEY | PARTNUMBER | U/M DESCRIPTION |
|-----|---------------|---|
| | 094797-07-000 | EA CLUSTER-INSTRUMENTPANEL-GAS-GM |
| | 094795-09-000 | EA CLUSTER-INSTRUMENTPANEL-KM-GAS/DIESEL-FORD |
| | 108357-09-000 | EA SWITCH-ROCKERSPDTON/NONE/MOM3TERMINAL |
| | 108357-06-000 | EA SWITCH-ROCKERDPDTMON/OFF/MOM6TERMINAL |
| | 100138-01-000 | EA MODULE-DAYTIME/RUNNINGLIGHT |
| | 111414-01-000 | EA RECEPTACLE-12V-W/OBIMETAL |
| | 108356-07-01A | EA COVER/ACTUATORSWITCH-2ROWSDIMPLES-AUXSTART-BLACK |
| | 081994-06-000 | EA PLATE-SWITCH-AUXILIARYSTART |

DRIVERS COMPARTMENT GROUP (CONTINUED)

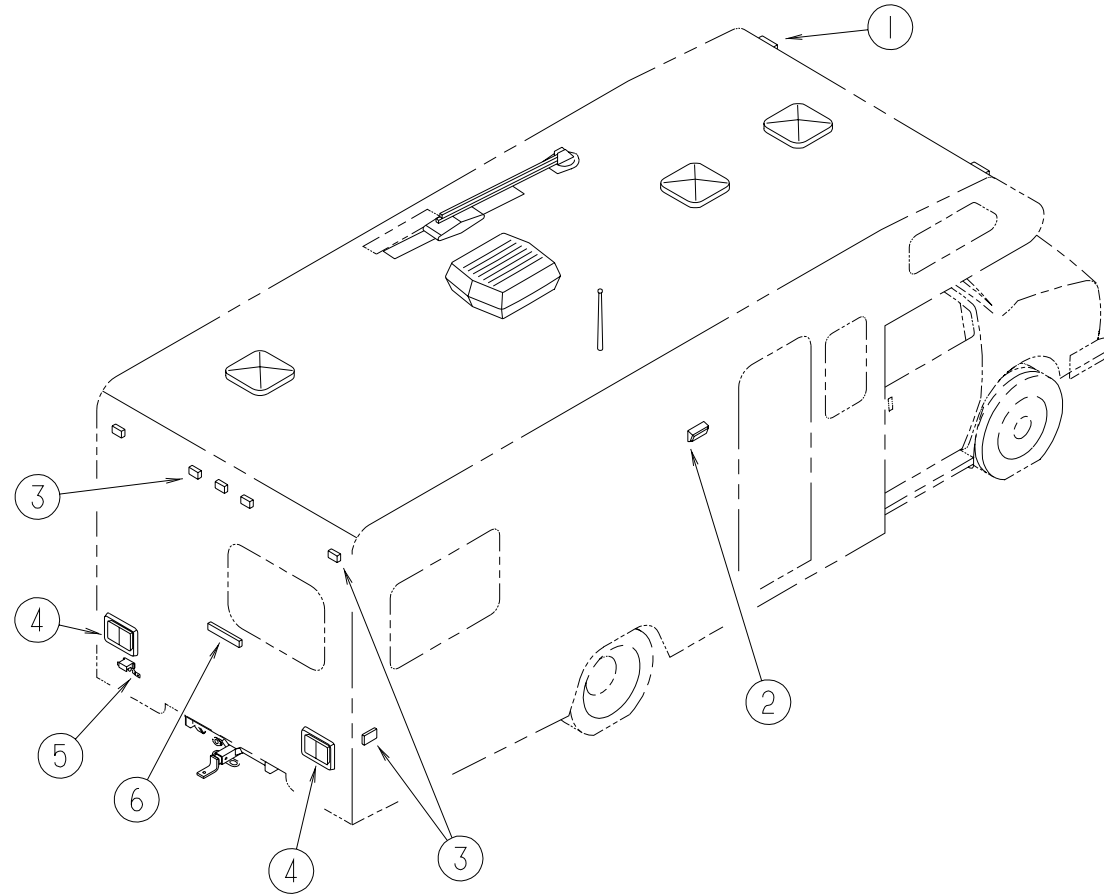
FRONT ENTERTAINMENT CENTER



| KEY | PARTNUMBER | U/M | DESCRIPTION |
|-----|---------------|-----|--|
| 10 | 100847-01-H04 | EA | DRAWER-ENTERTAINMENTCENTER-76.7"X26.7"-W/OHARDWARE(H04) |
| 10 | 100847-01-H05 | EA | DRAWER-ENTERTAINMENTCENTER-76.7"X26.7"-W/OHARDWARE(H05) |
| 10 | 100847-01-H10 | EA | DRAWER-ENTERTAINMENTCENTER-76.7"X26.7"-W/OHARDWARE(H10) |
| 10 | 100847-01-F09 | EA | DRAWER-ENTERTAINMENTCENTER-76.7"X26.7"-W/OHARDWARE(H11) |
| 10 | 100847-01-H24 | EA | DRAWER-ENTERTAINMENTCENTER-76.7"X26.7"-W/OHARDWARE(H24/H26) |
| 11 | 093673-01-01A | FT | MOLDING-BODY, 1.4"WIDEX8'LONG-OFFWHITE-PLASTIC |
| 12 | 110797-02-H04 | EA | CABINET-ENTERTAINMENTCENTER/STORAGE-W/ODOORS/HARDWARE(H04) |
| 12 | 110797-02-H05 | EA | CABINET-ENTERTAINMENTCENTER/STORAGE-W/ODOORS/HARDWARE(H05) |
| 12 | 110797-02-H10 | EA | CABINET-ENTERTAINMENTCENTER/STORAGE-W/ODOORS/HARDWARE(H10) |
| 12 | 110797-02-F09 | EA | CABINET-ENTERTAINMENTCENTER/STORAGE-W/ODOORS/HARDWARE(H11) |
| 12 | 110797-02-G01 | EA | CABINET-ENTERTAINMENTCENTER/STORAGE-W/ODOORS/HARDWARE(H24/H26) |
| 13 | 110797-23-E04 | EA | COUNTERTOP-ENTERTAINMENTCENTER(H04/H10) |
| 13 | 110797-23-F29 | EA | COUNTERTOP-ENTERTAINMENTCENTER(H05) |
| 13 | 110797-23-F09 | EA | COUNTERTOP-ENTERTAINMENTCENTER(H11) |
| 13 | 110797-23-E01 | EA | COUNTERTOP-ENTERTAINMENTCENTER(H24/H26) |
| 14 | 110797-21-E04 | EA | COUNTERTOP-ENTERTAINMENTCENTER(H04/H10) |
| 14 | 110797-21-F29 | EA | COUNTERTOP-ENTERTAINMENTCENTER(H05) |
| 14 | 110797-21-F09 | EA | COUNTERTOP-ENTERTAINMENTCENTER(H11) |
| 14 | 110797-21-E01 | EA | COUNTERTOP-ENTERTAINMENTCENTER(H24/H26) |

| KEY | PARTNUMBER | U/M | DESCRIPTION |
|-----|---------------|-----|--|
| 1 | 110796-02-G01 | EA | CABINET-ENTERTAINMENTCENTER/SHELF-W/ODOORS/HDW-WATERFORDOAK |
| 1 | 110796-02-F08 | EA | CABINET-ENTERTAINMENTCENTER/SHELF-W/ODOORS/HDW-SALEMCHERRY |
| 2 | 110140-25-G01 | EA | DOOR-VINYL WRAP-10.6"X19.9"-W/OHDW-WATERFORDOAK |
| 2 | M06803-F1-F08 | EA | DOOR-MITEREDCORNER/OGEEEDGE-10.6"X19.9"-W/OHDW SALEMCHERRY |
| 3 | 110790-02-000 | EA | BRACKET-TV TIEDOWN |
| | 106699-01-01A | EA | BRACKET-OVERHEADCABINET/TV |
| 4 | 111356-01-G01 | EA | SHELF-TV-WATERFORDOAK |
| 4 | 111356-01-G07 | EA | SHELF-TV-SALEMCHERRY |
| 5 | 110796-01-G01 | EA | CABINET-ENTERTAINMENTCENTER/SHELF-W/ODOORS/HDW-WATERFORDOAK |
| 5 | 110796-01-F08 | EA | CABINET-ENTERTAINMENTCENTER/SHELF-W/ODOORS/HDW-SALEMCHERRY |
| 6 | 110795-01-G01 | EA | CABINET-ENTERTAINMENTCENTER-W/ODOORS/HARDWARE-WATERFORDOAK |
| 6 | 110795-01-G07 | EA | CABINET-ENTERTAINMENTCENTER-W/ODOORS/HARDWARE-SALEMCHERRY |
| 7 | 110797-11-E04 | EA | COUNTERTOP-ENTERTAINMENTCENTER(H04/H10) |
| 7 | 110797-11-F29 | EA | COUNTERTOP-ENTERTAINMENTCENTER(H05) |
| 7 | 110797-11-F09 | EA | COUNTERTOP-ENTERTAINMENTCENTER(H11) |
| 7 | 110797-11-E01 | EA | COUNTERTOP-ENTERTAINMENTCENTER(H24/H26) |
| 8 | 110797-12-E04 | EA | COUNTERTOP-ENTERTAINMENTCENTER(H04/H10) |
| 8 | 110797-12-F29 | EA | COUNTERTOP-ENTERTAINMENTCENTER(H05) |
| 8 | 110797-12-H11 | EA | COUNTERTOP-ENTERTAINMENTCENTER(H11) |
| 8 | 110797-12-E01 | EA | COUNTERTOP-ENTERTAINMENTCENTER(H24/H26) |
| 9 | 110797-01-H04 | EA | CABINET-ENTERTAINMENTCENTER/STORAGE-W/ODOORS/HARDWARE(H04) |
| 9 | 110797-01-H05 | EA | CABINET-ENTERTAINMENTCENTER/STORAGE-W/ODOORS/HARDWARE(H05) |
| 9 | 110797-01-H10 | EA | CABINET-ENTERTAINMENTCENTER/STORAGE-W/ODOORS/HARDWARE(H10) |
| 9 | 110797-01-F09 | EA | CABINET-ENTERTAINMENTCENTER/STORAGE-W/ODOORS/HARDWARE(H11) |
| 9 | 110797-01-G01 | EA | CABINET-ENTERTAINMENTCENTER/STORAGE-W/ODOORS/HARDWARE(H24/H26) |

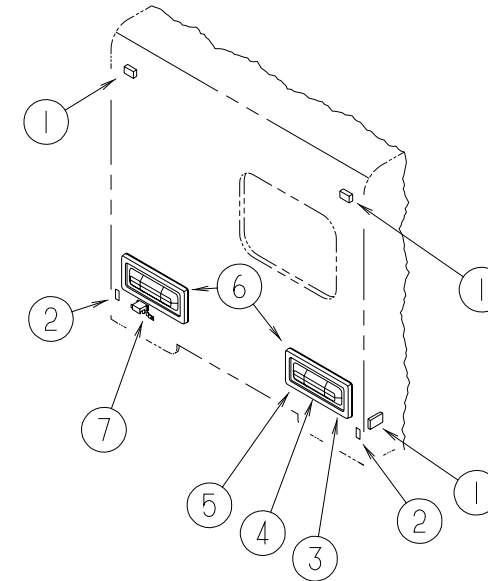
ELECTRICALGROUP



EXTERIORLIGHTS

| KEY | PARTNUMBER | U/M | DESCRIPTION |
|-----|---------------|-----|--|
| 1 | 111102-02-000 | EA | LENS-AMBER-LAMPMARKER |
| | 111102-01-000 | EA | BASE-LAMPMARKER |
| | 091983-01-000 | EA | GASKET-CLEARANCE/SIDEMARKERLIGHT |
| | 036196-01-000 | EA | BULB-12VOLT-#194-.27AMP-BAYONETTE |
| | 112823-01-000 | EA | SPLICE-REDUCER-16-14TO18-22 |
| 2 | 097917-01-06A | EA | LIGHT-PORCH-BRIGHTWHITE |
| | 008215-01-000 | EA | BULB-12VOLT-#1003-.94AMP |
| | 097917-01-700 | EA | LENS-LIGHT-PORCH |
| 3 | 111102-03-000 | EA | LENS-RED-LAMPMARKER |
| | 111102-01-000 | EA | BASE-LAMPMARKER |
| | 091983-01-000 | EA | GASKET-CLEARANCE/SIDEMARKERLIGHT |
| | 036196-01-000 | EA | BULB-12VOLT-#194-.27AMP-BAYONETTE |
| | 112823-01-000 | EA | SPLICE-REDUCER-16-14TO18-22 |
| 4 | 103355-01-05A | EA | POD-TAILLIGHT |
| | 081638-01-000 | EA | TAILLIGHT/DOUBLEW/BLACKTRIM-DRIVER/PASSENGERSIDE |
| | 037934-01-000 | EA | BULB-12V-#1156-2.1AMPCLEARGLASS |
| | 037935-01-000 | EA | BULB-12V-#1157OR#2057-2.1AMP-CLEARGLASS |
| | 081638-01-700 | EA | LENS-TAILLIGHT-RED |
| | 081638-01-701 | EA | LENS-TAILLIGHT-W/BACKUP |
| 5 | 066432-02-000 | EA | LIGHT-LICENSE-BLACK |
| | 066432-03-000 | EA | BRACKET-LICENSEPLATE |
| 6 | 121950-01-000 | EA | LIGHT-BRAKE-CENTERMOUNT |

ELECTRICALGROUP(CONTINUED)

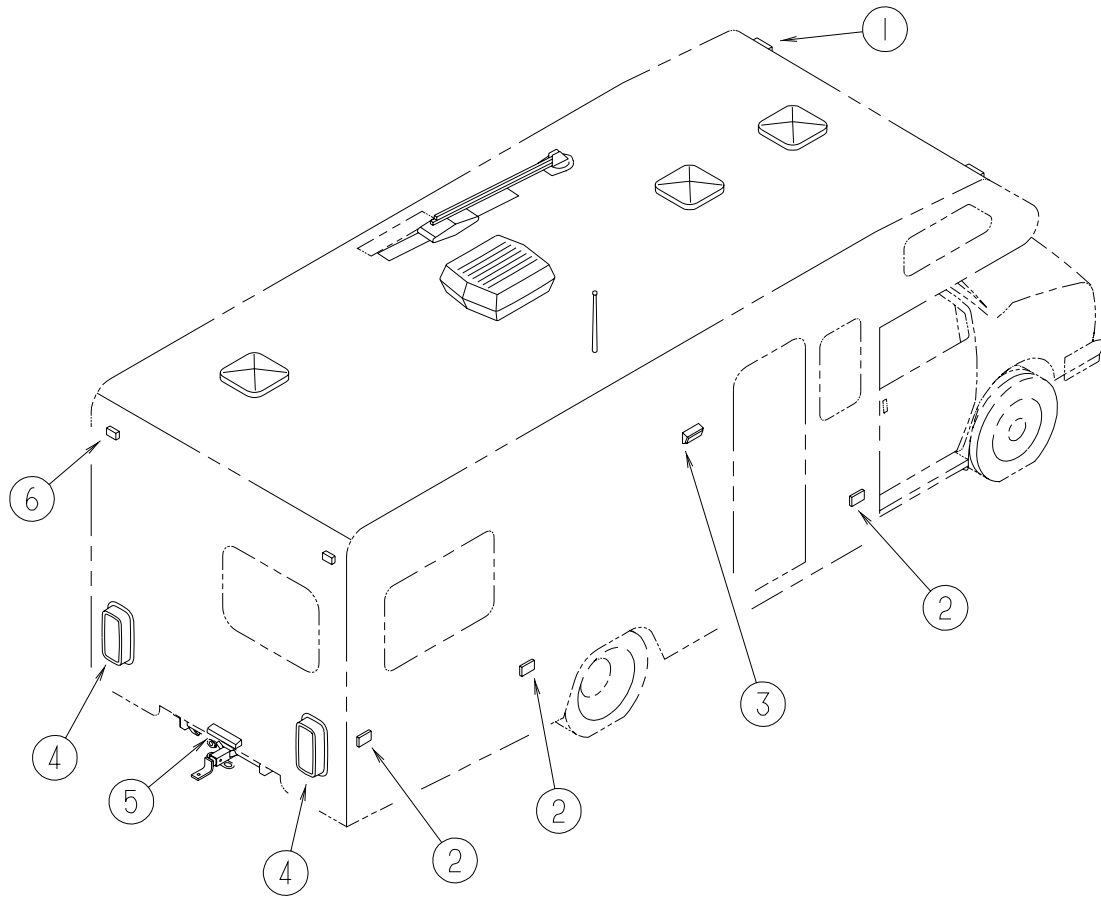


EXTERIORLIGHTS-JAPANEXPORT

| KEY | PARTNUMBER | U/M | DESCRIPTION |
|-----|---------------|-----|---|
| 1 | 111102-01-000 | EA | BASE-LAMPMARKER |
| | 111102-02-000 | EA | LENS-AMBER-LAMPMARKER |
| | 036196-01-000 | EA | BULB-12VOLT-#194-.27AMP-BAYONETTE |
| | 112823-01-000 | EA | SPLICE-REDUCER-16-14TO18-22 |
| 2 | 106646-02-000 | EA | REFLECTOR-STICKON-RED |
| 3 | 081638-01-700 | EA | LENS-TAILLIGHT-RED |
| 4 | 081638-02-700 | EA | LENS-TAILLIGHT-AMBER |
| 5 | 081638-06-700 | EA | LENS-TAILLIGHT-CLEARBACKUP |
| 6 | 103545-02-01A | EA | TAILLIGHT-TRIPLE-AMBER |
| | 037934-01-000 | EA | BULB-12V-#1156-2.1AMPCLEARGLASS |
| | 037935-01-000 | EA | BULB-12V-#1157OR#2057-2.1AMP-CLEARGLASS |
| | 105846-01-04A | EA | TRIM-TAILLIGHT-REAR |
| 7 | 066432-02-000 | EA | LIGHT-LICENSE-BLACK |
| | 103247-01-000 | EA | BRACKET-LICENSEPLATE-REAR |
| | 103491-02-000 | EA | BRACKET-LICENSEPLATE-FRONT |

ELECTRICALGROUP(CONTINUED)

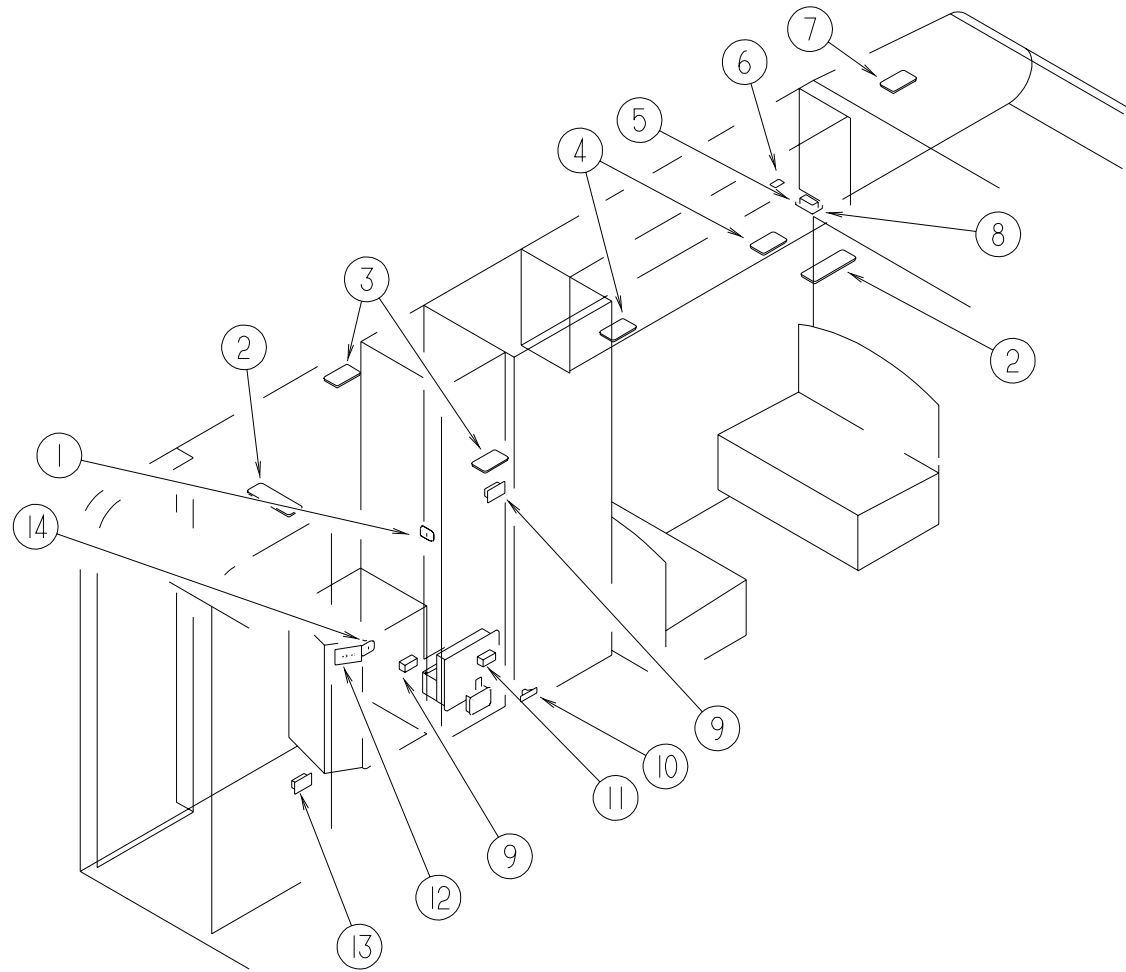
EXTERIORLIGHTS-WIEXPORT



| KEY | PARTNUMBER | U/M | DESCRIPTION | VENDOR NO. |
|-----|---------------|-----|---------------------------------|---------------|
| 1 | 121685-01-000 | EA | LAMP-CLEARANCE-CLEAR | 9EL141135-011 |
| | 121685-01-700 | EA | LENS | |
| | 111102-01-000 | EA | BASE-LAMPMARKER | |
| 2 | 124221-01-000 | EA | BULB-12VOLT/.4AMP5WATT #2825 | 30-78-021 |
| | 121685-03-000 | EA | LAMP-SIDEMARKER-AMBER | |
| | 124221-01-000 | EA | BULB-12VOLT/.4AMP5WATT #2825 | |
| 3 | 097917-01-06A | EA | LIGHT-PORCH-BRIGHTWHITE | 9EL122689-021 |
| | 008215-01-000 | EA | BULB-12VOLT-#1003-.94AMP | |
| | 097917-01-700 | EA | LENS-LIGHT,CLEAR | |
| | 123154-02-01A | EA | TRIM-TAILLIGHT | |
| 4 | 121679-01-000 | EA | LIGHT-STOP/TAIL/BUMPER/TURN | 9EL122689-021 |
| | 124220-01-000 | EA | BULB-12VOLT/1.75AMP21WATT #7506 | |
| | 124219-01-000 | EA | BULB-12VOLT/.83AMP10WATT #5008 | |
| | 121679-01-700 | EA | LENS | |
| 5 | 121680-01-000 | EA | LAMP-LICENSEPLATE | 9EL122689-021 |
| | 124218-01-000 | EA | BULB-12VOLT/.4AMP5WATT #6418 | |
| 6 | 121685-02-000 | EA | LAMP-CLEARANCE-RED | 9EL122689-021 |
| | 124221-01-000 | EA | BULB-12VOLT/.4AMP5WATT #2825 | |

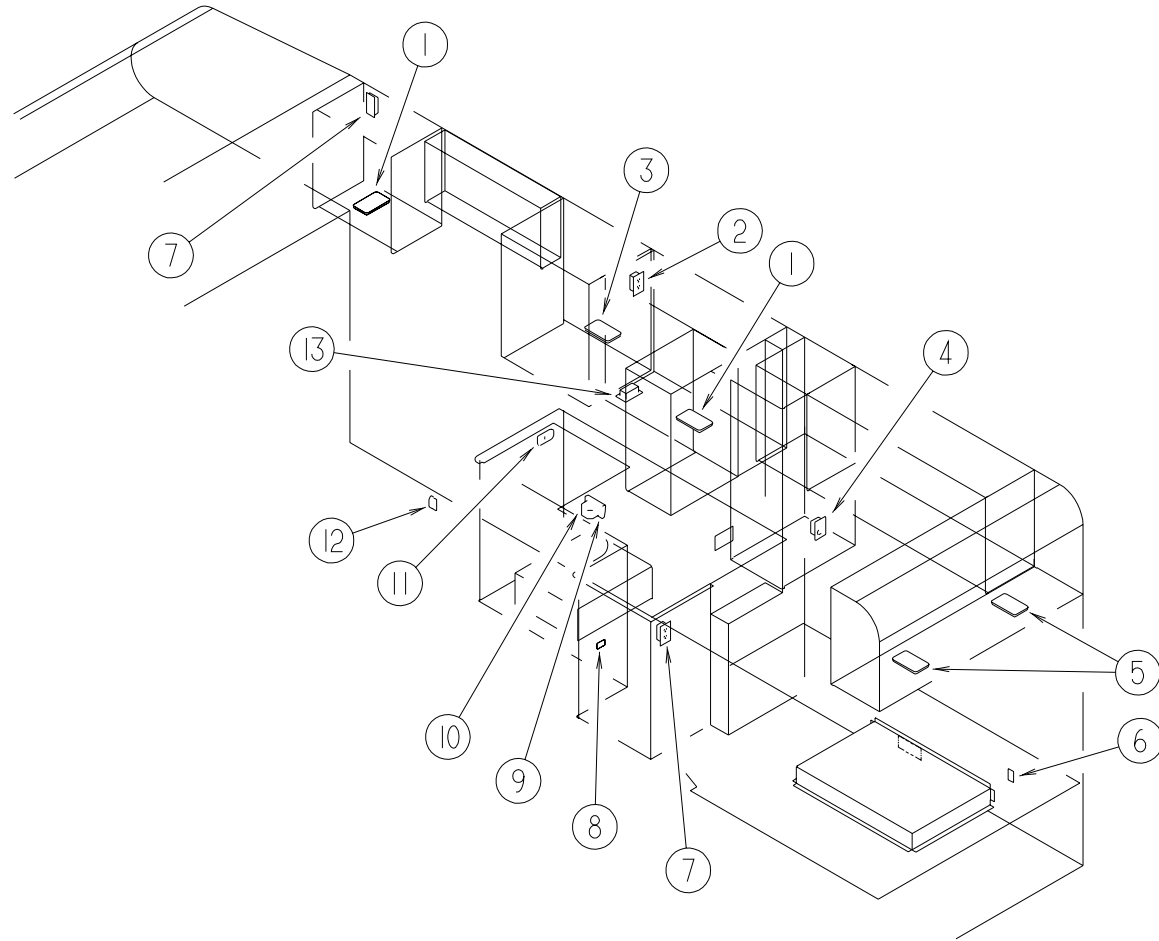
ELECTRICALGROUP(CONTINUED)

LIGHTS,SWITCHES&RECEPTACLES-DRIVERSIDE



| KEY | PARTNUMBER | U/M DESCRIPTION | VENDOR NO. |
|-----|---------------|---|------------|
| 1 | 098351-02-01A | EA PLATE-SWITCH-2GANGPOLISHEDBRASS | |
| | 079364-01-000 | EA SWITCH-ON/OFFROCKER-2PRONGS-BROWN | |
| | 079364-03-000 | EA SWITCH-ON/OFFROCKER-3PRONGS-BROWN | |
| | 095188-01-01A | EA SPACER-SWITCH-2.3"X3.4"-PLASTIC-DARKBROWN | |
| 2 | 098024-03-02A | EA LIGHT-DOME-2BULBWHITE | |
| | 008218-01-000 | EA BULB-DOMELIGHT-12VOLT-NO.1141 | |
| | 098024-01-700 | EA LENS-LIGHT | 807877 |
| 3 | 098024-01-03A | EA LIGHT-DOME-1BULB-WHITE | |
| | 008218-01-000 | EA BULB-DOMELIGHT-12VOLT-NO.1141 | |
| | 098024-01-700 | EA LENS-LIGHT | 807877 |
| 4 | 098024-05-02A | EA LIGHT-DOME-1BULB-SKYLITEWHITE | |
| | 008218-01-000 | EA BULB-DOMELIGHT-12VOLT-NO.1141 | |
| | 098024-01-701 | EA LENS-OPTICLEAR-SKYLIGHT | 809902 |
| 5 | 086777-02-000 | EA WALLPLATE-TV CABLE-W/ANTENNASWITCH | |
| 5 | 086777-06-000 | EA PLATE-WALL,ANT1OUTPUTBROW-WINEGARDRV-0931 | |
| 6 | 079364-03-000 | EA SWITCH-ON/OFFROCKER-3PRONGS-BROWN-W/OTVCABINET | |
| | 098351-01-01A | EA PLATE-SWITCH-1GANGPOLISHEDBRASS | |
| 6 | 079364-03-000 | EA SWITCH-ON/OFFROCKER-3PRONGS-BROWN-W/TV CABINET | |
| | 079364-01-000 | EA SWITCH-ON/OFFROCKER-2PRONGS-BROWN | |
| | 098351-02-01A | EA PLATE-SWITCH-2GANGPOLISHEDBRASS | |
| 7 | 098024-05-02A | EA LIGHT-DOME-1BULB-SKYLITEWHITE | |
| | 008218-01-000 | EA BULB-DOMELIGHT-12VOLT-NO.1141 | |
| | 098024-01-701 | EA LENS-OPTICLEAR-SKYLIGHT | 809902 |
| 7 | 104173-01-01A | EA LIGHT-DESIGNER-BRASS-WIEEXPORT | |
| | 104173-01-700 | EA BULB | 81900 |
| 8 | 058708-01-000 | EA RECEPTACLE-ELECTRIC-DOUBLE-BROWN | |
| 8 | 123657-01-01A | EA RECEPTACLE-DUPLEX,16A-MERTEN271042-BROWN-WIEEXPORT | |
| 9 | 058707-01-000 | EA RECEPTACLE-ELECTRIC-SINGLE-BROWN | |
| 9 | 112590-01-000 | EA RECEPTACLE-16AMP-240VOLT-2POLEW/GROUND-WIEEXPORT | |
| 10 | 061424-01-000 | EA LIGHT-AISLE-12VOLT-RECTANGULAR | |
| | 008103-01-000 | EA BULB-DASH/AISLELIGHT-#53-12VOLT-.12AMP | |
| 11 | 079364-01-000 | EA SWITCH-ON/OFFROCKER-2PRONGS-BROWN-JAPANEXPORT | |
| | 098351-01-01A | EA PLATE-SWITCH-1GANG-POLISHEDBRASS | |
| 12 | 084076-02-000 | EA RECEPTACLE-GFI-15AMP-125VOLT-BROWN | |
| 12 | 123660-01-02A | EA RECEPTACLE-SINGLE-MERTEN273015-BROWN-WIEEXPORT | |
| | 123661-01-02A | EA FRAME-TRIM-SINGLEOUTLET-WIEEXPORT | |
| 13 | 024924-02-000 | EA RECEPTACLE-POWERCORD-W/PARTIALPLATE | |
| 14 | 098351-01-01A | EA PLATE-SWITCH-1GANGPOLISHEDBRASS | |
| | 079364-01-000 | EA SWITCH-ON/OFFROCKER-2TERMINAL-BROWN | |
| | 095188-01-01A | EA SPACER-SWITCH-2.3"X3.4"-PLASTIC-DARKBROWN | |

ELECTRICALGROUP(CONTINUED)



LIGHTS,SWITCHES&RECEPTACLES-PASSENGERSIDE

| KEY | PARTNUMBER | U/M | DESCRIPTION |
|-----|---------------|-----|---|
| 1 | 098024-05-02A | EA | LIGHT-DOME-1BULB-SKYLITEWHITE |
| | 008218-01-000 | EA | BULB-DOMELIGHT-12VOLT-NO.1141 |
| | 098024-01-701 | EA | LENS-OPTICLEAR-SKYLIGHT 809902 |
| 2 | 058708-05-000 | EA | RECEPTACLE-SINGLE-BROWN |
| 2 | 112590-01-000 | EA | RECEPTACLE-16AMP-240VOLT-2POLEW/GROUND-WIEEXPORT |
| 3 | 098024-01-03A | EA | LIGHT-DOME-1BULB-WHITE |
| | 008218-01-000 | EA | BULB-DOMELIGHT-12VOLT-NO.1141 |
| | 098024-01-700 | EA | LENS-LIGHT 807877 |
| 4 | 058708-01-000 | EA | RECEPTACLE-ELECTRIC-DOUBLE-BROWN-JAPANEXPORT |
| 4 | 123656-01-01A | EA | RECEPTACLE-DUPLEX-16AMP-EUROPEAN-BROWN-WIEEXPORT |
| 4 | 076319-09-000 | EA | WALLPLATE-CABLERECEPTACLE-TV-SINGLE-BROWN-JAPAN/WIEEXPORT |
| 5 | 104173-01-01A | EA | LIGHT-DESIGNER-BRASS-WIEEXPORT |
| | 104173-01-700 | EA | BULB-81900 |
| 6 | 108357-08-000 | EA | SWITCH-ROCKERDPDTON/NONE/ON6TERMINAL |
| | 108356-02-01A | EA | COVER/ACTUATORSWITCH-2ROWSDIMPLES-CONTURAIIBLACK |
| | 081994-02-000 | EA | PLATE-SWITCH-EXTERIORSHOWER |
| 7 | 058708-01-000 | EA | RECEPTACLE-ELECTRIC-DOUBLE-BROWN |
| 8 | 123660-01-02A | EA | RECEPTACLE-SINGLEW/C-EUROPEANWIEEXPORT |
| | 123661-01-02A | EA | FRAME-TRIM-SINGLEOUTLET-EXPORTWIEEXPORT |
| 9 | 098351-07-01A | EA | PLATE-SWITCH-GENERATOR-POLISHEDBRASS |
| | 108357-06-000 | EA | SWITCH-ROCKERSPDT-MOM/OFF/MOM-6TERMINAL |
| | 108356-11-01A | EA | ACTUATOR/COVER-SWITCH-3GROOVES |
| 9 | 112822-01-01A | EA | RECEPTACLE-DUPLEX-IVORY |
| | 112824-01-03A | EA | COVER-RECEPTACLE-EXTERIORDUPLEX |

ELECTRICALGROUP(CONTINUED)

LIGHTS,SWITCHES&RECEPTACLES-PASSENGERSIDE(CONTINUED)

| KEY | PARTNUMBER | U/M | DESCRIPTION |
|-----|---------------|-----|---|
| 10 | 058708-02-000 | EA | RECEPTACLE-ELECTRIC-DOUBLE-IVORY |
| | 076319-09-000 | EA | WALLPLATE-CABLERECEPTACLE-TV-SINGLE-BROWN-JAPAN/WIEEXPORT |
| 11 | 098351-06-01A | EA | PLATE-SWITCH-2GANGPOLISHEDBRASS |
| | 079364-01-000 | EA | SWITCH-ON/OFFROCKER-2PRONGS-BROWN |
| 11 | 098351-03-01A | EA | PLATE-SWITCH-3GANGPOLISHEDBRASS-JAPAN/WIEEXPORT |
| | 079364-01-000 | EA | SWITCH-ON/OFFROCKER-2PRONGS-BROWN |
| 12 | 116995-01-000 | EA | SWITCH/MAGNET-STEP-ELECTRIC |
| 13 | 058708-01-000 | EA | RECEPTACLE-ELECTRIC-DOUBLE-BROWN |
| 13 | 123657-01-01A | EA | RECEPTACLE-DUPLEX-16AMP-EUROPEAN |

FUSES&CIRCUITBREAKERS

| KEY | PARTNUMBER | U/M | DESCRIPTION |
|-----|---------------|-----|---------------------------------------|
| | 100341-01-000 | EA | FUSEHOLDER-INLINETYPE |
| | 108669-01-000 | EA | HOUSING-AUTOFUSEHOLDER |
| | 008235-01-000 | EA | FUSE-15AMP/12VOLT-AUTOMOTIVE |
| | 062901-02-000 | EA | FUSE-5AMPS-AUTOMOTIVE |
| | 062901-05-000 | EA | FUSE-15AMPS-AUTOMOTIVE |
| | 062901-06-000 | EA | FUSE-20AMPS-AUTOMOTIVE |
| | 083209-01-000 | EA | CIRCUITBREAKER-15AMP-120VOLT-CANADIAN |
| | 083209-02-000 | EA | CIRCUITBREAKER-15/15AMP-120VOLT |
| | 083209-03-000 | EA | CIRCUITBREAKER-15/20AMP-120VOLT |
| | 083209-06-000 | EA | CIRCUITBREAKER-30/15AMP-120VOLT |
| | 083209-08-000 | EA | CIRCUITBREAKER-BLANK |
| | 093654-01-000 | EA | CIRCUITBREAKER-6AMP-12VOLT |
| | 093654-03-000 | EA | CIRCUITBREAKER-20AMP-12VOLT |
| | 093655-01-000 | EA | CIRCUITBREAKER-25AMP-12VOLT |
| | 093655-02-000 | EA | CIRCUITBREAKER-30AMP-12VOLT |
| | 112591-01-000 | EA | CIRCUITBREAKER-16AMP-240VOLT |
| | 112592-01-000 | EA | CIRCUITBREAKER-25AMP-240VOLT-GFI |

ELECTRICBOXES,COVERS&POWERCORDS

| KEY | PARTNUMBER | U/M | DESCRIPTION |
|-----|---------------|-----|--|
| | 008052-01-000 | EA | CORD-POWER-10/3-30AMP-25'-CANADIAN |
| | 008054-01-000 | EA | CORD-POWER-10/3-30AMP-25' |
| | 008289-01-000 | EA | BOX-ELECTRIC/STEEL-1/2"&3/4"KNOCKOUTS-4"X4" |
| | 008289-02-000 | EA | BOX-ELECTRIC/STEEL-1/2"&3/4"KNOCKOUTS4"X4"-CANADIAN |
| | 008294-01-000 | EA | COVER-ELECTRICALBOX-BLANK/STEEL-4"X4"-GRAY |
| | 008294-02-000 | EA | COVER-ELECTRICALBOX-BLANKSTEEL-4"X4"-CANADIAN |
| | 069238-01-000 | EA | COVER-ELECTRICALBOX-W/HOLE-4"X4"-GRAY USEDWITH30AMPRECEPTACLE |
| | 091910-01-000 | EA | BOX-ELECTRIC-3.75"X3.5"X1.75"-PLASTIC |
| | 091910-02-000 | EA | BOX-ELECTRIC-PLASTIC-2.24"X3.45" |
| | 093603-01-000 | EA | BOX/ELECTRIC-4"X21/8X21/8" |
| | 107165-01-01A | EA | BOX/CIRCUITBREAKER14.6"X4"-PLASTIC |
| | 093257-02-000 | EA | BOX-ELECTRIC-CIRCUITBREAKER |
| | 123659-01-000 | EA | BOX-ELECTRIC-RECEPTACLE-EUROPEAN |

ELECTRICALGROUP(CONTINUED)

CONDUIT

| KEY | PARTNUMBER | U/M | DESCRIPTION |
|-----|---------------|-----|---|
| | 041953-01-000 | FT | CONDUIT-CONVOLUTESLIT-.5"ID |
| | 041953-03-000 | FT | CONDUIT-CONVOLUTESLIT-1"ID(CLOTHESRODCOVER) |
| | 041953-06-000 | FT | CONDUIT-CONVOLUTESLIT-.375"ID |
| | 041953-07-000 | FT | CONDUIT-CONVOLUTESLIT-.25"ID |
| | 041953-08-000 | FT | CONDUIT-CONVOLUTESLIT-1.50"ID |
| | 041953-09-000 | FT | CONDUIT-CONVOLUTESLIT-.50"ID |
| | 041953-10-000 | FT | CONDUIT-CONVOLUTESLIT-.75"ID |

WIRINGASSEMBLIES

| KEY | PARTNUMBER | U/M | DESCRIPTION |
|-----|---------------|-----|---|
| | 090986-01-000 | EA | WIREASSEMBLY-ELECTRICSTEP |
| | 096449-01-000 | EA | WIREASSEMBLY-WATERTANKTOMONITORPANEL |
| | 097618-01-000 | EA | WIREASSEMBLY-MONITORPANEL-W/3WIRES&ORANGERESISTOR |
| | 103328-06-000 | EA | WIREASSEMBLY-PUMP-EXTERIORSHOWER |
| | 106851-01-000 | EA | WIREASSEMBLY-RUNNINGLIGHTS-FUSE |
| | 105306-02-000 | EA | WIRE-MONITORPANELADAPT |
| | 112593-01-000 | EA | CABLE-3WIRE-16A-FLEXRUBBER-EUROPEAN |
| | 112593-02-000 | EA | CABLE-3WIRE-25A-FLEXRUBBER-EUROPEAN |

POWERCONVERTER&INVERTER

| KEY | PARTNUMBER | U/M | DESCRIPTION |
|-----|---------------|-----|--------------------------------------|
| | 083208-01-000 | EA | CONVERTER-POWER,32A-120V/12V-BW6332 |
| | 099048-03-000 | EA | INVERTER-130WATT |
| | 099048-08-000 | EA | CONTROLCENTER-45A100V/12V BWJ6345CNI |
| | 113493-01-000 | EA | LOADCENTER-12MDL-FLUSHMOUNT |
| | 114511-01-000 | EA | CONVERTER-40AMP-W/CHARGER |

SOLARPANEL

| KEY | PARTNUMBER | U/M | DESCRIPTION | VENDORNO. |
|-----|---------------|-----|--|-----------|
| | 115504-01-000 | EA | PANEL-SOLAR10WATT | |
| | 115505-01-000 | EA | LIGHT-MONITOR/SOLARPANEL-REDLEDINDICATOR | |
| | 115504-01-700 | EA | PLUG&CABLE,10WATTPANEL | 600-016 |

ELECTRICALGROUP(CONTINUED)

CONNECTORS,HOUSINGS,TERMINALS&ELECTRICALMISCELLANEOUS

| KEY | PARTNUMBER | U/M | DESCRIPTION |
|-----|---------------|-----|--|
| | 007956-05-000 | EA | INSULATOR-SHRINK-.25IDX1.50 |
| | 008311-01-000 | EA | CONNECTOR-WIRENUT-INSULATED-RED |
| | 008312-01-000 | EA | CONNECTOR-WIRENUT-INSULATED-BLUE |
| | 008313-01-000 | EA | CONNECTOR-WIRENUT-INSULATED-YELLOW |
| | 008314-01-000 | EA | CONNECTOR-WIRENUT-INSULATED-GRAY |
| | 008326-01-000 | EA | TERMINAL-RING16/14WIRE-3/8"STUD |
| | 008328-01-000 | EA | TERMINAL-RING-12/10WIRE-#10STUDFIT |
| | 008331-01-000 | EA | TERMINAL-RING-TONGUE-#4WIRE-3/8"STUD-COPPER |
| | 008348-01-000 | EA | TERMINAL-RING-3/8"STUD2GA.WIRE |
| | 008355-01-000 | EA | CONNECTOR-CABLECLAMPING-3/4" |
| | 008356-01-000 | EA | CONNECTOR-PLASTIC-3/8"AVG |
| | 035416-04-000 | EA | TERMINAL-RING-#10STUDFIT-INSULATEDBARREL#16/14 |
| | 047443-01-000 | EA | TERMINAL-.250RECEPTACLEFIT-INSULATED-16/14AWG |
| | 047443-02-000 | EA | TERMINAL-.250RECEPTACLEFIT-INSULATED-12/10AWG |
| | 058028-01-000 | EA | CONNECTOR-ELECTRICALPIGTAIL-NYLON-CLEAR |
| | 077479-01-000 | EA | BOOT-BATTERYTERMINAL-DOUBLECABLE |
| | 077479-02-000 | EA | BOOT-BATTERYTERMINAL-SINGLECABLE |
| | 080015-02-000 | EA | RECEPTACLE-FLAG-.185-16/14GAUGE-AMP3 |
| | 080015-03-000 | EA | RECEPTACLE-FLAG-.250-14/16GAUGE-AMP3 |
| | 087225-01-000 | FT | SLEEVING-1/2"-TYPEH |
| | 087949-01-000 | EA | BUSSBAR-2POSITION-.6"X1.5" |
| | 088473-03-000 | EA | HOUSING-PIN-9CAVITY |
| | 088473-05-000 | EA | HOUSING-PIN-6CAVITY |
| | 088473-06-000 | EA | HOUSING-PIN-6CAVITY |
| | 088473-07-000 | EA | HOUSING-PIN-5CAVITY |
| | 088473-08-000 | EA | HOUSING-PIN-4CAVITY |
| | 088473-09-000 | EA | HOUSING-PIN-3CAVITY |
| | 088473-10-000 | EA | HOUSING-PIN-2CAVITY |
| | 088474-02-000 | EA | HOUSING-SOCKET-12CAVITY |
| | 088474-06-000 | EA | HOUSING-SOCKET-6CAVITY |
| | 088474-07-000 | EA | HOUSING-SOCKET-5CAVITY |
| | 088474-08-000 | EA | HOUSING-SOCKET-4CAVITY |
| | 088474-09-000 | EA | HOUSING-SOCKET-3CAVITY |
| | 088474-10-000 | EA | HOUSING-SOCKET-2CAVITY |
| | 088475-01-000 | EA | PIN-CONNECTOR-14-20AWG |
| | 088475-02-000 | EA | PIN-CONNECTOR-10-12AWG |
| | 088476-01-000 | EA | SOCKET-CONNECTOR-BRASS-PRE-TIN |
| | 088476-02-000 | EA | SOCKET-CONNECTOR-12-10GA-PRE-TIN |
| | 098261-02-000 | EA | SOCKET-CONNECTOR-WEATHERPACK |
| | 098262-01-000 | EA | SEAL-CONNECTOR-WEATHERPACK |
| | 098265-02-000 | EA | PIN-CONNECTOR-WEATHERPACK |
| | 101751-01-000 | EA | HOUSING-1PIN-WEATHERPACK |
| | 101751-02-000 | EA | HOUSING-1PIN-WEATHERPACK |
| | 102777-02-000 | EA | TERMINAL-RING-#6STUD-10AWG |
| | 106655-01-000 | EA | TERMINAL-FUSEBLOCK-14-16AWG |
| | 106655-02-000 | EA | TERMINAL-FUSEBLOCK-10-12AWG |
| | 119223-01-000 | EA | HOUSING-6POSITION-MALE,WEATHERPACK-PACKARD12020786 |
| | 125323-02-000 | EA | HOUSING-8POSITION-MALE |
| | 125324-01-000 | EA | TERMINAL-MALE |
| | 125325-01-000 | EA | SEAL-CAVITY |
| | 112594-01-000 | EA | INLET-16AMP-240VOLT-2POLEW/GROUND-EUROPEAN |
| | 113494-01-000 | EA | CONTACTOR-25AMP-230VOLT-50HZ-EUROPEAN |
| | 118383-02-04A | EA | RETAINER-SCREW-BRIGHTWHITE-EUROPEAN |
| | 118383-04-04A | EA | CAP-RETAINER/SCREW-BRIGHTWHITE-EUROPEAN |
| | 123658-01-000 | EA | PLUG-ELECTRIC-16AMP-2POLE-EUROPEAN |
| | 008188-01-000 | EA | SOLENOID-3POST-BATTERYCHANGEOVER |
| | 063910-01-000 | EA | HOUSING-RELAY |
| | 086233-01-000 | EA | STUD-ISOLATED-3/8"X7/8"LONG |
| | 086273-01-000 | EA | RELAY-BATTERYDISCONNECT |

EXTERIORBODYGROUP

FIBERGLASS,ALUMINUM,STYROFOAM,PLYWOOD&CHANNEL

| KEY | PARTNUMBER | U/M DESCRIPTION |
|-----|---------------|---|
| | 000870-08-000 | SF STYROFOAM-.75"X4'X8'-PLANED |
| | 083574-06-000 | SF STYROFOAM-.75X48"X108"-INCREMENTSOF14SF |
| | 002726-01-001 | EA GARNISH-U-CHANNEL-1.38"X19'-SERRATED |
| | 098072-55-003 | EA U-CHANNEL-OFFSET-1.65"WIDEX192" |
| | 098072-55-004 | EA EXTRUSION-CHANNEL-BRIGHTWHITE-11.4" |
| | 002365-03-006 | EA UCHANNEL-EXTRUDED/POWDERPAINTED1"X192" |
| | 002766-01-001 | EA ANGLE-EXTRUDED-1"X1.5"X17' |
| | 068716-01-001 | EA BRACE-90DEGREEL-ANGLE-16' |
| | 076054-N9-000 | EA FIBERGLASSSHEET-96"X102"BRIGHTWHITE |
| | 076054-P9-000 | EA FIBERGLASSSHEET-37.4"X99.25"BRIGHTWHITE |
| | 076054-R1-000 | EA FIBERGLASSSHEET-24"X65.9"BRIGHTWHITE |
| | 076054-R2-000 | EA FIBERGLASSSHEET-19.4"X65.9"BRIGHTWHITE |
| | 076054-S2-000 | EA FIBERGLASSSHEET-106.3"X320.9"BRIGHTWHITE |
| | 076054-Z6-000 | EA FIBERGLASSSHEET-25"X66"-BRIGHTWHITE |
| | | FROM: 05-08-97 THRU: 99-99-99 |
| | 089297-01-000 | SF PLYWOOD-LUAN-OVERLAYGRADE-4'X8' |
| | 100619-01-000 | BF EXPANDEDFOAMSHEET-4'X8'X1.34" |
| | 100619-04-000 | BF FOAM-EXPANDEDPOLYSTYRENE-.5"X4'X8' |
| | 100619-05-000 | BF FOAM-EXPANDEDPOLYSTYRENE-.75"X4'X8' |
| | 108535-04-705 | EA FIBERGLASSSHEET-6"X34'BRIGHTWHITE |
| | 108535-04-701 | EA FIBERGLASSSHEET-104"X396"BRIGHTWHITE |

EXTERIORMIRRORS-FORD

| KEY | PARTNUMBER | U/M DESCRIPTION | VENDORNO. |
|-----|---------------|------------------------------|-----------|
| | 120269-01-01A | EA MIRROR-EXTERIOR-PASSENGER | |
| | 120269-02-01A | EA MIRROR-EXTERIOR-DRIVER | |
| | 120269-01-700 | EA GLASSKITW/BEZELRH/LH | 709407-8 |

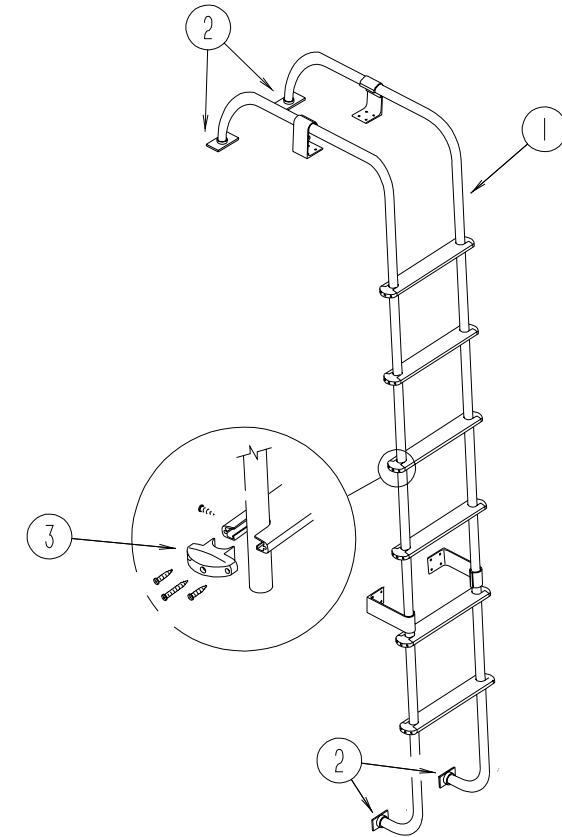
EXTERIORMIRRORS-CHEVY

| KEY | PARTNUMBER | U/M DESCRIPTION |
|-----|---------------|--|
| | 106860-05-01A | EA MIRROR-REGULARHEAD/LOWMOUNT-BRIGHTWHITE |

EXTERIORMIRRORS-W/HEAT&REMOTE-MCCLAINSANNIVERSARYOPTION

| KEY | PARTNUMBER | U/M DESCRIPTION | VENDORNO. |
|-----|---------------|---------------------------------------|-----------|
| | 120269-09-01A | EA MIRROR-PASSENGER-96"-W/HEAT/REMOTE | |
| | 120269-10-01A | EA MIRROR-DRIVER-96"-W/HEAT/REMOTE | |
| | 120269-08-000 | EA HARNESS-ELECTRICMIRROR | |
| | 120269-05-701 | EA GLASSONLYREPLACEMENTRH/LH | 709411-8 |

EXTERIORBODYGROUP(CONTINUED)



LADDER

| KEY | PARTNUMBER | U/M DESCRIPTION |
|-----|---------------|----------------------------------|
| 1 | 102953-10-F15 | EA LADDER |
| 2 | 067165-01-000 | EA BRACKET-MOUNTING-LOWERLADDER |
| 3 | 076980-02-000 | EA ENDCAP-STEP-BLACK |
| | 000G39-06-10T | EA SCREW-SF/DR,6-20X5/8PPH-BLACK |
| | 000G68-10-36T | EA SCREW-10-12X2.25POH-BLACK |
| | 038327-01-000 | EA TAPE-ANTI-SLIP-2"X60' |

EXTERIORBODYGROUP(CONTINUED)

RUNNINGBOARDS-FORD

| KEY | PARTNUMBER | U/M DESCRIPTION | VENDORNO. |
|-----|---------------|--------------------------------------|-----------|
| | 072884-27-000 | EA RUNNINGBOARDSET-39"-FORD-ALUMINUM | |
| | 072884-27-700 | EA BRACKETSET12"92 | RB2BRK/M |
| | 072884-27-701 | EA RUNNINGBOARD-39"-RIGHTORLEFT-FORD | |
| | 072884-27-702 | FT TREADTAPE | RB9202 |
| | 072884-27-703 | EA MUDFLAPW/HOLES,1EA=PAIR | 99171 |
| | 072884-27-704 | EA CAP-ENDS,1EA=PAIR | 99148 |

RUNNINGBOARDSEXCHANGE-FORD

| KEY | PARTNUMBER | U/M DESCRIPTION | VENDORNO. |
|-----|---------------|--|-----------|
| | 106461-06-01A | EA RUNNINGBOARD-FIBERGLASS-PASSENGER-FORD-BRTWHITE | |
| | 106461-07-01A | EA RUNNINGBOARD-FIBERGLASS-DRIVER-FORD-BRTWHITE | |
| | 106461-04-000 | EA TRIM-RUNNINGBOARD FORD - QUALITY SET/2 | |
| | 106461-05-000 | EA NONSKIDSTRIP-RUNNINGBOARD | |
| | 106461-03-000 | EA HARDWAREKIT-RUNNINGBOARD | |

RUNNINGBOARDS-CHEVY

| KEY | PARTNUMBER | U/M DESCRIPTION | VENDORNO. |
|-----|---------------|---------------------------------------|-----------|
| | 072884-28-000 | EA RUNNINGBOARD-ALUMINUM-CHEVYCHASSIS | |
| | 072884-27-704 | EA ENDCAPS-PAIR | 99148 |
| | 072884-28-700 | EA RUNNINGBOARDSONLY-RH&LH | 15543 |
| | 072884-28-701 | EA FRONTFLAP-PAIR | 99153 |
| | 072884-28-702 | EA BRACKETSET-COMPLETE | 206771 |

RUNNINGBOARDSEXCHANGE-CHEVY

| KEY | PARTNUMBER | U/M DESCRIPTION | VENDORNO. |
|-----|---------------|---|-----------|
| | 125727-01-01A | EA RUNNINGBOARD-FIBERGLASS-PASSENGER-CHEVY-BRTWHITE | |
| | 125727-02-01A | EA RUNNINGBOARD-FIBERGLASS-DRIVER-CHEVY-BRIGHTWHITE | |
| | 125727-03-000 | EA HARDWAREKIT-RUNNINGBOARD | |
| | 125727-04-000 | EA TRIMKIT-RUNNINGBOARD-CHEVY | |

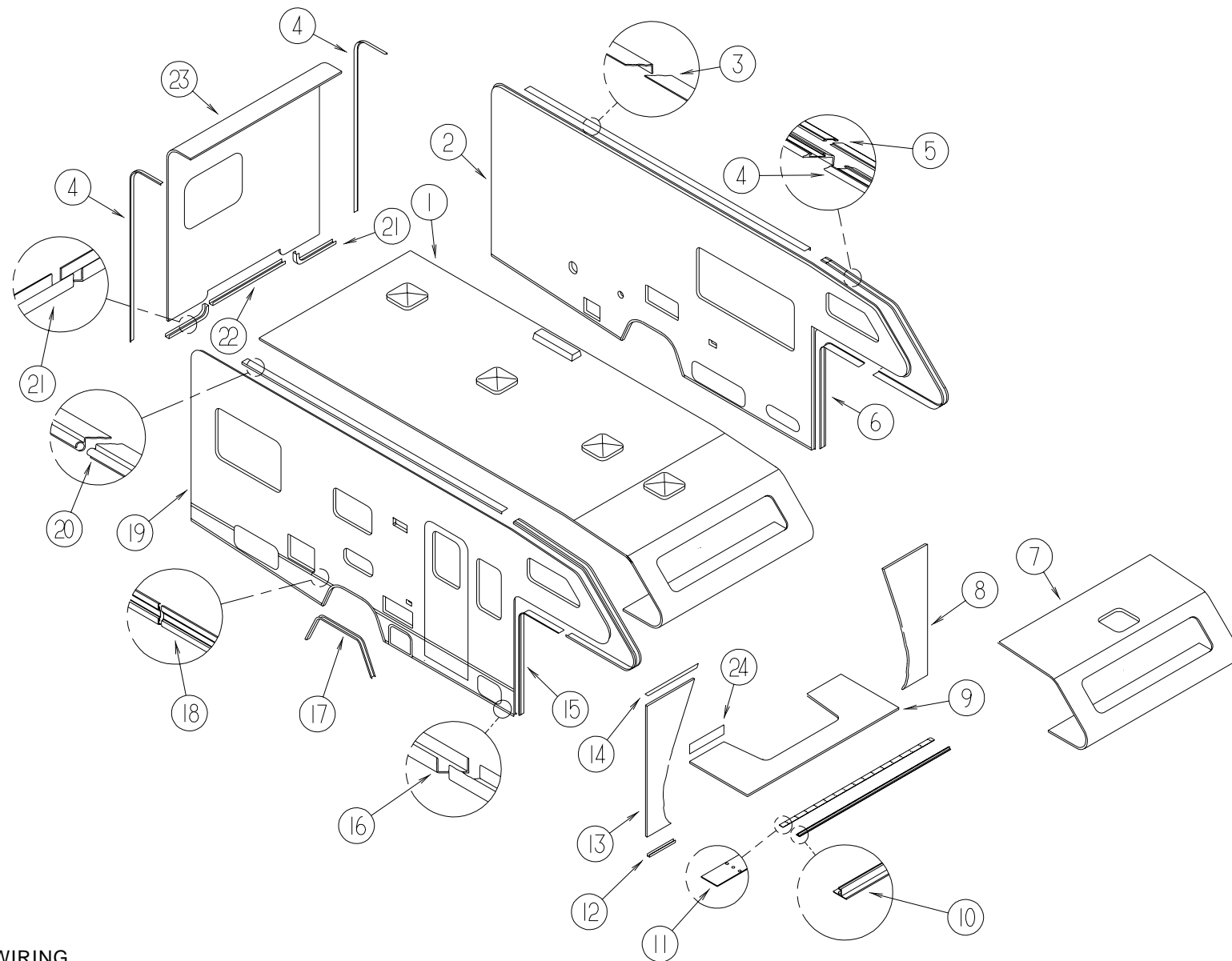
EXTERIORBODYGROUP(CONTINUED)

AWNING

| KEY | PARTNUMBER | U/M DESCRIPTION | VENDORNO. |
|-----|---------------|--|---------------|
| | 113874-03-02A | EA AWNING-W/OHARDWARE-11.5(POLARNAVYTEAL)VINYL | |
| | 111038-01-01A | EA SPACER-AWNING-LOWER | |
| | 113874-01-02A | EA AWNING-HARDWAREKIT-BRIGHTWHITE | |
| | 113874-01-702 | EA KNOB-ADJUSTING,W/HARDWARE | 143249 |
| | 113874-01-703 | EA ROD-CENTERPULL,W/GRIP | 830152.002 |
| | 113874-01-706 | EA LOCK-TRAVEL | 830587 |
| | 113874-01-707 | EA HANDLE-LIFT | 830644 |
| | 113874-01-709 | EA NAIL-SPIKE,8" | 113006 |
| | 113874-01-710 | EA PLUG-STOPKIT | 830456 |
| | 113874-01-711 | EA ARM-ADJUSTABLE/TALLSATIN | 830466.016 |
| | 113874-01-712 | EA FOOT-PATIO | 730366 |
| | 113874-01-714 | EA RAFTER-MAINRH/LHBRIGHTWHITE | 830295.036F |
| | 113874-01-715 | EA RAFTER-SECONDARYBRIGHTWHITE | 830463.011F |
| | 113874-01-716 | EA ARM-MAINSUPPORTBRIGHTWHITE | 3104502.293/F |
| | 113874-01-717 | EA ARM-ADJUSTABLEBRIGHTWHITE | 830467.517/F |
| | 113874-10-01A | EA SPACER-AWNING-LOWERBRACKET | |

EXTERIORBODYGROUP(CONTINUED)

EXTERIORBODYPANELS

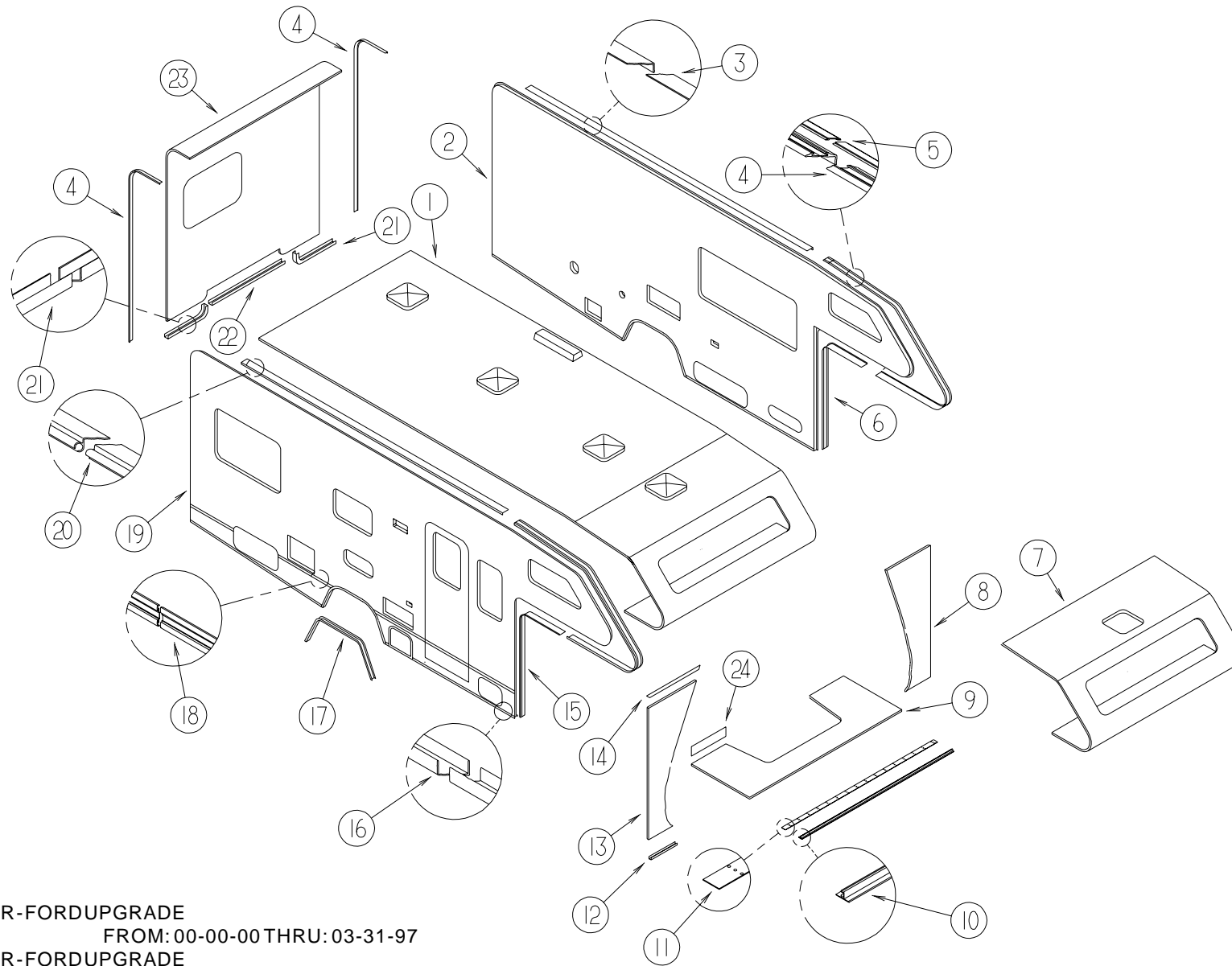


| KEY | PARTNUMBER | U/M | DESCRIPTION |
|-----|---------------|-----|--|
| 1 | M07431-05-H04 | EA | ROOF-W/OLIGHTS/VENTS-W/WIRING |
| 1 | M07431-06-H10 | EA | ROOF-W/OLIGHTS/VENTS-W/WIRING-JAPANEXPORT |
| 1 | M07431-07-H10 | EA | ROOF-W/OLIGHTS/VENTS-W/WIRING-WIEEXPORT |
| 2 | M08184-01-H04 | EA | SIDEWALL-DRIVER-W/OWINDOWS/TRIM(H04) |
| 2 | M08184-01-H05 | EA | SIDEWALL-DRIVER-W/OWINDOWS/TRIM(H05) |
| 2 | M08184-02-H10 | EA | SIDEWALL-DRIVER-W/OWINDOWS/TRIM(H10)-JAPANEXPORT |
| 2 | M08184-03-H10 | EA | SIDEWALL-DRIVER-W/OWINDOWS/TRIM(H10)-WIEEXPORT |
| 2 | M08184-02-H11 | EA | SIDEWALL-DRIVER-W/OWINDOWS/TRIM(H11)-JAPANEXPORT |
| 2 | M08184-03-H11 | EA | SIDEWALL-DRIVER-W/OWINDOWS/TRIM(H11)-WIEEXPORT |
| 2 | M08184-01-H24 | EA | SIDEWALL-DRIVER-W/OWINDOWS/TRIM(H24/H26) |
| | 064675-54-004 | EA | STEEL-ANGLE ROOF JOINT-1.7'-OFF/WHITE |
| | 002779-01-001 | EA | EXTRUDED-UCHANNEL-1.75"X192"-UPGRADEEXPORT |
| 3 | 096864-01-02A | EA | TRIM-CONTOUR-ROOFTOSIDEWALL |
| | 099583-55-003 | EA | RAIL-AWNING-120" |
| 4 | 096854-04-02A | EA | TRIM-CONTOUR |
| 5 | 105312-01-07A | FT | INSERT-FEATURE STRIP VINYL-BRIGHTWHITE |
| 6 | 104479-06-02A | EA | TRIM-FRONT CONTOUR-BRIGHTWHITE |
| 6 | 105015-02-02A | EA | TRIM-WINGWALL/SIDEWALL INNER SUPPORT BRACKET-UPGRADEEXPORT |
| 6 | 108037-02-02A | EA | COVER-WINGWALL OUTER-CURVED BRIGHTWHITE ALUMINUM-UPGRADEEXPORT |
| 7 | M76177-01-700 | EA | CAP-FRONT, OVERHEAD CAB TO FIRST SEAM OF ROOF-OFFWHITE |
| 8 | 109659-02-H04 | EA | WINGWALL-DRIVER-FORD |
| | | | FROM: 00-00-00 THRU: 03-31-97 |
| 8 | 125065-02-H04 | EA | WINGWALL-DRIVER-FORD |
| | | | FROM: 04-01-97 THRU: 99-99-99 |

| KEY | PARTNUMBER | U/M | DESCRIPTION |
|-----|---------------|-----|---|
| 8 | M07423-14-F08 | EA | WINGWALL-DRIVER-FORD UPGRADE |
| | | | FROM: 00-00-00 THRU: 03-31-97 |
| 8 | 125487-02-H10 | EA | WINGWALL ASM-FORD UPGRADE |
| | | | FROM: 04-01-97 THRU: 99-99-99 |
| 8 | 125065-02-H04 | EA | WINGWALL-DRIVER-CHEVY |
| 8 | 125487-02-H10 | EA | WINGWALL ASM-CHEVY UPGRADE |
| 9 | M07422-01-H04 | EA | SLEEPERBOARD-BRIGHTWHITE-FORD |
| | | | FROM: 00-00-00 THRU: 03-31-97 |
| 9 | P25064-01-H04 | EA | SLEEPERBOARD-BRIGHTWHITE-FORD |
| | | | FROM: 04-01-97 THRU: 99-99-99 |
| 9 | P25064-01-H04 | EA | SLEEPERBOARD-BRIGHTWHITE-CHEVY |
| | 089334-02-000 | FT | VINYL-EXTRUSION-BRIGHTWHITE |
| 10 | 100086-04-01A | EA | TRIM-SLEEPERBOARD/ROOF-2"X96.6" |
| 11 | 100085-03-01A | EA | TRIM-SLEEPERBOARD-FLAT-2.5"X87.5" |
| 12 | 002365-03-006 | EA | UCHANNEL-EXTRUDED/POWDERPAINTED 1"X192" |
| 12 | 106144-02-F08 | EA | COVER-WINGWALL-LH-FORD UPGRADE |
| 12 | 106144-01-F08 | EA | COVER-WINGWALL-RH-FORD UPGRADE |
| 13 | 109659-01-H04 | EA | WINGWALL-PASSENGER-FORD |
| | | | FROM: 00-00-00 THRU: 03-31-97 |
| 13 | 125065-01-H04 | EA | WINGWALL-PASSENGER-FORD |
| | | | FROM: 04-01-97 THRU: 99-99-99 |

EXTERIORBODYGROUP(CONTINUED)

EXTERIORBODYPANELS(CONTINUED)

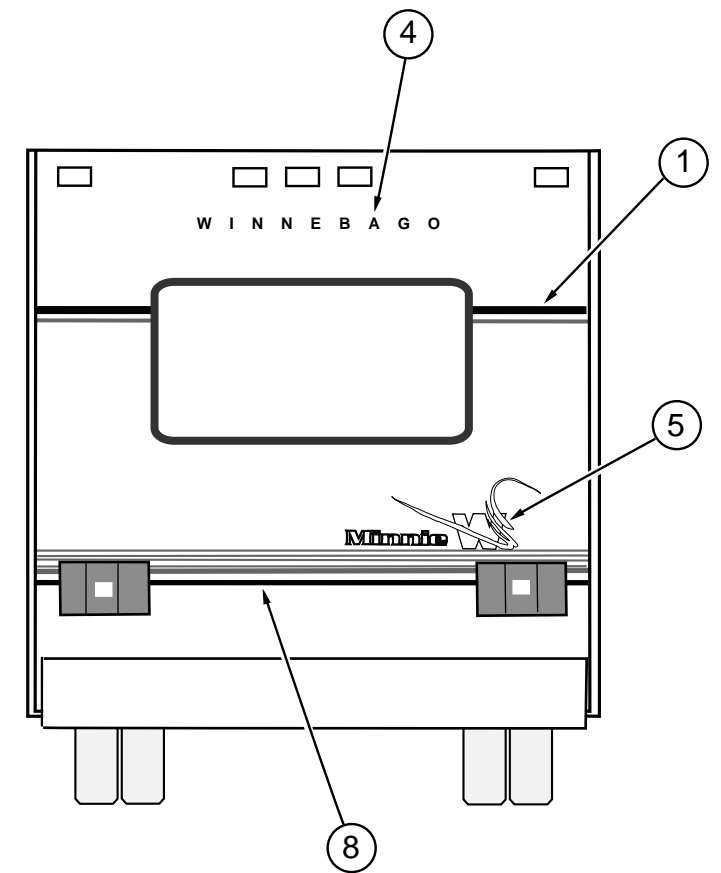
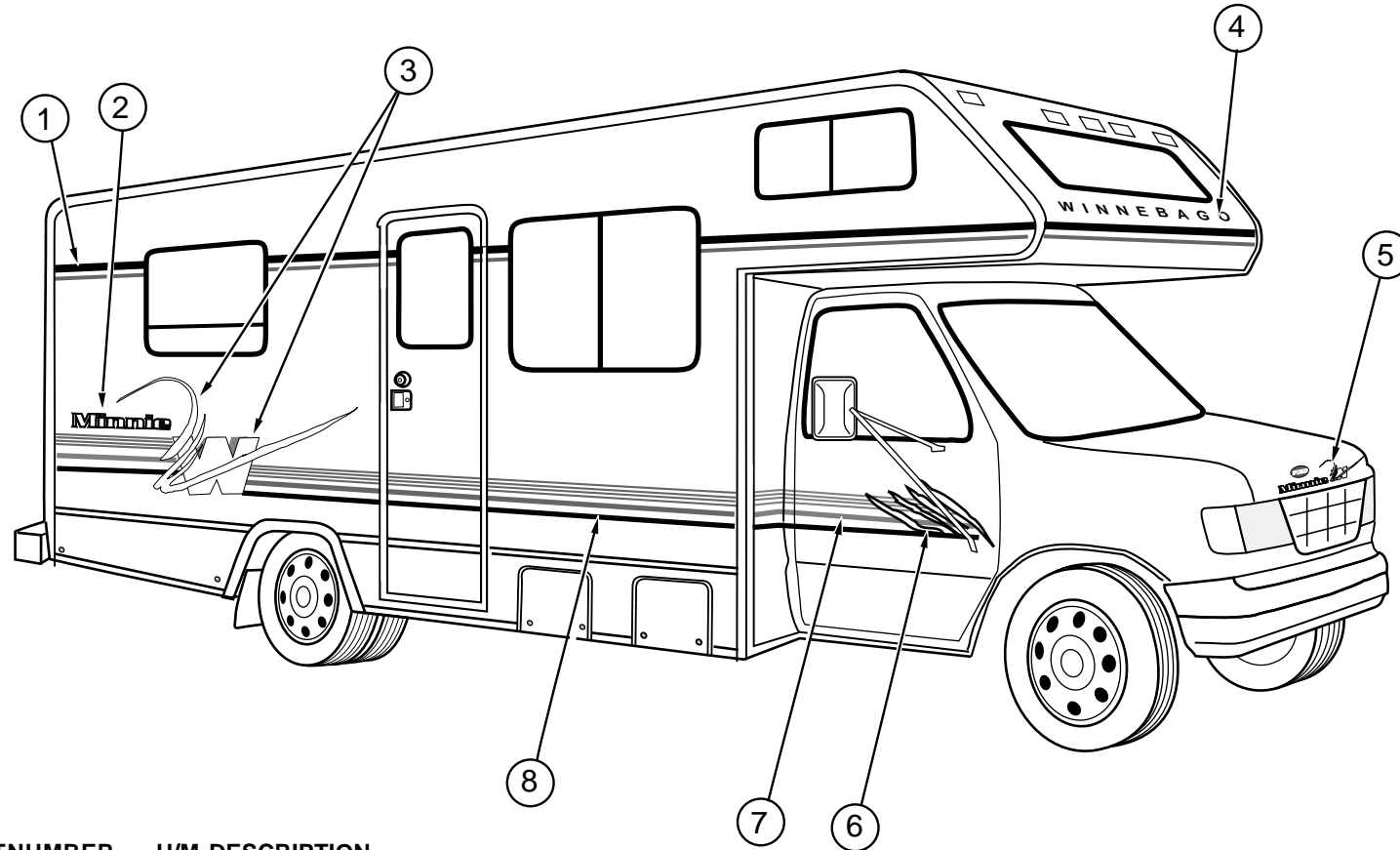


| KEY | PARTNUMBER | U/M | DESCRIPTION |
|-----|---------------|-----|---|
| 13 | M07423-13-F08 | EA | WINGWALL-PASSENGER-FORDUPGRADE FROM: 00-00-00 THRU: 03-31-97 |
| 13 | 125487-01-H10 | EA | WINGWALL-PASSENGER-FORDUPGRADE FROM: 04-01-97 THRU: 99-99-99 |
| 13 | 125065-01-H04 | EA | WINGWALL-PASSENGER-CHEVY |
| 13 | 125487-01-H10 | EA | WINGWALL-PASSENGER-CHEVYUPGRADE |
| 14 | 022992-14-000 | FT | MOLDING-REVERSECOVE |
| 15 | 104479-05-02A | EA | TRIM-FRONTCONTOUR-BRIGHTWHITE |
| 16 | 098072-55-003 | EA | U-CHANNEL-OFFSET-1.65"WIDEX192" |
| 16 | 115517-55-002 | EA | EXTRUDED-ROCKERPANEL-UPGRADEEXPORT |
| | 106106-01-02A | EA | ENDCAP-ROCKERPANEL-RIGHTHAND-UPGRADEEXPORT |
| | 106106-02-02A | EA | ENDCAP-ROCKERPANEL-LEFTHAND-UPGRADEEXPORT |
| 17 | 105100-02-02A | EA | TRIM-WHEELWELL |
| 17 | 105220-01-02A | EA | TRIM-WHEELWELL-REAR-BLACK-UPGRADEEXPORT |
| 18 | 108688-01-03A | EA | STRIP-FEATURE-W/OINSERT/ENDCAPS-15' |
| | 105312-01-07A | FT | INSERT-FEATURESTRIPVINYL-BRIGHTWHITE |
| | 108651-01-01A | EA | ENDCAP-FEATURESTRIP |
| 19 | P22995-01-H04 | EA | SIDEWALL-PASSENGER-W/OWINDOWS/TRIM(H04) |
| 19 | P22995-01-H04 | EA | SIDEWALL-PASSENGER-W/OWINDOWS/TRIM(H05) |
| 19 | M08184-04-H10 | EA | SIDEWALL-PASSENGER-W/OWINDOWS/TRIM(H10)-JAPANEXPORT |
| 19 | M08184-05-H10 | EA | SIDEWALL-PASSENGER-W/OWINDOWS/TRIM(H10)-WIEEXPORT |
| 19 | M08184-04-H11 | EA | SIDEWALL-PASSENGER-W/OWINDOWS/TRIM(H11)-JAPANEXPORT |
| 19 | M08184-05-H11 | EA | SIDEWALL-PASSENGER-W/OWINDOWS/TRIM(H11)-WIEEXPORT |
| 19 | P22995-01-H24 | EA | SIDEWALL-PASSENGER-W/OWINDOWS/TRIM(H24/H26) |

| KEY | PARTNUMBER | U/M | DESCRIPTION |
|-----|---------------|-----|--|
| 20 | 099583-55-003 | EA | RAIL-AWNING-120" |
| 21 | 103334-02-02A | EA | TRIM-BACKWALL/LOWER |
| 22 | 103335-02-02A | EA | TRIM-BACKWALL/LOWER |
| 23 | P22994-01-H04 | EA | BACKWALL-W/OWINDOW/TRIM(H04) |
| 23 | P22994-01-H05 | EA | BACKWALL-W/OWINDOW/TRIM(H05) |
| 23 | P22994-02-H10 | EA | BACKWALL-W/OWINDOW/TRIM(H10)-JAPANEXPORT |
| 23 | M07432-04-H10 | EA | BACKWALL-W/OWINDOW/TRIM(H10)-WIEEXPORT |
| 23 | P22994-02-H11 | EA | BACKWALL-W/OWINDOW/TRIM(H11)-JAPANEXPORT |
| 23 | M07432-04-H11 | EA | BACKWALL-W/OWINDOW/TRIM(H11)-WIEEXPORT |
| 23 | P22994-01-H24 | EA | BACKWALL-W/OWINDOW/TRIM(H24/H26) |
| 24 | 104444-01-02A | EA | COVER-WINGWALLTRIM-UPPERPASSENGER-BRIGHTWHITE-EXPORT |
| 24 | 104444-02-02A | EA | COVER-WINGWALLTRIM-UPPERDRIVER-BRIGHTWHITE-EXPORT |

EXTERIORBODYGROUP(CONTINUED)

DECALS,STRIPES&PAINT



| KEY | PARTNUMBER | U/M | DESCRIPTION |
|-----|---------------|-----|--|
| 1 | 093689-17-02A | FT | FILM-MULTISTRIPE-2.6"WIDE |
| 2 | 116849-01-02A | EA | DECAL-LOGO-MINNIE/LARGE |
| 3 | 116848-01-02A | EA | DECAL-LOGO"W"-LARGE/RIGHTHAND |
| 3 | 116848-02-02A | EA | DECAL-LOGO"W"-LARGE/LEFTHAND |
| 4 | 110206-02-06A | EA | DECAL-WINNEBAGO |
| 5 | 116994-01-02A | EA | DECAL-LOGO-MINNIEWINNIE-SMALL |
| 6 | 116846-01-02A | EA | DECAL-CABDOOR-SWOOSH/RIGHTHAND |
| 6 | 116846-02-02A | EA | DECAL-CABDOOR-SWOOSH/LEFTHAND |
| 7 | 117752-01-02A | EA | DECAL-CABDOOR-STRIPES/RIGHTHAND-FORD |
| 7 | 126299-01-01A | EA | DECAL-CABDOORSTRIPE-PASSENGER-CHEVY |
| 7 | 126300-01-01A | EA | DECAL-CABHANDLE-PASSENGER-CHEVY |
| 7 | 117752-02-02A | EA | DECAL-CABDOOR-STRIPES/LEFTHAND-FORD |
| 7 | 126299-02-01A | EA | DECAL-CABDOORSTRIPE-DRIVER-CHEVY |
| 7 | 126300-02-01A | EA | DECAL-CABHANDLE-DRIVER-CHEVY |
| 8 | 116847-01-02A | FT | FILM-MULTI/OVERLAY-8.2" |
| | 041561-03-000 | EA | PAINT-16OUNCESPRAY-OFFWHITE |
| | 122886-02-01A | EA | DECAL-MOBILIE-SMALL-JAPAN |
| | 122885-01-01A | EA | DECAL-WORLDCCLASS-BLACK/GOLD-UPGRADEEXPORT |
| | 126511-01-01A | EA | DECAL-MCCLAINSRV34THANNIVERSARY |

DUPONTPAINTCOLORCODES

BRIGHTWHITE
LIGHTSILVERMETALLIC

DUPONTB8951U
DUPONTF2573U-JAPAN/MCCLAINSANNIVERSARYOPTION

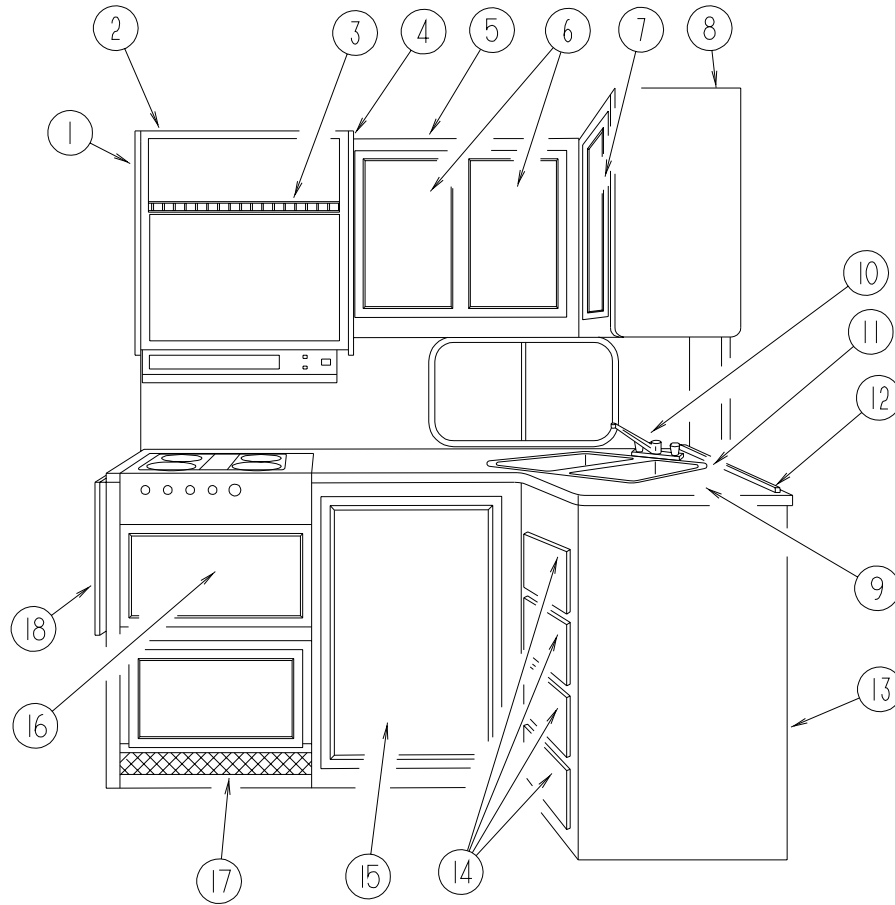
DUPONTGRAPHICSCOLORCODES

DARKBLUOMETALLIC
HAWAIIPUNCH
AQUAESSENCE
MEDIUMBLUOMETALLIC

FILM#59
FILM#193
FILM#77
FILM#7037
DUPONTBM210
DUPONTF2995
DUPONTF2930
DUPONTF0747

GALLEYGROUP

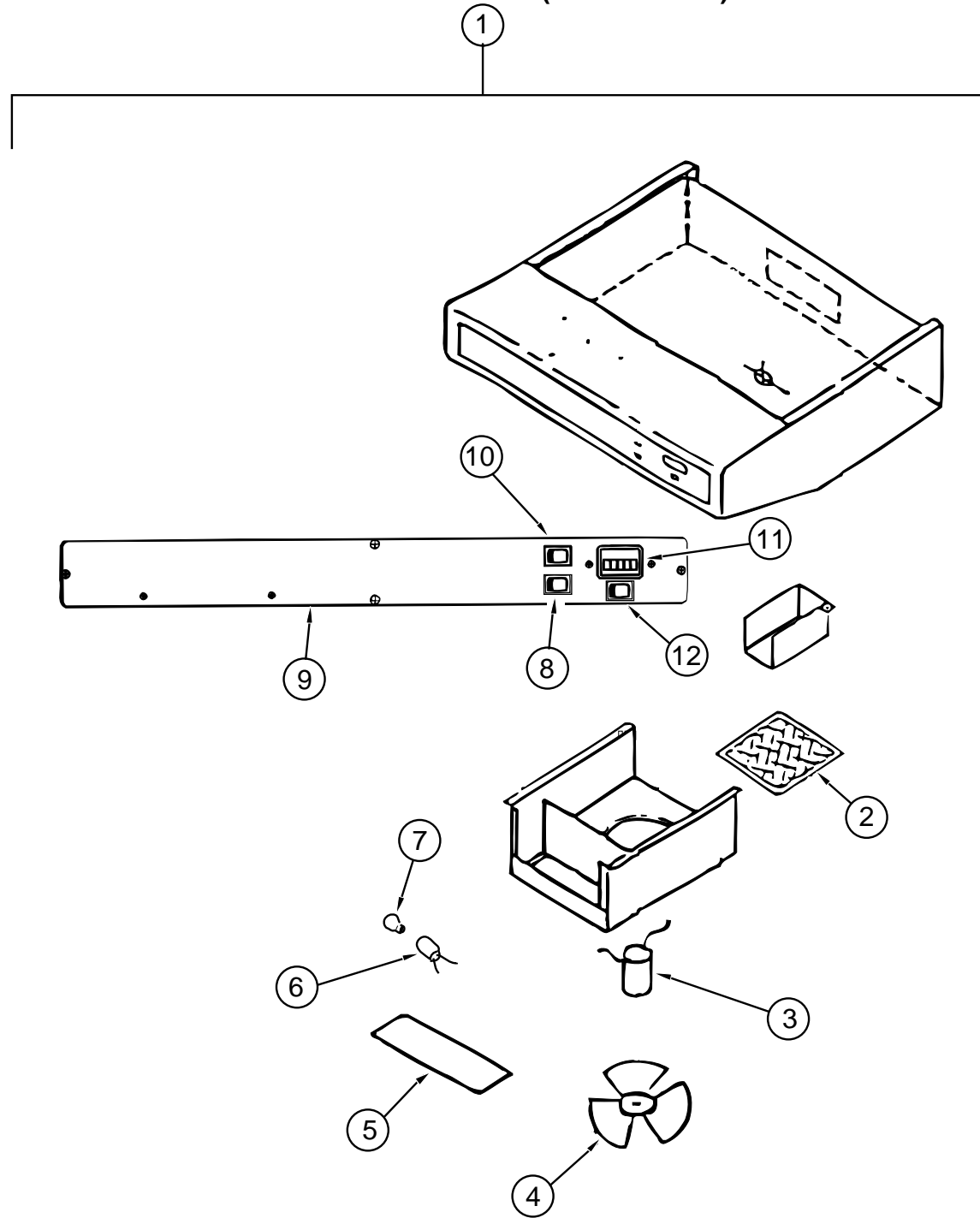
GALLEYCABINETS&FIXTURES



| KEY | PARTNUMBER | U/M | DESCRIPTION |
|-----|---------------|-----|---|
| 1 | 109908-24-G01 | EA | ENDCAP-OVERHEAD-WATERFORDOAK |
| 1 | 109908-24-H10 | EA | ENDCAP-OVERHEAD-SALEMCHERRY |
| 2 | M08196-01-H04 | EA | CABINET-MICROWAVE, W/ODOORS/DRAWERS/HARDWARE-WATERFORDOAK |
| 2 | M08196-01-H10 | EA | CABINET-MICROWAVE-W/ODOORS/HDW-SALEMCHERRY-JAPANEXPORT |
| 2 | 121971-03-H10 | EA | CABINET-MICROWAVE-W/ODOORS/HARDWARE-SALEMCHERRY-WIEEXPORT |
| 3 | 075249-01-000 | EA | RAILING-OAK-72"-UNFINISHED-WATERFORDOAK |
| 3 | 075249-02-000 | EA | RAILING-OAK-72"-UNFINISHED-SALEMCHERRY-WIEEXPORT |
| 4 | 109908-19-G01 | EA | ENDCAP-OVERHEAD-WATERFORDOAK |
| 4 | 109908-19-H10 | EA | ENDCAP-OVERHEAD-SALEMCHERRY |
| 5 | 122976-01-H04 | EA | CABINET-GALLEYOVERHEAD-W/ODOORS/HARDWARE-WATERFORDOAK |
| 5 | 122976-02-H10 | EA | CABINET-GALLEYOVERHEAD-W/ODOORS/HARDWARE-SALEMCHERRY |
| 6 | 110140-44-G01 | EA | DOOR-MITEREDCORNER/VINYLRAP-10"X26.1"-W/OHDW-WATERFORDOAK |
| 6 | M06803-X7-H10 | EA | DOOR-MITEREDCORNER/OGEEEDGE-10"X26.1"-W/OHDW-SALEMCHERRY |
| 7 | 110140-19-G01 | EA | DOOR-MITEREDCORNER/VINYLRAP-15.3"X25.6"-W/OHDW-WATERFORDOAK |
| 7 | M06803-X9-H10 | EA | DOOR-MITEREDCORNER/OGEEEDGE-15.3"X25.6" W/OHDW-SALEMCHERRY |
| 8 | 124165-01-H04 | EA | CABINET-OVERHEADGALLEYCTR-W/ODOORS/HARDWARE-WATERFORDOAK |
| 8 | 124165-01-H10 | EA | CABINET-OVERHEADGALLEYCTR-W/ODOORS/HARDWARE-SALEMCHERRY |
| 9 | 122683-13-H04 | EA | COUNTERTOP-GALLEY(H04) |
| 9 | 122683-13-H05 | EA | COUNTERTOP-GALLEY(H05) |
| 9 | 122683-13-H24 | EA | COUNTERTOP-GALLEY(H24/H26) |
| 9 | 122683-15-H10 | EA | COUNTERTOP-GALLEY(H10)-WIEEXPORT |
| 9 | 122683-15-H11 | EA | COUNTERTOP-GALLEY(H11)-WIEEXPORT |
| 9 | 122683-16-H10 | EA | COUNTERTOP-GALLEY(H10)-JAPANEXPORT |
| 9 | 122683-16-H11 | EA | COUNTERTOP-GALLEY(H11)-JAPANEXPORT |

| KEY | PARTNUMBER | U/M | DESCRIPTION |
|-----|---------------|-----|--|
| 10 | 103243-01-000 | EA | FAUCET/GALLEY-DUALCONTROL |
| 10 | 104114-02-01A | EA | FAUCET-GALLEY-SINGLECONTROL-EXPORT |
| 11 | 104113-01-000 | EA | SINK-DOUBLE-STAINLESSSTEEL |
| | 092303-01-000 | EA | STRAINER-SINK |
| | 103610-01-E04 | EA | COVER-SINK-15.1"X15.8"(H04/H10) |
| | | | FROM: 00-00-00 THRU: 02-12-97 |
| | 103610-03-H04 | EA | COVER-SINK(H04/H10) |
| | | | FROM: 02-13-97 THRU: 99-99-99 |
| | 103610-01-F29 | EA | COVER-SINK-15.1"X15.8"(H05) |
| | | | FROM: 00-00-00 THRU: 02-12-97 |
| | 103610-03-H05 | EA | COVER-SINK(H05) |
| | | | FROM: 02-13-97 THRU: 99-99-99 |
| | 103610-01-F09 | EA | COVER-SINK-15.1"X15.8"(H11) |
| | | | FROM: 00-00-00 THRU: 02-12-97 |
| | 103610-03-H07 | EA | COVER-SINK(H11) |
| | | | FROM: 02-13-97 THRU: 99-99-99 |
| | 103610-01-G01 | EA | COVER-SINK-15.1"X15.8"(H24/H26) |
| | | | FROM: 00-00-00 THRU: 02-12-97 |
| | 103610-03-H24 | EA | COVER-SINK(H24/H26) |
| | | | FROM: 02-13-97 THRU: 99-99-99 |
| 12 | 098335-11-H04 | EA | RAIL-GALLEY-12"(H04/H10) |
| 12 | 098335-11-H05 | EA | RAIL-GALLEY-12"(H05) |
| 12 | 098335-11-H11 | EA | RAIL-GALLEY-12"(H11) |
| 12 | 098335-11-H24 | EA | RAIL-GALLEY-12"(H24/H26) |
| 13 | P22683-01-H04 | EA | CABINET-GALLEY-W/ODOORS/DRAWERS/HARDWARE(H04) |
| 13 | P22683-01-H05 | EA | CABINET-GALLEY-W/ODOORS/DRAWERS/HARDWARE(H05) |
| 13 | P22683-01-H24 | EA | CABINET-GALLEY-W/ODOORS/DRAWERS/HARDWARE(H24/H26) |
| 13 | P22683-02-H10 | EA | CABINET-GALLEY-W/ODOORS/DRAWERS/HARDWARE(H10)-WIEEXPORT |
| 13 | P22683-02-H11 | EA | CABINET-GALLEY-W/ODOORS/DRAWERS/HARDWARE(H11)-WIEEXPORT |
| 13 | P22683-03-H10 | EA | CABINET-GALLEY-W/ODOORS/DRAWERS/HARDWARE(H10)-JAPANEXPORT |
| 13 | P22683-03-H11 | EA | CABINET-GALLEY-W/ODOORS/DRAWERS/HARDWARE(H11)-JAPANEXPORT |
| 14 | P10163-K9-H04 | EA | DRAWER-RADIUSEDGE-W/OSLIDES/HARDWARE-WATERFORDOAK |
| 14 | M05970-B0-F08 | EA | DRAWER-RADIUSEDGE-W/OSLIDES/HARDWARE-SALEMCHERRY |
| 15 | 110140-45-G01 | EA | DOOR-VINYLRAP-15.7"X27.9"-W/OHDW-WATERFORDOAK |
| 15 | M06803-X8-H10 | EA | DOOR-MITEREDCORNER/OGEEEDGE-15.7"X30"-W/OHDW-SALEMCHERRY |
| 16 | M06803-D4-H10 | EA | DOOR-MITEREDCORNER/OGEEEDGE-11"X21.8"-W/OHDW-SALEMCHERRY |
| 17 | 072369-51-000 | EA | MESH-EXPANDED-ALUMINUM-5.7"X20.6" |
| 18 | 080812-04-G31 | EA | EXTENSION-GALLEYCOUNTERTOP(H10)-EXPORT |
| 18 | 080812-04-G10 | EA | EXTENSION-GALLEYCOUNTERTOP(H11)-EXPORT |
| | 110140-01-G01 | EA | DOOR-VINYLRAP-10.02"X25.2"-W/OHDW-REFRIGCABINET-WATERFORDOAK |
| | M06803-X4-H10 | EA | DOOR-MITEREDCORNER-10"X25.2"-W/OHDW-REFRIGCABT-SALEMCHERRY |
| | 090329-01-000 | FT | SEAL/T-REFRIGERATORCABINET |

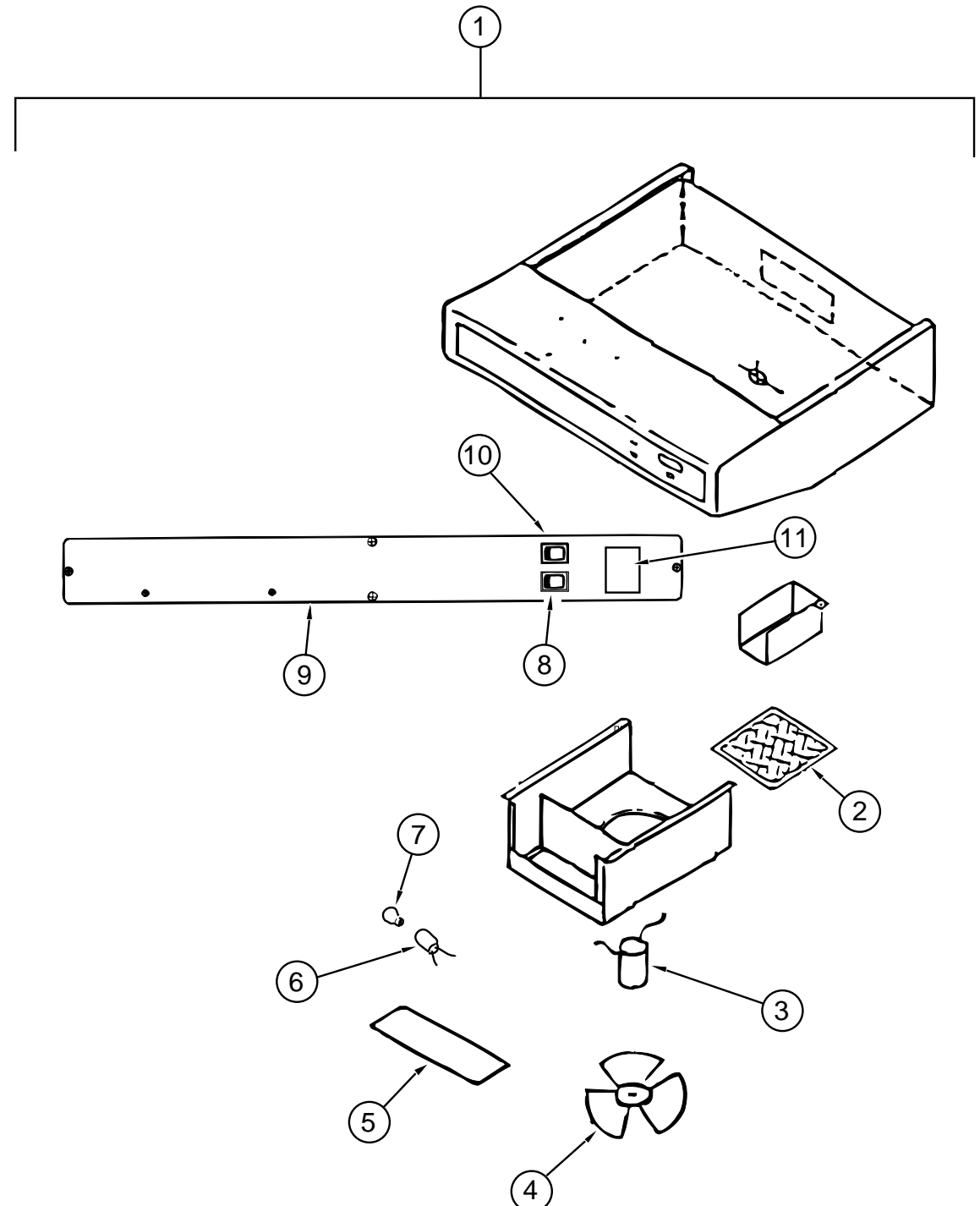
GALLEYGROUP(CONTINUED)



RANGEHOODW/OMONITORPANEL-U.S.-MODELTPS-5009-SADLG

| KEY | PARTNUMBER | U/M | DESCRIPTION | VENDORNO. |
|-----|---------------|-----|---|-----------|
| 1 | 100258-18-02A | EA | HOOD-RANGE-W/OMONITORPANEL | |
| 2 | 096983-01-707 | EA | FILTER-MESH | CC246 |
| 3 | 090973-01-700 | EA | MOTOR-LVS | CA508-1 |
| 4 | 090973-01-702 | EA | BLADE-FAN,LVS | VA183-1 |
| 5 | 092696-02-701 | EA | LENS-LAMP,LVS | CC179-2 |
| 6 | 092696-01-710 | EA | HOLDER-LAMP | CB267-2 |
| 7 | 117806-01-000 | EA | BULB-12VNO.9121.0AMPS | |
| 8 | 096983-01-702 | EA | SWITCH-TWOWAYMOMENTARY,VENTLINE | 112 |
| 9 | 096983-01-700 | EA | SWITCH-ON/OFF,VENTLINE | 108 |
| 10 | 100258-01-700 | EA | HOOD-NOSELABEL, | CC428 |
| 11 | 100258-10-01A | EA | GAUGE-HOURMETER,W/SWITCH-SCREWON 150 | |
| 11 | 100258-10-701 | EA | GAUGE-HOURMETER,CLIPON | L0775-00 |
| 12 | 096983-01-702 | EA | SWITCH-TWOWAYMOMENTARY,VENTLINE-GENERATOR | 112 |

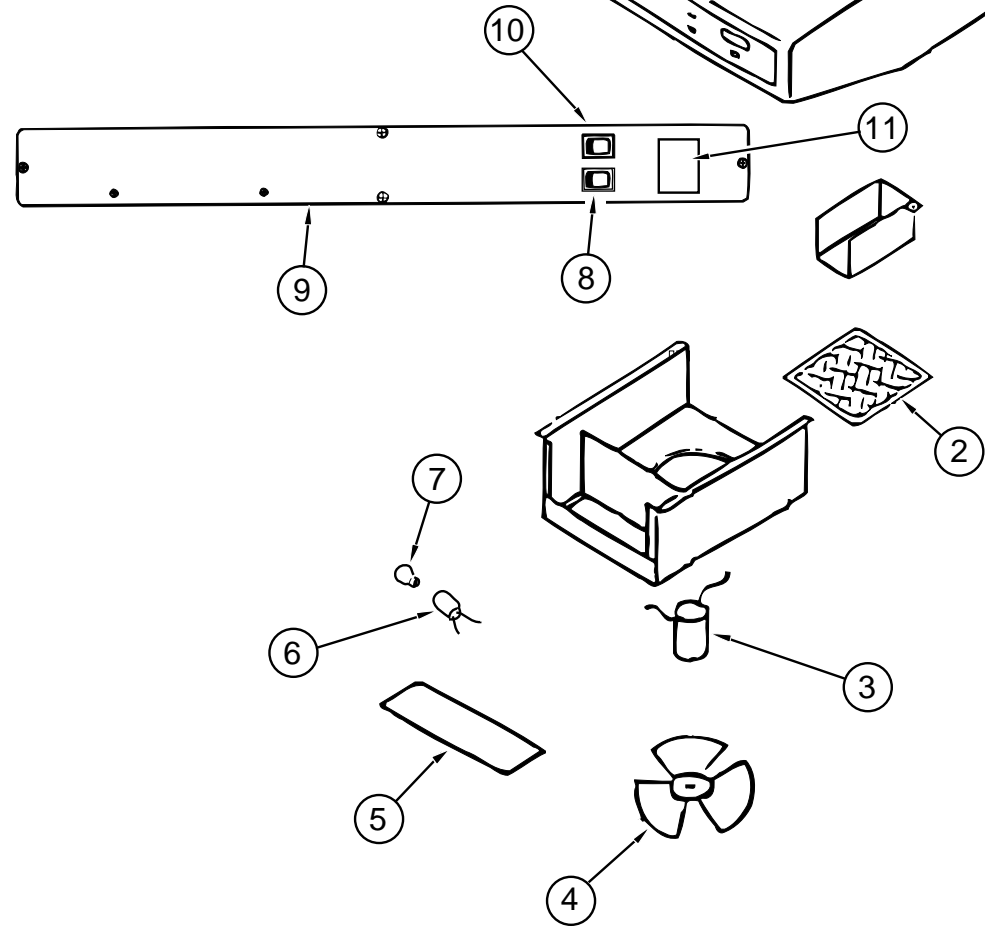
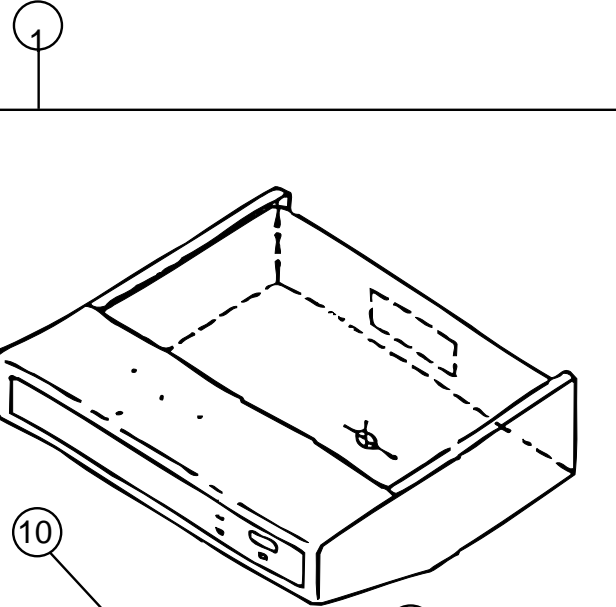
GALLEYGROUP(CONTINUED)



RANGEHOODW/OMONITORPANEL-U.S.-MODEL TCS-5008-NADL

| KEY | PARTNUMBER | U/M | DESCRIPTION | VENDORNO. |
|-----|---------------|-----|--------------------------------------|-----------|
| 1 | 100258-16-03A | EA | HOOD-RANGE-W/OMONITORPANEL | |
| 2 | 096983-01-707 | EA | FILTER-MESH | CC246 |
| 3 | 090973-01-700 | EA | MOTOR-LVS | CA508-1 |
| 4 | 090973-01-702 | EA | BLADE-FAN,LVS | VA183-1 |
| 5 | 092696-02-701 | EA | LENS-LAMP,LVS | CC179-2 |
| 6 | 092696-01-710 | EA | HOLDER-LAMP | CB267-2 |
| 7 | 117806-01-000 | EA | BULB-12VNO.9121.0AMPS | |
| 8 | 096983-01-700 | EA | SWITCH-ON/OFF,VENTLINE | 108 |
| 9 | 100258-01-700 | EA | HOOD-NOSELABEL | CC428 |
| 10 | 096983-01-702 | EA | SWITCH-TWOWAYMOMENTARY,VENTLINE | 112 |
| 11 | 100258-10-01A | EA | GAUGE-HOURMETER,W/SWITCH-SCREWON 150 | |
| 11 | 100258-10-701 | EA | GAUGE-HOURMETER,CLIPON | L0775-00 |
| 11 | 097944-03-700 | EA | PLATE-COVER,HOURMETER-VENTLINE | L6052 |

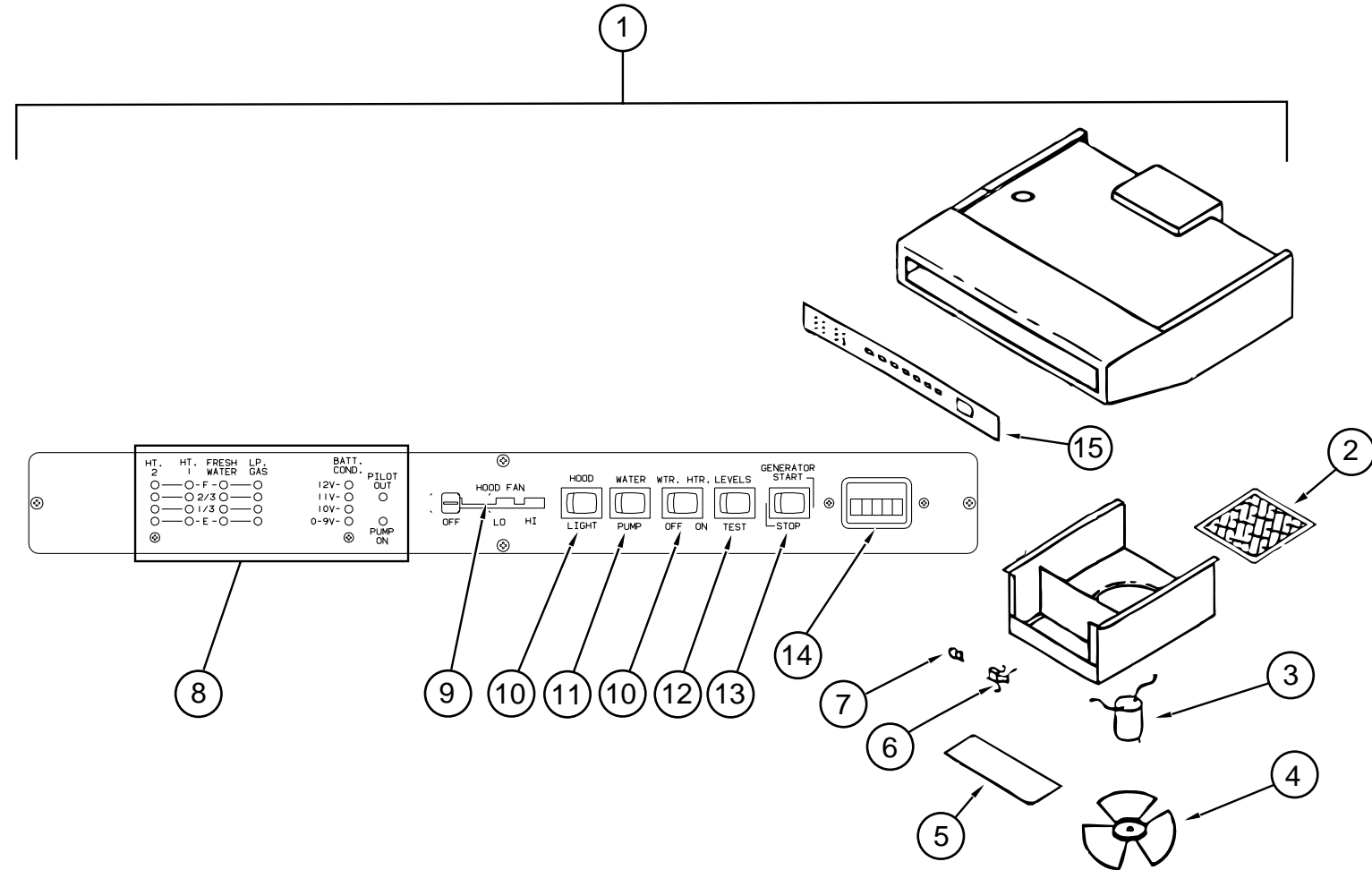
GALLEYGROUP(CONTINUED)



RANGEHOODW/OMONITORPANEL-CANADIAN-MODELTCS-5008-NACL

| KEY | PARTNUMBER | U/M DESCRIPTION | VENDORNO. |
|-----|---------------|--|-----------|
| 1 | 100258-17-03A | EA HOOD-RANGE-W/OMONITORPANEL | |
| 2 | 096983-01-707 | EA FILTER-MESH | CC246 |
| 3 | 090973-01-700 | EA MOTOR-LVS | CA508-1 |
| 4 | 090973-01-702 | EA BLADE-FAN,LVS | VA183-1 |
| 5 | 092696-02-701 | EA LENS-LAMP,LVS | CC179-2 |
| 6 | 092696-01-710 | EA HOLDER-LAMP | CB267-2 |
| 7 | 117806-01-000 | EA BULB-12VNO.9121.0AMPS | |
| 8 | 096983-01-700 | EA SWITCH-ON/OFF,VENTLINE | 108 |
| 9 | 100258-01-700 | EA HOOD-NOSELABEL | CC428 |
| 10 | 096983-01-702 | EA SWITCH-TWOWAYMOMENTARY,VENTLINE | 112 |
| 11 | 100258-10-01A | EA GAUGE-HOURMETER, W/SWITCH-SCREWON 150 | |
| 11 | 100258-10-701 | EA GAUGE-HOURMETER,CLIPON | L0775-00 |
| 11 | 097944-03-700 | EA PLATE-COVER,HOURMETER-VENTLINE | L6052 |

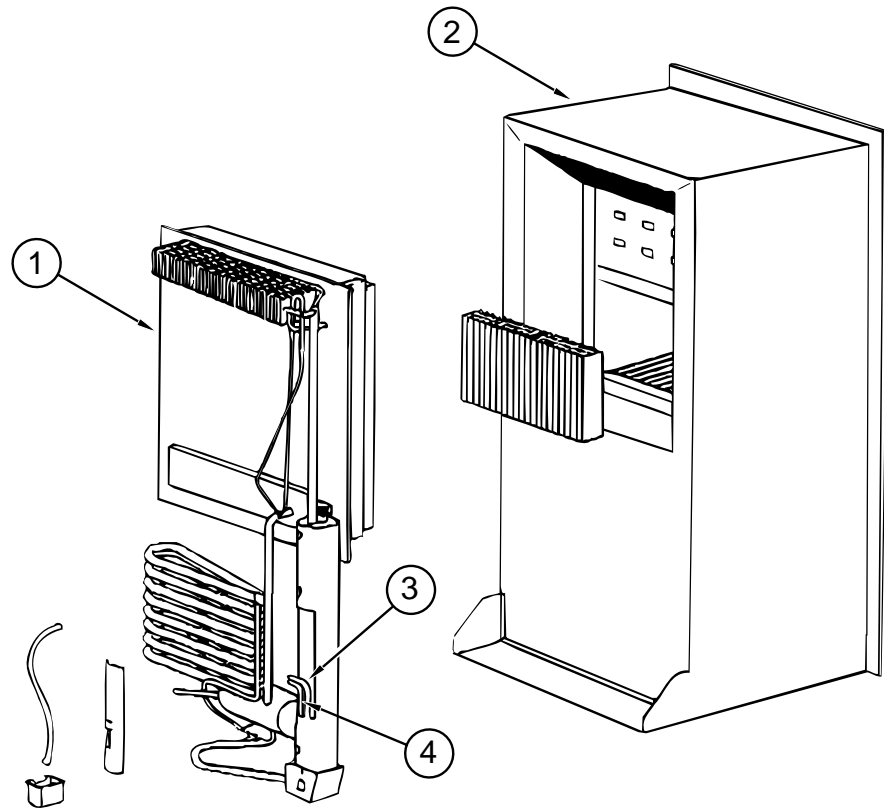
GALLEYGROUP(CONTINUED)



RANGEHOODW/OMONITORPANEL-EXPORT-MODELTMS-5012-SBDL

| KEY | PARTNUMBER | U/M DESCRIPTION | VENDORNO. |
|-----|---------------|--|-----------|
| 1 | 100258-22-03A | EA HOOD-RANGE-W/OMONITORPANEL | |
| 2 | 096983-01-707 | EA FILTER-MESH | CC246 |
| 3 | 090973-01-700 | EA MOTOR-LVS | CA508-1 |
| 4 | 090973-01-702 | EA BLADE-FAN,LVS | VA183-1 |
| 5 | 092696-02-701 | EA LENS-LAMP,LVS | CC179-2 |
| 6 | 092696-01-710 | EA HOLDER-LAMP | CB267-2 |
| 7 | 117806-01-000 | EA BULB-12VNO.9121.0AMPS | |
| 8 | 100258-11-700 | EA BOARD-CIRCUIT | L5099-01 |
| 9 | 100258-04-701 | EA BEZEL-SWITCHLEVER | CC116 |
| 9 | 092696-01-701 | EA KNOB-PLASTIC | CC225 |
| 10 | 096983-01-700 | EA SWITCH-ON/OFF,VENTLINE | 108 |
| 11 | 096983-01-703 | EA SWITCH-ON/ON | L0115-00 |
| 12 | 096983-01-701 | EA SWITCH-SPSTMOM.2TERM | L0111-00 |
| 13 | 096983-01-702 | EA SWITCH-TWOWAYMOMENTARY,VENTLINE | 112 |
| 14 | 100258-10-01A | EA GAUGE-HOURMETER, W/SWITCH-SCREWON 150 | |
| 15 | 100258-12-700 | EA PANEL-CONTROLASSEMBLY | LA9076 |
| | 092696-01-702 | EA RESISTER-WIRE | L7314 |
| | 092698-02-700 | EA FASTENER-PUSH | VB430 |

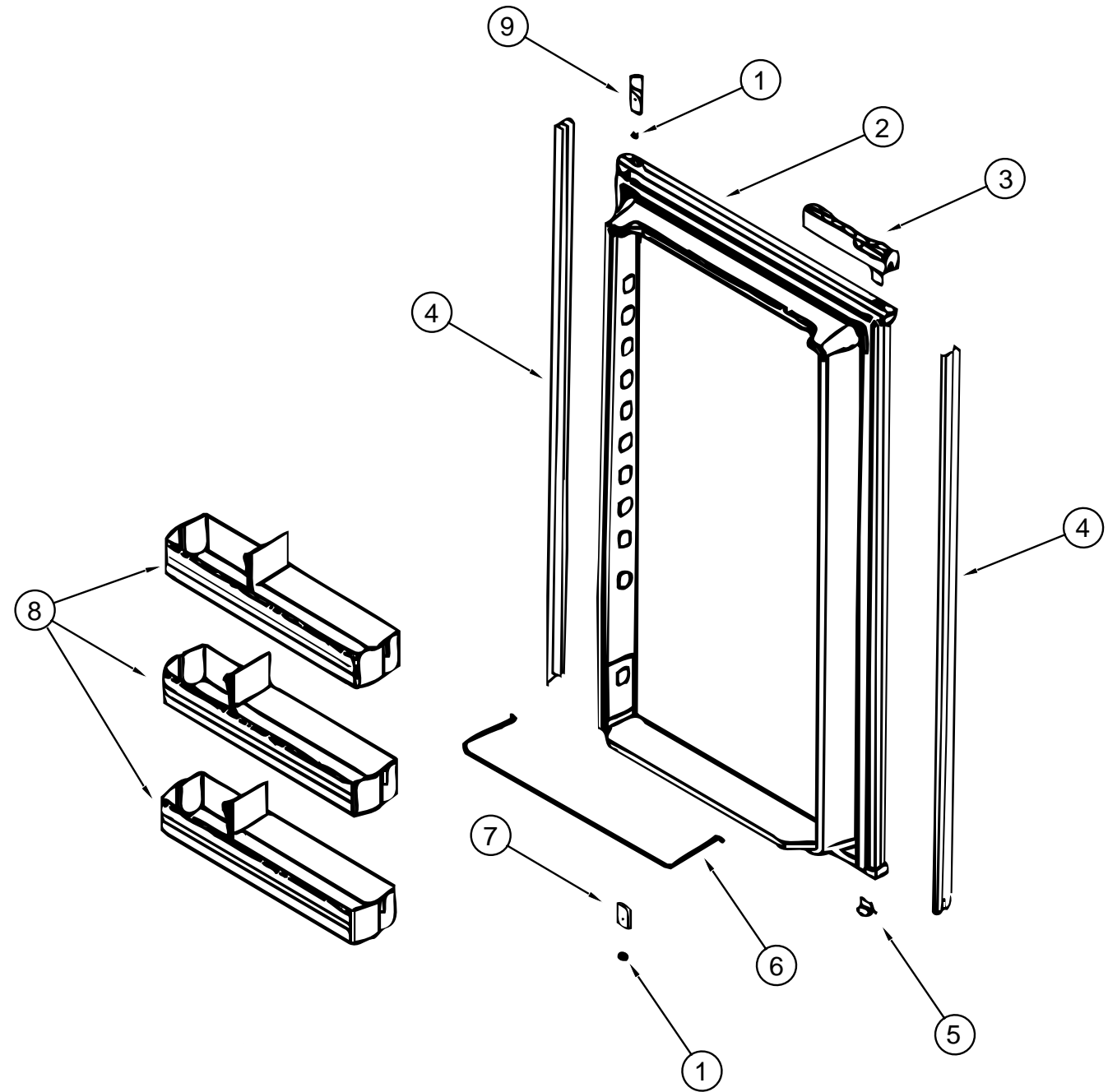
GALLEYGROUP(CONTINUED)



NORCOLDREFRIGERATORSMALLDOUBLEDOOR-MODEL9162L

| KEY | PARTNUMBER | U/M DESCRIPTION | VENDORNO. |
|-----|---------------|--|-----------|
| | 121568-02-01A | EA REFRIGERATOR-SMALLDOUBLEDOOR-LEFTHAND-2-WAY | |
| 1 | 120076-01-704 | EA COOLINGUNIT,SERVICEPACK | 618543 |
| 2 | 120076-01-703 | EA CABINET-FOAMED | 618260 |
| 3 | 088248-01-710 | EA HEATERDC(HORIZONTAL) | 61562822 |
| 4 | 088248-01-709 | EA HEATER-AC(HORIZONTAL) | 61562722 |

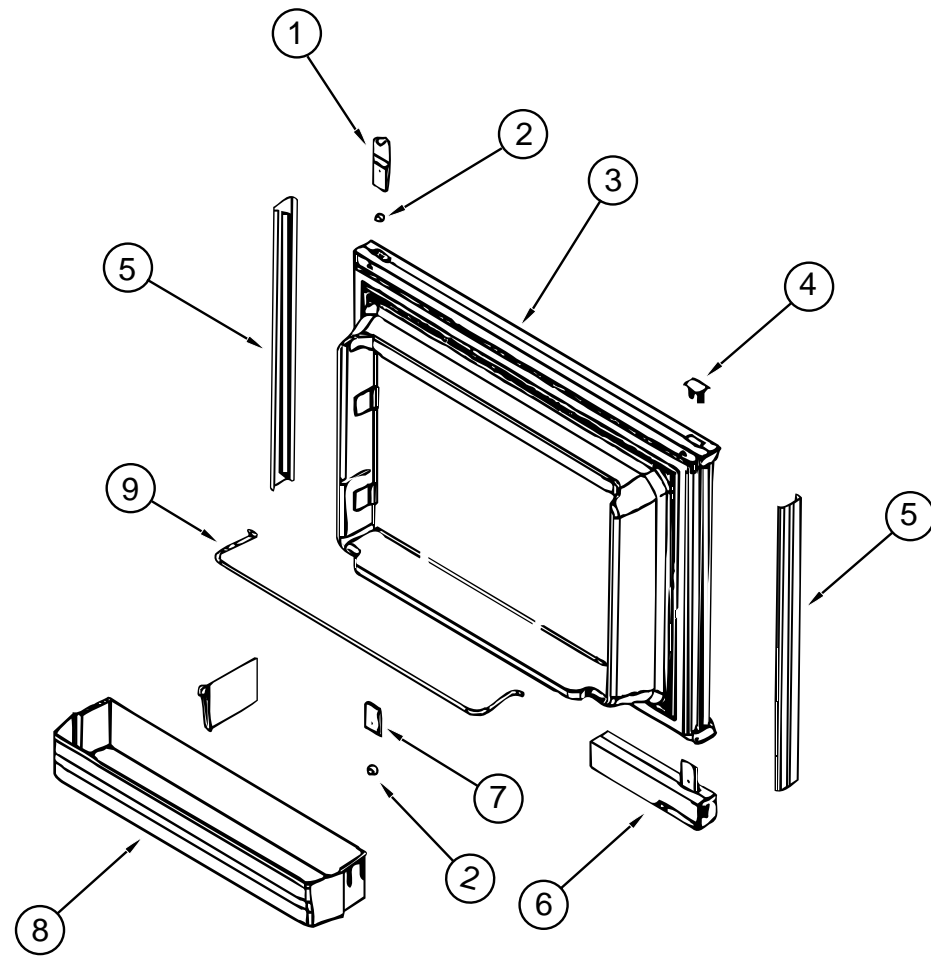
GALLEYGROUP(CONTINUED)



NORCOLDREFRIGERATORSMALLDOUBLEDOOR-MODEL9162L

| KEY | PARTNUMBER | U/M DESCRIPTION | VENDORNO. |
|-----|---------------|--|-----------|
| | 121568-02-01A | EA REFRIGERATOR-SMALLDOUBLEDOOR-LEFTHAND-2-WAY | |
| 1 | 120075-01-708 | EA BUSHING-DOORHINGE | 618144 |
| 2 | 120075-01-701 | EA DOOR-LOWER-FOAMED,W/GASKET | 618511 |
| 3 | 120075-01-711 | EA HANDLEASM,UPPERRH/LOWERLH | 618235 |
| 4 | 120076-01-700 | EA RETAINER-LOWERDOORPANEL | 618132 |
| 5 | 120075-01-702 | EA CAP,(HINGEPLUG) | 618160 |
| 6 | 121568-01-704 | EA RAIL-DOORLOWER | 618578 |
| 7 | 120075-01-705 | EA HINGE,PAINTED,TOPLH/BTMRH | 618510 |
| 8 | 121568-01-701 | EA BIN-DOORWHITE | 618619 |
| 9 | 120075-01-701 | EA HINGE-TOPRH/BTMLH,PAINTED | 618511 |

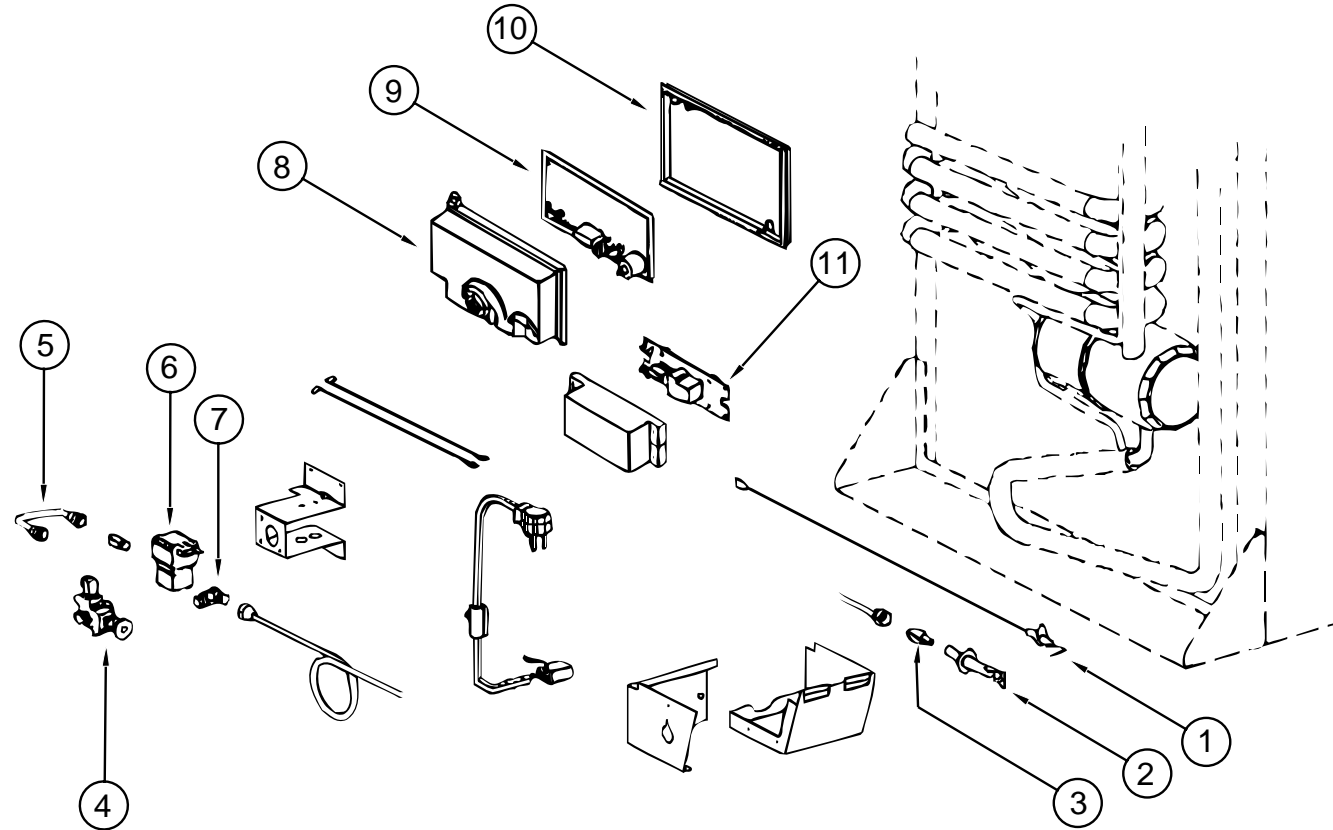
GALLEYGROUP(CONTINUED)



NORCOLDREFRIGERATORSMALDOUBLEDOOR-MODEL9162L

| KEY | PARTNUMBER | U/M DESCRIPTION | VENDORNO. |
|-----|---------------|--|-----------|
| | 121568-02-01A | EA REFRIGERATOR-SMALLDOUBLEDOOR-LEFTHAND-2-WAY | |
| 1 | 120075-01-701 | EA HINGE-TOPRH/BTMLH,PAINTED | 618511 |
| 2 | 120075-01-708 | EA BUSHING-DOORHINGE | 618144 |
| 3 | 120075-01-703 | EA DOORASM.,FOAMED,W/GASKET | 618205 |
| 4 | 120075-01-702 | EA CAP,(HINGEPLUG) | 618160 |
| 5 | 120075-01-700 | EA RETAINER-DOOR,DECORPANEL | 618128 |
| 6 | 121568-01-704 | EA DOORHANDLEASMLWR/LH-TOP/RH | 618230 |
| 7 | 120075-01-705 | EA HINGE,PAINTED,TOPLH/BTMRH | 618510 |
| 8 | 121568-01-701 | EA BIN-DOORWHITE | 618619 |
| 9 | 121568-01-700 | EA RAIL-DOORUPPER | 618618 |

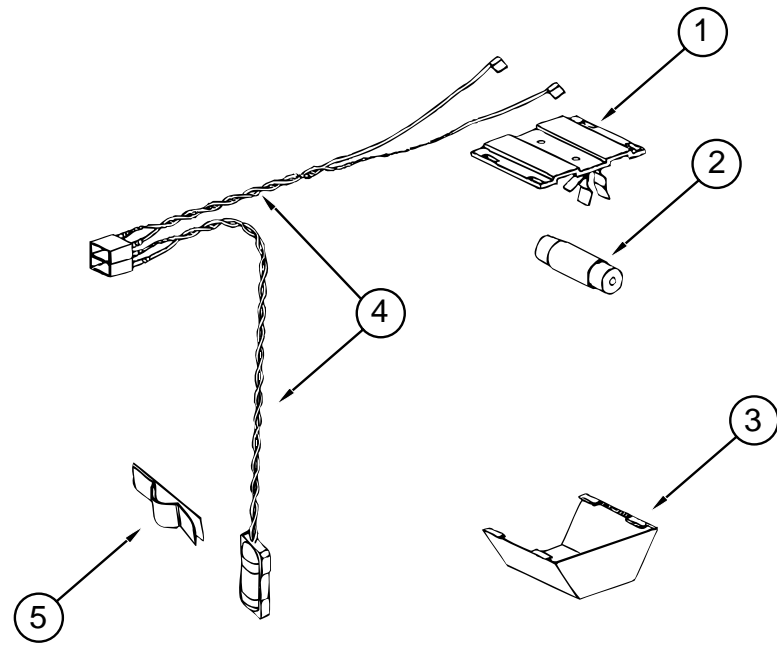
GALLEYGROUP(CONTINUED)



NORCOLDREFRIGERATORSMALDOUBLEDOOR-MODEL9162L

| KEY | PARTNUMBER | U/M DESCRIPTION | VENDORNO. |
|-----|---------------|--|-----------|
| | 121568-02-01A | EA REFRIGERATOR-SMALLDOUBLEDOOR-LEFTHAND-2-WAY | |
| 1 | 104137-06-715 | EA ELECTRODE-SPARK/SENSOR-SINGLE | 61692222 |
| 2 | 104137-06-714 | EA BURNERASSEMBLY-5-SLOT | 61705222 |
| 3 | 113737-01-737 | EA ORIFICEJEWEL-.0155 | 618248 |
| 4 | 104137-06-709 | EA VALVE-SHUTOFF-MANUAL | 61694922 |
| 5 | 113737-01-750 | EA TUBE-UNION | 61694622 |
| 6 | 084880-01-718 | EA VALVE-GAS-(ASCO) | 61551822 |
| 7 | 113737-01-716 | EA TAP-PRESSURE | 61594422 |
| | 113737-01-702 | EA PLUG1/8"F/PRESSURETAP | 61445322 |
| 8 | 120075-01-738 | EA COVER-POWERBOARD | 618185 |
| 9 | 120075-01-741 | EA BOARD-POWER-2-WAY | 618574 |
| 10 | 120075-01-740 | EA COVER-BASE-POWERBOARD | 618186 |
| 11 | 121568-01-711 | EA BOARD-MODULE-DC | 618561 |

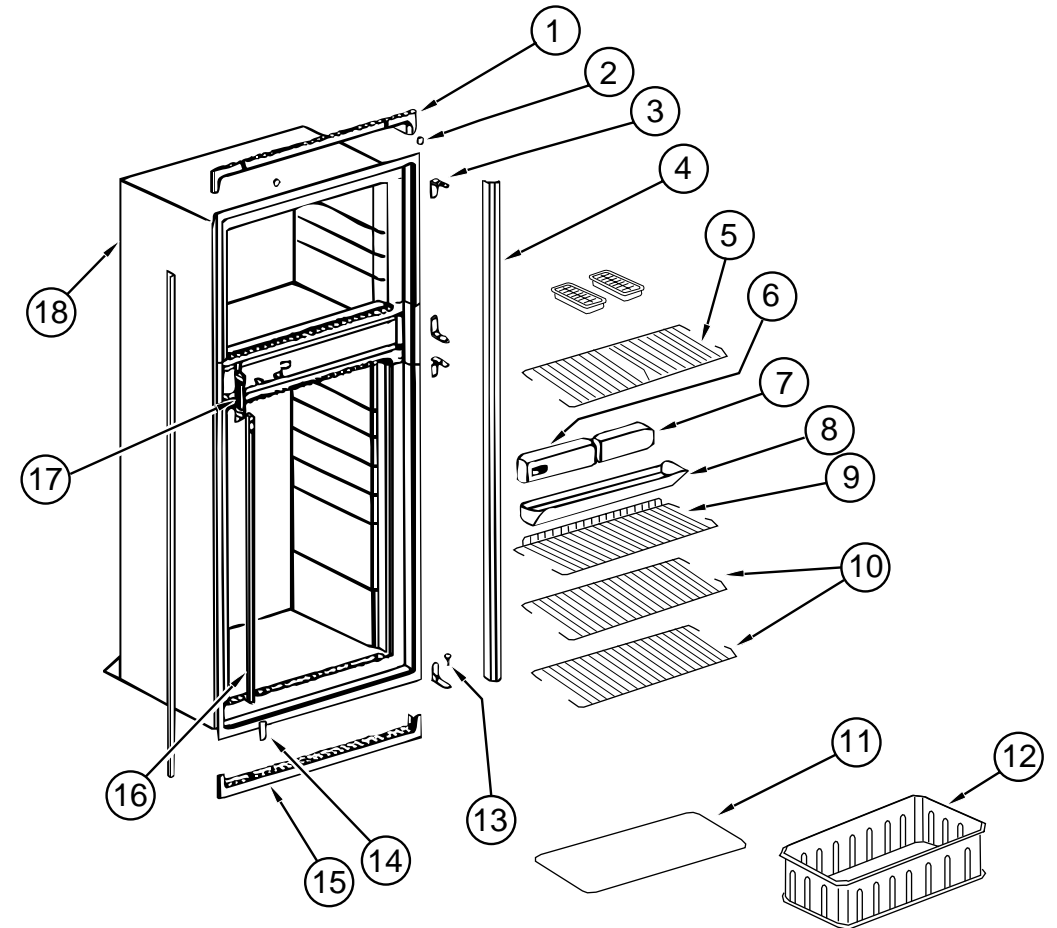
GALLEYGROUP(CONTINUED)



NORCOLDREFRIGERATORSMALLDOUBLEDOOR-MODEL9162L

| KEY | PARTNUMBER | U/M | DESCRIPTION | VENDORNO. |
|-----|---------------|-----|---|-----------|
| | 121568-02-01A | EA | REFRIGERATOR-SMALLDOUBLEDOOR-LEFTHAND-2-WAY | |
| 1 | 084880-03-705 | EA | BRACKET-LIGHT-INTERIOR | 61629722 |
| 2 | 084880-03-706 | EA | BULB-LAMP | 61628922 |
| 3 | 084880-03-707 | EA | COVER-LAMP,LENS | 61627922 |
| 4 | 120075-01-735 | EA | WIREASM.-LAMP | 618548 |
| 5 | 084880-01-760 | EA | CLIP(THERMISTER) | 61689122 |

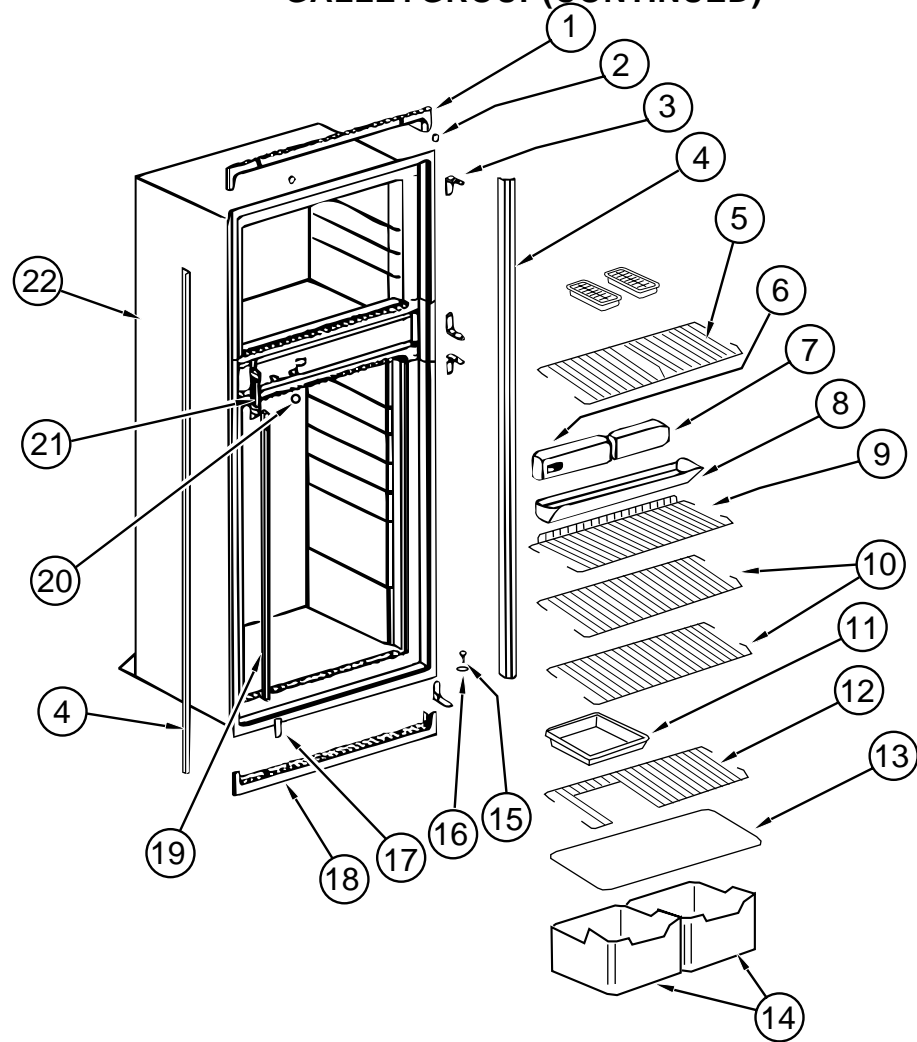
GALLEYGROUP(CONTINUED)



NORCOLDMODEL9162LREFRIGERATORCABINETASMWITHTRAY,TIEDOWNS&LEVEL

| KEY | PARTNUMBER | U/M | DESCRIPTION | VENDORNO. |
|-----|---------------|-----|---|-----------|
| | 121568-02-01A | EA | REFRIGERATOR-SMALLDOUBLEDOOR-LEFTHAND-2-WAY | |
| 1 | 120075-01-713 | EA | TRIM-TOPPIECE | 618124 |
| 2 | 120075-01-714 | EA | PLUG-HOLE | 618170 |
| 3 | 120075-01-715 | EA | HINGE-CABINETSIDE-PAINTED | 618512 |
| 4 | 120076-01-702 | EA | TRIM,SIDEPIECE | 618133 |
| 5 | 121568-01-705 | EA | SHELF-WIREFREEZER | 618620 |
| 6 | 121568-01-706 | EA | CONTROLBOXASSEMBLY | 618588 |
| | 120075-01-708 | EA | BUSHING-DOORHINGE | 618144 |
| 7 | 120075-01-718 | EA | BOX-FILLER | 618112 |
| 8 | 120075-01-720 | EA | TRAY-DRIP | 618137 |
| | 120075-01-721 | EA | LOUVER-DRIPTRAY | 618176 |
| 9 | 121568-01-707 | EA | SHELF-WIRE-SHORT | 618624 |
| 10 | 121568-01-708 | EA | SHELF-WIRE | 618589 |
| 11 | 120075-01-725 | EA | COVER-CRISPER | 618158 |
| 12 | 121568-01-709 | EA | CRISPER | 618571 |
| 13 | 120075-01-727 | EA | PIN-HINGE | 618145 |
| 14 | 120075-01-728 | EA | COVER-HINGEHOLE | 618171 |
| 15 | 120075-01-729 | EA | TRIM-BOTTOMPIECE | 618136 |
| 16 | 120075-01-730 | EA | RETAINER-SHELF | 618181 |
| 17 | 120075-01-732 | EA | PLATE-STRIKE | 618167 |
| 18 | 120076-01-703 | EA | CABINET-FOAMED | 618260 |
| | 120075-01-731 | EA | PLUG-FACADE | 618184 |
| | 093646-01-000 | EA | BRACKET-TIEDOWN/REFRIGERATOR-RIGHTHAND | |
| | 093646-02-000 | EA | BRACKET-TIEDOWN/REFRIGERATOR-LEFTHAND | |
| | 116751-01-01A | EA | TRAY-REFRIGERATORBLK | |
| | 054450-01-000 | EA | LEVEL-REFRIGERATOR | |

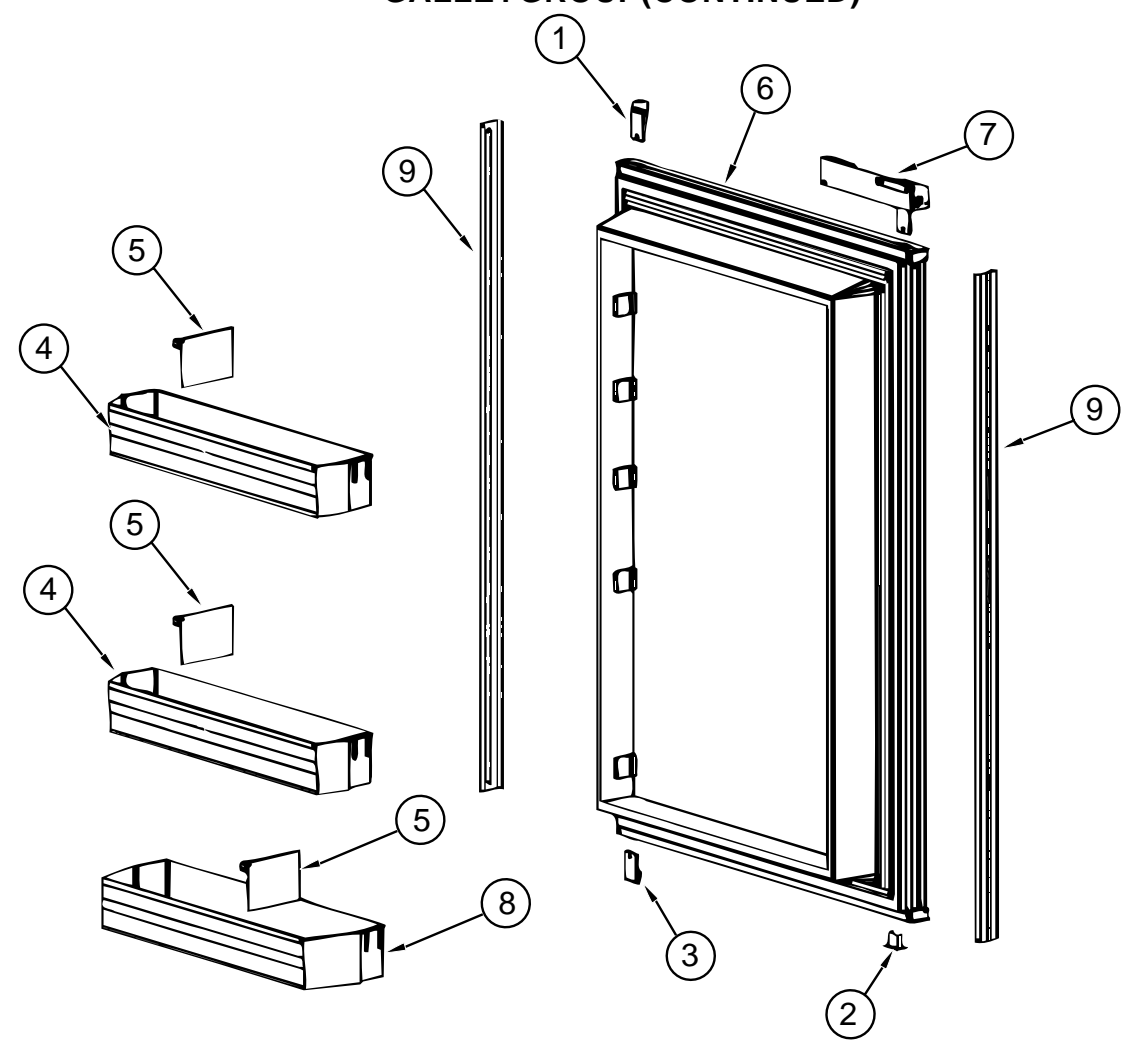
GALLEYGROUP(CONTINUED)



NORCOLDREFRIGERATORLARGEDOUBLEDOOR-MODEL983LH-EXPORT

| KEY | PARTNUMBER | U/M DESCRIPTION | VENDORNO. |
|-----|---------------|---------------------------------------|-----------|
| | 120075-06-01A | EA REFRIGERATOR-LARGEDOUBLEDOOR-BLACK | |
| 1 | 120075-01-713 | EA TRIM-TOPPIECE | 618124 |
| 2 | 120075-01-714 | EA PLUG-HOLE | 618170 |
| 3 | 120075-01-715 | EA HINGE-CABINETSIDE-PAINTED | 618512 |
| 4 | 120075-01-716 | EA TRIM-SIDEPiece | 618134 |
| 5 | 120075-01-717 | EA SHELF-FREEZER,WIRE | 618172 |
| 6 | 120075-01-719 | EA OPTICALCONTROLBOXASSEMBLY | 618245 |
| 7 | 120075-01-718 | EA BOX-FILLER | 618112 |
| 8 | 120075-01-720 | EA TRAY-DRIP | 618137 |
| | 120075-01-721 | EA LOUVER-DRIPTRAY | 618176 |
| 9 | 120075-01-722 | EA SHELF-WIRE,SHORT | 618239 |
| 10 | 120075-01-723 | EA SHELF-WIRE | 618114 |
| 11 | 120075-06-718 | EA SHELF-TRAY,WHITE,W/CUTOUT | 617756 |
| 12 | 120075-01-724 | EA SHELF-WIRE,W/CUTOUT | 618177 |
| 13 | 120075-01-725 | EA COVER-CRISPER | 618158 |
| 14 | 120075-03-704 | EA BIN-ICECUBE | 618154 |
| 15 | 120075-01-727 | EA PIN-HINGE | 618145 |
| 16 | 120075-01-708 | EA BUSHING-DOORHINGE | 618144 |
| 17 | 120075-01-728 | EA COVER-HINGEHOLE | 618171 |
| 18 | 120075-01-729 | EA TRIM-BOTTOMPIECE | 618136 |
| 19 | 120075-01-730 | EA RETAINER-SHELF | 618181 |
| 20 | 120075-01-731 | EA PLUG-FACADE | 618184 |
| 21 | 120075-01-732 | EA PLATE-STRIKE | 618167 |
| 22 | 120075-03-700 | EA CABINET-FOAMED | 618285 |
| | 116751-01-01A | EA TRAY-REFRIGERATORBLK | |
| | 054450-01-000 | EA LEVEL-REFRIGERATOR | |
| | 103251-07-01A | EA INSERT-ACRYLIC/BLACK-21.60"X14.53" | |
| | 103251-08-01A | EA INSERT-ACRYLICBLACK-21.60"X31.62" | |

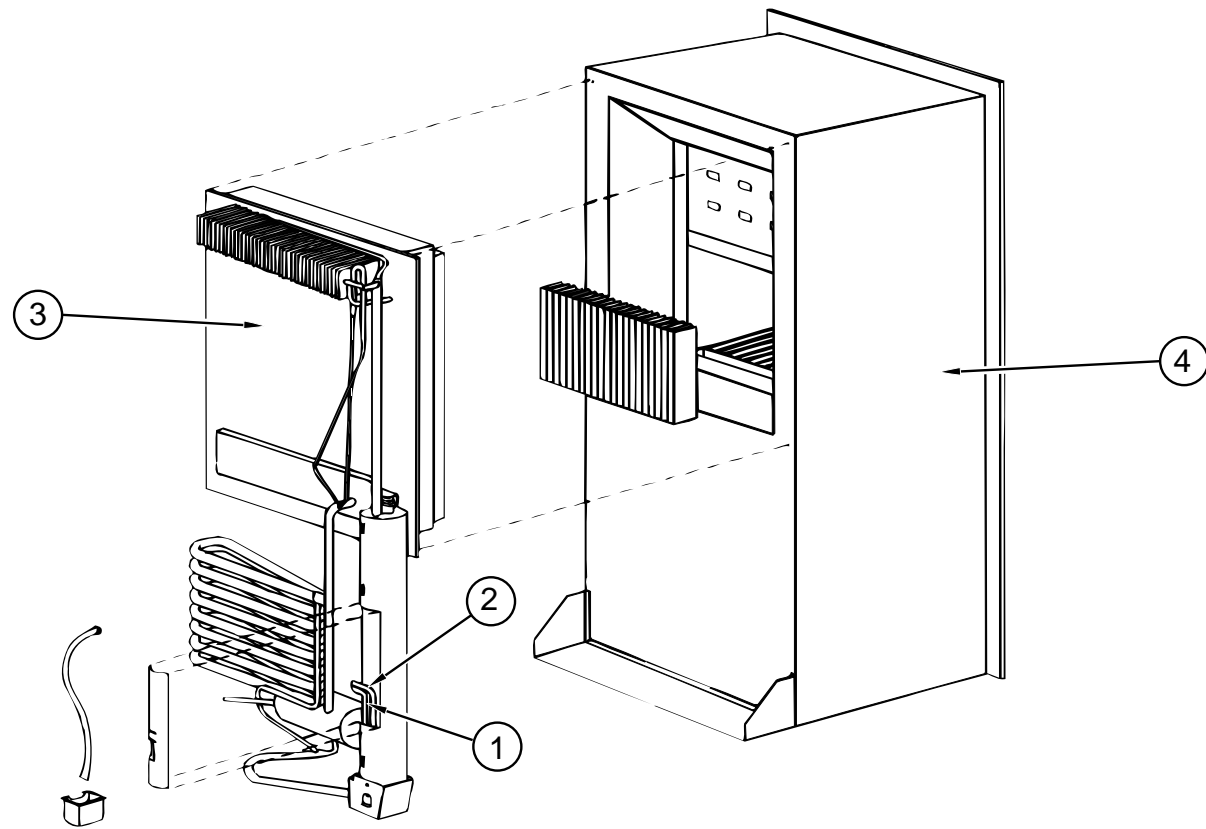
GALLEYGROUP(CONTINUED)



NORCOLDREFRIGERATORLARGEDOUBLEDOOR-MODEL983LH-EXPORT

| KEY | PARTNUMBER | U/M DESCRIPTION | VENDORNO. |
|-----|---------------|---------------------------------------|-----------|
| | 120075-06-01A | EA REFRIGERATOR-LARGEDOUBLEDOOR-BLACK | |
| 1 | 120075-01-701 | EA HINGE-TOPRH/BTMLH,PAINTED | 618511 |
| 2 | 120075-01-702 | EA CAP,(HINGEPLUG) | 618160 |
| 3 | 120075-01-705 | EA HINGE,PAINTED,TOPLH/BTMRH | 618510 |
| 4 | 120075-01-706 | EA BIN-DOOR | 618635 |
| 5 | 120075-01-707 | EA DIVIDER-DOORBIN | 618637 |
| 6 | 120075-01-710 | EA DOOR-LOWER-FOAMED-W/GASKET | 618270 |
| 7 | 120075-01-704 | EA DOORHANDLE-UPRRH/LWRLH | 618230 |
| 8 | 120075-01-712 | EA BIN-DOOR/BOTTOM-LARGE | 618634 |
| 9 | 121568-01-703 | EA RETAINER-PANELLOWERDOOR | 618129 |

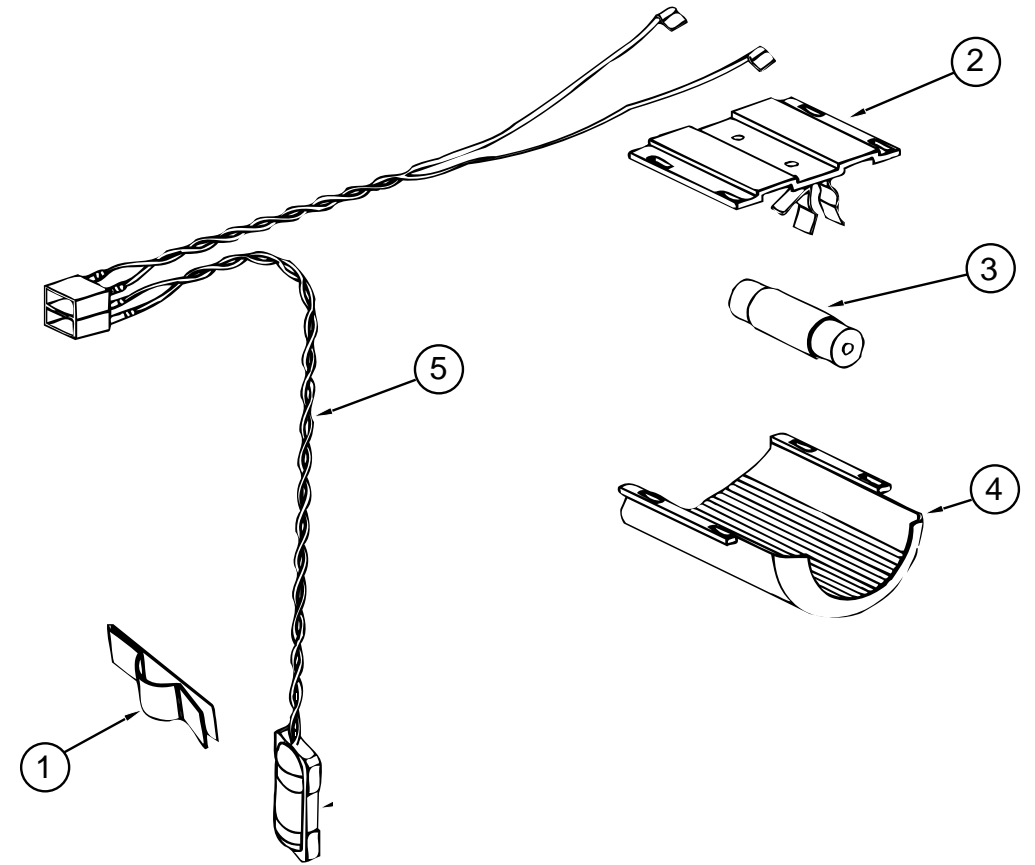
GALLEYGROUP(CONTINUED)



NORCOLDREFRIGERATORLARGEDOUBLEDOOR-MODEL983LH-EXPORT

| KEY | PARTNUMBER | U/M | DESCRIPTION | VENDORNO. |
|-----|---------------|-----|--|-----------|
| | 120075-06-01A | EA | REFRIGERATOR-LARGEDOUBLEDOOR-BLACK | |
| 1 | 120075-01-736 | EA | COOLINGUNIT,SERVICEPACK | 618542 |
| 2 | 120075-03-700 | EA | CABINET-FOAMED | 618285 |
| 3 | 088248-01-710 | EA | HEATERDC(HORIZONTAL) | 61562822 |
| 4 | 088248-01-709 | EA | HEATER-AC(HORIZONTAL) | 61562722 |
| | 123674-01-000 | EA | HEATER-ELEMENT-REFRIGERATOR-220V-WIEEXPORT | 618224 |

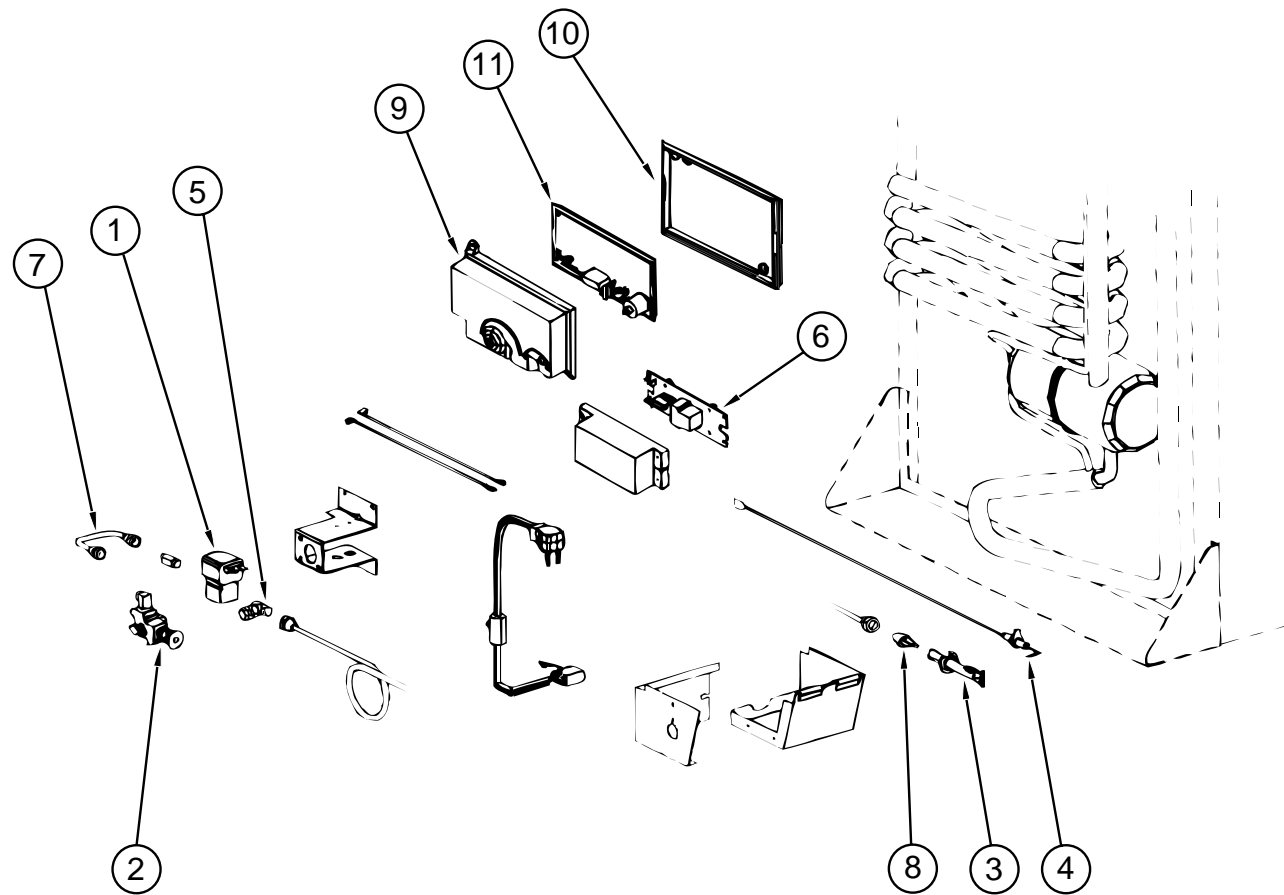
GALLEYGROUP(CONTINUED)



NORCOLDREFRIGERATORLARGEDOUBLEDOOR-MODEL983LH-EXPORT

| KEY | PARTNUMBER | U/M | DESCRIPTION | VENDORNO. |
|-----|---------------|-----|------------------------------------|-----------|
| | 120075-06-01A | EA | REFRIGERATOR-LARGEDOUBLEDOOR-BLACK | |
| 1 | 084880-01-760 | EA | CLIP(THERMISTER) | 61689122 |
| 2 | 084880-03-705 | EA | BRACKET-LIGHT-INTERIOR | 61629722 |
| 3 | 084880-03-706 | EA | BULB-LAMP | |
| 4 | 120075-01-734 | EA | COVER-LENS | 618190 |
| 5 | 120075-01-735 | EA | THERMISTERW/LAMP&WIRE/ASM | 618548 |

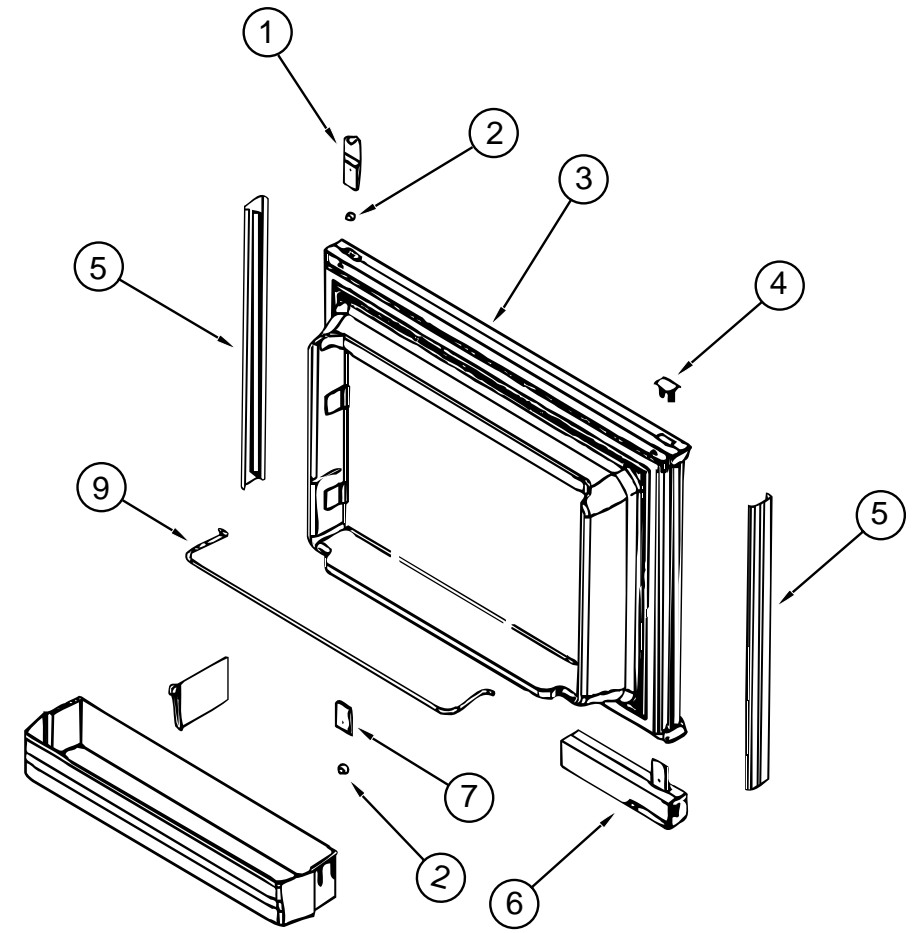
GALLEYGROUP(CONTINUED)



NORCOLDREFRIGERATORLARGEDOUBLEDOOR-MODEL983LH-EXPORT

| KEY | PARTNUMBER | U/M DESCRIPTION | VENDORNO. |
|-----|---------------|---------------------------------------|-----------|
| | 120075-06-01A | EA REFRIGERATOR-LARGEDOUBLEDOOR-BLACK | |
| 1 | 084880-01-718 | EA VALVE-GAS,(ASCO) | 61551822 |
| 2 | 104137-06-709 | EA VALVE-SHUTOFF,MANUAL | 61694922 |
| 3 | 104137-06-714 | EA BURNERASSEMBLY,5-SLOT | 61705222 |
| 4 | 104137-06-715 | EA ELECTRODE-SPARK/SENSOR,SINGLE | 61692222 |
| 5 | 113737-01-716 | EA TAP-PRESSURE | 61594422 |
| | 113737-01-702 | EA PLUG1/8" F/PRESSURETAP | 61445322 |
| 6 | 120076-03-700 | EA BOARD-POWER/3-WAY | 618224 |
| 7 | 113737-01-750 | EA TUBE-UNION | 61694622 |
| 8 | 120075-01-737 | EA ORIFICE-JEWEL-.0155 | 618284 |
| 9 | 120075-01-738 | EA COVER-POWERBOARD | 618185 |
| 10 | 120075-01-740 | EA COVER-BASE,POWERBOARD | 618186 |
| | 121568-01-711 | EA MODULEBOARD | 618516 |

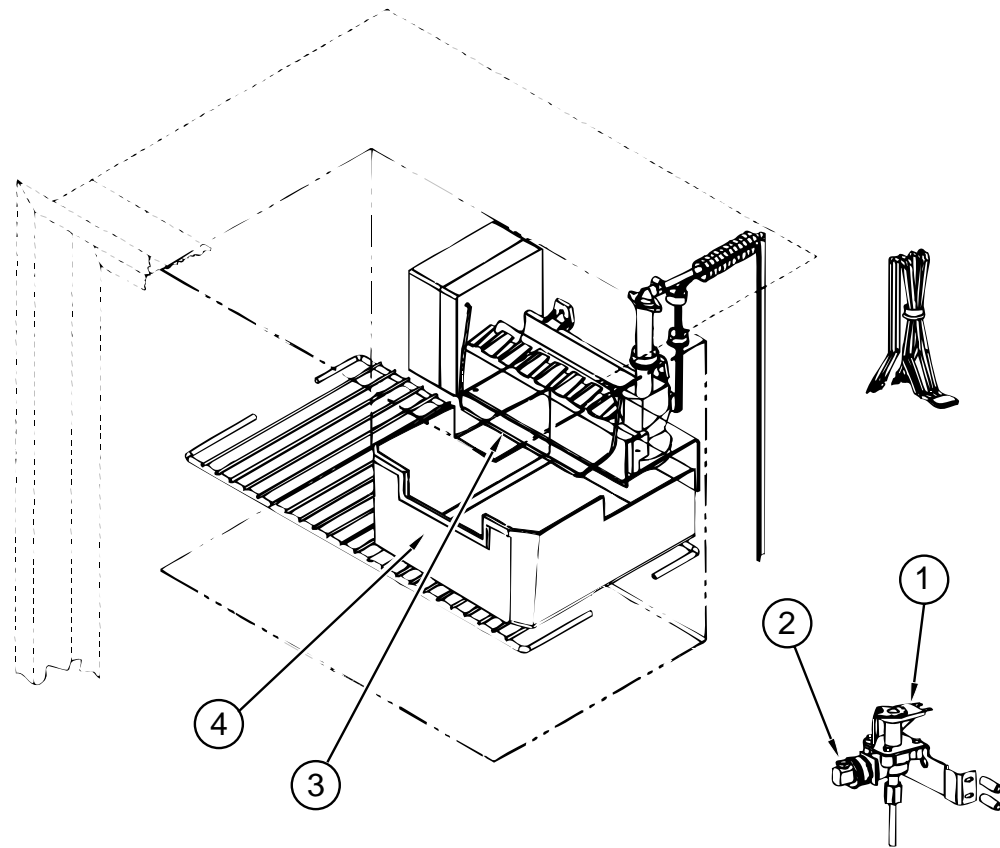
GALLEYGROUP(CONTINUED)



NORCOLDREFRIGERATORLARGEDOUBLEDOOR-MODEL983LH-EXPORT

| KEY | PARTNUMBER | U/M DESCRIPTION | VENDORNO. |
|-----|---------------|---------------------------------------|-----------|
| | 120075-06-01A | EA REFRIGERATOR-LARGEDOUBLEDOOR-BLACK | |
| 1 | 120075-01-701 | EA HINGE-TOPRH/BTMLH,PAINTED | 618511 |
| 2 | 120075-01-708 | EA BUSHING-DOORHINGE | 618144 |
| 3 | 120075-01-703 | EA DOORASM.,FOAMED,W/GASKET | 618205 |
| 4 | 120075-01-702 | EA CAP,(HINGEPLUG) | 618160 |
| 5 | 120075-01-700 | EA RETAINER-DOOR,DECORPANEL | 618128 |
| 6 | 120075-01-704 | EA DOORHANDLE-UPRRH/LWRLH | 618230 |
| 7 | 120075-01-705 | EA HINGE,PAINTED,TOPLH/BTMRH | 618510 |
| 8 | 120075-01-706 | EA BIN-DOOR | 618635 |
| 9 | 120075-01-730 | EA RETAINER-SHELF | 618181 |

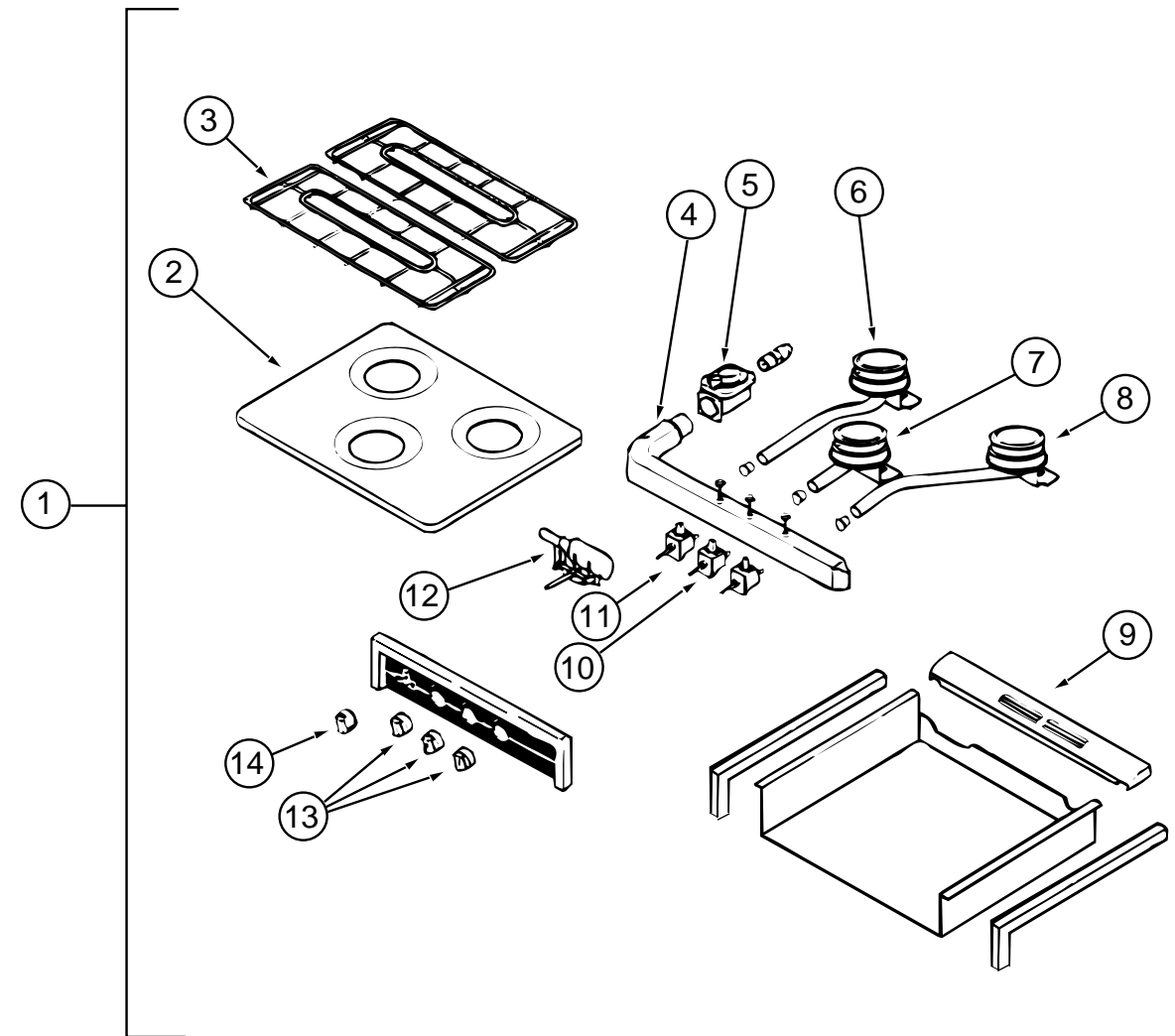
GALLEYGROUP(CONTINUED)



NORCOLDREFRIGERATORLARGEDOUBLEDOOR-MODEL983LH-EXPORT

| KEY | PARTNUMBER | U/M | DESCRIPTION | VENDORNO. |
|-----|---------------|-----|------------------------------------|-----------|
| | 120075-06-01A | EA | REFRIGERATOR-LARGEDOUBLEDOOR-BLACK | |
| 1 | 120075-03-701 | EA | VALVEASM.,WATER,W/BRACKET | 618253 |
| 2 | 120075-03-702 | EA | NUT/COMPRESSION-FITTING | 61678722 |
| 3 | 120075-03-703 | EA | ARM-SHUTOFF | 61656922 |
| 4 | 120075-03-704 | EA | BIN-ICECUBE | 618154 |

GALLEYGROUP(CONTINUED)

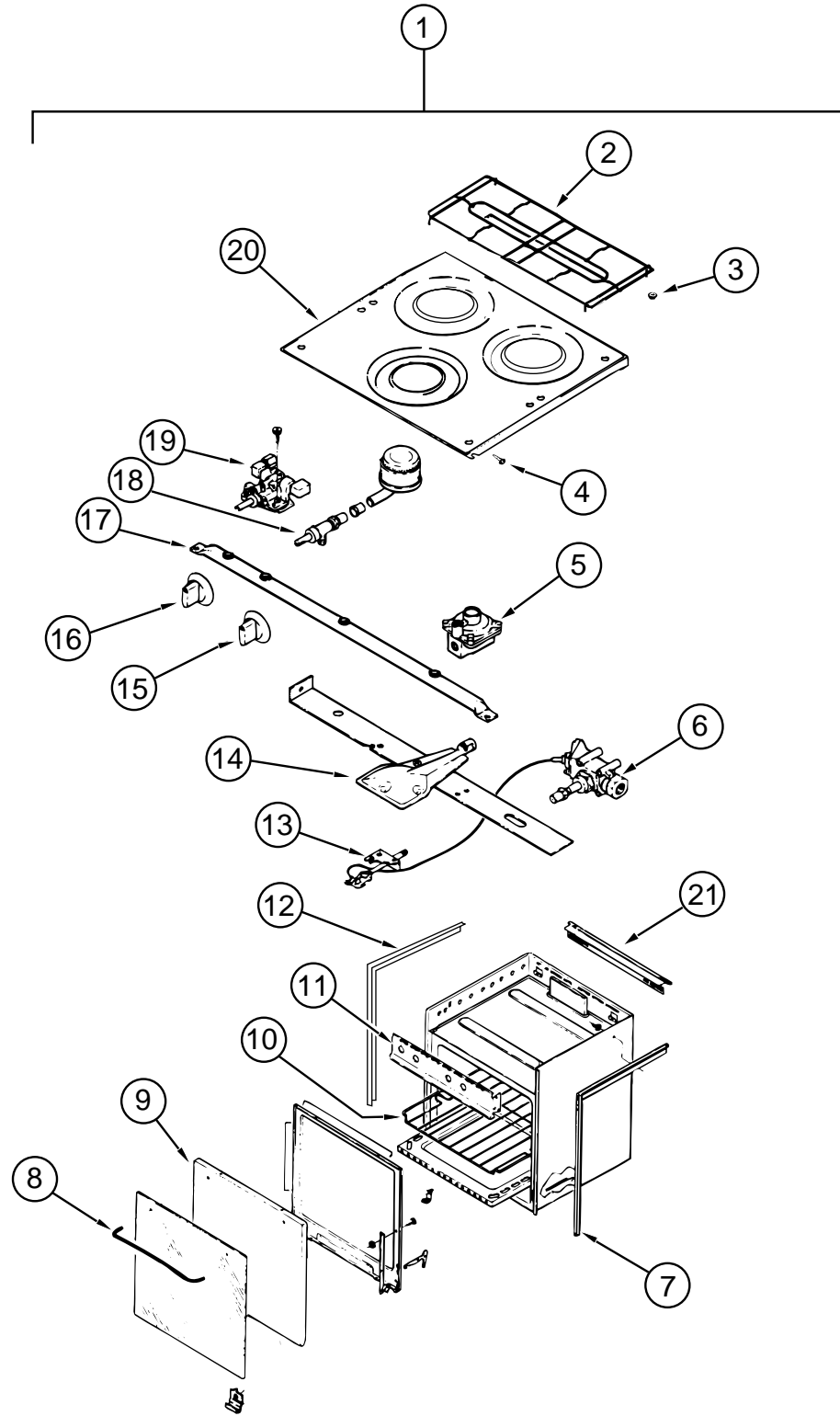


3BURNERRANGE-ATWOOD-MODELC-36-JAPANEXPORT

| KEY | PARTNUMBER | U/M | DESCRIPTION | VENDORNO. |
|-----|---------------|-----|--------------------------------------|-----------|
| 1 | 121757-01-01A | EA | RANGETOP-3BURNERBLKHIGH-ATWOODC-37BP | |
| 2 | 121758-01-714 | EA | RANGE-TOP,ALMOND | 53082 |
| 3 | 107246-01-701 | EA | GRATE-BURNER | 53050 |
| | 107323-01-711 | EA | CUSHION-GRATE,RUBBER | 53008 |
| | 107323-01-716 | EA | CLIP-GRATE,GREEN | 50005 |
| 4 | 121757-01-700 | EA | MANIFOLD-3BURNER | 56072 |
| 5 | 106689-01-704 | EA | REGULATOR-EXTREMEPRESSURE | 51062 |
| 6 | 121758-01-707 | EA | BURNERLEFTREARPIEZO | 56066 |
| 7 | 121758-01-708 | EA | BURNERCENTER(HIGHOUTPUT) | 56068 |
| 8 | 121758-01-706 | EA | BURNERRIGHTREARPIEZO | 56067 |
| 9 | 107323-01-705 | EA | TRIM-VENT | 53525 |
| 10 | 121758-01-705 | EA | VALVEHIGHOUTPUT | 56087 |
| 11 | 121758-01-710 | EA | VALVE,BURNER(2) | 56086 |
| 12 | 121758-01-701 | EA | IGNITORPIEZO(ROTARY) | 56096 |
| 13 | 121758-01-712 | EA | KNOB,BURNER(3) | 56093 |
| 14 | 121758-01-700 | EA | KNOB-TURNTYPE/PIEZOIGNITOR | 56095 |
| | 121758-01-702 | EA | ELECTRODEWIRE/PIEZOIGNITOR | 56097 |
| | 121758-01-704 | EA | INSERTPIEZO | 56098 |
| | 081587-03-000 | EA | BRACKET-TIEDOWN,RANGE-RIGHT | |
| | 081587-04-000 | EA | BRACKET-TIEDOWN,RANGE-LEFT | |

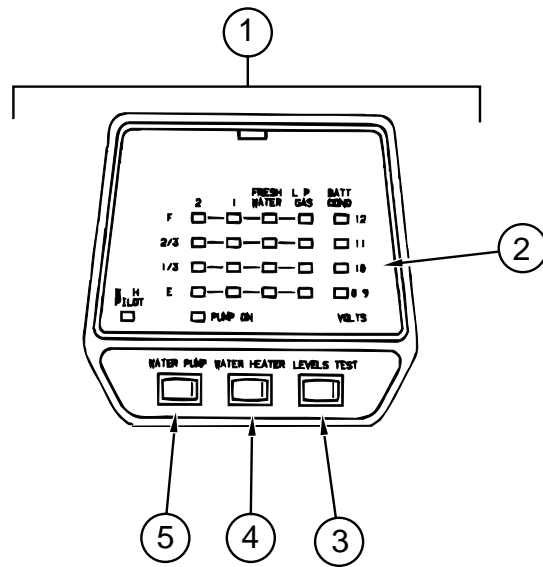
GALLEYGROUP(CONTINUED)

RANGEW/OVEN-MAGICCHEF-MODEL16RA-3B49



| KEY | PARTNUMBER | U/M | DESCRIPTION | VENDORNO. |
|-----|---------------|-----|--|---------------------|
| 1 | 112881-01-03A | EA | RANGE-16"3BURNER-ALMONDTOP/BLACKTEXTURED | DOOR |
| 2 | 102020-01-711 | EA | GRATE-TOP | 7518P012-60 |
| 3 | 102020-01-709 | EA | BUMPER-GRATE | 8007-P020-60 |
| 4 | 102020-01-724 | EA | BUMPER-MAINTOP | 8003P008-60 |
| 5 | 102022-01-708 | EA | REGULATOR, 1/4&1/2OUT | 7510P041-60 |
| 6 | 112881-01-702 | EA | VALVE-MERCURY(SAFETYVALVE) | 7501P12160=74001018 |
| 7 | 112881-01-720 | EA | TRIM-FLATRHBLACKTEXTURED | 74002812 |
| 8 | 102020-01-701 | EA | HANDLE,DOOR | 7701P092-60 |
| 9 | 112881-01-713 | EA | DOOR-OVEN-TEXTURED,BLACK | 2401F126-70 |
| 10 | 102020-01-700 | EA | SHELF-OVEN | 7801-P027-60 |
| 11 | 112881-01-701 | EA | PANEL-MANIFOLD | 2616F091-70 |
| 12 | 112881-01-719 | EA | TRIM-FLATLHBLACKTEXTURED | 74002813 |
| 13 | 112881-01-710 | EA | OVENPILOT | 7505P202-60 |
| 14 | 112881-01-711 | EA | BURNER-OVEN | 3403W025045 |
| 15 | 112881-01-705 | EA | KNOB-TOPBURNER | 7733P072-60 |
| 15 | 112881-01-718 | EA | KNOB,HIGHOUTPUT(FLAMEIND) | 74001794 |
| 16 | 112881-01-704 | EA | KNOB-THERMOSTAT | 7731P067-60 |
| 16 | 112881-01-716 | EA | KNOB,THERMOSTAT-SER#3C | 7731P107-60 |
| 17 | 112881-01-709 | EA | PIPE-MANIFOLD | 7513P097-60 |
| 18 | 102020-01-722 | EA | VALVE-TOPBURNER | 7502P181-60 |
| 18 | 112881-01-703 | EA | VALVE-TOPBURNERHI-OUTPUT | 7502P180-60 |
| 19 | 112881-01-706 | EA | THERMOSTAT-REF.SER#02C | 7515P031-60 |
| 19 | 112881-01-722 | EA | THERMOSTAT | 7515P029-60 |
| 19 | 112881-01-715 | EA | THERMOSTAT-REF.SER.#3C | 7515P037-60 |
| 20 | 112881-01-700 | EA | RANGE-TOP3-BURNER,ALMOND | 2001F110-84 |
| 21 | 112881-01-721 | EA | DEFLECTORFLUEBLACKTEXTURE | 74002809 |
| | 105458-03-000 | EA | BRACKET-TIEDOWN/STOVE-RIGHTHAND | |
| | 105458-04-000 | EA | BRACKET-TIEDOWN/STOVE-LEFTHAND | |

GALLEYGROUP(CONTINUED)



MONITORPANEL-LVS

| KEY | PARTNUMBER | U/M DESCRIPTION | VENDORN. |
|-----|---------------|---|----------|
| 1 | 102765-04-01A | EA PANEL-MONITOR2TANKWATERHEATER-LVSW/PLUG-ALMOND | |
| 2 | 102765-04-700 | EA BOARD-CIRCUIT,2HOLDINGTANK | L5097-41 |
| 3 | 097617-01-702 | EA SWITCH(ALMOND) | 107 |
| 4 | 097617-01-701 | EA SWITCH-ON/OFF,ALMOND | 106 |
| 5 | 102765-01-700 | EA SWITCH-ON-ON,ALMOND | 110-01 |

MICROWAVEOVEN

| KEY | PARTNUMBER | U/M DESCRIPTION | VENDORN. |
|-----|---------------|--|----------|
| | 115303-01-000 | EA MICROWAVE OVEN-14 1/8"HX21 7/8"WX13 1/4"-D.8CUFT./700WATT | |
| | 115303-01-700 | EA TRIMF/VENT, TOP | 2100309 |
| | 115401-01-01A | EA TRIM-MICROWAVE | |
| | 098916-12-01A | EA BRACE-MICROWAVECABINET | |
| | 098916-13-01A | EA BRACE-MICROWAVECABINET | |
| | 094750-07-000 | EA BRACKET-MICROWAVE-89DEGREE | |

GENERATORGROUP

3.6KWONANGENERATOR-LP

| KEY | PARTNUMBER | U/M DESCRIPTION |
|-----|---------------|--|
| | 109982-04-000 | EA GENERATOR-3.6MICROLITE-ONANKY-FA/26120B |
| | 007067-01-000 | SF INSULATION-FIBERGLASS-1"THICKX4'-INCREMENTS/4SF |
| I | 007125-04-000 | EA CLAMP-MUFFLER-1.12"DIA METER |
| | 105958-09-000 | EA PIPE-GENERATOREXHAUST1.25"ODX5.9"X22" |

4.0KWONANGENERATOR

| KEY | PARTNUMBER | U/M DESCRIPTION |
|-----|---------------|--|
| | 109982-03-000 | EA GENERATOR-4.0MICROLITE-ONAN#KY-FA/2600B |
| | 007067-01-000 | SF INSULATION-FIBERGLASS-1"THICKX4'-INCREMENTS/4SF |
| | 007125-04-000 | EA CLAMP-MUFFLER-1.12"DIA METER |
| | 105958-08-000 | EA PIPE/EXHAUST-GENERATOR |

4.0KWONANGENERATOR-EXPORT

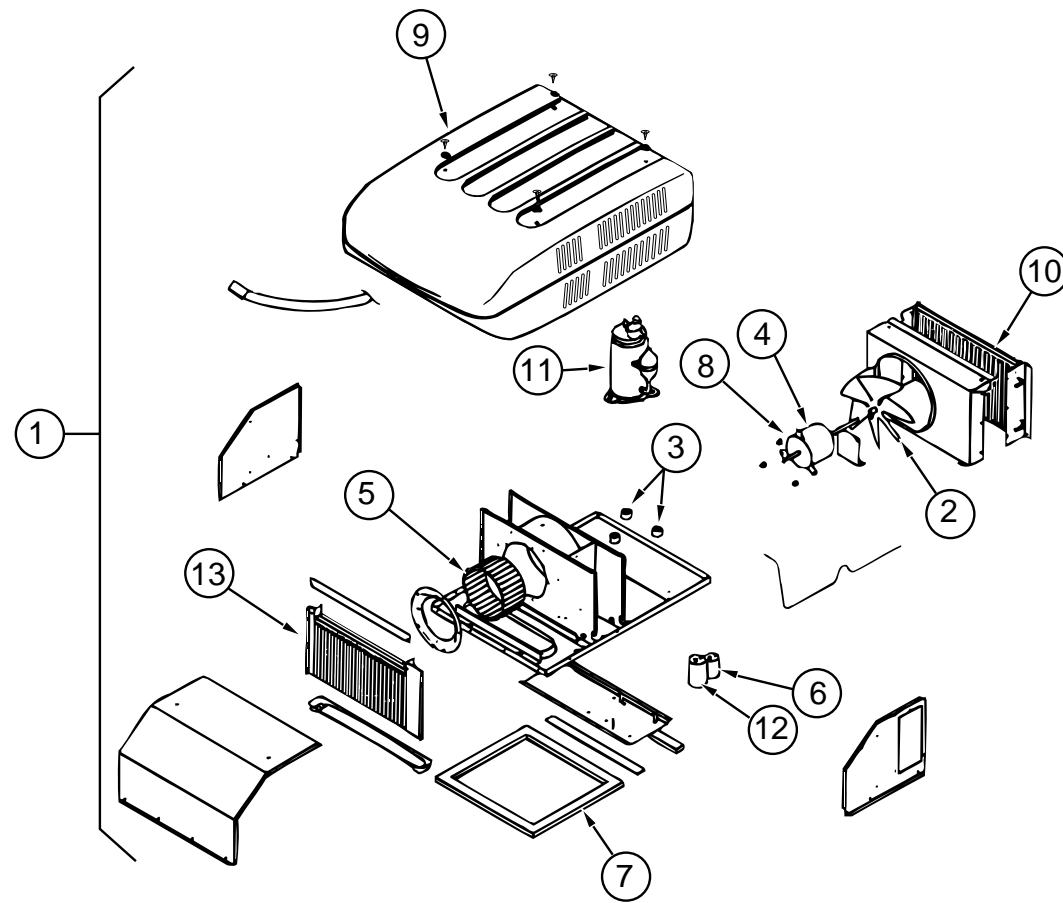
| KEY | PARTNUMBER | U/M DESCRIPTION |
|-----|---------------|--|
| | 109982-06-000 | EA GENERATOR-4.0MICROLITE ONANKY-FR/11429E |
| | 007067-01-000 | SF INSULATION-FIBERGLASS-1"THICKX4'-INCREMENTS/4SF |
| | 007125-03-000 | EA CLAMP-MUFFLER-1.50"DIA METER |
| | 007125-04-000 | EA CLAMP-MUFFLER-1.12"DIA METER |
| | 115716-02-000 | EA PIPE/EXHAUST-GENERATOR-LH |

4.0KWONANGENERATOR-LPEXPORT

| KEY | PARTNUMBER | U/M DESCRIPTION |
|-----|---------------|--|
| | 109982-05-000 | EA GENERATOR-3.3MICROLITE-ONAN |
| | 007067-01-000 | SF INSULATION-FIBERGLASS-1"THICKX4'-INCREMENTS/4SF |
| | 007125-04-000 | EA CLAMP-MUFFLER-1.12"DIA METER |
| | 115716-02-000 | EA PIPE/EXHAUST-GENERATOR-LH |

NOTE:ADDITIONALGENERATORCOMPONENTSAREFOUNDINTHECHASSISGROUP

HEATING&AIRCONDITIONINGGROUP



ROOFAIRCONDITIONER-COLEMAN-MODELTSRHO

| KEY | PARTNUMBER | U/M DESCRIPTION | VENDORNO. |
|-----|---------------|-----------------------------------|-----------|
| 1 | 108889-01-05A | EA A/C-ROOF-13,500TSR | |
| | 102289-01-000 | EA SPRING-SCREW,ROOFA/CGASKET | 6757-150 |
| 2 | 093763-01-712 | EA BLADE-FAN-CONDENSER | 6733-3221 |
| 3 | 105620-01-706 | EA MOUNTINGPKG.,COMP.,3PER | 6759-3081 |
| 4 | 108889-01-705 | EA MOTOR(115,60HZ) | 1468-3049 |
| 5 | 108889-01-706 | EA IMPELLOR | 1472-1041 |
| 6 | 093763-01-704 | EA CAPACITOR-FAN | 1499-5461 |
| | 108889-01-710 | EA PAD-FILLER,CONDENSERSEAL | 6759A3971 |
| 7 | 108889-01-711 | EA GASKETPKG | 6792-3301 |
| 8 | 108889-01-715 | EA MOTORMOUNT&SHAFTSEALKIT | 6792-3361 |
| 9 | 108889-05-700 | EA SHROUD-BRIGHTWHITEW/OLOGO | 7333-4601 |
| 10 | 108889-01-703 | EA COIL-CONDENSER | 1452A1301 |
| 11 | 108889-01-722 | EA COMPRESSOR-TSR3MODELS"C&D"ONLY | 1450-2099 |
| 12 | 108889-01-707 | EA CAPACITOR-RUN,COMP-25MFD/370 | 1499-5661 |
| | 091225-01-709 | EA RELAY-START | 1497-4131 |
| 13 | 108889-01-709 | EA COIL-EVAPORATOR | 1452A1311 |
| | 091225-01-710 | EA CAPACITOR-START | 1497-0881 |
| | 108889-01-720 | EA TUBE-CAP | 6792-1351 |
| | 108889-01-704 | EA OVERLOAD(MRA#98693) | 6749-3541 |
| | 108889-01-712 | EA LINE-SUCTION,REDUCER3/8X1/2 | 1215-2161 |
| | 108889-01-713 | EA LINE-SUCTION,3/8ODX032WALL | 6792-130 |
| | 108889-01-714 | EA LINEASSEMBLY-DISCHARGE | 6792-531 |
| | 093306-01-701 | EA DECALPACKAGE,LEFT&RIGHT | 6798B3591 |

HEATING&AIRCONDITIONINGGROUP(CONTINUED)

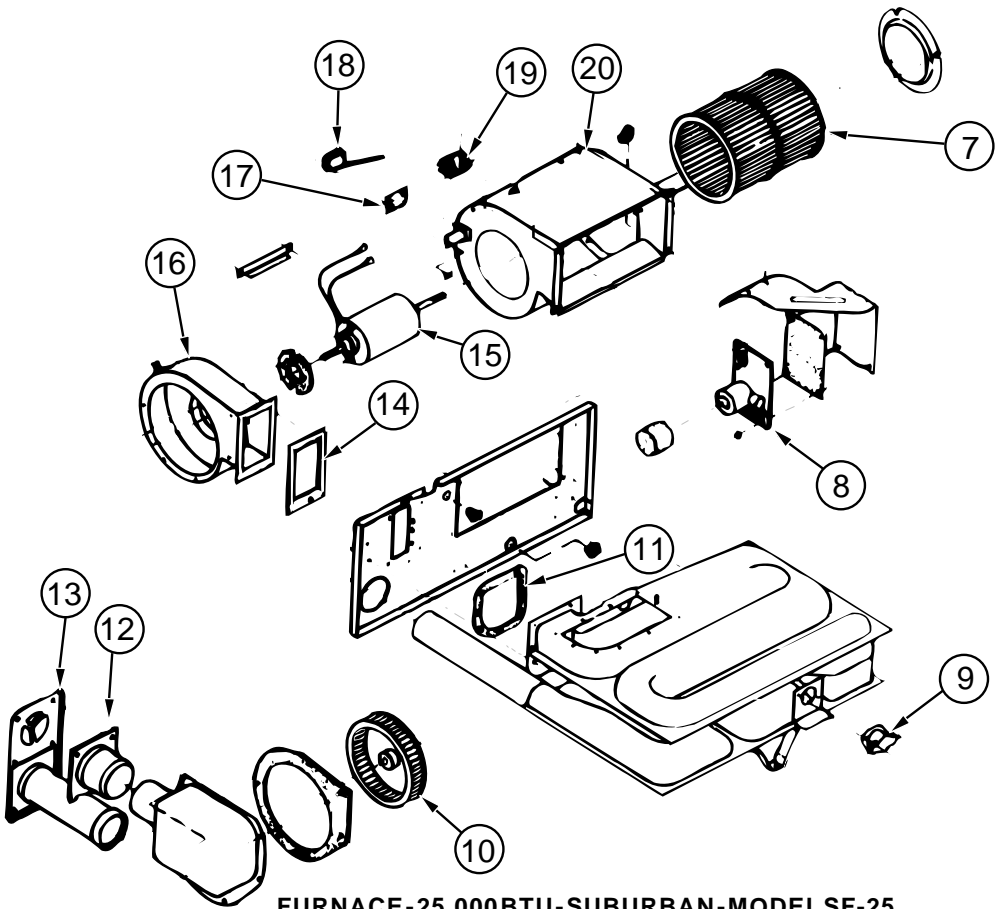
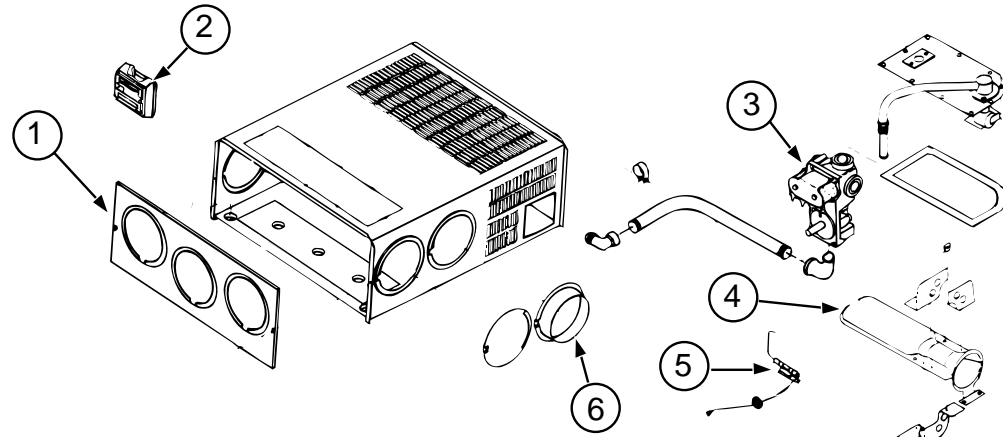
A/C-13,500BTU-EXPORT-COLEMAN-MODELTSR220

| KEY | PARTNUMBER | U/M DESCRIPTION | VENDORNO. |
|-----|---------------|-------------------------------------|-----------|
| 1 | 108889-02-03A | EA AIRCONDITIONER-13,500BTU/220VOLT | |
| 2 | 093763-01-712 | EA BLADE-FAN-CONDENSER | 6733-3221 |
| 3 | 105620-01-706 | EA MOUNTINGPKG.,COMP.,3PER | 6759-3081 |
| 4 | 108889-02-701 | EA MOTOR | 1468-3059 |
| 5 | 108889-01-706 | EA IMPELLOR | 1472-1041 |
| 6 | 093763-01-704 | EA CAPACITOR-FAN | 1499-5461 |
| | 108889-01-710 | EA PAD-FILLER,CONDENSERSEAL | 6759A3971 |
| 7 | 108889-01-711 | EA GASKETPKG | 6792-3301 |
| 8 | 108889-01-715 | EA MOTORMOUNT&SHAFTSEALKIT | 6792-3361 |
| 9 | 108889-05-700 | EA SHROUD-BRIGHTWHITEW/OLOGO | 7333-4601 |
| 10 | 108889-01-703 | EA COIL-CONDENSER | 1452A1301 |
| 11 | 108889-02-700 | EA COMPRESSOR-TECUMSEH | 1450A2029 |
| 12 | 108889-01-707 | EA CAPACITOR-RUN,COMP-25MFD/370 | 1499-5661 |
| | 108889-02-703 | EA RELAY-START | 1497-4141 |
| 13 | 108889-01-709 | EA COIL-EVAPORATOR | 1452A1311 |
| | 108889-02-702 | EA CAPACITOR-START | 1497-0891 |
| | 105620-01-705 | EA PROTECTOR-OVERLOAD,RH&LH | 6759-3791 |
| | 108889-01-713 | EA LINE-SUCTION,3/8ODX032WALL | 6792-130 |
| | 108889-01-714 | EA LINEASSEMBLY-DISCHARGE | 6792-531 |
| | 093306-01-701 | EA DECALPACKAGE,LEFT&RIGHT | 6798B3591 |

CEILINGA/C-COLEMAN-U.S.&EXPORT

| KEY | PARTNUMBER | U/M DESCRIPTION | VENDORNO. |
|-----|---------------|--|-----------|
| | 108891-01-02A | EA CEILINGASM-A/CCOOLTSRHO-COLEMAN7330-713WH | |
| | 042204-01-709 | EA THERMOSTAT-IN64OUT58 | 6701-3401 |
| | 073742-01-701 | EA SELECTORSWITCH-5TERMINAL | 6759-3251 |
| | 073742-01-702 | EA DECALCOOLONLY | 6759C3431 |
| | 108891-01-703 | EA SHROUD-CEILINGWHITE | 6769-5051 |
| | 091225-01-713 | EA KNOB-2PERPACKAGE | 6701-3351 |
| | 091225-01-717 | EA DECAL-THERMOSTAT,COOLONLY | 6799A3441 |
| | 093766-02-701 | EA DECAL-LEFTSIDE | 6799-3971 |
| | 108891-01-700 | EA SINGLEPARTSPACKAGE-KNOBS&NUTS | 6792-5991 |
| | 108891-01-701 | EA RETAINERCLIPS-FILTER,6PER | 6799-3141 |
| | 108891-01-702 | EA COLLAR-DUCT,W/METALFLANGE | 6792-4541 |
| | 076303-01-717 | EA FILTER | |
| | 022756-03-000 | EA COVER-A/CPLASTIC | |
| | 022756-02-000 | EA COVER-PROTECTIVE,5.5"ENDSX8.2" | |
| | 084077-03-000 | EA COVER-BLANK,ROOFA/C-5.2"X3.5"-IVORY | |

HEATING&AIRCONDITIONINGGROUP(CONTINUED)



FURNACE-25,000BTU-SUBURBAN-MODELSF-25

| KEY | PARTNUMBER | U/M DESCRIPTION | VENDORNO. |
|-----|---------------|--------------------------------------|-----------|
| | 098668-19-000 | EA FURNACE-25000BTU | |
| 1 | 098668-01-700 | EA CABINETFRONT | 101242 |
| 2 | 115764-01-01A | EA THERMOSTAT-FURNACE,SUBURBAN160902 | |
| 3 | 098668-01-714 | EA VALVE-GAS,SFS.N.921401821 | 161070 |
| 4 | 098668-01-703 | EA BURNERASSEMBLY | 010762 |
| 5 | 098668-01-715 | EA ELECTRODEASM.,SINGLEPROBE | 232166 |
| 6 | 075696-02-703 | EA COLLAR-DUCT | 050715 |
| 7 | 098668-01-711 | EA WHEEL-BLOWER,ROOMAIR | 350129 |
| 8 | 098668-01-712 | EA BOARD-MODULE | 520741 |
| 9 | 098668-21-701 | EA SWITCH-LIMIT | 231799 |
| 10 | 098668-01-706 | EA WHEEL-COMBUSTIONAIR | 350128 |
| 11 | 098668-01-716 | EA GASKET-FIREWALL,CHAMBERSIDE | 070808 |
| 12 | 098668-01-713 | EA TUBEASSEMBLY,INTAKE | 051248 |

HEATING&AIRCONDITIONINGGROUP(CONTINUED)

FURNACE-25,000BTU-SUBURBAN-MODELSF-25(CONTINUED)

| KEY | PARTNUMBER | U/M DESCRIPTION | VENDORNO. |
|-----|---------------|---|-----------|
| 13 | 098668-01-707 | EA TUBEASSEMBLY,EXHAUSTW/CAP | 260231 |
| 14 | 098668-01-717 | EA GASKET-FIREWALL,BLOWERSIDE | 070809 |
| 15 | 098668-01-709 | EA MOTORASM.,F/SF-25,SF-30 | 231706 |
| 16 | 098668-01-708 | EA HOUSING-BLOWER,COMBUSTION | 390441 |
| 17 | 101990-01-714 | EA GASKET-MICROSWITCH | 230877 |
| 18 | 098668-21-700 | EA SWITCH-MICRO,W/OFLAG31/4" | 232261 |
| 19 | 074466-01-702 | EA RELAY,TIMEDELAY | 230625 |
| 20 | 098668-01-710 | EA HOUSING-BLOWER,ROOMAIR | 390440 |
| | 090039-01-703 | EA ORIFICE-MAINBURNER | 180193 |
| | 098668-23-000 | EA DOOR-ACCESS-FURNACE | |
| | 009198-01-000 | FT DUCT-HEAT,FLEXIBLE-4"IDX25FT | |
| | 009200-01-000 | EA TAPE-FURNACE,11/2" | |
| | 069636-02-000 | EA CONNECTOR-DUCT,4"ID-SUBURBAN050715 | |
| | 089367-01-000 | EA TEE-4"OD,7"LONG-METAL | |
| | 056464-10-000 | EA REGISTER-W/ODAMPER,4"DIAMETER-DURA-BEIGE | |
| | 093614-01-02A | EA GRILLE-RETURNAIR,DURABEIGE | |

FURNACE-30,000BTUSUBURBAN-MODELSF-30-JAPANEXPORT

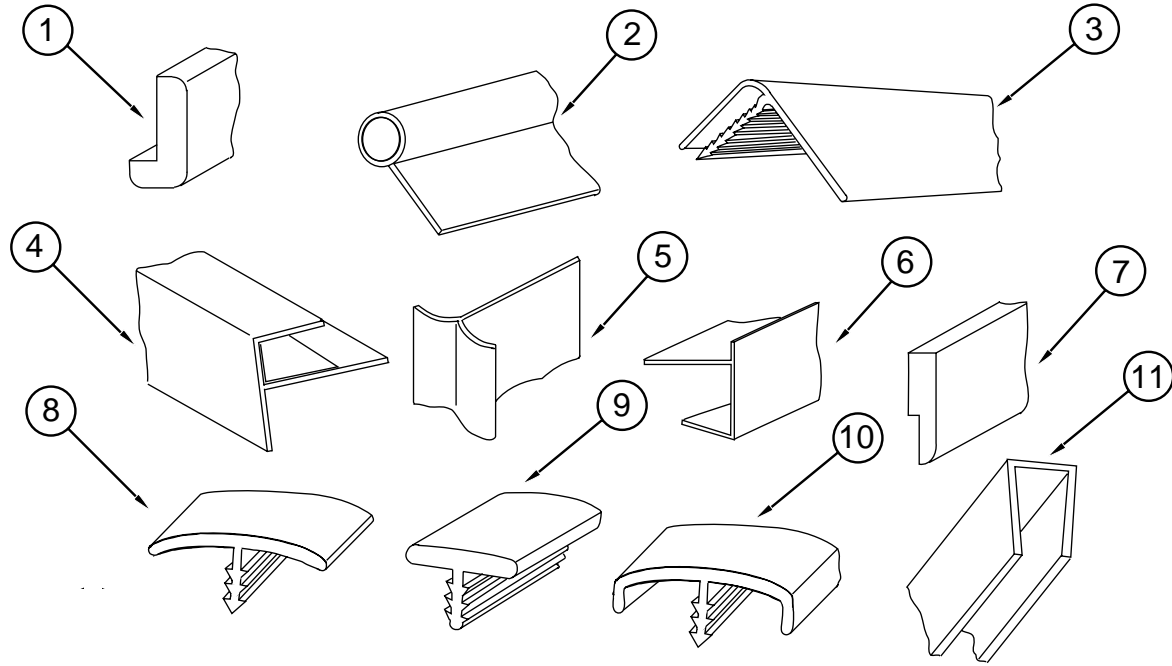
| KEY | PARTNUMBER | U/M DESCRIPTION | VENDORNO. |
|-----|---------------|---|-----------|
| | 098668-20-000 | EA FURNACE-30,000BTU | |
| 1 | 098668-01-700 | EA CABINETFRONT | 101242 |
| 2 | 115764-01-01A | EA THERMOSTAT-FURNACE 160902 | |
| 3 | 098668-01-714 | EA VALVE-GAS | 161070 |
| 4 | 098668-02-700 | EA BURNERASSEMBLY-COMLETE | 010745 |
| 5 | 098668-01-715 | EA ELECTRODEASSEMBLY-SINGLEPROBE | 232166 |
| 6 | 075696-02-703 | EA COLLAR-DUCT | 050715 |
| 7 | 098668-01-711 | EA WHEEL-ROOMAIR | 350123 |
| 8 | 098668-01-712 | EA BOARD-MODULE | 231741 |
| 9 | 098668-21-701 | EA SWITCH-LIMIT | 231799 |
| 10 | 098668-01-706 | EA WHEEL-COMBUSTIONAIR | 350122 |
| 11 | 098668-01-716 | EA GASKET-FIREWALL,CHAMBERSIDE | 070808 |
| 12 | 098668-01-713 | EA TUBEASM-INTAKEVENT | 051248 |
| 13 | 098668-01-707 | EA VENTCAP&EXHAUSTTUBEASSEMBLY | 260193 |
| 14 | 098668-01-717 | EA GASKETFIREWALL-BLOWERSIDE | 070809 |
| 15 | 098668-01-709 | EA MOTORASSEMBLY | 231706 |
| 16 | 098668-01-708 | EA BLOWERASSEMBLY-COMBUSTIONAIR | 390441 |
| 17 | 101990-01-714 | EA GASKET-MICROSWITCH | 230877 |
| 18 | 098668-21-700 | EA MICROSWITCH-W/OFLAG,31/4" | 232261 |
| 19 | 074466-01-702 | EA RELAY-TIMEDELAY | 230625 |
| 20 | 098668-01-710 | EA BLOWERASSEMBLY-ROOMAIR | 390440 |
| | 092300-02-701 | EA ORIFICE-MAINBURNER | 180214 |
| | 098668-23-000 | EA DOOR-ACCESS-FURNACE | |
| | 009198-01-000 | FT DUCT-HEAT,FLEXIBLE-4"IDX25FT | |
| | 009200-01-000 | EA TAPE-FURNACE,11/2" | |
| | 069636-02-000 | EA CONNECTOR-DUCT,4"ID-SUBURBAN050715 | |
| | 089367-01-000 | EA TEE-4"OD,7"LONG-METAL | |
| | 056464-10-000 | EA REGISTER-W/ODAMPER,4"DIAMETER-DURA-BEIGE | |
| | 093614-01-02A | EA GRILLE-RETURNAIR,DURABEIGE | |

REARHEATERSYSTEM

| KEY | PARTNUMBER | U/M DESCRIPTION | VENDORNO. |
|-----|---------------|--|-----------|
| | 084405-01-000 | EA HEATER-REAR-DUCTED-W/MOTORAIID-EVANS | |
| | 084405-01-700 | EA CORE-HEATER | FT200229 |
| | 084405-01-701 | EA FANBLADES | HV029931 |
| | 084405-01-702 | EA MOTORASSEMBLY,12VOLT | R0200180 |
| | 007108-01-000 | FT HOSE-HEATER-5/8"ID-HI-TEMP-FORD | |
| | 061673-01-000 | EA BRACKET-MOTORAIIDTUBES-4"X1.5"-STEEL | |
| | 079059-01-000 | EA HOSE-90DEGREE-5/8"IDX4"X36" | |
| | 087202-01-000 | EA SWITCH-4POSITION-W/KNOB/BEZEL-5TERMINAL | |
| | 087202-01-701 | EA KNOB-SWITCH,ROTARY | 062-0104 |
| | 087202-01-702 | EA PLATEF/ROTARYSWITCH | 062-0105 |

INTERIORFINISHGROUP

MOLDINGS&TRIMS



| KEY | PARTNUMBER | U/M | DESCRIPTION |
|-----|---------------|-----|--|
| 1 | 077840-01-G01 | EA | MOLDING-CAP-WALL-8' |
| 1 | 077840-01-E41 | EA | MOLDING-CAP-WALL-8'-EXPORT |
| 2 | 009767-12-000 | FT | MOLDING-SIDEWALLTOCEILING/CABINET-WELTING-OFFWHITE |
| 3 | 009809-23-000 | EA | MOLDING-CORNER-OUTSIDE-1"X84"-IVORYPLASTIC |
| 3 | 009809-28-000 | EA | MOLDING-PLASTIC-OUTSIDE-1"X84"-WATERFORDOAK |
| 3 | 009809-27-000 | EA | MOLDING-PLASTIC-OUTSIDE-1"X84"-SALEMCHERRY |
| 4 | 009812-29-000 | EA | MOLDING-PLASTIC-OUTSIDECORNER-.50"-WATERFORDOAK |
| 4 | 009812-26-000 | EA | MOLDING-PLASTIC-CORNER-SALEMCHERRY |
| 4 | 009812-24-000 | EA | MOLDING-PLASTIC-OUTSIDECORNER-.50"-IVORY |
| 5 | 022992-11-000 | FT | MOLDING-REVERSECOVE-T-SHAPEDVINYL-IVORY |
| 5 | 022992-12-000 | FT | MOLDING-REVERSECOVE |
| 5 | 022992-01-000 | FT | MOLDING-REVERSECOVE-T-SHAPED-VINYL-WHITE-EXPORT |
| 6 | 103186-01-05A | FT | MOLDING-SHELFEDGE-.78"PLASTIC-WATERFORDOAK |
| 6 | 103186-01-04A | FT | MOLDING-SHELFEDGE-.78"PLASTIC-SALEMCHERRY |
| 7 | 105004-01-05A | EA | MOLDING-VINYLRAPPED-1"X8'WATERFORDOAK |
| 7 | 105004-01-03A | EA | MOLDING-VINYLRAPPED-SALEMCHERRY |
| 8 | 009815-09-000 | FT | MOLDING-T-.75"IVORY |
| 9 | 104676-01-01A | FT | T-MOLDING-5/16"-RIGIDGOLD |
| 9 | 104676-02-04A | FT | T-MOLDING-1/2"X10'-WATERFORDOAK |
| 9 | 104676-02-03A | FT | T-MOLDING-1/2"X10'-SALEMCHERRY |
| 10 | 083620-09-000 | FT | MOLDING-T-ENDCAPEDGE-W/EDGELIPS-.75"-MODERNIVORY |
| 10 | 083620-12-000 | FT | MOLDING-T-.75"-W/EDGELIPS-WATERFORDOAK |
| 10 | 083620-11-000 | FT | MOLDING-T-.75"-W/EDGELIPS-SALEMCHERRY |
| 10 | 119520-01-01A | FT | MOLDING-T-1"-W/EDGELIPS(OFF/WHITE-CREAM) |
| 11 | 009778-21-000 | FT | U-CHANNEL-1"X96"-INCREMENTS-PLASTIC-WATERFORDOAK |
| 11 | 009778-18-000 | FT | U-CHANNEL-1"X96"-INCREMENTS-PLASTIC-SALEMCHERRY |
| 11 | 070504-36-000 | FT | U-CHANNEL-EXTRUDEDPLASTIC-.65"X72"-WATERFORDOAK |
| 11 | 070504-30-000 | FT | U-CHANNEL-EXTRUDEDPLASTIC-.65"X72"-SALEMCHERRY |
| 11 | 070504-37-000 | FT | U-CHANNEL-EXTRUDEDPLASTIC-.81"X84"-WATERFORDOAK |
| 11 | 070504-31-000 | FT | U-CHANNEL-EXTRUDEDPLASTIC-.81"X84"-SALEMCHERRY |

| KEY | PARTNUMBER | U/M | DESCRIPTION |
|-----|---------------|-----|---|
| | 117267-D2-438 | EA | LUMBER-.7"X1.49"X96"VINYLWRAPPED-WATERFORDOAK |
| | 111134-D2-438 | EA | LUMBER-.7"X1.49"X96"VINYLWRAPPED-SALEMCHERRY |
| | 117267-E2-438 | EA | LUMBER-.7"X2"X96"-VINYLWRAPPED-WATERFORDOAK |
| | 111134-E2-438 | EA | LUMBER-.7"X2"X96"-VINYLWRAPPED-SALEMCHERRY |
| | 117267-G2-438 | EA | LUMBER-.7"X3"X96"-VINYLWRAPPED-WATERFORDOAK |
| | 111134-G2-438 | EA | LUMBER-.7"X3"X96"-VINYLWRAPPED-SALEMCHERRY |
| | 117268-D2-134 | EA | MOLDING-VINYLRAPPED-.7"X1.6"X7'-WATERFORDOAK |
| | 111136-D2-134 | EA | MOLDING-VINYLRAPPED-.7"X1.6"X7'-SALEMCHERRY |
| | 117268-F2-134 | EA | MOLDING-VINYLRAPPED-.7"X2.6"X8'-WATERFORDOAK |
| | 111136-F2-134 | EA | MOLDING-VINYLRAPPED-.7"X2.6"X7'-SALEMCHERRY |
| | 117268-F2-438 | EA | MOLDING-VINYLRAPPED-.7"X2.6"X8'-WATERFORD |
| | 111136-F2-438 | EA | MOLDING-VINYLRAPPED-.7"X1.6"X7'-SALEMCHERRY |
| | 100818-01-05A | EA | MOLDING-VINYLRAPPED-1.65"X.4"X7'-WATERFORDOAK |
| | 100818-01-04A | EA | MOLDING-VINYLRAPPED-1.65"X.4"X7'-SALEMCHERRY |
| | 100819-01-05A | EA | MOLDING-VINYLRAPPED-DOOR-WATERFORDOAK |
| | 100819-01-04A | EA | MOLDING-VINYLRAPPED-DOORSALEMCHERRY |
| | 079653-28-000 | EA | MOLDING-BATTSTRIP-WATERFORDOAK |
| | 079653-20-000 | EA | MOLDING-BATTSTRIP-SALEMCHERRY |
| | 081294-02-000 | EA | MOLDING-SHELF-NOTCHEDWOOD-8' |
| | 009767-15-000 | FT | WELTING-WATERFORDOAK |
| | 009767-14-000 | FT | WELTING-SALEMCHERRY |
| | 120492-01-04A | FT | STRIP-TRIM-WATERFORDOAK |
| | 120492-01-02A | FT | STRIP-TRIM-SALEMCHERRY |
| | 076325-34-000 | FT | MOLDING-EDGE BAND-15/16"X.030"-ORCHIDMIST |
| | 076325-43-000 | FT | MOLDING-EDGE BAND-.876"X.024"-CLOUD(H04) |
| | 076325-38-000 | FT | MOLDING-EDGE BAND-.876"X.024"-NEUTRAL(H05) |
| | 076325-44-000 | FT | MOLDING-EDGE BAND-.876"X.024"-SAND(H24/H26) |
| | 076325-46-000 | FT | MOLDING-EDGE BAND-15/16"X.030"-CLOUD(H04/H10) |
| | 076325-37-000 | FT | MOLDING-EDGE BAND-15/16"X.030"-NEUTRAL(H05) |
| | 076325-39-000 | FT | MOLDING-EDGE BAND-15/16"X.030"-NEUTRAL(H11) |
| | 076325-47-000 | FT | MOLDING-EDGE BAND-15/16"X.030"-SAND(H24/H26) |
| | 076325-67-000 | FT | MOLDING-EDGE BAND-.93"X.024"-WATERFORDOAK |
| | 076325-52-000 | FT | MOLDING-EDGE BAND-.93"X.024"-SALEMCHERRY |
| | 076325-68-000 | FT | MOLDING-EDGE BAND-15/16"X.038"-WATERORDOAK |
| | 076325-50-000 | FT | MOLDING-EDGE BAND-15/16"X.038"-SALEMCHERRY |
| | 100659-01-G09 | EA | MOLDING-TRIM-VINYLFLOOR |
| | 100659-01-E74 | EA | MOLDING-TRIM-VINYLFLOOR-EXPORT |
| | 112198-02-000 | FT | MOLDING-#90066J-MOLDING-CRILAPLASTICS |
| | 075249-01-000 | EA | RAILING-OAK-72"UNFINISHED-WATERORDOAK |
| | 075249-02-000 | EA | RAILING-OAK-72"UNFINISHED-SALEMCHERRY |
| | 093873-01-01A | EA | TRIM-CARPET-L-ANGLE1.1"X1.3"X12"-GRAYVINYL |
| | 085746-04-000 | FT | TRIM-J-CARPET1.2"X.5"ANGLE-12'LONG-OFFWHITE |
| | 096204-02-01A | EA | TRIM-J-.5"EXPOSED-1"X52.1"LONG-EXPORT |

INTERIORFINISHGROUP(CONTINUED)

CARPETING&FLOORMATS

| KEY | PARTNUMBER | U/M | DESCRIPTION |
|-----|---------------|-----|---|
| | 096060-A8-000 | SY | CARPET-BLUELAGOON-INCREMENTSOF4SQYD(H04) |
| | 096060-99-000 | SY | CARPET-PARCHMENT-INCREMENTSOF4SQYD(H05) |
| | 096060-C4-000 | SY | CARPET-JUBLIATION/NIGHTNAVY-INCREMENTSOF4SQYD(H10) |
| | 096060-C5-000 | SY | CARPET-JUBLIATION/SUMMERST RINCREMENTSOF4SQYD(H11) |
| | 096060-B2-000 | SY | CARPET-JUBLIATION-INCREMENTSOF4SQYD(H24) |
| | 096060-95-000 | SY | CARPET-DOESKIN-INCREMENTSOF4SQYD(H26) |
| | 093486-01-000 | SY | CARPET-COMPARTMENT-72"WIDE-DARKGRAY |
| | 106884-01-000 | EA | MAT-FLOOR-FRONTPASSENGER"W"-FORD FROM: 00-00-00 THRU: 02-02-97 |
| | 125780-01-000 | EA | MAT-FLOOR-FRONTPASSENGER"W"-FORD FROM: 02-03-97 THRU: 99-99-99 |
| | 106884-02-000 | EA | MAT-FLOOR-FRONTDRIVER"W"-FORD FROM: 00-00-00 THRU: 02-02-97 |
| | 125780-02-000 | EA | MAT-FLOOR-FRONTDRIVER"W"-FORD FROM: 02-03-97 THRU: 99-99-99 |
| | 102569-04-000 | EA | MAT-ANTISLIP |

BATTSTRIPS

| KEY | PARTNUMBER | U/M | DESCRIPTION |
|-----|---------------|-----|--|
| | 088263-D8-000 | EA | BATTSTRIP-DECORATIVE-MICKENSIE/CREAM-8'LONG(H04) |
| | 088263-D7-000 | EA | BATTSTRIP-DECORATIVE-WINDY/WILLOW-8'LONG(H05) |
| | 088263-E6-000 | EA | BATTSTRIP-DECORATIVE-MONTANNA/FROST-8'LONG(H10) |
| | 088263-E2-000 | EA | BATTSTRIP-DECORATIVE-PRIMAVERA/STONE-8'LONG(H11) |
| | 088263-C7-000 | EA | BATTSTRIP-DECORATIVE-ETCHINGS/SAGE-8'LONG(H24/H26) |
| | 088263-D6-000 | EA | BATTSTRIP-DECORATIVE-IMPACTPEARL-8'LONG FROM: 00-00-00 THRU: 11-19-96 |
| | 088263-F7-000 | EA | BATTSTRIP-DECORATIVE-IMPACTPEARL-8'LONG FROM: 11-20-96 THRU: 99-99-99 |
| | 069733-83-000 | EA | BATTSTRIP-WOODGRAINED/WATERFORDOAK-8'LONG |
| | 069733-82-000 | EA | BATTSTRIP-WOODGRAINED/SALEMCHERRY-8' |
| | 085284-D2-000 | FT | BATTTAPE-ADHESIVEBACKED-DECORATIVE-MICKENSIE/CREAM(H04) |
| | 085284-D1-000 | FT | BATTTAPE-ADHESIVEBACKED-DECORATIVE-WINDY/WILLOW(H05) |
| | 085284-E0-000 | FT | BATTTAPE-ADHESIVEBACKED-DECORATIVE-MONTANAFROST(H10) |
| | 085284-D5-000 | FT | BATTTAPE-ADHESIVEBACKED-DECORATIVE-PRIMAVERA/STONE(H11) |
| | 085284-C1-000 | FT | BATTTAPE-ADHESIVEBACKED-DECORATIVE-ETCHINGS/SAGE(H24/H26) |
| | 085284-C9-000 | FT | BATTTAPE-ADHESIVEBACKED-CEILING-IMPACTPEARL FROM: 00-00-00 THRU: 11-19-96 |
| | 085284-F3-000 | FT | BATTTAPE-ADHESIVEBACKED-CEILING-IMPACTPEARL FROM: 11-20-96 THRU: 99-99-99 |
| | 085284-D6-000 | FT | BATTTAPE-ADHESIVEBACKED-DECORATIVE-EMBOSSDANTIQUE |
| | 085284-B5-000 | FT | BATTTAPE-ADHESIVEBACKED-WOODGRAINED/WATERFORDOAK |
| | 085284-97-000 | FT | BATTTAPE-ADHESIVEBACKED-WOODGRAINED/SALEMCHERRY |
| | 086229-01-000 | EA | RETAINER-BATTEN-.75"X92.24"-IVORY |
| | 086229-13-000 | EA | BATTEN-1"CEILINGMODERNIVORY |
| | 086229-20-000 | EA | BATTEN-1"CEILING,BEIGE |
| | 086229-11-000 | EA | RETAINER-OFFSET-97.01" FROM: 05-05-97 THRU: 99-99-99 |
| | 086229-12-000 | EA | BATTEN-1.5"OFFSETX97.01" FROM: 05-05-97 THRU: 99-99-99 |

INTERIORFINISHGROUP(CONTINUED)

PANELING,LAMINATES&PLASTIC

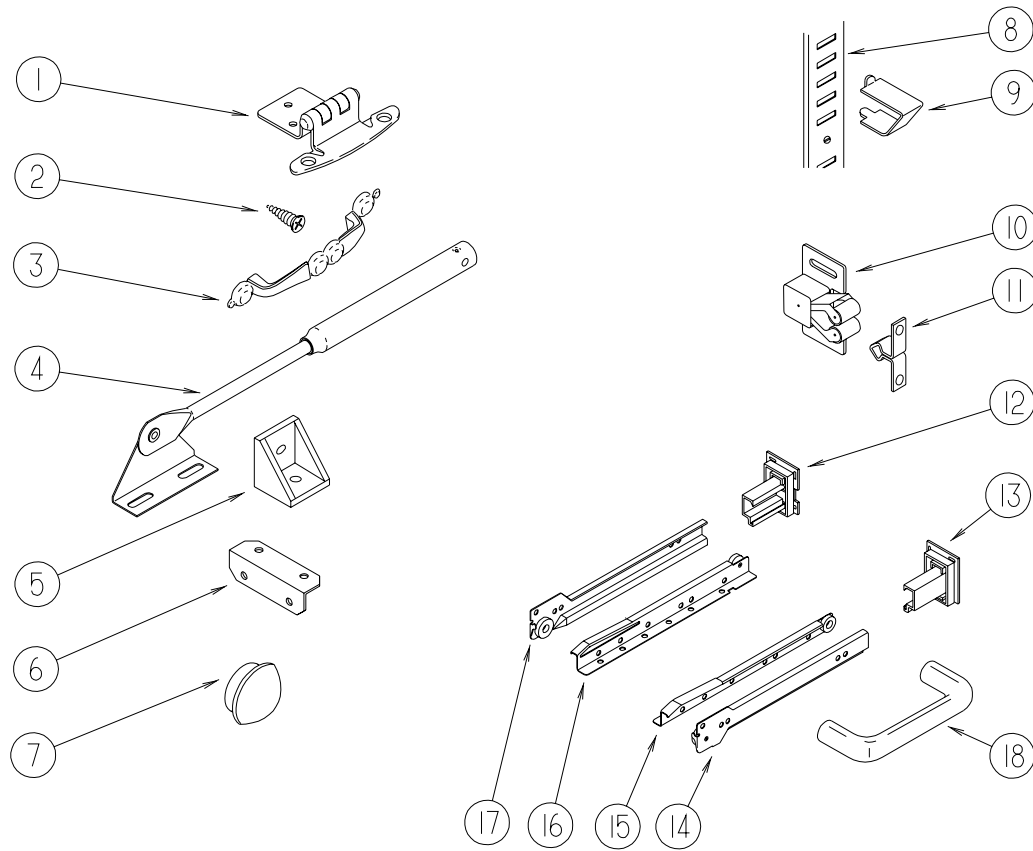
| KEY | PARTNUMBER | U/M | DESCRIPTION |
|-----|---------------|-----|---|
| | 074497-34-000 | SF | PANELING-CEILING-IMPACTPEARL-4'X9' FROM: 00-00-00 THRU: 11-19-96 |
| | 074497-37-000 | SF | PANELING-CEILING-IMPACTPEARL-4'X9' FROM: 11-20-96 THRU: 99-99-99 |
| | 074497-28-000 | SF | PANELING-WATERFORDOAK-4'X8' |
| | 074497-23-000 | SF | PANELING-SALEMCHERRY-4'X8' |
| | 080215-10-000 | SF | PANELING-2SIDE-WATERFORDOAK-4'X8' |
| | 080215-09-000 | SF | PANELING-2SIDE-SALEMCHERRY-4'X8' |
| | 088272-F6-000 | SF | PANELING-MCKENSIE/CREAM(H04) |
| | 088272-F5-000 | SF | PANELING-WINDY/WILLOW(H05) |
| | 088272-G4-000 | SF | PANELING-MONTANAFROST(H10) |
| | 088272-F9-000 | SF | PANELING-PRIMAVERA/STONE(H11) |
| | 088272-E8-000 | SF | PANELING-ETCHINGS/SAGE(H24/H26) |
| | 088272-G1-000 | SF | PANELING-PEBBLEEMBOSSANTIQUE-4'X7'-INCOF28SQFT |
| | 088272-98-000 | SF | PANELING-TRAVERTINE-ANT.WHITE-4'X7' |
| | 074498-62-000 | SF | LAMINATE-PLASTIC-GREYFINESSE-5'X8'INCOF40SF(H04/H10) |
| | 074498-72-000 | SF | LAMINATE-PLASTIC-PEBBLESANTOS-5'X8'INCOF40SF(H05) |
| | 074498-71-000 | SF | LAMINATE-PLASTIC-PEBBLESANTOS-5'X8'INCOF40SF(H11) |
| | 074498-54-000 | SF | LAMINATE-PLASTIC-SANDSPEKTRUM-5'X8'INCREMENTS40SF(H24/H26) |
| | 074498-67-000 | SF | LAMINATE-PLASTIC-ORCHIDMIST-60"X96" |
| | 074498-77-000 | SF | LAMINATE-PLASTICARTCABIN5'X8'INCROF40SQFT |
| | 000885-76-000 | SF | PARTICLEBOARD-3/8"X4'X8'WATERFORDOAKVINYL1SIDE |
| | 000885-71-000 | SF | PARTICLEBOARD-3/8"X4'X8'SALEMCHERRYVINYL1SIDE |
| | 000885-77-000 | SF | PARTICLEBOARD-3/8"X4'X8'WATERFORDOAKVINYL2SIDED |
| | 000885-74-000 | SF | PARTICLEBOARD-3/8"X4'X8'SALEMCHERRYVINYL2SIDED |
| | 000885-78-000 | SF | PARTICLEBOARD-1/2"X4'X8'WATERFORDOAK-VINYL2SIDE |
| | 000885-72-000 | SF | PARTICLEBOARD-1/2"X4'X8'SALEMCHERRY-VINYL2SIDE |
| | 000885-79-000 | SF | PARTICLEBOARD-3/4"X4'X8'WATERFORDOAKVINYL2SIDED |
| | 000885-73-000 | SF | PARTICLEBOARD-3/4"X4'X8'SALEMCHERRYVINYL2SIDED |
| | 057882-04-000 | SF | TAMBOUR-48"X72"SHEET-UNFINISHED |
| | 098531-03-000 | SF | PLYWOOD-WATERFORDOAK1/2" |
| | 098531-03-000 | SF | PLYWOOD-SALEMCHERRY1/2" |
| | 000846-02-000 | SF | PLYWOOD-5/16"X4'X8' |
| | 000846-02-000 | SF | PLYWOOD/UNDERLAYMENT-5/16"X48"X96" |
| | 093743-05-01A | SF | PLASTIC-ABSCOIL-BRIGHTWHITE-20"X108" |
| | 126339-01-000 | SF | BOARD-WHEAT-60"X72" |

FIREEXTINGUISHER&DETECTORS

| KEY | PARTNUMBER | U/M | DESCRIPTION | VENDORNO. |
|-----|---------------|-----|---|-----------|
| | 072852-02-000 | EA | DETECTOR-SMOKE-W/9/VOLTBATTERY-CANADIAN | |
| | 094499-02-000 | EA | EXTINGUISHER/FIRE-DRY-1A10BC-CANADIAN | |
| | 094499-01-700 | EA | BRACKETMTG.W/PLAS.STRAP | 294039 |
| | 072852-01-000 | EA | DETECTOR-SMOKE-W/9VOLTBATTERY-US | |
| | 094499-01-000 | EA | EXTINGUISHER-FIRE-DRYW/MOUNTINGBRACKET-10B:C | |
| | 094499-01-700 | EA | BRACKETMTG.W/PLAS.STRAP | 294039 |
| | 094499-01-701 | EA | STRAPONLY(METAL) | 320351 |
| | 112320-03-000 | EA | DETECTOR-COGASMODEL9D-I FROM: 00-00-00 THRU: 10-20-96 | |
| | 112320-04-000 | EA | BATTERY/SENSORMODULE-CO(BLACKMODULE)F/9D-ISYSTEM FROM: 00-00-00 THRU: 10-20-96 | |
| | 125136-01-000 | EA | DETECTOR-CO-GAS-MODEL9L-I FROM: 10-21-96 THRU: 99-99-99 | |

INTERIORFINISHGROUP(CONTINUED)

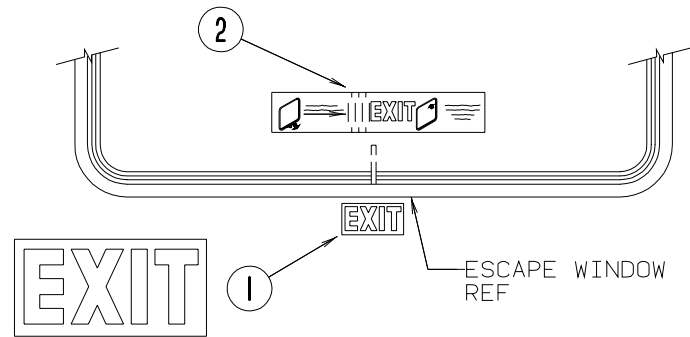
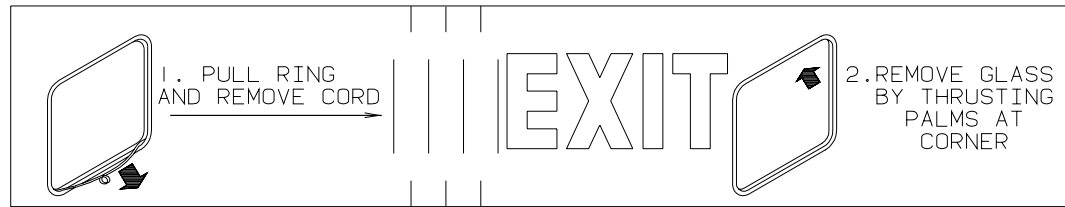
CABINET&TABLEHARDWARE



| KEY | PARTNUMBER | U/M | DESCRIPTION |
|-----|---------------|-----|--|
| 15 | 114031-04-000 | EA | SLIDE-12"-RIGHTSIDE/DRAWER |
| 15 | 114031-08-000 | EA | SLIDE-14"-RIGHTSIDE/DRAWER |
| 15 | 114031-12-000 | EA | SLIDE-16"-RIGHTSIDE/DRAWER |
| 15 | 114031-16-000 | EA | SLIDE-18"-RIGHTSIDE/DRAWER |
| 15 | 114031-20-000 | EA | SLIDE-20"-RIGHTSIDE/DRAWER |
| 16 | 114031-03-000 | EA | SLIDE-12"-LEFTSIDE/DRAWER |
| 16 | 114031-07-000 | EA | SLIDE-14"-LEFTSIDE/DRAWER |
| 16 | 114031-11-000 | EA | SLIDE-16"-LEFTSIDE/DRAWER |
| 16 | 114031-15-000 | EA | SLIDE-18"-LEFTSIDE/DRAWER |
| 16 | 114031-19-000 | EA | SLIDE-20"-LEFTSIDE/DRAWER |
| 17 | 114031-01-000 | EA | SLIDE-12"-LEFTSIDE/CABINET |
| 17 | 114031-05-000 | EA | SLIDE-14"-LEFTSIDE/CABINET |
| 17 | 114031-09-000 | EA | SLIDE-16"-LEFTSIDE/CABINET |
| 17 | 114031-13-000 | EA | SLIDE-18"-LEFTSIDE/CABINET |
| 17 | 114031-17-000 | EA | SLIDE-20"-LEFTSIDE/CABINET |
| 18 | 111093-01-000 | EA | PULL-CABINET-BRASS |
| | 004354-01-000 | EA | BUMPER-RUBBER-.5"DIA-BROWN |
| | 009112-01-000 | EA | FLANGE-1"CLOTHESROD-OFFWHITEPLASTIC |
| | 023320-01-000 | EA | PAD-FELT3/8"DIAMETER |
| | 041389-35-000 | EA | HINGE-PIANO-OFFWHITE-31" |
| | 042438-01-000 | EA | DOWEL-WOOD-CLOTHESROD-1"DIAMETERX4' |
| | 042438-02-000 | EA | DOWEL-WOOD-2"X2" |
| | 076790-01-000 | EA | SCREW-6-20X1 1/4PPH-BLACK |
| | 076790-05-000 | EA | SCREW-6-20X1/2PPH-BLACK-THREADCUTTING,WOOD |
| | 079921-01-000 | EA | ROLLER-NYLON-W/STEELSHAFT-BARBED |
| | 084451-01-000 | EA | CATCH-TVSHelf-BRASS |
| | 102194-01-000 | EA | GUIDE-PLASTIC |
| | 103256-01-000 | EA | LATCH-SLIDE |

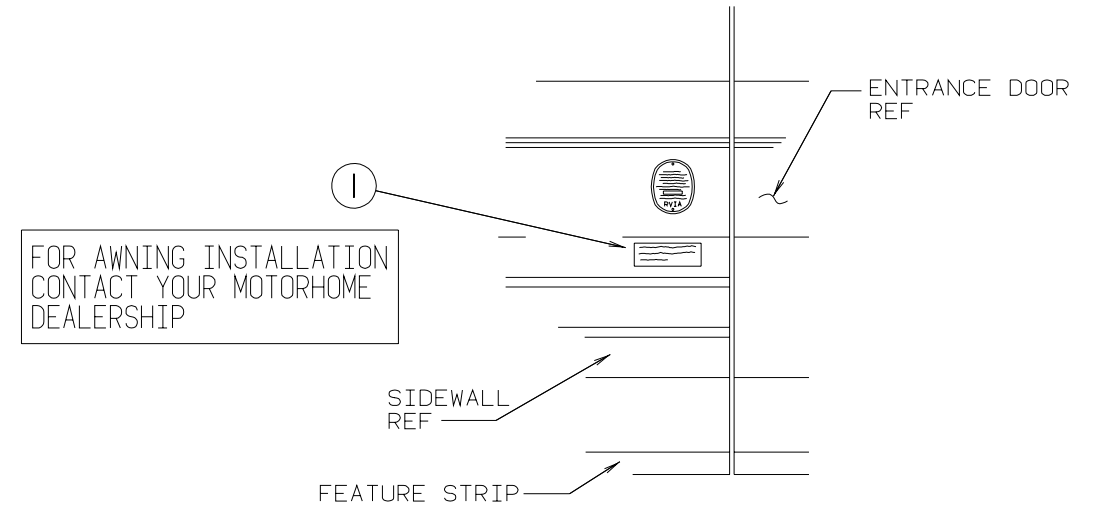
| KEY | PARTNUMBER | U/M | DESCRIPTION |
|-----|---------------|-----|--|
| 1 | 108138-01-000 | EA | HINGE-DOOR,CABINET-BURNISHEDBRASS |
| 2 | 000G13-06-10G | EA | SCREW-6-20X5/8PFH-ANTIQUEBRASS |
| | 117801-01-01A | EA | PULL-CABINET-BRASS |
| | | | FROM: 00-00-00 THRU: 07-09-96 |
| | 117800-01-01A | EA | PULL-CABINET-BRASS |
| | | | FROM: 07-10-96 THRU: 99-99-99 |
| 4 | 074493-02-000 | EA | SUPPORT-PISTONSRING,CABINETDOOR |
| 5 | 065740-01-000 | EA | BRACE-CABINET/CORNER-PLASTIC |
| 6 | 016604-01-000 | EA | BRACE-CABINET-ANGLE-2.5"-UNPAINTEDMETAL |
| 6 | 016604-05-000 | EA | BRACE-CABINET-ANGLE-2.5"-OFFWHITEMETAL |
| 7 | 074045-07-000 | EA | PLUG-WOOD,1/2" |
| 8 | 098980-01-000 | EA | PILASTER-ADJUSTABLESHELF,18"LONG-WOODGRAINAPPEARANCE |
| 9 | 098979-01-000 | EA | CLIP-ADJUSTABLESHELF |
| 10 | 093586-06-000 | EA | CATCH-SPRING-ROLLER |
| 11 | 093586-05-000 | EA | STRIKE-SPRINGSTEEL |
| 12 | 114045-01-000 | EA | BACKSOCKET-ADJUSTABLELEFT |
| 13 | 114045-02-000 | EA | BACKSOCKET-ADJUSTABLERIGHT |
| 14 | 114031-02-000 | EA | SLIDE-12"-RIGHTSIDE/CABINET |
| 14 | 114031-06-000 | EA | SLIDE-14"-RIGHTSIDE/CABINET |
| 14 | 114031-10-000 | EA | SLIDE-16"-RIGHTSIDE/CABINET |
| 14 | 114031-14-000 | EA | SLIDE-18"-RIGHTSIDE/CABINET |
| 14 | 114031-18-000 | EA | SLIDE-20"-RIGHTSIDE/CABINET |

LABELSGROUP

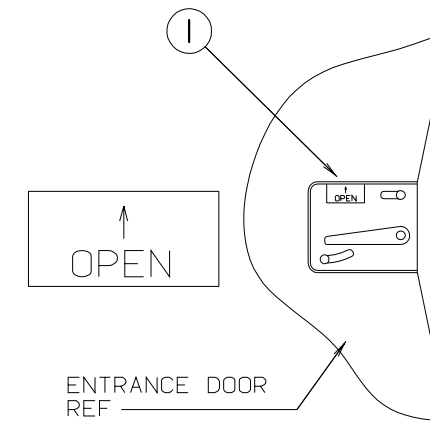


| KEY | PARTNUMBER | U/M DESCRIPTION |
|-----|---------------|----------------------------|
| 1 | 039290-01-000 | EA LABEL-WARNING-EXIT |
| 2 | 107571-01-000 | EA LABEL-EXIT/ESCAPEWINDOW |

LABELSGROUP(CONTINUED)



| KEY | PARTNUMBER | U/M DESCRIPTION |
|-----|---------------|-----------------------------|
| 1 | 099509-01-000 | EA LABEL-AWNINGINSTALLATION |

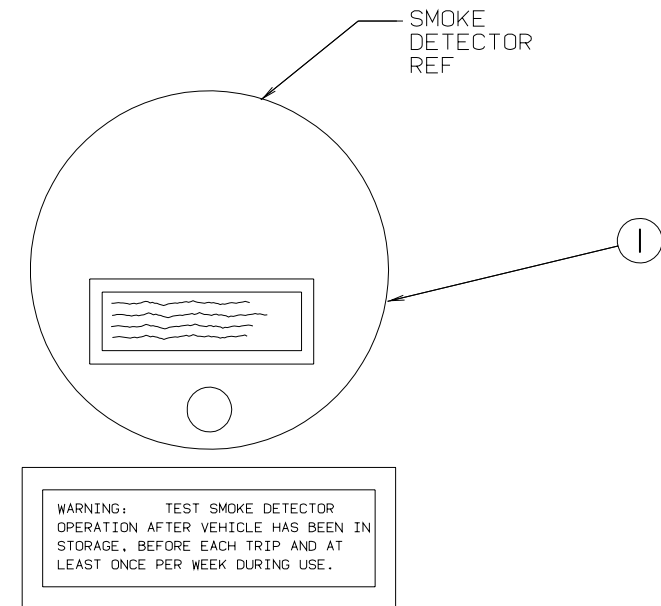


| KEY | PARTNUMBER | U/M DESCRIPTION |
|-----|---------------|------------------------------|
| 1 | 040944-01-000 | EA LABEL-ENTRANCEDOOR-"OPEN" |

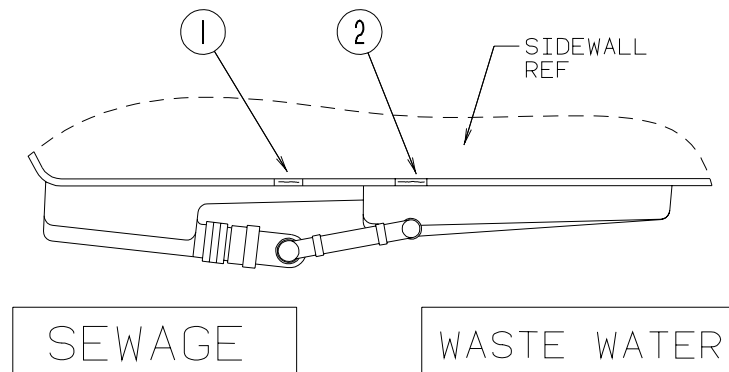
LABELSGROUP(CONTINUED)
MISCELLANEOUSLABELS

| KEY | PARTNUMBER | U/M DESCRIPTION |
|-----|---------------|---|
| | 006040-01-000 | EA TAG-GASREFUELWARNING FROM: 00-00-00 THRU: 09-01-96 |
| | 006040-02-000 | EA TAG-GASREFUELWARNING-CSA FROM: 00-00-00 THRU: 09-01-96 |
| | 006064-01-000 | EA LABEL-SEATW/OSEATBELT NOTINTENDEDFORUSEWHILECOACHINMOTION |
| | 023769-01-000 | EA LABEL-WARNING-LPG-CANADIAN |
| | 054531-01-000 | EA LABEL-LPGASONLY FROM: 00-00-00 THRU: 09-01-96 |
| | 124520-01-01A | EA LABEL-LPGASONLY FROM: 09-02-96 THRU: 99-99-99 |
| | 056259-01-000 | EA LABEL-SAFETYCHECKLIST |
| | 061417-01-000 | EA LABEL-FUEL-ONFUELFILLDOOR |
| | 062043-01-000 | EA LABEL-FUEL-UNLEADED |
| | 073998-01-000 | EA LABEL-LPGODORWARNING |
| | 079966-01-000 | EA LABEL-WARNING-STOWED-MOTION |
| | 087236-01-000 | EA LABEL-CABLE-INPUT |
| | 091243-01-000 | EA LABEL-A/C COVER "AIR CONDITIONING CIRCUIT ETC." |
| | 093236-08-000 | EA LABEL-CIRCUITBREAKER |
| | 111104-01-000 | EA LABEL-HITCH-READMANUAL-WHITE |
| | 111104-02-000 | EA LABEL-HITCH-READMANUAL-BLACK |
| | 124519-01-01A | EA LABEL-WARNING/REFUELING FROM: 06-02-96 THRU: 99-99-99 |
| | 124519-02-01A | EA LABEL-WARNING/REFUELING-CSA FROM: 09-02-96 THRU: 99-99-99 |
| | 126611-01-000 | EA LABEL-AIRBAG-VISOR |
| | 126612-01-000 | EA LABEL-HANGTAG-AIRBAG-DASH |

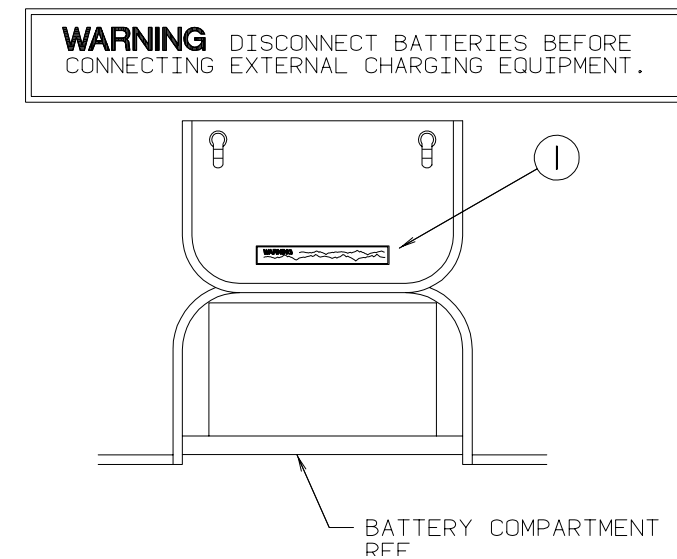
LABELSGROUP(CONTINUED)



| KEY | PARTNUMBER | U/M DESCRIPTION |
|-----|---------------|--------------------------------|
| 1 | 077956-01-000 | EA LABEL-WARNING-SMOKEDETECTOR |

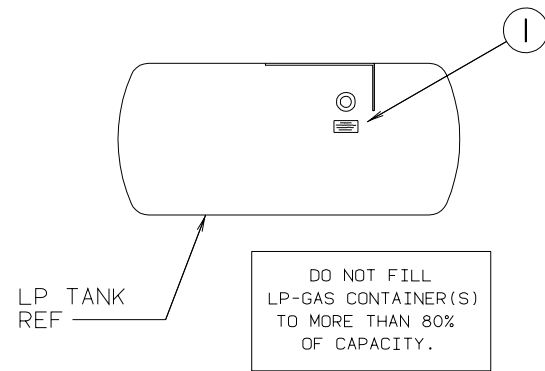


| KEY | PARTNUMBER | U/M DESCRIPTION |
|-----|---------------|---------------------|
| 1 | 006187-01-000 | EA LABEL-SEWAGE |
| 2 | 006188-01-000 | EA LABEL-WASTEWATER |

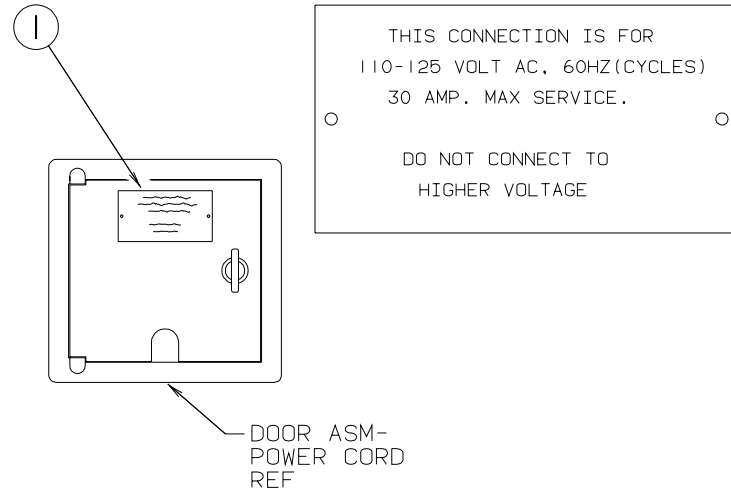


| KEY | PARTNUMBER | U/M DESCRIPTION |
|-----|---------------|----------------------------------|
| 1 | 065748-01-000 | EA LABEL-CAUTION-BATTERYCHARGING |

LABELSGROUP(CONTINUED)

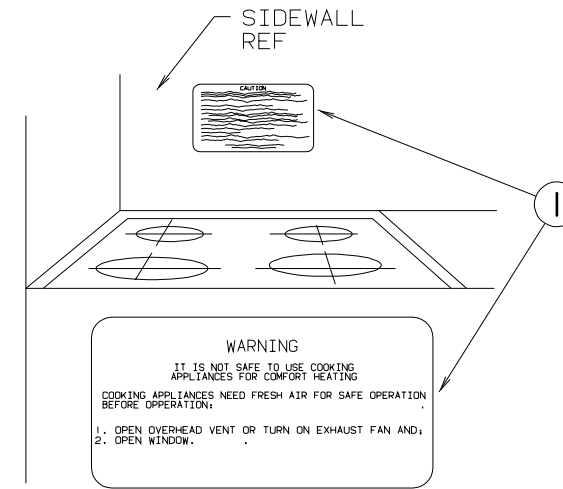


| KEY | PARTNUMBER | U/M DESCRIPTION |
|-----|---------------|--------------------------|
| 1 | 079965-01-000 | EA LABEL-LPG-80%CAPACITY |

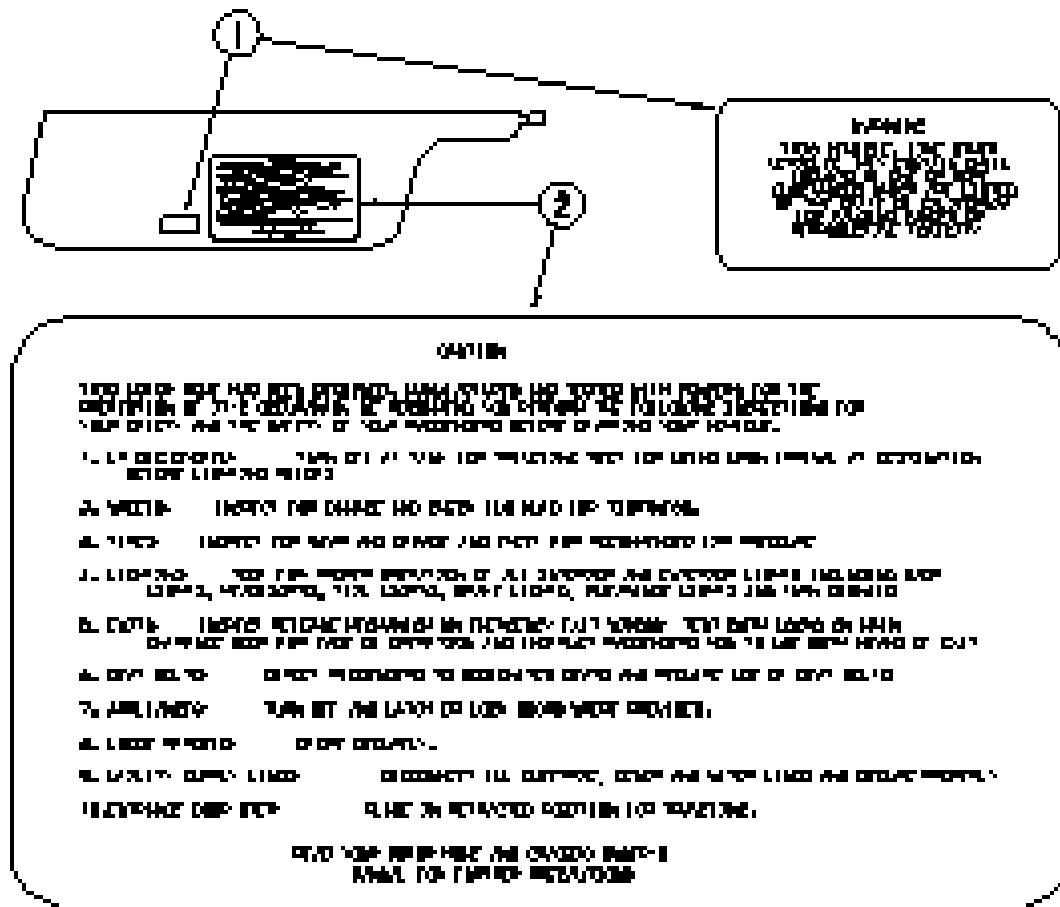


| KEY | PARTNUMBER | U/M DESCRIPTION |
|-----|---------------|-------------------------------------|
| 1 | 006062-01-000 | EA LABEL-ELECTRIC-110VOLTCONNECTION |

LABELSGROUP(CONTINUED)



| KEY | PARTNUMBER | U/M DESCRIPTION |
|-----|---------------|-------------------------------|
| 1 | 050225-01-000 | EA LABEL-WARNING-STOVEVENT-US |

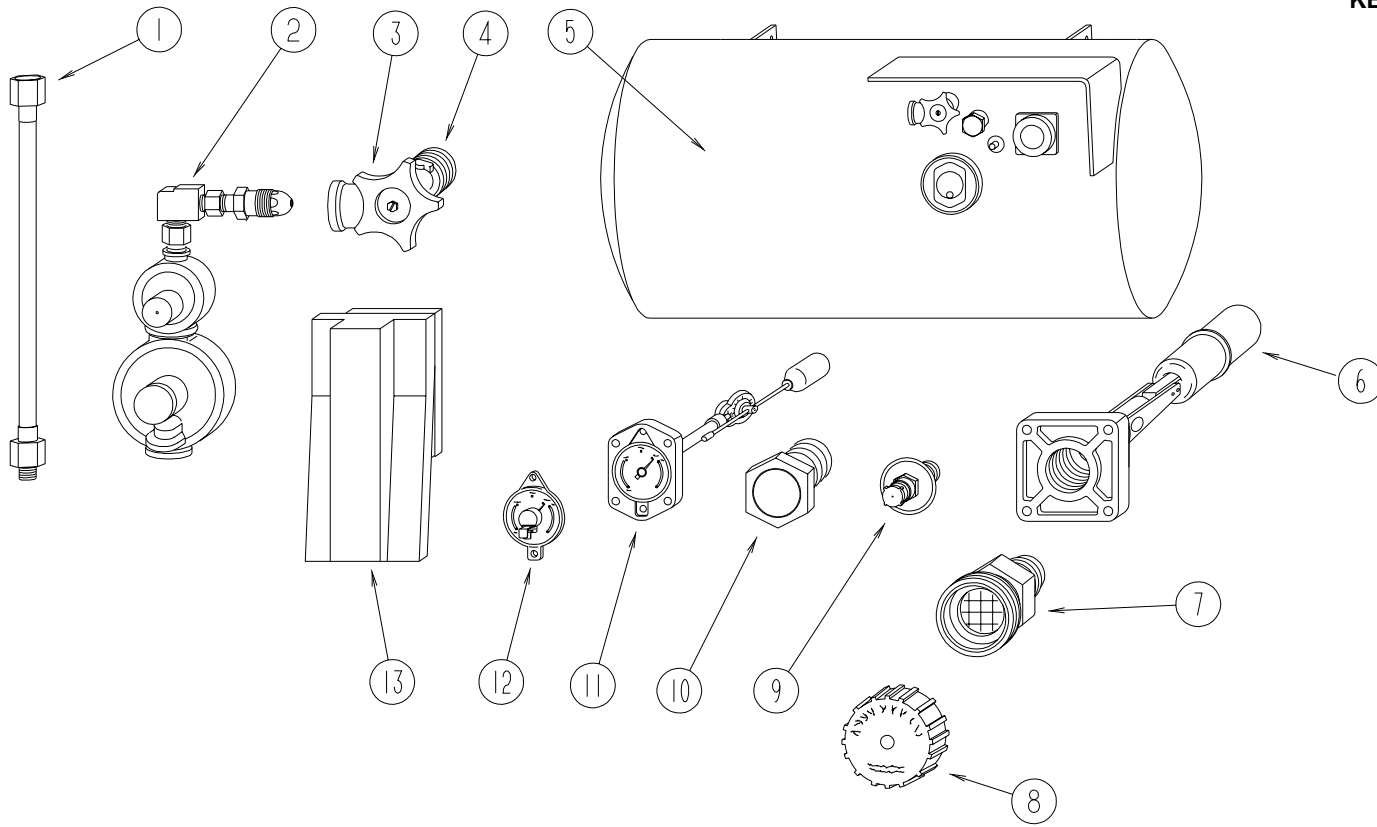


| KEY | PARTNUMBER | U/M DESCRIPTION |
|-----|---------------|----------------------------------|
| 1 | 111802-01-000 | EA LABEL-CFCWARNING |
| 2 | 099689-01-000 | EA LABEL-WARNING-CANCER/TOXICITY |

LPGROUP

LPGROUP(CONTINUED)

LPINSTALLATIONCOMPONENTS-JAPANEXPORT

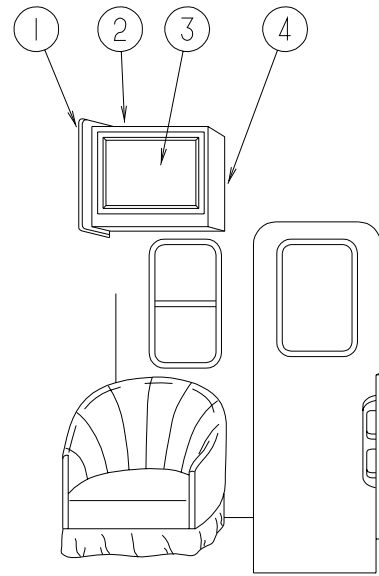


| KEY | PARTNUMBER | U/M | DESCRIPTION |
|-----|---------------|-----|--------------------------------|
| | 107378-01-000 | EA | PLATE-MOUNTING-LPREGULATOR |
| | 107421-01-000 | EA | PLATE-STRIKE-LPCOMPARTMENT |
| | 084993-02-000 | EA | STRAP-BATTERY |
| | 107414-01-000 | EA | CRADLE-LPTANK |
| | 107414-02-000 | EA | CRADLE-LPTANK |
| | 107433-01-C82 | EA | DOOR-HINGED-LPBOX-RIGHTHAND |
| | 107433-02-C82 | EA | DOOR-HINGED-LPBOX-LEFTHAND |
| | 107393-01-000 | EA | BOLT-SHOULDER-SOCKETHEAD-BLACK |
| | 107394-01-000 | EA | SPRING-COMPRESSION-LPDOOR |
| | 107395-01-02A | EA | LATCH-BOLT-FINGER-LPDOOR |
| | 097207-02-02A | EA | HINGE-CONTINUOUS-LPDOOR |
| | 098408-01-000 | FT | SEAL-SPONGERUBBER-CLOSEDCELL |
| | 097207-03-02A | EA | HINGE-CONTINUOUS-LPDOOR |

LPTANK&COMPONENTS

| KEY | PARTNUMBER | U/M | DESCRIPTION | VENDORNO. |
|-----|---------------|-----|--|-----------|
| 1 | 045703-02-000 | EA | HOSE-LP-3/8"ID X 24"-3/8"MPT X 1/2"F-SWIVEL-CAN | |
| 1 | 045703-01-000 | EA | HOSE-LP-3/8"ID X 24"-3/8"MPT X 1/2"SWIVEL-U.S. | |
| 1 | 045703-09-000 | EA | HOSE-LP-3/8ID X 24-3/8F SWIVEL X 3/8F SWIVEL | |
| 2 | 106150-02-000 | EA | REGULATOR-TWOSTAGE | |
| 3 | 040421-01-708 | EA | HANDWHEEL-SERVICEVALVE | G-1015-A |
| 4 | 040421-01-712 | EA | VALVE,SERV.W/OVAPORRELIEF | 29000853 |
| 5 | 080450-01-000 | EA | TANK-LP-42LB-13"DIAMETER X 24" LONG | |
| 6 | 040421-01-711 | EA | VALVE-80%FILLW/AUTOSTOP | LLL/TL3 |
| 7 | 040421-01-701 | EA | VALVE-FILL-SHORT,LP | 75478 |
| 8 | 040421-01-702 | EA | CAP-FILLVALVE,PLASTIC | G-1014-A |
| 9 | 040421-01-700 | EA | VALVE-LIQUIDLEVEL,20% | G-1013 |
| 10 | 040421-01-713 | EA | VALVE-VAPORONLY | 29000587 |
| 11 | 074142-01-700 | EA | FLOATASM.SCREWONF/13"TANK | 13C-SCR |
| 11 | 074142-01-701 | EA | FLOATASM.(SIGHTGAUGE)BOLT | 13C-BLT |
| 12 | 040440-02-000 | EA | TRANSMITTER-DIAL-0-90OHM-2TERMINAL(POWER&GROUND) | |
| 12 | 040421-01-706 | EA | DIAL-LPTANKVOLUME-VISIBLEFACE-USEW/MONITORPANEL | |
| 13 | 105658-01-000 | EA | COMPARTMENT-LPREGULATOR | |
| | 010252-01-000 | EA | ELBOW-BRASS-90DEGREE-3/8FX 1/2MPT | |
| | 010265-01-000 | EA | ELBOW-BRASS-90DEGREE-3/8"FX 1/2"FPT | |
| | 065318-02-000 | EA | ELBOW-90DEGREE-3/8" MPT TO 3/8" FPT | |
| | 010323-01-000 | EA | ADAPTER-BRASS-3/8"FX 1/2"MPT | |
| | 057042-01-000 | EA | ADAPTER-CROSS1/2"PIPE | |
| | 010377-02-000 | EA | NUT-BRASS-3/8"FLARE-FORGED | |
| | 010380-02-000 | EA | NUT-BRASS-1/2"FLARE-FORGED | |
| | 103613-02-000 | EA | DETECTOR-LPGAS | |

LOUNGEGROUP



CABINET-W/OTV/VCROPTION

| KEY | PARTNUMBER | U/M DESCRIPTION |
|-----|---------------|---|
| 1 | 121877-14-H04 | EA ENDCAP-OVERHEAD-WATERFORDOAK |
| 1 | 121877-14-H10 | EA ENDCAP-OVERHEAD-SALEMCHERRY |
| 2 | M08163-01-H04 | EA CABINET-W/OTV/VCROPTION-W/ODOORS/HARDWARE-WATERFORDOAK |
| 2 | M08163-01-H10 | EA CABINET-W/OTV/VCROPTION-W/ODOORS/HARDWARE-SALEMCHERRY |
| | 122469-01-02B | EA BRACKET-ZEE |
| | 122298-02-02B | EA BRACKET-TV/VCR-LEFTHAND |
| | 122298-03-02B | EA BRACKET-TV/VCR-RIGHTHAND |
| 3 | 057882-04-000 | SF TAMBOUR-48"X96" SHEET-UNFINISHED |
| 4 | 121877-15-H04 | EA ENDCAP-OVERHEAD-WATERFORDOAK |
| 4 | 121877-15-H10 | EA ENDCAP-OVERHEAD-SALEMCHERRY |

CABINET-W/TV/VCROPTION

| KEY | PARTNUMBER | U/M DESCRIPTION |
|-----|---------------|---|
| 1 | 121877-13-H04 | EA ENDCAP-OVERHEAD-WATERFORDOAK |
| 1 | 121877-13-H10 | EA ENDCAP-OVERHEAD-SALEMCHERRY |
| 2 | M08163-02-H04 | EA CABINET-W/TV/VCROPTION-WATERFORDOAK |
| 2 | M08163-02-H10 | EA CABINET-W/TV/VCROPTION-SALEMCHERRY |
| | 122469-02-02B | EA BRACKET-ZEE |
| | 122298-02-02B | EA BRACKET-TV/VCR-LEFTHAND |
| | 122298-03-02B | EA BRACKET-TV/VCR-RIGHTHAND |
| | 091261-01-000 | FT SLIPNOT-ANTISLIP-1"WIDE(100'ROLL) |
| | 099717-04-000 | EA STRAP-TIEDOWNW/21.3"FEMALESTRAP&27.2"MALESTRAP |
| | 121877-11-H04 | EA SHELF-W/SLIDEANDSWIVEL |
| | 103256-01-000 | EA LATCH-SLIDE |
| | 116773-02-000 | EA SLIDE-SWIVEL-TV |
| 3 | 057882-04-000 | SF TAMBOUR-48"X96" SHEET-UNFINISHED |
| 4 | 121877-15-H04 | EA ENDCAP-OVERHEAD-WATERFORDOAK |
| 4 | 121877-15-H10 | EA ENDCAP-OVERHEAD-SALEMCHERRY |

LOUNGEGROUP(CONTINUED)

CABINET-OVERHEAD

| KEY | PARTNUMBER | U/M DESCRIPTION |
|-----|---------------|---|
| 1 | 104335-23-H04 | EA ENDCAP-OVERHEAD-WATERFORDOAK |
| 1 | 104335-23-H10 | EA ENDCAP-OVERHEAD-SALEMCHERRY |
| 2 | 124390-01-H04 | EA CABINET-OVERHEAD-W/ODOORS/HARDWARE-WATERFORDOAK |
| 2 | 124390-01-H10 | EA CABINET-OVERHEAD-W/ODOORS/HARDWARE-SALEMCHERRY |
| 3 | 110140-98-H04 | EA DOOR-MITEREDCORNER/VINYLRAP-15.7"X19.7"-WATERFORDOAK |
| 3 | M06803-N0-H10 | EA DOOR-OGEEEDGE-15.7"X19.7"-W/OHDW-SALEMCHERRY |
| 4 | 104335-22-H04 | EA ENDCAP-OVERHEAD-WATERFORDOAK |
| 4 | 104335-22-H10 | EA ENDCAP-OVERHEAD-SALEMCHERRY |

LID-ENTRANCEDOORCABINET

| KEY | PARTNUMBER | U/M DESCRIPTION |
|-----|---------------|--------------------------------------|
| | P14437-03-000 | EA CABINET-LIDENTRANCEDOOR-W/OCARPET |
| | 101222-01-02A | EA BRACKET-CATCH-LID-OFFWHITE |

SEALANTS&FASTENERSGROUP
ADHESIVESANDSEALERS

| KEY | PARTNUMBER | U/M | DESCRIPTION |
|-----|---------------|-----|---|
| | 002707-02-000 | FT | TAPE-SEALER-5/16"X1/2"-INCREMENTSOF50FT |
| | 004006-05-700 | EA | ADHESIVE-NAT.STARCH(5GAL) 0802 |
| | 004020-01-000 | QT | ADHESIVE-ABSCEMENT-QUART |
| | 034552-02-000 | EA | SILICONE-TUBE-300ML-W/ONNOZZLE-CLEAR |
| | 034552-06-000 | EA | SILICONE-TUBE-300ML-W/ONNOZZLE-OFFWHITE |
| | 034552-15-000 | EA | SILICONE-TUBE-300ML-W/ONNOZZLE-BRIGHTWHITE |
| | 039518-01-000 | EA | SILICONE-TUBE-300ML-BLACK-W/ONNOZZLE |
| | 053766-02-000 | EA | BEDDINGCOMPOUND-TUBE-WHITE |
| | 053766-06-000 | EA | BEDDINGCOMPOUND-TUBE-CLEAR |
| | 053766-08-000 | EA | BEDDINGCOMPOUND-TUBE/GRAY |
| | 063642-01-000 | FT | TAPE-ADHESIVE-10MILX1.5"X180" |
| | 069640-01-000 | FT | SEALER-RIBBON-1/4"DIAMETER-INCREMENTSOF30' |
| | 069640-02-000 | FT | SEALER-RIBBON-1/2"X1/8"-INCREMENTSOF60' |
| | 069640-03-000 | FT | SEALER-RIBBON-3/4"X1/8"-INCREMENTSOF60' |
| | 069640-07-000 | FT | SEALER-RIBBON-2"X3/32"-INCREMENTSOF45'-EXPORT |
| | 069640-10-000 | FT | SEALER-RIBBON-1/32"X11/2"INCREMENTSOF90' |
| | 069640-17-000 | FT | SEALER-TAPE-1/32"THICKX1"WIDEX90' |
| | 069640-18-000 | FT | SEALER-TAPE-1/2"THICKX1/8"X60' |
| | 069640-11-000 | FT | SEALER-RIBBON-3/16"X3/8"-BLACK |
| | 072889-09-000 | EA | SEALANT-URETHANE-BLACK(TUBE) |
| | 072889-10-000 | EA | SEALANT-URETHANE(HV)-BRIGHTWHITE |
| | 072889-12-000 | EA | SEALANT-URETHANE(LV)BRIGHTWHITE |
| | 076322-01-000 | FT | TAPE-DOUBLECOATED/FOAMED-ADHESIVEBACKED-.25"X216' |
| | 076322-02-000 | FT | TAPE-DOUBLECOATED/FOAMED-ADHESIVEBACKED-1"X108"-EXPORT |
| | 076322-03-000 | FT | TAPE-DOUBLECOATED/FOAMED-ADHESIVEBACKED-.5"X108"-EXPORT |
| | 076322-05-000 | FT | TAPE-DOUBLECOATED/FOAMED-ADHESIVEBACKED-.45"X.75" |
| | 123816-01-000 | FT | TAPE-DOUBLESIDED-1" |
| | 123816-03-000 | FT | TAPE-DOUBLESIDED-1/2" |
| | 110943-02-000 | FT | FELTSTRIP-3/8"-ADHESIVEBACKED |
| | 087211-01-000 | GL | PROMOTER-ADHESIVE-EXPORT |
| | 091255-02-000 | FT | SEAL-ADHESIVEBACKED/FOAM-.18"THICKX1.5"WIDE |
| | 102352-01-000 | EA | SEALER-PUMPABLE-BLACK-COLORIMETRICMS101 |
| | 102352-02-000 | EA | SEALER-PUMPABLE-CLEAR |
| | 106206-01-000 | EA | SEALER-PUMPABLE-MANUS30A-BLACK |
| | 108716-01-000 | EA | SILICONE-TUBE-OFFWHITE/SELFLEVELING |
| | 108716-03-000 | EA | SILICONE-BRIGHTWHITESELFLEVELING-TUBE |
| | 120534-01-01A | EA | TAPE-SCOTCH-3M-1/2"FINELINE |
| | 112901-02-000 | EA | ADHESIVE-PLEXUS-50ML-EXPORT |
| | 900390-01-000 | EA | TIP-21/2"X1/8"ORIFICE |
| | 900390-03-000 | EA | NOZZLE-SILICONETUBE |

WASHERS

| KEY | PARTNUMBER | U/M | DESCRIPTION |
|-----|---------------|-----|-----------------------------------|
| | 000E11-07-00B | EA | WASHER-LOCKING-7/16MEDSPLIT-ZINC |
| | 000E11-08-00B | EA | WASHER-LOCKING-1/2MEDSPLIT-ZINC |
| | 000E13-17-00B | EA | WASHER-FLAT-3/8"AR-ZINC |
| | 000E13-18-00B | EA | WASHER-FLAT-3/8WIDE-ZINC |
| | 000E13-20-00B | EA | WASHER-FLAT-7/16"WIDE-ZINC |
| | 000E13-21-00B | EA | WASHER-FLAT-W/2NAR-ZINC |
| | 044533-01-000 | EA | WASHER-PLASTIC-13/8"OD-FORBUTTONS |
| | 077071-01-000 | EA | WASHER-FENDER-3/16"IDX1"OD |

GROMMETS

| KEY | PARTNUMBER | U/M | DESCRIPTION |
|-----|---------------|-----|---|
| | 016188-03-000 | EA | GROMMET-L/PLINE-3/8"HOLEX21/2"LONG-RUBBER |
| | 016188-05-000 | EA | GROMMET-L/PLINE-3/8"HOLEX11/4"LONG-RUBBER |
| | 023942-01-000 | EA | GROMMET-RUBBER-2"OD |
| | 071015-11-000 | EA | GROMMET-1.00ID-FITS.12MATL-MINORRUBBERZ-3065 |
| | 071015-26-000 | EA | GROMMET-RUBBER-1.5"IDX2.12"ODW/.06"GROOVE-BLAC |
| | 071015-29-000 | EA | GROMMET-RUBBER-1/2IDX11/4ODW.12GROOVE-BLK |
| | 114208-02-000 | EA | GROMMET-EDGELINER-FITS.625 |
| | 071015-29-000 | EA | GROMMET-RUBBER-1/2IDX11/4ODW.12GROOVE-BLK-MCCLAIN'S |

SEALANTS&FASTENERSGROUP(CONTINUED)
NUTSANDRIVETS

| KEY | PARTNUMBER | U/M | DESCRIPTION |
|-----|---------------|-----|--|
| | 000D24-10-00B | EA | NUT-HEX-SELFLOCKING-10-32ZINC |
| | 000D29-09-00B | EA | NUT-HEX-SELFLOCKING-9/16-12-ZINC |
| | 000D34-06-00B | EA | NUT-HEX-LOCKING-3/8-16GRADE C-ZINC-PREVAILINGT |
| | 000D39-04-00B | EA | NUT-HEX-SERRATEDFLANGE-LOCKING-1/4-20-ZINC |
| | 000D39-05-00B | EA | NUT-HEX-SERRATEDFLANGE-LOCKING-5/16-18-ZINC |
| | 000D39-06-00B | EA | NUT-HEX-SERRATEDFLANGE-LOCKING-3/8-18-ZINC |
| | 000D39-07-00B | EA | NUT-HEX-SERRATEDFLANGE-LOCKING-7/16-14-ZINC |
| | 000D39-08-00B | EA | NUT-HEX-SERRATEDFLANGELOCKING-1/2-13-ZINC |
| | 000D44-07-00B | EA | NUT-HEX-SERRATEDFLANGELOCKING-7/16-20-ZINC |
| | 000D46-04-00A | EA | NUT-HEX-WELD-1/4-20-PLAIN |
| | 000D58-06-00A | EA | NUT-HEX-WELD3/8-16-PLAIN |
| | 000D60-05-00A | EA | NUT-HEX-WELD/LOCK5/16-18UNCUT |
| | 040921-01-000 | EA | NUT-SPEED-UTYPE-10-24BLACK |
| | 104369-01-000 | EA | NUT-HEX-HEAVY-5/8-11UNC |
| | 000H16-04-06R | EA | RIVET-POPALUMINUM-1/8"X.313-.375 |
| | 069592-02-000 | EA | RIVET-T-POP-1/4X.093-.156 |

CLAMPSANDTIES

| KEY | PARTNUMBER | U/M | DESCRIPTION |
|-----|---------------|-----|---|
| | 007161-01-000 | EA | CLAMP-HOSE-SPRINGTYPE-1/2" |
| | 010495-01-000 | EA | CLAMP-CABLE-9/16" |
| | 010495-02-000 | EA | CLAMP-CABLE-3/8 |
| | 010497-01-000 | EA | CLAMP-CLOSED-5/8"ID |
| | 010497-03-000 | EA | CLAMP-CLOSED-1"ID-CUSHIONED |
| | 010497-07-000 | EA | CLAMP-CLOSED-3/8ID |
| | 010497-08-000 | EA | CLAMP-CLOSED-.125" |
| | 010499-01-000 | EA | CLAMP-CLOSED-3/8"ID |
| | 056134-02-000 | EA | HOLDER-RING-1.8"DIAMETER-METAL |
| | 062401-01-000 | EA | CLAMP-HOSE-WORMGEAR-.25"-1" |
| | 062401-02-000 | EA | CLAMP-HOSE-WORMGEAR-1.56"-2.5" |
| | 062401-03-000 | EA | CLAMP-HOSE-WORMGEAR-.22"-1" |
| | 062401-04-000 | EA | CLAMP-HOSE-WORMGEAR-.69"-1.25" |
| | 062401-06-000 | EA | CLAMP-HOSE-WORMGEAR-.22"-.62"ID |
| | 062401-11-000 | EA | CLAMP-HOSE-WORMGEAR-31/2"-41/2" |
| | 075148-02-000 | EA | CLAMP-GROUNDING-BRONZESCREWS |
| | 080211-05-000 | EA | CLIP-XMASTREE1.42" |
| | 080734-02-000 | EA | CLIP-WIRENYLON |
| | 083609-01-000 | EA | CLAMP-WIRE-DUAL-EQUALDIAMETERS-5/8" |
| | 083610-01-000 | EA | CLAMP-WIRE-DUAL-UNEQUALDIAMETERS-3/4"&11/4" |
| | 091952-02-000 | EA | CLIP-GRIPPER-3/4" |
| | 008343-01-000 | EA | TIE-WIRE-6" |
| | 008343-02-000 | EA | TIE-WIRE-14" |
| | 085774-01-000 | FT | FASTENER-DUALHOOK-1"WIDE-ADHESIVEBACK-BLACK |
| | 085774-02-000 | FT | FASTENER-DUALLOOP-1"WIDE-ADHESIVEBACK-BLACK |
| | 108046-02-000 | EA | CABLETIE-SCREWMOUNT15"-DENNISON10035 |

BOLTS

| KEY | PARTNUMBER | U/M | DESCRIPTION |
|-----|---------------|-----|--|
| | 102333-01-06A | EA | BOLT-CARRIAGE-7/16-14STAINLESSSTEELCAP |
| | 0MC31K-08-020 | EA | BOLT-HEX-SERRATEDFLANGE-M8X020 |
| | 000C12-05-16B | EA | BOLT-HEX-5/16-18X1-ZINC5 |
| | 000C12-06-16B | EA | BOLT-HEX-3/8-16X1LG-ZINC5 |
| | 000C12-07-20B | EA | BOLT-HEX-7/16-14X11/4-ZINC5 |
| | 000C12-08-24B | EA | BOLT-HEX-1/2-13X1.50-ZINC5 |
| | 000C13-07-48B | EA | BOLT-HEX-7/16-20X3-ZINC5 |
| | 000C18-05-40A | EA | BOLT-ELEVATOR-5/16-18X2.50-PL |
| | 000C18-06-48B | EA | BOLT-ELEVATOR-3/8-16X3-ZINC-GRADE5 |
| | 000C26-04-10B | EA | BOLT-HEX-SF-1/4-20X5/8-ZINC |
| | 000C26-05-12B | EA | BOLT-HEX-SF-5/16-18X3/4-ZINC |
| | 000C26-05-16B | EA | BOLT-HEX-SF-5/16-18X3/4-ZINC |
| | 000C26-06-16B | EA | BOLT-HEX-SF-3/8-16X1-ZINC |
| | 000C26-06-12B | EA | BOLT-HEX-SF-3/8-16X3/4-ZINC |

SEALANTS&FASTENERSGROUP(CONTINUED)

SCREWS

| KEY | PARTNUMBER | U/M DESCRIPTION |
|-----|---------------|---|
| | 102540-03-000 | EA SEAL-SCREW-EPDM,80DUR,GRUMEN |
| | 0G1108-12-170 | EA SCREW-8-18X.75PPH-BRIGHTWHITE |
| | 0G3908-08-170 | EA SCREW-SF/DR-8-18X.50PPH-BRIGHTWHITE |
| | 0G3908-16-170 | EA SCREW-SF/DR,8,18X1.00PPH -BRIGHTWHITE |
| | 0G3908-24-170 | EA SCREW-SF/DR-8-18X1.50PPH-BRIGHTWHITE |
| | 0G3910-12-170 | EA SCREW-SF/DR-10-16X.75PPH |
| | 0G5508-16-250 | EA SCREW-SF/DR-8-18X1.00PWH |
| | 0G6008-16-170 | EA SCREW-SF/DR-8-18X1.00POH |
| | 0G6710-08-170 | EA SCREW-10-12X1/2PPH-BRIGHTWHITE |
| | 000G11-05-08B | EA SCREW-5-20X.50PPH-ZINC |
| | 000G11-06-08B | EA SCREW-6-20X.50PPH-ZINC |
| | 000G11-06-06B | EA SCREW-6-20X3/8PPH-ZINC |
| | 000G11-06-10J | EA SCREW-6-20X5/8PPH-BRASS |
| | 000G11-06-10B | EA SCREW-6-20X5/8PPH-ZINC |
| | 000G11-07-08B | EA SCREW-7-19X.50PPH-ZINC |
| | 000G11-08-08B | EA SCREW-8-18X.50PPH-ZINC |
| | 000G11-08-20B | EA SCREW-8-18X1.25PPH-ZINC |
| | 000G11-08-16S | EA SCREW-8-18X1.00PPH-OFFWHITE |
| | 000G11-08-12T | EA SCREW-8-18X.75PPH-BLACK |
| | 000G11-08-12P | EA SCREW-8-18X.75PPH-DARKBROWN |
| | 000G11-08-12P | EA SCREW-8-18X.75PPH-DARKBROWN |
| | 000G11-08-12D | EA SCREW-8-18X.75PPH-BLACK |
| | 000G11-08-12B | EA SCREW-8-18X.75PPH-ZINC |
| | 000G11-10-12D | EA SCREW-10-16X.75PPH-BLACK |
| | 000G11-10-12S | EA SCREW-10-16X.75PPH-OFFWHITE |
| | 000G11-10-24P | EA SCREW,10-16X11/2PPH-DARKBROWN |
| | 000G11-10-16B | EA SCREW-10-16X1PPH-ZINC |
| | 000G12-06-08T | EA SCREW-6-20X.50POH-BLACK |
| | 000G12-08-12S | EA SCREW-8-18X.75POH-OFFWHITE |
| | 000G13-06-08G | EA SCREW-6-20X.50PFH-ANTIQUEBRASS |
| | 000G13-06-08B | EA SCREW-6-20X.50PFH-ZINC |
| | 000G13-07-10H | EA SCREW-7-19X5/8PFH-BLACK |
| | 000G13-07-12B | EA SCREW-7-19X.75PFH-ZINC |
| | 000G19-10-12F | EA SCREW-MACHINE-10-32X.75-PPH-STAINLESSSTEEL |
| | 000G32-10-06B | EA SCREW-10-32X3/8PPH-ZINC |
| | 000G39-06-10T | EA SCREW-SF/DR-6-20X5/8PPH-BLACK |
| | 000G39-06-10T | EA SCREW-SF/DR-6-20X5/8PPH-BLACK |
| | 000G39-08-24S | EA SCREW-SF/DR-8-18X1.50-OFFWHITE |
| | 000G39-08-24B | EA SCREW-SF/DR-8-18X11/2PPH-ZINC |
| | 000G39-08-16R | EA SCREW-SF/DR-8-18X1PPH-BEIGE |
| | 000G39-08-16B | EA SCREW-SF/DR-8-18X1PPH-ZINC |
| | 000G39-08-12T | EA SCREW-SF/DR-8-18X.75PPH-BLACK |
| | 000G39-08-12B | EA SCREW-SF/DR-8-18X.75PPH-ZINC |
| | 000G39-08-08S | EA SCREW-SF/DR-8-18X.50PPH-OFFWHITE |
| | 000G39-08-08B | EA SCREW-SF/DR-8-18X.50PPH-ZINC |
| | 000G39-10-12D | EA SCREW-SF/DR-10-16X.75PPH-BLACK |
| | 000G39-10-12B | EA SCREW-SF/DR-10-16X.75PPH-ZINC |
| | 000G39-10-088 | EA SCREW-SF/DR-10-16X.50PPH-FLEXFLUOROCARBON |
| | 000G39-10-08B | EA SCREW-SF/DR-10-16X.50PPH-ZINC |
| | 000G39-10-209 | EA SCREW-SF/DR-10-16X11/4PPH-FLUOROCARBONSILVER |
| | 000G39-10-20B | EA SCREW-SF/DR-10-16X11/4PPH-ZINC |
| | 000G39-10-129 | EA SCREW-SF/DR-10-16X.75PPH-FLUOROCARBONSILVER |
| | 000G42-04-12B | EA SCREW-SF/DR-1/4-14X.75HWH-ZINC |
| | 000G42-04-16B | EA SCREW-SF/DR-1/4-14X1HWH-ZINC |
| | 000G46-08-24T | EA SCREW-MACHINE-8-32X1.5PFH-BLACK |
| | 000G50-04-12B | EA SCREW-MACHINE-1/4-20X.75PPH-ZINC |
| | 000G52-08-18B | EA SCREW-MACHINE-8-32X11/8PTH-ZINC |
| | 000G54-04-20B | EA SCREW-1/4-20X11/4PTH-TYPE23-ZINCPLATED |
| | 000G55-08-16S | EA SCREW-SF/DR-8-18X1.00-PWH-OFFWHITE |
| | 000G55-08-12S | EA SCREW-SF/DR-8-18X.75PWH-OFFWHITE |
| | 000G56-12-48B | EA SCREW-WOOD-12-11X3POH-SPECIALHARDENED |
| | 000G60-10-28T | EA SCREW-SF/DR-10-16X1.75-BLACK |
| | 000G60-10-20B | EA SCREW-SF/DR-10-16X1.25POH-ZINC |

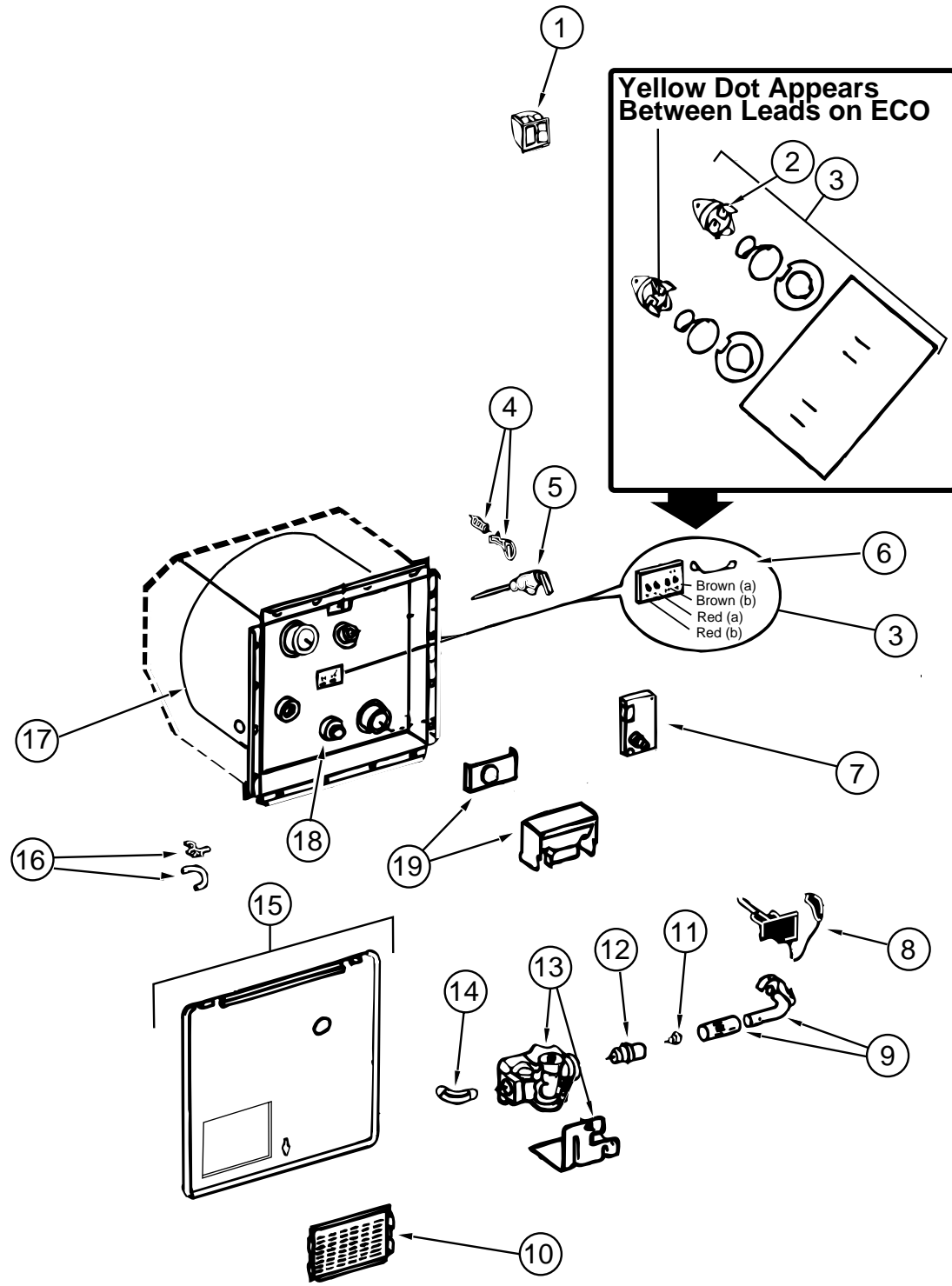
SEALANTS&FASTENERSGROUP(CONTINUED)

SCREWS(CONTINUED)

| KEY | PARTNUMBER | U/M DESCRIPTION |
|-----|---------------|--|
| | 000G67-10-08B | EA SCREW-10-12X.50PPH-ZINC |
| | 000G67-10-36T | EA SCREW-10-12X2.25PPH-BLACK-STALGARD |
| | 000G67-10-32B | EA SCREW-10-12X2PPH-ZINC |
| | 000G67-10-24B | EA SCREW-10-12X1.25PPH-ZINC |
| | 000G67-10-16B | EA SCREW-10-12X1PPH-ZINC |
| | 000G67-10-120 | EA SCREW-10-12X.75PPH-TAN |
| | 000G67-10-12R | EA SCREW-10-12X.75PPH-BEIGE |
| | 000G67-10-12P | EA SCREW-10-12X.75-PPH-DARKBROWN |
| | 000G67-10-12B | EA SCREW-10-12X.75PPH-ZINC |
| | 000G67-10-10S | EA SCREW-10-12X5/8-PPH-OFFWHITE |
| | 000G67-10-10D | EA SCREW-10-12X5/8PPH-BLACK-TYPEA |
| | 000G67-10-10B | EA SCREW-10-12X5/8PPH-ZINC-TYPEA |
| | 000G67-10-08R | EA SCREW-10-12X1/2PPH-BEIGE-TYPEA |
| | 000G68-06-10G | EA SCREW-6-18X5/8POH-ANTIQUEBRASS |
| | 049465-03-000 | EA SCREW-10-16X1POHW/WASHER-OFFWHITE |
| | 049465-04-000 | EA SCREW-10-16X1PTHW/WASHER-BEIGE |
| | 054434-02-000 | EA SCREW-SF/DR-10-16X2-ZINC |
| | 057671-01-000 | EA COVER-SCREW-#8-PLASTIC-OFFWHITE |
| | 075908-01-000 | EA SCREW-MACHINE-10-32X.56PTH-EXTERNALTOOTH-ZINC |
| | 083554-01-000 | EA SCREW-DRYWALL-8X1.25 |
| | 083554-04-000 | EA SCREW-DRYWALL-8X2.50 |
| | 087721-01-000 | EA SCREW-FLATHEAD-TAPPING-1/4"X11/4"LONG-ZINC |
| | 101618-01-000 | EA SCREW-1/4-20X3/4HEX-TAPPING-STALGARDTYPEF |
| | 105126-01-000 | EA SCREW-MACH-8-32X1PPHTAPIT |
| | 115430-01-01B | EA SCREW-18X1/2POHW/WASHER-ZINC |

WATER & SEWAGE GROUP

WATER HEATER W/O MOTOR AID - ATWOOD G6A-8E



| KEY | PARTNUMBER | U/M | DESCRIPTION | VENDOR NO. |
|-----|---------------|-----|--|---------------|
| | 051391-03-000 | EA | WATERHEATER-ATWOODG6A-8E ELECTRIC IGNITION | |
| 1 | 097967-01-000 | EA | SWITCH-WATERHEATER-REMOTE W/LIGHT | |
| 2 | 051391-04-701 | EA | THERMOSTAT 12VDC-120 PRESET | 91470 |
| 3 | 051393-01-721 | EA | THERMOSTAT W/ECO, 140 FRONT MOUNT | 91447 |
| 4 | 051391-01-705 | EA | FASTENER-CAM LOCK | 92609 |
| 5 | 051391-01-704 | EA | VALVE-RELIEF, 1/2" FITTING | 91604 |
| 6 | 051393-01-723 | EA | SWITCH-THERMAL-CUTOFF 2/PKG | 93866 |
| 7 | 051393-01-724 | EA | BOARD-CIRCUIT, SPADE TERMINAL | 93865 |
| 8 | 051393-01-725 | EA | ELECTRODE-SGL SPADE CONNECT. | 93868 |
| 9 | 051391-04-703 | EA | BURNER-MAIN | 91638 |
| 10 | 051391-01-717 | EA | GRILLE-WATERHEATER DOOR | 92640 |
| 11 | 051391-01-710 | EA | ORIFICE-MAIN BURNER | 92742 |
| 12 | 051391-03-700 | EA | HOLDER-ORIFICE | 91563 |
| 13 | 051393-01-726 | EA | VALVE-SOLENOID, W/BACKET | 93870 |
| 14 | 051391-01-714 | EA | FITTING-ELBOW, 45 DEGREE - 3/8 FX 3/8 MPT | 1044 |
| 15 | 052009-06-000 | EA | DOOR-WATERHEATER-BRIGHT WHITE-18" X 14.6" | |
| | 116424-01-000 | EA | PROTECTOR-LATCH-WATERHEATER | |
| 16 | 051391-01-700 | EA | HINGE KIT, (PIN & CLIP) | 92568 & 92559 |
| 17 | 051391-04-706 | EA | TANK-INNER, G6A-4E & 6E FRONT MOUNT | 91641 |
| 18 | 051391-01-715 | EA | PLUG-DRAIN, 1 EA = 2 PER PKG | 91857 |
| 19 | 051391-04-707 | EA | KIT-EXHAUST, (FLUE & GASKET) | 90960 |
| | 111129-01-711 | EA | BRACKET-CORNER, SET OF FOUR | 91928 |

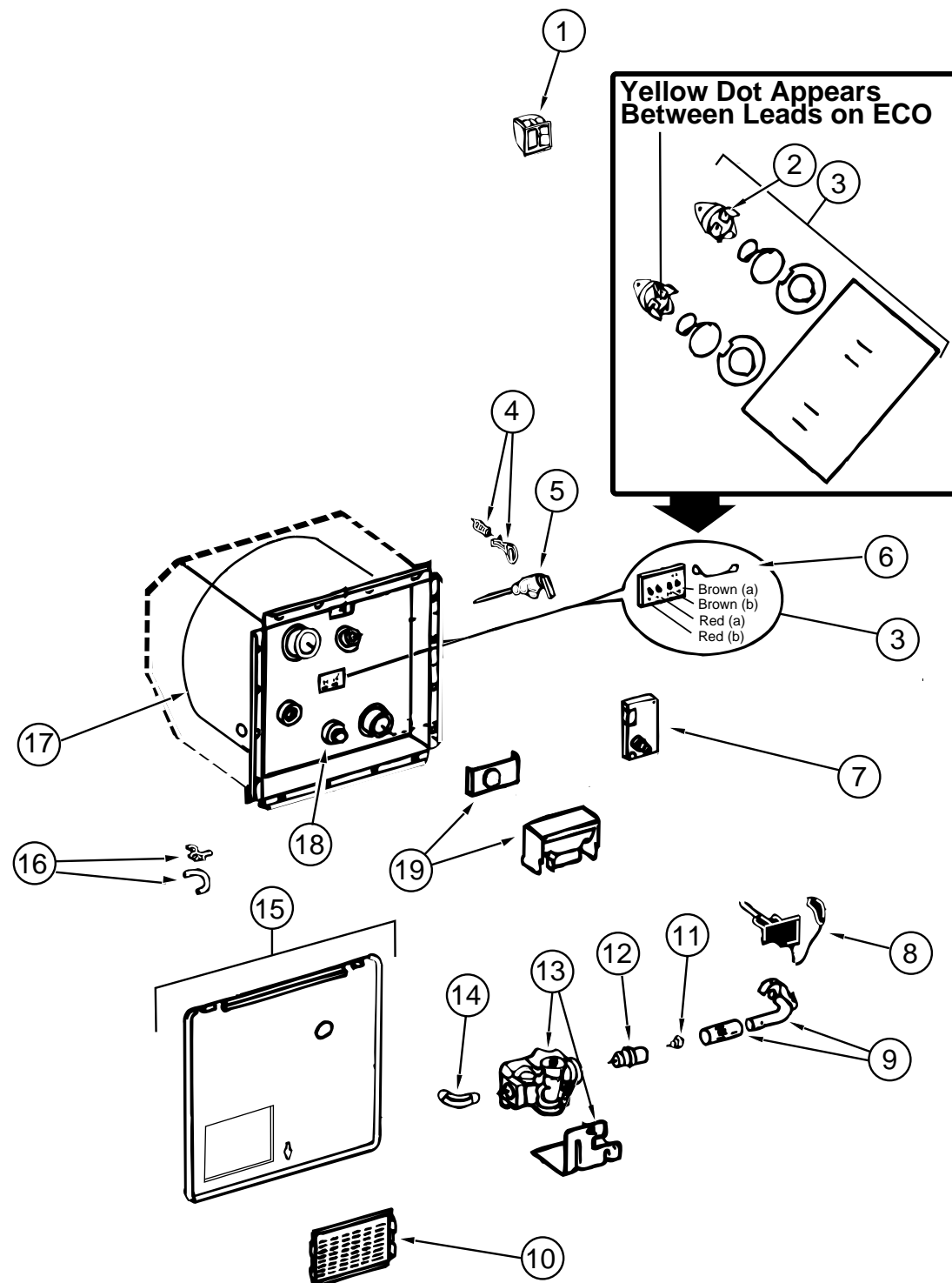
WATER & SEWAGE GROUP (CONTINUED)

WATER HEATER W/MOTOR AID - ATWOOD GH6-8E - EXPORT

| KEY | PART NUMBER | U/M DESCRIPTION | VENDOR NO. |
|-----|---------------|--|---------------|
| | 051393-01-000 | EA WATER HEATER - GH6-8E - ELECTRONIC IGNITION W/MOTOR AID | |
| 1 | 097967-01-000 | EA SWITCH - WATER HEATER, REMOTE W/LIGHT 91959 | |
| 2 | 051391-04-701 | EA THERMOSTAT 12VDC-120 PRESET | 91470 |
| 3 | 051393-01-721 | EA THERMOSTAT W/ECO, 140 FRONT MOUNT | 91447 |
| 4 | 051391-01-705 | EA FASTENER - CAM LOCK | 92609 |
| 5 | 051391-01-704 | EA VALVE - RELIEF, 1/2" FITTING | 91604 |
| 6 | 051393-01-723 | EA SWITCH - THERMAL - CUTOFF 2/PKG | 93866 |
| 7 | 051393-01-724 | EA BOARD - CIRCUIT, SPADE TERMINAL | 93865 |
| 8 | 051393-01-725 | EA ELECTRODE - SGL SPADE CONNECT. | 93868 |
| 9 | 051391-04-703 | EA BURNER - MAIN | 91638 |
| 10 | 051391-01-717 | EA GRILLE - WATER HEATER DOOR | 92640 |
| 11 | 051391-01-710 | EA ORIFICE - MAIN BURNER | 92742 |
| 12 | 051391-03-700 | EA HOLDER - ORIFICE | 91563 |
| 13 | 051393-01-726 | EA VALVE - SOLENOID, W/BRAKET | 93870 |
| 14 | 051391-01-714 | EA FITTING - ELBOW, 45 DEGREE - 3/8 F X 3/8 MPT | 1044 |
| 15 | 052009-06-000 | EA DOOR - WATER HEATER, 18" X 14.6" - METAL - BRIGHT WHITE | |
| | 116424-01-000 | EA PROTECTOR - WATER HEATER LATCH, ADHESIVE BACKED ROUND VINYL | |
| 16 | 051391-01-700 | EA HINGE KIT, (PIN & CLIP) | 92568 & 92559 |
| 17 | 051391-04-704 | EA TANK - INNER (FRT - MT) | 91642 |
| 18 | 051391-01-715 | EA PLUG - DRAIN, 1 EA = 2 PER PKG | 91857 |
| 19 | 051391-04-707 | EA KIT - EXHAUST, (FLUE & GASKET) | 90960 |
| | 111129-01-711 | EA BRACKET - CORNER, SET OFF FOUR | 91928 |

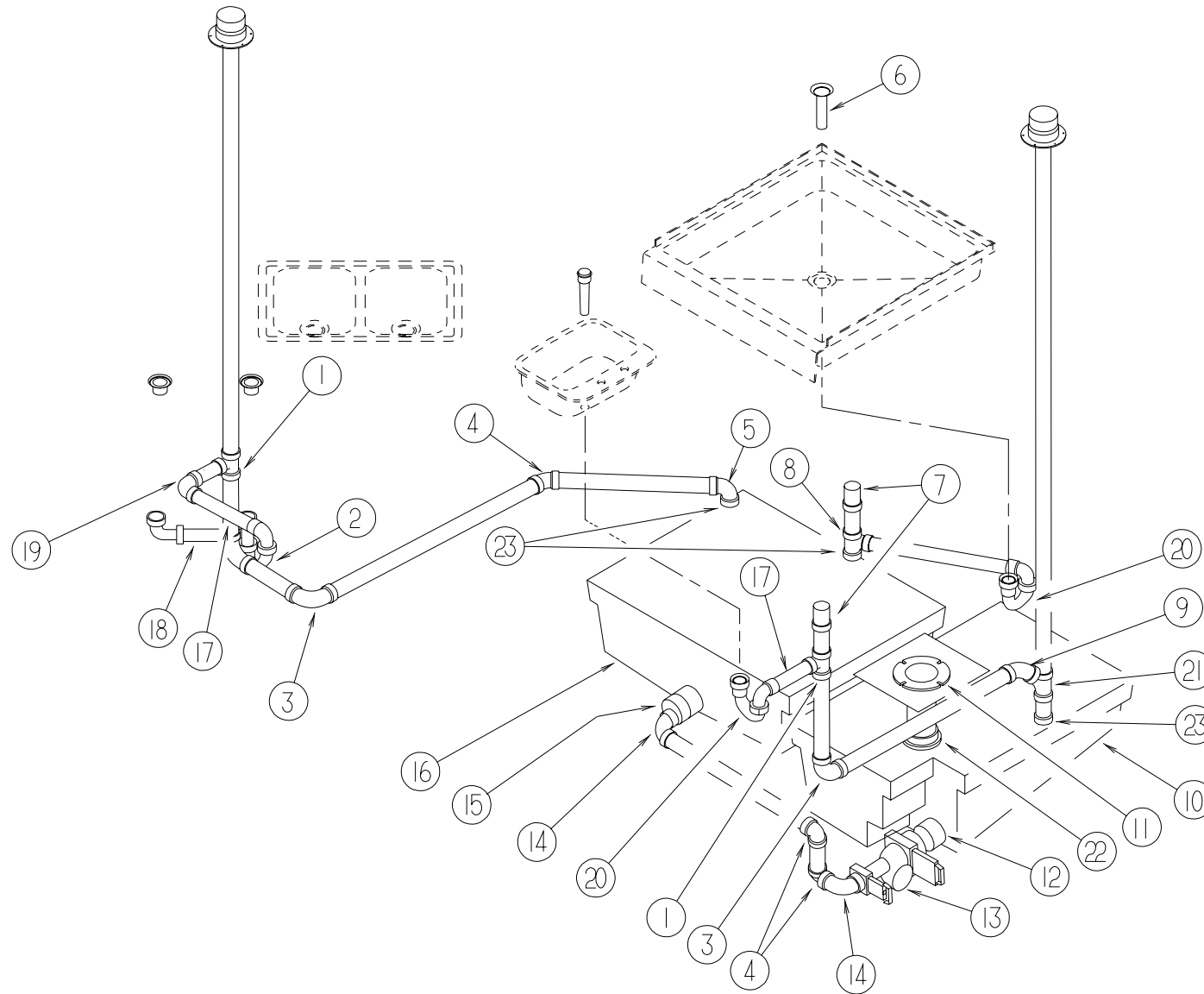
WATER HEATER W/ELECTRIC IGNITION - ATWOOD 94720 ICH66 - WIE EXPORT

| KEY | PART NUMBER | U/M DESCRIPTION | VENDOR NO. |
|-----|---------------|---|------------|
| | 111129-01-000 | EA WATER HEATER - ELECTRIC IGNITION - 220 VOLTS | |
| | 111129-01-700 | EA SWITCH - WALL PACKAGE | 91208 |
| | 111129-01-702 | EA VALVE - DRAIN PRESSURE, 3.5 BAR | 91898 |
| | 111129-01-703 | EA THERMOSTAT (60) ECO (82) KIT | 91191 |
| | 111129-01-704 | EA BOARD - IGNITION | 91194 |
| | 111129-01-705 | EA REGULATOR - GAS PRESSURE #10 | 91198 |
| | 111129-01-706 | EA ORIFICE - MAIN BURNER COMPLETE | 91017 |
| | 111129-01-707 | EA BURNER KIT, MAIN | 91204 |
| | 111129-01-708 | EA IGNITION KIT, SPARK & PROBE | 91196 |
| | 111129-01-709 | EA FLUE ASSEMBLY | 91045 |
| | 111129-01-710 | EA DOOR - ACCESS, W/LOCK | 91203 |
| | 111129-01-711 | EA BRACKET - CORNER, SET OFF FOUR | 91928 |
| | 111129-01-712 | EA HARDWARE KIT, W/LOCK | 91193 |
| | 111129-01-713 | EA TANK INNER - ICH6-6E | 91188 |
| | 111129-01-714 | EA THERMOSTAT, ELECTRIC, 220V | 91207 |
| | 111129-01-715 | EA RELAY, 220V/12VDC | 91206 |
| | 111129-01-716 | EA ELEMENT - HEATING, 220V/500WATT | 91081 |
| | 111129-01-717 | EA BUSHING, STRAIN RELIEF | 91372 |
| | 111129-01-711 | EA BRACKET - CORNER, SET OFF FOUR | 91928 |



WATER & SEWAGE GROUP (CONTINUED)

DRAINAGE SYSTEM



| KEY | PARTNUMBER | U/M DESCRIPTION | VENDOR NO. | KEY | PARTNUMBER | U/M DESCRIPTION |
|-----|---------------|---|------------|-----|---------------|---|
| 1 | 010071-01-000 | EA TEE - SANITARY - 1 1/2 HUB X HUB X HUB - PLASTIC | | 14 | 033761-01-000 | EA ELBOW - TURN - 1/4 BEND X 1 1/2" HUB X 1 1/2" SPIGOT |
| 2 | 107538-01-000 | EA P-TRAP - PLASTIC - 1 1/4" W/EXTENSION ARM | | 15 | 062422-01-000 | EA ADAPTER - OFFSET REDUCER - 3" X 1 1/2" - PLASTIC |
| 2 | 011071-01-000 | EA PTRAP - PLASTIC 1 1/2" (CANADIAN) | | 16 | 074861-01-000 | EA TANK - HOLDING - W/O GROMMETS - 35 GALLON - 35" X 11" X 27" |
| 3 | 010008-01-000 | EA ELBOW - 90 DEG - 1/4 BEND - 1 1/2" HUB X HUB - PLASTIC | | 17 | 109571-01-000 | EA ADAPTER - PTRAP - 1 1/2" P X 1 1/4" MPT |
| 4 | 010006-01-000 | EA ELBOW - 45 DEG - 1/8 BEND - 1 1/2" HUB X HUB - PLASTIC | | 18 | 011091-02-000 | EA WASTE - CONTINUOUS - DOUBLE SINK |
| 5 | 034250-01-000 | EA ELBOW - 90 DEG - LONG TURN - 1 1/2" HUB X HUB - ABS | | 19 | 010008-01-000 | EA ELBOW - 90 DEG - 1/4 BEND - 1 1/2" HUB X HUB - PLASTIC |
| 6 | 011069-02-000 | EA TAILPIECE - TUB / SHOWER - 1 1/2" X 1 1/4" X 4" - BRASS | | 20 | 107538-01-000 | EA P-TRAP - PLASTIC - 1 1/4" W/EXTENSION ARM |
| | 066440-01-000 | EA STRAINER - SHOWER - W/RUBBER WASHER | | 20 | 011066-03-700 | EA PTRAPKIT 1 1/2" X 1 1/2" P-TRAP W/ 1 1/2" TO 1 1/4" REDUCER (CANADIAN) |
| | 069735-01-000 | EA WASHER - STRAINER TO TAILPIECE - PLASTIC - 1.5" | | 21 | 010071-01-000 | EA TEE - SANITARY - 1 1/2 HUB X HUB X HUB - PLASTIC |
| 7 | 079968-01-000 | EA VENT - MECHANICAL / TRAP ARM - ANTI-SIPHON - 2" X 7.3" PLASTIC | | | 010115-01-000 | EA COUPLING - 1 1/2" HUB X HUB - PLASTIC |
| 8 | 010115-01-000 | EA COUPLING - 1 1/2" HUB X HUB - PLASTIC | | 22 | 063641-01-000 | EA FLANGE - CLOSET - 4" X 3" |
| 8 | 010071-01-000 | EA TEE - SANITARY - 1 1/2 HUB X HUB X HUB - PLASTIC | | 22 | 116644-01-000 | EA FLANGE - CLOSET - 4" X 3" FROM: 00-00-00 THRU: 02-24-97 |
| 9 | 010051-01-000 | EA ELBOW - 45 DEGREE - 1 1/2" SPIGOT & HUB - BLACK PLASTIC | | | | FROM: 02-25-97 THRU: 99-99-99 |
| 10 | 074870-01-000 | EA TANK - HOLDING, W/O GROMMETS - 30 GAL - 36.5" X 13.3" X 23" | | 22 | 116644-01-000 | EA FLANGE - CLOSET - 4" X 3" - MCCLAINS ANNIVERSARY OPTION |
| 11 | 061607-02-000 | EA GROMMET - HOLDING TANK - 3" NPS | | 23 | 061607-01-000 | EA GROMMET - HOLDING TANK - 1 1/2" NPS |
| 12 | 078406-01-000 | EA COUPLER - RUBBER - W/CLAMPS - 3" X 3" | | | | |
| 13 | 070916-01-000 | EA VALVE - DUAL DUMP - W/CAP - 3" X 1 1/2" | | | | |
| | 070916-01-700 | EA VALVE ONLY (WASTE) 3" | T1003BU | | | |
| | 070916-01-701 | EA VALVE ONLY (WASTE 1 1/2") | T1001BU | | | |
| | 010201-01-000 | EA HOSE - SEWER - 3" ID X 8' | | | | |
| | 062416-01-000 | EA ADAPTER - SEWER HOSE TO 3" PIPE | | | | |

WATER&SEWAGEGROUP(CONTINUED)

FRESHWATERTANK

| KEY | PARTNUMBER | U/M | DESCRIPTION |
|-----|---------------|-----|--|
| | 122865-02-000 | EA | TANKASM-WATER-50GAL-W/FITTINGS-RAISEDBEDEXCHANGE |
| | 122865-01-000 | EA | TANK-WATER-50GALLON-W/OFITTINGS |
| | 122865-03-000 | EA | TANK-WATER,50GALLON-EXPORT/RAISEDBEDEXCHANGE |
| | 042989-03-000 | EA | FITTING-WATERTANK-SPINWELD-1 1/4"NPT-PLASTIC |
| | 042989-04-000 | EA | FITTING-WATERTANK-SPINWELD-3/8"FPT-WHITEPLASTIC |
| | 042989-05-000 | EA | FITTING-WATERTANK-SPINWELD-1/2"FPT-PLASTIC |
| | 049032-01-000 | EA | PATCH-SPINWELD-3/8"-PLASTIC |
| | 039861-01-000 | EA | SENDINGUNIT-W/SCREW-WASHER-WELLNUT/TERMINALRING |
| | 077954-02-000 | EA | FILTER-WATERTANK-W/SCREENINTANK |

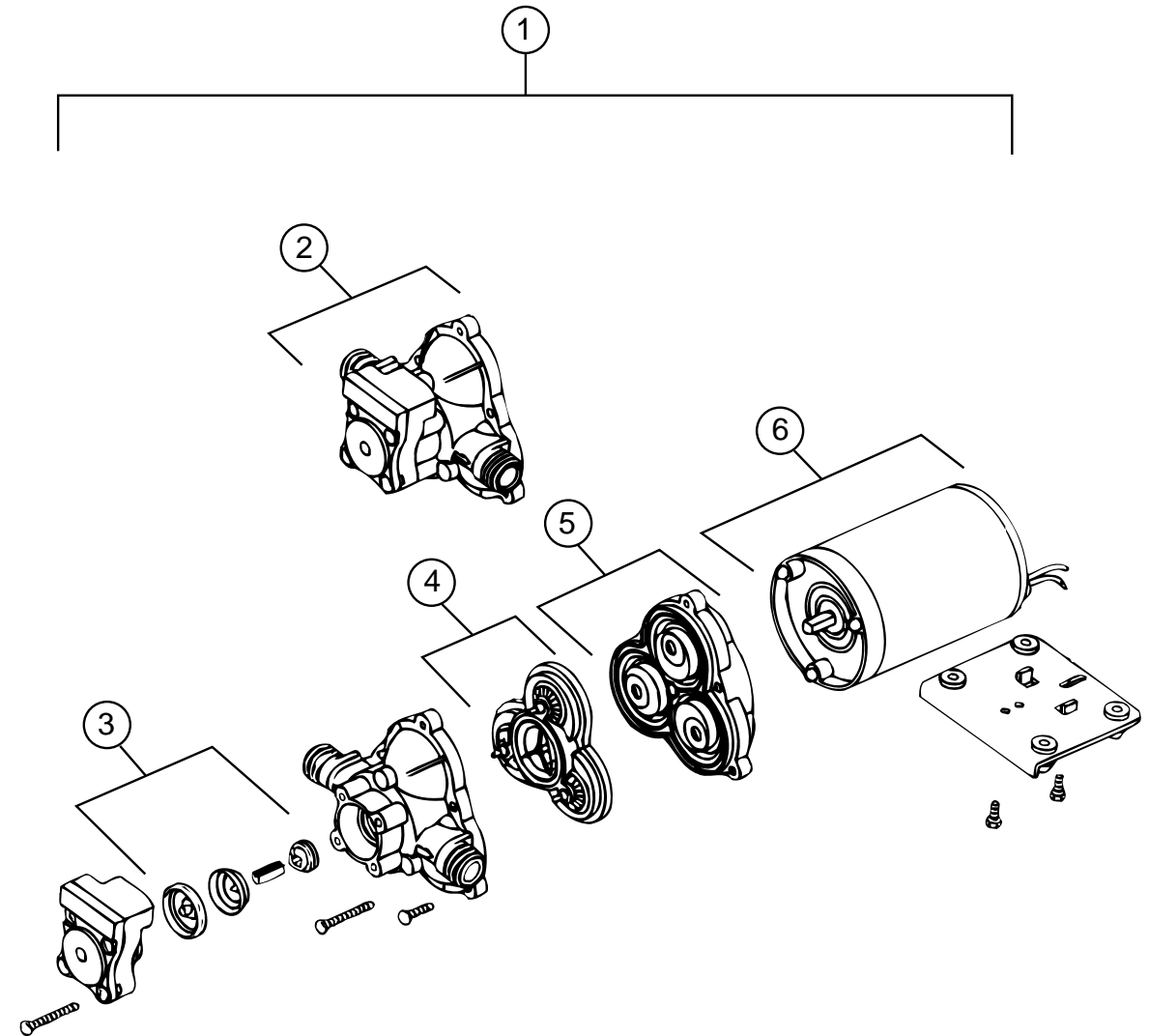
WATERSYSTEM

| KEY | PARTNUMBER | U/M | DESCRIPTION |
|-----|---------------|-----|--|
| | 120069-01-000 | EA | PLUG-3"-POLYETHYLENEMPT |
| | 039800-02-000 | FT | TUBING-POLYBUTYL-5/8"ODX20'-INCOF20' |
| | 039800-05-000 | FT | TUBING-POLYBUTYL-5/8"ODX20' |
| | 074462-02-000 | FT | TUBING-VINYL-3/8"IDX20'-CLEAR |
| | 112176-01-000 | FT | TUBING-VINYL-REINFORCED-1/2"ID |
| | 079381-01-000 | FT | TUBING-SMOOTHFLEXIBLE-1 3/8"IDX20' |
| | 110438-02-000 | EA | VALVE-CHECK-BRASS-MPTXMPT |
| | 110915-01-01A | EA | FILL-CITYWATER-CHROME |
| | 113697-01-000 | EA | CAP-3/8"FTG |
| | 114428-01-000 | EA | TEE-1/2"PX1/2"PX1/2"P |
| | 114428-02-000 | EA | TEE-SWIVEL-1/2"PX1/2"PX1/2"FPT |
| | 114428-03-000 | EA | TEE-1/2"PX1/2"PX1/2"MPT |
| | 114429-01-000 | EA | ELBOW-1/2"PX1/2"P |
| | 114429-02-000 | EA | ELBOW-1/2"PX1/2"MPT |
| | 114429-03-000 | EA | ELBOW-FLAIR-ITSWIVEL-1/2"PX1/2"FPT |
| | 123150-01-000 | EA | ELBOW-1/2"FPTX1/2"BARB-SWIVEL |
| | 123152-01-000 | EA | ADAPTER-1/2"FPTX1/2"BARB-SWIVEL |
| | 114430-02-000 | EA | ADAPTER-SWIVEL-1/2"PX1/2"FPT |
| | 114430-03-000 | EA | ADAPTER-1/2"PX1/2"MPT |
| | 114430-06-000 | EA | ADAPTER-1/2"PX3/8"FPT |
| | 010224-01-000 | EA | ADAPTER-HOSE TO PIPE-3/8"MPTX3/8"BARB-PLASTIC |
| | 044927-01-000 | EA | ADAPTER-HOSE TO PIPE-1 1/4"MPTX1 1/4"BARB-BLKPLS |
| | 114431-01-000 | EA | WATERVALVE-3POSITION-"DRAINVALVE" |
| | 114431-02-000 | EA | WATERVALVE-2POSITION-"BYPASSVALVE" |
| | 114431-03-000 | EA | WATERVALVE-90DEGREEELBOW-"DRAINVALVE" |
| | 115029-01-000 | FT | HOSE-WATER-3/8"ID |
| | 117089-01-000 | FT | HOSE-1/2"ID-GARDEN |
| | 114429-04-000 | EA | ELBOW-1/2"PX3/8"MPT-MCCLAINSANNIVERSARYOPTION |

EXTERIORSHOWER

| KEY | PARTNUMBER | U/M | DESCRIPTION |
|-----|---------------|-----|--|
| | 075241-05-000 | EA | FAUCET/SHOWER-BONE 3/4"MPTX1.4"LONGINLETPIPES |
| | 103092-02-000 | EA | SHOWERHEAD-W/60"HOSE-CSA |
| | 103092-01-000 | EA | SHOWERHEAD-W/60"HOSE-WHITE |
| | 103092-01-700 | EA | BRACKET-F/SHOWERHEAD,CLEAR 2328028 |
| | 091952-02-000 | EA | CLIP-GRIPPER,3/4"-SQUEEGEE/SHOWERHEAD-GIBSONTOOL225-HL |
| | 114428-01-000 | EA | TEE-1/2"PX1/2"PX1/2"P |
| | 114429-03-000 | EA | ELBOW-SWIVEL-1/2"PX1/2"FPT |

WATER&SEWAGEGROUP(CONTINUED)



WATERPUMP-SHURFLO

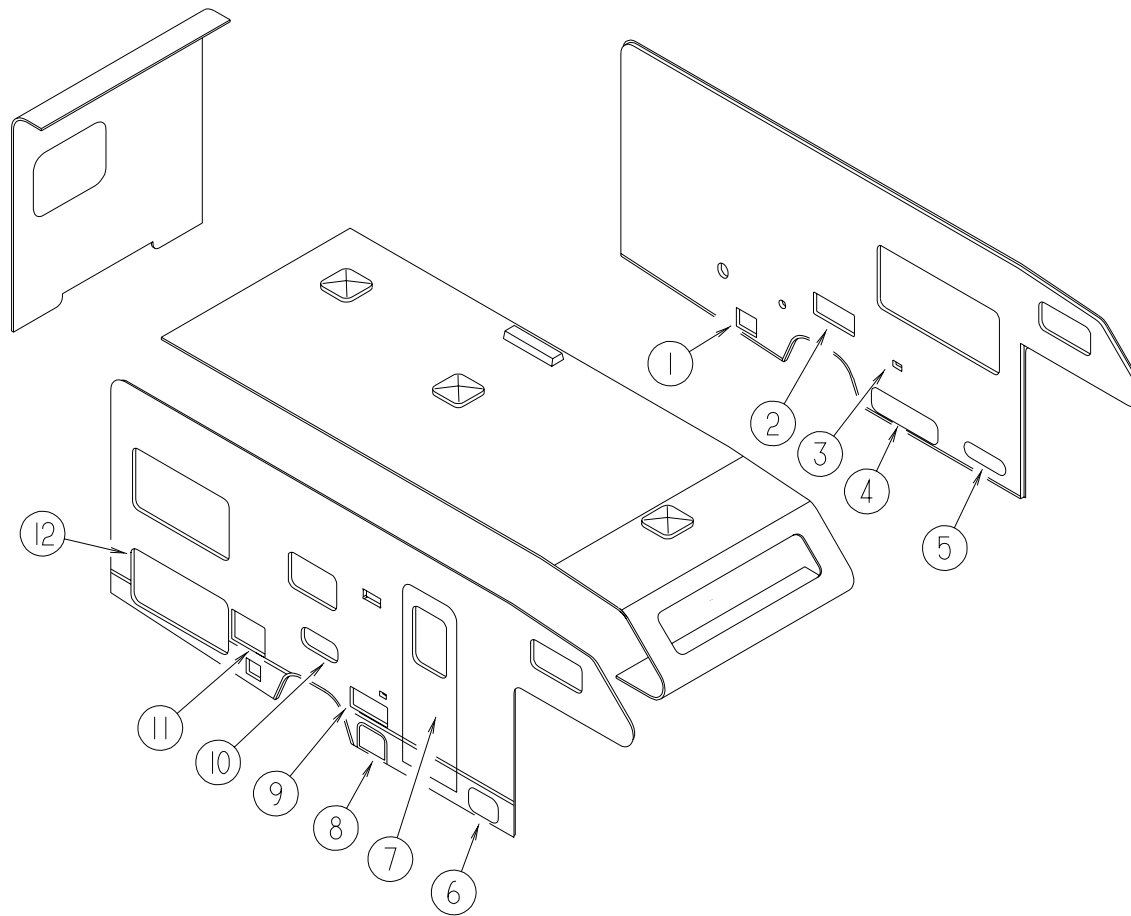
| KEY | PARTNUMBER | U/M | DESCRIPTION | VENDOR NO. |
|-----|---------------|-----|---------------------------------------|------------|
| 1 | 098607-01-000 | EA | PUMP-WATER-W/.5"MPTFITTING-FLOW2.8GPM | |
| 2 | 098607-01-706 | EA | HOUSING,W/SWITCHONLY | 94-231-20 |
| 3 | 098607-01-705 | EA | CHECK-VALVE,KIT | 94-237-00 |
| 4 | 098607-01-703 | EA | VALVEKIT | 94-232-00 |
| 5 | 098607-01-702 | EA | DIAPHRAGM/DRIVEASSEMBLYKIT | 94-238-04 |
| 6 | 098607-01-707 | EA | MOTOR/BASEPLATE | 94-235-03 |

WATERFILTER-MCCLAINSANNIVERSARYOPTION

| KEY | PARTNUMBER | U/M | DESCRIPTION | VENDOR NO. |
|-----|---------------|-----|------------------------------|------------|
| | 701069-01-000 | EA | WATERPURIFICATIONSYSTEM 9252 | |
| | 701069-03-700 | EA | CARTRIDGERELACEMENT | 9592-06 |

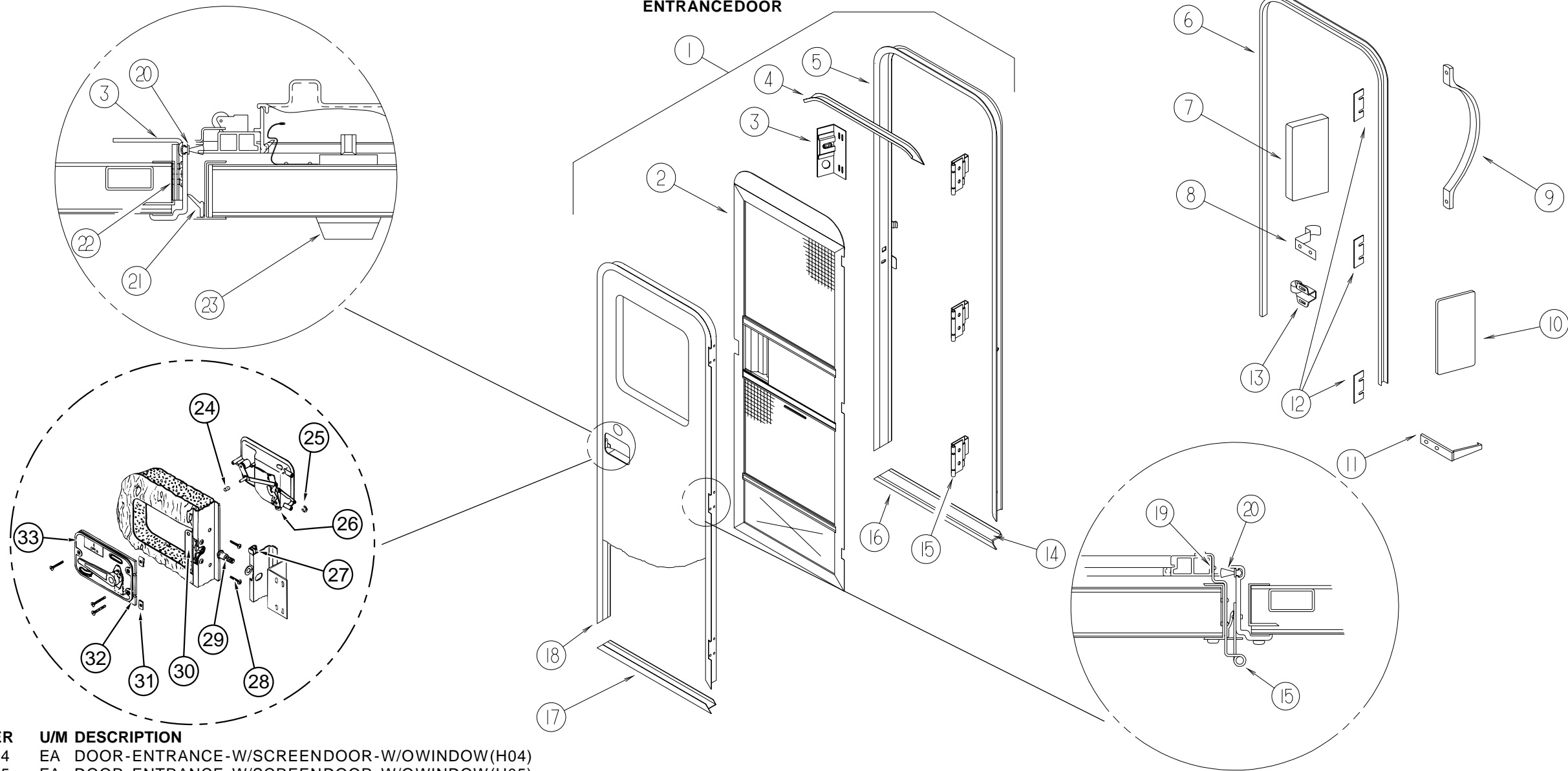
WINDOW, VENT & EXTERIOR DOOR GROUP

EXTERIOR DOORS



| KEY | PARTNUMBER | U/M | DESCRIPTION | VENDOR NO. | KEY | PARTNUMBER | U/M | DESCRIPTION |
|-----|---------------|-----|---|-------------|-----|---------------|-----|---|
| 1 | 088794-06-000 | EA | DOOR-POWERCORDW/HATCH-BRIGHTWHITE-9.2"X11" | | 7 | 115108-01-H04 | EA | DOOR-ENTRANCE-W/SCREENDOOR-W/OWINDOW(H04) |
| 2 | 084103-08-000 | EA | DOOR-REFRIGERATOR-VENTED-W/OJAMB | | 7 | 115108-01-H05 | EA | DOOR-ENTRANCE-W/SCREENDOOR-W/OWINDOW(H05) |
| | 084104-01-700 | EA | LOCK-MALE,FASTENER | 201-721-010 | 7 | 115108-01-H10 | EA | DOOR-ENTRANCE-W/SCREENDOOR-W/OWINDOW(H10) |
| | 084104-01-701 | EA | LOCK-FEMALE,FASTENER | 201-802-010 | 7 | 115108-01-H11 | EA | DOOR-ENTRANCE-W/SCREENDOOR-W/OWINDOW(H11) |
| | 084104-08-000 | EA | JAMB-REFRIGERATORDOOR | | 7 | 115108-01-H24 | EA | DOOR-ENTRANCE-W/SCREENDOOR-W/OWINDOW(H24/H26) |
| 3 | 081240-16-000 | EA | DOOR-WATERFILL-LOCKABLEW/OLOCK-4"X45/8" | | 8 | 111014-15-F15 | EA | DOOR-STORAGE-LOWERFRONT-W/OPADDLELATCH-14.5" |
| 4 | 104558-06-H33 | EA | DOOR-STORAGE-W/OPADDLELATCH-27.4" | | 8 | 111014-15-H10 | EA | DOOR-STORAGE-W/OPADDLELATCH-14.5"WMCCLAINSANNIVERSARYOPTION |
| 4 | 104558-06-H10 | EA | DOOR-STORAGE-W/OPADDLELATCH-27.4"-MCCLAINSANNIVERSARYOPTION | | 8 | 116313-02-H10 | EA | DOOR-COMPARTMENT-W/OLATCHESEXPORT |
| | 106850-01-000 | FT | SEAL-E-SPONGERUBBER-.43"X.75" | | | 081801-V3-000 | EA | HINGE-ALUMINUM-2"X96" |
| 5 | 111009-01-F24 | EA | DOOR-LP-6.5"X20.8" | | | 101667-03-000 | EA | PROP-ROD |
| 5 | 111009-01-H10 | EA | DOOR-LP-6.5"X20.8"-MCCLAINSANNIVERSARYOPTION | | | 076767-04-000 | EA | CABLE-SUPPORT-5.9"STAINLESSSTEEL |
| | 034007-D9-000 | EA | HINGE-CONTINUOUSALUMINUM-1.5"X8" | | | 089329-02-000 | EA | CLIP-SPRING |
| | 009065-01-000 | EA | HINGE-ALUMINUM-1 1/2"X96"-UNPAINTED | | 9 | 098668-23-000 | EA | DOOR-ACCESS-FURNACE |
| 5 | 116313-01-F08 | EA | DOOR-COMPARTMENT-W/OPADDLELATCH-27.2"X16.3"-JAPANOPTION | | 10 | 111017-01-F24 | EA | DOOR-STORAGE-8.1"X17.8" |
| | 096217-55-006 | EA | UCHANNEL-210" | | 11 | 052009-06-000 | EA | DOOR-WATERHEATER-BRIGHTWHITE-18"X14.6" |
| 6 | 104558-21-F16 | EA | DOOR-STORAGE-W/OPADDLELATCH-14.3" | | | 116424-01-000 | EA | PROTECTOR-LATCH-WATERHEATER |
| 6 | 104558-21-H10 | EA | DOOR-STORAGE-W/OPADDLELATCH-14.3"MCCLAINSANNIVERSARYOPTION | | 12 | 104558-55-H04 | EA | DOOR-STORAGE-W/OPADDLELATCH-47.5" |
| | | | | | 12 | 115772-03-H04 | EA | DOOR-STORAGE-W/OPADDLELATCH-RAISEDBEDEXCHANGE |
| | | | | | | 115359-01-000 | FT | SEAL-DSECTION-10X12SPONGERUBBER |
| | | | | | | 108998-04-000 | EA | SPRING-GAS12"COMPRESSED/20"EXTENDED-60LB. |
| | | | | | | 107796-10-000 | EA | BRACKET-GASSPRING-90DEGREE SMALL |
| | | | | | | 120620-02-01A | EA | CLIP-RETAINER-BLACK |
| | | | | | | 121126-01-01A | EA | PULL-LOCK |

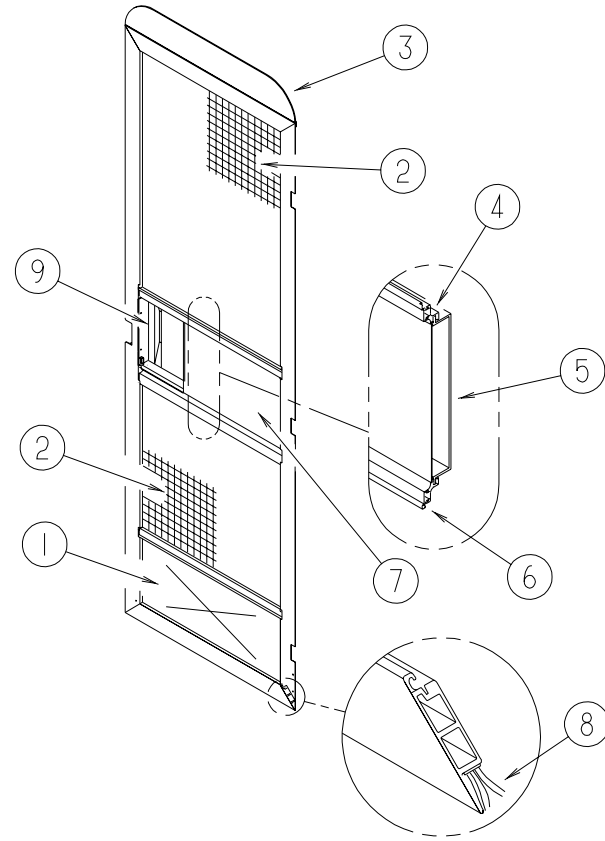
WINDOW, VENT & EXTERIOR DOOR GROUP (CONTINUED)
ENTRANCE DOOR



| KEY | PARTNUMBER | U/M | DESCRIPTION |
|-----|---------------|-----|---|
| 1 | 115108-01-H04 | EA | DOOR-ENTRANCE-W/SCREENDOOR-W/OWINDOW(H04) |
| 1 | 115108-01-H05 | EA | DOOR-ENTRANCE-W/SCREENDOOR-W/OWINDOW(H05) |
| 1 | 115108-01-H10 | EA | DOOR-ENTRANCE-W/SCREENDOOR-W/OWINDOW(H10) |
| 1 | 115108-01-H11 | EA | DOOR-ENTRANCE-W/SCREENDOOR-W/OWINDOW(H11) |
| 1 | 115108-01-H24 | EA | DOOR-ENTRANCE-W/SCREENDOOR-W/OWINDOW(H24/H26) |
| 2 | 121899-03-GB1 | EA | DOOR-SCREEN-W/OHARDWARE |
| 3 | 041546-07-000 | EA | BRACKET-DOORANGLE |
| 4 | 044582-44-000 | EA | CAP-DRIP-JAMB-BRIGHTWHITE |
| 5 | 121898-03-01A | EA | JAMB-DOOR/ENTRANCE |
| 6 | 115222-04-02A | EA | GARNISH-ENTRYDOOR-RADIUS |
| 7 | 077461-03-000 | EA | COVER-STRIKE-ENTRYDOOR-6.5"X2.5"-WHITEPLASTIC |
| 8 | 100412-01-000 | EA | CATCH-SCREENDOOR |
| 9 | 009126-03-000 | EA | HANDLE-ASSIST-BLACKTEXTURED |
| 10 | 076725-02-000 | EA | COVER-ACCESS |
| 11 | 102768-01-000 | EA | HOLDER-COMPARTMENT/ENTRYDOOR-METAL-MILLFINISH |
| 12 | 102248-01-000 | EA | SHIM-DOOR |
| 13 | 079087-03-000 | EA | STRIKE-SLIDER-SCREENDOOR-BRIGHTWHITE |
| 14 | 038327-01-000 | EA | TAPE-ANTISLIP-2"X60' |
| 14 | 075673-05-000 | FT | SEAL-PILE-ADHESIVEBACK-BLACK |
| 15 | 106719-01-05A | EA | HINGE-ENTRANCEDOOR |
| | 106719-01-01A | EA | HINGE-ENTRANCEDOOR-MILL |
| | 039715-01-000 | EA | NUT-SERT-1/4"DIAMETER-20THREADS |
| | 116111-02-01A | EA | SCREW-TAPTITE-1/4-20X3/8PPH-ZINC |
| 16 | 051049-01-000 | EA | JAMB-BOTTOM-ENTRYDOOR-25.9"-UNPAINTED |
| 17 | 121893-01-01A | EA | FRAME-ENTRYDOOR-BOTTOM |
| 18 | 121894-07-01A | EA | FRAME-ENTRYDOOR |
| | 098173-01-07A | EA | STIFFENER-ENTRYDOOR-SUPPORTSLATCH/STRIKEAREA |
| | 098173-01-04A | EA | STIFFENER-ENTRYDOOR-SUPPORTSLATCH/STRIKEAREA |

| KEY | PARTNUMBER | U/M | DESCRIPTION | VENDORNO. |
|-----|---------------|-----|--|-----------|
| | 122241-01-01A | EA | BUMPER-FOAMRUBBER-BLACK | |
| 19 | 100128-02-000 | FT | SEAL-FOAM-ADHESIVEBACK-.37"WIDEX.37"THICK | |
| 20 | 118929-01-01A | FT | SEAL-PILE-PUSHON | |
| 21 | 075671-04-000 | FT | SEAL-SPONGE-LAZYT-W/ADHESIVESTRIP-.5"WIDE | |
| 22 | 104692-01-000 | FT | SEAL-FOAM/ADHESIVEBACK-.75"THICKX.75"WIDEX25' | |
| 23 | 101145-01-06A | EA | DEADBOLT-ENTRYDOORW/OSECURITYBOLTW/2KEYS-BLACK | |
| | 101147-01-000 | EA | BOLT-SECURITY-4.12" | |
| | 095229-01-700 | EA | KEY-BLANK,DEADBOLT | 81205-03 |
| | 101145-01-701 | EA | CYLINDER-LOCKASM.,W/KEY | 81306-03 |
| 24 | 039984-01-000 | EA | CAP-ROUND-VINYL-.28"IDX.62"-BLACK | |
| 25 | 036618-02-000 | EA | ERING-EXTERNAL-3/16"SHAFTDIAMETER-LYNORDDOORLOCK | |
| 26 | 045017-13-000 | EA | LATCH-ENTRYDOOR-BLACKTEXTURED | |
| | 045017-11-701 | EA | KEY-BLANK,F1SERIES | 81312-02 |
| | 045017-11-702 | EA | KEY-MASTER,FSERIES | 81313-02 |
| | 045017-11-703 | EA | CYLINDER-LOCKASM.W/KEYS | 81266-09 |
| 27 | 064075-07-000 | FT | SEAL-BULB-W/WIREDUCHANNEL-.3"X.5"CHANNEL-BLK | |
| 28 | 000G54-04-20B | EA | SCREW-1/4-20X1.25PTH-TYPE23-ZINCPLATED | |
| 29 | 039539-01-000 | EA | STRIKE-LOCK-ENTRYDOOR-ROUNDW/THREADEDWASHER | |
| 30 | 039540-01-000 | EA | LATCHMECHANISM-HOOK-ENTRYDOOR-INTERIOR | |
| 31 | 040921-01-000 | EA | NUT-SPEED-UTYPE-10-24BLACK | |
| 32 | 096810-01-01A | EA | PLATE-LATCH-ENTRYDOOR | |
| 33 | 039979-06-000 | EA | COVER-LATCHPLATE-RIGHTHAND-BLACKTEXTURED | |
| | 086285-05-000 | EA | SPACER-NYLON-.7"X.56" | |
| | 104099-01-04A | EA | CATCH-DOORHOLDER-STRIKE | |
| | 104099-02-04A | EA | CATCH-DOORHOLDER-RETAINER | |

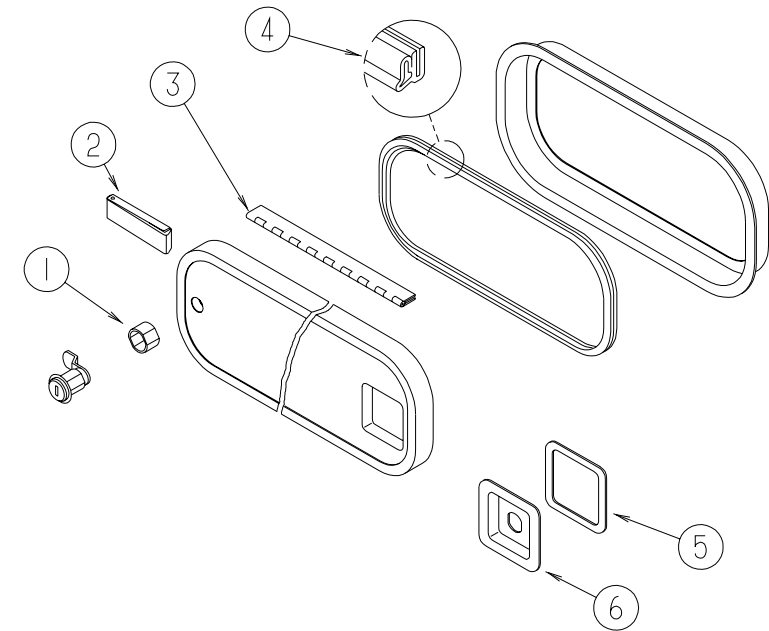
WINDOW, VENT & EXTERIOR DOOR GROUP (CONTINUED)



SCREEN DOOR COMPONENTS

| KEY | PART NUMBER | U/M | DESCRIPTION |
|-----|---------------|-----|--|
| | 121899-03-GB1 | EA | DOOR-SCREEN-W/O HARDWARE |
| 1 | 078552-03-000 | EA | KICK PANEL-SCREEN DOOR-LOWER INSERT-UNPAINTED |
| 2 | 002293-02-000 | SF | SCREENING-WINDOW/DOOR-26" |
| 3 | 078595-01-000 | EA | TOP PLATE-SCREEN DOOR-CURVED TOP-4.7" X 25.35" |
| 4 | 078777-01-000 | EA | CHANNEL-SLIDE-SCREEN DOOR CENTER SLIDER COVER |
| 5 | 079086-03-000 | EA | SLIDER-SCREEN DOOR-BRIGHT WHITE |
| | 079087-03-000 | EA | STRIKE-SLIDER-SCREEN DOOR-BRIGHT WHITE |
| 6 | 002294-01-000 | FT | SPLINE-SCREENING-.005" X .0054" |
| 7 | 016454-01-000 | EA | INSERT-CENTER-LEATHER GRAIN ALUMINUM-UNPAINTED |
| | 001014-01-013 | EA | INSERT-CENTER-10.25" X 16.31"-UNPAINTED |
| 8 | 075673-01-000 | FT | SEAL-PILE-ADHESIVE BACK-GRAY |
| 9 | 050712-06-000 | EA | HANDLE-SCREEN DOOR-BRIGHT WHITE |
| | 120863-05-000 | EA | BUMPER-RUBBER |

WINDOW, VENT & EXTERIOR DOOR GROUP (CONTINUED)

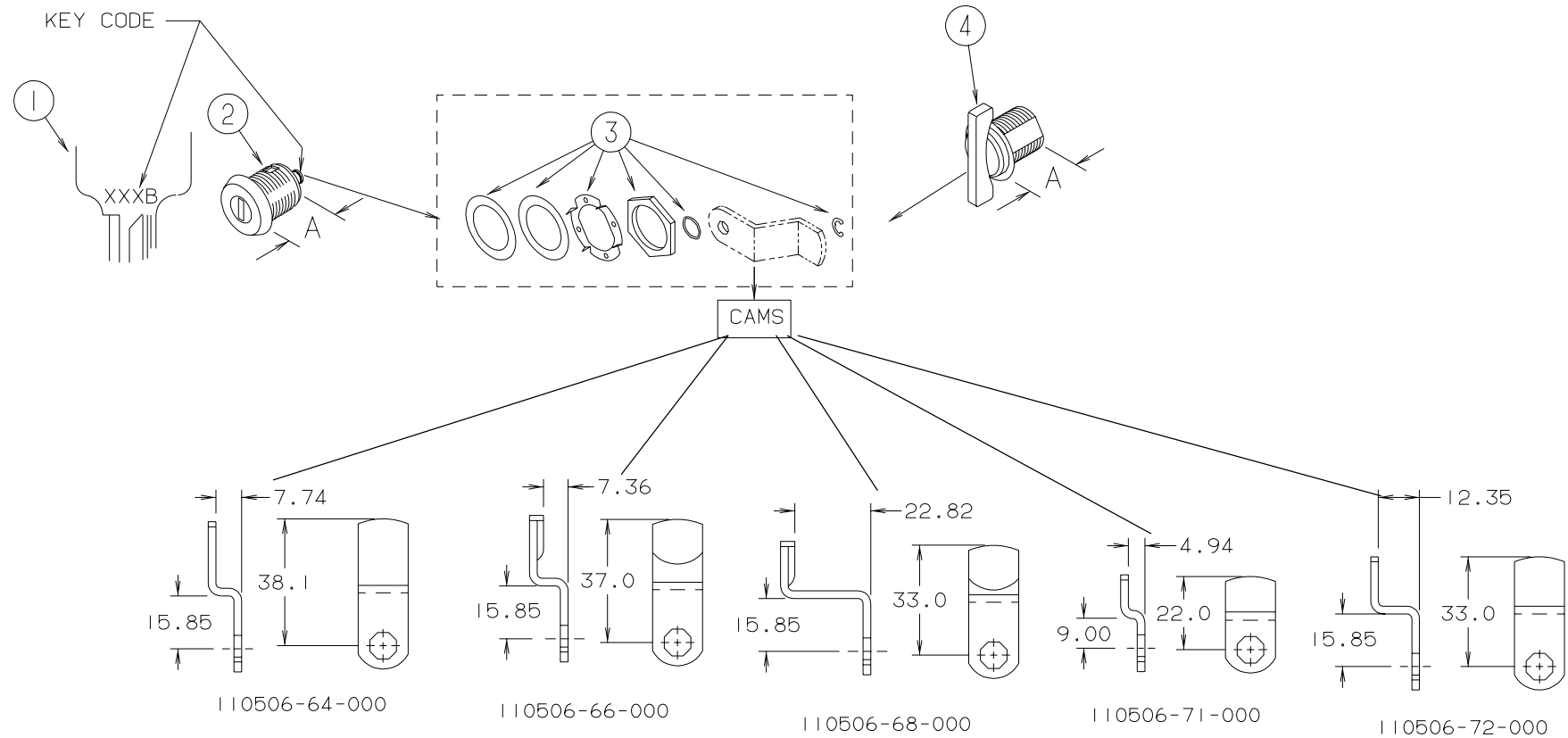


EXTERIOR COMPARTMENT DOOR COMPONENTS

| KEY | PART NUMBER | U/M | DESCRIPTION |
|-----|---------------|-----|--|
| 1 | 107997-51-001 | EA | SPACER-DOOR LOCK-.6" DEEP |
| | 107997-51-002 | EA | EXTRUDED-SPACER-16' |
| 2 | 102768-01-000 | EA | HOLDER-COMPARTMENT/ENTRY DOOR-METAL-MILL FINISH |
| 3 | 081801-02-000 | EA | HINGE-DOOR-PIANO-2" X 96" |
| 4 | 064075-07-000 | FT | SEAL-BULB-W/WIRED U CHANNEL-.3" X .5" CHANNEL-BLK |
| 5 | 098338-01-000 | EA | GASKET-LOCK POCKET |
| 6 | 097111-01-04A | EA | POCKET-LOCK-VALANCE |
| | 091876-01-000 | EA | RETAINER-DOOR-1.9" X .8"-METAL |
| | 104692-01-000 | FT | SEAL-FOAM/ADHESIVE BACK-.75" THICK X .75" WIDE X 25' |
| | 098408-01-000 | FT | SEAL-SPONGE RUBBER-CLOSED CELL |
| | 081801-02-000 | EA | HINGE-DOOR-PIANO-2" X 8' |
| | 034007-B3-000 | EA | HINGE-CONTINUOUS-1.5" X 96" |

WINDOW, VENT & EXTERIOR DOOR GROUP (CONTINUED)
BRIGGS & STRATTON LOCKS & COMPONENTS

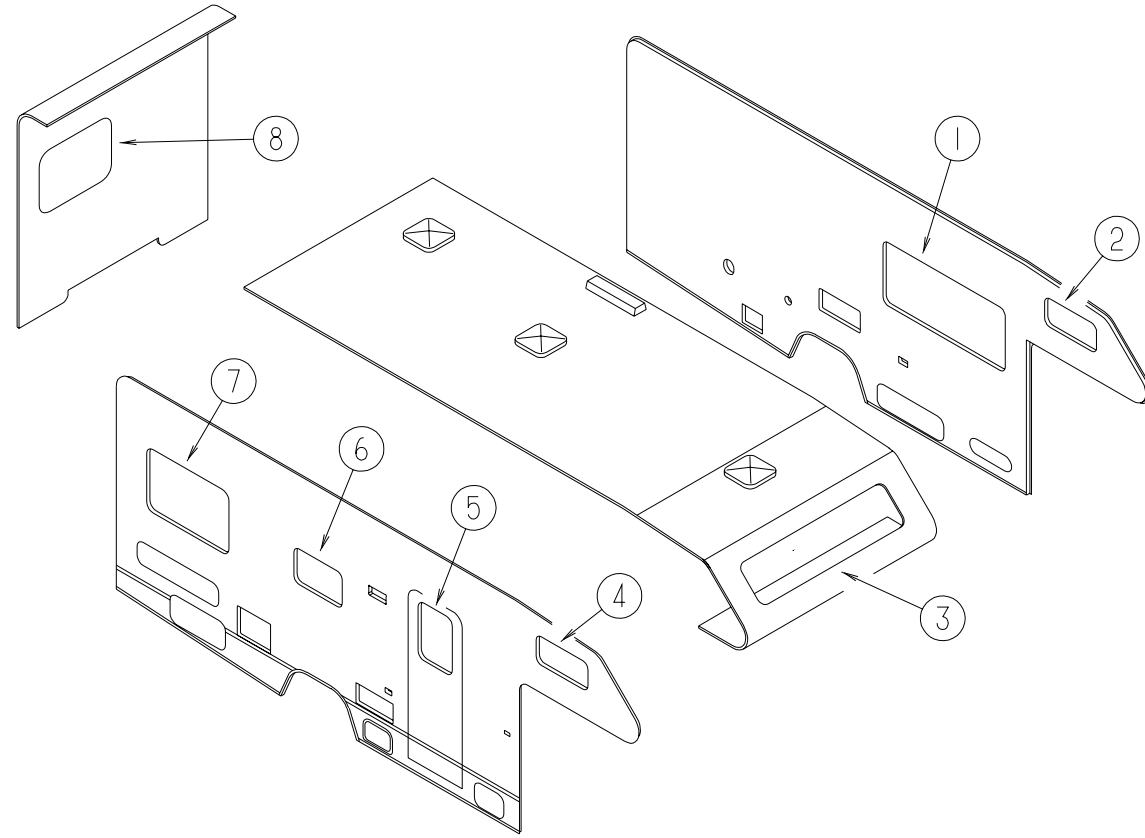
NOTE:
 WHEN ORDERING THE LOCK CASE, THE KEY CODE MUST MATCH THE LAST DIGIT OF THE VEHICLE'S SERIAL NUMBER AND PART NUMBER; WHEN ORDERING THE KEYS, THE THIRD DIGIT OF THE KEY CODE MUST MATCH THE LAST DIGIT OF THE VEHICLE'S SERIAL NUMBER AND PART NUMBER



| KEY | PARTNUMBER | U/M | DESCRIPTION | VENDORNO. |
|-----|---------------|-----|-------------------|-----------|
| 1 | 110506-59-000 | EA | KEYS-SETOFTWO | 596720 |
| 2 | 110506-52-000 | EA | CASE-LOCK, A=17MM | 702370 |
| 2 | 110506-53-000 | EA | CASE-LOCK, A=25MM | 702380 |
| 1 | 110506-59-001 | EA | KEYS-SETOFTWO | 596721 |
| 2 | 110506-52-001 | EA | CASE-LOCK, A=17MM | 702371 |
| 2 | 110506-53-001 | EA | CASE-LOCK, A=25MM | 702381 |
| 1 | 110506-59-002 | EA | KEYS-SETOFTWO | 596722 |
| 2 | 110506-52-002 | EA | CASE-LOCK, A=17MM | 702372 |
| 2 | 110506-53-002 | EA | CASE-LOCK, A=25MM | 702382 |
| 1 | 110506-59-003 | EA | KEYS-SETOFTWO | 596723 |
| 2 | 110506-52-003 | EA | CASE-LOCK, A=17MM | 702373 |
| 2 | 110506-53-003 | EA | CASE-LOCK, A=25MM | 702383 |
| 1 | 110506-59-004 | EA | KEYS-SETOFTWO | 596724 |
| 2 | 110506-52-004 | EA | CASE-LOCK, A=17MM | 702374 |
| 2 | 110506-53-004 | EA | CASE-LOCK, A=25MM | 702384 |
| 1 | 110506-59-005 | EA | KEYS-SETOFTWO | 596725 |
| 2 | 110506-52-005 | EA | CASE-LOCK, A=17MM | 702375 |
| 2 | 110506-53-005 | EA | CASE-LOCK, A=25MM | 702385 |
| 1 | 110506-59-006 | EA | KEYS-SETOFTWO | 596726 |
| 2 | 110506-52-006 | EA | CASE-LOCK, A=17MM | 702376 |
| 2 | 110506-53-006 | EA | CASE-LOCK, A=25MM | 702386 |

| KEY | PARTNUMBER | U/M | DESCRIPTION | VENDORNO. |
|-----|---------------|-----|----------------------------------|-----------|
| 1 | 110506-59-007 | EA | KEYS-SETOFTWO | 596727 |
| 2 | 110506-52-007 | EA | CASE-LOCK, A=17MM | 702377 |
| 2 | 110506-53-007 | EA | CASE-LOCK, A=25MM | 702387 |
| 1 | 110506-59-008 | EA | KEYS-SETOFTWO | 596728 |
| 2 | 110506-52-008 | EA | CASE-LOCK, A=17MM | 702378 |
| 2 | 110506-53-008 | EA | CASE-LOCK, A=25MM | 702388 |
| 1 | 110506-59-009 | EA | KEYS-SETOFTWO | 596729 |
| 2 | 110506-52-009 | EA | CASE-LOCK - A=17MM | 702379 |
| 2 | 110506-53-009 | EA | CASE-LOCK - A=25MM | 702389 |
| 3 | 110506-40-700 | EA | HARDWAREKIT | |
| 4 | 110506-50-000 | EA | CASE-TWISTLOCK, A=17MM | 596952 |
| 4 | 110506-51-000 | EA | CASE-TWISTLOCK, A=25MM | 596669 |
| | 110506-40-000 | EA | CLIP-ELOCKASSEMBLY | 93981 |
| | 110506-64-000 | EA | CAM-LATCHING-DOGLEGGED 1.8" LONG | |
| | 110506-66-000 | EA | CAM-LATCHING-DOGLEGGED 1.5" LONG | |
| | 110506-68-000 | EA | CAM-LATCHING-DOGLEGGED 1.3" LONG | |
| | 110506-71-000 | EA | CAM-LATCHING-DOGLEGGED .86" LONG | |
| | 110506-72-000 | EA | CAM-LATCHING-DOGLEGGED 1.3" LONG | |
| | 110506-59-701 | EA | KEY-BLANK, GOLD | |

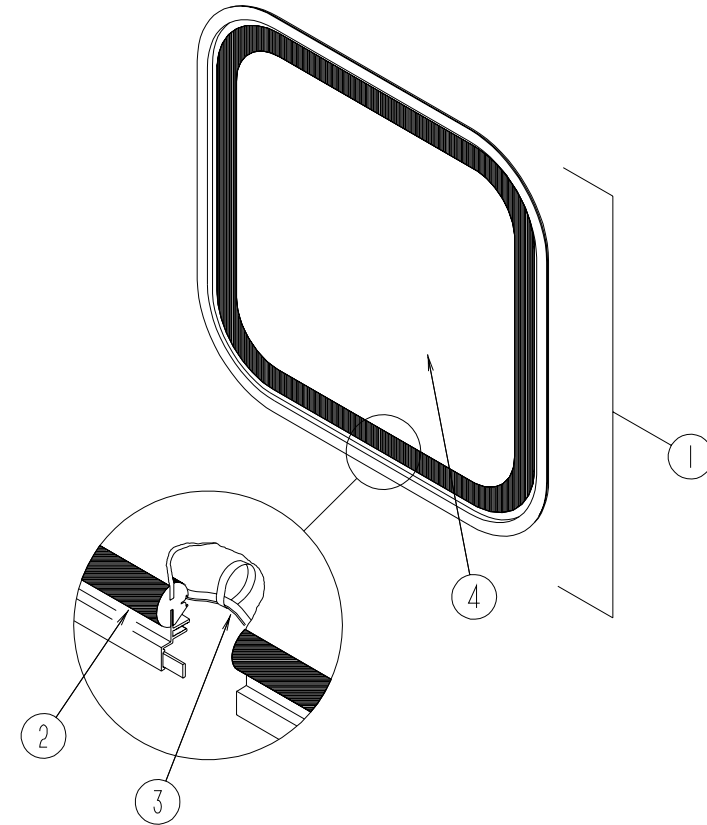
WINDOW, VENT & EXTERIOR DOOR GROUP (CONTINUED)



WINDOWS

| KEY | PARTNUMBER | U/M DESCRIPTION |
|-----|---------------|--|
| 1 | 098647-28-01A | EA WINDOW-DRIVERSHORIZONTALSLIDER-CLEAR-26.1"X59.7" |
| 1 | 112795-15-01A | EA WINDOW-DRIVER-HORIZONTALSLIDER-THERMO-263/8"X60" |
| 1 | 112795-40-01A | EA WINDOW-DRIVERHORIZONTALSLIDER-THERMO-263/8"X60"-EUROPEAN |
| 2 | 098647-32-01A | EA WINDOW-DRIVERSHORIZONTALSLIDER-CLEAR-15.7"X28.5" |
| 2 | 112795-20-01A | EA WINDOW-DRIVER/HORIZONTALSLIDER-THERMO-16.7"X28.5" |
| 2 | 112795-42-01A | EA WINDOW-DRIVERHORIZONTALSLIDER-THERMO-16"X283/4"-EUROPEAN |
| 3 | 103313-03-F15 | EA WINDOW-PICTURE-23.3"X71.3" |
| 3 | 115630-01-01A | EA WINDOW-STATIONARY/THERMOPANE-17.2"X72" |
| 3 | 115630-02-01A | EA WINDOW-STATIONARY/E-GLASS-17.2"X72"-EUROPEAN |
| 4 | 098647-31-01A | EA WINDOW-PASSENGERHORIZONTALSLIDER-CLEAR-15.7"X28.5" |
| 4 | 112795-19-01A | EA WINDOW-PASSENGER/HORIZONTALSLIDER-THERMO16.7"X28.5" |
| 4 | 112795-41-01A | EA WINDOW-PASSENGERHORIZONTALSLIDER/THERMO-16"X283/4"-EUROPEAN |
| 5 | 117053-04-FB1 | EA WINDOW-PICTURE-17"X26.4" |
| 5 | 113733-01-01A | EA WINDOW-STATIONARY-THERMOPANE-17"X26.4" |
| 5 | 113733-03-01A | EA WINDOW-STATIONARYTHERMOPANE-26.4"X17"-EUROPEAN |
| 6 | 098647-31-01A | EA WINDOW-PASSENGERHORIZONTALSLIDER-CLEAR-15.7"X28.5" |
| 6 | 112795-19-01A | EA WINDOW-PASSENGER/HORIZONTALSLIDER-THERMO16.7"X28.5" |
| 6 | 112795-41-01A | EA WINDOW-PASSENGERHORIZONTALSLIDER/THERMO-16"X283/4"-EUROPEAN |
| 7 | 098647-38-01A | EA WINDOW-PASSENGERHORIZONTALSLIDER-CLEAR-30.5"X57.5" |
| 7 | 112795-22-01A | EA WINDOW-PASSENGERHORIZONTALSLIDER/THERMO-263/8"X48" |
| 7 | 112795-46-01A | EA WINDOW-PASSENGERHORIZONTAL-SLIDERTHERMO263/8"X48" EUROPEAN |
| 8 | 078528-07-F15 | EA WINDOW-ESCAPEW/OINSIDETRIM-CLEAR-24.5"X48.5" |
| 8 | 113502-01-01A | EA WINDOW-ESCAPE-THERMO-24.8"X48.7" |
| 8 | 113502-06-01A | EA WINDOW-ESCAPE-THERMO-24.8"X38.7"-EUROPEAN |

WINDOW, VENT & EXTERIOR DOOR GROUP (CONTINUED)



BACKWALLESCAPEWINDOW-EXCEL

| KEY | PARTNUMBER | U/M DESCRIPTION |
|-----|---------------|---|
| 1 | 078528-07-F15 | EA WINDOW-ESCAPEW/OINSIDETRIM-CLEAR-24.5"X48.5" |
| | 074816-11-000 | EA RETAINER-TRIMO/W |
| 2 | 002282-09-000 | EA WEATHERSTRIP-WINDOW-.125"X130.5"-BLACK |
| 3 | 002285-01-000 | FT FILLER-WEATHERSTRIP-RUBBER-BLACK |
| 4 | 076337-13-000 | EA GLASS-EGRESS-45.5"X21.5" |
| | 077066-01-702 | EA TAPEASM-ESCAPEWINDOW |

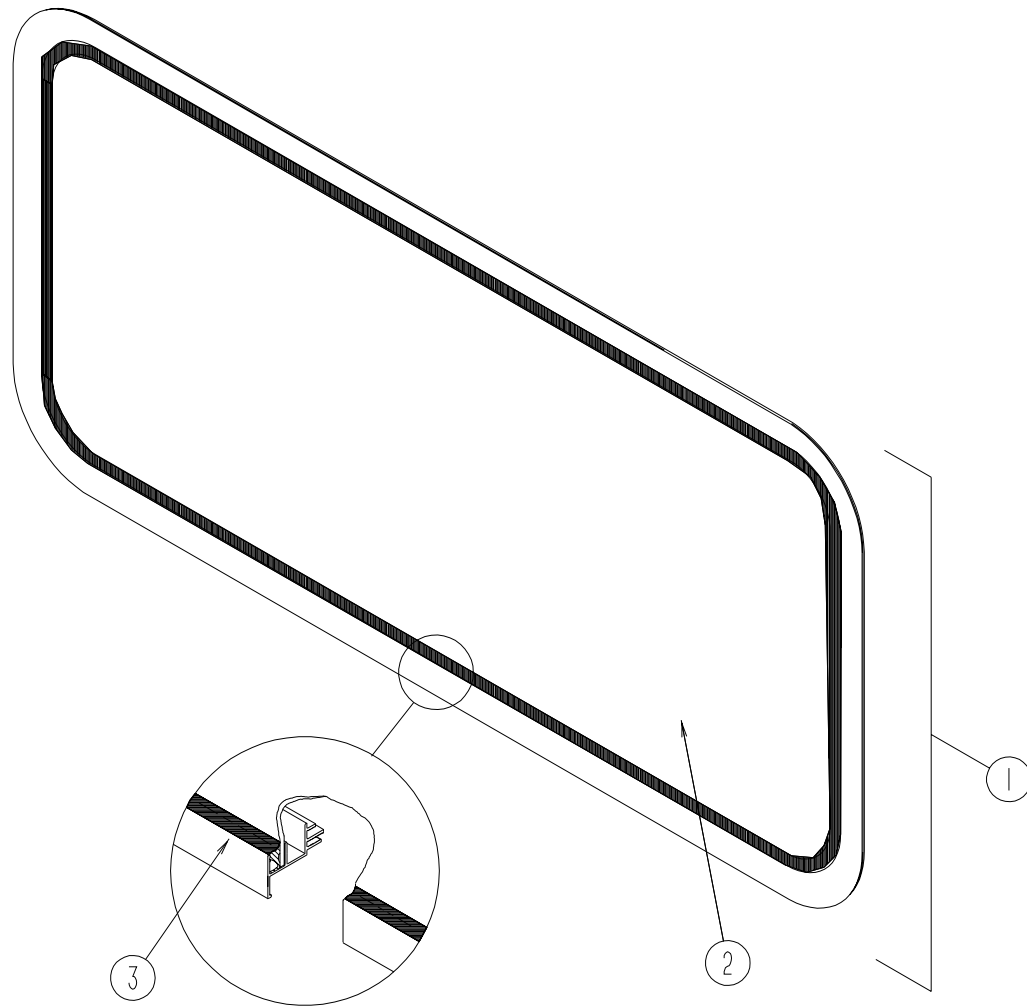
BACKWALLESCAPEWINDOW-THERMO

| KEY | PARTNUMBER | U/M DESCRIPTION | VENDORNO. |
|-----|---------------|--|------------|
| | 113502-01-01A | EA WINDOW-REARESCAPETHERMO-24.8"X48.7" | |
| | 098644-01-705 | FT GLAZING-STRIP | 132-010231 |
| | 112898-06-704 | EA HANDLE-LATCH, RED-RH | 182-11293 |
| | 112898-06-705 | EA HANDLE-LATCH, RED-LH | 182-11294 |
| | 113502-01-703 | EA GLASS-STATIONARY-RH/LH | 390-019083 |
| | 113502-01-704 | EA GLASS-EGRESSCENTER-ESCAPE | DH153-G9 |

BACKWALLESCAPEWINDOW-THERMO-EUROPEAN

| KEY | PARTNUMBER | U/M DESCRIPTION | VENDORNO. |
|-----|---------------|--|------------|
| | 113502-06-01A | EA WINDOW-REARESCAPE-THERMO-24.8"X38.7"-EUROPEAN | |
| | 113502-06-700 | EA WINDOWW/OTRIM | DH153-EG2 |
| | 113502-06-701 | EA RETAINER-TRIM | W096-80 |
| | 098644-01-705 | FT GLAZING-STRIP | 132-010231 |
| | 112898-06-704 | EA HANDLE-LATCH, RED-RH | 182-11293 |
| | 112898-06-705 | EA HANDLE-LATCH, RED-LH | 182-11294 |
| | 113502-06-702 | EA GLASS-STATIONARY (RH/LH) | 390-019788 |
| | 113502-06-703 | EA GLASS-EGRESSCENTER-ESCAPE | 390-019789 |

WINDOW, VENT & EXTERIOR DOOR GROUP (CONTINUED)



FRONT OVERHEAD BUNK WINDOW

| KEY | PART NUMBER | U/M | DESCRIPTION |
|-----|---------------|-----|--|
| | 117054-01-01A | EA | RETAINER-TRIM |
| 1 | 103313-03-F15 | EA | WINDOW-PICTURE-23.3"X71.3" |
| 2 | 002181-29-000 | EA | GLASS-PICTURE-16.4"X71" |
| 3 | 099154-01-000 | FT | CHANNEL-GLAZING-STATIONARY GLASS-.62"X.45"-BLK |

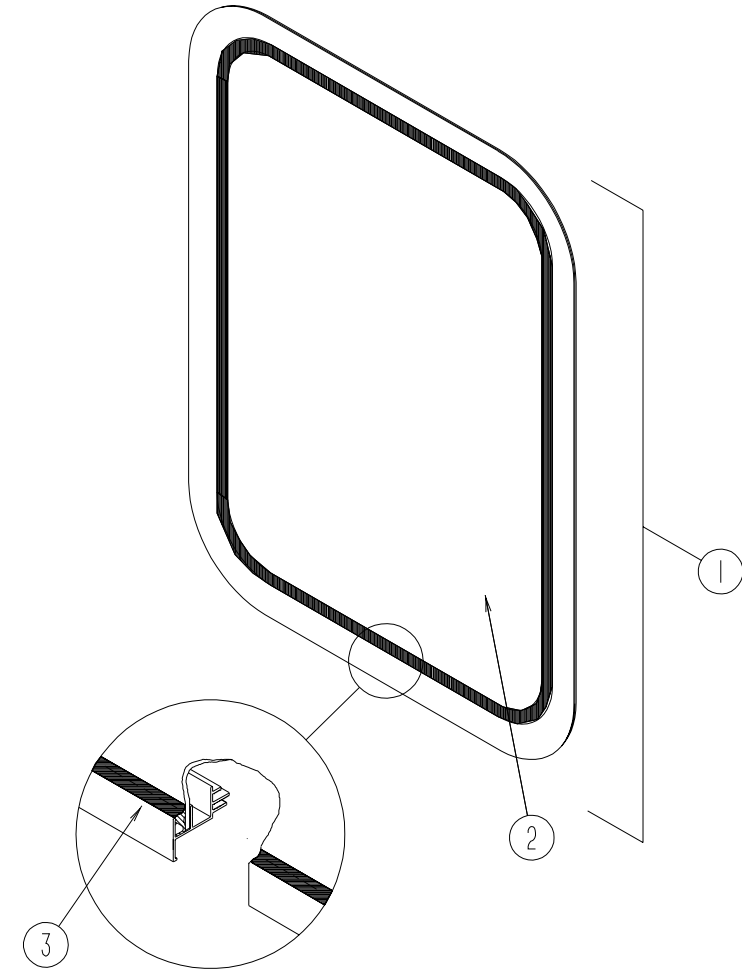
FRONT OVERHEAD BUNK WINDOW-THERMO

| KEY | PART NUMBER | U/M | DESCRIPTION | VENDOR NO. |
|-----|---------------|-----|--|------------|
| | 115630-01-01A | EA | WINDOW-STATIONARY/THERMOPANE-17.2"X72" | |
| | 098644-01-705 | FT | GLAZING-STRIP | 132-010231 |
| | 115630-01-701 | EA | RETAINER-TRIM | W438-58 |
| | 115630-01-702 | EA | GLASS-STATIONARY-THERMO | 390-019467 |

FRONT OVERHEAD BUNK WINDOW-THERMO-EUROPEAN

| KEY | PART NUMBER | U/M | DESCRIPTION | VENDOR NO. |
|-----|---------------|-----|-------------------------------------|------------|
| | 115630-02-01A | EA | WINDOW-STATIONARY/E-GLASS-17.2"X72" | |
| | 098644-01-705 | FT | GLAZING-STRIP | 132-010231 |
| | 115630-01-701 | EA | RETAINER-TRIM | W438-58 |
| | 115630-02-700 | EA | STATIONARY-E-GLASS | 390-019848 |

WINDOW, VENT & EXTERIOR DOOR GROUP (CONTINUED)



ENTRANCE DOOR WINDOW

| KEY | PART NUMBER | U/M | DESCRIPTION |
|-----|---------------|-----|---|
| | 117054-02-02A | EA | RETAINER-TRIM-BRIGHT WHITE |
| 1 | 117053-04-FB1 | EA | WINDOW-PICTURE-17"X26.4" |
| 2 | 002181-27-000 | EA | GLASS-PICTURE-25.7"X16.4" |
| 3 | 087561-01-000 | FT | SEAL-GLASS-EXTERIOR-.5"WIDE-VINYL BLACK |

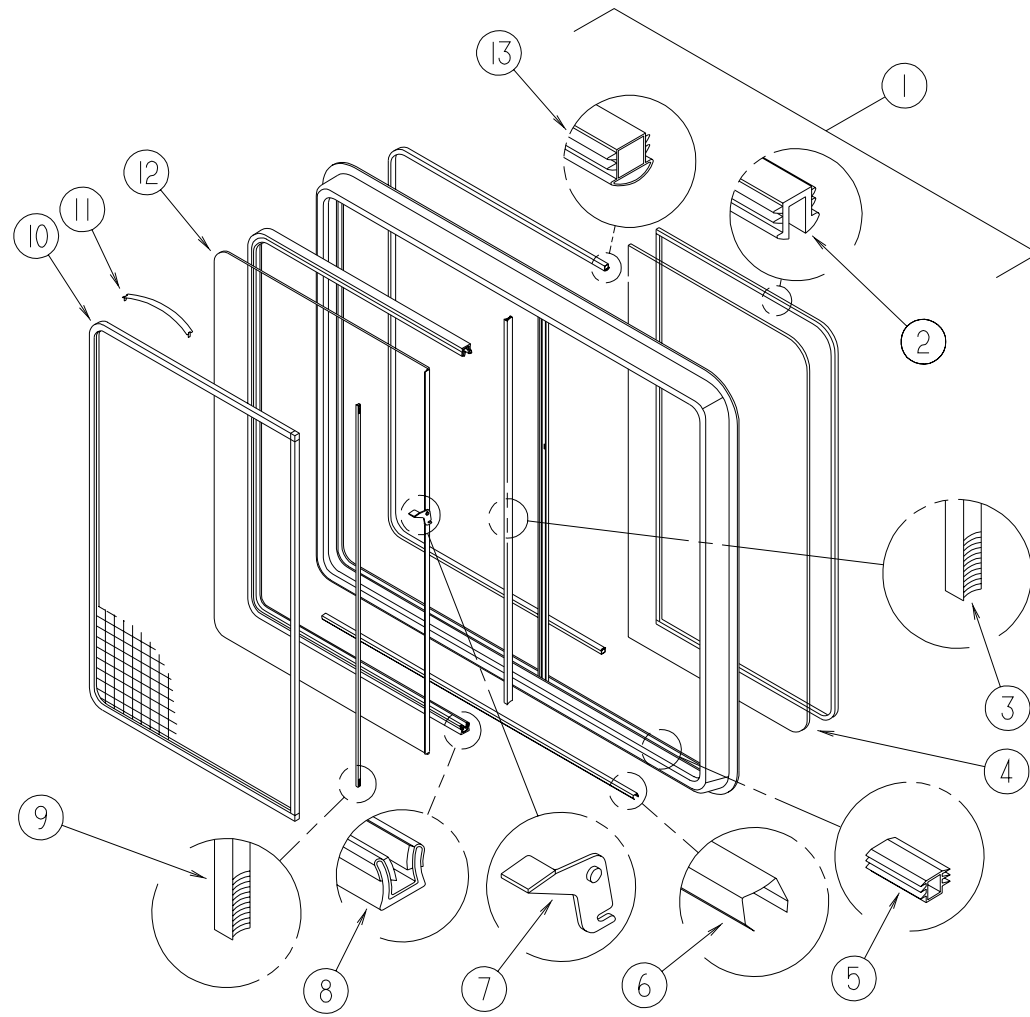
ENTRANCE DOOR WINDOW-THERMO

| KEY | PART NUMBER | U/M | DESCRIPTION | VENDOR NO. |
|-----|---------------|-----|--|------------|
| | 113733-01-01A | EA | WINDOW-STATIONARY-THERMOPANE-17"X26.4" | |
| | 112795-01-705 | FT | VINYL-GLAZING | 132-025736 |
| | 113733-01-701 | EA | RETAINER-TRIM | W41666 |
| | 113733-01-702 | EA | GLASS-STATIONARY | 390-019187 |

ENTRANCE DOOR WINDOW-THERMO-EUROPEAN

| KEY | PART NUMBER | U/M | DESCRIPTION | VENDOR NO. |
|-----|---------------|-----|--|------------|
| | 113733-03-01A | EA | WINDOW-STATIONARY THERMOPANE-26.4"X17" | |
| | 113733-03-700 | EA | GLASS-STATIONARY | 390-019685 |
| | 112795-01-705 | FT | VINYL-GLAZING | 132-019702 |
| | 113733-01-701 | EA | RETAINER-TRIM | W41666 |

WINDOW, VENT & EXTERIOR DOOR GROUP (CONTINUED)



WINDOW, VENT & EXTERIOR DOOR GROUP (CONTINUED)

SLIDER WINDOWS-OVERHEAD BUNK & GALLEY-PASSENGER SIDE-EXCEL

| KEY | PARTNUMBER | U/M | DESCRIPTION | VENDORNO. |
|-----|---------------|-----|--|------------|
| 1 | 098647-31-01A | EA | WINDOW-PASSENGER HORIZONTAL SLIDER-CLEAR-15.7"X28.5" | |
| | 098647-31-701 | EA | RETAINER-TRIM | CW29-66 |
| 2 | 098644-01-705 | FT | GLAZING-STRIP | 132-010231 |
| 3 | 098644-01-706 | FT | WEATHERSTRIP-GLASS | 171-010668 |
| 4 | 098647-31-702 | EA | GLASS-STATIONARY | 096-019299 |
| 5 | 098644-01-719 | EA | STOP-SLIDER GLASS | 132-014203 |
| 6 | 098644-01-710 | FT | TRACK-SCREEN SPACER 12' | 132-017135 |
| 7 | 098644-01-700 | EA | LATCH-REPAIR KIT (BLACK) | B801-CK |
| 8 | 098644-01-708 | FT | CHANNEL-RUN PIERCED | 122-016543 |
| 9 | 098644-01-711 | FT | WEATHERSTRIP-SCREEN BLACK | 171-016965 |
| 10 | 098647-31-704 | EA | SCREEN ASM-W/SEALS & CLIPS | 410-019128 |
| | 098644-01-717 | FT | SPLINE-SCREEN | 132-004716 |
| 11 | 098644-01-713 | EA | CLIP-SPRING-METAL | 226-016966 |
| 12 | 098647-31-703 | EA | GLASS-SLIDING W/SASH & LATCH | H425-C8 |
| 13 | 098644-01-716 | FT | PLUG-FILLER | 132-014470 |

SINGLE SLIDER WINDOW-BEDROOM-EXCEL

| KEY | PARTNUMBER | U/M | DESCRIPTION | VENDORNO. |
|-----|---------------|-----|--|------------|
| 1 | 098647-38-01A | EA | WINDOW-PASSENGER HORIZONTAL SLIDER-CLEAR-30.5"X57.5" | |
| | 098647-38-701 | EA | RETAINER-TRIM | W303-66 |
| 2 | 098644-01-705 | FT | GLAZING-STRIP | 132-010231 |
| 3 | 098644-01-706 | FT | WEATHERSTRIP-GLASS | 171-010668 |
| 4 | 098647-38-702 | EA | GLASS-STATIONARY | 096-017854 |
| 5 | 098644-01-719 | EA | STOP-SLIDER GLASS | 132-014203 |
| 6 | 098644-01-710 | FT | TRACK-SCREEN SPACER 12' | 132-017135 |
| 7 | 098644-01-700 | EA | LATCH-REPAIR KIT (BLACK) | B801-CK |
| 8 | 098644-01-708 | FT | CHANNEL-RUN PIERCED | 122-016543 |
| 9 | 098644-01-711 | FT | WEATHERSTRIP-SCREEN BLACK | 171-016965 |
| 10 | 098647-38-704 | EA | SCREEN ASM-W/SEALS & CLIPS | 410-019063 |
| | 098644-01-717 | FT | SPLINE-SCREEN | 132-004716 |
| 11 | 098644-01-713 | EA | CLIP-SPRING-METAL | 226-016966 |
| 12 | 098647-38-703 | EA | GLASS-SLIDING W/SASH & LATCH | H320-C8 |
| 13 | 098644-01-716 | FT | PLUG-FILLER | 132-014470 |

SLIDER WINDOWS-OVERHEAD BUNK-DRIVER SIDE-EXCEL

| KEY | PARTNUMBER | U/M | DESCRIPTION | VENDORNO. |
|-----|---------------|-----|---|------------|
| 1 | 098647-32-01A | EA | WINDOW-DRIVER HORIZONTAL SLIDER-CLEAR-15.7"X28.5" | |
| | 098647-31-701 | EA | RETAINER-TRIM | CW29-66 |
| 2 | 098644-01-705 | FT | GLAZING-STRIP | 132-010231 |
| 3 | 098644-01-706 | FT | WEATHERSTRIP-GLASS | 171-010668 |
| 4 | 098647-31-702 | EA | GLASS-STATIONARY | 096-019299 |
| 5 | 098644-01-719 | EA | STOP-SLIDER GLASS | 132-014203 |
| 6 | 098644-01-710 | FT | TRACK-SCREEN SPACER 12' | 132-017135 |
| 7 | 098644-01-700 | EA | LATCH-REPAIR KIT (BLACK) | B801-CK |
| 8 | 098644-01-708 | FT | CHANNEL-RUN PIERCED | 122-016543 |
| 9 | 098644-01-711 | FT | WEATHERSTRIP-SCREEN BLACK | 171-016965 |
| 10 | 098647-31-704 | EA | SCREEN ASM-W/SEALS & CLIPS | 410-019128 |
| | 098644-01-717 | FT | SPLINE-SCREEN | 132-004716 |
| 11 | 098644-01-713 | EA | CLIP-SPRING-METAL | 226-016966 |
| 12 | 098647-31-703 | EA | GLASS-SLIDING W/SASH & LATCH | H425-C8 |
| 13 | 098644-01-716 | FT | PLUG-FILLER | 132-014470 |

SINGLE SLIDER WINDOW-DINETTE-EXCEL

| KEY | PARTNUMBER | U/M | DESCRIPTION | VENDORNO. |
|-----|---------------|-----|---|------------|
| 1 | 098647-28-01A | EA | WINDOW-DRIVER HORIZONTAL SLIDER-CLEAR-26.1"X59.7" | |
| | 098647-27-701 | EA | RETAINER-TRIM | W287-66 |
| 2 | 098644-01-705 | FT | GLAZING-STRIP | 132-010231 |
| 3 | 098644-01-706 | FT | WEATHERSTRIP-GLASS | 171-010668 |
| 4 | 098647-27-702 | EA | GLASS-STATIONARY | 096-017868 |
| 5 | 098644-01-719 | EA | STOP-SLIDER GLASS | 132-014203 |
| 6 | 098644-01-710 | FT | TRACK-SCREEN SPACER 12' | 132-017135 |
| 7 | 098644-01-700 | EA | LATCH-REPAIR KIT (BLACK) | B801-CK |
| 8 | 098644-01-708 | FT | CHANNEL-RUN PIERCED | 122-016543 |
| 9 | 098644-01-711 | FT | WEATHERSTRIP-SCREEN BLACK | 171-016965 |
| 10 | 098647-23-704 | EA | SCREEN ASM-W/SEALS & CLIPS | 410-019066 |
| | 098644-01-717 | FT | SPLINE-SCREEN | 132-004716 |
| 11 | 098644-01-713 | EA | CLIP-SPRING-METAL | 226-016966 |
| 12 | 098647-27-703 | EA | GLASS-SLIDING W/SASH & LATCH | H287-C8 |
| 13 | 098644-01-716 | FT | PLUG-FILLER | 132-014470 |

WINDOW, VENT & EXTERIOR DOOR GROUP (CONTINUED)

WINDOW, VENT & EXTERIOR DOOR GROUP (CONTINUED)

SLIDER WINDOWS-OVERHEAD BUNK-DRIVERSIDE-EXCEL-THERMO-EUROPEAN

| KEY | PARTNUMBER | U/M | DESCRIPTION | VENDOR NO. |
|-----|---------------|-----|--|------------|
| 1 | 112795-42-01A | EA | WINDOW-DRIVER HORIZONTAL SLIDER-THERMO-16" X 28 3/4" | |
| | 098647-31-701 | EA | RETAINER-TRIM | CW29-66 |
| 2 | 112795-01-705 | FT | VINYL-GLAZING | 132-019702 |
| 3 | 112795-41-701 | EA | GLASS-STATIONARY | 390-019826 |
| 4 | 112795-01-701 | EA | SLIDE-STOP | 132-019092 |
| 5 | 098644-01-710 | FT | TRACK-SCREENSPACER 12' | 132-017135 |
| 6 | 112795-01-700 | EA | LATCH ASM., BLK., (BOLTON) | DH287-CK |
| 7 | 112795-01-703 | IN | CHANNEL-RUN (INCHES) | 122-018736 |
| 8 | 098644-01-711 | FT | WEATHERSTRIP-SCREENBLACK | 171-016965 |
| 9 | 098647-31-704 | EA | SCREEN ASM-W/SEALS & CLIPS | 410-019128 |
| 10 | 098644-01-713 | EA | CLIP-SPRING-METAL | 226-016966 |
| 11 | 112795-41-700 | EA | GLASS-SLIDING W/SASH & LATCH | DC29-EG9 |
| 12 | 112795-01-704 | FT | PLUG FILLER (DOUBLE GLAZED) | 122-018737 |

SLIDER WINDOWS-OVERHEAD BUNK & GALLEY-PASSENGERSIDE-EXCEL-THERMO

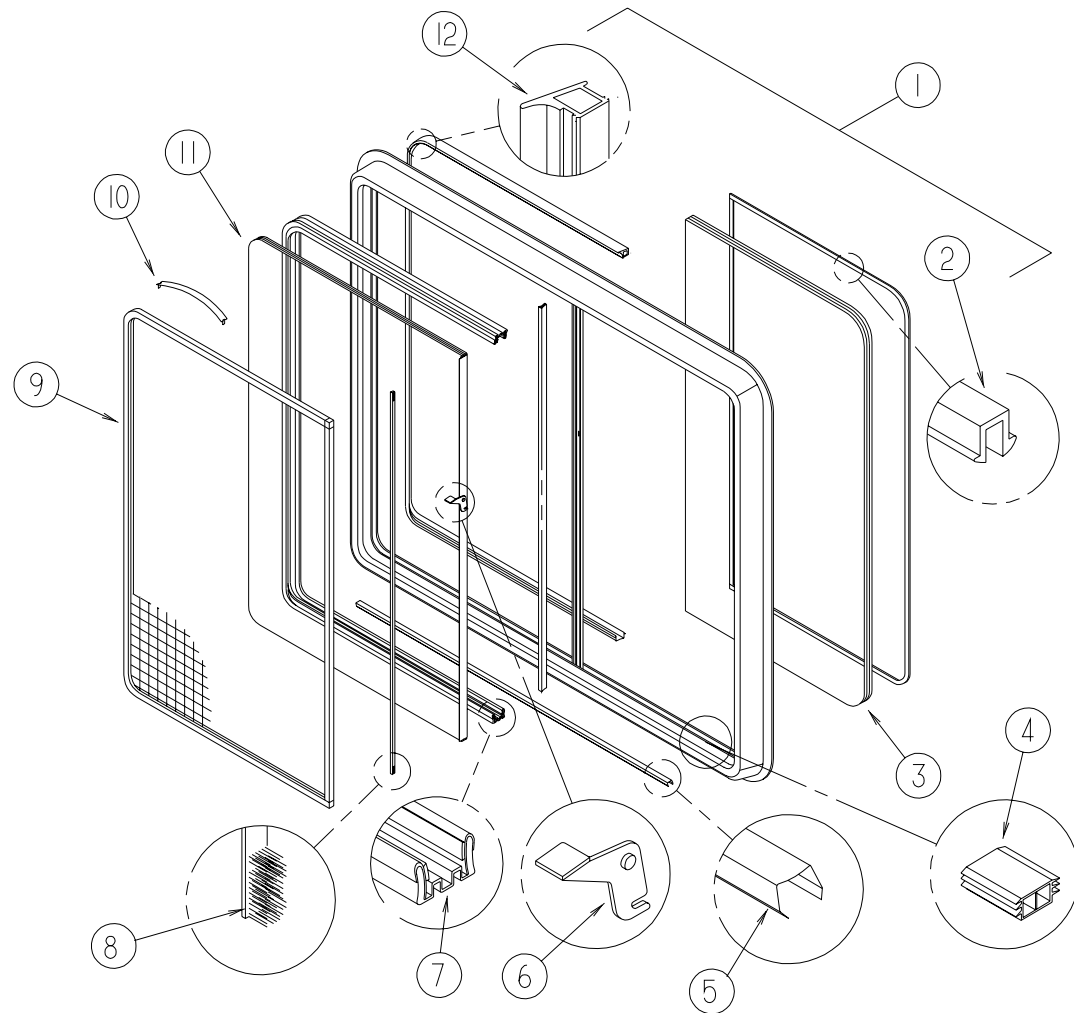
| KEY | PARTNUMBER | U/M | DESCRIPTION | VENDOR NO. |
|-----|---------------|-----|---|------------|
| 1 | 112795-19-01A | EA | WINDOW-PASSENGER/HORIZONTAL SLIDER-THERMO 16.7" X 28.5" | |
| | 098647-31-701 | EA | RETAINER-TRIM | CW29-66 |
| 2 | 112795-01-705 | FT | VINYL-GLAZING | 132-025736 |
| 3 | 112795-19-701 | EA | GLASS-STATIONARY | 390-019134 |
| 4 | 112795-01-701 | EA | SLIDE-STOP | 132-019092 |
| 5 | 098644-01-710 | FT | TRACK-SCREENSPACER 12' | 132-017135 |
| 6 | 112795-01-700 | EA | LATCH ASM., BLK., (BOLTON) | DH287-CK |
| 7 | 112795-01-703 | IN | CHANNEL-RUN (INCHES) | 122-018736 |
| 8 | 098644-01-711 | FT | WEATHERSTRIP-SCREENBLACK | 171-016965 |
| 9 | 098647-31-704 | EA | SCREEN ASM-W/SEALS & CLIPS | 410-019128 |
| 10 | 098644-01-713 | EA | CLIP-SPRING-METAL | 226-016966 |
| 11 | 112795-19-702 | EA | GLASS-SLIDING W/SASH & LATCH | DC29-G9 |
| 12 | 112795-01-704 | FT | PLUG FILLER (DOUBLE GLAZED) | 122-018737 |

SLIDER WINDOWS-OVERHEAD BUNK & GALLEY-PASSENGERSIDE-EXCEL-THERMO-EUROPEAN

| KEY | PARTNUMBER | U/M | DESCRIPTION | VENDOR NO. |
|-----|---------------|-----|---|------------|
| 4 | 112795-41-01A | EA | WINDOW-PASSENGER HORIZONTAL SLIDER/THERMO-16" X 28 3/4" | |
| | 098647-31-701 | EA | RETAINER-TRIM | CW29-66 |
| 2 | 112795-01-705 | FT | VINYL-GLAZING | 132-019702 |
| 3 | 112795-41-701 | EA | GLASS-STATIONARY | 390-019826 |
| 4 | 112795-01-701 | EA | SLIDE-STOP | 132-019092 |
| 5 | 098644-01-710 | FT | TRACK-SCREENSPACER 12' | 132-017135 |
| 6 | 112795-01-700 | EA | LATCH ASM., BLK., (BOLTON) | DH287-CK |
| 7 | 112795-01-703 | IN | CHANNEL-RUN (INCHES) | 122-018736 |
| 8 | 098644-01-711 | FT | WEATHERSTRIP-SCREENBLACK | 171-016965 |
| 9 | 098647-31-704 | EA | SCREEN ASM-W/SEALS & CLIPS | 410-019128 |
| 10 | 098644-01-713 | EA | CLIP-SPRING-METAL | 226-016966 |
| 11 | 112795-41-700 | EA | GLASS-SLIDING W/SASH & LATCH | DC29-EG9 |
| 12 | 112795-01-704 | FT | PLUG FILLER (DOUBLE GLAZED) | 122-018737 |

SLIDER WINDOWS-OVERHEAD BUNK-DRIVERSIDE-EXCEL-THERMO

| KEY | PARTNUMBER | U/M | DESCRIPTION | VENDOR NO. |
|-----|---------------|-----|--|------------|
| 1 | 112795-20-01A | EA | WINDOW-DRIVER HORIZONTAL SLIDER-THERMO 16.7" X 28.5" | |
| | 098647-31-701 | EA | RETAINER-TRIM | CW29-66 |
| 2 | 112795-01-705 | FT | VINYL-GLAZING | 132-025736 |
| 3 | 112795-19-701 | EA | GLASS-STATIONARY | 390-019134 |
| 4 | 112795-01-701 | EA | SLIDE-STOP | 132-019092 |
| 5 | 098644-01-710 | FT | TRACK-SCREENSPACER 12' | 132-017135 |
| 6 | 112795-01-700 | EA | LATCH ASM., BLK., (BOLTON) | DH287-CK |
| 7 | 112795-01-703 | IN | CHANNEL-RUN (INCHES) | 122-018736 |
| 8 | 098644-01-711 | FT | WEATHERSTRIP-SCREENBLACK | 171-016965 |
| 9 | 098647-31-704 | EA | SCREEN ASM-W/SEALS & CLIPS | 410-019128 |
| 10 | 098644-01-713 | EA | CLIP-SPRING-METAL | 226-016966 |
| 11 | 112795-19-702 | EA | GLASS-SLIDING W/SASH & LATCH | DC29-G9 |
| 12 | 112795-01-704 | FT | PLUG FILLER (DOUBLE GLAZED) | 122-018737 |



WINDOW, VENT & EXTERIOR DOOR GROUP (CONTINUED)

WINDOW, VENT & EXTERIOR DOOR GROUP (CONTINUED)

SINGLE SLIDER WINDOW - BEDROOM - EXCEL - THERMO - EUROPEAN

| KEY | PART NUMBER | U/M | DESCRIPTION | VENDOR NO. |
|-----|---------------|-----|---|------------|
| 1 | 112795-46-01A | EA | WINDOW-PASSENGER HORIZONTAL SLIDE THERMO 26 3/8" X 48" - EUROPEAN | |
| | 112795-22-701 | EA | RETAINER-TRIM | W303-66 |
| 2 | 112795-01-705 | FT | VINYL-GLAZING | 132-025736 |
| 3 | 112795-46-700 | EA | GLASS-SLIDING W/SASH & LATCH | DC48-EG9 |
| 4 | 112795-01-701 | EA | SLIDE-STOP | 132-019092 |
| 5 | 098644-01-710 | FT | TRACK-SCREEN SPACER 12' | 132-017135 |
| 6 | 112795-01-700 | EA | LATCH ASM., BLK., (BOLTON) | DH287-CK |
| 7 | 112795-01-703 | IN | CHANNEL-RUN (INCHES) | 122-018736 |
| 8 | 098644-01-711 | FT | WEATHERSTRIP-SCREEN BLACK | 171-016965 |
| 9 | 098647-38-704 | EA | SCREEN ASM-W/SEALS & CLIPS | 410-019063 |
| 10 | 098644-01-713 | EA | CLIP-SPRING-METAL | 226-016966 |
| 11 | 112795-46-701 | EA | GLASS-STATIONARY | 390-019830 |
| 12 | 112795-01-704 | FT | PLUG FILLER (DOUBLE GLAZED) | 122-018737 |

SINGLE SLIDER WINDOW - DINETTE - EXCEL - THERMO

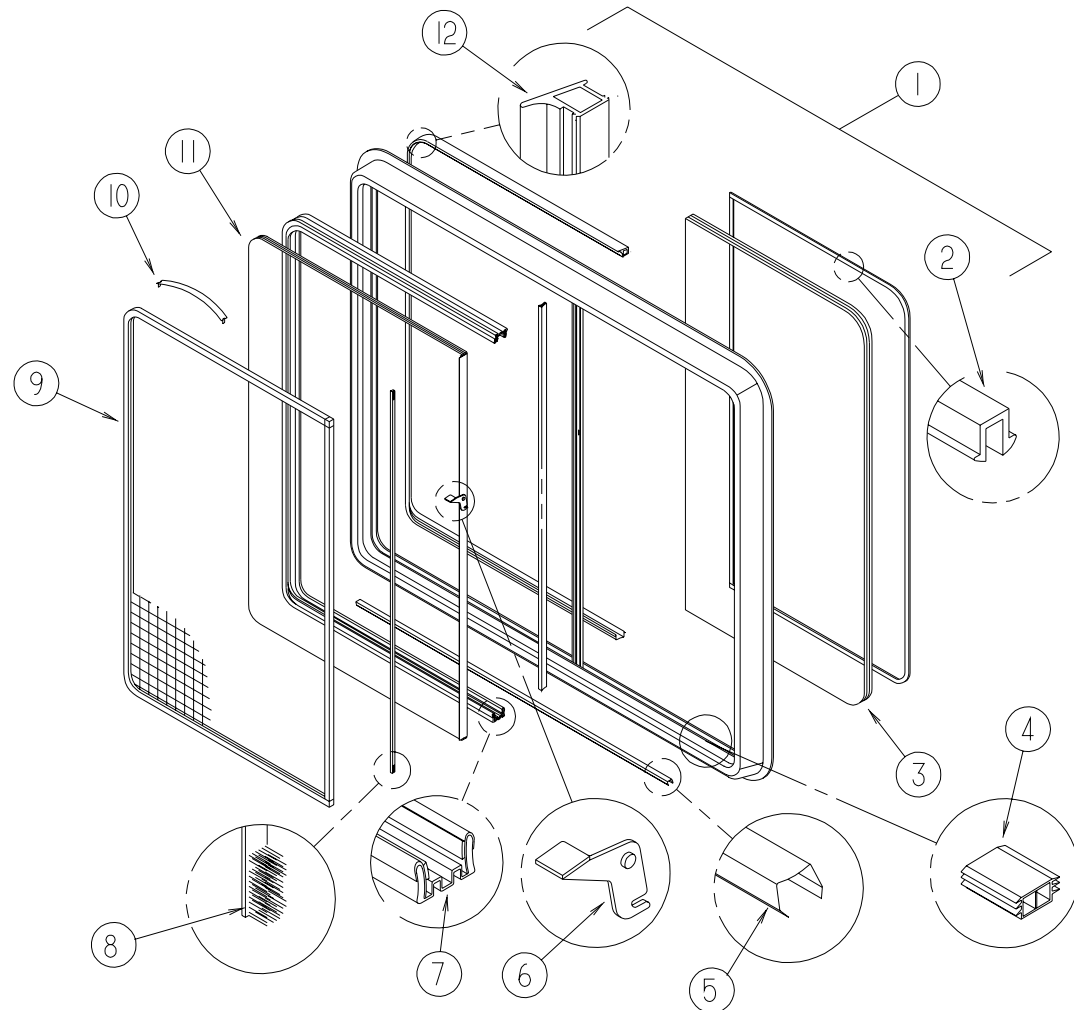
| KEY | PART NUMBER | U/M | DESCRIPTION | VENDOR NO. |
|-----|---------------|-----|--|------------|
| 1 | 112795-15-01A | EA | WINDOW-DRIVER-HORIZONTAL SLIDER-THERMO-26 3/8" X 60" | |
| | 098647-23-702 | EA | RETAINER-TRIM | W287-66 |
| 2 | 112795-01-705 | FT | VINYL-GLAZING | 132-025736 |
| 3 | 112795-15-701 | EA | GLASS-STATIONARY | 390-019045 |
| 4 | 112795-01-701 | EA | SLIDE-STOP | 132-019092 |
| 5 | 098644-01-710 | FT | TRACK-SCREEN SPACER 12' | 132-017135 |
| 6 | 112795-01-700 | EA | LATCH ASM., BLK., (BOLTON) | DH287-CK |
| 7 | 112795-01-703 | IN | CHANNEL-RUN (INCHES) | 122-018736 |
| 8 | 098644-01-711 | FT | WEATHERSTRIP-SCREEN BLACK | 171-016965 |
| 9 | 098647-23-704 | EA | SCREEN ASM-W/SEALS & CLIPS | 410-019066 |
| 10 | 098644-01-713 | EA | CLIP-SPRING-METAL | 226-016966 |
| 11 | 112795-15-702 | EA | GLASS-SLIDING W/SASH & LATCH | DH287-G9 |
| 12 | 112795-01-704 | FT | PLUG FILLER (DOUBLE GLAZED) | 122-018737 |

SINGLE SLIDER WINDOW - DINETTE - EXCEL - THERMO - EUROPEAN

| KEY | PART NUMBER | U/M | DESCRIPTION | VENDOR NO. |
|-----|---------------|-----|--|------------|
| 1 | 112795-40-01A | EA | WINDOW-DRIVER HORIZONTAL SLIDER-THERMO-26 3/8" X 60" | |
| | 098647-27-701 | EA | RETAINER-TRIM | W287-66 |
| 2 | 112795-01-705 | FT | VINYL-GLAZING | 132-019702 |
| 3 | 112795-39-701 | EA | GLASS-STATIONARY | 390-019792 |
| 4 | 112795-01-701 | EA | SLIDE-STOP | 132-019092 |
| 5 | 098644-01-710 | FT | TRACK-SCREEN SPACER 12' | 132-017135 |
| 6 | 112795-01-700 | EA | LATCH ASM., BLK., (BOLTON) | DH287-CK |
| 7 | 112795-01-703 | IN | CHANNEL-RUN (INCHES) | 122-018736 |
| 8 | 098644-01-711 | FT | WEATHERSTRIP-SCREEN BLACK | 171-016965 |
| 9 | 098647-23-704 | EA | SCREEN ASM-W/SEALS & CLIPS | 410-019066 |
| 10 | 098644-01-713 | EA | CLIP-SPRING-METAL | 226-016966 |
| 11 | 112795-39-700 | EA | GLASS-SLIDING W/SASH & LATCH | DH287-EG9 |
| 12 | 112795-01-704 | FT | PLUG FILLER (DOUBLE GLAZED) | 122-018737 |

SINGLE SLIDER WINDOW - BEDROOM - EXCEL - THERMO

| KEY | PART NUMBER | U/M | DESCRIPTION | VENDOR NO. |
|-----|---------------|-----|---|------------|
| 1 | 112795-22-01A | EA | WINDOW-PASSENGER HORIZONTAL SLIDER/THERMO-26 3/8" X 48" | |
| | 112795-22-701 | EA | RETAINER-TRIM | W303-66 |
| 2 | 112795-01-705 | FT | VINYL-GLAZING | 132-025736 |
| 3 | 112795-22-702 | EA | GLASS-STATIONARY | 390-019039 |
| 4 | 112795-01-701 | EA | SLIDE-STOP | 132-019092 |
| 5 | 098644-01-710 | FT | TRACK-SCREEN SPACER 12' | 132-017135 |
| 6 | 112795-01-700 | EA | LATCH ASM., BLK., (BOLTON) | DH287-CK |
| 7 | 112795-01-703 | IN | CHANNEL-RUN (INCHES) | 122-018736 |
| 8 | 098644-01-711 | FT | WEATHERSTRIP-SCREEN BLACK | 171-016965 |
| 9 | 098647-38-704 | EA | SCREEN ASM-W/SEALS & CLIPS | 410-019063 |
| 10 | 098644-01-713 | EA | CLIP-SPRING-METAL | 226-016966 |
| 11 | 112795-22-703 | EA | GLASS-SLIDING W/SASH & LATCH | DC48-G9 |
| 12 | 112795-01-704 | FT | PLUG FILLER (DOUBLE GLAZED) | 122-018737 |



WINDOW, VENT & EXTERIOR DOOR GROUP (CONTINUED)

POWERED ROOF VENT

| KEY | PART NUMBER | U/M DESCRIPTION | VENDOR NO. |
|-----|---------------|-----------------------------------|------------|
| | 122882-02-01A | EA VENT-ROOF-W/FAN-POWERED | |
| | 009440-01-000 | EA GEAR/ARM-LIFT-ROOFVENTCOVER | |
| | 048648-01-000 | EA MOTOR-ROOFVENT-1/8SHAFT-12VOLT | |
| | 048649-01-000 | EA FAN-ROOFVENT-6BLADES-6" | |
| | 064470-01-700 | EA COVER-VENT-W/OSLIDEBAR | J7291 |
| | 064470-01-701 | EA SLIDEBAR-VENTLID | JRP1291B |
| | 110051-03-700 | EA SWITCH-BLACK/PUSHBUTTON | 27-0164 |
| | 122882-01-700 | EA HANDLE-CRANKBLACK | 90128 |
| | 122882-01-701 | EA SCREEN | JRP-1124-B |

POWERED ROOF VENT-CANADIAN

| KEY | PART NUMBER | U/M DESCRIPTION | VENDOR NO. |
|-----|---------------|-----------------------------------|------------|
| | 122882-03-01A | EA VENT-ROOF-W/FAN-CSA | |
| | 009440-01-000 | EA GEAR/ARM-LIFT-ROOFVENTCOVER | |
| | 048648-01-000 | EA MOTOR-ROOFVENT-1/8SHAFT-12VOLT | |
| | 048649-01-000 | EA FAN-ROOFVENT-6BLADES-6" | |
| | 064470-01-700 | EA COVER-VENT-W/OSLIDEBAR | J7291 |
| | 064470-01-701 | EA SLIDEBAR-VENTLID | JRP1291B |
| | 110051-03-700 | EA SWITCH-BLACK/PUSHBUTTON | 27-0164 |
| | 122882-01-700 | EA HANDLE-CRANK-BLACK | 90128 |
| | 122882-01-701 | EA SCREEN | JRP-1124-B |

WINDOW, VENT & EXTERIOR DOOR GROUP (CONTINUED)

NONPOWERED ROOF VENT

| KEY | PART NUMBER | U/M DESCRIPTION | VENDOR NO. |
|-----|---------------|--------------------------------|------------|
| | 122882-01-01A | EA VENT-ROOF-NONPOWERED | |
| | 009440-01-000 | EA GEAR/ARM-LIFT-ROOFVENTCOVER | |
| | 064470-01-700 | EA COVER-VENT-W/OSLIDEBAR | J7291 |
| | 064470-01-701 | EA SLIDEBAR-VENTLID | JRP1291B |
| | 122882-01-700 | EA HANDLE-CRANK-BLACK | 90128 |
| | 122882-01-701 | EA SCREEN | JRP-1124-B |

ROOF EXHAUST VENT

| KEY | PART NUMBER | U/M DESCRIPTION | VENDOR NO. |
|-----|---------------|------------------------------------|------------|
| | 123780-01-01A | EA VENT-EXHAUST-1" ROOF | |
| | 009440-01-000 | EA GEAR/ARM-LIFT-ROOFVENTCOVER | |
| | 084079-01-703 | EA KNOB-LIFT, W/EXT. & SCREW | 1140K-00 |
| | 084079-01-704 | EA BLADE-FAN | 1070-00 |
| | 084079-01-705 | EA MOTOR | 1080-00 |
| | 084079-01-707 | EA SWITCH-SAFETY | 1122.05 |
| | 084079-01-709 | EA SWITCH-MAIN-3SPEED | 1031-05 |
| | 084079-01-711 | EA H-MOLDING, MOTOR MOUNT | |
| | 084079-11-700 | EA MOTOR, BRKT., FANBLADE, KIT | 4017K-09 |
| | 123780-01-700 | EA COVER-VENTW/HINGE & SLIDE | 1020K-81 |
| | 123780-01-701 | EA GARNISH-INT 3/4-1" BRIGHT WHITE | 0040-81 |

VENTS, SHROUDS AND ROOF COVERS

| KEY | PART NUMBER | U/M DESCRIPTION |
|-----|---------------|--|
| | 084616-07-000 | EA VENT-SHROUD-RANGEHOOD-BRIGHTWHITE |
| | 084878-09-000 | EA VENT-HOOD-RANGE/SHORT-OFFWHITE |
| | 083558-03-000 | EA VENT-PLUMBING-PIPEROOF-W/COVER-OFFWHITE |
| | 084073-04-000 | EA BASE-ROOFVENT-REFRIGERATOR |
| | 084073-07-000 | EA VENT-ROOF-REFRIGERATOR-BRIGHTWHITE |