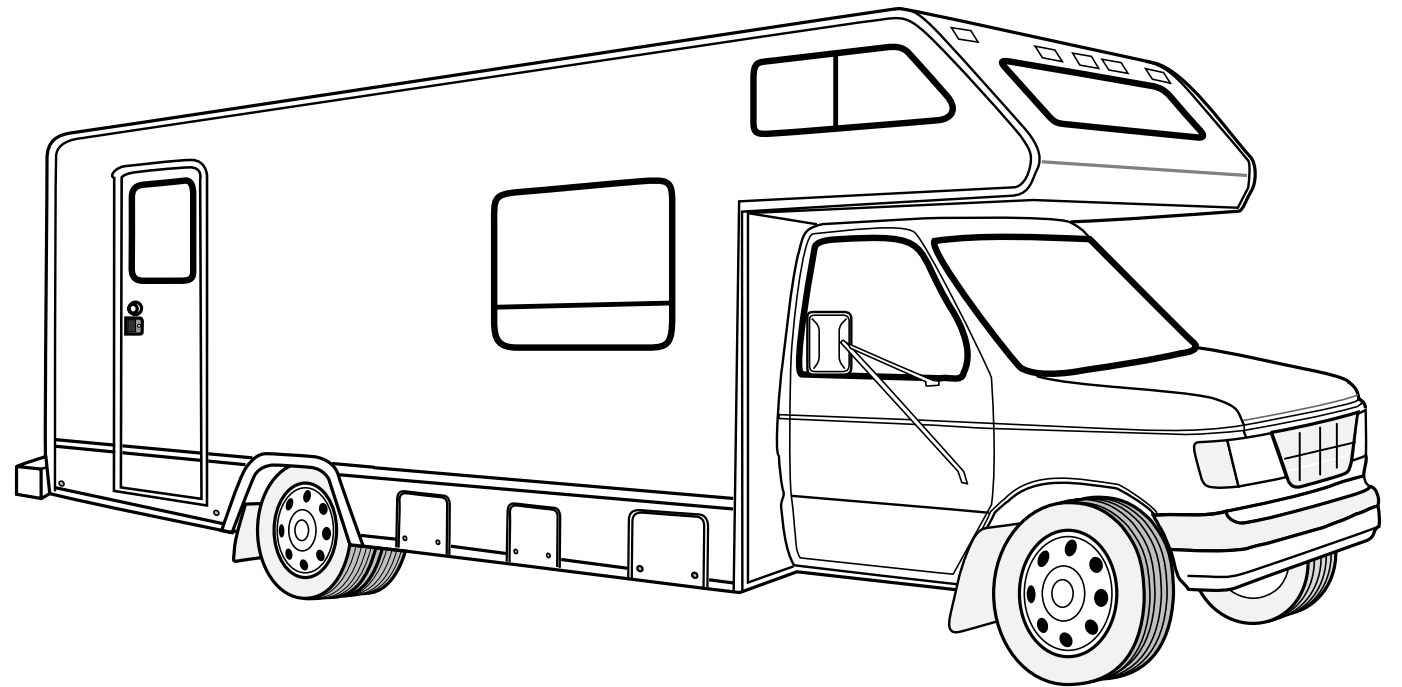


1997
WF321RK



H04

BLUELAGOON(BLUE)

H05

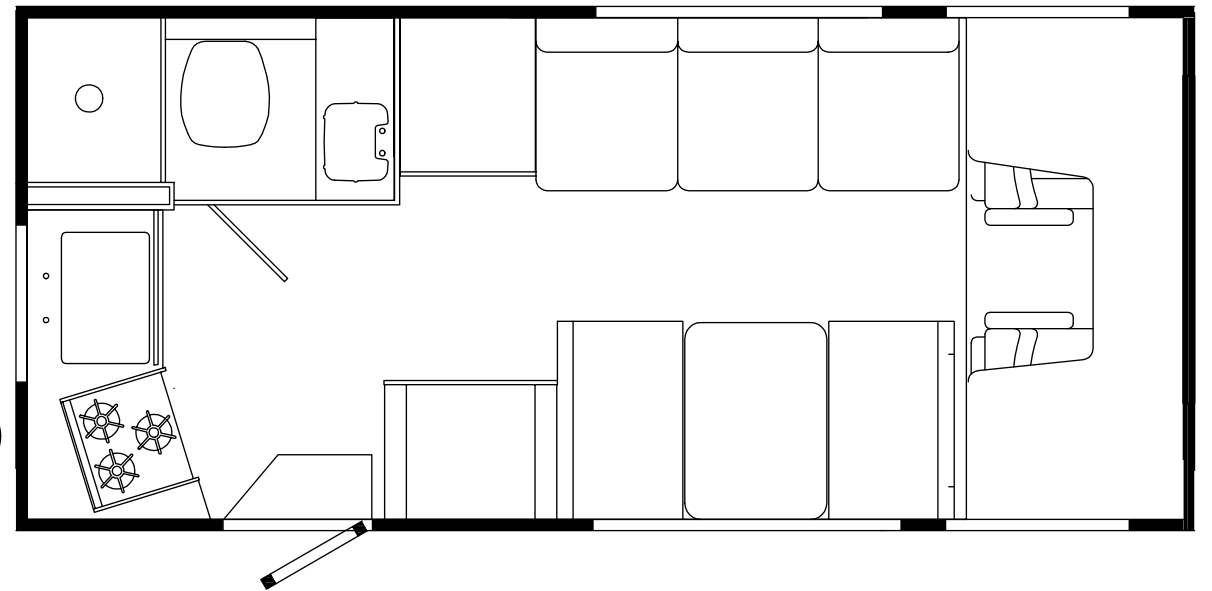
KRYPTONITE(TAUPE)

H24

COPPERCANYON(TERRACOTTA)

H26

COPPERCREEK(TAN)



ACCESSORIESGROUP

OPERATORSMANUAL

KEY	PARTNUMBER	U/M	DESCRIPTION
	054185-F3-000	EA	MANUAL-OPERATOR,1997MINNIE-300SERIES
	092318-01-000	EA	BINDER-3RING,MOTORHOMEMANUAL
	092319-01-000	EA	POCKETPAGE-3RINGBINDER,PLASTIC
	121390-01-000	DW	TOPELEVELDRAWING-1997CBODY

AUDIOVIDEOGROUP

RADIOSPEAKER

KEY	PARTNUMBER	U/M	DESCRIPTION
	115305-02-000	EA	RADIO-AM/FMCASS,ELECTRONGM-AUDIOVOXGM250-CHEVY
	007004-01-000	EA	ANTENNA-AUTO-CHEVY
	074979-01-000	EA	SHIELD-SPEAKER,BACK-MOLDEDPLASTIC-8"X9"-BEIGE
	108137-01-000	EA	PLUG-ANTENNAHOLE,92E350-WARDPRODUCTS
	111177-01-01A	EA	GRILLE-8.9"X6.5"HOUSINGF/5"X7"OVALSPEAKER-GRAY

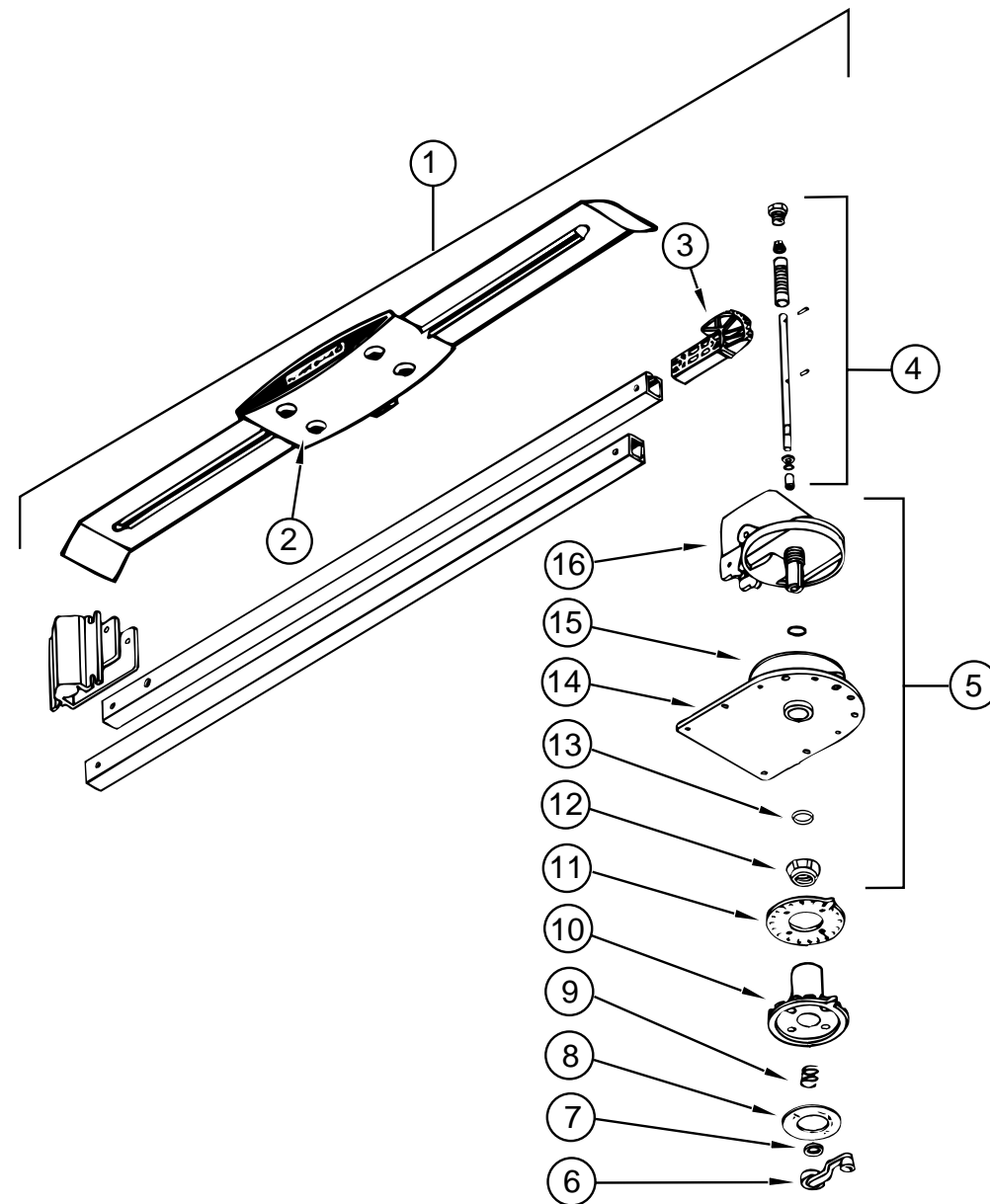
RADIO-PATIOENTERTAINMENTCENTER

KEY	PARTNUMBER	U/M	DESCRIPTION
	087683-03-000	EA	RADIO-AM/FMSTEREOCASSETTE
	115306-01-000	EA	RADIO-MOUNTINGKIT,GM-AUDIOVOXGMA
	115307-01-000	EA	RADIO-WIRING,REARSPEAKER,GM-ASA1700030
	090944-01-000	EA	ANTENNA-RADIO-RUBBER-16"
	077069-02-000	EA	CABLE-EXTENSION-RADIOANTENNA96"
	108847-01-000	EA	BRACKET-ANTENNAGROUND
	082134-01-000	EA	ADAPTER-CABLETOCABLE,WINEGARDF-81M
	086756-01-000	EA	SPLITTER-TV,2WAY
	076319-09-000	EA	WALLPLATE-CABLERECEPTACLE-TV-SINGLE-BROWN
	109889-01-000	EA	EXTENDER-SHAFT,ANTENNA1"-MAGNADYNERV71EX1
	110469-01-000	EA	SPEAKER-4"X6"OVAL-COAXIAL
	110470-01-01A	EA	GRILLE-4"X6"BLACKOVALSPEAKER

TV-VCRSYSTEMS

KEY	PARTNUMBER	U/M	DESCRIPTION	VENDORNO.
	086231-08-000	EA	TV-COLOR,13"DCAUDIOVOX-AVT-1475	
	086231-08-700	EA	REMOTE-UNIVERSAL	8822325
	094487-03-000	EA	VIDEOCASSETTEPLAYERW/OREMOTE-AUDIOVOXAVP-6750	
	076319-09-000	EA	WALLPLATE-CABLERECEPTACLE-TV-SINGLE-BROWN	
	082134-01-000	EA	ADAPTER-TV-CABLETOCABLE	
	086756-01-000	EA	SPLITTER-TV-2WAY	
	076319-03-000	FT	CABLE-COAXIAL-75OHM	
	076319-12-000	EA	CONNECTOR-COAXIAL-ONEPIECE	
	076319-06-000	EA	ADAPTER-CABLEROOFPLATE	
	082136-01-000	EA	NUT-HEXJAM-3/8-32	
	086777-02-000	EA	WALLPLATE-TV-CABLE,W/ANTENNASWITCH-BROWN	

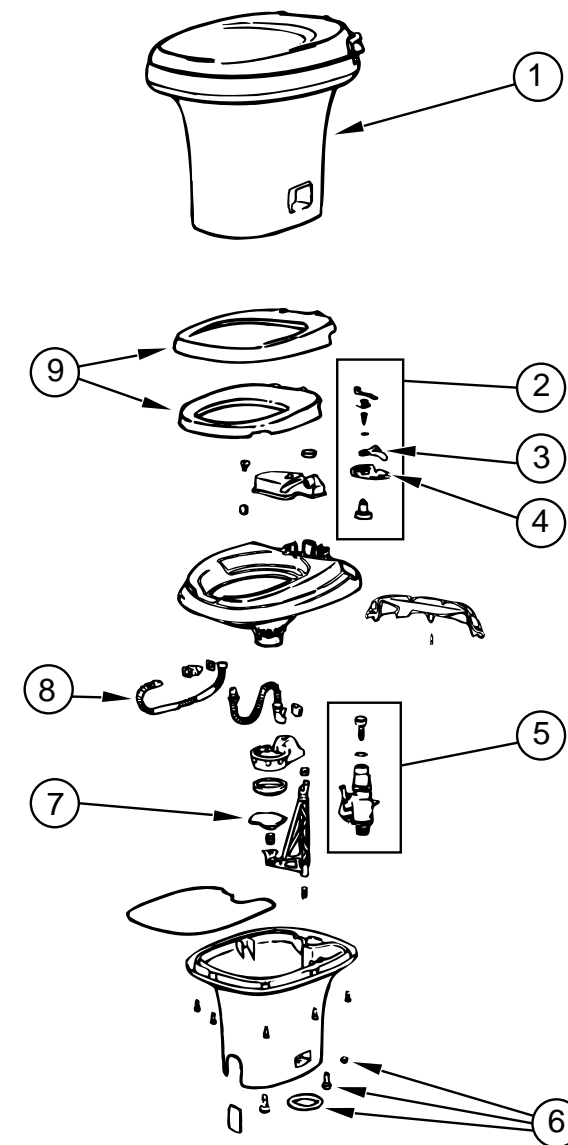
AUDIOVIDEOGROUP(CONTINUED)



TV ANTENNA-WINEGARD-MODELRVAW02

KEY	PARTNUMBER	U/M	DESCRIPTION	VENDOR NO.
1	076319-01-000	EA	ANTENNA-TV, ROOFMOUNT-44.5" MAST	
1	076319-20-000	EA	ANTENNA-TV, ROOFMOUNT-1" ROOF	
2	076319-01-700	EA	HEAD-ANTENNA, AMPLIFIED	RVSAU/V
3	076319-01-701	EA	GEAR-ELEVATING, PLASTIC	2200046
4	076319-01-702	EA	SHAFT ASSEMBLY-ELEVATING	RVP-400A
5	076319-01-711	EA	BASE & LIFT ASSEMBLY	2762802
6	076319-01-706	EA	CRANK-ELEVATING, W/ SETSCREW	5755100
7	076319-01-705	EA	GROMMET-NYLON, 7/8" ID	200658
8	076319-01-708	EA	DECAL-CRANK	5413002
9	076319-01-707	EA	SPRING-HANDLE	5160800
10	076319-01-709	EA	PLATE-DIRECTIONAL, FOR HEAD	3200644
11	076319-01-712	EA	PLATE-CEILING	3200608
12	076319-01-715	EA	NUT-GEAR HOUSING	2200047
13	076319-01-704	EA	BEARING-NYLON, 1.25" OD	3200657
14	076319-01-713	EA	PLATE-BASE, STEEL	3100523
15	076319-01-703	EA	BEARING-NYLON, 5" OD	3200656
16	076319-01-714	EA	HOUSING, ROTATING GEAR	2200049

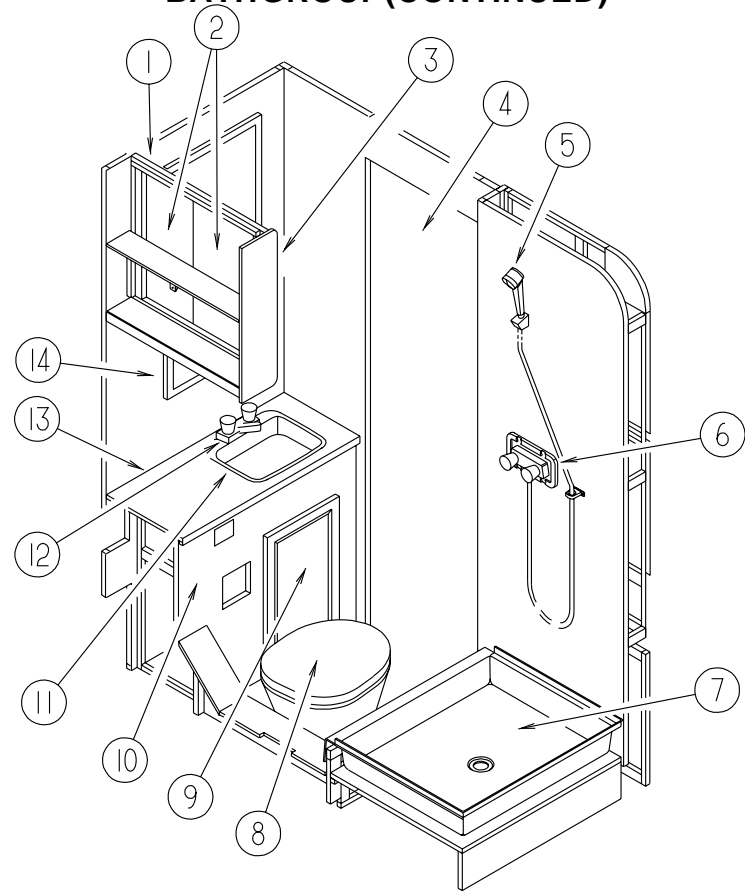
BATHGROUP



TOILET & COMPONENTS-THETFORD-MODELAQUAMAGICIV-HIGH209-20

KEY	PARTNUMBER	U/M	DESCRIPTION	VENDOR NO.
1	063740-01-000	EA	TOILET-HIGH, HAND FLUSH, AQUAMAGIC IV	
2	063740-01-720	EA	LEVER KIT, WAT-FLUSH-BEARING	24629
3	063740-01-700	EA	LEVER-WATER	12514
4	063740-01-701	EA	LEVER-FLUSH	12515
5	063740-01-714	EA	VALVE ASM (VALVE-BALL SEAL)	13168
6	063740-01-706	EA	BOLT PACKAGE-FLOOR FLANGE	12524
7	063740-01-721	EA	BLADE ONLY	1248232
8	063740-01-717	EA	TUBE-FLUSH	12509
9	063740-02-700	EA	SEAT & COVER, PARCHMENT	2464157
	067487-02-702	EA	TANK-RESERVOIR	12507

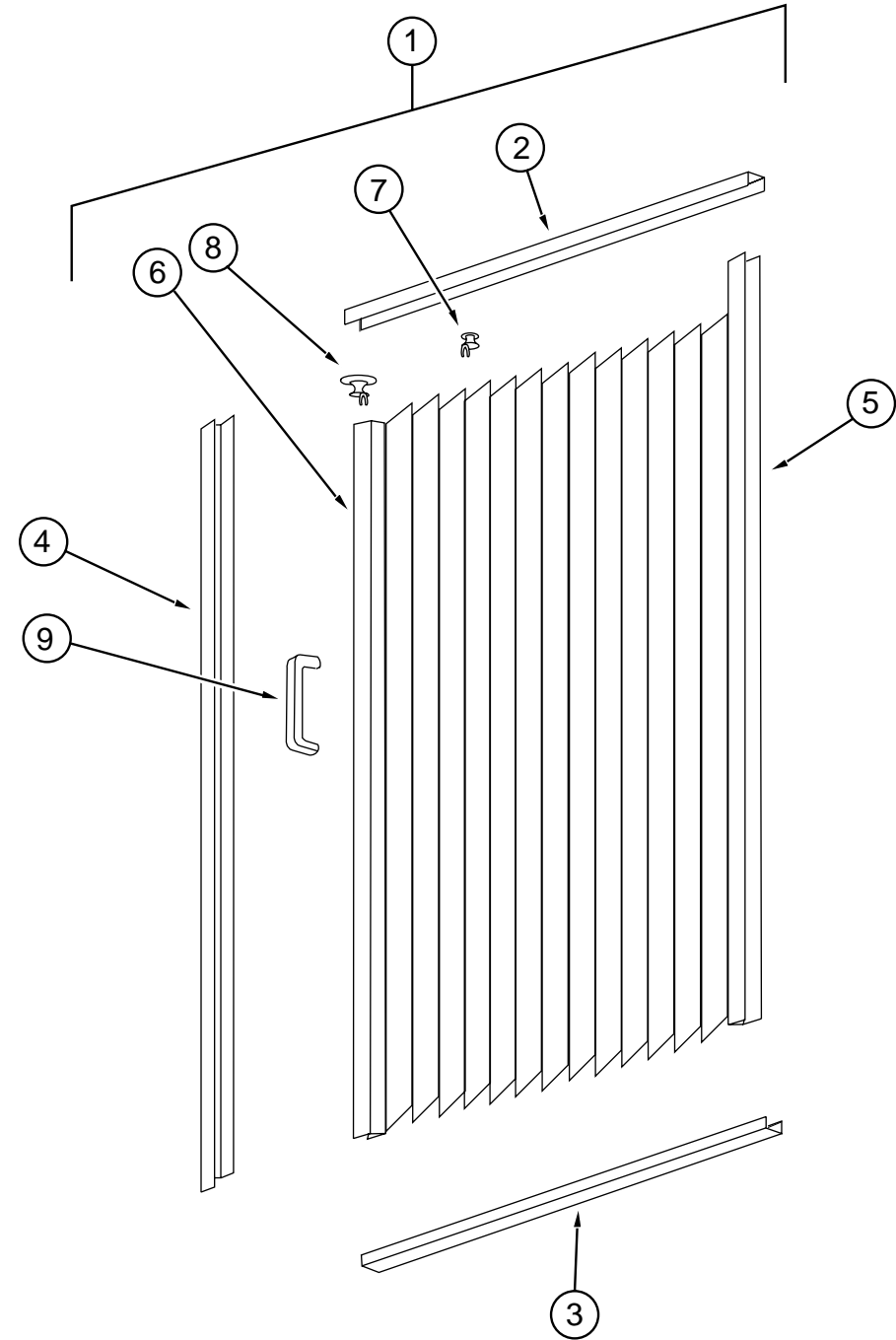
BATHGROUP(CONTINUED)



BATHROOMCABINETS&FIXTURES

KEY	PARTNUMBER	U/M	DESCRIPTION
1	122069-01-H04	EA	CABINET-MEDICINE-W/ODOORS/HARDWARE
	122069-11-H04	EA	SHELF-W/PLASTICEDGEMOLDING
2	110140-26-G01	EA	DOOR-MITEREDCORNER/VINYLRAP-11"X21.8"-W/OHDW
3	109908-29-G01	EA	ENDCAP-MEDICINECABINET
4	121449-07-H04	EA	DOOR-BATH-W/TOWELRACK-20.6"X73.8"
5	103092-01-000	EA	SHOWERHEAD-W/60"HOSE
5	103092-02-000	EA	SHOWERHEAD-W/HOSE-CSA
	103092-01-700	EA	BRACKET-F/SHOWERHEAD,CLEAR 2328028
	011048-03-700	EA	BRACKET-F/SHOWERHEAD 2328029-3
6	075241-05-000	EA	FAUCET/SHOWER-BONE 3/4" MPT X 1.4" LONG INLET PIPES
7	M02673-05-B13	EA	PAN-SHOWER 29.8X22.7" X 5.7"
	066436-01-000	EA	NUT-SLIP-TAILPIECE 1.5"
	066440-01-000	EA	STRAINER-SHOWER,W/RUBBERWASHER
	069735-01-000	EA	WASHER-STRAINERTOTALPIECEPLASTIC,1.5"
	057671-01-000	EA	COVER-SCREW,#8-PLASTIC-OFFWHITE
8	063740-01-000	EA	TOILET-HIGH/HANDFLUSH-AQUAMAGICIV
9	110140-09-G01	EA	DOOR-MITEREDCORNER/VINYLRAP-13.3"X21.8" _W/OHDW
10	P17068-01-H04	EA	CABINET-LAVATORY-W/ODOORS/DRAWERS/HARDWARE(H04)
10	P17068-01-H05	EA	CABINET-LAVATORY-W/ODOORS/DRAWERS/HARDWARE(H05)
10	P17068-01-G01	EA	CABINET-LAVATORY-W/ODOORS/DRAWERS/HARDWARE(H24/H26)
11	096927-01-01A	EA	SINK-LAVATORY-RECTANGULAR-PLASTIC/BONE
	096927-01-700	EA	PLUG-SINK M9801
	096927-01-701	EA	TAILPIECE-DRAIN-LAVATORY M9802
12	075240-06-000	EA	FAUCET-LAVATORY/BONE
	091253-01-000	EA	GASKET-FAUCET-LAVATORY/GALLEY
13	117068-11-H04	EA	COUNTERTOPASM(H04)
13	117068-11-H05	EA	COUNTERTOPASM(H05)
13	117068-11-G01	EA	COUNTERTOPASM(H24/H26)
14	058331-01-000	EA	MIRROR-SAFETYGLASS-19"X26"
	075453-02-000	EA	BAR-TOWEL-18"BRASS
	075454-02-000	EA	RING-TOWEL-W/MOUNTINGHARDWARE-BRASS
	085278-01-000	EA	HOLDER-TOILETPAPER-RECESSED-BRASS

BATHGROUP(CONTINUED)



SHOWERDOOR

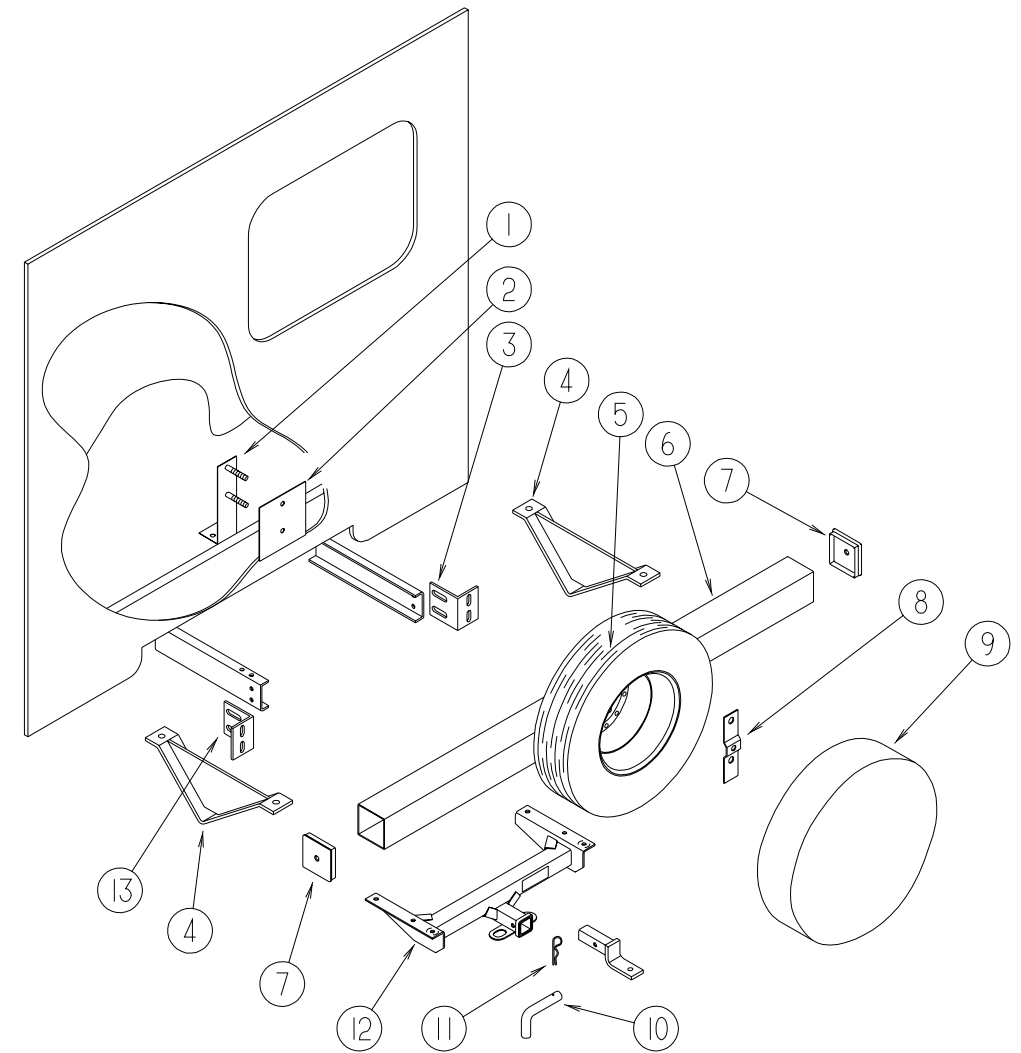
KEY	PARTNUMBER	U/M	DESCRIPTION
1	117431-01-01A	EA	DOOR-SHOWER-FABRICPLEATED29.6"X63"
2	117431-01-700	EA	TRACK-TOP,ALUM.IVORYINSERT 48"
3	117431-01-701	EA	TRACK-BOTTOM,40"
4	117431-01-702	EA	RAIL-SIDE,67"
5	117431-01-703	EA	RAIL-STATIONARY,67"
6	117431-01-704	EA	RAIL-LEAD,67"
7	117431-01-705	EA	GLIDE-IVORY,TRAVELER
8	117431-01-706	EA	GLIDE-IVORYLEAD,TRAVELER
9	117431-01-708	EA	HANDLES&SCREWS
	117431-01-707	EA	LATCH
	117431-01-709	EA	STRAP-VINYL
	105394-01-05A	EA	MOLDING/JAMB-PLASTIC

BATHGROUP(CONTINUED)

BATHDOOR

KEY	PARTNUMBER	U/M	DESCRIPTION
	121449-07-H04	EA	DOOR-BATH-W/TOWELRACK-20.6"X73.8"
	094485-03-01A	EA	KNOB-DOOR-BRASS
	102920-01-01A	EA	HINGE-DOOR-SPRINGLOADED/BRASS
	110496-01-01A	EA	HINGE-BRASS
	121449-12-G04	EA	RACK-TOWEL-BATHDOOR
	100357-01-000	EA	ROD-TOWEL-BRASS

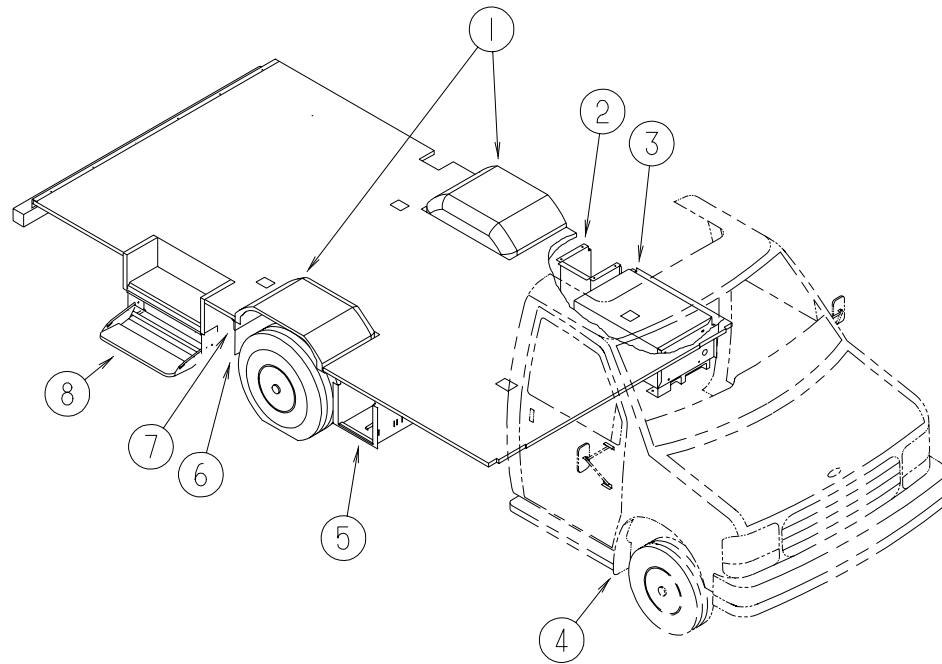
CHASSISGROUP



REARBUMPER,HITCH&SPARETIRECARRIER

KEY	PARTNUMBER	U/M	DESCRIPTION
1	105209-04-C52	EA	BRACKETASM-SPARETIRECHEVY
1	105209-06-C52	EA	BRACKETASSEMBLY-SPARETIRE,FORD
2	105208-01-000	EA	PLATE-SPARETIRE
3	104420-01-000	EA	SUPPORT/ANGLE-REARBUMPER
4	083376-01-000	EA	PLATE/SKID-13.2"X6"X2"STEEL
5	070917-05-000	EA	TIRE-LT225/75R16D,R4S,M/S-FIRESTONESTEELTEX-FORD
5	106715-01-000	EA	TIRE-LT225/75R16LRD550AS-GENERAL0104924-CHEVY
6	103422-02-02A	EA	BUMPER-SQUARE,ALBRTWHITE
7	039779-01-000	EA	CAP-BUMPER-RUBBER-4"X4"-BLACK
8	105531-02-000	EA	RETAINERASM-SPARETIRE
9	073322-07-F15	EA	COVER-TIRE,31"
	073322-50-000	EA	COVER-UNIVERSALLINER
10	034512-01-000	EA	PIN-LOCKING-DRAWBAR
11	034513-01-000	EA	PIN-HITCH,3/16"WIRE
12	107707-08-000	EA	HITCHRECEIVER-BOLT-ONCLASSII
13	104420-02-000	EA	SUPPORT/ANGLE-REARBUMPER
	070579-09-000	EA	PLATE-ANCHOR
	097744-02-000	EA	HOUSING-TRAILERPIN-48"
	097745-02-000	EA	HOUSING-RECEPTACLE-TRAILER-48'WIRELENGTH
	113589-01-000	EA	CONNECTOR-PLUG-TRAILER
	113589-02-000	EA	CONNECTOR-SOCKET-TRAILER
	113634-01-000	EA	WIREASSEMBLY-TRAILERADAPTER
	113588-02-01B	EA	BRACKET-CONNECTOR-TRAILERW/OLIP

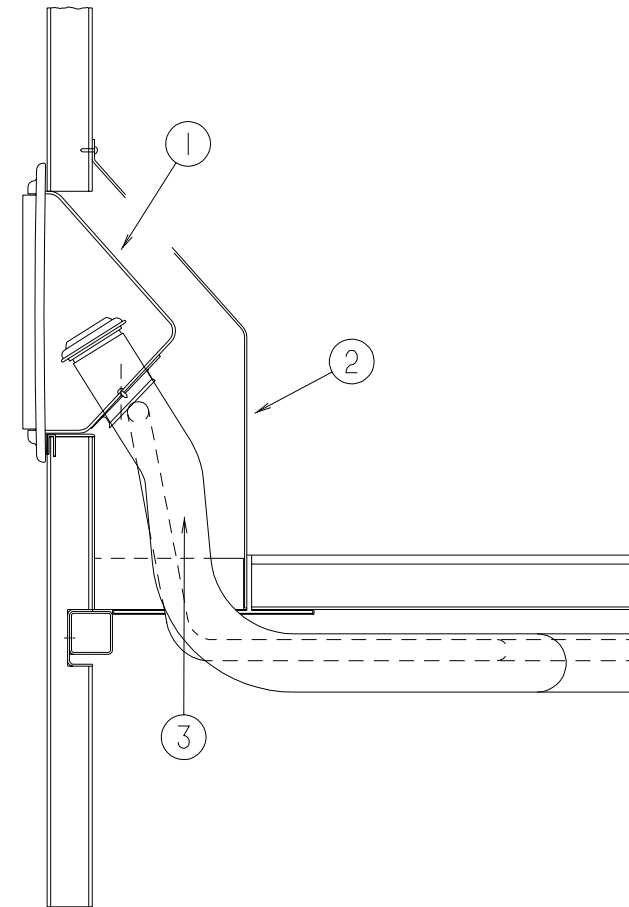
CHASSISGROUP(CONTINUED)



COMPARTMENTS, PLUGS & SEALS

KEY	PARTNUMBER	U/M	DESCRIPTION
1	096322-01-000	EA	WHEELWELL-REAR, DRIVER OR PASSENGER-PLASTIC
2	101868-05-000	EA	COMPARTMENT ASM-POWER, CORD
3	114394-01-02B	EA	COMPARTMENT ASM-GEN, E-COAT
	114070-02-02B	EA	SUPPORT-GENERATOR-LEFT
	114071-02-02B	EA	SUPPORT-GENERATOR-RIGHT
	061420-01-000	EA	PLUG/PLASTIC-1.75"-BROWN
4	072884-27-703	EA	MUDFLAP W/HOLES, 1EA=PAIR
5	105203-04-000	EA	COMPARTMENT-BATTERY
	084993-01-000	EA	STRAP-BATTERY
	084993-02-000	EA	STRAP ASSEMBLY-DIESEL
6	017516-01-000	EA	FLAP-MUD-14" X 18"-BLACK
7	045731-05-000	EA	GUARD-ROCK
8	077848-02-000	EA	STEP-PULLOUT
	091176-01-000	EA	SUPPORT-BASE-ENTRANCE STEP
	102569-04-000	EA	MAT-ANTISLIP
	115361-01-01A	EA	PLUG-PLASTIC

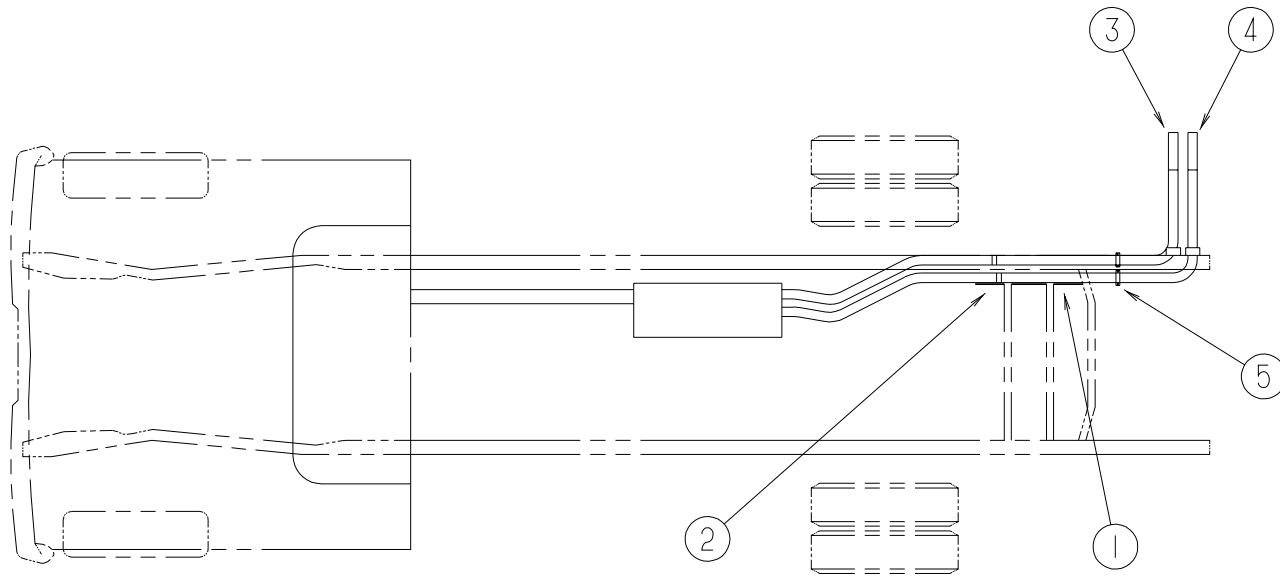
CHASSISGROUP(CONTINUED)



FUEL SYSTEM COMPONENTS

KEY	PARTNUMBER	U/M	DESCRIPTION
1	095854-01-04A	EA	SHROUD-FUEL FILL - BRIGHT WHITE
2	078040-05-000	EA	SHROUD-FUEL FILL, UPPER
3	106413-01-000	EA	NECK-FILLER, FUEL FILL-FORD
			FROM: 00-00-00 THRU: 09-29-96
3	124993-01-000	EA	NECK-FILLER-FUEL FILL
			FROM: 09-30-96 THRU: 99-99-99
3	106413-02-000	EA	NECK-FILLER, FUEL FILL-DIESEL
	077963-01-000	EA	GASKET-DOOR, FUEL FILL-10.1" X 8"-W/PSA
	078200-01-000	EA	GASKET-FUEL FILL-3.5" ODX 2" ID
	007063-01-000	FT	HOSE-GAS-1/4" ID X 1/2" OD
	084884-01-000	EA	PLUG-BRASS-3/8"
	087269-01-000	EA	TEE-1/4" X 1/4" X 1/4"-BRASS

CHASSISGROUP(CONTINUED)



EXHAUSTSYSTEMCOMPONENTS

KEY	PARTNUMBER	U/M	DESCRIPTION
1	111848-02-02B	EA	SHIELD-HEAT,EXHAUST,E-COAT-FORD
2	111848-01-02B	EA	SHIELD-HEAT,EXHAUST,E-COAT-FORD
3	111836-01-000	EA	PIPE-EXHAUST,TAIL-FORD-DUAL
4	111836-02-000	EA	PIPE-EXHAUST,TAIL-FORD-DUAL
5	007125-05-000	EA	CLAMP-MUFFLER,2.00"DIAMETER
	00713101000	EA	HANGER-TAILPIPE,6SLOTS
	111836-06-000	EA	PIPE-EXHAUST/TAIL-FORD-JAPANEXPORT
	125521-01-000	EA	PIPE-EXHAUST/TAIL-FORD-DIESEL
	007125-07-000	EA	CLAMP-MUFFLER,2.50"DIAMETER

LUGWRENCH

KEY	PARTNUMBER	U/M	DESCRIPTION
	080208-01-000	EA	LUGWRENCH-1.06X1.00-CHEVY FROM: 00-00-00 THRU: 09-26-96
	080208-06-000	EA	WRENCH-LUG-DEEP1"X1.06"-CHEVY FROM: 09-27-96 THRU: 99-99-99
	080208-02-000	EA	BAR-LEVERAGE-LUGWRENCH-CHEVY
	112358-01-000	EA	WRENCH-LUG-7/8"-L-SHAPE-FORD

WHEEL-FORD

KEY	PARTNUMBER	U/M	DESCRIPTION
	083617-03-000	EA	WHEEL-STEEL,16.0X6-ACCURIDE28618-FORD
	095012-05-000	EA	EXTENSION-VALVESTEM,LIVE5"
	095012-06-000	EA	STABILIZER-VALVEEXTENSION

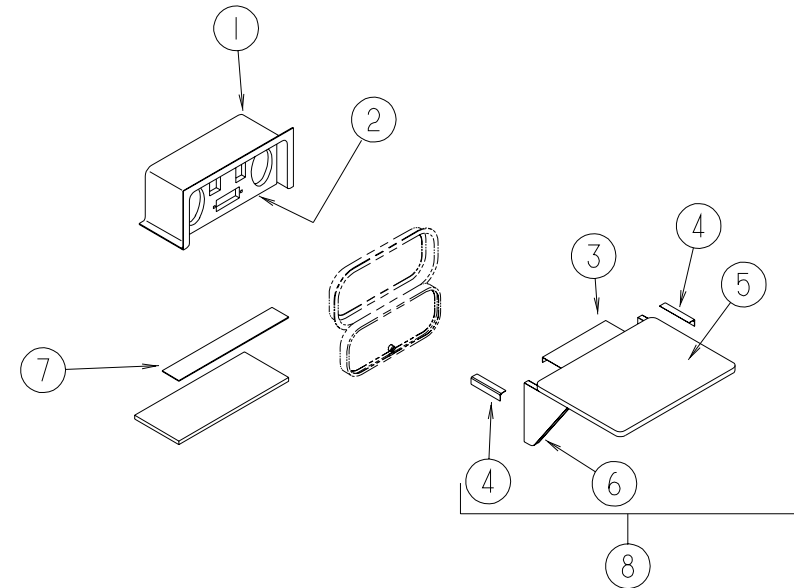
CHASSISGROUP(CONTINUED)

WHELLINERS&COVERS-DICOR

KEY	PARTNUMBER	U/M	DESCRIPTION	VENDORNO.
	110435-02-000	EA	LINER-WHEEL,SET4E350 DICORV160F2	
	110435-01-711	EA	DECAL-CENTERCAP,2" 2"DECAL	
	110435-02-700	EA	LINER-WHEEL,FRONT	V160F2-FWC
	110435-02-701	EA	LINER-WHEEL,REAR	V160F2-RWC
	110435-02-702	EA	STUDEXTENDER	V160SD-STX
	110435-02-703	EA	NUT(JAMB)	V160SD-JNT
	110435-02-704	EA	COVER-LUGNUT	V160F0-LNC
	110435-02-705	EA	TOOLF/JAMBNUT,INSTALL.	V160F0-TOL

WHEELCOVERS-DICOR

KEY	PARTNUMBER	U/M	DESCRIPTION	VENDORNO.
	109443-05-000	EA	WHEELCOVER-4/SET,16"SS-DICORSHFM16	
	098532-01-700	EA	COVER-LUGNUT(CHROME)	SHAU-LNC
	109443-05-700	EA	COVER-WHEEL,16"SSEA=1	SHFM16-CVR
	098532-01-700	EA	COVER-LUGNUT,ABSPLATED	
	051377-03-000	EA	STEM-VALVE,TR600-CHEVY	



EXTERIORENTERTAINMENTCENTER

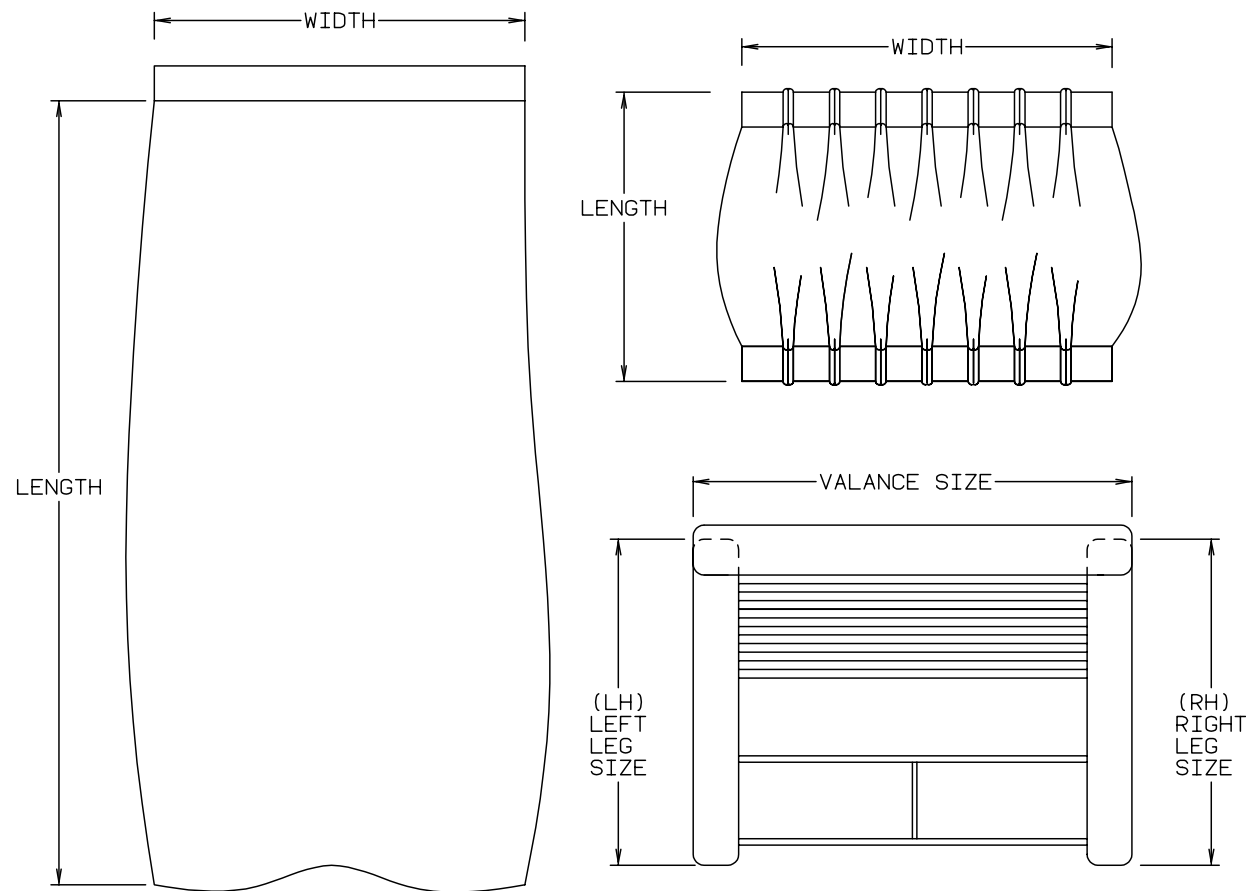
KEY	PARTNUMBER	U/M	DESCRIPTION
1	104897-01-02A	EA	BOX-ENTERTAINMENTCENTER
2	104899-01-C05	EA	PLATE-RADIOMOUNTING
3	105377-01-01A	EA	BRACKET-TABLEHANGER FROM: 00-00-00 THRU: 01-05-97
3	105377-01-04A	EA	BRACKET-TABLEHANGAR FROM: 01-06-97 THRU: 99-99-99
4	105376-01-02A	EA	HINGE-CONTINUOUS-2"X5.5" FROM: 00-00-00 THRU: 01-05-97
4	105376-01-03A	EA	HINGE-CONTINUOUS-2"X5.5" FROM: 01-06-97 THRU: 99-99-99
5	105230-11-E01	EA	SHELF-EXTERIORENTERTAINMENTCENTER
6	105230-12-F11	EA	SUPPORT
7	104898-01-02A	EA	PLATE-PLASTICBOTTOM
8	105230-01-H33	EA	SHELF-EXTERIOR TV

CURTAIN & CUSHION GROUP

NOTICE

IN ORDER TO ASSIST OUR PARTS SALES DEPT. IN PROVIDING INTERIOR SOFTWARE ITEMS, PLEASE INCLUDE THE SERIAL NUMBER AND THE COLOR CODE NUMBER FROM THE VEHICLE CERTIFICATION LABEL WHEN ORDERING. THIS LABEL IS LOCATED ON THE LEFT SIDEWALL AT THE END OF THE DASH (A-BODY), OR ON THE DRIVER'S DOOR LATCH PLATE (C-BODY).

AN EXAMPLE OF A COLOR CODE NUMBER IS B07, WHICH DESIGNATES AN OVERALL COLOR SCHEME OF A PARTICULAR UNIT. THE COLOR LISTED AFTER THE ITEM DESCRIPTION ON THE MICROFICHE, INDICATES THE OVERALL UNIT COLOR. ORDER THE ITEM YOU DESIRE ACCORDING TO UNIT COLOR CODE.



NOTE: USE THIS ILLUSTRATION WHEN DETERMINING LENGTH AND WIDTH MEASUREMENTS FOR CURTAINS. YOU WILL NOTE THE WIDTH MEASUREMENT IS TAKEN ON THE TOP OF THE CURTAIN WITH THE CURTAIN FULLY EXTENDED. THE LENGTH MEASUREMENT IS TAKEN FROM TOP TO BOTTOM. LEFT AND RIGHT WINDOW LEGS ARE DETERMINED WHEN FACING THE WINDOW.

CURTAIN & CUSHION GROUP (CONTINUED)

FABRICS

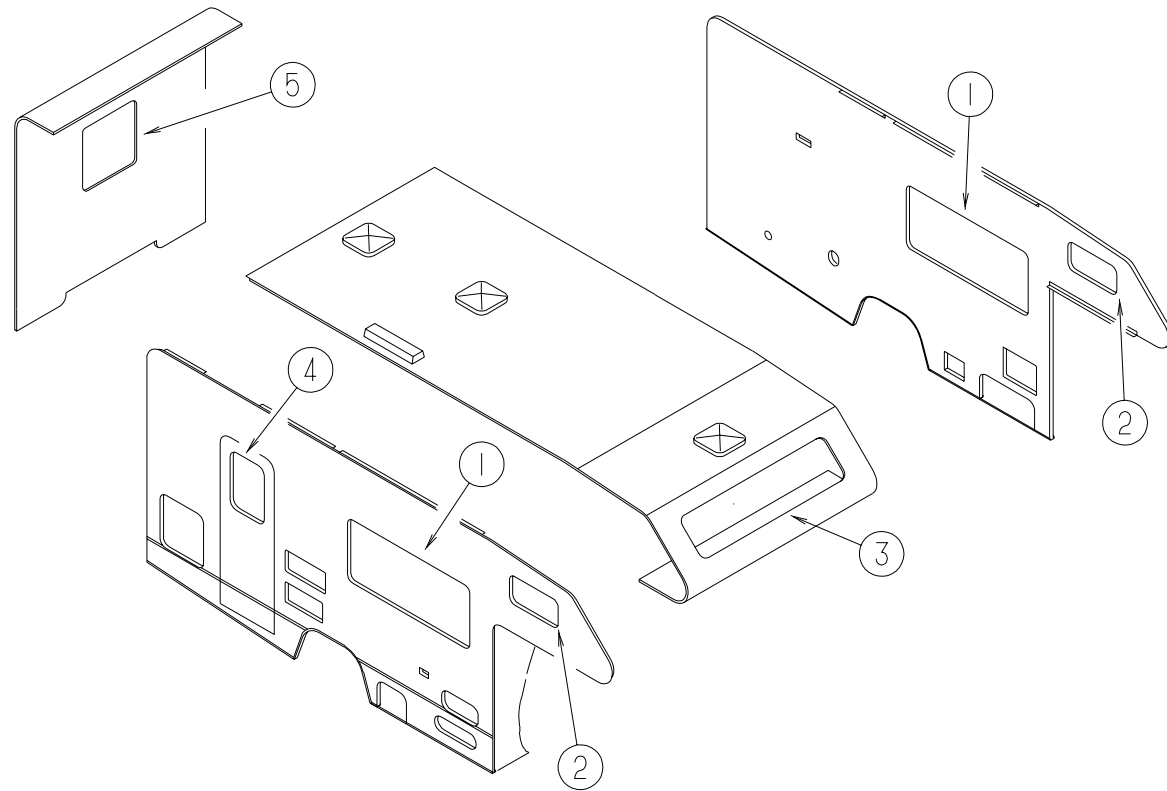
COLOR CODES	H04	H05	H24	H26
	BLUE LAGOON (BLUE)	KRIPTONITE (TAUPE)	COPPER CANYON (TERRA COTTA)	COPPER CREEK (TAN)
BUCKET SEATS	108446-K9-000	108446-77-000 108446-G2-000	108446-L4-000 108446-F3-000	108446-L4-000 108446-F3-000
DINETTE CUSHIONS	108446-K7-000	108446-K8-000	108446-H0-000	108446-H0-000
DINETTE PADS	108446-K9-000	108446-77-000	108446-L4-000	108446-L4-000
SOFA	108446-K7-000	108446-K8-000	108446-H0-000	108446-H0-000
SWIVEL CHAIR	108446-K9-000	108446-G2-000	108446-F3-000	108446-F3-000
LOUNGE/DINETTE VALANCE	108446-K7-000 108446-K9-000	108446-K8-000 108446-G2-000	108446-H0-000 108446-F3-000	108446-H0-000 108446-F3-000
LOUNGE/DINETTE LEG	108446-K9-000	108446-G2-000	108446-F3-000	108446-F3-000
BEDROOM VALANCE	105745-B3-000	105745-D5-000	105745-A2-000	105745-A2-000
BEDSPREAD	105745-B3-000 105745-61-000	105745-D5-000 105745-62-000	105745-99-000 105745-45-000	105745-99-000 105745-45-000
PILLOWS/SHAMS	105745-B3-000	105745-D5-000 105745-62-000	105745-99-000 105745-45-000	105745-99-000 105745-45-000
ENTRANCE DOOR VALANCE	108446-K7-000	108446-K8-000	108446-H0-000	108446-H0-000
BUNK CUSHIONS	108446-K9-000	108446-G2-000	108446-F3-000	108446-F3-000
OVERHEAD BUNK CURTAINS	105745-B3-000	105745-D5-000	105745-99-000	105745-99-000
BUNK PRIVACY	105745-B3-000	105745-D5-000	105745-99-000	105745-99-000
FRONT PRIVACY	105745-B3-000	105745-D5-000	105745-99-000	105745-99-000
BEDROOM PRIVACY	105745-B3-000	105745-D5-000	105745-99-000	105745-99-000
DRAPERY LINING	087272-03-000	087272-03-000	087272-03-000	087272-03-000
TIRE COVER	103907-05-000	103907-05-000	103907-05-000	103907-05-000
TIRE COVER LINER	069627-02-000	069627-02-000	069627-02-000	069627-02-000
HEADLINER	103907-01-06A	103907-01-06A	103907-01-06A	103907-01-06A

NOTE: FABRIC LISTED FIRST, IN A BLOCK, IS THE LARGEST QUANTITY OF FABRIC USED

BUTTONS & WELT

KEY	PART NUMBER	U/M	DESCRIPTION
	070578-10-H04	EA	BUTTON-SCREW STUD - #30 (H04)
	070578-10-G22	EA	BUTTON-SCREW STUD - #30 (H05)
	070578-10-H24	EA	BUTTON-SCREW STUD - #30 (H24/H26)

CURTAIN & CUSHION GROUP (CONTINUED)



CURTAINS & WINDOW TREATMENT

KEY	PARTNUMBER	U/M DESCRIPTION
1	118078-01-H04	EA VALANCE-QUEST-64.5"(H04)
1	118078-01-H05	EA VALANCE-QUEST-64.5"(H05)
1	118078-01-H24	EA VALANCE-QUEST-64.5"(H24/H26)
1	119333-01-H04	EA LEG-RIGHT-25"(H04)
1	119333-01-GE1	EA LEG-RIGHT-25"(H05)
1	119333-01-H24	EA LEG-RIGHT-25"(H24/H26)
1	119333-02-H04	EA LEG-LEFT-25"(H04)
1	119333-02-GE1	EA LEG-LEFT-25"(H05)
1	119333-02-H24	EA LEG-LEFT-25"(H24/H26)
1	084755-96-G01	EA SHADE-PULL-60.25"
1	111910-22-GB1	EA BLIND-DAY/NIGHTER-60"X28.5"(H04)
1	111910-22-G08	EA BLIND-DAY/NIGHTER-60"X28.5"(H05/H24/H26)
FROM: 00-00-00 THRU: 10-27-96		
1	111910-22-HA3	EA BLIND-DAY/NIGHTER-60"X28.5"(H05/H24/H26)
FROM: 10-28-96 THRU: 99-99-99		
2	101034-51-H04	EA CURTAIN-RIGHTHAND-19"X34"(H04)
2	101034-51-H05	EA CURTAIN-RIGHTHAND-19"X34"(H05)
2	101034-51-G04	EA CURTAIN-RIGHTHAND-19"X34"(H24/H26)
2	101034-52-H04	EA CURTAIN-LEFTHAND-19"X34"(H04)
2	101034-52-H05	EA CURTAIN-LEFTHAND-19"X34"(H05)
2	101034-52-G04	EA CURTAIN-LEFTHAND-19"X34"(H24/H26)

CURTAIN & CUSHION GROUP (CONTINUED)

CURTAINS & WINDOW TREATMENT (CONTINUED)

KEY	PARTNUMBER	U/M DESCRIPTION
3	101034-33-H04	EA CURTAIN-RIGHTHAND-21"X60"(H04)
3	101034-33-H05	EA CURTAIN-RIGHTHAND-21"X60"(H05)
3	101034-33-G04	EA CURTAIN-RIGHTHAND-21"X60"(H24/H26)
3	101034-34-H04	EA CURTAIN-LEFTHAND-21"X60"(H04)
3	101034-34-H05	EA CURTAIN-LEFTHAND-21"X60"(H05)
3	101034-34-G04	EA CURTAIN-LEFTHAND-21"X60"(H24/H26)
4	118078-07-H04	EA VAL-29"QUEST(6"W/2"RETURN)(H04)
4	118078-07-H05	EA VAL-29"QUEST(6"W/2"RETURN)(H05)
4	118078-07-H24	EA VAL-29"QUEST(6"W/2"RETURN)(H24/H26)
4	084755-57-E07	EA SHADE-PULL-27.25"
5	109041-35-01A	EA BLIND-MINI,28.5X19(H04)
	109353-08-01A	EA BLIND-SLAT-28(H04)
5	109041-35-02A	EA BLIND-MINI,28.5X19(H05/H24/H26)
	109353-08-01A	EA BLIND-SLAT-28(H05/H24/H26)
	109353-04-000	EA CLIP-VALANCE SLAT MOUNTING,CLEAR PLASTIC

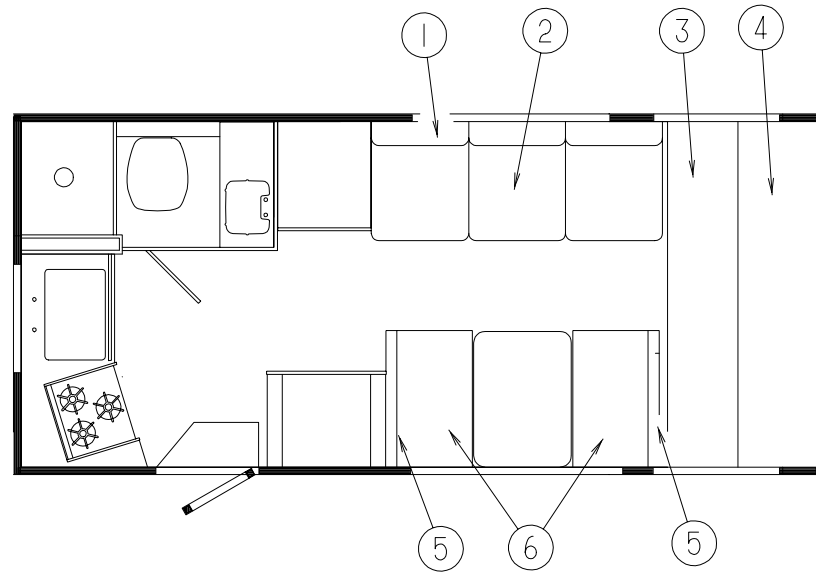
PRIVACY CURTAINS

KEY	PARTNUMBER	U/M DESCRIPTION
	076892-20-H04	EA CURTAIN ASM-50X78,PLAIN(H04)
	076892-20-F16	EA CURTAIN ASM-50X78,PLAIN(H05)
	076892-20-H24	EA CURTAIN ASM-50X78,PLAIN(H24/H26)
	101668-39-H04	EA CURTAIN-35X50,RH,TAPETOP,W/LINING(H04)
	101668-39-F16	EA CURTAIN-35X50,RH,TAPETOP,W/LINING(H05)
	101668-39-H24	EA CURTAIN-35X50,RH,TAPETOP,W/LINING(H24/H26)
	101668-40-H04	EA CURTAIN-35X50,LH,TAPETOP,W/LINING(H04)
	101668-40-F16	EA CURTAIN-35X50,LH,TAPETOP,W/LINING(H05)
	101668-40-H24	EA CURTAIN-35X50,LH,TAPETOP,W/LINING(H24/H26)
	101668-58-H04	EA CURT-70X60TAPETOP(H04)
	101668-58-H05	EA CURT-70X60TAPETOP(H05)
	101668-58-H24	EA CURT-70X60TAPETOP(H24/H26)

CURTAIN TIEBACKS

KEY	PARTNUMBER	U/M DESCRIPTION
	073260-23-H04	EA TIEBACK-CURTAIN,3"X18"(H04)
	073260-23-F16	EA TIEBACK-CURTAIN,3"X18"(H05)
	073260-23-H24	EA TIEBACK-CURTAIN,3"X18"(H24/H26)
	057534-01-000	EA TIEBACK/TIEDOWN-BED-CURTAIN/DOOR6"-PLASTIC/CLEAR
	073260-65-H04	EA TIEBACK ASM-4"X15"(H04)
	073260-65-G08	EA TIEBACK ASM-4"X15"(H05)
	073260-65-H24	EA TIEBACK ASM-4"X15"(H24/H26)

CURTAIN&CUSHIONGROUP(CONTINUED)



COUCH

KEY	PARTNUMBER	U/M	DESCRIPTION
1	120549-01-H04	EA	BACK-SOFA/BED-74"(H04)
1	120549-01-H05	EA	BACK-SOFA/BED-74"(H05)
1	120549-01-H24	EA	BACK-SOFA/BED-74"(H24/H26)
	P20549-01-H04	EA	COVER-BACK-SOFA/BED-74"(H04)
	P20549-01-H05	EA	COVER-BACK-SOFA/BED-74"(H05)
	P20549-01-H24	EA	COVER-BACK-SOFA/BED-74"(H24/H26)
	101085-10-000	EA	FRAME-BACK-SOFA/BED-74.5"
2	100032-43-H04	EA	SEAT-SOFA/BED-74"(H04)
2	100032-43-H05	EA	SEAT-SOFA/BED-74"(H05)
2	100032-43-G13	EA	SEAT-SOFA/BED-74"(H24/H26)
	P00032-43-H04	EA	COVER-SEAT-SOFA/BED-74"(H04)
	P00032-43-H05	EA	COVER-SEAT-SOFA/BED-74"(H05)
	P00032-43-G13	EA	COVER-SEAT-SOFA/BED-74"(H24/H26)
	101085-04-000	EA	FRAME-SEAT-SOFA/BED-74.75"
	101085-06-000	EA	FRAME-BASE-SOFA/BED-74.75"
	122556-04-01A	EA	LOCK-JACK-KNIFESEAT
	113990-09-000	EA	LOCK-BRACKET-MALE FLEXSTEEL
	105947-01-000	EA	BRACKET-HOLDDOWN,COUCH-CANADIAN

NOTE: COUCHFRONTANDSIDE PANELSARE FOUNDIN LOUNGE GROUP

OVERHEADBUNKCUSHIONS

KEY	PARTNUMBER	U/M	DESCRIPTION
3	105573-10-H04	EA	CUSHION-OVERHEAD/REAR-27"X23"X80"X5"(H04)
3	105573-10-G05	EA	CUSHION-OVERHEAD/REAR-27"X23"X80"X5"(H05)
3	105573-10-H24	EA	CUSHION-OVERHEAD/REAR-27"X23"X80"X5"(H24/H26)
	P05573-10-H04	EA	COVER-OVERHEAD/REARCUSHION-27"X23"X80"X5"(H04)
	P05573-10-G05	EA	COVER-OVERHEAD/REARCUSHION-27"X23"X80"X5"(H05)
	P05573-10-H24	EA	COVER-OVERHEAD/REARCUSHION-27"X23"X80"X5"(H24/H26)
4	105573-09-H04	EA	CUSHION-OVERHEAD/Front-32.5"X80"X5"(H04)
4	105573-09-H05	EA	CUSHION-OVERHEAD/Front-32.5"X80"X5"(H05)
4	105573-09-H24	EA	CUSHION-OVERHEAD/Front-32.5"X80"X5"(H24/H26)
	P05573-09-H04	EA	COVER-OVERHEAD/FrontCUSHION-32.5"X80"X5"(H04)
	P05573-09-H05	EA	COVER-OVERHEAD/FrontCUSHION-32.5"X80"X5"(H05)
	P05573-09-H24	EA	COVER-OVERHEAD/FrontCUSHION-32.5"X80"X5"(H24/H26)

DINETTECUSHIONS

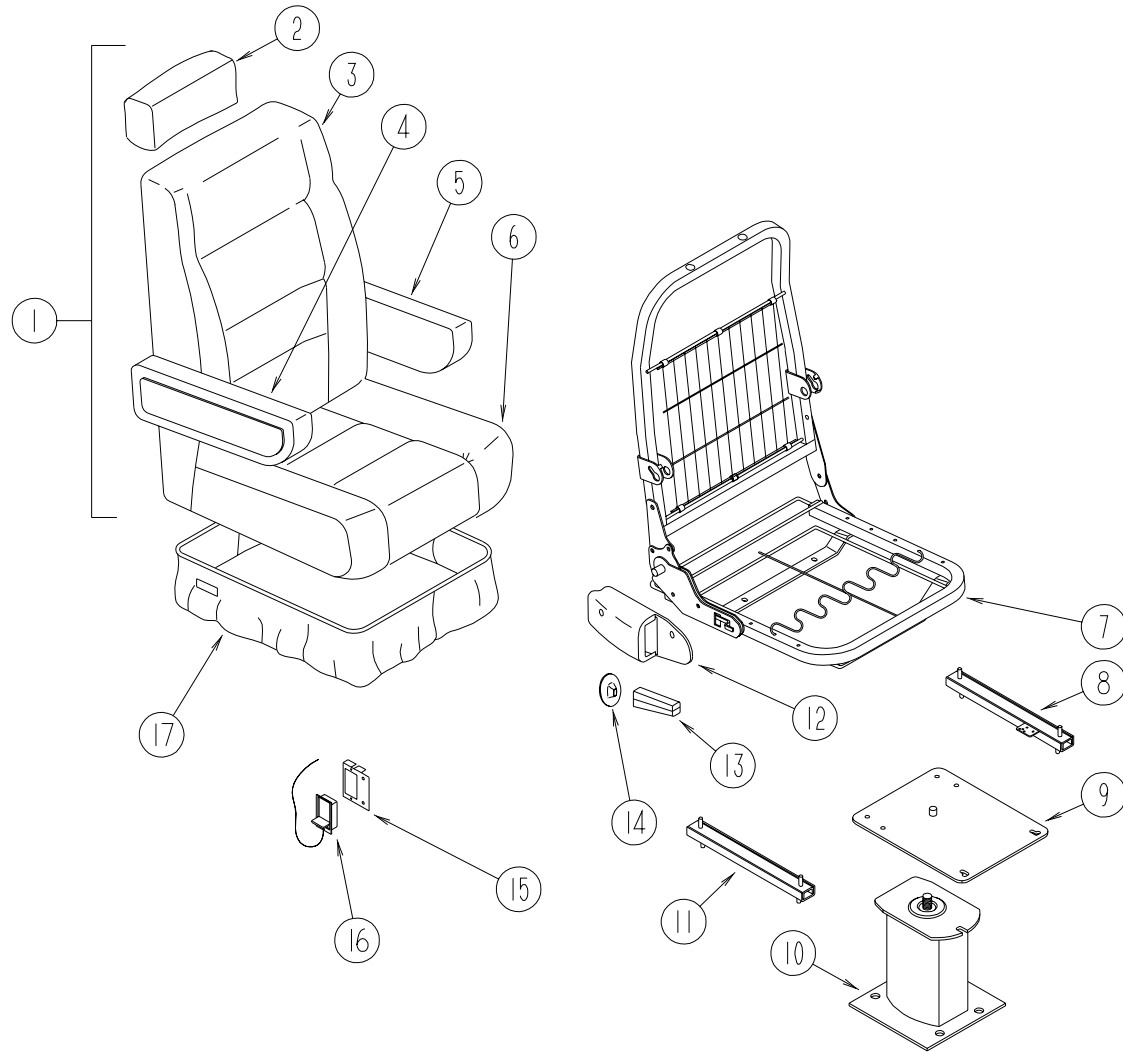
KEY	PARTNUMBER	U/M	DESCRIPTION
5	116134-01-H04	EA	CUSHION-BACKREST-13"X38"X5"(H04)
5	116134-01-H05	EA	CUSHION-BACKREST-13"X38"X5"(H05)
5	116134-01-H24	EA	CUSHION-BACKREST-13"X38"X5"(H24/H26)
	P16134-01-H04	EA	COVER-BACKRESTCUSHION-13"X38"X5"(H04)
	P16134-01-H05	EA	COVER-BACKRESTCUSHION-13"X38"X5"(H05)
	P16134-01-H24	EA	COVER-BACKRESTCUSHION-13"X38"X5"(H24/H26)
	078155-01-000	EA	STRAP-SNAP-BACKRESTCUSHION
6	088927-86-H04	EA	CUSHION-DINETTE SEAT-21X38X5(H04)
6	088927-86-H05	EA	CUSHION-DINETTE SEAT-21X38X5(H05)
6	088927-86-H24	EA	CUSHION-DINETTE SEAT-21X38X5(H24/H26)
	M88927-86-H04	EA	COVER-DINETTE SEAT-21X38X5(H04)
	M88927-86-H05	EA	COVER-DINETTE SEAT-21X38X5(H05)
	M88927-86-H24	EA	COVER-DINETTE SEAT-21X38X5(H24/H26)

ASSISTHANDLE&SEATBELTS

KEY	PARTNUMBER	U/M	DESCRIPTION
	053552-02-AA8	EA	HANDLE-ASSIST-INTERIOR/ENTRY DOOR-VINYL/OFFWHITE
	069178-02-000	EA	BRACKET-MOUNTING ASSISTHANDLE
	000C16-07-16B	EA	BOLT-CARRIAGE, ASSISTHANDLE-7/16"-14X1"ZN
	000D20-07-00B	EA	NUT-ACORN, ASSISTHANDLE-7/16"X14ZN
	057759-01-000	EA	WASHERBRACKET-SEATBELT, 4"DIAMETER
	007021-01-000	EA	BELT-SEAT, 2"X90"-BLACK-DINETTE SEATS& COUCH
	056271-01-000	EA	BELT-SEAT, 2"X102"-BLACK-SWIVEL CHAIR

CURTAIN&CUSHIONGROUP(CONTINUED)

BUCKET SEAT - FROM 00-00-00THRU:10-20-96



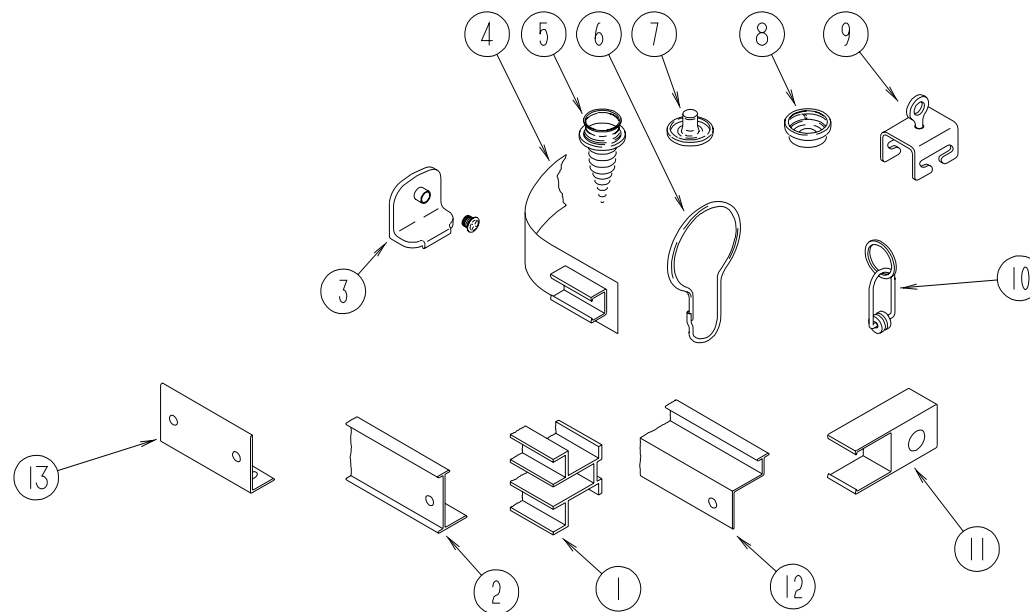
KEY	PARTNUMBER	U/M	DESCRIPTION
1	110148-08-H04	EA	SEAT-BUCKET-HEADREST(H04)
1	110148-08-H05	EA	SEAT-BUCKET-HEADREST(H05)
1	110148-08-H24	EA	SEAT-BUCKET-HEADREST(H24/H26)
2	119509-01-H04	EA	HEADREST-BUCKETSEAT(H04)
2	119509-01-H05	EA	HEADREST-BUCKETSEAT(H05)
2	119509-01-H24	EA	HEADREST-BUCKETSEAT(H24/H26)
	P19509-01-H04	EA	COVER-HEADRESTBUCKETSEAT(H04)
	P19509-01-H05	EA	COVER-HEADRESTBUCKETSEAT(H05)
	P19509-01-H24	EA	COVER-HEADRESTBUCKETSEAT(H24/H26)
	113977-12-000	EA	HEADRESTINSERT-W/OLOCK
	113977-13-000	EA	HEADRESTINSERT,W/LOCK-FLEXSTEEL
3	M05962-33-H04	EA	COVER-BACK,ECONOMIZERII(H04)
3	M05962-33-H05	EA	COVER-BACK,ECONOMIZERII(H05)
3	M05962-33-H24	EA	COVER-BACK,ECONOMIZERII(H24/H26)
4	122780-01-H04	EA	ARMREST-RIGHTHAND(H04)
4	122780-01-H05	EA	ARMREST-RIGHTHAND(H05)
4	122780-01-H24	EA	ARMREST-RIGHTHAND(H24/H26)
	P22780-01-H04	EA	COVER-ARMREST,RIGHTHAND(H04)
	P22780-01-H05	EA	COVER-ARMREST,RIGHTHAND(H05)
	P22780-01-H24	EA	COVER-ARMREST,RIGHTHAND(H24/H26)
	115617-03-000	EA	BRACKET-ARM,RH-LEGACEY-PLYFOAM,#170068
5	122780-02-H04	EA	ARMREST-LEFTHAND(H04)
5	122780-02-H05	EA	ARMREST-LEFTHAND(H05)
5	122780-02-H24	EA	ARMREST-LEFTHAND(H24/H26)
	P22780-02-H04	EA	COVER-ARMREST,LEFTHAND(H04)
	P22780-02-H05	EA	COVER-ARMREST,LEFTHAND(H05)
	P22780-02-H24	EA	COVER-ARMREST,LEFTHAND(H24/H26)
6	M05962-34-H04	EA	COVER-SEAT,ECONOMIZERIII(H04)
6	M05962-34-H05	EA	COVER-SEAT,ECONOMIZERIII(H05)
6	M05962-34-H24	EA	COVER-SEAT,ECONOMIZERIII(H24/H26)
7	122378-02-01B	EA	FRAMEASM-SEAT,BACK,SINGLEMILL
7	122364-02-01B	EA	FRAMEASM-SEAT,SINGLE,MILL
	117125-01-02B	EA	BRACKET-CABLEMOUNT-ADJUSTERW/LOCK
8	119952-06-000	EA	SLIDE-SEATHEAVYDUTYLOCKING-4STUDS
	119952-07-000	EA	WIRE-LATCHRELEASE/ROTARY
9	107921-08-000	EA	TOPPLATE-PEDESTAL-WOSEATBELTBAR
10	107921-10-000	EA	PEDESTALASM-SEATCHEVYDR-FLEXSTEEL2953-PDDB
10	107921-11-000	EA	PEDESTALASM-SEATCHEVYPASS-FLEXSTEEL2954-PDPB
10	107921-09-000	EA	PEDESTALASM-SEATFORD,FLEXSTEEL3067-PDMB
	107921-06-000	EA	BEARINGKIT-PEDESTAL
	114889-01-000	EA	STOPBAR-UNIVERSAL
11	119952-02-000	EA	ADJUSTERASSEMBLY-NONLOCK,4STUDS
12	080730-09-000	EA	SHIELD-RECLINERHANDLE
13	080730-08-000	EA	HANDLE-RECLINER
14	080730-11-000	EA	SHIELD-RUBBERBOOT
15	097683-02-000	EA	BRACKET-MOUNT,REMOTE-DOUBLE
16	108049-03-000	EA	CABLE-W/CONTROL25.5"SHEATH/28.5"CABLEW/DOGGLE
	108049-02-000	EA	CLIP-CABLE/PEDESTAL
17	071126-42-H04	EA	SKIRT-7",W/OPENBACKCORNERS(H04)
17	071126-42-E24	EA	SKIRT-7",W/OPENBACKCORNERS(H05)
17	071126-42-H24	EA	SKIRT-7",W/OPENBACKCORNERS(H24/H26)

CURTAIN&CUSHIONGROUP(CONTINUED)

BUCKET SEAT - FROM 10-21-96 THRU: 99-99-99

KEY	PARTNUMBER	U/M	DESCRIPTION
	110148-10-H04	EA	SEAT-BUCKET-W/RIGHTARMREST(H04)
	110148-10-H05	EA	SEAT-BUCKET-W/RIGHTARMREST(H05)
	110148-10-H24	EA	SEAT-BUCKET-W/RIGHTARMREST(H24/H26)
	110148-11-H04	EA	SEAT-BUCKET-W/LEFTARMREST(H04)
	110148-11-H05	EA	SEAT-BUCKET-W/LEFTARMREST(H05)
	110148-11-H24	EA	SEAT-BUCKET-W/LEFTARMREST(H24/H26)
	119509-01-H04	EA	HEADREST-BUCKETSEAT(H04)
	119509-01-H05	EA	HEADREST-BUCKETSEAT(H05)
	119509-01-H24	EA	HEADREST-BUCKETSEAT(H24/H26)
	P19509-01-H04	EA	COVER-HEADRESTBUCKETSEAT(H04)
	P19509-01-H05	EA	COVER-HEADRESTBUCKETSEAT(H05)
	P19509-01-H24	EA	COVER-HEADRESTBUCKETSEAT(H24/H26)
	113977-12-000	EA	HEADRESTINSERT-W/OLOCK
	113977-13-000	EA	HEADRESTINSERT,W/LOCK-FLEXSTEEL
	M05962-55-H04	EA	COVER-BACK(H04)
	M05962-55-H05	EA	COVER-BACK(H05)
	M05962-55-H24	EA	COVER-BACK(H24/H26)
	122780-01-H04	EA	ARMREST-RIGHTHAND(H04)
	122780-01-H05	EA	ARMREST-RIGHTHAND(H05)
	122780-01-H24	EA	ARMREST-RIGHTHAND(H24/H26)
	P22780-01-H04	EA	COVER-ARMREST,RIGHTHAND(H04)
	P22780-01-H05	EA	COVER-ARMREST,RIGHTHAND(H05)
	P22780-01-H24	EA	COVER-ARMREST,RIGHTHAND(H24/H26)
	115617-03-000	EA	ARMREST-W/OCOVER-RIGHTHAND
	122780-02-H04	EA	ARMREST-LEFTHAND(H04)
	122780-02-H05	EA	ARMREST-LEFTHAND(H05)
	122780-02-H24	EA	ARMREST-LEFTHAND(H24/H26)
	P22780-02-H04	EA	COVER-ARMREST,LEFTHAND(H04)
	P22780-02-H05	EA	COVER-ARMREST,LEFTHAND(H05)
	P22780-02-H24	EA	COVER-ARMREST,LEFTHAND(H24/H26)
	115617-04-000	EA	ARMREST-W/OCOVER-LEFTHAND
	M05962-56-H04	EA	COVER-SEAT(H04)
	M05962-56-H05	EA	COVER-SEAT(H05)
	M05962-56-H24	EA	COVER-SEAT(H24/H26)
	125229-01-000	EA	FRAME-C-BODY,LEFT
	125229-02-000	EA	FRAME-C-BODY,RIGHT
	125229-03-000	EA	FRAME-C-BODY,REC.KNOB
	125229-05-000	EA	FRAME-C-BODY,PALNUT
	119952-06-000	EA	SLIDE-SEATHEAVYDUTYLOCKING-4STUDS
	119952-07-000	EA	WIRE-LATCHRELEASE/ROTARY
	108049-03-000	EA	CABLE-W/CONTROL25.5"SHEATH/28.5"CABLEW/DOGLEG
	108049-02-000	EA	CLIP-CABLE/PEDESTAL
	107921-06-000	EA	BEARINGKIT-PEDESTAL
	107921-08-000	EA	TOPPLATE-PEDESTAL-WOSEATBELTBAR
	107921-09-000	EA	PEDESTAL-SEAT-FORD
	107921-10-000	EA	PEDESTAL-SEAT-CHEVY/DRIVER
	107921-11-000	EA	PEDESTAL-SEAT-CHEVY-PASSENGER
	114889-01-000	EA	STOPBAR-UNIVERSAL
	117125-01-02B	EA	BRACKET-CABLEMOUNT-ADJUSTERW/LOCK
	097683-02-000	EA	BRACKET-MOUNT,REMOTE-DOUBLE
	107921-01-000	EA	PEDESTAL/FLOORMOUNTED-W/9.75"EXTENSION

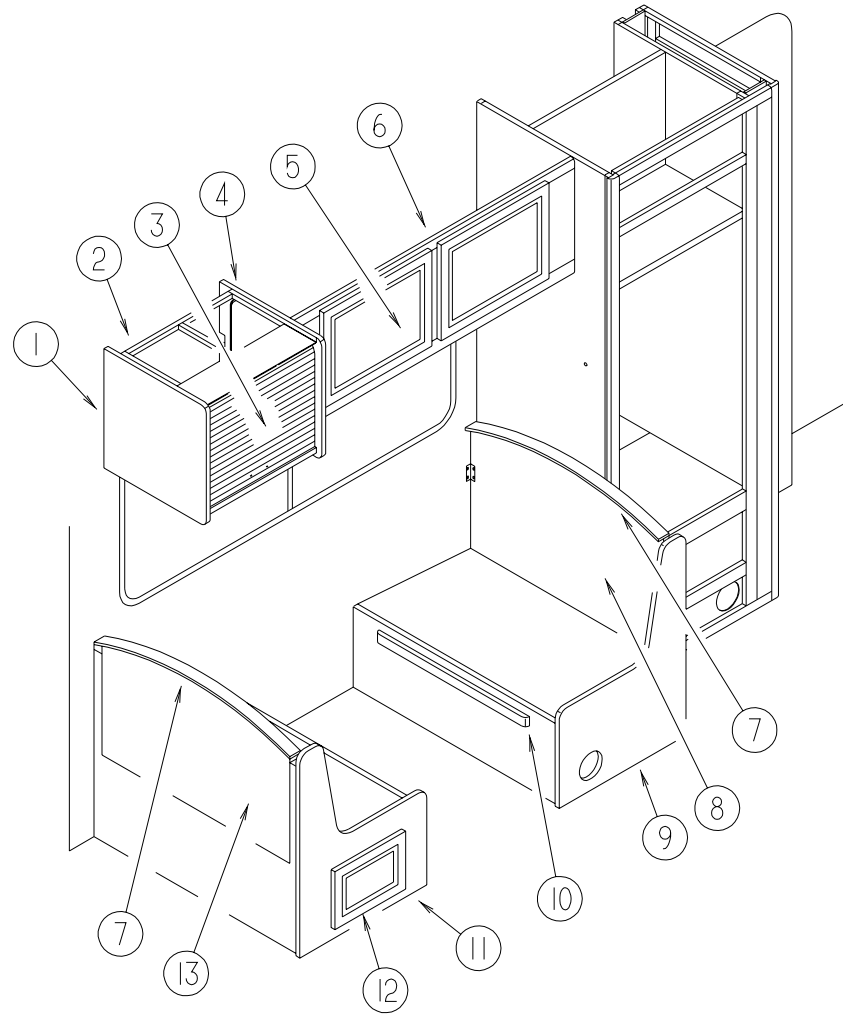
CURTAIN&CUSHIONGROUP(CONTINUED)



CURTAIN&BLINDHARDWARE

KEY	PARTNUMBER	U/M	DESCRIPTION
1	101033-04-000	EA	TRACK-WALL,36"
1	101033-06-000	EA	TRACK-WALL79"
2	009700-04-002	EA	TRACK,L-SHAPED-195.2"-OFFWHITE
3	106544-01-000	EA	PULL-SHADE/BRASS
	106544-01-001	EA	SCREW-SHADE/BRASS
4	101031-01-000	YD	TAPE-GLIDE/CURTAIN-4.25"SPACING
5	029130-01-000	EA	SCREW-SNAPSOCKET-#8PHX5/8"
6	009136-02-000	EA	HANGER-RING,PINTYPE-CURTAIN-BRASS
7	029155-01-000	EA	CAP-SNAP-5/32"O.D.OFPIN
8	029156-01-000	EA	SOCKET-SNAP-9/16"O.D.
9	009702-01-000	EA	ENDSTOP-CURTAINCARRIER-LROD
10	009701-01-000	EA	CARRIER-CURTAIN,LROD
	009702-01-000	EA	ENDSTOP-CURTAINCARRIER,LROD
11	101033-02-000	EA	ENDCAP-TRACK,CLEAR
12	105450-01-01A	EA	TRACKW/BRKTS-CURTAINLEFTHANDWRAPAROUND-30.8"
12	105450-06-01A	EA	TRACK-CURTAIN,88"LONG-ALUMINUM-OFFWHITE
13	083125-07-000	EA	BRACE-COUCH-2.5"
	046867-03-000	EA	GROMMET-HANDYBUTTONNO3
	048394-02-000	YD	VELCROTAPE-HOOK,ADHESIVEBACK-.75"WIDE-BEIGE
	075943-10-000	EA	BRACE-VALANCE,20IN-OFF/WHITE
	084433-05-000	EA	SHADE-ROLLER,72.25"
	084434-01-000	EA	BRACKET-MOUNTING,ROLLERSHADE-13/8"
	086276-01-000	EA	TAPE-DOUBLESIDED,1/2"
	088792-01-000	YD	VELCRO-HOOK,.75"WIDE-BEIGE
	088792-02-000	YD	VELCROTAPE-LOOP,ADHESIVEBACKED-.75"WIDE-BEIGE
	088792-06-000	YD	VELCRO-3/4"NON-ADH.,LOOPBUFF
	096843-01-000	EA	SPRING-REWIND/ROLLERSHADE
	076827-02-000	EA	BRACKET-LEG,2.9"X1.8"TRIANGLE
	083170-01-000	EA	BRACKET-BLIND-LEFTSIDEWHENFACINGWINDOW
	083170-02-000	EA	BRACKET-BLIND-RIGHTSIDEWHENFACINGWINDOW
	109441-03-000	EA	HOLDDOWN-BLIND(CLOUDY)
	094896-02-000	EA	GROMMET-CORD,PLEATEDBLIND-NYLON-GRAY
	097593-06-000	FT	CORD-BLIND-PLEATED-PEWTER(H04)
	097593-02-000	FT	CORD-PLEATEDBLIND,DAWNGRAY(H05/H24/H26)
	094907-02-000	EA	ENDCAP-TOP/PLEATEDBLIND-PLASTIC-GRAY
	094907-04-700	EA	ENDCAP-RHBOTTOMBLIND
	094907-04-701	EA	ENDCAP-LHBOTTOMBLIND
	117237-01-000	EA	BRACKET-MOUNTING,2.5"X.75"-CLEARACRYLIC
	097564-01-000	EA	HANDLE-T,EZLIFTSHADE
	097591-01-000	EA	SPRING-EXTENSION/PLEATEDBLIND
	097592-01-000	EA	SPOOL-CORD-ELEVATEDBLINDHOLDUP-CLEARPLASTIC
	105648-01-02A	EA	BRACE-VALANCE,OFF/WHITE

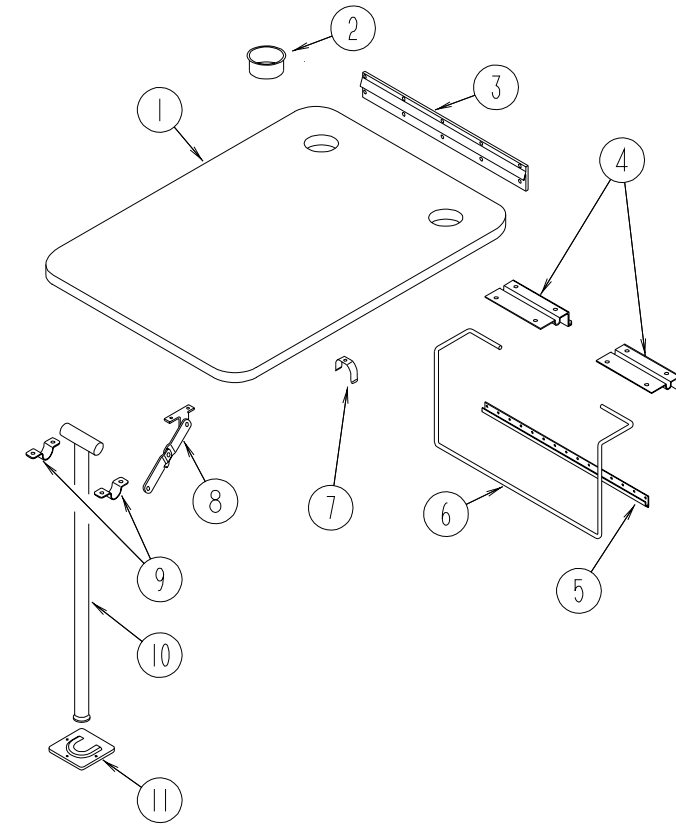
DINETTEGROUP



DINETTECABINETS

KEY	PARTNUMBER	U/M	DESCRIPTION
1	121877-14-H04	EA	ENDCAP
2	M08163-01-H04	EA	CABINET-W/OTV/VCPOPTION
	122298-02-02B	EA	BRACKET-TV/VCR,E-COAT
3	057882-04-700	EA	DOOR-TAMBOUR4'X4'
4	121877-15-H04	EA	ENDCAP
5	110140-92-G04	EA	DOOR-MITEREDCORNER/VINYLRAP-15.9"X21.8"-W/OHDW
6	122188-01-H04	EA	CABINETASM-OVHD,DINETTE
7	111338-09-H04	EA	PAD-DINETTESEATBACK(H04)
7	111338-09-G22	EA	PAD-DINETTESEATBACK(H05)
7	111338-09-H24	EA	PAD-DINETTESEATBACK(H24/H26)
8	M08123-07-H04	EA	CABINET-SEATBACK-RIGHTHAND
9	M08122-09-H04	EA	CABINET-SEATBASE-RIGHTHAND-W/ODOORS/DRAWERS/HDW
10	081295-01-G01	EA	SUPPORT-BED/DINETTE-28"LONG
11	M08122-08-H04	EA	CABINET-SEATBASE-LEFTHAND-W/ODOORS/DRAWERS/HDW
12	110140-88-G04	EA	DOOR-MITEREDCORNER/VINYLRAP-10.1"X19.1"-W/OHDW
13	M08123-06-H04	EA	CABINET-SEATBACK-LEFTHAND

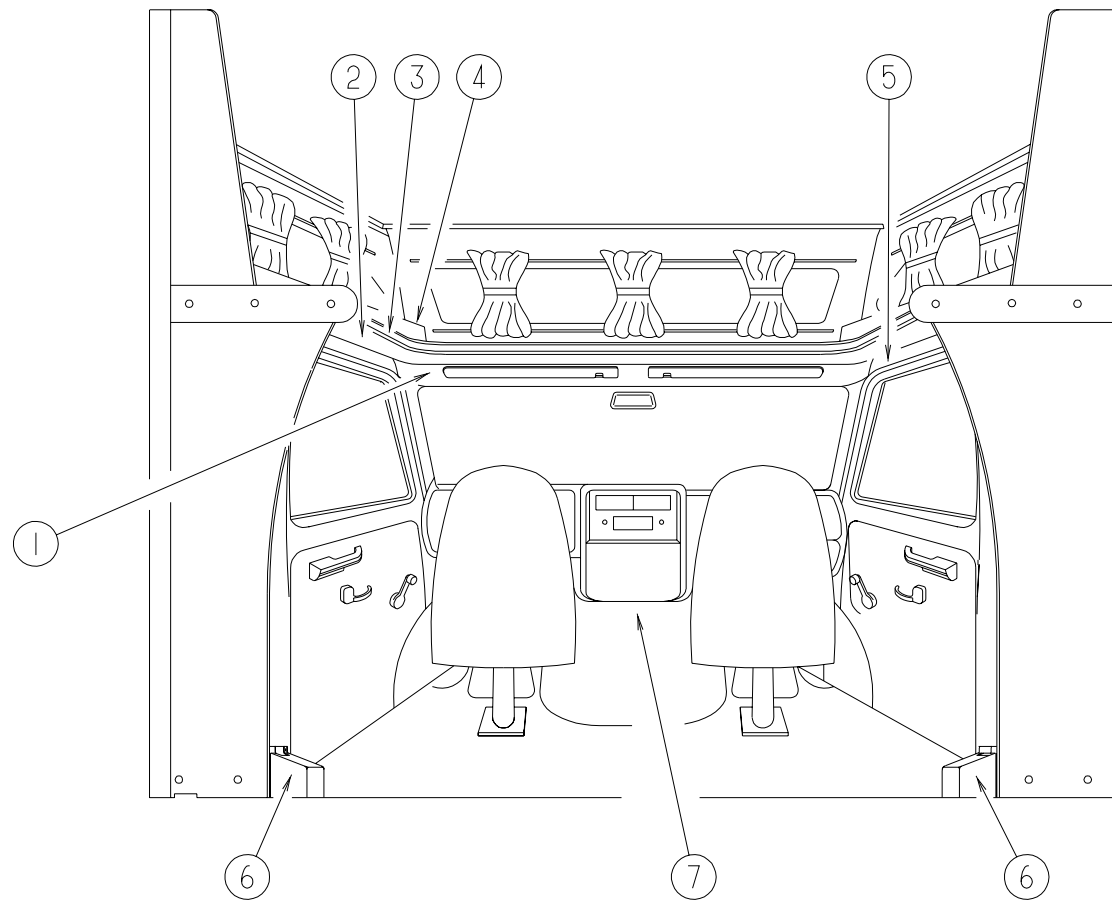
DINETTEGROUP(CONTINUED)



DINETTETABLE&HARDWARE

KEY	PARTNUMBER	U/M	DESCRIPTION
1	M81299-07-H04	EA	TABLE-DINETTE-W/OCUPHOLDERS/LEG(H04)
1	M81299-07-H05	EA	TABLE-DINETTE-W/OCUPHOLDERS/LEG(H05)
1	M81299-07-G01	EA	TABLE-DINETTE-W/OCUPHOLDERS/LEG(H24/H26)
2	064781-06-000	EA	HOLDER-CUP-TWOSTEP-OFFWHITE
3	053200-13-000	EA	SUPPORT-TABLE,18.50O/W
4	088410-02-000	EA	BRACKET-LIFT-TABLEMOUNTED
5	024281-15-000	EA	BRACKET-TABLELIFT-17.12"OFFWHITE
6	024275-13-000	EA	ROD-TABLELIFT,O/W
7	024283-01-000	EA	CLIP-LEG-1"-1.125"OD_BLACK
8	024282-01-000	EA	BRACE-TABLELEG-HINGED
9	064050-05-000	EA	HINGE-TABLELEG-OFFWHITE
10	024276-23-000	EA	LEG-TABLE-METAL
11	049493-12-000	EA	CATCH-LEG/FLOORMOUNTED-2.5"X2.7"
	049493-11-700	EA	CATCH-TABLELEG,E-COAT

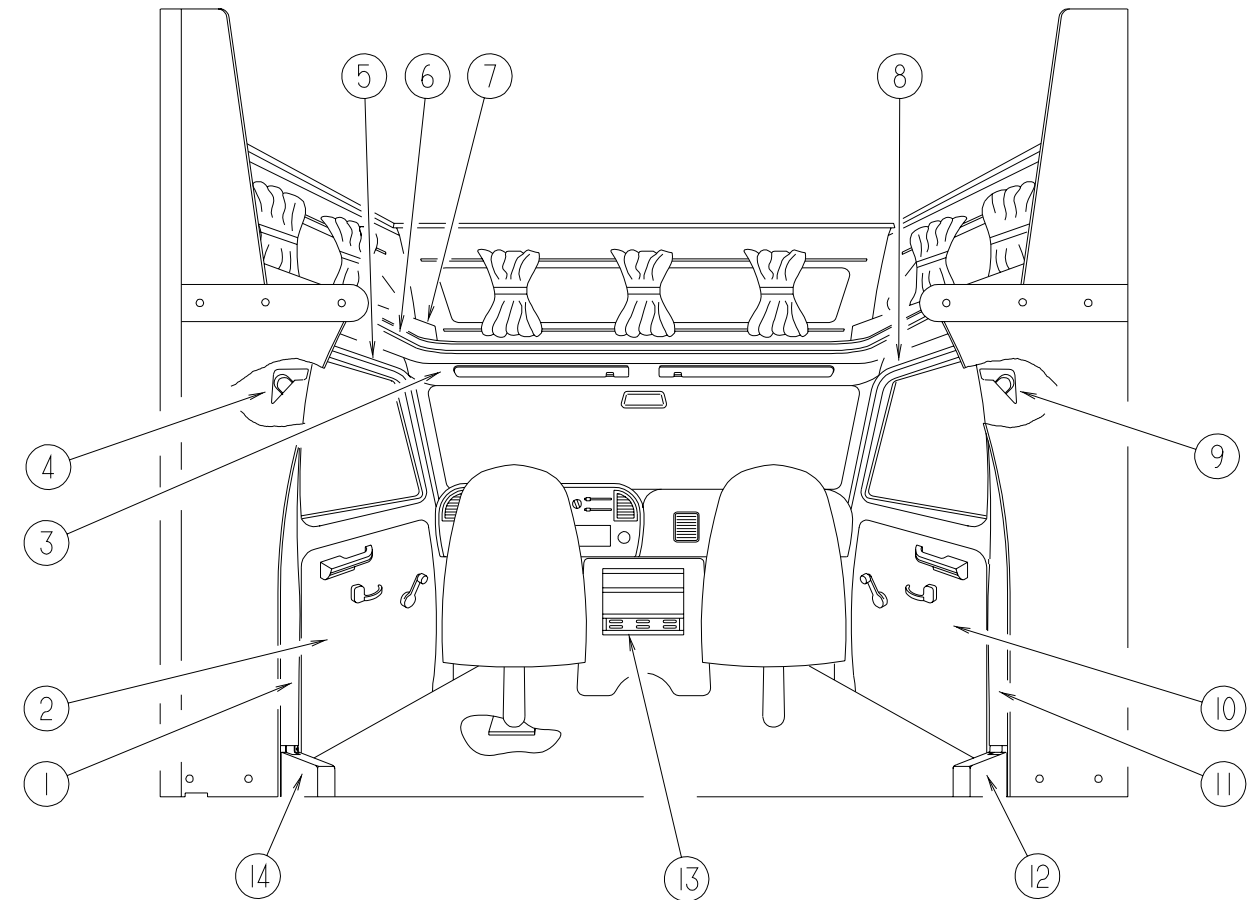
DRIVERSCOMPARTMENTGROUP



CHEVYDRIVERSCOMPARTMENT

KEY	PARTNUMBER	U/M	DESCRIPTION
1	124818-01-H04	EA	HEADLINER-W/VINYL
2	124819-01-H04	EA	TRIMASM-CABDOOR,UPPERLH
3	119520-01-01A	FT	T-MOLDING-1"W/EDGELIPS(OFF/WHITE-CREAM)
4	109894-01-H04	EA	CABINETASM-HAMPER,FRT(H04)
4	109894-01-H05	EA	CABINETASM-HAMPER,FRT(H05)
4	109894-01-H24	EA	CABINETASM-HAMPER,FRT(H24/H26)
5	124817-01-H04	EA	TRIMASM-CABDOOR,UPPERRH
6	076302-03-000	EA	BELT-SEAT,DRIVERANDPASSENGER
	087932-03-000	EA	BRACKETASM-SHOULDERHARNESS,ANGLEW/WELDNUT&GUSSET-LEFT
	087932-04-000	EA	BRACKETASM-SHOULDERHARNESS,ANGLEW/WELDNUT&GUSSET-RIGHT
7	100516-01-G01	EA	TRAY-BEVERAGE
	M04194-01-G01	EA	TRAYASM-BEVERAGE,UNSTAINED

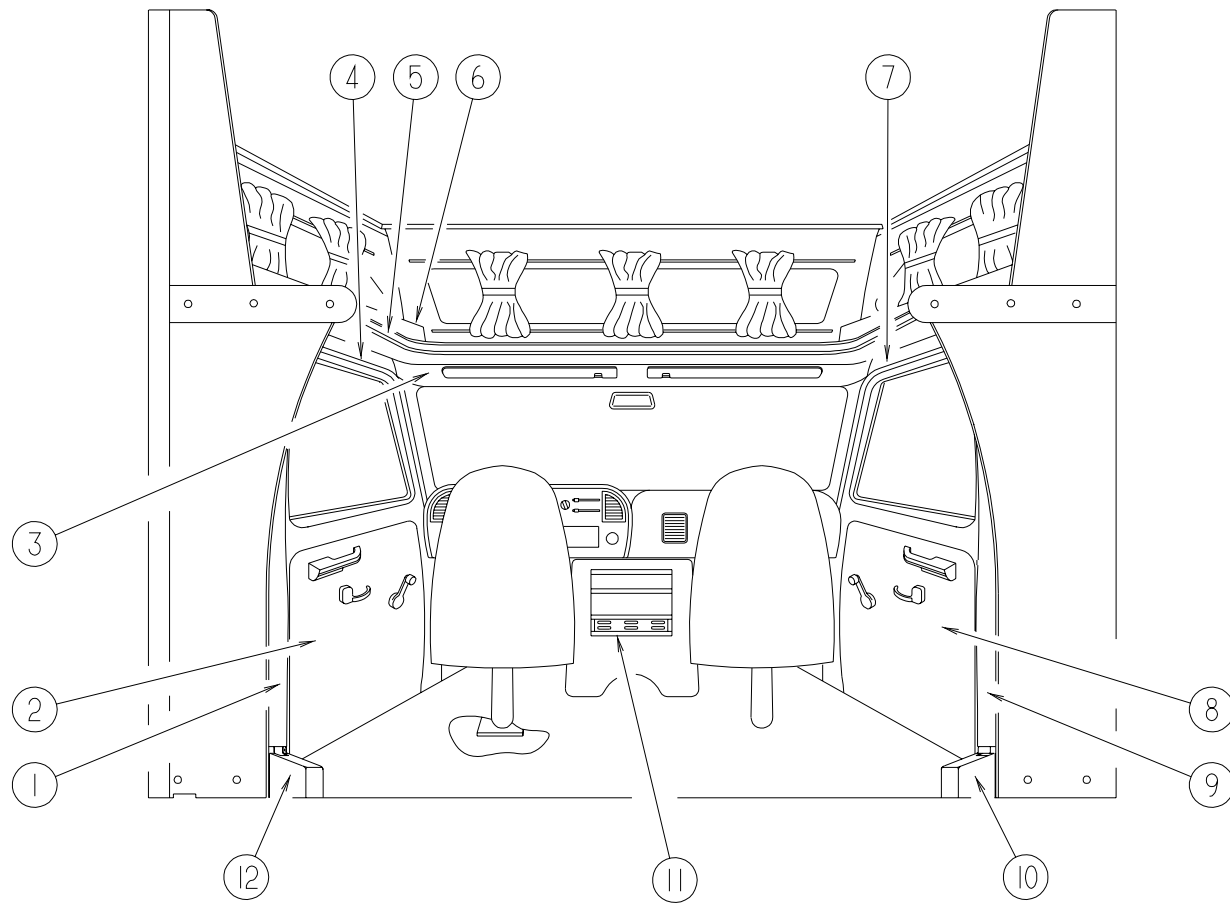
DRIVERSCOMPARTMENTGROUP(CONTINUED)



FORDDRIVERSCOMPARTMENT1996CHASSIS

KEY	PARTNUMBER	U/M	DESCRIPTION
1	106446-02-C03	EA	TRIMASM-CAB,B-PILLAR,LH
2	106432-02-H04	EA	PANEL-DOOR-INNER/DRIVER(H04)
2	106432-02-H05	EA	PANEL-DOOR-INNER/DRIVER(H05)
2	106432-02-H24	EA	PANEL-DOOR-INNER/DRIVER(H24/H26)
3	106448-01-C52	EA	HEADLINER-W/VINYL
4	115038-02-01A	EA	COVER-SEATBELTUPPERLEFTHAND
5	106447-02-C03	EA	TRIMASM-CABDOOR,UPPER,LH
6	119520-01-01A	FT	T-MOLDING-1"W/EDGELIPS(OFF/WHITE-CREAM)
7	109894-01-H04	EA	CABINET-HAMPER-FRONT-DRIVER(H04)
7	109894-01-H05	EA	CABINET-HAMPER-FRONT-DRIVER(H05)
7	109894-01-H24	EA	CABINET-HAMPER-FRONT-DRIVER(H24/H26)
8	106447-01-C03	EA	TRIMASM-CABDOOR,UPPER,RH
9	115038-01-01A	EA	COVER-SEATBELTUPPERRIGHTHAND
10	106432-01-H04	EA	PANEL-DOOR-INNER/PASSENGER(H04)
10	106432-01-H05	EA	PANEL-DOOR-INNER/PASSENGER(H05)
10	106432-01-H24	EA	PANEL-DOOR-INNER/PASSENGER(H24/H26)
11	106446-01-C03	EA	TRIMASM-CAB,B-PILLAR,RH
12	106431-01-01A	EA	COVER-SEATBELTRECOIL-PASSENGERSIDE-OFFWHITE(FORD)
13	112185-02-G01	EA	TRAY-BEVERAGE-DIESEL
	046886-03-000	EA	ASHTRAY-CHROME/WCOVER
14	106431-02-01A	EA	COVER-RECOIL-SEATBELT-DRIVERSIDE-OFFWHITEFORD

DRIVERSCOMPARTMENTGROUP(CONTINUED)



FORDDRIVERSCOMPARTMENT1997CHASSIS

KEY	PARTNUMBER	U/M	DESCRIPTION
1	125031-02-G04	EA	TRIM-CAB-B-PILLAR FROM: 00-00-00 THRU: 12-16-96
1	125031-02-H04	EA	TRIM-CAB-B-PILLAR FROM: 12-17-96 THRU: 99-99-99
2	106432-02-H04	EA	PANEL-DOOR-INNER/DRIVER(H04)
2	106432-02-H05	EA	PANEL-DOOR-INNER/DRIVER(H05)
2	106432-02-H24	EA	PANEL-DOOR-INNER/DRIVER(H24/H26)
3	106448-01-C52	EA	HEADLINER-W/VINYL FROM: 00-00-00 THRU: 12-16-96
3	106448-01-H04	EA	HEADLINER-W/VINYL FROM: 12-17-96 THRU: 99-99-99
4	106447-02-C03	EA	TRIMASM-CABDOOR,UPPER,LH FROM: 00-00-00 THRU: 12-16-96
4	106447-02-H04	EA	TRIM-CABDOOR-UPPER-DRIVERSSIDE FROM: 12-17-96 THRU: 99-99-99
5	119520-01-01A	FT	T-MOLDING-1"W/EDGELIPS(OFF/WHITE-CREAM)
6	109894-01-H04	EA	CABINET-HAMPER-FRONT-DRIVER(H04)
6	109894-01-H05	EA	CABINET-HAMPER-FRONT-DRIVER(H05)
6	109894-01-H24	EA	CABINET-HAMPER-FRONT-DRIVER(H24/H26)
7	106447-01-C03	EA	TRIMASM-CABDOOR,UPPER,RH FROM: 00-00-00 THRU: 12-16-96
7	106447-01-H04	EA	TRIM-CABDOOR-UPPER-PASSENGERSIDE FROM: 12-17-96 THRU: 99-99-99
8	106432-01-H04	EA	PANEL-DOOR-INNER/PASSENGER(H04)
8	106432-01-H05	EA	PANEL-DOOR-INNER/PASSENGER(H05)
8	106432-01-H24	EA	PANEL-DOOR-INNER/PASSENGER(H24/H26)

DRIVERSCOMPARTMENTGROUP(CONTINUED)

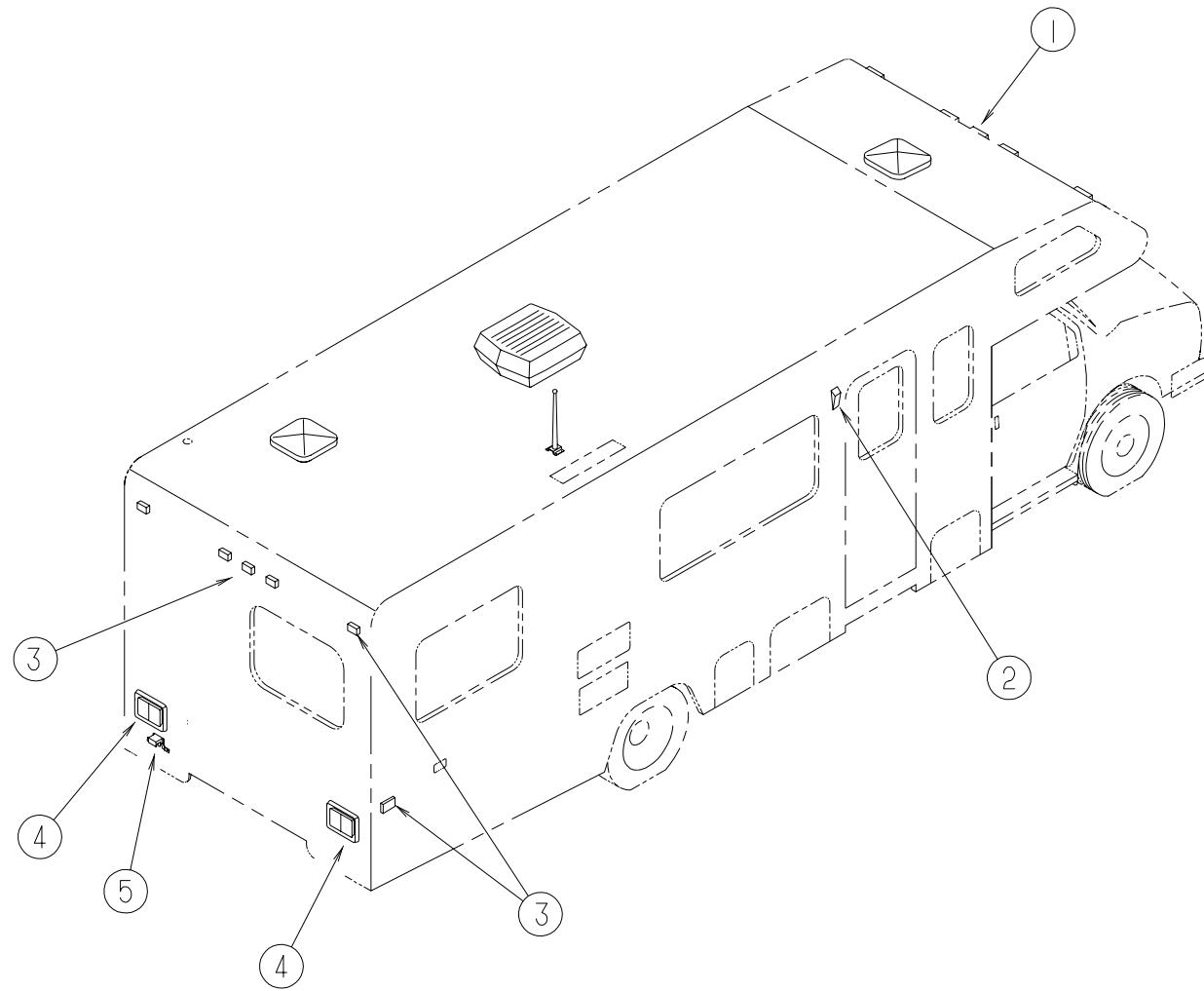
FORDDRIVERSCOMPARTMENT1997CHASSIS(CONTINUED)

KEY	PARTNUMBER	U/M	DESCRIPTION
9	125031-01-G04	EA	TRIM-CAB-B-PILLAR FROM: 00-00-00 THRU: 12-16-96
9	125031-01-H04	EA	TRIM-CAB-B-PILLAR FROM: 12-17-96 THRU: 99-99-99
10	106431-01-01A	EA	COVER-SEATBELTRECOIL-PASSENGERSIDE-OFFWHITE(FORD) FROM: 00-00-00 THRU: 12-16-96
10	106431-01-02A	EA	COVER-SEATBELTRECOIL-PASSENGERSIDE FROM: 12-17-96 THRU: 99-99-99
11	112185-02-G01	EA	TRAY-BEVERAGE-DIESEL
	046886-03-000	EA	ASHTRAY-CHROME/WCOVER
12	106431-02-01A	EA	COVER-SEATBELTRECOIL-DRIVERSSIDE-OFFWHITEFORD FROM: 00-00-00 THRU: 12-16-96
12	106431-02-02A	EA	COVER-SEATBELTRECOIL-DRIVERSSIDE FROM: 12-17-96 THRU: 99-99-99

INSTRUMENTCLUSTERS

KEY	PARTNUMBER	U/M	DESCRIPTION
	094795-09-000	EA	CLUSTER-IP,KM,95E350GAS/DSL-FORDF5UZ-10849-B
	100138-01-000	EA	MODULE-DAYTIMERUNNINGLIGHT
	111414-01-000	EA	RECEPTACLE-12VW/OBIMETAL,INTERTEK
	108357-09-000	EA	SWITCH-AUXILIARY,SPDTON/NONE/MOM-CARLINGV5D1000B-0
	108356-07-01A	EA	ACTUATOR-SWITCHDIMPLEII,CARLINGVVAZCXX-XW
	081994-07-000	EA	PLATE-SWITCH,AUXILIARYSTART
	108357-06-000	EA	SWITCH-ROCKERDPDTMON/OFF/MOM6TERMINAL
	081994-07-000	EA	PLATE-SWITCH,AUXILIARYSTART

ELECTRICALGROUP



EXTERIORLIGHTS

KEY	PARTNUMBER	U/M	DESCRIPTION
1	111102-02-000	EA	LENS-MARKERLAMP, AMBER-TRIPLEX118A
	111102-01-000	EA	LAMP-MARKER, BASE-TRIPLEX117XAS
	091983-01-000	EA	GASKET-CLEARANCE/SIDEMARKERLIGHT
	036196-01-000	EA	BULB-12V, #194-.27AMP-BAYONETTE
	112823-01-000	EA	SPLICE-REDUCER, 16-14T018-22 ETCBA-631X
2	097917-01-06A	EA	LIGHT-PORCH, ENTRYDOOR-BRIGHTWHITE
	008215-01-000	EA	BULB-12V, #1003-.94AMP
	097917-01-700	EA	LENS-LIGHT, PORCH
3	111102-03-000	EA	LENS-MARKERLAMP, RED-TRIPLEX117R
	111102-01-000	EA	LAMP-MARKER, BASE-TRIPLEX117XAS
	091983-01-000	EA	GASKET-CLEARANCE/SIDEMARKERLIGHT
	036196-01-000	EA	BULB-12V, #194-.27AMP-BAYONETTE
	112823-01-000	EA	SPLICE-REDUCER, 16-14T018-22 ETCBA-631X
4	103355-01-05A	EA	POD-TAILLIGHT, BRIGHTWHITE
	081638-01-000	EA	TAILLIGHT-DOUBLE, W/BLACKTRIM-DRIVER&PASSENGERSIDE
	037934-01-000	EA	BULB-12V, #1156-2.1AMP-CLEARGLASS-BACKUP&TURNSIGNALBULB
	037935-01-000	EA	BULB-12V, #1157OR#2057-2.1AMP-CLEARGLASS-BRAKELIGHT
	081638-01-700	EA	LENS-TAILLIGHT, RED-BARGMAN30-84-010
	081638-01-701	EA	LENS-TAILLIGHT, W/BACKUP-BARGMAN30-84-700
5	066432-02-000	EA	LIGHT-LICENSEPLATE
	066432-03-000	EA	BRACKET-LICENSEPLATELIGHT

ELECTRICALGROUP(CONTINUED)

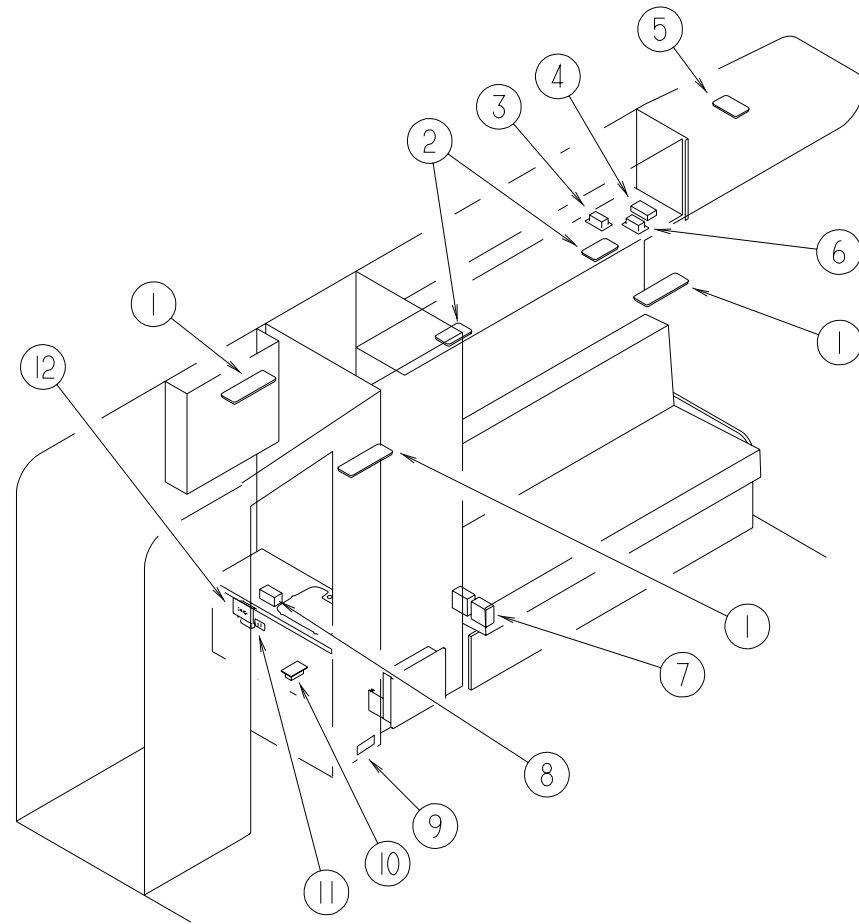
POWERCONVERTER

KEY	PARTNUMBER	U/M	DESCRIPTION
	083208-01-000	EA	CONVERTER-POWER, 32A-120V/12V-BW6332

WIRINGASSEMBLIES

KEY	PARTNUMBER	U/M	DESCRIPTION
	096449-01-000	EA	WIREASSEMBLY-WATERTANKTOMONITORPANEL
	097618-01-000	EA	WIREASSEMBLY-MONITORPANEL-W/3WIRES&ORANGERESISTOR ORANGERESISTORW/3(ORANGE-GREEN-BLUE)WIRES
	106851-01-000	EA	WIREASSEMBLY-RUNNINGLIGHTS-FUSE

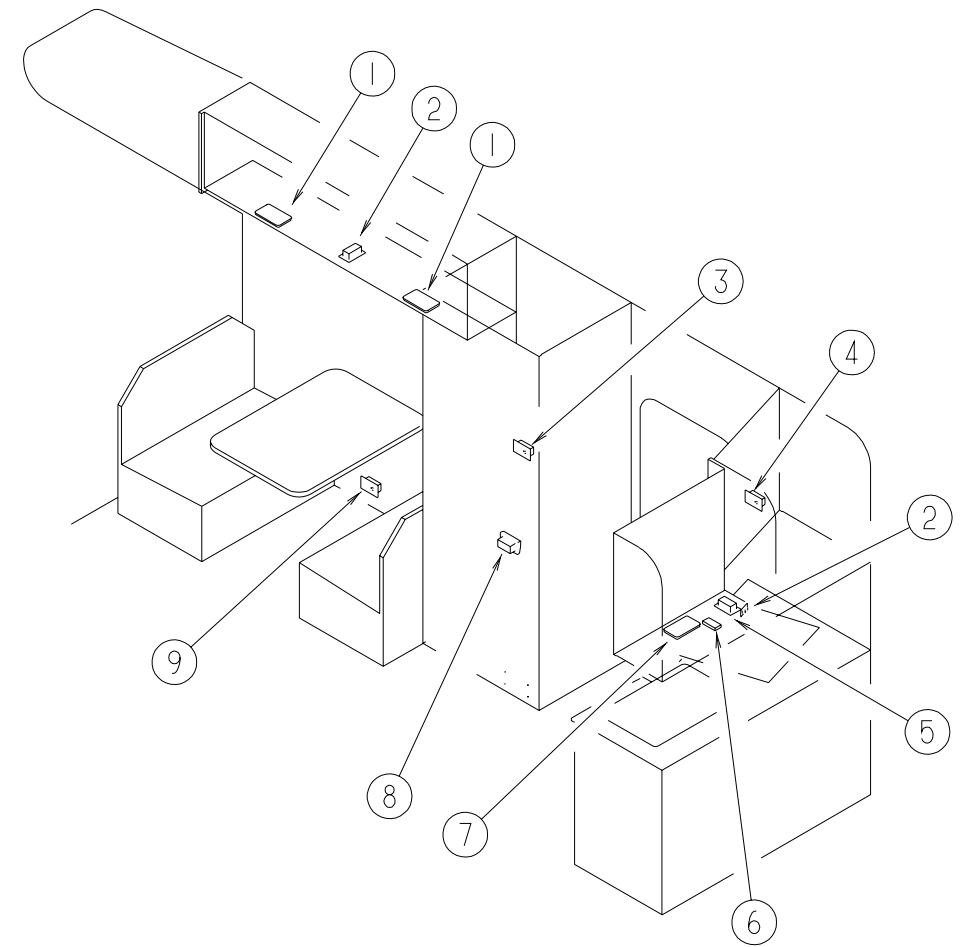
ELECTRICALGROUP(CONTINUED)



LGHTS,SWITCHES&RECEPTACLES-DRIVERSIDE

KEY	PARTNUMBER	U/M	DESCRIPTION
1	098024-03-02A	EA	LIGHT-DOME-2BULBWHITE
	008218-01-000	EA	BULB-DOMELIGHT-12VOLT-NO.1141
	098024-01-700	EA	LENS-LIGHT 807877
2	098024-05-02A	EA	LIGHT-DOME-1BULB-SKYLITEWHITE
	008218-01-000	EA	BULB-DOMELIGHT-12VOLT-NO.1141
	098024-01-701	EA	LENS-OPTICLEAR-SKYLIGHT 809902
3	098351-02-01A	EA	PLATE-SWITCH-2GANGPOLISHEDBRASS
3	079364-01-000	EA	SWITCH-ON/OFFROCKER-2PRONGS-BROWN
3	079364-03-000	EA	SWITCH-ON/OFFROCKER-3PRONGS-BROWN
4	086777-02-000	EA	WALLPLATE-TVCABLE,W/ANTENNASWITCH-BROWN
5	098024-01-03A	EA	LIGHT-DOME-1BULB-WHITE
	008218-01-000	EA	BULB-DOMELIGHT-12VOLT-NO.1141
	098024-01-700	EA	LENS-LIGHT 807877
6	058708-01-000	EA	RECEPTACLE-ELECTRIC-DOUBLE-BROWN
7	024924-02-000	EA	RECEPTACLE-POWERCORD,W/PARTIALPLATE
8	108357-08-000	EA	SWITCH-ROCKERDPDTMON/NONE/ON6TERMINAL
8	108356-02-01A	EA	ACTUATOR/COVER-SWITCH-2DIMPLES
9	108354-01-01A	EA	LIGHT-COURTESY
	108354-01-700	EA	BULB-COURTESYLIGHT 395-B
10	058707-01-000	EA	RECEPTACLE-ELECTRIC-SINGLE-BROWN
11	098351-01-01A	EA	PLATE-SWITCH-1GANGPOLISHEDBRASS
11	079364-01-000	EA	SWITCH-ON/OFFROCKER-2PRONGS-BROWN
12	084076-02-000	EA	RECEPTACLE-GFI-15AMP-125VOLT-BROWN
	097734-01-01A	EA	EXTENSION/RECEPTACLE-.7"3.2"X5"-IVORY

ELECTRICALGROUP(CONTINUED)



LIGHTS,SWITCHES&RECEPTACLES-PASSENGERSIDE

KEY	PARTNUMBER	U/M	DESCRIPTION
1	098024-05-02A	EA	LIGHT-DOME-1BULB-SKYLITEWHITE
	008218-01-000	EA	BULB-DOMELIGHT-12VOLT-NO.1141
	098024-01-701	EA	LENS-OPTICLEAR-SKYLIGHT 809902
2	058708-01-000	EA	RECEPTACLE-ELECTRIC-DOUBLE-BROWN
3	058707-01-000	EA	RECEPTACLE-ELECTRIC-SINGLE-BROWN
4	058708-05-000	EA	RECEPTACLE-SINGLE-BROWN
5	098351-03-01A	EA	PLATE-SWITCH-3GANGPOLISHEDBRASS
5	079364-01-000	EA	SWITCH-ON/OFFROCKER-2PRONGS-BROWN
5	079364-03-000	EA	SWITCH-ON/OFFROCKER-3PRONGS-BROWN
6	098351-07-01A	EA	PLATE-SWITCH-POLISHEDBRASS
6	108357-06-000	EA	SWITCH-ROCKERDPDTMON/OFF/MOM6TERMINAL
6	108356-11-01A	EA	ACTUATOR/COVER-SWITCH-3GROOVES
7	098024-06-02A	EA	LIGHT-DOME-2BULB-SKYLITE
	008218-01-000	EA	BULB-DOMELIGHT-12VOLT-NO.1141
	098024-01-701	EA	LENS-OPTICLEAR-SKYLIGHT 809902
8	112822-01-01A	EA	RECEPTACLE-DUPLEX-IVORY
8	112824-01-03A	EA	COVER-EXTERIOR-DUPLEXRECEPTACLE
9	084076-02-000	EA	RECEPTACLE-GFI-15AMP-125VOLT-BROWN

ELECTRICALGROUP(CONTINUED)**FUSES&CIRCUITBREAKERS**

KEY	PARTNUMBER	U/M	DESCRIPTION
	008235-01-000	EA	FUSE-15AMPS-AUTOMOTIVE
	062037-01-000	EA	HOUSING-AUTOFUSE-NATURAL
	062901-02-000	EA	FUSE-5AMPS-AUTOMOTIVE
	062901-05-000	EA	FUSE-15AMPS-AUTOMOTIVE
	083209-02-000	EA	CIRCUITBREAKER-15/15AMP-120VOLT
	083209-03-000	EA	CIRCUITBREAKER-15/20AMP-120VOLT
	083209-05-000	EA	CIRCUITBREAKER-20A,120V-BWJ-20
	083209-06-000	EA	CIRCUITBREAKER-30/15AMP-120VOLT
	083209-07-000	EA	CIRCUITBREAKER-20/20AMP-120VOLT
	093654-01-000	EA	CIRCUITBREAKER-6AMP-12VOLT
	093655-02-000	EA	CIRCUITBREAKER-30AMP-12VOLT
	100341-01-000	EA	FUSEHOLDER-INLINETYPE

ELECTRICBOXES,COVERS&POWERCORDS

KEY	PARTNUMBER	U/M	DESCRIPTION
	008052-01-000	EA	CORD-POWER-10/3-30AMP-25'-CANADIAN
	008054-01-000	EA	CORD-POWER-10/3-30AMP-25'
	008289-01-000	EA	BOX-ELECTRIC/STEEL-12"&3/4"KNOCKOUTS-4"X4"
	008289-02-000	EA	BOX-ELECTRICAL-4"X4"-1/2"&3/4"KNOCKOUTS-CANADIAN
	008294-01-000	EA	COVER-ELECTRICALBOX-BLANK/STEEL-4"X4"-GRAY
	069238-01-000	EA	COVER-ELECTRICALBOX-W/HOLE-4"X4"-GRAY USEDWITH30AMPRECEPTACLE
	091910-02-000	EA	BOX-ELECTRIC-PLASTIC-2.24"X3.45"
	093603-01-000	EA	BOX/ELECTRIC-4"X2 1/8X2 1/8"
	107165-01-01A	EA	BOX/CIRCUITBREAKER14.6"X4"-PLASTIC

CONDUIT&SOLENOID

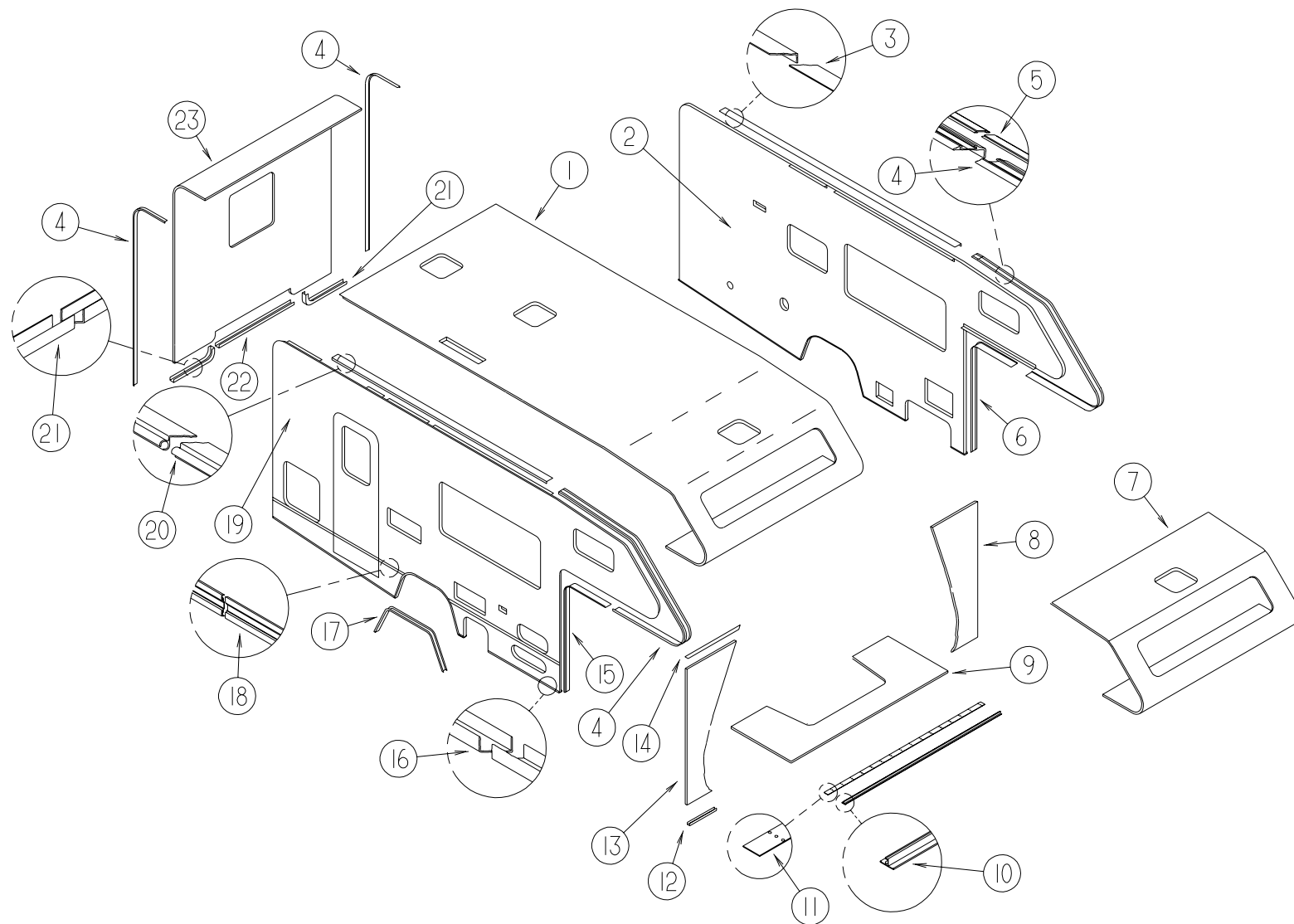
KEY	PARTNUMBER	U/M	DESCRIPTION
	041953-01-000	FT	CONDUIT-CONVOLUTESLIT-.5"ID
	041953-01-000	FT	CONDUIT-CONVOLUTESLIT-.5"ID
	041953-03-000	FT	CONDUIT-CONVOLUTESLIT-1"ID(CLOTHESRODCOVER)
	041953-06-000	FT	CONDUIT-CONVOLUTESLIT-.375"ID
	041953-07-000	FT	CONDUIT-CONVOLUTESLIT-.25"ID
	041953-08-000	FT	CONDUIT-CONVOLUTESLIT-1.50"ID
	041953-09-000	FT	CONDUIT-CONVOLUTESLIT-.50"ID
	041953-10-000	FT	CONDUIT-CONVOLUTESLIT-.75"ID
	041953-12-000	FT	CONDUIT-CONVOLUTENONSLIT-1.1"ID

ELECTRICALGROUP(CONTINUED)**CONNECTORS,HOUSINGS,&TERMINALS**

KEY	PARTNUMBER	U/M	DESCRIPTION
	007956-05-000	EA	INSULATOR-SHRINK-.25IDX1.50
	008311-01-000	EA	CONNECTOR-WIRENUT-INSULATED-RED
	008313-01-000	EA	CONNECTOR-WIRENUT-INSULATED-YELLOW
	008314-01-000	EA	CONNECTOR-WIRENUT-INSULATED-GRAY
	008326-01-000	EA	TERMINAL-RING16/14WIRE-3/8"STUD
	008328-01-000	EA	TERMINAL-RING-12/10WIRE-#10STUDFIT
	008331-01-000	EA	TERMINAL-RING-TONGUE-#4WIRE-3/8"STUD-COPPER
	008348-01-000	EA	TERMINAL-RING-3/8"STUD2GA.WIRE
	008355-01-000	EA	CONNECTOR-CABLECLAMPING-3/4"
	008356-01-000	EA	CONNECTOR-PLASTIC-3/8"AVG
	035416-04-000	EA	TERMINAL-RING-#10STUDFIT-INSULATEDBARREL#16/14
	041480-01-000	EA	CONNECTOR-STRAIGHT-1/2'FLEXCONDUIT
	047443-01-000	EA	TERMINAL-.250RECEPTACLEFIT-INSULATED-16/14AWG
	058028-01-000	EA	CONNECTOR-ELECTRICALPIGTAIL-NYLON-CLEAR
	062036-02-000	EA	TERMINAL-PACK-CON-16/14AWG
	077479-01-000	EA	BOOT-BATTERYTERMINAL-DOUBLECABLE
	077479-02-000	EA	BOOT-BATTERYTERMINAL-SINGLECABLE
	080015-02-000	EA	RECEPTACLE-FLAG-.185-16/14GAUGE-AMP3
	080015-03-000	EA	RECEPTACLE-FLAG-14/16GA
	087225-01-000	FT	SLEEVING-1/2"-TYPEH
	087949-01-000	EA	BUSSBAR-2POSITION-.6"X1.5"
	088473-03-000	EA	HOUSING-PIN-9CAVITY
	088473-05-000	EA	HOUSING-PIN-6CAVITY
	088473-06-000	EA	HOUSING-PIN-6CAVITY
	088473-08-000	EA	HOUSING-PIN-4CAVITY
	088473-09-000	EA	HOUSING-PIN-3CAVITY
	088473-10-000	EA	HOUSING-PIN-2CAVITY
	088474-03-000	EA	HOUSING-SOCKET-9CAVITY
	088474-06-000	EA	HOUSING-SOCKET-6CAVITY
	088474-07-000	EA	HOUSING-SOCKET-5CAVITY
	088474-08-000	EA	HOUSING-SOCKET-4CAVITY
	088474-09-000	EA	HOUSING-SOCKET-3CAVITY
	088474-10-000	EA	HOUSING-SOCKET-2CAVITY
	088475-01-000	EA	PIN-CONNECTOR-14-20AWG
	088475-02-000	EA	PIN-CONNECTOR-10-12AWG
	088476-01-000	EA	SOCKET-CONNECTOR-BRASS-PRE-TIN
	088476-02-000	EA	SOCKET-CONNECTOR-12-10GA-PHOSBRZ-PRE-TIN
	098262-01-000	EA	SEAL-CONNECTOR-WEATHERPACK
	098265-02-000	EA	PIN-CONNECTOR-WEATHERPACK
	101751-01-000	EA	HOUSING-1PIN-WEATHERPACK
	101751-02-000	EA	HOUSING-1PIN-WEATHERPACK
	112823-01-000	EA	SPLICE-REDUCER-16-14TO18-22
	119223-01-000	EA	HOUSING-6POSN,MAL,WEATHERPAK-PACKARD12020786
	125323-02-000	EA	HOUSING-8POSITION-MALE
	125324-01-000	EA	TERMINAL-MALE
	125325-01-000	EA	SEAL-CAVITY
	008188-01-000	EA	SOLENOID-3POST-BATTERYCHANGEOVER
	063910-01-000	EA	HOUSING-RELAY
	086233-01-000	EA	STUD-ISOLATED-3/8"X7/8"LONG
	086273-01-000	EA	RELAY-BATTERYDISCONNECT

EXTERIORBODYGROUP

EXTERIORBODYPANELS

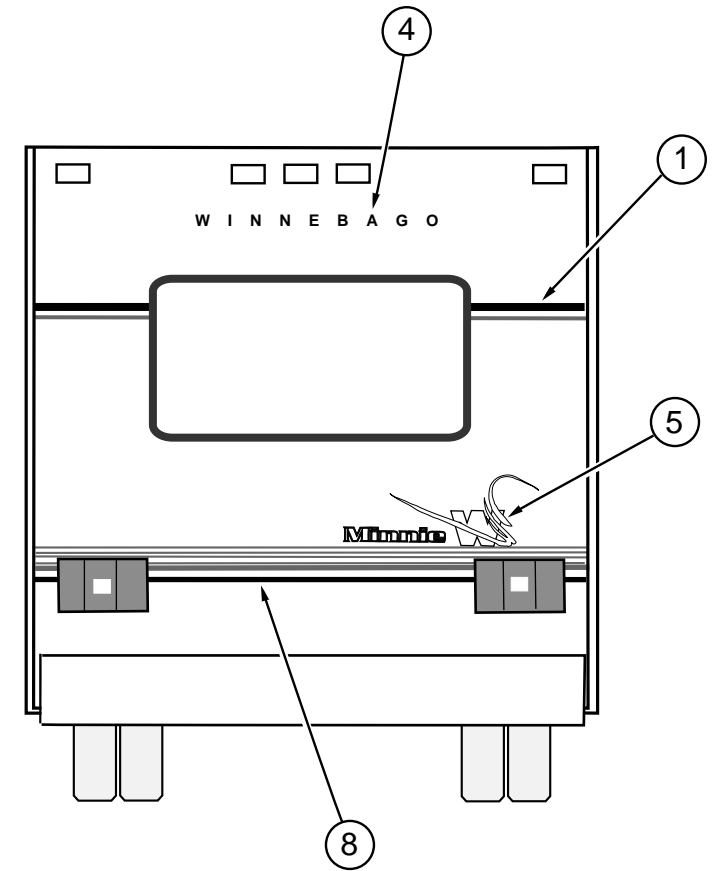
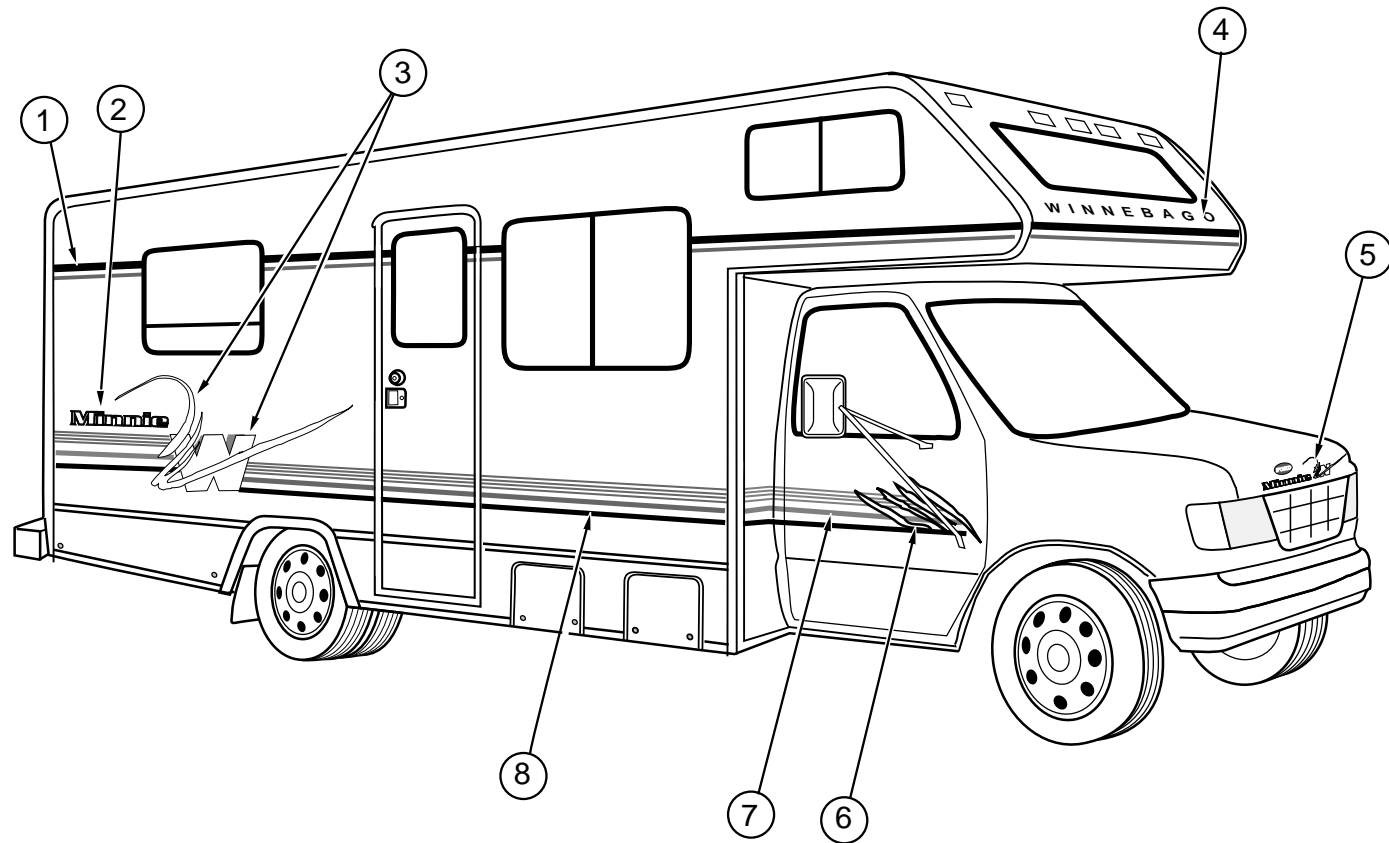


KEY	PARTNUMBER	U/M	DESCRIPTION
1	M06976-10-H04	EA	ROOFASMW/BASES321RK
2	P16419-01-H04	EA	SIDEWALL-DRIVER-W/OWINDOWS/TRIM(H04)
2	P16419-01-H05	EA	SIDEWALL-DRIVER-W/OWINDOWS/TRIM(H05)
2	P16419-01-H24	EA	SIDEWALL-DRIVER-W/OWINDOWS/TRIM(H24/H26)
3	096864-01-02A	EA	TRIM-CONTOUR-ROOFTOSIDEWALL
4	096854-04-02A	EA	TRIM-CONTOUR
5	105312-01-07A	FT	INSERT-FEATURESTRIPVINYL-BRIGHTWHITE
6	104479-06-02A	EA	TRIM-FRONTCONTOUR-BRIGHTWHITE
7	M76177-01-700	EA	ROOFSECTION-FRONT,UNIVERSAL
	078580-02-000	EA	TRIM-ROOF/FRONTCAP
8	M07423-04-F15	EA	WINGWALLASM-LHBRT/WHT-FORD
8	M07423-02-F15	EA	WINGWALLASM-LHBRT/WHT-CHEVY
9	M07422-01-H04	EA	SLEEPERBOARD-BRIGHTWHITE-FORD
9	P25064-01-H04	EA	SLEEPERBOARDASSEMBLY-CHEVY
10	100086-04-01A	EA	TRIM-SLEEPERBOARD/ROOF-2"X96.6"
11	100085-03-01A	EA	TRIM-SLEEPERBOARD-FLAT-2.5"X87.5"
12	002365-03-006	EA	UCHANNEL-EXTRUDED/POWDERPAINTED1"X192"
13	M07423-03-F15	EA	WINGWALLASM-RH,BRT/WHT,FORD
13	M07423-01-F15	EA	WINGWALLASM-RH,BRT/WHT,CHEVY
14	022992-14-000	FT	MOLDING-REVERSECOVE
	089334-02-000	FT	VINYL-EXTERIOR,BETWEENWINGWALL&CABSEAL-BRIGHTWHITE
	096945-01-01A	EA	TRIM-LANGLED,PASSENGERSWINGWALL

KEY	PARTNUMBER	U/M	DESCRIPTION
15	104479-05-02A	EA	TRIM-FRONTCONTOUR-BRIGHTWHITE
16	098072-55-003	EA	U-CHANNEL-OFFSET-1.65"WIDEX192"
17	105100-02-02A	EA	TRIM-WHEELWELL
18	108688-01-03A	EA	STRIP-FEATURE-W/OINSERT/ENDCAPS-15'
	108651-01-01A	EA	ENDCAP-FEATURESTRIP
	105312-01-07A	FT	INSERT-FEATURESTRIPVINYL-BRIGHTWHITE
19	P16683-01-H04	EA	SIDEWALL-PASSENGER-W/OWINDOWS/TRIM(H04)
19	P16683-01-H05	EA	SIDEWALL-PASSENGER-W/OWINDOWS/TRIM(H05)
19	P16683-01-H24	EA	SIDEWALL-PASSENGER-W/OWINDOWS/TRIM(H24/H26)
20	099583-55-003	EA	RAIL-AWNING-120"
21	103334-02-02A	EA	TRIM-BACKWALL/LOWER
22	103335-02-02A	EA	TRIM-BACKWALL/LOWER
23	P22100-01-H04	EA	BACKWALL-W/OWINDOW/TRIM(H04)
23	P22100-01-H05	EA	BACKWALL-W/OWINDOW/TRIM(H05)
23	P22100-01-H24	EA	BACKWALL-W/OWINDOW/TRIM(H24/H26)

EXTERIORBODYGROUP(CONTINUED)

DECALS,STRIPES&PAINT



KEY	PARTNUMBER	U/M	DESCRIPTION
1	093689-17-02A	FT	FILM-MULTISTRIPE,66.7MM-AQUAESSENCE/DARKBLUE/HAWAIINPUNCHPEARL
2	116849-01-02A	EA	DECAL-LOGO,MINNIE,LG-AQUAESSENCE/DARKBLUE
3	116848-01-02A	EA	DECAL-LOGO,W,LG,RH-DARKBLUE/AQUAESSENCE/HAWAIINPUNCHPEARL/WHITE/BLACK
3	116848-02-02A	EA	DECAL-LOGO,W,LG,LH-DARKBLUE/AQUAESSENCE/HAWAIINPUNCHPEARL/WHITE/BLACK
4	110206-02-06A	EA	DECAL-WINNEBAGO-DARKBLUE
5	116994-01-02A	EA	DECAL-LOGO,MINNIE,W,SML-DARKBLUE/AQUAESSENCE/HAWAIINPUNCHPEARL/WHITE/BLACK
6	116846-01-02A	EA	DECAL-CABDOOR,SWOOSH,RH-HAWAIINPUNCHPEARL/WHITE/BLACK
6	116846-02-02A	EA	DECAL-CABDOOR,SWOOSH,LH-HAWAIINPUNCHPEARL/WHITE/BLACK
7	117752-01-02A	EA	DECAL-CABDOOR,STRIPES,RH-AQUAESSENCE/DARKBLUE/HAWAIINPUNCHPEARL
7	117752-02-02A	EA	DECAL-CABDOOR,STRIPES,LH-AQUAESSENCE/DARKBLUE/HAWAIINPUNCHPEARL
8	116847-01-02A	FT	FILM-MULTI,OVER,209.6MM-AQUAESSENCE/DARKBLUE/HAWAIINPUNCHPEARL
	041561-03-000	EA	PAINT-16OZSPRAY-OFFWHITE-ACRYLICENAMEL

DUPONTPAINTCOLORCODES

BRIGHTWHITE

DUPONTB8951U

EXTERIORBODYGROUP(CONTINUED)

FIBERGLASS,ALUMINUM,STYROFOAM,PLYWOOD&CHANNEL

KEY	PARTNUMBER	U/M	DESCRIPTION
	000870-08-000	SF	STYROFOAM-.75"X4'X8'-PLANED
	002726-01-001	EA	GARNISH-U-CHANNEL,1.38"X19'-SERRATED-MILLALUMINUM
	098072-55-003	EA	EXTR-CHANNEL,BRTWHT,4877MM
	098072-55-004	EA	EXTR-CHANNEL,BRTWHT,2900MM
	002365-03-006	EA	UCHANNEL-EXTRUDED/POWDERPAINTED1"X192"
	002766-01-001	EA	ANGLE-EXTRUDED,1"X1.5"X17'
	068716-01-001	EA	BRACE-90DEGREEL-ANGLE-16'
	076054-N9-000	EA	FIBERGLASSSHEET-96"X102"BRIGHTWHITE
	076054-P9-000	EA	FIBERGLASSSHEET-37.4"X99.25"BRIGHTWHITE
	076054-R1-000	EA	FIBERGLASSSHEET-24"X65.9"BRIGHTWHITE
	076054-S2-000	EA	FIBERGLASSSHEET-106.3"X320.9"BRIGHTWHITE
	076054-N9-000	EA	FIBERGLASSSHEET-96"X102"BRIGHTWHITE
	089297-01-000	SF	PLYWOOD-LUAN,OVERLAYGRADE-4'X8'
	100619-01-000	BF	EXPANDEDFOAMSHEET-4'X8'X1.34"
	100619-04-000	BF	FOAM-EXPANDEDPOLYSTYRENE-.5"X4'X8'
	100619-05-000	BF	FOAM-EXPANDEDPOLYSTYRENE-.75"X4'X8'
	108535-04-705	EA	FIBERGLASSSHEET-6"X34'BRIGHTWHITE
	108535-04-701	EA	FIBERGLASSSHEET-104"X396"BRIGHTWHITE

EXTERIORMIRRORS

KEY	PARTNUMBER	U/M	DESCRIPTION
	120269-01-01A	EA	MIRRORASM-DOOR,BLKRH-VELVAC713672-7
	120269-02-01A	EA	MIRRORASM-DOOR,BLKLH-VELVAC713671-7
	120269-01-700	EA	GLASSKITW/BEZELRH/LH 709407-8

EXTERIORBODYGROUP(CONTINUED)

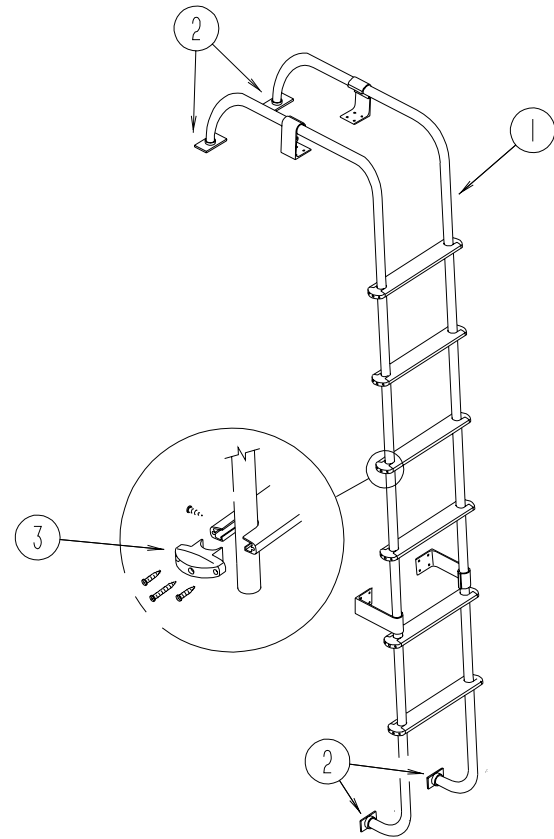
RUNNINGBOARDS-FORD

KEY	PARTNUMBER	U/M	DESCRIPTION	VENDORNO.
	072884-27-000	EA	RUNNINGBOARDSET-39"-FORD-ALUMINUM	
	072884-27-700	EA	BRACKETSET12"	RB2BRK/M
	072884-27-701	EA	RUNNINGBOARD-FORD39",RH&LH	
	072884-27-702	FT	TREADTAPE	RB9202
	072884-27-703	EA	MUDFLAPW/HOLES,1EA=PAIR	99171
	072884-27-704	EA	CAP-ENDS,1EA=PAIR	99148

RUNNINGBOARDS-CHEVY

KEY	PARTNUMBER	U/M	DESCRIPTION	VENDORNO.
	072884-26-000	EA	RUNNINGBOARDSET-CHEVY27"	
	072884-26-700	EA	RUNNINGBOARD27"-CHEVY,LH&RH	
	072884-27-700	EA	BRACKETSET12"	RB2BRK/M
	072884-27-702	FT	TREADTAPE	RB9202
	072884-27-703	EA	MUDFLAPW/HOLES,1EA=PAIR	99171
	072884-27-704	EA	CAP-ENDS,1EA=PAIR	99148

EXTERIORBODYGROUP(CONTINUED)



LADDER

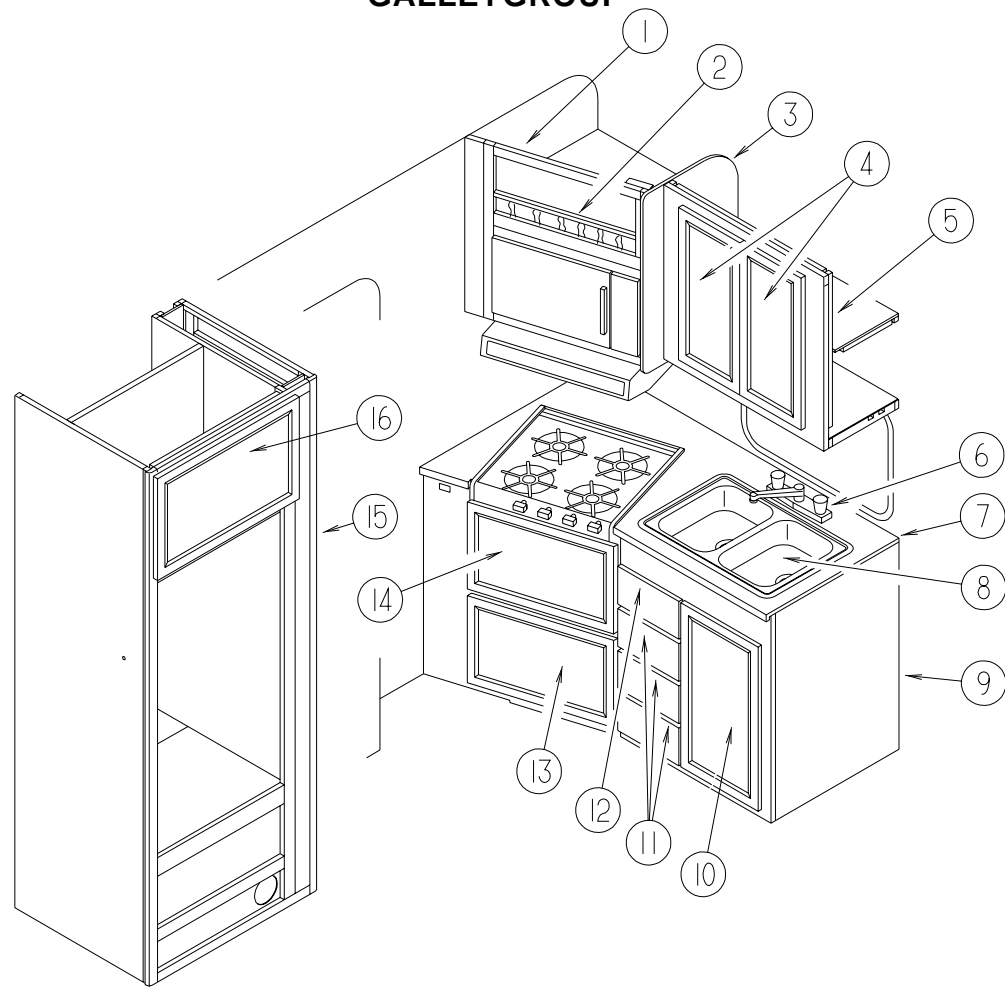
KEY	PARTNUMBER	U/M	DESCRIPTION
1	102953-10-F15	EA	LADDERASSEMBLY
2	067165-01-000	EA	MOUNTINGBRACKET-LADDER,LOWER
3	076980-02-000	EA	ENDCAP-STEP,BLACK
	000G39-06-10T	EA	SCREW-SF/DR-6-20X5/8PPH-BLACK
	000G68-10-36T	EA	SCREW-10-12X2.25POH-BLACK
	038327-01-000	EA	TAPE-ANTISLIP,2"X60'

EXTERIORBODYGROUP(CONTINUED)

AWNING

KEY	PARTNUMBER	U/M	DESCRIPTION	VENDORNO.
	113874-03-02A	EA	AWNING-W/OHARDWARE-11.5(POLARNAVYTEAL)VINYL	
	111038-01-01A	EA	SPACER-AWNING-LOWER	
	113874-01-02A	EA	AWNING-HARDWAREKIT-BRIGHTWHITE	
	113874-01-702	EA	KNOB-ADJUSTING,W/HARDWARE	143249
	113874-01-703	EA	ROD-CENTERPULL,W/GRIP	830152.002
	113874-01-706	EA	LOCK-TRAVEL	830587
	113874-01-707	EA	HANDLE-LIFT	830644
	113874-01-709	EA	NAIL-SPIKE,8"	113006
	113874-01-710	EA	PLUG-STOPKIT	830456
	113874-01-711	EA	ARM-ADJUSTABLE/TALLSATIN	830466.016
	113874-01-712	EA	FOOT-PATIO	730366
	113874-01-714	EA	RAFTER-MAINRH/LHBRT/WHT	830295.036F
	113874-01-715	EA	RAFTER-SECONDARYBRT/WHT	830463.011F
	113874-01-716	EA	ARM-MAINSUPPORTBRT/WHT	3104502.277F
	113874-01-717	EA	ARM-ADJUSTABLEBRT/WHT	830466.016/F
	113874-10-01A	EA	SPACER-AWNING-LOWERBRACKET	

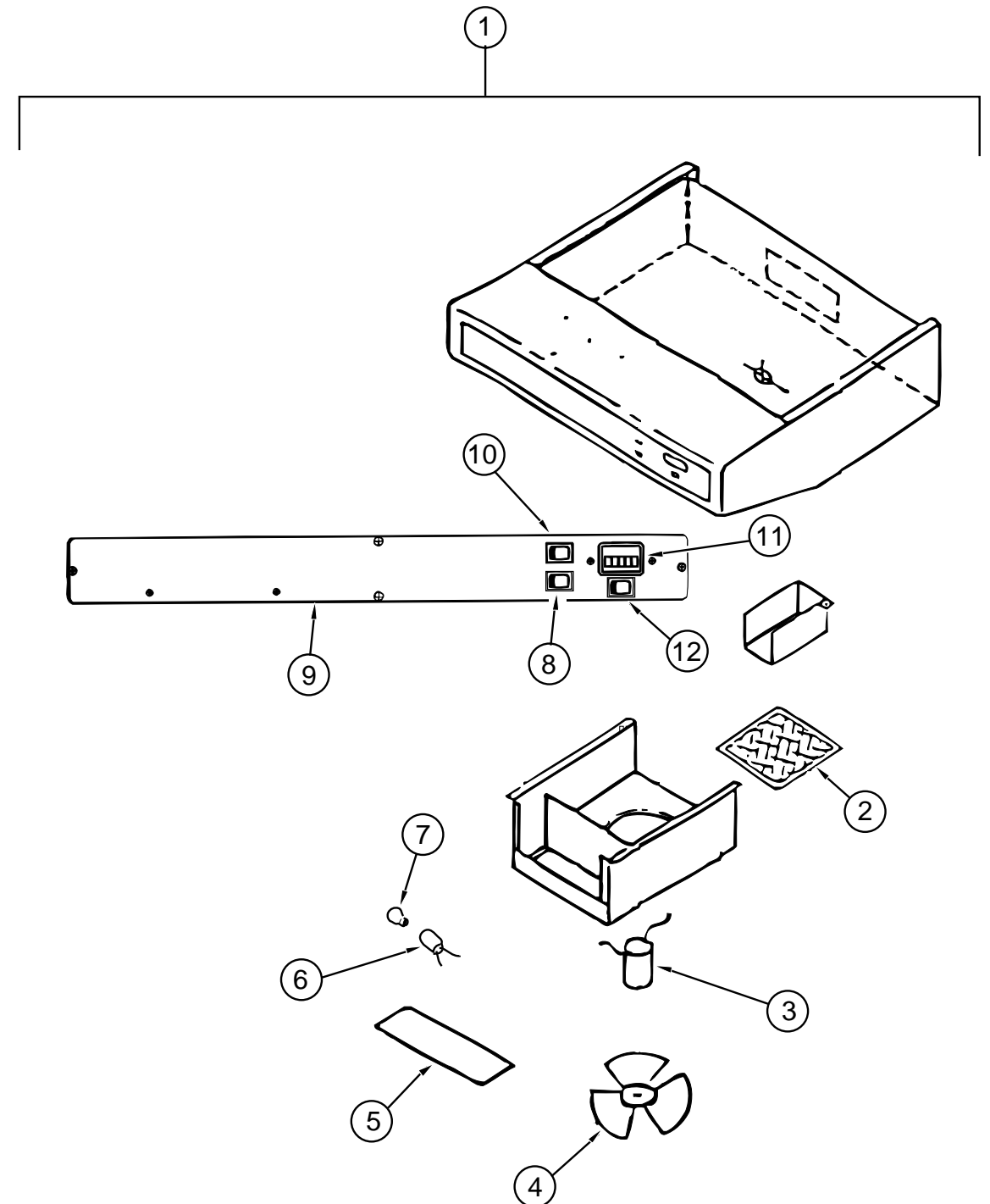
GALLEYGROUP



GALLEY CABINETS & FIXTURES

KEY	PARTNUMBER	U/M	DESCRIPTION
1	122071-01-H04	EA	CABINET ASM-OVHD, MICROWAVE
2	075249-01-000	EA	RAILING-OAK-72" UNFINISHED
3	122071-13-H04	EA	ENDCAP-MICROWAVE CABINET
4	110140-34-G01	EA	DOOR-MITERED CORNER/VINYL WRAP-12" X 25.9"-W/O HDW
5	122070-01-H04	EA	CABINET-OVERHEAD/GALLEY-W/O DOORS/HARDWARE
	122070-11-H04	EA	SHELF-W/PLASTIC EDGE MOLDING
6	103243-01-000	EA	FAUCET/GALLEY-DUAL CONTROL
7	122068-11-H04	EA	COUNTERTOP-GALLEY (H04)
7	122068-11-H04	EA	COUNTERTOP-GALLEY (H05)
7	122068-11-H04	EA	COUNTERTOP-GALLEY (H24/H26)
8	102551-01-000	EA	SINK-STAINLESS STEEL, DOUBLE-17" X 25"
	066437-01-000	EA	STRAINER-SINK W/BASKET-GALLEY
	110012-02-GB1	EA	COVER-SINK-10.8" X 14.9" LEFT CORNER CUTOUT (H04)
	110012-02-G05	EA	COVER-SINK-10.8" X 14.9" LEFT CORNER CUTOUT (H05)
	110012-02-G01	EA	COVER-SINK-10.8" X 14.9" LEFT CORNER CUTOUT (H24/H26)
9	122068-01-H04	EA	CABINET-GALLEY-W/O DOORS/DRAWERS/HARDWARE (H04)
9	122068-01-H05	EA	CABINET-GALLEY-W/O DOORS/DRAWERS/HARDWARE (H05)
9	122068-01-H24	EA	CABINET-GALLEY-W/O DOORS/DRAWERS/HARDWARE (H24/H26)
10	110140-42-GB1	EA	DOOR-MITERED CORNER/VINYL WRAP-14.3" X 26.7"-W/O HDW
11	P10163-M8-H04	EA	DRAWER-W/O SLIDES/HARDWARE
12	P10163-M9-H04	EA	DRAWER-W/O SLIDES/HARDWARE
13	110140-16-G01	EA	DOOR-MITERED CORNER/VINYL WRAP-14.9" X 21.8"-W/O HDW
14	110140-06-G01	EA	DOOR-MITERED CORNER/VINYL WRAP-11" X 21.8"-W/O HDW
15	110140-71-G01	EA	DOOR-MITERED CORNER/VINYL WRAP-20.6" X 48"-W/O HDW
	116823-13-G01	EA	SHELF ASM
16	110140-44-G01	EA	DOOR-MITERED CORNER/VINYL WRAP-10.02" X 26.1"-W/O HDW
	090329-01-000	FT	SEAL-T-REFRIGERATOR CABINET

GALLEY GROUP (CONTINUED)

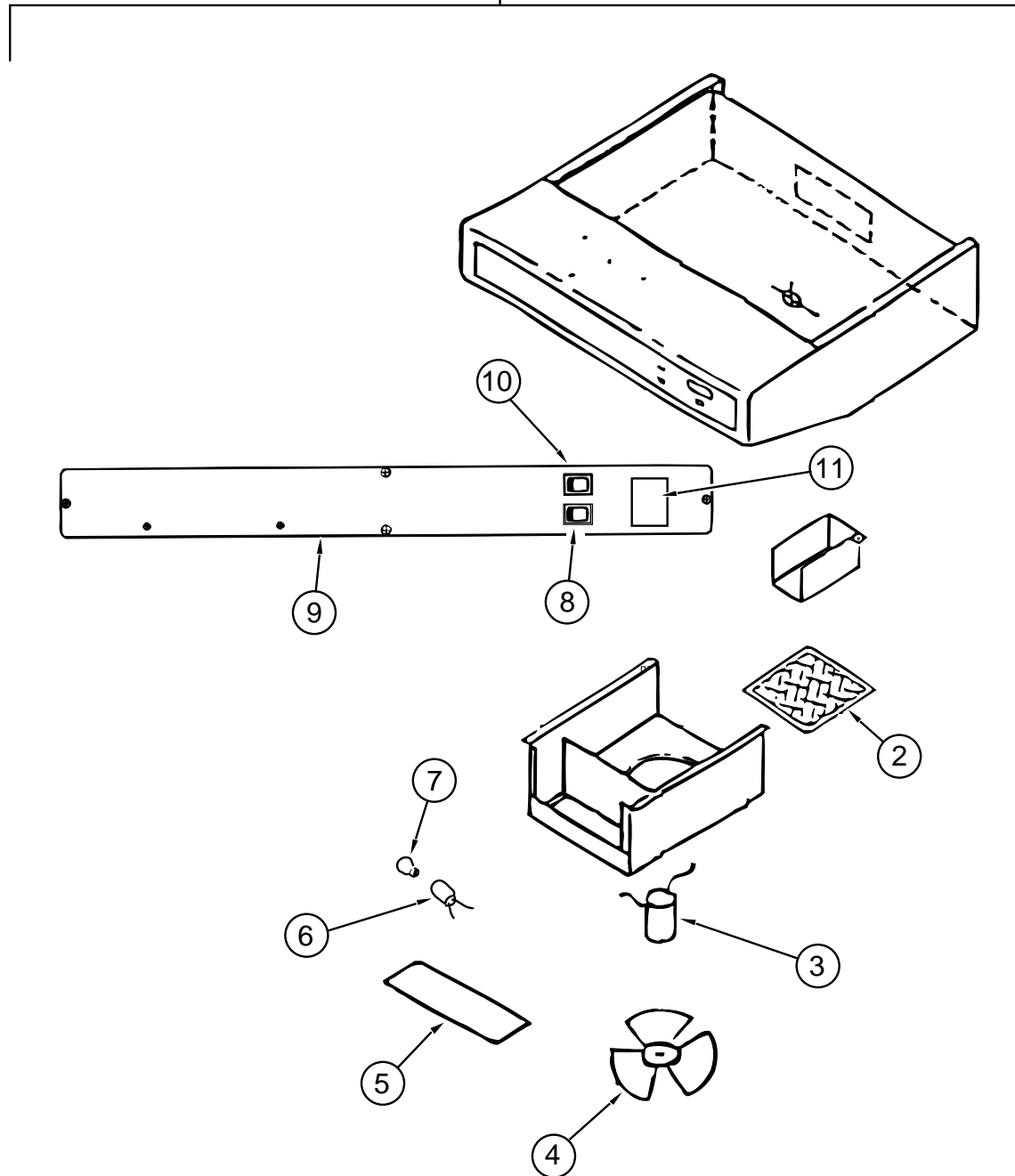


RANGE HOOD W/O MONITOR PANEL - U.S. - MODEL TPR-5042-NADLG

KEY	PARTNUMBER	U/M	DESCRIPTION	VENDOR NO.
1	100258-31-01A	EA	HOOD-RANGE 22W/OPNL TEX	
2	096983-01-707	EA	FILTER-MESH	CC246
3	090973-01-700	EA	MOTOR-LVS	CA508-1
4	090973-01-702	EA	BLADE-FAN, LVS	VA183-1
5	092696-02-701	EA	LENS-LAMP, LVS	CC179-2
6	092696-01-710	EA	HOLDER-LAMP	CB267-2
7	117806-01-000	EA	BULB-12V NO. 9121.0 AMPS	
8	096983-01-702	EA	SWITCH-TWOWAY MOMENTARY, VENTLINE	112
9	100258-01-700	EA	HOOD-NOSE LABEL,	CC428
10	096983-01-700	EA	SWITCH-ON/OFF, VENTLINE	108
11	100258-10-01A	EA	GAUGE-HOURMETER, W/SWITCH-SCREW ON 150	
11	100258-10-701	EA	GAUGE-HOURMETER, CLIP ON	L0775-00
12	096983-01-702	EA	SWITCH-TWOWAY MOMENTARY, VENTLINE-GENERATOR	112

GALLEYGROUP(CONTINUED)

1



RANGEHOOD-MODELTCR5041NADLG-US

KEY	PARTNUMBER	U/M	DESCRIPTION	VENDORNO.
1	100258-31-01A	EA	HOOD-RANGE22W/OPNLTEX	
2	096983-01-707	EA	FILTER-MESH	CC246
3	090973-01-700	EA	MOTOR-LVS	CA508-1
4	090973-01-702	EA	BLADE-FAN,LVS	VA183-1
5	092696-02-701	EA	LENS-LAMP,LVS	CC179-2
6	092696-01-710	EA	HOLDER-LAMP	CB267-2
7	117806-01-000	EA	BULB-12VNO.9121.0AMPS	
8	096983-01-700	EA	SWITCH-ON/OFF,VENTLINE	108
9	100258-01-700	EA	HOOD-NOSELABEL	CC428
10	096983-01-702	EA	SWITCH-TWOWAYMOMENTARY,VENTLINE	112
11	100258-10-01A	EA	GAUGE-HOURMETER,W/SWITCH-SCREWON 150	
11	100258-10-701	EA	GAUGE-HOURMETER,CLIPON	L0775-00
11	097944-03-700	EA	PLATE-COVER,HOURMETER-VENTLINE	L6052

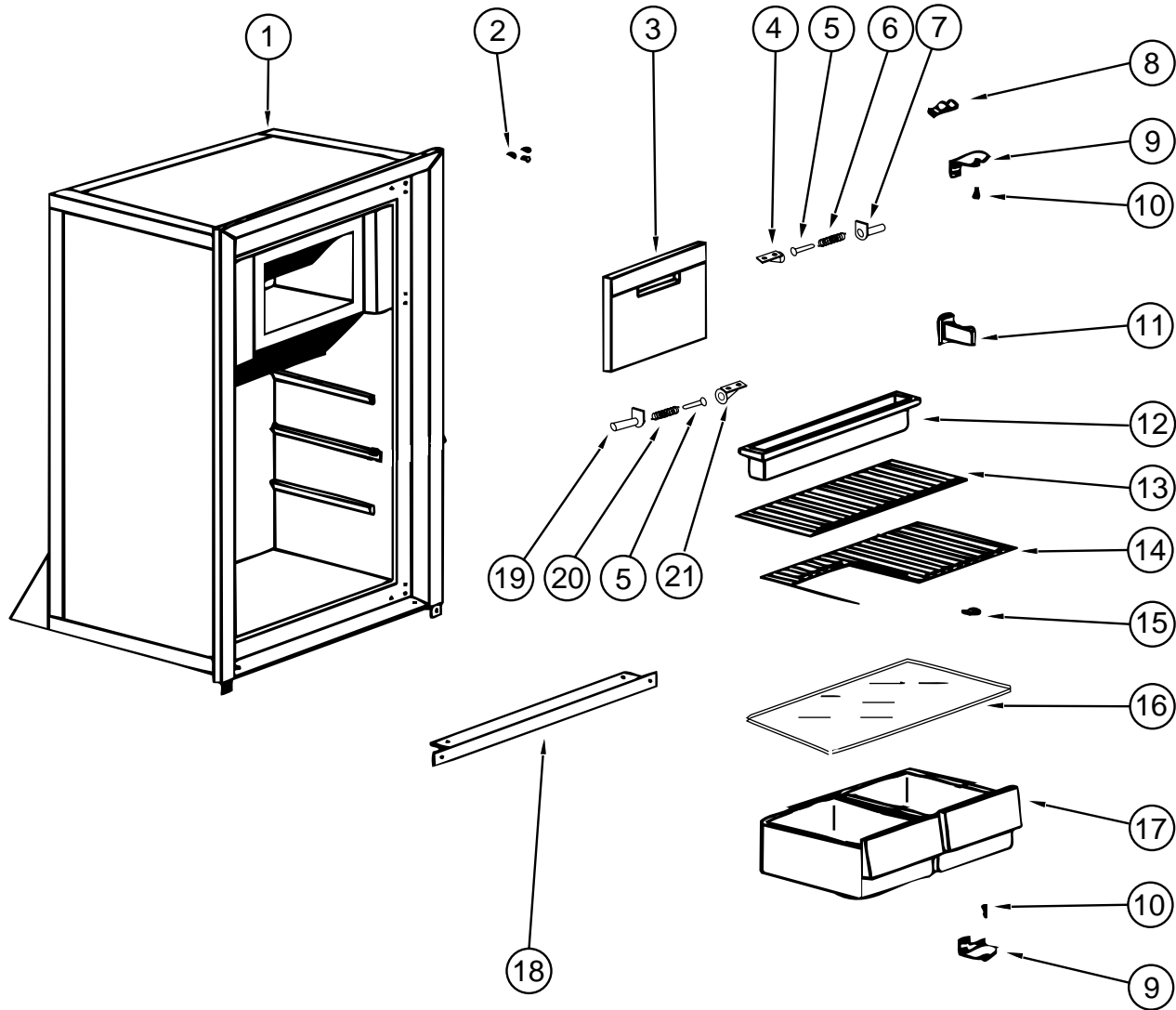
GALLEYGROUP(CONTINUED)

RANGEHOOD-HOURMETERW/SWITCH-MODELCR5041NACL-CANADIAN

KEY	PARTNUMBER	U/M	DESCRIPTION	VENDORNO.
1	100258-32-01A	EA	HOOD-RANGE22W/OPNLTEX	
2	096983-01-707	EA	FILTER-MESH	CC246
3	090973-01-700	EA	MOTOR-LVS	CA508-1
4	090973-01-702	EA	BLADE-FAN,LVS	VA183-1
5	092696-02-701	EA	LENS-LAMP,LVS	CC179-2
6	092696-01-710	EA	HOLDER-LAMP	CB267-2
7	117806-01-000	EA	BULB-12VNO.9121.0AMPS	
8	096983-01-700	EA	SWITCH-ON/OFF,VENTLINE	108
9	100258-01-700	EA	HOOD-NOSELABEL	CC428
10	096983-01-702	EA	SWITCH-TWOWAYMOMENTARY,VENTLINE	112
11	100258-10-01A	EA	GAUGE-HOURMETER,W/SWITCH-SCREWON 150	
11	100258-10-701	EA	GAUGE-HOURMETER,CLIPON	L0775-00
11	097944-03-700	EA	PLATE-COVER,HOURMETER-VENTLINE	L6052

GALLEYGROUP(CONTINUED)

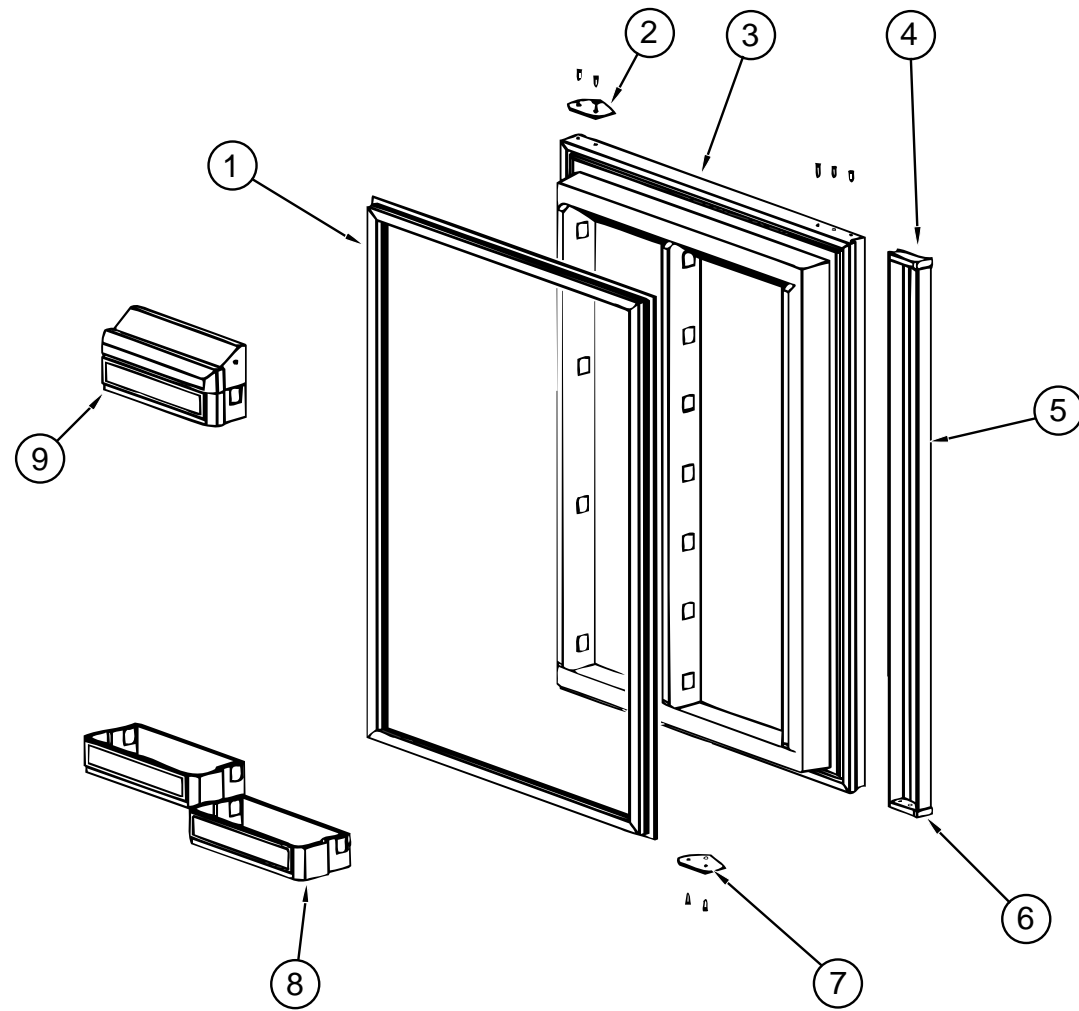
CABINET & COMPONENTS-NORCOLD SINGLE DOOR REFRIGERATOR-2-WAY-MODEL 6052RHB



KEY	PARTNUMBER	U/M	DESCRIPTION	VENDOR NO.
	102621-04-01A	EA	REFRIGERATOR-LARGE SINGLE DOOR, 2-WAY	
1	102621-01-701	EA	CABINET-FOAMED, BLACK	61620238
2	094039-01-722	EA	HOLE PLUG-HINGE HOLES, BLACK	61582030
3	102621-01-700	EA	DOOR-EVAPORATOR ASM	61620738
4	102621-04-709	EA	CLIP MOUNTING, EVAPORATOR DOOR-RH-WHITE	61632930
5	102621-04-710	EA	SPRING-PIN	61632622
6	102621-04-711	EA	SPRING TORSION-EVAPORATOR DOOR, RH	61633222
7	102621-04-703	EA	HOLDER-SPRING, RH-WHITE	61632830
8	084880-01-760	EA	CLIP-THERMISTER	61689122
9	094039-01-723	EA	BRACKET-HINGE, TOP RH-BOTTOM LH-BLACK	61580838
9	094039-01-724	EA	BRACKET-HINGE, TOP LH-BOTTOM RH-BLACK	61580938
10	094039-01-725	EA	PIN-HINGE, MALE-BLACK	61578130
	084880-03-702	EA	PIN-HINGE, TOP/BOTTOM-FEMALE	61580630
11	084880-01-732	EA	LATCH	61578522
12	102621-04-704	EA	TRAY-DRIP, WHITE	61619930
13	104137-06-706	EA	WIRESHELF-SHORT	61718222
14	094039-01-739	EA	SHELF-CUTOUT	61646722
15	102621-04-705	EA	RETAINER-GLASS SHELF	61580322
16	084880-01-722	EA	COVER-CRISPER	61564122
17	104137-06-707	EA	CRISPER-WHITE	61571325
18	094039-01-732	EA	FRONT COVER-BOTTOM TRIM, BLACK	61622130
19	102621-04-707	EA	HOLDER-SPRING, EVAPORATOR DOOR-LH	61632730
20	102621-04-706	EA	SPRING-EVAPORATOR DOOR, TORSION-LH	61633122
21	102621-04-708	EA	CLIP-MOUNTING, EVAPORATOR DOOR-LH	61633030
	065225-02-000	EA	PLATE-TIEDOWN, REFRIGERATOR	
	093646-05-000	EA	BRACKET ASM-TIEDOWN, REFRIGERATOR	
	116751-01-01A	EA	TRAY-REFRIGERATOR, BLK	
	054450-01-000	EA	LEVEL-REFRIGERATOR	

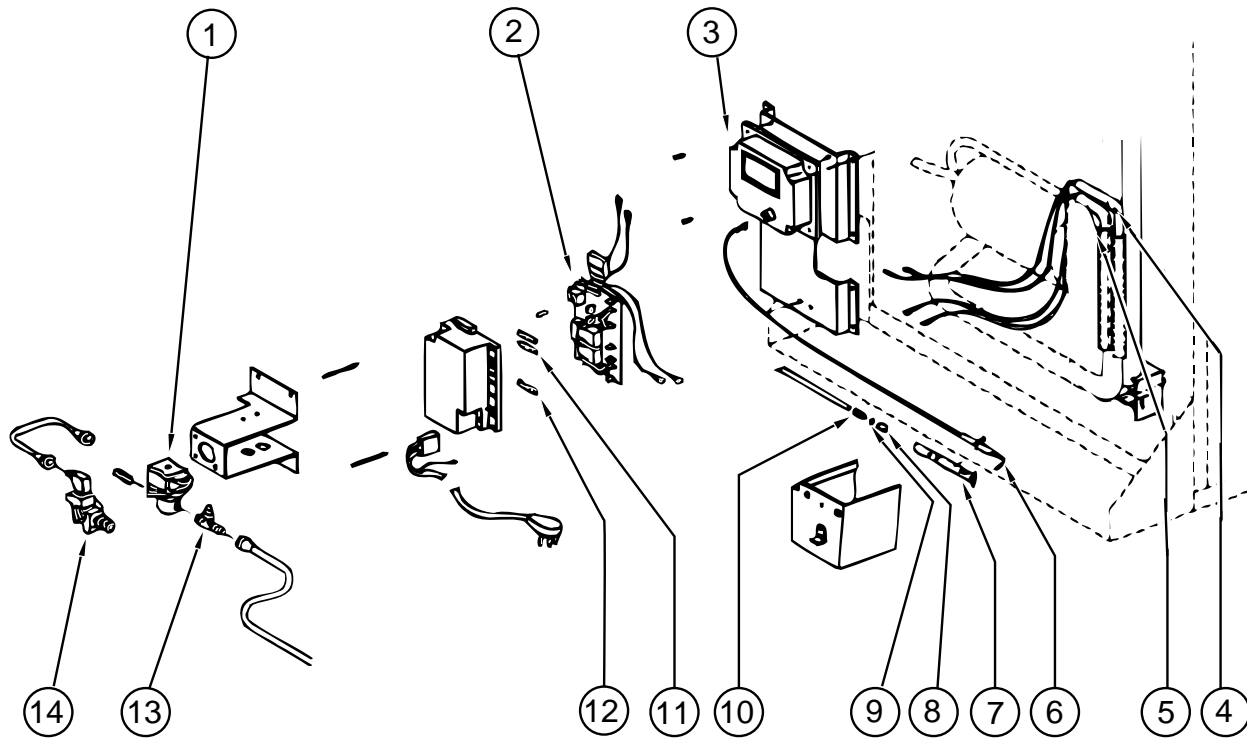
GALLEYGROUP(CONTINUED)

DOOR-NORCOLD SINGLE DOOR REFRIGERATOR-2-WAY-MODEL 6052RHB



KEY	PARTNUMBER	U/M	DESCRIPTION	VENDORNO.
1	094039-01-713	EA	DOORGASKET-LOWER,GRAY	61568030
2	094039-01-710	EA	PLATE-HINGE,BLACK	61631330
3	094039-01-715	EA	LINER-LOWER DOOR,FOAMEDBLACK/WHITE	61581738-B
4	084880-01-761	EA	ENDCAP-SPRINGCATCH,UPPER-BLACK	61593730
5	094039-01-717	EA	HANDLE-W/CAP&SPRING,BLACK	61649938
6	084880-01-720	EA	SPRING-DOORHANDLE	61558822
7	094039-01-704	EA	PLATE-HINGE,BLACK	61593830
8	104137-06-703	EA	BIN-DOORSHELF,WHITE	61631430
9	104137-06-704	EA	BIN-MILK,WHITE	61564025
				61579425

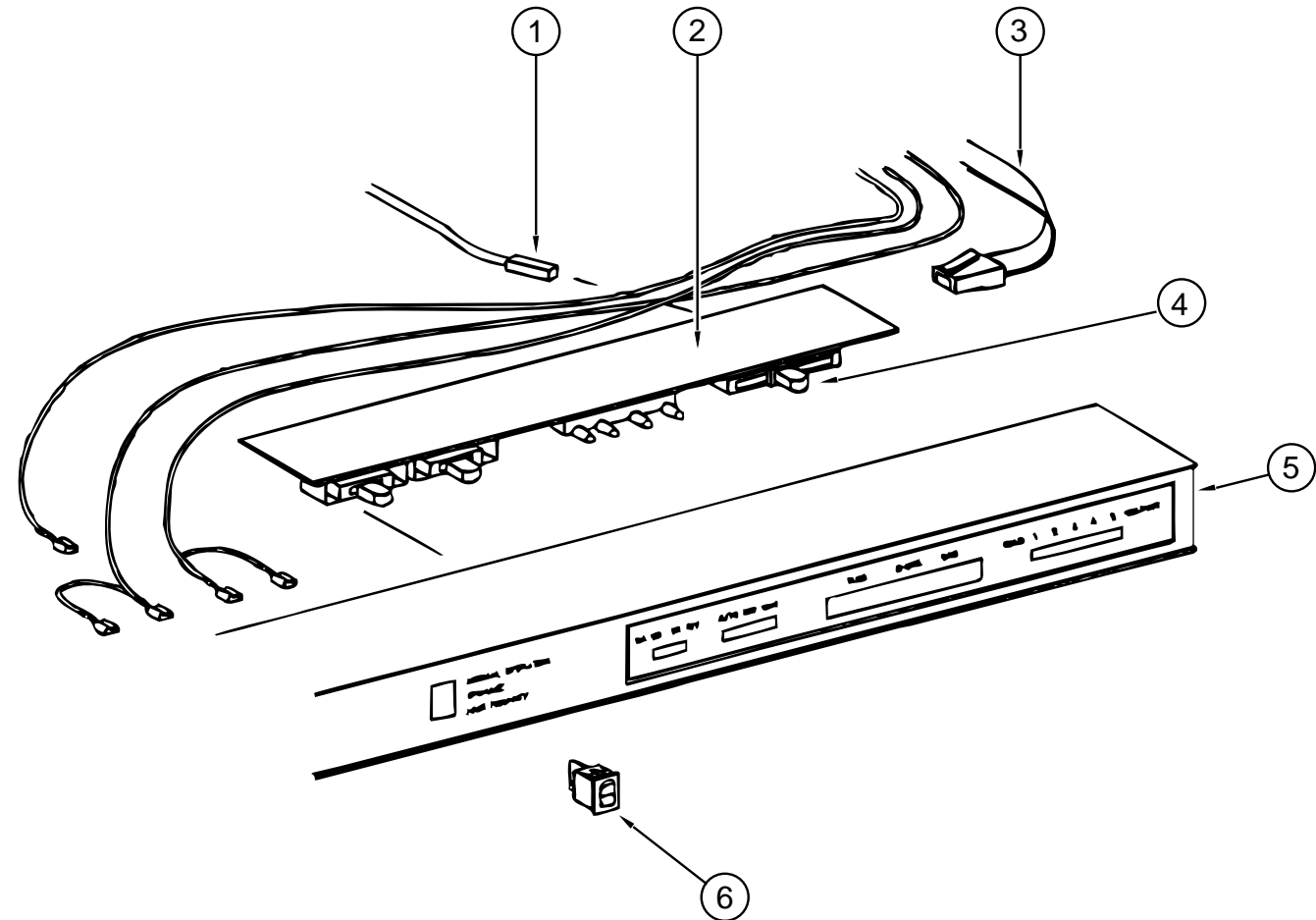
GALLEYGROUP(CONTINUED)



NORCOLD6052REFRIGERATORCONTROLASSEMBLY

KEY	PARTNUMBER	U/M	DESCRIPTION	VENDORNO.
1	084880-01-718	EA	VALVE-GAS	61551822
2	094039-04-702	EA	POWERSUPPLY-2WAY	61647422
3	102621-01-702	EA	MODULE-IGNITION	61688922
4	104137-02-700	EA	MODULE-CONTROL,CHANNEL-NORCOLD	61717037
4	102621-04-712	EA	HEATER-DC,HORIZONTALBURNER	61562622
5	064473-03-701	EA	HEATER-AC,HORIZONTALBURNER	61562522
6	064473-03-718	EA	COOLINGUNIT-HORIZONTALBURNER	61687137
6	104137-06-715	EA	SPARK/SENSEELECTRODE-SINGLE	61692222
7	104137-06-714	EA	BURNERASSEMBLY-5-SLOT	61705222
8	064473-01-702	EA	ORIFICE-6EG-2	61452122
9	104137-06-713	EA	GASKET-ORIFICE	61475122
10	104137-06-712	EA	FITTING-GASTUBECONNECTION	61692722
11	075217-01-734	EA	FUSE-3AMP	61538822
12	104137-06-711	EA	FUSE-5AMP	61611622
13	104137-06-710	EA	PRESSURETAP	61594422
14	104137-06-709	EA	VALVE-SHUTOFF,MANUAL	61694922

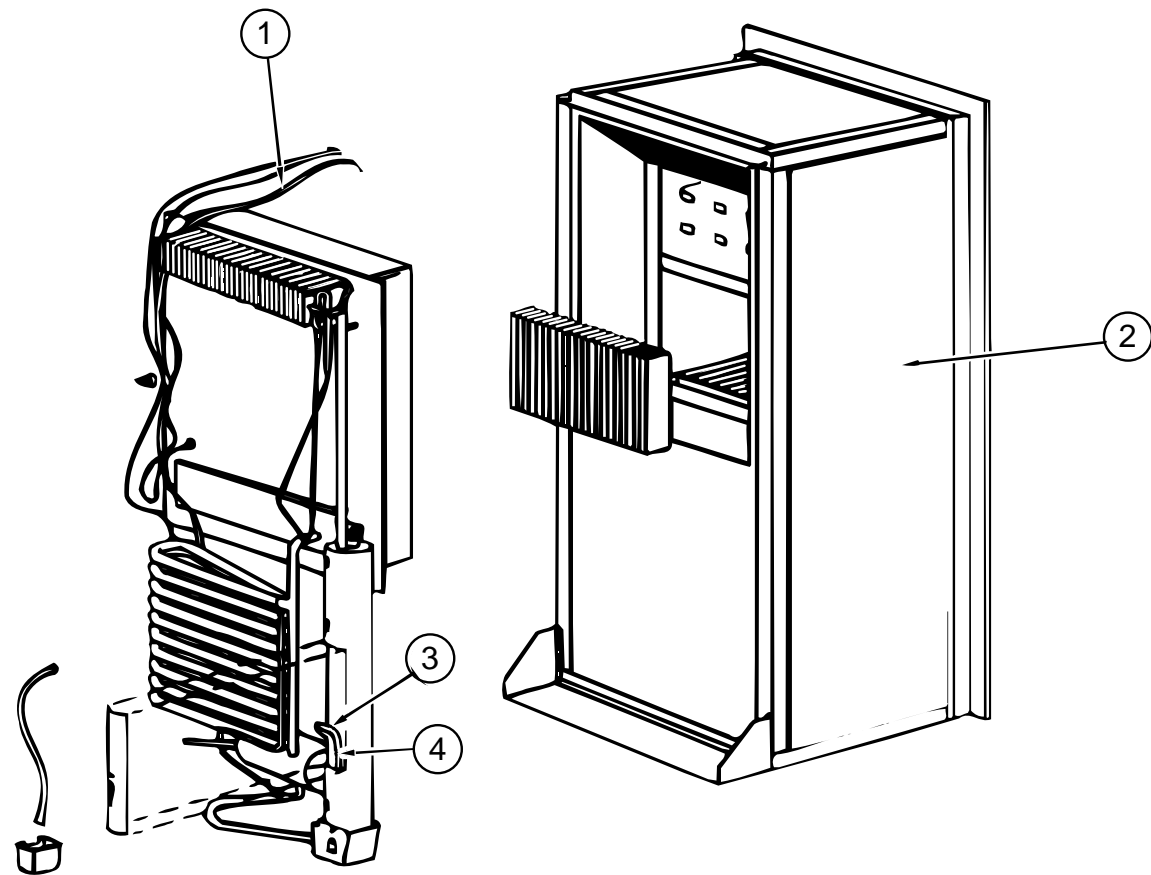
GALLEYGROUP(CONTINUED)



NORCOLD6052REFRIGERATOREYEBROWASSEMBLY

KEY	PARTNUMBER	U/M	DESCRIPTION	VENDORNO.
1	084880-01-753	EA	THERMISTER78"	61693822
	084880-01-760	EA	CLIP-THERMISTER	61689122
2	094039-04-700	EA	PRINTEDCIRCUITBOARD-2WAY	61647322
3	084880-01-746	EA	CABLE-NORCOLD	61571522
4	102621-01-703	EA	BUTTON-THERMOSTAT,ADJUSTABLE	61587422
5	094039-04-701	EA	EYEBROWSHELL,2-WAY-W/HUMIDITYSWITCHHOLE	61669822
5	104137-06-700	EA	EYEBROWSHELL,2-WAY-W/HUMIDITYSWITCHHOLE	61726622
6	075217-01-738	EA	SWITCH-HUMIDITY	61525922

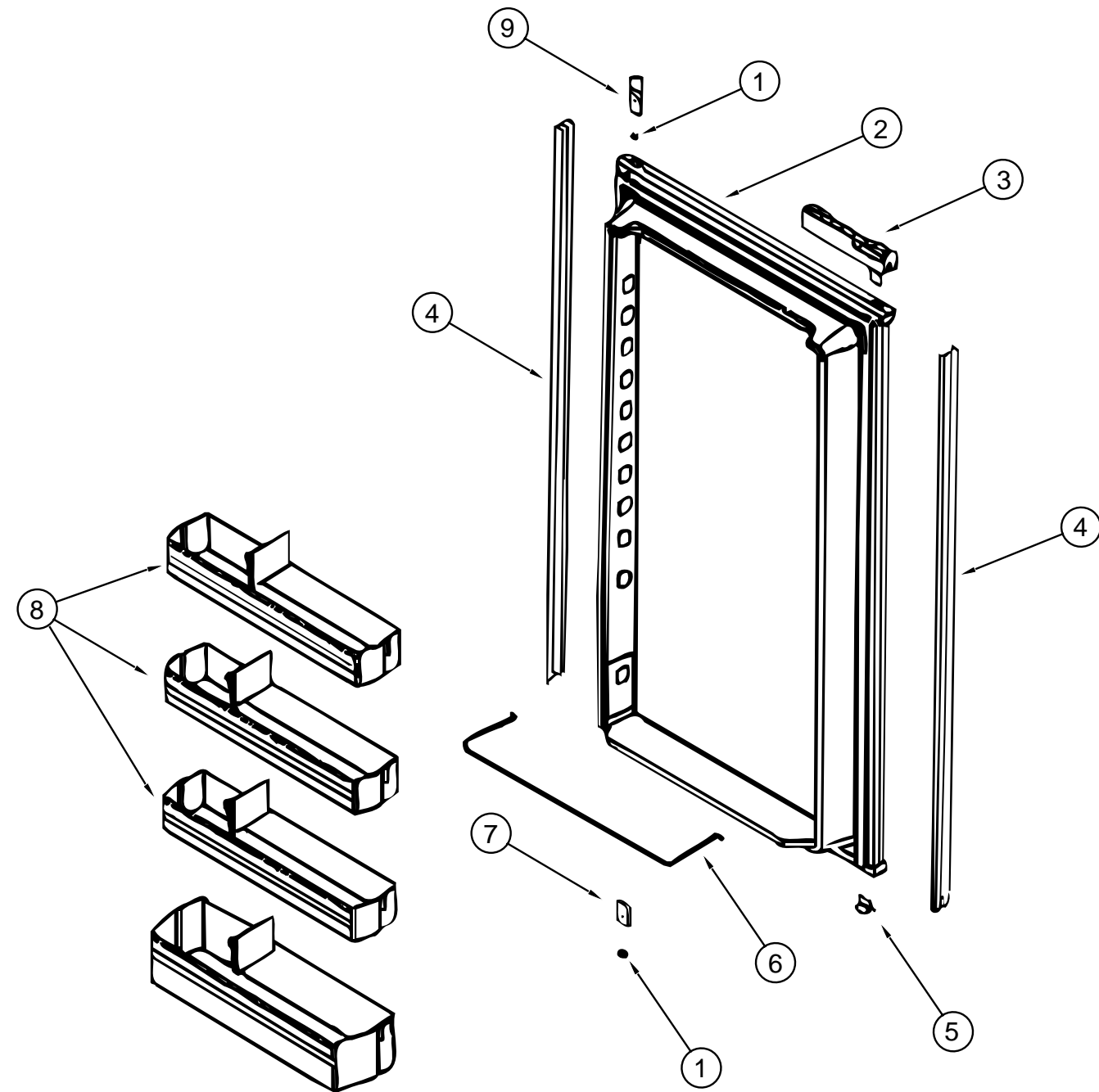
GALLEYGROUP(CONTINUED)



CABINET-NORCOLDREFRIGERATORSMALLDOUBLEDOOR-MODEL9162L

KEY	PARTNUMBER	U/M	DESCRIPTION	VENDORNO.
	121568-02-01A	EA	REFRIG-SMALLDBLDRBL2-WAY-NORCOLD9162L	
1	120076-01-704	EA	COOLINGUNIT,SERVICEPACK	618543
2	120076-01-703	EA	CABINET-FOAMED	618260
3	088248-01-710	EA	HEATERDC(HORIZONTAL)	61562822
4	088248-01-709	EA	HEATER-AC(HORIZONTAL)	61562722

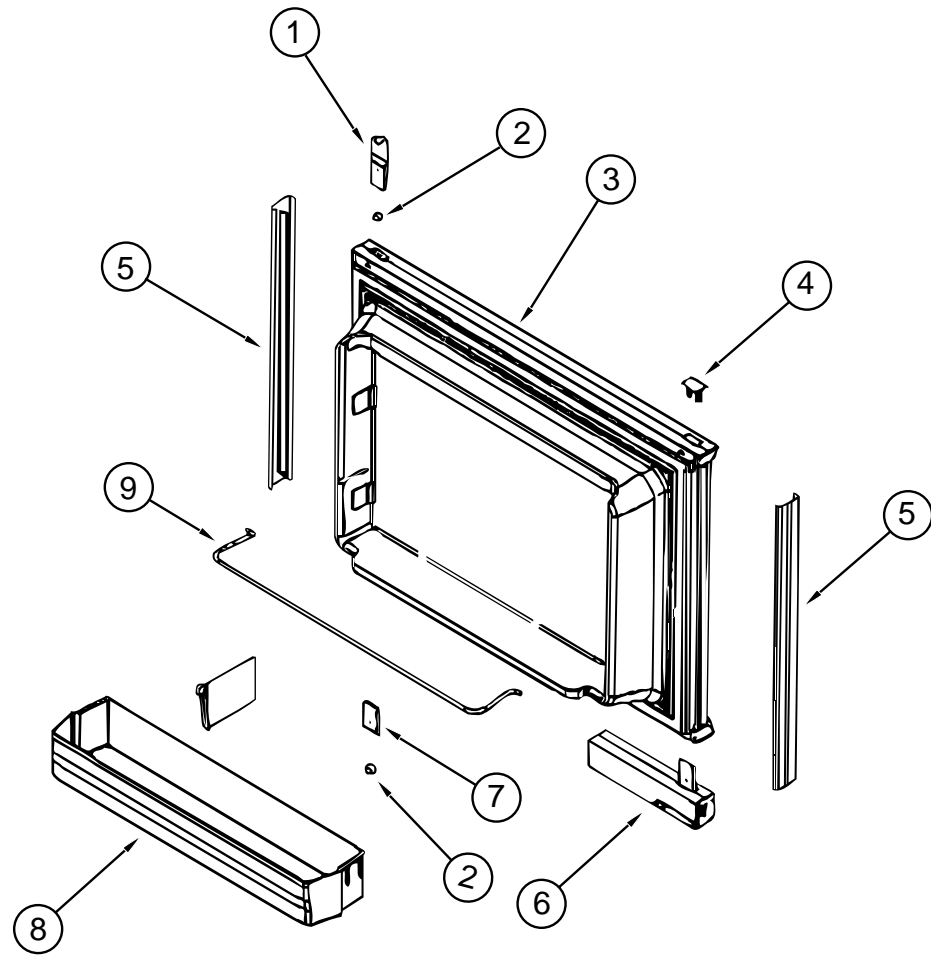
GALLEYGROUP(CONTINUED)



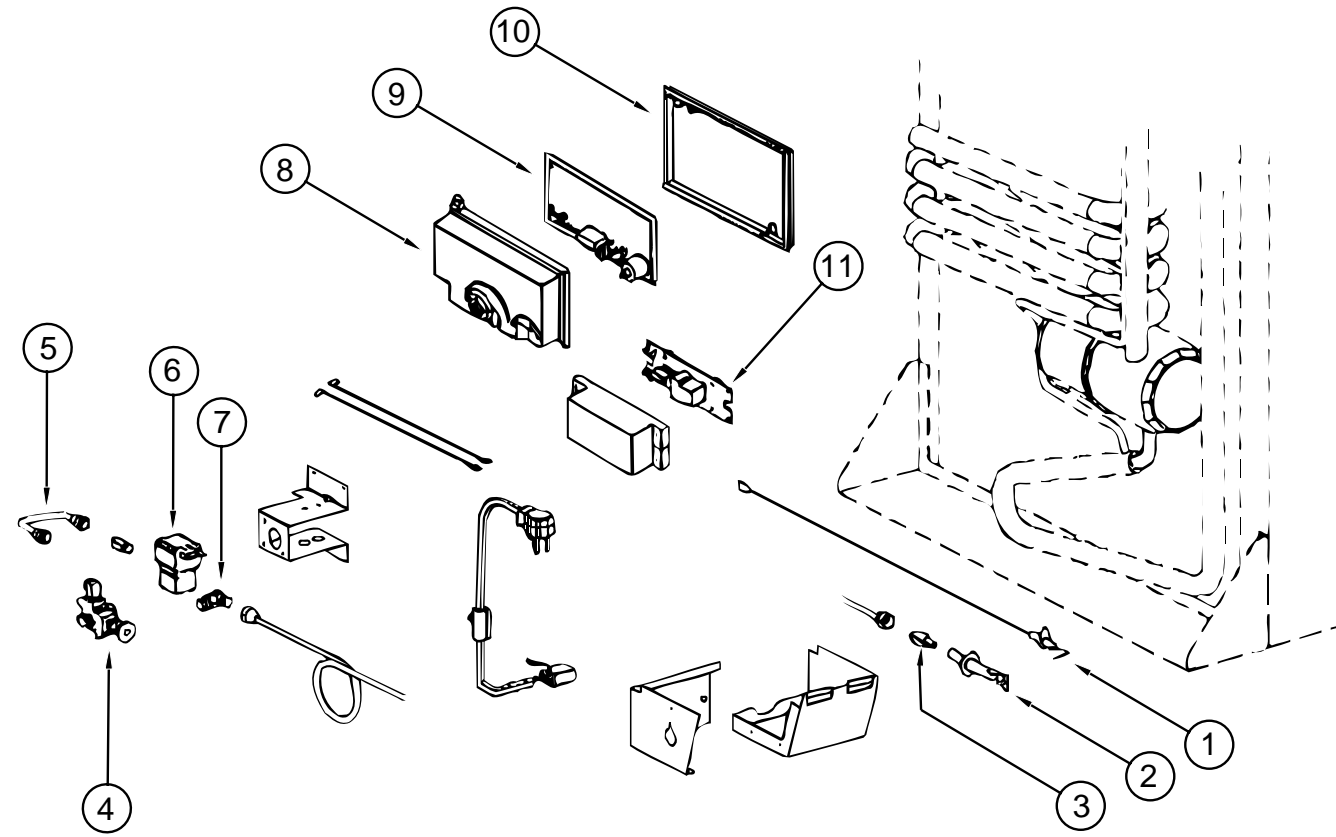
DOOR-NORCOLDREFRIGERATORSMALLDOUBLEDOOR-MODEL9162L

KEY	PARTNUMBER	U/M	DESCRIPTION	VENDORNO.
	121568-02-01A	EA	REFRIG-SMALLDBLDRBL2-WAY-NORCOLD9162L	
1	120075-01-708	EA	BUSHING-DOORHINGE	618144
2	120075-01-710	EA	DOOR-LOWER-FOAMED,W/GASKET	618270
3	120075-01-711	EA	HANDLEASM,UPPERRH/LOWERLH	618235
4	120076-01-700	EA	RETAINER-LOWERDOORPANEL	618132
5	120075-01-702	EA	CAP,(HINGEPLUG)	618160
6	121568-01-704	EA	RAIL-DOORLOWER	618578
7	120075-01-705	EA	HINGE,PAINTED,TOPLH/BTMRH	618510
8	121568-01-701	EA	BIN-DOORWHITE	618619
9	120075-01-701	EA	HINGE-TOPRH/BTMLH,PAINTED	618511

GALLEYGROUP(CONTINUED)



GALLEYGROUP(CONTINUED)



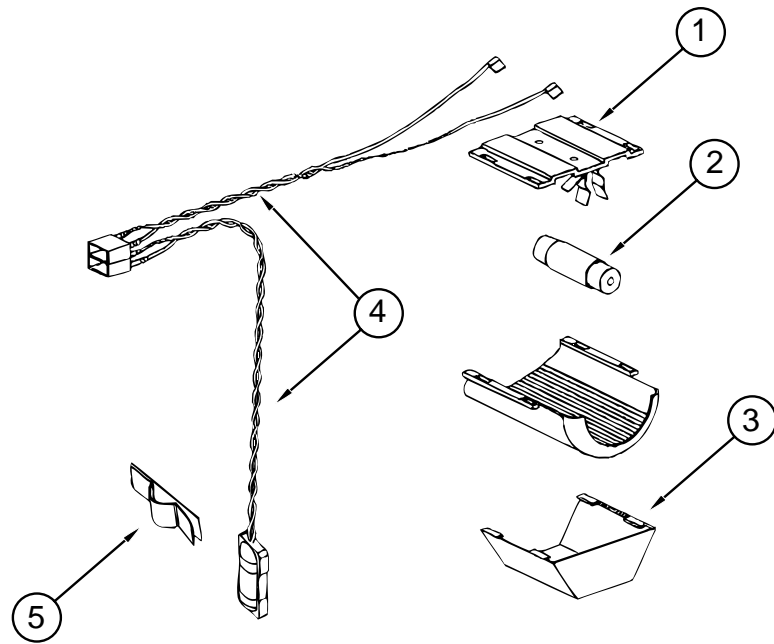
FREEZER DOOR-NORCOLD REFRIGERATOR SMALL DOUBLE DOOR-MODEL 9162L

KEY	PARTNUMBER	U/M	DESCRIPTION	VENDOR NO.
	121568-02-01A	EA	REFRIG-SMALL DBLDRBL2-WAY-NORCOLD9162L	
1	120075-01-701	EA	HINGE-TOPRH/BTMLH,PAINTED	618511
2	120075-01-708	EA	BUSHING-DOORHINGE	618144
3	120075-01-703	EA	DOORASM.,FOAMED,W/GASKET	618205
4	120075-01-702	EA	CAP,(HINGEPLUG)	618160
5	120075-01-700	EA	RETAINER-DOOR,DECORPANEL	618128
6	121568-01-702	EA	DOORHANDLEASMLWR/LH-TOP/RH	618230
7	120075-01-705	EA	HINGE,PAINTED,TOPLH/BTMRH	618510
8	121568-01-701	EA	BIN-DOORWHITE	618619
9	121568-01-700	EA	RAIL-DOORUPPER	618618

ELECTRICAL COMPONENTS-NORCOLD REFRIGERATOR SMALL DOUBLE DOOR-MODEL 9162L

KEY	PARTNUMBER	U/M	DESCRIPTION	VENDOR NO.
	121568-02-01A	EA	REFRIG-SMALL DBLDRBL2-WAY-NORCOLD9162L	
1	104137-06-715	EA	ELECTRODE-SPARK/SENSOR,SGL	61692222
2	104137-06-714	EA	BURNERASSEMBLY,5-SLOT	61705222
3	121568-01-705	EA	SHELF-WIREFREEZER	618620
4	104137-06-709	EA	VALVE-SHUTOFF,MANUAL	61694922
5	113737-01-750	EA	TUBE-UNION	61694622
6	084880-01-718	EA	VALVE-GAS,(ASCO)	61551822
7	113737-01-716	EA	TAP-PRESSURE	61594422
8	120075-01-738	EA	COVER-POWERBOARD	618185
9	120075-01-739	EA	BOARD-POWER,2-WAY	618198
	121568-01-710	EA	BOARD-POWER-3WAY	618575
10	120075-01-740	EA	COVER-BASE,POWERBOARD	618186
11	121568-01-711	EA	BOARD-MODULE,DC	618561
	113737-01-702	EA	PLUG1/8"F/PRESSURETAP	61445322

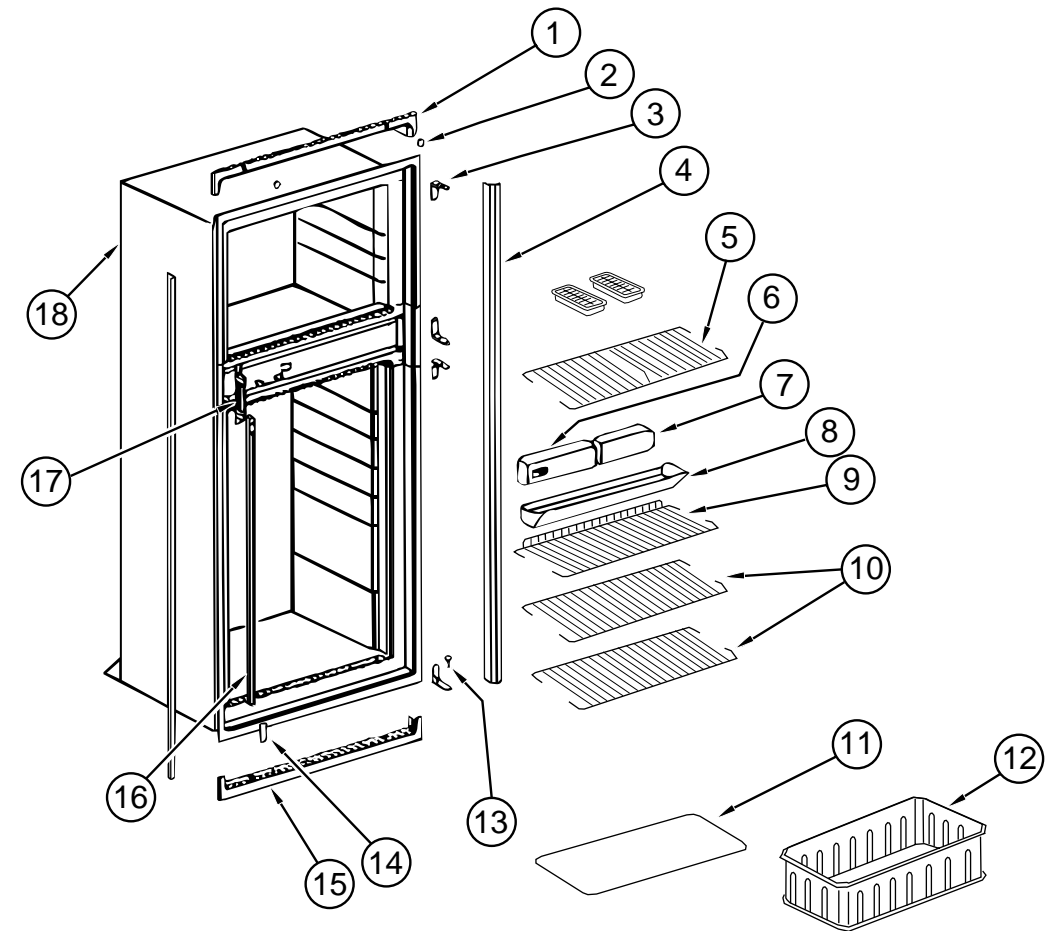
GALLEYGROUP(CONTINUED)



LIGHT-NORCOLDREFRIGERATORSMALLDOUBLEDOOR-MODEL9162L

KEY	PARTNUMBER	U/M	DESCRIPTION	VENDORNO.
	121568-02-01A	EA	REFRIG-SMALLDBLDRBL2-WAY-NORCOLD9162L	
1	084880-03-705	EA	BRACKET-LIGHT-INTERIOR	61629722
2	084880-03-706	EA	BULB-LAMP	61628922
3	084880-03-707	EA	COVER-LAMP, LENS	61627922
4	120075-01-735	EA	WIREASM.-LAMP	618548
5	084880-01-760	EA	CLIP(THERMISTER)	61689122

GALLEYGROUP(CONTINUED)

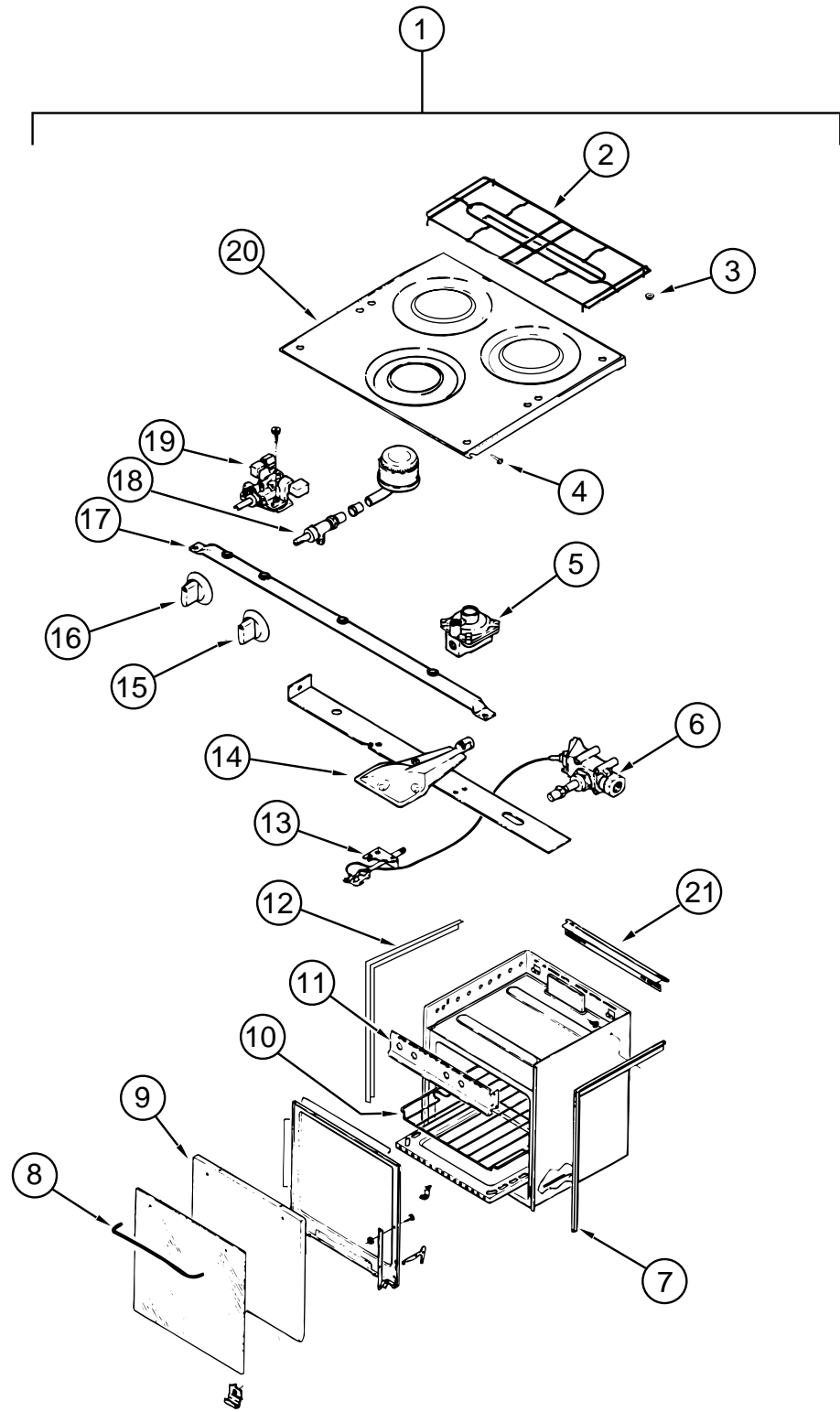


NORCOLDMODEL9162LREFRIGERATORCABINETASMWITHTRAY,TIEDOWNS&LEVEL

KEY	PARTNUMBER	U/M	DESCRIPTION	VENDORNO.
	121568-02-01A	EA	REFRIG-SMALLDBLDRBL2-WAY-NORCOLD9162L	
1	120075-01-713	EA	TRIM-TOPPIECE	618124
2	120075-01-714	EA	PLUG-HOLE	618170
3	120075-01-715	EA	HINGE-CABINETSIDE-PAINTED	618512
4	120076-01-702	EA	TRIM, SIDEPIECE	618133
5	121568-01-705	EA	SHELF-WIREFREEZER	618620
6	121568-01-706	EA	CONTROLBOXASSEMBLY	618588
	120075-01-708	EA	BUSHING-DOORHINGE	618144
7	120075-01-718	EA	BOX-FILLER	618112
8	120075-01-720	EA	TRAY-DRIP	618137
	120075-01-721	EA	LOUVER-DRIPTRAY	618176
9	121568-01-707	EA	SHELF-WIRE-SHORT	618624
10	121568-01-708	EA	SHELF-WIRE	618589
11	120075-01-725	EA	COVER-CRISPER	618158
12	121568-01-709	EA	CRISPER	618571
13	120075-01-727	EA	PIN-HINGE	618145
14	120075-01-728	EA	COVER-HINGEHOLE	618171
15	120075-01-729	EA	TRIM-BOTTOMPIECE	618136
16	120075-01-730	EA	RETAINER-SHELF	618181
17	120075-01-732	EA	PLATE-STRIKE	618167
18	120076-01-703	EA	CABINET-FOAMED	618260
	120075-01-731	EA	PLUG-FACADE	618184
	093646-01-000	EA	BRACKET-TIEDOWN/REFRIGERATOR-RIGHTHAND	
	093646-02-000	EA	BRACKET-TIEDOWN/REFRIGERATOR-LEFTHAND	
	116751-01-01A	EA	TRAY-REFRIGERATORBLK	
	054450-01-000	EA	LEVEL-REFRIGERATOR	

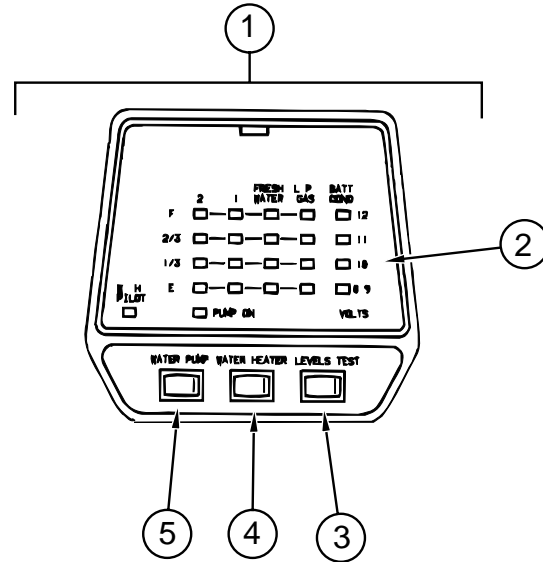
GALLEYGROUP(CONTINUED)

RANGE-3BURNERW/OVEN-MAGICCHEF-MODEL16RA-3B49



KEY	PARTNUMBER	U/M	DESCRIPTION	VENDORNO.
1	112881-01-03A	EA	RANGE - 16", 3BURNER-ALMOND-BLACKTEXTURED	DOOR
2	102020-01-711	EA	GRATE-TOP	7518P012-60
3	102020-01-709	EA	BUMPER-GRATE	8007-P020-60
4	102020-01-724	EA	BUMPER-MAINTOP	8003P008-60
5	102022-01-708	EA	REGULATOR, 1/4 & 1/2 OUT	7510P041-60
6	112881-01-702	EA	VALVE-MERCURY(SAFETYVALVE)	7501P12160=74001018
7	112881-01-720	EA	TRIM-FLATRHBLACKTEXTURED	74002812
7	112881-01-708	EA	TRIM-FLAT(RIGHT)(BLK)	3608W036-70
8	102020-01-701	EA	HANDLE, DOOR	7701P092-60
9	112881-01-713	EA	DOOR-OVEN-TEXTURED, BLACK	2401F126-70
10	102020-01-700	EA	SHELF-OVEN	7801-P027-60
11	112881-01-701	EA	PANEL-MANIFOLD	2616F091-70
12	112881-01-719	EA	TRIM-FLATLHBLACKTEXTURED	74002813
12	112881-01-707	EA	TRIM-FLAT(LEFT)(BLK)	3608W035-70
13	112881-01-710	EA	OVENPILOT	7505P202-60
14	112881-01-711	EA	BURNER-OVEN	3403W025045
15	112881-01-705	EA	KNOB-TOPBURNER	7733P072-60
15	112881-01-718	EA	KNOB, HIGH OUTPUT (FLAME IND)	74001794
16	112881-01-704	EA	KNOB-THERMOSTAT	7731P067-60
16	112881-01-706	EA	THERMOSTAT SER#02C	7515P031-60
16	112881-01-716	EA	KNOB, THERMOSTAT-SER#3C	7731P107-60
17	112881-01-709	EA	PIPE-MANIFOLD	7513P097-60
18	102020-01-722	EA	VALVE-TOPBURNER	7502P181-60
18	112881-01-703	EA	VALVE-TOPBURNERHI-OUTPUT	7502P180-60
19	112881-01-706	EA	THERMOSTAT	12400026
19	112881-01-715	EA	THERMOSTAT, REF. SER. #3C	7515P037-60
20	112881-01-700	EA	RANGE-TOP, 3BURNER, ALMOND	2001F110-84
21	112881-01-721	EA	DEFLECTOR FLUE BLACKTEXTURED	
	105458-01-000	EA	TIEDOWNBRACKET-STOVE-RH	
	105458-02-000	EA	TIEDOWNBRACKET-STOVE-LH	

GALLEYGROUP(CONTINUED)



MONITORPANEL-LVS

KEY	PARTNUMBER	U/M	DESCRIPTION	VENDORNO.
1	102765-04-01A	EA	PANEL-MONITOR2TANKWATERHEATER-LVSW/PLUG-ALMOND	
2	102765-04-700	EA	BOARD-CIRCUIT,2HOLDINGTANK	L5097-41
3	097617-01-702	EA	SWITCH(ALMOND)	107
4	097617-01-701	EA	SWITCH-ON/OFF,ALMOND	106
5	102765-01-700	EA	SWITCH-ON-ON,ALMOND	110-01

MICROWAVEOVEN

KEY	PARTNUMBER	U/M	DESCRIPTION	VENDORNO.
	115303-01-000	EA	MICROWAVEOVEN-141/8"HX217/8"WX131/4"D	
	115303-01-700	EA	TRIMF/VENT, TOP	2100309
	115401-01-01A	EA	TRIM-MICROWAVE, BLACK	
	098916-12-01A	EA	BRACE-MICROWAVECABT, E-COAT	
	098916-13-01A	EA	BRACE-MICROWAVECABT, E-COAT	
	094750-07-000	EA	BRACKET-MICROWAVE, 89DEGREE	

GENERATORGROUP

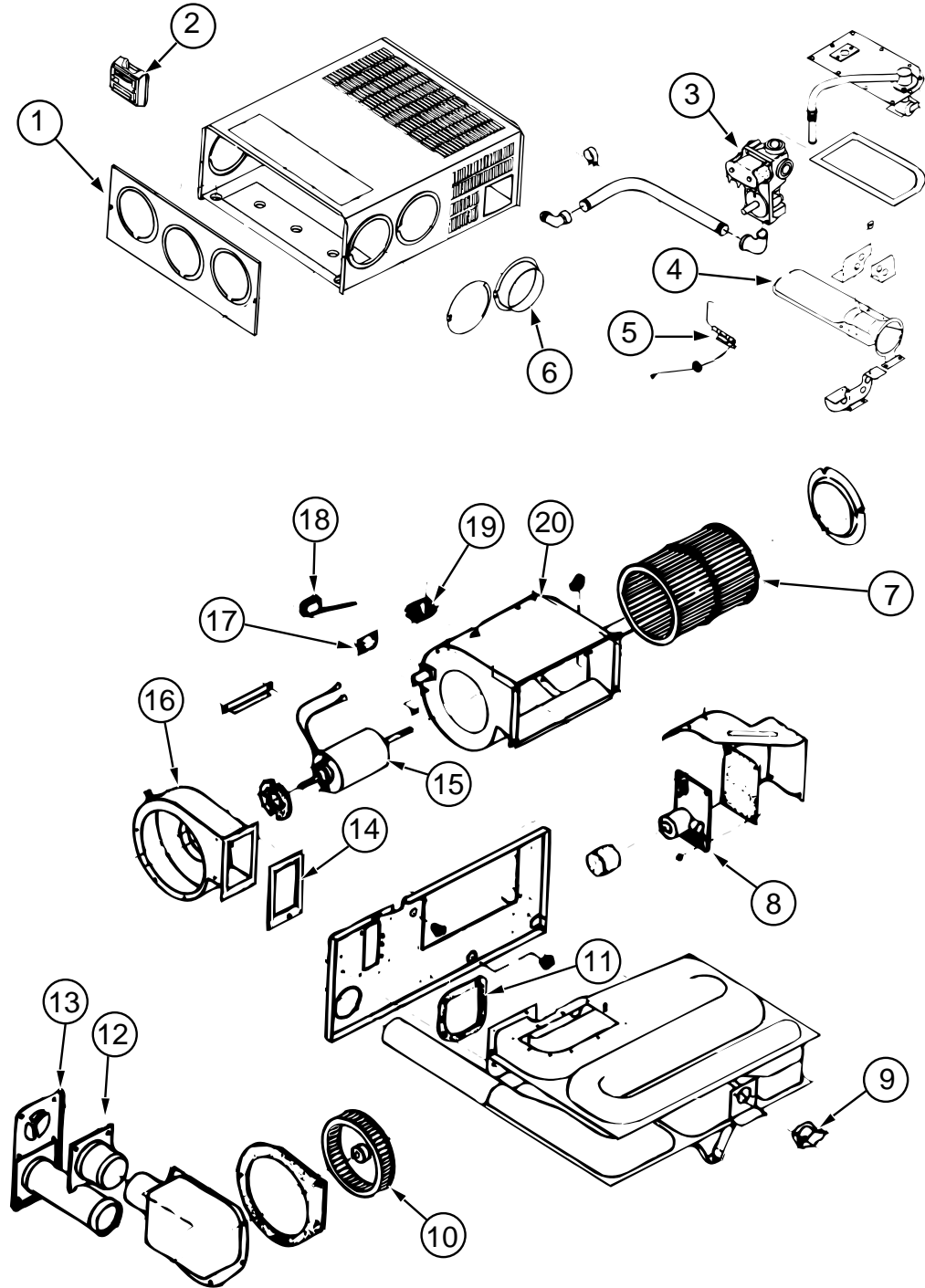
4.0KWONANGENERATOR-US&CANADIAN

KEY	PARTNUMBER	U/M	DESCRIPTION
	109982-03-000	EA	GENERATOR,4.0MICROLITE,ONAN#KY-FA/2600B
	007125-03-000	EA	CLAMP-MUFFLER-1.50"DIAMETER
	007125-04-000	EA	CLAMP-MUFFLER-1.12"DIAMETER
	105958-09-000	EA	PIPE-GENERATOREXHAUST1.25"ODX5.9"X22"
	007067-01-000	SF	INSULATION-FIBERGLASS-1"THICKX4'-INCREMENTS/4SF
	007131-01-000	EA	HANGER-TAILPIPE-6SLOTS

NOTE:ADDITIONALGENERATORPARTSAREFOUNDINTHECHASSISGROUP

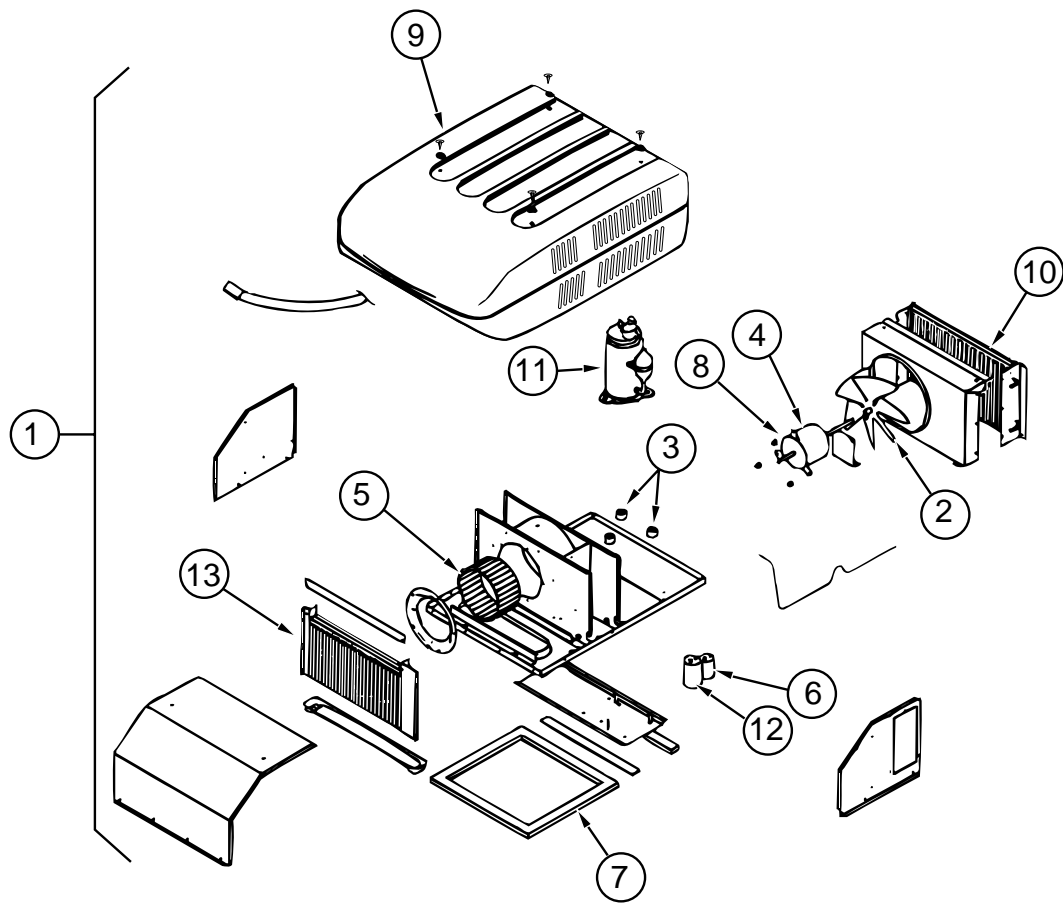
HEATING&AIRCONDITIONINGGROUP

FURNACE-25,000BTU-SUBURBAN-MODELSF-25



KEY	PARTNUMBER	U/M	DESCRIPTION	VENDORNO.
	098668-19-000	EA	FURNACE-25000BTU SUBURBANSF-252272	
1	098668-01-700	EA	CABINETFRONT	101242
2	115764-01-01A	EA	THERMOSTAT-FURNACE,SUBURBAN160902	
3	098668-01-714	EA	VALVE-GAS,SFS.N.921401821	161070
4	098668-01-703	EA	BURNERASSEMBLY	010762
5	098668-01-715	EA	ELECTRODEASM.,SINGLEPROBE	232166
6	075696-02-703	EA	COLLAR-DUCT	050715
7	098668-01-711	EA	WHEEL-BLOWER,ROOMAIR	350129
8	098668-01-712	EA	BOARD-MODULE	520741
9	098668-21-701	EA	SWITCH-LIMIT	231799
10	098668-01-706	EA	WHEEL-COMBUSTIONAIR	350128
11	098668-01-716	EA	GASKET-FIREWALL,CHAMBERSIDE	070808
12	098668-01-713	EA	TUBEASSEMBLY,INTAKE	051248
13	098668-01-707	EA	TUBEASSEMBLY,EXHAUSTW/CAP	260231
14	098668-01-717	EA	GASKET-FIREWALL,BLOWERSIDE	070809
15	098668-01-709	EA	MOTORASM.,F/SF-25,SF-30	231706
16	098668-01-708	EA	HOUSING-BLOWER,COMBUSTION	390441
17	101990-01-714	EA	GASKET-MICROSWITCH	230877
18	098668-21-700	EA	SWITCH-MICRO,W/OFLAG31/4"	232261
19	074466-01-702	EA	RELAY,TIMEDELAY	230625
20	098668-01-710	EA	HOUSING-BLOWER,ROOMAIR	390440
	090039-01-703	EA	ORIFICE-MAINBURNER	180193
	098668-23-000	EA	DOOR-ACCESS-FURNACE	
	009198-01-000	FT	DUCT-HEAT,FLEXIBLE-4"IDX25FT	
	009200-01-000	EA	TAPE-FURNACE,11/2"	
	069636-02-000	EA	CONNECTOR-DUCT,4"ID-SUBURBAN050715	
	089367-01-000	EA	TEE-4"OD,7"LONG-METAL	
	056464-10-000	EA	REGISTER-W/ODAMPER,4"DIAMETER-DURA-BEIGE	
	093614-01-02A	EA	GRILLE-RETURNAIR,DURABEIGE	

HEATING&AIRCONDITIONINGGROUP(CONTINUED)



ROOFAIRCONDITIONER-COLEMAN-MODELTSR-HO-U.S.&CANADIAN

KEY	PARTNUMBER	U/M DESCRIPTION	VENDORNO.
1	108889-01-05A	EA A/C-ROOF-13,500TSR	
2	093763-01-712	EA BLADE-FAN-CONDENSER	6733-3221
3	105620-01-706	EA MOUNTINGPKG.,COMP.,3PER	6759-3081
4	108889-01-705	EA MOTOR(115,60HZ)	1468-3049
5	108889-01-706	EA IMPELLOR	1472-1041
6	093763-01-704	EA CAPACITOR-FAN	1499-5461
	108889-01-710	EA PAD-FILLER,CONDENSERSEAL	6759A3971
7	108889-01-711	EA GASKETPKG	6792-3301
8	108889-01-715	EA MOTORMOUNT&SHAFTSEALKIT	6792-3361
9	108889-05-700	EA SHROUD-BRIGHT/WHT.W/OLOGO	7333-4601
10	108889-01-703	EA COIL-CONDENSER	1452A1301
11	105620-01-704	EA COMPRESSOR-TECUMSEH,RH&LH	1450-2009
12	108889-01-707	EA CAPACITOR-RUN,COMP-25MFD/370	1499-5661
	091225-01-709	EA RELAY-START	1497-4131
13	108889-01-709	EA COIL-EVAPORATOR	1452A1311
	108889-01-704	EA OVERLOAD(MRA#98693)	6749-3541
	091225-01-710	EA CAPACITOR-START	1497-0881
	108889-01-720	EA TUBE-CAP	6792-1351
	093306-01-701	EA DECALPACKAGE,LEFT&RIGHT	6798B3591
	108889-01-712	EA LINE-SUCTION,REDUCER3/8X1/2	1215-2161
	108889-01-713	EA LINE-SUCTION,3/8ODX032WALL	6792-130
	108889-01-714	EA LINEASSEMBLY-DISCHARGE	6792-531
	102289-01-000	EA SPRING-SCREW-ROOFA/CGASKET	

HEATING&AIRCONDITIONINGGROUP(CONTINUED)

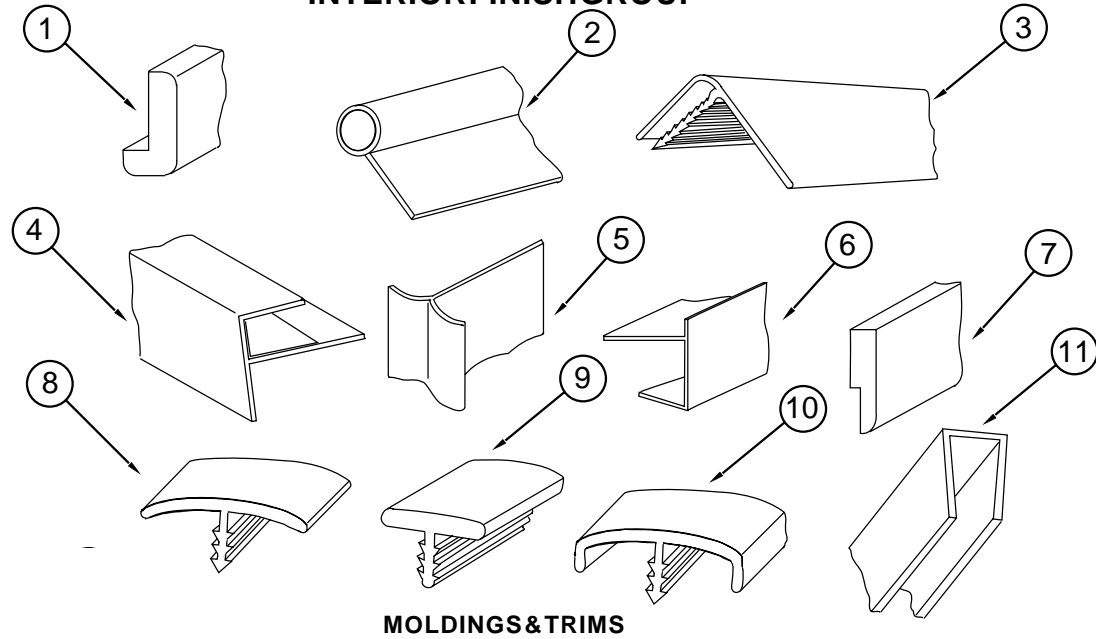
ROOFAIRCONDITIONER-COLEMAN-MODELTSR220-EUROPEAN

KEY	PARTNUMBER	U/M DESCRIPTION	VENDORNO.
1	108889-02-03A	EA AIRCONDITIONER-13,500BTU/220VOLT	
2	093763-01-712	EA BLADE-FAN-CONDENSER	6733-3221
3	105620-01-706	EA MOUNTINGPKG.,COMP.,3PER	6759-3081
4	108889-02-701	EA MOTOR	1468-3059
5	108889-01-706	EA IMPELLOR	1472-1041
6	093763-01-704	EA CAPACITOR-FAN	1499-5461
	108889-01-710	EA PAD-FILLER,CONDENSERSEAL	6759A3971
7	108889-01-711	EA GASKETPKG	6792-3301
8	108889-01-715	EA MOTORMOUNT&SHAFTSEALKIT	6792-3361
9	108889-05-700	EA SHROUD-BRIGHT/WHT.W/OLOGO	7333-4601
10	108889-01-703	EA COIL-CONDENSER	1452A1301
11	108889-02-700	EA COMPRESSOR-TECUMSEH	1450A2029
12	108889-01-707	EA CAPACITOR-RUN,COMP-25MFD/370	1499-5661
	108889-02-703	EA RELAY-START	1497-4141
13	108889-01-709	EA COIL-EVAPORATOR	1452A1311
	105620-01-705	EA PROTECTOR-OVERLOAD,RH&LH	6759-3791
	108889-02-702	EA CAPACITOR-START	1497-0891
	108889-01-713	EA LINE-SUCTION,3/8ODX032WALL	6792-130
	108889-01-714	EA LINEASSEMBLY-DISCHARGE	6792-531
	093306-01-701	EA DECALPACKAGE,LEFT&RIGHT	6798B3591

CEILINGASSEMBLY-AIRCONDITIONER-COLEMAN

KEY	PARTNUMBER	U/M DESCRIPTION	VENDORNO.
	108891-01-02A	EA CEILINGASSEMBLY-A/C/COOL	
	042204-01-709	EA THERMOSTAT-IN64OUT58	6701-3401
	073742-01-701	EA SWITCH-SELECTOR,(5TERMINAL)	6759-3251
	073742-01-702	EA DECAL-COOLONLY	6759C3431
	091225-01-713	EA KNOB	6701-3351
	093766-02-701	EA DECAL-LEFT	6799-3971
	108891-01-700	EA PARTSPKG.SGL(KNOB&NUTS)	6792-5991
	108891-01-701	EA CLIP-FILTERRETAINER,6PER	6799-3141
	108891-01-702	EA COLLAR-DUCT,W/METALFLANGE	6792-4541
	108891-01-703	EA SHROUD-CEILINGWHITE	6769-5051
	084077-03-000	EA COVER/BLANK-ROODA/C5.2"X3.5"-IVORY	
	122882-06-01A	EA GARNISH-VENT-ROOF-1"TO2.56"	

INTERIORFINISHGROUP



MOLDINGS&TRIMS

KEY	PARTNUMBER	U/M DESCRIPTION
1	077840-01-G01	EA MOLDING - CAP - WALL - 8'
2	009767-12-000	FT WELTING - SIDEWALL/CEILING/CABINET - OFF/WHT
3	009809-23-000	EA MOLDING - CORNER - OUTSIDE - 1" X 84" - IVORY PLASTIC
3	009809-28-000	EA MOLDING - CORNER - OUTSIDE - 1" X 84" - WATERFORDOAK
4	009812-29-000	EA MOLDING - PLASTIC - OUTSIDE CORNER - .50" - WATERFORDOAK
4	009812-24-000	EA MOLDING - PLASTIC - OUTSIDE CORNER - .50" - IVORY
5	022992-11-000	FT MOLDING - REVERSE COVE - T-SHAPED VINYL - IVORY
5	022992-12-000	FT MOLDING - REVERSE COVE
6	103186-01-05A	FT MOLDING - PLASTIC - SHELF - 3/8" U-CHANNEL W/3/4" FACE - WATERFORDOAK
7	105004-01-05A	EA MOLDING - VINYL WRAPPED - 1" X 8' - WATERFORDOAK
8	009815-09-000	FT MOLDING - T - .75" IVORY
9	104676-01-01A	FT T-MOLDING - 5/16" - RIGID GOLD
10	104676-02-04A	FT T-MOLDING - 1/2" X 10' - WATERFORD OAK
10	083620-09-000	FT T-MOLDING, 3/4 W/EDGELIPS - MODERN IVORY
10	083620-12-000	FT MOLDING - T - .75" - W/EDGELIPS - WATERFORDOAK
10	119520-01-01A	FT MOLDING - T - 1" W/EDGELIPS (OFF/WHITE-CREAM)
11	009778-21-000	FT U-CHANNEL - 1" X 96" - INCREMENTS - PLASTIC
11	070504-36-000	FT U-CHANNEL - EXTRUDED PLASTIC - .65" X 72" - WATERFORDOAK
11	070504-37-000	FT U-CHANNEL - EXTRUDED PLASTIC - .81" X 84" - WATERFORDOAK
	117267-D2-438	EA LUMBER - 018X038X2438MM VINYL - WRAPPED WATERFORD
	117267-E2-438	EA LUMBER - VINYL WRAPPED - .7" X 2" X 8'
	117267-G2-438	EA LUMBER - VINYL WRAPPED - .7" X 3" X 8'
	117268-D2-134	EA MOLDING - VINYL WRAPPED - .7" X 1.6" X 7' WATERFORD
	117268-F2-438	EA MOLDING - VINYL WRAPPED - .7" X 2.6" X 8' - WATERFORD
	100818-01-05A	EA MOLDING - VINYL WRAPPED - 1.65" X .4" X 7' WATERFORD OAK
	100819-01-05A	EA MOLDING - VINYL WRAP - DOOR - WATERFORDOAK
	117268-F2-134	EA MOLDING - VINYL WRAPPED .7" X 2.6" X 7' - WATERFORD
	079653-28-000	EA MOLDING - BATTSTRIP, KERFED - WATERFORDOAK
	081294-02-000	EA MOLDING - SHELF - NOTCHED WOOD - 8'
	009767-15-000	FT WELTING - WATERFORDOAK
	076325-34-000	FT MOLDING - EDGE BAND - 15/16" X .030" - ORCHID MIST
	076325-43-000	FT MOLDING - EDGE BAND - .876" X .024" - CLOUD (H04)
	076325-38-000	FT MOLDING - EDGE BAND - .876" X .024" - NEUTRAL (H05)
	076325-44-000	FT MOLDING - EDGE BAND - .876" X .024" - SAND (H24/H26)
	076325-46-000	FT MOLDING - EDGE BAND - 15/16" X .030" - CLOUD (H04)
	076325-37-000	FT MOLDING - EDGE BAND - 15/16" X .030" - NEUTRAL (H05)
	076325-47-000	FT MOLDING - EDGE BAND - 15/16" X .030" - SAND (H24/H26)
	076325-67-000	FT MOLDING - EDGE BAND - .93" X .024" WATERFORDOAK
	076325-68-000	FT MOLDING - EDGE BAND - 15/16" X .038" - WATERORDOAK
	100659-01-G09	EA MOLDING - TRIM - VINYL FLOOR
	112198-02-000	FT MOLDING - J
	075249-01-000	EA RAILING - OAK - 72" UNFINISHED
	093873-01-01A	EA TRIM - CARPET - L-ANGLE 1.1" X 1.3" X 12' - GRAY VINYL
	085746-04-000	FT TRIM - J - CARPET 1.2" X .5" ANGLE - 12' LONG - OFF WHITE

INTERIORFINISHGROUP(CONTINUED) BATTSTRIPS

KEY	PARTNUMBER	U/M DESCRIPTION
	088263-D8-000	EA BATTSTRIP - DECORATIVE - MICKENSIE/CREAM - 8' LONG (H04)
	088263-D7-000	EA BATTSTRIP - DECORATIVE - WINDY/WILLOW - 8' LONG (H05)
	088263-C7-000	EA BATTSTRIP - DECORATIVE - ETCHINGS/SAGE - 8' LONG (H24/H26)
	088263-D6-000	EA BATTSTRIP - DECORATIVE - IMPACT PEARL - 8' LONG
	069733-83-000	EA BATTSTRIP - WOODGRAINED/WATERFORDOAK - 8' LONG
	085284-D2-000	FT BATTTAPE - ADHESIVE BACKED - DECORATIVE - MICKENSIE/CREAM (H04)
	085284-D1-000	FT BATTTAPE - ADHESIVE BACKED - DECORATIVE - WINDY/WILLOW (H05)
	085284-C1-000	FT BATTTAPE - ADHESIVE BACKED - DECORATIVE - ETCHINGS/SAGE (H24/H26)
	085284-C9-000	FT BATTTAPE - ADHESIVE BACKED - CEILING - IMPACT PEARL
	085284-D6-000	FT BATTTAPE - ADHESIVE BACKED - DECORATIVE - EMBOSSED ANTIQUE
	085284-B5-000	FT BATTTAPE - ADHESIVE BACKED - WOODGRAINED/WATERFORDOAK
	086229-01-000	EA RETAINER - BATTEN - .75" X 92.24" - IVORY
	086229-13-000	EA BATTEN - 1" CEILING MODERN IVORY
	086229-20-000	EA BATTEN - 1" CEILING, BEIGE

PANELING, LAMINATES & PLASTIC

KEY	PARTNUMBER	U/M DESCRIPTION
	074497-33-000	SF PANELING - CEILING - IMPACT PEARL - 4' X 9'
	074497-28-000	SF PANELING - WATERFORDOAK - 4' X 8'
	080215-10-000	SF PANELING - 2 SIDE - WATERFORD - 4' X 8'
	088272-F6-000	SF PANELING - MCKENSIE CREAM (H04)
	088272-F5-000	SF PANELING - WINDY/WILLOW (H05)
	088272-E8-000	SF PANELING - DECORATIVE ETCHINGS/SAGE - 4' X 7' (H24/H26)
	088272-G1-000	SF PANELING - PEBBLE EMBOSSED - ANTIQUE WHITE - 4' X 7'
	088272-98-000	SF PANELING - TRAVERTINE - ANTIQUE WHITE - 4' X 7'
	074498-62-000	SF LAMINATE - PLASTIC - GREY FINESSE - 5' X 8' INCOF 40 SF (H04)
	074498-72-000	SF LAMINATE - PLASTIC - PEBBLE SANTOS - 5' X 8' INCOF 40 SF (H05)
	074498-54-000	SF LAMINATE - PLASTIC - SANDSPECKTRUM - 5' X 8' INCOF 40 SF (H24/H26)
	074498-67-000	SF LAMINATE - PLASTIC - ORCHID MIST - 60" X 96"
	074498-77-000	SF LAMINATE - PLASTIC ART CABIN 5' X 8' INCOF 40 SQFT
	000885-76-000	SF PARTICLE BOARD - 3/8" X 4' X 8' WATERFORDOAK VINYL 1 SIDE
	000885-77-000	SF PARTICLE BOARD - 3/8" X 4' X 8' WATERFORDOAK VINYL 2 SIDED
	000885-78-000	SF PARTICLE BOARD - 1/2" X 4' X 8' WATERFORDOAK - VINYL 2 SIDE
	000885-79-000	SF PARTICLE BOARD - 3/4" X 4' X 8' WATERFORDOAK VINYL 2 SIDED
	057882-04-000	SF TAMBOUR - 48" X 72" SHEET - UNFINISHED
	000846-01-000	SF PLYWOOD - 5/16" X 4' X 8'
	000846-02-000	SF PLYWOOD - UNDR - 5/16" X 4' X 8'
	093743-05-01A	SF PLASTIC - ABS COIL - BRIGHT WHITE - 20" X 108"

CARPETING & FLOORMATS

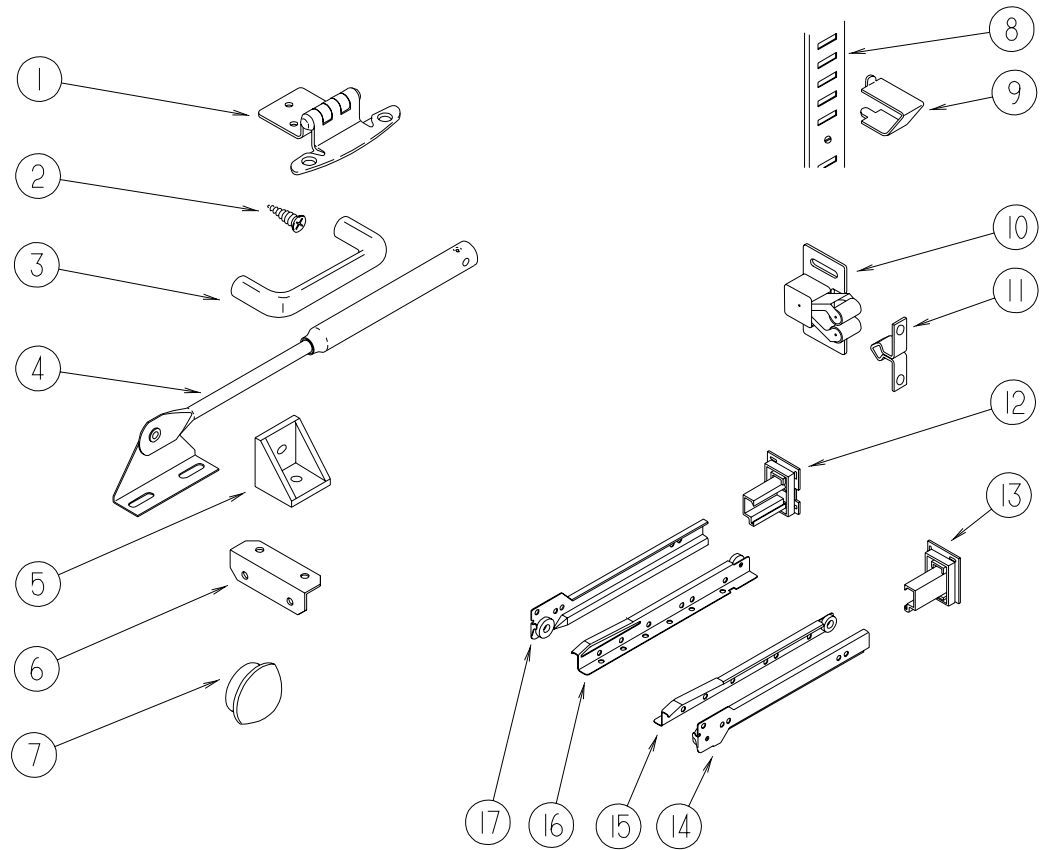
KEY	PARTNUMBER	U/M DESCRIPTION
	096060-A8-000	SY CARPET - BLUE LAGOON - INCREMENTS OF 4 SQ YD (H04)
	096060-99-000	SY CARPET - PARCHMENT - INCREMENTS OF 4 SQ YD (H05)
	096060-B2-000	SY CARPET - JUBILIATION - INCREMENTS OF 4 SQ YD (H24)
	096060-95-000	SY CARPET - DOESKIN - INCREMENTS OF 4 SQ YD (H26)
	093486-01-000	SY CARPET - COMPARTMENT - 54" WIDE - DARK GRAY
	106884-01-000	EA MAT - FLOOR - FRONT PASSENGER "W" - FORD
	106884-02-000	EA MAT - FLOOR - FRONT DRIVER "W" - FORD
	102569-04-000	EA MAT - ANTISLIP

FIRE EXTINGUISHER & DETECTORS

KEY	PARTNUMBER	U/M DESCRIPTION
	072852-02-000	EA DETECTOR - SMOKE - W/9VOLT BATTERY - CANADIAN
	072852-01-000	EA DETECTOR - SMOKE - W/9VOLT BATTERY - US
	112320-03-000	EA DETECTOR - CO GAS MODEL 9D-I
	103613-02-000	EA DETECTOR - LPG AS
	112320-04-000	EA BATTERY/SENSOR MODULE - CO (BLACK MODULE) F/9D - I SYSTEM
	094499-02-000	EA EXTINGUISHER - FIRE, DRY - 1A10BC - CANADIAN
	094499-01-000	EA EXTINGUISHER - FIRE, DRY W/MOUNTING BRACKET - 10BC
	094499-01-700	EA BRACKET MTG. W/PLAS. STRAP 294039
	094499-01-701	EA STRAP ONLY (METAL) 320351

INTERIORFINISHGROUP(CONTINUED)

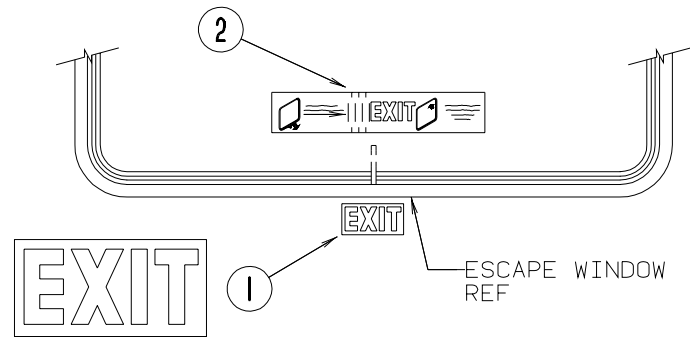
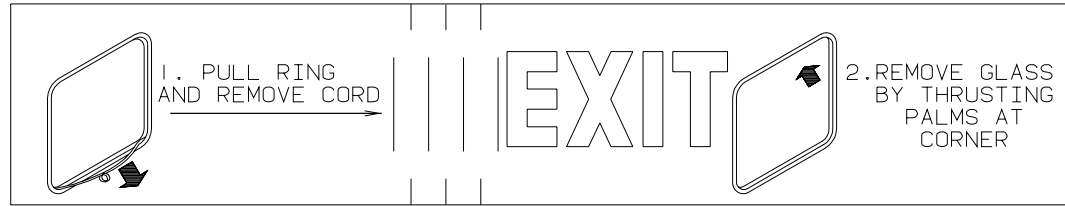
CABINETHARDWARE



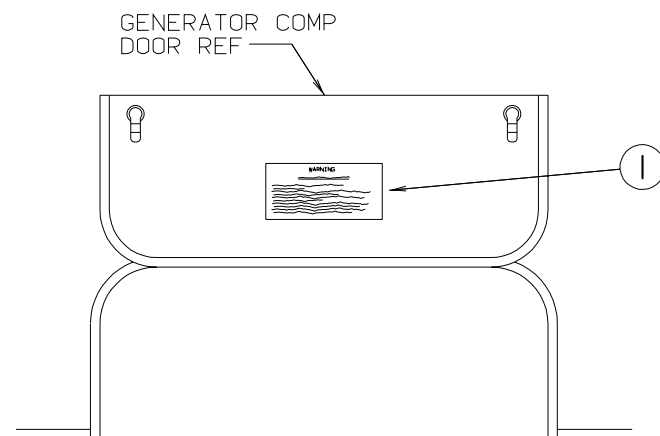
KEY	PARTNUMBER	U/M	DESCRIPTION
15	114031-04-000	EA	SLIDE-12"-RIGHTSIDE/DRAWER
15	114031-08-000	EA	SLIDE-14"-RIGHTSIDE/DRAWER
15	114031-12-000	EA	SLIDE-16"-RIGHTSIDE/DRAWER
15	114031-16-000	EA	SLIDE-18"-RIGHTSIDE/DRAWER
15	114031-20-000	EA	SLIDE-20"-RIGHTSIDE/DRAWER
16	114031-03-000	EA	SLIDE-12"-LEFTSIDE/DRAWER
16	114031-07-000	EA	SLIDE-14"-LEFTSIDE/DRAWER
16	114031-11-000	EA	SLIDE-16"-LEFTSIDE/DRAWER
16	114031-15-000	EA	SLIDE-18"-LEFTSIDE/DRAWER
16	114031-19-000	EA	SLIDE-20"-LEFTSIDE/DRAWER
17	114031-01-000	EA	SLIDE-12"-LEFTSIDE/CABINET
17	114031-05-000	EA	SLIDE-14"-LEFTSIDE/CABINET
17	114031-09-000	EA	SLIDE-16"-LEFTSIDE/CABINET
17	114031-13-000	EA	SLIDE-18"-LEFTSIDE/CABINET
17	114031-17-000	EA	SLIDE-20"-LEFTSIDE/CABINET
	004354-01-000	EA	BUMPER-RUBBER,.5"DIA-BROWN
	009112-01-000	EA	FLANGE-1"CLOTHESROD-OFFWHITEPLASTIC
	023320-01-000	EA	PAD-FELT3/8"DIAMETER
	041389-35-000	EA	HINGE-PIANO-OW
	042438-01-000	EA	DOWEL-WOOD-CLOTHESROD-1"DIAMETERX4'
	042438-02-000	EA	DOWEL-WOOD-2"X2"
	076790-01-000	EA	SCREW-6-20X1 1/4PPH-BLACK
	076790-05-000	EA	SCREW-6-20X1/2PPH-BLACK-THREADCUTTING,WOOD
	079921-01-000	EA	ROLLER-NYLON,W/STEELSHAFT-BARBED
	084451-01-000	EA	CATCH-TV SHELF-BRASS
	102194-01-000	EA	GUIDE-PLASTIC
	103256-01-000	EA	LATCH-SLIDE

KEY	PARTNUMBER	U/M	DESCRIPTION
1	108138-01-000	EA	HINGE-DOOR,CABINET-BURNISHEDBRASS
2	000G13-06-10G	EA	SCREW-6-20X5/8PFH,ANTIQUEBRASS
3	117800-01-01A	EA	PULL-CABINET,BRASS
4	074493-02-000	EA	SUPPORT-PISTONSRING,CABINETDOOR
5	065740-01-000	EA	BRACE-CABINET/CORNER-PLASTIC
6	016604-01-000	EA	BRACE-CABINET-ANGLE-2.5"-UNPAINTEDMETAL
6	016604-05-000	EA	BRACE-CABINET-ANGLE-2.5"OFFWHITEMETAL
7	074045-07-000	EA	PLUG-WOOD,1/2"
8	098980-01-000	EA	PILASTER-ADJUSTABLESHELF,18"LONG-WOODGRAINAPPEARANCE
9	098979-01-000	EA	CLIP-ADJUSTABLESHELF
10	093586-06-000	EA	CATCH-SPRING-ROLLER
11	093586-05-000	EA	STRIKE-SPRINGSTEEL
12	114045-01-000	EA	BACKSOCKET-ADJUSTABLELEFT
13	114045-02-000	EA	BACKSOCKET-ADJUSTABLERIGHT
14	114031-02-000	EA	SLIDE-12"-RIGHTSIDE/CABINET
14	114031-06-000	EA	SLIDE-14"-RIGHTSIDE/CABINET
14	114031-10-000	EA	SLIDE-16"-RIGHTSIDE/CABINET
14	114031-14-000	EA	SLIDE-18"-RIGHTSIDE/CABINET
14	114031-18-000	EA	SLIDE-20"-RIGHTSIDE/CABINET

LABELSGROUP



KEY	PARTNUMBER	U/M	DESCRIPTION
1	039290-01-000	EA	LABEL-WARNING,EXIT
2	107571-01-000	EA	LABEL-EXIT,ESCAPEWINDOW



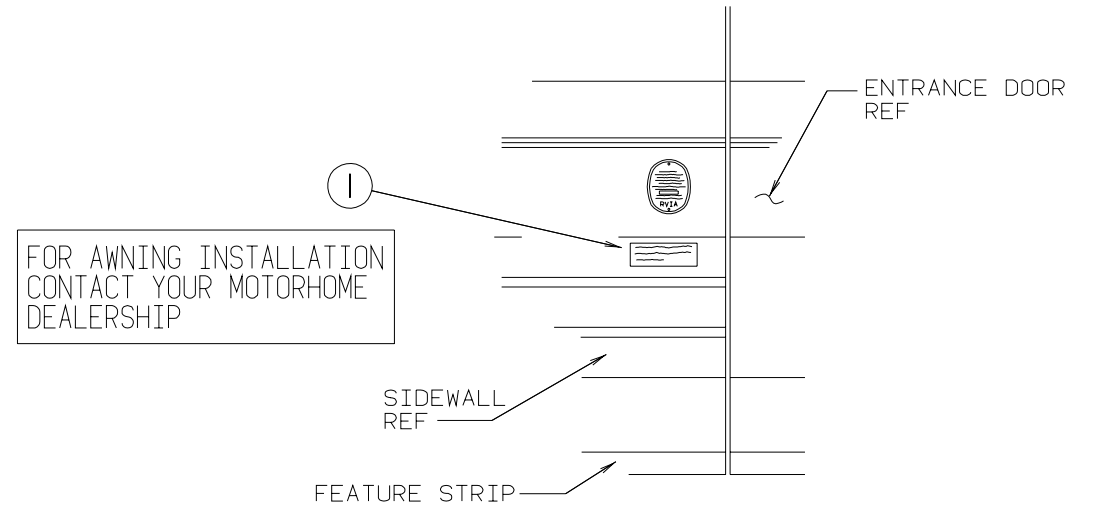
WARNING

WHEN ADDING A GENERATOR SET:

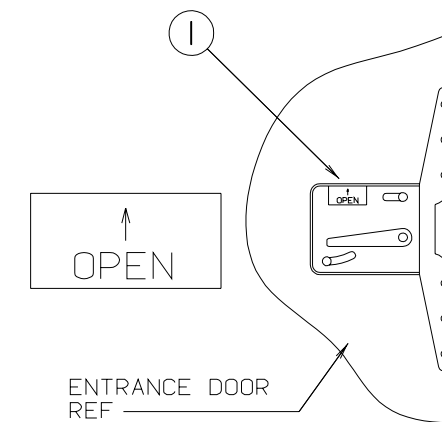
HIGH VOLTAGE-USE EXTREME CAUTION WHEN WORKING ON ELECTRICAL COMPONENTS.
 HAVE ALL ELECTRICAL INSTALLATION PERFORMED BY A QUALIFIED LICENSED ELECTRICIAN-FOLLOW ALL STATE AND LOCAL CODES.
 ONLY INSTALL GENERATOR SET APPROVED FOR R.V. APPLICATION. HAVE INSTALLED BY QUALIFIED TECHNICIAN.
 TO AVOID HEAT BUILD-UP AND TO GUARANTEE AN ADEQUATE AIR SUPPLY TO THE GENERATOR CARBURETOR, FOLLOW INSTALLATION INSTRUCTIONS.
 GENERATOR ENGINE EXHAUST GASES ARE TOXIC AND MUST NOT TERMINATE UNDER THE VEHICLE-DISCHARGE EXHAUST AWAY FROM VEHICLE.

KEY	PARTNUMBER	U/M	DESCRIPTION
1	077510-01-000	EA	LABEL-GENERATORPREP

LABELSGROUP(CONTINUED)

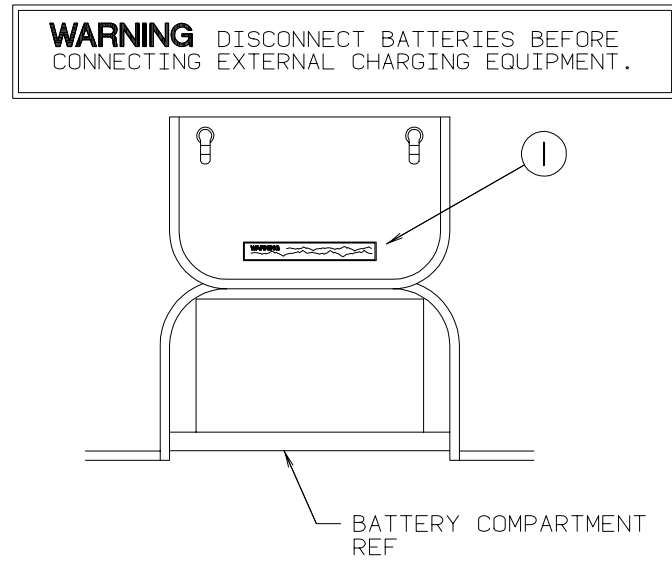


KEY	PARTNUMBER	U/M	DESCRIPTION
1	099509-01-000	EA	LABEL-AWNINGINSTALLATION



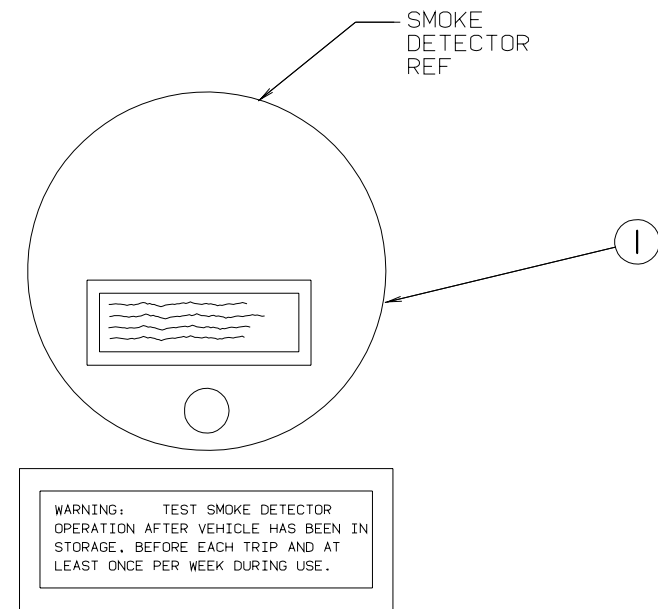
KEY	PARTNUMBER	U/M	DESCRIPTION
1	040944-01-000	EA	LABEL-ENTRANCEDOOR,"OPEN"

LABELSGROUP(CONTINUED)

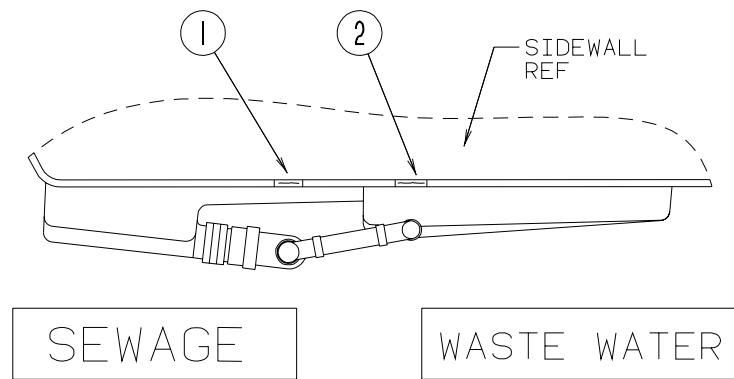


KEY	PARTNUMBER	U/M	DESCRIPTION
1	065748-01-000	EA	LABEL-CAUTION,BATTERYCHARGING

LABELSGROUP(CONTINUED)

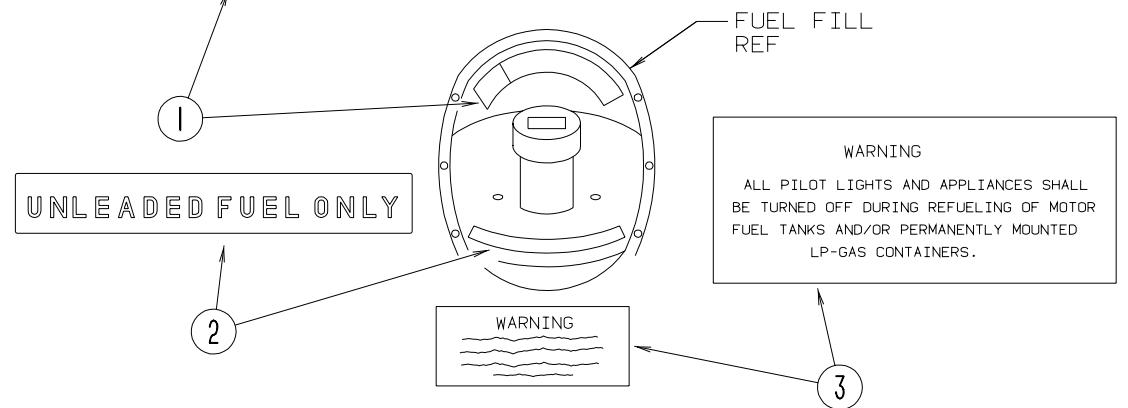


KEY	PARTNUMBER	U/M	DESCRIPTION
1	077956-01-000	EA	LABEL-WARNING,SMOKEDETECTOR



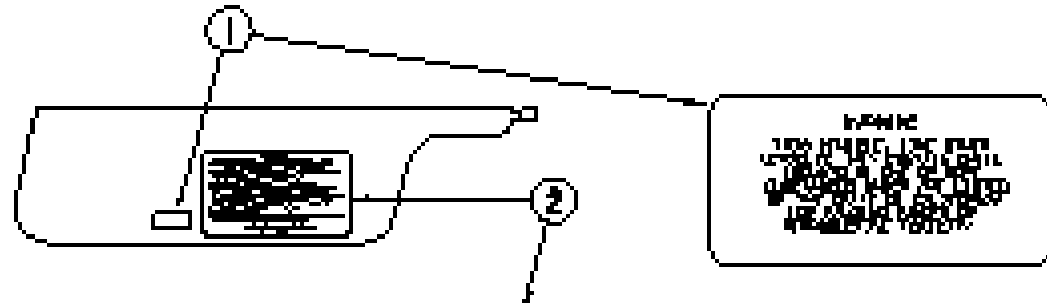
KEY	PARTNUMBER	U/M	DESCRIPTION
1	006187-01-000	EA	LABEL-SEWAGE
2	006188-01-000	EA	LABEL-WASTEWATER

CAUTION	TO HELP AVOID PERSONAL INJURY DURING REMOVAL OF FUEL FILLER CAP, SLOWLY LOOSEN CAP 1/2 TURN TO ALLOW ANY FUEL PRESSURE TO BE RELIEVED BEFORE TURNING CAP FURTHER.
FUEL SPRAY MAY CAUSE PERSONAL INJURY	STOP ADDING FUEL AFTER FIRST SHUTOFF BY AUTOMATIC NOZZLE WHEN TANK IS NEARLY FULL. DO NOT OVERFILL FUEL TANK. SEE OWNERS MANUAL FOR ADDITIONAL INFORMATION.
	PRINTED IN U.S.A. MLC PT NO 15611763



KEY	PARTNUMBER	U/M	DESCRIPTION
1	087207-05-000	EA	LABEL-FUELCAPREMOVAL
2	062043-01-000	EA	LABEL-FUEL,UNLEADED
3	006040-01-000	EA	TAG-GASREFUELINGWARNING
3	006040-02-000	EA	TAG-GASREFUELINGWARNING-CANADIAN

LABELSGROUP(CONTINUED)



CAUTION

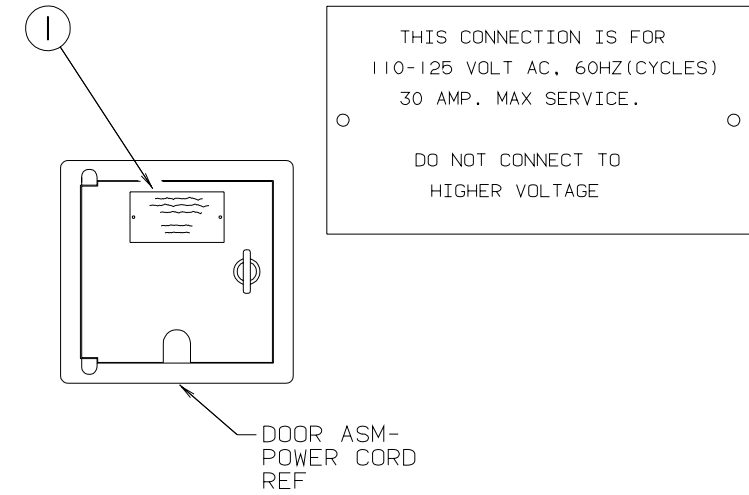
THIS LABEL MUST NOT BE REMOVED. LABELS ON VEHICLE MUST REMAIN WITH VEHICLE FOR THE DURATION OF THE WARRANTY. BE AWARE THAT THE FOLLOWING INSTRUCTIONS FOR VEHICLE OPERATION AND THE SAFETY OF YOUR PASSENGERS DEPEND ON PROPER VEHICLE OPERATION.

1. USE OF VEHICLE: THIS IS A VEHICLE FOR PERSONAL USE ONLY. IT IS NOT TO BE USED FOR COMMERCIAL PURPOSES.
2. WEIGHT: EXCEEDING THE WEIGHT AND CENTER OF GRAVITY LIMITS MAY BE DANGEROUS.
3. TIRE PRESSURE: ALWAYS CHECK TIRE PRESSURE AND TIRE CONDITION BEFORE EACH TRIP.
4. LIGHTS: ALWAYS USE PROPER OPERATION OF ALL LIGHTS AND EXTERIOR LIGHTS INCLUDING STOP LIGHTS, TURN SIGNALS, PULL SIGNALS, BRAKE LIGHTS, REVERSE LIGHTS AND TAIL LIGHTS.
5. DRIVE: ALWAYS WEAR SEATBELT AND PROTECTIVE EQUIPMENT. NEVER DRINK AND DRIVE. ALWAYS STOP FIRST BEFORE OPERATING AND ALWAYS WEAR YOUR SEATBELT BEFORE DRIVING.
6. CHILD SEATS: ALWAYS PROTECTIVE EQUIPMENT AND PROTECTIVE EQUIPMENT MUST BE USED.
7. AIRLINES: ALWAYS USE THE LATCH TO LOCK SEATBELT PROTECTIVE EQUIPMENT.
8. LOAD LIMITS: ALWAYS WEAR SEATBELT.
9. SAFETY: ALWAYS WEAR SEATBELT, NEVER DRINK AND DRIVE AND ALWAYS WEAR YOUR SEATBELT BEFORE DRIVING.
10. AIRLINES: ALWAYS USE THE LATCH TO LOCK SEATBELT PROTECTIVE EQUIPMENT.

SEE YOUR OPERATING AND SAFETY MANUAL FOR FURTHER INFORMATION.

KEY	PARTNUMBER	U/M DESCRIPTION
1	111802-01-000	EA LABEL-CFCWARNING
2	099689-01-000	EA LABEL-WARNING,CANCER/TOXICITY

LABELSGROUP(CONTINUED)

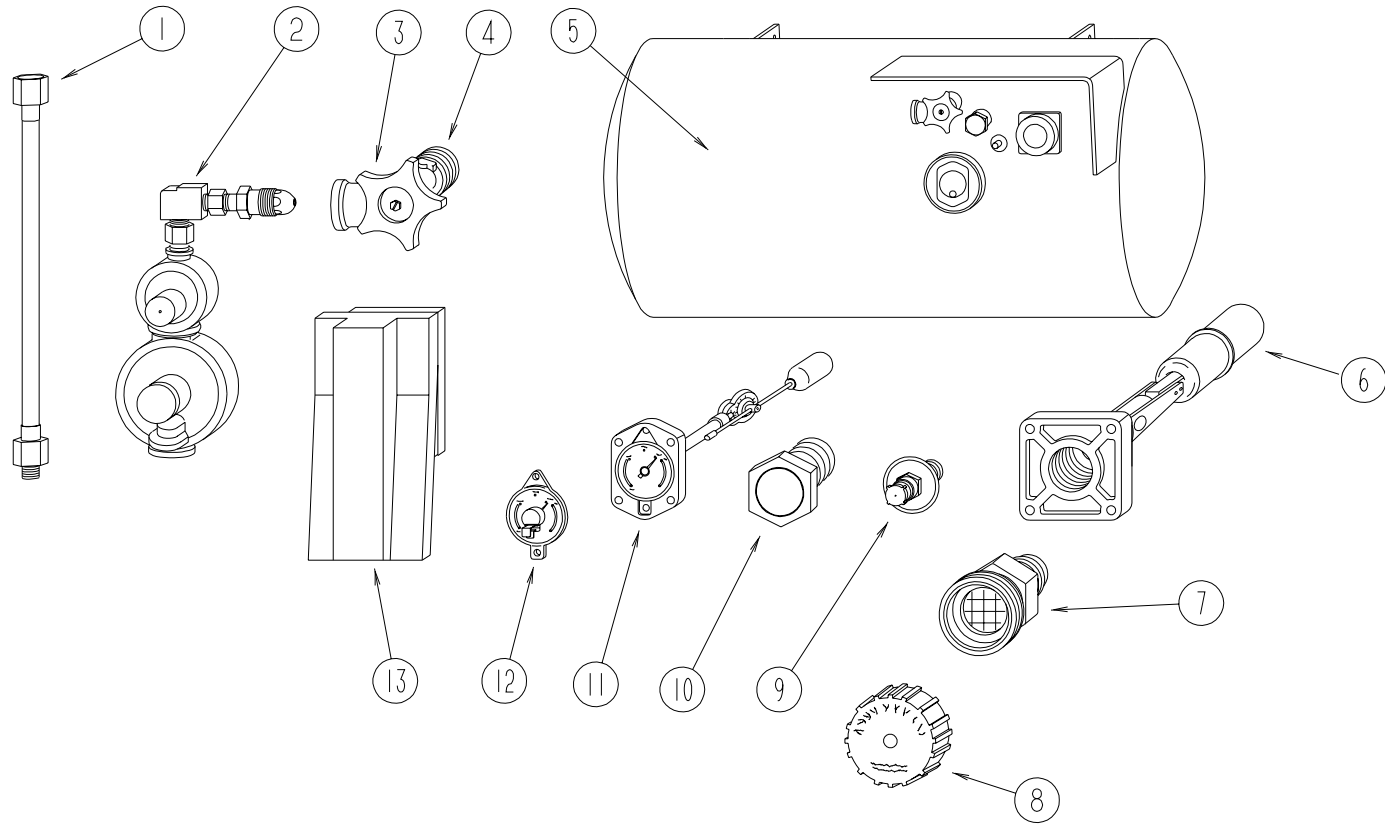


KEY	PARTNUMBER	U/M DESCRIPTION
1	006062-01-000	EA TAG-ELECTRIC,110VCONNECTION

MISCELLANEOUSLABELS

KEY	PARTNUMBER	U/M DESCRIPTION
	104236-01-000	EA LABEL-GENERATORCIRCUIT
	006064-01-000	EA LABEL-SEATW/OSEATBELT,US NOTINTENDEDFORUSEWHILECOACHINMOTION
	091224-02-000	EA LABEL-TRAILERLIGHTING
	091243-01-000	EA LABEL-A/C COVER, "AIRCONDITIONINGCIRCUIT.ETC."
	093236-08-000	EA LABEL-CIRCUITBREAKER
	098641-01-000	EA LABEL-FUEL,UNLEADED-DASH
	073998-01-000	EA LABEL-LPGODORWARNING
	087236-01-000	EA LABEL-CABLE,INPUT
	061417-01-000	EA LABEL-FUEL,ONFUELFILLDOOR
	023769-01-000	EA LABEL-WARNING,LPG-CANADIAN
	111104-01-000	EA LABEL-HITCH,READMANUAL
	054531-01-000	EA LABEL-LPGASONLY
	087207-06-000	EA LABEL-GASOVERFILL
	112518-01-000	EA LABEL-HANGTAG,CODETECTOR
	056259-01-000	EA LABEL-SAFETYCHECKLIST
	111802-01-000	EA LABEL-CFCWARNING

LPGROUP



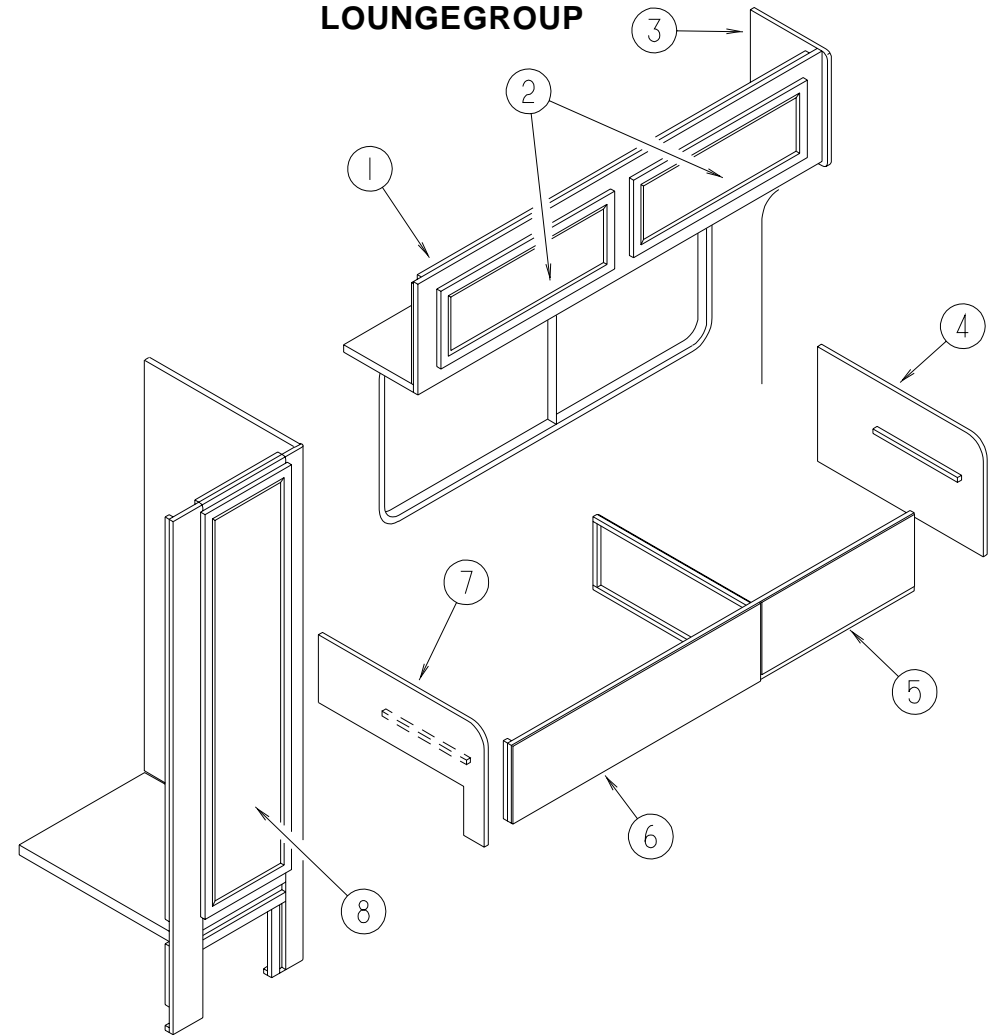
LPTANK&COMPONENTS

KEY	PARTNUMBER	U/M	DESCRIPTION	VENDORNO.
1	045703-01-000	EA	HOSE-LP-3/8"ID X 24"-3/8" MPT X 1/2" SWIVEL-U.S.	
1	045703-02-000	EA	HOSE-LP-3/8"ID X 24"-3/8" MPT X 1/2" F-SWIVEL-CAN	
2	106150-01-000	EA	REGULATOR-TWOSTAGE	
2	106150-02-000	EA	REGULATOR-TWOSTAGE-DIESEL ONLY	
3	040421-01-708	EA	HANDWHEEL-SERVICE VALVE	G-1015-A
4	040421-01-712	EA	VALVE,SERV.W/OVAPORRELIEF	29000853
5	080450-01-000	EA	TANK-LP,42LB-13"DIAMETER X 24" LONG	
6	040421-01-711	EA	VALVE-80%FILL W/AUTOSTOP	LLL/TL3
7	040421-01-701	EA	VALVE-FILL-SHORT,LP	75478
8	040421-01-702	EA	CAP-FILLVALVE,PLASTIC	G-1014-A
9	040421-01-700	EA	VALVE-LIQUIDLEVEL,20%	G-1013
10	040421-01-713	EA	VALVE-VAPOR ONLY	29000587
11	074142-01-700	EA	FLOATASM.SCREWONF/13" TANK	13C-SCR
	074142-01-701	EA	FLOATASM.(SIGHTGAUGE) BOLT	13C-BLT
12	040440-02-000	EA	TRANSMITTER-DIAL-0-90OHM-2TERMINAL(POWER&GROUND)	MA-8ROCHST
12	040421-01-706	EA	DIAL-VISIBLEFACE,LPTANK	
13	105658-01-000	EA	COMPARTMENT-LPREGULATOR	
	010265-01-000	EA	ELBOW-BRASS-90DEGREE-3/8"FX1/2" FPT	
	010252-01-000	EA	ELBOW-BRASS-90DEGREE-3/8FX1/2MPT	
	065318-02-000	EA	ELBOW-90DEGREE-3/8" MPT TO 3/8" FPT	
	010323-01-000	EA	ADAPTER-BRASS-3/8FX1/2MPT	
	010329-01-000	EA	ADAPTER-BRASS-1/2" FX 1/2" MPT	
	010377-02-000	EA	NUT-BRASS-3/8" FLARE-FORGED	
	010380-02-000	EA	NUT-BRASS-1/2" FLARE-FORGED	
	103613-02-000	EA	DETECTOR-LPGAS	

FROM: 00-00-00 THRU: 11-10-96

FROM: 11-11-96 THRU: 99-99-99

LOUNGEGROUP



DRIVERSIDE LOUNGE CABINETS

KEY	PARTNUMBER	U/M	DESCRIPTION
1	122159-01-H04	EA	CABINETASM-OVHD,COUCH(H04)
1	122159-01-H05	EA	CABINETASM-OVHD,COUCH(H05)
1	122159-01-H24	EA	CABINETASM-OVHD,COUCH(H24/H26)
2	110140-18-G01	EA	DOOR-MITEREDCORNER/VINYLRAP-15.7"X27.9"-W/OHDW
2	110140-21-H04	EA	DOOR-MIRROR/MTRDCRNR/VINYLRAP-15.7"X27.9"-W/OHDW
	108536-04-09A	EA	MIRROR-GLASS-BOTANICAL-12.5"X24.6"
3	109908-09-G04	EA	ENDCAP-OVERHEADCABINET
4	M08107-15-H04	EA	CABINET-COUCH,W/FABRIC(H04)
4	M08107-15-H05	EA	CABINET-COUCH,W/FABRIC(H05)
4	M08107-15-H24	EA	CABINET-COUCH,W/FABRIC(H24/H26)
5	M08107-17-H04	EA	CABINET-COUCH,W/FABRIC(H04)
5	M08107-17-H05	EA	CABINET-COUCH,W/FABRIC(H05)
5	M08107-17-H24	EA	CABINET-COUCH,W/FABRIC(H24/H26)
6	M08107-13-H04	EA	CABINET-COUCHW/FABRIC(H04)
6	M08107-13-H05	EA	CABINET-COUCHW/FABRIC(H05)
6	M08107-13-H24	EA	CABINET-COUCHW/FABRIC(H24/H26)
7	M08107-16-H04	EA	CABINET-COUCH,W/FABRIC(H04)
7	M08107-16-H05	EA	CABINET-COUCH,W/FABRIC(H05)
7	M08107-16-H24	EA	CABINET-COUCH,W/FABRIC(H24/H26)
	105947-01-000	EA	BRACKET-HOLDDOWN-COUCH
	082525-01-000	EA	BRACE-COUCH-FLOORMOUNT-ANGLE3" LONG
8	110140-52-G01	EA	DOOR-MIRROR/MTRDCRNR/VINYLRAP-16.1"X65.3"-W/OHDW

SEALANTS&FASTENERSGROUP

ADHESIVES

KEY	PARTNUMBER	U/M	DESCRIPTION
	002707-02-000	FT	TAPE-SEALER-5/16"X1/2"-INCREMENTSOF50FT
	004006-05-700	EA	ADHESIVE-NAT.STARCH(5GAL) 0802
	004020-01-000	QT	ADHESIVE-ABSCEMENT-QUART
	034552-02-000	EA	SILICONE-TUBE-300ML-W/ONOZZLE-CLEAR
	034552-06-000	EA	SILICONE-TUBE-300ML-W/ONOZZLE-OFFWHITE
	039518-01-000	EA	SILICONE-TUBE-300ML-BLACK
	053766-02-000	EA	BEDDINGCOMPOUND-TUBE-WHITE
	053766-06-000	EA	BEDDINGCOMPOUND-TUBE-CLEAR
	053766-08-000	EA	BEDDINGCOMPOUND-TUBE,GRAY-SCHNEE#5522
	063642-01-000	FT	TAPE-ADHESIVE-19MILX1.5"X180"
	069640-01-000	FT	SEALER-RIBBON-1/4"DIAMETER-INCREMENTSOF30'
	069640-02-000	FT	SEALER-RIBBON-1/2"X1/8"-INCREMENTSOF60'
	069640-07-000	FT	SEALER-RIBBON-2"X3/32"-INCREMENTSOF45'
	069640-10-000	FT	SEALER-RIBBON-1/32"X11/2"INCREMENTSOF90'
	072889-09-000	EA	SEALANT-URETHANE-BLACK(TUBE)
	072889-10-000	EA	SEALANT-URETHANE(HV)-BRIGHTWHITE
	072889-12-000	EA	SEALANT-URETHANE(LV)BRIGHTWHITE
	076314-02-000	FT	TAPE-CARPETSEAM-HEAT-BOND-4"WIDE
	076322-01-000	FT	TAPE-DOUBLECOATED/FOAMED-ADHESIVEBACKED-.25"X216'
	087211-01-000	GL	PROMOTER-ADHESIVE
	091255-02-000	FT	SEAL-ADHESIVEBACKED/FOAM-.18"THICKX1.5"WIDE
	102352-01-000	EA	SEALER-PUMPABLE-BLACK-COLORIMETRICMS101
	106206-01-000	EA	SEALER-PUMPABLE-MANUS30A-BLACK
	108716-01-000	EA	SILICONE-TUBE-OFFWHITE/SELFLEVELING
	108716-03-000	EA	SILICONE-BRIGHTWHITESELFLEVELING-TUBE
	120534-01-01A	EA	TAPE-SCOTCH-3M-1/2"FINELINE
	123816-03-000	FT	TAPE-DOUBLESIDED-1/2"20MIL
	900390-01-000	EA	TIP-21/2"X1/8"ORIFICE
	900390-03-000	EA	NOZZLE-SILICONETUBE

GROMMETS

KEY	PARTNUMBER	U/M	DESCRIPTION
	016188-03-000	EA	GROMMET-LPLINE-3/8"HOLEX21/2"LONG-RUBBER
	016188-05-000	EA	GROMMET-LPLINE-3/8"HOLEX11/4"LONG-RUBBER
	023942-01-000	EA	GROMMET-RUBBER-2"OD
	114208-02-000	EA	GROMMET-EDGELINER-FITS.625
	071015-26-000	EA	GROMMET-RUBBER-1.5"IDX2.12"ODW/.06"GROOVE-BLAC

WASHERS

KEY	PARTNUMBER	U/M	DESCRIPTION
	000E11-07-00B	EA	WASHER-LOCKING-7/16MEDSPLIT-ZINC
	000E11-08-00B	EA	WASHER-LOCKING-1/2MEDSPLIT-ZINC
	000E13-17-00B	EA	WASHER-FLAT-3/8"AR-ZINC
	000E13-18-00B	EA	WASHER-FLAT-3/8WIDE-ZINC
	000E13-20-00B	EA	WASHER-FLAT-7/16"WIDE-ZINC
	000E14-10-00B	EA	WASHER-LOCKING-#10EXTERNALTOOTH-ZINC
	044533-01-000	EA	WASHER-PLASTIC-13/8"OD-FORBUTTONS
	077071-01-000	EA	WASHER-FENDER-3/16"IDX1"OD

SEALANTS&FASTENERSGROUP(CONTINUED)

BOLTS,NUTS&RIVETS

KEY	PARTNUMBER	U/M	DESCRIPTION
	000C12-05-16B	EA	BOLT-HEX-5/16-18X1-ZINC5
	000C12-06-16B	EA	BOLT-HEX-3/8-16X1LG-ZINC5
	000C12-07-20B	EA	BOLT-HEX-7/16-14X11/4-ZINC5
	000C12-08-24B	EA	BOLT-HEX-1/2-13X1.50-ZINC5
	000C12-10-24B	EA	BOLT-HEX-5/8-11X1.50-ZINC5
	000C13-07-48B	EA	BOLT-HEX-7/16-20X3-ZINC5
	000C18-05-40A	EA	BOLT-ELEVATOR-5/16-18X2.50-PL
	000C18-06-48B	EA	BOLT-ELEVATOR-3/8-16X3-ZINC-GRADE5
	000C26-04-14B	EA	BOLT-HEX-SERRATEDFLANGE-1/4X20X7/8-ZINC
	000C26-04-10B	EA	BOLT-HEX-SERRATEDFLANGE-1/4-20X5/8-ZINC
	000C26-05-16B	EA	BOLT-HEX-SERRATEDFLANGE-5/16-18X3/4-ZINC
	000C26-05-12B	EA	BOLT-HEX-SERRATEDFLANGE-5/16-18X3/4-ZINC
	000C26-06-16B	EA	BOLT-HEX-SERRATEDFLANGE-3/8-16X1-ZINC
	000D24-10-00B	EA	NUT-HEX-SF/LOCKING-10-32ZINC
	000D29-05-00B	EA	NUT-5/16-18UNC-SF/LOCKING-NYLONWASHERINSERT
	000D29-06-00B	EA	NUT-HEX-W/NYLONLOCK-3/8-16-ZINC
	000D29-09-00B	EA	NUT-HEXSELFLOCKING-9/16-12-ZINC
	000D34-06-00B	EA	NUT-HEX-LOCKING-3/8-16GRADEC-ZINC-PREVAILINGT
	000D39-04-00B	EA	NUT-HEX-SERRATEDFLANGE-LOCKING-1/4-20ZINC
	000D39-05-00B	EA	NUT-HEX-SERRATEDFLANGE-LOCKING-5/16-18-ZINC
	000D39-06-00B	EA	NUT-HEX-SERRATEDFLANGE-LOCKING-3/8-18-ZINC
	000D39-07-00B	EA	NUT-HEX-SERRATEDFLANGE-LOCKING-7/15-14ZINC
	000D39-08-00B	EA	NUT-HEX-SERRATEDFLANGELOCKING-1/2-13-ZINC
	000D44-07-00B	EA	NUT-HEX-SERRATEDFLANGELOCKING-7/16-20-ZINC
	000D46-04-00A	EA	NUT-HEX-WELD-1/4-20-PLAIN
	000G45-05-16B	EA	BOLT-LAG5/16-9X1-ZINC
	040921-01-000	EA	NUT-SPEED-UTYPE-10-24BLACK
	104369-01-000	EA	NUT-HEX-HEAVY-5/8-11UNC
	069592-02-000	EA	RIVET-T-POP-1/4X.093-.156
	000H16-04-06R	EA	RIVET-POPALUM1/8"X.313-.375

CLAMPS,CLIPS&HOLDERS

KEY	PARTNUMBER	U/M	DESCRIPTION
	007161-01-000	EA	CLAMP-HOSE-SPRINGTYPE-1/2"
	010495-01-000	EA	CLAMP-CABLE-9/16"
	010497-01-000	EA	CLAMP-CLOSED-5/8"ID
	010497-03-000	EA	CLAMP-CLOSED-1"ID-CUSHIONED
	010497-04-000	EA	CLAMP-CLOSED-1.62"ID
	010497-08-000	EA	CLAMP-CLOSED-.125"
	010499-01-000	EA	CLAMP-CLOSED-3/8"ID
	062401-01-000	EA	CLAMP-HOSE-WORMGEAR.25"-1"
	062401-02-000	EA	CLAMP-HOSE-WORMGEAR1.56"-2.5"
	062401-03-000	EA	CLAMP-HOSE-WORMGEAR-.22"-1"
	062401-06-000	EA	CLAMP-HOSE-WORMGEAR-.22-.62ID
	062401-11-000	EA	CLAMP-HOSE-WORMGEAR-31/2-41/2
	075148-02-000	EA	CLAMP-GROUNDING-BRONZESCREWS
	080211-05-000	EA	CLIP-XMASTREE1.42"
	080734-02-000	EA	CLIP-WIRENYLON
	083609-01-000	EA	CLAMP-WIRE-DUALEQUAL-5/8"DIAMETER
	083610-01-000	EA	CLAMP-WIRE-DUAL-UNEQUALDIAMETERS-3/4"&11/4"
	008343-01-000	EA	TIE-WIRE-6"
	008343-02-000	EA	TIE-WIRE-14"
	085774-01-000	FT	FASTENER-DUALHOOK-1"WIDE-ADHESIVEBACK-BLACK
	085774-02-000	FT	FASTENER-DUALLOOP-1"WIDE-ADHESIVEBACK-BLACK
	108046-02-000	EA	CABLETIE-SCREWMOUNT15"-DENNISON10035
	110943-02-000	FT	FELTSTRIP-3/8"-ADHESIVE
	091952-02-000	EA	CLIP-GRIPPER-3/4"

SEALANTS&FASTENERSGROUP(CONTINUED)

SCREWS

KEY	PARTNUMBER	U/M	DESCRIPTION
	0G1208-12-170	EA	SCREW-8-18X.75POH-BRIGHTWHITE
	0G3908-08-170	EA	SCREW-SF/DR-8-18X.50PPH-BRIGHTWHITE
	0G3908-24-170	EA	SCREW-SF/DR-8-18X1.50PPH-BRIGHTWHITE
	0G3910-12-170	EA	SCREW-SF/DR-10-16X.75PPH
	0G5508-16-250	EA	SCREW-SF/DR-8-18X1.00PWH
	0G6008-16-170	EA	SCREW-SF/DR-8-18X1.00POH
	0G6710-08-170	EA	SCREW-10-12X1/2PPH-BRIGHTWHITE
	000G11-05-08B	EA	SCREW-5-20X.50PPH-ZINC
	000G11-06-10J	EA	SCREW-6-20X5/8PPH-BRASS
	000G11-06-06B	EA	SCREW-6-20X3/8PPH-ZINC
	000G11-07-08B	EA	SCREW-7-19X.50PPH-ZINC
	000G11-08-12B	EA	SCREW-8-18X.75PPH-ZINC
	000G11-08-08T	EA	SCREW-8-18X1/5PPH-FLUOROCARBONCOATING
	000G11-08-08B	EA	SCREW-8-18X.50PPH-ZINC
	000G11-08-06B	EA	SCREW-8-18X3/8PPH-ZINC
	000G11-08-20B	EA	SCREW-8-18X1.25PPH-ZINC
	000G11-08-16S	EA	SCREW-8-18X1.00PPH-OFFWHITE
	000G11-08-12T	EA	SCREW-8-18X.75PPH-BLACK
	000G11-08-12P	EA	SCREW-8-18X.75PPH-DARKBROWN
	000G11-08-12D	EA	SCREW-8-18X.75PPH-BLACK
	000G11-10-16B	EA	SCREW-10-16X1PPH-ZINC
	000G11-10-12S	EA	SCREW-10-16X.75PPH-OFFWHITE
	000G12-06-08T	EA	SCREW-6-20X.50POH-BLACK
	000G12-08-12S	EA	SCREW-8-18X.75POH-OFFWHITE
	000G13-06-16J	EA	SCREW-6-20X1.00PFH-BRASS
	000G13-06-08B	EA	SCREW-6-20X.50PFH-ZINC
	000G13-06-24J	EA	SCREW-6-20X1.50PFH-BRASS
	000G13-07-12B	EA	SCREW-7-19X.75PFH-ZINC
	000G19-10-12F	EA	SCREW-MACHINE-10-32X.75-PPH-STAINLESSSTEEL
	000G32-10-06B	EA	SCREW-10-32X3/8PPH-ZINC
	000G39-06-10T	EA	SCREW-SF/DR-6-20X5/8PPH-BLACK
	000G39-08-12B	EA	SCREW-SF/DR-8-18X3/4PPH-ZINC
	000G39-08-08S	EA	SCREW-SF/DR-8-18X1/2PPH-OFFWHITE
	000G39-08-08B	EA	SCREW-SF/DR-8-18X.50PPH-ZINC
	000G39-08-24B	EA	SCREW-SF/DR-8-18X1 1/2PPH-ZINC
	000G39-08-16R	EA	SCREW-SF/DR-8-18X1PPH-BEIGE
	000G39-08-16B	EA	SCREW-SF/DR-8-18X1PPH-ZINC
	000G39-10-12B	EA	SCREW-SF/DR-10-16X3/4PPH-ZINC
	000G39-10-209	EA	SCREW-SF/DR-10-16X1 1/4PPH-FLOROCARBONSILVER
	000G39-10-20B	EA	SCREW-SF/DR-10-16X1 1/4PPH-ZINC
	000G39-10-12D	EA	SCREW-SF/DR-10-16X3/4PPH-BLACK
	000G42-04-12B	EA	SCREW-SF/DR-1/4-14X3/4HWH-ZINC
	000G42-04-16B	EA	SCREW-SF/DR-1/4-14X1HWH-ZINC
	000G46-08-24T	EA	SCREW-MACHINE-8-32X1.5PFH-BLACK
	000G50-04-12B	EA	SCREW-MACHINE-1/4-20X3/4PPH-ZINC
	000G52-08-18B	EA	SCREW-MACHINE-8-32X1 1/8PTH-ZINC
	000G54-04-20B	EA	SCREW-1/4-20X1 1/4PTH-TYPE23-ZINCPLATED
	000G55-08-16S	EA	SCREW-SF/DR-8-18X1.00-PWH-OFFWHITE
	000G55-08-12S	EA	SCREW-SF/DR-8-18X3/4PWH-OFFWHITE
	000G56-12-48B	EA	SCREW-WOOD-12-11X3POH-SPECIALHARDENED

SEALANTS&FASTENERSGROUP(CONTINUED)

SCREWS(CONTINUED)

KEY	PARTNUMBER	U/M	DESCRIPTION
	000G60-10-28T	EA	SCREW-SF/DR-10-16X1.75-BLACK
	000G60-10-20B	EA	SCREW-SF/DR-10-16X1.25POH-ZINC
	000G67-10-08B	EA	SCREW-10-12X1/2PPH-ZINC
	000G67-10-120	EA	SCREW-10-12X.75PPH-TAN
	000G67-10-120	EA	SCREW-10-12X.75PPH-TAN
	000G67-10-12P	EA	SCREW-10-12X3/4-PPH-DARKBROWN
	000G67-10-12B	EA	SCREW-10-12X3/4PPH-ZINC
	000G67-10-10S	EA	SCREW-10-12X5/8-PPH-OFFWHITE
	000G67-10-10D	EA	SCREW-10-12X5/8PPH-BLACK-TYPEA
	000G67-10-10B	EA	SCREW-10-12X5/8PPH-ZINC-TYPEA
	000G67-10-08R	EA	SCREW-10-12X1/2PPH-BEIGE-TYPEA
	000G67-10-36T	EA	SCREW-10-12X2 1/4PPH-BLACK-STALGARD
	000G67-10-32B	EA	SCREW-10-12X2PPH-ZINC
	000G67-10-24B	EA	SCREW-10-12X1 1/4PPH-ZINC
	000G67-10-20D	EA	SCREW-10-12X1.25PPH-BLACK
	000G67-10-16B	EA	SCREW-10-12X1PPH-ZINC
	000G68-06-10G	EA	SCREW-6-18X5/8POH-ANTIQUEBRASS
	000G68-10-36T	EA	SCREW-10-12X2.25POHBLACK
	049465-03-000	EA	SCREW-10-16X1POHW/WASHER-OFFWHITE
	049465-04-000	EA	SCREW-10-16X1PTHW/WASHER-BEIGE
	054434-02-000	EA	SCREW-SF/DR-10-16X2-ZINC
	057671-01-000	EA	COVER-SCREW-#8-PLASTIC-OFFWHITE
	087721-01-000	EA	SCREW-FLATHEAD-TAPPING-1/4"X1 1/4"LONG-ZINC
	101618-01-000	EA	SCREW-1/4-20X3/4HEX-TAPPING-STALGARDTYPEF
	105126-01-000	EA	SCREW-CACH-8-32X1PPHTAPTIT
	102540-03-000	EA	SEAL-SCREW

WATER&SEWAGEGROUP

FRESHWATERTANK&WATERSYSTEM

KEY	PARTNUMBER	U/M	DESCRIPTION
	109606-01-000	EA	WATERTANK-30GALW/OFITTINGS
	039861-01-000	EA	SENDINGUNIT-W/SCREW-WASHER-WELLNUT/TERMINALRING
	077954-02-000	EA	FILTER-WATERTANK-W/SCREENINTANK
	042989-03-000	EA	FITTING-WATERTANK-SPINWELD-1 1/4"NPT-PLASTIC
	042989-04-000	EA	FITTING-WATERTANK-SPINWELD-3/8FPT-WHITEPLASTIC
	042989-05-000	EA	FITTING-WATERTANK-SPINWELD-1/2"FPT-PLASTIC
	049032-01-000	EA	PATCH-SPINWELD-3/8"-PLASTIC

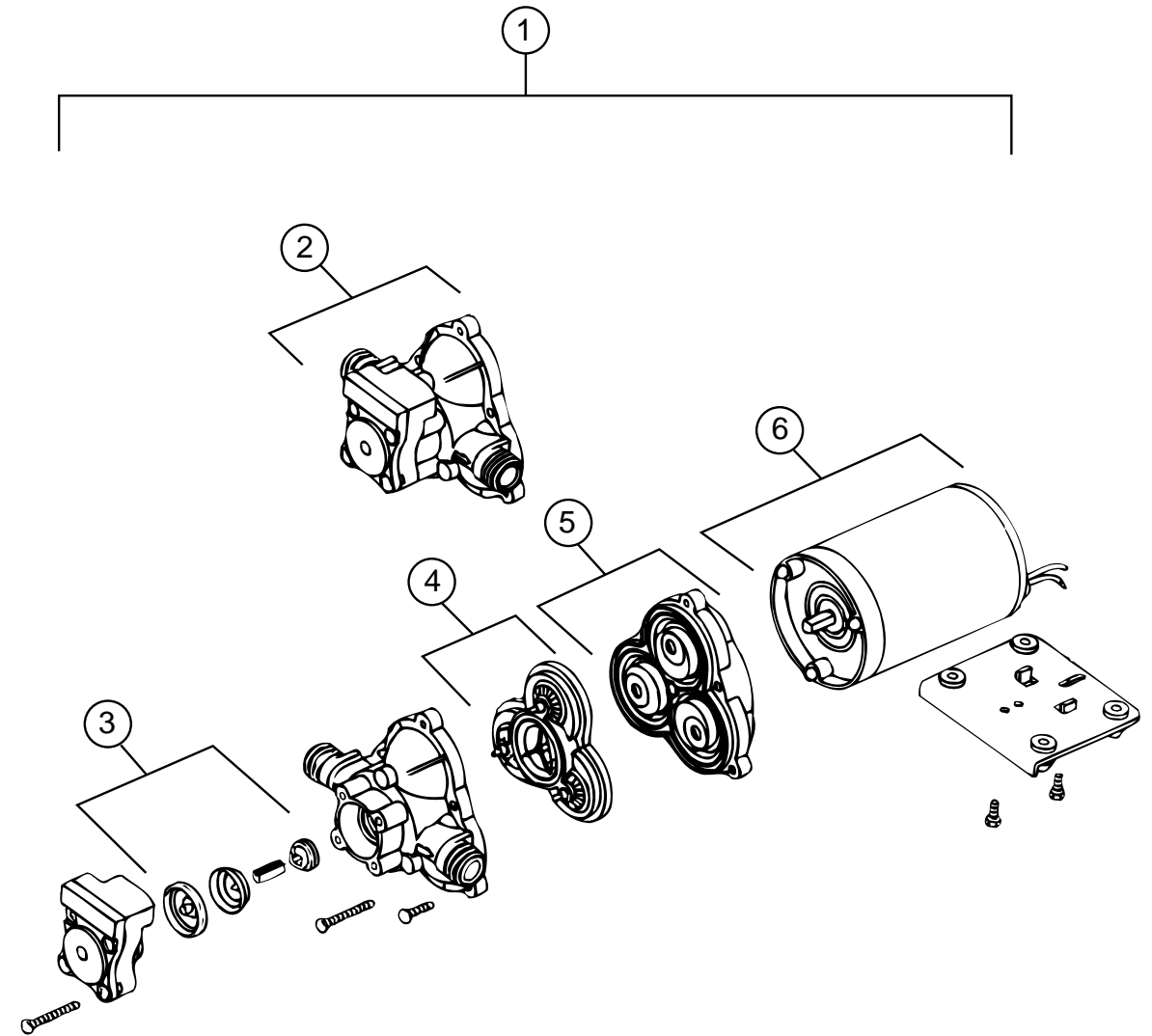
WATERSYSTEMCOMPONENTS

KEY	PARTNUMBER	U/M	DESCRIPTION
	039800-02-000	FT	TUBING-POLYBUTY-5/8"ODX20'-INCROF20'
	039800-05-000	FT	TUBING-POLYBUTYL-5/8ODX20'
	074462-02-000	FT	TUBING-VINYL-3/8"IDX20'-CLEAR
	079381-01-000	FT	TUBING-SMOOTHFLEXIBLE-1 3/8"IDX20'
	110438-01-000	EA	VALVE-CHECK-BRASS
	110438-02-000	EA	VALVE-CHECK-BRASS-MPTXMPT FROM: 00-00-00 THRU: 02-16-97 FROM: 02-17-97 THRU: 99-99-99
	110915-01-01A	EA	FILL-CITYWATER-CHROME
	114428-01-000	EA	TEE-1/2PX1/2PX1/2P
	114428-02-000	EA	TEE-SWIVEL-1/2PX1/2PX1/2FPT
	114429-01-000	EA	ELBOW-1/2PX1/2P
	114429-02-000	EA	ELBOW-1/2PX1/2MPT
	114429-03-000	EA	ELBOW-FLAIR-ITSWIVEL-1/2"PX1/2" FPT
	123150-01-000	EA	ELBOW-1/2" FPTX1/2" BARB-SWIVEL
	114430-02-000	EA	ADAPTER-SWIVEL-1/2PX1/2FPT
	114430-03-000	EA	ADAPTER-1/2PX1/2MPT
	114430-06-000	EA	ADAPTER-1/2PX3/8FPT
	010224-01-000	EA	ADAPTER-HOSE TO PIPE-3/8" MPTX3/8" BARB-PLASTIC
	044927-01-000	EA	ADAPTER-HOSE TO PIPE-1 1/4" MPTX1 1/4" BARB-BLKPLS
	123152-01-000	EA	ADAPTER-1/2 FPTX1/2 BARB-SWIVEL
	114431-01-000	EA	WATERVALVE-3 POSITION-"DRAINVALVE"
	114431-03-000	EA	WATERVALVE-90DEGREEELBOW-"DRAINVALVE"
	117089-01-000	FT	HOSE-1/2" ID-GARDEN

EXTERIORSHOWER

KEY	PARTNUMBER	U/M	DESCRIPTION
	106208-01-01A	EA	COMPARTMENT-EXTERIORSHOWER
	103092-02-000	EA	SHOWERHEAD-W/HOSE,CANADIAN
	103092-01-000	EA	SHOWERHEAD-W/60"HOSE
	093527-02-000	EA	BRACKET-SQUEEGEE/SHOWERHEAD
	075241-05-000	EA	FAUCET-SHOWER,BONE
	091952-02-000	EA	CLIP-GRIPPER,3/4"-GIBSONTOOL225-HL
	093527-02-000	EA	BRACKET-EXTERIORSHOWERHEAD/SQUEEGEE
	114428-01-000	EA	TEE-1/2PX1/2PX1/2P
	114429-03-000	EA	ELBOW-FLAIR-ITSWIVEL-1/2" PX1/2" FPT
	046128-01-000	EA	VALVE-DRAIN-PLASTIC-1/2" FPT
	114430-02-000	EA	ADAPTER-SWIVEL-1/2PX1/2FPT
	114429-06-000	EA	ELBOW-SWIVEL,1/2PX3/4FPT -FLAIR-IT02811

WATER&SEWAGEGROUP(CONTINUED)

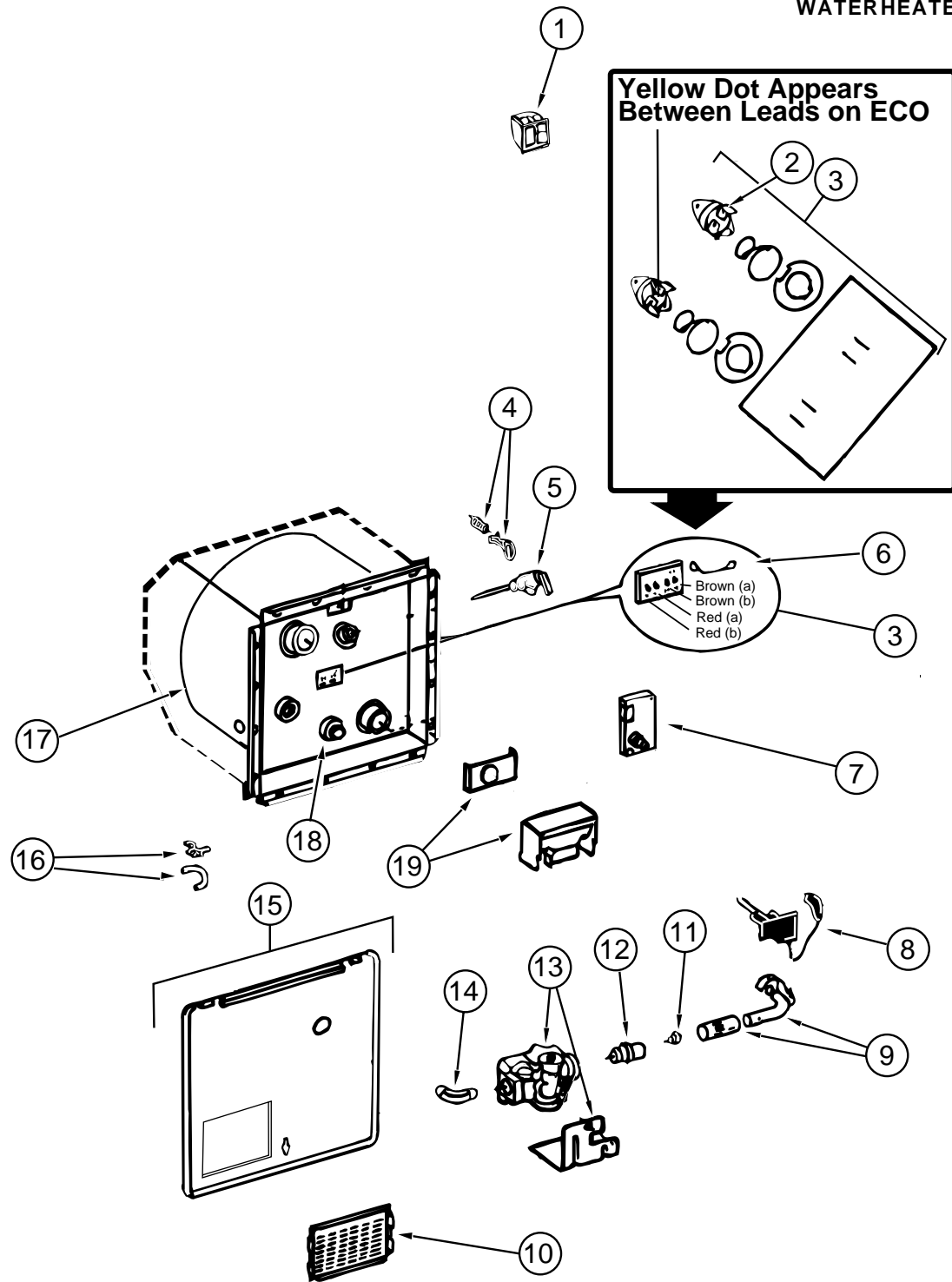


WATERPUMP-SHURFLOW

KEY	PARTNUMBER	U/M	DESCRIPTION	VENDOR NO.
1	098607-01-000	EA	PUMP-WATER, W/.5" MPT FITTING-FLOW 2.8 GPM-UL	
2	098607-01-706	EA	HOUSING, W/SWITCH ONLY	94-231-20
3	098607-01-705	EA	VALVE-CHECK, KIT	94-237-00
4	098607-01-703	EA	VALVE KIT	94-232-00
5	098607-01-702	EA	DIAPHRAGM/DRIVE ASSEMBLY KIT	94-238-04
6	098607-01-707	EA	MOTOR W/BASE PLATE	11-148-04

WATER & SEWAGE GROUP (CONTINUED)

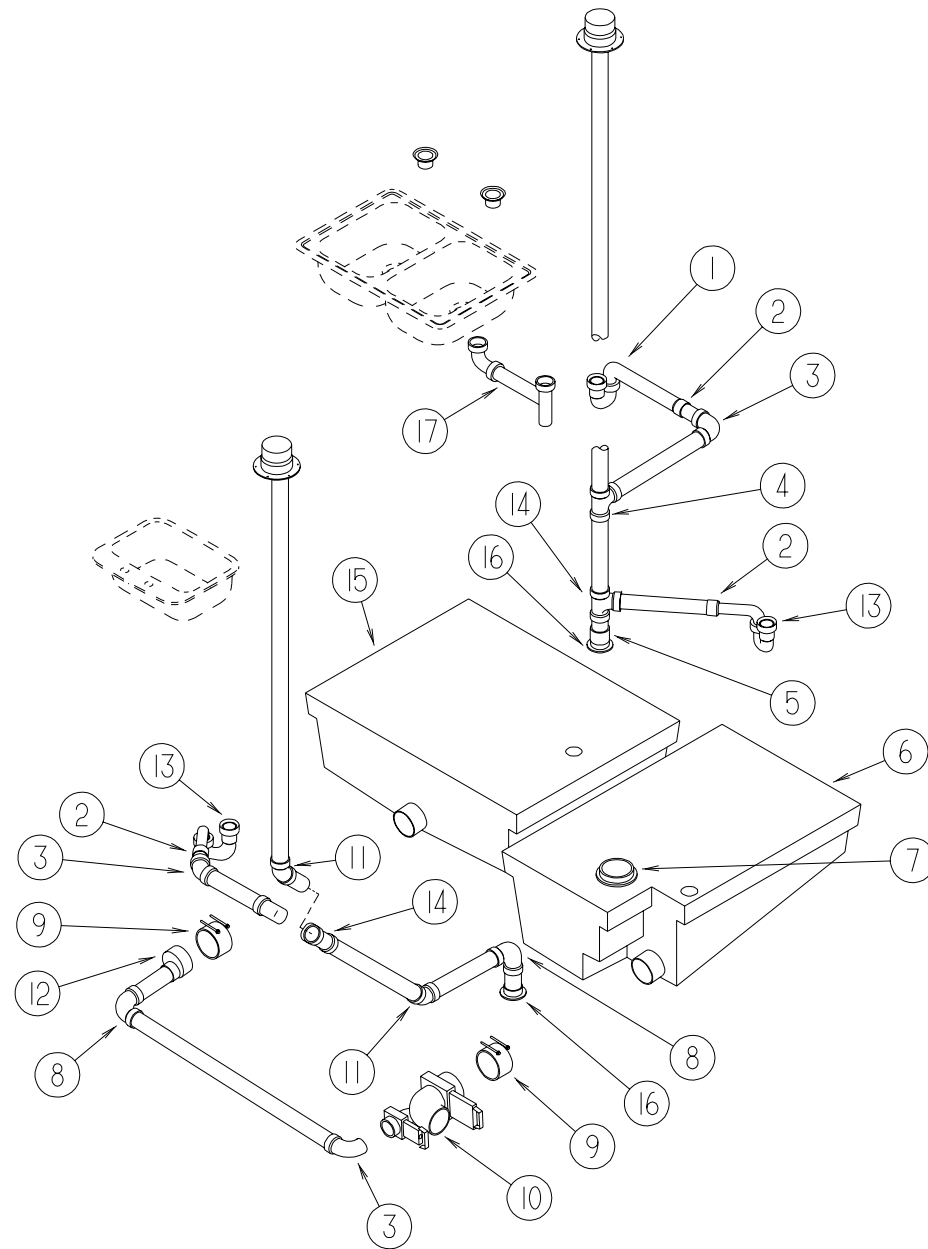
WATER HEATER W/OMOTOR AID - ATWOOD - MODEL G6A8E



KEY	PARTNUMBER	U/M	DESCRIPTION	VENDOR NO.
	051391-03-000	EA	WATERHEATER-ATWOODG6A-8ELECTRICIGNITION	
1	097967-01-000	EA	SWITCH-WATERHEATER, REMOTE W/LIGHT	91959
2	051391-04-701	EA	THERMOSTAT 12VDC-120 PRESET	91470
3	051393-01-721	EA	THERMOSTAT W/ECO, 140 FRONT MOUNT	91447
4	051391-01-705	EA	FASTENER-CAMLOCK	92609
5	051391-01-704	EA	VALVE-RELIEF, 1/2" FITTING	91604
6	051393-01-723	EA	SWITCH-THERMAL-CUTOFF 2/PKG	93866
7	051393-01-724	EA	BOARD-CIRCUIT, SPADE TERMINAL	93865
8	051393-01-725	EA	ELECTRODE-SGL SPADE CONNECT.	93868
9	051391-04-703	EA	BURNER-MAIN	91638
10	051391-01-717	EA	GRILLE-WATERHEATER DOOR	92640
	051391-01-716	EA	GRILL ONLY (GOES ON FLUE BOX)	91786
11	051391-01-710	EA	ORIFICE-MAIN BURNER	92742
12	051391-03-700	EA	HOLDER-ORIFICE	91563
13	051393-01-726	EA	VALVE-SOLENOID, W/BACKET	93870
14	051391-01-714	EA	FITTING-ELBOW, 45 DEGREE - 3/8 FX 3/8 MPT	1044
15	052009-07-000	EA	DOOR-WATERHEATER, 18" X 14.6" - METAL - SABLE	
	116424-01-000	EA	PROTECTOR-WATERHEATER LATCH, ADHESIVE BACKED ROUND VINYL	
16	051391-01-700	EA	HINGE KIT, (PIN & CLIP)	92568 & 92559
17	051391-04-706	EA	TANK-INNER, G6A-4E & 6E FRONT MOUNT	91641
18	051391-01-715	EA	PLUG-DRAIN, 1 EA = 2 PER PKG	91857
19	051391-04-707	EA	KIT-EXHAUST, (FLUE & GASKET)	90960
	111129-01-711	EA	BRACKET-CORNER, SET OF FOUR	91928

WATER & SEWAGE GROUP (CONTINUED)

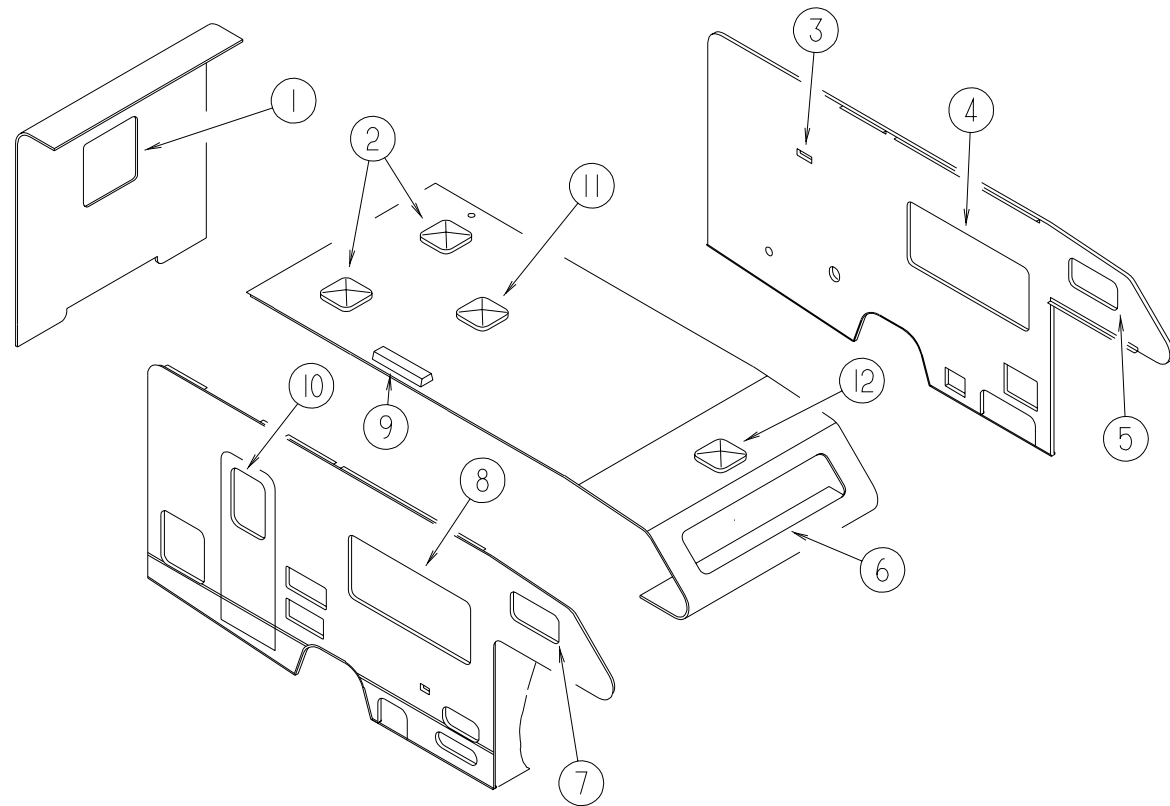
DRAINAGE SYSTEM



KEY	PARTNUMBER	U/M	DESCRIPTION
1	107538-01-000	EA	P-TRAP-PLASTIC-1 1/4"W/EXTENSIONARM
1	011071-01-000	EA	P-TRAP-PLASTIC 1 1/2"-CANADIAN
2	109571-01-000	EA	ADAPTER-P-TRAP-1 1/2" P X 1 1/4" MPT
3	033761-01-000	EA	ELBOW-TURN-1/4" BEND X 1 1/2" HUB X 1 1/2" SPIGOT
4	010071-02-000	EA	TEE-PLAS-1 1/2" W/BAFFLE H X H X H-KEVCO 3927-7
5	010115-01-000	EA	COUPLING-1 1/2" HUB X HUB-PLASTIC
6	074870-01-000	EA	TANK-HOLDING-W/OGROMMETS-30 GAL-36.5" X 13.3" X 23"
7	061607-02-000	EA	GROMMET-HOLDING TANK-3" NPS
	116644-01-000	EA	FLANGE-CLOSET-4" X 3"
8	010008-01-000	EA	ELBOW-90 DEG-1/4" BEND-1 1/2" HUB X HUB-PLASTIC
9	078406-01-000	EA	COUPLER-RUBBER-W/CLAMPS-3" X 3"
10	070916-01-000	EA	VALVE-DUAL DUMP-W/CAP-3" X 1 1/2"
	070916-01-700	EA	VALVE ONLY (WASTE) 3" T1003BU
	070916-01-701	EA	VALVE ONLY (WASTE 1 1/2") T1001BU
	062419-05-000	EA	BRACKET-VALVE, LOCKING-KEVCOT 1003-UC
	062419-06-000	EA	HANDLE-T-KEVCOCT 1003-6
	010201-01-000	EA	HOSE-SEWER-3" ID X 8'
	062416-01-000	EA	ADAPTER-SEWER HOSE TO 3" PIPE
11	010006-01-000	EA	ELBOW-45 DEG-1/8" BEND-1 1/2" HUB X HUB-PLASTIC
12	062422-01-000	EA	ADAPTER-OFFSET REDUCER-3" X 1 1/2"-PLASTIC
13	107538-01-000	EA	P-TRAP-PLASTIC-1 1/4"W/EXTENSIONARM
13	011066-03-700	EA	P TRAP KIT 1 1/2" X 1 1/4" P-TRAP W/1 1/2" TO 1 1/4" REDUCER-CANADIAN
14	010071-01-000	EA	TEE-SANITARY, 1 1/2" HUB X HUB X HUB-PLASTIC-BLACK
15	074861-01-000	EA	TANK-HOLDING-W/OGROMMETS-35 GALLON-35" X 11" X 27"
16	061607-01-000	EA	GROMMET-HOLDING TANK-1 1/2" NPS
17	011091-02-000	EA	WASTE-CONTINUOUS-DOUBLE SINK

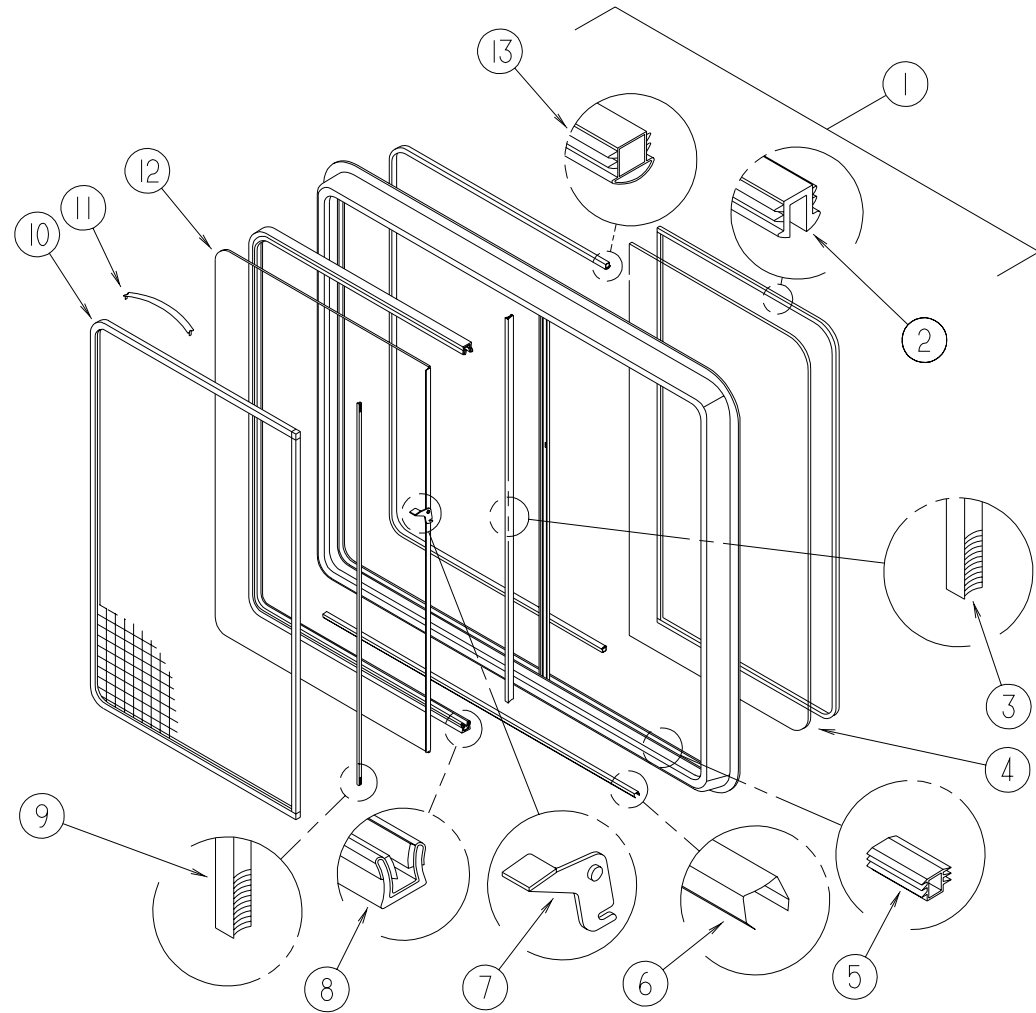
WINDOW, VENT & EXTERIOR DOOR GROUP

WINDOWS & VENTS



KEY	PARTNUMBER	U/M	DESCRIPTION
1	117053-04-FB1	EA	WINDOW-PICTURE-17"X26.4"
1	113733-05-01A	EA	WINDOW-STATIONARYTHERMOPANE/EUROPEAN17"X26.4"
2	122882-01-01A	EA	VENT-ROOF-NONPOWERED
2	122882-02-01A	EA	VENT-ROOF-W/FAN-UL
2	122882-03-01A	EA	VENT-ROOF-W/FAN-CSA
3	084878-09-000	EA	VENT-HOOD-RANGE/SHORT-OFFWHITE
	084616-07-000	EA	SHROUD-VENT-RANGEHOOD-BRIGHTWHITE
4	098647-28-01A	EA	WINDOW-DRIVERSHORIZONTALSLIDER-CLEAR-26.1"X59.7"
4	112795-15-01A	EA	WINDOW-DRIVER-HORIZONTALSLIDER-THERMO-263/8"X60"
5	098647-32-01A	EA	WINDOW-DRIVERSHORIZONTALSLIDER-CLEAR-15.7"X28.5"
5	112795-20-01A	EA	WINDOW-DRIVER-HORIZONTALSLIDER-THERMO-16"X283/4"
6	115630-01-01A	EA	WINDOW-STATIONARY-17.2"X72"
6	103313-03-F15	EA	WINDOW-PICTURE/ESCAPE-23.3"X71.3"
7	112795-19-01A	EA	WINDOW-PASSENGER/HORIZONTALSLIDER/THERMO16"X283/4"
7	098647-31-01A	EA	WINDOW-PASSENGERHORIZONTALSLIDER-CLEAR-15.7"X28.5"
8	112795-16-01A	EA	WINDOW-PASSENGER-HORIZONTALSLIDER-THERMO-263/8"X60"
8	098647-27-01A	EA	WINDOW-PASSENGERHORIZONTALSLIDER-CLEAR-26.1"X59.7"
9	084073-07-000	EA	VENT-ROOF-REFRIGERATOR-BRIGHTWHITE
	084073-04-000	EA	BASE-ROOFVENT-REFRIGERATOR
10	113733-01-01A	EA	WINDOW-STATIONARY-THERMOPANE-17"X26.4"
10	117053-04-FB1	EA	WINDOW-PICTURE-17"X26.4"
11	122882-01-01A	EA	VENT-ROOF-NONPOWERED
12	122882-01-01A	EA	VENT-ROOF-NONPOWERED
12	123780-02-01A	EA	VENT-ROOF-1"CEILINGCSA
12	123780-01-01A	EA	VENT-EXHAUST-1"ROOF
	083558-03-000	EA	VENT-PLUMBING-PIPEROOF-W/COVER-OFFWHITE
	084616-07-000	EA	VENT-SHROUD-RANGEHOOD-BRIGHTWHITE
	084878-09-000	EA	VENT-HOOD-RANGE/SHORT-OFFWHITE
	083558-03-000	EA	VENT-PLUMBING-PIPEROOF-W/COVER-OFFWHITE

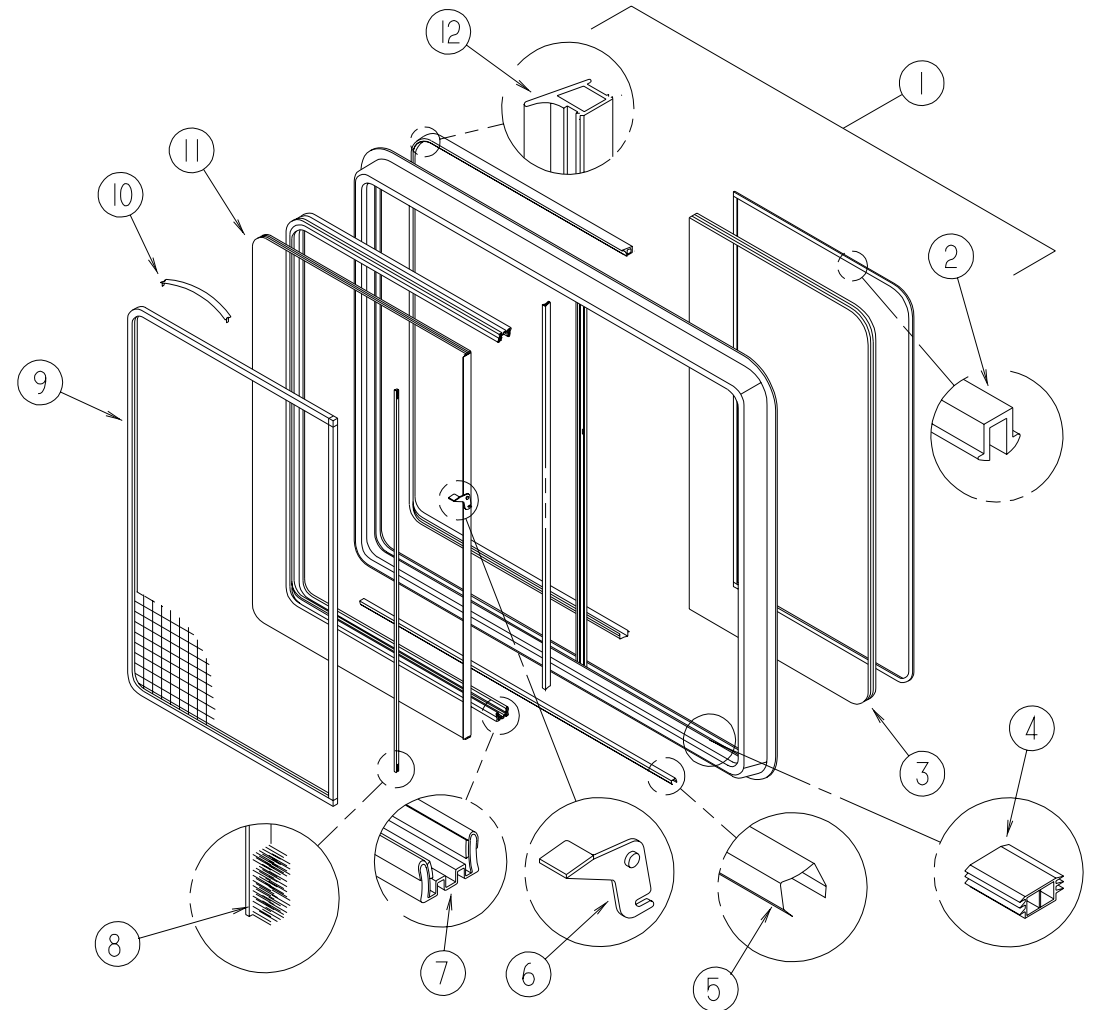
WINDOW, VENT & EXTERIOR DOOR GROUP (CONTINUED)



SINGLE SLIDER WINDOW-LOUNGE-EXCEL

KEY	PARTNUMBER	U/M	DESCRIPTION	VENDORNO.
1	098647-28-01A	EA	WINDOW-DRIVERS HORIZONTAL SLIDER-CLEAR-26.1"X59.7"	
	098647-28-700	EA	WINDOW-SLIDER	H287-C1L
	098647-27-701	EA	RETAINER-TRIM	W287-66
2	098644-01-705	FT	GLAZING-STRIP	132-010231
3	098644-01-706	FT	WEATHERSTRIP-GLASS	171-010668
4	098647-27-702	EA	GLASS-STATIONARY	096-017868
5	098644-01-719	EA	STOP-SLIDER GLASS	132-014203
6	098644-01-710	FT	TRACK-SCREEN SPACER 12'	132-017135
7	098644-01-700	EA	LATCH-REPAIR KIT (BLACK)	B801-CK
8	098644-01-708	FT	CHANNEL-RUN PIERCED	122-016543
9	098644-01-711	FT	WEATHERSTRIP-SCREEN BLACK	171-016965
10	098647-23-704	EA	SCREEN ASM-W/SEALS & CLIPS	410-019066
	098644-01-717	FT	SPLINE-SCREEN	132-004716
11	098644-01-713	EA	CLIP-SPRING-METAL	226-016966
12	098647-27-703	EA	GLASS-SLIDING W/SASH & LATCH	H287-C8
13	098644-01-716	FT	PLUG-FILLER	132-014470

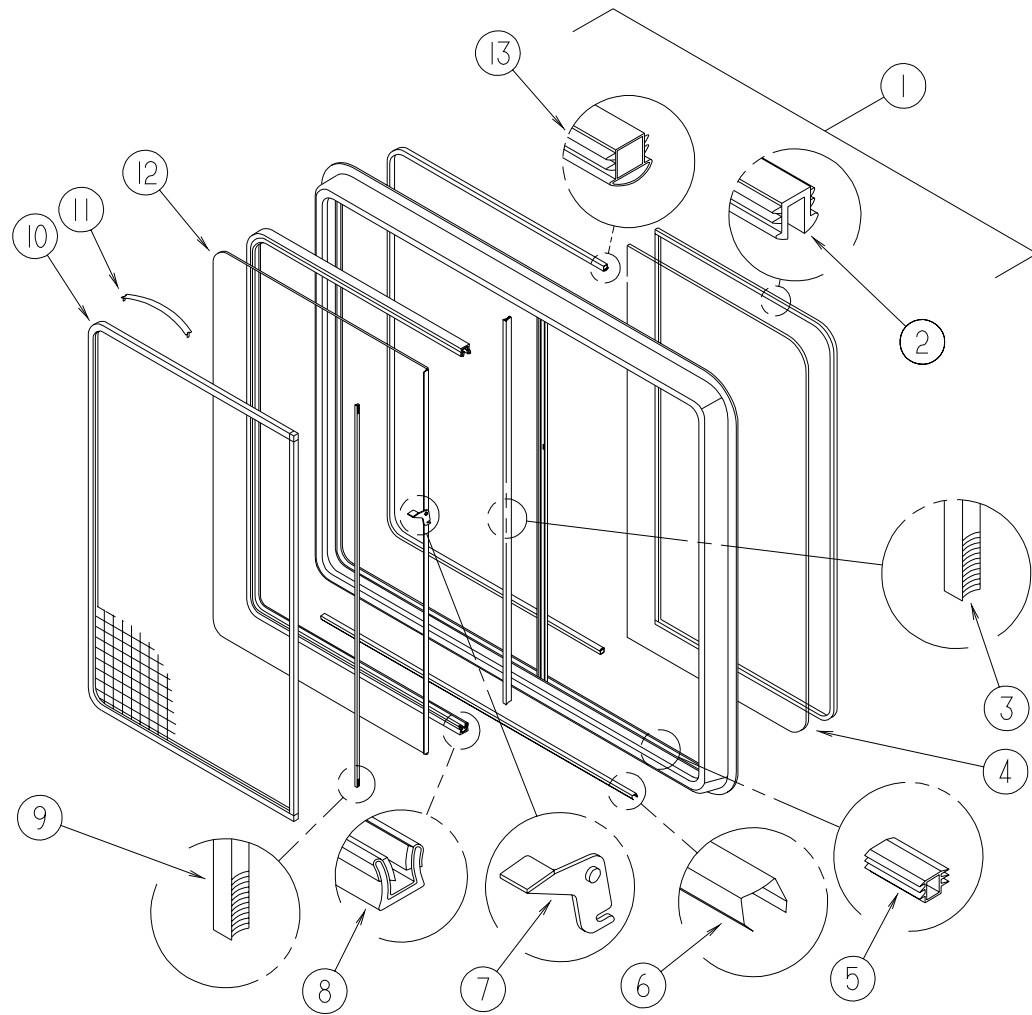
WINDOW, VENT & EXTERIOR DOOR GROUP (CONTINUED)



SINGLE SLIDER WINDOW-LOUNGE-EXCEL-THERMO

KEY	PARTNUMBER	U/M	DESCRIPTION	VENDORNO.
1	112795-15-01A	EA	WINDOW-DRIVERS HORIZONTAL SLIDER THERMO 26 3/8" X 60"	
	112795-15-700	EA	WINDOW W/OTRIM	DH287-G2L
	098647-23-702	EA	RETAINER-TRIM	W287-66
2	112795-01-705	FT	VINYL-GLAZING	132-019702
3	112795-15-701	EA	GLASS-STATIONARY	390-019045
4	112795-01-701	EA	SLIDE-STOP	132-019092
5	098644-01-710	FT	TRACK-SCREEN SPACER 12'	132-017135
6	112795-01-700	EA	LATCH ASM., BLK., (BOLTON)	DH287-CK
7	112795-01-703	IN	CHANNEL-RUN (INCHES)	122-018736
8	098644-01-711	FT	WEATHERSTRIP-SCREEN BLACK	171-016965
9	098647-23-704	EA	SCREEN ASM-W/SEALS & CLIPS	410-019066
10	098644-01-713	EA	CLIP-SPRING-METAL	226-016966
11	112795-15-702	EA	GLASS-SLIDING W/SASH & LATCH	DH287-G9
12	112795-01-704	FT	PLUG FILLER (DOUBLE GLAZED)	122-018737

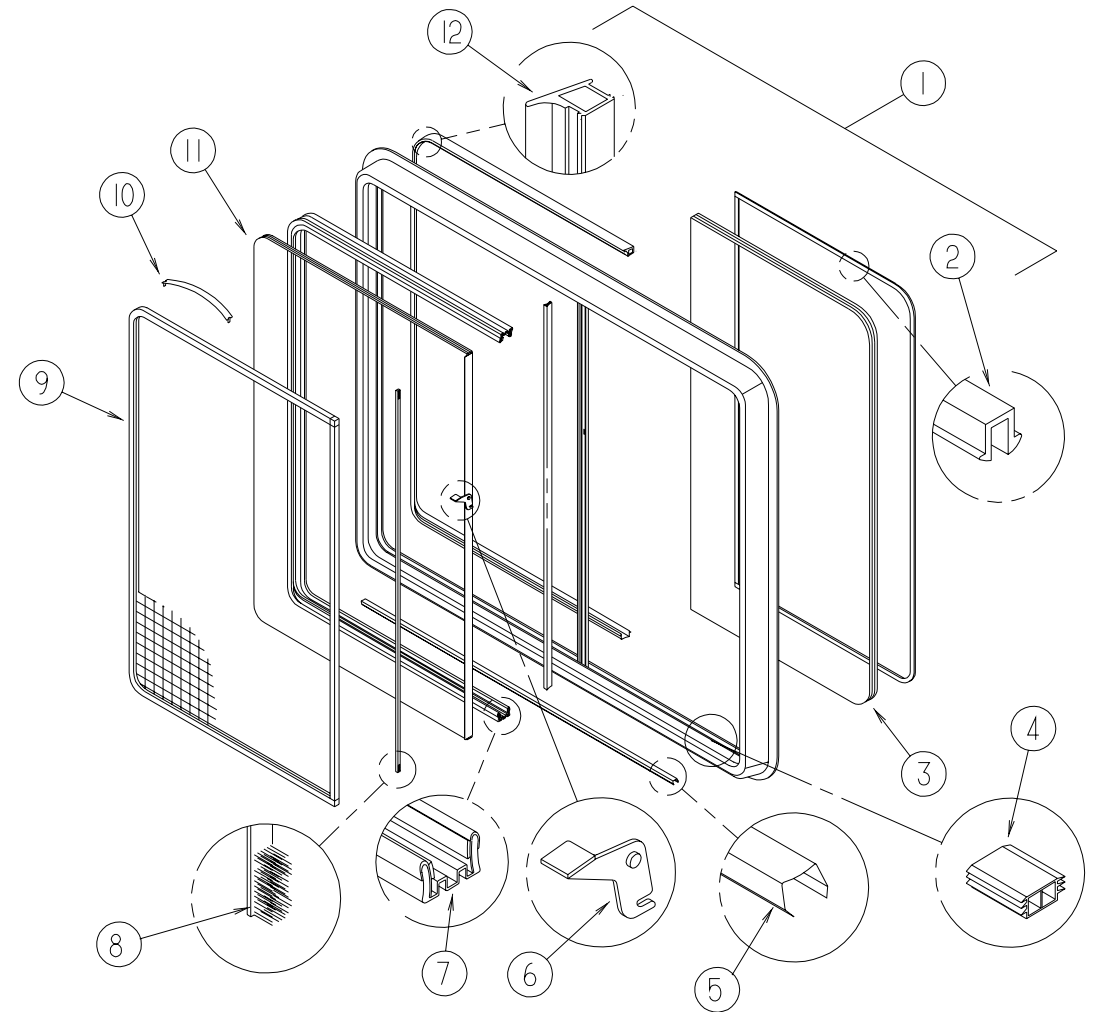
WINDOW, VENT & EXTERIOR DOOR GROUP (CONTINUED)



SINGLE SLIDER WINDOW-DINETTE-PASSENGER SIDE-EXCEL

KEY	PART NUMBER	U/M	DESCRIPTION	VENDOR NO.
1	098647-27-01A	EA	WINDOW-PASSENGER HORIZONTAL SLIDER-CLEAR-26.1" X 59.7"	
	098647-27-700	EA	WINDOW-SLIDER	H287-C1R
	098647-27-701	EA	RETAINER-TRIM	W287-66
2	098644-01-705	FT	GLAZING-STRIP	132-010231
3	098644-01-706	FT	WEATHERSTRIP-GLASS	171-010668
4	098647-27-702	EA	GLASS-STATIONARY	096-017868
5	098644-01-719	EA	STOP-SLIDER GLASS	132-014203
6	098644-01-710	FT	TRACK-SCREEN SPACER 12'	132-017135
7	098644-01-700	EA	LATCH-REPAIR KIT (BLACK)	B801-CK
8	098644-01-708	FT	CHANNEL-RUN PIERCED	122-016543
9	098644-01-711	FT	WEATHERSTRIP-SCREEN BLACK	171-016965
10	098647-23-704	EA	SCREEN ASM-W/SEALS & CLIPS	410-019066
	098644-01-717	FT	SPLINE-SCREEN	132-004716
11	098644-01-713	EA	CLIP-SPRING-METAL	226-016966
12	098647-27-703	EA	GLASS-SLIDING W/SASH & LATCH	H287-C8
13	098644-01-716	FT	PLUG-FILLER	132-014470

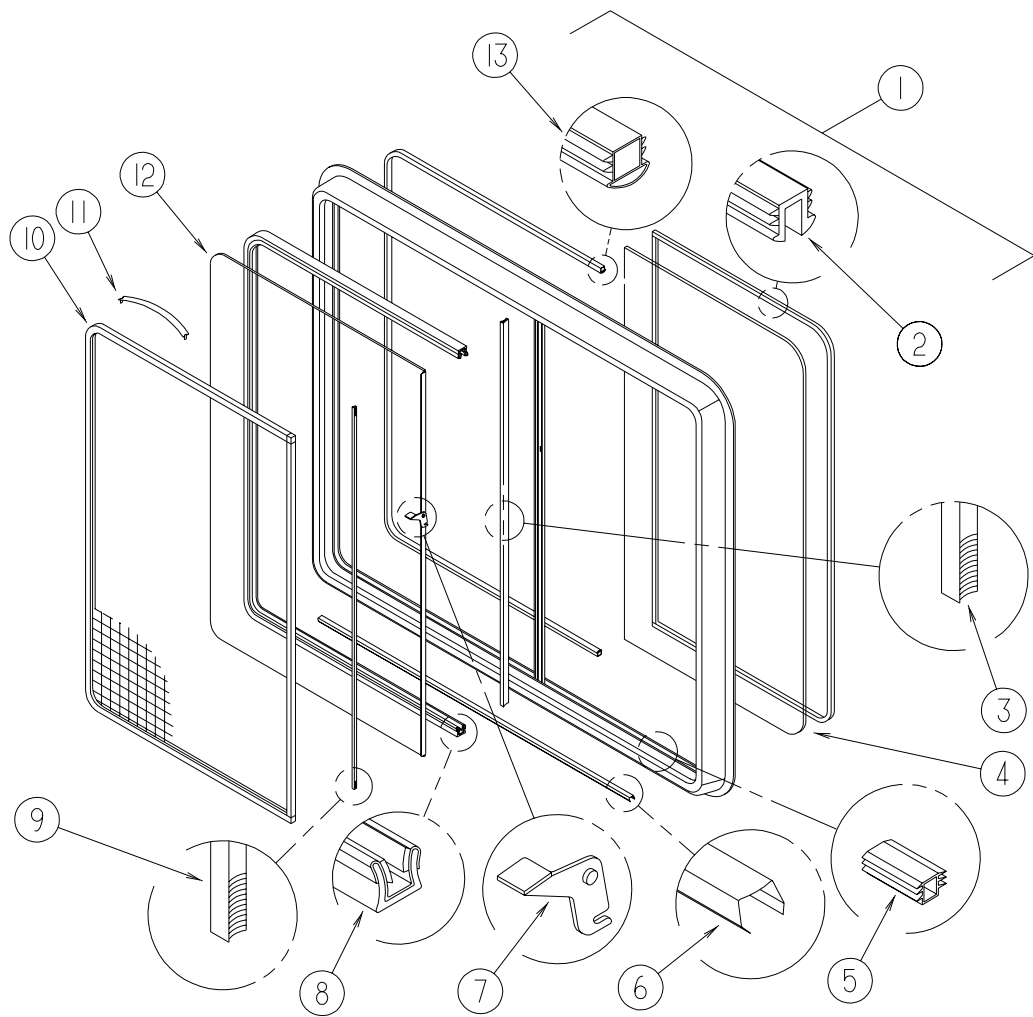
WINDOW, VENT & EXTERIOR DOOR GROUP (CONTINUED)



SINGLE SLIDER WINDOW-DINETTE-PASSENGER SIDE-EXCEL-THERMO

KEY	PART NUMBER	U/M	DESCRIPTION	VENDOR NO.
1	112795-16-01A	EA	WINDOW-PASSENGER HORIZONTAL SLIDER THERMO 26 3/8" X 60"	
	112795-16-700	EA	WINDOW W/OTRIM	DH287-G2R
	098647-23-702	EA	RETAINER-TRIM	W287-66
2	112795-01-705	FT	VINYL-GLAZING	132-019702
3	112795-15-701	EA	GLASS-STATIONARY	390-019045
4	112795-01-701	EA	SLIDE-STOP	132-019092
5	098644-01-710	FT	TRACK-SCREEN SPACER 12'	132-017135
6	112795-01-700	EA	LATCH ASM., BLK., (BOLTON)	DH287-CK
7	112795-01-703	IN	CHANNEL-RUN (INCHES)	122-018736
8	098644-01-711	FT	WEATHERSTRIP-SCREEN BLACK	171-016965
9	098647-23-704	EA	SCREEN ASM-W/SEALS & CLIPS	410-019066
10	098644-01-713	EA	CLIP-SPRING-METAL	226-016966
11	112795-15-702	EA	GLASS-SLIDING W/SASH & LATCH	DH287-G9
12	112795-01-704	FT	PLUG FILLER (DOUBLE GLAZED)	122-018737

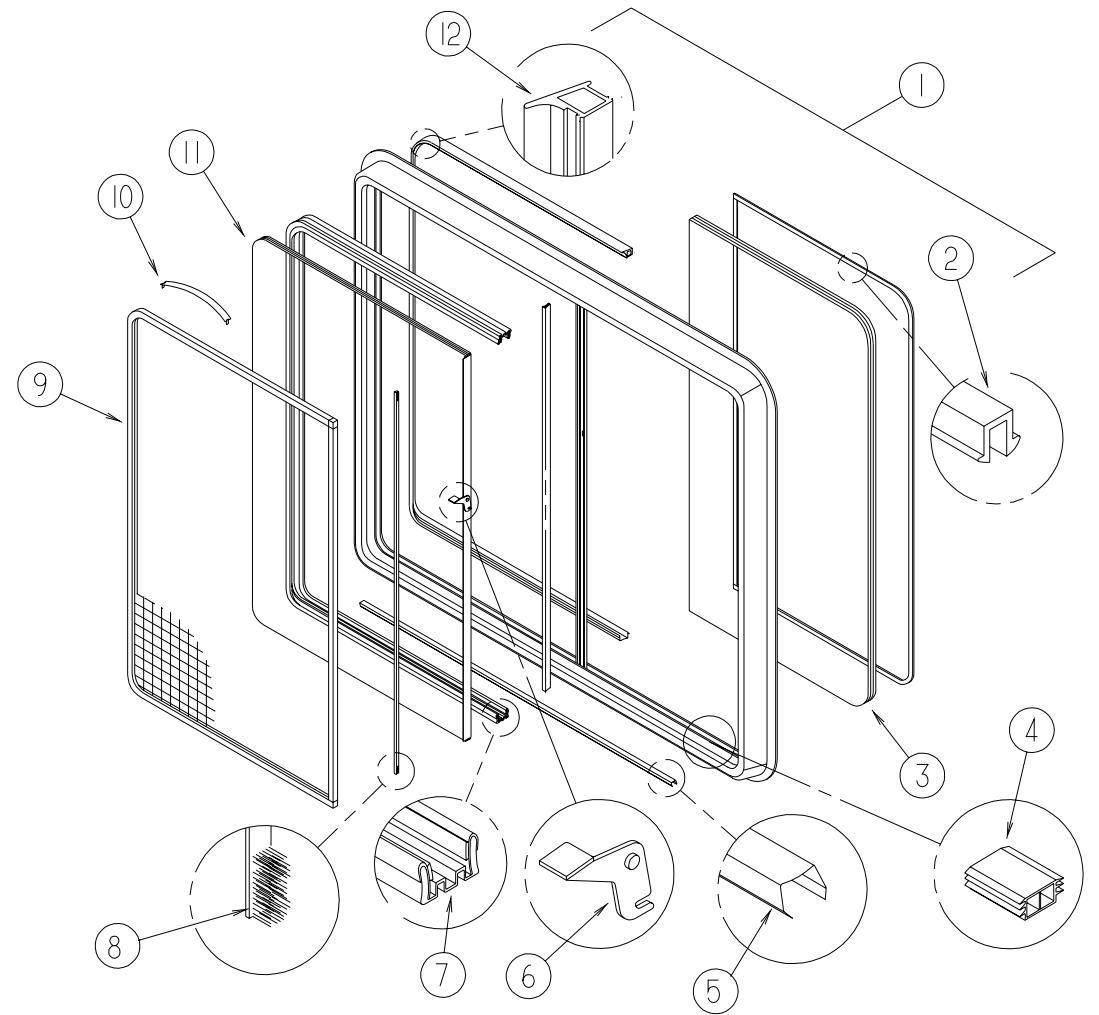
WINDOW, VENT & EXTERIOR DOOR GROUP (CONTINUED)



SLIDER WINDOWS-OVERHEAD BUNK-PASSENGER SIDE-EXCEL

KEY	PARTNUMBER	U/M	DESCRIPTION	VENDOR NO.
1	098647-31-01A	EA	WINDOW-PASSENGER HORIZONTAL SLIDER-CLEAR-15.7"X28.5"	
	098647-31-700	EA	WINDOW-SLIDER	H425-C1R
	098647-31-701	EA	RETAINER-TRIM	CW29-66
2	098644-01-705	FT	GLAZING-STRIP	132-010231
3	098644-01-706	FT	WEATHERSTRIP-GLASS	171-010668
4	098647-31-702	EA	GLASS-STATIONARY	096-019299
5	098644-01-719	EA	STOP-SLIDER GLASS	132-014203
6	098644-01-710	FT	TRACK-SCREEN SPACER 12'	132-017135
7	098644-01-700	EA	LATCH-REPAIR KIT (BLACK)	B801-CK
8	098644-01-708	FT	CHANNEL-RUN PIERCED	122-016543
9	098644-01-711	FT	WEATHERSTRIP-SCREEN BLACK	171-016965
10	098647-31-704	EA	SCREEN ASM-W/SEALS & CLIPS	410-019128
	098644-01-717	FT	SPLINE-SCREEN	132-004716
11	098644-01-713	EA	CLIP-SPRING-METAL	226-016966
12	098647-31-703	EA	GLASS-SLIDING W/SASH & LATCH	H425-C8
13	098644-01-716	FT	PLUG-FILLER	132-014470

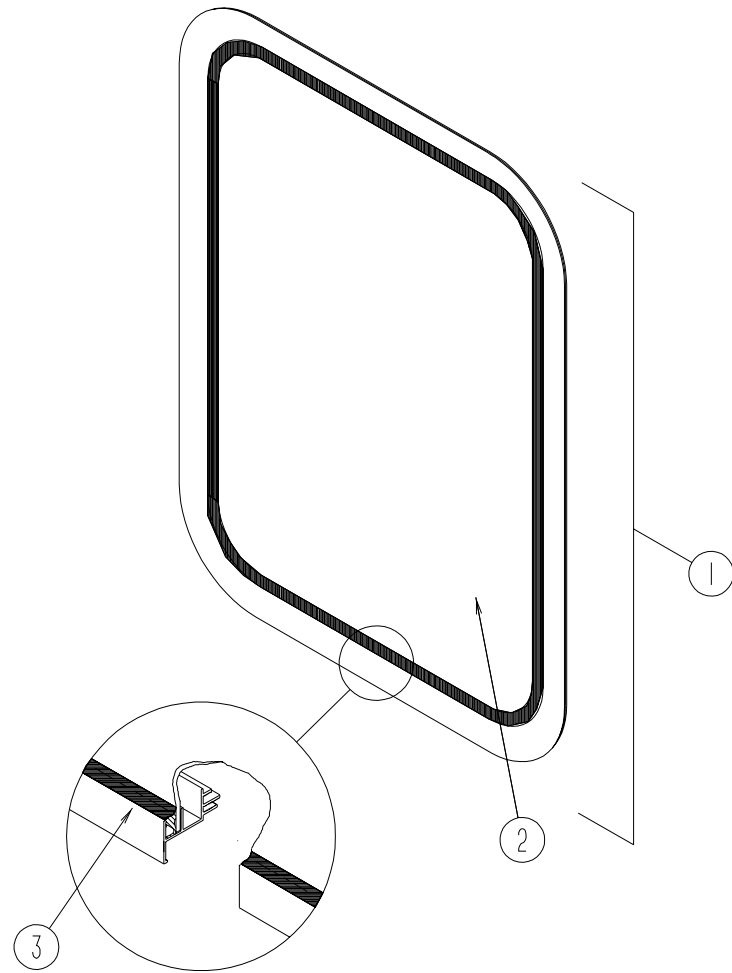
WINDOW, VENT & EXTERIOR DOOR GROUP (CONTINUED)



SLIDER WINDOWS-OVERHEAD BUNK-PASSENGER SIDE-EXCEL-THERMO

KEY	PARTNUMBER	U/M	DESCRIPTION	VENDOR NO.
1	112795-19-01A	EA	WINDOW-HORIZONTAL SLIDER THERMO 16"X28 3/4"	
	112795-19-700	EA	WINDOW W/OTRIM	DC29-G2R
	098647-31-701	EA	RETAINER-TRIM	CW29-66
2	112795-01-705	FT	VINYL-GLAZING	132-019702
3	112795-19-701	EA	GLASS-STATIONARY	390-019134
4	112795-01-701	EA	SLIDE-STOP	132-019092
5	098644-01-710	FT	TRACK-SCREEN SPACER 12'	132-017135
6	112795-01-700	EA	LATCH ASM., BLK., (BOLTON)	DH287-CK
7	112795-01-703	IN	CHANNEL-RUN (INCHES)	122-018736
8	098644-01-711	FT	WEATHERSTRIP-SCREEN BLACK	171-016965
9	098647-31-704	EA	SCREEN ASM-W/SEALS & CLIPS	410-019128
10	098644-01-713	EA	CLIP-SPRING-METAL	226-016966
11	112795-19-702	EA	GLASS-SLIDING W/SASH & LATCH	DC29-G9
12	112795-01-704	FT	PLUG FILLER (DOUBLE GLAZED)	122-018737

WINDOW, VENT & EXTERIOR DOOR GROUP (CONTINUED)



ENTRANCE DOOR & GALLEY WINDOW

KEY	PART NUMBER	U/M	DESCRIPTION
1	117053-04-FB1	EA	WINDOW-PICTURE-17" X 26.4"
2	002181-27-000	EA	GLASS-PICTURE-25.7" X 16.4"
3	087561-01-000	FT	SEAL-GLASS-EXTERIOR-.5"WIDE-VINYL BLACK
	117054-02-02A	EA	RETAINER-TRIM, BRIGHT/WHITE

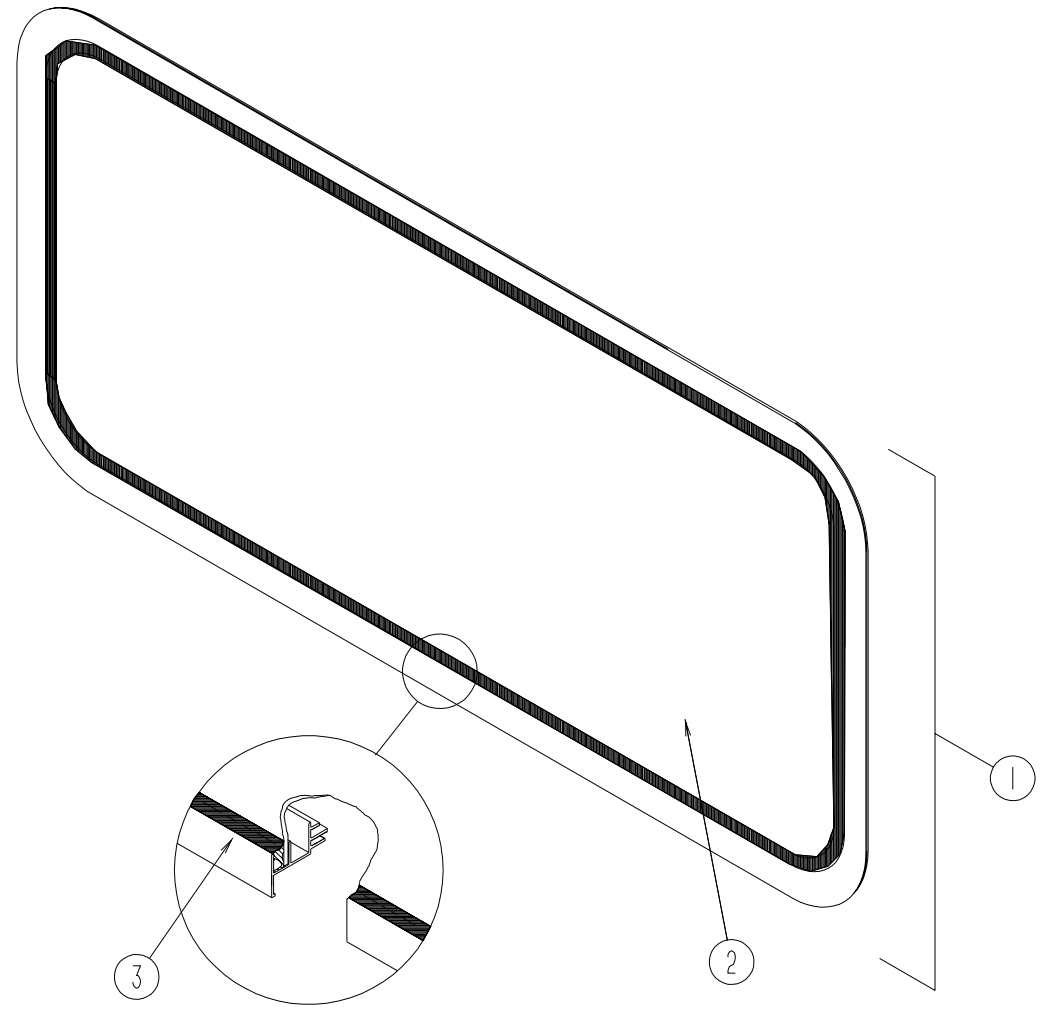
ENTRANCE DOOR WINDOW-THERMO

KEY	PART NUMBER	U/M	DESCRIPTION	VENDOR NO.
	113733-01-01A	EA	WINDOW-STATIONARY THERMO PANE 26.4" X 17"	
	113733-01-702	EA	GLASS-STATIONARY	390-019187
	112795-01-705	FT	VINYL-GLAZING	132-019702
	113733-01-700	EA	WINDOW ASM. W/OTRIM	DH416-G2
	113733-01-701	EA	RETAINER-TRIM	W41666

GALLEY WINDOW-THERMO

KEY	PART NUMBER	U/M	DESCRIPTION	VENDOR NO.
	113733-05-01A	EA	WINDOW-STATIONARY THERMO PANE/EUROPEAN 17" X 26.4"	
	113733-05-700	EA	RETAINER-TRIM	W45559
	113733-05-702	EA	GLASS-STATIONARY	
	112795-01-705	FT	VINYL-GLAZING	132-019702

WINDOW, VENT & EXTERIOR DOOR GROUP (CONTINUED)



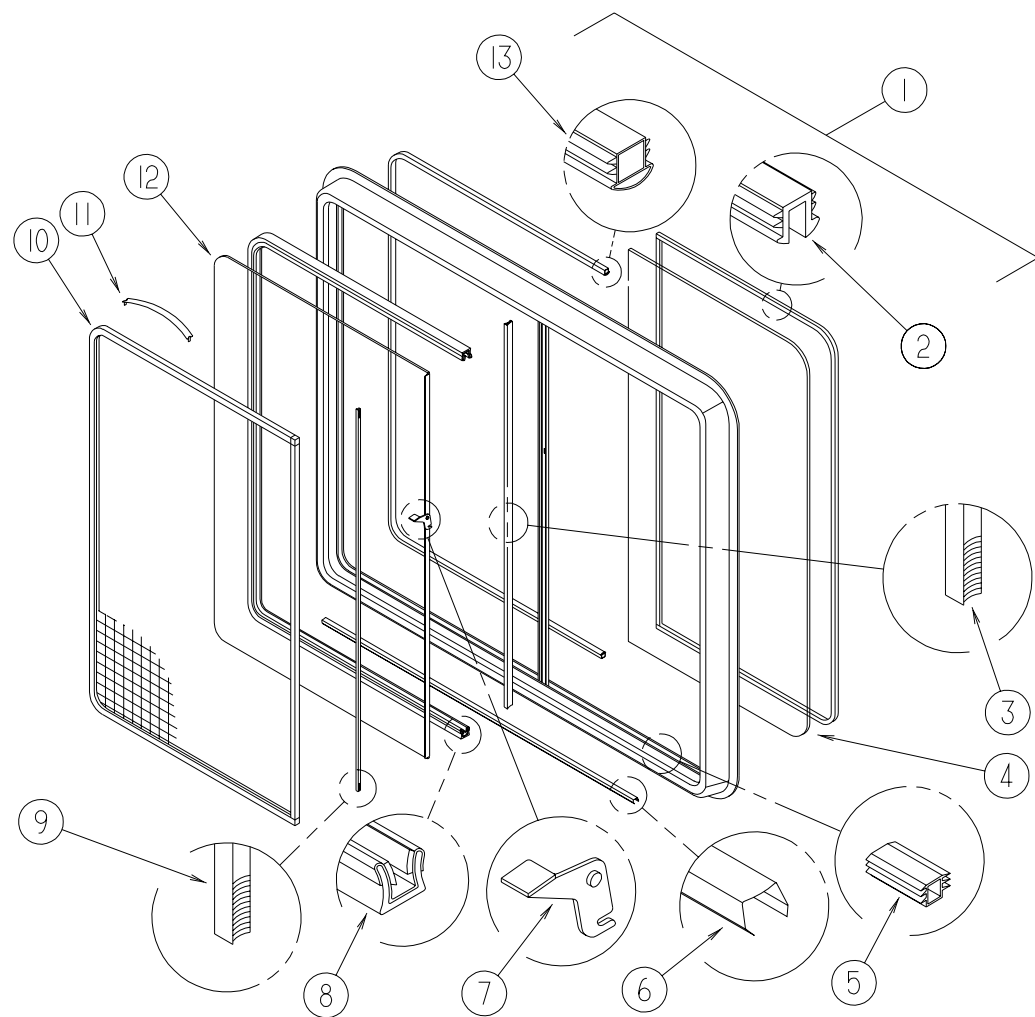
FRONT OVERHEAD BUNK WINDOW

KEY	PART NUMBER	U/M	DESCRIPTION
	117054-01-01A	EA	RETAINER-TRIM
1	103313-03-F15	EA	WINDOW-PICTURE/ESCAPE 23.3" X 71.3"
2	002181-29-000	EA	GLASS-PICTURE 71" X 16.4"
3	099154-01-000	FT	CHANNEL-GLAZING-STATIONARY GLASS-.62" X .45"-BLACK

FRONT OVERHEAD BUNK WINDOW-THERMO

KEY	PART NUMBER	U/M	DESCRIPTION	VENDOR NO.
	115630-01-01A	EA	WINDOW-STATIONARY-17.2" X 72"	
	098644-01-705	FT	GLAZING-STRIP	132-010231
	115630-01-700	EA	WINDOW W/OTRIM	DH438-G2
	115630-01-701	EA	RETAINER-TRIM	W438-58
	115630-01-702	EA	GLASS-STATIONARY	390-019467

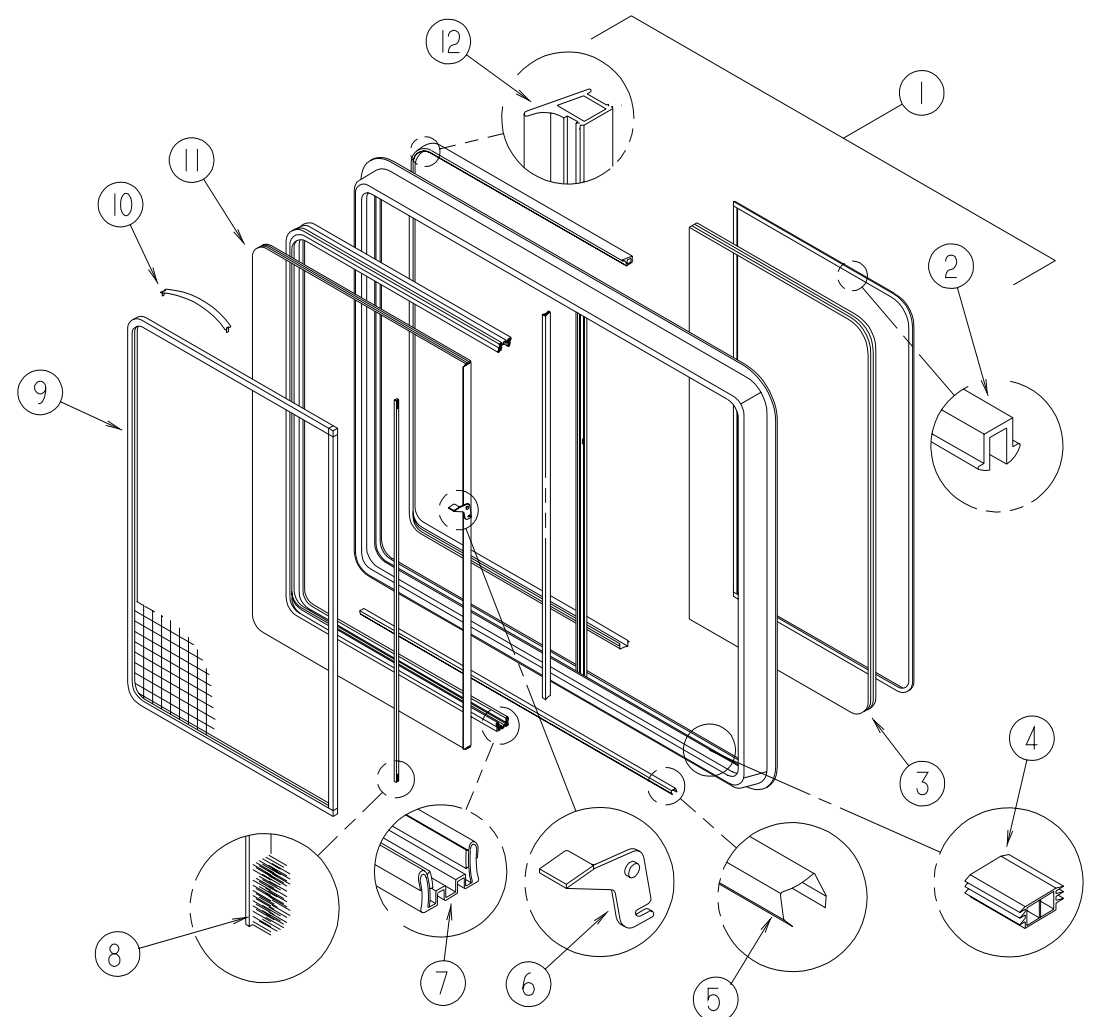
WINDOW, VENT & EXTERIOR DOOR GROUP (CONTINUED)



SLIDER WINDOWS-OVERHEAD BUNK-DRIVERSIDE-EXCEL

KEY	PARTNUMBER	U/M	DESCRIPTION	VENDORNO.
1	098647-32-01A	EA	WINDOW-DRIVERSHORIZONTALSLIDER-CLEAR-15.7"X28.5"	
	098647-32-700	EA	WINDOW-SLIDER	H425-C1L
	098647-31-701	EA	RETAINER-TRIM	CW29-66
2	098644-01-705	FT	GLAZING-STRIP	132-010231
3	098644-01-706	FT	WEATHERSTRIP-GLASS	171-010668
4	098647-31-702	EA	GLASS-STATIONARY	096-019299
5	098644-01-719	EA	STOP-SLIDERGLASS	132-014203
6	098644-01-710	FT	TRACK-SCREENSPACER12'	132-017135
7	098644-01-700	EA	LATCH-REPAIRKIT(BLACK)	B801-CK
8	098644-01-708	FT	CHANNEL-RUNPIERCED	122-016543
9	098644-01-711	FT	WEATHERSTRIP-SCREENBLACK	171-016965
10	098647-31-704	EA	SCREENASM-W/SEALS&CLIPS	410-019128
	098644-01-717	FT	SPLINE-SCREEN	132-004716
11	098644-01-713	EA	CLIP-SPRING-METAL	226-016966
12	098647-31-703	EA	GLASS-SLIDINGW/SASH&LATCH	H425-C8
13	098644-01-716	FT	PLUG-FILLER	132-014470

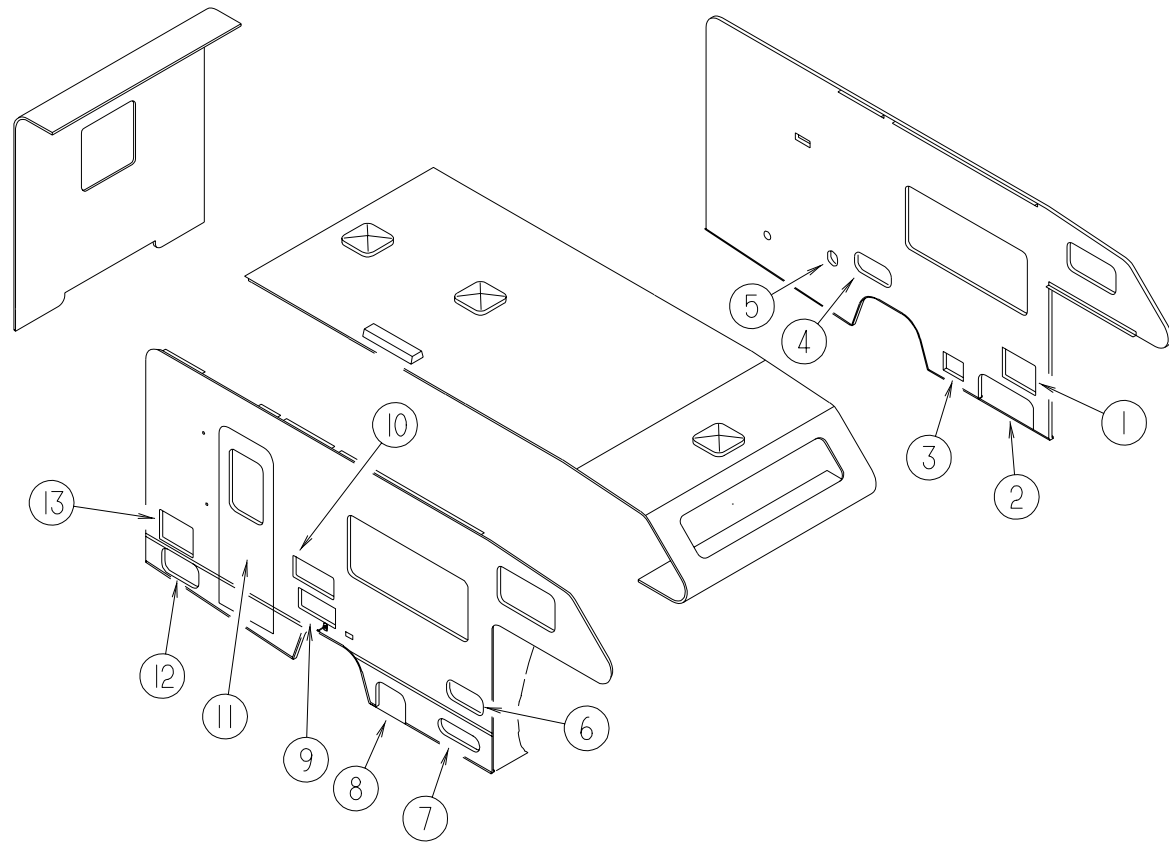
WINDOW, VENT & EXTERIOR DOOR GROUP (CONTINUED)



SLIDER WINDOWS-OVERHEAD BUNK-DRIVERSIDE-EXCEL

KEY	PARTNUMBER	U/M	DESCRIPTION	VENDORNO.
1	112795-20-01A	EA	WINDOW-DRIVERHORIZONTALSLIDER THERMO16"X283/4"	
	112795-20-700	EA	WINDOWW/OTRIM	DC29-G2L
	098647-31-701	EA	RETAINER-TRIM	CW29-66
2	112795-01-705	FT	VINYL-GLAZING	132-019702
3	112795-19-701	EA	GLASS-STATIONARY	390-019134
4	112795-01-701	EA	SLIDE-STOP	132-019092
5	098644-01-710	FT	TRACK-SCREENSPACER12'	132-017135
6	112795-01-700	EA	LATCHASM.,BLK.,(BOLTON)	DH287-CK
7	112795-01-703	IN	CHANNEL-RUN(INCHES)	122-018736
8	098644-01-711	FT	WEATHERSTRIP-SCREENBLACK	171-016965
9	098647-31-704	EA	SCREENASM-W/SEALS&CLIPS	410-019128
10	098644-01-713	EA	CLIP-SPRING-METAL	226-016966
11	112795-19-702	EA	GLASS-SLIDINGW/SASH&LATCH	DC29-G9
12	112795-01-704	FT	PLUGFILLER(DOUBLEGLAZED)	122-018737

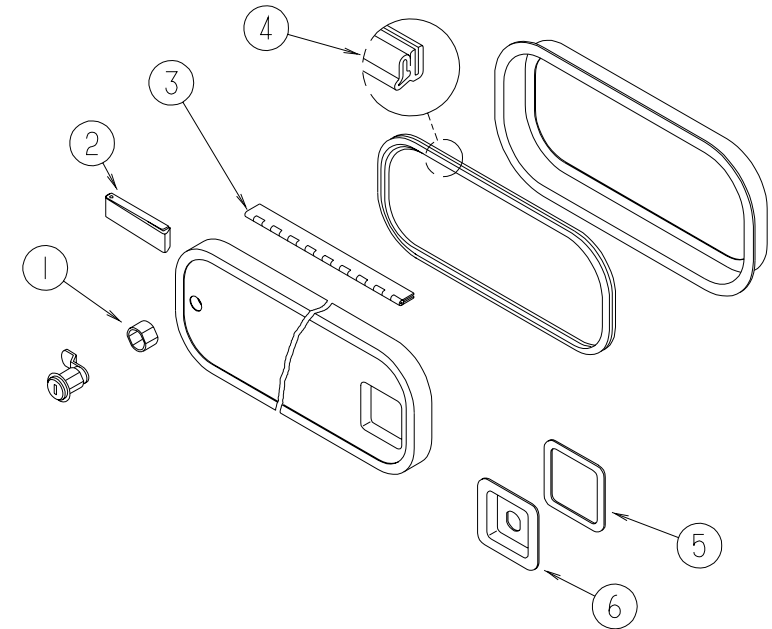
WINDOW, VENT & EXTERIOR DOOR GROUP (CONTINUED)



EXTERIOR DOORS

KEY	PARTNUMBER	U/M	DESCRIPTION
1	104558-18-F16	EA	DOOR-STORAGE-W/OPADDLE LATCH-26.5"
2	111014-16-F15	EA	DOOR-STORAGE-LOWERFRONT-W/OPADDLE LATCH
3	088794-06-000	EA	DOOR-POWERCORD W/HATCH-11" X 9.2"
4	111017-02-F24	EA	DOOR-STORAGE/EXTERIOR SHOWER
5	081240-16-000	EA	DOOR-WATER FILL-LOCKABLE W/O LOCK-4" X 4 5/8"
6	111017-01-F24	EA	DOOR-PATIO/ENTERTAINMENT CENTER W/O LATCH-17.8" X 8.1"
7	111009-01-F24	EA	DOOR-LP 6.5" X 20.8"
8	111014-15-F15	EA	DOOR ASM-STORAGE, LOWERFRONT
9	098668-23-000	EA	DOOR-ACCESS-FURNACE
10	084103-08-000	EA	DOOR-REFRIGERATOR-VENTED-W/O JAMB
	084104-01-700	EA	LOCK-MALE, FASTENER 201-721-010
	084104-01-701	EA	LOCK-FEMALE, FASTENER 201-802-010
	084104-08-000	EA	JAMB-REFRIGERATOR DOOR
11	115108-01-H04	EA	DOOR-ENTRY, W/SCREEN DOOR-W/O WINDOW (H04)
11	115108-01-H05	EA	DOOR-ENTRY, W/SCREEN DOOR-W/O WINDOW (H05)
11	115108-01-H24	EA	DOOR-ENTRY, W/SCREEN DOOR-W/O WINDOW (H24/H26)
12	104558-28-F15	EA	DOOR ASM-STORAGE
13	052009-06-000	EA	DOOR-WATER HEATER-W/O LATCHES
	116424-01-000	EA	PROTECTOR-WATER HEATER LATCH

WINDOW, VENT & EXTERIOR DOOR GROUP (CONTINUED)

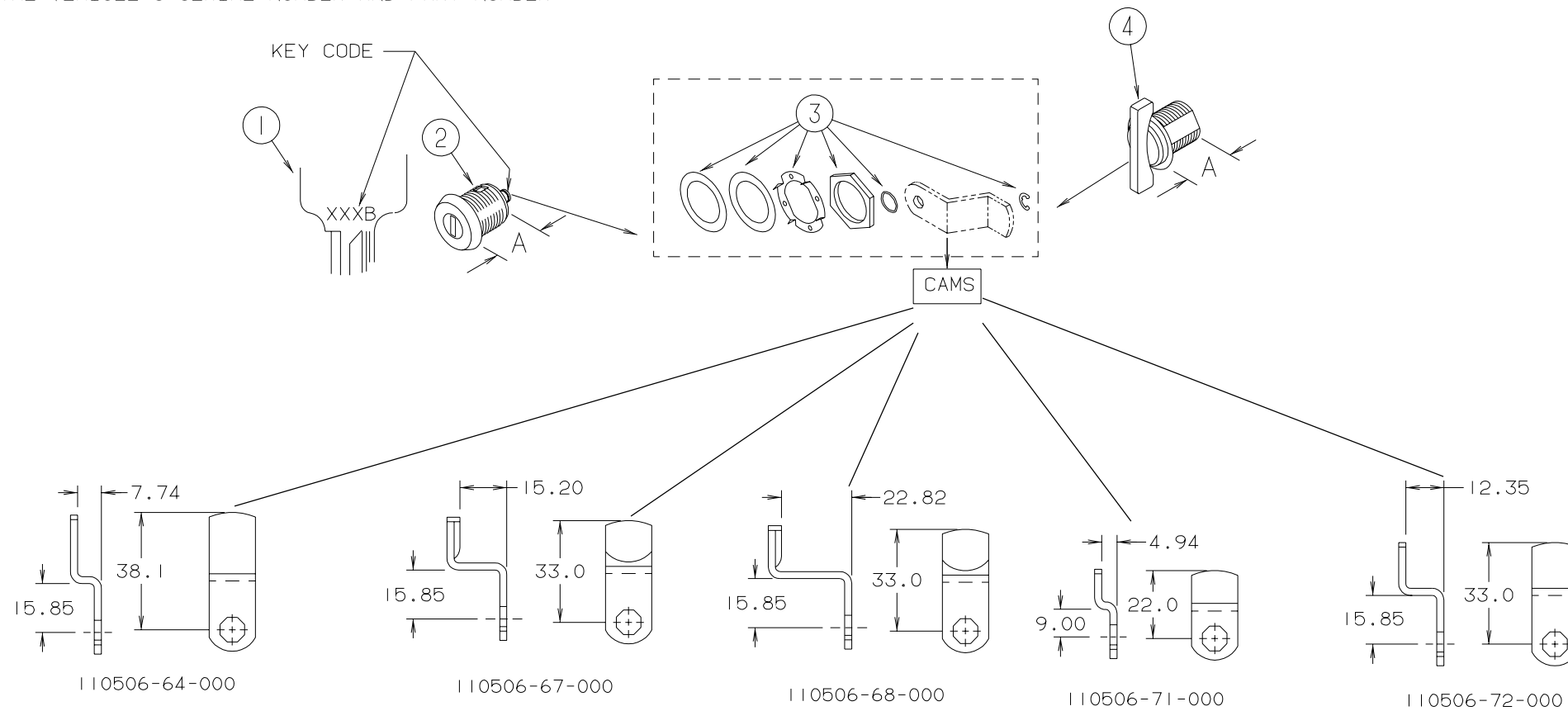


EXTERIOR COMPARTMENT DOOR COMPONENTS

KEY	PARTNUMBER	U/M	DESCRIPTION
1	107997-51-001	EA	SPACER-DOOR LOCK-.6" DEEP
	107997-51-002	EA	EXTRUDED-SPACER-16'
2	102768-01-000	EA	HOLDER-COMPARTMENT/ENTRY DOOR-METAL-MILL FINISH
3	081801-V3-000	EA	HINGE-ALUMINUM-2" X 96"-BRIGHT WHITE
	034007-B3-000	EA	HINGE-CONTINUOUS-1.5" X 96"-BRIGHT WHITE
	081801-02-000	EA	HINGE-DOOR-PIANO-2" X 96"
	081801-T3-000	EA	HINGE-ALUMINUM-2" X 20.5"-BRIGHT WHITE
	009065-01-000	EA	HINGE-ALUMINUM-1 1/2" X 96"-UNPAINTED
4	064075-07-000	FT	SEAL-BULB-W/WIRED CHANNEL-.3" X .5" CHANNEL-BLK
	106850-01-000	FT	SEAL-E-SPONGERUBBER-.43" X .75"
	104692-01-000	FT	SEAL-ADHESIVE BACKFOAM SEAL-3/4" X 3/4"
	091876-01-000	EA	RETAINER-DOOR-1.9" X .8"-METAL

WINDOW, VENT & EXTERIOR DOOR GROUP (CONTINUED)
BRIGGS & STRATTON LOCKS & COMPONENTS

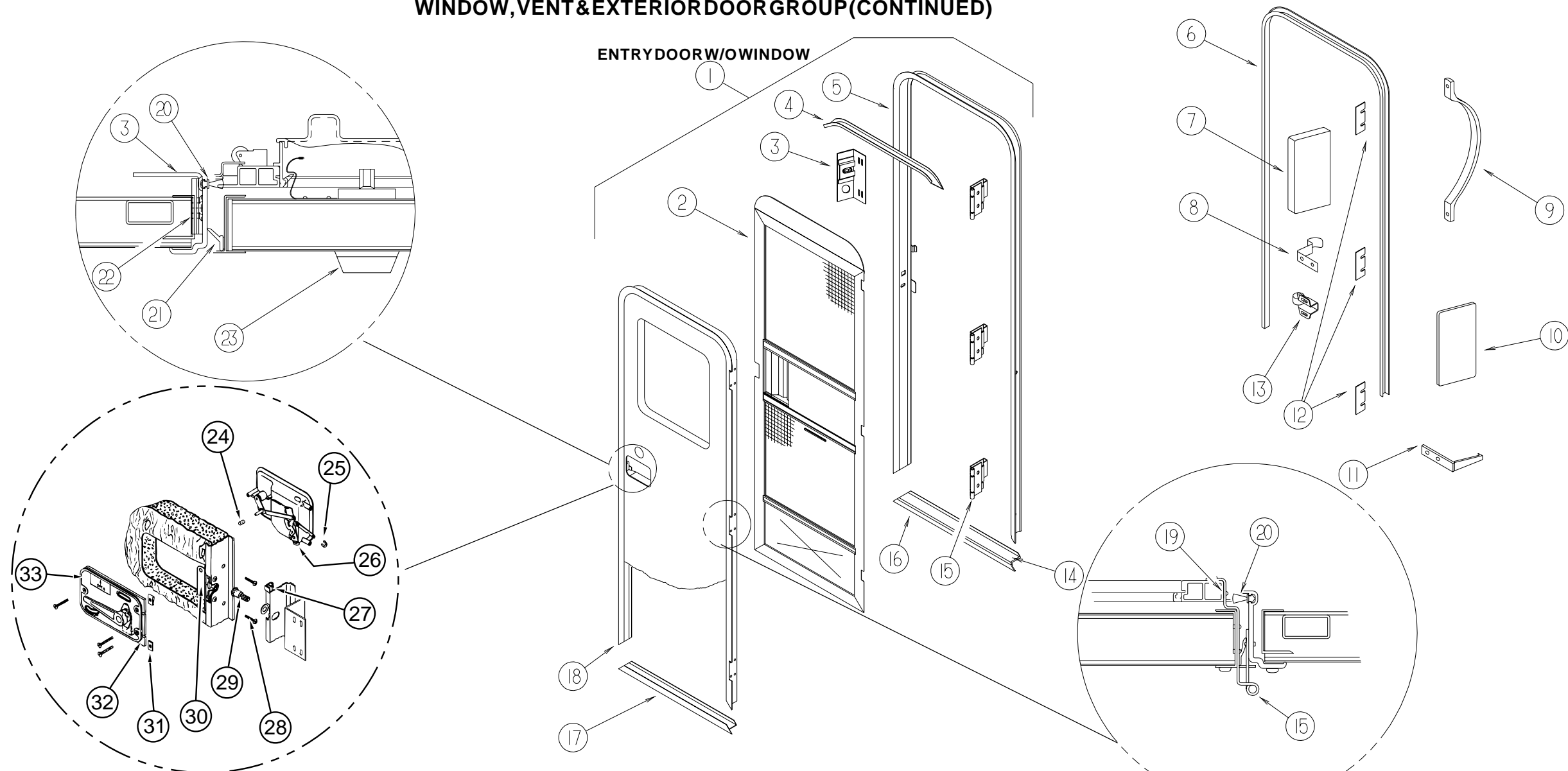
NOTE:
 WHEN ORDERING THE LOCK CASE, THE KEY CODE MUST MATCH THE LAST DIGIT OF THE VEHICLE'S SERIAL NUMBER AND PART NUMBER; WHEN ORDERING THE KEYS, THE THIRD DIGIT OF THE KEY CODE MUST MATCH THE LAST DIGIT OF THE VEHICLE'S SERIAL NUMBER AND PART NUMBER



KEY	PARTNUMBER	U/M	DESCRIPTION	VENDORNO.
1	110506-59-000	EA	KEYS-SETOFTWO	596720
2	110506-52-000	EA	CASE-LOCK, A=17MM	702370
2	110506-53-000	EA	CASE-LOCK, A=25MM	702380
1	110506-59-001	EA	KEYS-SETOFTWO	596721
2	110506-52-001	EA	CASE-LOCK, A=17MM	702371
2	110506-53-001	EA	CASE-LOCK, A=25MM	702381
1	110506-59-002	EA	KEYS-SETOFTWO	596722
2	110506-52-002	EA	CASE-LOCK, A=17MM	702372
2	110506-53-002	EA	CASE-LOCK, A=25MM	702382
1	110506-59-003	EA	KEYS-SETOFTWO	596723
2	110506-52-003	EA	CASE-LOCK, A=17MM	702373
2	110506-53-003	EA	CASE-LOCK, A=25MM	702383
1	110506-59-004	EA	KEYS-SETOFTWO	596724
2	110506-52-004	EA	CASE-LOCK, A=17MM	702374
2	110506-53-004	EA	CASE-LOCK, A=25MM	702384
1	110506-59-005	EA	KEYS-SETOFTWO	596725
2	110506-52-005	EA	CASE-LOCK, A=17MM	702375
2	110506-53-005	EA	CASE-LOCK, A=25MM	702385
1	110506-59-006	EA	KEYS-SETOFTWO	596726
2	110506-52-006	EA	CASE-LOCK, A=17MM	702376
2	110506-53-006	EA	CASE-LOCK, A=25MM	702386

KEY	PARTNUMBER	U/M	DESCRIPTION	VENDORNO.
1	110506-59-007	EA	KEYS-SETOFTWO	596727
2	110506-52-007	EA	CASE-LOCK, A=17MM	702377
2	110506-53-007	EA	CASE-LOCK, A=25MM	702387
1	110506-59-008	EA	KEYS-SETOFTWO	596728
2	110506-52-008	EA	CASE-LOCK, A=17MM	702378
2	110506-53-008	EA	CASE-LOCK, A=25MM	702388
1	110506-59-009	EA	KEYS-SETOFTWO	596729
2	110506-52-009	EA	CASE-LOCK, A=17MM	702379
2	110506-53-009	EA	CASE-LOCK, A=25MM	702389
3	110506-40-700	EA	HARDWAREKIT	
4	110506-50-000	EA	CASE-TWISTLOCK, A=17MM	596952
4	110506-51-000	EA	CASE-TWISTLOCK, A=25MM	596669
	110506-40-000	EA	CLIP-ELOCKASSEMBLY	93981
	110506-67-000	EA	CAM-LATCHING-DOGLEGGED 1.3" LONG	
	110506-68-000	EA	CAM-LATCHING-DOGLEGGED 1.3" LONG	
	110506-71-000	EA	CAM-LATCHING-DOGLEGGED .86" LONG	
	110506-64-000	EA	CAM-LATCHING-DOGLEGGED 1.8" LONG	
	110506-72-000	EA	CAM-LATCHING-DOGLEGGED 1.3" LONG	
	110506-59-701	EA	KEY-BLANK, GOLD	

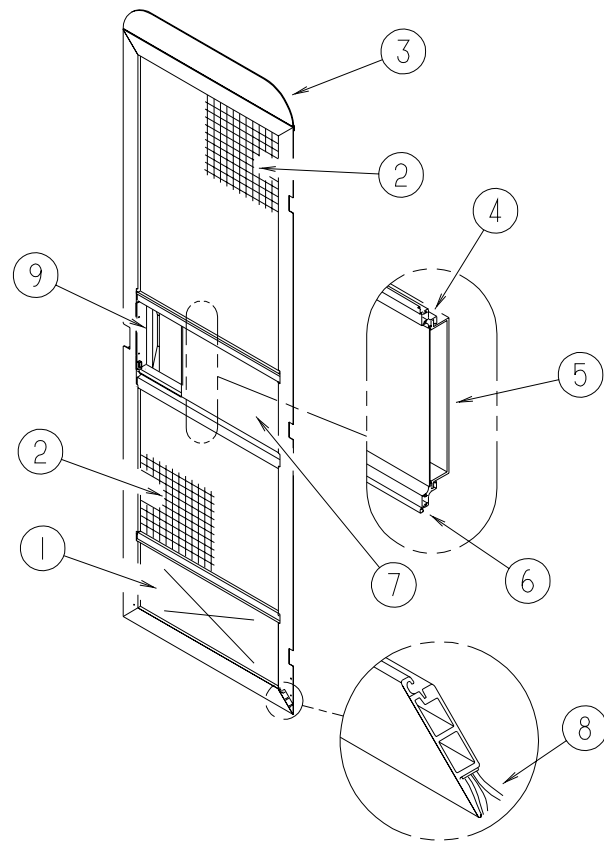
WINDOW, VENT & EXTERIOR DOOR GROUP (CONTINUED)



KEY	PARTNUMBER	U/M	DESCRIPTION
1	115108-01-H04	EA	DOOR-ENTRY, W/SCREENDOOR-W/OWINDOW(H04)
1	115108-01-H05	EA	DOOR-ENTRY, W/SCREENDOOR-W/OWINDOW(H05)
1	115108-01-H24	EA	DOOR-ENTRY, W/SCREENDOOR-W/OWINDOW(H24/H26)
2	121899-03-GB1	EA	DOORASM-SCREEN
3	041546-07-000	EA	BRACKET-DOORANGLE
4	044582-44-000	EA	CAP-DRIP-JAMBMTD, BRIGHTWHITE
5	121898-03-01A	EA	JAMB-DOOR/ENTRANCE-BRIGHTWHITE
6	115222-04-01A	EA	GARNISH-DOOR/ENTRY-RADIUS-OFFWHITE
7	077461-05-000	EA	COVER/BRACKET-STRIKE-OFFWHITE
8	100412-01-000	EA	CATCH-SCREENDOOR
9	009126-03-000	EA	HANDLE-ASSIST-BLACKTEXTURED
10	076725-02-000	EA	COVER-HINGE, ENTRYDOOR-6"X3.2"
11	102768-01-000	EA	HOLDER-COMPARTMENT/ENTRYDOOR, METAL-MILLFINISH
12	102248-01-000	EA	SHIM-DOOR
13	100412-01-000	EA	CATCH-SCREENDOOR
14	038327-01-000	EA	TAPE-ANTISLIP, 2"X60'
15	106719-01-05A	EA	HINGE-ENTRANCEDOOR, BRIGHTWHITE
	106719-01-01A	EA	HINGE-ENTRANCEDOOR, MILL
	039715-01-000	EA	NUT-SERT, 1/4" DIAMETER-20 THREADS-ENTRANCEDOORHINGE
	116111-02-01A	EA	SCREW-TAPTITE-1/4-20X3/8PPH-ZINC
16	051049-01-000	EA	JAMB-BOTTOM, ENTRYDOOR-25.9"-UNPAINTED
17	121893-01-01A	EA	FRAME-ENTRYDOOR-BOTTOM-BRIGHTWHITE
18	121894-07-01A	EA	FRAME-ENTRYDOOR-BRIGHTWHITE
	098173-01-07A	EA	STIFFENER-ENTRYDOOR, BRIGHTWHITE
	098173-01-04A	EA	STIFFENER-ENTRYDOOR, SUPPORTSLATCH/STRIKEAREA
	072893-04-000	EA	NUTSERT-10-32, ENTRANCEDOORSTIFFENER

KEY	PARTNUMBER	U/M	DESCRIPTION
	122241-01-01A	EA	BUMPER-FOAMRUBBER-BLACK
19	100128-02-000	FT	SEAL-FOAM, ADHESIVEBACK-.37"WX.37"THICK
20	118929-01-01A	FT	SEAL-PILE-PUSHON
21	075671-04-000	FT	SEAL-SPONGE, LAZYTSHAPE-W/ADHESIVESTRIP-.5"WIDE
22	104692-01-000	FT	SEAL-ADHESIVEBACKFOAMSEAL-3/4"X3/4"
23	101145-01-06A	EA	DEADBOLT-ENTRYDOORW/OSECURITYBOLTW/2KEYS-BLACK
	101147-01-000	EA	BOLT-SECURITY, 4.12"BACKSET
	095229-01-700	EA	KEY-BLANK, DEADBOLT 81205-03
	101145-01-701	EA	CYLINDER-LOCKASM., W/KEY 81306-03
24	039984-01-000	EA	CAP-ROUND-VINYL-.28"ID X.62"-BLACK
25	036618-02-000	EA	ERING-EXTERNAL-3/16"SHAFTDIAMETER-LYNORDOORLOCK
26	045017-13-000	EA	LATCH-ENTRYDOOR-BLACKTEXTURED
	045017-11-701	EA	KEY-BLANK, F1SERIES 81312-02
	045017-11-703	EA	CYLINDER-LOCKASM.W/KEYS 81266-09
	045017-11-703	EA	CYLINDER-LOCKASM.W/KEYS 81266-09
27	064075-07-000	FT	SEAL-BULB, W/WIREDUCHANNEL-.3"X.5"CHANNEL-BLACK
28	000G54-04-20B	EA	SCREW-1/4-20X11/4PTH TYP23
29	039539-01-000	EA	STRIKE-LOCK, ENTRYDOOR-ROUNDW/THREADEDWASHER
30	039540-01-000	EA	LATCHMECHANISM-HOOK-ENTRYDOOR-INTERIOR
31	040921-01-000	EA	NUT-SPEED-UTYPE10-24BLACK
32	096810-01-01A	EA	PLATE-LATCH, ENTRYDOOR-PLASTIC-BLACK
33	039979-06-000	EA	COVER-LATCHPLATE-RIGHTHAND-BLACKTEXTURED
	086285-05-000	EA	SPACER-NYLON, 17.91ODX14.3-MICROPLAS17W07051
	104099-01-04A	EA	CATCH-DOORHOLDER, STRIKE-BRIGHTWHITE
	104099-02-04A	EA	CATCH-DOORHOLDER, RETAINER-BRIGHTWHITE

WINDOW, VENT & EXTERIOR DOOR GROUP (CONTINUED)



SCREEN DOOR COMPONENTS

KEY	PARTNUMBER	U/M	DESCRIPTION
	121899-03-GB1	EA	DOOR-SCREEN-W/OHARDWARE
1	078552-03-000	EA	KICKPANEL-SCREENDOOR-LOWERINSERT-UNPAINTED
2	002293-02-000	SF	SCREENING-WINDOW/DOOR-26"
3	078595-01-000	EA	TOPPLATE-SCREENDOOR-CURVEDTOP-4.7"X25.35"
4	078777-01-000	EA	CHANNEL-SLIDE-SCREENDOORCENTERSLIDERCOVER
5	079086-03-000	EA	SLIDER-SCREENDOOR-BRIGHTWHITE
	079087-03-000	EA	STRIKE-SLIDER-SCREENDOOR-BRIGHTWHITE
6	002294-01-000	FT	SPLINE-SCREENING-.005"X.0054"
7	016454-01-000	EA	INSERT-CENTER-LEATHERGRAINALUMINUM-UNPAINTED
	001014-01-013	EA	INSERT-CENTER-10.25"X16.31"-UNPAINTED
8	075673-01-000	FT	SEAL-PILE-ADHESIVEBACK-GRAY
9	050712-06-000	EA	HANDLE-SCREENDOOR-BRIGHTWHITE