

**1997
WF321RB**

H04

BLUE LAGOON (BLUE)

H05

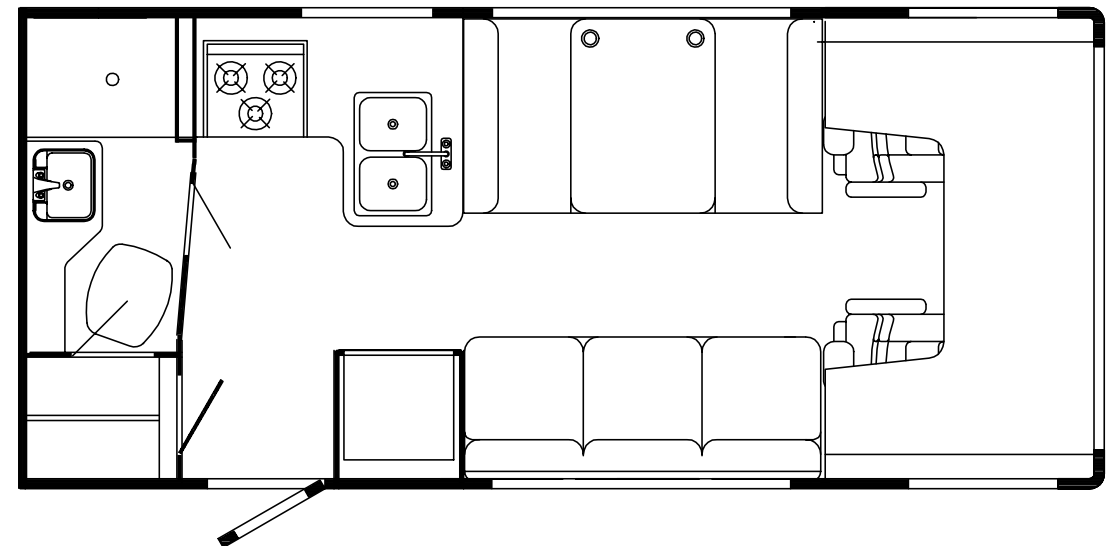
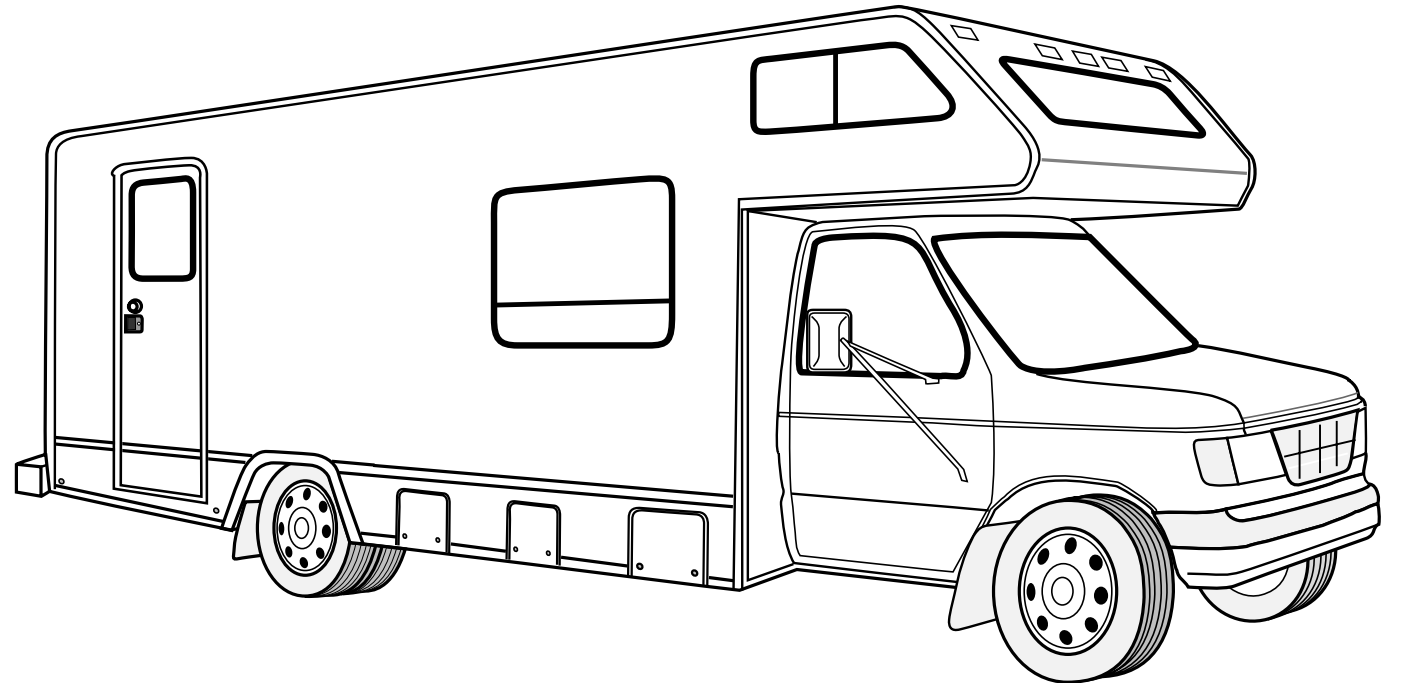
KRYPTONITE (TAUPE)

H24

COPPER CANYON (TERRACOTTA)

H26

COPPER CREEK (TAN)



ACCESSORIES GROUP

OPERATORS MANUAL

| KEY | PARTNUMBER | U/M | DESCRIPTION |
|-----|---------------|-----|---------------------------------------|
| | 054185-F3-000 | EA | MANUAL-OPERATOR,1997MINNIE -300SERIES |
| | 092318-01-000 | EA | BINDER-3RING,MOTOR HOME MANUAL |
| | 092319-01-000 | EA | POCKET PAGE-3RING BINDER,PLASTIC |
| | 121390-01-000 | DW | TOP LEVELDRAWING-1997CBODY |

AUDIO VIDEO GROUP

RADIO SPEAKER

| KEY | PARTNUMBER | U/M | DESCRIPTION |
|-----|---------------|-----|--|
| | 115305-02-000 | EA | RADIO-AM/FMCASS,ELECTRON GM -AUDIOVOXGM250-CHEVY |
| | 007004-01-000 | EA | ANTENNA-AUTO-CHEVY |
| | 074979-01-000 | EA | SHIELD-SPEAKER,BACK-MOLDED PLASTIC-8"X9"-BEIGE |
| | 108137-01-000 | EA | PLUG-ANTENNA HOLE,92E350-WARD PRODUCTS |
| | 111177-01-01A | EA | GRILLE-8.9"X6.5"HOUSING F/5"X7"OVAL SPEAKER-GRAY |

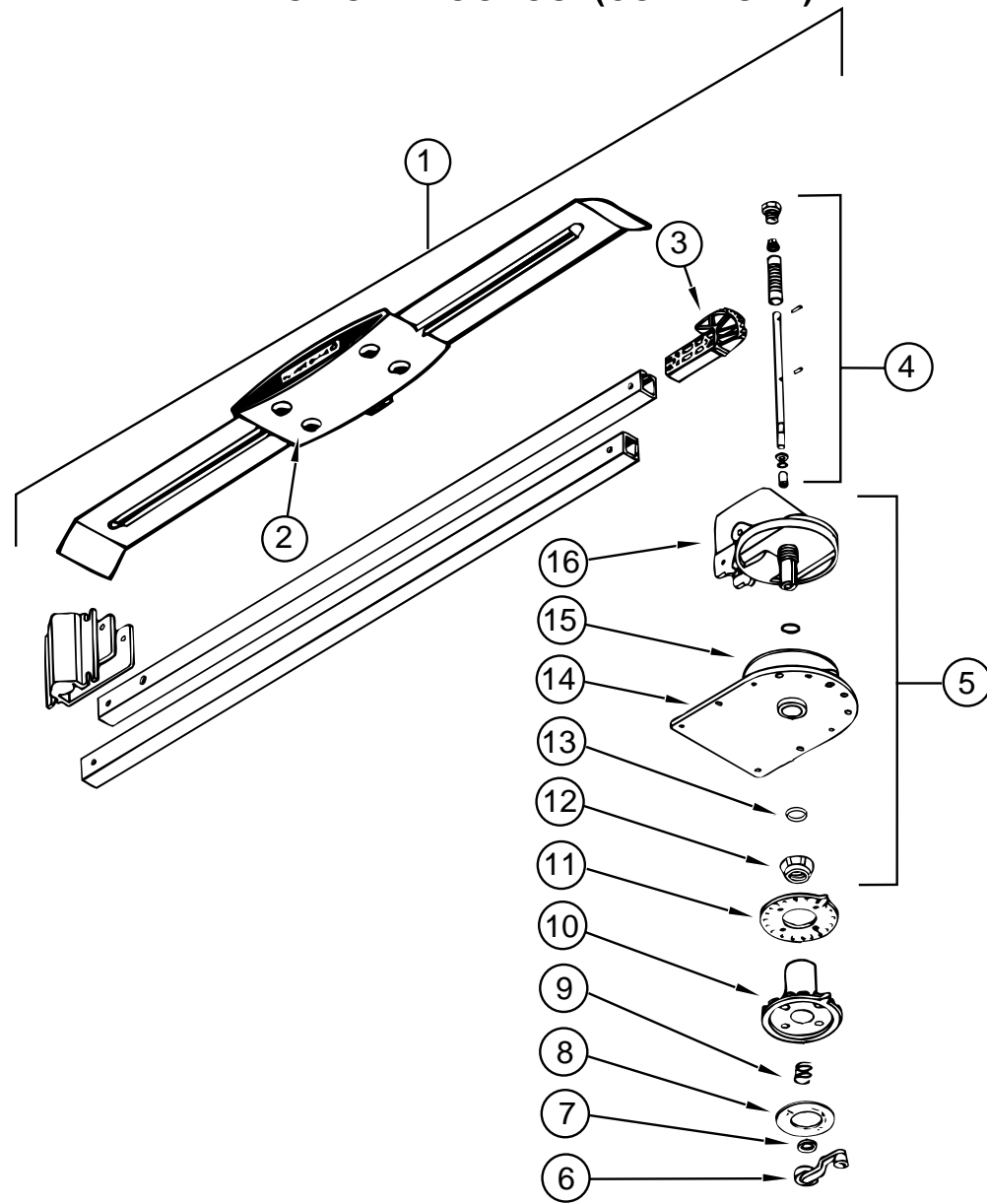
RADIO-PATIO ENTERTAINMENT CENTER

| KEY | PARTNUMBER | U/M | DESCRIPTION |
|-----|---------------|-----|--|
| | 087683-03-000 | EA | RADIO-AM/FMSTEREO CASSETTE |
| | 115306-01-000 | EA | RADIO-MOUNTING KIT,GM-AUDIOVOXGMA |
| | 115307-01-000 | EA | RADIO-WIRING,REAR SPEAKER,GM-ASA1700030 |
| | 090944-01-000 | EA | ANTENNA-RADIO-RUBBER-16" |
| | 077069-02-000 | EA | CABLE-EXTENSION-RADIO ANTENNA96" |
| | 108847-01-000 | EA | BRACKET-ANTENNA GROUND |
| | 082134-01-000 | EA | ADAPTER-CABLE TO CABLE,WINEGARD F-81M |
| | 086756-01-000 | EA | SPLITTER-TV,2WAY |
| | 076319-09-000 | EA | WALLPLATE-CABLE RECEPTACLE-TV-SINGLE-BROWN |
| | 109889-01-000 | EA | EXTENDER-SHAFT,ANTENNA1"-MAGNADYNERV71EX1 |
| | 110469-01-000 | EA | SPEAKER-4"X6" OVAL-COAXIAL |
| | 110470-01-01A | EA | GRILLE-4"X6"BLACK OVAL SPEAKER |

TV-VCRSYSTEMS

| KEY | PARTNUMBER | U/M | DESCRIPTION | VENDOR NO. |
|-----|---------------|-----|---|------------|
| | 086231-08-000 | EA | TV-COLOR,13"DCAUDIOVOX-AVT-1475 | |
| | 086231-08-700 | EA | REMOTE-UNIVERSAL | 8822325 |
| | 094487-03-000 | EA | VIDEOCASSETTEPLAYERW/OREMOTE-AUDIOVOXAVP-6750 | |
| | 076319-09-000 | EA | WALLPLATE-CABLERECEPTACLE-TV-SINGLE-BROWN | |
| | 082134-01-000 | EA | ADAPTER-TV-CABLE TOCABLE | |
| | 086756-01-000 | EA | SPLITTER-TV-2WAY | |
| | 076319-03-000 | FT | CABLE-COAXIAL-75OHM | |
| | 076319-12-000 | EA | CONNECTOR-COAXIAL-ONEPIECE | |
| | 076319-06-000 | EA | ADAPTER-CABLEROOFPLATE | |
| | 082136-01-000 | EA | NUT-HEX JAM-3/8-32 | |
| | 086777-02-000 | EA | WALLPLATE-TV CABLE,W/ANTENNASWITCH-BROWN | |

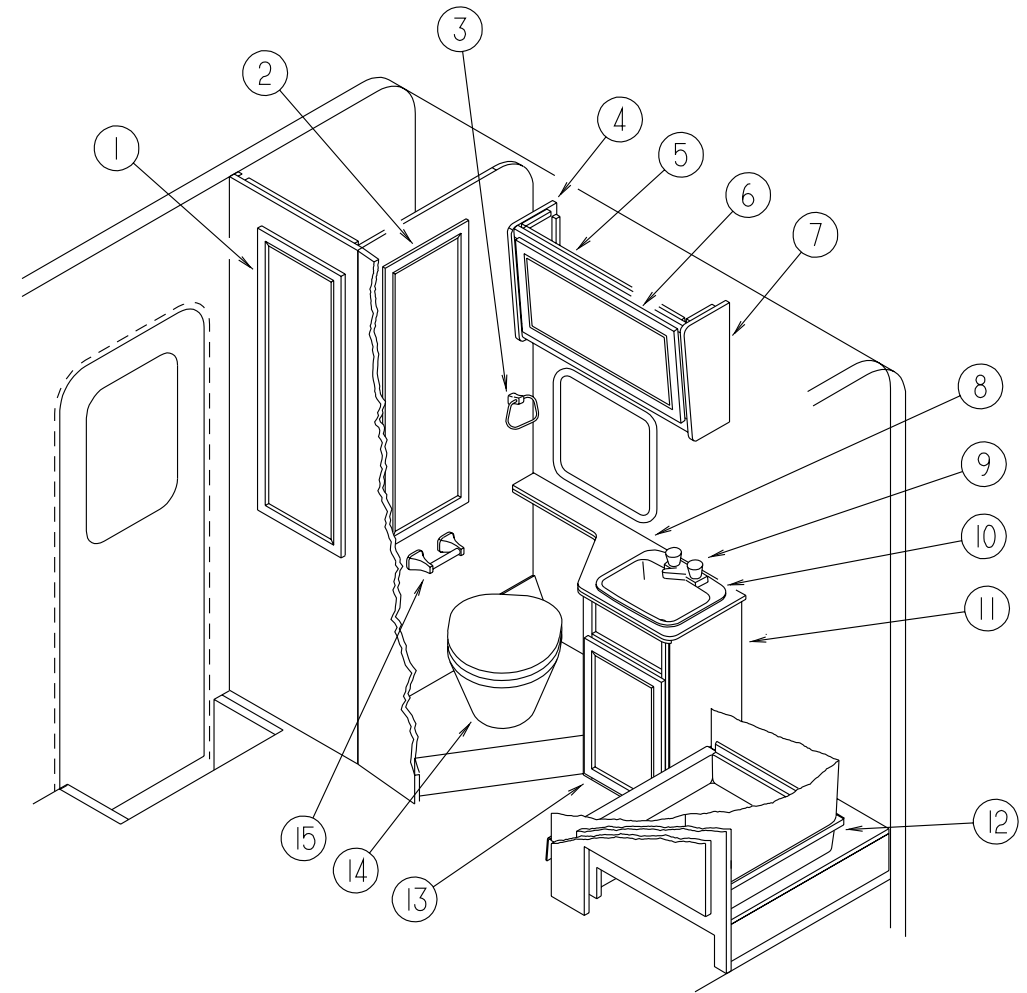
AUDIOVIDEOGROUP(CONTINUED)



TV ANTENNA - WINEGARD - MODEL RVAW02

| KEY | PARTNUMBER | U/M | DESCRIPTION | VENDOR NO. |
|-----|---------------|-----|---------------------------------|------------|
| 1 | 076319-01-000 | EA | ANTENNA-TV, ROOFMOUNT-44.5"MAST | |
| 1 | 076319-20-000 | EA | ANTENNA-TV, ROOFMOUNT-1"ROOF | |
| 2 | 076319-01-700 | EA | HEAD-ANTENNA, AMPLIFIED | RVSAU/V |
| 3 | 076319-01-701 | EA | GEAR-ELEVATING, PLASTIC | 2200046 |
| 4 | 076319-01-702 | EA | SHAFTASSEMBLY-ELEVATING | RVP-400A |
| 5 | 076319-01-711 | EA | BASE&LIFTASSEMBLY | 2762802 |
| 6 | 076319-01-706 | EA | CRANK-ELEVATING, W/SETSCREW | 5755100 |
| 7 | 076319-01-705 | EA | GROMMET-NYLON, 7/8"ID | 200658 |
| 8 | 076319-01-708 | EA | DECAL-CRANK | 5413002 |
| 9 | 076319-01-707 | EA | SPRING-HANDLE | 5160800 |
| 10 | 076319-01-709 | EA | PLATE-DIRECTIONAL, FORHEAD | 3200644 |
| 11 | 076319-01-712 | EA | PLATE-CEILING | 3200608 |
| 12 | 076319-01-715 | EA | NUT-GEARHOUSING | 2200047 |
| 13 | 076319-01-704 | EA | BEARING-NYLON, 1.25"OD | 3200657 |
| 14 | 076319-01-713 | EA | PLATE-BASE, STEEL | 3100523 |
| 15 | 076319-01-703 | EA | BEARING-NYLON, 5"OD | 3200656 |
| 16 | 076319-01-714 | EA | HOUSING, ROTATING GEAR | 2200049 |

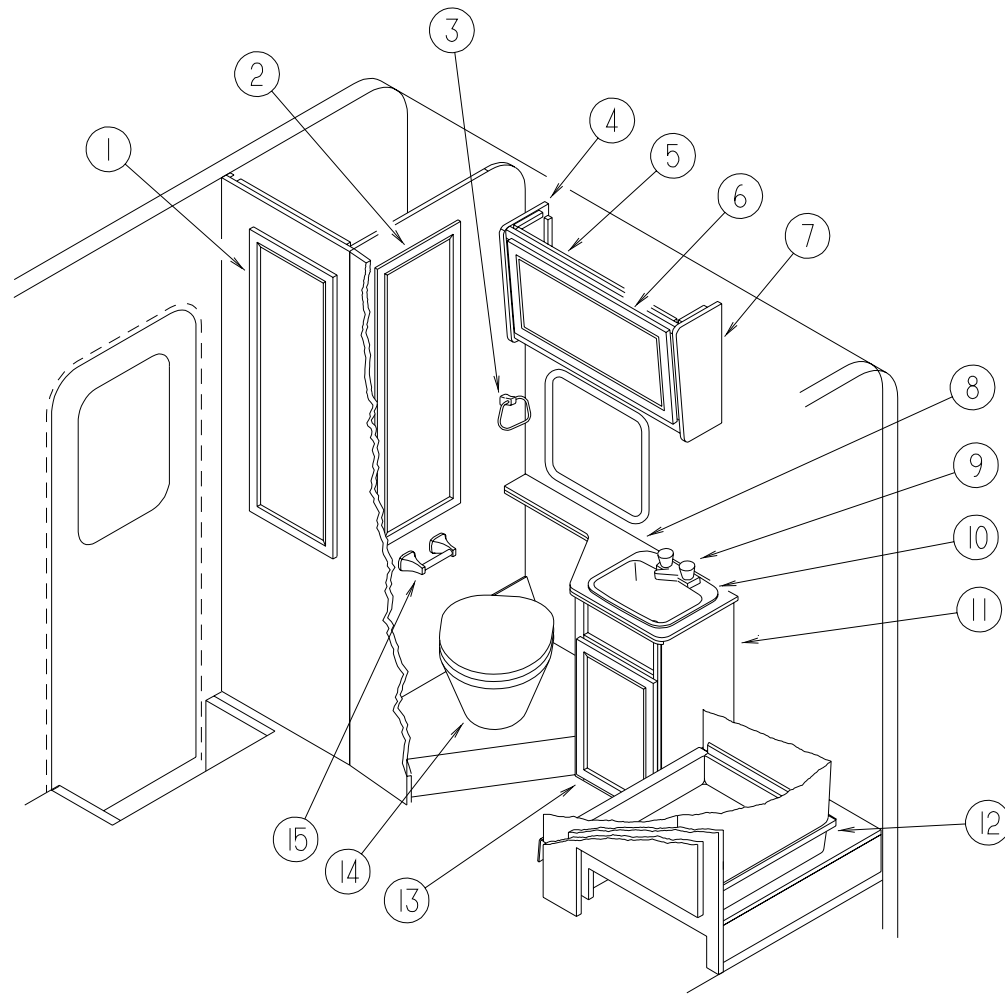
BATHGROUP



BATHROOM CABINETS & FIXTURES

| KEY | PARTNUMBER | U/M | DESCRIPTION |
|-----|----------------|-----|--|
| 1 | 110140-35-G01 | EA | DOOR-MITERED CORNER/VINYL WRAP-15.52"X45.4"-W/OHDW |
| 2 | 110140-39-G01 | EA | DOOR-MIRROR/MTRDCRNR/VINYL WRAP-16.7"X47.9"-W/OHDW |
| | 058331-A3-000 | EA | MIRROR-SAFETY GLASS-13.4"X44.7" |
| | 059783-01-000 | FT | ROD-CLOTHES, ALUMINUM-SLOTTED-7FT |
| | 114701-12-G01 | EA | SHELFASM |
| 3 | 075454-02-000 | EA | RING-TOWEL -W/MOUNTING HARDWARE-BRASS |
| 4 | 110948-12-G01 | EA | CAPASM |
| 5 | M05954-08-H04 | EA | CABINETASM-MEDICINE CABT |
| 6 | 110140-24-G01 | EA | DOOR-MIRROR/MTRDCRNR/VINYL WRAP-15.5"X29.5"-W/OHDW |
| | 110948-11-G01 | EA | SHELFASM |
| 7 | 110948-13-G01 | EA | CAPASM |
| 8 | 110942-11-H04 | EA | COUNTERTOPASM(H04) |
| 8 | 110942-11-H05 | EA | COUNTERTOPASM(H05) |
| 8 | 110942-11G 0 1 | EA | COUNTERTOPASM(H24/H26) |
| 9 | 075240-06-000 | EA | FAUCET-LAVATORY BONE |
| | 091253-01-000 | EA | GASKET-FAUCET-LAVATORY/GALLEY |
| 10 | 096927-01-01A | EA | SINK-LAVATORY-RECTANGULAR-PLASTIC/BONE |
| | 096927-01-700 | EA | PLUG-SINK M9801 |
| | 096927-01-701 | EA | TAILPIECE-DRAIN-LAVATORY M9802 |
| 11 | P10942-01-H04 | EA | CABINETASM-LAVATORY(H04) |
| 11 | P10942-01-H05 | EA | CABINETASM-LAVATORY(H05) |
| 11 | P10942-01G 0 1 | EA | CABINETASM-LAVATORY(H24/H26) |

BATHGROUP(CONTINUED)



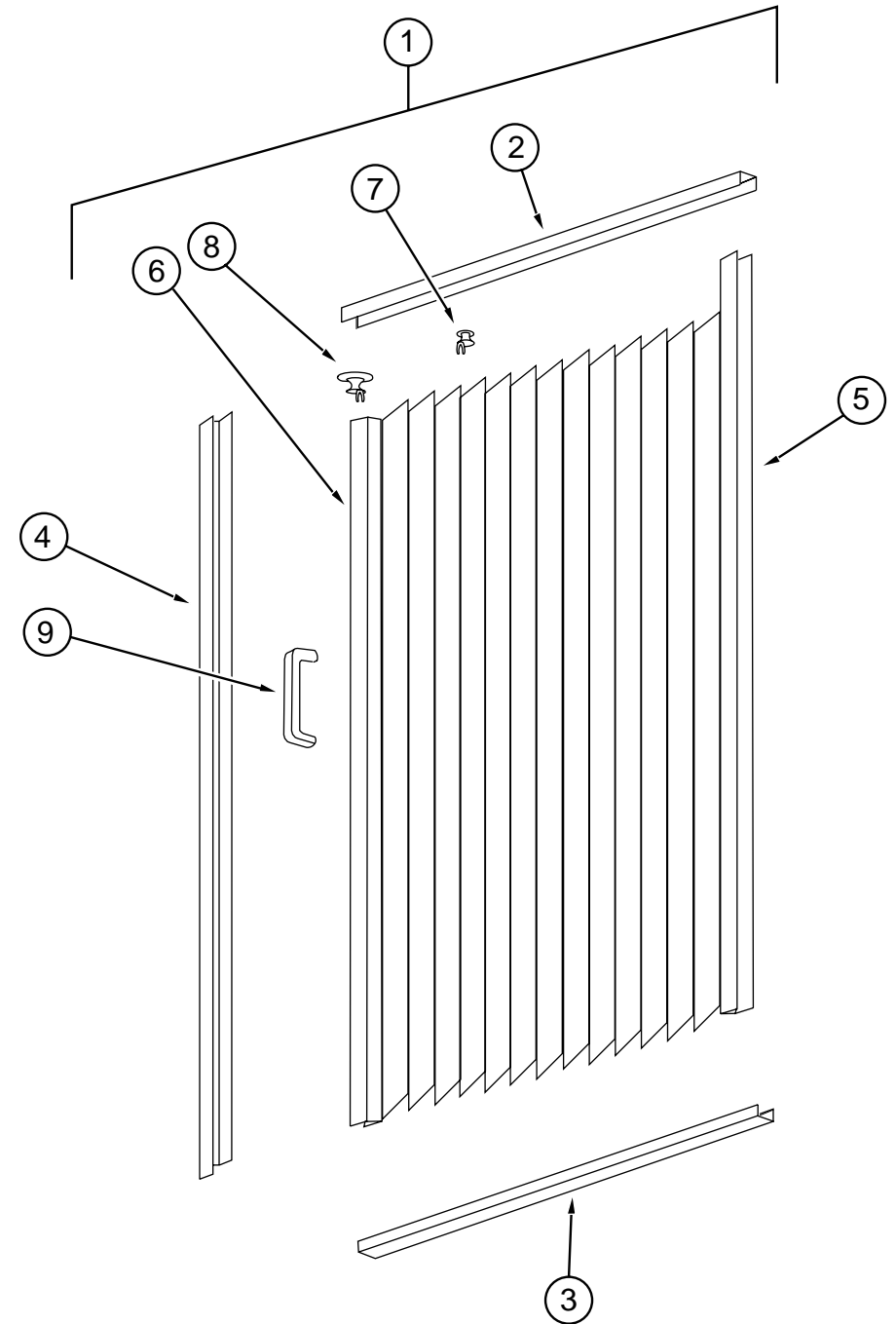
BATHROOM CABINETS & FIXTURES (CONTINUED)

| KEY | PARTNUMBER | U/M | DESCRIPTION | VENDOR NO. |
|-----|---------------|-----|---|------------|
| 12 | M02429-07-000 | EA | PAN-SHOWER | |
| | 011069-02-000 | EA | TAILPIECE-TUB/SHOWER, 1 1/2" X 1 1/4" X 4"-BRASS | |
| | 066436-01-000 | EA | NUT-SLIP-TAILPIECE 1.5" | |
| | 066440-01-000 | EA | STRAINER-SHOWER, W/RUBBERWASHER | |
| | 057671-01-000 | EA | COVER-SCREW, #8-PLASTIC-OFFWHITE | |
| | 103092-01-000 | EA | SHOWERHEAD-W/60"HOSE | |
| | 103092-02-000 | EA | SHOWERHEAD-W/HOSE-CSA | |
| | 103092-01-700 | EA | BRACKET-F/SHOWERHEAD,CLEAR | 2328028 |
| | 011048-03-700 | EA | BRACKET-F/SHOWERHEAD | 2328029-3 |
| | 075241-05-000 | EA | FAUCET-SHOWER, BONEW/3/4" MPT X 1.4" LONG INLET PIPES | |
| | 075606-01-000 | EA | PANEL-FAUCETBACK-SHOWER-5" X 9" | |
| 13 | 110140-04-G01 | EA | DOOR-MITERED CORNER/VINYL WRAP-14.9" X 21.8" W/O HDW | |
| 14 | 067487-01-000 | EA | TOILET-12.37", IVORY-HAND FLUSH 150110 | |
| 15 | 075452-02-000 | EA | HOLDER-TOILET TISSUE-BRASS | |
| | 075453-02-000 | EA | BAR-TOWEL, 18" BRASS | |

BATH DOOR

| KEY | PARTNUMBER | U/M | DESCRIPTION |
|-----|---------------|-----|--|
| | 121449-06-H04 | EA | DOOR ASM-BATH |
| | 094485-03-01A | EA | KNOB-DOOR/BRASS |
| | 102920-01-01A | EA | HINGE-DOOR-SPRING LOADED/BRASS |
| | 110496-01-01A | EA | HINGE-BRASS, STOCKER |
| | 121449-12-G04 | EA | RACK ASM |
| | 100357-01-000 | EA | ROD-TOWEL-BRASS W/ ENDS BENT F/BACK OF BATH DOOR |

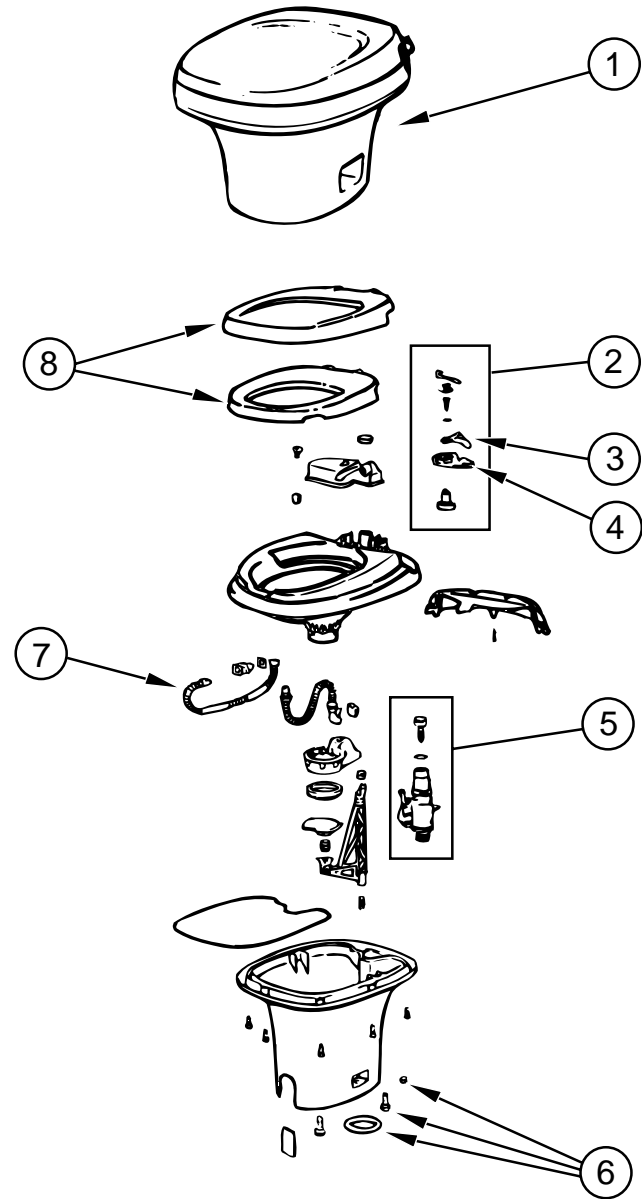
BATHGROUP(CONTINUED)



SHOWER DOOR

| KEY | PARTNUMBER | U/M | DESCRIPTION |
|-----|---------------|-----|--------------------------------------|
| 1 | 117431-06-01A | EA | DOOR-SHOWER-FABRIC PLEATED |
| 2 | 117431-01-700 | EA | TRACK-TOP, ALUMINUM-IVORY INSERT-48" |
| 3 | 117431-01-701 | EA | TRACK-BOTTOM, 40" |
| 4 | 117431-01-702 | EA | RAIL-SIDE, 67" |
| 5 | 117431-01-703 | EA | RAIL-STATIONARY, 67" |
| 6 | 117431-01-704 | EA | RAIL-LEAD, 67" |
| 7 | 117431-01-705 | EA | GLIDE-IVORY, TRAVELER |
| 8 | 117431-01-706 | EA | GLIDE-IVORY LEAD, TRAVELER |
| 9 | 117431-01-708 | EA | HANDLES & SCREWS |
| | 117431-01-707 | EA | LATCH |
| | 117431-01-709 | EA | STRAP-VINYL SHOWER |
| | 105394-01-05A | EA | EXTR-DOOR JAMB, WATER FOR DOAK |

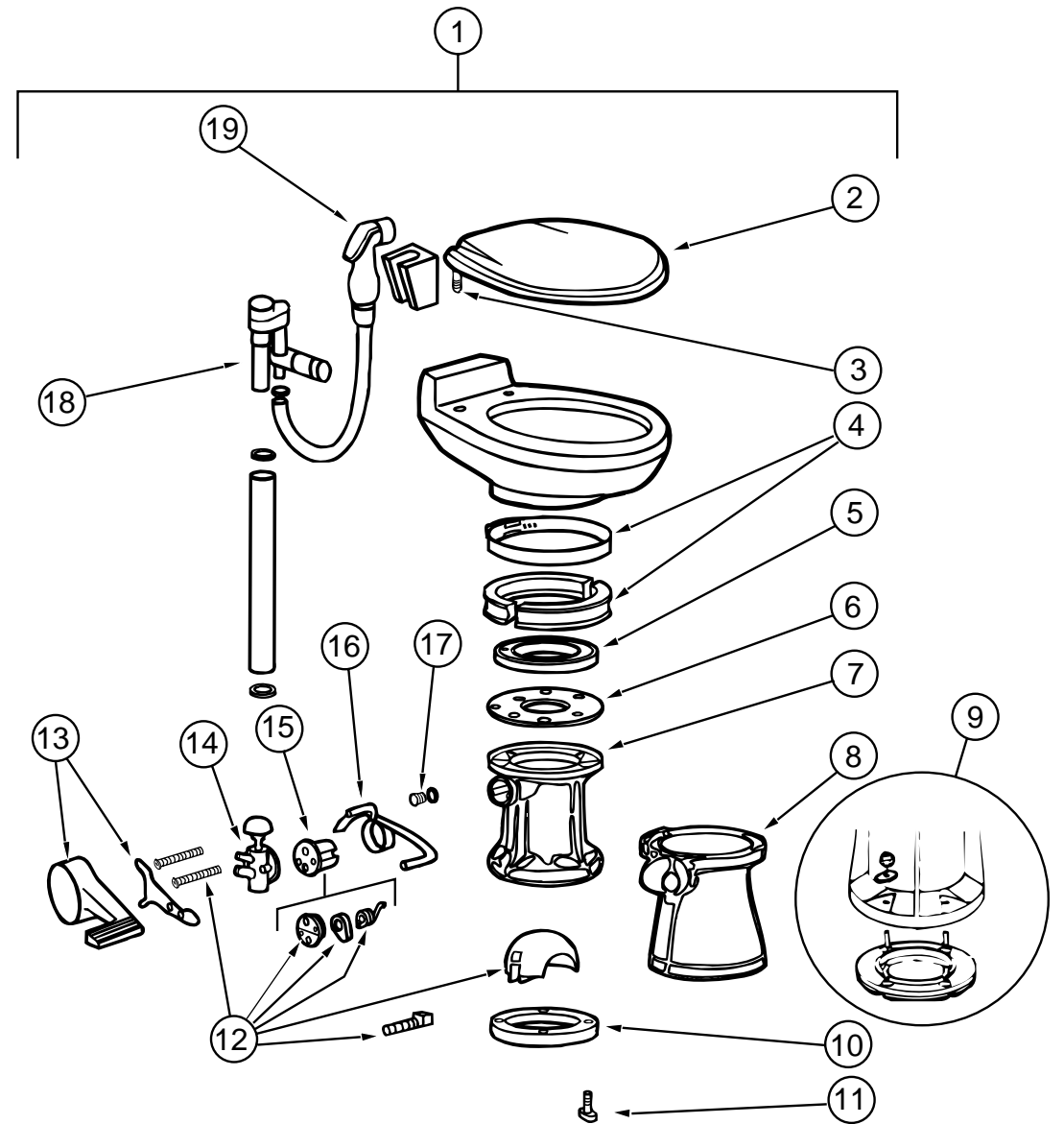
BATHGROUP(CONTINUED)



TOILET&COMPONENTS-THETFORD-MODELAQUAMAGICIVLOW

| KEY | PARTNUMBER | U/M | DESCRIPTION | VENDORNO. |
|-----|---------------|-----|--|-----------|
| 1 | 067487-01-000 | EA | TOILET -12.37",IVORY -HANDFLUSH 150110 | |
| 2 | 063740-01-700 | EA | LEVER-WATER | 12514 |
| 3 | 063740-01-701 | EA | LEVER-FLUSH | 12515 |
| 4 | 063740-01-713 | EA | SEAL-BALLVALVETOBOWL | 12502 |
| 5 | 063740-01-714 | EA | VALVEASSEMBLY-WATER | 12492 |
| 6 | 063740-01-706 | EA | BOLTPACKAGE-CLOSET | 12524 |
| 7 | 063740-01-717 | EA | TUBE-FLUSH,TOILET | 12509 |
| 8 | 063740-02-700 | EA | SEAT&COVER,PARCHMENT | 2464157 |
| | 067487-02-702 | EA | TANK-RESERVOIR | 12507 |

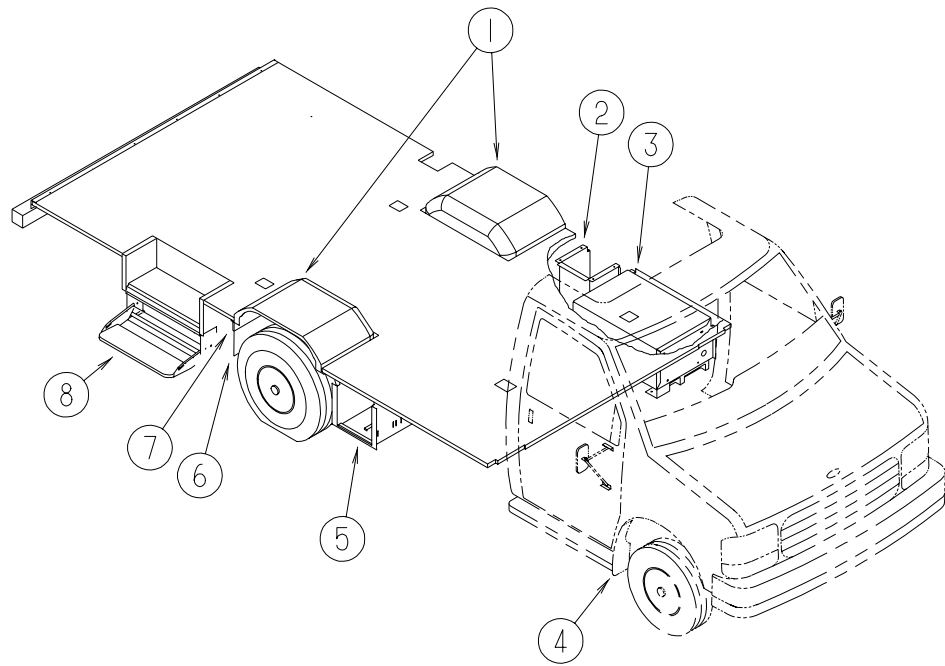
BATHGROUP(CONTINUED)



TOILET&COMPONENTS-SEALAND-MODEL591103-MCCLAINSANNIVERSARYOPTION

| KEY | PARTNUMBER | U/M | DESCRIPTION | VENDORNO. |
|-----|---------------|-----|----------------------------------|------------|
| 1 | 085330-07-000 | EA | TOILET -SHORTYCHINAW/SPRAY -BONE | |
| 2 | 085330-06-700 | EA | SEATASSEMBLY,BONE | 340591 |
| 3 | 085330-06-702 | EA | HINGEHARDWARE(BONE)SET | 342131 |
| 4 | 085330-01-703 | EA | RING&HALFCLAMPS,BONE | 385310048 |
| 5 | 085330-01-704 | EA | TEFLON&RUBBERSEALKIT | 385316140 |
| 6 | 085330-01-705 | EA | SUPPORT-SEAL,PLASTIC | 390346405 |
| 7 | 085330-04-704 | EA | BASEASM-BONE | 310124 |
| 8 | 085330-04-705 | EA | COVERASSEMBLY-PEDESTAL | 310109 |
| 9 | 085330-01-718 | EA | SEAL&BASEW/MOUNTINGHDW | 3853100-63 |
| 10 | 085330-01-714 | EA | SEAL-FLANGE,FLOOR | 390343892 |
| 11 | 085330-01-717 | EA | STOOLMTG.,PKG.BOLT&SEAL | 3100-64 |
| 12 | 085330-01-706 | EA | BALL(FLAPPER)SHAFT/CARTRIDGE | 385318162 |
| 13 | 085330-04-703 | EA | COVERASSEMBLY-PEDAL | 310118 |
| 14 | 085330-01-709 | EA | VALVE-WATER | 385314349 |
| 15 | 085330-01-707 | EA | CARTRIDGESPRINGASSEMBLY | 381236096 |
| 16 | 085330-04-702 | EA | LEVER-FLUSH | 340825 |
| 17 | 085330-01-710 | EA | DRAIN-KIT,PLUG-CAPW/SEAL | 230384 |
| 18 | 085330-06-701 | EA | BREAKER-VACUUM/DIVERTER(900) | 230335 |
| 19 | 085330-04-701 | EA | HANDSPRAYW/HOSE(500&900) | 340683 |

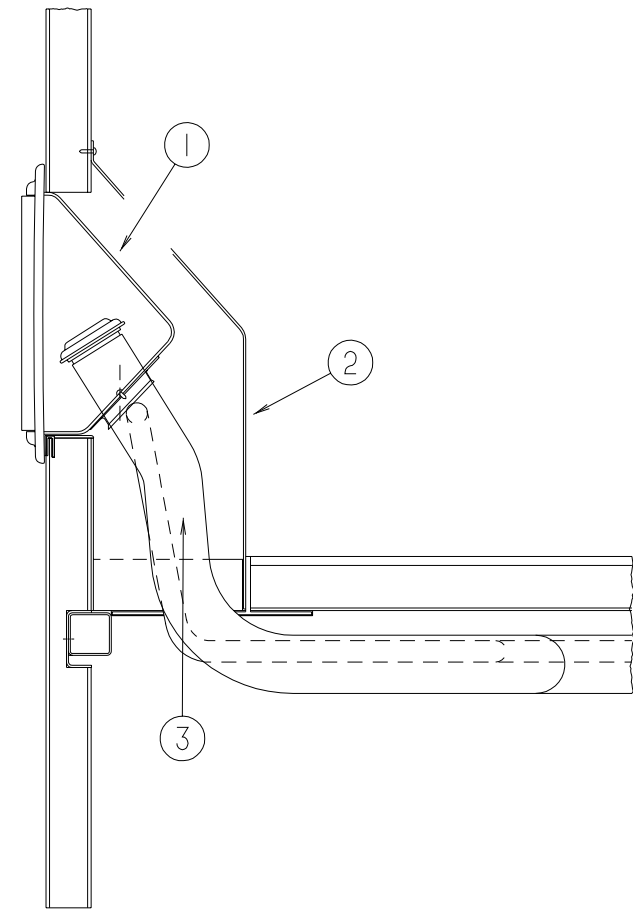
CHASSISGROUP



COMPARTMENTS,PLUGS&SEALS

| KEY | PARTNUMBER | U/M | DESCRIPTION |
|-----|---------------|-----|--|
| 1 | 096322-01-000 | EA | WHEELWELL-REAR,DRIVERORPASSENGER-PLASTIC |
| 2 | 101868-05-000 | EA | COMPARTMENTASM-POWER,CORD |
| 3 | 114394-01-02B | EA | COMPARTMENTASM-GEN,E-COAT |
| | 114070-02-02B | EA | SUPPORT-GENERATORLEFT |
| | 114071-02-02B | EA | SUPPORT-GENERATORRIGHT |
| | 061420-01-000 | EA | PLUG-PLASTIC,1.75"-BROWN |
| 4 | 072884-27-703 | EA | MUDFLAPS-W/HOLES,PAIR-99171 |
| 5 | 105203-04-000 | EA | COMPARTMENT-BATTERY |
| | 099717-04-000 | EA | STRAP-TVTIEDOWNW/21.3"FEMALESTRAP&27.2"MALESTRAP |
| | 084993-01-000 | EA | STRAP-BATTERY |
| 6 | 017516-01-000 | EA | FLAP-MUD-14"X18"-BLACK |
| 6 | 106141-01-000 | EA | FLAP-MUD,W/HOLES&WINNEBAGOLOGO-BLACK |
| 7 | 045731-05-000 | EA | GUARD-ROCK |
| 8 | 077848-02-000 | EA | STEP-PULLOUT |
| | 102569-04-000 | EA | MAT-ANTI SLIP SAFETY TRACK 3100 |
| | 076241-14-000 | EA | SUPPORTASM-STEP |
| | 091176-01-000 | EA | SUPPORT-BASE-ENTRANCESTEP |
| | 115361-01-01A | EA | PLUG-PLASTIC |

CHASSISGROUP(CONTINUED)



FUELSYSTEMCOMPONENTS

| KEY | PARTNUMBER | U/M | DESCRIPTION |
|-----|---------------|-----|-------------------------------------|
| 1 | 095854-01-04A | EA | SHROUD-FUELFILL-BRIGHTWHITE |
| 2 | 078040-05-000 | EA | SHROUD-FUELFILL,UPPER |
| 3 | 106413-01-000 | EA | NECK-FILLER,FUELFILL-FORD |
| | | | FROM: 00-00-00 THRU: 09-29-96 |
| 3 | 124993-01-000 | EA | NECK-FILLER-FUELFILL |
| | | | FROM: 09-30-96 THRU: 99-99-99 |
| 3 | 106413-02-000 | EA | NECK-FILLER,FUELFILL-DIESEL |
| | 077963-01-000 | EA | GASKET-DOOR,FUELFILL-10.1"X8"-W/PSA |
| | 078200-01-000 | EA | GASKET-FUELFILL-3.5"ODX2"ID |
| | 007063-01-000 | FT | HOSE-GAS-1/4"IDX1/2"OD |
| | 084884-01-000 | EA | PLUG-BRASS-3/8" |

CHASSISGROUP(CONTINUED)

WHEELINERS-DICOR-FORD

| KEY | PARTNUMBER | U/M | DESCRIPTION | VENDORNO. |
|-----|---------------|-----|----------------------------------|------------|
| | 110435-02-000 | EA | LINER-WHEEL,SET4E350 DICORV160F2 | |
| | 110435-01-711 | EA | DECAL-CENTERCAP,2" 2"DECAL | |
| | 110435-02-700 | EA | LINER-WHEEL,FRONT | V160F2-FWC |
| | 110435-02-701 | EA | LINER-WHEEL,REAR | V160F2-RWC |
| | 110435-02-702 | EA | STUDEXTENDER | V160SD-STX |
| | 110435-02-703 | EA | NUT(JAMB) | V160SD-JNT |
| | 110435-02-704 | EA | COVER-LUGNUT | V160F0-LNC |
| | 110435-02-705 | EA | TOOLF/JAMBNUT,INSTALL. | V160F0-TOL |

WHEEL-FORD

| KEY | PARTNUMBER | U/M | DESCRIPTION |
|-----|---------------|-----|---------------------------------------|
| | 083617-03-000 | EA | WHEEL-STEEL,16.0X6-ACCURIDE28618-FORD |
| | 095012-05-000 | EA | EXTENSION-VALVESTEM,LIVE5" |
| | 095012-06-000 | EA | STABILIZER-VALVEEXTENSION,L |

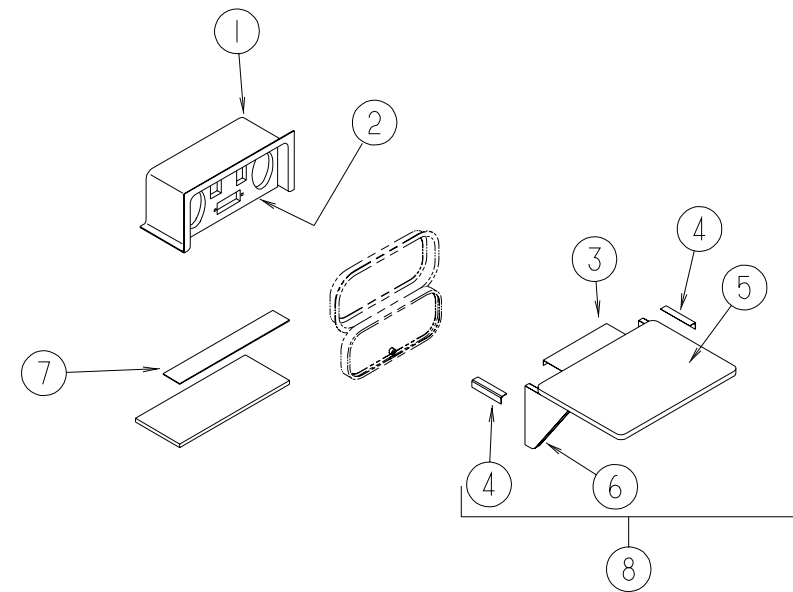
WHEELCOVERS-DICOR-CHEVY

| KEY | PARTNUMBER | U/M | DESCRIPTION | VENDORNO. |
|-----|---------------|-----|------------------------------------|------------|
| | 109443-05-000 | EA | WHEELCOVER-4/SET,16"SS-DICORSHFM16 | |
| | 098532-01-700 | EA | COVER-LUGNUT(CHROME) | SHAU-LNC |
| | 109443-05-700 | EA | COVER-WHEEL,16"SSEA=1 | SHFM16-CVR |
| | 051377-03-000 | EA | STEM-VALVE,TR600-CHEVY | |

LUGWRENCH

| KEY | PARTNUMBER | U/M | DESCRIPTION |
|-----|---------------|-----|--|
| | 080208-01-000 | EA | WRENCH-LUG,1.06X1.00 |
| | 080208-02-000 | EA | BAR-LEVERAGE-LUGWRENCH |
| | 112358-01-000 | EA | WRENCH-LUG,7/8,L-SHAPE FORDF2UA-17035-CA |

CHASSISGROUP(CONTINUED)



EXTERIORENTERTAINMENTCENTER

| KEY | PARTNUMBER | U/M | DESCRIPTION |
|-----|---------------|-----|-----------------------------------|
| 1 | 104897-01-02A | EA | BOX-ENTERTAINMENTCENTER |
| 2 | 104899-01-C05 | EA | PLATE-RADIOMOUNTING |
| 3 | 105377-01-01A | EA | BRACKET-TABLEHANGER |
| 3 | 105377-01-04A | EA | BRACKET-TABLEHANGAR |
| 4 | 105376-01-02A | EA | HINGE-CONTINUOUS-2"X5.5" |
| 4 | 105376-01-03A | EA | HINGE-CONTINUOUS-2"X5.5" |
| 5 | 105230-11-E01 | EA | SHELF-EXTERIORENTERTAINMENTCENTER |
| 6 | 105230-12-F11 | EA | SUPPORT |
| 7 | 104898-01-02A | EA | PLATE-PLASTICBOTTOM |
| 8 | 105230-01-H33 | EA | SHELF-EXTERIORTV |

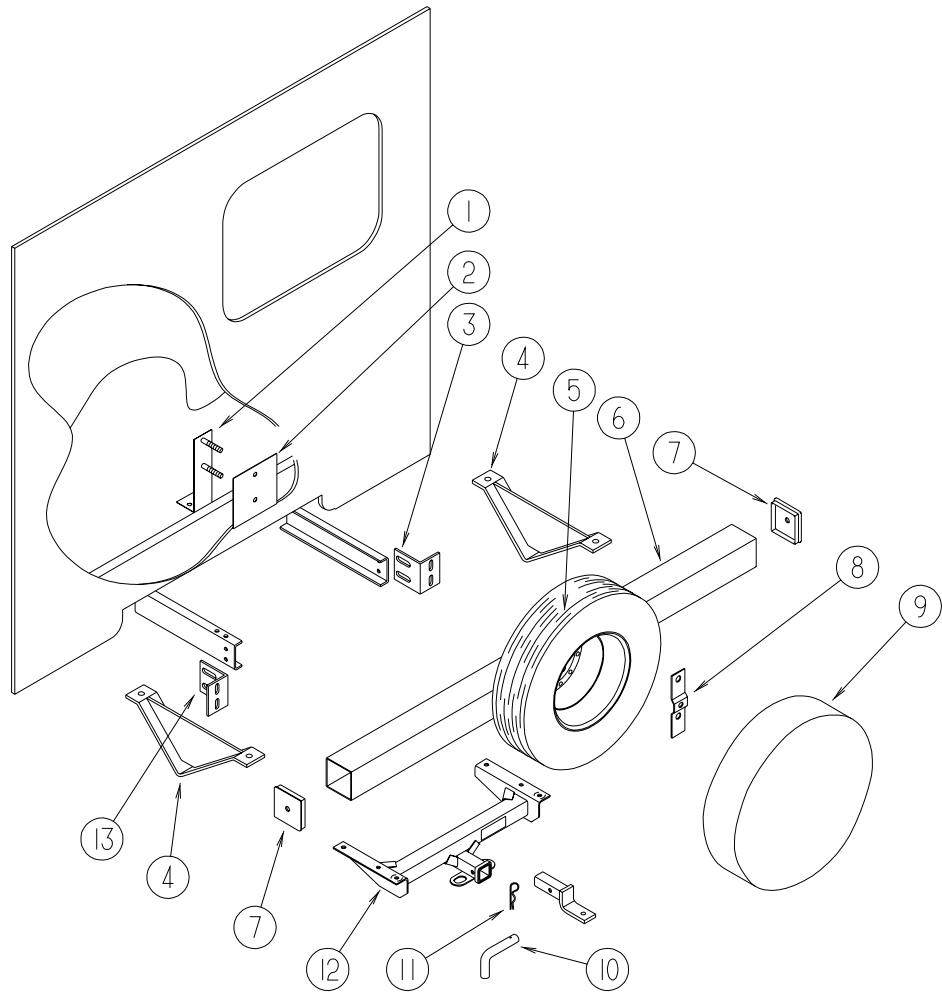
FROM: 00-00-00 THRU: 01-05-97

FROM: 01-06-97 THRU: 99-99-99

FROM: 00-00-00 THRU: 01-05-97

FROM: 01-06-97 THRU: 99-99-99

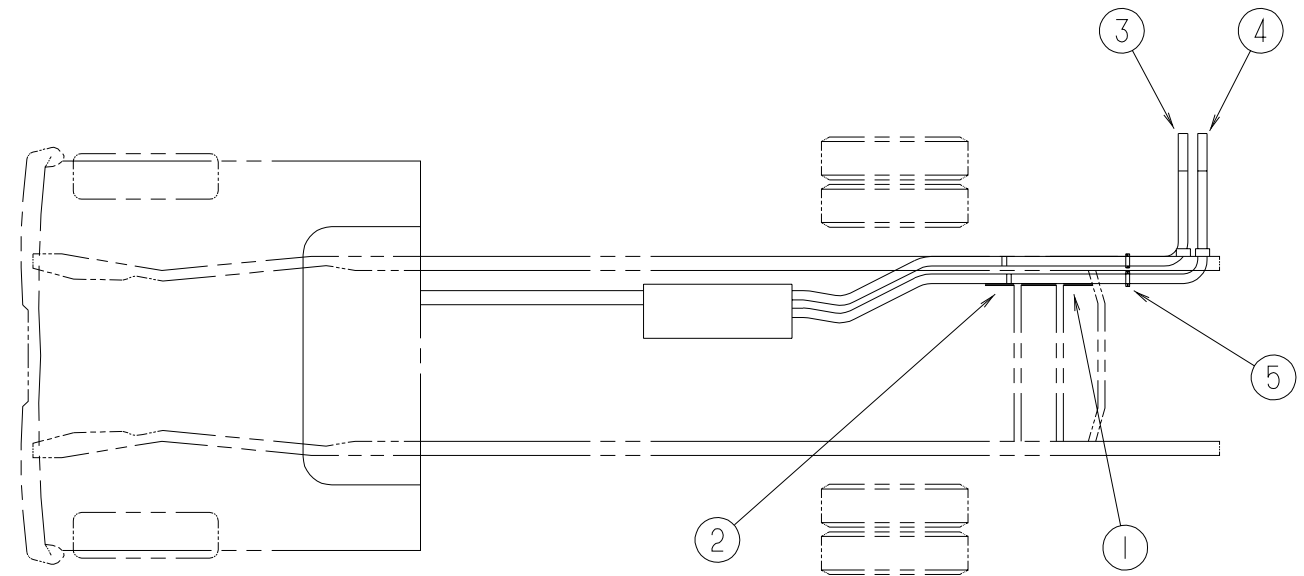
CHASSISGROUP(CONTINUED)



REARBUMPER,HITCH&SPARETIRECARRIER

| KEY | PARTNUMBER | U/M | DESCRIPTION |
|-----|---------------|-----|---|
| 1 | 105209-04-C52 | EA | BRACKETASSEMBLY-SPARETIRE,CHEVY |
| 1 | 105209-06-C52 | EA | BRACKETASSEMBLY-SPARETIRE,FORD |
| 2 | 105208-01-000 | EA | PLATE-SPARETIRE |
| 3 | 104420-01-000 | EA | SUPPORT-ANGLE,BUMPERREAR |
| 4 | 083376-01-000 | EA | PLATE-SKID,13.2"X6"X2"-STEEL |
| 5 | 106715-01-000 | EA | TIRE-LT225/75R16,LRD550AS-GENERAL0104924 CHEVY |
| 5 | 070917-05-000 | EA | TIRE-LT225/75R16D,R4S,M/S-FIRESTONESTEELTEXFORD |
| 6 | 103422-02-02A | EA | BUMPER-SQUARE,ALUMINUM-BRIGHTWHITE |
| 7 | 039779-01-000 | EA | CAP-BUMPER,RUBBER-4"X4"-BLACK |
| 8 | 105531-02-000 | EA | RETAINERASM-SPARETIRE |
| 9 | 073322-07-DB1 | EA | COVER-TIRE,31" |
| 9 | 079799-02-000 | EA | COVER-TIRE,BRIGHTWHITEJAPANEXPORT |
| 9 | M02047-01-F15 | EA | PANELASM-DOOR,TIRECOVERJAPANEXPORT |
| | 064082-02-000 | EA | NUT-RETAINING,WHEELCOVER-100752 |
| | 077408-02-000 | EA | LOCKASM-KEYTYPE |
| 10 | 034512-01-000 | EA | PIN-LOCKING-DRAWBAR |
| 11 | 034513-01-000 | EA | PIN-HITCH,3/16"WIRE |
| 12 | 107707-08-000 | EA | HITCHRECEIVER-BOLT-ONCLASSII |
| | 070579-09-000 | EA | PLATE-ANCHOR |
| 13 | 104420-02-000 | EA | SUPPORT-ANGLE,BUMPERREAR |
| | 097744-02-000 | EA | HOUSING-TRAILERPIN,48" |
| | 097745-02-000 | EA | HOUSING-RECEPTACLE,TRAILER-48"WIRELENGTH |
| | 113589-01-000 | EA | CONNECTOR-PLUG-TRAILER |
| | 113589-02-000 | EA | CONNECTOR-SOCKET-TRAILER |
| | 113588-02-01B | EA | BRACKET-CONNECTORTRAILERW/OLIP |
| | 113634-01-000 | EA | WIREASM-TRAILER,ADAPTER |

CHASSISGROUP(CONTINUED)



EXHAUSTSYSTEMCOMPONENTS

| KEY | PARTNUMBER | U/M | DESCRIPTION |
|-----|---------------|-----|------------------------------------|
| 1 | 111848-02-02B | EA | SHIELD-HEAT,EXHAUST,E-COAT-FORD |
| 2 | 111848-01-02B | EA | SHIELD-HEAT,EXHAUST,E-COAT-FORD |
| 3 | 111836-01-000 | EA | PIPE-EXHAUST,TAIL-FORD-DUAL |
| 4 | 111836-02-000 | EA | PIPE-EXHAUST,TAIL-FORD-DUAL |
| 5 | 007125-05-000 | EA | CLAMP-MUFFLER,2.00"DIAMETER |
| | 00713101000 | EA | HANGER-TAILPIPE,6SLOTS |
| | 111836-06-000 | EA | PIPE-EXHAUST/TAIL-FORD-JAPANEXPORT |
| | 125521-01-000 | EA | PIPE-EXHAUST/TAIL-FORD-DIESEL |
| | 007125-07-000 | EA | CLAMP-MUFFLER,2.50"DIAMETER |

REARAIRBAGS

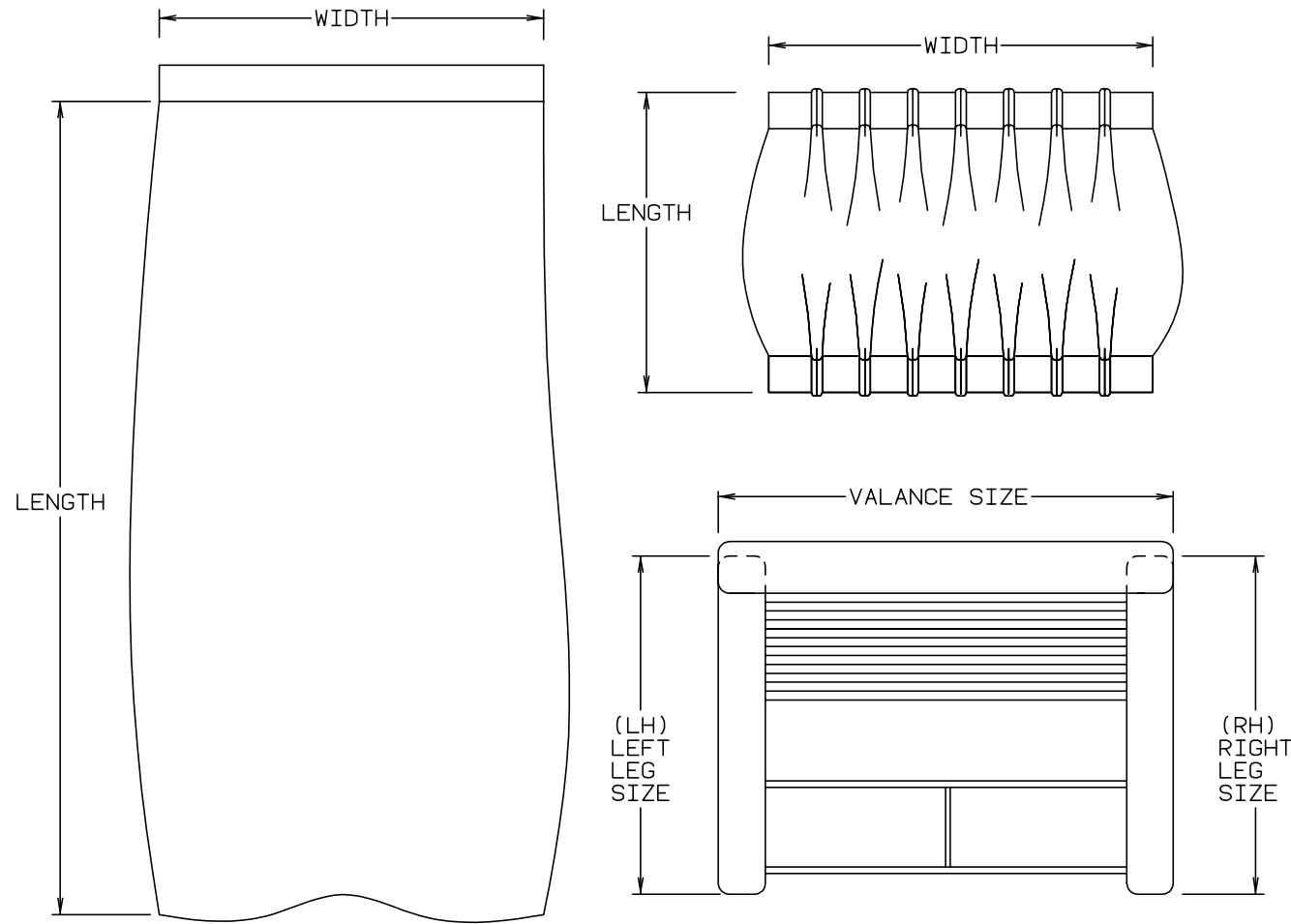
| KEY | PARTNUMBER | U/M | DESCRIPTION |
|-----|---------------|-----|--------------------------------------|
| | 106067-03-000 | EA | AIRSPRING-4"DIAMETERTWIN |
| | 106067-03-700 | EA | AIRBAGREPLACEMENTKITW/LINES&FITTINGS |
| | 109236-01-000 | EA | PLATE-VALVE,AIRSPRING |

CURTAIN & CUSHION GROUP

NOTICE

IN ORDER TO ASSIST OUR PARTS SALES DEPT. IN PROVIDING INTERIOR SOFTWARE ITEMS, PLEASE INCLUDE THE SERIAL NUMBER AND THE COLOR CODE NUMBER FROM THE VEHICLE CERTIFICATION LABEL WHEN ORDERING. THIS LABEL IS LOCATED ON THE LEFT SIDEWALL AT THE END OF THE DASH (A-BODY), OR ON THE DRIVER'S DOOR LATCH PLATE (C-BODY).

AN EXAMPLE OF A COLOR CODE NUMBER IS B07, WHICH DESIGNATES AN OVERALL COLOR SCHEME OF A PARTICULAR UNIT. THE COLOR LISTED AFTER THE ITEM DESCRIPTION ON THE MICROFICHE, INDICATES THE OVERALL UNIT COLOR. ORDER THE ITEM YOU DESIRE ACCORDING TO UNIT COLOR CODE.



NOTE: USE THIS ILLUSTRATION WHEN DETERMINING LENGTH AND WIDTH MEASUREMENTS FOR CURTAINS. YOU WILL NOTE THE WIDTH MEASUREMENT IS TAKEN ON THE TOP OF THE CURTAIN WITH THE CURTAIN FULLY EXTENDED. THE LENGTH MEASUREMENT IS TAKEN FROM TOP TO BOTTOM. LEFT AND RIGHT WINDOW LEGS ARE DETERMINED WHEN FACING THE WINDOW.

CURTAIN & CUSHION GROUP (CONTINUED)

FABRICS

| COLOR CODES | H04 | H05 | H10 | H11 | H24 | H26 |
|------------------------|--------------------------------|--------------------------------|--------------------------------|------------------|--------------------------------|--------------------------------|
| | BLUE LAGOON (BLUE) | KRIPTONITE (TAUPE) | CHAMELEON (COBALT) | PASADENA (MOCHA) | COPPER CANYON (TERRA COTTA) | COPPER CREEK (TAN) |
| BUCKET SEATS | 108446-K9-000 | 108446-77-000 108446-G2-000 | 108446-L4-000 108446-F3-000 | | 108446-L4-000 108446-F3-000 | 108446-L4-000 108446-F3-000 |
| DINETTE CUSHIONS | 108446-K7-000 | 108446-K8-000 | 108446-H0-000 | | 108446-H0-000 | 108446-H0-000 |
| DINETTE PADS | 108446-K9-000 | 108446-77-000 | 108446-L4-000 | | 108446-L4-000 | 108446-L4-000 |
| SOFA | 108446-K7-000 | 108446-K8-000 | 108446-H0-000 | | 108446-H0-000 | 108446-H0-000 |
| SWIVEL CHAIR | 108446-K9-000 | 108446-G2-000 | 108446-F3-000 | | 108446-F3-000 | 108446-F3-000 |
| LOUNGE/DINETTE VALANCE | 108446-K7-000 108446-K9-000 | 108446-K8-000 108446-G2-000 | 108446-H0-000 108446-F3-000 | | 108446-H0-000 108446-F3-000 | 108446-H0-000 108446-F3-000 |
| LOUNGE/DINETTE LEG | 108446-K9-000 | 108446-G2-000 | 108446-F3-000 | | 108446-F3-000 | 108446-F3-000 |
| BEDROOM VALANCE | 105745-B3-000 | 105745-D5-000 | 105745-A2-000 | | 105745-A2-000 | 105745-A2-000 |
| BEDSPREAD | 105745-B3-000 105745-61-000 | 105745-D5-000 105745-62-000 | 105745-99-000 105745-45-000 | | 105745-99-000 105745-45-000 | 105745-99-000 105745-45-000 |
| PILLOWS/SHAMS | 105745-B3-000 | 105745-D5-000 105745-62-000 | 105745-99-000 105745-45-000 | | 105745-99-000 105745-45-000 | 105745-99-000 105745-45-000 |
| ENTRANCE DOOR VALANCE | 108446-K7-000 | 108446-K8-000 | 108446-H0-000 | | 108446-H0-000 | 108446-H0-000 |
| BUNK CUSHIONS | 108446-K9-000 | 108446-G2-000 | 108446-F3-000 | | 108446-F3-000 | 108446-F3-000 |
| OVERHEAD BUNK CURTAINS | 105745-B3-000 | 105745-D5-000 | 105745-99-000 | | 105745-99-000 | 105745-99-000 |
| BUNK PRIVACY | 105745-B3-000 | 105745-D5-000 | 105745-99-000 | | 105745-99-000 | 105745-99-000 |
| FRONT PRIVACY | 105745-B3-000 | 105745-D5-000 | 105745-99-000 | | 105745-99-000 | 105745-99-000 |
| BEDROOM PRIVACY | 105745-B3-000 | 105745-D5-000 | 105745-99-000 | | 105745-99-000 | 105745-99-000 |
| DRAPERY LINING | 087272-03-000 | 087272-03-000 | 087272-03-000 | | 087272-03-000 | 087272-03-000 |
| TIRE COVER | 103907-05-000 | 103907-05-000 | 103907-05-000 | | 103907-05-000 | 103907-05-000 |
| TIRE COVER LINER | 069627-02-000 | 069627-02-000 | 069627-02-000 | | 069627-02-000 | 069627-02-000 |
| HEADLINER | 103907-01-06A | 103907-01-06A | 103907-01-06A | | 103907-01-06A | 103907-01-06A |

NOTE: FABRIC LISTED FIRST, IN A BLOCK, IS THE LARGEST QUANTITY OF FABRIC USED

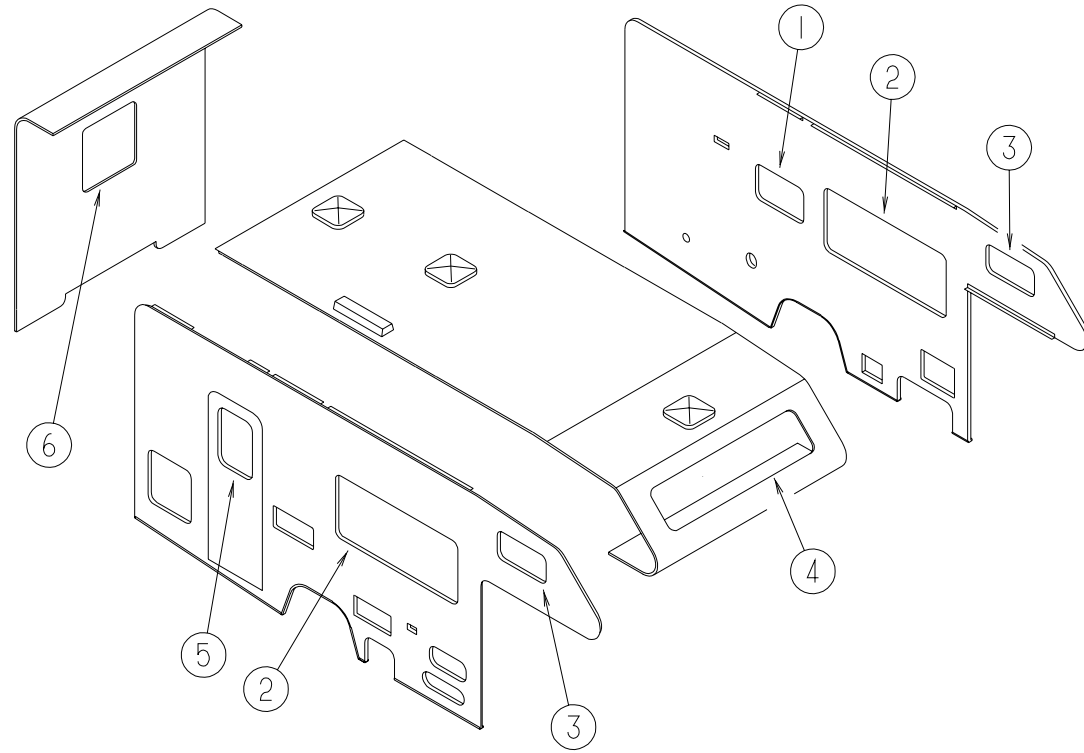
BUTTONS

| KEY | PART NUMBER | U/M | DESCRIPTION |
|-----|---------------|-----|-----------------------------------|
| | 070578-10-H04 | EA | BUTTON-SCREW STUD - #30 (H04) |
| | 070578-10-G22 | EA | BUTTON-SCREW STUD - #30 (H05) |
| | 070578-10-H24 | EA | BUTTON-SCREW STUD - #30 (H24/H26) |

CURTAIN&CUSHIONGROUP(CONTINUED)

CURTAIN&CUSHIONGROUP(CONTINUED)

CURTAINS&WINDOWTREATMENT(CONTINUED)



CURTAINS&WINDOWTREATMENT

| KEY | PARTNUMBER | U/M | DESCRIPTION |
|-----|---------------|-----|--|
| 4 | 101034-34-H04 | EA | CURTAIN-LEFTHAND-21"X60"(H04) |
| 4 | 101034-34-H05 | EA | CURTAIN-LEFTHAND-21"X60"(H05) |
| 4 | 101034-34-G04 | EA | CURTAIN-LEFTHAND-21"X60"(H24/H26) |
| 5 | 118078-04-H04 | EA | VALANCE-29"QUEST(6")(H04) |
| 5 | 118078-04-H05 | EA | VALANCE-29"QUEST(6")(H05) |
| 5 | 118078-04-H24 | EA | VALANCE-29"QUEST(6")(H24/H26) |
| 5 | 084755-57-E07 | EA | SHADE-PULL-27.25" |
| 6 | 093475-85-07A | EA | BLIND-MINI-28"X22.5"(H04) |
| | 109353-08-01A | EA | SLAT-BLIND,28"-PURESILVER |
| 6 | 093475-85-09A | EA | BLIND-MINI-28"X22.5"(H05/H24/H26) |
| | 109353-08-02A | EA | SLAT-BLIND,28"-BEIGE |
| | 109353-04-000 | EA | CLIP-VALANCE SLAT MOUNTING-CLEAR PLASTIC |

PRIVACY CURTAINS

| KEY | PARTNUMBER | U/M | DESCRIPTION |
|-----|---------------|-----|------------------------------------|
| | 076892-20-H04 | EA | CURTAIN-50"X78"(H04) |
| | 076892-20-F16 | EA | CURTAIN-50"X78"(H05) |
| | 076892-20-H24 | EA | CURTAIN-50"X78"(H24/H26) |
| | 101668-39-H04 | EA | CURTAIN-RIGHTHAND-35"X50"(H04) |
| | 101668-39-F16 | EA | CURTAIN-RIGHTHAND-35"X50"(H05) |
| | 101668-39-H24 | EA | CURTAIN-RIGHTHAND-35"X50"(H24/H26) |
| | 101668-40-H04 | EA | CURTAIN-LEFTHAND-35"X50"(H04) |
| | 101668-40-F16 | EA | CURTAIN-LEFTHAND-35"X50"(H05) |
| | 101668-40-H24 | EA | CURTAIN-LEFTHAND-35"X50"(H24/H26) |

CURTAIN TIEBACKS

| KEY | PARTNUMBER | U/M | DESCRIPTION |
|-----|---------------|-----|---|
| | 073260-23-H04 | EA | TIEBACK-CURTAIN,3"X18"(H04) |
| | 073260-23-F16 | EA | TIEBACK-CURTAIN,3"X18"(H05) |
| | 073260-23-H24 | EA | TIEBACK-CURTAIN,3"X18"(H24/H26) |
| | 057534-01-000 | EA | TIEBACK/TIEDOWN - BED - CURTAIN/DOOR 6" - PLASTIC/CLEAR |

| KEY | PARTNUMBER | U/M | DESCRIPTION |
|-----|---------------|-----|---|
| 1 | 109041-36-01A | EA | BLIND-MINI,31"X18"(H04) |
| | 109353-08-01A | EA | BLIND-SLAT,28" |
| 1 | 109041-36-02A | EA | BLIND-MINI,31"X18" C011 BEIGE (H05/H24/H26) |
| | 109353-08-02A | EA | BLIND-SLAT,28" C011 BEIGE |
| | 109353-04-000 | EA | CLIP - VALANCE SLAT MOUNTING - CLEAR PLASTIC |
| 2 | 118078-01-H04 | EA | VALANCE-64.5"QUEST(6")(H04) |
| 2 | 118078-01-H05 | EA | VALANCE-64.5"QUEST(6")(H05) |
| 2 | 118078-01-H24 | EA | VALANCE-64.5"QUEST(6")(H24/H26) |
| 2 | 119333-01-H04 | EA | LEG-RH,25",PLAIN,NOHOLE(H04) |
| 2 | 119333-01-G16 | EA | LEG-RH,25",PLAIN,NOHOLE(H05) |
| 2 | 119333-01-GE1 | EA | LEG-RH,25",PLAIN,NOHOLE(H24/H26) |
| 2 | 119333-02-H04 | EA | LEG-LH,25",PLAIN,NOHOLE(H04) |
| 2 | 119333-02-G16 | EA | LEG-LH,25",PLAIN,NOHOLE(H05) |
| 2 | 119333-02-GE1 | EA | LEG-LH,25",PLAIN,NOHOLE(H24/H26) |
| 2 | 084755-96-G01 | EA | SHADE-PULL-60.25" |
| 2 | 111910-22-GB1 | EA | BLIND-DAY/NIGHTER-60"X28.5"(H04) |
| 2 | 111910-22-G08 | EA | BLIND-DAY/NIGHTER-60"X28.5"(H05/H24/H26) |
| | | | FROM: 00-00-00 THRU: 10-27-96 |
| 2 | 111910-22-HA3 | EA | BLIND-DAY/NIGHTER-60"X28.5"(H05/H24/H26) |
| | | | FROM: 10-28-96 THRU: 99-99-99 |
| 2 | 109802-10-G12 | EA | BLINDASM-PLEATED,60"X28.5"-JAPANEXPORT(H04) |
| 2 | 109802-10-G01 | EA | BLINDASM-PLEATED,60"X28.5"-JAPANEXPORT(H05/H24/H26) |
| 3 | 101034-51-H04 | EA | CURTAIN-RIGHTHAND-19"X34"(H04) |
| 3 | 101034-51-H05 | EA | CURTAIN-RIGHTHAND-19"X34"(H05) |
| 3 | 101034-51-G04 | EA | CURTAIN-RIGHTHAND-19"X34"(H24/H26) |
| 3 | 101034-52-H04 | EA | CURTAIN-LEFTHAND-19"X34"(H04) |
| 3 | 101034-52-H05 | EA | CURTAIN-LEFTHAND-19"X34"(H05) |
| 3 | 101034-52-G04 | EA | CURTAIN-LEFTHAND-19"X34"(H24/H26) |
| 4 | 101034-33-H04 | EA | CURTAIN-RIGHTHAND-21"X60"(H04) |
| 4 | 101034-33-H05 | EA | CURTAIN-RIGHTHAND-21"X60"(H05) |
| 4 | 101034-33-G04 | EA | CURTAIN-RIGHTHAND-21"X60"(H24/H26) |

CURTAIN&CUSHIONGROUP(CONTINUED)

DINETTECUSHIONS

| KEY | PARTNUMBER | U/M | DESCRIPTION |
|-----|---------------|-----|---------------------------------------|
| 3 | 116134-01-H04 | EA | CUSHION-BACKREST-13"X38"X5"(H04) |
| 3 | 116134-01-H05 | EA | CUSHION-BACKREST-13"X38"X5"(H05) |
| 3 | 116134-01-H24 | EA | CUSHION-BACKREST-13"X38"X5"(H24/H26) |
| | P16134-01-H04 | EA | COVER-BACKCUSHION-13"X38"X5"(H04) |
| | P16134-01-H05 | EA | COVER-BACKCUSHION-13"X38"X5"(H05) |
| | P16134-01-H24 | EA | COVER-BACKCUSHION-13"X38"X5"(H24/H26) |
| | 078155-01-000 | EA | STRAP-SNAP,BACKRESTCUSHION |
| 4 | 088927-87-H04 | EA | CUSHION-SEAT-23"X38"X5"(H04) |
| 4 | 088927-87-H05 | EA | CUSHION-SEAT-23"X38"X5"(H05) |
| 4 | 088927-87-G13 | EA | CUSHION-SEAT-23"X38"X5"(H24/H26) |
| | M88927-87-H04 | EA | COVER-23X38X5,DINETTESEAT(H04) |
| | M88927-87-H05 | EA | COVER-23X38X5,DINETTESEAT(H05) |
| | M88927-87-G13 | EA | COVER-23X38X5,DINETTESEAT(H24/H26) |

BUNKCUSHIONS

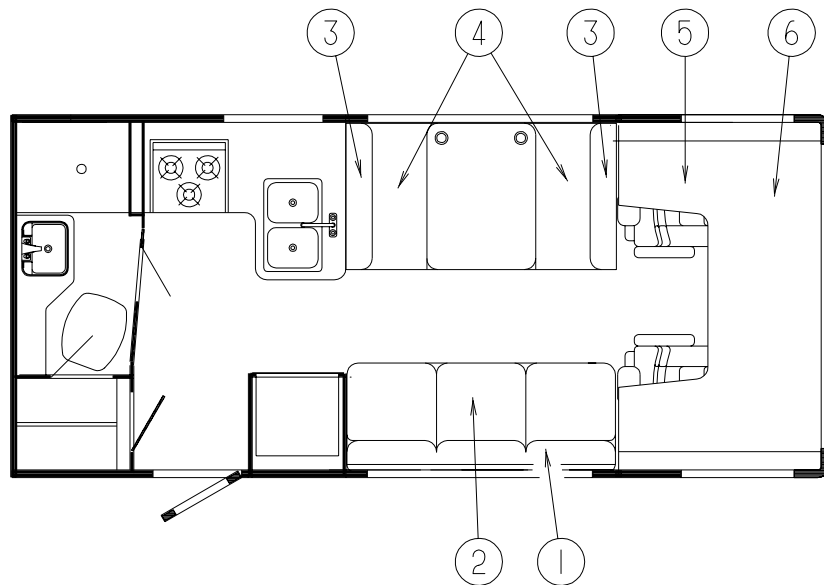
| KEY | PARTNUMBER | U/M | DESCRIPTION |
|-----|---------------|-----|---|
| 5 | 105573-10-H04 | EA | CUSHION-OVHD,REAR-27"X23"X80"X5"(H04) |
| 5 | 105573-10-H05 | EA | CUSHION-OVHD,REAR-27"X23"X80"X5"(H05) |
| 5 | 105573-10-H24 | EA | CUSHION-OVHD,REAR-27"X23"X80"X5"(H24/H26) |
| | P05573-10-H04 | EA | COVER-OVHD,REAR-27"X23"X80"X5"(H04) |
| | P05573-10-H05 | EA | COVER-OVHD,REAR-27"X23"X80"X5"(H05) |
| | P05573-10-H24 | EA | COVER-OVHD,REAR-27"X23"X80"X5"(H24/H26) |
| 6 | 105573-09-H04 | EA | CUSHION-OVHD,FRONT-32.5"X80"X5"(H04) |
| 6 | 105573-09-G05 | EA | CUSHION-OVHD,FRONT-32.5"X80"X5"(H05) |
| 6 | 105573-09-H24 | EA | CUSHION-OVHD,FRONT-32.5"X80"X5"(H24/H26) |
| | P05573-09-H04 | EA | COVER-OVHD,FRONT-32.5"X80"X5"(H04) |
| | P05573-09-G05 | EA | COVER-OVHD,FRONT-32.5"X80"X5"(H05) |
| | P05573-09-H24 | EA | COVER-OVHD,FRONT-32.5"X80"X5"(H24/H26) |

DECORATORPILLOWS-MCCLAINSANNIVERSARYOPTION

| KEY | PARTNUMBER | U/M | DESCRIPTION |
|-----|---------------|-----|--|
| | 111862-08-H04 | EA | PILLOW-15"X15"-W/.5"-NON-GATHEREDWELT(H04) |
| | 111862-08-H05 | EA | PILLOW-15"X15"-W/.5"-NON-GATHEREDWELT(H05) |
| | 111862-08-H24 | EA | PILLOW-15"X15"-W/.5"-NON-GATHEREDWELT(H24/H26) |
| | 104504-09-H04 | EA | PILLOW-16"ROUND-W/.5"WELT(H04) |
| | 104504-09-H05 | EA | PILLOW-16"ROUND-W/.5"WELT(H05) |
| | 104504-09-H24 | EA | PILLOW-16"ROUND-W/.5"WELT(H24/H26) |

ASSISTHANDLE&SEATBELTS

| KEY | PARTNUMBER | U/M | DESCRIPTION |
|-----|---------------|-----|---|
| | 053552-02-AA8 | EA | HANDLE-ASSIST-INTERIOR/ENTRYDOOR-VINYL/OFFWHITE |
| | 069178-02-000 | EA | BRACKET-MOUNTINGASSISTHANDLE |
| | 000C16-07-16B | EA | BOLT-CARRIAGE,ASSISTHANDLE-7/16"-14X1"ZN |
| | 000D20-07-00B | EA | NUT-ACORN,ASSISTHANDLE-7/16"X14ZN |
| | 057759-01-000 | EA | WASHERBRACKET-SEATBELT,4"DIAMETER |
| | 007021-01-000 | EA | BELT-SEAT,2"X90"-BLACK-DINETTESEATS&COUCH |
| | 056271-01-000 | EA | BELT-SEAT,2"X102"-BLACK-SWIVELCHAIR |



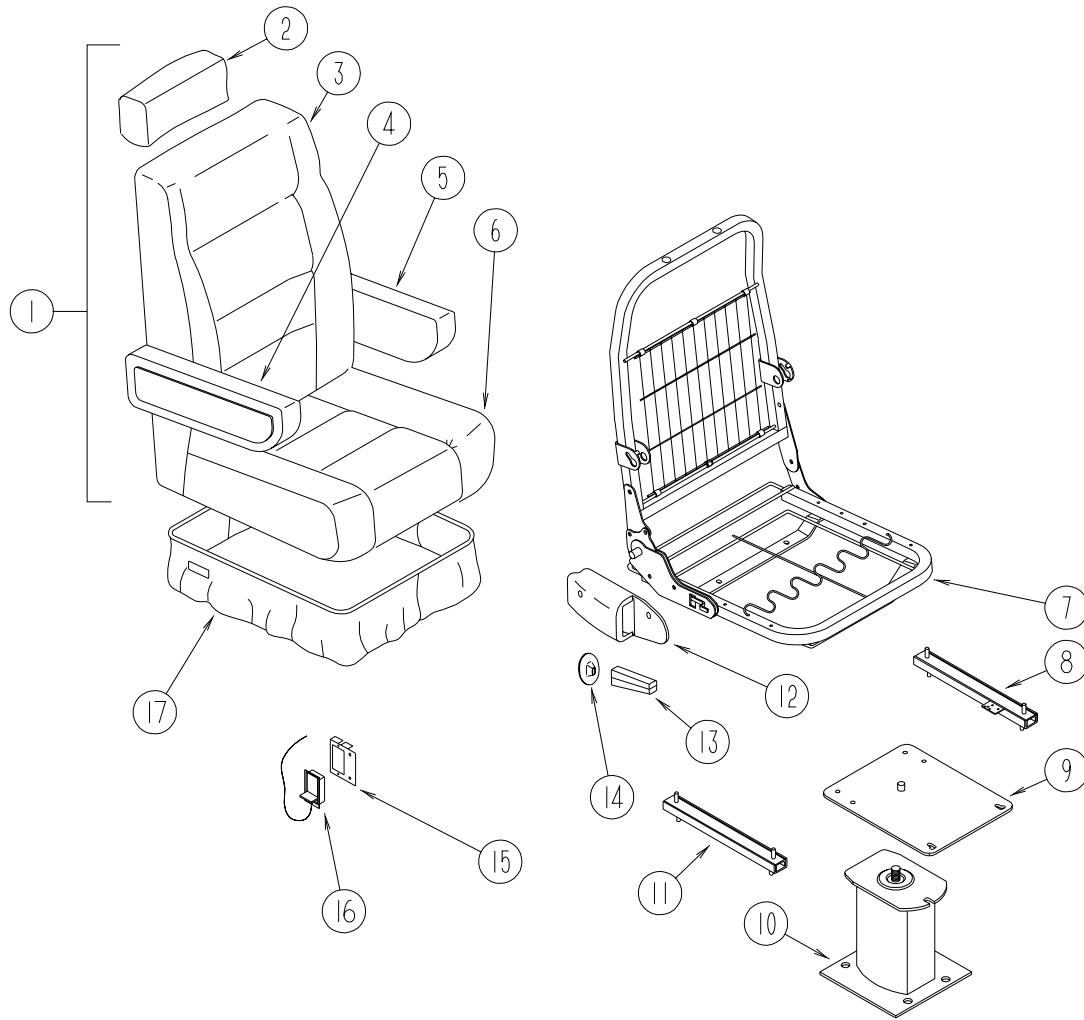
COUCH

| KEY | PARTNUMBER | U/M | DESCRIPTION |
|-----|---------------|-----|--|
| 1 | 120549-01-H04 | EA | BACK-SOFA/BED-JACKKNIFE74"(H04) |
| 1 | 120549-01-H05 | EA | BACK-SOFA/BED-JACKKNIFE74"(H05) |
| 1 | 120549-01-H24 | EA | BACK-SOFA/BED-JACKKNIFE74"(H24/H26) |
| | P20549-01-H04 | EA | COVER-BACKSOFA/BED-JACKKNIFE74"(H04) |
| | P20549-01-H05 | EA | COVER-BACKSOFA/BED-JACKKNIFE74"(H05) |
| | P20549-01-H24 | EA | COVER-BACKSOFA/BED-JACKKNIFE74"(H24/H26) |
| | 101085-10-000 | EA | FRAME-BACK-SOFA/BED74.5"X16" |
| 2 | 100032-43-H04 | EA | SEAT-SOFA/BED-JACKKNIFE74"(H04) |
| 2 | 100032-43-H05 | EA | SEAT-SOFA/BED-JACKKNIFE74"(H05) |
| 2 | 100032-43-G13 | EA | SEAT-SOFA/BED-JACKKNIFE74"(H24/H26) |
| | P00032-43-H04 | EA | COVER-SEAT-SOFA/BEDJACKKNIFE74"(H04) |
| | P00032-43-H05 | EA | COVER-SEAT-SOFA/BEDJACKKNIFE74"(H05) |
| | P00032-43-G13 | EA | COVER-SEAT-SOFA/BEDJACKKNIFE74"(H24/H26) |
| | 101085-04-000 | EA | FRAME-SEAT-SOFA/BED-74.75" |
| | 101085-06-000 | EA | FRAME-BASE-SOFA/BED-74.75" |
| | 122556-04-01A | EA | LOCK-JACK-KNIFESEAT |
| | 113990-09-000 | EA | LOCK-BRACKET-MALEFLEXSTEEL |
| | 105947-01-000 | EA | BRACKET-HOLDDOWN,COUCH-CSAUNITS |

NOTE: COUCHFRONTANDSIDE PANELSARE FOUNDIN LOUNGE GROUP

CURTAIN&CUSHIONGROUP(CONTINUED)

BUCKET SEAT FROM: 00-00-00 THRU: 10-30-96



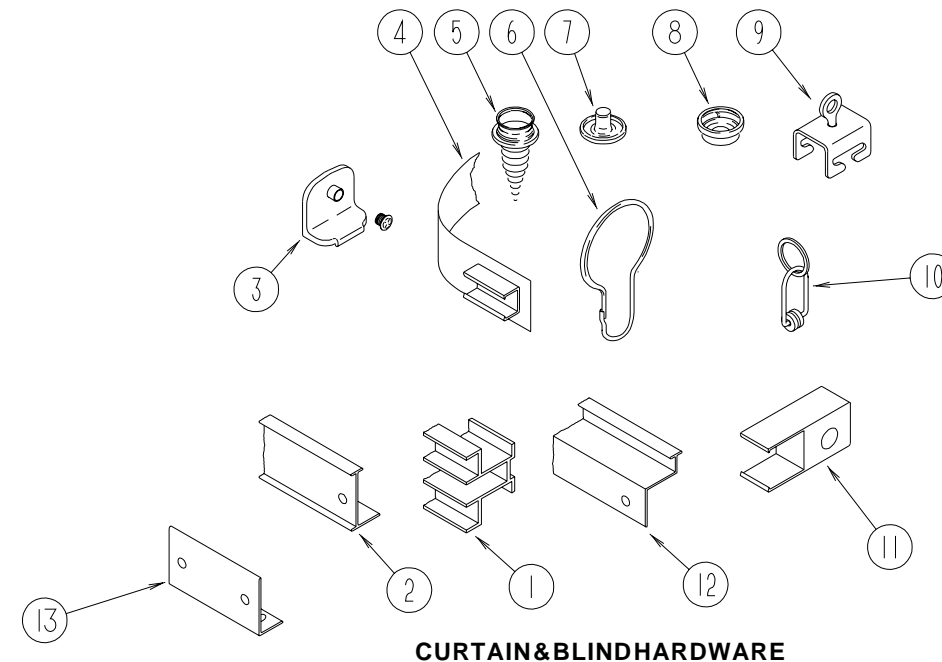
| KEY | PARTNUMBER | U/M | DESCRIPTION |
|-----|---------------|-----|---|
| 1 | 110148-08-H04 | EA | SEAT-BUCKET-HEADREST(H04) |
| 1 | 110148-08-H05 | EA | SEAT-BUCKET-HEADREST(H05) |
| 1 | 110148-08-H24 | EA | SEAT-BUCKET-HEADREST(H24/H26) |
| 2 | 119509-01-H04 | EA | HEADREST-BUCKETSEAT(H04) |
| 2 | 119509-01-H05 | EA | HEADREST-BUCKETSEAT(H05) |
| 2 | 119509-01-H24 | EA | HEADREST-BUCKETSEAT(H24/H26) |
| | P19509-01-H04 | EA | COVER-HEADRESTBUCKETSEAT(H04) |
| | P19509-01-H05 | EA | COVER-HEADRESTBUCKETSEAT(H05) |
| | P19509-01-H24 | EA | COVER-HEADRESTBUCKETSEAT(H24/H26) |
| | 113977-12-000 | EA | HEADRESTINSERT-W/OLOCK |
| | 113977-13-000 | EA | HEADRESTINSERT,W/LOCK-FLEXSTEEL |
| 3 | M05962-33-H04 | EA | COVER-BACK,ECONOMIZERII(H04) |
| 3 | M05962-33-H05 | EA | COVER-BACK,ECONOMIZERII(H05) |
| 3 | M05962-33-H24 | EA | COVER-BACK,ECONOMIZERII(H24/H26) |
| 4 | 122780-01-H04 | EA | ARMREST-RIGHTHAND(H04) |
| 4 | 122780-01-H05 | EA | ARMREST-RIGHTHAND(H05) |
| 4 | 122780-01-H24 | EA | ARMREST-RIGHTHAND(H24/H26) |
| | P22780-01-H04 | EA | COVER-ARMREST,RIGHTHAND(H04) |
| | P22780-01-H05 | EA | COVER-ARMREST,RIGHTHAND(H05) |
| | P22780-01-H24 | EA | COVER-ARMREST,RIGHTHAND(H24/H26) |
| | 115617-03-000 | EA | ARMREST-W/OCOVER-RIGHTHAND |
| 5 | 122780-02-H04 | EA | ARMREST-LEFTHAND(H04) |
| 5 | 122780-02-H05 | EA | ARMREST-LEFTHAND(H05) |
| 5 | 122780-02-H24 | EA | ARMREST-LEFTHAND(H24/H26) |
| | P22780-02-H04 | EA | COVER-ARMREST,LEFTHAND(H04) |
| | P22780-02-H05 | EA | COVER-ARMREST,LEFTHAND(H05) |
| | P22780-02-H24 | EA | COVER-ARMREST,LEFTHAND(H24/H26) |
| | 115617-04-000 | EA | ARMREST-W/OCOVER-LEFTHAND |
| 6 | M05962-34-H04 | EA | COVER-SEAT,ECONOMIZERIII(H04) |
| 6 | M05962-34-H05 | EA | COVER-SEAT,ECONOMIZERIII(H05) |
| 6 | M05962-34-H24 | EA | COVER-SEAT,ECONOMIZERIII(H24/H26) |
| 7 | 122378-02-01B | EA | FRAMEASM-SEAT,BACK,SINGLEMILL |
| 7 | 122364-02-01B | EA | FRAMEASM-SEAT,SINGLE,MILL |
| | 117125-01-02B | EA | BRACKET-CABLEMOUNT-ADJUSTERW/LOCK |
| 8 | 119952-06-000 | EA | SLIDE-SEATHEAVYDUTYLOCKING-4STUDS |
| | 119952-07-000 | EA | WIRE-LATCHRELEASE/ROTARY |
| 9 | 107921-08-000 | EA | TOPPLATE-PEDESTAL-WOSEATBELTBAR |
| 10 | 107921-10-000 | EA | PEDESTALASM-SEATCHEVYDR-FLEXSTEEL2953-PDDB |
| 10 | 107921-11-000 | EA | PEDESTALASM-SEATCHEVYPASS-FLEXSTEEL2954-PDPB |
| 10 | 107921-09-000 | EA | PEDESTALASM-SEATFORD,FLEXSTEEL3067-PDMB |
| | 107921-06-000 | EA | BEARINGKIT-PEDESTAL |
| | 114889-01-000 | EA | STOPBAR-UNIVERSAL |
| 11 | 119952-02-000 | EA | ADJUSTERASSEMBLY-NONLOCK,4STUDS |
| 12 | 080730-09-000 | EA | SHIELD-RECLINERHANDLE |
| 13 | 080730-08-000 | EA | HANDLE-RECLINER |
| 14 | 080730-11-000 | EA | SHIELD-RUBBERBOOT |
| 15 | 097683-02-000 | EA | BRACKET-MOUNT,REMOTE-DOUBLE |
| 16 | 108049-03-000 | EA | CABLE-W/CONTROL25.5"SHEATH/28.5"CABLEW/DOGLEG |
| | 108049-02-000 | EA | CLIP-CABLE/PEDESTAL |
| 17 | 071126-42-H04 | EA | SKIRT-7",W/OPENBACKCORNERS(H04) |
| 17 | 071126-42-E24 | EA | SKIRT-7",W/OPENBACKCORNERS(H05) |
| 17 | 071126-42-H24 | EA | SKIRT-7",W/OPENBACKCORNERS(H24/H26) |

CURTAIN&CUSHIONGROUP(CONTINUED)

BUCKETSEAT -FROM: 10-31-96 THRU: 99-99-99

| KEY | PARTNUMBER | U/M | DESCRIPTION |
|-----|---------------|-----|---|
| | 110148-10-H04 | EA | SEAT-BUCKET-W/RIGHTARMREST(H04) |
| | 110148-10-H05 | EA | SEAT-BUCKET-W/RIGHTARMREST(H05) |
| | 110148-10-H24 | EA | SEAT-BUCKET-W/RIGHTARMREST(H24/H26) |
| | 122684-09-H04 | EA | SEAT-BUCKET-W/RIGHTARMREST-LEATHERMCCLAINSANNIVERSARYOPTION |
| | 110148-11-H04 | EA | SEAT-BUCKET-W/LEFTARMREST(H04) |
| | 110148-11-H05 | EA | SEAT-BUCKET-W/LEFTARMREST(H05) |
| | 110148-11-H24 | EA | SEAT-BUCKET-W/LEFTARMREST(H24/H26) |
| | 122684-10-H04 | EA | SEAT-BUCKET-W/LEFTARMREST-LEATHERMCCLAINSANNIVERSARYOPTION |
| | 119509-01-H04 | EA | HEADREST-BUCKETSEAT(H04) |
| | 119509-01-H05 | EA | HEADREST-BUCKETSEAT(H05) |
| | 119509-01-H24 | EA | HEADREST-BUCKETSEAT(H24/H26) |
| | 119509-02-H04 | EA | HEADREST-BUCKETSEAT-LEATHERMCCLAINSANNIVERSARYOPTION |
| | P19509-01-H04 | EA | COVER-HEADRESTBUCKETSEAT(H04) |
| | P19509-01-H05 | EA | COVER-HEADRESTBUCKETSEAT(H05) |
| | P19509-01-H24 | EA | COVER-HEADRESTBUCKETSEAT(H24/H26) |
| | P19509-02-H04 | EA | COVER-HEADRESTBUCKETSEAT-LEATHERMCCLAINSANNIVERSARYOPTION |
| | 113977-12-000 | EA | HEADRESTINSERT-W/OLOCK |
| | 113977-13-000 | EA | HEADRESTINSERT,W/LOCK-FLEXSTEEL |
| | M05962-55-H04 | EA | COVER-BACK(H04) |
| | M05962-55-H05 | EA | COVER-BACK(H05) |
| | M05962-55-H24 | EA | COVER-BACK(H24/H26) |
| | M05962-61-H04 | EA | COVER-BACK-LEATHERMCCLAINSANNIVERSARYOPTION |
| | 124896-11-000 | EA | KIT-BACK-LEATHERMCCLAINSANNIVERSARYOPTION |
| | 122780-01-H04 | EA | ARMREST-RIGHTHAND(H04) |
| | 122780-01-H05 | EA | ARMREST-RIGHTHAND(H05) |
| | 122780-01-H24 | EA | ARMREST-RIGHTHAND(H24/H26) |
| | 122780-03-H04 | EA | ARMREST-RIGHTHAND-LEATHERMCCLAINSANNIVERSARYOPTION |
| | P22780-01-H04 | EA | COVER-ARMREST,RIGHTHAND(H04) |
| | P22780-01-H05 | EA | COVER-ARMREST,RIGHTHAND(H05) |
| | P22780-01-H24 | EA | COVER-ARMREST,RIGHTHAND(H24/H26) |
| | P22780-03-H04 | EA | COVER-ARMREST,RIGHTHAND-LEATHER |
| | 115617-03-000 | EA | ARMREST-W/OCOVER-RIGHTHAND |
| | 122780-02-H04 | EA | ARMREST-LEFTHAND(H04) |
| | 122780-02-H05 | EA | ARMREST-LEFTHAND(H05) |
| | 122780-02-H24 | EA | ARMREST-LEFTHAND(H24/H26) |
| | 122780-04-H04 | EA | ARMREST-LEFTHAND-LEATHERMCCLAINSANNIVERSARYOPTION |
| | P22780-02-H04 | EA | COVER-ARMREST,LEFTHAND(H04) |
| | P22780-02-H05 | EA | COVER-ARMREST,LEFTHAND(H05) |
| | P22780-02-H24 | EA | COVER-ARMREST,LEFTHAND(H24/H26) |
| | P22780-04-H04 | EA | COVER-ARMREST,LEFTHAND-LEATHERMCCLAINSANNIVERSARYOPTION |
| | 115617-04-000 | EA | ARMREST-W/OCOVER-LEFTHAND |
| | M05962-56-H04 | EA | COVER-SEAT(H04) |
| | M05962-56-H05 | EA | COVER-SEAT(H05) |
| | M05962-56-H24 | EA | COVER-SEAT(H24/H26) |
| | M05962-62-H04 | EA | COVER-SEAT-LEATHERMCCLAINSANNIVERSARYOPTION |
| | 124896-12-000 | EA | KIT-SEAT-LEATHER |
| | 125229-01-000 | EA | FRAME-C-BODY,LEFT |
| | 125229-02-000 | EA | FRAME-C-BODY,RIGHT |
| | 125229-03-000 | EA | FRAME-C-BODY,REC.KNOB |
| | 125229-05-000 | EA | FRAME-C-BODY,PALNUT |
| | 117125-01-02B | EA | BRACKET-CABLEMOUNT-ADJUSTERW/LOCK |
| | 119952-06-000 | EA | SLIDE-SEATHEAVYDUTYLOCKING-4STUDS |
| | 119952-07-000 | EA | WIRE-LATCHRELEASE/ROTARY |
| | 107921-08-000 | EA | TOPPLATE-PEDESTAL-WOSEATBELTBAR |
| | 107921-01-000 | EA | PEDESTAL/FLOORMOUNTED-W/9.75"EXTENSION |
| | 107921-06-000 | EA | BEARINGKIT-PEDESTAL |
| | 114889-01-000 | EA | STOPBAR-UNIVERSAL |
| | 097683-02-000 | EA | BRACKET-MOUNT,REMOTE-DOUBLE |
| | 108049-03-000 | EA | CABLE-W/CONTROL25.5"SHEATH/28.5"CABLEW/DOGLEG |
| | 108049-02-000 | EA | CLIP-CABLE/PEDESTAL |

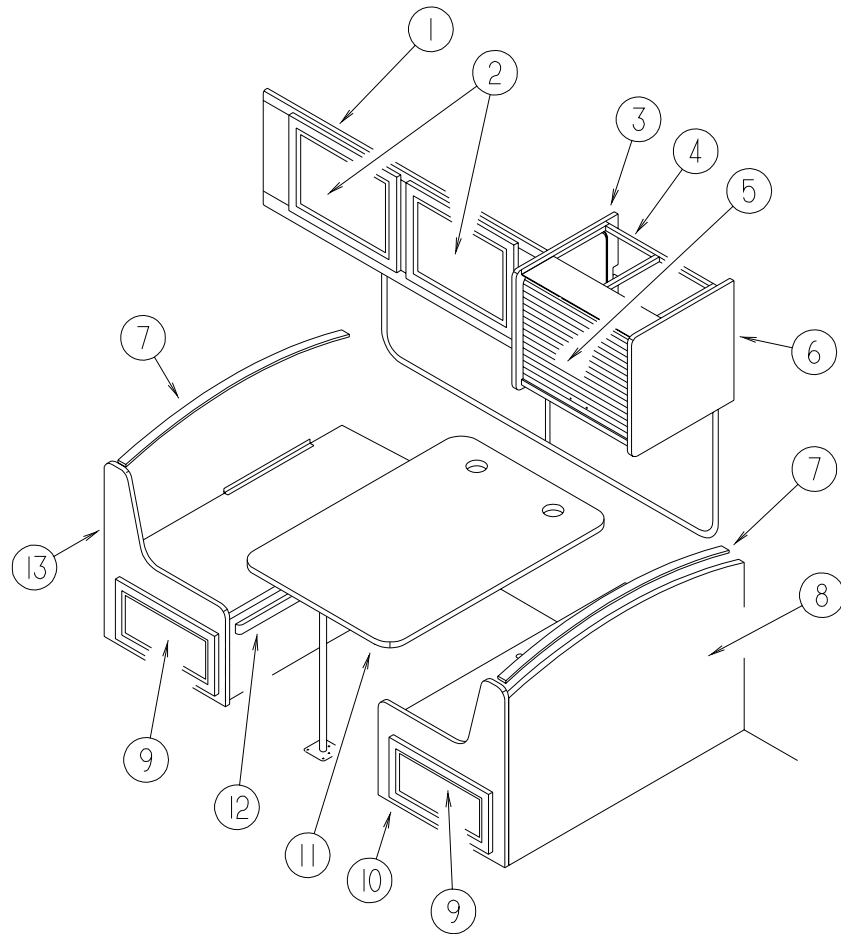
CURTAIN&CUSHIONGROUP(CONTINUED)



CURTAIN&BLINDHARDWARE

| KEY | PARTNUMBER | U/M | DESCRIPTION |
|-----|---------------|-----|---|
| 1 | 101033-04-000 | EA | TRACK-WALL,36" |
| 1 | 101033-06-000 | EA | TRACK-WALL79" |
| 2 | 009700-04-002 | EA | TRACK,L-SHAPED-195.2"-OFFWHITE |
| 3 | 106544-01-000 | EA | PULL-SHADE/BRASS |
| | 106544-01-001 | EA | SCREW-SHADE/BRASS |
| 4 | 101031-01-000 | YD | TAPE-GLIDE/CURTAIN-4.25"SPACING |
| 5 | 029130-01-000 | EA | SCREW-SNAP SOCKET-#8PHX5/8" |
| 6 | 009136-02-000 | EA | HANGER-RING,PINTYPE-CURTAIN-BRASS |
| 7 | 029155-01-000 | EA | CAP-SNAP-5/32"O.D.OFPIN |
| 8 | 029156-01-000 | EA | SOCKET-SNAP-9/16"O.D. |
| 9 | 009702-01-000 | EA | ENDSTOP-CURTAINCARRIER-LROD |
| 10 | 009701-01-000 | EA | CARRIER-CURTAIN,LROD |
| | 009702-01-000 | EA | ENDSTOP-CURTAINCARRIER,LROD |
| 11 | 101033-02-000 | EA | ENDCAP-TRACK,CLEAR |
| 12 | 105450-01-01A | EA | TRACKW/BRKTS-CURTAINLEFTHANDWRAPAROUND-30.8" |
| 12 | 105450-01-01A | EA | TRACKW/BRKTS-CURTAINLEFTHANDWRAPAROUND-30.8" |
| 13 | 083125-07-000 | EA | BRACE-COUCH-2.5" |
| | 046867-03-000 | EA | GROMMET-HANDYBUTTONNO3 |
| | 048394-02-000 | YD | VELCROTAPE-HOOK,ADHESIVEBACK-.75"WIDE-BEIGE |
| | 075943-10-000 | EA | BRACE-VALANCE,20IN-OFF/WHITE |
| | 084433-05-000 | EA | SHADE-ROLLER,72.25" |
| | 084434-01-000 | EA | BRACKET-MOUNTING,ROLLERSHADE-13/8" |
| | 086276-01-000 | EA | TAPE-DOUBLESIDED,1/2" |
| | 088792-01-000 | YD | VELCRO-HOOK,.75"WIDE-BEIGE |
| | 088792-02-000 | YD | VELCROTAPE-LOOP,ADHESIVEBACKED-.75"WIDE-BEIGE |
| | 088792-06-000 | YD | VELCRO-3/4"NON-ADH.,LOOPBUFF |
| | 096843-01-000 | EA | SPRING-REWIND/ROLLERSHADE |
| | 076827-02-000 | EA | BRACKET-LEG,2.9"X1.8"TRIANGLE |
| | 083170-01-000 | EA | BRACKET-BLIND-LEFTSIDEWHENFACINGWINDOW |
| | 083170-02-000 | EA | BRACKET-BLIND-RIGHTSIDEWHENFACINGWINDOW |
| | 109441-03-000 | EA | HOLDDOWN-BLIND(CLOUDY) |
| | 094896-02-000 | EA | GROMMET-CORD,PLEATEDBLIND-NYLON-GRAY |
| | 097593-06-000 | FT | CORD-BLIND-PLEATED-PEWTER(H04) |
| | 097593-02-000 | FT | CORD-PLEATEDBLIND,DAWNGRAY(H05/H24/H26) |
| | 094907-02-000 | EA | ENDCAP-TOP/PLEATEDBLIND-PLASTIC-GRAY |
| | 094907-04-700 | EA | ENDCAP-RHBOTTOMBLIND |
| | 094907-04-701 | EA | ENDCAP-LHBOTTOMBLIND |
| | 117237-01-000 | EA | BRACKET-MOUNTING,2.5"X.75"-CLEARACRYLIC |
| | 097564-01-000 | EA | HANDLE-T,EZLIFTSHADE |
| | 097591-01-000 | EA | SPRING-EXTENSION/PLEATEDBLIND |
| | 097592-01-000 | EA | SPOOL-CORD-ELEVATEDBLINDHOLDUP-CLEARPLASTIC |
| | 105648-01-02A | EA | BRACE-VALANCE,OFF/WHITE |

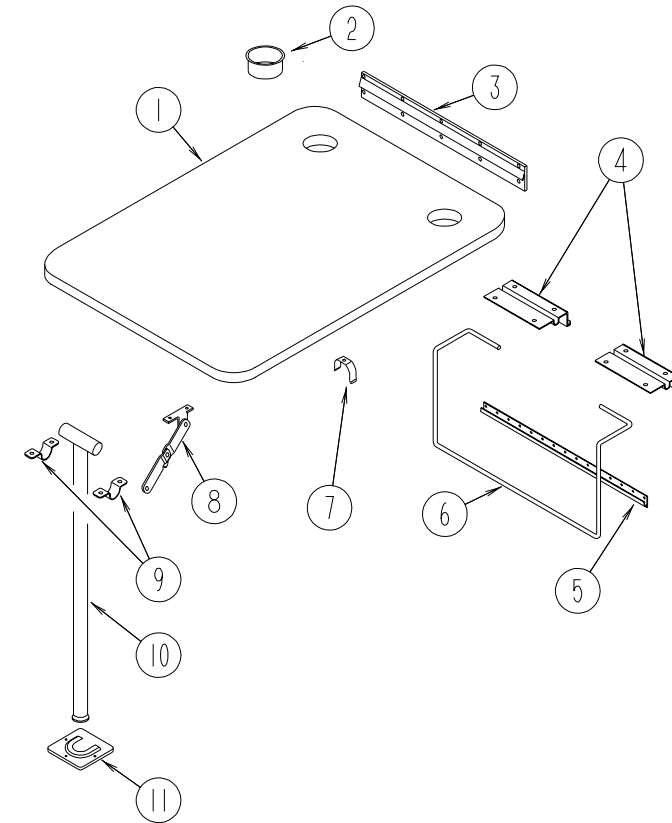
DINETTEGROUP



DINETTECABINETS

| KEY | PARTNUMBER | U/M | DESCRIPTION |
|-----|---------------|-----|---|
| 1 | 121840-01-H04 | EA | CABINETASM-OVHD,FRONT |
| 2 | 110140-27-G01 | EA | DOOR-MITEREDCORNER/VINYLRAP-14.3"X33.4"W/OHDW |
| 2 | 110140-29-H04 | EA | DOOR-MIRROR/MTRDCRNR/VINYLRAP-15.7"X10.4-W/OHDW |
| | 108536-03-09A | EA | MIRROR-GLASSBOTANICAL-317X437 |
| 3 | 121877-13-H04 | EA | ENDCAP |
| 4 | M08163-04-H04 | EA | CABINETASM-TV/VCP-W/TV/VCP |
| | 122298-01-02B | EA | BRACKET-TV/VCR,E-COAT |
| | 122298-02-02B | EA | BRACKET-TV/VCR,E-COAT |
| 4 | M08163-03-H04 | EA | CABINETASM-TV/VCP-W/OTV/VCP |
| 5 | 121877-20-H04 | EA | DOOR-TAMBOUR |
| 6 | 121877-15-H04 | EA | ENDCAP |
| 7 | 111338-09-H04 | EA | PADASM-DINETTE(H04) |
| 7 | 111338-09-G22 | EA | PADASM-DINETTE(H05) |
| 7 | 111338-09-H24 | EA | PADASM-DINETTE(H24/H26) |
| 8 | M08123-05-H04 | EA | CABINET-SEATBACKRH |
| 9 | 110140-88-G04 | EA | DOOR-MITEREDCORNER/VINYLRAP-10.1"X19.1"-W/OHDW |
| 10 | M08122-05-H04 | EA | CABINET-SEATBASERH |
| 11 | 081322-01-H04 | EA | TABLE-DINETTE-W/OCUPHOLDERS/HARDWARE(H04) |
| 11 | 081322-01-H05 | EA | TABLE-DINETTE-W/OCUPHOLDERS/HARDWARE(H05) |
| 11 | 081322-01-G01 | EA | TABLE-DINETTE-W/OCUPHOLDERS/HARDWARE(H24/H26) |
| 12 | 081295-01-G01 | EA | SUPPORT-BED/DINETTE-28" |
| 13 | M08122-06-H04 | EA | CABINET-SEATBASELH |
| 13 | M08122-07-H04 | EA | CABINET-SEATBASELH-JAPANEXPORT |

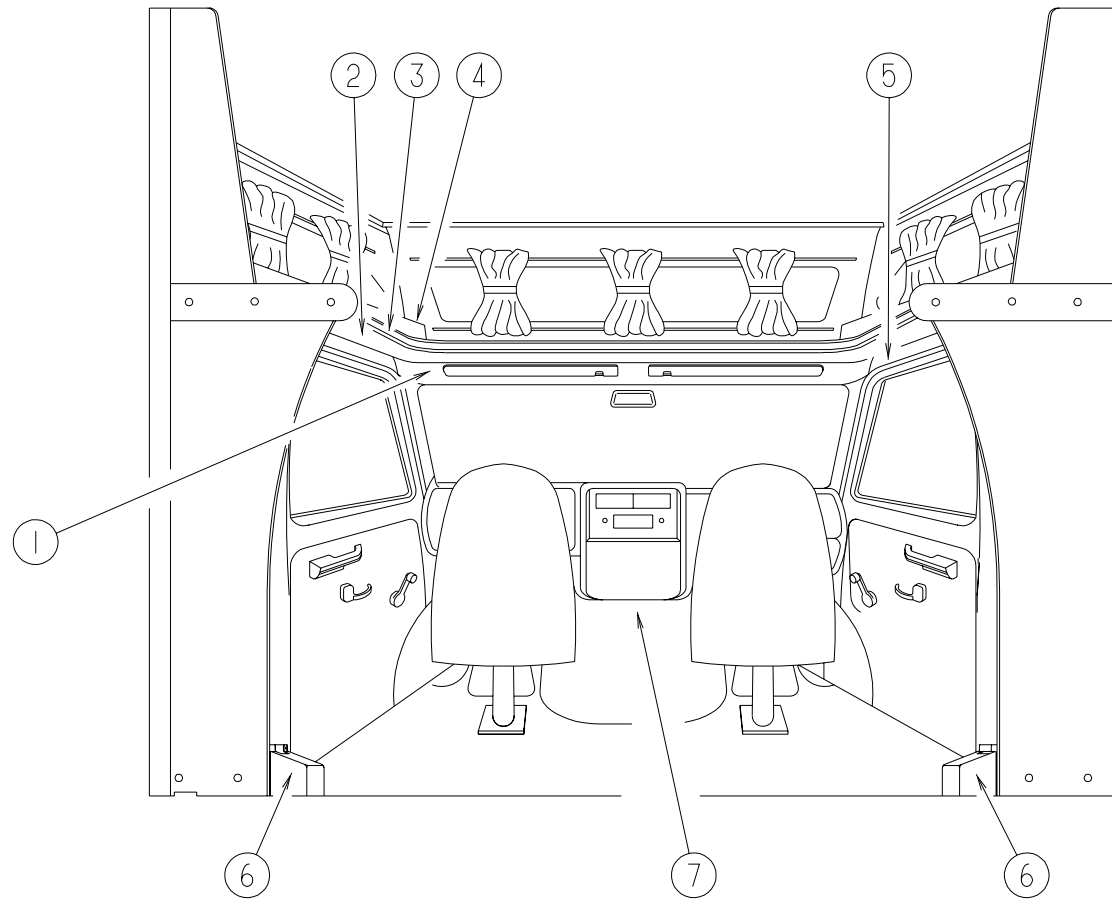
DINETTEGROUP(CONTINUED)



DINETTE TABLE & HARDWARE

| KEY | PARTNUMBER | U/M | DESCRIPTION |
|-----|---------------|-----|---|
| 1 | 081322-01-H04 | EA | TABLE-DINETTE-W/OCUPHOLDERS/HARDWARE(H04) |
| 1 | 081322-01-H05 | EA | TABLE-DINETTE-W/OCUPHOLDERS/HARDWARE(H05) |
| 1 | 081322-01-G01 | EA | TABLE-DINETTE-W/OCUPHOLDERS/HARDWARE(H24/H26) |
| 2 | 064781-06-000 | EA | HOLDER-CUP,TWOSTAGE-OFFWHITE |
| 3 | 049493-12-000 | EA | CATCH-LEGFLOORMOUNTED2.5"X2.7" |
| 4 | 088410-02-000 | EA | BRACKET-LIFT-TABLEMOUNTED |
| 5 | 024281-14-000 | EA | BRACKET-LIFTRODLOWERWALLMOUNTED-22.12" |
| 6 | 024275-12-000 | EA | ROD-TABLELIFT |
| 7 | 024283-01-000 | EA | CLIP-LEG-1"-1.125"OD-BLACK |
| 8 | 024282-01-000 | EA | BRACE-TABLELEG-HINGED |
| 9 | 064050-05-000 | EA | HINGE-TABLELEG-OFFWHITE |
| 10 | 024276-22-000 | EA | LEG-TABLE,W/OHARDWARE |
| 11 | 049493-11-700 | EA | CATCH-TABLELEG,E-COAT |
| | 053200-12-000 | EA | BRACKET-TABLESUPPORT-UPPERWALLMOUNTED23.50" |

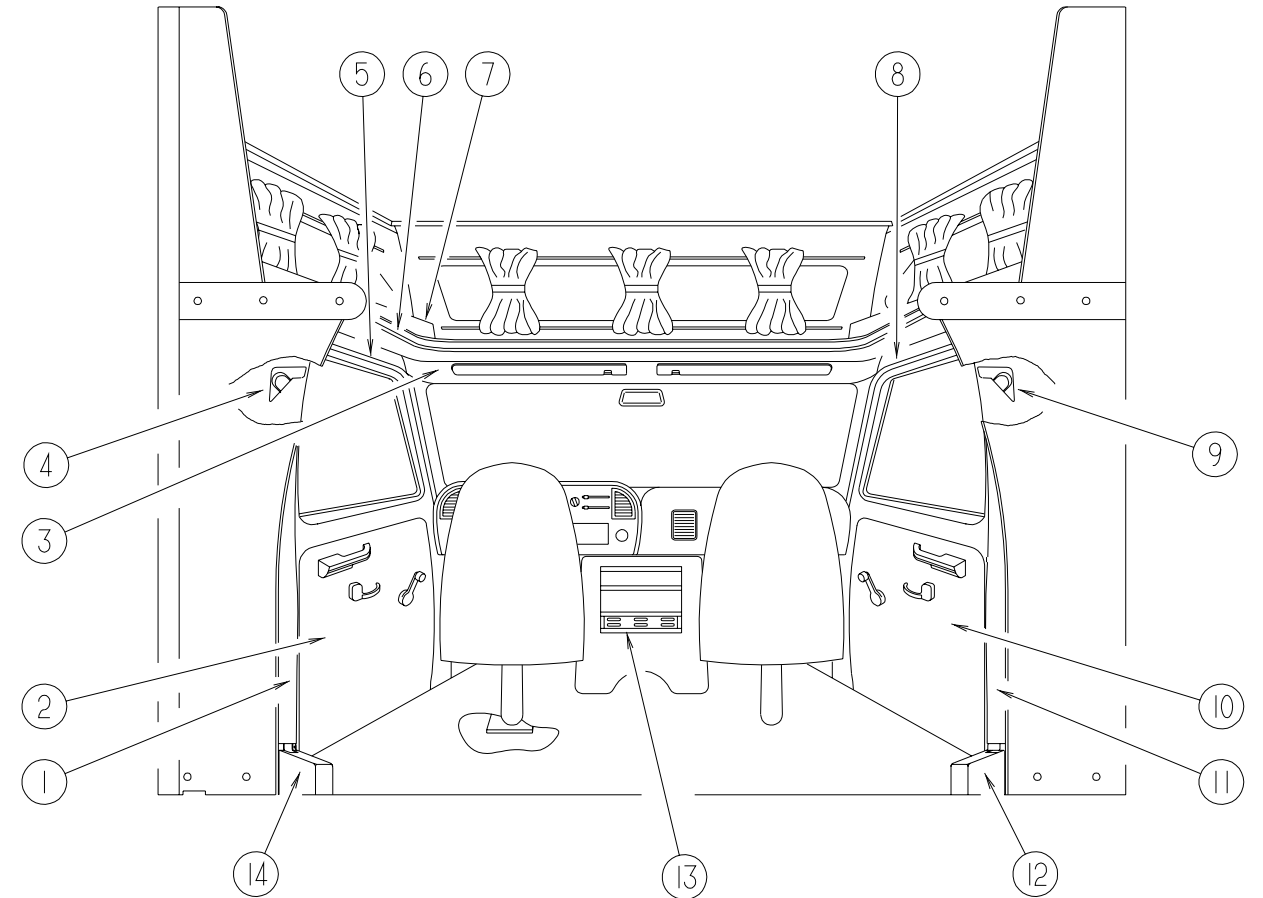
DRIVERSCOMPARTMENTGROUP



CHEVYDRIVERSCOMPARTMENT

| KEY | PARTNUMBER | U/M | DESCRIPTION |
|-----|---------------|-----|--|
| 1 | 124818-01-H04 | EA | HEADLINER-W/VINYL |
| 2 | 124819-01-H04 | EA | TRIMASM-CABDOOR,UPPERLH |
| 3 | 119520-01-01A | FT | T-MOLDING-1"W/EDGELIPS(OFF/WHITE-CREAM) |
| 4 | 109894-01-H04 | EA | CABINETASM-HAMPER,FRT(H04) |
| 4 | 109894-01-H05 | EA | CABINETASM-HAMPER,FRT(H05) |
| 4 | 109894-01-H24 | EA | CABINETASM-HAMPER,FRT(H24/H26) |
| 5 | 124817-01-H04 | EA | TRIMASM-CABDOOR,UPPERRH |
| 6 | 076302-03-000 | EA | BELT-SEAT,DRIVERANDPASSENGER |
| | 087932-03-000 | EA | BRACKETASM-SHOULDERHARNESS,ANGLEW/WELDNUT&GUSSET-LEFT |
| | 087932-04-000 | EA | BRACKETASM-SHOULDERHARNESS,ANGLEW/WELDNUT&GUSSET-RIGHT |
| 7 | 100516-01-G01 | EA | TRAY-BEVERAGE |
| | M04194-01-G01 | EA | TRAYASM-BEVERAGE,UNSTAINED |

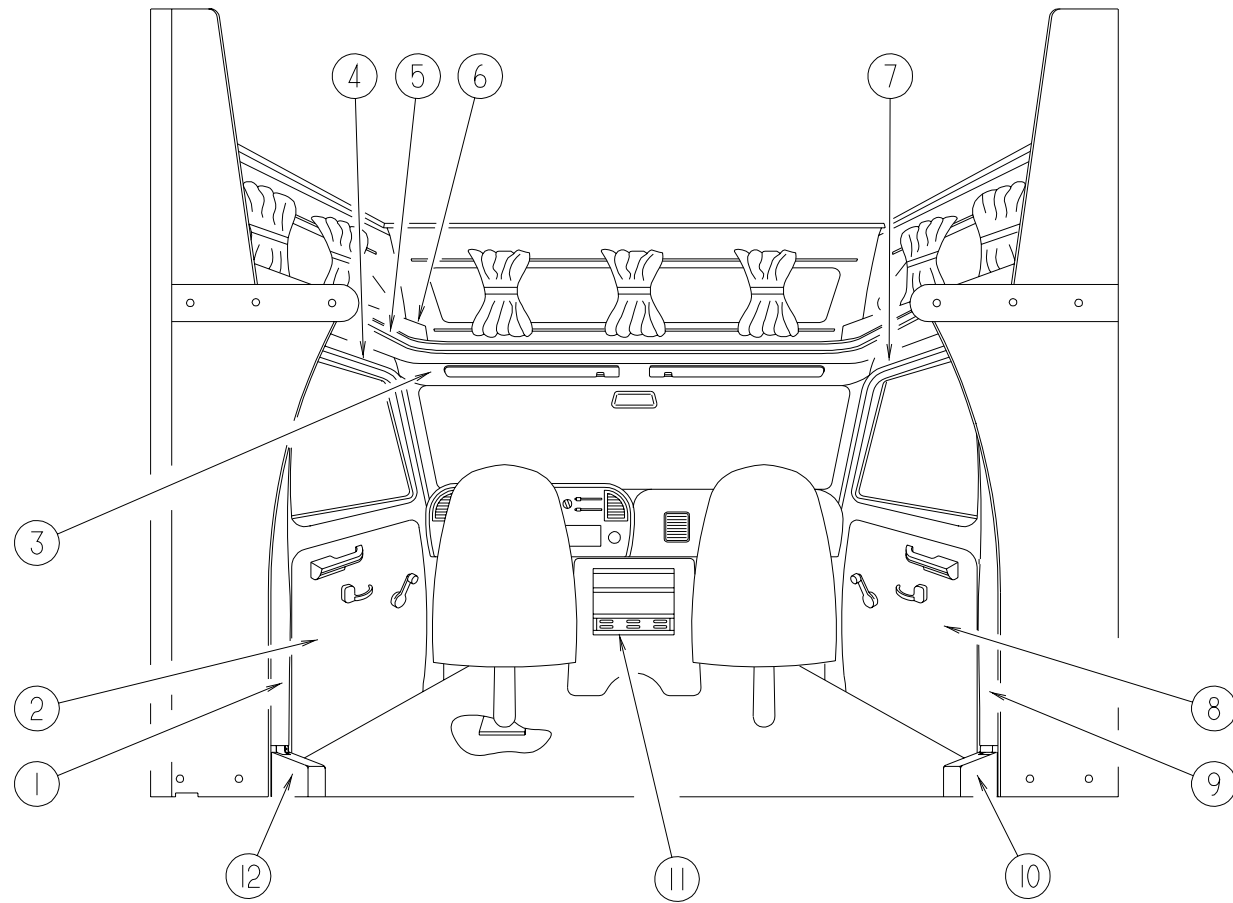
DRIVERSCOMPARTMENTGROUP(CONTINUED)



FORDDRIVERSCOMPARTMENT1996CHASSIS

| KEY | PARTNUMBER | U/M | DESCRIPTION |
|-----|---------------|-----|---|
| 1 | 106446-02-C03 | EA | TRIMASM-CAB,B-PILLAR,LH |
| 2 | 106432-02-H04 | EA | PANEL-DOOR-INNER/DRIVER(H04) |
| 2 | 106432-02-H05 | EA | PANEL-DOOR-INNER/DRIVER(H05) |
| 2 | 106432-02-H24 | EA | PANEL-DOOR-INNER/DRIVER(H24/H26) |
| 3 | 106448-01-C52 | EA | HEADLINER-W/VINYL |
| 4 | 115038-02-01A | EA | COVER-SEATBELTUPPERLEFTHAND |
| 5 | 106447-02-C03 | EA | TRIMASM-CABDOOR,UPPER,LH |
| 6 | 119520-01-01A | FT | T-MOLDING-1"W/EDGELIPS(OFF/WHITE-CREAM) |
| 7 | 109894-01-H04 | EA | CABINET-HAMPER-FRONT-DRIVER(H04) |
| 7 | 109894-01-H05 | EA | CABINET-HAMPER-FRONT-DRIVER(H05) |
| 7 | 109894-01-H24 | EA | CABINET-HAMPER-FRONT-DRIVER(H24/H26) |
| 8 | 106447-01-C03 | EA | TRIMASM-CABDOOR,UPPER,RH |
| 9 | 115038-01-01A | EA | COVER-SEATBELTUPPERRIGHTHAND |
| 10 | 106432-01-H04 | EA | PANEL-DOOR-INNER/PASSENGER(H04) |
| 10 | 106432-01-H05 | EA | PANEL-DOOR-INNER/PASSENGER(H05) |
| 10 | 106432-01-H24 | EA | PANEL-DOOR-INNER/PASSENGER(H24/H26) |
| 11 | 106446-01-C03 | EA | TRIMASM-CAB,B-PILLAR,RH |
| 12 | 106431-01-01A | EA | COVER-SEATBELTRECOIL-PASSENGERSIDE-OFFWHITE(FORD) |
| 13 | 112185-02-G01 | EA | TRAY-BEVERAGE-JAPANEXPORT/DIESEL |
| | 046886-03-000 | EA | ASHTRAY-CHROME/WCOVER |
| 14 | 106431-02-01A | EA | COVER-RECOIL-SEATBELT-DRIVERSSIDE-OFFWHITEFORD |

DRIVERSCOMPARTMENTGROUP(CONTINUED)



FORDDRIVERSCOMPARTMENT1997CHASSIS

| KEY | PARTNUMBER | U/M | DESCRIPTION |
|-----|---------------|-----|---|
| 1 | 125031-02-G04 | EA | TRIM-CAB-B-PILLAR FROM: 00-00-00 THRU: 12-16-96 |
| 1 | 125031-02-H04 | EA | TRIM-CAB-B-PILLAR FROM: 12-17-96 THRU: 99-99-99 |
| 2 | 106432-02-H04 | EA | PANEL-DOOR-INNER/DRIVER(H04) |
| 2 | 106432-02-H05 | EA | PANEL-DOOR-INNER/DRIVER(H05) |
| 2 | 106432-02-H24 | EA | PANEL-DOOR-INNER/DRIVER(H24/H26) |
| 3 | 106448-01-C52 | EA | HEADLINER-W/VINYL FROM: 00-00-00 THRU: 12-16-96 |
| 3 | 106448-01-H04 | EA | HEADLINER-W/VINYL FROM: 12-17-96 THRU: 99-99-99 |
| 4 | 106447-02-C03 | EA | TRIMASM-CABDOOR,UPPER,LH FROM: 00-00-00 THRU: 12-16-96 |
| 4 | 106447-02-H04 | EA | TRIM-CABDOOR-UPPER-DRIVERSSIDE FROM: 12-17-96 THRU: 99-99-99 |
| 5 | 119520-01-01A | FT | T-MOLDING-1"W/EDGELIPS(OFF/WHITE-CREAM) |
| 6 | 109894-01-H04 | EA | CABINET-HAMPER-FRONT-DRIVER(H04) |
| 6 | 109894-01-H05 | EA | CABINET-HAMPER-FRONT-DRIVER(H05) |
| 6 | 109894-01-H24 | EA | CABINET-HAMPER-FRONT-DRIVER(H24/H26) |
| 7 | 106447-01-C03 | EA | TRIMASM-CABDOOR,UPPER,RH FROM: 00-00-00 THRU: 12-16-96 |
| 7 | 106447-01-H04 | EA | TRIM-CABDOOR-UPPER-PASSENGERSIDE FROM: 12-17-96 THRU: 99-99-99 |
| 8 | 106432-01-H04 | EA | PANEL-DOOR-INNER/PASSENGER(H04) |
| 8 | 106432-01-H05 | EA | PANEL-DOOR-INNER/PASSENGER(H05) |
| 8 | 106432-01-H24 | EA | PANEL-DOOR-INNER/PASSENGER(H24/H26) |

DRIVERSCOMPARTMENTGROUP(CONTINUED)

FORDDRIVERSCOMPARTMENT1997CHASSIS(CONTINUED)

| KEY | PARTNUMBER | U/M | DESCRIPTION |
|-----|---------------|-----|--|
| 9 | 125031-01-G04 | EA | TRIM-CAB-B-PILLAR FROM: 00-00-00 THRU: 12-16-96 |
| 9 | 125031-01-H04 | EA | TRIM-CAB-B-PILLAR FROM: 12-17-96 THRU: 99-99-99 |
| 10 | 106431-01-01A | EA | COVER-SEATBELTRECOIL-PASSENGERSIDE-OFFWHITE(FORD) FROM: 00-00-00 THRU: 12-16-96 |
| 10 | 106431-01-02A | EA | COVER-SEATBELTRECOIL-PASSENGERSIDE FROM: 12-17-96 THRU: 99-99-99 |
| 11 | 112185-02-G01 | EA | TRAY-BEVERAGE-DIESEL/JAPANOPTION |
| | 046886-03-000 | EA | ASHTRAY-CHROME/WCOVER |
| 12 | 106431-02-01A | EA | COVER-SEATBELTRECOIL-DRIVERSSIDE-OFFWHITEFORD FROM: 00-00-00 THRU: 12-16-96 |
| 12 | 106431-02-02A | EA | COVER-SEATBELTRECOIL-DRIVERSSIDE FROM: 12-17-96 THRU: 99-99-99 |

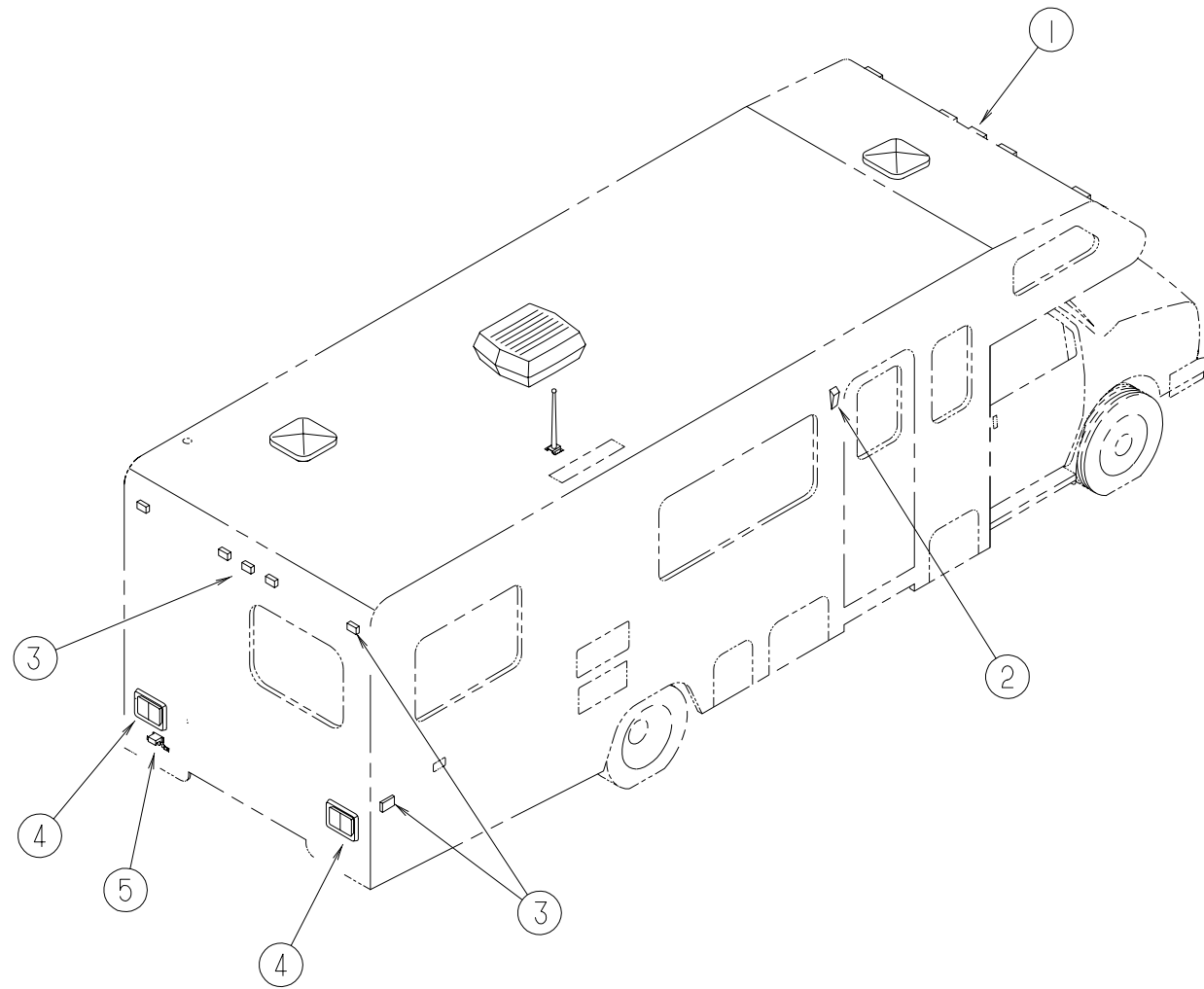
MCCLAINSANNIVERSARYOPTION

| KEY | PARTNUMBER | U/M | DESCRIPTION |
|-----|---------------|-----|--|
| | 120269-07-01A | EA | PANEL-DRIVERSDOORMIRRORCONTROLW/SWITCH&PIGTAIL |

INSTRUMENTCLUSTERS

| KEY | PARTNUMBER | U/M | DESCRIPTION |
|-----|---------------|-----|--|
| | 094795-09-000 | EA | CLUSTER-IP,KM,95E350GAS/DSL-FORDF5UZ-10849-B |
| | 100138-01-000 | EA | MODULE-DAYTIMERUNNINGLIGHT |
| | 111414-01-000 | EA | RECEPTACLE-12VW/OBIMETAL,INTERTEK |
| | 108357-09-000 | EA | SWITCH-AUXILIARY,SPDTON/NONE/MOM-CARLINGV5D1000B-0 |
| | 108356-07-01A | EA | ACTUATOR-SWITCHDIMPLEII,CARLINGVVAZCXX-XW |
| | 081994-07-000 | EA | PLATE-SWITCH,AUXILIARYSTART |
| | 108357-06-000 | EA | SWITCH-ROCKERDPDTMON/OFF/MOM6TERMINAL |
| | 081994-07-000 | EA | PLATE-SWITCH,AUXILIARYSTART |

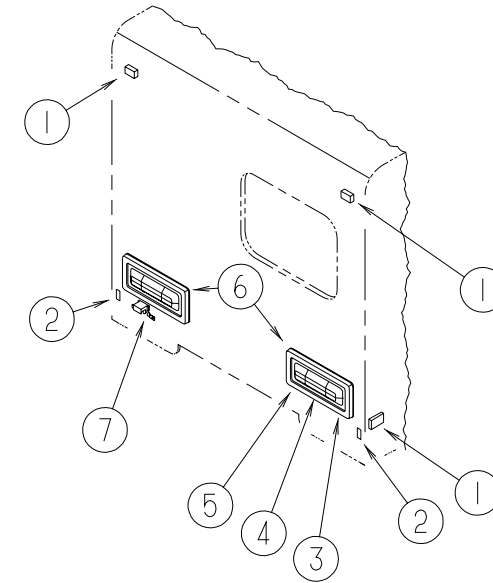
ELECTRICALGROUP



EXTERIORLIGHTS

| KEY | PARTNUMBER | U/M | DESCRIPTION |
|-----|---------------|-----|---|
| 1 | 111102-02-000 | EA | LENS-MARKERLAMP, AMBER-TRIPLEX118A |
| | 111102-01-000 | EA | LAMP-MARKER, BASE-TRIPLEX117XAS |
| | 091983-01-000 | EA | GASKET-CLEARANCE/SIDEMARKERLIGHT |
| | 036196-01-000 | EA | BULB-12V, #194-.27AMP-BAYONETTE |
| | 112823-01-000 | EA | SPLICE-REDUCER, 16-14T018-22 ETCBA-631X |
| 2 | 097917-01-06A | EA | LIGHT-PORCH, ENTRYDOOR-BRIGHTWHITE |
| | 008215-01-000 | EA | BULB-12V, #1003-.94AMP |
| | 097917-01-700 | EA | LENS-LIGHT, PORCH |
| 3 | 111102-03-000 | EA | LENS-MARKERLAMP, RED-TRIPLEX117R |
| | 111102-01-000 | EA | LAMP-MARKER, BASE-TRIPLEX117XAS |
| | 091983-01-000 | EA | GASKET-CLEARANCE/SIDEMARKERLIGHT |
| | 036196-01-000 | EA | BULB-12V, #194-.27AMP-BAYONETTE |
| | 112823-01-000 | EA | SPLICE-REDUCER, 16-14T018-22 ETCBA-631X |
| 4 | 103355-01-05A | EA | POD-TAILLIGHT, BRIGHTWHITE |
| | 081638-01-000 | EA | TAILLIGHT-DOUBLE, W/BLACKTRIM-DRIVER&PASSENGERSIDE |
| | 037934-01-000 | EA | BULB-12V, #1156-2.1AMP-CLEARGLASS-BACKUP&TURNSIGNALBULB |
| | 037935-01-000 | EA | BULB-12V, #1157OR#2057-2.1AMP-CLEARGLASS-BRAKELIGHT |
| | 081638-01-700 | EA | LENS-TAILLIGHT, RED-BARGMAN30-84-010 |
| | 081638-01-701 | EA | LENS-TAILLIGHT, W/BACKUP-BARGMAN30-84-700 |
| 5 | 066432-02-000 | EA | LIGHT-LICENSEPLATE |
| | 066432-03-000 | EA | BRACKET-LICENSEPLATELIGHT |

ELECTRICALGROUP(CONTINUED)



EXTERIORLIGHTS-JAPANEXPORT

| KEY | PARTNUMBER | U/M | DESCRIPTION | |
|-----|---------------|---------------|--|--------------------------------------|
| 1 | 111102-01-000 | EA | LAMP-MARKER, BASE-TRIPLEX117XAS | |
| | 036196-01-000 | EA | BULB-BAYONETTE, 12V, #194-.27AMP | |
| | 111102-03-000 | EA | LENS-MARKERLAMP, RED-TRIPLEX117R | |
| | 112823-01-000 | EA | SPLICE-REDUCER16-14T018-22 ETCBA-631X | |
| | 2 | 106646-02-000 | EA | REFLECTOR-STICKON, RED-PETERSON483R |
| | 3 | 081638-01-700 | EA | LENS-TAILLIGHT, RED-BARGMAN30-84-010 |
| 4 | 081638-02-700 | EA | LENS-TAILLIGHT, AMBER-BARGMAN30-84-016 | |
| | 081638-06-700 | EA | LENS-TAILLIGHT, CLEARBACKUP-BARGMAN30-84-050 | |
| 6 | 103545-02-01A | EA | TAILLIGHTASSEMBLY-TRIPLE, AMBER-BARGMAN30-84-104 | |
| | 037934-01-000 | EA | BULB-BACKUP&TURNSIGNAL, 12V, #1156-2.1AMP-CLEARGLASS | |
| 7 | 037935-01-000 | EA | BULB-BRAKELIGHT, 12V, #1157OR#2057-2.1AMP-CLEARGLASS | |
| | 105846-01-04A | EA | TRIM-REARTAILLIGHT, BRIGHTWHITE | |
| | 066432-02-000 | EA | LIGHT-LICENSEPLATE, BLACK | |
| | 103247-01-000 | EA | BRACKET-LICENSEPLATE, REAR | |
| | 103491-02-000 | EA | BRACKET-LICENSEPLATE, FRONT | |

SOLARPANEL-MCCLAINSANNIVERSARYOPTION

| KEY | PARTNUMBER | U/M | DESCRIPTION |
|-----|---------------|-----|--|
| | 115504-01-000 | EA | PANEL-SOLAR10WATT |
| | 115504-01-700 | EA | PLUG&CABLE, 10WATTPANEL 600-016 |
| | 115505-01-000 | EA | LIGHT-MONITOR/SOLARPANEL-REDLEDINDICATOR |

ELECTRICALGROUP(CONTINUED)**POWERCONVERTER/CONTROLCENTER/INVERTER**

| KEY | PARTNUMBER | U/M | DESCRIPTION |
|-----|---------------|-----|--------------------------------------|
| | 051912-01-000 | EA | TRANSFORMER-DRYCONT1.5KVA-GE9T51B511 |
| | 083208-01-000 | EA | CONVERTER-POWER,32A-120V/12V-BW6332 |
| | 083208-05-000 | EA | CONTROLCENTER-45A100V/12V-BWJ6345CNI |
| | 094809-01-000 | EA | CENTER-LOAD,240V-125A-TPL412CT |

FUSES&CIRCUITBREAKERS

| KEY | PARTNUMBER | U/M | DESCRIPTION |
|-----|---------------|-----|--|
| | 062037-01-000 | EA | HOUSING-AUTOFUSE,NATURAL |
| | 062901-02-000 | EA | FUSE-5AMPS,AUTOMOTIVE |
| | 062901-05-000 | EA | FUSE-15AMPS,AUTOMOTIVE |
| | 062901-06-000 | EA | FUSE-20AMPS,AUTOMOTIVE |
| | 083209-02-000 | EA | CIRCUITBREAKER15/15AMP120V BWH-15/15 |
| | 083209-03-000 | EA | CIRCUITBREAKER15/20AMP120V BW0-15/20 |
| | 083209-06-000 | EA | CIRCUITBREAKER30/15AMP120V BWD-30/15 |
| | 083209-07-000 | EA | CIRCUITBREAKER20/20AMP120V BWK-20/20 |
| | 083209-08-000 | EA | CIRCUITBREAKER,BLANK-BW |
| | 093654-01-000 | EA | CIRCUITBREAKER6AMP12V USD17406-4E12A2A |
| | 093655-02-000 | EA | CIRCUITBREAKER30AMP12VUSD17430-4E03A2A |
| | 094810-01-000 | EA | CIRCUITBREAKER30A,120V-GETHQL2130 |
| | 094811-01-000 | EA | CIRCUITBREAKER20/20A,120V-GETHQL2120 |

ELECTRICBOXES,COVERS&POWERCORDS

| KEY | PARTNUMBER | U/M | DESCRIPTION |
|-----|---------------|-----|--|
| | 008052-01-000 | EA | CORD-POWER-10/3-30AMP-25'-CANADIAN |
| | 008054-01-000 | EA | CORD-POWER-10/3-30AMP-25' |
| | 008289-01-000 | EA | BOX-ELECTRIC/STEEL-12"&3/4"KNOCKOUTS-4"X4" |
| | 008294-01-000 | EA | COVER-ELECTRICALBOX-BLANK/STEEL-4"X4"-GRAY |
| | 069238-01-000 | EA | COVER-ELECTRICALBOX,W/HOLE-4"X4"-GRAY USEDWITH30AMPRECEPTACLE |
| | 091910-01-000 | EA | BOX-ELECTRIC,3.75"X3.5"X1.75"-PLASTIC |
| | 091910-02-000 | EA | BOX-ELECTRICAL-PLASTIC-2.24"X3.45" |
| | 093603-01-000 | EA | BOX-ELECTRIC,4"X21/8"X21/8"-STEEL |
| | 107165-01-01A | EA | BOX-CIRCUITBREAKERMOUNT,14.6"X4"-BLACKPLASTIC |

WIRINGASSEMBLIES

| KEY | PARTNUMBER | U/M | DESCRIPTION |
|-----|---------------|-----|---|
| | 096449-01-000 | EA | WIREASSEMBLY-WATERTANKTOMONITORPANEL |
| | 097618-01-000 | EA | WIREASM-MONITORPANEL,W/3WIRES&ORANGERESISTOR-LVS ORANGERESISTORW/3(ORANGE-GREEN-BLUE)WIRES |
| | 106851-01-000 | EA | WIREASM-DAYRUNLAMP,FUSE |
| | 116894-01-000 | EA | WIREASM-SPEEDSENSOREXTEND,JFBL-322B |

ELECTRICALMISCELLANEOUS

| KEY | PARTNUMBER | U/M | DESCRIPTION |
|-----|---------------|-----|----------------------------------|
| | 008188-01-000 | EA | SOLENOID-3POST,BATTERYCHANGEOVER |
| | 063910-01-000 | EA | HOUSING-RELAY,BOSCH3334485008 |
| | 086273-01-000 | EA | RELAY-BATTERYDISCONNECT |

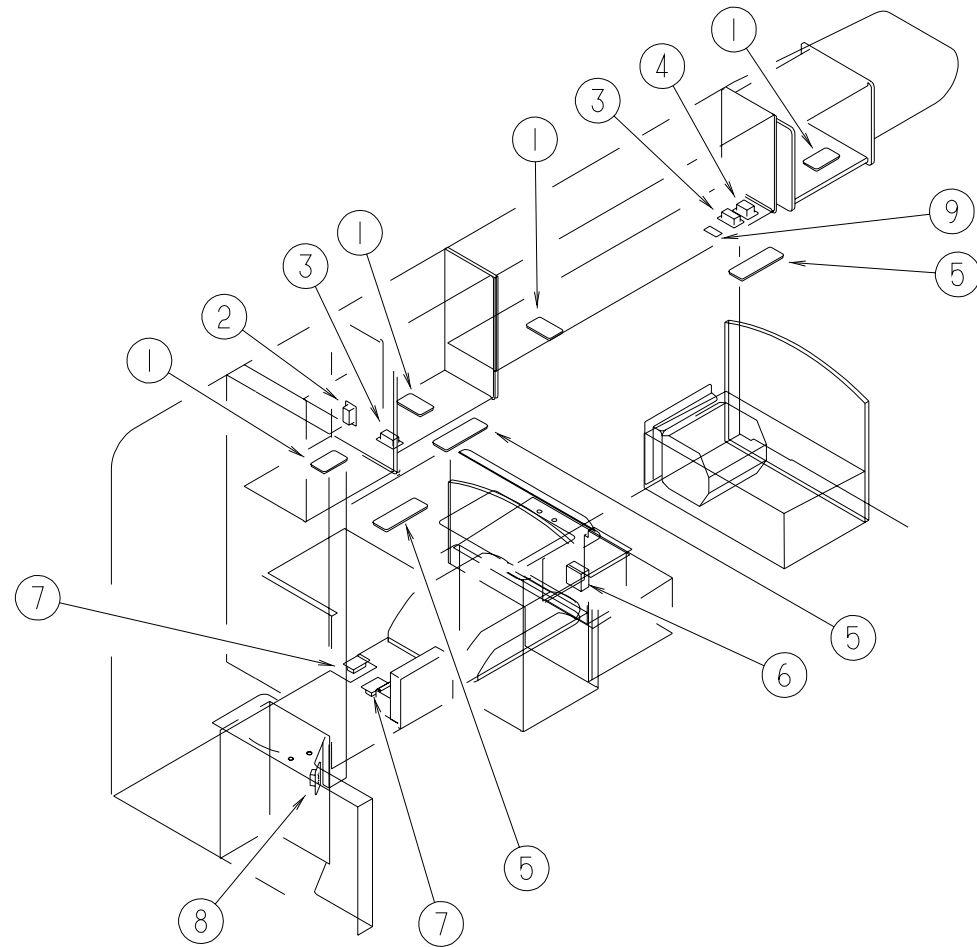
ELECTRICALGROUP(CONTINUED)**CONNECTORS,HOUSINGS,&TERMINALS**

| KEY | PARTNUMBER | U/M | DESCRIPTION |
|-----|---------------|-----|---|
| | 007942-01-000 | EA | TAB-WIRE,18TO14AWG |
| | 007956-05-000 | EA | INSULATOR-SHRINK.25IDX1.50-BLACK |
| | 008311-01-000 | EA | CONNECTOR-WIRENUT,INSULATED-RED |
| | 008313-01-000 | EA | CONNECTOR-WIRENUT,INSULATED-YELLOW |
| | 008314-01-000 | EA | CONNECTOR-WIRENUT,INSULATED-GRAY |
| | 008326-01-000 | EA | TERMINAL-RING16/14WIRE-3/8"STUD |
| | 008328-01-000 | EA | TERMINAL-RING-12/10WIRE-#10STUDFIT |
| | 008331-01-000 | EA | TERMINAL-RING,TONGUE-#4WIRE-3/8"STUD-COPPER |
| | 008348-01-000 | EA | TERMINAL-RING,3/8"STUD-#2WIRE |
| | 008355-01-000 | EA | CONNECTOR-CABLECLAMPING,3/4" |
| | 008356-01-000 | EA | CONNECTOR-PLASTIC,3/8"AVG |
| | 035416-04-000 | EA | TERMINAL-RING#10STUDFIT,INSULATEDBARREL#16/14 |
| | 041480-01-000 | EA | CONNECTOR-STRAIGHT,1/2"FLEXCONDUIT |
| | 047443-01-000 | EA | TERMINAL-.250RECEPTACLEFIT,INSULATED-16/14AWG |
| | 047443-02-000 | EA | TERMINAL-.250RECEPTACLEFIT,INSULATED-12/10AWG |
| | 058028-01-000 | EA | CONNECTOR-ELECTRICALPIGTAIL,NYLON-CLEAR |
| | 062036-02-000 | EA | TERMINAL-PACK-CON,16/14AWG-PACKARD08917021 |
| | 077479-01-000 | EA | BOOT-BATTERYTERMINAL,DOUBLECABLE |
| | 077479-02-000 | EA | BOOT-BATTERYTERMINAL,SINGLECABLE |
| | 080015-02-000 | EA | RECEPTACLE-FLAG,.185-16/14GA-AMP3 |
| | 080015-03-000 | EA | RECEPTACLE-FLAG,.250-14/16GA |
| | 087225-01-000 | FT | SLEEVING-1/2",TYPEH-VARFLEX |
| | 087949-01-000 | EA | BUSSBAR-2POSITION-.6"X1.5" |
| | 088473-03-000 | EA | HOUSING-PIN,9CAVITY-AMP1-480706-0 |
| | 088473-05-000 | EA | HOUSING-PIN,6CAVITY-AMP640585-1 |
| | 088473-06-000 | EA | HOUSING-PIN,6CAVITY-AMP1-480704-0 |
| | 088473-08-000 | EA | HOUSING-PIN,4CAVITY-AMP1-480702-0 |
| | 088473-09-000 | EA | HOUSING-PIN,3CAVITY-AMP1-480700-0 |
| | 088473-10-000 | EA | HOUSING-PIN,2CAVITY-AMP1-480698-0 |
| | 088474-03-000 | EA | HOUSING-SOCKET,9CAVITY-AMP1-480707-0 |
| | 088474-06-000 | EA | HOUSING-SOCKET,6CAVITY-AMP1-480705-0 |
| | 088474-07-000 | EA | HOUSING-SOCKET,5CAVITY-AMP1-480764-0 |
| | 088474-08-000 | EA | HOUSING-SOCKET,4CAVITY-AMP1-480703-0 |
| | 088474-09-000 | EA | HOUSING-SOCKET,3CAVITY-AMP1-480701-0 |
| | 088474-10-000 | EA | HOUSING-SOCKET,2CAVITY-AMP1-480699-0 |
| | 088475-01-000 | EA | PIN-CONNECTOR,14TO20AWG |
| | 088475-02-000 | EA | PIN-CONNECTOR,10TO12AWG |
| | 088476-01-000 | EA | SOCKET-CONNECTOR,BRASS-PRE-TIN |
| | 088476-02-000 | EA | SOCKET-CONNECTOR,12-10GA-PHOS.BRZ-PRE-TIN |
| | 098262-01-000 | EA | SEAL-CONNECTOR,WEATHERPACK-PACKARD12010293 |
| | 098265-02-000 | EA | PIN-CONNECTOR,WEATHERPACK-PACKARD12089305 |
| | 101751-01-000 | EA | HOUSING-1PIN,WEATHERPACK |
| | 101751-02-000 | EA | HOUSING-1PIN,WEATHERPACK |
| | 112590-01-000 | EA | RECEPT-16A,240V,2POLEW/GND |
| | 112823-01-000 | EA | SPLICE-REDUCER16-14T018-22-ETCBA-631X |
| | 008188-01-000 | EA | SOLENOID-3POST,BATTERYCHANGEOVER |
| | 086273-01-000 | EA | RELAY-BATTERYDISCONNECT |

CONDUIT

| KEY | PARTNUMBER | U/M | DESCRIPTION |
|-----|---------------|-----|--|
| | 041953-01-000 | FT | CONDUIT-CONVOLUTE,SLIT-.5"ID |
| | 041953-03-000 | FT | CONDUIT-CONVOLUTE,SLIT-1"ID(CLOTHESRODCOVER) |
| | 041953-05-000 | FT | CONDUIT-CONVOLUTE,SOLID-.62"ID |
| | 041953-06-000 | FT | CONDUIT-CONVOLUTE,SLIT-.375"ID |
| | 041953-07-000 | FT | CONDUIT-CONVOLUTE,SLIT-.25"ID |
| | 041953-08-000 | FT | CONDUIT-CONVOLUTE,SLIT-1.50"ID |
| | 041953-09-000 | FT | CONDUIT-CONVOLUTE,SLIT-.50"ID |
| | 041953-10-000 | FT | CONDUIT-CONVOLUTE,SLIT-.75"ID |

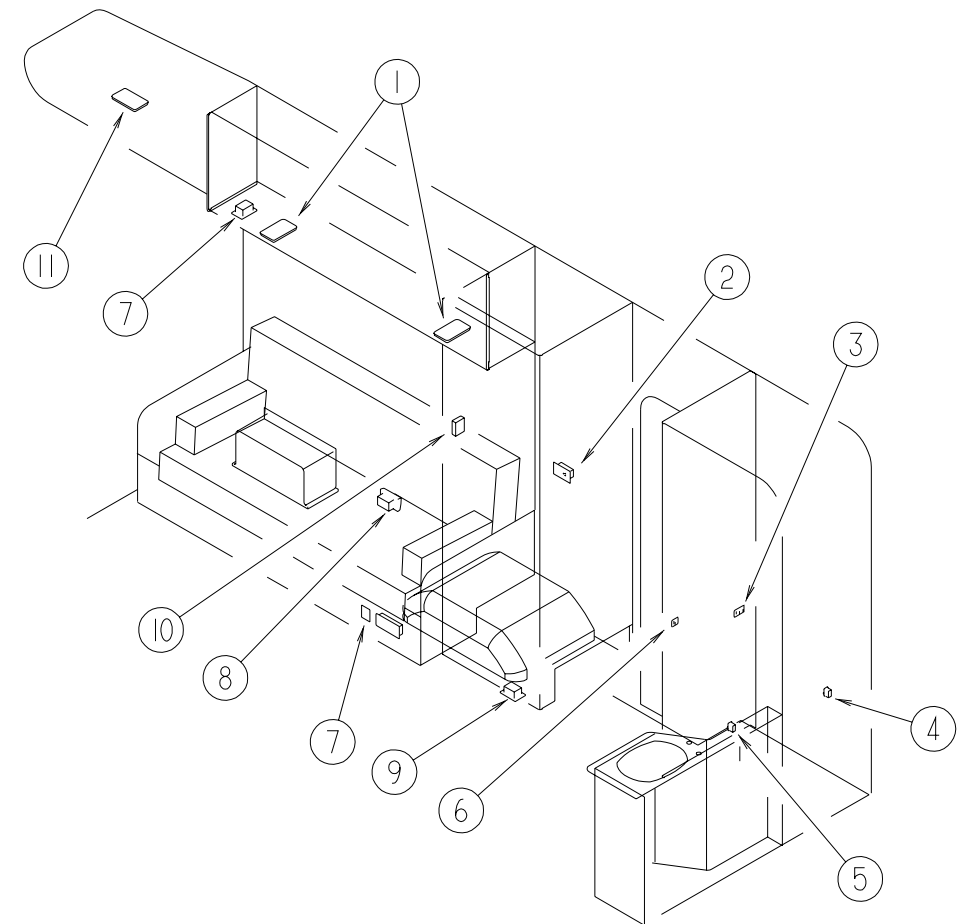
ELECTRICALGROUP(CONTINUED)



LGHTS,SWITCHES&RECEPTACLES-DRIVERSIDE

| KEY | PARTNUMBER | U/M | DESCRIPTION |
|-----|---------------|-----|--|
| 1 | 098024-05-02A | EA | LIGHT-DOME1BULB,SKYLITEWHITE-PD771WRRUS/CSA |
| | 008218-01-000 | EA | BULB-DOMELIGHT,12V-NUMBER1141 |
| | 098024-01-701 | EA | OPTICLEARLENS 809902 (4.5 X 3.5) |
| 2 | 058708-05-000 | EA | RECEPTACLE-SINGLE,BRN-WIRECONWDR15BRS |
| 3 | 058708-01-000 | EA | RECEPTACLE-ELECTRIC,DOUBLE-BROWN |
| 4 | 086777-02-000 | EA | WALLPLATE-TV CABLE,W/ANTENNASWITCH-BROWN |
| 5 | 098024-03-02A | EA | LIGHT-DOME2BULBWHITE-PD772WWUS/CSA |
| | 008218-01-000 | EA | BULB-DOMELIGHT,12V-NUMBER1141 |
| | 098024-01-700 | EA | LENS-LIGHT 807877 |
| 6 | 024924-02-000 | EA | RECEPTACLE-POWERCORD,W/PARTIALPLATE |
| 7 | 058707-02-000 | EA | RECEPTACLE-BLANK,JUNCTION-WIRECONWDJ20BR |
| 8 | 084076-02-000 | EA | RECEPTACLE-GFI,15A-125V-BROWN |
| | 097734-01-01A | EA | EXTENSION-RECEPTACLE,3.2"X5"X.7"-PLASTIC-IVORY |
| 9 | 098351-01-01A | EA | PLATE-SWITCH,1GANG-POLISHEDBRASS-JENSEN |
| | 079364-01-000 | EA | SWITCH-ON/OFFROCKER,2PRONGS-BROWN |

ELECTRICALGROUP(CONTINUED)

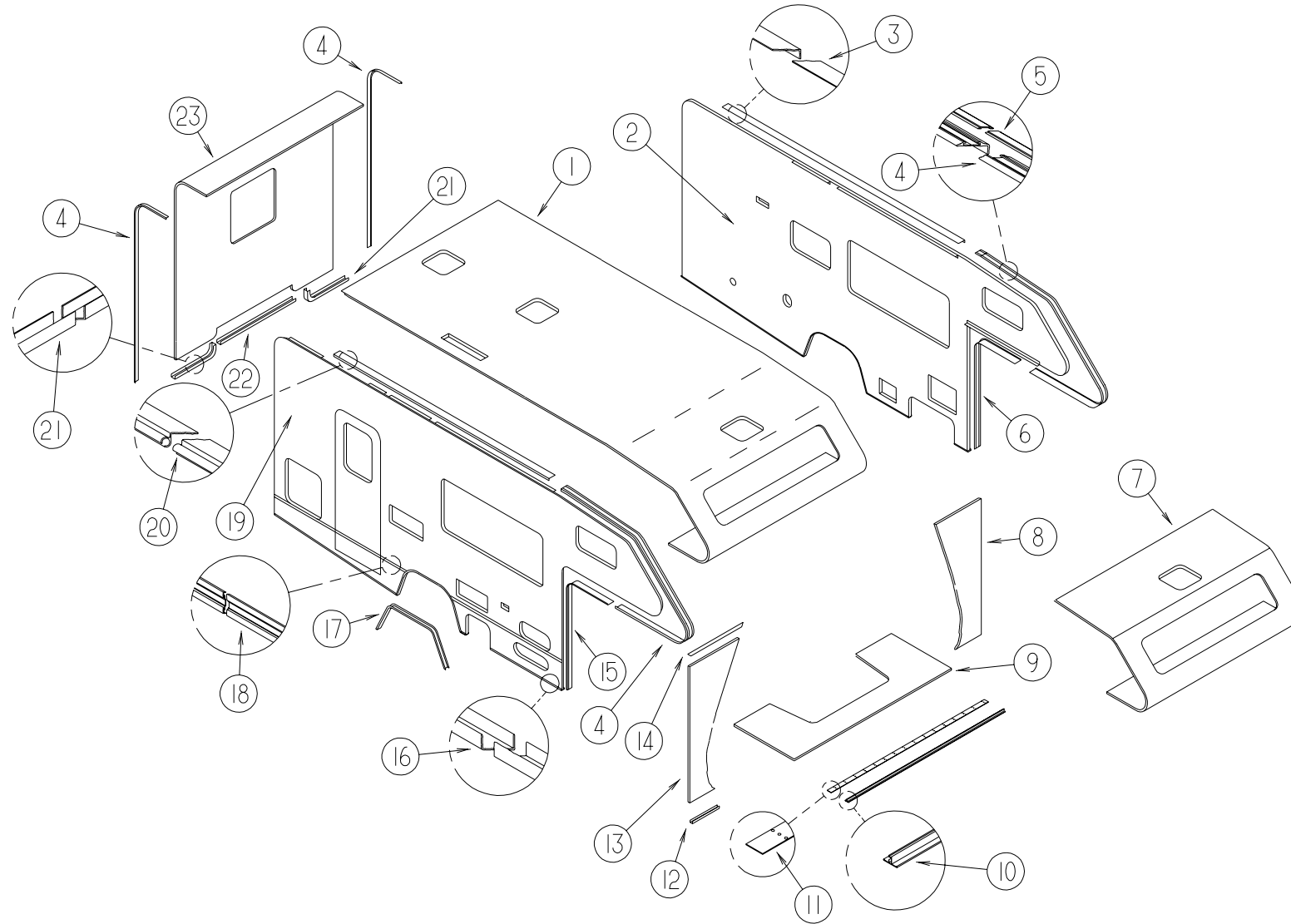


LIGHTS,SWITCHES&RECEPTACLES-PASSENGERSIDE

| KEY | PARTNUMBER | U/M | DESCRIPTION |
|-----|---------------|-----|--|
| 1 | 098024-05-02A | EA | LIGHT-DOME1BULB,SKYLITEWHITE-PD771WRRUS/CSA |
| | 008218-01-000 | EA | BULB-DOMELIGHT,12V-NUMBER1141 |
| | 098024-01-701 | EA | OPTICLEARLENS 809902 (4.5 X 3.5) |
| 2 | 058707-01-000 | EA | RECEPTACLE-ELECTRIC,SINGLE-BROWN |
| 3 | 098351-06-01A | EA | PLATE-SWITCH,2GANGW/LABEL-JENSEN-POLISHEDBRASS |
| | 079364-01-000 | EA | SWITCH-ON/OFFROCKER,2PRONGS-BROWN |
| 4 | 081994-02-000 | EA | PLATE-SWITCH,EXTERIORSHOWER |
| | 108357-08-000 | EA | SWITCH-ROCKERDPDTON/NONE/ON6TERMINAL |
| | 108356-02-01A | EA | SWITCHCOVER-W/2DIMPLES |
| 5 | 022756-03-000 | EA | COVER-A/CPLASTIC |
| 5 | 108356-07-01A | EA | SWITCHCOVERW/2DIMPLES-CARLINGVVAZCXX-XWB |
| 5 | 108357-06-000 | EA | SWITCH-ROCKERDPDTMON/OFF/MOM6TERMINAL |
| 5 | 108356-11-01A | EA | ACTUATOR-SWITCHGROOVESIII,CARLINGVVCZCXX-SW1 |
| 6 | 098351-01-01A | EA | PLATE-SWITCH,1GANG-POLISHEDBRASS-JENSEN |
| | 079364-01-000 | EA | SWITCH-ON/OFFROCKER,2PRONGS-BROWN |
| | 095188-01-01A | EA | SPACER-SWITCH,2.3"X3.4"-PLASTIC-DARKBROWN |
| 7 | 098351-01-01A | EA | PLATE-SWITCH,1GANG-POLISHEDBRASS-JENSEN |
| | 079364-01-000 | EA | SWITCH-ON/OFFROCKER,2PRONGS-BROWN |
| 8 | 112822-01-01A | EA | RECEPTACLE-DUPLEX,IVORY-WIRECONWDRU15IV |
| | 112824-01-03A | EA | COVER-EXTERIORDUPLEXRECEPTACLE,WHITE-P&S3780-SC-WH |
| 9 | 061424-01-000 | EA | LIGHT-12V,RECTAISLE,IP-INTERTEKY-191-02 |
| | 008103-01-000 | EA | BULB-DASH/AISLELIGHT-#53-12VOLT-.12AMP |
| 10 | 081087-01-000 | EA | LIGHT-INDICATOR,LVS1436-JAPANOPTION |
| 11 | 098024-01-01A | EA | LIGHT-DOME,1BULB-US-IVORY |
| | 008218-01-000 | EA | BULB-DOMELIGHT,12V-NUMBER1141 |
| | 098024-01-700 | EA | LENS-LIGHT 807877 |

EXTERIORBODYGROUP

EXTERIORBODYPANELS

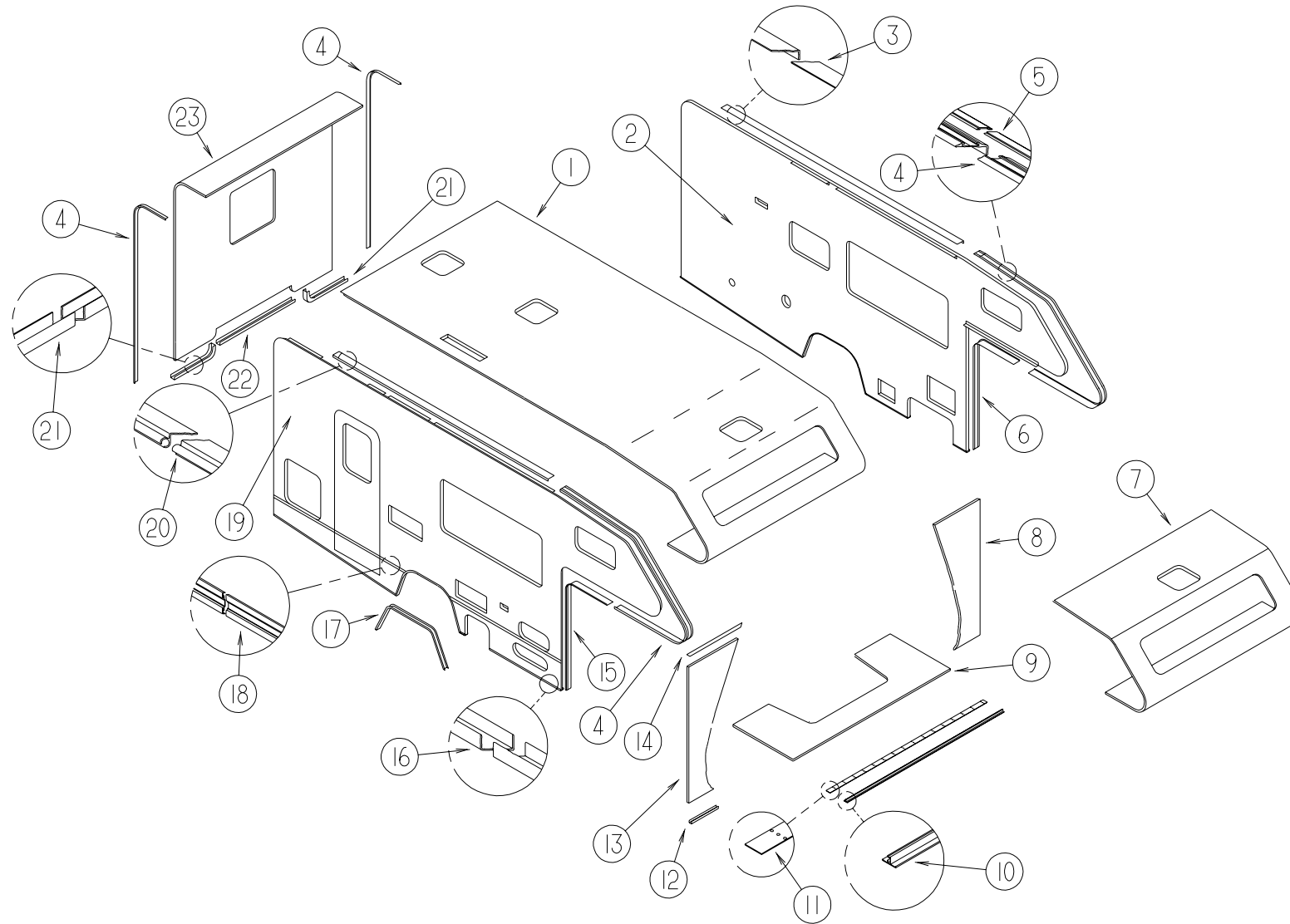


| KEY | PARTNUMBER | U/M | DESCRIPTION |
|-----|---------------|-----|---|
| 1 | M06976-08-H04 | EA | ROOFASMW/BASES |
| 1 | M06976-09-H04 | EA | ROOFASMW/BASES-JAPAN |
| 2 | M07421-01-H04 | EA | SIDEWALLASM-LEFTBRT/WHT(H04) FROM: 00-00-00 THRU: 09-26-96 |
| 2 | P25072-01-H04 | EA | SIDEWALL-DRIVER-W/OWINDOWS/TRIM(H04) FROM: 09-27-96 THRU: 99-99-99 |
| 2 | M07421-01-H05 | EA | SIDEWALLASM-LEFTBRT/WHT(H05) FROM: 00-00-00 THRU: 09-26-96 |
| 2 | P25072-01-H05 | EA | SIDEWALL-DRIVER-W/OWINDOWS/TRIM(H05) FROM: 09-27-96 THRU: 99-99-99 |
| 2 | M07421-01-H24 | EA | SIDEWALLASM-LEFTBRT/WHT(H24/H26) FROM: 00-00-00 THRU: 09-26-96 |
| 2 | P25072-01-H24 | EA | SIDEWALL-DRIVER-W/OWINDOWS/TRIM(H24/H26) FROM: 09-27-96 THRU: 99-99-99 |
| | 064675-54-003 | EA | STEEL-ANGLE ROOF JOINT-4'-OFF/WHITE |
| | 064675-54-004 | EA | STEEL-ANGLE ROOF JOINT-1.7'-OFF/WHITE |
| 3 | 096864-01-02A | EA | TRIM-CONTOUR, ROOF BRT WHT |
| 4 | 096854-04-02A | EA | TRIM-CONTOUR |

| KEY | PARTNUMBER | U/M | DESCRIPTION |
|-----|---------------|-----|---|
| 5 | 105312-01-07A | FT | INSERT-FEATURE STRIP VINYL-BRIGHT WHITE |
| 6 | 104479-06-02A | EA | TRIM-FRONT CONTOUR-BRIGHT WHITE |
| 7 | M76177-01-700 | EA | ROOF SECTION-FRONT, UNIVERSAL |
| 8 | M07423-02-F15 | EA | WING WALL ASM-LH, BRT/WHT-CHEVY |
| 8 | M07423-04-F15 | EA | WING WALL ASM-LH, BRT/WHT-FORD |
| 9 | M07422-01-H04 | EA | SLEEPER BOARD ASM, BRT/WHT |
| 10 | 100086-04-01A | EA | TRIM-SLEEPER BOARD/ROOF-BRIGHT WHITE-2"X96.6" |
| 11 | 100085-03-01A | EA | TRIM-SLEEPER BOARD, FLAT-2.5"X87.5"-OFF WHITE |
| 12 | 002365-03-006 | EA | U CHANNEL-EXTRUDED/POWDER PAINTED 1"X192" |
| 13 | M07423-01-F15 | EA | WING WALL ASM-RH, BRT/WHT-CHEVY |
| 13 | M07423-03-F15 | EA | WING WALL ASM-RH, BRT/WHT-FORD |
| 14 | 022992-14-000 | FT | MOLDING-REVERSE COVE, BRT/WHT |
| | 089334-02-000 | FT | VINYL-EXTR, BRIGHT WHITE |
| | 096945-01-01A | EA | TRIM-LANGLED, PASSENGER SWING WALL-OFF WHITE |

EXTERIORBODYGROUP(CONTINUED)

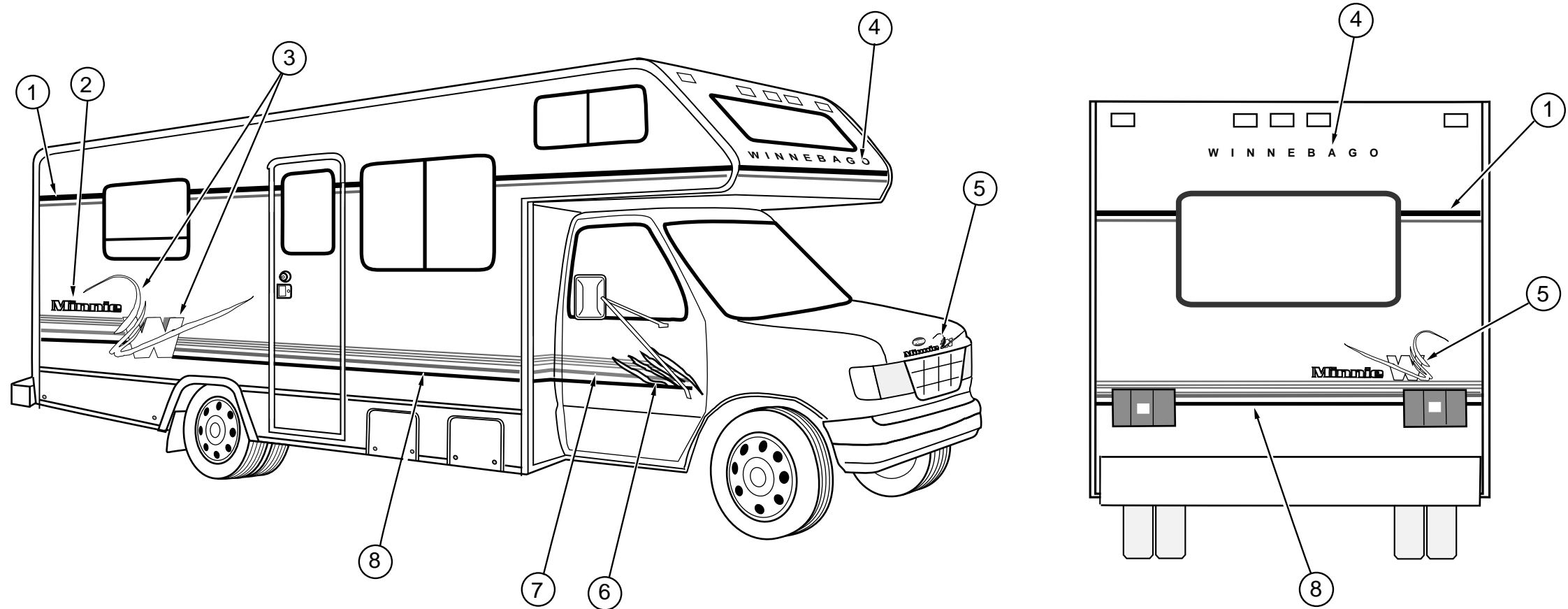
EXTERIORBODYPANELS(CONTINUED)



| KEY | PARTNUMBER | U/M | DESCRIPTION |
|-----|---------------|-----|---|
| 15 | 104479-05-02A | EA | TRIM-FRONTCONTOUR |
| 16 | 098072-55-003 | EA | EXTR-CHANNEL,BRT/WHT-4877MM |
| 17 | 105100-02-02A | EA | TRIM-WHEELWELLBRT/WHT |
| 18 | 108688-01-03A | EA | STRIP-FEATURE-W/OINSERT/ENDCAPS-15' |
| | 105312-01-07A | FT | INSERT-FEATURESTRIPVINYL-BRIGHTWHITE |
| | 108651-01-01A | EA | ENDCAP-FEATURESTRIP |
| 19 | M07421-02-H04 | EA | SIDEWALLASM-RIGHTBRT/WHT(H04) |
| 19 | M07421-02-H05 | EA | SIDEWALLASM-RIGHTBRT/WHT(H05) |
| 19 | M07421-02-H24 | EA | SIDEWALLASM-RIGHTBRT/WHT(H24/H26) |
| 19 | M07421-05-H04 | EA | SIDEWALLASM-RHJAPANEXPORTBRT/WHT(H04) |
| 19 | M07421-05-H05 | EA | SIDEWALLASM-RHJAPANEXPORTBRT/WHT(H05) |
| 19 | M07421-05-H24 | EA | SIDEWALLASM-RHJAPANEXPORTBRT/WHT(H24/H26) |

| KEY | PARTNUMBER | U/M | DESCRIPTION |
|-----|---------------|-----|-----------------------------------|
| 20 | 099583-55-003 | EA | AWNINGRAIL,3048MMBRT/WHT |
| 21 | 103334-02-02A | EA | TRIM-BACKWALL,LOWERBRT/WHT |
| 22 | 103335-02-02A | EA | TRIM-BACKWALL,LOWERBRT/WHT |
| 23 | P21979-01-H04 | EA | BACKWALLASMW/BASES(H04) |
| 23 | P21979-01-H05 | EA | BACKWALLASMW/BASES(H05) |
| 23 | P21979-01-H24 | EA | BACKWALLASMW/BASES(H24/H26) |
| 23 | P21979-02-H04 | EA | BACKWALLASMW/BASES,JAPAN(H04) |
| 23 | P21979-02-H05 | EA | BACKWALLASMW/BASES,JAPAN(H05) |
| 23 | P21979-02-H24 | EA | BACKWALLASMW/BASES,JAPAN(H24/H26) |
| | 078580-02-000 | EA | TRIM-ROOF/FRONTCAPMILL |

EXTERIOR BODY GROUP (CONTINUED)
DECALS, STRIPES & PAINT



| KEY | PARTNUMBER | U/M | DESCRIPTION |
|-----|---------------|-----|--|
| 1 | 093689-17-02A | FT | FILM-MULTISTRIPE, 66.7MM-AQUAESSENCE/DARKBLUE/HAWAII PUNCH PEARL |
| 2 | 116849-01-02A | EA | DECAL-LOGO, MINNIE, LG-AQUAESSENCE/DARKBLUE |
| 3 | 116848-01-02A | EA | DECAL-LOGO, W, LG, RH-DARKBLUE/AQUAESSENCE/HAWAII PUNCH PEARL/WHITE/BLACK |
| 3 | 116848-02-02A | EA | DECAL-LOGO, W, LG, LH-DARKBLUE/AQUAESSENCE/HAWAII PUNCH PEARL/WHITE/BLACK |
| 4 | 110206-02-06A | EA | DECAL-WINNEBAGO-DARKBLUE |
| 5 | 116994-01-02A | EA | DECAL-LOGO, MINNIE, W, SML-DARKBLUE/AQUAESSENCE/HAWAII PUNCH PEARL/WHITE/BLACK |
| 6 | 116846-01-02A | EA | DECAL-CABDOOR, SWOOSH, RH-HAWAII PUNCH PEARL/WHITE/BLACK |
| 6 | 116846-02-02A | EA | DECAL-CABDOOR, SWOOSH, LH-HAWAII PUNCH PEARL/WHITE/BLACK |
| 7 | 117752-01-02A | EA | DECAL-CABDOOR, STRIPES, RH-AQUAESSENCE/DARKBLUE/HAWAII PUNCH PEARL |
| 7 | 117752-02-02A | EA | DECAL-CABDOOR, STRIPES, LH-AQUAESSENCE/DARKBLUE/HAWAII PUNCH PEARL |
| 8 | 116847-01-02A | FT | FILM-MULTI, OVER, 209.6MM-AQUAESSENCE/DARKBLUE/HAWAII PUNCH PEARL |
| | 122886-02-01A | EA | DECAL-MOBILIE, SMALL-MOBILIE GREEN/REGGAE BLUE-JAPAN EXPORT |
| | 126511-01-01A | EA | DECAL-MCCLAIN SRV34TH ANNIVERSARY-S-MARLIN BLUE |
| | 041561-03-000 | EA | PAINT-16OZ SPRAY-OFF WHITE-ACRYLIC ENAMEL |

DUPONT PAINT COLOR CODES

BRIGHT WHITE
LIGHT SILVER METALLIC

DUPONT B8951U
DUPONT F2573U-MCCLAIN ANNIVERSARY OPTION

EXTERIORBODYGROUP(CONTINUED)

FIBERGLASS,ALUMINUM,STYROFOAM,PLYWOOD&CHANNEL

| KEY | PARTNUMBER | U/M | DESCRIPTION |
|-----|---------------|-----|---|
| | 000870-08-000 | SF | STYROFOAM-.75"X4'X8'-PLANED |
| | 002726-01-001 | EA | GARNISH-U-CHANNEL,1.38"X19'-SERRATED-MILLALUMINUM |
| | 098072-55-003 | EA | EXTR-CHANNEL,BRTWHT,4877MM |
| | 098072-55-004 | EA | EXTR-CHANNEL,BRTWHT,2900MM |
| | 002365-03-006 | EA | UCHANNEL-EXTRUDED/POWDERPAINTED1"X192" |
| | 002766-01-001 | EA | ANGLE-EXTRUDED,1"X1.5"X17' |
| | 068716-01-001 | EA | BRACE-90DEGREEEL-ANGLE-16' |
| | 076054-P9-000 | EA | FIBERGLASSSHEET-37.4"X99.25"BRIGHTWHITE |
| | 076054-R1-000 | EA | FIBERGLASSSHEET-24"X65.9"BRIGHTWHITE |
| | 076054-S2-000 | EA | FIBERGLASSSHEET-106.3"X320.9"BRIGHTWHITE |
| | 076054-N9-000 | EA | FIBERGLASSSHEET-96"X102"BRIGHTWHITE |
| | 089297-01-000 | SF | PLYWOOD-LUAN,OVERLAYGRADE-4'X8' |
| | 100619-01-000 | BF | EXPANDEDFOAMSHEET-4'X8'X1.34" |
| | 100619-04-000 | BF | FOAM-EXPANDEDPOLYSTYRENE-.5"X4'X8' |
| | 100619-05-000 | BF | FOAM-EXPANDEDPOLYSTYRENE-.75"X4'X8' |
| | 108535-04-705 | EA | FIBERGLASSSHEET-6"X34'BRIGHTWHITE |
| | 108535-04-701 | EA | FIBERGLASSSHEET-104"X396"BRIGHTWHITE |

EXTERIORMIRRORS

| KEY | PARTNUMBER | U/M | DESCRIPTION |
|-----|---------------|-----|-------------------------------------|
| | 120269-01-01A | EA | MIRRORASM-DOOR,BLKRH-VELVAC713672-7 |
| | 120269-02-01A | EA | MIRRORASM-DOOR,BLKLH-VELVAC713671-7 |
| | 120269-01-700 | EA | GLASSKITW/BEZELRH/LH 709407-8 |

EXTERIORMIRRORS-W/HEAT&REMOTE-MCCLAINSANNIVERSARYOPTION

| KEY | PARTNUMBER | U/M | DESCRIPTION |
|-----|---------------|-----|------------------------------------|
| | 120269-09-01A | EA | MIRROR-PASSENGER-96"-W/HEAT/REMOTE |
| | 120269-10-01A | EA | MIRROR-DRIVER-96"-W/HEAT/REMOTE |
| | 120269-08-000 | EA | HARNESSELECTMIRROR VELVAC748304-8 |

EXTERIORBODYGROUP(CONTINUED)

RUNNINGBOARDS-FORD

| KEY | PARTNUMBER | U/M | DESCRIPTION | VENDORNO. |
|-----|---------------|-----|------------------------------------|-----------|
| | 072884-27-000 | EA | RUNNINGBOARD-FORD39.00-KEMK1215539 | |
| | 072884-27-700 | EA | BRACKETSET12" | RB2BRK/M |
| | 072884-27-701 | EA | RUNNINGBOARD-FORD39",RH&LH | |
| | 072884-27-702 | FT | TREADTAPE | RB9202 |
| | 072884-27-703 | EA | MUDFLAPW/HOLES,1EA=PAIR | 99171 |
| | 072884-27-704 | EA | CAP-ENDS,1EA=PAIR | 99148 |

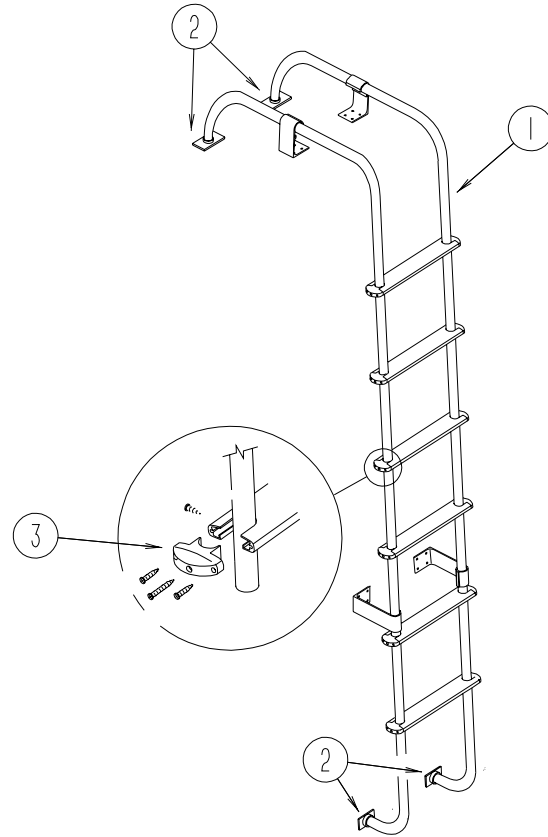
RUNNINGBOARDS-CHEVY

| KEY | PARTNUMBER | U/M | DESCRIPTION | VENDORNO. |
|-----|---------------|-----|----------------------------------|-----------|
| | 072884-26-000 | EA | RUNNINGBOARD-CHEV27"-KEMK1215527 | |
| | 072884-26-700 | EA | RUNNINGBOARD27"-CHEVY,LH&RH EVY | |
| | 072884-27-700 | EA | BRACKETSET12" | RB2BRK/M |
| | 072884-27-702 | FT | TREADTAPE | RB9202 |
| | 072884-27-703 | EA | MUDFLAPW/HOLES,1EA=PAIR | 99171 |
| | 072884-27-704 | EA | CAP-ENDS,1EA=PAIR | 99148 |

RUNNINGBOARDS-JAPANEXPORT

| KEY | PARTNUMBER | U/M | DESCRIPTION |
|-----|---------------|-----|---|
| | 106461-03-000 | EA | HDW-KITRUNNINGBOARD |
| | 106461-06-01A | EA | RUNNINGBOARD-FORD,RHBRT/WHT-METROCOMRB-1102ZC |
| | 106461-07-01A | EA | RUNNINGBOARD-FORD,LHBRT/WHT-METROCOMRB-1102ZC |
| | 106461-04-000 | EA | TRIM-RUNNINGBOARD,FORD-QUALITYSET/2 |
| | 106461-05-000 | EA | NONSKIDSTRIP-RUNNINGBOARD-QUALITYSET/6 |

EXTERIORBODYGROUP(CONTINUED)



LADDER

| KEY | PARTNUMBER | U/M | DESCRIPTION |
|-----|---------------|-----|-------------------------------|
| 1 | 102953-10-F15 | EA | LADDERASSEMBLY |
| 2 | 067165-01-000 | EA | MOUNTINGBRACKET-LADDER,LOWER |
| 3 | 076980-02-000 | EA | ENDCAP-STEP,BLACK |
| | 000G39-06-10T | EA | SCREW-SF/DR-6-20X5/8PPH-BLACK |
| | 000G68-10-36T | EA | SCREW-10-12X2.25POH-BLACK |
| | 038327-01-000 | EA | TAPE-ANTISLIP,2"X60' |

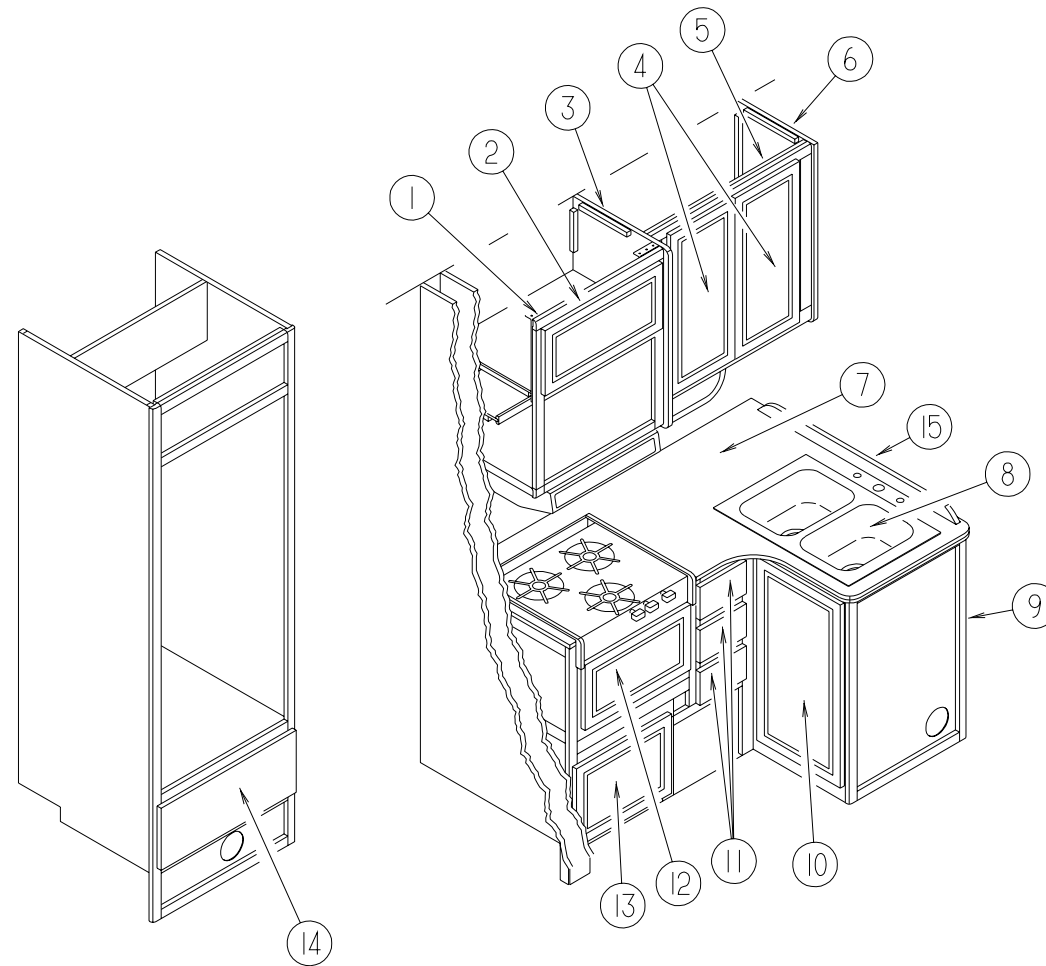
EXTERIORBODYGROUP(CONTINUED)

AWNING-FAULKNER

| KEY | PARTNUMBER | U/M | DESCRIPTION | VENDORNO. |
|-----|---------------|-----|---|--------------|
| | 113874-03-02A | EA | AWNING,W/OHDW,11.5'(POLARNAVYTEAL)VINYL | |
| | 111038-01-01A | EA | SPACER-AWNING,LOWERBLACK | |
| | 113874-01-02A | EA | AWNING-HARDWAREKIT,BRTWHT | |
| | 113874-01-702 | EA | KNOB-ADJUSTING,W/HARDWARE | 143249 |
| | 113874-01-703 | EA | ROD-CENTERPULL,W/GRIP | 830152.002 |
| | 113874-01-706 | EA | LOCK-TRAVEL | 830587 |
| | 113874-01-707 | EA | HANDLE-LIFT | 830644 |
| | 113874-01-709 | EA | NAIL-SPIKE,8" | 113006 |
| | 113874-01-710 | EA | PLUG-STOPKIT | 830456 |
| | 113874-01-711 | EA | ARM-ADJUSTABLE/TALLSATIN | 830466.016 |
| | 113874-01-712 | EA | FOOT-PATIO | 730366 |
| | 113874-01-714 | EA | RAFTER-MAINRH/LHBRT/WHT | 830295.036F |
| | 113874-01-715 | EA | RAFTER-SECONDARYBRT/WHT | 830463.011F |
| | 113874-01-716 | EA | ARM-MAINSUPPORTBRT/WHT | 3104502.277F |
| | 113874-01-717 | EA | ARM-ADJUSTABLEBRT/WHT | 830466.016/F |
| | 113874-10-01A | EA | SPACER-AWNING,LOWERBRACKET | |

GALLEYGROUP

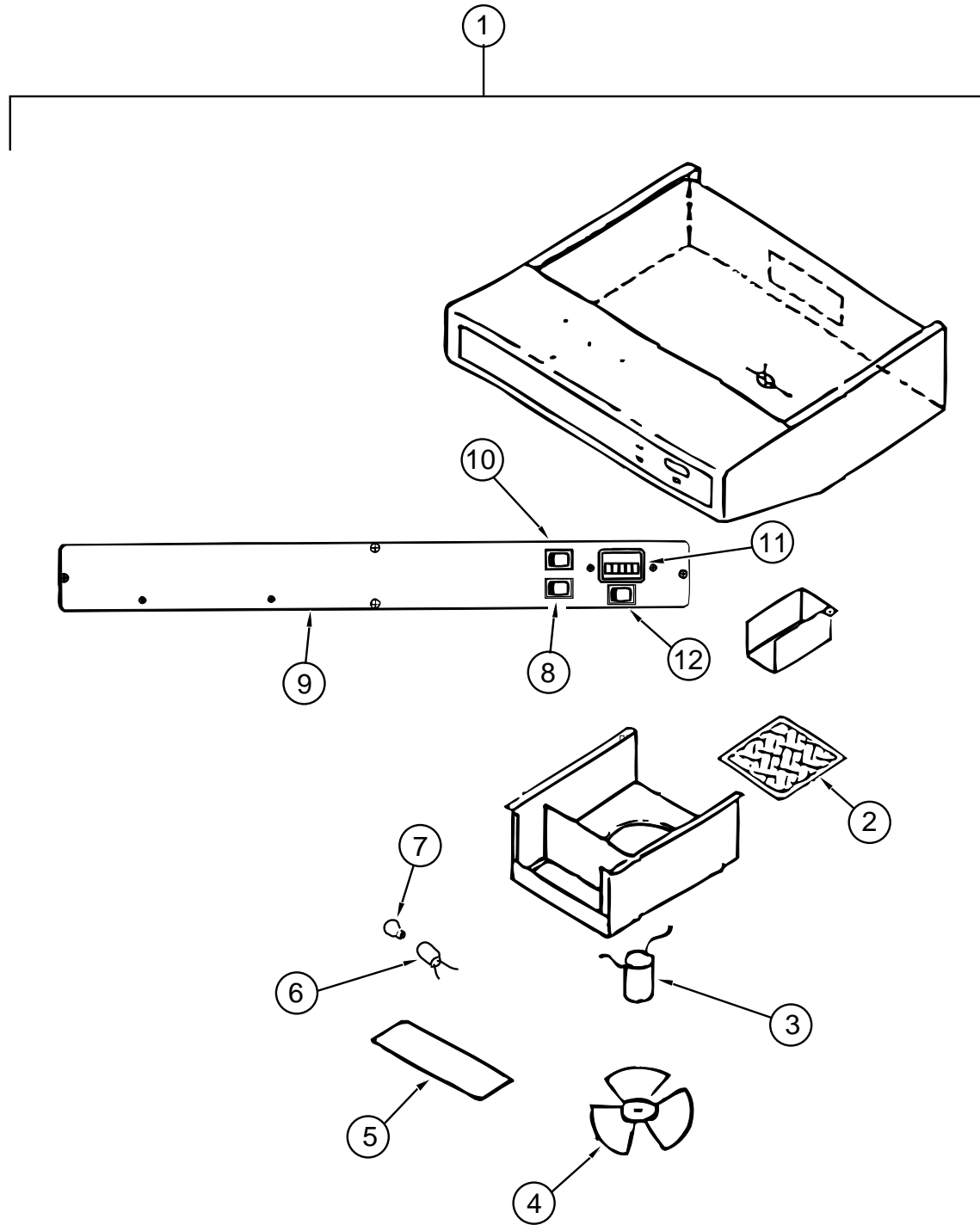
GALLEYCABINETS&FIXTURES



| KEY | PARTNUMBER | U/M | DESCRIPTION |
|-----|---------------|-----|--|
| 1 | 121971-01-H04 | EA | CABINETASM-OVHD,MICROWAVE |
| | 106016-04-G01 | EA | FACE-MICROWAVECABINET,JAPANEXPORT |
| | 110140-78-GB1 | EA | DOOR-MITEREDCORNER/VINYLRAP-10.8"X23.8"-W/OHDW-JAPANEXPORT |
| 2 | 075249-01-000 | EA | RAILING-OAK,72"UNFINISHED. |
| 3 | 109908-19-G01 | EA | CAPASM-END,OVHD |
| 4 | 110140-34-G01 | EA | DOOR-MITEREDCORNER/VINYLRAP-12"X25.9"-W/OHDW |
| 5 | 121968-01-H04 | EA | CABINETASM-OVHD,GALLEY |
| | 121968-11-H04 | EA | SHELFASM |
| 6 | 121968-12-H04 | EA | CAPASM |
| 7 | 122022-11-H04 | EA | COUNTERTOPASM(H04) |
| 7 | 122022-11-H05 | EA | COUNTERTOPASM(H05) |
| 7 | 122022-11-H24 | EA | COUNTERTOPASM(H24/H26) |
| 7 | 122022-16-H04 | EA | COUNTERTOPASM-JAPANEXPORT(H04) |
| 7 | 122022-16-H05 | EA | COUNTERTOPASM-JAPANEXPORT(H05) |
| 7 | 122022-16-H24 | EA | COUNTERTOPASM-JAPANEXPORT(H24/H26) |
| 8 | 104113-01-000 | EA | SINK-SST,DOUBLE |
| | 092303-01-000 | EA | STRAINER-SINK |
| | 103243-01-000 | EA | FAUCET-GALLEY,DUALCONTROL-P5043 |
| | 103610-01-E04 | EA | COVER-SINK-15.1"X15.8"(H04) |
| | 103610-01-F29 | EA | COVER-SINK-15.1"X15.8"(H05) |
| | 103610-01-G01 | EA | COVER-SINK-15.1"X15.8"(H24/H26) |

| KEY | PARTNUMBER | U/M | DESCRIPTION |
|-----|---------------|-----|---|
| 9 | 122022-01-H04 | EA | CABINETASM-GALLEY(H04) |
| 9 | 122022-01-H05 | EA | CABINETASM-GALLEY(H05) |
| 9 | 122022-01-H24 | EA | CABINETASM-GALLEY(H24/H26) |
| 9 | 122022-02-H04 | EA | CABINETASM-GALLEY-JAPANEXPORT(H04) |
| 9 | 122022-02-H05 | EA | CABINETASM-GALLEY-JAPANEXPORT(H05) |
| 9 | 122022-02-H24 | EA | CABINETASM-GALLEY-JAPANEXPORT(H24/H26) |
| 10 | 110140-37-G01 | EA | DOOR-MITEREDCORNER/VINYLRAP-15.5"X29.5"-W/OHDW |
| 11 | P10163-H6-H04 | EA | DRAWER-W/OSLIDES/HARDWARE |
| 12 | 110140-06-G01 | EA | DOOR-MITEREDCORNER/VINYLRAP-11"X21.8"-W/OHDW |
| 13 | 110140-36-G01 | EA | DOOR-MITEREDCORNER/VINYLRAP-12.7"X17.7"-W/OHDW |
| 14 | 110140-44-G01 | EA | DOOR-MITEREDCORNER/VINYLRAP-10.02"X26.1"-W/OHDW |
| 14 | 110140-01-G01 | EA | DOOR-MITEREDCORNER/VINYLRAP-10.02"X12.15"W/OHDW |
| | 090329-01-000 | FT | SEAL-T,REFRIGERATORCABINET-.6"WIDETOPX2"TAIL |
| 15 | 098335-13-H04 | EA | RAIL-GALLEY-35.2"(H04) |
| 15 | 098335-13-H05 | EA | RAIL-GALLEY-35.2"(H05) |
| 15 | 098335-13-H24 | EA | RAIL-GALLEY-35.2 |

GALLEYGROUP(CONTINUED)

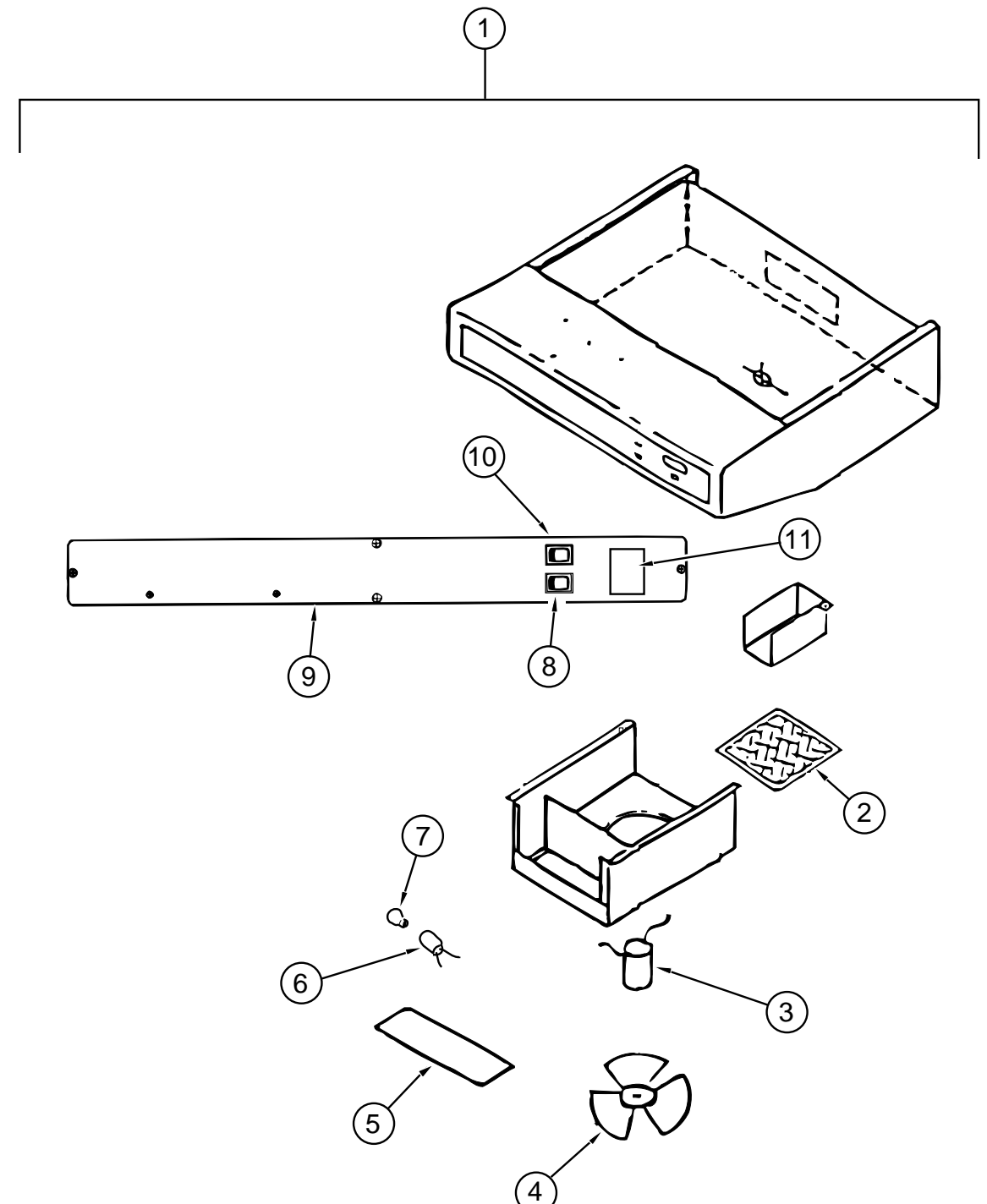


RANGEHOODW/OMONITORPANEL-U.S.-MODELTPS-5009-SADLG

| KEY | PARTNUMBER | U/M | DESCRIPTION |
|-----|---------------|-----|---|
| 1 | 100258-18-02A | EA | HOOD-RANGE, W/OMONITORPANEL-TEXTURED-VENTLINE |
| 2 | 096983-01-707 | EA | FILTER-MESH |
| 3 | 090973-01-700 | EA | MOTOR-LVS |
| 4 | 090973-01-702 | EA | BLADE-FAN, LVS |
| 5 | 092696-02-701 | EA | LENS-LAMP, LVS |
| 6 | 092696-01-710 | EA | HOLDER-LAMP |
| 7 | 117806-01-000 | EA | BULB-12VNO.9121.0AMPS |
| 8 | 096983-01-702 | EA | SWITCH-TWOWAYMOMENTARY, VENTLINE |
| 9 | 096983-01-700 | EA | SWITCH-ON/OFF, VENTLINE |
| 10 | 100258-01-700 | EA | HOOD-NOSELABEL, |
| 11 | 100258-10-01A | EA | GAUGE-HOURMETER, W/SWITCH-SCREWON 150 |
| 11 | 100258-10-701 | EA | GAUGE-HOURMETER, CLIPON |
| 12 | 096983-01-702 | EA | SWITCH-TWOWAYMOMENTARY, VENTLINE-GENERATOR |

| VENDORNO. |
|-----------|
| CC246 |
| CA508-1 |
| VA183-1 |
| CC179-2 |
| CB267-2 |
| 112 |
| 108 |
| CC428 |
| L0775-00 |
| 112 |

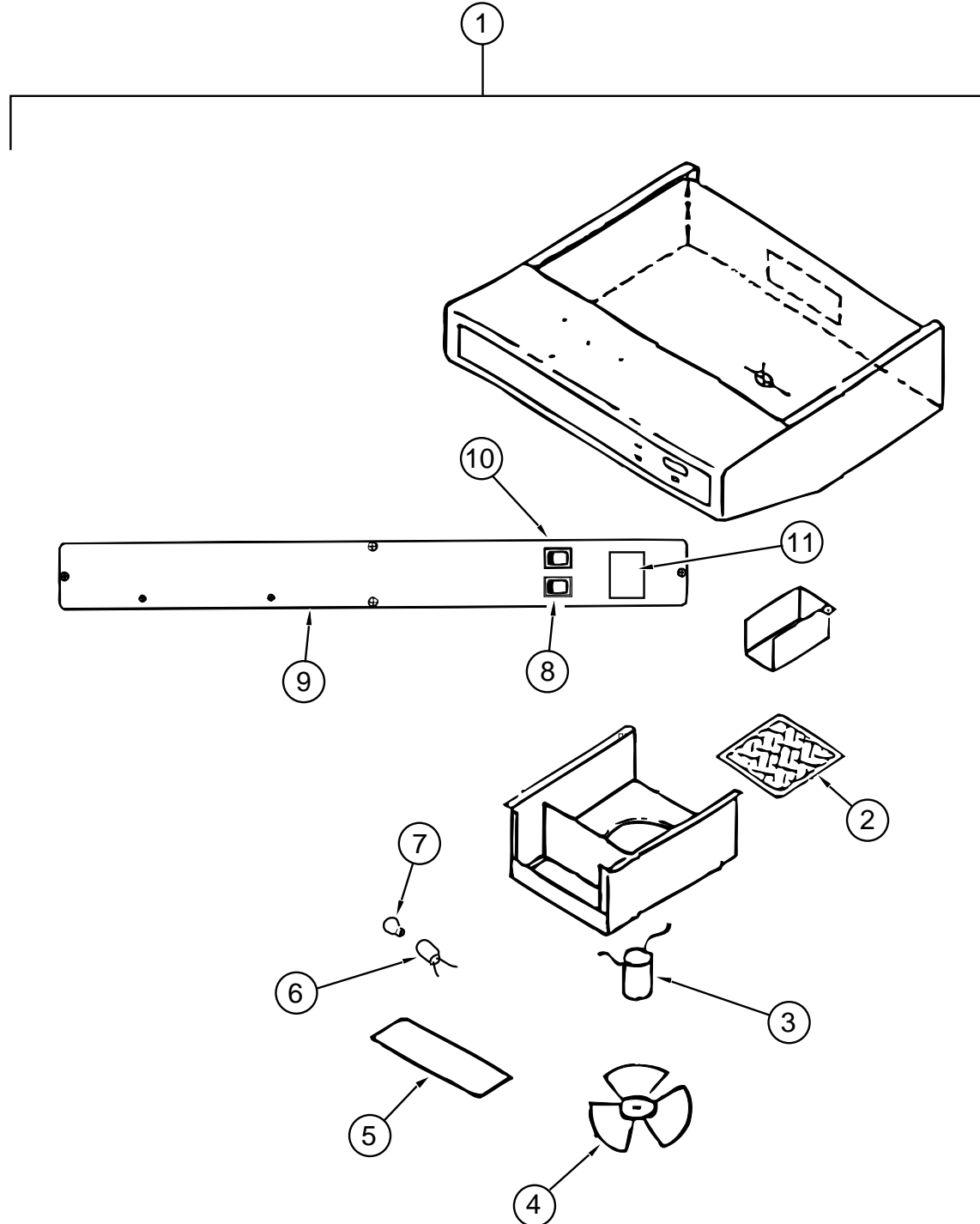
GALLEYGROUP(CONTINUED)



RANGEHOODW/OMONITORPANEL-U.S.-MODEL TCS-5008-NADL

| KEY | PARTNUMBER | U/M | DESCRIPTION | VENDORNO. |
|-----|---------------|-----|---|-----------|
| 1 | 100258-16-03A | EA | HOOD-RANGE, W/OMONITORPANEL-TEXTURED-VENTLINE | |
| 2 | 096983-01-707 | EA | FILTER-MESH | CC246 |
| 3 | 090973-01-700 | EA | MOTOR-LVS | CA508-1 |
| 4 | 090973-01-702 | EA | BLADE-FAN, LVS | VA183-1 |
| 5 | 092696-02-701 | EA | LENS-LAMP, LVS | CC179-2 |
| 6 | 092696-01-710 | EA | HOLDER-LAMP | CB267-2 |
| 7 | 117806-01-000 | EA | BULB-12VNO.9121.0AMPS | |
| 8 | 096983-01-700 | EA | SWITCH-ON/OFF, VENTLINE | 108 |
| 9 | 100258-01-700 | EA | HOOD-NOSELABEL | CC428 |
| 10 | 096983-01-702 | EA | SWITCH-TWOWAYMOMENTARY, VENTLINE | 112 |
| 11 | 100258-10-01A | EA | GAUGE-HOURMETER, W/SWITCH-SCREWON 150 | |
| 11 | 100258-10-701 | EA | GAUGE-HOURMETER, CLIPON | L0775-00 |
| | 097944-03-700 | EA | PLATE-COVER, HOURMETER-VENTLINE | L6052 |

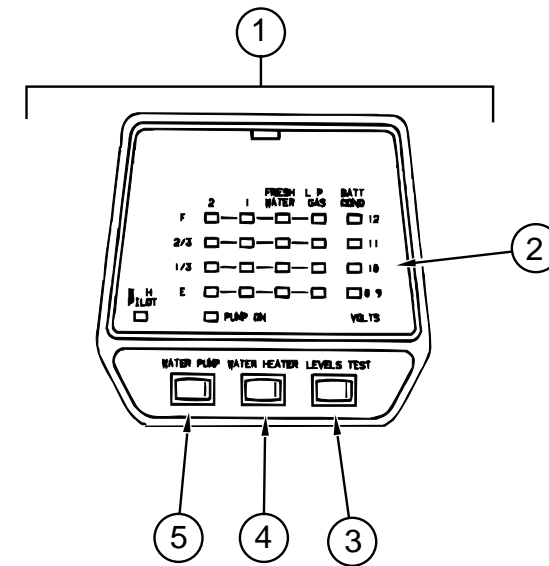
GALLEYGROUP(CONTINUED)



RANGEHOODW/OMONITORPANEL-CANADIAN-MODELTCS-5008-NACL

| KEY | PARTNUMBER | U/M | DESCRIPTION | VENDORNO. |
|-----|---------------|-----|---|-----------|
| 1 | 100258-17-03A | EA | HOOD-RANGE, W/OMONITORPANEL-TEXTURED-VENTLINE | |
| 2 | 096983-01-707 | EA | FILTER-MESH | CC246 |
| 3 | 090973-01-700 | EA | MOTOR-LVS | CA508-1 |
| 4 | 090973-01-702 | EA | BLADE-FAN,LVS | VA183-1 |
| 5 | 092696-02-701 | EA | LENS-LAMP,LVS | CC179-2 |
| 6 | 092696-01-710 | EA | HOLDER-LAMP | CB267-2 |
| 7 | 117806-01-000 | EA | BULB-12VNO.9121.0AMPS | |
| 8 | 096983-01-700 | EA | SWITCH-ON/OFF,VENTLINE | 108 |
| 9 | 100258-01-700 | EA | HOOD-NOSELABEL | CC428 |
| 10 | 096983-01-702 | EA | SWITCH-TWOWAYMOMENTARY,VENTLINE | 112 |
| 11 | 100258-10-01A | EA | GAUGE-HOURMETER, W/SWITCH-SCREWON 150 | |
| 11 | 100258-10-701 | EA | GAUGE-HOURMETER,CLIPON | L0775-00 |
| 11 | 097944-03-700 | EA | PLATE-COVER,HOURMETER-VENTLINE | L6052 |

GALLEYGROUP(CONTINUED)



MONITORPANEL-LVS

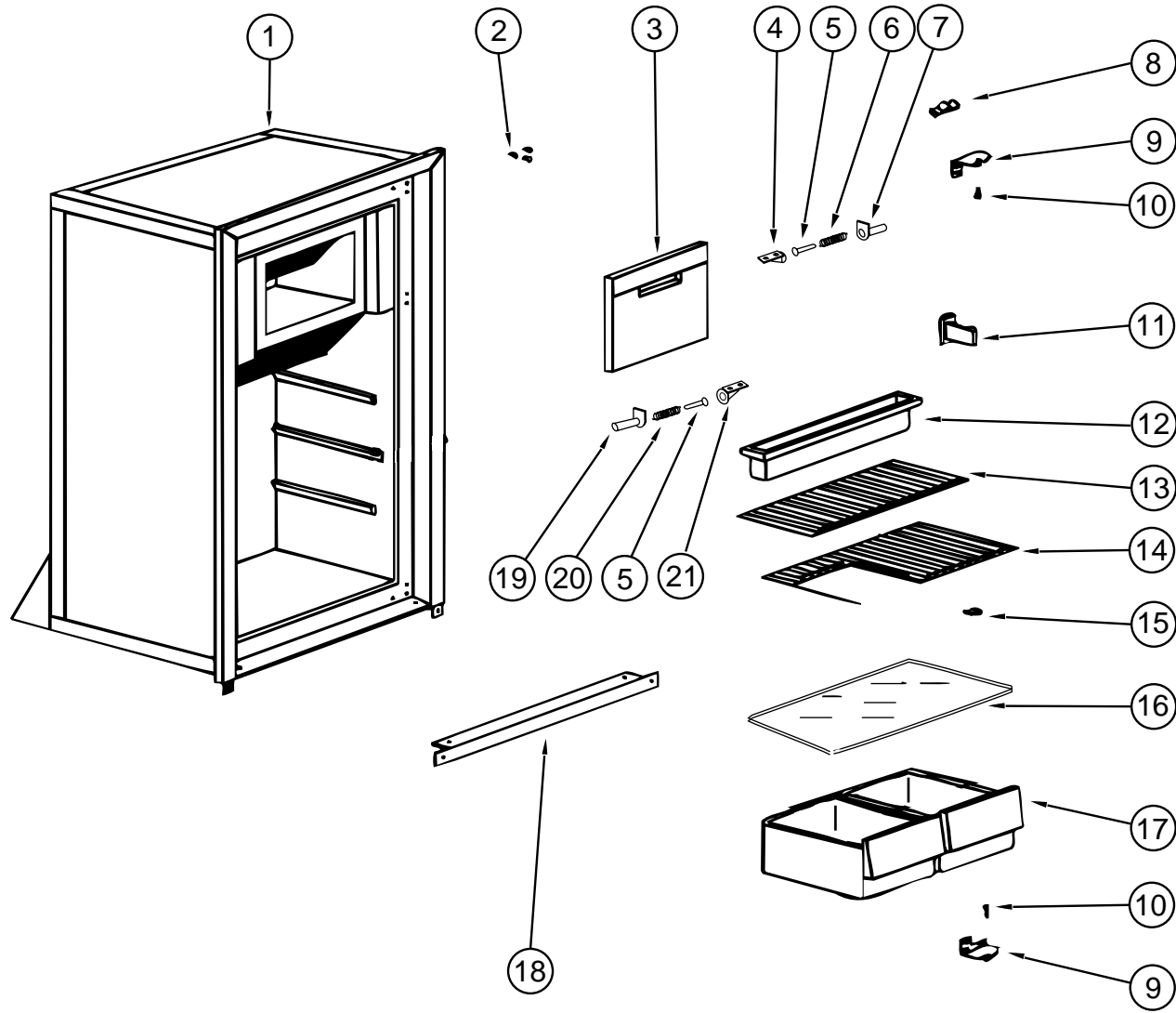
| KEY | PARTNUMBER | U/M | DESCRIPTION | VENDORNO. |
|-----|---------------|-----|--|-----------|
| 1 | 102765-04-01A | EA | PANEL-MONITOR2TANKWATERHEATER-LVSW/PLUG-ALMOND | |
| 2 | 102765-04-700 | EA | BOARD-CIRCUIT,2HOLDINGTANK | L5097-41 |
| 3 | 097617-01-702 | EA | SWITCH(ALMOND) | 107 |
| 4 | 097617-01-701 | EA | SWITCH-ON/OFF,ALMOND | 106 |
| 5 | 102765-01-700 | EA | SWITCH-ON-ON,ALMOND | 110-01 |

MICROWAVEOVEN

| KEY | PARTNUMBER | U/M | DESCRIPTION | VENDORNO. |
|-----|---------------|-----|---------------------------------------|-----------|
| | 115303-01-000 | EA | MICROWAVEOVEN-141/8"HX217/8"WX131/4"D | |
| | 115303-01-700 | EA | TRIMF/VENT, TOP | 2100309 |
| | 115401-01-01A | EA | TRIM-MICROWAVE, BLACK | |
| | 098916-12-01A | EA | BRACE-MICROWAVECABT, E-COAT | |
| | 098916-13-01A | EA | BRACE-MICROWAVECABT, E-COAT | |
| | 094750-07-000 | EA | BRACKET-MICROWAVE, 89DEGREE | |

GALLEYGROUP(CONTINUED)

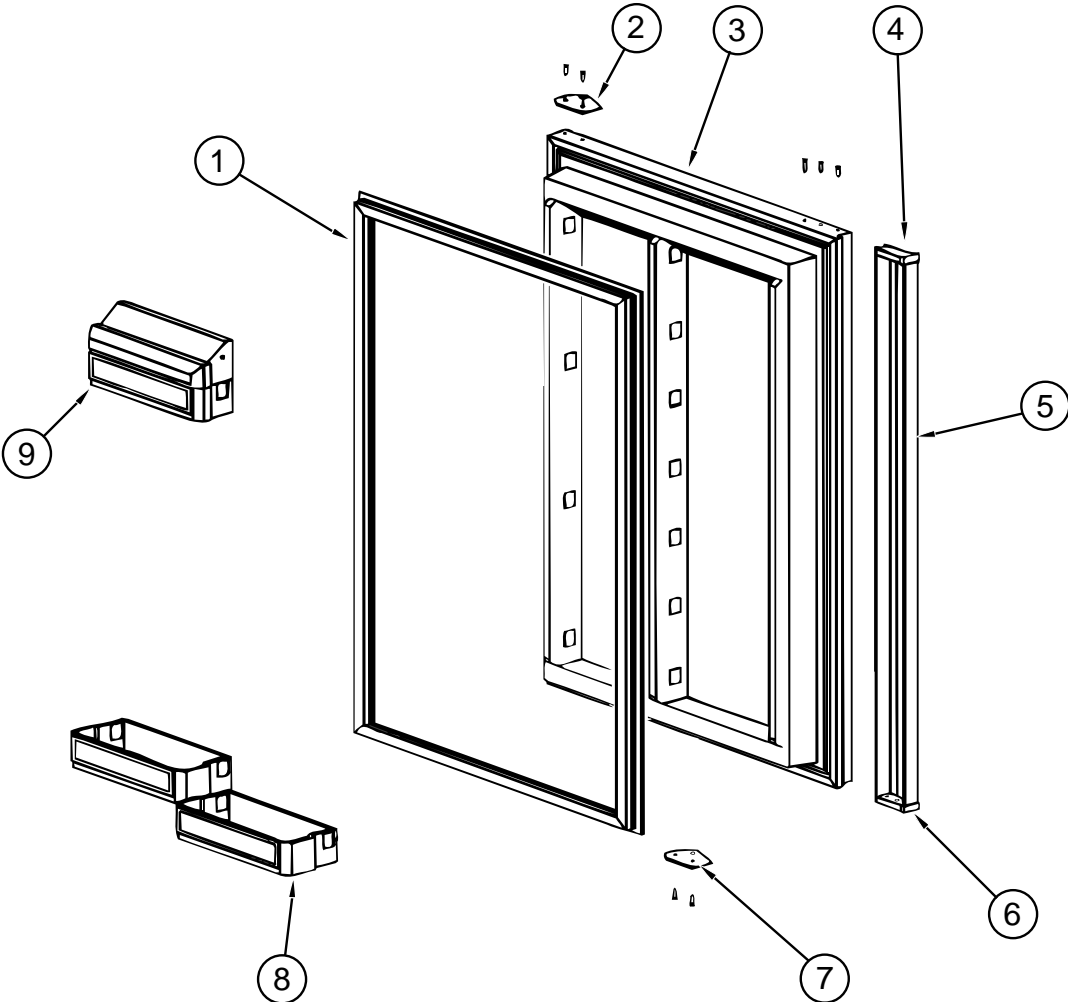
CABINETASSEMBLY&COMPONENTS-NORCOLDREFRIGERATOR-2-WAY-MODEL6052RH



| KEY | PARTNUMBER | U/M | DESCRIPTION | VENDORNO. |
|-----|---------------|-----|---------------------------------------|-----------|
| 1 | 102621-04-01A | EA | REFRIGERATOR-LARGESINGLEDOOR,2-WAY | 61620238 |
| 2 | 102621-01-701 | EA | CABINET-FOAMED,BLACK | 61582030 |
| 3 | 094039-01-722 | EA | HOLEPLUG-HINGEHOLES,BLACK | 61620738 |
| 4 | 102621-01-700 | EA | DOOR-EVAPORATORASM | 61632930 |
| 5 | 102621-04-709 | EA | CLIP-MOUNTING,EVAPORATORDOOR-RH-WHITE | 61632622 |
| 6 | 102621-04-710 | EA | SPRING-PIN | 61633222 |
| 7 | 102621-04-711 | EA | SPRINGTORSION-EVAPORATORDOOR,RH | 61632830 |
| 8 | 102621-04-703 | EA | HOLDER-SPRING,RH-WHITE | 61689122 |
| 9 | 084880-01-760 | EA | CLIP-THERMISTER | 61580838 |
| 9 | 094039-01-723 | EA | BRACKET-HINGE,TOPRH-BOTTOMLH-BLACK | 61580938 |
| 9 | 094039-01-724 | EA | BRACKET-HINGE,TOPLH-BOTTOMRH-BLACK | 61578130 |
| 10 | 094039-01-725 | EA | PIN-HINGE,MALE-BLACK | 61580630 |
| 11 | 084880-03-702 | EA | PIN-HINGE, TOP/BOTTOM-FEMALE | 61578522 |
| 11 | 084880-01-732 | EA | LATCH | 61619930 |
| 12 | 102621-04-704 | EA | TRAY-DRIP,WHITE | 61718222 |
| 13 | 104137-06-706 | EA | WIRESHELF-SHORT | 61646722 |
| 14 | 094039-01-739 | EA | SHELF-CUTOUT | 61580322 |
| 15 | 102621-04-705 | EA | RETAINER-GLASSSHELF | 61564122 |
| 16 | 084880-01-722 | EA | COVER-CRISPER | 61571325 |
| 17 | 104137-06-707 | EA | CRISPER-WHITE | 61622130 |
| 18 | 094039-01-732 | EA | FRONTCOVER-BOTTOMTRIM,BLACK | 61632730 |
| 19 | 102621-04-707 | EA | HOLDER-SPRING,EVAPORATORDOOR-LH | 61633122 |
| 20 | 102621-04-706 | EA | SPRING-EVAPORATORDOOR,TORSION-LH | 61633030 |
| 21 | 102621-04-708 | EA | CLIP-MOUNTING,EVAPORATORDOOR-LH | |
| | 065225-02-000 | EA | PLATE-TIEDOWN,REFRIGERATOR | |
| | 093646-05-000 | EA | BRACKETASM-TIEDOWN,REFRIGERATOR | |
| | 116751-01-01A | EA | TRAY-REFRIGERATOR,BLK | |
| | 054450-01-000 | EA | LEVEL-REFRIGERATOR | |

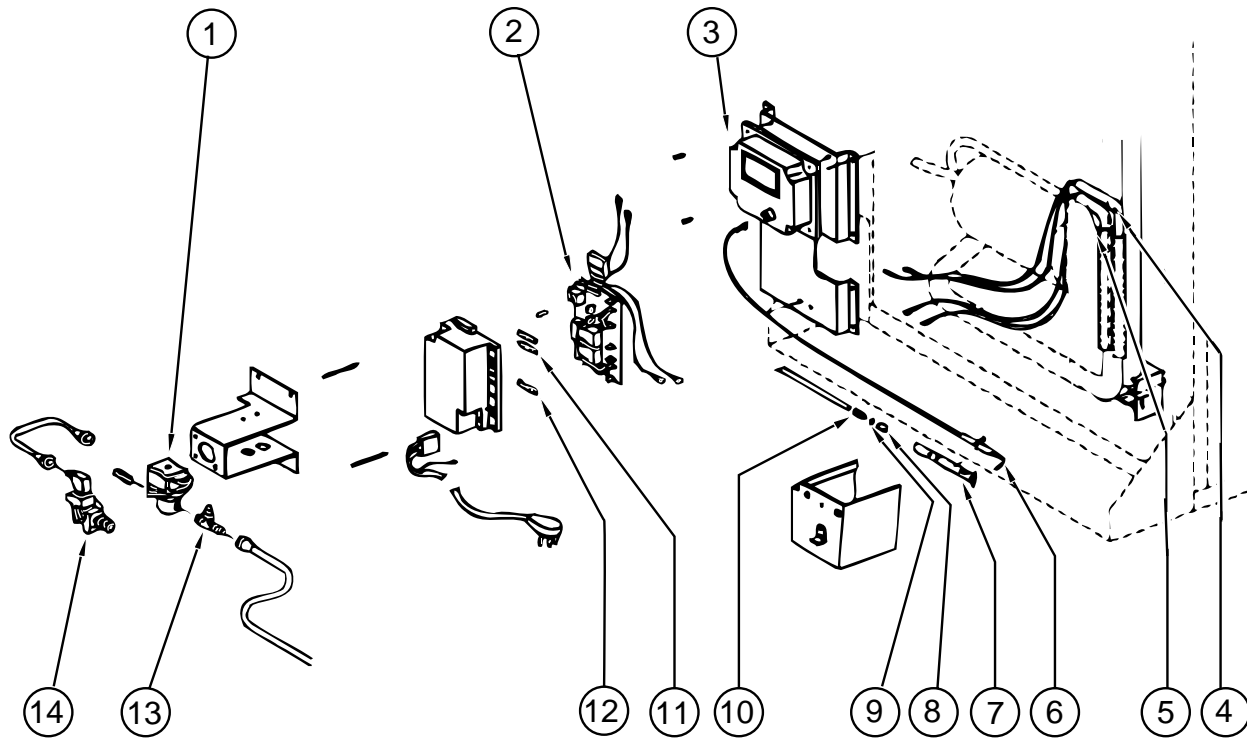
GALLEYGROUP(CONTINUED)

DOOR-NORCOLDREFRIGERATOR-2-WAY-MODEL6052RH



| KEY | PARTNUMBER | U/M | DESCRIPTION | VENDORNO. |
|-----|---------------|-----|-----------------------------------|------------|
| 1 | 094039-01-713 | EA | DOORGASKET-LOWER,GRAY | 61568030 |
| 2 | 094039-01-710 | EA | PLATE-HINGE,BLACK | 61631330 |
| 3 | 094039-01-715 | EA | LINER-LOWERDOOR,FOAMEDBLACK/WHITE | 61581738-B |
| 4 | 084880-01-761 | EA | ENDCAP-SPRINGCATCH,UPPER-BLACK | 61593730 |
| 5 | 094039-01-717 | EA | HANDLE-W/CAP&SPRING,BLACK | 61649938 |
| | 084880-01-720 | EA | SPRING-DOORHANDLE | 61558822 |
| 6 | 084880-01-740 | EA | ENDCAP-STOPCATCH | 61593830 |
| 7 | 094039-01-704 | EA | PLATE-HINGE,BLACK | 61631430 |
| 8 | 104137-06-703 | EA | BIN-DOORSHELF,WHITE | 61564025 |
| 9 | 104137-06-704 | EA | BIN-MILK,WHITE | 61579425 |

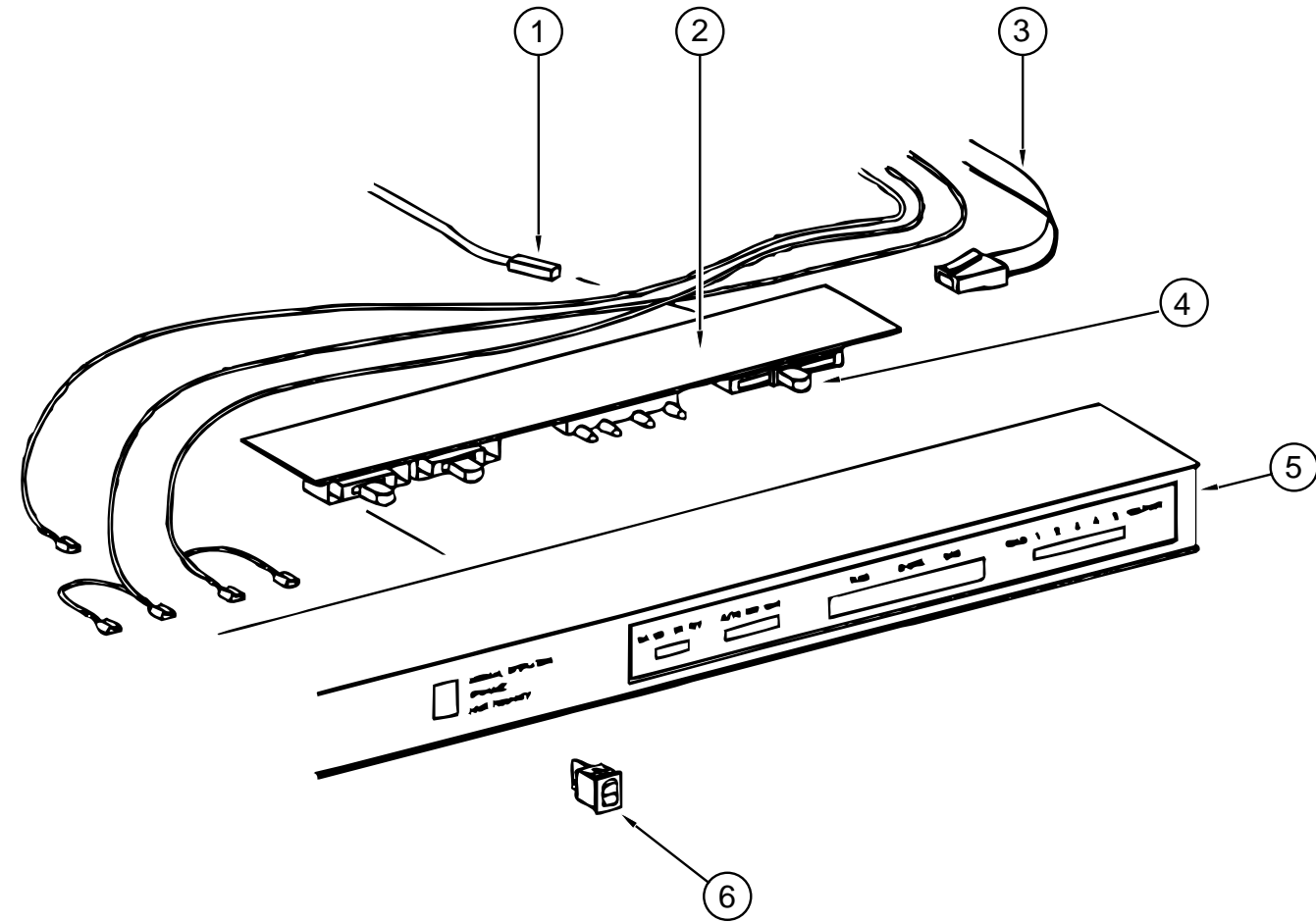
GALLEYGROUP(CONTINUED)



NORCOLD6052REFRIGERATORCONTROLASSEMBLY

| KEY | PARTNUMBER | U/M | DESCRIPTION | VENDORNO. |
|-----|---------------|-----|--------------------------------|-----------|
| 1 | 084880-01-718 | EA | VALVE-GAS | 61551822 |
| 2 | 094039-04-702 | EA | POWER SUPPLY -2WAY | 61647422 |
| 3 | 102621-01-702 | EA | MODULE-IGNITION | 61688922 |
| 4 | 104137-02-700 | EA | MODULE-CONTROL,CHANNEL-NORCOLD | 61717037 |
| 5 | 102621-04-712 | EA | HEATER-DC,HORIZONTALBURNER | 61562622 |
| 6 | 064473-03-701 | EA | HEATER-AC,HORIZONTALBURNER | 61562522 |
| 7 | 064473-03-718 | EA | COOLINGUNIT-HORIZONTALBURNER | 61687137 |
| 8 | 104137-06-715 | EA | SPARK/SENSEELECTRODE-SINGLE | 61692222 |
| 9 | 104137-06-714 | EA | BURNERASSEMBLY-5-SLOT | 61705222 |
| 10 | 064473-01-702 | EA | ORIFICE-6EG-2 | 61452122 |
| 11 | 104137-06-713 | EA | GASKET-ORIFICE | 61475122 |
| 12 | 104137-06-712 | EA | FITTING-GASTUBECONNECTION | 61692722 |
| 13 | 075217-01-734 | EA | FUSE -3AMP | 61538822 |
| 14 | 104137-06-711 | EA | FUSE -5AMP | 61611622 |
| 15 | 104137-06-710 | EA | PRESSURETAP | 61594422 |
| 16 | 104137-06-709 | EA | VALVE-SHUTOFF,MANUAL | 61694922 |

GALLEYGROUP(CONTINUED)



NORCOLD6052REFRIGERATOREYEBROWASSEMBLY

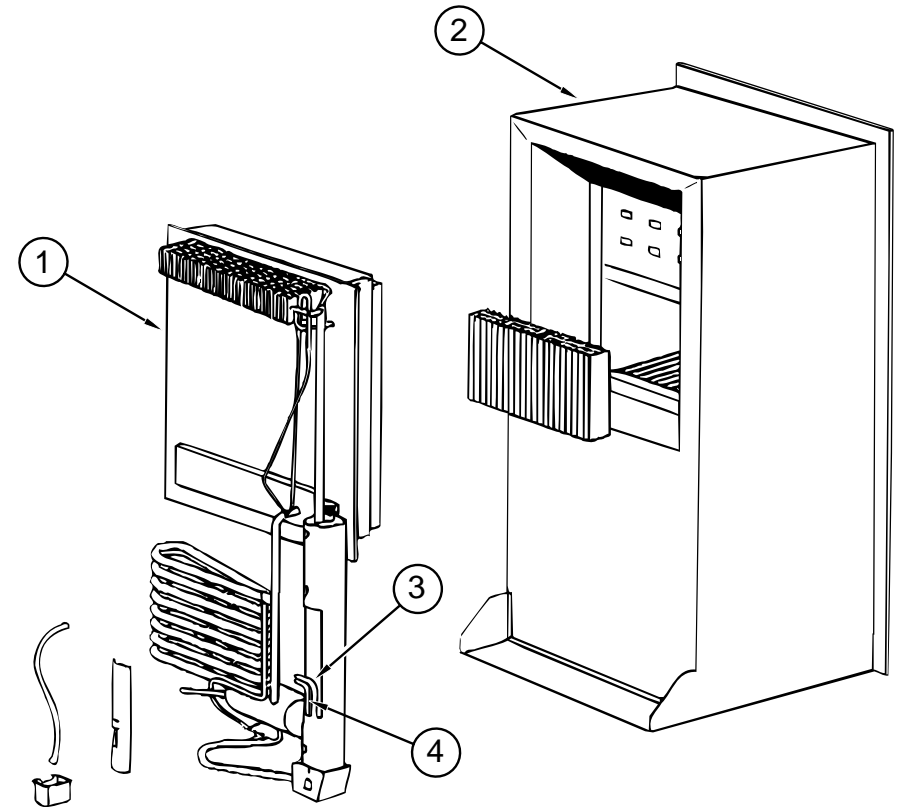
| KEY | PARTNUMBER | U/M | DESCRIPTION | VENDORNO. |
|-----|---------------|-----|--|-----------|
| 1 | 084880-01-753 | EA | THERMISTER78" | 61693822 |
| 2 | 084880-01-760 | EA | CLIP-THERMISTER | 61689122 |
| 3 | 094039-04-700 | EA | PRINTEDCIRCUITBOARD-2WAY | 61647322 |
| 4 | 084880-01-746 | EA | CABLE-NORCOLD | 61571522 |
| 5 | 102621-01-703 | EA | BUTTON-THERMOSTAT,ADJUSTABLE | 61587422 |
| 6 | 094039-04-701 | EA | EYEBROWSHELL,2-WAY-W/OHUMIDITYSWITCHHOLE | 61669822 |
| 7 | 104137-06-700 | EA | EYEBROWSHELL,2-WAY-W/HUMIDITYSWITCHHOLE | 61726622 |
| 8 | 075217-01-738 | EA | SWITCH-HUMIDITY | 61525922 |

GALLEYGROUP(CONTINUED)

NORCOLDREFRIGERATORSMALLDOUBLEDOOR-MODEL633RH-JAPANEXPORT

| KEY | PARTNUMBER | U/M | DESCRIPTION | VENDORN. |
|-----|---------------|-----|-------------------------------|----------|
| | 120076-03-01A | EA | REFRIG-SMALLDBLDRBL3-WAY-RH | |
| | 084880-01-718 | EA | VALVE-GAS,(ASCO) | 61551822 |
| | 084880-01-760 | EA | CLIP(THERMISTER) | 61689122 |
| | 084880-03-705 | EA | BRACKET-LIGHT-INTERIOR | 61629722 |
| | 084880-03-706 | EA | BULB-LAMP | 61628922 |
| | 088248-01-709 | EA | HEATER-AC(HORIZONTAL) | 61562722 |
| | 088248-01-710 | EA | HEATERDC(HORIZONTAL) | 61562822 |
| | 104137-06-709 | EA | VALVE-SHUTOFF,MANUAL | 61694922 |
| | 104137-06-714 | EA | BURNERASSEMBLY,5-SLOT | 61705222 |
| | 104137-06-715 | EA | ELECTRODE-SPARK/SENSOR,SINGLE | 61692222 |
| | 104137-06-718 | EA | SHELF-TRAY,WHITE,W/CUTOUT | 617756 |
| | 113737-01-702 | EA | PLUG1/8"F/PRESSURETAP | 61445322 |
| | 113737-01-716 | EA | TAP-PRESSURE | 61594422 |
| | 113737-01-750 | EA | TUBE-UNION | 61694622 |
| | 120075-01-700 | EA | RETAINER-DOOR,DECORPANEL | 618128 |
| | 120075-01-701 | EA | HINGE-TOPRH/BTMLH,PAINTED | 618511 |
| | 120075-01-702 | EA | CAP,(HINGEPLUG) | 618160 |
| | 120075-01-703 | EA | DOORASM.,FOAMED,W/GASKET | 618205 |
| | 120075-01-704 | EA | HANDLEASM,UPPERL./BTMRT | 618230 |
| | 120075-01-705 | EA | HINGE,PAINTED,TOPLH/BTMRT | 618510 |
| | 120075-01-706 | EA | BIN-DOOR | 618635 |
| | 120075-01-707 | EA | DIVIDER-DOORBIN | 618637 |
| | 120075-01-708 | EA | BUSHING-DOORHINGE | 618144 |
| | 120075-01-711 | EA | HANDLEASM,UPPERRH/LOWERLH | 618235 |
| | 120075-01-712 | EA | BIN-DOOR/BOTTOM-LARGE | 618634 |
| | 120075-01-713 | EA | TRIM-TOPPIECE | 618124 |
| | 120075-01-714 | EA | PLUG-HOLE | 618170 |
| | 120075-01-715 | EA | HINGE-CABINETSIDE-PAINTED | 618512 |
| | 120075-01-717 | EA | SHELF-FREEZER,WIRE | 618172 |
| | 120075-01-718 | EA | BOX-FILLER | 618112 |
| | 120075-01-719 | EA | OPTICALCONTROLBOXASSEMBLY | 618245 |
| | 120075-01-720 | EA | TRAY-DRIP | 618137 |
| | 120075-01-721 | EA | LOUVER-DRIPTRAY | 618176 |
| | 120075-01-722 | EA | SHELF-WIRE,SHORT | 618239 |
| | 120075-01-723 | EA | SHELF-WIRE | 618114 |
| | 120075-01-724 | EA | SHELF-WIRE,W/CUTOUT | 618177 |
| | 120075-01-725 | EA | COVER-CRISPER | 618158 |
| | 120075-01-726 | EA | CRISPER | 618154 |
| | 120075-01-727 | EA | PIN-HINGE | 618145 |
| | 120075-01-728 | EA | COVER-HINGEHOLE | 618171 |
| | 120075-01-729 | EA | TRIM-BOTTOMPIECE | 618136 |
| | 120075-01-730 | EA | RETAINER-SHELF | 618181 |
| | 120075-01-731 | EA | PLUG-FACADE | 618184 |
| | 120075-01-732 | EA | PLATE-STRIKE | 618167 |
| | 120075-01-734 | EA | COVER-LENS | 618190 |
| | 120075-01-735 | EA | WIREASM.-LAMP | 618548 |
| | 120076-01-700 | EA | RETAINER-LOWERDOORPANEL | 618132 |
| | 120076-03700 | EA | BOARD-POWER/3-WAY | 618224 |
| | 116751-01-01A | EA | TRAY-REFRIGERATORBLK | |
| | 054450-01-000 | EA | LEVEL-REFRIGERATOR | |

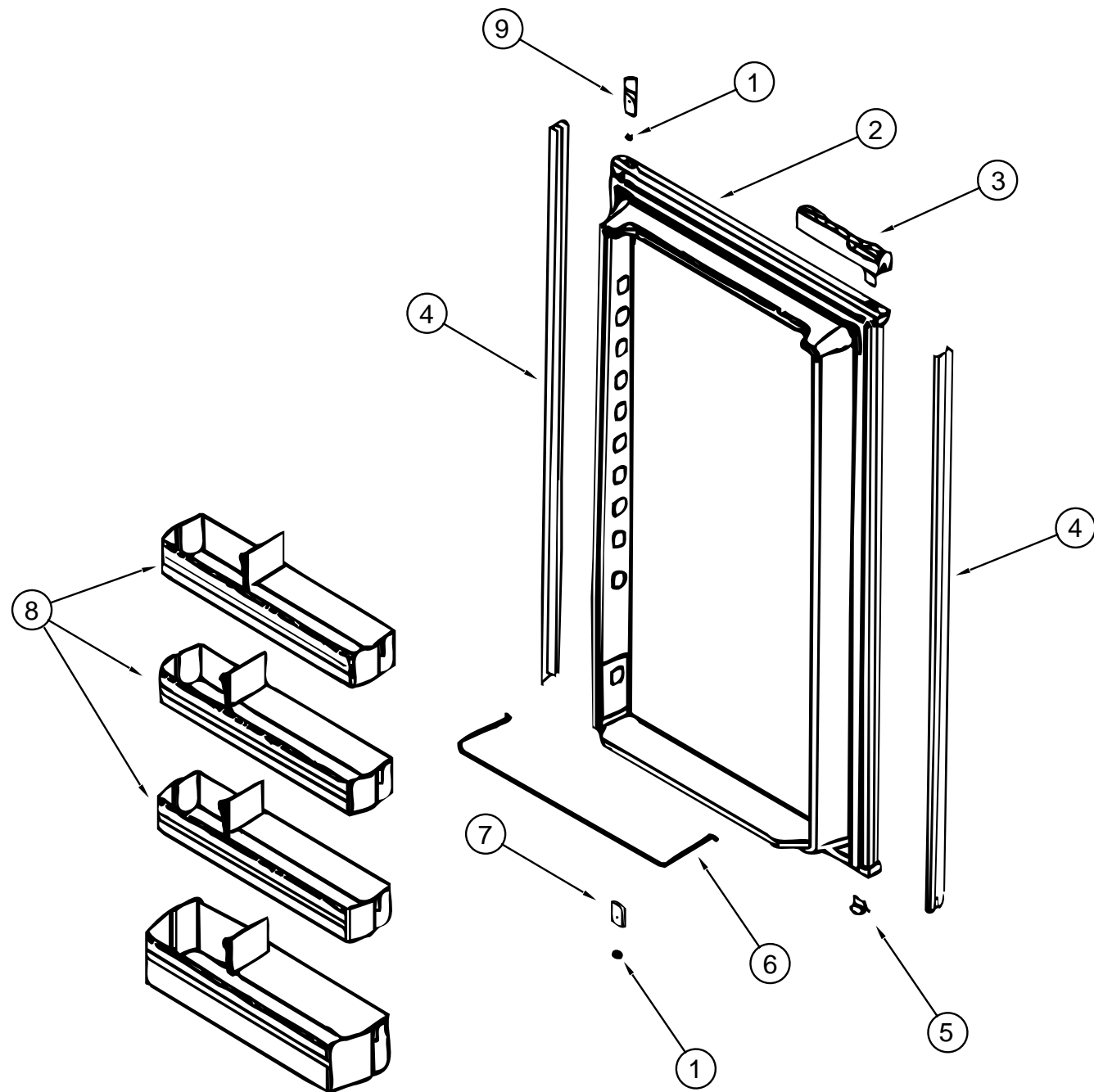
GALLEYGROUP(CONTINUED)



NORCOLDREFRIGERATORSMALLDOUBLEDOOR-MODEL9162L

| KEY | PARTNUMBER | U/M | DESCRIPTION | VENDORN. |
|-----|---------------|-----|---------------------------------------|----------|
| | 121568-02-01A | EA | REFRIG-SMALLDBLDRBL2-WAY-NORCOLD9162L | |
| 1 | 120076-01-704 | EA | COOLINGUNIT,SERVICEPACK | 618543 |
| 2 | 120076-01-703 | EA | CABINET-FOAMED | 618260 |
| 3 | 088248-01-710 | EA | HEATERDC(HORIZONTAL) | 61562822 |
| 4 | 088248-01-709 | EA | HEATER-AC(HORIZONTAL) | 61562722 |

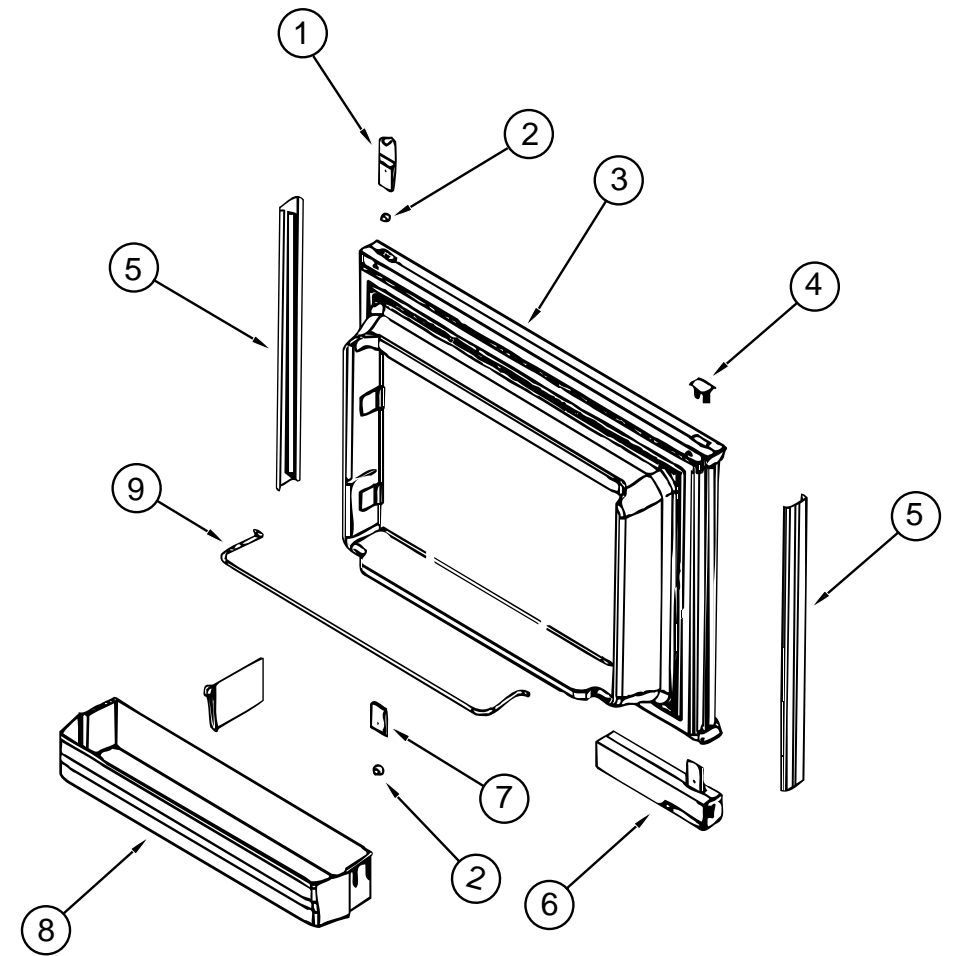
GALLEYGROUP(CONTINUED)



NORCOLDREFRIGERATORSMALLDOUBLEDOOR-MODEL9162L

| KEY | PARTNUMBER | U/M | DESCRIPTION | VENDORNO. |
|-----|---------------|-----|---------------------------------------|-----------|
| | 121568-02-01A | EA | REFRIG-SMALLDBLDRBL2-WAY-NORCOLD9162L | |
| 1 | 120075-01-708 | EA | BUSHING-DOORHINGE | 618144 |
| 2 | 120075-01-710 | EA | DOOR-LOWER-FOAMED,W/GASKET | 618270 |
| 3 | 120075-01-711 | EA | HANDLEASM,UPPERRH/LOWERLH | 618235 |
| 4 | 120076-01-700 | EA | RETAINER-LOWERDOORPANEL | 618132 |
| 5 | 120075-01-702 | EA | CAP,(HINGEPLUG) | 618160 |
| 6 | 121568-01-704 | EA | RAIL-DOORLOWER | 618578 |
| 7 | 120075-01-705 | EA | HINGE,PAINTED,TOPLH/BTMRH | 618510 |
| 8 | 121568-01-701 | EA | BIN-DOORWHITE | 618619 |
| 9 | 120075-01-701 | EA | HINGE-TOPRH/BTMLH,PAINTED | 618511 |

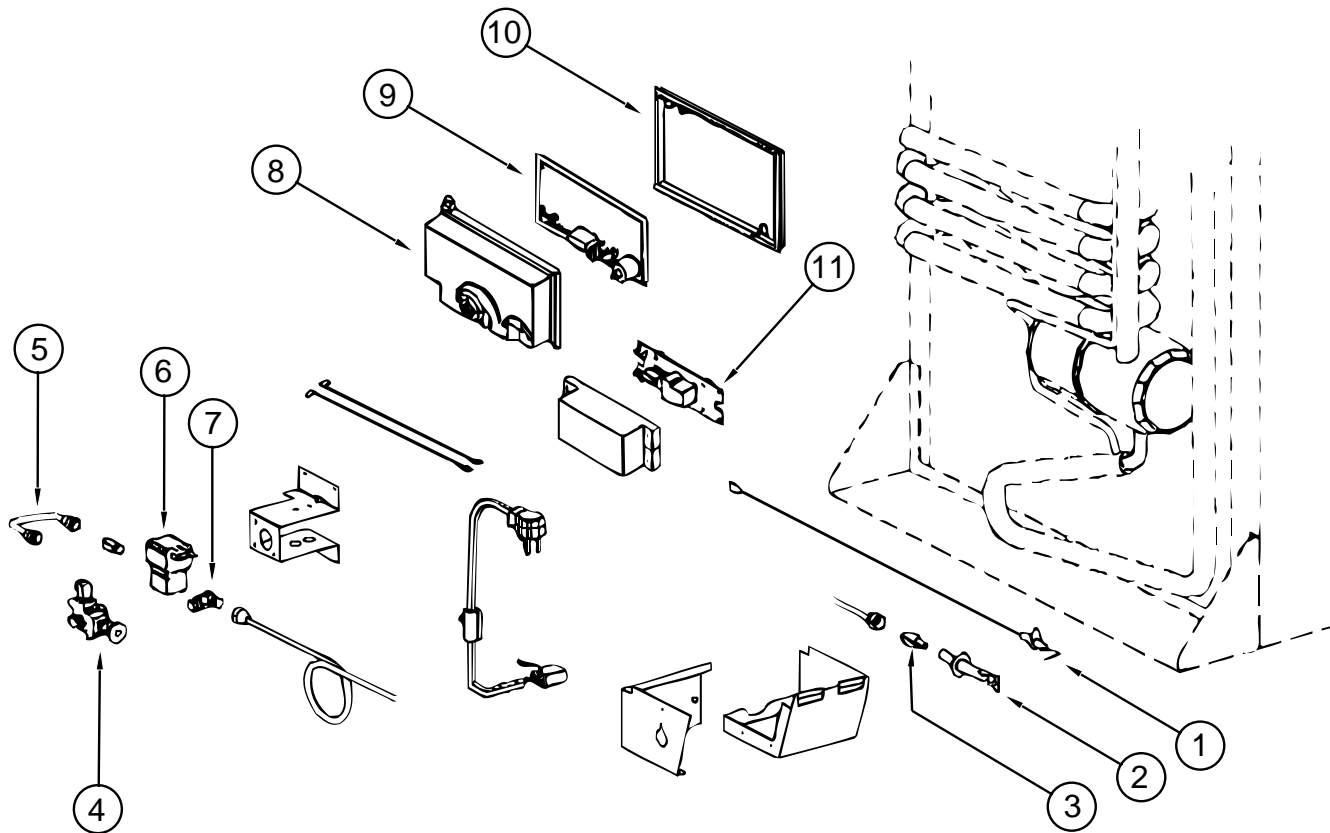
GALLEYGROUP(CONTINUED)



NORCOLDREFRIGERATORSMALLDOUBLEDOOR-MODEL9162L

| KEY | PARTNUMBER | U/M | DESCRIPTION | VENDORNO. |
|-----|---------------|-----|---------------------------------------|-----------|
| | 121568-02-01A | EA | REFRIG-SMALLDBLDRBL2-WAY-NORCOLD9162L | |
| 1 | 120075-01-701 | EA | HINGE-TOPRH/BTMLH,PAINTED | 618511 |
| 2 | 120075-01-708 | EA | BUSHING-DOORHINGE | 618144 |
| 3 | 120075-01-703 | EA | DOORASM.,FOAMED,W/GASKET | 618205 |
| 4 | 120075-01-702 | EA | CAP,(HINGEPLUG) | 618160 |
| 5 | 120075-01-700 | EA | RETAINER-DOOR,DECORPANEL | 618128 |
| 6 | 121568-01-702 | EA | DOORHANDLEASMLWR/LH-TOP/RH | 618230 |
| 7 | 120075-01-705 | EA | HINGE,PAINTED,TOPLH/BTMRH | 618510 |
| 8 | 121568-01-701 | EA | BIN-DOORWHITE | 618619 |
| 9 | 121568-01-700 | EA | RAIL-DOORUPPER | 618618 |

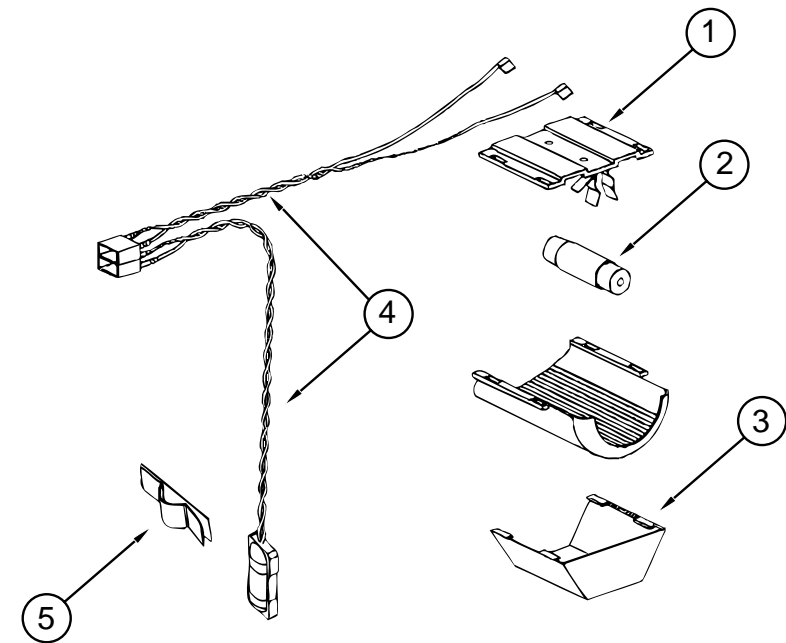
GALLEYGROUP(CONTINUED)



NORCOLDREFRIGERATORSMALLDOUBLEDOOR-MODEL9162L

| KEY | PARTNUMBER | U/M | DESCRIPTION | VENDORNO. |
|-----|---------------|-----|---------------------------------------|-----------|
| | 121568-02-01A | EA | REFRIG-SMALLDBLDRBL2-WAY-NORCOLD9162L | |
| 1 | 104137-06-715 | EA | ELECTRODE-SPARK/SENSOR,SGL | 61692222 |
| 2 | 104137-06-714 | EA | BURNERASSEMBLY,5-SLOT | 61705222 |
| 3 | 121568-01-705 | EA | SHELF-WIREFREEZER | 618620 |
| 4 | 104137-06-709 | EA | VALVE-SHUTOFF,MANUAL | 61694922 |
| 5 | 113737-01-750 | EA | TUBE-UNION | 61694622 |
| 6 | 084880-01-718 | EA | VALVE-GAS,(ASCO) | 61551822 |
| 7 | 113737-01-716 | EA | TAP-PRESSURE | 61594422 |
| 8 | 120075-01-738 | EA | COVER-POWERBOARD | 618185 |
| 9 | 120075-01-739 | EA | BOARD-POWER,2-WAY | 618198 |
| 9 | 121568-01-710 | EA | BOARD-POWER-3WAY | 618575 |
| 10 | 120075-01-740 | EA | COVER-BASE,POWERBOARD | 618186 |
| 11 | 121568-01-711 | EA | BOARD-MODULE,DC | 618561 |
| | 113737-01-702 | EA | PLUG1/8" F/PRESSURETAP | 61445322 |

GALLEYGROUP(CONTINUED)

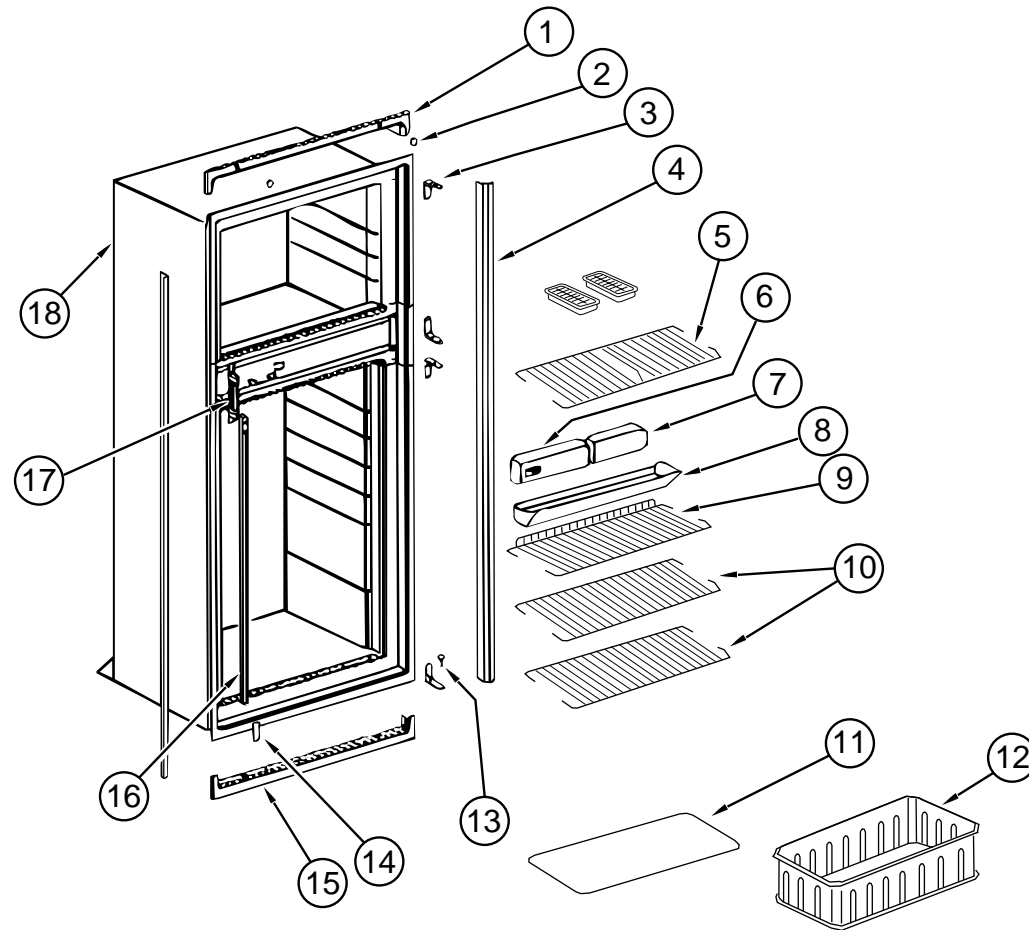


NORCOLDREFRIGERATORSMALLDOUBLEDOOR-MODEL9162L

| KEY | PARTNUMBER | U/M | DESCRIPTION | VENDORNO. |
|-----|---------------|-----|---------------------------------------|-----------|
| | 121568-02-01A | EA | REFRIG-SMALLDBLDRBL2-WAY-NORCOLD9162L | |
| 1 | 084880-03-705 | EA | BRACKET-LIGHT-INTERIOR | 61629722 |
| 2 | 084880-03-706 | EA | BULB-LAMP | 61628922 |
| 3 | 084880-03-707 | EA | COVER-LAMP,LENS | 61627922 |
| 4 | 120075-01-735 | EA | WIREASM.-LAMP | 618548 |
| 5 | 084880-01-760 | EA | CLIP(THERMISTER) | 61689122 |

GALLEYGROUP(CONTINUED)

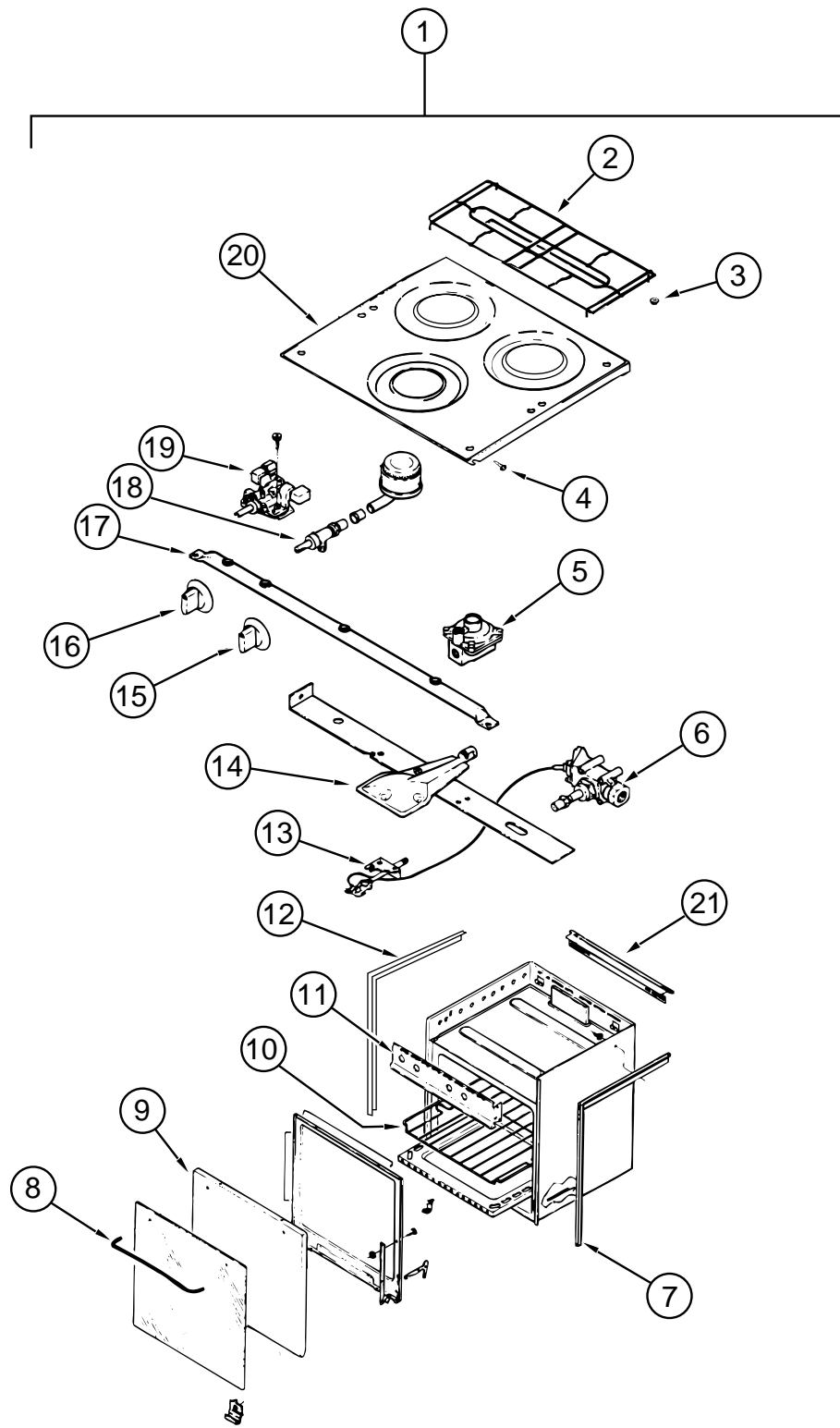
NORCOLDMODEL9162LREFRIGERATORCABINETASMWITHTRAY,TIEDOWNS&LEVEL



| KEY | PARTNUMBER | U/M | DESCRIPTION | VENDORNO. |
|-----|---------------|-----|--|-----------|
| | 121568-02-01A | EA | REFRIG-SMALLDBLDRBL2-WAY-NORCOLD9162L | |
| 1 | 120075-01-713 | EA | TRIM-TOPPIECE | 618124 |
| 2 | 120075-01-714 | EA | PLUG-HOLE | 618170 |
| 3 | 120075-01-715 | EA | HINGE-CABINETSIDE-PAINTED | 618512 |
| 4 | 120076-01-702 | EA | TRIM,SIDEPIECE | 618133 |
| 5 | 121568-01-705 | EA | SHELF-WIREFREEZER | 618620 |
| 6 | 121568-01-706 | EA | CONTROLBOXASSEMBLY | 618588 |
| | 120075-01-708 | EA | BUSHING-DOORHINGE | 618144 |
| 7 | 120075-01-718 | EA | BOX-FILLER | 618112 |
| 8 | 120075-01-720 | EA | TRAY-DRIP | 618137 |
| | 120075-01-721 | EA | LOUVER-DRIPTRAY | 618176 |
| 9 | 121568-01-707 | EA | SHELF-WIRE-SHORT | 618624 |
| 10 | 121568-01-708 | EA | SHELF-WIRE | 618589 |
| 11 | 120075-01-725 | EA | COVER-CRISPER | 618158 |
| 12 | 121568-01-709 | EA | CRISPER | 618571 |
| 13 | 120075-01-727 | EA | PIN-HINGE | 618145 |
| 14 | 120075-01-728 | EA | COVER-HINGEHOLE | 618171 |
| 15 | 120075-01-729 | EA | TRIM-BOTTOMPIECE | 618136 |
| 16 | 120075-01-730 | EA | RETAINER-SHELF | 618181 |
| 17 | 120075-01-732 | EA | PLATE-STRIKE | 618167 |
| 18 | 120076-01-703 | EA | CABINET-FOAMED | 618260 |
| | 120075-01-731 | EA | PLUG-FACADE | 618184 |
| | 093646-01-000 | EA | BRACKET-TIEDOWN/REFRIGERATOR-RIGHTHAND | |
| | 093646-02-000 | EA | BRACKET-TIEDOWN/REFRIGERATOR-LEFTHAND | |
| | 116751-01-01A | EA | TRAY-REFRIGERATORBLK | |
| | 054450-01-000 | EA | LEVEL-REFRIGERATOR | |

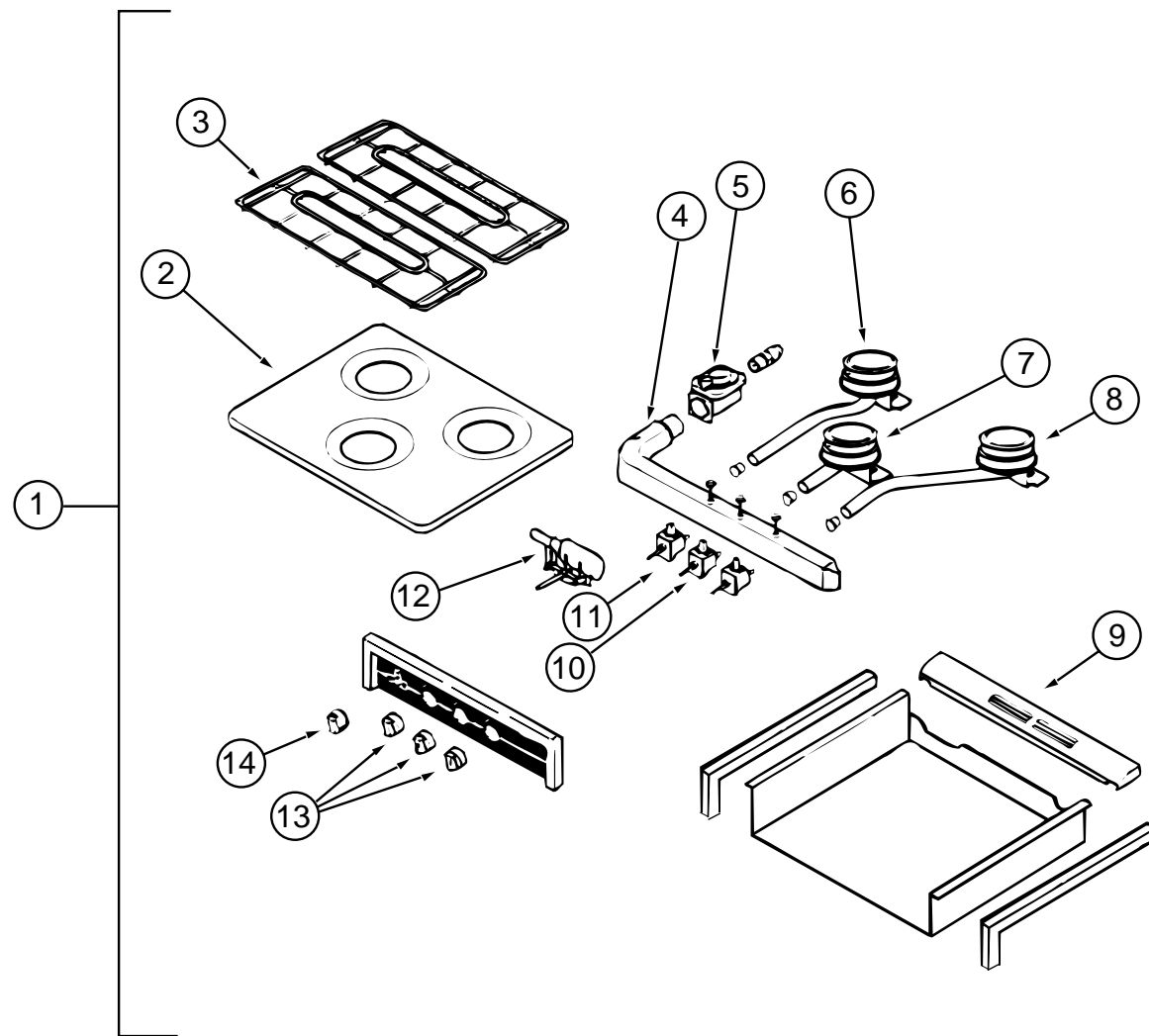
GALLEYGROUP(CONTINUED)

RANGE-3BURNERW/OVEN-MAGICCHEF-MODEL16RA-3B49



| KEY | PARTNUMBER | U/M | DESCRIPTION | VENDORNO. |
|-----|---------------|-----|--|---------------------|
| 1 | 112881-01-03A | EA | RANGE - 16", 3BURNER - ALMOND - BLACKTEXTURED DOOR | |
| 2 | 102020-01-711 | EA | GRATE-TOP | 7518P012-60 |
| 3 | 102020-01-709 | EA | BUMPER-GRATE | 8007-P020-60 |
| 4 | 102020-01-724 | EA | BUMPER-MAINTOP | 8003P008-60 |
| 5 | 102022-01-708 | EA | REGULATOR, 1/4 & 1/2 OUT | 7510P041-60 |
| 6 | 112881-01-702 | EA | VALVE-MERCURY(SAFETYVALVE) | 7501P12160=74001018 |
| 7 | 112881-01-720 | EA | TRIM-FLATRHBLACKTEXTURED | 74002812 |
| 7 | 112881-01-708 | EA | TRIM-FLAT(RIGHT)(BLK) | 3608W036-70 |
| 8 | 102020-01-701 | EA | HANDLE, DOOR | 7701P092-60 |
| 9 | 112881-01-713 | EA | DOOR-OVEN-TEXTURED, BLACK | 2401F126-70 |
| 10 | 102020-01-700 | EA | SHELF-OVEN | 7801-P027-60 |
| 11 | 112881-01-701 | EA | PANEL-MANIFOLD | 2616F091-70 |
| 12 | 112881-01-719 | EA | TRIM-FLATLHBLACKTEXTURED | 74002813 |
| 12 | 112881-01-707 | EA | TRIM-FLAT(LEFT)(BLK) | 3608W035-70 |
| 13 | 112881-01-710 | EA | OVENPILOT | 7505P202-60 |
| 14 | 112881-01-711 | EA | BURNER-OVEN | 3403W025045 |
| 15 | 112881-01-705 | EA | KNOB-TOPBURNER | 7733P072-60 |
| 15 | 112881-01-718 | EA | KNOB, HIGH OUTPUT (FLAME IND) | 74001794 |
| 16 | 112881-01-704 | EA | KNOB-THERMOSTAT | 7731P067-60 |
| 16 | 112881-01-706 | EA | THERMOSTAT SER#02C | 7515P031-60 |
| 16 | 112881-01-716 | EA | KNOB, THERMOSTAT-SER#3C | 7731P107-60 |
| 17 | 112881-01-709 | EA | PIPE-MANIFOLD | 7513P097-60 |
| 18 | 102020-01-722 | EA | VALVE-TOPBURNER | 7502P181-60 |
| 18 | 112881-01-703 | EA | VALVE-TOPBURNERHI-OUTPUT | 7502P180-60 |
| 19 | 112881-01-706 | EA | THERMOSTAT | 12400026 |
| 19 | 112881-01-715 | EA | THERMOSTAT, REF. SER.#3C | 7515P037-60 |
| 20 | 112881-01-700 | EA | RANGE-TOP, 3BURNER, ALMOND | 2001F110-84 |
| 21 | 112881-01-721 | EA | DEFLECTOR FLUE BLACKTEXTURED | |
| | 105458-01-000 | EA | TIEDOWN BRACKET-STOVE-RH | |
| | 105458-02-000 | EA | TIEDOWN BRACKET-STOVE-LH | |

GALLEYGROUP(CONTINUED)



3BURNERRANGE-ATWOOD-MODELC-36-JAPANEXPORT

| KEY | PARTNUMBER | U/M | DESCRIPTION | VENDORNO. |
|-----|---------------|-----|--------------------------------------|-----------|
| 1 | 121757-01-01A | EA | RANGETOP-3BURNERBLKHIGH-ATWOODC-37BP | |
| 2 | 121758-01-714 | EA | RANGE-TOP,ALMOND | 53082 |
| 3 | 107246-01-701 | EA | GRATE-BURNER | 53050 |
| | 107323-01-711 | EA | CUSHION-GRATE,RUBBER | 53008 |
| | 107323-01-716 | EA | CLIP-GRATE,GREEN | 50005 |
| 4 | 121757-01-700 | EA | MANIFOLD-3BURNER | 56072 |
| 5 | 106689-01-704 | EA | REGULATOR-EXTREMEPRESSURE | 51062 |
| 6 | 121758-01-707 | EA | BURNERLEFTREARPZO | 56066 |
| 7 | 121758-01-708 | EA | BURNERCENTER(HIGHOUTPUT) | 56068 |
| 8 | 121758-01-706 | EA | BURNERRIGHTREARPZO | 56067 |
| 9 | 107323-01-705 | EA | TRIM-VENT | 53525 |
| 10 | 121758-01-705 | EA | VALVEHIGHOUTPUT | 56087 |
| 11 | 121758-01-710 | EA | VALVE,BURNER(2) | 56086 |
| 12 | 121758-01-701 | EA | IGNITORPIEZO(ROTARY) | 56096 |
| 13 | 121758-01-712 | EA | KNOB,BURNER(3) | 56093 |
| 14 | 121758-01-700 | EA | KNOB-TURNTYPE/PIEZOIGNITOR | 56095 |
| | 121758-01-702 | EA | ELECTRODEWIRE/PIEZOIGNITOR | 56097 |
| | 121758-01-704 | EA | INSERTPIEZO | 56098 |
| | 081587-03-000 | EA | BRACKET-TIEDOWN,RANGE-RIGHT | |
| | 081587-04-000 | EA | BRACKET-TIEDOWN,RANGE-LEFT | |

GENERATORGROUP

4.0KWMICROLITEGENERATOR-US&CANADIAN

| KEY | PARTNUMBER | U/M | DESCRIPTION |
|-----|---------------|-----|--|
| | 109982-03-000 | EA | GENERATOR,4.0MICROLITE,ONAN#KY-FA/2600B |
| | 007125-03-000 | EA | CLAMP-MUFFLER,1.5"DIA |
| | 007125-04-000 | EA | CLAMP-MUFFLER,1.1"DIA |
| | 105958-10-000 | EA | PIPE-EXHAUST,GENERATOR |
| | 007067-01-000 | SF | INSULATION-FIBERGLASS,1"THICKX4'-INCREMENTSOF4SF |
| | 007161-01-000 | EA | CLAMP-HOSE,SPRINGTYPE-112 |

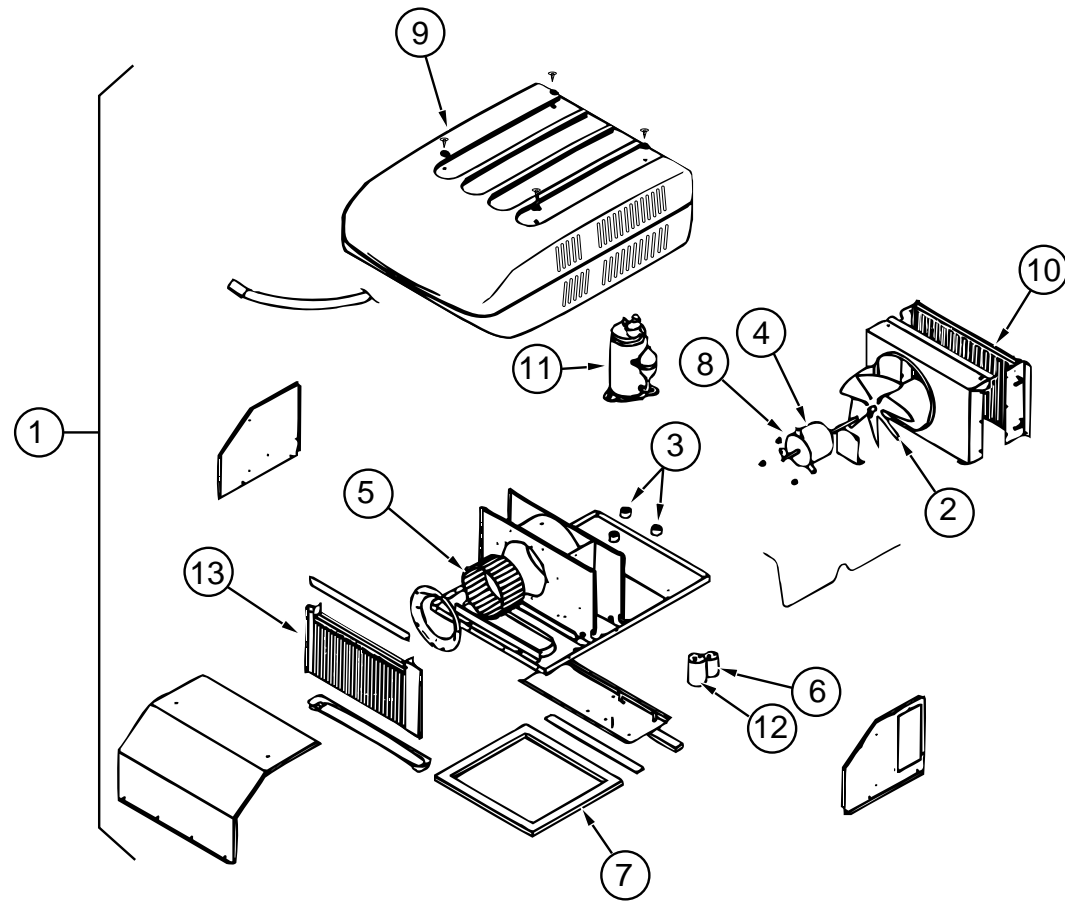
4.0KWMICROLITEGENERATOR-JAPANOPTION

| KEY | PARTNUMBER | U/M | DESCRIPTION |
|-----|---------------|-----|--|
| | 109982-06-000 | EA | GENERATOR-4.0MICROLITEONANKY-FR/11429E |
| | 007067-01-000 | SF | INSULATION-FIBERGLASS,1"THICKX4'-INCREMENTSOF4SF |
| | 115716-02-000 | EA | PIPE-EXHAUST,GENERATOR,LH |
| | 007125-03-000 | EA | CLAMP-MUFFLER,1.5"DIA |
| | 007125-04-000 | EA | CLAMP-MUFFLER,1.1"DIA |
| | 007161-01-000 | EA | CLAMP-HOSE,SPRINGTYPE112 |

NOTE:ADDITIONALGENERATORCOMPONENTSAREFOUNDINTHECHASSISGROUP

HEATING&AIRCONDITIONINGGROUP

ROOFA/C-13,500BTU-COLEMAN-MODEL-TSRHO

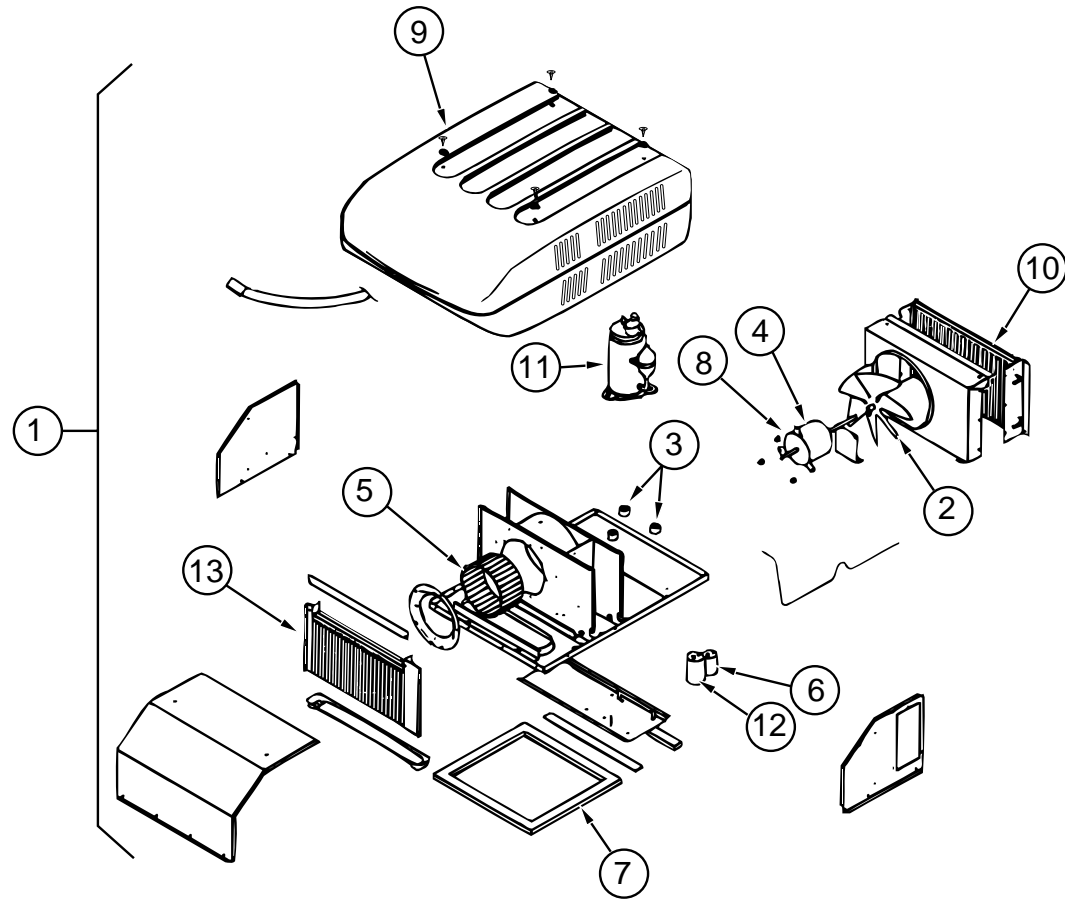


| KEY | PARTNUMBER | U/M | DESCRIPTION | VENDORNO. |
|-----|---------------|-----|----------------------------------|-----------|
| 1 | 108889-01-05A | EA | A/C-ROOF,13,500TSRHOBRIGHTWHITE- | 7333A886 |
| | 102289-01-000 | EA | SPRING-SCREW,ROOFA/CGASKET | 6757-150 |
| 2 | 093763-01-712 | EA | BLADE-FAN-CONDENSER | 6733-3221 |
| 3 | 105620-01-706 | EA | MOUNTINGPKG.,COMP.,3PER | 6759-3081 |
| 4 | 108889-01-705 | EA | MOTOR(115,60HZ) | 1468-3049 |
| 5 | 108889-01-706 | EA | IMPELLOR | 1472-1041 |
| 6 | 093763-01-704 | EA | CAPACITOR-FAN | 1499-5461 |
| | 108889-01-710 | EA | PAD-FILLER,CONDENSERSEAL | 6759A3971 |
| 7 | 108889-01-711 | EA | GASKETPKG | 6792-3301 |
| 8 | 108889-01-715 | EA | MOTORMOUNT&SHAFTSEALKIT | 6792-3361 |
| 9 | 108889-05-700 | EA | SHROUD-BRIGHTWHITEW/OLOGO | 7333-4601 |
| 10 | 108889-01-703 | EA | COIL-CONDENSER | 1452A1301 |
| 11 | 105620-01-704 | EA | COMPRESSOR-TECUMSEH,RH&LH | 1450-2009 |
| 12 | 108889-01-707 | EA | CAPACITOR-RUN,COMP-25MFD/370 | 1499-5661 |
| | 091225-01-709 | EA | RELAY-START | 1497-4131 |
| 13 | 108889-01-709 | EA | COIL-EVAPORATOR | 1452A1311 |
| | 091225-01-710 | EA | CAPACITOR-START | 1497-0881 |
| | 108889-01-720 | EA | TUBE-CAP | 6792-1351 |
| | 108889-01-704 | EA | OVERLOAD(MRA#98693) | 6749-3541 |
| | 108889-01-712 | EA | LINE-SUCTION,REDUCER3/8X1/2 | 1215-2161 |
| | 108889-01-713 | EA | LINE-SUCTION,3/8ODX032WALL | 6792-130 |
| | 108889-01-714 | EA | LINEASSEMBLY-DISCHARGE | 6792-531 |
| | 093306-01-701 | EA | DECALPACKAGE,LEFT&RIGHT | 6798B3591 |

HEATING&AIRCONDITIONINGGROUP(CONTINUED)

HEATING&AIRCONDITIONINGGROUP(CONTINUED)

CEILINGA/C-COLEMAN



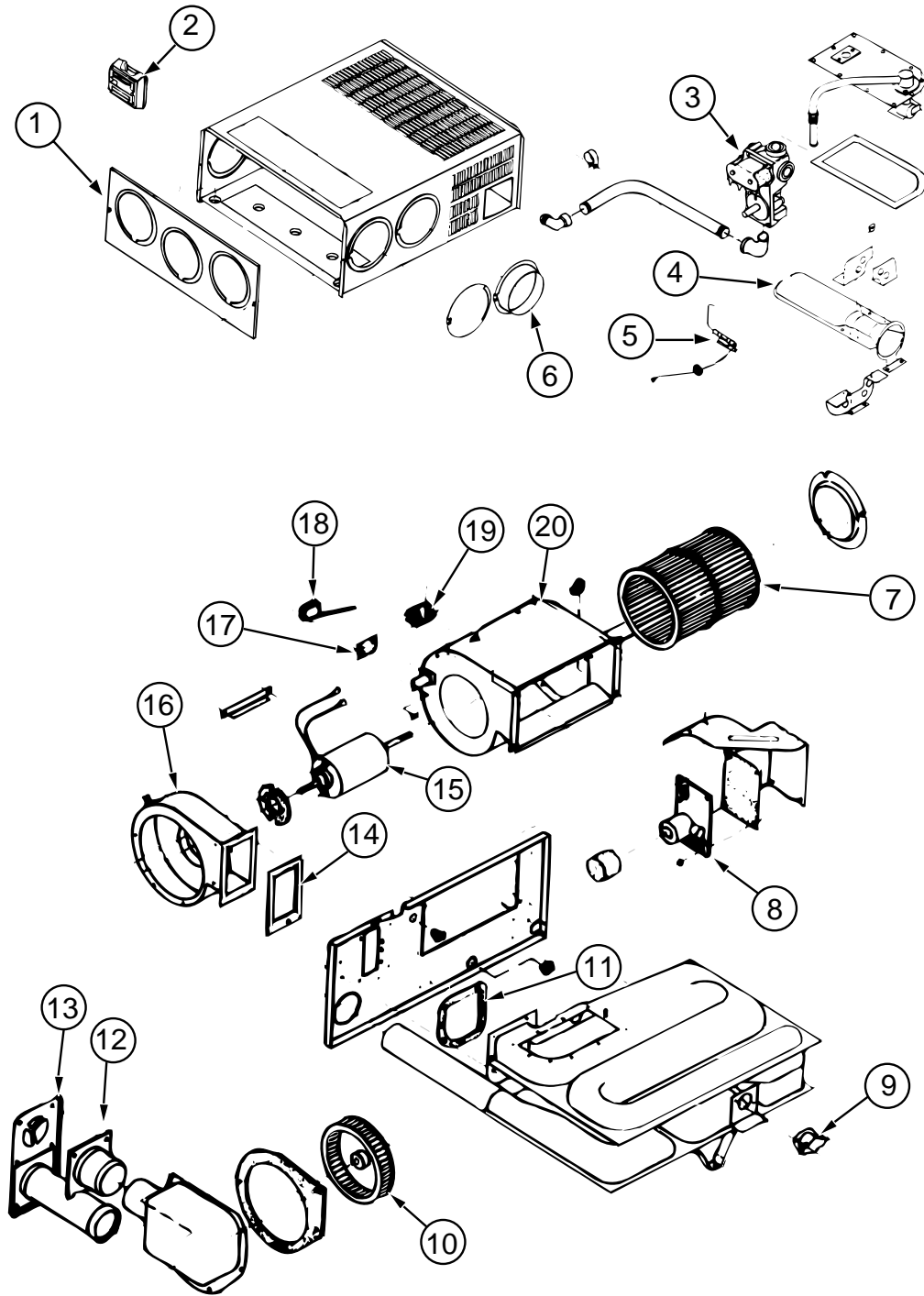
A/C-13,500BTU-EUROPE-COLEMAN-MODELTSR220

| KEY | PARTNUMBER | U/M | DESCRIPTION | VENDORNO. |
|-----|---------------|-----|--|-----------|
| | 108891-01-02A | EA | CEILINGASM-A/C COOLTSRHO-COLEMAN7330-713WH | |
| | 042204-01-709 | EA | THERMOSTAT-IN64OUT58 | 6701-3401 |
| | 073742-01-701 | EA | SELECTORSWITCH-5TERMINAL | 6759-3251 |
| | 073742-01-702 | EA | DECALCOOLONLY | 6759C3431 |
| | 108891-01-703 | EA | SHROUD-CEILINGWHITE | 6769-5051 |
| | 091225-01-713 | EA | KNOB-2PERPACKAGE | 6701-3351 |
| | 091225-01-717 | EA | DECAL-THERMOSTAT,COOLONLY | 6799A3441 |
| | 093766-02-701 | EA | DECAL-LEFTSIDE | 6799-3971 |
| | 108891-01-700 | EA | SINGLEPARTSPACKAGE-KNOBS&NUTS | 6792-5991 |
| | 108891-01-701 | EA | RETAINERCLIPS-FILTER,6PER | 6799-3141 |
| | 108891-01-702 | EA | COLLAR-DUCT,W/METALFLANGE | 6792-4541 |
| | 076303-01-717 | EA | FILTER | |
| | 022756-03-000 | EA | COVER-A/CPLASTIC | |
| | 022756-02-000 | EA | COVER-PROTECTIVE,5.5"ENDSx8.2" | |
| | 084077-03-000 | EA | COVER-BLANK,ROOFA/C-5.2"X3.5"-IVORY | |

| KEY | PARTNUMBER | U/M | DESCRIPTION | VENDORNO. |
|-----|---------------|-----|----------------------------------|-----------|
| 1 | 108889-02-03A | EA | AIRCONDITIONER-13,500BTU/220VOLT | |
| 2 | 093763-01-712 | EA | BLADE-FAN-CONDENSER | 6733-3221 |
| 3 | 105620-01-706 | EA | MOUNTINGPKG.,COMP.,3PER | 6759-3081 |
| 4 | 108889-02-701 | EA | MOTOR | 1468-3059 |
| 5 | 108889-01-706 | EA | IMPELLOR | 1472-1041 |
| 6 | 093763-01-704 | EA | CAPACITOR-FAN | 1499-5461 |
| | 108889-01-710 | EA | PAD-FILLER,CONDENSERSEAL | 6759A3971 |
| 7 | 108889-01-711 | EA | GASKETPKG | 6792-3301 |
| 8 | 108889-01-715 | EA | MOTORMOUNT&SHAFTSEALKIT | 6792-3361 |
| 9 | 108889-05-700 | EA | SHROUD-BRIGHTWHITEW/OLOGO | 7333-4601 |
| 10 | 108889-01-703 | EA | COIL-CONDENSER | 1452A1301 |
| 11 | 108889-02-700 | EA | COMPRESSOR-TECUMSEH | 1450A2029 |
| 12 | 108889-01-707 | EA | CAPACITOR-RUN,COMP-25MFD/370 | 1499-5661 |
| | 108889-02-703 | EA | RELAY-START | 1497-4141 |
| 13 | 108889-01-709 | EA | COIL-EVAPORATOR | 1452A1311 |
| | 108889-02-702 | EA | CAPACITOR-START | 1497-0891 |
| | 105620-01-705 | EA | PROTECTOR-OVERLOAD,RH&LH | 6759-3791 |
| | 108889-01-713 | EA | LINE-SUCTION,3/8ODX032WALL | 6792-130 |
| | 108889-01-714 | EA | LINEASSEMBLY-DISCHARGE | 6792-531 |
| | 093306-01-701 | EA | DECALPACKAGE,LEFT&RIGHT | 6798B3591 |

HEATING & AIR CONDITIONING GROUP (CONTINUED)

FURNACE-25,000 BTU-SUBURBAN-MODEL SF-25

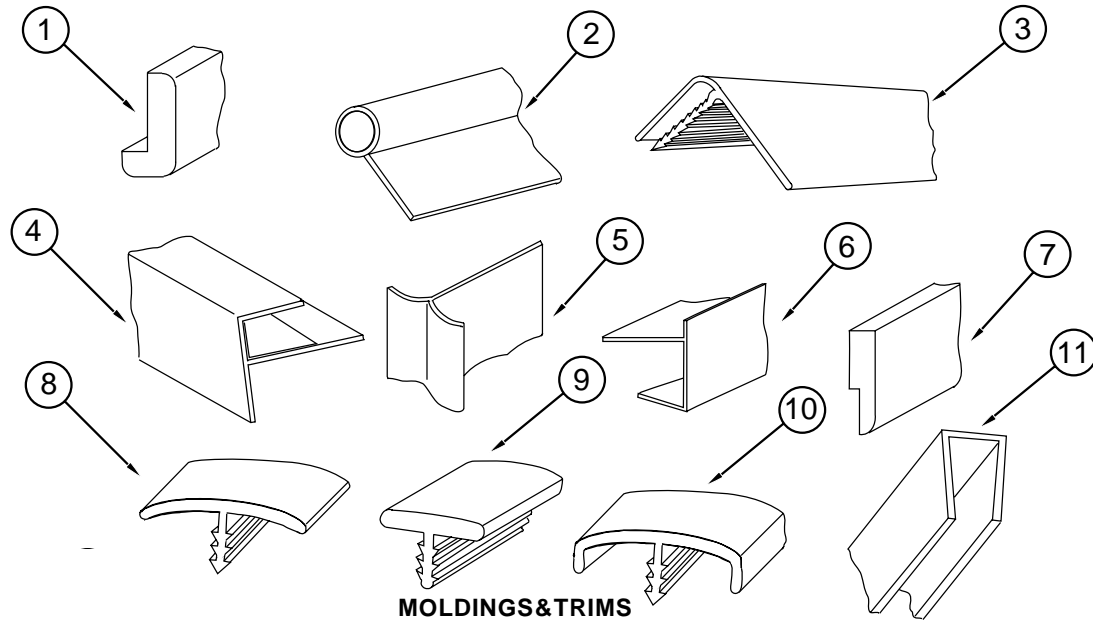


| KEY | PARTNUMBER | U/M | DESCRIPTION | VENDOR NO. |
|-----|---------------|-----|------------------------------------|------------|
| | 098668-19-000 | EA | FURNACE-25000BTU SUBURBANSF-252272 | |
| 1 | 098668-01-700 | EA | CABINETFRONT | 101242 |
| 2 | 115764-01-01A | EA | THERMOSTAT-FURNACE, SUBURBAN160902 | |
| 3 | 098668-01-714 | EA | VALVE-GAS, SFS.N.921401821 | 161070 |
| 4 | 098668-01-703 | EA | BURNERASSEMBLY | 010762 |
| 5 | 098668-01-715 | EA | ELECTRODEASM., SINGLEPROBE | 232166 |
| 6 | 075696-02-703 | EA | COLLAR-DUCT | 050715 |
| 7 | 098668-01-711 | EA | WHEEL-BLOWER, ROOMAIR | 350129 |
| 8 | 098668-01-712 | EA | BOARD-MODULE | 520741 |
| 9 | 098668-21-701 | EA | SWITCH-LIMIT | 231799 |
| 10 | 098668-01-706 | EA | WHEEL-COMBUSTIONAIR | 350128 |
| 11 | 098668-01-716 | EA | GASKET-FIREWALL, CHAMBERSIDE | 070808 |
| 12 | 098668-01-713 | EA | TUBEASSEMBLY, INTAKE | 051248 |
| 13 | 098668-01-707 | EA | TUBEASSEMBLY, EXHAUSTW/CAP | 260231 |
| 14 | 098668-01-717 | EA | GASKET-FIREWALL, BLOWERSIDE | 070809 |
| 15 | 098668-01-709 | EA | MOTORASM., F/SF-25, SF-30 | 231706 |
| 16 | 098668-01-708 | EA | HOUSING-BLOWER, COMBUSTION | 390441 |
| 17 | 101990-01-714 | EA | GASKET-MICROSWITCH | 230877 |
| 18 | 098668-21-700 | EA | SWITCH-MICRO, W/OFLAG31/4" | 232261 |
| 19 | 074466-01-702 | EA | RELAY, TIMEDELAY | 230625 |
| 20 | 098668-01-710 | EA | HOUSING-BLOWER, ROOMAIR | 390440 |
| | 090039-01-703 | EA | ORIFICE-MAINBURNER | 180193 |
| | 098668-23-000 | EA | DOOR-ACCESS-FURNACE | |

FURNACE-30,000 BTU SUBURBAN-MODEL SF-30-JAPANEXPORT

| KEY | PARTNUMBER | U/M | DESCRIPTION | VENDOR NO. |
|-----|---------------|-----|---|------------|
| | 098668-20-000 | EA | FURNACE-30,000BTU | |
| 1 | 098668-01-700 | EA | CABINETFRONT | 101242 |
| 2 | 115764-01-01A | EA | THERMOSTAT-FURNACE 160902 | |
| 3 | 098668-01-714 | EA | VALVE-GAS | 161070 |
| 4 | 098668-02-700 | EA | BURNERASSEMBLY-COMPLETE | 010745 |
| 5 | 098668-01-715 | EA | ELECTRODEASSEMBLY-SINGLEPROBE | 232166 |
| 6 | 075696-02-703 | EA | COLLAR-DUCT | 050715 |
| 7 | 098668-01-711 | EA | WHEEL-ROOMAIR | 350123 |
| 8 | 098668-01-712 | EA | BOARD-MODULE | 231741 |
| 9 | 098668-21-701 | EA | SWITCH-LIMIT | 231799 |
| 10 | 098668-01-706 | EA | WHEEL-COMBUSTIONAIR | 350122 |
| 11 | 098668-01-716 | EA | GASKET-FIREWALL, CHAMBERSIDE | 070808 |
| 12 | 098668-01-713 | EA | TUBEASM-INTAKEVENT | 051248 |
| 13 | 098668-01-707 | EA | VENTCAP&EXHAUSTTUBEASSEMBLY | 260193 |
| 14 | 098668-01-717 | EA | GASKETFIREWALL-BLOWERSIDE | 070809 |
| 15 | 098668-01-709 | EA | MOTORASSEMBLY | 231706 |
| 16 | 098668-01-708 | EA | BLOWERASSEMBLY-COMBUSTIONAIR | 390441 |
| 17 | 101990-01-714 | EA | GASKET-MICROSWITCH | 230877 |
| 18 | 098668-21-700 | EA | MICROSWITCH-W/OFLAG, 31/4" | 232261 |
| 19 | 074466-01-702 | EA | RELAY-TIMEDELAY | 230625 |
| 20 | 098668-01-710 | EA | BLOWERASSEMBLY-ROOMAIR | 390440 |
| | 092300-02-701 | EA | ORIFICE-MAINBURNER | 180214 |
| | 098668-23-000 | EA | DOOR-ACCESS-FURNACE | |
| | 009198-01-000 | FT | DUCT-HEAT, FLEXIBLE-4"ID X25FT | |
| | 009200-01-000 | EA | TAPE-FURNACE, 11/2" | |
| | 069636-02-000 | EA | CONNECTOR-DUCT, 4"ID-SUBURBAN050715 | |
| | 089367-01-000 | EA | TEE-4"OD, 7"LONG-METAL | |
| | 056464-10-000 | EA | REGISTER-W/ODAMPER, 4"DIAMETER-DURA-BEIGE | |
| | 093614-01-02A | EA | GRILLE-RETURNAIR, DURABEIGE | |

INTERIORFINISHGROUP



MOLDINGS&TRIMS

| KEY | PARTNUMBER | U/M | DESCRIPTION |
|-----|---------------|-----|--|
| 1 | 077840-01-G01 | EA | MOLDING-CAP-WALL-8' |
| 2 | 009767-12-000 | FT | MOLDING-SIDEWALLTOCEILING/CABINET-WELTING-OFFWHITE |
| 3 | 009809-23-000 | EA | MOLDING-CORNER-OUTSIDE-1"X84"-IVORYPLASTIC |
| 3 | 009809-28-000 | EA | MOLDING-CORNER-OUTSIDE-1"X84"-WATERFORDOAK |
| 4 | 009812-29-000 | EA | MOLDING-PLASTIC-OUTSIDECORNER-.50"-WATERFORDOAK |
| 4 | 009812-24-000 | EA | MOLDING-PLASTIC-OUTSIDECORNER-.50"-IVORY |
| 5 | 022992-11-000 | FT | MOLDING-REVERSECOVE-T-SHAPEDVINYL-IVORY |
| 5 | 022992-12-000 | FT | MOLDING-REVERSECOVE |
| 6 | 103186-01-05A | FT | MOLDING-SHELFEDGE-.78"PLASTIC-WATERFORDOAK |
| 7 | 105004-01-05A | EA | MOLDING-VINYLRAPPED-1"X8'WATERFORDOAK |
| 8 | 009815-09-000 | FT | MOLDING-T-.75"IVORY |
| 9 | 104676-01-01A | FT | T-MOLDING-5/16"-RIGIDGOLD |
| 10 | 104676-02-04A | FT | T-MOLDING-1/2"X10'WATERFORDOAK |
| 10 | 083620-09-000 | FT | T-MOLDING,3/4W/EDGELIPS-MODERNIVORY |
| 10 | 083620-12-000 | FT | MOLDING-T-.75"-W/EDGELIPS-WATERFORDOAK |
| 10 | 119520-01-01A | FT | T-MOLDING-1"W/EDGELIPS(OFF/WHITE-CREAM) |
| 11 | 009778-21-000 | FT | U-CHANNEL-1"X96"-INCREMENTS-PLASTIC |
| 11 | 070504-36-000 | FT | U-CHANNEL-EXTRUDEDPLASTIC-.65"X72"-WATERFORDOAK |
| 11 | 070504-37-000 | FT | U-CHANNEL-EXTRUDEDPLASTIC-.81"X84"-WATERFORDOAK |
| | 117267-D2-438 | EA | LUMBER-018X038X2438MMVINYL-WRAPPEDWATERFORD |
| | 117267-E2-438 | EA | LUMBER-VINYLRAPPED-.7"X2"X8' |
| | 117267-G2-438 | EA | LUMBER-VINYLRAPPED-.7"X3"X8' |
| | 117268-D2-134 | EA | MOLDING-VINYLRAPPED-.7"X1.6"X7'WATERFORD |
| | 117268-F2-438 | EA | MOLDING-VINYLRAPPED-.7"X2.6"X8'-WATERFORD |
| | 100818-01-05A | EA | MOLDING-VINYLRAPPED-1.65"X.4"X7'WATERFORDOAK |
| | 100819-01-05A | EA | MOLDING-VINYLRAP-DOOR-WATERFORDOAK |
| | 117268-F2-134 | EA | MOLDING-VINYLRAPPED.7"X2.6"X7'-WATERFORD |
| | 079653-28-000 | EA | MOLDING-BATTSTRIP,KERFED-WATERFORDOAK |
| | 081294-02-000 | EA | MOLDING-SHELF,NOTCHEDWOOD-8'LONG |
| | 009767-15-000 | FT | WELTING-WATERFORDOAK |
| | 076325-34-000 | FT | MOLDING-EDGE BAND-15/16"X.030"-ORCHIDMIST |
| | 076325-43-000 | FT | MOLDING-EDGE BAND-.876"X.024"-CLOUD(H04) |
| | 076325-38-000 | FT | MOLDING-EDGE BAND-.876"X.024"-NEUTRAL(H05) |
| | 076325-44-000 | FT | MOLDING-EDGE BAND-.876"X.024"-SAND(H24/H26) |
| | 076325-46-000 | FT | MOLDING-EDGE BAND-15/16"X.030"-CLOUD(H04) |
| | 076325-37-000 | FT | MOLDING-EDGE BAND-15/16"X.030"-NEUTRAL(H05) |
| | 076325-47-000 | FT | MOLDING-EDGE BAND-15/16"X.030"-SAND(H24/H26) |
| | 076325-67-000 | FT | MOLDING-EDGE BAND-.93"X.024"WATERFORDOAK |
| | 076325-68-000 | FT | MOLDING-EDGE BAND-15/16"X.038-WATERORDOAK |
| | 100659-01-G09 | EA | MOLDING-TRIM,VINYLFLOOR |
| | 112198-02-000 | FT | MOLDING-#90066J-MOLDING-CRILAPLASTICS |
| | 075249-01-000 | EA | RAILING-OAK-72"UNFINISHED |
| | 093873-01-01A | EA | TRIM-CARPET-L-ANGLE1.1"X1.3"X12'-GRAYVINYL |
| | 085746-04-000 | FT | TRIM-J-CARPET1.2"X.5"ANGLE-12'LONG-OFFWHITE |

**INTERIORFINISHGROUP(CONTINUED)
BATTSTRIPS**

| KEY | PARTNUMBER | U/M | DESCRIPTION |
|-----|---------------|-----|---|
| | 088263-D8-000 | EA | BATTSTRIP-DECORATIVE-MICKENSIE/CREAM-8'LONG(H04) |
| | 088263-D7-000 | EA | BATTSTRIP-DECORATIVE-WINDY/WILLOW-8'LONG(H05) |
| | 088263-C7-000 | EA | BATTSTRIP-DECORATIVE-ETCHINGS/SAGE-8'LONG(H24/H26) |
| | 088263-D6-000 | EA | BATTSTRIP-DECORATIVE-IMPACTPEARL-8'LONG |
| | 069733-83-000 | EA | BATTSTRIP-WOODGRAINED/WATERFORDOAK-8'LONG |
| | 085284-D2-000 | FT | BATTTAPE-ADHESIVEBACKED-DECORATIVE-MICKENSIE/CREAM(H04) |
| | 085284-D1-000 | FT | BATTTAPE-ADHESIVEBACKED-DECORATIVE-WINDY/WILLOW(H05) |
| | 085284-C1-000 | FT | BATTTAPE-ADHESIVEBACKED-DECORATIVE-ETCHINGS/SAGE(H24/H26) |
| | 085284-C9-000 | FT | BATTTAPE-ADHESIVEBACKED-CEILING-IMPACTPEARL |
| | 085284-D6-000 | FT | BATTTAPE-ADHESIVEBACKED-DECORATIVE-EMBOSEDANTIQUE |
| | 085284-B5-000 | FT | BATTTAPE-ADHESIVEBACKED-WOODGRAINED/WATERFORDOAK |
| | 086229-01-000 | EA | RETAINER-BATTEN-.75"X92.24"-IVORY |
| | 086229-13-000 | EA | BATTEN-1"CEILINGMODERNIVORY |
| | 086229-20-000 | EA | BATTEN-1"CEILING,BEIGE |

PANELING,LAMINATES&PLASTIC

| KEY | PARTNUMBER | U/M | DESCRIPTION |
|-----|---------------|-----|---|
| | 074497-33-000 | SF | PANELING-CEILING-IMPACTPEARL-4'X9' |
| | 074497-28-000 | SF | PANELING-WATERFORDOAK-4'X8' |
| | 080215-10-000 | SF | PANELING-2SIDE-WATERFORD-4'X8' |
| | 088272-F6-000 | SF | PANELING-MCKENSIE/CREAM(H04) |
| | 088272-F5-000 | SF | PANELING-WINDY/WILLOW(H05) |
| | 088272-E8-000 | SF | PANELING-ETCHINGS/SAGE(H24/H26) |
| | 088272-G1-000 | SF | PANELING-PEBBLEEMBOSSANTIQUE-4'X7'-INCOF28SQFT |
| | 088272-98-000 | SF | PANELING-TRAVERTINE-ANT.WHITE-4'X7' |
| | 074498-62-000 | SF | LAMINATE-PLASTIC-GREYFINESSE-5'X8'INCOF40SF(H04) |
| | 074498-72-000 | SF | LAMINATE-PLASTIC-PEBBLESANTOS-5'X8'INCOF40SF(H05) |
| | 074498-54-000 | SF | LAMINATE-PLASTICSANDSPEKTRUM-5'X8'INCREMENTS40SF(H24/H26) |
| | 074498-67-000 | SF | LAMINATE-PLASTIC-ORCHIDMIST-60"X96" |
| | 074498-77-000 | SF | LAMINATE-PLASTICARTCABIN5'X8'INCOF40SQFT |
| | 000885-76-000 | SF | PARTICLEBOARD-3/8"X4'X8'WATERFORDOAKVINYL1SIDE |
| | 000885-77-000 | SF | PARTICLEBOARD-3/8"X4'X8'WATERFORDOAKVINYL2SIDED |
| | 000885-78-000 | SF | PARTICLEBOARD-1/2"X4'X8'WATERFORDOAK-VINYL2SIDE |
| | 000885-79-000 | SF | PARTICLEBOARD-3/4"X4'X8'WATERFORDOAKVINYL2SIDED |
| | 057882-04-000 | SF | TAMBOUR-48"X72"SHEET-UNFINISHED |
| | 000846-01-000 | SF | PLYWOOD-5/16"X4'X8' |
| | 000846-02-000 | SF | PLYWOOD-UNDR-5/16"X4'X8' |
| | 093743-05-01A | SF | PLASTIC-ABSCOIL-BRIGHTWHITE-20"X108" |

CARPETING&FLOORMATS

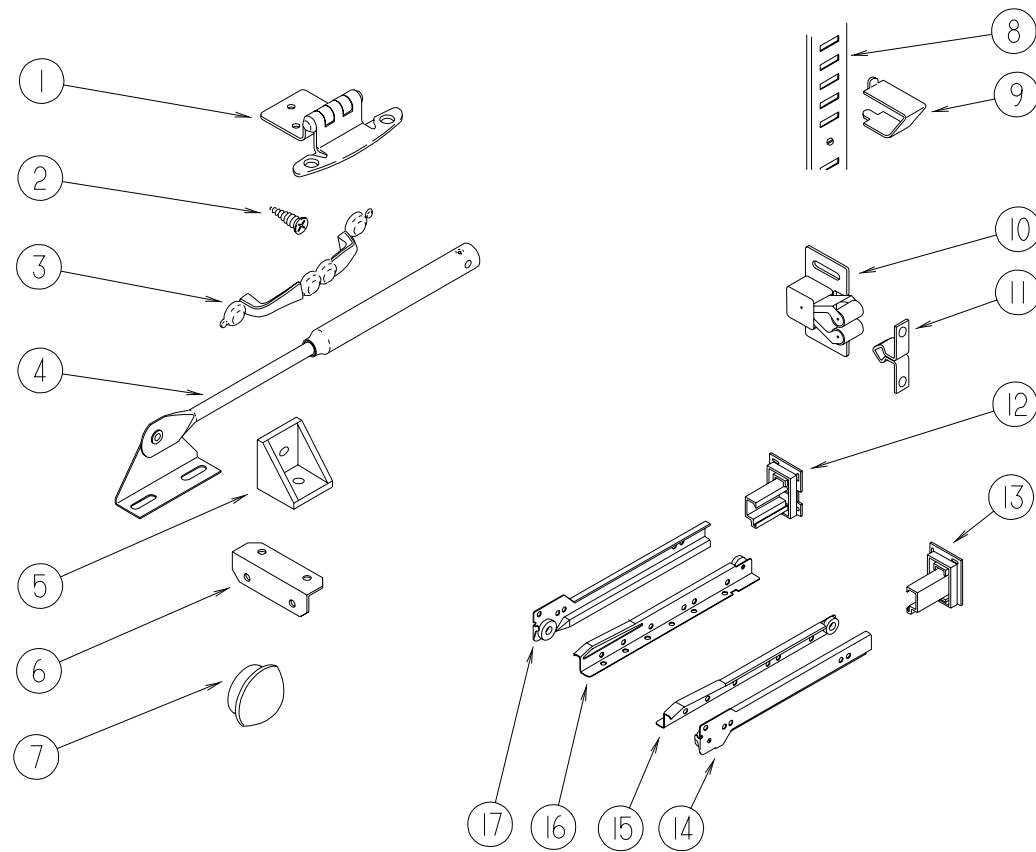
| KEY | PARTNUMBER | U/M | DESCRIPTION |
|-----|---------------|-----|--|
| | 096060-A8-000 | SY | CARPET-BLUELAGOON-INCREMENTSOF4SQYD(H04) |
| | 096060-99-000 | SY | CARPET-PARCHMENT-INCREMENTSOF4SQYD(H05) |
| | 096060-B2-000 | SY | CARPET-JUBLIATION-INCREMENTSOF4SQYD(H24) |
| | 096060-95-000 | SY | CARPET-DOESKIN-INCREMENTSOF4SQYD(H26) |
| | 093486-01-000 | SY | CARPET-COMPARTMENT,54"WIDE-DARKGRAY |
| | 106884-01-000 | EA | MAT-FLOOR-FRONTPASSENGER"W"-FORD |
| | 106884-02-000 | EA | MAT-FLOOR-FRONTDRIVER"W"-FORD |
| | 102569-04-000 | EA | MAT-ANTISLIP |

FIREEXTINGUISHER&DETECTORS

| KEY | PARTNUMBER | U/M | DESCRIPTION |
|-----|---------------|-----|--|
| | 072852-02-000 | EA | DETECTOR-SMOKE,W/9VOLT BATTERY-CANADIAN |
| | 072852-01-000 | EA | DETECTOR-SMOKE,W/9VOLT BATTERY-US |
| | 112320-03-000 | EA | DETECTOR-COGASMODEL9D-I |
| | 103613-02-000 | EA | DETECTOR-LPGAS |
| | 112320-04-000 | EA | BATTERY/SENSORMODULE-CO(BLACKMODULE)F/9D-ISYSTEM |
| | 094499-02-000 | EA | EXTINGUISHER-FIRE,DRY-1A10BC-CANADIAN |
| | 094499-01-000 | EA | EXTINGUISHER-FIRE,DRYW/MOUNTINGBRACKET-10BC |
| | 094499-01-700 | EA | BRACKETMTG.W/PLAS.STRAP 294039 |
| | 094499-01-701 | EA | STRAPONLY(METAL) 320351 |

INTERIORFINISHGROUP(CONTINUED)

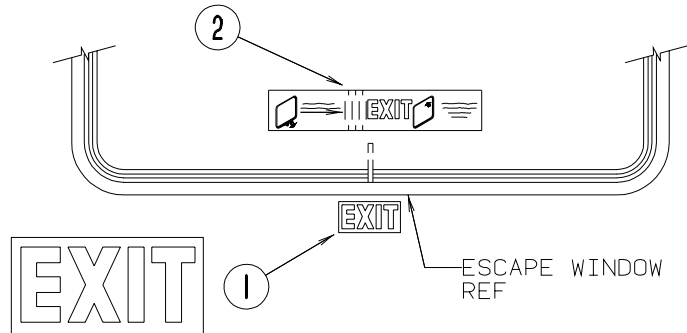
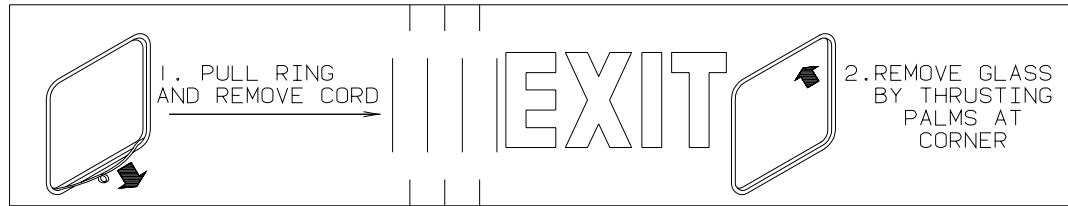
CABINETHARDWARE



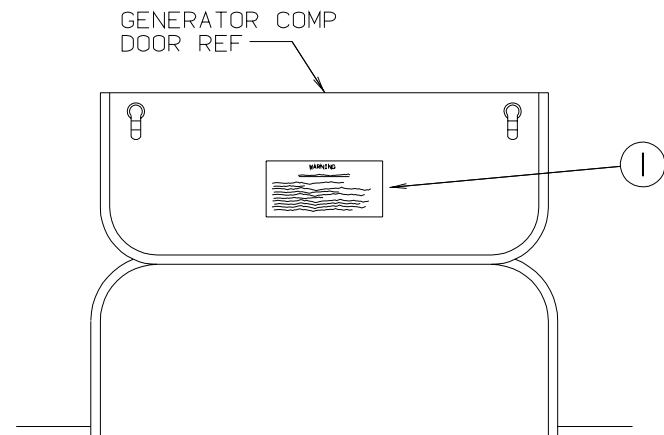
| KEY | PARTNUMBER | U/M | DESCRIPTION |
|-----|---------------|-----|--|
| 15 | 114031-04-000 | EA | SLIDE-12"-RIGHTSIDE/DRAWER |
| 15 | 114031-08-000 | EA | SLIDE-14"-RIGHTSIDE/DRAWER |
| 15 | 114031-12-000 | EA | SLIDE-16"-RIGHTSIDE/DRAWER |
| 15 | 114031-16-000 | EA | SLIDE-18"-RIGHTSIDE/DRAWER |
| 15 | 114031-20-000 | EA | SLIDE-20"-RIGHTSIDE/DRAWER |
| 16 | 114031-03-000 | EA | SLIDE-12"-LEFTSIDE/DRAWER |
| 16 | 114031-07-000 | EA | SLIDE-14"-LEFTSIDE/DRAWER |
| 16 | 114031-11-000 | EA | SLIDE-16"-LEFTSIDE/DRAWER |
| 16 | 114031-15-000 | EA | SLIDE-18"-LEFTSIDE/DRAWER |
| 16 | 114031-19-000 | EA | SLIDE-20"-LEFTSIDE/DRAWER |
| 17 | 114031-01-000 | EA | SLIDE-12"-LEFTSIDE/CABINET |
| 17 | 114031-05-000 | EA | SLIDE-14"-LEFTSIDE/CABINET |
| 17 | 114031-09-000 | EA | SLIDE-16"-LEFTSIDE/CABINET |
| 17 | 114031-13-000 | EA | SLIDE-18"-LEFTSIDE/CABINET |
| 17 | 114031-17-000 | EA | SLIDE-20"-LEFTSIDE/CABINET |
| | 004354-01-000 | EA | BUMPER-RUBBER,.5"DIA-BROWN |
| | 009112-01-000 | EA | FLANGE-1"CLOTHESROD-OFFWHITEPLASTIC |
| | 023320-01-000 | EA | PAD-FELT,3/8"DIAMETER-BROWN |
| | 041389-35-000 | EA | HINGE-PIANO,O/W,0787.4 |
| | 042438-01-000 | EA | DOWEL-WOOD,CLOTHESROD-1"DIAMETERX4' |
| | 042438-02-000 | EA | DOWEL-WOOD-2"X2" |
| | 076790-01-000 | EA | SCREW,6-20X1 1/4PPH-BLACK |
| | 076790-05-000 | EA | SCREW-6-20X1/2PPH-BLACK-THREADCUTTING,WOOD |
| | 079921-01-000 | EA | ROLLER-NYLON,W/STEELSHAFT-BARBED |
| | 084451-01-000 | EA | CATCH-TV SHELF-BRASS |
| | 102194-01-000 | EA | GUIDE-PLASTIC |
| | 103256-01-000 | EA | LATCH-SLIDE |

| KEY | PARTNUMBER | U/M | DESCRIPTION |
|-----|---------------|-----|--|
| 1 | 108138-01-000 | EA | HINGE-DOOR,CABINET-BURNISHEDBRASS |
| 2 | 000G13-06-10G | EA | SCREW-6-20X5/8PFH,ANTIQUEBRASS |
| 3 | 117801-01-01A | EA | PULL-CABINET,BRASS |
| | | | FROM: 00-00-00 THRU: 07-09-96 |
| 3 | 117800-01-01A | EA | PULL-CABINET,BRASS |
| | | | FROM: 07-10-96 THRU: 99-99-99 |
| 4 | 074493-02-000 | EA | SUPPORT-PISTONSRING,CABINETDOOR |
| 5 | 065740-01-000 | EA | BRACE-CABINETCORNER,PLASTIC |
| 6 | 016604-01-000 | EA | BRACE-CABINET,ANGLE-2.5"-UNPAINTED |
| 6 | 016604-05-000 | EA | BRACE-CABINET, LANGLE-2.5"-OFFWHITE |
| 7 | 074045-07-000 | EA | PLUG-WOOD,1/2" |
| 8 | 098980-01-000 | EA | PILASTER-ADJUSTABLESHELF,18"LONG-WOODGRAINAPPEARANCE |
| 9 | 098979-01-000 | EA | CLIP-ADJUSTABLESHELF |
| 10 | 093586-06-000 | EA | CATCH-SPRING,ROLLER-FASTECC411-AC |
| 11 | 093586-05-000 | EA | STRIKE-SPRINGSTEEL,FASTECS411-AC |
| 12 | 114045-01-000 | EA | BACKSOCKET-ADJUSTABLELEFT |
| 13 | 114045-02-000 | EA | BACKSOCKET-ADJUSTABLERIGHT |
| 14 | 114031-02-000 | EA | SLIDE-12"-RIGHTSIDE/CABINET |
| 14 | 114031-06-000 | EA | SLIDE-14"-RIGHTSIDE/CABINET |
| 14 | 114031-10-000 | EA | SLIDE-16"-RIGHTSIDE/CABINET |
| 14 | 114031-14-000 | EA | SLIDE-18"-RIGHTSIDE/CABINET |
| 14 | 114031-18-000 | EA | SLIDE-20"-RIGHTSIDE/CABINET |

LABELSGROUP



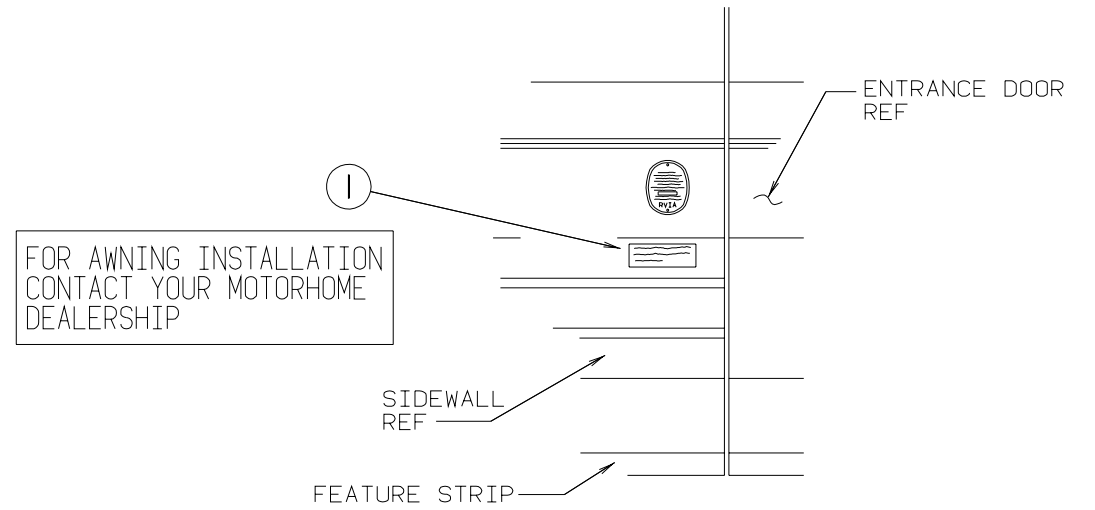
| KEY | PARTNUMBER | U/M | DESCRIPTION |
|-----|---------------|-----|-------------------------|
| 1 | 039290-01-000 | EA | LABEL-WARNING-EXIT |
| 2 | 107571-01-000 | EA | LABEL-EXIT-ESCAPEWINDOW |



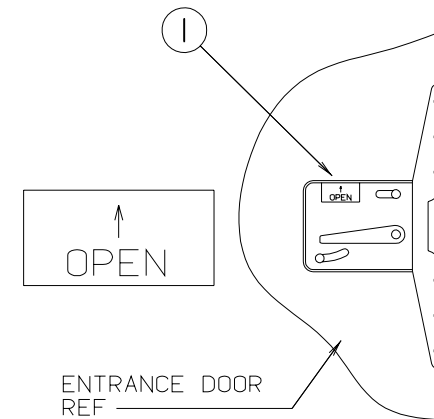
WARNING
WHEN ADDING A GENERATOR SET:
 HIGH VOLTAGE-USE EXTREME CAUTION WHEN WORKING ON ELECTRICAL COMPONENTS. HAVE ALL ELECTRICAL INSTALLATION PERFORMED BY A QUALIFIED LICENSED ELECTRICIAN-FOLLOW ALL STATE AND LOCAL CODES. ONLY INSTALL GENERATOR SET APPROVED FOR R.V. APPLICATION. HAVE INSTALLED BY QUALIFIED TECHNICIAN. TO AVOID HEAT BUILD-UP AND TO GUARANTEE AN ADEQUATE AIR SUPPLY TO THE GENERATOR CARBURETOR, FOLLOW INSTALLATION INSTRUCTIONS. GENERATOR ENGINE EXHAUST GASES ARE TOXIC AND MUST NOT TERMINATE UNDER THE VEHICLE-DISCHARGE EXHAUST AWAY FROM VEHICLE.

| KEY | PARTNUMBER | U/M | DESCRIPTION |
|-----|---------------|-----|---------------------|
| 1 | 077510-01-000 | EA | LABEL-GENERATORPREP |

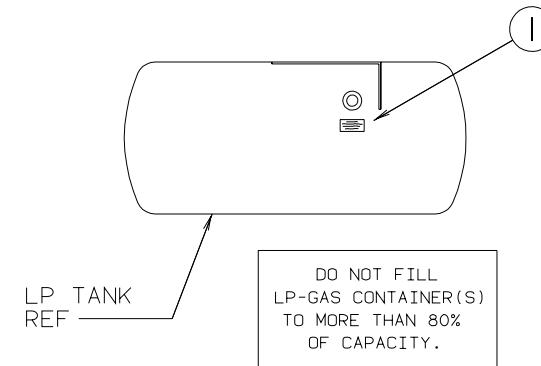
LABELSGROUP(CONTINUED)



| KEY | PARTNUMBER | U/M | DESCRIPTION |
|-----|---------------|-----|--------------------------|
| 1 | 099509-01-000 | EA | LABEL-AWNINGINSTALLATION |



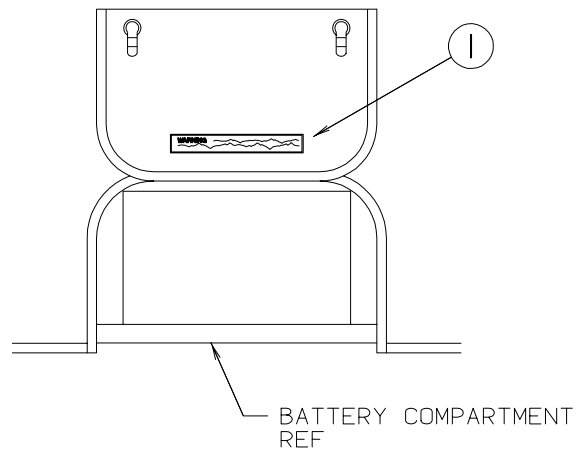
| KEY | PARTNUMBER | U/M | DESCRIPTION |
|-----|---------------|-----|---------------------------|
| 1 | 040944-01-000 | EA | LABEL-ENTRANCEDOOR-"OPEN" |



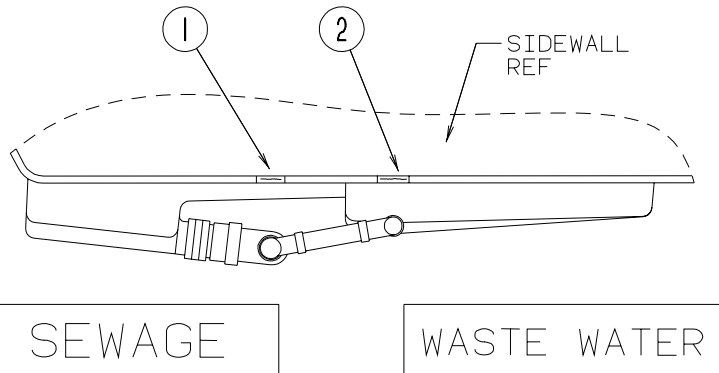
| KEY | PARTNUMBER | U/M | DESCRIPTION |
|-----|---------------|-----|-----------------------|
| 1 | 079965-01-000 | EA | LABEL-LPG,80%CAPACITY |

LABELSGROUP(CONTINUED)

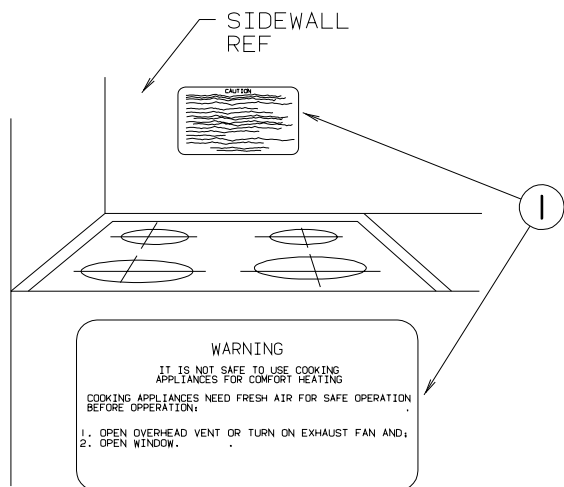
WARNING DISCONNECT BATTERIES BEFORE CONNECTING EXTERNAL CHARGING EQUIPMENT.



| KEY | PARTNUMBER | U/M | DESCRIPTION |
|-----|---------------|-----|-------------------------------|
| 1 | 065748-01-000 | EA | LABEL-CAUTION-BATTERYCHARGING |

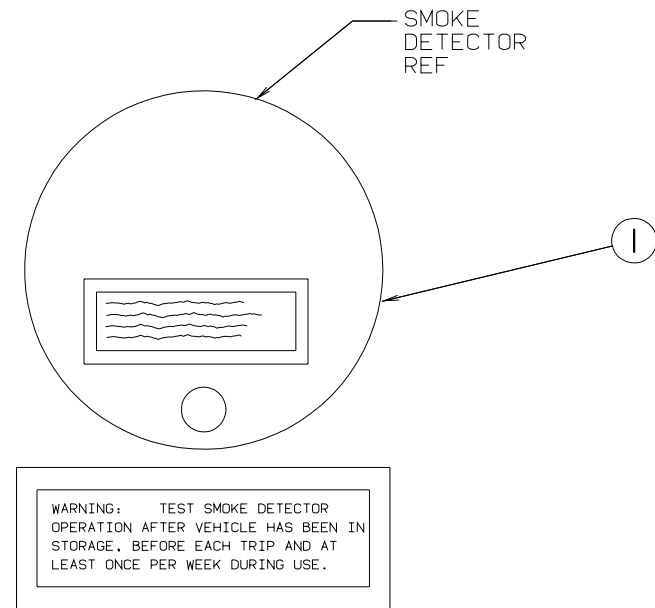


| KEY | PARTNUMBER | U/M | DESCRIPTION |
|-----|---------------|-----|------------------|
| 1 | 006187-01-000 | EA | LABEL-SEWAGE |
| 2 | 006188-01-000 | EA | LABEL-WASTEWATER |



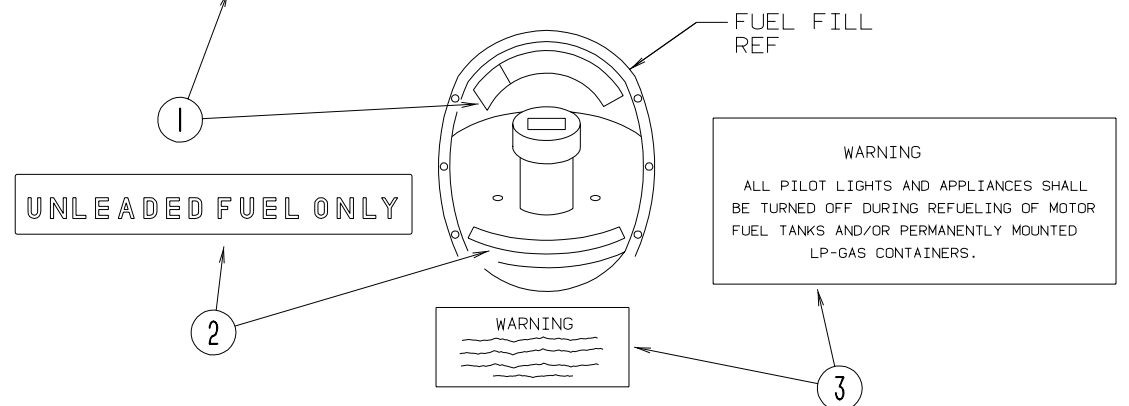
| KEY | PARTNUMBER | U/M | DESCRIPTION |
|-----|---------------|-----|----------------------------------|
| 1 | 050225-01-000 | EA | LABEL-WARNING,STOVEVENT-US |
| 1 | 050222-01-000 | EA | LABEL-WARNING,STOVEVENT-CANADIAN |

LABELSGROUP(CONTINUED)



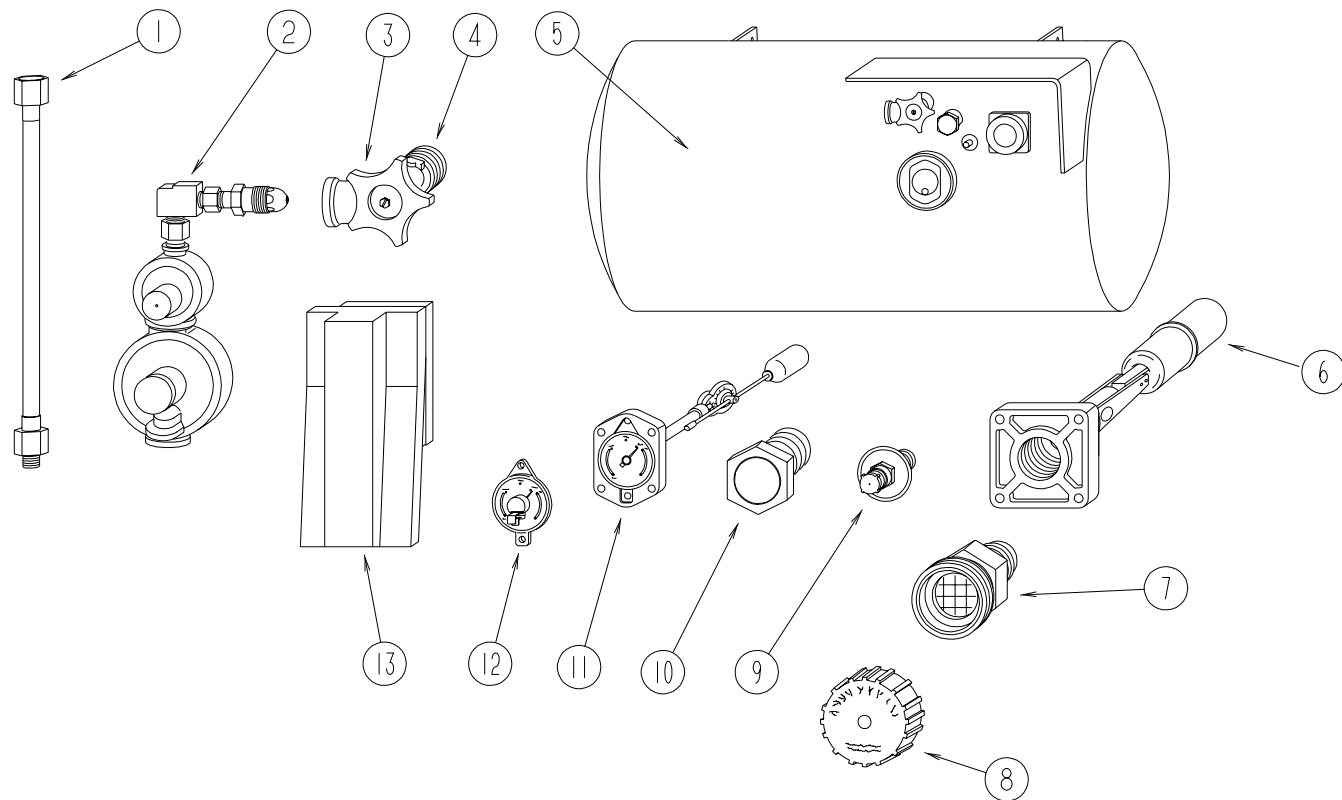
| KEY | PARTNUMBER | U/M | DESCRIPTION |
|-----|---------------|-----|-----------------------------|
| 1 | 077956-01-000 | EA | LABEL-WARNING-SMOKEDETECTOR |

| | |
|---|---|
| CAUTION | TO HELP AVOID PERSONAL INJURY DURING REMOVAL OF FUEL FILLER CAP, SLOWLY LOOSEN CAP 1/2 TURN TO ALLOW ANY FUEL PRESSURE TO BE RELIEVED BEFORE TURNING CAP FURTHER. |
| FUEL SPRAY MAY CAUSE PERSONAL INJURY | STOP ADDING FUEL AFTER FIRST SHUTOFF BY AUTOMATIC NOZZLE WHEN TANK IS NEARLY FULL. DO NOT OVERFILL FUEL TANK. SEE OWNERS MANUAL FOR ADDITIONAL INFORMATION. |
| | PRINTED IN U.S.A. MLC PT NO 15611763 |



| KEY | PARTNUMBER | U/M | DESCRIPTION |
|-----|---------------|-----|-----------------------------------|
| 1 | 087207-05-000 | EA | LABEL-FUELCAPREMOVAL |
| 2 | 062043-01-000 | EA | LABEL-FUEL-UNLEADED |
| 3 | 006040-01-000 | EA | TAG-GASREFUELINGWARNING |
| 3 | 006040-02-000 | EA | TAG-GASREFUELINGWARNING(CANADIAN) |

LPGROUP



LPTANK&COMPONENTS

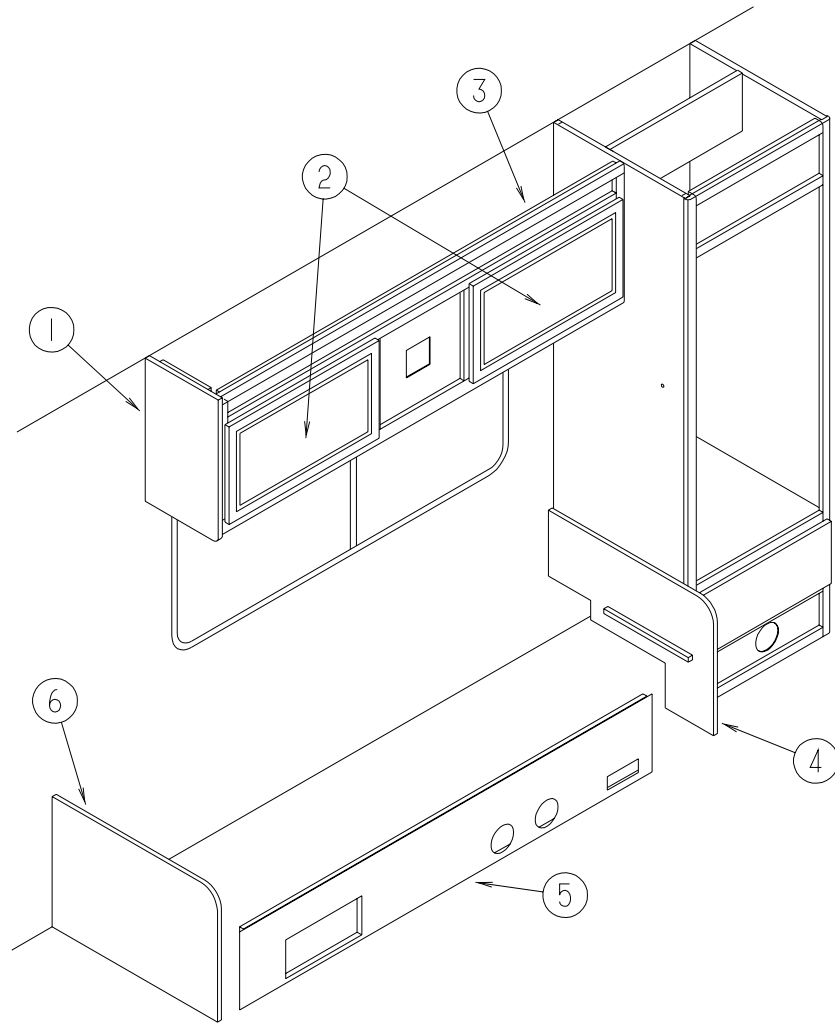
| KEY | PARTNUMBER | U/M | DESCRIPTION | VENDORNO. |
|-----|---------------|-----|--|-------------------------------|
| 1 | 045703-01-000 | EA | HOSE-LP, 3/8"ID X 24" - 3/8" MPT X 1/2" F SWIVEL - U.S. | |
| 1 | 045703-02-000 | EA | HOSE-LP, 3/8"ID X 24" - 3/8" MPT X 1/2" F SWIVEL - CANADA | |
| 2 | 106150-01-000 | EA | REGULATOR-TWOSTAGE M'BRASS 290-303 | |
| 3 | 040421-01-708 | EA | HANDWHEEL-SERVICEVALVE | G-1015-A |
| 4 | 040421-01-712 | EA | VALVE, SERV. W/OVAPORRELIEF | 29000853 |
| 5 | 080450-01-000 | EA | TANK-LP, 42LB-13" DIAMETER X 24" LONG | |
| 6 | 040421-01-711 | EA | VALVE - 80% FILL W/AUTOSTOP | LLL/TL3 |
| 7 | 040421-01-701 | EA | VALVE-FILL-SHORT, LP | 75478 |
| 8 | 040421-01-702 | EA | CAP-FILLVALVE, PLASTIC | G-1014-A |
| 9 | 040421-01-700 | EA | VALVE-LIQUIDLEVEL, 20% | G-1013 |
| 10 | 040421-01-713 | EA | VALVE-VAPORONLY | 29000587 |
| 11 | 074142-01-700 | EA | FLOATASM. SCREW ON F/13" TANK | 13C-SCR |
| | 074142-01-701 | EA | FLOATASM. (SIGHT GAUGE) BOLT | 13C-BLT |
| 12 | 040440-02-000 | EA | TRANSMITTER-DIAL, 0-90 OHM-2 TERMINAL (POWER & GROUND) | |
| 12 | 040421-01-706 | EA | DIAL-LPTANK VOLUME, VISIBLE FACE (5-1789) - USED W/O MONITOR PANEL | |
| 13 | 105658-01-000 | EA | COMPARTMENT-LPREGULATOR | |
| | 010252-01-000 | EA | ELBOW-BRASS, 90 DEG, 3/8" FX 1/2" MPT | |
| | 010265-01-000 | EA | ELBOW-BRASS, 90 DEGREE - 3/8" FX 1/2" FPT | |
| | 065318-02-000 | EA | ELBOW-90 DEGREE, 3/8" MPT TO 3/8" FPT | |
| | 010323-01-000 | EA | ADAPTER-BRASS, 3/8" FX 1/2" MPT | |
| | 024250-01-000 | EA | ADAPTER-BRASS, 3/8" FX 1/2" FPT | |
| | 057042-01-000 | EA | ADAPTER-CROSS 1/2" PIPE | |
| | 010326-01-000 | EA | ADAPTER-FLARE, W/CONE GASKET - 3/8" FEMALE X 1/2" MALE | |
| | 010329-01-000 | EA | ADAPTER-BRASS, 1/2" FX 1/2" MPT | |
| | 010377-02-000 | EA | NUT-BRASS, 3/8" FLARE - FORGED | |
| | 010380-02-000 | EA | NUT-BRASS, 1/2" FLARE - FORGED | |
| | 103613-01-000 | EA | DETECTOR-LPGAS | |
| | | | | FROM: 00-00-00 THRU: 11-10-96 |
| | 103613-02-000 | EA | DETECTOR-LPGAS | |
| | | | | FROM: 11-11-96 THRU: 99-99-99 |

LPGROUP(CONTINUED)

LPINSTALLATIONCOMPONENTS-JAPANEXPORT

| KEY | PARTNUMBER | U/M | DESCRIPTION |
|-----|---------------|-----|---------------------------------|
| | 107378-01-000 | EA | PLATE-MOUNTING, LPREGULATOR |
| | 107421-01-000 | EA | PLATE-STRIKE, LPCOMPARTMENT |
| | 084993-02-000 | EA | STRAPASM |
| | 107414-01-000 | EA | CRADLEASM-LPTANK |
| | 107414-02-000 | EA | CRADLEASM-LPTANK |
| | 107433-01-C82 | EA | DOORASM-HINGED, LPBOX, RH |
| | 107433-02-C82 | EA | DOORASM-HINGED, LPBOX, LH |
| | 107393-01-000 | EA | BOLT-SHOULDER, SOCKETHEAD-BLACK |
| | 107394-01-000 | EA | SPRING-COMPRESSION, DOOR, LP |
| | 107395-01-02A | EA | LATCH-BOLT, FINGER, DR, LPBLK |
| | 097207-02-02A | EA | HINGE-CONTINUOUS, DOOR, LP, BLK |
| | 098408-01-000 | FT | SEAL-SPONGERUBBER, CLOSEDCELL |
| | 097207-03-02A | EA | HINGE-CONTINUOUS, DOOR, LP, BLK |

LOUNGE GROUP



DRIVERSIDE LOUNGE CABINETS

| KEY | PARTNUMBER | U/M | DESCRIPTION |
|-----|---------------|-----|---|
| 1 | 109908-08-G04 | EA | ENDCAP-OVERHEAD CABINET |
| 2 | 110140-18-G01 | EA | DOOR-MITERED CORNER/VINYL WRAP-15.7"X27.9"-W/OHDW |
| 3 | 121972-01-H04 | EA | CABINET ASM-OVHD, FRONT |
| 4 | M05968-05-H04 | EA | CABINET-COUCH, W/FABRIC (H04) |
| 4 | M05968-05-H05 | EA | CABINET-COUCH, W/FABRIC (H05) |
| 4 | M05968-05-H24 | EA | CABINET-COUCH, W/FABRIC (H24/H26) |
| 4 | M05968-08-H04 | EA | CABINET-COUCH, W/FABRIC-JAPAN EXPORT (H04) |
| 4 | M05968-08-H05 | EA | CABINET-COUCH, W/FABRIC-JAPAN EXPORT (H05) |
| 4 | M05968-08-H24 | EA | CABINET-COUCH, W/FABRIC-JAPAN EXPORT (H24/H26) |
| 5 | M05968-06-H04 | EA | CABINET-COUCH, W/FABRIC (H04) |
| 5 | M05968-06-H05 | EA | CABINET-COUCH, W/FABRIC (H05) |
| 5 | M05968-06-H24 | EA | CABINET-COUCH, W/FABRIC (H24/H26) |
| 5 | M05968-09-H04 | EA | CABINET-COUCH, W/FABRIC-JAPAN EXPORT (H04) |
| 5 | M05968-09-H05 | EA | CABINET-COUCH, W/FABRIC-JAPAN EXPORT (H05) |
| 5 | M05968-09-H24 | EA | CABINET-COUCH, W/FABRIC-JAPAN EXPORT (H24/H26) |
| 6 | M05968-04-H04 | EA | CABINET-COUCH, W/FABRIC (H04) |
| 6 | M05968-04-H05 | EA | CABINET-COUCH, W/FABRIC (H05) |
| 6 | M05968-04-H24 | EA | CABINET-COUCH, W/FABRIC (H24/H26) |
| 6 | M05968-07-H04 | EA | CABINET-COUCH, W/FABRIC-JAPAN EXPORT (H04) |
| 6 | M05968-07-H05 | EA | CABINET-COUCH, W/FABRIC-JAPAN EXPORT (H05) |
| 6 | M05968-07-H24 | EA | CABINET-COUCH, W/FABRIC-JAPAN EXPORT (H24/H26) |
| | 105947-01-000 | EA | BRACKET-HOLD DOWN, COUCH CSA UNITS |
| | 082525-01-000 | EA | BRACE-COUCH-FLOORMOUNT-ANGLE 3" LONG |

SEALANTS & FASTENERS GROUP

ADHESIVES AND SEALERS

| KEY | PARTNUMBER | U/M | DESCRIPTION |
|-----|---------------|-----|---|
| | 002707-02-000 | FT | TAPE-SEALER-5/16"X1/2"-INCREMENTS OF 50 FT |
| | 004006-05-700 | EA | ADHESIVE-NAT.STARCH(5GAL) 0802 |
| | 034552-02-000 | EA | SILICONE-TUBE-300ML-W/NOZZLE-CLEAR |
| | 039518-01-000 | EA | SILICONE-TUBE-300ML-BLACK-W/NOZZLE |
| | 053766-02-000 | EA | BEDDING COMPOUND-TUBE, WHITE SCHNEE #5522 |
| | 053766-08-000 | EA | BEDDING COMPOUND-TUBE, GRAY-SCHNEE #5522 |
| | 063642-01-000 | FT | TAPE-ADHESIVE-10MIL.X1.5"WIDEX180" |
| | 069640-01-000 | FT | SEALER-RIBBON-1/4"DIAMETER-INCREMENTS OF 30' |
| | 069640-02-000 | FT | SEALER-RIBBON-1/2"X1/8"-INCREMENTS OF 60' |
| | 069640-03-000 | FT | SEALER-RIBBON-3/4"X1/8"-INCREMENTS OF 60' |
| | 069640-07-000 | FT | SEALER-RIBBON-2"X3/32"-INCREMENTS OF 45' |
| | 069640-10-000 | FT | SEALER-RIBBON-1/32"X1 1/2"INCREMENTS OF 90' |
| | 069640-11-000 | FT | SEALER-TAPE-3/16"X3/8", BLACK-MANUS |
| | 072889-12-000 | EA | SEALANT-URETHANE(LV) BRIGHT WHITE-MANUS 75AM |
| | 076322-01-000 | FT | TAPE-FOAM-DOUBLE COATED ADHESIVE BACKED-.75"X216' |
| | 076322-02-000 | FT | TAPE-FOAM, DOUBLE COATED ADHESIVE BACKED-1"X108' |
| | 076322-03-000 | FT | TAPE-FOAM-DOUBLE COATED ADHESIVE BACKED-.5"X108' |
| | 076322-05-000 | FT | TAPE-DOUBLE COATED ADHESIVE BACKED FOAM.45"X.75" |
| | 076322-07-000 | FT | TAPE-FOAM, DBL COATED .045X.50-NORTV2000 |
| | 087211-01-000 | GL | PROMOTER-ADHESIVE |
| | 091255-02-000 | FT | SEAL-ADHESIVE BACKED FOAM-.18"THICK X1.5"WIDE |
| | 102352-01-000 | EA | SEALER-PUMPABLE-BLACK-COLORIMETRIC MS101 |
| | 106206-01-000 | EA | SEALER-PUMPABLE-MANUS 30A-BLACK |
| | 108716-01-000 | EA | SILICONE-TUBE-OFFWHITE/SELFLEVELING |
| | | | FROM: 00-00-00 THRU: 07-21-96 |
| | 108716-03-000 | EA | SILICONE-BRIGHT WHITE SELFLEVELING-TUBE |
| | | | FROM: 07-22-96 THRU: 99-99-99 |
| | 120534-01-01A | EA | TAPE-SCOTCH 3M, 1/2" FINE LINE-#471 GREEN |
| | 900390-01-000 | EA | TIP-2 1/2"X1/8"ORIFICE-ELLSWORTH #2180 |
| | 900390-03-000 | EA | NOZZLES-SILICONE TUBE-CSL #D10 |
| | 110943-02-000 | FT | 3/8" FELT STRIP ADHESIVE |

WASHERS

| KEY | PARTNUMBER | U/M | DESCRIPTION |
|-----|---------------|-----|---|
| | 000E11-07-00B | EA | WASHER-LOCKING-7/16 MEDSPLIT-ZINC |
| | 000E11-08-00B | EA | WASHER-LOCKING-1/2 MEDSPLIT-ZINC |
| | 000E13-14-00B | EA | WASHER-FLAT-1/4"WIDE-ZINC |
| | 000E13-17-00B | EA | WASHER-FLAT-3/8"AR-ZINC |
| | 000E13-18-00B | EA | WASHER-FLAT-3/8 WIDE-ZINC |
| | 000E13-20-00B | EA | WASHER-FLAT-7/16"WIDE-ZINC |
| | 000E13-21-00B | EA | WASHER-FLAT-W/2NAR-ZINC |
| | 041322-01-000 | EA | WASHER-FLANGE-15/32IDX23/8OD-FOR SEATBELT MOUNT |
| | 044533-01-000 | EA | WASHER-PLASTIC-13/8OD-FOR BUTTONS |
| | 077071-01-000 | EA | WASHER-FENDER, 3/16"IDX1"OD |

GROMMETS

| KEY | PARTNUMBER | U/M | DESCRIPTION |
|-----|---------------|-----|---|
| | 016188-03-000 | EA | GROMMET-LPLINE-3/8"HOLE X2 1/2"LONG-RUBBER |
| | 023942-01-000 | EA | GROMMET-RUBBER-2"OD |
| | 114208-02-000 | EA | GROMMET-EDGE LINER-FITS .625-HEYCO 2073 |
| | 071015-11-000 | EA | GROMMET-1.00ID-FITS.12MATL-MINOR RUBBER Z-3065 |
| | 071015-26-000 | EA | GROMMET-RUBBER-1.5"IDX2.12"ODW/.06"GROOVE-BLACK |
| | 071015-29-000 | EA | GROMMET-RUBBER-1/2IDX1 1/4ODW.12GROOVE-BLK-MCCLAINS |

SEALANTS&FASTENERSGROUP(CONTINUED)

NUTSANDRIVETS

| KEY | PARTNUMBER | U/M | DESCRIPTION |
|-----|---------------|-----|--|
| | 000D24-10-00B | EA | NUT-HEX-SELFLOCKING-10-32ZINC |
| | 000D29-09-00B | EA | NUT-HEX-SELFLOCKING-9/16-12-ZINC |
| | 000D34-06-00B | EA | NUT-HEX-LOCKING-3/8-16GRADEZINC-PREVAILING T |
| | 000D39-04-00B | EA | NUT-HEX-SERRATEDFLANGELOCKING 1/4-20-ZINC |
| | 000D39-05-00B | EA | NUT-HEX-SERRATEDFLANGELOCKING-5/16-18-ZINC |
| | 000D39-06-00B | EA | NUT-HEX-SERRATEDFLANGELOCKING-3/8-16-ZINC |
| | 000D39-07-00B | EA | NUT-HEX,SERRATEDFLANGELOCKING-7/16-14ZN |
| | 000D39-08-00B | EA | NUT-HEX-SERRATEDFLANGELOCKING-1/2-13-ZINC |
| | 000D44-07-00B | EA | NUT-HEX-SERRATEDFLANGELOCKING-7/16-20-ZINC |
| | 000D46-04-00A | EA | NUT-HEX,WELD,1/4-20,PLAIN-SHORTPILOT |
| | 040921-01-000 | EA | NUT-SPEED-UTYPE10-24BLACK |
| | 000H16-04-06R | EA | RIVET-POP,AL1/8X.313-.375 |
| | 069592-02-000 | EA | RIVET-T-POP-1/4X.093-.156 |

CLAMPSANDTIES

| KEY | PARTNUMBER | U/M | DESCRIPTION |
|-----|---------------|-----|---|
| | 007161-01-000 | EA | CLAMP-HOSE-SPRINGTYPE-1/2" |
| | 010495-01-000 | EA | CLAMP-CABLE-9/16" |
| | 010497-01-000 | EA | CLAMP-CLOSED-5/8"ID |
| | 010497-03-000 | EA | CLAMP-CLOSED-1"ID-CUSHIONED |
| | 010497-04-000 | EA | CLAMP-CLOSED-1.62"ID |
| | 010497-08-000 | EA | CLAMP-CLOSED,.125" |
| | 010499-01-000 | EA | CLAMP-CLOSED-3/8"ID |
| | 056134-01-000 | EA | HOLDER-RING-3.6"DIAMETER-METAL |
| | 056134-02-000 | EA | HOLDER-RING,1.8"DIAMETER-METAL |
| | 062401-01-000 | EA | CLAMP-HOSE-WORMGEAR.25"-1" |
| | 062401-02-000 | EA | CLAMP-HOSE-WORMGEAR1.56"-2.5" |
| | 062401-03-000 | EA | CLAMP-HOSE-WORMGEAR.22"-1" |
| | 062401-04-000 | EA | CLAMP-HOSE-WORMGEAR.69"-1.25" |
| | 062401-06-000 | EA | CLAMP-HOSE-WORMGEAR.22"-.62" |
| | 062401-11-000 | EA | CLAMP-HOSE-WORMGEAR3.56"-4.5" |
| | 075148-02-000 | EA | CLAMP-GROUNDING-BRONZESCREWS |
| | 080211-05-000 | EA | CLIP-XMASTREE-36MM-FASNAP09-280297 |
| | 080734-02-000 | EA | CLIP-WIRE,NYLON |
| | 083609-01-000 | EA | CLAMP-WIRE-DUALEQUAL-5/8"DIAMETER |
| | 083610-01-000 | EA | CLAMP-WIRE-DUAL-UNEQUALDIAMETERS-.75"&1.25" |
| | 091952-01-000 | EA | CLIP-GRIPPER-1" |
| | 091952-02-000 | EA | CLIP-GRIPPER-3/4" |
| | 101447-01-000 | EA | CLIP-UTYPE-TINNERMAN HOLDSSHOWERSURROUNDTOGETHER |
| | 008343-01-000 | EA | TIE-WIRE-6" |
| | 008343-02-000 | EA | TIE-WIRE,14" |
| | 008343-03-000 | EA | TIE-WIRE7.5INBLACK-DENNISON10003 |
| | 085774-01-000 | FT | FASTENER-DUALHOOK-1"WIDE-ADHESIVEBACK-BLACK |
| | 085774-02-000 | FT | FASTENER-DUALLOOP-1"WIDE-ADHESIVEBACK-BLACK |
| | 108046-01-000 | EA | CABLETIE-SCREWMOUNT8"-DENNISON08415 |
| | 108046-02-000 | EA | CABLETIE-SCREWMOUNT15"-DENNISON10035 |

SEALANTS&FASTENERSGROUP(CONTINUED)

SCREWS

| KEY | PARTNUMBER | U/M | DESCRIPTION |
|-----|---------------|-----|--|
| | 0G3908-08-170 | EA | SCREW-SF/DR-8-18X.50PPH-BRIGHTWHITE |
| | 0G3910-12-170 | EA | SCREW-SF/DR,10-16X.75PPH-BRIGHTWHITE |
| | 0G6008-16-170 | EA | SCREW-SF/DR,8-18X1.00POH-BRIGHTWHITE |
| | 0G6710-08-170 | EA | SCREW-10-12X1/2PPH,BRIGHTWHITE-TYPEA |
| | 000C18-06-56A | EA | BOLT-ELEVATOR,3/8"-16X31/2"GRADE5 |
| | 000G11-05-08B | EA | SCREW-5-20X.50PPH-ZINC |
| | 000G11-06-10J | EA | SCREW-6-20X5/8PPH-BRASS |
| | 000G11-06-08B | EA | SCREW-6-20X.50PPH-ZINC |
| | 000G11-06-06B | EA | SCREW-6-20X3/8PPH-ZINC |
| | 000G11-07-08B | EA | SCREW-7-19X.50PPH-ZINC |
| | 000G11-08-12B | EA | SCREW-8-18X.75PPH-ZINC |
| | 000G11-08-08B | EA | SCREW-8-18X.50PPH-ZINC |
| | 000G11-08-06B | EA | SCREW-8-18X3/8PPH-ZINC |
| | 000G11-08-16S | EA | SCREW-8-18X1.00PPH-OFFWHITE |
| | 000G11-08-12T | EA | SCREW-8-18X.75PPH-BLACK |
| | 000G11-08-12S | EA | SCREW-8-18X.75PPH-OFFWHITE |
| | 000G11-08-12P | EA | SCREW-8-18X.75PPH-DARKBROWN |
| | 000G11-08-20B | EA | SCREW-8-18X1.25PPH-ZINC |
| | 000G11-10-12S | EA | SCREW-10-16X.75PPH-OFFWHITE |
| | 000G12-06-08T | EA | SCREW-6-20X.50POH-BLACK |
| | 000G12-08-12S | EA | SCREW-8-18X.75POH-OFFWHITE |
| | 000G13-05-10B | EA | SCREW-5-12X5/8PFHZN |
| | 000G13-06-16J | EA | SCREW-6-20X1.00PFH-BRASS |
| | 000G13-06-08B | EA | SCREW-6-20X.50PFH-ZINC |
| | 000G13-06-24J | EA | SCREW-6-20X1.50PFH-BRASS |
| | 000G13-07-12B | EA | SCREW-7-19X.75PFH-ZINC |
| | 000G13-08-10B | EA | SCREW-8-18X5/8PFH-ZINC |
| | 000G19-10-12F | EA | SCREW-MACHINE,10-32X.75PPH,SST |
| | 000G32-10-06B | EA | SCREW-10-32X3/8"-PPH-ZINC |
| | 000G39-06-16T | EA | SCREW-SF/DR-6-20X1PPH-BLACK |
| | 000G39-06-10T | EA | SCREW-SF/DR-6-20X5/8PPH-BLACK |
| | 000G39-06-08B | EA | SCREW-SF/DR-6-18X.50-ZINC |
| | 000G39-08-24B | EA | SCREW-SF/DR-8-18X1.50PPH-ZINC |
| | 000G39-08-16R | EA | SCREW-SF/DR-8-18X1.00PPH-BEIGE |
| | 000G39-08-16B | EA | SCREW-SF/DR-8-18X1PPH-ZINC |
| | 000G39-08-12B | EA | SCREW-SF/DR-8-18X.75PPH-ZINC |
| | 000G39-08-08T | EA | SCREW-SF/DR-8-18X.50PPH-BLACK |
| | 000G39-08-08S | EA | SCREW-SF/DR-8-18X.50PPH-OFFWHITE |
| | 000G39-08-08B | EA | SCREW-SF/DR-8-18X.50PPH-ZINC |
| | 000G39-10-08B | EA | SCREW-SF/DR-10-16X.50PPH-ZINC |
| | 000G39-10-32B | EA | SCREW-SF/DR,10-16X2.00PPH-ZINC |
| | 000G39-10-20B | EA | SCREW-SF/DR-10-16X1.25PPH-ZINC |
| | 000G39-10-12R | EA | SCREW-SF/DR-10-16X.75PPH-BEIGE |
| | 000G39-10-12D | EA | SCREW-SF/DR-10-16X.75PPH-BLACK |
| | 000G39-10-12B | EA | SCREW-SF/DR-10-16X.75PPH-ZINC |
| | 000G42-04-16B | EA | SCREW-SF/DR-1/4"-14X1HWH-ZINC |
| | 000G42-04-12B | EA | SCREW-SF/DR-1/4-14X3/4HWH-ZINC |
| | 000G46-08-24T | EA | SCREW-MACHINE-8-32X1.5PFH-BLACK |
| | 000G50-04-12B | EA | SCREW-MACHINE-1/4-20X3/4PPH-ZINC |
| | 000G52-08-18B | EA | SCREW-MACHINE-8-32X11/8PTH-ZINC |
| | 000G54-04-20B | EA | SCREW-1/4-20X11/4PTH-TYPE23-ZINCPLATED |
| | 000G55-08-16S | EA | SCREW-SF/DR-8-18X1.00PWH-OFFWHITE |
| | 000G55-08-12S | EA | SCREW-SF/DR-8-18X.75PWH-OFFWHITE |
| | 000G56-12-48B | EA | SCREW-WOOD,12-11X3POH-SPECIALHARDENED |
| | 000G60-10-20B | EA | SCREW-SF/DR,10-16X1.25POH-ZN |

SEALANTS&FASTENERSGROUP(CONTINUED)

SCREWS(CONTINUED)

| KEY | PARTNUMBER | U/M | DESCRIPTION |
|-----|---------------|-----|---|
| | 000G60-10-28T | EA | SCREW-SF/DR,10-16X1.75-BLACK |
| | 000G67-10-10B | EA | SCREW-10-12X5/8PPH-ZINC-TYPEA |
| | 000G67-10-08R | EA | SCREW-10-12X1/2PPH-BEIGE-TYPEA |
| | 000G67-10-08B | EA | SCREW-10-12X1/2PPH-ZINC |
| | 000G67-10-12P | EA | SCREW-10-12X.75PPH-DARKBROWN |
| | 000G67-10-12B | EA | SCREW-10-12X.75PPH-ZINC |
| | 000G67-10-10S | EA | SCREW-10-12X5/8PPH-OFFWHITE |
| | 000G67-10-10D | EA | SCREW-10-12X5/8PPH-BLACK-TYPEA |
| | 000G67-10-36T | EA | SCREW-10-12X2.25PPH-BLACK-STALGARD |
| | 000G67-10-32B | EA | SCREW-10-12X2PPH-ZINC |
| | 000G67-10-24B | EA | SCREW-10-12X1.50PPH-ZINC |
| | 000G67-10-20D | EA | SCREW-10-12X1.25PPH-BLACK |
| | 000G67-10-16B | EA | SCREW-10-12X1PPH-ZINC |
| | 000G67-10-120 | EA | SCREW-10-12X.75PPH-TAN |
| | 000G67-10-12R | EA | SCREW-10-12X.75PPH-BEIGE |
| | 000G68-06-10G | EA | SCREW-6-18X5/8POH-ANTIQUEBRASS |
| | 049465-03-000 | EA | SCREW,10-16X1POHW/WASHER-OFFWHITE |
| | 054434-02-000 | EA | SCREW-SF/DR-10-16X2ZN-TORQ'S#25HEAD |
| | 057671-01-000 | EA | COVER-SCREW-#8-PLASTIC-OFFWHITE |
| | 087721-01-000 | EA | SCREW-FLATHEAD-TAPPING-1/4"X1 1/4"LONG-ZINC |
| | 097974-01-000 | EA | SCREW-PARTBD7-9X.75PPH-FHM0543PLAIN |
| | 101618-01-000 | EA | SCREW-1/4-20X.75HEX-TAPPING-STALGARDTYPEF |
| | 105126-01-000 | EA | SCREW-CACH-8-32X1PPHTAPTIT-NW/LITEWAX |

BOLTS

| KEY | PARTNUMBER | U/M | DESCRIPTION |
|-----|---------------|-----|--|
| | 0MC31K-08-020 | EA | BOLT-HEX-SERRATEDFLANGE-M8X020 |
| | 000C12-05-16B | EA | BOLT-HEX-5/16-18X1-ZINC5 |
| | 000C12-06-16B | EA | BOLT-HEX-3/8-16X1LG-ZINC5 |
| | 000C12-07-20B | EA | BOLT-HEX,7/16-14X1 1/4"-ZN5 |
| | 000C12-08-24B | EA | BOLT-HEX-1/2-13X1.50-ZINC5 |
| | 000C12-10-24B | EA | BOLT-HEX-5/8-11X1.50-ZINC-5 |
| | 000C13-07-48B | EA | BOLT-HEX-7/16-20X3-ZINC5 |
| | 000C18-05-40A | EA | BOLT-ELEVATOR-5/16-18X2.50-PL |
| | 000C18-06-48B | EA | BOLT-ELEVATOR-3/8-16X3-ZINC-GRADE5 |
| | 000C26-04-14B | EA | BOLT-HEX-SERRATEDFLANGE-1/4-20X7/8-ZINC |
| | 000C26-04-10B | EA | BOLT-HEX-SERRATEDFLANGE-1/4-20X5/8-ZINC |
| | 000C26-05-12B | EA | BOLT-HEX-SERRATEDFLANGE-5/16-18X3/4-ZINC |
| | 000C26-05-16B | EA | BOLT-HEX-SERRATEDFLANGE-5/16-18X1-ZINC |
| | 000C26-06-12B | EA | BOLT-HEX-SERRATEDFLANGE-3/8-16X3/4-ZINC |
| | 000G45-05-16B | EA | BOLT-LAG5/16-9X1-ZINC |
| | 106166-01-000 | EA | BOLTCOLLAREDHANGER-8-32X1" |

WATER&SEWAGEGROUP

FRESHWATERTANK

| KEY | PARTNUMBER | U/M | DESCRIPTION |
|-----|---------------|-----|--|
| | 077908-08-000 | EA | TANKASM-WATER,33GAL-JAPANEXPORT |
| | 077908-01-000 | EA | TANK-WATER,W/OFITTINGS-33GAL-36"X22.6"X10.5"-JAPANEXPORT |
| | 045195-04-000 | EA | TANKASM-WATER,30GAL |
| | 045195-01-000 | EA | TANK-WATER,30GAL-W/OFITTINGS-34.5"X18"X12" |
| | 039861-01-000 | EA | SENDINGUNIT-W/SCREW,WASHER,WELLNUT&TERMINALRING |
| | 042989-03-000 | EA | FITTING-WATERTANK,SPINWELD-1 1/4"NPT-PLASTIC-WHITE |
| | 042989-04-000 | EA | FITTING-WATERTANK,SPINWELD-3/8"FPT-PLASTIC-WHITE |
| | 042989-05-000 | EA | FITTING-WATERTANKSPINWELD-1/2"FPT-PLASTIC-WHITE |
| | 049032-01-000 | EA | PATCH-SPINWELD,3/8"-PLASTIC |
| | 077954-02-000 | EA | FILTER-WATERTANK,SCREENINTANK |

WATERSYSTEMCOMPONENTS

| KEY | PARTNUMBER | U/M | DESCRIPTION |
|-----|---------------|-----|--|
| | 074462-02-000 | FT | TUBING-VINYL,3/8"IDX20'-CLEAR |
| | 079381-01-000 | FT | TUBING-SMOOTHFLEXIBLE,13/8"IDX20' |
| | 039800-02-000 | FT | TUBING-POLYBUTYL,5/8"OD-INCREMENTSOF20'-BLACK |
| | 010224-01-000 | EA | ADAPTER-HOSETOPIPE,3/8"MPTX3/8"BARB-BLACKPLASTIC |
| | 044927-01-000 | EA | ADAPTER-HOSETOPIPE,1 1/4"MPTX1 1/4"BARB-BLACKPLASTIC |
| | 114430-02-000 | EA | ADAPTER-SWIVEL,1/2PX1/2FPT-FLAIR-IT-02873 |
| | 114430-03-000 | EA | ADAPTER-1/2PX1/2MPT-FLAIR-IT02842 |
| | 123152-01-000 | EA | ADAPTER-1/2"FPTX1/2"BARBSWIVEL |
| | 114429-02-000 | EA | ELBOW-1/2PX1/2MPT-FLAIR-IT02803 |
| | 114429-06-000 | EA | ELBOW-SWIVEL,1/2PX3/4FPT-FLAIR-IT02811 |
| | 114429-01-000 | EA | ELBOW-1/2PX1/2P-FLAIR-IT02800 |
| | 114429-04-000 | EA | ELBOW-1/2PX3/8MPT-MCCLAINSANNIVERSARYOPTION |
| | 114429-06-000 | EA | ELBOW-SWIVEL,1/2PX3/4FPT-FLAIR-IT02811 |
| | 123150-01-000 | EA | ELBOW-1/2"FPTX1/2"BARBSWIVEL |
| | 114428-01-000 | EA | TEE-1/2PX1/2PX1/2P-FLAIR-IT02820 |
| | 110915-01-01A | EA | FILL-WATER,CITY-CHROME-KEVCO64713 |
| | 114431-01-000 | EA | WATERVALVE-3POSITION-"DRAINVALVE" |
| | 114431-02-000 | EA | WATERVALVE-2POSITION-"BYPASSVALVE" |
| | 114431-04-000 | EA | WATERVALVE-STRAIGHTTHRU-"SHUTOFFVALVE" |
| | 091208-01-000 | EA | WASHER-RUBBER,.06"X.75"X.5" |
| | 117089-01-000 | FT | HOSE-1/2ID,GARDEN-KEVCO49154 |

EXTERIORSHOWER

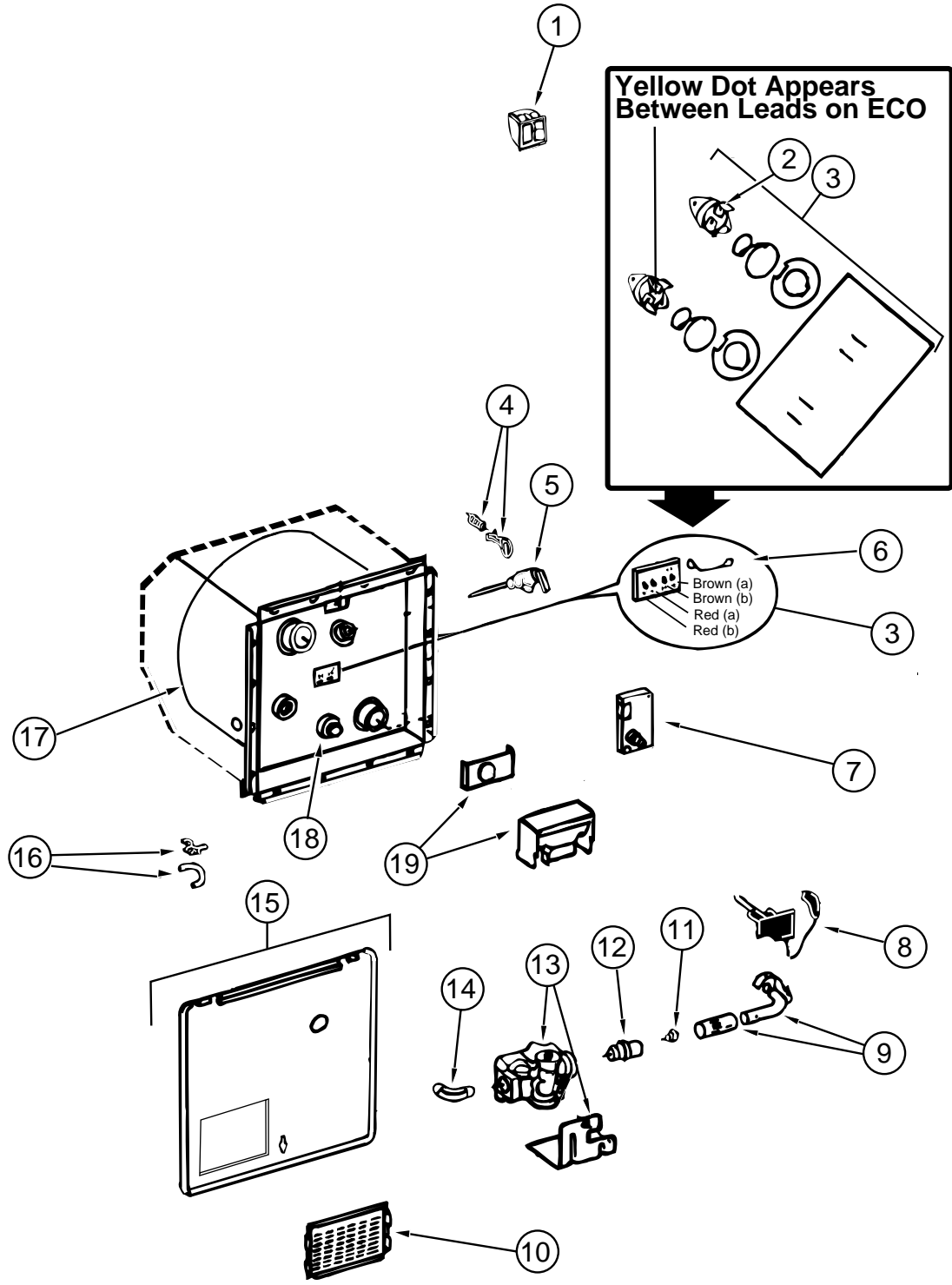
| KEY | PARTNUMBER | U/M | DESCRIPTION |
|-----|---------------|-----|--|
| | 075241-05-000 | EA | FAUCET-SHOWER,BONE |
| | 103092-02-000 | EA | SHOWERHEAD-W/HOSE,CANADIAN |
| | 103092-01-000 | EA | SHOWERHEAD-W/60"HOSE |
| | 103092-01-700 | EA | BRACKET-F/SHOWERHEAD,CLEAR 2328028 |
| | 091952-02-000 | EA | CLIP-GRIPPER,3/4"-SQUEEGEE/SHOWERHEAD-GIBSONTOOL225-HL |
| | 081994-02-000 | EA | PLATE-SWITCH,EXTERIORSHOWER |
| | 114429-06-000 | EA | ELBOW-SWIVEL,1/2PX3/4FPT FLAIR-IT02811 |

WATERFILTER-MCCLAINSANNIVERSARYOPTION

| KEY | PARTNUMBER | U/M | DESCRIPTION | VENDORNO. |
|-----|---------------|-----|-------------------------|-----------|
| | 701069-01-000 | EA | WATERPURIFICATIONSYSTEM | 9252 |
| | 701069-03-700 | EA | CARTRIDGERELACEMENT | 9592-06 |

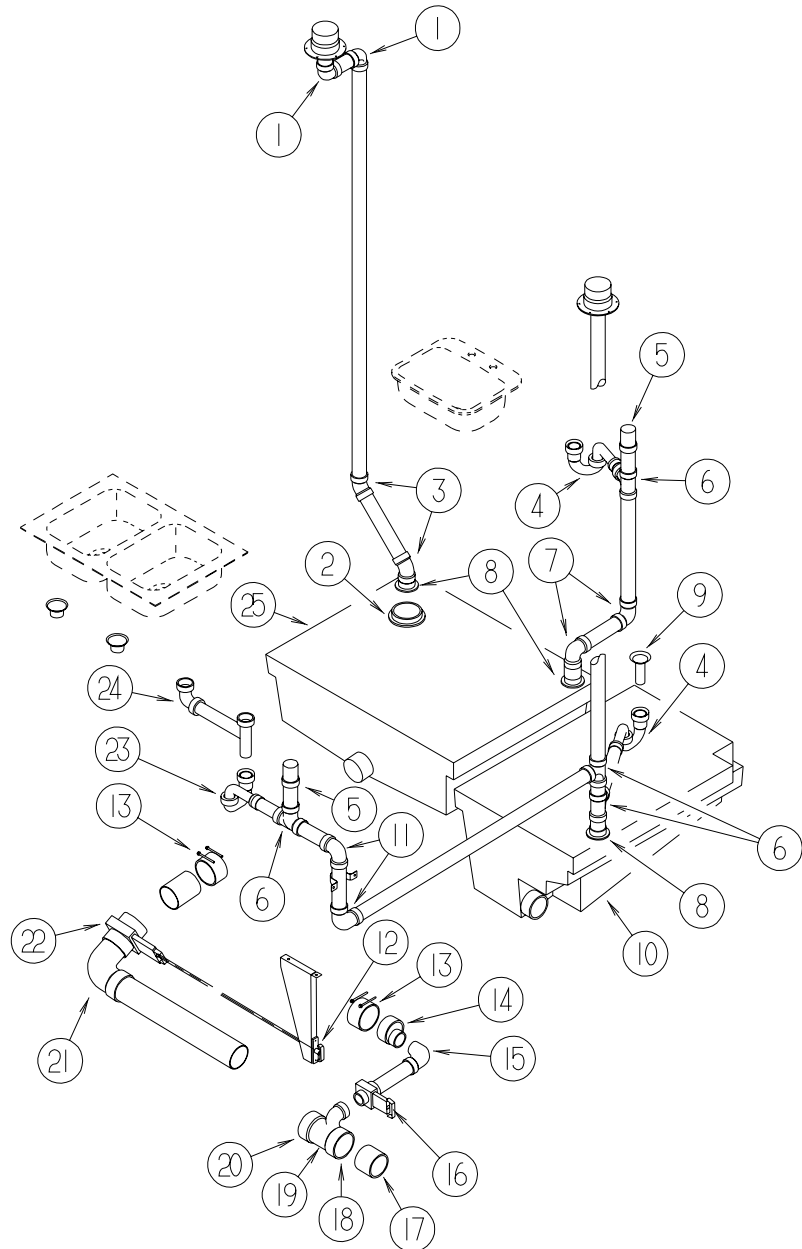
WATER & SEWAGE GROUP (CONTINUED)

WATER HEATER W/OMOTOR AID-ATWOOD G6A-8E



| KEY | PARTNUMBER | U/M | DESCRIPTION | VENDOR NO. |
|-----|---------------|-----|--|---------------|
| | 051391-03-000 | EA | WATERHEATER-ATWOODG6A-8E ELECTRIC IGNITION | |
| 1 | 097967-01-000 | EA | SWITCH-WATERHEATER, REMOTE W/LIGHT | 91959 |
| 2 | 051391-04-701 | EA | THERMOSTAT 12VDC-120 PRESET | 91470 |
| 3 | 051393-01-721 | EA | THERMOSTAT W/ECO, 140 FRONT MOUNT | 91447 |
| 4 | 051391-01-705 | EA | FASTENER-CAM LOCK | 92609 |
| 5 | 051391-01-704 | EA | VALVE-RELIEF, 1/2" FITTING | 91604 |
| 6 | 051393-01-723 | EA | SWITCH-THERMAL-CUTOFF 2/PKG | 93866 |
| 7 | 051393-01-724 | EA | BOARD-CIRCUIT, SPADE TERMINAL | 93865 |
| 8 | 051393-01-725 | EA | ELECTRODE-SGL SPADE CONNECT. | 93868 |
| 9 | 051391-04-703 | EA | BURNER-MAIN | 91638 |
| 10 | 051391-01-717 | EA | GRILLE-WATERHEATER DOOR | 92640 |
| | 051391-01-716 | EA | GRILLE ONLY (GOES ON FLUE BOX) | 91786 |
| 11 | 051391-01-710 | EA | ORIFICE-MAIN BURNER | 92742 |
| 12 | 051391-03-700 | EA | HOLDER-ORIFICE | 91563 |
| 13 | 051393-01-726 | EA | VALVE-SOLENOID, W/BACKET | 93870 |
| 14 | 051391-01-714 | EA | FITTING-ELBOW, 45 DEGREE - 3/8 FX 3/8 MPT | 1044 |
| 15 | 052009-07-000 | EA | DOOR-WATERHEATER, 18" X 14.6" - METAL - SABLE | |
| | 116424-01-000 | EA | PROTECTOR-WATERHEATER LATCH, ADHESIVE BACKED ROUND VINYL | |
| 16 | 051391-01-700 | EA | HINGE KIT, (PIN & CLIP) | 92568 & 92559 |
| 17 | 051391-04-706 | EA | TANK-INNER, G6A-4E & 6E FRONT MOUNT | 91641 |
| 18 | 051391-01-715 | EA | PLUG-DRAIN, 1 EA = 2 PER PKG | 91857 |
| 19 | 051391-04-707 | EA | KIT-EXHAUST, (FLUE & GASKET) | 90960 |
| | 111129-01-711 | EA | BRACKET-CORNER, SET OF FOUR | 91928 |

WATER & SEWAGE GROUP (CONTINUED)

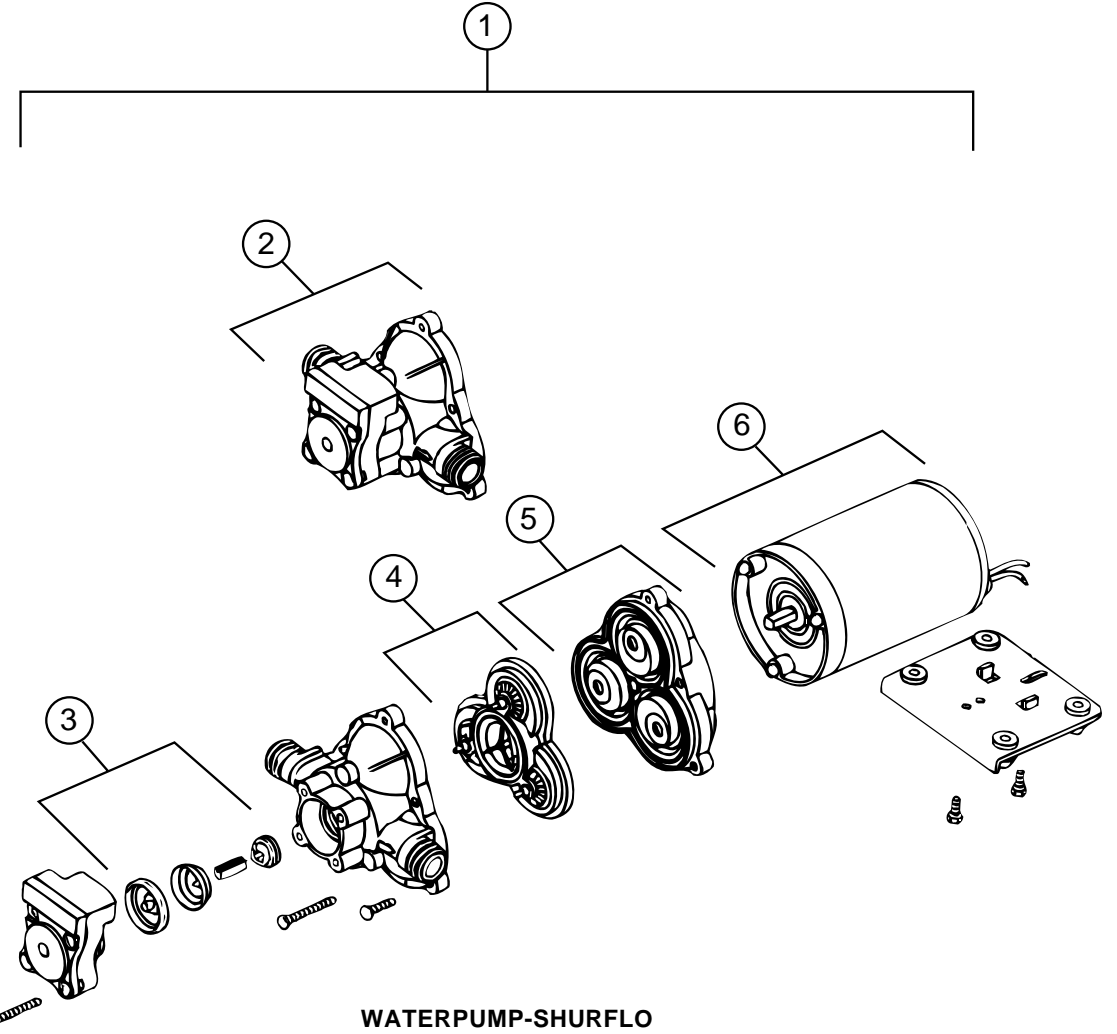


| KEY | PARTNUMBER | U/M | DESCRIPTION |
|-----|---------------|-----|---|
| 1 | 034250-01-000 | EA | ELBOW, 90 DEG., LONG TURN - 1 1/2" HUB X HUB ABS |
| 2 | 061607-02-000 | EA | GROMMET-HOLDING TANK, 3" NPS |
| | 063641-01-000 | EA | FLANGE-CLOSET, 4" X 3" |
| 3 | 010006-01-000 | EA | ELBOW-45 DEG, 1/8 BEND - 1 1/2" HUB X HUB - BLACK PLASTIC |
| 4 | 107538-01-000 | EA | P-TRAP-PLASTIC-1 1/4" W/EXTENSION ARM |
| 4 | 109571-01-000 | EA | ADAPTER-PTRAP, 1 1/2" PX 1 1/4" MPT |
| 4 | 011066-03-700 | EA | PTRAP KIT 1 1/2" X 1 1/2" P-TRAP W/1 1/2" TO 1 1/4" REDUCER - CSA |
| 5 | 079968-01-000 | EA | VENT-MECHANICAL TRAP ARM-ANTI-SIPHON 2" DIA X 7.3" PLASTIC |
| 6 | 010071-01-000 | EA | TEE-SANITARY, 1 1/2" HUB X HUB X HUB - PLASTIC - BLACK |
| 7 | 010008-01-000 | EA | ELBOW-90 DEG, 1/4 BEND - 1 1/2" HUB X HUB - BLACK PLASTIC |
| 8 | 061607-01-000 | EA | GROMMET-HOLDING TANK, 1 1/2" NPS |
| 9 | 011069-02-000 | EA | TAILPIECE-TUB/SHOWER, 1 1/2" X 1 1/4" X 4" - BRASS |
| | 066440-01-000 | EA | STRAINER-SHOWER, W/RUBBER WASHER |
| | 069735-01-000 | EA | WASHER-STRAINER TOTALPIECE PLASTIC, 1.5" |
| 10 | 071271-01-000 | EA | TANK-HOLDING, AUXILIARY-31 GALLON |
| 11 | 010008-01-000 | EA | ELBOW-90 DEGREE, 1/4 BEND - 1 1/2" HUB X HUB - BLACK PLASTIC |
| 12 | 062419-07-000 | EA | HANDLE-EXTENSION, W/TAPPED END KEVCO |
| | 062419-06-000 | EA | HANDLE-T - KEVCO CT1003-6 |
| | 062419-05-000 | EA | BRACKET-VALVE, LOCKING - KEVCO T1003-UC |

DRAINAGE SYSTEM

WATER & SEWAGE GROUP (CONTINUED)
DRAINAGE SYSTEM (CONTINUED)

| KEY | PARTNUMBER | U/M | DESCRIPTION |
|-----|---------------|-----|--|
| 13 | 078406-01-000 | EA | COUPLER-RUBBER, W/CLAMPS-3" X 3" |
| 14 | 062422-01-000 | EA | ADAPTER-OFFSET REDUCER, 3" X 1 1/2" - PLASTIC - BLACK |
| 15 | 033761-01-000 | EA | ELBOW-TURN, 1/4 BEND X 1.5" HUB X 1.5" SPIGOT - BLK PLASTIC |
| 16 | 062421-01-000 | EA | VALVE-DUMP, W/HANDLE - 1 1/2" - PLASTIC - BLACK |
| 17 | 062415-01-000 | EA | CAP-SEWER, 3" DIAMETER |
| | 062415-01-700 | EA | STRING-SEWERCAP V#SV7 STRAP |
| 18 | 062416-01-000 | EA | ADAPTER-SEWER HOSE TO 3" PIPE |
| | 010201-01-000 | EA | HOSE-SEWER, 3" ID X 8' |
| 19 | 031365-01-000 | EA | TEE-PLAS, 3X3X1 1/2 EXT LONG TURN - NICO 5812-LR-3-3-2 |
| 20 | 109450-01-000 | EA | ADAPTER-PLASH HOSE, SEWER - KEVCO 40738 |
| 21 | 031126-01-000 | EA | ELBOW-1/4 BEND, 3X90 XLT - PLASTIC - BLACK |
| 22 | 062418-01-000 | EA | VALVE-DUMP, W/HANDLE - 3" - PLASTIC - BLACK |
| 23 | 107538-01-000 | EA | PTRAP-W/EXTENDED ARM, 1 1/4" - PLASTIC KEVCO P8141-1/4" |
| | 109571-01-000 | EA | ADAPTER-PTRAP, 1 1/2" PX 1 1/4" MPT |
| 23 | 011071-01-000 | EA | PTRAP-PLAS 1 1/2 - NIBCO 5892 1 1/2 |
| 24 | 011091-02-000 | EA | PIPE-DRAIN, DOUBLE SINK-BAFFLE TEE - 1 1/2" ONE PIPE W/TEE TO DRAIN BOTH SIDES OF SINK |
| 25 | 074861-01-000 | EA | TANK-HOLDING, MAIN - W/OGROMMETS - 35 GALLON - 35" X 11" X 27" |
| | 063641-01-000 | EA | FLANGE-CLOSET - 4" X 3" |
| | 116644-01-000 | EA | FLANGE-CLOSET - MCCLAINS ANNIVERSARY OPTION |

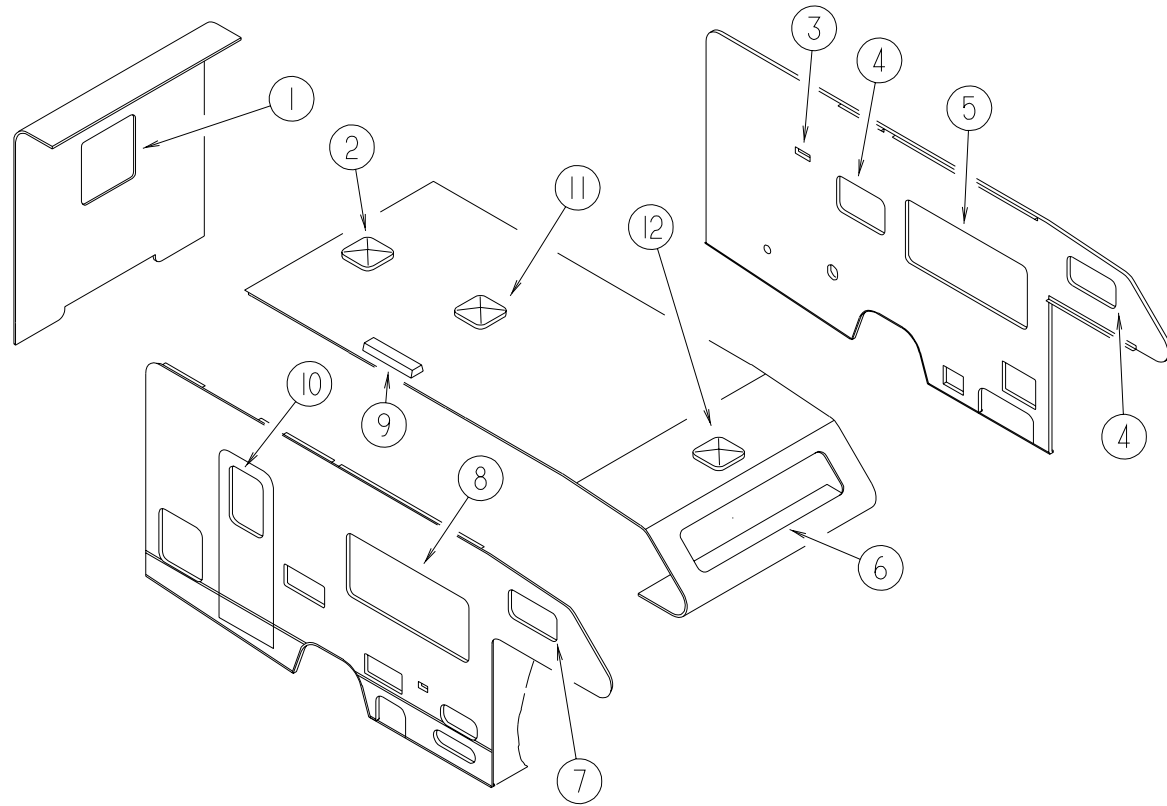


WATER PUMP-SHURFLO

| KEY | PARTNUMBER | U/M | DESCRIPTION | VENDOR NO. |
|-----|---------------|-----|---|------------|
| 1 | 098607-01-000 | EA | PUMP-WATER, W/.5" MPT FITTING - FLOW 2.8 GPM - UL | |
| 2 | 098607-01-706 | EA | HOUSING, W/SWITCH ONLY | 94-231-20 |
| 3 | 098607-01-705 | EA | VALVE-CHECK, KIT | 94-237-00 |
| 4 | 098607-01-703 | EA | VALVE KIT | 94-232-00 |
| 5 | 098607-01-702 | EA | DIAPHRAGM/DRIVE ASSEMBLY KIT | 94-238-04 |
| 6 | 098607-01-707 | EA | MOTOR W/BASE PLATE | 11-148-04 |

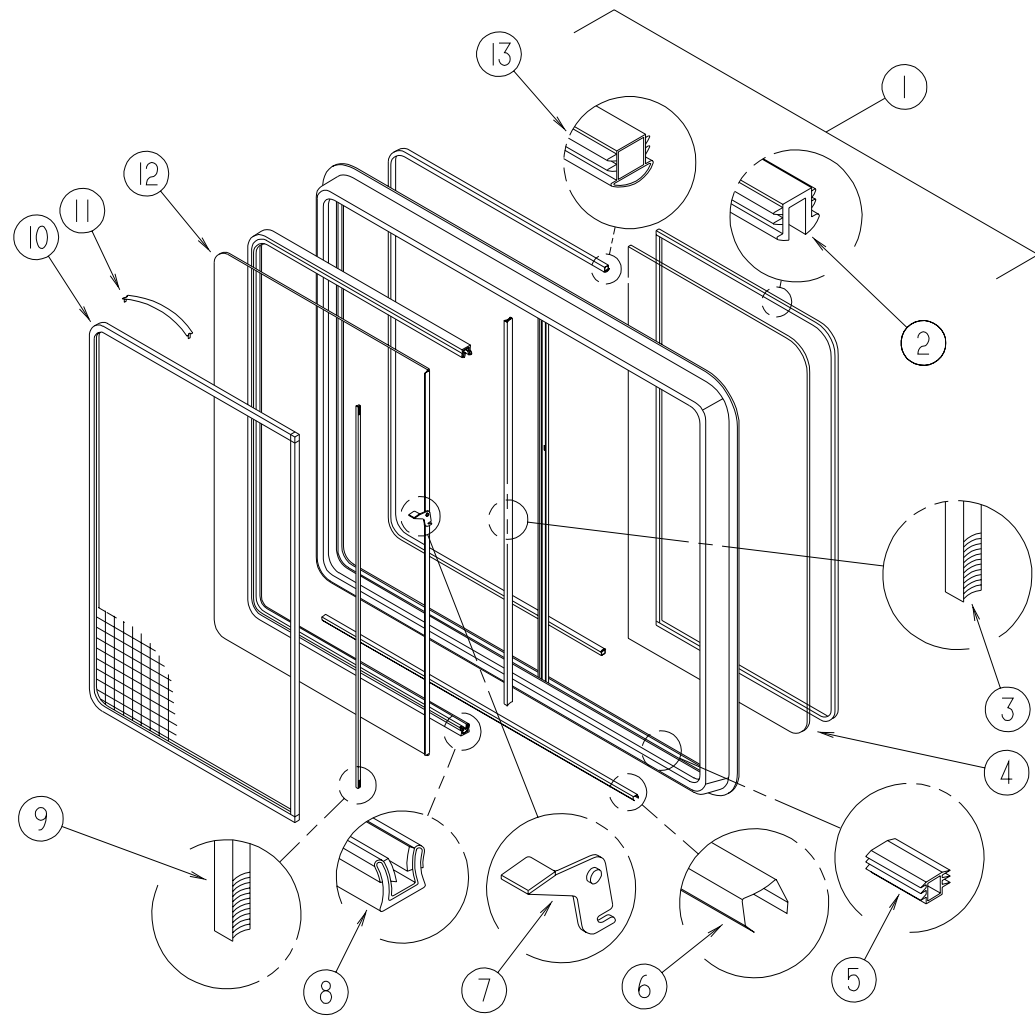
WINDOW, VENT & EXTERIOR DOOR GROUP

WINDOWS & VENTS



| KEY | PARTNUMBER | U/M | DESCRIPTION |
|-----|---------------|-----|---|
| 1 | 117053-04-FB1 | EA | WINDOW-PICTURE 17"X26.4" |
| 1 | 113733-05-01A | EA | WINDOW-STATIONARY THERMOPANE/EUROPEAN 17"X26.4" |
| 2 | 122882-02-01A | EA | VENT-ROOF, POWERED |
| 2 | 122882-03-01A | EA | VENT-ROOF, POWERED CSA |
| 2 | 123780-01-01A | EA | VENTILATOR-ROOF 15-25MM, WHT-JAPAN EXPORT |
| 3 | 084878-09-000 | EA | VENT-HOOD-RANGE/SHORT-OFFWHITE |
| | 084616-07-000 | EA | SHROUD-VENT-RANGEHOOD-BRIGHTWHITE |
| 4 | 098647-32-01A | EA | WINDOW-DRIVER HORIZONTAL SLIDER-CLEAR-15.7"X28.5" |
| 4 | 112795-20-01A | EA | WINDOW-DRIVER HORIZONTAL SLIDER THERMO 16"X28 3/4" |
| 5 | 098647-28-01A | EA | WINDOW-DRIVER HORIZONTAL SLIDER-CLEAR-26.1"X59.7" |
| 5 | 112795-15-01A | EA | WINDOW-DRIVER HORIZONTAL SLIDER THERMO 26 3/8"X60" |
| 6 | 115630-01-01A | EA | WINDOW-STATIONARY 17.2"X72" |
| 6 | 103313-03-F15 | EA | WINDOW-PICTURE/ESCAPE 23.3"X71.3" |
| 7 | 112795-19-01A | EA | WINDOW-HORIZONTAL SLIDER THERMO 16"X28 3/4" |
| 7 | 098647-31-01A | EA | WINDOW-PASSENGER HORIZONTAL SLIDER-CLEAR-15.7"X28.5" |
| 8 | 112795-16-01A | EA | WINDOW-PASSENGER HORIZONTAL SLIDER THERMO 26 3/8"X60" |
| 8 | 098647-27-01A | EA | WINDOW-PASSENGER HORIZONTAL SLIDER-CLEAR-26.1"X59.7" |
| 9 | 084073-07-000 | EA | VENT-ROOF-REFRIGERATOR-BRIGHTWHITE |
| | 084073-04-000 | EA | BASE-ROOF VENT-REFRIGERATOR |
| 10 | 113733-01-01A | EA | WINDOW-STATIONARY THERMOPANE 26.4"X17" |
| 10 | 117053-04-FB1 | EA | WINDOW-PICTURE, 17"X26.4" |
| 11 | 122882-01-01A | EA | VENT-ROOF, NONPOWERED |
| 12 | 122882-01-01A | EA | VENT-ROOF, NONPOWERED |
| 12 | 123780-02-01A | EA | VENTILATOR-ROOF 15-25MM, WHT CSA |
| 12 | 123780-01-01A | EA | VENTILATOR-ROOF 15-25MM, WHT |
| | 083558-03-000 | EA | VENT-PLUMBING PIPE ROOF, W/COVER-OFFWHITE |

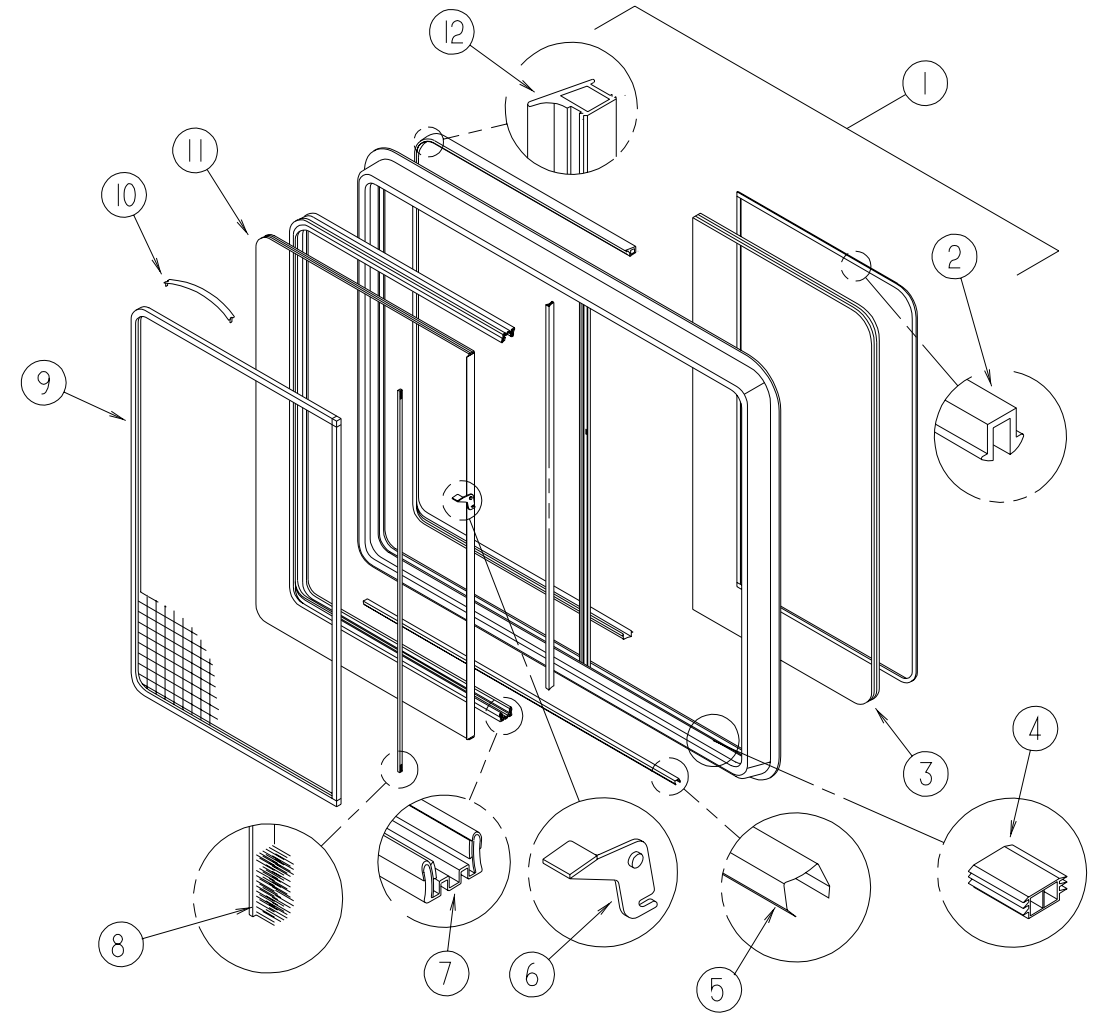
WINDOW, VENT & EXTERIOR DOOR GROUP (CONTINUED)



SINGLE SLIDER WINDOW - DINETTE - EXCEL

| KEY | PART NUMBER | U/M | DESCRIPTION | VENDOR NO. |
|-----|---------------|-----|--|------------|
| 1 | 098647-28-01A | EA | WINDOW-DRIVERS HORIZONTAL SLIDER-CLEAR-26.1"X59.7" | H287-C1L |
| | 098647-28-700 | EA | WINDOW-SLIDER | W287-66 |
| | 098647-27-701 | EA | RETAINER-TRIM | 132-010231 |
| 2 | 098644-01-705 | FT | GLAZING-STRIP | 171-010668 |
| 3 | 098644-01-706 | FT | WEATHERSTRIP-GLASS | 096-017868 |
| 4 | 098647-27-702 | EA | GLASS-STATIONARY | 132-014203 |
| 5 | 098644-01-719 | EA | STOP-SLIDER GLASS | 132-017135 |
| 6 | 098644-01-710 | FT | TRACK-SCREEN SPACER 12' | B801-CK |
| 7 | 098644-01-700 | EA | LATCH-REPAIR KIT (BLACK) | 122-016543 |
| 8 | 098644-01-708 | FT | CHANNEL-RUN PIERCED | 171-016965 |
| 9 | 098644-01-711 | FT | WEATHERSTRIP-SCREEN BLACK | 410-019066 |
| 10 | 098647-23-704 | EA | SCREEN ASM-W/SEALS & CLIPS | 132-004716 |
| | 098644-01-717 | FT | SPLINE-SCREEN | 226-016966 |
| 11 | 098644-01-713 | EA | CLIP-SPRING-METAL | H287-C8 |
| 12 | 098647-27-703 | EA | GLASS-SLIDING W/SASH & LATCH | 132-014470 |
| 13 | 098644-01-716 | FT | PLUG-FILLER | |

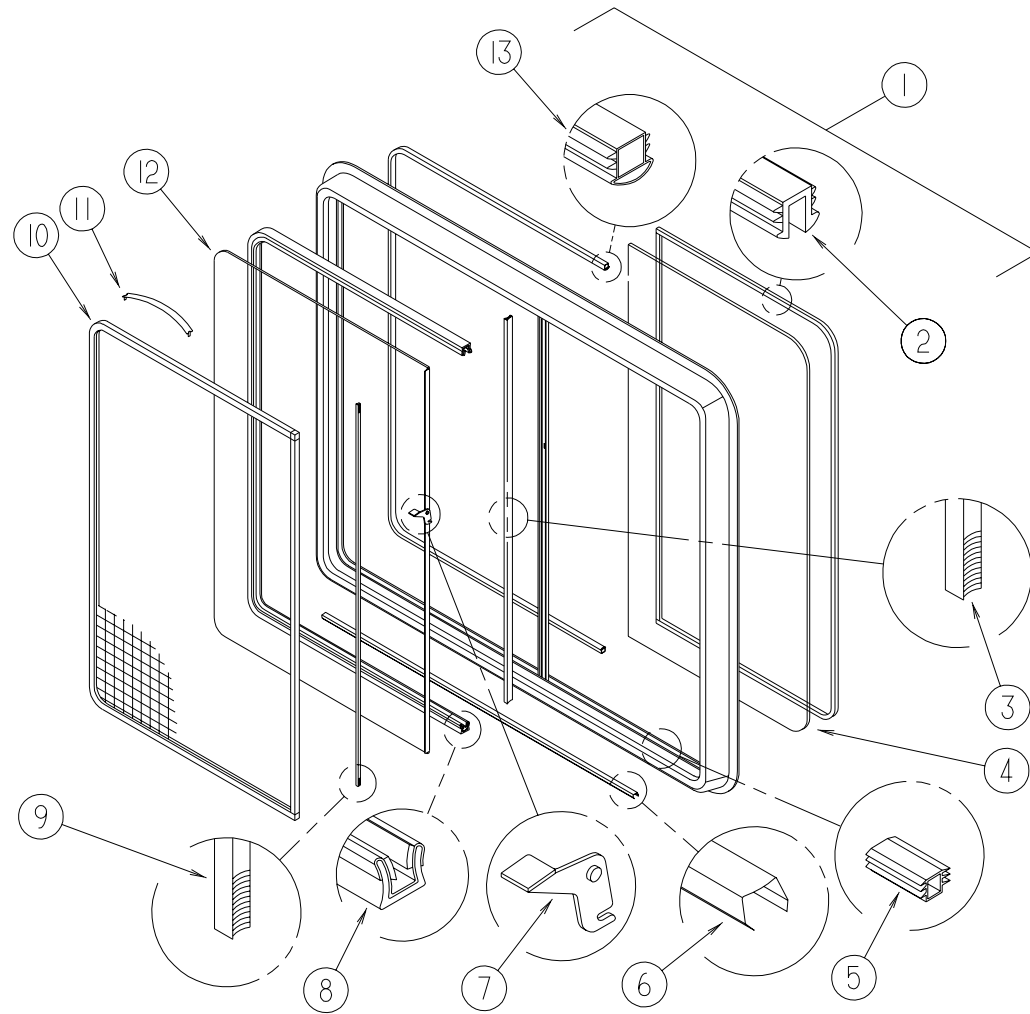
WINDOW, VENT & EXTERIOR DOOR GROUP (CONTINUED)



SINGLE SLIDER WINDOW - DINETTE - DRIVERSIDE - EXCEL - THERMO

| KEY | PART NUMBER | U/M | DESCRIPTION | VENDOR NO. |
|-----|---------------|-----|---|------------|
| 1 | 112795-15-01A | EA | WINDOW-DRIVERS HORIZONTAL SLIDER THERMO 26 3/8" X 60" | DH287-G2L |
| | 112795-15-700 | EA | WINDOW W/OTRIM | W287-66 |
| | 098647-23-702 | EA | RETAINER-TRIM | 132-019702 |
| 2 | 112795-01-705 | FT | VINYL-GLAZING | 390-019045 |
| 3 | 112795-15-701 | EA | GLASS-STATIONARY | 132-019092 |
| 4 | 112795-01-701 | EA | SLIDE-STOP | 132-017135 |
| 5 | 098644-01-710 | FT | TRACK-SCREEN SPACER 12' | B801-CK |
| 6 | 112795-01-700 | EA | LATCH ASM., BLK., (BOLTON) | 122-018736 |
| 7 | 112795-01-703 | IN | CHANNEL-RUN (INCHES) | 171-016965 |
| 8 | 098644-01-711 | FT | WEATHERSTRIP-SCREEN BLACK | 410-019066 |
| 9 | 098647-23-704 | EA | SCREEN ASM-W/SEALS & CLIPS | 132-004716 |
| 10 | 098644-01-713 | EA | CLIP-SPRING-METAL | 226-016966 |
| 11 | 112795-15-702 | EA | GLASS-SLIDING W/SASH & LATCH | DH287-G9 |
| 12 | 112795-01-704 | FT | PLUG FILLER (DOUBLE GLAZED) | 122-018737 |

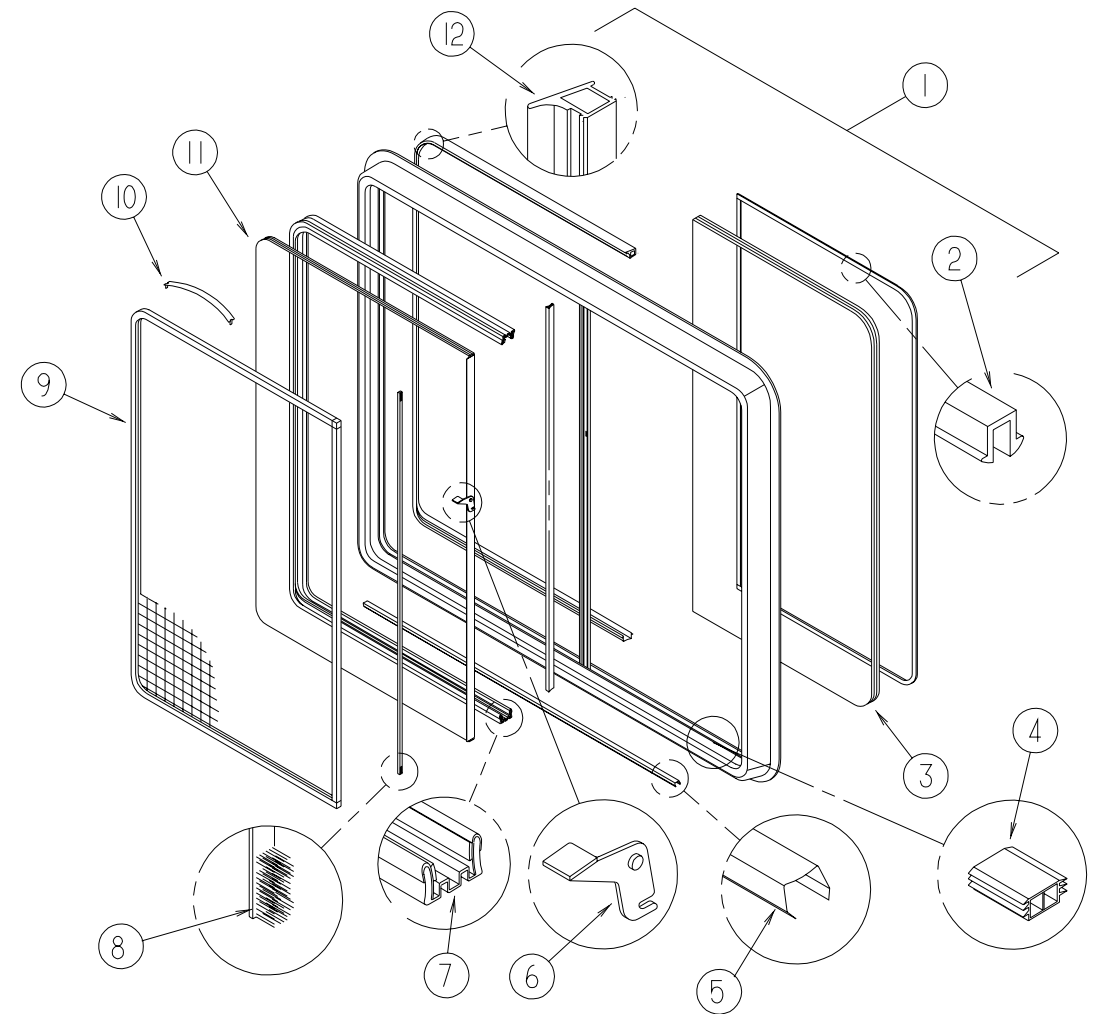
WINDOW, VENT & EXTERIOR DOOR GROUP (CONTINUED)



SINGLE SLIDER WINDOW-LOUNGE-PASSENGER SIDE-EXCEL

| KEY | PART NUMBER | U/M | DESCRIPTION | VENDOR NO. |
|-----|---------------|-----|--|------------|
| 1 | 098647-27-01A | EA | WINDOW-PASSENGER HORIZONTAL SLIDER-CLEAR-26.1"X59.7" | |
| | 098647-27-700 | EA | WINDOW-SLIDER | H287-C1R |
| | 098647-27-701 | EA | RETAINER-TRIM | W287-66 |
| 2 | 098644-01-705 | FT | GLAZING-STRIP | 132-010231 |
| 3 | 098644-01-706 | FT | WEATHERSTRIP-GLASS | 171-010668 |
| 4 | 098647-27-702 | EA | GLASS-STATIONARY | 096-017868 |
| 5 | 098644-01-719 | EA | STOP-SLIDER GLASS | 132-014203 |
| 6 | 098644-01-710 | FT | TRACK-SCREEN SPACER 12' | 132-017135 |
| 7 | 098644-01-700 | EA | LATCH-REPAIR KIT (BLACK) | B801-CK |
| 8 | 098644-01-708 | FT | CHANNEL-RUN PIERCED | 122-016543 |
| 9 | 098644-01-711 | FT | WEATHERSTRIP-SCREEN BLACK | 171-016965 |
| 10 | 098647-23-704 | EA | SCREEN ASM-W/SEALS & CLIPS | 410-019066 |
| | 098644-01-717 | FT | SPLINE-SCREEN | 132-004716 |
| 11 | 098644-01-713 | EA | CLIP-SPRING-METAL | 226-016966 |
| 12 | 098647-27-703 | EA | GLASS-SLIDING W/SASH & LATCH | H287-C8 |
| 13 | 098644-01-716 | FT | PLUG-FILLER | 132-014470 |

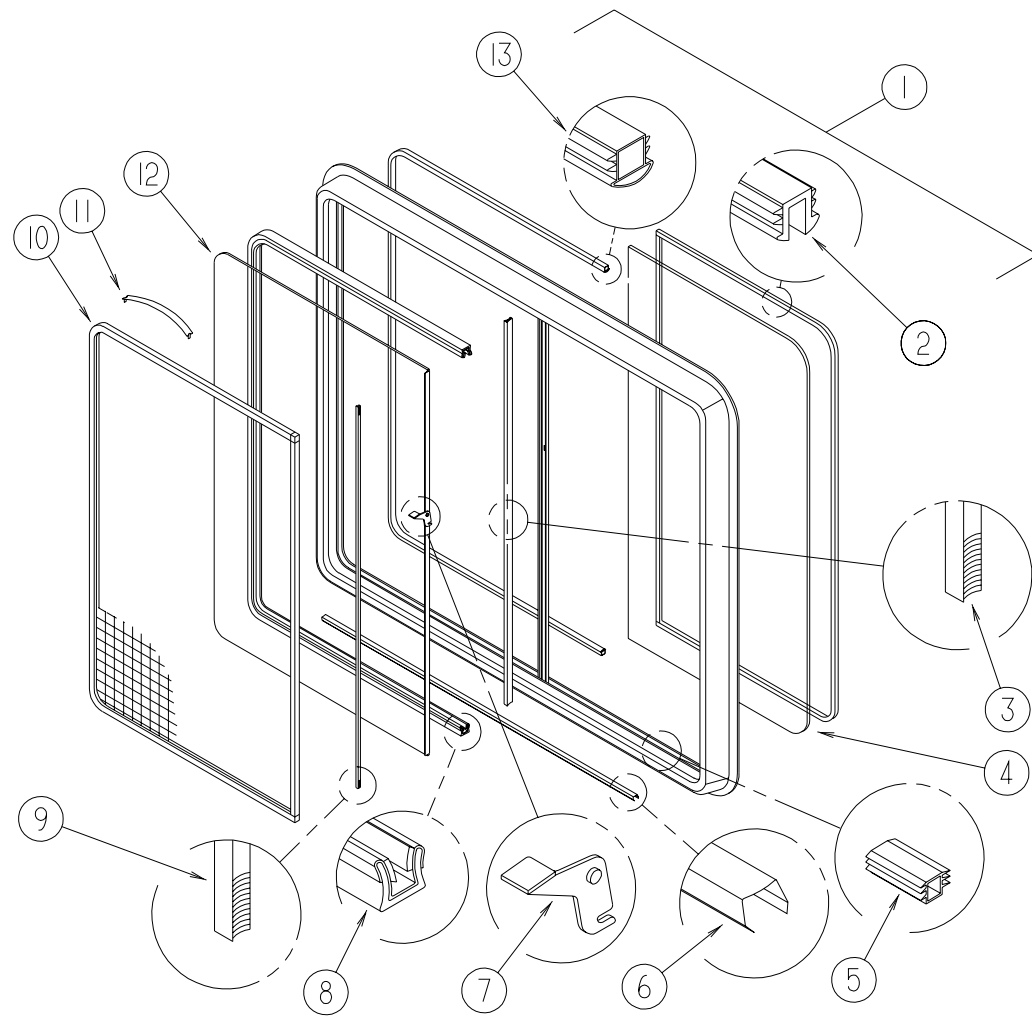
WINDOW, VENT & EXTERIOR DOOR GROUP (CONTINUED)



SINGLE SLIDER WINDOW-LOUNGE-PASSENGER SIDE-EXCEL-THERMO

| KEY | PART NUMBER | U/M | DESCRIPTION | VENDOR NO. |
|-----|---------------|-----|---|------------|
| 1 | 112795-16-01A | EA | WINDOW-PASSENGER HORIZONTAL SLIDER THERMO 26 3/8" X 60" | |
| | 112795-16-700 | EA | WINDOW W/OTRIM | DH287-G2R |
| | 098647-23-702 | EA | RETAINER-TRIM | W287-66 |
| 2 | 112795-01-705 | FT | VINYL-GLAZING | 132-019702 |
| 3 | 112795-15-701 | EA | GLASS-STATIONARY | 390-019045 |
| 4 | 112795-01-701 | EA | SLIDE-STOP | 132-019092 |
| 5 | 098644-01-710 | FT | TRACK-SCREEN SPACER 12' | 132-017135 |
| 6 | 112795-01-700 | EA | LATCH ASM., BLK., (BOLTON) | DH287-CK |
| 7 | 112795-01-703 | IN | CHANNEL-RUN (INCHES) | 122-018736 |
| 8 | 098644-01-711 | FT | WEATHERSTRIP-SCREEN BLACK | 171-016965 |
| 9 | 098647-23-704 | EA | SCREEN ASM-W/SEALS & CLIPS | 410-019066 |
| 10 | 098644-01-713 | EA | CLIP-SPRING-METAL | 226-016966 |
| 11 | 112795-15-702 | EA | GLASS-SLIDING W/SASH & LATCH | DH287-G9 |
| 12 | 112795-01-704 | FT | PLUG FILLER (DOUBLE GLAZED) | 122-018737 |

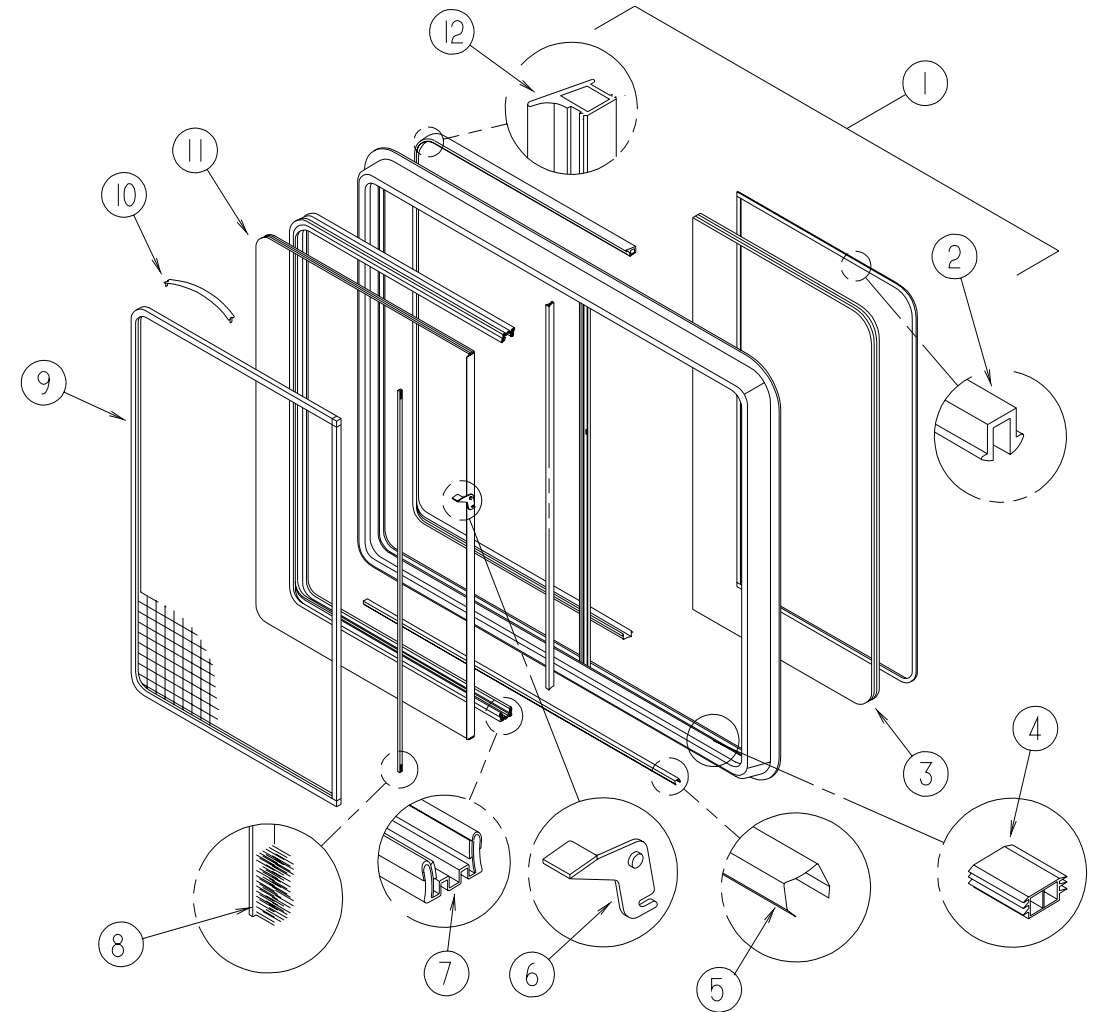
WINDOW, VENT & EXTERIOR DOOR GROUP (CONTINUED)



SLIDER WINDOWS-OVERHEAD BUNK-PASSENGER SIDE-EXCEL

| KEY | PART NUMBER | U/M | DESCRIPTION | VENDOR NO. |
|-----|---------------|-----|--|------------|
| 1 | 098647-31-01A | EA | WINDOW-PASSENGER HORIZONTAL SLIDER-CLEAR-15.7"X28.5" | H425-C1R |
| | 098647-31-700 | EA | WINDOW-SLIDER | CW29-66 |
| | 098647-31-701 | EA | RETAINER-TRIM | 132-010231 |
| 2 | 098644-01-705 | FT | GLAZING-STRIP | 171-010668 |
| 3 | 098644-01-706 | FT | WEATHERSTRIP-GLASS | 096-019299 |
| 4 | 098647-31-702 | EA | GLASS-STATIONARY | 132-014203 |
| 5 | 098644-01-719 | EA | STOP-SLIDER GLASS | 132-017135 |
| 6 | 098644-01-710 | FT | TRACK-SCREEN SPACER 12' | B801-CK |
| 7 | 098644-01-700 | EA | LATCH-REPAIR KIT (BLACK) | 122-016543 |
| 8 | 098644-01-708 | FT | CHANNEL-RUN PIERCED | 171-016965 |
| 9 | 098644-01-711 | FT | WEATHERSTRIP-SCREEN BLACK | 410-019128 |
| 10 | 098647-31-704 | EA | SCREEN ASM-W/SEALS & CLIPS | 132-004716 |
| | 098644-01-717 | FT | SPLINE-SCREEN | 226-016966 |
| 11 | 098644-01-713 | EA | CLIP-SPRING-METAL | H425-C8 |
| 12 | 098647-31-703 | EA | GLASS-SLIDING W/SASH & LATCH | 132-014470 |
| 13 | 098644-01-716 | FT | PLUG-FILLER | |

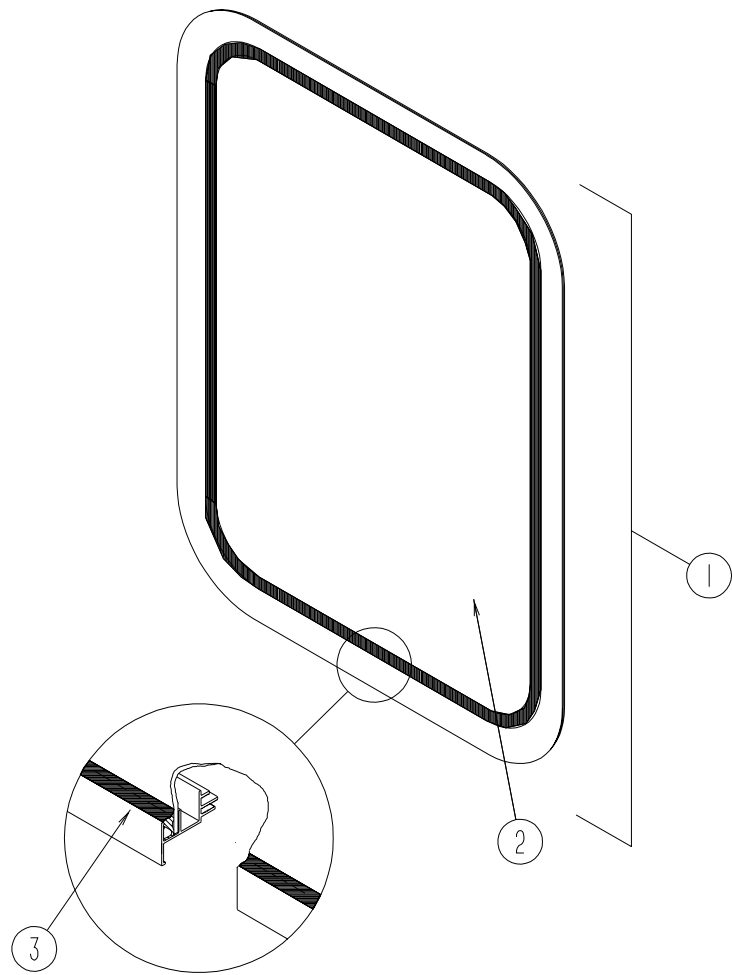
WINDOW, VENT & EXTERIOR DOOR GROUP (CONTINUED)



SLIDER WINDOWS-OVERHEAD BUNK-PASSENGER SIDE-EXCEL-THERMO

| KEY | PART NUMBER | U/M | DESCRIPTION | VENDOR NO. |
|-----|---------------|-----|---|------------|
| 1 | 112795-19-01A | EA | WINDOW-HORIZONTAL SLIDER THERMO 16" X 28 3/4" | DC29-G2R |
| | 112795-19-700 | EA | WINDOW W/OTRIM | CW29-66 |
| | 098647-31-701 | EA | RETAINER-TRIM | 132-019702 |
| 2 | 112795-01-705 | FT | VINYL-GLAZING | 390-019134 |
| 3 | 112795-19-701 | EA | GLASS-STATIONARY | 132-019092 |
| 4 | 112795-01-701 | EA | SLIDE-STOP | 132-017135 |
| 5 | 098644-01-710 | FT | TRACK-SCREEN SPACER 12' | DH287-CK |
| 6 | 112795-01-700 | EA | LATCH ASM., BLK., (BOLTON) | 122-018736 |
| 7 | 112795-01-703 | IN | CHANNEL-RUN (INCHES) | 171-016965 |
| 8 | 098644-01-711 | FT | WEATHERSTRIP-SCREEN BLACK | 410-019128 |
| 9 | 098647-31-704 | EA | SCREEN ASM-W/SEALS & CLIPS | 226-016966 |
| 10 | 098644-01-713 | EA | CLIP-SPRING-METAL | DC29-G9 |
| 11 | 112795-19-702 | EA | GLASS-SLIDING W/SASH & LATCH | 122-018737 |
| 12 | 112795-01-704 | FT | PLUG FILLER (DOUBLE GLAZED) | |

WINDOW, VENT & EXTERIOR DOOR GROUP (CONTINUED)



ENTRANCE DOOR & REAR BATH WINDOW

| KEY | PARTNUMBER | U/M | DESCRIPTION |
|-----|---------------|-----|---|
| 1 | 117053-04-FB1 | EA | WINDOW-PICTURE 17" X 26.4" |
| 2 | 002181-27-000 | EA | GLASS-PICTURE 655 X 417 59R - CLEAR 90% |
| 3 | 087561-01-000 | FT | SEAL-GLASS, EXTERIOR - .5" WIDE - VINYL - BLACK |
| | 117054-02-02A | EA | RETAINER-TRIM, BRIGHT/WHITE |

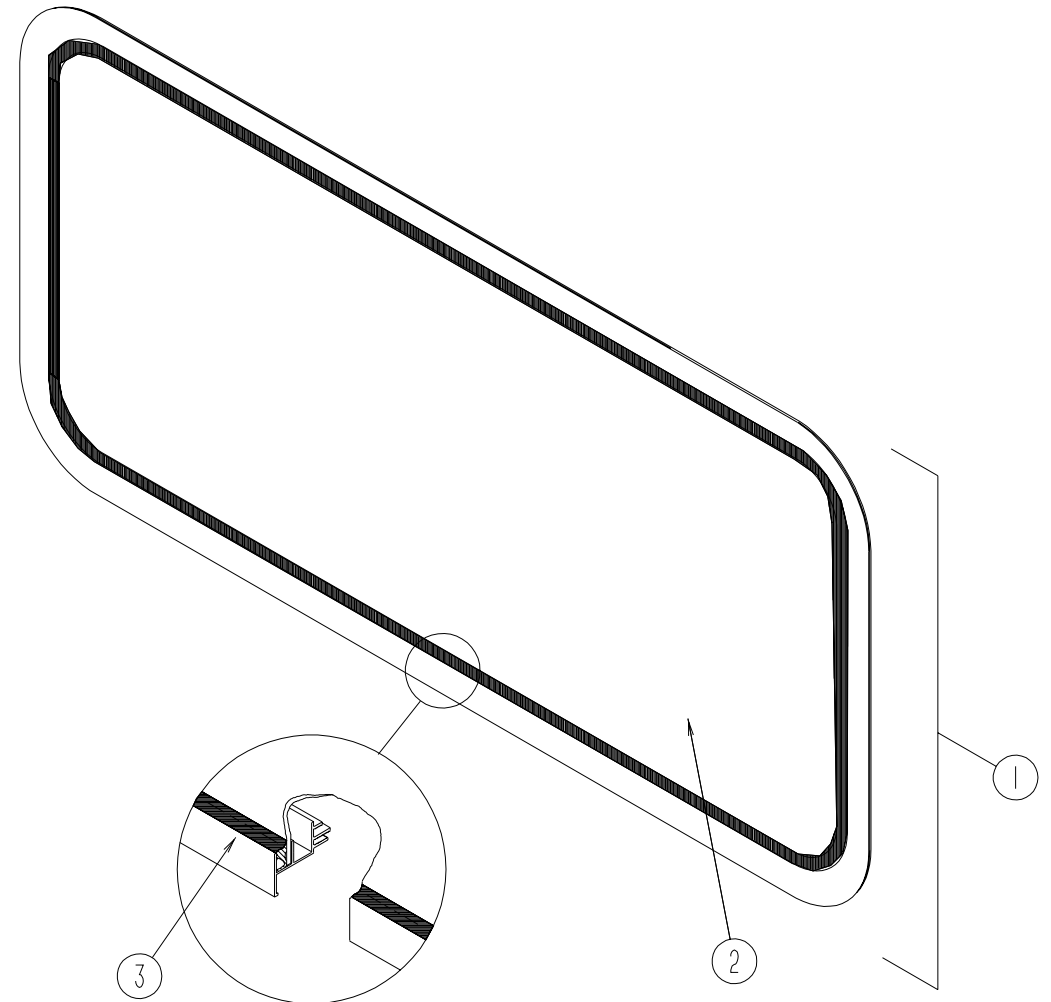
ENTRANCE DOOR WINDOW-THERMO

| KEY | PARTNUMBER | U/M | DESCRIPTION | VENDOR NO. |
|-----|---------------|-----|--|------------|
| | 113733-01-01A | EA | WINDOW-STATIONARY THERMOPANE 26.4" X 17" | |
| | 113733-01-702 | EA | GLASS-STATIONARY | 390-019187 |
| | 112795-01-705 | FT | VINYL-GLAZING | 132-019702 |
| | 113733-01-700 | EA | WINDOW ASM. W/OTRIM | DH416-G2 |
| | 113733-01-701 | EA | RETAINER-TRIM | W41666 |

REAR BATH WINDOW-THERMO

| KEY | PARTNUMBER | U/M | DESCRIPTION | VENDOR NO. |
|-----|---------------|-----|---|------------|
| | 113733-05-01A | EA | WINDOW-STATIONARY THERMOPANE/EUROPEAN 17" X 26.4" | |
| | 113733-05-700 | EA | RETAINER-TRIM | W45559 |
| | 113733-05-702 | EA | GLASS-STATIONARY | |
| | 112795-01-705 | FT | VINYL-GLAZING | 132-019702 |

WINDOW, VENT & EXTERIOR DOOR GROUP (CONTINUED)



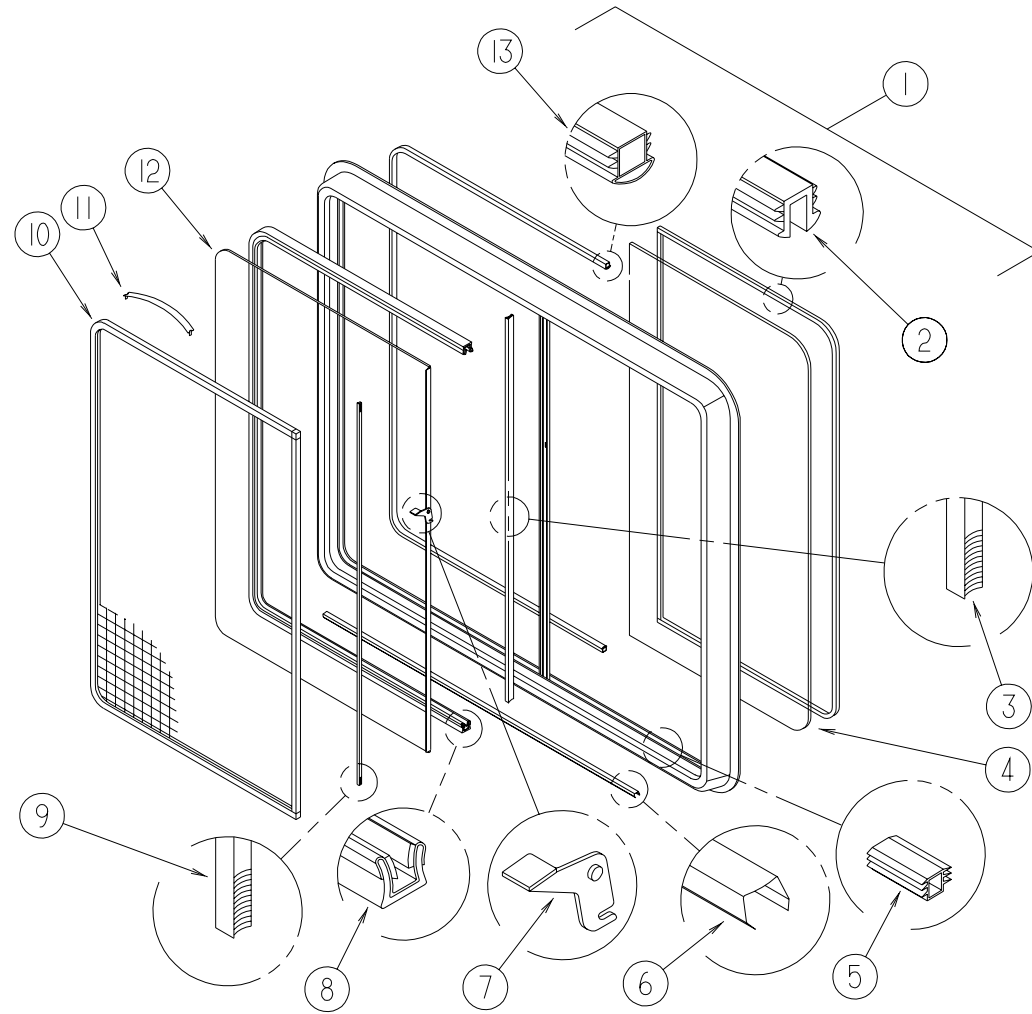
FRONT OVERHEAD BUNK WINDOW

| KEY | PARTNUMBER | U/M | DESCRIPTION |
|-----|---------------|-----|---|
| | 117054-01-01A | EA | FRAME-WINDOW, INSIDE WHT |
| 1 | 103313-03-F15 | EA | WINDOW-PICTURE/ESCAPE 23.3" X 71.3" |
| 2 | 002181-29-000 | EA | GLASS-PICTURE 71" X 16.4" |
| 3 | 099154-01-000 | FT | CHANNEL-GLAZING, STATIONARY GLASS - .62" X .45" - BLACK |

FRONT OVERHEAD BUNK WINDOW-THERMO

| KEY | PARTNUMBER | U/M | DESCRIPTION | VENDOR NO. |
|-----|---------------|-----|-------------------------------|------------|
| | 115630-01-01A | EA | WINDOW-STATIONARY 17.2" X 72" | |
| | 098644-01-705 | FT | GLAZING-STRIP | 132-010231 |
| | 115630-01-700 | EA | WINDOW W/OTRIM | DH438-G2 |
| | 115630-01-701 | EA | RETAINER-TRIM | W438-58 |
| | 115630-01-702 | EA | GLASS-STATIONARY | 390-019467 |

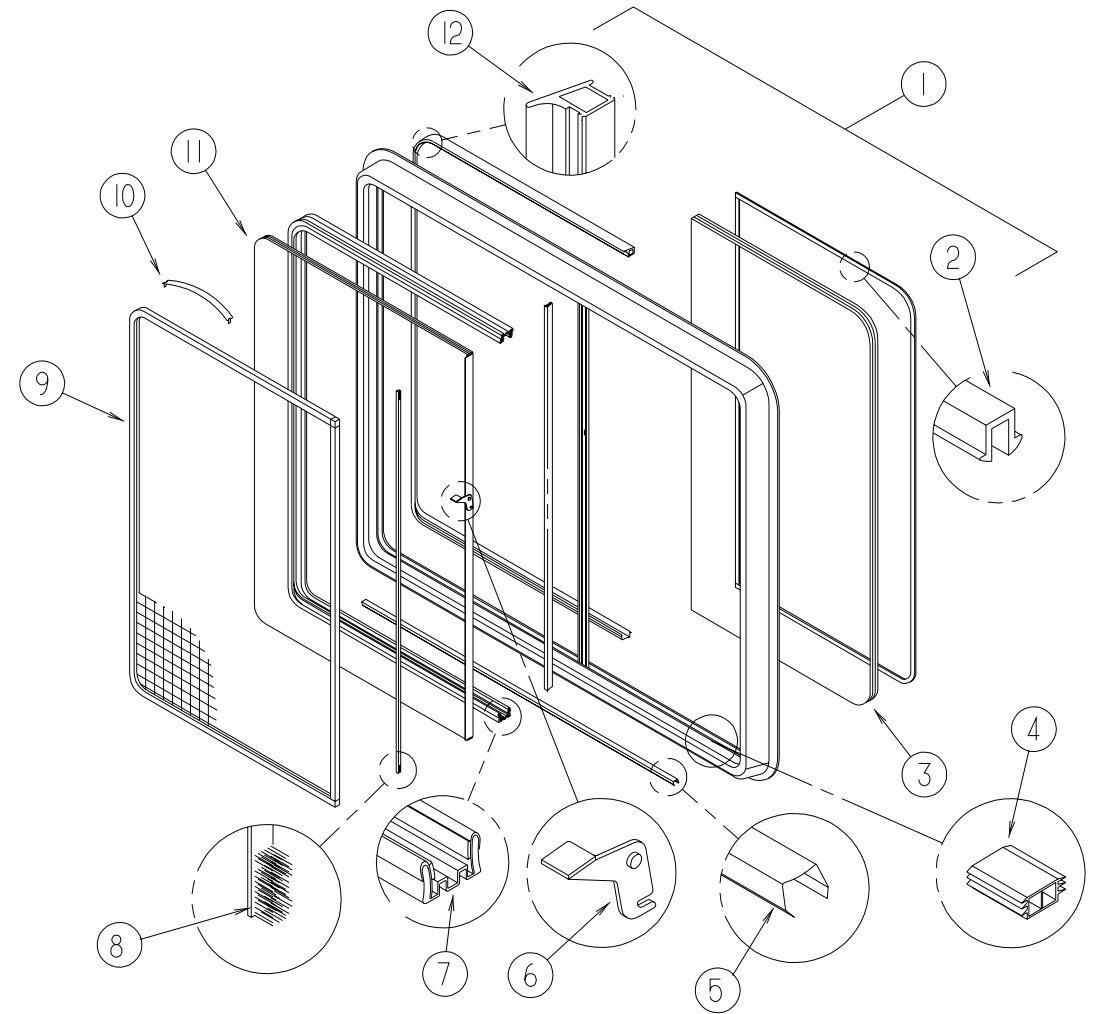
WINDOW, VENT & EXTERIOR DOOR GROUP (CONTINUED)



SLIDER WINDOWS-OVERHEAD BUNK & GALLEY-DRIVER SIDE-EXCEL

| KEY | PARTNUMBER | U/M | DESCRIPTION | VENDORNO. |
|-----|---------------|-----|--|------------|
| 1 | 098647-32-01A | EA | WINDOW-DRIVERSHORIZONTALSLIDER-CLEAR-15.7"X28.5" | 132-010231 |
| | 098647-32-700 | EA | WINDOW-SLIDER | H425-C1L |
| | 098647-31-701 | EA | RETAINER-TRIM | CW29-66 |
| 2 | 098644-01-705 | FT | GLAZING-STRIP | 132-010231 |
| 3 | 098644-01-706 | FT | WEATHERSTRIP-GLASS | 171-010668 |
| 4 | 098647-31-702 | EA | GLASS-STATIONARY | 096-019299 |
| 5 | 098644-01-719 | EA | STOP-SLIDERSLASS | 132-014203 |
| 6 | 098644-01-710 | FT | TRACK-SCREENSPACER 12' | 132-017135 |
| 7 | 098644-01-700 | EA | LATCH-REPAIRKIT (BLACK) | B801-CK |
| 8 | 098644-01-708 | FT | CHANNEL-RUNPIERCED | 122-016543 |
| 9 | 098644-01-711 | FT | WEATHERSTRIP-SCREENBLACK | 171-016965 |
| 10 | 098647-31-704 | EA | SCREENASM-W/SEALS&CLIPS | 410-019128 |
| | 098644-01-717 | FT | SPLINE-SCREEN | 132-004716 |
| 11 | 098644-01-713 | EA | CLIP-SPRING-METAL | 226-016966 |
| 12 | 098647-31-703 | EA | GLASS-SLIDINGW/SASH&LATCH | H425-C8 |
| 13 | 098644-01-716 | FT | PLUG-FILLER | 132-014470 |

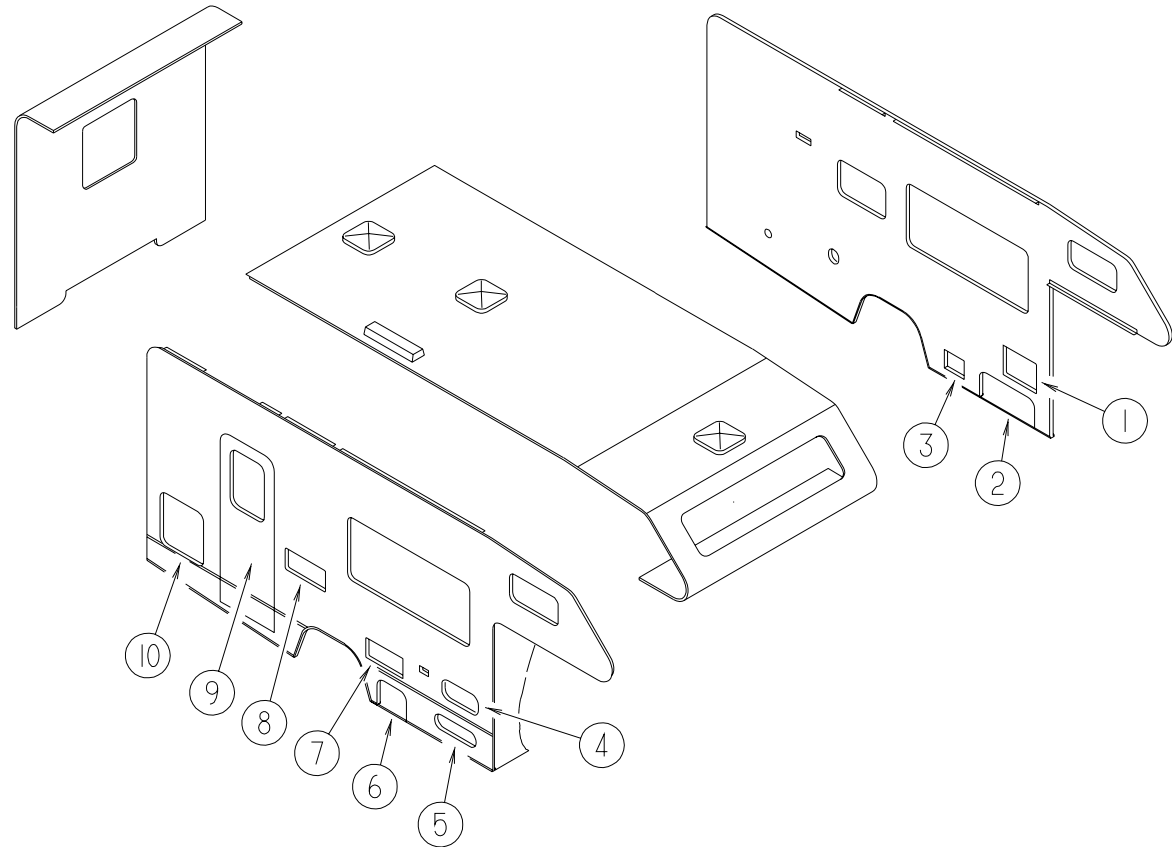
WINDOW, VENT & EXTERIOR DOOR GROUP (CONTINUED)



SLIDER WINDOWS-OVERHEAD BUNK & GALLEY-DRIVER SIDE-EXCEL

| KEY | PARTNUMBER | U/M | DESCRIPTION | VENDORNO. |
|-----|---------------|-----|--|------------|
| 1 | 112795-20-01A | EA | WINDOW-DRIVERHORIZONTALSLIDER THERMO 16"X28 3/4" | 132-019702 |
| | 112795-20-700 | EA | WINDOWW/OTRIM | DC29-G2L |
| | 098647-31-701 | EA | RETAINER-TRIM | CW29-66 |
| 2 | 112795-01-705 | FT | VINYL-GLAZING | 132-019702 |
| 3 | 112795-19-701 | EA | GLASS-STATIONARY | 390-019134 |
| 4 | 112795-01-701 | EA | SLIDE-STOP | 132-019092 |
| 5 | 098644-01-710 | FT | TRACK-SCREENSPACER 12' | 132-017135 |
| 6 | 112795-01-700 | EA | LATCHASM., BLK., (BOLTON) | DH287-CK |
| 7 | 112795-01-703 | IN | CHANNEL-RUN (INCHES) | 122-018736 |
| 8 | 098644-01-711 | FT | WEATHERSTRIP-SCREENBLACK | 171-016965 |
| 9 | 098647-31-704 | EA | SCREENASM-W/SEALS&CLIPS | 410-019128 |
| 10 | 098644-01-713 | EA | CLIP-SPRING-METAL | 226-016966 |
| 11 | 112795-19-702 | EA | GLASS-SLIDINGW/SASH&LATCH | DC29-G9 |
| 12 | 112795-01-704 | FT | PLUGFILLER (DOUBLEGLAZED) | 122-018737 |

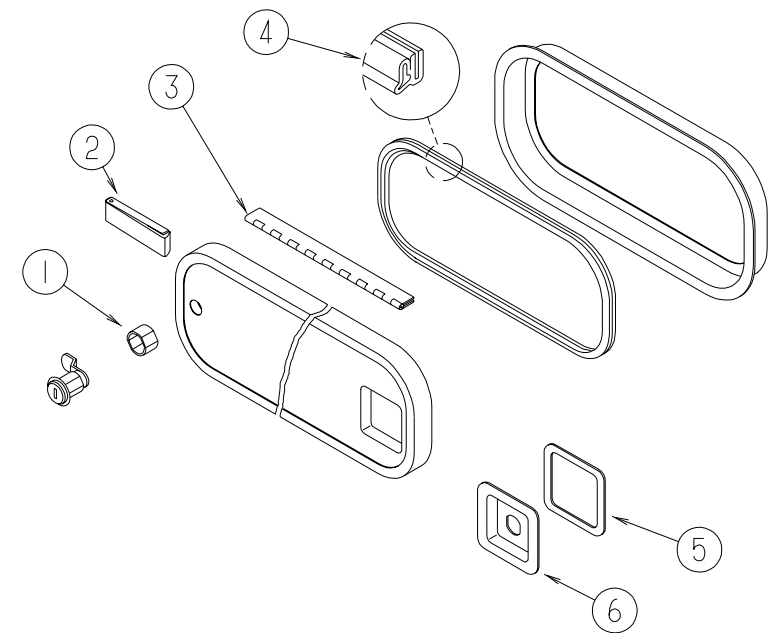
WINDOW, VENT & EXTERIOR DOOR GROUP (CONTINUED)



EXTERIOR DOORS

| KEY | PARTNUMBER | U/M | DESCRIPTION |
|-----|---------------|-----|---|
| 1 | 052009-06-000 | EA | DOOR - WATER HEATER - W/OLATCHES |
| | 116424-01-000 | EA | PROTECTOR - WATER HEATER LATCH, ADHESIVE BACKED ROUND VINYL |
| 2 | 111014-16-F15 | EA | DOOR ASM - STORAGE, LOWER FRONT |
| | 081801-T3-000 | EA | HINGE - AL, 2" X 8' BRT WHT |
| | 081801-V3-000 | EA | HINGE - AL, 2" X 8' BRT WHT |
| 3 | 088794-06-000 | EA | DOOR - POWER CORD W/HATCH - 11" X 9.2" |
| 4 | 111017-01-F24 | EA | DOOR - PATIO/ENTERTAINMENT CENTER W/OLATCH - 17.8" X 8.1" |
| | 081801-V3-000 | EA | HINGE - AL, 2" X 8' BRT WHT |
| 5 | 111014-11-F16 | EA | DOOR ASM - STORAGE, LOWER FRONT - JAPAN EXPORT |
| 5 | 111009-01-F24 | EA | DOOR - LP 6.5" X 20.8" |
| | 034007-B3-000 | EA | HINGE - CONTAL 1.5 X 96" BRT WHT |
| 6 | 123896-01-H04 | EA | DOOR - W/PROPRD |
| | 089329-01-000 | EA | CLIP - SPRING, 3/8" - METAL |
| | 101667-03-000 | EA | PROP - ROD |
| 7 | 098668-23-000 | EA | DOOR - ACCESS - FURNACE |
| 8 | 084103-08-000 | EA | DOOR - REFRIGERATOR - VENTED - W/OJAMB |
| | 084104-08-000 | EA | JAMB - REFRIGERATOR DOOR |
| | 084104-01-700 | EA | LOCK - MALE, FASTENER 201-721-010 |
| | 084104-01-701 | EA | LOCK - FEMALE, FASTENER 201-802-010 |
| 9 | 115108-01-H04 | EA | DOOR - ENTRY, W/SCREEN DOOR - W/O WINDOW (H04) |
| 9 | 115108-01-H05 | EA | DOOR - ENTRY, W/SCREEN DOOR - W/O WINDOW (H05) |
| 9 | 115108-01-H24 | EA | DOOR - ENTRY, W/SCREEN DOOR - W/O WINDOW (H24/H26) |
| 10 | 104558-17-F16 | EA | DOOR ASM - STORAGE |
| | 081801-V3-000 | EA | HINGE - AL, 2" X 8' BRT WHT |
| | 081240-16-000 | EA | DOOR - WATER FILL - LOCKABLE W/O LOCK - 4" X 45/8" |
| | 078010-15-000 | EA | DOOR ASM - FUEL FILL BRT WHT W/O LOCK - JAPAN EXPORT |

WINDOW, VENT & EXTERIOR DOOR GROUP (CONTINUED)

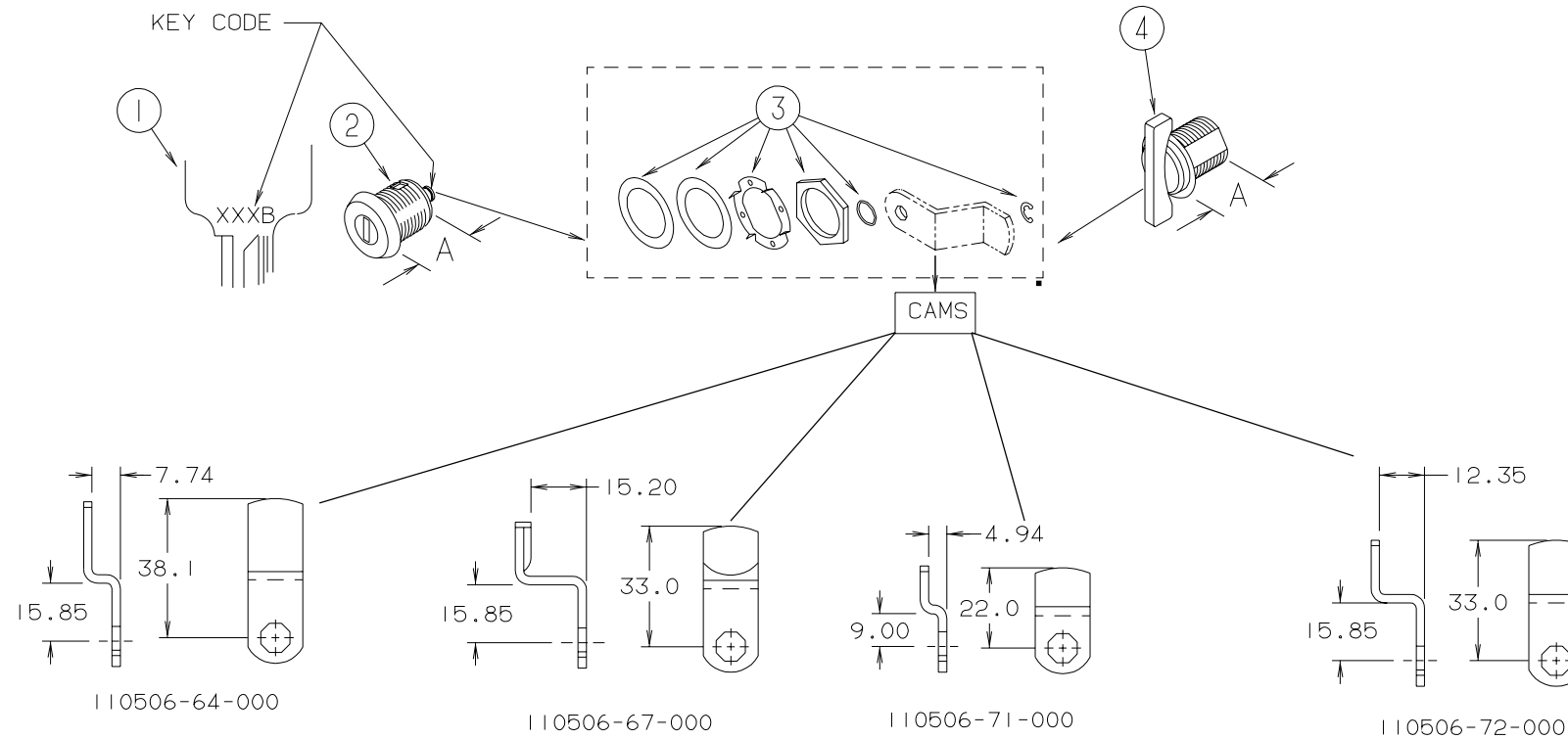


EXTERIOR COMPARTMENT DOOR COMPONENTS

| KEY | PARTNUMBER | U/M | DESCRIPTION |
|-----|---------------|-----|--|
| 1 | 107997-51-001 | EA | SPACER - DOOR LOCK .6" DEEP |
| | 107997-51-002 | EA | EXTR - SPACER, 4877MM |
| 2 | 102768-01-000 | EA | HOLDER - COMPARTMENT/ENTRY DOOR, METAL - MILL FINISH |
| 3 | 081801-02-000 | EA | HINGE - DOOR - PIANO - 2" X 96" |
| 4 | 064075-07-000 | FT | SEAL - BULB, W/WIRED U CHANNEL - .3" X .5" CHANNEL - BLACK |
| 5 | 098338-01-000 | EA | GASKET - LOCK POCKET |
| 6 | 097111-01-04A | EA | POCKET - LOCK, VALANCE, BRT WHT |
| | 096217-55-006 | EA | U CHANNEL 5353MM BRT/WHT |

WINDOW, VENT & EXTERIOR DOOR GROUP (CONTINUED)
BRIGGS & STRATTON LOCKS & COMPONENTS

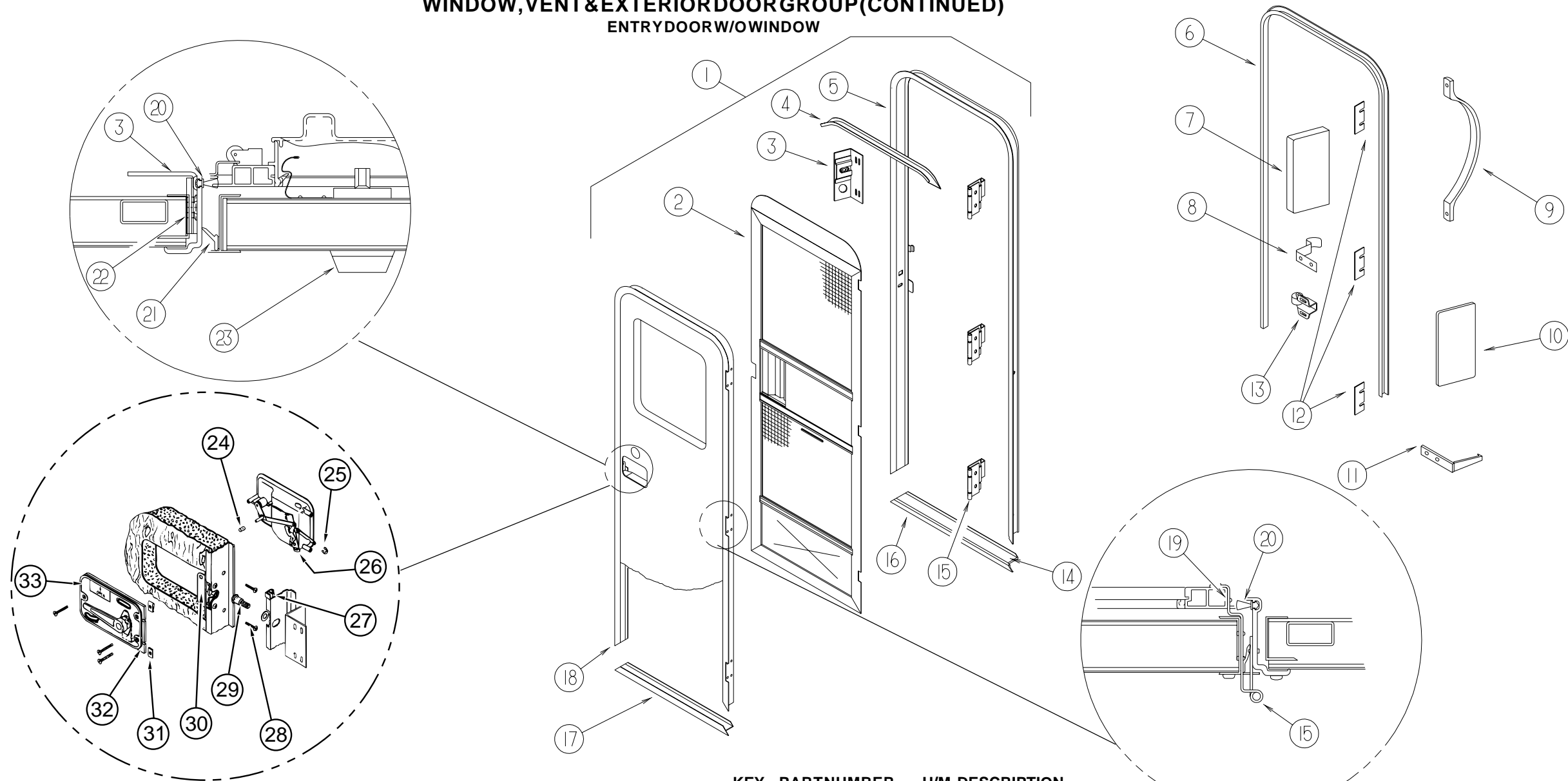
NOTE:
 WHEN ORDERING THE LOCK CASE, THE KEY CODE MUST MATCH THE LAST DIGIT OF THE VEHICLE'S SERIAL NUMBER AND PART NUMBER; WHEN ORDERING THE KEYS, THE THIRD DIGIT OF THE KEY CODE MUST MATCH THE LAST DIGIT OF THE VEHICLE'S SERIAL NUMBER AND PART NUMBER



| KEY | PARTNUMBER | U/M | DESCRIPTION | VENDORNO. |
|-----|---------------|-----|-------------------|-----------|
| 1 | 110506-59-000 | EA | KEYS-SETOFTWO | 596720 |
| 2 | 110506-52-000 | EA | CASE-LOCK, A=17MM | 702370 |
| 2 | 110506-53-000 | EA | CASE-LOCK, A=25MM | 702380 |
| 1 | 110506-59-001 | EA | KEYS-SETOFTWO | 596721 |
| 2 | 110506-52-001 | EA | CASE-LOCK, A=17MM | 702371 |
| 2 | 110506-53-001 | EA | CASE-LOCK, A=25MM | 702381 |
| 1 | 110506-59-002 | EA | KEYS-SETOFTWO | 596722 |
| 2 | 110506-52-002 | EA | CASE-LOCK, A=17MM | 702372 |
| 2 | 110506-53-002 | EA | CASE-LOCK, A=25MM | 702382 |
| 1 | 110506-59-003 | EA | KEYS-SETOFTWO | 596723 |
| 2 | 110506-52-003 | EA | CASE-LOCK, A=17MM | 702373 |
| 2 | 110506-53-003 | EA | CASE-LOCK, A=25MM | 702383 |
| 1 | 110506-59-004 | EA | KEYS-SETOFTWO | 596724 |
| 2 | 110506-52-004 | EA | CASE-LOCK, A=17MM | 702374 |
| 2 | 110506-53-004 | EA | CASE-LOCK, A=25MM | 702384 |
| 1 | 110506-59-005 | EA | KEYS-SETOFTWO | 596725 |
| 2 | 110506-52-005 | EA | CASE-LOCK, A=17MM | 702375 |
| 2 | 110506-53-005 | EA | CASE-LOCK, A=25MM | 702385 |
| 1 | 110506-59-006 | EA | KEYS-SETOFTWO | 596726 |
| 2 | 110506-52-006 | EA | CASE-LOCK, A=17MM | 702376 |
| 2 | 110506-53-006 | EA | CASE-LOCK, A=25MM | 702386 |

| KEY | PARTNUMBER | U/M | DESCRIPTION | VENDORNO. |
|-----|---------------|-----|------------------------|-----------|
| 1 | 110506-59-007 | EA | KEYS-SETOFTWO | 596727 |
| 2 | 110506-52-007 | EA | CASE-LOCK, A=17MM | 702377 |
| 2 | 110506-53-007 | EA | CASE-LOCK, A=25MM | 702387 |
| 1 | 110506-59-008 | EA | KEYS-SETOFTWO | 596728 |
| 2 | 110506-52-008 | EA | CASE-LOCK, A=17MM | 702378 |
| 2 | 110506-53-008 | EA | CASE-LOCK, A=25MM | 702388 |
| 1 | 110506-59-009 | EA | KEYS-SETOFTWO | 596729 |
| 2 | 110506-52-009 | EA | CASE-LOCK, A=17MM | 702379 |
| 2 | 110506-53-009 | EA | CASE-LOCK, A=25MM | 702389 |
| 3 | 110506-40-700 | EA | HARDWAREKIT | |
| 4 | 110506-50-000 | EA | CASE-TWISTLOCK, A=17MM | 596952 |
| 4 | 110506-51-000 | EA | CASE-TWISTLOCK, A=25MM | 596669 |
| | 110506-40-000 | EA | CLIP-ELOCKASSEMBLY | 93981 |
| | 110506-64-000 | EA | CAM-LOCK | 322280 |
| | 110506-67-000 | EA | CAM-LOCK | 322283 |
| | 110506-71-000 | EA | CAM-LOCK | 322287 |
| | 110506-72-000 | EA | CAM-LOCK | 322354 |
| | 110506-59-701 | EA | KEY-BLANK, GOLD | |

WINDOW, VENT & EXTERIOR DOOR GROUP (CONTINUED)
ENTRY DOOR W/O WINDOW

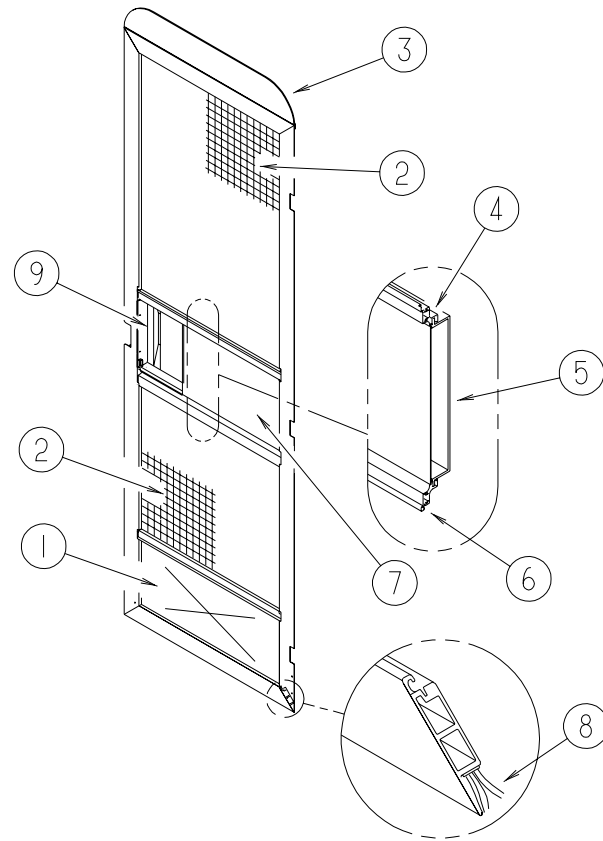


| KEY | PARTNUMBER | U/M | DESCRIPTION |
|-----|---------------|-----|--|
| 1 | 115108-01-H04 | EA | DOOR - ENTRY, W/SCREENDOOR - W/O WINDOW (H04) |
| 1 | 115108-01-H05 | EA | DOOR - ENTRY, W/SCREENDOOR - W/O WINDOW (H05) |
| 1 | 115108-01-H24 | EA | DOOR - ENTRY, W/SCREENDOOR - W/O WINDOW (H24/H26) |
| 2 | 121899-03-GB1 | EA | DOORASM-SCREEN |
| 3 | 041546-07-000 | EA | BRACKETASM-DOORANGLE, OFFWHITE |
| 4 | 044582-44-000 | EA | CAP-DRIP-JAMBMTD, BRIGHTWHITE |
| 5 | 121898-03-01A | EA | JAMBASM-DOOR, ENTRANCE - BRIGHTWHITE |
| 6 | 115222-04-01A | EA | GARNISH-RADIUS, ENTRANCEDOOR-OFFWHITE |
| 7 | 077461-05-000 | EA | COVER-BRACKET, STRIKE-OFFWHITE |
| 8 | 100412-01-000 | EA | CATCH-SCREENDOOR |
| 9 | 009126-03-000 | EA | HANDLE-ASSIST, BLACKTEXTURED |
| 10 | 076725-02-000 | EA | COVER-HINGE, ENTRYDOOR-6"X3.2" |
| 11 | 102768-01-000 | EA | HOLDER-COMPARTMENT/ENTRYDOOR, METAL-MILLFINISH |
| 12 | 102248-01-000 | EA | SHIM-DOOR |
| 13 | 100412-01-000 | EA | CATCH-SCREENDOOR |
| 14 | 038327-01-000 | EA | TAPE-ANTISLIP, 2"X60' |
| 15 | 106719-01-05A | EA | HINGE-ENTRANCEDOOR, BRIGHTWHITE |
| | 106719-01-01A | EA | HINGE-ENTRANCEDOOR, MILL |
| | 039715-01-000 | EA | NUT-SERT, 1/4" DIAMETER-20 THREADS-ENTRANCEDOORHINGE |
| | 116111-02-01A | EA | SCREW - TAPTITE - 1/4-20X3/8PPH-ZINC |
| 16 | 051049-01-000 | EA | JAMB-BOTTOM, ENTRYDOOR-25.9"-UNPAINTED |
| 17 | 121893-01-01A | EA | FRAME-DOOR, ENTRANCE-BRIGHTWHITE |
| 18 | 121894-07-01A | EA | FRAME-DOOR, ENTRANCE-BRIGHTWHITE |
| | 098173-01-07A | EA | STIFFENER-ENTRYDOOR, BRIGHTWHITE |
| | 098173-01-04A | EA | STIFFENER-ENTRYDOOR, SUPPORTSLATCH/STRIKEAREA |
| | 072893-04-000 | EA | NUTSERT-10-32, ENTRANCEDOORSTIFFENER |

| KEY | PARTNUMBER | U/M | DESCRIPTION |
|-----|---------------|-----|---|
| | 122241-01-01A | EA | BUMPER-FOAMRUBBER-BLACK |
| 19 | 100128-02-000 | FT | SEAL-FOAM, ADHESIVEBACK-.37"WX.37"THICK |
| 20 | 118929-01-01A | FT | SEAL-PILE, PUSH-ON-AMESBURY5250148 |
| 21 | 075671-04-000 | FT | SEAL-SPONGE, LAZYT SHAPE-W/ADHESIVESTRIP-.5"WIDE |
| 22 | 104692-01-000 | FT | SEAL-3/4"X3/4", ADHESIVEBACKFOAMSEAL |
| 23 | 101145-01-06A | EA | DEADBOLTASM-BLACKTEXTURED |
| | 101147-01-000 | EA | BOLT-SECURITY, 4.12"BACKSET |
| | 095229-01-700 | EA | KEY-BLANK, DEADBOLT 81205-03 |
| | 101145-01-701 | EA | CYLINDER-LOCKASM., W/KEY 81306-03 |
| 24 | 039984-01-000 | EA | CAP-ROUND-VINYL-.28"IDX.62"-BLACK |
| 25 | 036618-02-000 | EA | ERING-EXTERNAL, LYNOR DOORLOCK-3/16"SHAFTDIAMETER |
| 26 | 045017-13-000 | EA | LATCH-ENTRANCEDOOR, BLACKTEXTURED |
| | 045017-11-701 | EA | KEY-BLANK, F1SERIES 81312-02 |
| | 045017-11-703 | EA | CYLINDER-LOCKASM.W/KEYS 81266-09 |
| 27 | 064075-07-000 | FT | SEAL-BULB, W/WIREDUCHANNEL-.3"X.5"CHANNEL-BLACK |
| 28 | 000G54-04-20B | EA | SCREW-1/4-20X11/4PTH TYP23 |
| 29 | 039539-01-000 | EA | STRIKE-LOCK, ENTRYDOOR-ROUNDW/THREADEDWASHER |
| 30 | 039540-01-000 | EA | LATCHMECHANISM-HOOK, ENTRYDOOR-INTERIOR |
| 31 | 040921-01-000 | EA | NUT-SPEED-UTYPE10-24BLACK |
| 32 | 096810-01-01A | EA | PLATE-LATCH, ENTRYDOOR-PLASTIC-BLACK |
| 33 | 039979-06-000 | EA | COVER-RHLATCHPLATE-BLACKTEXTURED |
| | 086285-05-000 | EA | SPACER-NYLON, 17.91ODX14.3-MICROPLAS17W07051 |
| | 104099-01-04A | EA | CATCH-DOORHOLDER, STRIKE-BRIGHTWHITE |
| | 104099-02-04A | EA | CATCH-DOORHOLDER, RETAINER-BRIGHTWHITE |

WINDOW, VENT & EXTERIOR DOOR GROUP (CONTINUED)

WINDOW, VENT & EXTERIOR DOOR GROUP (CONTINUED)



SCREEN DOOR COMPONENTS

| KEY | PARTNUMBER | U/M | DESCRIPTION |
|-----|---------------|-----|---|
| | 121899-03-GB1 | EA | DOOR ASM-SCREEN |
| 1 | 078552-03-000 | EA | KICK PANEL-SCREEN DOOR, LOWER INSERT-UNPAINTED |
| 2 | 002293-02-000 | SF | SCREENING-WINDOW/DOOR, 26"-CHARCOAL |
| 3 | 078595-01-000 | EA | TOP PLATE-SCREEN DOOR, CURVED TOP-4.7" X 25.35" |
| 4 | 078777-01-000 | EA | CHANNEL-SLIDE, SCREEN DOOR CENTER SLIDER COVER |
| 5 | 079086-03-000 | EA | SLIDER-SCREEN DOOR, BRIGHT WHITE |
| | 079087-03-000 | EA | STRIKE-SLIDER, SCREEN DOOR, BRIGHT WHITE |
| 6 | 002294-01-000 | FT | SPLINE-SCREENING, .135" X .138"-BLACK |
| 7 | 016454-01-000 | EA | INSERT-CENTER, LEATHER GRAIN ALUMINUM-UNPAINTED |
| | 001014-01-013 | EA | INSERT-CENTER, 10.25" X 16.31"-UNPAINTED |
| 8 | 075673-01-000 | FT | SEAL-PILE, ADHESIVE BACK-GRAY |
| 9 | 050712-06-000 | EA | HANDLE-DOOR-SHOWER, BRIGHT WHITE |

POWERED ROOF VENT-JENSEN-US

| KEY | PARTNUMBER | U/M | DESCRIPTION |
|-----|---------------|-----|-------------------------------|
| | 122882-02-01A | EA | VENT-ROOF-W/FAN |
| | 122882-06-01A | EA | VENT-ROOF-GARNISH-1" TO 2.56" |

POWERED ROOF VENT-JENSEN-CANADIAN

| KEY | PARTNUMBER | U/M | DESCRIPTION |
|-----|---------------|-----|-------------------------------|
| | 122882-03-01A | EA | VENT-ROOF-W/FAN-CSA |
| | 122882-06-01A | EA | VENT-ROOF-GARNISH-1" TO 2.56" |

NONPOWERED ROOF VENT

| KEY | PARTNUMBER | U/M | DESCRIPTION |
|-----|---------------|-----|-------------------------------|
| | 122882-01-01A | EA | VENT-ROOF, NONPOWERED |
| | 122882-06-01A | EA | VENT-ROOF-GARNISH-1" TO 2.56" |

VENTS, SHROUDS AND ROOF COVERS

| KEY | PARTNUMBER | U/M | DESCRIPTION |
|-----|---------------|-----|---|
| | 084616-07-000 | EA | SHROUD-VENT, RANGE HOOD, BRIGHT WHITE |
| | 084878-09-000 | EA | VENT-RANGE HOOD, SHORT-LVS |
| | 083558-03-000 | EA | VENT-PLUMBING PIPE ROOF, W/COVER-OFF WHITE |
| | 084073-04-000 | EA | BASE-ROOF VENT, REFRIGERATOR |
| | 084073-07-000 | EA | VENT-ROOF, REFRIGERATOR, BRIGHT WHITE-NORCOLD |