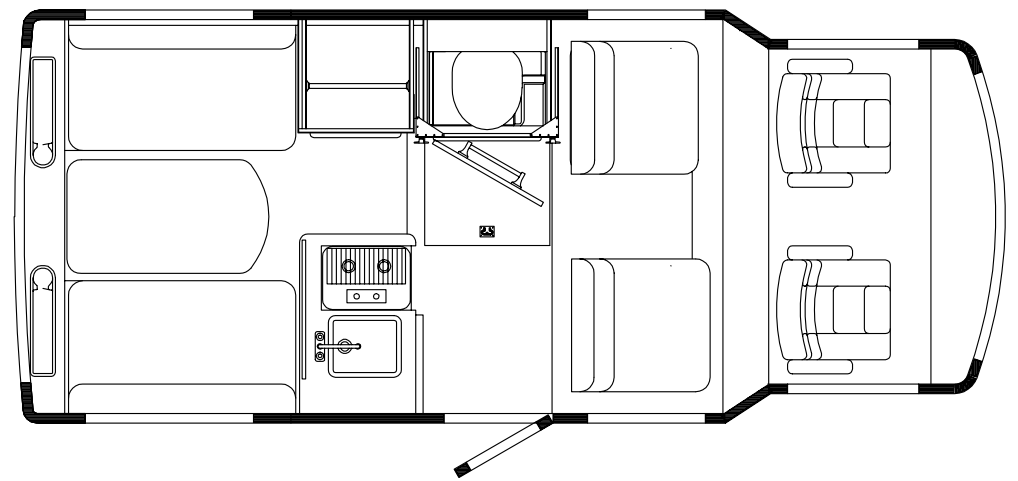
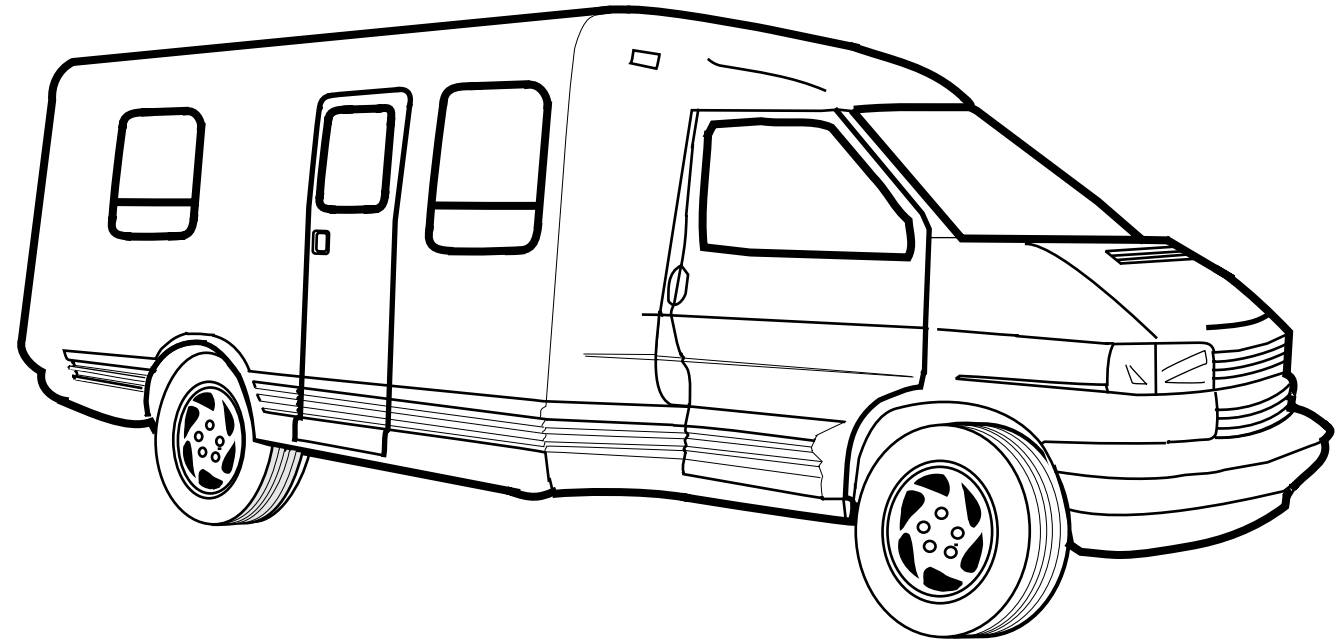


1997
WV222RD

H70
D O V E

H71
LAKWOOD



**ACCESSORIESGROUP
OPERATORSMANUAL&BINDER**

KEY	PARTNUMBER	U/M	DESCRIPTION
	054185-F2-000	EA	MANUAL-OPERATOR,1997RIALTA
	092318-01-000	EA	BINDER-3RING-MOTORHOMEMANUAL
	092319-01-000	EA	POCKETPAGE-3RINGBINDER,PLASTIC

**AUDIOVIDEOGROUP
RADIOSYSTEMCOMPONENTS**

KEY	PARTNUMBER	U/M	DESCRIPTION
	074014-01-000	EA	GRILLE-SPEAKER-ROUND-AUDIOVOX102X-1479
	074979-18-000	EA	COVER-SPEAKER-VWDARKGRAY
	094097-01-000	EA	SPEAKER-RADIO/TV-W/OGRILLE-5.25"DIAMETER
	114365-01-000	EA	ADAPTER-RADIO-POWER-SPEAKERS
	114366-01-000	EA	ADAPTOR-RADIO-ANTENNA-RIVERPARK
	097460-08-000	EA	RADIO-AM/FMSTEREOCASSETTE-SONY-XR-1700
	116148-04-000	EA	RADIO-AM/FMSTEREO-CDPLAYER-CLARIONDRB3375

AUDIOVOXTELEVISIONW/REMOTECONTROL

KEY	PARTNUMBER	U/M	DESCRIPTION	VENDORNO.
	086231-07-000	EA	TV-COLOR-9"DC-AUDIOVOXAVT-975	
	086231-08-700	EA	REMOTEUUNIVERSAL	8822325

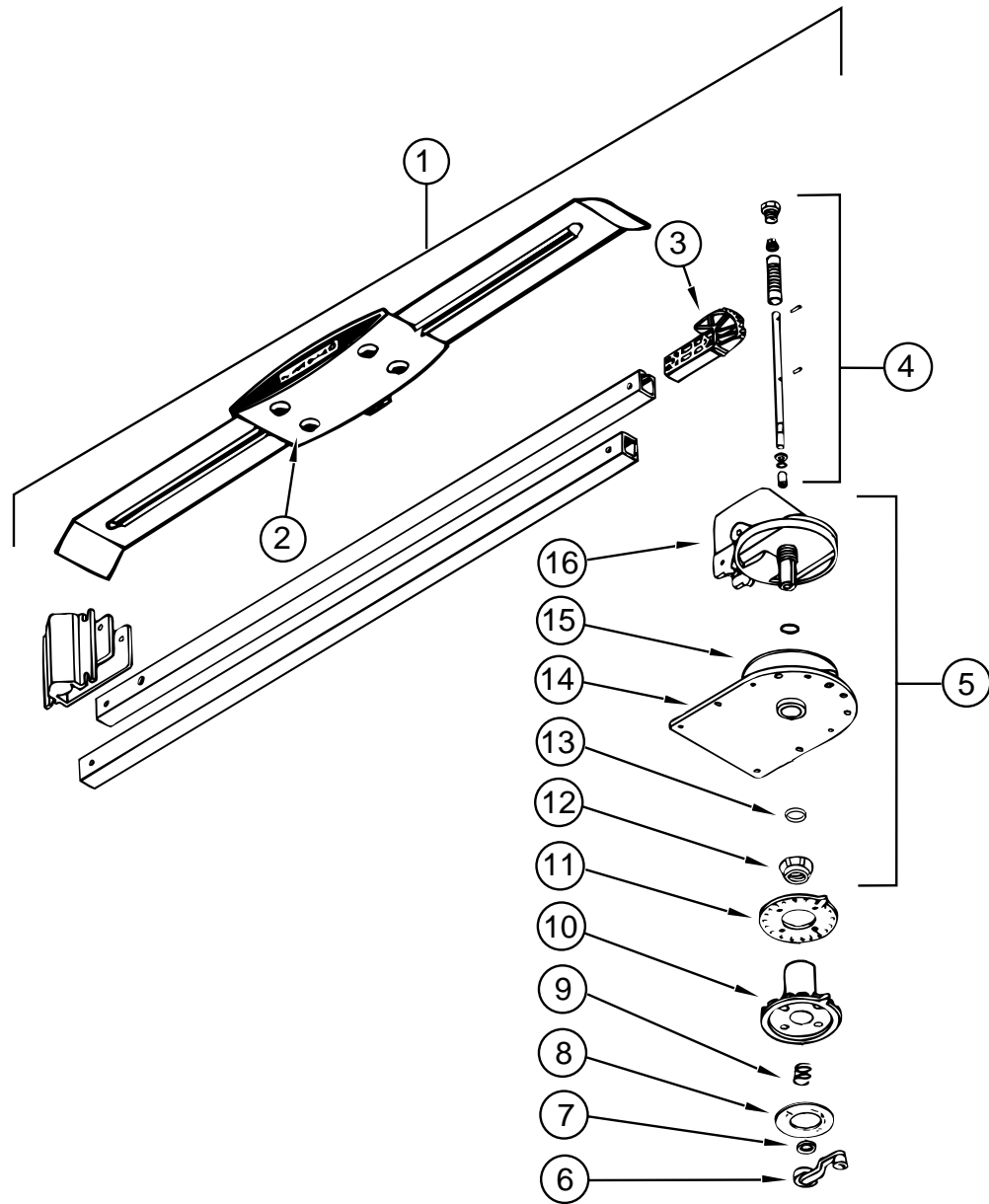
AUDIOVOXVIDEOCASSETTEPLAYER,COVER,&SWITCH

KEY	PARTNUMBER	U/M	DESCRIPTION
	094487-03-000	EA	VIDEOCASSETTEPLAYERW/OREMOTE-AUDIOVOXAVP-6750
	120551-01-02A	EA	COVER-VIDEOCASSETTEPLAYER
	120663-01-000	EA	SWITCH-VIDEOA/B-WINNEGARDTV-0051

TVCABLE,CONNECTORS,&WALLPLATES

KEY	PARTNUMBER	U/M	DESCRIPTION
	082134-01-000	EA	ADAPTER-TV-CABLETOCABLE
	093901-03-000	EA	PLATE-COAXIALCABLE
	076319-03-000	FT	CABLE-COAXIAL-75OHM
	076319-06-000	EA	ADAPTER-CABLEROOFPLATE
	076319-12-000	EA	CONNECTOR-COAXIAL-ONEPIECE
	086777-01-000	EA	WALLPLATE-TVCABLE-W/ANTENNASWITCH-IVORY
	120721-02-02B	EA	PLATE-ELECTRIC-CABLE
	121323-01-02B	EA	BRACKET-Z

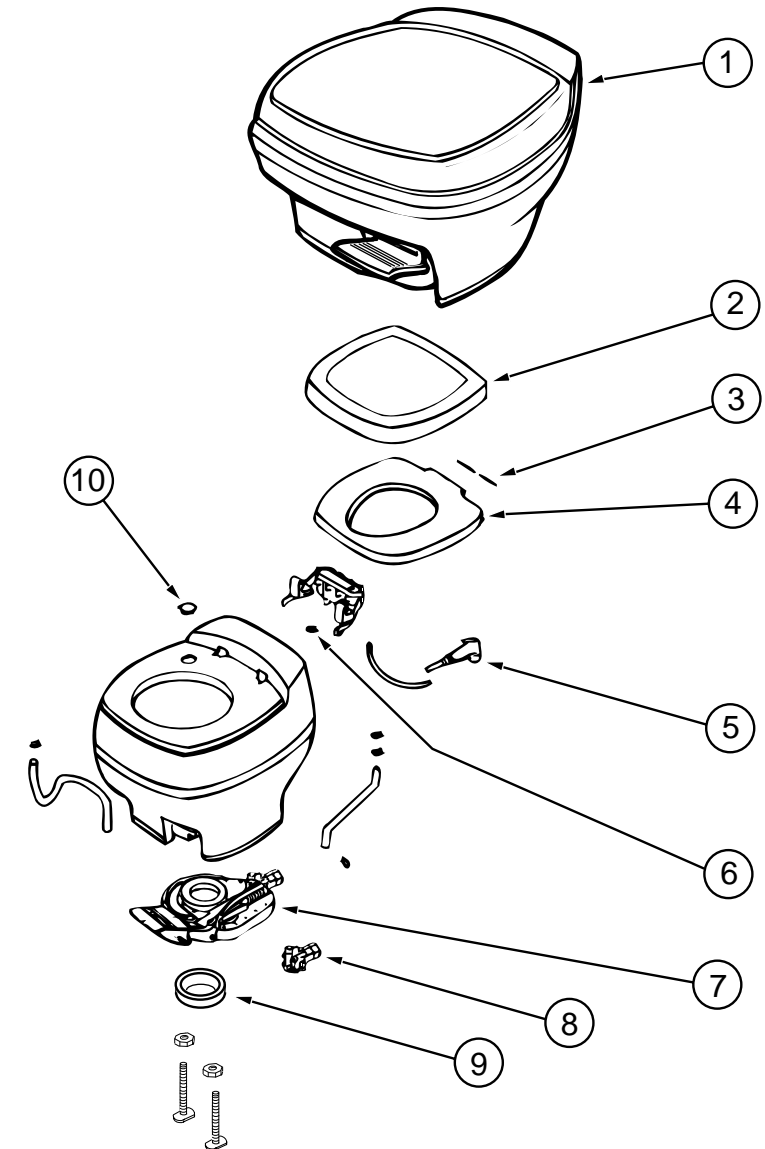
AUDIOVIDEOGROUP(CONTINUED)



WINEGARDTVANTENNA

KEY	PARTNUMBER	U/M	DESCRIPTION	VENDORNO.
1	076319-19-000	EA	ANTENNA-TV ROOF MOUNT -23.5" MAST WI-1294	
2	076319-01-700	EA	HEAD-ANTENNA-AMPLIFIED	RVSAU/V
3	076319-01-701	EA	GEAR-ELEVATING, PLASTIC	2200046
4	076319-01-702	EA	SHAFT ASM-ELEVATING	RVP-400A
5	076319-01-711	EA	BASE & LIFT ASM	2762802
6	076319-01-706	EA	CRANK-ELEVATING, W/SETSCREW	2750897
7	076319-01-705	EA	GROMMET-NYLON, 7/8" ID	3200658
8	076319-01-708	EA	DECAL-CRANK	5413002
9	076319-01-707	EA	SPRING-HANDLE	5160822
10	076319-01-709	EA	PLATE-DIRECTIONAL, FOR HEAD	3200621
11	076319-01-712	EA	PLATE-CEILING, DIRECTIONAL	3200608
12	076319-01-704	EA	BEARING-NYLON, 1.25" OD	3200657
13	076319-01-715	EA	NUT(GEARHOUSING)	2200047
14	076319-01-713	EA	PLATE-BASE-STEEL-WINEGARD	3100523
15	076319-01-703	EA	BEARING-NYLON-5" OD	3200656
16	076319-01-714	EA	HOUSING-ROTATING GEAR	2200049
	082136-01-000	EA	NUT-HEX JAM-3/8-32	

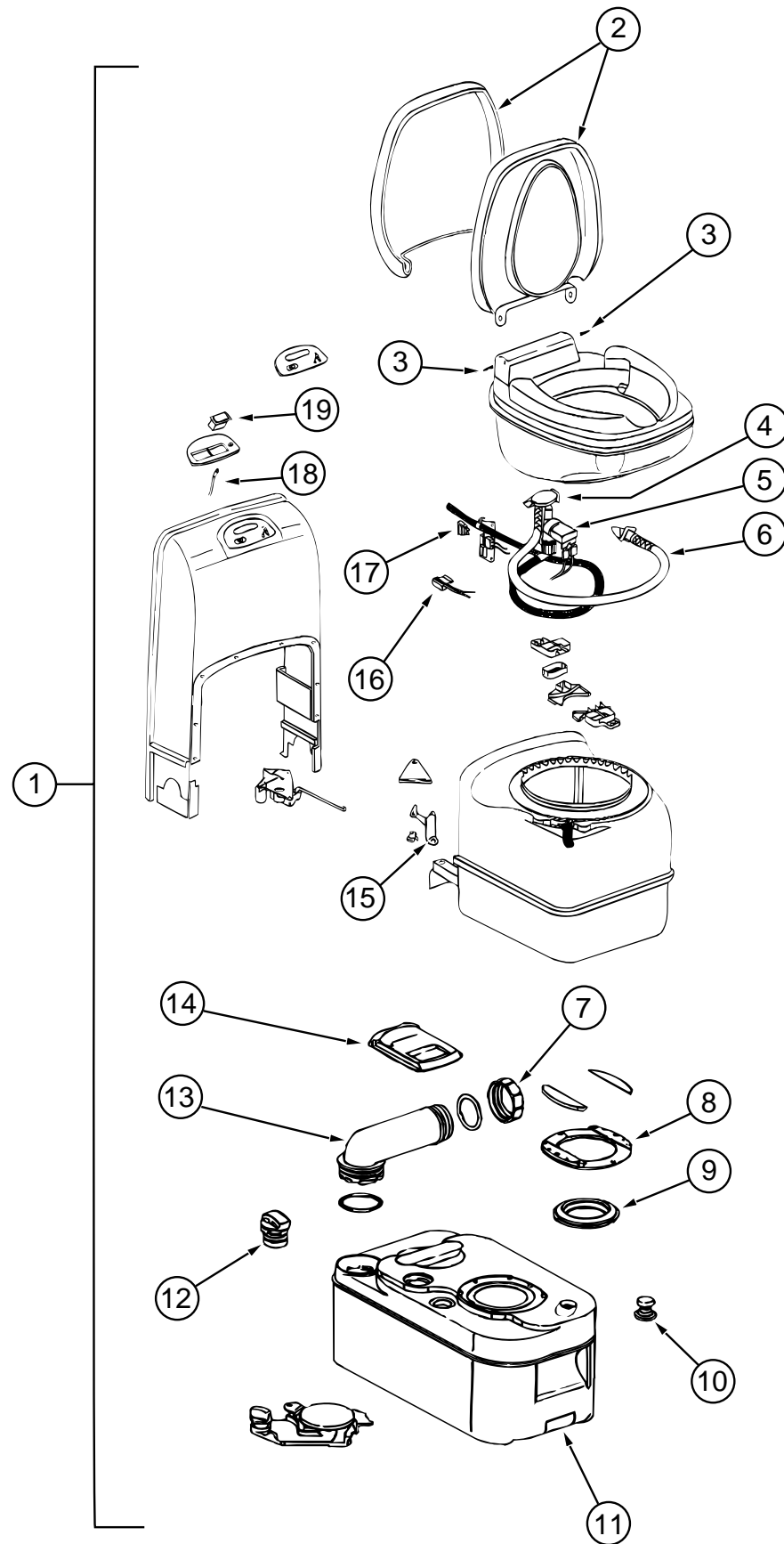
BATHGROUP



STARLITELOWTOILET

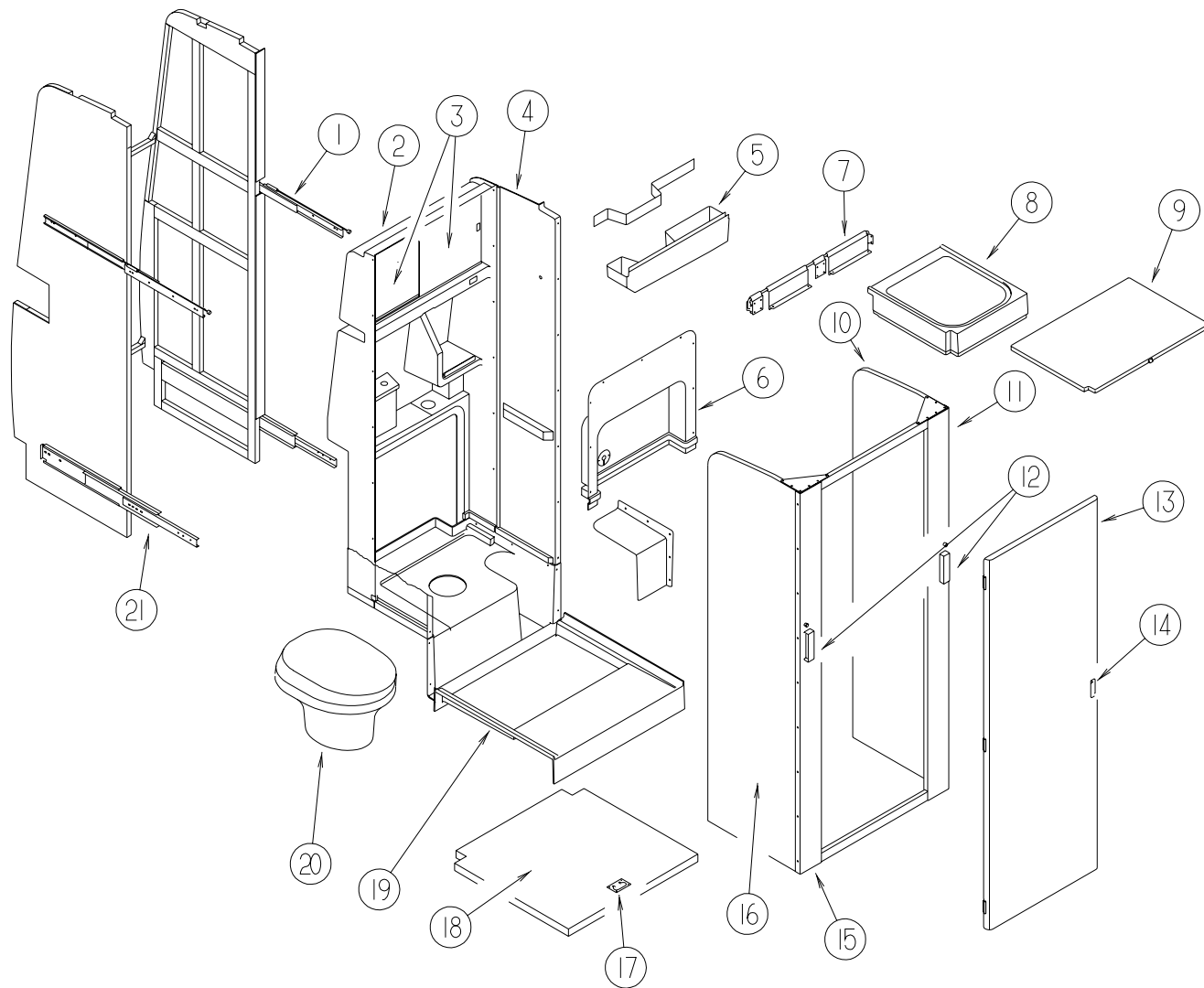
KEY	PARTNUMBER	U/M	DESCRIPTION	VENDORNO.
1	064076-01-000	EA	TOILET-11.25" TALL-IVORY-WATERSAVER	
2	039341-02-700	EA	COVER-SEAT-TOILET-IVORY	037151
3	039341-02-707	EA	PIN-HINGE	12986
4	039341-02-704	EA	SEAT/COVERSET-NEWSTYLEIV	08855
5	067487-01-701	EA	WATERSAVER PACKAGE	08993
6	067487-01-702	EA	CLAMP	03752
7	064076-01-701	EA	MECHANISM-FLUSHING	14622
8	064076-01-705	EA	VALVE-BALL-REPLACEMENT PACKAGE	09868
9	039341-02-705	EA	SEAL & BOLT PKG-W/O FLANGE	08975
10	039341-02-703	EA	PLUG-HOLE-TOILET-IVORY	03895-10

BATHGROUP(CONTINUED)
THETFORDCASSETTETOILET-JAPAN



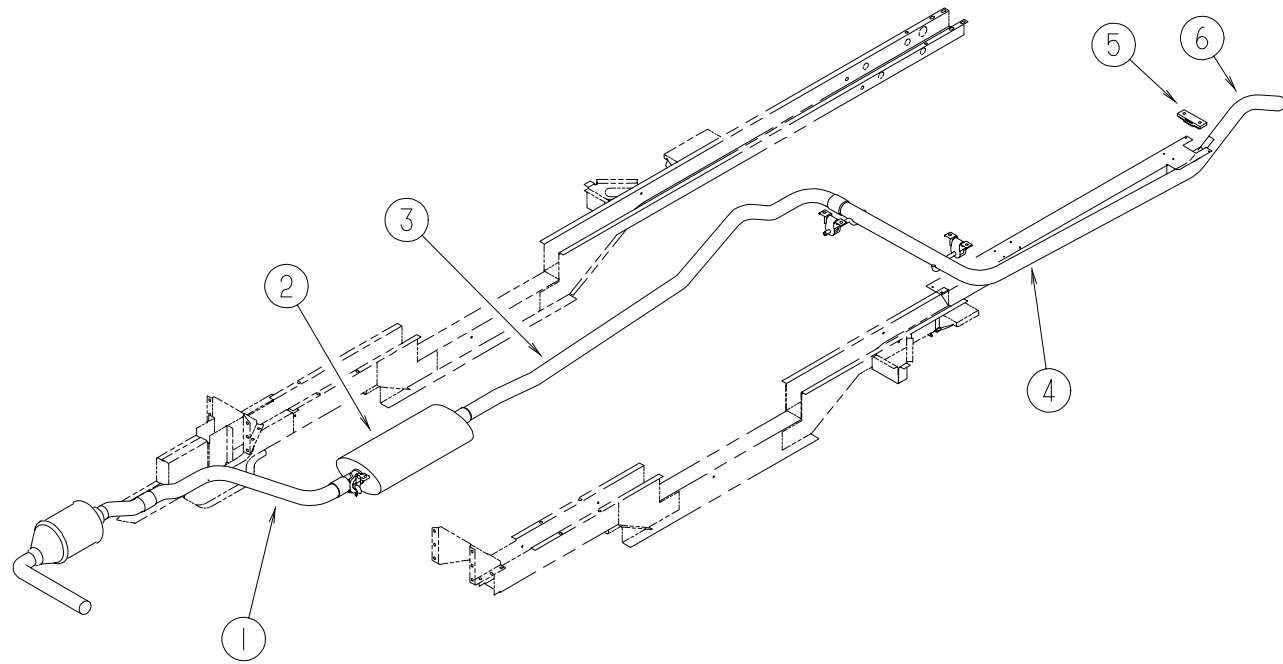
KEY	PARTNUMBER	U/M	DESCRIPTION	VENDORNO.
1	121003-01-01A	EA	TOILET	
2	121003-01-700	EA	SEAT&COVERASM-WHITE	2370662
3	121003-01-701	EA	PIN-HINGE,WHITE	2370762
4	121003-01-703	EA	VALVEASM-ELECTRIC-W/VACUUM	16833
5	121003-01-702	EA	BREAKERASM-VACUUM-WHITE	2370862
6	121003-01-704	EA	TUBE-FLUSH	2370962
7	121003-01-711	EA	CAP-SPOUT	1638462
8	121003-01-714	EA	SEAL-COVERW/SCREWS	2372074
9	121003-01-715	EA	SEAL-LIP	23721
10	121003-01-717	EA	BUTTON-VENT	2134478
11	121003-01-710	EA	TANK-HOLDING,(COMPLETE)	2371974
12	121003-01-716	EA	VENTASM-PRESSURERELEASE	2372274
13	121003-01-712	EA	SPOUT-DRAIN	1619674
14	121003-01-713	EA	COVER-SLIDING	2133374
15	121003-01-705	EA	HANDLE-VALVE,BLADE	2371362
16	121003-01-706	EA	SWITCH-REED	2371462
17	121003-01-707	EA	FUSE(2PACK)	23715
18	121003-01-709	EA	INDICATOR-WARNINGLEVEL	23718
19	121003-01-708	EA	SWITCH-FLUSH	23716

BATHGROUP(CONTINUED)
BATH&SHOWER CABINETS



KEY	PARTNUMBER	U/M	DESCRIPTION	VENDOR NO.
1	116173-01-000	EA	SLIDE ASSEMBLY-LOCKING-RIGHTHAND	
1	116173-02-000	EA	SLIDE-LOCKING-LEFTHAND	
2	111950-01-01A	EA	SURROUND-SHOWER-BACK	
3	058331-B0-000	EA	MIRROR-SAFETYGLASS-12.6"X12.6"	
	023320-01-000	EA	PAD-FELT 3/8" DIAMETER	
	074383-09-000	EA	TRACK-SLIDING DOOR-24.5"	
	002324-02-000	FT	CHANNEL-WEATHERSTRIP-GLASS RUN-U-SHAPED	
4	111986-01-01A	EA	SURROUND-SHOWER-RIGHTHANDSIDE	
	111986-02-01A	EA	SURROUND-SHOWER-LEFTHANDSIDE	
5	P12114-01-01A	EA	BASIN-CATCH-W/STRAINER	
	106116-01-01A	EA	STRAINER-SINK-W/STOPPER,/TAILPIECE,/GASKET,&NUT-PLASTIC	
	112114-01-01A	EA	BASIN-CATCH-LAVATORY	
6	112151-01-01A	EA	COVER-ACCESS-DRAINAGE	
	120591-01-01A	EA	COVER-ACCESS-DRAINAGE-JAPANEXPORT	
	057671-01-000	EA	COVER-SCREW-#8-PLASTIC-OFFWHITE	
7	113982-01-F45	EA	HINGE-FOLD UPSINK W/DOOR PANEL	
	086235-03-000	EA	BEARING-SNAPIN-5/16IDX5/16	
8	112244-01-F45	EA	SINK-FOLDUP	
	057534-02-000	EA	TIEBACK-CLEAR PLASTIC-3"	
9	113183-01-F45	EA	PANEL-DOOR W/LATCH-SINK-OFFWHITE PLASTIC	
	074453-01-000	EA	LATCH-PADDLE-SINK/MEDICINE CABINET-METAL	
	057898-01-000	EA	LATCH-HIDDEN-BLACK PLASTIC	
10	113929-01-H70	EA	CABINET-WALL-BATH SLIDER-W/O HARDWARE-RIGHTHAND	
11	116246-01-02A	EA	CORNER-BATH-RIGHTHAND	
12	074762-01-000	EA	PULL-CABINET-4.8" X 9"-BLACK PLASTIC	
	074317-01-700	EA	KNOB,F/SLIDE ASSEMBLY	
13	113756-01-H70	EA	DOOR-BATH-W/O HARDWARE	
14	058335-03-000	EA	LATCH-W/O LOCK-BATHROOM DOOR BLACK	
	075453-02-000	EA	BAR-TOWEL-18" BRASS	
	075452-02-000	EA	HOLDER-TOILET TISSUE-BRASS	
15	116246-02-02A	EA	CORNER-BATH-LEFTHAND	
16	113929-02-H70	EA	CABINET-WALL-BATH SLIDER-W/O HARDWARE-LEFTHAND	
	116044-01-000	EA	BUMPER-MOLDED	
17	072871-01-000	EA	PULL-FLUSH-CHROME	
18	113092-02-H70	EA	COVER-SHOWER PAN	
18	113092-03-H70	EA	COVER-SHOWER PAN-JAPANEXPORT	
19	118605-01-01A	EA	SHOWER PAN-OFFWHITE	
19	120590-01-01A	EA	SHOWER PAN-OFFWHITE-JAPANEXPORT	
	066436-01-000	EA	NUT-SLIP-TAILPIECE 1.5"	
20	064076-01-000	EA	TOILET-11.25" TALL-IVORY-WATERSAVER	
20	121003-01-01A	EA	TOILET-JAPANEXPORT	
21	116174-01-000	EA	SLIDE-FULL EXTENDED	
	103092-01-000	EA	SHOWERHEAD-W/60" HOSE	
	103092-02-000	EA	SHOWERHEAD-W/60" HOSE-CSA	
	103092-01-700	EA	BRACKET ONLY-CLEAR,F/SHOWHEAD	2328028
	103092-01-702	EA	SEALS-SPRAYHEAD	24466
	011048-03-700	EA	BRACKET F/SHOWERHEAD	2328029-3
	115000-01-01A	EA	FAUCET-LAVATORY/SHOWER-PARCHMENT	

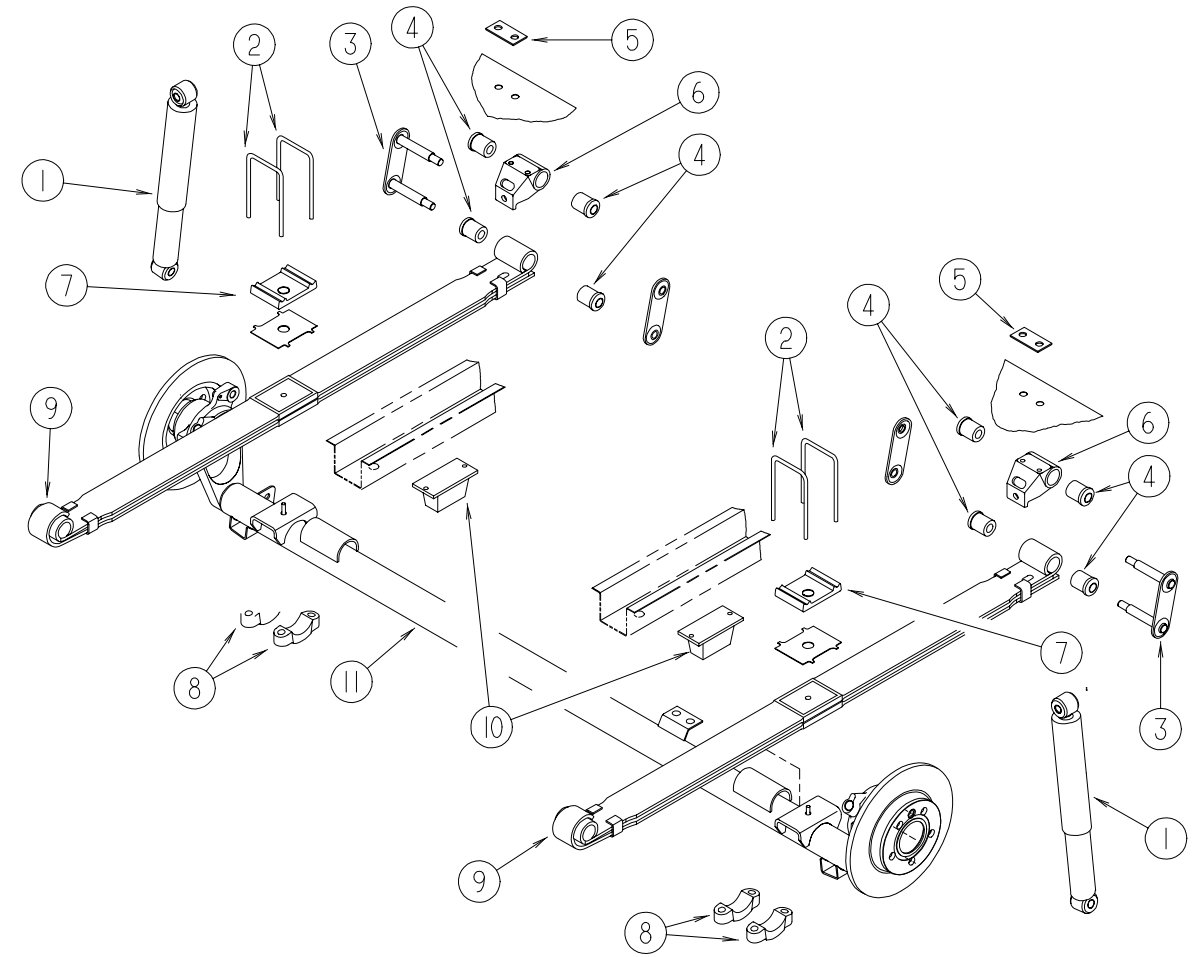
CHASSISGROUP



EXHAUSTSYSTEMCOMPONENTS

KEY	PARTNUMBER	U/M	DESCRIPTION
1	113098-02-000	EA	PIPE-EXHAUST/FRONT
2	121261-01-000	EA	MUFFLER-FRONT
3	113099-01-000	EA	PIPE-EXHAUST/MIDDLE
4	115396-01-09B	EA	SHIELD-EXHAUST-TAILPIPE-GALVANIZED
5	095190-01-000	EA	HANGER-EXHAUST-4"X1.4"
6	113097-02-000	EA	PIPE-EXHAUST/TAIL
	082716-01-000	EA	CLAMP-EXHAUST-2"
	082716-02-000	EA	CLAMP-EXHAUST-2.24"

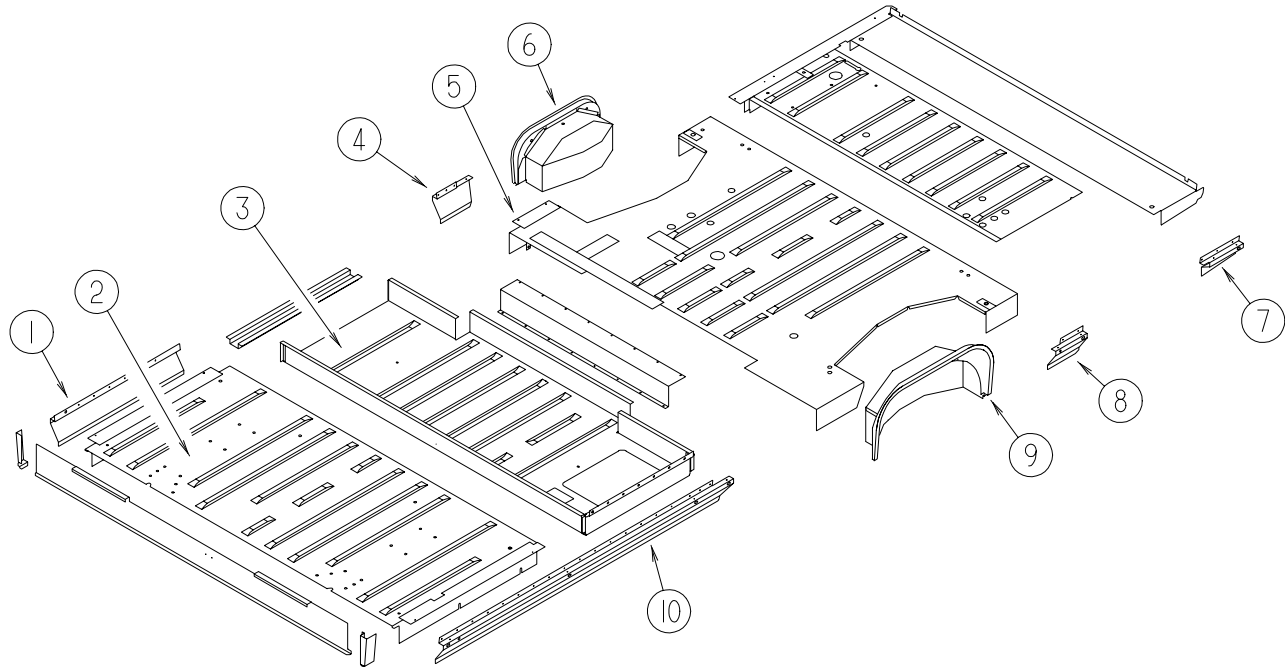
CHASSISGROUP(CONTINUED)



SUSPENSIONCOMPONENTS

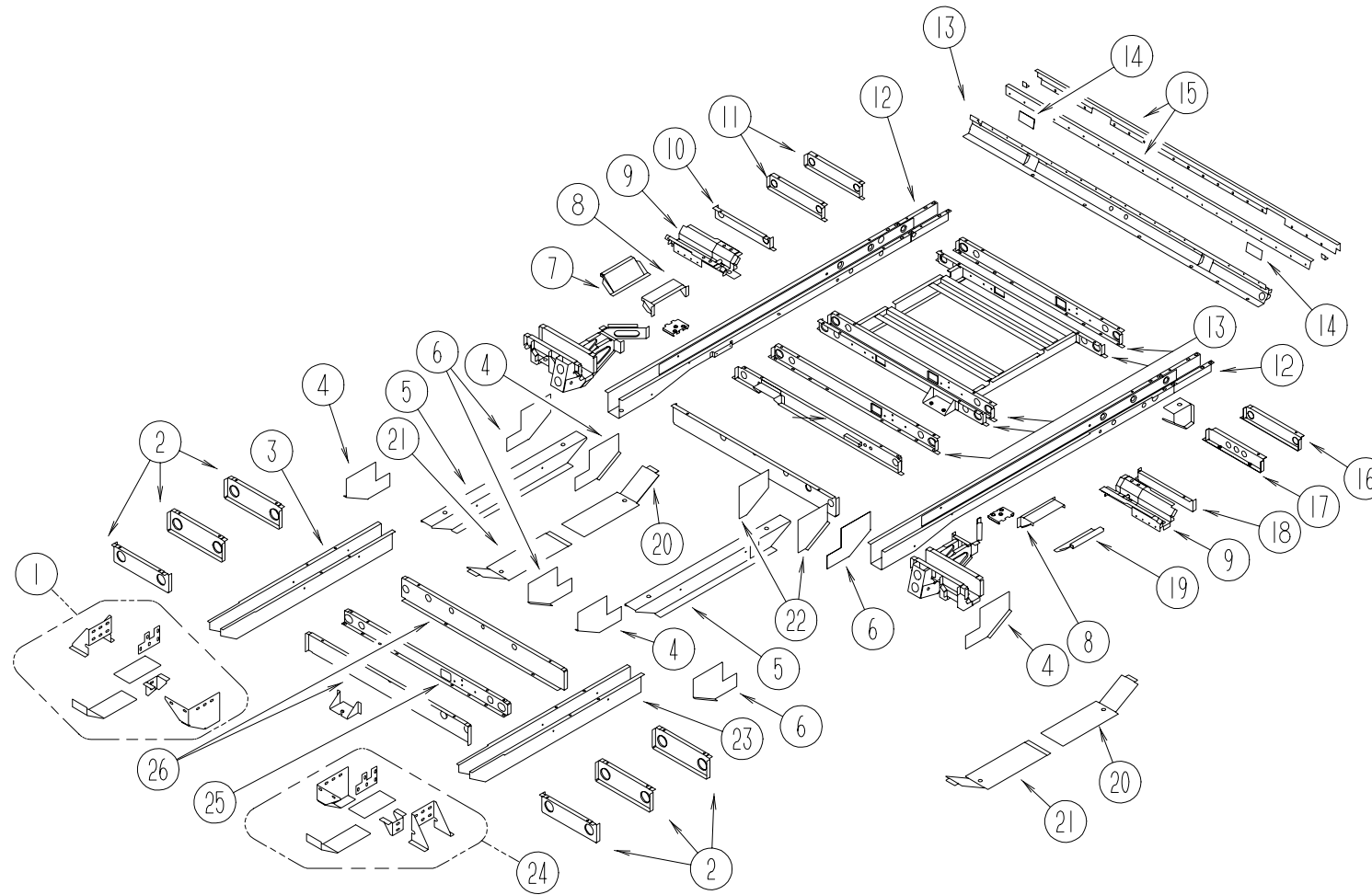
KEY	PARTNUMBER	U/M	DESCRIPTION
1	112033-02-000	EA	SHOCKABSORBER-REARVWH-BODY-NEWDESIGN
2	112410-01-000	EA	BOLT-U-REARSPRING
3	112560-01-000	EA	SHACKLE-SPRING-REAR
4	112503-01-000	EA	BUSHING-SPRING-REAR
5	071231-01-000	EA	PLATE-FLOORDOUBLER
6	112415-01-000	EA	SUPPORT-SHACKLE-REAR
7	112414-01-000	EA	PLATE-SPRINGCLAMP
8	112413-01-000	EA	BRACKET-UBOLT-REARSUSPENSION
9	112032-01-000	EA	SPRING-REARLEAFW/OBUSHINGS
	116712-01-000	EA	BUSHING-SPRING-FRONT
10	113876-01-000	EA	PAD-JOUNCE-REARSPRING
11	120493-01-01A	EA	AXLE-REAR-DISCBRAKE

CHASSISGROUP(CONTINUED)
FLOORCOMPONENTS



KEY	PARTNUMBER	U/M	DESCRIPTION
1	113600-01-01B	EA	ROCKERASM-FRONT-RIGHTHAND-MILL
2	110695-01-000	EA	PANEL-FLOOR-FRONT
3	112883-01-01B	EA	PANEL-FLOOR-LOWER-MILL
4	113601-01-01B	EA	ROCKERASM-CENTER-RIGHTHAND-MILL
5	112222-01-000	EA	PANEL-FLOOR-REAR
6	112345-01-000	EA	WHEELHOUSEW/SHOCKMOUNT-REARDRIVERSIDE-STEEL
7	112808-01-02B	EA	ROCKER-REAR-LEFTHAND
7	112808-02-02B	EA	ROCKER-REAR-LEFTHAND-EUROPEAN
8	113005-01-01B	EA	ROCKER-REAR-LEFTHAND
9	112345-02-000	EA	WHEELHOUSEW/SHOCKMOUNT-REARPASSENGERSIDE-STEEL
10	071366-01-000	EA	ROCKERASM-FRONT-LEFTHAND
	112818-01-02B	EA	COMPARTMENT-REAR-LEFTHAND
	072877-03-000	EA	INSULATION-SOUNDBARRIER-1"X36"X57"

CHASSISGROUP(CONTINUED)
FLOORFRAMEASM

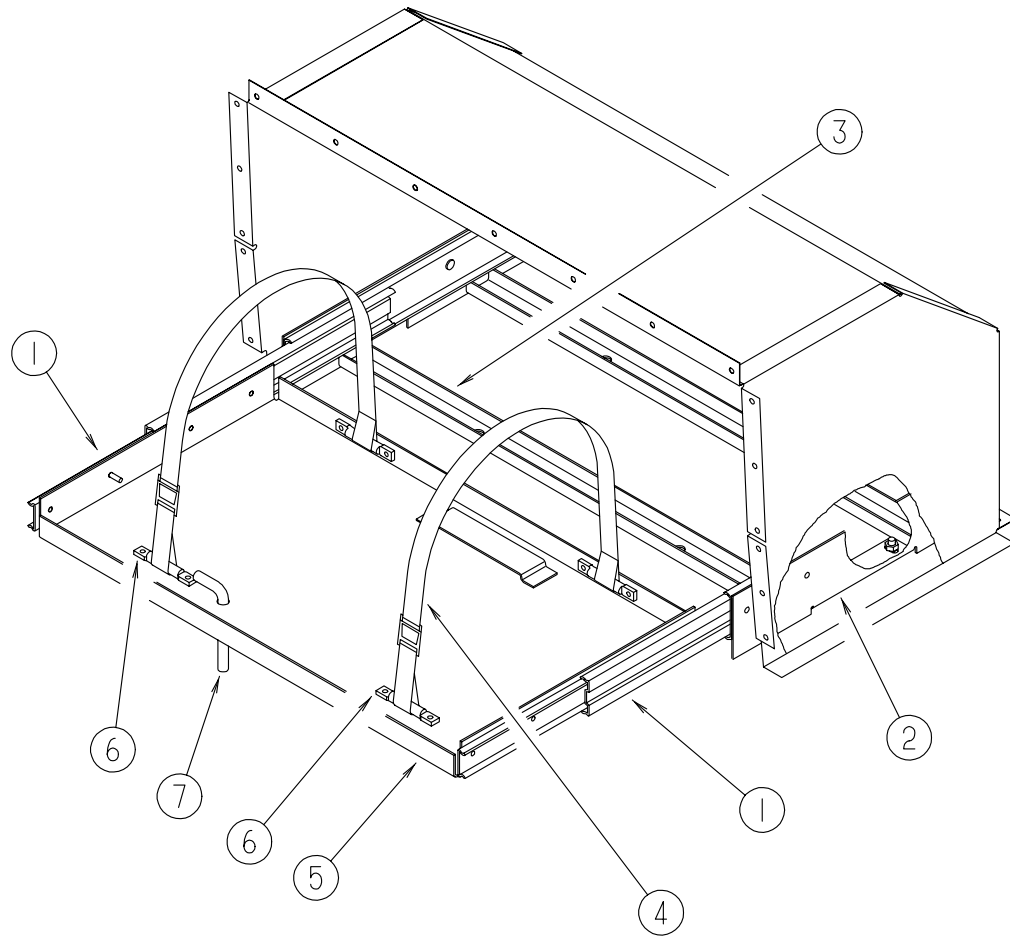


KEY	PARTNUMBER	U/M	DESCRIPTION
1	117866-01-01B	EA	BRACKET-FRAME-FLOOR-MILL-RIGHTHAND
2	071225-01-000	EA	OUTRIGGER-FRONT
3	117865-03-01B	EA	RAILASM-FRAME-FRONT-RIGHTHAND-MILL
4	071223-01-000	EA	GUSSET-FRAME-LOWERRIGHTHAND
5	071200-01-000	EA	RAIL-FRAME-LOWER
6	071223-02-000	EA	GUSSET-FRAME-LOWER-LEFTHAND
7	071188-01-000	EA	BRACKET-SPRINGMOUNT-FRONT-PASSENGERSIDE
8	112314-01-000	EA	REINFORCEMENT-WHEELHOUSE
9	071162-01-000	EA	STRUT-SPRINGMTG
10	071232-02-000	EA	OUTRIGGER-REAR-PASSENGER-15.5"-STEEL
11	071232-01-000	EA	OUTRIGGER-REAR-RIGHTHAND
12	071220-01-000	EA	RAIL-FRAME-REAR
13	071229-01-000	EA	CROSSMEMBER-REAR-CENTER-45"LONG-STEEL
14	070579-13-000	EA	PLATE-ANCHOR-W/1/5"WELDNUT-2.5"X3.3"
15	072382-01-000	EA	CROSSMEMBERASM-REAR

KEY	PARTNUMBER	U/M	DESCRIPTION
16	112726-01-01B	EA	OUTRIGGER-GENERATOR-MILL
17	112726-03-01B	EA	OUTRIGGERASM-GENERATOR-RIGHTHAND-MILL
18	112726-04-01B	EA	OUTRIGGERASM-GENERATOR-LEFTHAND-MILL
19	071188-02-000	EA	BRACKET-SPRINGMOUNT-FRONT-DRIVERSIDE
20	071729-01-000	EA	PLATE-RAIL-LOWERRIGHT
21	071212-01-000	EA	PLATE-RAIL-LOWER
22	112315-01-000	EA	OUTRIGGER-WHEELHOUSE-REAR
23	117865-04-01B	EA	RAILASM-FRAME-FRONT-LEFTHAND-MILL
24	117866-02-01B	EA	BRACKET-FRAME-FLOOR-MILL-LEFTHAND
25	071774-01-000	EA	CROSSMEMBER-FRONT
26	071226-01-000	EA	CROSSMEMBER-STEPBOX
	061420-04-000	EA	PLUG-CAP-1.25"DIAMETER
	056748-01-000	EA	PLUG-CAP-1.5"DIAMETER
	061420-05-000	EA	PLUG-CAP,1.8"DIAMETER

FROM: 00-00-00 THRU: 06-01-97

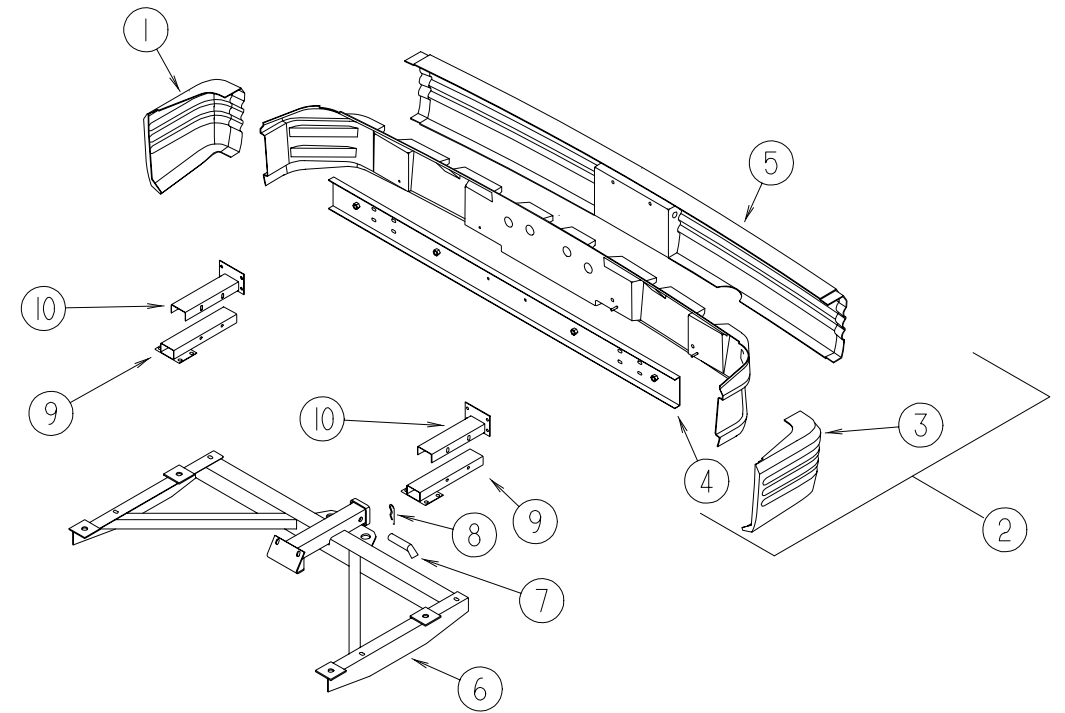
CHASSISGROUP(CONTINUED)



LP COMPARTMENT COMPONENTS-JAPAN

KEY	PARTNUMBER	U/M	DESCRIPTION
1	116985-01-000	EA	SLIDE-3SECTION-JOHNATHAN310-12
2	116937-01-02B	EA	BRACKET-SUPPORT-LPTRAY
3	116935-01-04B	EA	SUPPORT-LPTRAY
4	099717-08-000	EA	STRAP-TV TIEDOWN W/7.9" FEMALE STRAP & 26" MALE STRAP
5	116955-01-02B	EA	TRAY-LP
6	064219-01-000	EA	RETAINER-2.75" LONG, ALUMINUM-2 PER TIEDOWN
7	015365-01-000	EA	PIN-TIRE CARRIER-CADIUM PLATED

CHASSISGROUP(CONTINUED)



REAR BUMPER, TRAILER HITCH & COMPONENTS

KEY	PARTNUMBER	U/M	DESCRIPTION
1	113481-03-01A	EA	BUMPER-CORNER-REAR/OUTER/RIGHTHAND
1	113481-01-01A	EA	BUMPER-CORNER-REAR/OUTER/RIGHTHAND-JAPAN ONLY FROM: 00-00-00 THRU: 01-08-97
1	113481-03-01A	EA	BUMPER-CORNER-REAR/OUTER/RIGHTHAND-US/JAPAN FROM: 01-09-97 THRU: 99-99-99
2	113477-03-H70	EA	BUMPER-REAR
2	113477-04-H70	EA	BUMPER-REAR-JAPAN ONLY FROM: 00-00-00 THRU: 01-08-97
2	113477-05-H70	EA	BUMPER-REAR-JAPAN ONLY FROM: 01-09-97 THRU: 99-99-99
3	113481-04-01A	EA	BUMPER-CORNER-REAR/OUTER/LEFTHAND
3	113481-02-01A	EA	BUMPER-CORNER-REAR/OUTER/LEFTHAND-JAPAN ONLY FROM: 00-00-00 THRU: 01-08-97
3	113481-04-01A	EA	BUMPER-CORNER-REAR/OUTER/LEFTHAND-US/JAPAN FROM: 01-09-97 THRU: 99-99-99
4	087108-01-000	EA	SUPPORT-BUMPER-REAR
5	124246-01-01A	EA	BUMPER-REAR-CENTER OUTER
5	124246-02-01A	EA	BUMPER-REAR-CENTER OUTER-JAPAN ONLY
6	112600-02-04B	EA	DRAWBAR-CLASS HITCH
7	034512-01-000	EA	PIN-LOCKING-DRAWBAR
8	034513-01-000	EA	PIN-HITCH-3/16" WIRE
9	115947-01-02B	EA	SUPPORT-LOWER-BUMPER/REAR
10	115944-01-02B	EA	SUPPORT-UPPER-BUMPER/REAR
	113589-01-000	EA	CONNECTOR-PLUG-TRAILER
	113589-02-000	EA	CONNECTOR-SOCKET-TRAILER
	113588-02-01B	EA	BRACKET-CONNECTOR-TRAILER W/OA-24

CHASSISGROUP(CONTINUED)
FUELSYSTEMCOMPONENTS

KEY	PARTNUMBER	U/M DESCRIPTION
	007063-01-000	FT HOSE-FUEL-1/4"IDX1/2"OD
	084884-01-000	EA PLUG-BRASS-3/8"
	113378-01-000	EA FUELLINE-GENERATOR-FRONT
	113378-02-000	EA FUELLINE-GENERATOR-REAR
	113378-03-000	EA FUELLINE-GENERATOR-MIDDLE
	114253-01-000	EA ELBOW-1/4"SINGLEBARBX1/8"MPT-WEATHERHEAD1582
	114254-01-000	EA ADAPTER-1/4"BARBX1/8"MPT

DICOR 15"WHEELCOVERS

KEY	PARTNUMBER	U/M DESCRIPTION	VENDORNO.
	114193-01-000	EA COVER-WHEEL-15"-SETOF4-DICORPC9054-15	
	114193-01-700	EA COVER-WHEEL,15"-1ONLY-DICOR	PC9054-15-COV
	077030-02-000	EA EXTENSION-VALVESTEM-1.25"	

FRONT&REARMUDFLAP&RETAINERBRACKET

KEY	PARTNUMBER	U/M DESCRIPTION
	073905-01-000	EA MUDFLAP-REAR-10.1"X19.3"
	073905-02-000	EA MUDFLAP-FRONT-12.2"X9.3"
	073905-03-000	EA MUDFLAP-REAR-10.1"X9.3"
	073913-01-000	EA RETAINER-MUDFLAP-METAL

FROM: 00-00-00 THRU: 01-05-97
FROM: 01-06-97 THRU: 99-99-99

LUGWRENCH,TIREJACK&HANDLE

KEY	PARTNUMBER	U/M DESCRIPTION
	116209-01-000	EA WRENCH-LUG-.75"
	114387-01-000	EA JACK-SCREW-4000LB-AUSCO95-55900
	114387-02-000	EA HANDLE-SCREWJACK-1PIECE-AUSCO1-55872

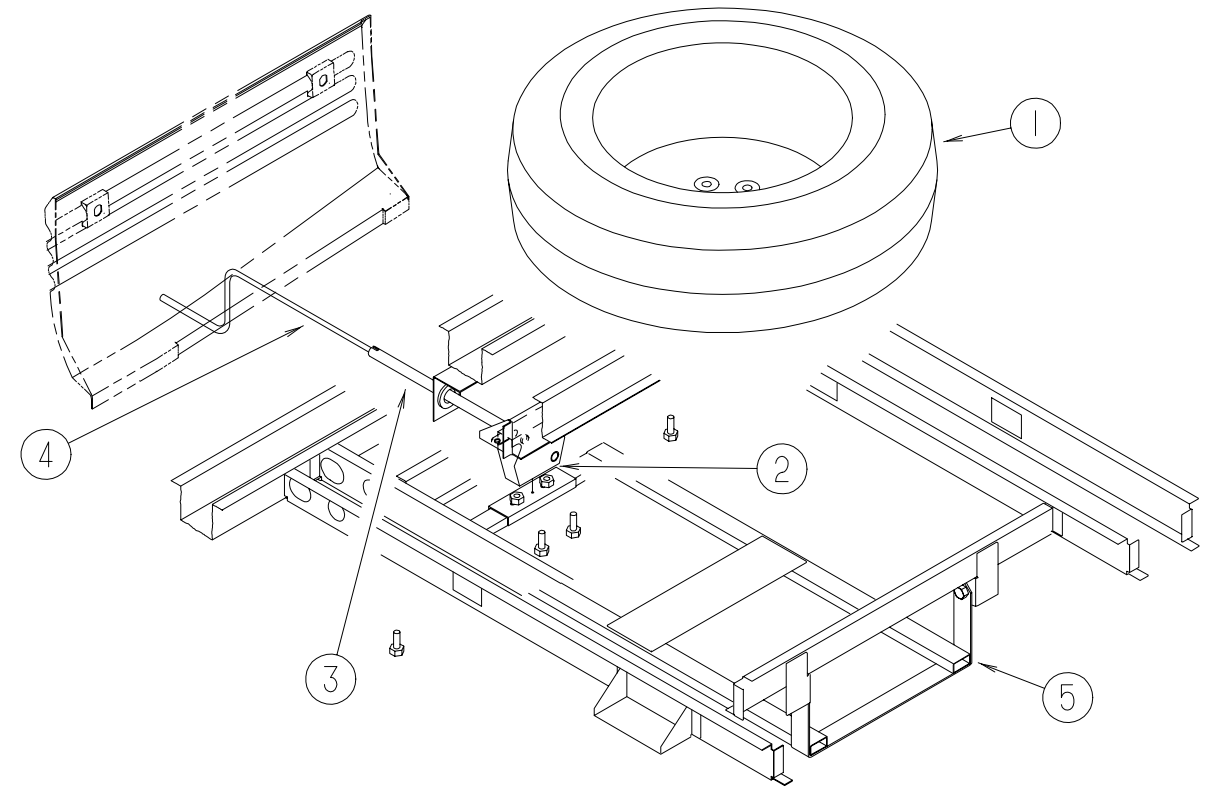
REARAIRBAGS

KEY	PARTNUMBER	U/M DESCRIPTION
	701390-04-700	EA AIRBAGSYSTEM-COMPLETEINSTALLATION-REARVWH-BODY
	100293-03-700	EA AIRBAGREPAIRKIT-VWH-BODY,LEFTHAND KITCONTAINS:(1)AIRBAG,(1)ELBOWFITTING,(1)ELBOWFILL VALVE,(1)3'1/4"AIRLINE,(1)INSTRUCTIONS
	100293-03-701	EA AIRBAGREPAIRKIT-VWH-BODY,RIGHTHAND KITCONTAINS:(1)AIRBAG,(1)ELBOWFITTING,(1)ELBOWFILL VALVE,(1)3'1/4"AIRLINE,(1)INSTRUCTIONS

MISCELLANEOUSCHASSISCOMPONENTS

KEY	PARTNUMBER	U/M DESCRIPTION
	112638-01-000	EA HOSE-BRAKELINE/REAR-CONTINENTALHOSE#4106
	112638-02-000	EA CLIP-SPRING-BRAKEHOSE-CONTINENTALHOSE#20A790
	100424-01-000	EA ANGLE-BRAKECABLE-MC-90
	121406-01-01A	EA BUSHING-THREADED-2PIECENYLON
	111420-07-000	EA PLATE-SUPPORT-CABROOF-30MMX30MM-STEEL
	112081-02-000	EA ANGLE-ROOFSUPPORT-CENTER
	112538-01-000	EA PILLARASM-B-RIGHTHAND-STEEL
	112538-02-000	EA PILLARASM-B-LEFTHAND-STEEL
	114254-01-000	EA ADAPTER-1/4"SINGLEBARBX1/8"MPT-WEATHERHEAD1537
	114255-01-000	EA COUPLING-5/8"THDX1/8"FPT-PARKER207ACBH-2
	076776-02-000	EA TEE-BEADED-3/4X3/4X3/4
	075243-01-000	EA UNION-M10X1-FLARE/FLARE-WHITEHEAD112-06187
	010281-01-000	EA TEE-BRASS-3/8F
	103491-02-000	EA BRACKET-LICENSEPLATE-FRONT-JAPANOPTION

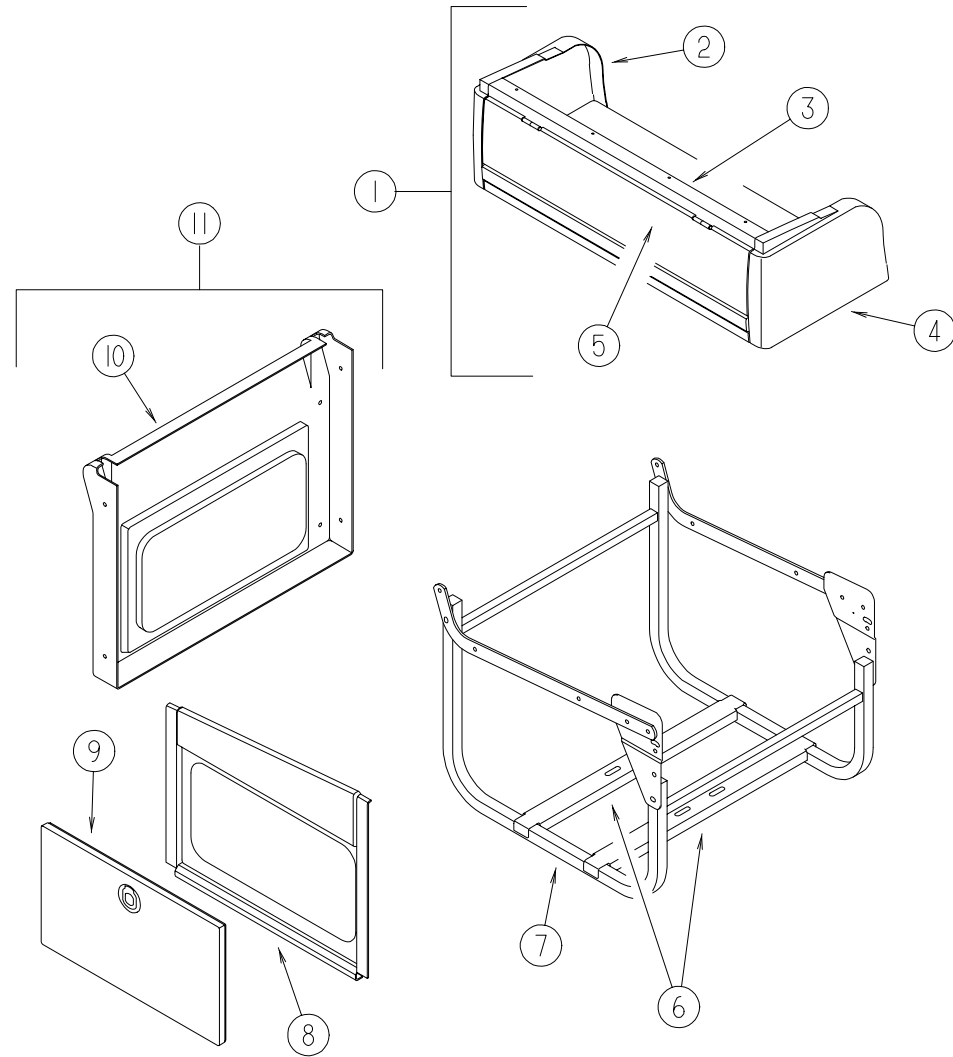
CHASSISGROUP(CONTINUED)



SPARETIRE/MOUNT&HOIST

KEY	PARTNUMBER	U/M DESCRIPTION
1	116271-01-000	EA TIRE-LT195/70T15C104/102P
2	093267-03-000	EA HOIST-SPARETIRE-#100LB
3	093375-15-000	EA EXTENSION-TIREHOIST
4	093376-02-000	EA HANDLE-CRANK-TIREHOIST
	114376-01-000	EA PIN-DRIVE-.156X.750-TYPEE-TIREHOIST
5	124645-01-02B	EA CRADLE-SPARETIRE
	113007-04-000	EA PIN-SPRING-.007"X1.25"

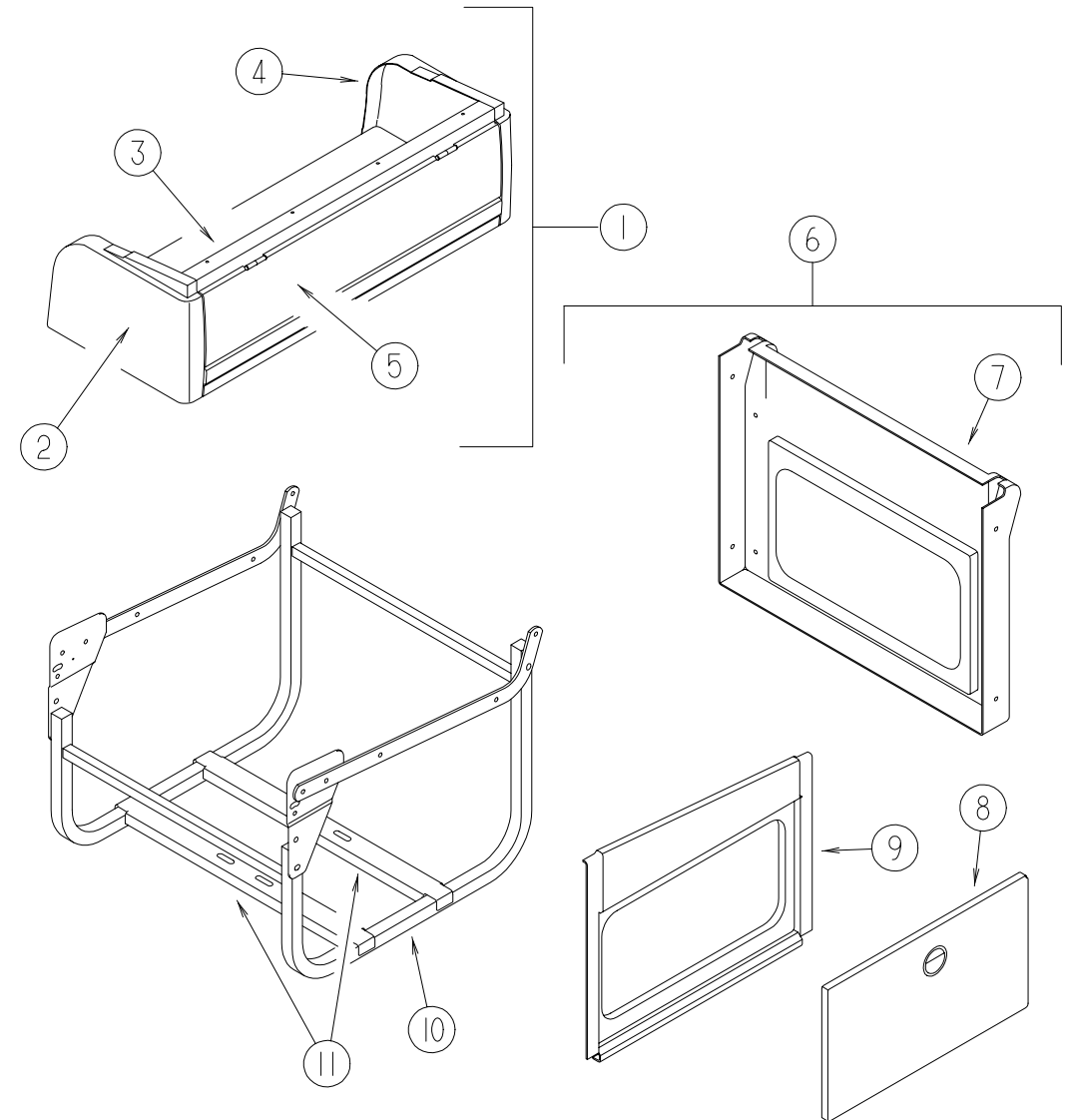
COMPANIONSEATGROUP



DRIVERSIDE

KEY	PARTNUMBER	U/M	DESCRIPTION
1	116853-03-H70	EA	CABINET-OVERHEAD-W/ODOORS/HARDWARE
2	112374-02-02A	EA	CAP-END-OVERHEADCABINET-REAR-VWTAUPE
3	112706-04-02A	EA	PANEL-OVERHEAD/BOTTOM
4	112374-01-02A	EA	CAP-END-OVERHEADCABINET-FRONT-VWTAUPE
5	116832-01-H70	EA	PANEL-DOOR/CABINET-W/OHARDWARE
6	113283-01-02B	EA	BRACKET-SEAT/COMPANION
7	113991-02-000	EA	FRAME-BASE-COMPANION/DRIVER-FLEXSTEEL#XP1631-DR
8	117949-01-02A	EA	PANEL-TRIM/COMPANIONSEAT-RIGHTHAND
9	116854-01-H70	EA	DOOR-COMPANIONSEAT-W/OHARDWARE
10	113441-01-02A	EA	PANEL-COMPANIONSEAT-REAR-DKGRAY
11	M07459-07-H70	EA	PANEL-DRIVERSEAT/LEFTHAND
	116071-01-01A	EA	PLUG-PLASTIC/CAP
	114280-01-02A	EA	COVER-BRACKETDLOOPRIGHTHAND
	114280-02-02A	EA	COVER-BRACKETDLOOPLEFTHAND
	114279-03-02B	EA	BRACKET-SEATBELT-E-COATED
	109146-01-000	EA	BOLT-SHOULDER-SEATBELT

COMPANIONSEATGROUP(CONTINUED)



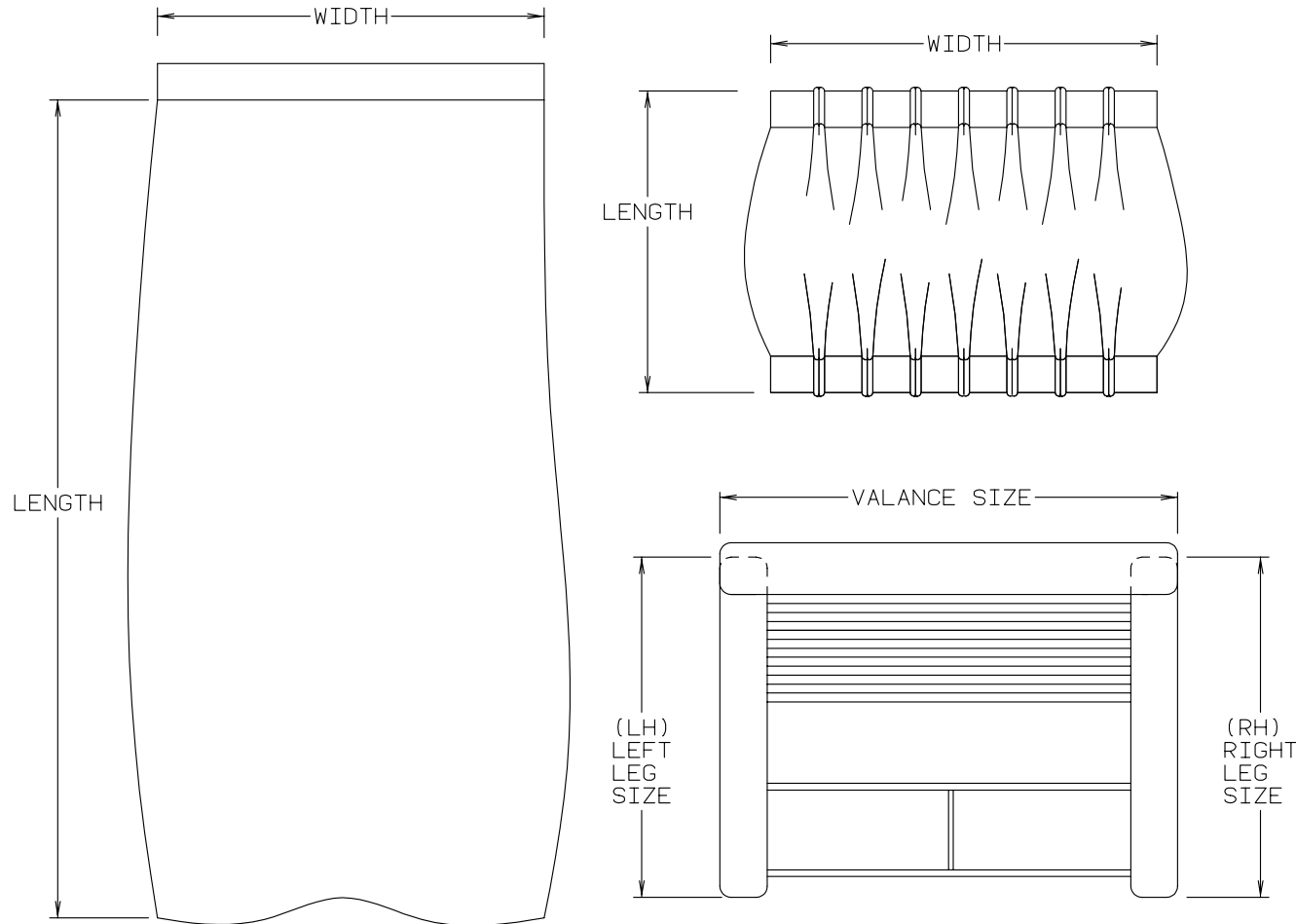
PASSENGERSIDE

KEY	PARTNUMBER	U/M	DESCRIPTION
1	116853-03-H70	EA	CABINET-OVERHEAD-W/ODOORS/HARDWARE
2	112374-02-02A	EA	CAP-END-OVERHEADCABINET-REAR-VWTAUPE
3	112706-04-02A	EA	PANEL-OVERHEAD/BOTTOM
4	112374-01-02A	EA	CAP-END-OVERHEADCABINET-FRONT-VWTAUPE
5	116832-01-H70	EA	PANEL-DOOR/CABINET-W/OHARDWARE
6	M07459-06-H70	EA	SEAT-COMPANION-RIGHTHANDPANELS
7	113441-02-02A	EA	PANEL-TRIM-COMPANIONSEAT-REAR
8	116854-01-H70	EA	DOOR-COMPANIONSEAT-W/OHARDWARE
9	117949-02-02A	EA	PANEL-TRIMCOMPANIONSEAT-LEFTHAND
10	113991-01-000	EA	FRAME-BASE-COMPANION/PASSENGER-FLEXSTEEL#XP1631-PA
11	113283-01-02B	EA	BRACKET-SEAT/COMPANION
	116071-01-01A	EA	PLUG-PLASTIC/CAP
	114280-01-02A	EA	COVER-BRACKETDLOOPRIGHTHAND
	114280-02-02A	EA	COVER-BRACKETDLOOPLEFTHAND
	114279-03-02B	EA	BRACKET-SEATBELT-E-COATED
	109146-01-000	EA	BOLT-SHOULDER-SEATBELT

**CURTAIN&CUSHIONGROUP
NOTICE**

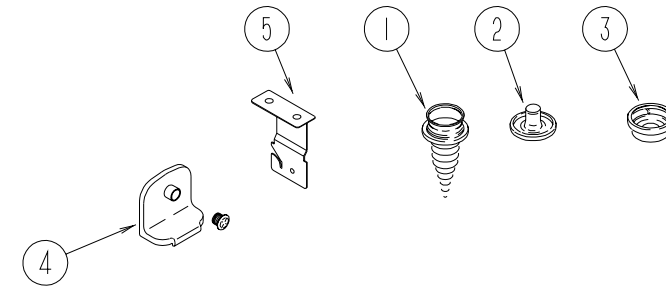
IN ORDER TO ASSIST OUR PARTS SALES DEPT. IN PROVIDING INTERIOR SOFT GOODS ITEMS, PLEASE INCLUDE THE SERIAL NUMBER AND THE COLOR CODE NUMBER FROM THE VEHICLE CERTIFICATION LABEL WHEN ORDERING. THIS LABEL IS LOCATED ON THE LEFT SIDEWALL AT THE END OF THE DASH (A-BODY), OR ON THE DRIVER'S DOOR LATCH PLATE (C-BODY).

AN EXAMPLE OF A COLOR CODE NUMBER IS B07, WHICH DESIGNATES AN OVERALL COLOR SCHEME OF A PARTICULAR UNIT. THE COLOR LISTED AFTER THE ITEM DESCRIPTION ON THE MICROFICHE, INDICATES THE OVERALL UNIT COLOR. ORDER THE ITEM YOU DESIRE ACCORDING TO UNIT COLOR CODE.



NOTE: USE THIS ILLUSTRATION WHEN DETERMINING LENGTH AND WIDTH MEASUREMENTS FOR CURTAINS. YOU WILL NOTE THE WIDTH MEASUREMENT IS TAKEN ON THE TOP OF THE CURTAIN WITH THE CURTAIN FULLY EXTENDED. THE LENGTH MEASUREMENT IS TAKEN FROM TOP TO BOTTOM. LEFT AND RIGHT WINDOW LEGS ARE DETERMINED WHEN FACING THE WINDOW.

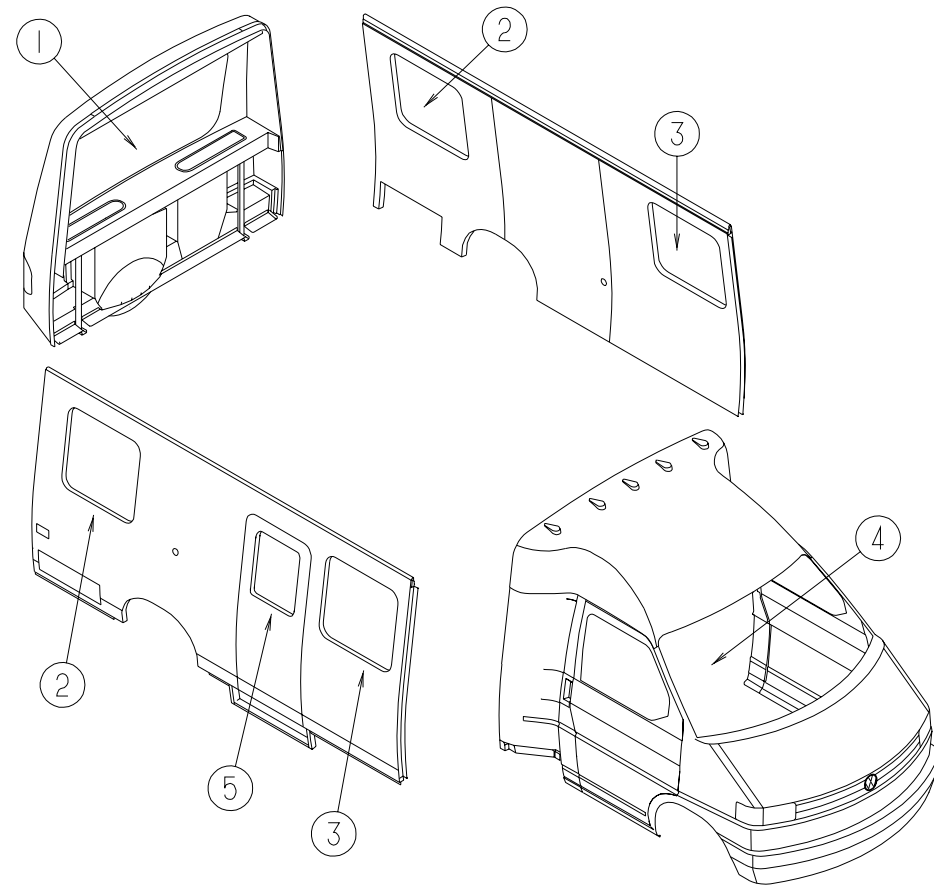
CURTAIN&CUSHIONGROUP(CONTINUED)



CURTAIN, BLIND & SHADE HARDWARE

KEY	PART NUMBER	U/M	DESCRIPTION
1	029130-01-000	EA	SCREW - SNAP SOCKET - #8 PHX 5/8"
1	029130-03-000	EA	SCREW - SNAP SOCKET - #8 PHX 1"
2	029155-01-000	EA	CAP - SNAP - 5/32" O.D. OF PIN
3	029156-01-000	EA	SOCKET - SNAP - 9/16" O.D.
3	029156-02-000	EA	SOCKET - SNAP - 27/64" OD
4	106544-01-000	EA	PULL - SHADE / BRASS
4	106544-01-001	EA	SCREW - SHADE / BRASS
5	084434-01-000	EA	BRACKET - MOUNTING - ROLLER SHADE - 13/8"
	048394-02-000	YD	VELCRO TAPE - HOOK - ADHESIVE BACK - .75" WIDE - BEIGE
	088792-02-000	YD	VELCRO TAPE - LOOP - .75" - ADHESIVE BACKED - BEIGE
	088792-04-000	YD	VELCRO TAPE - LOOP - 5/8" - NON-ADHESIVE BACK - WHITE
	088792-05-000	YD	VELCRO TAPE - HOOK - 5/8" - NON-ADHESIVE BACK - WHITE
	088792-06-000	YD	VELCRO TAPE - LOOP - .75" - NON-ADHESIVE BACKED - BUFF
	103242-01-000	EA	VELCRO HOOK - BEIGE 7/8"
	086276-01-000	EA	TAPE - DOUBLE SIDED - 1/2"
	094896-02-000	EA	GROMMET - CORD / PLEATED BLIND - NYLON - GRAY
	094907-05-000	EA	HARDWARE - ENDCAP - BOTTOM - PULL TYPE
	094907-05-700	EA	ENDCAP - RIGHT HAND BOTTOM BLIND
	094907-05-701	EA	ENDCAP - LEFT HAND BOTTOM BLIND
	094907-06-000	EA	HARDWARE - ENDCAP - E-ZLIFT - TOP
	094908-03-000	FT	HARDWARE - SEMI-RIDGED PVC - E-ZLIFT
	097565-02-000	EA	BRACKET - MOUNTING / PLEATED BLIND
			FROM: 00-00-00 THRU: 10-23-96
	097565-01-000	EA	BRACKET - MOUNTING / PLEATED BLIND
			FROM: 10-24-96 THRU: 99-99-99
	097591-01-000	EA	SPRING - EXTENSION / PLEATED BLIND
	097592-01-000	EA	SPOOL - CORD - ELEVATED BLIND HOLD UP - CLEAR PLASTIC
	097593-06-000	FT	CORD - BLIND - PLEATED - PEWTER

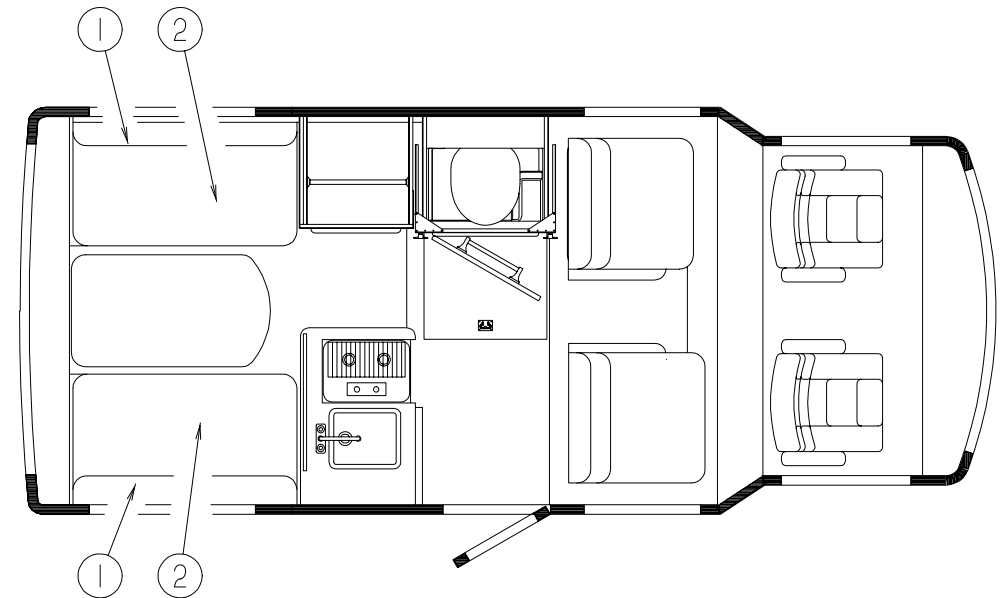
CURTAIN&CUSHIONGROUP(CONTINUED)



WINDOWTREATMENT&SHOWERCURTAIN

KEY	PARTNUMBER	U/M	DESCRIPTION
1	119405-06-H70	EA	BLIND-MICROPLEAT-61"X32"
2	119405-13-H70	EA	BLIND-MICROPLEAT-39"X28.5"
2	113637-27-H70	EA	VALANCE-ROSEANNE-40"
2	113637-27-H71	EA	VALANCE-ROSEANNE-40"
3	113637-27-H70	EA	VALANCE-ROSEANNE-40"
3	113637-27-H71	EA	VALANCE-ROSEANNE-40"
3	119405-13-H70	EA	BLIND-MICRO/PLEAT-39"X28.5"
4	077591-12-H70	EA	CURTAIN-26"X144"
5	113637-24-H70	EA	VALANCE-ROSEANNE-27.5"
5	113637-24-H71	EA	VALANCE-ROSEANNE-27.5"
5	084755-39-E01	EA	SHADE-PULL-26.25"
	117640-01-G46	EA	CURTAIN-SHOWER-RIGHTHAND
	117640-02-G46	EA	CURTAIN-SHOWER-LEFTHAND
	057534-01-000	EA	TIEBACK/TIEDOWN-6"CLEARPLASTIC
	057534-02-000	EA	TIEBACK/TIEDOWN-3"CLEARPLASTIC
	089275-01-000	FT	STRIP-3/4"X96"-CLEARPOLYETHYLENE

CURTAIN&CUSHIONGROUP(CONTINUED)

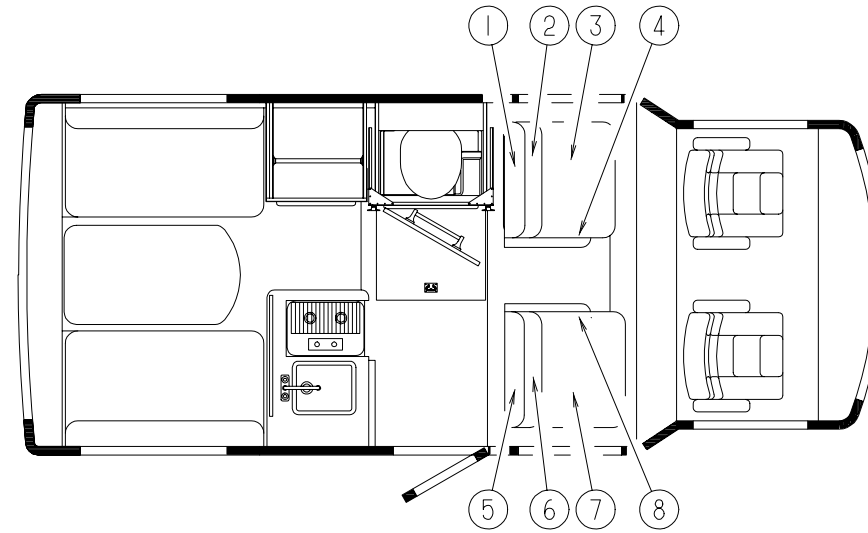


DINETTECUSHIONS

KEY	PARTNUMBER	U/M	DESCRIPTION
1	114942-06-H70	EA	BACK-DINETTESEAT-EUROPEAN
1	114942-06-H71	EA	BACK-DINETTESEAT-EUROPEAN
1	114942-08-H70	EA	BACK-DINETTESEAT-EUROPEAN-LEATHEROPTION
1	114942-08-H71	EA	BACK-DINETTESEAT-EUROPEAN-LEATHEROPTION
1	P14942-06-H70	EA	COVER-BACK-DINETTE
1	P14942-06-H71	EA	COVER-BACK-DINETTE
1	P14942-08-H70	EA	COVER-BACK-DINETTE-LEATHEROPTION
1	P14942-08-H71	EA	COVER-BACK-DINETTE-LEATHEROPTION
1	123241-03-000	EA	FRAME-DINETTEBACK
2	114942-05-H70	EA	SEAT-BOTTOM-DINETTE-EUROPEAN
2	114942-05-H71	EA	SEAT-BOTTOM-DINETTE-EUROPEAN
2	114942-07-H70	EA	SEAT-BOTTOM-DINETTE-EUROPEAN-LEATHEROPTION
2	114942-07-H71	EA	SEAT-BOTTOM-DINETTE-EUROPEAN-LEATHEROPTION
2	P14942-05-H70	EA	COVER-BOTTOM-DINETTE
2	P14942-05-H71	EA	COVER-BOTTOM-DINETTE
2	P14942-07-H70	EA	COVER-BOTTOM-DINETTE-LEATHEROPTION
2	P14942-07-H71	EA	COVER-BOTTOM-DINETTE-LEATHEROPTION
2	123241-02-000	EA	FRAME-DINETTESEAT
2	123241-01-000	EA	FRAME-DINETTEBASE
	124309-01-H70	EA	PANEL-COVER-DINETTE/RIGHTHAND
	124309-02-H70	EA	PANEL-COVER-DINETTE/LEFTHAND
	125730-01-000	EA	DINETTE-FLEXSTELLEATHER

CURTAIN&CUSHIONGROUP(CONTINUED)
COMPANIONSEATCUSHIONS

KEY	PARTNUMBER	U/M	DESCRIPTION
1	121021-02-H70	EA	HEADREST-COMPANIONSEAT
1	121021-02-H71	EA	HEADREST-COMPANIONSEAT
1	P21021-02-H70	EA	COVER-HEADREST
1	P21021-02-H71	EA	COVER-HEADREST
1	114791-03-000	EA	FRAME-HEADREST
	113991-08-000	EA	FRAME-ARMRESTBRACKET-LEFTHAND
	113991-10-000	EA	FRAME-GROMMET
	113991-12-000	EA	FRAME-HEADRESTBRACKET-LEFTHAND
	113977-12-000	EA	HEADRESTINSERT-W/OLOCK
	113977-13-000	EA	HEADRESTINSERT-W/LOCK
2	114937-06-H70	EA	SEAT-BACK-DRIVERCOMPANION-EUROPEAN
2	114937-06-H71	EA	SEAT-BACK-DRIVERCOMPANION-EUROPEAN
2	114937-08-H70	EA	SEAT-BACK-DRIVERCOMPANION-EUROPEAN-LEATHEROPTION
2	114937-08-H71	EA	SEAT-BACK-DRIVERCOMPANION-EUROPEAN-LEATHEROPTION
2	P14937-06-H70	EA	COVER-BACK-COMPANION/PASSENGER
2	P14937-06-H71	EA	COVER-BACK-COMPANION/PASSENGER
2	P14937-08-H70	EA	COVER-BACK-COMPANION/PASSENGER-LEATHEROPTION
2	P14937-08-H71	EA	COVER-BACK-COMPANION/PASSENGER-LEATHEROPTION
2	115987-01-02A	EA	PANEL-SEAT-BACK
2	125728-01-000	EA	SEAT-COMPANION-DRIVER-LEATHEROPTION
	125728-10-000	EA	SKIRT-BUCKETSEAT-LEATHEROPTION
2	114939-06-H70	EA	SEAT-CENTER-PASSENGERCOMPANION
2	114939-06-H71	EA	SEAT-CENTER-PASSENGERCOMPANION
2	114939-08-H70	EA	SEAT-CENTER-PASSENGERCOMPANION-LEATHEROPTION
2	114939-08-H71	EA	SEAT-CENTER-PASSENGERCOMPANION-LEATHEROPTION
2	P14939-06-H70	EA	COVER-CENTER-COMPANION/PASSENGER
2	P14939-06-H71	EA	COVER-CENTER-COMPANION/PASSENGER
2	P14939-08-H70	EA	COVER-CENTER-COMPANION/PASSENGER-LEATHEROPTION
2	P14939-08-H71	EA	COVER-CENTER-COMPANION/PASSENGER-LEATHEROPTION
	113991-05-000	EA	FRAME-BACK-COMPANION/DRIVER
	115327-01-000	EA	PANEL-COMPANION-SEATCENTER
3	114938-06-H70	EA	SEAT-BOTTOM-DRIVERCOMPANION
3	114938-06-H71	EA	SEAT-BOTTOM-DRIVERCOMPANION
3	114938-08-H70	EA	SEAT-BOTTOM-DRIVERCOMPANION-LEATHEROPTION
3	114938-08-H71	EA	SEAT-BOTTOM-DRIVERCOMPANION-LEATHEROPTION
3	P14938-06-H70	EA	COVER-SEAT-COMPANION/DRIVER
3	P14938-06-H71	EA	COVER-SEAT-COMPANION/DRIVER
3	P14938-08-H70	EA	COVER-SEAT-COMPANION/DRIVER-LEATHEROPTION
3	P14938-08-H71	EA	COVER-SEAT-COMPANION/DRIVER-LEATHEROPTION
	113991-02-000	EA	FRAME-BASE-COMPANION/DRIVER
	113991-04-000	EA	FRAME-SEAT-COMPANION/DRIVER
4	114940-02-H70	EA	ARMREST-COMPANION-LEFTHAND
4	114940-06-H70	EA	ARMREST-COMPANION-LEFTHAND-LEATHEROPTION
4	114940-06-H71	EA	ARMREST-COMPANION-LEFTHAND-LEATHEROPTION
4	P14940-01-H70	EA	COVER-ARMREST-COMPANION/DRIVER
4	P14940-06-H70	EA	COVER-ARMREST-COMPANION/DRIVER-LEATHEROPTION
4	P14940-06-H71	EA	COVER-ARMREST-COMPANION/DRIVER-LEATHEROPTION
5	121021-02-H70	EA	HEADREST-COMPANIONSEAT
5	121021-02-H71	EA	HEADREST-COMPANIONSEAT
5	P21021-02-H70	EA	COVER-HEADREST
5	P21021-02-H71	EA	COVER-HEADREST
5	114791-03-000	EA	FRAME-HEADREST
	113991-10-000	EA	FRAME-GROMMET-LEATHEROPTION
	113991-09-000	EA	FRAME-ARMRESTBRACKET-RIGHTHAND



KEY	PARTNUMBER	U/M	DESCRIPTION
6	114937-05-H70	EA	SEAT-BACK-PASSENGERCOMPANION
6	114937-05-H71	EA	SEAT-BACK-PASSENGERCOMPANION
6	114937-07-H70	EA	SEAT-BACK-PASSENGERCOMPANION-LEATHEROPTION
6	114937-07-H71	EA	SEAT-BACK-PASSENGERCOMPANION-LEATHEROPTION
6	P14937-05-H70	EA	COVER-BACK-COMPANION/PASSENGER
6	P14937-05-H71	EA	COVER-BACK-COMPANION/PASSENGER
6	P14937-07-H70	EA	COVER-BACK-COMPANION/PASSENGER-LEATHEROPTION
6	P14937-07-H71	EA	COVER-BACK-COMPANION/PASSENGER-LEATHEROPTION
6	115987-01-02A	EA	PANEL-SEAT-BACK
6	125728-02-000	EA	SEAT-COMPANION-PASSENGER-LEATHEROPTION
	125728-10-000	EA	SKIRT-BUCKETSEAT-LEATHEROPTION-LEATHEROPTION
6	114939-05-H70	EA	SEAT-CENTER-DRIVERCOMPANION
6	114939-05-H71	EA	SEAT-CENTER-DRIVERCOMPANION
6	114939-07-H70	EA	SEAT-CENTER-DRIVERCOMPANION-LEATHEROPTION
6	114939-07-H71	EA	SEAT-CENTER-DRIVERCOMPANION-LEATHEROPTION
6	P14939-05-H70	EA	COVER-CENTER-COMPANION/DRIVER
6	P14939-05-H71	EA	COVER-CENTER-COMPANION/DRIVER
6	P14939-07-H70	EA	COVER-CENTER-COMPANION/DRIVER-LEATHEROPTION
6	P14939-07-H71	EA	COVER-CENTER-COMPANION/DRIVER-LEATHEROPTION
	113991-11-000	EA	FRAME-BACK-COMPANION/PASSENGER
7	114938-05-H70	EA	SEAT-BOTTOM-PASSENGERCOMPANION
7	114938-05-H71	EA	SEAT-BOTTOM-PASSENGERCOMPANION
7	114938-07-H70	EA	SEAT-BOTTOM-PASSENGERCOMPANION-LEATHEROPTION
7	114938-07-H71	EA	SEAT-BOTTOM-PASSENGERCOMPANION-LEATHEROPTION
7	P14938-05-H70	EA	COVER-SEAT-COMPANION/PASSENGER
7	P14938-05-H71	EA	COVER-SEAT-COMPANION/PASSENGER
7	P14938-07-H70	EA	COVER-SEAT-COMPANION/PASSENGER-LEATHEROPTION
7	P14938-07-H71	EA	COVER-SEAT-COMPANION/PASSENGER-LEATHEROPTION
	113991-01-000	EA	FRAME-BASE-COMPANION/PASSENGER
	113991-03-000	EA	FRAME-SEAT-COMPANION/PASSENGER
	101866-19-000	EA	BUCKET-BASEKIT-2936ADKT
8	114940-01-H70	EA	ARMREST-COMPANION-RIGHTHAND
8	114940-05-H70	EA	ARMREST-COMPANION-RIGHTHAND-LEATHEROPTION
8	114940-05-H71	EA	ARMREST-COMPANION-RIGHTHAND-LEATHEROPTION
8	P14940-05-H70	EA	COVER-ARMREST-COMPANION/PASSENGER
8	P14940-05-H71	EA	COVER-ARMREST-COMPANION/PASSENGER
8	113991-07-000	EA	FRAME-ARMRESTBRACKET-RIGHTHAND

CURTAIN & CUSHION GROUP (CONTINUED)

COMPANION AISLE FILLER SEAT

KEY	PART NUMBER	U/M	DESCRIPTION
	113991-06-000	EA	FRAME - FILLER - COMPANION
	113991-14-000	EA	AISLE FILLER SUPPORT GUIDE
	113991-15-000	EA	AISLE FILLER CUSHION SUPPORT
	113991-16-000	EA	AISLE FILLER LOCATOR - DRIVER SIDE
	113991-17-000	EA	AISLE FILLER LOCATOR - PASSENGER SIDE

SEATBELTS&WELTING

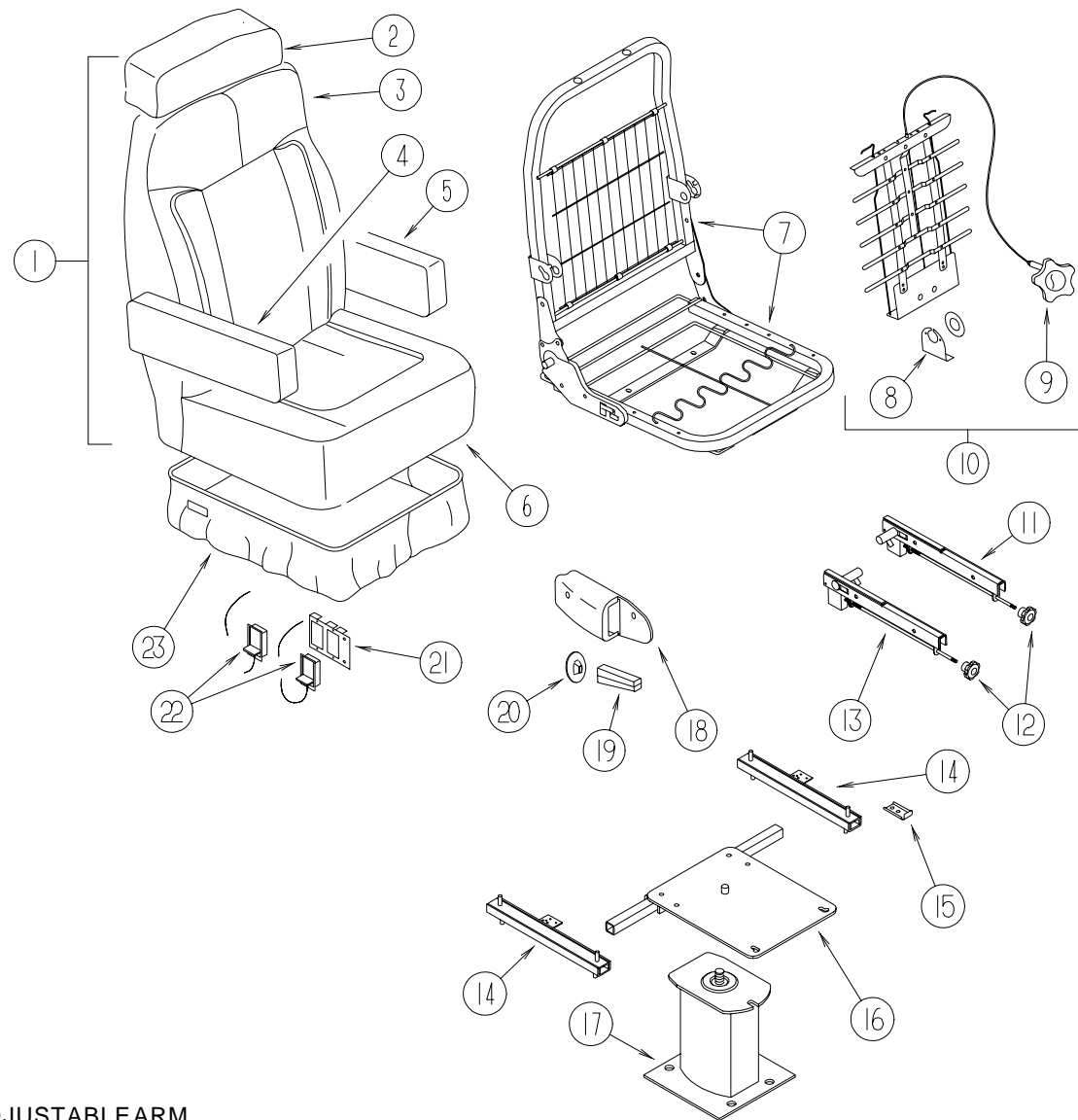
KEY	PARTNUMBER	U/M	DESCRIPTION
	114258-01-01A	EA	SEAT BELT - 2" X 90" - BLACK
	114259-01-01A	EA	SEAT BELT - PASSENGERS 3 POINT
	114259-02-01A	EA	SEAT BELT - DRIVERS 3 POINT
	079349-04-H70	YD	WELT - NARROW

CURTAIN & CUSHION GROUP (CONTINUED)

RIALTA FABRICS		
COLOR CODES	H70	H71
	DOVE	LAKWOOD
CEILING VINYL	113979-03-01A 113979-02-01A	113979-03-01A 113979-02-01A
VINYL	07 079680-26-000	079680-25-000 079680-26-000
DRAPERY LINING	087272-03-000	087272-03-000
BUCKET SEATS	108446-R5-000	108446-R5-000
DINETTE	108446-R5-000	108446-R5-000
DINETTE WINDOWS	108446-R5-000	108446-R5-000
COMPANION SEATS	108446-R5-000	108446-R5-000
COMPANION SEAT WINDOWS	108446-R5-000	108446-R5-000
SWIVEL CHAIR	108446-R5-000	108446-R5-000
SWIVEL CHAIR WINDOWS	108446-R5-000	108446-R5-000
ENTRY DOOR WINDOW	108446-R5-000	108446-R5-000
FITTED SHEET	108446-R5-000	108446-R5-000
PILLOW SHAMS	108446-R5-000	108446-R5-000

NOTE:FABRIC LISTED FIRST, IN A BLOCK, IS THE LARGEST QUANTITY OF FABRIC USED.

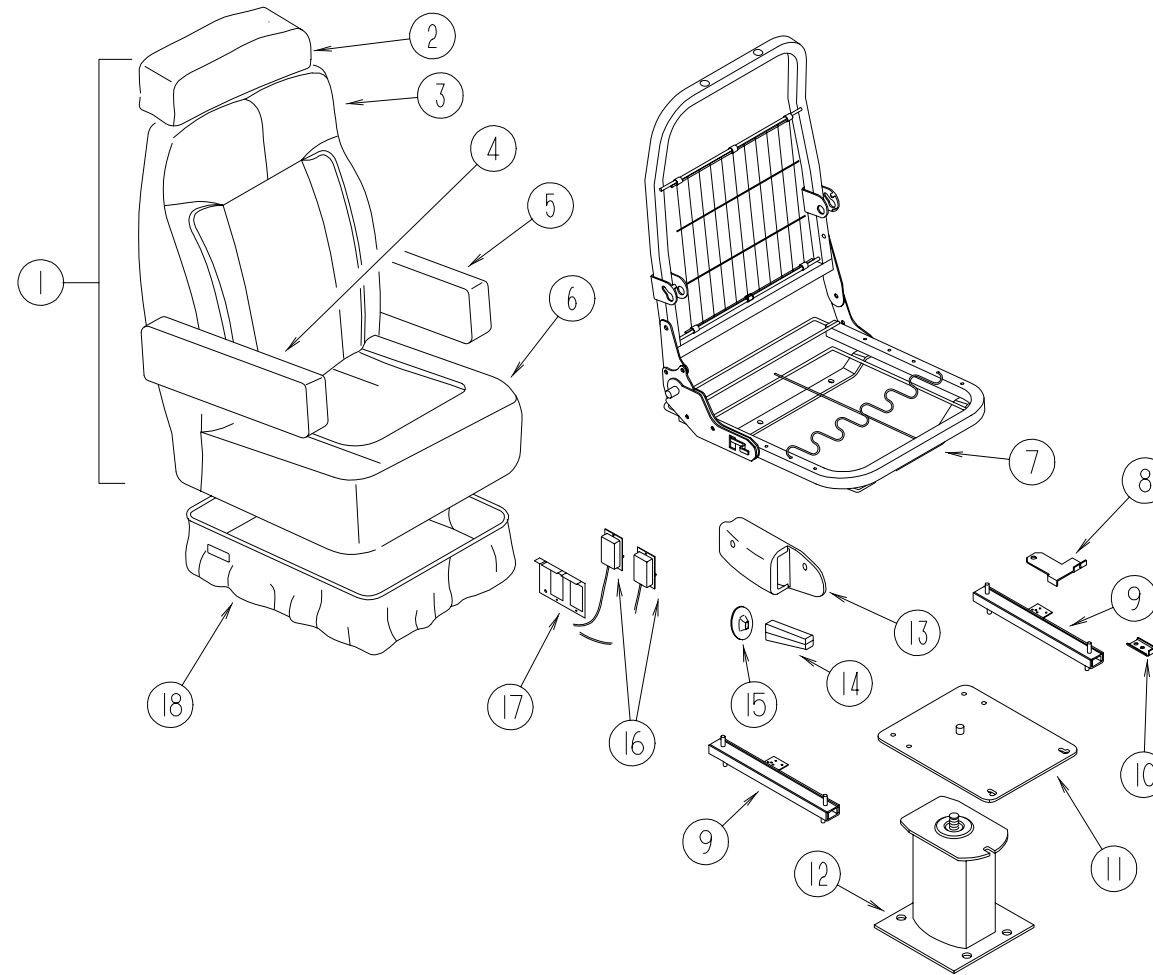
CURTAIN&CUSHIONGROUP(CONTINUED)
BUCKETSEAT-DRIVERSIDE



KEY	PARTNUMBER	U/M	DESCRIPTION
1	122684-03-H70	EA	SEAT-BUCKET-W/LUMBAR-ADJUSTABLEARM
1	122684-03-H71	EA	SEAT-BUCKET-W/LUMBAR-ADJUSTABLEARM
1	122684-05-H70	EA	SEAT-BUCKET-W/LUMBAR-ADJUSTABLEARM-LEATHEROPTION
1	122684-05-H71	EA	SEAT-BUCKET-W/LUMBAR-ADJUSTABLEARM-LEATHEROPTION
2	119509-01-H70	EA	HEADREST-BUCKETSEAT
2	P19509-01-H70	EA	COVER-HEADREST
3	M05962-51-H70	EA	COVER-BACK/BUCKET-NARROW
3	M05962-51-H71	EA	COVER-BACK/BUCKET-NARROW
4	123962-01-H70	EA	ARMREST-ADJUSTABLE/RIGHTHAND
4	123962-05-H70	EA	ARMREST-ADJUSTABLE/RIGHTHAND-LEATHEROPTION
4	115617-03-000	EA	ARMREST-W/OCOVER-RIGHTHAND
4	P23962-01-H70	EA	COVER-ARMREST-RIGHTHAND
4	P23962-05-H70	EA	COVER-ARMREST-RIGHTHAND-LEATHEROPTION
	115617-01-000	EA	ARMREST-W/OCOVER-RIGHT
5	123962-02-H70	EA	ARMREST-ADJUSTABLE/LEFTHAND
5	123962-06-H70	EA	ARMREST-ADJUSTABLE/LEFTHAND-LEATHEROPTION
5	115617-04-000	EA	ARMREST-W/OCOVER-LEFTHAND
5	P23962-02-H70	EA	COVER-ARMREST-LEFTHAND
5	P23962-06-H70	EA	COVER-ARMREST-LEFTHAND-LEATHEROPTION
	115617-02-000	EA	BRACKET-ARMREST-LEFTHAND
6	125728-01-000	EA	SEAT-DRIVERBUCKET
6	M05962-52-H70	EA	COVER-SEAT/BUCKET-NARROW
6	M05962-52-H71	EA	COVER-SEAT/BUCKET-NARROW
7	122695-02-01B	EA	FRAME-SEAT/BACK

KEY	PARTNUMBER	U/M	DESCRIPTION
8	122611-01-702	EA	LUMBAR-BRACKET
	122611-01-703	EA	LUMBAR-SCREW
9	122611-01-701	EA	LUMBAR-KNOB
10	122611-01-000	EA	LUMBAR-MODEL325
11	122622-05-000	EA	BRACKET-ADJUSTABLE/ARMREST-LEFTHAND
12	122622-06-000	EA	BRACKET-ADJUSTABLEKNOB-3/8"
13	122622-04-000	EA	BRACKET-ADJUSTABLE/ARMREST-RIGHTHAND
14	119952-06-000	EA	SLIDE/SEAT-HEAVYDUTYLOCKING-4STUDS
	119952-07-000	EA	WIRE-LATCHRELEASE/ROTARY
15	114889-01-000	EA	STOPBAR-UNIVERSAL
16	107921-08-000	EA	TOPPLATE-PEDESTAL-W/OSEATBELTBAR
	107921-06-000	EA	BEARINGKIT-PEDESTAL
17	107921-12-000	EA	PEDESTAL-SEAT-6"-DRIVER
18	080730-09-000	EA	SHIELD-RECLINERHANDLE
19	080730-08-000	EA	HANDLE-RECLINER
20	080730-11-000	EA	SHIELD-RUBBERBOOT
21	117125-01-02B	EA	BRACKET-CABLEMOUNT-ADJUSTERW/LOCK
22	108049-03-000	EA	CABLE/CONTROL25.5"SHEATH/28.5"CABLEW/DOGLEG
23	071126-51-H70	EA	SKIRTASM-7",NOSLIT
	M71126-51-H70	EA	COVER
23	071126-64-H70	EA	SKIRTASM-7",NOSLIT-LEATHEROPTION
	M71126-64-H70	EA	COVER-LEATHEROPTION
	125728-10-000	EA	SKIRT-BUCKETSEAT-LEATHEROPTION
	101866-19-000	EA	BUCKET-BASEKIT-LEATHEROPTION

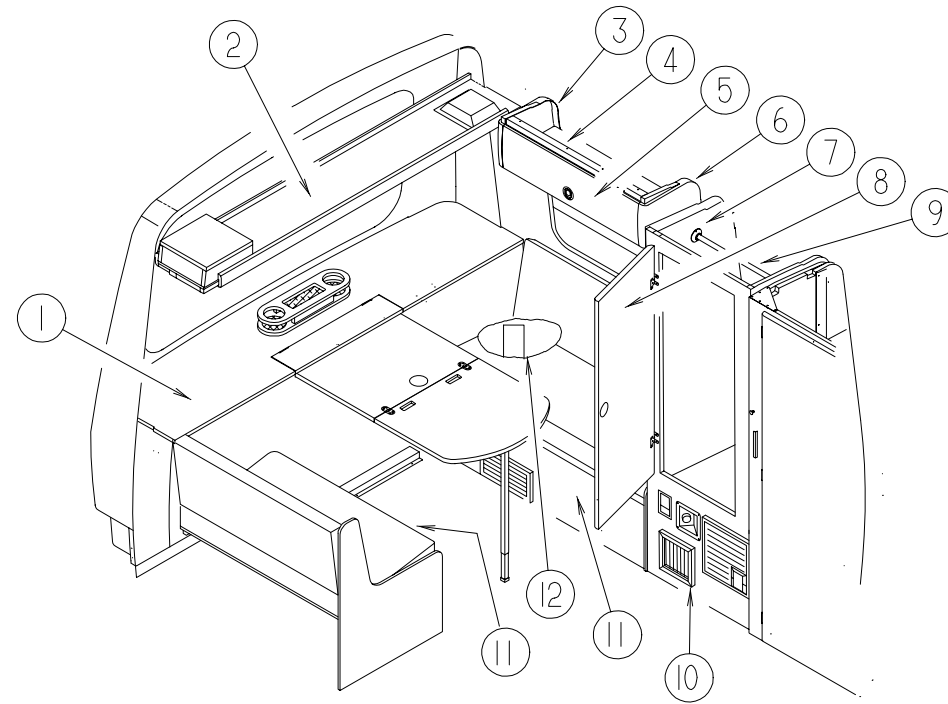
CURTAIN&CUSHIONGROUP(CONTINUED)
BUCKETSEAT-PASSENGERSIDE



KEY	PARTNUMBER	U/M DESCRIPTION
1	122684-04-H70	EA SEAT-BUCKET-ADJUSTABLEARM
1	122684-04-H71	EA SEAT-BUCKET-ADJUSTABLEARM
1	122684-06-H70	EA SEAT-BUCKET-ADJUSTABLEARM-LEATHEROPTION
1	122684-06-H71	EA SEAT-BUCKET-ADJUSTABLEARM-LEATHEROPTION
2	119509-01-H70	EA HEADREST-BUCKETSEAT
2	P19509-01-H70	EA COVER-HEADREST
3	M05962-51-H70	EA COVER-BACK/BUCKET-NARROW
4	122780-01-H70	EA ARMREST-RIGHTHAND
4	122780-01-H71	EA ARMREST-RIGHTHAND
4	115617-03-000	EA ARMREST-W/OCOVER-RIGHTHAND
4	P22780-01-H70	EA COVER-ARMREST-RIGHTHAND
	115617-01-000	EA BRACKET-ARMREST-RIGHTHAND
5	122780-02-H70	EA ARMREST-LEFTHAND
5	122780-02-H71	EA ARMREST-LEFTHAND
5	115617-04-000	EA ARMREST-W/OCOVER-LEFTHAND
5	P22780-02-H70	EA COVER-ARMREST-LEFTHAND
	115617-02-000	EA BRACKET-ARMREST-LEFTHAND
6	125728-02-000	EA SEAT-PASSENGERBUCKET
6	M05962-52-H70	EA COVER-SEAT/BUCKET-NARROW
7	122695-02-01B	EA FRAME-SEAT/BACK
8	119952-03-000	EA SLIDE/SEAT-HEAVYDUTYLOCKING-2STUDS

KEY	PARTNUMBER	U/M DESCRIPTION
9	114889-01-000	EA STOPBAR-UNIVERSAL
10	107921-08-000	EA TOPPLATE-PEDESTAL-W/OSEATBELTBAR
	107921-06-000	EA BEARINGKIT
11	107921-13-000	EA PEDESTAL-SEAT-6"-PASSENGER
12	119952-01-000	EA SLIDE/SEAT-HEAVYDUTYNONLOCKING
	119952-07-000	EA WIRE-LATCHRELEASE/ROTARY
13	080730-09-000	EA SHIELD-RECLINERHANDLE
14	080730-08-000	EA HANDLE-RECLINER
15	080730-11-000	EA SHIELD-RUBBERBOOT
16	108049-03-000	EA CABLE/CONTROL25.5"SHEATH/28.5"CABLEW/DOGLEG
17	117125-01-02B	EA BRACKET-CABLEMOUNT-ADJUSTERW/LOCK
18	071126-41-H70	EA SKIRT-SINGLE-7"W/SLOT
18	071126-41-H71	EA SKIRT-SINGLE-7"W/SLOT
18	M71126-41-H70	EA COVER
18	M71126-41-H71	EA COVER
18	071126-51-H70	EA SKIRT-7"NOSLIT
18	071126-64-H70	EA SKIRT-7"NOSLIT-LEATHEROPTION
18	M71126-51-H70	EA COVER
18	M71126-64-H70	EA COVER-LEATHEROPTION
18	125728-10-000	EA SKIRT-BUCKETSEAT-LEATHEROPTION
18	101866-19-000	EA BUCKET-BASEKIT-LEATHEROPTION

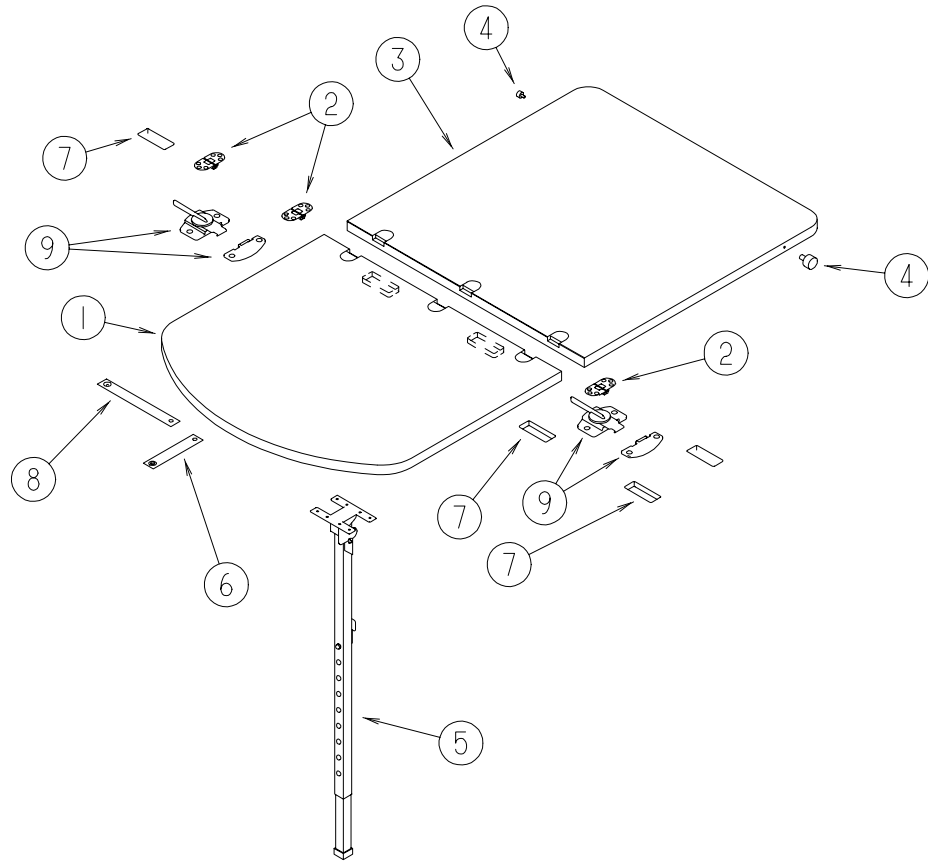
**DINETTEGROUP
DINETTECABINERY**



KEY	PARTNUMBER	U/M	DESCRIPTION
1	124468-01-H70	EA	CABINET-REAR/SHELF-W/OHARDWARE
2	113526-02-H70	EA	CABINET-SHELF/OVERHEAD-W/OHARDWARE
2	113526-02-H71	EA	CABINET-SHELF/OVERHEAD-W/OHARDWARE
3	112374-04-02A	EA	CAP-END-OVERHEADCABINET-REARDRIVERSIDE
	112374-01-02A	EA	CAP-END-OVERHEADCABINET-REARPASSENGERSIDE
4	116853-06-H70	EA	CABINET-OVERHEAD-W/ODOORS/HARDWARE-DRIVERSIDE
	116853-05-H70	EA	CABINET-OVERHEAD-W/ODOORS/HARDWARE-PASSENGERSIDE
5	116855-01-H70	EA	PANEL-DOOR/GALLEY-W/OHARDWARE
6	112374-05-02A	EA	CAP-END-OVERHEADCABINET-FRONTDRIVERSIDE
	112374-02-02A	EA	CAP-END-OVERHEADCABINET-FRONTPASSENGERSIDE
7	009112-01-000	EA	FLANGE-1"ROD,CLOTHES-PLASTIC-OFFWHITE

KEY	PARTNUMBER	U/M	DESCRIPTION
8	117437-01-H70	EA	PANEL-DOOR-WARDROBE
9	041953-03-000	FT	CONDUIT-CONVOLUTE SLIT-1"ID(CLOTHESRODCOVER)
9	042438-01-000	EA	DOWEL-WOOD-CLOTHESROD-1"DIAMETERX4'
10	119860-15-H70	EA	GRILL-WARDROBECABINET
11	124309-02-H70	EA	PANEL-COVER-DINETTE/LEFTHAND
11	124309-03-H70	EA	PANEL-COVER-DINETTE/LEFTHAND-JAPANOPTION
11	124309-04-H70	EA	PANEL-COVER-DINETTE/LEFTHAND-EUROPEANOPTION
11	124309-01-H70	EA	PANEL-COVER-DINETTE/RIFHTHAND
	024283-01-000	EA	CLIP-LEG-1"-1.125"OD-BLACK
12	113844-04-H70	EA	PANEL-TRIM-LOWERLEFTHAND

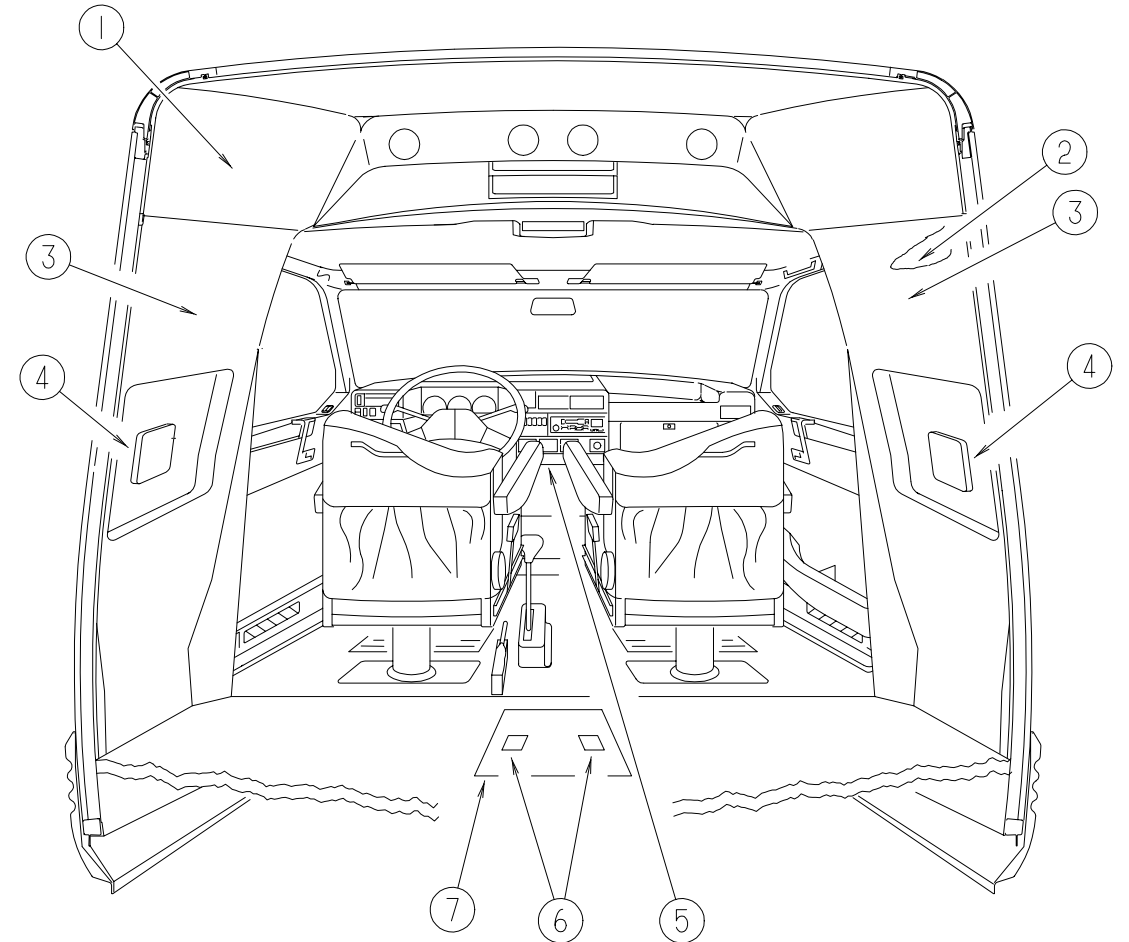
DINETTEGROUP(CONTINUED)



DINETTE TABLE

KEY	PARTNUMBER	U/M	DESCRIPTION
1	124485-13-H70	EA	TABLE-DINETTE
2	111535-01-000	EA	HINGE-TABLE/FOLDING
3	124485-12-H70	EA	TABLE-DINETTE-FRONTFOLDDOWN-W/OHARDWARE
4	079921-01-000	EA	ROLLER-NYLON-W/STEELSHAFT-BARBED
	117047-01-000	EA	BUMPER-RUBBER-WASHERINSERT
5	108483-02-000	EA	LEG-TABLE-ADJUSTABLE 18.47"-30.5"
6	057534-02-000	EA	TIEBACK-CLEARPLASTIC-3"
7	124311-01-01A	EA	HANDLE-RECESSED-BRASS
8	057534-01-000	EA	TIEBACK/TIEDOWN-6"CLEARPLASTIC
	029130-01-000	EA	SCREW-SNAPSOCKET-#8PHX5/8"
9	124753-01-000	EA	LOCK-SASH-TIGHTSEAL

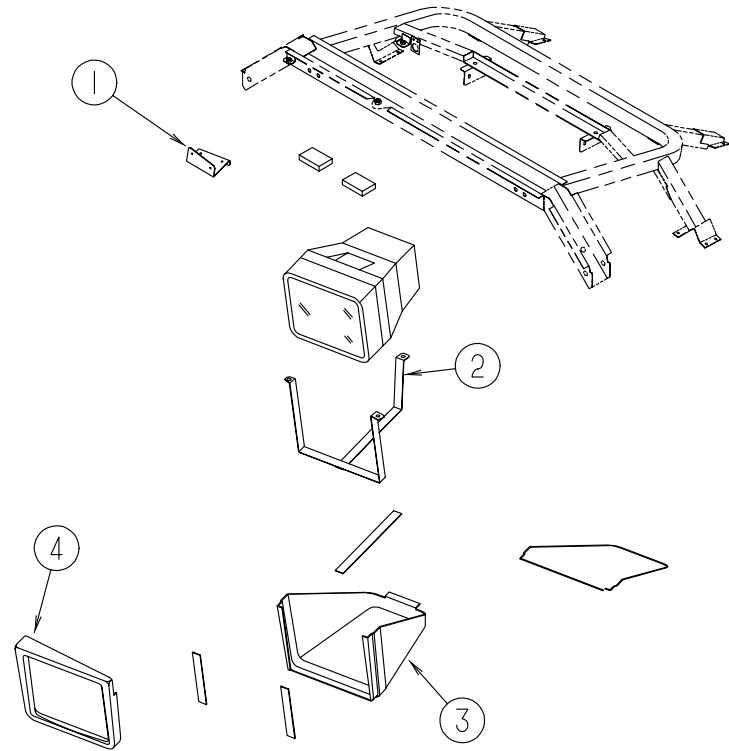
DRIVERSCOMPARTMENTGROUP



DRIVERSCOMPARTMENT

KEY	PARTNUMBER	U/M	DESCRIPTION
1	117256-03-02A	EA	HEADLINER-CAB-ABSPLASTIC
	117256-04-H70	EA	
	100128-02-000	FT	SEAL-FOAM-ADHESIVEBACK-.37"WIDEX.37"THICK
	029130-03-000	EA	SCREW-SNAPSOCKET-#8PHX1"
	086285-03-000	EA	SPACER-NYLON-PLASTICHEADLINER
	103242-01-000	EA	SCREW-SNAPSOCKET-#8PHX1"-#195368-55/64"
2	116454-08-01A	EA	PANEL-TRANSITION-INNER
	116454-01-02A	EA	PANEL-TRANSITION-INNER/RIGHTHAND
	116454-02-02A	EA	PANEL-TRANSITION-INNER/LEFTHAND
	116454-07-02A	EA	PANEL-TRANSITION-INNER/LEFTHAND-TVOPTION
3	117555-02-H70	EA	PANEL-TRANSITION-LEFTHAND
3	117555-02-H71	EA	PANEL-TRANSITION-LEFTHAND
	117555-01-H70	EA	PANEL-TRANSITION-RIGHTHAND
	117555-01-H71	EA	PANEL-TRANSITION-RIGHTHAND
4	118718-01-01A	EA	HOLDER-COLLAPSIBLEMUG/DRINK-BLACKPLASTIC
5	118445-01-H70	EA	TRAY-BEVERAGE-W/OCUPHOLDERS
	119822-01-01A	EA	HOLDER-CUP
6	097111-02-04A	EA	POCKET-LOCK-REARDOOR
	102330-01-000	EA	LATCH-VISEACTION/KEYOPERATED
	102328-01-000	EA	KEY-BARREL-NICKELPLATED
	064075-07-000	EA	SEAL-BULB-W/WIREDUCHANNEL-.3"X.5"CHANNEL-BLK
7	P18892-01-H70	EA	LID-COMPARTMENT/BATTERY-W/CARPET
	065450-08-000	EA	TIEDOWN-BATTERY

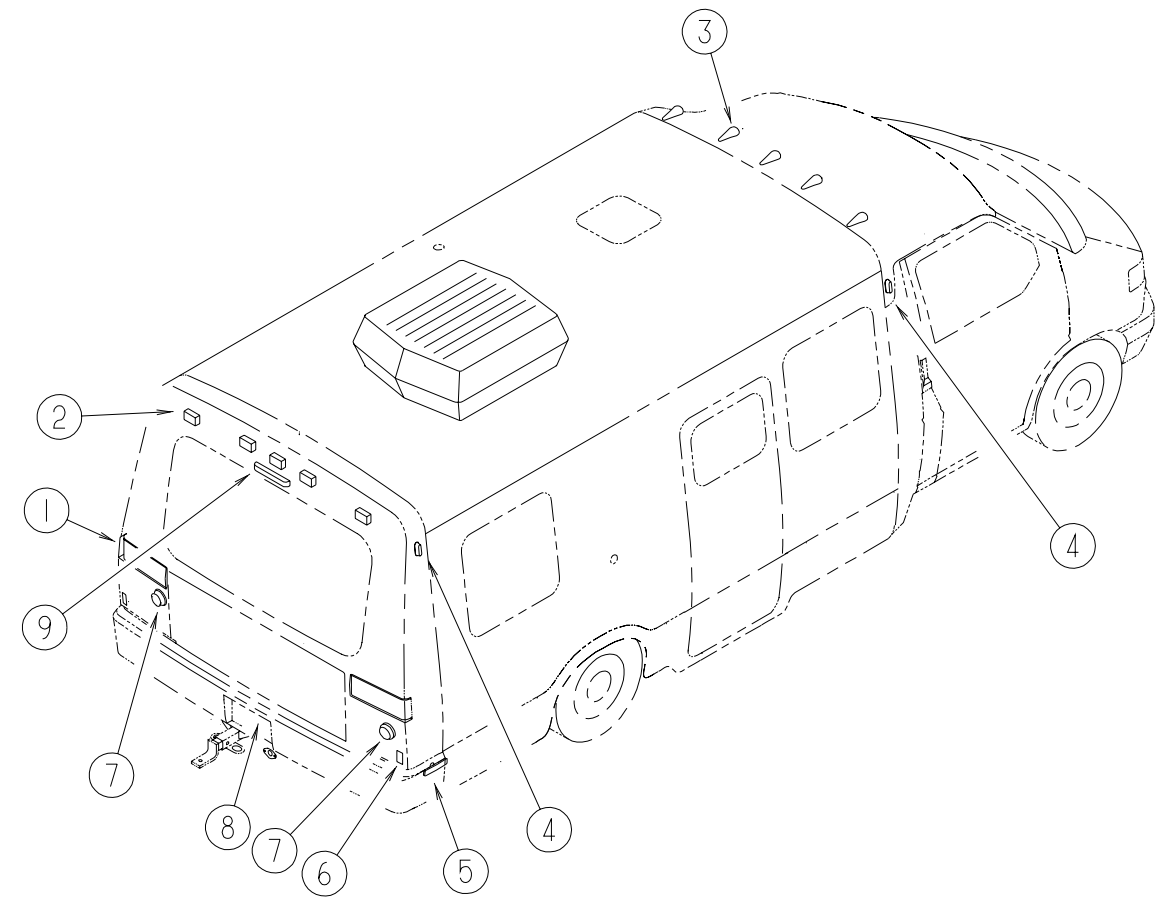
DRIVERSCOMPARTMENTGROUP(CONTINUED)



TVCOVERS&BRACKETS

KEY	PARTNUMBER	U/M	DESCRIPTION
1	114325-01-02B	EA	BRACKET-TV-OVERHEAD
2	114705-01-02B	EA	STRAP-TV-OVERHEAD
3	114315-01-02A	EA	COVER-TV-OVERHEADFRONT-W/OHARDWARE
4	114314-01-02A	EA	COVER-TV-OVERHEADFRONT-W/OHARDWARE

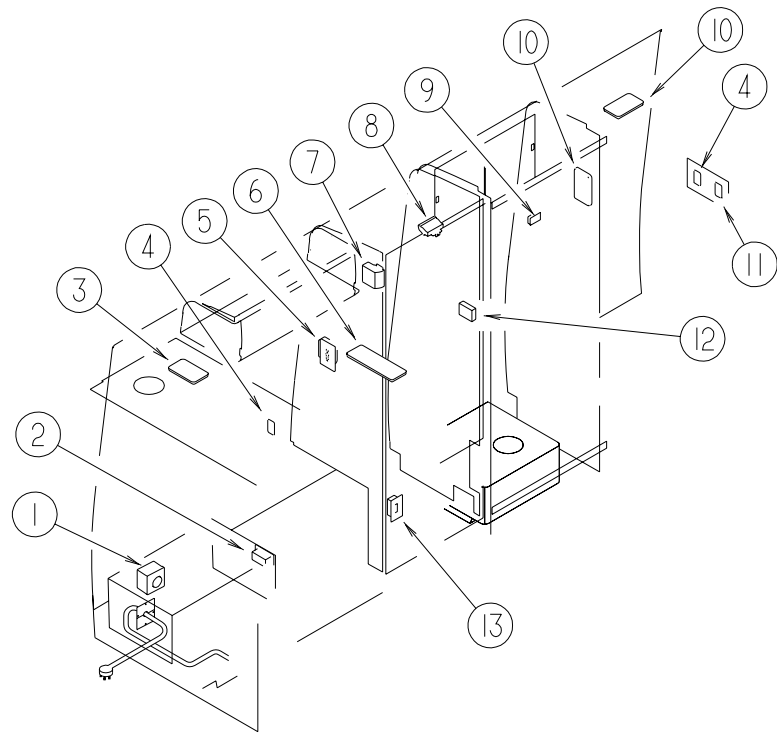
ELECTRICALGROUP



EXTERIORLIGHTS

KEY	PARTNUMBER	U/M	DESCRIPTION
1	120742-02-000	EA	LIGHT-STOP/TURN/TAIL
1	120742-01-000	EA	LIGHT-STOP/TAIL/BACKUP/TURN-JAPAN
2	102520-02-000	EA	LIGHT-CLEARANCE-W/OSOCKET/HOUSING-RED
	088474-09-000	EA	HOUSING-ELECTRICAL-3TERMINAL
	088476-01-000	EA	TERMINAL-ELECTRICAL
	036196-01-000	EA	BULB-12VOLT-#194-.27AMP-BAYONETTE
	067789-02-000	EA	SOCKET-LAMP
	102540-01-000	EA	SEAL-SCREW-ROUND-RUBBER
	102541-01-000	EA	GASKET-CLEARANCELIGHT
3	113709-01-000	EA	LAMP-CLEARANCE-AMBER
4	113709-02-000	EA	LAMP-CLEARANCE-RED
	121683-01-000	EA	LAMP-CLEARANCE-CLEAR
	124219-01-000	EA	BULB-12V-.83AMP10WATT#5008
5	117826-01-000	EA	SIDEMARKERLAMPASM-RED
	117826-02-000	EA	SIDEMARKERLAMPASM-AMBER
	117826-03-000	EA	GASKET-MARKERLIGHT
6	106646-02-000	EA	REFLECTOR-STICKON-RED-JAPAN
7	124968-01-01A	EA	LIGHT-BACKUP-WHITE
8	121681-01-000	EA	LAMP-LICENCEPLATE
8	087201-01-000	EA	LIGHT-HALFROUND-PLASTIC-BLACK
9	121950-01-000	EA	LIGHT-BRAKE-CENTERMOUNT

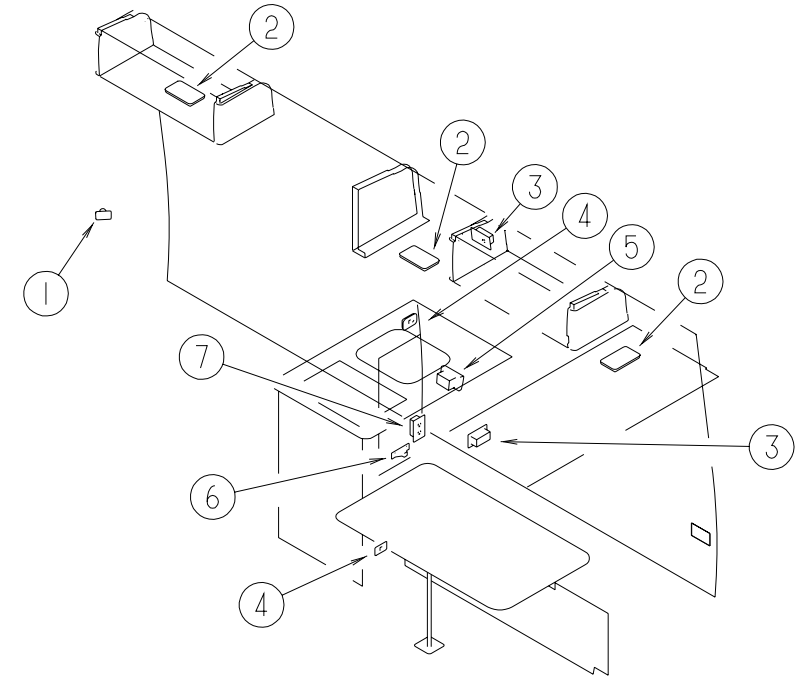
ELECTRICALGROUP(CONTINUED)



LIGHTS,RECEPTACLES&SWITCHES-DRIVERSIDE

KEY	PARTNUMBER	U/M	DESCRIPTION
1	024924-02-000	EA	RECEPTACLE-POWERCORD-W/PARTIALPLATE
2	058707-01-000	EA	RECEPTACLE-ELECTRIC-SINGLE-BROWN
3	098024-05-02A	EA	LIGHT-DOME-1BULB-SKYLITE-WHITE
3	098024-01-701	EA	LENS-OPTICLEAR-SKYLITE
3	008218-01-000	EA	BULB-DOMELIGHT-12VOLT-NO.1141
4	111414-01-000	EA	RECEPTACLE-12V-W/OBIMETAL
5	084076-01-000	EA	RECEPTACLE-GFI-15A-125V
6	098024-03-02A	EA	LIGHT-DOME-2BULB-WHITE
6	098024-01-700	EA	LENS-DOMELIGHT
6	008218-01-000	EA	BULB-DOMELIGHT-12V-NO.1141
7	091927-01-000	EA	COVER-RECEPTACLE-DOUBLE-IVORY
8	087694-01-000	EA	LIGHT-WARDROBE/CLOSET-W/SWITCH
8	087694-01-700	EA	BULB-WARDROBE/CLOSETLIGHT-GE561
9	108356-10-01A	EA	COVER/ACTUATORSWITCH-2ROWSDIMPLESW/LIGHT-SHOWERDRAIN
9	108357-14-000	EA	SWITCH-ROCKERSPDTW/LIGHT-ON/NONE/OFF-4TERMINAL
10	098024-01-02A	EA	LIGHT-DOME-1BULB-IVORY
11	079364-01-000	EA	SWITCH-ON/OFFROCKER-2TERMINAL-BROWN
11	079364-04-000	EA	SWITCH-ON/OFFROCKER-2TERMINAL-BLACK
12	108356-02-01A	EA	COVER/ACTUATORSWITCH-2ROWSDIMPLES-CONTURAI-BLACK
12	108357-08-000	EA	SWITCH-ROCKERDPDT-ON/NONE/ON-6TERMINAL
13	084420-01-000	EA	SWITCH-TOGGLE-15AMP-120VOLT-BROWN
13	083588-01-000	EA	LABEL-ON/OFF-WATERHEATER
	108355-01-000	EA	HOUSING-SWITCH-CARLINGVCH
	097734-01-02A	EA	EXTENSION-RECEPTACLE-3.2"X5"X.7"-BROWNPLASTIC
	098024-01-03A	EA	LIGHT-DOME-1BULB-WHITE

ELECTRICALGROUP(CONTINUED)



LIGHTS,RECEPTACLES&SWITCHES-PASSENGERSIDE

KEY	PARTNUMBER	U/M	DESCRIPTION
1	111414-01-000	EA	RECEPTACLE-12V-W/OBIMETAL
	111386-01-04B	EA	PLATE-RECEPTACLE-12VOLT-BLACK
2	098024-05-02A	EA	LIGHT-DOME-1BULB-SKYLITE-WHITE
2	098024-01-701	EA	LENS-OPTICLEAR-SKYLITE
2	008218-01-000	EA	BULB-DOMELIGHT-12V-#1141
3	058707-01-000	EA	RECEPTACLE-ELECTRIC-SINGLE-BROWN
3	112590-01-000	EA	RECEPTACLE-16AMP-240VOLT-2POLEW/GROUND-EUROPEAN
4	079364-01-000	EA	SWITCH-ON/OFFROCKER-2TERMINAL-BROWN
4	079364-04-000	EA	SWITCH-ON/OFFROCKER-2TERMINAL-BLACK
4	098351-01-01A	EA	PLATE-SWITCH-1GANGPOLISHEDBRASS
5	112822-01-01A	EA	RECEPTACLE-DUPLEX-IVORY
5	112824-01-03A	EA	COVER-RECEPTACLE-EXTERIORDUPLEX
6	061424-01-000	EA	LIGHT-AISLE-12VOLT-RECTANGULAR
6	008103-01-000	EA	BULB-DASH/AISLELIGHT-#53-12VOLT-.12AMP
7	058708-01-000	EA	RECEPTACLE-ELECTRIC-DOUBLE-BROWN
7	058708-02-000	EA	RECEPTACLE-ELECTRIC-DOUBLE-IVORY
	097734-01-02A	EA	EXTENSION-RECEPTACLE-3.2"X5"X.7"-BROWNPLASTIC
	108355-01-000	EA	HOUSING-SWITCH-CARLINGVCH
	123657-01-01A	EA	RECEPTACLE-DUPLEX-16AMP-EUROPEAN
	123659-01-000	EA	BOX-ELECTRIC-RECEPTACLE-EUROPEAN
	123660-01-01A	EA	RECEPTACLE-SINGLE-WC-EUROPEAN-IVORY
	123660-01-02A	EA	RECEPTACLE-SINGLE-WC-EUROPEAN-BROWN
	123661-01-01A	EA	FRAME-TRIM-SINGLEOUTLET-EXPORT-IVORY
	123661-01-02A	EA	FRAME-TRIM-SINGLEOUTLET-EXPORT-BROWN

ELECTRICALGROUP(CONTINUED)**ELECTRICALCONNECTORS**

KEY	PARTNUMBER	U/M	DESCRIPTION
	080015-02-000	EA	RECEPTACLE-FLAG-.185-16/14GAUGE
	008313-01-000	EA	CONNECTOR-WIRENUT-INSULATED-YELLOW
	008314-01-000	EA	CONNECTOR-WIRENUT-INSULATED-GRAY
	008355-01-000	EA	CONNECTOR-CABLECLAMPING-3/4"
	008356-01-000	EA	CONNECTOR-PLASTIC-3/8"AVG
	112721-01-000	EA	CONNECTOR-3PINW/12"LEADS COLE-HERSEE11173-0
	058028-01-000	EA	CONNECTOR-ELECTRICALPIGTAIL-NYLON-CLEAR
	007942-01-000	EA	TAB-WIRE-18TO14AWG
	008326-01-000	EA	TERMINAL-RING-16/14WIRE-3/8"STUD
	008328-01-000	EA	TERMINAL-RING-12/10WIRE-#10STUDFIT
	008331-01-000	EA	TERMINAL-RING,TONGUE-#4WIRE-3/8"STUD-COPPER
	008348-01-000	EA	TERMINAL-RING-3/8"STUD-#2WIRE CONNECTSCABLETODISCONNECTRELAYANDBATTERY
	035416-04-000	EA	TERMINAL-RING#10STUDFIT-INSULATEDBARREL#16/14
	047443-01-000	EA	TERMINAL-.250RECEPTACLEFIT-INSULATED-16/14AWG
	047443-02-000	EA	TERMINAL-.250RECEPTACLEFIT-INSULATED-12/10AWG
	088267-01-000	EA	TERMINAL-FEMALE-1/4
	102777-02-000	EA	TERMINAL-RING-#6STUD-10AWG
	106655-01-000	EA	TERMINAL-FUSEBLOCK-14-16AWG-PACKARD12020321
	106655-02-000	EA	TERMINAL-FUSEBLOCK-10-12AWG-PACKARD12020400
	098262-01-000	EA	SEAL-CONNECTOR-WEATHERPACK-PACKARD12010293
	088473-01-000	EA	HOUSING-PIN-12CAVITY-AMP1-480708-0
	088473-03-000	EA	HOUSING-PIN-9CAVITY-AMP1-480706-0
	088473-06-000	EA	HOUSING-PIN-6CAVITY-AMP1-480704-0
	088473-08-000	EA	HOUSING-PIN-4CAVITY-AMP1-480702-0
	088473-09-000	EA	HOUSING-PIN-3CAVITY-AMP1-480700-0
	088473-10-000	EA	HOUSING-PIN-2CAVITY-AMP1-480698-0
	088474-01-000	EA	HOUSING-SOCKET-12CAVITY-AMP1-480709-0
	088474-02-000	EA	HOUSING-SOCKET-12CAVITY-AMP1-480711-0
	088474-03-000	EA	HOUSING-SOCKET-9CAVITY-AMP1-480707-0
	088474-06-000	EA	HOUSING-SOCKET-6CAVITY-AMP1-480705-0
	088474-08-000	EA	HOUSING-SOCKET-4CAVITY-AMP1-480703-0
	088474-09-000	EA	HOUSING-SOCKET-3CAVITY-AMP1-480701-0
	088474-10-000	EA	HOUSING-SOCKET-2CAVITY-AMP1-480699-0
	098264-01-000	EA	HOUSING-2PIN-WEATHERPACKM-PACKARD12015792
	098264-02-000	EA	HOUSING-2PIN-WEATHERPACKF-PACKARD-12010973
	110178-01-000	EA	HOUSING-WIPERMOTOR-UT6237440-EC25WJ
	113468-01-000	EA	HOUSING-2POSITION-FEMALE USEDONWIPER/WASHERWIREASM
	119222-01-000	EA	HOUSING-3POSITION-FEMALE
	088475-01-000	EA	PIN-CONNECTOR-14TO20AWG
	088475-02-000	EA	PIN-CONNECTOR-10TO12AWG
	098265-02-000	EA	PIN-CONNECTOR-WEATHERPACK-PACKARD12089305
	088476-01-000	EA	SOCKET-CONNECTOR-BRASS-PRE-TIN
	088476-02-000	EA	SOCKET-CONNECTOR-12-10GA-PHOS.BRZ-PRE-TIN
	098261-02-000	EA	SOCKET-CONNECTOR-WEATHERPACK-PACKARD12124580

SOLENOID,RELAYS,POWER CONVERTER,POWERCORDS&CABLE

KEY	PARTNUMBER	U/M	DESCRIPTION
	008188-01-000	EA	SOLENOID-3POST-BATTERYCHANGE OVER
	063912-02-000	EA	RELAY-CANISTER-SPDT
	114965-01-000	EA	RELAY12VOLT-2AMP-DELAYOFF10MIN
	123058-02-000	EA	CONVERTER-45AMP-ELECTRONIC-41/8"HX7"WX123/8"L
	083208-05-000	EA	CONTROLCENTER-45AMP-100V/12V
	008052-01-000	EA	CORD-POWER-10/3-30AMP-25'-CANADIAN
	008054-02-000	EA	CORD-POWER-10-3-30AMP-35'
	112593-01-000	FT	CABLE-3WIRE-16A-FLEXRUBBER-EUROPEAN
	112593-02-000	FT	CABLE-3WIRE-25A-FLEXRUBBER-EUROPEAN

ELECTRICALGROUP(CONTINUED)**BOXES,CONDUIT&COVERS**

KEY	PARTNUMBER	U/M	DESCRIPTION
	008289-01-000	EA	BOX-ELECTRIC/STEEL-1/2"&3/4"KNOCKOUTS-4"X4"
	091910-01-000	EA	BOX-ELECTRIC-3.8"X3.5"X1.8"-PLASTIC
	091910-02-000	EA	BOX-ELECTRIC-2.2"X3.5"X1.7"-PLASTIC
	093257-02-000	EA	BOX-ELECTRIC-CIRCUITBREAKER
	041953-01-000	FT	CONDUIT-CONVOLUTESLIT-.5"ID
	041953-03-000	FT	CONDUIT-CONVOLUTESLIT-1"ID
	041953-06-000	FT	CONDUIT-CONVOLUTESLIT-.375"
	041953-07-000	FT	CONDUIT-CONVOLUTESLIT-.25"ID
	041953-08-000	FT	CONDUIT-CONVOLUTESLIT-1.50"ID
	041953-09-000	FT	CONDUIT-CONVOLUTESLIT-.50"ID-NYLON-BLACKW/GRAYSTRIPE
	008294-01-000	EA	COVER-ELECTRICALBOX-BLANK/STEEL-4"X4"-GRAY
	069238-01-000	EA	COVER-ELECTRICALBOX-W/HOLE-4"X4"-GRAY USEDWITH30AMPRECEPTACLE

WIREASSEMBLIES

KEY	PARTNUMBER	U/M	DESCRIPTION
	093057-04-000	EA	WIREASM-POWERLOCKENTRANCE
	096449-01-000	EA	WIREASSEMBLY-WATERTANKTOMONITORPANEL
	097618-01-000	EA	WIREASM-MONITORPANEL-W/3WIRES&ORANGERESISTOR ORANGERESISTORW/3(ORANGE-GREEN-BLUE)WIRES

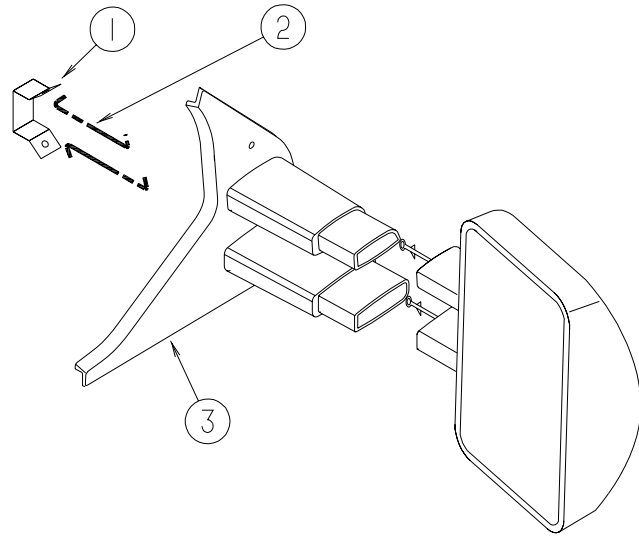
CIRCUITBREAKERS&FUSES

KEY	PARTNUMBER	U/M	DESCRIPTION
	062901-02-000	EA	FUSE-5AMPS,AUTOMOTIVE
	062901-05-000	EA	FUSE-15AMPS,AUTOMOTIVE
	062901-06-000	EA	FUSE-20AMPS,AUTOMOTIVE
	062901-07-000	EA	FUSE-25AMPS,AUTOMOTIVE
	106656-01-000	EA	FUSEBLOCK-4CAVITYAUTOFUSE-PACKARD12004943
	108669-01-000	EA	HOUSING-AUTOFUSEHOLDER-PACKARD12010105
	083209-02-000	EA	CIRCUITBREAKER-15/15AMP-120V
	083209-03-000	EA	CIRCUITBREAKER-15/20AMP-120V
	083209-05-000	EA	CIRCUITBREAKER-20AMP-120V
	083209-06-000	EA	CIRCUITBREAKER-30/15AMP-120
	083209-07-000	EA	CIRCUITBREAKER-20/20AMP-120V
	092786-02-000	EA	BUSSBAR-3.3"
	092786-03-000	EA	BUSSBAR-6.9"
	093654-01-000	EA	CIRCUITBREAKER-6AMP-12V
	093654-02-000	EA	CIRCUITBREAKER-15AMP-12V
	093654-03-000	EA	CIRCUITBREAKER-20AMP-12V
	097611-01-000	EA	CIRCUITBREAKER-10AMP,12V
	108567-01-000	EA	CIRCUITBREAKER-40AMP,12V
	112591-01-000	EA	CIRCUITBREAKER-16AMP,240V-EUROPEAN
	112592-01-000	EA	CIRCUITBREAKER-25AMP,240V-GFI-EUROPEAN

ELECTRICALMISCELLANEOUS

KEY	PARTNUMBER	U/M	DESCRIPTION
	112594-01-000	FT	INLET-16AMP240VOLT-2POLEW/GROUND-EUROPEAN
	007956-05-000	EA	INSULATOR-SHRINK-.25IDX1.50
	087225-01-000	FT	SLEEVING-1/2"-TYPEH
	113494-01-000	EA	CONTACTOR-25AMP-230V-50HZ
	117038-01-000	EA	SPEEDOMETER-ELECTRIC,METRIC-CANADIANOPTION

EXTERIORBODYGROUP



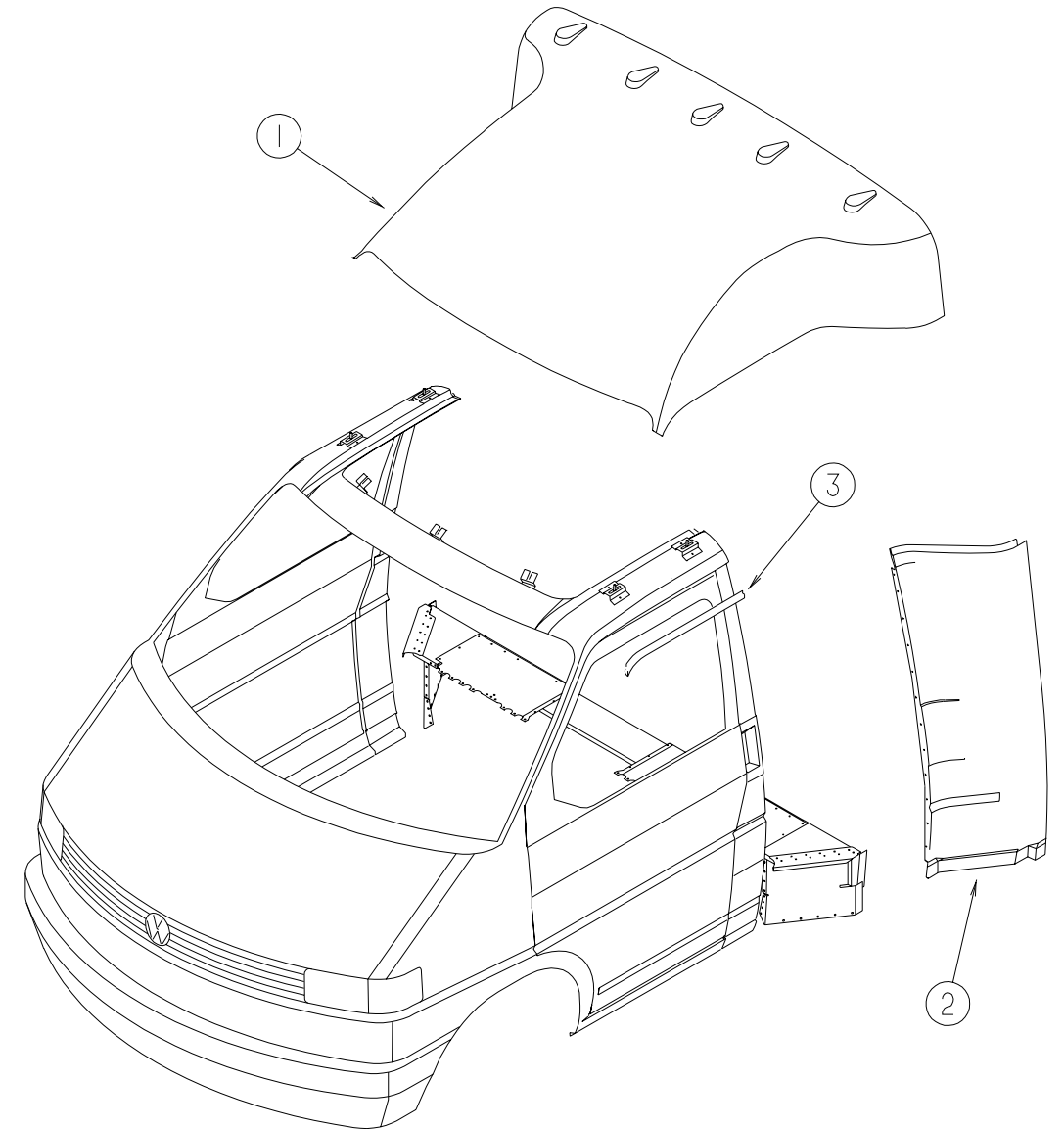
MIRRORBRACKETSFORVWEXTERIORMIRRORS

KEY	PARTNUMBER	U/M DESCRIPTION
1	115334-01-02B	EA HOOK-BRACKET-MIRROR
2	115752-02-01A	EA MIRRORROD-3.3"LONG
3	114494-01-03A	EA BRACKET-MIRROR-PASSENGER
	114494-02-01A	EA BRACKET-MIRROR-DRIVER
	R77030-74-150	EA PLUG-MIRROR-EXTERIOR
	074487-02-000	EA PLUG-HOLE-.375-.093-.171THICK

ALUMINUM&STYROFOAM

KEY	PARTNUMBER	U/M DESCRIPTION
	000870-08-000	SF STYROFOAM-.75"X48"X96"PLANEEXPANDEDBEADBOARD
	100619-01-000	BF FOAM-EXPANDEDPOLYSTYRENE-1.34"X48"X96"
	100619-04-000	BF FOAM-EXPANDEDPOLYSTYRENE-.5"X48"X96"
	100619-06-000	EA FOAM-EXPANDEDPOLYSTYRENE-.875"X20.35"X63.35"
	100619-07-000	EA FOAM-EXPANDEDPOLYSTYRENE-.630"X48"X96"
	100619-10-000	BF FOAM-EXPANDEDPOLYSTYRENE-1.5"X48"X96"

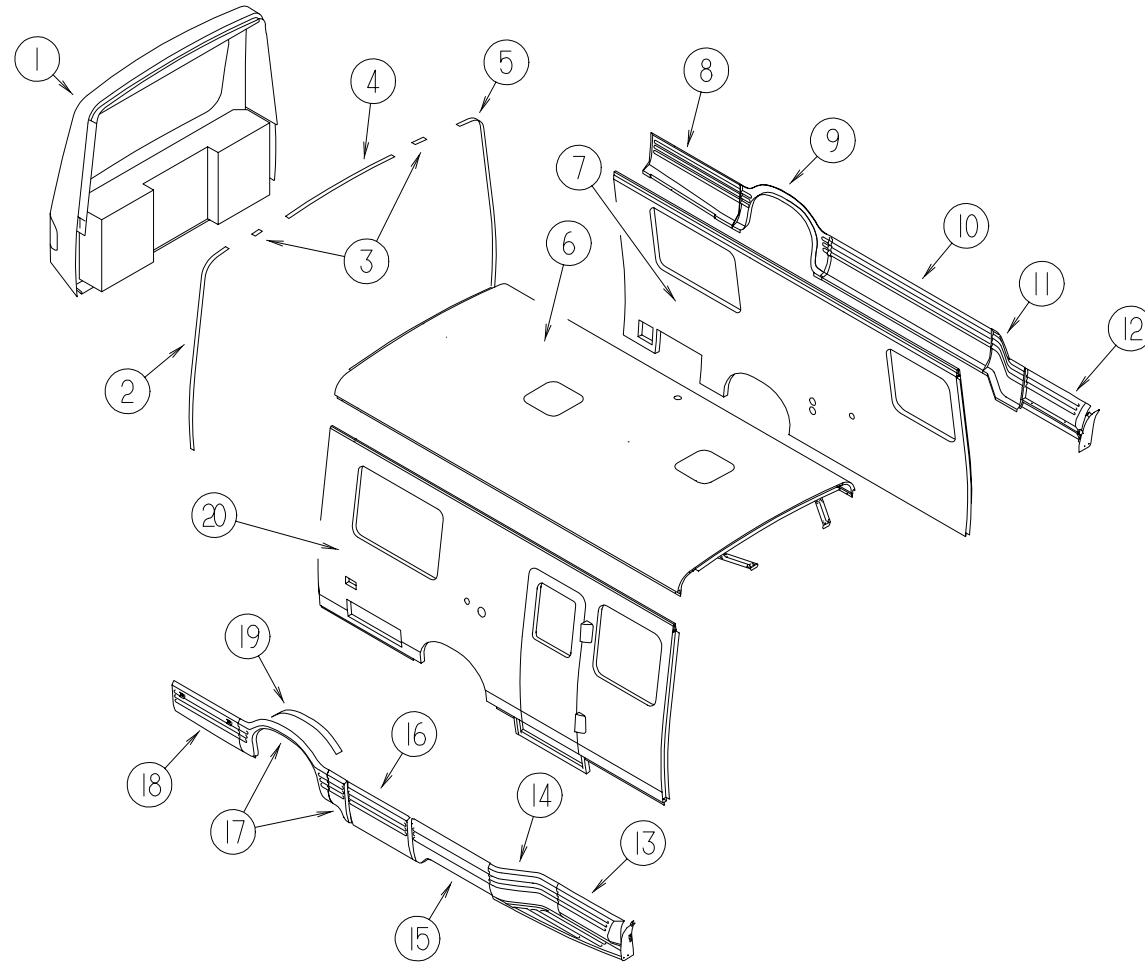
EXTERIORBODYGROUP(CONTINUED)



FRONTCAP&TRANSITIONPANELS

KEY	PARTNUMBER	U/M DESCRIPTION
1	111207-02-H70	EA CAP-ROOF
1	111207-03-H70	EA CAP-ROOF-EUROPEAN
1	111207-04-H70	EA CAP-ROOF-JAPAN
1	111207-05-H70	EA CAP-ROOF-CANADA
	070579-06-000	EA PLATE-ANCHOR-W/7/16WELDNUT-1.5"X3.3"
	070579-07-000	EA PLATE-ANCHOR-W/OWELDNUT-1.5"X3.3"
	070579-10-000	EA PLATE-ANCHOR-W/OWELDNUT-1.5"X8.9"
	070579-11-000	EA PLATE-ANCHOR-W/7/16"WELDNUT-1.5"X8.9"
	070579-12-000	EA PLATE-ANCHOR-W/1/5"WELDNUT-2.5"X3.3"
	070579-13-000	EA PLATE-ANCHOR-W/OWELDNUT-2.5"X3.3"
	070579-14-000	EA PLATE-ANCHOR-W/OWELDNUT-2.5"X3.9"
	070579-15-000	EA PLATE-ANCHOR-W/7/16WELDNUT-2.5"X3.9"
	112127-01-000	FT MOLDING-REVEAL-FRONTCAPTOWINDSHIELD
2	111276-04-F45	EA PANEL-TRANSITION-LEFT-STEEL/FIBERGLASS-VWWHITE
	111276-03-F45	EA PANEL-TRANSITION-RIGHT-STEEL/FIBERGLASS-VWWHITE
3	115022-02-01A	EA RAIL-DRIP-LEFTHAND
	115022-01-01A	EA RAIL-DRIP-RIGHTHAND

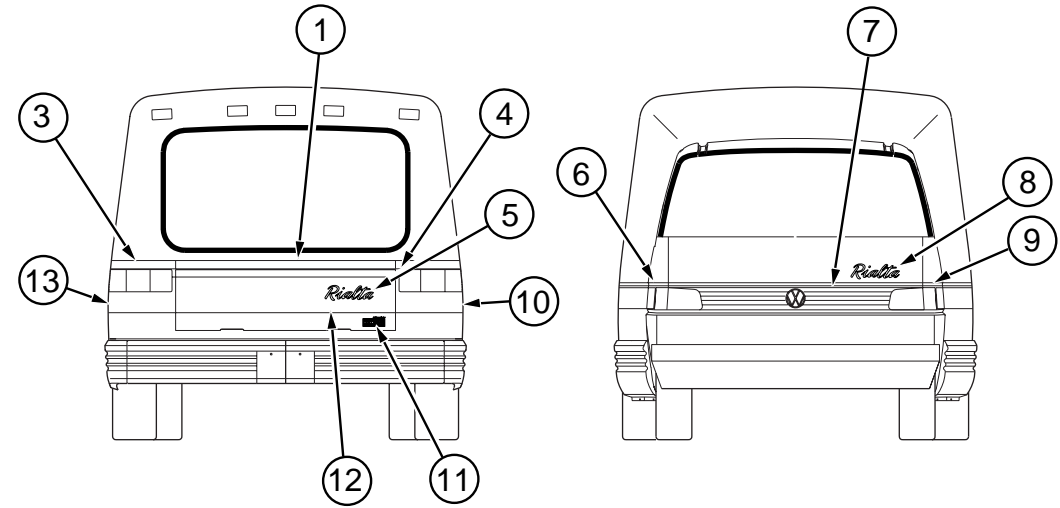
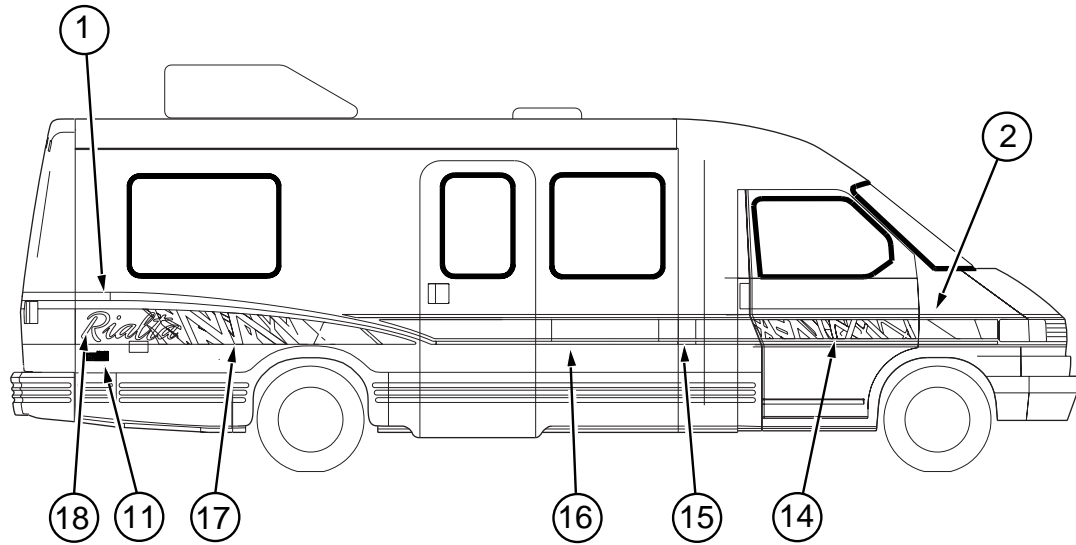
EXTERIORBODYGROUP(CONTINUED)
EXTERIORBODYPANELS&TRIM



KEY	PARTNUMBER	U/M	DESCRIPTION
1	P24434-01-H70	EA	CAP-REAR
1	P24434-02-H70	EA	CAP-REAR-EUROPE&JAPAN
1	P24434-04-H70	EA	CAP-REAR-CANADA
2	112544-01-01A	EA	TRIM-SIDEWALLTOREARCAP-RIGHTHAND
3	086754-10-000	EA	CAP-TRIM
4	112548-01-01A	EA	TRIM-ROOFTOREARCAP
5	112544-02-01A	EA	TRIM-SIDEWALLTOREARCAP-LEFTHAND
6	P24227-01-H70	EA	ROOF-W/OLIGHTS/VENTS-W/WIRING
7	P24106-01-H70	EA	SIDEWALL-DRIVER-W/OWINDOWS/TRIMS
7	P24106-02-H70	EA	SIDEWALL-DRIVER-W/OWINDOWS/TRIMS-EUROPE&JAPAN
8	112027-08-H70	EA	PANEL-VALANCE-REARDRIVER-W/OLOCKS
8	112027-09-H70	EA	PANEL-VALANCE-REARDRIVER-W/OLOCKS-JAPAN
8	112027-10-H70	EA	PANEL-VALANCE-REARDRIVER-W/OLOCKS-W/OGENERATOR
9	112024-03-F45	EA	PANEL-WHEELWELLVALANCE-DRIVER
10	112022-02-F45	EA	PANEL-VALANCE-FRONT/DRIVER
10	120613-02-G46	EA	PANEL-VALANCE-FRONT/LEFTHAND
11	112020-03-F45	EA	PANEL-VALANCE-TRANSITION/DRIVER
12	112019-03-F45	EA	PANEL-VALANCE-CABDOOR/LEFTHAND

KEY	PARTNUMBER	U/M	DESCRIPTION
13	112019-04-F45	EA	PANEL-VALANCE-CABDOOR/RIGHTHAND
14	112020-04-F45	EA	PANEL-VALANCE-TRANSITION/PASSENGER
15	112021-02-F45	EA	PANEL-VALANCE-FRONT/PASSENGER
16	112026-02-F45	EA	PANEL-VALANCE-ENTRYDOOR
17	M08029-01-F45	EA	PANEL-VALANCEWHEELWELL/CENTER-PASSENGER
18	112027-07-H70	EA	PANEL-VALANCE-REARPASSENGER-W/OLOCKS
18	112027-09-H70	EA	PANEL-VALANCE-REARPASSENGER-W/OLOCKS-JAPAN
19	113012-01-01A	EA	TRIM-WHEELWELL/REAR
20	P24107-01-H70	EA	SIDEWALL-PASSENGER-W/OWINDOWS/TRIMS
20	P24107-02-H70	EA	SIDEWALL-PASSENGER-W/OWINDOWS/TRIMS-EUROPE&JAPAN
	073050-04-000	EA	MOUNTINGCLIP-VALANCEPANEL
	081914-01-000	FT	BUMPER-RUBBER-ROUND-.43"DIAMETER
	113753-01-01A	EA	JAMB-TRIM-LP-VWWHITE
	113752-02-01A	EA	JAMB-TRIM

EXTERIOR BODY GROUP (CONTINUED)
DECALS, STRIPES & PAINT



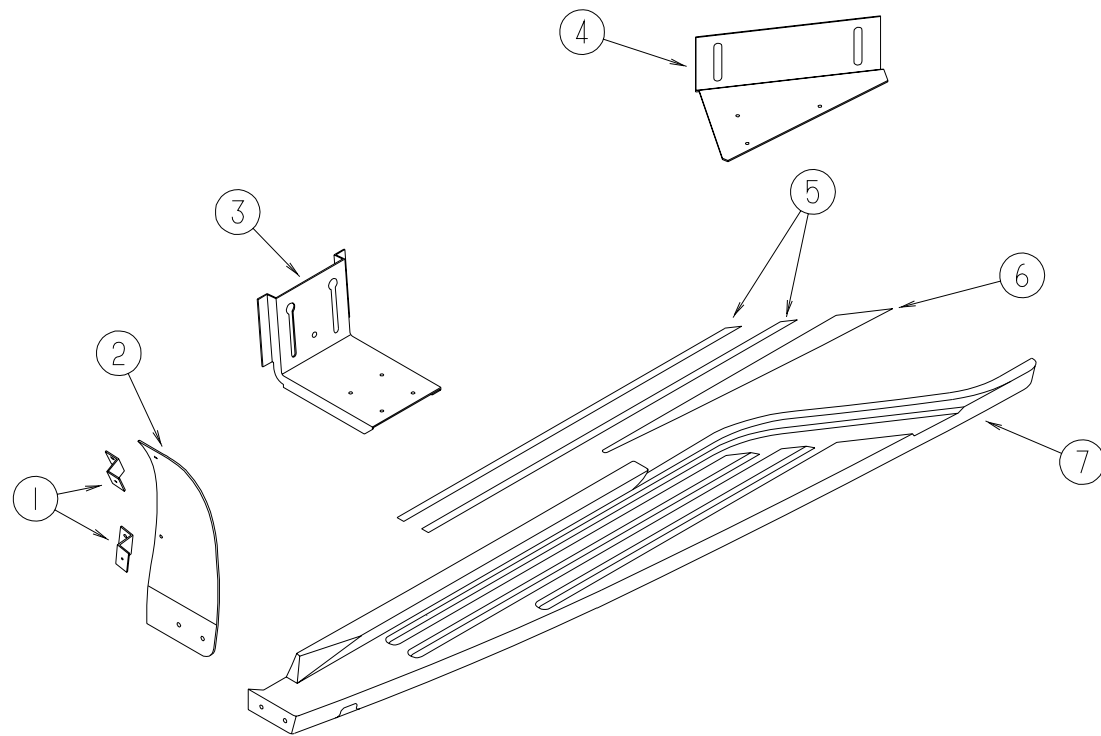
KEY	PARTNUMBER	U/M	DESCRIPTION
1	093681-40-07A	EA	FILM-2"-DEEPROSE
2	093681-42-05A	EA	FILM-.75"-MED.SMOKE
3	122791-02-01A	EA	DECAL-CORNER-REAR/DRIVER-DEEPROSE
4	122791-01-01A	EA	DECAL-CORNER-REAR/PASSENGER-DEEPROSE
5	122792-02-01A	EA	DECAL-LOGO-RIALTA-SMALL
6	122797-01-01A	EA	DECAL-CORNER/FRONT/RIGHTHAND-MED.SMOKE
7	122798-01-01A	EA	DECAL-HOOD-MED.SMOKE
8	122792-02-02A	EA	DECAL-LOGO-RIALTA-SMALL-ORIENTALBLUEGREENPEARL
9	122797-02-01A	EA	DECAL-CORNER/FRONT/LEFTHAND-MED.SMOKE
10	124446-01-01A	EA	DECAL-CORNER/REARLOWERRIGHTHAND-ORIENTALBLUEGREEN
11	122770-02-03A	EA	DECAL-BUILTPROUDLYBYWINNEBAGOINDUSTRIES
12	093681-53-01A	EA	FILM-8.6"-ORIENTALBLUEGREENPEARL

KEY	PARTNUMBER	U/M	DESCRIPTION
13	124446-02-01A	EA	DECAL-CORNER/REARLOWERLEFTHAND-ORIENTALBLUEGREEN
14	122796-01-01A	EA	DECAL-CAB-RIGHTHAND
14	122796-02-01A	EA	DECAL-CAB-LEFTHAND
15	105781-59-01A	EA	FILM-MULTISTRIPE-6"-GREEN/SMOKE
16	122795-01-01A	EA	DECAL-FADE-RIGHTHAND
16	122795-02-01A	EA	DECAL-FADE-LEFTHAND
17	122793-01-01A	EA	DECAL-SWEEP-RIGHTHAND
17	122793-02-01A	EA	DECAL-SWEEP-LEFTHAND
18	122792-01-01A	EA	DECAL-LOGO-RIALTA-LARGE
	120784-01-01A	EA	DECAL-LOGO-INDUSTRIES
	110889-02-01A	EA	DECAL-LOGO-WINNEBAGO

DUPONT COLOR CODES

VW WHITE W9670

EXTERIORBODYGROUP(CONTINUED)



RUNNINGBOARDS

KEY	PARTNUMBER	U/M DESCRIPTION
1	112507-01-02B	EA BRACKET-MUDFLAP-FRONT
2	112242-01-02A	EA SUPPORT-MUDFLAP-FRONT/DRIVER
	112242-02-02A	EA SUPPORT-MUDFLAP-FRONT/PASSENGER
3	112230-02-02B	EA BRACKET-RUNNINGBOARD-DRIVER
	112230-04-02B	EA BRACKET-RUNNINGBOARD-PASSENGER
4	112231-01-000	EA BRACKET-RUNNINGBOARD-REAR-DRIVER
	112231-02-000	EA BRACKET-RUNNINGBOARD-REAR-PASSENGER
5	038327-03-000	EA TAPE-ANTISLIP-1/2" X60'
6	102570-04-000	EA MAT-ANTISLIP-UPPER/LEFTHAND
	102570-03-000	EA MAT-ANTISLIP-UPPER/RIGHTHAND
7	112233-03-F45	EA RUNNINGBOARD-FIBERGLASS-DRIVER
	112233-04-F45	EA RUNNINGBOARD-FIBERGLASS-PASSENGER
	115003-01-01A	EA MOLDING-REVERSECOVE-VWWWHITE

EXTERIORBODYGROUP(CONTINUED)

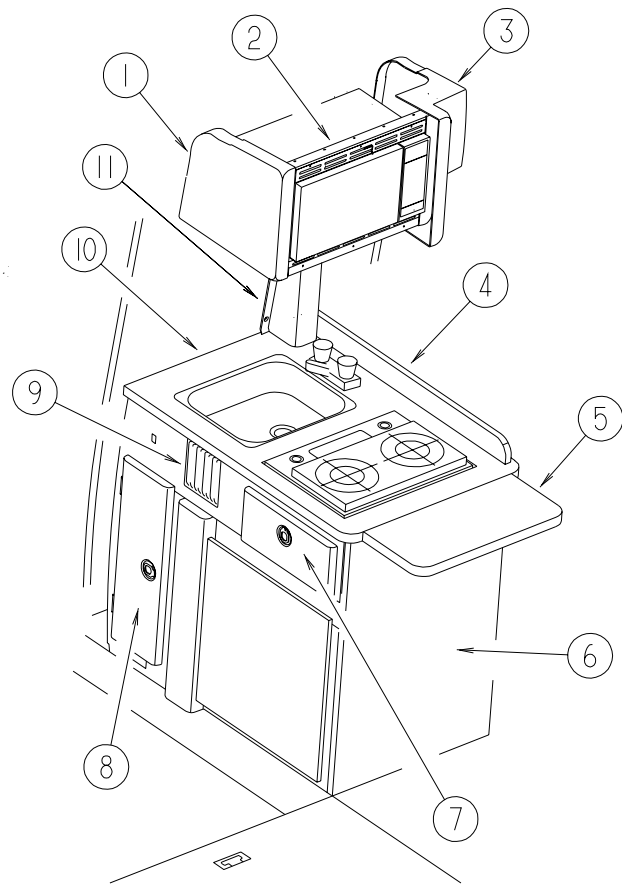
ALUMINUM,STYROFOAM,&MISC.

KEY	PARTNUMBER	U/M DESCRIPTION
	000870-08-000	SF STYROFOAM-.75"X48"X96"PLANEEXPANDEDBEADBOARD
	100619-01-000	BF FOAM-EXPANDEDPOLYSTYRENE-1.34"X48"X96"
	100619-04-000	BF FOAM-EXPANDEDPOLYSTYRENE-.5"X48"X96"
	100619-06-000	EA FOAM-EXPANDEDPOLYSTYRENE-.875"X20.35"X63.35"
	100619-07-000	EA FOAM-EXPANDEDPOLYSTYRENE-.630"X48"X96"
	100619-10-000	BF FOAM-EXPANDEDPOLYSTYRENE-1.5"X48"X96"

EXTERIORSHOWER

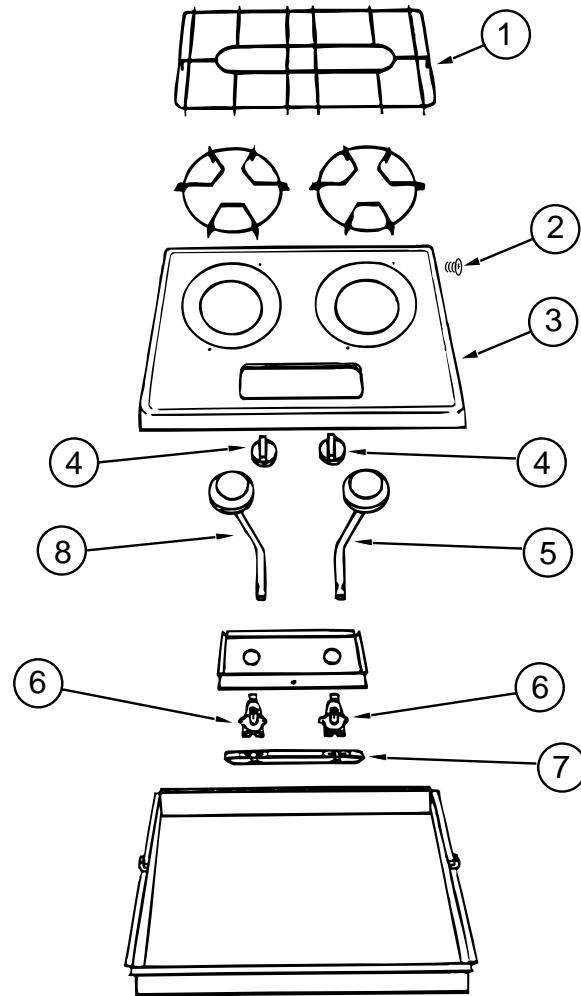
KEY	PARTNUMBER	U/M DESCRIPTION
	120592-01-01A	EA COMPARTMENT-SHOWER-EXTERIOR-OFFWHITE
	121473-01-01A	EA COMPARTMENT-SHOWER-EXTERIOR

GALLEYGROUP
GALLEYCABINETS&COMPONENTS



KEY	PARTNUMBER	U/M	DESCRIPTION
1	112805-04-02A	EA	ENDPANEL-MICROWAVE
2	M07494-05-H70	EA	CABINETASM-OVERHEADMICROWAVE-W/ODOORS/HARDWARE
	116856-01-H70	EA	CABINET-OVERHEADMICROWAVE-W/ODOORS/HARDWARE
	112943-02-02B	EA	FRAME-MICROWAVE/OVERHEAD
	116899-01-02A	EA	TRIM-MICROWAVECABINET
	116857-01-H70	EA	PANEL-CABINETDOOR-W/OHARDWARE
	112809-04-02A	EA	BOTTOMPANEL-MICROWAVE
3	112805-05-02A	EA	ENDPANEL-MICROWAVE-RIGHTHAND
4	098335-09-H70	EA	RAIL-GALLEY-34.5"
5	080812-07-H70	EA	EXTENSION-GALLEY
6	126543-01-H70	EA	CABINET-GALLEY-W/ODOORS/DRAWERS/HARDWARE
	126545-01-H70	EA	COVER-SINK
	011029-01-000	EA	SINK-STAINLESSSTEEL-SINGLEW/BOLTS
			FROM: 00-00-00 THRU: 03-16-97
	011029-03-000	EA	SINK-STAINLESSSTEEL-SINGLEW/RAILS
			FROM: 03-17-97 THRU: 99-99-99
	066437-01-000	EA	STRAINER/SINK-W/BASKET
	011069-03-000	EA	TAILPIECE-TUB/SHOWER-1 1/2" X 1 3/4"-PLASTIC
	066436-01-000	EA	NUT-SLIP-TAILPIECE 1.5"
	069735-01-000	EA	WASHER-STRAINERTOTALPIECE-PLASTIC-1.5"
	113798-01-01A	EA	FAUCET-GALLEY-SINGLECONTROL
7	P10163-L0-H70	EA	DRAWER-CABINET
8	116855-01-H70	EA	DOOR-CABINET-W/OHARDWARE
9	109918-02-03A	EA	VENT-RETURNAIR
10	126543-11-H70	EA	COUNTERTOP-GALLEY
11	121445-01-02A	EA	COVER-PIPE

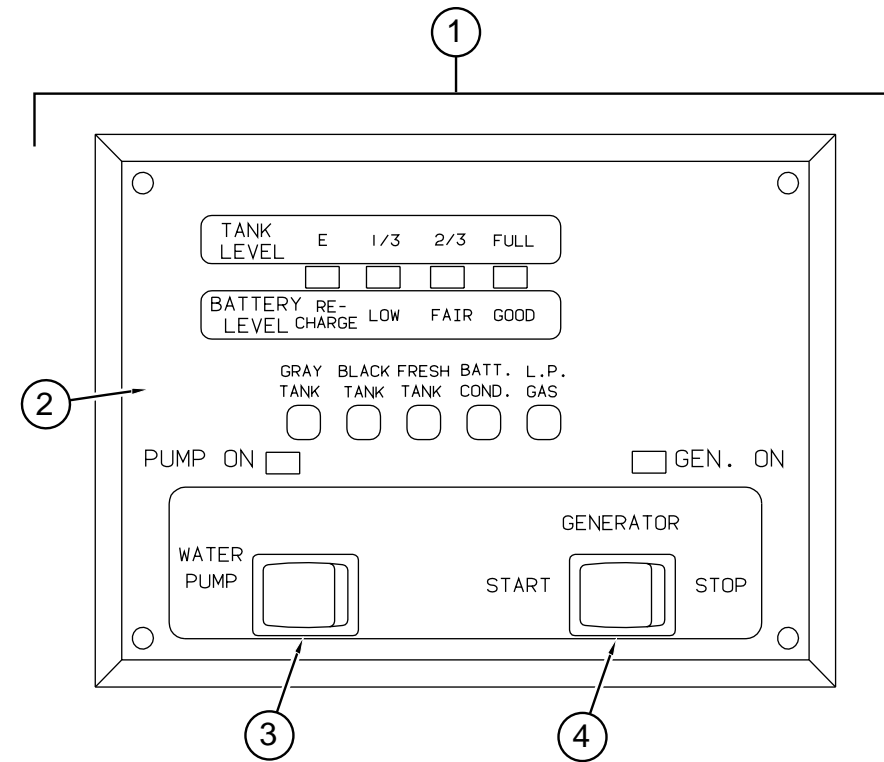
GALLEYGROUP(CONTINUED)



WEDGEWOODRANGE

KEY	PARTNUMBER	U/M DESCRIPTION	VENDORNO.
	113947-02-02A	EA RANGE-2BURNERW/COVER	
1	101593-01-700	EA GRATE,DESIGNERSTYLE	53304
2	101593-01-701	EA THUMBSCREW	52537
3	113947-02-701	EA COVER-STOVETOP,GRAY	56204
4	101593-01-703	EA BURNERKNOB	53000
5	113947-02-702	EA BURNER-RIGHT	56076
6	113947-02-700	EA BURNERVALVE	56089
7	113948-02-702	EA MANIFOLD	56079
8	113947-02-703	EA BURNER-LEFT	56075
	107323-01-711	EA CUSHION-GRATE,RUBBER	53008
	107323-01-716	EA CLIP-GRATE,GREEN	50005
	106689-01-704	EA REGULATOR	51062
	106693-01-700	EA BUMPER-RUBBER,1/4"	53016
	113947-01-701	EA ANTIRATTLEMOLDING-LONG	52452
	113947-01-702	EA ANTIRATTLEMOLDING-SHORT	52454
	113948-01-702	EA DECAL-BURNERCONTROL	51454
	113947-01-706	EA GROMMET-STOVECOVER	91439
	113948-01-703	EA TOP-STOVE,W/GRATE&BAR	51443

GALLEYGROUP(CONTINUED)



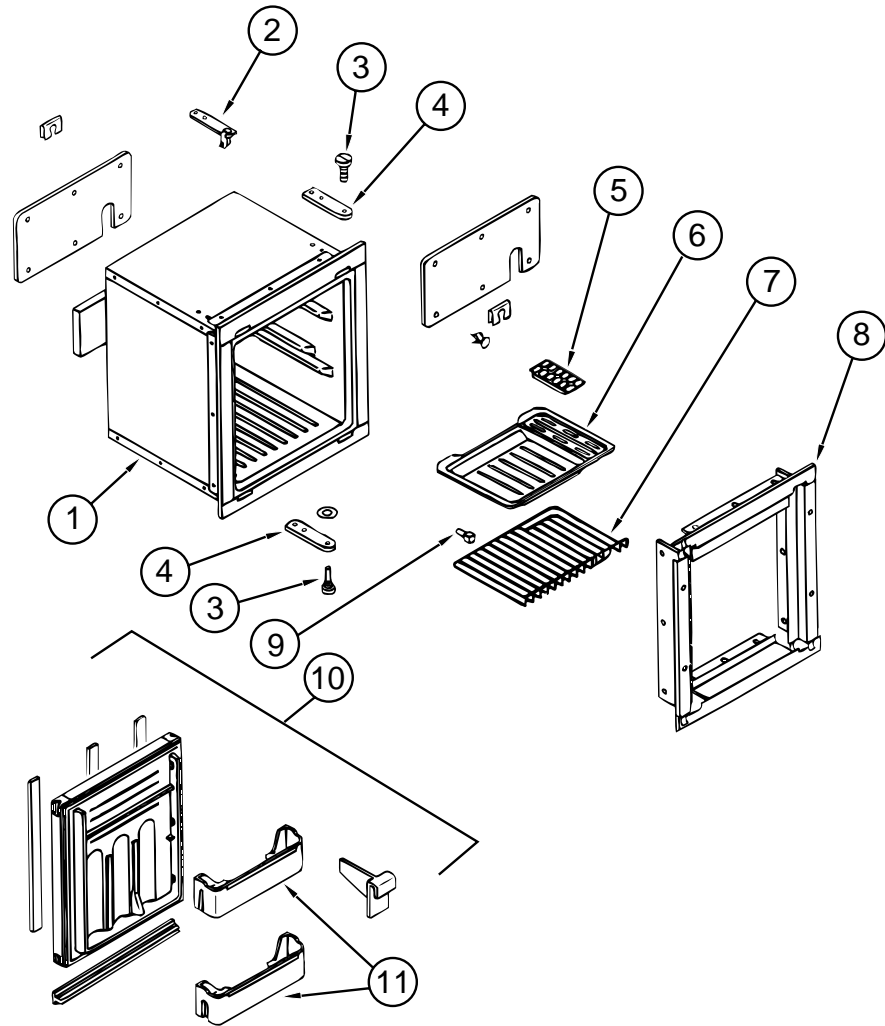
VENTLINE MONITOR PANEL

KEY	PARTNUMBER	U/M DESCRIPTION	VENDORNO.
	114014-02-02A	EA PANEL-MONITOR2TANKW/REMOTE	
1	114014-01-700	EA OVERLAY-SILKSCREEN	CD212
2	096983-01-703	EA SWITCH-ON/ON	115
3	096983-01-702	EA SWITCH-MOM/OFF/MOM,3TERM	112
4	113566-01-701	EA RESISTOR-TANKHARNES	7306
	114014-01-701	EA BOARD-CIRCUIT	5070-6

MICROWAVE OVEN & TRIM

KEY	PARTNUMBER	U/M DESCRIPTION	VENDORNO.
	115303-01-000	EA OVEN-MICROWAVE-MCD-DM15K-7B	
	115303-01-700	EA TRIMF/VENT, TOP-MCD	2100309
	115401-01-01A	EA TRIM-MICROWAVE	

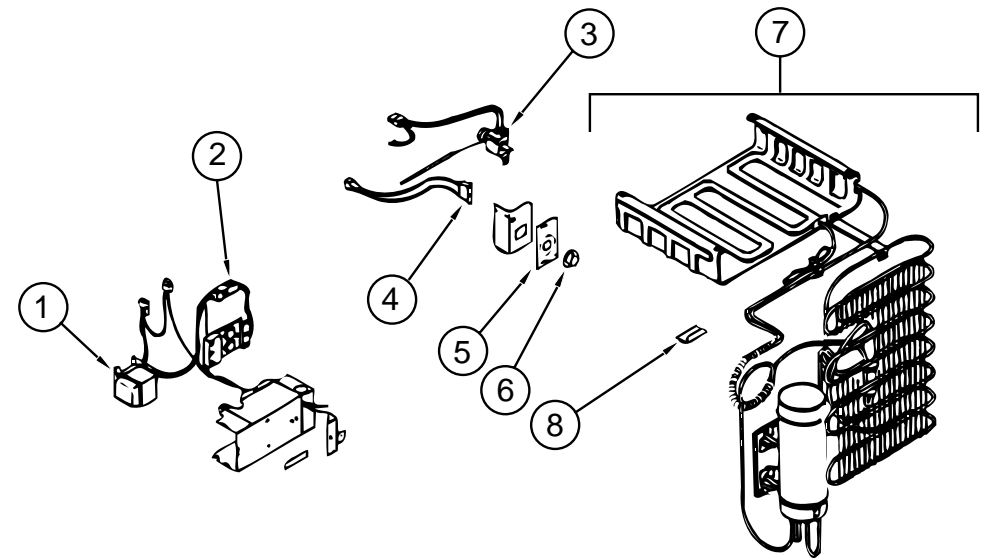
GALLEYGROUP(CONTINUED)



NORCOLDREFRIGERATORCABINETASM&DOOR-EUROPEAN

KEY	PARTNUMBER	U/M DESCRIPTION	VENDORNO.
	118162-01-01A	EA REFRIGERATOR-12VOLT,NORCOLDDC-351D	
1	118162-01-700	EA CABINETASSEMBLY-W/FRAME	1600-290-20
2	118162-01-701	EA HOLDERASSEMBLY-DOOR	1609-243-00
3	118162-01-702	EA PIN-HINGE	5055-023-30
4	118162-01-703	EA HINGE	3041-110-00
5	118162-01-706	EA TRAY-ICECUBE	1602-030-00
6	118162-01-707	EA PAN-DRAINAGE	4330-014-01
7	118162-01-708	EA SHELF	5230-032-10
8	118162-01-704	EA FRAMEASSEMBLY	1609-258-00
9	118162-01-709	EA HOLDER-SHELF	6451-094-00
10	118162-01-718	EA DOORASSEMBLY-BLACK	1600-276-00
11	118162-01-719	EA POCKET-DOOR-NORCOLD	4225-088-00
	118162-01-705	EA COVER-HOLE,BRACKET-PLASTIC	4221-078-00

GALLEYGROUP(CONTINUED)



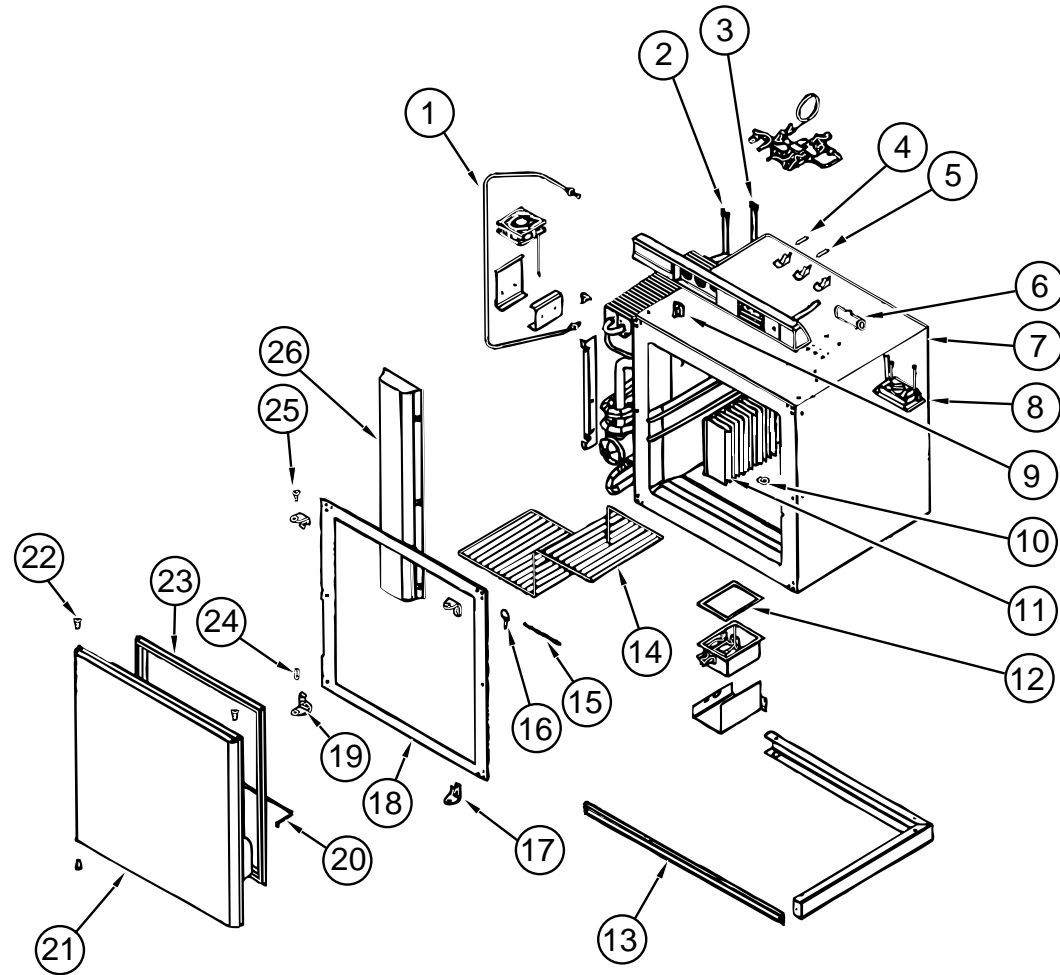
NORCOLDREFRIGERATORCOOLINGCOIL&COMPONENTS-EUROPEAN

KEY	PARTNUMBER	U/M DESCRIPTION	VENDORNO.
	118162-01-01A	EA REFRIGERATOR-12VOLT,NORCOLDDC-351D	
1	118162-01-714	EA TRANSFORMERASSEMBLY	1960-087-20
2	118162-01-715	EA OSCILLATORASSEMBLY	1630-085-00
3	118162-01-710	EA THERMOSTAT	6032-009-21
4	118162-01-711	EA BREAKER-CIRCUIT	6036-040-00
5	118162-01-712	EA PLATE-MARKING,THERMOSTAT	5450-207-30
6	118162-01-713	EA DIAL-THERMOSTAT	1602-032-00
7	118162-01-716	EA COIL-COOLING,HFC134A	1610-082-20
8	118162-01-717	EA HOLDER-THERMOSTAT	3202-000-01

REFRIGERATOR TIEDOWN BRACKETS-EUROPEAN

KEY	PARTNUMBER	U/M DESCRIPTION
	118652-01-02B	EA BRACKET-TIEDOWN-REFRIGERATOR-RIGHTHAND
	118652-02-02B	EA BRACKET-TIEDOWN-REFRIGERATOR-LEFTHAND

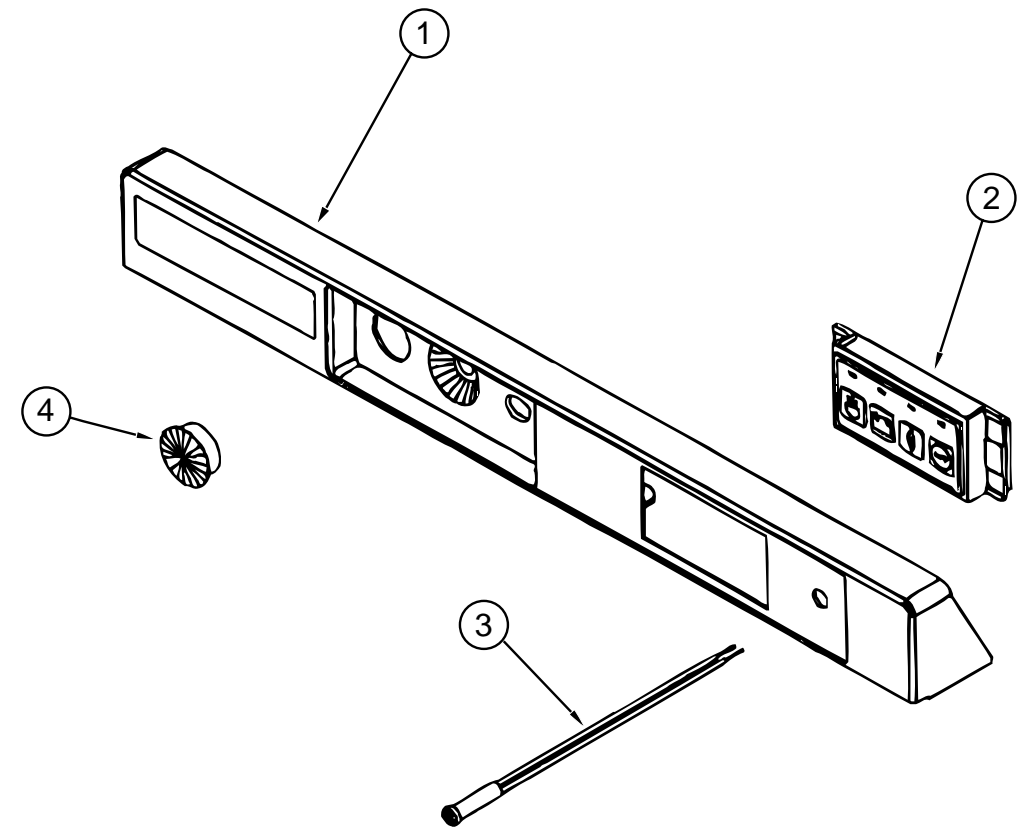
GALLEYGROUP(CONTINUED)



NORCOLD REFRIGERATOR CABINET ASM & DOOR

KEY	PARTNUMBER	U/M DESCRIPTION	VENDORNO.
	113737-01-03A	EA REFRIGERATOR-SMALLSINGLEDOR-3WAY	
1	113737-01-746	EA TUBE-BURNER	617989
2	113737-01-722	EA HEATER-DC(3-WAY)	61745422
3	113737-01-721	EA HEATER-AC	61745322
4	113737-01-714	EA FUSE20AMP(3-WAY)	61440522
5	113737-01-720	EA FUSE3AMP-32VORLESS	61654622
6	113737-01-731	EA BLOCK-TERMINAL	617979
7	113737-01-707	EA CABINET-COOLINGUNIT(FOAMED)	617993
8	113737-01-728	EA RELIGHTER	617964
9	113737-01-740	EA KNOB-THERMOSTAT	617971
10	113737-01-705	EA FINCLIP	61728722
11	113737-01-706	EA FINASSEMBLY	61721122
	113737-01-741	EA SCREW,#10X1/2"	61554022
12	113737-01-748	EA GASKET-BURNERBOX	617977
13	113737-01-734	EA GRILLE(AIRINLETBLACK)	617938
14	113737-01-711	EA SHELF-L-SHAPED(WHITE)	618063
15	113737-01-752	EA CHAIN(TRAVELLATCH)	618047
16	113737-01-753	EA PIN(TRAVELLATCH)	618046
17	113737-01-724	EA HINGE(RHBOTTOM&LHTOP)	61748722
18	113737-01-712	EA BREAKER(BLACKTRIM)	617912
19	113737-01-725	EA HINGE(LHBOTTOM&RHTOP)	61748822
20	113737-01-733	EA DOORRAIL-WHITEPOWDER	618064
21	113737-01-757	EA DOORASSEMBLY(DARKGRAY)	618678
	113737-01-758	EA LINER-DOOR,FOAMEDDARKGRAY	618679
22	113737-01-701	EA BUSHING-HINGE	61742022
23	113737-01-704	EA GASKET-DOOR,GRAY	617906
24	113737-01-710	EA PIN-HINGE,BOTTOM	61550722
25	113737-01-708	EA PIN-HINGE, TOP	81114600
26	113737-01-756	EA COVER-SYSTEM,DARKGRAY	618676

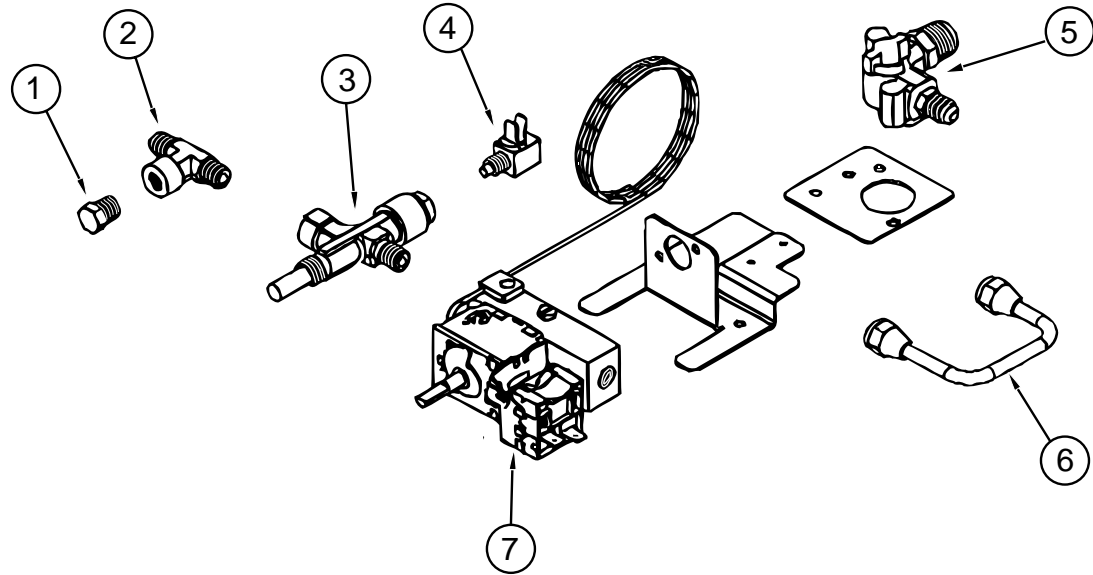
GALLEYGROUP(CONTINUED)



NORCOLD REFRIGERATOR CONTROL PANEL & COMPONENTS

KEY	PARTNUMBER	U/M DESCRIPTION	VENDORNO.
	113737-01-03A	EA REFRIGERATOR-SMALLSINGLEDOR-3WAY	
1	113737-01-723	EA PANEL-CONTROL	617913
2	113737-01-729	EA SWITCH(PUSHBUTTON)	617945
3	113737-01-703	EA LIGHT-FLAMEINDICATOR-GRN/RED	61609022
4	113737-01-713	EA PLUG-HOLE-1"-BLACK	617981

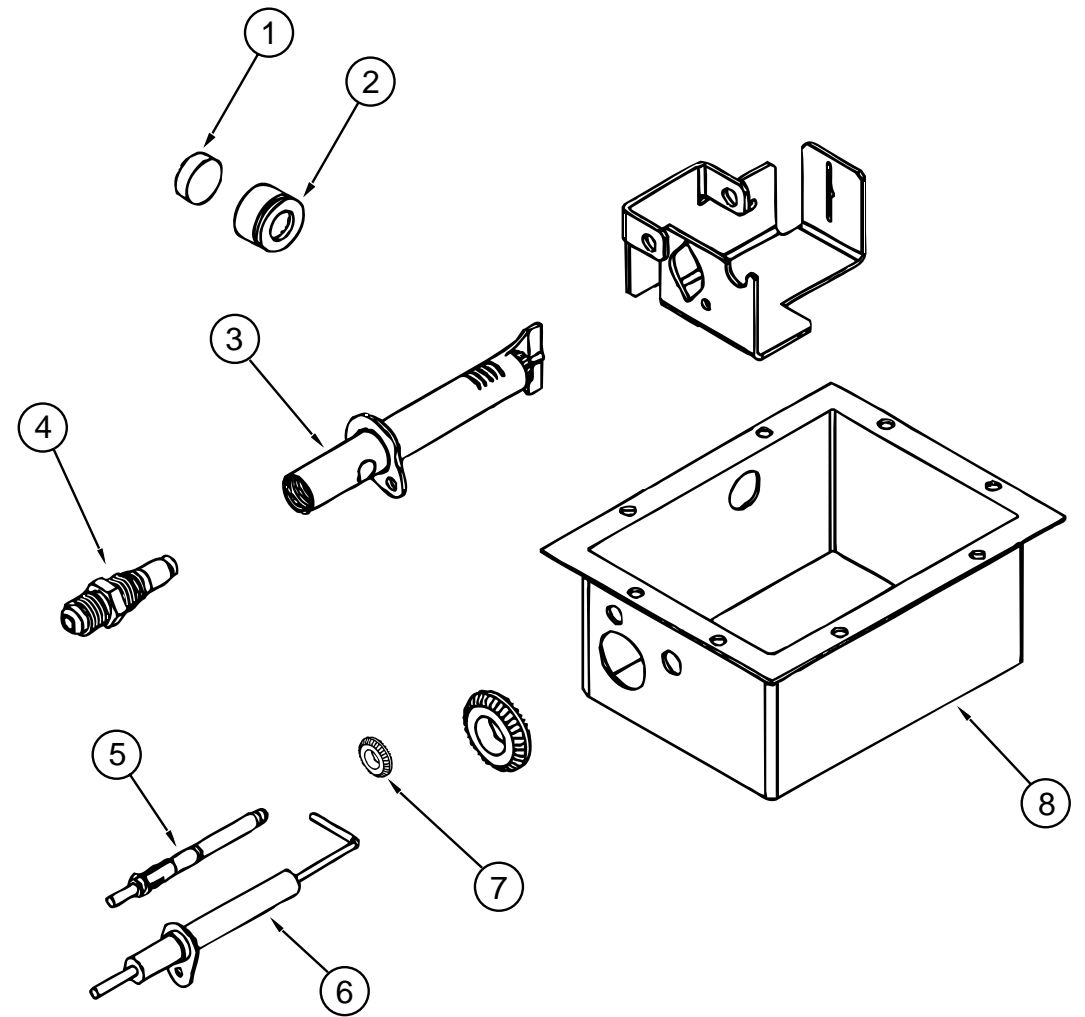
GALLEYGROUP(CONTINUED)



NORCOLDREFRIGERATOR THERMOSTAT&COMPONENTS

KEY	PARTNUMBER	U/M DESCRIPTION	VENDOR NO.
	113737-01-03A	EA REFRIGERATOR-3WAY-2.3CUFT-NORCOLD	
1	113737-01-702	EA PLUG-1/8"F/PRESSURE TAP	61445322
2	113737-01-716	EA TAP-PRESSURE	61594422
3	113737-01-730	EA VALVE-SAFETY	617965
4	113737-01-709	EA INTERRUPTER	61750522
5	113737-01-719	EA VALVE-SHUT-OFF-MANUAL	617976
6	113737-01-750	EA TUBE-UNION	61694622
7	113737-01-735	EA THERMOSTAT-GAS VALVE	617944

GALLEYGROUP(CONTINUED)



NORCOLDREFRIGERATOR BURNER ASM&COMPONENTS

KEY	PARTNUMBER	U/M DESCRIPTION	VENDOR NO.
	113737-01-03A	EA REFRIGERATOR-3WAY-2.3CUFT-NORCOLD	
1	113737-01-732	EA GLASS-SIGHT	617995
2	113737-01-751	EA GROMMET-F/SIGHT GLASS	617933
3	113737-01-726	EA BURNER ASSEMBLY	617936
4	113737-01-727	EA ORIFICE ADAPTER ASSEMBLY	61753137
5	113737-01-717	EA THERMOCOUPLE	617983
6	113737-01-715	EA ELECTRODE-SPARK	617966
7	113737-01-755	EA GROMMET-THERMOCOUPLE	617997
8	113737-01-747	EA BOX-BOTTOM F/BURNER	617925

REFRIGERATOR LEVEL & GRILLE

KEY	PARTNUMBER	U/M DESCRIPTION
	054450-01-000	EA LEVEL-REFRIGERATOR
	086297-02-000	EA GRILLE-REFRIGERATOR VENT

GENERATORGROUP

3,000WATTGENERACGENERATOR

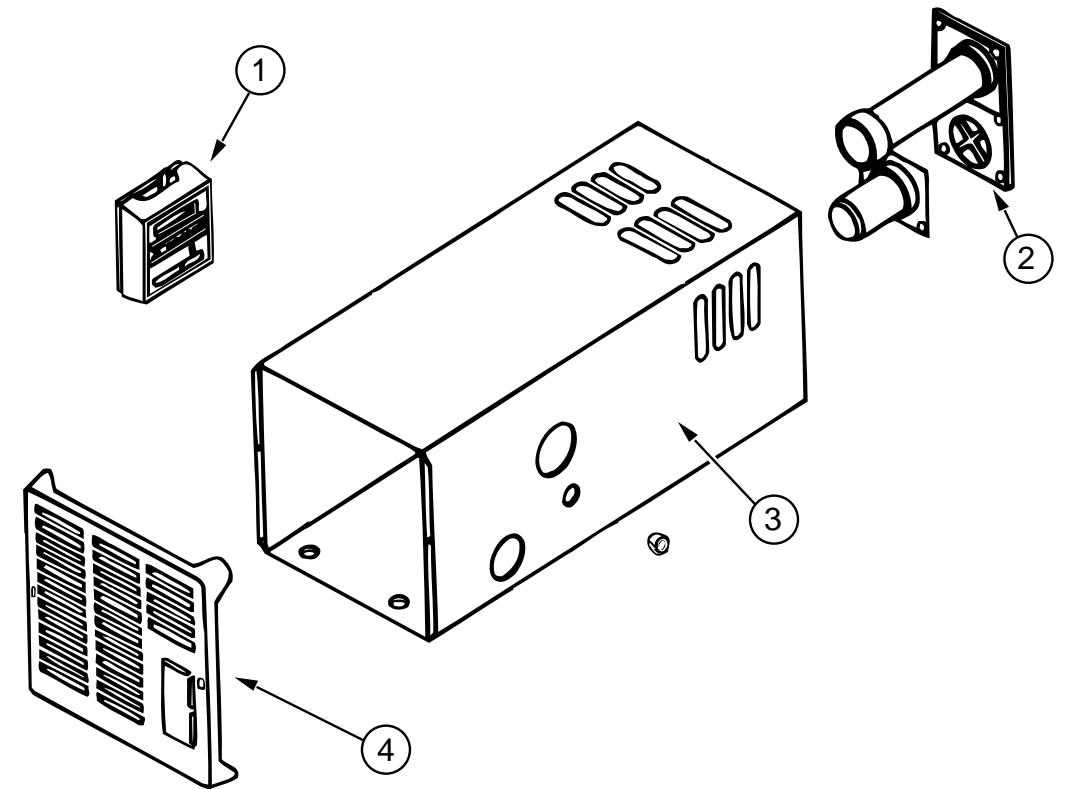
KEY	PARTNUMBER	U/M	DESCRIPTION
	113458-01-000	EA	GENERATOR-3.0KWGENERACW/HOURMETER
	100258-10-01A	EA	GAUGE-HOURMETERW/SWITCH-SCREWONSTYLE
	100258-10-701	EA	GAUGE-HOURMETER-CLIPONSTYLE
	007067-01-000	SF	INSULATION-FIBERGLASS-1"THICKX4'-INCREMENTS/4SF
	007125-03-000	EA	CLAMP-MUFFLER-1.5"DIA
	007125-04-000	EA	CLAMP-MUFFLER-1.1"DIA
	007131-01-000	EA	HANGER-TAILPIPE-6SLOTS
	113841-01-000	EA	PIPE-EXHAUST-GENERATOR
	115112-01-02B	EA	BRACKET-MOUNT-GENERATOR-RIGHT
	115112-02-02B	EA	BRACKET-MOUNT-GENERATOR-LEFT

3,000WATTGENERACGENERATOR-JAPANGENERATOROPTION

KEY	PARTNUMBER	U/M	DESCRIPTION
	113458-02-000	EA	GENERATOR-3.0KWGENERACW/HOURMETER-GENERACNP30G,9890
	007067-01-000	SF	INSULATION-FIBERGLASS-1"THICKX4'-INCREMENTS/4SF
	007125-03-000	EA	CLAMP-MUFFLER-1.5"DIA
	007125-04-000	EA	CLAMP-MUFFLER-1.1"DIA
	007131-01-000	EA	HANGER-TAILPIPE-6SLOTS
	113841-01-000	EA	PIPE-EXHAUST-GENERATOR
	115112-01-02B	EA	BRACKET-MOUNT-GENERATOR-RIGHT
	115112-02-02B	EA	BRACKET-MOUNT-GENERATOR-LEFT

NOTE:ADDITIONALGENERATORCOMPONENTSAREFOUNDINTHECHASSISGROUP

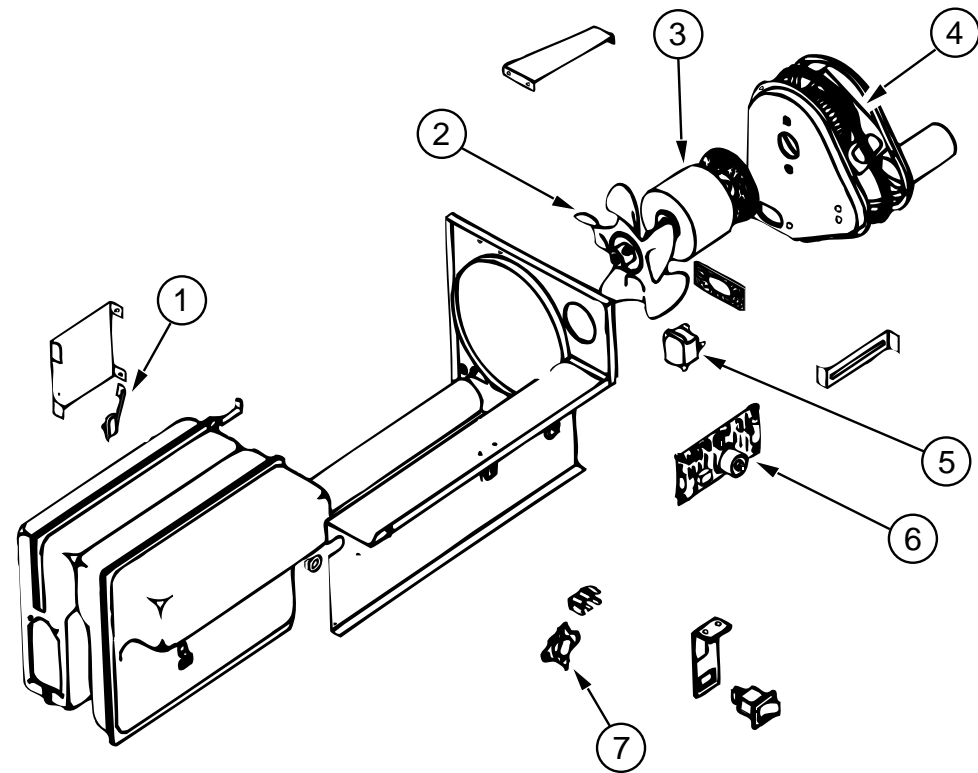
HEATING&AIRCONDITIONINGGROUP



SUBURBAN FURNACE CABINET ASM & COMPONENTS - MODEL NT-20SG

KEY	PARTNUMBER	U/M	DESCRIPTION	VENDOR NO.
	075697-01-000	EA	FURNACE FORCED AIR 20000 BTU	
			FROM: 00-00-00 THRU: 11-21-96	
	075697-07-000	EA	FURNACE FORCED AIR 20000 BTU	
			FROM: 11-22-96 THRU: 99-99-99	
1	115764-01-01A	EA	THERMOSTAT-WALL, FURNACE-SUBURBAN 160902	
2	075697-01-701	EA	VENT CAP & EXHAUST ASSEMBLY-SUBURBAN	260098
3	075697-01-707	EA	CABINET ASSEMBLY-SUBURBAN	100957
4	075697-07-700	EA	CABINET-FRONT-SUBURBAN	030785

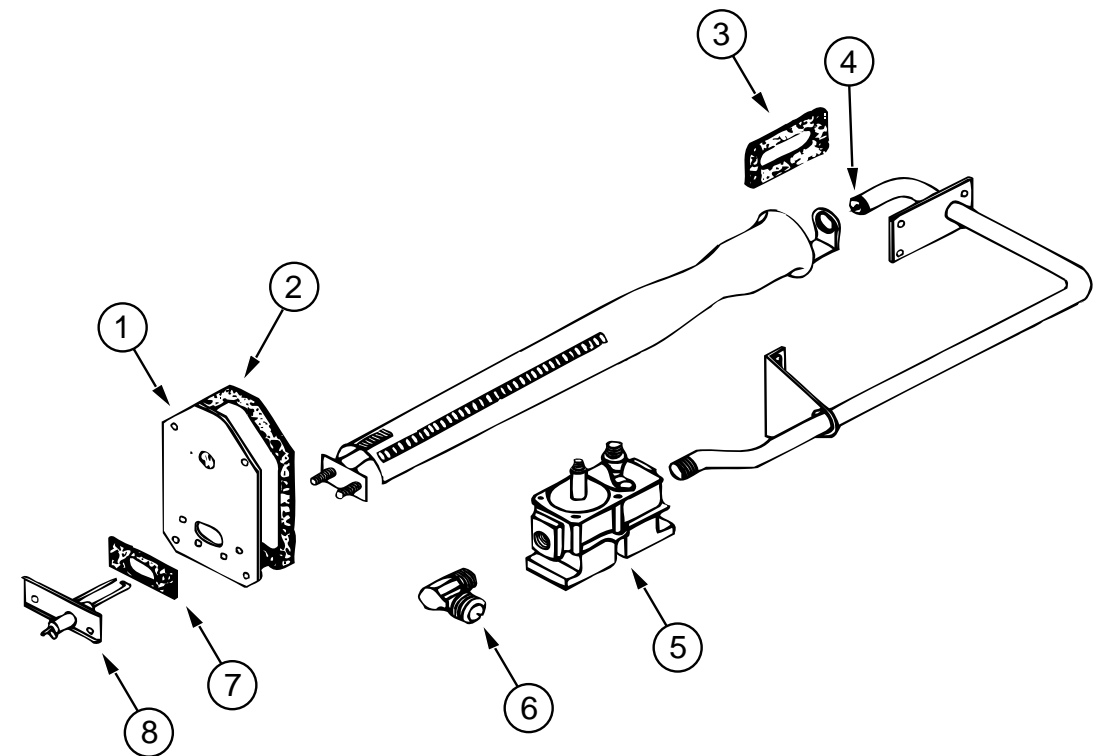
HEATING&AIRCONDITIONINGGROUP(CONTINUED)



SUBURBAN FURNACE BLOWER MOTOR & COMPONENTS - MODEL NT-20SG

KEY	PARTNUMBER	U/M	DESCRIPTION	VENDORNO.
	075697-01-000	EA	FURNACE FORCED AIR 20000 BTU	
			FROM: 00-00-00 THRU: 11-21-96	
	075697-07-000	EA	FURNACE FORCED AIR 20000 BTU	
			FROM: 11-22-96 THRU: 99-99-99	
1	075697-05-701	EA	MICROSWITCH ASSEMBLY - SUBURBAN	230933
2	075697-04-702	EA	IMPELLER - ROOM AIR - SUBURBAN	350083
3	075697-04-701	EA	MOTOR - SUBURBAN	230634
4	074035-01-706	EA	WHEEL - COMBUSTION AIR - SUBURBAN	350082
5	074466-01-702	EA	RELAY - TIME DELAY - SUBURBAN	230625
6	098668-01-712	EA	MODULE BOARD - SUBURBAN	520741
7	074035-01-707	EA	SWITCH - LIMIT - SUBURBAN	230849

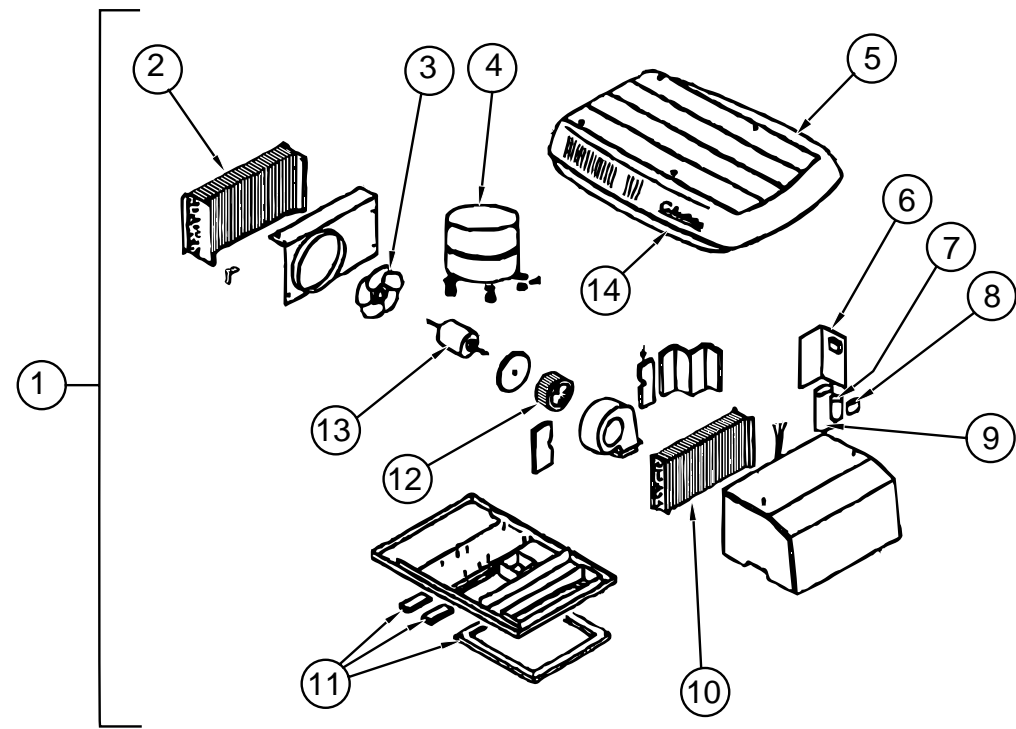
HEATING&AIRCONDITIONINGGROUP(CONTINUED)



SUBURBAN FURNACE - GAS VALVE & COMPONENTS - MODEL NT-20SG

KEY	PARTNUMBER	U/M	DESCRIPTION	VENDORNO.
	075697-01-000	EA	FURNACE FORCED AIR 20000 BTU	
			FROM: 00-00-00 THRU: 11-21-96	
	075697-07-000	EA	FURNACE FORCED AIR 20000 BTU	
			FROM: 11-22-96 THRU: 99-99-99	
1	075697-04-704	EA	DOOR - BURNER ACCESS - SUBURBAN	030621
2	069634-01-732	EA	GASKET - BURNER ACCESS DOOR - SUBURBAN	070398
3	075697-01-709	EA	GASKET - MANIFOLD - SUBURBAN	070449
4	074035-01-709	EA	ORIFICE - SUBURBAN	180231
5	069634-01-729	EA	VALVE - GAS - JOHNSON - SUBURBAN	161078
6	092300-01-718	EA	ELBOW - 90 - SUBURBAN	170374
7	092300-01-704	EA	GASKET - ELECTRODE - SUBURBAN	070163
8	075697-01-708	EA	ELECTRODE - SINGLE PROBE - SUBURBAN	231931

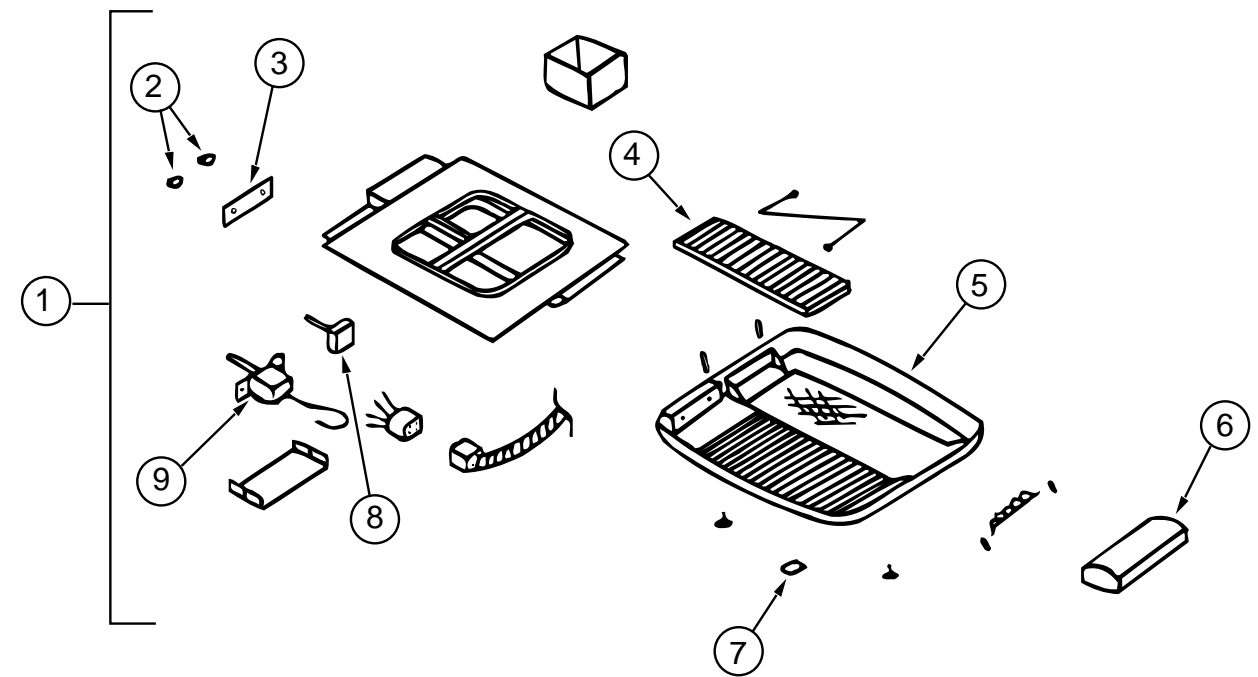
HEATING&AIRCONDITIONINGGROUP(CONTINUED)



7,100BTUCOLEMANROOF A/C

KEY	PARTNUMBER	U/M DESCRIPTION	VENDORNO.
1	093306-01-02A	EA A/C-ROOF-71,000BTU-ROTARY-COLEMAN6727-736	14520701
2	093306-01-711	EA COIL-CONDENSER	67073321
3	093306-01-703	EA FAN-4BLADE-9" DIAMETER	1450-2019
4	093306-01-717	EA COMPRESSOR-PANASONIC	1450A0011
	093306-01-719	EA OVERLOAD	6727-5761
5	093306-01-722	EA SHROUD-ARTICWHITE-NOLOGO	1497-5051
6	093306-01-721	EA RELAY-START	1497-3351
7	093306-01-720	EA CAPACITOR-START-21-25MFD/33-COLEMAN	1499-5421
8	093306-01-718	EA CAPACITOR-FAN-5MFD/370V	1499-5661
9	108889-01-707	EA CAPACITOR-RUN-COMPRESSOR-25MFD/370	14520601
10	093306-01-713	EA COIL-EVAPORATOR	6759-3281
11	037648-01-714	EA GASKETPACKAGE	67073281
12	093306-01-706	EA WHEEL-BLOWER-6 5/16" X 2 7/8"	67273119
13	093306-01-705	EA MOTOR-(115V1 6A60H2-RPM)	6798B3591
14	093306-01-701	EA DECALPACKAGE-LEFT&RIGHT	

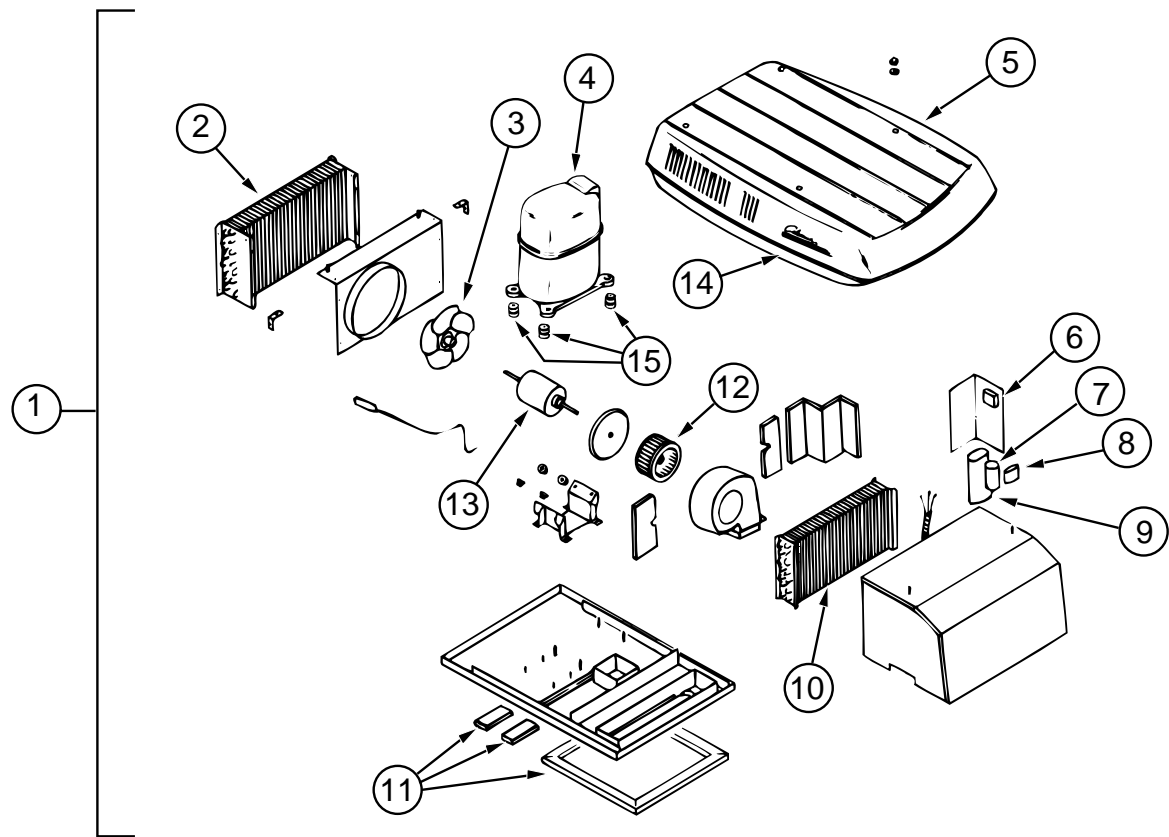
HEATING&AIRCONDITIONINGGROUP(CONTINUED)



COLEMANCEILINGASSEMBLY

KEY	PARTNUMBER	U/M DESCRIPTION	VENDORNO.
1	093307-03-000	EA CEILINGASSEMBLY-COOLONLY-WHITE-COLEMAN-6727E713	
2	076303-01-701	EA KNOB-CONTROL	6733A3241
3	093306-01-709	EA DECAL-SELECTOR-THERMOSTAT	6727A3341
4	093766-02-702	EA FILTER-PACKAGE OF 2 -6 X 14.5 X 1/8	67033303
5	093306-03-700	EA SHROUD-CEILING-WHITE-DECAL	67273511
6	076303-01-708	EA KNOB&BOLTPACKAGE	67275841
7	093307-01-700	EA DECALPACKAGE	6733A3331
8	093306-01-714	EA SWITCH-SELECTOR	67273251
9	076303-01-710	EA THERMOSTAT	67333411
	102289-01-000	EA SPRING-SCREW-ROOFA/C-GASKET-COLEMAN6757-150	

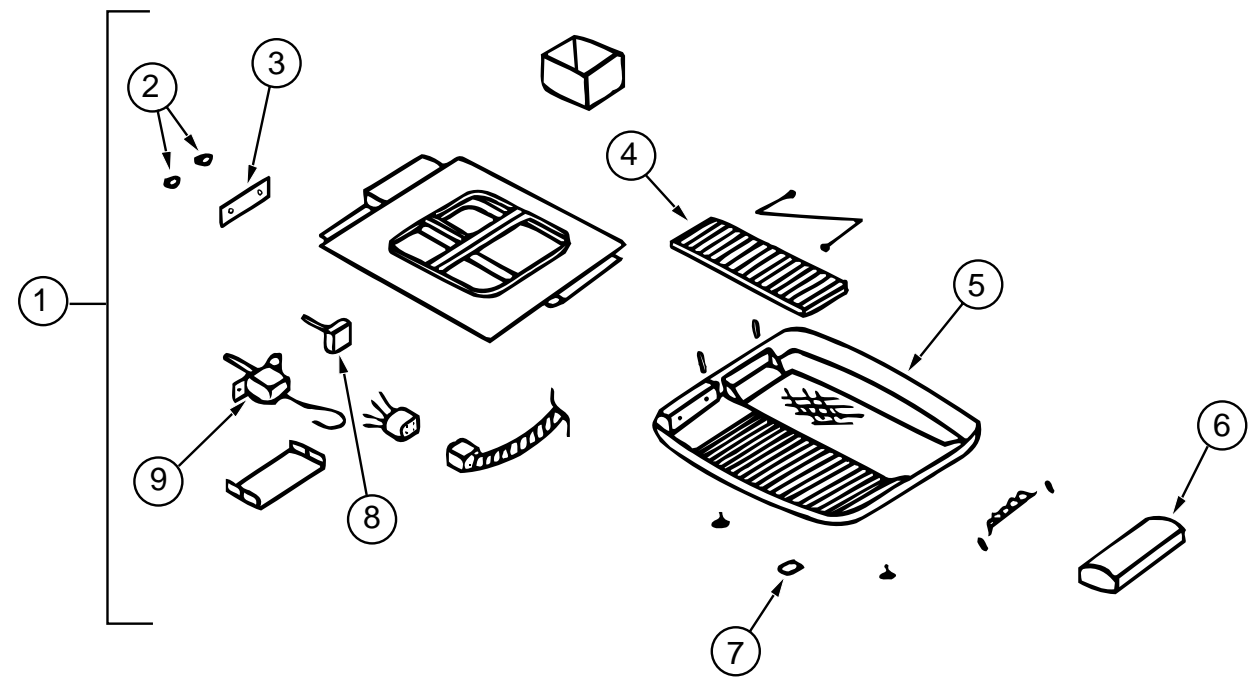
HEATING&AIRCONDITIONINGGROUP(CONTINUED)



7,100BTUCOLEMANROOF A/GEUROPEAN

KEY	PARTNUMBER	U/M DESCRIPTION	VENDORNO.
1	093306-02-01A	EA A/C-ROOF-7100BTU-220VOLT-COLEMAN6727-856	
2	093306-01-711	EA CONDENSERCOIL-COLEMAN	14520701
3	093306-01-703	EA FAN-4BLADE,9"DIAMETER-COLEMAN	67073321
4	093306-02-701	EA COMPRESSOR-TEC#AK5483E-COLEMAN	6727-3679
	093306-02-700	EA OVERLOAD-MRA#8903-114-COLEMAN	6727-3961
5	093306-01-722	EA SHROUD-ARTICWHITE/ARCTICWHITE-W/OLOGO-COLEMAN	6727-5761
6	093306-02-702	EA STARTRELAY-COLEMAN	1497-5151
7	093306-01-720	EA STARTCAPACITOR-21-25MFD/33-COLEMAN	1497-3351
8	093763-01-704	EA CAPACITOR-FAN	1499-5461
9	093306-02-703	EA RUNCAPACITOR(COMPRESSOR-15MFD)-COLEMAN	1499-5621
10	093306-01-713	EA EVAPORATOR-COLEMAN	14520601
11	037648-01-714	EA PACKAGE-GASKET-COLEMAN	6759-3281
12	093306-01-706	EA BLOWERWHEEL,65/16"X27/8"WVD-COLEMAN	67073281
13	093306-02-704	EA MOTOR-FAN-COLEMAN	6713-3119
14	093306-01-701	EA DECALPACKAGE-LEFT&RIGHT-COLEMAN	6798B3591
15	108890-01-703	EA FOOTPACKAGE-COMPRESSOR-4PERPACKAGE	6240B3031

HEATING&AIRCONDITIONINGGROUP(CONTINUED)



COLEMANCEILINGASSEMBLY-EUROPEAN

KEY	PARTNUMBER	U/M DESCRIPTION	VENDORNO.
1	093307-03-000	EA CEILINGASSEMBLY-COOLONLY-WHITE-COLEMAN-6727E713	
2	076303-01-701	EA KNOB-CONTROL	6733A3241
3	093306-01-709	EA DECAL-SELECTOR-THERMOSTAT6727A3341	
4	093766-02-702	EA FILTER-PACKAGEOF2-6X14.5X1/8	67033303
5	093306-03-700	EA SHROUD-CEILING-WHITE-DECAL67273511	
6	076303-01-708	EA KNOB&BOLTPACKAGE	67275841
7	093307-01-700	EA DECALPACKAGE	6733A3331
8	093306-01-714	EA SWITCH-SELECTOR	67273251
9	076303-01-710	EA THERMOSTAT	67333411
	102289-01-000	EA SPRING-SCREW-ROOFA/CGASKET-COLEMAN	6757-150
	122882-06-01A	EA GARNISH-VENT-ROOF-1"TO2.56"	

HEATING&AIRCONDITIONINGGROUP(CONTINUED)

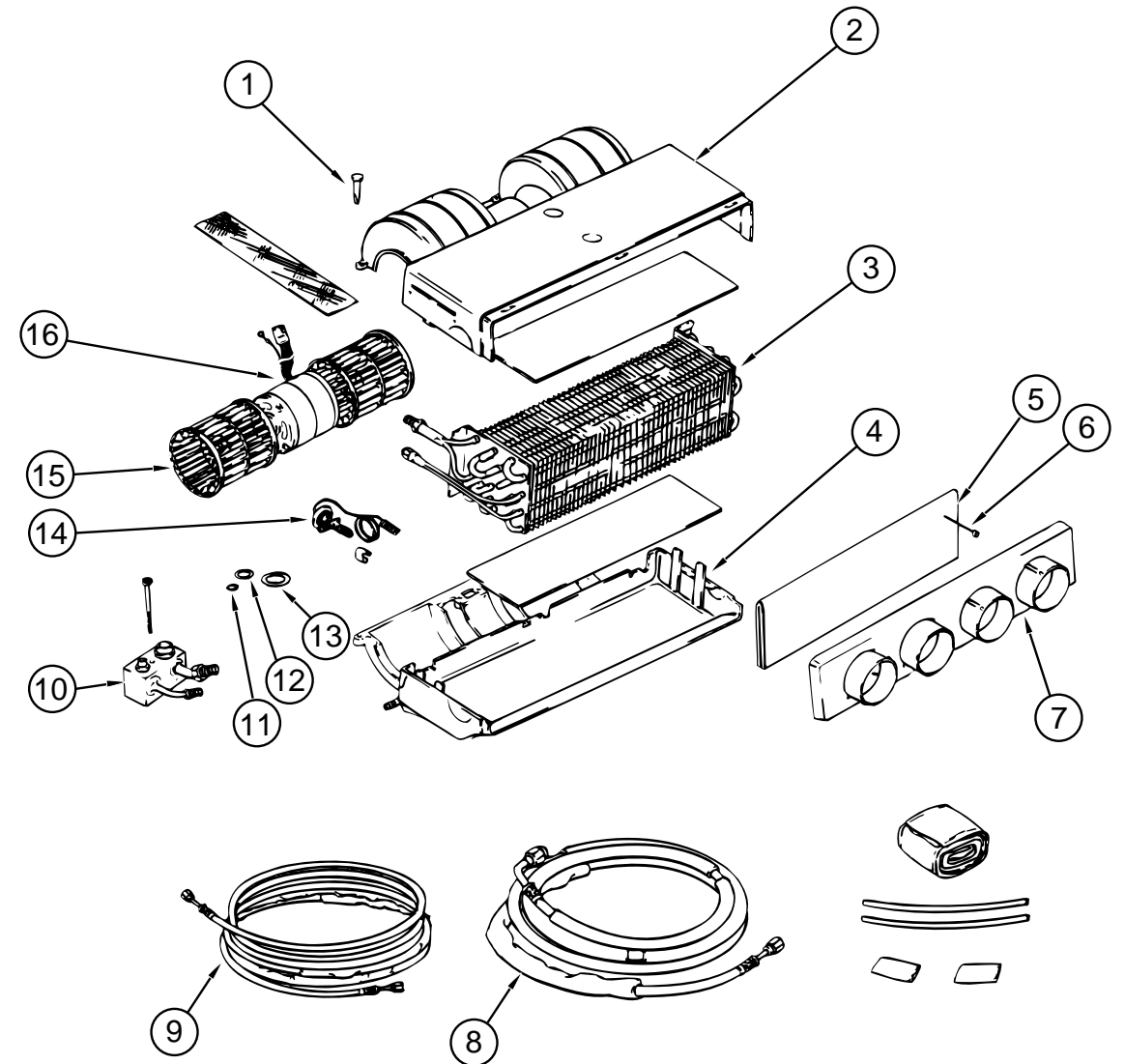
EVANSREARHEATER

KEY	PARTNUMBER	U/M	DESCRIPTION	VENDORNO.
	049401-04-000	EA	HEATER-REAR-W/OSWITCH	
	049401-01-705	EA	VALVE-3PORT2-WAY	HV032126
	049401-03-700	EA	HEATERCORE	FT200027
	049401-03-701	EA	FAN-CCW	HV029931
	049401-03-702	EA	RESISTOR	HV027838
	049401-04-700	EA	CABLE-CONTROL	HV033639
	049401-04-701	EA	MOTOR-12VSS/PM	HV033107
	058906-07-000	EA	PANEL-CONTROL-AUXILIARYHEATER	

MOTORAIDCOMPONENTS

KEY	PARTNUMBER	U/M	DESCRIPTION
	083081-01-000	EA	HOSE-FORMED-90DEGREES-5/8"ID
	007108-01-000	FT	HOSE-HEATER-5/8"ID-HI-TEMP-FORDESE-M2D192-A
	007108-02-000	FT	HOSE-HEATER-3/4"ID-HI-TEMP-FORDESE-M2D192-A
	058893-01-000	EA	BRACKET-L-ANGLE-.75"X.75"X2.25"-ALUMINUM
	083088-01-000	EA	PIPE-COOLANTRETURN-AUXILIARYREARHEATER
	084190-01-000	EA	GUARD-MOTORAID-5.9"X5.7"X5.3"-ANGLEDGALVANIZEDSTEEL

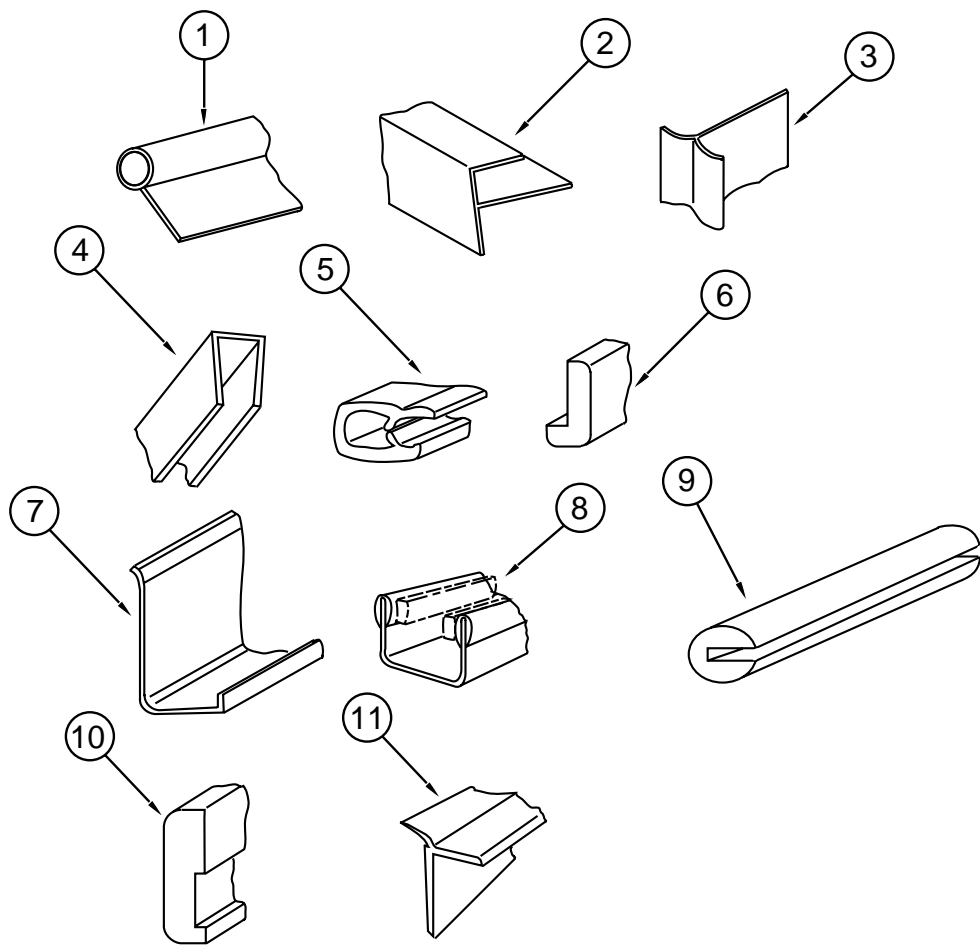
HEATING&AIRCONDITIONINGGROUP(CONTINUED)



SCSAUTOA/C&COMPONENTS

KEY	PARTNUMBER	U/M	DESCRIPTION	VENDORNO.
	113245-01-000	EA	EVAPORATOR/AC-OVERHEAD-R134A-SCS-090-00075	
1	113245-01-701	EA	PIN-PLASTIC	062-0027
	113245-01-702	EA	COVER-SLOT	062-0141
2	113245-01-717	EA	CASE-TOPONLY	062-0139
3	113245-01-705	EA	COIL-EVAPORATOR	041-0034
4	113245-01-716	EA	CASE-BOTTOMONLY	062-0140
5	113245-01-713	EA	SCREEN-CONDENSATION	045-0173
6	113245-01-714	EA	PIN-SCREENRETAINER	062-0164
7	113245-01-703	EA	BEZEL-W/4OUTLETS	062-0142
8	113245-01-709	EA	HOSEASSEMBLY-#10	085-0116
9	113245-01-708	EA	HOSEASSEMBLY-#6-EVAP-DRIER	085-0115
10	113245-01-712	EA	FITTINGBLOCK	050-0129
11	113245-01-711	EA	O'RING-#6	045-0129
12	103930-17-702	EA	O'RING-#10	045-0127
13	113245-01-710	EA	GASKET-#12	045-0128
14	113245-01-706	EA	VALVE-EXPANSION-134A15TON	034-0026
15	113245-01-700	EA	WHEEL-BLOWERW/CLIP	062-0028
16	113245-01-704	EA	MOTOR-BLOWER,12V3SP,DBL	030-0028
	113245-01-707	EA	O'RING-#8	045-0126
	007281-01-000	EA	HOSE-FLEXIBLE-PVC-2.5"IDX50'-ATCOFLEXA-182-355	
	109918-01-05A	EA	VENT-RETURNAIR-12.3"X5.5"-BLACK	
	109918-03-01A	EA	VENT-RETURNAIR-12.3"X2.75"	
	113244-01-01A	EA	LOUVERASM-BALL-3"-BLACK-CARY10.370.04	
	113245-02-000	EA	BLOWER-OVERHEAD	

INTERIORFINISHGROUP



MOLDINGS&TRIMS

KEY	PARTNUMBER	U/M DESCRIPTION
1	009767-16-000	FT WELTING-REBERBIRCH
2	009812-30-000	EA MOLDING-PLASTIC-CORNER/OUTSIDE-.5"X7'SOLARMAPLE
	009812-32-000	EA MOLDING-PLASTIC-CORNER/OUTSIDE-.5"X7'VWDKGRY
3	022992-15-000	FT MOLDING-REVERSECOVE-VWGRAY
4	070504-46-000	FT U-CHANNEL-PLASTIC-.81"X84"-VWGRAY
	070504-40-000	FT U-CHANNEL-PLASTIC-.81"X84"-SOLARMAPLE
5	072368-02-000	FT TRIM-VINYL-EDGE-BLACK
6	077840-01-H37	EA MOLDING-CAP/WALL-8'SOLARMAPLE
7	099571-03-01A	EA TRIM-ROOFCOVE-146.2"-SMOKEYWHITE
8	002324-02-000	FT CHANNEL-WEATHERSTRIP-GLASSRUN-U-SHAPED
9	115870-01-000	FT SEAL-TRIM-EDGE
	085746-04-000	FT TRIM-J-CARPET1.2"X.5"ANGLE-12'LONG-OFFWHITE
10	080561-02-H70	EA TRIM-SHELFFRONT
11	115003-01-01A	FT MOLDING-REVERSECOVE-VWWHITE

INTERIORFINISHGROUP(CONTINUED)

FIREEXTINGUISHER,SMOKEDETECTOR&CODETECTOR

KEY	PARTNUMBER	U/M DESCRIPTION
	094499-01-000	EA EXTINGUISHER/FIRE-DRYW/MOUNTINGBRACKET
	094499-02-000	EA EXTINGUISHER/FIRE-DRY-1A10BC-CANADIAN
	094499-01-700	EA BRACKET-MOUNTING,W/PLASTICSTRAP-FIREEXTINGUISHER
	094499-01-701	EA STRAPONLY(METAL)
	072852-01-000	EA DETECTOR-SMOKE-W/9VOLTBATTERY
	072852-02-000	EA DETECTOR-SMOKE-W/9VOLTBATTERY-CANADIAN
	125136-01-000	EA DETECTOR-COGAS-MODEL9L-I-COSTAR

PANELING&LAMINATES

KEY	PARTNUMBER	U/M DESCRIPTION
	000846-01-000	SF PLYWOOD-5/16"X48"X96"-CDGRADE
	000846-02-000	SF PLYWOOD-5/16"X48"X96"-SOLIDCORE
	052372-02-000	BF LUMBER-CLASSII-1"X48"X108"
	074498-65-000	SF LAMINATE-PLASTIC-MEDIUMGRAY
	076325-71-000	FT MOLDING-EDGEAND-15/16"X/038"
	076325-72-000	FT MOLDING-EDGEAND-.93"X.024"X600'
	088272-F8-000	SF PANELING-BOLERO-AQUAFROST
	088272-G1-000	SF PANELING-PEBBLEEMBOSS-ANTIQUEWHITE-4'X7'
	088272-H1-000	SF PANELING-GRAY-BURLAP-4'X7'
	089297-01-000	SF PLYWOOD-LUAN-OVERLAYGRADE-4'X8'
	126339-01-000	SF BOARD-WHEAT-60"X72"

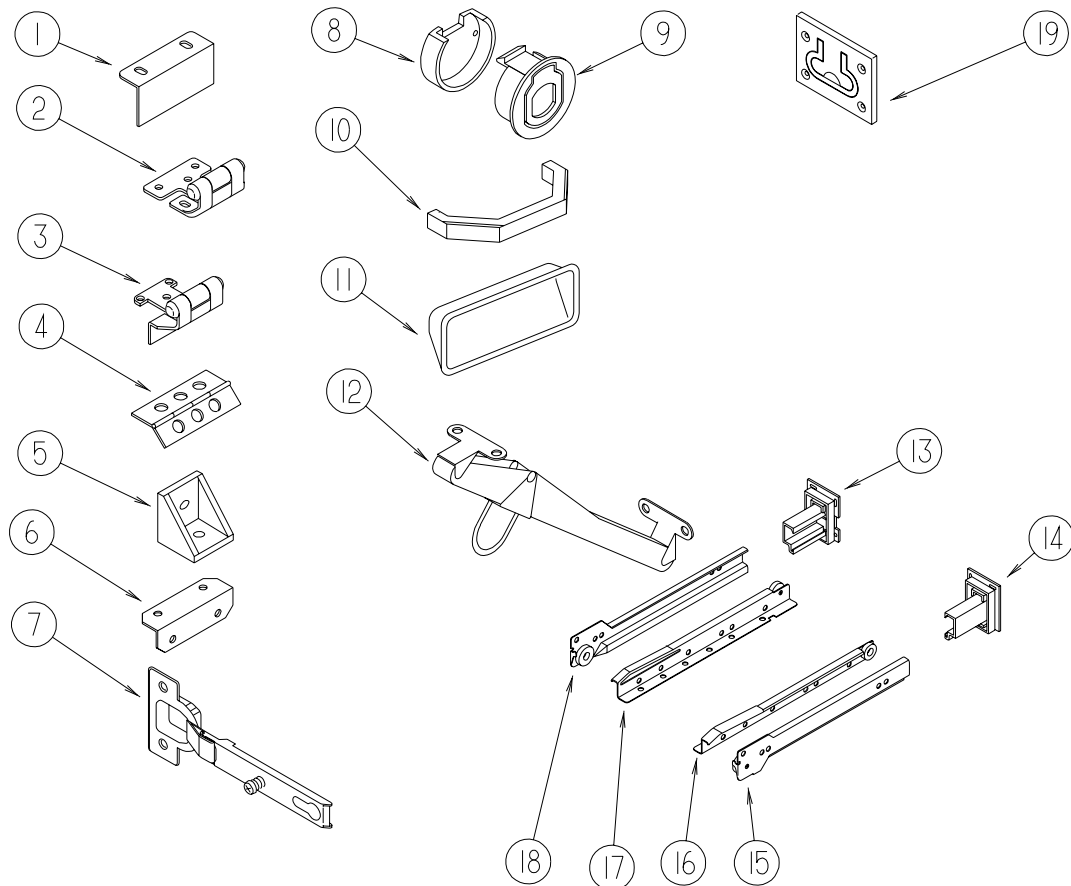
BATTSTRIPS

KEY	PARTNUMBER	U/M DESCRIPTION
	085284-D4-000	FT BATTTAPE-ADHESIVEBACKED-DECORATIVE-BOLERO/AQUAFROST
	086229-13-000	EA BATTEN-1"X96"-IVORY
	086229-20-000	EA BATTEN-1"X96"-BEIGE
	088263-E1-000	EA BATT-STRIP-BOLERO-AQUAFROST
	088263-D4-000	EA BATT-STRIP-CARLSBAD

CARPETING&FLOORMATS

KEY	PARTNUMBER	U/M DESCRIPTION
	096060-D1-000	SY CARPET-JUBILATION-SEALGRAY
	047034-06-000	SF PLASTIC-CARPET-2'WIDE-CLEARPOLY
	105924-02-H70	EA MAT-FLOOR-18"X25"
	091261-01-000	FT SLIPNOT-ANTISLIP-1'WIDE(100'ROLL)
	115381-01-01A	EA MAT-FLOOR-DRIVER-BROWN/BLACK
	115381-02-01A	EA MAT-FLOOR-PASSENGER-BROWN/BLACK

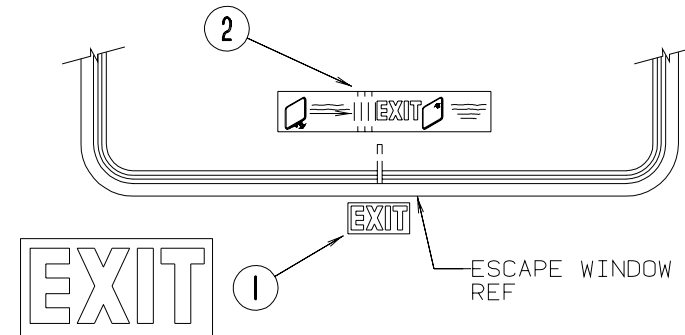
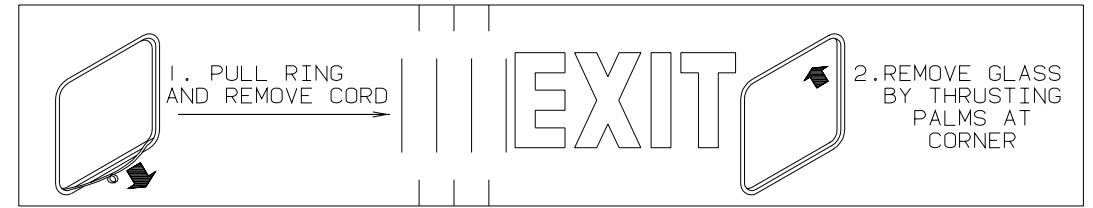
INTERIORFINISHGROUP(CONTINUED)



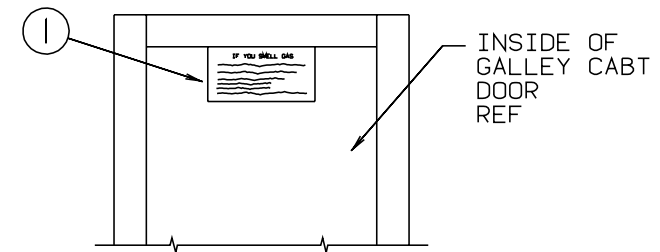
CABINETDOOR&DRAWERHARDWARE

KEY	PARTNUMBER	U/M DESCRIPTION
1	113375-02-01A	EA STRIKE-DOOR-CHROME
2	113676-01-01A	EA HINGE-OVERLAY-VARIABLE
3	113677-01-01A	EA HINGE-SELFCLOSING
4	009059-01-000	EA HINGE-DOOR-2"X1.4"-BRASS
5	065740-01-000	EA BRACE-CABINET/CORNER-PLASTIC
6	016604-01-000	EA BRACE-CABINET-ANGLE-2.5"-UNPAINTEDMETAL
6	016604-05-000	EA BRACE-CABINET-ANGLE-2.5"-OFFWHITEMETAL
7	114443-01-01A	EA HINGE-CABINETDOOR
8	113375-05-01A	EA LATCH-SLAM-BACK-.8"THICK
9	113375-06-01A	EA LATCH-SLAM-FACE-.7"THICK
10	117801-01-01A	EA PULL-CABINET-BRASS
11	115994-01-01A	EA HANDLE-POCKET
12	104181-01-01A	EA SUPPORT-LEAF5.3"EXTENDSTO7.5"-SAFETYRING-METAL
13	114045-01-000	EA BACKSOCKET-ADJUSTABLELEFT PLEASEREFERTOPARTSBULLETIN#140FORINTERCHANGEABILITY
14	114045-02-000	EA BACKSOCKET-ADJUSTABLERIGHT PLEASEREFERTOPARTSBULLETIN#140FORINTERCHANGEABILITY
15	114031-18-000	EA SLIDE-20"-RIGHTSIDE/CABINET PLEASEREFERTOPARTSBULLETIN#7SB010-96-12Z
16	114031-20-000	EA SLIDE-20"-RIGHTSIDE/DRAWER PLEASEREFERTOPARTSBULLETIN#7SB010-96-12Z
17	114031-19-000	EA SLIDE-20"-LEFTSIDE/DRAWER PLEASEREFERTOPARTSBULLETIN#7SB010-96-12Z
18	114031-17-000	EA SLIDE-20"-LEFTSIDE/CABINET PLEASEREFERTOPARTSBULLETIN#7SB010-96-12Z
	023320-01-000	EA PAD-FELT3/8"DIAMETER
19	072871-01-000	EA PULL-FLUSH-CHROME

LABELSGROUP



KEY	PARTNUMBER	U/M DESCRIPTION
1	039290-01-000	EA LABEL-WARNING-EXIT
2	107571-01-000	EA LABEL-ESCAPE/EXITWINDOW

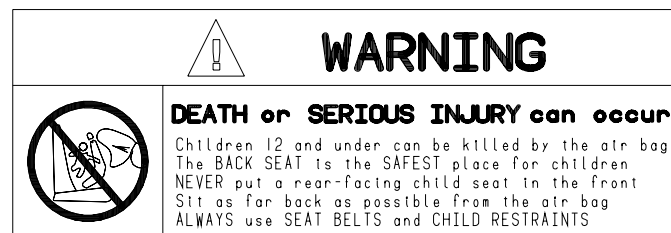


IF YOU SMELL GAS

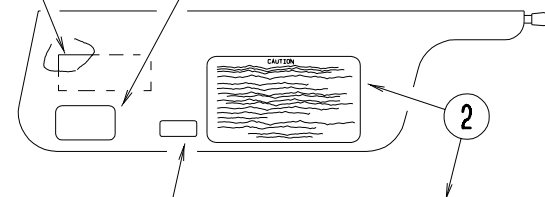
1. EXTINGUISH ANY OPEN FLAME, PILOT LIGHTS AND ALL SMOKING MATERIALS.
2. SHUT OFF THE GAS SUPPLY AT THE TANK VALVE(OR GAS SUPPLY CONNECTION).
3. OPEN DOORS AND OTHER VENTILATING OPENINGS.
4. DO NOT TOUCH ELECTRICAL SWITCHES.
5. LEAVE THE AREA UNTIL ODOR CLEARS.
6. HAVE THE GAS SYSTEM CHECKED AND LEAKAGE SOURCE CORRECTED BEFORE USING AGAIN.

KEY	PARTNUMBER	U/M DESCRIPTION
1	073998-01-000	EA LABEL-LPGODORWARNING

LABELS GROUP (CONTINUED)



3
4
WARNING: CONTAINS "CFC" A SUBSTANCE WHICH HARMS PUBLIC HEALTH AND ENVIRONMENT BY DESTROYING OZONE IN THE UPPER ATMOSPHERE.



WARNING
THIS VEHICLE, LIKE OTHER VEHICLES, MAY CONTAIN SMALL AMOUNTS OF ONE OR MORE SUBSTANCES WHICH ARE LISTED BY THE STATE OF CALIFORNIA FOR CAUSING CANCER OR REPRODUCTIVE TOXICITY.

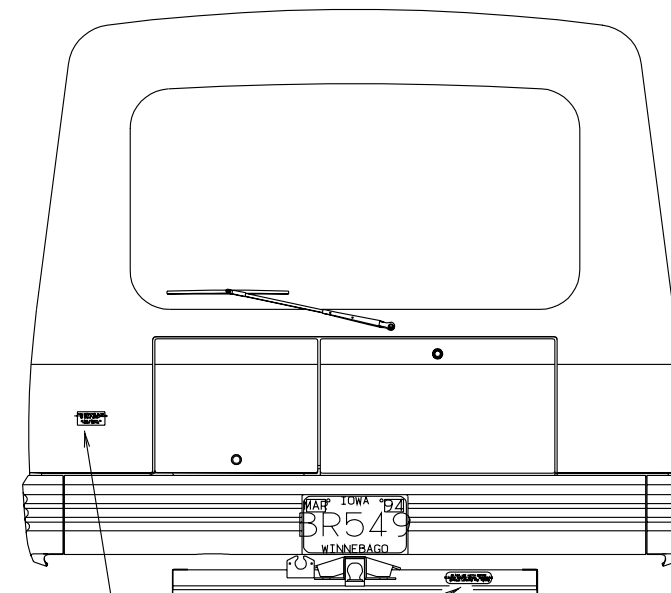
CAUTION
THIS MOTOR HOME HAS BEEN DESIGNED, MANUFACTURED AND TESTED WITH CONCERN FOR THE PROTECTION OF IT'S OCCUPANTS. WE RECOMMEND YOU PERFORM THE FOLLOWING INSPECTIONS FOR YOUR SAFETY AND THE SAFETY OF YOUR PASSENGERS BEFORE STARTING YOUR VEHICLE.

1. LP GAS SYSTEM- TURN OFF AT TANK FOR TRAVELING. TEST FOR LEAKS UPON ARRIVAL AT DESTINATION. BEFORE LIGHTING PILOTS.
2. WHEELS- INSPECT FOR DAMAGE AND CHECK LUG NUTS FOR TIGHTNESS.
3. TIRES- INSPECT FOR WEAR AND DAMAGE AND CHECK FOR RECOMMENDED AIR PRESSURE.
4. LIGHTING- TEST FOR PROPER OPERATION OF ALL INTERIOR AND EXTERIOR LIGHTS INCLUDING DASH LIGHTS, HEADLIGHTS, TAIL LIGHTS, BRAKE LIGHTS, CLEARANCE LIGHTS AND TURN SIGNALS.
5. EXITS- INSPECT RELEASE MECHANISM ON EMERGENCY EXIT WINDOW. TEST BOTH LOCKS ON MAIN ENTRANCE DOOR FOR EASE OF OPERATION AND INSTRUCT PASSENGERS HOW TO USE BOTH MEANS OF EXIT.
6. SEAT BELTS- DIRECT PASSENGERS TO DESIGNATED SEATS AND REQUIRE USE OF SEAT BELTS.
7. APPLIANCES- TURN OFF AND LATCH OR LOCK DOORS WHERE PROVIDED.
8. LOOSE PARCELS- STORE SECURELY.
9. UTILITY SUPPLY LINES- DISCONNECT ALL ELECTRIC, SEWER AND WATER LINES AND SECURE PROPERLY.
10. ENTRANCE DOOR STEP- PLACE IN RETRACTED POSITION FOR TRAVELING.

READ YOUR MOTOR HOME AND CHASSIS OWNER'S MANUAL FOR FURTHER PRECAUTIONS

KEY	PARTNUMBER	U/M DESCRIPTION
1	111802-01-000	EA LABEL-CFCWARNING
2	099689-01-000	EA LABEL-WARNING-CANCER/TOXICITY
3	123701-01-000	EA LABEL-BELTEDSEATING/SLEEPING
4	056259-01-000	EA LABEL-SAFETYCHECKLIST

LABELS GROUP (CONTINUED))

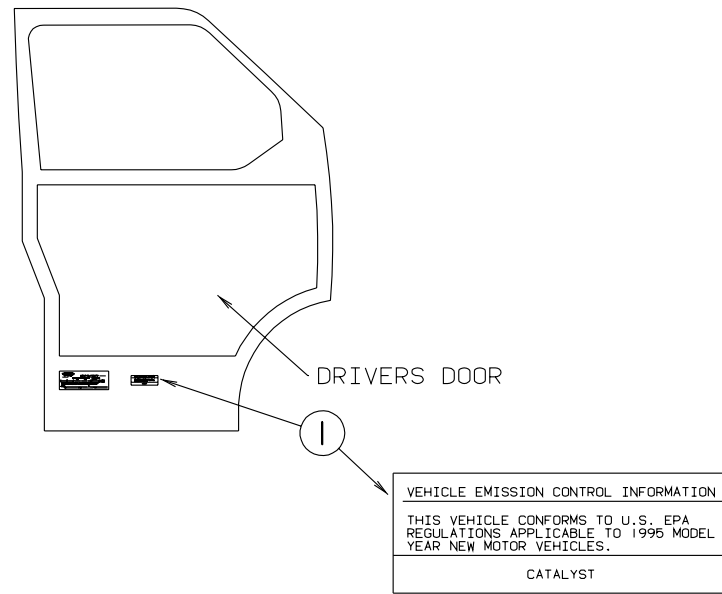


1
THIS CONNECTION IS FOR (B) VOLT AC, 3-POLE, 4 WIRE 60 HZ (CYCLES), (A) AMPERE SUPPLY
DO NOT CONNECT TO HIGHER VOLTAGE

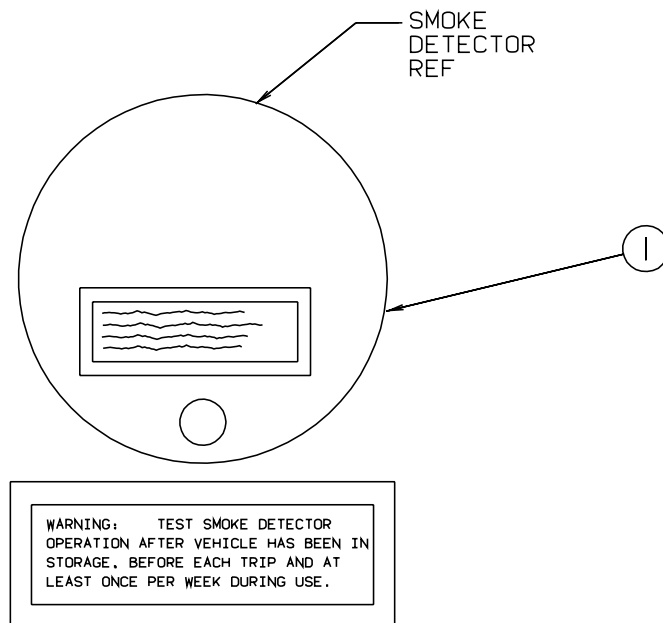
2
DO NOT USE HITCH BEFORE READING OWNERS MANUAL REGARDING VEHICLE LOADING AND TOWING

KEY	PARTNUMBER	U/M DESCRIPTION
1	006062-01-000	EA LABEL-ELECTRIC-110VCONNECTION
1	006062-03-000	EA LABEL-ELECTRIC-110VCONNECTION-JAPANOPTION
1	006062-05-000	EA LABEL-ELECTRIC-220VCONNECTION-EUROPEANOPTION
2	111104-01-000	EA LABEL-HITCH-READMANUAL

LABELSGROUP(CONTINUED)

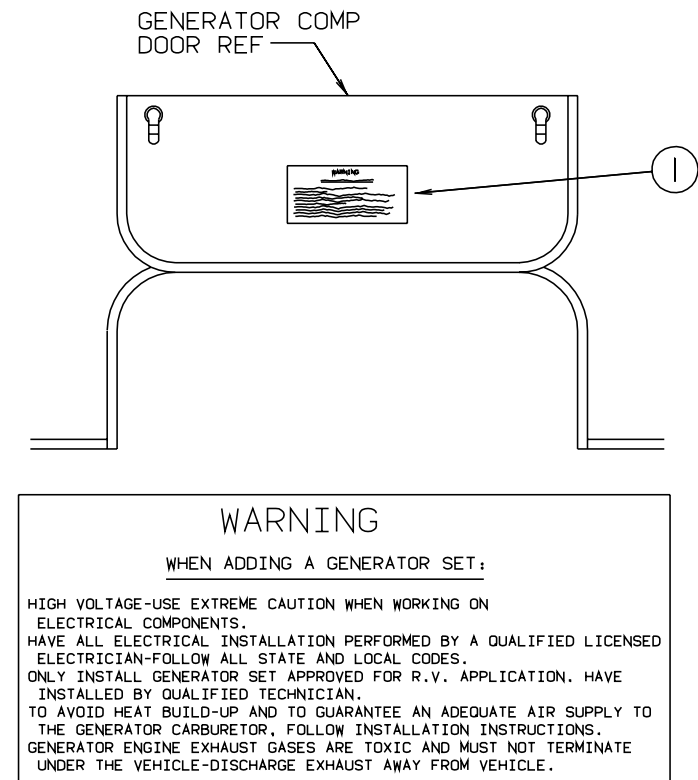


KEY	PARTNUMBER	U/M DESCRIPTION
1	072887-08-000	EA LABEL-EPA-1997MODELYEAR

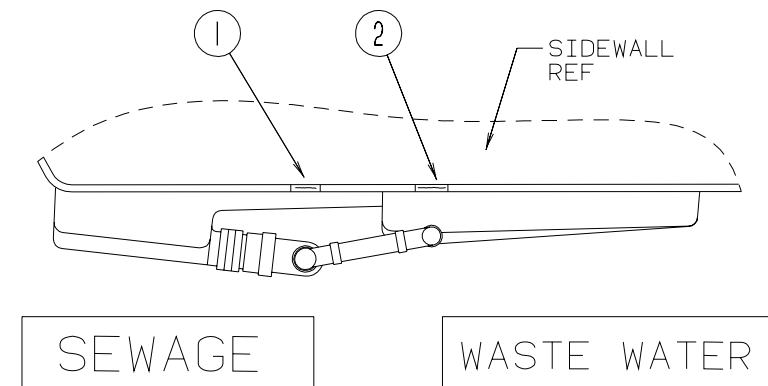


KEY	PARTNUMBER	U/M DESCRIPTION
1	077956-01-000	EA LABEL-WARNING-SMOKEDETECTOR

LABELSGROUP(CONTINUED))

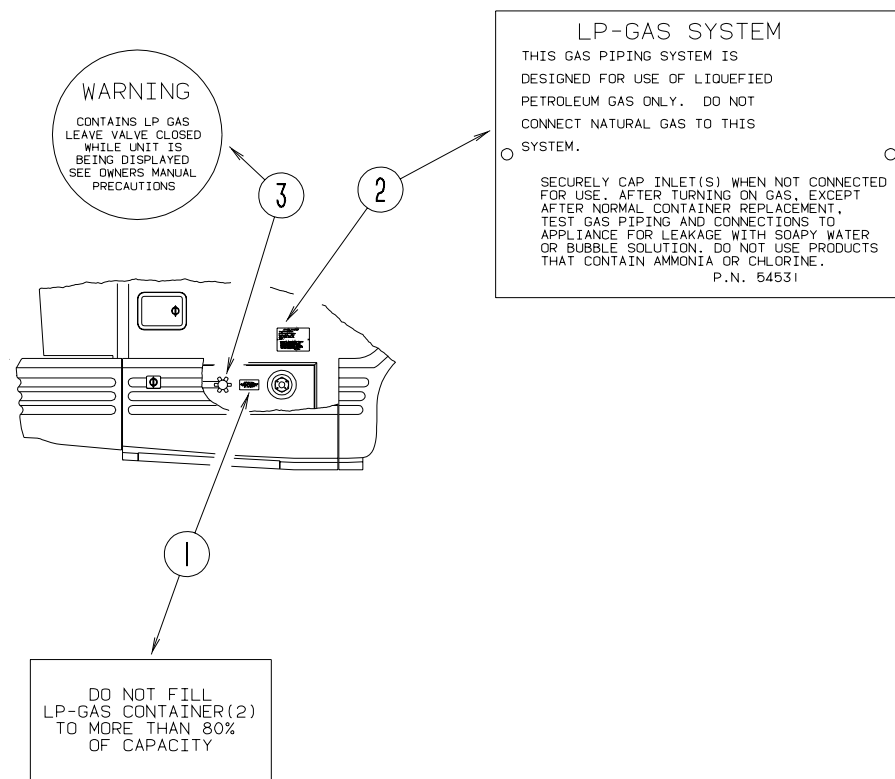


KEY	PARTNUMBER	U/M DESCRIPTION
1	077510-01-000	EA LABEL-GENERATORPREP

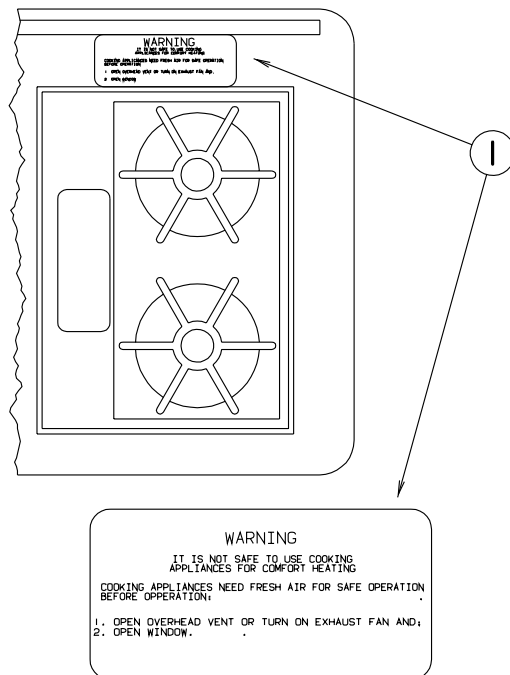


KEY	PARTNUMBER	U/M DESCRIPTION
1	006187-01-000	EA LABEL-SEWAGE
2	006188-01-000	EA LABEL-WASTEWATER

LABELSGROUP(CONTINUED)

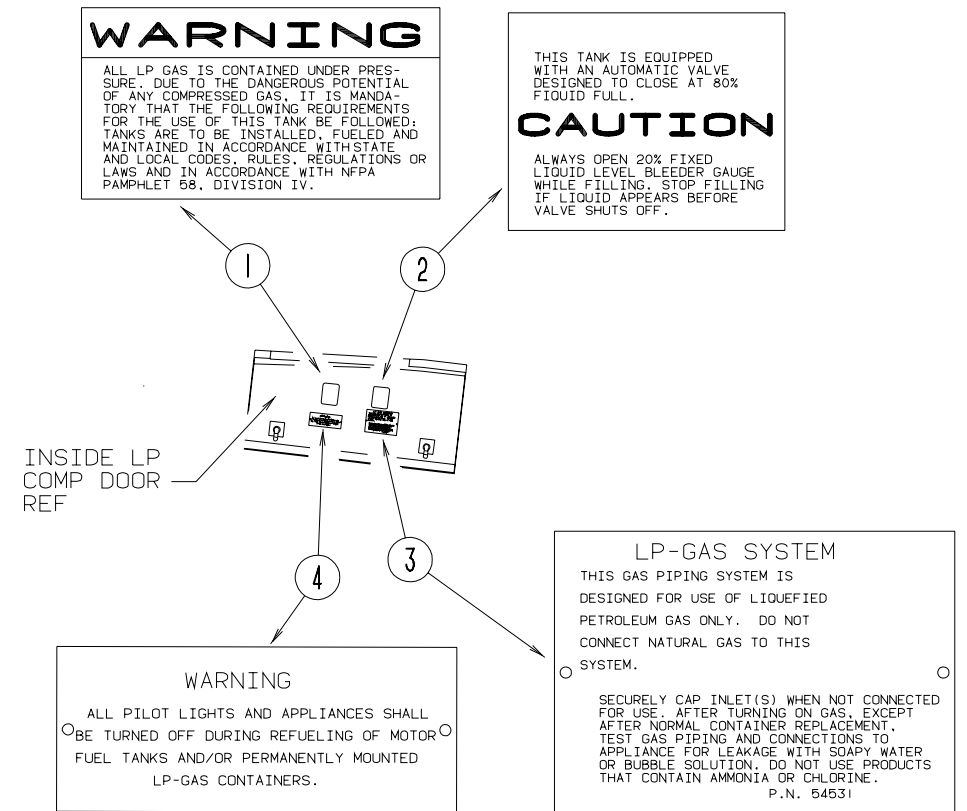


KEY	PARTNUMBER	U/M	DESCRIPTION
1	079965-01-000	EA	LABEL-LPG80%CAPACITY
2	124520-01-02A	EA	LABEL-LPGASONLY
3	115600-01-000	EA	LABEL-WARNINGLPGVALVE

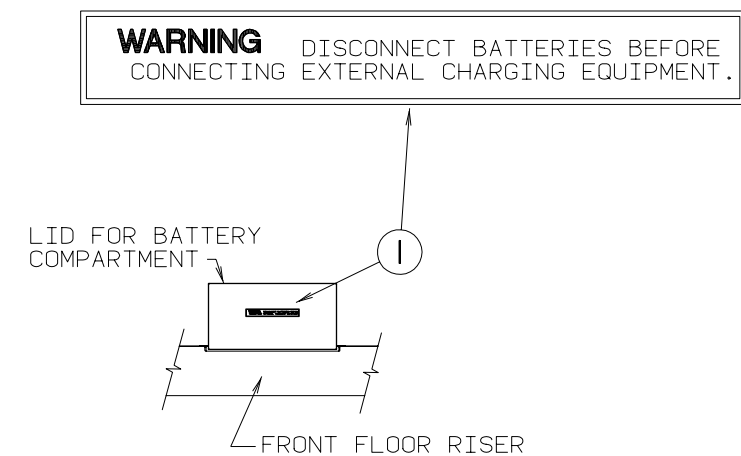


KEY	PARTNUMBER	U/M	DESCRIPTION
1	050225-01-000	EA	LABEL-WARNING-STOVEVENT-US
1	050222-01-000	EA	LABEL-WARNING-STOVEVENT-CANADIAN

LABELSGROUP(CONTINUED)

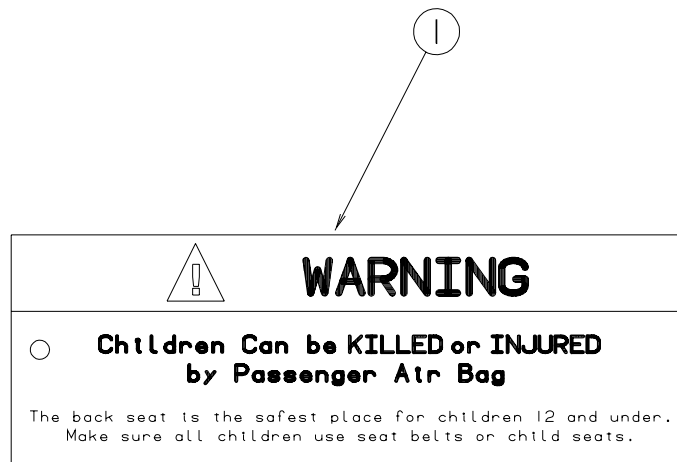


KEY	PARTNUMBER	U/M	DESCRIPTION
1	116112-01-000	EA	LABEL-WARNING-LP
2	116113-01-000	EA	LABEL-CAUTION-LP
3	023769-01-000	EA	LABEL-WARNING-LPGONLY-CANADIAN
4	124519-01-01A	EA	TAG-WARNING-GASREFUELING
	124519-02-01A	EA	TAG-WARNING-GASREFUELING-CANADIAN

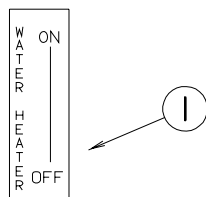


KEY	PARTNUMBER	U/M	DESCRIPTION
1	065748-01-000	EA	LABEL-CAUTION-BATTERYCHARGING

LABELSGROUP(CONTINUED)

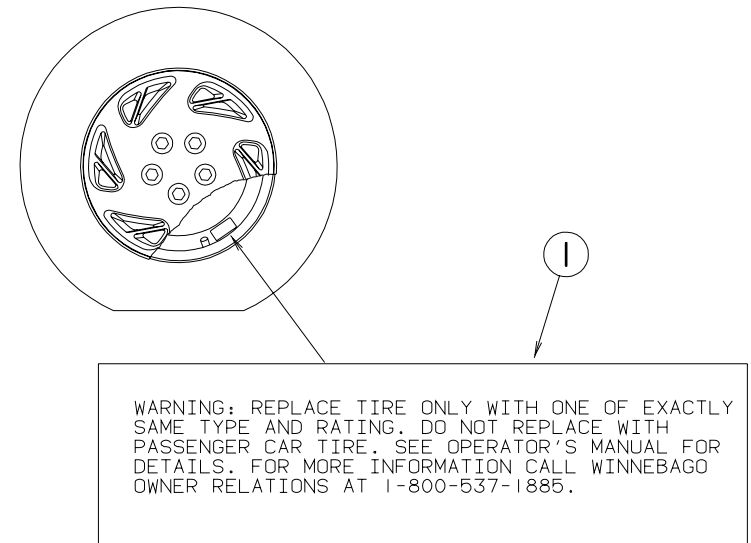


KEY PARTNUMBER	U/M DESCRIPTION
1 126612-01-000	EA LABEL-HANGTAG-AIRBAG-DASH



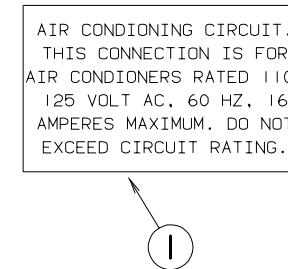
KEY PARTNUMBER	U/M DESCRIPTION
1 083588-01-000	EA LABEL-ON/OFF-WATERHEATER

LABELSGROUP(CONTINUED)



(ATTACH TO ALL WHEELS, INCLUDING SPARE, NEAR VALVE STEM)

KEY PARTNUMBER	U/M DESCRIPTION
1 115869-01-000	EA LABEL-WARNING-TIRE

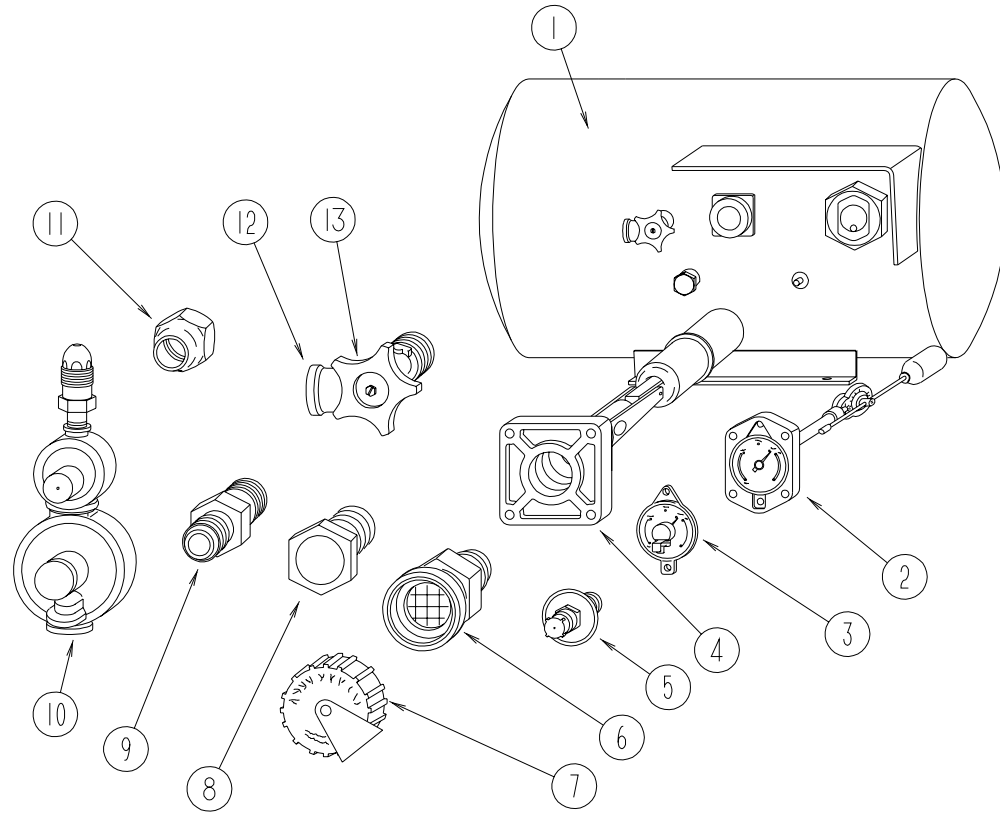


KEY PARTNUMBER	U/M DESCRIPTION
1 091243-01-000	EA LABEL-A/C COVER

MISCELLANEOUS LABELS	
KEY PARTNUMBER	U/M DESCRIPTION
120677-01-000	EA LABEL-TV
087236-01-000	EA LABEL-CABLE-INPUT
114943-01-000	EA LABEL-EMISSIONCONTROL
124709-01-000	EA LABEL-EMISSIONCONTROL-DUAL
126024-01-000	EA LABEL-TIREHANGERREMOVAL
126611-01-000	EA LABEL-AIRBAG-VISOR
124572-01-000	EA LABEL-SWITCHES
124572-02-000	EA LABEL-SWITCHESW/OA/C

FROM: 01-20-97 THRU: 99-99-99

LPGROUP



BRUNNERLPTANK&COMPONENTS

KEY	PARTNUMBER	U/M DESCRIPTION	VENDORNO.
1	074039-04-000	EA TANK-LP-28LB-BOTTOMMOUNT-10"DIAMETERX23"LONG	
2	074039-01-700	EA FLOATASM.(SIGHTGAUGE)BOLT	10C
3	040440-02-000	EA DIAL-TRANSMITTER-0-90OHM	
4	074039-04-700	EA VALVE-80%FILLW/AUTOSTOP	LVTL290C9010
5	040421-01-700	EA VALVE-LIQUIDLEVEL,20%	G-1013
6	040421-01-701	EA VALVE-FILL-SHORT-LP	75478
7	040421-01-702	EA CAP-FILLVALVE-PLASTIC	G-1014-A
8	040421-01-713	EA VALVE-VAPORONLY	29000587
9	010323-01-000	EA ADAPTER-BRASS-3/8"FX1/2"MPT	
10	106150-03-000	EA REGULATOR-TWOSTAGELPG-M"BRASS295-00	
11	010377-02-000	EA NUT-BRASS-3/8"FEMALE-FORGED	
12	040421-01-712	EA VALVE-SERVICE-W/OVAPORRELIEF	29000853
13	040421-01-708	EA HANDWHEEL-SERVICEVALVE	G-1015-A
	103613-01-000	EA DETECTOR-LPGAS	
	074458-01-000	EA ELBOW-3/8MALEFLTO3/8FEMALEFLSWIVEL	
	010252-01-000	EA ELBOW-BRASS-90DEGREE-3/8"FX1/2"MPT	
	010265-01-000	EA ELBOW-BRASS-90DEGREE-3/8"FX1/2"FPT	
	033759-01-000	EA ELBOW-BRASS-90DEGREE-3/8"FX3/8"F	
	024250-01-000	EA ADAPTER-BRASS-3/8"FX1/2"FPT	
	008042-01-000	FT TUBING-VINYL-.65"ID	
	010281-01-000	EA TEE-BRASS-3/8F	

SEALANTS&FASTENERSGROUP

NUTS,BOLTSANDWASHERS

KEY	PARTNUMBER	U/M DESCRIPTION
	044364-02-000	EA NUT-SPEED-FLAT-ROUND
	087234-01-000	EA NUT-JACK-1/4X20THD-MOLLY
		MOUNTSLICENSEPLATES
	0MD16K-10-000	EA NUT-HEXPREVTORQUEM10X1.50CLASS8
	0MD39K-12-000	EA NUT-HEXW/NYLONLOCK-M12X1.75
	0MD40K-14-000	EA NUT-HEXW/NYLONLOCK-M14X2.00
	000D24-10-00B	EA NUT-HEX-SELFLocking-10-32-ZN
	000D34-04-00B	EA NUT-HEX-LK1/4-20-ZN
	000D34-06-00B	EA NUT-HEX-LK3/8-16-GRADEC-ZN
	000D39-04-00B	EA NUT-HEX-SERFLGLK-1/4-20-ZN
	000D39-05-00B	EA NUT-HEX-SERFLGLK-5/16-18-ZN
	000D39-06-00B	EA NUT-HEX-SERFLGLK-3/8-16-ZN
	000D39-07-00B	EA NUT-HEX-SERFLGLK-7/16-14-ZN
	000D39-08-00B	EA NUT-HEX-SERFLGLK-1/2-13-ZN
	000D44-07-00B	EA NUT-HEX-SERFLGLK-7/16-20-ZN
	000D46-04-00A	EA NUT-HEX-WELD-1/4-20-PLAIN-SHORTPILOT
	084406-01-000	EA NUT-CAPPED-CROSSRECESS-BLACK-1/4-20THD
	0MC04K-06-016	EA BOLT-HEX-M06X1.00X016
	0MC13K-14-070	EA BOLT-HEX-M14X2.00X070
	0MC31K-08-020	EA BOLT-HEX-SERRATEDFLANGE-M8X020
	0MC32K-10-030	EA BOLT-HEX-SERRATEDFLANGE-M10X1,509
	000C12-04-12A	EA BOLT-HEX-1/4-20X.75-PLAIN5
	000C12-05-16B	EA BOLT-HEX-5/16-18X1-ZINC5
	000C12-05-64B	EA BOLT-HEX-5/16-18X4
	000C12-06-16B	EA BOLT-HEX-3/8-16X1LG-ZINC5
	000C12-08-24B	EA BOLT-HEX-1/2-13X1 1/2-ZINC5
	000C26-04-14B	EA BOLT-HEX-1/4-20X7/8-SERRATEDFLANGE-ZINC
	000C26-04-10B	EA BOLT-HEX-1/4-20X5/8-SERRATEDFLANGE-ZINC
	000C26-05-12B	EA BOLT-HEX-5/16-18X3/4-SERRATEDFLANGE-ZINC
	000C26-05-16B	EA BOLT-HEX-5/16-18X1.0-SERRATEDFLANGE-ZINC
	000C26-06-12B	EA BOLT-HEX-3/8-16X3/4-SERRATEDFLANGE-ZINC
	000C27-05-16B	EA BOLT-CARRIAGE-5/16-18X1.0-ZN
	000C27-06-16B	EA BOLT-CARRIAGE-3/8-16X1.0-ZN
	051387-06-000	EA BOLT-CARRIAGE-W/OHOLE-5/16-18X9.5-ZINC
	087718-01-000	EA MONOBOLT-3/16"DIAMETER-STEEL
	113985-01-000	EA BOLT-FLANGE-M10-1.5X40CL10.9-ZINC&CL
	113985-02-000	EA BOLT-FLANGE-M10-1.5X30CL10.9-ZINC&CL
	0ME06K-14-280	EA WASHER-FLAT-14IDX28,0OD
	000E11-08-00B	EA WASHER-LK-1/2MEDSPLIT-ZINC
	000E13-14-00B	EA WASHER-FL-1/4WIDE-ZINC
	000E13-17-00B	EA WASHER-FL-3/8"AR-ZINC
	000E13-18-00B	EA WASHER-FL-3/8"WIDE-ZINC
	000E13-18-00K	EA WASHER-FL-3/8"WIDE-YELLOWCHROMATE
	000E13-20-00B	EA WASHER-FL-7/16"WIDE-ZINC
	000E13-26-00B	EA WASHER-FL-5/8"WIDE-ZINC
	000E14-10-00B	EA WASHER-LOCKING-#10EXTERNALTOOTH-ZINC
	041322-01-000	EA WASHER-FL-15/32"IDX23/8"OD
	108067-03-000	EA STUD-WELD-1/4-20X1/2CD

SEALANTS & FASTENERS GROUP (CONTINUED)

SCREWS

KEY	PARTNUMBER	U/M	DESCRIPTION	KEY	PARTNUMBER	U/M	DESCRIPTION
	000G11-08-12D	EA	SCREW-8-18X3/4PPH-BLACK		000G39-08-24B	EA	SCREW-SF/DR, 8-18X1 1/2 PPH-ZINC
	000G11-08-10B	EA	SCREW-8-18X5/8PPH-ZINC		000G39-10-088	EA	SCREW-SF/DR, 10-16X1/2P&H-FLEXFLUOROCARBON
	000G11-10-12D	EA	SCREW-10-16X3/4PPH-BLACK		000G39-10-08B	EA	SCREW-SF/DR, 10-16X1/2P&H-ZINC
	000G11-10-12S	EA	SCREW-10-16X.75PPH-OFFWHITE		000G39-10-10B	EA	SCREW-SF/DR, 10-16X.625-ZINC
	000G11-06-08B	EA	SCREW-6-20X1/2PPH-ZINC		000G39-10-12B	EA	SCREW-SF/DR, 10-16X.75PPH-ZINC
	000G11-06-10J	EA	SCREW-7-19X1/2PPH-ZINC		000G39-10-129	EA	SCREW-SF/DR, 10-16X.75PPH-FLUOROCARBONSILVER
	000G11-06-24B	EA	SCREW-6-20X1.5PPH-ZINC		000G39-10-20B	EA	SCREW-SF/DR, 10-16X1 1/4 PPH-ZINC
	000G11-07-08B	EA	SCREW-7-19X1/2PPH-ZINC		000G39-10-32B	EA	SCREW-SF/DR, 10-16X2.00PPH-ZINC
	000G11-08-08B	EA	SCREW-8-18X1/2PPH-ZINC		000G39-10-32I	EA	SCREW-SF/DR, 10-16X2.00PPH-ZINC
	000G11-08-08T	EA	SCREW-8-18X1/2PPH-FLUROCARBONCOATING		000G39-10-48B	EA	SCREW-SF/DR, 10-16X3.00PPH-ZINC
	000G11-08-12B	EA	SCREW-8-18X3/4PPH-ZINC		000G42-04-12B	EA	SCREW-SF/DR, 1/4-14X3/4HWH-ZINC
	000G11-08-12D	EA	SCREW-8-18X3/4PPH-BLACK		000G42-04-16B	EA	SCREW-SF/DR, 1/4-14X1HWH-ZINC
	000G11-08-12P	EA	SCREW-8-18X3/4PPH-DARKBROWN		000G50-04-12B	EA	SCREW-MACH, 1/4-20X3/4 PPH-ZINC
	000G11-08-12T	EA	SCREW-8-18X.75PPH-BLACK		000G55-08-16S	EA	SCREW-SF/DR, 8-18X1.00PWH-OFFWHITE
	000G11-08-20B	EA	SCREW-8-18X1 1/4 PPH-ZINC		000G57-05-16J	EA	SCREW-5-20X1PFH-BRASS
	000G12-06-08T	EA	SCREW-6-20X.50POH-BLACK		000G67-10-08B	EA	SCREW-10-12X1/2 PPH-ZINC
	000G13-06-08B	EA	SCREW-6-20X1/2PFH-ZINC		000G67-10-10B	EA	SCREW-10-12X5/8 PPH-ZINC-TYPEA
	000G13-06-08G	EA	SCREW-6-20X1/2PPH-ANTIQUEBRASS		000G67-10-10D	EA	SCREW-10-12X5/8 PPH-BLACK-TYPEA
	000G13-06-16E	EA	SCREW-6-20X1.00PFH-CHROME		000G67-10-12B	EA	SCREW-10-12X3/4 PPH-ZINC
	000G13-07-10H	EA	SCREW-7-19X5/8PFH-BLACK		000G68-06-10G	EA	SCREW-6-18X5/8POH-ANTIQUEBRASS
	000G13-07-12B	EA	SCREW-7-19X3/4PFH-ZINC		0G1108-08-250	EA	SCREW-8-18X1/2 PPH
	000G13-08-10S	EA	SCREW-8-18X5/8PFH-OFFWHITE		0G1110-12-250	EA	SCREW-10-16X.75PPH
	000G13-08-16B	EA	SCREW-8-18X1PFH-ZINC		0G3908-08-250	EA	SCREW-SF/DR, 8-18X.5PWH
	000G16-04-24B	EA	SCREW-MACH-1/4-20X1.5" PPH-ZINC		0G3908-12-250	EA	SCREW-SF/DR, 8-18X.75PWH
	000G19-10-12F	EA	SCREW-MACH-10-32X3/4" PPH-STAINLESS		0G3908-16-250	EA	SCREW-SF/DR, 8-18X1.00PPH
	000G38-04-229	EA	SCREW-MACH-1/4-20X1.38PFH-STALGARD		0G3910-10-250	EA	SCREW-SF/DR, 10-16X.62PPH
	000G39-06-08B	EA	SCREW-DR-6-18X1/2-ZINC		0G6710-08-250	EA	SCREW-10-12X1/2 PPH
	000G39-06-10T	EA	SCREW-SF/DR-6-20X5/8 PPH-BLACK		0G6710-08-150	EA	SCREW-10-12X1/2 PPH-VWDKGRAY
	000G39-08-08B	EA	SCREW-SF/DR-8-18X1/2 PPH-ZINC		049465-03-000	EA	SCREW-10-16X1POHW/WASHER-OFFWHITE
	000G39-08-08S	EA	SCREW-SF/DR-8-18X.50PPH-OFFWHITE		101618-01-000	EA	SCREW-1/4-20X3/4HEX/TAPPING-STALGARDTYPEF
	000G39-08-08T	EA	SCREW-SF/DR-8-18X.50PPH-BLACK		113563-01-01A	EA	SCREW-8X.62LGSHOULDER/WASHERHD
	000G39-08-12B	EA	SCREW-SF/DR-8-18X3/4 PPH-ZINC		086256-01-000	EA	SCREWASM-SF/DR 8X.75HWHLG - PLBODYPNLMT
	000G39-08-12T	EA	SCREW-SF/DR-8-18X3/4 PPH-BLACK		117478-01-02A	EA	SCREW-8-18X.75" PPHW/WASHER
	000G39-08-16B	EA	SCREW-SF/DR-8-18X1.00 PPH-ZINC		117478-01-03A	EA	SCREW-18X.75" PPHW/WASHER
	000G39-08-16R	EA	SCREW-SF/DR-8-18X1.00 PPH-BEIGE		057671-01-000	EA	COVER-SCREW-#8-PLASTIC-OFFWHITE
	000G39-08-16T	EA	SCREW-SF/DR-8-18X1.00 PPH-BLACK		057671-13-000	EA	COVER-SCREW #8-PLASTICØ K G R A Y
					061420-04-000	EA	PLUG-PLASTIC-1.25DIA

SEALANTS&FASTENERSGROUP(CONTINUED)

ADHESIVEANDSEALANTS

KEY	PARTNUMBER	U/M DESCRIPTION
	004001-05-000	EA EPOXYADHESIVE-CLEAR-DP-100
	004006-05-700	EA ADHESIVE-NAT.STARCH(5GAL)
	004020-01-000	QT ADHESIVE-ABSCEMENT-QUART
	112902-01-000	EA NOZZLE-ELEMENT-3/8X24
	900390-01-000	EA TIP-2 1/2"X1/8"ORIFICE-ELLSWORTH#TS216
	900390-03-000	EA NOZZLES-SILICONETUBE-CSL#D10
	034552-02-000	EA SILICONE-TUBE-300ML-W/ONOZZLE-CLEAR
	034552-06-000	EA SILICONE-TUBE-300ML-W/ONOZZLE-OFFWHITE
	039518-01-000	EA SILICONE-TUBE-300ML-W/ONOZZLE-BLACK
	063642-01-000	FT TAPE-ADHESIVE-10MMX15"WIDE
	069640-02-000	FT SEALER-RIBBON-1/2"X1/8"-INCREMENTSOF60'
	069640-03-000	FT SEALER-RIBBON-3/4"X1/8"-INCREMENTSOF60'
	072889-09-000	EA SEALANT-URETHANE-BLACK(TUBE)
	072889-13-000	EA SEALANT-URETHANE-(LV)VWWHITE
	072889-14-000	EA SEALANT-URETHANE-SABLE(TUBE)
	076322-01-000	FT TAPE-FOAM-DOUBLECOATED-ADHESIVEBACKED-.75"X216'
	076322-02-000	FT TAPE-FOAM-DOUBLECOATED-ADHESIVEBACKED-1"X108'
	076322-03-000	FT TAPE-FOAM-DOUBLECOATED-ADHESIVEBACKED-.5"X108'
	076322-05-000	FT TAPE-FOAM-DOUBLECOATED-.025"X1.5"
	076322-07-000	FT TAPE-FOAM-DOUBLECOATED-.045"X.50"-NORTV2000
	087211-01-000	GL PROMOTER-ADHESIVE
	102352-01-000	EA SEALER-PUMPABLE-BLACK
	108716-04-000	EA SILICONE-TUBE-SABLE/SELFLEVELING
	107828-01-000	EA SEALANT-SB190-EVERSEAL-SUREBONDINC
	112901-01-000	EA ADHESIVE-PLEXUSMA330-400ML-P33000
	112901-02-000	EA ADHESIVE-PLEXUSMA330-50ML-P33500
	120534-01-01A	EA TAPE-SCOTCH-3M-1/2"FINELINE
	123816-03-000	FT TAPE-DOUBLESIDED-1/2"

SEALANTS&FASTENERSGROUP(CONTINUED)

MISCELLANEOUSFASTENERS

KEY	PARTNUMBER	U/M DESCRIPTION
	000H14-04-08R	EA RIVET-MANDRELBLIND-4/32AL-CHERRY
	000H16-04-06R	EA RIVET-POP-AL1/8"X.313-.375
	000H16-06-10R	EA RIVET-POP-AL3/16X.501-.625
	069592-02-000	EA RIVET-T-POP-1/4X.093-.156
	008384-01-000	EA GROMMET-SNAP-3/4"DIAMETER-NYLON
	008386-01-000	EA GROMMET-SNAP,3/8"
	016188-03-000	EA GROMMET-L/PLINE,3/8"HOLEX21/2"LONG-RUBBER
	023942-01-000	EA GROMMET-RUBBER-2"OD
	071015-11-000	EA GROMMET-RUBBER-1.00"IDFITS.12MATL-MINORRUBBERZ-3065
	071015-13-000	EA GROMMET-RUBBER-.62"IDX1"ODW/.09"GROOVE-BLACK
	077953-01-000	EA GROMMET-EDGE LINER-FITS1"
	088756-01-000	EA GROMMET-WEB-1 1/8" I.D.
	114208-01-000	EA GROMMET-EDGE LINER-FITS1.75"-HEYCO2300
	114208-03-000	EA GROMMET-EDGE LINER-FITS2.50"-HEYCO2420
	007161-01-000	EA CLAMP-HOSE-SPRINGTYPE-1/2"
	010495-01-000	EA CLAMP-CABLE-9/16"
	010495-02-000	EA CLAMP-CABLE-3/8"
	010497-01-000	EA CLAMP-CLOSED-5/8"ID
	010497-04-000	EA CLAMP-CLOSED-1.62ID-ADEL,945-2717
	010497-05-000	EA CLAMP-CLOSED-1/2"ID
	010497-07-000	EA CLAMP-CLOSED-3/8"ID
	062401-01-000	EA CLAMP-HOSE-WORMGEAR.25"-1"
	062401-02-000	EA CLAMP-HOSE-WORMGEAR1.56"-2.5"
	062401-03-000	EA CLAMP-HOSE-WORMGEAR.22"-1"
	062401-04-000	EA CLAMP-HOSE-WORMGEAR.69"-1.25"
	062401-06-000	EA CLAMP-HOSE-WORMGEAR.22"-.62"
	062401-12-000	EA CLAMP-HOSE-WORMGEAR.79"-1.26"
		FROM: 10-18-96THRU: 99-99-99
	083610-01-000	EA CLAMP-WIRE-DUAL-UNEQUALDIAMETERS-.75"&1.25"
	077955-01-000	EA CLIP-J-VINYLCOATED-3/8"
	080211-03-000	EA CLIP-MOUNTING-(CHRISTMASTREE)
	080734-02-000	EA CLIP-WIRE-NYLON
	091952-02-000	EA CLIP-GRIPPER-3/4"
	008343-01-000	EA TIE-WIRE-6"
	108046-01-000	EA CABLETIE-SCREWMOUNT-8"
	034141-02-000	EA PLUG-HOLE-3/8"-NYLON-BLACK
	061420-07-000	EA PLUG-1.8"DIAMETER-PLASTIC-CAPLUGBP-1.8
	085774-01-000	FT FASTENER-DUALHOOK-1"WIDE-ADHESIVEBACK-BLACK
	085774-02-000	FT FASTENER-DUALLOOP-1"WIDE-ADHESIVEBACK-BLACK
	085774-03-000	FT FASTENER-DUALLOCK-1/2"WIDE-3M-3541
	085774-04-000	FT FASTENER-DUALLOCK-1/2"WIDE-3M-3541
	110943-02-000	FT FELTSTRIP-3/8"-ADHESIVEBACK-WHITE
		FROM: 09-02-96THRU: 99-99-99

WATER&SEWAGEGROUP

FRESHWATERTANK

KEY	PARTNUMBER	U/M	DESCRIPTION
	074510-07-000	EA	TANK-WATER-16GALLON-W/FITTINGS-33.4"X11.4"X10"
	074510-01-000	EA	TANK-WATER-16GALLON-W/OFITTINGS-33.4"X11.4"X10"
	077954-02-000	EA	FILTER-WATERTANK-W/SCREENINTANK
	079381-01-000	FT	TUBING-SMOOTH-FLEXIBLE-1 1/4"ID
	042989-03-000	EA	FITTING-WATERTANK-SPINWELD-1 1/4"NPT-PLASTIC
	042989-04-000	EA	FITTING-WATERTANK-SPINWELD-3/8"FPT-PLASTIC
	042989-05-000	EA	FITTING-WATERTANK-SPINWELD-1/2"FPT-PLASTIC
	049032-01-000	EA	PATCH-SPINWELD-3/8"-PLASTIC
	039861-01-000	EA	SENDINGUNITW/SCREW-WASHER-WELLNUTANDTERMINALRING
	035539-01-000	EA	ELBOW-PLASTIC-3/8"MPTX3/8"BARB
	039798-01-000	EA	TEE-1/2"MPTX1/2"MPTX1/2"MPT-PLASTIC
	044927-01-000	EA	ADAPTER-HOSE TO PIPE-1 1/4"MPTX1 1/4"BARB-BLACKPLASTIC
	046128-01-000	EA	VALVE-DRAIN-PLASTIC-1/2"FPT
			FROM: 00-00-00 THRU: 03-09-97
	074462-02-000	FT	TUBING-VINYL-3/8"ID-CLEAR

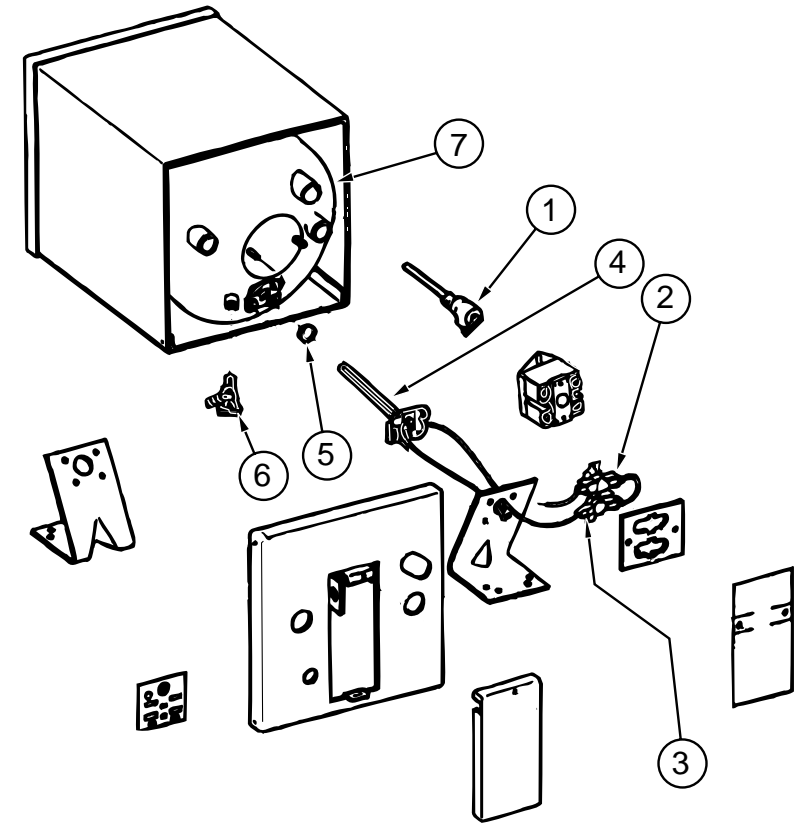
WATERSYSTEM

KEY	PARTNUMBER	U/M	DESCRIPTION
	110915-01-01A	EA	FILL-WATER-CITY-CHROME-KEVCO64713
	090338-03-000	EA	FITTING-HOSE-3/4"ID-2"LENGTH-BRASS
	111223-02-000	EA	ELBOW-PLASTIC-1/2MPTX3/8BARB
			FROM: 00-00-00 THRU: 04-15-97
	114428-01-000	EA	TEE-1/2"PX1/2"PX1/2"P
	114428-02-000	EA	TEE-SWIVEL-1/2"PX1/2"PX1/2"FPT
	114428-03-000	EA	TEE-1/2"PX1/2"PX1/2"MPT
	114429-01-000	EA	ELBOW-1/2"PX1/2"P
	114429-02-000	EA	ELBOW-1/2"PX1/2"MPT
	114429-03-000	EA	ELBOW-1/2"PX1/2"FPT-FLAIR-IT02816
	114429-05-000	EA	ELBOW-1/2"PX3/4"MPT-FLAIR-IT02812
	114429-06-000	EA	ELBOW-SWIVEL-1/2PX3/4FPT
	114430-01-000	EA	ADAPTER-1/2"PX1/2"P-FLAIR-IT02840
	114430-02-000	EA	ADAPTER-SWIVEL-1/2"PX1/2"FPT-FLAIR-IT02873
	114430-03-000	EA	ADAPTER-1/2"PX1/2"MPT
	114431-01-000	EA	VALVE-LINEDRAIN-1/2"P-FLAIR-IT02914
	114431-03-000	EA	VALVE-1/2"PX1/2"P-FLAIR-IT02884
	114431-04-000	EA	VALVE-WATER-STRAIGHTTHRU-"SHUTOFFVALVE"
	123150-01-000	EA	ELBOW-1/2FPTX1/2BARB-SWIVEL
	126589-01-000	EA	ELBOW-1 1/2"90DEGREE SLIPXFEMALE
	039800-02-000	FT	TUBING-POLYBUTY-5/8ODX20FT-TM3L10S(BLUE)
	039800-05-000	FT	TUBING-POLYBUTY-5/8ODX20FT-TR3L10S(REDSTRIPE)

EXTERIORSHOWER

KEY	PARTNUMBER	U/M	DESCRIPTION	VENDOR NO.
	079563-04-01A	EA	FAUCET-SHOWER-P442SVB	
	103092-01-000	EA	SHOWERHEAD-W/60"HOSE	
	103092-02-000	EA	SHOWERHEAD-W/60"HOSE-CSA	
	103092-01-700	EA	BRACKETONLY-CLEAR-F/SHOWHEAD	2328028
	103092-01-702	EA	SEALS-SPRAYHEAD	24466
	011048-03-700	EA	BRACKET-F/SHOWERHEAD	2328029-3
	108356-02-01A	EA	COVER/ACTUATORSWITCH-2ROWSDIMPLES-CONTURAILI-BLACK	
	108357-08-000	EA	SWITCH-ROCKERDPDT-ON/NONE/ON-6TERMINAL	
	121473-01-01A	EA	COMPARTMENT-SHOWER-EXTERIOR-OFFWHITE	
	120592-01-01A	EA	COMPARTMENT-SHOWER-EXTERIOR-OFFWHITE-JAPAN	

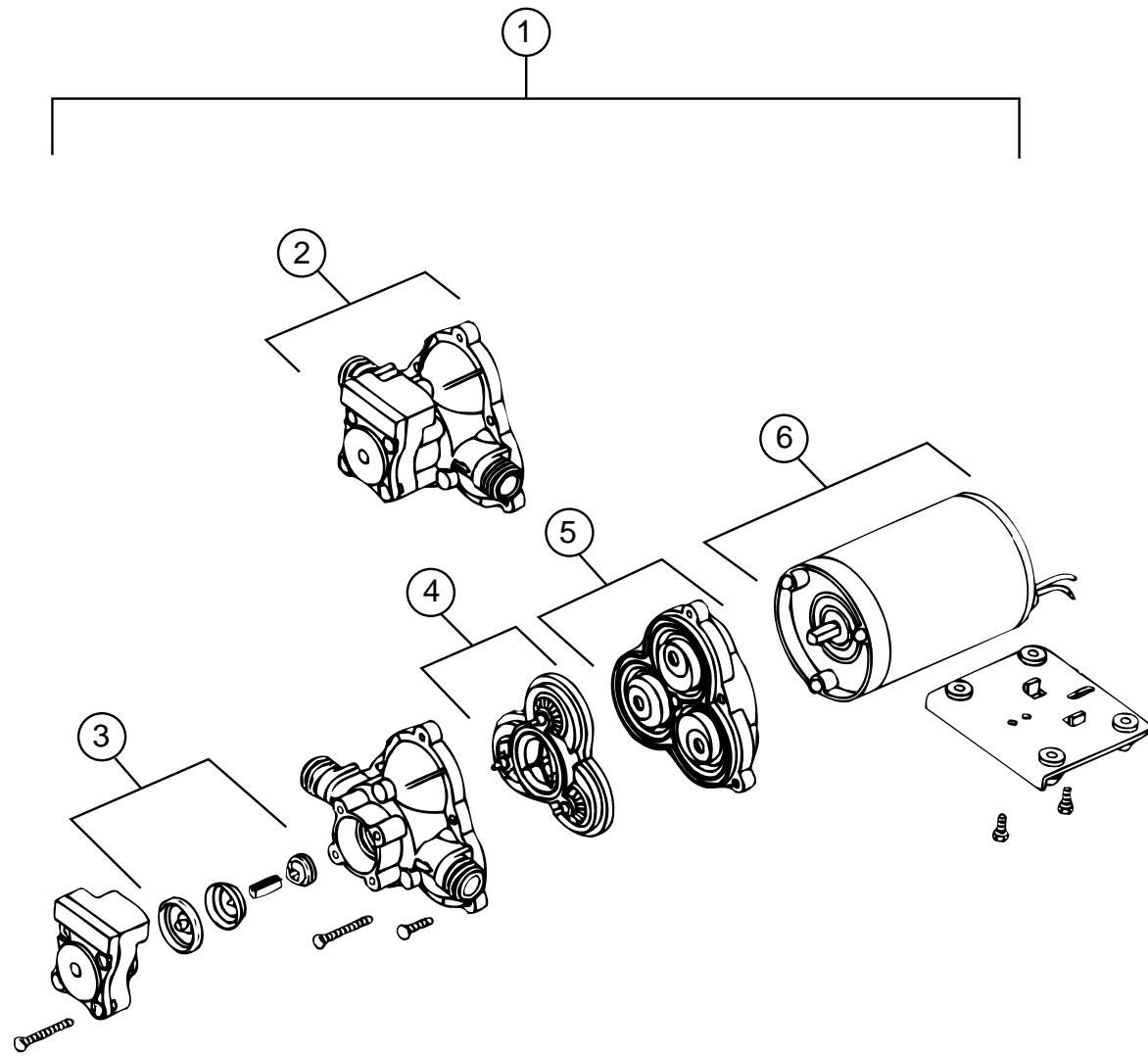
WATER&SEWAGEGROUP(CONTINUED)



ATWOODELECTRICWATERHEATER

KEY	PARTNUMBER	U/M	DESCRIPTION	VENDOR NO.
	113122-01-000	EA	WATERHEATER-ELECTRIC-4GALLON	
	113122-01-A00	EA	WATERHEATER-ELECTRIC-EHM4SM-ELECTRICONLY	
	113122-02-000	EA	WATERHEATER-4GALLON-EUROPEAN	
1	051391-01-704	EA	VALVE-RELIEF-1/2"FITTING	91604
2	074034-01-700	EA	SWITCH	92942
2	113122-02-700	EA	SWITCH-ECO220V-EUROPEAN	91740
3	074034-01-701	EA	THERMOSTAT	92943
4	074034-01-702	EA	ELEMENT-IMMERSION-1500W	93089
4	113122-02-701	EA	ELEMENT-HEATING-220V-EUROPEAN	91097
5	074034-01-703	EA	GASKET	92679
5	113122-02-702	EA	GASKET-220V-EUROPEAN	91098
6	074034-01-704	EA	VALVE-DRAIN-PETCOCK-NADA	93755
7	113122-01-700	EA	TANK-INNER	92245

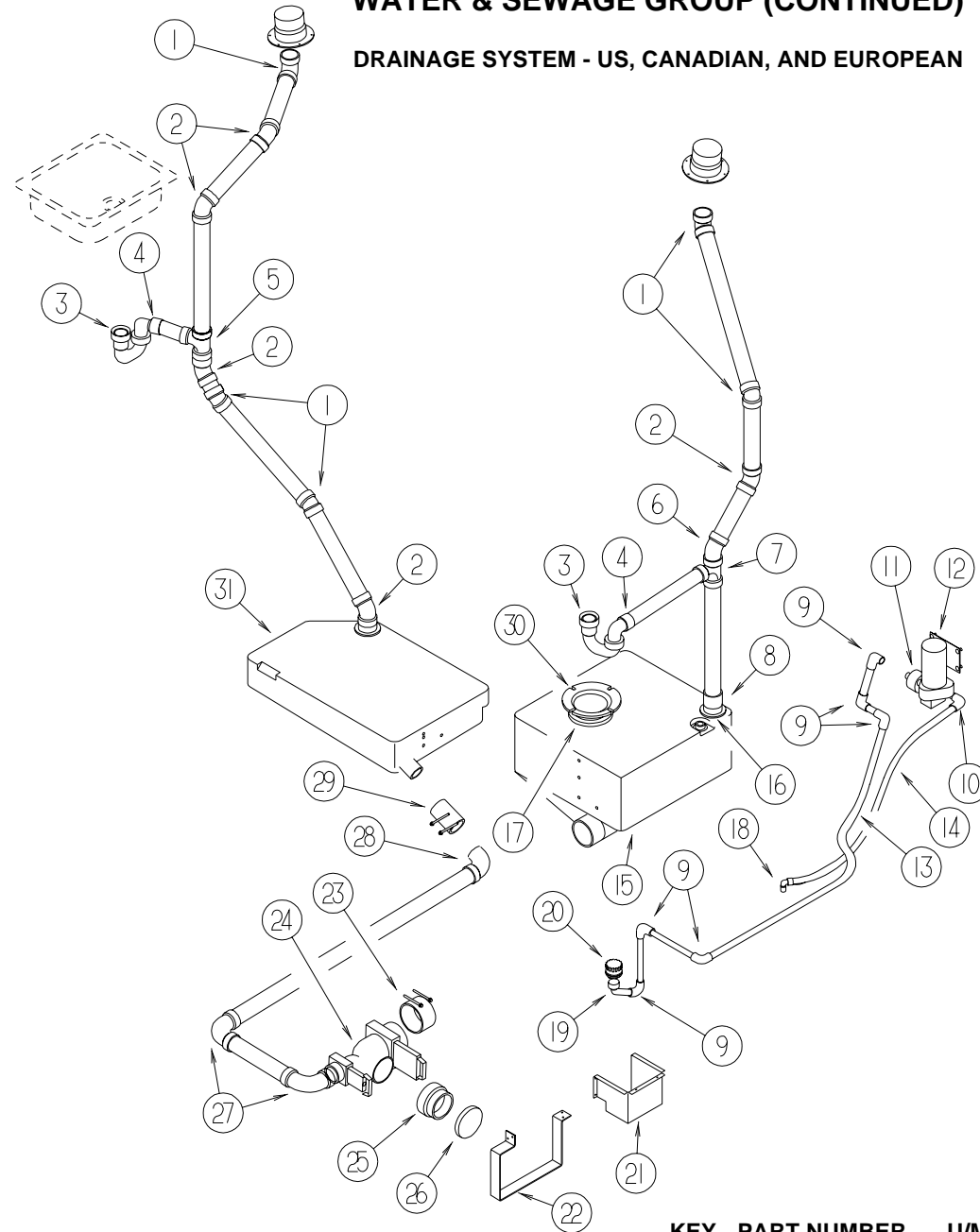
WATER&SEWAGEGROUP(CONTINUED)
SHURFLOWATERPUMPORSUMPPUMP&COMPONENTS



KEY	PARTNUMBER	U/M	DESCRIPTION	VENDOR NO.
1	098607-01-000	EA	PUMP-WATER-W/.5"MPTFITTING-FLOW2.8GPM	
2	098607-01-706	EA	HOUSING-W/SWITCHONLY	94-231-20
3	098607-01-705	EA	VALVE-CHECK,KIT	94-237-00
4	098607-01-703	EA	VALVEKIT	94-232-00
5	098607-01-702	EA	DIAPHRAM/DRIVEASSEMBLYKIT	94-238-04
6	098607-01-707	EA	MOTORW/BASEPLATE	94-234-03
	112176-01-000	FT	TUBING-VINYL-REINFORCED-1/2"ID	

WATER & SEWAGE GROUP (CONTINUED)

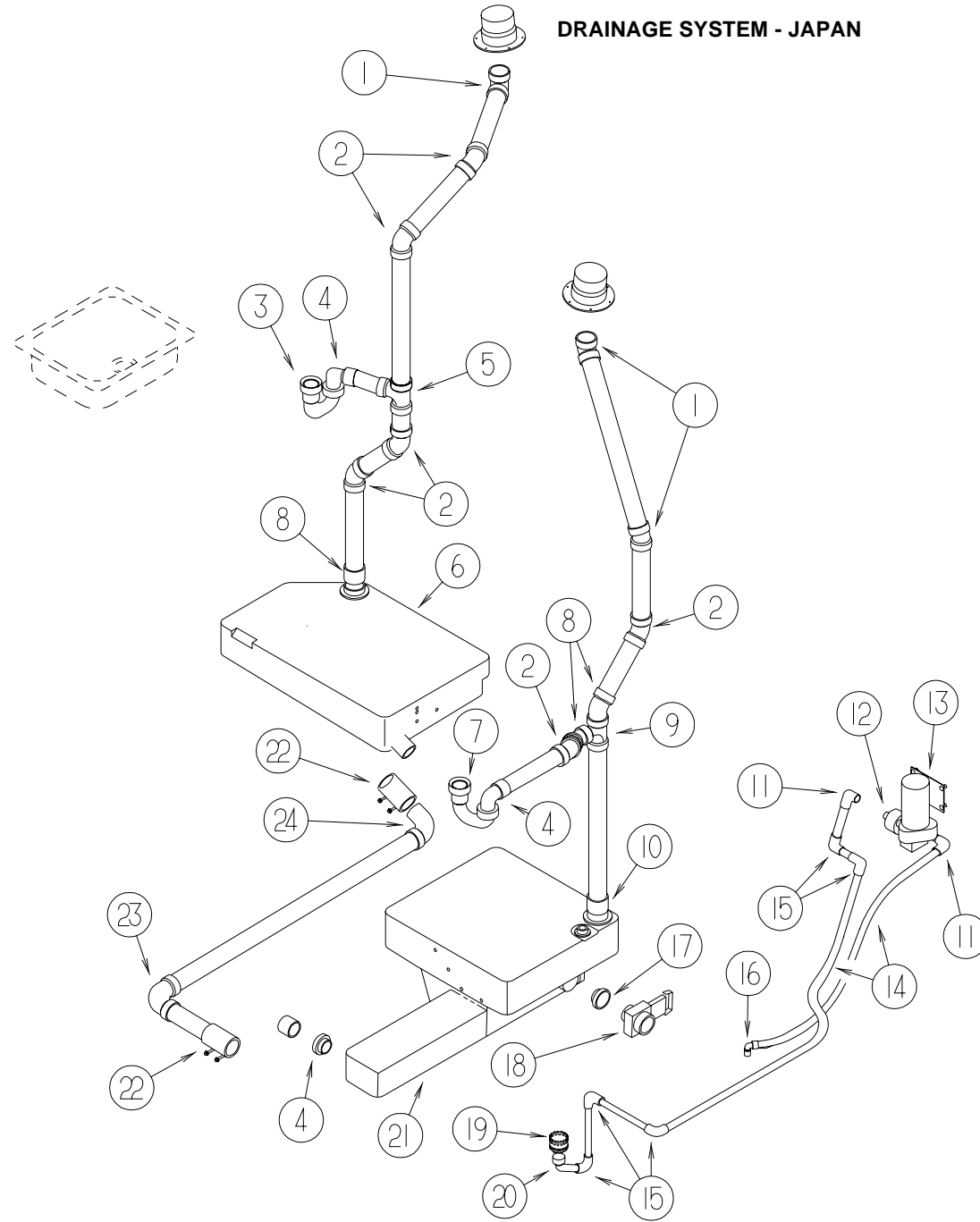
DRAINAGE SYSTEM - US, CANADIAN, AND EUROPEAN



KEY	PART NUMBER	U/M	DESCRIPTION
1	010005-01-000	EA	ELBOW - 22.5 DEGREE - 1 1/2" HUB X HUB - PLASTIC
2	010006-01-000	EA	ELBOW - 45 DEGREE - 1/8 BEND - 1 1/2" HUB X HUB - PLASTIC
3	107538-01-000	EA	P - TRAP - PLASTIC - 1 1/4" W/EXT ARM - US
3	011071-01-000	EA	P TRAP - PLASTIC - 1 1/2" OR 1.25" - CANADIAN
4	109571-01-000	EA	ADAPTER - P TRAP - 1 1/2" P X 1 1/4" MPT - US
5	010071-02-000	EA	TEE - SANITARY W/BAFFLE - 1 1/2" HUB X HUB X HUB - PLASTIC
6	010051-01-000	EA	ELBOW - 45 DEGREE - 1 1/2" SPIGOT AND HUB - PLASTIC
7	010071-01-000	EA	TEE - SANITARY - 1 1/2" HUB X HUB X HUB - PLASTIC
8	010115-01-000	EA	COUPLING - 1 1/2" HUB X HUB - PLASTIC
9	114429-01-000	EA	ELBOW - 1/2"P X 1/2"P - W/SHOWER OPTION
10	123150-01-000	EA	ELBOW - SWIVEL - 1/2" FPT X 1/2" BARB - W/SHOWER OPTION
11	114966-01-000	EA	FILTER - IN LINE - TWIST ON - 1/2" - W/SHOWER OPTION
12	098607-01-000	EA	PUMP - SUMP - W/.5" MPT FITTING - FLOW 2.8 GPM - UL - W/SHOWER OPTION
13	039800-02-000	FT	TUBING - POLYBUTY - 5/8OD X 20 FT TM3L10S (BLUE)
14	112176-01-000	FT	TUBING - VINYL - REINFORCED - 1/2ID CAST PROD HP135
15	111884-02-000	EA	TANK - HOLDING - 13 GAL - 486 MM X 466 MM X 330 MM
	039861-01-000	EA	SENDING UNIT - W/SCREW - WASHER - WELL NUT/TERMINAL RING
16	061607-01-000	EA	GROMMET - HOLDING TANK - 1 1/2" NPS
17	061607-02-000	EA	GROMMET - HOLDING TANK - 3" NPS
18	111223-02-000	EA	ELBOW - 3/8 BARB X 1/2" MPT

KEY	PART NUMBER	U/M	DESCRIPTION
19	114429-06-000	EA	ELBOW - SWIVEL - 1/2" P X 3/4" FPT - FLAIR-IT 02811
20	114974-01-000	EA	CONNECTOR - HULL - W/STRAINER - W/SHOWER OPTION
	069735-01-000	EA	WASHER - STRAINER TO TAILPIECE - 1.5" - PLASTIC
20	114427-02-000	EA	PLUG - 1/2P
21	114987-01-09B	EA	PANEL - COVER - SUMP - BOTTOM - GALVANIZED
21	114988-01-09B	EA	PANEL - COVER - SUMP - GALVANIZED
	092321-01-000	FT	INSULATION - FIBERGLASS W/FOIL BACKING
22	117271-01-02B	EA	SHROUD - DRAINAGE
23	078406-01-000	EA	COUPLER - RUBBER - W/CLAMPS - 3" X 3"
24	070916-01-000	EA	VALVE - DUAL DUMP - W/CAP - 3" X 1 1/2" - PLASTIC
	070916-01-700	EA	VALVE ONLY - 3"
	070916-01-701	EA	VALVE ONLY - 1 1/2"
25	062416-01-000	EA	ADAPTER - SEWER HOSE TO 3" PIPE
26	062415-01-000	EA	CAP - SEWER - 3" DIAMETER
	062415-01-700	EA	STRING - SEWER CAP
	010201-01-000	EA	HOSE - SEWER - 3" ID X 8'
27	010008-01-000	EA	ELBOW - 90 DEGREE - 1 1/2" HUB X HUB - PLASTIC
28	033761-01-000	EA	ELBOW - 90 DEGREE - 1 1/2" HUB X SPIGOT - PLASTIC
29	089355-01-000	EA	COUPLER - RUBBER - 1 1/2" X 1 1/2"
30	063641-01-000	EA	FLANGE - CLOSET - 4" X 3"
31	111881-02-000	EA	TANK - HOLDING - 6 GALLON - W/FITTINGS

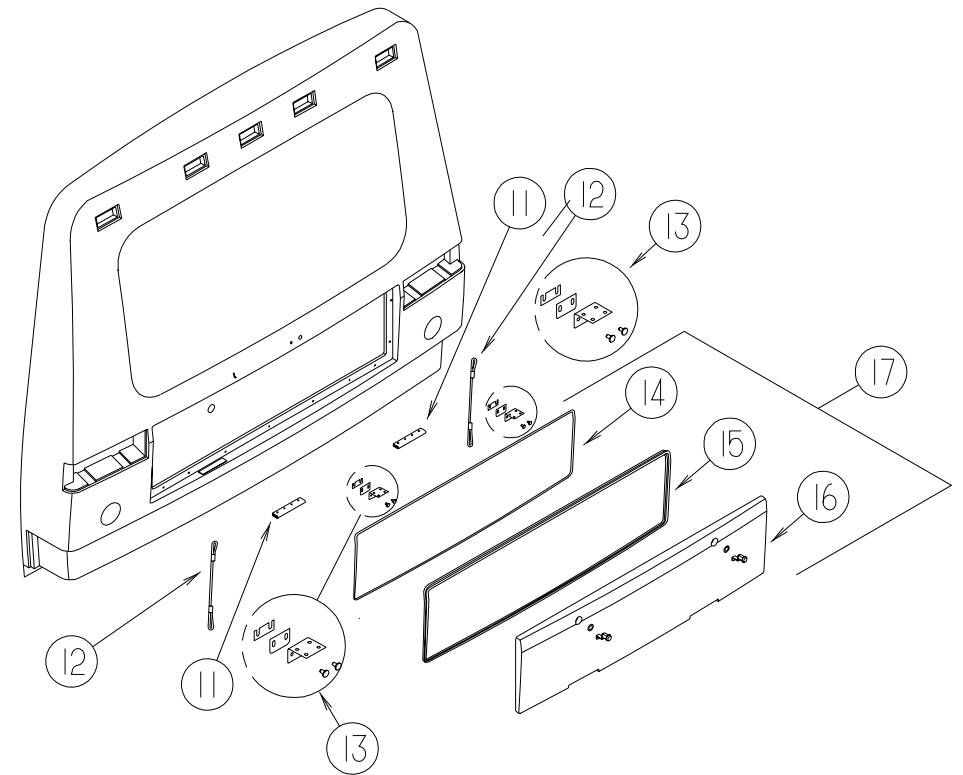
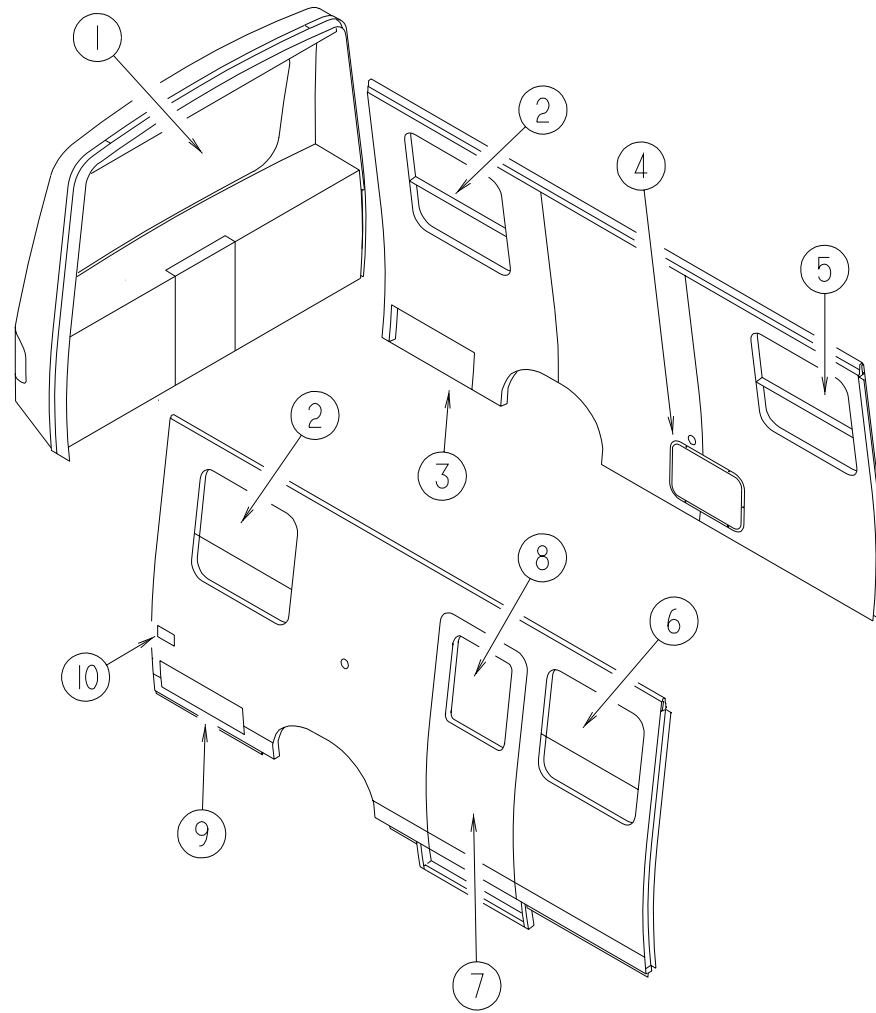
WATER & SEWAGE GROUP (CONTINUED)



KEY	PART NUMBER	U/M	DESCRIPTION
1	010005-01-000	EA	ELBOW - 22.5 DEGREE - 1 1/2" HUB X HUB - PLASTIC
2	010006-01-000	EA	ELBOW - 45 DEGREE - 1 1/2" HUB X HUB - PLASTIC
3	107538-01-000	EA	P TRAP - PLASTIC - 1 1/4" W/EXTENSION ARM
4	109571-01-000	EA	ADAPTER - P-TRAP - 1 1/2" P X 1 1/4" MPT
5	010071-02-000	EA	TEE - SANITARY - W/BAFFLE - 1 1/2" HUB X HUB X HUB - PLASTIC
6	111881-02-000	EA	TANK - HOLDING - 6 GALLON - W/FITTINGS
	061607-01-000	EA	GROMMET - HOLDING TANK - 1 1/2" NPS
	039861-01-000	EA	SENDING UNIT - W/SCREW - WASHER - WELL NUT/TERMINAL RING
7	010051-01-000	EA	ELBOW - 45 DEGREE - 1 1/2" SPIGOT & HUB - PLASTIC
8	010071-01-000	EA	TEE-SANITARY - 1 1/2" HUB X HUB X HUB - PLASTIC
9	010115-01-000	EA	COUPLING - 1 1/2" HUB X HUB - PLASTIC
10	123150-01-000	EA	ELBOW - SWIVEL - 1/2" BARB X 1/2" FPT - W/SHOWER OPTION
11	114966-01-000	EA	FILTER - IN LINE - TWIST ON - 1/2" - W/SHOWER OPTION
12	098607-01-000	EA	PUMP - WATER - W/.5" MPT FITTING - FLOW 2.8 GPM- W/SHOWER OPTION
13	112176-01-000	FT	TUBING - VINYL - REINFORCED - 1/2 ID
14	039800-02-000	FT	TUBING - POLYBUTY - 5/8OD X 20 FT TM3L10S (BLUE)

KEY	PART NUMBER	U/M	DESCRIPTION
15	114429-01-000	EA	ELBOW - 1/2" P X 1/2" P - FLAIR-IT 02800
16	111223-02-000	EA	ELBOW - PLAS - 1/2MPT X 3/8BARB
17	109571-02-000	EA	ADAPTER - 1 1/2" HUB X 1 1/2" MPT - NIBCO 5801-7
18	114112-01-000	EA	VALVE ASM - WASTE - 1.5" - VALTERRA T1001E
	114112-01-700	EA	CAP - VALVE
	114111-01-000	EA	HOSE - SEWER - 1.5' - VALTERRA D04-0059
19	114974-01-000	EA	CONNECTOR - HULL - W/STRAINER - W/SHOWER OPTION
	114427-02-000	EA	PLUG - 1/2P
20	114429-06-000	EA	ELBOW - SWIVEL - 1/2P X 3/4FPT
21	120589-02-000	EA	TANK - HOLDING - 8 GALLON - W/FITTINGS
22	089355-01-000	EA	COUPLER - RUBBER - 1 1/2" X 1 1/2"
23	010008-01-000	EA	ELBOW - 90 DEGREE - 1 1/2" HUB X HUB - PLASTIC
24	033761-01-000	EA	ELBOW - 90 DEGREE - 1 1/2" HUB X SPIGOT - PLASTIC
	092321-01-000	FT	INSULATION - FIBERGLASS - W/FOIL BACKING
	114427-02-000	EA	PLUG - 1/2" P - FLAIR-IT 02863

WINDOW, VENT & EXTERIOR DOOR GROUP
WINDOWS & DOORS

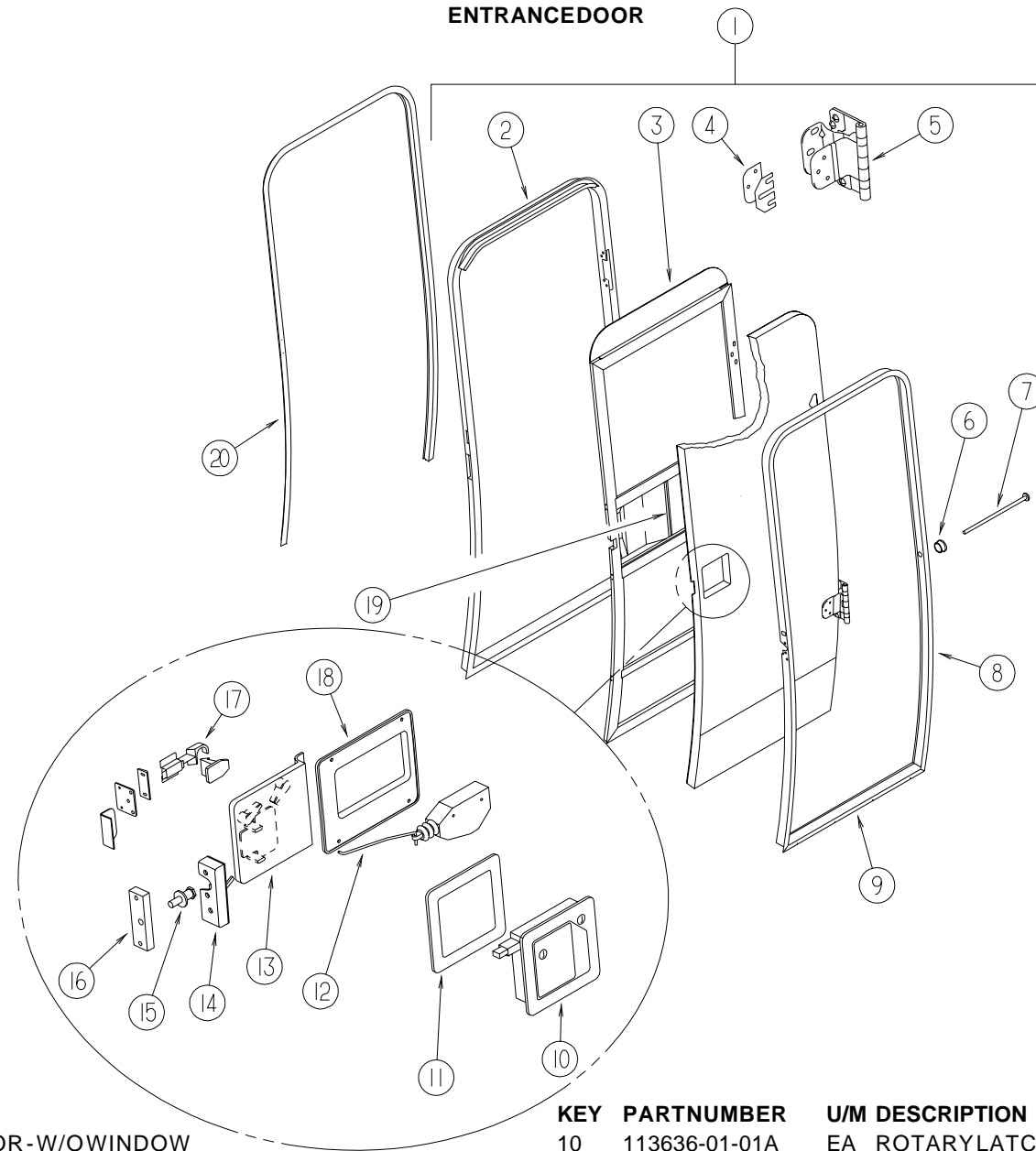


KEY	PARTNUMBER	U/M	DESCRIPTION
1	084886-04-000	EA	WINDOW-REARESCAPE-58.6"X29"
1	084886-05-000	EA	WINDOW-REARESCAPEW/DEFROSTER-58.6"X29"
	002285-01-000	FT	FILLER-WEATHERSTRIP-RUBBER-BLACK
	084423-03-000	EA	WEATHERSTRIP-VULCANIZED-1/2"W/LIPX14'-BLACKRUBBER
	077066-01-702	EA	TAPE-RED-ESCAPEWINDOW
2	104691-17-01A	EA	WINDOW-TIPOUT-24.3"X26"
2	112795-58-01A	EA	WINDOW-PASSENGERHORIZONTALSLIDER THERMO24.4"X36.2"-EUROPEAN
	112795-58-700	EA	GLASS-SLIDING-W/SASH&LATCH
	112795-58-701	EA	GLASS-STATIONARY
	112795-58-702	EA	RETAINER-TRIM
	112795-58-703	EA	SCREENASM.W/SEALS&CLIPS
2	112795-59-01A	EA	WINDOW-DRIVERSHORIZONTALSLIDER THERMO-24.4"X36.2"
3	112027-08-H70	EA	PANEL-VALANCE-REARDRIVER-W/OLOCKS
4	120593-01-H70	EA	DOOR-COMPARTMENT-W/OHARDWARE
5	104691-07-01A	EA	WINDOW-TIPOUTW/WHITE TRIMRING-243/4"X263/4"
5	112898-12-01A	EA	WINDOW-VERTICALSLIDER THERMO-25"X27"-EUROPEAN
6	098644-10-01A	EA	WINDOW-VERTICALSLIDER25"X27"
	098644-10-700	EA	SCREENASM-W/SEALS&CLIPS
	098644-10-701	EA	GLASS-SLIDING-W/SASH&LATCH
	098644-10-702	EA	GLASS-STATIONARY
	098644-10-703	EA	RETAINER-TRIM

KEY	PARTNUMBER	U/M	DESCRIPTION
6	112898-12-01A	EA	WINDOW-VERTICALSLIDER THERMO-25"X27"-EUROPEAN
6	112898-12-700	EA	GLASS-SLIDINGW/SASH&LATCH
6	112898-12-701	EA	GLASS-STATIONARY-EUROPEAN
7	113594-01-H70	EA	DOOR-ENTRY-W/SCREENDOOR-W/OWINDOW
8	117053-01-F45	EA	WINDOW-PICTURE-17"X26.4"
	114507-02-01A	EA	FRAME-WINDOW/INSIDE
8	113733-04-01A	EA	WINDOW-STATIONARY THERMOPANE/EUROPEAN-24.8"X17.1"
	113733-04-700	EA	RETAINER-TRIM
	113733-04-701	EA	GLASS-STATIONARY
	002181-28-000	EA	GLASS-PICTURE-23.9"X16.19"
9	112027-07-H70	EA	PANEL-VALANCE-REARPASSENGER-W/OLOCKS
9	112027-09-H70	EA	PANEL-VALANCE-REARPASSENGER-W/OLOCKS-JAPAN
10	081240-14-000	EA	FILL-WATER-LOCKABLE
11	124242-01-02A	EA	HINGE-TRUNKDOOR
12	076767-05-000	EA	CABLE-STORAGE DOORSUPPORT-1/16"X15.5"-STAINLESSSTL
13	120494-02-01B	EA	SHIM-STRIKER-MILL
13	124793-02-02B	EA	PLATE-STUD
13	124794-01-02B	EA	PLATE-STRIKE
14	124388-01-02B	EA	PANEL-DOOR-COMPT-REAR-INNER
15	112160-01-000	FT	SEAL-DSECTION-.2X.3"-FOAMRUBBER
16	124180-01-01A	EA	PANEL-DOOR-COMPT-REAR-OUTER
17	124392-01-H70	EA	DOOR-COMPARTMENT/REAR-W/OLOCK/HARDWARE
	009426-01-000	EA	HATCH-POWERCORD-WHITE

WINDOW, VENT & EXTERIOR DOOR GROUP (CONTINUED)

ENTRANCE DOOR



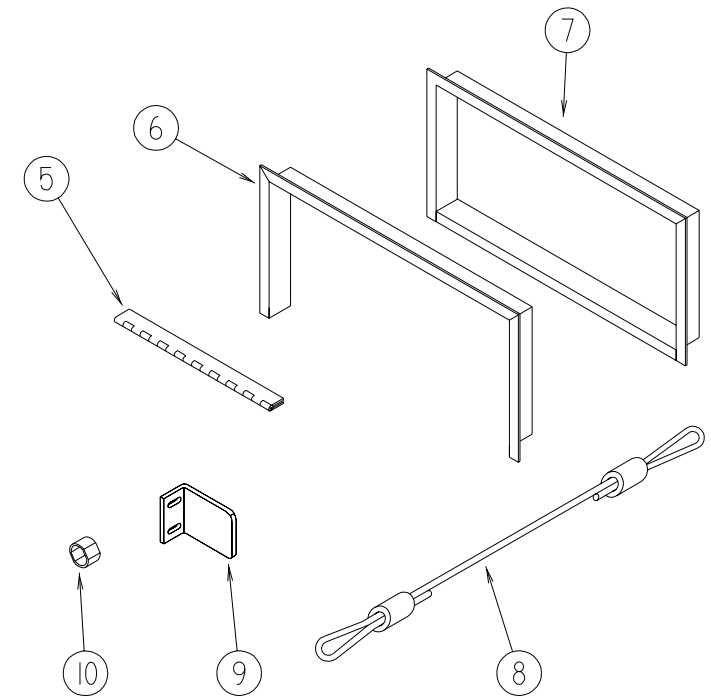
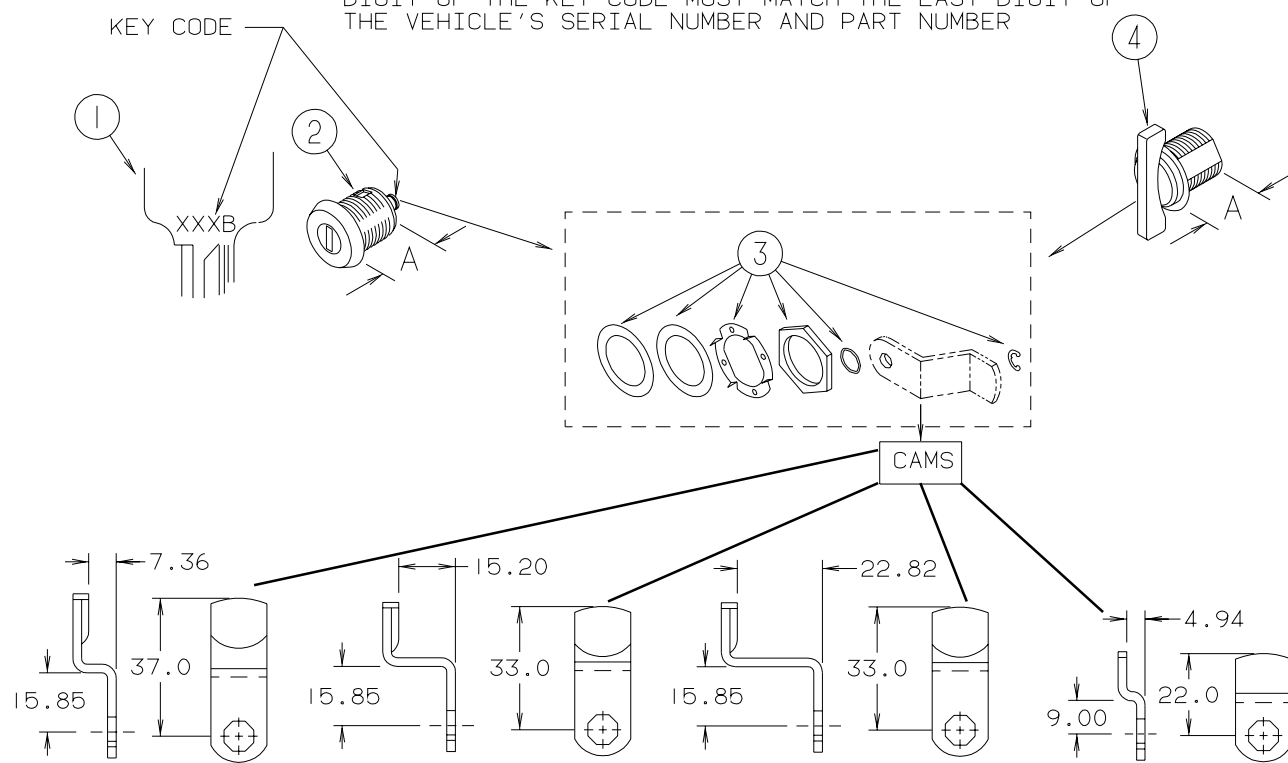
KEY	PARTNUMBER	U/M	DESCRIPTION
1	113594-01-H70	EA	DOOR-ENTRY-W/SCREENDOOR-W/OWINDOW
2	113642-01-F45	EA	JAMB-DOOR/ENTRY
	111536-03-000	FT	SEAL-ENTRANCEDOOR-SIDESANDTOPONLY
3	113621-01-01A	EA	DOOR-SCREEN
	002293-02-000	SF	SCREENING-WINDOW/DOOR-26"
	002294-01-000	FT	SPLINE-SCREENING-.135"X.138"
	075673-01-000	FT	SEAL-PILE-ADHESIVEBACK-GRAY
	075673-04-000	FT	SEAL-PILE-ADHESIVEBACK
	113616-01-01A	FT	EXTRUDED-VINYL-SEALTRACK-7'
	116485-01-03B	EA	BRACKET-SCREENDOOR-OFFWHITE
4	113668-01-01A	EA	GASKET-HINGE-DOOR
5	113460-01-01A	EA	HINGE-ENTRANCEDOOR/UPPER
	113460-01-02A	EA	HINGE-ENTRANCEDOOR/UPPER-WHITE
	113461-01-01A	EA	HINGE-ENTRANCEDOOR/LOWER
	113461-01-02A	EA	HINGE-ENTRANCEDOOR/LOWER-WHITE
	113680-01-01A	EA	COVER-ACCESS-DOORHINGE
	117196-01-01A	EA	COVER-HINGE-ENTRYDOOR-UPPER
	117196-02-01A	EA	COVER-HINGE-ENTRYDOOR-LOWER
	073050-03-000	EA	MOUNTINGCLIP-VALANCEPANEL-JAPAN
6	008384-01-000	EA	GROMMET-SNAP-3/4DIAMETER-NYLON
7	077222-01-000	EA	SPRING-WIREGUARD-ENTRYDOOR
8	113376-01-01A	EA	TRIM-DOOR-ENTRY
9	113395-01-01A	EA	TRIM-DOOR/ENTRY-BOTTOM
	112160-02-000	FT	SEAL-DSECTION-.2X.3"-FOAMRUBBER-BOTTOMOFDOORONLY

KEY	PARTNUMBER	U/M	DESCRIPTION
10	113636-01-01A	EA	ROTARYLATCHASM.-OFF/WHITE-TRIMARK-W/KEYS
	045017-11-701	EA	KEY-BLANK(F1SERIES)"K-104"-DOORLOCK
	045017-11-702	EA	KEY-MASTER-FSERIES-TOBESOLDTOF/DEALERUSEONLY-NORETAIL!!
	113636-01-700	EA	KEY-BLANK-DEADBOLT
11	113669-01-01A	EA	GASKET-LATCH-DOOR
	113638-02-000	EA	CONNECTOR-ACTUATOR
12	113834-01-01A	EA	ROD-DOORLATCH-POWER
	114209-01-01A	EA	PUSHNUT-CAP-1/8"-WHITE
13	113636-02-01A	EA	PLATE-INSIDE-W/DEADBOLT
	113636-06-01A	EA	SCREWS-MOUNTING-INSIDEPLATE
14	113636-03-01A	EA	LATCH-SINGLEROTOR
15	092927-03-000	EA	STRIKER-ROUND-JAMB MOUNTED
16	113636-05-01A	EA	NUT-CAGED
17	110529-01-000	EA	LATCH-BULLET-SCREENDOOR
18	113960-01-01A	EA	COVER-ACTUATOR-POWERLOCK
19	079086-02-000	EA	SLIDER-SCREENDOOR
	079087-02-000	EA	STRIKE-SLIDER-W/LIPFORELBOWCATCH-1.5"X8.6"
20	113658-01-01A	EA	TRIM-JAMB/UPPER
	113750-01-04B	EA	PLATE-LATCHSTRIKER
	115750-01-02B	EA	BRACKET-LATCH-DOOR
	016454-12-000	EA	INSERT-DOOR/SCREEN-CENTER
	110529-01-000	EA	LATCH-BULLET-SCREENDOOR
	117046-01-000	EA	BUMPER-RUBBER/ROUNDEND
	116111-02-01A	EA	SCREW-TAPTITE-1/4-20X3/8PPH-ZINC

WINDOW, VENT & EXTERIOR DOOR GROUP (CONTINUED)

BRIGGS & STRATTON LOCKS & EXTERIOR DOOR COMPONENTS

NOTE:
WHEN ORDERING THE LOCK CASE, THE KEY CODE MUST MATCH THE LAST DIGIT OF THE VEHICLE'S SERIAL NUMBER AND PART NUMBER; WHEN ORDERING THE KEYS, THE THIRD DIGIT OF THE KEY CODE MUST MATCH THE LAST DIGIT OF THE VEHICLE'S SERIAL NUMBER AND PART NUMBER



110506-66-000

110506-67-000

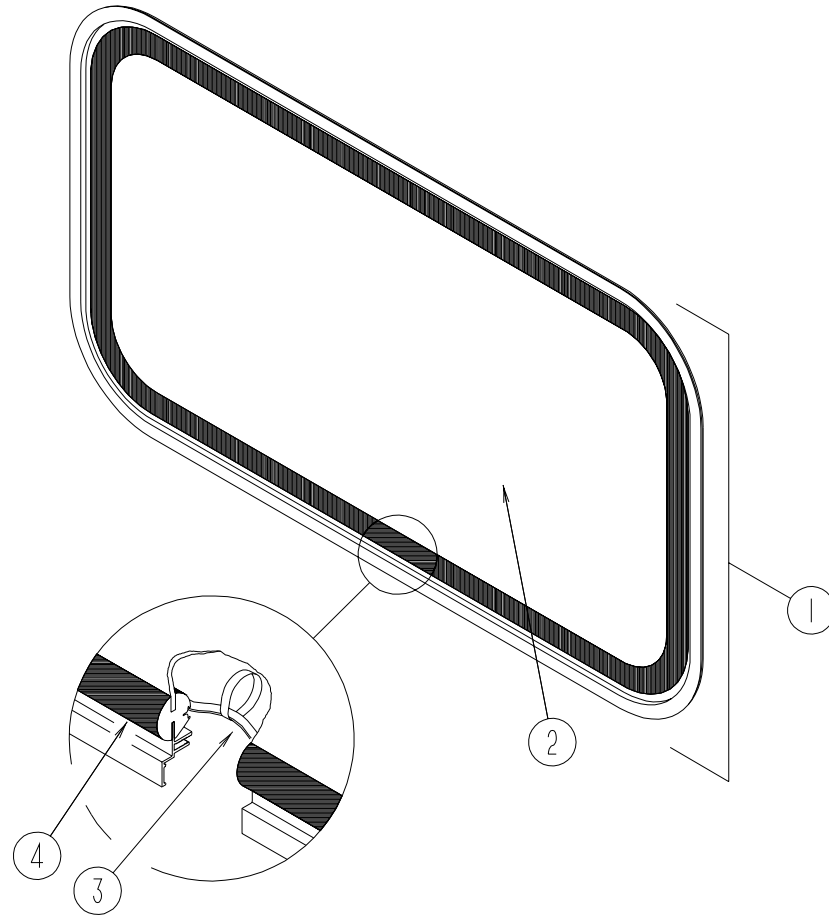
110506-68-000

110506-71-000

KEY	PARTNUMBER	U/M DESCRIPTION	VENDORNO.
1	110506-59-000	EA KEYS-SET OF 2	596720
2	110506-52-000	EA CASE/CYLINDER-LOCKINGW/OCAM-.65"	702370
2	110506-53-000	EA CASE/CYLINDER-LOCKINGW/OCAM-1"	702380
1	110506-59-001	EA KEYS-SET OF 2	596721
2	110506-52-001	EA CASE/CYLINDER-LOCKINGW/OCAM-.65"	702371
2	110506-53-001	EA CASE/CYLINDER-LOCKINGW/OCAM-1"	702381
1	110506-59-002	EA KEYS-SET OF 2	596722
2	110506-52-002	EA CASE/CYLINDER-LOCKINGW/OCAM-.65"	702372
2	110506-53-002	EA CASE/CYLINDER-LOCKINGW/OCAM-1"	702382
1	110506-59-003	EA KEYS-SET OF 2	596723
2	110506-52-003	EA CASE/CYLINDER-LOCKINGW/OCAM-.65"	702373
2	110506-53-003	EA CASE/CYLINDER-LOCKINGW/OCAM-1"	702383
1	110506-59-004	EA KEYS-SET OF 2	596724
2	110506-52-004	EA CASE/CYLINDER-LOCKINGW/OCAM-.65"	702374
2	110506-53-004	EA CASE/CYLINDER-LOCKINGW/OCAM-1"	702384
1	110506-59-005	EA KEYS-SET OF 2	596725
2	110506-52-005	EA CASE/CYLINDER-LOCKINGW/OCAM-.65"	702375
2	110506-53-005	EA CASE/CYLINDER-LOCKINGW/OCAM-1"	702385
1	110506-59-006	EA KEYS-SET OF 2	596726
2	110506-52-006	EA CASE/CYLINDER-LOCKINGW/OCAM-.65"	702376
2	110506-53-006	EA CASE/CYLINDER-LOCKINGW/OCAM-1"	702386
1	110506-59-007	EA KEYS-SET OF 2	596727
2	110506-52-007	EA CASE/CYLINDER-LOCKINGW/OCAM-.65"	702377
2	110506-53-007	EA CASE/CYLINDER-LOCKINGW/OCAM-1"	702387

KEY	PARTNUMBER	U/M DESCRIPTION	VENDORNO.
1	110506-59-008	EA KEYS-SET OF 2	596728
2	110506-52-008	EA CASE/CYLINDER-LOCKINGW/OCAM-.65"	702378
2	110506-53-008	EA CASE/CYLINDER-LOCKINGW/OCAM-1"	702388
1	110506-59-009	EA KEYS-SET OF 2	596729
2	110506-52-009	EA CASE/CYLINDER-LOCKINGW/OCAM-.65"	702379
2	110506-53-009	EA CASE/CYLINDER-LOCKINGW/OCAM-1"	702389
	110506-02-000	EA LOCK-KEYED-13.64MM-BRIGGS AND STRATTON	
	110506-10-000	EA LOCK ASM-KEYED 33.81MM	
	110506-12-000	EA LOCK ASM-KEYED 1.93MM	
	110506-14-000	EA LOCK ASM-KEYED 54.34MM	
3	110506-40-700	EA HARDWARE PACKAGE-CYLINDER/CASE	
	110506-59-700	EA KEYS-SET COMPLETE #0 THRU #9 - (FOR DEALER USE ONLY. DO NOT RETAIL.)	
	110506-59-701	EA KEY BLANK (GOLD)	
4	110506-51-000	EA CASE/CYLINDER-TWIST LATCH W/OCAM-1"	596669
	110506-66-000	EA CAM-LATCHING-DOG LEGGED 1.5" LONG	
	110506-67-000	EA CAM-LATCHING-DOG LEGGED 1.3" LONG	
	110506-68-000	EA CAM-LATCHING-DOG LEGGED 1.3" LONG	
	110506-71-000	EA CAM-LATCHING-DOG LEGGED .86" LONG	
5	112246-01-01A	EA HINGE-2" X 16.3", VW WHITE	
5	081801-AF-000	EA HINGE-ALUMINUM-2" X 12.2"	
6	113752-01-01A	EA JAMB-TRIM-GENERATOR	
6	113752-02-01A	EA JAMB-TRIM-JAPAN	
7	113752-03-01A	EA JAMB-TRIM-LUGGAGE DOOR	
7	113753-01-01A	EA JAMB-TRIM-LP-VW WHITE	
8	076767-05-000	EA CABLE-STORAGE DOOR SUPPORT-1/16" X 15.5"-STAINLESS STL	
9	112245-01-000	EA BRACKET-CATCH-LOCK	
10	107997-51-001	EA SPACER-DOOR LOCK-.6" DEEP	
10	107997-51-002	EA EXTRUDED-SPACER-16'	
	115359-01-000	FT SEAL-DSECTION-10X12 SPONGE RUBBER	
	104692-01-000	FT SEAL-FOAM/ADHESIVE BACK-.75" THICK X .75" WIDE X 25'	

WINDOW, VENT & EXTERIOR DOOR GROUP (CONTINUED)



ENTRANCE DOOR WINDOW - STANDARD

KEY	PARTNUMBER	U/M DESCRIPTION
1	117053-01-F45	EA WINDOW - PICTURE - 17" X 26.4"
2	002181-28-000	EA GLASS - PICTURE - 23.9" X 16.19"
3	114507-02-01A	EA FRAME - WINDOW / INSIDE
4	087561-01-000	FT SEAL - GLASS - EXTERIOR - .5" WIDE - VINYL BLACK

ENTRANCE DOOR WINDOW - EUROPEAN WINDOW OPTION

KEY	PARTNUMBER	U/M DESCRIPTION
1	113733-04-01A	EA WINDOW - STATIONARY THERMOPANE / EUROPEAN - 24.8" X 17.1"
2	113733-04-701	EA GLASS - STATIONARY
3	113733-04-700	EA RETAINER - TRIM

WINDOW, VENT & EXTERIOR DOOR GROUP (CONTINUED)

TIPOUT WINDOW PASSENGER SIDE

KEY	PARTNUMBER	U/M DESCRIPTION	VENDOR NO.
	104691-07-01A	EA WINDOW - TIPOUT W/ WHITE TRIM RING - 24 3/4" X 26 3/4"	
	100322-01-703	FT STRIP - GLAZING - BUTYL - EXCEL	132-010723
	100322-01-718	EA HANDLE - DIAL - EXCEL	410-016081
	104691-07-700	EA GLASS - VENT - TIPOUT - LOWER - EXCEL	CH78-D9
	104691-07-701	EA GLASS - TOP - STATIONARY - EXCEL	106-018753
	104691-07-702	EA SCREEN W/ WEATHER STRIPING - EXCEL	410-018744

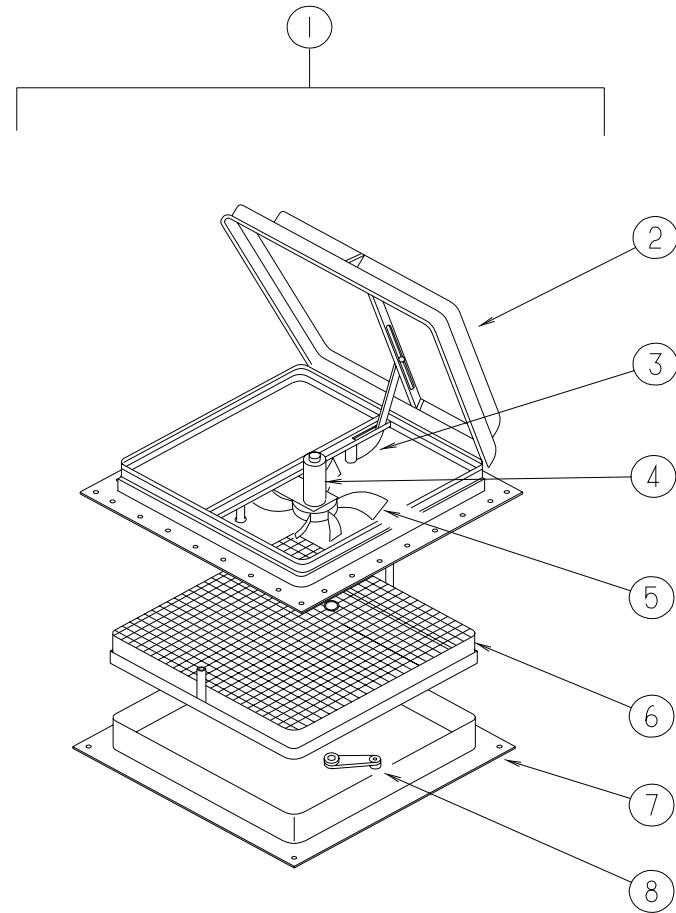
TIPOUT WINDOW DRIVER SIDE

KEY	PARTNUMBER	U/M DESCRIPTION	VENDOR NO.
	104691-17-01A	EA WINDOW - TIPOUT - 24.3" X 26"	
	104691-17-700	EA GLASS VENT ASM. - LOWER	
	104691-17-701	EA GLASS VENT ASM. - UPPER	
	100322-01-718	EA HANDLE - DIAL - EXCEL	410-016081

VERTICAL SLIDER WINDOW

KEY	PARTNUMBER	U/M DESCRIPTION	VENDOR NO.
	112898-12-01A	EA WINDOW - VERTICAL SLIDER THERMO - 25" X 27"	

WINDOW, VENT & EXTERIOR DOOR GROUP (CONTINUED)



ELIXIR POWERED ROOF VENT

KEY	PARTNUMBER	U/M DESCRIPTION	VENDOR NO.
1	122882-02-01A	EA VENT-ROOF-W/FAN-POWERED-W/O INSIDE GARNISH	
	122882-06-01A	EA GARNISH-ROOF VENT-1" TO 2.56"	
	122882-07-01A	EA GARNISH-ROOF VENT-2.50" TO 4.12"	
2	064470-01-700	EA COVER-VENT-W/O SLIDE BAR	J7291B
	064470-01-701	EA SLIDEBAR-VENT LID	JRP1291B
3	009440-01-000	EA GEAR/ARM-LIFT-ROOF VENT COVER	
4	048648-01-000	EA MOTOR-ROOF VENT-1/8 SHAFT-12VOLT	
5	048649-01-000	EA FAN-ROOF VENT-6 BLADES-6"	
6	122882-01-701	EA SCREEN	JRP-1124-B
7	110051-01-706	EA GARNISH-INTERIOR-2"	
8	122882-01-700	EA HANDLE-CRANK-BLACK	90128
	110051-03-700	EA SWITCH-BLACK/PUSHBUTTON	27-0164

ELIXIR NONPOWERED ROOF VENT

KEY	PARTNUMBER	U/M DESCRIPTION	VENDOR NO.
1	122882-01-01A	EA VENT-ROOF-NONPOWERED-W/O INSIDE GARNISH	
	122882-06-01A	EA GARNISH-ROOF VENT-1" TO 2.56"	
	122882-07-01A	EA GARNISH-ROOF VENT-2.50" TO 4.12"	
2	064470-01-700	EA COVER-VENT-W/O SLIDE BAR	J7291B
	064470-01-701	EA SLIDEBAR-VENT LID	JRP1291B
3	009440-01-000	EA GEAR/ARM-LIFT-ROOF VENT COVER	
6	122882-01-701	EA SCREEN	JRP-1124-B
7	110051-01-706	EA GARNISH-INTERIOR-2"	
8	122882-01-700	EA HANDLE-CRANK-BLACK	90128

WINDOW, VENT & EXTERIOR DOOR GROUP (CONTINUED)

FANTASTIC VENT-1000B-US

KEY	PARTNUMBER	U/M DESCRIPTION	VENDOR NO.
	084079-01-000	EA VENT-CEILING-EXHAUST-POWER-1000B	
	084079-01-700	EA COVER-VENTW/HINGE & SLIDE	1020K-19
	009440-01-000	EA GEAR-ARM-ROOF VENT-705221K38	
	084079-01-705	EA MOTOR-ROOF VENT	1080-00
	084079-01-704	EA BLADE-FAN	1070-00
	084079-11-700	EA MOTOR-BRACKET-FAN BLADE KIT	4017K-09
	084079-01-711	EA H-MOLDING-MOTOR MOUNT	
	084079-01-712	EA GARNISH-INTERIOR-1 7/8"-OFF WHITE	
	084079-01-703	EA KNOB-LIFT-W/EXTENSION & SCREW	1140K-00
	084079-01-707	EA SWITCH-SAFETY	1122.05
	084079-01-709	EA SWITCH-MAIN-3 SPEED	1031.05
	084079-03-700	EA SCREEN ASM-THIN ROOF-W/SWITCH	

FANTASTIC VENT-1000B-CANADIAN

KEY	PARTNUMBER	U/M DESCRIPTION	VENDOR NO.
	084079-08-000	EA VENT-CEILING-POWERED EXHAUST-OFF WHITE	
	084079-01-700	EA COVER-VENTW/HINGE & SLIDE	1020K-19
	084079-01-703	EA KNOB-LIFT-W/EXTENSION & SCREW	1140K-00
	084079-01-704	EA BLADE-FAN	1070-00
	084079-01-707	EA SWITCH-SAFETY	1122.05
	084079-01-709	EA SWITCH-MAIN-3 SPEED	1031.05
	084079-01-711	EA H-MOLDING-MOTOR MOUNT	
	084079-01-712	EA GARNISH-INTERIOR-1 7/8"-OFF WHITE	
	084079-08-700	EA MOTOR-THIN ROOF	101703
	084079-03-700	EA SCREEN ASM-THIN ROOF-W/SWITCH	

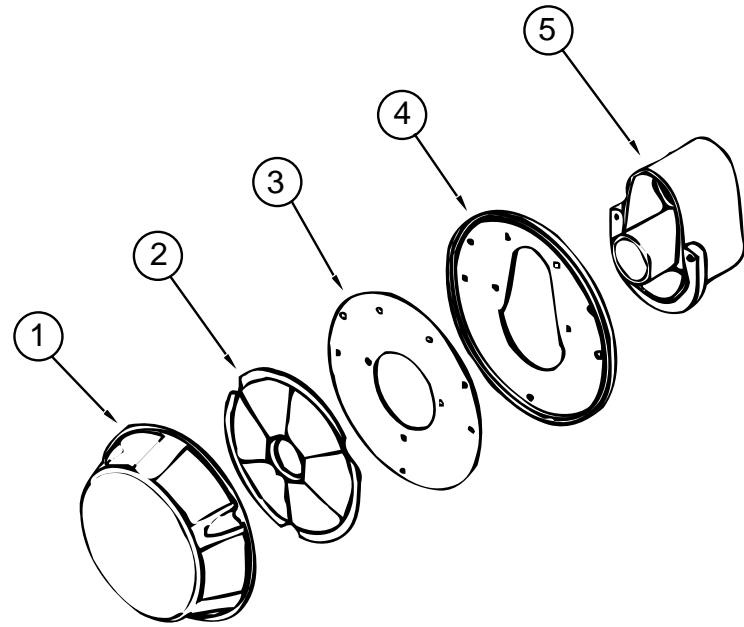
FANTASTIC VENT-4000-1

KEY	PARTNUMBER	U/M DESCRIPTION	VENDOR NO.
	123780-01-01A	EA VENT-EXHAUST-1" ROOF-4000-1-WDW	
	123780-01-700	EA COVER-VENTW/HINGE & SLIDE	1020K-81
	009440-01-000	EA GEAR-ARM-ROOF VENT-705221K38	
	084079-01-705	EA MOTOR-ROOF VENT	1080-00
	084079-01-704	EA BLADE-FAN	1070-00
	084079-11-700	EA MOTOR-BRACKET-FAN BLADE KIT	4017K-09
	084079-01-711	EA H-MOLDING-MOTOR MOUNT	
	123780-01-701	EA GARNISH-INTERIOR-3/4-1" BRT WHITE	0040-81
	084079-01-703	EA KNOB-LIFT-W/EXTENSION & SCREW	1140K-00
	084079-01-707	EA SWITCH-SAFETY	1122.05
	084079-01-709	EA SWITCH-MAIN-3 SPEED	1031.05

PLUMBING VENTS

KEY	PARTNUMBER	U/M DESCRIPTION
	083558-06-000	EA VENT-ROOF PLUMBING PIPE-COVERED

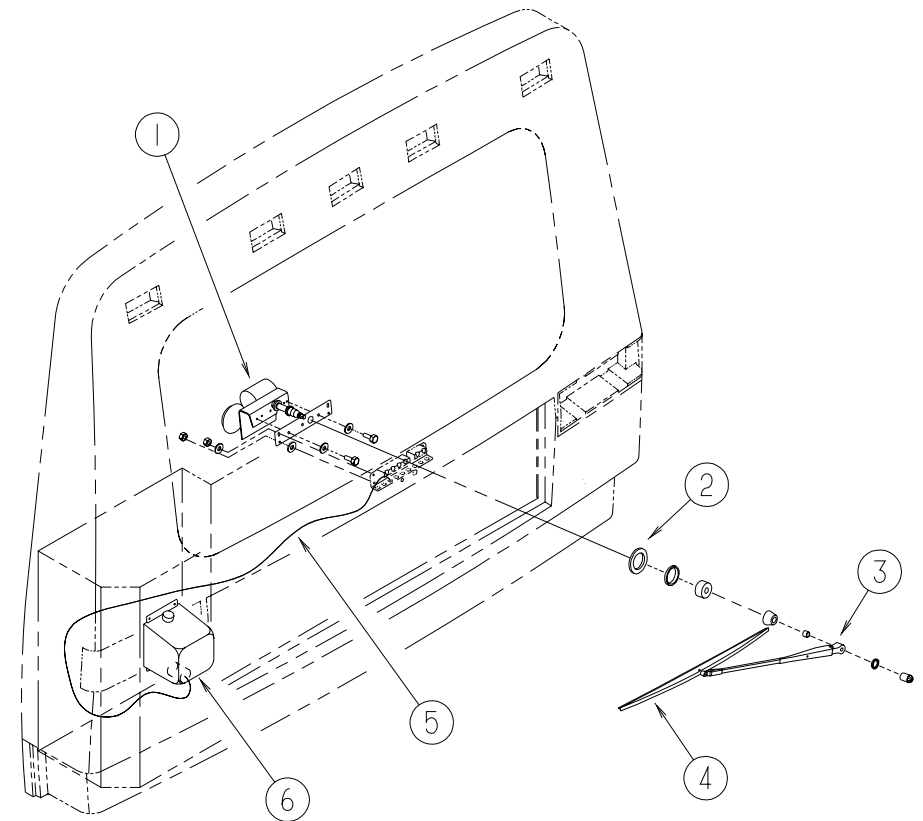
WINDOW, VENT & EXTERIOR DOOR GROUP (CONTINUED)



NORCOLD REFRIGERATOR VENT

KEY	PARTNUMBER	U/M DESCRIPTION	VENDOR NO.
	113736-01-01A	EA VENTKIT-REFRIGERATOR-NORCOLD	
1	113736-01-700	EA COVER-VENT	617920
2	113736-01-701	EA DISK-EXHAUST	617921
3	113736-01-702	EA PLATE-BACKING	617922
4	113736-01-703	EA GASKET-VENTTERMINAL	617924
5	113736-01-704	EA HOUSING-VENTTERMINAL	617923

WIPER & WASHER (REAR) GROUP



REAR WIPER & WASHER

KEY	PARTNUMBER	U/M DESCRIPTION
1	085721-03-000	EA MOTOR-WIPER-108DEGREE-REARWINDOW
2	061603-01-000	EA GROMMET-SNAP-3/16"ID-3/8"HOLE-PLASTICBLACK
3	096931-01-000	EA ARM-WIPER-20"
	096931-01-700	FT HOSE-WASHER-1/8"ID
	096931-01-701	EA NOZZLE-HARDWAREKIT-INCLUDESNOZZEL,NUT,SHORTTHREADSCREW, LONGTHREADSCREW,ANDPLASTICCAP
	096931-01-702	EA NUT-52695-40-NT27WC
	096931-01-703	EA SHORTSCREW-52696-40-SC27WC
	096931-01-704	EA LONGSCREW-52697-40-SC27WC
	096931-01-705	EA PLASTICCAP-52699-40-CP27WC
	096931-01-706	EA SPRAYNOZZLE-52698-40-NZ27WC
4	097978-01-000	EA BLADE-WIPER-FLEX22INCH
5	045794-01-000	FT HOSE-WASHER-WINDSHIELD-5/32"ID-BLACK
6	117766-02-000	EA RESERVOIR/PUMP-WINDSHIELDWASHER
	117765-04-000	EA CONNECTOR-1/8"X3/16"W/SWSH
	116272-01-02A	EA COVER-REAR/WIPERMOTOR