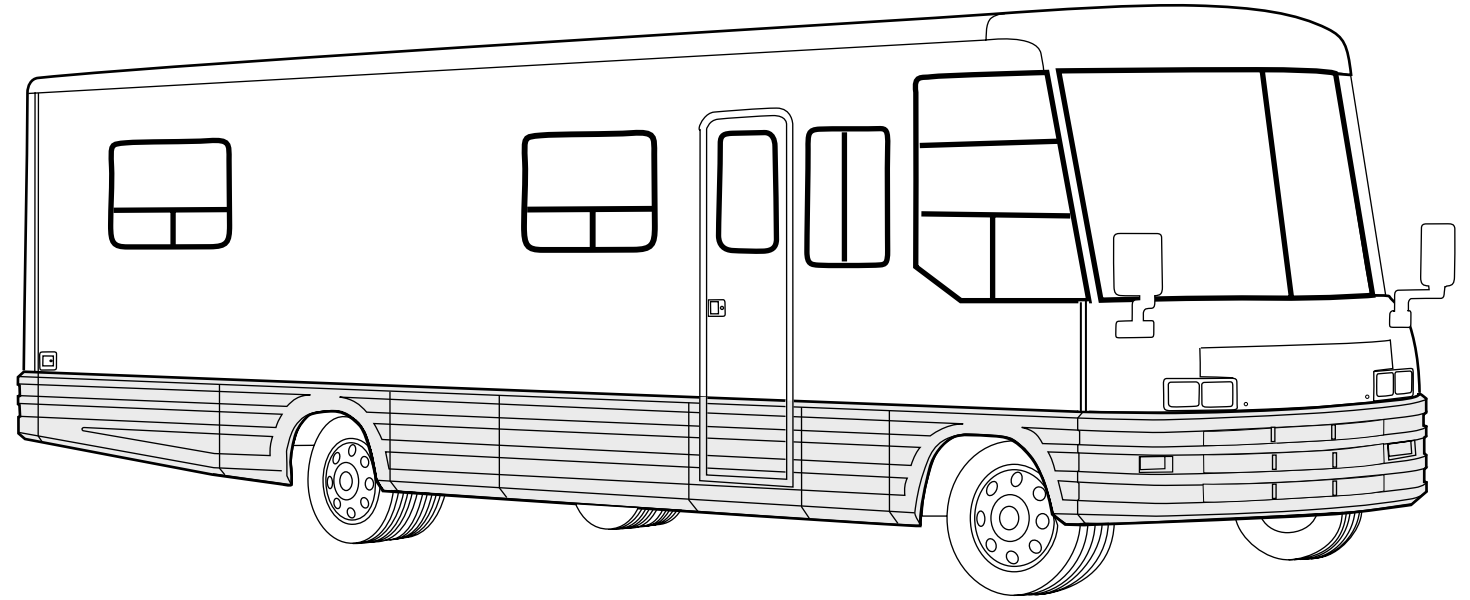
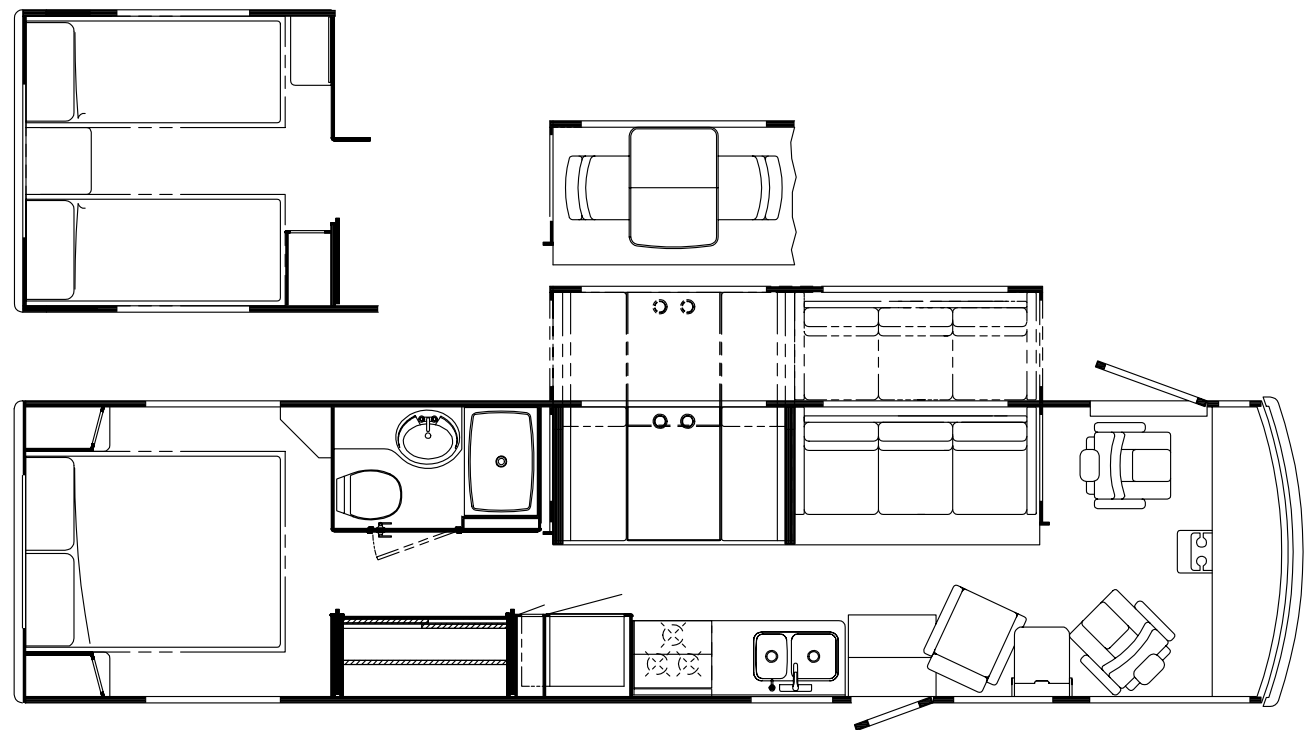


1997 WKM34RQ



SOLAR MAPLE
H50 - GOTHIC
H52 - OXBOW
H54 - MANATEE
H62 - MALACHITE

SALEM CHERRY
H51 - GOTHIC
H53 - OXBOW
H55 - MANATEE
H63 - MALACHITE



ACCESSORIESGROUP

OPERATORSMANUAL

KEY	PARTNUMBER	U/M	DESCRIPTION
	054185-G2-000	EA	MANUAL-OPERATOR97VECTRA
	092318-01-000	EA	BINDER-3RING-MOTORHOMEMANUAL
	092319-01-000	EA	POCKETPAGE-3RINGBINDER-PLASTIC-(50PERPKG)
	123772-01-000	DW	TOPELVEL-M,1997

VACUUMCLEANER

KEY	PARTNUMBER	U/M	DESCRIPTION	VENDORNO.
	099064-01-000	EA	STRAP-SUPPORT	
	092304-01-700	EA	BAG-VACUUM,REPLACEMENTPKG5	5098
	092304-02-710	EA	SECONDARYFILTER	4929
	108186-02-000	EA	TOOLSET-VACUUM-W/OPOWERBRUSHW/30'HOSE	
	092304-02-701	EA	TOOL-DUSTING	1142
	092304-02-702	EA	TOOL-RUG	4982
	092304-02-707	EA	TOOL-UPHOLSTERY	7029
	092304-02-708	EA	WAND-PLASTIC	4978
	092304-02-709	EA	HOSEASM.,30'COMPLETE	4988-30-G
	108186-03-000	EA	VACUUMCLEANER-BUILTIN	
	092304-02-700	EA	BRUSH-POWER,VACUUM(RUGRAT)	6970
	092304-02-701	EA	TOOL-DUSTING	1142
	092304-02-702	EA	TOOL-RUG	4982
	092304-02-707	EA	TOOL-UPHOLSTERY	7029
	092304-02-708	EA	WAND-PLASTIC	4978
	092304-02-709	EA	HOSEASM.,30'COMPLETE	4988-30-G
	092304-02-710	EA	SECONDARYFILTER	4929
	108186-03-700	EA	PAPERBAG-3-PKG	7767
	108186-03-701	EA	MOTORF/RV2000	7756
	108186-03-702	EA	REDUCER	5531
	121597-13-H50	EA	COUNTERTOP-VACUUMPLATFORM(H50,H52,H54,H62)	
	121597-13-H39	EA	COUNTERTOP-VACUUMPLATFORM(H51,H53,H55,H63)	

AUDIOVIDEOGROUP

RADIOSYSTEMS&ANTENNA

KEY	PARTNUMBER	U/M	DESCRIPTION
	089340-02-000	EA	GRILLE-SPEAKER-6.5"SQUARE
	090944-01-000	EA	ANTENNA-RADIO-16"RUBBER
	094097-01-000	EA	SPEAKER-RADIO/TV-W/OGRILLE-5.25"DIAMETER
	108847-01-000	EA	BRACKET-ANTENNAGROUND
	109053-02-000	EA	RADIO-AM/FMCASSETTE-WALLMOUNT
	109889-03-000	EA	EXTENDER-SHAFT-ANTENNA-4"
	123256-01-000	EA	ANTENNA-CB-W/OCABLE
	077069-02-000	EA	CABLE-ANTENNA/EXTENSION-RADIO-96"
	087683-03-000	EA	RADIO-AM/FMSTEREOCASSETTE
	109889-04-000	EA	EXTENDER-ANTENNASHAFT-3"
	110469-01-000	EA	SPEAKER-4"X6"OVAL-COAXIAL
	110470-01-01A	EA	GRILLE-4"X6"OVAL-BLACK
	125322-01-000	EA	RADIO-AM-FMSTEREO-CASSETTE
	116148-03-000	EA	RADIO-AM/FMSTEREOW/CDPLAYER-CLARION FROM: 00-00-00 THRU: 02-09-97
	116148-04-000	EA	RADIO-AM/FMSTEREOW/CDPLAYER-CLARION FROM: 02-10-97 THRU: 99-99-99
	123256-02-000	EA	CABLE-CB-COAX
	102080-05-000	EA	CHANGER-COMPACTDISC-SONY FROM: 00-00-00 THRU: 05-24-97
	102080-01-700	EA	HOLDER-MAGAZINE,COMPACTDISC XA-10BAUTO.CHANGER
	127515-01-000	EA	CHANGER-COMPACTDISC FROM: 05-25-97 THRU: 99-99-99
	097460-08-000	EA	RADIO-AM/FMSTEREOCASSETTE-SONY FROM: 00-00-00 THRU: 05-12-97
	127264-01-000	EA	RADIO-AM/FMSTEREO/CASSETTE FROM: 05-13-97 THRU: 99-99-99
	104498-02-000	EA	BRACKET-ANTENNAMOUNT

TV-VCRSYSTEMS

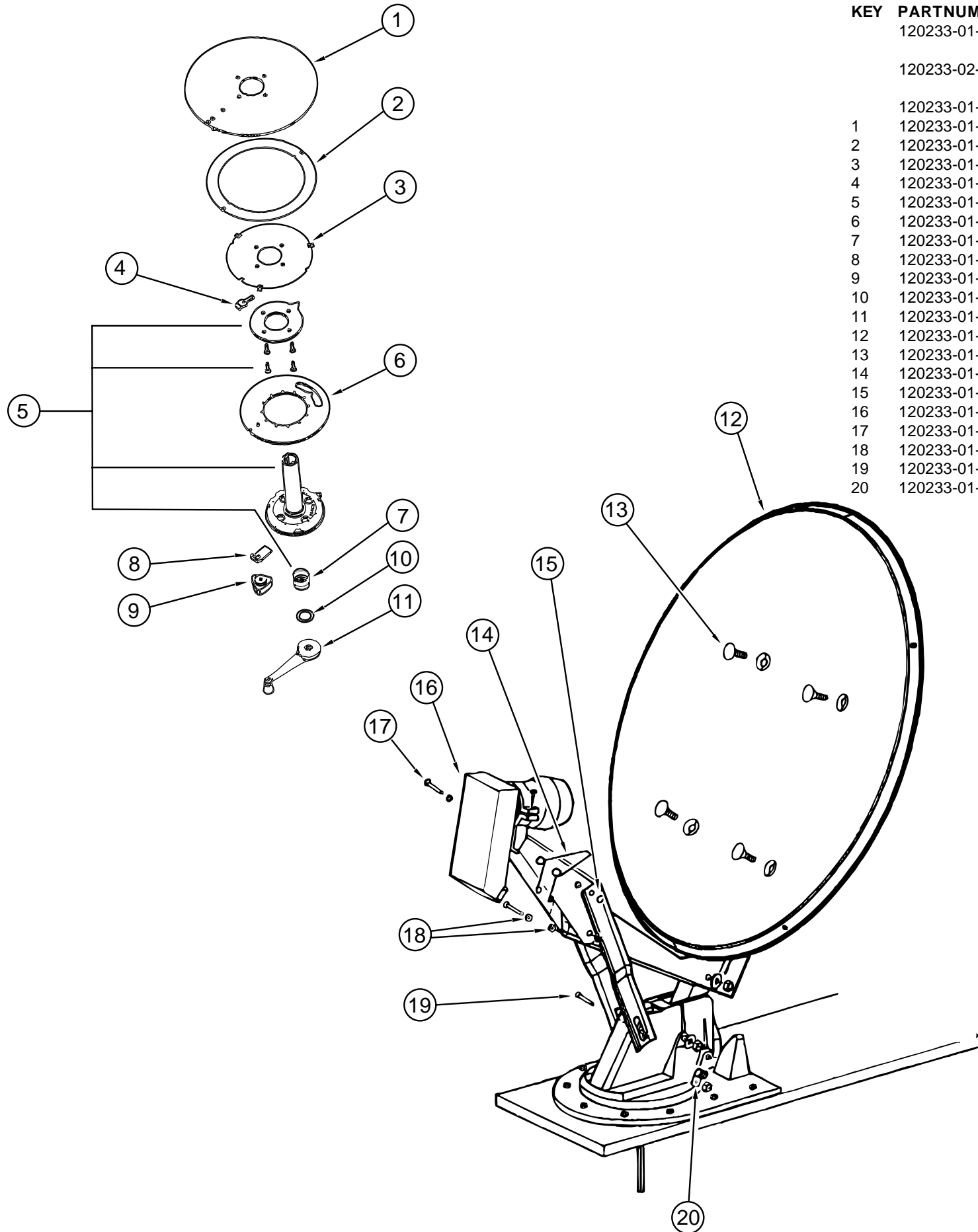
KEY	PARTNUMBER	U/M	DESCRIPTION	VENDORNO.
	086757-03-000	EA	CONTROLCENTER-SWITCH-VCR/TV	
	124073-01-000	EA	VCR-VHSREMOTE-CABLEREADY	
	124073-01-700	EA	REMOTE	221347
	115540-01-000	EA	AMPLIFIER-TVSPEAKERS	
	124075-01-000	EA	TV-19"W/1/8"JACK	
	124075-01-700	EA	REMOTE	227803
	086777-06-000	EA	WALLPLATE-ANTENNA1OUTPUT	
	076319-09-000	EA	WALLPLATE-CABLERECEPTACLE-TV-SINGLE-BROWN	
	086777-02-000	EA	WALLPLATE-TVCABLE-W/ANTENNASWITCH	
	076319-12-000	EA	CONNECTOR-COAXIAL-ONEPIECE	
	076319-03-000	FT	CABLE-COAXIAL-75OHM	
	114870-01-000	EA	PLUG-3.5MMAUDIOW/LEADS	
	093214-01-02A	EA	GRILLE-SPEAKER-4"BROWN	
	098819-01-000	EA	SPEAKER-4"-2WATT-8OHM	
	115539-01-000	EA	RELAY-RADIO/TVSPEAKER-SWITCH	
	082134-01-000	EA	ADAPTER-TV-CABLETOCABLE	
	082136-01-000	EA	NUT-HEXJAM-3/8-32	
	086756-01-000	EA	SPLITTER-TV-2WAY	

TELEPHONESYSTEM

KEY	PARTNUMBER	U/M	DESCRIPTION
	093253-01-01A	EA	PLATE-WALL-TELEPHONE-BEIGE
	093254-01-000	EA	HOUSING-TELEPHONE

AUDIOVIDEOGROUP(CONTINUED)

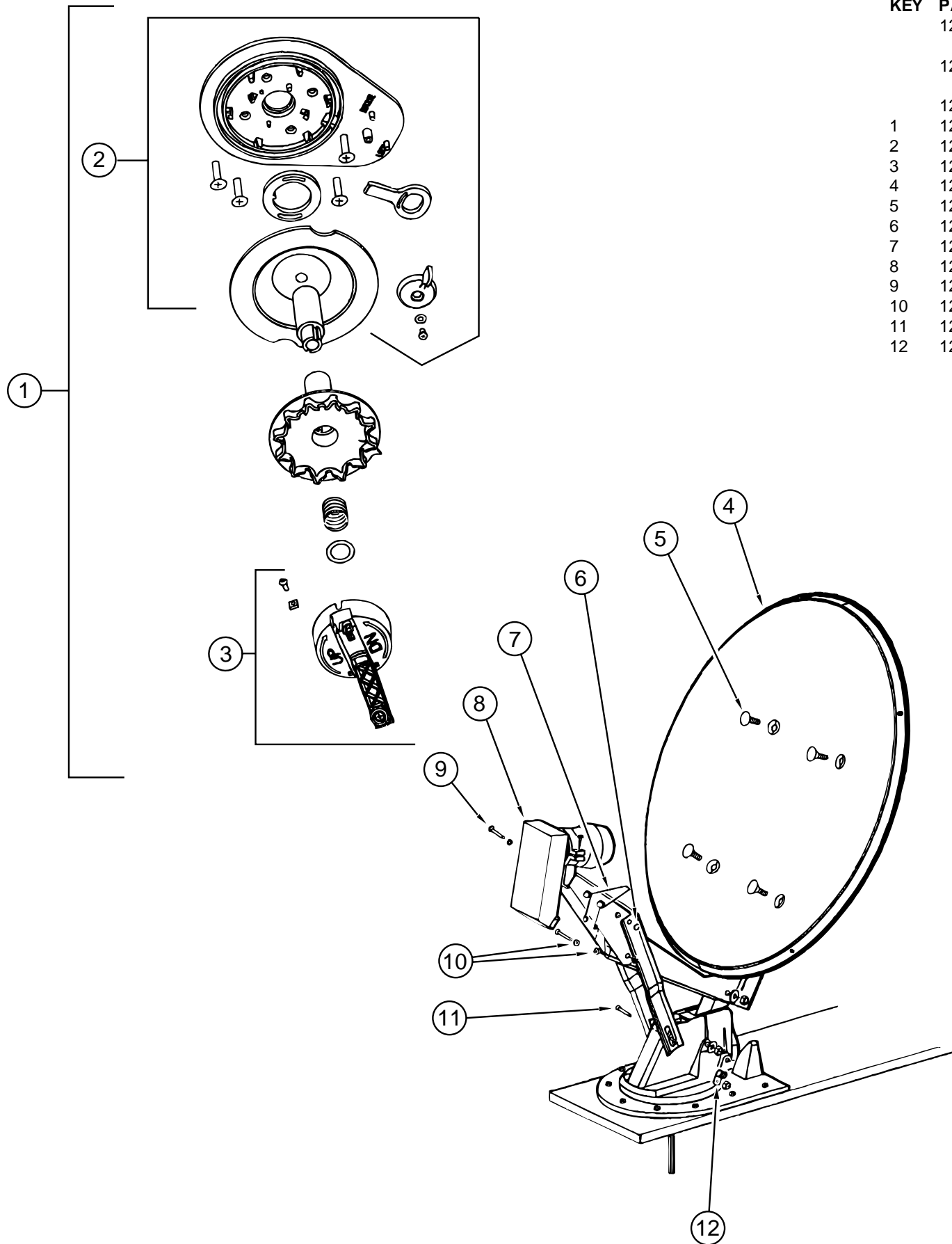
SATELLITEANTENNA(WINEGARD)(OLDSTYLE)



KEY	PARTNUMBER	U/M	DESCRIPTION	VENDOR NO.
	120233-01-000	EA	RECEIVER-SATELLITEONLY	
	120233-02-700	EA	REMOTE	FROM: 00-00-00 THRU: 01-26-97 RC-0012
	120233-01-000	EA	ANTENNA-SATELLITEW/ORECEIVER(DISH&HARDWAREKIT)MANUAL	FROM: 00-00-00 THRU: 01-26-97
1	120233-01-700	EA	PLATE-FIXED	3750821
2	120233-01-701	EA	DIAL-DIRECTIONAL	2745056
3	120233-01-702	EA	PIVOT-DIAL-DIRECTIONAL	2745058
4	120233-01-703	EA	STOP-ROTATION	3711281
5	120233-01-704	EA	PLATE-CEILINGW/DIR.HANDLE	RP-6300
6	120233-01-705	EA	PLATE-ROTATE	3750820
7	120233-01-706	EA	SPRING	RP-6822
8	120233-01-707	EA	CLAMP-ROTATE	3711280
9	120233-01-708	EA	KNOB-CLAMP	2200061
10	120233-01-709	EA	WASHER-NYLON	RP-2658
11	120233-01-710	EA	HANDLE-CRANK	RP-6795
12	120233-01-711	EA	REFLECTOR-46CM	2745304
13	120233-01-712	EA	BOLT-FLATHEAD	2160253
14	120233-01-713	EA	SPRING	2160820
15	120233-01-714	EA	CLIP-E	5160818
16	120233-01-715	EA	LOWNOISEBLOCKFILTER(LNBF)	2780177
17	120233-01-716	EA	PIN	2160814
18	120233-01-717	EA	BEARING-NYLON	2200726
19	120233-01-718	EA	PIN	5160817
20	120233-01-719	EA	CLAMP-CABLE	2200060

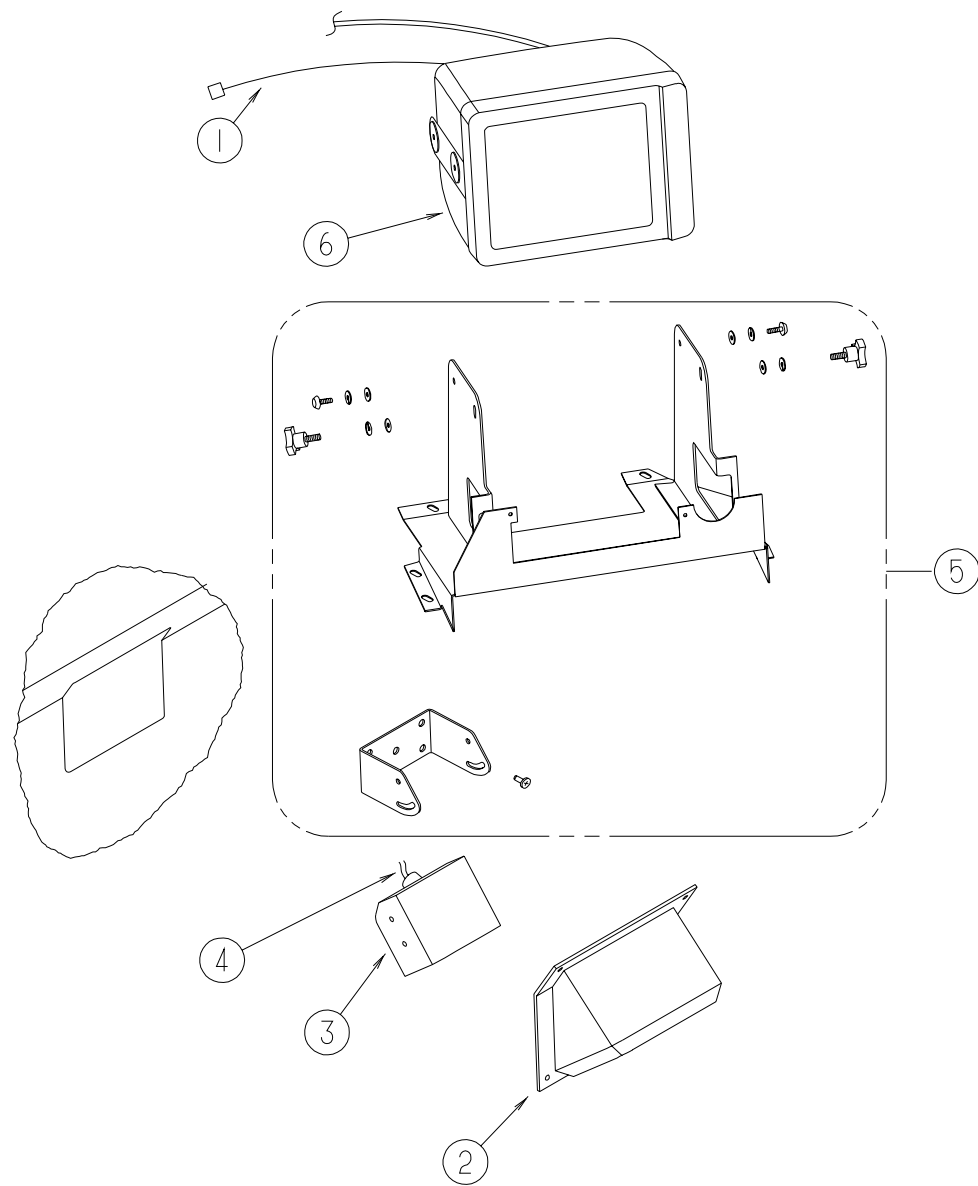
AUDIOVIDEOGROUP(CONTINUED)

SATELLITEANTENNA(WINEGARD)(NEWSTYLE)



KEY	PARTNUMBER	U/M	DESCRIPTION	VENDORNO.
	120233-02-000	EA	RECEIVER-SATELLITEONLY	
				FROM: 00-00-00 THRU: 01-26-97
	120233-02-700	EA	REMOTE	RC-0012
				FROM: 00-00-00 THRU: 01-26-97
	120233-01-000	EA	ANTENNA-SATELLITEW/ORECEIVER(DISH&HARDWAREKIT)MANUAL	
1	120233-01-720	EA	CEILINGPLATEASM(RETROFIT)	RP-4100
2	120233-01-722	EA	PLATEASSEMBLY(CEILING)	2762826
3	120233-01-721	EA	CRANKHANDLEASSEMBLY	2762825
4	120233-01-711	EA	REFLECTOR-46CM	2745304
5	120233-01-712	EA	BOLT-FLATHEAD	2160253
6	120233-01-714	EA	CLIP-E	5160818
7	120233-01-713	EA	SPRING	2160820
8	120233-01-715	EA	LOWNOISEBLOCKFILTER(LNBF)	2780177
9	120233-01-716	EA	PIN	2160814
10	120233-01-717	EA	BEARING-NYLON	2200726
11	120233-01-718	EA	PIN	5160817
12	120233-01-719	EA	CLAMP-CABLE	2200060

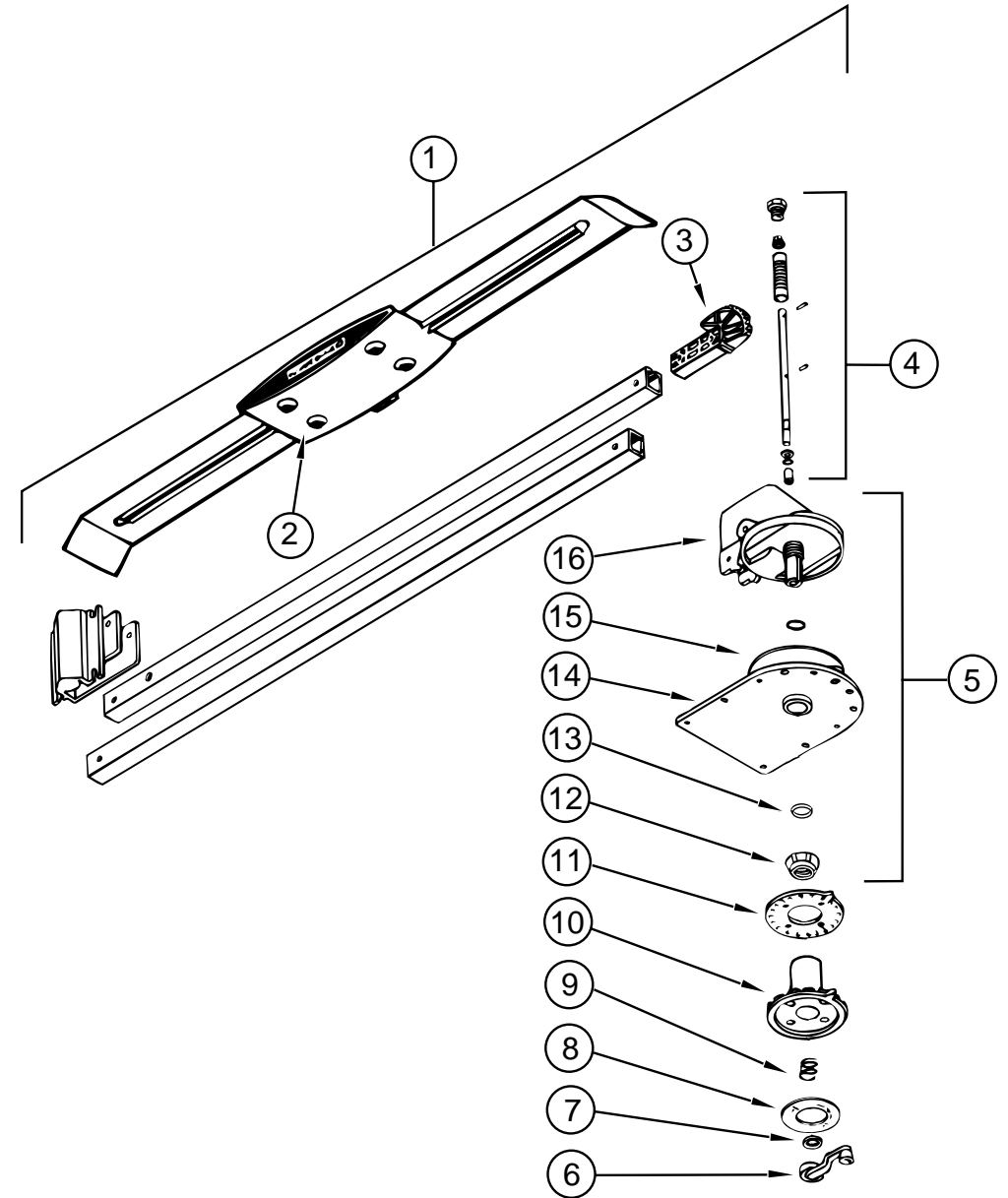
AUDIOVIDEOGROUP(CONTINUED)



SONY REAR VIEW MONITOR & SHROUDS

KEY	PARTNUMBER	U/M	DESCRIPTION	VENDORNO.
	093040-08-000	EA	MONITORSYSTEM-REARVIEW7"-W/AUDIOJACK-SONY	
1	096717-03-000	EA	WIRE-REARMONITOR-AFTERMARKETINSTALLATION	
	093040-06-000	EA	WIREASM-MONITOR-F/NONPREWIREDATERMARKETINSTALLATION	
2	107852-01-04A	EA	SHROUD-CAMERA-OUTER	
	108529-01-01A	EA	SHROUD-CAMERA-INNER	
3	093040-04-700	EA	CAMERA,W/BRACKET&WIRING	SSC-530AMREARVIEW
4	093041-01-000	EA	CABLE-MONITOR/CAMERA-INTERNALUSE-65.6'	
5	N/A		PARTSAREINCLUDEDW/TELEVISIONSYSTEM-SONY	
6	093040-05-700	EA	MONITOR-7"W/POWERHARNES	SSM721AMR

AUDIOVIDEOGROUP(CONTINUED)

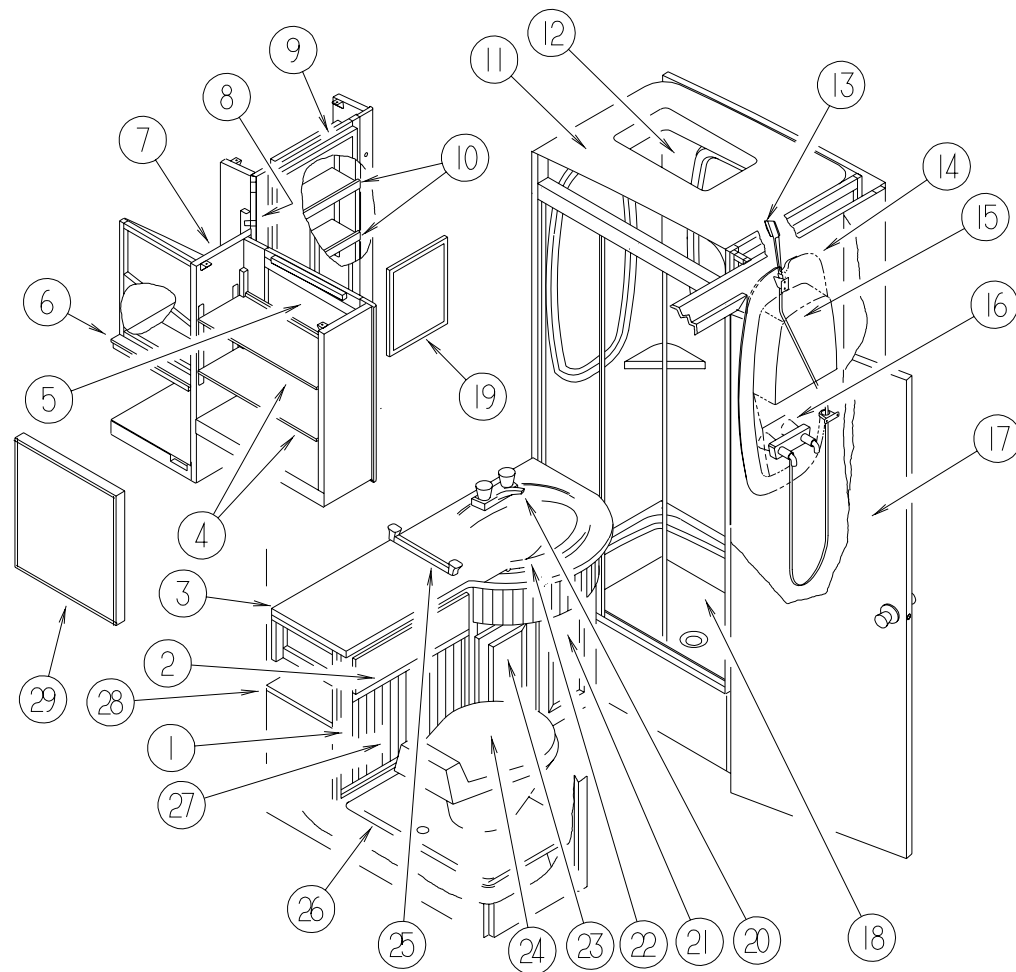


WINEGARD TV ANTENNA

KEY	PARTNUMBER	U/M	DESCRIPTION	VENDORNO.
1	076319-22-000	EA	ANTENNA-TVROOFMOUNT-3"ROOF	
2	076319-01-700	EA	HEAD-ANTENNA-AMPLIFIED	RVSAU/V
3	076319-01-701	EA	GEAR-ELEVATING-PLASTIC	2200046
4	076319-01-702	EA	SHAFTASM-ELEVATING	RVP-400A
5	076319-01-711	EA	BASE&LIFTASM	2762802
6	076319-01-706	EA	CRANK-ELEVATING-W/SETSCREW	2750897
7	076319-01-705	EA	BEARING-NYLON-7/8"ID	3200658
8	076319-01-708	EA	CRANKCOVERDECAL	5413002
9	076319-01-707	EA	SPRING-HANDLE	5160822
10	076319-01-709	EA	PLATE-DIRECTIONAL-FORHEAD	3200621
11	076319-01-712	EA	CEILINGPLATE-WINEGARD	3200608
12	076319-01-715	EA	NUT(GEARHOUSING)	2200047
13	076319-01-704	EA	BEARING-NYLON-1.5"OD	3200657
14	076319-01-713	EA	BASEPLATE	3100523
15	076319-01-703	EA	BEARING-NYLON-5"OD	3200656
16	076319-01-714	EA	HOUSING-ROTATINGGEAR	2200049

BATHGROUP

BATHCABINETS&FIXTURES



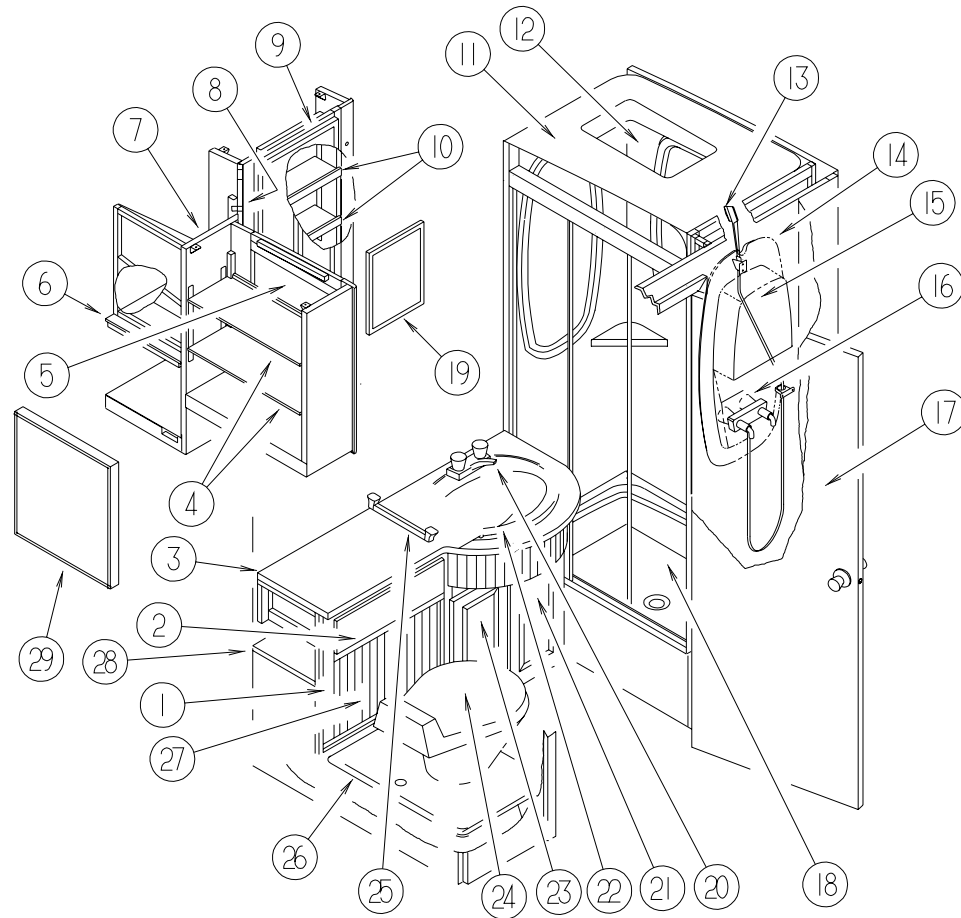
KEY	PARTNUMBER	U/M	DESCRIPTION
1	P19672-01-H50	EA	CABINET-LAVATORY-W/ODOORS/DRAWERS/HDW(H50)
1	P19672-01-G39	EA	CABINET-LAVATORY-W/ODOORS/DRAWERS/HDW(H51)
1	P19672-01-H52	EA	CABINET-LAVATORY-W/ODOORS/DRAWERS/HDW(H52)
1	P19672-01-G41	EA	CABINET-LAVATORY-W/ODOORS/DRAWERS/HDW(H53)
1	P19672-01-H54	EA	CABINET-LAVATORY-W/ODOORS/DRAWERS/HDW(H54,H62)
1	P19672-01-G43	EA	CABINET-LAVATORY-W/ODOORS/DRAWERS/HDW(H55,H63)
2	M05971-V9-H50	EA	DRAWER-OGEEEDGE-W/OSLIDES/HARDWARE(SOLARMAPLE)
2	M05971-V9-G39	EA	DRAWER-OGEEEDGE-W/OSLIDES/HARDWARE(SALEMCHERRY)
3	119672-11-G38	EA	COUNTERTOP-LAVATORY(H50,H51)
3	119672-11-G40	EA	COUNTERTOP-LAVATORY(H52,H53)
3	119672-11-G42	EA	COUNTERTOP-LAVATORY(H54,H55,H62,H63)
4	123708-18-H50	EA	SHELF-W/PLASTICEDGETRIM(SOLARMAPLE)
4	123708-18-H51	EA	SHELF-W/PLASTICEDGETRIM(SALEMCHERRY)
5	M06803-M1-H50	EA	DOOR-MIRROR/MITEREDCORNER/OGEEEDGE-17.7"X21.8"W/OHDW(SOLARMAPLE)
5	M06803-M1-H51	EA	DOOR-MIRROR/MITEREDCORNER/OGEEEDGE-17.7"X21.8"W/OHDW(SALEMCHERRY)
5	088742-16-000	EA	MIRROR-BEVELED,SAFETYFLASS
6	123708-17-H50	EA	SHELF-W/PLASTICEDGETRIM(SOLARMAPLE)
6	123708-17-H51	EA	SHELF-W/PLASTICEDGETRIM(SALEMCHERRY)
7	123708-01-H50	EA	CABINET-MEDICINE-W/ODOORS/HARDWARE(SOLARMAPLE)
7	123708-01-H51	EA	CABINET-MEDICINE-W/ODOORS/HARDWARE(SALEMCHERRY)
8	M06803-P9-H50	EA	DOOR-MIRROR/MTRDCRNR/OGEEEDGE-10.1"X29.5"W/OHDW(SOLARMAPLE)
8	M06803-P9-H51	EA	DOOR-MIRROR/MTRDCRNR/OGEEEDGE-10.1"X29.5"W/OHDW(SALEMCHERRY)
8	113195-1801A	EA	MIRROR-BEVELED,SAFETYGLASS-CLEAR422X667
9	M06803-X5-H50	EA	DOOR-MITEREDCORNER/OGEEEDGE-14.3"X29.5"-W/OHDW(SOLARMAPLE)
9	M06803-X5-H51	EA	DOOR-MITEREDCORNER/OGEEEDGE-14.3"X29.5"-W/OHDW(SALEMCHERRY)
9	113195-22-01A	EA	MIRROR-BEVELEDSAFETYGLASS12.3"X26.3"
10	123708-19-H50	EA	SHELF-W/PLASTICEDGETRIM(SOLARMAPLE)
10	123708-19-H51	EA	SHELF-W/PLASTICEDGETRIM(SALEMCHERRY)
11	106932-01-01A	EA	CAP-SHOWER
12	122192-01-01A	EA	PANEL-SKYLIGHT-OUTER
12	122193-01-01A	EA	PANEL-SKYLIGHT-INNER
12	122193-01-02A	EA	PANEL-SKYLIGHT-INNER

FROM: 00-00-00 THRU: 02-13-97

FROM: 02-14-97 THRU: 99-99-99

BATHGROUP(CONTINUED)

BATHCABINETS&FIXTURES(CONTINUED)

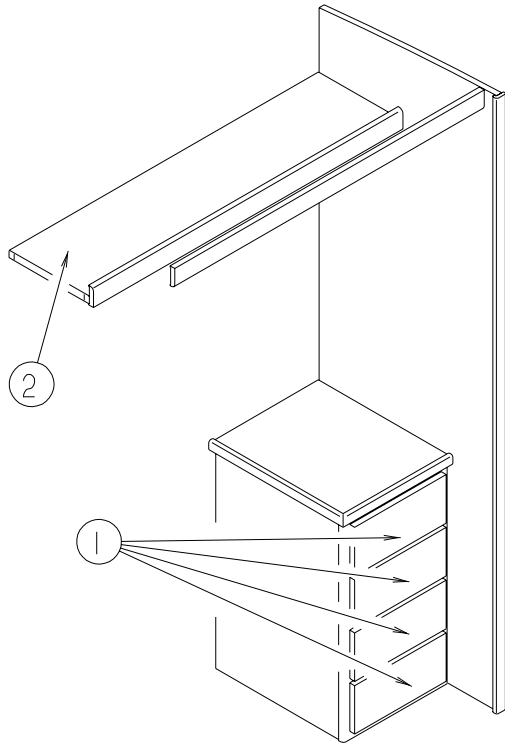


KEY	PARTNUMBER	U/M	DESCRIPTION	VENDORN.
13	011048-03-700	EA	BRACKET-F/SOWERHEAD	2328029-3
13	103092-03-000	EA	SHOWERHEAD-W/HOSE&BRACKET	
14	104464-01-01A	EA	SURROUND-SHOWER	
15	104462-01-01A	EA	CADDY-SHOWER	
16	109801-02-01A	EA	FAUCET-SHOWER-CONTROL-POLISHEDBRASS	
16	115363-01-01A	EA	RING-GUIDE-SOWERHOSE	
17	121449-02-H50	EA	DOOR-BATH-W/OHARDWARE(SOLARMAPLE)	
17	121449-02-H51	EA	DOOR-BATH-W/OHARDWARE(SALEMCHERRY)	
17	094485-03-01A	EA	KNOB-DOOR-BRASS	
17	102920-01-01A	EA	HINGE-DOOR-SPRINGLOADED/BRASS	
17	110496-01-01A	EA	HINGE-BRASS	
17	121449-12-H37	EA	RACK-TOWEL-BATHDOOR(SOLARMAPLE)	
17	121449-12-G07	EA	RACK-TOWEL-BATHDOOR(SALEMCHERRY)	
17	100357-01-000	EA	ROD-TOWEL-BRASS	
18	066729-01-000	EA	STRAINER-TUB/SOWER-W/PLUG	
18	M02630-35-G38	EA	SHOWERPANASM	
19	093606-13-000	EA	MIRROR-PANEL-BEVELED1/8"	
20	075240-05-000	EA	FAUCET-LAVATORY-BRASS	
20	105218-01-01A	EA	SPACER-FAUCET/LAVATORYSINK-2"X5.9"-ABSPLASTIC	
20	091253-01-000	EA	GASKET-FAUCET-LAVATORY/GALLEY	
21	M05992-05-H50	EA	DOOR-OGEEEDGE-10.02"X19.1"_W/OHARDWARE(SOLARMAPLE)	
21	M05992-05-E41	EA	DOOR-OGEEEDGE-10.02"X19.1"_W/OHARDWARE(SALEMCHERRY)	
22	105921-01-01A	EA	SINK-LAVATORY-LARGEOVAL-17"X20"PLASTIC/OFFWHITE	
22	106116-01-01A	EA	STRAINER-SINK-W/STOPPER/TAILPIECE/GASKET&NUT-PLASTIC	
23	M05992-06-H50	EA	DOOR-OGEEEDGE-10.02"X19.1"-W/OHARDWARE(SOLARMAPLE)	
23	M05992-06-E41	EA	DOOR-OGEEEDGE-10.02"X19.1"-W/OHARDWARE(SALEMCHERRY)	
24	085330-02-000	EA	TOILET-STANDARDBONECHINA	
24	085330-06-000	EA	TOILET-STANDARDCHINAW/SPRAYER-BONE	
25	075453-02-000	EA	BAR-TOWEL,18"BRASS	
26	109773-01-01A	EA	COVER-PLATFORM,TOILET	
27	119672-16-H50	EA	TAMBOURDOOR(SOLARMAPLE)	
27	119672-16-G39	EA	TAMBOURDOOR(SALEMCHERRY)	
28	119672-12-H50	EA	SHELF-W/PLASTICMOLDING(SOLARMAPLE)	
28	119672-12-G39	EA	SHELF-W/PLASTICMOLDING(SALEMCHERRY)	
	075452-02-000	EA	HOLDER-TOILETTISSUE-BRASS	
29	113195-04-01A	EA	MIRROR-BEVELED,SAFETYGLASS-CLEAR715X915	

BATHGROUP(CONTINUED)

BEDROOM/BATH PRIVACY DOOR

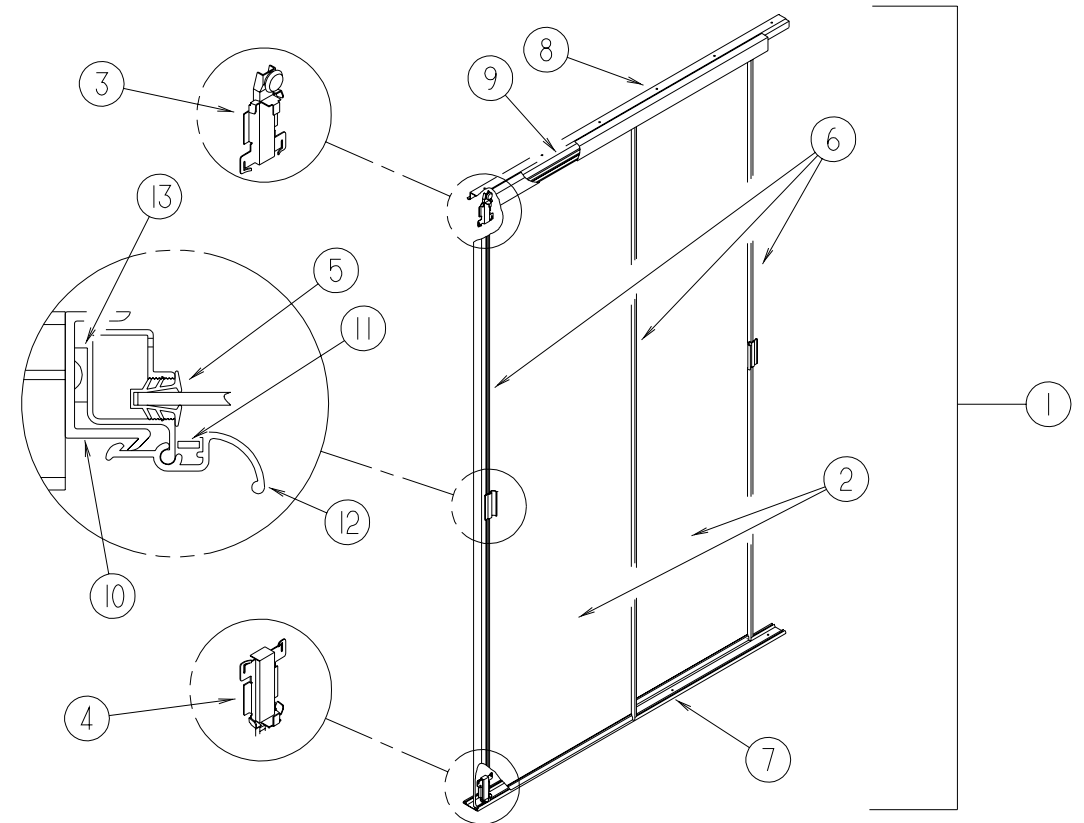
KEY	PARTNUMBER	U/M	DESCRIPTION
	103868-11-01A	EA	TRACK-SLIDINGDOOR49.7"
	104013-08-H56	EA	DOOR-SLIDING-W/OHARDWARE(SOLARMAPLE)
	104013-08-GV1	EA	DOOR-SLIDING-W/OHARDWARE(SALEMCHERRY)
	110418-02-E37	EA	HEADER-DOOR(SOLARMAPLE)
	110418-02-E41	EA	HEADER-DOOR(SALEMCHERRY)



PASSENGERSIDE CLOSET CABINET

KEY	PARTNUMBER	U/M	DESCRIPTION
1	M05971-33-H50	EA	DRAWER-OGEEEDGE-11.4"WX17.7"D-W/OSLIDES/HARDWARE(SOLARMAPLE)
1	M05971-33-E41	EA	DRAWER-OGEEEDGE-11.4"WX17.7"D-W/OSLIDES/HARDWARE(SALEMCHERRY)
2	123603-11-H50	EA	SHELFASM(SOLARMAPLE)
2	123603-11-H51	EA	SHELFASM(SALEMCHERRY)

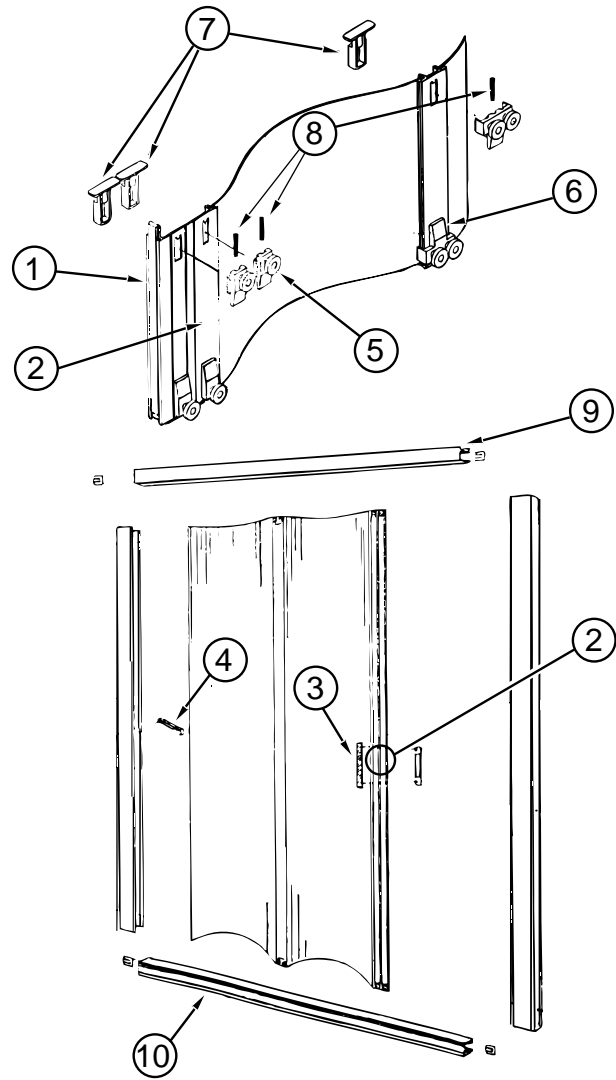
BATHGROUP(CONTINUED)



WARDROBE MIRROR DOOR

KEY	PARTNUMBER	U/M	DESCRIPTION
1	114149-09-G38	EA	DOOR-WARDROBE-MIRRORED
2	058331-E0-000	EA	MIRROR-GLASS-SAFETY-25.7"X64.8"
3	107390-01-000	EA	CORNERHANGER(SINGLEROLLERW/BACKET)(1=PAIR)
4	107391-01-000	EA	GUIDE-BOTTOM-BY-PASS(PAIR)
5	111575-01-01A	FT	CHANNEL-GLAZING-SWINGDOOR
6	114104-06-01A	EA	STILE-DOOR-SLIDING
7	114105-08-01A	EA	TRACK-DOOR-SLIDING/LOWER
8	114106-08-01A	EA	TRACK-DOOR-SLIDING/UPPER
9	114107-07-01A	EA	RAIL-SLIDINGDOOR
10	115538-05-01A	EA	JAMB-DOOR-WARDROBE/MIRRORED
11	115541-01-000	EA	SPRING-DOOR-SLIDING
12	115553-01-01A	EA	LATCH-DOOR-WARDROBE/MIRRORED
13	123655-01-000	FT	SEAL-CLOSEDCELLFOAM

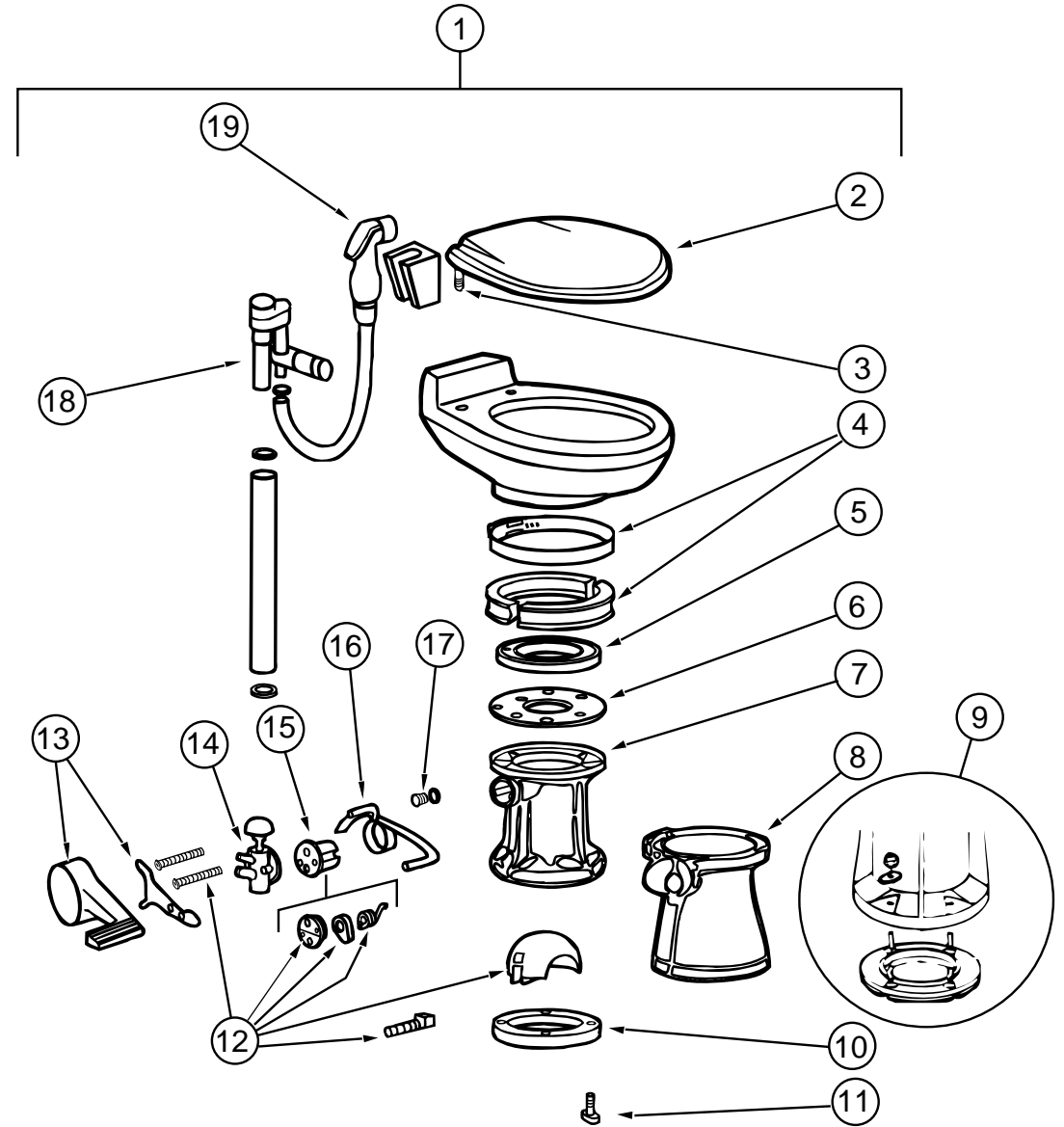
BATHGROUP(CONTINUED)



SHOWERDOOR

KEY	PARTNUMBER	U/M	DESCRIPTION	VENDORNO.
	108351-01-01A	EA	DOOR - SHOWER - FOLDING - 34" X 61"	
1	092574-01-705	EA	STRIP-MAGNETIC, 5/67/8"	98-41G
2	108351-01-700	EA	STRIKEASSEMBLY	109
3	108351-01-701	EA	HANDLES-DOOR, SET	SFH
4	108351-01-702	EA	LATCH-DOOR	SFL
5	108351-01-703	EA	BRACKET&ROLLERASM. SINGLE	GRB1
6	108351-01-704	EA	BRACKET&ROLLERASM. DOUBLE	GRB2
7	108351-01-705	EA	BRACKET-W/RETAININGCLIP	GRC1
8	108351-01-706	EA	SPRING-ROLLERBRACKET	GS1
9	108351-02-700	EA	TRACK-TOP	111
10	108351-02-701	EA	TRACK-BOTTOM	108

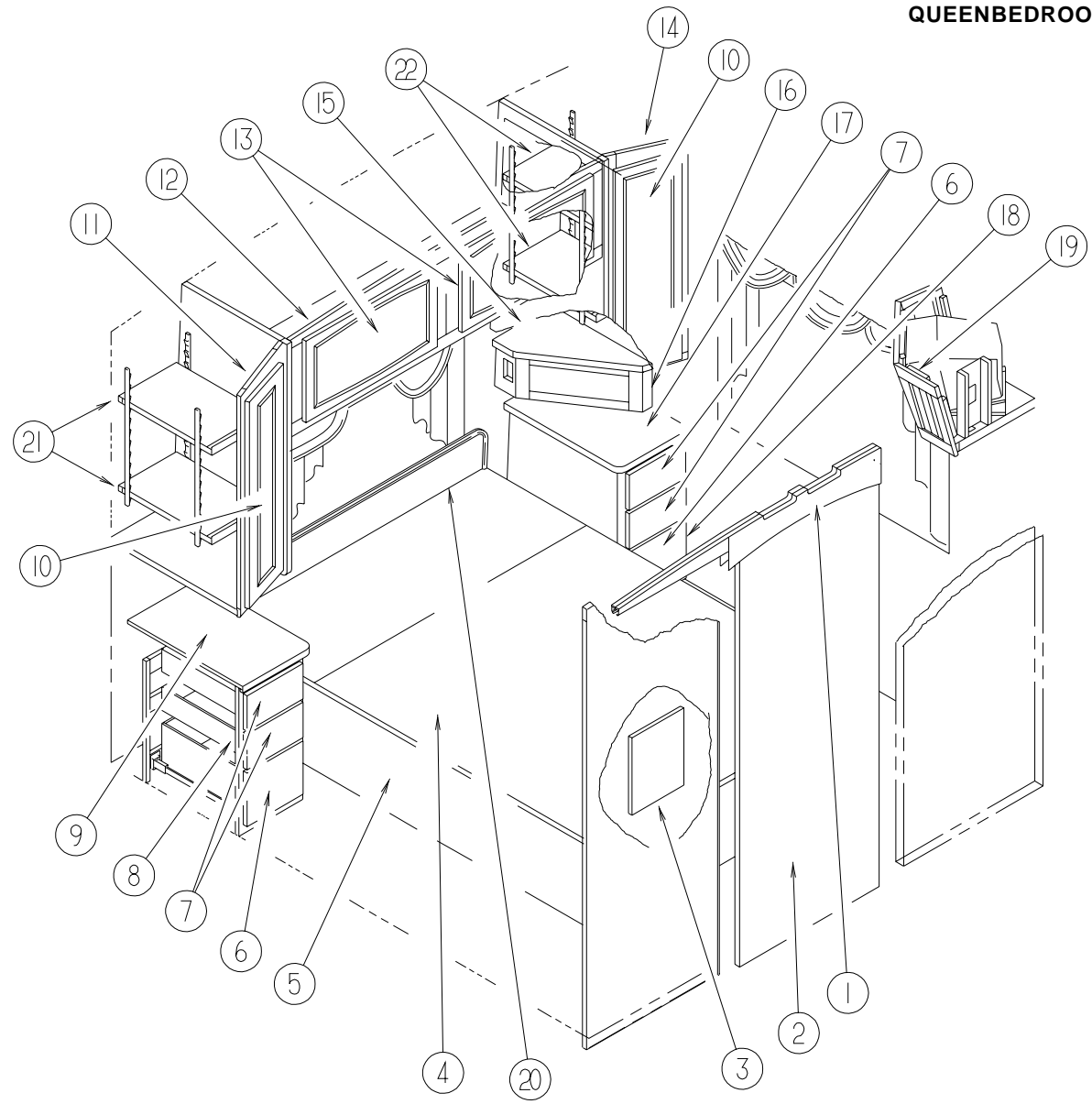
BATHGROUP(CONTINUED)



SEALAND TOILETS

KEY	PARTNUMBER	U/M	DESCRIPTION	VENDORNO.
1	085330-06-000	EA	TOILET-STANDARDCHINAW/SPRAYER-BONE	
1	085330-02-000	EA	TOILET-STANDARDBONECHINA(ELONGATEDTOILET)	
2	085330-06-700	EA	SEATASSEMBLY, BONE	340591
	085330-04-707	EA	SEATASSEMBLY, BONE(ELONGATEDTOILET)	340816
3	085330-06-702	EA	HINGEHARDWARE(BONE)SET	342131
	085330-01-720	EA	HINGEHARDWARE, (BONE)SET(ELONGATEDTOILET)	341707
4	085330-01-703	EA	RING&HALFCLAMPS, BONE	385310048
5	085330-01-704	EA	TEFLON&RUBBERSEALKIT	385316140
6	085330-01-705	EA	SUPPORT-SEAL, PLASTIC	390346405
7	085330-02-700	EA	BASEASM	310121
8	085330-02-702	EA	COVER-PEDESTAL, BONE510	310112
9	085330-01-718	EA	SEAL&BASEW/MOUNTINGHDW	3853100-63
10	085330-01-714	EA	SEAL-FLANGE, FLOOR	390343892
11	085330-01-717	EA	STOOLMTG., PKG. BOLT&SEAL	3100-64
12	085330-01-706	EA	BALL(FLAPPER)SHAFT/CARTRIDGE	385318162
13	085330-02-703	EA	COVER-PEDAL, BONENEWSTYLE	310115
14	085330-01-709	EA	VALVE-WATER	385314349
15	085330-01-707	EA	CARTRIDGE SPRINGASSEMBLY	381236096
16	085330-06-703	EA	LEVER-FLUSH	340873
17	085330-01-710	EA	DRAIN-KIT, PLUG-CAPW/SEAL	230384
18	085330-06-701	EA	BREAKER-VACUUM/DIVERTER(900)	230335
	085330-04-700	EA	BREAKER-VACUUM, F/HANDSPRAY(ELONGATEDTOILET)	230325
19	085330-04-701	EA	HANDSPRAYW/HOSE(500&900)	340683

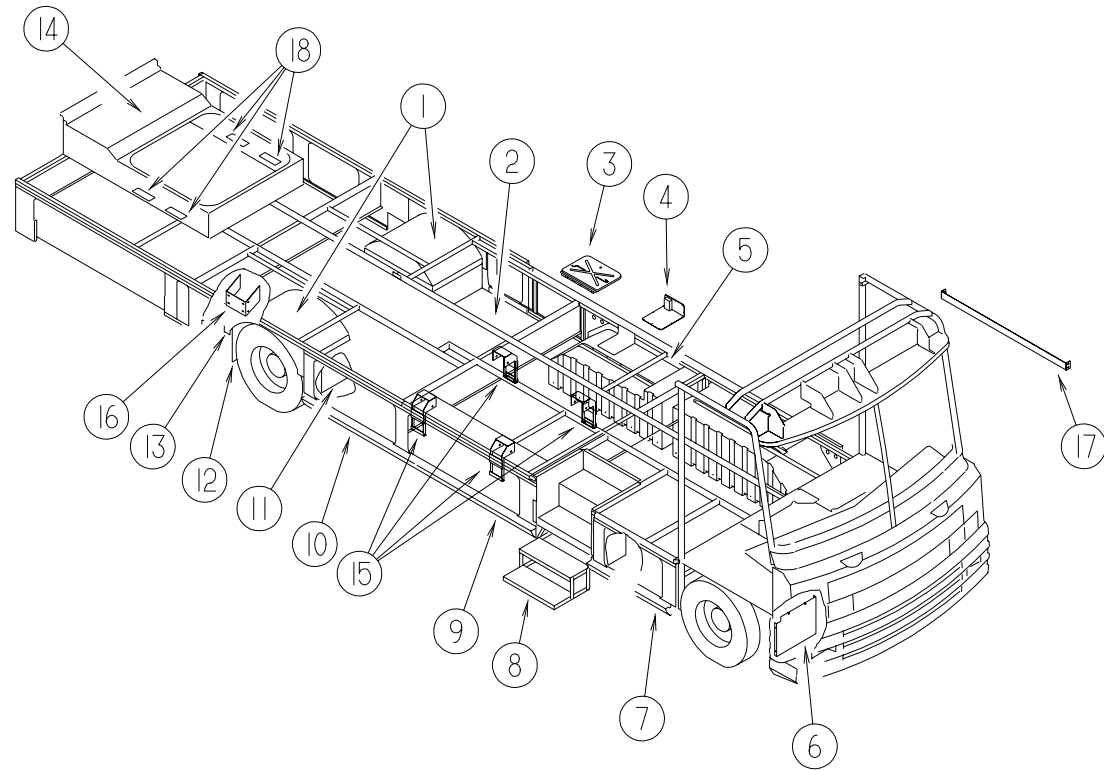
**BEDROOMGROUP
QUEENBEDROOMCABINETS&FIXTURES**



KEY	PARTNUMBER	U/M	DESCRIPTION
8	107017-01-H50	EA	CABINET-NIGHTSTAND-RIGHTHAND-W/ODOORS/DRAWERS/HDW(H50)
8	107017-01-G39	EA	CABINET-NIGHTSTAND-RIGHTHAND-W/ODOORS/DRAWERS/HDW(H51)
8	107017-01-H52	EA	CABINET-NIGHTSTAND-RIGHTHAND-W/ODOORS/DRAWERS/HDW(H52)
8	107017-01-G41	EA	CABINET-NIGHTSTAND-RIGHTHAND-W/ODOORS/DRAWERS/HDW(H53)
8	107017-01-H54	EA	CABINET-NIGHTSTAND-RIGHTHAND-W/ODOORS/DRAWERS/HDW(H54,H62)
8	107017-01-H55	EA	CABINET-NIGHTSTAND-RIGHTHAND-W/ODOORS/DRAWERS/HDW(H55,H63)
9	107017-11-G38	EA	COUNTERTOP-NIGHTSTAND(H50,H51)
9	107017-11-G40	EA	COUNTERTOP-NIGHTSTAND(H52,H53)
9	107017-11-H54	EA	COUNTERTOP-NIGHTSTAND(H54,H55,H62,H63)
10	M06803-14-H50	EA	DOOR-MIRROR/MITEREDCORNERS/OGEEEDGE-10.8"X36.4"W/OHDW(SOLARMAPLE)
10	M06803-14-E41	EA	DOOR-MIRROR/MITEREDCORNERS/OGEEEDGE-10.8"X36.4"W/OHDW(SALEMCHERRY)
10	088742-10-000	EA	MIRROR-BEVELEDSAFETYGLASS-7.3"X32.9"
11	P14721-01-H50	EA	CABINET-SHIRT-CLOSET-RIGHTHAND-W/ODOORS/DRAWERS/HDW(SOLARMAPLE)
11	P14721-01-F37	EA	CABINET-SHIRT-CLOSET-RIGHTHAND-W/ODOORS/DRAWERS/HDW(SALEMCHERRY)
11	097872-04-000	EA	DOWEL-WOOD-1"DIAMETERX1.38"LONG
12	M05960-10-H50	EA	CABINET-REAROVERHEAD-W/ODOORS/HARDWARE(SOLARMAPLE)
12	M05960-10-E41	EA	CABINET-REAROVERHEAD-W/ODOORS/HARDWARE(SALEMCHERRY)
13	M05990-01-H50	EA	DOOR-W/OGEEEDGE14.3"X27.1"-W/OHARDWARE(SOLARMAPLE)
13	M05990-01-E41	EA	DOOR-W/OGEEEDGE14.3"X27.1"-W/OHARDWARE(SALEMCHERRY)
14	P14720-01-H50	EA	CABINET-SHIRT-CLOSET-LEFTHAND-W/ODOORS/DRAWERS/HDW(SOLARMAPLE)
14	P14720-01-F37	EA	CABINET-SHIRT-CLOSET-LEFTHAND-W/ODOORS/DRAWERS/HDW(SALEMCHERRY)
14	097872-04-000	EA	DOWEL-WOOD-1"DIAMETERX1.38"LONG
15	107446-11-E38	EA	SHELF-F/RADIOCABINET-W/T-MOLDING(H50,H51)
15	107446-11-F40	EA	SHELF-F/RADIOCABINET-W/T-MOLDING(H52,H53)
15	107446-11-G42	EA	SHELF-F/RADIOCABINET-W/T-MOLDING(H54,H55,H62,H63)
16	107446-01-H50	EA	CABINET-F/RADIO-W/OHARDWARE(H50)
16	107446-01-E42	EA	CABINET-F/RADIO-W/OHARDWARE(H51)
16	107446-01-H52	EA	CABINET-F/RADIO-W/OHARDWARE(H52)
16	107446-01-F41	EA	CABINET-F/RADIO-W/OHARDWARE(H53)
16	107446-01-H54	EA	CABINET-F/RADIO-W/OHARDWARE(H54,H62)
16	107446-01-G43	EA	CABINET-F/RADIO-W/OHARDWARE(H55,H63)
17	107018-11-G38	EA	COUNTERTOP-NIGHTSTAND(H50,H51)
17	107018-11-G40	EA	COUNTERTOP-NIGHTSTAND(H52,H53)
17	107018-11-G42	EA	COUNTERTOP-NIGHTSTAND(H54,H55,H62,H63)
18	107018-01-H50	EA	CABINET-NIGHTSTAND-LEFTHAND-W/ODOORS/DRAWERS/HDW(H50)
18	107018-01-G39	EA	CABINET-NIGHTSTAND-LEFTHAND-W/ODOORS/DRAWERS/HDW(H51)
18	107018-01-H52	EA	CABINET-NIGHTSTAND-LEFTHAND-W/ODOORS/DRAWERS/HDW(H52)
18	107018-01-G41	EA	CABINET-NIGHTSTAND-LEFTHAND-W/ODOORS/DRAWERS/HDW(H53)
18	107018-01-H54	EA	CABINET-NIGHTSTAND-LEFTHAND-W/ODOORS/DRAWERS/HDW(H54,H62)
18	107018-01-H55	EA	CABINET-NIGHTSTAND-LEFTHAND-W/ODOORS/DRAWERS/HDW(H55,H63)
19	123709-02-H50	EA	CABINET-OVERHEAD-TV(SOLARMAPLE)
19	123709-02-H51	EA	CABINET-OVERHEAD-TV(SALEMCHERRY)
	115466-04-02B	EA	STRAPASM-TIEDOWN,E-COAT
	124812-01-02B	EA	STRAP-TV TIEDOWN
20	112516-04-G38	EA	HEADBOARD-IMPERIAL-QUEEN(H50,H51)
20	112516-04-G40	EA	HEADBOARD-IMPERIAL-QUEEN(H52,H53)
20	112516-04-G54	EA	HEADBOARD-IMPERIAL-QUEEN(H54,H55)
20	112732-04-H62	EA	HEADBOARD-IMPERIAL-QUEEN(H62,H63)
	058331-93-000	EA	MIRROR-SAFETYGLASS-27.6"X63"
21	114721-11-H50	EA	SHELF-W/PLASTICMOLDING(SOLARMAPLE)
21	114721-11-F37	EA	SHELF-W/PLASTICMOLDING(SALEMCHERRY)
22	114720-11-H50	EA	SHELFASM(SOLARMAPLE)
22	114720-11-F37	EA	SHELFASM(SALEMCHERRY)

KEY	PARTNUMBER	U/M	DESCRIPTION
1	110418-02-H50	EA	HEADER-DOOR(SOLARMAPLE)
1	110418-02-E41	EA	HEADER-DOOR(SALEMCHERRY)
1	103868-09-01A	EA	TRACK-SLIDINGDOOR-64.3"-OFFWHITE
2	104013-08-H56	EA	DOOR-SLIDING-W/OHARDWARE(SOLARMAPLE)
	104013-08-GV1	EA	DOOR-SLIDING-W/OHARDWARE(SALEMCHERRY)
3	112515-01-02A	EA	PICTURE-DECORATIVE-12"X16"
4	M05905-01-D18	EA	CABINET-QUEENBEDTOP-W/OHARDWARE
4	091952-01-000	EA	CLIP-GRIPPER-1"
4	057460-04-000	EA	SPRING-GAS-BALLSTUDSTYLEEND
4	089025-01-000	EA	SUPPORT-SPRINGTOBED-ANGLE1.5"X11.8"
4	109645-02-000	EA	BRACKET-FLOORSUPPORT
5	P09393-01-H50	EA	CABINET-BASE-QUEENBED-W/ODOORS/DRAWERS/HARDWAR(SOLARMAPLE)
5	P09393-01-E41	EA	CABINET-BASE-QUEENBED-W/ODOORS/DRAWERS/HARDWARE(SALEMCHERRY)
6	M05971-19-H50	EA	DRAWER-OGEEEDGE-9.2"WX17.9"D-W/OSLIDES/HARDWAR(SOLARMAPLE)
6	M05971-19-E41	EA	DRAWER-OGEEEDGE-9.2"WX17.9"D-W/OSLIDES/HARDWARE(SALEMCHERRY)
7	M05971-18-H50	EA	DRAWER-OGEEEDGE-9.2"WX17.7"D-W/OSLIDES/HARDWAR(SOLARMAPLE)
7	M05971-18-E41	EA	DRAWER-OGEEEDGE-9.2"WX17.7"D-W/OSLIDESHARDWAR(SALEMCHERRY)

CHASSISGROUP



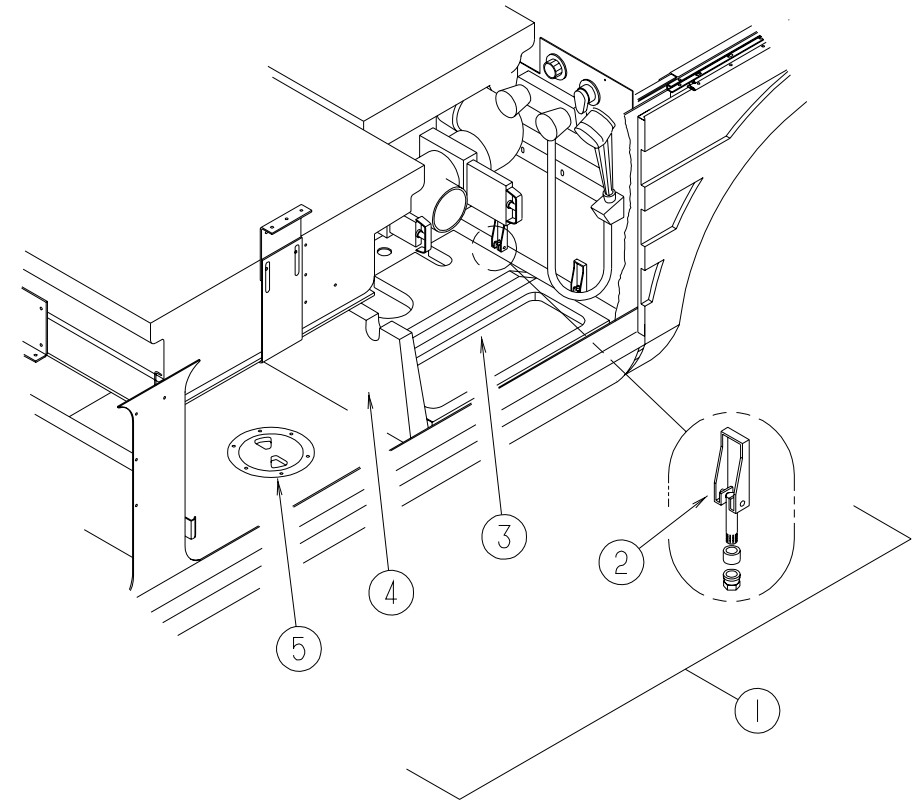
COMPARTMENTS&COMPONENTS

KEY	PARTNUMBER	U/M	DESCRIPTION
1	055374-01-000	EA	WHEELWELL-PLASTIC
2	M07452-07-G38	EA	COMPARTMENT-STORAGE 11"X48.9"
3	121056-01-02B	EA	PANEL-CLOSEOUT
3	M08648-01-000	EA	PANEL-CLOSEOUT
3	101667-04-000	EA	PROPROD
3	121769-01-01A	EA	PANEL-DOOR-ACCESS-BLACK
3	101667-04-000	EA	PROPROD
4	120866-01-01A	EA	COVER-ACCESS-VALVE/SLIDEOUT
5	119090-01-01A	EA	COMPARTMENT-LUGGAGE,GRAY
6	104147-02-000	EA	SHIELD-SPLASH-RIGHTHAND
7	118986-04-01A	EA	COMPARTMENT-STORAGE,GRAY
8	094707-01-01A	EA	STEP-DOUBLE-ELECTRIC-KWIKEE
8	065450-05-000	EA	TIEDOWN-BATTERY, 8.4" TUBE
9	118986-02-01A	EA	COMPARTMENT-STORAGE
9	108986-01-000	EA	TUBE-SUPPORT, LADDER, LOWER MOUNTSLADDERINSTORAGECOMPARTMENT
9	112384-01-000	EA	SPONGE-BRACKET, RACK&LADDER
10	118986-03-01A	EA	COMPARTMENT-STORAGE,GRAY
11	020167-05-000	EA	DIRTGUARD-STEEL 15" LONG 15"
12	017516-01-000	EA	FLAP-MUD, 14" X 18" - BLACK
13	020167-04000	EA	GUARD-DIRT
14	072877-03-000	EA	INSULATION-SOUNDBARRIER-1" X 36" X 57"
15	105718-03-000	EA	SUPPORTASM-COMPARTMENT
16	115653-13-02B	EA	BRACKETASM-AIRDRYER, E-COAT
17	121174-02-02B	EA	SUPPORTASM-SLD/OFRAME, E-CT
18	110277-02-000	EA	STRAP-W/HOLES
	115392-01-01A	EA	STRAP-VELCRO(LUGWRENCHHOLDER)

CHASSISGROUP(CONTINUED)

COMPARTMENTS&COMPONENTS(CONTINUED)

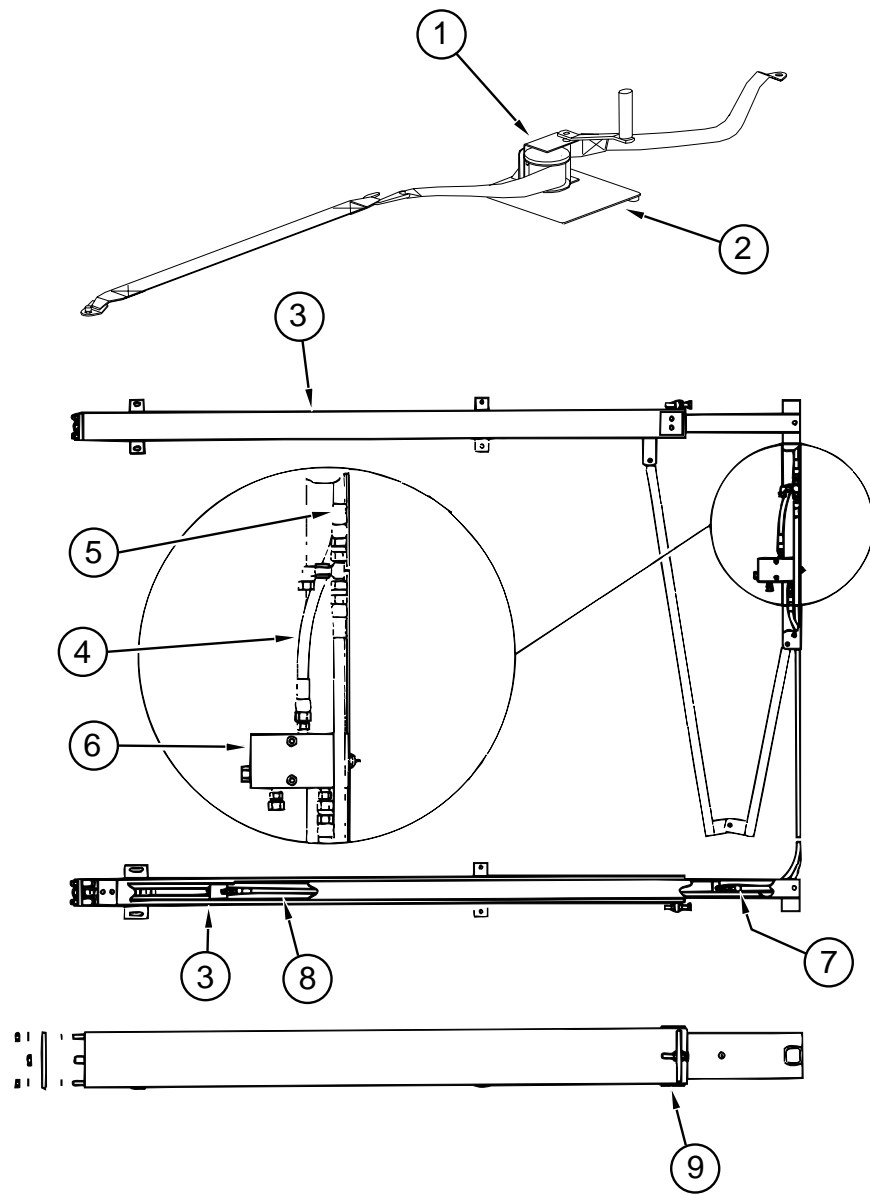
KEY	PARTNUMBER	U/M	DESCRIPTION
	061420-05-000	EA	PLUG-PLASTIC, 1.8" DIAMETER
	107719-01-01A	EA	STRIKE-VALANCEDOORMILL
	113452-01-000	FT	SEAL/TRIM-FRONT-VINYLOW/WIRECARRIER
	115361-01-01A	EA	PLUG-PLASTICCAPLUGNO.W5
	119845-01-01A	EA	PLUG-PLASTIC-BLACK
	112864-01-000	FT	FOAM-BUTYLCOVERED3/8"



STORAGE COMPARTMENT

KEY	PARTNUMBER	U/M	DESCRIPTION
1	M07452-07-G38	EA	COMPARTMENT-STORAGE - 11" X 48.9"
2	121175-01-01A	EA	LATCH-SWELL-BLACK
3	M06991-03-F36	EA	HATCH-W/FOAM
4	114679-05-01A	EA	COMPARTMENT-STORAGE
5	092887-03-000	EA	CAP-TWIST-HATCH/SEWERHOSE-4" ID-BLACK

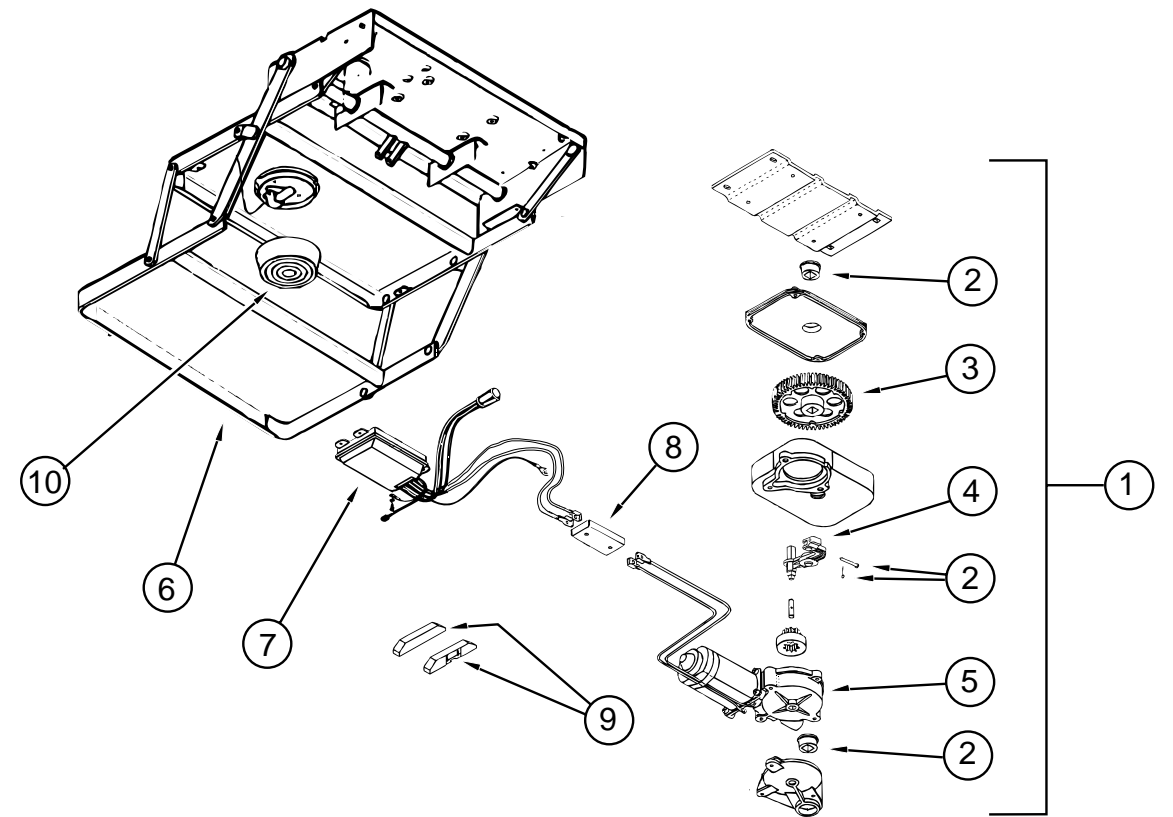
CHASSISGROUP(CONTINUED)



HWHYDRAULICSLIDEOUTCOMPARTMENT

KEY	PARTNUMBER	U/M	DESCRIPTION	VENDORNO.
1	115767-02-000	EA	SLIDEOUT-WINCH	
2	116082-01-02B	EA	BRACKET-WINCH	
3	115767-01-701	EA	CYLINDER-HYD.,F/SLIDEOUT	RAP90007
4	115767-01-702	EA	HOSE-HYD.,17"F/SLIDEOUT	RAP90003
5	115767-01-705	EA	HOSE-HYD,60"F/SLIDEOUT	RAP4073
6	115767-01-706	EA	VALVE-SENSOR,F/SLIDEOUT	RAP90012
7	115767-03-700	EA	HOSE-HYD,1/4"X105"	RAP90125
8	115767-03-701	EA	HOSE-HYD,1/4"X161"	RAP90126
9	115767-04-000	EA	SLIDEOUT-HYDRAULIC-W/BRACKETS	
	121665-02-000	EA	SHIM-1/16THICK	
	121665-03-000	EA	SHIM-1/8THICK	

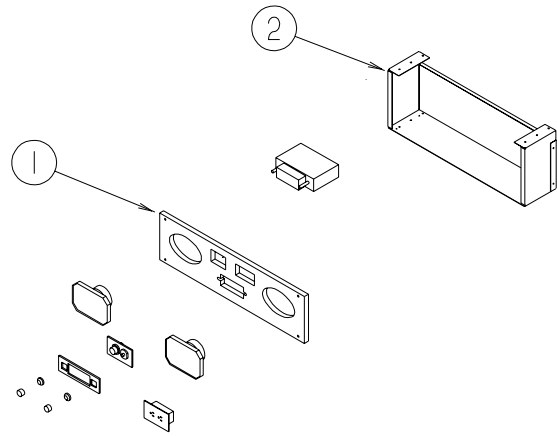
CHASSISGROUP(CONTINUED)



KWIKEELECTRICSTEP

KEY	PATNUMBER	U/M	DESCRIPTION	VENDORNO.
1	094707-01-01A	EA	STEP-DOUBLE-ELETRIC-KWIKEE	
	094707-02-707	EA	TREAD-NONSKID,BLACK6"X21"	909333
2	094707-02-703	EA	BEARING&PINS	909530
3	094707-02-702	EA	GEARKIT,W/BEARINGS,PIN-CASE	909525
4	094707-02-701	EA	LINKAGEASM.W/BEARINGS-PINS	909534
5	094707-02-700	EA	MOTORASM.,W/BEARINGS&PINS	909520
6	094707-01-702	EA	FRAMEW/DBLSTEP,3200SERIES	908032
7	094707-02-705	EA	CONTROLUNIT,WHITE	909513
8	094707-02-704	EA	CONNECTOR-MOTORASM.W/PLATES	909537
9	116995-01-000	EA	SWITCH/MAGNET-STEP-ELECTRIC-KWIKEE	905306
	075723-02-000	EA	SPACER-SWITCH,W/HOLE-.2"X.9"X2"-METAL-OFFWHITE	
10	088733-01-700	EA	BULB	9004
10	088746-01-705	EA	LIGHT-UNDERSTEP	9004

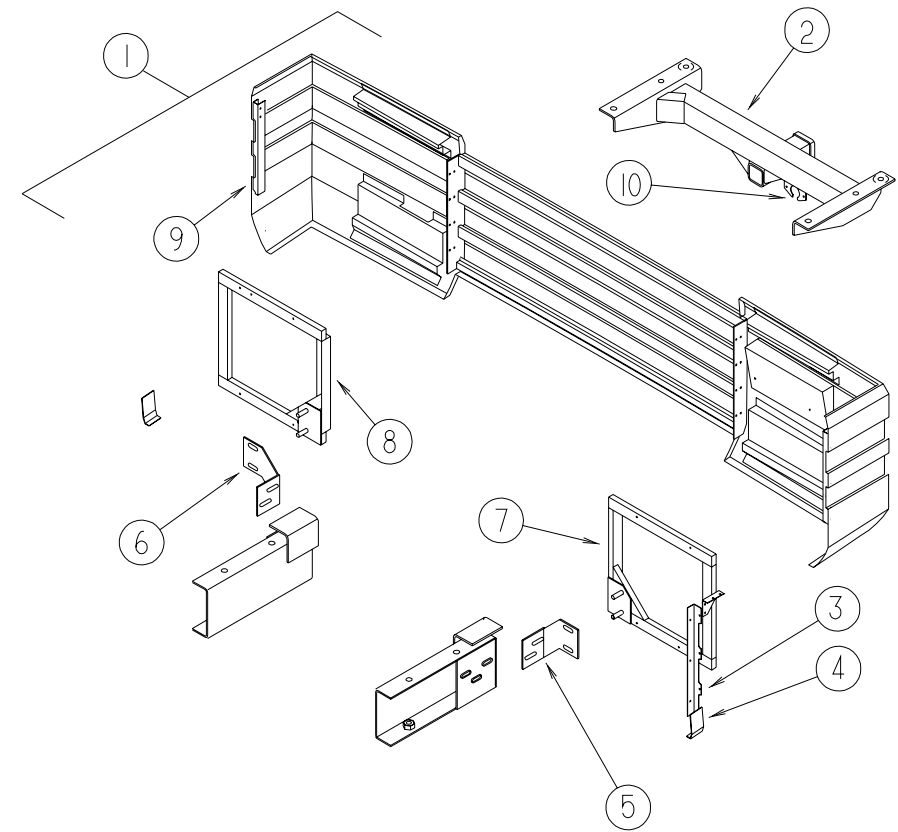
CHASSISGROUP(CONTINUED)



EXTERIORENTERTAINMENTCENTER

KEY	PARTNUMBER	U/M	DESCRIPTION
1	108506-03-G38	EA	PLATE-RADIOMOUNTING
2	121317-01-02B	EA	PANEL-ENTERTAINMENTCENTER

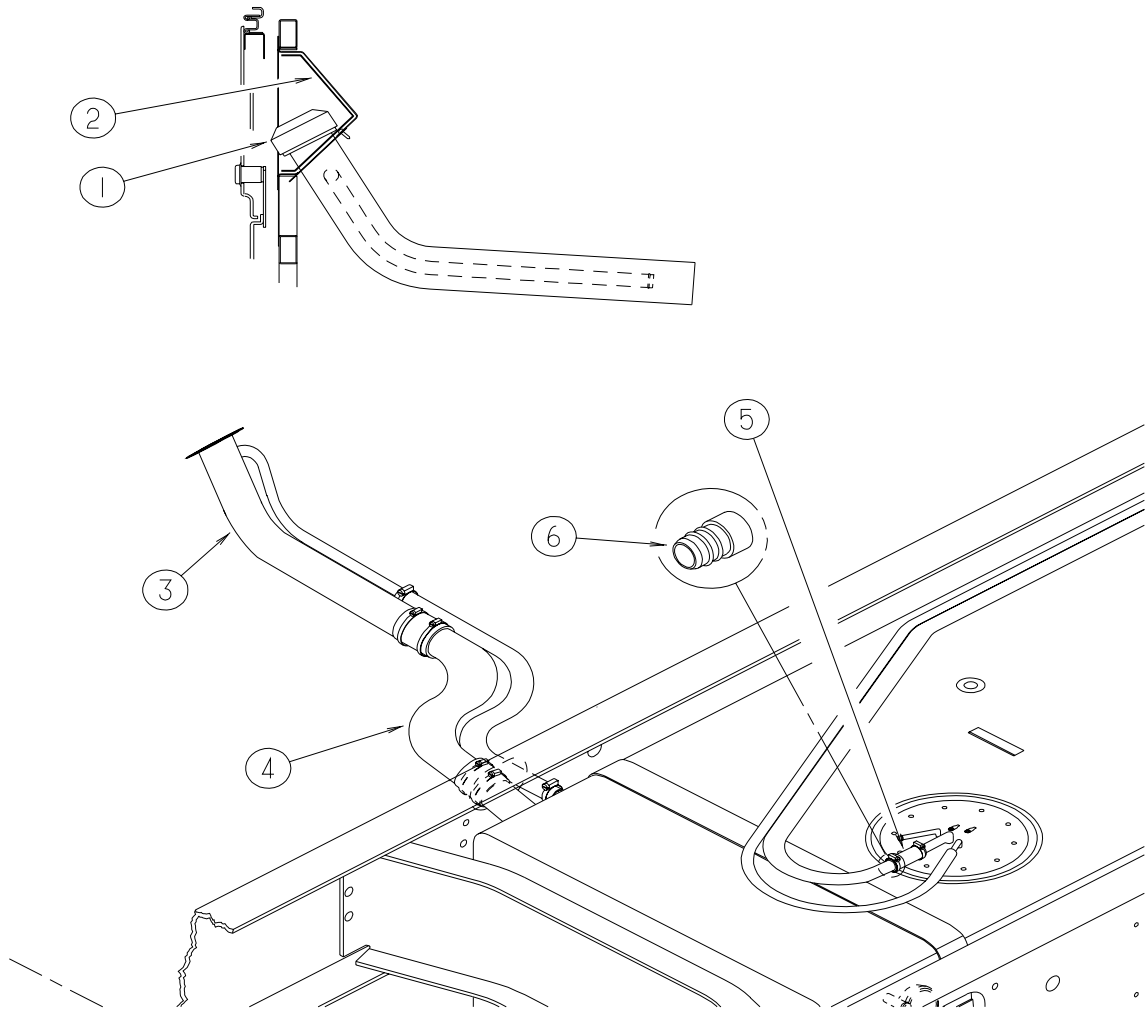
CHASSISGROUP(CONTINUED)



REARBUMPER&TRAILERHITCH

KEY	PARTNUMBER	U/M	DESCRIPTION
1	M05811-02-D18	EA	BUMPER/REAR-(PUSHER)
2	107707-04-000	EA	HITCHRECEIVER-BOLT-ONCLASSII
			FROM: 00-00-00 THRU: 04-28-97
2	117313-01-02B	EA	DRAWBAR-HITCH-CLASSIII
			FROM: 04-29-97 THRU: 99-99-99
	034512-01-000	EA	PIN-LOCKING,DRAWBAR
3	107487-01-000	EA	ANGLE-ATTACHMENT,REAR
4	107665-01-000	EA	ANGLE-FORMED,BUMPER,LOWER
5	115486-02-02B	EA	BRACKET-MOUNT/LEFTHAND-BUMPER
6	115486-01-02B	EA	BRACKET-MOUNT/RIGHTHAND-BUMPER
7	108939-02-000	EA	FRAME-BUMPER-REAR/LEFTHAND
8	108939-01-000	EA	FRAME-BUMPER-REAR
9	108453-04-000	EA	CAP-REAR/RIGHTHANDBUMPEREND
	108453-03-000	EA	CAP-REAR/LEFTHANDBUMPEREND
10	113588-02-01B	EA	BRACKET-CONNECTOR,TRAILER,MILL
			FROM: 00-00-00 THRU: 10-07-96
10	113588-01-01B	EA	BRACKET-CONNECTOR,TRAILER,MILL
			FROM: 10-08-96 THRU: 99-99-99
	113589-01-000	EA	CONNECTOR-PLUG,TRAILER-GENERAL433501
	113589-02-000	EA	CONNECTOR-SOCKET,TRAILER-GENERAL433601
	116357-01-02B	EA	ANGLE-SUPPORT-REARBUMPER

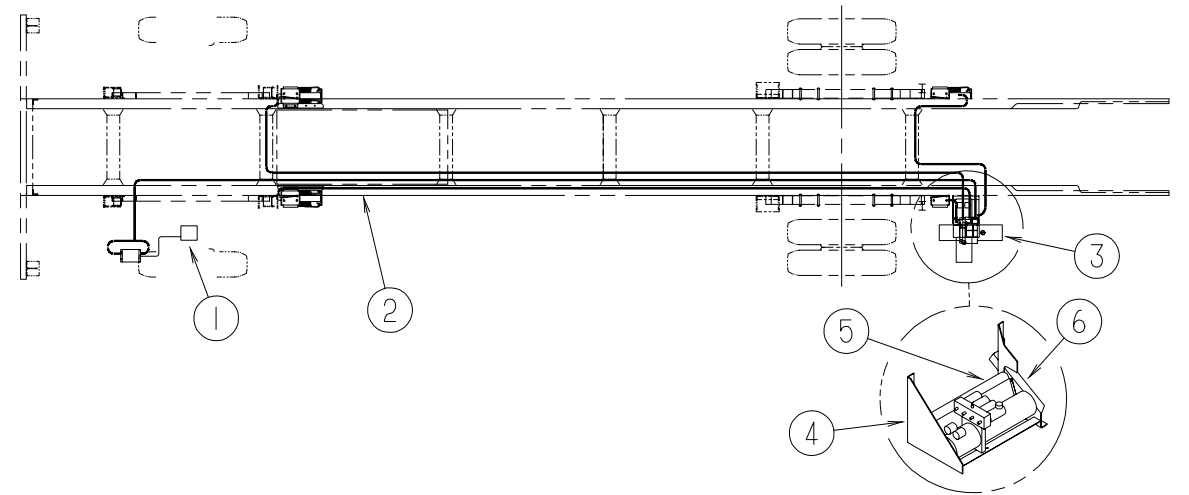
CHASSISGROUP(CONTINUED)



FUELSYSTEM

KEY	PARTNUMBER	U/M	DESCRIPTION
1	073220-03-000	EA	CAP-FUELFILL, NONLOCK(DSL)-GM-15671703
2	102951-01-01A	EA	SHROUD-FUELFILL
3	087256-05-000	EA	NECK-FUELFILL
4	100140-01-000	EA	TUBE-FUELINLET
5	007063-01-000	FT	HOSE-GAS 1/4" ID X 1/2" OD
6	084884-01-000	EA	PLUG-BRASS, 3/8"

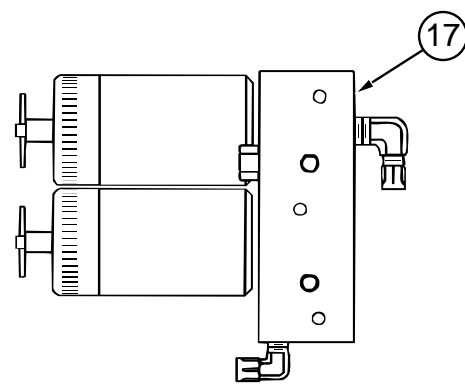
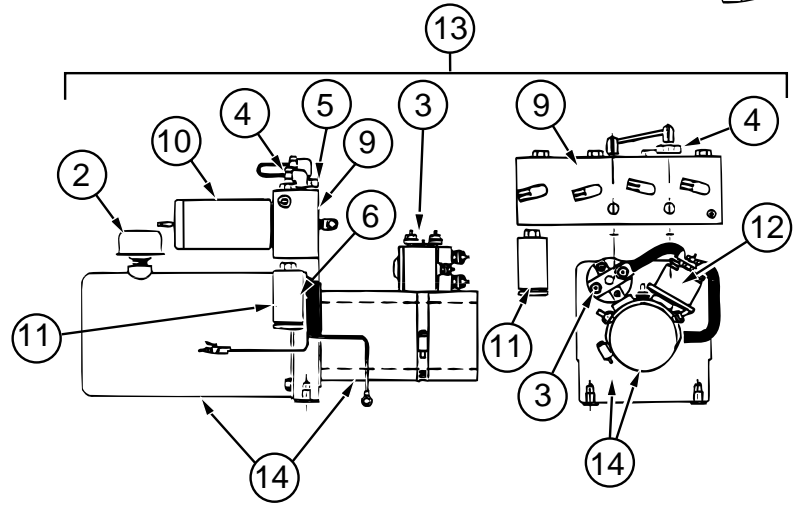
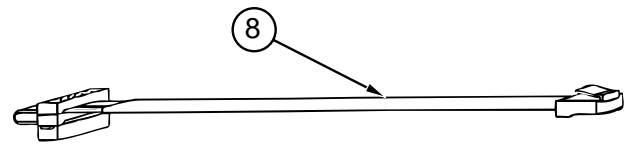
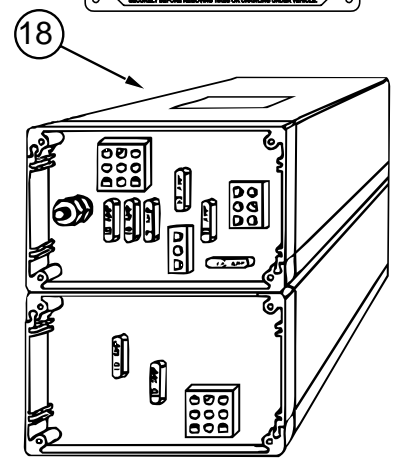
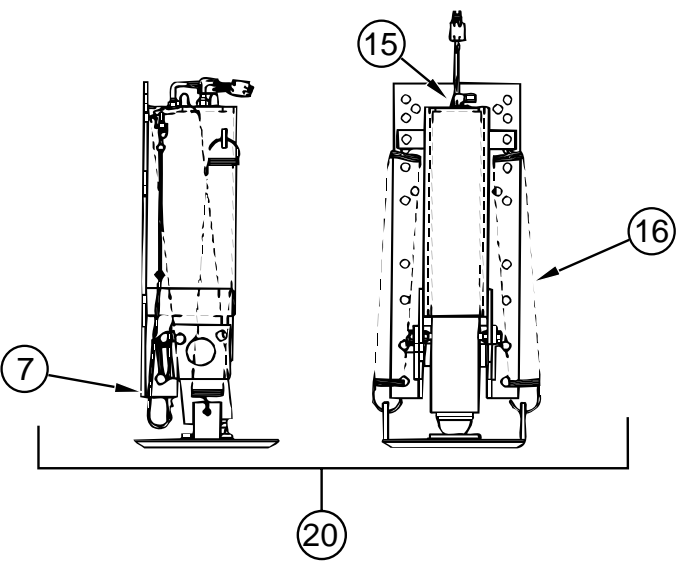
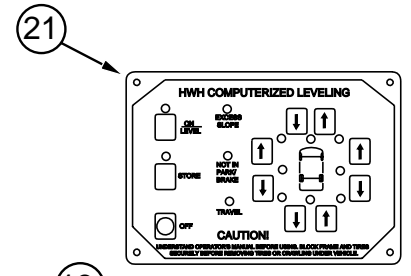
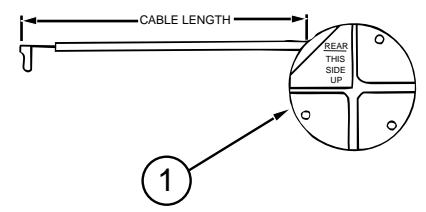
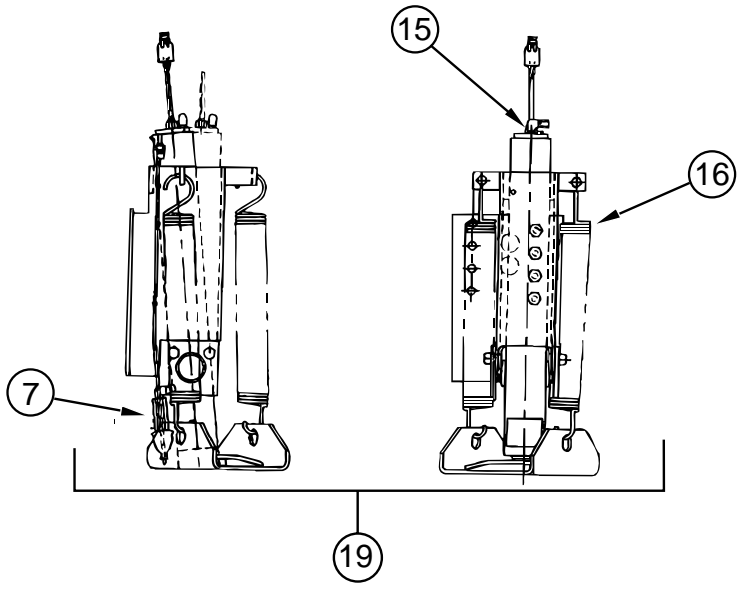
CHASSISGROUP(CONTINUED)



HWHYDRAULICLEVELINGSYSTEM

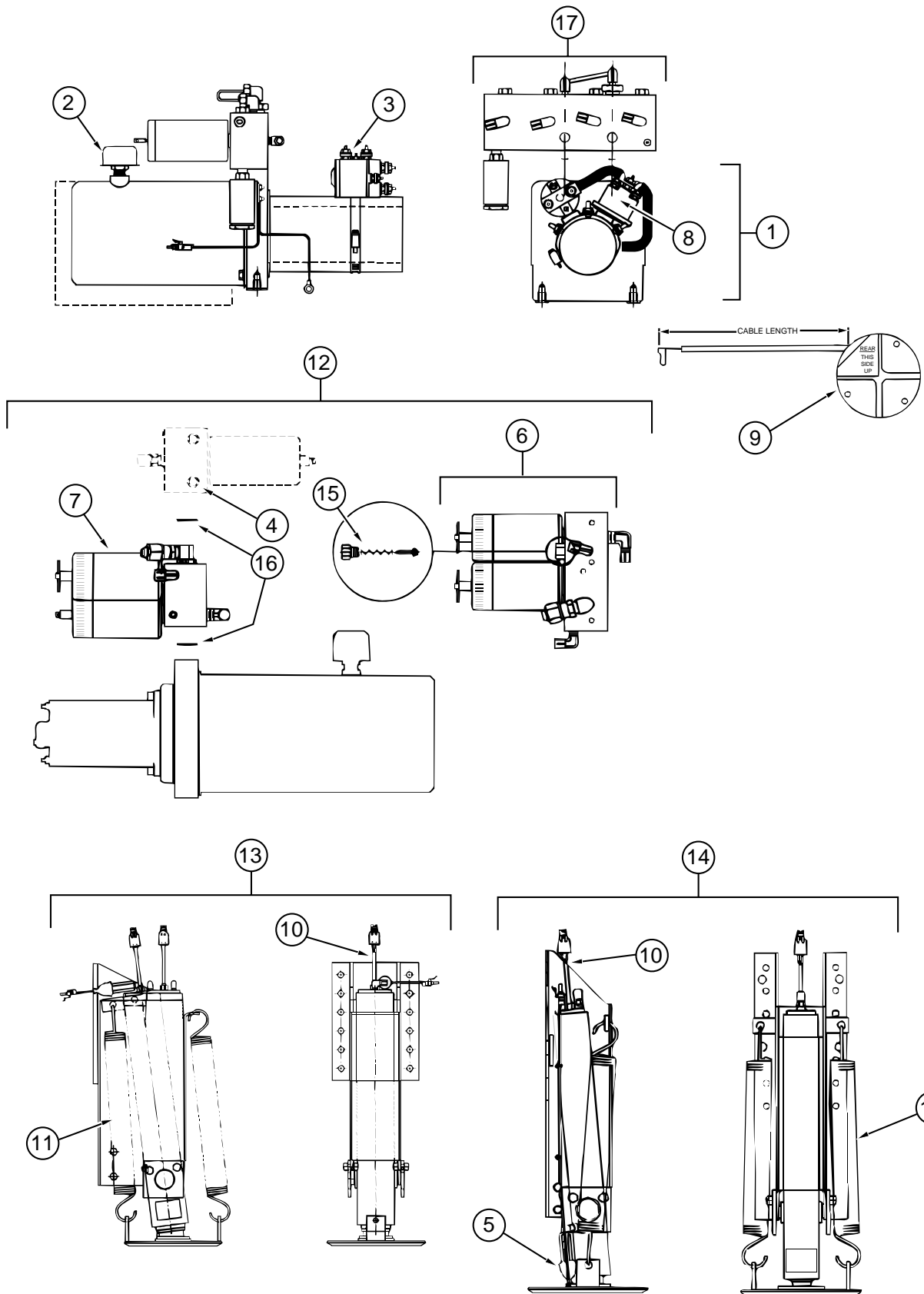
KEY	PARTNUMBER	U/M	DESCRIPTION	VENDOR NO.
1	100532-09-700	EA	PANEL ASM.-TOUCH CONTROL	RAP1002
	100532-09-702	EA	CABLE-MODULAR 5'	RAP1020
2	100536-26-000	EA	HOSE KIT-LEVELING JACK SHWHAP1903	
	100536-14-700	EA	HOSE-HYDRAULIC-288"	RAP4063
	100536-29-700	EA	HOSE-HYDRAULIC-280"	RAP4729
	100536-33-000	EA	HOSE KIT-SLIDE OUT SHWHAP11880	
3	100532-24-000	EA	LEVELING SYSTEM-HYDRAULIC (SPRING SUSP.)	
3	100532-35-000	EA	LEVELING SYSTEM-HYDRAULIC (AIR SUSP.)	
4	116181-01-02B	EA	BRACKET/PUMP-LEVELING JACK-REAR INNER-E-COAT	
5	116199-01-02B	EA	SUPPORT-PUMP-LEVELING JACK	
6	116200-01-09B	EA	SHIELD-HEAT, LVLJK PUMP, GALV	
	114748-05-02B	EA	CROSSMEMBER-REAR JACK MOUNTING	
	114748-06-02B	EA	CROSSMEMBER-REAR JACK MOUNTING	
			FROM: 00-00-00 THRU: 01-28-97	
	114748-03-02B	EA	CROSSMEMBER-REAR JACK MOUNTING	
			FROM: 01-29-97 THRU: 99-99-99	
	117183-01-02B	EA	COVER-SENSOR-LEVELING	

CHASSISGROUP(CONTINUED)
HWHHYDRAULICLEVELINGSYSTEM



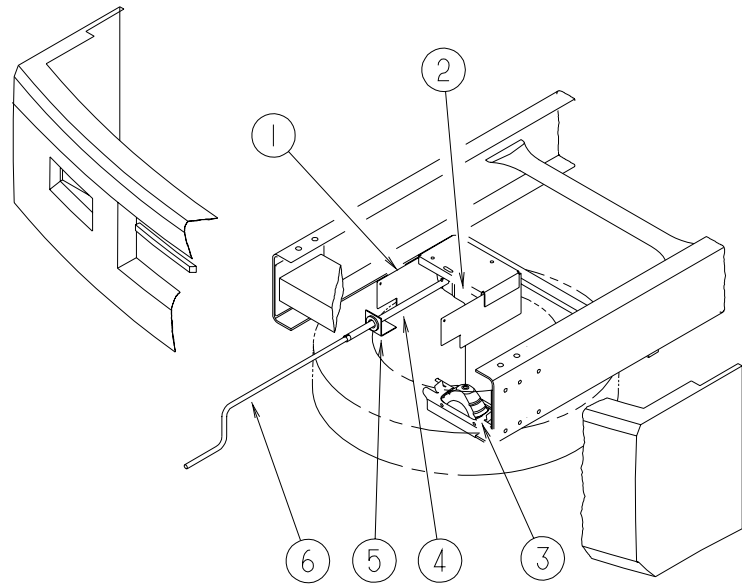
KEY	PARTNUMBER	U/M	DESCRIPTION	VENDOR NO.
	100532-24-000	EA	LEVELINGSYSTEM-HYRAULIC -HWHAP10800	
1	100532-03-710	EA	SENSINGUNIT21'MTA	RAP6798
2	100532-03-715	EA	CAP-BREATHERW/DIPSTICK	RAP7876
3	100532-03-716	EA	SOLENOID-CONTINUOUSDUTY	RAP7505
4	N/A	EA	VALVE-PRESSURE,RETURNSHUTTLE	
5	N/A	EA	VALVE-CHECKKIT(SGL)	
6	100532-03-723	EA	MANIFOLDHDWEMTGKIT	RAP9171
7	100532-03-726	EA	SWITCH-PRESSURE	RAP8003
8	100532-09-702	EA	CABLE-MODULAR5'	RAP1020
9	100532-09-703	EA	MANIFOLDASM.-COMPLETE	RAP0959
10	N/A	EA	VALVE-PRESSURESOLENOID	
11	N/A	EA	SWITCH-PRESSUREW/HEAD-3000#	
12	100532-09-710	EA	SOLENOID-INTERMITTENTDUTY	RAP0533
13	100532-12-700	EA	VALVEASM.18"-POWERUNIT	RAP1124
14	100532-12-701	EA	PUMP&MOTORW/TANK1.7	RAP0588
15	100532-12-706	EA	SWITCH-WARNINGMAGNETIC	RAP1008
16	100532-12-707	EA	SPRINGKIT	R3847
17	100532-16-701	EA	MANIFOLDASM.F/SLIDEOUT	RAP1716
18	100532-20-700	EA	CONTROLBOX-JACKS&ROOMEXT	RAP90094
19	100532-21-700	EA	JACK-6KFRONTW/SWITCHES	RAP1168
20	100532-24-700	EA	JACK-REARW/SWITCHES12K	RAP2051
	100532-16-703	EA	CYLINDERASSEMBLY,12K(FT&RRJACKS)	RAP0040
21	100532-09-700	EA	PANELASM.-TOUCHCONTROL	RAP1002

CHASSISGROUP(CONTINUED)
HWHHYDRAULICLEVELINGSYSTEMWITHAIRSUSPENSION



KEY	PARTNUMBER	U/M	DESCRIPTION	VENDORNO.
	100532-35-000	EA	LEVELINGSYSTEM-HYDRAULIC	
1	100532-01-713	EA	PUMP-RESERVOIRASM.-MONARCH	RAP90014
	100532-01-714	EA	SCREWKIT(LEVELINGJACKS)	R1280
2	100532-03-715	EA	CAP-BREATHERW/DIPSTICK	RAP7876
3	100532-03-716	EA	SOLENOID-CONTINUOUSDUTY	RAP7505
4	100532-03-723	EA	O-RING/SEALKIT	RAP9171
5	100532-03-726	EA	SWITCH-PRESSURE	RAP8003
6	100532-09-703	EA	MANIFOLDASM.-COMPLETE	RAP0959
7	100532-09-704	EA	VALVE-PRESSURESOLENOID	RAP0642
8	100532-09-710	EA	SOLENOID-INTERMITENTDUTY	RAP0533
9	100532-12-703	EA	SENSINGUINTBI-AXIS-27'	RAP6800
10	100532-12-706	EA	SWITCH-WARNING/MAGNETIC	RAP1008
11	100532-12-707	EA	SPRINGKIT	R3847
12	100532-16-701	EA	MANIFOLDASM.F/SLIDEOUT	RAP1716
13	100532-23-700	EA	JACK-FRONTW/SWITCHES6K	RAP90176
14	100532-23-701	EA	JACK-REARW/SWITCHES12K	RAP11375
15	100532-31-701	EA	CHECKVALVE&KIT	RAP10021
16	100532-31-702	EA	O-RING/SEALKIT-MANIFOLD	RAP90127
	100532-32-701	EA	BUZZER-JACKDOWNWARNING	RAP0325
17	100532-35-700	EA	PUMP/RESERVOIR/MANIFOLDASM.	RAP13233

CHASSIS GROUP (CONTINUED)



SPARE TIRE & HOIST

KEY	PART NUMBER	U/M	DESCRIPTION
1	113007-04-000	EA	PIN-SPRING, .188X1.25IN
2	120877-01-000	EA	HOIST- SPARE TIRE - #400LB
3	120752-02-02B	EA	SUPPORT-SPARE TIRE
3	120752-01-02B	EA	SUPPORT-SPARE TIRE - E-COAT
			FROM: 00-00-00 THRU: 01-12-97
4	093375-10-000	EA	EXTENSION-TIRE HOIST
5	071015-11-000	EA	GROMMET
6	093376-04-000	EA	HANDLE-TIRE HOIST CRANK
	114376-02-000	EA	PIN-DRIVE .156X1.000 TYPE E - C-TECH
	064081-03-000	EA	NUT-WING 3/8-16-W/WELD NUT
	051377-01-000	EA	VALVE STEM
	080208-04-000	EA	WRENCH-LUG-30MM (1 3/16")
	080208-05-000	EA	BAR-LEVERAGE-LUG WRENCH 3/4D
	091673-01-000	EA	TIRE-225.70R19.5LRF-XZA

KAPER WHEEL LINERS

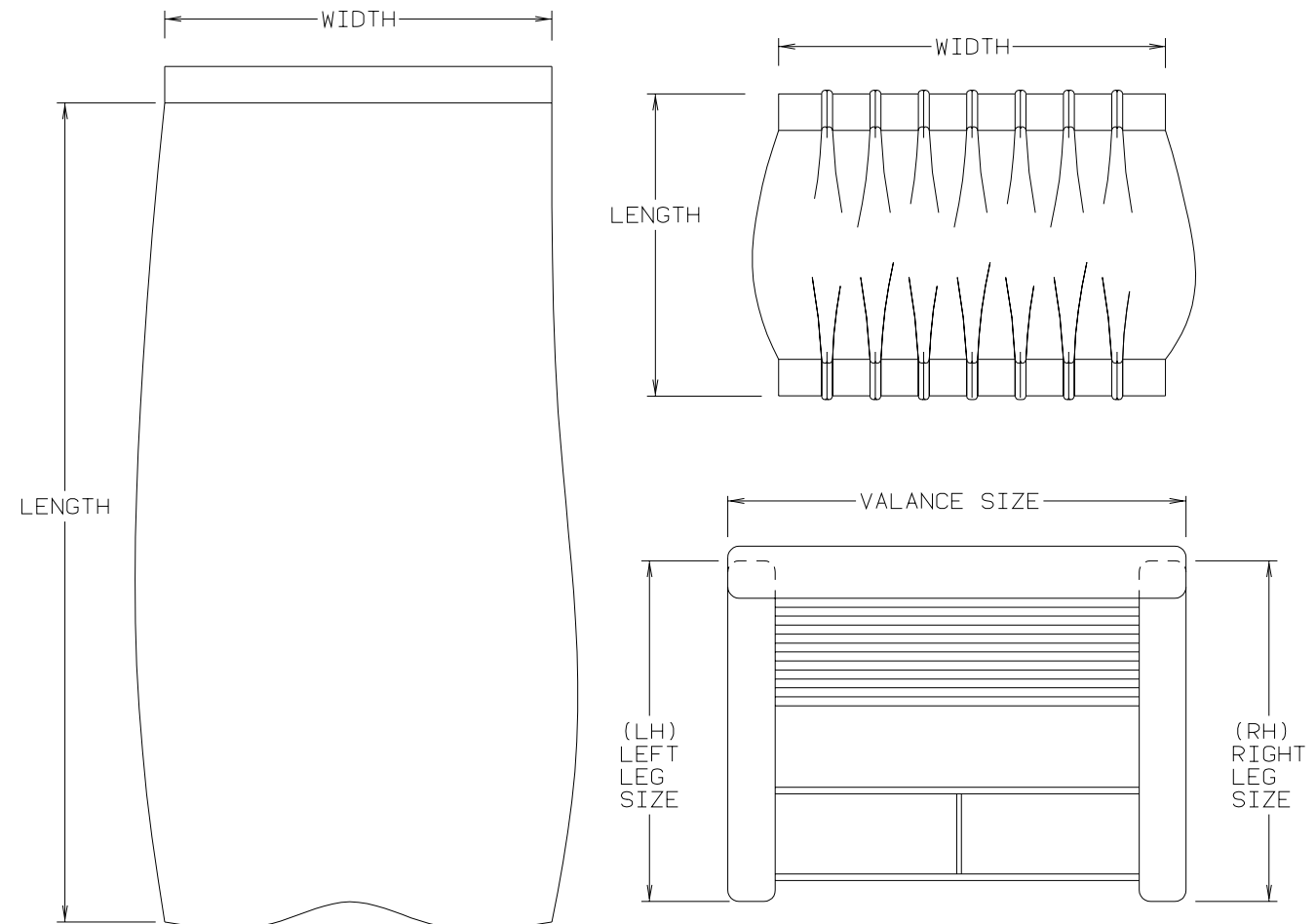
KEY	PART NUMBER	U/M	DESCRIPTION	VENDOR NO.
	091209-13-000	EA	WHEEL LINER SET - 19.5" WHEEL - (SET=4)	
	091209-08-704	EA	LINER-WHEEL, FRT. (PLASTIC NUT)	207
	091209-08-705	EA	LINER-WHEEL, RR. (PLASTIC NUT)	208
	091209-13-700	EA	NUT-JAMB-A22, 20M, FRT & REAR	A22
	091209-13-701	EA	COVER-LUG NUT (PLASTIC-JAMB)	302
	091209-13-702	EA	CAP-CENTER, PLASTIC	A24
	091209-13-703	EA	CAP-LUG NUT FAKE, PLASTIC	A25
	091209-16-000	EA	NUT-JAM/THREADED-22MM F/FRONT ONLY	
	091209-13-705	EA	LINER-WHEEL, FRT. (SS NUT COVER)	209
	091209-13-706	EA	LINER-WHEEL, RR. (SS NUT COVER)	210
	091209-13-707	EA	COVER-LUG NUT, (SS JAMB NUT)	302
	091209-13-708	EA	CAP-CENTER, STAINLESS	A26

CURTAIN & CUSHION GROUP

NOTICE

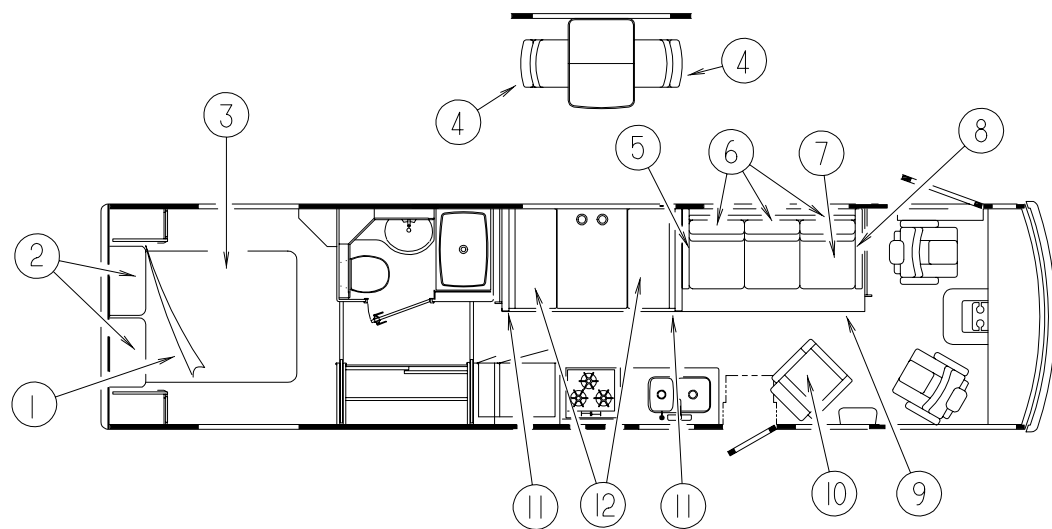
IN ORDER TO ASSIST OUR PARTS SALES DEPT. IN PROVIDING INTERIOR SOFTWARE ITEMS, PLEASE INCLUDE THE SERIAL NUMBER AND THE COLOR CODE NUMBER FROM THE VEHICLE CERTIFICATION LABEL WHEN ORDERING. THIS LABEL IS LOCATED ON THE LEFT SIDE WALL AT THE END OF THE DASH (A-BODY), OR ON THE DRIVER'S DOOR LATCH PLATE (C-BODY).

AN EXAMPLE OF A COLOR CODE NUMBER IS B07, WHICH DESIGNATES AN OVERALL COLOR SCHEME OF A PARTICULAR UNIT. THE COLOR LISTED AFTER THE ITEM DESCRIPTION ON THE MICROFICHE, INDICATES THE OVERALL UNIT COLOR. ORDER THE ITEM YOU DESIRE ACCORDING TO UNIT COLOR CODE. IF ALL COLORS USE THE SAME ITEM NO COLOR CODE WILL BE NOTED.



NOTE: USE THIS ILLUSTRATION WHEN DETERMINING LENGTH AND WIDTH MEASUREMENTS FOR CURTAINS. YOU WILL NOTE THE WIDTH MEASUREMENT IS TAKEN ON THE TOP OF THE CURTAIN WITH THE CURTAIN FULLY EXTENDED. THE LENGTH MEASUREMENT IS TAKEN FROM TOP TO BOTTOM. LEFT AND RIGHT WINDOW LEGS ARE DETERMINED WHEN FACING THE WINDOW.

CURTAIN&CUSHIONGROUP(CONTINUED)



MATTRESS,PILLOWS&BEDSPREAD

KEY	PARTNUMBER	U/M	DESCRIPTION
1	123015-07-000	EA	MATTRESS-INNERSPRING-60"X79.5"
2	119249-01-000	EA	PILLOW-COVER-20"X33"-QUEEN
3	118858-01-H50	EA	BEDSPREAD-FITTEDW/REVERSE SHAM-60"X80"(H50,H51)
3	119141-01-G40	EA	BEDSPREAD/THROW-60"X80"(H52,H53)
3	118858-01-H54	EA	BEDSPREAD-FITTEDW/REVERSE SHAM-60"X80"(H54,H55)
3	119141-01-H62	EA	BEDSPREAD/THROW-60"X80"(H62,H63)
	118859-01-H50	EA	PILLOW-14"X14"(H50,H51)
	118859-03-H50	EA	PILLOW-14"X14"(H50,H51)
	118869-01-H52	EA	PILLOW-ENVELOPE STYLE(H52,H53)
	118859-01-H54	EA	PILLOW-14"X14"(H54,H55)
	118859-03-H54	EA	PILLOW-14"X14"(H54,H55)
	118869-01-H62	EA	PILLOW-ENVELOPE STYLE(H62,H63)

FOLDINGCHAIRS

KEY	PARTNUMBER	U/M	DESCRIPTION
	101604-01-04A	EA	CHAIR-FOLDING/DINETTE-W/O FABRIC(SOLARMAPLE)
	101604-01-02A	EA	CHAIR-FOLDING/DINETTE-W/O FABRIC(SALEMCHERRY)

DINETTECHAIRS

KEY	PARTNUMBER	U/M	DESCRIPTION
4	116058-04-000	EA	CHAIR-DINETTE(H50,H51)
4	116058-05-000	EA	CHAIR-DINETTE(H52,H53)
4	116058-10-000	EA	CHAIR-DINETTE(H54,H55)
4	116058-12-000	EA	CHAIR-DINETTE(H56,H57)
	116080-03-H56	EA	COVER-CHAIRLEG(SOLARMAPLE)
	116080-03-G39	EA	COVER-CHAIRLEG(SALEMCHERRY)
	074045-10-000	EA	PLUG-OAK-1/2"DIAMETER(SOLARMAPLE)
	074045-08-000	EA	PLUG-OAK-1/2"(SALEMCHERRY)

COUCH

KEY	PARTNUMBER	U/M	DESCRIPTION
5	121222-01-G38	EA	ARMREST-RIGHTHAND-SOFA/BED(H50,H51)
5	121222-01-G40	EA	ARMREST-RIGHTHAND-SOFA/BED(H52,H53)
5	121222-01-H54	EA	ARMREST-RIGHTHAND-SOFA/BED(H54,H55)
5	121222-01-H62	EA	ARMREST-RIGHTHAND-SOFA/BED(H62,H63)
6	111319-01-G38	EA	BACK-SOFA/BED74"-JACKKNIFE(H50,H51)
6	111319-01-G40	EA	BACK-SOFA/BED74"-JACKKNIFE(H52,H53)
6	111319-01-H54	EA	BACK-SOFA/BED74"-JACKKNIFE(H54,H55)
6	111319-01-H22	EA	BACK-SOFA/BED74"-JACKKNIFE(H62,H63)

COUCH(CONTINUED)

KEY	PARTNUMBER	U/M	DESCRIPTION
6	P11319-01-G38	EA	COVER-BACK-SOFA/BED74"-JACKKNIFE(H50,H51)
6	P11319-01-G40	EA	COVER-BACK-SOFA/BED74"-JACKKNIFE(H52,H53)
6	P11319-01-H54	EA	COVER-BACK-SOFA/BED74"-JACKKNIFE(H54,H55)
6	P11319-01-H22	EA	COVER-BACK-SOFA/BED74"-JACKKNIFE(H62,H63)
6	101085-10-000	EA	FRAME-BACK-SOFA/BED74.5"X16"
	114763-08-000	EA	FRAME-FORWARDFACINGLEGS
7	100032-43-G38	EA	SEAT-SOFA/BED74"-JACKKNIFE(H50,H51)
7	100032-43-G40	EA	SEAT-SOFA/BED74"-JACKKNIFE(H52,H53)
7	100032-43-H54	EA	SEAT-SOFA/BED74"-JACKKNIFE(H54,H55)
7	100032-43-H22	EA	SEAT-SOFA/BED74"-JACKKNIFE(H62,H63)
7	P00032-43-G38	EA	COVER-SEAT-SOFA/BED74"(H50,H51)
7	P00032-43-G40	EA	COVER-SEAT-SOFA/BED74"(H52,H53)
7	P00032-43-H54	EA	COVER-SEAT-SOFA/BED74"(H54,H55)
7	P00032-43-H22	EA	COVER-SEAT-SOFA/BED74"(H62,H63)
7	101085-04-000	EA	FRAME-SEAT-SOFA/BED-74.75"
7	101085-06-000	EA	FRAME-BASE-SOFA/BED-74.75"
8	121222-02-G38	EA	ARMREST-LEFTHAND-SOFA/BED(H50,H51)
8	121222-02-G40	EA	ARMREST-LEFTHAND-SOFA/BED(H52,H53)
8	121222-02-H54	EA	ARMREST-LEFTHAND-SOFA/BED(H54,H55)
8	121222-02-H62	EA	ARMREST-LEFTHAND-SOFA/BED(H62,H63)
9	120992-02-G38	EA	FRONT-COUCHBED-KICKBOARDW/FABRIC(H50,H51)
9	120992-02-G40	EA	FRONT-COUCHBED-KICKBOARDW/FABRIC(H52,H53)
9	120992-02-H54	EA	FRONT-COUCHBED-KICKBOARDW/FABRIC(H54,H55)
9	120992-02-H62	EA	FRONT-COUCHBED-KICKBOARDW/FABRIC(H62,H63)

LOUNGETHROWPILLOWS

KEY	PARTNUMBER	U/M	DESCRIPTION
	103669-08-H50	EA	PILLOW-15"X15"(H50,H51)
	103669-08-H52	EA	PILLOW-15"X15"(H52,H53)
	103669-16-H54	EA	PILLOW-15"X15"(H54,H55)
	103669-08-H62	EA	PILLOW-15"X15"(H62,H63)

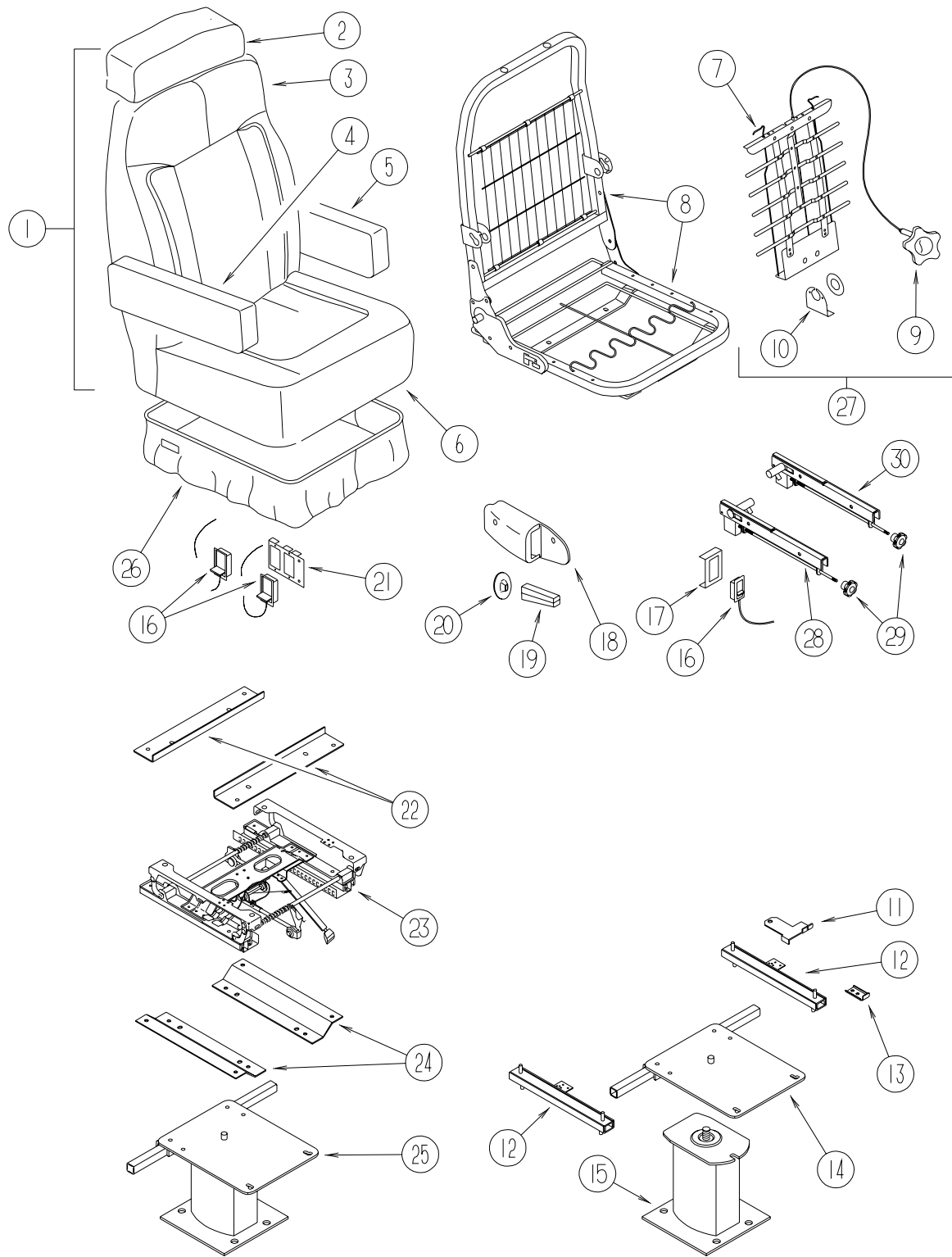
SWIVELCHAIR

KEY	PARTNUMBER	U/M	DESCRIPTION
10	115393-01-G38	EA	CHAIR-SWIVEL(H50,H51)
10	115393-01-H52	EA	CHAIR-SWIVEL(H52,H53)
10	115393-01-H54	EA	CHAIR-SWIVEL(H54,H55)
10	115393-01-H62	EA	CHAIR-SWIVEL(H62,H63)

DINETTECUSHIONS

KEY	PARTNUMBER	U/M	DESCRIPTION
11	111897-05-G38	EA	CUSHION-BACK-13.5"X42"X5"(H50,H51)
11	111897-05-H52	EA	CUSHION-BACK-13.5"X42"X5"(H52,H53)
11	111897-05-H54	EA	CUSHION-BACK-13.5"X42"X5"(H54)
11	111897-05-H55	EA	CUSHION-BACK-13.5"X42"X5"(H55)
11	111897-05-H62	EA	CUSHION-BACK-13.5"X42"X5"(H62,H63)
11	P11897-05-G38	EA	COVER-BACK-13.5"X42"X5"(H50,H51)
11	P11897-05-G40	EA	COVER-BACK-13.5"X42"X5"(H52,H53)
11	P11897-05-H54	EA	COVER-BACK-13.5"X42"X5"(H54)
11	P11897-05-H55	EA	COVER-BACK-13.5"X42"X5"(H55)
11	P11897-05-H62	EA	COVER-BACK-13.5"X42"X5"(H62,H63)
12	105603-15-G38	EA	CUSHION-SEAT-23"X42"X5"(H50,H51)
12	105603-15-G40	EA	CUSHION-SEAT-23"X42"X5"(H52,H53)
12	105603-15-H54	EA	CUSHION-SEAT-23"X42"X5"(H54,H55)
12	105603-15-H62	EA	CUSHION-SEAT-23"X42"X5"(H62,H63)
12	P05603-15-G38	EA	COVER-SEAT-23"X42"X5"(H50,H51)
12	P05603-15-G40	EA	COVER-SEAT-23"X42"X5"(H52,H53)
12	P05603-15-H54	EA	COVER-SEAT-23"X42"X5"(H54,H55)
12	P05603-15-H62	EA	COVER-SEAT-23"X42"X5"(H62,H63)

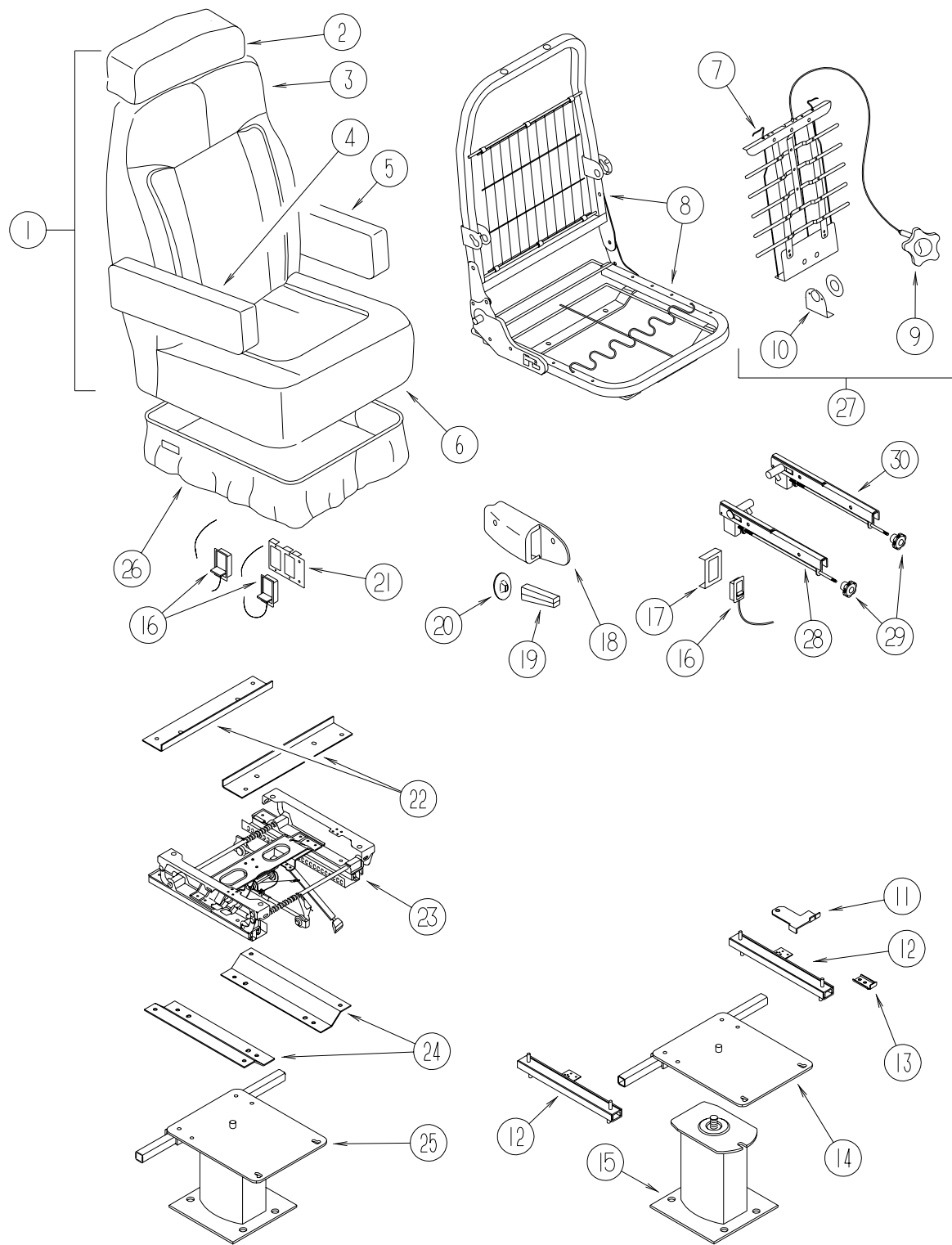
CURTAIN&CUSHIONGROUP(CONTINUED)
BUCKETSEATS



KEY	PARTNUMBER	U/M	DESCRIPTION
1	123820-01-H50	EA	SEAT-BUCKET(DRIVER)(H50,H51)
1	123820-01-H52	EA	SEAT-BUCKET(DRIVER)(H52,H53)
1	123820-01-H54	EA	SEAT-BUCKET(DRIVER)(H54,H55)
1	123820-01-H62	EA	SEAT-BUCKET(DRIVER)(H62,H63)
1	123820-02-H50	EA	SEAT-BUCKET(PASSENGER)(H50,H51)
1	123820-02-H52	EA	SEAT-BUCKET(PASSENGER)(H52,H53)
1	123820-02-H54	EA	SEAT-BUCKET(PASSENGER)(H54,H55)
1	123820-02-H62	EA	SEAT-BUCKET(PASSENGER)(H62,H63)
2	124682-01-H50	EA	HEADREST(H50,H51)
2	124682-01-H52	EA	HEADREST(H52,H53)
2	124682-01-H54	EA	HEADREST(H54,H55)
2	124682-01-H62	EA	HEADREST(H62,H63)
2	P24682-01-H50	EA	COVER-HEADREST(H50,H51)
2	P24682-01-H52	EA	COVER-HEADREST(H52,H53)
2	P24682-01-H54	EA	COVER-HEADREST(H54,H55)
2	P24682-01-H62	EA	COVER-HEADREST(H62,H63)
2	114791-03-000	EA	FRAME-HEADREST
2	113977-12-000	EA	HEADRESTINSERT-W/OLOCK
2	113977-13-000	EA	HEADRESTINSERT-W/LOCK
3	M05962-47-H50	EA	COVER-BACKBUCKETSEAT(H50,H51)
3	M05962-47-H52	EA	COVER-BACKBUCKETSEAT(H52,H53)
3	M05962-47-H54	EA	COVER-BACKBUCKETSEAT(H54,H55)
3	M05962-47-H62	EA	COVER-BACKBUCKETSEAT(H62,H63)
3	089323-01-000	FT	STRIP-POLYENTHYLENE-J-CHANNEL
4	123962-01-H50	EA	ARMREST-BUCKETSEATADJUSTABLERIGHTHAND(DRIVER)(H50,H51)
4	123962-01-H52	EA	ARMREST-BUCKETSEATADJUSTABLERIGHTHAND(DRIVER)(H52,H53)
4	123962-01-H54	EA	ARMREST-BUCKETSEATADJUSTABLERIGHTHAND(DRIVER)(H54,H55)
4	123962-01-H62	EA	ARMREST-BUCKETSEATADJUSTABLERIGHTHAND(DRIVER)(H62,H63)
4	P23962-01-H50	EA	COVER-ARMREST-RIGHTHAND(DRIVER)(H50,H51)
4	P23962-01-H52	EA	COVER-ARMREST-RIGHTHAND(DRIVER)(H52,H53)
4	P23962-01-H54	EA	COVER-ARMREST-RIGHTHAND(DRIVER)(H54,H55)
4	P23962-01-H62	EA	COVER-ARMREST-RIGHTHAND(DRIVER)(H62,H63)
4	122780-01-H10	EA	ARMREST-RIGHTHAND(H50,H51)
4	122780-01-H52	EA	ARMREST-RIGHTHAND(H52,H53)
4	122780-01-H54	EA	ARMREST-RIGHTHAND(H54,H55)
4	122780-01-H62	EA	ARMREST-RIGHTHAND(H62,H63)
4	P22780-01-H10	EA	COVER-ARMREST-RIGHTHAND(H50,H51)
4	P22780-01-H52	EA	COVER-ARMREST-RIGHTHAND(H52,H53)
4	P22780-01-H54	EA	COVER-ARMREST-RIGHTHAND(H54,H55)
4	P22780-01-H62	EA	COVER-ARMREST-RIGHTHAND(H62,H63)
4	115617-03-000	EA	ARMREST-W/OCOVER-RIGHTHAND
5	123962-02-H50	EA	ARMREST-ADJUSTABLELEFTHAND(DRIVER)(H50,H51)
5	123962-02-H52	EA	ARMREST-ADJUSTABLELEFTHAND(DRIVER)(H52,H53)
5	123962-02-H54	EA	ARMREST-ADJUSTABLELEFTHAND(DRIVER)(H54,H55)
5	123962-02-H62	EA	ARMREST-ADJUSTABLELEFTHAND(DRIVER)(H62,H63)
5	P23962-02-H50	EA	COVER-ARMREST-LEFTHAND(DRIVER)(H50,H51)
5	P23962-02-H52	EA	COVER-ARMREST-LEFTHAND(DRIVER)(H52,H53)
5	P23962-02-H54	EA	COVER-ARMREST-LEFTHAND(DRIVER)(H54,H55)
5	P23962-02-H62	EA	COVER-ARMREST-LEFTHAND(DRIVER)(H62,H63)
5	122780-02-H10	EA	ARMREST-LEFTHAND(H50,H51)
5	122780-02-H52	EA	ARMREST-LEFTHAND(H52,H53)
5	122780-02-H54	EA	ARMREST-LEFTHAND(H54,H55)
5	122780-02-H62	EA	ARMREST-LEFTHAND(H62,H63)
5	P22780-02-H10	EA	COVER-ARMREST-LEFTHAND(H50,H51)
5	P22780-02-H52	EA	COVER-ARMREST-LEFTHAND(H52,H53)
5	P22780-02-H54	EA	COVER-ARMREST-LEFTHAND(H54,H55)
5	P22780-02-H62	EA	COVER-ARMREST-LEFTHAND(H62,H63)
5	115617-04-000	EA	ARMREST-W/OCOVER-LEFTHAND

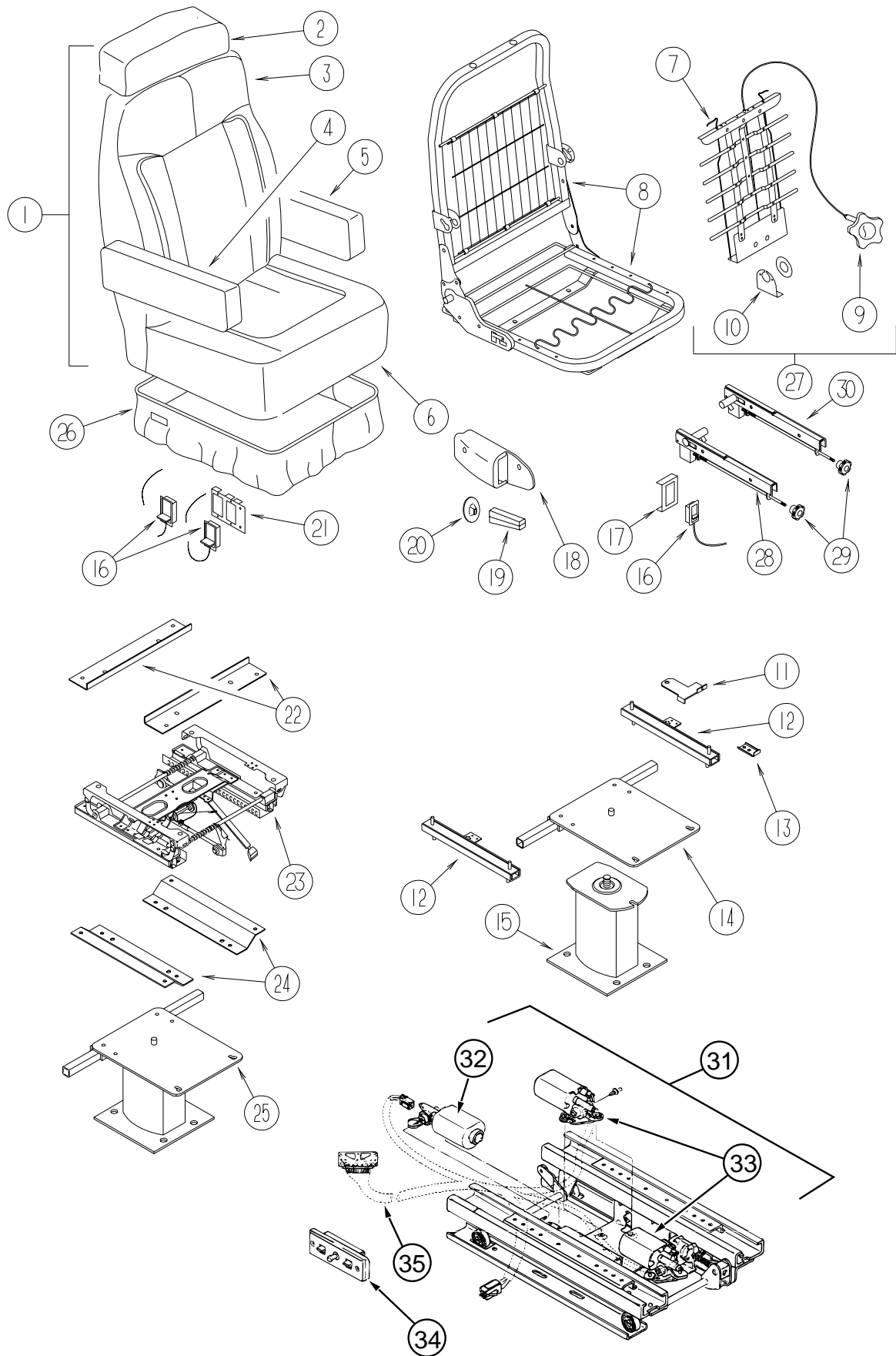
CURTAIN&CUSHIONGROUP(CONTINUED)

BUCKETSEATS(CONTINUED)



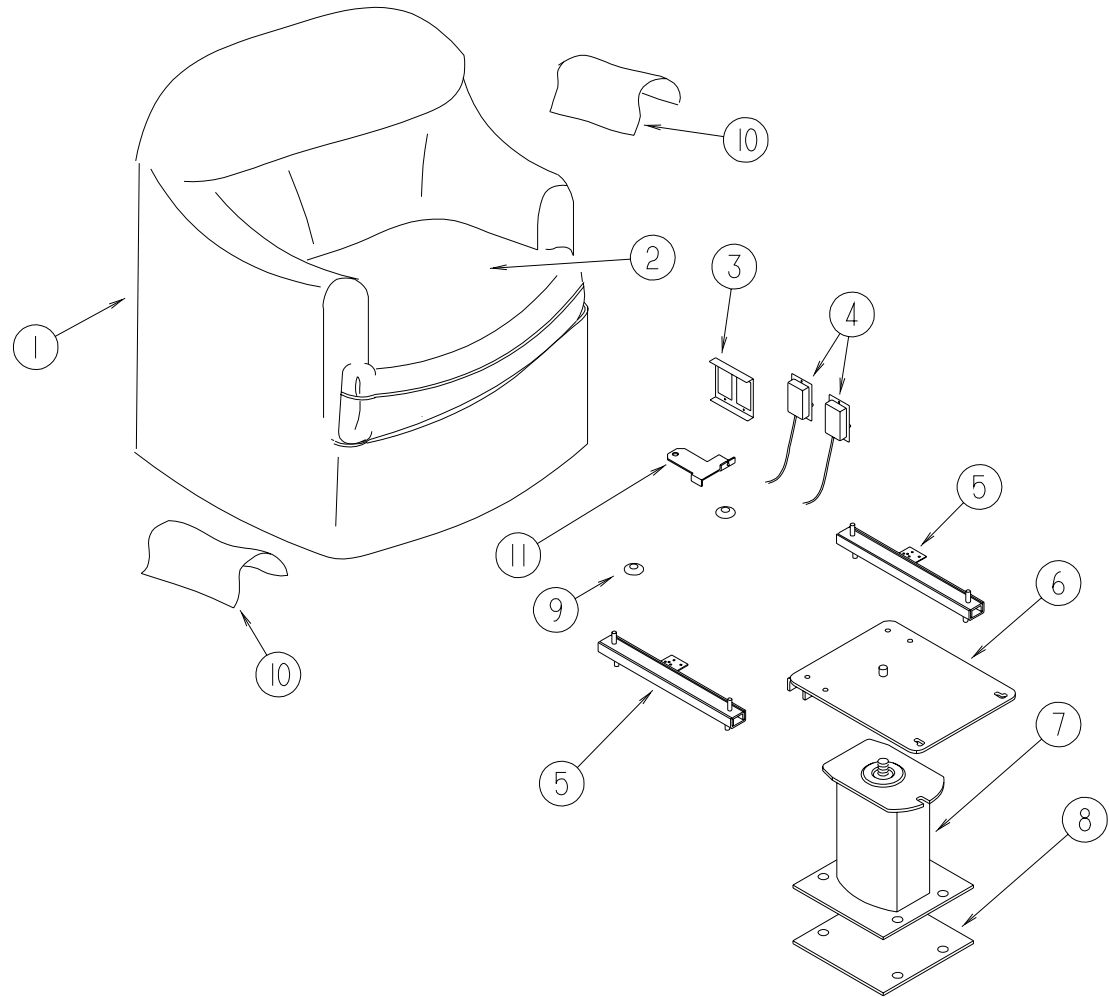
KEY	PARTNUMBER	U/M	DESCRIPTION
6	M05962-48-H50	EA	COVER-BUCKETSEAT(H50,H51)
6	M05962-48-H52	EA	COVER-BUCKETSEAT(H52,H53)
6	M05962-48-H54	EA	COVER-BUCKETSEAT(H54,H55)
6	M05962-48-H62	EA	COVER-BUCKETSEAT(H62,H63)
6	089323-01-000	FT	STRIP-POLYENTHYLENE-J-CHANNEL
7	N/A	EA	LUMBAR
8	122695-01-01B	EA	FRAME-SEAT/BACK
9	122611-01-701	EA	LUMBAR-KNOB
10	122611-01-702	EA	LUMBAR-BRACKET)
	122611-01-703	EA	LUMBAR-SCREW
11	117125-01-02B	EA	BRACKET-CABLEMOUNT-ADJUSTERW/LOCK(DRIVER)
12	119952-06-000	EA	SLIDE-SEATHEAVYDUTYLOCKING-4STUDS
12	119952-07-000	EA	WIRE-LATCHRELEASE/ROTARY
12	007221-01-000	EA	SPACER-SEAT/ADJUSTER
13	114889-01-000	EA	STOPBAR-UNIVERSAL
14	107921-05-000	EA	PLATETOP-W/SEATBELTBAR
14	107921-06-000	EA	BEARINGKIT-PEDESTAL
15	107921-01-000	EA	PEDESTALASM-SEAT9-3/4"-FLEXSTEEL3060MSPD(PASSENGER)
15	107921-14-000	EA	PEDESTALASM-SEAT5.75"-FLEXSTEELXP1774(DRIVER)
16	108049-02-000	EA	CLIP-CABLE/PEDESTAL
16	108049-03-000	EA	CABLE-W/CONTROL25.5"SHEATH/28.5"CABLEW/DOGLEG
			FROM: 00-00-00 THRU: 06-25-97
16	108049-04-000	EA	CABLE/CONTROL-26"W/MINILEVERACTION
			FROM: 06-26-97 THRU: 99-99-99
17	097683-03-000	EA	BRACKET-REMOTE/SIDEMOUNT-SINGLE
18	080730-09-000	EA	SHIELD-RECLINERHANDLE
19	080730-08-000	EA	HANDLE-RECLINER
20	080730-11-000	EA	SHIELD-RUBBERBOOT
21	097683-02-000	EA	BRACKET-REMOTESIDEMOUNT-DOUBLE
22	116215-02-000	EA	PLATE-UPPER-6-WAYMANUALCONTROL(DRIVER)
23	116215-01-000	EA	SEAT-6-WAYMANUALCONTROL-DRIVER
24	116215-03-000	EA	PLATE-LOWER-6-WAYMANUALCONTROL(DRIVER)
25	107921-01-000	EA	PEDESTALFLOORMOUNTED-W/9.75"EXTENSION(PASSENGER)
25	107921-14-000	EA	PEDESTAL-SEATW/5.75"EXTENSION-MANUALSEATOPTION(DRIVER)
26	071126-58-H50	EA	SKIRT-SINGLE10.5"W/SEATBELTSLOT-BUCKETSEAT(PASSENGER)
			(H50,H51)
26	071126-58-H52	EA	SKIRT-SINGLE10.5"W/SEATBELTSLOT-BUCKETSEAT(PASSENGER)
			(H52,H53)
26	071126-58-H54	EA	SKIRT-SINGLE10.5"W/SEATBELTSLOT-BUCKETSEAT(PASSENGER)
			(H54,H55)
26	071126-58-H22	EA	SKIRT-SINGLE10.5"W/SEATBELTSLOT-BUCKETSEAT(PASSENGER)
			(H62,H63)
26	071126-60-H50	EA	SKIRT-SINGLE10.5"-6-WAYMANUALBUCKETSEAT(DRIVER)
			(H50,H51)
26	071126-60-H52	EA	SKIRT-SINGLE10.5"-6-WAYMANUALBUCKETSEAT(DRIVER)
			(H52,H53)
26	071126-60-H54	EA	SKIRT-SINGLE10.5"-6-WAYMANUALBUCKETSEAT(DRIVER)
			(H54,H55)
26	071126-60-H22	EA	SKIRT-SINGLE10.5"-6-WAYMANUALBUCKETSEAT(DRIVER)
			(H62,H63)
27	122611-01-000	EA	LUMBAR
28	122622-04-000	EA	BRACKET-ADJUSTABLE/ARMREST-RIGHTHAND
29	122622-06-000	EA	BRACKET-ADJUSTABLEKNOB
30	122622-05-000	EA	BRACKET-ADJUSTABLE/ARMREST-LEFTHAND

CURTAIN&CUSHIONGROUP(CONTINUED)
LEATHERBUCKETSEATS



KEY	PARTNUMBER	U/M	DESCRIPTION	VENDOR NO.
1	123820-03-H50	EA	SEAT-BUCKET(DRVER)	
1	123820-04-H50	EA	SEAT-BUCKET(PASSENGER)	
2	124682-02-H50	EA	HEADREST	
2	P24682-02-H50	EA	COVER-HEADREST	
	114791-03-000	EA	FRAME-HEADREST	
2	113977-12-000	EA	HEADRESTINSERT-W/OLOCK	
2	113977-13-000	EA	HEADRESTINSERT-W/LOCK	
3	M05962-49-H50	EA	COVER-BACKBUCKETSEAT	
3	089323-01-000	FT	STRIP-POLYENTHYLENE-J-CHANNEL	
4	123962-02-H50	EA	ARMREST-BUCKETSEATADJUSTABLERIGHTHAND(DRIVER)	
4	P23962-02-H50	EA	COVER-ARMREST-RIGHTHAND(DRIVER)	
4	122780-03-H50	EA	COVER-ARMREST-RIGHTHAND	
4	P22780-02-H50	EA	COVER-ARMREST-RIGHTHAND	
4	115617-03-000	EA	ARMREST-W/OCOVER-RIGHTHAND	
5	123962-04H50	EA	ARMREST-ADJUSTABLELEFTHAND(DRIVER)	
5	P23962-04-H50	EA	COVER-ARMREST-LEFTHAND(DRIVER)	
5	122780-04-H50	EA	ARMREST-LEFTHAND	
5	P22780-02-H50	EA	COVER-ARMREST-RIGHTHAND	
5	115617-04-000	EA	ARMREST-W/OCOVER-LEFTHAND	
6	M05962-50-H50	EA	COVER-BUCKETSEAT	
6	089323-01-000	FT	STRIP-POLYENTHYLENE-J-CHANNEL	
7	N/A	EA	LUMBAR	
8	122695-01-01B	EA	FRAME-SEAT/BACK	
9	122611-01-701	EA	LUMBAR-KNOB	
10	122611-01-702	EA	LUMBAR-BRACKET	
	122611-01-703	EA	LUMBAR-SCREW)	
11	117125-01-02B	EA	BRACKET-CABLEMOUNT-ADJUSTERW/LOCK(DRIVER)	
12	119952-06-000	EA	SLIDE-SEATHEAVYDUTYLOCKING-4STUDS	
12	119952-07-000	EA	WIRE-LATCHRELEASE/ROTARY	
12	007221-01-000	EA	SPACER-SEAT/ADJUSTER	
13	114889-01-000	EA	STOPBAR-UNIVERSAL	
14	107921-05-000	EA	PLATE TOP-W/SEATBELT BAR	
14	107921-06-000	EA	BEARINGKIT-PEDESTAL	
15	107921-01-000	EA	PEDESTAL/FLOORMOUNTED-W/9.75"EXTENSION	
15	107921-14-000	EA	PEDESTAL-SEATW/5.75"EXTENSION-F/MANUALSEAT	
16	108049-02-000	EA	CLIP-CABLE/PEDESTAL	
16	108049-03-000	EA	CABLE-W/CONTROL25.5"SHEATH/28.5"CABLEW/DOGLEG	
			FROM: 00-00-00 THRU: 06-25-97	
16	108049-04-000	EA	CABLE/CONTROL-26"W/MINILEVERACTION	
			FROM: 06-26-97 THRU: 99-99-99	
17	097683-03-000	EA	BRACKET-REMOTE/SIDEMOUNT-SINGLE	
18	080730-09-000	EA	SHIELD-RECLINERHANDLE	
19	080730-08-000	EA	HANDLE-RECLINER	
20	080730-11-000	EA	SHIELD-RUBBERBOOT	
21	097683-02-000	EA	BRACKET-REMOTE SIDEMOUNT-DOUBLE	
22	116215-02-000	EA	PLATE-UPPER-6-WAYMANUALCONTROL(DRIVER)	
23	116215-01-000	EA	SEAT-6-WAYMANUALCONTROL-DRIVER	
24	116215-03-000	EA	PLATE-LOWER-6-WAYMANUALCONTROL(DRIVER)	
25	107921-01-000	EA	PEDESTALFLOORMOUNTED-W/9.75"EXTENSION(PASSENGER)	
25	107921-14-000	EA	PEDESTAL-SEATW/5.75"EXTENSION-MANUALSEATOPTION(DRIVER)	
26	071126-62-H50	EA	SKIRT-SINGLE10.5"W/SEATBELTSLOT-BUCKETSEAT(PASSENGER)	
26	071126-63-H50	EA	SKIRT-SINGLE10.5"-6-WAYPOWERBUCKETSEAT(DRIVER)	
27	122611-01-000	EA	LUMBAR	
28	122622-04-000	EA	BRACKET-ADJUSTABLE/ARMREST-RIGHTHAND	
29	122622-06-000	EA	BRACKET-ADJUSTABLEKNOB	
30	122622-05-000	EA	BRACKET-ADJUSTABLE/ARMREST-LEFTHAND	
31	081373-03-000	EA	SEAT-POWER,6WAY-DELCORV620	
	081373-01-700	EA	BRACKET-L,CONTROLSWITCH	H-171
32	081373-02-703	EA	MOTORPKG.ADJ.HORIZONTAL	22063237&H-195
33	081373-02-704	EA	MOTORPKG.ADJ.VERTICAL	22063238&H-196
34	081373-03-700	EA	SWITCHASMF/BRN-GRAY(FLAT)	22138182&H-441
35	081373-03-701	EA	WIREHARNESSASM.,LT.SIDE	6000
35	081373-03-702	EA	WIREHARNESSASM.,RT.SIDE	6001
	111169-04-000	EA	INSERT-OVAL, VECTRA	

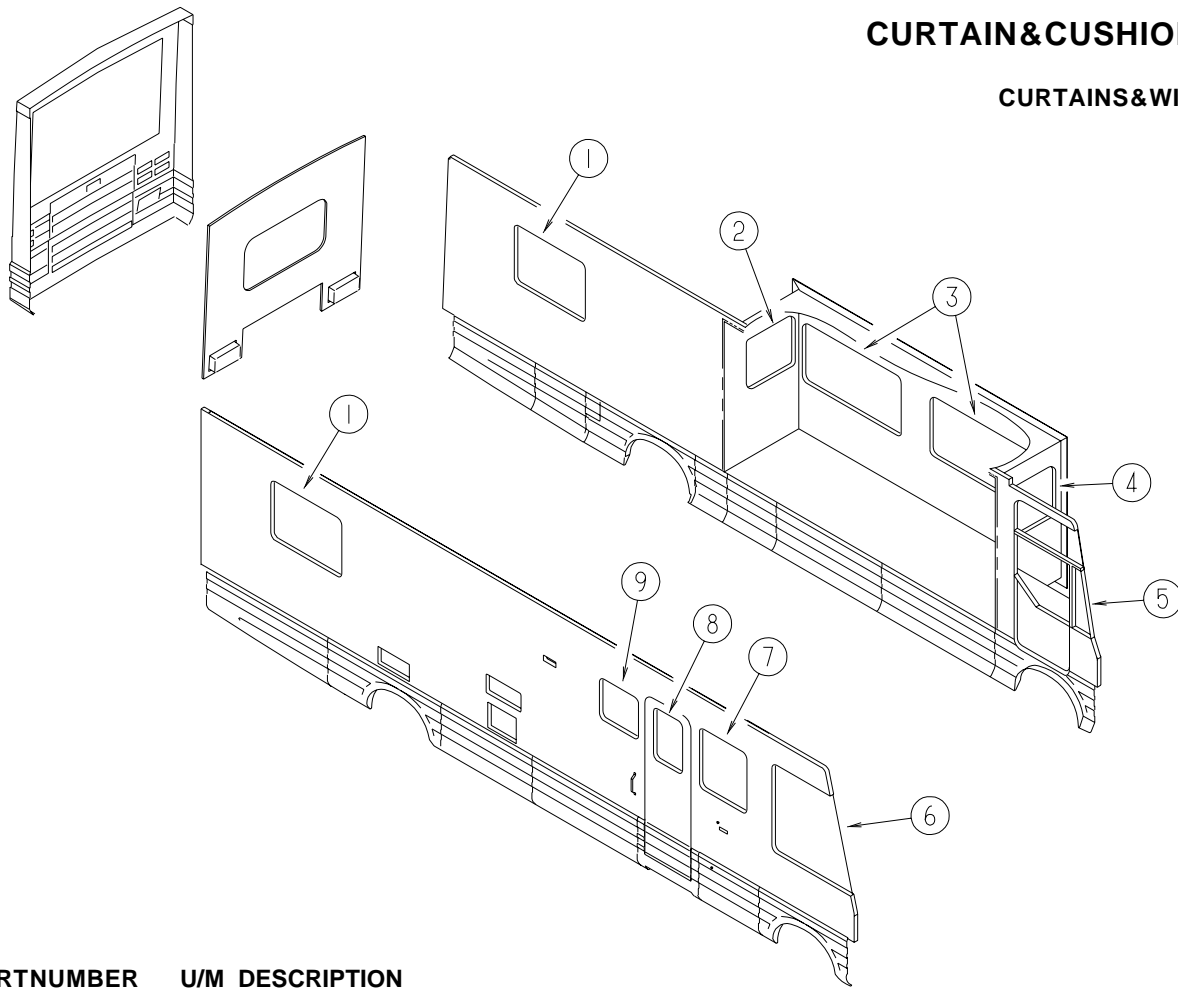
CURTAIN&CUSHIONGROUP(CONTINUED)
SWIVELCHAIR



KEY	PARTNUMBER	U/M	DESCRIPTION	
1	115393-01-G38	EA	CHAIR-SWIVEL(H50,H51)	
1	115393-01-H52	EA	CHAIR-SWIVEL(H52,H53)	
1	115393-01-H54	EA	CHAIR-SWIVEL(H54,H55)	
1	115393-01-H62	EA	CHAIR-SWIVEL(H62,H63)	
1	P15393-01-G38	EA	COVER-CHAIR(H50,H51)	
1	P15393-01-H52	EA	COVER-CHAIR(H52,H53)	
1	P15393-01-H54	EA	COVER-CHAIR(H54,H55)	
1	P15393-01-H62	EA	COVER-CHAIR(H62,H63)	
1	112436-03-000	FT	TRIM-#8RINGFLEX	
2	115393-10-G38	EA	SEAT-CHAIR(H50,H51)	
2	115393-10-H52	EA	SEAT-CHAIR(H52,H53)	
2	115393-10-H54	EA	SEAT-CHAIR(H54,H55)	
2	115393-10-H62	EA	SEAT-CHAIR(H62,H63)	
2	P15393-10-G38	EA	COVER-SEAT(H50,H51)	
2	P15393-10-H52	EA	COVER-SEAT(H52,H53)	
2	P15393-10-H54	EA	COVER-SEAT(H54,H55)	
2	P15393-10-H62	EA	COVER-SEAT(H62,H63)	
3	097683-02-000	EA	BRACKET-MOUNT,REMOTE	
3	127159-02-02B	EA	BRACKET-MOUNT,REMOTE	FROM: 00-00-00 THRU: 05-31-97
				FROM: 06-01-97 THRU: 99-99-99
4	108049-02-000	EA	CLIP-CABLE/PEDESTAL	
4	108049-03-000	EA	CABLE-W/CONTROL25.5" SHEATH/28.5" CABLEW/DOGLEG	
5	119952-02-000	EA	SLIDE-SEAT,HD, NONLOCKING4STATWOOD83731	
5	119952-04000	EA	SLIDE-SEAT,HD, LOCKING4STUDSATWOOD83785	
6	107921-06-000	EA	BEARINGKIT-PEDESTAL	
6	107921-08-000	EA	TOPPLATE-PEDESTAL-W/OSEATBELTBAR	
7	107921-02-000	EA	PEDESTAL-FLOORMOUNTED-W/6.50" EXTENSION	
8	108445-02-000	EA	PLATE-FLOORMOUNTEDPEDESTAL/SEAT	
9	007221-01-000	EA	SPACER-SEAT/ADJUSTER	
10	P01178-28-G38	EA	COVER-ARMCAP-LEFTHAND/RIGHTHAND(H50,H51)	
10	P01178-28-H52	EA	COVER-ARMCAP-LEFTHAND/RIGHTHAND(H52,H53)	
10	P01178-28-H54	EA	COVER-ARMCAP-LEFTHAND/RIGHTHAND(H54,H55)	
10	P01178-28-G35	EA	COVER-ARMCAP-LEFTHAND/RIGHTHAND(H62,H63)	
11	117125-01-02B	EA	BRACKET-CABLEMOUNT-ADJUSTERW/LOCK	

CURTAIN&CUSHIONGROUP(CONTINUED)

CURTAINS&WINDOWTREATMENT

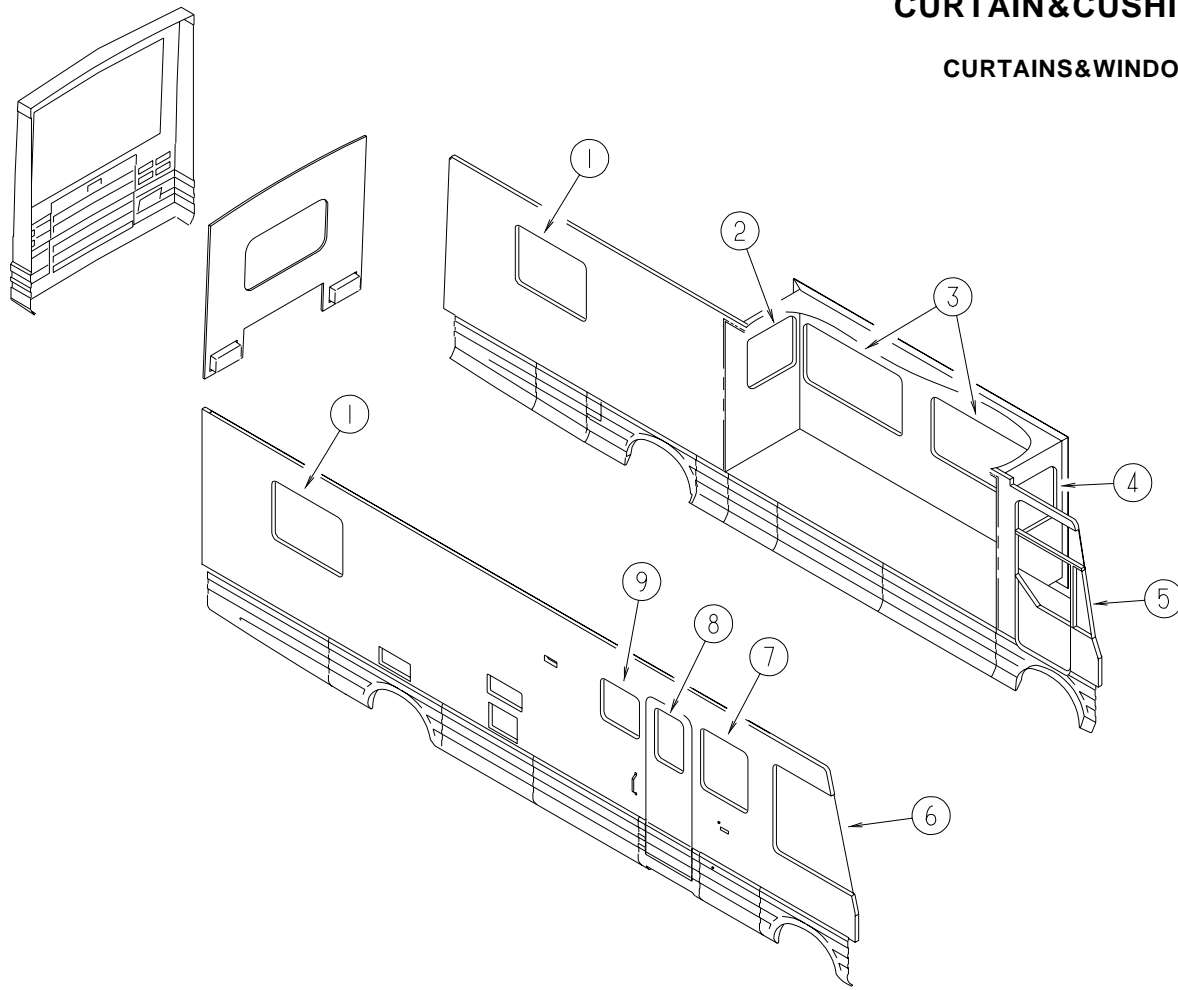


KEY	PARTNUMBER	U/M	DESCRIPTION
1	115397-05-H50	EA	VALANCE-EMPIRE-34"(H50,H51)
1	111858-45-H52	EA	LAMBREQUIN-WINDSOR-34"(H52,H53)
1	115397-05-H54	EA	VALANCE-EMPIRE-34"(H54,H55)
1	111858-45-H62	EA	LAMBREQUIN-WINDSOR-34"(H62,H63)
1	115397-05-H62	EA	VALANCE-EMPIRE-34"(H62,H63)
1	111910-49-HA0	EA	BLIND-DAY/NIGHTER-32"X36"(H50,H51) FROM: 00-00-00 THRU: 10-13-96
1	111910-49-HB0	EA	BLIND-DAY/NIGHTER-32"X36"DROP(H50,H51) FROM: 10-14-96 THRU: 10-27-96
1	111910-49-HA5	EA	BLIND-DAY/NIGHTER-32"X36"(H52,H53,H54,H55,H62,H63) FROM: 10-28-96 THRU: 99-99-99
1	111910-49-HB5	EA	BLIND-DAY/NIGHTER-32"X36"DROP(H52,H53,H54,H55,H62,H63) FROM: 00-00-00 THRU: 10-27-96
1	111910-49-HB5	EA	BLIND-DAY/NIGHTER-32"X36"DROP(H52,H53,H54,H55,H62,H63) FROM: 10-28-96 THRU: 99-99-99
2	121410-06-H50	EA	VALANCE-MODERATE-29"(H50,H51)
2	121410-06-G40	EA	VALANCE-MODERATE-29"(H52,H53)
2	121410-39-H54	EA	VALANCE-MODERATE-29"(H54,H55)
2	121410-06-H62	EA	VALANCE-MODERATE-29(H62,H63)"
2	119333-34-G38	EA	LEG-LEFT-25"(H50,H51)
2	119333-34-G40	EA	LEG-LEFT-25"(H52,H53)
2	119333-12-H54	EA	LEG-LEFT-25"(H54,H55)
2	119333-34-H62	EA	LEG-LEFT-25"(H62,H63)
2	111910-43-G38	EA	BLIND-DAY/NIGHTER-28"X28"(H50,H51) FROM: 00-00-00 THRU: 10-13-96
2	111910-43-HA0	EA	BLIND-DAY/NIGHTER-28"X28"DROP(H50,H51) FROM: 10-14-96 THRU: 10-27-96
2	111910-43-HB0	EA	BLIND-DAY/NIGHTER-28"X28"(H50,H51) FROM: 10-28-96 THRU: 99-99-99
2	111910-43-HA5	EA	BLIND-DAY/NIGHTER-28"X28"(H52,H53,H54,H55,H62,H63) FROM: 00-00-00 THRU: 10-27-96
2	111910-43-HB5	EA	BLIND-DAY/NIGHTER-28"X28"DROP(H52,H53,H54,H55,H62,H63) FROM: 10-28-96 THRU: 99-99-99

KEY	PARTNUMBER	U/M	DESCRIPTION
3	121410-04-H50	EA	VALANCE-MODERATE-62.5"(H50,H51)
3	121410-04-G40	EA	VALANCE-MODERATE-62.5"(H52,H53)
3	121410-38-H54	EA	VALANCE-MODERATE-62.5"(H54,H55)
3	121410-04-H62	EA	VALANCE-MODERATE-62.5"(H62,H63)
3	119333-33-G38	EA	LEG-RIGHT-25"(H50,H51)
3	119333-33-G40	EA	LEG-RIGHT-25"(H52,H53)
3	119333-11-H54	EA	LEG-RIGHT-25"(H54,H55)
3	119333-33-H62	EA	LEG-RIGHT-25"(H62,H63)
3	119333-34-G38	EA	LEG-LEFT-25"(H50,H51)
3	119333-34-G40	EA	LEG-LEFT-25"(H52,H53)
3	119333-12-H54	EA	LEG-LEFT-25"(H54,H55)
3	119333-34-H62	EA	LEG-LEFT-25"(H62,H63)
3	111910-42-G38	EA	BLIND-DAY/NIGHTER-28"X28"(H50,H51) FROM: 00-00-00 THRU: 10-13-96
3	111910-42-HA0	EA	BLIND-DAY/NIGHTER-28"X28"DROP(H50,H51) FROM: 10-14-96 THRU: 10-27-96
3	111910-42-HB0	EA	BLIND-DAY/NIGHTER-28"X28"(H50,H51) FROM: 10-28-96 THRU: 99-99-99
3	111910-42-HA5	EA	BLIND-DAY/NIGHTER-28"X28"(H52,H53,H54,H55,H62,H63) FROM: 00-00-00 THRU: 10-27-96
3	111910-42-HB5	EA	BLIND-DAY/NIGHTER-28"X28"DROP(H52,H53,H54,H55,H62,H63) FROM: 10-28-96 THRU: 99-99-99
4	121410-06-H50	EA	VALANCE-MODERATE-29"(H50,H51)
4	121410-06-G40	EA	VALANCE-MODERATE-29"(H52,H53)
4	121410-39-H54	EA	VALANCE-MODERATE-29"(H54,H55)
4	121410-06-H62	EA	VALANCE-MODERATE-29(H62,H63)"
4	119333-33-G38	EA	LEG-RIGHT-25"(H50,H51)
4	119333-33-G40	EA	LEG-RIGHT-25"(H52,H53)
4	119333-11-H54	EA	LEG-RIGHT-25"(H54,H55)
4	119333-33-H62	EA	LEG-RIGHT-25"(H62,H63)
4	111910-43-G38	EA	BLIND-DAY/NIGHTER-28"X28"(H50,H51) FROM: 00-00-00 THRU: 10-13-96
4	111910-43-HA0	EA	BLIND-DAY/NIGHTER-28"X28"DROP(H50,H51) FROM: 10-14-96 THRU: 10-27-96
4	111910-43-HB0	EA	BLIND-DAY/NIGHTER-28"X28"(H50,H51) FROM: 10-28-96 THRU: 99-99-99
4	111910-43-HA5	EA	BLIND-DAY/NIGHTER-28"X28"(H52,H53,H54,H55,H62,H63) FROM: 00-00-00 THRU: 10-27-96
4	111910-43-HB5	EA	BLIND-DAY/NIGHTER-28"X28"DROP(H52,H53,H54,H55,H62,H63) FROM: 10-28-96 THRU: 99-99-99
5	084755-90-000	EA	SHADE-PULL-28.25"X60"
5	093487-08-03A	EA	WRAPAROUND-FRONTLEFTHANDPLEATED-51"X100" FROM: 00-00-00 THRU: 11-24-96
5	093487-12-01A	EA	WRAPAROUND-FRONT-LEFTHANDPLEATED-51"X108" FROM: 11-25-96 THRU: 99-99-99
6	084755-90-000	EA	SHADE-PULL-28.25"X60"
6	093487-07-03A	EA	WRAPAROUND-FRONT-RIGHTHAND/PLEATED-51"X108" FROM: 00-00-00 THRU: 11-24-96
6	093487-11-01A	EA	WRAPAROUND-FRONT-RIGHTHAND/PLEATED-51"X108" FROM: 11-25-96 THRU: 99-99-99

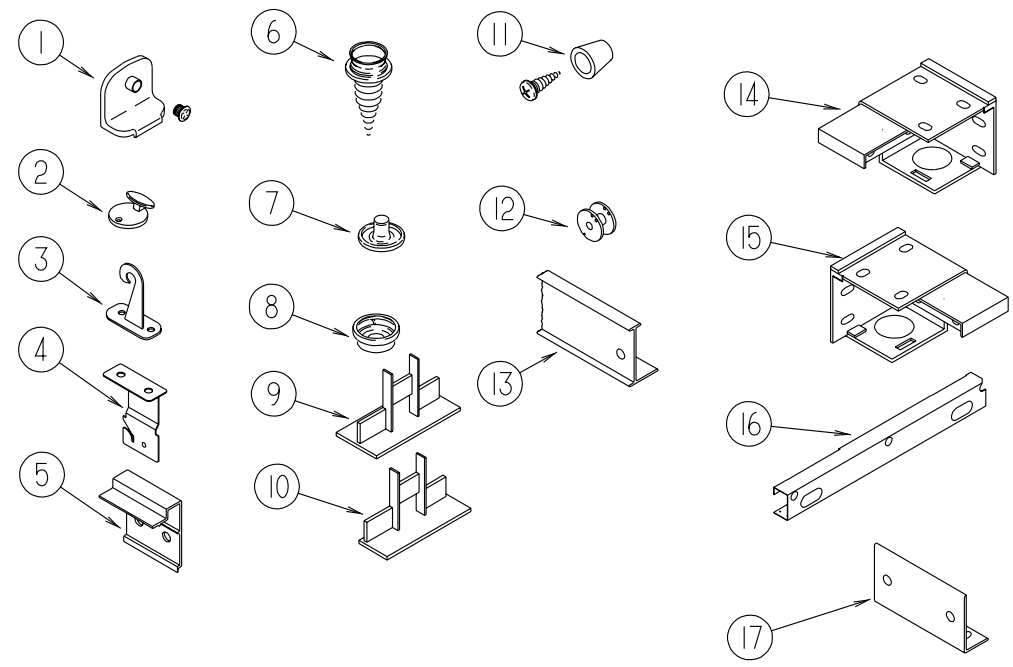
CURTAIN&CUSHIONGROUP(CONTINUED)

CURTAINS&WINDOWTREATMENT(CONTINUED)



KEY	PARTNUMBER	U/M	DESCRIPTION
7	121410-11-H50	EA	VALANCE-MODERATE-31.5"(H50,H51)
7	121410-11-G40	EA	VALANCE-MODERATE-31.5"(H52,H53)
7	121410-40-H54	EA	VALANCE-MODERATE-31.5"(H54,H55)
7	121410-11-H62	EA	VALANCE-MODERATE-31.5"(H62,H63)
7	111910-16-F36	EA	BLIND-DAY/NIGHTER-28"X32"(H50,H51)
			FROM: 00-00-00 THRU: 10-13-96
7	111910-16-HA0	EA	BLIND-DAY/NIGHTER-28"X32"(H50,H51)
			FROM: 10-14-96 THRU: 10-27-96
7	111910-16-HB0	EA	BLIND-DAY/NIGHTER-28"X32" DROP (H50,H51)
			FROM: 10-28-96 THRU: 99-99-99
7	111910-16-HA5	EA	BLIND-DAY/NIGHTER-28"X32"(H52,H53,H54,H55,H62,H63)
			FROM: 00-00-00 THRU: 10-27-96
7	111910-16-HB5	EA	BLIND-DAY/NIGHTER-28"X32" DROP (H52,H53,H54,H55,H62,H63)
			FROM: 10-28-96 THRU: 99-99-99
7	120820-12-H50	EA	VALANCE-FLAT-15"X29.5"(H50,H51)
7	120820-12-H52	EA	VALANCE-FLAT-15"X29.5"(H52,H53)
7	120820-13-H54	EA	VALANCE-FLAT-15"X29.5"(H54,H55)
7	120820-12-H62	EA	VALANCE-FLAT-15"X29.5"(H62,H63)
8	084755-57-E07	EA	SHADE-PULL-27.25"
9	111861-02-01A	EA	BLIND-MICRO/MINI-24.5"X22"

CURTAIN&CUSHIONGROUP(CONTINUED)



CURTAINHARDWARE

KEY	PARTNUMBER	U/M	DESCRIPTION
1	106544-01-000	EA	PULL-SHADE/BRASS
1	106544-01-001	EA	SCREW-SHADE/BRASS
2	102555-03-000	EA	CLEAT-BLINDCORD-MILKYWHITEPLASTIC
3	109441-03-000	EA	HOLDDOWN-BLIND(CLOUDY)
4	084434-01-000	EA	BRACKET-MOUNTING-ROLLERSHADE-13/8"
5	097565-01-000	EA	BRACKET-MOUNTING/PLEATEDBLIND
	097591-01-000	EA	SPRING-EXTENSION/PLEATEDBLIND
6	029130-01-000	EA	SCREW-SNAPSOCKET-#8PHX5/8"
7	029155-01-000	EA	CAP-SNAP-5/32"O.D.OFPIN
8	029156-01-000	EA	SOCKET-SNAP-9/16"O.D.
9	094907-02-000	EA	ENDCAP-TOP/PLEATEDBLIND-PLASTIC-GRAY
10	094907-04-700	EA	ENDCAP-RHBOTTOMBLIND
	094907-04-000	EA	HARDWARE-ENDCAPBOTTOM-PULLTYPE(RH&LH)
	094907-04-701	EA	ENDCAP-LHBOTTOMBLIND
11	097564-01-000	EA	HANDLE-T-EZLIFTSHADE
12	097592-01-000	EA	SPOOL-CORD-ELEVATEDBLINDHOLDUP-CLEARPLASTIC
	097593-02-000	FT	CORD-BLIND,GRAY
	097593-10-000	FT	CORD-1.2MM125VANILLA
13	009700-04-002	EA	TRACK-L-SHAPED195.5"-OFFWHITE
13	108235-01-01A	EA	TRACK-CURTAIN-LEFTHAND
13	108236-01-01A	EA	TRACK-CURTAIN-RIGHTHAND
14	083170-01-000	EA	BRACKET-BLIND-LEFTSIDEWHENFACINGWINDOW
15	083170-02-000	EA	BRACKET-BLIND-RIGHTSIDEWHENFACINGWINDOW
16	110597-01-000	EA	BRACKET-SHADE-CAB/RIGHTSIDE
16	110597-02-000	EA	BRACKET-SHADE-CAB/LEFTSIDE
17	083125-07-000	EA	BRACE-COUCH-2.5"(CURTAINLEGMOUNT)
	046867-03-000	EA	GROMMET-HANDYBUTTON#3
	048394-02-000	YD	VELCROTAPE-HOOK-ADHESIVEBACK-.75"WIDE-BEIGE
	086276-01-000	EA	TAPE-DOUBLESIDED-1/2"
	088792-01-000	YD	VELCRO-HOOK-.75"WIDE-BEIGE
	088792-02-000	YD	VELCROTAPE-LOOP-ADHESIVEBACKED-.75"WIDE-BEIGE
	094896-02-000	EA	GROMMET-CORD-PLEATEDBLIND-NYLON-GRAY
	095567-01-000	EA	TACK-STRIP-.5"X625'ROLL
	096843-01-000	EA	SPRING-REWIND/ROLLERSHADE
	102075-08-01A	EA	ROD-CURTAIN-SHOWER
	105648-01-02A	EA	BRACE-VALANCE-OFF/WHITE
	089275-01-000	FT	STRIP-3/4"X96"-CLEARPOLYETHYLENE

CURTAIN&CUSHIONGROUP(CONTINUED)

SEATBELTS,TIEBACKS&ASSISTHANDLE

KEY	PARTNUMBER	U/M	DESCRIPTION
	084415-81-000	YD	TRIM-BRAID(H50,H51)
	084415-66-000	YD	TRIM-BRAID(H52,H53)
	084415-85-000	YD	TRIM-BRAID-CORD(H54,H55)
	084415-86-000	YD	TRIM-BRAID-FRIDGE(H54,H55)
	084415-77-000	YD	TRIM-BRAID(H62,H63)
	118337-03-G38	EA	BUTTON-#60-FABRICCOVERED-DOUBLESIDED(H50,H51)
	118337-02-H52	EA	BUTTON-#60-FABRICCOVERED-DOUBLESIDED(H52,H53)
	118337-03-H54	EA	BUTTON-#60-FABRICCOVERED-DOUBLESIDED(H54,H55)
	118337-06-H62	EA	BUTTON-#60-FABRICCOVERED-DOUBLESIDED(H62,H63)
	074494-02-000	EA	BUTTON-RETAINING/PIVOT-#60
	070578-02-E37	EA	BUTTON-#30-VINYL
	074494-04-000	EA	BUTTON-JOINED/PIVOT-W3/4TACK
	079349-04-H50	YD	WELT-NARROW(H50,H51)
	079349-04-G32	YD	WELT-NARROW(H52,H53)
	079349-04-H54	YD	WELT-NARROW(H54,H55)
	079349-04-H22	YD	WELT-NARROW(H62,H63)
	099717-04-001	EA	TIEDOWNASM-STRAPW/BUCKLE
	053552-02-AA8	EA	HANDLE-ASSIST-INTERIOR/ENTRYDOOR-VINYL/OFFWHITE
	057534-01-000	EA	TIEBACK/TIEDOWN-BED-CURTAIN/DOOR6"-PLASTIC/CLEAR
	057534-03-000	EA	TIEBACK-PLASTIC-7.50"-CLEAR
	007021-01-000	EA	BELT-SEAT-2"X90"-BLACK
	057759-01-000	EA	WASHERBRACKET-SEATBELT-4"DIAMETER
	069178-02-000	EA	BRACKET-MOUNTINGASSISTHANDLE
	000C16-07-16B	EA	BOLT-CARRIAGE-ASSISTHANDLE-7/16"-14X1"
	000D20-07-00B	EA	NUT-ACORN-ASSISTHANDLE-7/16-14

CURTAIN & CUSHION GROUP (CONTINUED)

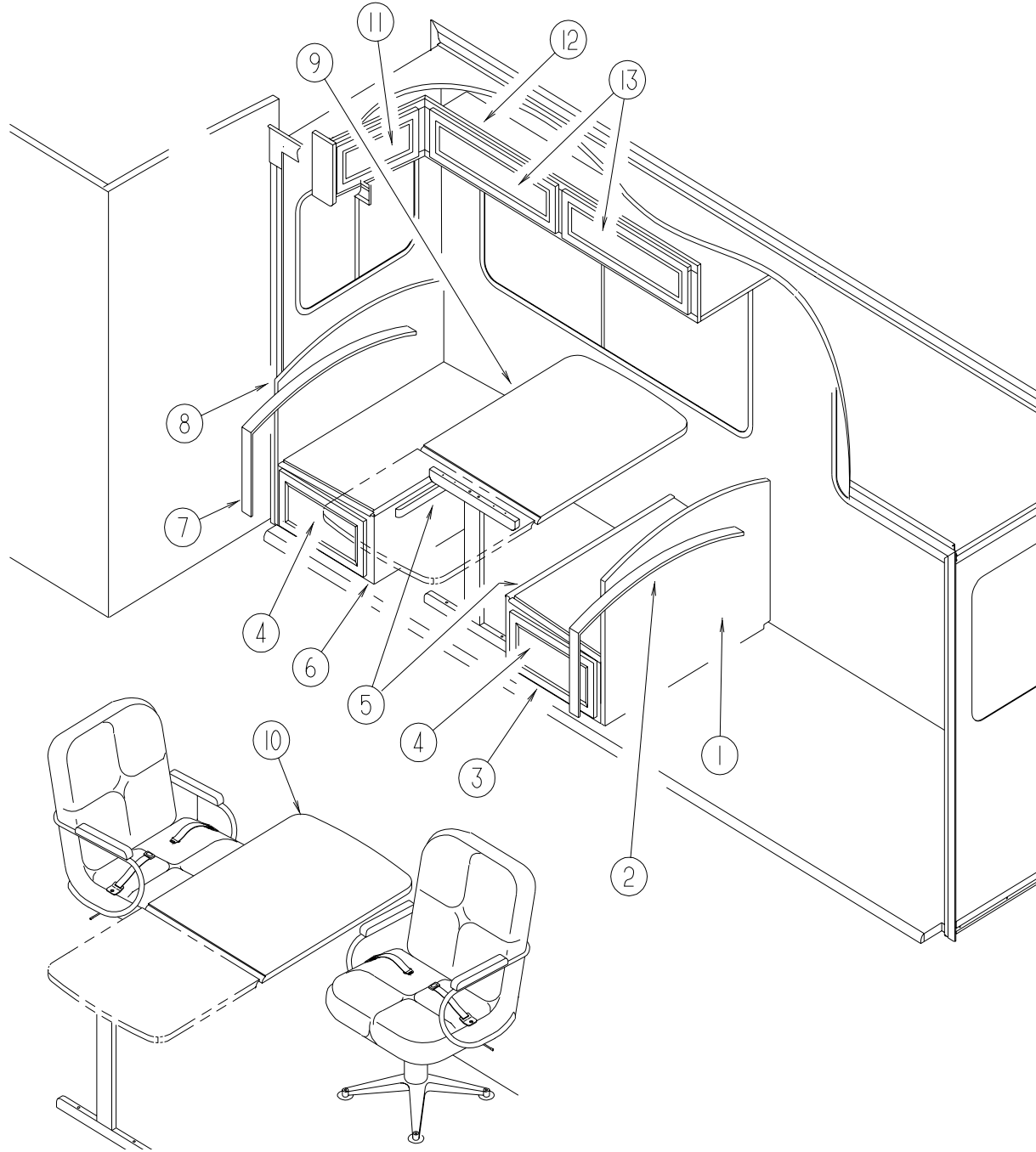
VECTRAFABRICS

Color Code	H51 & H52	H53 & H54	H55 & H62	H63
	Gothic / Blue	Oxbow Taupe	Manatee Chocolate	Malachite Sage
Bucket Seats	108446-G3-000	108446-55-000	108446-R2-000	108446-J6-000
Dinette	108446-E6-000	108446-E7-000	108446-P8-000	108446-M5-000
Dinette Pads	108446-G3-000	108446-N1-000	108446-P6-000	108446-J6-000
Dinette Chairs	108446-E6-000	108446-E7-000	108446-P6-000	108446-M5-000
Sofa	108446-E6-000	108446-E7-000	108446-P8-000	108446-M5-000
Sofa Pillows (2)	108446-G3-000	108446-N1-000	108446-P7-000	108446-J6-000
Swivel Chair	108446-G3-000	108446-N1-000	108446-P6-000	108446-J6-000
Lounge Windows	108446-G3-000 108446-E6-000	108446-E7-000 108446-N1-000	108446-P7-000 108446-P6-000	108446-M5-000 108446-J6-000
Ceiling	113979-01-01A	113979-01-01A	113979-01-01A	113979-04-01A
Bedroom Window	105745-94-000 105745-95-000	105745-B5-000 105745-A4-000	105745-F2-000 105745-F3-000	105745-E2-000 105745-E0-000
Bedsread	105745-94-000	105745-A4-000	105745-F2-000	105745-E0-000
Headboard	105745-94-000	105745-A4-000	105745-F2-000	105745-E0-000
Bedroom Pillows	105745-94-000 (1) 105745-95-000 (1)	105745-A4-000 (2)	105745-F2-000 (1) 105745-F3-000 (1)	105745-E2-000 (2)
Buttons	105745-94-000 (1) 105745-95-000 (1)	105745-B5-000 (2)	105745-F3-000 (1) 105745-F2-000 (1)	105745-E2-000 (2)
Dash Vinyl	106569-03-02A	106569-03-02A	106569-03-02A	106569-03-02A
Speaker Covers	072333-67-000	072333-67-000	072333-67-000	072333-67-000
Roller blinds	109353-99-000	109353-99-000	109353-99-000	109353-99-000
End Cap Vinyl	103907-01-04A	103907-01-04A	103907-01-04A	103907-01-04A

NOTE: FABRIC LISTED FIRST IN A BLOCK IS THE LARGEST QUANTITY OF FABRIC USED.

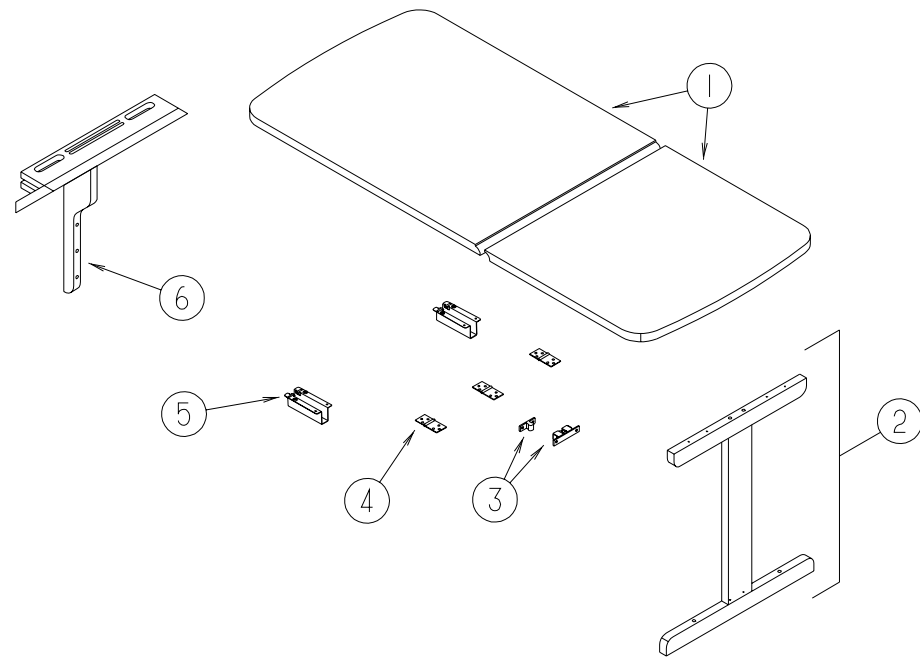
DINETTEGROUP

DINETTECABINET&PICTURE



KEY	PARTNUMBER	U/M	DESCRIPTION
1	M07514-09-H50	EA	SEATBACK-DINETTERIGHTHAND(SOLARMAPLE)
1	M07514-09-G39	EA	SEATBACK-DINETTERIGHTHAND(SALEMCHERRY)
2	105476-13-G38	EA	PAD-DINETTERIGHTTOPBOARD-42"(H50,H51)
2	105476-13-G40	EA	PAD-DINETTERIGHTTOPBOARD-42"(H52,H53)
2	105476-13-H54	EA	PAD-DINETTERIGHTTOPBOARD-42"(H54,H55)
2	105476-13-H62	EA	PAD-DINETTERIGHTTOPBOARD-42"(H62,H63)
	M07515-09-H50	EA	CABINET-SEATBASE/RIGHTHAND-W/ODOORS/DRAWERS/HARDWARE (SOLARMAPLE)
3	M07515-09-G39	EA	CABINET-SEATBASE/RIGHTHAND-W/ODOORS/DRAWERS/HARDWARE (SALEMCHERRY)
4	M05992-13-H50	EA	DOOR-OGEEEDGE-10"X19"-W/OHARDWARE (SOLARMAPLE)
4	M05992-K8-H50	EA	DOOR-OGEEEDGE-10"X19"-W/OHARDWARE (SOLARMAPLE)
4	M05992-13-G39	EA	DOOR-OGEEEDGE-10"X19"-W/OHARDWARE (SALEMCHERRY)
4	M05992-K8-H51	EA	DOOR-OGEEEDGE-10"X19"-W/OHARDWARE (SALEMCHERRY)
5	081295-01-H37	EA	SUPPORT-BEDDINETTE(SOLARMAPLE)
5	081295-01-G01	EA	SUPPORT-BED/DINETTE-28"LONG(SALEMCHERRY)
6	M07515-10-H50	EA	CABINET-SEATBASE/LEFTHAND-W/ODOORS/DRAWERS/HARDWARE (SOLARMAPLE)
6	M07515-10-G39	EA	CABINET-SEATBASE/LEFTHAND-W/ODOORS/DRAWERS/HARDWARE (SALEMCHERRY)
7	105476-14-G38	EA	PAD-DINETTELEFTTOPBOARD-42"(H50,H51)
7	105476-14-G40	EA	PAD-DINETTELEFTTOPBOARD-42"(H52,H53)
7	105476-14-H54	EA	PAD-DINETTELEFTTOPBOARD-42"(H54,H55)
7	105476-14-H62	EA	PAD-DINETTELEFTTOPBOARD-42"(H62,H63)
8	M07514-10-H50	EA	SEATBACK-DINETTELEFTHAND(SOLARMAPLE)
8	M07514-10-G39	EA	SEATBACK-DINETTELEFTHAND(SALEMCHERRY)
9	088913-08-H50	EA	TABLE-DINETTE-W/OHARDWARE(H50)
9	088913-08-G39	EA	TABLE-DINETTE-W/OHARDWARE(H51)
9	088913-08-H52	EA	TABLE-DINETTE-W/OHARDWARE(H52)
9	088913-08-G41	EA	TABLE-DINETTE-W/OHARDWARE(H53)
9	088913-08-H54	EA	TABLE-DINETTE-W/OHARDWARE(H54,H62)
9	088913-08-G43	EA	TABLE-DINETTE-W/OHARDWARE(H55,H63)
10	120898-11-H50	EA	TABLETOP-DROPLEAF(SOLARMAPLE)
10	120898-11-G39	EA	TABLETOP-DROPLEAF(SALEMCHERRY)
11	120035-05-H50	EA	DOOR-FABRICWRAPPED-8.6"X16.4"-W/OHARDWARE(H50)
11	120035-05-G39	EA	DOOR-FABRICWRAPPED-8.6"X16.4"-W/OHARDWARE(H51)
11	120035-05-H52	EA	DOOR-FABRICWRAPPED-8.6"X16.4"-W/OHARDWARE(H52)
11	120035-05-G41	EA	DOOR-FABRICWRAPPED-8.6"X16.4"-W/OHARDWARE(H53)
11	120035-05-H54	EA	DOOR-FABRICWRAPPED-8.6"X16.4"-W/OHARDWARE(H54)
11	120035-05-H55	EA	DOOR-FABRICWRAPPED-8.6"X16.4"-W/OHARDWARE(H55)
11	120035-05-H62	EA	DOOR-FABRICWRAPPED-8.6"X16.4"-W/OHARDWARE(H62)
11	120035-05-H63	EA	DOOR-FABRICWRAPPED-8.6"X16.4"-W/OHARDWARE(H63)
12	120978-02-H50	EA	CABINET-DINETTEOVERHEADW/ENDCAP-W/ODOORS/HARDWARE (SOLARMAPLE)
12	120978-02-G39	EA	CABINET-DINETTEOVERHEADW/ENDCAP-W/ODOORS/HARDWARE ((SALEMCHERRY)
13	120035-04-H50	EA	DOOR-FABRICWRAPPED-8.6"X29.9"-W/OHARDWARE(H50)
13	120035-04-G39	EA	DOOR-FABRICWRAPPED-8.6"X29.9"-W/OHARDWARE(H51)
13	120035-04-H52	EA	DOOR-FABRICWRAPPED-8.6"X29.9"-W/OHARDWARE(H52)
13	120035-04-G41	EA	DOOR-FABRICWRAPPED-8.6"X29.9"-W/OHARDWARE(H53)
13	120035-04-H54	EA	DOOR-FABRICWRAPPED-8.6"X29.9"-W/OHARDWARE(H54)
13	120035-04-H55	EA	DOOR-FABRICWRAPPED-8.6"X29.9"-W/OHARDWARE(H55)
13	120035-04-H62	EA	DOOR-FABRICWRAPPED-8.6"X29.9"-W/OHARDWARE(H62)
13	120035-04-H63	EA	DOOR-FABRICWRAPPED-8.6"X29.9"-W/OHARDWARE(H63)

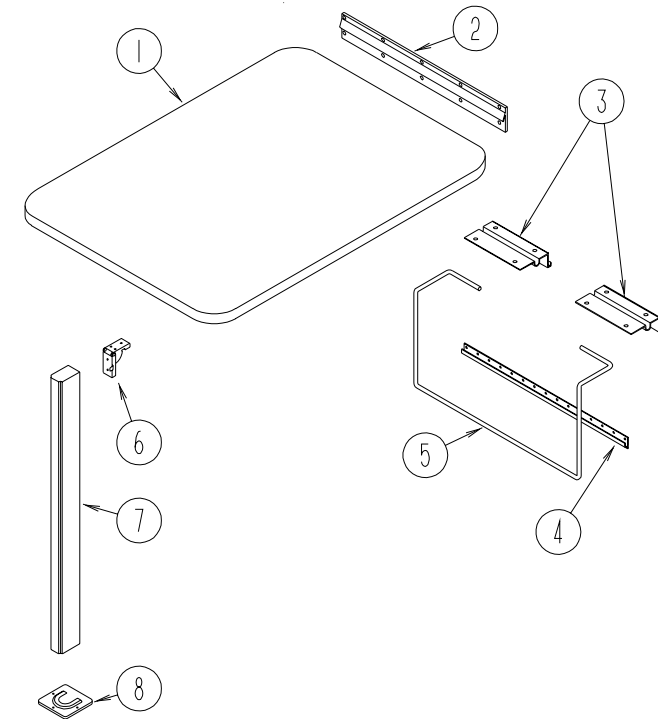
DINETTEGROUP(CONTINUED)



DINETTEPULLOUTTABLE

KEY	PARTNUMBER	U/M	DESCRIPTION
1	120898-11-H50	EA	TABLETOP-DROPLEAF(SOLARMAPLE)
1	120898-11-G39	EA	TABLETOP-DROPLEAF(SALEMCHERRY)
2	120898-24-H37	EA	LEG-W/OHARDWARE(SOLARMAPLE)
2	M08092-01-G39	EA	LEG-W/OHARDWARE(SALEMCHERRY)
3	084451-01-000	EA	CATCH-BRASS
4	120972-01-01A	EA	HINGE-TABLE/DROPLEAF
5	120973-01-000	EA	SUPPORT-TABLE/DROPLEAF-PAIR
6	M08091-01-G38	EA	SUPPORTASM-TABLEDETAILH-H(SOLARMAPLE)
6	M08091-01-G07	EA	SUPPORTASM-TABLEDETAILH-H(SALEMCHERRY)

DINETTEGROUP(CONTINUED)

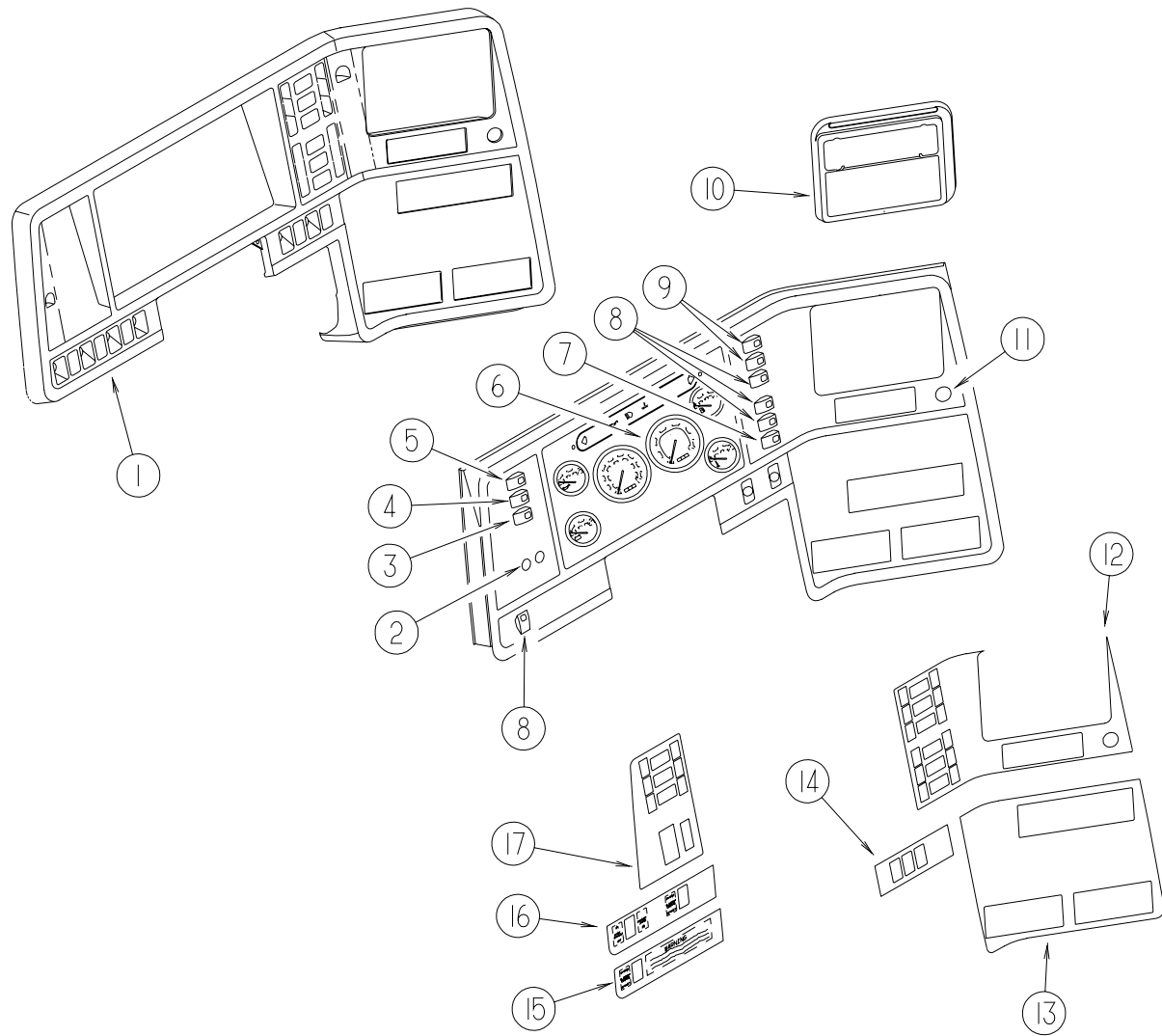


DINETTETABLE

KEY	PARTNUMBER	U/M	DESCRIPTION
1	088913-08-H50	EA	TABLE-DINETTE-W/OHARDWARE(H50)
1	088913-08-G39	EA	TABLE-DINETTE-W/OHARDWARE(H51)
1	088913-08-H52	EA	TABLE-DINETTE-W/OHARDWARE(H52)
1	088913-08-G41	EA	TABLE-DINETTE-W/OHARDWARE(H53)
1	088913-08-H54	EA	TABLE-DINETTE-W/OHARDWARE(H54,H62)
1	088913-08-G43	EA	TABLE-DINETTE-W/OHARDWARE(H55,H63)
2	053200-12-000	EA	BRACKET-TABLESUPPORT-UPPERWALLMOUNTED23.50"
3	088410-02-000	EA	BRACKET-LIFT-TABLEMOUNTED
4	024281-14-000	EA	BRACKET-LIFTROD/LOWERWALLMOUNTED-22.12"
	002929-01-001	EA	EXTRUDED-BRACKETTABLE
5	024275-12-000	EA	ROD-TABLELIFT
6	093550-01-000	EA	BRACKET-HINGE-MOUNTSTOLEG&TABLETOP-1.7"X2.6"
7	092708-11-H56	EA	LEG-TABLE(SOLARMAPLE)
	092707-04-06A	EA	MOLDING-TABLELEG-27"(SOLARMAPLE)
7	092708-11-E41	EA	LEG-TABLE(SALEMCHERRY)
7	092707-04-04A	EA	MOLDING-TABLELEG-27"(SALEMCHERRY)
8	049493-12-000	EA	CATCH-LEG-FLOORMOUNTED2.5"X2.7"
8	049493-11-700	EA	CATCH-TABLELEG,E-COAT

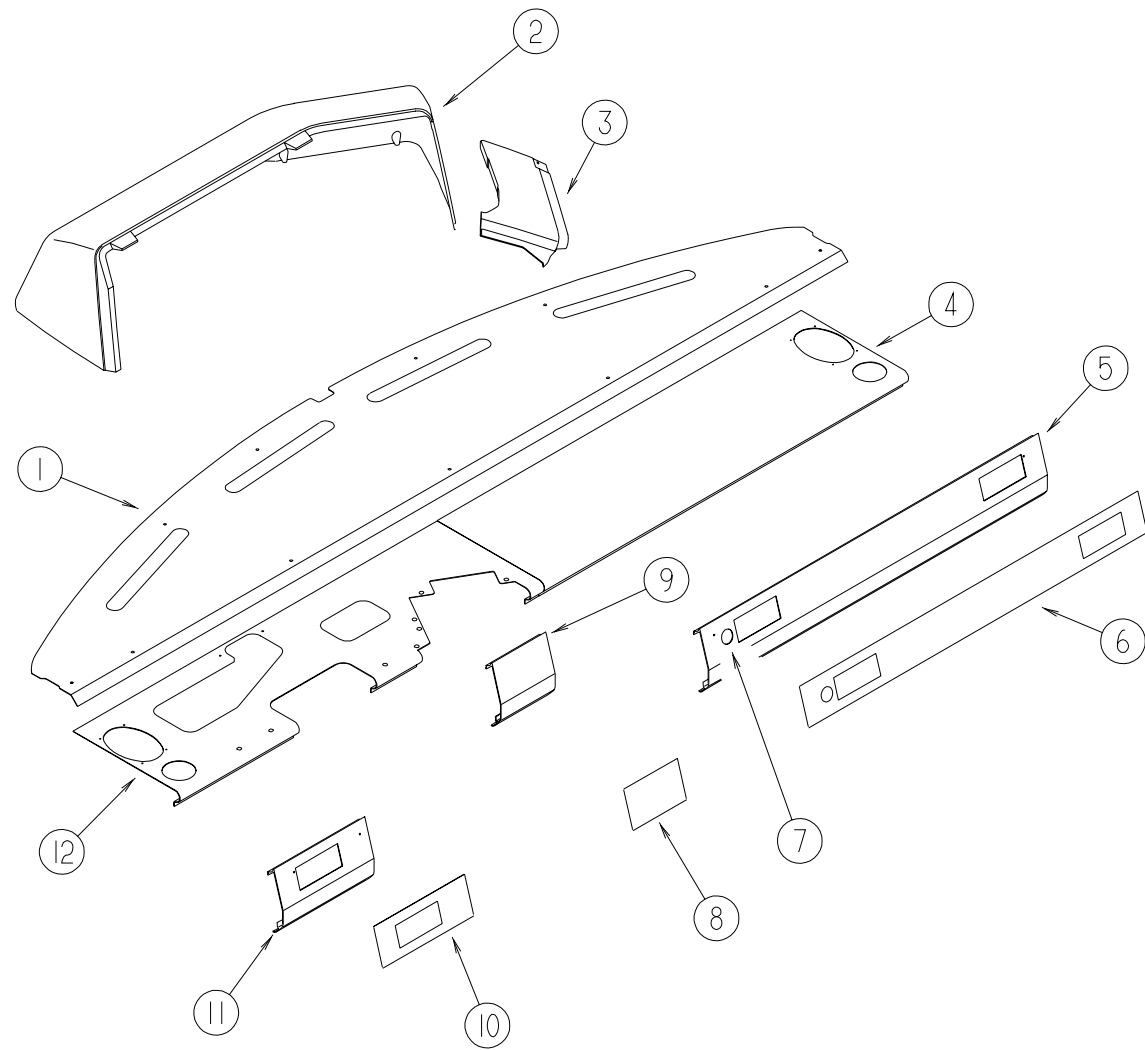
DRIVERSCOMPARTMENTGROUP

INSTRUMENTPANEL



KEY	PARTNUMBER	U/M	DESCRIPTION	VENDOR NO.
1	107031-02-02A	EA	BEZEL-INSTRUMENTPANEL	
2	091206-04-000	EA	MODULE/WIPERCONTROLKIT-DYNAMICPARK	
	091206-02-700	EA	KNOB-INNER	
	091206-02-700	EA	KNOB-OUTER	
	091206-04-700	EA	SWITCH-WIPERCONTROL	(66C-000700R250-6623)
	102362-03-700	EA	MODULE-DYNAMICWIPERCONTROL-	(66D-000930R250-6625)
3	108356-02-02A	EA	COVER/ACTUATORSWITCH-3GROOVES	
3	108357-06-000	EA	SWITCH-ROCKERDPDTPMON/OFF/MOM6TERMINAL	
3	108355-01-000	EA	HOUSING-SWITCH	
4	108356-01-01A	EA	COVER/ACTUATORSWITCH-3GROOVES	
4	108357-09-000	EA	SWITCH-ROCKERSPDTON/NONE/MOM3TERMINAL	
4	108355-01-000	EA	HOUSING-SWITCH	
5	108356-02-01A	EA	COVER/ACTUATORSWITCH-3GROOVES	
5	108357-08-000	EA	SWITCH-ROCKERDPDTON/NONE/ON6TERMINAL	
5	108355-01-000	EA	HOUSING-SWITCH	
6			STANDARDINSTRUMENTCLUSTERSARECHASSISSUPPLIED	
6	121868-05-000	EA	CLUSTER-INSTRUMENTW/DUALAIRGAUGE-METRIC-CUMMINSB	
	100138-01-000	EA	MODULE-DAYTIMERUNNINGLIGHT	
7	108356-03-02A	EA	COVER/ACTUATORSWITCH-GROOVESW/LIGHT	
7	108357-10-000	EA	SWITCH-ROCKERSPDT-MOM/OFF/MOM-LIGHTED5TERMINAL	
7	108355-01-000	EA	HOUSING-SWITCH	
8	108356-02-01A	EA	COVER/ACTUATORSWITCH-3GROOVES	
8	108357-01-000	EA	SWITCH-ROCKERSPST-ON/OFF-2TERMINAL	
8	096241-08-000	EA	SWITCH-BLANK	
8	108355-01-000	EA	HOUSING-SWITCH	
9	108356-01-01A	EA	COVER/ACTUATORSWITCH-3GROOVES	
9	108357-03-000	EA	SWITCH-ROCKERSPDTON/OFF/ON3TERMINAL	
9	096241-08-000	EA	SWITCH-BLANK	
9	108355-01-000	EA	HOUSING-SWITCH	
10	111337-01-01A	EA	POCKET-INSTRUMENTPANEL-UPPERRIGHT	
	096776-02-000	EA	BOX-CASSETTE-4TAPEHOLDER	
11	089294-01-000	EA	LIGHTER-CIGARETTE-W/OWIRES	
12	104056-20-02A	EA	APPLIQUE-BEZEL-UPPER/RIGHTHAND-6SWITCH	
13	104056-14-02A	EA	APPLIQUE-BEZEL-LOWER/RIGHT/WING	
14	104056-28-02A	EA	APPLIQUE-BEZEL-LOWER/RIGHTHAND-PARKANDLEVEL	
15	104056-33-02A	EA	APPLIQUE-BEZEL-LOWER/LEFTHAND-SLIDEOUT	
16	104056-34-02A	EA	APPLIQUE-BEZEL-LOWER/DRIVER	
17	104056-26-02A	EA	APPLIQUE-BEZEL-LEFT	
	077031-03-000	EA	FILM-WHITE-.75"X1"	
	077031-04-000	EA	FILM-HAMPTONTAN,1"X1.75",IP-COLORANTBEZEL	

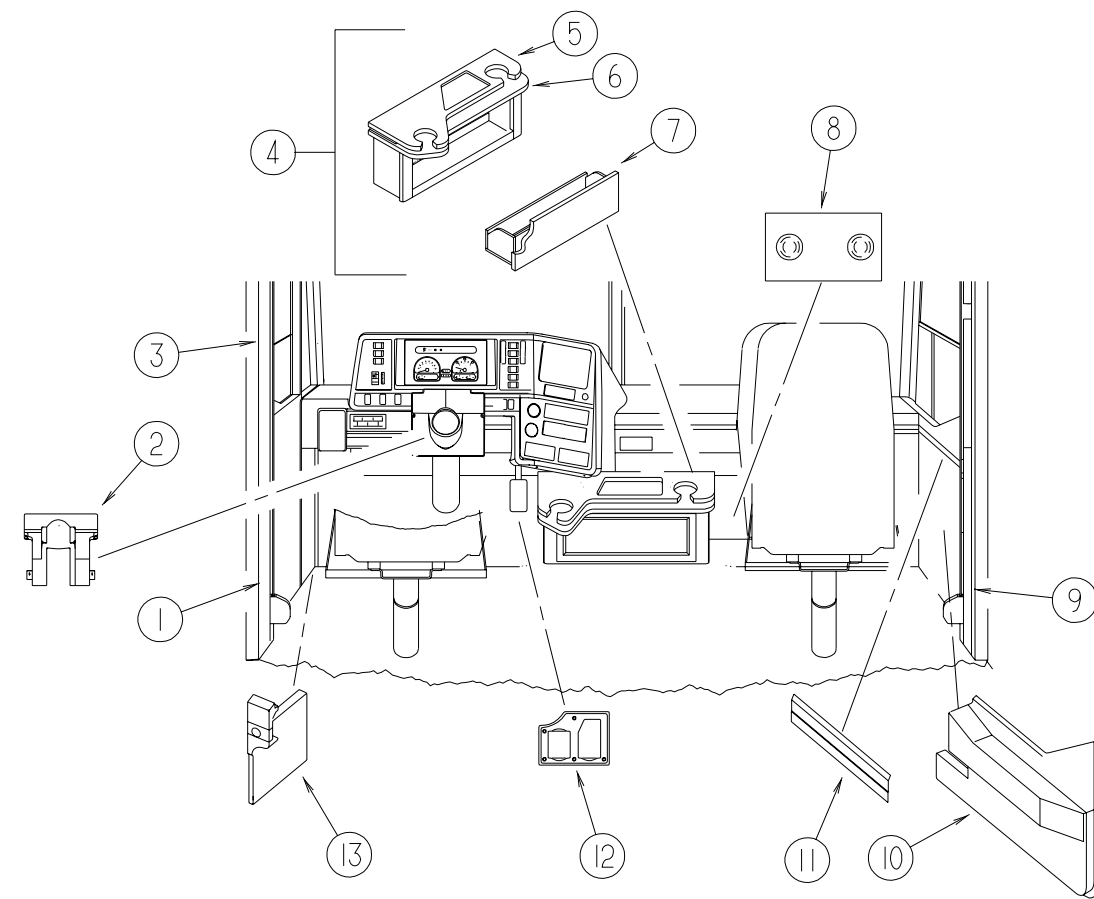
DRIVERSCOMPARTMENTGROUP(CONTINUED)



DASHPANELS

KEY	PARTNUMBER	U/M	DESCRIPTION
1	112804-02-02B	EA	PANEL-DASH-TOPW/STUD
	112804-01-01B	EA	PANEL-DASH-TOP
	106569-03-02A	EA	VINYL-LAMINATEHAMPTONTAN -*1/4" THKX16" X96
	077539-01-000	EA	BRACKET-MOUNTING/DASHPANEL-L/SHAPED-2.5"X1"X1.5"
2	107263-02-02A	EA	POD-INSTRUMENTPANELHAMPTANTAN
2	107263-01-02A	EA	POD-INSTRUMENTPANELHAMPTANTAN
3	107085-01-02A	EA	POD-DASH,LOWER,HAMPTANTAN
4	105926-05-000	EA	PANEL-DASH-BOTTOMRIGHTHAND
5	107859-08-02A	EA	TRIM-LOWERDASH
6	111745-10-01A	EA	APPLIQUE-DASH-LOWERRIGHTHAND
7	111414-01-000	EA	RECEPTACLE-12V-W/OBIMETAL
8	111745-12-01A	EA	APPLIQUE-DASH-LOWERRIGHTHAND
9	109969-03-02A	EA	TRIM-LOWERDASH
10	111745-03-01A	EA	APPLIQUE-DASH-LOWER
11	107860-02-02A	EA	TRIM-LOWERDASH-GM
12	107857-02-000	EA	PANEL-DASH-BOTTOM

DRIVERSCOMPARTMENTGROUP(CONTINUED)

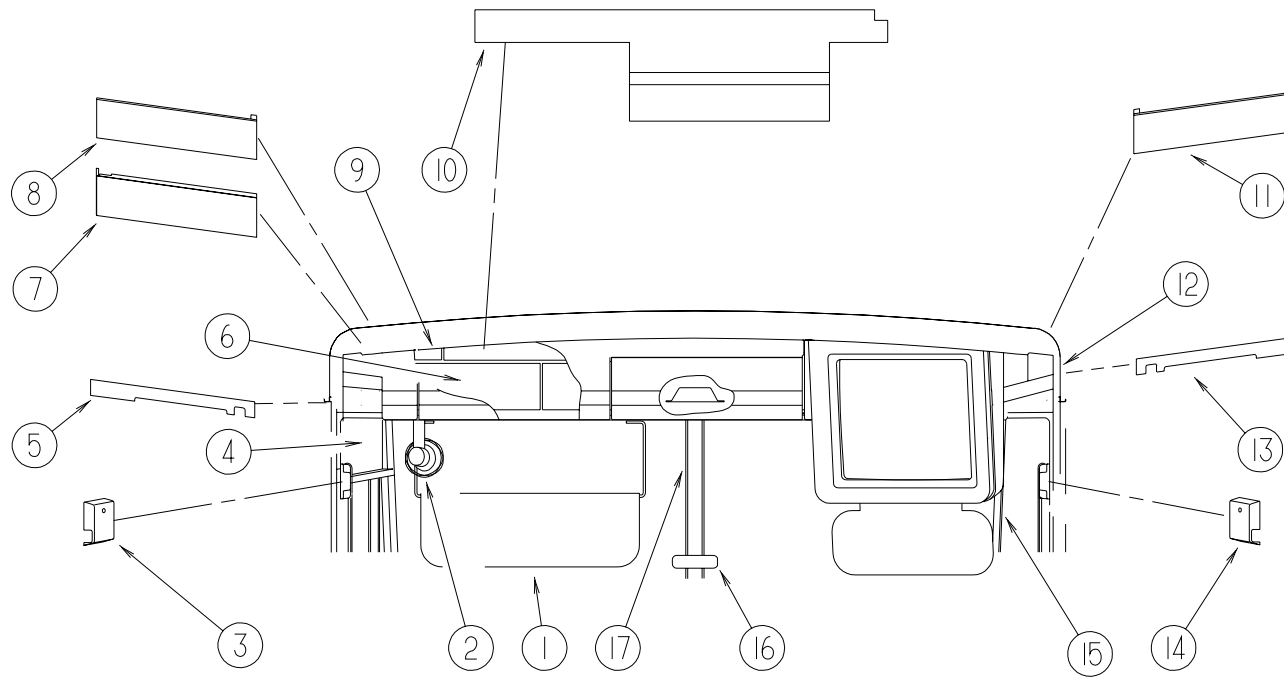


LOWERDRIVERSCOMPARTMENT

KEY	PARTNUMBER	U/M	DESCRIPTION
1	024700-48-000	EA	COVER-ROLLBAR25"
2	109832-01-03A	EA	COVER-STEERINGCOLUMN-INNER-HAMPTONTAN
	095933-07-000	EA	STOP-TILT,COLUMNDOUGLAS
	114388-02-02A	EA	WHEEL-STEERING-18"LEATHERWRAP-HAMPTONTAN
	114388-03-01A	EA	EMBLEM-HUB/HORNBUTTON-FREIGHTLINERCHASSIS-VECTRA
	103498-06-000	EA	BOOT-STEERINGCOLUMN/UNIVERSAL
	110002-01-000	EA	PATCH-COLUMN-4.25"X7.5"
3	024700-47-000	EA	COVER-ROLLBAR18.9"
4	P16157-01-H50	EA	CABINET-BEVERAGETRAY-W/OCUPHOLDERS(SOLARMAPLE)
4	P16157-01-H50	EA	CABINET-BEVERAGETRAY-W/OCUPHOLDERS(SALEMCHERRY)
5	116157-11-H50	EA	BEVERAGETRAYTOP-W/CUPHOLDERS(SOLARMAPLE)
5	116157-11-F37	EA	BEVERAGETRAYTOP-W/CUPHOLDERS(SALEMCHERRY)
6	116157-12-H50	EA	COUNTERTOP-BEVERAGETRAYSOLARMAPLE)
6	116157-12-G39	EA	COUNTERTOP-BEVERAGETRAYS(SALEMCHERRY)
7	M07451-01-H50	EA	DRAWER-BEVERAGETRAYS(SOLARMAPLE)
7	M07451-01-F37	EA	DRAWER-BEVERAGETRAYS(SALEMCHERRY)
7	M07451-01-H50	EA	DRAWER-BEVERAGETRAYS(SOLARMAPLE)
7	M07451-01-F37	EA	DRAWER-BEVERAGETRAYS(SALEMCHERRY)
8	095757-04-G38	EA	COVER-HEATER(H50,H51)
8	095757-04-H52	EA	COVER-HEATER(H52,H53)
8	095757-04-H54	EA	COVER-HEATER(H54,H55)
8	095757-04-H62	EA	COVER-HEATER(H62,H63)
9	024700-38-000	EA	COVER-ROLLBAR-U-CHANNEL-15.25"PLASTIC
9	024700-44-000	EA	COVER-ROLLBAR-DRIVER/PASSENGERLOWER-53"
10	107793-02-02A	EA	PANEL-TRIM-INNER/PASSENGER
10	107793-01-02A	EA	PANEL-TRIM-INNER/PASSENGER
11	106105-02-000	EA	CLIP-VALANCE-RETAINING
12	116993-01-01A	EA	COVER-PEDALS-BLACK
13	P08813-03-FQ0	EA	PANEL-TOEKICK
	072871-01-000	EA	PULL-FLUSH-CHROME
	073151-02-000	EA	HINGE-CONTINUOUS-22.3"OFFWHITEMETAL

DRIVERSCOMPARTMENTGROUP(CONTINUED)

UPPERDRIVERSCOMPARTMENT

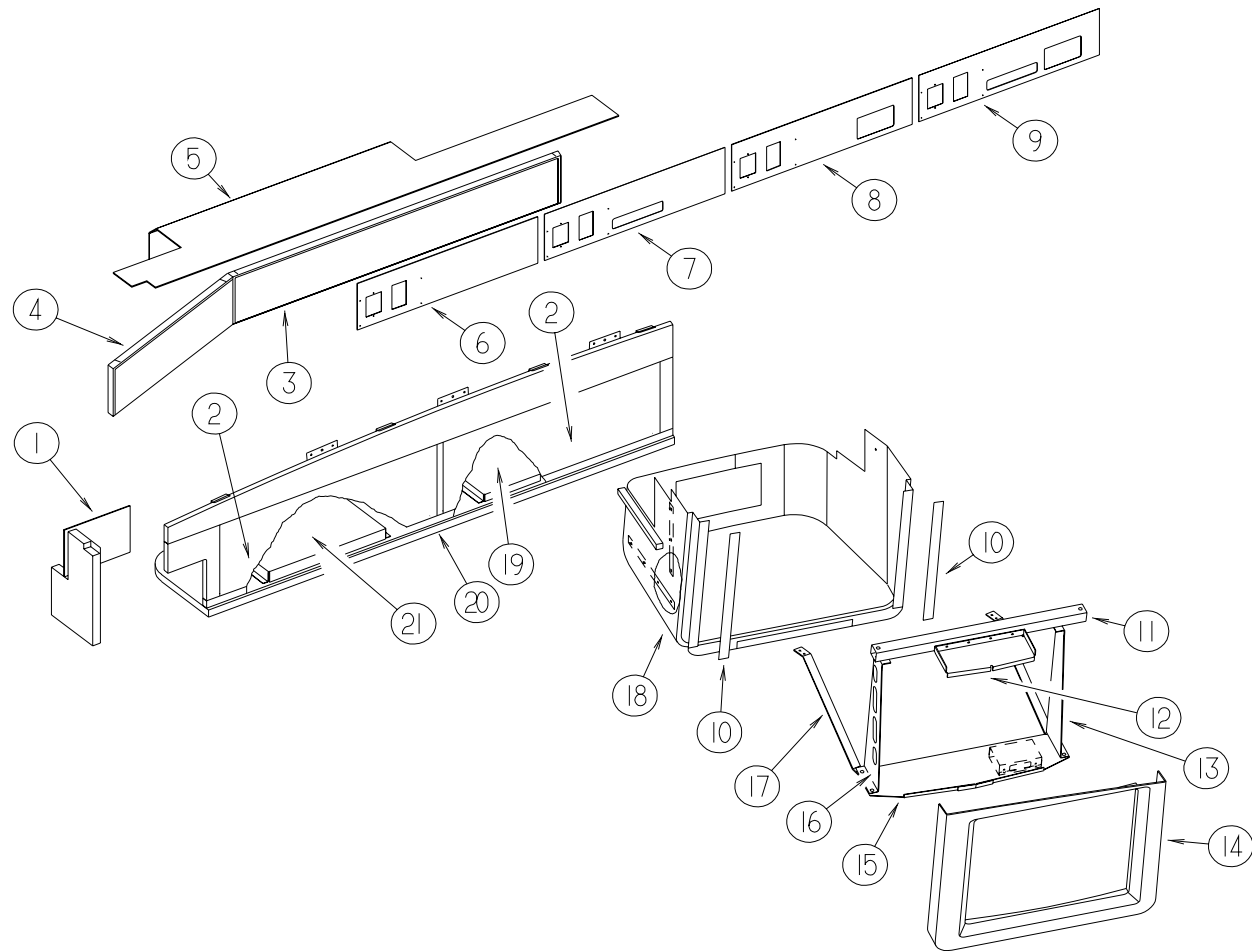


KEY	PARTNUMBER	U/M	DESCRIPTION
1	123298-02-03A	EA	SUNVISORASM10.5"X28.5"
	123450-01-01A	EA	SUNVISOR-W/PULLOUTS-PASSENGER
2	122856-01-01A	EA	FAN-DEROSTER-2SPEED-CHROME
3	103961-02-01A	EA	COVER-SEATBELTBRACKET
4	024700-38-000	EA	COVER-ROLLBAR-U-CHANNEL-15.25"PLASTIC
5	108792-02-H50	EA	PANEL-LEFTHEADLINER
6	107805-04-H50	EA	PANEL-VINYLCOVERED-SIDES
7	P08612-01-H50	EA	CABINET-OVERHEADENTRANCE-W/VINYLS(SOLARMAPLE)
7	P08612-01-H51	EA	CABINET-OVERHEADENTRANCE-W/VINYLS(SALEMCHERRY)
8	110603-02-E37	EA	CABINET-OVERHEAD/ENTRANCE-W/ODOORS/HARDWARE
9	107805-01-H50	EA	PANEL-VINYLCOVERED-ENDS
10	107804-01-H50	EA	PANEL-VINYLCOVERED-TOP

KEY	PARTNUMBER	U/M	DESCRIPTION
11	110603-01-E37	EA	CABINET-ENTRANCEOVERHEAD-W/ODOORS/HARDWARE
12	024700-38-000	EA	COVER-ROLLBAR-U-CHANNEL-15.25"PLASTIC
13	108792-01-H50	EA	PANEL-RIGHTHEADLINER
14	103961-01-01A	EA	COVER-SEATBELTBRACKET
	091990-04-01A	EA	SEATBELT-3POINT,BLACK
	109146-01-000	EA	BOLT-SHOULDER,SEATBELT
	091990-01-700	EA	COVER-BOLT,SEATBELT-BLACK
	091990-01-701	EA	EXTENDER9"FORA84083PT
15	107942-01-02A	EA	COVER-A-PILLAR-INTERIOR/PASSENGER
	107942-02-02A	EA	COVER-A-PILLAR-INTERIOR/DRIVER
16	040714-01-000	EA	MIRROR-REARVIEW/ARMMOUNT&SETSCREW-GM#911722
	067490-01-000	EA	BUTTON-MIRROR/REARVIEW
17	106568-01-02A	EA	TRIM-WINDSHIELD/CENTER
	107942-01-02A	EA	COVER-A-PILLAR-INTERIOR/PASSENGER
	107942-02-01A	EA	COVER-A-PILLAR-INTERIOR/DRIVER

DRIVERSCOMPARTMENTGROUP(CONTINUED)

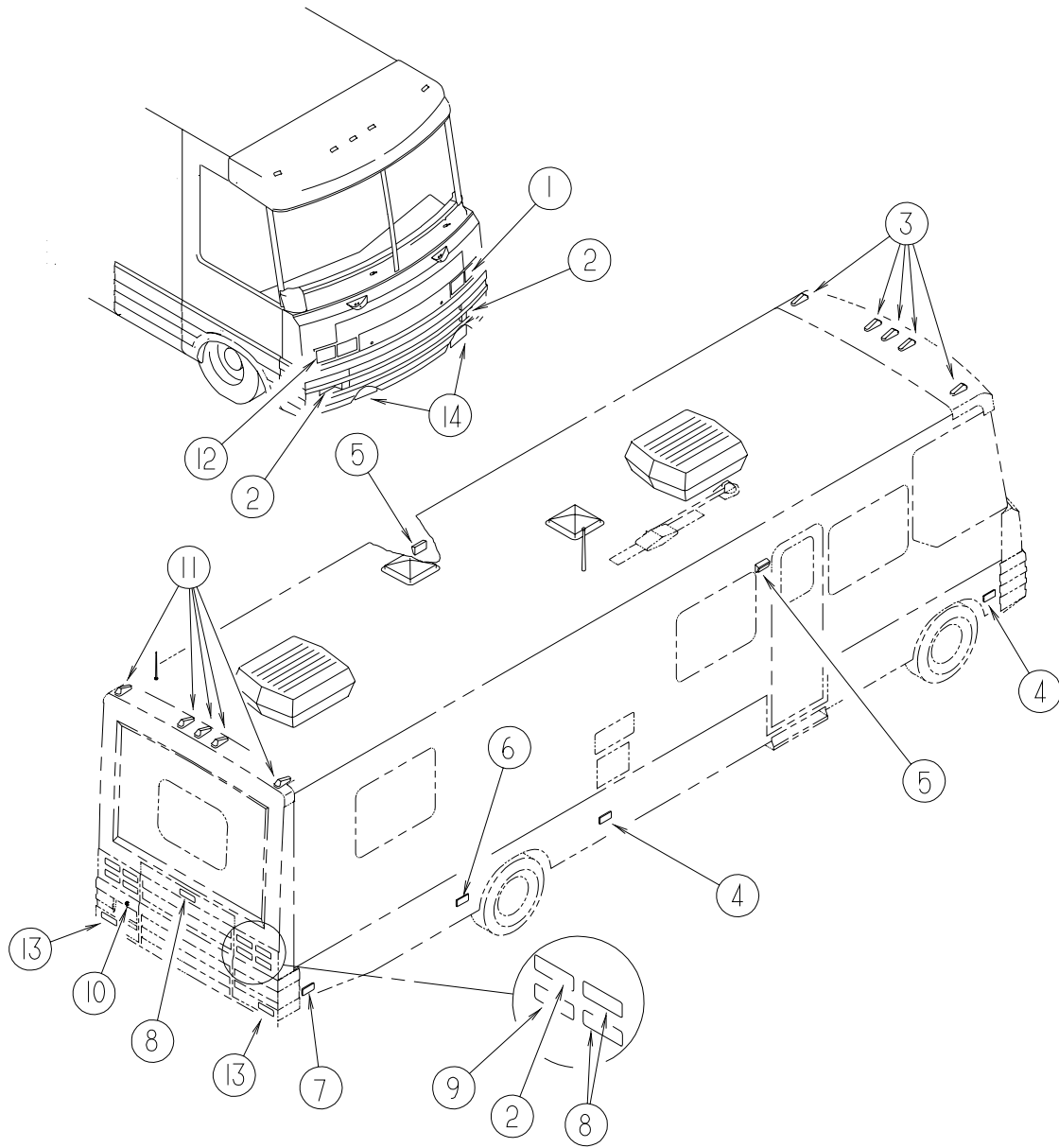
OVERHEADTV&VCR CABINETS



KEY	PARTNUMBER	U/M	DESCRIPTION
1	107805-01-H50	EA	PANEL-VINYLCOVERED/ENDS-OVERHEADCABINET
2	100708-08-000	EA	DOOR-GLASS-TV CABINET-9.7"X27"-W/OHARDWARE
	100710-01-01A	EA	LOCK-GLASSDOOR/TWISTTYPE-BRASS
	100711-01-01A	EA	HINGE-GLASSDOOR
	101272-01-000	EA	CATCH-DOORGLASS
	101766-02-000	EA	PIN-SUPPORTGLASSDOOR
	100707-01-000	EA	SPACER-DOORGLASS-.8"DIA-.3"HOLE-PLASTIC
3	107805-03-H50	EA	PANEL-VINYLCOVERED-SIDES
4	107805-04-H50	EA	PANEL-VINYLCOVERED-SIDES
5	107804-01-H50	EA	PANEL-VINYLCOVERED-TOP
6	107803-01-H50	EA	PANEL-VINYLCOVERED/BACK-OVERHEADCABINET
7	107803-02-FQ0	EA	PANEL-VINYLCOVERED/BACK-OVERHEADCABINET
8	107803-03-H50	EA	PANEL-VINYLCOVERED/BACK-OVERHEADCABINET
9	107803-04-FQ0	EA	PANEL-VINYLCOVERED/BACK-OVERHEADCABINET
10	085774-01-000	FT	FASTENER-DUALHOOK,1"WIDE-ADHESIVEBACK-BLACK
10	085774-02-000	FT	FASTENER-DUALLOOP,1"WIDE-ADHESIVEBACK-BLACK
11	107319-05-000	EA	MOUNT-TV-FRONT
12	116745-04-02B	EA	MOUNT-TV-TOPPANEL
13	107280-01-000	EA	BRACKET-MOUNTINGTV-RIGHTHAND
14	124138-01-01A	EA	COVER-TV/OVERHEADFRONT
15	116747-05-02B	EA	SHELF-TV-W/OHARDWARE
16	107281-01-000	EA	BRACKET-MOUNTINGTV-LEFTHAND
17	124090-01-02B	EA	SUPPORT-SHELF,TV,E-COAT
18	M06860-09-H50	EA	COVER-TV/OVERHEAD-RIGHTSIDE-W/OHARDWARE
18	111066-03-01A	EA	COVER-TV/OVERHEAD/REAR
19	100676-03-000	EA	STAND-VCR
20	123586-01-H50	EA	CABINET-OVERHEADFRONTW/TV-W/ODOORS/HARDWARE(SOLARMAPLE)
20	123586-01-H51	EA	CABINET-OVERHEADFRONTW/TV-W/ODOORS/HARDWARE(SALEMCHERRY)
	P23586-01-H50	EA	CABINET-BOTTOM-W/VINYL-F/TV-W/ODOORS/HARDWAR
21	100676-04-000	EA	STAND-VCR

ELECTRICAL GROUP

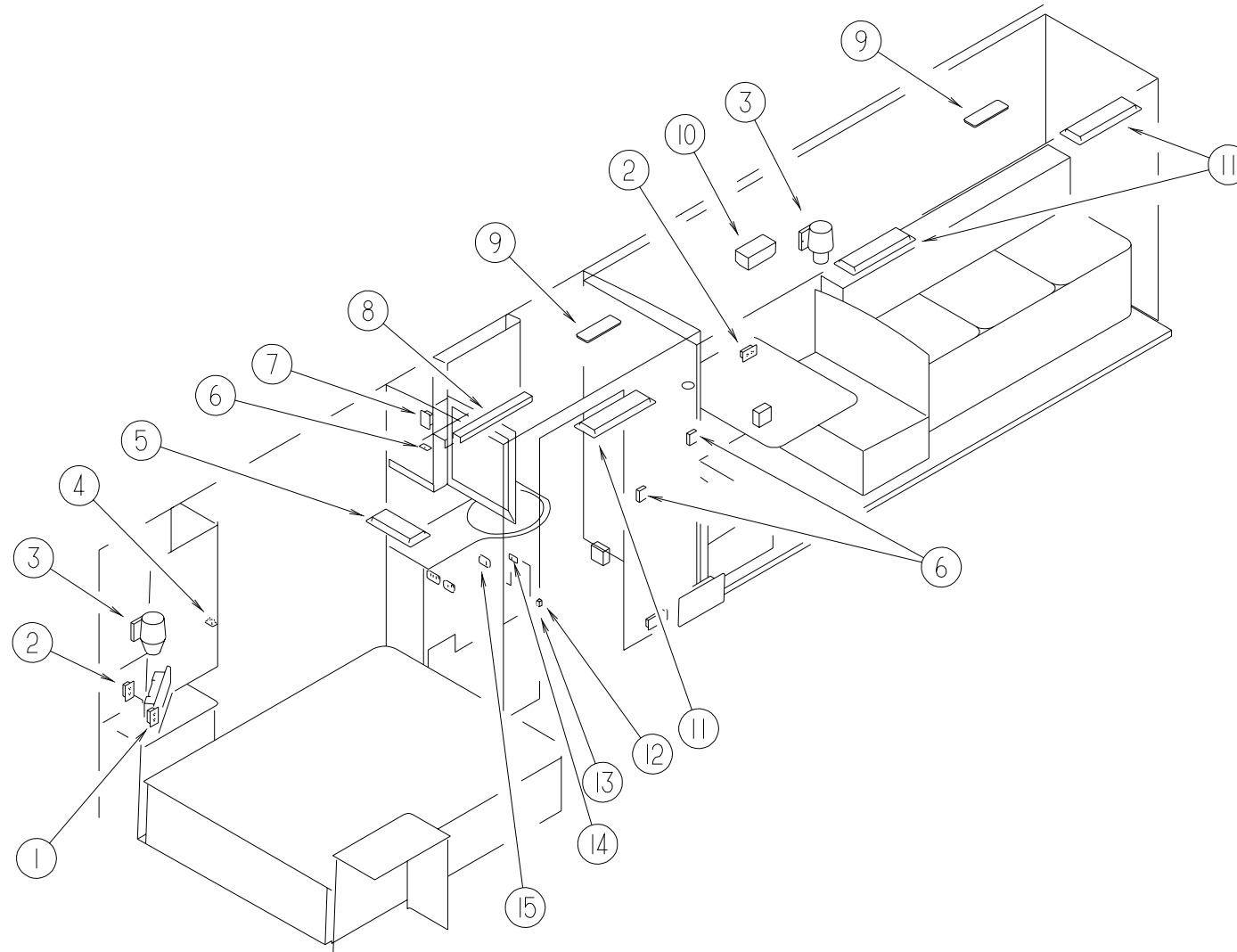
EXTERIORLIGHTS



KEY	PARTNUMBER	U/M	DESCRIPTION	VENDORNO.
1	049186-03-000	EA	HEADLAMP-DRIVER-HIGH/LOWHALOGEN	
1	049188-03-000	EA	HEADLAMP-DRIVER-HIGHHALOGEN	
1	110750-01-000	EA	SCREW-HEADLAMPADJUSTING	
1	049359-01-000	EA	SPRING-RETAINER-HEADLAMP-GM#496096	
2	106688-02-000	EA	LIGHT-AMBERTURNSIGNAL(LENS/BACKPAN)	
2	037934-01-000	EA	BULB-12V-#1156-2.1AMPCLEARGLASS	
2	106687-02-000	EA	SOCKET-LIGHT-3-WIRE	
3	107749-01-000	EA	LIGHT-CABMARKER-AMBER	
3	036196-01-000	EA	BULB-12VOLT-#194-.27AMP-BAYONETTE	
3	067789-02-000	EA	SOCKET-LAMP	
4	089362-01-000	EA	LIGHT-SIDEMARKER-AMBERLENS&BASE-W/OBULB	
4	008103-01-000	EA	BULB-DASH/AISLELIGHT,#53-12V-.12AMP	
4	067789-03-000	EA	SOCKET-LIGHT-W/6"BROWN&WHITELEAD	
5	097917-01-07A	EA	LIGHT-PORCH	
5	008215-01-000	EA	BULB-12VOLT-#1003-.94AMP	
5	097917-01-700	EA	LENS-LIGHT,CLEAR	30-78-021
6	106688-04-000	EA	LIGHT-CLEARAUXILIARY(LENS/BACKPAN)	
6	037934-01-000	EA	BULB-12V-#1156-2.1AMPCLEARGLASS	
6	106687-01-000	EA	SOCKET-LIGHT-2-WIRE	
7	089362-02-000	EA	LAMP-SIDEMARKER-RED	
7	089362-03-000	EA	GASKET-MARKERLIGHT	
7	036196-01-000	EA	BULB-12VOLT-#194-.27AMP-BAYONETTE	
7	067789-02-000	EA	SOCKET-LAMP	
8	106688-03-000	EA	LIGHT-REDSTOP/TURN(LENS/BACKPAN)	
8	037935-01-000	EA	BULB-12V-#1157OR#2057-2.1AMP-CLEARGLASS	
8	106687-01-000	EA	SOCKET-LIGHT-2-WIRE	
8	106688-01-000	EA	LIGHT-BACK-UPW/WHITELENS(LENS/BACKPAN)	
8	107221-06-01A	EA	COVER-LATCHASM,VALANCEDR.,BLK(BACKUPLIGHTSHIELD)	
9	037935-01-000	EA	BULB-12V-#1157OR#2057-2.1AMP-CLEARGLASS	
9	106687-02-000	EA	SOCKET-LIGHT-3-WIRE	
9	107256-01-03A	EA	TAILLIGHTBEZEL-BLACK	
10	087201-01-000	EA	LIGHT-HALFROUND-1"X1.7"-PLASTIC-BLACK	
11	107749-02-000	EA	LIGHT-CABMARKER-RED	
11	036196-01-000	EA	BULB-12VOLT-#194-.27AMP-BAYONETTE	
11	067789-02-000	EA	SOCKET-LAMP	
12	049185-03-000	EA	HEADLAMP-PASSENGER-HIGH/LOW-HALOGEN	
12	049187-03-000	EA	HEADLAMP-PASSENGER-HIGHBEAM-HALOGEN	
12	110750-01-000	EA	SCREW-HEADLAMPADJUSTING	
12	049359-01-000	EA	SPRING-RETAINER-HEADLAMP-GM#496096	
13	110177-01-000	EA	LENS-REFLECTOR-RED	
13	110177-02-000	EA	GASKET-LENS-REFLECTOR	
13	106687-02-000	EA	SOCKET-LIGHT-3-WIRE	
14	088747-03-000	EA	LAMP-FOG-CLEARLENS	
14	088747-03-700	EA	COVER-LIGHT,FOG(PAIRS)	050-005835
14	088747-03-701	EA	BEZEL-LIGHT,FOG	050-005001

ELECTRICAL GROUP (CONTINUED)

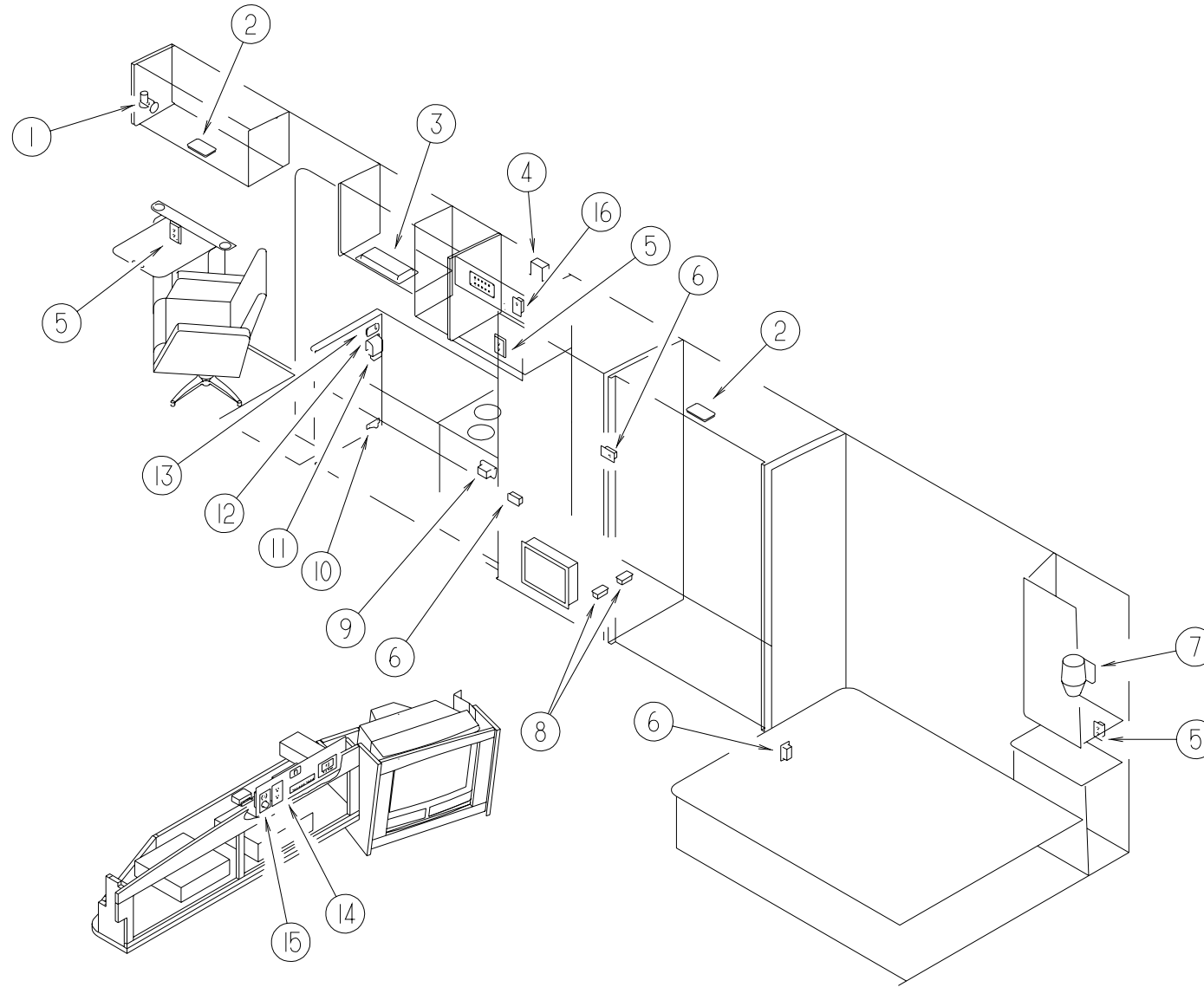
LIGHTS, SWITCHES & RECEPTACLES - DRIVERS SIDE



KEY	PARTNUMBER	U/M	DESCRIPTION	VENDOR NO.	KEY	PARTNUMBER	U/M	DESCRIPTION
1	058708-01-000	EA	RECEPTACLE-ELECTRIC-DOUBLE-BROWN		10	093575-09-01A	EA	LIGHT-CEILING-DOUBLE
2	102568-01-H37	EA	SPACER-RECEPTACLE-SIDEWALL(SOLARMAPLE)		10	061424-01-000	EA	LIGHT-AISLE-12VOLT-RECTANGULAR
2	102568-01-E41	EA	SPACER-RECEPTACLE-SIDEWALL(SALEMCHERRY)		10	067479-01-000	EA	BULB-12V,NUMBER1076
2	058708-02-000	EA	RECEPTACLE-ELECTRIC-DOUBLE-IVORY		10	119252-01-01A	EA	SHADE-LAMP-GLASSSWIRL
3	065202-34-000	EA	LAMP-WALL-BRASS		11	098024-03-01A	EA	LIGHT-DOME,2BULB-IVORY
3	119257-02-01A	EA	SHADE-LAMP,SKIPPLEAT(H50,H51,H54,H55)		11	008218-01-000	EA	BULB-DOMELIGHT-12VOLT-NO.1141
3	119257-01-01A	EA	SHADE-LAMP,POTPOUM-79-123X20BS(H52,H53,H62,H63)		11	091937-04-000	EA	LIGHT-FLUORESCENT-12V30WATT-20.75"LONG-THINLITE
3	067479-01-000	EA	BULB-12VOLT-#1076-1.80AMP		12	108357-08-000	EA	SWITCH-ROCKERDPDTON/NONE/ON6TERMINAL
4	108357-10-000	EA	SWITCH-ROCKER-SPDTMOM/OFF/MOM-LIGHTED5TERMINAL		12	108355-01-000	EA	HOUSING-SWITCH
4	108356-05-01A	EA	SWITCHCOVERW/GROOVES-LIGHTED-GEN.SET-CARLINGVVLGCXX-XWB		12	108356-02-01A	EA	COVER/ACTUATORSWITCH-2DIMPLES
4	098351-07-01A	EA	PLATE-SWITCH-POLISHEDBRASS		13	079364-04-000	EA	SWITCH-ON/OFFROCKER-BLACK
4	108355-01-000	EA	HOUSING-SWITCH		13	079364-01-000	EA	SWITCH-ON/OFFROCKER-2PRONGS-BROWN
5	098024-03-02A	EA	LIGHT-DOME-2BULBWHITE		14	109294-01-01A	EA	SWITCHPANEL-VENTFAN
5	008218-01-000	EA	BULB-DOMELIGHT-12VOLT-NO.1141		14	079364-03-000	EA	SWITCH-ON/OFFROCKER-3PRONGS-BROWN
5	098024-01-700	EA	LENS-LIGHT	807877	14	079364-02-000	EA	SWITCH-ON/OFF-ROCKER
5	091937-05-000	EA	LIGHT-FLUORESCENT-12V/16WATT-15"LONG-THINLITE7		14	095188-02-01A	EA	SPACER-SWITCH-2.3"X4.1"-PLASTIC-DARKBROWN
5	091937-05-701	EA	LENS-LIGHT,FLUORESCENT	D-732	14	095188-01-01A	EA	SPACER-SWITCH-2.3"X3.4"-PLASTIC-DARKBROWN
6	098351-01-01A	EA	PLATE-SWITCH-1GANGPOLISHEDBRASS		14	098351-01-01A	EA	PLATE-SWITCH-1GANGPOLISHEDBRASS
6	079364-04-000	EA	SWITCH-ON/OFFROCKER-BLACK		15	098351-02-01A	EA	PLATE-SWITCH-2GANGPOLISHEDBRASS
6	079364-01-000	EA	SWITCH-ON/OFFROCKER-2PRONGS-BROWN		15	095188-01-01A	EA	SPACER-SWITCH-2.3"X3.4"-PLASTIC-DARKBROWN
7	084076-01-000	EA	RECEPTACLE-GFI,15A-125V-IVORY		15	079364-04-000	EA	SWITCH-ON/OFFROCKER-BLACK
8	110235-02-01A	EA	LIGHT-MAKEUP-4BULBPANLESS		15	079364-01-000	EA	SWITCH-ON/OFFROCKER-2PRONGS-BROWN
8	081633-01-700	EA	BULB-LIGHT,MAKE-UP	RP1041				
9	121935-01-01A	EA	LIGHT-DOME-SHOWER					

ELECTRICAL GROUP(CONTINUED)

LIGHTS,SWITCHES&RECEPTACLES-PASSENGERSIDE



KEY	PARTNUMBER	U/M	DESCRIPTION	VENDORNO.	KEY	PARTNUMBER	U/M	DESCRIPTION
1	104172-01-01A	EA	LIGHT-BULLET-BULB#9312V		10	061424-01-000	EA	LIGHT-AISLE-12VOLT-RECTANGULAR
1	104173-01-01A	EA	LIGHT-DESIGNER-BRASS		10	008103-01-000	EA	BULB-DASH/AISLELIGHT-#53-12VOLT-.12AMP
1	104173-01-700	EA	BULB	81900	11	084076-02-000	EA	RECEPTACLE-GFI-15AMP-125VOLT-BROWN
2	098024-06-02A	EA	LIGHT-DOME-2BULB-SKYLITE		12	093132-02-000	EA	SWITCH-ROCKER-5TERMW/KEYLOCK&ARROWF/POWERDOORLOCK
2	008218-01-000	EA	BULB-DOMELIGHT-12VOLT-NO.1141		12	094086-01-01A	EA	PLATE-SWITCH-SINGLEGANG-1.8"X3"-BLACKPLASTIC
2	098024-01-701	EA	OPTICCLEARLENS	809902	13	098351-05-01A	EA	PLATE-SWITCH-3GANGPOLISHEDBRASS
3	091937-05-000	EA	LIGHT-FLUORESCENT-12V/16WATT-15"LONG-THINLITE7		13	079364-04-000	EA	SWITCH-ON/OFFROCKER-BLACK
3	091937-05-701	EA	LENS-LIGHT,FLUORESCENT	D-732	13	079364-01-000	EA	SWITCH-ON/OFFROCKER-2PRONGS-BROWN
4	058708-05-000	EA	RECEPTACLE-SINGLE-BROWN		14	079364-01-000	EA	SWITCH-ON/OFFROCKER-2PRONGS-BROWN
4	102568-01-H37	EA	SPACER-RECEPTACLE-SIDEWALL(SOLARMAPLE)		14	079364-04-000	EA	SWITCH-ON/OFFROCKER-BLACK
5	102568-01-E41	EA	SPACER-RECEPTACL,SIDEWALL(SALEMCHERRY)		14	098351-09-01A	EA	PLATE-SWITCH-SPEAKERSELECT-POLISHEDBRASS
5	058708-02-000	EA	RECEPTACLE-ELECTRIC-DOUBLE-IVORY		15	058708-01-000	EA	RECEPTACLE-ELECTRIC-DOUBLE-BROWN
6	058707-01-000	EA	RECEPTACLE-ELECTRIC-SINGLE-BROWN		16	101911-01-01A	EA	WALLPLATE-SWITCH(1GANG)
7	065202-34-000	EA	LAMP-WALL-BRASS		16	101894-01-01A	EA	SWITCH-3WAY-BROWN(110VOLT)
7	119257-02-01A	EA	SHADE-LAMP-SKIPPLEAT(H50,H51,H54,H55)					
7	119257-01-01A	EA	SHADE-LAMP-POTPOUM(H52,H53,H62,H63)					
7	067479-01-000	EA	BULB-12VOLT-#1076-1.80AMP					
8	058707-02-000	EA	RECEPTACLE-BLANK-JUNCTION					
9	112822-01-01A	EA	RECEPTACLE-DUPLEX-IVORY					
9	112824-01-03A	EA	COVER-EXTERIOR-DUPLEXRECEPTACLE					

ELECTRICAL GROUP(CONTINUED)**CABCOURTESYLIGHTS&DASHBULB**

KEY	PARTNUMBER	U/M	DESCRIPTION
	108354-01-01A	EA	LIGHT-COURTESY
	108354-01-700	EA	BULB-COURTESYLIGHT 395-B
	103603-01-000	EA	BULB-12VOLT-#74-.12AWEDGE-GE22-25USEDINDASH

EXTERIORRECEPTACLE

KEY	PARTNUMBER	U/M	DESCRIPTION
	115930-01-000	EA	INLET-30A,120V,EXTERIOR -MARINCO301EL-B
	115930-02-000	EA	INLET-50AMP-240VOLTS-EXTERIOR

MIRROR,WINDOW&LOCKSWITCHES

KEY	PARTNUMBER	U/M	DESCRIPTION
	087695-02-000	EA	SWITCH-HEATER/MIRROR
	088246-01-000	EA	SWITCH-REMOTE-EXTERIOR-SQUAREPUSH
	094086-01-01A	EA	PLATE-SWITCH-SINGLEGANG-1.8"X3"-BLACKPLASTIC
	099982-01-02A	EA	PLATE-SWITCH
	099982-02-01A	EA	PLATE-SWITCH-BLACK
	093132-01-000	EA	SWITCH-ROCKER-5TERMINAL-W/ARROWSF/POWERWINDOWS
	093132-02-000	EA	SWITCH-ROCKER-5TERM-KEYLOCK/ARROWF/POWERDOORLOCK
	118662-06-02B	EA	PLATE-SWITCH-WINDOW/LOCK-E-COATED
	118662-02-02B	EA	PLATE-SWITCH-WINDOW-E-COATED
	113638-01-000	EA	ACTUATOR-POWERDOORLOCK
	113638-02-000	EA	CONNECTOR-ACTUATOR
	113960-01-01A	EA	COVER-ACTUATOR-POWERLOCK

AUTOMATICTRANSFER SWITCHES

KEY	PARTNUMBER	U/M	DESCRIPTION
	106071-01-000	EA	SWITCH-AUTOMATICTRANSFER-30AMP
	106071-02-000	EA	SWITCH-AUTOMATICTRANSFER-50AMP

DASHSWITCHES

KEY	PARTNUMBER	U/M	DESCRIPTION
	096241-03-000	EA	SWITCH-BLANK
	096241-08-000	EA	SWITCH-BLANK
	108355-01-000	EA	HOUSING-SWITCH
	108356-01-02A	EA	COVER/ACTUATORSWITCH-3GROOVES
	108356-03-02A	EA	COVER/ACTUATORSWITCH-GROOVESW/LIGHT
	108356-05-01A	EA	COVER/ACTUATORSWITCH-GROOVESW/LIGHT
	108357-01-000	EA	SWITCH-ROCKER-SPST-ON/OFF2TERMINAL
	108357-03-000	EA	SWITCH-ROCKERSPDTON/OFF/ON3TERMINAL
	108357-05-000	EA	SWITCH-ROCKERSPDT-ON/NONE/ON-3TERMINAL
	108357-06-000	EA	SWITCH-ROCKERDPDTMON/OFF/MOM6TERMINAL
	108357-07-000	EA	SWITCH-ROCKERSPDTMOM/OFF/MOM3TERMINAL
	108357-08-000	EA	SWITCH-ROCKERDPDTON/NONE/ON6TERMINAL
	108357-09-000	EA	SWITCH-ROCKERSPDTON/NONE/MOM3TERMINAL
	108357-10-000	EA	SWITCH-ROCKER-SPDTMOM/OFF/MOM-LIGHTED5TERMINAL

ELECTRICAL GROUP(CONTINUED)**CIRCUITBREAKERS&FUSES**

KEY	PARTNUMBER	U/M	DESCRIPTION
	008233-01-000	EA	FUSE-12V-6AMP
	008235-01-000	EA	FUSE-AUTOMOTIVE,12V-15AMP
	062037-01-000	EA	HOUSING-AUTOFUSE,NATURAL
	062037-02-000	EA	HOUSING-AUTOFUSE,GREEN
	062037-03-000	EA	HOUSING-AUTOFUSE,BLACK
	062037-04-000	EA	HOUSING-AUTOFUSE,BLUE
	062037-05-000	EA	HOUSING-AUTOFUSE,GRAY
	062037-06-000	EA	HOUSING-AUTOFUSE,BROWN
	062037-07-000	EA	HOUSING-AUTOFUSE,RED
	062901-02-000	EA	FUSE-5AMPS,AUTOMOTIVE
	062901-05-000	EA	FUSE-15AMPS,AUTOMOTIVE
	100341-01-000	EA	FUSEHOLDER-INLINETYPE
	111683-01-000	EA	FUSEHOLDER-GLASS,1/4X11/4
	108669-01-000	EA	HOUSING-AUTOFUSEHOLDER
	106655-02-000	EA	TERMINAL-FUSEBLOCK,10-12AWG
	083209-01-000	EA	CIRCUITBREAKER15AMP120V
	083209-02-000	EA	CIRCUITBREAKER15/15AMP120V
	083209-03-000	EA	CIRCUITBREAKER15/20AMP120V
	083209-04-000	EA	CIRCUITBREAKER30AMP120V
	083209-06-000	EA	CIRCUITBREAKER30/15AMP120V
	083209-07-000	EA	CIRCUITBREAKER20/20AMP120V
	093654-01-000	EA	CIRCUITBREAKER6AMP12V
	093654-02-000	EA	CIRCUITBREAKER15AMP12V
	093654-03-000	EA	CIRCUITBREAKER20A,12V
	093655-01-000	EA	CIRCUITBREAKER25AMP12V
	093655-02-000	EA	CIRCUITBREAKER30AMP12V
	093655-03-000	EA	BREAKER-CIRCUIT40AMP
	097611-01-000	EA	CIRCUITBREAKER-10AMP-12VOLT
	108916-01-000	EA	CIRCUITBREAKER50AMP120V
	110000-01-000	EA	CIRCUITBREAKER10AMP12V
	110000-02-000	EA	CIRCUITBREAKER25AMP12V
	113482-01-000	EA	CIRCUITBREAKER-55A,MANUAL
	122811-01-000	EA	CIRCUITBREAKER-20/50/50/20
	093674-01-000	EA	PLATE-CIRCUITBREAKER,HOUSE-8.4"X4.1"-STEEL
	098196-01-000	EA	LATCH,1/4TURN,T-BAR

CONVERTERS,INVERTER&LOADCENTERS

KEY	PARTNUMBER	U/M	DESCRIPTION
	099048-03-000	EA	INVERTER-130WATT
	108915-02-000	EA	LOADCENTER-120/240VOLT-100AMP
	123058-02-000	EA	CONVERTER-45AMP-ELECTRONIC-41/8"HX7"WX123/8"L
	109677-01-000	EA	LOADCENTER-120VOLT-40AMP
	113132-01-000	EA	LOADCENTER-120/240VOLT-60AMP

ELECTRICAL GROUP(CONTINUED)**ELECTRICBOXES&CORDS**

KEY	PARTNUMBER	U/M	DESCRIPTION
	008052-01-000	EA	CORD-POWER, 10/3-30AMP-25'-CANADIAN
	008054-01-000	EA	CORD-POWER, 10/3-30AMP-25'
	008289-01-000	EA	BOX-ELECTRIC, STEEL-1/2"AND3/4"KNOCKOUTS-4"X4"
	008289-02-000	EA	BOX-ELEC., 4"X4", W/1/2"&3/4"KNOCKOUTS, CANADIAN
	008294-01-000	EA	COVER-ELECTRICALBOX, BLANK/STEEL-4"X4"-GRAY
	008294-02-000	EA	COVER-ELECTRICALBOX, BLANKSTEEL-4"X4"-CANADIAN
	074890-01-000	EA	BOX-EXTENSION/STEEL-OPENSIDES-4"X4"X1 1/2"
	074897-01-000	EA	COVER-ELECTRICALBOX W/HOLES-4"X4"
	091910-01-000	EA	BOX-ELECTRIC, 3.75"X3.5"X1.75"-PLASTIC
	091910-02-000	EA	BOX-ELECTRICAL, PLASTIC-57X88MM
	092492-08-000	EA	SEAL-ELECTRICALBOX
	098196-01-000	EA	LATCH-1/4TURN, T-BAR
	108934-01-000	EA	CORD-POWER, 50A, 4-WIRE, 36FT -WESCOK3536
	109172-01-000	EA	CORD-POWER, 13A, 3-WIRE, 4FT -ELECTICORD
	109925-02-000	EA	DOORASM-ELECTRICALBOX, SPARTAN
	109925-03-000	EA	DOORASM-ELECTRICALBOX, OSHKOSH
	113088-01-000	EA	BOX-ELECTRIC, 3.00X2.00X2.75
	113096-01-000	EA	CORD-POWER, 50A, 4WIRE, 36', CSA-WESCO4243
	118507-01-01A	EA	BOX-ELECTRICALGRAYCHEVY&FORD
	118653-01-02B	EA	DOOR-ELECTRICBOX, E-COATCHEVY&FORD
	118905-02-02B	EA	DOORASM-ELECTRICAL, E-COATCHEVY&FORD
	121470-01-000	EA	CORD-EXTENTION, 6FT 16-2 -AWI2030
	120454-01-01B	EA	PANEL-ELECTRICAL, BACK, MILL
	120455-01-01B	EA	PANEL-ELECTRICAL, SIDE, MILL

WIREASSEMBLIES

KEY	PARTNUMBER	U/M	DESCRIPTION
	073328-B4-000	EA	CABLEASSEMBLY-BATTERY, W/TERMINALS
	090986-01-000	EA	WIREASM-ELECTRICSTEP, KWIKEE9009
	093057-05-000	EA	WIREASM-POWERLOCKENTRANCE
	096449-01-000	EA	WIREASSEMBLY-WATERTANKTOMONITORPANEL
	097618-01-000	EA	WIREASM-MONITORPANEL, W/3WIRES&ORANGERESISTOR-LVS ORANGERESISTORW/3(ORANGE-GREEN-BLUE)WIRES
	102636-03-000	EA	WIREASM-CLEARANCELAMPS
	107306-01-000	EA	WIREASM-IP, DOCKINGLAMPS
	108242-01-000	EA	WIREASM-DOOR, CABLEFT
	108303-01-000	EA	WIREASM-REARAUTOHEATER
	108304-01-000	EA	WIREASM-IP, AUXFANS
	110256-01-000	EA	WIREASM-IP, GENERATOR
	111914-01-000	EA	WIREASM-DAYRUNLAMPS, FUSE
	113134-03-000	EA	WIREASM-WIPER/WASHER
	111581-01-000	EA	WIREASM-AIRHORN
	118937-03-000	EA	WIREASM-HEADLAMP(PUSHER)
	119131-01-000	EA	WIREASM-SLIDEOUTCONTROL

CONNECTORS&CONDUIT

KEY	PARTNUMBER	U/M	DESCRIPTION
	007940-01-000	EA	RECEPTACLE-SLIDE, 16TO12AWG-FEMALEEND
	007942-01-000	EA	TAB-WIRE, 18TO14AWG
	007954-01-000	EA	RECEPTACLE-HSG-6POSITION
	007956-05-000	EA	INSULATOR-SHRINK.25IDX1.50-BLACK
	008311-01-000	EA	CONNECTOR-WIRENUT, INSULATED-RED
	008312-01-000	EA	CONNECTOR-WIRENUT, INSULATED-BLUE
	008313-01-000	EA	CONNECTOR-WIRENUT, INSULATED-YELLOW
	008314-01-000	EA	CONNECTOR-WIRENUT, INSULATED-GRAY
	008326-01-000	EA	TERMINAL-RING, 16/14WIRE-3/8"STUD
	008328-01-000	EA	TERMINAL-RING, 12/10WIRE-#10STUDFIT
	008331-01-000	EA	TERMINAL-RING, TONGUE-#4WIRE-3/8"STUD-COPPER
	008348-01-000	EA	TERMINAL-RING, 3/8"STUD-#2WIRE

ELECTRICAL GROUP(CONTINUED)**CONNECTORS&CONDUIT(CONTINUED)**

KEY	PARTNUMBER	U/M	DESCRIPTION
	008355-01-000	EA	CONNECTOR-CABLECLAMPING, 3/4"
	008356-01-000	EA	CONNECTOR-PLASTIC, 3/8"AVG
	035416-04-000	EA	TERMINAL-RING#10STUDFIT, INSULATEDBARREL#16/14
	041480-01-000	EA	CONNECTOR-STRAIGHT, 1/2"FLEXCONDUIT
	041953-01-000	FT	CONDUIT-CONVOLUTESLIT, .5"ID
	041953-02-000	FT	CONDUIT-CONVOLUTESLIT.625"ID
	041953-03-000	FT	CONDUIT-CONVOLUTESLIT, 1"ID(CLOTHESRODCOVER)
	041953-05-000	FT	CONDUIT-CONVOLUTESOLID, .62"ID
	041953-06-000	FT	CONDUIT-CONVOLUTE, SLIT.375"ID
	041953-07-000	FT	CONDUIT-CONVOLUTE, SLIT-.25"ID
	041953-08-000	FT	CONDUIT-CONVOLUTE, SLIT, 1.50"ID
	041953-09-000	FT	CONDUIT-CONVOLUTE, SLIT.50"ID
	041953-10-000	FT	CONDUIT-CONVOLUTE, SLIT-.75"ID
	041953-11-000	FT	CONDUIT-CONVOLUTE, SLIT-1.06"ID
	041953-12-000	FT	CONDUIT-CONVOLUTE, NONSLIT1.1"ID
	047443-01-000	EA	TERMINAL-.250RECEPTACLEFIT, INSULATED-16/14AWG
	047443-02-000	EA	TERMINAL-.250RECEPTACLEFIT, INSULATED-12/10AWG
	058028-01-000	EA	CONNECTOR-ELECTRICALPIGTAIL, NYLON-CLEAR
	062036-01-000	EA	TERMINAL-PACK-CON, 12/10AWG
	062036-02-000	EA	TERMINAL-PACK-CON, 16/14AWG
	074017-02-000	EA	HOUSING-5POSITION, RIGHTANGLED
	077479-01-000	EA	BOOT-BATTERYTERMINAL, DOUBLECABLE
	077479-02-000	EA	BOOT-BATTERYTERMINAL, SINGLECABLE
	080015-02-000	EA	RECEPTACLE-FLAG, .185-16/14GA-AMP3
	080015-03-000	EA	RECEPTACLE-FLAG, .250-14/16GA
	082109-01-000	EA	HOUSING-CONNECTOR
	082741-01-000	EA	CONNECTORBODY-2CNCTMALE
	087225-01-000	FT	SLEEVING-1/2", TYPEH
	087695-03-000	EA	CONNECTOR-ASSEMBLY
	087949-01-000	EA	BUSSBAR-2POSITION, .6"X1.5"-ALUMINUM
	087949-02-000	EA	BUSBAR-3POSITION-.6"2.4"-ALUMINUM
	087949-03-000	EA	BUSSBAR-4POSITION
	088267-01-000	EA	TERMINAL-FEMALE, 1/4
	088473-01-000	EA	HOUSING-PIN, 12CAVITY
	088473-02-000	EA	HOUSING-PIN, 15CAVITY
	088473-03-000	EA	HOUSING-PIN, 9CAVITY
	088473-05-000	EA	HOUSING-PIN, 6CAVITY
	088473-06-000	EA	HOUSING-PIN, 6CAVITY
	088473-07-000	EA	HOUSING-PIN, 5CAVITY
	088473-08-000	EA	HOUSING-PIN, 4CAVITY
	088473-09-000	EA	HOUSING-PIN, 3CAVITY
	088473-10-000	EA	HOUSING-PIN, 2CAVITY
	088474-01-000	EA	HOUSING-SOCKET, 12CAVITY
	088474-02-000	EA	HOUSING-SOCKET, 12CAVITY
	088474-03-000	EA	HOUSING-SOCKET, 9CAVITY
	088474-06-000	EA	HOUSING-SOCKET, 6CAVITY
	088474-07-000	EA	HOUSING-SOCKET, 5CAVITY
	088474-08-000	EA	HOUSING-SOCKET, 4CAVITY
	088474-09-000	EA	HOUSING-SOCKET, 3CAVITY
	088474-10-000	EA	HOUSING-SOCKET, 2CAVITY
	088475-01-000	EA	PIN-CONNECTOR, 14TO20AWG
	088475-02-000	EA	PIN-CONNECTOR, 10TO12AWG
	088476-01-000	EA	SOCKET-CONNECTOR, BRASS-PRE-TIN
	088476-02-000	EA	SOCKET-CONNECTOR, 12-10GA-PHOS.BRZ-PRE-TIN
	092786-03-000	EA	BUSSBAR-6.9"LONG
	098260-01-000	EA	TERMINAL-MALE, 56SERIES
	098261-02-000	EA	SOCKET-CONNECTOR, WEATHERPACK
	098262-01-000	EA	SEAL-CONNECTOR, WEATHERPACK
	098262-05-000	EA	SEAL-CAVITY, 480-SERIESM/P
	098262-06-000	EA	SEAL-CONNECTOR, M/P, 10GA
	098264-01-000	EA	HOUSING-2PIN, WEATHERPACK
	098264-02-000	EA	HOUSING-2PIN, WTHRPACK
	098265-02-000	EA	PIN-CONNECTOR, WEATHERPACK

ELECTRICAL GROUP(CONTINUED)**CONNECTORS&CONDUIT(CONTINUED)**

KEY	PARTNUMBER	U/M	DESCRIPTION
	100690-01-000	EA	HOUSING-5PIN,WEATHERPACK
	100690-02-000	EA	HOUSING-5POSITION,FEMALE,WEATHERPAK
	101571-01-000	EA	HOUSING-2POSITION,MALE
	101751-01-000	EA	HOUSING-1PIN,WEATHERPACK
	101751-02-000	EA	HOUSING-1PIN,WEATHERPACK
	102777-02-000	EA	TERMINAL-RING#6STUD,10AWG
	103608-01-000	EA	SOCKET-WEDGEBASEW/LEADS
	104100-01-000	EA	HOUSING-1POSITION,75AMP
	104100-02-000	EA	TERMINAL-75AMP
	104100-03-000	EA	TERMINAL-75AMP
	106006-01-000	EA	HOUSING-1POSITION,FEMALE
	106007-01-000	EA	TERMINAL-FEMALE,14-16AWG
	106655-01-000	EA	TERMINAL-FUSEBLOCK,14-16AWG
	110178-01-000	EA	HOUSING-WIPERMOTOR
	112823-01-000	EA	SPLICE-REDUCER16-14T018-22
	113131-01-000	EA	HOUSING-3PIN,METRI-PACK
	113135-01-000	EA	TERMINAL-FEM,M/P,280,14-16
	113306-01-000	EA	TERMINAL-FEM,M/P,480,14-16
	113306-02-000	EA	TERMINAL-FEM,M/P,480,10-12
	113307-01-000	EA	TERMINAL-FEM,M/P,150,16-20
	113308-01-000	EA	TERMINAL-FEM,M/P,280,14-16
	113468-01-000	EA	HOUSING-2POSITION,FEMALE
	113538-01-000	EA	HOUSING-6POSITION,FEMALE
	115556-01-000	EA	HOUSING-3POSITION,FEMALE
	115556-02-000	EA	HOUSING-2POSITION,FEMALE
	115931-01-000	EA	COVER-CONNECTORW/LOCKRING
	115931-02-000	EA	COVER-CONNECTOR
	115932-02-000	EA	CONNECTOR-FEMALE,50A,240
	118571-01-000	EA	CONNECTOR-30WAYMALESEALED
	118571-02-000	EA	CONNECTOR-30WAYFEMSEALED
	118571-03-000	EA	BRACKET-MOUNTING
	118571-04-000	EA	GASKET
	118571-05-000	EA	LOCK-SECONDARY,FEMALE
	118571-06-000	EA	LOCK-SECONDARY,MALE
	118597-01-000	EA	TERMINAL-MALE,M/P,480,14-16
	118597-02-000	EA	TERMINAL-MALE,M/P,480,10-12
	118599-01-000	EA	TERMINAL-MALE,M/P,280,14-16
	118820-01-000	EA	INSULATOR-TERMINAL
	119221-01-000	EA	HOUSING-1POSITIONFEMALE-280-SERIES
	119248-02-000	EA	HOUSING-7POSITION-FEMALE

ELECTRICAL GROUP(CONTINUED)**FLASHER,SOLENOID,ANDRELAY**

KEY	PARTNUMBER	U/M	DESCRIPTION
	007093-01-000	EA	FLASHER-SIGNAL
	008188-01-000	EA	SOLENOID-3POST,BATTERYCHANGEVER
	063910-01-000	EA	HOUSING-RELAY
	063912-02-000	EA	RELAY-CANISTER,SPDT
	086273-01-000	EA	RELAY-BATTERYDISCONNECT

SOLARPANEL

KEY	PARTNUMBER	U/M	DESCRIPTION	VENDORNO.
	115504-01-700	EA	PLUG&CABLE,10WATTPANEL	600-016
	115504-01-000	EA	PANEL-SOLAR10WATT	
	115505-01-000	EA	MONITORLIGHT-SOLARPANEL-REDLEDINDICATOR	

BATTERYBOOT&STUD

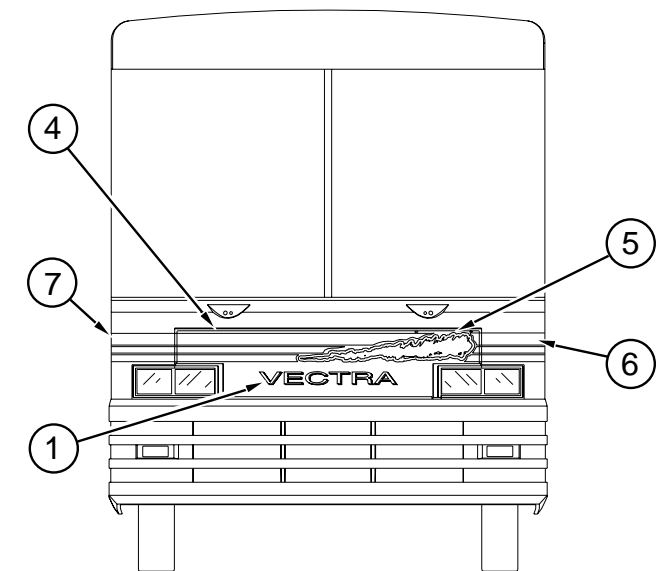
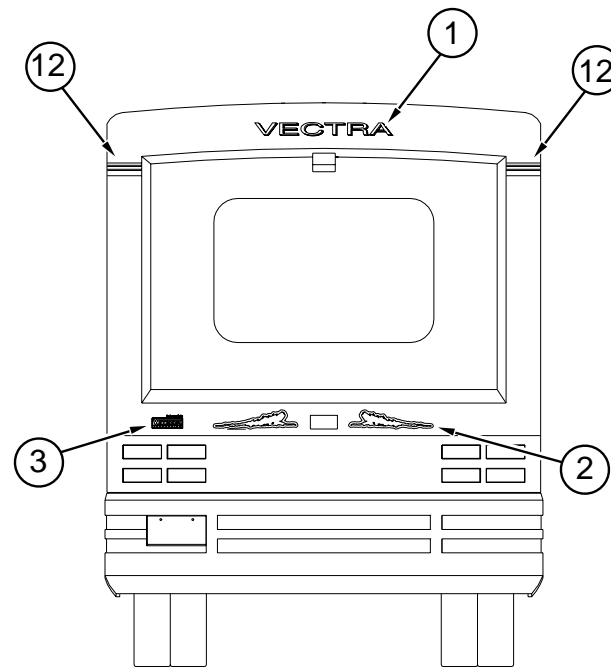
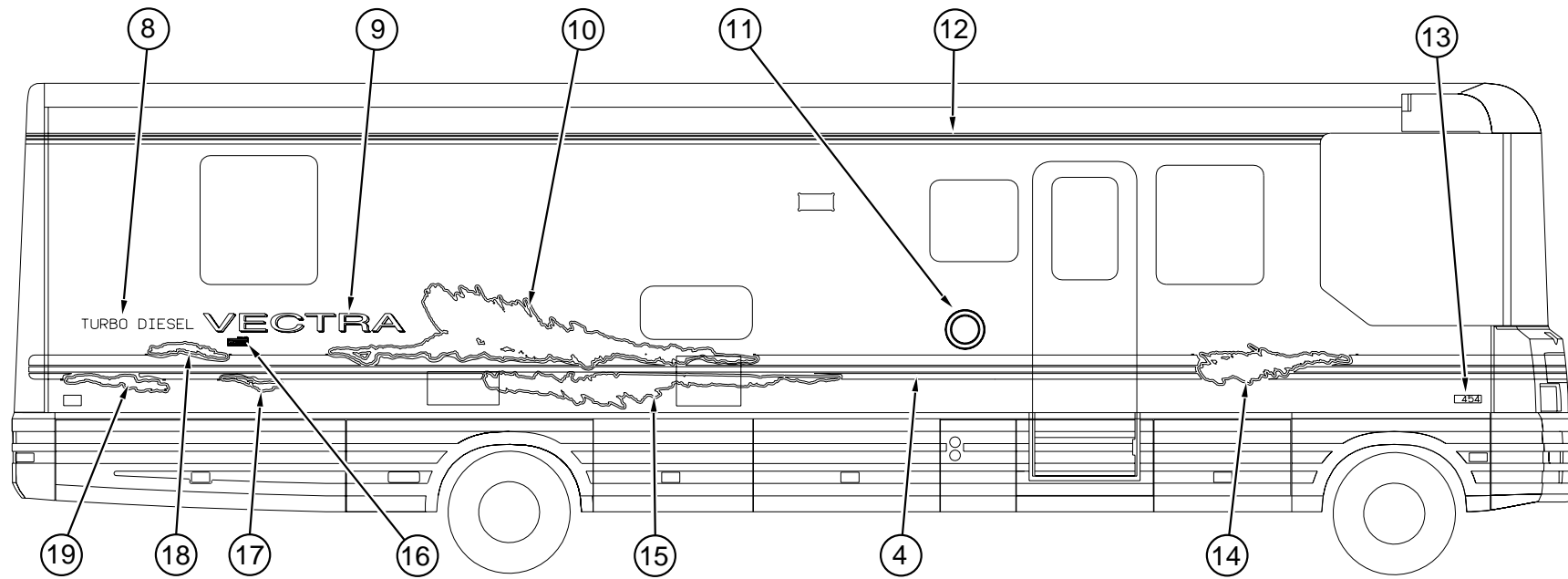
KEY	PARTNUMBER	U/M	DESCRIPTION
	077479-01-000	EA	BOOT-BATTERYTERMINAL,DOUBLECABLE
	077479-02-000	EA	BOOT-BATTERYTERMINAL,SINGLECABLE
	086233-01-000	EA	STUD-ISOLATED,3/8"X7/8"LONG

AIRHORNS

KEY	PARTNUMBER	U/M	DESCRIPTION	VENDORNO.
	077497-08-000	EA	HORN-AIR,BLACK,TWINSHORT,HADLEYH00640S	
	077497-01-701	EA	SWITCH-COMPRESSOR	13940-S
	077497-01-702	EA	SWITCH-TOGGLE,W/WIRE	12949-S
	077497-02-000	EA	HOSE-AUXILIARYAIRHORN,MIDLAND89ID 50'COILEDHOSE,AIRCHUCK,NEEDLE,NOZZLE&CARRIER	
	077497-03-000	EA	FITTINGKIT-HOSE,AUXILIARYAIRHORN PRESSUREGAUGE&HOSEFITTINGS	
	077497-01-710	EA	GAUGE-AIRPRESSURE	14212S
	077497-09-000	EA	TANK-AIRANDSOLENOIDKIT,HADLEYH00751C	
	077497-01-700	EA	SOLENOID-AIRTANK	550B
	077497-01-703	EA	TANK-AIR	751-N
	115024-01-01B	EA	BRACKET-TANK,AIRHORN	
	071390-04-000	FT	TUBINGAIRBRAKE,1/4"OD-BLKWEATHERHEAD(BRAKES&HORN)	
	109400-01-000	EA	BRACKET-HORN,AIR,FORD	

EXTERIORBODYGROUP

DECALS,MULTISTRIPES&PAINT



KEY	PARTNUMBER	U/M	DESCRIPTION
1	122761-01-01A	EA	DECAL-LOGO-VECTRA/LARGE
2	122760-01-01A	EA	DECAL-BACKWALL
3	122770-01-01A	EA	DECAL-BUILTPROUDLYBYWINNEBAGOINDUSTRIES
4	094443-48-01A	FT	FILM-MULTISTRIFE-6.2"
5	122762-01-01A	EA	DECAL-SPLASH-HOOD
6	122763-02-01A	EA	DECAL-CORNER-FRONT/LEFTHAND
7	122763-01-01A	EA	DECAL-CORNER-FRONT/RIGHTHAND
8	111318-03-09A	EA	DECAL-TURBODIESEL
9	122761-02-01A	EA	DECAL-LOGO-VECTRA/SMALL
10	122766-01-01A	EA	DECAL-SPLASH-#3-RIGHTHAND
10	122766-02-01A	EA	DECAL-SPLASH-#3-LEFTHAND
11	122885-01-01A	EA	DECAL-WORLDCASS *BLACK/GOLD
12	094443-47-01A	FT	FILM-MULTISTRIFE-2.7"
13	122312-01-01A	EA	DECAL-VORTEC7400
14	122764-01-01A	EA	DECAL-SPLASH-#1-RIGHTHAND
14	122764-02-01A	EA	DECAL-SPLASH-#1-LEFTHAND
15	122765-01-01A	EA	DECAL-SPLASH-#2-RIGHTHAND
15	122765-02-01A	EA	DECAL-SPLASH-#2-LEFTHAND
16	122770-02-01A	EA	DECAL-BUILTPROUDLYBYWINNEBAGOINDUSTRIES
17	122767-01-01A	EA	DECAL-SPLASH-#4-RIGHTHAND
17	122767-02-01A	EA	DECAL-SPLASH-#4A-LEFTHAND
18	122768-01-01A	EA	DECAL-SPLASH-#4B-RIGHTHAND
18	122768-02-01A	EA	DECAL-SPLASH-#4B-LEFTHAND
19	122769-01-01A	EA	DECAL-SPLASH-#4C-RIGHTHAND
19	122769-02-01A	EA	DECAL-SPLASH-#4C-LEFTHAND
	107567-02-02A	EA	DECAL-VECTRA-3D/SMALL(DASH)
	106149-02-01A	EA	DECAL(VINYLISTRIPING)3"X46.33"(BACKWALLDOOR)
	093681-39-01A	FT	FILM-3.1"(DRIVERDOOR)
	004308-01-000	EA	PAINT-BLACKSPRAY
	041561-03-000	EA	PAINT-16OUNCESPRAY-OFFWHITE

DUPONTCOLORCODES

WINGREENMET
 SABLE
 DUSTYORCHIDMET
 BLAZERBLUEMET
 BLACK
 OFFWHITE
 MOCHAFROSTPEARL
 SUPERBLUEMET

DUPONTGM198
 DUPONTF1529
 DUPONTF2986
 DUPONTBM090
 DUPONT99
 DUPONTL8723
 DUPONTF1929
 DUPONTF1915

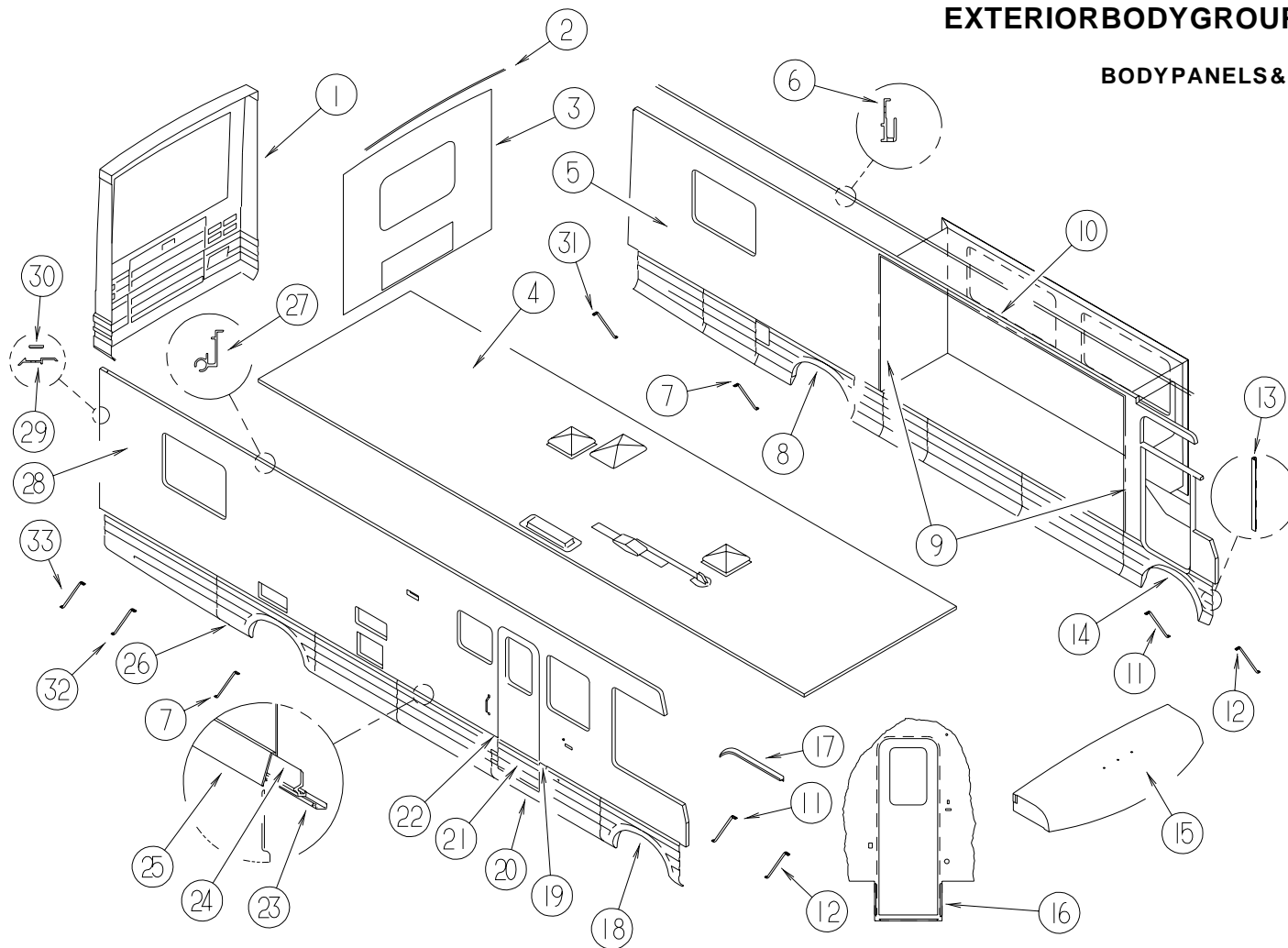
DUPONTGRAPHICSCOLORCODES

TEALBLUEMETALLIC
 RUBYMETALLIC
 SEAFOAMMETALLIC
 DELFTBLUEMETALLIC

DUPONTG9845
 DUPONTRM059
 DUPONTGM157
 DUPONTBM501

EXTERIOR BODY GROUP (CONTINUED)

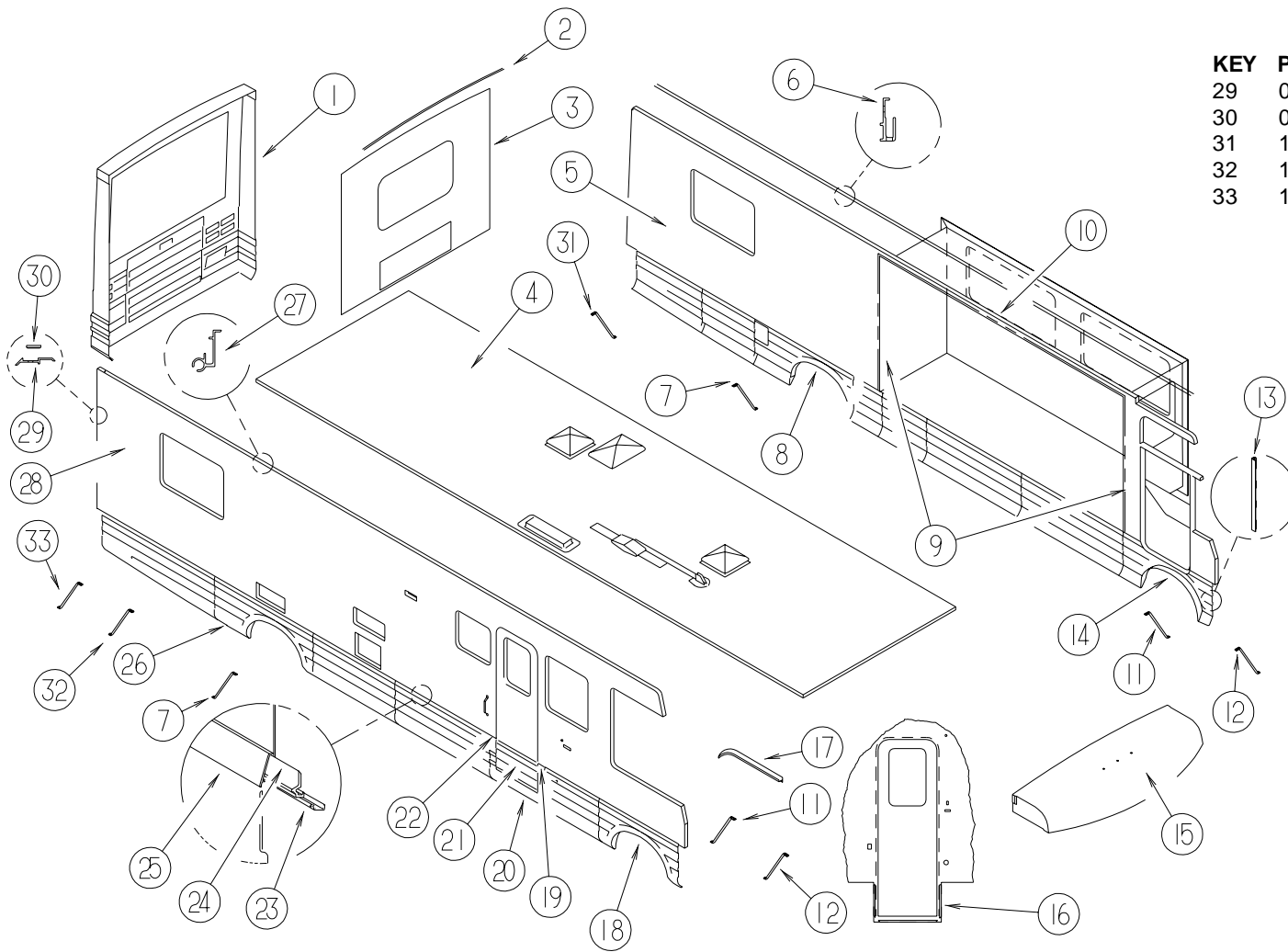
BODY PANELS & TRIM



KEY	PARTNUMBER	U/M	DESCRIPTION
1	114563-01-02A	EA	CAP-REAR
2	083805-21-000	EA	TRIM-CAP-ROOF-7'2"
3	108683-01-F36	EA	BACKWALL-W/OWINDOW/TRIM(H50,H51)
3	108683-01-G40	EA	BACKWALL-W/OWINDOW/TRIM(H52,H53)
3	108683-01-H54	EA	BACKWALL-W/OWINDOW/TRIM(H54,H55)
3	108683-01-H62	EA	BACKWALL-W/OWINDOW/TRIM(H62,H63)
4	P23818-01-H50	EA	ROOF-W/OLIGHTS/VENTS-W/WIRING
5	M08024-14-H50	EA	SIDEWALL-DRIVER-W/OWINDOWS/TRIM-F/QUEENBED/TBL&CHR
5	M08024-14-H51	EA	SIDEWALL-DRIVER-W/OWINDOWS/TRIM-F/QUEENBED/TBL&CHR
5	M08024-14-H52	EA	SIDEWALL-DRIVER-W/OWINDOWS/TRIM-F/QUEENBED/TBL&CHR
5	M08024-14-H53	EA	SIDEWALL-DRIVER-W/OWINDOWS/TRIM-F/QUEENBED/TBL&CHR
5	M08024-14-H54	EA	SIDEWALL-DRIVER-W/OWINDOWS/TRIM-F/QUEENBED/TBL&CHR
5	M08024-14-H55	EA	SIDEWALL-DRIVER-W/OWINDOWS/TRIM-F/QUEENBED/TBL&CHR
5	M08024-14-H62	EA	SIDEWALL-DRIVER-W/OWINDOWS/TRIM-F/QUEENBED/TBL&CHR
5	M08024-14-H63	EA	SIDEWALL-DRIVER-W/OWINDOWS/TRIM-F/QUEENBED/TBL&CHR
5	M08024-13-H50	EA	SIDEWALL-DRIVER-W/OWINDOWS/TRIM-F/QUEENBED/DINETTE
5	M08024-13-H51	EA	SIDEWALL-DRIVER-W/OWINDOWS/TRIM-F/QUEENBED/DINETTE
5	M08024-13-H52	EA	SIDEWALL-DRIVER-W/OWINDOWS/TRIM-F/QUEENBED/DINETTE
5	M08024-13-H53	EA	SIDEWALL-DRIVER-W/OWINDOWS/TRIM-F/QUEENBED/DINETTE
5	M08024-13-H54	EA	SIDEWALL-DRIVER-W/OWINDOWS/TRIM-F/QUEENBED/DINETTE
5	M08024-13-H55	EA	SIDEWALL-DRIVER-W/OWINDOWS/TRIM-F/QUEENBED/DINETTE
5	M08024-13-H62	EA	SIDEWALL-DRIVER-W/OWINDOWS/TRIM-F/QUEENBED/DINETTE
5	M08024-13-H63	EA	SIDEWALL-DRIVER-W/OWINDOWS/TRIM-F/QUEENBED/DINETTE

KEY	PARTNUMBER	U/M	DESCRIPTION
6	120091-02-03A	EA	TRIM-ROOF
7	107865-14-000	EA	ROD-SUPPORT-VALANCEPANEL
8	120764-01-G38	EA	WHEELIPASM-REAR,LH
8	120541-01-01A	EA	WHEELIP-REAR DRIVER
8	112107-01-01A	EA	POCKET-LIGHT/DOCKING
8	107865-05-000	EA	ROD-SUPPORT-VALANCEPANEL-9"
9	115886-02-04A	EA	RETAINER-SIDEWALL,SABLE
10	115886-01-04A	EA	RETAINER-SIDEWALL
11	107865-07-000	EA	ROD-SUPPORT-VALANCEPANEL-14.3"
12	107865-06-000	EA	ROD-SUPPORT-VALANCEPANEL-15"
13	107487-02-000	EA	ANGLE-ATTACHMENT-FRONT
14	120765-01-G38	EA	PANEL-WHEELWELL-FRONT-LEFTHAND
14	120539-01-01A	EA	WHEELIP-FRONT,LHBLACK
14	106105-05-000	EA	CLIP-VALANCE/RETAINING
15	M05794-01-G38	EA	CAP-FRONT
16	121091-03-01A	EA	ANGLE-ENTRANCEDOOR
17	108274-01-02A	EA	RAIL-DRIP-FRONTEND-RIGHTHAND
17	108274-02-02A	EA	RAIL-DRIP-FRONTEND-LEFTHAND
18	120766-01-G38	EA	PANEL-WHEELWELL-FRONT PASSENGER
18	120538-01-01A	EA	WHEELIP-FRONT PASSENGER

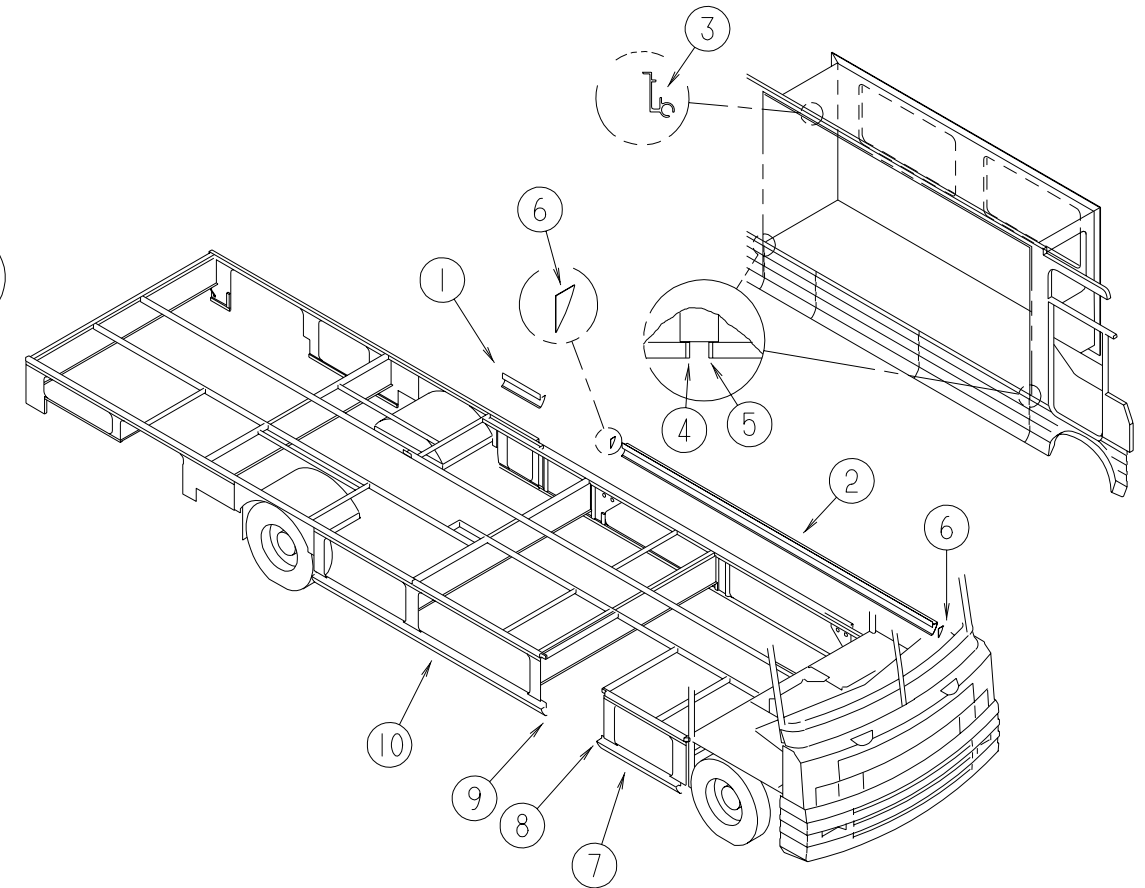
EXTERIORBODYGROUP(CONTINUED)



EXTERIORBODYGROUP(CONTINUED)

BODYPANELS&TRIM(CONTINUED)

KEY	PARTNUMBER	U/M	DESCRIPTION
29	092041-02-02A	EA	TRIM-REAR-CAPTOSIDEWALL
30	091985-01-06A	FT	INSERT-TRIM-REARCAPTOSIDEWALL
31	107865-16-000	EA	ROD-SUPPORT-VALANCEPANEL
32	107865-03-000	EA	ROD-SUPPORT/VALANCEPANEL-17"
33	107865-05-000	EA	ROD-SUPPORT-VALANCEPANEL-9"



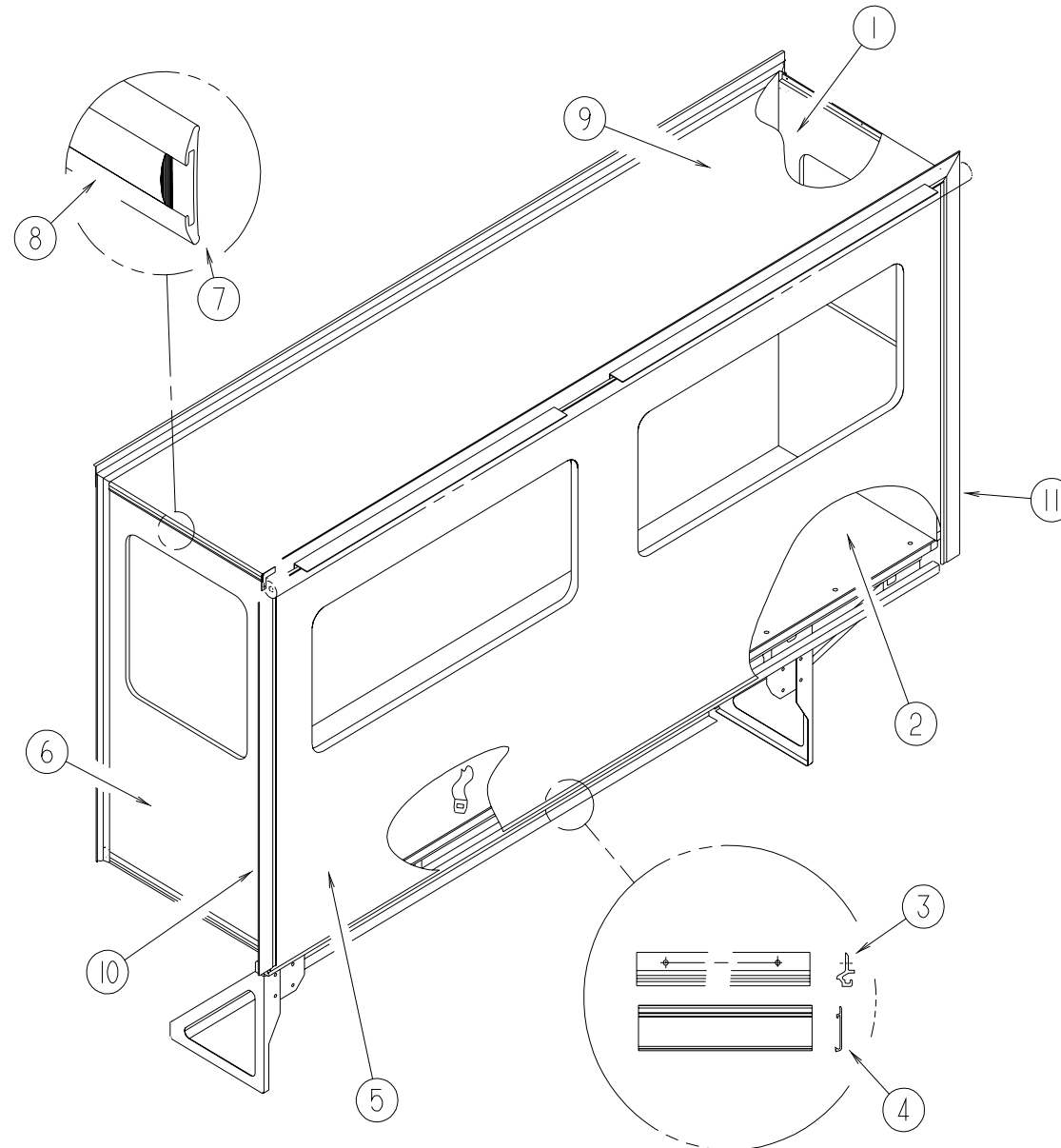
BODYPANELS&TRIM(CONTINUED)

KEY	PARTNUMBER	U/M	DESCRIPTION
19	108497-01-01A	EA	ENDCAP-COVERTRIM-RIGHTHAND
20	M05820-04-G38	EA	DOOR-VALANCE-OUTER(BELOWDOOR)
20	106105-03-000	EA	CLIP-VALANCE/RETAINING
21	M05859-01-D18	EA	DOOR-VALANCE-INNER
22	108497-02-01A	EA	ENDCAP-COVERTRIM-LEFTHAND
23	107370-01-000	EA	RETAINER-TRIM-12"LONG
24	107368-01-000	EA	HANGER-VALANCE
25	107369-01-05A	EA	COVER-TRIM-182"-BLACK
26	120763-01-G38	EA	WHEELIP-PASSENGER-W/FRAME/POCKETF/DOCKINGLIGHT
26	112107-01-01A	EA	POCKET-LIGHT/DOCKING
26	120540-01-01A	EA	WHEELIP-PASSENGER SIDE
26	106105-05-000	EA	CLIP-VALANCE/RETAINING
26	106105-10-000	EA	CLIP-VALANCE/RETAINING
27	120092-02-03A	EA	RAIL-AWNING
28	M08025-03-H50	EA	SIDEWALL-PASSENGER-W/OWINDOWS/TRIM-F/QUEENBED
28	M08025-03-H51	EA	SIDEWALL-PASSENGER-W/OWINDOWS/TRIM-F/QUEENBED
28	M08025-03-H52	EA	SIDEWALL-PASSENGER-W/OWINDOWS/TRIM-F/QUEENBED
28	M08025-03-H53	EA	SIDEWALL-PASSENGER-W/OWINDOWS/TRIM-F/QUEENBED
28	M08025-03-H54	EA	SIDEWALL-PASSENGER-W/OWINDOWS/TRIM-F/QUEENBED
28	M08025-03-H55	EA	SIDEWALL-PASSENGER-W/OWINDOWS/TRIM-F/QUEENBED
28	M08025-03-H62	EA	SIDEWALL-PASSENGER-W/OWINDOWS/TRIM-F/QUEENBED
28	M08025-03-H63	EA	SIDEWALL-PASSENGER-W/OWINDOWS/TRIM-F/QUEENBED

SLIDEOUTCOMPARTMENTPANELS&TRIM

KEY	PARTNUMBER	U/M	DESCRIPTION
1	109505-06-G38	EA	PANELASM-ROCKER
2	123267-01-G38	EA	ENDCAP
3	120092-02-03A	EA	RAIL-AWNING
4	108497-02-01A	EA	ENDCAP-COVERTRIM-LEFTHAND
5	108497-01-01A	EA	ENDCAP-COVERTRIM-RIGHTHAND
6	123268-01-01A	EA	ENDCAP
7	109505-05-G38	EA	PANEL-ROCKER-W/OHARDWARE
8	109619-03-02A	EA	CAP-ROCKER
9	109619-04-02A	EA	CAP-ROCKER
10	109505-04-G38	EA	PANEL-ROCKER

EXTERIORBODYGROUP(CONTINUED)
SLIDEOUTPANELS&TRIMS

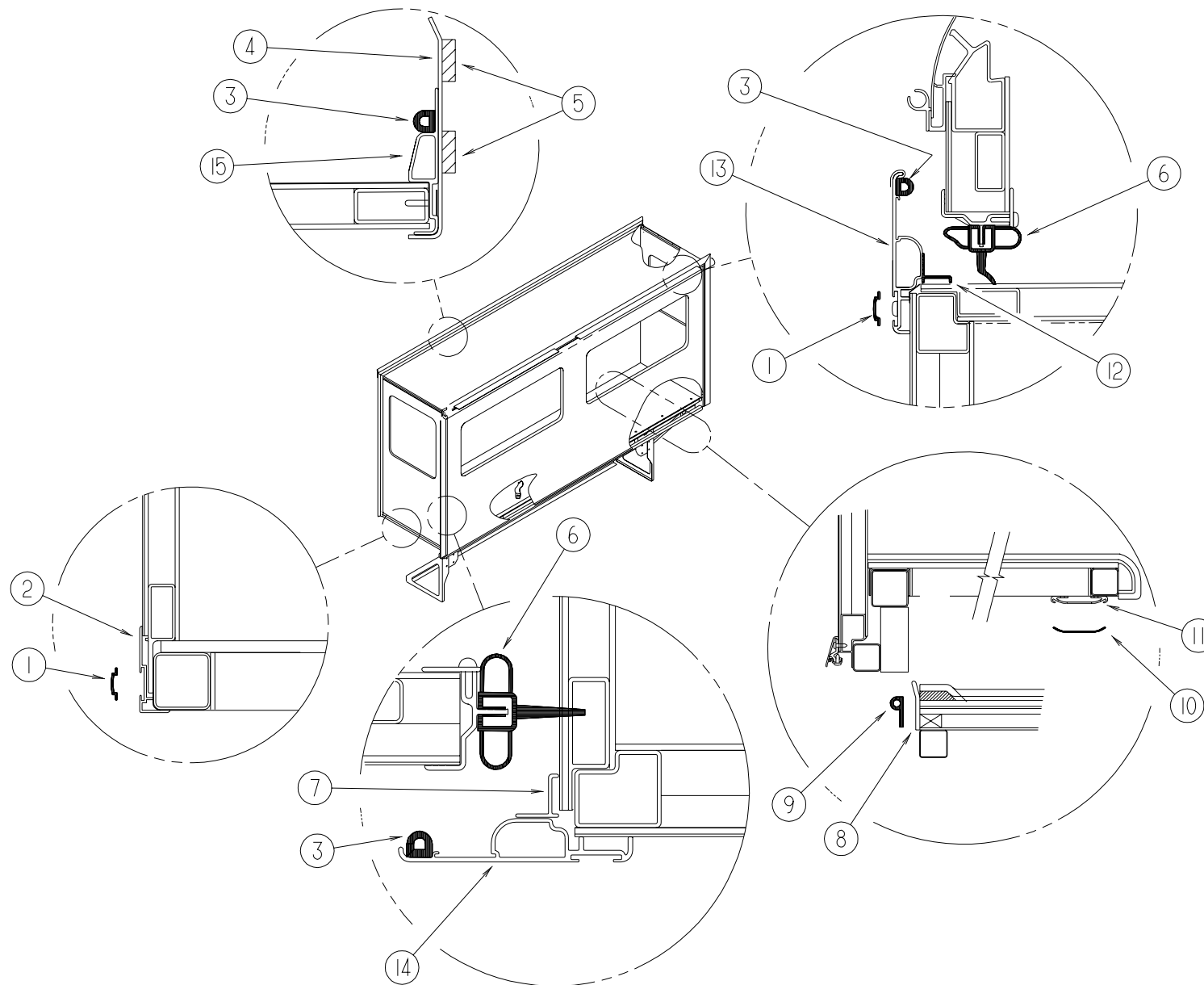


KEY	PARTNUMBER	U/M	DESCRIPTION
1	M08032-09-H50	EA	PANEL-SLIDEOUT-REAR-W/WAINSCOTING(H50)
1	M08032-09-G39	EA	PANEL-SLIDEOUT-REAR-W/WAINSCOTING(H51)
1	M08032-09-H52	EA	PANEL-SLIDEOUT-REAR-W/WAINSCOTING(H52)
1	M08032-09-G41	EA	PANEL-SLIDEOUT-REAR-W/WAINSCOTING(H53)
1	M08032-09-H54	EA	PANEL-SLIDEOUT-REAR-W/WAINSCOTING(H54)
1	M08032-09-H55	EA	PANEL-SLIDEOUT-REAR-W/WAINSCOTING(H55)
1	M08032-09-H62	EA	PANEL-SLIDEOUT-REAR-W/WAINSCOTING(H62)
1	M08032-09-H63	EA	PANEL-SLIDEOUT-REAR-W/WAINSCOTING(H63)
1	M08032-10-G38	EA	PANEL-SLIDEOUTREAR-W/OWAINSCOTING(H50,H51)
1	M08032-10-G40	EA	PANEL-SLIDEOUTREAR-W/OWAINSCOTING(H52,H53)
1	M08032-10-H54	EA	PANEL-SLIDEOUTREAR-W/OWAINSCOTING(H54,H55)
1	M08032-10-H62	EA	PANEL-SLIDEOUTREAR-W/OWAINSCOTING(H62,H63)
2	M08027-01-H50	EA	FLOOR-SLIDEOUT
3	107369-02-05A	EA	COVER-TRIM-15.5"
4	107368-02-000	EA	HANGER-VALANCE-12.7'
5	119783-04-H50	EA	PANEL-SLIDEOUT(H50,H51)
5	119783-04-H52	EA	PANEL-SLIDEOUT(H52,H53)
5	119783-04-H54	EA	PANEL-SLIDEOUT(H54,H55)
5	119783-04-H62	EA	PANEL-SLIDEOUT(H62,H63)

KEY	PARTNUMBER	U/M	DESCRIPTION
6	M08032-11-G38	EA	PANEL-SLIDEOUT-FRONT-W/WAINSCOTING(H50,H51)
6	M08032-11-G40	EA	PANEL-SLIDEOUT-FRONT-W/WAINSCOTING(H52,H53)
6	M08032-11-H54	EA	PANEL-SLIDEOUT-FRONT-W/WAINSCOTING(H54,H55)
6	M08032-11-H62	EA	PANEL-SLIDEOUT-FRONT-W/WAINSCOTING(H62,H63)
6	M08032-12-G38	EA	PANEL-SLIDEOUTFRONT-W/OWAINSCOTING(H50,H51)
6	M08032-12-G40	EA	PANEL-SLIDEOUTFRONT-W/OWAINSCOTING(H52,H53)
6	M08032-12-H54	EA	PANEL-SLIDEOUTFRONT-W/OWAINSCOTING(H54,H55)
6	M08032-12-H62	EA	PANEL-SLIDEOUTFRONT-W/OWAINSCOTING(H62,H63)
7	108688-01-05A	EA	STRIP-FEATUREW/OINSERT/ENDCAPS-15'
8	105312-01-09A	FT	INSERT-FEATURESTRIPVINYL-SABLE
9	115266-02-H50	EA	ROOF-SLIDEOUT-W/OLIGHTS/VENTS-W/WIRING
10	121171-01-02A	EA	COVER-SIDEWALLEND
11	121171-02-02A	EA	COVER-SIDEWALLEND
	077591-15-000	EA	SKIRT-SLIDEOUTROOM-30" X 36"
	029130-05-000	EA	SOCKET-DURASTUD5/8SCREW

EXTERIORBODYGROUP(CONTINUED)

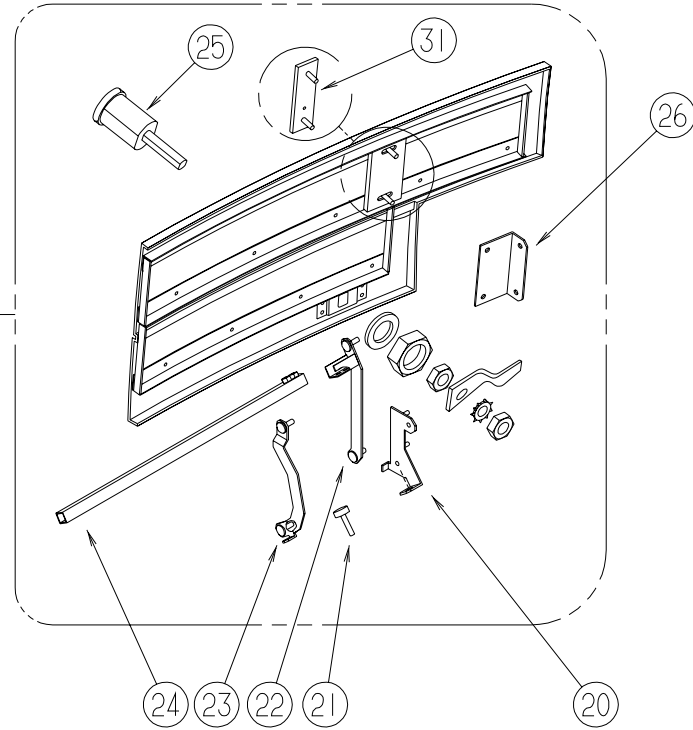
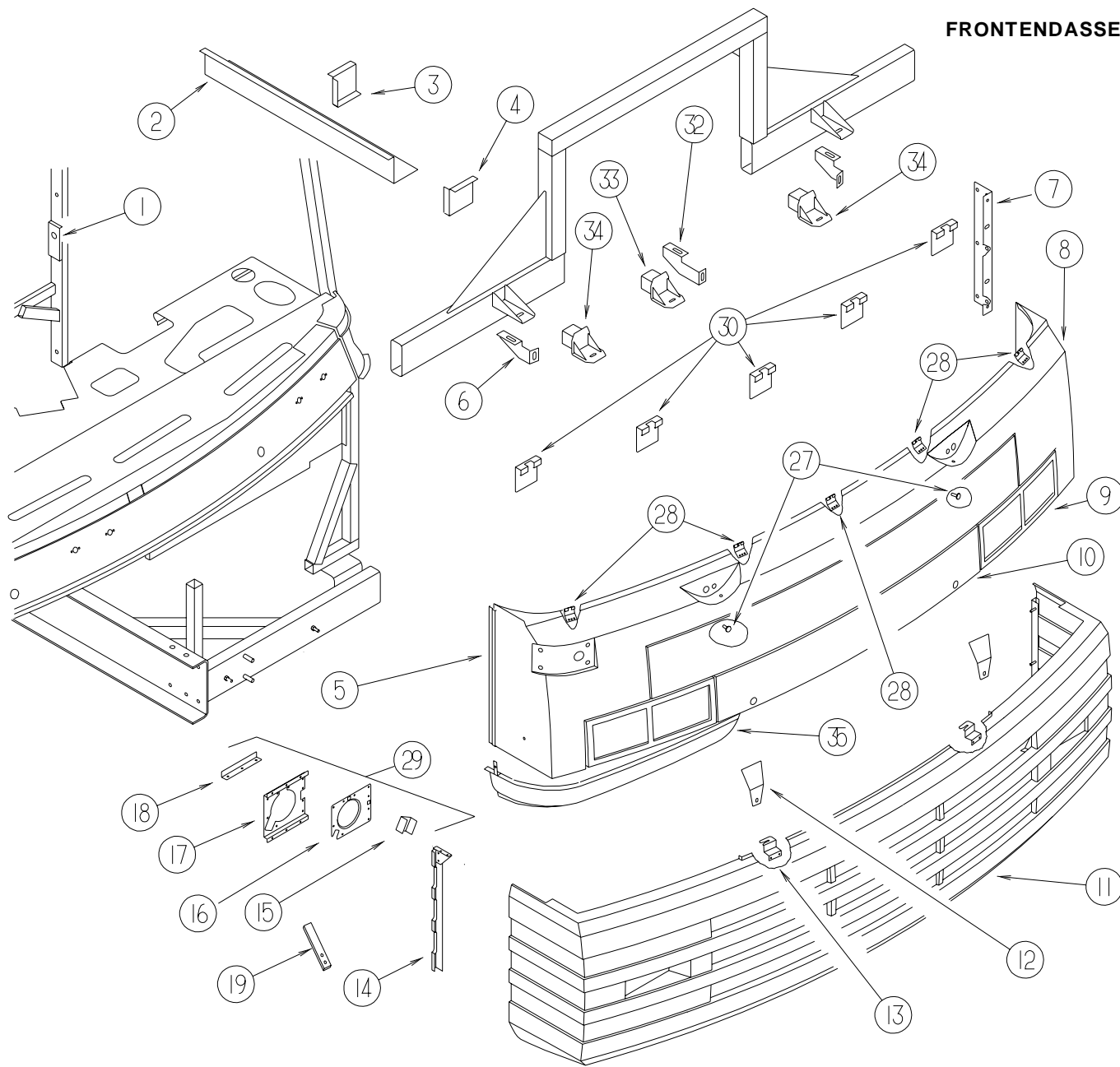
SLIDEOUTPANELS&TRIMS(CONTINUED)



KEY	PARTNUMBER	U/M	DESCRIPTION
1	105312-01-09A	FT	INSERT-FEATURESTRIPVINYL-SABLE
2	115822-03-01A	EA	FEATURESTRIP-LOWER
3	099418-01-000	FT	D-SECTIONSEALW/ADHESIVEBACK-.44"X.44"-BLKRUBBER
4	125466-01-02A	EA	SUPPORT-ROOF-INTERIOR
5	100128-02-000	FT	SEAL-FOAM,ADHESIVEBACK-.37"WX.37"THICK
6	115076-01-000	FT	SEAL-SLIDEOUT
7	116933-01-03A	EA	TRIM/SEAL
8	115075-02-000	FT	SEAL-WIPE-.25"X3.15"
9	089275-02-000	FT	STRIP-3/4"X84"BLACKPOLYETHELENE
10	121283-01-000	FT	SEAL-PSHAPED-EPDMFOAM
11	115661-01-000	FT	POLYETHYLENE-HIGHDENSITY-1/16"X3'
12	115325-01-02A	EA	RAIL-FLOOR-SLIDEOUTROOM
13	116933-03-01A	EA	TRIM/SEAL-SABLE
14	119992-01-01A	EA	TRIM-SEAL-W/MITEREDENDS
	119992-02-01A	EA	TRIM-SEAL-W/MITREREDENDS
	119992-03-01A	EA	TRIM-SEAL-W/MITEREDENDS(OPPOSITE SIDE)
15	117004-03-02A	EA	TRIM-SEAL-INNER(TOP)
	117004-01-02A	EA	TRIM-SEAL-INNER-SABLE(FORWARD)
	117004-02-02A	EA	TRIM-SEAL-INNER(REARWARD)

EXTERIOR BODY GROUP (CONTINUED)

FRONTENDASSEMBLY

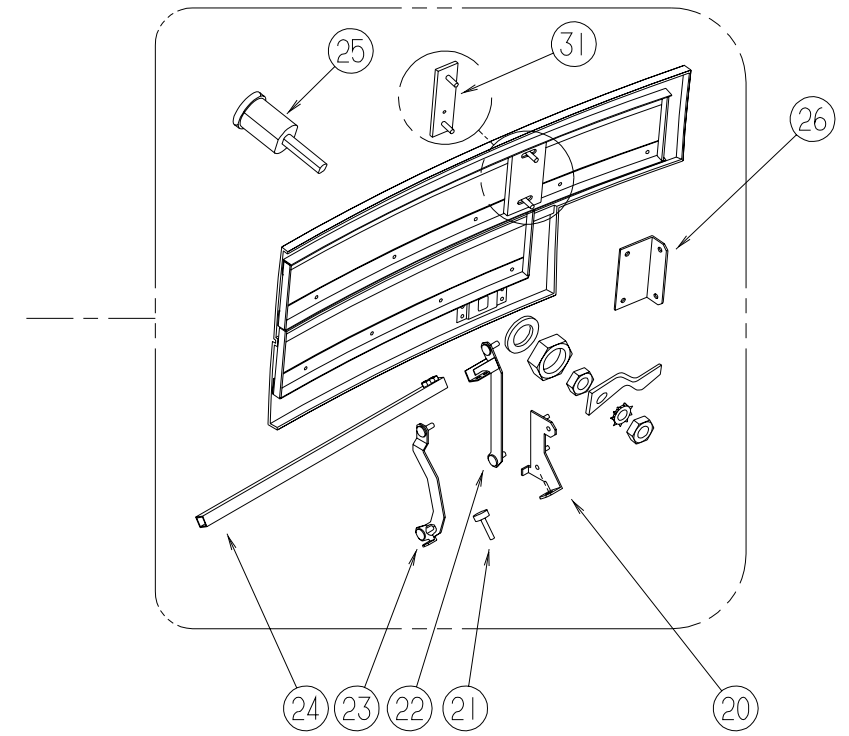
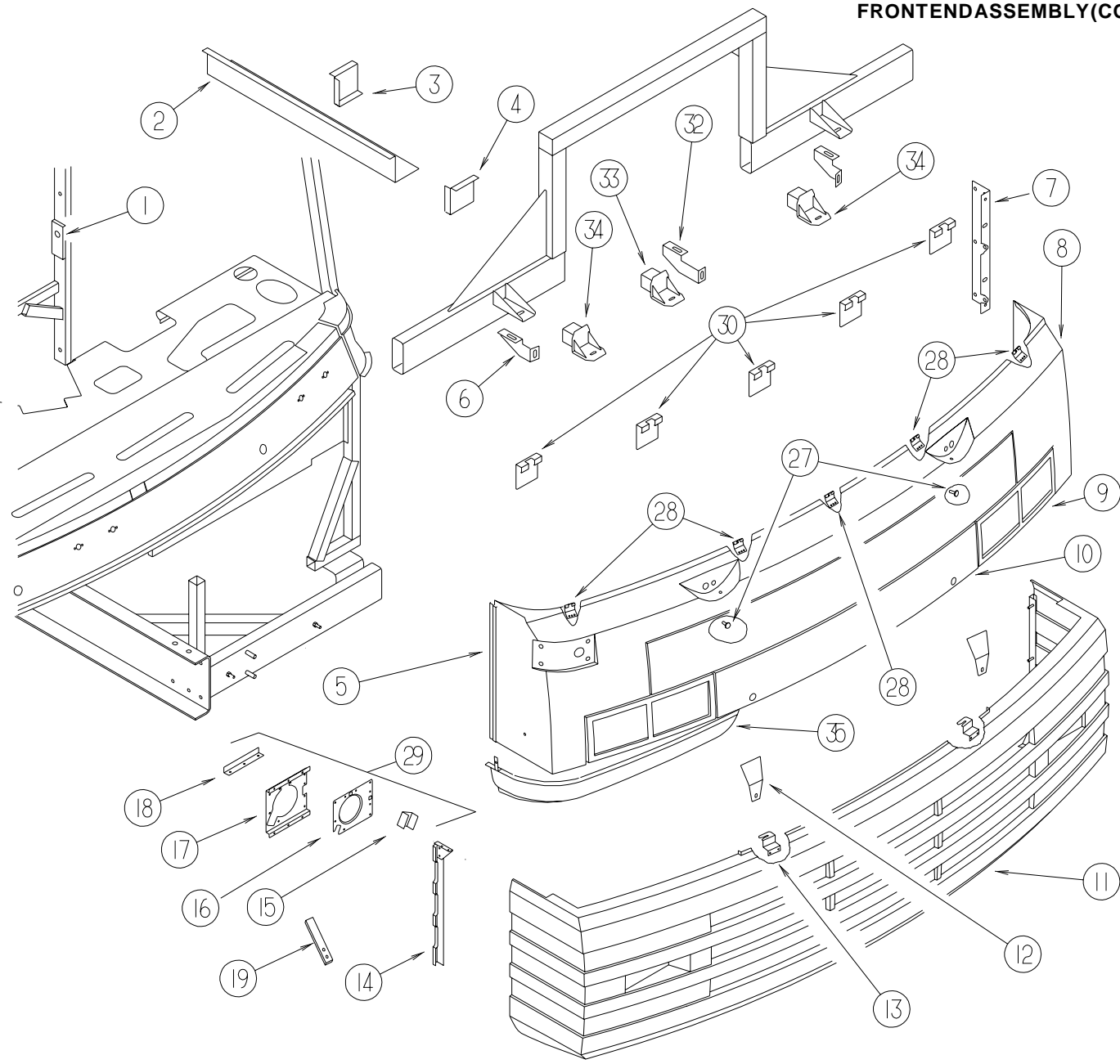


KEY	PARTNUMBER	U/M	DESCRIPTION
1	070579-06-000	EA	PLATE-ANCHOR-W/7/16WELDNUT-1.5"X3.3"
1	070579-07-000	EA	PLATE-ANCHOR-W/OWELDNUT
2	106746-02-000	EA	PANEL-STEPWELL
3	106747-03-000	EA	PANEL-STEPWELL-RIGHTHANDEND
4	106747-04-000	EA	PANEL-STEPWELL-LEFTHANDEND
5	089922-31-000	EA	TRIM-FIBERGLASSPANEL
6	107411-01-000	EA	BRACKET-SUPPORT-GRILLE/RIGHTHAND
6	107411-02-000	EA	BRACKET-SUPPORT-GRILLE/LEFTHAND
7	107225-01-000	EA	BRACKET-VALANCE/WHEELIP
8	M05746-03-G38	EA	FRONTEND-FIBERGLASS
9	106540-01-03A	EA	BEZEL-HEADLAMP-RIGHTHAND
9	106540-02-03A	EA	BEZEL-HEADLAMP-LEFTHAND
10	106538-01-G38	EA	PANEL-HOOD-OUTER
11	107416-01-D18	EA	BUMPER-FRONT-W/OFOGLAMP
11	107416-02-D18	EA	BUMPER-FRONT-W/HOLEF/FOGLAMPS
	107230-01-D18	EA	GRILLE-MESH
12	106765-01-000	EA	SUPPORT-BOLT,HOODADJUSTING
	107230-02-D18	EA	GRILLE-MESH-W/HOLEF/FOGLAMPS
13	106748-01-000	EA	LATCH-HOOD-FRONTEND

KEY	PARTNUMBER	U/M	DESCRIPTION
14	108453-01-000	EA	CAP-FRONTEND-RIGHTHAND
14	108453-02-000	EA	CAP-FRONTEND-LEFTHAND
15	110691-01-01A	EA	BRACKET-SPRING,HEADLAMPMILL
16	110692-01-01A	EA	PLATE-HEADLAMP,QUAD,RHMILL
	110692-02-01A	EA	PLATE-HEADLAMP,QUAD,LHMILL
17	110783-01-01A	EA	BRACKET-HEADLAMP,QUAD,RH,MILL
	110783-02-01A	EA	BRACKET-HEADLAMP,QUAD,LH,MILL
	007157-05-000	EA	NUT-WELL,HEADLIGHTBEZEL
18	110782-01-000	EA	ANGLE-SUPPORT-HEADLAMP
19	115384-01-01A	EA	STRAP-BUMPER/WHEELWELL
20	106613-03-000	EA	BRACKET-LINK/HINGE/HOOD-RIGHTHAND
	106613-01-000	EA	BRACKET-LINK/HINGE/HOOD-RIGHTHAND
20	106613-04-000	EA	BRACKET-LINK/HINGE/HOOD-LEFTHAND
	106613-02-000	EA	BRACKET-LINK/HINGE-LEFTHAND
21	058786-02-000	EA	BOLT-ADJUSTINGHOOD-W/BLACKPAD-5/16"#18X1.25"
22	106618-01-000	EA	LINK-HOODHINGE-UPPERRIGHTHAND
22	106618-02-000	EA	LINK-HOODHINGE-UPPERLEFTHAND
23	106612-03-000	EA	LINK-HINGE/HOOD-LOWER/RIGHTHAND
23	106612-04-000	EA	LINK-HINGE/HOOD-LOWER/LEFTHAND
24	105096-04-000	EA	TUBE-HOODHINGE/TIMING-W/WELDNUTS

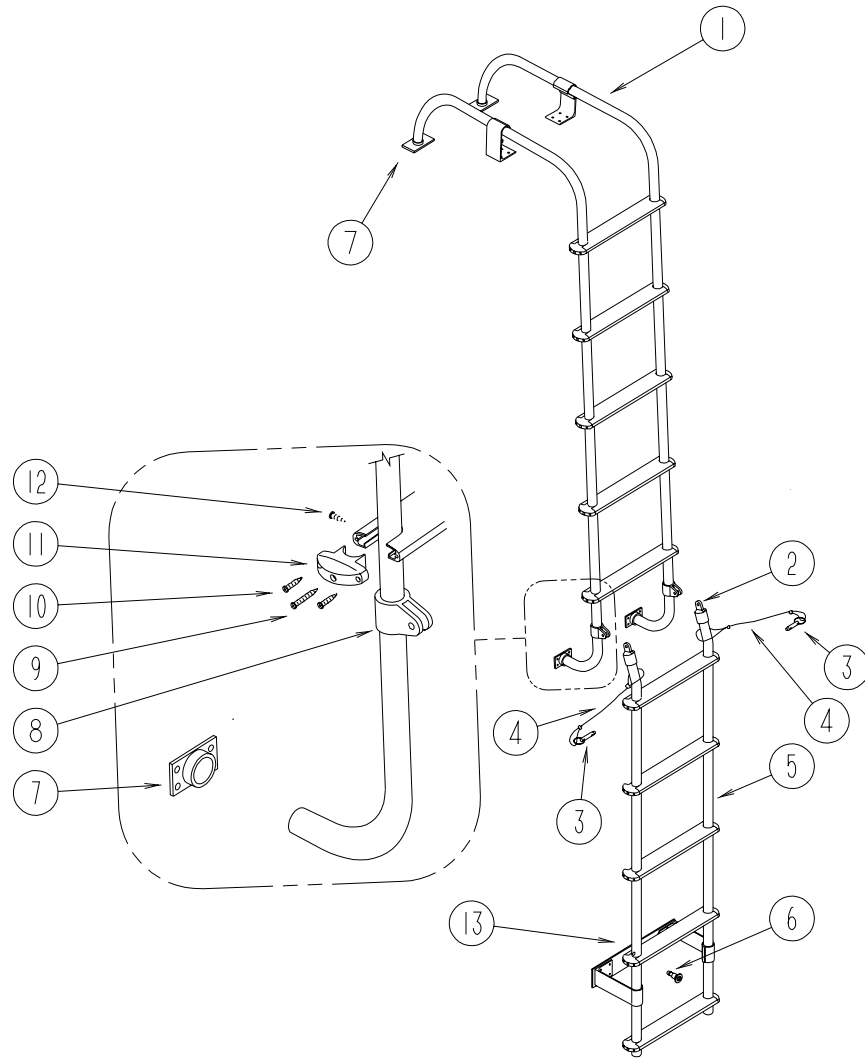
EXTERIORBODYGROUP(CONTINUED)

FRONTENDASSEMBLY(CONTINUED)



KEY	PARTNUMBER	U/M	DESCRIPTION
25	102330-01-000	EA	LATCH-VISEACTION/KEYOPERATED
	102328-01-000	EA	KEY-BARREL-NICKELPLATED
26	106749-01-000	EA	ANGLE-LINK/HOOD-RIGHTHAND
26	106749-02-000	EA	ANGLE-LINK/HOOD-LEFTHAND
27	058786-01-000	EA	BOLT-ADJUSTINGHOOD-W/BLACKPAD-
28	119445-01-02B	EA	PLATE-W/HOLES
29	110690-01-D18	EA	PLATE-HEADLAMP-QUAD/RIGHTHAND
	110690-02-D18	EA	PLATE-HEADLAMP-QUAD/LEFTHAND
30	002328-02-000	EA	BLOCK-WINDSHIELD,.062"X.5"X.98"
31	106730-10-000	EA	PLATE-STUD
31	106730-09-000	EA	PLATE-STUD
32	107410-01-000	EA	BRACKET-SUPPORT-GRILLE/CENTER
33	120761-01-02B	EA	BRACKET-BUMPER/FRONT
34	120761-02-02B	EA	BRACKET-BUMPER/FRONT
35	122651-02-G38	EA	SHROUD-SPARETIRE
	113452-01-000	FT	SEAL/TRIM-FRONT-VINYLRW/WIRECARRIER

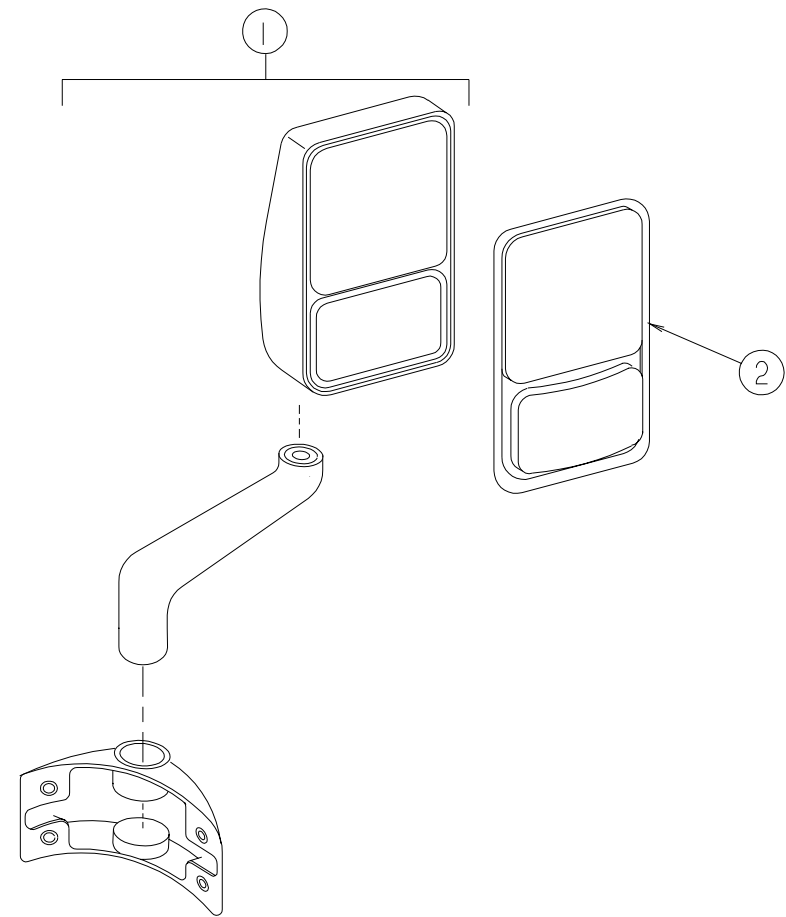
EXTERIORBODYGROUP(CONTINUED)



LADDER

KEY	PARTNUMBER	U/M	DESCRIPTION
1	116008-01-F36	EA	LADDER-UPPER
2	081115-01-000	EA	TOPCAP-RACK&LADDER-1"
3	114834-01-000	EA	PIN-QUICKRELEASE
4	076767-11-000	EA	CABLE-1/16"X5.9"
5	108402-01-D18	EA	LADDER-LOWER
	081114-01-000	EA	CAP-INSERT,ROUND-1"DIAMETER-PLASTIC-BLACK
	081055-01-000	EA	SPRINGGRIP-INTERNALTOOTH-LADDER
6	081056-01-000	EA	PIN-QUICKRELEASE-SINGLEACTION-LADDER
7	067165-01-000	EA	BRACKET-MOUNTING-LOWERLADDER
8	081116-01-000	EA	SLIDE-TOP-RACK&LADDER-1"
9	000G67-10-36T	EA	SCREW,10-12X2.25PPH,BLACK
10	000G39-06-10U	EA	SCREW-SF/DR,6-20X5/8PPH
11	076980-02-000	EA	ENDCAP-STEP-BLACK
12	000G39-10-16U	EA	SCREW-SF/DR,10-16X1.00PPH
13	108423-01-02A	EA	PLATE-BUMPER-LOWERLADDER
	038327-01-000	EA	TAPE-ANTI-SLIP-2"X60'
	112384-01-000	EA	SPONGE-BRACKET-RACK&LADDER

EXTERIORBODYGROUP(CONTINUED)



EXTERIORMIRRORS

KEY	PARTNUMBER	U/M	DESCRIPTION	VENDORNO.
1	108699-01-01A	EA	MIRROR-EXTERIOR-W/ADJUSTABLEGLASS-PASSENGER	FROM: 00-00-00 THRU: 01-14-97
2	106015-01-703	EA	MIRROR-REPLKITPASSENGER	709266
1	108699-07-01A	EA	MIRROR-EXTERIOR-W/ADJUSTABLEGLASS-RIGHTHAND	FROM: 01-15-97 THRU: 99-99-99
1	108699-02-01A	EA	MIRROR-EXTERIOR-W/ADJUSTABLEGLASS-DRIVER	FROM: 00-00-00 THRU: 01-14-97
2	106015-02-702	EA	MIRROR-REPLKITDRIVER	709267
1	108699-08-01A	EA	MIRROR-EXTERIOR-W/ADJUSTABLEGLASS-LEFTHAND	FROM: 01-15-97 THRU: 99-99-99
1	108699-03-01A	EA	MIRROR-EXTERIOR-REMOTE/HEAT-PASSENGER	FROM: 00-00-00 THRU: 12-08-96
2	086261-01-704	EA	MIRRORKITEXT.PASS.SIDE	709268
1	108699-09-01A	EA	MIRROR-EXTERIORREMOTE/HEAT-RIGHTHAND	FROM: 12-09-96 THRU: 99-99-99
1	108699-04-01A	EA	MIRROR-EXTERIORREMOTE/HEAT-DRIVER	FROM: 00-00-00 THRU: 12-08-96
2	086261-02-701	EA	MIRRORKIT.EXT.DRIVERSIDE	709269
1	108699-10-01A	EA	MIRROR-EXTERIORREMOTE/HEAT-LEFTHAND	FROM: 12-09-96 THRU: 99-99-99
	087695-02-000	EA	SWITCH-HEATER-EXTERIORMIRROR	
	088246-01-000	EA	SWITCH-REMOTE-EXTERIOR-SQUAREPUSH	
	087695-03-000	EA	CONNECTOR-ASSEMBLY	
	099982-02-01A	EA	PLATE-SWITCH,BLACK	
	108825-01-000	EA	GASKET-MIRROR	

EXTERIORBODYGROUP(CONTINUED)

FIBERGLASS,STYROFOAM&STEELCHANNEL

KEY	PARTNUMBER	U/M	DESCRIPTION
	000870-08-000	SF	STYROFOAM-.75"X4'X8'-PLANED
	002726-01-001	EA	GARNISH-U-CHANNEL-1.38"X19'-SERRATED
	033381-17-001	FT	STEEL-TUBE-16GAUGE1.5"X1.5"X16'
	044487-01-001	EA	ALUMINUMSHEET-.019"X96"X360"-MILLFINISH
	044487-01-002	EA	ALUMINUMSHEET-.019"X96"X432"-MILLFINISH
	055278-01-001	FT	TUBING-STEEL,.75"X1.5"X288"
	055278-51-259	EA	TUBING-STEEL,.75"X1.5"X12.5'
	058267-01-000	FT	CHANNEL-STEEL,W/HOLES-SIDEWALLSTIFFENER-2"X20'
	065747-01-000	SF	INSULATION-MICROFOAM-.5"THICKX72"X112'ROLL
	068716-01-001	EA	BRACE-90DEGREEEL-ANGLE-16'
	076054-W1-000	EA	FIBERGLASS-SHEET/SIDEWALL-79.06"X409"-SABLE
	077517-63-000	EA	FIBERGLASS-SHEET/SIDEWALL-48"X96"-SABLE
	089297-01-000	SF	PLYWOOD-LUAN-OVERLAYGRADE-48"X96"
	100619-01-000	BF	FOAM-EXPANDEDPOLYSTYRENE-1.34"X48"X96"
	100619-02-000	BF	FOAM-EXPANDEDPOLYSTYRENE-1.5"X48"X96"
	100619-04-000	BF	FOAM-EXPANDEDPOLYSTYRENE-.5"X48"X96"
	100619-05-000	BF	FOAM-EXPANDEDPOLYSTYRENE-.75"X48"X96"
	100619-11-000	BF	FOAM-EXPANDEDPOLYSTYRENE-2"X48"X96"
	100619-13-000	BF	FOAM-EXPANDEDPOLYSTYRENE-.34"X34.65"X96"
	100619-16-000	BF	FOAM-EXPANDEDPOLYSTYRENE-.75"X48"X96"
	108535-04-704	EA	FRPFLAT6"X400"SABLE
	108535-05-705	EA	FRPFLAT48"X110"SABLE
	109270-01-01A	EA	MESH-ALUMINUMBLACK
	109270-02-02A	EA	MESH-ALUMINUMMILL
	109270-02-01A	EA	MESH-ALUMINUMBLACK
	116942-03-01A	EA	ALUMINUM-.7"X40"X158"
	117754-01-03A	EA	FIBERGLASS-SHEET-12.5"X8'-SABLE
	119389-01-01A	EA	TUBE-W/HOLEMILL-EXTR119391
	120107-01-000	EA	FOAM-COVE-ROOF
	120107-02-000	EA	FOAM-PLUG-ROOFTUBE
	120107-03-000	EA	FOAM-PLUG-SIDEWALLTUBE
	120465-01-000	EA	FOAM-COVE/ROOF

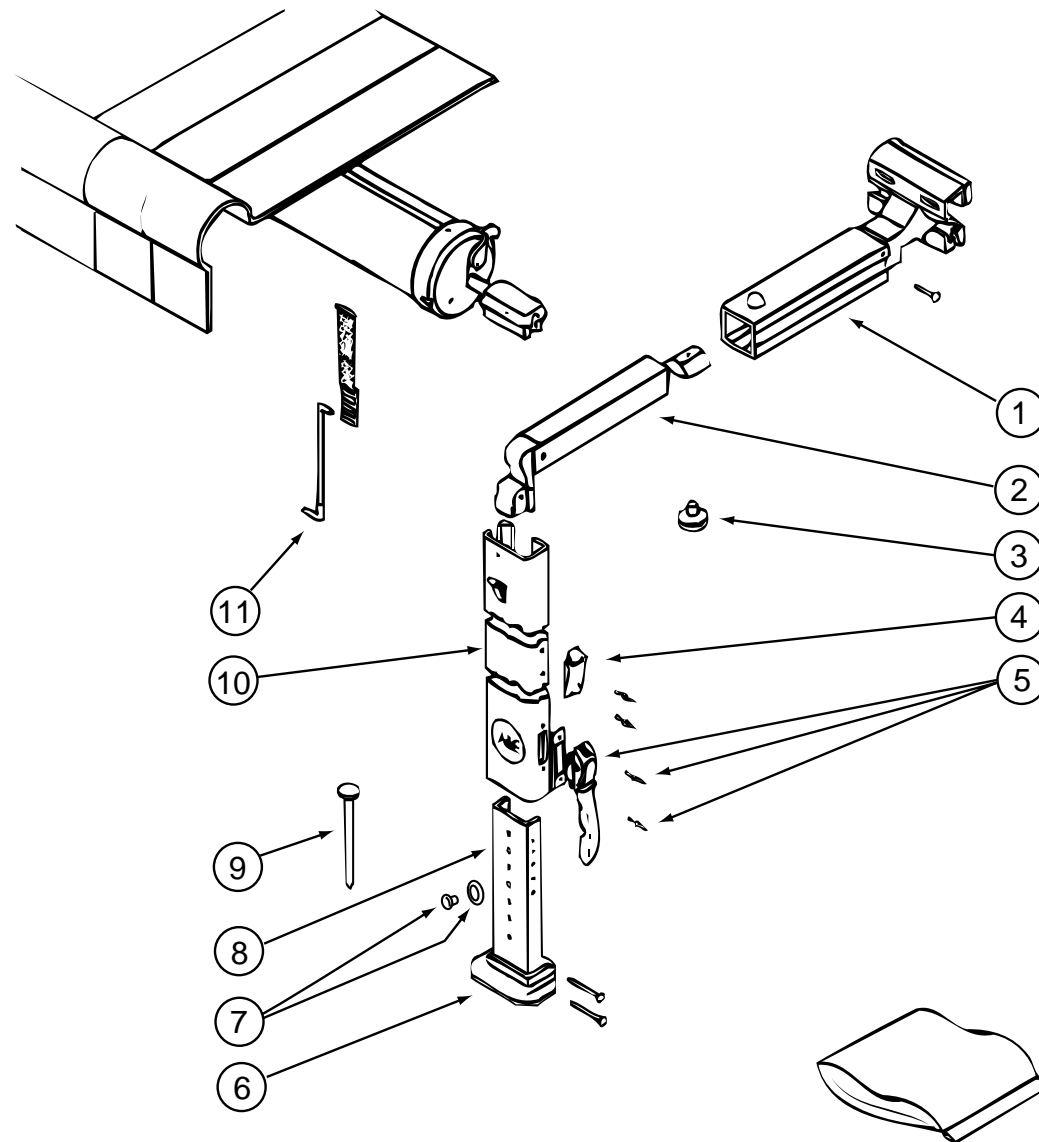
SQUEEGEE&ENTRYDOORBUMPER

KEY	PARTNUMBER	U/M	DESCRIPTION
	091955-02-000	EA	SQUEEGEE-EXTENDEDHANDLE
	110429-03-D18	EA	BRACKET-SQUEEGEE
	110429-01-01A	EA	BRACKET-SQUEEGEE
	117046-02-000	EA	BUMPER-RUBBER,ROUNDEND-LAKEVIEW#22073

SLIDEOUTAWNING

KEY	PARTNUMBER	U/M	DESCRIPTION
	122977-01-02A	EA	AWNING-SLIDEOUT-W/COVER-161.97" FROM: 00-00-00 THRU: 11-10-96
	122977-06-02A	EA	AWNING-SLIDEOUT-W/COVER-160.24" FROM: 11-11-96 THRU: 99-99-99

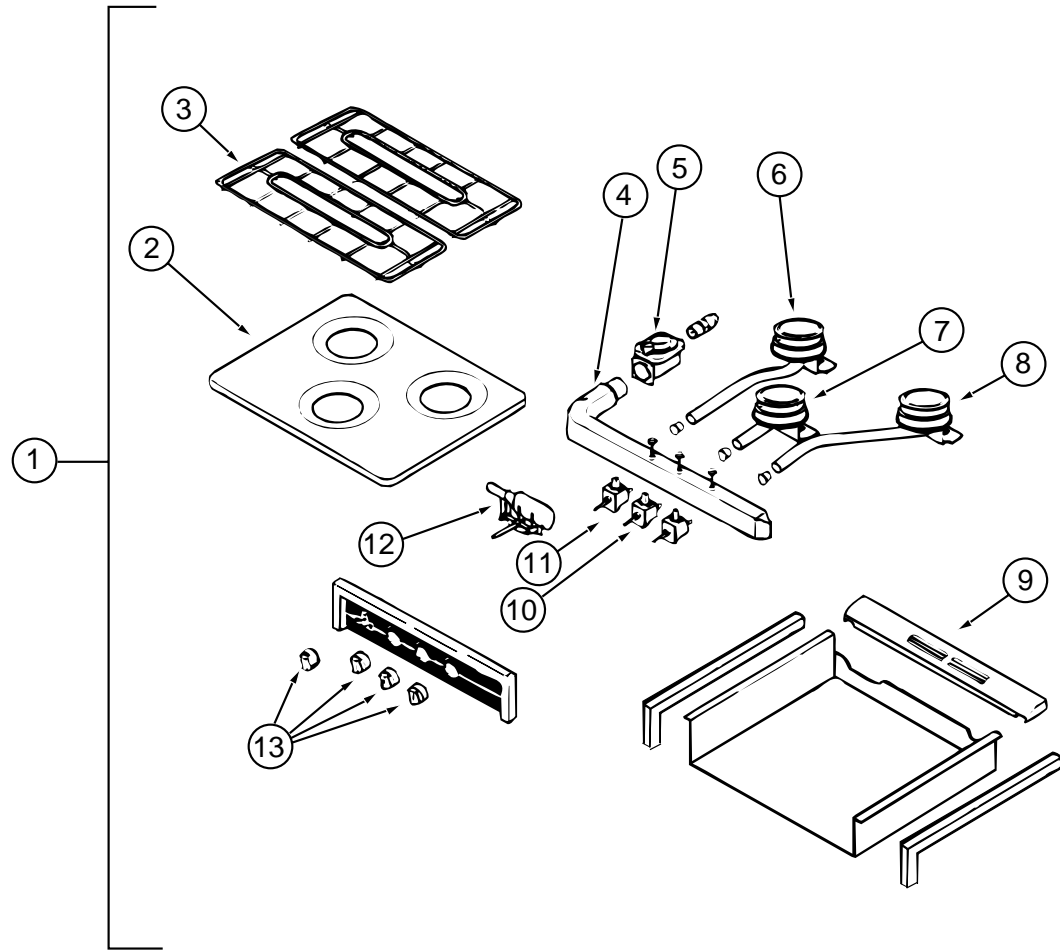
EXTERIORBODYGROUP(CONTINUED)



A&EAWNING&HARDWARE

KEY	PARTNUMBER	U/M	DESCRIPTION	VENDORNO.
	113874-09-01A	EA	AWNING-W/OHARDWARE-20'(BLACKCHERRY)ACRYLIC	
	111037-01-01A	EA	SPACER-AWNING-UPPER-BLACK	
	113874-01-03A	EA	HARDWAREKIT-AWNING-W/OSTANDOFFBRACKET-SABLE	
1	113874-01-718	EA	RAFTER-MAINRH/LH-SABLE	830295.536F
2	113874-01-719	EA	RAFTER-SECONDARY-SABLE	830463.511F
3	113874-01-702	EA	KNOB-ADJUSTING	3105421.014
4	113874-01-706	EA	LOCK-TRAVEL	830587.001
5	113874-01-707	EA	HANDLE-LIFTW/RIVETS	830644
6	113874-01-712	EA	FOOT-PATIO	730366-001
7	113874-01-710	EA	PLUG-STOPKIT	830456
8	113874-01-721	EA	ARM-ADJUSTABLE-SABLE	830467.517/F
9	113874-01-709	EA	NAIL-SPIKE,8"	113006
10	113874-01-720	EA	ARM-MAINSUPPORT-SABLE	3104502.293/F
11	113874-01-703	EA	ROD-CENTERPULLW/ACCESSORY	830152.102
	119496-01-03A	EA	SPACER/ZEE-AWNING	

GALLEYGROUP



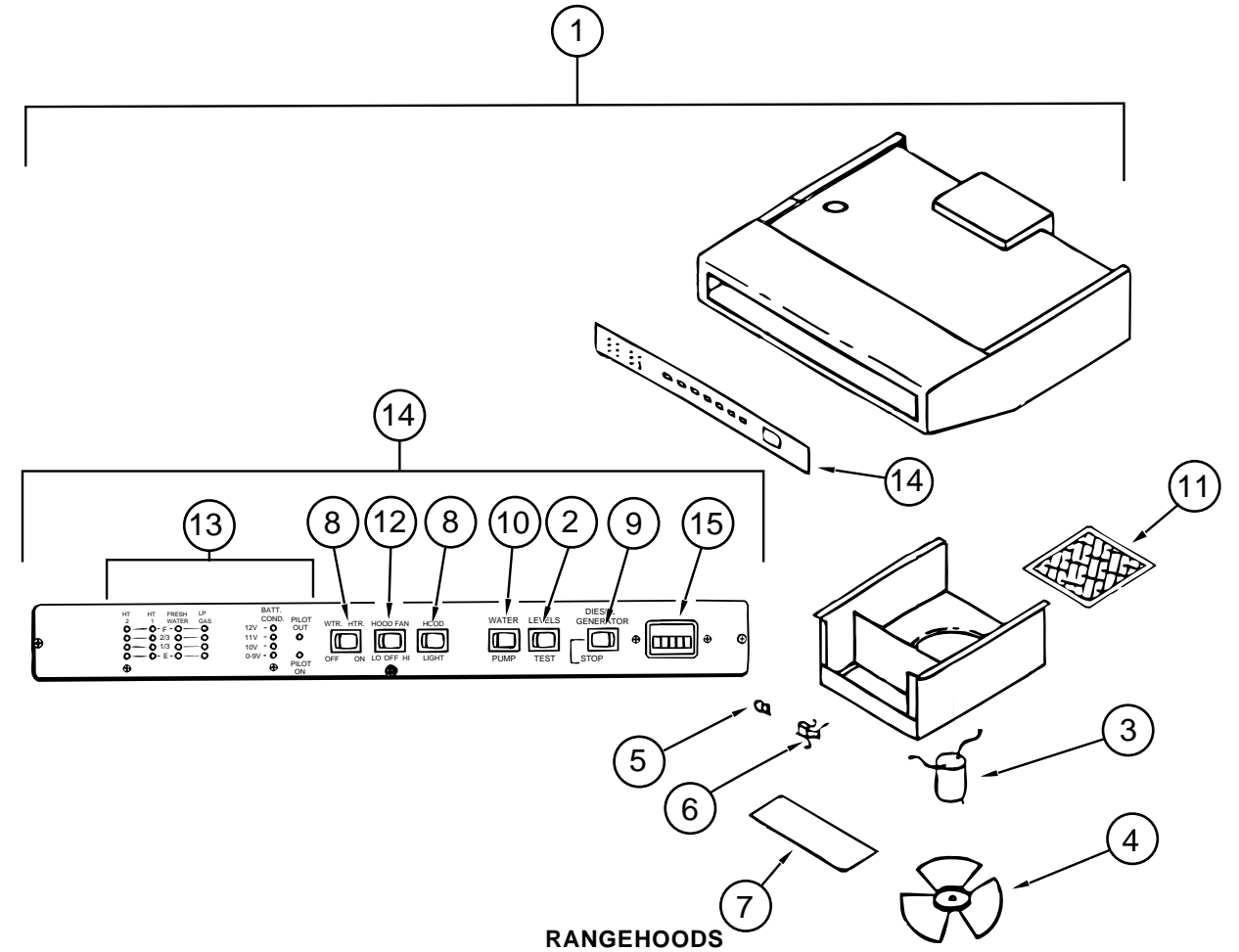
ATWOODRANGETOP-C-37BP

KEY	PARTNUMBER	U/M	DESCRIPTION	VENDORNO.
1	121757-01-01A	EA	RANGETOP-3BURNER/BLACK	
2	107246-01-700	EA	TOP-MAIN-BLK3-BURNER	53083
3	121758-02-700	EA	GRATE-SINGLE	56261
	107323-01-711	EA	CUSHION-GRATE-RUBBER	53008
	121758-02-701	EA	CLIP-GRATE	56117
4	121757-01-700	EA	MANIFOLD-3BURNER	56072
5	106689-01-704	EA	REGULATOR-EXTREMEPRESSURE	51062
6	121758-01-707	EA	BURNERLEFTREARPIEZO	56066
7	121758-01-708	EA	BURNERCENTER(HIGHOUTPUT)	56068
8	121758-01-706	EA	BURNERRIGHTREARPIEZO	56067
9	107323-01-705	EA	TRIM-VENT	53525
10	121758-01-705	EA	VALVE-HIGHOUTPUT	56087
11	121758-01-710	EA	VALVE-BURNER	56086
12	121758-01-701	EA	IGNITORPIEZO(ROTARY)	56096
13	121757-01-701	EA	KNOBKIT-FITS#C-37MODELSONLY	51129
	121758-01-702	EA	ELECTRODEWIRE(PIEZOIGNITOR)	56097
	121758-01-704	EA	INSERTPIEZO	56098

RANGETOPTIEDOWNS

KEY	PARTNUMBER	U/M	DESCRIPTION
	106936-03-01A	EA	BRACKET-TIEDOWN-RANGE/FRONT
	106936-04-01A	EA	BRACKET-TIEDOWN-RANGE/FRONT

GALLEY GROUP(CONTINUED)

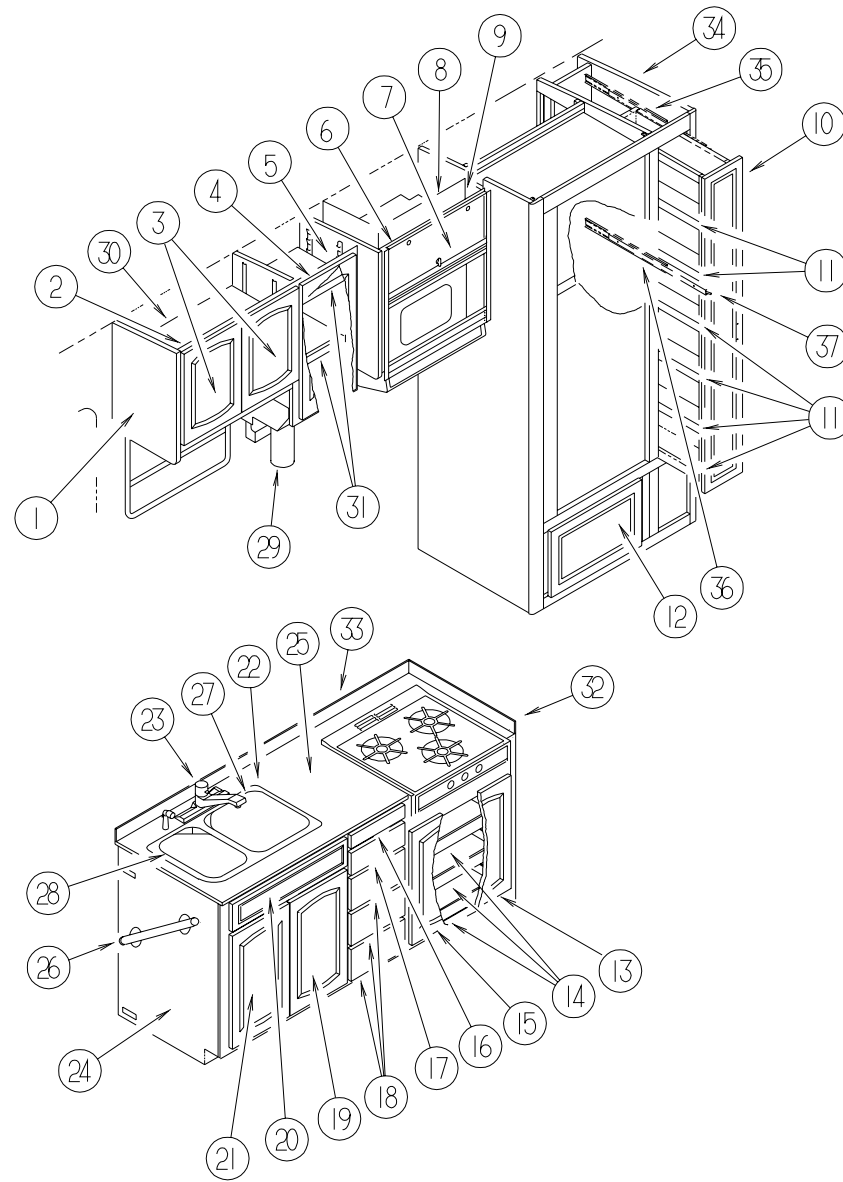


RANGEHOODS

KEY	PARTNUMBER	U/M	DESCRIPTION	VENDORNO.
1	100258-21-02A	EA	HOOD-RANGE-22"-W/MONITORPANEL(U.S.)	
1	100258-24-02A	EA	HOOD-RANGE-22"-W/MONITORPANEL(CSA)	
2	096983-01-701	EA	SWITCH-SPST/MOM2TERMINAL	L0111-00
3	090973-01-700	EA	MOTOR-12VOLT, CSA&UL	CA508-1
4	090973-01-702	EA	BLADE-FAN	VA183-1
5	092696-01-709	EA	LAMP#912	VA415
6	092696-01-710	EA	HOLDER-LAMP	CB267-2
7	092696-02-701	EA	LENS-LAMP	CC179-2
8	096983-01-700	EA	SWITCH-ON/OFF	L0108-00
9	096983-01-702	EA	SWITCH-MOM/OFF/MOM/3TERM	L0112-00
10	096983-01-703	EA	SWITCH-ON/ON	L0115-00
11	096983-01-707	EA	FILTER-MESH	CC246
12	100258-08-701	EA	SWITCH-FAN/2SPEED	L122-00
	100258-10-01A	EA	GAUGE-HOURMETERW/SWITCH-SCREWONSTYLE IFNEEDCLIPONSTYLEORDER#10025810701	
13	100258-11-700	EA	BOARD-CIRCUIT	L5099-01
14	100258-11-701	EA	PANEL-CONTROLASSEMBLY	LA9080
15	100258-10-700	EA	GAUGE-HOURMETER,SCREWON	150

GALLEY GROUP(CONTINUED)

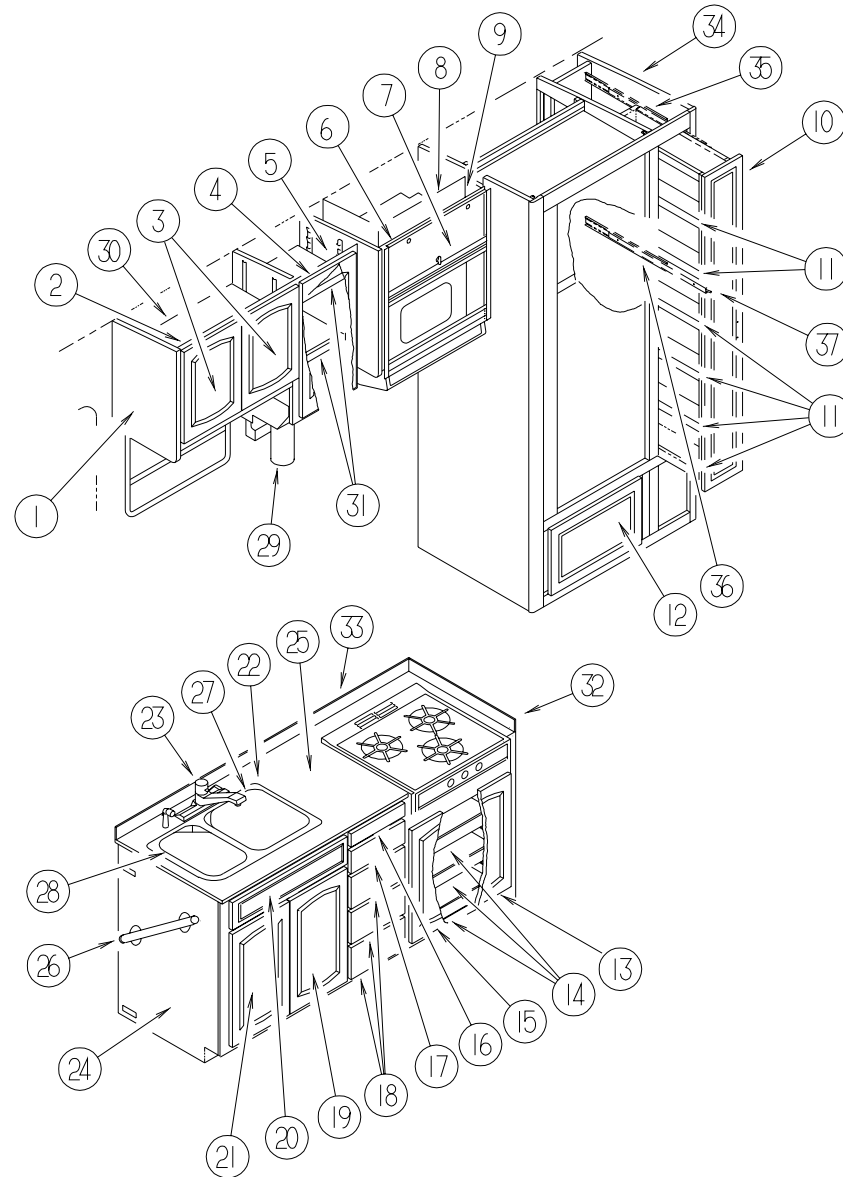
CABINETS&FIXTURES



KEY	PARTNUMBER	U/M	DESCRIPTION
1	114717-01-H50	EA	ENDCAP-LEFTHAND(SOLARMAPLE)
1	114717-01-H51	EA	ENDCAP-LEFTHAND(SALEMCHERRY)
2	P14715-01-H50	EA	CABINET-GALLEYOVERHEAD-W/ODOORS/HARDWARE(SOLARMAPLE)
2	P14715-01-F37	EA	CABINET-GALLEYOVERHEAD-W/ODOORS/HARDWARE(SALEMCHERRY)
3	M05990-08-H50	EA	DOOR-OGEEEDGE-17.7"X12.8"-W/OHARDWARE(SOLARMAPLE)
3	M05990-08-E41	EA	DOOR-OGEEEDGE-17.7"X12.8"-W/OHARDWARE(SALEMCHERRY)
4	M05990-07-H50	EA	DOOR-OGEEEDGE-25.9"X12"-W/OHARDWARE(SOLARMAPLE)
4	M05990-07-E41	EA	DOOR-OGEEEDGE-25.9"X12"-W/OHARDWARE(SALEMCHERRY)
5	107494-06-H50	EA	ENDCAP-RIGHTHAND(SOLARMAPLE)
5	107494-06-E41	EA	ENDCAP-RIGHTHAND(SALEMCHERRY)
6	P23602-01-H50	EA	CABINET-OVERHEAD/MICROWAVE-W/ODOORS/HARDWARE(SOLARMAPLE)
6	P23602-01-H51	EA	CABINET-OVERHEAD/MICROWAVE-W/ODOORS/HARDWARE(SALEMCHERRY)
7	100708-05-000	EA	DOOR-GLASS-TVCABINET-8.5"X23.4"-W/OHARDWARE
	100707-01-000	EA	SPACER-GLASSDOOR-8"DIA-.3"HOLE-PLASTIC
	100710-01-01A	EA	LOCK-GLASSDOOR/TWISTTYPE-BRASS
	100711-01-01A	EA	HINGE-GLASSDOOR
	101766-01-000	EA	PIN-SUPPORT/GLASSDOOR
8	110561-03-H50	EA	CABINET-FUSEPANEL(SOLARMAPLE)
8	110561-03-G39	EA	CABINET-FUSEPANEL(SALEMCHERRY)
9	N/A	EA	SHELFASM-MICROWAVE
10	M05992-K0-H50	EA	DOOR-OGEEEDGE-8.5"X60.7"-W/OHARDWARE(SOLARMAPLE)
10	M05992-K0-H51	EA	DOOR-OGEEEDGE-8.5"X60.7"-W/OHARDWARE(SALEMCHERRY)
11	122325-11-H37	EA	SHELF-W/PLASTICEDGEMOLDING(SOLARMAPLE)
11	122325-11-H57	EA	SHELF-W/PLASTICEDGEMOLDING(SALEMCHERRY)
12	M05992-09-H56	EA	DOOR-OGEEEDGE-13.6"X22.8"-W/OHARDWARE(SOLARMAPLE)
12	M05992-09-E41	EA	DOOR-OGEEEDGE-13.6"X22.8"-W/OHARDWARE(SALEMCHERRY)
12	M05992-E7-H50	EA	DOOR-OGEEEDGE-14.3"X33.4"-W/OHARDWARE(SOLARMAPLE)SIDE BYSIDE
12	M05992-E7-E41	EA	DOOR-OGEEEDGE-14.3"X33.4"-W/OHARDWARE(SALEMCHERRY)SIDE BYSIDE
13	M05992-04-H50	EA	DOOR-OGEEEDGE-10.8"X23.8"-W/OHARDWARE(SOLARMAPLE)
13	M05992-04-E41	EA	DOOR-OGEEEDGE-10.8"X23.8"-W/OHARDWARE(SALEMCHERRY)
14	M05971-14-E37	EA	DRAWER-OGEEEDGE-19.2"WX17.7"D-W/OSLIDES/HARDWARE
15	M05992-03-H50	EA	DOOR-OGEEEDGE-10.8"X23.8"-W/OHARDWARE(SOLARMAPLE)
15	M05992-03-E41	EA	DOOR-OGEEEDGE-10.8"X23.8"-W/OHARDWARE(SALEMCHERRY)
16	M05976-01-H50	EA	DRAWER-CUTTINGBOARDTOP-9.9"X17.7"-W/OHDW(SOLARMAPLE)
16	M05976-01-E41	EA	DRAWER-CUTTINGBOARDTOP-9.9"X17.7"-W/OHDW(SALEMCHERRY)
17	M05971-12-H50	EA	DRAWER-OGEEEDGE-9.9"WX17.7"D-W/OSLIDES/HARDWARE(SOLARMAPLE)
17	M05971-12-E41	EA	DRAWER-OGEEEDGE-9.9"WX17.7"D-W/OSLIDES/HARDWARE(SALEMCHERRY)
18	M05971-11-H50	EA	DRAWER-OGEEEDGE-9.9"WX17.7"D-W/OSLIDES/HARDWARE(SOLARMAPLE)
18	M05971-11-E41	EA	DRAWER-OGEEEDGE-9.9"WX17.7"D-W/OSLIDES/HARDWARE(SALEMCHERRY)
19	M05992-07-H50	EA	DOOR-OGEEEDGE-12.8"X21.8"-W/OHARDWARE(SOLARMAPLE)
19	M05992-08-E41	EA	DOOR-OGEEEDGE-12.8"X21.8"-W/OHARDWARE(SALEMCHERRY)
20	M06810-01-H56	EA	DRAWER-TIPOUT-W/OHARDWARE(SOLARMAPLE)
20	M06810-01-E41	EA	DRAWER-TIPOUT-W/OHARDWARE(SALEMCHERRY)
21	M05992-08-H50	EA	DOOR-OGEEEDGE-12.8"X21.8"-W/OHARDWARE(SOLARMAPLE)
21	M05992-08-E41	EA	DOOR-OGEEEDGE-12.8"X21.8"-W/OHARDWARE(SALEMCHERRY)
22	110654-01-000	EA	SINK-STAINLESSSTEEL/DOUBLEBASIN(1LG-1SMBASIN)
	092303-01-000	EA	STRAINER-SINK
23	064952-01-000	EA	FAUCET-GALLEY-SINGLECONTROL-8"
23	103635-01-000	EA	FAUCET-SINGLECONTROL

GALLEY GROUP(CONTINUED)

CABINETS&FIXTURES(CONTINUED)

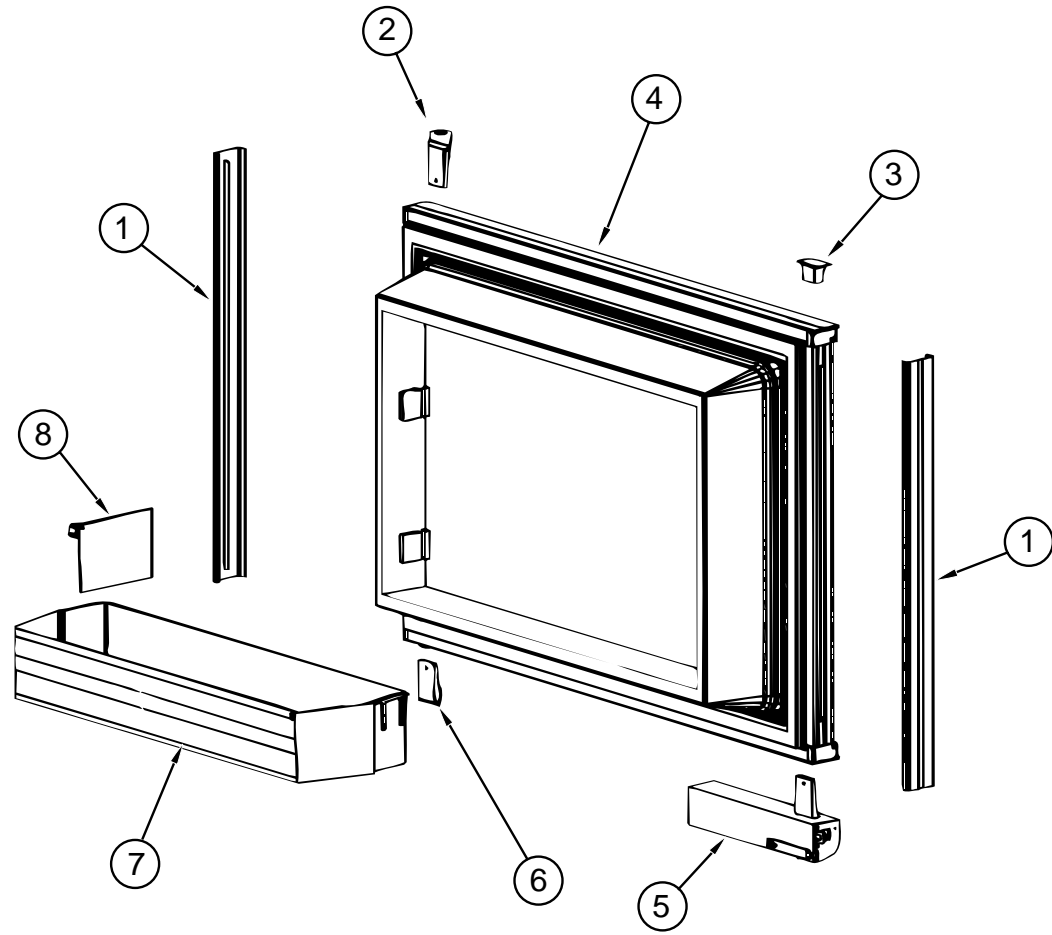


KEY	PARTNUMBER	U/M	DESCRIPTION
24	M06878-04-H50	EA	CABINET-GALLEY-W/HOTPLATE-W/ODOORS/DRAWERS/HDW(H50)
24	M06878-04-H51	EA	CABINET-GALLEY-W/HOTPLATE-W/ODOORS/DRAWERS/HDW(H51)
24	M06878-04-H52	EA	CABINET-GALLEY-W/HOTPLATE-W/ODOORS/DRAWERS/HDW(H52)
24	M06878-04-H53	EA	CABINET-GALLEY-W/HOTPLATE-W/ODOORS/DRAWERS/HDW(H53)
24	M06878-04-H54	EA	CABINET-GALLEY-W/HOTPLATE-W/ODOORS/DRAWERS/HDW(H54,H62)
24	M06878-04-H55	EA	CABINET-GALLEY-W/HOTPLATE-W/ODOORS/DRAWERS/HDW(H55,H63)
25	111889-15-H50	EA	COUNTERTOP-GALLEY(H50)
25	111889-15-H51	EA	COUNTERTOP-GALLEY(H51)
25	111889-15-H52	EA	COUNTERTOP-GALLEY(H52)
25	111889-15-H53	EA	COUNTERTOP-GALLEY(H53)
25	111889-15-H54	EA	COUNTERTOP-GALLEY(H54,H62)
25	111889-15-H55	EA	COUNTERTOP-GALLEY(H55,H63)
26	P02786-03-H56	EA	HANDRAILONLY-W/OBRACKETS(SOLARMAPLE)
26	P02786-03-E41	EA	HANDRAILONLY-W/OBRACKETS(SALEMCHERRY)
27	108464-04-E38	EA	COVER-SINK-15"X15"(H50,H51)
27	108464-04-F40	EA	COVER-SINK-15"X15"(H52,H53)
27	108464-04-E08	EA	COVER-SINK-15"X15"(H54,H55,H62,H63)
28	108464-03-E38	EA	COVER-SINK-14.9"X11"-SMALLSINK(H50,H51)
28	108464-03-F40	EA	COVER-SINK-14.9"X11"-SMALLSINK(H52,H53)
28	108464-03-G42	EA	COVER-SINK-14.9"X11"-SMALLSINK(H54,H55,H62,H63)
29	112540-02-H50	EA	CABINET-SPICERACK-W/OHARDWARE(SOLARMAPLE)
29	112540-02-E41	EA	CABINET-SPICERACK-W/OHARDWARE(SALEMCHERRY)
29	112540-01-H50	EA	CABINET-SPICERACK-W/OHARDWARE-W/COFFEEMAKER(SOLARMAPLE) FROM: 00-00-00 THRU: 04-13-97
29	112540-03-H50	EA	CABINET-SPICERACK-W/OHARDWARE-W/COFFEEMAKER(SOLARMAPLE) FROM: 04-14-97 THRU: 99-99-99
29	112540-01-E41	EA	CABINET-SPICERACK-W/OHARDWARE-W/COFFEEMAKER(SALEMCHERRY) FROM: 00-00-00 THRU: 04-13-97
29	112540-03-H51	EA	CABINET-SPICERACK-W/OHARDWARE-W/COFFEEMAKER(SALEMCHERRY) FROM: 04-14-97 THRU: 99-99-99
30	114715-11-H50	EA	SHELF-W/PLASTICEDGEMOLDING(SOLARMAPLE)
30	114715-11-F37	EA	SHELF-W/PLASTICEDGEMOLDING(SALEMCHERRY)
31	114715-12-H50	EA	SHELF-W/PLASTICEDGEMOLDING(SOLARMAPLE)
31	114715-12-F37	EA	SHELF-W/PLASTICEDGEMOLDING(SALEMCHERRY)
	102778-03-000	EA	BOARD-CUTTING
32	111889-16-E38	EA	BACKSPLASH-SHELF-25.7"(H50,H51)
32	111889-16-F40	EA	BACKSPLASH-SHELF-25.7"(H52,H53)
32	111889-16-G42	EA	BACKSPLASH-SHELF-25.7"(H54,H55,H62,H63)
33	111889-18-E38	EA	BACKSPLASH-COUNTERTOP-66.1"(H50,H51)
33	111889-18-F40	EA	BACKSPLASH-COUNTERTOP-66.1"(H52,H53)
33	111889-18-G42	EA	BACKSPLASH-COUNTERTOP-66.1"(H54,H55,H62,H63)
34	122325-01-H56	EA	CABINET-PANTRY/RIGHTHANDSLIDING-W/OSLIDES/HARDWARE (SOLARMAPLE)
34	122325-01-H57	EA	CABINET-PANTRY/RIGHTHANDSLIDING-W/OSLIDES/HARDWARE (SALEMCHERRY)
35	122360-02-000	EA	SLIDE-PANTRY
36	122360-03-000	EA	SLIDE-PANTRY-W/LOCK-RIGHTHAND
37	123673-01-01A	EA	KNOB-PANTRYSLIDE
	100081-01-01A	EA	TRAY-SILVERWARE-9"X13.3"RUBBERMAIDALMONDPLASTIC
	093605-02-01A	EA	RACK-TOWEL/WIRE-ALMOND
	090329-01-000	FT	SEAL/T-REFRIGERATORCABINET

GALLEY GROUP(CONTINUED)

NORCOLD982REFRIGERATOR TIEDOWNS, BAFFLE, TRAY & LEVEL

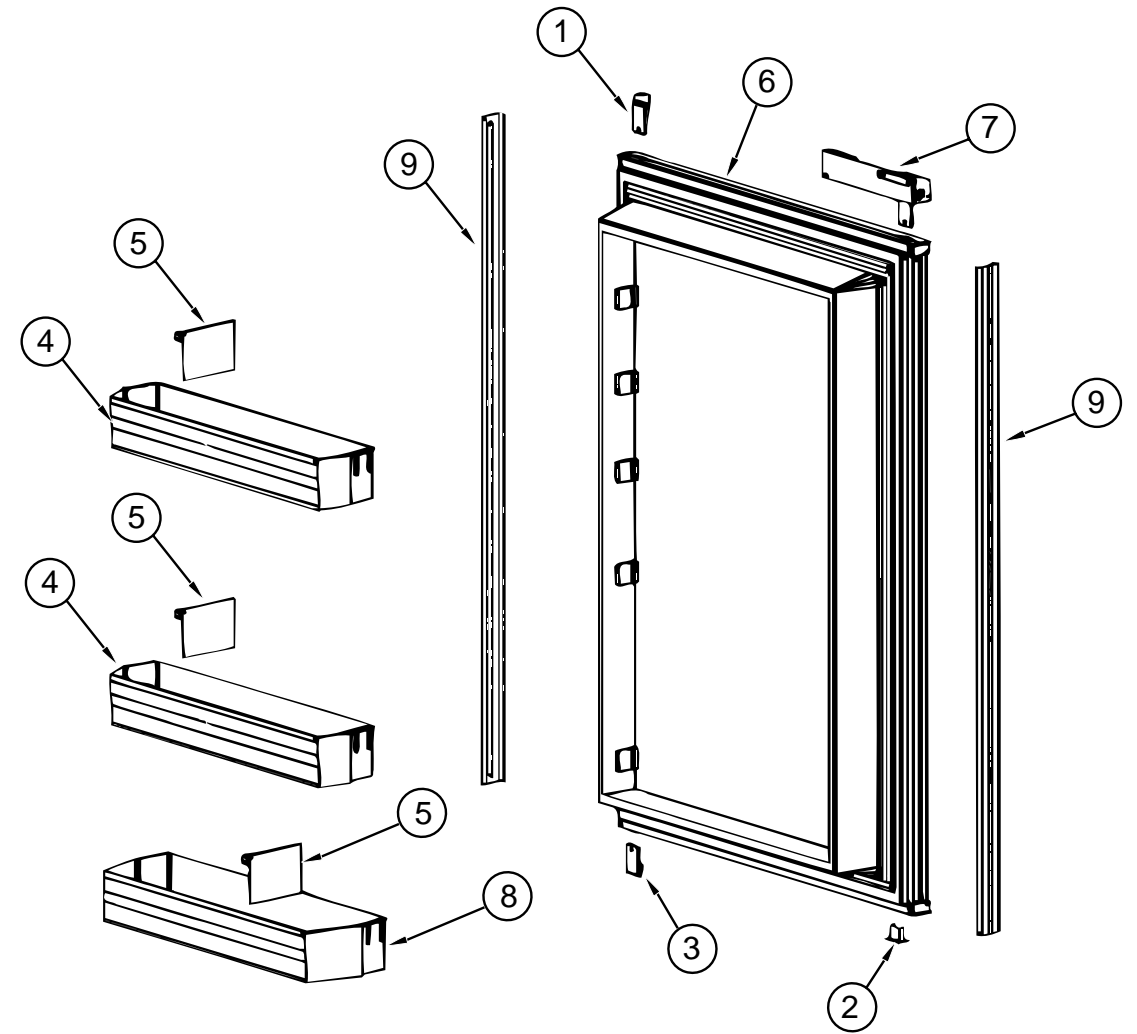
KEY	PARTNUMBER	U/M	DESCRIPTION
	120075-01-01A	EA	REFRIGERATOR-LARGEDOUBLEDOOR/RIGHTHAND-2-WAYW/ICE
	093646-01-000	EA	BRACKET-TIEDOWN/REFRIGERATOR-RIGHTHAND
	093646-02-000	EA	BRACKET-TIEDOWN/REFRIGERATOR-LEFTHAND
	116751-02-01A	EA	TRAY-REFRIGERATOR-BLACK
	054450-01-000	EA	LEVEL-REFRIGERATOR
	065225-02-000	EA	PLATE-TIEDOWN-REFRIGERATOR
	090195-08-000	EA	BAFFLE-REFRIGERATOR-LOWER
	093369-03-000	EA	STRAP-REFRIGERATOR



NORCOLD982REFRIGERATOR UPPER DOOR ASSEMBLY

KEY	PARTNUMBER	U/M	DESCRIPTION	VENDORNO.
	120075-01-01A	EA	REFRIGERATOR-LARGEDOUBLEDOOR/RIGHTHAND-2-WAYW/ICE	
1	120075-01-700	EA	RETAINER-DOORDECORPANEL	618128
2	120075-01-701	EA	HINGE-TOPRH/BTMLH,PAINTED	618511
3	120075-01-702	EA	CAP,(HINGEPLUG)	618160
4	120075-01-703	EA	DOORASM.,FOAMED,W/GASKET	618205
5	120075-01-704	EA	DOORHANDLE-UPRRH/LWRLH	618230
6	120075-01-705	EA	HINGE,PAINTED,TOPLH/BTMRT	618510
7	120075-01-706	EA	BIN-DOOR	618635
8	120075-01-707	EA	DIVIDER-DOORBIN	618637
	103251-07-01A	EA	INSERT-ACRYLIC/BLACK-21.60"X14.53"	

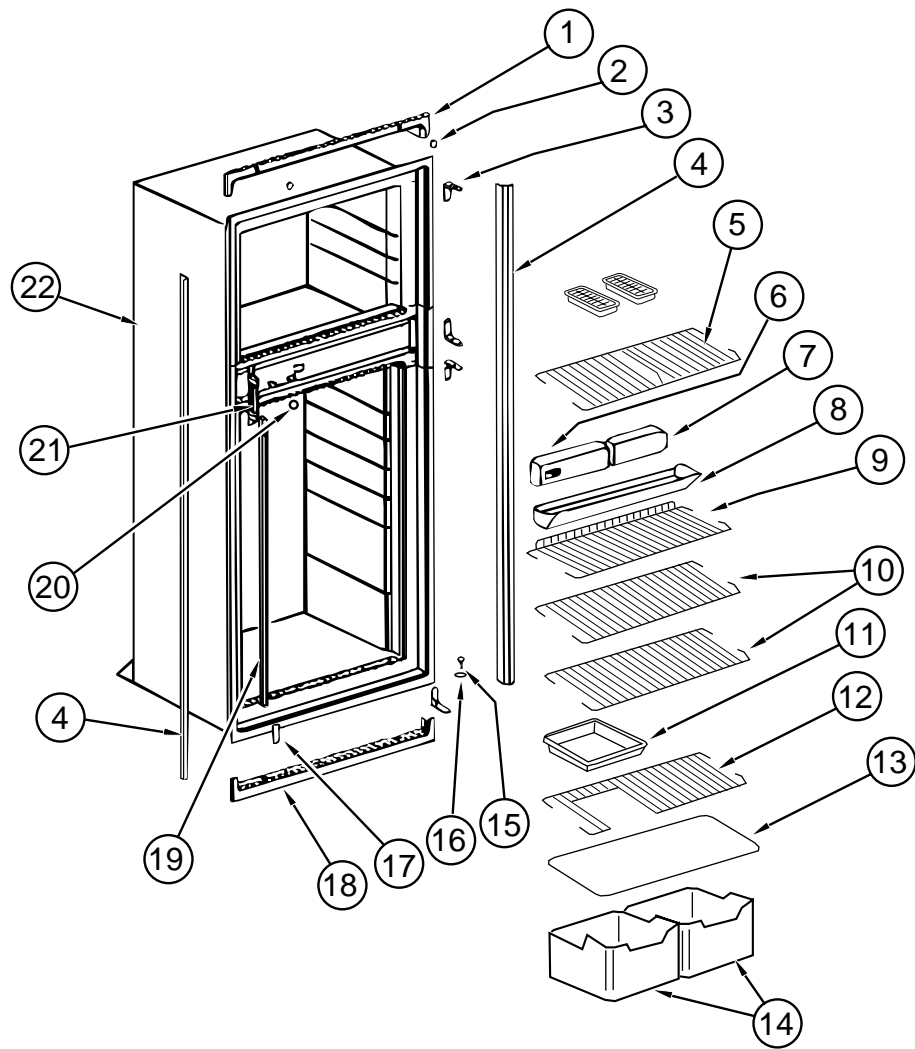
GALLEY GROUP(CONTINUED)



NORCOLD982REFRIGERATOR LOWER DOOR ASSEMBLY

KEY	PARTNUMBER	U/M	DESCRIPTION	VENDORNO.
	120075-01-01A	EA	REFRIGERATOR-LARGEDOUBLEDOOR/RIGHTHAND-2-WAYW/ICE	
1	120075-01-701	EA	HINGE-TOPRH/BTMLH,PAINTED	618511
2	120075-01-702	EA	CAP,(HINGEPLUG)	618160
3	120075-01-705	EA	HINGE,PAINTED,TOPLH/BTMRT	618510
4	120075-01-706	EA	BIN-DOOR	618635
5	120075-01-707	EA	DIVIDER-DOORBIN	618637
6	120075-01-710	EA	DOOR-LOWER-FOAMED,W/GASKET	618270
7	120075-01-704	EA	DOORHANDLE-UPRRH/LWRLH	618230
8	120075-01-712	EA	BIN-DOOR/BOTTOM-LARGE	618634
9	121568-01-703	EA	RETAINER-PANELLOWERDOOR	618129
	103251-09-01A	EA	INSERT-ACRYLIC/BLACK-21.60"X38.62"	

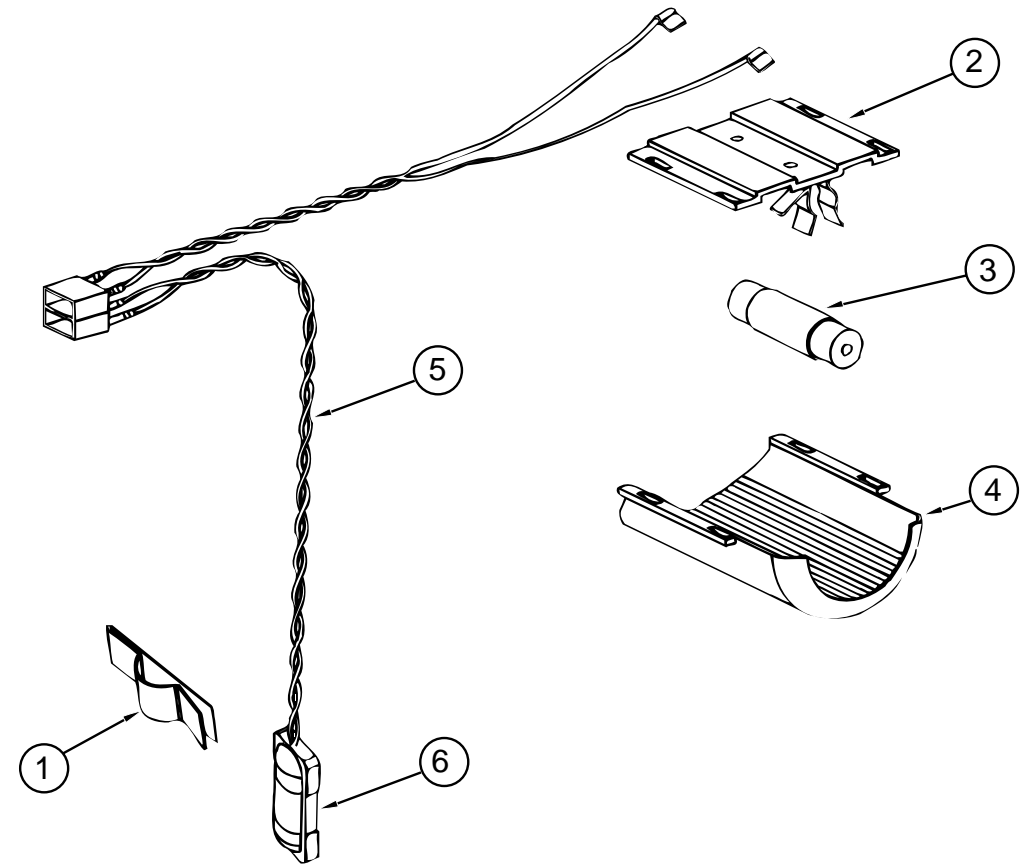
GALLEY GROUP(CONTINUED)



NORCOLD982REFRIGERATORCABINETASSEMBLY

KEY	PARTNUMBER	U/M	DESCRIPTION	VENDORNO.
	120075-01-01A	EA	REFRIGERATOR-LARGEDOUBLEDOOR/RIGHTHAND-2-WAYW/ICE	
1	120075-01-713	EA	TRIM-TOPPIECE	618124
2	120075-01-714	EA	PLUG-HOLE	618170
3	120075-01-715	EA	HINGE-CABINETSIDE-PAINTED	618512
4	120075-01-716	EA	TRIM-SIDEPIECE	618134
5	120075-01-717	EA	SHELF-FREEZER,WIRE	618172
6	120075-01-719	EA	OPTICALCONTROLBOXASSEMBLY	618245
7	120075-01-718	EA	BOX-FILLER	618112
8	120075-01-720	EA	TRAY-DRIP	618137
	120075-01-721	EA	LOUVER-DRIPTRAY	618176
9	120075-01-722	EA	SHELF-WIRE,SHORT	618239
10	120075-01-723	EA	SHELF-WIRE	618114
11	104137-06-718	EA	SHELF-TRAY,WHITE,W/CUTOUT	617756
12	120075-01-724	EA	SHELF-WIRE,W/CUTOUT	618177
13	120075-01-725	EA	COVER-CRISPER	618158
14	120075-01-726	EA	CRISPER	618154
15	120075-01-727	EA	PIN-HINGE	618145
16	120075-01-708	EA	BUSHING-DOORHINGE	618144
17	120075-01-728	EA	COVER-HINGEHOLE	618171
18	120075-01-729	EA	TRIM-BOTTOMPIECE	618136
19	120075-01-730	EA	RETAINER-SHELF	618181
20	120075-01-731	EA	PLUG-FACADE	618184
21	120075-01-732	EA	PLATE-STRIKE	618167
22	120075-01-733	EA	CABINET-FOAMED	618265

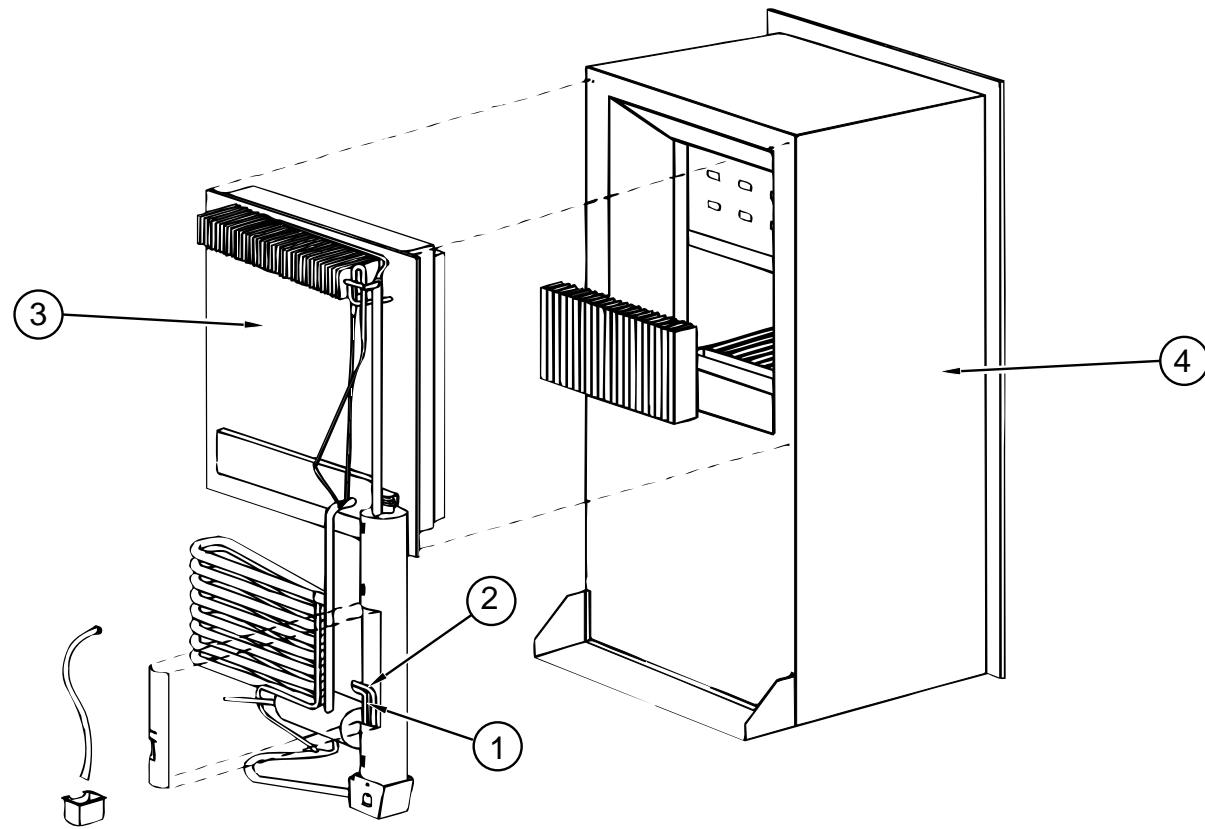
GALLEY GROUP(CONTINUED)



NORCOLD982REFRIGERATORLIGHT&THERMISTER

KEY	PARTNUMBER	U/M	DESCRIPTION	VENDORNO.
	120075-01-01A	EA	REFRIGERATOR-LARGEDOUBLEDOOR/RIGHTHAND-2-WAYW/ICE	
1	084880-01-760	EA	CLIP(THERMISTER)	61689122
2	084880-03-705	EA	BRACKET-LIGHT-INTERIOR	61629722
3	084880-03-706	EA	BULB-LAMP	61628922
4	120075-01-734	EA	COVER-LENS	618190
5	120075-01-735	EA	THERMISTERW/LAMP&WIRE/ASM	618548
6	120075-01-742	EA	THERMISTERONLY	618288

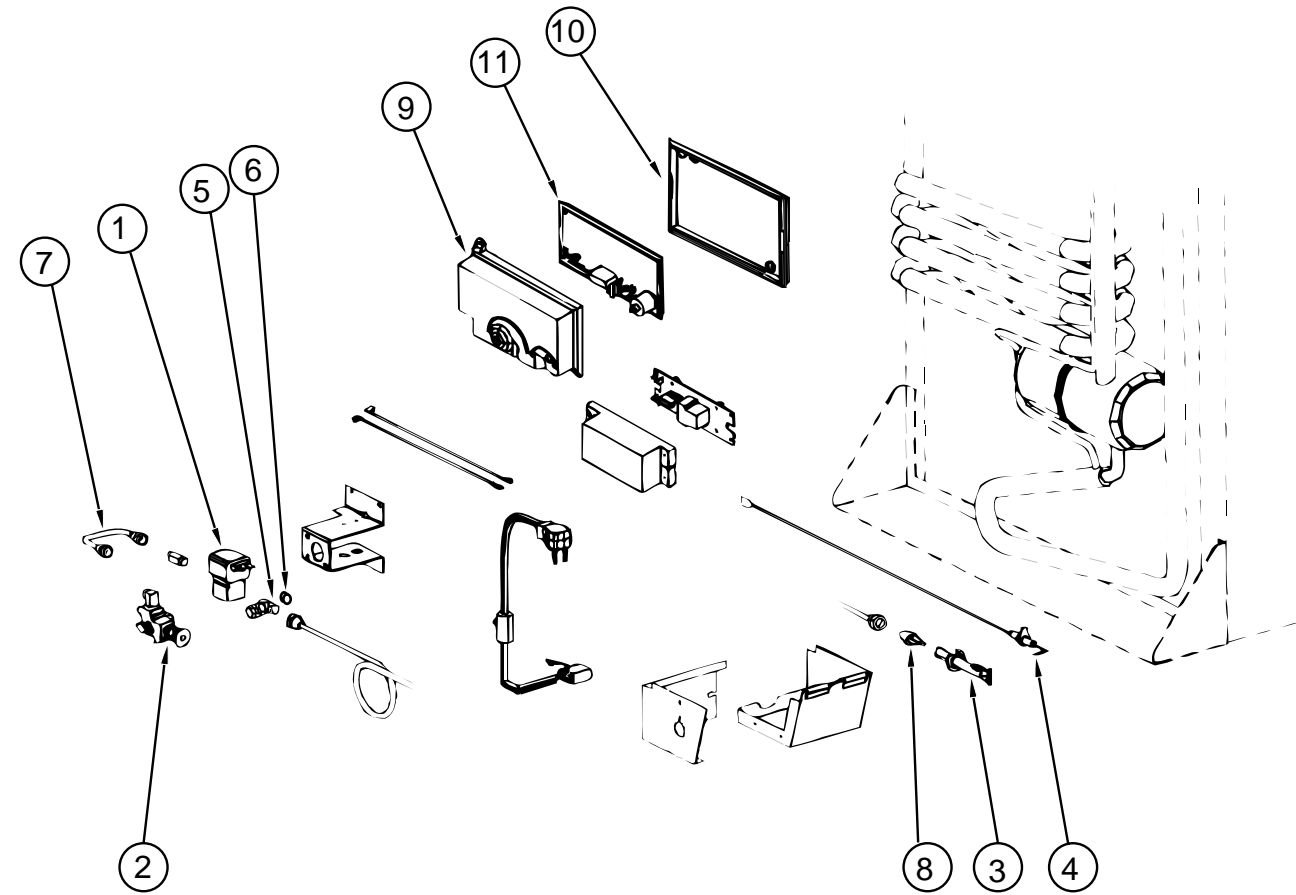
GALLEY GROUP(CONTINUED)



NORCOLD982REFRIGERATORCOOLINGUNITASSEMBLY

KEY	PARTNUMBER	U/M	DESCRIPTION	VENDORNO.
	120075-01-01A	EA	REFRIGERATOR-LARGEDOUBLEDOOR/RIGHTHAND-2-WAYW/ICE	
1	088248-01-709	EA	HEATER-AC(HORIZONTAL)	61562722
2	088248-01-710	EA	HEATERDC(HORIZONTAL)	61562822
3	120075-01-736	EA	COOLINGUNIT,SERVICEPACK	618542
4	120075-03-700	EA	CABINET-FOAMED	618285

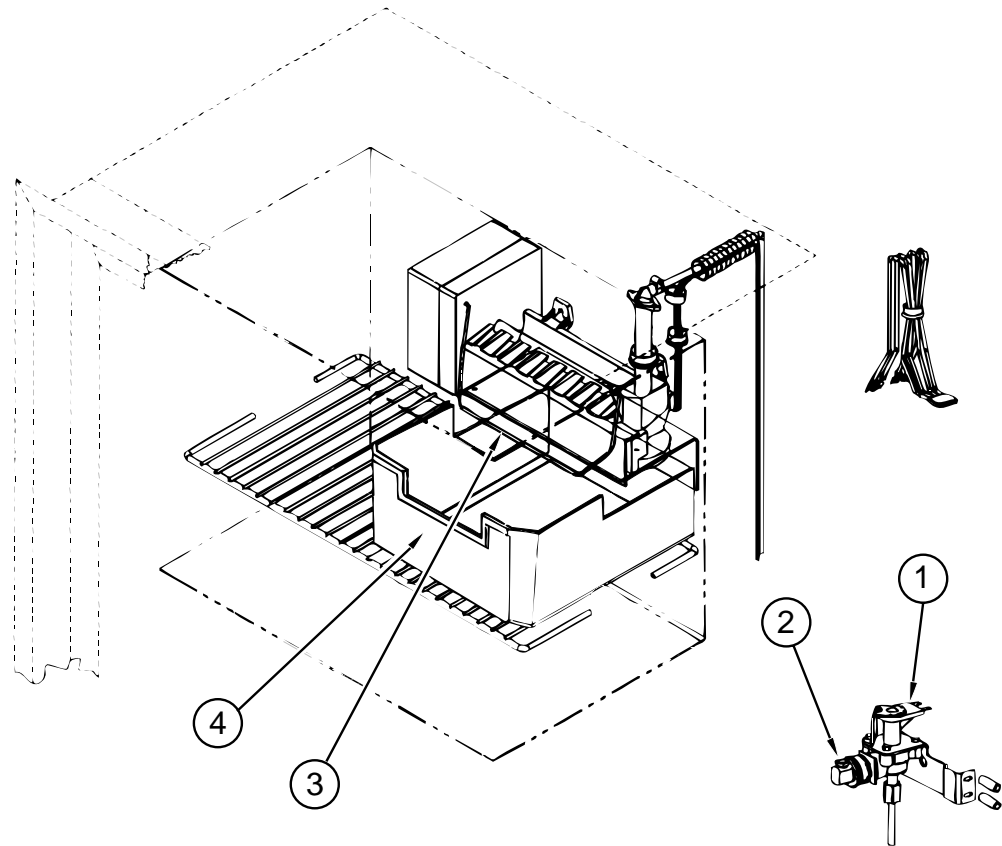
GALLEY GROUP(CONTINUED)



NORCOLD982REFRIGERATORREAROFREFRIGERATOR

KEY	PARTNUMBER	U/M	DESCRIPTION	VENDORNO.
	120075-01-01A	EA	REFRIGERATOR-LARGEDOUBLEDOOR/RIGHTHAND-2-WAYW/ICE	
1	084880-01-718	EA	VALVE-GAS,(ASCO)	61551822
2	104137-06-709	EA	VALVE-SHUTOFF,MANUAL	61694922
3	104137-06-714	EA	BURNERASSEMBLY,5-SLOT	61705222
4	104137-06-715	EA	ELECTRODE-SPARK/SENSOR,SGL	61692222
5	113737-01-702	EA	PLUG1/8" F/PRESSURETAP	61445322
6	113737-01-716	EA	TAP-PRESSURE	61594422
7	113737-01-750	EA	TUBE-UNION	61694622
8	120075-01-737	EA	ORFICE-JEWEL,.0155	618284
9	120075-01-738	EA	COVER-POWERBOARD	618185
10	120075-01-739	EA	BOARD-POWER,2-WAY	618198
11	120075-01-740	EA	COVER-BASE,POWERBOARD	618186

GALLEY GROUP(CONTINUED)



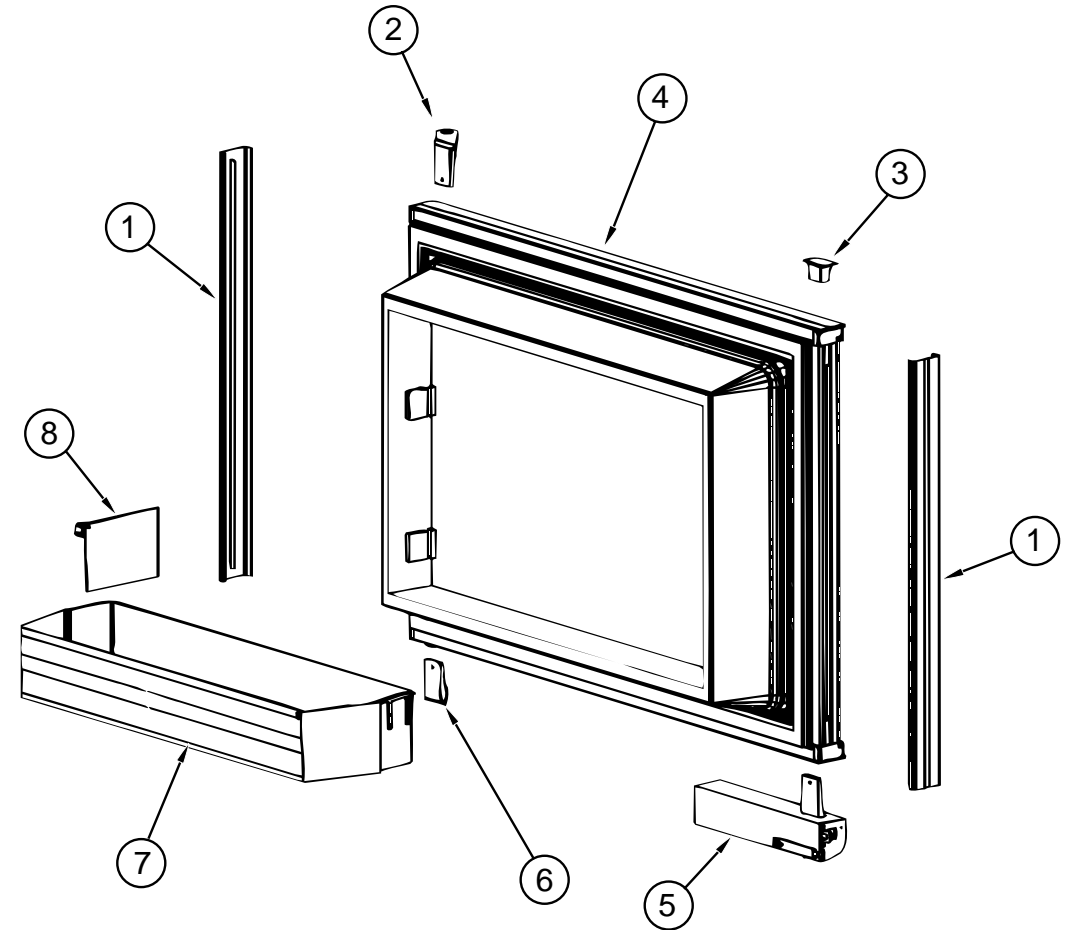
NORCOLD982REFRIGERATORICEMAKERASSEMBLY

KEY	PARTNUMBER	U/M	DESCRIPTION	VENDORNO.
	120075-01-01A	EA	REFRIGERATOR-LARGEDOUBLEDOOR/RIGHTHAND-2-WAYW/ICE	
1	120075-03-701	EA	VALVEASM.,WATER,W/BRACKET	618253
2	120075-03-702	EA	NUT/COMPRESSION-FITTING	61678722
3	120075-03-703	EA	ARM-SHUTOFF	61656922
4	120075-03-704	EA	BIN-ICECUBE	618154

GALLEY GROUP(CONTINUED)

NORCOLD982REFRIGERATORRTIEDOWNS,BAFFLE,TRAY&LEVEL

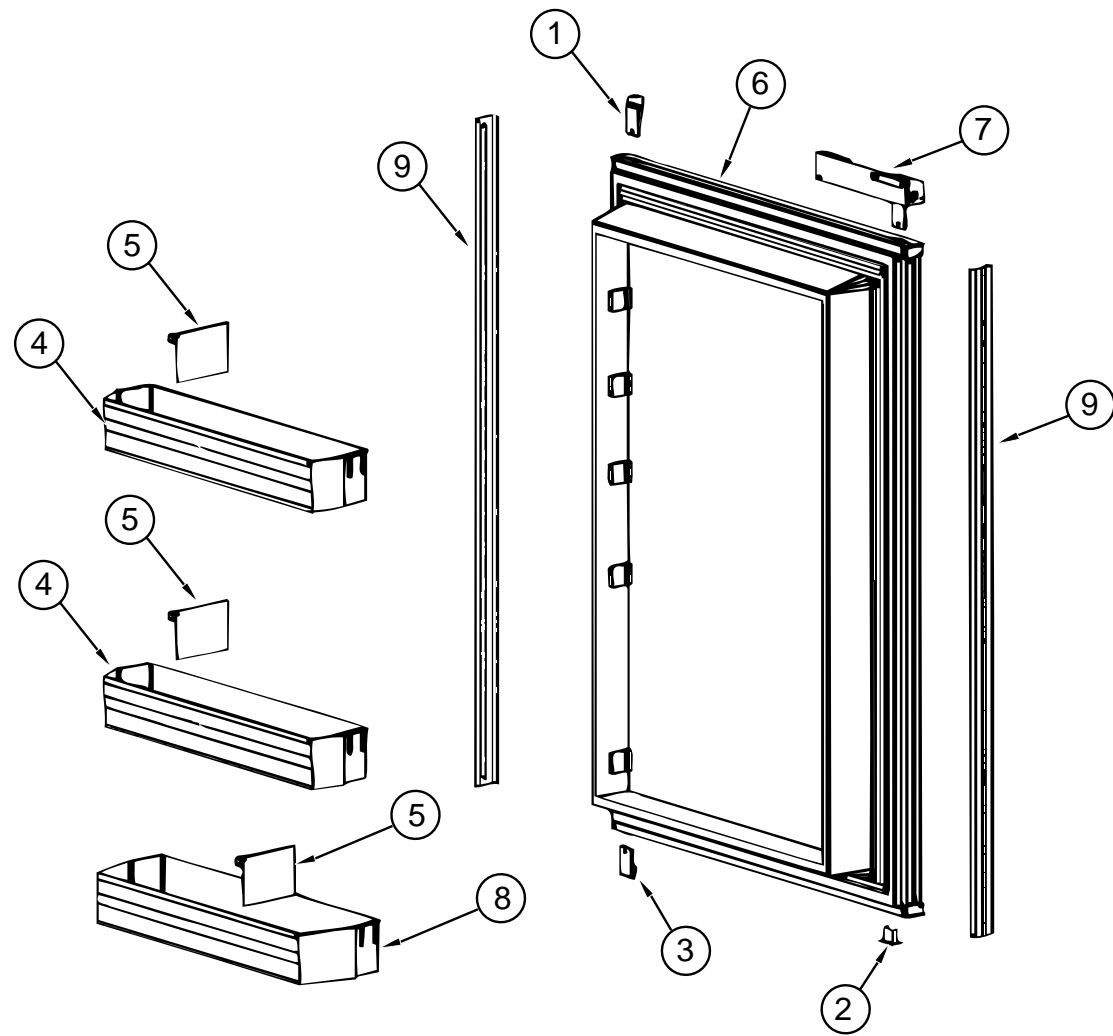
KEY	PARTNUMBER	U/M	DESCRIPTION
	120075-03-01A	EA	REFRIGERATOR-LARGEDOUBLEDOOR/RIGHTHAND-2-WAYW/ICE
	093646-01-000	EA	BRACKET-TIEDOWN/REFRIGERATOR-RIGHTHAND
	093646-02-000	EA	BRACKET-TIEDOWN/REFRIGERATOR-LEFTHAND
	116751-02-01A	EA	TRAY-REFRIGERATOR-BLACK
	054450-01-000	EA	LEVEL-REFRIGERATOR
	065225-02-000	EA	PLATE-TIEDOWN-REFRIGERATOR
	090195-08-000	EA	BAFFLE-REFRIGERATOR-LOWER
	093369-03-000	EA	STRAP-REFRIGERATOR



NORCOLD982REFRIGERATORW/ICEMAKERUPPERDOORASSEMBLY

KEY	PARTNUMBER	U/M	DESCRIPTION	VENDORNO.
	120075-03-01A	EA	REFRIGERATOR-LARGEDOUBLEDOOR/RIGHTHAND-2-WAYW/ICE	
1	120075-01-700	EA	RETAINER-DOORDECORPANEL	618128
2	120075-01-701	EA	HINGE-TOPRH/BTMLH,PAINTED	618511
3	120075-01-702	EA	CAP,(HINGEPLUG)	618160
4	120075-01-703	EA	DOORASM.,FOAMED,W/GASKET	618205
5	120075-01-704	EA	DOORHANDLE-UPRRH/LWRLH	618230
6	120075-01-705	EA	HINGE,PAINTED,TOPLH/BTMRT	618510
7	120075-01-706	EA	BIN-DOOR	618635
8	120075-01-707	EA	DIVIDER-DOORBIN	618637

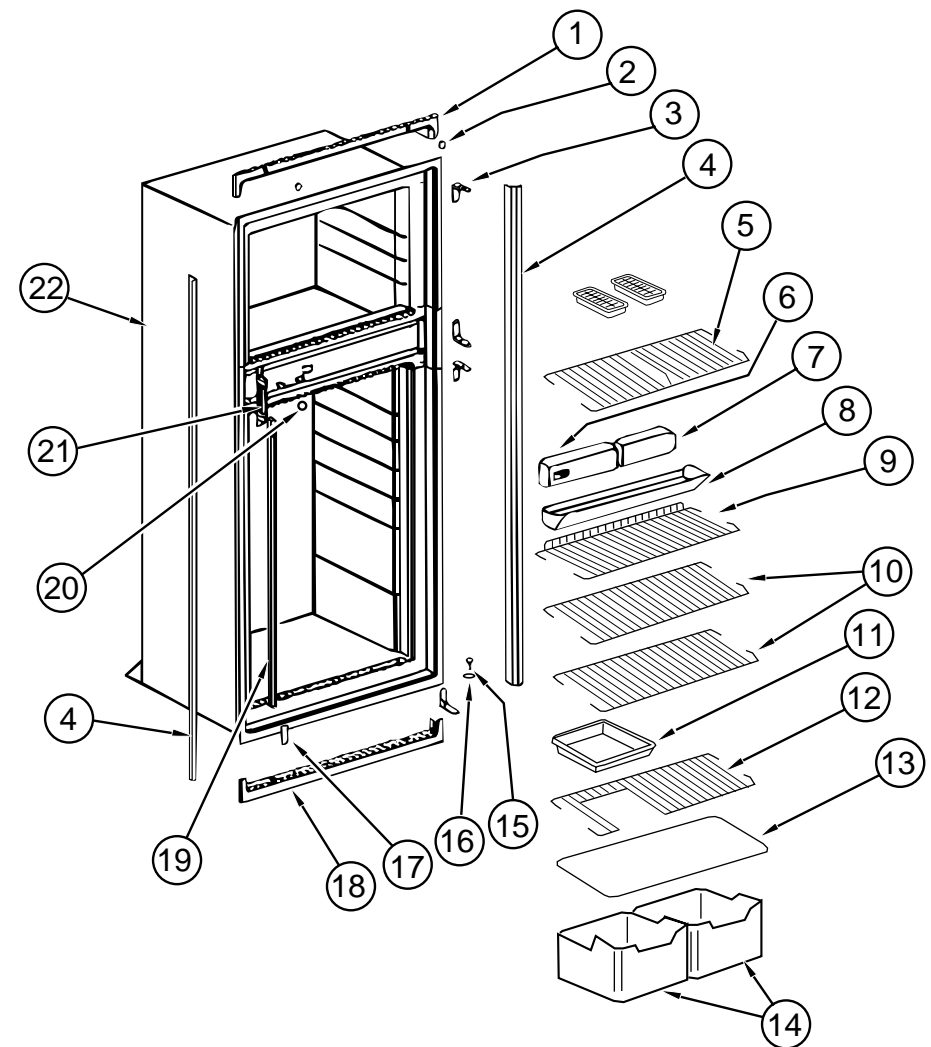
GALLEY GROUP(CONTINUED)



NORCOLD982REFRIGERATORLOWERDOORASSEMBLYWITHICEMAKER

KEY	PARTNUMBER	U/M	DESCRIPTION	VENDORNO.
	120075-03-01A	EA	REFRIGERATOR-LARGEDOUBLEDOOR/RIGHTHAND-2-WAYW/ICE	
1	120075-01-701	EA	HINGE-TOPRH/BTMLH,PAINTED	618511
2	120075-01-702	EA	CAP,(HINGEPLUG)	618160
3	120075-01-705	EA	HINGE,PAINTED,TOPLH/BTMRT	618510
4	120075-01-706	EA	BIN-DOOR	618635
5	120075-01-707	EA	DIVIDER-DOORBIN	618637
6	120075-01-710	EA	DOOR-LOWER-FOAMED,W/GASKET	618270
7	120075-01-704	EA	DOORHANDLE-UPRRH/LWRLH	618230
8	120075-01-712	EA	BIN-DOOR/BOTTOM-LARGE	618634
9	121568-01-703	EA	RETAINER-PANELLOWERDOOR	618129

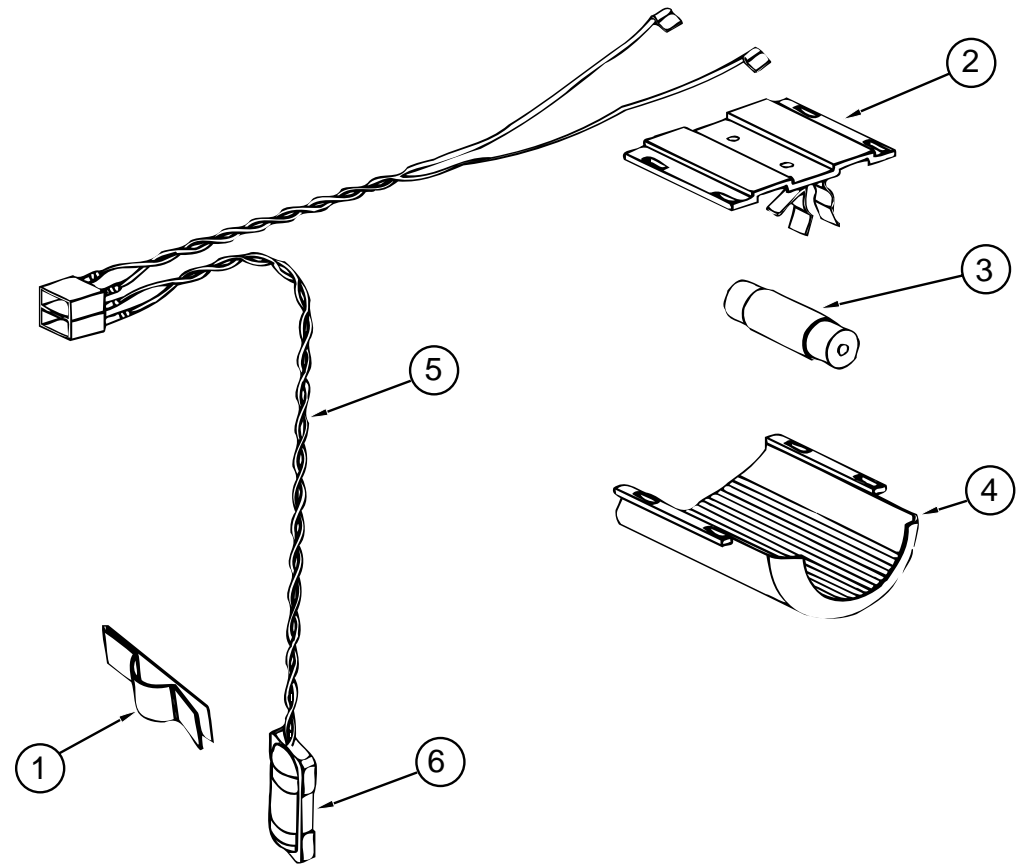
GALLEY GROUP(CONTINUED)



NORCOLD982REFRIGERATORCABINETASSEMBLYWITHICEMAKER

KEY	PARTNUMBER	U/M	DESCRIPTION	VENDORNO.
	120075-03-01A	EA	REFRIGERATOR-LARGEDOUBLEDOOR/RIGHTHAND-2-WAYW/ICE	
1	120075-01-713	EA	TRIM-TOPPIECE	618124
2	120075-01-714	EA	PLUG-HOLE	618170
3	120075-01-715	EA	HINGE-CABINETSIDE-PAINTED	618512
4	120075-01-716	EA	TRIM-SIDEPIECE	618134
5	120075-01-717	EA	SHELF-FREEZER,WIRE	618172
6	120075-01-719	EA	OPTICALCONTROLBOXASSEMBLY	618245
7	120075-01-718	EA	BOX-FILLER	618112
8	120075-01-720	EA	TRAY-DRIP	618137
	120075-01-721	EA	LOUVER-DRIPTRAY	618176
9	120075-01-722	EA	SHELF-WIRE,SHORT	618239
10	120075-01-723	EA	SHELF-WIRE	618114
11	104137-06-718	EA	SHELF-TRAY,WHITE,W/CUTOUT	617756
12	120075-01-724	EA	SHELF-WIRE,W/CUTOUT	618177
13	120075-01-725	EA	COVER-CRISPER	618158
14	120075-01-726	EA	CRISPER	618154
15	120075-01-727	EA	PIN-HINGE	618145
16	120075-01-708	EA	BUSHING-DOORHINGE	618144
17	120075-01-728	EA	COVER-HINGEHOLE	618171
	120075-01-729	EA	TRIM-BOTTOMPIECE	618136
19	120075-01-730	EA	RETAINER-SHELF	618181
20	120075-01-731	EA	PLUG-FACADE	618184
21	120075-01-732	EA	PLATE-STRIKE	618167
22	120075-01-733	EA	CABINET-FOAMED	618265

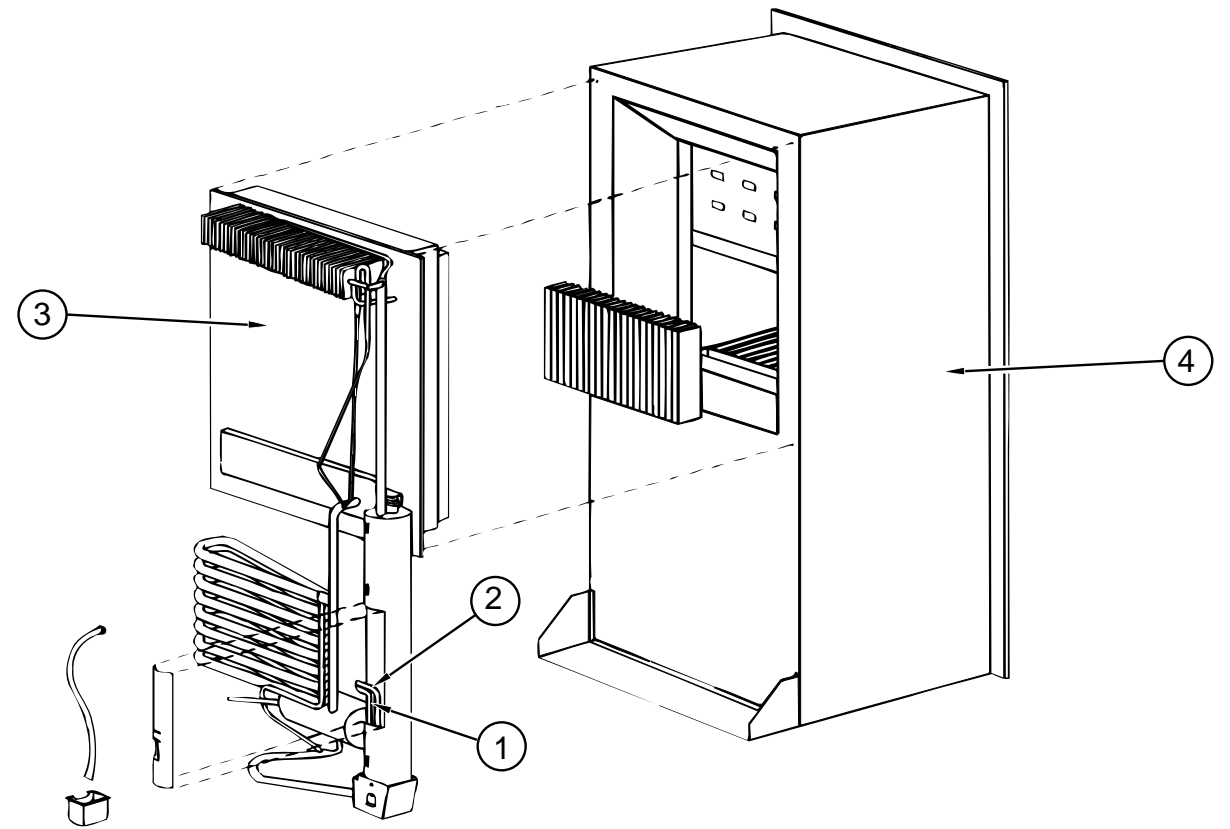
GALLEY GROUP(CONTINUED)



NORCOLD982REFRIGERATORLIGHT&THERMISTERWITHICEMAKER

KEY	PARTNUMBER	U/M	DESCRIPTION	VENDORNO.
	120075-03-01A	EA	REFRIGERATOR-LARGEDOUBLEDOOR/RIGHTHAND-2-WAYW/ICE	
1	084880-01-760	EA	CLIP(THERMISTER)	61689122
2	084880-03-705	EA	BRACKET-LIGHT-INTERIOR	61629722
3	084880-03-706	EA	BULB-LAMP	61628922
4	120075-01-734	EA	COVER-LENS	618190
5	120075-01-735	EA	THERMISTERW/LAMP&WIRE/ASM	618548
6	120075-01-742	EA	THERMISTERONLY	618288

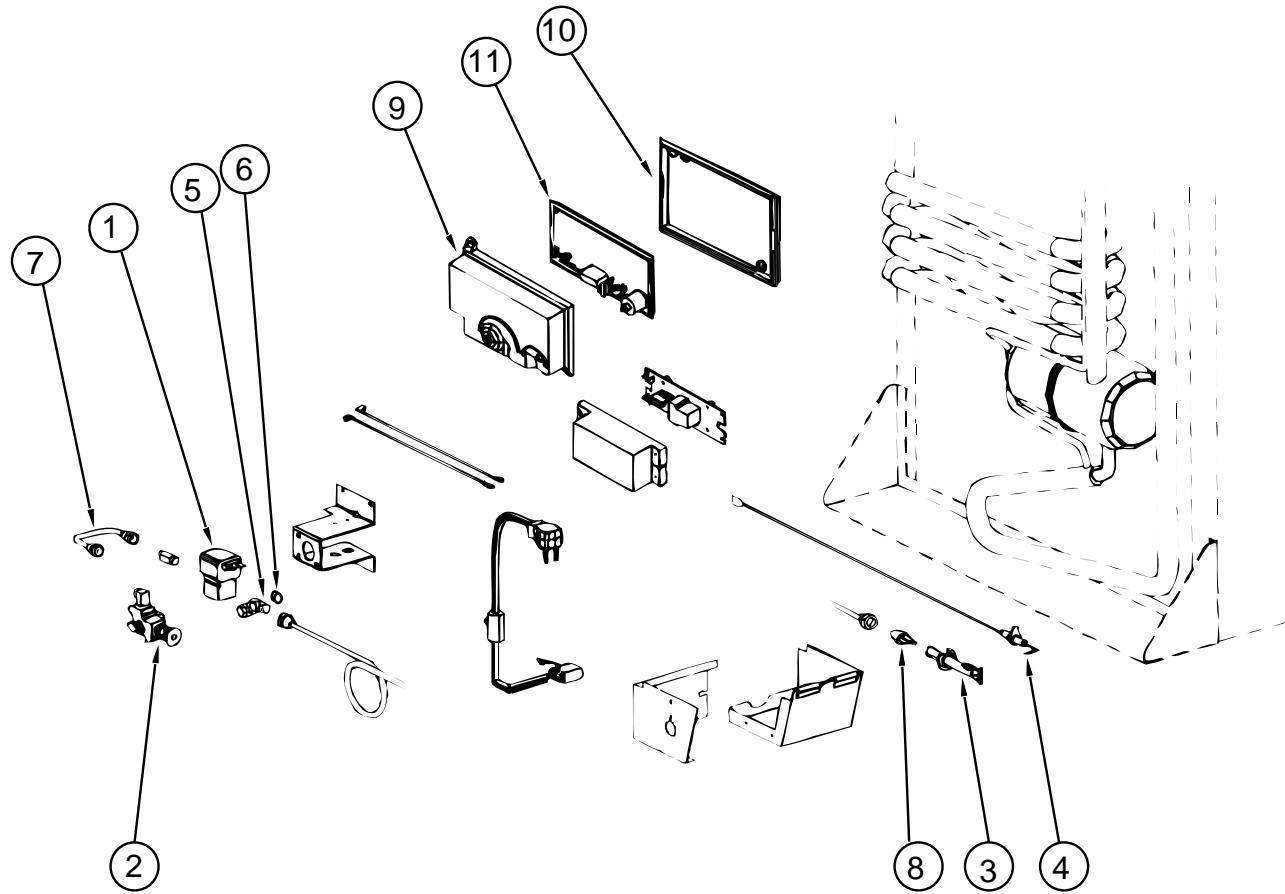
GALLEY GROUP(CONTINUED)



NORCOLD982REFRIGERATORCOOLINGUNITASSEMBLYWITHICEMAKER

KEY	PARTNUMBER	U/M	DESCRIPTION	VENDORNO.
	120075-03-01A	EA	REFRIGERATOR-LARGEDOUBLEDOOR/RIGHTHAND-2-WAYW/ICE	
1	088248-01-709	EA	HEATER-AC(HORIZONTAL)	61562722
2	088248-01-710	EA	HEATERDC(HORIZONTAL)	61562822
3	120075-01-736	EA	COOLINGUNIT,SERVICEPACK	618542
4	120075-01-733	EA	CABINET-FOAMED	618265

GALLEY GROUP(CONTINUED)



GALLEY GROUP(CONTINUED)

STOVECOVERS

KEY	PARTNUMBER	U/M	DESCRIPTION
	M05904-01-E13	EA	COVER-STOVE-W/COUNTERTOP(H50,H51)
	M05904-01-F40	EA	COVER-STOVE-W/COUNTERTOP(H52,H53)
	M05904-01-G42	EA	COVER-STOVE-W/COUNTERTOP(H54,H55,H62,H63)

MICROWAVEOVEN

KEY	PARTNUMBER	U/M	DESCRIPTION
	122753-02-000	EA	OVEN-MICROWAVE-.9CU.FTCONVECTION
	122753-04-000	EA	OVEN-MICROWAVE-.9CU.FT.CSACONVECTION
	094756-03-G15	EA	BRACKET-ANGLE-W/HOLES
	094756-01-02A	EA	BRACKET-ANGLE-W/HOLES
	082227-06-000	EA	TRIM-BOTTOM/MICROWAVE-BLACK
	102486-13-01A	EA	TRIM-MICROWAVE-VERTICAL-BLACK
	122884-01-01A	EA	TRIM-MICROWAVE-BLACK
	102482-09-H56	EA	FRAME-MICROWAVE
	122799-01-02B	EA	SUPPORT-MICROWAVE
	122799-02-02B	EA	SUPPORT-MICROWAVE

COFFEEMAKER

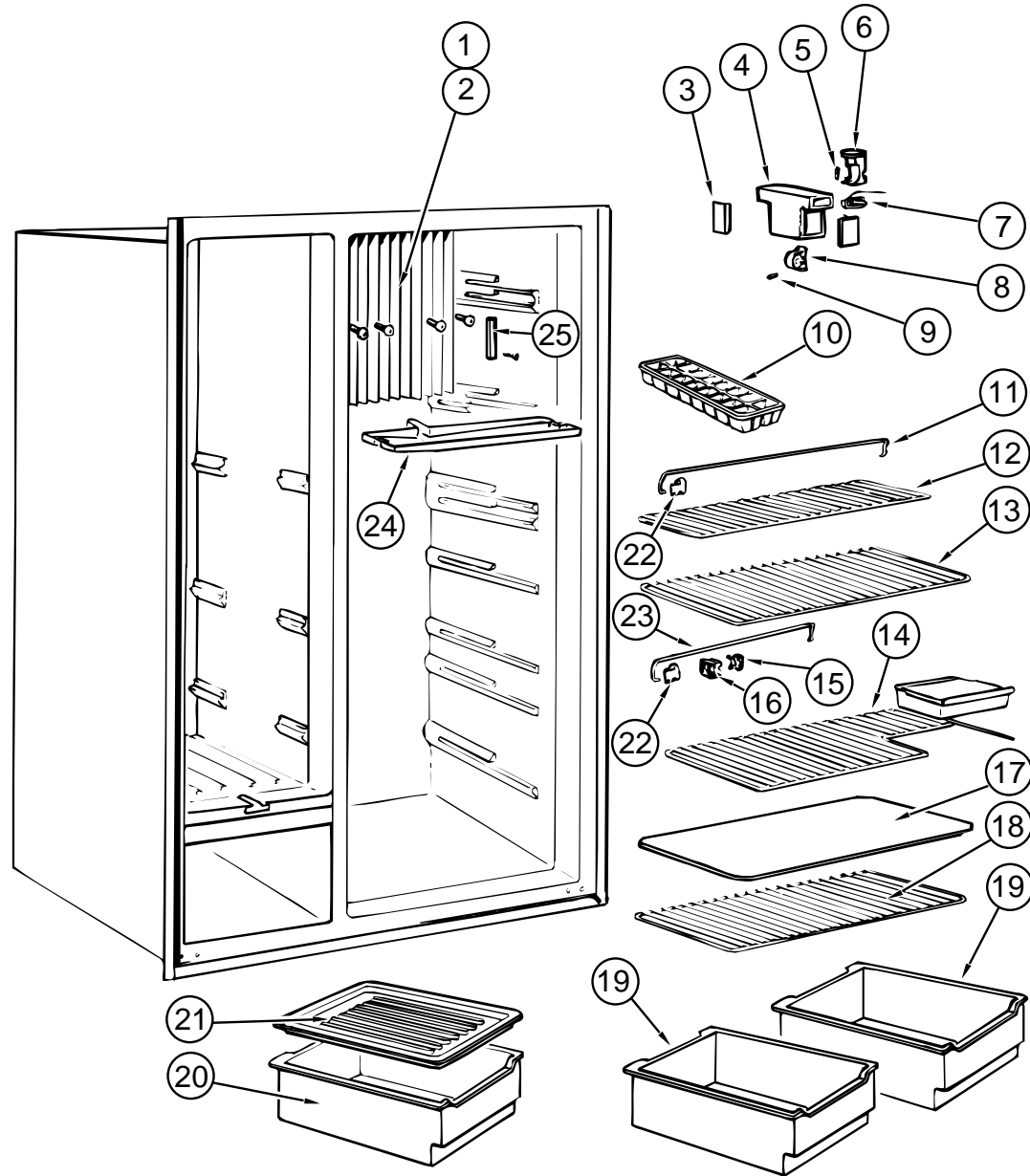
KEY	PARTNUMBER	U/M	DESCRIPTION	VENDORNO.
	103799-02-01A	EA	COFFEEMAKERW/CLOCK	
	103799-01-701	EA	BRACKETS,WHITEPAIR	FROM: 00-00-00 THRU: 04-13-97 164734-06B&D
	126019-01-01A	EA	COFFEEMAKER-OPTIMA-W/BRACKETS	FROM: 04-14-97 THRU: 99-99-99

NORCOLD982REFRIGERATORREAROFREFRIGERATORWITHICEMAKER

KEY	PARTNUMBER	U/M	DESCRIPTION	VENDORNO.
	120075-03-01A	EA	REFRIGERATOR-LARGEDOUBLEDOOR/RIGHTHAND-2-WAYW/ICE	
1	084880-01-718	EA	VALVE-GAS,(ASCO)	61551822
2	104137-06-709	EA	VALVE-SHUTOFF,MANUAL	61694922
3	104137-06-714	EA	BURNERASSEMBLY,5-SLOT	61705222
4	104137-06-715	EA	ELECTRODE-SPARK/SENSOR,SGL	61692222
5	113737-01-702	EA	PLUG1/8" F/PRESSURETAP	61445322
6	113737-01-716	EA	TAP-PRESSURE	61594422
7	113737-01-750	EA	TUBE-UNION	61694622
8	120075-01-737	EA	ORFICE-JEWEL,.0155	618284
9	120075-01-738	EA	COVER-POWERBOARD	618185
10	120075-01-739	EA	BOARD-POWER,2-WAY	618198
11	120075-01-740	EA	COVER-BASE,POWERBOARD	618186

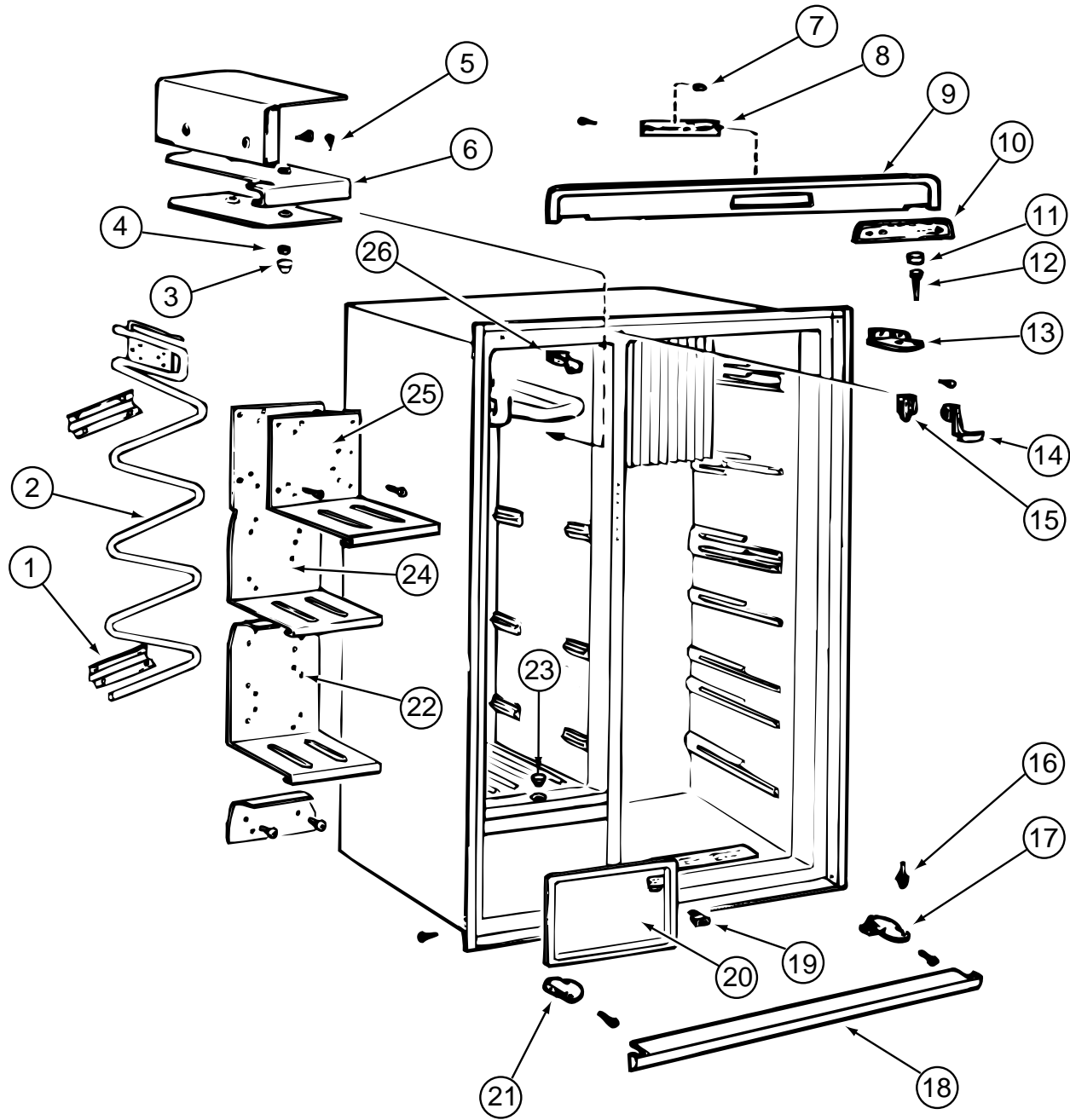
GALLEY GROUP(CONTINUED)

DOMETICSIDEBYSIDEREFRIGERATOR-RM7732IM



KEY	PARTNUMBER	U/M	DESCRIPTION	VENDORNO.
	118367-01-01A	EA	REFRIGERATOR-SIDEBYSIDEDOOR-2WAY	
1	118367-01-739	EA	FLANGE-COOLINGCOIL-LEFT	2931661-02/5
2	118367-01-740	EA	FLANGE-COOLINGCOIL-RIGHT	2931661-03/3
3	118367-01-757	EA	CAP-ENDLAMPPROTECTION	2004043-00/2
4	118367-01-753	EA	COVER-SWITCH&LIGHT	2004044-09/1
5	118367-01-759	EA	LAMP-10W-12VOLT	2007290-00/6
6	118367-01-758	EA	LIGHTING	2930744-01/2
7	118367-01-754	EA	SWITCH-DOOR	294082500/9
8	118367-01-756	EA	SUPPORT-THERMOSTAT	2004042-00/4
9	118367-01-763	EA	PIN-LOCKING	2001281-01/9
10	118367-01-746	EA	TRAY-ICE	2930400-00/3
11	118367-01-760	EA	RACK-UPPER	2007337-15/3
12	118367-01-743	EA	SHELF#3-REFRIGERATOR	2931542-02/7
13	118367-01-742	EA	SHELF#2-REFRIGERATOR	2931541-04/5
14	118367-01-745	EA	SHELF#5-REFRIGERATOR	2931541-06/0
15	118367-01-748	EA	LOCK-FLAP-OUTER	2007393-02/4
16	118367-01-747	EA	LOCK-FLAP-INNER	2007392-02/6
17	118367-01-741	EA	SHELF-UPPER-REFRIGERATOR	2931541-05/2
18	118367-01-744	EA	SHELF#4-REFRIGERATOR	2931117-06/9
19	118367-01-749	EA	BOX-VEGETABLE	2931471-02/9
20	118367-01-750	EA	BOX-VEGETABLE	2931471-03/7
21	118367-01-751	EA	LID-VEGETABLE	2932693-01/9
22	118367-01-762	EA	RETAINER-RACKS	2930693-04/5
23	118367-01-761	EA	RACK-LOWER	2007337-16/1
24	118367-01-752	EA	PAN-DRIP	2936163-01/3
25	118367-01-755	EA	RETAINER-PROBE	2931976-01/9
	118367-01-784	EA	BUCKET-ICE	3108702.998
	118367-01-785	EA	CONNECTION-WATER-COMPLETE	2930916024
	118367-01-787	EA	SHELF-ICEBUCKETWIRE	2931985010
	118367-01-788	EA	BLOCK-TERMINAL	2931963017
	118367-01-789	EA	ICEMAKER	3108703.517
	118367-01-790	EA	VALVE-WATER	2931972026
	054450-01-000	EA	LEVEL-REFRIGERATOR	
	065225-02-000	EA	PLATE-TIEDOWN-REFRIGERATOR	
	090195-08-000	EA	BAFFLE-REFRIGERATOR-LOWER	
	093646-01-000	EA	BRACKET-TIEDOWN-REFRIGERATOR	
	093646-02-000	EA	BRACKET-TIEDOWN-REFRIGERATOR	
	103251-05-01A	EA	INSERT-ACRYLICBLACK-16.81X55.06	
	103251-06-01A	EA	INSERT-ACRYLICBLACK-10.44X55.06	
	114431-05-000	EA	VALVE-NEEDLE-COMP 1/8MPTX 1/4 - FLAIR-IT64858	
	118871-02-01A	EA	TRAY-REFRIGERATOR-SIDE/SIDE-BLACK	
			FROM: 00-00-00 THRU: 11-24-96	
	118871-03-01A	EA	TRAY-REFRIGERATOR,SIDE/SIDE-BLACK	
			FROM: 11-25-96 THRU: 99-99-99	

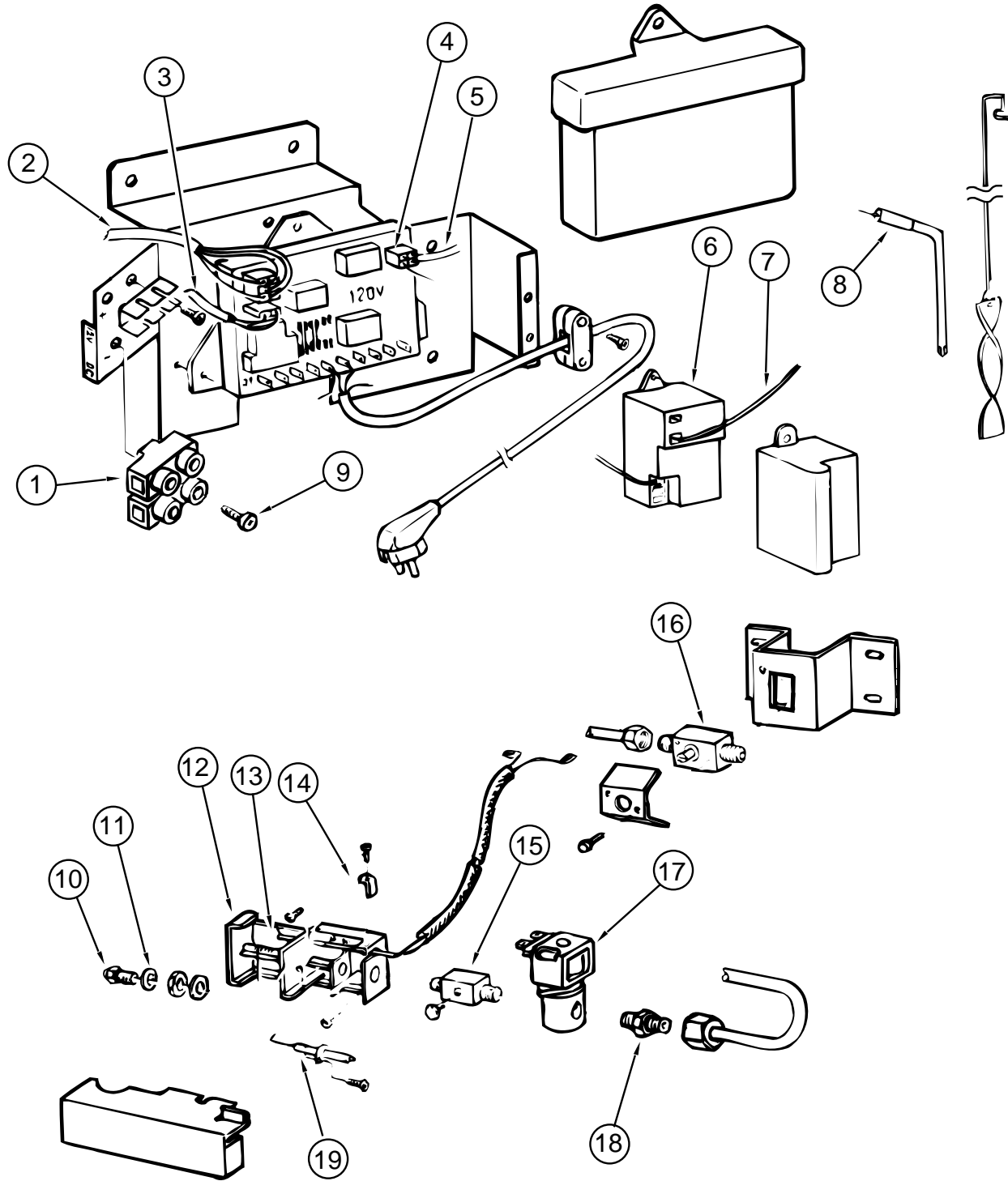
GALLEY GROUP(CONTINUED)
REFRIGERATOR SHELVES & COMPONENTS-DOMETIC RM7732IM



KEY	PARTNUMBER	U/M	DESCRIPTION	VENDOR NO.
	118367-01-01A	EA	REFRIGERATOR-SIDEBYSIDEDOOR-2WAY	
1	118367-01-738	EA	BRACKET-SHELF-FREEZER	2931484-01/4
2	118367-01-734	EA	COIL-FREEZER	2931474-01/5
3	118367-01-729	EA	LID-UPPER	2930487-00/0
4	118367-01-718	EA	NUT-M5-BRASS-FINISHED	7314314-13/4
5	118367-01-717	EA	SCREW-M6S-5X20-FINISHED	7252330-13/4
6	118367-01-733	EA	SHELF-UPPER-FREEZER	2931477-02/6
7	118367-01-721	EA	BUTTON	955024-13/8
8	118367-01-719	EA	BOARD-CIRCUIT-AESASM.	2932697-05/1
9	118367-01-722	EA	DECORATION-FRONT	2932663-01/2
10	118367-01-720	EA	DECORATION	955024-53/4
11	118367-01-713	EA	PLUG	2932736-01/6
12	118367-01-714	EA	PIN-HINGE-UPPER	2932647-01/5
13	118367-01-716	EA	HINGE-UPPER-RIGHT-REFRIGERATOR	2932646-02/5
14	118367-01-723	EA	BOW-LOCKING	2932745-01/7
15	118367-01-724	EA	RETAINER	2932746-01/5
16	118367-01-727	EA	PIN-HINGE-LOWER	2932649-02/9
17	118367-01-726	EA	HINGE-LOWER-RIGHT-REFRIGERATOR	2932645-02/7
18	118367-01-730	EA	STRIP-FRONT	2932664-01/0
19	118367-01-732	EA	SWITCH-DOOR	2932680-01/6
20	118367-01-731	EA	FLAP	2932655-01/8
21	118367-01-725	EA	HINGE-LOWER-LEFT-FREEZER	2932645-01/9
22	118367-01-737	EA	SHELF-#4-FREEZER	2931482-02/6
23	118367-01-728	EA	LID-LOWER	2931715-01/1
24	118367-01-736	EA	SHELF-#3-FREEZER	2931982-02/5
25	118367-01-735	EA	SHELF-#2-FREEZER	2931983-02/3
26	118367-01-715	EA	HINGE-UPPER-LEFT-FREEZER	2932646-01/7

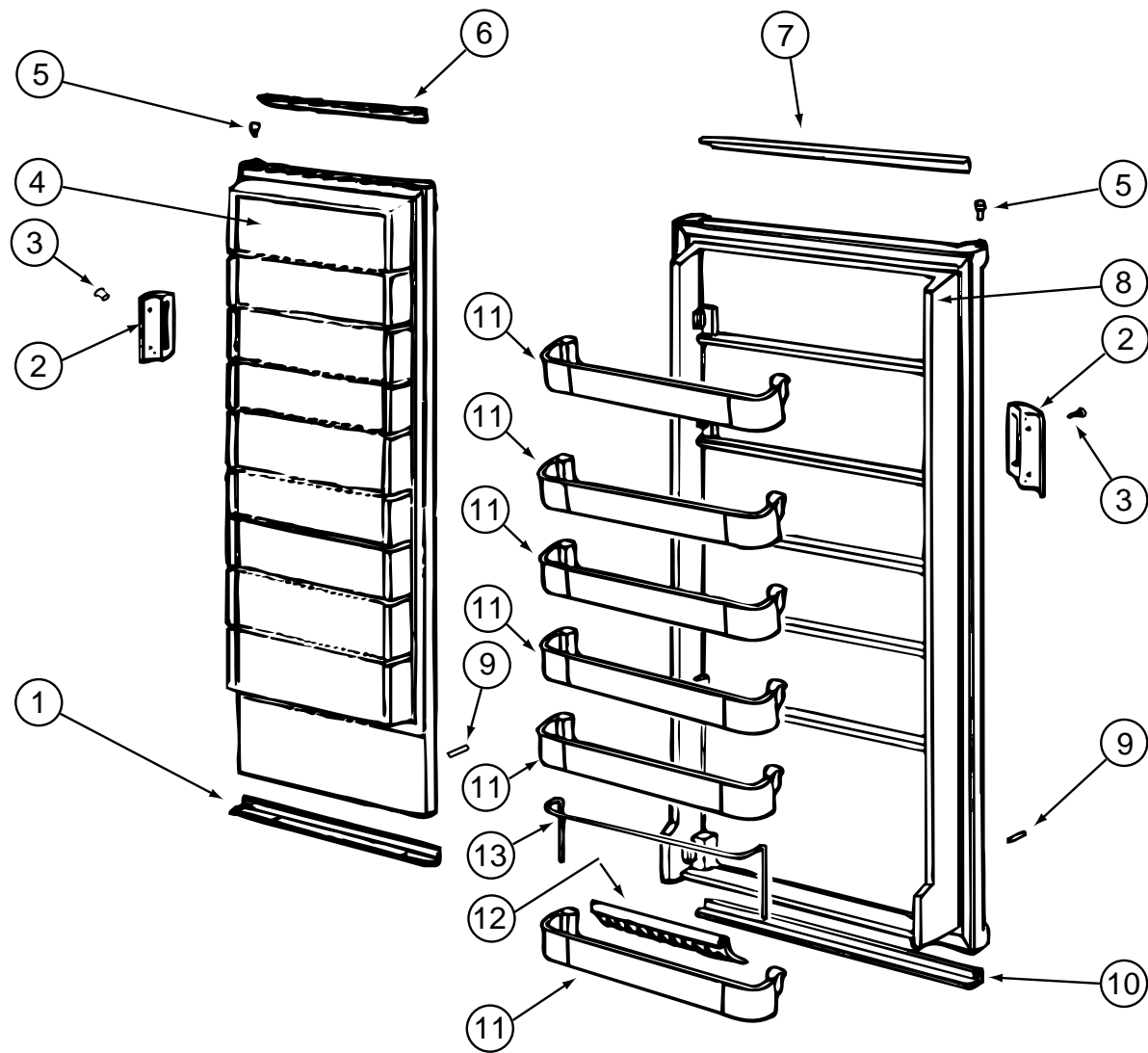
GALLEY GROUP(CONTINUED)

REFRIGERATORELECTRICALCOMPONENTS-DOMETICRM7732IM



KEY	PARTNUMBER	U/M	DESCRIPTION	VENDORNO.
	118367-01-01A	EA	REFRIGERATOR-SIDEBYSIDEDOOR-2WAY	
1	118367-01-780	EA	BLOCK-TERMINAL	2930463-01/9
2	118367-01-773	EA	CONDUCTOR-CIRCUITBOARD	2931862-02/9
3	118367-01-774	EA	CONDUCTOR-THERMISTOR	2931863-02/7
4	118367-01-772	EA	BOARD-CIRCUIT-COMPLETE	2931842-03/9
5	118367-01-775	EA	CONDUCTOR-GASVALVE	2954437-02/2
6	118367-01-782	EA	IGNITION-SPARK	2931132-01/9
7	118367-01-764	EA	CONDUCTOR-ELECTRODE	2007668-04/5
8	118367-01-777	EA	HEATER-210WATT-120VOLT	173758-03/8
9	118367-01-781	EA	SCREW-RXS-B6X25-STAINLESS	7295287-40/8
10	118367-01-776	EA	ORIFICE-JET-NR76	2007419-33/2
11	118367-01-779	EA	WASHER	2007457-00/1
12	118367-01-766	EA	HOUSING-BURNER	2932161-01/7
13	118367-01-771	EA	THERMOSTAT	2931826-01/6
14	118367-01-778	EA	RETAINER	2930660-01/0
15	118367-01-770	EA	NIPPLE	2931824-01/1
16	118367-01-769	EA	GASSHUTOFF	2932616-01/0
17	118367-01-767	EA	VALVE-SOLENOID	2943298-03/0
18	118367-01-765	EA	NIPPLE	2932063-01/5
19	118367-01-768	EA	ELECTRODE	2931495-01/0
	118367-01-800	EA	BOARD-CIRCUIT	2932595-01/4

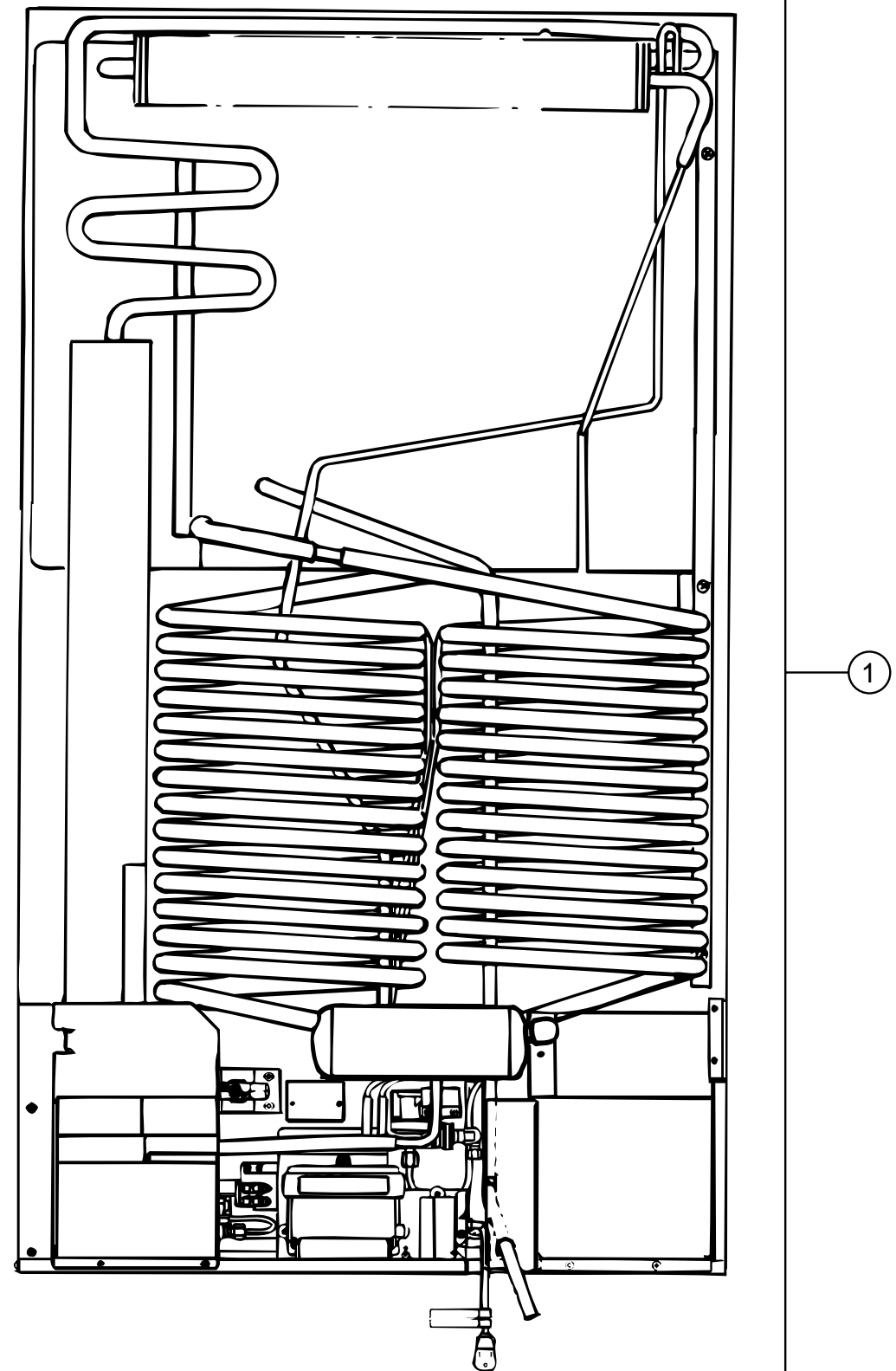
GALLEY GROUP(CONTINUED)



REFRIGERATOR DOORS-DOMETICRM7732IM

KEY	PARTNUMBER	U/M	DESCRIPTION	VENDOR NO.
	118367-01-01A	EA	REFRIGERATOR-SIDEBYSIDEDOOR-2WAY	
1	118367-01-709	EA	DECORATION-DOOR-FREEZER-LOWER	2932642-02/4
2	118367-01-704	EA	HANDLE-FREEZER/REFRIGERATOR	2932729-01/1
3	118367-01-705	EA	SCREW-HANDLE-FREEZER/REFRIGERATOR	7241323-61/2
4	118367-01-701	EA	DOOR-FREEZER	2932589-11/8
5	118367-01-702	EA	BUSHING-HINGE-FREEZER/REFRIGERATOR	2931171-01/7
6	118367-01-708	EA	DECORATION-DOOR-FREEZER-UPPER	2932642-12/3
7	118367-01-706	EA	DECORATION-DOOR-REFRIGERATORUPPER	2932642-08/1
8	118367-01-700	EA	DOOR-REFRIGERATOR	2932590-11/6
9	118367-01-703	EA	STOP-LOWER-FREEZER/REFRIGERATOR	2932588-01/1
10	118367-01-707	EA	DECORATION-DOOR-REFRIGERATORLOWER	2932642-03/2
11	118367-01-711	EA	SHELF-DOOR-REFRIGERATOR	2932583-02/0
12	118367-01-710	EA	HOLDER-BOTTLE-DOOR-REFRIGERATOR	2932658-01/2
13	118367-01-712	EA	RACK-DOOR-REFRIGERATOR	2932585-04/1

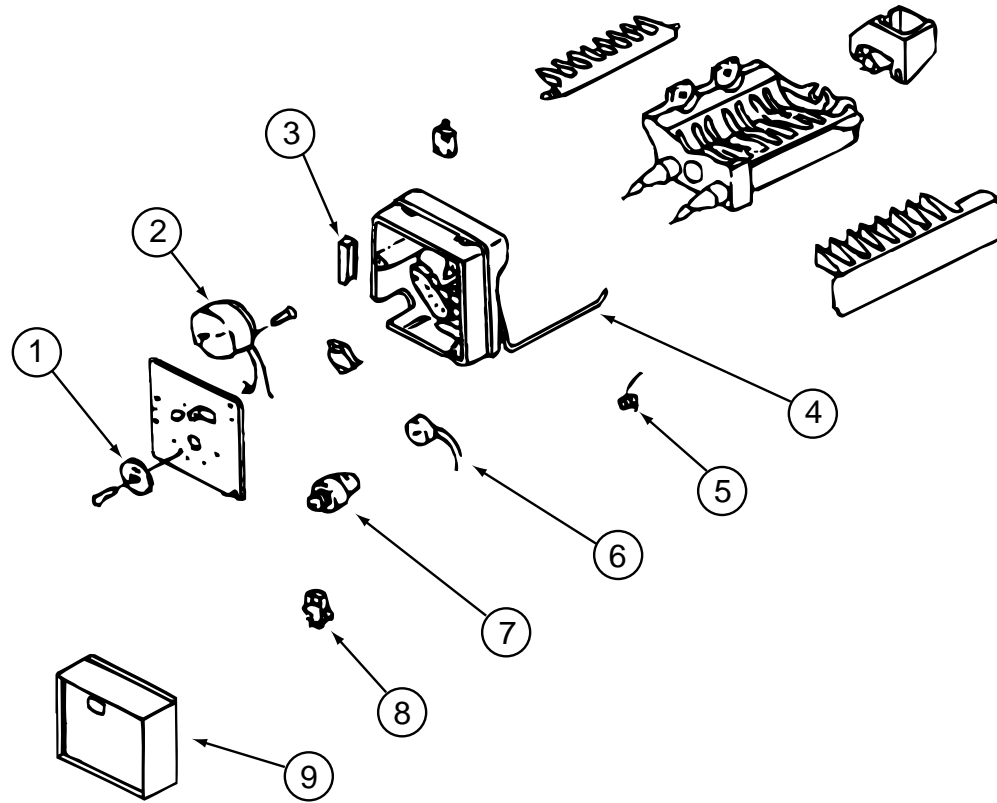
GALLEY GROUP(CONTINUED)



REFRIGERATOR COOLING COIL-DOMETICRM7732IM

KEY	PARTNUMBER	U/M	DESCRIPTION	VENDOR NO.
	118367-01-01A	EA	REFRIGERATOR-SIDEBYSIDEDOOR-2WAY	
1	118367-01-783	EA	COIL-COOLING	2934945-09/4

GALLEY GROUP(CONTINUED)



REFRIGERATOR/ICEMAKER COMPONENTS-DOMETICRM7732IM

KEY	PARTNUMBER	U/M	DESCRIPTION	VENDOR NO.
	118367-01-01A	EA	REFRIGERATOR-SIDE BY SIDE DOOR-2WAY	
1	118367-01-795	EA	GEAR	3108703.491
2	118367-01-793	EA	MOTOR	3108703.475
3	118367-01-799	EA	PLUG-4PRONG FEMALE	3108702.907
4	118367-01-797	EA	ARM-SHUTOFF	3108702.881
5	118367-01-798	EA	SPRING-SHUTOFF ARM	3108702.899
6	118367-01-792	EA	THERMOSTAT-MOLDING	3108703.467
7	118367-01-794	EA	CAM	3108703.483
8	118367-01-791	EA	SWITCH(3REQ)	8108703.459
9	118367-01-796	EA	COVER-CYCLE FRONT	2930874025

GENERATOR GROUP

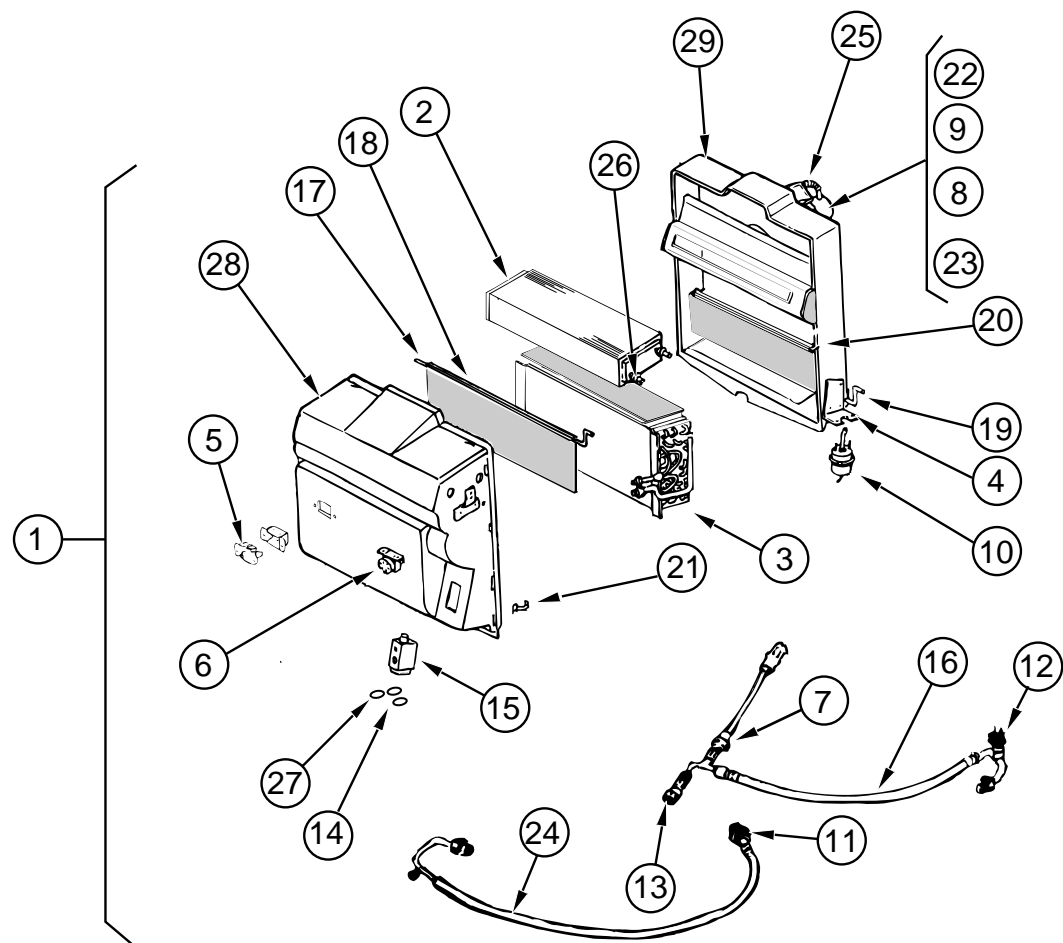
6.5KW ONAN LP MARQUIS GENERATOR

KEY	PARTNUMBER	U/M	DESCRIPTION
	105559-04-000	EA	GENERATOR-6.5KW-LP FUEL-30/30
	N/A	EA	ADAPTOR-EXHAUST(SUPPLIED W/GENERATOR)
	106235-01-000	EA	ADAPTOR-EXHAUST-GENERATOR
	093591-02-000	EA	PIPE-EXHAUST-GENERATOR-CURVED-1.5"OD
	007131-01-000	EA	HANGER-TAILPIPE-6SLOTS
	007125-02-000	EA	CLAMP-ASM-MUFFLER 1.25"DIAMETER
	007125-03-000	EA	CLAMP-MUFFLER-1.5"DIA
	065820-09-000	EA	HOSE ASM-HIGH PRESSURE, 28"
	010251-02-000	EA	ELBOW-BRASS-903/8FX1/4MPT
	106071-01-000	EA	SWITCH-AUTOMATIC TRANSFER, MAGNETEKATS 30AMP
	106071-02-000	EA	AUTOMATIC TRANSFER SWITCH-50AMP.-MAGNETEKATS 100(50AMP)
	112365-04-000	EA	BREAKER-20AMP-GENERATOR(30AMP SERVICE)
	112365-03-000	EA	BREAKER-30AMP-GENERATOR(50AMP SERVICE)

7.5WONAN DSL GENERATOR

KEY	PARTNUMBER	U/M	DESCRIPTION
	122425-01-000	EA	GENERATOR-DIESEL-7.5

HEATING&AIRCONDITIONINGGROUP



AUTOMOTIVEHEATING&AIRCONDITIONING

KEY	PARTNUMBER	U/M	DESCRIPTION	VENDOR NO.
1	103930-22-000	EA	EVAPORATOR/HEATERPUSH-R134ABLOCK-090-00085	
2	103930-01-703	EA	COIL-HEATER	042-0010
3	103930-01-704	EA	COILEVAPORATOR	041-0017
4	103930-01-708	EA	BRACKET-VACUUMMOTOR	070-0113
5	103930-01-710	EA	RESISTOR-FUSED	035-0006
6	103930-01-711	EA	THERMOSTAT	033-0003
7	103930-01-716	EA	SWITCH-PRESSURE-FAN	032-0029
8	103930-01-717	EA	WHEEL-CLOCKWISE	062-0010
9	103930-01-720	EA	MOTOR	030-0004
10	103930-02-708	EA	MOTOR-VACUUMSERVO-A/C	030-0002
11	103930-06-700	EA	FITTING-QUICKCONNECT#8	050-0082
12	103930-12-708	EA	SWITCH-BINARY-R-134A	032-0048
13	103930-12-709	EA	FITTING-QUICKCONNECT	050-0120
14	103930-17-702	EA	GASKETORSAE015#1033-781	045-0127
15	103930-20-700	EA	VALVEEXP.BLOCK(2TON)	034-0032
16	103930-20-701	EA	HOSEASM.-#6	085-0138
17	103930-20-702	EA	ROD-F/BLENDAIRDOOR	073-0039
18	103930-20-703	EA	DOOR-BLENDAIR	071-0212
19	103930-20-704	EA	ROD-DOOR-RECIRCULATING	073-0018
20	103930-20-705	EA	DOORPANEL-RECIRCULATING	071-0213
21	103930-20-706	EA	CLIP-RETAINER	022-0057
22	103930-20-707	EA	BLOWERHOUSING	062-0145
23	103930-20-708	EA	CLIP-F/MOTORSHAFT	022-0001
24	103930-22-700	EA	HOSEASM.-#10-DIESELPUSHER	085-0141
25	110279-01-703	EA	HOSE-VENT-MOTORBLOWER	051-0034
26	110279-01-712	EA	HEATERFITTING	050-0076
27	113245-01-707	EA	GASKET(#8)	045-0126
28	103930-20-710	EA	CASE-FRONT-SUB-ASSEMBLY	062-0146
29	103930-20-711	EA	CASE-BACK-SUB-ASSEMBLY	062-0147

HEATING&AIRCONDITIONINGGROUP(CONTINUED)

EVAPORATOR/HEATER ASSEMBLY

KEY	PARTNUMBER	U/M	DESCRIPTION	VENDERNO.
	103930-32-000	EA	EVAPORATOR/HEATER-FRTLINER/SPARTAN-SERVOMOTORCONTROLLED	
	103930-01-703	EA	CORE-HEATER	042-0010
	103930-01-704	EA	COIL-EVAPORATOR	041-0017
	103930-01-708	EA	BRACKET-VACUUMMOTOR	070-0113
	103930-02-708	EA	MOTOR-VACUUMSERVO,A/C	030-0025
	103930-01-710	EA	RESISTOR-FUSED,A/C	035-0006
	103930-01-711	EA	THERMOSTAT	033-0003
	103930-01-716	EA	SWITCH-PRESSURE-FAN	032-0036
	103930-01-717	EA	WHEEL-BLOWER,CLOCKWISE	062-0010
	103930-06-700	EA	FITTING-QUICKCONNECT,#8	050-0082
	103930-12-708	EA	SWITCH-BINARY-HI/LOWCUTOUT	032-0048
	103930-12-709	EA	FITTING-QUICKCONNECT	050-0120
	103930-17-702	EA	O'RING#10	045-0127
	103930-20-700	EA	VALVE-EXPANSION-BLOCK,2TON	034-0032
	103930-20-701	EA	HOSEASM#6EVAPORATOR/DRIER085-0138	
	103930-20-703	EA	DOOR-BLENDAIR	071-0212
	103930-20-704	EA	ROD-DOOR-RECIRCULATING	073-0018
	103930-20-705	EA	PANEL-DOOR,RECIRCULATING	071-0213
	103930-20-706	EA	CLIP-RETAINER-CASEATTACH	022-0057
	103930-20-707	EA	HOUSING-BLOWER	062-0145
	103930-20-708	EA	CLIP-MOTORSHAFT	022-0001
	103930-20-711	EA	CASE-BACK,SUB-ASSEMBLY	062-0147
	103930-22-700	EA	HOSEASM#10EVAPORATOR/COMP	085-0141
	103930-30-700	EA	CASE-FRONT	062-0542
	103930-30-701	EA	PLATE-MOTORMOUNT	062-0544
	103930-30-702	EA	BUSHING-BLENDAIRDOOR	062-0168
	103930-30-703	EA	MOTOR-SERVO	030-0104
	103930-30-704	EA	COVER-SERVO	062-0545
	103930-30-706	EA	MOTOR-BLOWERPM147W/ADAPTER	030-0109
	110279-01-703	EA	HOSE-VENTF/BLOWER MOTOR	051-0034
	110279-01-712	EA	FITTING-HEATER	050-0076
	113245-01-707	EA	O'RING#8	045-0126

HEATING&AIRCONDITIONINGGROUP(CONTINUED)

CONTROL/PLENUM

KEY	PARTNUMBER	U/M DESCRIPTION	VENDORNO
	103930-35-000	EA CONTROL/PLENUM-ROTARYCONTROLHEAD	
	103930-02-707	EA RELAY-BOSCHW/RESISTER	031-0001
	103930-02-708	EA MOTOR-VACUUMSERVO,A/C	030-0025
	103930-02-710	EA CANISTER-VACUUM	054-0002
	103930-33-700	EA ROD-DOORDEFROSTER/AC	073-0028
	103930-33-701	EA MOTOR-VACUUM,3STAGE	030-0105
	103930-33-702	EA CONTROLPANEL	083-0169
	103930-33-703	EA VACUUMHARNESS	036-0466
	103930-33-705	EA LIGHTBULBS	035-0030
	103930-33-706	EA ROD-DOORAC/DEFROST	073-0060
	103930-33-707	EA SWITCH-BLOWER	032-0186
	103930-33-708	EA SWITCH-POTENTIOMETER	032-0184
	103930-33-709	EA SWITCH-VACUUM	032-0183
	103930-33-710	EA DECALF/CONTROLHEAD	058-0102
	103930-33-704	EA WIREHARNESSW/BULBS	036-0465
		FROM: 00-00-00 THRU: 12-21-96	
	103930-33-711	EA WIREHARNESS-MAIN	036-0496
		FROM: 12-22-96 THRU: 99-99-99	
	103930-33-712	EA KNOB-BLOWER	
	103930-33-713	EA KNOB	

HEATING&AIRCONDITIONINGGROUP(CONTINUED)

SCSAUTOA/C&HEATERHOSEKIT

KEY	PARTNUMBER	U/M DESCRIPTION	VENDORNO.
	103930-16-000	EA HOSEKIT#12389"R134A,SCS093-00074	
	103930-07-704	EA FITTING-QUICKCONNECT,#8	050-0081
	103930-13-702	EA VALVE-SERVICE,W/OCOMPRESSOR	050-0152
	103930-16-700	EA HOSEASM.,#12SPARTON	085-0120
	103930-17-702	EA GASKETORSAE015=#1033-781	045-0127
	113245-01-710	EA GASKET,#12	045-0128

SCSAUTOA/C&HEATERCONDENSER

KEY	PARTNUMBER	U/M DESCRIPTION	VENDORNO.
	072342-12-000	EA CONDENSERASM-W/FANSIDER13,SCS091-00024	
	072342-08-703	EA FANBLADE/MOTOR&SHROUD11"	062-0097
	072342-10-702	EA FITTING-QUICKCONNECT#4MALE	050-0148
	072342-10-704	EA VALVE-SERVICE#8X8	050-0134
	072342-12-700	EA COIL-CONDENSER	040-0027
	072342-12-701	EA HOSEASSEMBLY#8X95	085-0142
	072342-12-702	EA HOSEASSEMBLY#6,EVAPORATOR-DRIER	085-0143
	072342-12-703	EA RECEIVERDRIER	054-0001
	113245-01-707	EA GASKET,#8	045-0126
	113245-01-711	EA GASKET,#6	045-0129

VACUUMPUMP

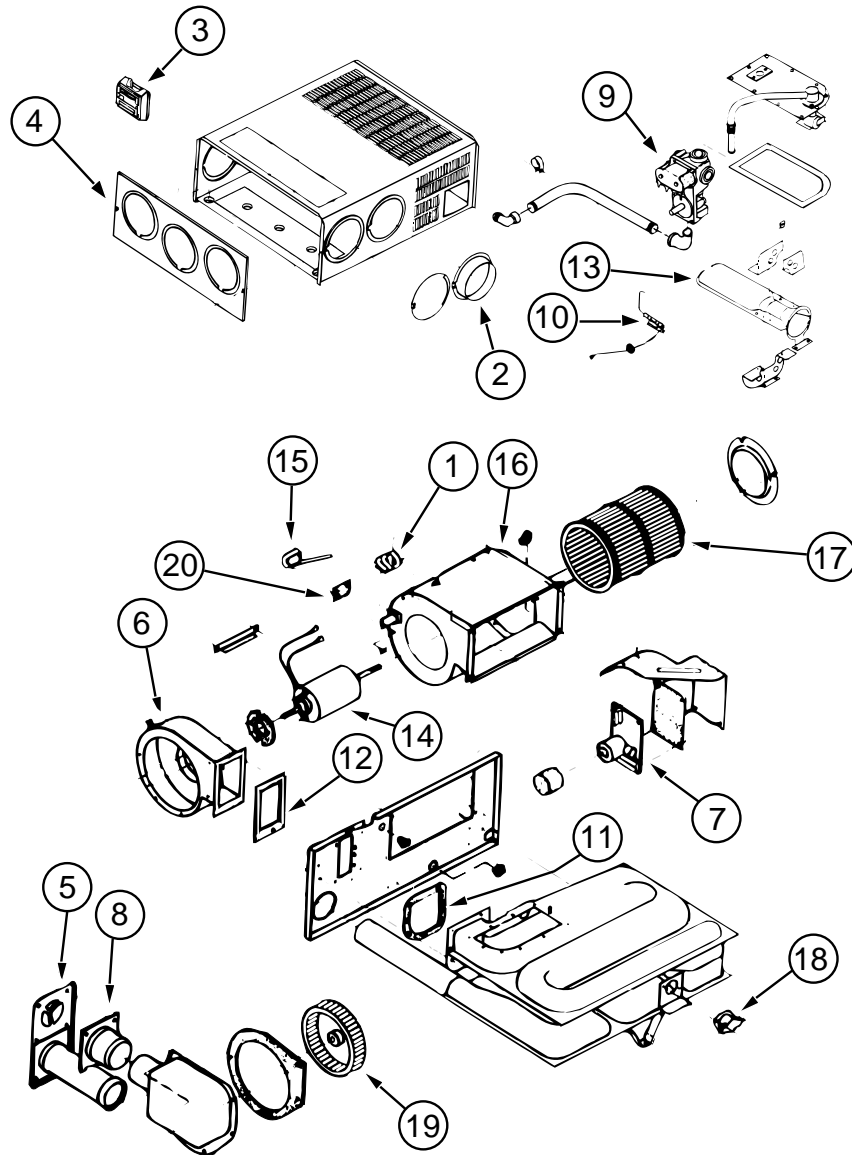
KEY	PARTNUMBER	U/M DESCRIPTION
	114802-01-000	EA PUMP-VACUUM,12V,16"HG-EVANSRV212471

AUTOA/C&HEATSYSTEM

KEY	PARTNUMBER	U/M DESCRIPTION
	007076-01-000	EA HOSE-FLEXIBLEPVC-2"ID-INCREMENTSOF10'
	007281-01-000	EA HOSE-FLEXIBLEPVC-2.5"IDX50'
	077075-01-000	EA GASKET-INSTRUMENTPANELTODEFROSTERPLENUM
	077075-03-000	EA GASKET-INSTRUMENTPANELTODEFROSTERPLENUM-.6"X10.2"
	103017-01-000	EA PLENUM-DEFROSTER
	103930-23-000	EA VALUE-WATER-2PORT
	024990-07-000	EA OUTLET-DEFROSTER-W/SWIVEL-2"
	024990-05-000	EA 4"DIAMETEROUTLETW/SWIVELDEFLECTORS
	056402-05-000	EA BRACKET-HEATERVENT-ROUNDW/BEND-BLACK
	056402-06-000	EA BRACKET-HEATER/BLACK
	103016-01-000	EA PLENUM-TRANSITION
	103558-01-07A	EA VENT-DEFROSTER-2"X14.4"X1.4"-HAMPTONTAN
	103796-01-01A	EA LOUVER-A/C
	103930-05-000	EA MANUAL-OWNER-HEATER/A/C
		FROM: 00-00-00 THRU: 02-23-97
	103930-37-000	EA MANUAL-OWNER-HEATER/A/C
		FROM: 02-24-97 THRU: 99-99-99

HEATING & AIR CONDITIONING GROUP (CONTINUED)

FURNACE SYSTEM



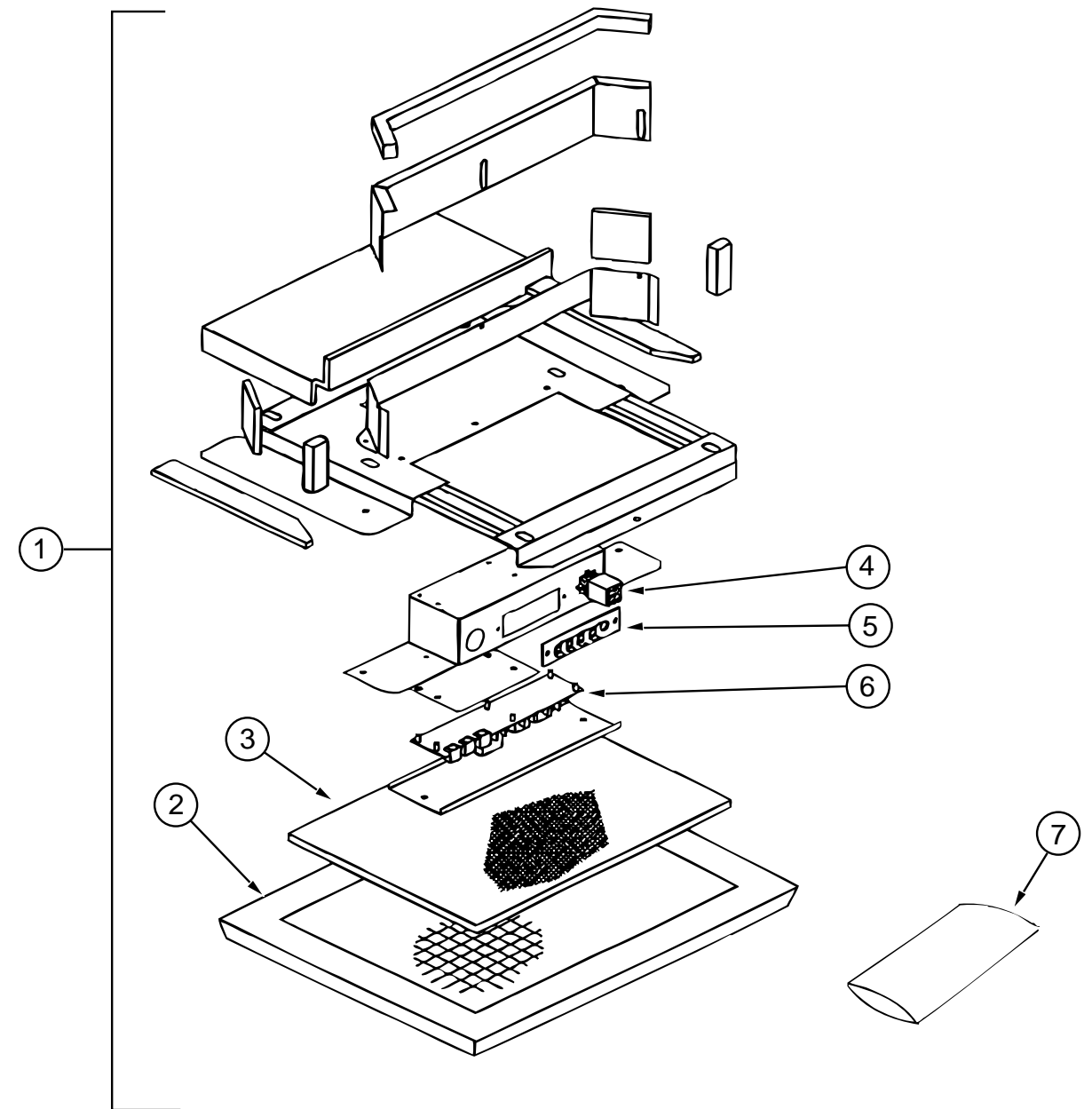
KEY	PARTNUMBER	U/M	DESCRIPTION	VENDOR NO.
	098668-22-000	EA	FURNACE-49.000BTU	
1	074466-01-702	EA	RELAY,TIMEDELAY205&L&45000	230625
2	075696-02-703	EA	DUCTCOLLAR	050715
3	115764-01-01A	EA	THERMOSTAT-FURNACE	
4	098668-01-700	EA	CABINETFRONT	101242
5	098668-01-707	EA	TUBEASSEMBLY,EXHAUSTW/CAP	260231
6	098668-01-708	EA	HOUSING-BLOWER,COMBUSTION	390441
7	098668-01-712	EA	BOARD-MODULE	520741
8	098668-01-713	EA	TUBEASSEMBLY,INTAKE	051248
9	098668-01-714	EA	VALVE-GAS,SFS.N.921401821	161070
10	098668-01-715	EA	ELECTRODEASM.,SINGLEPROBE	232166
11	098668-01-716	EA	GASKET-FIREWALL,CHAMBERSIDE	070808
12	098668-01-717	EA	GASKET-FIREWALL,BLOWERSIDE	070809
	098668-11-700	EA	ORIFICE-MAINBURNER,SF-42F	180216
13	098668-11-701	EA	BURNERASSEMBLY,SF-42F	010799
14	098668-11-702	EA	MOTORASSEMBLY,SF-42F	232212
15	098668-11-703	EA	SWITCH-SAIL,SF-42F	232216
16	098668-11-704	EA	BLOWERASM.,ROOMAIRSF-42F	390698
17	098668-01-711	EA	WHEEL-BLOWER,ROOMAIR	350129
18	098668-11-706	EA	SWITCH-LIMIT,SF42&SF42F	232217
19	098668-22-702	EA	WHEEL-COMBUSTIONAIR	350183
20	101990-01-714	EA	GASKET-MICROSWITCH	230877
	098668-24-000	EA	DOOR-ACCISS,FURNACE,SABLE	
	098668-26-000	EA	BOTTOMDUCTKIT-40000BTU	
	093614-01-02A	EA	GRILLE-RETURNAIR	
	093614-04-02A	EA	GRILLE-RETURNAIR	
	024990-05-000	EA	OUTLET-DEFROSTER,W/SWIVEL-2"DIAMETER-BLACK	
	056464-09-000	EA	REGISTER-4"DIAMETER-PLASTIC-W/DAMPENER-BEIGE	
	120134-01-01A	EA	REGISTER-4-5INDIAW/DAMPER-D&W88400/WHT	
	056464-06-000	EA	REGISTER-HEAT/A/C,ROUNDW/ODAMPER-4"-PLAS-O/WHITE	
	056464-10-000	EA	REGISTER-4"DIAMETER-PLASTIC-W/ODAMPENER-BEIGE	
	009198-01-000	FT	DUCT-HEAT-FLEXIBLE-4"IDX25FT	
	069636-02-000	EA	CONNECTOR-DUCT,4"ID-SUBURBAN050715	
	092776-01-000	EA	ADAPTER-DUCT,2"	
	092777-01-000	EA	ADAPTER-DUCT-4"	
	094600-05-01A	EA	REGISTER-HEAT-W/ODAMPER	
	094600-06-01A	EA	REGISTER-HEAT-W/DAMPER	
	009200-01-000	EA	TAPE-FURNACE,1 1/2"	
	007108-01-000	FT	HOSE-HEATER-5/8"ID-HI-TEMP-FORDESE-M2D192-A	
	007076-01-000	EA	HOSE-FLEXIBLEPVC,2"ID	
	076776-01-000	EA	TEE-BARB-5/8"X5/8"X5/8"	

HEATING & AIR CONDITIONING GROUP (CONTINUED)

COLEMAN ROOF A/C SYSTEM

KEY	PART NUMBER	U/M	DESCRIPTION	VENDOR NO.
	091225-07-000	EA	A/C-ROOF, 13500 SUPERMACIVO-*COLEMAN6799A807	
	037648-01-714	EA	GASKET PACKAGE	6759-3281
	091225-01-704	EA	COIL-CONDENSER	1452A1271
	091225-01-705	EA	WHEEL-BLOWER, CONDENSER	6799-3381
	091225-01-707	EA	MOTOR (115V, 2.8AMPS, 1650RPM)	6799-3119
	091225-01-708	EA	WHEEL-BLOWER, EVAPORATOR	6799-3391
	091225-01-709	EA	RELAY-START	1497-4131
	091225-01-710	EA	CAPACITOR-START	1497-0881
	091225-07-700	EA	SHROUD (IVORY/IVORY) LESS LOGO	6799-4771
	091225-07-701	EA	COMPRESSOR-TECUMSEH	6798A3609
	091225-07-702	EA	OVERLOAD	6746-3991
	091225-07-703	EA	CAPACITOR-COMPRESSOR, RUN	1499-5681
	093306-01-701	EA	DECAL PACKAGE, LEFT & RIGHT	6798B3591
	093765-01-702	EA	COIL-EVAPORATOR	1452-1381
	105620-01-718	EA	CAPACITOR-FAN, 12.5MFD/370V	1499-5631
	102289-01-000	EA	SPRING-SCREW-ROOF A/C GASKET	
	073937-03-000	EA	SWITCH-ROTARY SELECTOR, 3DECK-A/C-CA20-USA892	
	121365-01-01A	EA	COVER-A/C SWITCH-DUAL	
	121365-01-01A	EA	COVER-A/C SWITCH-SINGLE	
	109752-01-000	EA	CHANNEL-SUPPORT, A/C	
	110403-01-H37	EA	SPACER ASM-RETURN AIR, OAK (SOLAR MAPLE)	
	110403-01-G39	EA	SPACER ASM-RETURN AIR, OAK (SALAM CHERRY)	
	117238-01-01A	EA	THERMOSTAT-A/C AND FURNACE	
	117238-02-01A	EA	THERMOSTAT-A/C ONLY	
	109050-02-000	EA	FILTER-FIBERGLASS 1X14X20	

HEATING & AIR CONDITIONING GROUP (CONTINUED)



COLEMAN ROOF A/C CEILING ASM

KEY	PART NUMBER	U/M	DESCRIPTION	VENDOR NO.
1	108892-01-01A	EA	CEILING ASSEMBLY-A/C DUCTED	
2	108892-01-704	EA	GRILLE (PLASTIC)	6798-3041
3	108892-01-703	EA	FILTER	6798A3761
4	108892-01-700	EA	PLUG ASSEMBLY	7330-540
5	108892-01-701	EA	BOARD-TERMINAL	7330-3201
6	108892-01-702	EA	BOARD-P.C.	7330A3211
7	108892-01-705	EA	SMALL PARTS PKG	7330A6101

INTERIORFINISHGROUP

PANELING,LAMINATES&PLASTIC

KEY	PARTNUMBER	U/M	DESCRIPTION
	000846-01-000	SF	PLYWOOD-5/16'X48"X96"
	000846-02-000	SF	PLYWOOD-UNDR-5/16"X48"X96"
	000885-80-000	SF	PARTICLEBOARD-3/8"X48"X96"-1SIDED(SOLARMAPLE)
	000885-71-000	SF	PARTICLEBOARD-3/8"X48"X96"-1SIDED(SALEMCHERRY)
	000885-83-000	SF	PARTICLEBOARD-3/4"X48"X96"-2SIDED(SOLARMAPLE)
	000885-73-000	SF	PARTICLEBOARD-3/4"X48"X96"-CHERRY-2SIDEVINYL(SALEMCHERRY)
	052372-02-000	BF	LUMBER-CLASSII-1"X48"XRL
	074497-35-000	SF	PANELING-SOLARMAPLE-4'X8'(SOLARMAPLE)
	074497-23-000	SF	PANELING-CHERRY3MMX48"X96"(SALEMCHERRY)
	074498-62-000	SF	LAMINATE-PLASTIC-GREYFINESSE-5'X8'-INCOF40SF(H50,H51)
	074498-71-000	SF	LAMINATE-PLASTIC-NEUTRALSANTOS-5'X8'-INCOF40SF(H52,H53)
	074498-54-000	SF	LAMINATE-PLASTIC-SANDSPECKTRUM-5'X8'INCOF40SF(H54,H55,H62,63)
	074498-79-000	SF	LAMINATE-PLASTIC-SOLARMAPLE-5'X8'-INCOF40SF(SOLARMAPLE)
	074498-58-000	SF	LAMINATE-PLASTIC,PROV.CHERRY(SALEMCHERRY)
	076773-13-000	SF	PANELING-SOLARMAPLE-48"X96"-2SIDED
	080215-11-000	SF	PANELING-2SIDED-SOLARMAPLE-48"X96"(SOLARMAPLE)
	080215-09-000	SF	PANELING-2SIDECHERRY,5MMX48X96(SALEMCHERRY)
	088272-E1-000	SF	PANELING-SOLITUDE-PROVENCE-4'X7'(H50,H51)
	088272-E5-000	SF	PANELING-CORBIN-TOBACCO(H52,H53)
	088272-G7-000	SF	PANELING-TRANQUILGARDEN-4'X7'(H54,H55)
	088272-G2-000	SF	PANELING-LAJOLLA-SEAMIST-4'X7'(H62,H63)
	088272-G1-000	SF	PANELING-PEBBLEEMBOSSD-ANTIQUEWHITE-4'X7'
	106069-01-000	SF	TAMBOUR-BRASSTONED-ALUMINUMCOVEREDHARDBOARD-48"X72"
	114129-01-02A	SF	LINER-CABINET-.02"X48"X96"
	122185-D2-438	EA	LUMBER-.7"X1.5"X96"VINYLWRAPPED-SOLARMAPLE
	111134-D2-438	EA	LUMBER-.7"X1.5"X96"VINYLWRAPPED-CHERRY
	122185-E2-438	EA	LUMBER-.7"X2"X96"-VINYLWRAPPED-SOLARMAPLE
	111134-E2-438	EA	LUMBER-.7"X2"X96"-VINYLWRAPPED-CHERRY
	122185-G2-438	EA	LUMBER-.7"X3"X96"-VINYLWRAPPED-SOLARMAPLE
	111134-G2-438	EA	LUMBER-.7"X3"X96"-VINYLWRAPPED-CHERRY
	076325-43-000	FT	MOLDING-EDGEAND .876"X.024"-CLOUD(H50,H51)
	076325-40-000	FT	MOLDING-EDGEAND-.875"X.024"(H52,H53)
	076325-44-000	FT	MOLDING-EDGEAND-.875WIDE-SAND(H54,H55,H62,H63)
	126339-01-000	SF	BOARD-WHEAT-60"X72"

FIREEXTINGUISHER,DETECTORS&CLOCK

KEY	PARTNUMBER	U/M	DESCRIPTION	VENDORNO.
	072852-02-000	EA	DETECTOR-SMOKE-W/9/VOLTBATTERY-CANADIAN	
	094499-02-000	EA	EXTINGUISHER/FIRE-DRY-1A10BC-CANADIAN	
	094499-01-700	EA	BRACKETMTG.W/PLAS.STRAP	294039
	072852-01-000	EA	DETECTOR-SMOKE-W/9VOLTBATTERY-US	
	094499-01-000	EA	EXTINGUISHER/FIRE-DRYW/MOUNTINGBRACKET-10B:C	
	094499-01-700	EA	BRACKETMTG.W/PLAS.STRAP	294039
	094499-01-701	EA	STRAPONLY(METAL)	320351
	112320-04-000	EA	BATTERY/SENSORMODULE-CO(BLACKMODULE)F/9D-ISYSTEM	
			FROM: 00-00-00 THRU: 10-20-96	
	125136-01-000	EA	DETECTOR-CO-GAS-MODEL9L-I	
			FROM: 10-21-96 THRU: 99-99-99	
	100793-02-01A	EA	CLOCK-WALL-QUARTZ/11"-BRASS	

INTERIORFINISHGROUP(CONTINUED)

FLOORCOVERINGS

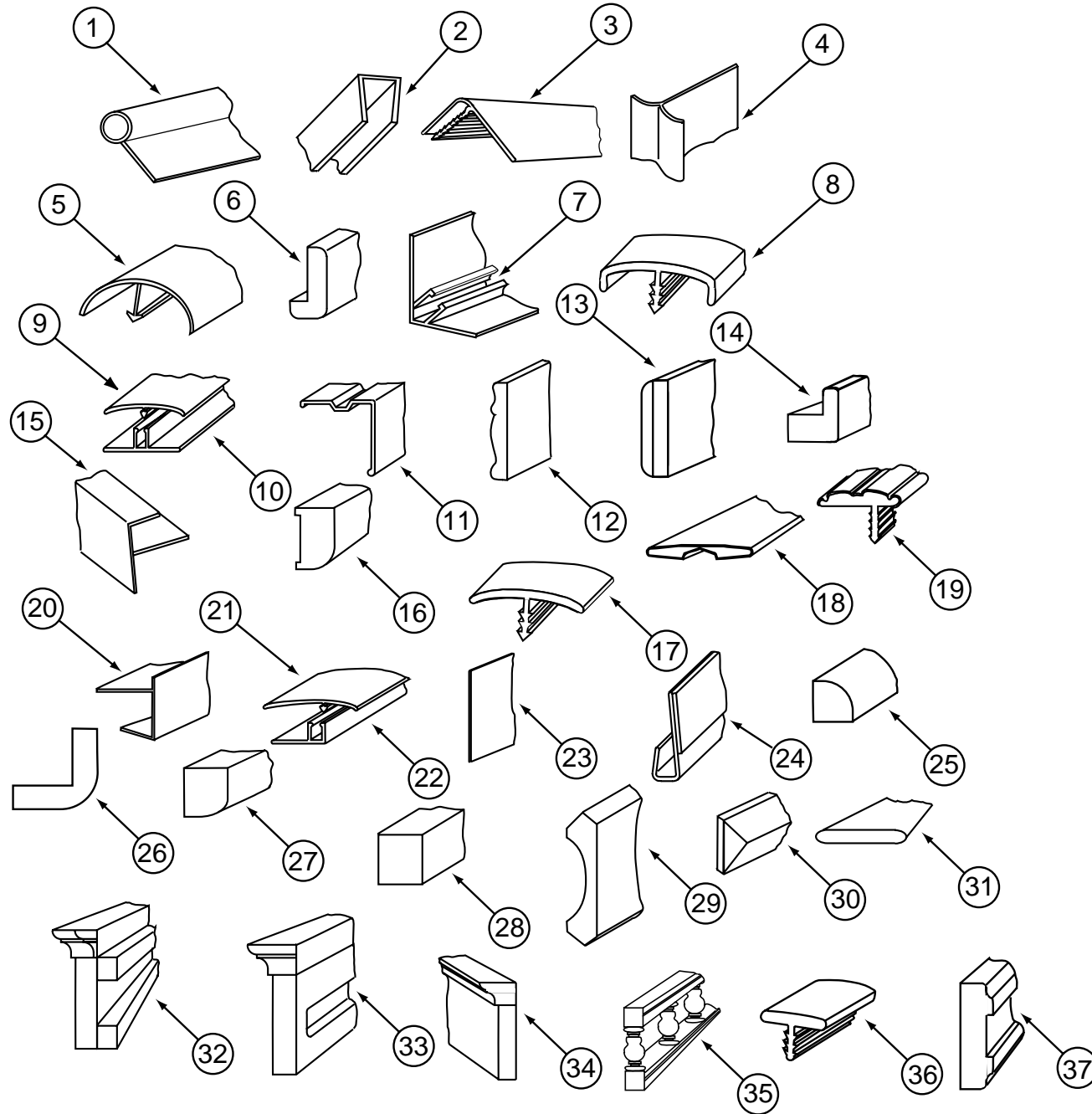
KEY	PARTNUMBER	U/M	DESCRIPTION
	093486-01-000	SY	CARPET-COMPARTMENT-54"WIDE-DARKGRAY
	096060-B5-000	SY	CARPET-NIGHTNAVY-INCREMENTSOF4SQYD(H50,H51)
	096060-C6-000	SY	CARPET-CHOCOLATE-INCREMENTSOF4SQ.YARDS(H54,H55)
	096060-C7-000	SY	CARPET-BAMBOO-INCREMENTSOF4SQ.YARDS(H52,H53)
	096060-C9-000	SY	CARPET-EXCALIBUR-CASTILE-INCREMENTSOF4SQ.YARDS(H62,H63)

FLOORMATS

KEY	PARTNUMBER	U/M	DESCRIPTION
	108152-01-000	EA	MAT-FLOOR-PASSENGER
	108152-03-000	EA	MAT-FLOOR-DRIVER

INTERIORFINISHGROUP(CONTINUED)

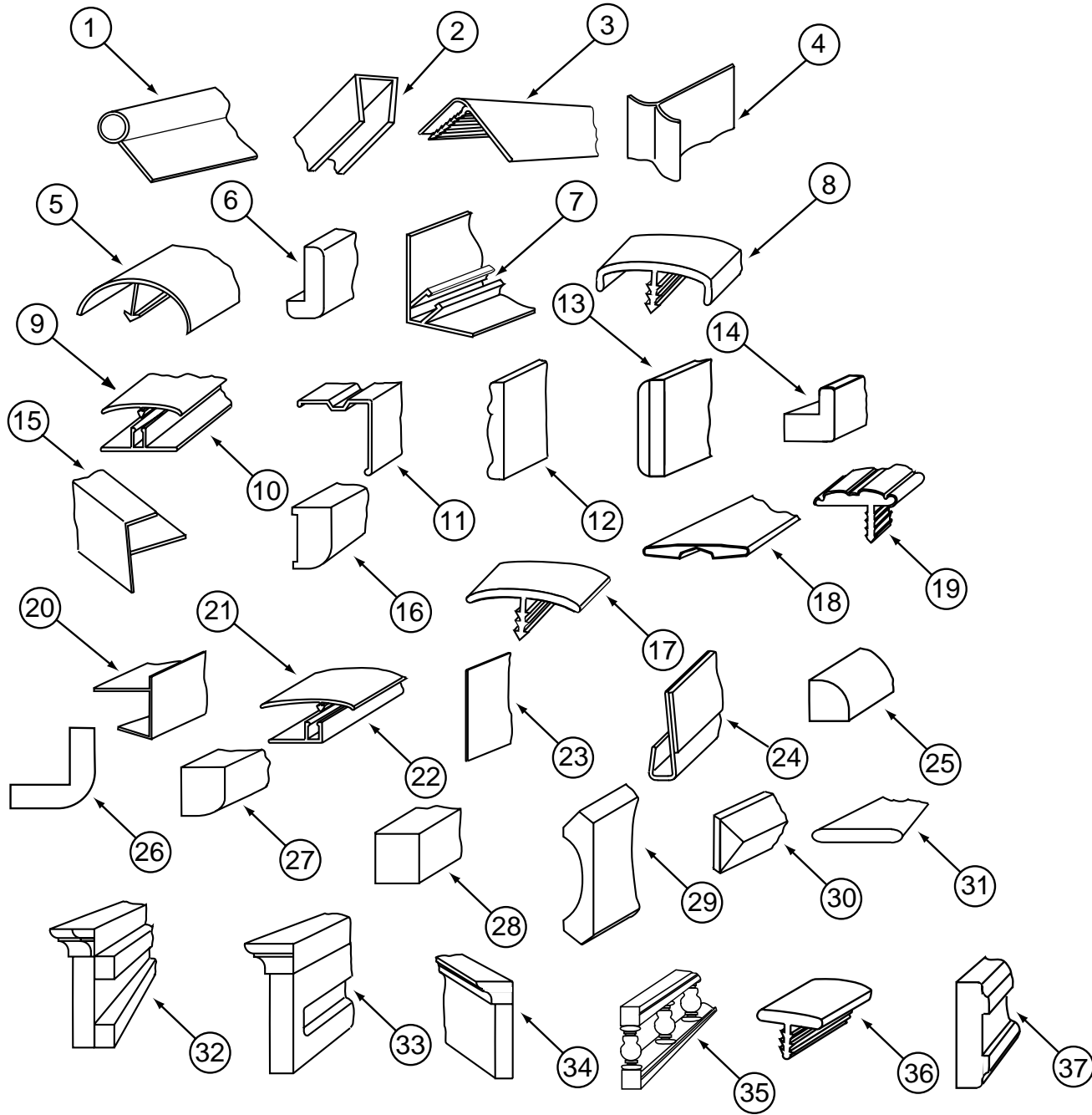
MOLDINGS&TRIMS



KEY	PARTNUMBER	U/M	DESCRIPTION
1	009767-12-000	FT	WELTING-SIDEWALL/CEILING/CABINET-OFF/WHT
2	009778-24-000	FT	U-CHANNEL-1"(SOLARMAPLE)
2	009778-18-000	FT	U-CHANNEL-1"(SALEMCHERRY)
2	070504-40-000	FT	U-CHANNEL-EXTRUDEDPLASTIC-.81"X84"-SOLARMAPLE
2	070504-31-000	FT	U-CHANNEL-EXTRUDEDPLASTIC-.81"X84"-CHERRY
2	070504-41-000	FT	U-CHANNEL-EXTRUDEDPLASTIC-.65"X84"-SOLARMAPLE
2	070504-30-000	FT	U-CHANNEL-EXTRUDEDPLASTIC-.65"X84"-CHERRY
3	009809-29-000	EA	MOLDING-CORNER-OUTSIDE-1"X84"-SOLARMAPLE
3	009809-27-000	EA	MOLDING-CORNER-OUTSIDE-1"X84"-CHERRY
4	022992-11-000	FT	MOLDING-REVERSECOVE-T-SHAPEDVINYL-IVORY
5	042357-21-000	EA	MOLDING-CORNER-RADIUS/PLASTIC(SOLARMAPLE)
5	042357-19-000	EA	MOLDING-CORNER-RADIUS/PLASTIC(SALEMCHERRY)
6	077840-40-H56	EA	MOLDING-WALLCAP-96"
7	081521-02-007	EA	MOUNT-METALMOLDING-F/RADIUSCORNERMOLDING-12/5"EA
8	083620-14-000	FT	T-MOLDING-W/EDGELIP-.75"-SOLARMAPLE
8	083620-11-000	FT	T-MOLDING-3/4"W/EDGELIPS-CHERRY-CHERRY
9	086229-13-000	EA	BATTEN-1"X96"-IVORY
9	086229-19-000	EA	BATTEN-1"X98.43"-OFFWHITE
9	086229-20-000	EA	BATTEN-1"X96"-BEIGE
10	086229-14-000	EA	RETAINER-3/4"X98.43"-ANYCOLOR
11	093873-01-01A	EA	TRIM-CARPET-L-ANGLE 1.1"X1.3"X12'-GRAYVINYL
12	100182-10-H37	EA	TRIM-RAIL-SOLARMAPLE
12	100182-10-E41	EA	TRIM-RAIL-SALEMCHERRY
13	100818-01-06A	EA	MOLDING-VINYLWRAPPED-1.65"X.4"X7'-SOLARMAPLE
13	100818-01-04A	EA	MOLDING-VINYLWRAPPED-1.65"X.4"X7'-CHERRY-CHERRY
14	100819-01-06A	EA	MOLDING-VINYLWRAP-DOOR-SOLARMAPLE
14	100819-01-04A	EA	MOLDING-VINYLWRAPPED-CHERRY/CHERRY
15	009812-30-000	EA	MOLDING-PLASTIC-CORNER/OUTSIDE-.5"X7'(SOLARMAPLE)
15	009812-26-000	EA	MOLDING-PLASTIC-CORNER/OUTSIDE-.5"X7'(SALEMCHERRY)
16	122186-D2-134	EA	MOLDING-VINYLWRAPPED-.7"X1.5"X7"-MAPLE
16	111136-D2-134	EA	MOLDING-VINYLWRAPPED-.7"X1.6"X7'-CHERRY
16	122186-F2-134	EA	MOLDING-VINYLWRAPPED-.7"X2.5"X84"-MAPLE
16	111136-F2-134	EA	MOLDING-.7"X2.6"X7'-VINYLWRAPPED-CHERRY
17	105709-01-000	FT	T-MOLDING-1"-MODERNIVORY
18	079653-34-000	EA	BATTSTRIP-SOLARMAPLE-8'
18	079653-20-000	EA	BATTSTRIP-CHERRY/CHERRY-8'
19	109736-01-01A	FT	T-MOLDING-1"-BRASS/BLACK
20	103186-01-06A	FT	MOLDING-PLASTIC-SHELF-3/8"U-CHANNELW/3/4"FACE(SOLARMAPLE)
20	103186-01-04A	FT	MOLDING-PLASTIC-SHELF-3/8"U-CHANNELW/3/4"FACE(SALEMCHERRY)
20	103186-02-06A	FT	MOLDING-PLASTIC-SHELF-1"U-CHANNELW/13/8"FACE(SOLARMAPLE)
20	103186-02-04A	FT	MOLDING-PLASTIC-SHELF-1"U-CHANNELW/13/8"FACE(SALEMCHERRY)
21	086229-14-000	EA	RETAINER-3/4"X98.43"-ANYCOLOR
22	116280-03-H50	EA	MOLDING-CAP
23	101957-01-05A	EA	EXTR-PLASTIC-SOLARMAPLE
23	101957-01-04A	EA	EXTRUDED-PLASTIC-SALEMCHERRY
24	109332-02-04A	EA	TRIM-J-W/OADHESIVE-SOLARMAPLE
24	109332-02-03A	EA	TRIM-J-W/OADHESIVE-SALEMCHERRY
25	109410-01-H40	EA	MOLDING-TRIM-8'-SOLARMAPLE
25	109410-01-E41	EA	MOLDING-TRIM-8'-SALEMCHERRY
26	080176-07-000	EA	CAP-CORNER-RADIUSCORNER-PLASTIC-SOLARMAPLE
26	080176-06-000	EA	CAP-CORNER-RADIUSCORNER-PLASTIC-CHERRY
27	100818-01-06A	EA	MOLDING-VINYLWRAPPED-1.65"X.4"X7'-SOLARMAPLE
27	100818-01-04A	EA	MOLDING-VINYLWRAPPED-1.65"X.4"X7'-CHERRY-CHERRY
28	109831-01-H56	EA	LUMBER-MIRRORSTOP-24"-SOLARMAPLE
28	109831-01-E41	EA	LUMBER-MIRRORSTOP-24"-SALEMCHERRY
29	113794-01-03A	FT	MOLDING-CROWN-MAPLE
29	113794-01-02A	FT	MOLDING-CROWN-CHERRY
30	119433-01-H50	EA	MOLDING-TRIMSLIDEOUT-SOLARMAPLE
30	119433-01-G39	EA	MOLDING-TRIM-VEE/SLIDEOUT-SALEMCHERRY
30	119433-02-H50	EA	MOLDING-TRIMSLIDEOUT-SOLARMAPLE
30	119433-02-G39	EA	MOLDING-TRIM-VEE/SLIDEOUT-SALEMCHERRY

INTERIORFINISHGROUP(CONTINUED)

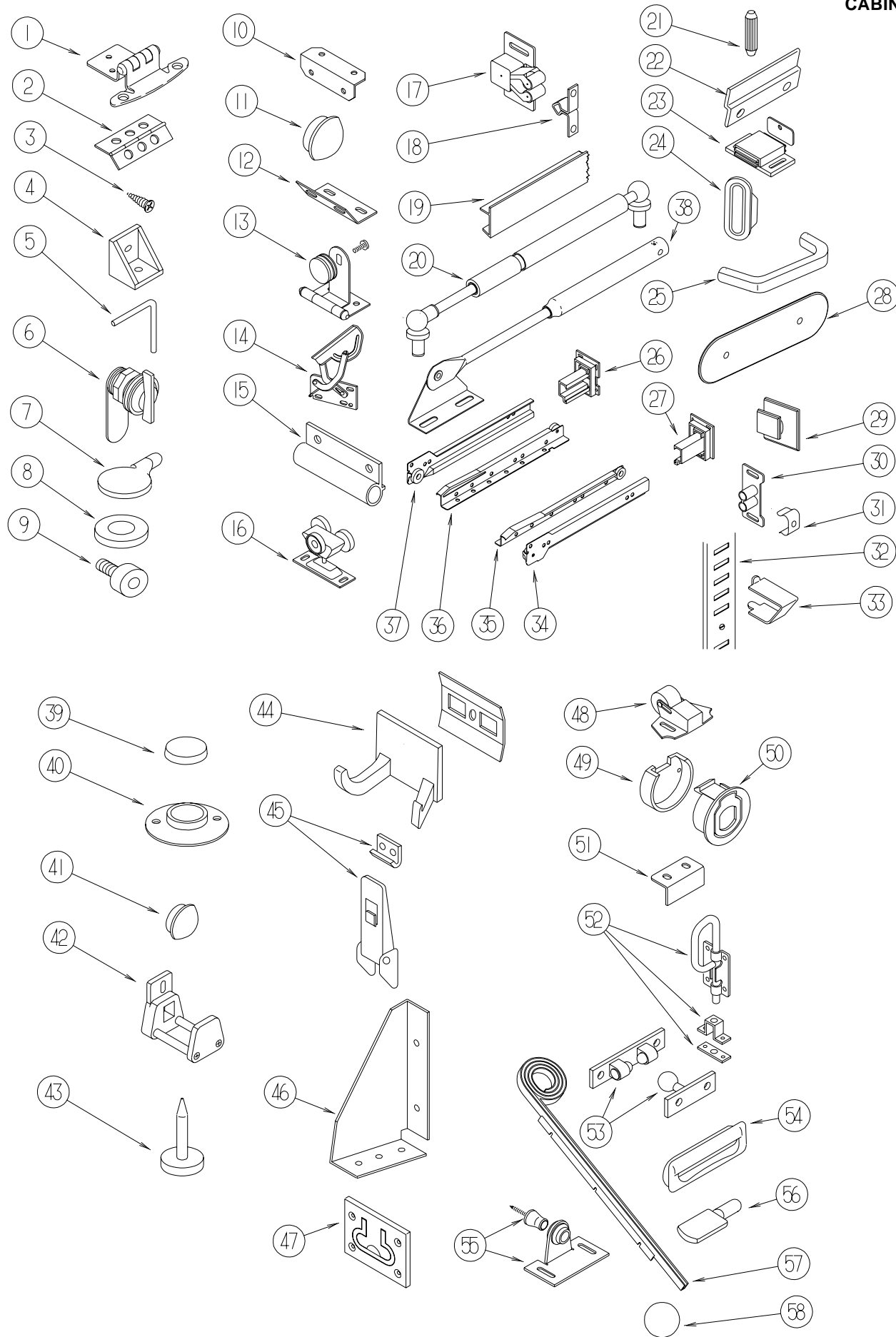
MOLDINGS&TRIMS(CONTINUED)



KEY	PARTNUMBER	U/M	DESCRIPTION
31	120492-01-01A	FT	STRIP-TRIM-IVORY
31	120492-01-05A	FT	STRIP-TRIM-SOLARMAPLE
31	120492-01-02A	FT	STRIP-TRIM-SALEMCHERRY
32	120514-01-H50	EA	TRIM-UPPERSLIDEOUT-SOLARMAPLE
32	120514-01-G39	EA	TRIM-UPPER/SLIDEOUT-SALEMCHERRY
33	120514-02-H50	EA	TRIM-UPPERSLIDEOUT-SOLARMAPLE
33	120514-02-G39	EA	TRIM-UPPER/SLIDEOUT-SALEMCHERRY
34	120514-03-H50	EA	TRIM-UPPERSLIDEOUT-SOLARMAPLE
34	120514-03-G39	EA	TRIM-UPPER/SLIDEOUT-SALEMCHERRY
	085284-B2-000	FT	BATTTAPE-ADHESIVEBACKED-DECORATIVE-SOLITUDE/PROVENCE (H50,H51)
	085284-B7-000	FT	BATTTAPE-ADHESIVEBACKED-DECORATIVE-CORBIN/TOBACCO (H52,H53)
	085284-E3-000	FT	BATTTAPE-ADHESIVEBACKED-DECORATIVE-TRANQUIL/GARDEN (H54,H55)
	085284-D7-000	FT	BATTTAPE-ADHESIVEBACKED-DECORATIVE-LAJOLLA/SEAMIST (H62,H63)
	088263-B9-000	EA	BATTSTRIP-DECORATIVE-SOLITUDE/PROVENCE-96"LONG(H50,H51)
	088263-C4-000	EA	BATTSTRIP-DECORATIVE-CORBIN/TOBACCO-8'LONG(H52,H53)
	088263-F1-000	EA	BATTSTRIP-DECORATIVE-GAZEBO/PEARL-8'LONG(H54,H55)
	088263-E4-000	EA	BATTSTRIP-DECORATIVE-LAJOLLA/SEAMIST-8'LONG(H62,H63)
35	075249-01-000	EA	RAILING-OAK-72"UNFINISHED-SOLARMAPLE
35	075249-02-000	EA	RAILING-OAK-72"UNFINISHED-SALEMCHERRY
36	104676-01-01A	FT	T-MOLDING-5/16"-RIGIDGOLD
37	123651-03-H50	EA	MOLDING
37	123651-03-H51	EA	MOLDING

INTERIORFINISHGROUP(CONTINUED)

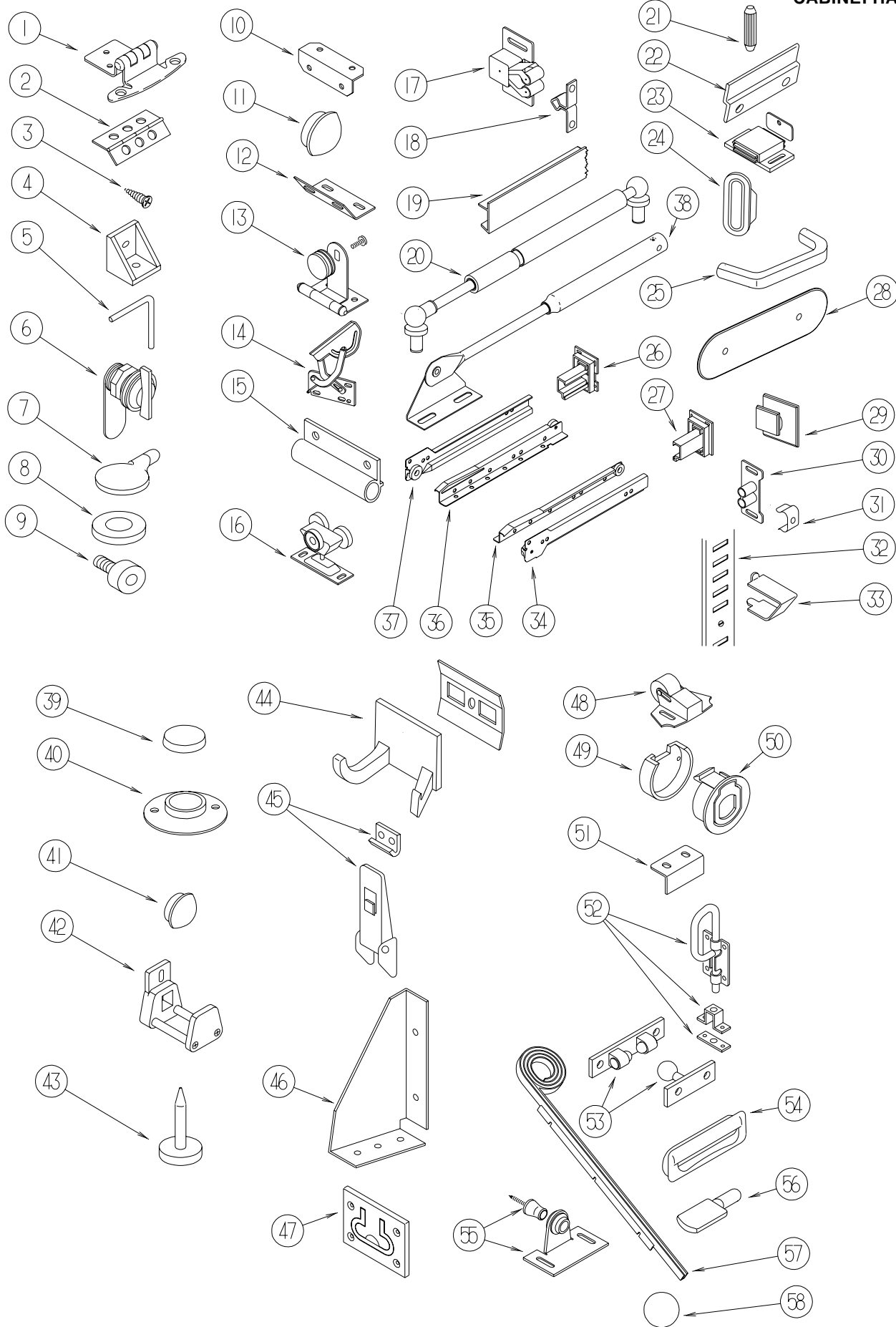
CABINETHARDWARE



KEY	PARTNUMBER	U/M	DESCRIPTION
1	108138-01-000	EA	HINGE-CABINETDOOR-BURNISHEDBRASS
	000G13-06-08G	EA	SCREW-6-20X.50PFHANTBRASS
2	009059-01-000	EA	HINGE-DOOR-2"X1.4"-BRASS
2	041389-25-000	EA	HINGE-PIANO-1.50"X55"
3	000G13-06-10G	EA	SCREW-6-20X5/8PFH-ANTIQUEBRASS
4	065740-01-000	EA	BRACE-CABINET/CORNER-PLASTIC
5	108487-02-01A	EA	SUPPORT-PROPROD/OVERHEAD-BLACK
6	100710-01-01A	EA	LOCK-GLASSDOOR/TWISTTYPE-BRASS
7	101766-02-000	EA	PIN-SUPPORT/GLASSDOOR
8	100707-01-000	EA	SPACER-GLASSDOOR-.8"DIA-.3"HOLE-PLASTIC
9	079921-01-000	EA	ROLLER-NYLON,W/STEELSHAFT-BARBED
10	016604-01-000	EA	BRACE-CABINET-ANGLE-2.5"-UNPAINTEDMETAL
10	016604-05-000	EA	BRACE-CABINET-ANGLE-2.5"OFFWHITEMETAL
10	016604-03-000	EA	BRACE-CABINET-ANGLE-2.5"-BEIGE
11	074045-10-000	EA	PLUG-OAK-1/2"DIAMETER-SOLARMAPLE
11	074045-08-000	EA	PLUG-OAK-1/2"DIAMETER-SALEMCHERRY
12	111866-01-02A	EA	BRACE-SEAT,ANGLEOFF/WHT
13	100711-01-01A	EA	HINGE-GLASSDOOR
14	108126-01-000	EA	TRAYHINGESET(QTY.2PERSET)
15	108486-01-01A	EA	BRACKET-PROPROD/OVERHEAD-BLACK
16	103874-01-000	EA	HANGER-SLIDINGDOOR
17	093586-06-000	EA	CATCH-SPRING-ROLLER
18	009021-02-000	EA	STRIKE-SPRINGSTEEL
19	103186-01-06A	FT	MOLDING-PLASTIC/3/8"U-CHANNELW/3/4"FACE-SOLARMAPLE
19	103186-01-04A	FT	MOLDING-PLASTIC/3/8"U-CHANNELW/3/4"FACE-CHERRY
19	103186-02-06A	FT	MOLDING-PLASTIC/1"U-CHANNELW/13/8"FACE-SOLARMAPLE
19	103186-02-04A	FT	MOLDING-PLASTIC/1"U-CHANNELW/13/8"FACE-CHERRY
20	057460-04-000	EA	SPRING-GAS
21	110072-01-000	EA	DOWEL,5/16"X13/16",BIRCHGRO
22	101272-01-000	EA	CATCH-GLASSDOOR
23	088254-01-000	EA	CATCH-MAGNETIC-1.8"X.7"
24	098410-01-01A	EA	PULL-FINGER-BRASS
25	111093-01-000	EA	PULL-CABINET-BRASS
26	114045-01-000	EA	BACKSOCKET-ADJUSTABLELEFT
27	114045-02-000	EA	BACKSOCKET-ADJUSTABLERIGHT
28	081376-01-000	EA	BACKPLATE-DOORPULL,OVAL-BRASS-.8"X4.25"
29	102327-01-01A	EA	PULL-MIRROR,SQUARE
30	009021-01-000	EA	CATCH-GRILLE-NYLON
31	093586-05-000	EA	STRIKE-SPRINGSTEEL
32	098980-02-000	EA	PILASTER-ADJUSTABLESHELF-12"WOODGRAINAPPEARANCE
32	098980-01-000	EA	PILASTER-ADJUSTABLESHELF-18"WOODGRAINAPPEARANCE
32	098980-06-000	EA	PILASTER-ADJUSTABLESHELF-24"WOODGRAINAPPEARANCE
32	098980-04-000	EA	PILASTER-ADJUSTABLESHELF-48"WOODGRAINAPPEARANCE
33	098979-01-000	EA	CLIP-ADJUSTABLESHELF
	042438-01-000	EA	DOWEL-WOOD-CLOTHESROD-1"DIAMETERX4'
	042438-06-000	EA	DOWEL-WOOD-1.5"X26"-OAK

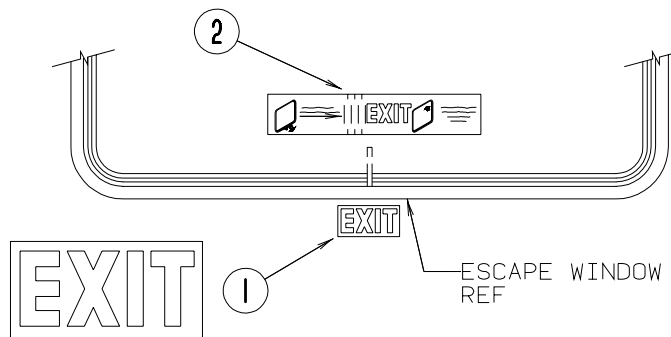
INTERIORFINISHGROUP(CONTINUED)

CABINET HARDWARE (CONTINUED)

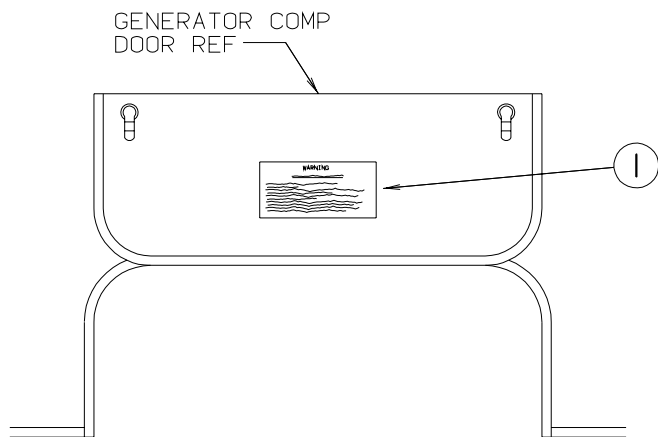


KEY	PARTNUMBER	U/M	DESCRIPTION
34	114031-02-000	EA	SLIDE-12"-RIGHTSIDE/CABINET
34	114031-14-000	EA	SLIDE-18"-RIGHTSIDE/CABINET
35	114031-04-000	EA	SLIDE-12"-RIGHTSIDE/DRAWER
35	114031-16-000	EA	SLIDE-18"-RIGHTSIDE/DRAWER
36	114031-03-000	EA	SLIDE-12"-LEFTSIDE/DRAWER
36	114031-15-000	EA	SLIDE-18"-LEFTSIDE/DRAWER
37	114031-01-000	EA	SLIDE-12"-LEFTSIDE/CABINET
37	114031-13-000	EA	SLIDE-18"-LEFTSIDE/CABINET
38	074493-02-000	EA	SUPPORT-PISTONSRING-CABINETDOOR
	076790-01-000	EA	SCREW-6-20X1 1/4PPH-BLACK
39	004354-01-000	EA	BUMPER-RUBBER-.5"DIA-BROWN
40	009112-01-000	EA	FLANGE-1"CLOTHESROD-OFFWHITEPLASTIC
	023320-01-000	EA	PAD-FELT3/8"DIAMETER
41	042356-01-000	EA	PLUG-BUTTON-MAHOGANY-3/8"DIAMETER-WOOD
42	064467-01-000	EA	GUIDE-POCKET,SLIDINGDOOR-WALLMOUNTED
	076790-01-000	EA	SCREW,6-20X1 1/4PPH-BLACK
43	102194-01-000	EA	GUIDE-PLASTIC
44	104174-01-000	EA	HOOK-ROBE-DOUBLE
45	116975-01-01A	EA	LATCH-W/OSTRIKE
46	116978-01-03B	EA	GUSSET-SLIDEOUTROOM-OFF/WHITE
47	072871-01-000	EA	PULL-FLUSH-CHROME
	073151-02-000	EA	HINGE-CONTINUOUS-22.3"LONG-METAL-OFFWHITE
48	109403-01-000	EA	CATCH-SINGLEROLLER
49	113375-05-01A	EA	LATCH-SLAM-BACK-.8"THICK
50	113375-04-01A	EA	LATCH-SLAM-FACEBLACK
51	113375-02-01A	EA	STRIKE-DOORCHROME
52	103256-01-000	EA	LATCH-SLIDE
53	084451-01-000	EA	CATCH-TVSHelf-BRASS
54	097141-02-700	EA	TRACK-SPIRALKIT (1)LH&(1)RH
55	009013-01-000	EA	CATCH-BULLDOG-MALE/FEMALE
56	101766-01-000	EA	PIN-SUPPORT/GLASSDOOR
57	097141-01-000	EA	TRACK-SPIRAL-TAMBOURDOOR-24"
57	097141-02-000	EA	TRACK-SPIRAL-TAMBOURDOOR-24"
58	114130-02-000	EA	BALLS-SPACER-DOOR
	092907-01-000	EA	SUPPORT-SHELF-PIN-1/4"-CLEARPLASTIC

LABELSGROUP



KEY	PARTNUMBER	U/M DESCRIPTION
1	039290-01-000	EA LABEL-WARNING,EXIT
2	107571-01-000	EA LABEL-EXIT/ESCAPEWINDOW



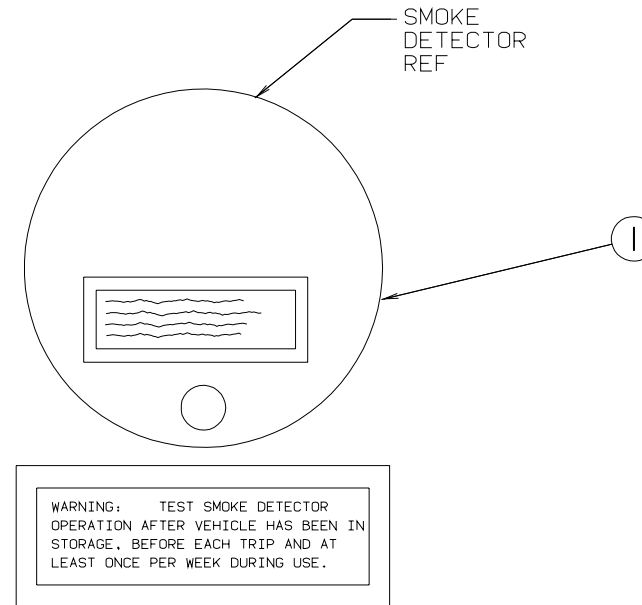
WARNING

WHEN ADDING A GENERATOR SET:

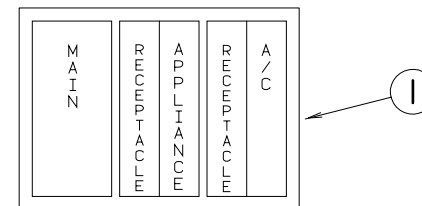
HIGH VOLTAGE-USE EXTREME CAUTION WHEN WORKING ON ELECTRICAL COMPONENTS.
 HAVE ALL ELECTRICAL INSTALLATION PERFORMED BY A QUALIFIED LICENSED ELECTRICIAN-FOLLOW ALL STATE AND LOCAL CODES.
 ONLY INSTALL GENERATOR SET APPROVED FOR R.V. APPLICATION. HAVE INSTALLED BY QUALIFIED TECHNICIAN.
 TO AVOID HEAT BUILD-UP AND TO GUARANTEE AN ADEQUATE AIR SUPPLY TO THE GENERATOR CARBURETOR, FOLLOW INSTALLATION INSTRUCTIONS.
 GENERATOR ENGINE EXHAUST GASES ARE TOXIC AND MUST NOT TERMINATE UNDER THE VEHICLE-DISCHARGE EXHAUST AWAY FROM VEHICLE.

KEY	PARTNUMBER	U/M DESCRIPTION
1	077510-01-000	EA LABEL-GENERATORPREP

LABELS GROUP(CONTINUED)



KEY	PARTNUMBER	U/M DESCRIPTION
1	077956-01-000	EA LABEL-WARNING-SMOKEDETECTOR

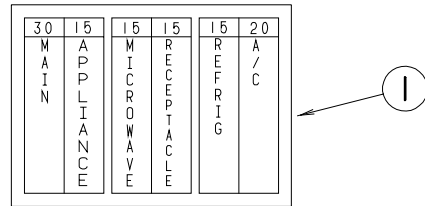


KEY	PARTNUMBER	U/M DESCRIPTION
1	095721-07-000	EA LABEL-CONTROLCENTER-(US)

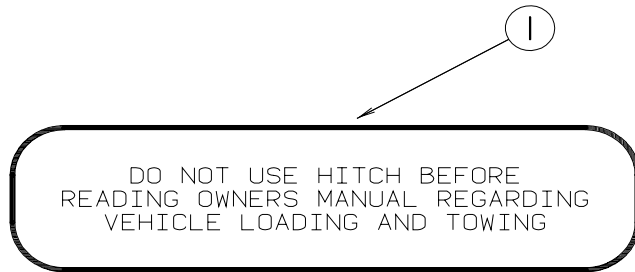
MAIN	REFRIG/MICRO
	A/C CIRCUIT 1
MAIN	A/C CIRCUIT 2
	GENERAL RECPS
GFI # 1	WASHER/DRYER
GFI # 2	
CONVERTER/ GENERAL RECPS	CONVERTER/ GENERAL RECPS
DISHWASHER	

KEY	PARTNUMBER	U/M DESCRIPTION
1	095721-17-000	EA LABEL-CONTROLCENTER-50AMP

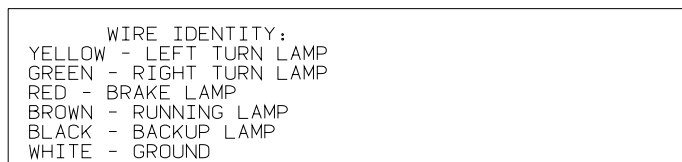
LABELS GROUP(CONTINUED)



KEY PARTNUMBER U/M DESCRIPTION
 1 095721-10-000 EA LABEL-CONTROLCENTER(30A)(CANADIAN)

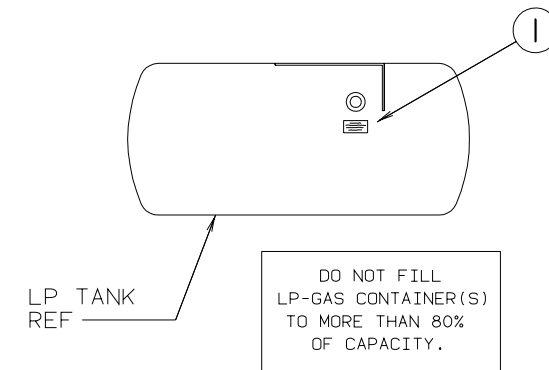


KEY PARTNUMBER U/M DESCRIPTION
 1 111104-01-000 EA LABEL-HITCH-READMANUAL-WHITE
 1 111104-02-000 EA LABEL-HITCH-READMANUAL-BLACK

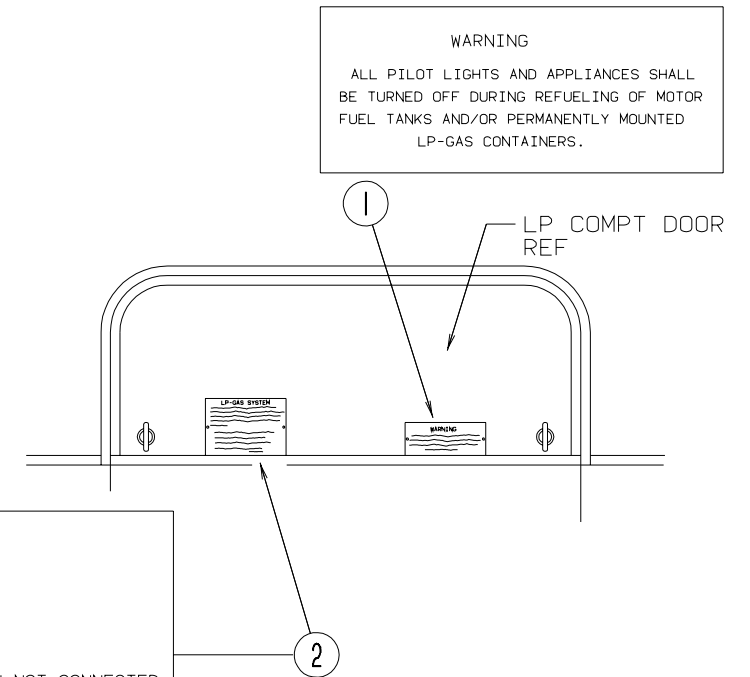


KEY PARTNUMBER U/M DESCRIPTION
 1 091224-02-000 EA LABEL-TRAILERLIGHTING

LABELS GROUP(CONTINUED)

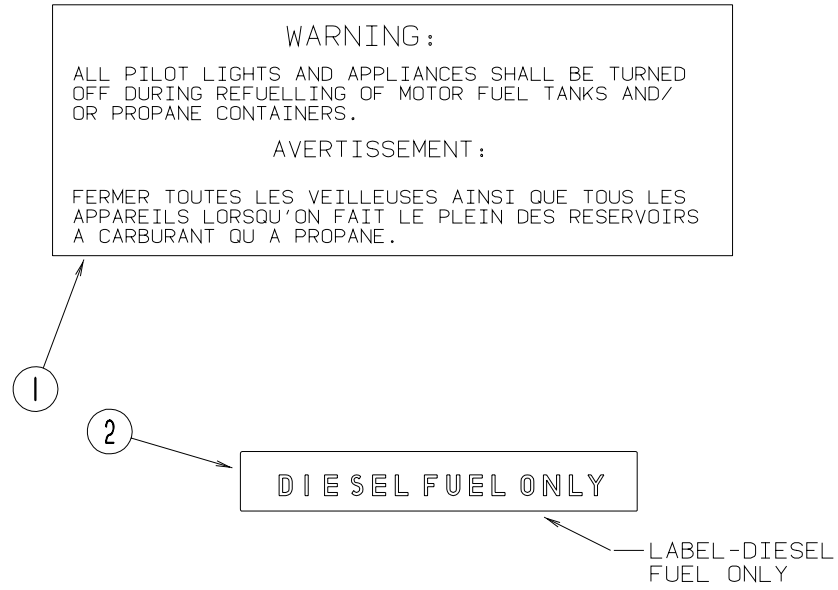


KEY PARTNUMBER U/M DESCRIPTION
 1 079965-01-000 EA LABEL-LPG-80%CAPACITY



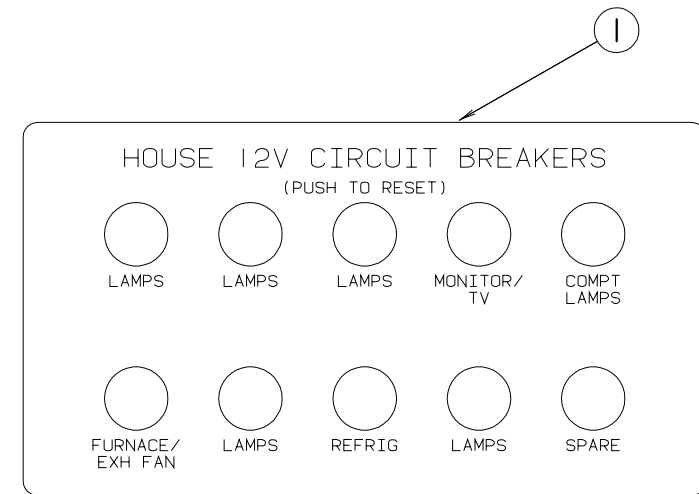
KEY PARTNUMBER U/M DESCRIPTION
 1 006040-02-000 EA TAG-GASREFUELWARNING-CSA
 2 023769-01-000 EA LABEL-WARNING-LPG-CANADIAN

LABELS GROUP(CONTINUED)

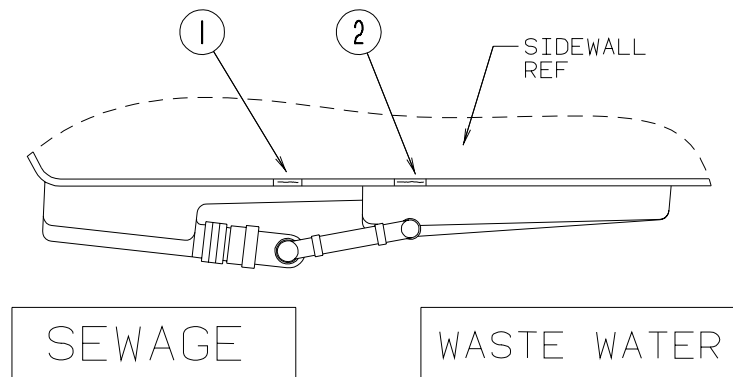


KEY	PARTNUMBER	U/M	DESCRIPTION
1	006040-02-000	EA	TAG-GASREFUELWARNING-CSA
2	068383-01-000	EA	LABEL-DIESELFUELOONLY

LABELS GROUP(CONTINUED)

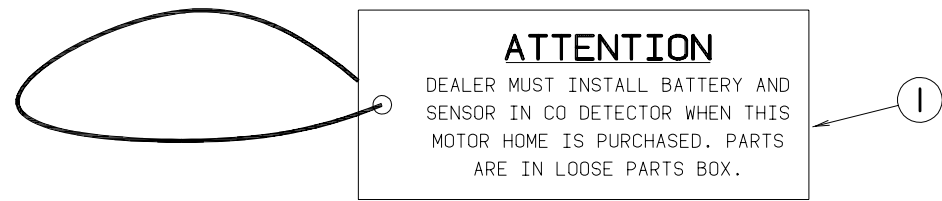


KEY	PARTNUMBER	U/M	DESCRIPTION
1	092547-04-000	EA	LABEL-CIRCUITBREAKER

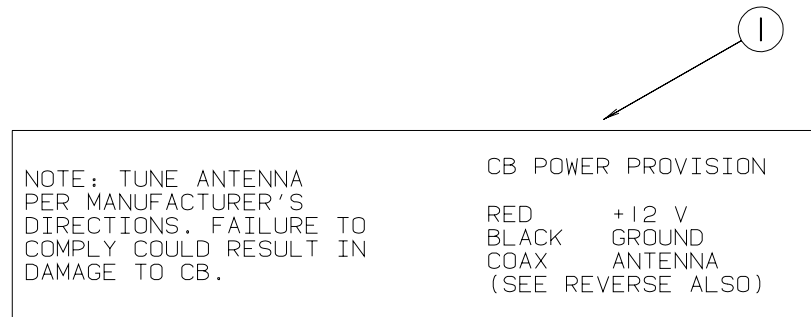


KEY	PARTNUMBER	U/M	DESCRIPTION
1	006187-01-000	EA	LABEL-SEWAGE
2	006188-01-000	EA	LABEL-WASTEWATER

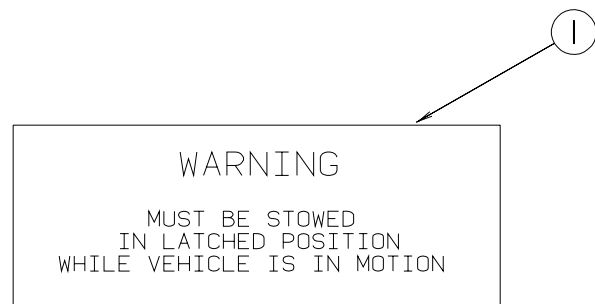
LABELS GROUP(CONTINUED)



KEY PARTNUMBER U/M DESCRIPTION
1 112518-01-000 EA LABEL-HANGTAG, CODETECTOR

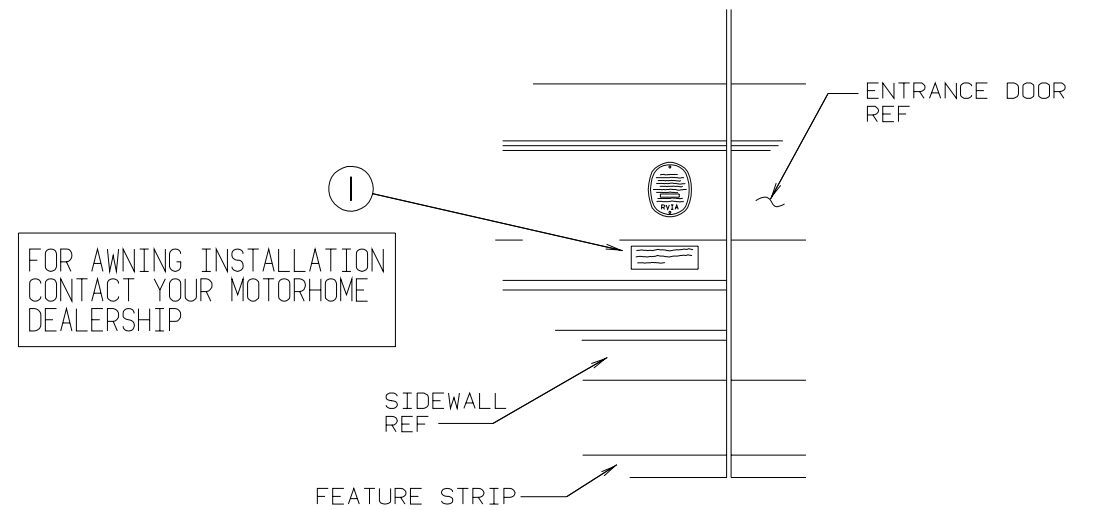


KEY PARTNUMBER U/M DESCRIPTION
1 104678-01-000 EA LABEL-CBPREP

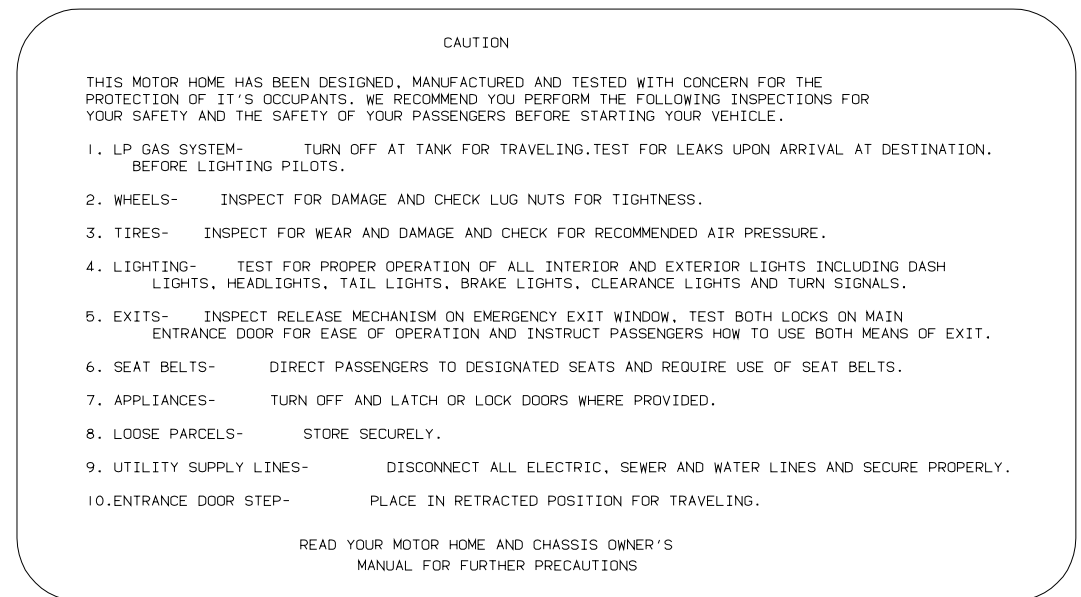
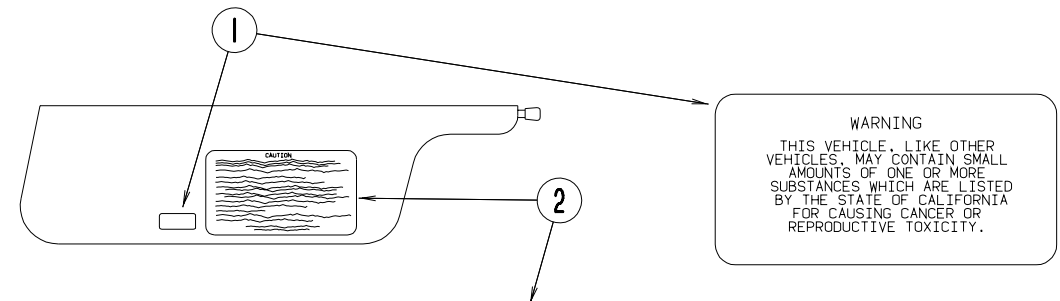


KEY PARTNUMBER U/M DESCRIPTION
1 079966-01-000 EA LABEL-WARNING, STOWED-MOTION

LABELS GROUP(CONTINUED)

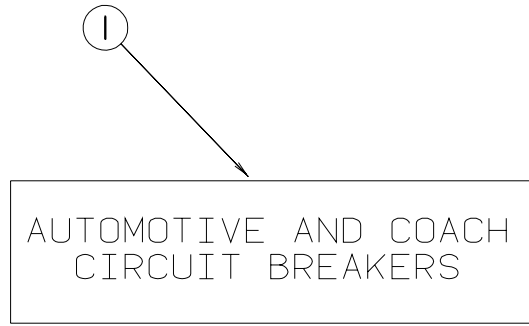


KEY PARTNUMBER U/M DESCRIPTION
1 099509-01-000 EA LABEL-AWNINGINSTALLATION

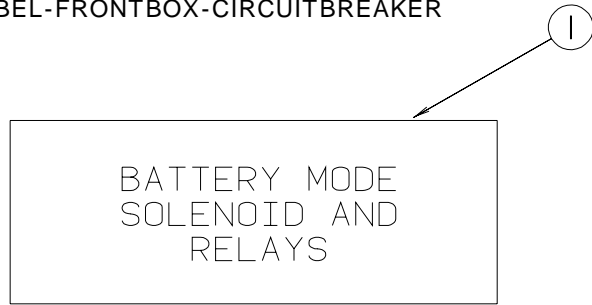


KEY PARTNUMBER U/M DESCRIPTION
1 056259-01-000 EA LABEL-SAFETYCHECKLIST
2 056259-01-000 EA LABEL-SAFETYCHECKLIST

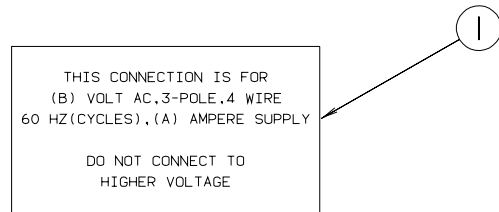
LABELS GROUP(CONTINUED)



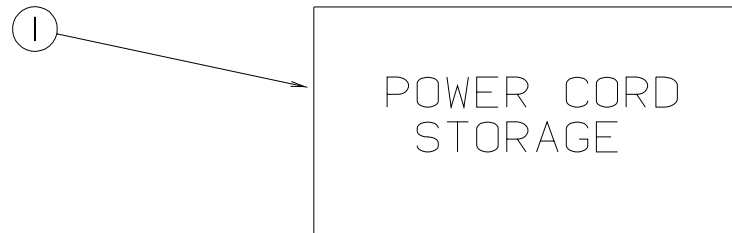
KEY	PARTNUMBER	U/M	DESCRIPTION
1	098379-01-000	EA	LABEL-FRONTBOX-CIRCUITBREAKER



KEY	PARTNUMBER	U/M	DESCRIPTION
1	098379-04-000	EA	LABEL-ELECTRICALBOX-SIDE

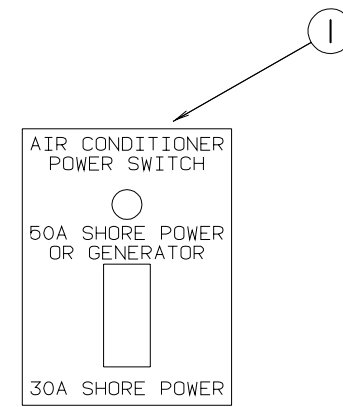


KEY	PARTNUMBER	U/M	DESCRIPTION
1	006062-04-000	EA	LABEL-ELECTRIC-120/240SERVICE



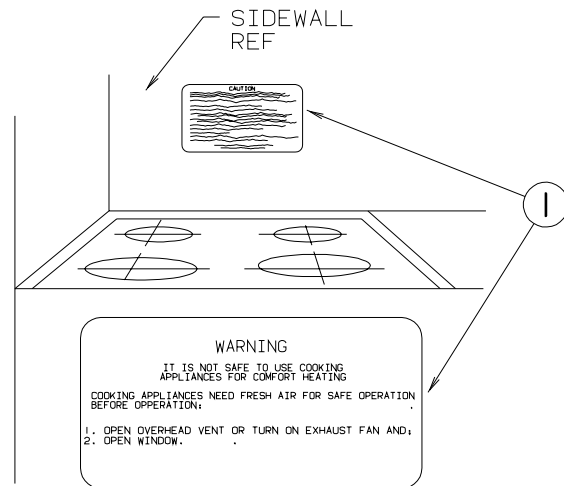
KEY	PARTNUMBER	U/M	DESCRIPTION
1	121731-01-000	EA	LABEL-POWERCORDSTORAGE

LABELS GROUP(CONTINUED)

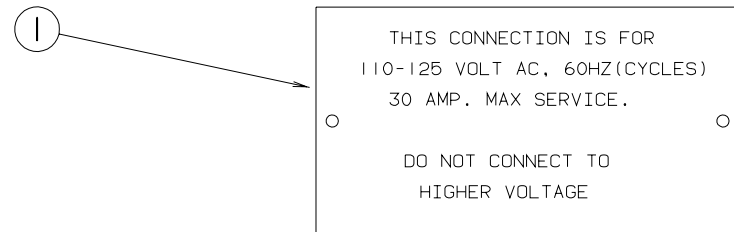


KEY	PARTNUMBER	U/M	DESCRIPTION
1	109051-01-000	EA	LABEL-SWITCH-50AMPPOWER

LABELS GROUP(CONTINUED)



KEY	PARTNUMBER	U/M DESCRIPTION
1	050225-01-000	EA LABEL-WARNING,STOVEVENT-US
1	050222-01-000	EA LABEL-WARNING,STOVEVENT-CANADIAN

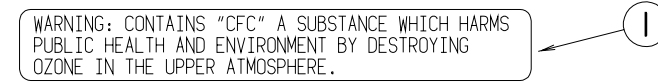


KEY	PARTNUMBER	U/M DESCRIPTION
1	006062-01-000	EA LABEL-ELECTRIC-110VOLTCONNECTION

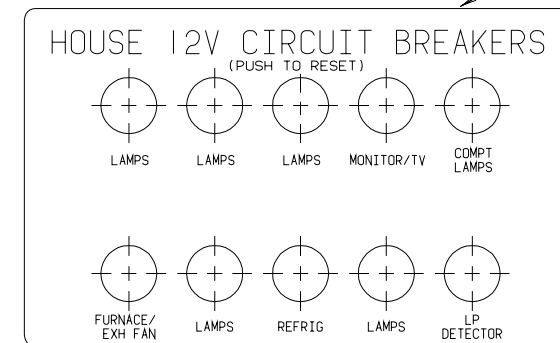
LABELS GROUP(CONTINUED)



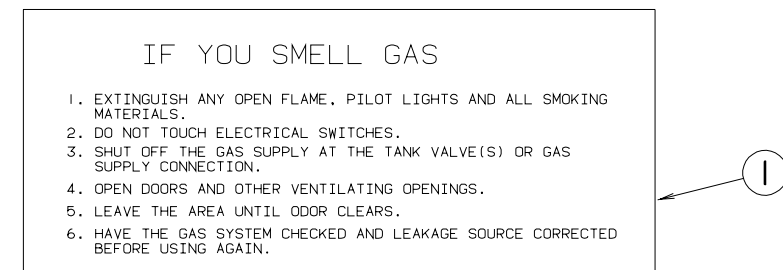
KEY	PARTNUMBER	U/M DESCRIPTION
1	087236-01-000	EA LABEL-CABLE-INPUT



KEY	PARTNUMBER	U/M DESCRIPTION
1	111802-01-000	EA LABEL-CFCWARNING



KEY	PARTNUMBER	U/M DESCRIPTION
1	092547-06-000	EA LABEL-CIRCUITBREAKER



KEY	PARTNUMBER	U/M DESCRIPTION
1	073998-01-000	EA LABEL-LPGODORWARNING

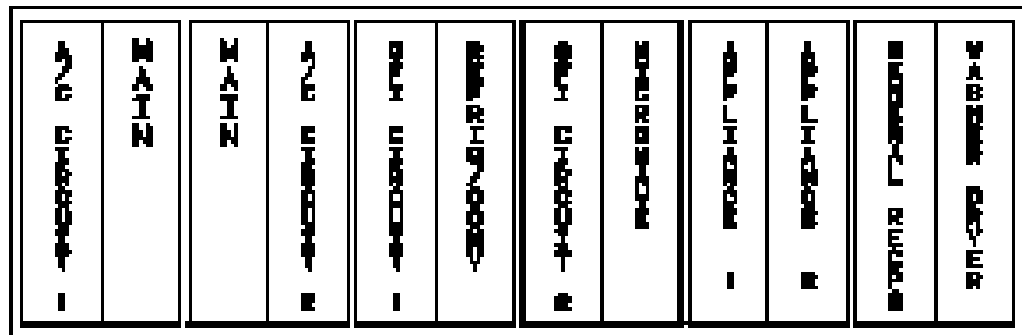
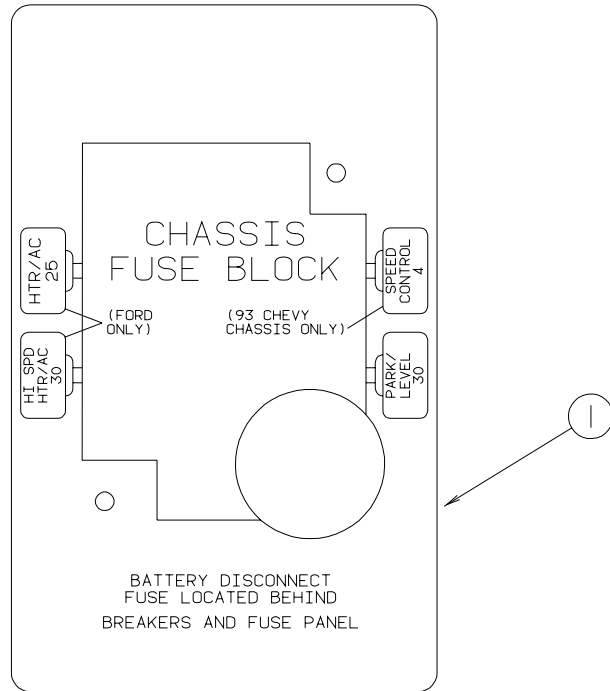


KEY	PARTNUMBER	U/M DESCRIPTION
1	087236-02-000	EA LABEL-TVOUTLET

LABELS GROUP(CONTINUED)

EXTERIOR
LEFT SIDE
SERVICE LIGHT

KEY	PARTNUMBER	U/M	DESCRIPTION
1	094675-01-000	EA	LABEL-EXTERIORLIGHT,SERVICE



KEY	PARTNUMBER	U/M	DESCRIPTION
1	095721-18-000	EA	LABEL-CONTROLCENTER-50AMP-CSA

LABELS GROUP(CONTINUED)

UNLEADED
FUEL ONLY

KEY	PARTNUMBER	U/M	DESCRIPTION
1	098641-01-000	EA	LABEL-FUEL,UNLEADED-DASH

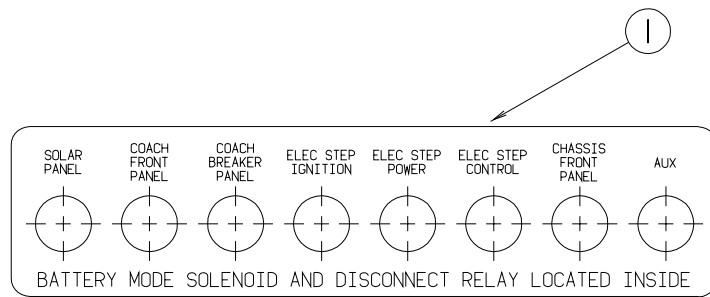
UNLEADED FUEL ONLY

KEY	PARTNUMBER	U/M	DESCRIPTION
1	062043-01-000	EA	LABEL-FUEL-UNLEADED

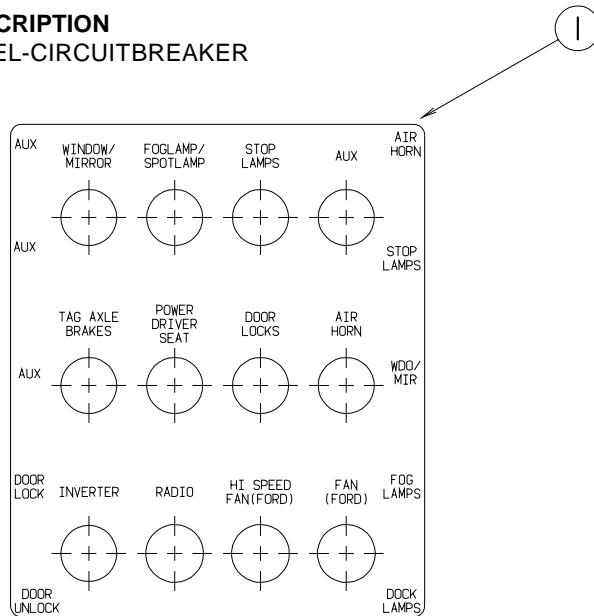
CIRCUIT BREAKERS
AND AUTOMOTIVE
FUSE PANEL

KEY	PARTNUMBER	U/M	DESCRIPTION
1	098379-03-000	EA	LABEL-ELECTRICALBOX-FRONT

LABELS GROUP(CONTINUED)



KEY PARTNUMBER U/M DESCRIPTION
 1 093236-13-000 EA LABEL-CIRCUITBREAKER



KEY PARTNUMBER U/M DESCRIPTION
 1 093236-14-000 EA LABEL-CIRCUITBREAKER

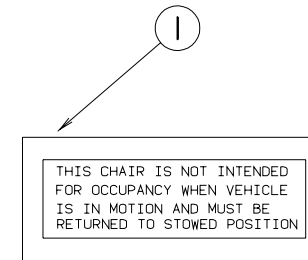
WARNING: DISCONNECT BATTERIES BEFORE CONNECTING EXTERNAL CHARGING EQUIPMENT.

KEY PARTNUMBER U/M DESCRIPTION
 1 065748-01-000 EA LABEL-CAUTION-BATTERYCHARGING

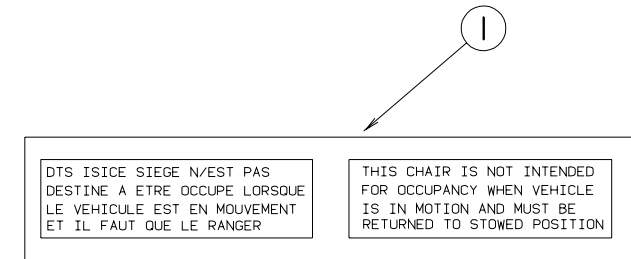
ERTISSEMENT: DEBRANCHER LES BATTERIES AVA BRANCHER TOUT EQUIPEMENT DE CHARGE EXTERIEU

KEY PARTNUMBER U/M DESCRIPTION
 1 065748-02-000 EA LABEL-WARNING-BATTERY/FRENCH

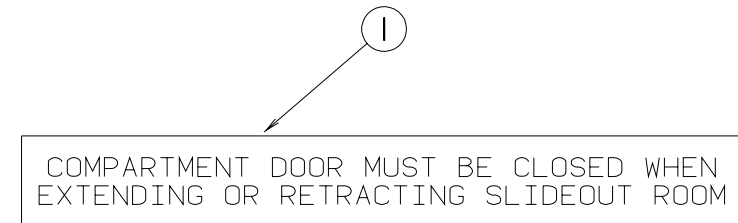
LABELS GROUP(CONTINUED)



KEY PARTNUMBER U/M DESCRIPTION
 1 102267-01-000 EA LABEL-NOOCCUPANCY



KEY PARTNUMBER U/M DESCRIPTION
 1 102267-02-000 EA LABEL-NOOCCUPANCY



KEY PARTNUMBER U/M DESCRIPTION
 1 121593-01-000 EA LABEL-DRAIN

REMOVE PRIMARY TIRE HANGER BEFORE USING SPARE TIRE HOIST-SEE OWNERS MANUAL - PERSONAL INJURY MAY RESULT IF NOT FOLLOWED

KEY PARTNUMBER U/M DESCRIPTION
 1 126024-01-01A EA LABEL-TIREHANGERREMOVAL

LABELS GROUP(CONTINUED)

WARNING
ALL PILOT LIGHTS, APPLIANCES AND THIER
IGNITORS (SEE OPERATING INSTRUCTIONS) SHALL
BE TURNED OFF DURING REFUELING OF MOTOR
FUEL TANKS AND/OR LP GAS CONTAINERS

1

KEY PARTNUMBER U/M DESCRIPTION
1 124519-01-02A EA LABEL-WARNING/REFUELING

WARNING:
ALL PILOT LIGHTS AND APPLIANCES SHALL BE TURNED
OFF DURING REFUELING OF MOTOR FUEL TANKS AND/
OR PROPANE CONTAINERS.
AVERTISSEMENT:
FERMER TOUTES LES VEILLEUSES AINSI QUE TOUTS LES
APPAREILS LORSQU'ON FAIT LE PLEIN DES RESERVOIRS
À CARBURANT OU À PROPANE. 124519-02

1

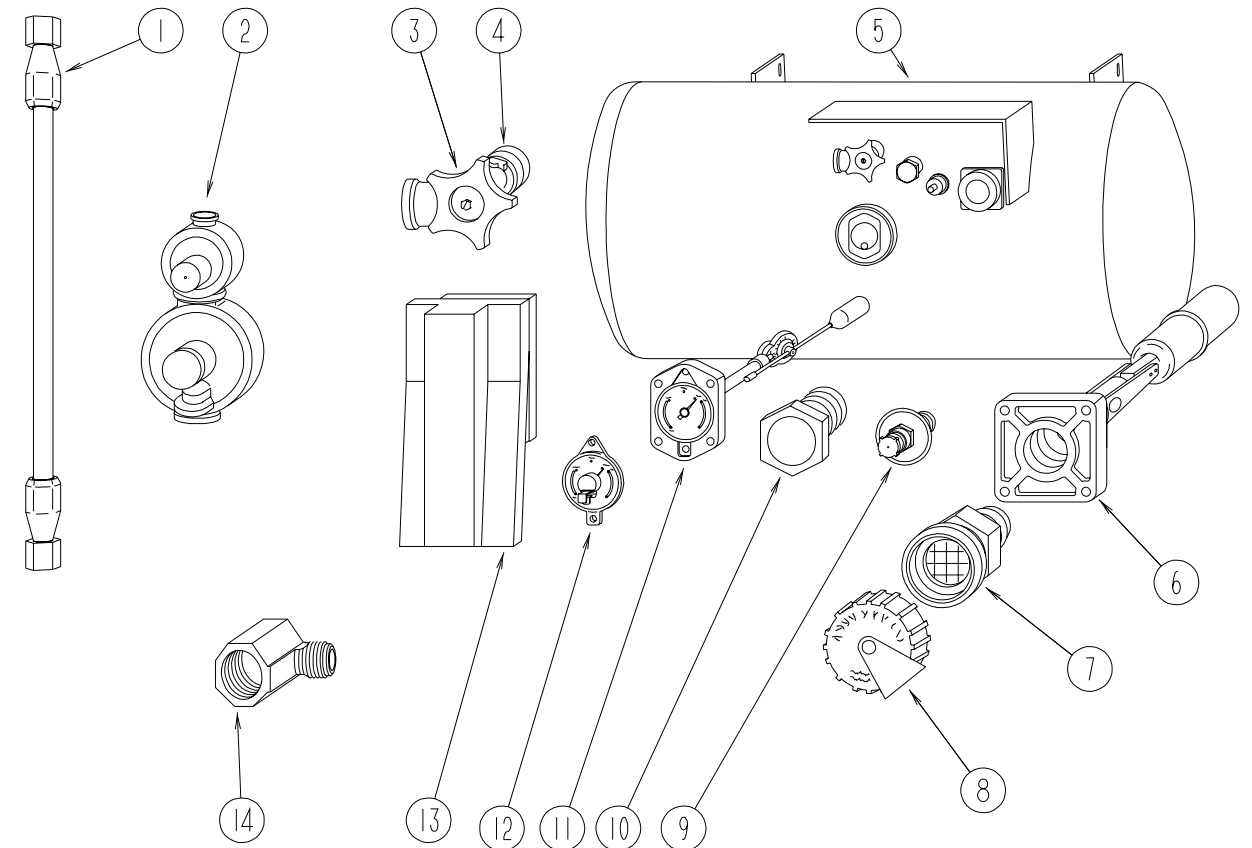
KEY PARTNUMBER U/M DESCRIPTION
1 124519-01-01A EA LABEL-WARNING/REFUELING

LP-GAS SYSTEM
THIS GAS PIPING SYSTEM IS
DESIGNED FOR USE OF
LIQUIFIED PETROLEUM GAS
ONLY. DO NOT CONNECT
NATURAL GAS TO THIS
SYSTEM.
SECURE CAP INLET(S) WHEN NOT
CONNECTED FOR USE AFTER TURNING
ON GAS. EXCEPT AFTER NORMAL
CONTAINER REPLACEMENT, TEST GAS
PIPING AND CONNECTIONS TO
APPLIANCES FOR LEAKAGE WITH SOAPY
WATER OR BUBBLE SOLUTION. DO NOT
USE PRODUCTS THAT CONTAIN AMMONIA
OR CHLORINE.

KEY PARTNUMBER U/M DESCRIPTION
1 124520-01-02A EA LABEL-LPGAS ONLY

FROM: 08-12-96 THRU: 99-99-99

LPGROUP

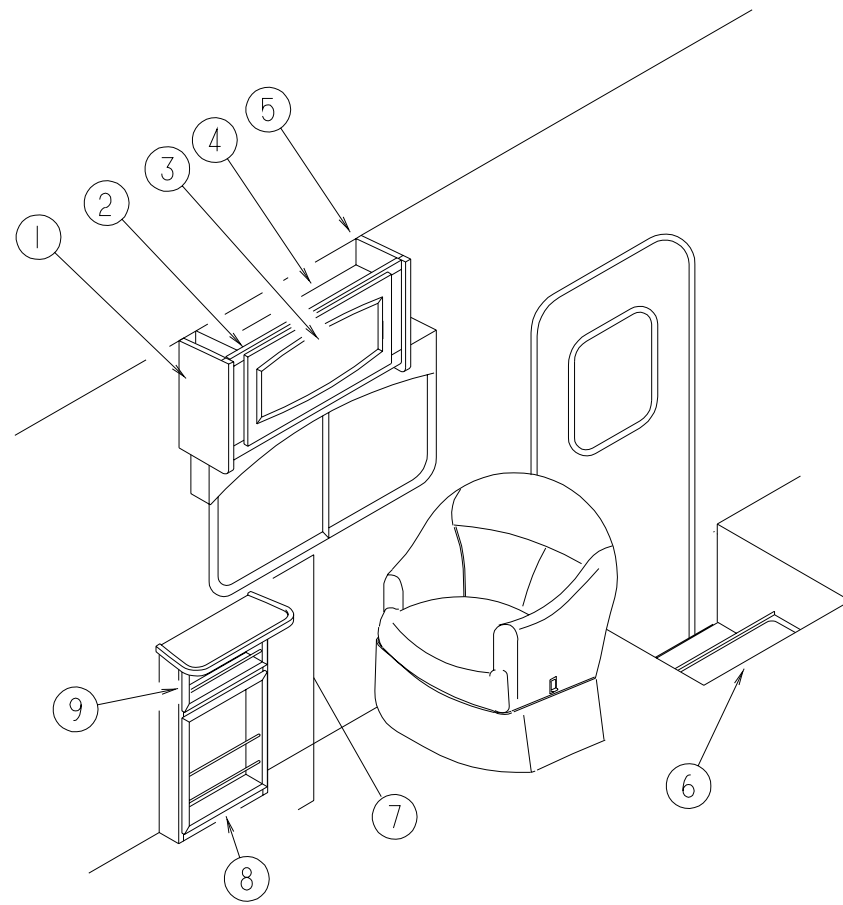


LPTANK&COMPONENTS

KEY	PARTNUMBER	U/M DESCRIPTION	VENDORNO.
1	045703-01-000	EA HOSE -LP - 3/8" ID X 24" - 3/8 MPT X 1/2 F SWIVEL - U.S.	
1	045703-02-000	EA HOSE -LP - 3/8" ID X 24" - 3/8" MPT X 1/2" F SWIVEL - CANADA	
2	106150-01-000	EA REGULATOR-TWOSTAGE M'BRASS290-303	
3	040421-01-708	EA HANDWHEEL-SERVICEVALVE	G-1015-A
4	040421-01-712	EA VALVE,SERV.W/OVAPORRELIEF	29000853
5	117432-01-000	EA TANK -LP - 100LB - 20DIAMETER X 27 LONG	
6	040421-01-711	EA VALVE-80%FILLW/AUTOSTOP	LLL
7	040421-01-701	EA VALVE-FILL-SHORT,LP	75478
8	040421-01-702	EA CAP-FILLVALVE,PLASTIC	G-1014-A
9	040421-01-700	EA VALVE-LIQUIDLEVEL,20%	G-1013
10	040421-01-713	EA VALVE-VAPORONLY	29000587
11	091970-01-700	EA FLOAT ASMF/20" DIATANK	20C
12	040440-02-000	EA TRANSMITTER-DIAL,0-90OHM-2TERMINAL(POWER&GROUND)	
13	105658-01-000	EA COMPARTMENT-LPREGULATOR	
14	065318-02-000	EA ELBOW-90DEGREE,3/8" MPT TO 3/8" FPT	
	010265-01-000	EA ELBOW-BRASS,90DEGREE -3/8" FX 1/2" FPT	
	010323-01-000	EA ADAPTER-BRASS,3/8FX 1/2MPT	
	010329-01-000	EA ADAPTER-BRASS,1/2" FX 1/2" MPT	
	010377-02-000	EA NUT-BRASS,3/8" FLARE-FORGED	
	010380-02-000	EA NUT-BRASS,1/2" FLARE-FORGED	
	103613-03-000	EA DETECTOR-LPGAS	
	024250-01-000	EA ADAPTER -BRASS-3/8" FX 1/2" FPT	
	036346-02-000	EA BUSHING-STEEL3/4" MPT X 3/8" FPT	

LOUNGE GROUP

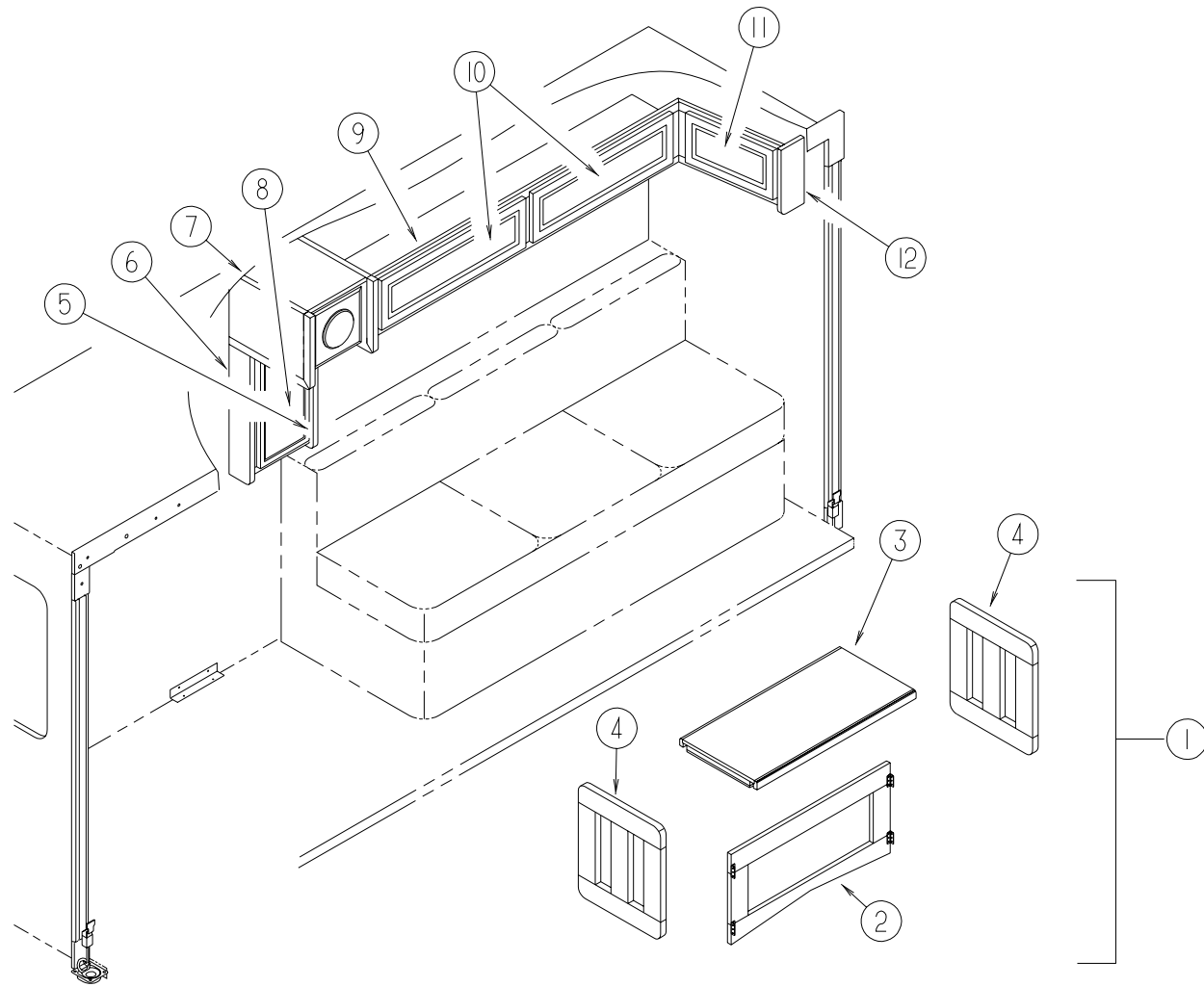
PASSENGER SIDE CABINETS & TABLE



KEY	PARTNUMBER	U/M	DESCRIPTION
1	107494-02-H50	EA	ENDCAP-LEFTHAND(SOLARMAPLE)
1	107494-02-E41	EA	ENDCAP-LEFTHAND(SALEMCHERRY)
2	P14722-01-H50	EA	CABINET-OVERHEAD-W/ODOORS/HARDWARE(SOLARMAPLE)
2	P14722-01-F37	EA	CABINETASM-OVHD,TTCHAIRS(SALEMCHERRY)
3	M05990-01-H50	EA	DOOR-OGEEEDGE-14.3"X27.1"-W/OHARDWARE(SOLARMAPLE)
3	M05990-01-E41	EA	DOOR-OGEEEDGE-14.4"X26.2"-W/OHARDWARE(SALEMCHERRY)
4	114722-12-H50	EA	SHELF-W/PLASTICEDGETRIM(SOLARMAPLE)
4	114722-12-F37	EA	SHELF-W/PLASTICEDGETRIM(SALEMCHERRY)
5	107494-01-H50	EA	ENDCAP-RIGHTHAND(SOLARMAPLE)
5	107494-01-E41	EA	ENDCAP-RIGHTHAND(SALEMCHERRY)
6	120234-01-GV0	EA	LID-STEP/ENTRANCE
	101222-01-04A	EA	BRACKET-CATCH-LID
	120231-01-01A	EA	FLOORING-RUBBER
7	111431-13-H56	EA	TABLETOPONLY(SOLARMAPLE)
7	111431-13-E41	EA	TABLETOPONLY(SALEMCHERRY)
7	120381-02-H50	EA	CABINET-MAGAZINERACK-W/OHARDWARE(SOLARMAPLE)
7	120381-02-G39	EA	CABINET-MAGAZINERACK-W/OHARDWARE(SALEMCHERRY)
8	120381-14-H56	EA	MAGAZINERACK(SOLARMAPLE)
8	120381-14-GV1	EA	MAGAZINERACKASM(SALEMCHERRY)
9	120381-21-H50	EA	RACK-F/MAGAZINERACK(SOLARMAPLE)
9	120381-21-G39	EA	RACK-F/MAGAZINERACK(SALEMCHERRY)

LOUNGE GROUP(CONTINUED)

DRIVERSIDE COUCH & COUCH BRACKET



KEY	PARTNUMBER	U/M	DESCRIPTION
	105947-01-000	EA	BRACKET-HOLDDOWN, COUCHCSAUNITS
1	116957-01-H56	EA	TABLE-FOLDING-W/OHARDWARE(SOLARMAPLE)
1	116957-01-G39	EA	TABLE-FOLDING-W/OHARDWARE(SALEMCHERRY)
2	116957-11-H23	EA	BRACE-FOLDINGTABLE-SOFA/BED(SOLARMAPLE)
2	116957-11-G39	EA	BRACE-FOLDINGTABLE-SOFA/BED(SALEMCHERRY)
3	116957-12-H56	EA	TABLETOP-FOLDING(SOLARMAPLE)
3	116957-12-G39	EA	TABLETOP-FOLDING(SALEMCHERRY)
4	116957-15-H23	EA	LEG-FORNEWSTYLETABLE(SOLARMAPLE)
4	116957-15-G39	EA	LEG-FORNEWSTYLETABLE(SALEMCHERRY)
5	120976-12-H50	EA	ENDCAP(SOLARMAPLE)
5	120976-12-G39	EA	ENDCAP(SALEMCHERRY)
6	120976-11-H50	EA	ENDCAP(SOLARMAPLE)
6	120976-11-G39	EA	ENDCAP(SALEMCHERRY)
7	120976-01-H50	EA	CABINET-SPEAKEROVERHEAD(SOLARMAPLE)
7	120976-01-G39	EA	CABINET-SPEAKEROVERHEAD(SALEMCHERRY)
	058331-F2-000	EA	MIRROR-SAFETYGLASS-12.3"X21.3"
8	M06803-R9-H50	EA	DOOR-MITEREDCORNER/OGEEEDGE-10.02"X19.1"-W/OHDW(SOLARMAPLE)
8	M06803-R9-G39	EA	DOOR-MITEREDCORNER/OGEEEDGE-10.02"X19.1"-W/OH(SALEMCHERRY)
	111835-05-000	EA	GLASS-CLEARTEMPERED
9	120979-02-H50	EA	CABINET-FRONTOVERHEADW/ENDCAP-W/ODOORS/HARDWARE(SOLARMAPLE)
9	120979-02-G39	EA	CABINET-FRONTOVERHEADW/ENDCAP-W/ODOORS/HARDWARE(SALEMCHERRY)
10	120035-04-H50	EA	DOOR-FABRICWRAPPED-8.6"X29.9"-W/OHARDWARE(H50)
10	120035-04-G39	EA	DOOR-FABRICWRAPPED-8.6"X29.9"-W/OHARDWARE(H51)
10	120035-04-H52	EA	DOOR-FABRICWRAPPED-8.6"X29.9"-W/OHARDWARE(H52)
10	120035-04-G41	EA	DOOR-FABRICWRAPPED-8.6"X29.9"-W/OHARDWARE(H53)
10	120035-04-H54	EA	DOOR-FABRICWRAPPED-8.6"X29.9"-W/OHARDWARE(H54)
10	120035-04-H55	EA	DOOR-FABRICWRAPPED-8.6"X29.9"-W/OHARDWARE(H55)
10	120035-04-H62	EA	DOOR-FABRICWRAPPED-8.6"X29.9"-W/OHARDWARE(H62)
10	120035-04-H63	EA	DOOR-FABRICWRAPPED-8.6"X29.9"-W/OHARDWARE(H63)
11	120035-05-H50	EA	DOOR-FABRICWRAPPED-8.6"X16.4"-W/OHARDWARE(H50)
11	120035-05-G39	EA	DOOR-FABRICWRAPPED-8.6"X16.4"-W/OHARDWARE(H51)
11	120035-05-H52	EA	DOOR-FABRICWRAPPED-8.6"X16.4"-W/OHARDWARE(H52)
11	120035-05-G41	EA	DOOR-FABRICWRAPPED-8.6"X16.4"-W/OHARDWARE(H53)
11	120035-05-H54	EA	DOOR-FABRICWRAPPED-8.6"X16.4"-W/OHARDWARE(H54)
11	120035-05-H55	EA	DOOR-FABRICWRAPPED-8.6"X16.4"-W/OHARDWARE(H55)
11	120035-05-H62	EA	DOOR-FABRICWRAPPED-8.6"X16.4"-W/OHARDWARE(H62)
11	120035-05-H63	EA	DOOR-FABRICWRAPPED-8.6"X16.4"-W/OHARDWARE(H63)
12	120979-12-H50	EA	CAPASM(SOLARMAPLE)
12	120979-12-G39	EA	CAPASM(SALEMCHERRY)

SEALANTS&FASTENERSGROUP

SEALANTS&ADHESIVES

KEY	PARTNUMBER	U/M	DESCRIPTION
	004006-05-700	EA	ADHESIVE-NAT. STARCH(5 GAL) 0802
	004011-01-000	EA	ADHESIVE-3M,4475TUBE
	004020-01-000	QT	ADHESIVE-ABSCEMENT-QUART
	004363-01-000	FT	TAPE-ADHESIVEFOAM/1 SIDE-3/16"X1/2"X50'-GRAY
	034552-02-000	EA	SILICONE-TUBE,300ML-CLEAR
	034552-06-000	EA	SILICONE-TUBE-300ML-W/ONOZZLE-OFFWHITE
	034552-15-000	EA	SILICONE-TUBE-300ML-W/ONOZZLE-BRIGHTWHITE
	039518-01-000	EA	SILICONE-TUBE-300ML-BLACK-W/ONOZZLE
	034552-12-000	EA	SILICONE-TUBE,300ML-BUFF
	053766-02-000	EA	BEDDINGCOMPOUND-TUBE-WHITE
	053766-08-000	EA	BEDDINGCOMPOUND-TUBE,GRAY-SCHNEE#5522
	062917-03-000	EA	ADHESIVE-LOCTITE242
	063642-01-000	FT	TAPE-ADHESIVE-10MILX1.5"X180"
	067788-01-000	EA	ADHESIVE-SPRAY,3M74-19.5OUNCECAN
	069640-01-000	FT	SEALER-RIBBON-1/4"DIAMETER-INCREMENTSOF30'
	069640-02-000	FT	SEALER-RIBBON-1/2"X1/8"-INCREMENTSOF60'
	069640-03-000	FT	SEALER-TAPE-1/8"THICKX.75"WIDEX60'
	069640-07-000	FT	SEALER-RIBBON,2"X3/32"-INCREMENTSOF30'OR45'
	069640-09-000	FT	SEALER-TAPE-1/32"THICKX2.50"WIDEX80'
	069640-11-000	FT	SEALER-TAPE-3/16"THICKX3/8"WIDEX40'
	069640-14-000	FT	SEALER-TAPE-1/16"THICKX1"WIDEX100'
	069640-15-000	FT	SEALER-RIBBON-1/16"X3/8"-GRAY
	069640-18-000	FT	SEALER-TAPE-1/2"THICKX1/8"X60'
	072889-01-000	EA	SEALANT-URETHANE-BLACK-1/10
	072889-09-000	EA	SEALANT-URETHANE-BLACK(TUBE)
	072889-11-000	EA	SEALANT-URETHANE-(TUBE)-GRAY
	072889-14-000	EA	SEALANT-URETHANE-TUBE-SABLE
	076322-01-000	FT	TAPE-DOUBLECOATED/FOAMED-ADHESIVEBACKED-.25"X216"
	076322-02-000	FT	TAPE-DOUBLECOATED/FOAMED-ADHESIVEBACKED-1"X108"
	076322-03-000	FT	TAPE-DOUBLECOATED/FOAMED-ADHESIVEBACKED-.5"X108"
	076322-05-000	FT	TAPE-DOUBLECOATED/FOAMED-ADHESIVEBACKED-.45"X.75"
	076322-07-000	FT	TAPE-FOAM,DOUBLECOATED,.045X.50-3M4949VHB
	087211-01-000	GL	PROMOTER-ADHESIVE
	088479-01-000	EA	TAPE-ALUM3"3M
	091255-02-000	FT	SEAL-ADHESIVEBACKED/FOAM-.18"THICKX1.5"WIDE
	094401-01-000	EA	SEALER-BODYSEAMSEALER,3MFLEXICLEAR
	102352-01-000	EA	SEALER-PUMPABLE-BLACK-COLORIMETRICMS101
	102352-02-000	EA	SEALER-PUMPABLE-CLEAR
	106206-01-000	EA	SEALER-PUMPABLE-MANUS30A-BLACK
	107828-01-000	EA	SEALANT-SB-190EVERSEAL
	108353-01-000	FT	SEAL-FOAM-5/16"X1/2"-ADHESIVEBACKED
	108353-03-000	FT	SEAL-FOAM,4.76X6.35MM-LUNDELL
	108716-04-000	EA	SILICONE-TUBE-SABLE/SELFLEVELING
	110274-01-000	FT	TAPE-DOUBLESIDEDFOAM-.45"X1"
	112901-02-000	EA	ADHESIVE-PLEXUS-50ML
	118085-02-01A	FT	TAPE-FOIL,1INX150FT
	120074-01-01A	EA	SILICONETUBE-OFFWHITEW/ONOZZLE
	120534-01-01A	EA	TAPE-SCOTCH-3M-1/2"FINELINE
	123816-01-000	FT	TAPE-DOUBLESIDED-1"
	123816-02-000	FT	TAPE-DOUBLESIDED-1/2"
	900390-01-000	EA	TIP-21/2"X1/8"ORIFICE
	900390-03-000	EA	NOZZLE-SILICONETUBE

BOLTS,NUTS&WASHERS

KEY	PARTNUMBER	U/M	DESCRIPTION
	000C12-05-40B	EA	BOLT-HEX,5/16-18X2.5-ZN5
	000C12-05-12B	EA	BOLT-HEX,5/16-18X3/4-ZN5
	000C12-05-16B	EA	BOLT-HEX-5/16-18X1-ZINC5

SEALANTS&FASTENERSGROUP(CONTINUED)

BOLTS,NUTS&WASHERS(CONTINUED)

KEY	PARTNUMBER	U/M	DESCRIPTION
	000C12-06-20B	EA	BOLT-HEX-3/8-16X1 1/4-ZINC#5
	000C12-06-16B	EA	BOLT-HEX-3/8-16X1LG-ZINC5
	000C12-06-32B	EA	BOLT-HEX,3/8-16X2LG-ZN5
	000C12-06-44B	EA	BOLT-HEX,3/8-16X23/4-ZN5
	000C12-07-20B	EA	BOLT-HEX-7/16-14X1 1/4-ZINC5
	000C12-08-16B	EA	BOLT-HEX-1/2-13X1.00-GD5-ZINC
	000C12-08-28B	EA	BOLT-HEX,1/2-13X1-3/4ZN5
	000C12-08-24B	EA	BOLT-HEX-1/2-13X1.50-ZINC5
	000C12-10-24B	EA	BOLT-HEX-5/8-11X1.50-ZINC5
	000C13-07-48B	EA	BOLT-HEX-7/16-20X3-ZINC5
	000C26-04-10B	EA	BOLT-HEX-SERRATEDFLANGE-1/4-20X5/8-ZINC
	000C26-04-14B	EA	BOLT-HEX-SERRATEDFLANGE-1/4-20X7/8-ZINC
	000C26-04-18B	EA	BOLT-HEX-SERRATEDFLANGE-1/4-20X1 1/8-ZINC
	000C26-05-12B	EA	BOLT-HEX-SERRATEDFLANGE-5/16-18X3/4-ZINC
	000C26-05-16B	EA	BOLT-HEX-SERRATEDFLANGE-5/16-18X3/4-ZINC
	000C26-06-16B	EA	BOLT-HEX-SERRATEDFLANGE-3/8-16X1-ZINC
	000C26-06-12B	EA	BOLT-HEX-SERRATEDFLANGE-3/8-16X3/4-ZINC
	000D24-10-00B	EA	NUT-HEX-SELFLOCKING-10-32ZINC
	000D29-05-00B	EA	NUT-5/16-18UNC-SF/LOCKING-NYLONWASHERINSERT
	000D29-06-00B	EA	NUT-HEX-W/NYLONLOCK-3/8-16-ZINC
	000D34-06-00B	EA	NUT-HEX-LOCKING-3/8-16GRADEC-ZINC-PREVAILINGT
	000D39-04-00B	EA	NUT-HEX-SERRATEDFLANGE-LOCKING-1/4-20-ZINC
	000D39-05-00B	EA	NUT-HEX-SERRATEDFLANGE-LOCKING-5/16-18-ZINC
	000D39-06-00B	EA	NUT-HEX-SERRATEDFLANGE-LOCKING-3/8-18-ZINC
	000D39-07-00B	EA	NUT-HEX-SERRATEDFLANGE-LOCKING-7/16-14-ZINC
	000D39-08-00B	EA	NUT-HEX-SERRATEDFLANGE-LOCKING-1/2-13-ZINC
	000D44-07-00B	EA	NUT-HEX-SERRATEDFLANGE-LOCKING-7/16-20-ZINC
	000D46-04-00A	EA	NUT-HEX-WELD-1/4-20-PLAIN
	000D58-06-00A	EA	NUT-HEX-WELD3/8-16-PLAIN
	000D73-07-00C	EA	NUT-HEXFLANGE-7/16-14-GRADEG
	000E11-05-00B	EA	WASHER-LK,5/16"MED-SPLIT-ZN
	000E11-07-00B	EA	WASHER-LOCKING-7/16MEDSPLIT-ZINC
	000E11-08-00B	EA	WASHER-LOCKING-1/2MEDSPLIT-ZINC
	000E13-14-00B	EA	WASHER-FLAT-1/4"WIDE-ZINC
	000E13-17-00B	EA	WASHER-FLARE,3/8"ARZN
	000E13-18-00B	EA	WASHER-FLAT-3/8"WIDE-ZINC
	000E13-20-00B	EA	WASHER-FLAT-7/16"WIDE-ZINC
	000E13-22-00B	EA	WASHER-FLAT-1/2"WIDE-ZINC
	000E13-21-00B	EA	WASHER-FL-W/2NARZN
	000E13-22-00B	EA	WASHER-FLAT,1/2"WIDE-ZINC-05117-01-000
	000E14-10-00B	EA	WASHER-LOCKING-#10EXTERNALTOOTH-ZINC
	000G45-04-24B	EA	BOLT-LAG,1/4-9X1 1/2ZN
	005081-01-000	EA	NUT-SPEED,CTYPE-NO8SCREW
	040921-03-000	EA	NUT-SPEED-UTYPE-#10
	040921-05-000	EA	NUT-SPEED-U-TYPE#8-.67"X.44"WIDE
	044364-02-000	EA	NUT-SPEED-FLAT-ROUND
	051387-05-000	EA	BOLT-CARRIAGEW/OHOLE-5/16-18X9.5-ZINC
	051387-06-000	EA	BOLT-CARRIAGEW/OHOLE-5/16-18X9.5-ZINC
	058716-02-000	EA	WASHER-FLATNYLON
	063253-07-000	EA	NUT-J,#8A.120-.130PNLTHK
	077049-01-000	EA	NUT-ACORN,10-32ALUMINUM
	083163-06-000	EA	PUSHNUT-FLATTYPE3/8STUD-FORDONLY
	087234-01-000	EA	NUT-JACK-1/4X20THD-MOLLY
	088787-12-000	EA	STUD-WELD-1/4-20X1.0LG-MN
	091274-03-000	EA	BOLT-J-3/8-16X12.0
	102378-01-02A	EA	WASHER-BLACK
	102540-01-000	EA	SEAL-SCREW,ROUND-RUBBER
	106648-01-000	EA	CAP-STUD,.120TO.130STUDDIAMETER-T'MNC30017-014-27
	106956-03-000	EA	BOLT-HEXTAP1/2-13NCX3GR5 FULLTHREADZINC
	107397-01-000	EA	WASHER-FENDER-.25"IDX1"OD
	108067-03-000	EA	STUD-WELD-1/4-20X1/2CD
	110794-01-000	EA	WASHER-FL,1IDX13/4OD-C-TECH36T1043187

SEALANTS&FASTENERSGROUP(CONTINUED)

SCREWS

KEY	PARTNUMBER	U/M DESCRIPTION
	000C20-06-20T	EA SCREW,3/8-16X1 1/4,FLATSOC
	000G11-05-08B	EA SCREW-5-20X.50PPH-ZINC
	000G11-06-06B	EA SCREW-6-20X3/8PPH-ZINC
	000G11-06-08B	EA SCREW-6-20X.50PPH-ZINC
	000G11-06-10B	EA SCREW-6-20X5/8PPH-ZINC
	000G11-06-18B	EA SCREW,6-20X1 1/8PPH-ZINC
	000G11-06-10J	EA SCREW-6-20X5/8PPH-BRASS
	000G11-07-08B	EA SCREW,7-19X1/2PPH-ZINC
	000G11-08-06B	EA SCREW-8-18X3/8PPH-ZINC
	000G11-08-08B	EA SCREW-8-18X.50PPH-ZINC
	000G11-08-08T	EA SCREW-8-18X1/5PPH-FLUOROCARBONCOATING
	000G11-08-12B	EA SCREW-8-18X.75PPH-ZINC
	000G11-08-12D	EA SCREW-8-18X.75PPH-BLACK
	000G11-08-12P	EA SCREW-8-18X.75PPH-DARKBROWN
	000G11-08-12R	EA SCREW-8-18X.75PPH-BEIGE
	000G11-08-12T	EA SCREW-8-18X.75PPH-BLACK
	000G11-08-16S	EA SCREW-8-18X1.00PPH-OFFWHITE
	000G11-08-20B	EA SCREW-8-18X1.25PPH-ZINC
	000G11-10-40B	EA SCREW-10-16X2 1/2PPHCAD-34927-01-000
	000G11-10-12D	EA SCREW-10-16X.75PPH-BLACK
	000G11-10-12S	EA SCREW-10-16X.75PPH-OFFWHITE
	000G11-10-16B	EA SCREW,10-16X1-PPHZINC
	000G11-08-12S	EA SCREW,8-18X3/4PPH-OFFWHITE
	000G12-06-08T	EA SCREW-6-20X.50POH-BLACK
	000G12-06-14A	EA SCREW,6-20X.87POHPLAIN
	000G12-06-20B	EA SCREW-6-20X1.25POHZINC
	000G13-05-16S	EA SCREW,5-20X1PFH-OFFWHITE
	000G13-06-06B	EA SCREW,6-20X3/8PFHZINC
	000G13-06-16E	EA SCREW-6-20X1.00PFHCHROME
	000G13-06-08B	EA SCREW-6-20X.50OFG-ZINC
	000G13-06-24J	EA SCREW-6-20X1.50PFH-BRASS
	000G13-06-16J	EA SCREW-6-20X1.00PFH-BRASS
	000G13-06-08G	EA SCREW-6-20X.50PFH-ANTIQUEBRASS
	000G13-07-12B	EA SCREW-7-19X.75PFH-ZINC
	000G13-08-10B	EA SCREW,8-18X5/8PFH-ZINC
	000G13-08-16B	EA SCREW,8-18X1PFH-ZINC
	000G16-04-24B	EA SCREW-MACHINE,1/4-20X1-1/2PPH
	000G18-08-16B	EA SCREW-MACHINE,8X32X1,PPHZINC
	000G18-08-12B	EA SCREW-MACHINE8-32X.75PPH-ZINC
	000G18-08-22B	EA SCREW-MACHINE-8-32X1 3/8PPH-ZINC
	000G19-10-08B	EA SCREW-MACHINE-10-32X.50-PPH-ZINC
	000G19-10-20B	EA SCREW-MACHINE-10-32X1 1/4PPH-ZINC
	000G19-10-12F	EA SCREW-MACHINE-10-32X.75-PPH-STAINLESSSTEEL
	000G19-10-10B	EA SCREW-MACHINE,10-32X5/8-PPH-ZINC
	000G32-10-06D	EA SCREW-10-32X3/8PPHTYPE1-BLACK-05003-01-000
	000G32-10-06B	EA SCREW-10-32X3/8PPH-ZINC
	000G37-08-12B	EA SCREW,8X18X3/4PPH
	000G39-06-10T	EA SCREW-SF/DR-6-20X5/8PPH-BLACK
	000G39-06-16T	EA SCREW-SF/DR,6-20X1PPH-BLACK
	000G39-08-08S	EA SCREW-SF/DR-8-18X.50PPH-OFFWHITE
	000G39-08-08B	EA SCREW-SF/DR-8-18X.50PPH-ZINC
	000G39-08-06B	EA SCREW-SF/DR-8-18X3/8PPH-ZINC
	000G39-08-32B	EA SCREW-SF/DR-8-18X2PPH-ZINC
	000G39-08-24B	EA SCREW-SF/DR-8-18X1 1/2PPH-ZINC
	000G39-08-16T	EA SCREW-SF/DR-6-20X1PPH-BLACK
	000G39-08-16R	EA SCREW-SF/DR-8-18X1PPH-BEIGE
	000G39-08-16B	EA SCREW-SF/DR-8-18X1PPH-ZINC
	000G39-08-12T	EA SCREW-SF/DR-8-18X.75PPH-BLACK
	000G39-08-12B	EA SCREW-SF/DR-8-18X.75PPH-ZINC
	000G39-08-08T	EA SCREW-SF/DR-8-18X.50PPH-BLACK
	000G39-08-24T	EA SCREW-SF/DR,8-18X1.50PPH

SEALANTS&FASTENERSGROUP(CONTINUED)

SCREWS(CONTINUED)

KEY	PARTNUMBER	U/M DESCRIPTION
	000G39-08-08R	EA SCREW-SF/DR,8-18X1/2PPH-BEIGE
	000G39-08-083	EA SCREW-SF/DR,8-18X1/2PAH-BUFF
	000G39-08-08S	EA SCREW-SF/DR-8-18X.50PPH-OFFWHITE
	000G39-08-16S	EA SCREW-SF/DR,8-18X1PPHOFFWHITE
	000G39-10-209	EA SCREW-SF/DR-10-16X1 1/4PPH-FLUOROCARBONSILVER
	000G39-10-20B	EA SCREW-SF/DR-10-16X1 1/4PPH-ZINC
	000G39-10-129	EA SCREW-SF/DR-10-16X.75PPH-FLUOROCARBONSILVER
	000G39-10-12D	EA SCREW-SF/DR-10-16X.75PPH-BLACK
	000G39-10-12B	EA SCREW-SF/DR-10-16X.75PPH-ZINC
	000G39-10-10B	EA SCREW-SF/DR-10-16X.625-ZINC
	000G39-10-088	EA SCREW-SF/DR-10-16X.50PPH-FLEXFLUOROCARBON
	000G39-10-08B	EA SCREW-SF/DR-10-16X.50PPH-ZINC
	000G39-10-48B	EA SCREW-SF/DR-10-16X3-PPH-ZINC
	000G39-10-40D	EA SCREW-SF/DR-10-16X2 1/2PPH
	000G39-10-32B	EA SCREW-SF/DR-10-16X2-PPH-ZINC
	000G39-10-48T	EA SCREW-SF/DR-10-16X3.00PPH-BLACK-FLUROCARBON
	000G42-04-12B	EA SCREW-SF/DR-1/4-14X.75HWH-ZINC
	000G42-04-16B	EA SCREW-SF/DR-1/4-14X1HWH-ZINC
	000G46-08-24T	EA SCREW-MACHINE,8-32-1.50INPFH-BLACK
	000G50-04-12B	EA SCREW-MACHINE-1/4-20X.75PPH-ZINC
	000G50-04-08B	EA SCREW-MACHINE-1/4-20X.50PTH-ZINC
	000G51-08-08B	EA SCREW-8-18X1/2PTH-ZINC
	000G52-08-18B	EA SCREW-MACHINE-8-32X1 1/8PTH-ZINC
	000G52-08-06B	EA SCREW-MACHINE-8-32X3/8PTH-ZINC
	000G53-04-06B	EA SCREW-MACHINE,1/4-20X3/8PPHZINC-UNDERCUTHEAD
	000G54-04-20B	EA SCREW-1/4-20X1 1/4PTH-TYPE23-ZINCPLATED
	000G55-08-12S	EA SCREW-SF/DR-8-18X.75PWH-OFFWHITE
	000G55-08-12S	EA SCREW-SF/DR-8-18X.75PWH-WILLOW
	000G55-08-12M	EA SCREW-SF/DR,8-18X.75PWH-GRAY
	000G55-08-162	EA SCREW-SF/DR,8-18X1.00-BEIGE
	000G56-10-24J	EA SCREW-WOOD-10-13X1 1/2POH-BRIGHTBRASS
	000G56-12-48B	EA SCREW-WOOD-12-11X3POH-SPECIALHARDENED
	000G57-05-16J	EA SCREW-5-20X1PFH-BRASS
	000G60-08-163	EA SCREW-SF/DR,8-18X1.00POH-BUFF
	000G60-10-209	EA SCREW-SF/DR-10-16X1.25POH
	000G60-10-16J	EA SCREW-SF/DR-10-16X1POH-BRIGHTBRASS
	000G67-08-32B	EA SCREW-8-15X2PPH-ZINC
	000G67-10-08B	EA SCREW-10-12X.50PPH-ZINC
	000G67-10-08R	EA SCREW-10-12X1/2PPH-BEIGE-TYPEA
	000G67-10-10D	EA SCREW-10-12X5/8PPH-BLACK-TYPEA
	000G67-10-10B	EA SCREW-10-12X5/8PPH-ZINC-TYPEA
	000G67-10-10P	EA SCREW-10-12X.62PPH-DARKBROWN
	000G67-10-12B	EA SCREW-10-12X.75PPH-ZINC
	000G67-10-16B	EA SCREW-10-12X1PPH-ZINC
	000G67-10-12P	EA SCREW-10-12X.75-PPH-DARKBROWN
	000G67-10-20D	EA SCREW-10-12X1.25PPH-BLACK
	000G67-10-32B	EA SCREW,10-12X2PPH-ZINC
	000G67-10-36T	EA SCREW-10-12X2.25PPH-BLACK-STALGARD
	000G67-10-24B	EA SCREW-10-12X1.25PPH-ZINC
	000G67-10-20D	EA SCREW-10-12X1.25PPH-BLACK
	000G67-10-48B	EA SCREW,10-12X3PPHZINC
	000G67-10-489	EA SCREW,10-12X3PPHSILVER
	000G68-06-12S	EA SCREW-6-18X.75POH
	000G68-06-10G	EA SCREW-6-18X5/8POH-ANTIQUEBRASS
	000G68-10-20I	EA SCREW-10-12X1 1/4POH-BLACK
	049465-01-000	EA SCREW,10-16W/WASHERPTH-DARKBROWN
	049465-04-000	EA SCREW-10-16X1PTHW/WASHER-BEIGE
	049465-22-000	EA SCREW-10-16A1 1/2POHW/WASHER-SABLE
	054434-02-000	EA SCREW-SF/DR-10-16X2-ZINC
	054434-03-000	EA SCREW-SF/DR-10-16X2-PWH-ZINC-W/OWINGS

SEALANTS&FASTENERSGROUP(CONTINUED)

SCREWS(CONTINUED)

KEY	PARTNUMBER	U/M	DESCRIPTION
	057671-01-000	EA	COVER-SCREW-#8-PLASTIC-OFFWHITE
	057671-03-000	EA	COVER-SCREW,#8-PLASTIC-WILLOW
	057671-15-000	EA	COVER-SCREW
	075908-01-000	EA	SCREW-MACHINE-10-32X.56PTH-EXTERNALTOOTH-ZINC
	083554-04-000	EA	SCREW-DRYWALL-8X2.50
	086256-01-000	EA	SCREW-SF/DR-8X3/4HWHLONG-PLBODYPNLMT
	087721-01-000	EA	SCREW-FLATHEAD,TAPPING-1/4"X1 1/4"LGZINC
	101289-01-01A	EA	SCREW-MACHINE,8-32X4-POH-BRASS-FOREXTENDEDKNOB
	101618-01-000	EA	SCREW-1/4-20X3/4HEX-TAPPING-STALGARDTYPEF
	109152-03-000	EA	SCREW-3/8-16X2-FLATSOC-STAINLESSSTEEL-BLACK
	110460-03-01A	EA	SCREW-MACHINE-10-24X33/4PFH-ALMOND
	116111-01-01A	EA	SCREW-TAPTITE,1/4-20X1/2PPH-ZINC
	116111-02-01A	EA	SCREW-TAPTITE,1/4-20X3/8PPH-ZINC
	117322-01-000	EA	SCREW-1/4-28UNF-2A,TORX-U.T.6270020SC25WJ

MISCELLANEOUS FASTENERS

KEY	PARTNUMBER	U/M	DESCRIPTION
	008343-01-000	EA	TIE-WIRE-6"
	008343-02-000	EA	TIE-WIRE-14"
	008343-03-000	EA	TIE-WIRE-7 1/5"-BLACK
	029094-04-000	YD	VELCROTAPE-LOOP-1"WIDE-BLACK
	029094-06-000	YD	VELCROTAPE-LOOP-2"WIDE-BLACK
	029096-03-000	YD	VELCROTAPE-HOOK-1"WIDE-BLACK
	081211-04-000	EA	PLUG-PLASTIC-.46"DIAMETER-BLACK
	085774-01-000	FT	FASTENER-DUALHOOK-1"WIDE-ADHESIVEBACK-BLACK
	085774-02-000	FT	FASTENER-DUALLOOP-1"WIDE-ADHESIVEBACK-BLACK
	086285-01-000	EA	SPACER-NYLON-.5"ODX.257"ID
	110943-02-000	FT	FELTSTRIP-3/8"-ADHESIVEBACK-WHITE

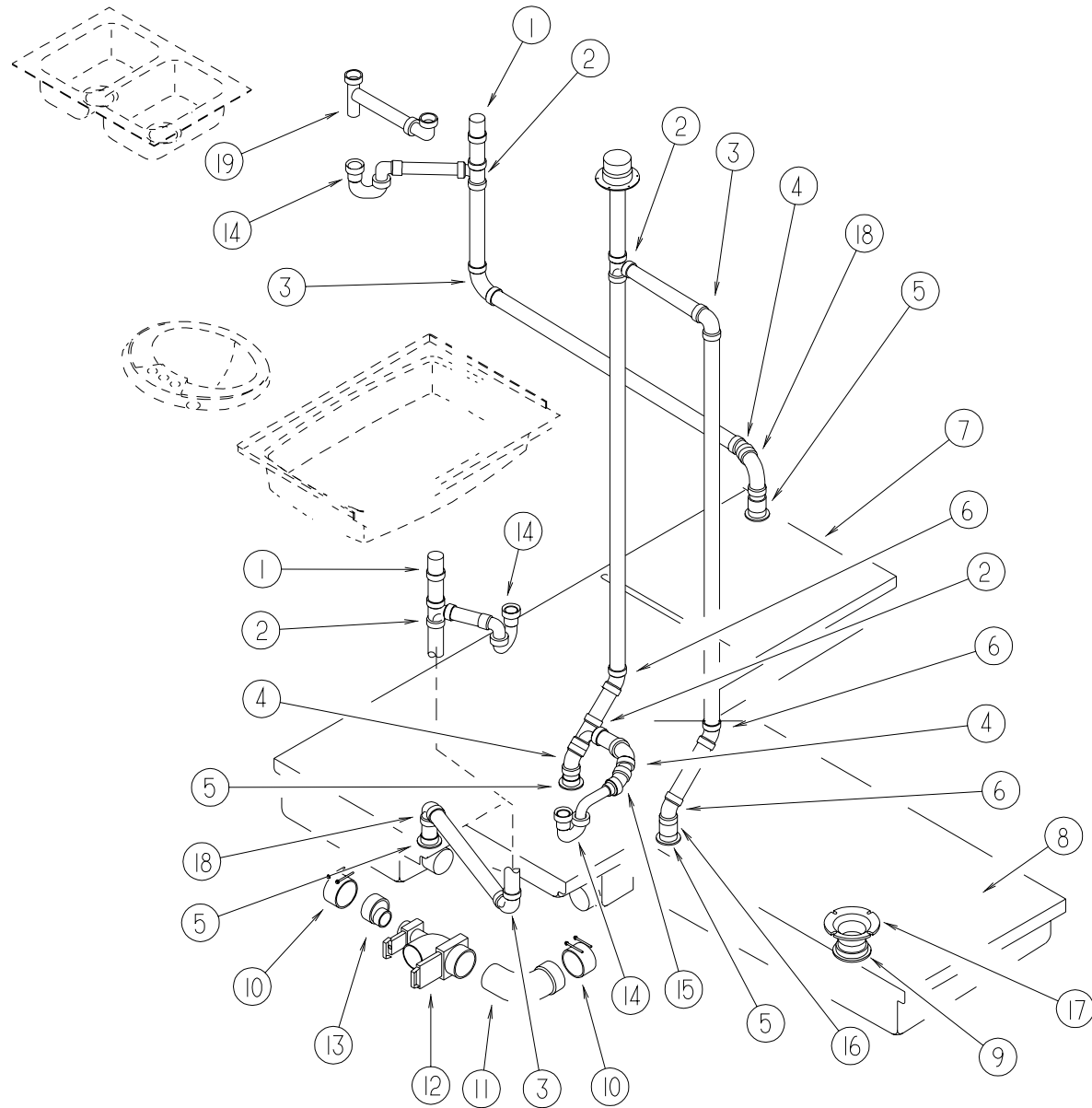
SEALANTS&FASTENERSGROUP(CONTINUED)

RIVETS,CLAMPS,GROMMETS&CLIPS

KEY	PARTNUMBER	U/M	DESCRIPTION
	000F10-04-16B	EA	PIN-COTTER,1/8"X1"-ZINC
	000F10-06-32B	EA	PIN-COTTER,3/16X2.00ZN
	000H14-06-14R	EA	RIVET-MANDRELBLIND-3/16"
	000H14-06-03R	EA	RIVET-MANDRELBLIND,3/16AL-CHERRYBSP-64
	000H16-04-06R	EA	RIVET-POPALUMINUM-1/8"X.313-.375
	000H16-06-10R	EA	RIVET-POP-ALUMINUM-3/16X.501-.625
	008380-01-000	EA	GROMMET-RUBBER,5/8"HOLEX1 1/2"DIAMETER-BLACK
	008384-01-000	EA	GROMMET-SNAP-3/4DIAMETER-NYLON
	008386-01-000	EA	GROMMET-SNAP,3/8"
	010495-01-000	EA	CLAMP-CABLE-9/16"
	010495-02-000	EA	CLAMP-CABLE-3/8"
	010497-01-000	EA	CLAMP-CLOSED-5/8"ID
	010497-03-000	EA	CLAMP-CLOSED-1"ID-CUSHIONED
	010497-04-000	EA	CLAMP-CLOSED,1.62ID-ADEL,945-2717
	010497-05-000	EA	CLAMP-CLOSED-1/2ID
	010497-06-000	EA	CLAMP-CLOSED,11/16"ID
	010497-07-000	EA	CLAMP-CLOSED-3/8"ID
	010499-01-000	EA	CLAMP-CLOSED,3/8"ID
	016188-03-000	EA	GROMMET-L/PLINE-3/8"HOLEX2 1/2"LONG-RUBBER
	016188-05-000	EA	GROMMET-L/PLINE-3/8"HOLEX1 1/4"LONG-RUBBER
	023942-01-000	EA	GROMMET-RUBBER-2"OD
	062401-01-000	EA	CLAMP-HOSE-WORMGEAR-.25"-1"
	062401-02-000	EA	CLAMP-HOSE-WORMGEAR-1.56"-2.5"
	062401-03-000	EA	CLAMP-HOSE-WORMGEAR-.22"-1"
	062401-04-000	EA	CLAMP-HOSE-WORMGEAR-.69"-1.25"
	062401-05-000	EA	CLAMP-HOSE-WORMGEAR-2"TO3"ID
	062401-06-000	EA	CLAMP-HOSE-WORMGEAR-.22-.62ID
	062401-07-000	EA	CLAMP-HOSE,WORMGEAR5"-7"
	062401-11-000	EA	CLAMP-HOSE-WORMGEAR-3.50-4.50
	071015-11-000	EA	GROMMET-1.00ID-FITS.12MATL-MINORRUBBERZ-3065
	071015-19-000	EA	GROMMET-.38ID,FITS.06MATERIAL-MINORRUBBERZ-3065
	071015-21-000	EA	GROMMET-RUBBER-1/2IDX1.06OD-W/.19GROOVE-BLACK
	071015-26-000	EA	GROMMET-RUBBER,1.5"IDX2.12"ODW/.06"GROOVE-BLACK
	071015-29-000	EA	GROMMET-RUBBER-1/2IDX1 1/4ODW.12GROOVE-BLK
	071015-30-000	EA	GROMMET-RUBBER,.31"IDX.81"ODW/.12"GROOVE-BLACK
	075148-02-000	EA	CLAMP-GROUNDING-BRONZESCREWS
	075312-02-000	EA	CLIP-U-.75LONGX.50WIDE-F/1/8"-3/16"THICKMATERIAL
	077953-01-000	EA	GROMMET-EDGELINER,FITS1"
	077955-01-000	EA	CLIP-J-VINYLCOATED-3/8"
	080211-03-000	EA	CLIP-MOUNTING,XMASTREE-DECORATIVEWALLPADS
	080734-02-000	EA	CLIP-WIRE,NYLON
	083609-01-000	EA	CLAMP-WIRE-DUAL-EQUALDIAMETERS-5/8"
	083610-01-000	EA	CLAMP-WIRE-DUAL-UNEQUALDIAMETERS-3/4"&1 1/4"
	083610-02-000	EA	CLAMP-WIRE-DUAL-UNEQUALDIAMETERS
	083610-03-000	EA	CLAMP-DUALWIRE
	091952-01-000	EA	CLIP-GRIPPER-1"
	091952-02-000	EA	CLIP-GRIPPER-3/4"
	094362-02-000	EA	CLIP-CHRISTMASTREE-FLATHEAD-.5"X.95"
	101447-01-000	EA	CLIP-UTYPE
	106648-01-000	EA	CAP-STUD.120TO.130STUDDIA-T'MNC30017-014-27
	114208-01-000	EA	GROMMET-EDGELINER-FITS1 3/4"
	114208-02-000	EA	GROMMET-EDGELINER-FITS.625
	119392-01-000	EA	CLIP-UTYPE-OFFSETLEG

WATER & SEWAGE GROUP

DRAINAGE SYSTEM



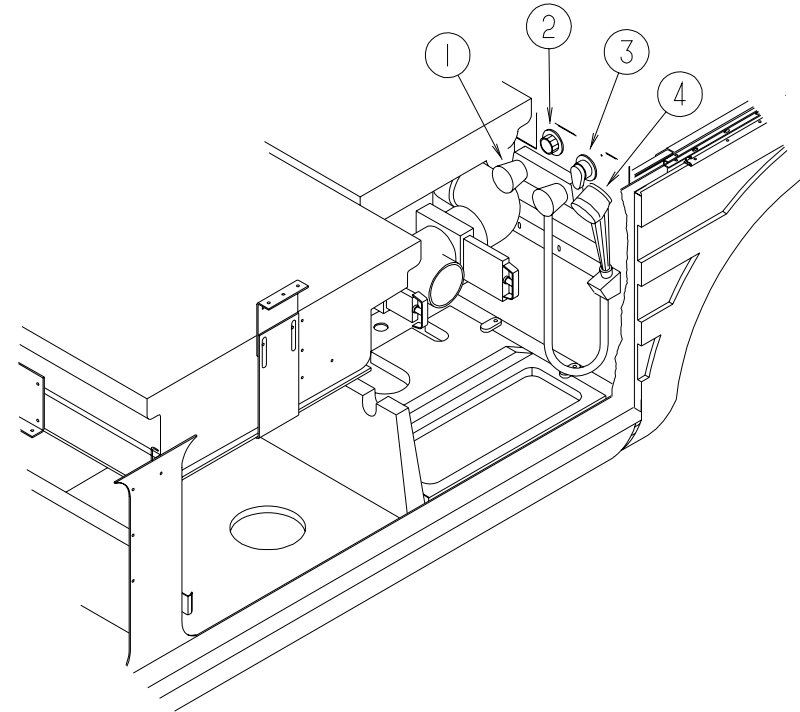
KEY	PARTNUMBER	U/M	DESCRIPTION	VENDOR NO.
1	079968-01-000	EA	VENT-MECHANICAL TRAP ARM-ANTI-SIPHON 2" DIA X 7.3" PLASTIC	
2	010071-01-000	EA	TEE-SANITARY-1 1/2" HUB X HUB X HUB-PLASTIC-BLACK	
3	010008-01-000	EA	ELBOW-90 DEG-1/4 BEND-1 1/2" HUB X HUB-BLACK PLASTIC	
4	010051-01-000	EA	ELBOW-45 DEG-1 1/2" SPIGOT & HUB, PLASTIC-BLACK	
5	061607-01-000	EA	GROMMET-HOLDING TANK-1 1/2" NPS	
6	010006-01-000	EA	ELBOW-45 DEG, 1/8 BEND-1 1/2" HUB X HUB-BLACK PLASTIC	
7	121385-01-000	EA	TANK-HOLDING-47 GAL	
8	121386-01-000	EA	TANK-HOLDING-48 GAL	
9	061607-02-000	EA	GROMMET-HOLDING TANK-3" NPS	
10	078406-01-000	EA	COUPLER-RUBBER, W/CLAMPS-3" X 3"	
11	041956-01-000	EA	ELBOW-STREET-PLASTIC-1/4 BEND-3" X 90 XLT	
12	070916-01-000	EA	VALVE-DUAL DUMP-W/CAP-3" X 1 1/2"-PLASTIC-BLACK	
	070916-01-700	EA	VALVE ONLY (WASTE) 3"	T1003BU
	070916-01-701	EA	VALVE ONLY (WASTE) 1 1/2"	T1001BU
13	062422-01-000	EA	ADAPTER-OFFSET REDUCER-3" X 1 1/2"-PLASTIC-BLACK	
14	109571-01-000	EA	ADAPTER-PTRAP-1 1/2" P X 1 1/4" MPT	
14	107538-01-000	EA	P-TRAP-PLASTIC-1 1/4" W/EXTENSION ARM	
14	011066-03-700	EA	PTRAP KIT 1 1/2" X 1 1/2" PTRAP W/1 1/2"-1 1/4" REDUCER-CANADIAN	
15	010005-01-000	EA	ELBOW-22 1/2 DEGREE-1/16 BEND-1 1/2" HUB X HUB PLASTIC-BLACK	
16	010115-01-000	EA	COUPLING-1 1/2" HUB X HUB-PLASTIC	
17	116644-01-000	EA	FLANGE-CLOSET, 4" X 3" CANADIAN	
17	063641-01-000	EA	FLANGE-CLOSET, 4" X 3"-U.S.	
18	034250-01-000	EA	ELBOW-90 DEG.-LONG TURN-1 1/2" HUB X HUB ABS	
19	011091-03-000	EA	PIPE-DRAIN-W/SEALS-DOUBLE SINK-EXTENDS 9" TO 16"	
19	011091-02-000	EA	PIPE-DRAIN-DOUBLE SINK-BAFFLE TEE-1 1/2"	
	033761-01-000	EA	ELBOW-TURN-1/4 BEND X 1.5" HUB X 1.5" SPIGOT-BLK PLASTIC	
	062416-01-000	EA	ADAPTER-SEWER HOSE TO 3" PIPE	
	010201-01-000	EA	HOSE-SEWER-3" ID X 8'	
	103354-01-000	EA	CONNECTOR-HOSE, SEWER	
	011069-02-000	EA	TAILPIECE-TUB/SHOWER-1 1/2" X 1 1/4" X 4"-BRASS	
	066440-01-000	EA	STRAINER-SHOWER-W/RUBBER WASHER	
	069735-01-000	EA	WASHER-STRAINER TO TAILPIECE PLASTIC, 1.5"	
	120981-01-01A	EA	DRAIN-TIPTOE-BRASS *B&K 132-208BP	

WATER&SEWAGEGROUP(CONTINUED)

WATERSYSTEM

KEY	PARTNUMBER	U/M	DESCRIPTION
	120291-02-000	EA	TANK-WATER-90GALLON-W/FITTINGS
	120291-01-000	EA	TANK-WATER-90GALLON-W/OFITTINGS
	042989-03-000	EA	FITTING-WATERTANK-SPINWELD-1 1/4"NPT-PLASTIC
	042989-05-000	EA	FITTING-WATERTANK-SPINWELD-1/2"FPT-PLASTIC
	049032-01-000	EA	PATCH-SPINWELD-3/8"-PLASTIC
	039861-01-000	EA	SENDINGUNIT-W/SCREW-WASHER-WELLNUT/TERMINALRING
	077954-02-000	EA	FILTER-WATERTANK-W/SCREENINTANK
	010219-01-000	EA	ELBOW-1 1/4MPTX1 1/4BARB-WATERFILL-PLASTIC
	039800-02-000	FT	TUBING-POLYBUTYL-5/8ODX20'-INCOF20'
	039800-04-000	FT	TUBING-POLYBUTYL-1/4"ODX20'
	079381-01-000	FT	TUBING-SMOOTHFLEXIBLE-1 3/8IDX20'
	113697-01-000	EA	CAP-3/8FTG
	114427-01-000	EA	CAP-1/2P
	114428-01-000	EA	TEE-1/2PX1/2PX1/2P
	114428-02-000	EA	TEE-SWIVEL-1/2PX1/2PX1/2FPT
	114429-01-000	EA	ELBOW-1/2PX1/2P
	114429-02-000	EA	ELBOW-1/2PX1/2MPT
	114429-03-000	EA	ELBOW-FLAIR-ITSWIVEL-1/2PX1/2FPT
	114429-04-000	EA	ELBOW-1/2PX3/8MPT
	114430-01-000	EA	ADAPTER-1/2PX1/2P
	114430-02-000	EA	ADAPTER-SWIVEL-1/2PX1/2FPT
	114430-03-000	EA	ADAPTER-1/2PX1/2MPT
	114430-06-000	EA	ADAPTER-1/2PX3/8FPT
	114431-01-000	EA	VALVE-180DEGREE/CENTERDRAIN-1/2P-THREEWAY
	114431-02-000	EA	VALVE-WATERBYPASS-1/2"P-THREEWAY(WATERHEATER)
	114431-03-000	EA	VALVE-90DEGREEDRAIN-1/2"P
	111888-01-000	EA	FERRULE-PLASTIC-.250IDX.375OD
	111888-02-000	EA	INSERT-BRASS-1/4COMP
	118423-01-000	EA	TEEFITTING-BRASS1/4"CX1/4"CX1/4"C
	120868-01-000	EA	VALVE-NEEDLE-COMP1/4CX1/4C
	112176-01-000	FT	TUBING-VINYL-REINFORCED-1/2"ID
	103798-01-000	EA	CONNECTOR-1/4ODX3/8MPT
	123152-01-000	EA	ADAPTER-1/2"FPTX1/2"BARB-SWIVEL
	010224-01-000	EA	ADAPTER-HOSETOPIPE-3/8"MPTX3/8"BARB-PLASTIC
	010230-05-000	EA	FILL-CITYWATER-W/CHECKVALVE
			FROM: 00-00-00 THRU: 09-25-96
	010230-06-000	EA	FILL-CITYWATER-W/CHECKVALVE-MPT
			FROM: 09-26-96 THRU: 99-99-99
	039800-05-000	FT	TUBING-POLYBUTYL-5/8ODX20'
	074462-02-000	FT	TUBING-VINYL-3/8"IDX20'-CLEAR
	113697-01-000	EA	CAP-3/8FTG
	118809-02-000	EA	ADAPTER-1/2"MPTX1/2"BARB-PLASTIC
	123150-01-000	EA	ELBOW-1/2"FPTX1/2"BARB-SWIVEL
	123243-01-000	EA	TANK-ACCUMULATOR-24OZ
	124184-01-000	EA	SUPPORT-WATERLINE-BEND

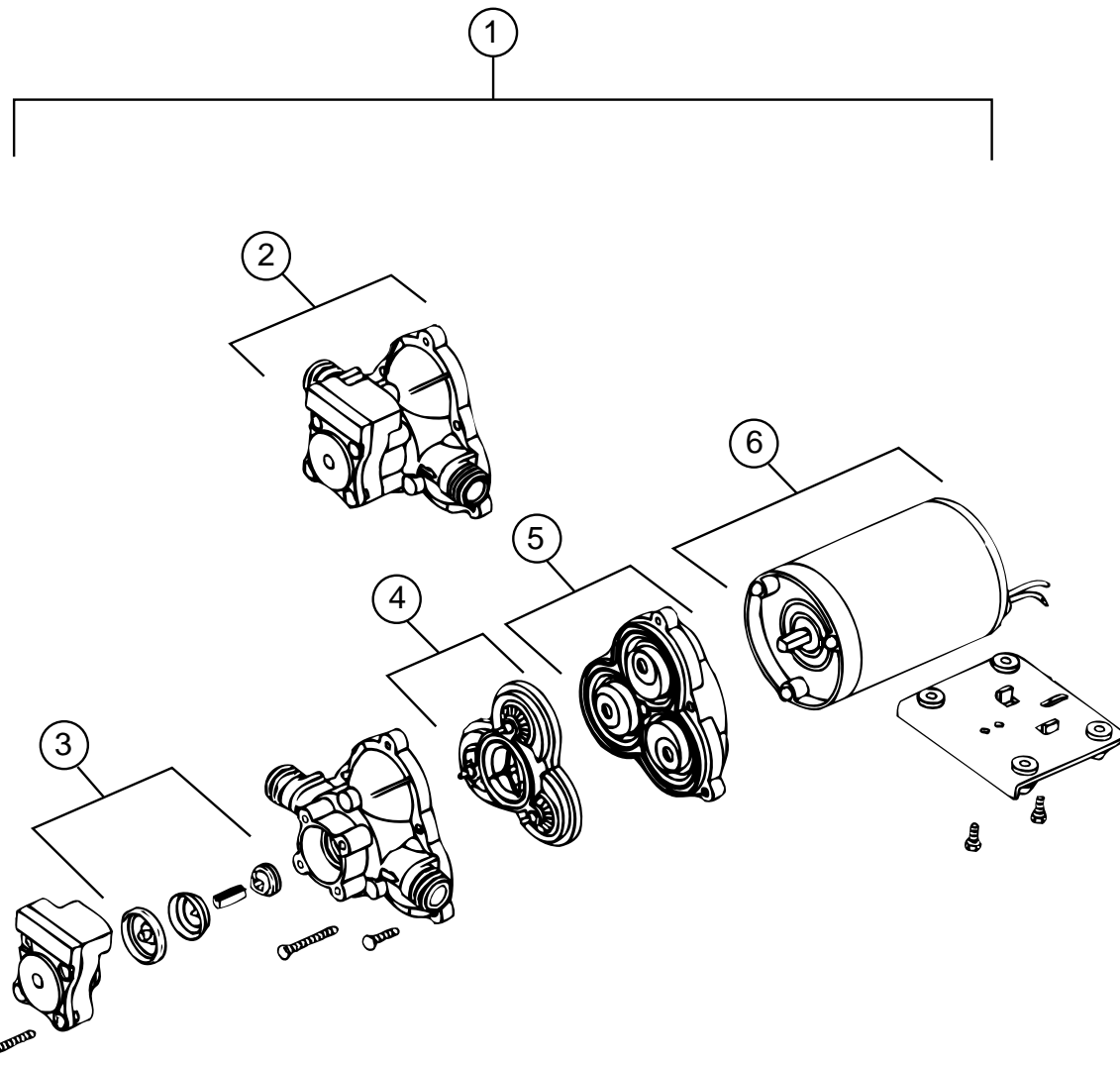
WATER&SEWAGEGROUP(CONTINUED)



EXTERIORWATERCENTER

KEY	PARTNUMBER	U/M	DESCRIPTION	VENDORN.
1	075241-05-000	EA	FAUCET/SHOWER-BONE 3/4"MPTX1.4"LONGINLETPIPES	
2	010230-05-000	EA	FILL-CITYWATER-W/CHECKVALVE	
3	046128-01-000	EA	VALVE-DRAIN-PLASTIC-1/2"FPT	
4	103092-01-000	EA	SHOWERHEAD-W/60"HOSE	
4	103092-02-000	EA	SHOWERHEAD-W/60"HOSE-CSA	
	103092-01-700	EA	BRACKET-F/SHOWERHEAD,CLEAR	2328028
	104044-01-000	EA	BRACKET-SUPPORT-FAUCET	

WATER&SEWAGEGROUP(CONTINUED)



SHURFLOWATERPUMP

KEY	PARTNUMBER	U/M	DESCRIPTION	VENDORNO.
1	098607-01-000	EA	PUMP-WATER-W/.5" MPT FITTING-FLOW 2.8 GPM	
2	098607-01-706	EA	HOUSING, W/SWITCH ONLY	94-231-20
3	098607-01-705	EA	VALVE-CHECK, KIT	94-237-00
4	098607-01-703	EA	VALVE KIT	94-232-00
5	098607-01-702	EA	DIAPHRAGM/DRIVE ASSEMBLY KIT	94-238-04
6	098607-01-707	EA	MOTOR W/BASE PLATE	11-148-04

WATER&SEWAGEGROUP(CONTINUED)

WATERHEATER BYPASS VALVE & WATER PURIFICATION

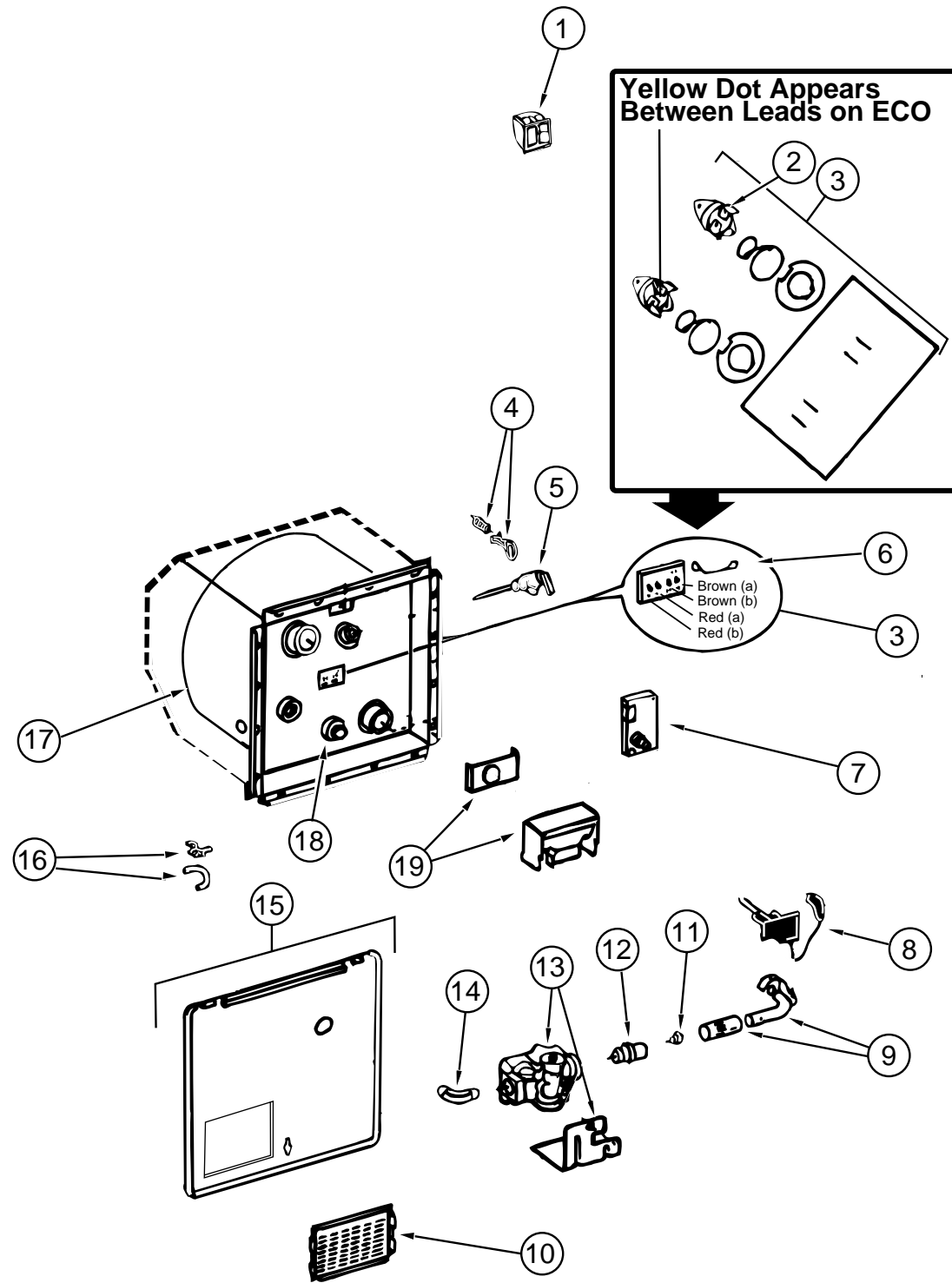
KEY	PARTNUMBER	U/M	DESCRIPTION	VENDORNO.
	110438-01-000	EA	VALVE-CHECK-BRASS-1/2 MPT X 1/2 FPT	
				FROM: 00-00-00 THRU: 02-16-97
	110438-02-000	EA	VALVE-CHECK-BRASS-1/2 MPT X 1/2 FPT	
				FROM: 02-17-97 THRU: 99-99-99
	701069-01-000	EA	WATER PURIFICATION SYSTEM 9252	
	701069-03-700	EA	CARTRIDGE REPLACEMENT	9592-06

GARDEN HOSE

KEY	PARTNUMBER	U/M	DESCRIPTION	VENDORNO.
	117089-01-000	FT	HOSE-1/2" ID-GARDEN	
				FROM: 00-00-00 THRU: 03-02-97

WATER & SEWAGE GROUP (CONTINUED)

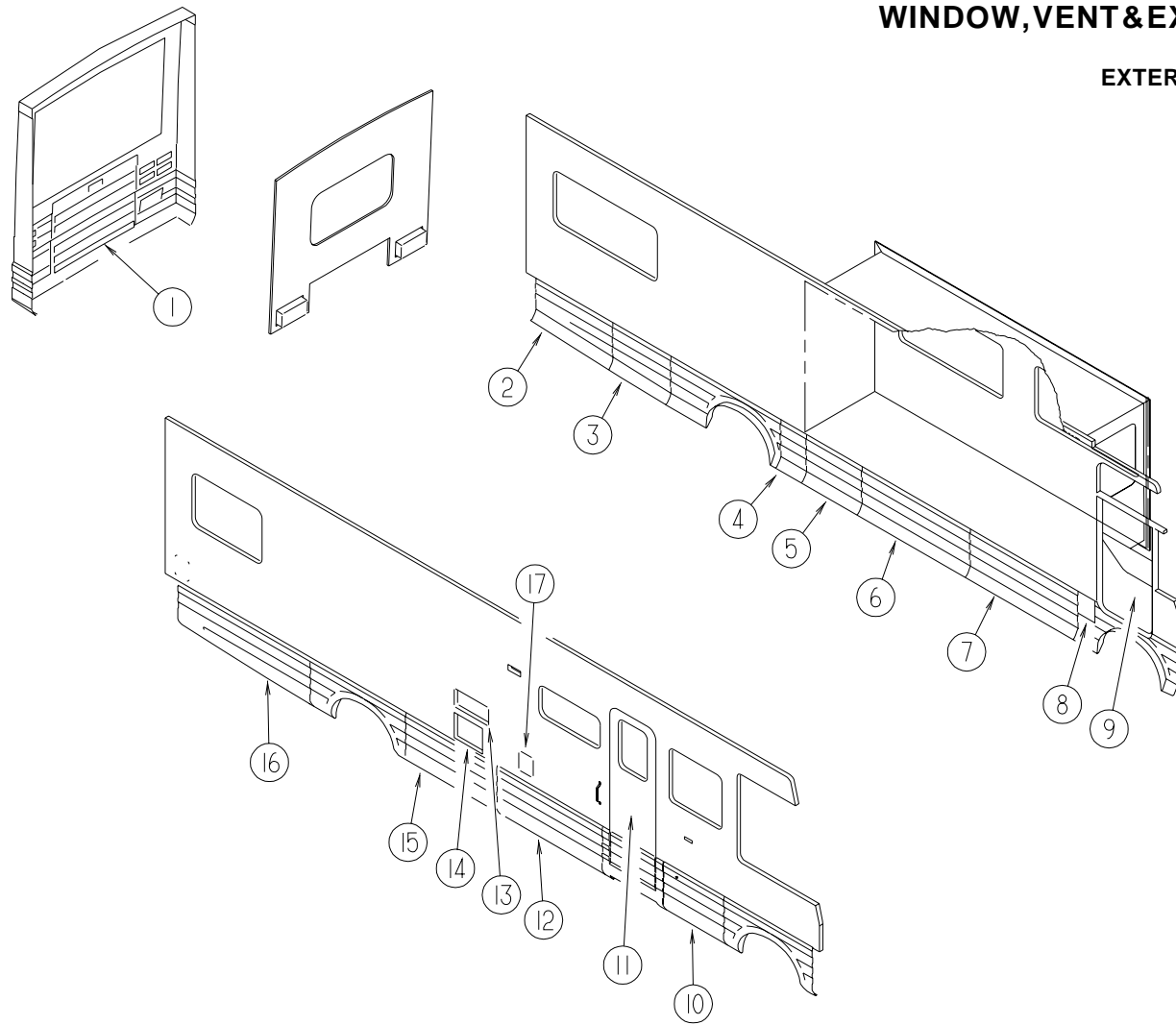
ATWOODGH6-8E WATER HEATER W/MOTOR AID



KEY PART NUMBER	U/M	DESCRIPTION	VENDOR NO.
051391-03-000	EA	WATERHEATERG6A-8EELECTRONICIGNITION	
1	051393-01-701	EA SWITCHPACKAGE	91959
2	051391-04-701	EA THERMOSTAT12VDC-120PRESET	91470
3	051393-01-721	EA ECO&THERMOSTATASM-FRONTMOUNT-140°	91447
4	051391-01-705	EA FASTENER-CAMLOC	92609
5	051391-01-704	EA VALVE-RELIEF,1/2"FITTING	91604
6	051393-01-723	EA SWITCH-ENERGYCUT-OFF	93866
7	051393-01-724	EA CIRCUITBOARD-W/SPADE TERMINAL	93865
8	051393-01-725	EA ELECTRODE-SINGLE SPADE CONNECTION	93868
9	051391-04-703	EA BURNER-MAIN	91638
10	051391-01-717	EA GRILLE	92640
11	051391-01-710	EA ORIFICE-MAINBURNER	92742
12	051391-03-700	EA ORIFICEHOLDER	91563
13	051393-01-726	EA SOLENOIDVALVE&BRACKET	93870
14	051391-01-714	EA ELBOW-45DEGREE-3/8"FX3/8"MPT	91044
15	052009-07-000	EA DOOR-WATERHEATER-SABLE	
16	051391-01-700	EA HINGEKIT,(PIN&CLIP)	92568&92559
17	051391-04-706	EA TANK-INNER	91641
18	051391-01-715	EA DRAINPLUG	91857
19	051391-04-707	EA FLUE&GASKET	90960
111129-01-711	EA	BRACKET-CORNER,SETOFFOUR	91928
116424-01-000	EA	PROTECTOR-ROUNDVINYL-WATERHEATERLATCH	

WINDOW, VENT & EXTERIOR DOOR GROUP

EXTERIOR DOORS

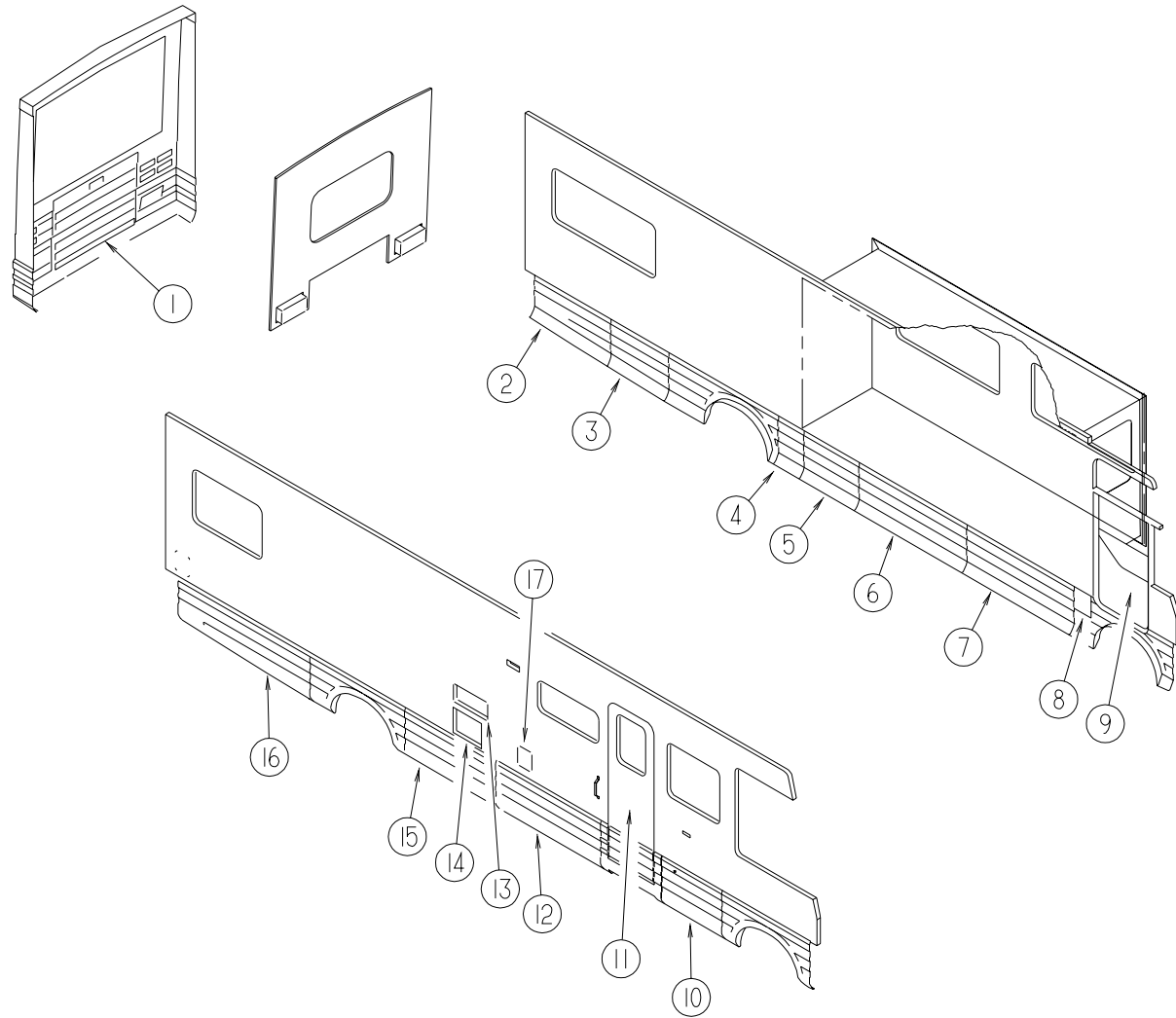


KEY	PARTNUMBER	U/M	DESCRIPTION
1	P12279-01-G38	EA	DOOR ASM-35R ENGINE, MSABLE
	112280-02-G38	EA	PANEL ASM-DOOR, REARENGINE
	112280-01-02A	EA	PANEL-DOOR, REARENGINESABLE
	114268-03-02B	EA	BRACKET-GASSPRING, E-COAT
	057460-02-000	EA	BALLSTUD, GASSPRINGBRACKET
	107796-01-000	EA	SPRING-GAS
	107796-05-000	EA	BRACKET-FLAT, MOUNTSTOBACKWALL
	107719-01-01A	EA	STRIKER-DOOR, REARENGINE
	102330-01-000	EA	LATCH-SINGLEHOLE, VISEACTION
	102378-01-02A	EA	WASHER-BLACK
	076767-04-000	EA	CABLE-SUPPORT, 5.9"-STAINLESSSTEEL
	107721-01-000	FT	"D" SHAPED BULB SEAL W/ADHESIVE ON FLAT SIDE
	117864-01-000	FT	SEAL-DOOR, LUGGAGE
2	120173-01-G38	EA	PANEL-VALANCE-REAR/LEFTHAND-W/OHARDWARE
	107895-05-000	EA	HINGE-DOUBLE/.6"CHANNEL/NON-SPRUNGW/SUPPORT-10"

KEY	PARTNUMBER	U/M	DESCRIPTION
3	120158-13-G38	EA	VALANCE/DOOR-REAR/DRIVERSIDE-W/OLOCK/HINGE-23.2"
	107796-01-000	EA	SPRING/GAS-11"COMPRESSED/17"EXTENDED-40LB.
	107221-01-01A	EA	COVER-LATCH, VALANCEDOOR-181X229MM-PLASTIC-BLACK
	107895-04-000	EA	HINGE-DOUBLEPIVOT
	108562-20-000	EA	ROD-LATCH-LEFTTHREADED-2.39"LONG
	108562-36-000	EA	ROD-LATCH-LEFTTHREADED-4.8"LONG
4	120879-03-G38	EA	PANEL-VALANCE-W/OHARDWARE
	107796-17-000	EA	SPRING/GAS
	102330-03-000	EA	LATCH-VISEACTION/KEYOPERATED
	107221-01-01A	EA	COVER-LATCH, VALANCEDOOR-181X229MM-PLASTIC-BLACK
	102328-01-000	EA	KEY-BARREL-NICKELPLATED
	107796-02-000	EA	BRACKET-"L" MOUNTBRACKET-W/BALLSTUDF/GASSPRING
	107895-01-000	EA	HINGE-DOUBLEPIVOTW/U-CHANNEL-9.9"LONG
	118207-05-02A	EA	CAPEND-VALANCEDOOR-BLACK
	118207-06-02A	EA	CAPEND-VALANCEDOOR-BLACK
	110506-64-000	EA	CAM-LATCHING-DOG LEGGED 1.8"LONG
5	120879-04-G38	EA	PANEL-VALANCE-W/OHARDWARE
	107796-01-000	EA	SPRING/GAS-11"COMPRESSED/17"EXTENDED-40LB.
	102330-03-000	EA	LATCH-VISEACTION/KEYOPERATED
	107221-01-01A	EA	COVER-LATCH, VALANCEDOOR-181X229MM-PLASTIC-BLACK
	102328-01-000	EA	KEY-BARREL-NICKELPLATED
	107895-01-000	EA	HINGE-DOUBLEPIVOTW/U-CHANNEL-9.9"LONG
	118207-05-02A	EA	CAPEND-VALANCEDOOR-BLACK
	118207-06-02A	EA	CAPEND-VALANCEDOOR-BLACK
6	120799-02-G38	EA	PANEL-VALANCE-W/OHARDWARE
	107796-04-000	EA	SPRING/GAS-12"COMPRESSED/20"EXTENDED-20LB.
	108998-04-000	EA	SPRING-GAS 12"COMPRESSED/20"EXTENDED-60LB.
	107221-01-01A	EA	COVER-LATCH, VALANCEDOOR-181X229MM-PLASTIC-BLACK
	107895-05-000	EA	HINGE-DOUBLEPIVOT
	108562-05-000	EA	ROD-LATCH-RIGHTTHREADED-11.3"LONG
	108562-06-000	EA	ROD-LATCH-LEFTTHREADED-11.3"LONG
	108562-13-000	EA	ROD-LATCH-LEFTTHREADED-6.7"LONG
	108562-19-000	EA	ROD-LATCH-RIGHTTHREADED-3.9"LONG
	118207-05-02A	EA	CAPEND-VALANCEDOOR-BLACK
	118207-06-02A	EA	CAPEND-VALANCEDOOR-BLACK
7	120799-03-G38	EA	PANEL-VALANCE-W/OHARDWARE
	107796-04-000	EA	GASSPRING-12"COMPRESSED/20"EXTENDED-20LB.
	108998-04-000	EA	SPRING-GAS 12"COMPRESSED/20"EXTENDED-60LB.
	107221-01-01A	EA	COVER-LATCH, VALANCEDOOR-181X229MM-PLASTIC-BLACK
	107895-05-000	EA	HINGE-DOUBLE/.6"CHANNEL/NON-SPRUNGW/SUPPORT-10"
	108562-01-000	EA	ROD-LATCH-RIGHTTHREADED-4.8"LONG
	108562-05-000	EA	ROD-LATCH-RIGHTTHREADED-11.3"LONG
	108562-35-000	EA	ROD-LATCH, THREADED, LEFT-3.8"LONG
	108562-42-000	EA	ROD-LATCH, THREADED, LEFT-13.1"LONG
	118207-05-02A	EA	CAPEND-VALANCEDOOR-BLACK
	118207-06-02A	EA	CAPEND-VALANCEDOOR-BLACK
8	121079-01-G38	EA	DOOR-FUEL FILL
	107895-11-000	EA	HINGE-DOUBLE/.6"CHANNEL/DOUBLESPRUNGW/SUPPORT-6.1"
9	106469-10-01A	EA	DOOR-DRIVERS-POWERWINDOW
9	106469-11-01A	EA	DOOR-DRIVERS-POWERWINDOWS/LOCKS (POWERDOORLOCK)

WINDOW, VENT & EXTERIOR DOOR GROUP (CONTINUED)

EXTERIOR DOORS (CONTINUED)



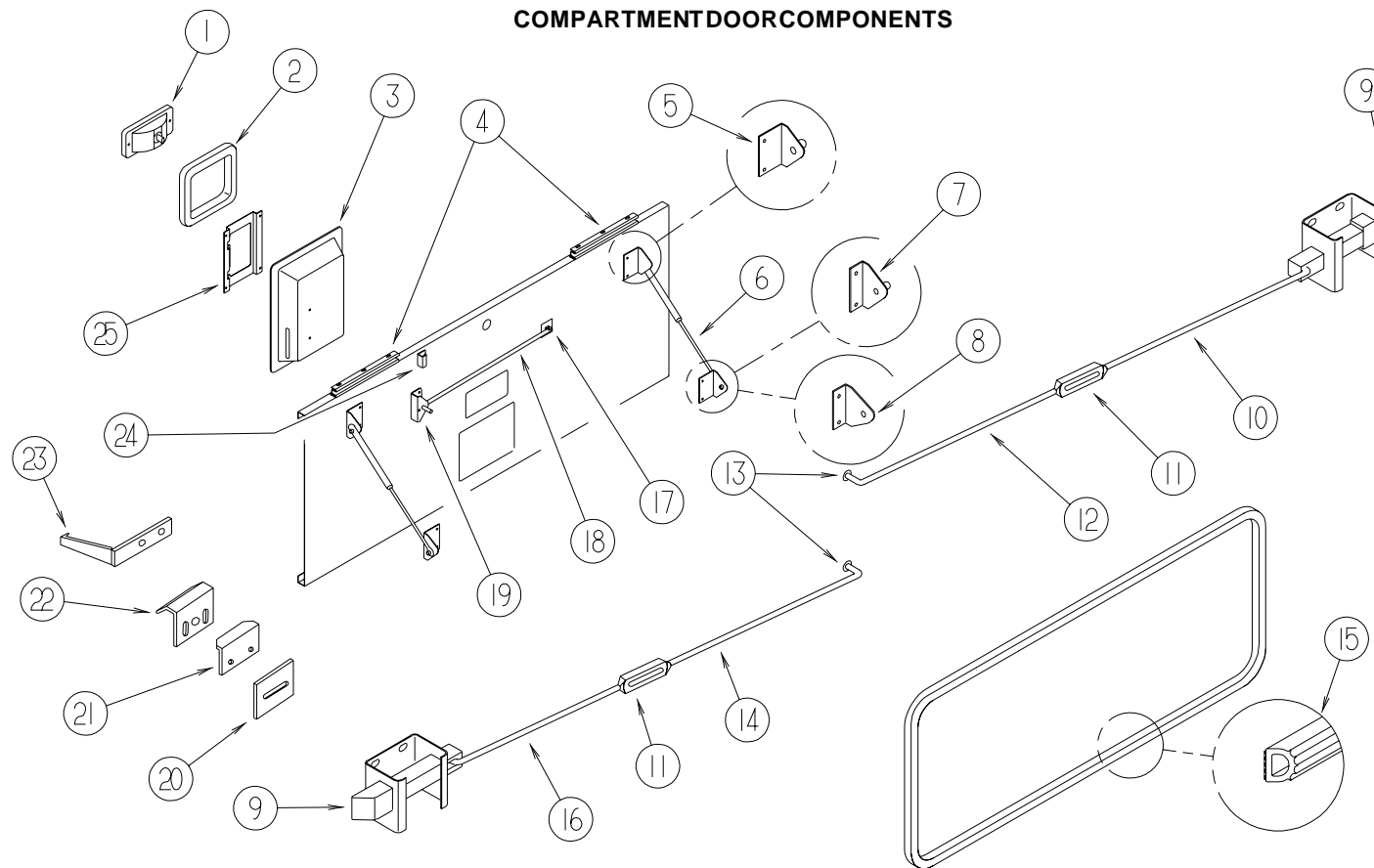
KEY	PARTNUMBER	U/M	DESCRIPTION
10	120799-04-G38	EA	PANEL-VALANCE-W/OHARDWARE
	107796-01-000	EA	SPRING/GAS-11"COMPRESSED/17"EXTENDED-40LB.
	107221-01-01A	EA	COVER-LATCH,VALANCEDOOR-181X229MM-PLASTIC-BLACK
	107895-01-000	EA	HINGE-DOUBLEPIVOTW/U-CHANNEL-9.9"LONG
	108562-01-000	EA	ROD-LATCH-RIGHTTHREADED-4.8"LONG
	108562-02-000	EA	ROD-LATCH-LEFTTHREADED-4.75"
	118207-05-02A	EA	CAPEND-VALANCEDOOR-BLACK
	118207-06-02A	EA	CAPEND-VALANCEDOOR-BLACK
11	115108-07-GV2	EA	DOOR-ENTRY-W/POWERLOCK/SCREENDOOR-W/OWINDOW(H50,H51)
11	115108-07-G40	EA	DOOR-ENTRY-W/POWERLOCK/SCREENDOOR-W/OWINDOW(H52,H53)
11	115108-07-H56	EA	DOOR-ENTRY-W/POWERLOCK/SCREENDOOR-W/OWINDOW(H54,H55)
11	115108-07-H62	EA	DOOR-ENTRY-W/POWERLOCK/SCREENDOOR-W/OWINDOW(H62,H63)
11	115108-08-H50	EA	DOOR-ENTRY-W/SCREENDOOR-W/OWINDOW(H50,H51)
11	115108-08-H52	EA	DOOR-ENTRY-W/SCREENDOOR-W/OWINDOW(H52,H53)
11	115108-08-H56	EA	DOOR-ENTRY-W/SCREENDOOR-W/OWINDOW(H54,H55)
11	115108-08-H62	EA	DOOR-ENTRY-W/SCREENDOOR-W/OWINDOW(H62,H63)
12	120799-01-G38	EA	PANEL-VALANCE
	107796-01-000	EA	SPRING/GAS-11"COMPRESSED/17"EXTENDED-40LB.
	107221-01-01A	EA	COVER-LATCH,VALANCEDOOR-181X229MM-PLASTIC-BLACK
	107895-01-000	EA	HINGE-DOUBLEPIVOTW/U-CHANNEL-9.9"LONG
	108562-05-000	EA	ROD-LATCH-RIGHTTHREADED-11.3"LONG
	108562-06-000	EA	ROD-LATCH-LEFTTHREADED-11.3"LONG
	118207-05-02A	EA	CAPEND-VALANCEDOOR-BLACK
	118207-06-02A	EA	CAP-END,VALANCEDOORBLK
13	084103-09-000	EA	DOOR-VENT/REFRIGERATOR-SABLE
	084104-09-000	EA	JAMB-VENTDOOR-REFRIGERATOR
	084104-01-700	EA	LOCK-MALE,FASTENER
	084104-01-701	EA	LOCK-FEMALE,FASTENER
	091876-01-000	EA	RETAINER-DOOR-1.9"X.8"-METAL
13	118368-01-02A	EA	DOOR-VENT-REFRIGERATOR(SIDEBYSIDE FROM: 00-00-00 THRU: 01-05-97
13	125481-01-01A	EA	DOOR-REFRIGERATORVENT(SIDEBYSIDE FROM: 01-06-97 THRU: 99-99-99
14	052009-07-000	EA	DOOR-WATERHEATER-SABLE
	116424-01-000	EA	PROTECTOR-LATCH-WATERHEATER
15	120799-06-G38	EA	PANEL-VALANCE-W/OHARDWARE
	107221-01-01A	EA	COVER-LATCH,VALANCEDOOR-181X229MM-PLASTIC-BLACK
	107895-01-000	EA	HINGE-DOUBLEPIVOT, W/U-CHANNEL - 254MM LONG
	108562-01-000	EA	ROD-LATCH,RIGHTTHREADED-121MMLONG
	108562-15-000	EA	ROD-LATCH,LEFTTHREADED-261MMLONG
	108562-17-000	EA	ROD-LATCH,LEFTTHREADED-11.9"LONG
	118207-05-02A	EA	CAP-END,VALANCEDOORBLK
	118207-06-02A	EA	CAP-END,VALANCEDOORBLK
16	120158-16-G38	EA	VALANCE/DOOR-REAR/PASSSIDE-W/OLOCK/HINGE-70.3"
	107221-03-01A	EA	COVER-LATCH-VALANCEDOOR
	107221-01-01A	EA	COVER-LTCHASM,VALDR.BLACK
	107895-04-000	EA	HINGE-DOUBLE/.6"CHANNEL/W/DOUBLESPRUNGSUPPORT-10"
	108562-08-000	EA	ROD-LATCH-LEFTTHREADED-13.7"
	108562-10-000	EA	ROD-LATCH-LEFTTHREADED-18"LONG
	108562-16-000	EA	ROD-LATCH-RIGHTTHREADED-11.3"LONG
17	081240-17-000	EA	FILL-WATER-LOCKABLE-W/OLOCK
	110506-01-000	EA	LOCK-KEYED-17.65MM

OPTIONAL REMOTE KEYLESS ENTRY

KEY	PARTNUMBER	U/M	DESCRIPTION	VENDOR NO.
	102756-02-000	EA	REMOTEKEYLESSENTRYSYSTEM	
	102756-01-704	EA	HARNESS-MAIN	203-6638
	102756-02-700	EA	REMOTE(TRANSMITTER)KEYLESS	412-1036
	102756-02-701	EA	BOARD-MODULE,NEWSYSTEM	202-3153

WINDOW, VENT & EXTERIOR DOOR GROUP (CONTINUED)

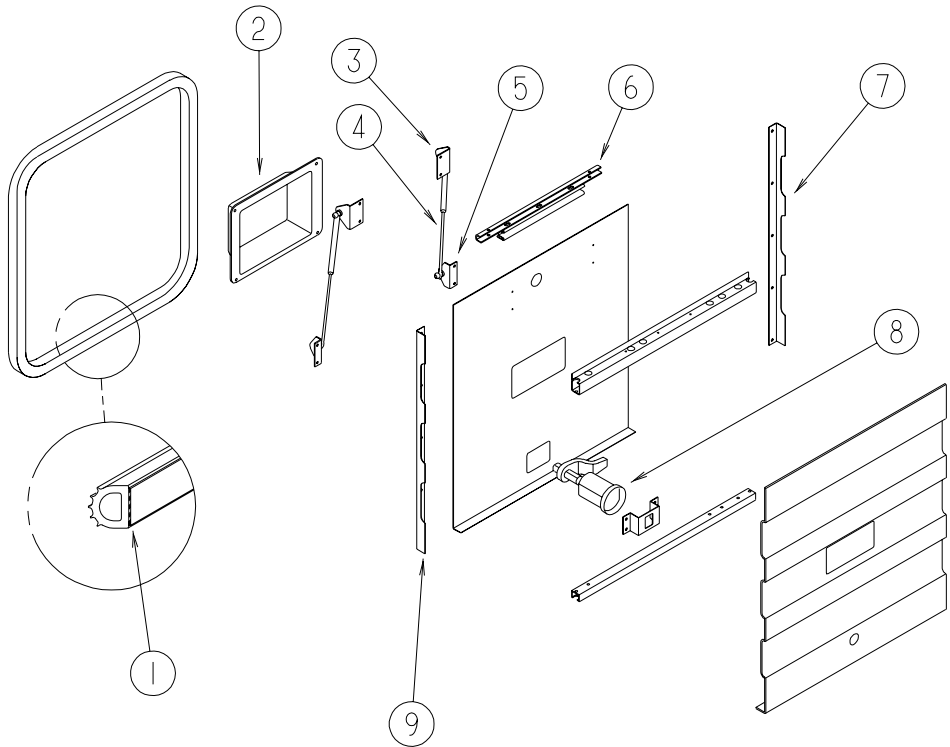
COMPARTMENT DOOR COMPONENTS



KEY	PARTNUMBER	U/M	DESCRIPTION	KEY	PARTNUMBER	U/M	DESCRIPTION
1	101355-03-01A	EA	PADDLE LATCH - W/O KEY LOCK - GRAY	13	102265-01-000	EA	CLIP - ROD END - 5/32" - BLACK PLASTIC
1	101355-01-01A	EA	LATCH - PADDLE - 2 POINT - GRAY PLASTIC	14	108562-01-000	EA	ROD - LATCH - RIGHT THREADED - 4.8" LONG
1	045017-01-701	EA	KEY ONLY, BLANK - PADDLE LATCH	14	108562-05-000	EA	ROD - LATCH - RIGHT THREADED - 11.3" LONG
1	112949-03-000	EA	KEY - TRI-MARK # TM500	14	108562-10-000	EA	ROD - LATCH - LEFT THREADED - 18" LONG
2	108678-01-000	EA	GASKET - LATCH	14	108562-19-000	EA	ROD - LATCH - RIGHT THREADED - 3.9" LONG
3	P07221-01-01A	EA	COVER - LATCH - VALANCE DOOR - BLACK	15	107721-01-000	FT	BULB SEAL - "D" SHAPED W/ADHESIVE ON FLAT SIDE
4	107895-01-000	EA	HINGE - DOUBLE PIVOT W/U-CHANNEL - 9.9" LONG	16	108562-06-000	EA	ROD - LATCH - LEFT THREADED - 11.3" LONG
4	107895-03-000	EA	HINGE - DOUBLE PIVOT	16	108562-13-000	EA	ROD - LATCH - LEFT THREADED - 6.7" LONG
4	107895-04-000	EA	HINGE - DOUBLE PIVOT	16	108562-15-000	EA	ROD - LATCH - LEFT THREADED - 10.3" LONG
4	107895-05-000	EA	HINGE - DOUBLE PIVOT	16	108562-16-000	EA	ROD - LATCH - RIGHT THREADED - 11.3" LONG
5	107796-02-000	EA	BRACKET - "L" MOUNT BRACKET - W/BALL STUD/F/GASSPRING	16	108562-28-000	EA	ROD - LATCH - LEFT THREADED - 9.6"
6	107796-01-000	EA	SPRING/GAS - 11" COMPRESSED/17" EXTENDED - 40LB.	16	108562-35-000	EA	ROD - LATCH - LEFT THREADED - 3.8" LONG
6	107796-04-000	EA	SPRING/GAS - 12" COMPRESSED/20" EXTENDED - 20LB.	16	108562-42-000	EA	ROD - LATCH - LEFT THREADED - 13.1" LONG
6	107796-17-000	EA	SPRING/GAS	17	089329-01-000	EA	CLIP - SPRING 3/8" - METAL
6	108998-04-000	EA	SPRING - GAS 12" COMPRESSED/20" EXTENDED - 60LB.	18	108755-02-000	EA	ROD - PROP - VALANCE DOOR
7	107796-03-000	EA	BRACKET - GAS SPRING - SMALL	19	108754-01-000	EA	CHANNEL - VALANCE DOOR - CENTER
8	114268-03-02B	EA	BRACKET - GAS SPRING	20	110415-01-01A	EA	SHIM - LATCH - VALANCE DOOR
9	101348-01-000	EA	BOLT/SLIDE - LATCH - NYLON - W/SPRING & BRACKET	21	104491-02-03A	EA	ANGLE - STRIKER - BLACK
10	108562-06-000	EA	ROD - LATCH - LEFT THREADED - 11.3" LONG	22	107719-01-01A	EA	STRIKE - VALANCE DOOR
10	108562-16-000	EA	ROD - LATCH - RIGHT THREADED - 11.3" LONG	23	102768-01-000	EA	HOLDER - COMPARTMENT/ENTRY DOOR - METAL - MILL FINISH
10	108562-17-000	EA	ROD - LATCH - LEFT THREADED - 11.9" LONG	24	108757-01-01A	EA	ANGLE - VALANCE DOOR - UPPER
10	108562-20-000	EA	ROD - LATCH - LEFT THREADED - 2.39" LONG	24	120103-01-14B	EA	ANGLE - VALANCE DOOR
10	108562-28-000	EA	ROD - LATCH - LEFT THREADED - 9.6"	25	108615-01-000	EA	PLATE - LATCH - VALANCE DOOR
10	108652-35-000	EA	ROD - LATCH - LEFT THREADED - 3.8" LONG	099418-01-000	FT	SEAL - D-SECTION/ADHESIVE BACK - .44" X .44" - BLK RUBBER	
11	108561-01-000	EA	TURNBUCKLE - 10-24 THREAD	104692-01-000	FT	SEAL - FOAM/ADHESIVE BACK - .75" THICK X .75" WIDE X 25'	
12	108562-01-000	EA	ROD - LATCH - RIGHT THREADED - 4.8" LONG	104692-03-000	FT	SEAL - 1X1 1/4, PSA ONE SIDE	
12	108562-05-000	EA	ROD - LATCH - RIGHT THREADED - 11.3" LONG	064075-07-000	EA	SEAL - BULB - W/WIRED U CHANNEL - .3" X .5" CHANNEL - BLK	
12	108562-10-000	EA	ROD - LATCH - LEFT THREADED - 18" LONG				
12	108562-19-000	EA	ROD - LATCH - RIGHT THREADED - 3.9" LONG				

WINDOW, VENT & EXTERIOR DOOR GROUP (CONTINUED)

COMPARTMENT DOOR COMPONENTS

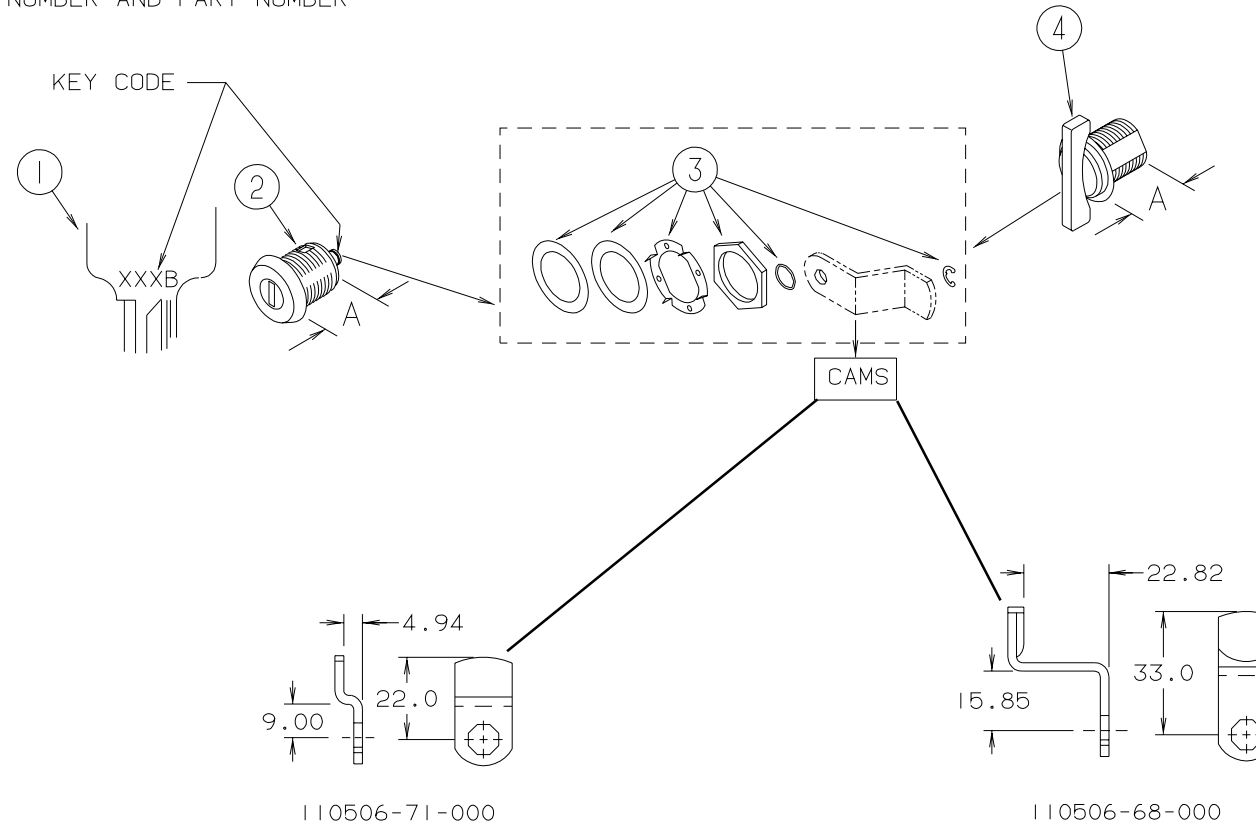


KEY	PARTNUMBER	U/M	DESCRIPTION
1	107721-01-000	FT	BULBSEAL-"D"SHAPEDW/ADHESIVEONFLATSIDE
2	P07221-01-01A	EA	COVER-LATCH-VALANCEDOOR-BLACK
3	107796-02-000	EA	BRACKET-"L" MOUNTBRACKET-W/BALLSTUDF/GASSPRING
4	107796-17-000	EA	SPRING/GAS
5	107796-03-000	EA	BRACKET-GASSPRING-SMALL
6	107895-01-000	EA	HINGE-DOUBLEPIVOTW/U-CHANNEL-9.9"LONG
7	118207-05-02A	EA	CAPEND-VALANCEDOOR-BLACK
8	102330-03-000	EA	LATCH-VISEACTION/KEYOPERATED
	102328-01-000	EA	KEY-BARREL-NICKELPLATED
9	118207-06-02A	EA	CAPEND-VALANCEDOOR-BLACK

WINDOW, VENT & EXTERIOR DOOR GROUP (CONTINUED)

NOTE:
 WHEN ORDERING THE LOCK CASE, THE KEY CODE MUST MATCH THE LAST DIGIT OF THE VEHICLE'S SERIAL NUMBER AND PART NUMBER; WHEN ORDERING THE KEYS, THE THIRD DIGIT OF THE KEY CODE MUST MATCH THE LAST DIGIT OF THE VEHICLE'S SERIAL NUMBER AND PART NUMBER

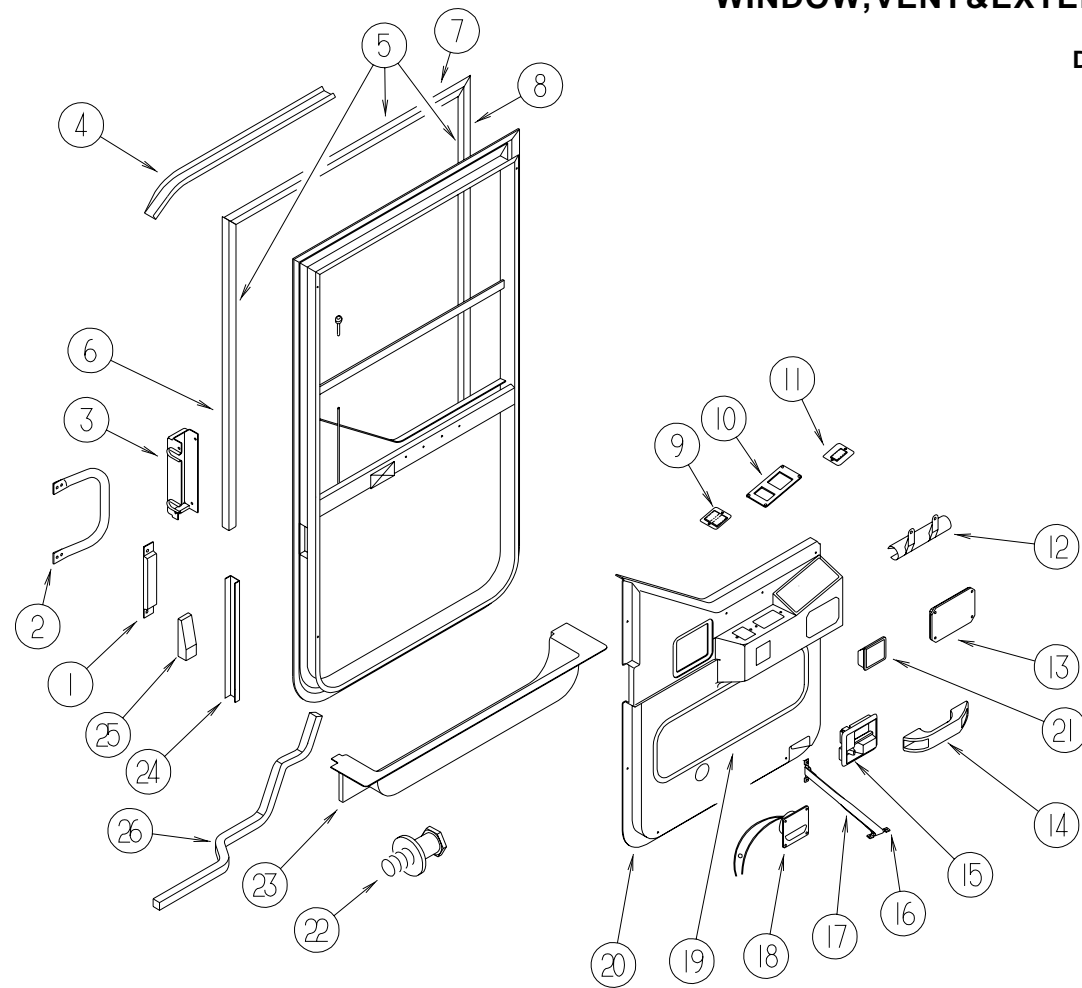
BRIGGS & STRATTON LOCKS



KEY	PARTNUMBER	U/M	DESCRIPTION	VENDOR NO.	KEY	PARTNUMBER	U/M	DESCRIPTION	VENDOR NO.
1	110506-59-000	EA	KEYS-SETOFTWO	596720	1	110506-59-006	EA	KEYS-SETOFTWO	596726
2	110506-52-000	EA	CASE-LOCK-A=17MM	702370	2	110506-52-006	EA	CASE-LOCK-A=17MM	702376
2	110506-53-000	EA	CASE-LOCK-A=25MM	702380	2	110506-53-006	EA	CASE-LOCK-A=25MM	702386
1	110506-59-001	EA	KEYS-SETOFTWO	596721	1	110506-59-007	EA	KEYS-SETOFTWO	596727
2	110506-52-001	EA	CASE-LOCK-A=17MM	702371	2	110506-52-007	EA	CASE-LOCK-A=17MM	702377
2	110506-53-001	EA	CASE-LOCK-A=25MM	702381	2	110506-53-007	EA	CASE-LOCK-A=25MM	702387
1	110506-59-002	EA	KEYS-SETOFTWO	596722	1	110506-59-008	EA	KEYS-SETOFTWO	596728
2	110506-52-002	EA	CASE-LOCK-A=17MM	702372	2	110506-52-008	EA	CASE-LOCK-A=17MM	702378
2	110506-53-002	EA	CASE-LOCK-A=25MM	702382	2	110506-53-008	EA	CASE-LOCK-A=25MM	702388
1	110506-59-003	EA	KEYS-SETOFTWO	596723	1	110506-59-009	EA	KEYS-SETOFTWO	596729
2	110506-52-003	EA	CASE-LOCK-A=17MM	702373	2	110506-52-009	EA	CASE-LOCK-A=17MM	702379
2	110506-53-003	EA	CASE-LOCK-A=25MM	702383	2	110506-53-009	EA	CASE-LOCK-A=25MM	702389
1	110506-59-004	EA	KEYS-SETOFTWO	596724	3	110506-40-700	EA	HARDWAREKIT	
2	110506-52-004	EA	CASE-LOCK-A=17MM	702374	4	110506-50-000	EA	CASE-TWISTLOCK-A=17MM	596952
2	110506-53-004	EA	CASE-LOCK-A=25MM	702384	4	110506-51-000	EA	CASE-TWISTLOCK-A=25MM	596669
1	110506-59-005	EA	KEYS-SETOFTWO	596725		110506-40-000	EA	CLIP-E-LOCKASM.	93981
2	110506-52-005	EA	CASE-LOCK-A=17MM	702375		110506-64-000	EA	CAM-LOCK	322280
2	110506-53-005	EA	CASE-LOCK-A=25MM	702385		110506-68-000	EA	CAM-LOCK	322284
						110506-71-000	EA	CAM-LOCK	322287
						110506-59-701	EA	KEYBLANK-GOLD	

WINDOW, VENT & EXTERIOR DOOR GROUP (CONTINUED)

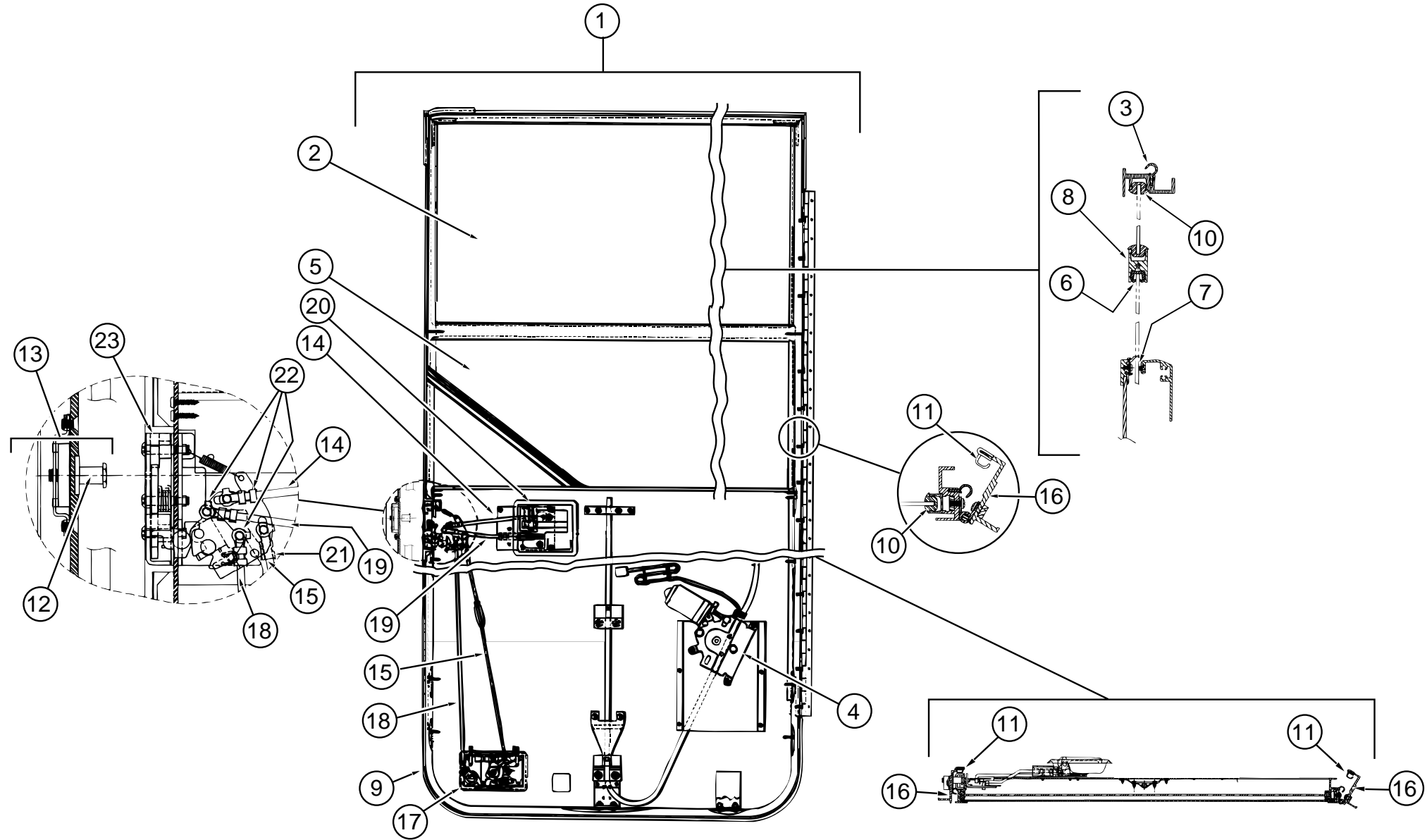
DRIVERS DOOR



KEY	PARTNUMBER	U/M	DESCRIPTION	VENDOR NO.
1	108654-01-01A	EA	COVER-STRIKE-DRIVER DOOR	
2	108832-01-02A	EA	HANDLE-ASSIST-DRIVER DOOR	
3	108833-02-01A	EA	COVER-ASSIST HANDLE	
4	108274-02-02A	EA	RAIL-DRIP, FRONT END, LHSABLE	
5	108119-03-F36	EA	GARNISH-DRIVER DOOR	
6	N/A	EA	GARNISH-DOOR, DRIVERS MILL	
7	N/A	EA	GARNISH-DRIVERS DOOR MILL	
8	N/A	EA	GARNISH-DOOR, DRIVER MILL	
9	093132-01-000	EA	SWITCH-ROCKER, 5 TERM W/ARROWS FOR POWER WINDOWS	
9	093132-02-000	EA	SWITCH-ROCKER, 5 TERM W/KEY LOCK & ARROW F/POWER DOOR LOCK	
9	103473-12-01A	EA	PLATE ASM-SWITCH, WINDOW, LH-BLACK	
10	087695-02-000	EA	SWITCH-MIRROR HEATER	
10	088246-01-000	EA	SWITCH-REMOTE, EXTE. MIRROR-SQUARE PUSH-VELVAC 7471290	
10	099982-02-01A	EA	PLATE-SWITCH, BLACK	
11	103473-14-01A	EA	PLATE ASM-SWITCH, WINDOW, LH BLACK	
12	093145-01-000	EA	SLEEVE-WIRE-10" LONG-	
	093146-01-000	EA	GROMMET-WIRE-1.7" X 3.1"-OVAL SHAPED-BLACK PLASTIC	
13	107889-02-000	EA	CONTROL PANEL KIT-ELECTRONIC SOFT TOUCH	
	100532-09-700	EA	PANEL ASM.-TOUCH CONTROL	RAP1002
	100532-09-702	EA	CABLE-MODULAR 5'	AP1020
13	107889-03-000	EA	PANEL-CONTROL-TOUCH-AIR DUMP	
	100532-09-702	EA	CABLE-MODULAR 5'	
	107889-03-700	EA	PANEL-TOUCH	
14	102710-01-01A	EA	HANDLE-ASSIST-ENTRY DOOR-6.6" LONG	
15	106469-04-712	EA	HARDWARE-INNER HANDLE, LH	248-041148
16	064219-01-000	EA	RETAINER-CHECK STRAP-DRIVER DOOR	
			FROM: 00-00-00 THRU: 03-06-97	
17	109378-01-000	EA	STRAP-CHECK-DRIVER DOOR	
18	108354-01-01A	EA	LIGHT-COURTESY-ITC81395-B	
19	108633-01-H50	EA	PAD-DOOR/FABRIC (H50, H51)	
19	108633-01-H52	EA	PAD-DOOR/FABRIC (H52, H53)	
19	108633-01-H54	EA	PAD-DOOR/FABRIC (H54, H55)	
19	108633-01-H62	EA	PAD-DOOR/FABRIC (H62, H63)	
20	116337-09-02A	EA	PANEL-DRIVER-INNER DOOR	
21	115948-01-01A	EA	ASH TRAY-SIDE MOUNT-FLUSH	
22	N/A	EA	BOLT-STRIKER, W/WASHER	248-041152
23	107818-01-04A	EA	TRIM-STEP-DRIVER DOOR-HAMPTON TAN	
			FROM: 00-00-00 THRU: 01-08-97	
23	126069-03-03A	EA	TRIM ASM-STEP, DRIVER, HAMPTON TAN	
			FROM: 01-09-97 THRU: 99-99-99	
	102569-02-000	EA	MAT-ANTISLIP-LOWER	
	102569-03-000	EA	MAT-ANTISLIP-3.93" X 5.90"	
24	108897-02-01A	EA	GARNISH-DRIVER DOOR-REAR LOWER	
25	109235-01-01A	FT	COVER-SCREW-MAT BLACK	
26	110063-01-000	EA	PLATE-STEP	
	109506-01-000	EA	FILM-URETHANE-PROTECTANT-4.25" X 26.75"	
	090340-01-000	FT	SEAL-FOAM, CLOSED CELL-1/4" X 1/2" X 50'	
	108354-01-01A	EA	LIGHT-COURTESY	
	108354-01-700	EA	BULB-COURTESY LIGHT	395-B
	064219-01-000	EA	RETAINER-CHECK STRAP-DRIVER DOOR	

WINDOW, VENT & EXTERIOR DOOR GROUP (CONTINUED)

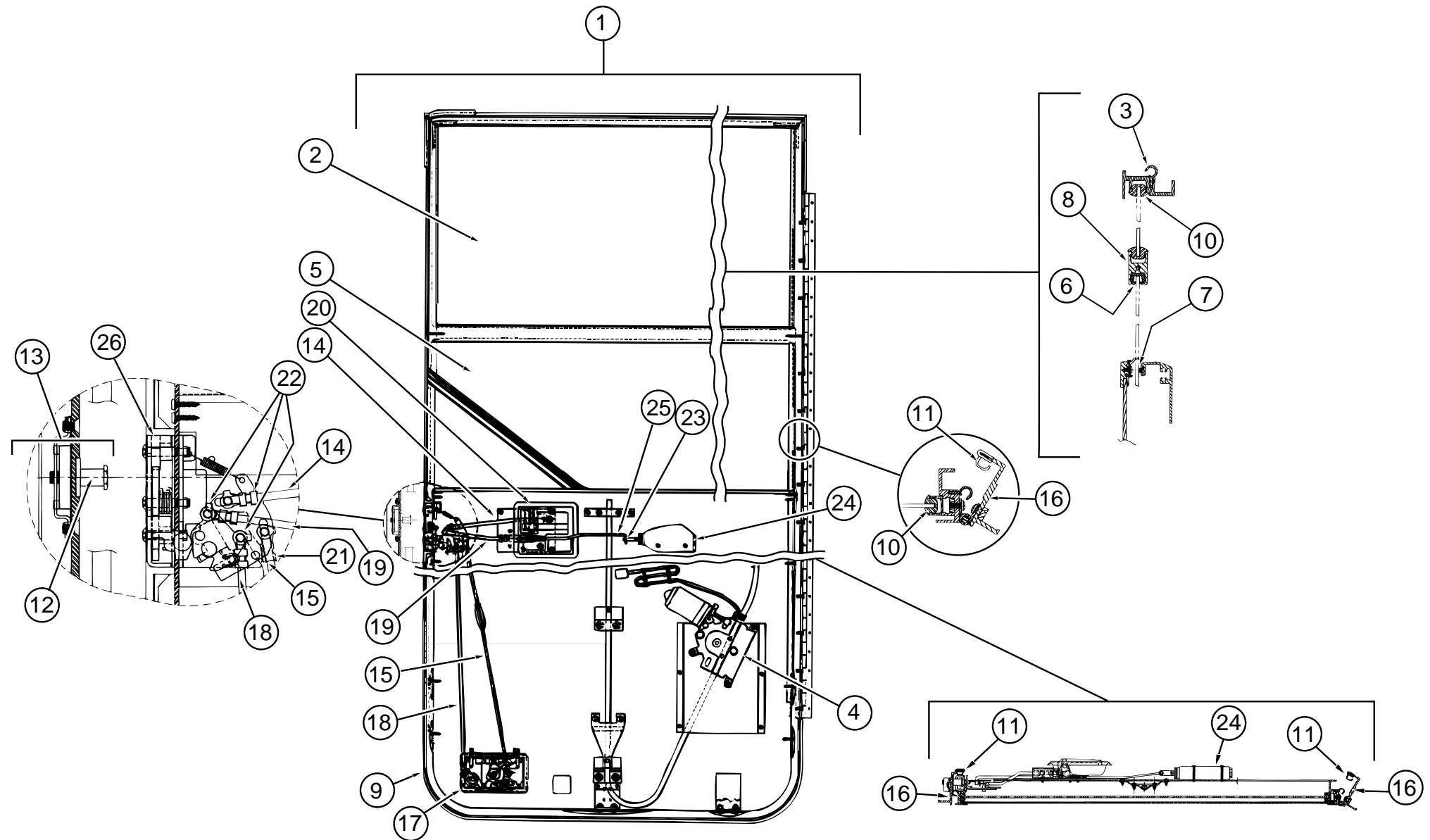
EXCEL DRIVERS DOOR W/ O POWER LOCKS



KEY	PARTNUMBER	U/M	DESCRIPTION	VENDORNO.
1	106469-10-01A	EA	DOOR-DRIVERS-POWERWINDOW	
2	106469-01-700	EA	GLASS	106-040976
3	106469-01-702	EA	SEAL-DOOR-(FRAME)EA=1	122-040984
4	106469-10-700	EA	REGULATOR(ELECTRIC)MODIFIED	V134-89L
5	106469-10-702	EA	GLASS-ROLLUP	V134-65L
6	106469-01-705	FT	CHANNEL-RUN-SLIDING	122-010850
7	106469-01-709	FT	WEATHERSTRIPFUZZY	171-040630
8	106469-08-700	EA	MULLION-RAIL-HORIZONTAL	V090-84
9	106469-10-705	EA	BELT-WEATHERSTRIP	V134-57
10	106469-01-722	EA	GLAZING-VINYL-HORIZONTAL	V103-87
11	106469-01-723	EA	SEAL-BULB-DRIVERDOOR(JAMB)	171-040985
	106469-04-701	EA	TUMBLER&KEYS-TRI-MARK	248-041179
	106469-04-715	EA	LATCHCOMPLETE-W/TUMBLER&KEYS	V123-15
	045017-11-701	EA	KEY-BLANK(F1SERIES)"K-104"-DOORLOCK	81312-02
12	106469-04-703	EA	BOLT-STRIKER-W/WASHER	248-041152
13	106469-04-704	EA	NUTASSEMBLY-CAGEDW/STRIKER	248-041151

KEY	PARTNUMBER	U/M	DESCRIPTION	VENDORNO.
14	106469-04-705	EA	ROD-LATCH-HORIZONTAL	203-041139
15	106469-10-701	EA	ROD-LATCH-VERTICAL(ADJUSTING)	203-041356
16	106469-10-704	EA	FRAME-MOUNTING-BLACK	V134-30L
	106469-05-702	EA	HINGE-42"	211-041194
17	106469-04-700	EA	PADDLEASSEMBLY-W/COLLAR	248-041237
18	106469-10-706	EA	ROD-LOCK-VERTICAL(ADJUSTING)	203-041357
19	106469-04-711	EA	ROD-LOCK-HORIZONTAL	203-041137
20	106469-04-712	EA	HARDWARE-INNERHANDLE-LH	248-041148
21	106469-04-713	EA	ROD-CLIP-LH	248-041154
22	106469-04-714	EA	ROD-CLIP-RH	248-041153
23	106469-05-706	EA	LATCH-ROTARY-W/LINKAGE	248-041150
	106469-10-703	EA	PARTSBAG(STRAP-BRKTSMISC)	

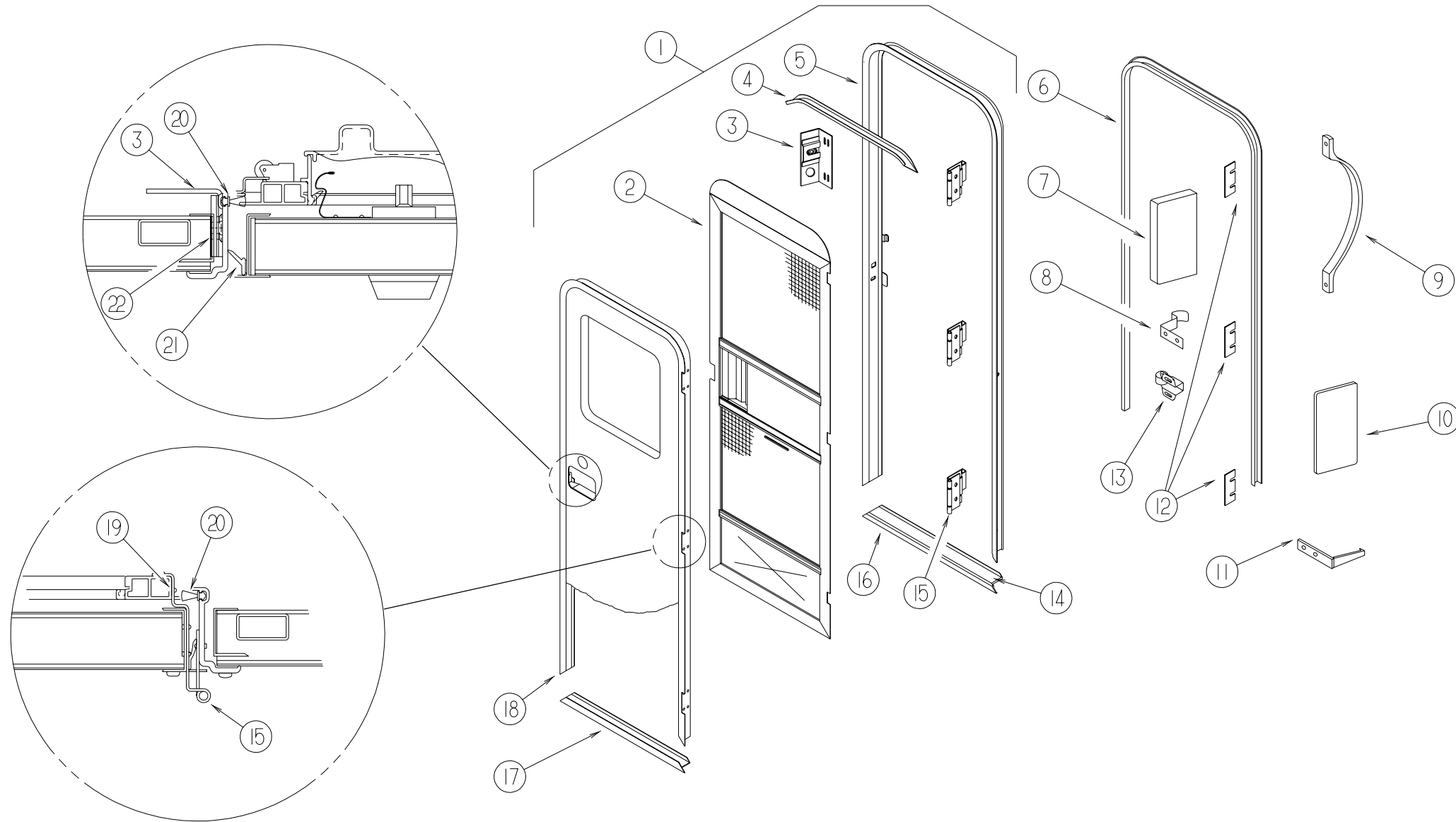
WINDOW, VENT & EXTERIOR DOOR GROUP (CONTINUED)
EXCEL DRIVERS DOOR W/ POWER LOCKS



KEY	PARTNUMBER	U/M	DESCRIPTION	VENDORNO.	KEY	PARTNUMBER	U/M	DESCRIPTION	VENDORNO.
1	106469-11-01A	EA	DOOR-DRIVERS-POWERWINDOWS/LOCKS		14	106469-04-705	EA	ROD-LATCH-HORIZONTAL	203-041139
2	106469-01-700	EA	GLASS	106-040976	15	106469-10-701	EA	ROD-LATCH-VERTICAL(ADJUSTING)	203-041356
3	106469-01-702	EA	SEAL - DOOR - 1 EA	122-040984	16	106469-10-704	EA	FRAME-MOUNTING-BLACK	V134-30L
4	106469-10-700	EA	REGULATOR(ELECTRIC)MODIFIED	V134-89L		106469-05-702	EA	HINGE - 42"	211-041194
5	106469-10-702	EA	GLASS-ROLLUP	V134-65L	17	106469-04-700	EA	PADDLEASSEMBLY-W/COLLAR	248-041237
6	106469-01-705	FT	CHANNEL-RUN-SLIDING	122-010850	18	106469-10-706	EA	ROD-LOCK-VERTICAL(ADJUSTING)	203-041357
7	106469-01-709	EA	WEATHERSTRIPFUZZY	171-040630	19	106469-04-711	EA	ROD-LOCK-HORIZONTAL	203-041137
8	106469-08-700	EA	MULLION-RAIL-HORIZONTAL	V090-84	20	106469-04-712	EA	HARDWARE-INNERHANDLE-LH	248-041148
9	106469-10-705	EA	BELT-WEATHERSTRIP	V134-57	21	106469-04-713	EA	ROD-CLIP-LH	248-041154
10	106469-01-722	EA	GLAZING-VINYL-HORIZONTAL	V103-87	22	106469-04-714	EA	ROD-CLIP-RH	248-041153
11	106469-01-723	EA	SEAL-BULB-DRIVERDOOR(JAMB)	171-040985	23	106469-05-700	EA	ROD-CLIP	231-041095
	106469-04-701	EA	TUMBLER&KEYS-TRI-MARK	248-041179	24	106469-05-701	EA	ACTUATOR-ELECTRICLOCK	410-041096
	106469-04-715	EA	LATCHCOMPLETE-W/TUMBLER&KEYS	V123-15	25	106469-05-704	EA	ROD-LOCK-POWER	203-041141
	045017-11-701	EA	KEY-BLANK(F1SERIES)"K-104"-DOORLOCK	81312-02	26	106469-05-706	EA	LATCH-ROTARY-W/LINKAGE	248-041150
12	106469-04-703	EA	BOLT-STRIKER-W/WASHER	248-041152		106469-10-703	EA	PARTSBAG(STRAP-BRKTSMISC)	V123-17
13	106469-04-704	EA	NUTASSEMBLY-CAGEDW/STRIKER	248-041151					

WINDOW, VENT & EXTERIOR DOOR GROUP (CONTINUED)

ENTRANCE DOOR W/O WINDOW

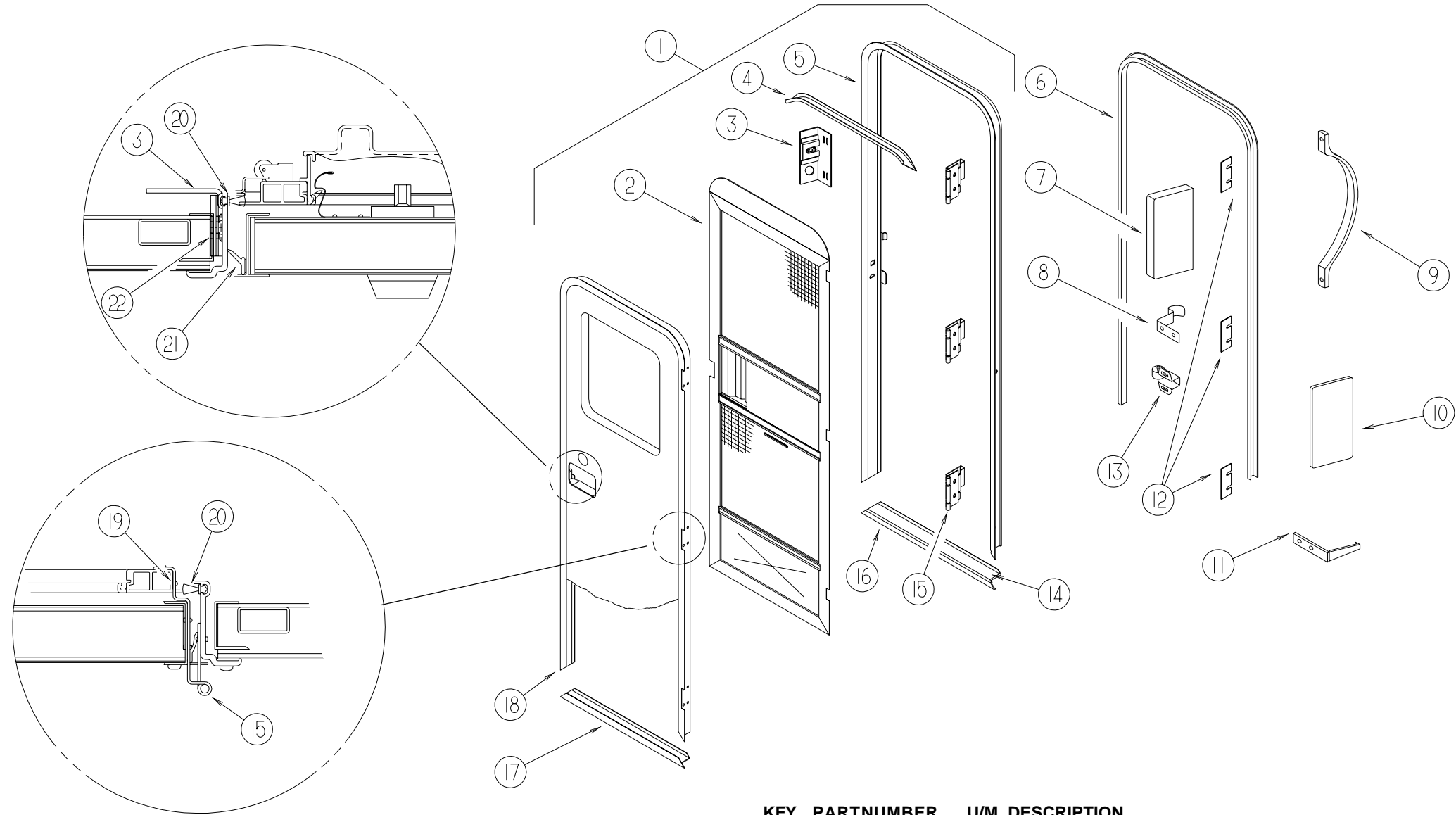


KEY	PARTNUMBER	U/M	DESCRIPTION
1	115108-07-GV2	EA	DOOR-ENTRY-W/POWERLOCK/SCREENDOOR-W/OWINDOW(H50,H51)
1	115108-07-G40	EA	DOOR-ENTRY-W/POWERLOCK/SCREENDOOR-W/OWINDOW(H52,H53)
1	115108-07-H56	EA	DOOR-ENTRY-W/POWERLOCK/SCREENDOOR-W/OWINDOW(H54,H55)
1	115108-07-H62	EA	DOOR-ENTRY-W/POWERLOCK/SCREENDOOR-W/OWINDOW(H62,H63)
1	115108-08-H50	EA	DOOR-ENTRY-W/SCREENDOOR-W/OWINDOW(H50,H51)
1	115108-08-H52	EA	DOOR-ENTRY-W/SCREENDOOR-W/OWINDOW(H52,H53)
1	115108-08-H56	EA	DOOR-ENTRY-W/SCREENDOOR-W/OWINDOW(H54,H55)
1	115108-08-H62	EA	DOOR-ENTRY-W/SCREENDOOR-W/OWINDOW(H62,H63)
2	117077-02-GV0	EA	DOOR-SCREEN
3	041546-08-000	EA	BRACKET-ASM-DOORANGLEO/W
4	044582-49-000	EA	CAP-DRIP-JAMBMITERED
5	121898-06-01A	EA	JAMB-ENTRYDOOR

KEY	PARTNUMBER	U/M	DESCRIPTION
5	121898-07-01A	EA	JAMB-ENTRYDOOR
6	115222-08-01A	EA	GARNISH-RADIUS-ENTRYDOOR
6	115222-02-01A	EA	GARNISH-RADIUS-ENTRYDOOR
7	077461-03-000	EA	COVER-STRIKE-ENTRYDOOR-6.5"X2.5"-WHITEPLASTIC
8	100412-01-000	EA	CATCH-SCREENDOOR
9	009126-03-000	EA	HANDLE-ASSIST-BLACKTEXTURED
10	076725-02-000	EA	COVER-ACCESS
11	102768-01-000	EA	HOLDER-COMPARTMENT/ENTRYDOOR,METAL-MILLFINISH
12	102248-01-000	EA	SHIM-DOOR
13	109403-01-000	EA	CATCH-SINGLEROLLER,SCREENDOOR
14	038327-01-000	EA	TAPE-ANTISLIP,2"X60'

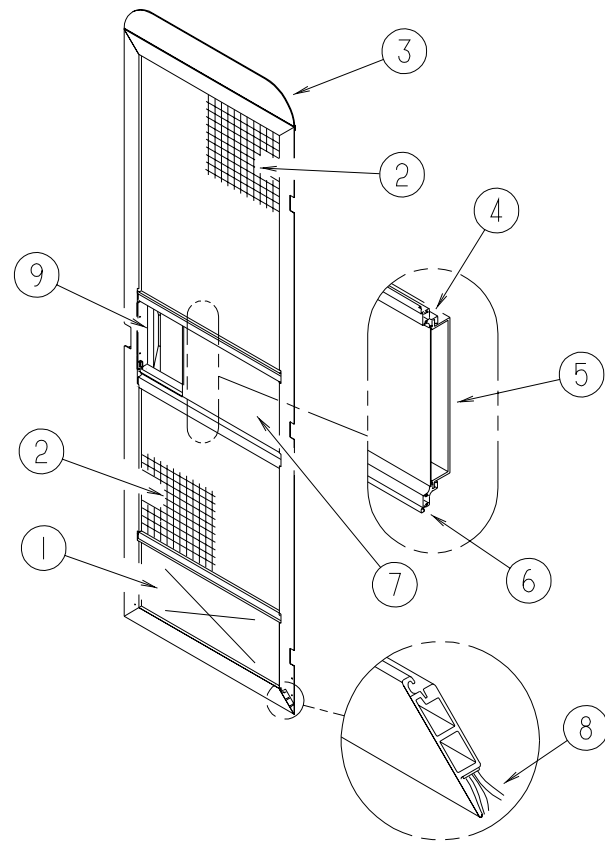
WINDOW, VENT & EXTERIOR DOOR GROUP (CONTINUED)

ENTRANCE DOOR W/O WINDOW (CONTINUED)



KEY	PARTNUMBER	U/M	DESCRIPTION
15	106719-01-01A	EA	HINGE-ENTRANCEDOOR-MILL
	039715-01-000	EA	NUT-SERT, 1/4" DIAMETER-20 THREADS (ON DOOR HINGE)
	116111-02-01A	EA	SCREW-TAPTITE - 1/4-20X3/8PPH-ZINC
16	051049-01-000	EA	JAMB-BOTTOM-ENTRYDOOR-25.9"-UNPAINTED
17	089748-23-000	EA	FRAME-BOTTOM-ENTRANCEDOOR
18	122102-01-01A	EA	FRAME-ENTRYDOOR
18	122102-02-01A	EA	FRAME-ENTRYDOOR
19	100128-02-000	FT	SEAL-FOAM, ADHESIVE BACK - .37" WX .37" THICK
20	118929-01-01A	FT	SEAL-PILE-PUSH ON
21	075671-04-000	FT	SEAL-SPONGE-LAZYT-W/ADHESIVE STRIP-.5" WIDE
22	104692-01-000	FT	SEAL-3/4" X 3/4", ADHESIVE BACK FOAM SEAL

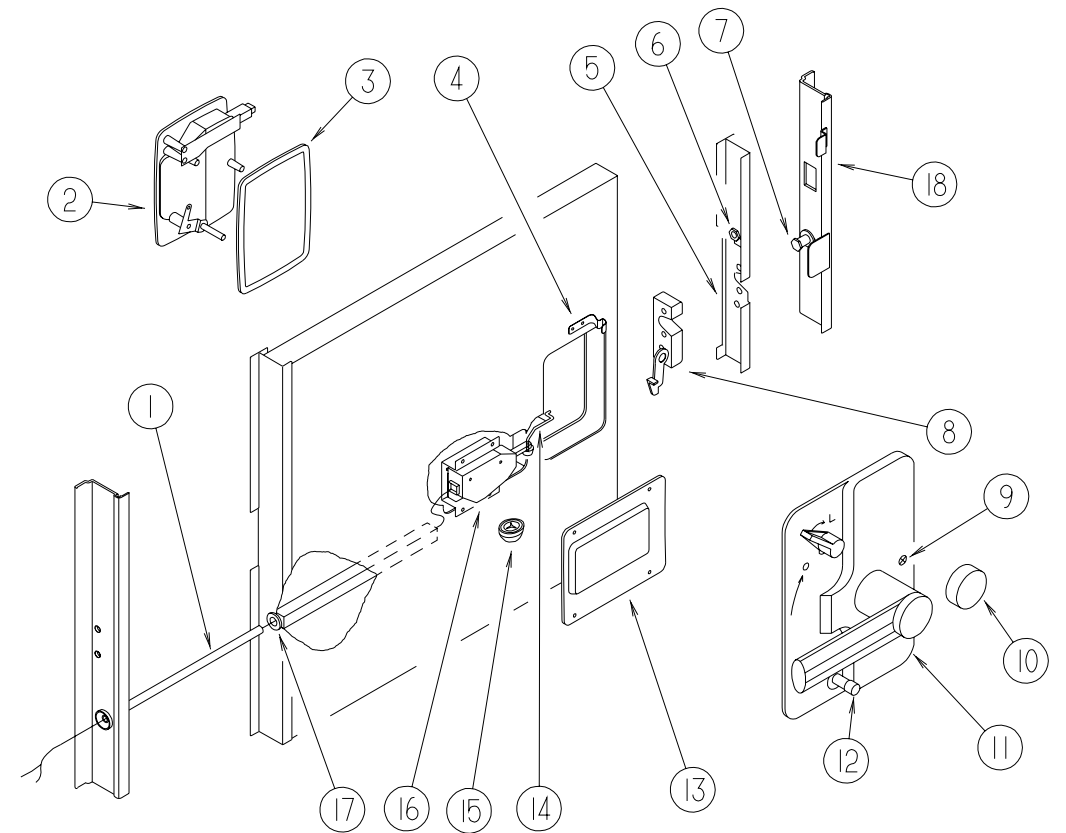
WINDOW, VENT & EXTERIOR DOOR GROUP (CONTINUED)



SCREEN DOOR COMPONENTS

KEY	PART NUMBER	U/M	DESCRIPTION
1	078552-03-000	EA	KICK PANEL - SCREEN DOOR - LOWER INSERT - UNPAINTED
2	002293-02-000	SF	SCREENING - WINDOW/DOOR - 26"
3	078595-01-000	EA	TOP PLATE - SCREEN DOOR - CURVED TOP - 4.7" X 25.35"
4	078777-01-000	EA	CHANNEL - SLIDE - SCREEN DOOR CENTER SLIDER COVER
5	079086-02-000	EA	SLIDER - SCREEN DOOR
6	002294-01-000	FT	SPLINE - SCREENING - .005" X .0054"
7	001014-01-013	EA	INSERT - CENTER - 10.25" X 16.31" - UNPAINTED
8	075673-01-000	FT	SEAL - PILE - ADHESIVE BACK - GRAY
9	039979-06-000	EA	COVER - LATCH PLATE - RIGHT HAND - BLACK TEXTURED
	120863-05-000	EA	BUMPER - RUBBER
	102248-01-000	EA	SHIM - DOOR
	039715-01-000	EA	NUT - SERT - 1/4" DIAMETER - 20 THREADS
	041546-07-000	EA	BRACKET - DOOR ANGLE
	041546-08-000	EA	BRACKET - DOOR ANGLE O/W
	075673-01-000	EA	SEAL - PILE - ADHESIVE BACK - GRAY
	075673-05-000	EA	SEAL - PILE - ADHESIVE BACK - BLACK

WINDOW, VENT & EXTERIOR DOOR GROUP (CONTINUED)



ENTRANCE DOOR LATCH COMPONENTS

KEY	PART NUMBER	U/M	DESCRIPTION	VENDOR NO.
1	077222-01-000	EA	SPRING - WIRE GUARD - ENTRY DOOR	
2	112782-01-01A	EA	LATCH - EXTERIOR HOUSING	
	045017-11-701	EA	KEY - BLANK, F1 SERIES	81312-02
	112782-01-700	EA	KEY - BLANK - DEADBOLT, TM100-150	81535
	112782-01-701	EA	KEY - BLANK - DEADBOLT, TM151-200	81536
	112782-01-703	EA	CYLINDER - LOCK ASM. W/KEYS	081465-09
3	112782-04-01A	EA	GASKET	
4	100412-01-000	EA	CATCH - SCREEN DOOR	
5	121334-03-01A	EA	STIFFENER - DOOR - MILL	
6	072893-04-000	EA	NUTSERT - 10-32 (ON STIFFENER)	
7	092927-03-000	EA	STRIKER - ROUND, JAMB MOUNTED - TRI/MARK 10335-16	
8	112782-03-01A	EA	LATCH - SINGLEROTOR	
9	112782-06-01A	EA	SCREW - F/MOUNTING PLATE - ZINC	
10	081914-01-000	EA	BUMPER - RUBBER, ROUND - .43" DIAMETER - BLACK	
11	112782-02-01A	EA	LATCH - INTERIOR PLATE	
12	112782-05-01A	EA	CAP - VINYL - RED	
13	113960-01-01A	EA	COVER - ACTUATOR - POWER LOCK	
14	113651-01-01A	EA	ROD - CONTROL - MOTOR/LOCK	
15	114209-01-01A	EA	PUSHNUT - CAP - 1/8" - WHITE	
16	113638-01-000	EA	ACTUATOR - POWER DOOR LOCK	
	113638-02-000	EA	CONNECTOR - ACTUATOR	
	113650-01-01B	EA	BRACKET - ACTUATOR	
17	008384-01-000	EA	GROMMET - SNAP, 3/4" DIAMETER - NYLON	
18	118170-01-01A	EA	CATCH - RETAINER - DOOR	

WINDOW, VENT & EXTERIOR DOOR GROUP (CONTINUED)

ELIXIR POWERED ROOF VENT

KEY	PARTNUMBER	U/M	DESCRIPTION	VENDOR NO.
	122882-04-01A	EA	VENT-ROOF-W/FAN&POWERLIFT-UL	
	122882-05-01A	EA	VENT-ROOF-W/FAN&POWERLIFT-CSA	
	048648-01-000	EA	MOTOR-ROOFVENT-1/8SHAFT-12VOLT	
	048649-01-000	EA	FAN-ROOFVENT-6BLADES-6"	
	064469-03-708	EA	GEAR-DRIVE	RP-1024
	064469-03-709	EA	GEAR-PINIONF-1/8"SHAFT	RP-1025
	064470-01-700	EA	COVER-VENT,W/O(SLIDEBAR)	J7291
	064470-01-701	EA	SLIDEBAR,(VENT-LID)	JRP1291B
	110051-07-701	EA	MOTOR-LIFT,W/BRKT-GEAR3/16	RP1099B
	122882-04-700	EA	SCREEN	J29-670-01A

ELIXIR NONPOWERED ROOF VENT

KEY	PARTNUMBER	U/M	DESCRIPTION	VENDOR NO.
	122882-01-01A	EA	VENT-ROOF-NONPOWERED	
	009440-01-000	EA	GEAR/ARM-LIFT-ROOFVENTCOVER	
	064470-01-700	EA	COVER-VENT,W/O(SLIDEBAR)	J7291
	064470-01-701	EA	SLIDEBAR,(VENT-LID)	JRP1291B
	122882-01-700	EA	HANDLE-CRANKBLACK	90128
	122882-01-701	EA	SCREEN	JRP-1124-B

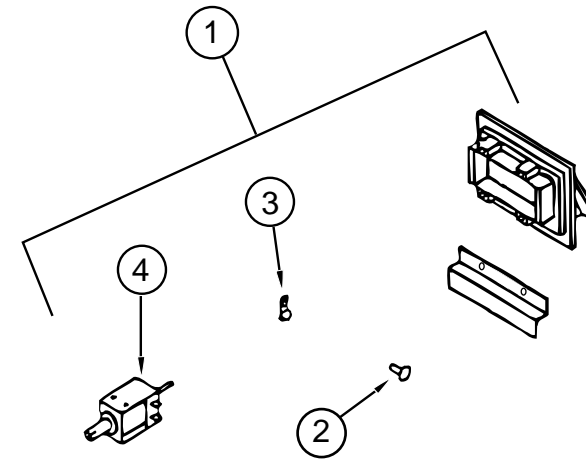
FANTASTIC EXHAUST VENT

KEY	PARTNUMBER	U/M	DESCRIPTION	VENDOR NO.
	123780-07-01A	EA	VENT-EXHAUST-CEILING-F/3.5"-4.5"ROOF	
	123780-08-01A	EA	VENT-EXHAUST-CEILING-F3.5"-4.5"ROOF-CSA	
	009440-01-000	EA	GEAR/ARM-LIFT-ROOFVENTCOVER	
	084079-01-703	EA	KNOB-LIFT,W/EXT.&SCREW	1140K-00
	084079-01-704	EA	BLADE-FAN	1070-00
	084079-01-705	EA	MOTOR	1080-00
	084079-01-707	EA	SWITCH-SAFETY	1122.05
	084079-01-709	EA	SWITCH-MAIN-3SPEED	1031-05
	084079-01-711	EA	H-MOLDING,MOTORMOUNT	
	084079-11-700	EA	MOTOR,BRKT.,FANBLADE,KIT	4017K-09
	123780-01-700	EA	COVER-VENTW/HINGE&SLIDE	1020K-81
	123780-07-700	EA	GARNISH-INT 4 1/2BRT/WHT	2040-81

WINDOW, VENT & EXTERIOR DOOR GROUP (CONTINUED)

PLUMBING & REFRIGERATOR ROOF VENTS

KEY	PARTNUMBER	U/M	DESCRIPTION
	083558-06-000	EA	VENT-ROOFPLUMBINGPIPE-COVERED
	084073-04-000	EA	BASE-ROOFVENT-REFRIGERATOR
	084073-08-000	EA	COVER-ROOF-REFRIGERATOR
	118369-01-03A	EA	CAP-REFRIGERATORROOFVENT-SIDE/SIDE-SABLE
	118369-02-03A	EA	BASE-REFRIGERATORROOFVENT-SIDE/SIDE-SABLE

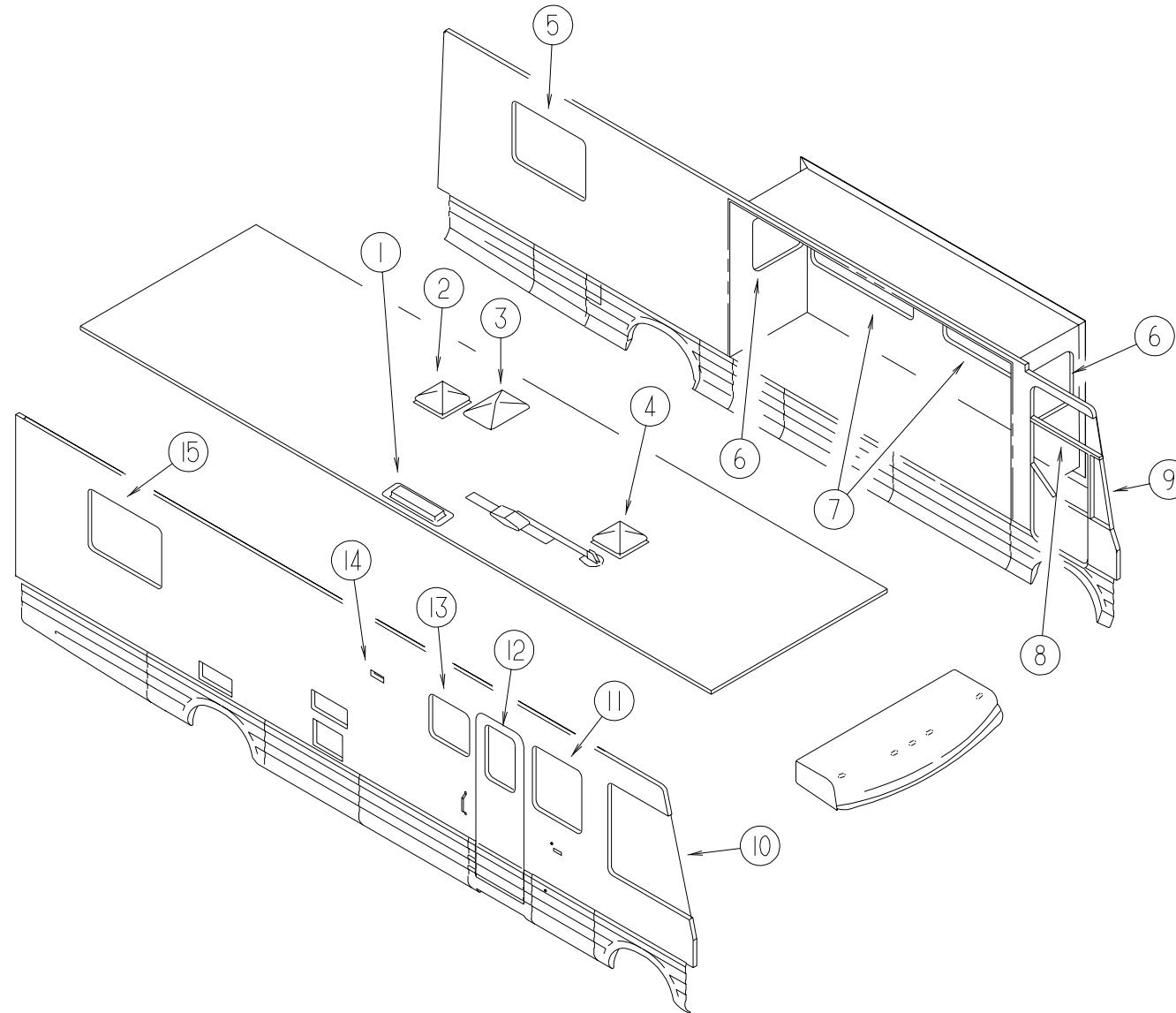


RANGE HOOD VENT

KEY	PARTNUMBER	U/M	DESCRIPTION	VENDOR NO.
1	092698-03-05A	EA	VENT-W/DOOR&SOLENOID	
2	092698-02-700	EA	FASTNER-PUSH	VB430
3	092698-02-701	EA	CLAMP-CONDUIT	VB334
4	092698-03-706	EA	SOLENOID	UB530

WINDOW, VENT & EXTERIOR DOOR GROUP (CONTINUED)

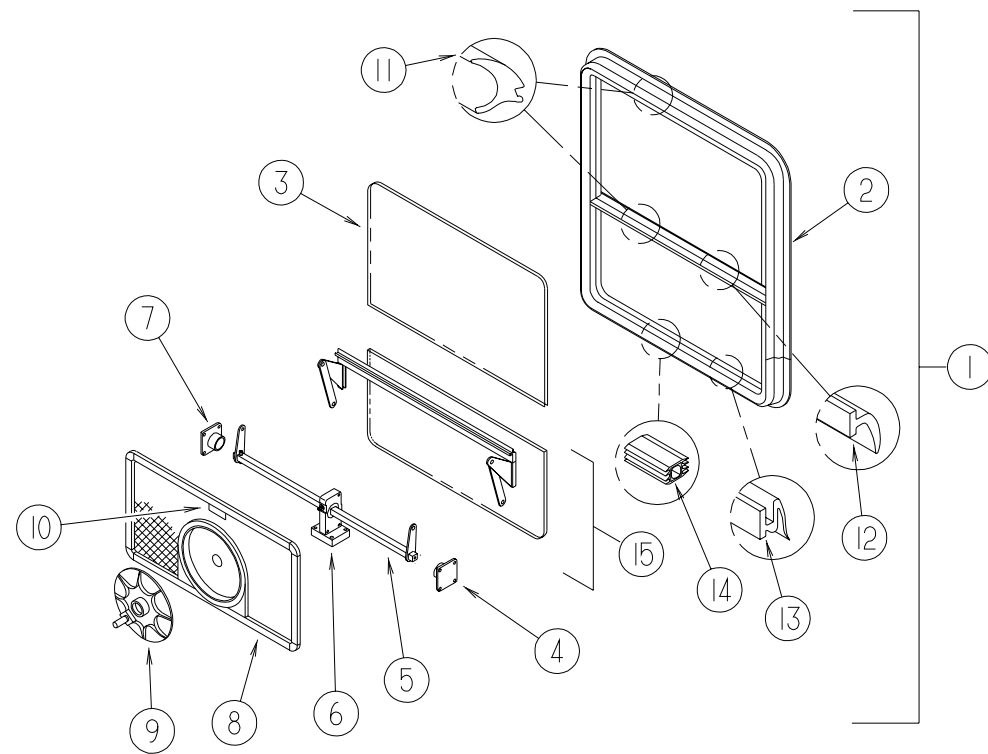
WINDOWS & VENTS



KEY	PARTNUMBER	U/M	DESCRIPTION
1	084073-04-000	EA	BASE-ROOFVENT-REFRIGERATOR
1	084073-08-000	EA	COVER-ROOF-REFRIGERATOR
1	118369-01-03A	EA	CAP-REFRIGERATORROOFVENT-SIDE/SIDE-SABLE
1	118369-02-03A	EA	BASE-REFRIGERATORROOFVENT-SIDE/SIDE-SABLE
2	122882-04-01A	EA	VENT-ROOF-W/FAN&POWERLIFT-UL
2	122882-05-01A	EA	VENT-ROOF-W/FAN&POWERLIFT-CSA
3	077902-01-000	EA	COVER-SKYLIGHT, INSIDE-15.6"X22.6"-PLASTIC
3	108662-01-01A	EA	COVER-SKYLIGHT, WHT
4	122882-01-01A	EA	VENT-ROOF-NONPOWERED
4	122882-07-01A	EA	GARNISH-ROOFVENT-2.50"TO4.12"
4	123780-07-01A	EA	VENT-EXHAUST-CEILING-F/3.5"-4.5"ROOF
4	123780-08-01A	EA	VENT-EXHAUST-CEILING-F3.5"-4.5"ROOF
5	113500-06-01A	EA	WINDOW-DOUBLETIPOUTW/ESCAPE-TINTED-33.2"X30.2"
5	112898-18-01A	EA	WINDOW-VERTICALSLIDER-THERMO-ESCAPE-33.2"X30.2"
6	098647-44-01A	EA	WINDOW-PASSHORIZSLIDERW/TRIM-TINTED-23.6"X24.5"

KEY	PARTNUMBER	U/M	DESCRIPTION
7	115360-03-01A	EA	WINDOW-DOUBLEHORIZONTALTIPOUT-22.6"X56.5"
7	112795-54-01A	EA	WINDOW-DRIVER/HORIZONTALSLIDER-THERMO-30"X57.75"
8	106467-01-01A	EA	WINDOW-VISTA(ABOVEDRIVERDOOR)36.6"TX40"BX18"H
8	116000-01-01A	EA	WINDOW-DRIVERVISTA-THERMO-35.7"TX38.9"BX17"H
9	106468-01-01A	EA	WINDOW-DRIVERWING-6.1"TX12.2"BX32.2"H
9	115999-01-01A	EA	WINDOW-DRIVERWING-THERMO-5.2"TX11.1"BX31.5"H
10	106466-01-01A	EA	WINDOW-PASSENGERCAB-35.7"TWX45.2"CWX50.6"H
10	106466-03-01A	EA	WINDOW/PASSENGER-THERMO-35.7"TWX45.2"CWX50.6"H
11	099480-03-000	EA	WINDOW-SLIDER-RIGHTHAND
11	112795-29-01A	EA	WINDOW-PASSHORIZONTALSLIDER-THERMO-30.7"X27.8"
12	117053-03-F31	EA	WINDOW-PICTURE-17"X26.4"
12	113733-01-01A	EA	WINDOW-STATIONARY-THERMOPANE-17"X26.4"
12	117054-02-01A	EA	RETAINER-TRIM-ENTRYDOORWINDOW
13	104691-16-01A	EA	WINDOW-TIPOUT-SINGLE
14	092698-03-05A	EA	VENT-W/DOORANDSOLENOID
15	113500-05-01A	EA	WINDOW-DOUBLETIPOUT-TINTED-33.2"X30.2"
15	112898-17-01A	EA	WINDOW-VERTICALSLIDER-THERMO/EURO-33.2"X30.2"

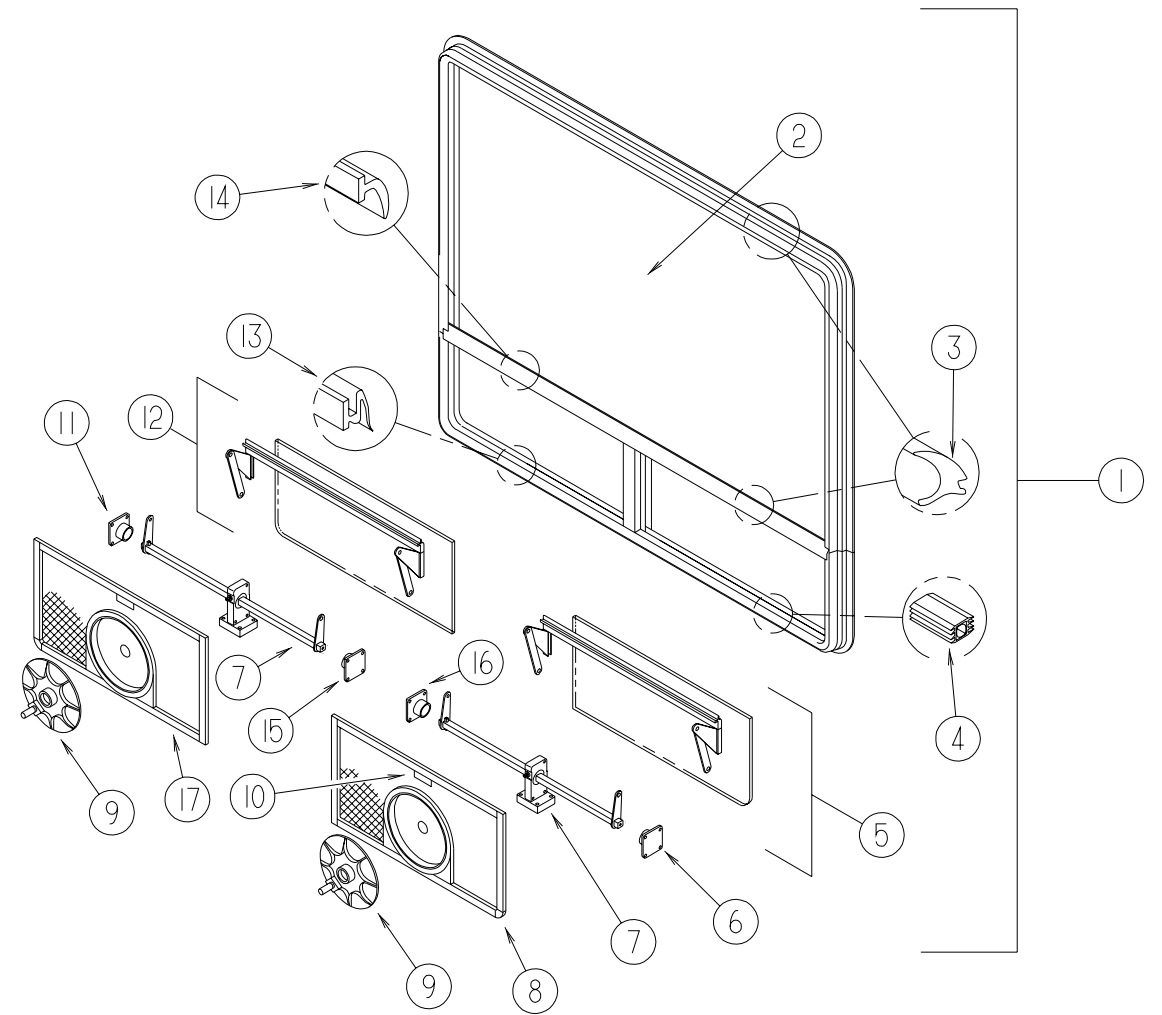
WINDOW, VENT & EXTERIOR DOOR GROUP (CONTINUED)



GALLEY WINDOW SINGLE TIPOUT-EXCEL

KEY	PARTNUMBER	U/M	DESCRIPTION	VENDORNO.
1	104691-16-01A 104691-16-701	EA	WINDOW-TIPOUT-SINGLE RETAINER-TRIM	CW91-59
2	NA	EA	FRAME	
3	104691-16-702	EA	GLASS-STATIONARY	106-019448
4	100322-01-714	EA	SUPPORT-TORQUEBAR,LH	130-015978
5	104691-16-703	EA	OPERATOR&BARASSEMBLY	CH91-18
6	112519-01-702	EA	OPERATOR-VENT	410-016123
7	100322-01-715	EA	SUPPORT-TORQUEBAR,RH	130-015979
8	104691-16-705	EA	SCREENASM-W/SEALS&CLIPS	410-019479
9	100322-01-718	EA	HANDLE-DIAL	410-016081
10	112519-01-706	EA	CLIP-SCREEN	CH21-50
11	100322-01-703	FT	VINYL-GLAZING,BUTYL	132-010723
12	100322-01-702	EA	WEATHERSTRIP-HORIZONTALRAIL	132-015976
13	100322-01-701	FT	SEAL-VENT	122-016071
14	116976-01-702	FT	FILLERPLUG	132-016065
15	104691-16-704 100322-01-704 112898-06-704 112898-06-705 100322-01-716 100322-01-717	EA FT EA EA EA EA	GLASS-VENTASSEMBLY TAPE-BUTYL HANDLE-LATCH,RED-RH HANDLE-LATCH,RED-LH SUPPORT-TORQUEBAR,CTRRAIL E-RING	CH91-D9 154-016083 182-11293 182-11294

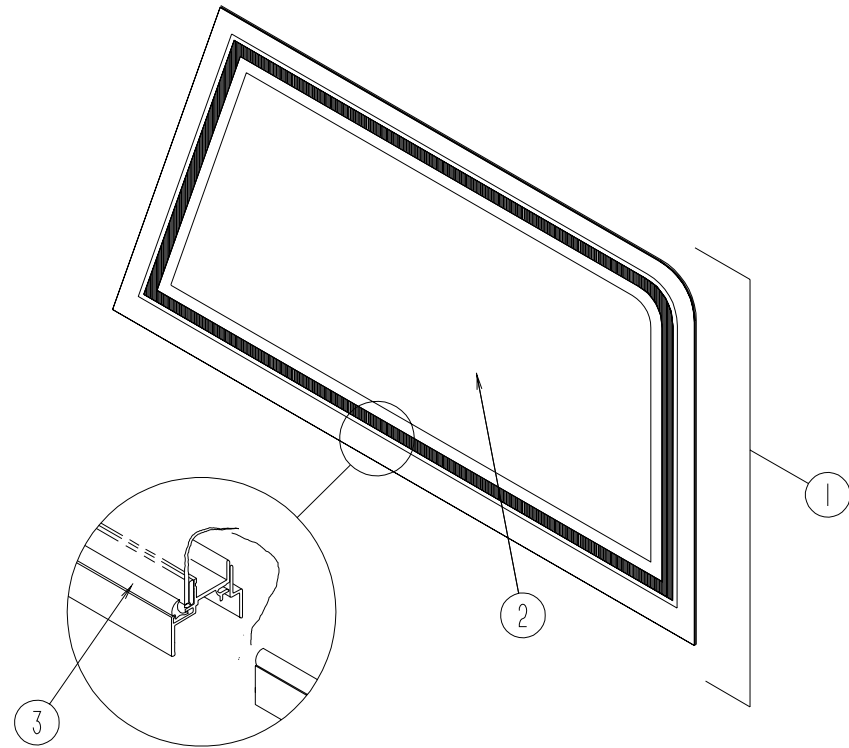
WINDOW, VENT & EXTERIOR DOOR GROUP (CONTINUED)



SLIDE OUT ROOM SIDE WALL WINDOWS-EXCEL

KEY	PARTNUMBER	U/M	DESCRIPTION	VENDORNO.
1	115360-03-01A 115360-03-701	EA	WINDOW-DOUBLEHORIZONTALTIPOUT-22.6"X56.5" RETAINER-TRIM	
2	115360-03-700	EA	GLASS-STATIONARY	
3	100322-01-703	FT	VINYL-GLAZING,BUTYL	132-010723
4	098644-01-716	FT	PLUG-FILLER	132-014470
5	115360-01-703	EA	GLASS-VENTASM-LHTORQUE	CH90-D9L
6	100322-01-714	EA	SUPPORT-TORQUEBAR,LH	130-015978
7	112519-01-702	EA	OPERATOR-VENT	410-016123
8	115360-01-701	EA	SCREENASM-W/SEALS&CLIPS	410-019477L
9	100322-01-718	EA	HANDLE-DIAL	410-016081
10	112519-01-706	EA	CLIP-SCREEN	CH21-50
11	100322-01-715	EA	SUPPORT-TORQUEBAR,RH	130-015979
12	115360-01-704	EA	GLASS-VENTASM-RHTORQUE	CH90-D9R
13	100322-01-701	FT	SEAL-VENT	122-016071
14	100322-01-702	EA	WEATHERSTRIP-HORIZONTALRAIL	132-015976
15	100322-01-716	EA	SUPPORT-TORQUEBAR,CTRRAIL	130-015980
16	100322-01-716	EA	SUPPORT-TORQUEBAR,CTRRAIL	130-015980
17	115360-01-702 100322-01-704 100322-01-712 100322-01-713 100322-01-717	EA FT EA EA EA	SCREENASM-W/SEALS&CLIPS TAPE-BUTYL RAIL-HORIZONTAL,RHORLH BAR-DIVISION,VERT.RH&LH E-RING	410-019478R 154-016083 CH05-19 HH19-20 245-015975

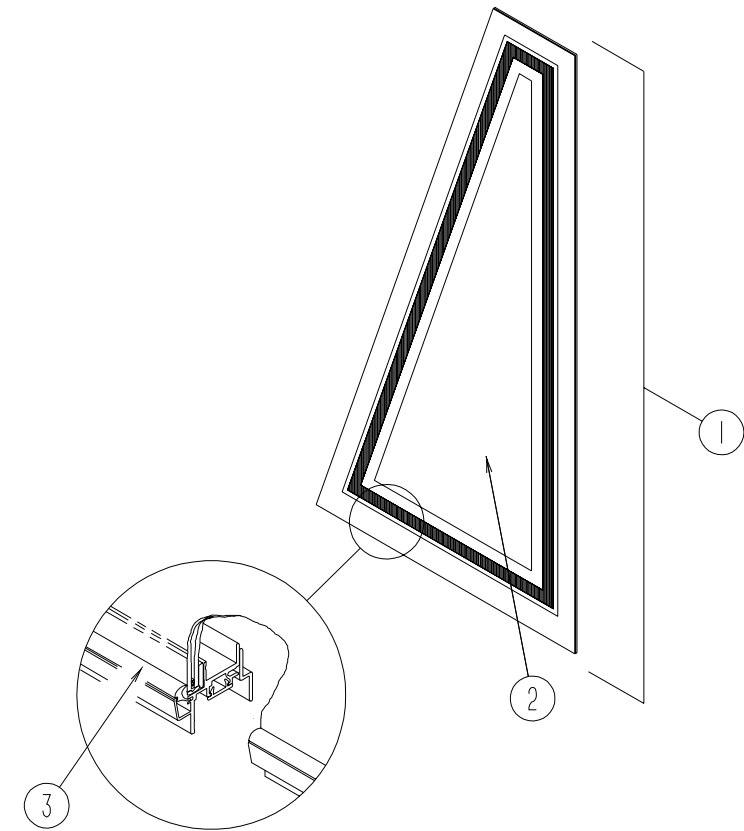
WINDOW, VENT & EXTERIOR DOOR GROUP (CONTINUED)



VISTA WINDOW OVER DRIVERS DOOR-EXCEL

KEY	PARTNUMBER	U/M	DESCRIPTION	VENDOR NO.
1	106467-01-01A	EA	WINDOW-VISTA (ABOVE DRIVER DOOR) 36.6"TX40"BX18"H	
2	106467-01-701	EA	GLASS-STATIONARY	106-018272
3	100322-01-703	FT	VINYL-GLAZING, BUTYL	132-010723
	106467-01-700	EA	RETAINER-TRIM	H359-27L

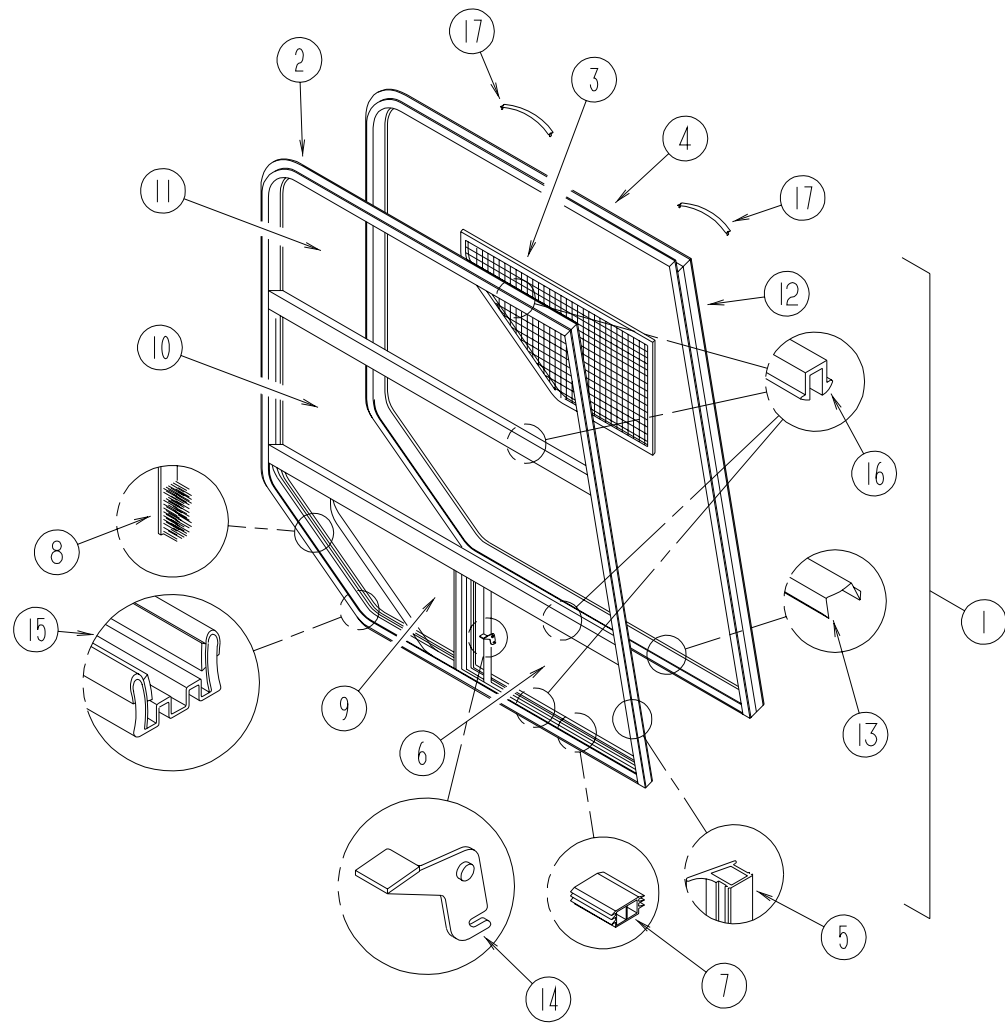
WINDOW, VENT & EXTERIOR DOOR GROUP (CONTINUED)



DRIVERS SIDE FRONT SLANT WINDOW-EXCEL

KEY	PARTNUMBER	U/M	DESCRIPTION	VENDOR NO.
1	106468-01-01A	EA	WINDOW - DRIVER WNG-6.1"TX12.2"BX32.2"H	
2	100322-01-705	EA	GLASS-STATIONARY SMALL TOP	106-017264
3	100322-01-703	FT	VINYL-GLAZING, BUTYL	132-010723
	106468-01-701	EA	GLASS-STATIONARY	106-018271

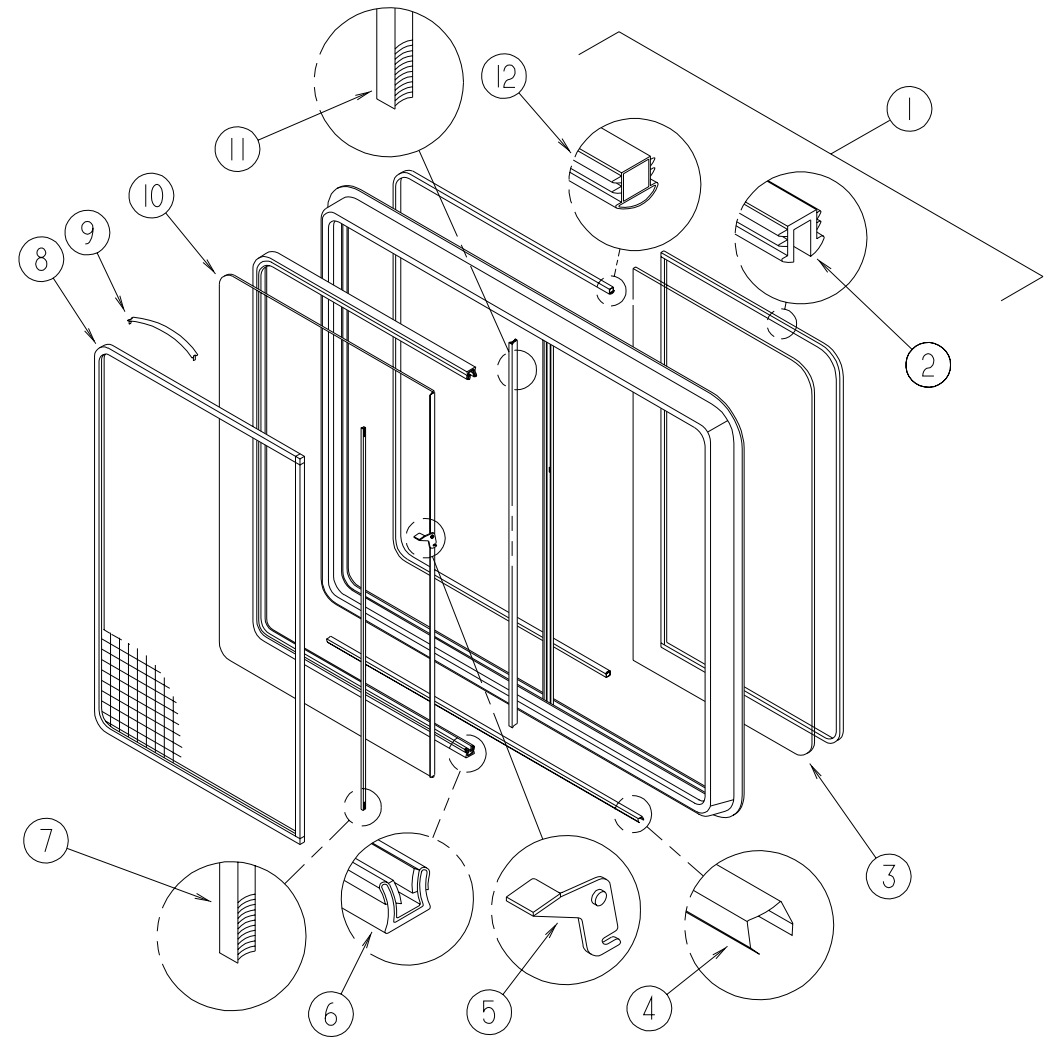
WINDOW, VENT & EXTERIOR DOOR GROUP (CONTINUED)



PASSENGER SIDE CAB WINDOW-EXCEL

KEY	PART NUMBER	U/M	DESCRIPTION	VENDOR NO.
1	106466-01-01A	EA	WINDOW - PASSENGER CAB - 35.7" TW X 45.2" CW X 50.6" H	
2	106466-01-700	EA	WINDOW	
3	106466-01-705	EA	SCREEN ASM - W/SEALS & CLIPS	H357-03R
4	106466-01-700	EA	RETAINER - TRIM RAIL FRONT	H357-77
5	098644-01-716	FT	PLUG - FILLER	132-014470
6	106466-01-703	EA	GLASS - STATIONARY - LOWER	106-018269
7	N/A	EA	SLIDE - STOP	
8	098644-01-711	FT	WEATHERSTRIP - SCREEN BLACK	171-016965
9	106466-01-704	EA	GLASS - SLIDING W/SASH & LATCH	H357-A9R
10	106466-01-706	EA	GLASS - STATIONARY - MIDDLE	106-018268
11	106466-01-702	EA	GLASS - STATIONARY - UPPER	106-018267
12	106466-01-701	EA	RETAINER - TRIM CURVED	H357-67
13	098644-01-710	FT	TRACK - SCREEN SPACER 12'	132-017135
14	098644-01-700	EA	LATCH - REPAIR KIT (BLACK)	B801-CK
15	098644-01-708	FT	CHANNEL - RUN PIERCED	122-016543
16	098644-01-705	FT	GLAZING - STRIP	132-010231
17	098644-01-713	EA	CLIP - SPRING - METAL	226-016966
	098644-01-706	FT	WEATHERSTRIP - GLASS	171-010668

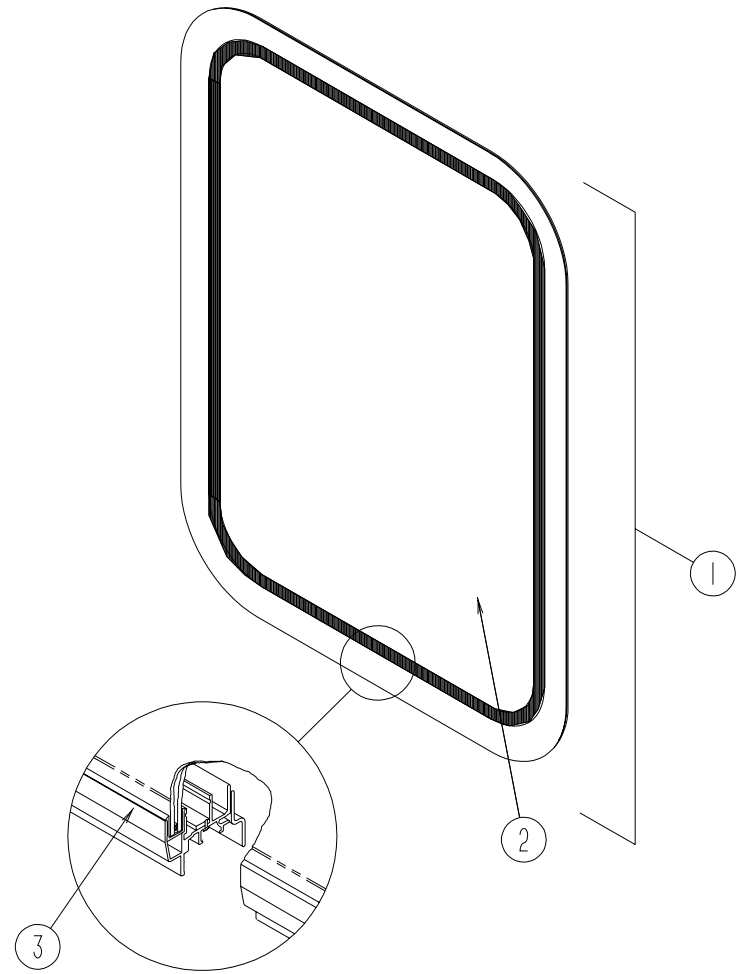
WINDOW, VENT & EXTERIOR DOOR GROUP (CONTINUED)



PASSENGER SIDE LOUNGE WINDOW-EXCEL

KEY	PART NUMBER	U/M	DESCRIPTION	VENDOR NO.
1	099480-03-000	EA	WINDOW - SLIDER - RIGHTHAND	
	099480-03-700	EA	RETAINER - TRIM	W150-67
2	098644-01-705	FT	GLAZING - STRIP	132-010231
3	099480-03-701	EA	GLASS - STATIONARY	106-018291
4	098644-01-710	FT	TRACK - SCREEN SPACER 12'	132-017135
5	099480-01-700	EA	LATCH REPAIR KIT	B801-CK
6	098644-01-708	FT	CHANNEL - RUN PIERCED	122-016543
7	098644-01-711	FT	WEATHERSTRIP - SCREEN BLACK	171-016965
8	099480-03-703	EA	SCREEN ASSEMBLY	
9	098644-01-713	EA	CLIP - SPRING - METAL	226-016966
10	099480-03-702	EA	SLIDE ASSEMBLY	H150-G8
11	098644-01-706	FT	WEATHERSTRIP - GLASS	171-010668
12	098644-01-716	FT	PLUG - FILLER	132-014470
	098644-01-717	FT	SPLINE - SCREEN	132-004716

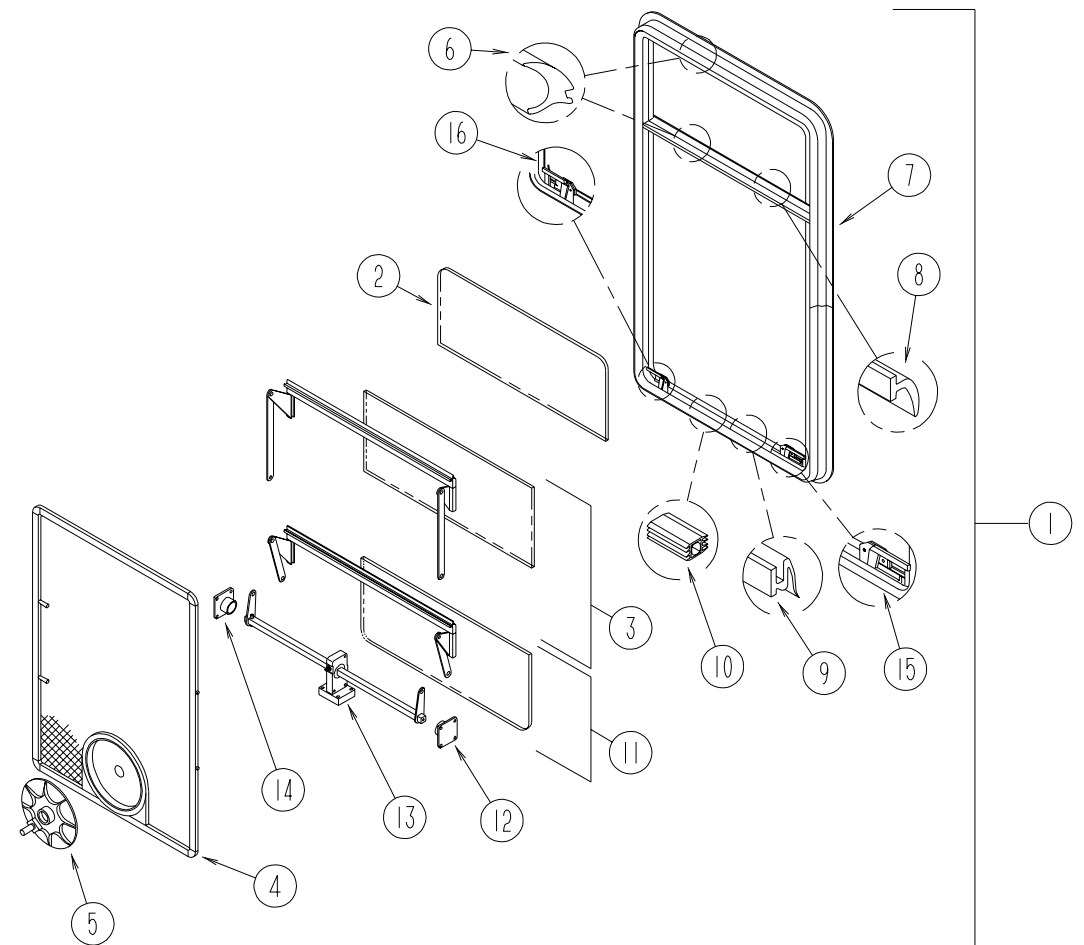
WINDOW, VENT & EXTERIOR DOOR GROUP (CONTINUED)



ENTRANCE DOOR WINDOW-EXCEL

KEY	PARTNUMBER	U/M	DESCRIPTION
1	117053-03-F31	EA	WINDOW-PICTURE-17" X 26.4"
2	002181-26-000	EA	GLASS-PICTURE-25.7" X 16.39"
3	087561-01-000	FT	SEAL-GLASS-EXTERIOR-.5" WIDE-VINYL BLACK
	117054-02-01A	EA	RETAINER-TRIM-ENTRY DOOR WINDOW

WINDOW, VENT & EXTERIOR DOOR GROUP (CONTINUED)

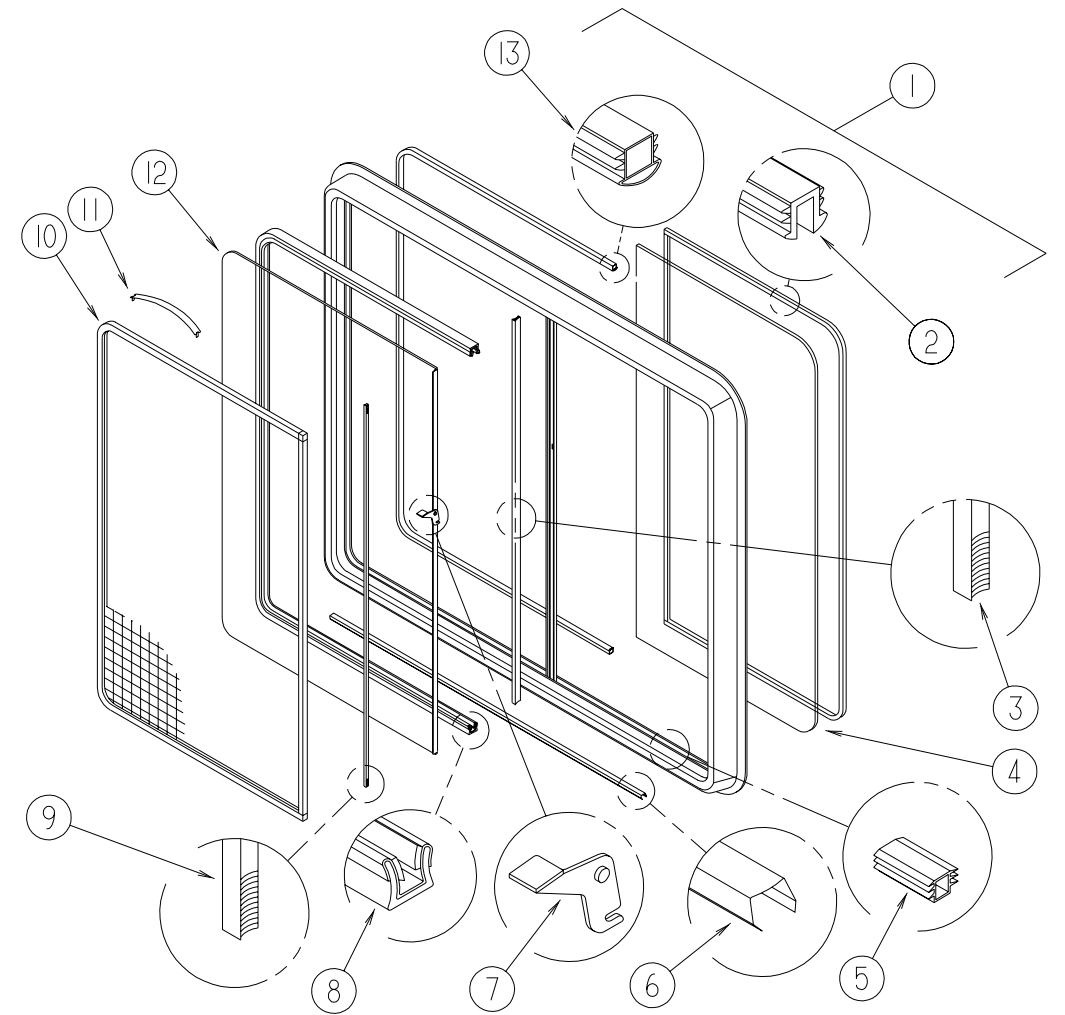
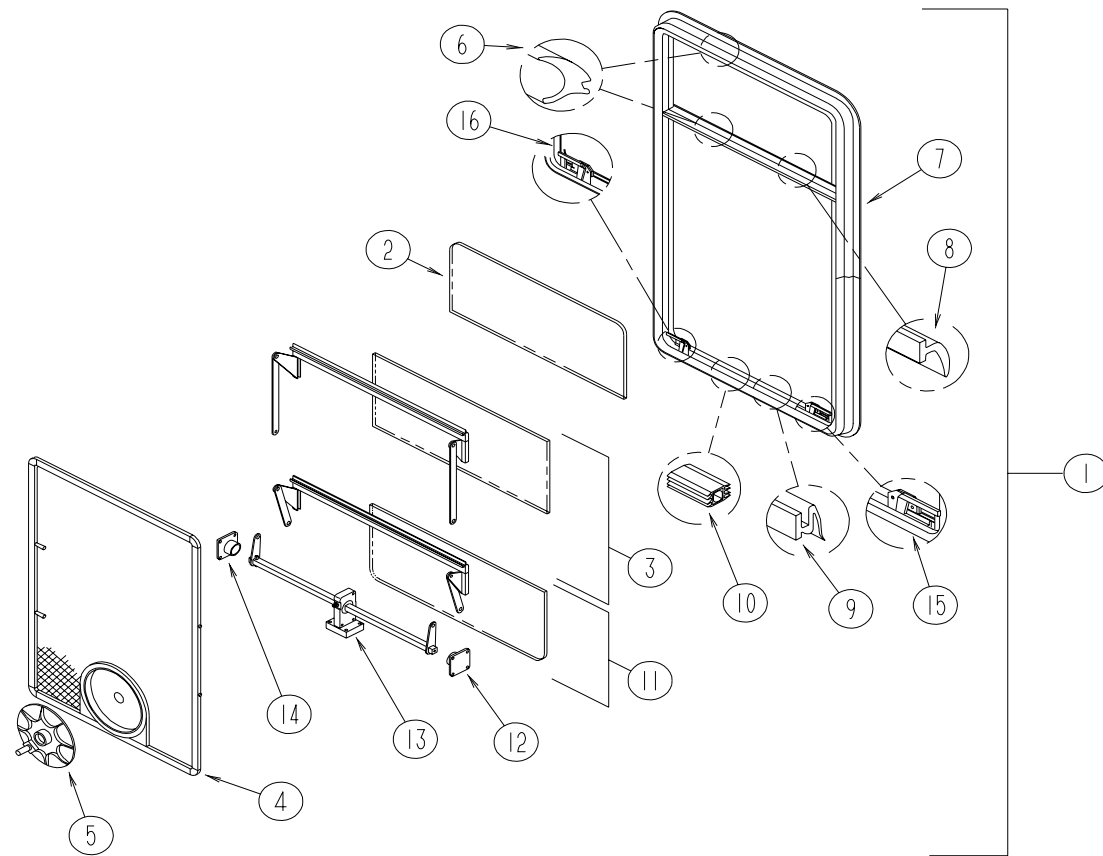


PASSENGER SIDE/DRIVER SIDE BEDROOM WINDOWS-EXCEL

KEY	PARTNUMBER	U/M	DESCRIPTION	VENDOR NO.
1	113500-05-01A	EA	WINDOW-DOUBLE TIP OUT-33.3" X 30.3"	
	113500-05-705	EA	RETAINER-TRIM	CW100-59
2	113500-05-700	EA	GLASS-STATIONARY	106-025654
3	113500-05-701	EA	VENT ASM (UPPER)	CH104-D7
4	113500-05-704	EA	SCREEN ASM-W/SEALS & CLIPS	410-025657
5	100322-01-718	EA	HANDLE-DIAL	410-016081
6	100322-01-703	FT	VINYL-GLAZING, BUTYL	132-010723
7	N A	EA	FRAME	
8	100322-01-702	EA	WEATHER STRIP-HORIZONTAL RAIL	132-015976
9	100322-01-701	FT	SEAL-VENT	122-016071
10	098644-01-716	FT	PLUG-FILLER	132-014470
11	113500-05-702	EA	VENT ASM (LOWER)	CH104-D9
12	100322-01-714	EA	SUPPORT-TORQUE BAR, LH	130-015978
13	112519-01-702	EA	OPERATOR-VENT	410-016123
14	100322-01-715	EA	SUPPORT-TORQUE BAR, RH	130-015979
15	112898-06-705	EA	HANDLE-LATCH, RED-LH	182-11294
16	112898-06-704	EA	HANDLE-LATCH, RED-RH	182-11293
	100322-01-704	FT	TAPE-BUTYL	154-016083
	100322-01-717	EA	E-RING	245-015975
	113500-05-703	EA	OPERATOR BAR ASSEMBLY	CH10-15

WINDOW, VENT & EXTERIOR DOOR GROUP (CONTINUED)

WINDOW, VENT & EXTERIOR DOOR GROUP (CONTINUED)



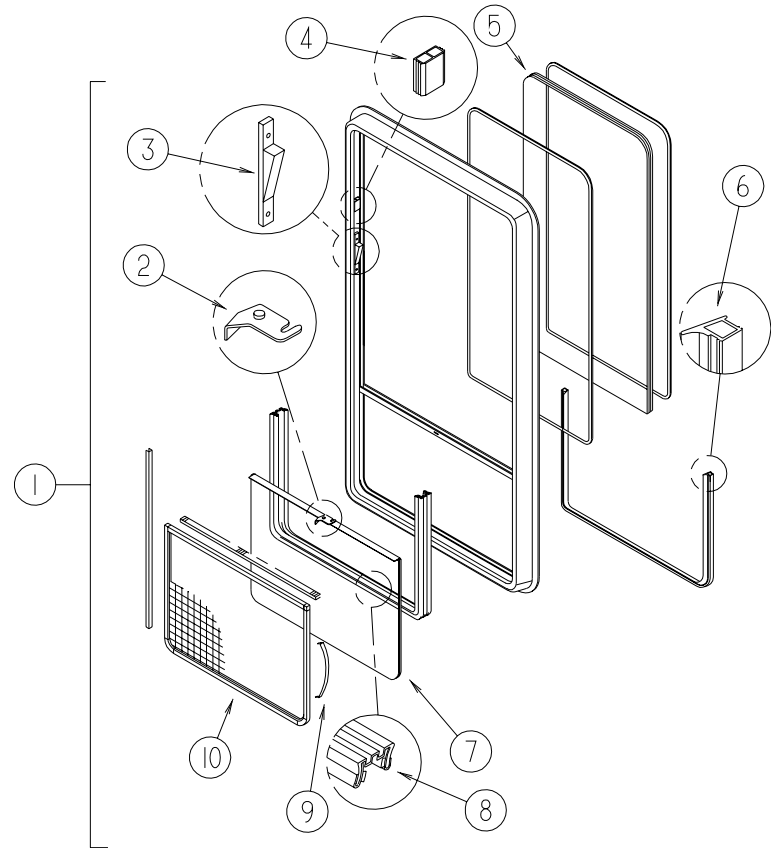
PASSENGER SIDE/DRIVER SIDE BEDROOM WINDOWS-EXCEL

KEY	PARTNUMBER	U/M	DESCRIPTION	VENDOR NO.
1	113500-06-01A	EA	WINDOW-DOUBLE TIPOUT-33.3"X30.3"	
	113500-06-705	EA	RETAINER-TRIM	CW100-59
2	113500-06-700	EA	GLASS-STATIONARY	106-025654
3	113500-06-701	EA	VENTASM(UPPER)	CH104-D7
4	113500-06-704	EA	SCREENASM-W/SEALS&CLIPS	410-025657
5	100322-01-718	EA	HANDLE-DIAL	410-016081
6	100322-01-703	FT	VINYL-GLAZING,BUTYL	132-010723
7	N A	EA	FRAME	
8	100322-01-702	EA	WEATHERSTRIP-HORIZONTALRAIL	132-015976
9	100322-01-701	FT	SEAL-VENT	122-016071
10	098644-01-716	FT	PLUG-FILLER	132-014470
11	113500-06-702	EA	VENTASM(LOWER)	CH104-D9
12	100322-01-714	EA	SUPPORT-TORQUEBAR,LH	130-015978
13	112519-01-702	EA	OPERATOR-VENT	410-016123
14	100322-01-715	EA	SUPPORT-TORQUEBAR,RH	130-015979
15	112898-06-705	EA	HANDLE-LATCH,RED-LH	182-11294
16	112898-06-704	EA	HANDLE-LATCH,RED-RH	182-11293
	100322-01-704	FT	TAPE-BUTYL	154-016083
	100322-01-717	EA	E-RING	245-015975
	113500-06-703	EA	OPERATORBARASSEMBLY	CH10-15

SLIDE OUT ROOM FRONT & REAR WINDOWS-EXCEL

KEY	PARTNUMBER	U/M	DESCRIPTION	VENDOR NO.
1	098647-44-01A	EA	WINDOW-PASSHORIZSLIDERW/TRIM-TINTED-23.6"X24.5"	
	098647-44-701	EA	RETAINER-TRIM	W467-66
2	098644-01-705	FT	GLAZING-STRIP	132-010231
3	098644-01-706	FT	WEATHERSTRIP-GLASS	171-010668
4	098647-44-700	EA	GLASS-STATIONARY	106-025222
5	098644-01-719	EA	STOP-SLIDERSLIDERGLASS	132-014203
6	098644-01-710	FT	TRACK-SCREENSPACER 12'	132-017135
7	098644-01-700	EA	LATCH-REPAIRKIT(BLACK)	B801-CK
8	098644-01-708	FT	CHANNEL-RUNPIERCED	122-016543
9	098644-01-711	FT	WEATHERSTRIP-SCREENBLACK	171-016965
10	098647-45-703	EA	SCREENASM-W/SEALS&CLIPS	410-025050
11	098644-01-713	EA	CLIP-SPRING-METAL	226-016966
12	098647-45-701	EA	GLASS-SLIDINGW/SASH&LATCH	H467-G9
13	098644-01-716	FT	PLUG-FILLER	132-014470
	098644-01-717	FT	SPLINE-SCREEN	132-004716

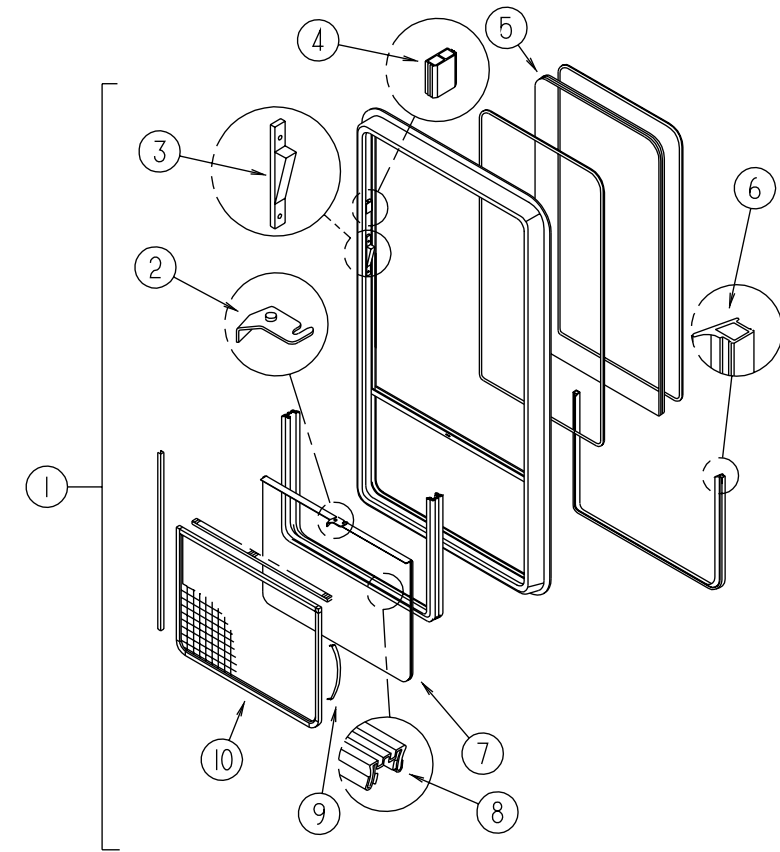
WINDOW, VENT & EXTERIOR DOOR GROUP (CONTINUED)



EXCEL BEDROOM THERMOPANE WINDOW

KEY	PART NUMBER	U/M	DESCRIPTION	VENDOR NO.
1	112898-17-01A	EA	WINDOW-VERTICAL SLIDER-THERMO/EURO-33.2" X 30.2"	
	112898-16-702	EA	RETAINER TRIM	CW100-66
2	112795-01-700	EA	LATCH ASM. LACK	DH287-CK
3	112898-04-703	EA	SASH LATCH KIT-RAISED	DH343-CK
4	112795-01-701	EA	SLID STOP	132-019092
5	112898-17-701	EA	GLASS-STATIONARY	390-025437
6	112795-01-704	FT	PLUG-FILLER	122-018737
7	112898-17-700	EA	GLASS-SLIDING W/SASH & LATCH	DH510-EG9
8	112795-01-703	IN	CHANNEL RUN	122-018736
9	098644-01-713	EA	CLIP-SPRING-BLACK PLASTIC	226-016966
10	112898-06-706	EA	SCREEN ASM-W/SEALS & CLIPS	410-019189
	098644-01-710	EA	TRACK-SCREEN SPACER 12'	132-017135
	098644-01-711	EA	WEATHER STRIP-SCREEN BLACK	171-016965
	098644-01-713	EA	CLIP-SCREEN	226-016966
	112795-01-705	EA	VINYL-GLAZING	22-016966

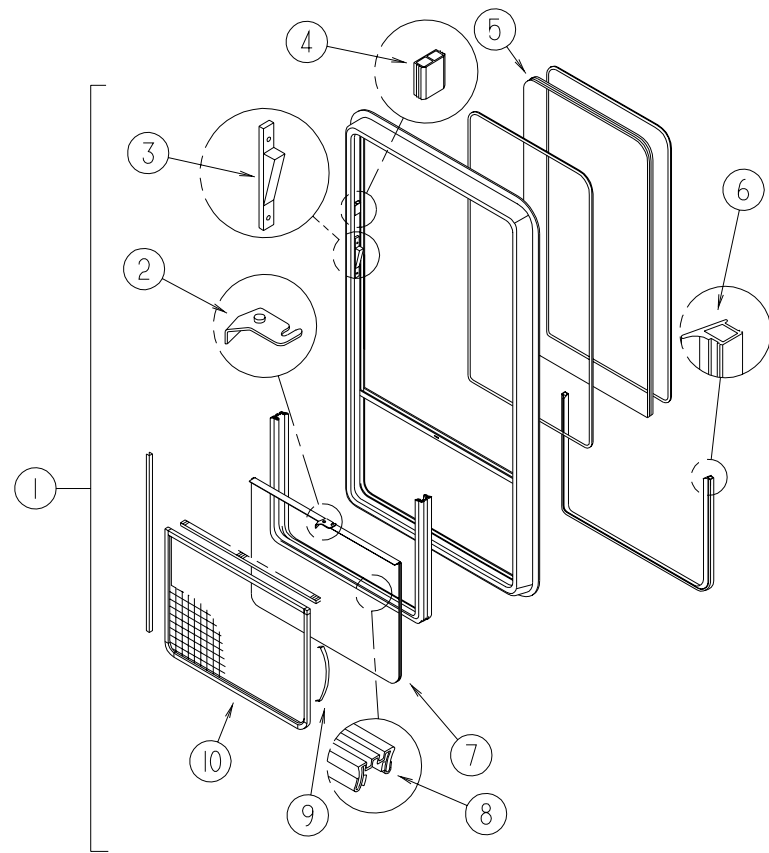
WINDOW, VENT & EXTERIOR DOOR GROUP (CONTINUED)



EXCEL BEDROOM THERMOPANE WINDOW

KEY	PART NUMBER	U/M	DESCRIPTION	VENDOR NO.
1	112898-18-01A	EA	WINDOW-VERTICAL SLIDER-THERMO-ESCAPE-33.2" X 30.2"	
	112898-18-702	EA	RETAINER TRIM	W511-64
2	112795-01-700	EA	LATCH ASM.-BLACK	DH287-CK
3	112898-04-703	EA	SASH LATCH KIT-RAISED	DH343-CK
4	112795-01-701	EA	SLIDE-STOP	132-019092
5	112898-17-701	EA	GLASS-STATIONARY	390-025500
6	112795-01-704	FT	PLUG-FILLER	122-018737
7	112898-18-700	EA	GLASS-SLIDING W/SASH & LATCH	DH511-G9
8	112795-01-703	IN	CHANNEL-RUN	122-018736
9	098644-01-713	EA	CLIP-SPRING-BLACK PLASTIC	226-016966
10	112898-06-706	EA	SCREEN ASM-W/SEALS & CLIPS	410-019189
	098644-01-710	EA	TRACK-SCREEN SPACER 12'	132-017135
	098644-01-711	EA	WEATHER STRIP-SCREEN BLACK	171-016965
	098644-01-713	EA	CLIP-SCREEN-METAL	226-016966
	112795-01-705	EA	VINYL-GLAZING	22-016966

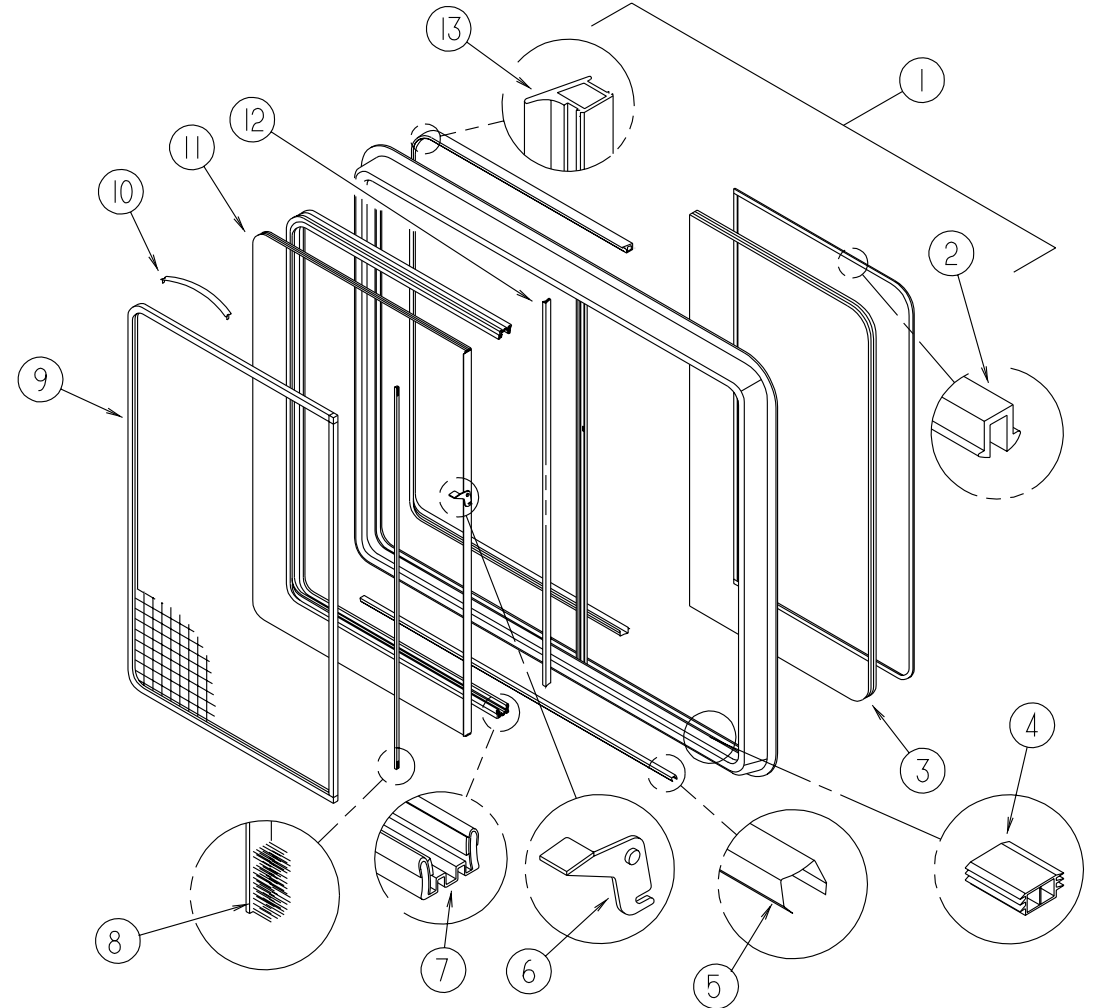
WINDOW, VENT & EXTERIOR DOOR GROUP (CONTINUED)



EXCEL BEDROOM THERMOPANE WINDOW

KEY	PART NUMBER	U/M	DESCRIPTION	VENDOR NO.
	112898-07-01A	EA	WINDOW-VERTICAL SLIDER-THERMO-21.1" X 22.8"	
	112898-07-01	EA	RETAINER TRIM	CW91-66
1	112898-07-700	EA	WINDOW ASM. W/OTRIM	
2	112795-01-700	EA	LATCH ASM - BLACK	DH287-CK
3	112898-04-703	EA	SASH LATCH KIT-RAISED	DH343-CK
4	112795-01-701	EA	SLIDE STOP	132-019092
5	112898-07-702	EA	GLASS-STATIONARY	390-019468
6	112795-01-704	FT	PLUG FILLER	122-018737
7	112898-07-703	EA	GLASS SLIDING W/SASH & LATCH	DH439-G9
8	112795-01-703	IN	CHANNEL RUN	122-018736
9	098644-01-713	EA	CLIP-SPRING-BLACK PLASTIC	226-016966
10	112898-07-704	EA	SCREEN ASM-W/SEALS & CLIPS	410-019475
	098644-01-710	EA	TRACK-SCREEN SPACER 12'	132-017135
	098644-01-711	EA	WEATHERSTRIP-SCREEN BLACK	171-016965
	098644-01-713	EA	CLIP-SCREEN-METAL	226-016966
	112795-01-705	EA	VINYL-GLAZING	22-016966

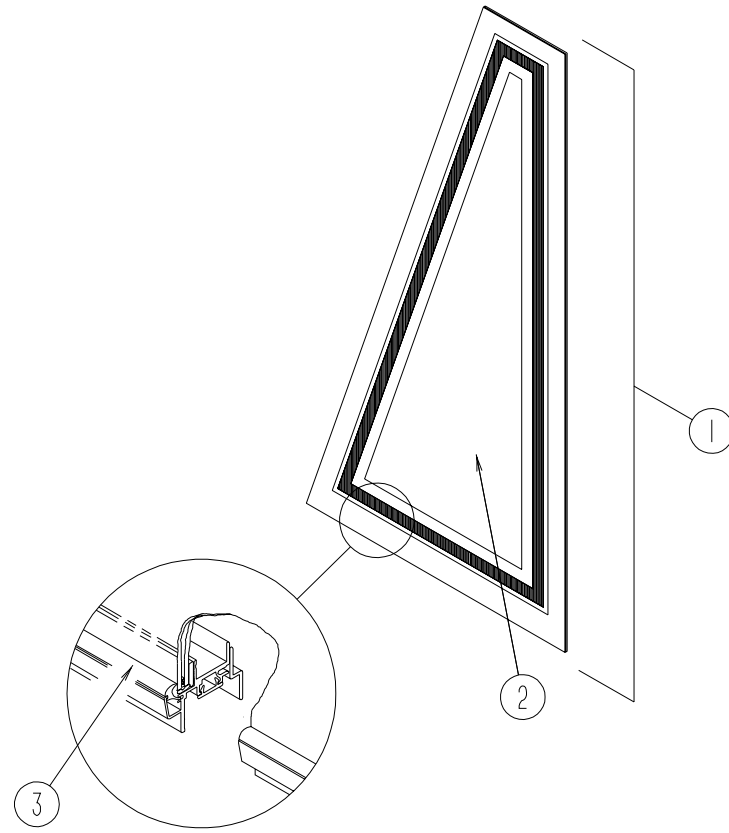
WINDOW, VENT & EXTERIOR DOOR GROUP (CONTINUED)



DRIVER SIDE LOUNGE WINDOW (THERMOINSULATED)

KEY	PART NUMBER	U/M	DESCRIPTION	VENDOR NO.
	112795-54-01A	EA	WINDOW-DRIVER/HORIZONTAL SLIDER-THERMO-30" X 57.75"	
1	112795-15-700	EA	WINDOW W/OTRIM	DH287-G2L
	098647-47-703	EA	RETAINER-TRIM	W493-66
2	112795-01-705	FT	VINYL-GLAZING	132-019702
3	112795-54-701	EA	GLASS-STATIONARY	390-025248
4	112795-01-701	EA	SLIDE-STOP	132-019092
5	098644-01-710	FT	TRACK-SCREEN SPACER 12'	132-017135
6	112795-01-700	EA	LATCH ASM.-BLK. (BOLTON)	DH287-CK
7	112795-01-703	IN	CHANNEL-RUN (INCHES)	122-018736
8	098644-01-711	FT	WEATHERSTRIP-SCREEN BLACK	171-016965
9	098647-47-702	EA	SCREEN ASM-W/SEALS & CLIPS	410-025226
10	125582-01-701	EA	CLIP-SCREEN-PLASTIC	130005153
10	098644-01-713	EA	CLIP-SCREEN-METAL	226-016966
11	112795-54-700	EA	GLASS-SLIDING W/SASH & LATCH	DH493-G9
12	098644-01-706	FT	WEATHERSTRIP-GLASS	171-010668
13	112795-01-704	FT	PLUG FILLER (DOUBLE GLAZED)	122-018737

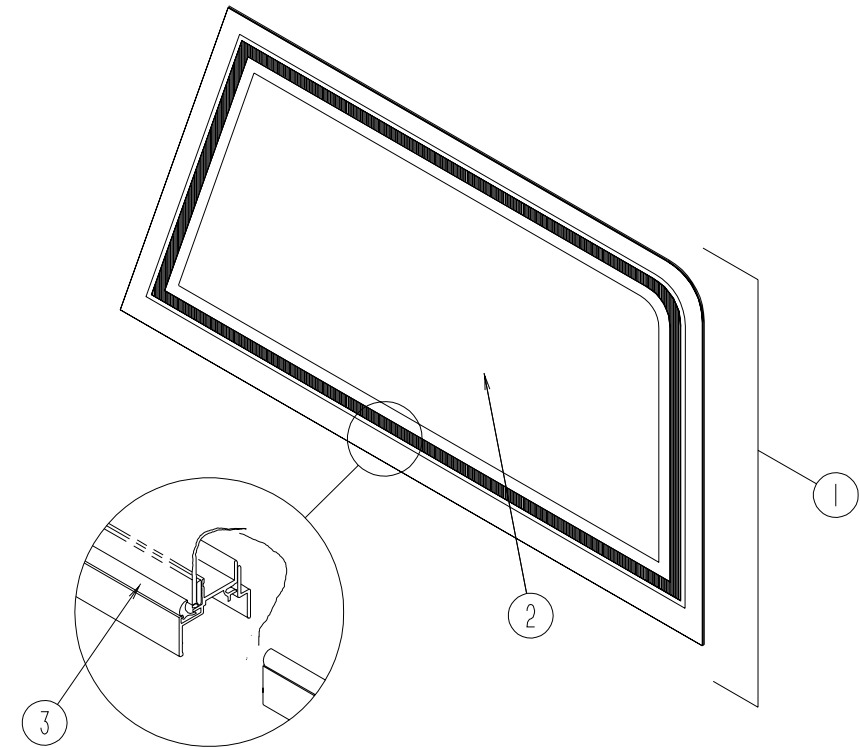
WINDOW, VENT & EXTERIOR DOOR GROUP (CONTINUED)



**DRIVERSIDEFRONTSBLANTWINDOW
THERMOPANEMODELDH463-A2B27L**

KEY	PARTNUMBER	U/M	DESCRIPTION	VENDORNO.
	115999-01-01A	EA	WINDOW-DRIVERWING-THERMO-5.2"TX11.1"BX31.5"H	
1	115999-01-700	EA	WINDOW-W/OTRIM	DH358-A2L
2	115999-01-702	EA	GLASS-STATIONARY	390-019458
3	115999-01-703	EA	RETAINER-TRIMRAILREAR	H358-41L
3	115999-01-704	EA	RETAINER-TRIMRAILTOP	H358-42L
	116000-01-704	EA	VINYL-GLAZING	

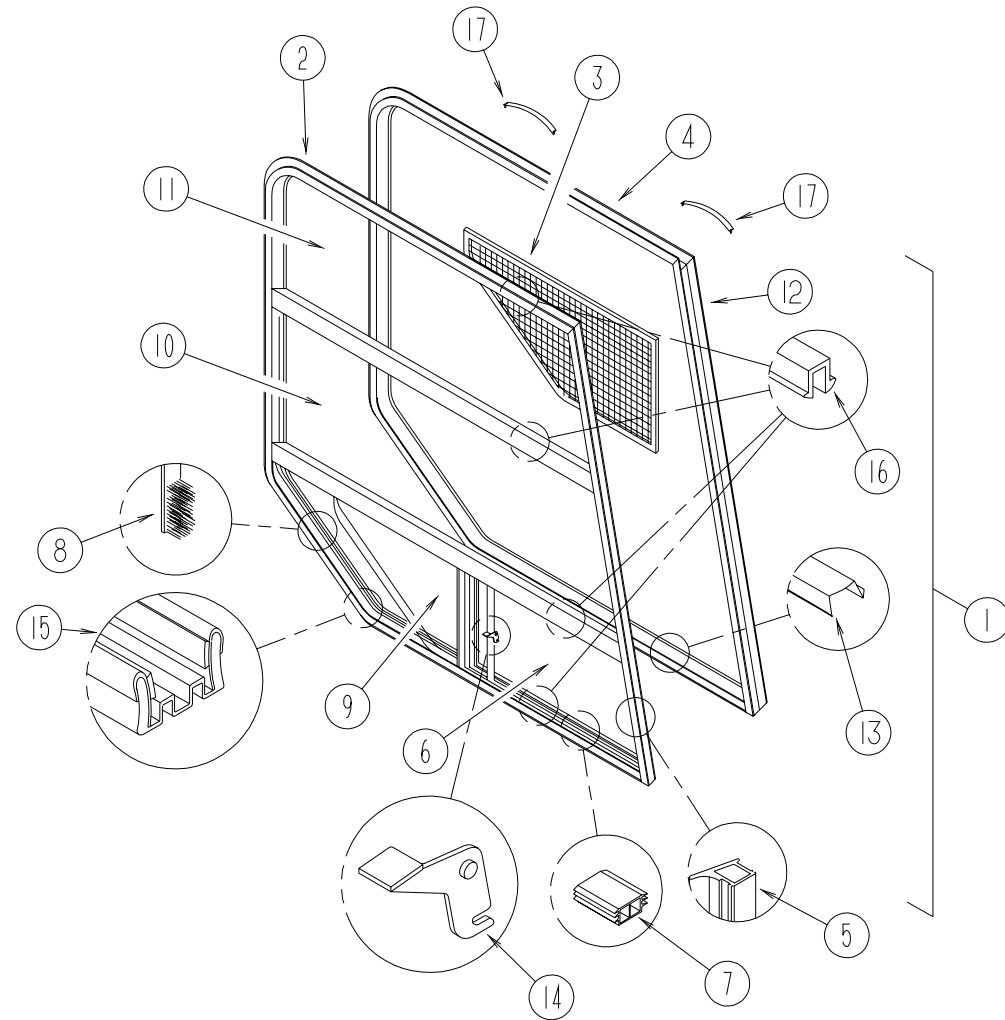
WINDOW, VENT & EXTERIOR DOOR GROUP (CONTINUED)



**DRIVERSIDEVISTAWINDOW-THERMO
THERMOPANEMODELDH462-G2B27L**

KEY	PARTNUMBER	U/M	DESCRIPTION	VENDORNO.
1	116000-01-01A	EA	WINDOW-DRIVERVISTA-THERMO-35.7"TX38.9"BX17"H	
	116000-07-01A	EA	WINDOWASM-VISTA,LH,THERMO-EXCEL	DH462-G2B27L
2	116000-01-702	EA	GLASS-STATIONARY	
3	116000-01-706	EA	RETAINER-TRIMTOP/REARRAIL	H359-41L
3	116000-01-707	EA	RETAINER-TRIMFRONTRAIL	H359-42L
3	116000-01-708	EA	RETAINER-TRIMBOTTOMRAIL	H359-43L
	116000-01-704	EA	VINYL-GLAZING	

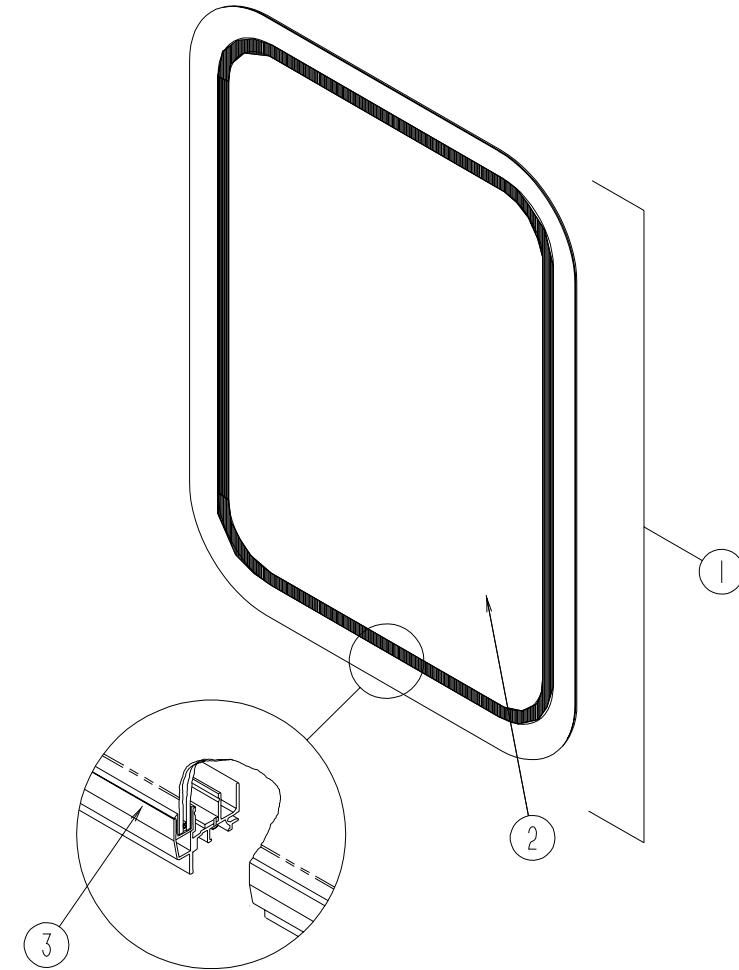
WINDOW, VENT & EXTERIOR DOOR GROUP (CONTINUED)



PASSENGER SIDE CAB WINDOW THERMOPANE

KEY	PARTNUMBER	U/M	DESCRIPTION	VENDOR NO.
1	106466-03-01A	EA	WINDOW/PASSENGER-THERMO-35.7"TWX45.2"CWX50.6"H	
2	106466-03-700	EA	WINDOW	DH357-A2R
3	106466-01-705	EA	SCREEN ASM-W/SEALS&CLIPS	H357-03R
4	106466-03-701	EA	RETAINER-TRIM	H35777
5	112795-01-704	FT	PLUG FILLER (DOUBLE GLAZED)	122-018737
6	106466-03-705	EA	GLASS-STATIONARY, LOWER	390-019183
7	112795-01-701	EA	SLIDE-STOP	132-019092
8	098644-01-711	FT	WEATHER STRIP-SCREEN, BLACK	171-016965
9	106466-03-706	EA	GLASS-SLIDING W/SASH&LATCH	DH357-A9R
	098644-01-706	FT	WEATHER STRIP-GLASS	171-010668
10	106466-03-704	EA	GLASS-STATIONARY, MIDDLE	390-019181
11	106466-03-703	EA	GLASS-STATIONARY, UPPER	390-019180
12	106466-03-702	EA	RETAINER-TRIM	H35767
13	098644-01-710	FT	TRACK-SCREEN SPACER, 12'	132-017135
14	112795-01-700	EA	LATCH ASM-BOLTON, BLACK	DH287-CK
15	112795-01-703	IN	CHANNEL-RUN (INCHES)	122-018736
16	112795-01-705	FT	VINYL-GLAZING	132-019702
17	098644-01-713	EA	CLIP-SPRING, BLACK PLASTIC	226-016966

WINDOW, VENT & EXTERIOR DOOR GROUP (CONTINUED)

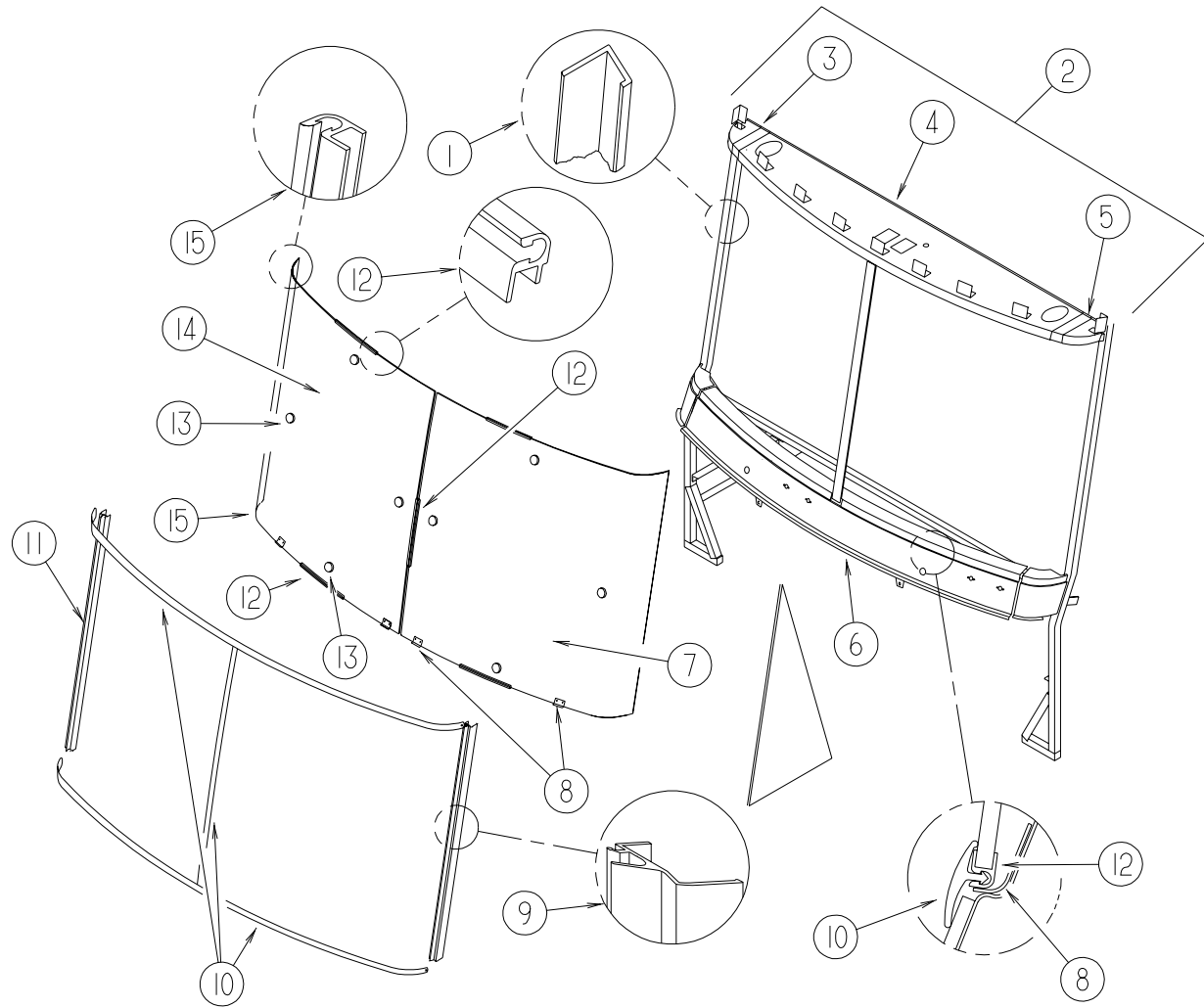


EXCEL ENTRY DOOR THERMOPANE WINDOW

KEY	PARTNUMBER	U/M	DESCRIPTION	VENDOR NO.
1	113733-01-01A	EA	WINDOW-STATIONARY-THERMOPANE-17"X26.4"	
	113733-01-700	EA	WINDOW ASM. W/OTRIM	DH416-G2
2	113733-01-702	EA	GLASS-STATIONARY	390-019187
3	113733-01-701	EA	TRIM	W41666
	112795-01-705	EA	VINYL-GLAZING	

WINDSHIELD&WIPER

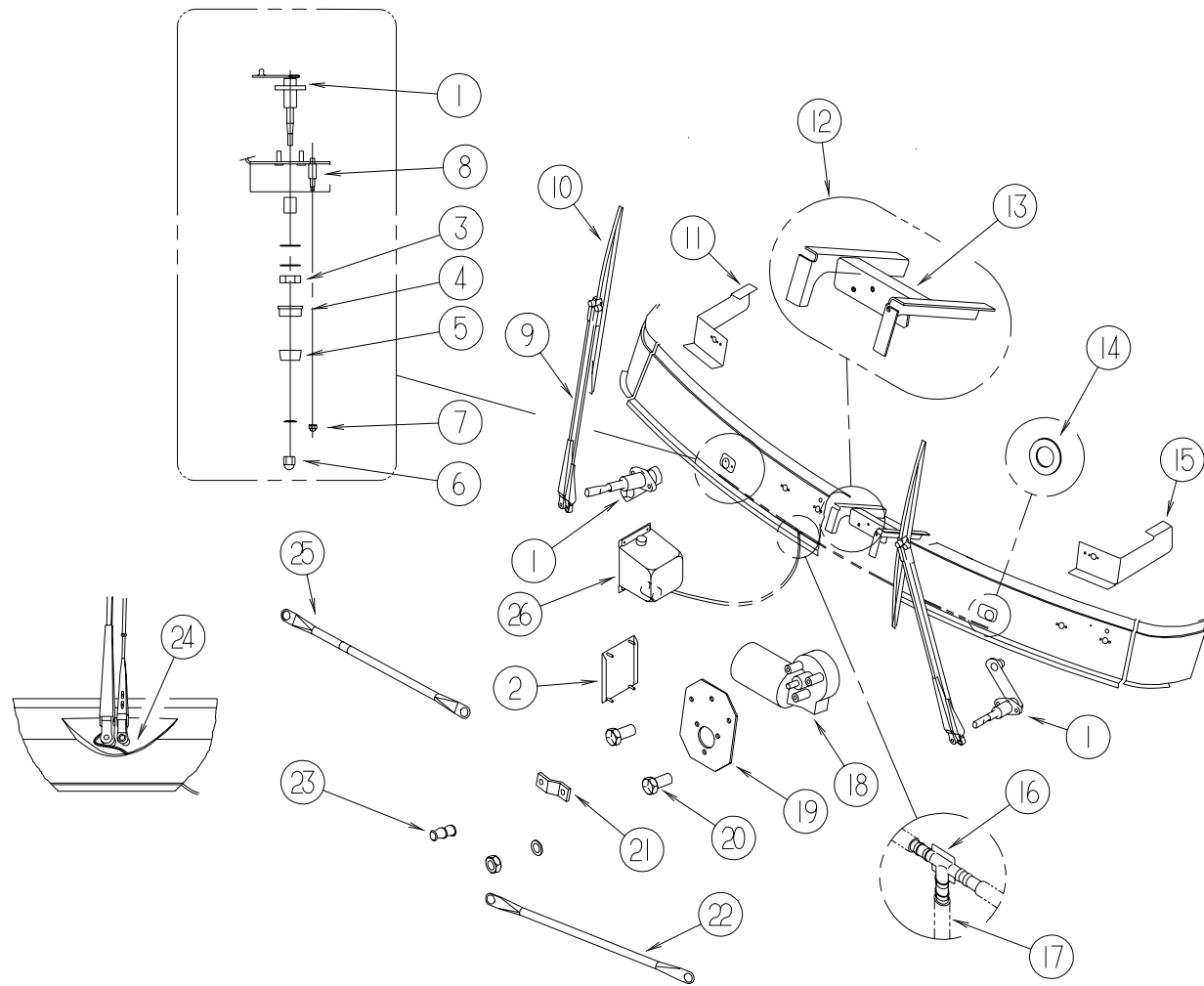
WINDSHIELD



KEY	PARTNUMBER	U/M	DESCRIPTION
1	098788-06-000	EA	CHANNEL-49" PVC
2	N/A	EA	HEADERASM-WINDSHIELD
3	077922-03-000	EA	HEADER-WINDSHIELD/END-PASSENGERSIDE
4	115534-01-000	EA	HEADER-WINDSHIELD-CENTER
5	077922-04-000	EA	HEADER-WINDSHIELD/END-DRIVERSIDE
6	077847-02-000	EA	SUPPORT-WINDSHIELD/LOWER-W/OBRACKETS
7	105036-04-000	EA	WINDSHIELD-DRIVERS-50.5"WX49.5"T
8	107285-01-000	EA	BRACKET-SUPPORT-WINDSHIELD
9	103107-06-01A	EA	TRIM-WINDSHIELD/SIDE
10	102936-01-000	FT	MOLDING-REVEAL-WINDSHIELD
11	103107-05-01A	EA	TRIM-WINDSHIELD/SIDE
12	111771-01-000	EA	CARRIER-REVEAL-WINDSHIELD
13	081914-01-000	EA	BUMPER-RUBBER-ROUND-.43"DIAMETER
14	105036-03-000	EA	WINDSHIELD-PASSENGER-50.5"WX49.5"T
15	110268-01-000	EA	CARRIER-WINDSHIELD-50.4"

WINDSHIELD&WIPER(CONTINUED)

WIPER&WASHER



KEY	PARTNUMBER	U/M	DESCRIPTION	VENDOR NO.
1	096505-05-000	EA	SHAFTANDPIVOT-WIPER	
2	119656-04-02B	EA	BRACKET-WASHERRESERVOIR	
3	096505-02-700	EA	DRIVER-KNURLED,(HD)BRL.687	NT721017
4	096505-02-701	EA	NUT-HEX(HD)W/.687BARREL	NT721021
5	096505-02-702	EA	CAP-RUBBER(HD)BARREL.687	CP721084
6	096505-02-703	EA	CAP-NUT(ACORN)HDW/.687BRL	51065-40-NT27WC
7	077049-02-000	EA	NUT-ACORN-10-32	
8	077048-02-000	EA	SHAFT-ADAPTER-PANTOGRAPHARM	
9	117769-01-000	EA	ARM-WIPER-PANTOGRAPH-28"	
10	095964-01-000	EA	BLADE-WINDSHIELDWIPER-24"	
11	106680-01-000	EA	BRACKET-MOUNT-WIPERPIVOT	
12	106603-01-000	EA	MOUNTASSEMBLY-WIPERMOTOR	
13	106604-01-000	EA	PLATE-WIPER-MOTORMOUNT	
14	110742-01-000	EA	GASKET-NEOPRENE-WIPERADAPTERSHAFT-13/4"ODX1"ID	
15	106680-02-000	EA	BRACKET-MOUNT-WIPERPIVOT	
16	110605-01-000	EA	TEE-PLASTIC-BARBED-1/8"X1/8"X3/16"	
17	045794-01-000	FT	HOSE-WASHER-WINDSHIELD-5/32"ID-BLACK	
18	104346-05-000	EA	MOTOR-WIPERW/INTERNALBREAKER-DYNAMICPARK	
19	103935-03-000	EA	PLATE-MOUNTING-WIPERMOTOR	
20	117322-01-000	EA	SCREW-1/4-28UNFINISHED-2A-TORX	
21	104347-04-000	EA	ARM-DRIVE-WIPERMOTOR	
22	117770-04-000	EA	LINK-CONNECTING	
23	067188-01-000	EA	STUD-CRANK-WIPER-WINDSHIELD	
24	061603-01-000	EA	GROMMET-SNAP-3/16"ID-3/8"HOLE-PLASTICBLACK	
25	117770-03-000	EA	LINK-CONNECTING	
26	117766-02-000	EA	RESERVOIR/PUMP-WINDSHIELDWASHER	
	117765-03-000	EA	CONNECTOR-5/32"-WINDSHIELDWASHER	