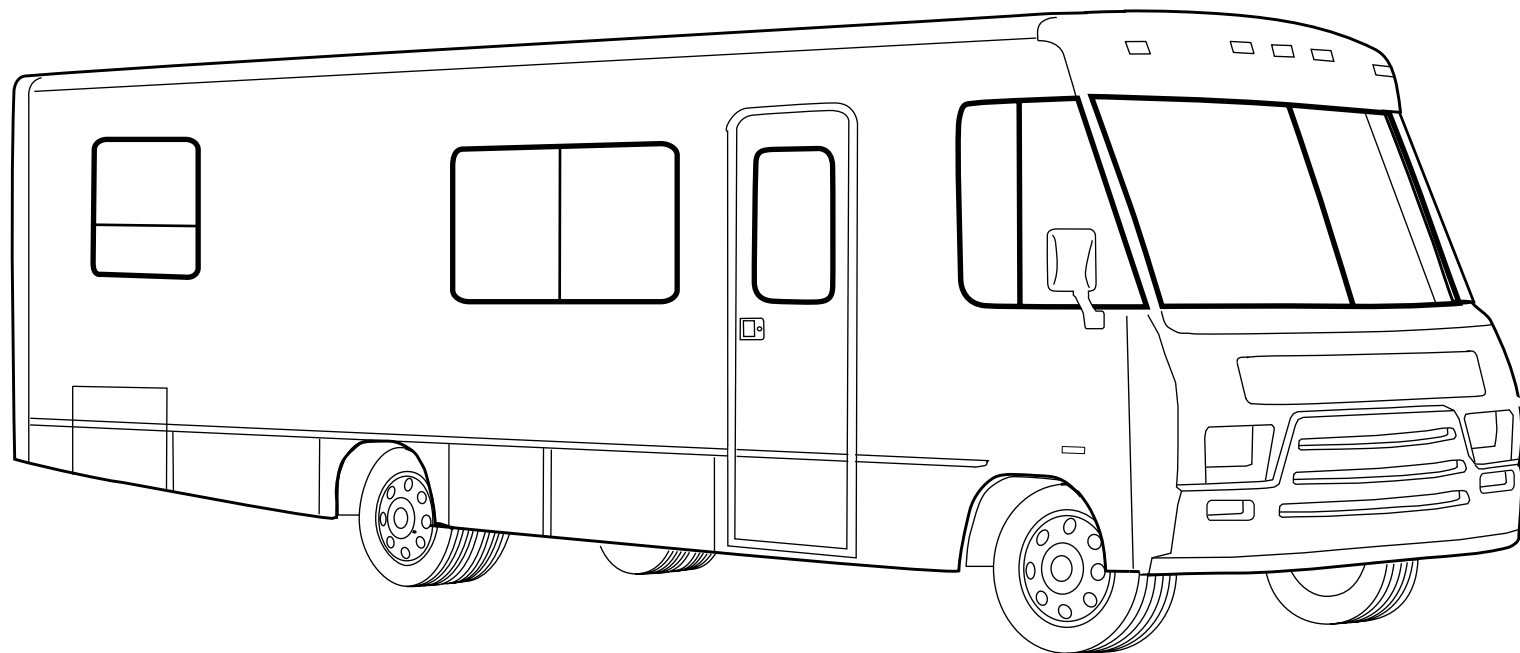


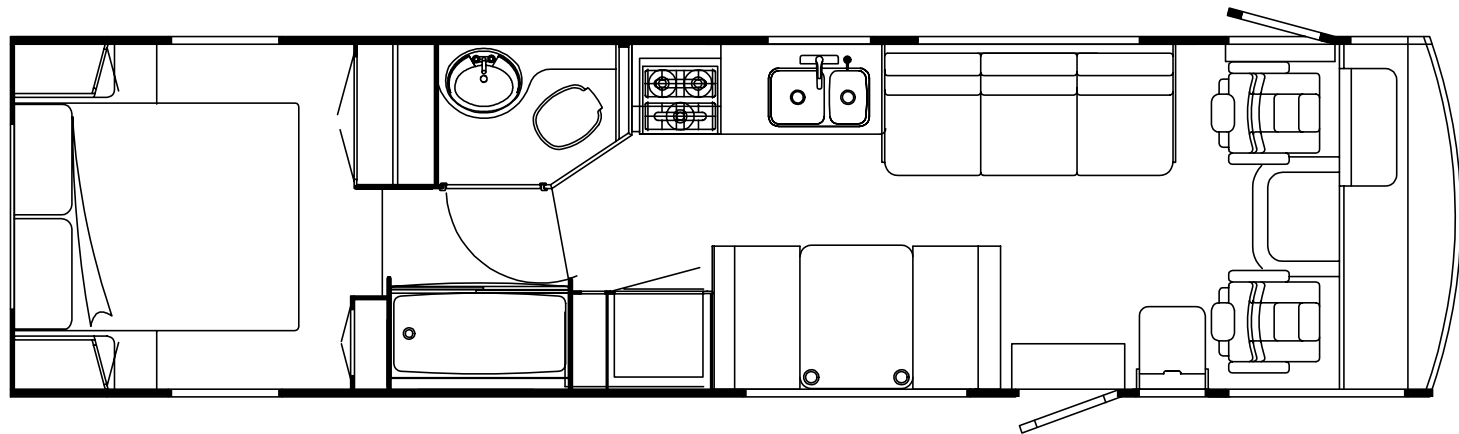
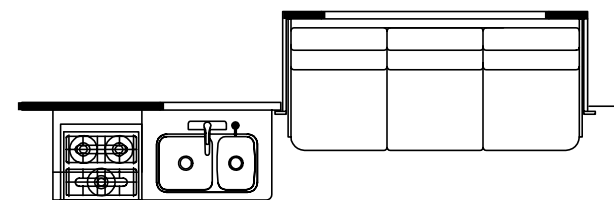
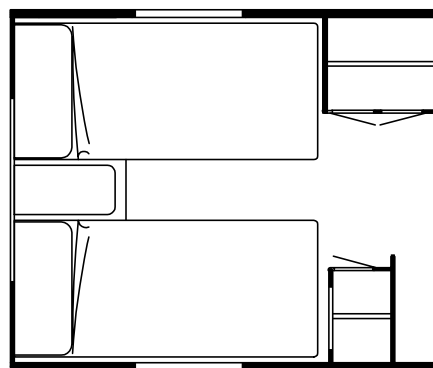
**1997
ICF33RQ**



**H33
BLUE LAGOON (BLUE)**

**H34
KRYPTONITE (TAN)**

**H35
SEQUOIA (SAGE)**



**ACCESSORIES GROUP
OPERATOR MANUAL**

KEY	PART NUMBER	U/M DESCRIPTION
	054185-F8-000	EA MANUAL-OPERATOR, 1997 SUNRISE
	092318-01-000	EA BINDER - 3 RING, MOTOR HOME MANUAL
	092319-01-000	EA POCKET PAGE - 3 RING BINDER, PLASTIC
	121518-01-000	DW TOP LEVEL DRAWING-F, 1997

**AUDIO VIDEO GROUP
PATIO ENTERTAINMENT CENTER**

KEY	PART NUMBER	U/M DESCRIPTION
	076319-09-000	EA WALLPLATE-CABLE RECEPTACLE, TV - SINGLE - BROWN
	077069-02-000	EA CABLE - ANTENNA/EXTENSION - RADIO - 96"
	082134-01-000	EA ADAPTER-TV, CABLE TO CABLE
	086756-01-000	EA SPLITTER-TV, 2 WAY
	087683-03-000	EA RADIO - AM/FM STEREO CASSETTE - AUDIOVOX
	108847-01-000	EA BRACKET-ANTENNA GROUND
	109889-04-000	EA EXTENDER - ANTENNA SHAFT - 3"
	110469-01-000	EA SPEAKER - 4" X 6" OVAL - COAXIAL
	110470-01-01A	EA GRILLE - 4" X 6" OVAL - BLACK

RADIO SYSTEMS & ANTENNA

KEY	PART NUMBER	U/M DESCRIPTION
	116148-03-000	EA RADIO - AM/FM STEREO W/CD PLAYER - CLARION FROM: 00-00-00 THRU: 02-09-97
	116148-04-000	EA RADIO - AM/FM STEREO W/CD PLAYER - CLARION FROM: 02-10-97 THRU: 99-99-99
	110267-03-000	EA RADIO-AM/FM STEREO - CD COMPATIBLE - MODEL 400 - 500 - AUDIOVOX FROM: 00-00-00 THRU: 08-13-96
	110267-04-000	EA RADIO-AM/FM STEREO - CD COMPATIBLE - AUDIOVOX FROM: 08-14-96 THRU: 99-99-99
	077069-02-000	EA CABLE - ANTENNA/EXTENSION - RADIO - 96"
	090944-01-000	EA ANTENNA-RADIO, 16" RUBBER
	115916-01-01B	EA BRACKET - ANTENNA MOUNT
	089340-02-000	EA GRILLE-SPEAKER, 6.5" SQUARE
	089340-03-000	EA SPACER-GRILLE, 6.5" SQUARE - TAN
	094097-01-000	EA SPEAKER - RADIO/TV - W/O GRILLE - 5.25" DIAMETER
	110469-01-000	EA SPEAKER - 4" X 6" OVAL - COAXIAL
	110470-01-01A	EA GRILLE - 4" X 6" OVAL - BLACK

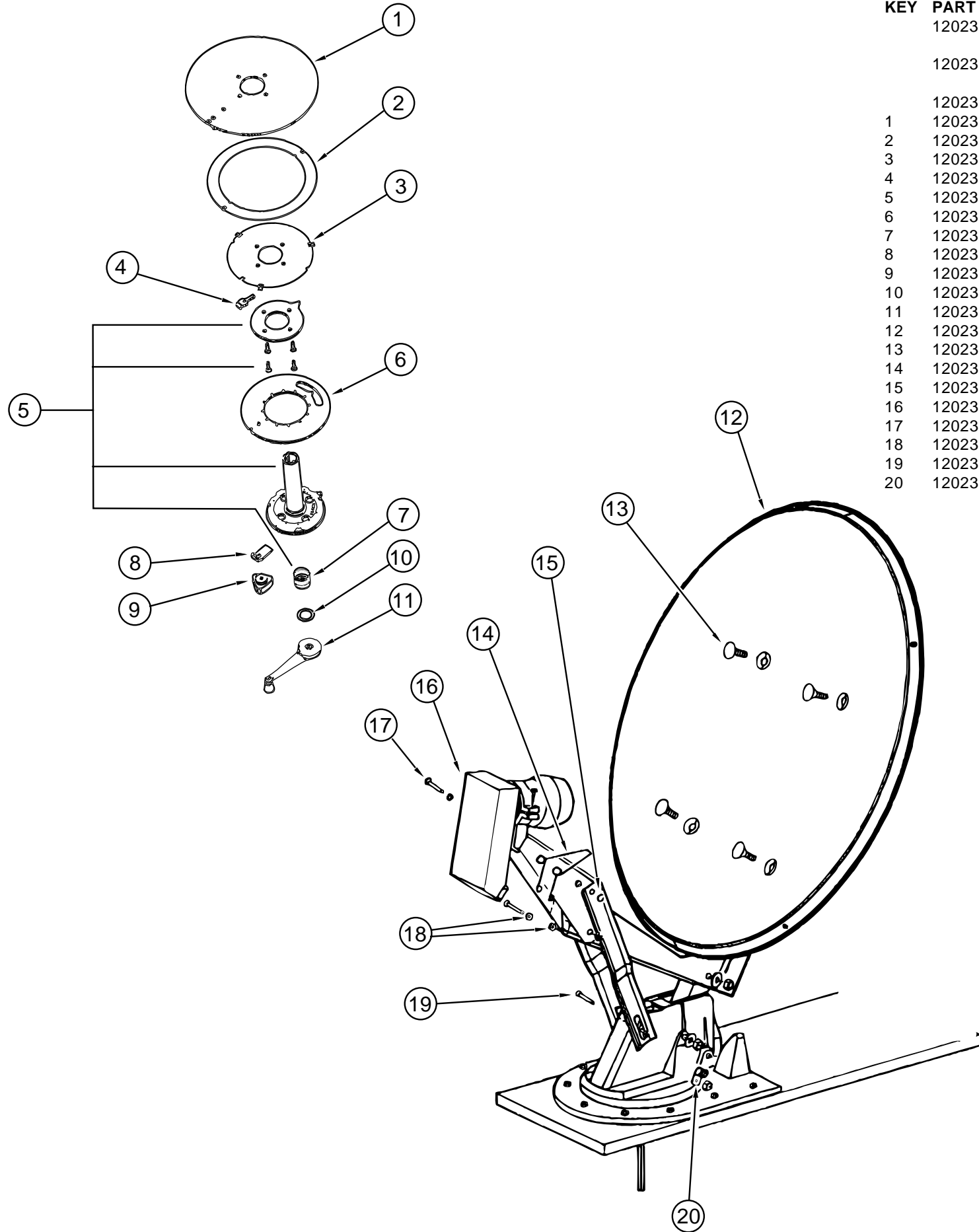
CB ANTENNA

KEY	PART NUMBER	U/M DESCRIPTION
	123256-01-000	EA ANTENNA-CB W/O CABLE
	123256-02-000	EA CABLE-CB COAX

TV, VCR & COMPONENTS

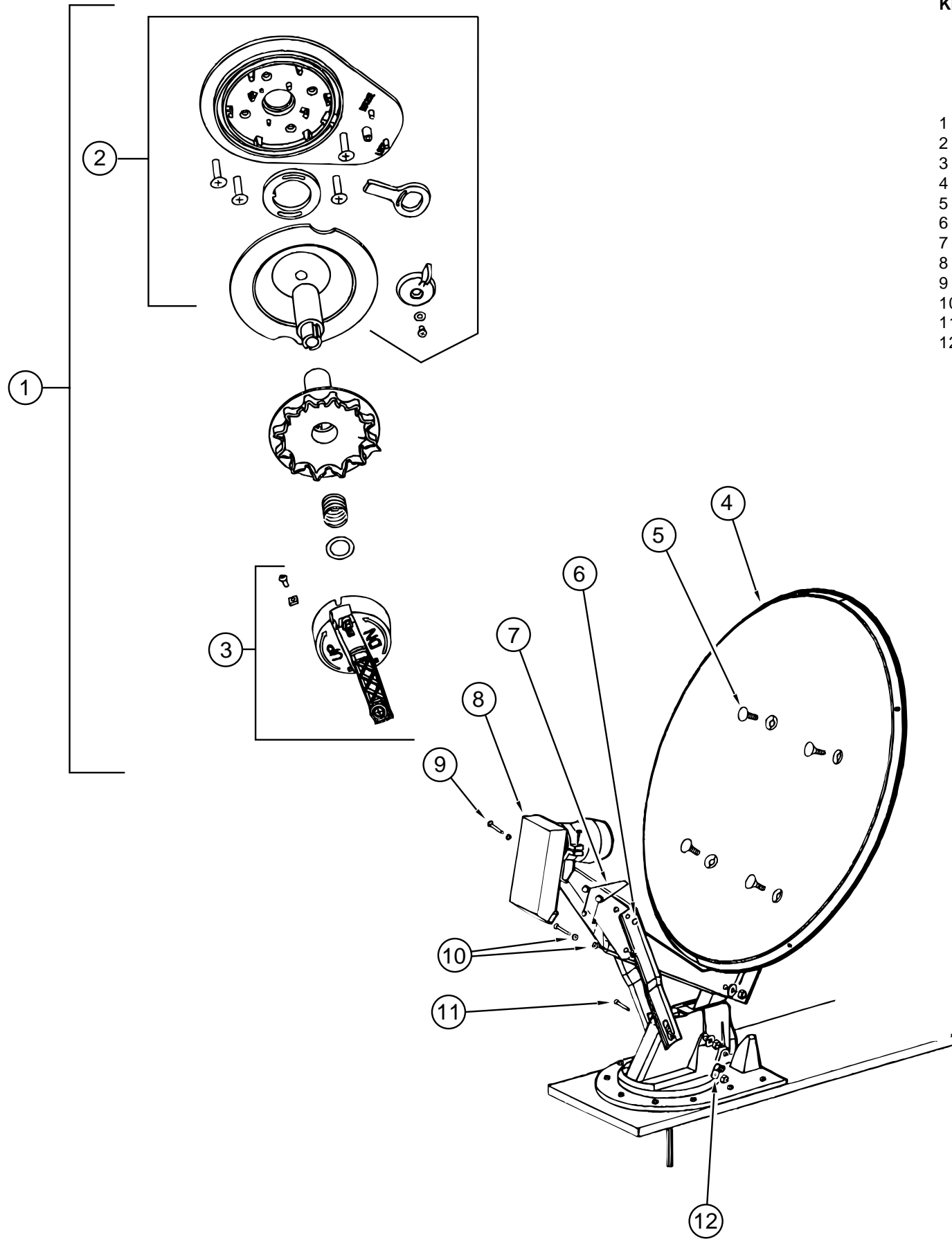
KEY	PART NUMBER	U/M DESCRIPTION	VENDOR NO.
	113684-02-000	EA TV - 19" COLOR UL/CSA - 1/8" JACK - AUDIOVOX AVT - 1980	
	113684-02-700	EA REMOTE FOR AUDIOVOX AVT - 1980 TV	0892355
	119120-02-000	EA VCR-VHS, CABLE READY W/REMOTE - AUDIOVOX AVR - 1170 FROM: 00-00-00 THRU: 02-16-97	
	119120-02-700	EA REMOTE FOR AUDIOVOX AVR - 1170 VCR FROM: 00-00-00 THRU: 02-16-97	0994569
	119120-03-000	EA VCR-VHS - CABLE READY - REMOTE - AUDIOVOX AVR - 1108 FROM: 02-17-97 THRU: 99-99-99	
	119120-03-700	EA REMOTE FOR AUDIOVOX AVR - 1108 VCR FROM: 02-17-97 THRU: 99-99-99	0994571
	122863-01-000	EA TV - 13" COLOR W/SPEAKER UL/CSA - AUDIOVOX AVT - 1390	
	122863-01-700	EA REMOTE FOR AUDIOVOX AVT - 1390 TV	0892345
	086757-03-000	EA CONTROL CENTER-SWITCH, VCR/TV	
	086777-05-000	EA PLATE-WALL, ANTENNA - 1 OUTPUT - IVORY	
	093214-01-02A	EA GRILLE-SPEAKER, 4" BROWN	
	098819-01-000	EA SPEAKER - 2 WATT, 8 OHM - 4"	
	099717-01-000	EA STRAP-TV TIE DOWN W/24" FEMALE STRAP & 14.2" MALE STRAP	
	076319-09-000	EA WALLPLATE-CABLE RECEPTACLE, TV - SINGLE - BROWN	
	076319-08-000	EA WALLPLATE-CABLE RECEPTACLE, TV - SINGLE - IVORY	
	086777-01-000	EA WALLPLATE-TV CABLE, W/ANTENNA SWITCH - IVORY	
	093901-03-000	EA PLATE-COAXIAL CABLE, 64 MM X 45 MM - STEEL - E-COAT	
	076319-12-000	EA CONNECTOR-COAXIAL, ONE PIECE	
	082134-01-000	EA ADAPTER-TV, CABLE TO CABLE	
	086756-01-000	EA SPLITTER-TV, 2 WAY	
	076319-03-000	FT CABLE-COAXIAL, 75 OHM	
	082136-01-000	EA NUT - HEX JAM - 3/8 - 32	
	076319-06-000	EA ADAPTOR-CABLE ROOF PLATE	
	114870-02-000	EA PLUG - .14" AUDIO W/LEADS	

AUDIO VIDEO GROUP (CONTINUED)
WINEGARD SATELLITE ANTENNA - OLD STYLE



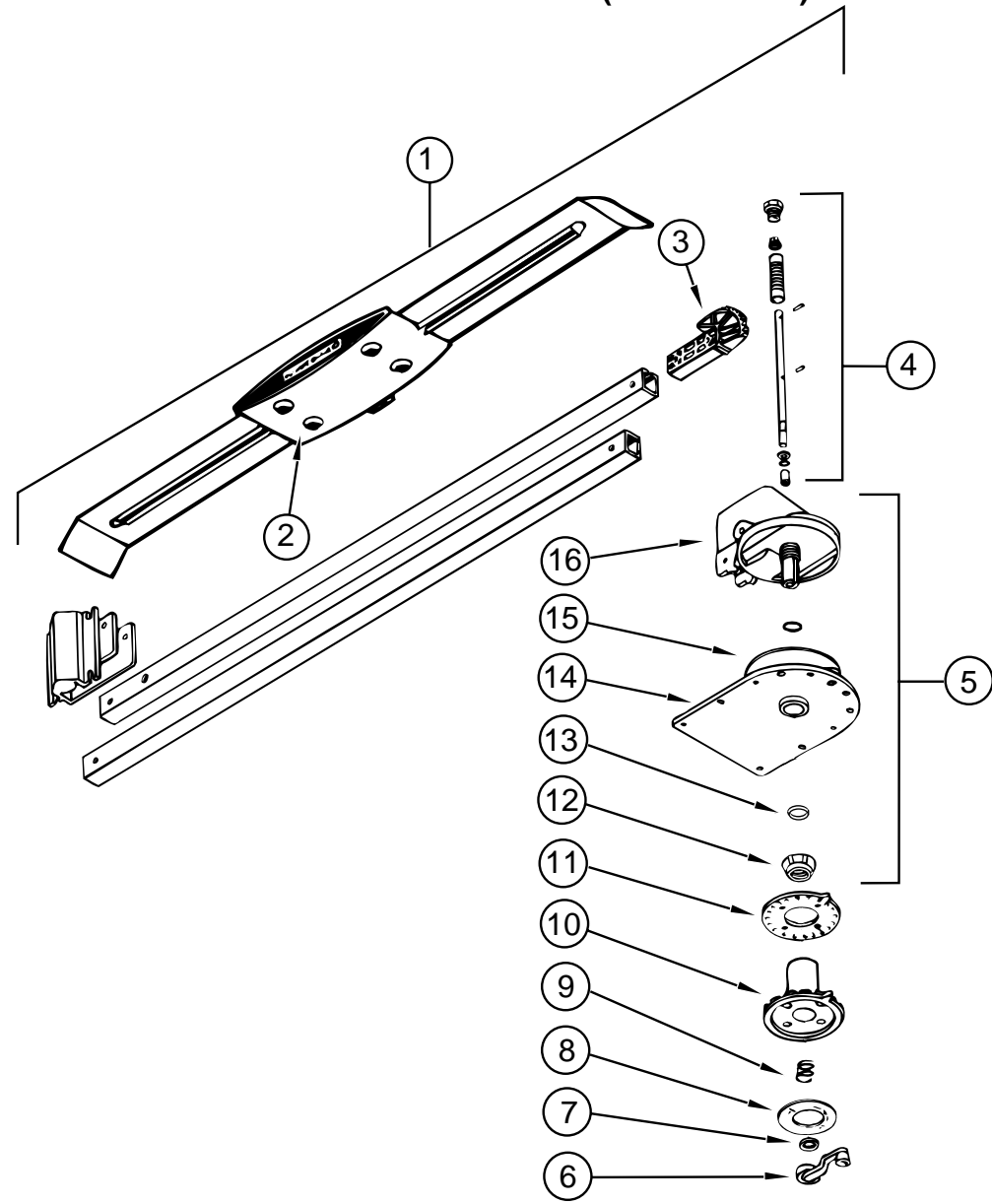
KEY	PART NUMBER	U/M	DESCRIPTION	VENDOR NO.
	120233-02-000	EA	RECEIVER ONLY-SATELLITE ANTENNA - RC-1000	
			FROM: 00-00-00 THRU: 01-26-97	
	120233-02-700	EA	REMOTE	RC-0012
			FROM: 00-00-00 THRU: 01-26-97	
	120233-01-000	EA	ANTENNA-SATELLITE W/O RECEIVER - (DISH & HARDWARE KIT) - MANUAL	
1	120233-01-700	EA	PLATE-FIXED	3750821
2	120233-01-701	EA	DIAL-DIRECTIONAL	2745056
3	120233-01-702	EA	PIVOT-DIAL-DIRECTIONAL	2745058
4	120233-01-703	EA	STOP-ROTATION	3711281
5	120233-01-704	EA	PLATE-CEILING W/DIRECTIONAL HANDLE	RP-6300
6	120233-01-705	EA	PLATE-ROTATE	3750820
7	120233-01-706	EA	SPRING	RP-6822
8	120233-01-707	EA	CLAMP-ROTATE	3711280
9	120233-01-708	EA	KNOB-CLAMP	2200061
10	120233-01-709	EA	WASHER-NYLON	RP-2658
11	120233-01-710	EA	HANDLE-CRANK	RP-6795
12	120233-01-711	EA	REFLECTOR - 46 CM	2745304
13	120233-01-712	EA	BOLT-FLAT HEAD	2160253
14	120233-01-713	EA	SPRING	2160820
15	120233-01-714	EA	CLIP-E	5160818
16	120233-01-715	EA	GARDINER-LNBF	2780177
17	120233-01-716	EA	PIN	2160814
18	120233-01-717	EA	BEARING-NYLON	2200726
19	120233-01-718	EA	PIN	5160817
20	120233-01-719	EA	CLAMP-CABLE	2200060

AUDIO VIDEO GROUP (CONTINUED)
WINEGARD SATELLITE ANTENNA - NEW STYLE



KEY	PART NUMBER	U/M	DESCRIPTION	VENDOR NO.
	120233-02-000	EA	RECEIVER ONLY-SATELLITE ANTENNA - RC-1000	
				FROM: 00-00-00 THRU: 01-26-97
	120233-02-700	EA	REMOTE	RC-0012
				FROM: 00-00-00 THRU: 01-26-97
	120233-01-000	EA	ANTENNA-SATELLITE W/O RECEIVER - (DISH & HARDWARE KIT) - MANUAL	
1	120233-01-720	EA	CEILING PLATE ASM (RETRO FIT)	RP-4100
2	120233-01-722	EA	PLATE ASSEMBLY (CEILING)	2762826
3	120233-01-721	EA	CRANK HANDLE ASSEMBLY	2762825
4	120233-01-711	EA	REFLECTOR - 46 CM	2745304
5	120233-01-712	EA	BOLT-FLAT HEAD	2160253
6	120233-01-714	EA	CLIP-E	5160818
7	120233-01-713	EA	SPRING	2160820
8	120233-01-715	EA	GARDINER-LNBF	2780177
9	120233-01-716	EA	PIN	2160814
10	120233-01-717	EA	BEARING-NYLON	2200726
11	120233-01-718	EA	PIN	5160817
12	120233-01-719	EA	CLAMP-CABLE	2200060

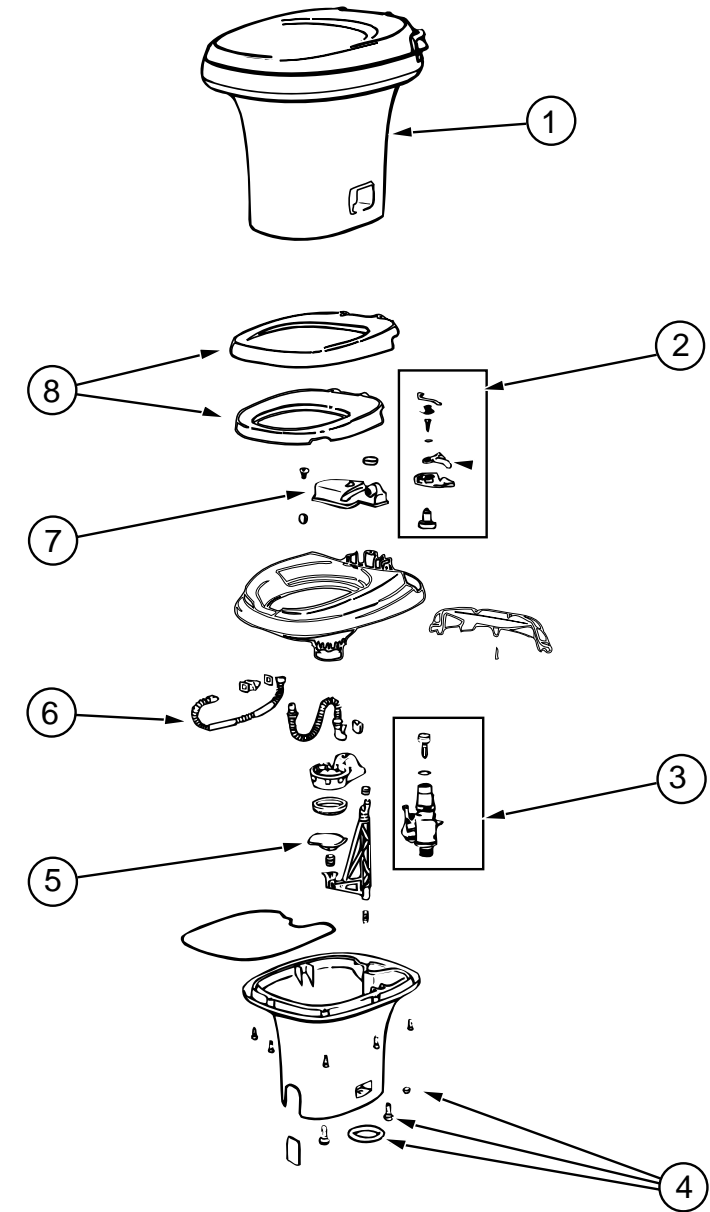
AUDIO VIDEO GROUP (CONTINUED)



WINEGARD TV ANTENNA

KEY	PART NUMBER	U/M	DESCRIPTION	VENDOR NO.
1	076319-21-000	EA	ANTENNA-TV, ROOF MOUNT - 3" ROOF	
2	076319-01-700	EA	HEAD-ANTENNA, AMPLIFIED	RVSA U/V
3	076319-01-701	EA	GEAR-ELEVATING, PLASTIC	2200046
4	076319-01-702	EA	SHAFT ASM-ELEVATING	RVP-400A
5	076319-01-711	EA	BASE & LIFT ASM	2762802
6	076319-01-706	EA	CRANK-ELEVATING, W/SET SCREW	2750897
7	076319-01-705	EA	GROMMET-NYLON, 7/8" ID	3200658
8	076319-01-708	EA	DECAL-CRANK	5413002
9	076319-01-707	EA	SPRING-HANDLE	5160822
10	076319-01-709	EA	PLATE-DIRECTIONAL, FOR HEAD	3200621
11	076319-01-712	EA	PLATE-CEILING, DIRECTIONAL	3200608
12	076319-01-715	EA	NUT (GEAR HOUSING)	2200047
13	076319-01-704	EA	BEARING-NYLON, 1.25" OD	3200657
14	076319-01-713	EA	PLATE-BASE, STEEL	3100523
15	076319-01-703	EA	BEARING-NYLON, 5" OD	3200656
16	076319-01-714	EA	HOUSING, ROTATING GEAR	2200049

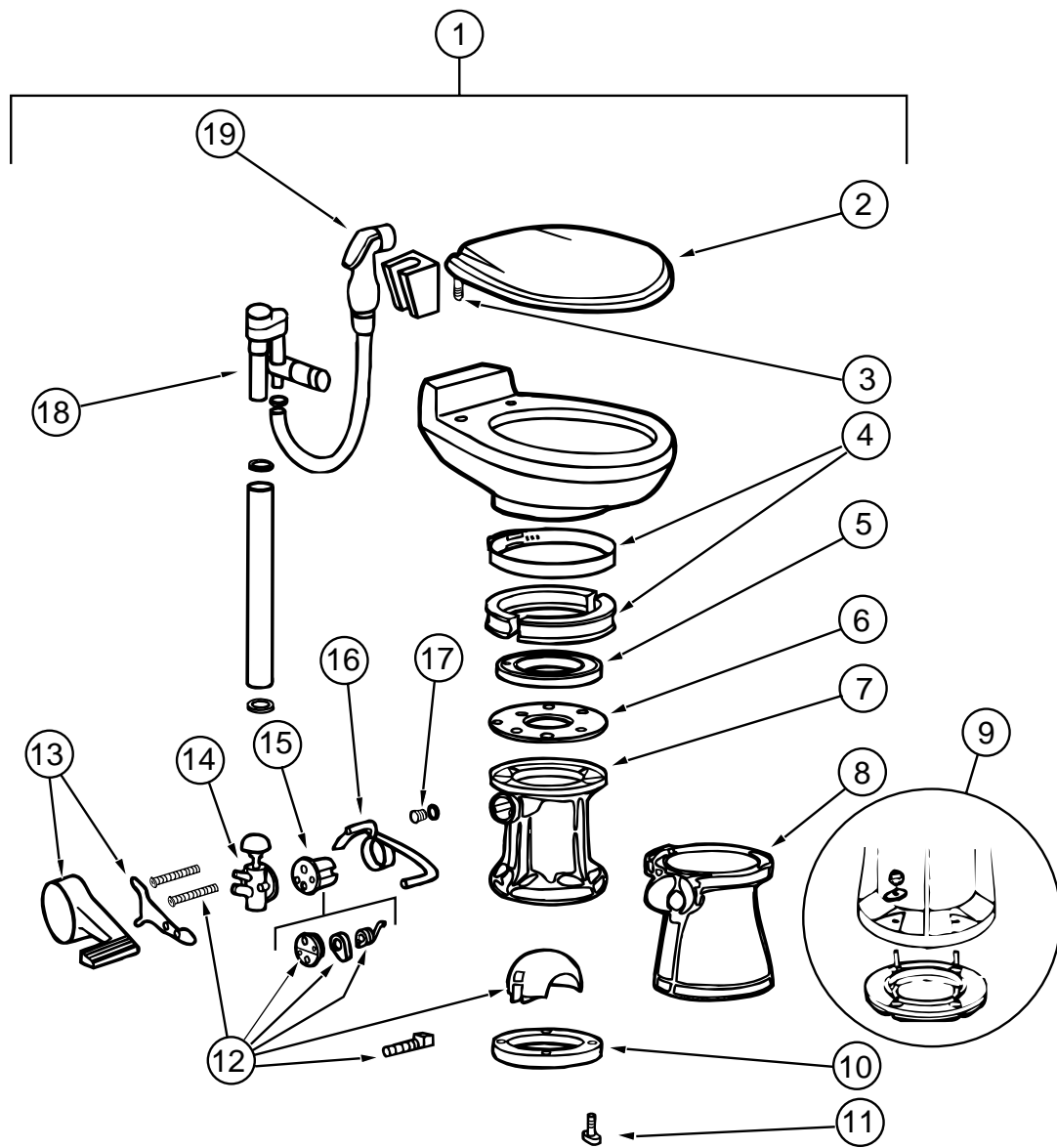
BATH GROUP



THETFORD AQUA MAGIC IV - HIGH - FOOT FLUSH TOILET

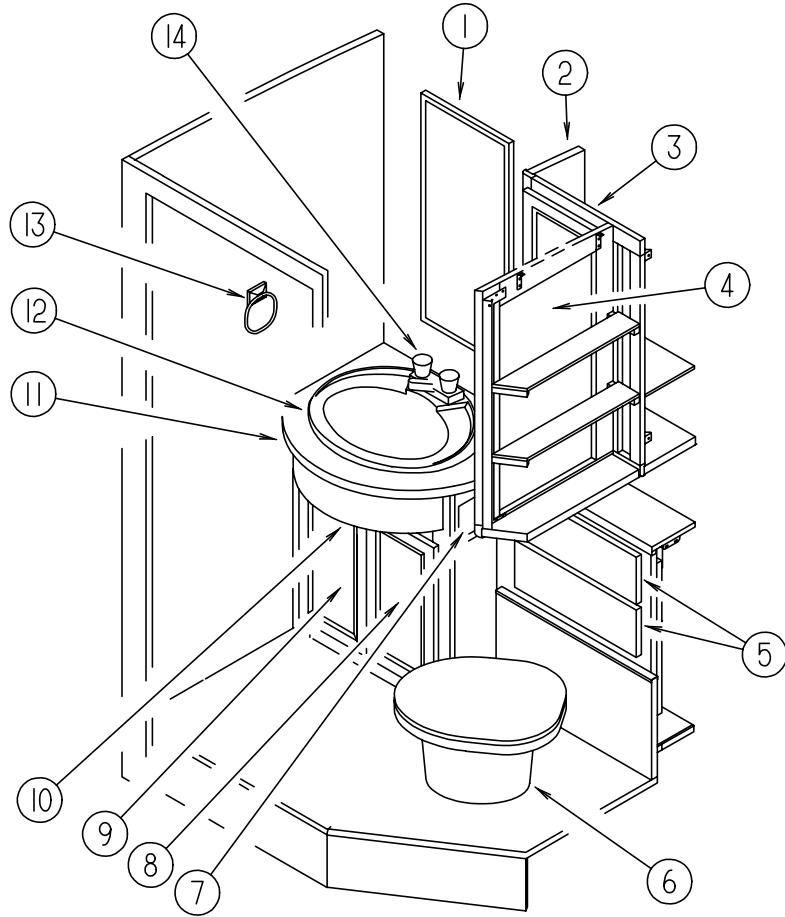
KEY	PART NUMBER	U/M	DESCRIPTION	VENDOR NO.
1	063740-02-000	EA	TOILET-HIGH, FOOT FLUSH - THETFORD	
2	063740-01-720	EA	LEVER KIT, WAT-FLUSH-BEARING	24629
3	063740-01-714	EA	VALVE ASM, W/GASKET & FLOAT	12492
4	063740-01-706	EA	BOLT PACKAGE-FLOOR FLANGE	12524
5	063740-01-721	EA	BLADE ONLY	1248232
6	063740-01-717	EA	TUBE-FLUSH	12509
7	063740-02-701	EA	RESERVOIR (TANK ASSEMBLY)	24630
8	063740-02-700	EA	SEAT & COVER, PARCHMENT	20829

BATH GROUP (CONTINUED)
SEALAND MODEL 910 W/SPRAYER TOILET (MCCLAIN ANNIVERSARY OPTION)



KEY	PART NUMBER	U/M	DESCRIPTION	VENDOR NO.
1	085330-06-000	EA	TOILET-STANDARD W/SPRAYER, CHINA - BONE - 591003	
2	085330-06-700	EA	SEAT ASSEMBLY, BONE	340591
3	085330-06-702	EA	HINGE HARDWARE (BONE) SET	342131
4	085330-01-703	EA	RING & HALF CLAMPS, BONE	385310048
5	085330-01-704	EA	TEFLON & RUBBER SEAL KIT	385316140
6	085330-01-705	EA	SUPPORT-SEAL, PLASTIC	390346405
7	085330-02-700	EA	BASE ASSEMBLY	310121
8	085330-02-702	EA	COVER-PEDESTAL, BONE 510	310112
9	085330-01-718	EA	SEAL & BASE W/MOUNTING HARDWARE	3853100-63
10	085330-01-714	EA	SEAL-FLANGE, FLOOR	390343892
11	085330-01-717	EA	STOOL MOUNTING PACKAGE - BOLT & SEAL	3100-64
12	085330-01-706	EA	BALL-SHAFT & CARTRIDGE	385318162
13	085330-02-703	EA	COVER-PEDAL, BONE NEW STYLE	310115
14	085330-01-709	EA	VALVE-WATER	385314349
15	085330-01-707	EA	CARTRIDGE - SPRING ASSEMBLY	381236096
16	085330-06-703	EA	LEVER-FLUSH	340873
17	085330-01-710	EA	DRAIN-KIT, PLUG-CAP W/SEAL	230384
18	085330-06-701	EA	BREAKER-VACUUM/DIVERTER (900)	230335
19	085330-04-701	EA	HAND SPRAY W/HOSE (500 & 900)	340683

BATH GROUP (CONTINUED)
BATHROOM CABINET & COMPONENTS

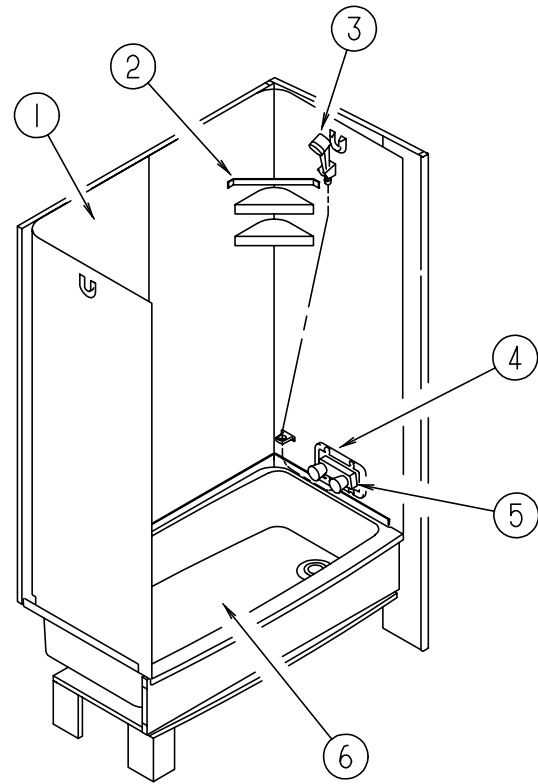


KEY	PART NUMBER	U/M	DESCRIPTION
1	058331-D0-000	EA	MIRROR - SAFETY GLASS - 19.65 X 35.37"
1	105004-01-05A	EA	MOLDING - VINYL WRAPPED - 1" X 96" - WATERFORD OAK
2	122148-01-H13	EA	CABINET - LINEN/MEDICINE - W/O DOORS/HARDWARE
	122148-12-H13	EA	SHELF - W/PLASTIC EDGE TRIM
3	M06803-49-G09	EA	DOOR-MITERED CORNER/OGEE EDGE-11.4" X 28.1"-W/O HDW
	076767-04-000	EA	CABLE-SUPPORT, 5.9" - STAINLESS STEEL
4	M06803-02-G09	EA	DOOR-MITERED CORNER/OGEE EDGE-15.7" X 27.9" - W/O HDW
5	M08630-01-H13	EA	DRAWER - OGEE EDGE - TIPOUT - W/TRAY
6	063740-02-000	EA	TOILET - HIGH - FOOT FLUSH - THETFORD
6	085330-06-000	EA	TOILET - STANDARD CHINA W/SPRAYER - BONE - MC CLAINS ANNIVERSARY OPTION
7	085278-01-000	EA	HOLDER - TOILET PAPER - RECESSED - BRASS
8	M06803-C5-G09	EA	DOOR - MTRD CORNER/OGEE EDGE - 10.02" X 19.1" - W/O HDW
9	M06803-C4-G09	EA	DOOR - MTRD CORNER/OGEE EDGE - 10.02" X 19.1" - W/O HDW
10	122201-01-H33	EA	CABINET - LAVATORY - W/O DOORS/DRAWER/HARDWARE
10	122201-01-H34	EA	CABINET - LAVATORY - W/O DOORS/DRAWER/HARDWARE
10	122201-01-H35	EA	CABINET - LAVATORY - W/O DOORS/DRAWER/HARDWARE
11	122201-12-H33	EA	COUNTERTOP - LAVATORY
11	122201-12-H34	EA	COUNTERTOP - LAVATORY
11	122201-12-H35	EA	COUNTERTOP - LAVATORY
12	105921-01-01A	EA	SINK - LAVATORY - LARGE/OVAL - 17" X 20" PLASTIC/OFF WHITE
	106116-01-01A	EA	STRAINER - SINK-W/STOPPER/TAILPIECE/GASKET & NUT - PLASTIC
	105218-01-01A	EA	SPACER-FAUCET/LAVATORY SINK, 2" X 5.9" - ABS PLASTIC
13	075454-02-000	EA	RING - TOWEL - W/MOUNTING HARDWARE - BRASS
14	075240-06-000	EA	FAUCET - LAVATORY/BONE
	091253-01-000	EA	GASKET - FAUCET - LAVATORY/GALLEY
	122192-01-01A	EA	PANEL - SKYLITE - OUTER - 16.4" X 27.8"
			FROM: 00-00-00 THRU: 02-13-97
	122192-01-02A	EA	PANEL - SKYLITE - OUTER - 16.4" X 27.8"
			FROM: 02-14-97 THRU: 99-99-99
	122193-02-01A	EA	PANEL - SKYLITE - INNER
			FROM: 00-00-00 THRU: 02-13-97
	122193-02-02A	EA	PANEL - SKYLITE - INNER
			FROM: 02-14-97 THRU: 99-99-99

BATHROOM DOOR & COMPONENTS

KEY	PART NUMBER	U/M	DESCRIPTION
	121449-10-H13	EA	DOOR - BATH - W/TOWEL RACK - 20.6" X 73.2"
	094485-03-01A	EA	KNOB - BRASS
	102920-01-01A	EA	HINGE - SPRING LOADED/BRASS
	110496-01-01A	EA	HINGE - BRASS
	121449-12-G04	EA	RACK - TOWEL - BATH DOOR
	100357-01-000	EA	ROD - F/TOWEL BAR - BRASS

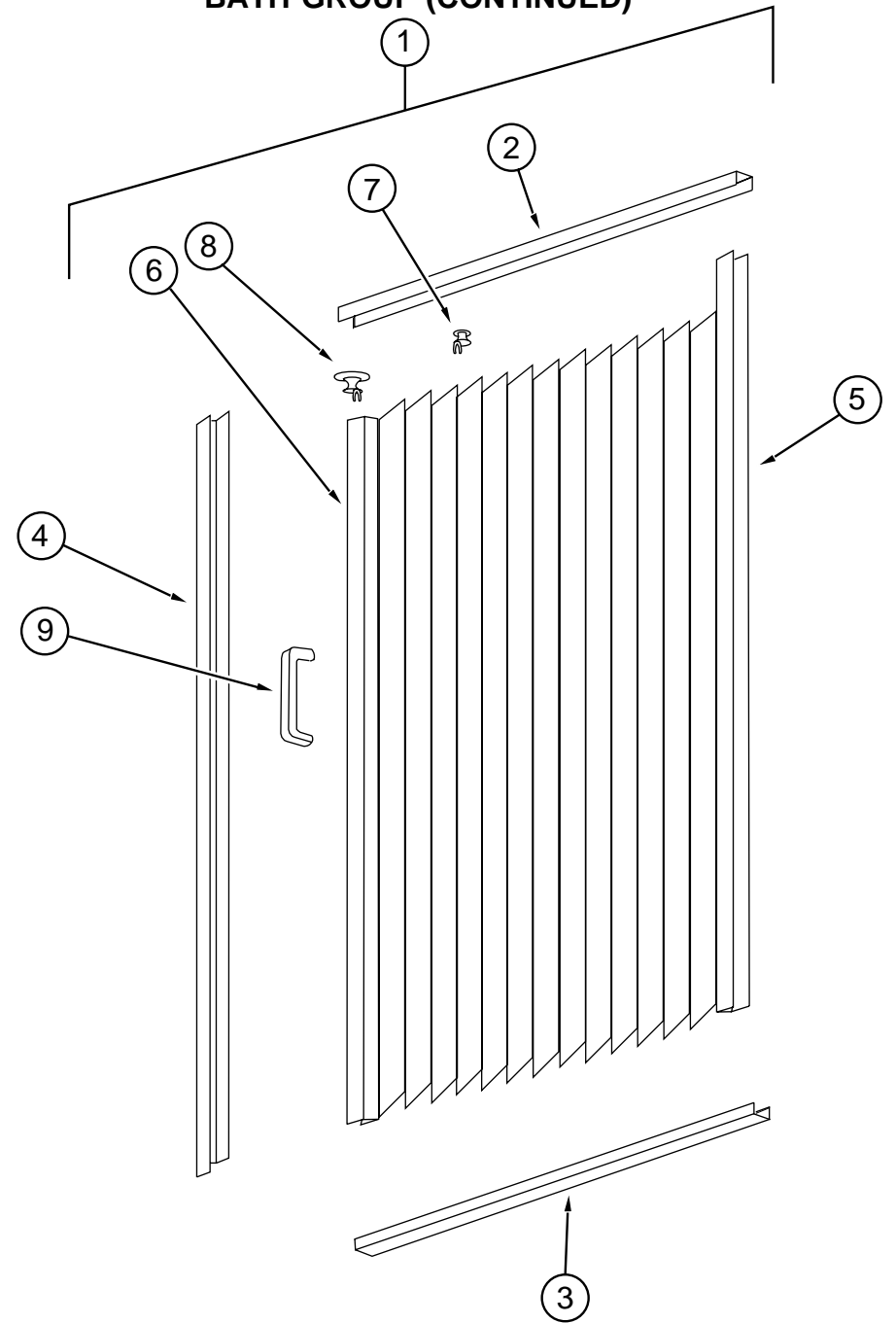
BATH GROUP (CONTINUED)



SHOWER COMPONENTS

KEY	PART NUMBER	U/M	DESCRIPTION	VENDOR NO.
1	110541-01-01A	EA	SURROUND - SHOWER/TUB W/MOLDED ROD BRACKETS	
	102075-10-01A	EA	ROD - CURTAIN/SHOWER	
2	113714-02-01A	EA	RETAINER - SHELF	
			FROM: 00-00-00 THRU: 08-17-96	
2	113714-04-01A	EA	RETAINER - SHELF - SHOWER	
			FROM: 08-18-96 THRU: 12-06-96	
3	103092-02-000	EA	SHOWER HEAD - W/60" HOSE - CSA	
	011048-03-700	EA	BRACKET - F/SHOWER HEAD	2328029-3
3	103092-01-000	EA	SHOWER HEAD - W/60" HOSE - WHITE	
	103092-01-700	EA	BRACKET-F/SHOWER HEAD, CLEAR	2328028
	103092-01-702	EA	SEALS-SPRAY HEAD	24466
4	075606-01-000	EA	PANEL - PLASTIC - FAUCET BACK - 5" X 9"	
5	079563-04-01A	EA	FAUCET - SHOWER 1/2 MPT X 1 1/4 LONG INLET PIPE	
6	M02630-25-E37	EA	SHOWER PAN	
	066729-01-000	EA	STRAINER - TUB/SHOWER - W/PLUG	
	066436-01-000	EA	NUT-SLIP, TAILPIECE - 1.5"	
	114496-01-01A	EA	PANEL - OUTER SKYLIGHT - 22" X 37"	
			FROM: 00-00-00 THRU: 02-05-97	
	114496-01-02A	EA	PANEL - OUTER SKYLIGHT - 22" X 37"	
			FROM: 02-06-97 THRU: 99-99-99	
	122191-01-01A	EA	PANEL - SKYLITE - INNER W/LIGHT CUTOUT - 20.7" X 35.4"	
			FROM: 00-00-00 THRU: 02-05-97	
	122191-01-02A	EA	PANEL - SKYLITE - INNER W/LIGHT CUTOUT - 20.7" X 35.4"	
			FROM: 02-06-97 THRU: 99-99-99	

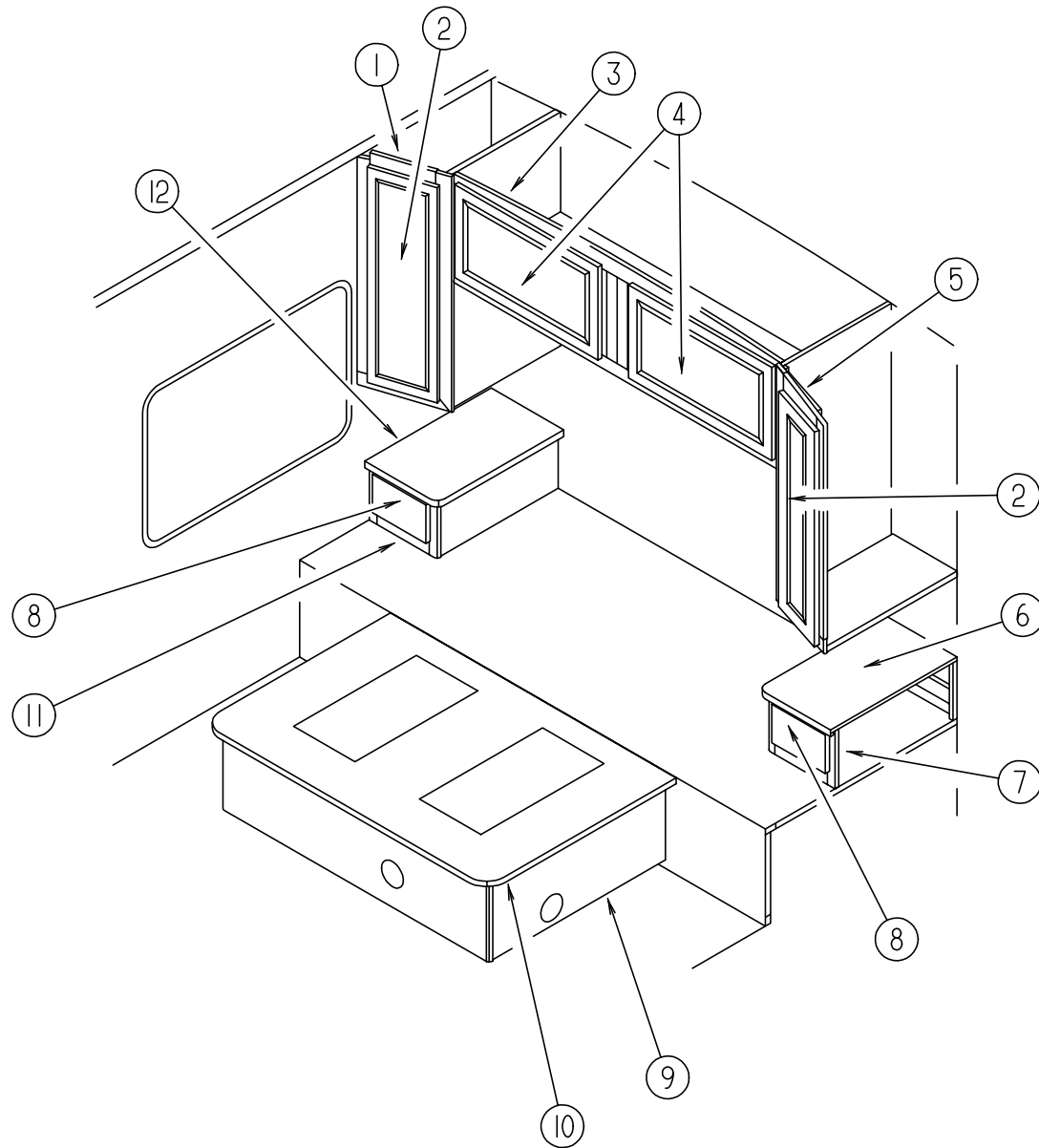
BATH GROUP (CONTINUED)



SHOWER DOOR

KEY	PART NUMBER	U/M	DESCRIPTION
1	117431-05-01A	EA	DOOR-SHOWER, FABRIC - PLEATED
2	117431-01-700	EA	TRACK-TOP, 48" - W/IVORY INSERT - ALUMINUM
3	117431-01-701	EA	TRACK-BOTTOM, 40"
4	117431-01-702	EA	RAIL-SIDE, 67"
5	117431-01-703	EA	RAIL-STATIONARY, 67"
6	117431-01-704	EA	RAIL-LEAD, 67"
7	117431-01-705	EA	GLIDE-IVORY, TRAVELER
8	117431-01-706	EA	GLIDE-IVORY LEAD, TRAVELER
9	117431-01-708	EA	HANDLES & SCREWS
	117431-01-707	EA	LATCH
	117431-05-700	EA	STRAP-SHOWER, VINYL

BEDROOM GROUP
QUEEN BEDROOM CABINETS

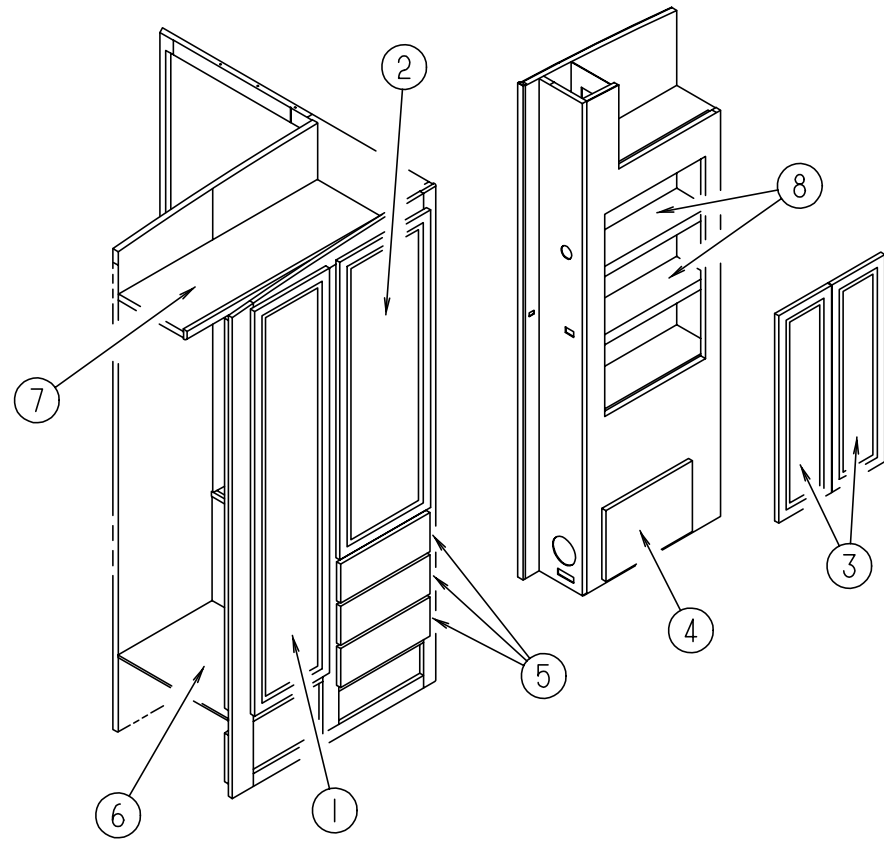


KEY	PART NUMBER	U/M	DESCRIPTION
1	110625-01-G35	EA	CABINET - SHIRT CLOSET/RIGHT HAND - W/O DOORS/HARDWARE
	009112-01-000	EA	FLANGE - 1" ROD, CLOTHES - PLASTIC - OFF WHITE
	042438-01-000	EA	DOWEL - WOOD - CLOTHES ROD - 1" DIAMETER X 4'
2	M06803-10-G09	EA	DOOR- MITERED CORNER/OGEE EDGE-10.8" X 36.4"-W/O HDW
3	106523-01-G09	EA	CABINET - OVERHEAD/REAR - W/O DOORS/HARDWARE
4	M06803-13-H33	EA	DOOR-MIRROR/MTRD CRNR/OG EDGE-15.7" X 28" - W/O HDW
4	M06803-02-G09	EA	DOOR-MTRD CORNER/OGEE EDGE-15.7" X 27.9" - W/O HDW DECORATOR DOOR OPTION - FLAT PANEL
5	110625-02-G35	EA	CABINET - SHIRT CLOSET/LEFT HAND - W/O DOORS/HARDWARE
	009112-01-000	EA	FLANGE - 1" ROD, CLOTHES - PLASTIC - OFF WHITE
	042438-01-000	EA	DOWEL - WOOD - CLOTHES ROD - 1" DIAMETER X 4'
6	117901-12-G31	EA	COUNTERTOP - NIGHTSTAND (H33)
			FROM: 00-00-00 THRU: 11-17-96
6	117901-12-G14	EA	COUNTERTOP - NIGHTSTAND (H34, H35)
			FROM: 00-00-00 THRU: 11-17-96
6	114482-12-F05	EA	COUNTERTOP - NIGHTSTAND (H33)
			FROM: 11-18-96 THRU: 99-99-99
6	114482-12-F14	EA	COUNTERTOP - NIGHTSTAND (H34, H35)
			FROM: 11-18-96 THRU: 99-99-99
7	P17901-02-G31	EA	CABINET - NIGHTSTAND/LEFT HAND - W/O DRAWER/HDW (H33)
			FROM: 00-00-00 THRU: 11-17-96
7	P17901-02-G14	EA	CABINET - NIGHTSTAND/LEFT HAND - W/O DRAWER/HDW (H34, H35)
			FROM: 00-00-00 THRU: 11-17-96
7	P14482-02-H16	EA	CABINET - NIGHTSTAND/LEFT HAND - W/O DOORS/DRAWERS/HDW (H33)
			FROM: 11-18-96 THRU: 99-99-99
7	P14482-02-H34	EA	CABINET - NIGHTSTAND/LEFT HAND - W/O DOORS/DRAWERS/HDW (H34, H35)
			FROM: 11-18-96 THRU: 99-99-99
8	M05971-R3-G09	EA	DRAWER-OGEE EDGE-8.9"W X 23.6"D-W/O SLIDES/HARDWARE
			FROM: 00-00-00 THRU: 11-17-96
8	M05971-J8-G09	EA	DRAWER-OGEE EDGE-8.9"W X 19.7"D-W/O SLIDES/HARDWARE
			FROM: 11-18-96 THRU: 99-99-99
9	P21862-01-H13	EA	CABINET-QUEEN BED W/O TOP
	057534-01-000	EA	TIEBACK/TIEDOWN-BED/CURTAIN/DOOR, 6" - PLASTIC - CLEAR
	097872-04-000	EA	DOWEL - WOOD - 1" DIAMETER X 1.38" LONG
10	M05706-17-000	EA	TOP - QUEEN BED - W/O HARDWARE
11	P17901-01-G31	EA	CABINET-NIGHTSTAND W/COUNTERTOP W/O DRAWER OR HDW (H33)
			FROM: 00-00-00 THRU: 11-17-96
11	P17901-01-G14	EA	CABINET-NIGHTSTAND W/COUNTERTOP W/O DRAWER OR HARDWARE (H34/H35)
			FROM: 00-00-00 THRU: 11-17-96
11	P14482-01-H16	EA	CABINET-NIGHTSTAND W/COUNTERTOP W/O DRAWER OR HDW (H33)
			FROM: 11-18-96 THRU: 99-99-99
11	P14482-01-H34	EA	CABINET-NIGHTSTAND W/COUNTERTOP W/O DRAWER OR HARDWARE (H34/H35)
			FROM: 11-18-96 THRU: 99-99-99
12	117901-11-G31	EA	COUNTERTOP-NIGHTSTAND (H33)
			FROM: 00-00-00 THRU: 11-17-96
12	117901-11-G14	EA	COUNTERTOP-NIGHTSTAND (H34/H35)
			FROM: 00-00-00 THRU: 11-17-96
12	114482-11-F05	EA	COUNTERTOP-NIGHTSTAND (H33)
			FROM: 11-18-96 THRU: 99-99-99
12	114482-11-F14	EA	COUNTERTOP-NIGHTSTAND (H34/H35)
			FROM: 11-18-96 THRU: 99-99-99

BATHROOM/BEDROOM FOLDING DOOR & COMPONENTS

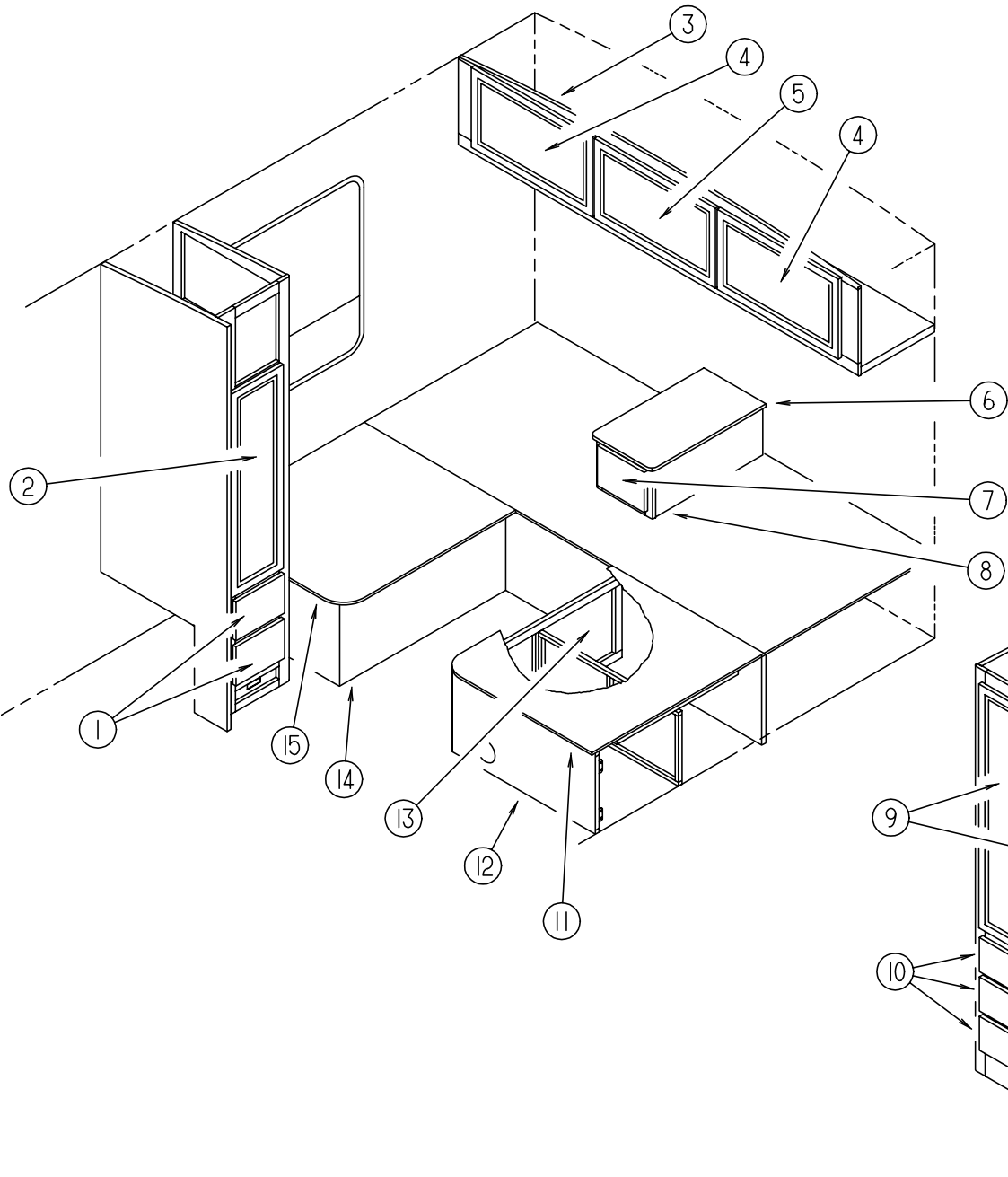
KEY	PART NUMBER	U/M	DESCRIPTION	VENDOR NO.
	009700-04-002	EA	TRACK-FOLDING DOOR, L-SHAPED - 195.5" - OFF WHITE	
	042488-12-000	EA	DOOR - FOLDING - OFF WHITE FABRIC - 27.50" X 75"	
	080224-01-703	EA	HANDLE W/LATCH-CATCH, ALMOND	DE03505
	080224-01-705	EA	LATCH & CATCH ASM., ALMOND	DE25010 & DE25020

BEDROOM GROUP (CONTINUED)
QUEEN BEDROOM CABINETS (CONTINUED)



KEY	PART NUMBER	U/M	DESCRIPTION
1	M06803-V5-H13	EA	DOOR - MITERED CORNER/OGEE EDGE - 13.7" X 65.4" - W/O HARDWARE
2	M06803-W6-H13	EA	DOOR - MITERED CORNER/OGEE EDGE - 16.7" X 48" - W/O HARDWARE
3	M06803-84-H13	EA	DOOR - MITERED CORNER/OGEE EDGE - 9.8" X 33" - W/O HARDWARE
4	M06803-V4-H13	EA	DOOR - MITERED CORNER/OGEE EDGE - 11.4" X 16" - W/O HDW
5	M05971-AA-H13	EA	DRAWER - OGEE EDGE - 14.8"W X 19.7"D - W/O SLIDES/HARDWARE
6	122130-18-H13	EA	SHELF - WARDROBE CABINET, W/PLASTIC EDGE MOLDING
7	122130-12-H13	EA	SHELF - WARDROBE CABINET, W/PLASTIC EDGE MOLDING
8	121866-11-H13	EA	SHELF - STORAGE CABINET, W/PLASTIC EDGE MOLDING

BEDROOM GROUP (CONTINUED)
TWIN BEDROOM CABINETS

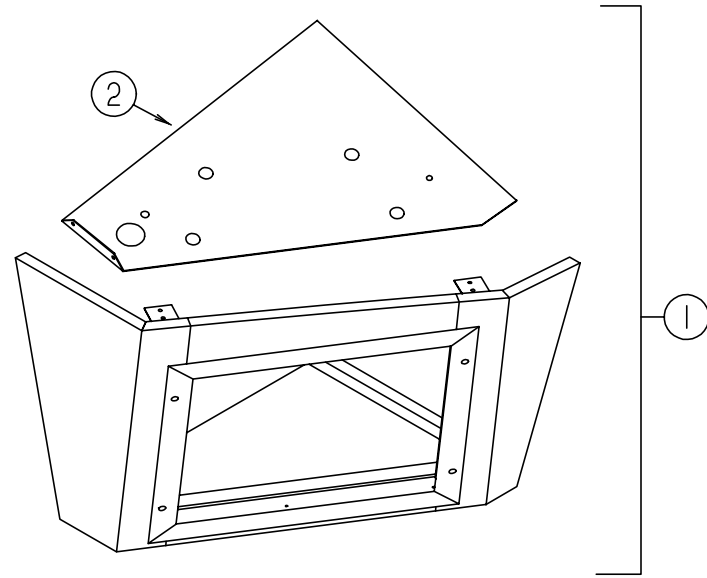


KEY	PART NUMBER	U/M	DESCRIPTION
1	M05971-Z8-H13	EA	DRAWER-OGEE EDGE-8.9"W X 23.6"D-W/O SLIDES/HARDWARE
2	M06803-15-H33	EA	DOOR-MITERED CORNER/OGEE EDGE-12" X 40"-W/O HDW
	009112-01-000	EA	FLANGE - 1" ROD, CLOTHES - PLASTIC - OFF WHITE
	042438-01-000	EA	DOWEL - WOOD - CLOTHES ROD - 1" DIAMETER X 4'
3	121864-01-H33	EA	CABINET - OVERHEAD/REAR - W/O DOORS/HARDWARE
4	M06803-13-H33	EA	DOOR-MIRROR/MTRD CRNR/OGEE EDGE-15.7" X 28"-W/O HDW
4	M06803-02-G09	EA	DOOR-MTRD CORNER/OGEE EDGE-15.7" X 27.9"-W/O HDW DECORATOR DOOR OPTION - FLAT PANEL
5	M06803-13-H33	EA	DOOR-MIRROR/MTRD CRNR/OGEE EDGE-15.7" X 28"-W/O HDW FROM: 00-00-00 THRU: 01-02-97
5	M06803-02-G09	EA	DOOR-MITERED CORNER/OGEE EDGE - 15.7" X 27.9"-W/O HDW DECORATOR DOOR OPTION - FLAT PANEL FROM: 00-00-00 THRU: 01-02-97
5	M06803-03-H33	EA	DOOR-MIRROR/MTRD CRNR/OGEE EDGE-15.7" X 20.4"-W/O HDW FROM: 01-03-97 THRU: 99-99-99
5	M06803-41-G09	EA	DOOR-MITERED CORNER/OGEE EDGE-15.7" X 20.4"-W/O HDW DECORATOR DOOR OPTION - FLAT PANEL FROM: 01-03-97 THRU: 99-99-99
6	121863-11-H33	EA	COUNTERTOP - NIGHTSTAND (H33)
6	121863-11-H34	EA	COUNTERTOP - NIGHTSTAND (H34)
6	121863-11-H35	EA	COUNTERTOP - NIGHTSTAND (H35)
7	M05971-Z9-H13	EA	DRAWER-OGEE EDGE-8.7"W X 23.6"D-W/O SLIDES/HARDWARE
8	121863-01-H33	EA	CABINET - NIGHTSTAND - W/O DOORS/DRAWERS/HDW
8	121863-01-H34	EA	CABINET - NIGHTSTAND - W/O DOORS/DRAWERS/HDW
8	121863-01-H35	EA	CABINET - NIGHTSTAND - W/O DOORS/DRAWERS/HDW
9	M06803-28-H13	EA	DOOR-MIRROR/MTRD CRNR/OGEE EDGE - 12" X 48"-W/O HDW
	009112-01-000	EA	FLANGE - 1" ROD, CLOTHES - PLASTIC - OFF WHITE
	042438-01-000	EA	DOWEL - WOOD - CLOTHES ROD - 1" DIAMETER X 4'
10	M05971-AB-H13	EA	DRAWER-OGEE EDGE-23"W X 23.6"D-W/O SLIDES/HARDWARE
11	M04170-12-000	EA	TOP - TWIN BED/LEFT HAND - W/O HARDWARE
12	P21859-01-H13	EA	CABINET - BASE - TWIN BED - W/O DOORS/DRAWERS/HARDWARE
13	M06803-V1-H13	EA	DOOR - MITERED CORNER/OGEE EDGE - 14.4" X 17.8" - W/O HDW
14	P21860-01-H13	EA	CABINET - BASE - TWIN BED - W/O DOORS/DRAWERS/HARDWARE
15	M04170-13-000	EA	TOP - TWIN BED/RIGHT HAND - W/O HARDWARE

BATHROOM/BEDROOM FOLDING DOOR & COMPONENTS

KEY	PART NUMBER	U/M	DESCRIPTION	VENDOR NO.
	042488-10-000	EA	DOOR - FOLDING - OFF WHITE FABRIC - 37" X 75"	
	094832-02-01A	EA	TRACK - DOOR/FOLDING	
	042488-04-700	EA	LATCH & CATCH ASM. LEAD EDGE DW-21632	
	042488-10-700	EA	LEADRAIL-PREPUNCHED F/HANDLE	DW2100
	080224-01-703	EA	HANDLE W/LATCH-CATCH, ALMOND	DE03505
	080224-01-705	EA	LATCH & CATCH ASM., ALMOND	DE25010 & DE25020

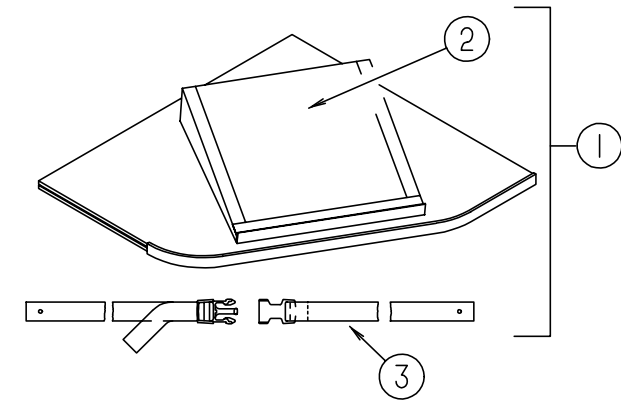
BEDROOM GROUP (CONTINUED)



TV CABINET

KEY	PART NUMBER	U/M	DESCRIPTION
1	122901-01-H13	EA	CABINET-TV, REAR W/SHELF - W/O HARDWARE - F/QUEEN OR TWIN BED
2	122855-02-02B	EA	SHELF-SUPPORT, REAR TV - STEEL

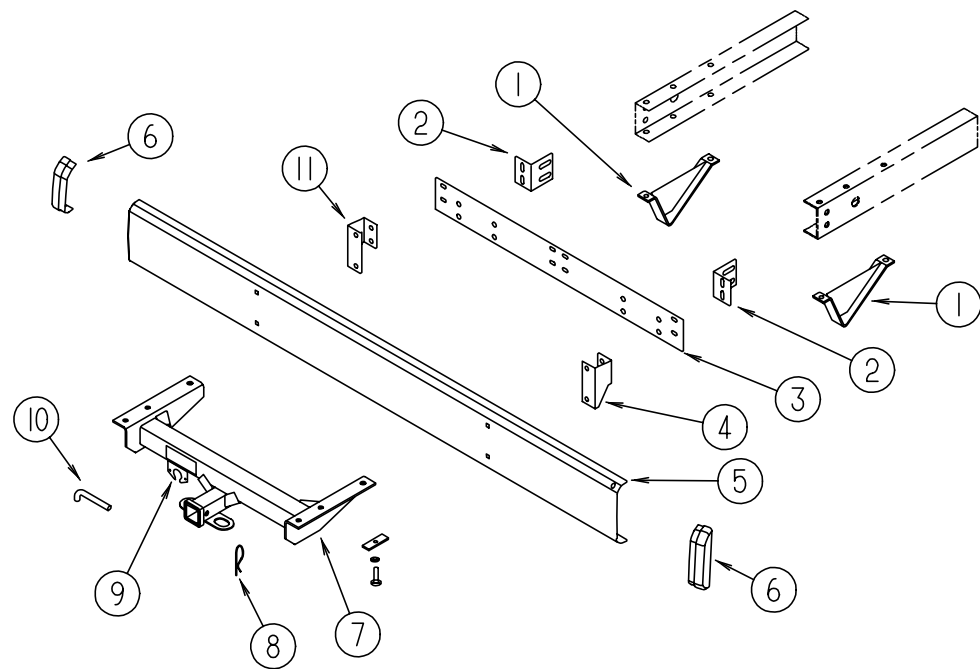
BEDROOM GROUP (CONTINUED)



TV SHELF

KEY	PART NUMBER	U/M	DESCRIPTION
1	P23534-02-H13	EA	SHELF - TV - W/O TIEDOWN - F/TWIN BED
1	P23534-01-H13	EA	SHELF - TV - W/O TIEDOWN - F/QUEEN BED
2	123534-12-H13	EA	WEDGE - TV SHELF
3	099717-01-000	EA	TIEDOWN-TV, STRAP ON FEMALE END IS 22.8" LONG

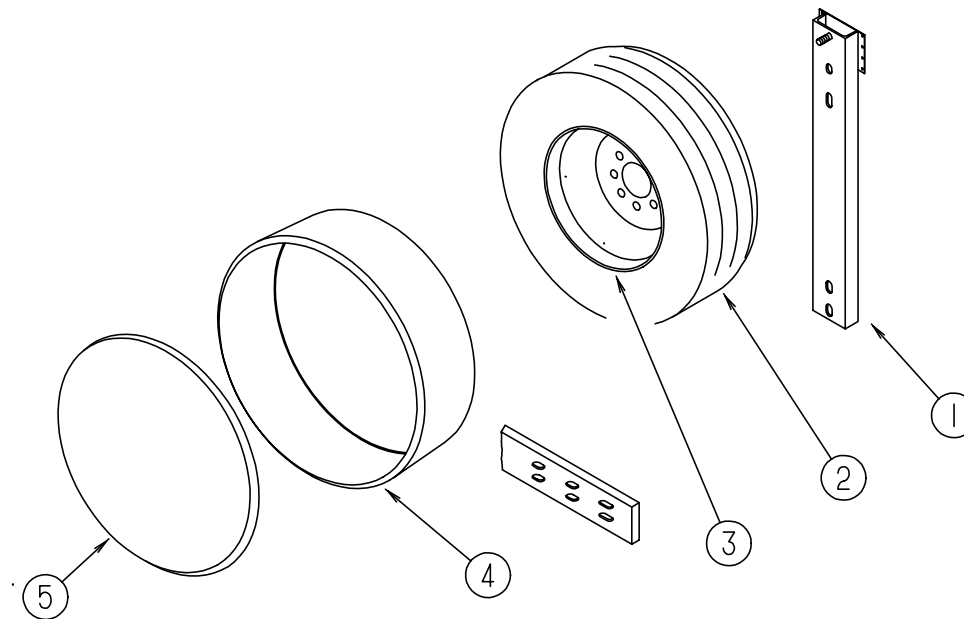
CHASSIS GROUP



REAR BUMPER, TRAILER HITCH & COMPONENTS

KEY	PART NUMBER	U/M	DESCRIPTION
1	093048-05-000	EA	PLATE - SKID - REAR BUMPER
2	078668-01-000	EA	SUPPORT ANGLE - BUMPER/REAR - L ANGLE - 4" X 3" STEEL/BLK
3	078678-02-000	EA	PLATE - MOUNTING - BUMPER/REAR - 46" X 5" - W/WELD NUTS
4	117950-03-02B	EA	BRACKET - BUMPER/REAR
5	103099-01-06A	EA	BUMPER - REAR - BRIGHT WHITE
6	103228-01-06A	EA	CAP-END, BUMPER - REAR - DRIVER OR PASSENGER SIDE
7	107707-01-000	EA	HITCH RECEIVER - BOLT-ON CLASS II
8	034513-01-000	EA	PIN - HITCH - 3/16" WIRE
9	113588-02-01B	EA	BRACKET - CONNECTOR - TRAILER W/O LIP
10	034512-01-000	EA	PIN - LOCKING - DRAWBAR
11	117950-04-02B	EA	BRACKET - BUMPER/REAR
	070579-09-000	EA	PLATE-ANCHOR, 1.8" X 1.5" - STEEL - E-COAT
	113589-02-000	EA	CONNECTOR - SOCKET - TRAILER
	113589-01-000	EA	CONNECTOR - PLUG - TRAILER

CHASSIS GROUP (CONTINUED)



SPARE TIRE, CARRIER, SPARE TIRE COVER & LUG WRENCH

KEY	PART NUMBER	U/M	DESCRIPTION
1	102944-05-000	EA	BRACKET ASM-TIRE CARRIER, CHEVY
1	102944-06-000	EA	BRACKET ASM-TIRE CARRIER, FORD OPTION
2	083425-05-000	EA	TIRE - MICHELIN - LT 235/85R16 - LOAD RANGE E - FORD
2	091673-01-000	EA	TIRE - 225.70 R19.5 LRF - XZA - CHEVY
3	095853-02-000	EA	WHEEL - STEEL - 16" X 6K - F2TA-1015-NA - FORD
3	064963-01-000	EA	WHEEL - STEEL - 19.5" X 6" - CHEVY
4	108163-04-01A	EA	COVER - TIRE - W/O INSERT-8 1/4" WIDE X 100" CIRCUMFERENCE - FORD
4	108163-05-01A	EA	COVER - TIRE - 8 1/4" X 101" - CHEVY
5	108560-04-01A	EA	INSERT - TIRE COVER
	051377-05-000	EA	VALVE STEM - FORD
	051377-01-000	EA	VALVE STEM - CHEVY
	077030-02-000	EA	EXTENSION - VALVE STEM - 1.25"
	080208-02-000	EA	BAR - LEVERAGE - LUG WRENCH - CHEVY
	080208-06-000	EA	LUG WRENCH - 1" X 1.06" W/DEEP SOCKET ENDS - CHEVY

CHASSIS GROUP (CONTINUED)

19.5" CHEVY STAINLESS STEEL WHEEL LINERS (FROM: 00-00-00 THRU: 07-14-96)

KEY	PART NUMBER	U/M DESCRIPTION	VENDOR NO.
	091209-01-000	EA LINER - WHEEL - 19.5" STAINLESS STEEL - SET 4 F/GM CHASSIS	
	091209-01-700	EA LINER - WHEEL FRT 10 LUG	37N
	091209-01-701	EA LINER - WHEEL RR 10 LUG EA=1	38N
	091209-01-702	EA COVER - AXLE - FRT 19.5 10 LUG	34N
	091209-01-703	EA COVER - AXLE - REAR 19.5 10 LUG	35N
	091209-01-704	EA COVER - LUG NUT W/O FLANGE	36

19.5" CHEVY STAINLESS STEEL WHEEL LINERS (FROM: 07-15-96 THRU: 05-06-97)

KEY	PART NUMBER	U/M DESCRIPTION	VENDOR NO.
	110435-06-000	EA LINER - WHEEL SET (SET=4) 19.5" F/GM W/LONG STUDS - DICOR	
	110435-01-711	EA DECAL - CENTER CAP - 2"	
	110435-02-703	EA NUT (JAMB)	V160SD-JNT
	110435-02-704	EA COVER - LUG NUT	V160F0-LNC
	110435-02-705	EA TOOL F/ JAMB NUT - INSTALL.	V160F0-TOL
	110435-06-700	EA LINER - WHEEL - FRONT	V195P5-FWC
	110435-06-701	EA LINER - WHEEL - REAR	V195P5-RWC
	110435-06-702	EA BRACKET - BRIDGE	V195P5-BRK
	110435-06-703	EA NUT - JAM - BRIDGE BRKT 1 1/16	V195P5-BJN
	110435-06-704	EA STUD EXTENDERS - P30	V195P5-STX

19.5" CHEVY STAINLESS STEEL WHEEL LINERS (FROM: 05-07-97 THRU: 99-99-99)

KEY	PART NUMBER	U/M DESCRIPTION	VENDOR NO.
	110435-10-000	EA LINER - WHEEL - SET 4 - 19.5"	
	110435-10-700	EA LINER - WHEEL - FRONT - 1 PC	V195P7-FWC
	110435-10-701	EA LINER - WHEEL - REAR - 1 PC.	V195P7-RWC
	110435-10-702	EA JAMB NUT - ENCLOSED/LNC	V195P7-EJN
	110435-10-703	EA STUD - PLASTIC	V195P7-PST
	110435-10-704	EA JAMB NUT - PLASTIC/LNC	V195P7-PJN
	110435-10-705	EA TOOL - INSTALLATION	V195P7-TOL

19.5" CHEVY WHEEL COVERS (FROM: 00-00-00 THRU: 12-20-96)

KEY	PART NUMBER	U/M DESCRIPTION	VENDOR NO.
	109443-01-000	EA WHEEL - COVER - 4/SET - 19.5 W/HDW	
	109443-01-700	EA COVER - WHEEL 19.5 FRT. & REAR	SHAG95
	109443-01-701	EA BRACKET - RETENTION - FRONT WHEEL	SHAG95-FBS
	109443-01-702	EA BRACKET - RETENTION - REAR WHEEL	SHAG95-RBS
	109443-01-703	EA CAP - CENTER - HUB - DICOR	SP-AUCAP
	109443-01-704	EA CLIP-RETAINER	V160GM-PNT

19.5" CHEVY WHEEL COVERS (FROM: 12-21-96 THRU: 99-99-99)

KEY	PART NUMBER	U/M DESCRIPTION	VENDOR NO.
	109443-06-000	EA WHEEL - COVER - 4/SET - 19.5"	
	109443-01-700	EA COVER - WHEEL 19.5 FRT/RR EA=1	SHAG95
	109443-01-701	EA BRACKET - RETENTION FRONT	SHAG95-FBS
	109443-01-703	EA CAP - CENTER - HUB - DICOR	SHAU95-CAP
	109443-01-704	EA CLIP - RETAINER	V160GM-PNT
	109443-06-701	EA BRACKET - RETENTION REAR	SHG795-RBS

CHASSIS GROUP (CONTINUED)

16" FORD CHROME WHEEL LINERS

KEY	PART NUMBER	U/M DESCRIPTION	VENDOR NO.
	110435-08-000	EA LINER - WHEEL SET (SET=4) 16"	
	110435-01-711	EA DECAL - CENTER CAP - 2"	
	110435-02-702	EA STUD EXTENDER	V160SD-STX
	110435-02-703	EA NUT (JAMB)	V160SD-JNT
	110435-02-704	EA COVER - LUG NUT	V160F0-LNC
	110435-02-705	EA TOOL F/ JAMB NUT - INSTALL.	V160F0-TOL
	110435-08-700	EA LINER - WHEEL - FRONT	V160SD-FWC
	110435-08-701	EA LINER - WHEEL - REAR	V160SD-RWC

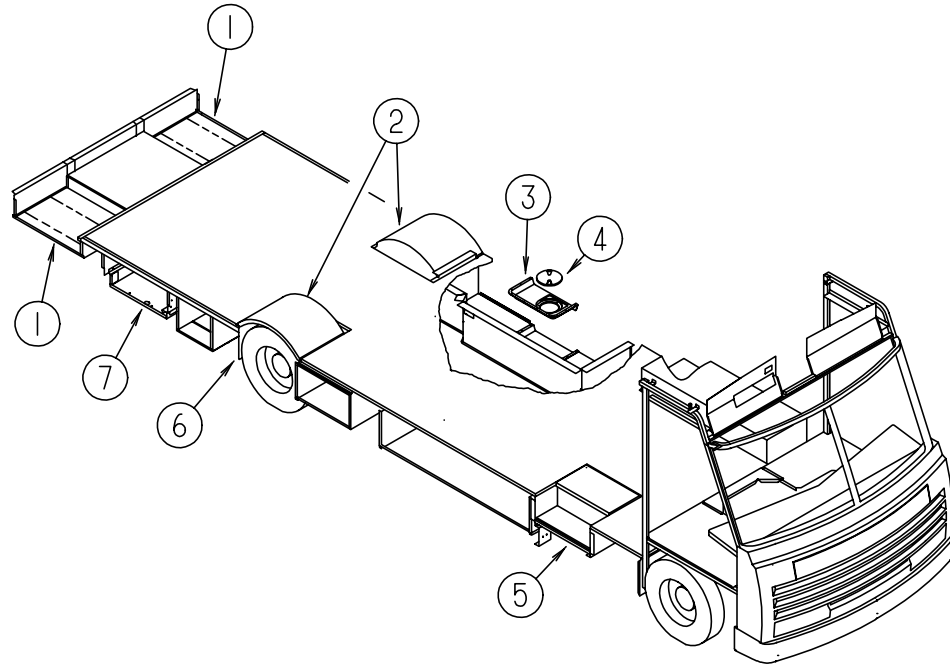
16" FORD WHEEL COVERS

KEY	PART NUMBER	U/M DESCRIPTION	VENDOR NO.
	098532-01-000	EA COVER - WHEEL - FORD - 16" - SET OF 4 - DICOR SH-SD-16	
	098532-01-700	EA COVER - LUG NUT (CHROME)	SHAU-LNC
	098532-01-701	EA COVER - WHEEL (FRONT OR REAR)	SH-SD-16

SUSPENSION SYSTEM (CHEVY)

KEY	PART NUMBER	U/M DESCRIPTION	VENDOR NO.
	104993-02-000	EA SHOCK ABSORBER - GAS - P30 FRONT	
	122756-01-000	EA SHOCK & STABILIZER (RED BOOT) KIT - FRONT END P30 CHASSIS	
		FROM: 00-00-00 THRU: 12-11-96	
	122756-02-000	EA SHOCK AND STABILIZER (BLUE BOOT) KIT - FRONT END P30 CHASSIS	
		FROM: 12-12-96 THRU: 99-99-99	
	122756-02-700	EA BRACKET ASM - DRIVERS SIDE	T818L
	122756-02-701	EA BRACKET ASM - PASSENGER SIDE	T818R
	122756-02-702	EA BRACKET ONLY - DRIVERS SIDE	T818L
	122756-02-703	EA BRACKET ONLY - PASSENGER SIDE	T818R
	122756-02-704	EA BOLT PACKAGE - BOLTS/NUTS ETC	T818R
	122756-02-705	EA SHOCK	T818SH
	122756-02-706	EA STUD - SHOCK MOUNTING	T818S
	122756-02-707	EA DAMPENER - STEERING	T818SD
	122756-02-708	EA BOOT - STEERING DAMPENER	T818SDB
	122756-02-709	EA BUSHING PKG-STEERING DAMPENER	T818SDBSH
	122756-02-710	EA BOLT PKG - STEERING DAMPENER	T818S

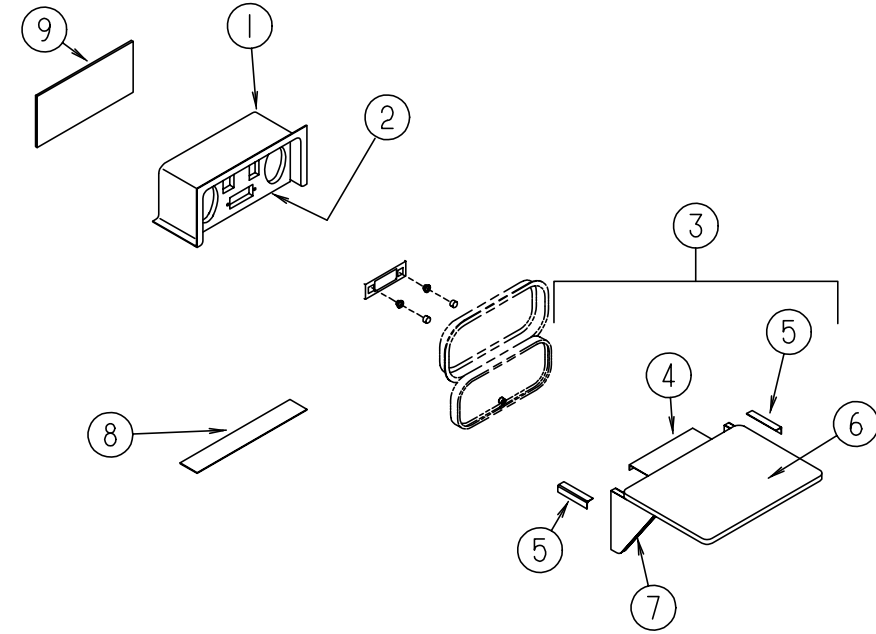
CHASSIS GROUP (CONTINUED)



STORAGE COMPARTMENTS & WHEELWELLS

KEY	PART NUMBER	U/M	DESCRIPTION
1	110820-02-000	EA	COMPARTMENT ASM-STORAGE
2	102921-01-000	EA	WHEELWELL - PLASTIC
3	121784-01-01A	EA	COVER-VALVE W/O HATCH OR CHAIN, DRAINAGE - BLACK
4	092887-01-000	EA	HATCH-COMPARTMENT W/O CHAIN, SEWER HOSE - 6"
	092887-04-000	EA	CHAIN-TWIST CAP, 9"
5	094708-01-01A	EA	STEP - ENTRY DOOR - ELECTRIC - SINGLE - W/O DOOR SWITCH
6	020167-04-000	EA	GUARD-DIRT
			FROM: 00-00-00 THRU: 08-01-96
6	020167-05-000	EA	DIRT GUARD - STEEL - 15" LONG
			FROM: 08-02-96 THRU: 99-99-99
6	017516-01-000	EA	FLAP-MUD, 14" X 18" - BLACK
7	081420-05-000	EA	COMPARTMENT-GENERATOR
7	105732-02-000	EA	TRAY ASM-GENERATOR

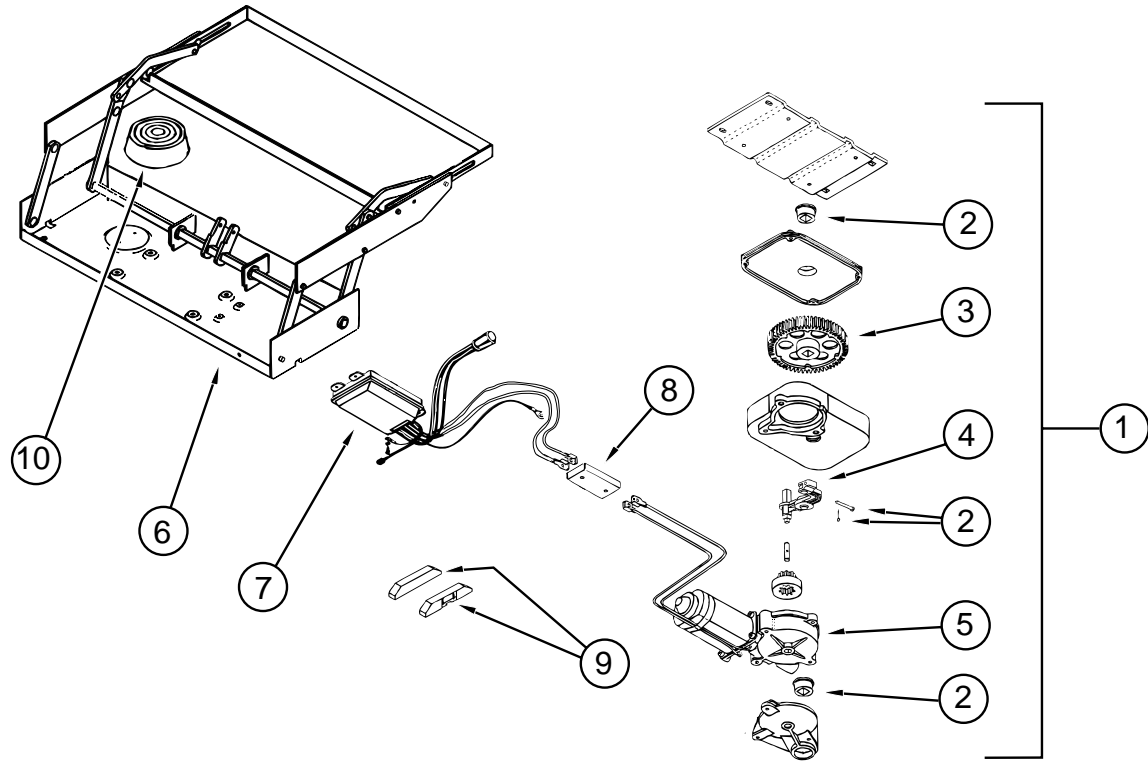
CHASSIS GROUP (CONTINUED)



PATIO ENTERTAINMENT CENTER

KEY	PART NUMBER	U/M	DESCRIPTION
1	104897-01-02A	EA	BOX-ENTERTAINMENT CENTER - BRIGHT WHITE
2	104899-01-C05	EA	PLATE-RADIO MOUNTING
3	105230-01-E01	EA	SHELF
4	105377-01-01A	EA	BRACKET-TABLE HANGER, OFF WHITE
			FROM: 00-00-00 THRU: 01-05-97
4	105377-01-04A	EA	BRACKET-TABLE HANGER, BRIGHT WHITE
			FROM: 01-06-97 THRU: 99-99-99
5	105376-01-02A	EA	HINGE-CONTINUOUS, 2" X 5.5" - OFF WHITE
			FROM: 00-00-00 THRU: 01-05-97
5	105376-01-03A	EA	HINGE-CONTINUOUS, 2" X 5.5" - BRIGHT WHITE
			FROM: 01-06-97 THRU: 99-99-99
6	105230-11-E01	EA	SHELF
7	105230-12-E01	EA	SUPPORT-SHELF
8	104898-01-02A	EA	PLATE-PLASTIC, BOTTOM - 19.38" X 3.1" - BRIGHT WHITE
9	104898-02-02A	EA	PLATE-PLASTIC, REAR - 16.1" X 6.3" - BRIGHT WHITE

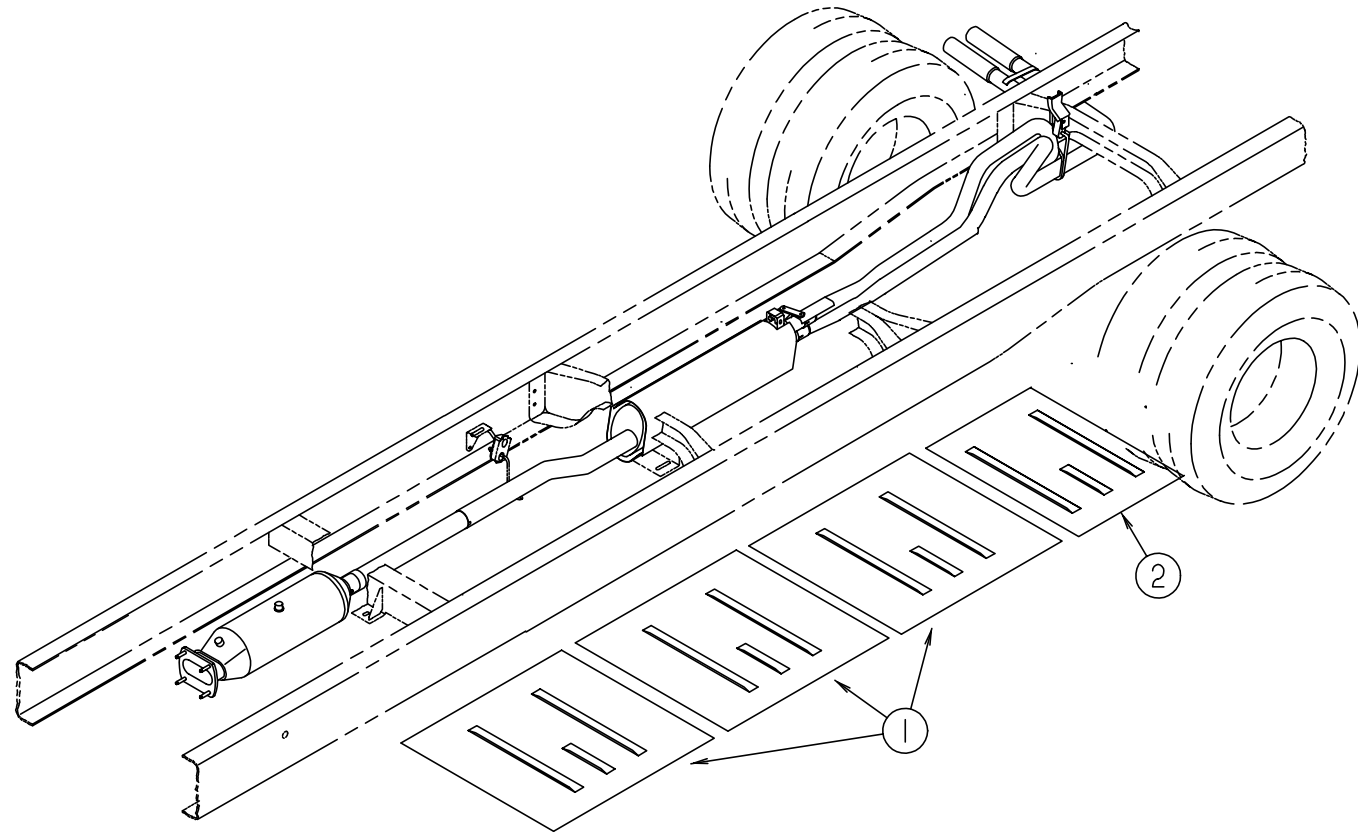
CHASSIS GROUP (CONTINUED)



KWIKIEE ELECTRIC ENTRY STEP

KEY	PART NUMBER	U/M	DESCRIPTION	VENDOR NO.
1	094708-01-01A	EA	STEP-ENTRY DOOR, ELECTRIC - SINGLE - KWIKIEE 2813	
2	094707-02-703	EA	PARTS KIT, (BEARINGS & PINS)	9530
3	094707-02-702	EA	GEAR KIT - KWIKIEE	9525
4	094708-03-700	EA	LINKAGE ASM F/28 SERIES	9522
5	094707-02-700	EA	MOTOR REPLACEMENT KIT - MODELS 32 & 28	9520
6	088746-01-709	EA	FRAME W/SINGLE STEP, 2800 SERIES	908028
7	094707-02-705	EA	CONTROL UNIT, WHITE	909513
8	094707-02-704	EA	CONNECTOR KIT-MOTOR	9537
9	116995-01-000	EA	SWITCH/MAGNET-STEP, ELECTRIC - KWIKIEE 905306	
10	088746-01-705	EA	LIGHT-UNDER STEP	9004
	088733-01-700	EA	BULB	9004
	094707-02-707	EA	TREAD-NON-SKID, BLACK - 6" X 21"	909333

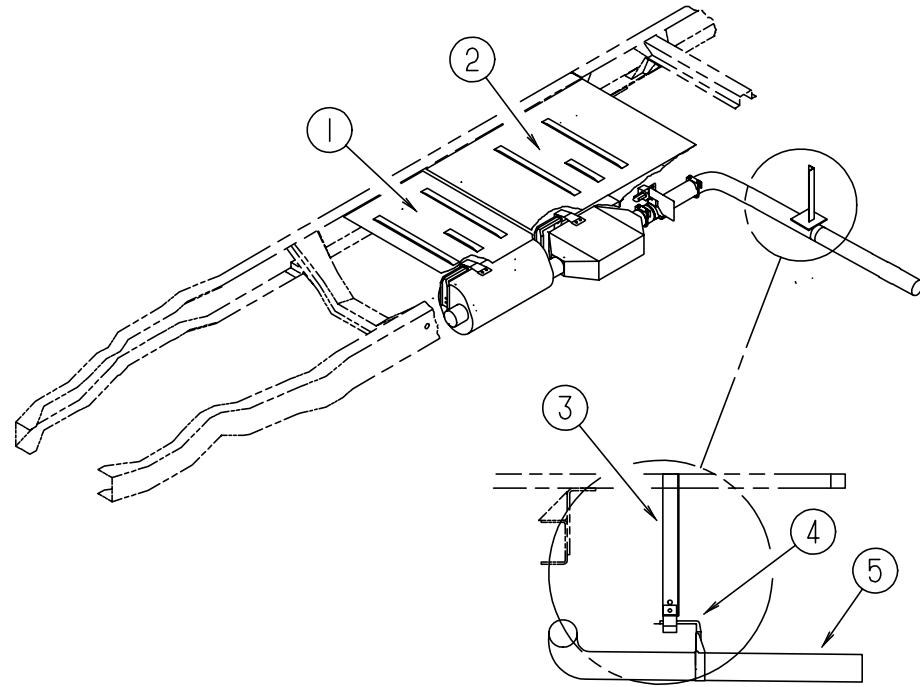
CHASSIS GROUP (CONTINUED)



FORD EXHAUST SYSTEM

KEY	PART NUMBER	U/M	DESCRIPTION
1	101544-06-000	EA	SHIELD - HEAT - EXHAUST - 33.9" X 29.1"
2	101544-01-000	EA	SHIELD - HEAT - EXHAUST - 19.7" X 29.1"
	098762-16-000	EA	PIPE - EXHAUST - STRAIGHT - 3"

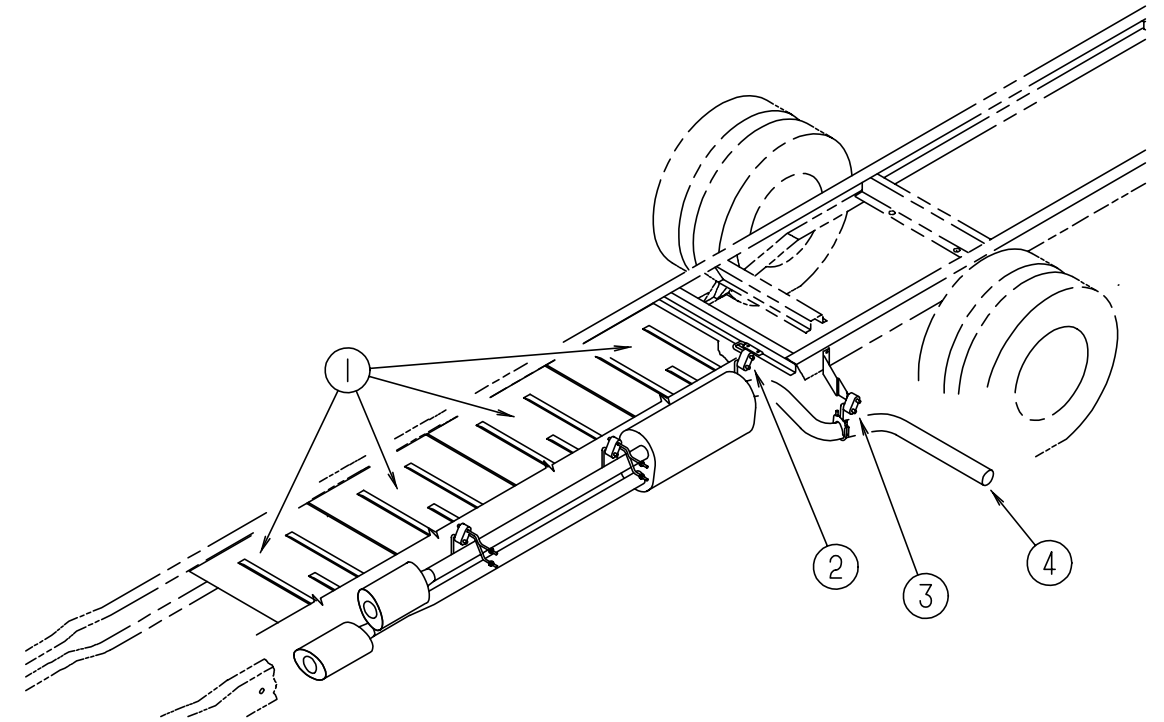
CHASSIS GROUP (CONTINUED)



STANDARD CHEVY EXHAUST SYSTEM - GAS OR DIESEL

KEY	PART NUMBER	U/M	DESCRIPTION
1	101544-01-000	EA	SHIELD-HEAT, EXHAUST - 19.7" X 29.1" - STEEL
2	101544-02-000	EA	SHIELD-HEAT, EXHAUST - 30" X 29.1" - STEEL
3	098833-03-000	EA	BRACKET-EXHAUST, HANGER
4	125110-01-02B	EA	HANGER - TAILPIPE
5	098608-03-000	EA	PIPE - EXHAUST
5	122529-01-000	EA	PIPE - EXHAUST (DIESEL)
	094918-01-000	EA	CLAMP - EXHAUST - 3" - GUILLOTINE STYLE

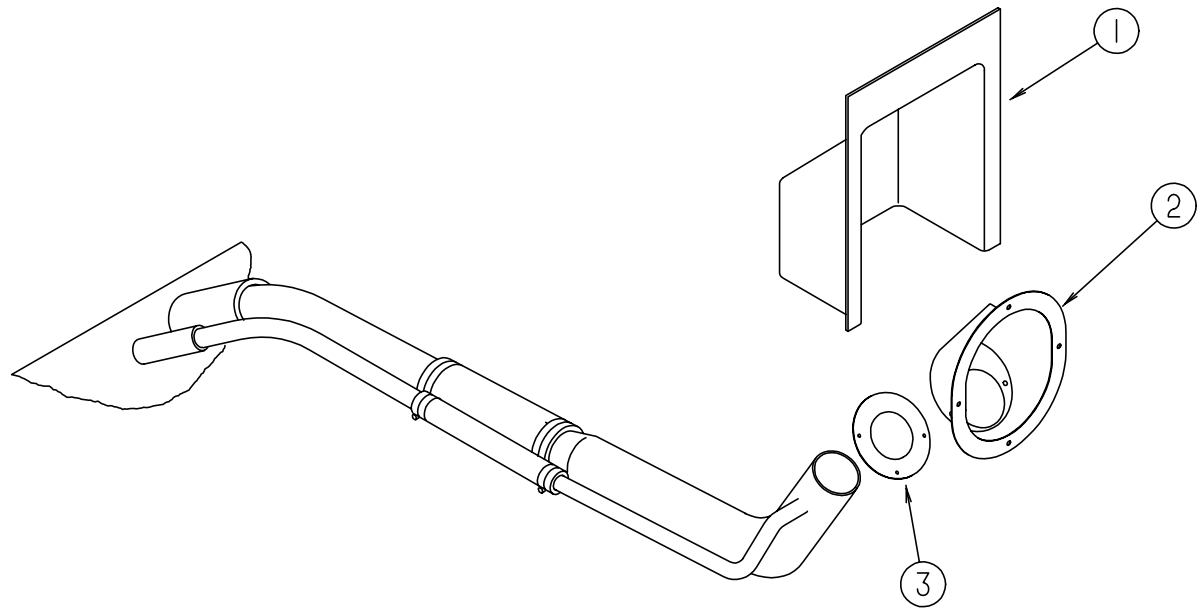
CHASSIS GROUP (CONTINUED)



VORTEC CHEVY EXHAUST SYSTEM - GAS

KEY	PART NUMBER	U/M	DESCRIPTION
1	101544-02-000	EA	SHIELD-HEAT, EXHAUST - 30" X 29.1" - STEEL
2	122392-01-02B	EA	HANGER-TAILPIPE, E-COAT
3	122392-03-02B	EA	HANGER-TAILPIPE, REAR, E-COAT
4	122529-01-000	EA	PIPE-EXHAUST
	094918-01-000	EA	CLAMP-EXHAUST, 3" - GUILLOTINE STYLE

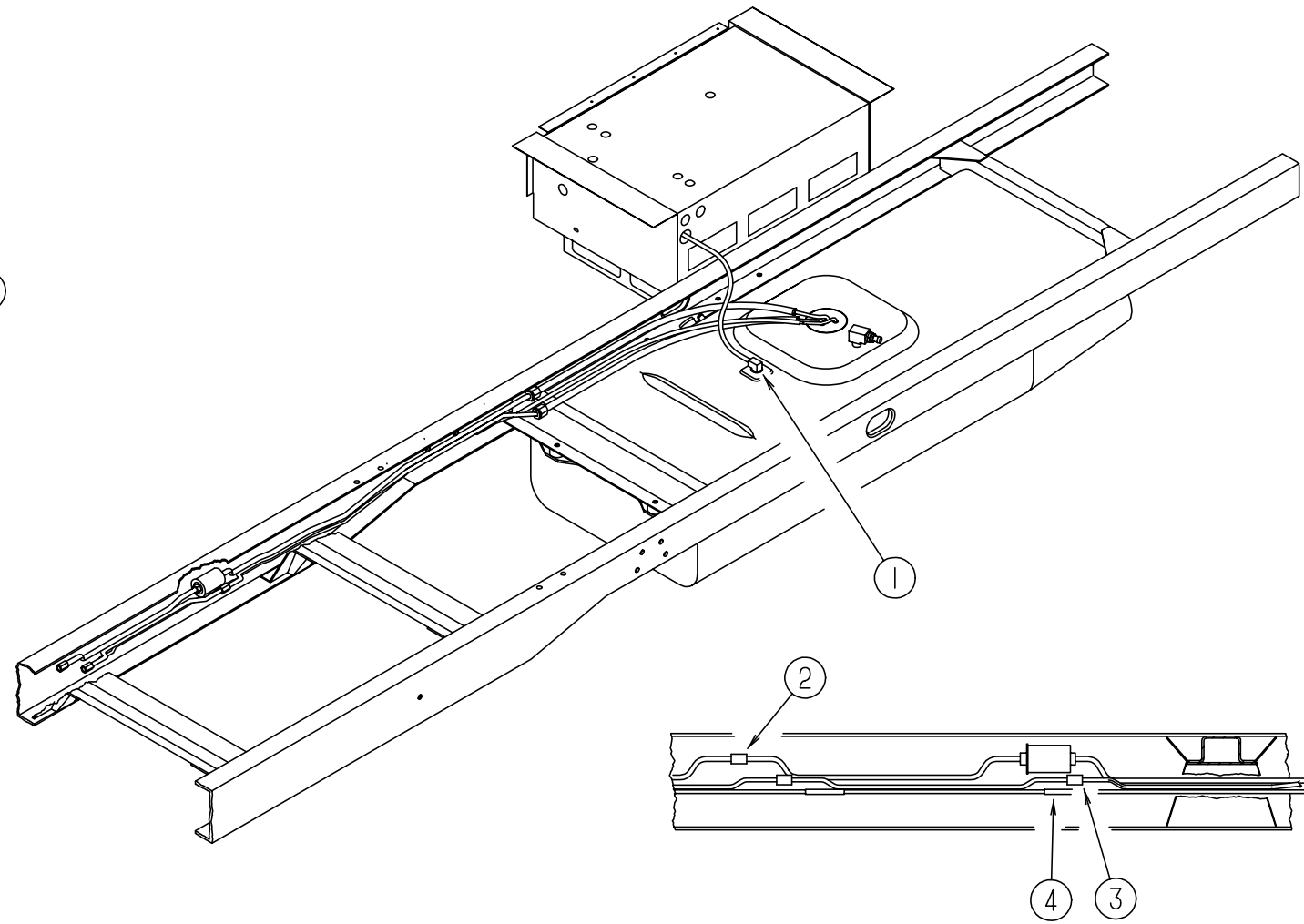
CHASSIS GROUP (CONTINUED)



CHEVY FUEL SYSTEM

KEY	PART NUMBER	U/M	DESCRIPTION
1	072447-09-000	EA	SHROUD - FUEL FILL - UPPER
2	095854-01-04A	EA	SHROUD-FUEL FILL, BRIGHT WHITE
3	078200-01-000	EA	GASKET - FUEL FILL - 3.5" OD X 2" ID

CHASSIS GROUP (CONTINUED)

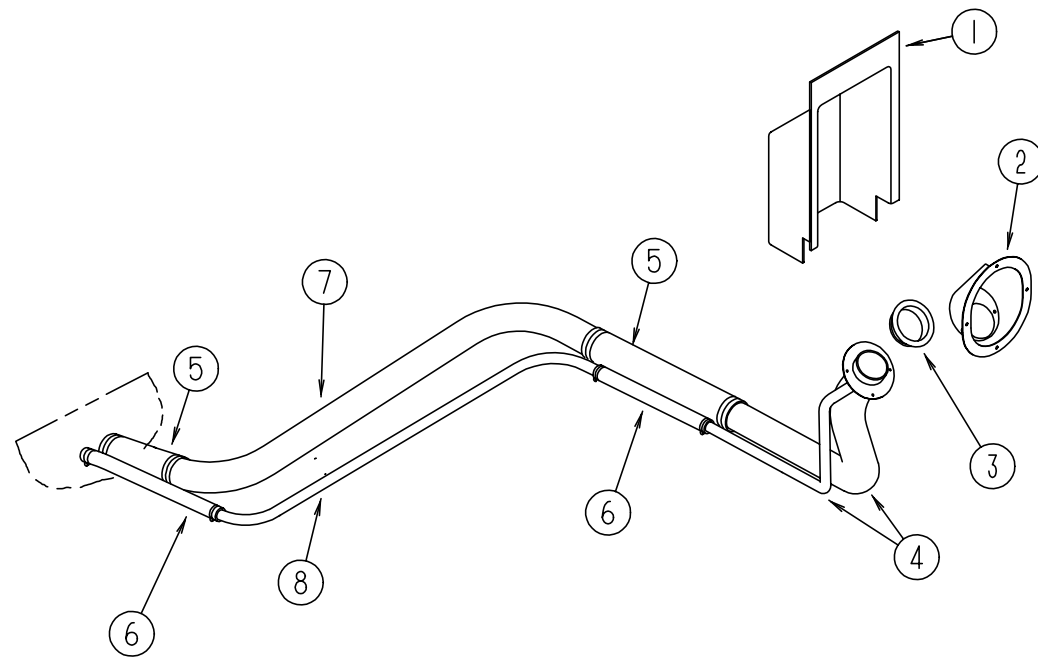


CHEVY FUEL SYSTEM (CONTINUED)

KEY	PART NUMBER	U/M	DESCRIPTION
1	114254-01-000	EA	ADAPTER - 1/4" SINGLE BARB X 1/8" MPT - WEATHERHEAD 1537
2	098779-02-000	EA	COUPLER - FUEL LINE
3	098779-01-000	EA	COUPLER - FUEL LINE
4	007063-01-000	FT	HOSE - FUEL - 1/4"ID X 1/2"OD
	084884-01-000	EA	PLUG - BRASS - 3/8"

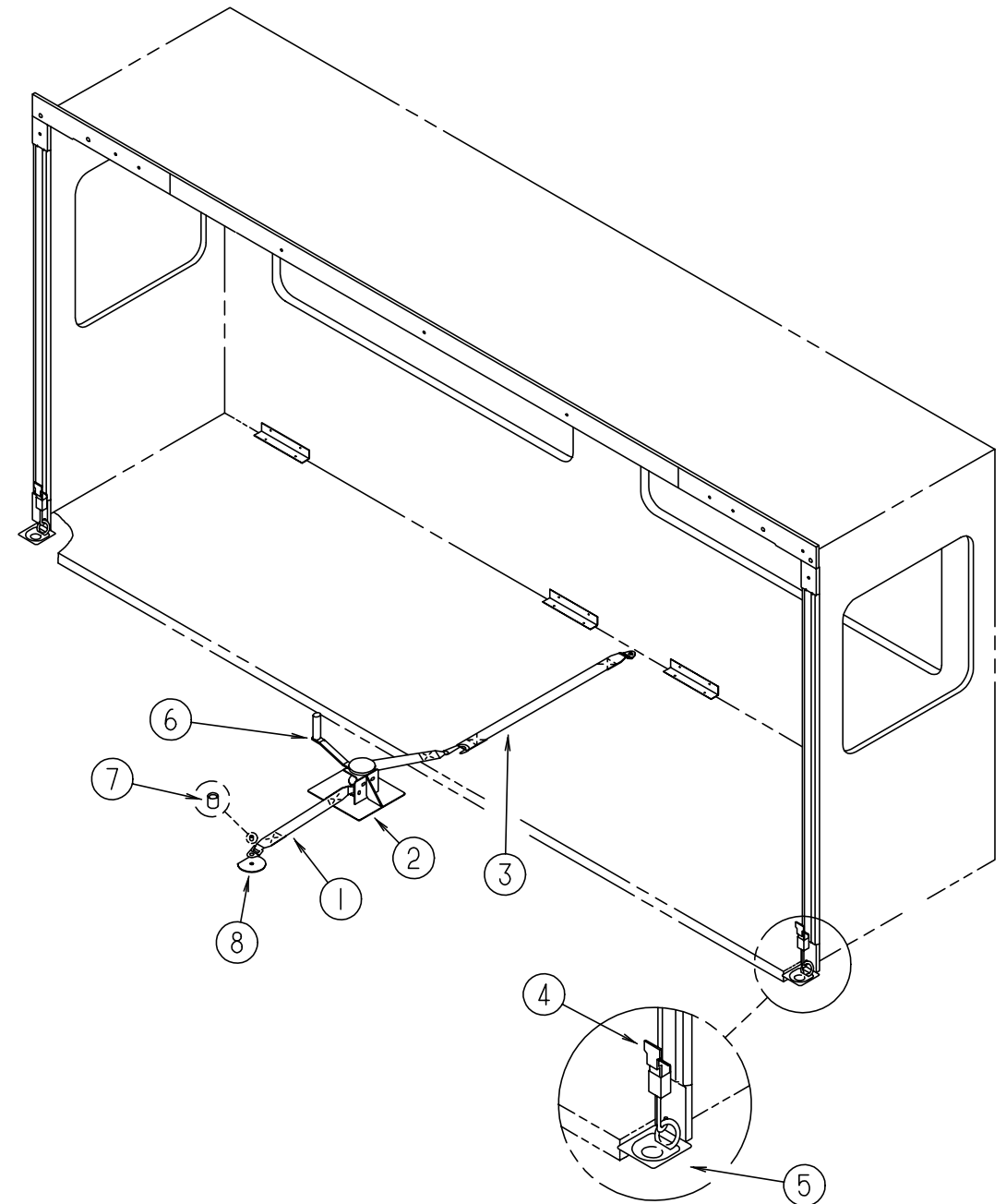
CHASSIS GROUP (CONTINUED)

CHASSIS GROUP (CONTINUED)



FORD FUEL SYSTEM

KEY	PART NUMBER	U/M	DESCRIPTION
1	072447-09-000	EA	SHROUD - FUEL FILL
2	095854-01-04A	EA	SHROUD - FUEL FILL - BRIGHT WHITE
3	078200-01-000	EA	GASKET - FUEL FILL - 3.5" OD X 2" ID
4	095606-01-000	EA	NECK - FUEL FILL - W/CHECK VALVE - L-SHAPERD - 18.2"-FORD
5	007111-02-000	EA	HOSE - FUEL FILL - 2" ID
6	066732-01-000	FT	HOSE - FUEL .62" ID
7	100140-02-000	EA	TUBE - FUEL INLET
8	100139-02-000	EA	TUBE - FUEL VENT
	007063-01-000	FT	HOSE - FUEL - 1/4"ID X 1/2"OD
	084884-01-000	EA	PLUG - BRASS - 3/8"



SLIDEOUT HARDWARE

KEY	PART NUMBER	U/M	DESCRIPTION
1	116101-01-F31	EA	STRAP - WINCH
			FROM: 00-00-00 THRU: 09-04-96
1	116101-03-H13	EA	STRAP - WINCH
			FROM: 09-05-96 THRU: 09-15-96
2	116082-01-02B	EA	BRACKET - WINCH
3	116101-02-F31	EA	STRAP - WINCH
4	116737-01-01A	EA	LATCH - DRAW - ADJUSTABLE - ZINC
5	116736-01-01A	EA	TIEDOWN - DROP/D - ZINC
6	115767-02-000	EA	WINCH - SLIDEOUT
7	116743-01-01A	EA	CAP - LUG COVER - THREAD - BLACK
8	057759-01-000	EA	WASHER BRACKET - SEAT BELT - 4" DIAMETER
8	064081-03-000	EA	NUT - WING 3/8-16 - W/WELD NUT

CHASSIS GROUP (CONTINUED)
DRIVESHAFT & BRAKE LINE UNIONS

KEY	PART NUMBER	U/M	DESCRIPTION
	088498-01-000	EA	UNION - INVERTED FLARE - BRASS - 3/16 BRAKE LINE
	075466-01-000	EA	UNION - INVERTED FLAIR - 1/4" BRAKE LINE UNION WHEN CHASSIS IS STRETCHED
	088497-02-000	EA	NUT - INVERTED FLARE - 1/4"
	083415-01-000	EA	SHIELD - HEAT - DRIVESHAFT BEARING - 4" X 5.5" - STEEL
	075302-25-000	EA	DRIVESHAFT ASM-BALANCED PAIR 20/21-CHEVY 228" CHASSIS FROM: 00-00-00 THRU: 08-25-96
	075302-29-000	EA	DRIVESHAFT ASSEMBLY - 3 PIECES BALANCED - CHEVY 216" FROM: 08-26-96 THRU: 99-99-99
	075302-20-000	EA	DRIVESHAFT ASSEMBLY - YOKE/BEARING/SPLINE
	M75302-20-000	EA	DRIVESHAFT ASM-YOKE/BRG/SPL
	075302-21-000	EA	DRIVESHAFT ASSEMBLY - SLIP-YOKE/YOKE
	M75302-28-000	EA	DRIVESHAFT ASM - YOKE/YOKE/BRG
	M75302-17-000	EA	DRIVESHAFT - YOKE/BEARING/SPLINE
	M75302-31-000	EA	DRIVESHAFT - SPLINE/YOKE/YOKE

HYDRAULIC SLIDEOUT SYSTEM (CHEVY, FORD)

KEY	PART NUMBER	U/M	DESCRIPTION	VENDOR NO.
	122359-01-000	EA	SLIDEOUT - HYDRAULIC	
	122359-01-700	EA	CYLINDER - HYDRAULIC (RAM)	RAP90324
	122359-01-701	EA	HOSE ASSEMBLY .125" X 180"HP	RAP90322
	122359-01-702	EA	HOSE ASSEMBLY .125" X 204"	RAP90321
	122359-01-703	EA	HOSE ASSEMBLY .125 X 60"	RAP90320
	122359-01-704	EA	CYLINDER-SYNCHRONIZING	RAP90326
	122359-04-000	EA	SLIDEOUT - PUMP - CONTROL (W/O HYDRAULIC LEVELING SYSTEM)	
	123452-02-000	EA	WIRE - PUMP - SLIDEOUT	
	107938-06-000	EA	BRACKET - PUMP	

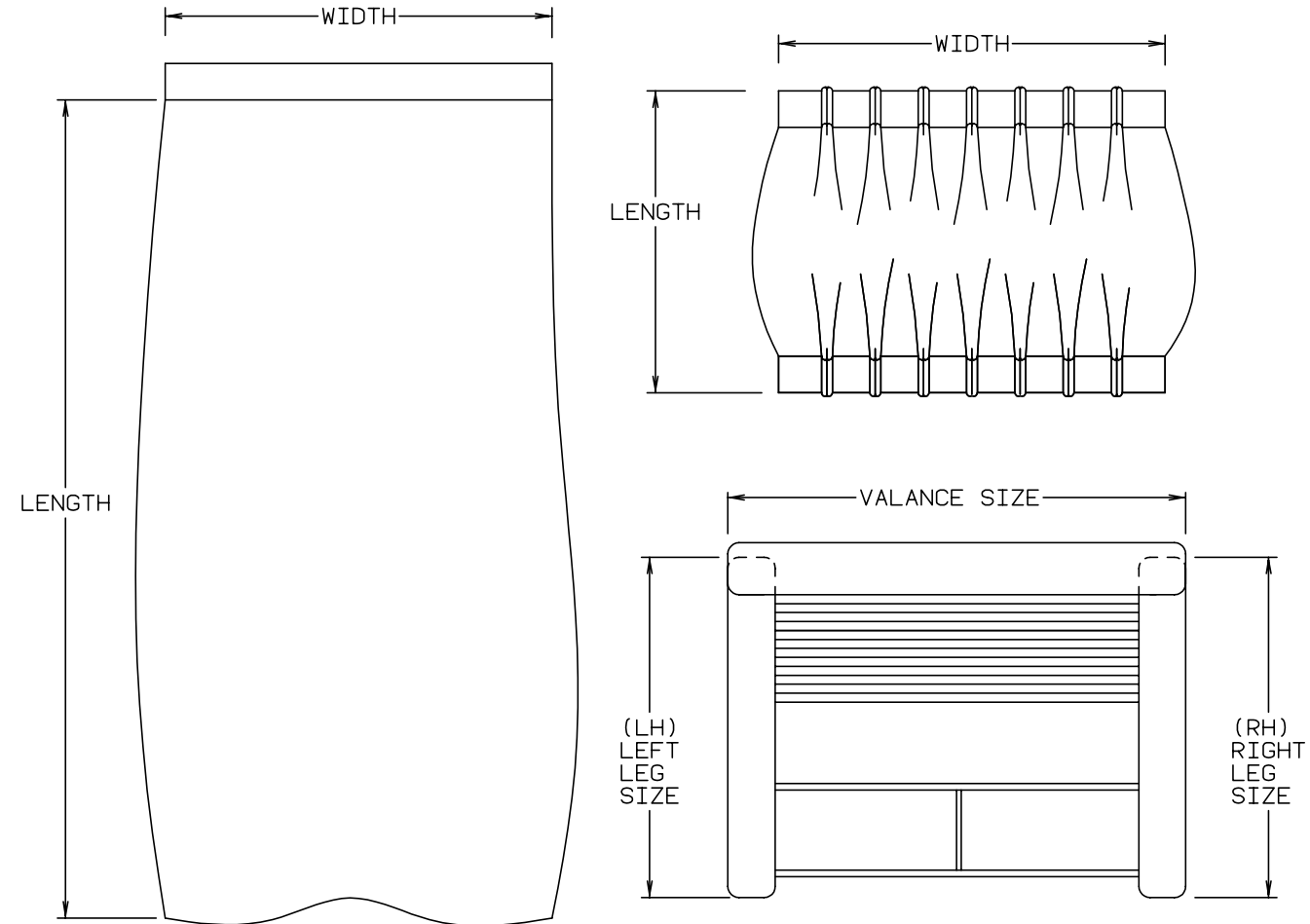
CHASSIS MISCELLANEOUS

KEY	PART NUMBER	U/M	DESCRIPTION
	065450-05-000	EA	TIEDOWN - BATTERY - 8.4" TUBE
	102805-01-000	EA	CHANNEL - EXTENSION - FRONT FRAME - 13.7"
	102805-03-000	EA	CHANNEL - EXTENSION - FRONT FRAME - 10.6"
	112864-01-000	FT	FOAM - BUTYL COATED SEAL - 3/8"
	056748-01-000	EA	PLUG - CAP - 1.5" DIAMETER
	115361-01-01A	EA	PLUG - PLASTIC
	104147-02-000	EA	SHIELD - SPLASH - RIGHT HAND
	123361-01-000	EA	DUCT - AIR INTAKE
	119847-01-02B	EA	SHIELD - A/C COMPRESSOR
	113452-01-000	FT	SEAL/TRIM - FRONT - VINYL W/WIRE CARRIER

CURTAIN & CUSHION GROUP
NOTICE

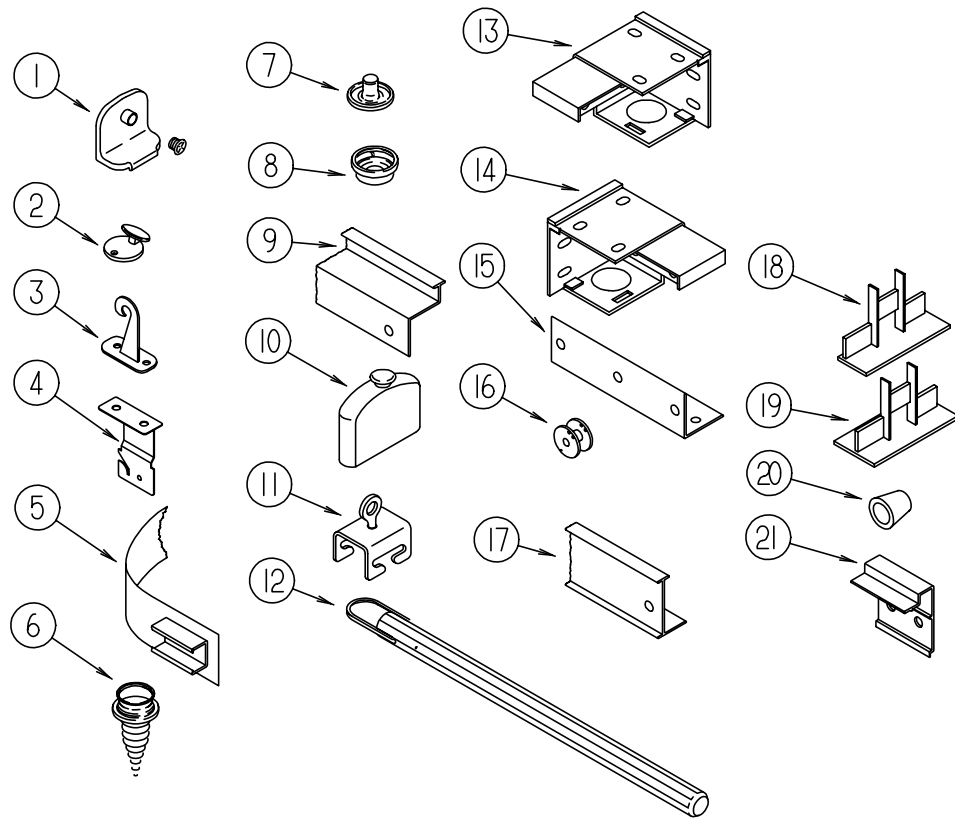
IN ORDER TO ASSIST OUR PARTS SALES DEPT. IN PROVIDING INTERIOR SOFTGOODS ITEMS, PLEASE INCLUDE THE SERIAL NUMBER AND THE COLOR CODE NUMBER FROM THE VEHICLE CERTIFICATION LABEL WHEN ORDERING. THIS LABEL IS LOCATED ON THE LEFT SIDEWALL AT THE END OF THE DASH (A-BODY), OR ON THE DRIVER'S DOOR LATCH PLATE (C-BODY).

AN EXAMPLE OF A COLOR CODE NUMBER IS B07, WHICH DESIGNATES AN OVERALL COLOR SCHEME OF A PARTICULAR UNIT. THE COLOR LISTED AFTER THE ITEM DESCRIPTION ON THE MICROFICHE, INDICATES THE OVERALL UNIT COLOR. ORDER THE ITEM YOU DESIRE ACCORDING TO UNIT COLOR CODE.



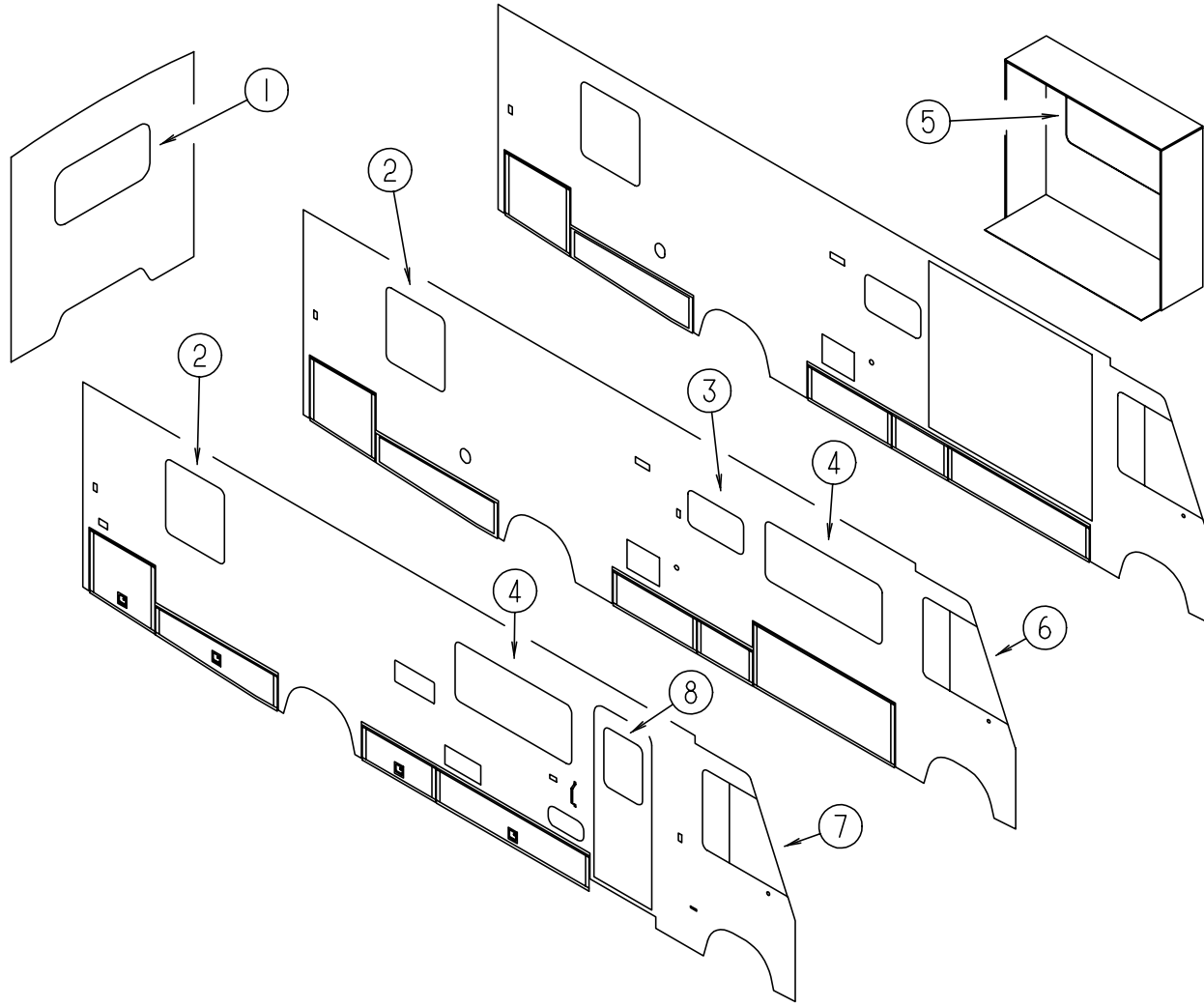
NOTE: USE THIS ILLUSTRATION WHEN DETERMINING LENGTH AND WIDTH MEASUREMENTS FOR CURTAINS. YOU WILL NOTE THE WIDTH MEASUREMENT IS TAKEN ON THE TOP OF THE CURTAIN WITH THE CURTAIN FULLY EXTENDED. THE LENGTH MEASUREMENT IS TAKEN FROM TOP TO BOTTOM. LEFT AND RIGHT WINDOW LEGS ARE DETERMINED WHEN FACING THE WINDOW.

CURTAIN & CUSHION GROUP (CONTINUED)
CURTAIN, BLIND HARDWARE & TRACKS



KEY	PART NUMBER	U/M	DESCRIPTION
1	106544-01-000	EA	PULL - SHADE/BRASS
1	106544-01-001	EA	SCREW - SHADE/BRASS
2	102555-03-000	EA	CLEAT - BLIND CORD - MILKY WHITE PLASTIC
3	109441-03-000	EA	HOLD DOWN - BLIND (CLOUDY)
4	084434-01-000	EA	BRACKET - MOUNTING - ROLLER SHADE - 1 3/8"
	096843-01-000	EA	SPRING - REWIND/ROLLER SHADE
	086276-01-000	EA	TAPE - DOUBLE SIDED - 1/2"
5	101031-01-000	YD	TAPE - GLIDE/CURTAIN - 4.25" SPACING
6	029130-01-000	EA	SCREW - SNAP SOCKET - #8 PH X 5/8"
7	029155-01-000	EA	CAP - SNAP - 5/32" O.D. OF PIN
8	029156-01-000	EA	SOCKET - SNAP - 9/16" O.D.
9	114641-05-04A	EA	TRACK - CURTAIN - WRAPAROUND W/SPACERS - RIGHT HAND
9	114641-07-G35	EA	TRACK - WRAPAROUND W/SPACERS - RIGHT HAND
9	114641-06-04A	EA	TRACK - CURTAIN - WRAPAROUND W/SPACERS - LEFT HAND
9	114641-08-G35	EA	TRACK - WRAPAROUND W/SPACERS - LEFT HAND
10	093475-01-701	EA	CAP-END, WITH INVERTED STUD PAR
11	009702-01-000	EA	END STOP - CURTAIN CARRIER - L ROD
12	093475-01-700	EA	WAND-BLIND W/METAL CLIP, 8" NONE
13	083170-01-000	EA	BRACKET - BLIND - LEFT SIDE WHEN FACING WINDOW
14	083170-02-000	EA	BRACKET - BLIND - RIGHT SIDE WHEN FACING WINDOW
15	105648-01-02A	EA	BRACE - VALANCE - OFF/WHITE - 14"
16	097592-01-000	EA	SPOOL - CORD - ELEVATED BLIND HOLDUP - CLEAR PLASTIC
17	009700-04-002	EA	TRACK - L-SHAPED 195.5" - OFF WHITE
18	094907-04-000	EA	HARDWARE - END CAP BOTTOM - PULL TYPE (RH & LH)
	094907-04-701	EA	END CAP-LH BOTTOM BLIND
	094907-04-700	EA	END CAP-RH BOTTOM BLIND
19	094907-02-000	EA	END CAP - TOP/PLEATED BLIND - PLASTIC - GRAY
20	097564-01-000	EA	HANDLE-T - EZ LIFT SHADE
21	097565-01-000	EA	BRACKET - MOUNTING/PLEATED BLIND
	048394-02-000	YD	VELCRO TAPE - HOOK - ADHESIVE BACK - .75" WIDE - BEIGE
	088792-01-000	YD	VELCRO TAPE - HOOK - 5/8" - NON-ADHESIVE BACKED
	088792-02-000	YD	VELCRO TAPE-LOOP, ADHESIVE BACKED - .75" WIDE - BEIGE
	088792-06-000	YD	VELCRO TAPE - LOOP - .75" - NON-ADHESIVE BACKED - BUFF
	094896-02-000	EA	GROMMET - CORD/PLEATED BLIND - NYLON - GRAY
	095567-01-000	EA	TACK - STRIP - .5" X 625' ROLL
	097591-01-000	EA	SPRING - EXTENSION/PLEATED BLIND
	097593-02-000	FT	CORD - BLIND/PLEATED - GRAY

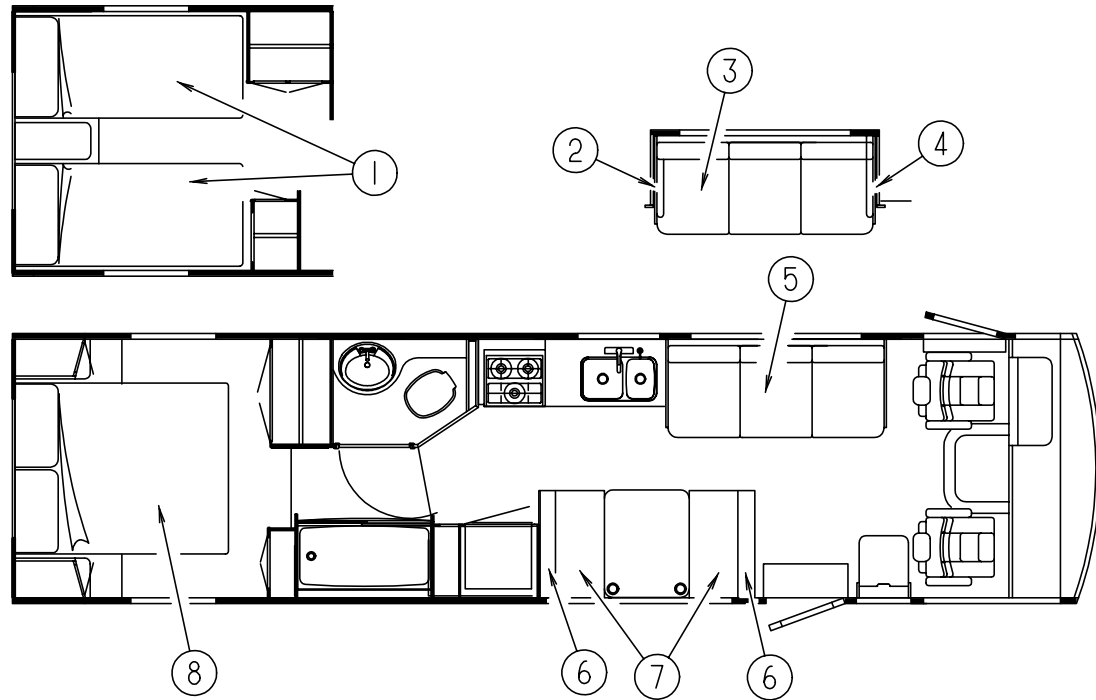
CURTAIN & CUSHION GROUP (CONTINUED)
WINDOW TREATMENT



KEY	PART NUMBER	U/M	DESCRIPTION
1	118064-01-GB1	EA	VALANCE - VALENCIA - 52" (H33)
1	118064-01-H05	EA	VALANCE - VALENCIA - 52" (H34)
1	118064-01-H35	EA	VALANCE - VALENCIA - 52" (H35)
1	109041-41-01A	EA	BLIND - MINI - 51" X 26" (H33)
1	109041-41-02A	EA	BLIND - MINI - 51" X 26" (H34,H35)
1	111910-48-H33	EA	BLIND - DAY/NIGHTER - 51" X 27" - WINDOW COVERINGS OPTION FROM: 00-00-00 THRU: 10-27-96
1	111910-48-HA3	EA	BLIND - DAY/NIGHTER - 51" X 27" - WINDOW COVERINGS OPTION FROM: 10-28-96 THRU: 99-99-99
2	118064-06-H33	EA	VALANCE - VALENCIA - 34"
2	118064-06-H34	EA	VALANCE - VALENCIA - 34"
2	118064-06-H35	EA	VALANCE - VALENCIA - 34"
2	109041-42-01A	EA	BLIND - MINI - 32" X 36" (H33)
2	109041-42-02A	EA	BLIND - MINI - 32" X 36" (H34,H35)
2	111910-49-H33	EA	BLIND - DAY/NIGHTER - 32" X 36" - WINDOW COVERINGS OPTION FROM: 00-00-00 THRU: 10-27-96
2	111910-49-HA3	EA	BLIND - DAY/NIGHTER - 32" X 36" - WINDOW COVERINGS OPTION FROM: 10-28-96 THRU: 99-99-99
3	109041-44-01A	EA	BLIND - MINI - 30.5" X 18" (H33)
3	109041-44-02A	EA	BLIND - MINI - 30.5" X 18" (H34,H35)
	109353-04-000	EA	CLIP - VALANCE SLAT MOUNTING - CLEAR PLASTIC

KEY	PART NUMBER	U/M	DESCRIPTION
4	118299-10-H33	EA	VALANCE - METRO - 65.5" (H33) FROM: 00-00-00 THRU: 01-12-97
4	118299-10-H3A	EA	VALANCE - METRO - 66.5" (H33) FROM: 01-13-97 THRU: 99-99-99
4	118299-10-H34	EA	VALANCE - METRO - 65.5" (H34)
4	118299-10-H35	EA	VALANCE - METRO - 65.5" (H35)
4	119333-01-H04	EA	LEG - RIGHT - 25" (H33) FROM: 00-00-00 THRU: 01-12-97
4	119333-01-H3A	EA	LEG - RIGHT - 25" (H33) FROM: 01-13-97 THRU: 99-99-99
4	119333-01-G16	EA	LEG - RIGHT - 25" (H34)
4	119333-01-H35	EA	LEG - RIGHT - 25" (H35)
4	119333-02-H04	EA	LEG - LEFT - 25" (H33) FROM: 00-00-00 THRU: 01-12-97
4	119333-02-H3A	EA	LEG - LEFT - 25" (H33) FROM: 01-13-97 THRU: 99-99-99
4	119333-02-G16	EA	LEG - LEFT - 25" (H34)
4	119333-02-H35	EA	LEG - LEFT - 25" (H35)
4	093475-76-05A	EA	BLIND - MINI - 60" X 28.5" (H33)
4	093475-76-06A	EA	BLIND - MINI - 60" X 28.5" (H34,H35)
4	109802-10-G01	EA	BLIND - PLEATED - 60" X 28.5" - WINDOW COVERINGS OPTION
5	118299-16-H33	EA	VALANCE - METRO II - 63"(H33) FROM: 00-00-00 THRU: 01-12-97
5	118299-16-H3A	EA	VALANCE - METRO - 62.5"(H33) FROM: 01-13-97 THRU: 99-99-99
5	118299-16-H34	EA	VALANCE - METRO II - 63"(H34)
5	118299-16-H35	EA	VALANCE - METRO II - 63"(H35)
5	109041-45-01A	EA	BLIND - MINI - 58" X 26" (H33)
5	109041-45-02A	EA	BLIND - MINI - 58" X 26" (H34,H35)
5	109802-48-G35	EA	BLIND - PLEATED - 59" X 26.5" - WINDOW COVERINGS OPTION
6	101668-57-G09	EA	CURTAIN - LEFT HAND - 38" X 95" (H33,H35)
6	101668-57-G10	EA	CURTAIN - LEFT HAND - 38" X 95" (H34)
7	101668-56-G09	EA	CURTAIN - RIGHT HAND - 38" X 95"(H33,H35)
7	101668-56-G10	EA	CURTAIN - RIGHT HAND - 38" X 95" (H34)
	073260-42-D09	EA	TIEBACK - 6" X 18" (H33,H35)
	073260-42-D10	EA	TIEBACK - 6" X 18" (H34)
8	118299-15-H33	EA	VALANCE - METRO II - 12" X 35" (H33) FROM: 00-00-00 THRU: 01-12-97
8	118299-15-H3A	EA	VALANCE - METRO - 12" X 35" (H33) FROM: 01-13-97 THRU: 99-99-99
8	118299-15-H34	EA	VALANCE - METRO II - 12" X 35" (H34)
8	118299-15-H35	EA	VALANCE - METRO II - 12" X 35" (H35)
8	084755-60-F01	EA	SHADE - PULL - 29.25"

CURTAIN & CUSHION GROUP (CONTINUED)



TWIN MATTRESSES & BEDSPREADS

KEY	PART NUMBER	U/M	DESCRIPTION
1	123015-04-000	EA	MATTRESS-INNERSPRING, 36" X 79.5"
1	123471-07-H33	EA	BEDSPREAD/THROW - 36" X 80"
1	123471-07-H34	EA	BEDSPREAD/THROW - 36" X 80"
1	123471-07-H35	EA	BEDSPREAD/THROW - 36" X 80"
	111863-07-H33	EA	PILLOW SHAM
	111863-07-H34	EA	PILLOW SHAM
	111863-07-H35	EA	PILLOW SHAM
	111862-03-H33	EA	PILLOW - 15" X 15"
	111862-03-H34	EA	PILLOW - 15" X 15"
			FROM: 00-00-00 THRU: 11-30-96
	111862-01-H34	EA	PILLOW - 15" X 15"
			FROM: 12-01-96 THRU: 99-99-99
	111862-03-H35	EA	PILLOW - 15" X 15"

SOFA/BED - SLIDE-OUT

KEY	PART NUMBER	U/M	DESCRIPTION
2	125198-01-H33	EA	ARMREST - RIGHT HAND
2	125198-01-H34	EA	ARMREST - RIGHT HAND
2	125198-01-H35	EA	ARMREST - RIGHT HAND
2	P25198-01-H33	EA	COVER - ARMREST - RIGHT HAND
2	P25198-01-H34	EA	COVER - ARMREST - RIGHT HAND
2	P25198-01-H35	EA	COVER - ARMREST - RIGHT HAND
3	123480-01-H33	EA	SOFA/BED - BACK AND SEAT
3	123480-01-H34	EA	SOFA/BED - BACK AND SEAT
3	123480-01-H35	EA	SOFA/BED - BACK AND SEAT
3	P23480-01-H33	EA	COVER - BACK AND SEAT - SOFA/BED
3	P23480-01-H34	EA	COVER - BACK AND SEAT - SOFA/BED
3	P23380-01-H35	EA	COVER - BACK AND SEAT - SOFA/BED
	123622-01-000	EA	FRAME - SOFA/BED - BACK - 68"
	123622-02-000	EA	FRAME - SOFA/BED - SEAT - 68"
	123622-03-000	EA	FRAME - SOFA/BED - BASE WITH LEGS - 68"
	113990-09-000	EA	LOCK - BRACKET - MALE FLEXSTEEL - CANADIAN
	122556-04-01A	EA	LOCK - JACK KNIFE SEAT - CANADIAN
4	125198-02-H33	EA	ARMREST - LEFT HAND
4	125198-02-H34	EA	ARMREST - LEFT HAND
4	125198-02-H35	EA	ARMREST - LEFT HAND
4	P25198-02-H33	EA	COVER - ARMREST - LEFT HAND
4	P25198-02-H34	EA	COVER - ARMREST - LEFT HAND
4	P25198-02-H35	EA	COVER - ARMREST - LEFT HAND

SOFA/BED

KEY	PART NUMBER	U/M	DESCRIPTION
5	112104-01-H33	EA	BACK - SOFA/BED - 74" - W/O ARMS
5	112104-01-H34	EA	BACK - SOFA/BED - 74" - W/O ARMS
5	112104-01-H35	EA	BACK - SOFA/BED - 74" - W/O ARMS
5	P12104-01-H33	EA	COVER - BACK - SOFA/BED - 74"
5	P12104-01-H34	EA	COVER - BACK - SOFA/BED - 74"
5	P11319-02-H35	EA	COVER - BACK - SOFA/BED - 74"
	101085-10-000	EA	FRAME-SOFA/BED, JACK KNIFE BACK - 74.5" X 16"
5	100032-43-H04	EA	SOFA/BED-JACK KNIFE SEAT, 74" TUCK - W/O ARMS (H33)
5	100032-43-H05	EA	SOFA/BED-JACK KNIFE SEAT, 74" TUCK - W/O ARMS (H34)
5	100032-43-H35	EA	SOFA/BED-JACK KNIFE SEAT, 74" TUCK - W/O ARMS (H35)
5	P00032-43-H04	EA	COVER-SOFA/BED, JACK KNIFE SEAT, 74" TUCK - W/O ARMS (H33)
5	P00032-43-H05	EA	COVER-SOFA/BED, JACK KNIFE SEAT, 74" TUCK - W/O ARMS (H34)
5	P00032-43-H35	EA	COVER-SOFA/BED, JACK KNIFE SEAT, 74" TUCK - W/O ARMS (H35)
	101085-04-000	EA	FRAME-SOFA/BED, JACK KNIFE SEAT, 74.75"
	101085-06-000	EA	FRAME-SOFA/BED, JACK KNIFE BASE, 74.75"
	111637-02-H33	EA	PILLOW ASM - 22" X 22"(H33)
			FROM: 00-00-00 THRU: 01-12-97
	111637-02-H3A	EA	PILLOW ASM - 22" X 22"(H33)
			FROM: 01-13-97 THRU: 99-99-99
	111637-02-H34	EA	PILLOW ASM - 22" X 22" (H34)
	111637-02-H25	EA	PILLOW ASM - 22" X 22" (H35)
	113990-09-000	EA	BRACKET-LOCK, MALE - FLEXSTEEL
	122556-04-01A	EA	LOCK-JACK KNIFE SEAT

NOTE: COUCH FRONT AND SIDE PANELS ARE FOUND IN THE LOUNGE GROUP

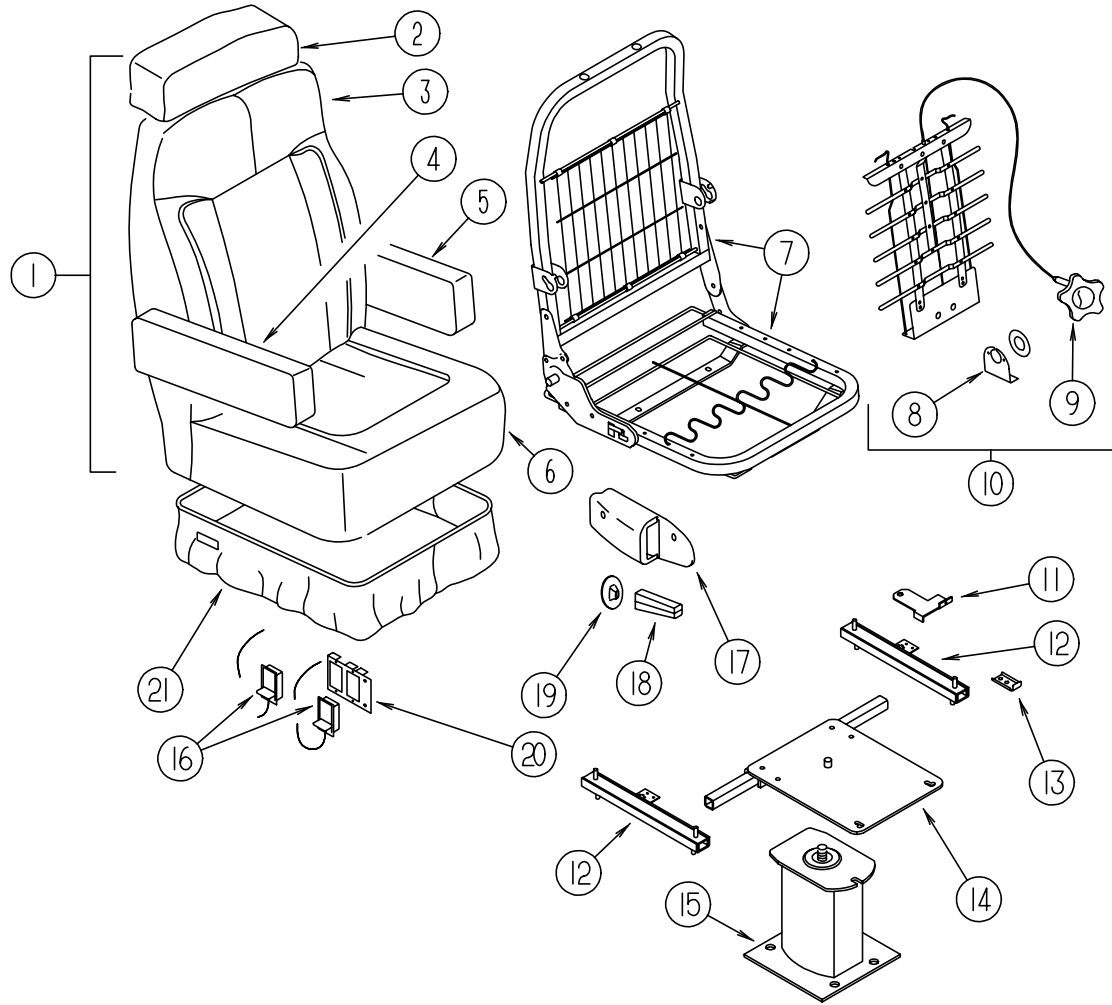
DINETTE CUSHIONS

KEY	PART NUMBER	U/M	DESCRIPTION
6	111880-01-H33	EA	CUSHION - BACK - 13.5" X 38" X 5"
6	111880-01-H34	EA	CUSHION - BACK - 13.5" X 38" X 5"
6	111880-01-H35	EA	CUSHION - BACK - 13.5" X 38" X 5"
6	P11880-01-H33	EA	COVER - BACK CUSHION - 13.5" X 38" X 5"
6	P11880-01-H34	EA	COVER - BACK CUSHION - 13.5" X 38" X 5"
6	P11880-01-H35	EA	COVER - BACK CUSHION - 13.5" X 38" X 5"
	078155-01-000	EA	STRAP-SNAP, BACKREST CUSHION
7	088927-87-H04	EA	CUSHION - SEAT BOTTOM - 23" X 38" X 5" (H33)
7	088927-87-H05	EA	CUSHION - SEAT BOTTOM - 23" X 38" X 5" (H34)
7	088927-87-H35	EA	CUSHION - SEAT BOTTOM - 23" X 38" X 5" (H35)
7	M88927-87-H04	EA	COVER - SEAT CUSHION - 23" X 38" X 5" (H33)
7	M88927-87-H05	EA	COVER - SEAT CUSHION - 23" X 38" X 5" (H34)
7	M88927-87-H35	EA	COVER - SEAT CUSHION - 23" X 38" X 5" (H35)

QUEEN MATTRESS & BEDSPREAD

KEY	PART NUMBER	U/M	DESCRIPTION
8	123015-06-000	EA	MATTRESS - INNERSPRING - 60" X 74.5"
8	123471-04-H33	EA	BEDSPREAD/THROW - 60" X 75"
8	123471-04-H34	EA	BEDSPREAD/THROW - 60" X 75"
8	123471-04-H35	EA	BEDSPREAD/THROW - 60" X 75"
	111863-05-H33	EA	PILLOW SHAM
	111863-05-H34	EA	PILLOW SHAM
	111863-05-H35	EA	PILLOW SHAM
	111862-03-H33	EA	PILLOW - 15" X 15"
	111862-03-H34	EA	PILLOW - 15" X 15"
			FROM: 00-00-00 THRU: 11-30-96
	111862-01-H34	EA	PILLOW - 15" X 15"
			FROM: 12-01-96 THRU: 99-99-99
	111862-03-H35	EA	PILLOW - 15" X 15"
	111862-08-H3A	EA	PILLOW - 15" X 15" (H33) MCCLAINS ANIVERSARY OPTION
	111862-08-H34	EA	PILLOW - 15" X 15" (H34) MCCLAINS ANIVERSARY OPTION
	111862-08-H35	EA	PILLOW - 15" X 15" (H35) MCCLAINS ANIVERSARY OPTION

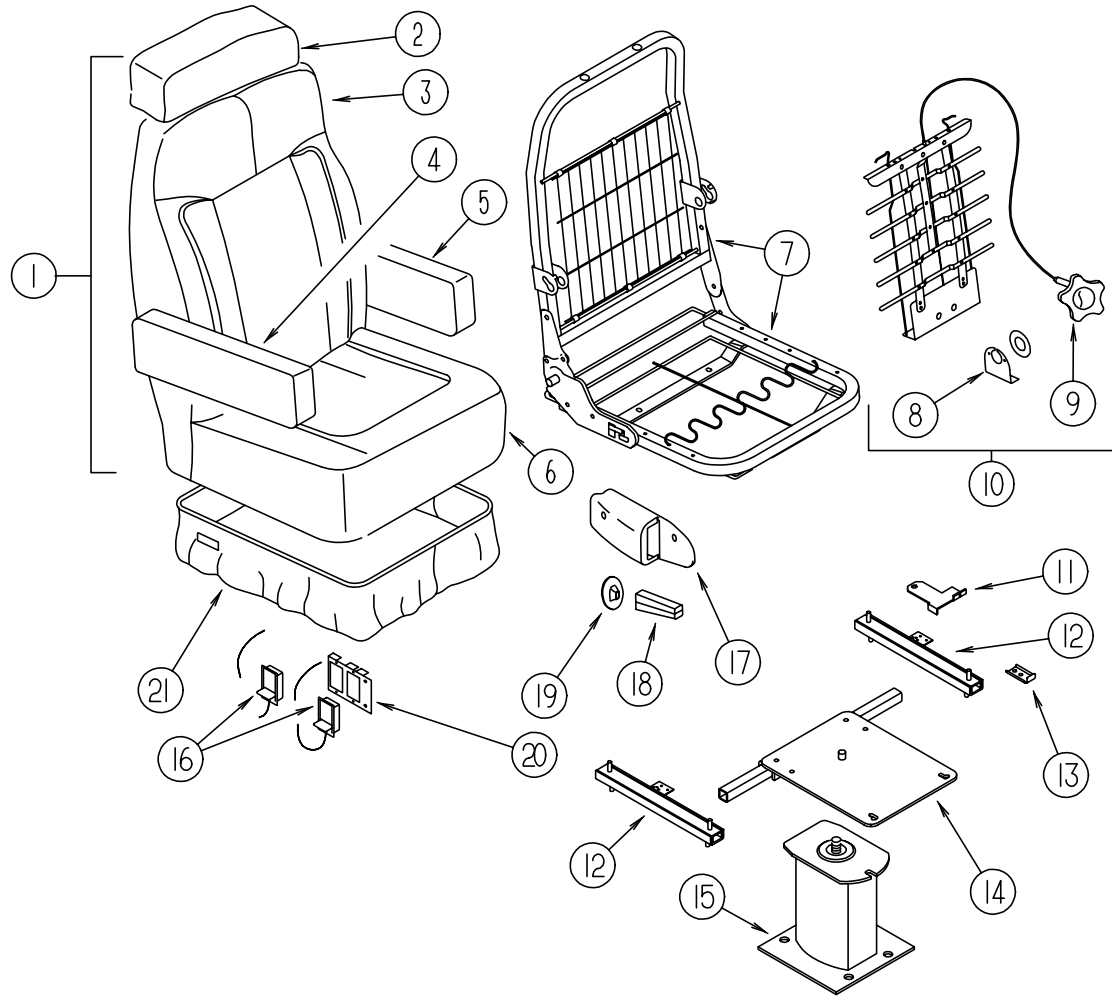
CURTAIN & CUSHION GROUP (CONTINUED)
DRIVER BUCKET SEAT



KEY	PART NUMBER	U/M DESCRIPTION
1	122684-01-H33	EA SEAT - BUCKET - DRIVERS - W/LUMBAR (H33) FROM: 00-00-00 THRU: 01-12-97
1	122684-01-H3A	EA SEAT - BUCKET - DRIVERS - W/LUMBAR (H33) FROM: 01-13-97 THRU: 99-99-99
1	122684-01-H34	EA SEAT - BUCKET - DRIVERS - W/LUMBAR (H34)
1	122684-01-H35	EA SEAT - BUCKET - DRIVERS - W/LUMBAR (H35)
1	123820-03-H50	EA SEAT - BUCKET - MCCLAINS ANNIVERSARY OPTION
2	119509-01-H33	EA HEADREST - BUCKET SEAT (H33) FROM: 01-13-97 THRU: 99-99-99
2	119509-01-H3A	EA HEADREST - BUCKET SEAT (H33) FROM: 01-13-97 THRU: 99-99-99
2	119509-01-G10	EA HEADREST - BUCKET SEAT (H34)
2	119509-01-H35	EA HEADREST - BUCKET SEAT (H35)
2	124682-02-H50	EA HEADREST - MCCLAINS ANNIVERSARY OPTION
2	P19509-01-H33	EA COVER - HEADREST (H33) FROM: 01-13-97 THRU: 99-99-99
2	P19509-01-H3A	EA COVER - HEADREST (H33) FROM: 01-13-97 THRU: 99-99-99
2	P19509-01-G10	EA COVER - HEADREST (H34)
2	P19509-01-H35	EA COVER - HEADREST (H35)
2	P24682-02-H50	EA COVER - HEADREST - MCCLAINS ANNIVERSARY OPTION
2	113977-12-000	EA INSERT/HEADREST - W/O LOCK
2	113977-13-000	EA INSERT/HEADREST - W/LOCK

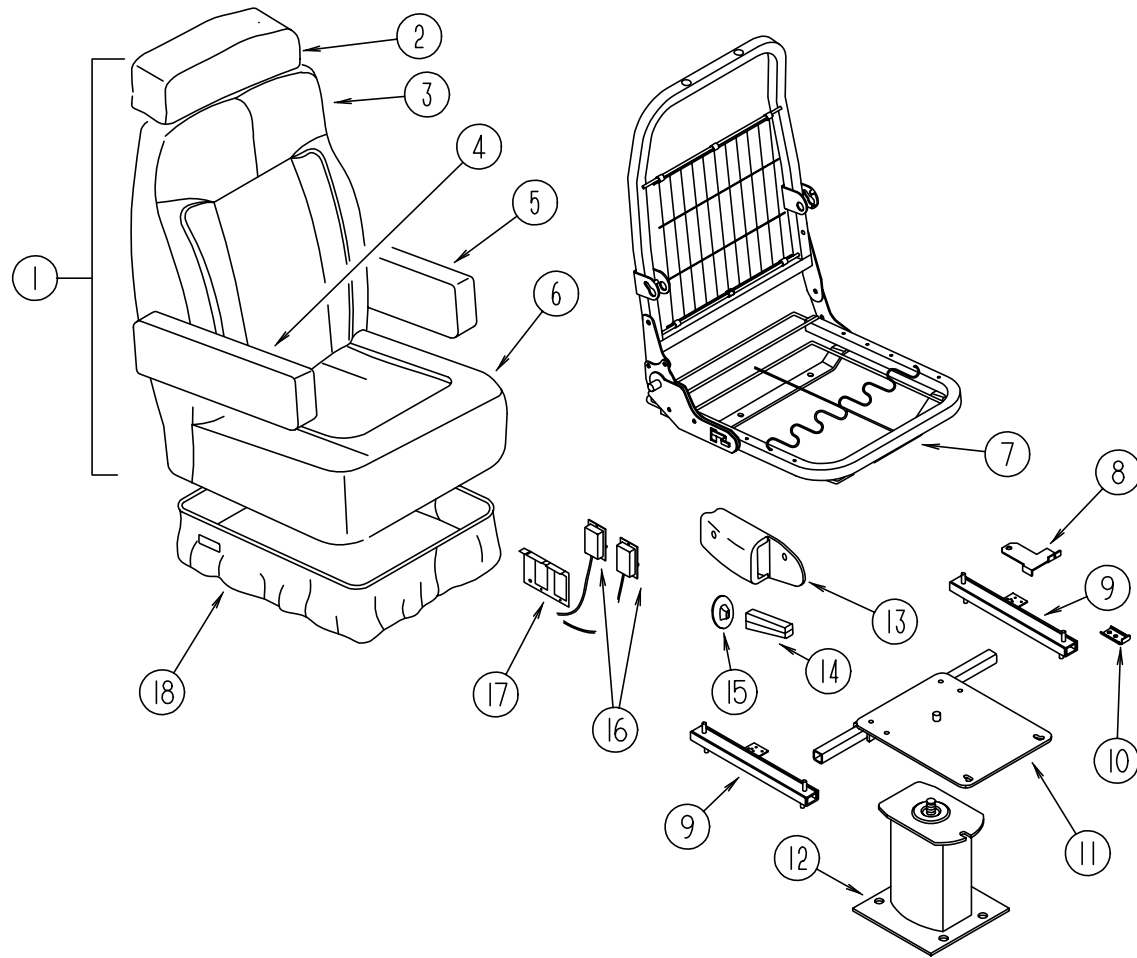
KEY	PART NUMBER	U/M DESCRIPTION
3	M05962-39-H33	EA COVER - BACK (H33) FROM: 00-00-00 THRU: 01-12-97
3	M05962-39-H3A	EA COVER - BACK (H33) FROM: 01-13-97 THRU: 99-99-99
3	M05962-39-H34	EA COVER - BACK (H34)
3	M05962-39-H35	EA COVER - BACK (H35)
3	M05962-49-H50	EA COVER - BACK - LEATHER/VINYL - MCCLAINS ANNIVERSARY OPTION
4	122780-01-H33	EA ARMREST - RIGHT HAND (H33) FROM: 00-00-00 THRU: 01-12-97
4	122780-01-H3A	EA ARMREST - RIGHT HAND (H33) FROM: 01-13-97 THRU: 99-99-99
4	122780-01-H34	EA ARMREST - RIGHT HAND (H34)
4	122780-01-H35	EA ARMREST - RIGHT HAND (H35)
4	123962-03-H50	EA ARMREST - ADJUSTABLE/RIGHT HAND - MCCLAINS ANNIVERSARY OPTION
4	122622-01-000	EA BRACKET - ADJUSTABLE/ARMREST - RIGHT HAND - MCCLAINS ANNIVERSARY OPTION FROM: 00-00-00 THRU: 08-17-96
4	122622-04-000	EA BRACKET - ADJUSTABLE/ARMREST - RIGHT HAND - MCCLAINS ANNIVERSARY OPTION FROM: 08-18-96 THRU: 99-99-99
4	122622-03-000	EA BRACKET - ADJUSTABLE KNOB - MCCLAINS ANNIVERSARY OPTION FROM: 00-00-00 THRU: 08-17-96
4	122622-06-000	EA BRACKET - ADJUSTABLE KNOB - 3/8" - MCCLAINS ANNIVERSARY OPTION FROM: 08-18-96 THRU: 99-99-99
4	P22780-01-H33	EA COVER - ARMREST - RIGHT HAND (H33) FROM: 00-00-00 THRU: 01-12-97
4	P22780-01-H3A	EA COVER - ARMREST - RIGHT HAND (H33) FROM: 01-13-97 THRU: 99-99-99
4	P22780-01-H34	EA COVER - ARMREST - RIGHT HAND (H34)
4	P22780-01-H35	EA COVER - ARMREST - RIGHT HAND (H35)
4	115617-03-000	EA ARMREST - W/O COVER - RIGHT HAND
4	P23962-03-H50	EA COVER - ARMREST - RIGHT HAND - MCCLAINS ANNIVERSARY OPTION
5	122780-02-H33	EA ARMREST - LEFT HAND (H33) FROM: 00-00-00 THRU: 01-12-97
5	122780-02-H3A	EA ARMREST - LEFT HAND (H33) FROM: 01-13-97 THRU: 99-99-99
5	122780-02-H34	EA ARMREST - LEFT HAND (H34)
5	122780-02-H35	EA ARMREST - LEFT HAND (H35)
5	115617-04-000	EA ARMREST - W/O COVER - LEFT HAND
5	123962-04-H50	EA ARMREST - ADJUSTABLE/LEFT HAND - MCCLAINS ANNIVERSARY OPTION
5	122622-02-000	EA BRACKET - ADJUSTABLE/ARMREST - LEFT HAND - MCCLAINS ANNIVERSARY OPTION FROM: 00-00-00 THRU: 08-17-96
5	122622-05-000	EA BRACKET - ADJUSTABLE/ARMREST - LEFT HAND - MCCLAINS ANNIVERSARY OPTION FROM: 08-18-96 THRU: 99-99-99
5	122622-03-000	EA BRACKET - ADJUSTABLE KNOB - MCCLAINS ANNIVERSARY OPTION FROM: 00-00-00 THRU: 08-17-96
5	122622-06-000	EA BRACKET - ADJUSTABLE KNOB - 3/8" - MCCLAINS ANNIVERSARY OPTION FROM: 08-18-96 THRU: 99-99-99
5	P22780-02-H33	EA COVER - ARMREST - LEFT HAND (H33) FROM: 00-00-00 THRU: 01-12-97
5	P22780-02-H3A	EA COVER - ARMREST - LEFT HAND (H33) FROM: 01-13-97 THRU: 99-99-99
5	P22780-02-H34	EA COVER - ARMREST - LEFT HAND (H34)
5	P22780-02-H35	EA COVER - ARMREST - LEFT HAND (H35)
5	P23962-05-H50	EA COVER - ARMREST - LEFT HAND - MCCLAINS ANNIVERSARY OPTION

CURTAIN & CUSHION GROUP (CONTINUED)
DRIVER BUCKET SEAT (CONTINUED)



KEY	PART NUMBER	U/M	DESCRIPTION	VENDOR NO.
6	M05962-40-H33	EA	COVER - SEAT (H33)	
				FROM: 00-00-00 THRU: 01-12-97
6	M05962-40-H3A	EA	COVER -SEAT (H33)	
				FROM: 01-13-97 THRU: 99-99-99
6	M05962-40-H34	EA	COVER - SEAT (H34)	
6	M05962-40-H35	EA	COVER - SEAT (H35)	
6	M05962-50-H50	EA	COVER - SEAT - LEATHER/VINYL - MCCLAINS ANNIVERSARY OPTION	
7	122695-01-01B	EA	FRAME - SEAT/BACK	
8	122611-01-702	EA	LUMBAR - BRACKET	157C-90
	122611-01-703	EA	LUMBAR - SCREW	210
9	122611-01-701	EA	LUMBAR - KNOB	218
10	122611-01-000	EA	LUMBAR	
11	117125-01-02B	EA	BRACKET-CABLE HOLDER, ADJUSTER W/LOCK - E-COAT	
12	119952-06-000	EA	SLIDE-SEAT, HEAVY DUTY LOCKING - 4 STUDS	
	119952-07-000	EA	WIRE-LATCH RELEASE/ROTARY	
13	114889-01-000	EA	STOP BAR-UNIVERSAL	
14	107921-05-000	EA	PLATE-TOP W/SEAT BELT BAR	
				FROM: 00-00-00 THRU: 05-21-97
	107921-06-000	EA	BEARING KIT - PEDESTAL	
15	107921-01-000	EA	PEDESTAL/FLOOR MOUNTED - W/9.75" EXTENSION	
16	108049-03-000	EA	CABLE/CONTROL 25.5" SHEATH/28.5" CABLE W/DOG LEG	
	108049-02-000	EA	CLIP-CABLE/PEDESTAL	
17	080730-09-000	EA	SHIELD - RECLINER HANDLE	
18	080730-08-000	EA	HANDLE - RECLINER	
19	080730-11-000	EA	SHIELD - RUBBER BOOT	
20	097683-02-000	EA	BRACKET - REMOTE/SIDE MOUNT - DOUBLE	
21	071126-58-H33	EA	SKIRT - SINGLE - W/SEAT BELT SLOT (H33)	
				FROM: 00-00-00 THRU: 01-12-97
21	071126-58-H3A	EA	SKIRT - SINGLE - W/SEAT BELT SLOT (H33)	
				FROM: 01-13-97 THRU: 99-99-99
21	071126-58-H34	EA	SKIRT - SINGLE - W/SEAT BELT SLOT (H34)	
21	071126-58-H35	EA	SKIRT - SINGLE - W/SEAT BELT SLOT (H35)	
21	071126-62-H13	EA	SKIRT - SINGLE - 10.5" - W/SEAT BELT SLOT - MCCLAINS ANNIVERSARY OPTION	

CURTAIN & CUSHION GROUP (CONTINUED)
PASSENGER BUCKET SEAT



KEY	PART NUMBER	U/M	DESCRIPTION
1	122684-02-H33	EA	SEAT - BUCKET - PASSENGER (H33) FROM: 00-00-00 THRU: 01-12-97
1	122684-02-H3A	EA	SEAT - BUCKET - PASSENGER (H33) FROM: 01-13-97 THRU: 99-99-99
1	122684-02-H34	EA	SEAT - BUCKET - PASSENGER (H34)
1	122864-02-H35	EA	SEAT - BUCKET - PASSENGER (H35)
1	123820-04-H50	EA	SEAT - BUCKET - MCCLAINS ANNIVERSARY OPTION
2	119509-01-H33	EA	HEADREST - BUCKET SEAT (H33) FROM: 00-00-00 THRU: 01-12-97
2	119509-01-H3A	EA	HEADREST - BUCKET SEAT (H33) FROM: 01-13-97 THRU: 99-99-99
2	119509-01-G10	EA	HEADREST - BUCKET SEAT (H34)
2	119509-01-H35	EA	HEADREST - BUCKET SEAT (H35)
2	124682-02-H50	EA	HEADREST - MCCLAINS ANNIVERSARY OPTION
2	P19509-01-H33	EA	COVER - HEADREST (H33) FROM: 00-00-00 THRU: 01-12-97
2	P19509-01-H3A	EA	COVER - HEADREST (H33) FROM: 01-13-97 THRU: 99-99-99
2	P19509-01-G10	EA	COVER-HEADREST (H34)
2	P19509-01-H35	EA	COVER-HEADREST (H35)
2	P24682-02-H50	EA	COVER - HEADREST - MCCLAINS ANNIVERSARY OPTION
2	113977-12-000	EA	HEADREST INSERT W/O LOCK
2	113977-13-000	EA	HEADREST INSERT W/LOCK
3	M05962-39-H33	EA	COVER - BACK (H33) FROM: 00-00-00 THRU: 01-12-97
3	M05962-39-H3A	EA	COVER - BACK (H33) FROM: 01-13-97 THRU: 99-99-99
3	M05962-39-H34	EA	COVER - BACK (H34)
3	M05962-39-H35	EA	COVER - BACK (H35)
3	M05962-02-H50	EA	COVER - BACK - LEATHER/VINYL - MCCLAINS ANNIVERSARY OPTION

KEY	PART NUMBER	U/M	DESCRIPTION
4	122780-01-H33	EA	ARMREST - RIGHT HAND (H33) FROM: 00-00-00 THRU: 01-12-97
4	122780-01-H3A	EA	ARMREST - RIGHT HAND (H33) FROM: 01-13-97 THRU: 99-99-99
4	122780-01-H34	EA	ARMREST - RIGHT HAND (H34)
4	122780-01-H35	EA	ARMREST - RIGHT HAND (H35)
4	122780-03-H50	EA	ARMREST - RIGHT HAND - MCCLAINS ANNIVERSARY OPTION
4	P22780-01-H33	EA	COVER - ARMREST - RIGHT HAND (H33) FROM: 00-00-00 THRU: 01-12-97
4	P22780-01-H3A	EA	COVER - ARMREST - RIGHT HAND (H33) FROM: 01-13-97 THRU: 99-99-99
4	P22780-01-H34	EA	COVER - ARMREST - RIGHT HAND (H34)
4	P22780-01-H35	EA	COVER - ARMREST - RIGHT HAND (H35)
4	P22780-03-H50	EA	COVER - ARMREST - RIGHT HAND - MCCLAINS ANNIVERSARY OPTION
4	115617-03-000	EA	ARMREST - W/O COVER - RIGHT HAND
5	122780-02-H33	EA	ARMREST - LEFT HAND (H33) FROM: 00-00-00 THRU: 01-12-97
5	122780-02-H3A	EA	ARMREST - LEFT HAND (H33) FROM: 01-13-97 THRU: 99-99-99
5	122780-02-H34	EA	ARMREST - LEFT HAND (H34)
5	122780-02-H35	EA	ARMREST - LEFT HAND (H35)
5	122780-04-H50	EA	ARMREST - LEFT HAND - MCCLAINS ANNIVERSARY OPTION
5	115617-04-000	EA	ARMREST - W/O COVER - LEFT HAND
5	P22780-02-H33	EA	COVER - ARMREST - LEFT HAND (H33) FROM: 00-00-00 THRU: 01-12-97
5	P22780-02-H3A	EA	COVER - ARMREST - LEFT HAND (H33) FROM: 01-13-97 THRU: 99-99-99
5	P22780-02-H34	EA	COVER - ARMREST - LEFT HAND (H34)
5	P22780-02-H35	EA	COVER - ARMREST - LEFT HAND (H35)
5	P22780-04-H50	EA	COVER - ARMREST - LEFT HAND - MCCLAINS ANNIVERSARY OPTION
6	M05962-40-H33	EA	COVER - SEAT (H33) FROM: 00-00-00 THRU: 01-12-97
6	M05962-40-H3A	EA	COVER - SEAT (H33) FROM: 01-13-97 THRU: 99-99-99
6	M05962-40-H34	EA	COVER - SEAT (H34)
6	M05962-40-H35	EA	COVER - SEAT (H35)
6	M05962-50-H50	EA	COVER - SEAT - LEATHER/VINYL - MCCLAINS ANNIVERSARY OPTION
7	122695-01-01B	EA	FRAME - SEAT/BACK
8	097683-02-000	EA	BRACKET - REMOTE/SIDE MOUNT - DOUBLE
9	119952-06-000	EA	SLIDE/SEAT - HEAVY DUTY LOCKING - 4 STUDS
9	119952-07-000	EA	WIRE - LATCH RELEASE/ROTARY
10	114889-01-000	EA	STOP BAR - UNIVERSAL
11	107921-05-000	EA	PLATE - TOP - W/SEAT BELT BAR
11	107921-06-000	EA	BEARING KIT - PEDESTAL
12	107921-01-000	EA	PEDESTAL/FLOOR MOUNTED - W/9.75" EXTENSION
13	080730-09-000	EA	SHIELD - RECLINER HANDLE
14	080730-08-000	EA	HANDLE - RECLINER
15	080730-11-000	EA	SHIELD - RUBBER BOOT
16	108049-03-000	EA	CABLE/CONTROL 25.5" SHEATH/28.5" CABLE W/DOG LEG
16	108049-02-000	EA	CLIP - CABLE/PEDESTAL
17	097683-02-000	EA	BRACKET - REMOTE/SIDE MOUNT - DOUBLE
18	071126-58-H33	EA	SKIRT - SINGLE - W/SEAT BELT SLOT (H33) FROM: 00-00-00 THRU: 01-12-97
18	071126-58-H3A	EA	SKIRT - SINGLE - W/SEAT BELT SLOT (H33) FROM: 01-13-97 THRU: 99-99-99
18	071126-58-H34	EA	SKIRT - SINGLE - W/SEAT BELT SLOT (H34)
18	071126-58-H35	EA	SKIRT - SINGLE - W/SEAT BELT SLOT (H35)
18	071126-62-H13	EA	SKIRT - SINGLE - 10.5" - W/SEAT BELT SLOT - MCCLAINS ANNIVERSARY OPTION

CURTAIN & CUSHION GROUP (CONTINUED)
BUTTON, TRIM, ASSIST HANDLE & SEAT BELT

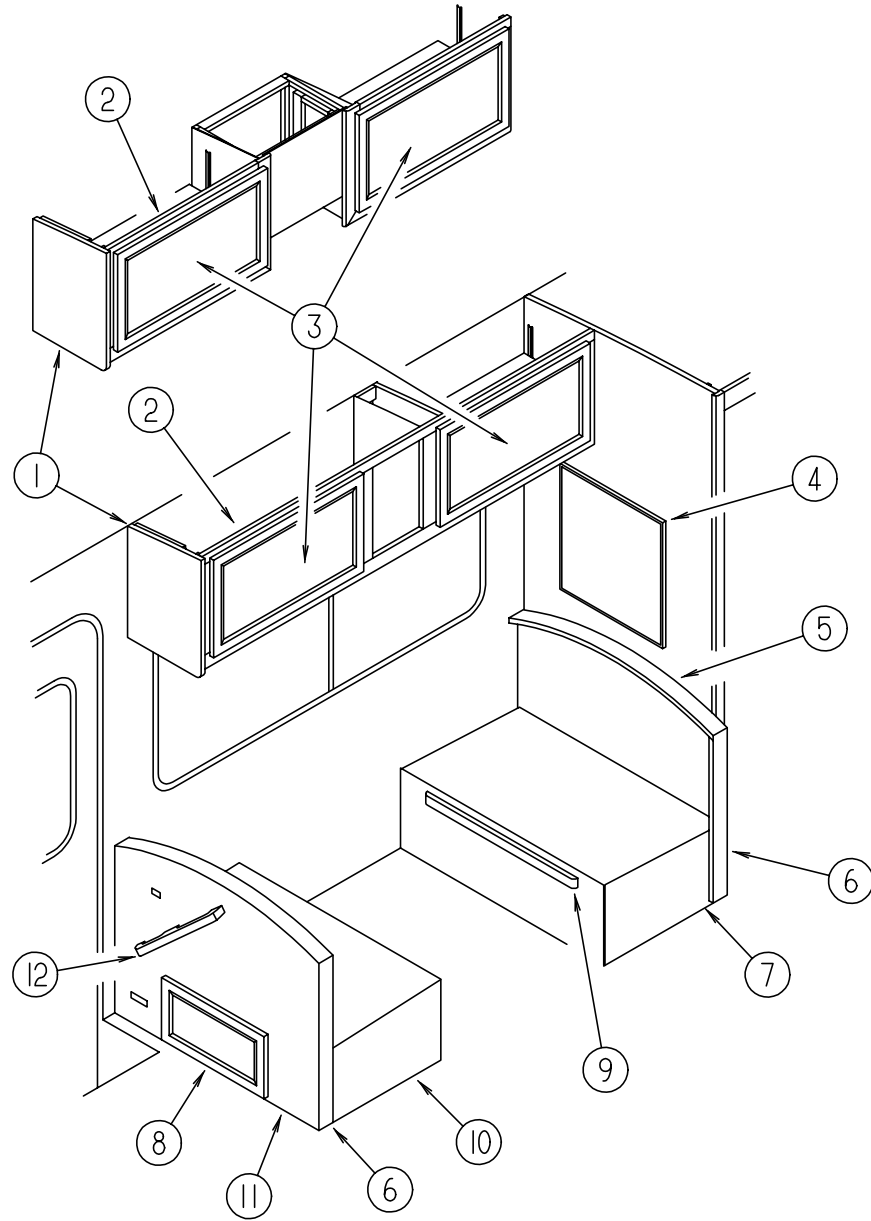
KEY	PART NUMBER	U/M	DESCRIPTION
	070578-02-B10	EA	BUTTON - SCREW - STUD - #30 VINYL
	118337-01-H33	YD	BUTTON - #60 (H33)
			FROM: 00-00-00 THRU: 01-12-97
	118337-01-H3A	YD	BUTTON - #60 (H33)
			FROM: 01-13-97 THRU: 99-99-99
	118337-01-G10	YD	BUTTON - #60 (H34)
	118337-01-H35	YD	BUTTON - #60 (H35)
	074494-02-000	EA	BUTTON - RETAINING PIVOT - #60
	074494-03-000	EA	BUTTON - SERRATED PIVOT - W/3/8 TACK
	079349-04-H33	YD	WELT - NARROW (H33)
			FROM: 00-00-00 THRU: 01-12-97
	079349-04-H3A	YD	WELT - NARROW (H33)
			FROM: 01-13-97 THRU: 99-99-99
	079349-04-H34	YD	WELT - NARROW (H34)
	079349-04-H35	YD	WELT - NARROW (H35)
	057759-01-000	EA	WASHER BRACKET-SEAT BELT, 4" DIAMETER
	007021-01-000	EA	SEAT BELT - 2" X 90" - BLACK
	056271-02-000	EA	BELT - SEAT - 2" X 72" - BLACK
	069178-02-000	EA	BRACKET-MOUNTING, ASSIST HANDLE - L ANGLE - W/HOLES - STEEL
	053552-02-AA8	EA	HANDLE-ASSIST, INTERIOR - ENTRY DOOR - VINYL - OFF WHITE
	000D20-07-00B	EA	NUT - ACORN - ASSIST HANDLE - 7/16 - 14
	099707-01-000	EA	STRAP - TV TIE DOWN W/24" FEMALE STRAP & 14.2" MALE STRIP
	057534-03-000	EA	TIEBACK/TIEDOWN-BED/CURTAIN/DOOR, 7.5" - PLASTIC - CLEAR
	000D20-07-00B	EA	NUT - ACORN - ASSIST HANDLE - 7/16 - 14

CURTAIN & CUSHION GROUP (CONTINUED)
SUNRISE FABRIC

COLOR CODES	H33 FROM: 00-00-00 THRU: 01-12-97	H33 FROM: 01-13-97 THRU: 99-99-99	H34	H35
	BLUE LAGOON (BLUE)	BLUE LAGOON (BLUE)	KRYPTONITE (TAN)	SEQUOIA (SAGE)
CEILING MATERIAL FROM: 00-00-00 THRU: 10-13-96	113979-01-01A	113979-01-01A	113979-01-01A	113979-01-01A
CEILING MATERIAL FROM: 10-14-96 THRU: 03-31-97	113979-04-01A	113979-04-01A	113979-04-01A	113979-04-01A
CEILING MATERIAL FROM: 04-01-97 THRU: 99-99-99	113979-01-01A	113979-01-01A	113979-01-01A	113979-01-01A
QUICKSILVER VINYL	103907-01-05A	103907-01-05A	103907-01-05A	103907-01-05A
DRAPERY LINING	087272-03-000	087272-03-000	087272-03-000	087272-03-000
BUCKET SEATS	108446-K9-000	108446-S9-000	108446-77-000	108446-59-000
MC CLAIN'S BUCKET SEATS	103907-01-04A	103907-01-04A	103907-01-04A	103907-01-04A
DINETTE	108446-K7-000	108446-K7-000	108446-K8-000	108446-M2-000
DINETTE PADS	108446-K9-000	108446-S9-000	108446-77-000	108446-59-000
SOFA	108446-K7-000	108446-K7-000	108446-K8-000	108446-M2-000
SOFA PILLOWS	108446-K9-000	108446-S9-000	108446-G2-000	108446-M7-000
SWIVEL CHAIR	108446-K9-000	108446-S9-000	108446-G2-000	108446-M7-000
DINETTE/LOUNGE WINDOWS	108446-K9-000 108446-K7-000	108446-K9-000 108446-K7-000 108446-S9-000	108446-77-000 108446-K8-000 108446-G2-000	108446-59-000 108446-M2-000 108446-M7-000
BEDROOM WINDOWS	105745-B3-000	105745-B3-000	105745-D5-000	105745-E5-000
BEDSPREAD	105745-B3-000 105745-61-000	105745-B3-000 105745-61-000	105745-D5-000 108446-62-000	105745-E5-000 105745-E2-000
PILLOW SHAMS	105745-B3-000 105745-61-000	105745-B3-000 105745-61-000	105745-D5-000 108446-62-000	105745-E5-000 105745-E2-000
HEADBOARD	105745-B3-000 105745-61-000	105745-B3-000 105745-61-000	105745-D5-000 108446-62-000	105745-E5-000 105745-E2-000
BEDROOM PILLOWS	105745-B7-000 105745-A2-000	105745-B7-000 105745-A2-000	105745-D5-000 108446-62-000	105745-D0-000 105745-E5-000
FRONT WRAP AROUND	072333-90-000	072333-90-000	072333-82-000	072333-90-000
MAP POCKETS	108446-K9-000	108446-S9-000	108446-G2-000	108446-59-000

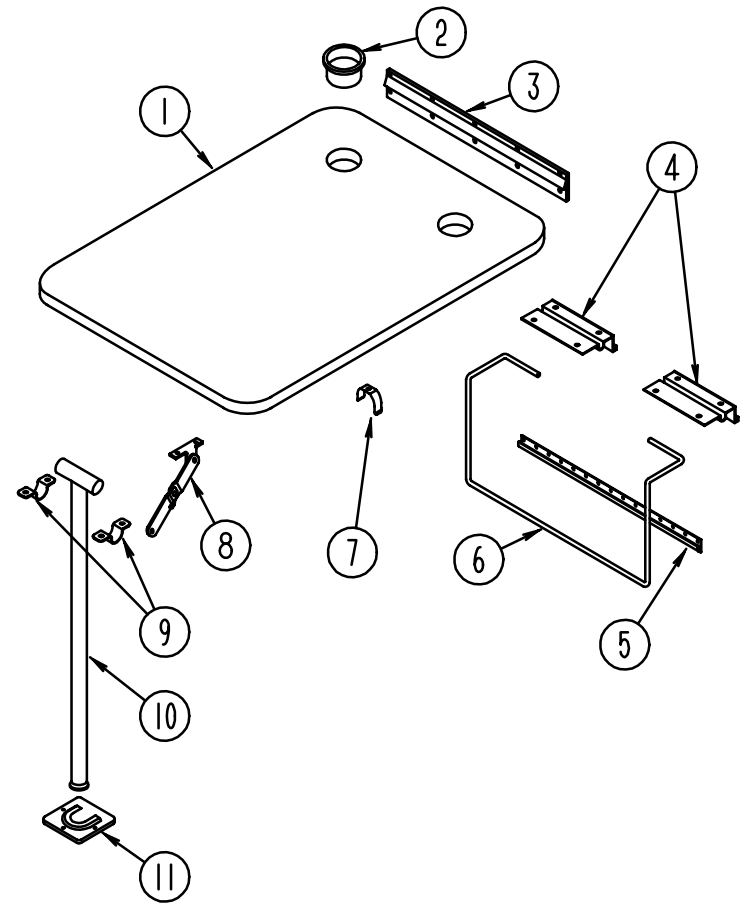
NOTE: FABRIC LISTED FIRST, IN A BLOCK, IS THE LARGEST QUANTITY OF FABRIC USED.

DINETTE GROUP
DINETTE CABINERY



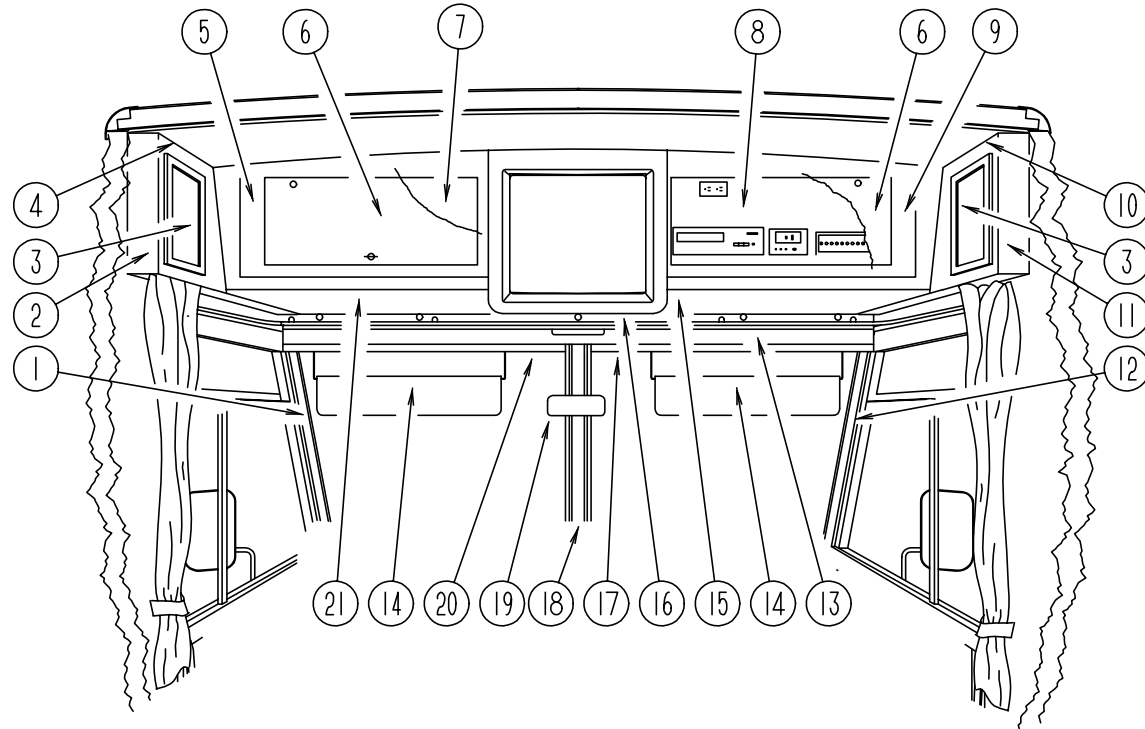
KEY	PART NUMBER	U/M	DESCRIPTION
1	103128-02-G09	EA	END CAP - OVERHEAD CABINET - LEFT HAND
2	117902-01-H33	EA	CABINET-OVERHEAD, W/O DOORS (H33)
2	117902-01-G14	EA	CABINET-OVERHEAD, W/O DOORS (H34)
2	117902-01-H35	EA	CABINET-OVERHEAD, W/O DOORS (H35)
	117579-13-G09	EA	SHelf - W/PLASTIC EDGE TRIM
2	117579-01-H33	EA	CABINET-OVERHEAD, W/O DOORS - COFFEEMAKER OPTION (H33)
2	117579-01-G14	EA	CABINET-OVERHEAD, W/O DOORS - COFFEEMAKER OPTION (H34)
2	117579-01-H35	EA	CABINET-OVERHEAD, W/O DOORS - COFFEEMAKER OPTION (H35)
3	M06803-02-G09	EA	DOOR-W/O HARDWARE W/O MIRROR - 15.7" X 27.9"
4	058331-47-000	EA	MIRROR-SAFETY GLASS - 22.36" X 15.09" - WALL MOUNTED
4	105004-01-05A	EA	MOLDING-MIRROR, VINYL WRAPPED - 1" X 8' - OAK
5	104787-04-H33	EA	PAD-DINETTE (H33)
			FROM: 00-00-00 THRU: 01-12-97
5	104787-04-H3A	EA	PAD-DINETTE (H33)
			FROM: 01-13-97 THRU: 99-99-99
5	104787-04-E33	EA	PAD-DINETTE (H34)
5	104787-04-E70	EA	PAD-DINETTE (H35)
6	M04174-89-H13	EA	CABINET-SEATBACK, RH - W/O HARDWARE
7	M04175-89-H13	EA	CABINET-SEATBASE, RH - W/O HARDWARE
8	M06803-07-G09	EA	DOOR-W/O HARDWARE - 10.02" X 19.06"
9	081295-01-G01	EA	SUPPORT - BED/DINETTE - 28" LONG
10	M04175-90-H13	EA	CABINET - SEAT BOTTOM/LEFT HAND - W/O DOORS/DRAWERS/HDW
10	M04175-94-H13	EA	CABINET - SEAT BOTTOM/LEFT HAND - W/O DOORS/DRAWERS/HDW - W/SLIDE OUT
11	M04174-90-H13	EA	CABINET - SEATBACK/LEFT HAND - W/O DOOR OR HARDWARE
11	M04174-94-H13	EA	CABINET - SEATBACK/LEFT HAND - W/O DOOR OR HARDWARE - W/SLIDE OUT
12	091257-10-000	EA	HANDLE - ASSIST - WATERFORD OAK

DINETTE GROUP (CONTINUED)
DINETTE TABLE



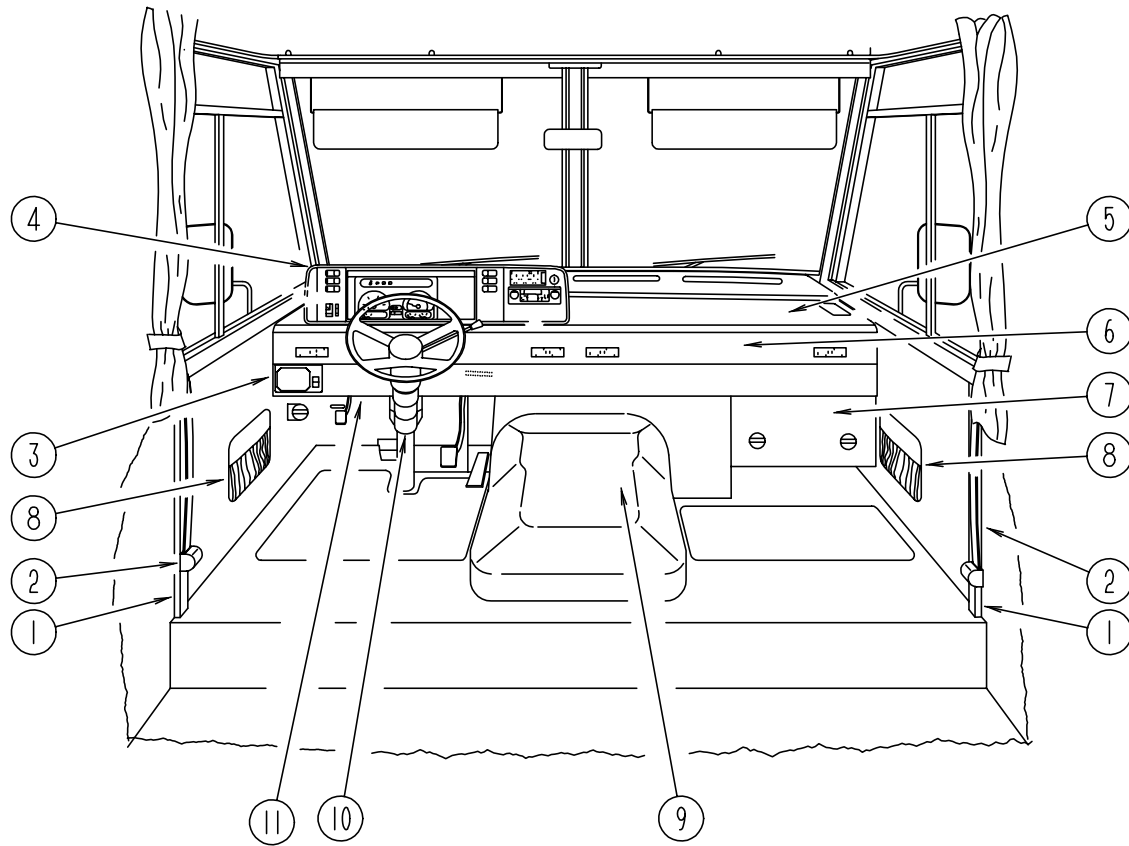
KEY	PART NUMBER	U/M	DESCRIPTION
1	081322-01-G31	EA	TABLE TOP ONLY (H33)
1	081322-01-G14	EA	TABLE TOP ONLY (H34,H35)
2	064781-06-000	EA	HOLDER - CUP - TWO STEP - OFF WHITE
3	053200-12-000	EA	BRACKET - TABLE SUPPORT - UPPER WALL MOUNTED - 23.50"
4	088410-02-000	EA	BRACKET - LIFT - TABLE MOUNTED
5	024281-14-000	EA	BRACKET - LIFT ROD/LOWER WALL MOUNTED - 22.12"
6	024275-12-000	EA	ROD - TABLE LIFT
7	024283-01-000	EA	CLIP - LEG - 1" - 1.125" OD - BLACK
8	024282-01-000	EA	BRACE-TABLE LEG, HINGED
9	064050-05-000	EA	HINGE - TABLE LEG - OFF WHITE
10	024276-23-000	EA	LEG - TABLE - METAL - OFF WHITE
11	049493-12-000	EA	CATCH - TABLE LEG/FLOOR MOUNTED - OFF WHITE
11	049493-11-700	EA	CATCH - TABLE LEG/FLOOR MOUNTED - E COATED

DRIVERS COMPARTMENT GROUP
DRIVERS COMPARTMENT - UPPER



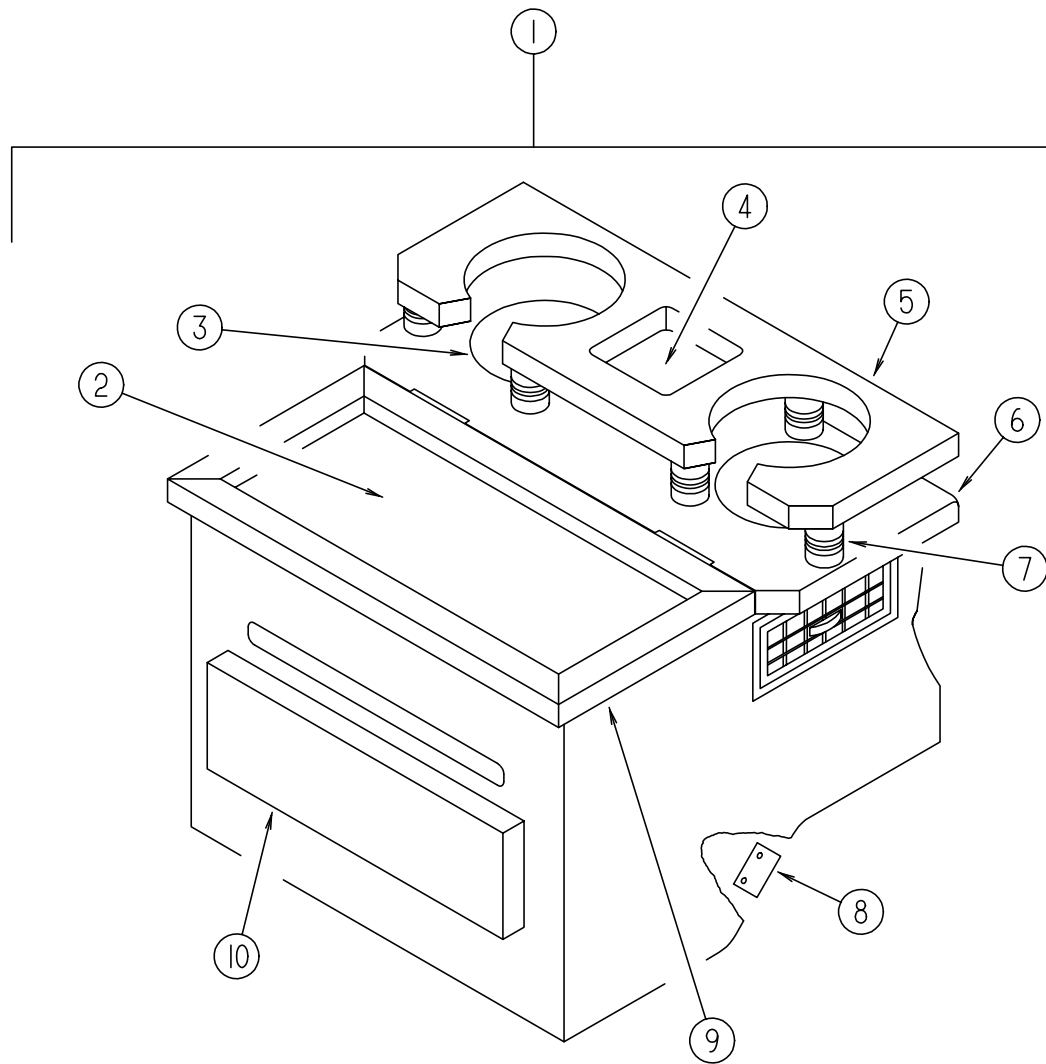
KEY	PART NUMBER	U/M DESCRIPTION
1	103931-02-03A	EA COVER - INTERIOR - A-PILLAR - DRIVER SIDE - QUICKSILVER
2	103128-09-G09	EA CAP-END, FRONT OVERHEAD, DRIVERS SIDE
3	M06803-04-G09	EA DOOR - MITERED CORNER/OGEE EDGE - 10" X 19.1" - WO HDW
4	109561-02-H33	EA CABINET - OVERHEAD - FRONT/LEFT HAND - W/O DOOR/HDW
4	109561-02-H34	EA CABINET - OVERHEAD - FRONT/LEFT HAND - W/O DOOR/HDW
4	109561-02-H35	EA CABINET - OVERHEAD - FRONT/LEFT HAND - W/O DOOR/HDW
	P09561-02-G29	EA BOTTOM - VINYL COVERED - FRONT OVERHEAD - DRIVER
5	114612-02-G32	EA FACE - OVERHEAD/TV W/O DOOR, LEFT HAND - 15.4" X 33.7"
	100676-02-000	EA SHELF-OVHD CABINET VCR/INVERTER/SATELLITE DISH PACKAGE - 7.1" X 28.75"
	106699-01-01A	EA BRACKET-L-ANGLE, TV CABINET FACE - 5.1" LONG - OFF WHITE STEEL
6	100708-12-000	EA DOOR-GLASS, TV CABINET - W/O HARDWARE - 9.7" X 23.2"
7	114661-06-H33	EA PANEL - HEADLINER/OVERHEAD - LEFT HAND
7	114661-12-H33	EA PANEL - HEADLINER/OVERHEAD - LEFT HAND - TV OPTION
7	114661-24-H33	EA PANEL - HEADLINER/OVERHEAD - LEFT HAND - TV OPTION
7	122194-01-H33	EA PANEL - HEADLINER - OVERHEAD TV
	118836-02-H33	EA PANEL-VINYL COVERED, BACK - SATELLITE DISH PACKAGE W/O RECEIVER
8	114661-01-H33	EA PANEL-HEADLINER FRONT OVERHEAD, RH - TV OPTION - W/O TV
8	114661-13-H33	EA PANEL-HEADLINER FRONT OVERHEAD, RH - TV OPTION
8	114661-14-H33	EA PANEL-HEADLINER FRONT OVERHEAD, RH - TV/VCR OPTION
8	114661-15-H33	EA PANEL-HEADLINER FRONT OVERHEAD, RH - TV/VCR/INVERTER OPTION
8	114661-16-H33	EA PANEL-HEADLINER FRONT OVERHEAD, RH - TV/INVERTER OPTION
9	114612-01-G32	EA FACE - OVERHEAD/TV W/O DOOR, RIGHT HAND - 15.4" X 33.7"
10	122244-04-H33	EA CABINET - OVERHEAD - FRONT PASSENGER - W/O DOOR/HDW
10	122244-04-H34	EA CABINET - OVERHEAD - FRONT PASSENGER - W/O DOOR/HDW
10	122244-04-H35	EA CABINET - OVERHEAD - FRONT PASSENGER - W/O DOOR/HDW
11	103128-08-G09	EA CAP-END, FRONT OVERHEAD, PASSENGERS SIDE
	P22244-04-H33	EA BOTTOM-VINYL COVERED, FRONT OVERHEAD - PASSENGERS SIDE
12	103931-01-03A	EA COVER - INTERIOR - A-PILLAR - QUICKSILVER
13	078811-08-G29	EA PANEL - TRIM/LOWER HEADER
14	123298-01-02A	EA SUNVISOR - 7" X 28.5" - DRIVER/PASSENGER SIDE
15	P03077-08-H33	EA SHELF-CABINET, PASSENGERS SIDE - VINYL COVERED - TV OPTION
15	P03077-04-H33	EA SHELF-CABINET, PASSENGERS SIDE - VINYL COVERED - W/O TV
16	122881-01-02A	EA COVER-TV FACE, OVERHEAD FRONT - QUICKSILVER - TV OPTIONS
	118022-06-H33	EA COVER ASM-FRONT TV, OVERHEAD (ASSEMBLED KIT) - TV OPTIONS
	114706-02-02B	EA SUPPORT ASM-SHELF, TV - E-COAT - TV OPTIONS
	091261-01-000	FT SLIPNOT-ANTISLIP, 1' WIDE (100' ROLL) - TV OPTIONS
16	116791-01-H33	EA FACE FRAME-TV CABINET, 20.6" X 22.2" - W/O HARDWARE - W/O TV
	P18192-01-G35	EA COVER ASM-FRONT TV, OVERHEAD - VINYL COVERED - W/O TV
	114706-02-02B	EA SUPPORT ASM-SHELF, TV - E-COAT - W/O TV
	M06803-C1-H33	EA DOOR-CABINET, W/O HARDWARE - 16.7" X 18.1" - W/O TV
	115638-01-H33	EA PANEL-TV CABINET TOP, VINYL COVERED - W/O TV
	115639-01-H33	EA PANEL-TV CABINET SIDES, VINYL COVERED - W/O TV
17	078579-19-000	EA TRIM - WINDSHIELD - UPPER INNER/PASSENGER - QUICKSILVER
18	079765-13-000	EA TRIM - WINDSHIELD CENTER - QUICKSILVER
19	040714-01-000	EA MIRROR-REAR VIEW, W/ARM MOUNT & SET SCREW
	067490-01-000	EA BUTTON-MIRROR, REAR VIEW
20	078579-20-000	EA TRIM - WINDSHIELD - UPPER INNER/DRIVER - QUICKSILVER
21	P03077-07-H33	EA SHELF-CABINET, DRIVERS SIDE - VINYL COVERED - TV OPTIONS
21	P03077-03-H33	EA SHELF-CABINET, DRIVERS SIDE - VINYL COVERED - W/O TV

DRIVERS COMPARTMENT GROUP (CONTINUED)
DRIVERS COMPARTMENT - LOWER



KEY	PART NUMBER	U/M	DESCRIPTION	VENDOR NO.
1	024700-44-000	EA	COVER-SIDEWALL ROLL BAR, OFF WHITE - 53"	
1	024700-45-000	EA	COVER-SIDEWALL ROLL BAR, OFF WHITE - 12.8"	
	024700-47-000	EA	COVER-SIDEWALL ROLL BAR, OFF WHITE - 18.9" - DRIVER DOOR	
	024700-48-000	EA	COVER-SIDEWALL ROLL BAR, OFF WHITE - 25" - DRIVER DOOR	
2	091990-04-01A	EA	SEAT BELT-SHOULDER HARNESS - DRIVERS/PASSENGERS - BLACK	
	091990-01-700	EA	BOLT COVER	
	091990-01-701	EA	EXTENDER-SEAT BELT SHOULDER HARNESS, 9"	I-1331-02
	109146-01-000	EA	BOLT-SHOULDER, SEAT BELT	
	103961-01-01A	EA	COVER-BRACKET, SEATBELT - OFF WHITE	
	103961-02-01A	EA	COVER-BRACKET, SEATBELT - OFF WHITE - DRIVER DOOR OPTION	
3	112236-02-G35	EA	BEZEL-LEVELING SYSTEM/SLIDEOUT CONTROL	
3	108356-02-01A	EA	COVER/ACTUATOR SWITCH - 2 ROWS DIMPLES - CONTURA II - BLACK	
3	108357-06-000	EA	SWITCH - ROCKER DPDT - MOM/OFF/MOM - 6 TERMINAL	
			FROM: 00-00-00 THRU: 12-12-96	
3	108357-07-000	EA	SWITCH - ROCKER SPDT - MOM/OFF/MOM - 3 TERMINAL	
			FROM: 12-13-96 THRU: 99-99-99	
3	116220-01-000	EA	APPLIQUE - SWITCH/SLIDEOUT	
4	111499-01-05A	EA	POD-INSTRUMENT PANEL, QUICKSILVER - PLASTIC	
5	P03817-17-000	EA	DASH ASM, W/O VINYL - FORD	
5	P03817-18-000	EA	DASH ASM, W/O VINYL - CHEVY	
	106569-02-05A	YD	VINYL-LAMINATE, 1/4" X 16" X 8' - QUICKSILVER	
	077539-01-000	EA	BRACKET-MOUNTING, DASH PANEL - L/SHAPED - 2.5" X 1" X 1.5"	
	105927-02-000	EA	PANEL-DASH TOP W/STUD	
	113452-01-000	FT	SEAL-TRIM, U-SHAPED VINYL	
			FROM: 02-03-97 THRU: 99-99-99	
6	104354-01-07A	EA	APPLIQUE-LOWER DASH, 2300 MM LONG	
7	095757-03-F25	EA	COVER-HEATER W/CARPET (H33)	
7	095757-03-E33	EA	COVER-HEATER W/CARPET (H34)	
7	095757-03-H35	EA	COVER-HEATER W/CARPET (H35)	
8	086120-01-H33	EA	PAD-MAP POCKET, 12" X 16" (H33)	
			FROM: 00-00-00 THRU: 01-12-97	
8	086120-01-H3A	EA	PAD-MAP POCKET, 12" X 16" (H33)	
			FROM: 01-13-97 THRU: 99-99-99	
8	086120-01-H34	EA	PAD-MAP POCKET, 12" X 16" (H34)	
8	086120-01-H35	EA	PAD-MAP POCKET, 12" X 16" (H35)	
9	115840-01-01A	EA	COVER-MOTOR, W/O CARPET	
	115840-02-01A	EA	COVER-MOTOR, W/O CARPET - VORTEC ENGINE OPTION	
	115850-01-02B	EA	RETAINER - LATCH - MOTOR COVER - RIGHT HAND - E-COAT	
	116581-01-000	EA	LATCH-MOTOR COVER	
	115852-01-02B	EA	STRIKE - LATCH - MOTOR COVER - E-COATED	
	116833-01-02B	EA	WRENCH-HEX, MOTOR COVER - E-COAT	
	115860-01-01A	EA	TRIM-MOTOR COVER, BOTTOM - MILL FINISH ALUMINUM	
	039623-01-000	FT	SEAL-MOTOR COVER, RUBBER BULB TYPE - BLACK	
	122772-02-02B	EA	BRACKET ASM-MOUNTNG, BEVERAGE TRAY - E-COAT	
10	103498-06-000	EA	BOOT - STEERING COLUMN/UNIVERSAL	
			FROM: 00-00-00 THRU: 12-18-96	
10	103498-09-000	EA	BOOT - STEERING COLUMN - W/1/2 CIRCLE	
			FROM: 12-19-96 THRU: 99-99-99	
	111521-04-01A	EA	COVER - STEERING COLUMN - FORD	
	112634-01-01A	EA	TRIM-STEERING COLUMN, RIGHT HAND - FORD	
	112634-02-01A	EA	TRIM-STEERING COLUMN, LEFT HAND - FORD	
11	103812-11-02A	EA	TRIM-DASH, LOWER - QUICKSILVER - CHEVY	
11	117306-01-G35	EA	TRIM ASM-DASH, LOWER LH - QUICKSILVER - FORD	
11	111528-06-03A	EA	TRIM ASM-DASH, LOWER RH - QUICKSILVER - FORD	

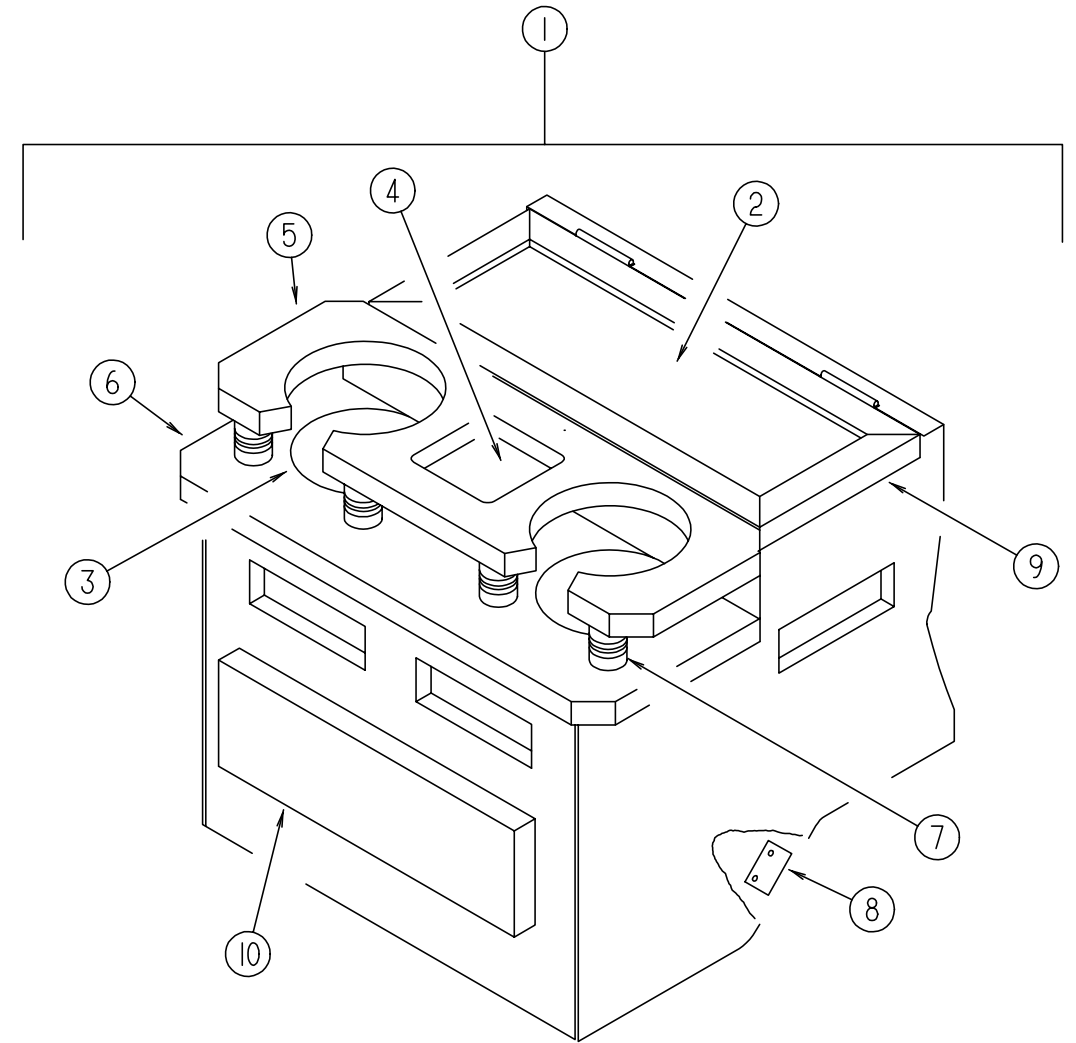
DRIVERS COMPARTMENT GROUP (CONTINUED)



BEVERAGE TRAY (FROM: 00-00-00 THRU: 03-16-97)

KEY	PART NUMBER	U/M	DESCRIPTION
1	122707-01-H17	EA	TRAY ASM-BEVERAGE, W/O DRAWER OR LOUVERS
1	122707-02-H17	EA	TRAY ASM-BEVERAGE, W/O DRAWER OR LOUVERS - VORTEC ENGINE OPTION
2	122717-03-01A	FT	PAD - NON-SKID, PSA - 6.5" X 50"
3	122717-01-01A	EA	PAD - NON SKID, PSA - 4" DIAMETER ROUND
4	122717-02-01A	EA	PAD - NON SKID, PSA - 4" X 4"
5	122707-11-H17	EA	SHELF W/O PAD OR DOWELS
6	122707-12-H17	EA	SHELF ASM W/PADS W/O HARDWARE OR DOWELS
7	097872-04-000	EA	DOWEL-WOOD, 1" DIAMETER X 1.38" LONG - UNFINISHED
8	122832-01-02B	EA	BRACKET-MOUNT, BEVERAGE TRAY - E-COAT
9	122707-13-H17	EA	LID W/O PAD OR HARDWARE
10	M05971-AZ-H33	EA	DRAWER - OGEE EDGE - 10"W X 11.8"D - W/O SLIDES/HARDWARE
	100128-02-000	FT	SEAL-FOAM, ADHESIVE BACK - .37" W X .37" THICK

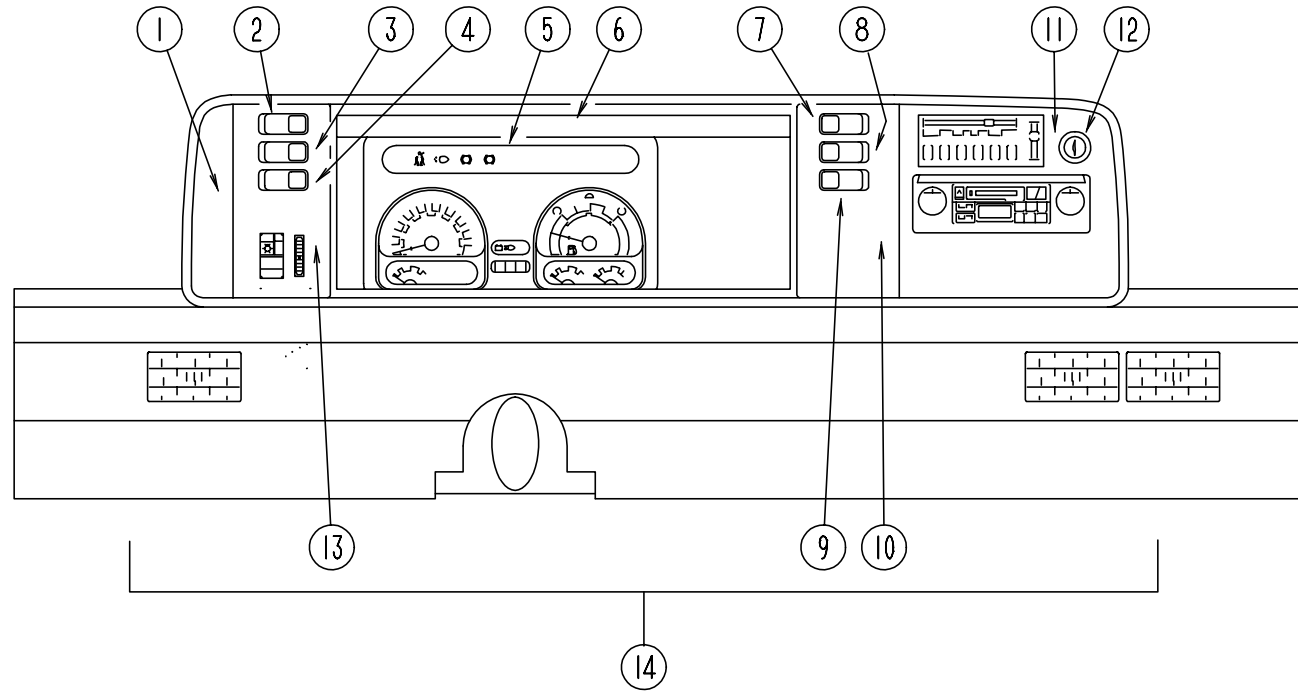
DRIVERS COMPARTMENT GROUP (CONTINUED)



BEVERAGE TRAY (FROM: 03-17-97 THRU: 99-99-99)

KEY	PART NUMBER	U/M	DESCRIPTION
1	126680-01-H17	EA	TRAY ASM-BEVERAGE, W/O DRAWER OR LOUVERS
1	126680-02-H17	EA	TRAY ASM-BEVERAGE, W/O DRAWER OR LOUVERS - VORTEC ENGINE OPTION
2	122717-06-01A	FT	PAD - NON-SKID, PSA - 6.5" X 13.8"
3	122717-01-01A	EA	PAD - NON SKID, PSA - 4" DIAMETER ROUND
4	122717-02-01A	EA	PAD - NON SKID, PSA - 4" X 4"
5	126680-15-H17	EA	SHELF W/O PAD OR DOWELS
6	126680-14-H17	EA	SHELF ASM W/PADS W/O HARDWARE OR DOWELS
7	097872-04-000	EA	DOWEL-WOOD, 1" DIAMETER X 1.38" LONG - UNFINISHED
8	122832-01-02B	EA	BRACKET-MOUNT, BEVERAGE TRAY - E-COAT
9	126680-16-H17	EA	LID W/PAD W/O HARDWARE
10	M05971-AZ-H33	EA	DRAWER - OGEE EDGE - 10"W X 11.8"D - W/O SLIDES/HARDWARE
	100128-02-000	FT	SEAL-FOAM, ADHESIVE BACK - .37" WIDE X .37" THICK X 60' ROLL

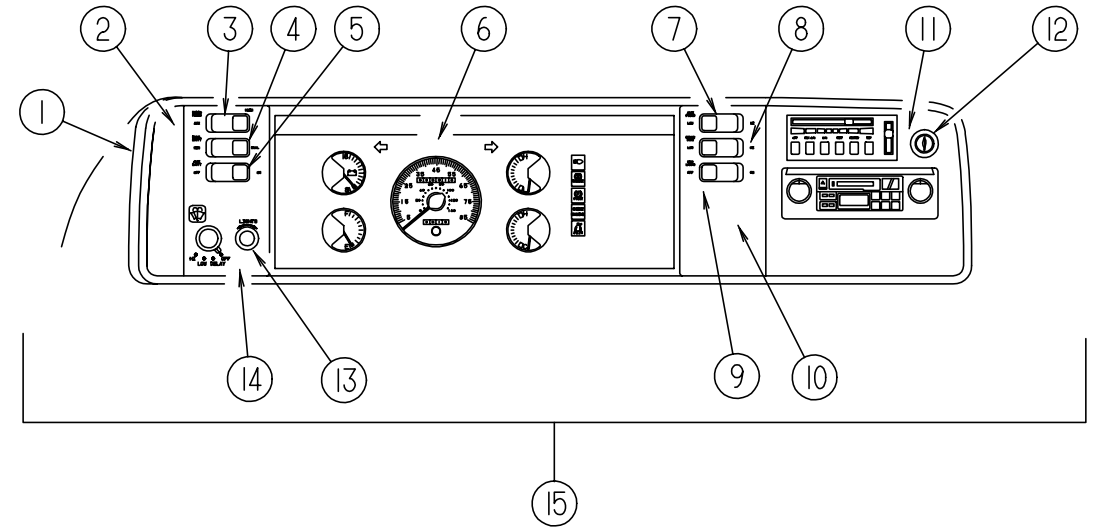
DRIVERS COMPARTMENT GROUP (CONTINUED)



DASH, GAUGES & SWITCHES - CHEVY

KEY	PART NUMBER	U/M	DESCRIPTION
1	104056-01-04A	EA	APPLIQUE-BEZEL
2	108356-02-01A	EA	COVER/ACTUATOR SWITCH - 2 ROWS DIMPLES - CONTURA II - BLACK
2	108357-05-000	EA	SWITCH-ROCKER, SPDT ON/NONE/ON - RADIO POWER W/O CD
2	108357-08-000	EA	SWITCH-ROCKER, DPDT ON/NONE/ON 6 TERMINAL - RADIO POWER W/CD
3	108356-02-01A	EA	COVER/ACTUATOR SWITCH - 2 ROWS DIMPLES - CONTURA II - BLACK
3	108357-09-000	EA	SWITCH - ROCKER SPDT - ON/NONE/MOM - 3 TERMINAL - DUAL BATTERY
4	108356-02-01A	EA	COVER/ACTUATOR SWITCH - 2 ROWS DIMPLES - CONTURA II - BLACK
4	108357-06-000	EA	SWITCH - ROCKER DPDT - MOM/OFF/MOM - 6 TERMINAL BATTERY DISCONNECT SWITCH OPTION
4	096241-03-000	EA	SWITCH-BLANK
5	094796-07-000	EA	CLUSTER-INSTRUMENT PANEL, KILOMETERS - GAS FROM: 00-00-00 THRU: 10-06-96
5	125001-02-000	EA	CLUSTER-INSTRUMENT PANEL, KILOMETERS/MILES - GAS FROM: 10-07-96 THRU: 99-99-99
6	103662-01-01A	EA	BEZEL-INSTRUMENT PANEL
7	108356-04-01A	EA	COVER/ACTUATOR SWITCH - 2 ROWS DIMPLES W/LIGHT - CONTURA II - BLACK
7	108357-10-000	EA	SWITCH - ROCKER SPDT W/LIGHT - MOM/NONE/MOM - 5 TERMINAL GENERATOR OPTION
7	096241-03-000	EA	SWITCH-BLANK
8	108356-02-01A	EA	COVER/ACTUATOR SWITCH - 2 ROWS DIMPLES - CONTURA II - BLACK
8	108357-03-000	EA	SWITCH - ROCKER SPDT - ON/OFF/ON - 3 TERMINAL REAR HEATER OPTION
8	096241-03-000	EA	SWITCH-BLANK
9	096241-03-000	EA	SWITCH-BLANK
10	104056-21-01A	EA	APPLIQUE-BEZEL
11	104056-06-04A	EA	APPLIQUE-BEZEL
12	089294-01-000	EA	LIGHTER - CIGARETTE - W/O WIRES
13	104056-22-01A	EA	APPLIQUE-BEZEL
14	M05946-40-H33	EA	DASH POD ASM-CHEVY
	100138-01-000	EA	MODULE-DAYTIME RUNNING LIGHT - CANADIAN
	077031-01-000	EA	FILM-BLACK, 1" X 1.75"
	077031-03-000	EA	FILM-WHITE, .75" X 1"
	049176-01-000	EA	HEDLOCK II - 3/4" DIAMETER, SCREW MOUNT
	103603-01-000	EA	BULB - 12V NO.74 0.12A WEDGE

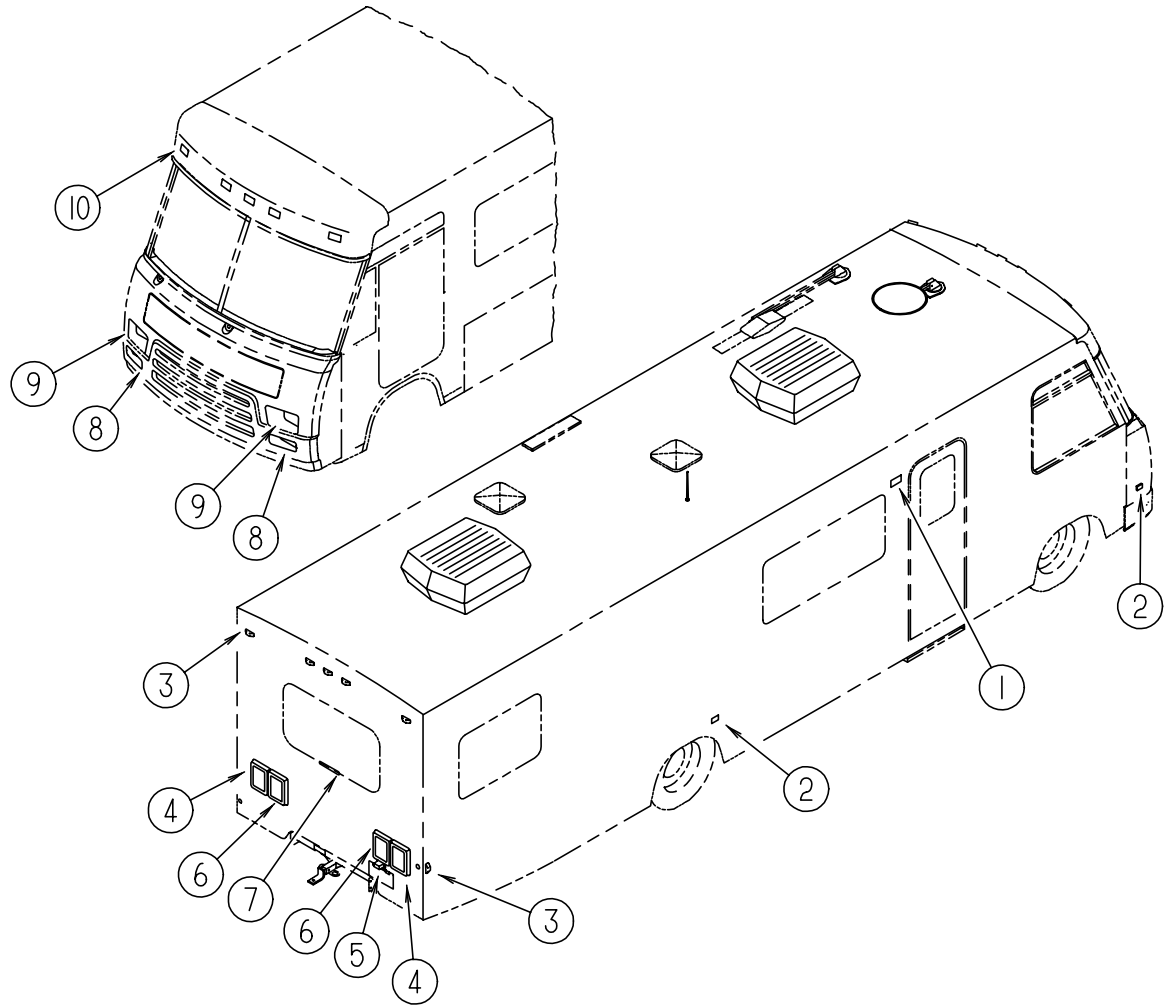
DRIVERS COMPARTMENT GROUP (CONTINUED)



DASH, GAUGES & SWITCHES - FORD

KEY	PART NUMBER	U/M	DESCRIPTION
1	103662-04-01A	EA	BEZEL-INSTRUMENT PANEL
2	104056-01-04A	EA	APPLIQUE-BEZEL
3	108356-02-01A	EA	COVER/ACTUATOR SWITCH - 2 ROWS DIMPLES - CONTURA II - BLACK
3	108357-05-000	EA	SWITCH-ROCKER, SPDT ON/NONE/ON - RADIO POWER W/O CD
3	108357-08-000	EA	SWITCH-ROCKER, DPDT ON/NONE/ON 6 TERMINAL - RADIO POWER W/CD
4	108356-02-01A	EA	COVER/ACTUATOR SWITCH - 2 ROWS DIMPLES - CONTURA II - BLACK
4	108357-09-000	EA	SWITCH - ROCKER SPDT - ON/NONE/MOM - 3 TERMINAL
5	108356-02-01A	EA	COVER/ACTUATOR SWITCH - 2 ROWS DIMPLES - CONTURA II - BLACK
5	108357-06-000	EA	SWITCH - ROCKER DPDT - MOM/OFF/MOM - 6 TERMINAL BATTERY DISCONNECT SWITCH OPTION
5	096241-03-000	EA	SWITCH-BLANK
6	094794-06-000	EA	CLUSTER-INSTRUMENT PANEL, KILOMETERS
7	108356-04-01A	EA	COVER/ACTUATOR SWITCH - 2 ROWS DIMPLES W/LIGHT - CONTURA II - BLACK
7	108357-10-000	EA	SWITCH - ROCKER SPDT W/LIGHT - MOM/NONE/MOM - 5 TERMINAL GENERATOR OPTION
7	096241-03-000	EA	SWITCH-BLANK
8	108356-02-01A	EA	COVER/ACTUATOR SWITCH - 2 ROWS DIMPLES - CONTURA II - BLACK
8	108357-03-000	EA	SWITCH-ROCKER, SPDT ON/OFF/ON - CARLING V6D1000B-0 REAR HEATER OPTION
8	096241-03-000	EA	SWITCH-BLANK
9	096241-03-000	EA	SWITCH-BLANK
10	104056-21-01A	EA	APPLIQUE-BEZEL
11	104056-06-04A	EA	APPLIQUE-BEZEL
12	089294-01-000	EA	LIGHTER - CIGARETTE - W/O WIRES
13	096674-01-000	EA	NUT-HEADLAMP KNOB, BLACK
13	096675-01-000	EA	KNOB - HEADLAMP - W/SHAFT
14	104056-24-01A	EA	APPLIQUE-BEZEL
15	M05946-39-H33	EA	DASH POD - FORD - W/O CLUSTER
	100138-01-000	EA	MODULE-DAYTIME RUNNING LIGHT - CANADIAN
	103603-01-000	EA	BULB - 12 VOLT - #74 - .12A WEDGE - GE 22-25 USED IN DASH
	077031-01-000	EA	FILM-BLACK, 1" X 1.75"
	077031-03-000	EA	FILM-WHITE, .75" X 1"
	049176-01-000	EA	HEDLOCK II - 3/4" DIAMETER, SCREW MOUNT
	111904-01-000	EA	INDICATOR - TRANSMISSION - FORD

**ELECTRICAL GROUP
EXTERIOR LIGHTS**

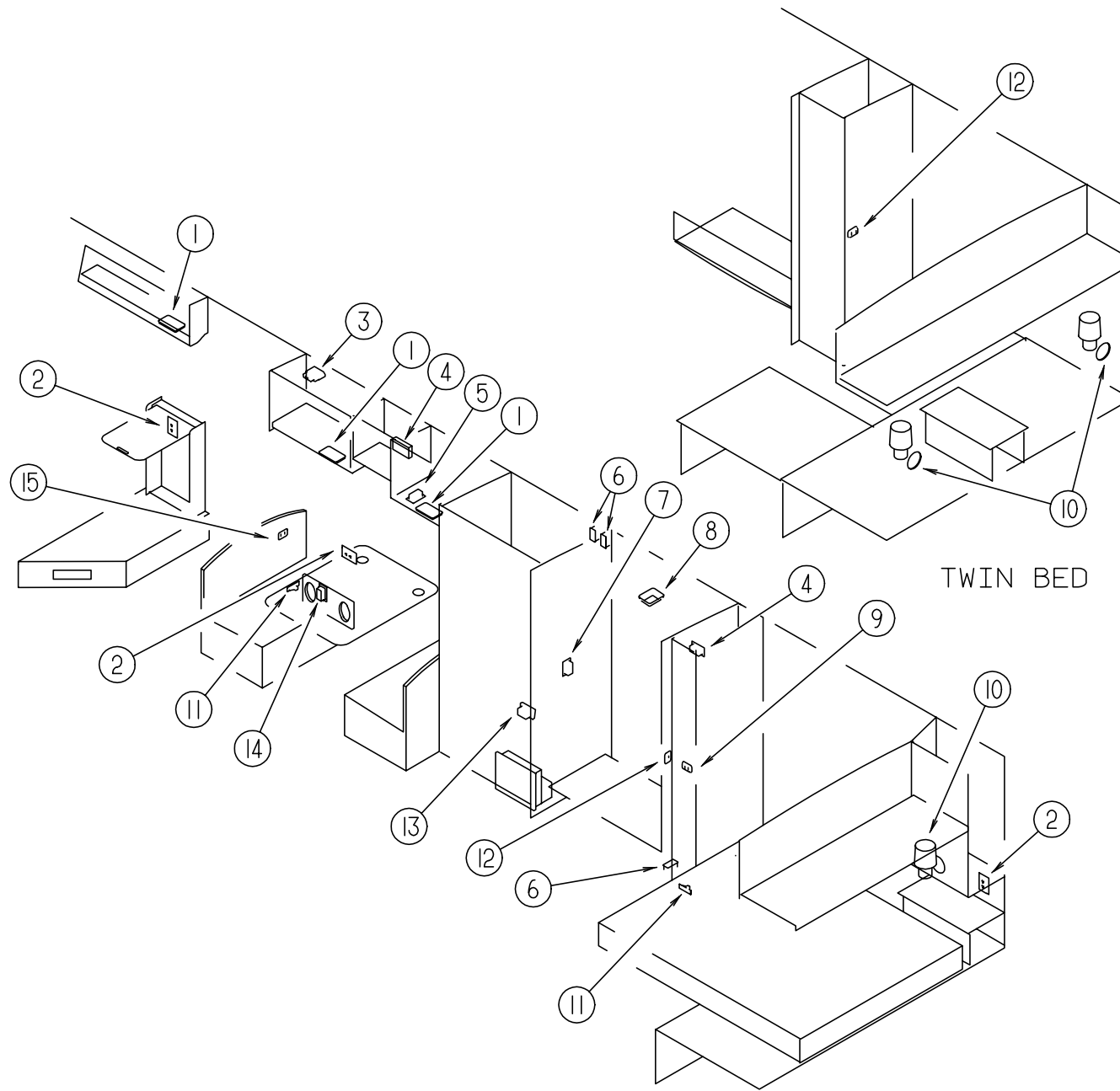


KEY	PART NUMBER	U/M	DESCRIPTION
1	097917-01-06A	EA	LIGHT-PORCH, ENTRY DOOR - BRIGHT WHITE
	008215-01-000	EA	BULB - 12V, .94 AMP - #1003
1	097917-01-700	EA	LENS-LIGHT, PORCH
2	111102-01-000	EA	LAMP-MARKER, BASE - TRIPLEX 117XAS
	036196-01-000	EA	BULB - 12V, #194 - .27 AMP - BAYONETTE
2	111102-02-000	EA	LENS-MARKER LAMP, AMBER - TRIPLEX 118A
3	111102-01-000	EA	LAMP-MARKER, BASE - TRIPLEX 117XAS
	036196-01-000	EA	BULB - 12V, #194 - .27 AMP - BAYONETTE
3	111102-03-000	EA	LENS-MARKER LAMP, RED - TRIPLEX 117R
4	115632-03-02A	EA	LIGHT-STOP/TAIL/BACKUP
	121621-01-01A	EA	POD-TAILLIGHTS, BRIGHT WHITE
5	066432-02-000	EA	LIGHT-LICENSE, BLACK
	066432-03-000	EA	BRACKET-LICENSE PLATE - BARGMAN 30-60-030
6	115632-01-02A	EA	LIGHT-STOP/TURN/TAIL, RED
	121621-01-01A	EA	POD-TAILLIGHTS, BRIGHT WHITE
7	121950-01-000	EA	LIGHT ASM-BRAKE, CENTER MOUNT - RUSSELL JI-100
8	106688-02-000	EA	LIGHT-TURN SIGNAL, AMBER (LENS/BACK PAN)
	037935-01-000	EA	BULB - 12V - #1157 OR #2057 - 2.1 AMP - CLEAR GLASS
9	070907-04-000	EA	HEADLAMP - HIGH/LOW HALOGEN
	049359-01-000	EA	SPRING-RETAINER, HEADLAMP - GM #496096
	073308-01-000	EA	SCREW-ADJUSTING, HEADLAMP
	106687-02-000	EA	SOCKET-LIGHT, 3-WIRE
10	102520-01-000	EA	LIGHT-CLEARANCE, W/O SOCKET CONNECTIONS - AMBER
	036196-01-000	EA	BULB - 12V, .27 AMP - BAYONETTE - #194
	102540-01-000	EA	SEAL-SCREW, ROUND - RUBBER
	102541-01-000	EA	GASKET-CLEARANCE LIGHT
	067789-02-000	EA	SOCKET-LAMP
	098024-01-03A	EA	LIGHT-DOME, 1 BULB - WHITE (COMPARTMENTS)
	008218-01-000	EA	BULB-DOME LIGHT, 12V - NUMBER 1141
	098024-01-700	EA	LENS-LIGHT

VENDOR NO.

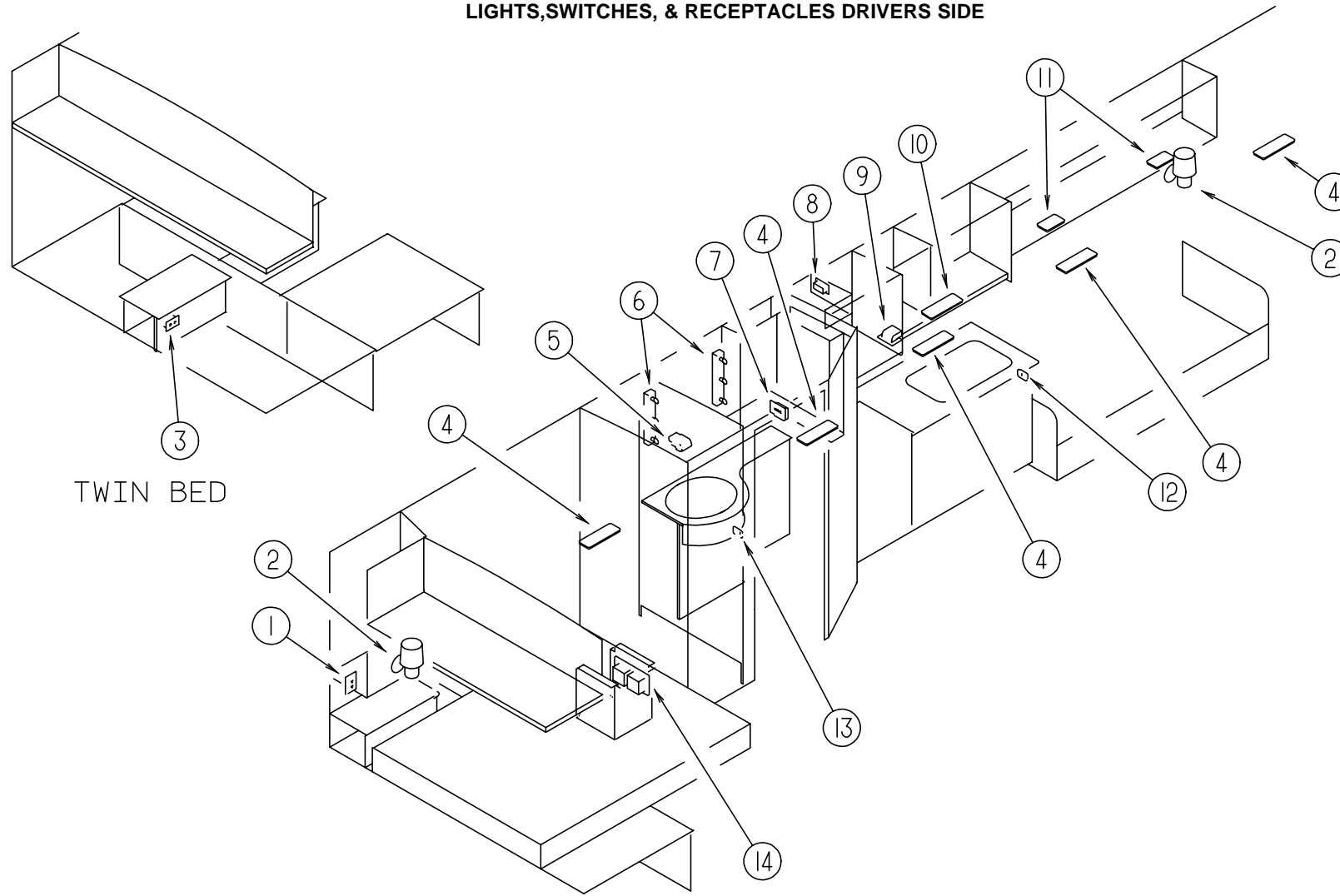
807877

ELECTRICAL GROUP (CONTINUED)
LIGHTS, SWITCHES, & RECEPTACLES PASSENGERS SIDE



KEY	PART NUMBER	U/M	DESCRIPTION	VENDOR NO.
1	098024-05-02A	EA	LIGHT-DOME, 1 BULB - SKYLITE - WHITE	
	008218-01-000	EA	BULB-DOME LIGHT, 12 VOLT - NO. 1141	
	098024-01-701	EA	LENS-LIGHT, OPTI CLEAR	809902
2	058708-02-000	EA	RECEPTACLE-ELECTRIC, DOUBLE - IVORY	
2	102568-01-GB1	EA	SPACER-SIDEWALL RECEPTACLE	
3	091927-01-000	EA	COVER-RECEPTACLE, DOUBLE - IVORY - W/O ROOF A/C OPTION	
4	058708-05-000	EA	RECEPTACLE-SINGLE, BROWN - COFFEE MAKER OPTION	
5	058708-01-000	EA	RECEPTACLE - ELECTRIC - DOUBLE - BROWN - W/O COFFEE MAKER OPTION	
6	058707-02-000	EA	RECEPTACLE - BLANK JUNCTION BOX	
7	058707-01-000	EA	RECEPTACLE - ELECTRIC - SINGLE - BROWN - REFRIGERATOR	
8	121935-01-01A	EA	LIGHT-DOME, SHOWER	
9	079364-03-000	EA	SWITCH-ON/OFF ROCKER, 3 TERMINAL - BROWN - COURTESY LIGHT	
9	079364-01-000	EA	SWITCH-ON/OFF ROCKER, 2 TERMINAL - BROWN - BEDROOM CEILING LIGHT	
9	095188-01-01A	EA	SPACER - SWITCH - 2.3" X 3.4" - PLASTIC - DARK BROWN	
9	098351-02-01A	EA	PLATE-SWITCH, 2 GANG - POLISHED BRASS	
10	119257-04-01A	EA	SHADE-LAMP, LINEN WHITE	
10	119258-05-01A	EA	LAMP-WALL, UL/CSA - BRASS	
10	119258-01-700	EA	FINIAL-PYRAMID	12-0322
10	067479-01-000	EA	BULB - 12V, NUMBER 1076	
11	061424-01-000	EA	LIGHT - AISLE - 12 VOLT - RECTANGULAR	
	008103-01-000	EA	BULB - DASH/AISLE LIGHT - #53 - 12 VOLT - .12 AMP	
12	095188-01-01A	EA	SPACER - SWITCH - 2.3" X 3.4" - PLASTIC - DARK BROWN	
12	079364-03-000	EA	SWITCH-ON/OFF ROCKER, 3 TERMINAL - BROWN - SHOWER LIGHT	
12	098351-01-01A	EA	PLATE-SWITCH, 1 GANG - POLISHED BRASS	
13	112822-01-01A	EA	RECEPTACLE - DUPLEX - IVORY	
13	112824-01-03A	EA	COVER - RECEPTACLE - EXTERIOR DUPLEX - WHITE	
14	058708-01-000	EA	RECEPTACLE - ELECTRIC - DOUBLE - BROWN	
15	098351-05-01A	EA	PLATE - SWITCH - 3 GANG POLISHED BRASS	
15	079364-01-000	EA	SWITCH-ON/OFF ROCKER, 2 TERMINAL - BROWN - STEP - CEILING/PORCH LIGHT	
15	095188-02-01A	EA	SPACER - SWITCH - 2.3" X 4.1" - PLASTIC - DARK BROWN	
	086280-01-000	EA	LIGHT-SURFACE MOUNT, 12 VOLT	
	086280-01-700	EA	BULB - 12 VOLT, 6 WATT	ARP1089

ELECTRICAL GROUP (CONTINUED)
LIGHTS, SWITCHES, & RECEPTACLES DRIVERS SIDE



KEY	PART NUMBER	U/M	DESCRIPTION	VENDOR NO.
1	058708-02-000	EA	RECEPTACLE-ELECTRIC, DOUBLE - IVORY	
1	102568-01-GB1	EA	SPACER-SIDEWALL RECEPTACLE	
2	119257-04-01A	EA	SHADE-LAMP, LINEN WHITE	
2	119258-05-01A	EA	LAMP-WALL, UL/CSA - BRASS	
2	119258-01-700	EA	FINIAL-PYRAMID	12-0322
2	067479-01-000	EA	BULB - 12V, NUMBER 1076	
3	058708-01-000	EA	RECEPTACLE-ELECTRIC, DOUBLE - BROWN	
4	098024-03-02A	EA	LIGHT-DOME, 2 BULB - WHITE	
	008218-01-000	EA	BULB-DOME LIGHT, 12 VOLT - NO. 1141	
	098024-01-701	EA	LENS-LIGHT	807877
5	091927-01-000	EA	COVER-RECEPTACLE, DOUBLE - IVORY - W/O ROOF A/C OPTION	
6	110235-01-01A	EA	LIGHT-MAKE UP, 3 BULB	
	081633-01-700	EA	BULB-LIGHT, MAKE-UP	RP1041
7	084076-01-000	EA	RECEPTACLE - GFI - 15 AMP - 125 VOLT - IVORY	

KEY	PART NUMBER	U/M	DESCRIPTION	VENDOR NO.
8	058708-05-000	EA	RECEPTACLE-SINGLE, BROWN	
9	084076-02-000	EA	RECEPTACLE - GFI - 15 AMP - 125 VOLT - BROWN	
10	098024-06-02A	EA	LIGHT-DOME, 2 BULB - SKYLITE - WHITE	
	008218-01-000	EA	BULB-DOME LIGHT, 12 VOLT - NO. 1141	
	098024-01-701	EA	LENS-LIGHT, OPTI CLEAR	809902
11	098024-05-02A	EA	LIGHT-DOME, 1 BULB - SKYLITE - WHITE	
	008218-01-000	EA	BULB-DOME LIGHT, 12 VOLT - NO. 1141	
	098024-01-701	EA	LENS-LIGHT, OPTI CLEAR	809902
12	079364-03-000	EA	SWITCH-ON/OFF ROCKER, 3 TERMINAL - BROWN	
12	098351-01-01A	EA	PLATE-SWITCH, 1 GANG - POLISHED BRASS	
13	079364-03-000	EA	SWITCH-ON/OFF ROCKER, 3 TERMINAL - BROWN - WATER PUMP	
13	079364-01-000	EA	SWITCH-ON/OFF ROCKER, 2 TERMINAL - BROWN - MAKEUP LIGHT	
13	095188-02-01A	EA	SPACER - SWITCH - 2.3" X 4.1" - PLASTIC - DARK BROWN	
13	098351-02-01A	EA	PLATE-SWITCH, 2 GANG - POLISHED BRASS	
14	024924-02-000	EA	RECEPTACLE-POWER CORD, W/PARTIAL PLATE	
	086280-01-000	EA	LIGHT-SURFACE MOUNT, 12 VOLT	
	086280-01-700	EA	BULB - 12 VOLT, 6 WATT	ARP1089

ELECTRICAL GROUP (CONTINUED)
FUSES & FUSE HOUSINGS

KEY	PART NUMBER	U/M	DESCRIPTION
	008234-01-000	EA	FUSE - 10 AMPS, 12 VOLT
	062901-02-000	EA	FUSE - 5 AMPS, AUTOMOTIVE
	062901-05-000	EA	FUSE - 15 AMPS, AUTOMOTIVE
	062901-06-000	EA	FUSE - 20 AMPS, AUTOMOTIVE
	062901-07-000	EA	FUSE - 25 AMPS, AUTOMOTIVE
	062901-08-000	EA	FUSE - 30 AMPS, AUTOMOTIVE
	062037-01-000	EA	HOUSING-AUTO FUSE, NATURAL
	062037-02-000	EA	HOUSING-AUTO FUSE, GREEN
	062037-03-000	EA	HOUSING-AUTO FUSE, BLACK
	062037-04-000	EA	HOUSING-AUTO FUSE, BLUE
	062037-06-000	EA	HOUSING-AUTO FUSE, BROWN
	062037-07-000	EA	HOUSING-AUTO FUSE, RED
	108669-01-000	EA	HOUSING-AUTO FUSE HOLDER
	106656-01-000	EA	FUSE BLOCK - 4 CAVITY - AUTOFUSE

CIRCUIT BREAKERS

KEY	PART NUMBER	U/M	DESCRIPTION
	083209-01-000	EA	CIRCUIT BREAKER - 15 AMP - 120 VOLT
	083209-02-000	EA	CIRCUIT BREAKER - 15/15 AMP - 120 VOLT
	083209-03-000	EA	CIRCUIT BREAKER - 15/20 AMP - 120 VOLT
	083209-04-000	EA	CIRCUIT BREAKER - 30 AMP - 120 VOLT
	083209-06-000	EA	CIRCUIT BREAKER - 30/15 AMP - 120 VOLT
	083209-07-000	EA	CIRCUIT BREAKER - 20/20 AMP - 120 VOLT
	093655-03-000	EA	CIRCUIT BREAKER - 40 AMP - 12 VOLT
	097611-01-000	EA	CIRCUIT BREAKER - 10 AMP - 12 VOLT

TERMINALS

KEY	PART NUMBER	U/M	DESCRIPTION
	008326-01-000	EA	TERMINAL-RING, 16/14 WIRE - 3/8" STUD
	008328-01-000	EA	TERMINAL-RING, 12/10 WIRE - #10 STUD FIT
	008331-01-000	EA	TERMINAL-RING, TONGUE - #4 WIRE - 3/8" STUD - COPPER
	008348-01-000	EA	TERMINAL-RING, 3/8" STUD - #2 WIRE
	035416-04-000	EA	TERMINAL-RING #10 STUD FIT, INSULATED BARREL #16/14
	047443-01-000	EA	TERMINAL - .250 RECEPTACLE FIT, INSULATED - 16/14 AWG
	062036-01-000	EA	TERMINAL-PACK-CON, 12/10 AWG
	062036-02-000	EA	TERMINAL-PACK-CON, 16/14 AWG
	088267-01-000	EA	TERMINAL-FEMALE, 1/4
	098260-01-000	EA	TERMINAL-MALE, 56 SERIES
	104100-03-000	EA	TERMINAL - 75 AMP
	106007-01-000	EA	TERMINAL-FEMALE, 14-16 AWG
	106655-01-000	EA	TERMINAL-FUSE BLOCK, 14-16 AWG
	106655-02-000	EA	TERMINAL-FUSE BLOCK, 10-12 AWG
	113306-01-000	EA	TERMINAL-FEMALE, METRI-PACK - 14-16
	113307-01-000	EA	TERMINAL-FEMALE, METRI-PACK - 16-20
	125324-01-000	EA	TERMINAL-MALE, M/P - 150

ELECTRICAL GROUP (CONTINUED)
ELECTRIC BOXES & COVERS

KEY	PART NUMBER	U/M	DESCRIPTION
	008289-01-000	EA	BOX-ELECTRIC, STEEL - 1/2" AND 3/4" KNOCKOUTS - 4" X 4" - US
	008289-02-000	EA	BOX-ELECTRIC, STEEL - 1/2" AND 3/4" KNOCKOUTS - 4" X 4" - CANADIAN
	091910-01-000	EA	BOX - ELECTRIC - 3.8" X 3.5" X 1.8" - PLASTIC
	091910-02-000	EA	BOX - ELECTRIC - 2.2" X 3.5" X 1.7" - PLASTIC
	074890-01-000	EA	BOX-EXTENSION, STEEL - OPEN SIDES - 4" X 4" X 1 1/2"
	074897-01-000	EA	COVER-ELECTRIC BOX, 1 LARGE & 2 SMALL HOLES - 4" X 4"
	008294-01-000	EA	COVER-ELECTRICAL BOX, BLANK/STEEL - 4" X 4" - GRAY
	008294-02-000	EA	COVER-ELECTRICAL BOX, BLANK STEEL - 4" X 4" - CANADIAN
	069238-01-000	EA	COVER-ELECTRICAL BOX, W/HOLE - 4" X 4" - GRAY USED WITH 30 AMP RECEPTACLE
	111509-01-000	EA	BOX ASM-ELECTRICAL, FRONT
	111510-01-000	EA	DOOR-ELECTRICAL BOX, FRONT

HOUSINGS, PINS & SOCKETS

KEY	PART NUMBER	U/M	DESCRIPTION
	088473-01-000	EA	HOUSING-PIN, 4 ROWS OF 3
	088473-02-000	EA	HOUSING-PIN, 15 CAVITY - AMP 1-480710-0
	088473-03-000	EA	HOUSING-PIN, 9 POSITION
	088473-05-000	EA	HOUSING-PIN, 6 POSITION (SINGLE ROW)
	088473-06-000	EA	HOUSING-PIN, 6 POSITION (TWO ROWS OF THREE)
	088473-08-000	EA	HOUSING-PIN, 4 POSITION
	088473-09-000	EA	HOUSING-PIN, 3 POSITION (SINGLE ROW)
	088473-10-000	EA	HOUSING-PIN, 2 POSITION
	088474-01-000	EA	HOUSING - SOCKET - 12 CAVITY
	088474-02-000	EA	HOUSING - SOCKET - 15 CAVITY
	088474-03-000	EA	HOUSING - SOCKET - 9 CAVITY
	088474-06-000	EA	HOUSING - SOCKET - 6 CAVITY
	088474-07-000	EA	HOUSING - SOCKET - 5 CAVITY
	088474-08-000	EA	HOUSING - SOCKET - 4 CAVITY
	088474-09-000	EA	HOUSING - ELECTRICAL - 3 TERMINAL
	088474-10-000	EA	HOUSING - SOCKET - 2 CAVITY
	088475-01-000	EA	PIN-CONNECTOR, 14 TO 20 AWG
	088475-02-000	EA	PIN-CONNECTOR, 10 TO 12 AWG
	088476-01-000	EA	TERMINAL - ELECTRICAL
	088476-02-000	EA	SOCKET - CONNECTOR - 12-10 GA - PRE-TIN
	103608-01-000	EA	SOCKET-WEDGE BASE W/LEADS
	098263-01-000	EA	HOUSING - 3 PIN - WEATHER PACK
	098264-01-000	EA	HOUSING - 2 PIN - WEATHERPACK
	100690-01-000	EA	HOUSING - 5 PIN, WEATHER PACK
	101571-01-000	EA	HOUSING - 2 POSITION, MALE
	104100-01-000	EA	HOUSING - 1 POSITION, 75 AMP
	106006-01-000	EA	HOUSING - 1 POSITION, FEMALE
	110178-01-000	EA	HOUSING-WIPER MOTOR
	113468-01-000	EA	HOUSING - 2 POSITION, FEMALE - 56-SERIES USED ON WIPER/WASHER WIRE ASM
	115556-01-000	EA	HOUSING - 3 POSITION - FEM
	115556-02-000	EA	HOUSING - 2 POSITION - FEM
	119248-02-000	EA	HOUSING - 7 POSITION, FEMALE - METRI-PACK
	125323-02-000	EA	HOUSING - 8 POSITION, MALE
	108355-01-000	EA	HOUSING-SWITCH

ELECTRICAL GROUP (CONTINUED)
CONNECTORS

KEY	PART NUMBER	U/M	DESCRIPTION
	008311-01-000	EA	CONNECTOR-WIRE NUT, INSULATED - RED
	008312-01-000	EA	CONNECTOR-WIRE NUT, INSULATED - BLUE
	008313-01-000	EA	CONNECTOR-WIRE NUT, INSULATED - YELLOW
	008314-01-000	EA	CONNECTOR-WIRE NUT, INSULATED - GRAY
	008355-01-000	EA	CONNECTOR-CABLE CLAMPING, 3/4"
	008356-01-000	EA	CONNECTOR-PLASTIC, 3/8" AVG
	008398-01-000	EA	CONNECTOR - 1/2" X 90 DEGREE, FLEX CONDUIT - UL AND CSA
	041480-01-000	EA	CONNECTOR-STRAIGHT, 1/2" FLEX CONDUIT
	058028-01-000	EA	CONNECTOR-ELECTRICAL PIGTAIL, NYLON - CLEAR
	082741-01-000	EA	CONNECTOR BODY - 2 CONNECTOR - MALE
	098261-02-000	EA	SOCKET-CONNECTOR, WEATHERPACK
	098262-01-000	EA	SEAL-CONNECTOR, WEATHER PACK
	098265-02-000	EA	PIN-CONNECTOR, WEATHER PACK
	007940-01-000	EA	RECEPTACLE-SLIDE, 16 TO 12 AWG - FEMALE END
	007954-01-000	EA	RECEPTACLE-HOUSING, 6 POSITION
	080015-02-000	EA	RECEPTACLE-FLAG, .185 - 16/14 GAUGE
	112823-01-000	EA	SPLICE-REDUCER, 16-14 TO 18-22

POWER CORDS

KEY	PART NUMBER	U/M	DESCRIPTION
	008052-01-000	EA	CORD-POWER, 10/3 - 30 AMP - 25' - CANADIAN
	008054-01-000	EA	CORD-POWER, 10/3 - 30 AMP - 25' - US
	121470-01-000	EA	CORD-EXTENSTION, 6 FT - 16-2 - SATELLITE DISH OPTION

WIRE ASSEMBLIES

KEY	PART NUMBER	U/M	DESCRIPTION
	096449-01-000	EA	WIRE ASSEMBLY-WATER TANK TO MONITOR PANEL
	097618-01-000	EA	WIRE ASSEMBLY-MONITOR PANEL, W/3 WIRES & ORANGE RESISTOR- LVS
	102636-02-000	EA	WIRE ASSEMBLY-CLEARANCE LAMPS
	100677-01-000	EA	WIRE ASSEMBLY-RADIO
	103342-02-000	EA	WIRE ASSEMBLY-CLEARANCE, UPPER LEFT
	103342-03-000	EA	WIRE ASSEMBLY-CLEARANCE, UPPER RIGHT
	110256-01-000	EA	WIRE ASSEMBLY-IP, GENERATOR
	113134-03-000	EA	WIRE ASSEMBLY-WIPER/WASHER
	111915-01-000	EA	WIRE ASSEMBLY-DAY RUN LAMPS, FUSE - GM
	111915-03-000	EA	WIRE ASSEMBLY-DAY RUN LAMPS, FUSE - FORD
	P03784-01-000	EA	WIRE ASSEMBLY-HEADLAMP, GM
	P03784-02-000	EA	WIRE ASSEMBLY-HEADLAMP, FORD
	081059-02-000	EA	WIRE ASSEMBLY - 9PIN - F/RADIO
	103328-06-000	EA	WIRE ASSEMBLY - PUMP - EXTERIOR SHOWER
	123452-02-000	EA	WIRE - PUMP - SLIDEOUT
	108303-01-000	EA	WIRE ASSEMBLY-REAR AUTO HEATER

CONDUIT

KEY	PART NUMBER	U/M	DESCRIPTION
	041953-01-000	FT	CONDUIT-CONVOLUTE, SLIT - .5" ID
	041953-03-000	FT	CONDUIT-CONVOLUTE, SLIT - 1" ID (CLOTHES ROD COVER)
	041953-05-000	FT	CONDUIT-CONVOLUTE, SOLID - .62" ID
	041953-06-000	FT	CONDUIT-CONVOLUTE, SLIT - .375" ID
	041953-07-000	FT	CONDUIT-CONVOLUTE, SLIT - .25" ID
	041953-08-000	FT	CONDUIT-CONVOLUTE, SLIT - 1.50" ID
	041953-09-000	FT	CONDUIT-CONVOLUTE, SLIT - .50" ID
	041953-10-000	FT	CONDUIT-CONVOLUTE, SLIT - .75" ID
	041953-11-000	FT	CONDUIT-CONVOLUTE, SLIT - 1.06" ID
	041953-12-000	FT	CONDUIT-CONVOLUTE, NON SLIT - 1.1" ID

ELECTRICAL GROUP (CONTINUED)
CONVERTER & INVERTER

KEY	PART NUMBER	U/M	DESCRIPTION
	083208-02-000	EA	CONVERTER-POWER, 45A - 120V/12V
	099048-03-000	EA	INVERTER - 130 WATT

WATER PUMP SWITCH & COVER/ACTUATOR

KEY	PART NUMBER	U/M	DESCRIPTION
	108357-08-000	EA	SWITCH - ROCKER DPDT - ON/NONE/ON - 6 TERMINAL
	108356-02-01A	EA	COVER/ACTUATOR SWITCH - 2 ROWS DIMPLES - CONTURA II - BLACK

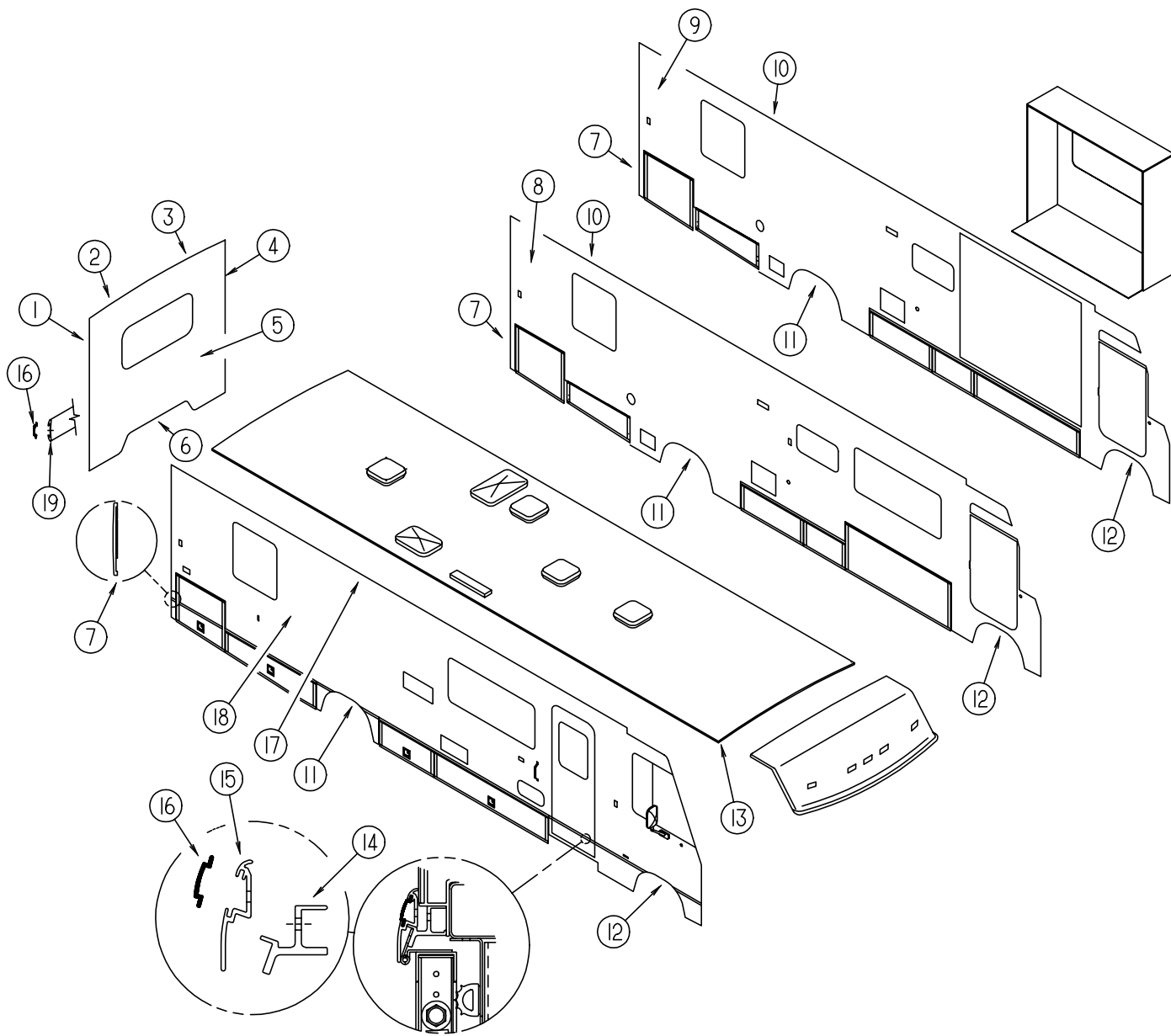
SOLAR PANEL & MONITOR (MCCLAIN ANNIVERSARY OPTION)

KEY	PART NUMBER	U/M	DESCRIPTION	VENDOR NO.
	115504-01-000	EA	PANEL - SOLAR, 10 WATT	
	115504-01-700	EA	PLUG & CABLE, 10 WATT PANEL	600-016
	115505-01-000	EA	LIGHT - MONITOR/SOLAR PANEL - RED LED INDICATOR	

MISCELLANEOUS ELECTRICAL COMPONENTS

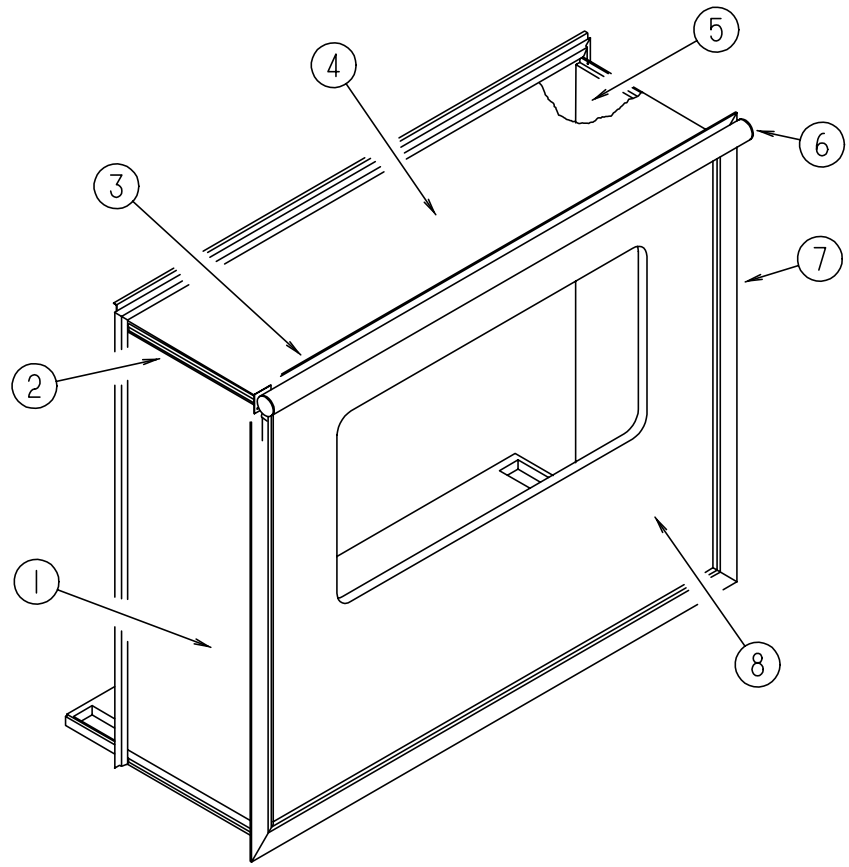
KEY	PART NUMBER	U/M	DESCRIPTION
	007093-01-000	EA	FLASHER-SIGNAL, STAT
	007956-05-000	EA	INSULATOR - SHRINK - .25 ID X 1.50 - BLACK
	008188-01-000	EA	SOLENOID - 3 POST, BATTERY CHANGE OVER
	022756-03-000	EA	COVER-A/C, OFF WHITE - PLASTIC
	063910-01-000	EA	HOUSING-RELAY
	063912-02-000	EA	RELAY-CANISTER, SPDT
	086233-01-000	EA	STUD-ISOLATED, 3/8" X 7/8" LONG
	086273-01-000	EA	RELAY-BATTERY DISCONNECT
	054250-01-000	EA	COVER-ANGLED, W/O HOLE - 3.6" X 4.5" - PLASTIC - BEIGE ELECTRICAL PLATE SUPPORT W/O HOLES
	073626-04-000	EA	COVER-ELECTRIC, 10.4" X 7.8"
	103987-02-000	EA	SEAL-SOLENOID ACCESS
	125325-01-000	EA	SEAL-CAVITY
	087225-01-000	FT	SLEEVING - 1/2", TYPE H
	087225-02-000	FT	SLEEVING - 5/8", TYPE H
	087949-01-000	EA	BUSS BAR - 2 POSITION - .6" X 1.5"
	087949-02-000	EA	BUSS BAR - 3 POSITION - .6" X 2.4"
	073328-B4-000	EA	CABLE ASSEMBLY-BATTERY, W/TERMINALS
	077479-01-000	EA	BOOT-BATTERY TERMINAL, DOUBLE CABLE
	077479-02-000	EA	BOOT-BATTERY TERMINAL, SINGLE CABLE

EXTERIOR BODY GROUP
EXTERIOR BODY PANELS AND TRIM



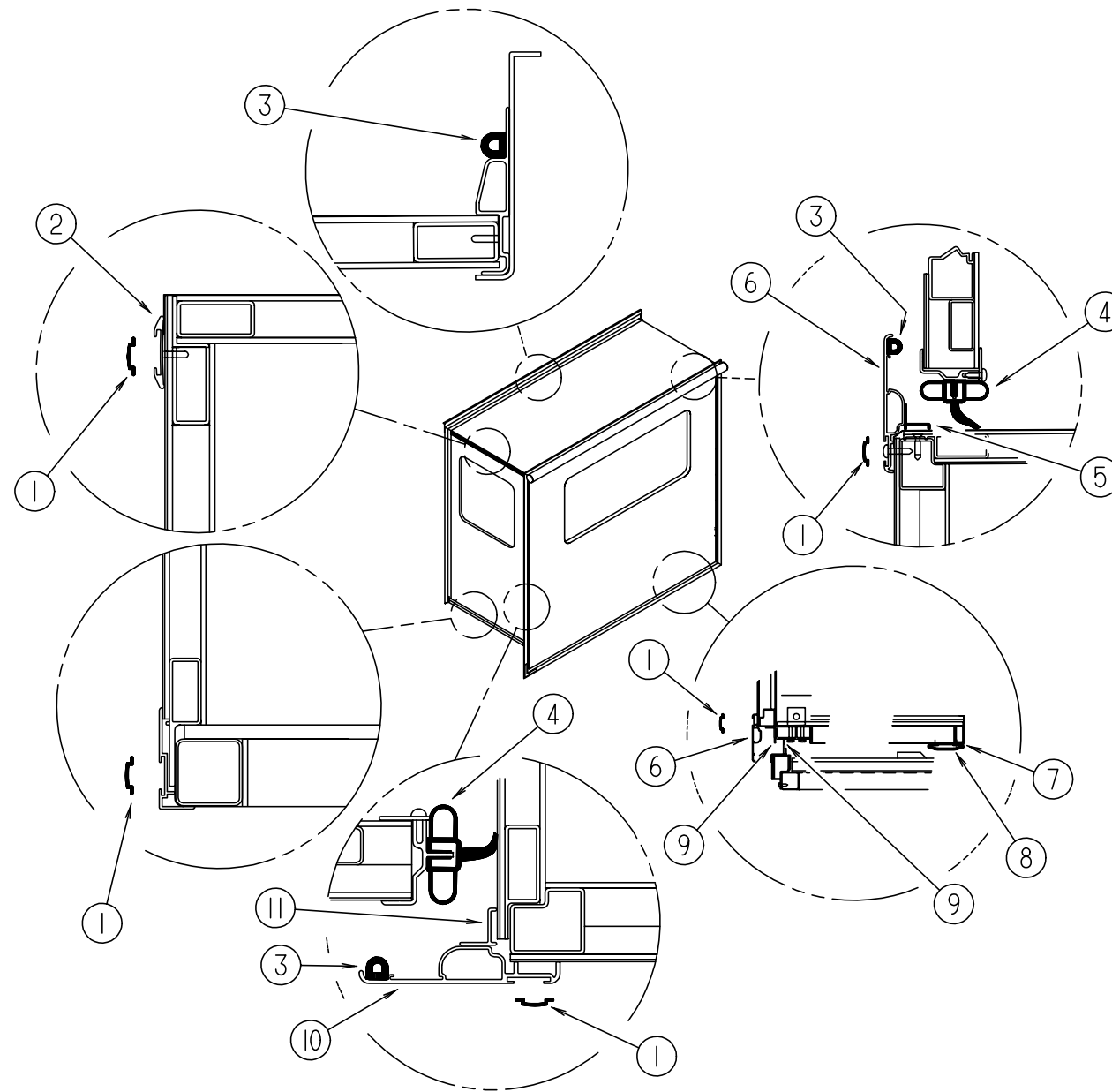
KEY	PART NUMBER	U/M	DESCRIPTION
1	114874-05-12B	EA	TRIM-BACKWALL SIDE, RIGHT - BRIGHT WHITE - STEEL
1	104033-11-02A	EA	TRIM-J, BACKWALL - RIGHT - BRIGHT WHITE - ALUMINUM
2	114872-01-02A	EA	TRIM-BACKWALL, TOP W/O CLEARANCE LIGHTS - RH - BRIGHT WHITE PLASTIC
3	114873-01-02A	EA	TRIM-BACKWALL, TOP W/O CLEARANCE LIGHTS - LH - BRIGHT WHITE PLASTIC
4	114874-06-12B	EA	TRIM-BACKWALL SIDE, LEFT - BRIGHT WHITE - STEEL
4	104033-12-02A	EA	TRIM-J, BACKWALL - LEFT - BRIGHT WHITE - ALUMINUM
5	M07419-17-H33	EA	BACKWALL-W/O WINDOW & TRIM - CHEVY
5	M07419-17-H34	EA	BACKWALL-W/O WINDOW & TRIM - CHEVY
5	M07419-17-H35	EA	BACKWALL-W/O WINDOW & TRIM - CHEVY
5	M07419-18-H33	EA	BACKWALL-W/O WINDOW & TRIM - FORD
5	M07419-18-H34	EA	BACKWALL-W/O WINDOW & TRIM - FORD
5	M07419-18-H35	EA	BACKWALL-W/O WINDOW & TRIM - FORD
6	050406-24-000	EA	TRIM-BACKWALL, LOWER - BRIGHT WHITE
7	093673-01-06A	FT	TRIM - 1.3" WIDE, BRIGHT WHITE
8	122374-02-H33	EA	SIDEWALL - DRIVER - W/O WINDOWS/TRIM
8	122374-02-H34	EA	SIDEWALL - DRIVER - W/O WINDOWS/TRIM
8	122374-02-H35	EA	SIDEWALL - DRIVER - W/O WINDOWS/TRIM
9	121521-02-H33	EA	SIDEWALL - DRIVER - W/O WINDOWS/TRIM
9	121521-02-H34	EA	SIDEWALL - DRIVER - W/O WINDOWS/TRIM
9	121521-02-H35	EA	SIDEWALL - DRIVER - W/O WINDOWS/TRIM
10	120091-01-02A	EA	TRIM-ROOF, BRIGHT WHITE
11	122560-01-01A	EA	TRIM-WHEELWELL, REAR - DRIVER OR PASSENGER - BRIGHT WHITE FROM: 00-00-00 THRU: 09-2-96
11	124512-01-01A	EA	TRIM-WHEELWELL, REAR - DRIVER OR PASSENGER - BRIGHT WHITE FROM: 09-3-96 THRU: 99-99-99
12	122561-02-01A	EA	TRIM-WHEELWELL, FRONT - DRIVER OR PASSENGER - BRIGHT WHITE FROM: 00-00-00 THRU: 09-2-96
12	124513-02-01A	EA	TRIM-WHEELWELL, FRONT - DRIVER OR PASSENGER - BRIGHT WHITE FROM: 09-3-96 THRU: 99-99-99
13	121520-02-H33	EA	ROOF - W/O LIGHTS/VENTS - W/WIRING
14	124299-51-001	EA	EXTRUDED - RETAINER - TRIM - 144"
15	124176-01-01A	EA	TRIM-SIDEWALL, BRIGHT WHITE ALUMINUM
16	105312-01-07A	EA	INSERT-FEATURE STRIP, BRIGHT WHITE
16	105312-01-03A	FT	INSERT-FEATURE STRIP, GRAY MET - EXTERIOR PAINT OPTION
17	120092-01-02A	EA	RAIL-AWNING, BRIGHT WHITE
18	121522-02-H33	EA	SIDEWALL - PASSENGER - W/O WINDOWS/TRIMS
18	121522-02-H34	EA	SIDEWALL - PASSENGER - W/O WINDOWS/TRIMS
18	121522-02-H35	EA	SIDEWALL - PASSENGER - W/O WINDOWS/TRIMS
19	108688-01-03A	EA	FEATURE STRIP-W/HOLES - BRIGHT WHITE (BACKWALL)
	108651-01-01A	EA	END CAP-FEATURE STRIP (BACKWALL)
	124179-03-01A	EA	CAP-SIDEWALL TRIM, ANGLED - LEFT HAND - BRIGHT WHITE (WHEELWELL)
	124179-04-01A	EA	CAP-SIDEWALL TRIM, ANGLED - RIGHT HAND - BRIGHT WHITE (WHEELWELL)
	124132-01-01A	EA	CAP-SIDEWALL TRIM W/O KNOTCH, 90 DEGREE - RIGHT HAND - BRIGHT WHITE
	124132-02-01A	EA	CAP-SIDEWALL TRIM W/O KNOTCH, 90 DEGREE - LEFT HAND - BRIGHT WHITE
	124132-03-01A	EA	CAP-SIDEWALL TRIM W/KNOTCH, 90 DEGREE - RIGHT HAND - BRIGHT WHITE
	124132-04-01A	EA	CAP-SIDEWALL TRIM W/KNOTCH, 90 DEGREE - LEFT HAND - BRIGHT WHITE
	069726-02-000	EA	BUMPER - .88" DIA X .40", BLACK
	033381-17-001	FT	STEEL - TUBE - 16 GAUGE 1.5" X 1.5" X 16'
	068716-01-001	EA	BRACE - 90 DEGREE L-ANGLE - 16'
	002726-01-001	EA	GARNISH-U-CHANNEL, 1.38" X 19' - SERRATED - MILL ALUMINUM
	116800-55-005	EA	U-CHANNEL-EXTRUDED, 1.7" X 16' - BRIGHT WHITE
	123718-01-01A	EA	RETAINER-SIDEWALL, TRIM W/HOLES - 27.7 MM X 3050 MM - PVC - BLACK FROM: 00-00-00 THRU: 09-13-96
	122613-55-001	EA	EXTRUDED - ROCKER PANEL - 192" - BRIGHT WHITE
	122613-55-003	EA	EXTRUDED - ROCKER PANEL - 192" - UMBRA
	123725-05-H13	EA	TRIM - SIDEWALL FROM: 09-02-96 THRU: 99-99-99
	124010-62-01A	EA	TRIM - ROCKER PANEL FROM: 09-02-96 THRU: 99-99-99
	124010-63-01A	EA	TRIM - ROCKER PANEL FROM: 09-02-96 THRU: 99-99-99

EXTERIOR BODY GROUP (CONTINUED)
EXTERIOR BODY SLIDEOUT PANELS AND TRIM



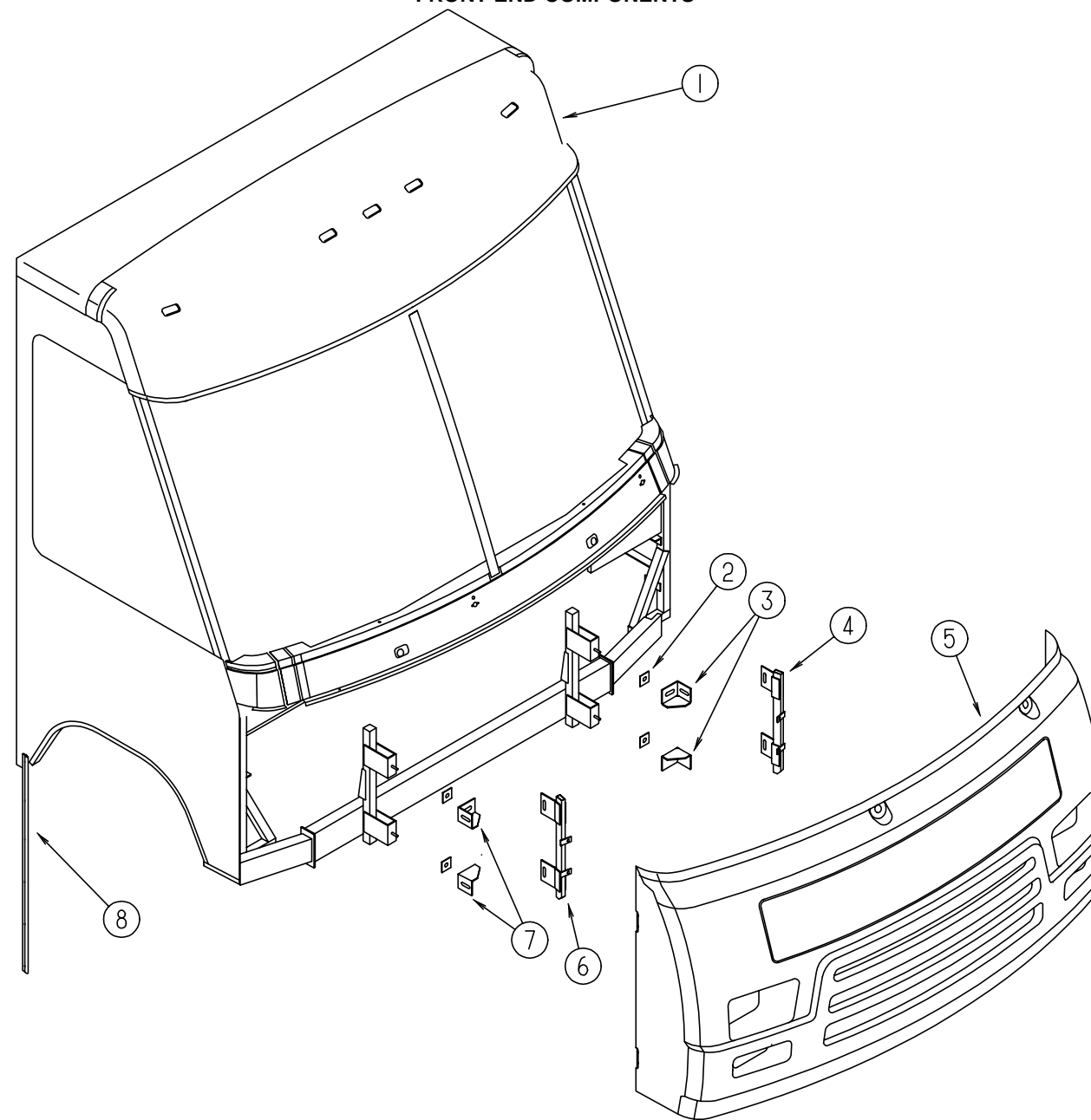
KEY	PART NUMBER	U/M	DESCRIPTION
1	121401-01-H33	EA	PANEL - SLIDEOUT/FRONT
1	121401-01-H34	EA	PANEL - SLIDEOUT/FRONT
1	121401-01-H35	EA	PANEL - SLIDEOUT/FRONT
2	108688-01-03A	EA	STRIP - FEATURE - 15'
	105312-01-03A	FT	INSERT - VINYL FEATURE STRIP - GRAY METALLIC
	105312-01-07A	FT	INSERT - VINYL FEATURE STRIP - BRIGHT WHITE
3	119992-06-01A	EA	TRIM - SEAL - W/MITERED ENDS
4	122146-01-H13	EA	ROOF - SLIDEOUT - W/O LIGHTS/VENTS - W/WIRING
5	121402-01-H33	EA	PANEL - SLIDEOUT/REAR
5	121402-01-H34	EA	PANEL - SLIDEOUT/REAR
5	121402-01-H35	EA	PANEL - SLIDEOUT/REAR
6	122977-02-01A	EA	AWNING - SLIDEOUT - W/COVER - 90"
			FROM 00-00-00 THRU 11-10-96
6	122977-04-01A	EA	AWNING - SLIDEOUT COVER
			FROM 11-11-96 THRU 99-99-99
7	119992-05-02A	EA	TRIM - SEAL - W/MITERED ENDS
8	122208-01-H33	EA	PANEL - SLIDEOUT - OUTER
8	122208-01-H34	EA	PANEL - SLIDEOUT - OUTER
8	122208-01-H35	EA	PANEL - SLIDEOUT - OUTER
	064675-54-005	EA	STEEL - ANGLE ROOF JOINT - 5' - OFF/WHITE
	122175-01-02B	EA	PLATE - SEAL - SLIDEOUT
	122175-02-02B	EA	PLATE - SEAL - SLIDEOUT
	122176-01-01B	EA	PLATE - SEAL - SLIDEOUT
	122177-01-02B	EA	PLATE - RETAINER - SLIDEOUT
	122178-01-02B	EA	PLATE - SUPPORT - SLIDEOUT
	099069-01-000	FT	SEAL - RUBBER - CLOSED SPONGE - .5" WIDE X .12" THICK -BLK

EXTERIOR BODY GROUP (CONTINUED)
EXTERIOR BODY SLIDEOUT PANELS AND TRIM



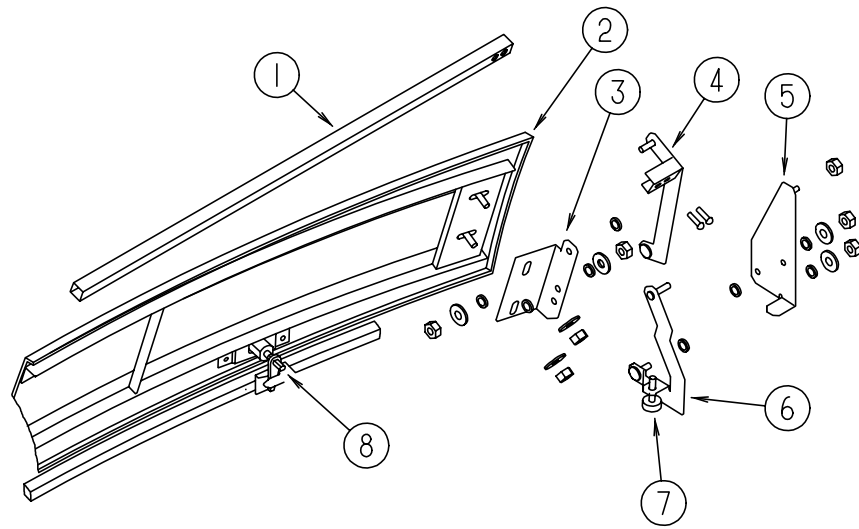
KEY	PART NUMBER	U/M	DESCRIPTION
1	105312-01-03A	FT	INSERT - VINYL FEATURE STRIP - GRAY METALLIC
1	105312-01-07A	FT	INSERT - VINYL FEATURE STRIP - BRIGHT WHITE
2	108688-01-03A	EA	STRIP - FEATURE - 15'
3	099418-01-000	FT	SEAL - D-SECTION/ADHESIVE BACK - .44" X .44" - BLACK RUBBER
4	115076-01-000	FT	SEAL - SLIDEOUT
5	116933-06-01A	EA	TRIM - SEAL
6	119992-06-01A	EA	TRIM - SEAL - W/MITERED ENDS
7	115325-03-02A	EA	RAIL-FLOOR, SLIDEOUT - BLACK
8	115661-01-000	FT	POLYETHYLENE - HIGH DENSITY - 1/16" X 3'
9	123012-01-000	FT	SEAL - SLIDEOUT
10	119992-05-02A	EA	TRIM - SEAL - W/MITERED ENDS
11	116933-05-02A	EA	TRIM - SEAL

EXTERIOR BODY GROUP (CONTINUED)
FRONT END COMPONENTS



KEY	PART NUMBER	U/M	DESCRIPTION
1	115042-01-02A	EA	PANEL-ROOF CAP, BRIGHT WHITE
	070579-06-000	EA	PLATE-ANCHOR, W/7/16 WELD NUT - 1.5" X 3.3"
	077001-01-000	EA	ANGLE - MOUNTING ROOF PANEL V ANGLE - 3" X 2.4" X 1.5"
2	116617-02-02B	EA	SPACER/WASHER-BUMPER, SQUARE - E-COAT STEEL
3	117611-04-02B	EA	BRACKET-BUMPER, E-COATED - LH
4	118997-07-H33	EA	SUPPORT ASM-GRILLE, FRONT - LH
5	121539-01-01A	EA	PANEL - FRONT/LOWER
	002328-02-000	EA	BLOCK-RUBBER, .062" X .5" X .98"
	121554-01-H33	EA	GRILLE ASSEMBLY-UPPER
	121555-01-H33	EA	GRILLEASSEMBLY-LOWER
	115951-01-02B	EA	PLATE ASSEMBLY-HEADLAMP - DUAL - RH
	115951-02-02B	EA	PLATE ASSEMBLY-HEADLAMP - DUAL - LH
	119445-01-02B	EA	PLATE-W/HOLES - 1.5" X 1", E-COAT STEEL
	103136-03-000	EA	BRACKET - SUPPORT UPPER - HINGE/RIGHT
	103136-04-000	EA	BRACKET - SUPPORT UPPER - HINGE/LEFT
6	118997-06-H33	EA	SUPPORT ASM-GRILLE, FRONT - RH
7	117611-03-02B	EA	BRACKET-BUMPER, E-COATED - RH
8	089922-34-000	EA	TRIM-FIBERGLASS PANEL, BRIGHT WHITE
			FROM: 00-00-00 THRU: 12-01-96
8	123680-03-01A	EA	TRIM-FIBERGLASS PANEL, BRIGHT WHITE
			FROM: 12-02-96 THRU: 99-99-99

EXTERIOR BODY GROUP (CONTINUED)



HOOD & COMPONENTS

KEY	PART NUMBER	U/M DESCRIPTION
1	105096-10-000	EA TUBE-HOOD HINGE TIMING W/WELDNUTS
2	115976-04-H01	EA PANEL-HOOD, BRIGHT WHITE
3	109927-03-000	EA ANGLE-LINK, HOOD - RH
3	109927-04-000	EA ANGLE-LINK, HOOD - LH
4	109929-07-000	EA LINK-HINGE, HOOD - UPPER - RH
4	109929-08-000	EA LINK-HINGE, HOOD - UPPER - LH
5	109926-23-000	EA BRACKET-LINK, HINGE - RH
5	109926-24-000	EA BRACKET-LINK, HINGE - LH
6	109930-15-000	EA LINK-HINGE W/O BUMPER BOLT, HOOD - LOWER - RH
6	109930-16-000	EA LINK-HINGE W/O BUMPER BOLT, HOOD - LOWER - LH
7	058786-01-000	EA BOLT-HOOD, ADJUSTING W/RUBBER BUMPER
8	102330-02-000	EA LOCK-SINGLE HOLE, VISE ACTION - SOUTHCOE 3-56-715-5
	102328-01-000	EA KEY-BARREL, NICKEL PLATED - SOUTHCOE 3-26-715-19
	099418-01-000	FT SEAL - D-SECTION/ADHESIVE BACK - .44" X .44" - BLACK RUBBER
	106748-06-000	EA LATCH-HOOD, FRONT END

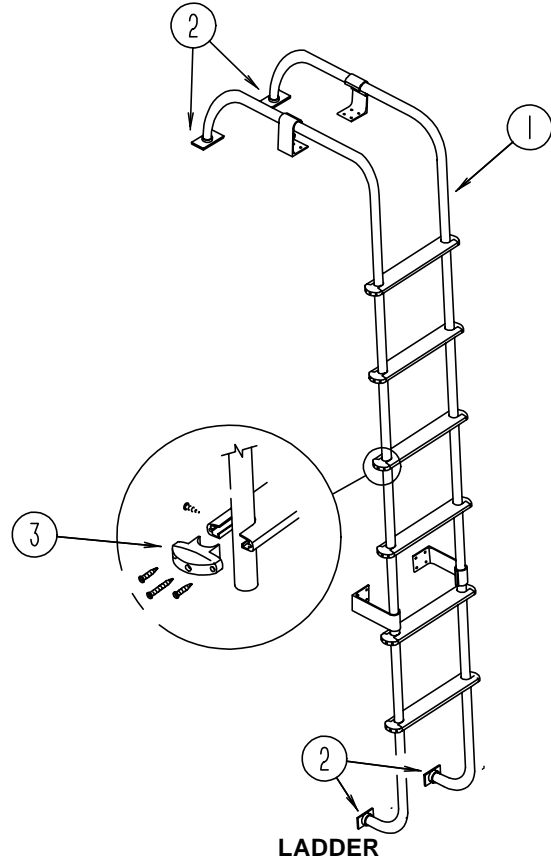
EXTERIOR BODY GROUP (CONTINUED)
FIBERGLASS, STYROFOAM & INSULATION

KEY	PART NUMBER	U/M DESCRIPTION
	076054-P4-000	EA FIBERGLASS-SHEET, FLAT - 96" X 97" - BRIGHT WHITE
	076054-W6-000	EA FIBERGLASS-SHEET, FLAT - 79" X 367" - BRIGHT WHITE
	076054-W7-000	SF FIBERGLASS-COIL, FLAT - 16.38" X 500 FT - BRIGHT WHITE
	076054-R9-000	EA FIBERGLASS SHEET - 38.1" X 70.6" - BRIGHT WHITE
	076054-X9-000	EA FIBERGLASS SHEET - 22.1" X 70.6" - BRIGHT WHITE
	077517-62-000	EA FIBERGLASS-SHEET, FLAT - .045" X 48" X 96" - BRIGHT WHITE
	077517-65-000	EA FIBERGLASS-SHEET, FLAT - .070" X 48" X 96" - BRIGHT WHITE
	077517-66-000	EA FIBERGLASS SHEET, FLAT - .070" X 48" X 96" - GRAY
	108535-05-702	EA FIBERGLASS SHEET-FLAT, 110" X 396" BRIGHT WHITE (ROOF COVERING)
	108535-04-705	EA FIBERGLASS SHEET-FLAT, 6" X 34' - BRIGHT WHITE (ROOF COVERING)
	072877-03-000	EA INSULATION-SOUND BARRIER, 1" X 36" X 57"
	072878-01-000	SF INSULATION-SOUND BARRIER PAD, .058" X 33" X 58"
	000870-08-000	SF STYROFOAM - .75" X 48" X 96" - PLANED - INCREMENTS OF 32 SF
	100619-01-000	BF FOAM-EXPANDED POLYSTYRENE, 1.34" X 48" X 96" - 1.5 LB/SQ FT DENSITY
	100619-02-000	BF FOAM-EXPANDED POLYSTYRENE, 1.5" X 48" X 96" - 1.5 LB/SQ FT DENSITY
	100619-04-000	BF FOAM-EXPANDED POLYSTYRENE, .5" X 48" X 96" - 2 LB/SQ FT DENSITY
	100619-05-000	BF FOAM-EXPANDED POLYSTYRENE, .75" X 48" X 96" - 1.5 LB/SQ FT DENSITY
	100619-10-000	BF FOAM-EXPANDED POLYSTYRENE, 1.5" X 48" X 96" - 2 LB/SQ FT DENSITY
	100619-11-000	BF FOAM-EXPANDED POLYSTYRENE, 2" X 48" X 96" - 1.5 LB/SQ FT DENSITY
	100619-13-000	BF FOAM-EXPANDED POLYSTYRENE, .34" X 34.65" X 96"
	100619-16-000	BF FOAM-EXPANDED POLYSTYRENE, .75" X 48" X 96" - 2 LB/SQ FT DENSITY
	120107-03-000	EA FOAM-PLUG, TUBE - 29.6 MM X 54.5 MM X 45 MM LONG - POLYSTYRENE FOAM
	120107-01-000	EA FOAM-COVE, ROOF - 70.6 MM X 2438 MM LONG - POLYSTYRENE FOAM
	120107-02-000	EA FOAM-PLUG, TUBE - 57 MM X 74.3 MM X 45 MM LONG - POLYSTYRENE FOAM

A & E AWNING & HARDWARE

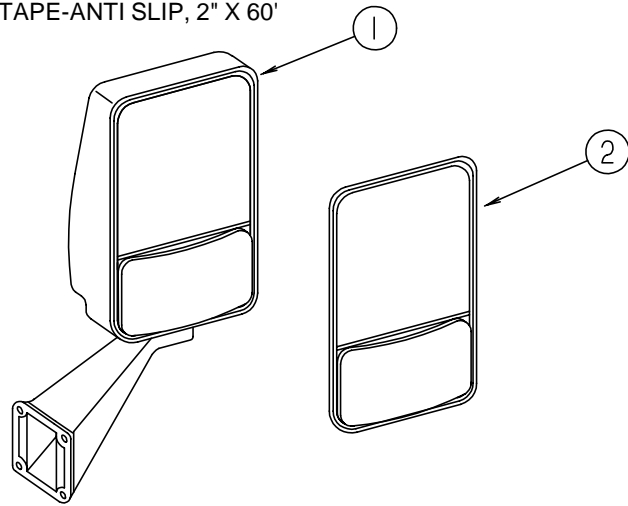
KEY	PART NUMBER	U/M DESCRIPTION	VENDOR NO.
	117058-01-01A	FT TAPE - LOOP - 3/4" WIDE - ADHESIVE BACKED	
	122977-02-01A	EA AWNING - SLIDEOUT - W/COVER - 90"	
		FROM: 00-00-00 THRU: 11-10-96	
	122977-04-01A	EA AWNING - SLIDEOUT COVER	
		FROM: 11-11-96 THRU: 99-99-99	
	113874-07-01A	EA AWNING - W/O HDW 18' (POLAR BLUE LAVENDER) VINYL	
	111037-01-01A	EA SPACER - AWNING - UPPER - BLACK	
	111038-01-01A	EA SPACER - AWNING - LOWER	
	113874-01-02A	EA HARDWARE KIT - AWNING- W/O STANDOFF BRACKET - BRIGHT WHITE	
	113874-01-702	EA KNOB - ADJUSTING	3105421.014
	113874-01-703	EA ROD-CENTER PULL W/ACCESSORY	830152.102
	113874-01-706	EA LOCK - TRAVEL	830587.001
	113874-01-707	EA HANDLE - LIFT W/RIVETS	830644
	113874-01-709	EA NAIL-SPIKE, 8"	113006
	113874-01-710	EA PLUG-STOP KIT	830456
	113874-01-712	EA FOOT - PATIO	730366-001
	113874-01-714	EA RAFTER - MAIN RH/LH - BRIGHT WHITE	830295.536F
	113874-01-715	EA RAFTER - SECONDARY - BRIGHT WHITE	830463.511F
	113874-01-716	EA ARM - MAIN SUPPORT - BRIGHT WHITE	3104502.293/F
	113874-01-717	EA ARM - ADJUSTABLE - BRIGHT WHITE	830467.517/F
	113874-10-01A	EA SPACER - AWNING - LOWER BRACKET	
		FROM: 00-00-00 THRU: 08-28-96	
	119496-01-02A	EA SPACER/ZEE - AWNING	

EXTERIOR BODY GROUP (CONTINUED)



LADDER

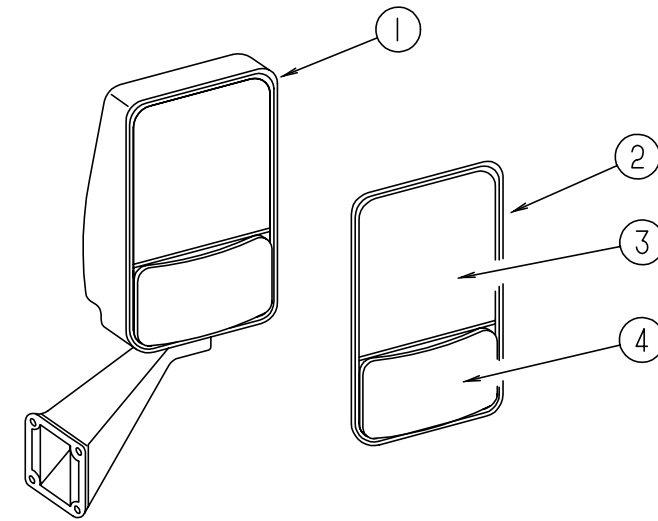
KEY	PART NUMBER	U/M DESCRIPTION
1	102953-16-G09	EA LADDER ASSEMBLY
2	067165-01-000	EA MOUNTING BRACKET-LADDER, LOWER
3	076980-02-000	EA END CAP-STEP, BLACK
	038327-01-000	EA TAPE-ANTI SLIP, 2" X 60'



VELVAC EXTERIOR MIRRORS

KEY	PART NUMBER	U/M DESCRIPTION	VENDOR NO.
1	106015-09-01A	EA MIRROR ASM-EXTERIOR ADJUST GLASS RIGHT - BLACK FROM: 00-00-00 THRU: 01-05-97	
1	106015-14-01A	EA MIRROR ASM-EXTERIOR ADJUST GLASS RIGHT - BLACK FROM: 01-06-97 THRU: 99-99-99	
1	106015-10-01A	EA MIRROR ASM-EXTERIOR ADJUST GLASS LEFT - BLACK FROM: 00-00-00 THRU: 01-05-97	
1	106015-15-01A	EA MIRROR ASM-EXTERIOR ADJUST GLASS LEFT - BLACK FROM: 01-06-97 THRU: 99-99-99	
2	106015-01-703	EA MIRROR KIT (BEZEL W/MIRRORS) PASSENGER SIDE	709266
2	106015-02-702	EA MIRROR KIT (BEZEL W/MIRRORS) DRIVER SIDE	709267

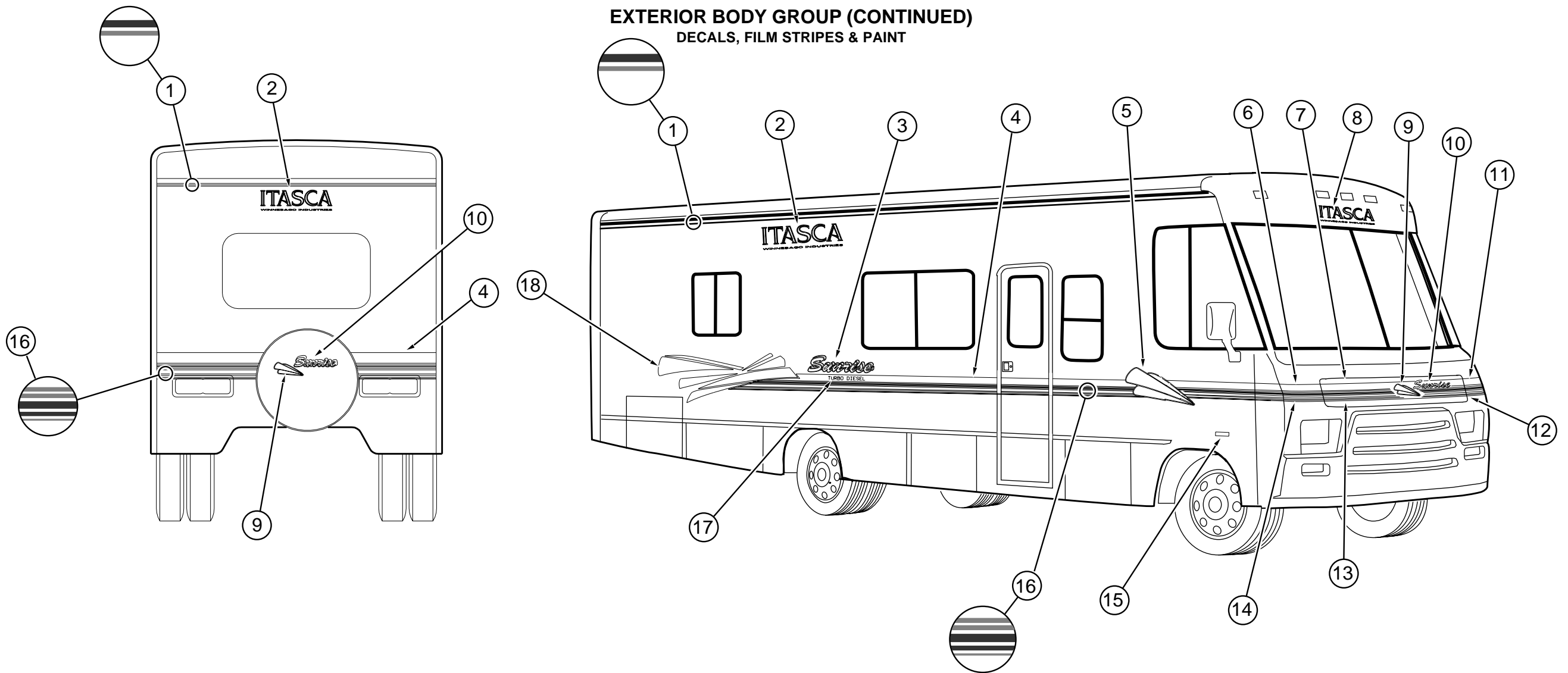
EXTERIOR BODY GROUP (CONTINUED)



VELVAC HEATED EXTERIOR MIRRORS

KEY	PART NUMBER	U/M DESCRIPTION	VENDOR NO.
1	106015-05-01A	EA MIRROR ASM - REMOTE/HEATED RIGHT W/O SWITCHES FROM: 00-00-00 THRU: 11-05-96	
1	106015-12-01A	EA MIRROR ASM - REMOTE/HEATED RIGHT W/O SWITCHES FROM: 11-06-96 THRU: 99-99-99	
1	106015-06-01A	EA MIRROR ASM - REMOTE/HEATED LEFT W/O SWITCHES FROM: 00-00-00 THRU: 11-05-96	
1	106015-13-01A	EA MIRROR ASM - REMOTE/HEATED LEFT W/O SWITCHES FROM: 11-06-96 THRU: 99-99-99	
2	086261-01-704	EA MIRROR KIT (BEZEL W/MIRRORS) PASSENGER SIDE	709091-8
2	086261-02-701	EA MIRROR KIT (BEZEL W/MIRRORS) DRIVER SIDE	709269
3	106015-12-700	EA GLASS-FLAT W/HEAT & CLIP FROM: 00-00-00 THRU: 11-05-96	709448
4	106015-12-701	EA GLASS-CONVEX W/HEAT & CLIP FROM: 11-06-96 THRU: 99-99-99	709449
		FROM: 11-06-96 THRU: 99-99-99	
	087695-02-000	EA SWITCH-HEATER, EXTERIOR MIRROR - EURAMTEC DAV4720-12	
	087695-03-000	EA CONNECTOR-ASSEMBLY - EURAMTEC RT10484802	
	088246-01-000	EA SWITCH-REMOTE, EXTERIOR MIRROR - SQUARE PUSH 7471290	

EXTERIOR BODY GROUP (CONTINUED)
DECALS, FILM STRIPES & PAINT

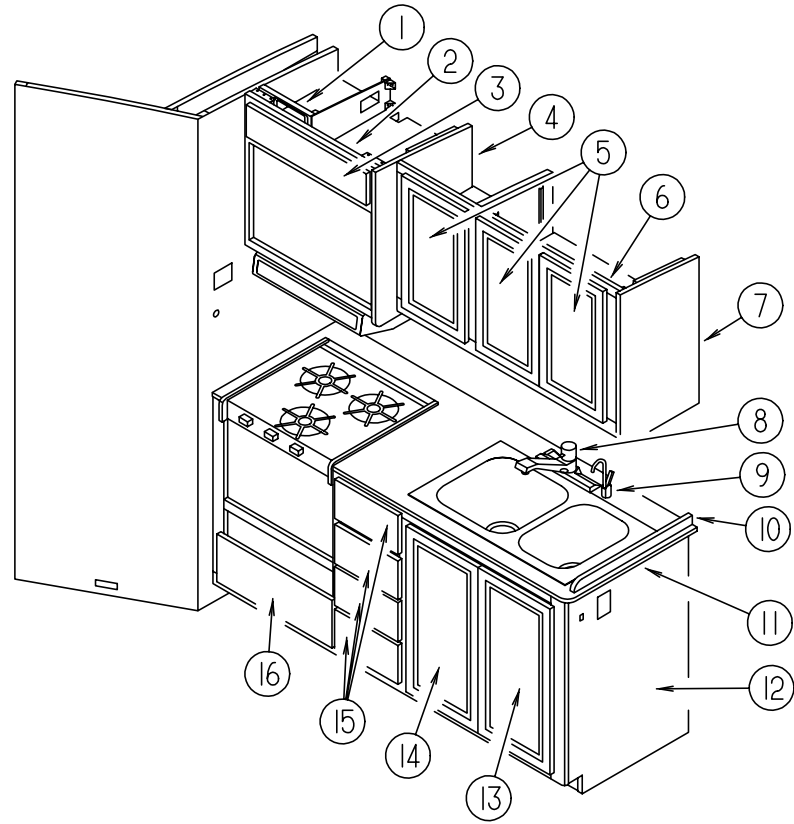


KEY	PART NUMBER	U/M	DESCRIPTION
1	105781-51-01A	FT	FILM-MULTISTRIPE, 65.1 MM WIDE - MAJESTIC PURPLE/UMBRA BROWN
2	120711-01-02A	EA	DECAL-LOGO, ITASCA - WINNEBAGO INDUSTRIES - AMETHYST FROST/BRIGHT WHITE
3	121425-01-01A	EA	DECAL-LOGO, SUNRISE - LARGE AMETHYST FROST/MAJESTIC PURPLE/UMBRA BROWN/BRIGHT WHITE
4	093681-49-01A	FT	FILM - STRIPE, 88.9 MM WIDE - MAJESTIC PURPLE
5	121419-01-01A	EA	DECAL-BURST, SMALL - RH SHALE BLUE/AMETHYST FROST/MAJESTIC PURPLE/UMBRA BROWN/BRIGHT WHITE
	121419-02-01A	EA	DECAL-BURST, SMALL - LH SHALE BLUE/AMETHYST FROST/MAJESTIC PURPLE/UMBRA BROWN/BRIGHT WHITE
6	121421-01-01A	EA	DECAL-CORNER, UPPER - RH - MAJESTIC PURPLE
7	121423-01-01A	EA	DECAL-HOOD, UPPER - MAJESTIC PURPLE
8	120710-02-01A	EA	DECAL-LOGO, ITASCA - WINNEBAGO INDUSTRIES - AMETHYST FROST/BRIGHT WHITE
9	121420-01-01A	EA	DECAL-BURST, HOOD & BACK SHALE BLUE/AMETHYST FROST/MAJESTIC PURPLE/UMBRA BROWN/BRIGHT WHITE
10	121425-02-01A	EA	DECAL-LOGO, SUNRISE - SMALL AMETHYST FROST/MAJESTIC PURPLE/UMBRA BROWN/BRIGHT WHITE
11	121421-02-01A	EA	DECAL-CORNER, UPPER - LH - MAJESTIC PURPLE
12	121422-02-01A	EA	DECAL-CORNER, LOWER - LH - AMETHYST FROST/UMBRA BROWN/SHALE BLUE
13	121424-01-01A	EA	DECAL-HOOD, LOWER - AMETHYST FROST/UMBRA BROWN/SHALE BLUE
14	121422-01-01A	EA	DECAL-CORNER, LOWER - RH - AMETHYST FROST/UMBRA BROWN/SHALE BLUE
15	122312-01-01A	EA	DECAL-VORTEC 7400 - BLACK/OFF WHITE/MIST GRAY/SPECTRA RED
16	094445-05-01A	FT	FILM-MULTISTRIPE, 119.1 MM WIDE - AMETHYST FROST/UMBRA BROWN/SHALE BLUE
17	111318-03-03A	EA	DECAL-TURBO DIESEL, BRIGHT WHITE
18	121418-01-01A	EA	DECAL-BURST, LARGE - RH SHALE BLUE/AMETHYST FROST/MAJESTIC PURPLE/UMBRA BROWN
	121418-02-01A	EA	DECAL-BURST, LARGE - LH SHALE BLUE/AMETHYST FROST/MAJESTIC PURPLE/UMBRA BROWN
	126511-01-01A	EA	DECAL - MCCLAINS RV 34TH ANNIVERSARY

DUPONT COLOR CODES

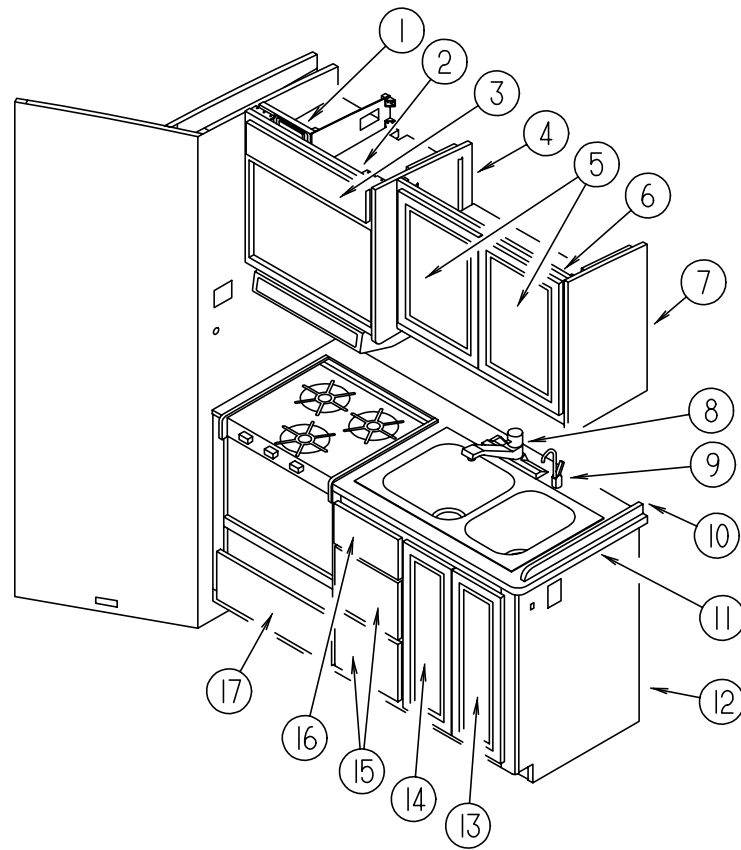
BRIGHT WHITE (MAIN BODY COLOR)	#B8951
UMBRA (LOWER ACCENT COLOR)	#F2529
UMBRA BROWN (DECAL COLOR)	#F2529
MAJESTIC PURPLE METALLIC (DECAL COLOR)	#F0740
AMETHYST FROST METALLIC (DECAL COLOR)	#RM012
SHALE BLUE METALLIC (DECAL COLOR)	#F0744

GALLEY GROUP
GALLEY CABINETRY W/O SLIDEOUT OPTION



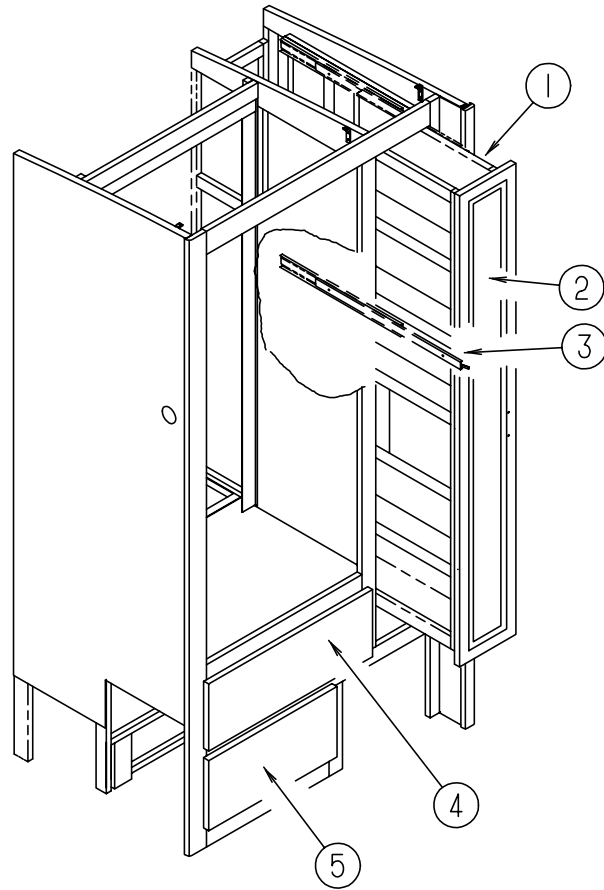
KEY	PART NUMBER	U/M	DESCRIPTION
1	121329-01-H13	EA	CABINET - A/C SWITCH
2	121328-01-H13	EA	CABINET - MICROWAVE/OVERHEAD - W/O DOORS/HARDWARE
3	M05992-J9-H13	EA	DOOR - MITERED CORNER/OGEE EDGE - 5.1" X 22.4" - W/O HDW
4	081320-16-G09	EA	END CAP - OVERHEAD CABINET
5	M06803-58-G09	EA	DOOR - MITERED CORNER/OGEE EDGE - 12" X 21.8" - W/O HDW
6	122093-01-H13	EA	CABINET - OVERHEAD/GALLEY - W/O DOORS/HARDWARE
	122310-11-H13	EA	SHELF - W/PLASTIC EDGE TRIM
7	081320-20-G09	EA	END CAP - CABINET FRONT
8	104114-02-01A	EA	FAUCET-GALLEY, SINGLE CONTROL
9	103635-01-000	EA	FAUCET-SINGLE CONTROL, (WATER PURIFIER) EVERPURE 5435-00
	110654-01-000	EA	SINK-STAINLESS STEEL, DOUBLE BASIN (1 LARGE - 1 SMALL)
	092303-01-000	EA	STRAINER-SINK
	108464-03-E38	EA	COVER - SINK - 15" X 11" - SMALL SINK (H33)
	108464-03-GV4	EA	COVER - SINK - 15" X 11" - SMALL SINK (H34,H35)
	108464-04-E38	EA	COVER - SINK - 15" X 15" - LARGE (H33)
	108464-04-F32	EA	COVER - SINK - 15" X 15" - LARGE (H34,H35)
10	098335-07-E38	EA	RAIL - GALLEY - 22.2" (H33)
10	098335-07-G36	EA	RAIL - GALLEY - 22.2" (H34,H35)
11	122373-13-H33	EA	COUNTERTOP - GALLEY
11	122373-13-H34	EA	COUNTERTOP - GALLEY
11	122373-13-H35	EA	COUNTERTOP - GALLEY
12	122373-01-H33	EA	CABINET - GALLEY - W/O DOORS/DRAWERS/HARDWARE
12	122373-01-H34	EA	CABINET - GALLEY - W/O DOORS/DRAWERS/HARDWARE
12	122373-01-H35	EA	CABINET - GALLEY - W/O DOORS/DRAWERS/HARDWARE
	122373-11-H13	EA	SHELF ASM
13	M06803-V6-H13	EA	DOOR - MITERED CORNER/OGEE EDGE - 13.8" X 28" - W/O HDW
14	M06803-W3-H13	EA	DOOR - MITERED CORNER/OGEE EDGE - 13.7" X 28" - W/O HDW
15	M05971-11-G09	EA	DRAWER - OGEE EDGE - 9.9"W X 17.7"D - W/O SLIDES/HDW
16	M06803-W5-H13	EA	DOOR - MITERED CORNER/OGEE EDGE - 12" X 21.8" - W/O HDW
	090329-01-000	FT	SEAL-T, REFRIGERATOR CABINET - .6" WIDE TOP X 2" TAIL

GALLEY GROUP (CONTINUED)
GALLEY CABINETS W/SLIDEOUT OPTION



KEY	PART NUMBER	U/M	DESCRIPTION
1	121329-01-H13	EA	CABINET - A/C SWITCH
2	121328-01-H13	EA	CABINET - MICROWAVE/OVERHEAD - W/O DOORS/HARDWARE
3	M05992-J9-H13	EA	DOOR - MITERED CORNER/OGEE EDGE - 5.1" X 22.4" - W/O HDW
4	081320-16-G09	EA	END CAP - OVERHEAD CABINET
5	M06803-54-H13	EA	DOOR - MITERED CORNER/OGEE EDGE - 15" X 21.8" - W/O HDW
6	122310-01-H13	EA	CABINET - OVERHEAD/GALLEY - W/O DOORS/HARDWARE
	122310-11-H13	EA	SHELF - W/PLASTIC EDGE TRIM
7	081320-20-G09	EA	END CAP - CABINET FRONT
8	104114-02-01A	EA	FAUCET-GALLEY, SINGLE CONTROL
9	103635-01-000	EA	FAUCET-SINGLE CONTROL, (WATER PURIFIER) EVERPURE 5435-00
	110654-01-000	EA	SINK-STAINLESS STEEL, DOUBLE BASIN (1 LARGE - 1 SMALL)
	092303-01-000	EA	STRAINER-SINK
	108464-03-E38	EA	COVER - SINK - 15" X 11" - SMALL SINK (H33)
	108464-03-GV4	EA	COVER - SINK - 15" X 11" - SMALL SINK (H34,H35)
	108464-04-E38	EA	COVER - SINK - 15" X 15" - LARGE (H33)
	108464-04-F32	EA	COVER - SINK - 15" X 15" - LARGE (H34,H35)
10	098335-07-E38	EA	RAIL - GALLEY - 22.2" (H33)
10	098335-07-G36	EA	RAIL - GALLEY - 22.2" (H34,H35)
11	122345-13-H33	EA	COUNTERTOP - GALLEY
11	122345-13-H34	EA	COUNTERTOP - GALLEY
11	122345-13-H35	EA	COUNTERTOP - GALLEY
12	122345-01-H33	EA	CABINET - GALLEY - W/O DOORS/DRAWERS/HARDWARE
12	122345-01-H34	EA	CABINET - GALLEY - W/O DOORS/DRAWERS/HARDWARE
12	122345-01-H35	EA	CABINET - GALLEY - W/O DOORS/DRAWERS/HARDWARE
	122345-11-H13	EA	SHELF - W/PLASTIC EDGE TRIM
13	M06803-09-G09	EA	DOOR - MITERED CORNER/OGEE EDGE - 9" X 26" - W/O HDW
14	M06803-08-G09	EA	DOOR - MITERED CORNER/OGEE EDGE - 8.8" X 27" - W/O HDW
15	M05971-11-G09	EA	DRAWER - OGEE EDGE - 9.9"W X 17.7"D - W/O SLIDES/HDW
16	M05992-J0-H13	EA	DOOR - OGEE EDGE - 6.28" X 12" - W/O HARDWARE
17	M06803-W5-H13	EA	DOOR - MITERED CORNER/OGEE EDGE - 12" X 21.8" - W/O HDW
	090329-01-000	FT	SEAL-T, REFRIGERATOR CABINET - .6" WIDE TOP X 2" TAIL

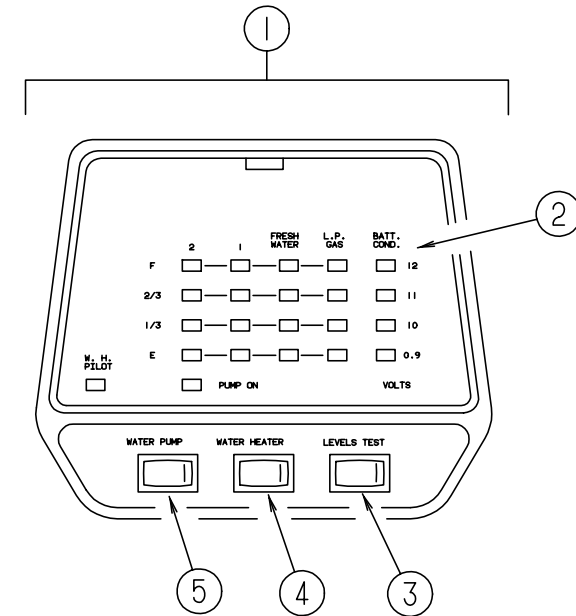
GALLEY GROUP (CONTINUED)



PANTRY AND REFRIGERATOR CABINETRY

KEY	PART NUMBER	U/M	DESCRIPTION
1	122325-03-H13	EA	CABINET - PANTRY/RIGHT HAND SLIDING - W/O SLIDES/HARDWARE
2	M06803-V7-H21	EA	DOOR - MITERED CORNER/OGEE EDGE - 9" X 64" - W/O HDW
3	122360-02-000	EA	SLIDE - PANTRY - W/O LOCK - RIGHT & LEFT HAND
	122360-01-000	EA	SLIDE - PANTRY - W/LOCK - LEFT HAND
	122360-03-000	EA	SLIDE - PANTRY - W/LOCK - RIGHT HAND
	123673-01-01A	EA	KNOB - PANTRY SLIDE
4	M05971-AC-H13	EA	DRAWER - OGEE EDGE - 22.5"W X 23.6"D - W/O SLIDES/HDW
5	M05971-AD-H13	EA	DRAWER - OGEE EDGE - 17.2"W X 13.8"D - W/O SLIDES/HDW

GALLEY GROUP (CONTINUED)



LVS MONITOR PANEL

KEY	PART NUMBER	U/M	DESCRIPTION	VENDOR NO.
1	102765-04-01A	EA	PANEL-MONITOR, W/PLUG - FOR 2 TANKS & WATER HEATER	
2	102765-04-700	EA	BOARD-CIRCUIT, 2 HOLDING TANK	5076-11
3	097617-01-702	EA	SWITCH (ALMOND)	107
4	097617-01-701	EA	SWITCH-ON/OFF, ALMOND	106
5	102765-01-700	EA	SWITCH-ON-ON, ALMOND	110-01

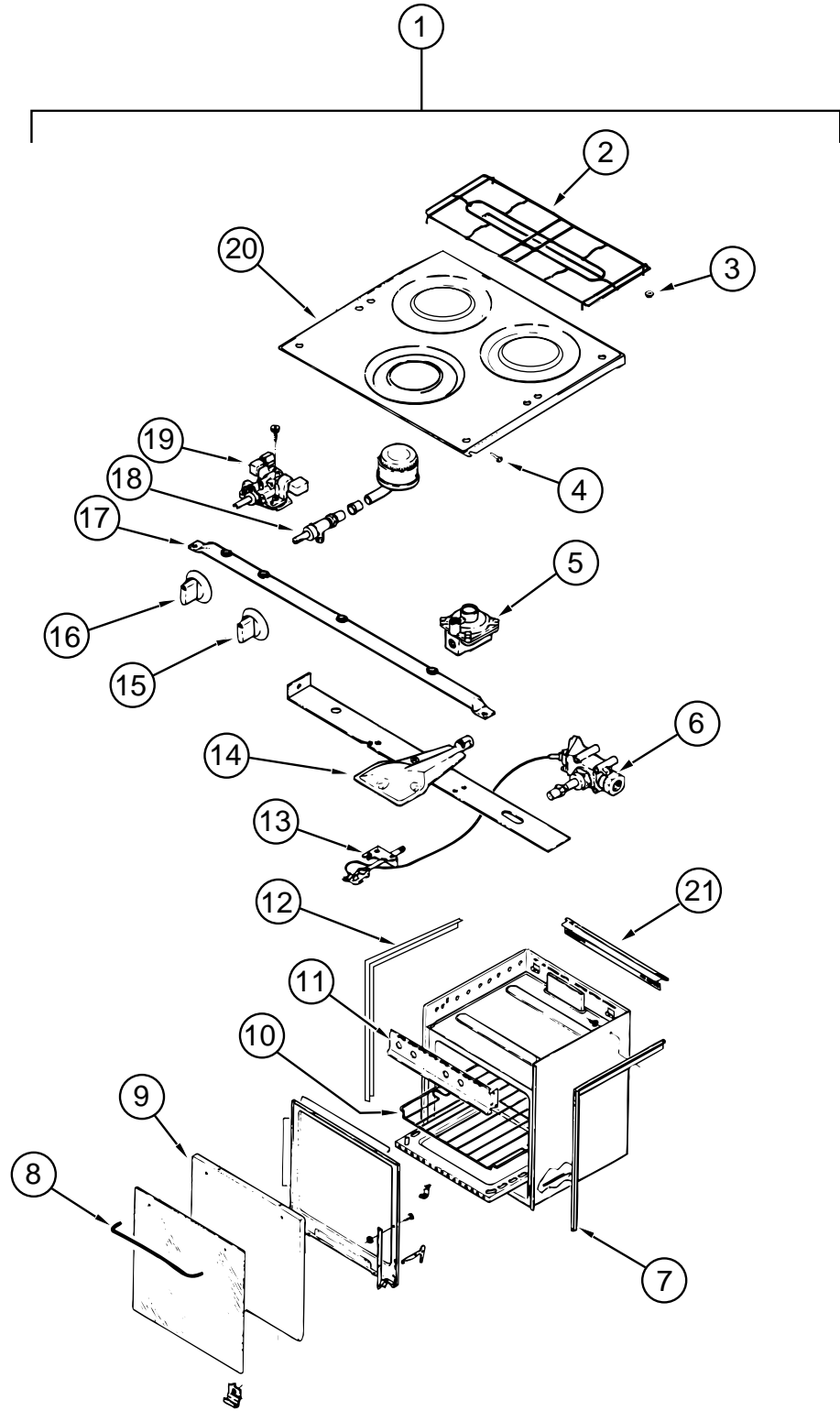
MAGIC CHEF MICROWAVE OVEN

KEY	PART NUMBER	U/M	DESCRIPTION
	115303-02-000	EA	OVEN-MICROWAVE - MAGIC CHEF MCD-DM46K-15B
	115401-02-01A	EA	TRIM-MICROWAVE, BLACK
	094750-07-000	EA	BRACKET-MICROWAVE, 89 DEGREE - STEEL
	098916-16-02B	EA	BRACE-MICROWAVE CABINET, LEFT - 7.5" X 7.5" - E-COAT STEEL
	098916-17-02B	EA	BRACE-MICROWAVE CABINET, RIGHT - 7.5" X 7.5" - E-COAT STEEL

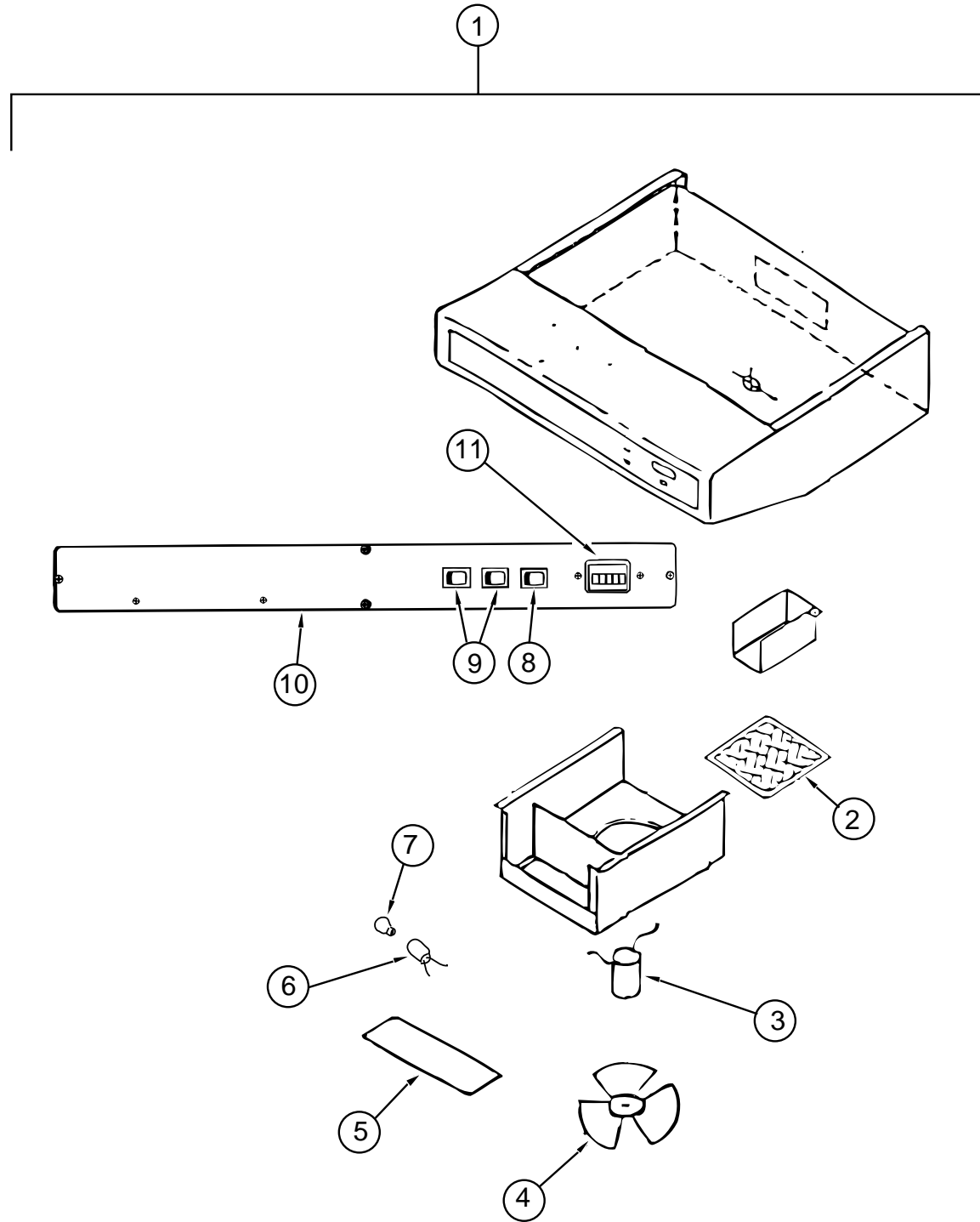
COFFEE MAKER

KEY	PART NUMBER	U/M	DESCRIPTION	VENDOR NO.
	103799-02-01A	EA	COFFEE MAKER WITH CLOCK, WHITE - BLACK & DECKER SDC2B FROM: 00-00-00 THRU: 04-13-97	
	103799-01-700	EA	CARAFE-GLASS POT - BLACK & DECKER FROM: 00-00-00 THRU: 04-13-97	679420
	103799-01-701	EA	BRACKETS-WHITE, PAIR - BLACK & DECKER FROM: 00-00-00 THRU: 04-13-97	164734-06
	126019-01-01A	EA	COFFEEMAKER - OPTIMA - W/BRACKETS FROM: 04-14-97 THRU: 99-99-99	

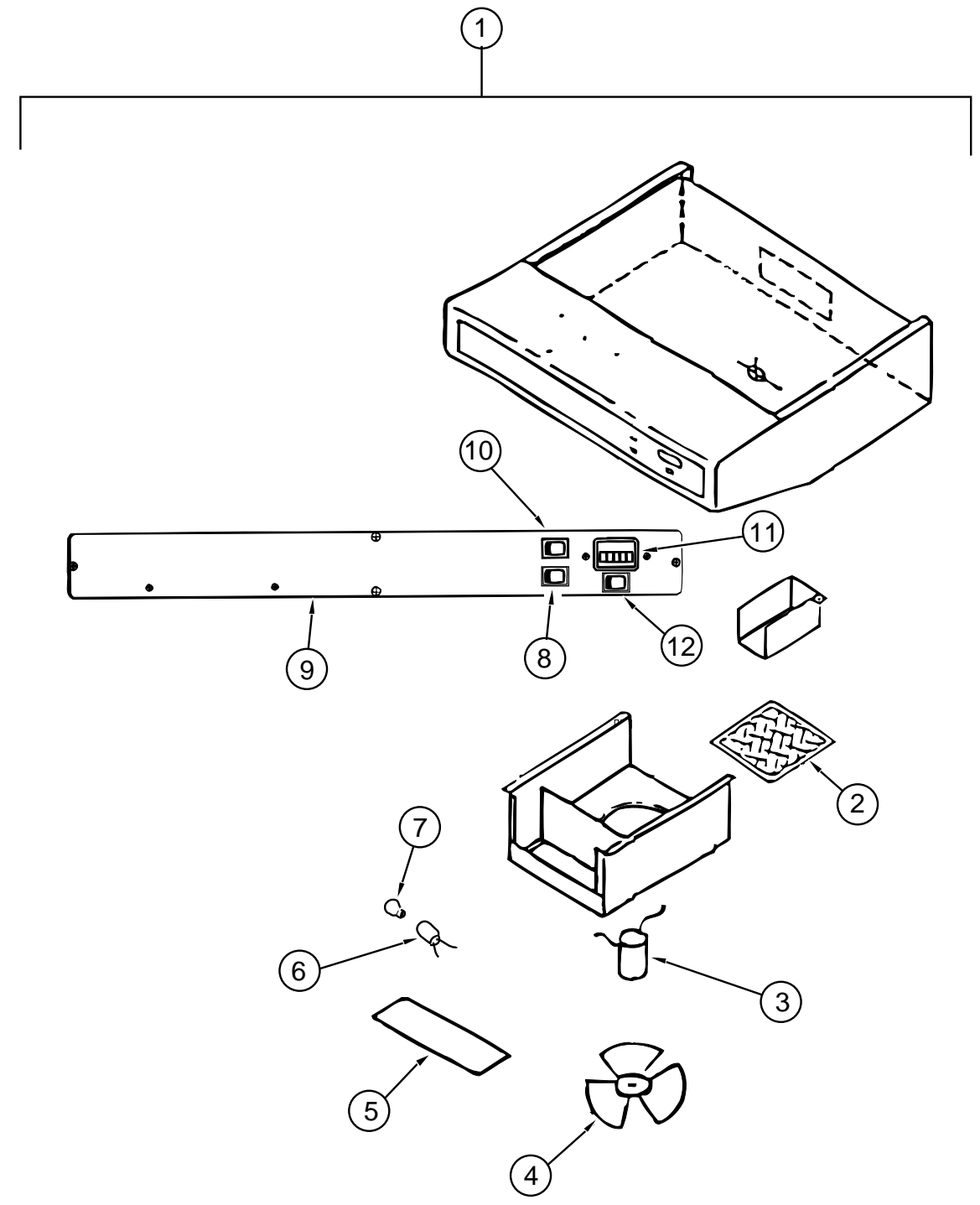
GALLEY GROUP (CONTINUED)
MAGIC CHEF RANGE



KEY	PART NUMBER	U/M	DESCRIPTION	VENDOR NO.
1	112881-01-04A	EA	RANGE - 16", 3 BURNER - MAGIC CHEF 16RB-3B49	
2	102020-01-711	EA	GRATE-TOP	7518P012-60
3	102020-01-709	EA	BUMPER-GRATE	8007-P020-60
4	102020-01-724	EA	BUMPER-MAIN TOP	8003P008-60
5	102022-01-708	EA	REGULATOR-PRESSURE, 1/4 IN 1/2 OUT	7510P041-60
6	112881-01-702	EA	VALVE-MERCURY, SAFETY VALVE	7501-P121-60
7	112881-01-720	EA	TRIM-FLAT, RIGHT - BLACK TEXTURED	74002813
8	102020-01-701	EA	HANDLE-DOOR	7701P092-60
9	112881-01-713	EA	DOOR-OVEN, TEXTURED	2401F079-70
10	102020-01-700	EA	SHELF-OVEN	7801-P027-60
11	112881-01-701	EA	MANIFOLD PANEL	2616F091-70
12	112881-01-707	EA	TRIM-FLAT, LEFT - BLACK TEXTURED	74002812
13	112881-01-710	EA	PILOT-OVEN	7505P202-60
14	112881-01-711	EA	BURNER ASSEMBLY-OVEN	3404W025045
15	112881-01-705	EA	KNOB-TOP BURNER	7733P072-60
15	112881-01-718	EA	KNOB-HIGH OUTPUT, FLAME INDICATOR, MAGIC CHEF	74001794
16	112881-01-704	EA	KNOB-THERMOSTAT	7731P067-60
16	112881-01-716	EA	KNOB-THERMOSTAT, REF. SER. # 3C	7731P107-60
17	112881-01-709	EA	PIPE-MANIFOLD	7513P097-60
18	102020-01-722	EA	VALVE-TOP BURNER	7502P181-60
18	112881-01-703	EA	VALVE-TOP BURNER, HI-OUTPUT	7502P180-60
19	112881-01-706	EA	THERMOSTAT - REF. SER. # 2C	12400026
19	112881-01-715	EA	THERMOSTAT - REF. SER. # 3C	7515P037-60
19	112881-01-722	EA	THERMOSTAT - REF. SER. # 1C, 11, 12, 13, ETC. - HARPER-WYMAN	7515P029-60
20	112881-01-712	EA	TOP-MAIN, BLACK	740101486
21	112881-01-721	EA	DEFLECTOR-FLUE, BLACK TEXTURED	74002809
	105458-03-000	EA	BRACKET - STOVE TIEDOWN - RIGHT HAND	
	105458-04-000	EA	BRACKET - STOVE TIEDOWN - LEFT HAND	



RANGE HOOD - US - GENERATOR OPTIONS

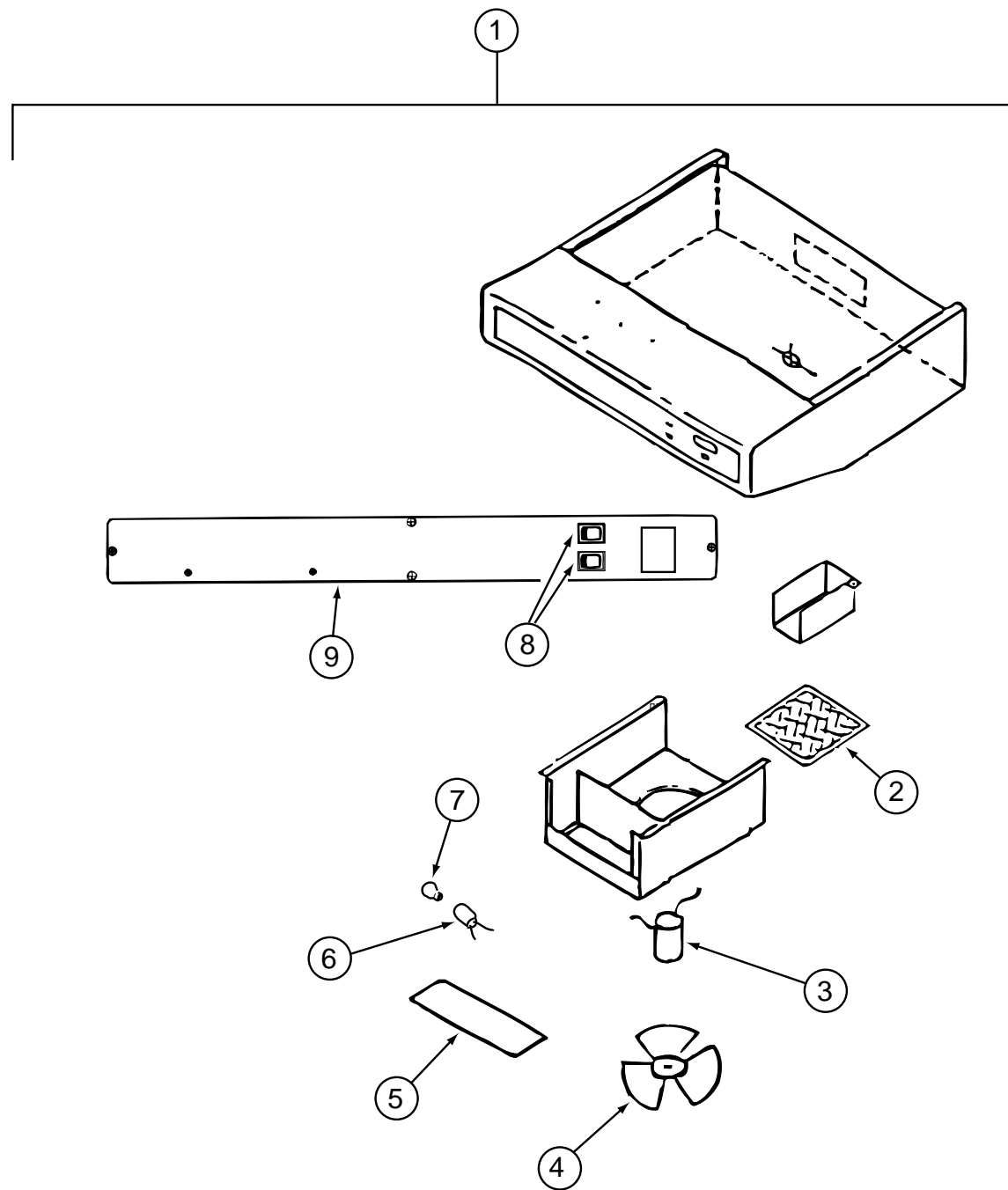


RANGE HOOD - CANADIAN

KEY	PART NUMBER	U/M	DESCRIPTION	VENDOR NO.
1	100258-18-03A	EA	HOOD-RANGE, W/O MONITOR PANEL - VENTLINE TP-55009-SBO-LG	
2	096983-01-707	EA	FILTER-MESH	CC246
3	090973-01-700	EA	MOTOR-12 VOLT, CSA & UL	CA508-1
4	090973-01-702	EA	BLADE-FAN	VA183-1
5	092696-02-701	EA	LENS-LAMP	CC179-2
6	092696-01-710	EA	HOLDER-LAMP	CB267-2
7	092696-01-709	EA	LAMP #912	VA415
8	096983-01-702	EA	SWITCH-MOM/MOM	112
9	096983-01-700	EA	SWITCH-ON/OFF	108
10	100258-01-700	EA	LABEL-HOOD NOSE	CC428
11	100258-10-01A	EA	GAUGE-HOUR METER W/SWITCH - SCREW ON STYLE - 150	
11	100258-10-701	EA	GAUGE-HOUR METER, CLIP ON	L0775-00

KEY	PART NUMBER	U/M	DESCRIPTION	VENDOR NO.
1	100258-17-04A	EA	HOOD-RANGE, W/O MONITOR PANEL VENTLINE TCS 500-NBCLG	
2	096983-01-707	EA	FILTER-MESH	CC246
3	090973-01-700	EA	MOTOR-12 VOLT, CSA & UL	CA508-1
4	090973-01-702	EA	BLADE-FAN	VA183-1
5	092696-02-701	EA	LENS-LAMP	CC179-2
6	092696-01-710	EA	HOLDER-LAMP	CB267-2
7	092696-01-709	EA	LAMP #912	VA415
8	096983-01-700	EA	SWITCH-ON/OFF	108
9	100258-01-700	EA	LABEL-HOOD NOSE	CC428
10	096983-01-702	EA	SWITCH-MOM/MOM	112
11	100258-10-01A	EA	GAUGE-HOUR METER W/SWITCH - SCREW ON (OPTION) - 150	
11	100258-10-701	EA	GAUGE-HOUR METER, CLIP ON (OPTION)	L0775-00
12	096983-01-702	EA	SWITCH-MOM/MOM (OPTION)	112

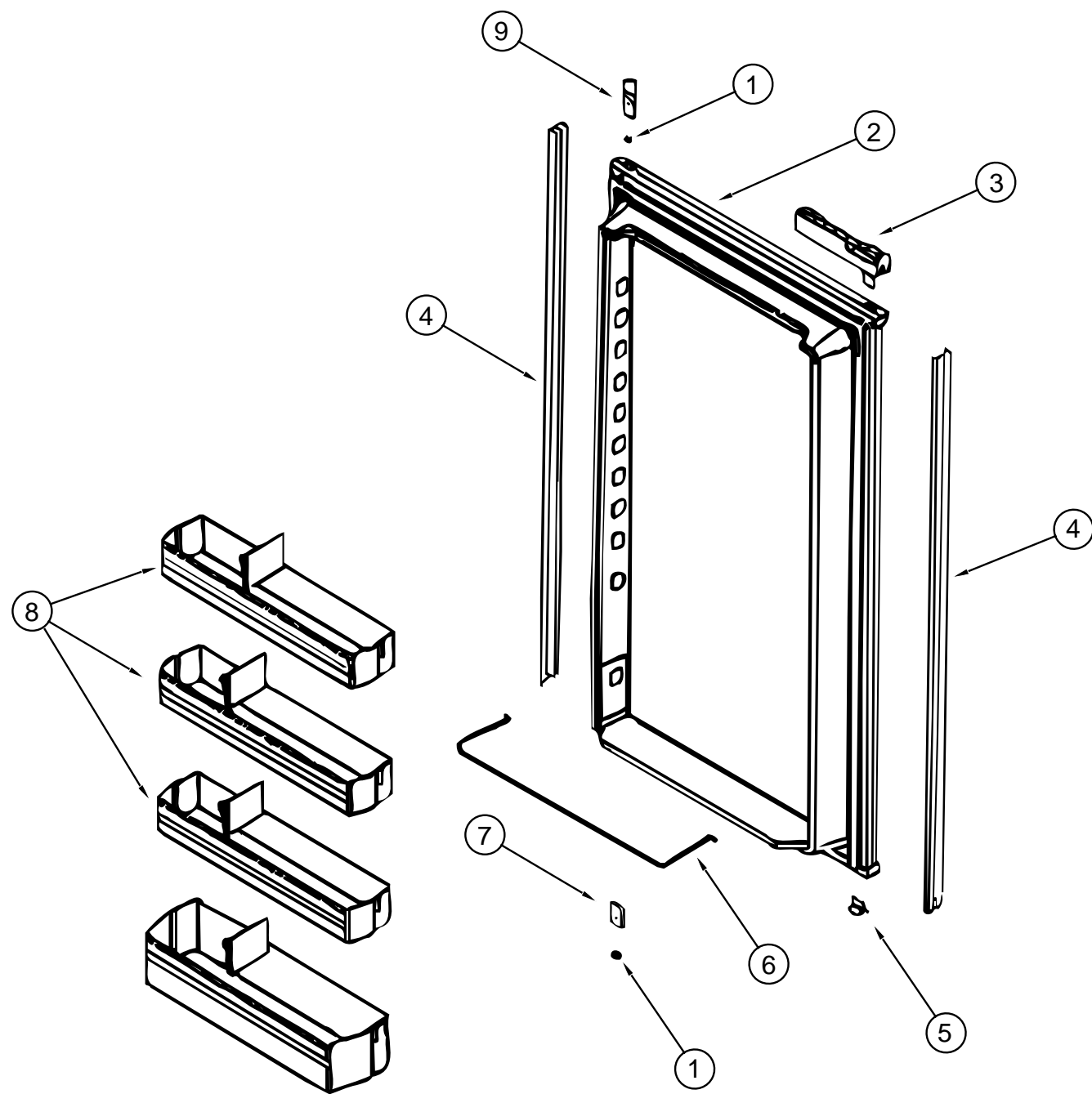
GALLEY GROUP (CONTINUED)



RANGE HOOD - US - STANDARD

KEY	PART NUMBER	U/M	DESCRIPTION	VENDOR NO.
1	100258-16-04A	EA	HOOD-RANGE, W/O MONITOR PANEL - VENTLINE TCS-5008-NBDLG	
2	096983-01-707	EA	FILTER-MESH	CC246
3	090973-01-700	EA	MOTOR-12 VOLT, CSA & UL	CA508-1
4	090973-01-702	EA	BLADE-FAN	VA183-1
5	092696-02-701	EA	LENS-LAMP	CC179-2
6	092696-01-710	EA	HOLDER-LAMP	CB267-2
7	092696-01-709	EA	LAMP #912	VA415
8	096983-01-700	EA	SWITCH-ON/OFF	108
9	100258-01-700	EA	LABEL-HOOD NOSE	CC428

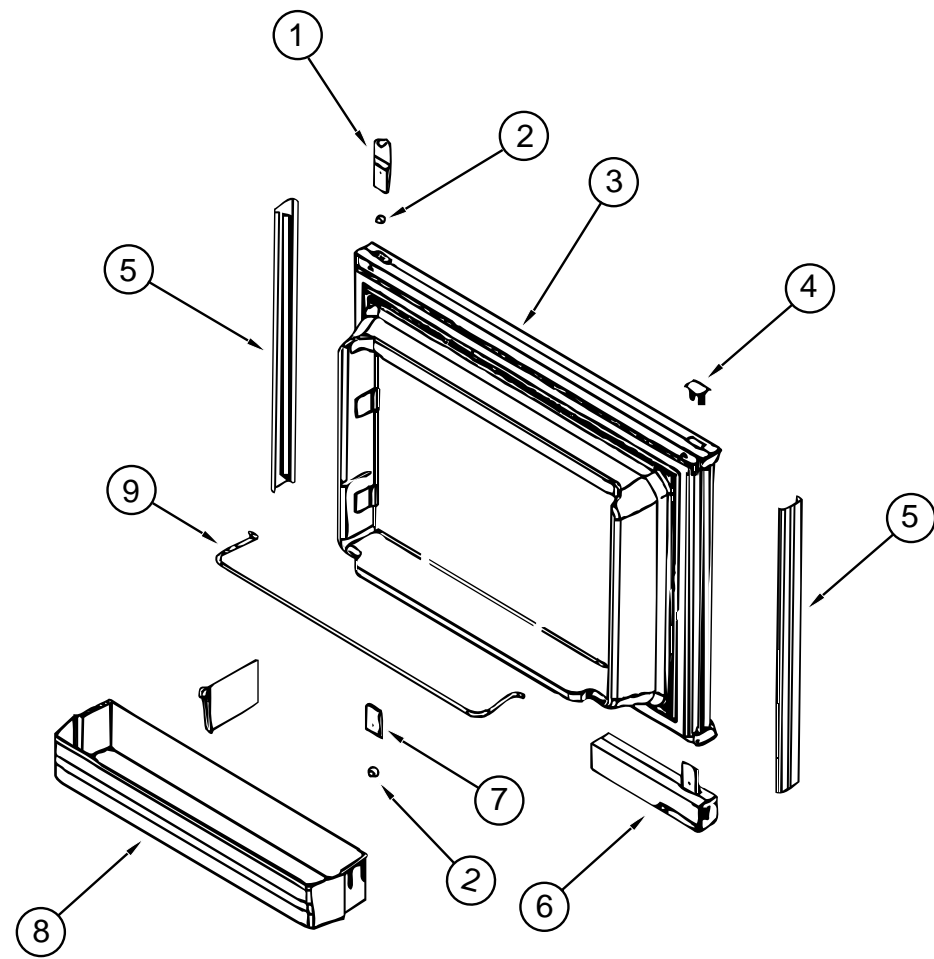
GALLEY GROUP (CONTINUED)



NORCOLD MODEL 9162 R REFRIGERATOR LOWER DOOR

KEY	PART NUMBER	U/M	DESCRIPTION	VENDOR NO.
	121568-01-01A	EA	REFRIGERATOR-DOUBLE DOOR, 2-WAY	
1	120075-01-708	EA	BUSHING-DOOR HINGE	618144
2	120075-01-710	EA	DOOR-LOWER, FOAMED W/GASKET	618270
3	120075-01-711	EA	HANDLE ASSEMBLY-UPPER RH/LOWER LH	618235
4	120076-01-700	EA	RETAINER-LOWER DOOR PANEL	618132
5	120075-01-702	EA	CAP-HINGE PLUG	618160
6	121568-01-704	EA	RAIL-DOOR, LOWER	618578
7	120075-01-705	EA	HINGE-PAINTED, TOP LH/BOTTOM RH	618510
8	121568-01-701	EA	BIN-DOOR, WHITE	618619
9	120075-01-701	EA	HINGE-TOP RH/BOTTOM LH, PAINTED	618511

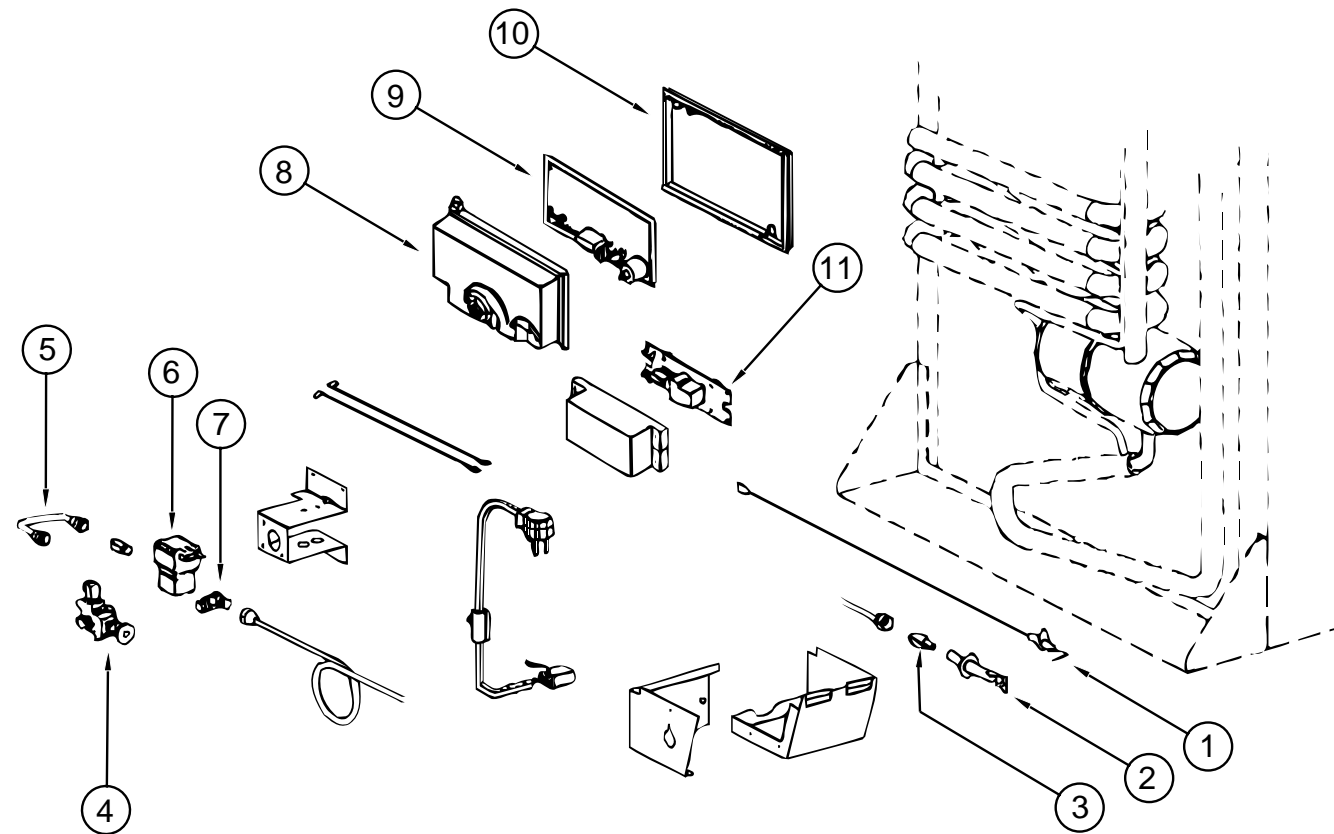
GALLEY GROUP (CONTINUED)



NORCOLD MODEL 9162 R REFRIGERATOR UPPER DOOR

KEY	PART NUMBER	U/M	DESCRIPTION	VENDOR NO.
	121568-01-01A	EA	REFRIGERATOR-DOUBLE DOOR, 2-WAY	
1	120075-01-701	EA	HINGE-TOP RH/BOTTOM LH, PAINTED	618511
2	120075-01-708	EA	BUSHING-DOOR HINGE	618144
3	120075-01-703	EA	DOOR ASSEMBLY-FOAMED, W/GASKET	618205
4	120075-01-702	EA	CAP-HINGE PLUG	618160
5	120075-01-700	EA	RETAINER-DOOR, DECOR PANEL	618128
6	121568-01-702	EA	HANDLE ASSEMBLY-DOOR, LOWER LH/TOP RH	618230
7	120075-01-705	EA	HINGE-PAINTED, TOP LH/BOTTOM RH	618510
8	121568-01-701	EA	BIN-DOOR, WHITE	618619
9	121568-01-700	EA	RAIL-DOOR, UPPER	618618

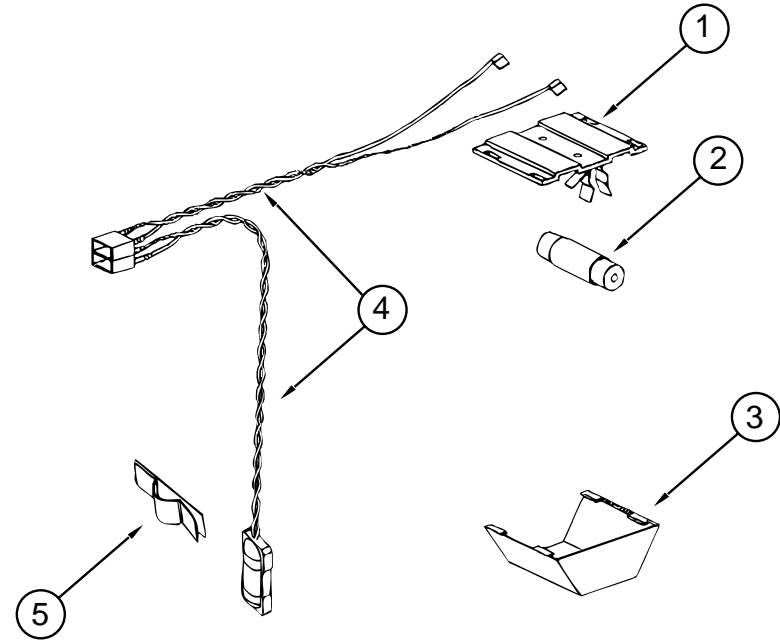
GALLEY GROUP (CONTINUED)



NORCOLD MODEL 9162 R REFRIGERATOR BURNER & POWER BOARDS

KEY	PART NUMBER	U/M	DESCRIPTION	VENDOR NO.
	121568-01-01A	EA	REFRIGERATOR-DOUBLE DOOR, 2-WAY	
1	104137-06-715	EA	ELECTRODE-SPARK/SENSOR, SGL	61692222
2	104137-06-714	EA	BURNER ASSEMBLY, 5 SLOT	61705222
3	120076-01-705	EA	ORIFICE-JEWEL, .015	618283
4	104137-06-709	EA	VALVE-SHUT OFF, MANUAL	61694922
5	113737-01-750	EA	TUBE-UNION	61694622
6	084880-01-718	EA	VALVE-GAS, ASCO	61551822
7	113737-01-716	EA	TAP-PRESSURE	61594422
8	120075-01-738	EA	COVER-POWER BOARD	618185
9	120075-01-739	EA	BOARD-POWER, 2-WAY	618198
9	121568-01-710	EA	BOARD-POWER, 3-WAY	618575
10	120075-01-740	EA	COVER-BASE, POWER BOARD	618186
11	121568-01-711	EA	BOARD-MODULE, DC	618561
	113737-01-702	EA	PLUG - 1/8" F/PRESSURE TAP	61445322

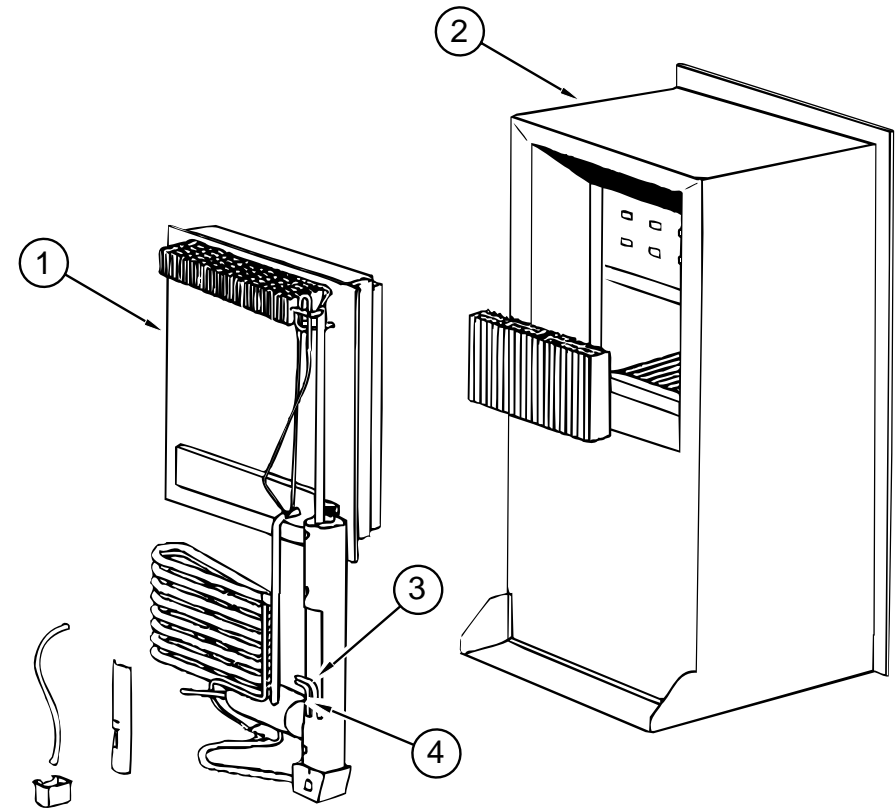
GALLEY GROUP (CONTINUED)



NORCOLD MODEL 9162 R REFRIGERATOR LAMP ASM

KEY	PART NUMBER	U/M	DESCRIPTION	VENDOR NO.
	121568-01-01A	EA	REFRIGERATOR-DOUBLE DOOR, 2-WAY	
1	084880-03-705	EA	BRACKET-LIGHT, INTERIOR	61629722
2	084880-03-706	EA	BULB-LAMP	61628922
3	084880-03-707	EA	COVER-LAMP, LENS	61627922
4	120075-01-735	EA	WIRE ASSEMBLY-LAMP	618548
5	084880-01-760	EA	CLIP-THERMISTER	61689122

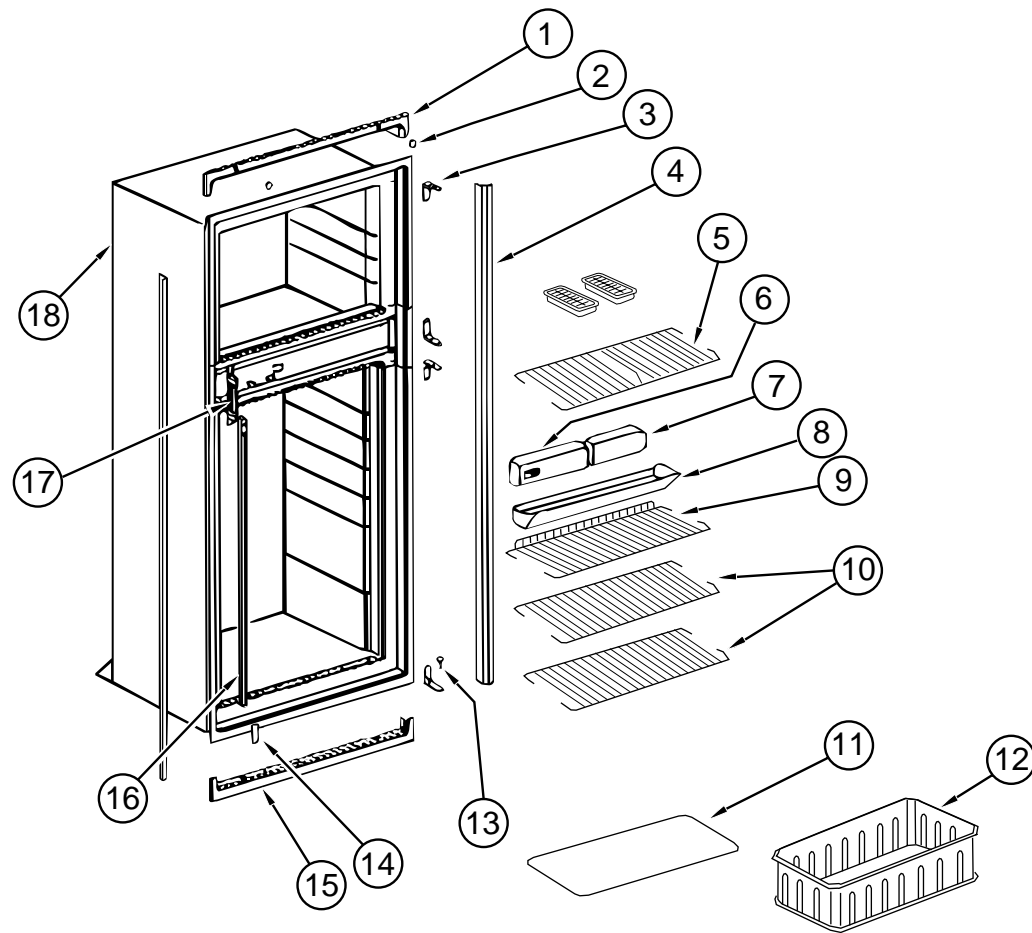
GALLEY GROUP (CONTINUED)



NORCOLD MODEL 9162 R REFRIGERATOR COOLING UNIT, CABINET, & HEATERS

KEY	PART NUMBER	U/M	DESCRIPTION	VENDOR NO.
	121568-01-01A	EA	REFRIGERATOR-DOUBLE DOOR, 2-WAY	
1	120076-01-704	EA	COOLING UNIT-SERVICE PACK	618543
2	120076-01-703	EA	CABINET-FOAMED	618260
3	088248-01-710	EA	HEATER-DC, HORIZONTAL	61562822
4	088248-01-709	EA	HEATER-AC, HORIZONTAL	61562722

GALLEY GROUP (CONTINUED)



NORCOLD MODEL 9162 R REFRIGERATOR CABINET ASM WITH TRAY, TIEDOWNS & LEVEL

KEY	PART NUMBER	U/M DESCRIPTION	VENDOR NO.
	121568-01-01A	EA REFRIGERATOR-DOUBLE DOOR, 2-WAY	
1	120075-01-713	EA TRIM-TOP PIECE	618124
2	120075-01-714	EA PLUG-HOLE	618170
3	120075-01-715	EA HINGE-CABINET SIDE, PAINTED	618512
	120075-01-708	EA BUSHING-DOOR HINGE	618144
4	120076-01-702	EA TRIM, SIDE PIECE	618133
5	121568-01-705	EA SHELF-WIRE, FREEZER	618620
6	121568-01-706	EA CONTROL BOX ASSEMBLY	618588
7	120075-01-718	EA BOX-FILLER	618112
8	120075-01-720	EA TRAY-DRIP	618137
	120075-01-721	EA LOUVER-DRIP TRAY	618176
9	121568-01-707	EA SHELF-WIRE, SHORT	618624
10	121568-01-708	EA SHELF-WIRE	618589
11	120075-01-725	EA COVER-CRISPER	618158
12	121568-01-709	EA CRISPER	618571
13	120075-01-727	EA PIN-HINGE	618145
14	120075-01-728	EA COVER-HINGE HOLE	618171
15	120075-01-729	EA TRIM-BOTTOM PIECE	618136
16	120075-01-730	EA RETAINER-SHELF	618181
17	120075-01-732	EA PLATE-STRIKE	618167
18	120076-01-703	EA CABINET-FOAMED	618260
	120075-01-731	EA PLUG-FACADE	618184
	116751-05-01A	EA TRAY-REFRIGERATOR	
	054450-01-000	EA LEVEL-REFRIGERATOR	
	065225-02-000	EA PLATE-TIEDOWN, REFRIGERATOR	
	093646-01-000	EA BRACKET ASM-TIEDOWN, REFRIGERATOR - RH	
	093646-02-000	EA BRACKET ASM-TIEDOWN, REFRIGERATOR - LH	

GENERATOR GROUP 4,000 WATT ONAN LOW PRO

KEY	PART NUMBER	U/M DESCRIPTION
	100974-01-000	EA GENERATOR - 4 KW EMERALD PLUS - ONAN BGE-FA26100G
	007067-01-000	SF INSULATION - FIBERGLASS - 1" THICK X 4' - INCREMENTS/4 SF
	007125-03-000	EA CLAMP - MUFFLER - 1.5" DIAMETER
	007125-04-000	EA CLAMP - MUFFLER - 1.12" DIAMETER
	007131-01-000	EA HANGER - TAILPIPE - 6 SLOTS
	079654-05-000	EA PIPE - EXHAUST - ANGLED W/FLANGE - 2" ID
	081364-03-000	EA MUFFLER - GENERATOR - ONAN
	094059-01-000	EA SPACER - GENERATOR - ONAN
	106602-01-000	EA PIPE - EXHAUST - GENERATOR
	106607-01-000	EA ANGLE - SUPPORT - EXHAUST

5,000 WATT ONAN

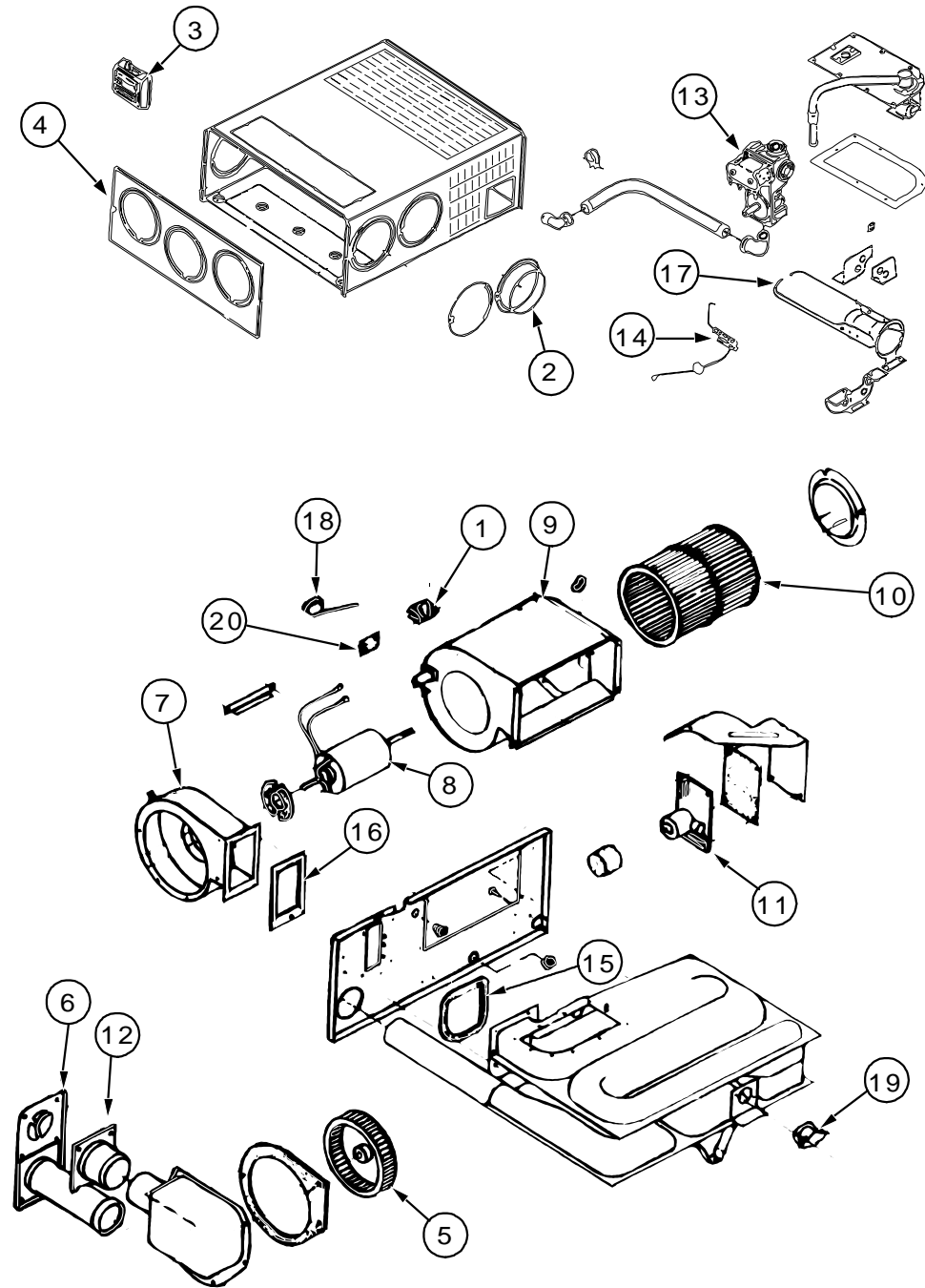
KEY	PART NUMBER	U/M DESCRIPTION
	109303-01-000	EA GENERATOR - 5 KW - EMERALD PLUS
	007067-01-000	SF INSULATION - FIBERGLASS - 1" THICK X 4' - INCREMENTS/4 SF
	007125-03-000	EA CLAMP - MUFFLER - 1.5" DIAMETER
	007125-04-000	EA CLAMP - MUFFLER - 1.12" DIAMETER
	007131-01-000	EA HANGER - TAILPIPE - 6 SLOTS
	079654-05-000	EA PIPE - EXHAUST - ANGLED W/FLANGE - 2" ID
	094059-01-000	EA SPACER - GENERATOR - ONAN
	082272-01-000	EA MUFFLER - GENERATOR
	105958-03-000	EA PIPE - GENERATOR EXHAUST 1.5" OD X 4.4" X 15.7"
	007125-03-000	EA CLAMP - MUFFLER - 1.5" DIAMETER

6,500 WATT ONAN LOW PRO

KEY	PART NUMBER	U/M DESCRIPTION
	100975-01-000	EA GENERATOR - 6.5 KW EMERALD PLUS
	007067-01-000	SF INSULATION - FIBERGLASS - 1" THICK X 4' - INCREMENTS/4 SF
	007125-03-000	EA CLAMP - MUFFLER - 1.5" DIAMETER
	007125-04-000	EA CLAMP - MUFFLER - 1.12" DIAMETER
	007131-01-000	EA HANGER - TAILPIPE - 6 SLOTS
	079654-05-000	EA PIPE - EXHAUST - ANGLED W/FLANGE - 2" ID
	082272-01-000	EA MUFFLER - GENERATOR
	094059-01-000	EA SPACER - GENERATOR - ONAN
	105958-03-000	EA PIPE - GENERATOR EXHAUST 1.5" OD X 4.4" X 15.7"
	007125-03-000	EA CLAMP - MUFFLER - 1.5" DIAMETER

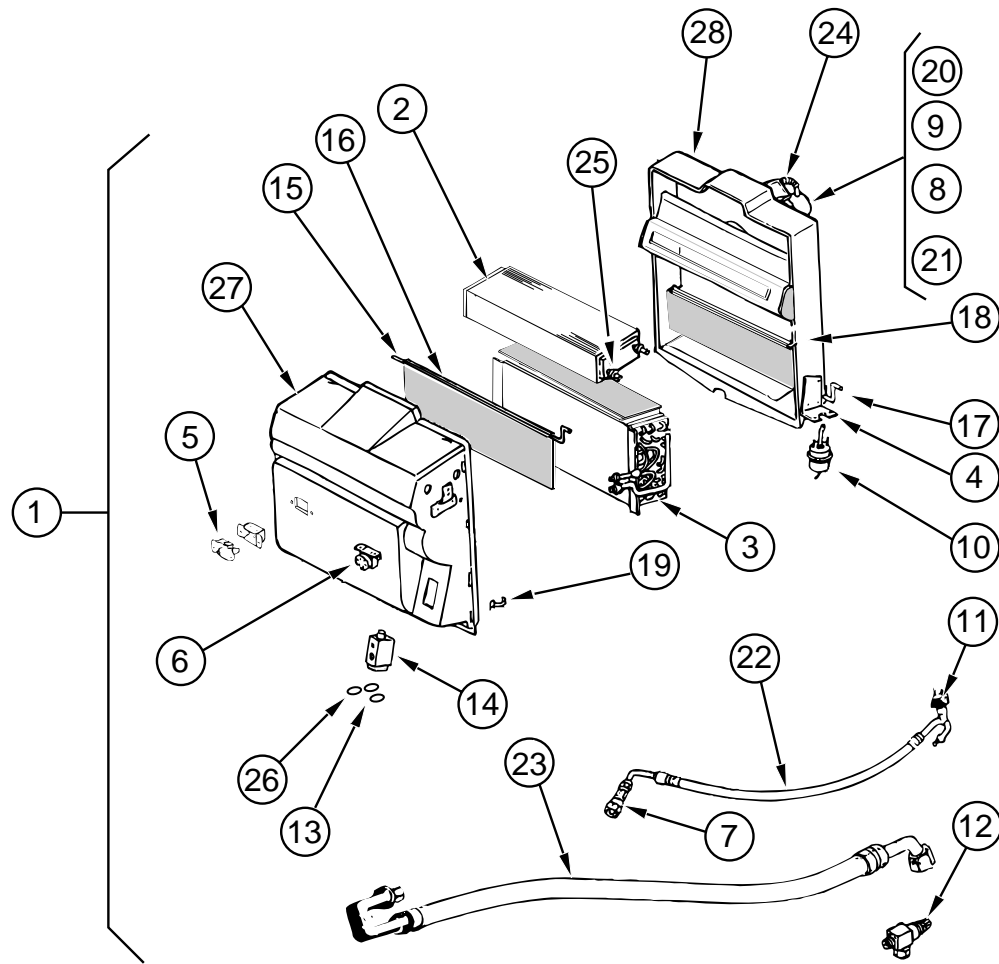
NOTE: ADDITIONAL GENERATOR COMPONENTS ARE FOUND IN THE CHASSIS GROUP.

HEATING & AIR CONDITIONING GROUP
30,000 BTU SUBURBAN FURNACE & WALL THERMOSTAT



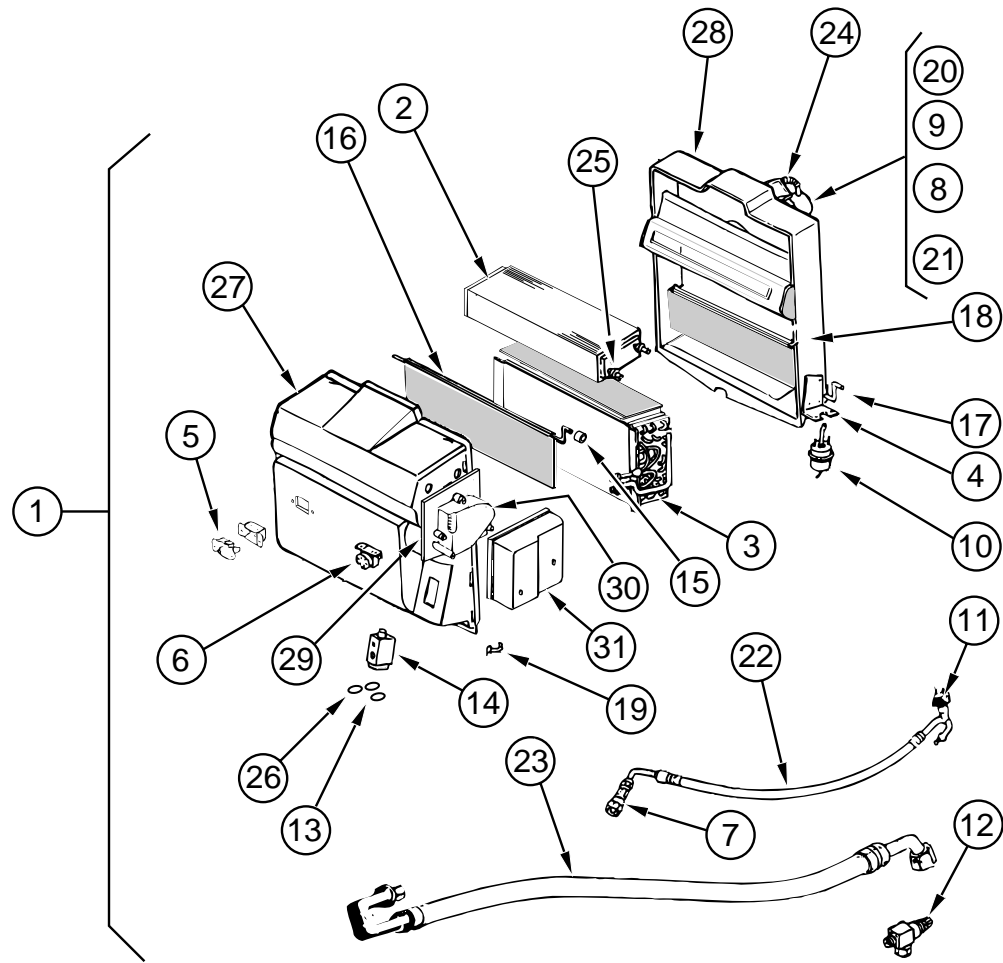
KEY	PART NUMBER	U/M	DESCRIPTION	VENDOR NO.
	098668-20-000	EA	FURNACE - 30,000 BTU	
1	074466-01-702	EA	RELAY-TIME DELAY	230625
2	075696-02-703	EA	COLLAR-DUCT	050715
3	115764-01-01A	EA	THERMOSTAT-WALL, FURNACE - SUBURBAN 160902	
4	098668-01-700	EA	CABINET-FRONT	101242
5	098668-01-706	EA	WHEEL-COMBUSTION AIR	350128
6	098668-01-707	EA	VENT ASSEMBLY-CAP AND TUBE	260193
7	098668-01-708	EA	BLOWER ASSEMBLY-COMBUSTION AIR	390441
8	098668-01-709	EA	MOTOR ASM., F/SF-25, SF-30	231706
9	098668-01-710	EA	BLOWER ASSEMBLY-ROOM AIR	390440
10	098668-01-711	EA	WHEEL-ROOM AIR	350123
11	098668-01-712	EA	BOARD-MODULE	231741
12	098668-01-713	EA	INTAKE VENT TUBE ASSEMBLY	051044
13	098668-01-714	EA	VALVE-GAS, WHITE ROGERS	161070
14	098668-01-715	EA	ELECTRODE ASSEMBLY-SINGLE PROBE	232166
15	098668-01-716	EA	GASKET-FIREWALL, CHAMBER SIDE	070808
16	098668-01-717	EA	GASKET-FIREWALL, BLOWER SIDE	070163
17	098668-02-700	EA	BURNER ASSEMBLY COMPLETE - (SF-30/SF35)	010745
18	098668-21-700	EA	MICROSWITCH W/O FLAG 3 1/4"	232261
19	098668-21-701	EA	LIMIT SWITCH	231799
20	101990-01-714	EA	MICROSWITCH GASKET	230877
	092300-02-701	EA	ORIFICE-MAIN BURNER (NT-30BW)	180214
	098668-23-000	EA	DOOR-ACCESS, FURNACE - BRIGHT WHITE	
	056464-09-000	EA	REGISTER - 4" DIAMETER, PLASTIC	
	056464-10-000	EA	REGISTER-W/O DAMPER, 4" DIAMETER - DURA-BEIGE PLASTIC	
	094600-05-01A	EA	REGISTER - HEAT - W/O DAMPER - 11.3"	
	093614-01-02A	EA	GRILLE-RETURN AIR, FURNACE - 15.6" X 7.6" - BEIGE	
	009198-01-000	FT	DUCT-HEAT, FLEXIBLE - 4" ID X 25 FT	
	009198-02-000	FT	DUCT-FLEXIBLE, 2" ID X 25 FT	
	009200-01-000	EA	TAPE-FURNACE, 1 1/2"	
	093741-01-000	EA	BOX - BOOT - FLOOR REGISTER	
	076776-01-000	EA	TEE- BEADED - 5/8" X 5/8" X 5/8"	
	092776-01-000	EA	ADAPTER - DUCT - 2"	
	092777-01-000	EA	ADAPTER - DUCT - 4"	
	083081-01-000	EA	HOSE - FORMED - 90 DEGREES - 5/8" ID	

HEATING & AIR CONDITIONING GROUP (CONTINUED)
SCS EVAPORATOR/HEATER ASSEMBLY - FORD GAS CHASSIS (FROM: 00-00-00 THRU: 09-01-96)



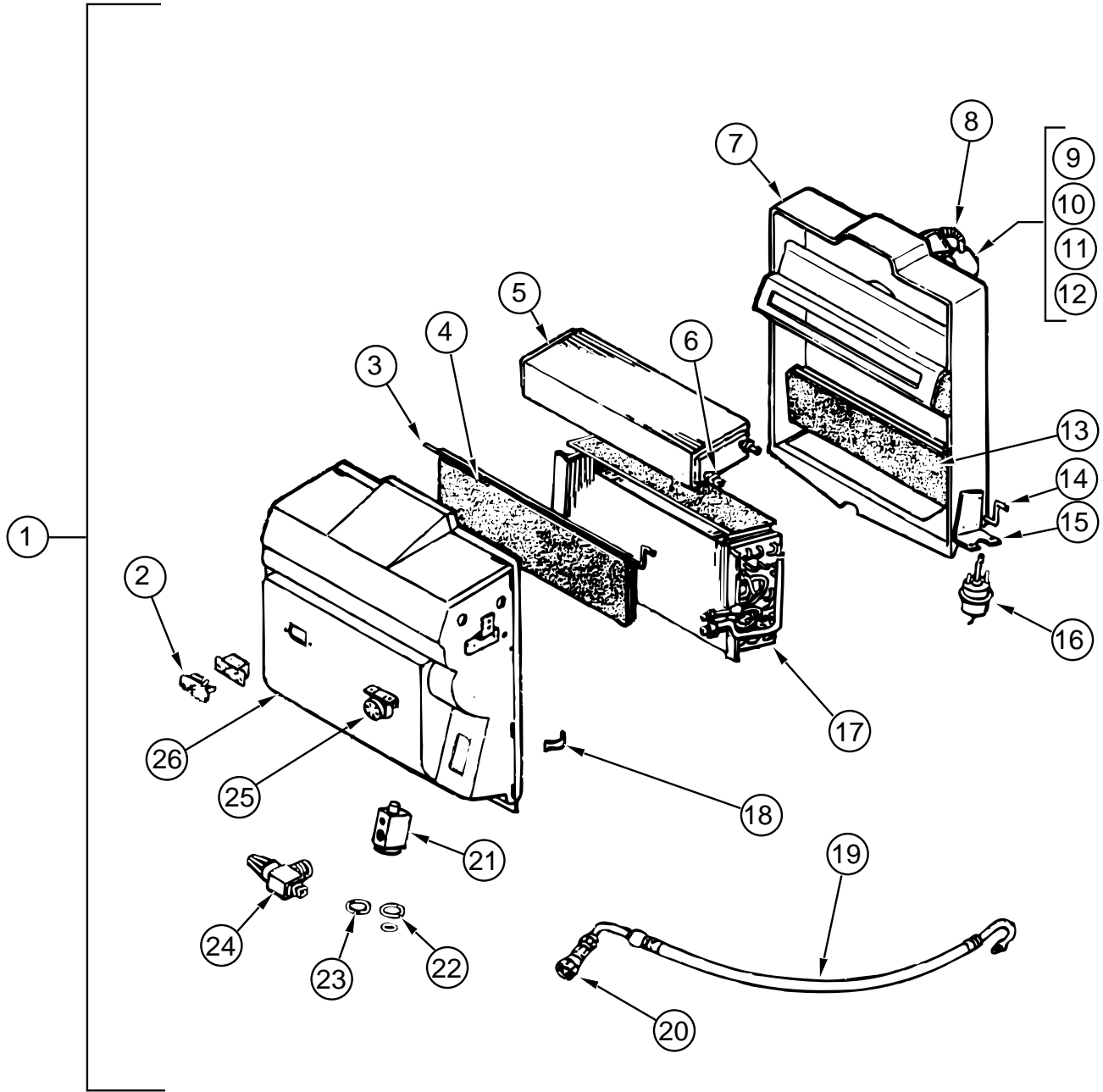
KEY	PART NUMBER	U/M	DESCRIPTION	VENDOR NO.
1	103930-21-000	EA	EVAPORATOR/HEATER ASSEMBLY - R134A BLOCK	
2	103930-01-703	EA	CORE-HEATER	042-0010
3	103930-01-704	EA	COIL-EVAPORATOR	041-0017
4	103930-01-708	EA	BRACKET-VACUUM MOTOR	070-0113
5	103930-01-710	EA	RESISTOR-FUSED, A/C	035-0006
6	103930-01-711	EA	THERMOSTAT	033-0003
7	103930-01-713	EA	FITTING-QUICK CONNECT, #4	050-0030
8	103930-01-717	EA	WHEEL-BLOWER, CLOCKWISE	062-0010
9	103930-01-720	EA	MOTOR-BLOWER, PM105	030-0004
10	103930-02-708	EA	MOTOR-VACUUM SERVO, A/C	030-0025
11	103930-12-708	EA	SWITCH-BINARY, HI-LOW CUTOUT	032-0048
12	103930-13-702	EA	VALVE-SERVICE, W/O COMP	050-0152
13	103930-17-702	EA	O' RING - #10	045-0127
14	103930-20-700	EA	VALVE-EXPANSION BLOCK, 2 TON	034-0032
15	103930-20-702	EA	ROD-DOOR, BLEND AIR	073-0039
16	103930-20-703	EA	DOOR-BLEND AIR	071-0212
17	103930-20-704	EA	ROD-DOOR, RECIRCULATING	073-0018
18	103930-20-705	EA	PANEL-DOOR, RECIRCULATING	071-0213
19	103930-20-706	EA	CLIP-RETAINER	022-0057
20	103930-20-707	EA	HOUSING-BLOWER	062-0145
21	103930-20-708	EA	CLIP-MOTOR SHAFT	022-0001
22	103930-21-700	EA	HOSE ASSEMBLY - #6, EXPANSION VALVE-DRIER	085-0139
23	103930-21-701	EA	HOSE ASSEMBLY - #10, EXPANSION VALVE-COMP	085-0149
24	110279-01-703	EA	HOSE-VENT, BLOWER MOTOR	051-0034
25	110279-01-712	EA	FITTING-HEATER	050-0076
26	113245-01-707	EA	O' RING - #8	045-0126
27	103930-20-710	EA	CASE-FRONT, SUB-ASSEMBLY	062-0146
28	103930-20-711	EA	CASE-BACK, SUB-ASSEMBLY	062-0147

HEATING & AIR CONDITIONING GROUP (CONTINUED)
SCS EVAPORATOR/HEATER ASSEMBLY - FORD GAS CHASSIS (FROM: 09-02-96 THRU: 99-99-99)



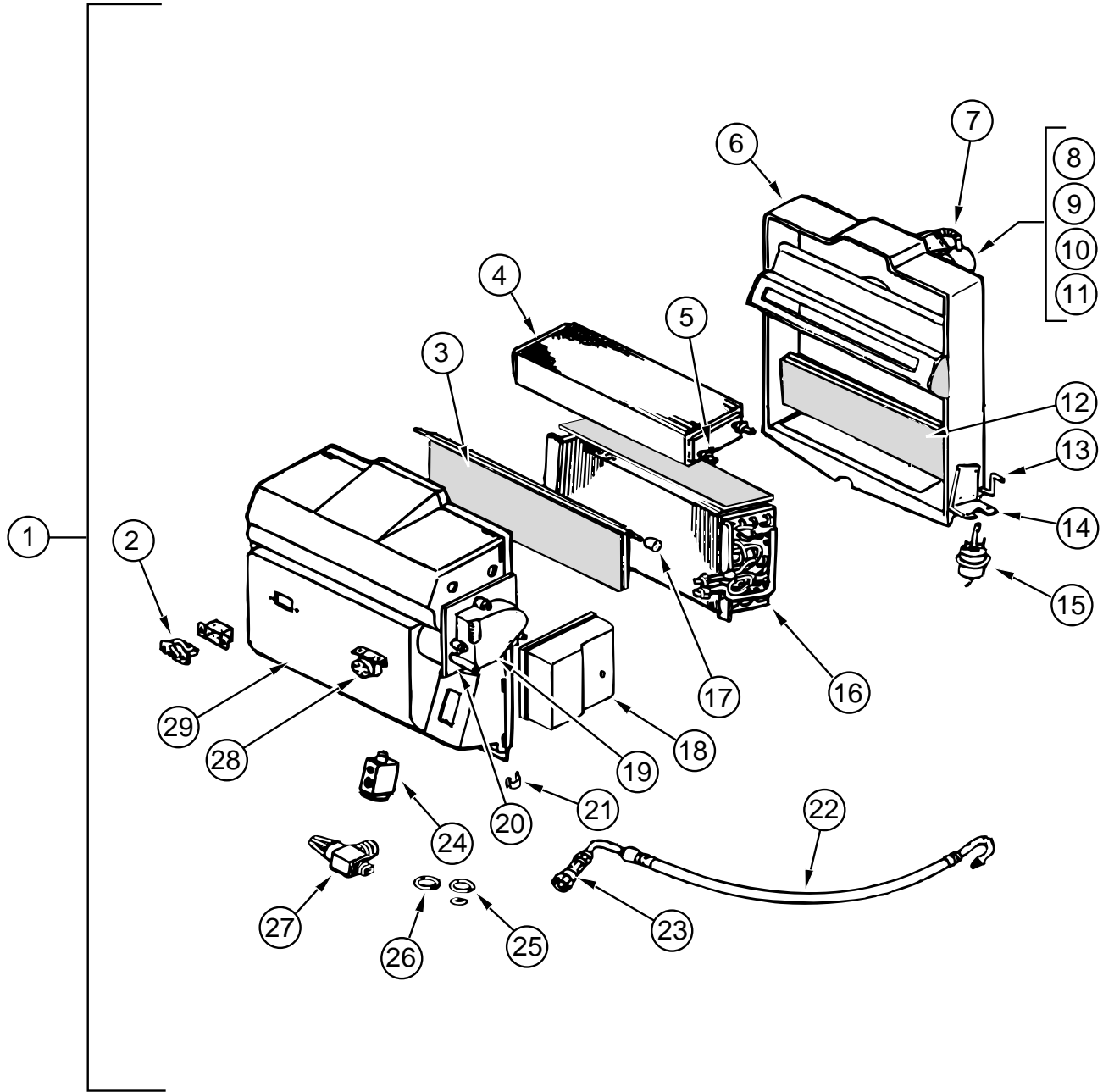
KEY	PART NUMBER	U/M	DESCRIPTION	VENDOR NO.
1	103930-31-000	EA	EVAPORATOR/HEATER ASM - SERVO MOTOR CONTROLLED	
2	103930-01-703	EA	CORE-HEATER	042-0010
3	103930-01-704	EA	COIL-EVAPORATOR	041-0017
4	103930-01-708	EA	BRACKET-VACUUM MOTOR	070-0113
5	103930-01-710	EA	RESISTOR-FUSED, A/C	035-0006
6	103930-01-711	EA	THERMOSTAT	033-0003
7	103930-01-713	EA	FITTING-QUICK CONNECT, #4	050-0030
8	103930-01-717	EA	WHEEL-BLOWER, CLOCKWISE	062-0010
9	103930-01-720	EA	MOTOR-BLOWER, PM105	030-0004
			FROM: 09-02-96 THRU: 12-21-96	
9	103930-30-706	EA	MOTOR-BLOWER, PM147	030-0109
			FROM: 12-22-96 THRU: 99-99-99	
10	103930-02-708	EA	MOTOR-VACUUM SERVO, A/C	030-0025
11	103930-12-708	EA	SWITCH-BINARY, HI-LOW CUTOUT	032-0048
12	103930-13-702	EA	VALVE-SERVICE, W/O COMP	050-0152
13	103930-17-702	EA	O' RING - #10	045-0127
14	103930-20-700	EA	VALVE-EXPANSION BLOCK, 2 TON	034-0032
15	103930-30-702	EA	BUSHING-BLEND AIR DOOR	062-0168
16	103930-30-705	EA	DOOR - BLEND AIR	071-0568
17	103930-20-704	EA	ROD-DOOR, RECIRCULATING	073-0018
18	103930-20-705	EA	PANEL-DOOR, RECIRCULATING	071-0213
19	103930-20-706	EA	CLIP-RETAINER	022-0057
20	103930-20-707	EA	HOUSING-BLOWER	062-0145
21	103930-20-708	EA	CLIP-MOTOR SHAFT	022-0001
22	103930-21-700	EA	HOSE ASSEMBLY - #6, EVAPORATOR/DRIER	085-0139
23	103930-21-701	EA	HOSE ASSEMBLY - #10, EVAPORATOR/COMP	085-0149
24	110279-01-703	EA	HOSE-VENT, BLOWER MOTOR	051-0034
25	110279-01-712	EA	FITTING-HEATER	050-0076
26	113245-01-707	EA	O' RING - #8	045-0126
27	103930-30-700	EA	CASE-FRONT, SUB-ASSEMBLY	062-0542
28	103930-20-711	EA	CASE-BACK, SUB-ASSEMBLY	062-0147
29	103930-30-701	EA	PLATE-MOTOR MOUNT	062-0544
30	103930-30-703	EA	MOTOR-SERVO	030-0104
31	103930-30-704	EA	COVER-SERVO	062-0545

HEATING & AIR CONDITIONING GROUP (CONTINUED)
SCS EVAPORATOR/HEATER ASSEMBLY - CHEVY GAS & DIESEL CHASSIS (FROM: 00-00-00 THRU: 09-01-96)



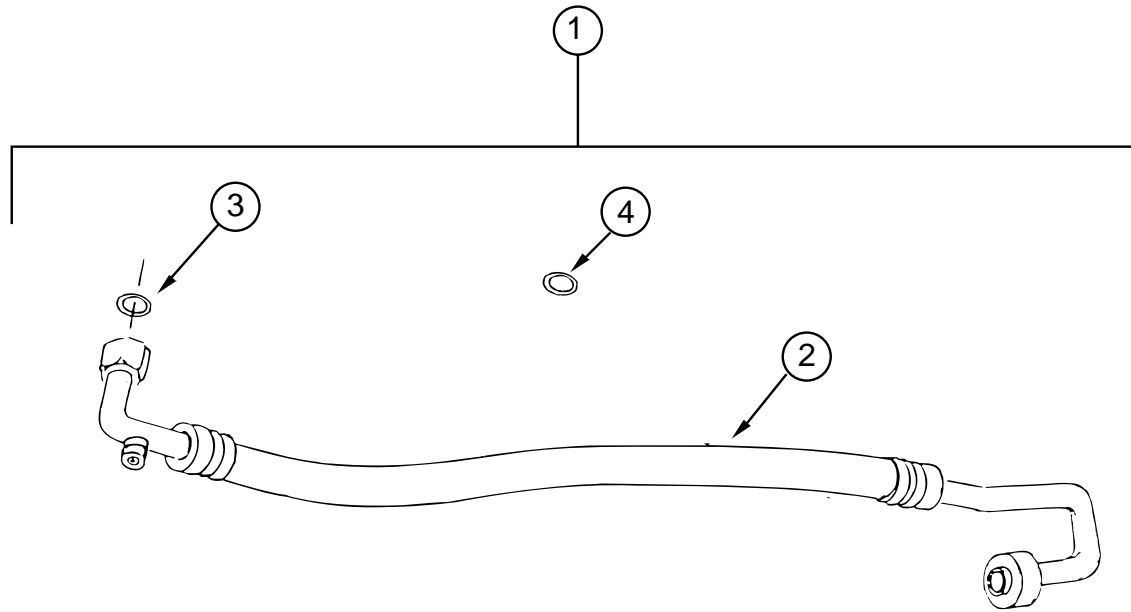
KEY	PART NUMBER	U/M	DESCRIPTION	VENDOR NO.
1	103930-25-000	EA	EVAPORATOR/HEATER - CHEVY - "96"	
2	103930-01-710	EA	RESISTOR-FUSED	035-0006
3	103930-20-702	EA	ROD-DOOR, BLEND AIR	073-0039
4	103930-20-703	EA	DOOR-BLEND AIR	071-0212
5	103930-01-703	EA	CORE-HEATER	042-0010
6	110279-01-712	EA	FITTING-HEATER	050-0076
7	103930-20-711	EA	CASE-BACK, SUB-ASSEMBLY	062-0147
8	110279-01-703	EA	HOSE-VENT, BLOWER MOTOR	051-0034
9	103930-20-707	EA	HOUSING-BLOWER	062-0145
10	103930-01-720	EA	MOTOR-BLOWER, PM105	030-0004
11	103930-01-717	EA	WHEEL-BLOWER, CLOCKWISE	062-0010
12	103930-20-708	EA	CLIP-MOTOR SHAFT	022-0001
13	103930-20-705	EA	PANEL-DOOR, RECIRCULATING	071-0213
14	103930-20-704	EA	ROD-DOOR, RECIRCULATING	073-0018
15	103930-01-708	EA	BRACKET-VACUUM MOTOR	070-0113
16	103930-02-708	EA	MOTOR-VACUUM SERVO, A/C	030-0025
17	103930-01-704	EA	COIL-EVAPORATOR	041-0017
18	103930-20-706	EA	CLIP-RETAINER - CASE ATTACH	022-0057
19	103930-25-700	EA	HOSE ASSEMBLY - #6, EVAPORATOR TO DRIER	085-0350
20	103930-12-709	EA	FITTING-QUICK CONNECT	050-0120
21	103930-20-700	EA	VALVE-EXPANSION BLOCK, 2 TON	034-0032
22	103930-17-702	EA	O' RING - #10	045-0127
23	113245-01-707	EA	O' RING - #8	045-0126
24	103930-20-709	EA	VALVE-SERVICE	050-0159
25	103930-01-711	EA	THERMOSTAT	033-0003
26	103930-20-710	EA	CASE-FRONT, SUB-ASSEMBLY	062-0146
	103930-02-714	EA	CLAMP-CLUTCH, BARREL	022-0006

HEATING & AIR CONDITIONING GROUP (CONTINUED)
SCS EVAPORATOR/HEATER ASSEMBLY - CHEVY GAS & DIESEL CHASSIS (FROM: 09-02-96 THRU: 99-99-99)



KEY	PART NUMBER	U/M	DESCRIPTION	VENDOR NO.
1	103930-30-000	EA	EVAPORATOR/HEATER ASM - SERVO MOTOR CONTROLLED	
2	103930-01-710	EA	RESISTOR-FUSED, A/C	035-0006
3	103930-30-705	EA	PANEL-DOOR, BLEND AIR	071-0568
4	103930-01-703	EA	CORE-HEATER	042-0010
5	110279-01-712	EA	FITTING-HEATER	050-0076
6	103930-20-711	EA	CASE-BACK, SUB-ASSEMBLY	062-0147
7	110279-01-703	EA	HOSE-VENT, BLOWER MOTOR	051-0034
8	103930-20-707	EA	HOUSING-BLOWER	062-0145
9	103930-01-720	EA	MOTOR-BLOWER, PM105	030-0004
			FROM: 09-02-96 THRU: 12-21-96	
9	103930-30-706	EA	MOTOR-BLOWER, PM147 W/ADAPTER	030-0109
			FROM: 12-22-96 THRU: 99-99-99	
10	103930-01-717	EA	WHEEL-BLOWER, CLOCKWISE	062-0010
11	103930-20-708	EA	CLIP-MOTOR SHAFT	022-0001
12	103930-20-705	EA	PANEL-DOOR, RECIRCULATING	071-0213
13	103930-20-704	EA	ROD-DOOR, RECIRCULATING	073-0018
14	103930-01-708	EA	BRACKET-VACUUM MOTOR	070-0113
15	103930-02-708	EA	MOTOR-VACUUM SERVO, A/C	030-0025
16	103930-01-704	EA	COIL-EVAPORATOR	041-0017
17	103930-30-702	EA	BUSHING-BLEND AIR DOOR	062-0168
18	103930-30-704	EA	COVER-SERVO	062-0545
19	103930-30-703	EA	MOTOR-SERVO	030-0104
20	103930-30-701	EA	PLATE-SERVO MOTOR MOUNT	062-0544
21	103930-20-706	EA	CLIP-RETAINER	022-0057
22	103930-25-700	EA	HOSE ASSEMBLY - #6, EVAPORATOR TO DRIER	085-0350
23	103930-12-709	EA	FITTING-QUICK CONNECT	050-0120
24	103930-20-700	EA	VALVE-EXPANSION BLOCK, 2 TON	034-0032
25	103930-17-702	EA	O' RING - #10	045-0127
26	113245-01-707	EA	O' RING - #8	045-0126
27	103930-20-709	EA	VALVE-SERVICE	050-0159
28	103930-01-711	EA	THERMOSTAT	033-0003
29	103930-30-700	EA	CASE-FRONT	062-0542

HEATING & AIR CONDITIONING GROUP (CONTINUED)



CHEVY HOSE KIT - STANDARD GAS

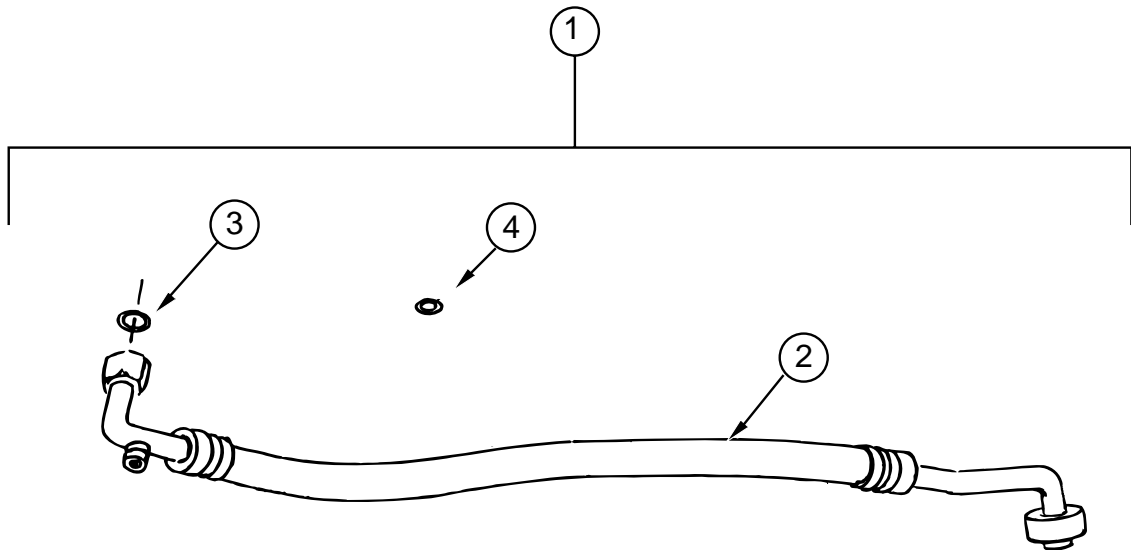
KEY	PART NUMBER	U/M DESCRIPTION	VENDOR NO.
1	103930-28-000	EA HOSE KIT - #10 W/GM L-19 CHASSIS	
2	103930-28-700	EA HOSE ASM #10 EVAPORATOR/COMP	085-0347
3	103930-17-702	EA O'RING #10	045-0127
4	103930-29-701	EA O'RING F/LOW PRESSURE SWITCH	045-0483

HEATING & AIR CONDITIONING GROUP (CONTINUED)
AUTOMOTIVE HEATER MISCELLANEOUS

KEY	PART NUMBER	U/M DESCRIPTION
	007076-01-000	EA HOSE-FLEXIBLE PVC - 2" ID INCREMENTS OF 50'
	007108-01-000	FT HOSE-HEATER, 5/8" ID - HI-TEMP - FORD ESE-M2D192-A
	007281-01-000	EA HOSE-FLEXIBLE PVC, 2.5" ID X 50' - ATCOFLEX A-182-355
	007281-01-700	FT HOSE-FLEXIBLE PVC, 2.5" ID
	024990-05-000	EA OUTLET - 4" DIAMETER W/SWIVEL DEFLECTORS
	056402-05-000	EA BRACKET-HEATER VENT, ROUND - W/BEND - BLACK
	077075-01-000	EA GASKET-INSTRUMENT PANEL TO DEFROSTER PLENUM - 1.8" X 12.5"
	077075-03-000	EA GASKET-INSTRUMENT PANEL TO DEFROSTER PLENUM - 1.8" X 12.25"
	103016-01-000	EA PLENUM-TRANSITION
	103017-01-000	EA PLENUM-DEFROSTER
	103930-23-000	EA VALVE-WATER, 2 PORT
	103930-24-000	EA VALVE-WATER, 4 PORT
	103558-01-06A	EA VENT - DEFROSTER - 2" X 14.4" X 1.4" - QUICK SILVER
	103796-01-01A	EA LOUVER ASSEMBLY-A/C CARY PROD - BLACK
	097494-02-000	EA TEE-BRASS, BARB - 3/8" X 5/32" X 3/8" - PARKER 224-8-8-4
	103930-37-000	EA MANUAL-OWNERS, HEATER/ A/C
	7SB010-96-14Z	EA MANUAL-DEALER SERVICE/PARTS - SCS 057-00171

EVANS REAR HEATER & COMPONENTS

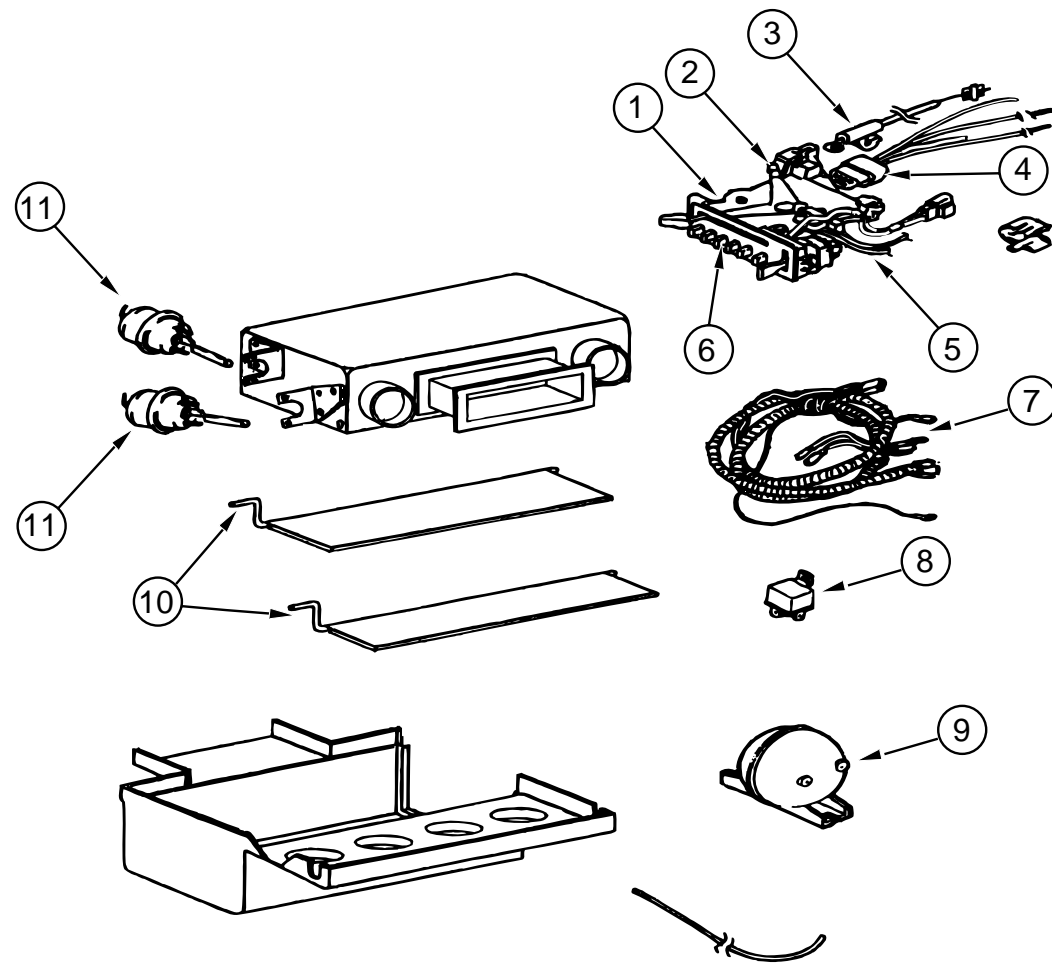
KEY	PART NUMBER	U/M DESCRIPTION	VENDOR NO.
	084405-01-000	EA HEATER ASSEMBLY-REAR, DUCTED - W/MOTOR AID - EVANS	
	084405-01-700	EA CORE-HEATER	FT200229
	084405-01-701	EA FAN BLADES	HV029931
	084405-01-702	EA MOTOR ASSEMBLY, 12 VOLT	R0200180
	007108-01-000	FT HOSE-HEATER, 5/8" ID - HI-TEMP - FORD ESE-M2D192-A	
	061673-01-000	EA BRACKET-MOTOR AID TUBES, 4" X 1.5" - STEEL	
	079059-02-000	EA HOSE - 90 DEGREE - .61" ID X 4" X 6"	
	007076-01-000	EA HOSE - FLEXIBLE PVC - 2" ID - INCREMENTS OF 50'	
	061673-01-000	EA BRACKET - MOTOR AID TUBES - 4" X 1.5" - STEEL	



CHEVY HOSE KIT - VORTEC GAS OR DIESEL OPTION

KEY	PART NUMBER	U/M DESCRIPTION	VENDOR NO.
1	103930-29-000	EA HOSE KIT - #10 F/GM L-29 & L-65 CHASSIS	
2	103930-29-700	EA HOSE ASM #10 EVAPORATOR/COMP	085-0348
3	103930-17-702	EA O'RING #10	045-0127
4	103930-29-701	EA O'RING F/LOW PRESSURE SWITCH	045-0483

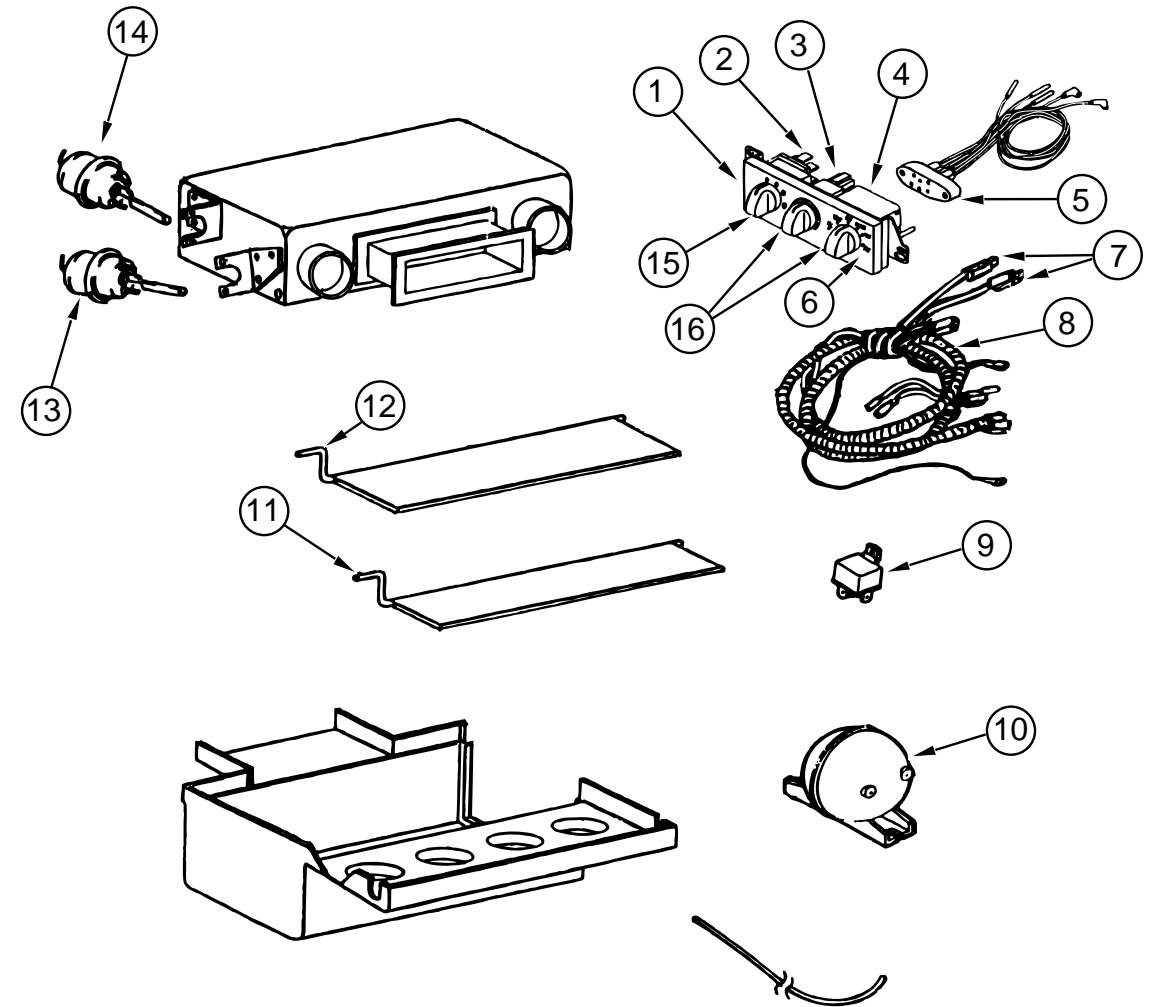
HEATING & AIR CONDITIONING GROUP (CONTINUED)



SCS CONTROL/PLENUM (FROM: 00-00-00 THRU: 09-01-96)

KEY	PART NUMBER	U/M	DESCRIPTION	VENDOR NO.
	103930-38-000	EA	CONTROL/PLENUM SET	
1	103930-02-712	EA	PANEL-CONTROL, BLACK BEZEL	032-0054
	072341-06-700	EA	SWITCH - 4 SPEED, FAN	032-0043
2	103930-02-714	EA	CLAMP-CLUTCH, BARREL	022-0006
3	103930-02-705	EA	CABLE-CONTROL, BOWDEN W/O LEVER - 89"	074-0011
4	103930-02-704	EA	HARNESS-VACUUM CONTROL	036-0049
5	103930-02-701	EA	SWITCH-VACUUM, CONTROL HEAD	034-0015
6	103930-02-702	EA	DECAL-CONTROL HEAD	058-0009
7	103930-02-703	EA	HARNESS-WIRE CONTROL	036-0048
8	103930-02-707	EA	RELAY-BOSCH W/RESISTOR	031-0001
9	103930-02-710	EA	CANISTER-VACUUM	054-0002
10	103930-33-700	EA	ROD-DOOR, DEFROSTER/A/C	073-0028
11	103930-02-708	EA	MOTOR-VACUUM SERVO, A/C	030-0025
	094831-01-731	EA	ADAPTER - 2"	062-0001

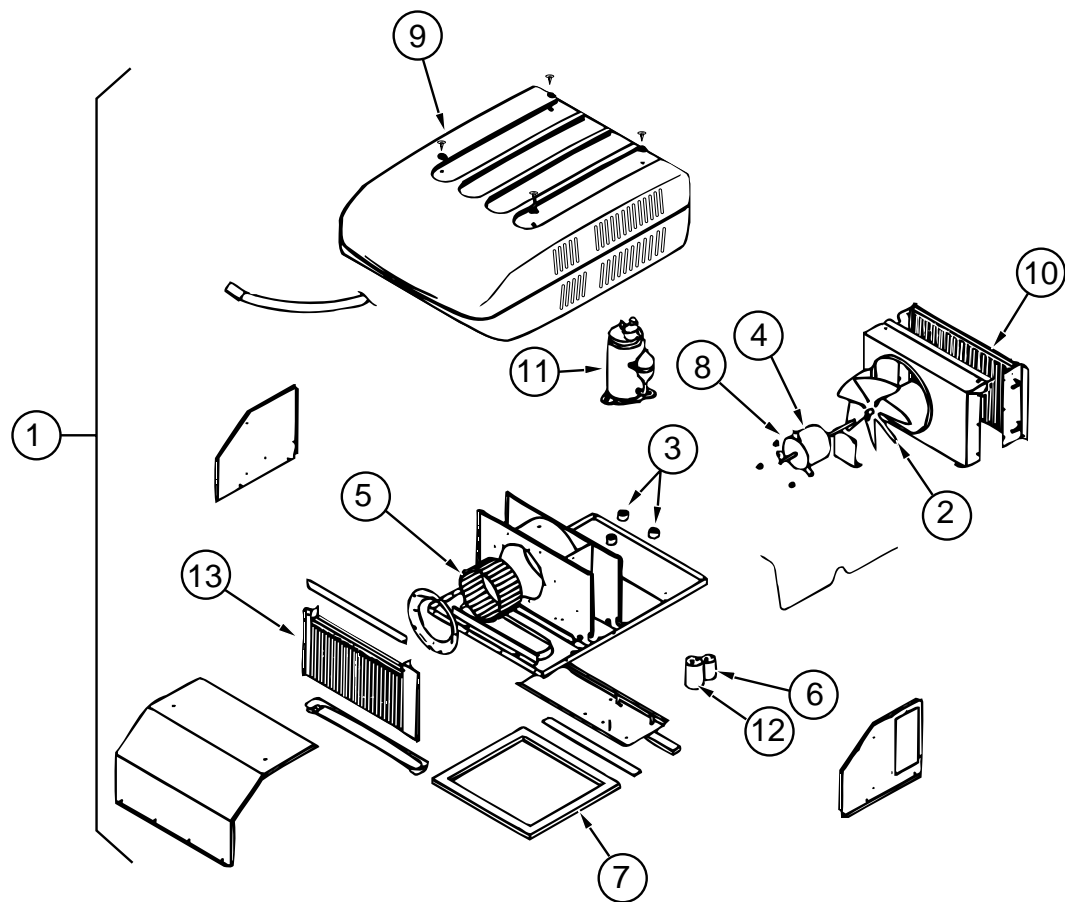
HEATING & AIR CONDITIONING GROUP (CONTINUED)



SCS CONTROL/PLENUM (FROM: 09-02-96 THRU: 99-99-99)

KEY	PART NUMBER	U/M	DESCRIPTION	VENDOR NO.
	103930-34-000	EA	CONTROL/PLENUM-ROTARY CONTROL HEAD	
1	103930-33-702	EA	PANEL ASSEMBLY-CONTROL	083-0169
2	103930-33-707	EA	SWITCH-BLOWER	032-00066
3	103930-33-708	EA	SWITCH-POTENTIOMETER	032-0184
4	103930-33-709	EA	SWITCH-VACUUM	032-0183
5	103930-33-703	EA	HARNESS-VACUUM	036-0466
6	103930-33-710	EA	DECAL-CONTROL HEAD	058-0102
7	103930-33-705	EA	BULB-LIGHT	035-0030
8	103930-33-704	EA	HARNESS-WIRE W/BULBS	036-0465
			FROM: 09-02-96 THRU: 12-21-96	
8	103930-33-711	EA	HARNESS-WIRE, MAIN	036-0496
			FROM: 12-22-96 THRU: 99-99-99	
9	103930-02-707	EA	RELAY-BOSCH W/RESISTOR	031-0001
10	103930-02-710	EA	CANISTER-VACUUM	054-0002
11	103930-33-700	EA	ROD-DOOR, DEFROSTER/A/C	073-0028
12	103930-33-706	EA	ROD-DOOR, A/C/DEFROST	073-0060
13	103930-02-708	EA	MOTOR-VACUUM SERVO, A/C	030-0025
14	103930-33-701	EA	MOTOR-VACUUM, 3 STAGE	030-0105
15	103930-33-712	EA	KNOB - BLOWER	062-00539
16	103930-33-713	EA	KNOB	062-00540

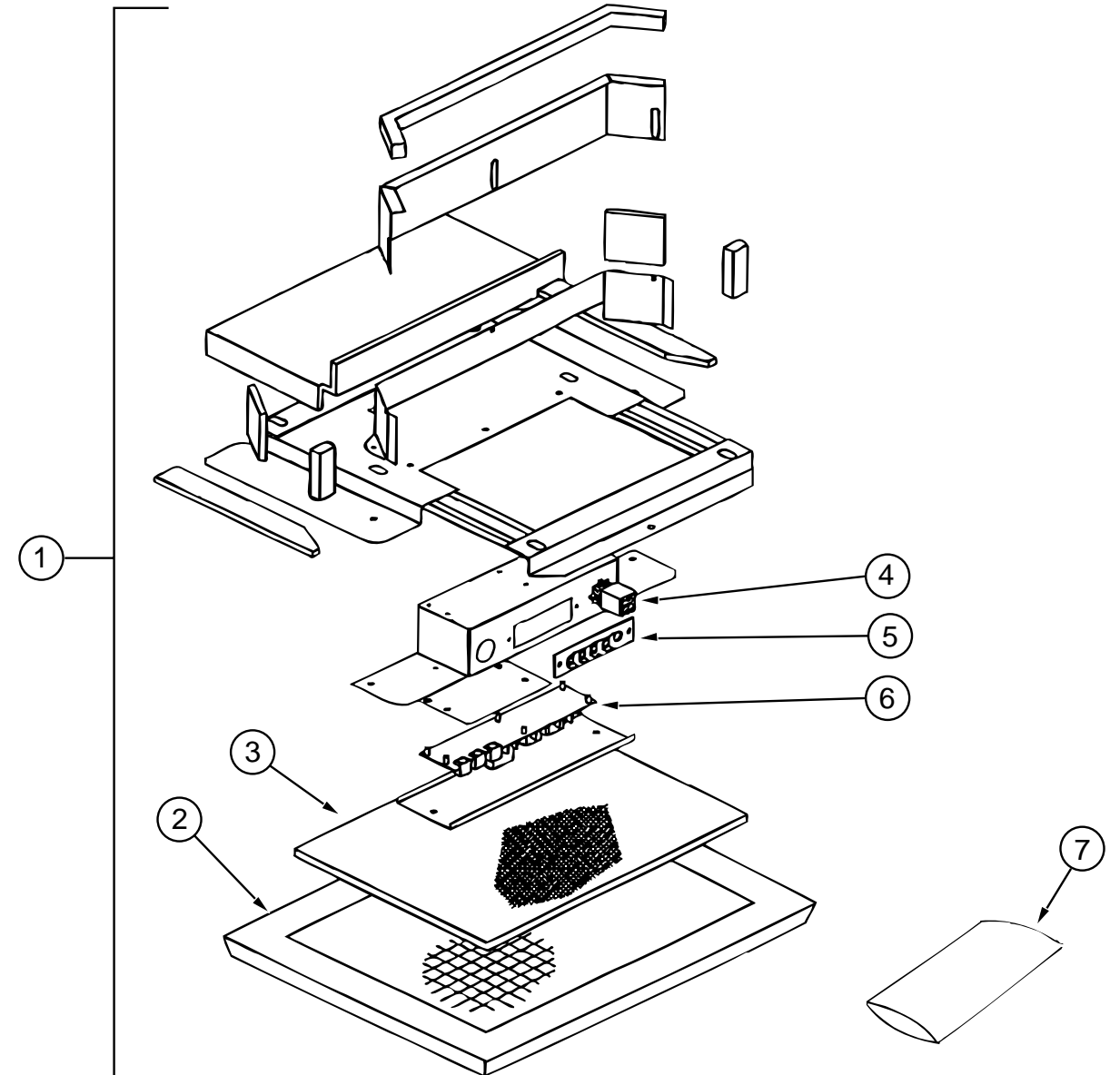
HEATING & AIR CONDITIONING GROUP (CONTINUED)



COLEMAN 13,500 BTU ROOF A/C

KEY	PART NUMBER	U/M	DESCRIPTION	VENDOR NO.
1	108889-01-05A	EA	A/C-ROOF, 13,500 BTU TSR HO - BRIGHT WHITE	
2	093763-01-712	EA	BLADE-FAN, CONDENSER	6733-3221
3	105620-01-706	EA	FOOT PACKAGE-COMPRESSOR, 3 PER PACKAGE	6759-3081
4	108889-01-705	EA	MOTOR - 115V, 60HZ	1468-3049
5	108889-01-706	EA	IMPELLOR	1472-1041
6	093763-01-704	EA	CAPACITOR-FAN	1499-5461
	108889-01-710	EA	PAD-FILLER, CONDENSER SEAL	6759B3971
7	108889-01-711	EA	GASKET PACKAGE	6792A3301
8	108889-01-715	EA	MOTOR MOUNT & SHAFT SEAL KIT	6792A3361
9	108889-05-700	EA	SHROUD - BRIGHT WHITE, W/O LOGO	7333-4601
10	108889-01-703	EA	COIL-CONDENSER	1452A1301
11	108889-01-721	EA	COMPRESSOR - TSR3 MODELS "A & B" ONLY	1450-2079
11	108889-01-722	EA	COMPRESSOR - TSR3 MODELS "C & D" ONLY	1450-2099
12	108889-01-707	EA	CAPACITOR-RUN, COMPRESSOR - 25MFD/370	1499-5661
	091225-01-709	EA	RELAY-START	1497-4131
13	108889-01-709	EA	COIL-EVAPORATOR	1452A1311
	108889-01-712	EA	LINE-SUCTION, REDUCER - 3/8" X 1/2"	1215-2161
	108889-01-713	EA	LINE-SUCTION, 3/8" OD X 032 WALL	6792-130
	108889-01-714	EA	LINE ASSEMBLY-DISCHARGE	6792-531
	108889-01-704	EA	OVERLOAD (MRA#98693)	6749-3541
	091225-01-710	EA	CAPACITOR-START	1497-0881
	108889-01-720	EA	TUBE-CAP	6792-1351
	093306-01-701	EA	DECAL PACKAGE-LEFT & RIGHT	6798B3591
	102289-01-000	EA	SPRING-SCREW, ROOF A/C GASKET - COLEMAN 6757-150	

HEATING & AIR CONDITIONING GROUP (CONTINUED)



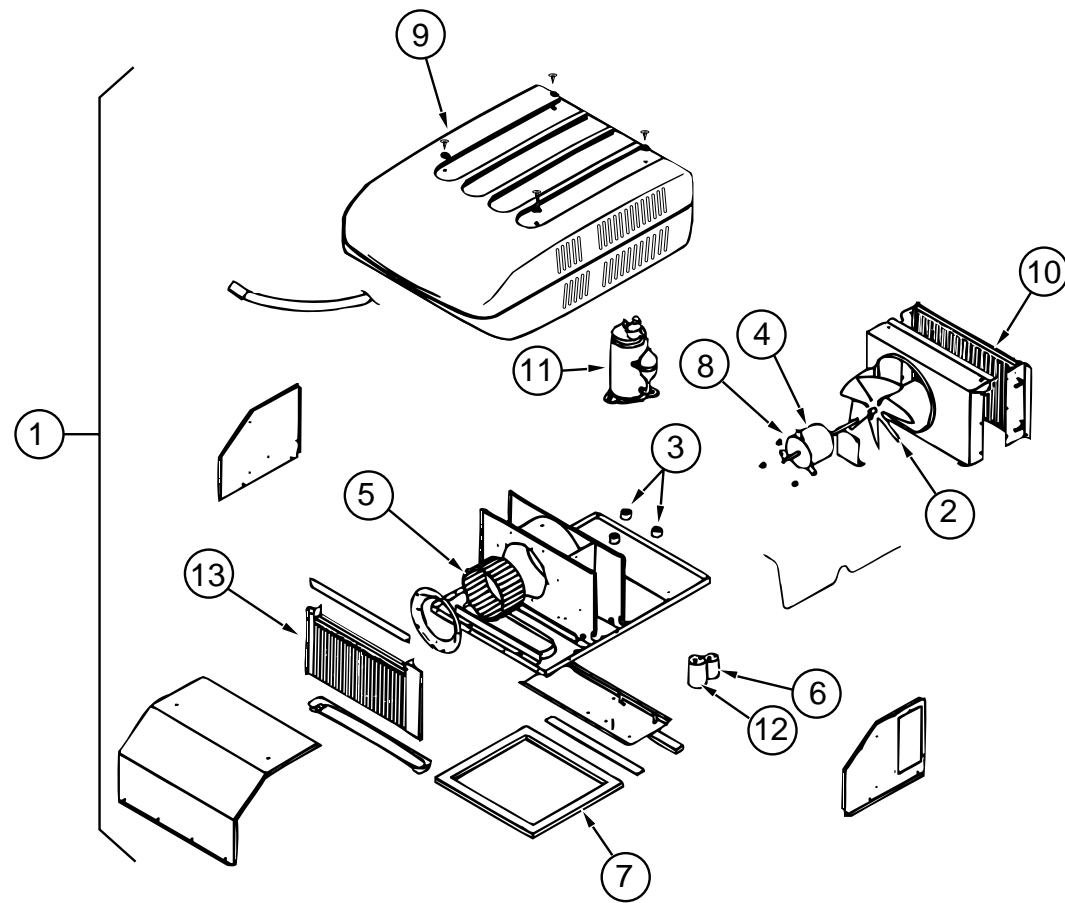
COLEMAN 13,500 BTU A/C CEILING ASSEMBLY, THERMOSTAT, & REGISTER

KEY	PART NUMBER	U/M	DESCRIPTION	VENDOR NO.
1	108892-01-01A	EA	CEILING ASM-A/C DUCTED - COLEMAN 7330-730IV	
2	108892-01-704	EA	GRILLE (PLASTIC)	6798-3041
3	108892-01-703	EA	FILTER	6798A3761
4	108892-01-700	EA	PLUG ASSEMBLY	7330-540
5	108892-01-701	EA	BOARD-TERMINAL	7330-3201
6	108892-01-702	EA	BOARD-PRINTED CIRCUIT	7330A3211
7	108892-01-705	EA	SMALL PARTS PACKAGE	7330A6101
	117238-01-01A	EA	THERMOSTAT-A/C AND FURNACE - COLEMAN 7330-3371	
	117238-02-01A	EA	THERMOSTAT-A/C ONLY - COLEMAN 7330-3381	
	120134-01-02A	EA	REGISTER - 4" - 5" DIAMETER W/DAMPER - WHITE - DTW 8840	

ROOF A/C COVERS & AC SELECTOR SWITCH

KEY	PART NUMBER	U/M	DESCRIPTION
	092633-02-02A	EA	COVER-BLANK, ROOF A/C - 5.1" X 5.1" - PLASTIC - OFF WHITE
	073937-03-000	EA	SWITCH-ROTARY SELECTOR, 3 DECK - A/C - CA20-USA892
	121365-01-01A	EA	COVER-A/C SWITCH, DUAL
	105290-01-000	SF	INSULATION - AIR POCKET W/FOIL

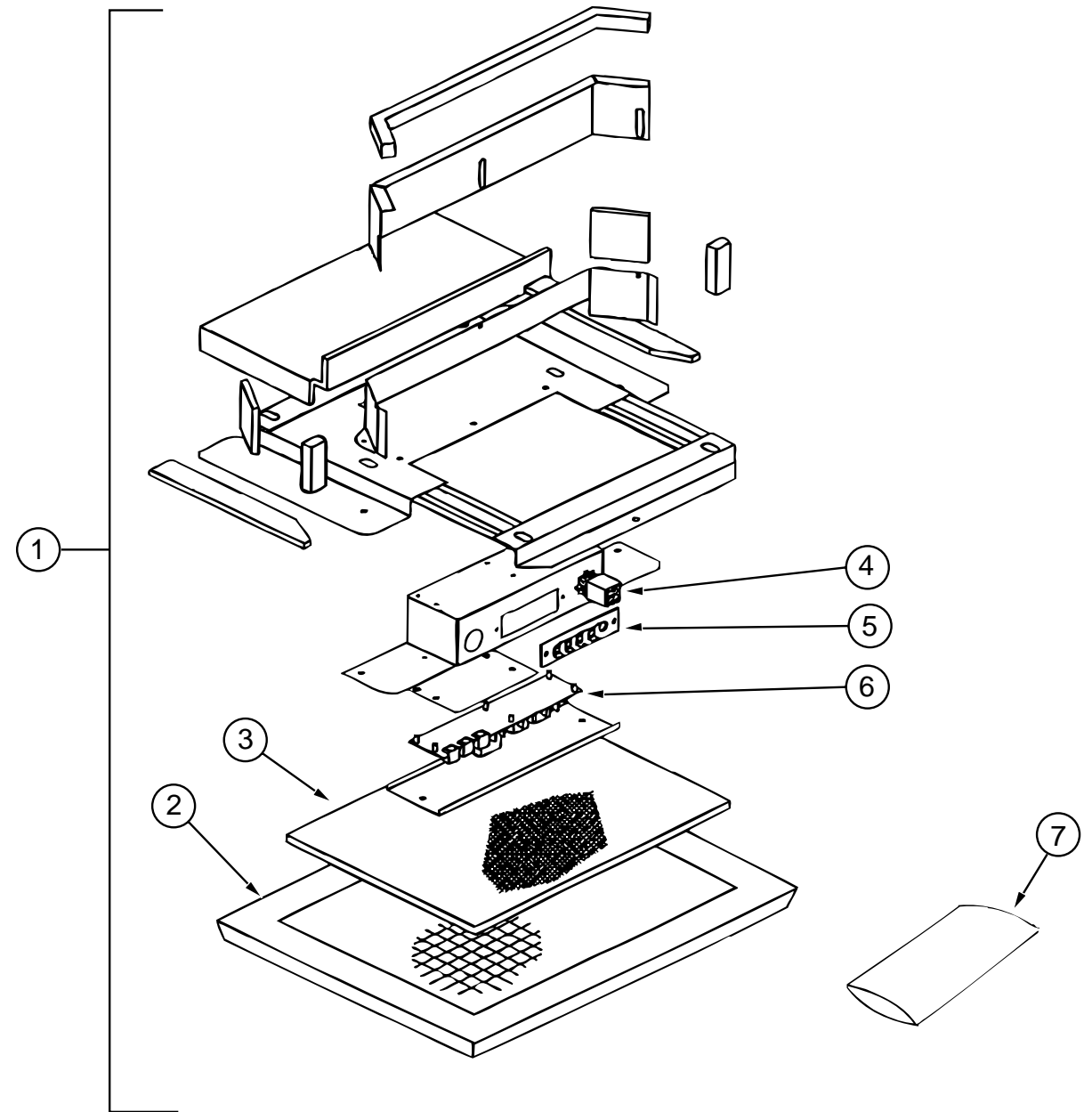
HEATING & AIR CONDITIONING GROUP (CONTINUED)



COLEMAN 14,800 BTU ROOF A/C

KEY	PART NUMBER	U/M DESCRIPTION	VENDOR NO.
1	115219-01-03A	EA A/C-ROOF, 14,800 BTU MACH 15 - BRIGHT WHITE	
2	093763-01-712	EA BLADE-FAN, CONDENSER	6733-3221
3	105620-01-706	EA FOOT PACKAGE-COMPRESSOR, 3 PER PACKAGE	6759-3081
4	108889-01-705	EA MOTOR - 115V, 60HZ	1468-3049
5	108889-01-706	EA IMPELLOR	1472-1041
6	093763-01-704	EA CAPACITOR-FAN	1499-5461
	108889-01-710	EA PAD-FILLER, CONDENSER SEAL	6759B3971
7	108889-01-711	EA GASKET PACKAGE	6792A3301
8	108889-01-715	EA MOTOR MOUNT & SHAFT SEAL KIT	6792A3361
9	108889-05-700	EA SHROUD - BRIGHT WHITE, W/O LOGO	7333-4601
10	115219-01-700	EA COIL-CONDENSER	1452A1321
11	115219-01-708	EA COMPRESSOR, CONVERSION KIT	1450A2061
12	115219-01-702	EA CAPACITOR-RUN, COMPRESSOR	1499-5741
	115219-01-703	EA RELAY-START	1497-4151
13	115219-01-704	EA COIL-EVAPORATOR	1452-1331
	115219-01-705	EA LINE-SUCTION, LOWER	7335-130
	115219-01-706	EA LINE-SUCTION, UPPER	7335-131
	115219-01-707	EA LINE ASSEMBLY, DISCHARGE	7335A132
	093306-01-720	EA CAPACITOR-START, 21-25 MFD33	1497-3351
	093306-01-701	EA DECAL PACKAGE-LEFT & RIGHT	6798B3591
	102289-01-000	EA SPRING-SCREW, ROOF A/C GASKET - COLEMAN 6757-150	

HEATING & AIR CONDITIONING GROUP (CONTINUED)



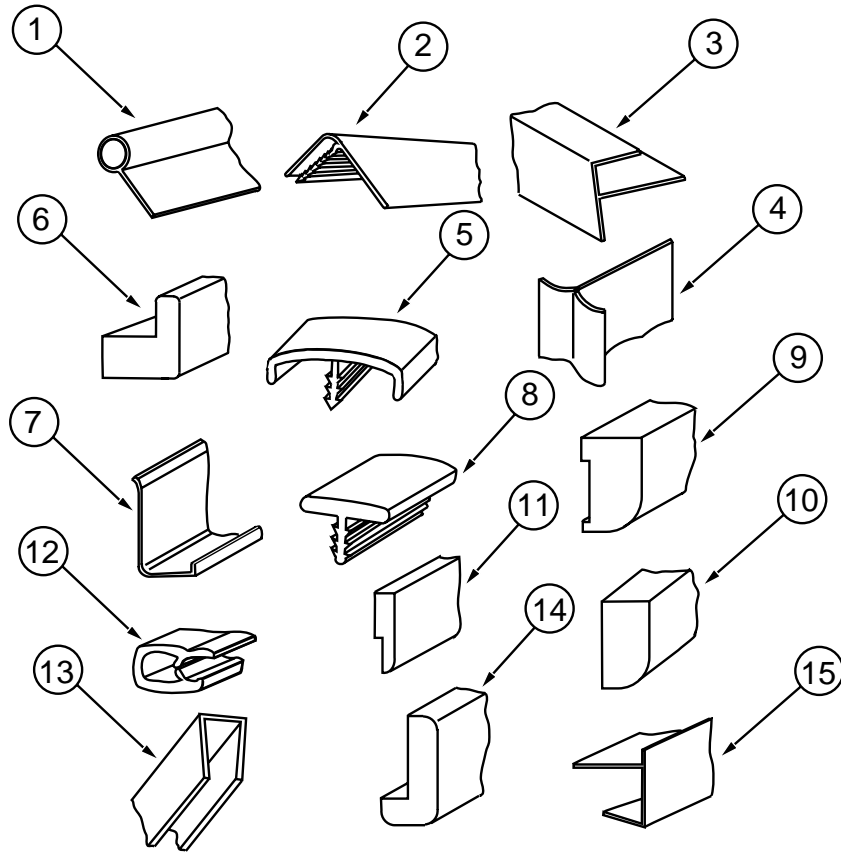
COLEMAN 14,800 BTU A/C CEILING ASSEMBLY, THERMOSTAT, & REGISTER

KEY	PART NUMBER	U/M DESCRIPTION	VENDOR NO.
1	108892-01-01A	EA CEILING ASM-A/C DUCTED - COLEMAN 7330-730IV	
2	108892-01-704	EA GRILLE (PLASTIC)	6798-3041
3	108892-01-703	EA FILTER	6798A3761
4	108892-01-700	EA PLUG ASSEMBLY	7330-540
5	108892-01-701	EA BOARD-TERMINAL	7330-3201
6	108892-01-702	EA BOARD-PRINTED CIRCUIT	7330A3211
7	108892-01-705	EA SMALL PARTS PACKAGE	7330A6101
	117238-01-01A	EA THERMOSTAT-A/C AND FURNACE - COLEMAN 7330-3371	
	117238-02-01A	EA THERMOSTAT-A/C ONLY - COLEMAN 7330-3381	
	120134-01-02A	EA REGISTER - 4" - 5" DIAMETER W/DAMPER - WHITE - DTW 8840	

ROOF A/C COVERS & AC SELECTOR SWITCH

KEY	PART NUMBER	U/M DESCRIPTION
	092633-02-02A	EA COVER-BLANK, ROOF A/C - 5.1" X 5.1" - PLASTIC - OFF WHITE
	073937-03-000	EA SWITCH-ROTARY SELECTOR, 3 DECK - A/C - CA20-USA892
	121365-02-01A	EA COVER-A/C SWITCH, SINGLE
	105290-01-000	SF INSULATION - AIR POCKET W/FOIL

INTERIOR FINISH GROUP



MOLDINGS & TRIMS

KEY	PART NUMBER	U/M DESCRIPTION
1	009767-12-000	FT MOLDING-SIDEWALL TO CEILING/CABINET - WELTING - OFF WHITE
2	009809-28-000	EA MOLDING-CORNER, OUTSIDE - 1" - PLASTIC - WATERFORD OAK
3	009812-29-000	EA MOLDING-CORNER, OUTSIDE - .5" X 7' - PLASTIC - WATERFORD OAK
4	022992-11-000	FT MOLDING-REVERSE COVE, T-SHAPED - VINYL - IVORY
5	083620-12-000	FT MOLDING-T, END CAP EDGE - W/EDGE LIPS - .75" - WATERFORD OAK
6	100819-01-05A	EA MOLDING-VINYL WRAPPED, DOOR - WATERFORD OAK
7	085746-01-000	FT TRIM-J, CARPET - 1.2" X .5" ANGLE - 10' LONG - PVC - BEIGE
8	104676-01-01A	FT T-MOLDING, 5/16 - RIGID - GOLD
9	117268-D2-134	EA MOLDING - VINYL WRAPPED - .7" X 1.6" X 84" - WATERFORD OAK
9	117268-D2-438	EA MOLDING - VINYL WRAPPED - .7" X 1.5" X 96" - WATERFORD OAK
9	117268-F2-134	EA MOLDING - VINYL WRAPPED - .7" X 2.7" X 84" - WATERFORD OAK
9	117268-F2-438	EA MOLDING - VINYL WRAPPED - .7" X 2.6" X 96" - WATERFORD OAK
10	100818-01-05A	EA MOLDING-VINYL WRAPPED, 1" X 8' - WATERFORD OAK
11	105004-01-05A	EA MOLDING-VINYL WRAPPED, 1" X 8' - WATERFORD OAK
12	072368-02-000	EA TRIM - VINYL - EDGE - BLACK
FROM: 00-00-00 THRU: 02-02-97		
12	113452-01-000	FT SEAL/TRIM - FRONT - VINYL W/WIRE CARRIER
FROM: 02-03-97 THRU: 99-99-99		
13	009778-21-000	FT U-CHANNEL, 1" WIDE X 8' INCREMENTS - PLASTIC - WATERFORD OAK
13	070504-36-000	FT U-CHANNEL-PLASTIC, 1.65" WIDE - WATERFORD OAK - INCREMENTS OF 8'
13	070504-37-000	FT U-CHANNEL-PLASTIC, .815" WIDE - WATERFORD OAK - INCREMENTS OF 8'
14	077840-01-G01	EA MOLDING - CAP/WALL - 8' WATERFORD OAK
15	103186-01-05A	FT MOLDING - PLASTIC/3/8" U-CHANNEL W/3/4" FACE- WATERFORD OAK
15	103186-02-05A	FT MOLDING - PLASTIC/1" U-CHANNEL W/1 3/8" FACE-WATERFORD OAK
	117267-D2-438	EA LUMBER-VINYL WRAPPED, .7" X 1 1/2" X 8' - WATERFORD OAK
	117267-E2-438	EA LUMBER-VINYL WRAPPED, .7" X 2" X 8' - WATERFORD OAK
	117267-G2-438	EA LUMBER-VINYL WRAPPED, .7" X 3" X 8' - WATERFORD OAK

INTERIOR FINISH GROUP (CONTINUED)
BATT STRIPS

KEY	PART NUMBER	U/M DESCRIPTION
	069733-83-000	EA BATT STRIP-WOODGRAIN, 8' - WATERFORD OAK
	088263-E3-000	EA BATT STRIP-SHOWER, 8' - PEBBLE EMBOSS ANTIQUE
	088263-D8-000	EA BATT STRIP - DECORATIVE - MCKENSIE/CREAM - 8' LONG (H33) (MAIN WALL)
	088263-D7-000	EA BATT STRIP - DECORATIVE - WINDY/WILLOW - 8' LONG (H34) (MAIN WALL)
	088263-E5-000	EA BATT STRIP - DECORATIVE - WYDEMERE/CINNAMON - 8' LONG (H35) (MAIN WALL)
	085284-B5-000	FT BATT - TAPE, WATERFORD OAK WOODGRAIN - ADHESIVE BACKED
	085284-D6-000	FT BATT - TAPE, SHOWER - PEBBLE EMBOSS ANTIQUE - ADHESIVE BACKED
	085284-D2-000	FT BATT - TAPE, MICKENSIE/CREAM - ADHESIVE BACKED (H33) (MAIN WALL)
	085284-D1-000	FT BATT - TAPE, WINDY/WILLOW - ADHESIVE BACKED (H34) (MAIN WALL)
	085284-D9-000	FT BATT - TAPE, WYNDEMERE/CINNAMON - ADHESIVE BACKED (H35) (MAIN WALL)
	086229-20-000	EA BATTEN-CEILING, 1" X 98" - BEIGE
	086229-01-000	EA RETAINER-BATTEN, CEILING - .75" X 92.24" - ANY COLOR

PLASTIC LAMINATE & EDGE BAND

KEY	PART NUMBER	U/M DESCRIPTION
	074498-62-000	SF LAMINATE-PLASTIC, GREY FINESSE - 5' X 8' - INCREMENTS OF 40 SF (H33) (GALLEY, DINETTE, BATH, & BEDROOM)
	074498-72-000	SF LAMINATE-PLASTIC, PEBBLE SANTOS - 5' X 8' - INCREMENTS OF 40 SF (H34/H35) (GALLEY, DINETTE, BATH, & BEDROOM)
	076325-46-000	FT MOLDING-EDGE BAND, 1035 CLOUD - 1 5/16" X .030" X 600" (H33)
	076325-37-000	FT MOLDING-EDGE BAND, 1136 NEUTRAL - 1 5/16" X .030" X 600" (H34/H35)
	076325-43-000	FT MOLDING-EDGE BAND, 1035 CLOUD - .875" X .024" X 600" (H33)
	076325-38-000	FT MOLDING-EDGE BAND, 1136 NEUTRAL - .875" X .024" X 600" (H34/H35)
	074498-77-000	SF LAMINATE-PLASTIC, ART CABIN OAK - 5' X 8' - INCREMENTS OF 40 SF (PULL OUT TABLE)
	076325-68-000	FT MOLDING-EDGE BAND, WATERFORD OAK - 1 5/16" X .030" X 600" (PULL OUT TABLE)
	074498-67-000	SF LAMINATE-PLASTIC, ORCHID MIST - 5' X 8' - INCREMENTS OF 40 SF (PATIO ENTERTAINMENT CENTER TABLE)
	076325-34-000	FT MOLDING-EDGE BAND, 1233 ORCHID MIST - 1 5/16" X .030" X 600" (PATIO ENTERTAINMENT CENTER TABLE)

WALLPAPER BORDER - QUEEN BED

KEY	PART NUMBER	U/M DESCRIPTION
	122481-02-000	FT WALLPAPER - 4" BORDER, DECOR (H33)
	122481-03-000	FT WALLPAPER - 4" BORDER, DECOR (H34)
	122481-01-000	FT WALLPAPER - 4" BORDER, DECOR (H35)

INTERIOR FINISH GROUP (CONTINUED)

SMOKE DETECTOR, CO DETECTOR, FIRE EXTINGUISHER & CLOCK

KEY	PART NUMBER	U/M	DESCRIPTION
	072852-01-000	EA	DETECTOR-SMOKE, W/9 VOLT BATTERY - US
	072852-02-000	EA	DETECTOR-SMOKE, W/9 VOLT BATTERY - CANADIAN
	094499-01-000	EA	EXTINGUISHER-FIRE, DRY W/MOUNTING BRACKET - 10 BC
	094499-01-700	EA	BRACKET-MOUNTING, W/PLASTIC STRAP - FIRE EXTINGUISHER
	094499-01-701	EA	STRAP ONLY (METAL) - 320351
	094499-02-000	EA	EXTINGUISHER-FIRE, DRY - 1A10BC - CANADIAN
	112320-03-000	EA	DETECTOR-CO GAS, MODEL 9D-I
	112320-04-000	EA	BATTERY/SENSOR MODULE - CO (BLACK MODULE) F/9D-I SYSTEM FROM: 00-00-00 THRU: 10-20-96
	125136-01-000	EA	DETECTOR-CO GAS, MODEL 9L-I FROM: 00-00-00 THRU: 10-20-96
	118081-01-01A	EA	CLOCK-WALL, ROUND 8" - BRASS FROM: 10-21-96 THRU: 99-99-99

ANTISLIP & FLOOR MATS

KEY	PART NUMBER	U/M	DESCRIPTION
	091261-01-000	FT	SLIPNOT - ANTISLIP - 1" WIDE (100' ROLL)
	105924-01-F25	EA	MAT - FLOOR - 18" X 27" (H33)
	105924-01-F12	EA	MAT - FLOOR - 18" X 27" (H34)
	105924-01-H35	EA	MAT - FLOOR - 18" X 27" (H35)

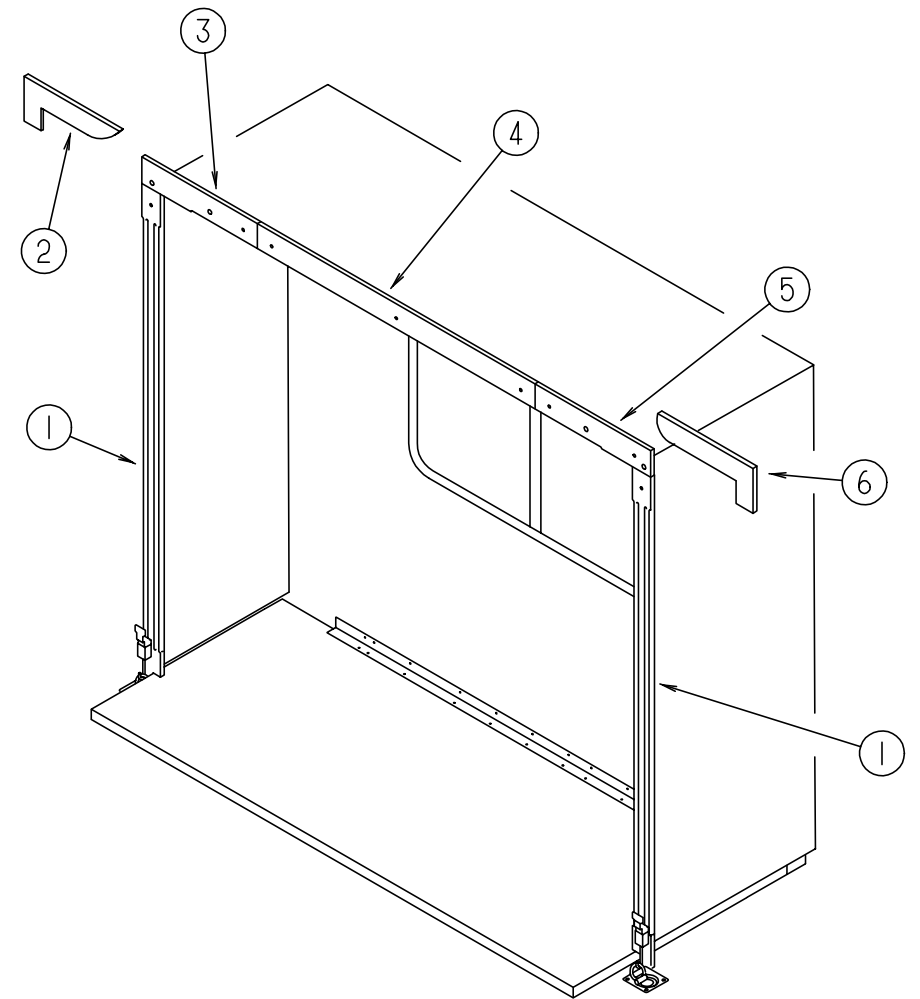
CARPET & TILE

KEY	PART NUMBER	U/M	DESCRIPTION
	093486-01-000	SY	CARPET - COMPARTMENT, 72" WIDE - DARK GRAY
	096060-A8-000	SY	CARPET - BLUE LAGOON (H33)
	096060-99-000	SY	CARPET - PARCHMENT - INCREMENTS OF 4 SY YDS (H34)
	096060-C3-000	SY	CARPET - SPRUCE - INCREMENTS OF 4 SQ. YARDS (H35)
	122755-06-01A	EA	TILE - RUBBER/ENTRANCE DOOR, 11.2" X 26.9"

PANELING, PLYWOOD, & PARTICLE BOARD

KEY	PART NUMBER	U/M	DESCRIPTION
	074497-28-000	SF	PANELING-WATERFORD OAK, 4' X 8' - INCREMENTS OF 32 SF
	088272-G1-000	SF	PANELING-SHOWER, PEBBLE EMBOSS ANTIQUE - 4' X 7' - INCREMENTS OF 28 SF
	088272-F6-000	SF	PANELING - MCKENSIE CREAM - 4' X 7' (H33) (MAIN WALL)
	088272-F5-000	SF	PANELING - WINDY/WILLOW (H34) (MAIN WALL)
	088272-G3-000	SF	PANELING - WYNDEMERE - CINNAMON (H35) (MAIN WALL)
	080215-10-000	SF	PANELING - 2 SIDED, WATERFORD - 4' X 8'
	000846-01-000	SF	PLYWOOD - 5/16" X 4' X 8'
	000846-02-000	SF	PLYWOOD/UNDERLAYMENT - 5/16" X 48" X 96"
	089297-01-000	SF	PLYWOOD-LUAN, OVERLAY GRADE - 4' X 8'
	000885-76-000	SF	PARTICLE BOARD-3/8" X 48" X 96"-WATERFORD OAK/VINYL 1 SIDE
	000885-77-000	SF	PARTICLE BOARD-3/8" X 48" X 96"-WATERFORD OAK/VINYL 2 SIDE
	000885-78-000	SF	PARTICLE BOARD-1/2" X 48" X 96"-WATERFORD OAK/VINYL 2 SIDE
	000885-79-000	SF	PARTICLE BOARD-3/4" X 48" X 96"-WATERFORD OAK/VINYL 2 SIDE
	095688-01-000	SF	VENEER - .14" X 4' X 8' UNFINISHED
	114129-01-02A	SF	LINER - CABINET - .02" X 48" X 96" FROM: 01-02-97 THRU: 99-99-99
	126339-01-000	SF	BOARD - WHEAT - 60" X 72"

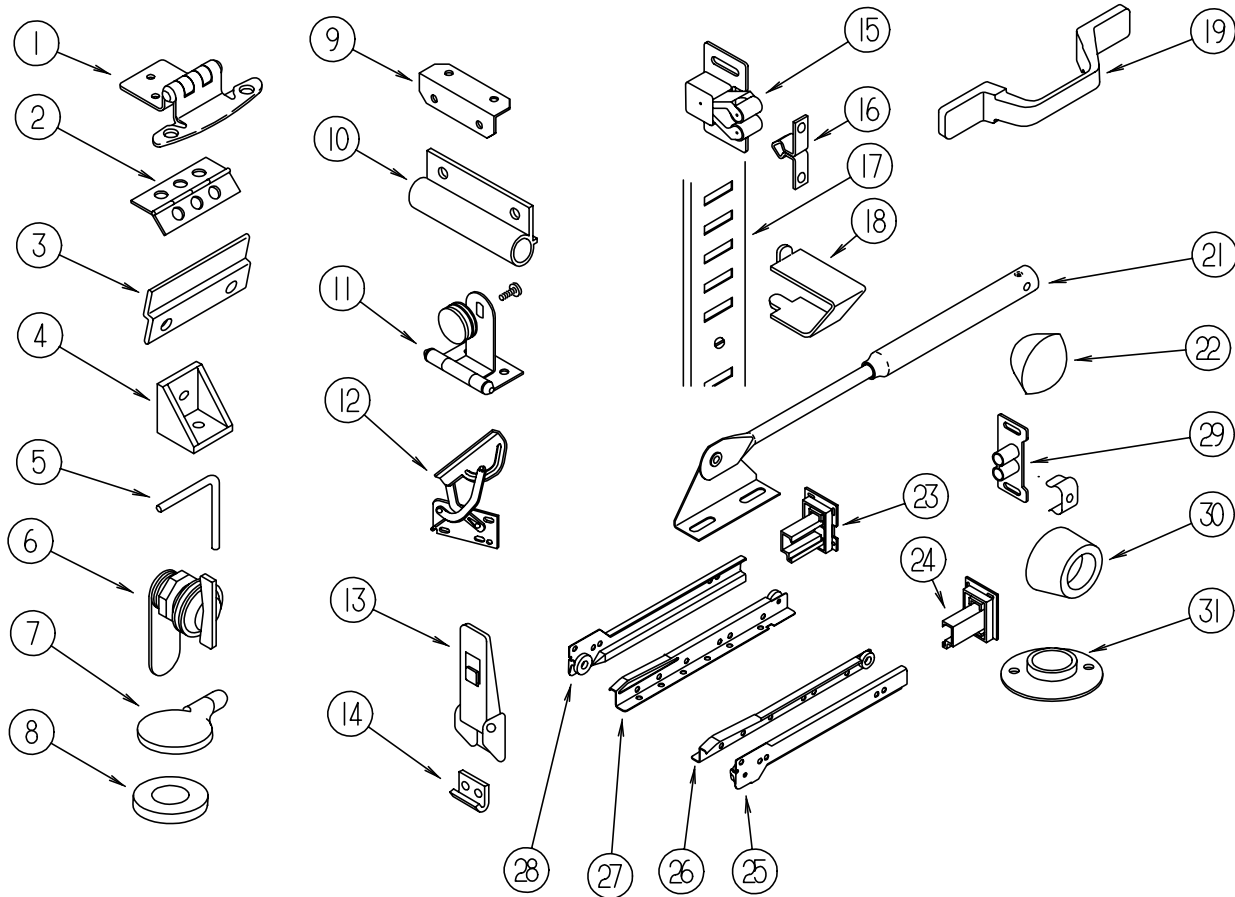
INTERIOR FINISH GROUP (CONTINUED)



SLIDEOUT INTERIOR TRIMS

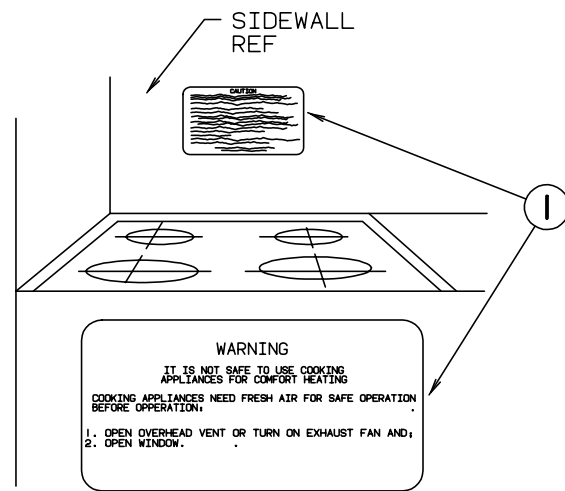
KEY	PART NUMBER	U/M	DESCRIPTION
1	116951-01-G35	EA	MOLDING - WOOD - 3" X 70.5"
2	115811-16-H33	EA	OVERLAY - 7.5" X 22 3/8" (H33) FROM: 00-00-00 THRU: 01-12-97
2	115811-16-H3A	EA	OVERLAY - 7.5" X 22 3/8" (H33) FROM: 01-13-97 THRU: 99-99-99
2	115811-16-H34	EA	OVERLAY - 7.5" X 22 3/8" (H34)
2	115811-16-H35	EA	OVERLAY - 7.5" X 22 3/8" (H35)
3	116968-01-G35	EA	TRIM - END/RIGHT HAND - WOOD - 3.8" X 19.1"
4	116967-02-H13	EA	TRIM - CENTER - WOOD - 3.8" X 46.1"
5	116968-02-G35	EA	TRIM - END/LEFT HAND - WOOD - 3.8" X 19.1"
6	115811-15-H33	EA	OVERLAY - 7.5" X 22 3/8" (H33) FROM: 00-00-00 THRU: 01-12-97
6	115811-15-H3A	EA	OVERLAY - 7.5" X 22 3/8" (H33) FROM: 01-13-97 THRU: 99-99-99
6	115811-15-H34	EA	OVERLAY - 7.5" X 22 3/8" (H34)
6	115811-15-H35	EA	OVERLAY - 7.5" X 22 3/8" (H35)

INTERIOR FINISH GROUP (CONTINUED)
CABINET HARDWARE



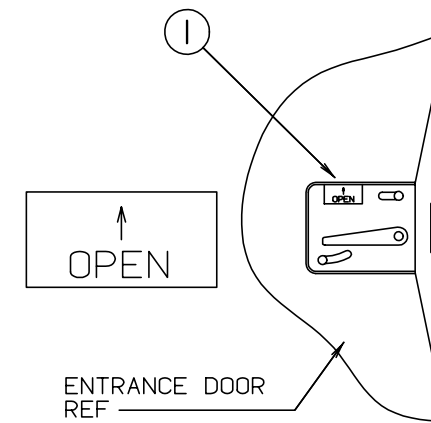
KEY	PART NUMBER	U/M	DESCRIPTION
1	108138-01-000	EA	HINGE-DOOR, CABINET - BURNISHED BRASS
2	009059-02-000	EA	HINGE-DOOR, 2" X 2.7" - BRASS
3	101272-01-000	EA	CATCH-DOOR, GLASS
4	065740-01-000	EA	BRACE-CABINET CORNER, PLASTIC
5	108487-02-01A	EA	SUPPORT-PROP ROD, OVERHEAD - BLACK
6	100710-01-01A	EA	LOCK-GLASS DOOR, TWIST TYPE - BRASS
7	101766-01-000	EA	PIN-SUPPORT, GLASS DOOR
8	100707-01-000	EA	SPACER-DOOR, GLASS - .8" DIA - .3" HOLE - PLASTIC
9	016604-01-000	EA	BRACE-CABINET, ANGLE - 2.5" - METAL - UNPAINTED
9	016604-05-000	EA	BRACE-CABINET, ANGLE - 2.5" - METAL - OFF WHITE
10	108486-01-01A	EA	BRACKET-PROP ROD, OVERHEAD - BLACK
11	100711-01-01A	EA	HINGE-DOOR, GLASS
12	108126-01-000	EA	TRAY HINGE SET (QTY. 2 PER SET)
13	116975-01-01A	EA	LATCH - W/O STRIKE
14	042541-05-000	EA	STRIKE
15	093586-06-000	EA	CATCH-SPRING, ROLLER
16	093586-05-000	EA	STRIKE-SPRING STEEL
17	098980-01-000	EA	PILASTER - ADJUSTABLE SHELF - 18"
17	098980-02-000	EA	PILASTER - ADJUSTABLE SHELF - 12"
17	098980-03-000	EA	PILASTER - ADJUSTABLE SHELF - 9"
17	098980-04-000	EA	PILASTER - ADJUSTABLE SHELF - 48"
18	098979-01-000	EA	CLIP-ADJUSTABLE SHELF
19	117801-01-01A	EA	PULL-CABINET, BRASS
21	074493-02-000	EA	SUPPORT-PISTON SPRING, CABINET DOOR
22	042356-01-000	EA	PLUG-BUTTON, MAHOGANY - 3/8" DIAMETER - WOOD
23	114045-01-000	EA	BACKSOCKET - ADJUSTABLE LEFT
24	114045-02-000	EA	BACKSOCKET - ADJUSTABLE RIGHT
25	114031-02-000	EA	SLIDE - 12" - RIGHT SIDE/CABINET
25	114031-06-000	EA	SLIDE - 14" - RIGHT SIDE/CABINET
25	114031-14-000	EA	SLIDE - 18" - RIGHT SIDE/CABINET
25	114031-18-000	EA	SLIDE - 20" - RIGHT SIDE/CABINET
25	114031-22-000	EA	SLIDE - 22" - RIGHT SIDE/CABINET
25	114031-26-000	EA	SLIDE - 24" - RIGHT SIDE/CABINET
26	114031-04-000	EA	SLIDE - 12" - RIGHT SIDE/DRAWER
26	114031-08-000	EA	SLIDE - 14" - RIGHT SIDE/DRAWER
26	114031-16-000	EA	SLIDE - 18" - RIGHT SIDE/DRAWER
26	114031-20-000	EA	SLIDE - 20" - RIGHT SIDE/DRAWER
26	114031-24-000	EA	SLIDE - 22" - RIGHT SIDE/DRAWER
26	114031-28-000	EA	SLIDE - 24" - RIGHT SIDE/DRAWER
27	114031-03-000	EA	SLIDE - 12" - LEFT SIDE/DRAWER
27	114031-07-000	EA	SLIDE - 14" - LEFT SIDE/DRAWER
27	114031-15-000	EA	SLIDE - 18" - LEFT SIDE/DRAWER
27	114031-19-000	EA	SLIDE - 20" - LEFT SIDE/DRAWER
27	114031-23-000	EA	SLIDE - 22" - LEFT SIDE/DRAWER
27	114031-27-000	EA	SLIDE - 24" - LEFT SIDE/DRAWER
28	114031-01-000	EA	SLIDE - 12" - LEFT SIDE/CABINET
28	114031-05-000	EA	SLIDE - 14" - LEFT SIDE/CABINET
28	114031-13-000	EA	SLIDE - 18" - LEFT SIDE/CABINET
28	114031-17-000	EA	SLIDE - 20" - LEFT SIDE/CABINET
28	114031-21-000	EA	SLIDE - 22" - LEFT SIDE/CABINET
28	114031-25-000	EA	SLIDE - 24" - LEFT SIDE/CABINET
29	009021-01-000	EA	CATCH - GRILLE - NYLON
30	004354-01-000	EA	BUMPER - RUBBER - .5" DIA - BROWN
31	009112-01-000	EA	FLANGE - PLASTIC - 1" CLOTHES ROD - OFF WHITE
	104181-01-01A	EA	SUPPORT-LEAF, 5.3" - EXTENDS TO 7.5" - SAFETY RING - METAL
	009089-01-000	EA	CLIP - MIRROR
	023320-01-000	EA	PAD-FELT, 3/8" DIAMETER - BROWN
	042438-01-000	EA	DOWEL-WOOD, CLOTHES ROD - 1" DIAMETER X 4'
	042438-02-000	EA	DOWEL-WOOD, 2" X 2"
	122021-01-01A	EA	ANGLE - W/HOLES, 1" X 1" X 9" - MILL
	122021-02-02A	EA	ANGLE - W/HOLES, 1" X 1" X 13.8" - MILL

LABELS GROUP

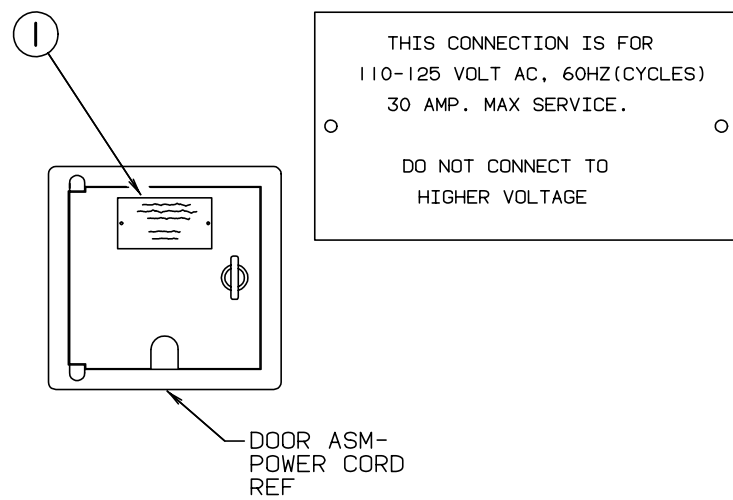


KEY	PART NUMBER	U/M DESCRIPTION
1	050225-01-000	EA LABEL-WARNING, STOVE VENT - US
1	050222-01-000	EA LABEL-WARNING, STOVE VENT - CANADIAN

LABELS GROUP (CONTINUED)

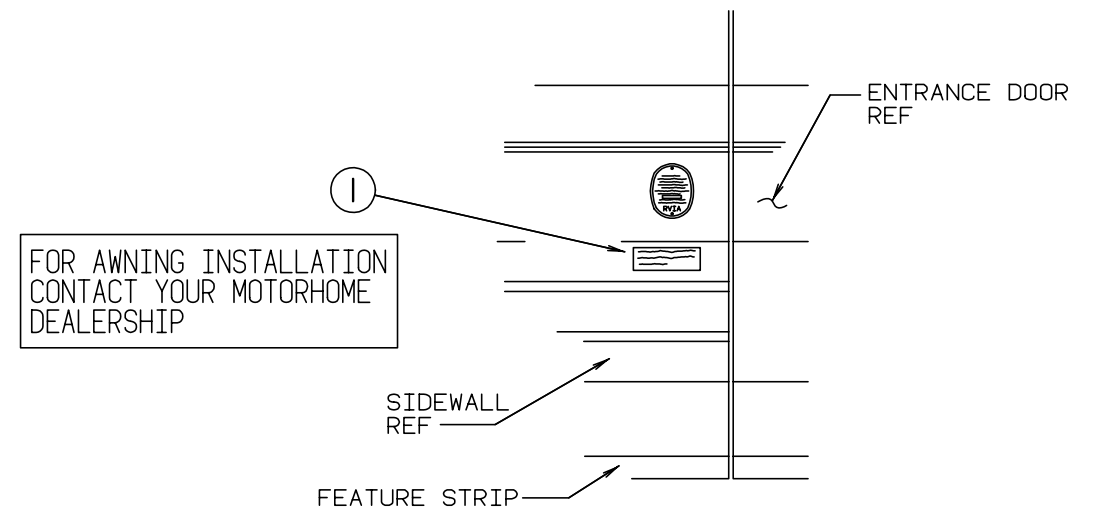


KEY	PART NUMBER	U/M DESCRIPTION
1	040944-01-000	EA LABEL-ENTRANCE DOOR, "OPEN"



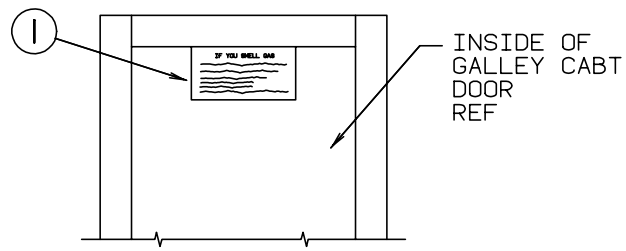
KEY	PART NUMBER	U/M DESCRIPTION
1	006062-01-000	EA LABEL - ELECTRIC - 110 VOLT CONNECTION
1	125306-01-01A	EA LABEL - ELECTRICAL ENTRANCE - 110 VOLT 30 AMP

FROM: 00-00-00 THRU: 07-13-97
FROM: 07-14-97 THRU: 99-99-99



KEY	PART NUMBER	U/M DESCRIPTION
1	099509-01-000	EA LABEL-AWNING INSTALLATION

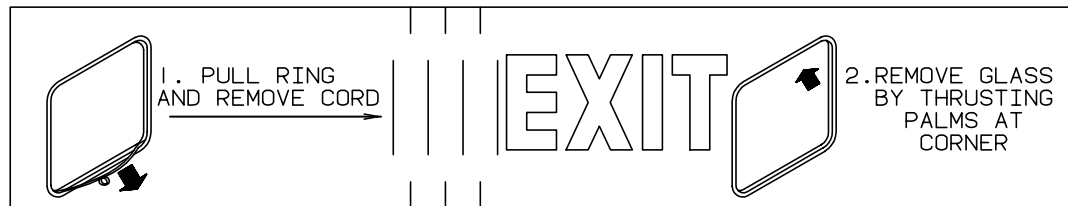
LABELS GROUP (CONTINUED)



IF YOU SMELL GAS

1. EXTINGUISH ANY OPEN FLAME, PILOT LIGHTS AND ALL SMOKING MATERIALS.
2. SHUT OFF THE GAS SUPPLY AT THE TANK VALVE(OR GAS SUPPLY CONNECTION.
3. OPEN DOORS AND OTHER VENTILATING OPENINGS.
4. DO NOT TOUCH ELECTRICAL SWITCHES.
5. LEAVE THE AREA UNTIL ODOR CLEARS.
6. HAVE THE GAS SYSTEM CHECKED AND LEAKAGE SOURCE CORRECTED BEFORE USING AGAIN.

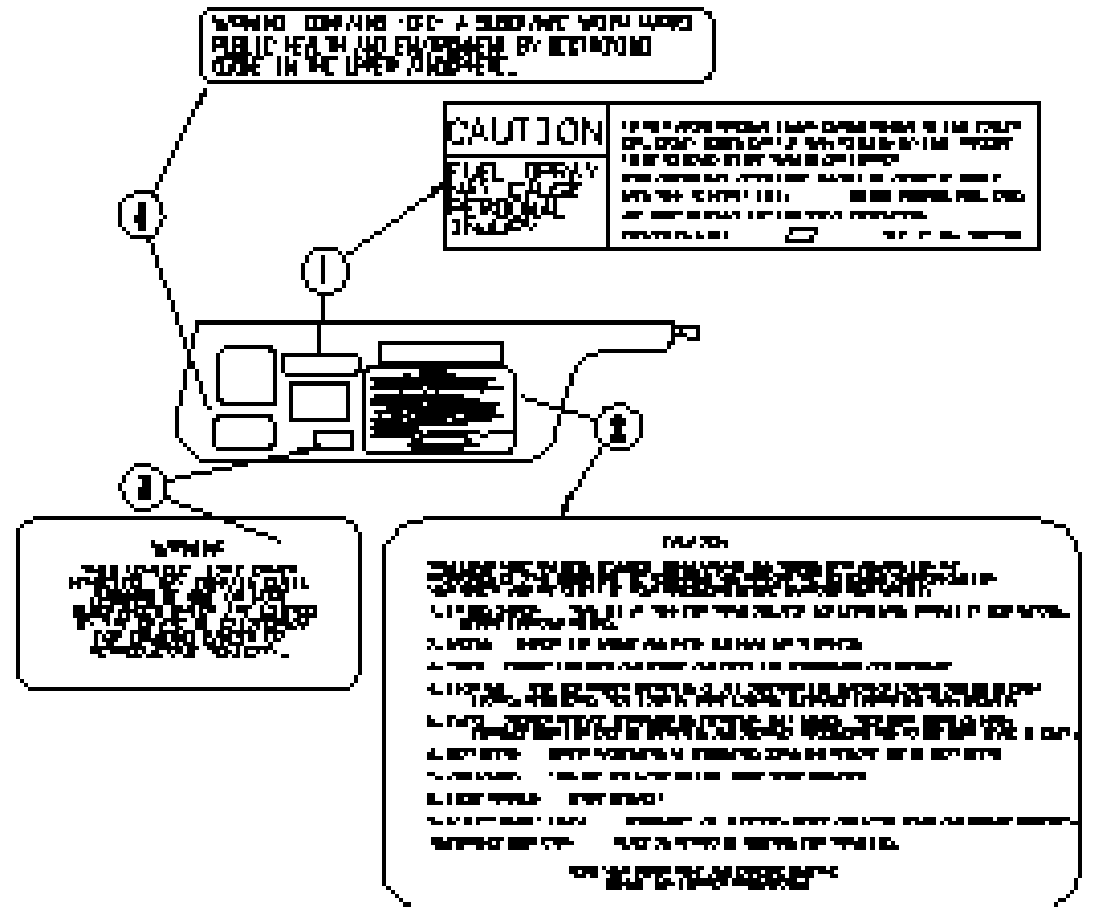
KEY	PART NUMBER	U/M DESCRIPTION
1	073998-01-000	EA LABEL-LPG ODOR WARNING



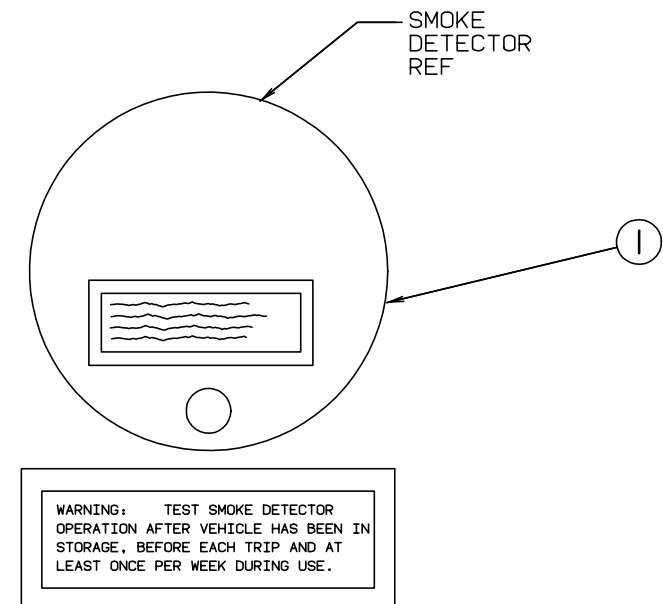
KEY	PART NUMBER	U/M DESCRIPTION
1	039290-01-000	EA LABEL-WARNING, EXIT
2	107571-01-000	EA LABEL-EXIT/ESCAPE WINDOW

FROM: 00-00-00 THRU: 09-01-96

LABELS GROUP (CONTINUED)



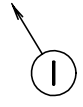
KEY	PART NUMBER	U/M DESCRIPTION
1	087207-05-000	EA LABEL-FUEL CAP REMOVAL
2	056259-01-000	EA LABEL-SAFETY CHECK LIST
3	099689-01-000	EA LABEL-WARNING, CANCER/TOXICITY - CALIFORNIA
4	111802-01-000	EA LABEL-CFC WARNING



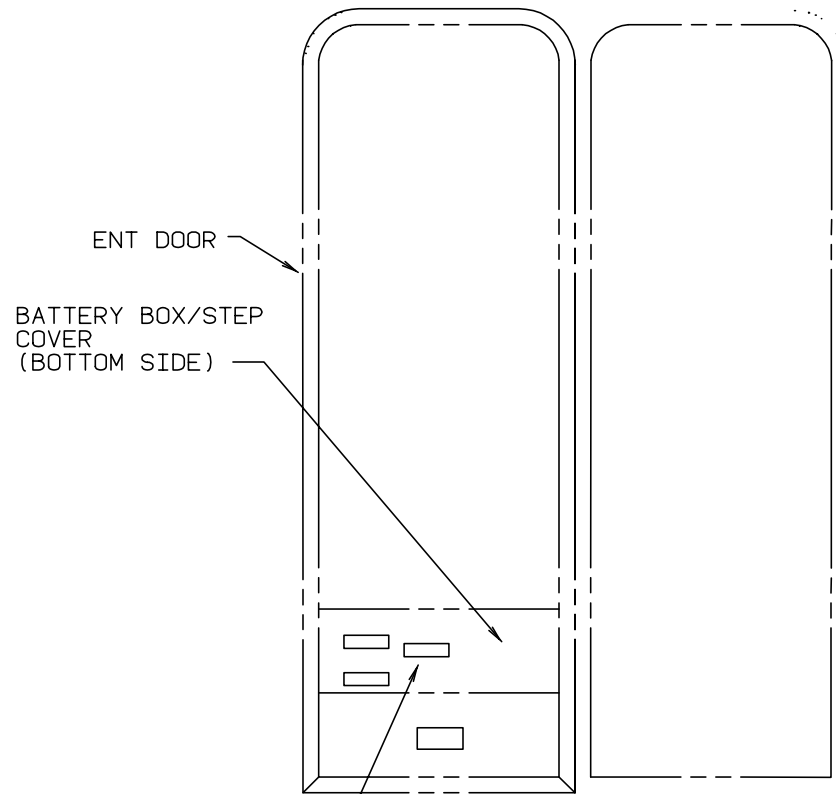
KEY	PART NUMBER	U/M DESCRIPTION
1	077956-01-000	EA LABEL-WARNING, SMOKE DETECTOR

LABELS GROUP (CONTINUED)

AIR CONDITIONING CIRCUIT.
THIS CONNECTION IS FOR
AIR CONDITIONERS RATED 110-
125 VOLT AC, 60 HZ, 16
AMPERES MAXIMUM. DO NOT
EXCEED CIRCUIT RATING.



KEY	PART NUMBER	U/M DESCRIPTION
1	091243-01-000	EA LABEL-A/C COVER, "AIR CONDITIONING CIRCUIT. ETC."



WARNING: DISCONNECT BATTERIES BEFORE
CONNECTING EXTERNAL CHARGING EQUIPMENT.

AVERTISSEMENT: DEBRANCHER LES BATTERIES AVANT
DE BRANCHER TOUT EQUIPEMENT DE CHARGE EXTERIEUR.

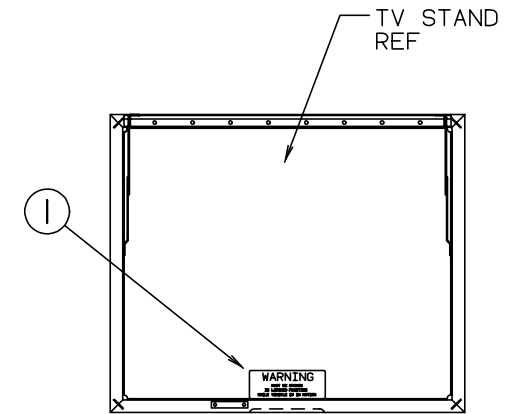
KEY	PART NUMBER	U/M DESCRIPTION
1	065748-01-000	EA LABEL-CAUTION, BATTERY CHARGING - US
1	065748-02-000	EA LABEL-CAUTION, BATTERY CHARGING - FRENCH

LABELS GROUP (CONTINUED)

DO NOT USE HITCH BEFORE
READING OWNERS MANUAL REGARDING
VEHICLE LOADING AND TOWING



KEY	PART NUMBER	U/M DESCRIPTION
1	111104-01-000	EA LABEL-HITCH, READ MANUAL - WHITE LETTERS
1	111104-02-000	EA LABEL-HITCH, READ MANUAL - BLACK LETTERS



WARNING
MUST BE STOWED
IN LATCHED POSITION
WHILE VEHICLE IS IN MOTION

KEY	PART NUMBER	U/M DESCRIPTION
1	079966-01-000	EA LABEL-WARNING, STOWED - MOTION

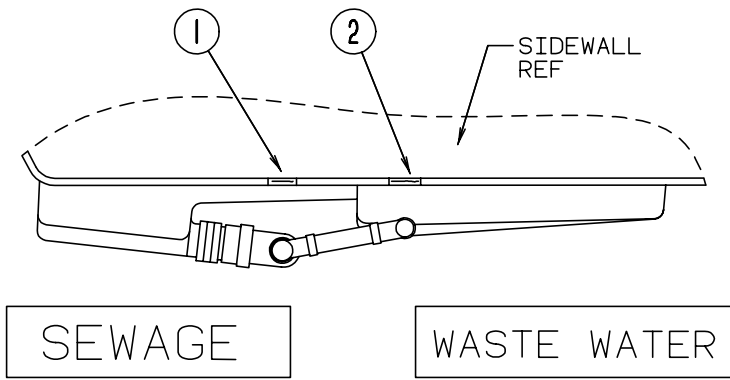


NOTE: TUNE ANTENNA
PER MANUFACTURER'S
DIRECTIONS. FAILURE TO
COMPLY COULD RESULT IN
DAMAGE TO CB.

CB POWER PROVISION
RED +12 V
BLACK GROUND
COAX ANTENNA
(SEE REVERSE ALSO)

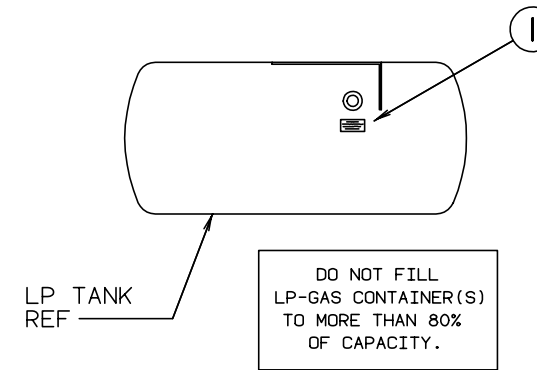
KEY	PART NUMBER	U/M DESCRIPTION
1	104678-01-000	EA LABEL-CB PREP

LABELS GROUP (CONTINUED)



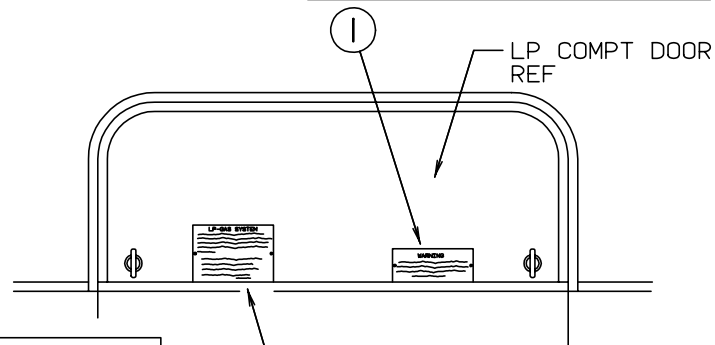
KEY	PART NUMBER	U/M DESCRIPTION
1	006187-01-000	EA LABEL-SEWAGE
2	006188-01-000	EA LABEL-WASTE WATER

LABELS GROUP (CONTINUED)



KEY	PART NUMBER	U/M DESCRIPTION
1	079965-01-000	EA LABEL-LPG, 80% CAPACITY

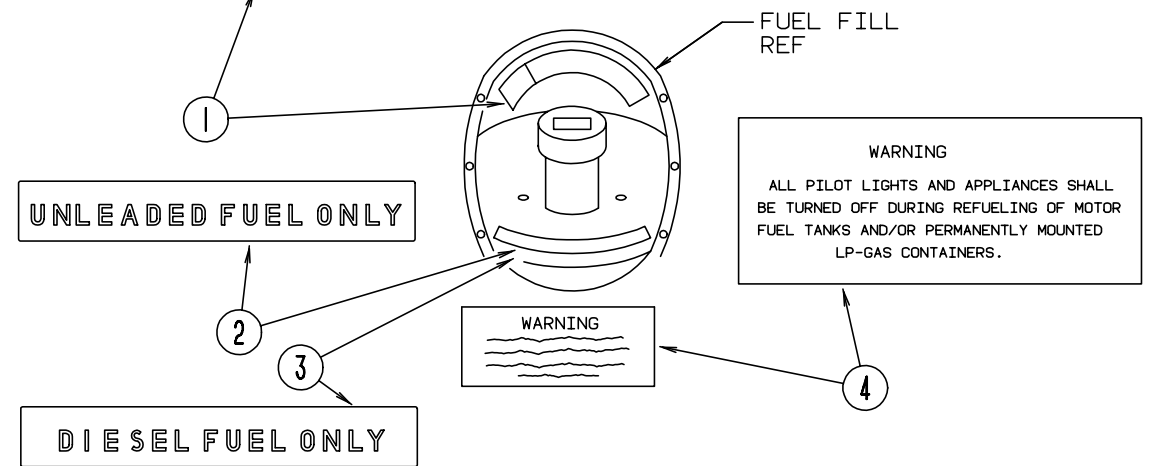
WARNING
 ALL PILOT LIGHTS AND APPLIANCES SHALL BE TURNED OFF DURING REFUELING OF MOTOR FUEL TANKS AND/OR PERMANENTLY MOUNTED LP-GAS CONTAINERS.



LP-GAS SYSTEM
 THIS GAS PIPING SYSTEM IS DESIGNED FOR USE OF LIQUEFIED PETROLEUM GAS ONLY. DO NOT CONNECT NATURAL GAS TO THIS SYSTEM.
 SECURELY CAP INLET(S) WHEN NOT CONNECTED FOR USE. AFTER TURNING ON GAS, EXCEPT AFTER NORMAL CONTAINER REPLACEMENT, TEST GAS PIPING AND CONNECTIONS TO APPLIANCE FOR LEAKAGE WITH SOAPY WATER OR BUBBLE SOLUTION. DO NOT USE PRODUCTS THAT CONTAIN AMMONIA OR CHLORINE.
 P.N. 54531

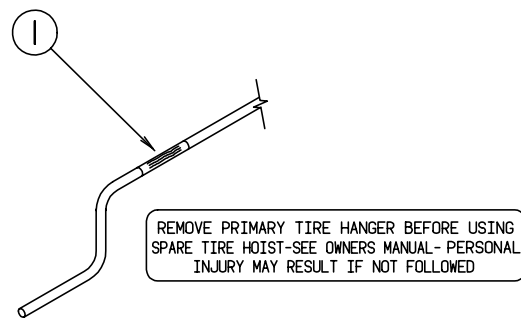
KEY	PART NUMBER	U/M DESCRIPTION
1	006040-01-000	EA TAG-GAS REFUELING WARNING, US FROM: 00-00-00 THRU: 09-01-96
1	124519-01-01A	EA LABEL-WARNING/REFUELING, US FROM: 09-02-96 THRU: 99-99-99
1	006040-02-000	EA TAG-GAS REFUELING WARNING, CANADIAN FROM: 00-00-00 THRU: 09-01-96
1	124519-02-02A	EA LABEL-WARNING/REFUELING, CANADIAN FROM: 09-02-96 THRU: 99-99-99
2	054531-01-000	EA LABEL-LP GAS ONLY, US FROM: 00-00-00 THRU: 09-01-96
2	124520-01-01A	EA LABEL-LP GAS ONLY, US FROM: 09-02-96 THRU: 99-99-99
2	023769-01-000	EA LABEL-WARNING, LPG - CANADIAN

CAUTION
 TO HELP AVOID PERSONAL INJURY DURING REMOVAL OF FUEL FILLER CAP, SLOWLY LOOSEN CAP 1/2 TURN TO ALLOW ANY FUEL PRESSURE TO BE RELIEVED BEFORE TURNING CAP FURTHER.
FUEL SPRAY MAY CAUSE PERSONAL INJURY
 STOP ADDING FUEL AFTER FIRST SHUTOFF BY AUTOMATIC NOZZLE WHEN TANK IS NEARLY FULL. DO NOT OVERFILL FUEL TANK.
 SEE OWNERS MANUAL FOR ADDITIONAL INFORMATION.
 PRINTED IN U.S.A. MLC PT NO 15611763



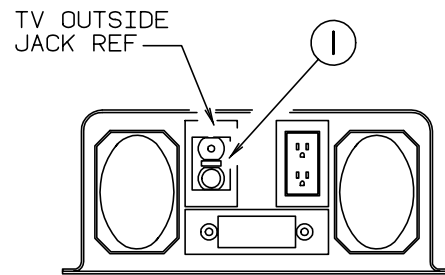
KEY	PART NUMBER	U/M DESCRIPTION
1	087207-05-000	EA LABEL-FUEL CAP REMOVAL
2	062043-01-000	EA LABEL-FUEL, UNLEADED
3	068383-01-000	EA LABEL-DIESEL FUEL ONLY, GM-557005
4	006040-01-000	EA TAG-GAS REFUELING WARNING, US FROM: 00-00-00 THRU: 09-01-96
4	124519-01-01A	EA LABEL-WARNING/REFUELING, US FROM: 09-02-96 THRU: 99-99-99
4	006040-02-000	EA TAG-GAS REFUELING WARNING, CANADIAN FROM: 00-00-00 THRU: 09-01-96
4	124519-02-02A	EA LABEL-WARNING/REFUELING, CANADIAN FROM: 09-02-96 THRU: 99-99-99

LABELS GROUP (CONTINUED)



KEY	PART NUMBER	U/M	DESCRIPTION
1	126024-01-01A	EA	LABEL - TIRE HANGER REMOVAL

FROM: 03-14-97 THRU: 99-99-99



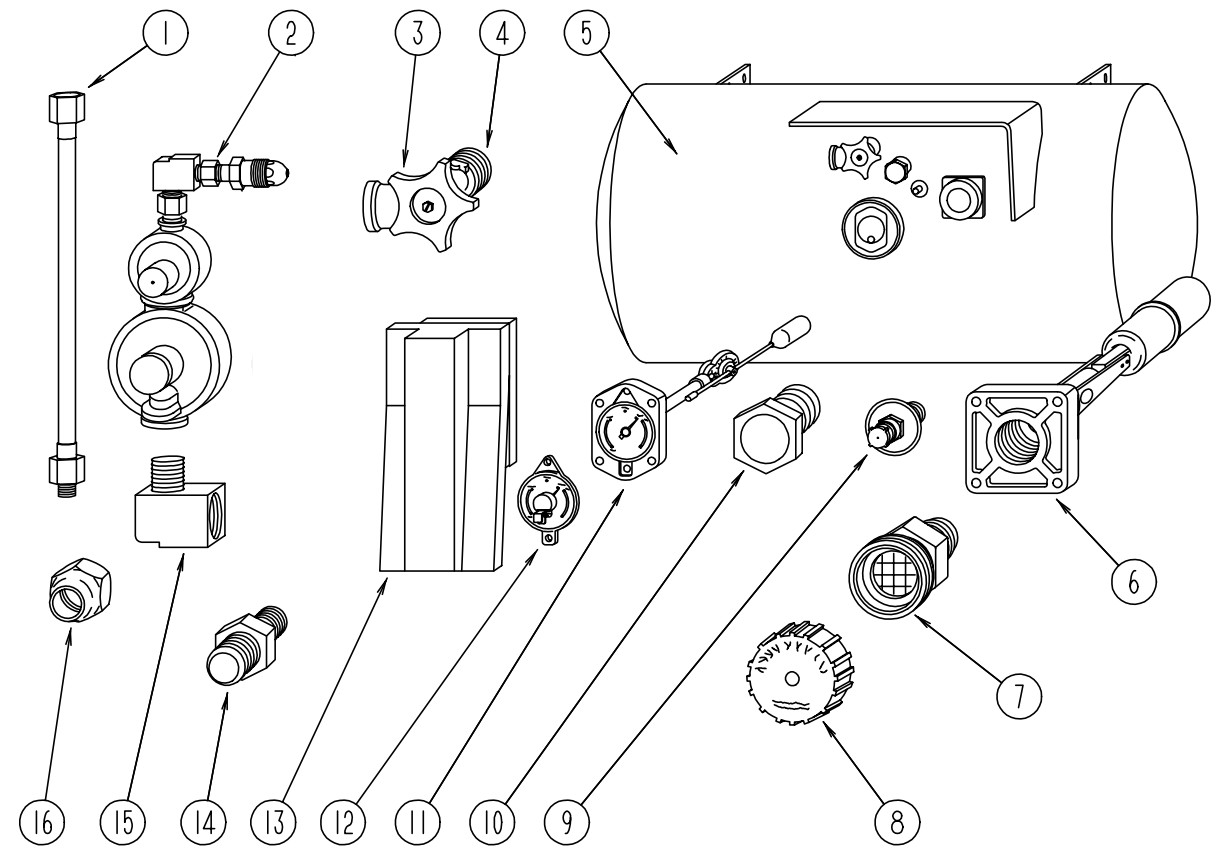
OUTLET

KEY	PART NUMBER	U/M	DESCRIPTION
1	087236-01-000	EA	LABEL - CABLE - INPUT

MISCELLANEOUS LABELS

KEY	PART NUMBER	U/M	DESCRIPTION
	006064-01-000	EA	LABEL-SEAT W/O SEATBELT "NOT INTENDED FOR USE WHILE COACH IN MOTION"
	074983-01-000	EA	LABEL-SWITCH, A/C SELECTOR FOR FRONT OR REAR
	098379-04-000	EA	LABEL-ELECTRICAL BOX, SIDE
	098641-01-000	EA	LABEL-FUEL, UNLEADED - DASH
	111537-07-000	EA	LABEL-FUSES
	113402-02-000	EA	LABEL-CAUTION, FURNACE EXHAUST

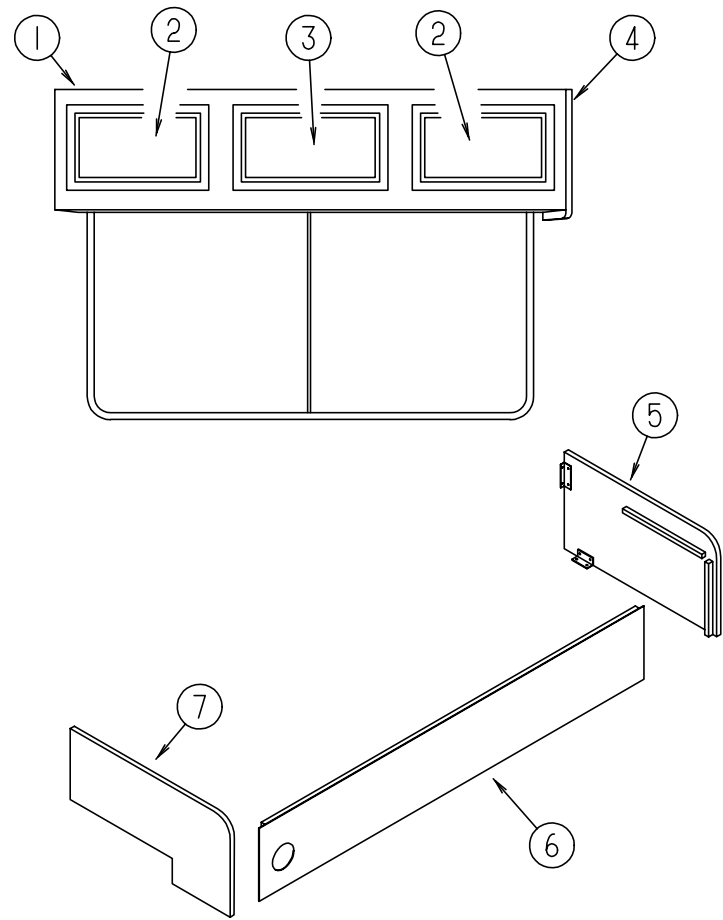
LP GROUP



LP TANK & COMPONENTS

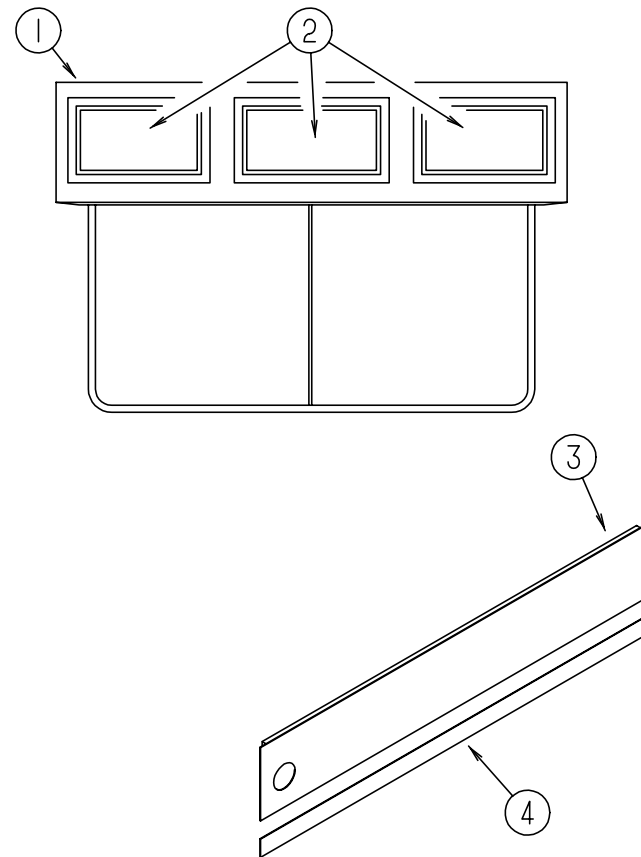
KEY	PART NUMBER	U/M	DESCRIPTION	VENDOR NO.
1	045703-01-000	EA	HOSE-LP, 3/8" ID X 24" - 3/8" MPT X 1/2" F SWIVEL - US	
1	045703-02-000	EA	HOSE-LP, 3/8" ID X 24" - 3/8" MPT X 1/2" F SWIVEL - CANADIAN	
2	106150-01-000	EA	REGULATOR-TWO STAGE	
3	040421-01-708	EA	HANDWHEEL-SERVICE VALVE	G-1015-A
4	040421-01-712	EA	VALVE-SERVICE W/O VAPOR RELIEF	29000853
5	088253-01-000	EA	TANK - LP - 80 LB - 16" DIAMETER X 30"	
6	040421-01-711	EA	VALVE - 80% FILL W/AUTO STOP	LLL/TL3
7	040421-01-701	EA	VALVE-SHORT LP FILLER W/YELLOW CAP	7547B
8	040421-01-702	EA	CAP-LP FILLER VALVE, PLASTIC - YELLOW	G-1014-A
9	040421-01-700	EA	GAUGE-LIQUID LEVEL, 20% LP	G-1013
10	040421-01-713	EA	VALVE-VAPOR ONLY	29000587
11	088253-01-700	EA	GAUGE-FLOAT ASSEMBLY, LP	16C
12	040440-02-000	EA	TRANSMITTER - DIAL - 0-90 OHM - 2 TERMINAL (POWER & GROUND)	
13	105658-01-000	EA	COMPARTMENT-LP REGULATOR	
14	010323-01-000	EA	ADAPTER-BRASS, 3/8" F X 1/2" MPT	
14	010329-01-000	EA	ADAPTER-BRASS, 1/2" F X 1/2" MPT	
15	065318-02-000	EA	ELBOW - 90 DEGREE, 3/8" MPT TO 3/8" FPT	
16	010377-02-000	EA	NUT-BRASS, 3/8" FLARE - FORGED	
16	010380-02-000	EA	NUT-BRASS, 1/2" FLARE - FORGED	
	008042-01-000	FT	TUBING-VINYL, .65" ID	
	010252-01-000	EA	ELBOW-BRASS, 90 DEGREE, 3/8" F X 1/2" MPT	
	010326-01-000	EA	ADAPTER - FLARE - W/CONE GASKET - 3/8" FEMALE X 1/2" MALE	
	036346-02-000	EA	BUSHING-STEEL, 3/4" MPT X 3/8" FPT	
	103613-01-000	EA	DETECTOR-LP GAS	
	103613-02-000	EA	DETECTOR - LP GAS	FROM: 00-00-00 THRU: 11-10-96
	103613-03-000	EA	DETECTOR - LP GAS	FROM: 11-11-96 THRU: 04-27-97
				FROM: 04-28-97 THRU: 99-99-99

LOUNGE GROUP
DRIVERS SIDE LOUNGE WITHOUT SLIDEOUT OPTION



KEY	PART NUMBER	U/M	DESCRIPTION
1	122094-01-H13	EA	CABINET-OVERHEAD, W/O DOORS OR HARDWARE
	122094-12-H13	EA	SHELF ASM-LOUNGE OVERHEAD CABINET W/PLASTIC EDGE TRIM
2	M06803-03-H33	EA	DOOR - MIRROR/MTRD CRNR/OGEE EDGE - 15.7" X 20.4" - W/O HDW
3	M06803-41-G09	EA	DOOR-W/O HARDWARE W/O MIRROR - 15.7" X 20.4" DECORATOR DOOR OPTION - FLAT PANEL
3	M06803-13-H33	EA	DOOR - MIRROR/MITERED CRNR/OGEE EDGE - 15.7" X 28"-W/O HDW
3	M06803-02-H13	EA	DOOR - MITERED CORNER/OGEE EDGE - 15.7" X 27.9" - W/O HDW DECORATOR DOOR OPTION - FLAT PANEL
4	103128-01-G09	EA	END CAP - OVERHEAD CABINET - RIGHT HAND
5	122716-12-H33	EA	PANEL-COUCH CABINET - LEFT SIDE - FABRIC COVERED
5	122716-12-H34	EA	PANEL-COUCH CABINET - LEFT SIDE - FABRIC COVERED
5	122716-12-H35	EA	PANEL-COUCH CABINET - LEFT SIDE - FABRIC COVERED
6	M08164-01-H33	EA	CABINET - COUCH FACE - FABRIC COVERED
6	M08164-01-H34	EA	CABINET - COUCH FACE - FABRIC COVERED
6	M08164-01-H35	EA	CABINET - COUCH FACE - FABRIC COVERED
7	122716-11-H33	EA	PANEL-COUCH CABINET - RIGHT SIDE - FABRIC COVERED
7	122716-11-H34	EA	PANEL-COUCH CABINET - RIGHT SIDE - FABRIC COVERED
7	122716-11-H35	EA	PANEL-COUCH CABINET - RIGHT SIDE - FABRIC COVERED
	082525-01-000	EA	BRACE-COUCH, FLOOR MOUNT - ANGLE 3" LONG - ALUMINUM

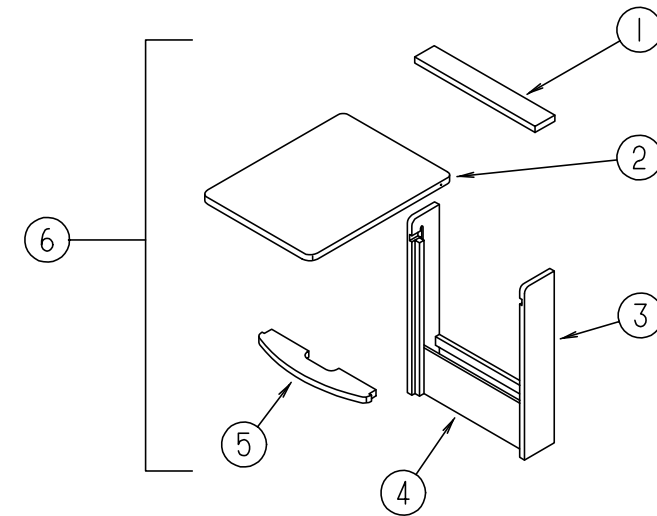
LOUNGE GROUP (CONTINUED)



DRIVERS SIDE LOUNGE WITH SLIDEOUT OPTION

KEY	PART NUMBER	U/M	DESCRIPTION
1	122602-01-H13	EA	CABINET-OVERHEAD, W/O DOORS OR HARDWARE
2	120035-07-H33	EA	DOOR - FABRIC WRAPPED - 8.6" X 24.6" - W/O HARDWARE
2	120035-07-H34	EA	DOOR - FABRIC WRAPPED - 8.6" X 24.6" - W/O HARDWARE
2	120035-07-H35	EA	DOOR - FABRIC WRAPPED - 8.6" X 24.6" - W/O HARDWARE
3	123482-01-H33	EA	KICKBOARD - SOFA/BED - FABRIC COVERED
3	123482-01-H34	EA	KICKBOARD - SOFA/BED - FABRIC COVERED
3	123482-01-H35	EA	KICKBOARD - SOFA/BED - FABRIC COVERED
3	123482-02-H33	EA	KICKBOARD - NOTCHED - SOFA/BED - FABRIC COVERED - CANADIAN
3	123482-02-H34	EA	KICKBOARD - NOTCHED - SOFA/BED - FABRIC COVERED - CANADIAN
3	123482-02-H35	EA	KICKBOARD - NOTCHED - SOFA/BED - FABRIC COVERED - CANADIAN
4	125002-01-H33	EA	TRIM - KICK PANEL/BOTTOM
4	125002-01-H34	EA	TRIM - KICK PANEL/BOTTOM
4	125002-01-H35	EA	TRIM - KICK PANEL/BOTTOM

LOUNGE GROUP (CONTINUED)



PULLOUT TABLE AND PASSENGER SIDE LOUNGE

KEY	PART NUMBER	U/M	DESCRIPTION
1	119559-13-G35	EA	SHELF - TOP F/PULLOUT TABLE
2	119559-17-G35	EA	TABLE TOP - PULLOUT
3	119559-11-G35	EA	END - TABLE - RIGHT SIDE - 28.7" X 5.7"
	119559-12-G35	EA	END - TABLE - LEFT SIDE - 28.7" X 5.7"
4	119559-15-G35	EA	PANEL - BOTTOM F/TABLE CABINET - 18.1" X 6.7"
5	119559-14-G35	EA	SHELF - SUPPORT F/PULLOUT TABLE
6	P19559-01-G35	EA	CABINET - TABLE - W/O PULLOUT TOP
	104006-01-C05	EA	LID-ENTRANCE STEP COMPARTMENT, W/O CARPET OR HARDWARE
	107941-01-02A	EA	SUPPORT-LID, ENTRANCE STEP - 645 MM X 378 MM - STEEL - OFF WHITE
	101222-01-04A	EA	BRACKET - CATCH - LID - E-COAT
	116975-01-01A	EA	LATCH - W/O STRIKE - BLACK - NEW STYLE
	116975-02-01A	EA	KEEPER/STRIKE - BLACK - NEW STYLE

**SEALANTS & FASTENERS GROUP
ADHESIVES**

KEY	PART NUMBER	U/M	DESCRIPTION
	004020-01-000	QT	ADHESIVE - ABS CEMENT - QUART
	004006-05-700	EA	ADHESIVE - 5 GALLON - NATURAL STARCH
	062917-03-000	EA	ADHESIVE - LOCTITE 242
	067788-01-000	EA	ADHESIVE - SPRAY - 3M - 19.5 AEROSOL CAN
	110943-02-000	FT	FELTSTRIP - 3/8" - ADHESIVE BACK - WHITE
			FROM: 09-02-96 THRU: 99-99-99
	087211-01-000	GL	PROMOTER - ADHESIVE

TAPES

KEY	PART NUMBER	U/M	DESCRIPTION
	076314-02-000	FT	TAPE - CARPET SEAM - HEAT-BOND - 4" WIDE
	076322-04-000	FT	TAPE - DOUBLE COATED/ADHESIVE BACK - .045"THK X .75"W X 9'
	076322-05-000	FT	TAPE - DOUBLE COATED/ADHESIVE BACK - .045"THK X .75"W X 9'
	076322-07-000	FT	TAPE - DOUBLE COATED/ADHESIVE BACK - .045"THK X .50"W X 9'
	110274-01-000	FT	TAPE - DOUBLE SIDED FOAM - .45" X 1"
	063642-01-000	FT	TAPE - ADHESIVE - 10 MIL X 1.5" X 180"
	120534-01-01A	EA	TAPE - SCOTCH - 3M - 1/2" FINE LINE
	123816-01-000	FT	TAPE - DOUBLE SIDED - 1"
	123816-02-000	FT	TAPE - DOUBLE SIDED - 1/2"
	123816-03-000	FT	TAPE - DOUBLE SIDED - 1/2"
	118085-02-01A	FT	TAPE - FOIL - 1"

BOLTS

KEY	PART NUMBER	U/M	DESCRIPTION
	000C12-05-12B	EA	BOLT - HEX - 5/16-13 X 3/4 ZINC 5
	000C12-05-16B	EA	BOLT - HEX - 5/16-18 X 1 - ZINC 5
	000C12-06-16B	EA	BOLT - HEX - 3/8-16 X 1 LG - ZINC 5
	000C12-06-44B	EA	BOLT - HEX - 3/8-16 X 2 3/4 - ZINC 5
	000C12-08-24B	EA	BOLT - HEX - 1/2-13 X 1.50 - ZINC 5
	000C12-08-16B	EA	BOLT - HEX - 1/2-13 X 1.00 - GD5 - ZINC
	000C12-09-20B	EA	BOLT - HEX - 9/16-12 X 1.25 - ZINC 5
	000C12-10-24B	EA	BOLT - HEX - 5/8-11 X 1.50 - ZINC 5
	000C13-07-48B	EA	BOLT - HEX - 7/16-20 X 3 - ZINC 5
	000C18-05-40A	EA	BOLT - ELEVATOR - 5/16-18 X 2.50 - PL
	000C26-04-10B	EA	BOLT - HEX - SERRATED FLANGE - 1/4-20 X 5/8 - ZINC
	000C26-04-14B	EA	BOLT - HEX - SERRATED FLANGE - 1/4-20 X 7/8 - ZINC
	000C26-04-18B	EA	BOLT - HEX - SERRATED FLANGE - 1/4-20 X 1 1/8 - ZINC
	000C26-05-12B	EA	BOLT - HEX - SERRATED FLANGE - 5/16-18 X 3/4 - ZINC
	000C26-05-16B	EA	BOLT - HEX - SERRATED FLANGE - 5/16-18 X 3/4 - ZINC
	000C26-06-12B	EA	BOLT - HEX - SERRATED FLANGE - 3/8-16 X 3/4 - ZINC
	000C26-06-16B	EA	BOLT - HEX - SERRATED FLANGE - 3/8-16 X 1 - ZINC
	000C26-06-28B	EA	BOLT - HEX - SERRATED FLANGE - 3/8-16 X 1 3/4 - ZINC
	000C27-10-32B	EA	BOLT - CARRIAGE - 5/8-11 X 2
	000G45-05-16B	EA	BOLT - LAG - 5/16-9 X 1 - ZINC
	000G45-04-24B	EA	BOLT - LAG - 1/4-9 X 1.50 ZINC
	051387-06-000	EA	BOLT - CARRIAGE W/O HOLE - 5/16-18 X 9.5 - ZINC
	102333-01-06A	EA	BOLT - CARRIAGE - 7/16-14 STAINLESS STEEL CAP
	088787-12-000	EA	STUD - WELD - 1/4 - 20 X 1.0 LG - MN
	108067-03-000	EA	STUD - WELD - 1/4 - 20 X 1/2 CD

**SEALANTS & FASTENERS GROUP (CONTINUED)
WASHERS**

KEY	PART NUMBER	U/M	DESCRIPTION
	000E11-07-00B	EA	WASHER - LOCKING - 7/16 MED SPLIT - ZINC
	000E11-08-00B	EA	WASHER - LOCKING - 1/2 MED SPLIT - ZINC
	000E13-14-00B	EA	WASHER - FLAT - 1/4 WIDE - ZINC
	000E13-18-00B	EA	WASHER - FLAT - 3/8 WIDE - ZINC
	000E13-20-00B	EA	WASHER - FLAT - 7/16 WIDE - ZINC
	000E13-22-00B	EA	WASHER - FLAT - 1/2 WIDE - ZINC
	000E13-26-00B	EA	WASHER - FLAT - 5/8 WIDE - ZINC
	000E14-10-00B	EA	WASHER - LOCKING - #10 EXTERNAL TOOTH - ZINC
	044533-01-000	EA	WASHER - PLASTIC - 1 3/8" OD - FOR BUTTONS
	058716-02-000	EA	WASHER - FLAT NYLON
	077071-01-000	EA	WASHER - FENDER - 3/16"ID X 1" OD
	110794-01-000	EA	WASHER - FLAT - 1" ID X 1 3/4' OD
	106649-01-000	EA	WASHER - SEALING - GALVANIZED

NUTS

KEY	PART NUMBER	U/M	DESCRIPTION
	000D24-10-00B	EA	NUT - HEX - SELF LOCKING - 10-32 ZINC
	000D29-05-00B	EA	NUT - 5/16 - 18 UNC - SF/LOCKING - NYLON WASHER INSERT
	000D29-09-00B	EA	NUT - HEX - SELF LOCKING - 9/16-12 - ZINC
	000D34-06-00B	EA	NUT - HEX - LOCKING - 3/8 - 16 GRADE C - ZINC-PREVAILING T
	000D39-04-00B	EA	NUT - HEX - SERRATED FLANGE - LOCKING - 1/4 - 20 - ZINC
	000D39-05-00B	EA	NUT - HEX - SERRATED FLANGE - LOCKING - 5/16 - 18 - ZINC
	000D39-06-00B	EA	NUT - HEX - SERRATED FLANGE - LOCKING - 3/8 - 18 - ZINC
	000D39-07-00B	EA	NUT - HEX - SERRATED FLANGE - LOCKING - 7/16 - 14 - ZINC
	000D39-08-00B	EA	NUT - HEX - SERRATED FLANGE - LOCKING - 1/2 - 13 - ZINC
	000D44-07-00B	EA	NUT - HEX - SERRATED FLANGE - LOCKING - 7/16-20 - ZINC
	000D46-04-00A	EA	NUT - HEX - WELD - 1/4 - 20 - PLAIN
	040921-03-000	EA	NUT - SPEED - U TYPE - #10
	040921-04-000	EA	NUT - SPEED - U TYPE - # 8 - .59" LENGTH X .44" WIDTH
	040921-09-000	EA	NUT - SPEED - U TYPE - # 8
	044364-02-000	EA	NUT - SPEED - FLAT - ROUND
	063253-07-000	EA	NUT - J - #8A - .120 - .130 PNL THK
	083163-06-000	EA	PUSHNUT-FLAT TYPE 3/8 STUD - FORD ONLY TO RETAIN THE AIR BAFFLE ON THE OIL DIPSTICK TUBE
	087234-01-000	EA	NUT - JACK - 1/4 X 20 THD - MOLLY - MOUNTS LICENSE PLATES
	104369-01-000	EA	NUT - HEX - HEAVY - 5/8-11 UNC

CLAMPS

KEY	PART NUMBER	U/M	DESCRIPTION
	007161-01-000	EA	CLAMP - HOSE - SPRING TYPE - 1/2"
	010495-01-000	EA	CLAMP - CABLE - 9/16"
	010497-01-000	EA	CLAMP - CLOSED - 5/8" ID
	010497-03-000	EA	CLAMP - CLOSED - 1" ID - CUSHIONED
	010497-04-000	EA	CLAMP - CLOSED - 1.62" ID
	010497-05-000	EA	CLAMP - CLOSED - 1/2 ID
	010499-01-000	EA	CLAMP - CLOSED - 3/8" ID
	062401-01-000	EA	CLAMP - HOSE - WORMGEAR - .25" - 1"
	062401-02-000	EA	CLAMP - HOSE - WORMGEAR - 1.56" - 2.5"
	062401-03-000	EA	CLAMP - HOSE - WORMGEAR - .22" - 1"
	062401-04-000	EA	CLAMP - HOSE - WORMGEAR - .69" - 1.25"
	062401-05-000	EA	CLAMP - HOSE - WORMGEAR - 2" TO 3" ID
	062401-06-000	EA	CLAMP - HOSE - WORMGEAR - .22 - .62 ID
	062401-11-000	EA	CLAMP - HOSE - WORMGEAR - 3.50 - 4.50
	075148-02-000	EA	CLAMP - GROUNDING - BRONZE SCREWS
	083609-01-000	EA	CLAMP - WIRE - DUAL - EQUAL DIAMETERS - 5/8"
	083610-01-000	EA	CLAMP - WIRE - DUAL - UNEQUAL DIAMETERS - 3/4" & 1 1/4"
	083610-02-000	EA	CLAMP - WIRE - DUAL - UNEQUAL DIAMETERS

SEALANTS & FASTENERS GROUP (CONTINUED)

SCREWS

KEY	PART NUMBER	U/M	DESCRIPTION
	000G54-04-20B	EA	SCREW - 1/4-20 X 1.25 PTH - TYPE 23 - ZINC PLATED
	000G11-05-08B	EA	SCREW - 5-20 X .50 PPH - ZINC
	000G68-06-12S	EA	SCREW - 6-18 X 3/4 POH
	000G68-06-10G	EA	SCREW - 6-18 X 5/8 POH - ANTIQUE BRASS
	000G11-06-10J	EA	SCREW - 6-20 X 5/8 PPH - BRASS
	000G11-06-08B	EA	SCREW - 6-20 X .50 PPH - ZINC
	000G11-06-06B	EA	SCREW - 6-20 X 3/8 PPH - ZINC
	000G12-06-08T	EA	SCREW - 6-20 X 1/2 POH - BLACK
	000G13-06-10G	EA	SCREW - 6-20 X 5/8 PFH - ANTIQUE BRASS
	076790-01-000	EA	SCREW - 6-20 X 1 1/4 PPH - BLACK
	000G11-07-08B	EA	SCREW - 7-19 X .50 PPH - ZINC
	000G13-07-12B	EA	SCREW - 7-19 X .75 PFH - ZINC
	000G11-08-12B	EA	SCREW - 8-18 X .75 PPH - ZINC
	000G11-08-08B	EA	SCREW - 8-18 X 1/2 PPH - ZINC
	000G11-08-12P	EA	SCREW - 8-18 X 3/4 PPH - OFF WHITE
	000G11-08-06B	EA	SCREW - 8-18 X 3/8 PPH - ZINC
	000G11-08-20B	EA	SCREW - 8-18 X 1.25 PPH - ZINC
	000G11-08-16S	EA	SCREW - 8-18 X 1 PPH - OFF WHITE
	000G11-08-12T	EA	SCREW - 8-18 X .75 PPH - BLACK
	0G1208-12-170	EA	SCREW - 8-18 X .75 POH - BRIGHT WHITE
	000G11-08-12P	EA	SCREW - 8-18 X 3/4 PPH - DARK BROWN
	000G11-08-12D	EA	SCREW - 8-18 X .75 PPH - BLACK
	000G67-10-08B	EA	SCREW - 10-12 X .50 PPH - ZINC
	000G67-10-36T	EA	SCREW - 10-12 X 2.25 - PPH - BLACK
	000G67-10-24B	EA	SCREW - 10-12 X 1.25 PPH - ZINC
	000G67-10-20D	EA	SCREW - 10-12 X 1.25 PPH - BLACK
	000G67-10-120	EA	SCREW - 10-12 X .75 PPH - TAN
	000G67-10-12B	EA	SCREW - 10-12 X .75 PPH - ZINC
	000G67-10-10D	EA	SCREW - 10-12 X 5/8 PPH - BLACK - TYPE A
	000G67-10-10B	EA	SCREW - 10-12 X 5/8 PPH - ZINC - TYPE A
	000G11-10-12S	EA	SCREW - 10-16 X .75 PPH - OFF WHITE
	000G11-10-12D	EA	SCREW - 10-16 X .75 PPH - BLACK
	000G11-10-40B	EA	SCREW - 10-16 X 2 1/2 PPH CAD - 34927-01-000
	000G11-10-16B	EA	SCREW - 10-16 X 1 PPH - ZINC
	000G32-10-06B	EA	SCREW - 10-32 X 3/8 PPH - ZINC
	000G42-04-12B	EA	SCREW - SF/DR - 1/4-14 X .75 HWH - ZINC
	000G39-06-16T	EA	SCREW - SF/DR - 6-20 X 1 PPH - BLACK
	000G39-06-10T	EA	SCREW - SF/DR - 6-20 X 5/8 PPH - BLACK
	086256-01-000	EA	SCREW - SF/DR - 8 X 3/4 HWH LONG
	000G39-08-06B	EA	SCREW - SF/DR - 8-18 X 3/8 PPH - ZINC
	000G39-08-16T	EA	SCREW - SF/DR - 6-20 X 1 PPH - BLACK
	0G5508-16-190	EA	SCREW - SF/DR - 8-18 X 1.00 PWH
	000G39-08-16R	EA	SCREW - SF/DR - 8-18 X 1 PPH - BEIGE
	000G39-08-16B	EA	SCREW - SF/DR - 8-18 X 1 PPH - ZINC
	000G39-08-12T	EA	SCREW - SF/DR - 8-18 X .75 PPH - BLACK
	000G39-08-12B	EA	SCREW - SF/DR - 8-18 X .75 PPH - ZINC
	000G39-08-08T	EA	SCREW - SF/DR - 8-18 X 1/2 PPH - BLACK
	000G39-08-08S	EA	SCREW - SF/DR - 8-18 X .50 PPH - OFF WHITE
	0G3908-08-170	EA	SCREW - SF/DR - 8-18 X .50 PPH - BRIGHT WHITE
	000G55-08-12S	EA	SCREW - SF/DR - 8-18 X .75 PWH - OFF WHITE
	0G3908-24-170	EA	SCREW - SF/DR - 8-18 X 1.50 PPH - BRIGHT WHITE
	000G39-08-08B	EA	SCREW - SF/DR - 8-18 X 1.50 PPH - ZINC
	000G39-08-32B	EA	SCREW - SF/DR - 8-18 X 2 PPH - ZINC
	000G68-10-20I	EA	SCREW - 10-12 X 1 1/4 POH - BLACK

SEALANTS & FASTENERS GROUP (CONTINUED)

SCREWS (CONTINUED)

KEY	PART NUMBER	U/M	DESCRIPTION
	049465-01-000	EA	SCREW - 10-16 W/WASHER PTH - DARK BROWN
	000G39-10-10B	EA	SCREW - SF/DR - 10-16 X .625 - ZINC
	000G39-10-088	EA	SCREW - SF/DR - 10-16 X 1/2 PPH - FLEX FLUOROCARBON
	000G39-10-08B	EA	SCREW - SF/DR - 10-16 X .50 PPH - ZINC
	000G39-10-129	EA	SCREW - SF/DR - 10-16 X .75 PPH - FLUOROCARBON SILVER
	000G39-10-12D	EA	SCREW - SF/DR - 10-16 X .75 PPH - BLACK
	000G39-10-12B	EA	SCREW - SF/DR - 10-16 X .75 PPH - ZINC
	0G3910-12-170	EA	SCREW - SF/DR - 10-16 X .75 PPH - BRIGHT WHITE
	000G60-10-209	EA	SCREW - SF/DR - 10-16 X 1.25 POH
	000G60-10-20B	EA	SCREW - SF/DR - 10-16 X 1.25 POH - ZINC
	000G60-10-28T	EA	SCREW - SF/DR - 10-16 X 1.75 - BLACK
	054434-02-000	EA	SCREW - SF/DR - 10-16 X 2 - ZINC
	049465-03-000	EA	SCREW - 10-16 X 1 POH W/WASHER - OFF WHITE
	049465-17-000	EA	SCREW - 10-16 X 1 POH W/WASHER
	000G39-10-209	EA	SCREW - SF/DR - 10-16 X 1 1/4 PPH - FLUOROCARBON SILVER
	000G39-10-20B	EA	SCREW - SF/DR - 10-16 X 1.25 PPH - ZINC
	000G39-10-48B	EA	SCREW - SF/DR - 10-16 X 3 - PPH - ZINC
	000G43-06-24B	EA	SCREW - MACHINE - 6-32 X 1.50 - ZINC
	000G50-04-08B	EA	SCREW - MACHINE - 1/4-20 X .50 PTH - ZINC
	000G50-04-12B	EA	SCREW - MACHINE - 1/4-20 X .75 PPH - ZINC
	000G52-08-18B	EA	SCREW - MACHINE - 8-32 X 1 1/8 PTH - ZINC
	000G18-08-22B	EA	SCREW - MACHINE - 8-32 X 1 3/8 PPH - ZINC
	000G19-10-20B	EA	SCREW - MACHINE - 10-32 X 1.25 PPH - ZINC
	000G19-10-12F	EA	SCREW - MACHINE - 10-32 X .75 - PPH - STAINLESS STEEL
	000G56-12-48B	EA	SCREW - WOOD - 12-11 X 3 POH - SPECIAL HARDENED
	057671-01-000	EA	COVER - SCREW - #8 - PLASTIC - OFF WHITE
	057671-12-000	EA	COVER - SCREW - QUICKSILVER - #8
	057671-15-000	EA	COVER - SCREW
			FROM: 02-06-97 THRU: 99-99-99
	083554-04-000	EA	SCREW - DRYWALL - 8 X 2 1/2
	097974-01-000	EA	SCREW - PARTICLE BOARD - 7-9 X 3/4 PPH
	113563-01-01A	EA	SCREW - 8 X .62 LONG SHOULDER/WASHER HD
			FROM: 09-30-96 THRU: 99-99-99

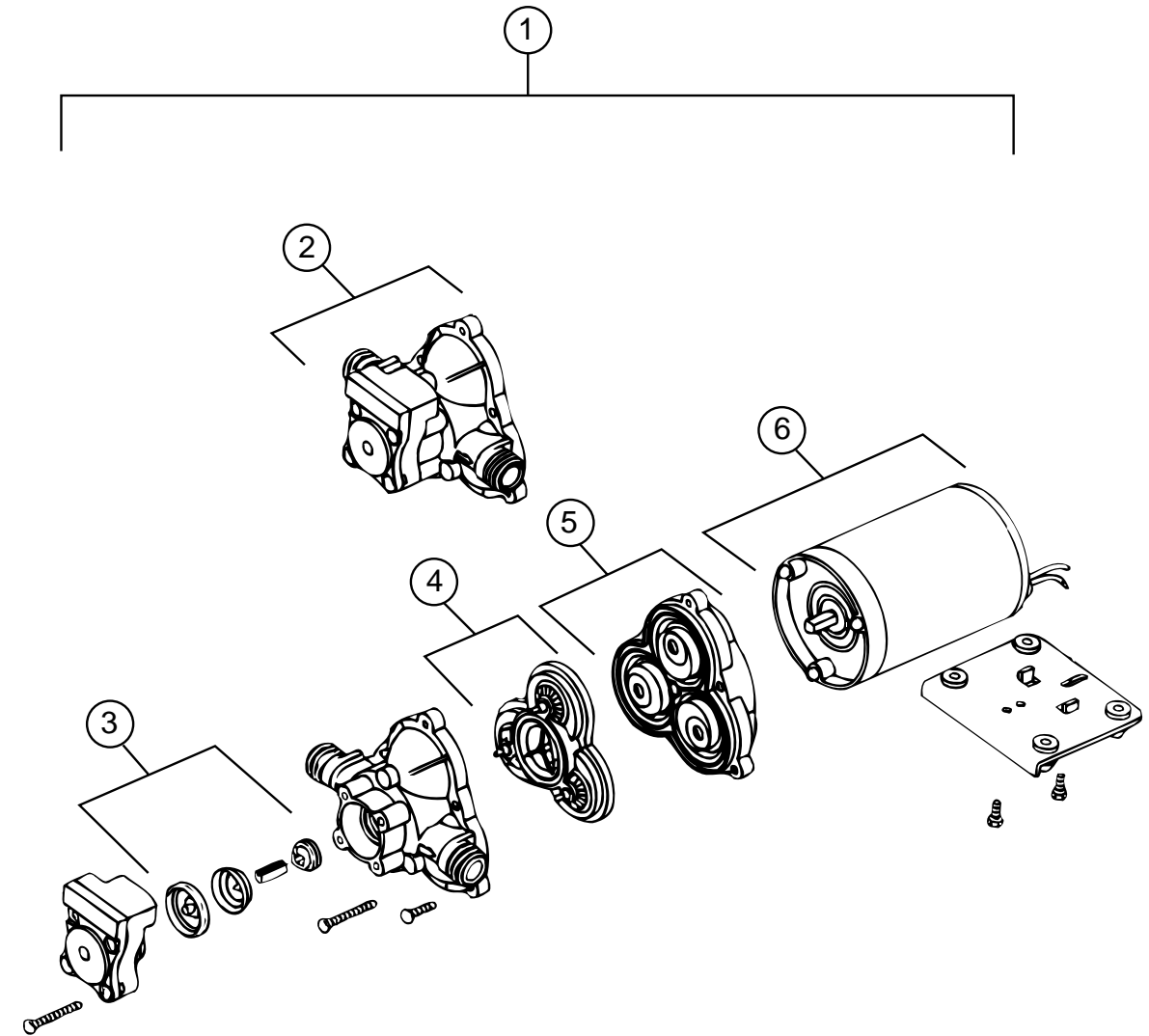
SEALANTS & FASTENERS GROUP (CONTINUED)
SEALERS

KEY	PART NUMBER	U/M	DESCRIPTION
	069640-01-000	FT	SEALER - RIBBON - 1/4"DIAMETER X 30'
	069640-02-000	FT	SEALER - TAPE - 1/8"THICK X .50"WIDE X 60'
	069640-03-000	FT	SEALER - TAPE - 1/8"THICK X .75"WIDE X 60'
	069640-07-000	FT	SEALER - TAPE - 3/32"THICK X 2"WIDE X 45'
	069640-09-000	FT	SEALER - TAPE - 1/32"THICK X 2.50"WIDE X 80'
	069640-11-000	FT	SEALER - TAPE - 3/16"THICK X 3/8"WIDE X 40'
	069640-13-000	FT	SEALER - TAPE - 3/32"THICK X 2"WIDE X 45'
	069640-14-000	FT	SEALER - TAPE - 1/16"THICK X 1"WIDE X 100'
	069640-15-000	FT	SEALER - TAPE - 1/16"THICK X 3/8"WIDE X 80'
	069640-17-000	FT	SEALER - TAPE - 1/32" THICK X 1"WIDE X 90'
	069640-18-000	FT	SEALER - TAPE - 1/2" THICK X 1/8" X 60'
	900390-01-000	EA	TIP - 2 1/2" X 1/8" ORIFICE
	900390-03-000	EA	NOZZLES-SILICONE TUBE, CSL D10
	034552-02-000	EA	SILICONE - TUBE - 300 ML - W/O NOZZLE - CLEAR
	034552-06-000	EA	SILICONE - TUBE - 300 ML - W/O NOZZLE - OFF WHITE
			FROM: 00-00-00 THRU: 07-26-97
	034552-15-000	EA	SILICONE - TUBE - 300 ML - W/O NOZZLE - BRIGHT WHITE
			FROM: 00-00-00 THRU: 01-01-97
	039518-01-000	EA	SILICONE - TUBE - 300 ML - BLACK - W/O NOZZLE
	053766-02-000	EA	BEDDING COMPOUND - TUBE - WHITE
	053766-06-000	EA	BEDDING COMPOUND - TUBE - CLEAR
	120074-02-01A	EA	SEALANT - SILICONE - OFF WHITE
			FROM: 07-27-97 THRU: 99-99-99
	072889-01-000	EA	SEALANT - URETHANE - BLACK - 1/10
	072889-09-000	EA	SEALANT - URETHANE - BLACK (TUBE)
	072889-10-000	EA	SEALANT - URETHANE (HV) - BRIGHT WHITE
	072889-12-000	EA	SEALANT - URETHANE (LV) BRIGHT WHITE
	072889-16-000	EA	SEALANT - URETHANE - BLACK
	102352-01-000	EA	SEALER - PUMPABLE - BLACK
	102352-02-000	EA	SEALER - PUMPABLE - CLEAR
	106206-01-000	EA	SEALER - PUMPABLE - MANUS 30A - BLACK
	108716-03-000	EA	SILICONE - TUBE - BRIGHT WHITE/SELF LEVELING

RIVETS, GROMMETS AND MISCELLANEOUS FASTENERS

KEY	PART NUMBER	U/M	DESCRIPTION
	000H14-04-04A	EA	RIVET - MANDREL BLIND - 1/8 X .400
	000H16-04-06R	EA	RIVET - POP ALUMINUM - 1/8" X .313 - .375
	000H16-06-10R	EA	RIVET - POP ALUMINUM - 3/16 X .501-.625
	069592-02-000	EA	RIVET-T - POP - 1/4 X .093 - .156
	008380-01-000	EA	GROMMET - RUBBER - 5/8" HOLE X 1 1/2" DIAMETER - BLACK
	016188-05-000	EA	GROMMET - L/P LINE - 3/8" HOLE X 1 1/4" LONG - RUBBER
	023942-01-000	EA	GROMMET - RUBBER - 2" OD
	071015-19-000	EA	GROMMET - .38 ID - FITS .06 MATERIAL
	071015-21-000	EA	GROMMET - RUBBER - 1/2 ID X 1.06 OD - W/.19 GROOVE - BLACK
	071015-29-000	EA	GROMMET-RUBBER, .5" ID X 1.25" OD W/.12" GROOVE - BLACK
	114208-02-000	EA	GROMMET - EDGE LINER - FITS .625
	056134-02-000	EA	HOLDER - RING - 1.8" DIAMETER - METAL
	086285-01-000	EA	SPACER - NYLON - .5" OD X .257" ID
	081211-05-000	EA	PLUG - PLASTIC - .188 DIAMETER - NATURAL
	029094-04-000	YD	VELCRO TAPE - LOOP - 1" WIDE - BLACK
	029096-03-000	YD	VELCRO TAPE - HOOK - 1" WIDE - BLACK
	085774-01-000	FT	FASTENER - DUAL HOOK - 1" WIDE - ADHESIVE BACK - BLACK
	085774-02-000	FT	FASTENER - DUAL LOOP - 1" WIDE - ADHESIVE BACK - BLACK
	008343-01-000	EA	TIE - WIRE - 6"
	008343-02-000	EA	TIE - WIRE - 14"
	108046-02-000	EA	CABLE TIE - SCREW MOUNT 15"
	080734-02-000	EA	CLIP - WIRE NYLON
	091952-02-000	EA	CLIP - GRIPPER - 3/4"
	094362-02-000	EA	CLIP - XMAS TREE - BINDER HEAD - .9" LONG
	061420-10-000	EA	PLUG/PLASTIC - 1.50" DIAMETER - BLACK
	077955-01-000	EA	CLIP-J - VINYL COATED - 3/8"

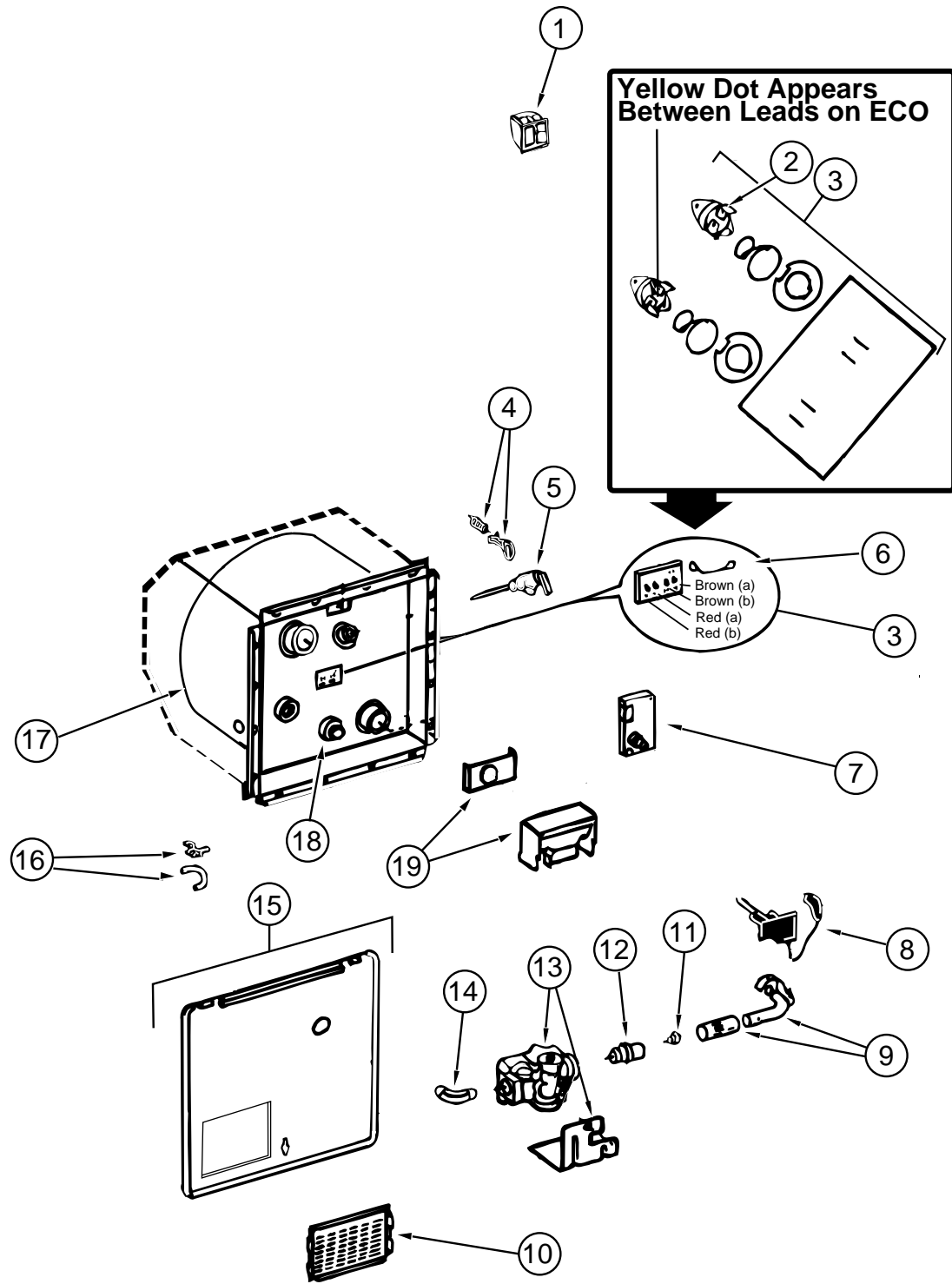
WATER & SEWAGE GROUP



SHURFLO WATER PUMP

KEY	PART NUMBER	U/M	DESCRIPTION	VENDOR NO.
1	098607-01-000	EA	PUMP-WATER, W/.5" MPT FITTING - FLOW 2.8 GPM - UL	
2	098607-01-706	EA	HOUSING W/SWITCH ONLY	94-231-20
3	098607-01-705	EA	VALVE-CHECK, KIT	94-237-00
4	098607-01-703	EA	VALVE KIT	94-232-00
5	098607-01-702	EA	DIAPHRAGM/DRIVE ASSEMBLY KIT	94-238-04
6	098607-01-707	EA	MOTOR W/BASEPLATE	94-234-03

WATER & SEWAGE GROUP (CONTINUED)
ATWOOD WATER HEATER W/MOTOR AID (GH6-8E)



KEY	PART NUMBER	U/M	DESCRIPTION	VENDOR NO.
	051393-01-000	EA	WATER HEATER - W/ MOTOR AID - PILOTLESS IGNITION	
1	051393-01-701	EA	SWITCH PACKAGE	91959
2	051391-04-701	EA	THERMOSTAT 12 VDC-120 PRESET	91470
3	051393-01-721	EA	ECO & THERMOSTAT ASM - FRONT MOUNT - 140°	91447
4	051391-01-705	EA	FASTENER - CAMLOC	92609
5	051391-01-704	EA	VALVE - RELIEF - 1/2" FITTING	91604
6	051393-01-723	EA	SWITCH - ENERGY CUT-OFF	93866
7	051393-01-724	EA	CIRCUIT BOARD - W/ SPADE TERMINAL	93867
8	051393-01-725	EA	ELECTRODE - SINGLE SPADE CONNECTION	93868
9	051391-04-703	EA	BURNER - MAIN	91638
10	051391-01-717	EA	GRILLE	92640
11	051391-01-710	EA	ORIFICE - MAIN BURNER	92742
12	051391-03-700	EA	ORIFICE HOLDER	91563
13	051393-01-726	EA	SOLENOID VALVE & BRACKET	93870
14	051391-01-714	EA	ELBOW - 45 DEGREE - 3/8" F X 3/8" MPT	91044
15	052009-06-000	EA	DOOR-WATER HEATER W/O LATCHES, BRIGHT WHITE	
16	051391-01-700	EA	HINGE KIT - W/CLIP	92568 & 92559
17	051391-04-704	EA	TANK - INNER	91642
18	051391-01-715	EA	DRAIN PLUG	91857
19	051391-04-707	EA	FLUE & GASKET	90960
	111129-01-711	EA	BRACKET-CORNER, SET OF FOUR	91928
	116424-01-000	EA	PROTECTOR - ROUND VINYL - WATER HEATER LATCH	

WATER & SEWAGE GROUP (CONTINUED)
WATER PURIFICATION SYSTEM

KEY	PART NUMBER	U/M DESCRIPTION	VENDOR NO.
	701069-01-000	EA WATER PURIFICATION SYSTEM - EVERPURE 9252	
	701069-03-700	EA CARTRIDGE-WATER FILTER, AC - EVERPURE	9601-11

EXTERIOR SHOWER

KEY	PART NUMBER	U/M DESCRIPTION	VENDOR NO.
	075241-05-000	EA FAUCET-SHOWER, BONE	
	103092-01-000	EA SHOWER HEAD-W/60" HOSE - US	
	103092-02-000	EA SHOWER HEAD-W/60" HOSE - CANADIAN	
	103092-01-700	EA BRACKET ONLY-CLEAR, F/SHOWER HEAD - BPC	2328028
	103092-01-702	EA SEALS-SPRAY HEAD	24466
	011048-03-700	EA BRACKET/F SHOWER HEAD - BPC	2328029-3
	093527-02-000	EA BRACKET-SQUEEGEE/SHOWER HEAD	
	108357-08-000	EA SWITCH - ROCKER DPDT ON/NONE/ON 6 TERMINAL	
	108356-02-01A	EA COVER/ACTUATOR SWITCH - 2 ROWS DIMPLES - CONTURA II - BLACK	
	114293-01-01A	EA PAN-DRIP, 280 MM X 250 MM - OFF WHITE PLASTIC	

WATER TANK

KEY	PART NUMBER	U/M DESCRIPTION
	121959-01-000	EA TANK - WATER - 50 GALLON - W/O FITTINGS (TWIN BEDS)
	121959-02-000	EA TANK - WATER - 50 GALLON - W/FITTINGS (TWIN BEDS)
	117898-01-000	EA TANK - WATER - 50 GALLON - W/O FITTINGS (QUEEN BED)
	117898-02-000	EA TANK - WATER - 50 GALLON - W/FITTINGS (QUEEN BED)
	039861-01-000	EA SENDING UNIT - W/SCREW - WASHER - WELL NUT/TERMINAL RING
	042989-03-000	EA FITTING - WATER TANK - SPINWELD - 1 1/4"NPT - PLASTIC
	042989-04-000	EA FITTING - WATER TANK - SPINWELD - 3/8 FPT - WHITE PLASTIC
	042989-05-000	EA FITTING - WATER TANK - SPINWELD - 1/2" FPT - PLASTIC
	049032-01-000	EA PATCH - SPINWELD - 3/8" - PLASTIC
	077954-02-000	EA FILTER - WATER TANK - W/SCREEN IN TANK

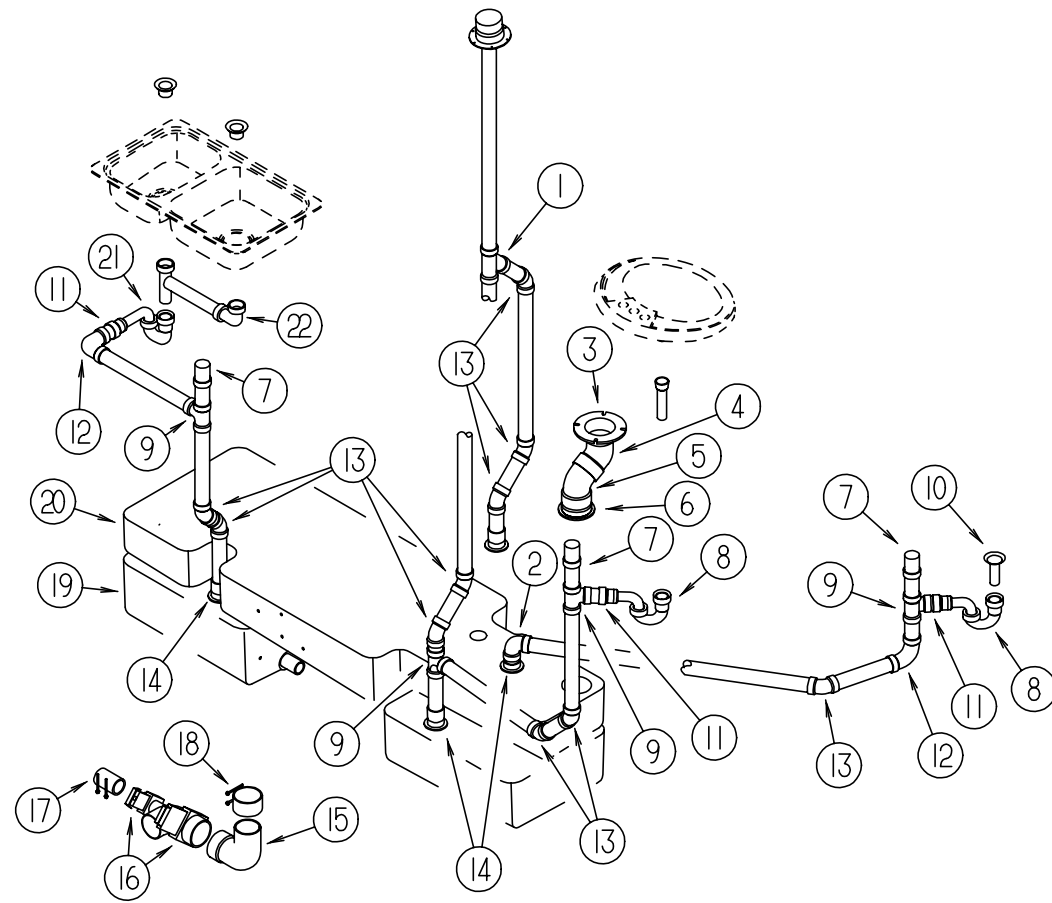
WATER & SEWAGE GROUP (CONTINUED)
WATER SYSTEM COMPONENTS

KEY	PART NUMBER	U/M DESCRIPTION
	010224-01-000	EA ADAPTER - HOSE TO PIPE - 3/8 MPT X 3/8 BARB - PLASTIC
	044927-01-000	EA ADAPTER - HOSE TO PIPE - 1 1/4 MPT X 1 1/4 BARB - BLK PLS
	123152-01-000	EA ADAPTER - 1/2 FPT X 1/2 BARB - SWIVEL
	101814-01-000	EA COUPLING - FEMALE - 1/2" X 1/2" FPT - GRAY
	103798-01-000	EA CONNECTOR - 1/4 OD X 3/8 MPT (MCCLAIN ANNIVERSARY OPTION)
	110438-01-000	EA VALVE - CHECK - BRASS - 1/2 MPT X 1/2 FPT
		FROM: 00-00-00 THRU: 02-16-97
	110438-02-000	EA VALVE - CHECK - BRASS - 1/2 MPT X 1/2 MPT
		FROM: 02-17-97 THRU: 99-99-99
	110915-01-01A	EA FILL - CITY WATER - CHROME
	074462-02-000	FT TUBING - VINYL - 3/8 ID X 20' - CLEAR
	112176-01-000	FT TUBING - VINYL, REINFORCED - 1/2 ID
	039800-02-000	FT TUBING - POLYBUTYL - 5/8 OD X 20' - INC OF 20'
	039800-05-000	FT TUBING - POLYBUTYL - 5/8 OD X 20'
	079381-01-000	FT TUBING - SMOOTH FLEXIBLE - 1 3/8 ID X 20'
	039808-03-000	EA ELBOW - 1/2" MPT X 1/2" MPT - PLASTIC
	123150-01-000	EA ELBOW - 1/2 FPT X 1/2 BARB - SWIVEL

WATER SYSTEM COMPONENTS (FLAIR-IT)

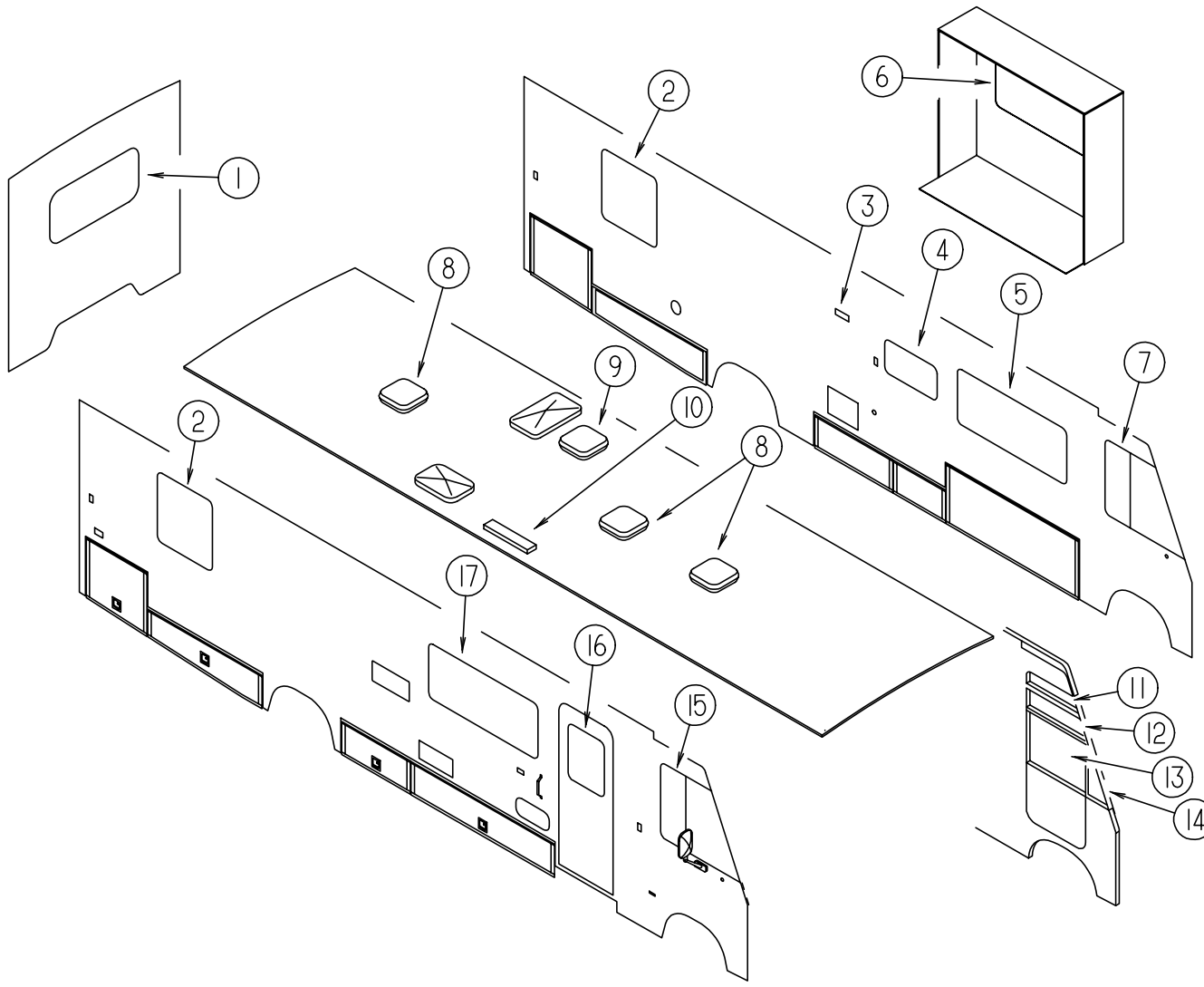
KEY	PART NUMBER	U/M DESCRIPTION
	114427-01-000	EA CAP - 1/2P
	114427-02-000	EA PLUG - 1/2P
	114427-03-000	EA NUT - 1/2"Q
	114428-01-000	EA TEE - 1/2P X 1/2P X 1/2P
	114428-02-000	EA TEE - SWIVEL -1/2P X 1/2P X 1/2FPT
	114428-03-000	EA TEE - 1/2P X 1/2P X 1/2 MPT
	114428-04-000	EA TEE - 1/2P X 1/2P X 1/8FPT
	114429-01-000	EA ELBOW - 1/2P X 1/2P
	114429-02-000	EA ELBOW - 1/2P X 1/2MPT
	114429-03-000	EA ELBOW - SWIVEL -1/2PX1/2FPT
	114429-04-000	EA ELBOW - 1/2P X 3/8MPT
	114429-05-000	EA ELBOW - 1/2P X 3/4MPT
	114429-06-000	EA ELBOW - SWIVEL -1/2P X 3/4FPT
	114429-07-000	EA ELBOW - 1/2P X 1/2FPT DROPEAR
	114430-01-000	EA ADAPTER - 1/2P X 1/2P
	114430-02-000	EA ADAPTER - SWIVEL -1/2P X 1/2FPT
	114430-03-000	EA ADAPTER - 1/2P X 1/2MPT
	114430-04-000	EA ADAPTER - 1/2P X 3/8MPT
	114430-05-000	EA ADAPTER - 1/2P X 1/8FPT
	114430-06-000	EA ADAPTER - 1/2P X 3/8FPT
	114430-07-000	EA ADAPTER - 1/2P X 3/8P
	114430-08-000	EA ADAPTER - 1/2P X 3/4MPT
	114431-01-000	EA VALVE - 180 DEGREE/CENTER DRAIN - 1/2P - THREE WAY
	114431-02-000	EA VALVE - WATER BYPASS - 1/2"P - THREE WAY (WATER HEATER)
	114431-03-000	EA VALVE - 1/2P X 1/2P
	114431-04-000	EA VALVE - STOP -1/2P X 1/2P
	114431-05-000	EA VALVE - NEEDLE - COMP 1/8 MPT X 1/4
	114431-06-000	EA VALVE - 3/8P X 3/8P
	114431-07-000	EA VALVE - 3/8P THREE - WAY
	114431-08-000	EA STRAIGHT STOP VALVE 3/8P X 3/8P

WATER & SEWAGE GROUP (CONTINUED)
DRAINAGE SYSTEM



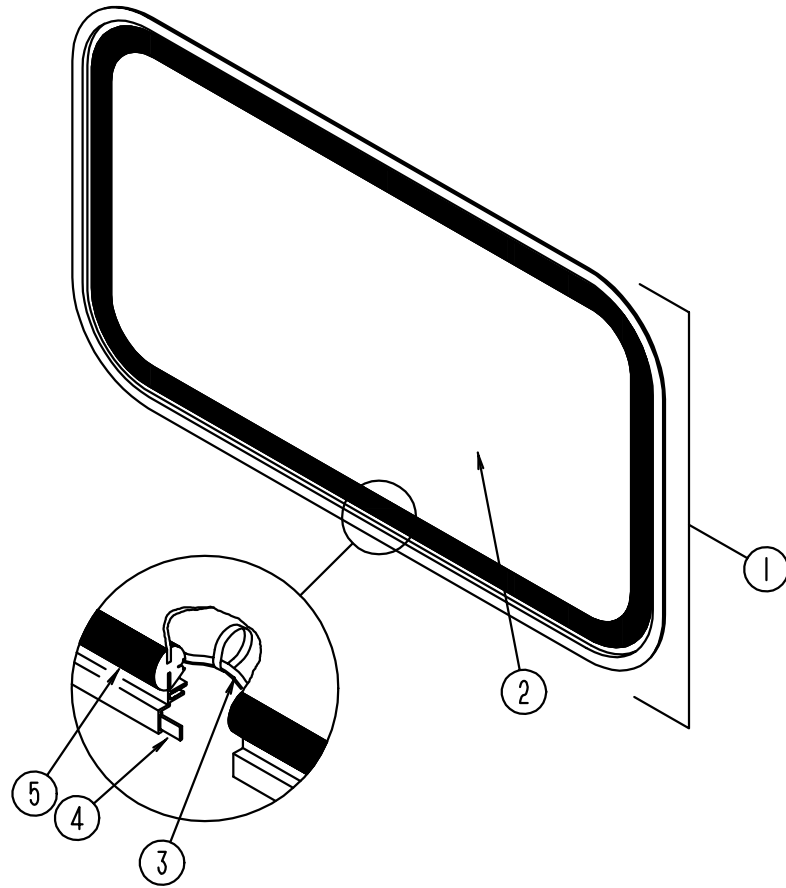
KEY	PART NUMBER	U/M	DESCRIPTION	VENDOR NO.
1	010073-01-000	EA	WYE - 45 DEGREE - 1 1/2" HUB X HUB X HUB - PLASTIC	
2	010009-01-000	EA	ELBOW - 90 DEGREE - 1/4 BEND - 1 1/2" PLASTIC	
3	116644-01-000	EA	FLANGE - CLOSET - 4" X 3"	
4	010061-01-000	EA	ELBOW - 45 DEGREE ST - 3" SPIGOT/HUB - PLASTIC	
5	010024-01-000	EA	ELBOW - 45 DEGREE - 3" HUB X HUB - PLASTIC	
6	061607-02-000	EA	GROMMET - HOLDING TANK - 3" NPS	
7	079968-01-000	EA	VENT - MECHANICAL/TRAP ARM - ANTI-SIPHON - 2" X 7.3" PLASTIC	
8	107538-01-000	EA	P TRAP - PLASTIC - 1 1/4" W/EXTENSION ARM	
8	011066-03-700	EA	P TRAP - 1 1/4" HUB X SLIP JOINT - W/UNION - ABS - CANADIA	
9	010071-01-000	EA	TEE - SANITARY - 1 1/2 HUB X HUB X HUB - PLASTIC	
10	011069-02-000	EA	TAILPIECE - TUB/SHOWER - 1 1/2" X 1 1/4" X 4" - BRASS	
10	069735-01-000	EA	WASHER - STRAINER TO TAILPIECE - PLASTIC - 1.5"	
11	109571-01-000	EA	ADAPTER - P TRAP - 1 1/2"P X 1 1/4"MPT	
12	010008-01-000	EA	ELBOW - 90 DEGREE - 1 1/2" HUB X HUB - PLASTIC	
13	010006-01-000	EA	ELBOW - 45 DEGREE - 1 1/2" HUB X HUB - PLASTIC	
14	010115-01-000	EA	COUPLING - 1 1/2" HUB X HUB - PLASTIC	
14	061607-01-000	EA	GROMMET - HOLDING TANK - 1 1/2" NPS	
15	031126-01-000	EA	ELBOW - 1/4 BEND - 3" X 90" XLT - BLACK PLASTIC	
16	070916-01-000	EA	VALVE - DUAL DUMP - W/CAP - 3" X 1 1/2"	
	070916-01-700	EA	VALVE ONLY (WASTE) 3"	
	070916-01-701	EA	VALVE ONLY (WASTE) 1 1/2"	T1003BU T1001BU
17	089355-01-000	EA	COUPLER - RUBBER - 1 1/2" X 1 1/2"	
18	078406-01-000	EA	COUPLER - RUBBER - W/CLAMPS - 3" X 3"	
19	121505-01-000	EA	TANK - HOLDING - 43 GALLON - W/O FITTINGS	
20	121500-01-000	EA	TANK - HOLDING - 35 GALLON - W/O FITTINGS	
21	107538-01-000	EA	P TRAP - PLASTIC - 1 1/4" W/EXTENSION ARM	
21	011071-01-000	EA	P TRAP - PLASTIC - 1 1/2" - ABS - CANADIA	
22	011091-02-000	EA	WASTE - CONTINUOUS - DOUBLE SINK	
	010201-01-000	EA	HOSE - SEWER - 3" ID X 8'	
	062416-01-000	EA	ADAPTER - SEWER HOSE TO 3" PIPE	

WINDOW, VENT & EXTERIOR DOOR GROUP
WINDOWS & VENTS



KEY	PART NUMBER	U/M	DESCRIPTION	VENDOR NO.
1	078528-06-E10	EA	WINDOW - ESCAPE - W/O RETAINER/TRIM - 48.5" X 24.5"	
1	113502-01-01A	EA	WINDOW - REAR/ESCAPE - THERMO - 24.8" X 48.7"	
2	112463-03-01A	EA	WINDOW - TIPOUT W/RETAINER TRIM - 33.3" X 30.2"	
2	112898-16-01A	EA	WINDOW - SLIDER/VERTICAL - THERMOPANE - 33.2" X 30.2"	
3	084616-07-000	EA	VENT - SHROUD - RANGE HOOD - BRIGHT WHITE	
	084878-09-000	EA	VENT - HOOD - RANGE/SHORT - OFF WHITE	
4	098647-34-01A	EA	WINDOW - DRIVERS/HORIZONTAL SLIDER - 15.7" X 28.5"	
4	112795-20-01A	EA	WINDOW - DRIVER/HORIZONTAL SLIDER-THERMO 16.7" X 28.5"	
5	098647-22-01A	EA	WINDOW - DRIVERS - HORIZONTAL SLIDER - 26.1" X 59.7"	
5	112795-15-01A	EA	WINDOW - DRIVER - HORIZONTAL SLIDER - THERMO - 26 3/8" X 60"	
6	098647-47-01A	EA	WINDOW - DRIVERS - HORIZONTAL SLIDER - 23.6" X 57.5"	
6	112795-54-01A	EA	WINDOW - DRIVERS/HORIZONTAL SLIDER - THERMO - 30"X 57.75"	
7	103658-09-01A	EA	WINDOW - DRIVER - CAB 2 GLASS - 19.1"T X 45.4"B X 36.7"HH	
7	113501-03-01A	EA	WINDOW - DRIVER CAB THERMO (2 WINDOW) 35.7" X 28.3" X 44.1"	
8	122882-01-01A	EA	VENT - ROOF - NONPOWERED	
9	122882-02-01A	EA	VENT - ROOF - W/FAN - POWERED	
9	122882-03-01A	EA	VENT - ROOF - W/FAN - CSA	
10	084073-07-000	EA	VENT - ROOF - REFRIGERATOR - BRIGHT WHITE	
10	084073-04-000	EA	BASE - ROOF VENT - REFRIGERATOR	
11	106467-02-01A	EA	WINDOW - DRIVER VISTA (ABOVE DR DOOR) 30.3"T X 33.5"B X 7.3"H	
11	116000-05-01A	EA	WINDOW - DRIVER VISTA - THERMO - 6.3" X 29.5" X 32.5"	
12	106469-02-702	EA	GLASS - STATIONARY	106-041104
13	106469-01-704	EA	GLASS ASM - ROLL-UP W/ BRACKET	V103-65L
14	106468-05-01A	EA	WINDOW - DRIVER WING - 6.8"T X 23.3"B X 28.9"H	
14	115999-06-01A	EA	WINDOW - DRIVER WING - THERMO - 5.8" X 11" X 27.9"	
15	103658-12-01A	EA	WINDOW - PASSENGER CAB - 38.3"T X 45.2"B X 36.7"H	
15	113501-10-01A	EA	WINDOW - PASS CAB THERMO (2 WINDOW)-35.7" X 37.2" X 43.9"	
16	117053-02-F36	EA	WINDOW - PICTURE - ENTRANCE DOOR - 17" X 26.4"	
16	113733-01-01A	EA	WINDOW - STATIONARY - THERMOPANE - 17" X 26.4"	
17	098647-23-01A	EA	WINDOW - PASSENGER - HORIZONTAL SLIDER - 26.1" X 59.7"	
17	112795-16-01A	EA	WINDOW - PASSENGER - HORIZONTAL SLIDER-THERMO-26 3/8"X 60"	
	083558-03-000	EA	VENT - PLUMBING - PIPE ROOF - W/COVER - OFF WHITE	

WINDOW, VENT & EXTERIOR DOOR GROUP (CONTINUED)



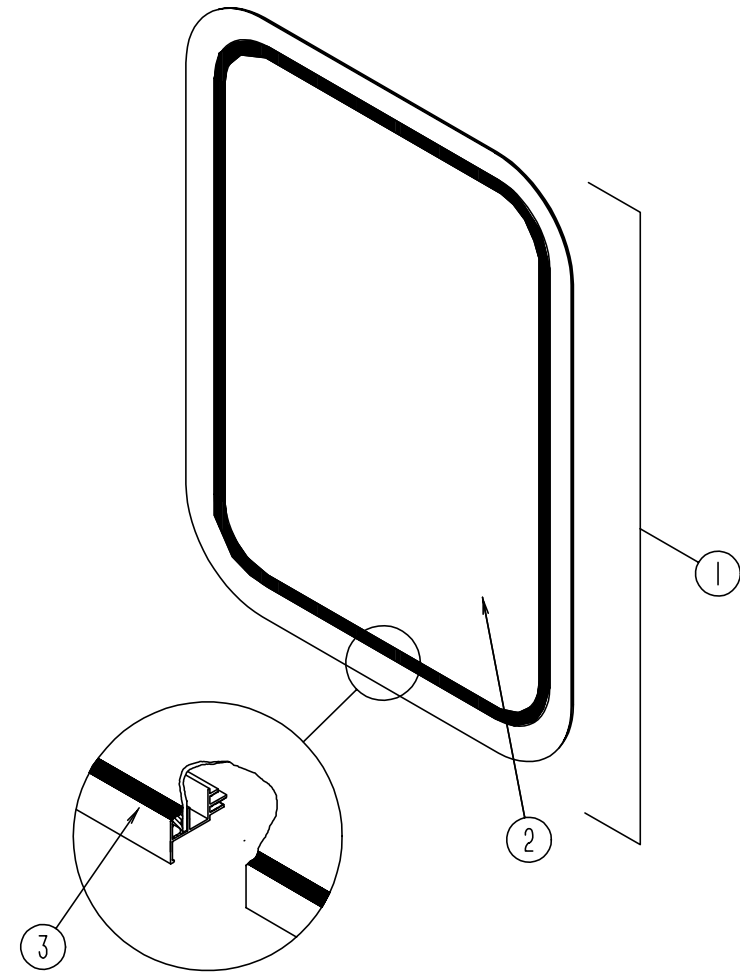
BACKWALL ESCAPE WINDOW

KEY	PART NUMBER	U/M DESCRIPTION
	074816-11-000	EA RETAINER-TRIM, ESCAPE WINDOW - OFF WHITE
1	078528-06-E10	EA WINDOW ASM-ESCAPE, BACKWALL - W/O RETAINER
2	076337-12-000	EA GLASS-WINDOW, ESCAPE - 1157.4 MM X 548.1 MM
3	002285-01-000	FT FILLER-WEATHER STRIP, RUBBER - BLACK
	077066-01-702	EA TAPE ASM-ESCAPE WINDOW, RED
4	069640-11-000	FT SEALER-TAPE, 3/16" THICK X 3/8" WIDE - INCREMENTS OF 40'
5	002282-09-000	EA WEATHERSTRIP-WINDOW, .125" X 130.53" - BLACK

EXCEL BACKWALL ESCAPE WINDOW - THERMOPANE WINDOW OPTION

KEY	PART NUMBER	U/M DESCRIPTION	VENDOR NO.
	113502-01-01A	EA WINDOW ASM-ESCAPE, BACKWALL - W/RETAINER	
	098644-01-705	FT GLAZING-STRIP	
	112898-06-704	EA HANDLE - LATCH - RED-RH	132-010231
	112898-06-705	EA HANDLE - LATCH - RED-LH	182-11293
	113502-01-703	EA GLASS-STATIONARY, RH & LH	182-11294
	113502-01-704	EA GLASS-EGRESS, CENTER-ESCAPE	390-019083
			390-019084

WINDOW, VENT & EXTERIOR DOOR GROUP (CONTINUED)



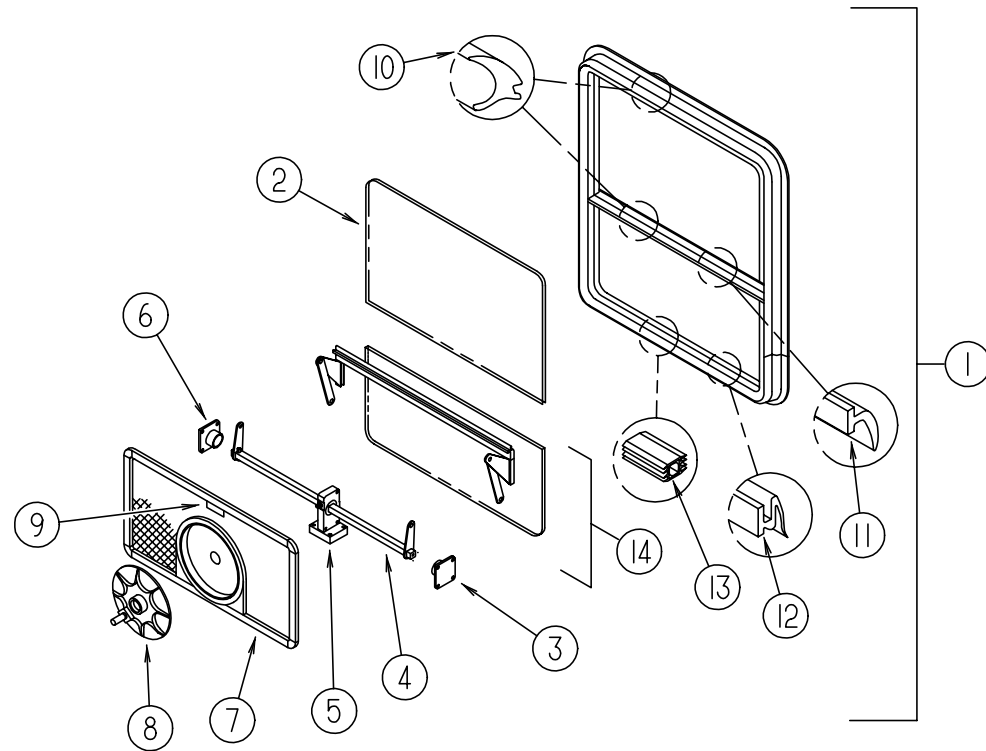
ENTRANCE DOOR WINDOW

KEY	PART NUMBER	U/M DESCRIPTION
	117054-02-02A	EA RETAINER-TRIM, ENTRY DOOR WINDOW - BRIGHT WHITE
1	117053-02-F36	EA WINDOW ASM-PICTURE W/O RETAINER, ENTRANCE DOOR - 26.4" X 17"
2	002181-25-000	EA GLASS-PICTURE WINDOW, 655 MM X 417 MM
3	087561-01-000	FT SEAL-GLASS, EXTERIOR - .5" WIDE - VINYL - BLACK

EXCEL ENTRANCE DOOR WINDOW - THERMOPANE WINDOW OPTION

KEY	PART NUMBER	U/M DESCRIPTION	VENDOR NO.
	113733-01-01A	EA WINDOW ASM-STATIONARY W/RETAINER, 26.4" X 17"	
	113733-01-700	EA WINDOW-PICTURE, W/O RETAINER	DH416-G2
	113733-01-701	EA RETAINER-TRIM, ENTRY DOOR WINDOW	W41666
	113733-01-702	EA GLASS-STATIONARY	390-019187
	112795-01-705	FT VINYL-GLAZING	132-019702

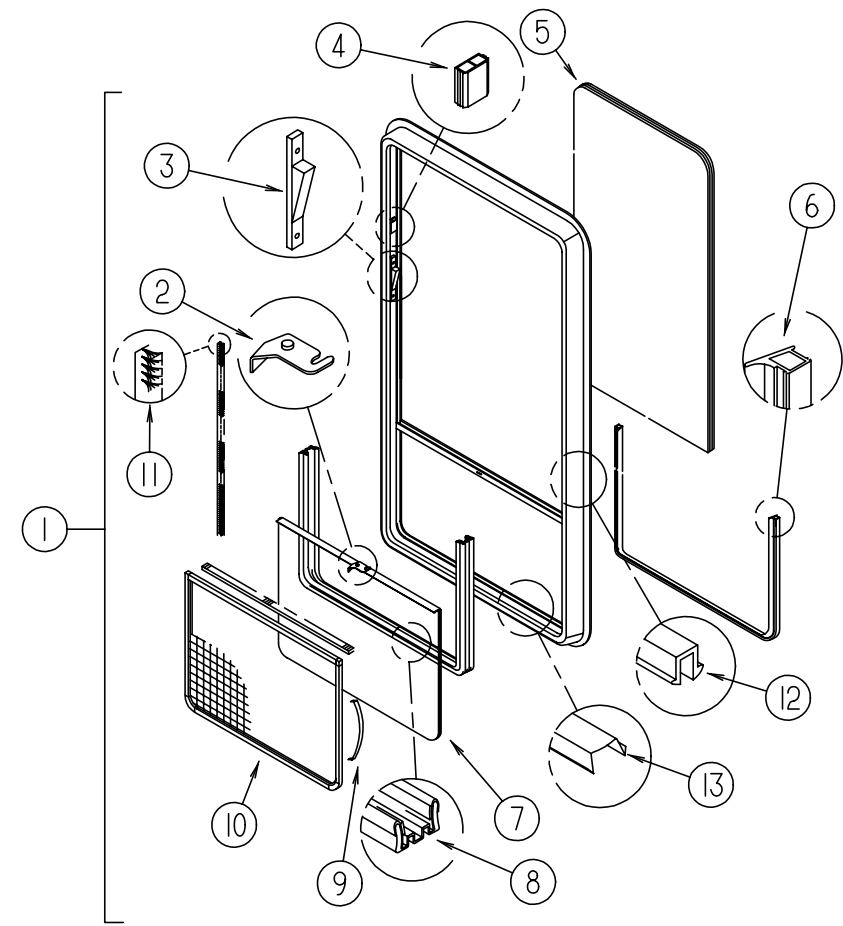
WINDOW, VENT & EXTERIOR DOOR GROUP (CONTINUED)



EXCEL BEDROOM TIPOUT WINDOW - DRIVER OR PASSENGER SIDE

KEY	PART NUMBER	U/M	DESCRIPTION	VENDOR NO.
1	112463-03-01A	EA	WINDOW - TIPOUT W/RETAINER TRIM - 33.3" X 30.2"	
	113500-05-705	EA	RETAINER - TRIM	CW100-59
2	112463-03-701	EA	GLASS - STATIONARY	106-025377
3	100322-01-714	EA	SUPPORT-TORQUE BAR - LH	130-015978
4	112463-03-702	EA	OPERATOR & BAR ASSEMBLY	CH10-18
5	100322-01-716	EA	SUPPORT - TORQUE BAR - CTR RAIL	130-015980
6	100322-01-715	EA	SUPPORT - TORQUE BAR - RH	130-015979
7	112463-03-703	EA	SCREEN ASM - W/SEALS & CLIPS	410-018439
8	100322-01-718	EA	HANDLE - DIAL	410-016081
9	112519-01-706	EA	CLIP - SCREEN	CH21-50
10	100322-01-703	FT	VINYL - GLAZING - BUTYL	132-010723
11	100322-01-702	EA	WEATHERSTRIP - HORIZONTAL RAIL	132-015976
12	100322-01-701	FT	SEAL - VENT	122-016071
13	098644-01-716	FT	PLUG - FILLER	132-014470
14	112463-03-700	EA	VENT ASSEMBLY	CH100-G9
	100322-01-704	FT	TAPE - BUTYL	154-016083
	100322-01-717	EA	E-RING	245-015975

WINDOW, VENT & EXTERIOR DOOR GROUP (CONTINUED)



EXCEL BEDROOM VERTICAL SLIDER WINDOW - DRIVER OR PASSENGER SIDE - THERMOPANE

KEY	PART NUMBER	U/M	DESCRIPTION	VENDOR NO.
1	112898-16-01A	EA	WINDOW - SLIDER/VERTICAL - THERMOPANE - 33.2" X 30.2"	
	112898-16-702	EA	RETAINER - TRIM	CW100-66
2	112795-01-700	EA	LATCH ASM-BLACK, BOLT ON	DH287-CK
3	112898-04-703	EA	SASH LATCH KIT, RAISED	DH343-CK
4	112795-01-701	EA	SLIDE-STOP	132-019092
5	112898-16-701	EA	GLASS - STATIONARY	390-025433
6	112795-01-704	FT	PLUG FILLER (DOUBLE GLAZED)	122-018737
7	112898-16-700	EA	GLASS-SLIDING W/SASH & LATCH	DH510-G9
8	112795-01-703	IN	CHANNEL-RUN (INCHES)	122-018736
9	098644-01-713	EA	CLIP - SPRING - METAL	226-016966
10	112898-05-704	EA	SCREEN ASM - W/SEALS & CLIPS	410-018862
11	098644-01-711	FT	WEATHERSTRIP - SCREEN BLACK	171-016965
12	112795-01-705	FT	VINYL - GLAZING	132-025736
13	098644-01-710	FT	TRACK - SCREEN SPACER, 12'	132-017135

WINDOW, VENT & EXTERIOR DOOR GROUP (CONTINUED)

WINDOW, VENT & EXTERIOR DOOR GROUP (CONTINUED)

SINGLE SLIDER WINDOW (EXCEL) (DRIVER SIDE, LOUNGE)

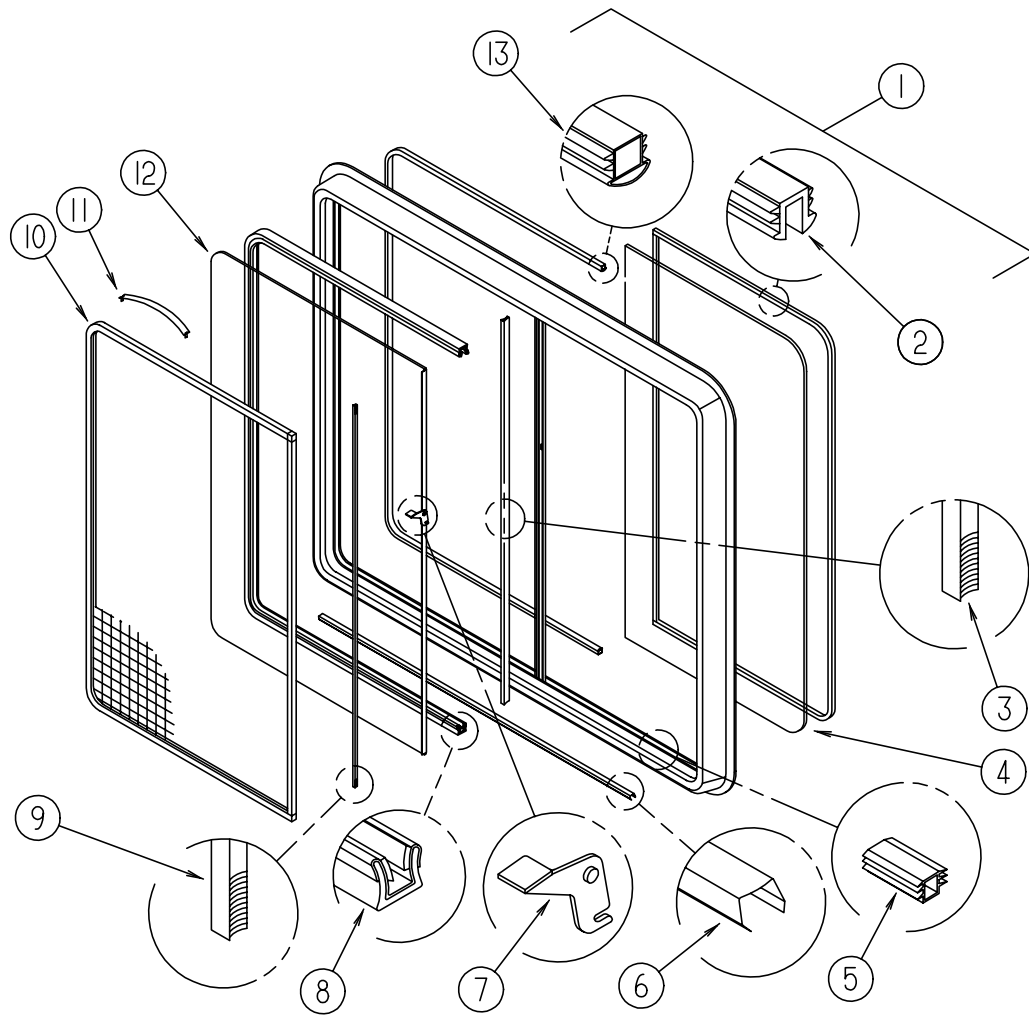
KEY	PART NUMBER	U/M	DESCRIPTION	VENDOR NO.
1	098647-22-01A	EA	WINDOW - DRIVERS - HORIZONTAL SLIDER - 26.1" X 59.7"	
	098647-27-701	EA	RETAINER - TRIM	W287-66
2	098644-01-705	FT	GLAZING - STRIP	132-010231
3	098644-01-706	FT	WEATHERSTRIP - GLASS	171-010668
4	098647-23-703	EA	GLASS - STATIONARY	106-017622
5	098644-01-719	EA	STOP - SLIDER GLASS	132-014203
6	098644-01-710	FT	TRACK - SCREEN SPACER 12'	132-017135
7	098644-01-700	EA	LATCH - REPAIR KIT (BLACK)	B801-CK
8	098644-01-708	FT	CHANNEL - RUN PIERCED	122-016543
9	098644-01-711	FT	WEATHERSTRIP - SCREEN BLACK	171-016965
10	098647-23-704	EA	SCREEN ASM - W/SEALS & CLIPS	410-019066
11	098644-01-713	EA	CLIP - SPRING - METAL	226-016966
12	098647-23-700	EA	GLASS SLIDING W/SASH & LATCH	H287-G9
13	098644-01-716	FT	PLUG - FILLER	132-014470
	098644-01-717	FT	SPLINE - SCREEN	132-004716

SINGLE SLIDER WINDOW (EXCEL) (DRIVER SIDE, GALLEY)

KEY	PART NUMBER	U/M	DESCRIPTION	VENDOR NO.
1	098647-34-01A	EA	WINDOW - DRIVERS/HORIZONTAL SLIDER - 15.7" X 28.5"	
	098647-31-701	EA	RETAINER - TRIM	CW29-66
2	098644-01-705	FT	GLAZING - STRIP	132-010231
3	098644-01-706	FT	WEATHERSTRIP - GLASS	171-010668
4	098647-33-702	EA	GLASS - STATIONARY	106-019297
5	098644-01-719	EA	STOP - SLIDER GLASS	132-014203
6	098644-01-710	FT	TRACK - SCREEN SPACER 12'	132-017135
7	098644-01-700	EA	LATCH - REPAIR KIT (BLACK)	B801-CK
8	098644-01-708	FT	CHANNEL - RUN PIERCED	122-016543
9	098644-01-711	FT	WEATHERSTRIP - SCREEN BLACK	171-016965
10	098647-33-704	EA	SCREEN ASM - W/SEALS & CLIPS	410-019134
11	098644-01-713	EA	CLIP - SPRING - METAL	226-016966
12	098647-33-703	EA	GLASS-SLIDING W/SASH & LATCH	H425-G9
13	098644-01-716	FT	PLUG - FILLER	132-014470
	098644-01-717	FT	SPLINE - SCREEN	132-004716

SINGLE SLIDER WINDOW (EXCEL) (PASSENGER SIDE, DINETTE)

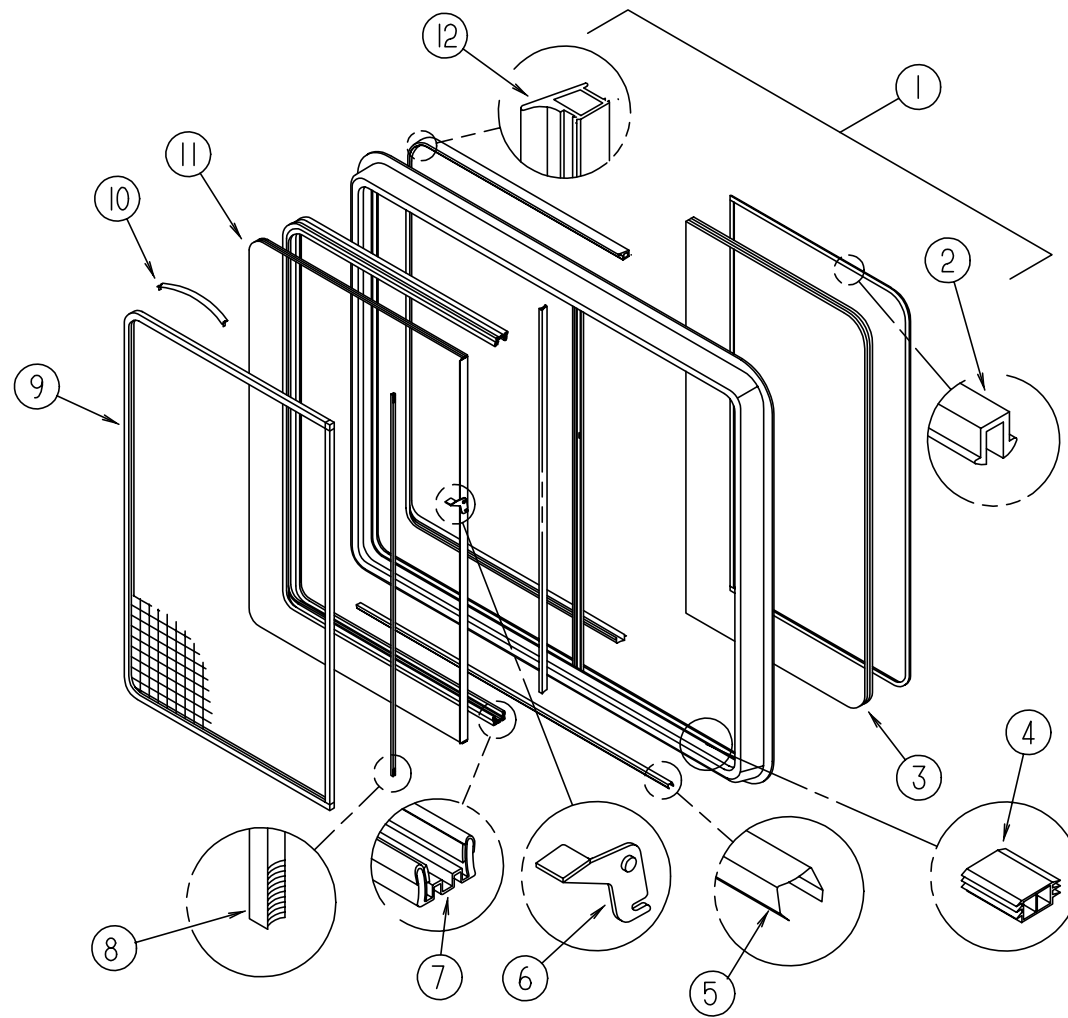
KEY	PART NUMBER	U/M	DESCRIPTION	VENDOR NO.
1	098647-23-01A	EA	WINDOW - PASSENGER - HORIZONTAL SLIDER - 26.1" X 59.7"	
	098647-23-702	EA	RETAINER - TRIM	W287-66
2	098644-01-705	FT	GLAZING - STRIP	132-010231
3	098644-01-706	FT	WEATHERSTRIP - GLASS	171-010668
4	098647-23-703	EA	GLASS - STATIONARY	106-017622
5	098644-01-719	EA	STOP - SLIDER GLASS	132-014203
6	098644-01-710	FT	TRACK - SCREEN SPACER 12'	132-017135
7	098644-01-700	EA	LATCH - REPAIR KIT (BLACK)	B801-CK
8	098644-01-708	FT	CHANNEL - RUN PIERCED	122-016543
9	098644-01-711	FT	WEATHERSTRIP - SCREEN BLACK	171-016965
10	098647-23-704	EA	SCREEN ASM - W/SEALS & CLIPS	410-019066
11	098644-01-713	EA	CLIP - SPRING - METAL	226-016966
12	098647-23-700	EA	GLASS SLIDING W/SASH & LATCH	H287-G9
13	098644-01-716	FT	PLUG - FILLER	132-014470
	098644-01-717	FT	SPLINE - SCREEN	132-004716



SINGLE SLIDER WINDOW (EXCEL) SLIDEOUT WALL(SIDE)

KEY	PART NUMBER	U/M	DESCRIPTION	VENDOR NO.
1	098647-47-01A	EA	WINDOW - DRIVERS HORIZONTAL SLIDER - 23.6" X 57.5"	
	098647-47-703	EA	RETAINER - TRIM	W493-66
2	098644-01-705	FT	GLAZING - STRIP	132-010231
3	098644-01-706	FT	WEATHERSTRIP - GLASS	171-010668
4	098647-47-700	EA	GLASS - STATIONARY	106-025224
5	098644-01-719	EA	STOP - SLIDER GLASS	132-014203
6	098644-01-710	FT	TRACK - SCREEN SPACER - 12' LENGTH	132-017135
7	098644-01-700	EA	LATCH - REPAIR KIT	B801-CK
8	098644-01-708	FT	CHANNEL - PIERCED RUN	122-016543
9	098644-01-711	FT	WEATHERSTRIP - SCREEN - BLACK	171-016965
10	098647-47-702	EA	SCREEN ASM - W/SEALS & CLIPS	410-025226
11	098644-01-713	EA	CLIP - SPRING - METAL	226-016966
12	098647-47-701	EA	GLASS-SLIDING W/SASH & LATCH	H493-G9
13	098644-01-716	FT	PLUG - FILLER	132-014470
	098644-01-717	FT	SPLINE - SCREEN	132-004716

WINDOW, VENT & EXTERIOR DOOR GROUP (CONTINUED)



WINDOW, VENT & EXTERIOR DOOR GROUP (CONTINUED)
SINGLE SLIDER WINDOW (EXCEL) (THERMO INSULATED) (DRIVER SIDE, SLIDEOUT)

KEY	PART NUMBER	U/M DESCRIPTION	VENDOR NO.
1	112795-54-01A	EA WINDOW - DRIVERS/HORIZONTAL SLIDER - THERMO - 30"X 57.75"	
	098647-47-703	EA RETAINER - TRIM	W493-66
2	112795-01-705	FT VINYL - GLAZING	132-025736
3	112795-54-701	EA GLASS - STATIONARY	390-025248
4	112795-01-701	EA SLIDE - STOP	132-019092
5	098644-01-710	FT TRACK - SCREEN SPACER 12'	132-017135
6	112795-01-700	EA LATCH ASM. - BLK.,(BOLT ON)	DH287-CK
7	112795-01-703	IN CHANNEL - RUN (INCHES)	122-018736
8	098644-01-711	FT WEATHERSTRIP - SCREEN BLACK	171-016965
9	098647-47-702	EA SCREEN ASM - W/SEALS & CLIPS	410-025226
10	098644-01-713	EA CLIP - SPRING - METAL	226-016966
11	112795-54-700	EA GLASS - SLIDING W/SASH & LATCH	DH493-G9
12	112795-01-704	FT PLUG FILLER (DOUBLE GLAZED)	122-018737

SINGLE SLIDER WINDOW (EXCEL) (THERMO INSULATED) (PASSENGER SIDE, DINETTE)

KEY	PART NUMBER	U/M DESCRIPTION	VENDOR NO.
1	112795-16-01A	EA WINDOW - PASSENGER - HORIZONTAL SLIDER-THERMO-26 3/8"X 60"	
	098647-23-702	EA RETAINER - TRIM	W287-66
2	112795-01-705	FT VINYL - GLAZING	132-025736
3	112795-15-701	EA GLASS - STATIONARY	390-019045
4	112795-01-701	EA SLIDE-STOP	132-019092
5	098644-01-710	FT TRACK - SCREEN SPACER 12'	132-017135
7	112795-01-703	IN CHANNEL-RUN (INCHES)	122-018736
8	098644-01-711	FT WEATHERSTRIP - SCREEN BLACK	171-016965
9	098647-23-704	EA SCREEN ASM - W/SEALS & CLIPS	410-019066
10	098644-01-713	EA CLIP - SPRING - METAL	226-016966
11	112795-15-702	EA GLASS-SLIDING W/SASH & LATCH	DH287-G9
12	112795-01-704	FT PLUG FILLER (DOUBLE GLAZED)	122-018737

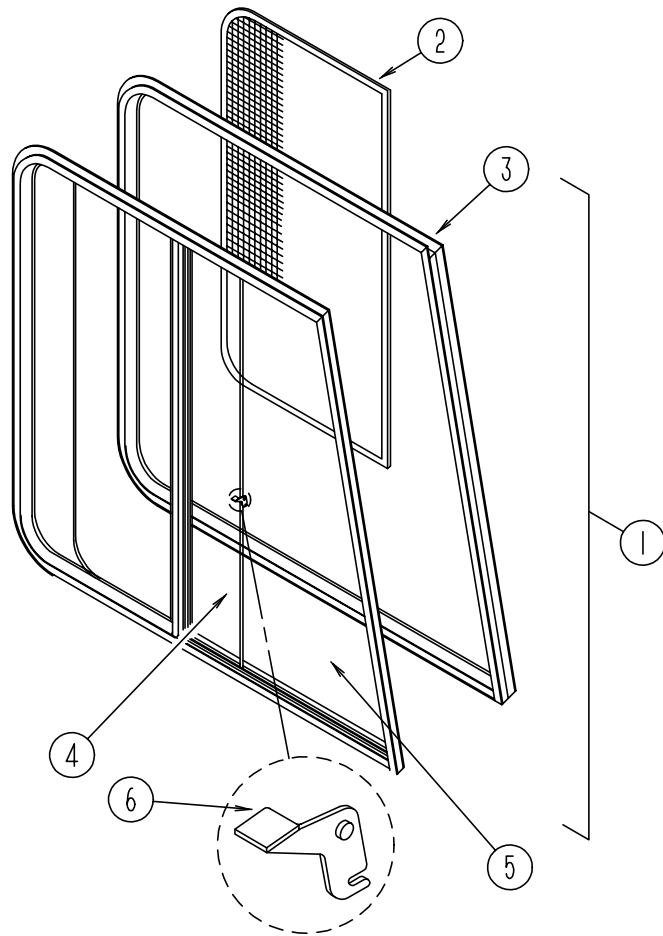
SINGLE SLIDING WINDOW (EXCEL) (THERMO INSULATED) (DRIVER SIDE, GALLEY)

KEY	PART NUMBER	U/M DESCRIPTION	VENDOR NO.
1	112795-20-01A	EA WINDOW - DRIVER/HORIZONTAL SLIDER-THERMO 16.7" X 28.5"	
	098647-31-701	EA RETAINER - TRIM	CW29-66
2	112795-01-705	FT VINYL - GLAZING	132-025736
3	112795-19-701	EA GLASS - STATIONARY	390-019134
4	112795-01-701	EA SLIDE-STOP	132-019092
5	098644-01-710	FT TRACK - SCREEN SPACER 12'	132-017135
6	112795-01-700	EA LATCH ASM., BLK.,(BOLT ON)	DH287-CK
7	112795-01-703	IN CHANNEL-RUN (INCHES)	122-018736
8	098644-01-711	FT WEATHERSTRIP - SCREEN BLACK	171-016965
9	098647-31-704	EA SCREEN ASM - W/SEALS & CLIPS	410-019128
10	098644-01-713	EA CLIP - SPRING - METAL	226-016966
11	112795-19-702	EA GLASS-SLIDING W/SASH & LATCH	DC29-G9
12	112795-01-704	FT PLUG FILLER (DOUBLE GLAZED)	122-018737

SINGLE SLIDER WINDOW (EXCEL) (THERMO INSULATED) (DRIVER SIDE, LOUNGE)

KEY	PART NUMBER	U/M DESCRIPTION	VENDOR NO.
1	112795-15-01A	EA WINDOW - DRIVER - HORIZONTAL SLIDER-THERMO - 26 3/8" X 60"	
	098647-23-702	EA RETAINER - TRIM	W287-66
2	112795-01-705	FT VINYL - GLAZING	132-025736
3	112795-15-701	EA GLASS - STATIONARY	390-019045
4	112795-01-701	EA SLIDE-STOP	132-019092
5	098644-01-710	FT TRACK - SCREEN SPACER 12'	132-017135
6	112795-01-700	EA LATCH ASM., BLK.,(BOLT ON)	DH287-CK
7	112795-01-703	IN CHANNEL-RUN (INCHES)	122-018736
8	098644-01-711	FT WEATHERSTRIP - SCREEN BLACK	171-016965
9	098647-23-704	EA SCREEN ASM - W/SEALS & CLIPS	410-019066
10	098644-01-713	EA CLIP - SPRING - METAL	226-016966
11	112795-15-702	EA GLASS-SLIDING W/SASH & LATCH	DH287-G9
12	112795-01-704	FT PLUG FILLER (DOUBLE GLAZED)	122-018737

WINDOW, VENT & EXTERIOR DOOR GROUP (CONTINUED)



EXCEL CAB WINDOWS

KEY	PART NUMBER	U/M DESCRIPTION	VENDOR NO.
1	103658-09-01A	EA WINDOW - DRIVER - CAB 2 GLASS - 19.1" T X 45.4" B X 36.7" H	
1	103658-10-01A	EA WINDOW - PASSENGER - CAB 2 GLASS - 29.1" T X 45.4" B X 36.7" H	
2	103658-09-705	EA SCREEN ASM - W/SEALS & CLIPS	410-018973LT/RT
3	103658-05-702	EA RETAINER - TRIM - DRIVERS SIDE	H373-66 & 76L
3	103658-05-700	EA RETAINER - TRIM - PASSENGERS SIDE	H373-66 & 76R
4	103658-09-704	EA GLASS-SLIDING W/SASH & LATCH - DRIVERS SIDE	H405-A9L
4	103658-10-703	EA GLASS-SLIDING W/SASH & LATCH - PASSENGERS SIDE	H405-A9R
5	103658-09-700	EA GLASS - STATIONARY RH/LH	106-018971
5	113501-11-700	EA GLASS - STATIONARY	390-025769
6	098644-01-700	EA LATCH - REPAIR KIT (BLACK)	B801-CK
	098644-01-706	FT WEATHERSTRIP - GLASS	171-010668
	098644-01-708	FT CHANNEL - RUN PIERCED	122-016543
	098644-01-710	FT TRACK - SCREEN SPACER 12'	132-017135
	098644-01-711	FT WEATHERSTRIP - SCREEN BLACK	171-016965
	098644-01-713	EA CLIP - SPRING - METAL	226-016966
	098644-01-716	FT PLUG - FILLER	132-014470
	098644-01-717	FT SPLINE - SCREEN	132-004716

WINDOW, VENT & EXTERIOR DOOR GROUP (CONTINUED)

EXCEL CAB WINDOW - DRIVER SIDE - THERMOPANE

KEY	PART NUMBER	U/M DESCRIPTION	VENDOR NO.
	113501-03-01A	EA WINDOW - DRIVER CAB THERMO (2 WINDOW)-35.7" X 28.3" X 44.1"	
	103658-05-702	EA RETAINER - TRIM	H373-66 & 76L
	098644-01-711	FT WEATHERSTRIP - SCREEN BLACK	171-016965
	098644-01-713	EA CLIP - SPRING - METAL	226-016966
	098644-01-717	FT SPLINE - SCREEN	132-004716
	103658-09-705	EA SCREEN ASM - W/SEALS & CLIPS	410-018973LT/RT
	112795-01-700	EA LATCH ASM. - BLK. (BOLT ON)	DH287-CK
	112795-01-701	EA SLIDE-STOP	132-019092
	112795-01-703	IN CHANNEL - RUN (INCHES)	122-018736
	112795-01-704	FT PLUG FILLER (DOUBLE GLAZED)	122-018737
	112795-01-705	FT VINYL - GLAZING	132-025736
	112898-04-703	EA SASH LATCH KIT - RAISED	DH343-CK
	113501-03-700	EA WINDOW W/O TRIM	DH405-A2L
	113501-03-701	EA GLASS - STATIONARY	390-019397L
	113501-03-702	EA GLASS - SLIDING W/SASH & LATCH	DH405-A9L

EXCEL CAB WINDOW - PASSENGER SIDE - THERMOPANE

KEY	PART NUMBER	U/M DESCRIPTION	VENDOR NO.
	113501-04-01 A	EA WINDOW - PASSENGER - CAB THERMO (2 WINDOW) 35.7" X 28.3" X 44.1"	
	103658-05-700	EA RETAINER - TRIM	H373-66 & 76R
	098644-01-711	FT WEATHERSTRIP - SCREEN BLACK	171-016965
	098644-01-713	EA CLIP - SPRING - METAL	226-016966
	098644-01-717	FT SPLINE - SCREEN	132-004716
	103658-09-705	EA SCREEN ASM - W/SEALS & CLIPS	410-018973LT/RT
	112795-01-700	EA LATCH ASM. - BLK. (BOLT ON)	DH287-CK
	112795-01-701	EA SLIDE - STOP	132-019092
	112795-01-703	IN CHANNEL - RUN (INCHES)	122-018736
	112795-01-704	FT PLUG FILLER (DOUBLE GLAZED)	122-018737
	112795-01-705	FT VINYL - GLAZING	132-025736
	112898-04-703	EA SASH LATCH KIT - RAISED	DH343-CK
	113501-04-700	EA WINDOW W/O TRIM	DH405-A2R
	113501-04-701	EA GLASS - STATIONARY	390-019395R
	113501-04-702	EA GLASS - SLIDING W/SASH & LATCH	DH405-A9R

EXCEL DRIVERS DOOR WING WINDOW

KEY	PART NUMBER	U/M DESCRIPTION	VENDOR NO.
	106468-02-01A	EA WINDOW - DRIVER WING - TRIANGULAR	
	100322-01-703	FT VINYL - GLAZING - BUTYL	132-010723
	106468-02-701	EA RETAINER - TRIM	H383-27L
	106468-02-702	EA GLASS - STATIONARY	106-018740

EXCEL DRIVERS DOOR WING WINDOW - THERMOPANE

KEY	PART NUMBER	U/M DESCRIPTION	VENDOR NO.
	115999-02-01A	EA WINDOW - DRIVER WING - THERMOPANE - TRIANGULAR	
	115999-01-701	EA RETAINER - TRIM	H358-27L
	115999-02-700	EA RETAINER - TRIM RAIL REAR	H383-41L
	115999-03-701	EA GLASS - STATIONARY	390-019550
	116000-01-704	FT VINYL - GLAZING	132-018161

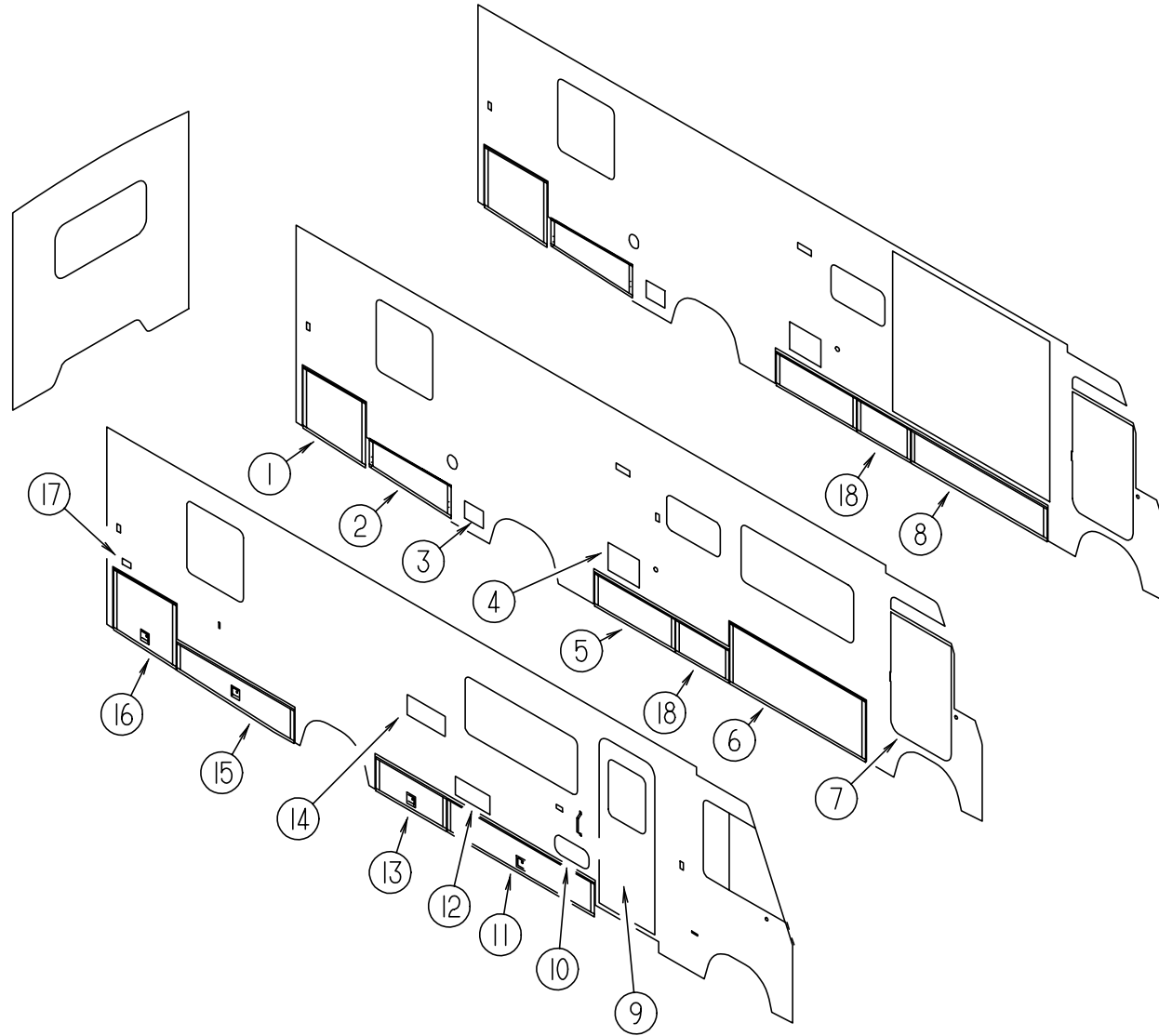
EXCEL DRIVERS DOOR VISTA WINDOW

KEY	PART NUMBER	U/M DESCRIPTION	VENDOR NO.
	106467-02-01A	EA WINDOW - DRIVER VISTA (ABOVE DR DOOR) 30.3" T X 33.5" B X 7.3" H	
	100322-01-703	FT VINYL - GLAZING - BUTYL	132-010723

EXCEL DRIVERS DOOR VISTA WINDOW - THERMOPANE

KEY	PART NUMBER	U/M DESCRIPTION	VENDOR NO.
	116000-05-01A	EA WINDOW - DRIVER VISTA - THERMO - 6.3" X 29.5" X 32.2"	
	116000-01-704	FT VINYL - GLAZING	132-018161
	116000-05-700	EA GLASS - STATIONARY	390-019688
	116000-04-701	EA RETAINER - TRIM RAIL TOP/REAR	H382-41L
	116000-04-702	EA RETAINER - TRIM RAIL FRONT	H382-42L
	116000-04-703	EA RETAINER - TRIM RAIL BOTTOM	H382-43L

WINDOW, VENT & EXTERIOR DOOR GROUP (CONTINUED)
EXTERIOR DOORS & PANEL

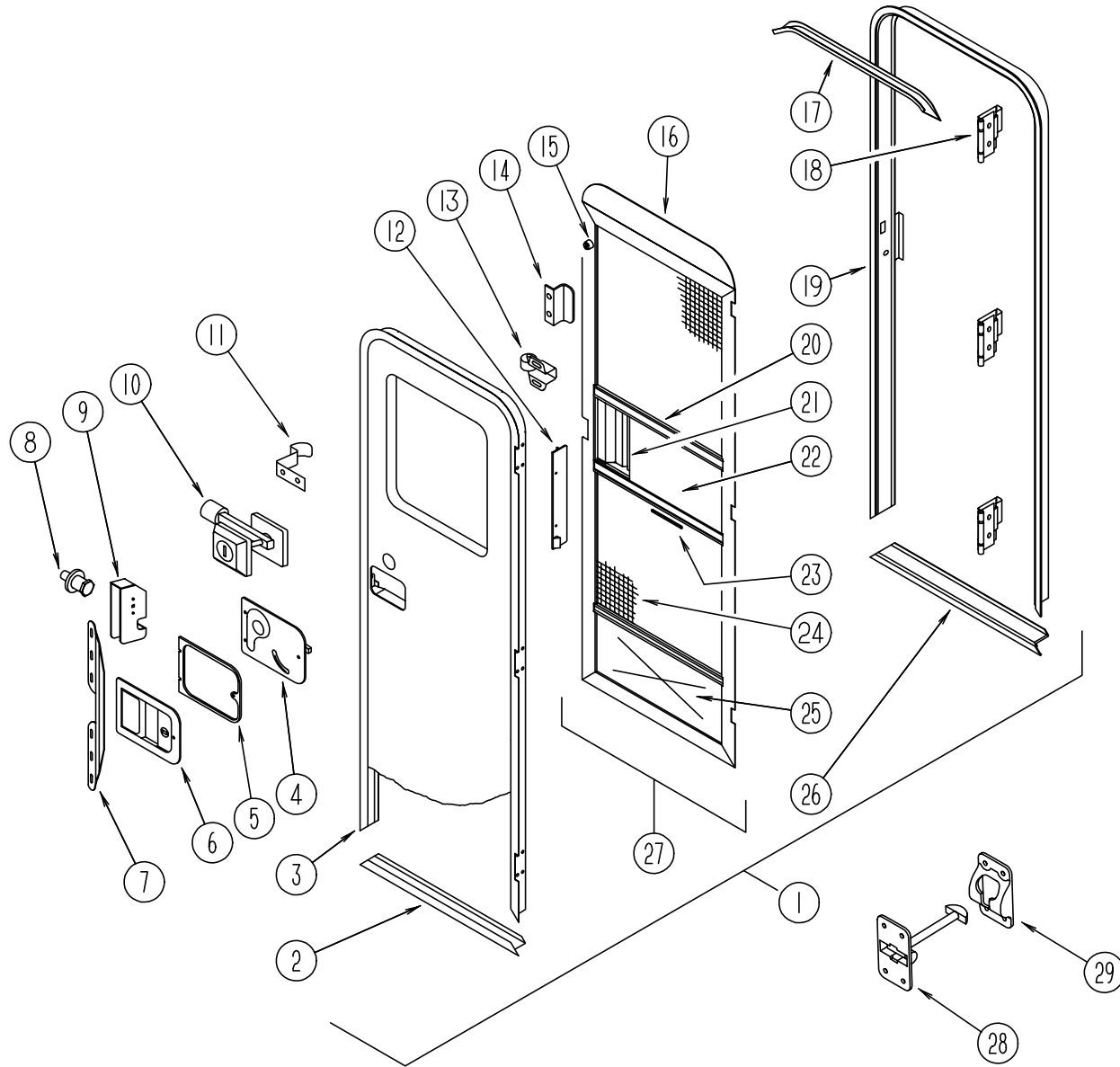


KEY	PART NUMBER	U/M DESCRIPTION
1	124245-06-H13	EA DOOR - STORAGE - W/O PADDLE LATCH - 34.1"
2	122391-20-H17	EA DOOR - STORAGE - W/O PADDLE LATCH - 43.7" (UMBRA TRIM)
2	122391-20-HA3	EA DOOR - STORAGE - W/O PADDLE LATCH - 43.7" (SILVER TRIM)
2	122391-20-H13	EA DOOR - STORAGE - W/O PADDLE LATCH - 43.7" (WHITE TRIM)
3	088794-06-000	EA DOOR - POWER CORD W/HATCH - BRIGHT WHITE - 9.2" X 11"
4	052009-06-000	EA DOOR - WATER HEATER - BRIGHT WHITE - 18" X 14.6"
4	116424-01-000	EA PROTECTOR - LATCH - WATER HEATER
5	122239-01-H17	EA DOOR - STORAGE - W/O PADDLE LATCH - 42.9" (UMBRA TRIM)
5	122239-01-HA3	EA DOOR - STORAGE - W/O PADDLE LATCH - 42.9" (SILVER TRIM)
5	122239-01-H13	EA DOOR - STORAGE - W/O PADDLE LATCH - 42.9" (WHITE TRIM)
6	124245-08-H13	EA DOOR - STORAGE - W/O PADDLE LATCH - 73.3"
7	106469-07-01A	EA DOOR - DRIVER - BLACK
8	122239-09-H17	EA DOOR - STORAGE - W/O PADDLE LATCH - 72.6" (UMBRA TRIM)
8	122239-09-HA3	EA DOOR - STORAGE - W/O PADDLE LATCH - 72.6" (SILVER TRIM)
8	122239-09-H13	EA DOOR - STORAGE - W/O PADDLE LATCH - 72.6" (WHITE TRIM)
9	115108-09-H33	EA DOOR - ENTRY - W/SCREEN DOOR - W/O WINDOW
9	115108-09-H34	EA DOOR - ENTRY - W/SCREEN DOOR - W/O WINDOW
9	115108-09-H35	EA DOOR - ENTRY - W/SCREEN DOOR - W/O WINDOW
10	111017-01-H23	EA DOOR - STORAGE - 8.1" X 17.8"
10	079775-D3-000	EA JAMB - DOOR - STORAGE
11	122239-10-H17	EA DOOR - STORAGE - W/O PADDLE LATCH - 77.5" (UMBRA TRIM)
11	122239-10-HA3	EA DOOR - STORAGE - W/O PADDLE LATCH - 77.5" (SILVER TRIM)
11	122239-10-H13	EA DOOR - STORAGE - W/O PADDLE LATCH - 77.5" (WHITE TRIM)
12	098668-23-000	EA DOOR - ACCESS - FURNACE
13	122239-31-H17	EA DOOR - STORAGE - W/O PADDLE LATCH - 36" (UMBRA TRIM)
13	122239-31-HA3	EA DOOR - STORAGE - W/O PADDLE LATCH - 36" (SILVER TRIM)
13	122239-31-H13	EA DOOR - STORAGE - W/O PADDLE LATCH - 36" (WHITE TRIM)
14	084103-08-000	EA DOOR - REFRIGERATOR - VENTED - W/O JAMB
14	084104-08-000	EA JAMB - REFRIGERATOR DOOR
14	084104-01-700	EA LOCK - MALE - FASTENER
14	084104-01-701	EA LOCK - FEMALE - FASTENER
15	122391-19-H17	EA DOOR - STORAGE - TAPERED - W/O PADDLE LATCH - 60.6" (UMBRA TRIM)
15	122391-19-HA3	EA DOOR - STORAGE - TAPERED - W/O PADDLE LATCH - 60.6" (SILVER TRIM)
15	122391-19-H13	EA DOOR - STORAGE - TAPERED - W/O PADDLE LATCH - 60.6" (WHITE TRIM)
16	124245-05-H13	EA DOOR - STORAGE - W/O PADDLE LATCH - 34.1"
17	081240-16-000	EA DOOR - WATER FILL - LOCKABLE W/O LOCK - 4" X 4 5/8"
18	122776-04-H17	EA PANEL - VALANCE - W/O HARDWARE (UMBRA TRIM)
18	122776-04-HA3	EA PANEL - VALANCE - W/O HARDWARE (SILVER TRIM)
18	122776-04-H13	EA PANEL - VALANCE - W/O HARDWARE (WHITE TRIM)

VENDOR NO.

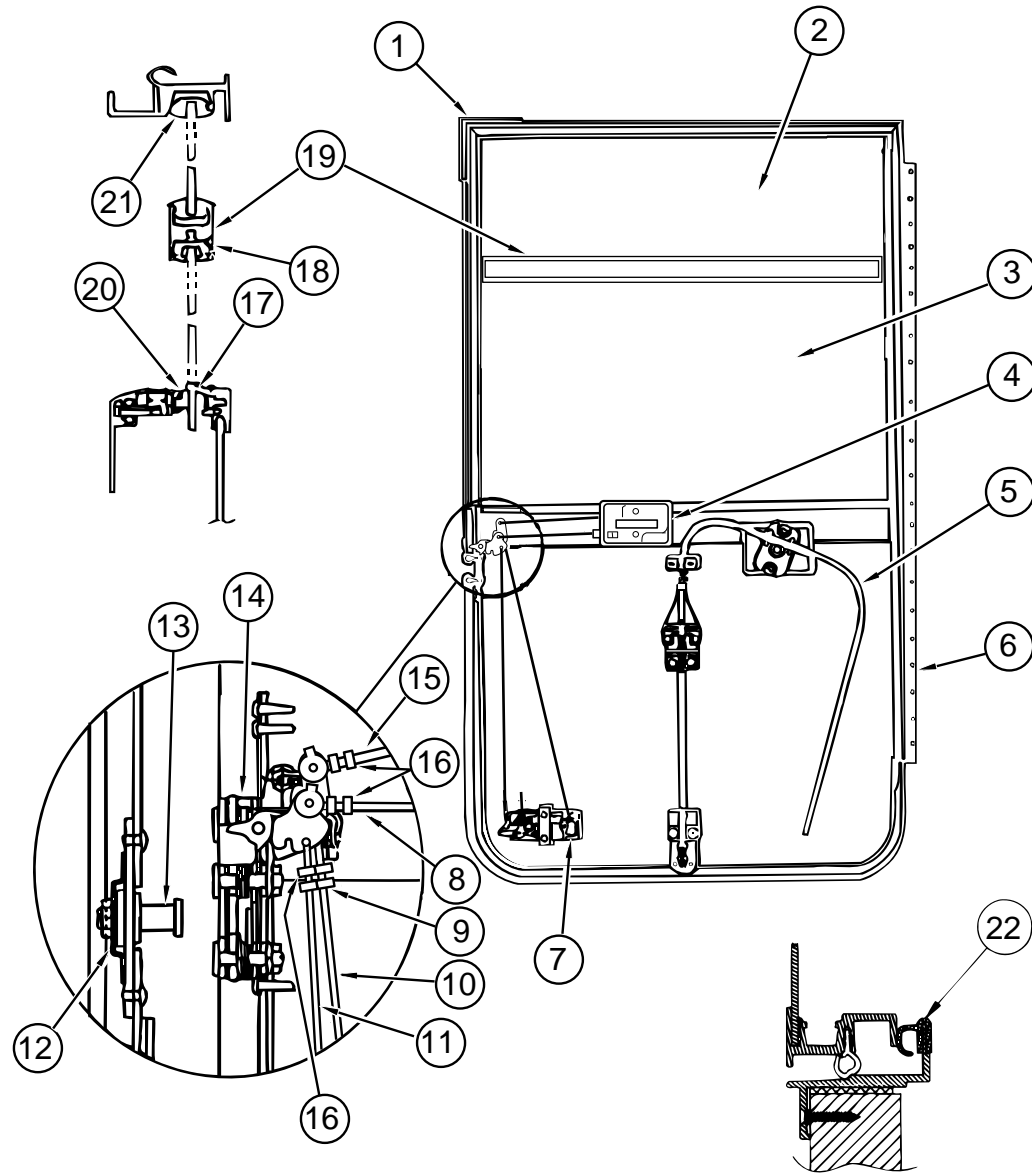
201-721-010
 201-802-010

WINDOW, VENT & EXTERIOR DOOR GROUP (CONTINUED)
ENTRANCE DOOR



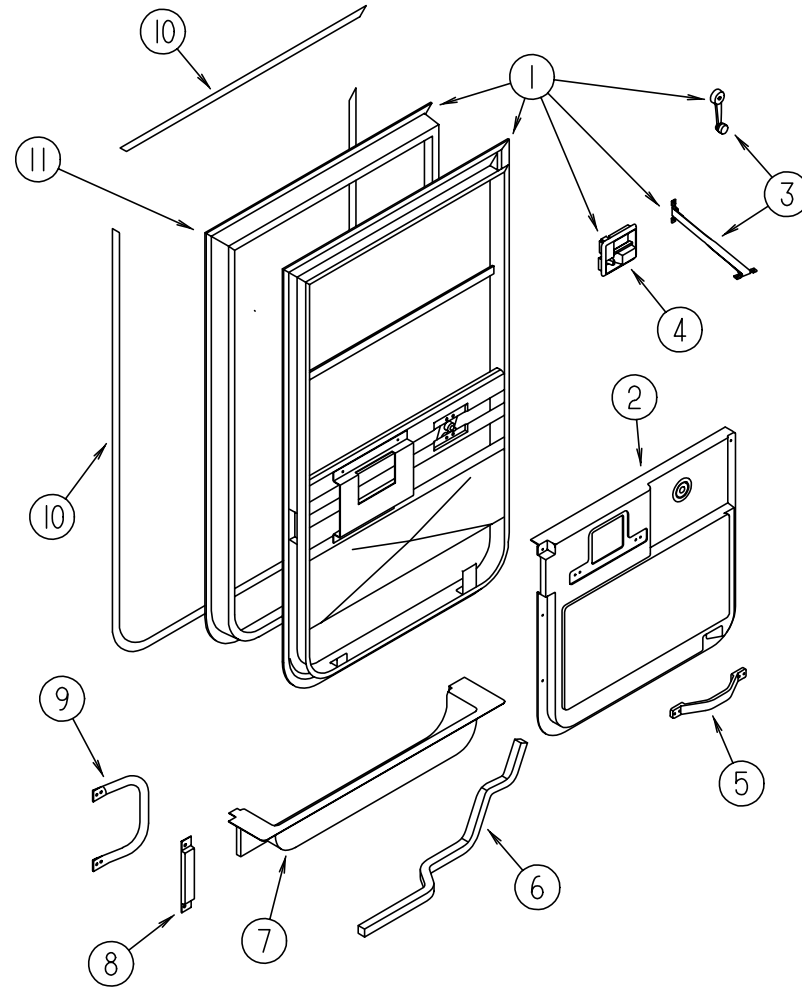
KEY	PART NUMBER	U/M	DESCRIPTION	VENDOR NO.
1	115108-09-H33	EA	DOOR - ENTRY - W/SCREEN DOOR - W/O WINDOW	
1	115108-09-H34	EA	DOOR - ENTRY - W/SCREEN DOOR - W/O WINDOW	
1	115108-09-H35	EA	DOOR - ENTRY - W/SCREEN DOOR - W/O WINDOW	
2	121893-03-02A	EA	FRAME - ENTRY DOOR - BOTTOM	
3	121894-10-01A	EA	FRAME - ENTRY DOOR	
4	039979-06-000	EA	COVER - LATCH PLATE - RIGHT HAND - BLACK TEXTURED	
	039984-01-000	EA	CAP-ROUND, VINYL - .28" ID X .62" LONG - BLACK	
5	096810-01-01A	EA	PLATE-LATCH, ENTRY DOOR - PLASTIC - BLACK	
	041546-07-000	EA	BRACKET-DOOR ANGLE, OFF WHITE - METAL	
6	045017-13-000	EA	LATCH - ENTRY DOOR - BLACK TEXTURED	
	045017-11-701	EA	KEY-BLANK - F1 SERIES	81312-02
	045017-11-703	EA	CYLINDER - LOCK ASM. W/KEYS	81266-09
	075671-04-000	FT	SEAL - SPONGE - LAZY T - W/ADHESIVE STRIP - .5" WIDE	
7	098173-01-07A	EA	STIFFENER - ENTRY DOOR - SUPPORTS LATCH/STRIKE AREA	
7	098173-01-04A	EA	STIFFENER - ENTRY DOOR - SUPPORTS LATCH/STRIKE AREA - UNPAINTED	
8	039539-01-000	EA	STRIKE - LOCK - ENTRY DOOR - ROUND W/THREADED WASHER	
	077461-03-000	EA	COVER - STRIKE - ENTRY DOOR - 6.5" X 2.5" - WHITE PLASTIC	
9	039540-01-000	EA	LATCH MECHANISM - HOOK - ENTRY DOOR - INTERIOR	
10	101145-01-06A	EA	DEADBOLT - ENTRY DOOR W/O SECURITY BOLT W/2 KEYS - BLACK TEXTURED	
	095229-01-700	EA	KEY-BLANK - DEADBOLT	81205-03
	101145-01-701	EA	CYLINDER-LOCK ASSEMBLY, W/KEY	81306-03
	101147-01-000	EA	BOLT-SECURITY, 4.12" BACKSET	
11	100412-01-000	EA	CATCH - SCREEN DOOR	
12	079087-03-000	EA	STRIKE-SLIDER, W/LIP FOR ELBOW CATCH - 1.5" X 8.6" - BRIGHT WHITE	
13	109403-01-000	EA	CATCH - SCREEN DOOR ROLLER	
14	050712-06-000	EA	HANDLE - SCREEN DOOR - BRIGHT WHITE	
15	120863-05-000	EA	BUMPER - RUBBER - SCREEN DOOR	
16	078595-03-000	EA	TOP PLATE - SCREEN DOOR - CURVED TOP	
17	044582-50-000	EA	CAP - DRIP - JAMB - BRIGHT WHITE	
18	106719-01-05A	EA	HINGE - ENTRANCE DOOR	
18	106719-01-01A	EA	HINGE - ENTRANCE DOOR - MILL	
	102248-01-000	EA	SHIM - DOOR	
	039715-01-000	EA	NUT-SERT - 1/4" DIAMETER - 20 THREADS	
	116111-02-01A	EA	SCREW - TAPTITE - 1/4-20 X 3/8 PPH - ZINC	
	118929-01-01A	FT	SEAL - PILE - PUSH ON	
	076725-02-000	EA	COVER-HINGE, ENTRY DOOR - 6" X 3.2" - PLASTIC - OFF WHITE	
19	121898-08-01A	EA	JAMB-ENTRY DOOR, W/BOTTOM - BRIGHT WHITE	
	115222-11-01A	EA	GARNISH - RADIUS - ENTRY DOOR - OFF WHITE	
20	078777-06-000	EA	CHANNEL - SLIDE - SCREEN DOOR CENTER SLIDER COVER	
21	079086-03-000	EA	SLIDER - SCREEN DOOR - BRIGHT WHITE	
22	016454-15-000	EA	INSERT - CENTER - LEATHER GRAIN ALUMINUM - UNPAINTED	
22	001014-01-013	EA	INSERT - CENTER - 10.25" X 16.31" - UNPAINTED	
23	002294-01-000	FT	SPLINE-SCREENING, .135" X .138" - BLACK	
24	002293-02-000	SF	SCREENING-WINDOW/DOOR, 26" - CHARCOAL	
25	078552-09-000	EA	KICK PANEL - SCREEN DOOR - LOWER INSERT - UNPAINTED	
26	051049-05-000	EA	JAMB - BOTTOM - ENTRY DOOR - 25.9" - UNPAINTED	
27	121899-04-H13	EA	DOOR - SCREEN - W/O HARDWARE	
	075673-01-000	FT	SEAL - PILE - ADHESIVE BACK - GRAY	
	075673-05-000	FT	SEAL - PILE - ADHESIVE BACK - BLACK	
	086285-05-000	EA	SPACER - NYLON - .7" X .56"	
	122241-01-01A	EA	BUMPER-FOAM RUBBER W/ADHESIVE BACK, 12.7 MM X 12.7 MM X 6.4 MM - BLACK	
28	104099-01-04A	EA	CATCH - DOOR HOLDER - STRIKE - BRIGHT WHITE	
29	104099-02-04A	EA	CATCH - DOOR HOLDER - RETAINER - BRIGHT WHITE	
	009126-03-000	EA	HANDLE - ASSIST - BLACK TEXTURED	
	100128-02-000	FT	SEAL-FOAM, ADHESIVE BACK - .37" W X .37" THICK	

WINDOW, VENT & EXTERIOR DOOR GROUP (CONTINUED)
EXCEL DRIVERS DOOR



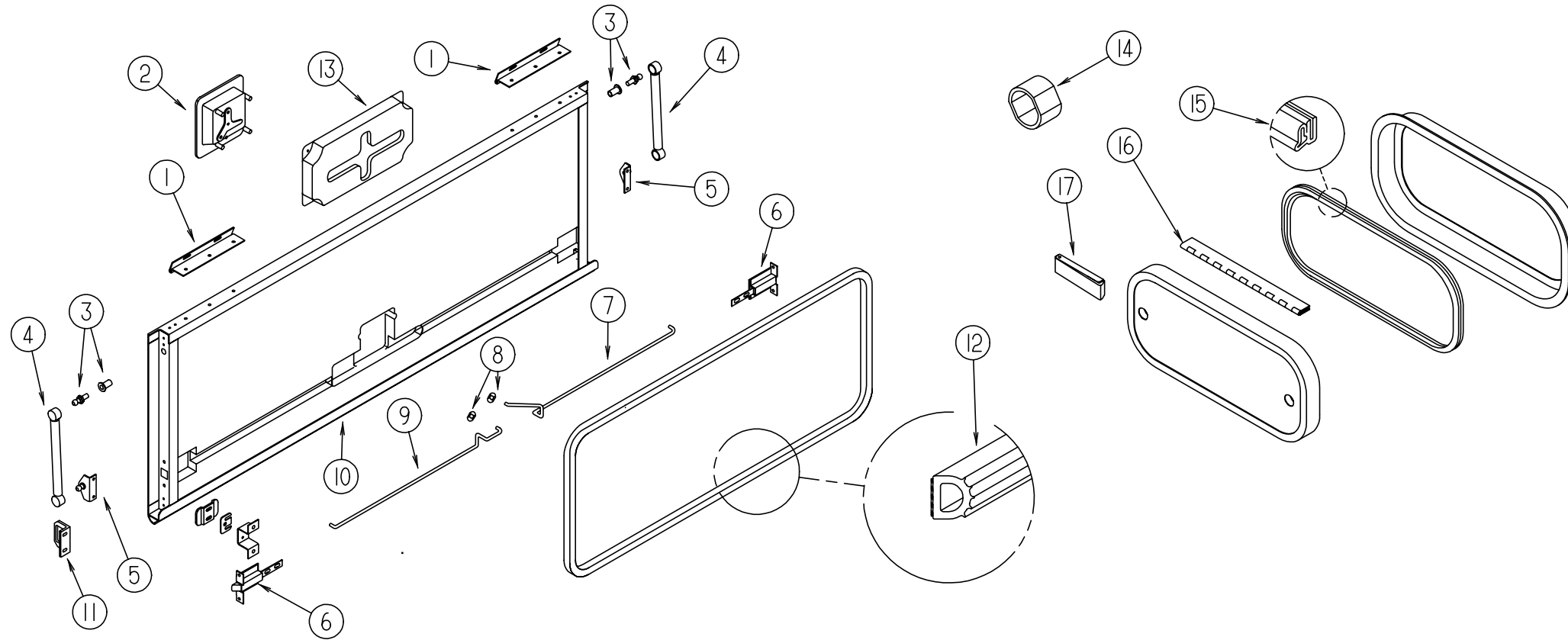
KEY	PART NUMBER	U/M	DESCRIPTION	VENDOR NO.
1	106469-01-702	EA	SEAL-DOOR, (FRAME) EA=1	122-040984
2	106469-02-702	EA	GLASS-STATIONARY, HORIZONTAL	106-041104
3	106469-01-704	EA	GLASS ASSEMBLY-ROLL-UP W/BRACKET	V103-65L
4	106469-04-712	EA	HARDWARE-INNER HANDLE, LH	248-041402
5	106469-02-701	EA	REGULATOR ASSEMBLY	V108-90L
6	106469-05-702	EA	HINGE - 42"	211-041194
7	106469-04-700	EA	PADDLE ASSEMBLY W/COLLAR	248-041237
	106469-04-701	EA	TUMBLER & KEYS, TRI-MARK	248-041179
	106469-04-715	EA	LATCH COMPLETE W/TUMBLER & KEYS	V123-15
	045017-11-701	EA	KEY-BLANK, TRIMARK	81312-02
8	106469-04-711	EA	ROD-LOCK, HORIZONTAL	203-041137
9	106469-04-713	EA	ROD-CLIP, LH	248-041154
10	106469-05-703	EA	LATCH ROD, VERTICAL ADJUSTMENT	203-041239
11	106469-05-705	EA	ROD-LOCK, VERTICAL ADJUSTMENT	203-041279
12	106469-04-704	EA	NUT ASSEMBLY-CAGED W/STRIKER	248-041151
13	106469-04-703	EA	BOLT-STRIKER, W/WASHER	248-041152
14	106469-05-706	EA	LATCH-ROTARY, W/LINKAGE	248-041150
15	106469-04-705	EA	ROD-LATCH, HORIZONTAL	203-041139
16	106469-04-714	EA	ROD-CLIP, RH	248-041153
17	106469-02-703	EA	BELT-WEATHERSTRIP, EXTERIOR - ROLL-UP GLASS	V047-57
18	106469-01-705	FT	CHANNEL-RUN, SLIDING	122-010850
19	106469-01-719	EA	MULLION RAIL	V103-84
20	106469-01-709	FT	WEATHERSTRIP-FUZZY	171-040630
21	106469-02-705	EA	GLAZING-VINYL, HORIZONTAL - 6.3317"	V108-87
22	106469-01-723	EA	SEAL ASSEMBLY-BULB, DRIVERS DOOR JAMB - PREFORMED	171-040985
	106469-02-704	EA	PARTS BAG-WINDOW HANDLE MISCELLANEOUS	V068-16
	106469-07-700	EA	FRAME MOUNTING ASSEMBLY	V130-30L

WINDOW, VENT & EXTERIOR DOOR GROUP (CONTINUED)
EXCEL DRIVERS DOOR



KEY	PART NUMBER	U/M	DESCRIPTION	VENDOR NO.
1	106469-07-01A	EA	DOOR - DRIVER - BLACK	
2	114973-01-02A	EA	PANEL-DRIVERS DOOR, INNER - WILLOW - PLASTIC	
3	106469-02-704	EA	PARTS BAG (WINDOW HANDLE & CHECK STRAP)	V068-16
4	106469-04-712	EA	INNER HANDLE HARDWARE - LEFT HAND	248-041148
5	110604-01-01A	EA	HANDLE-ASSIST, DRIVERS DOOR - 10.8" LONG - BLACK	
6	063977-11-000	EA	STEP - DRIVER DOOR - LEFT - UNPAINTED	
7	107818-01-01A	EA	TRIM - STEP - DRIVERS DOOR	
			FROM: 00-00-00 THRU: 01-14-97	
7	126069-03-01A	EA	TRIM - STEP - DRIVER	
			FROM: 01-15-97 THRU: 99-99-99	
	102569-02-000	EA	MAT-ANTISLIP, 4" X 22" - LOWER	
8	108654-01-01A	EA	COVER-STRIKE, DRIVERS DOOR - BLACK	
9	108832-01-02A	EA	HANDLE - ASSIST - DRIVER DOOR - METAL - OFF WHITE	
	108833-01-01A	EA	COVER - HANDLE - ASSIST - OFF WHITE	
10	109235-01-01A	FT	COVER - SCREW - MAT BLACK	
11	106469-07-700	EA	MOUNTING FRAME ASM.	V130-30L
	108129-02-02A	EA	GARNISH - DRIVERS DOOR - FRONT - BLACK	
	108107-01-02A	EA	GARNISH - DRIVERS DOOR - TOP - BLACK	
	108108-04-02A	EA	GARNISH - DRIVERS DOOR - REAR UPPER - BLACK	
	108897-02-01A	EA	GARNISH - DRIVERS DOOR - REAR LOWER - BLACK	
	P01713-01-000	EA	SWITCH - PUSH BUTTON - IN DOOR JAMB - METAL CHROME	
	076725-06-000	EA	COVER - ACCESS - DOOR JAMB PUSH BUTTON - BLACK	
	109235-01-05A	FT	COVER-SCREW, BRIGHT WHITE	
	106746-01-000	EA	PANEL-STEPWELL, 789 MM LONG - STEEL	
	106747-01-000	EA	PANEL-STEPWELL, RH END - STEEL	
	106747-02-000	EA	PANEL-STEPWELL, LH END - STEEL	
	107868-01-000	EA	ANGLE-SUPPORT, DOOR - 38 MM X 38 MM X 19 MM - E-COAT - STEEL	

WINDOW, VENT & EXTERIOR DOOR GROUP (CONTINUED)
EXTERIOR ACCESS DOOR COMPONENTS

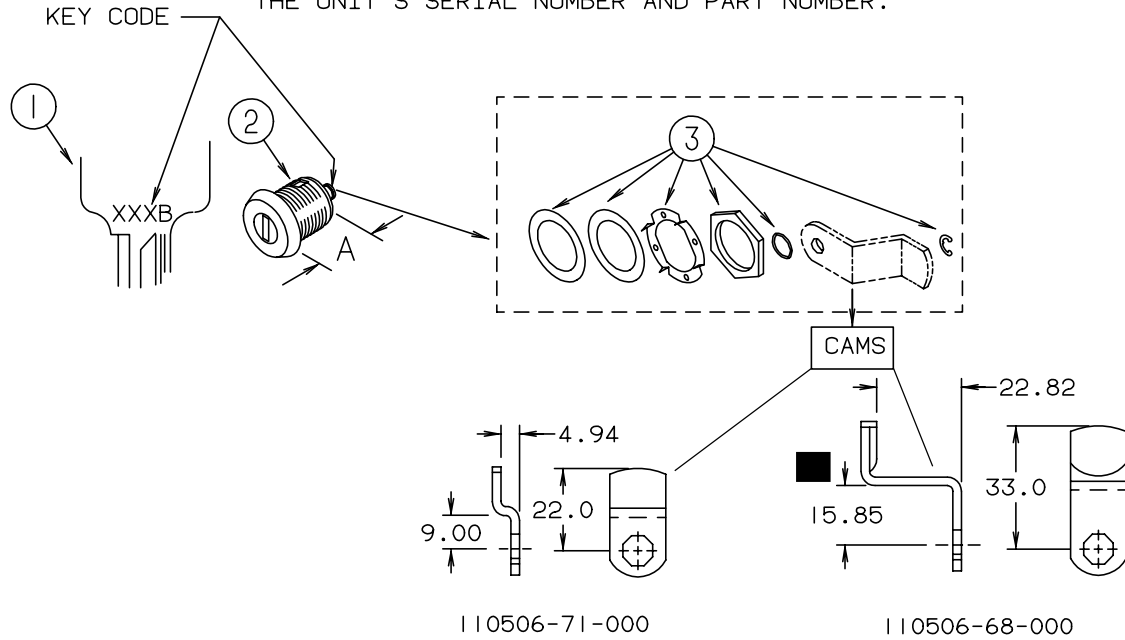


KEY	PART NUMBER	U/M	DESCRIPTION
1	121755-01-04A	EA	HINGE - 6" LONG
2	112949-01-04A	EA	LATCH-PADDLE W/LOCK, BLACK - EXTERIOR PAINT OPTION
2	112949-01-03A	EA	LATCH-PADDLE W/LOCK, BRIGHT WHITE
2	112949-02-05A	EA	LATCH-PADDLE W/O LOCK, BLACK - EXTERIOR PAINT OPTION
2	112949-02-04A	EA	LATCH-PADDLE W/O LOCK, BRIGHT WHITE
	112949-03-000	EA	KEY-PADDLE LATCH W/LOCK - TRI-MARK #TM500
3	057460-08-000	EA	BALL STUD - 10 MM BALL, 5/16-18
4	107796-08-000	EA	SPRING-GAS, 11" COMPRESSED/17" EXTENDED - 60 LB
4	107796-11-000	EA	SPRING-GAS, 11" COMPRESSED/17" EXTENDED - 90 LB
4	107796-18-000	EA	SPRING-GAS, 7" COMPRESSED/10" EXTENDED - 80 LB
4	107796-20-000	EA	SPRING-GAS, 7" COMPRESSED/10" EXTENDED - 60 LB
4	107796-27-000	EA	SPRING-GAS, 8.5" COMPRESSED/12" EXTENDED - 90 LB
5	107796-19-000	EA	BRACKET-GAS SPRING, SMALL - BLACK
6	121947-01-01A	EA	BOLT-SLIDE, LATCH - STEEL
7	122269-16-000	EA	ROD - LATCH - 8.96" LONG (CLIPPED TO UPPER PIN ON PADDLE LATCH)
7	122269-01-000	EA	ROD - LATCH - 13.71" LONG (CLIPPED TO UPPER PIN ON PADDLE LATCH)
7	122269-10-000	EA	ROD - LATCH - 31.03" LONG (CLIPPED TO UPPER PIN ON PADDLE LATCH)
7	122269-08-000	EA	ROD - LATCH - 28.5" LONG (CLIPPED TO UPPER PIN ON PADDLE LATCH)
7	122269-39-000	EA	ROD - LATCH - 10.31" LONG (CLIPPED TO UPPER PIN ON PADDLE LATCH)
7	122269-40-000	EA	ROD - LATCH - 22.58" LONG (CLIPPED TO UPPER PIN ON PADDLE LATCH)
7	122269-41-000	EA	ROD - LATCH - 14.19" LONG (CLIPPED TO UPPER PIN ON PADDLE LATCH)
8	124304-01-000	EA	CLIP-ROUND, PUSH ON

KEY	PART NUMBER	U/M	DESCRIPTION
9	122268-16-000	EA	ROD - LATCH - 8.96" LONG (CLIPPED TO LOWER PIN ON PADDLE LATCH)
9	122268-01-000	EA	ROD - LATCH - 13.71" LONG (CLIPPED TO LOWER PIN ON PADDLE LATCH)
9	122268-10-000	EA	ROD - LATCH - 31.03" LONG (CLIPPED TO LOWER PIN ON PADDLE LATCH)
9	122268-08-000	EA	ROD - LATCH - 28.5" LONG (CLIPPED TO LOWER PIN ON PADDLE LATCH)
9	122268-39-000	EA	ROD - LATCH - 10.31" LONG (CLIPPED TO LOWER PIN ON PADDLE LATCH)
9	122268-40-000	EA	ROD - LATCH - 22.58" LONG (CLIPPED TO LOWER PIN ON PADDLE LATCH)
9	122268-41-000	EA	ROD - LATCH - 14.19" LONG (CLIPPED TO LOWER PIN ON PADDLE LATCH)
10	122613-55-001	EA	EXTRUDED - ROCKER PANEL - 192" - BRIGHT WHITE
10	122613-55-003	EA	EXTRUDED - ROCKER PANEL - 192" - UMBRA BROWN
10	122613-55-006	EA	EXTRUDED - ROCKER PANEL - 192" - SILVER
11	123783-01-01A	EA	STRIKER-DOOR, SLIDE LATCH - MILL
12	107721-04-000	FT	SEAL - ACCESS DOOR
			FROM: 00-00-00 THRU: 03-11-97
12	107721-07-000	FT	SEAL - ACCESS DOOR
			FROM: 03-12-97 THRU: 99-99-99
13	122277-02-01A	EA	COVER-LATCH, PLASTIC - BLACK
14	107997-51-001	EA	SPACER - DOOR LOCK - .6" DEEP
	107997-51-002	EA	EXTRUDED SPACER - 16'
15	064075-07-000	FT	SEAL-BULB, W/ WIRED U CHANNEL - .3" X .5" CHANNEL - BLACK
16	081801-V3-000	EA	HINGE-DOOR, PIANO - 2" X 96", BRIGHT WHITE - ALUMINUM
17	102768-01-000	EA	HOLDER-COMPARTMENT/ ENTRY DOOR, METAL - MILL FINISH
	068559-01-001	FT	EXTRUSION-ANGLE, 1" X .9" X 192" - MILL ALUMINUM
	104692-01-000	FT	SEAL - 3/4" X 3/4", ADHESIVE BACK FOAM SEAL
	112160-01-000	FT	SEAL-D SECTION, 6 X 10 - FOAM RUBBER - BLACK - LAUREN 1153

WINDOW, VENT & EXTERIOR DOOR GROUP (CONTINUED)
BRIGGS & STRATTON LOCKS & COMPONENTS

NOTE:
 WHEN ORDERING THE LOCK CASE, THE KEY CODE MUST MATCH THE LAST DIGIT OF THE UNIT'S SERIAL NUMBER AND PART NUMBER; WHEN ORDERING THE KEYS, THE THIRD DIGIT OF THE KEY CODE MUST MATCH THE LAST DIGIT OF THE UNIT'S SERIAL NUMBER AND PART NUMBER.



KEY	PART NUMBER	U/M DESCRIPTION	VENDOR NO.
1	110506-59-000	EA KEYS-SET OF 2	596720
2	110506-52-000	EA CASE-LOCK, A=17 MM	702370
2	110506-53-000	EA CASE-LOCK, A=25 MM	702380
1	110506-59-001	EA KEYS-SET OF 2	596721
2	110506-52-001	EA CASE-LOCK, A=17 MM	702371
2	110506-53-001	EA CASE-LOCK, A=25 MM	702381
1	110506-59-002	EA KEYS-SET OF 2	596722
2	110506-52-002	EA CASE-LOCK, A=17 MM	702372
2	110506-53-002	EA CASE-LOCK, A=25 MM	702382
1	110506-59-003	EA KEYS-SET OF 2	596723
2	110506-52-003	EA CASE-LOCK, A=17 MM	702373
2	110506-53-003	EA CASE-LOCK, A=25 MM	702383
1	110506-59-004	EA KEYS-SET OF 2	596724
2	110506-52-004	EA CASE-LOCK, A=17 MM	702374
2	110506-53-004	EA CASE-LOCK, A=25 MM	702384
1	110506-59-005	EA KEYS-SET OF 2	596725
2	110506-52-005	EA CASE-LOCK, A=17 MM	702375
2	110506-53-005	EA CASE-LOCK, A=25 MM	702385
1	110506-59-006	EA KEYS-SET OF 2	596726
2	110506-52-006	EA CASE-LOCK, A=17 MM	702376
2	110506-53-006	EA CASE-LOCK, A=25 MM	702386
1	110506-59-007	EA KEYS-SET OF 2	596727
2	110506-52-007	EA CASE-LOCK, A=17 MM	702377
2	110506-53-007	EA CASE-LOCK, A=25 MM	702387
1	110506-59-008	EA KEYS-SET OF 2	596728
2	110506-52-008	EA CASE-LOCK, A=17 MM	702378
2	110506-53-008	EA CASE-LOCK, A=25 MM	702388
1	110506-59-009	EA KEYS-SET OF 2	596729
2	110506-52-009	EA CASE-LOCK, A=17 MM	702379
2	110506-53-009	EA CASE-LOCK, A=25 MM	702389
3	110506-40-700	EA HARDWARE KIT-LOCK, W/GASKET, NUT, CLIP & WASHERS	
	110506-59-701	EA KEY BLANK	

WINDOW, VENT & EXTERIOR DOOR GROUP (CONTINUED)
ELIXIR ROOF VENT - NONPOWERED

KEY	PART NUMBER	U/M DESCRIPTION	VENDOR NO.
	122882-01-01A	EA VENT-ROOF, NONPOWERED	
	009440-01-000	EA GEAR/ARM - LIFT - ROOF VENT COVER - 705221K38	
	064470-01-700	EA COVER-VENT, W/O (SLIDE BAR)	J7291
	064470-01-701	EA SLIDE BAR, (VENT-LID)	JRP1291B
	122882-01-700	EA HANDLE-CRANK, BLACK	90128
	122882-01-701	EA SCREEN	JRP-1124-B
	122882-07-01A	EA GARNISH-ROOF VENT, 63.5 - 104.6 - POWERED OR NONPOWERED	

ELIXIR ROOF VENT - POWERED

KEY	PART NUMBER	U/M DESCRIPTION	VENDOR NO.
	122882-02-01A	EA VENT-ROOF, POWERED	
	009440-01-000	EA GEAR/ARM - LIFT - ROOF VENT COVER - 705221K38	
	048648-01-000	EA MOTOR-ROOF VENT, 1/8 SHAFT - 12V - JENSEN	
	048649-01-000	EA FAN-ROOF VENT, 6 BLADES - 6" - JENSEN	
	064470-01-700	EA COVER-VENT, W/O (SLIDE BAR)	J7291
	064470-01-701	EA SLIDE BAR, (VENT-LID)	JRP1291B
	110051-03-700	EA SWITCH-BLACK/PUSH BUTTON	27-0164
	122882-01-700	EA HANDLE-CRANK, BLACK	90128
	122882-01-701	EA SCREEN	JRP-1124-B
	122882-07-01A	EA GARNISH-ROOF VENT, 63.5 - 104.6 - POWERED OR NONPOWERED	

ELIXIR ROOF VENT - POWERED - CANADIAN

KEY	PART NUMBER	U/M DESCRIPTION	VENDOR NO.
	122882-03-01A	EA VENT-ROOF, POWERED - CANADIAN	
	009440-01-000	EA GEAR/ARM - LIFT - ROOF VENT COVER - 705221K38	
	048648-01-000	EA MOTOR-ROOF VENT, 1/8 SHAFT - 12V - JENSEN	
	048649-01-000	EA FAN-ROOF VENT, 6 BLADES - 6" - JENSEN	
	064470-01-700	EA COVER-VENT, W/O (SLIDE BAR)	J7291
	064470-01-701	EA SLIDE BAR, (VENT-LID)	JRP1291B
	110051-03-700	EA SWITCH-BLACK/PUSH BUTTON	27-0164
	122882-01-700	EA HANDLE-CRANK, BLACK	90128
	122882-01-701	EA SCREEN	JRP-1124-B
	122882-07-01A	EA GARNISH-ROOF VENT, 63.5 - 104.6 - POWERED OR NONPOWERED	

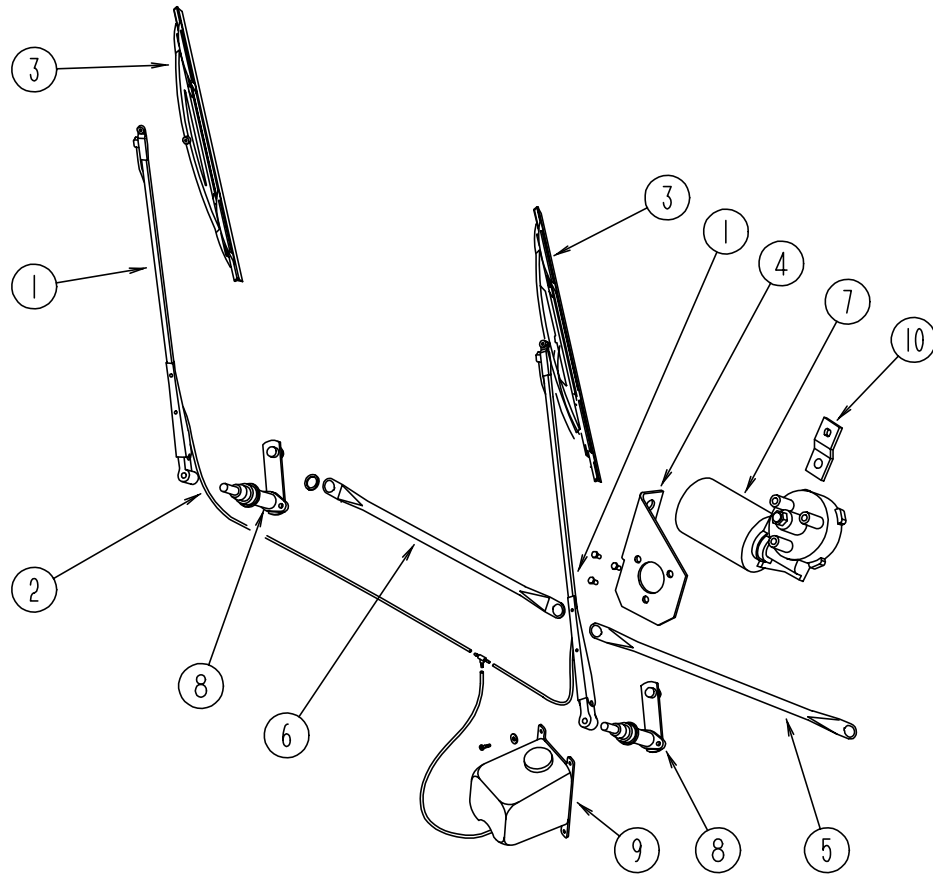
ROOF VENTS

KEY	PART NUMBER	U/M DESCRIPTION
	083558-03-000	EA VENT - PLUMBING - PIPE ROOF - W/COVER - OFF WHITE
	084073-04-000	EA BASE - ROOF VENT - REFRIGERATOR
	084073-07-000	EA VENT - ROOF - REFRIGERATOR - BRIGHT WHITE

SIDEWALL VENTS

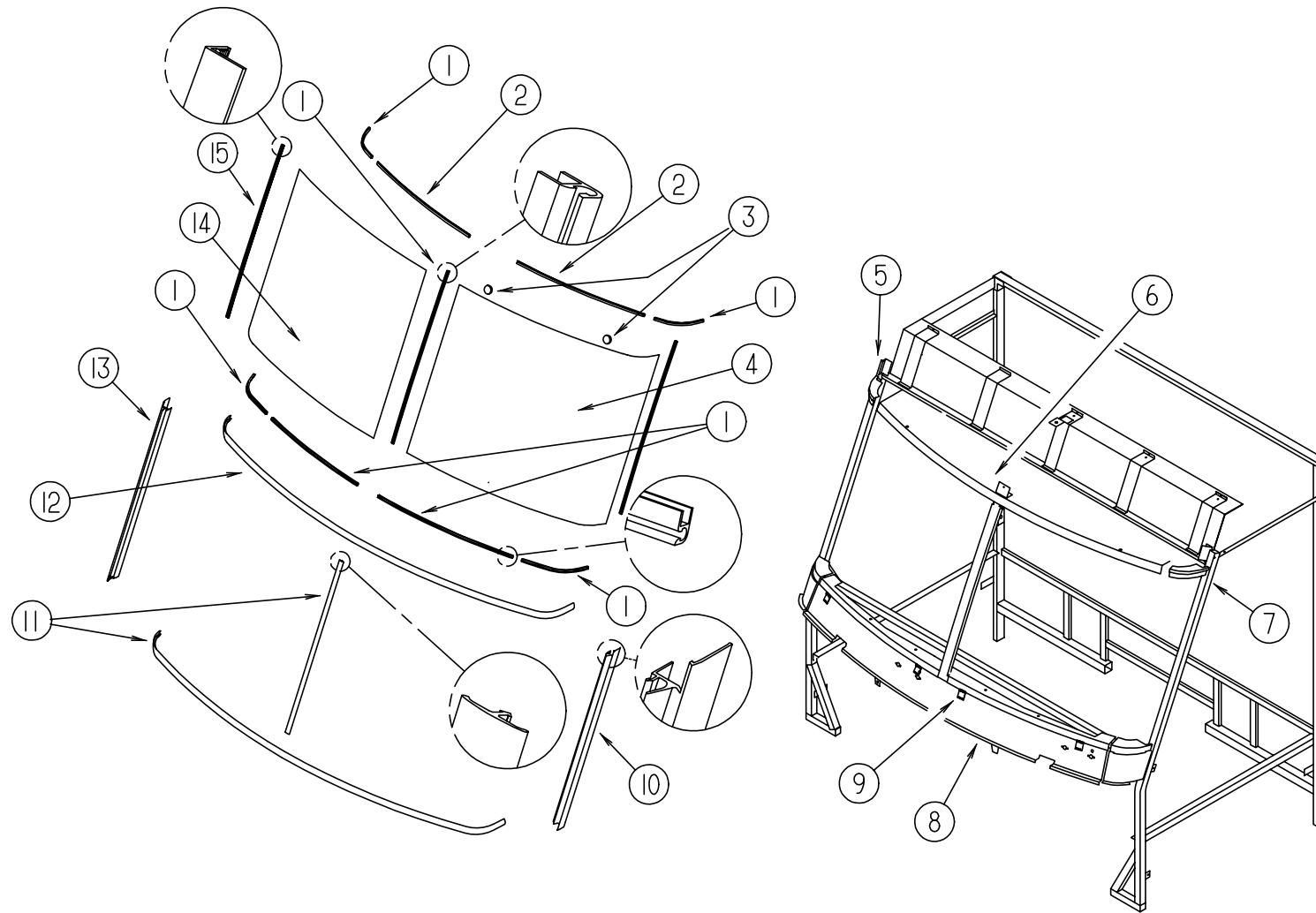
KEY	PART NUMBER	U/M DESCRIPTION
	084616-07-000	EA VENT - SHROUD - RANGE HOOD - BRIGHT WHITE
	084878-09-000	EA VENT - HOOD - RANGE/SHORT - OFF WHITE

WINDSHIELD & WIPER GROUP
WIPER & WASHER COMPONENTS



KEY	PART NUMBER	U/M	DESCRIPTION	VENDOR NO.
1	103671-01-000	EA	ARM-WIPER, PANTOGRAPH - 24"	
	096931-01-700	FT	HOSE-WIPER, TO BLADE	
	096931-01-701	EA	NOZZLE-HARDWARE KIT, INCLUDES NOZZLE, NUT, SHORT THREAD SCREW, LONG THREAD SCREW, AND PLASTIC CAP	
2	045794-01-000	FT	HOSE-WASHER, WINDSHIELD - 5/32" ID - BLACK	
3	095964-01-000	EA	BLADE-WIPER, 24"	
4	104549-01-000	EA	BRACKET ASSEMBLY-WIPER MOTOR	
5	117008-01-000	EA	LINK ASM - CONNECTING - DRIVERS SIDE	
6	117008-02-000	EA	LINK ASM - CONNECTING - PASSENGERS SIDE	
7	104346-05-000	EA	MOTOR-WIPER, FORD CHASSIS	
7	104346-04-000	EA	MOTOR-WIPER, CHEVY CHASSIS - UT 65714M02025WJ	
	117322-01-000	EA	SCREW - 1/4-28 UNF-2A, TORX - U.T. 6270020 SC25WJ	
8	096505-05-000	EA	PIVOT & SHAFT ASM-WIPER, PASSENGER WINDSHIELD	
8	096505-06-000	EA	PIVOT & SHAFT ASM-WIPER, DRIVER WINDSHIELD	
	096505-02-700	EA	DRIVER-KNURLED,(HD) BARREL .687	NT721017
	096505-02-701	EA	NUT-HEX (HD) W/.687 BARREL	NT721021
	096505-02-702	EA	CAP-RUBBER (HD) BARREL .687	CP721084
	096505-02-703	EA	CAP-NUT(ACORN) HD W/.687 BRL	51065-40-NT27WC
9	117766-02-000	EA	WASHER-WINDSHIELD, BOTTLE & PUMP - MCCORD 600328	
	110605-01-000	EA	TEE-BARBED, 1/8 X 1/8 X 3/16 - BAYLOCK 3799721	
	110934-01-000	EA	CONNECTOR-BARB, 5/16" - PLASTIC - KEVCO TC 7055	
	117765-03-000	EA	CONNECTOR - 5/32 W/SWSH - ITT H-BAYLOCK 116756	
10	104347-01-000	EA	ARM-DRIVE, WIPER MOTOR - 1.54"	
	061603-01-000	EA	GROMMET-SNAP, 3/16 ID - 3/8 HOLE - PLASTIC - BLACK	
	067188-01-000	EA	STUD-CRANK, WIPER	
	110742-01-000	EA	GASKET-WIPER	
	077298-55-003	EA	EXTR-TUBE, 0007 MM - BLACK	

WINDSHIELD & WIPER GROUP (CONTINUED)
WINDSHIELD MOLDINGS & GLASS



KEY	PART NUMBER	U/M	DESCRIPTION
1	110268-01-000	EA	CARRIER - REVEAL - 50.4" - WINDSHIELD
2	117335-09-000	EA	CARRIER - REVEAL - 42.2" - WINDSHIELD
3	081914-01-000	EA	BUMPER - RUBBER - ROUND - .43" DIAMETER - BLACK
4	088793-04-000	EA	WINDSHIELD-DRIVER, 49.5" X 38.5"
5	077922-03-000	EA	HEADER-WINDSHIELD/END, PASSENGER SIDE
6	077922-05-000	EA	HEADER-WINDSHIELD, CENTER
7	077922-04-000	EA	HEADER-WINDSHIELD/END, DRIVER SIDE
8	077847-02-000	EA	SUPPORT-WINDSHIELD, LOWER - W/O BRACKETS
9	104449-01-000	EA	SUPPORT - WINDSHIELD ONLY NEEDED IF BROKEN OFF WINDSHIELD FRAME ASSEMBLY
10	103107-02-01A	EA	TRIM-WINDSHIELD, DRIVER SIDE - BLACK
11	102936-01-000	FT	MOLDING-REVEAL, WINDSHIELD
12	120533-01-000	FT	MOLDING-REVEAL, WINDSHIELD - UPPER
13	103107-01-01A	EA	TRIM - WINDSHIELD - PASSENGER SIDE - BLACK
14	088793-03-000	EA	WINDSHIELD-PASSENGER, 49.5" X 38.5"
15	098788-06-000	EA	CHANNEL - 49" PVC, DRIVER OR PASSENGER SIDE
	002328-02-000	EA	BLOCK-WINDSHIELD, .062" X .5" X .98"
	123244-01-000	FT	TAPE-DOUBLE COATED FOAM, .80" THICK X .75" WIDE