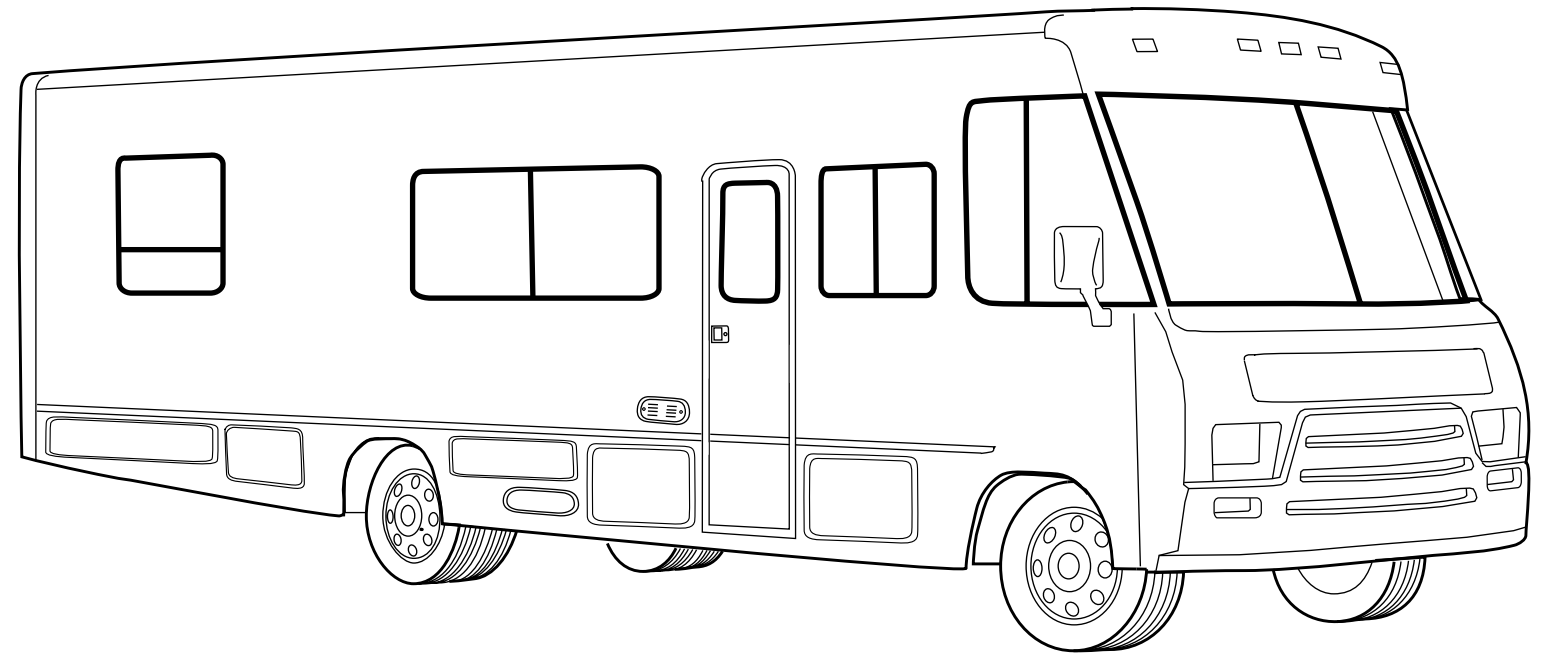
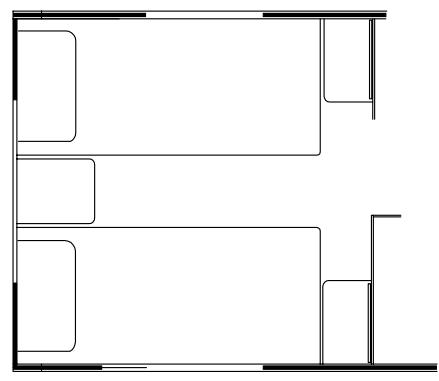


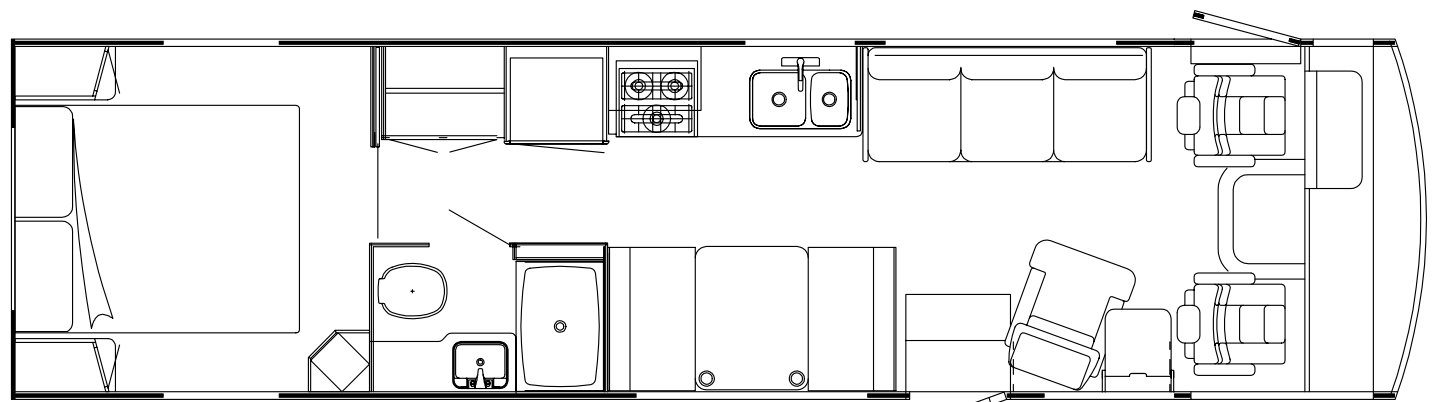
**1997
ICF32RQ**



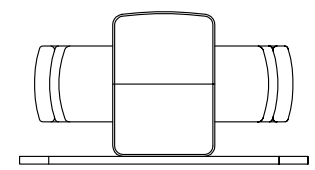
**H33
BLUELAGOON(BLUE)**



**H34
KRYPTONITE(TAN)**



**H35
SEQUOIA(SAGE)**



**ACCESSORIESGROUP
OPERATORMANUAL**

KEY	PARTNUMBER	U/M DESCRIPTION
	054185-F8-000	EA MANUAL-OPERATOR,1997SUNRISE
	092318-01-000	EA BINDER-3RING,MOTORHOMEMANUAL
	092319-01-000	EA POCKETPAGE-3RINGBINDER,PLASTIC
	121518-01-000	DW TOPLEVELDRAWING-F,1997

**AUDIOVIDEOGROUP
PATIENTENTERTAINMENTCENTER**

KEY	PARTNUMBER	U/M DESCRIPTION
	076319-09-000	EA WALLPLATE-CABLERECEPTACLE,TV-SINGLE-BROWN
	077069-02-000	EA CABLE-ANTENNA/EXTENSION-RADIO-96"
	082134-01-000	EA ADAPTER-TV,CABLETOCABLE
	086756-01-000	EA SPLITTER-TV,2WAY
	087683-03-000	EA RADIO-AM/FMSTEREOCASSETTE-AUDIOVOX
	108847-01-000	EA BRACKET-ANTENNAGROUND
	109889-04-000	EA EXTENDER-ANTENNASHAFT-3"
	110469-01-000	EA SPEAKER-4"X6"OVAL-COAXIAL
	110470-01-01A	EA GRILLE-4"X6"OVAL-BLACK

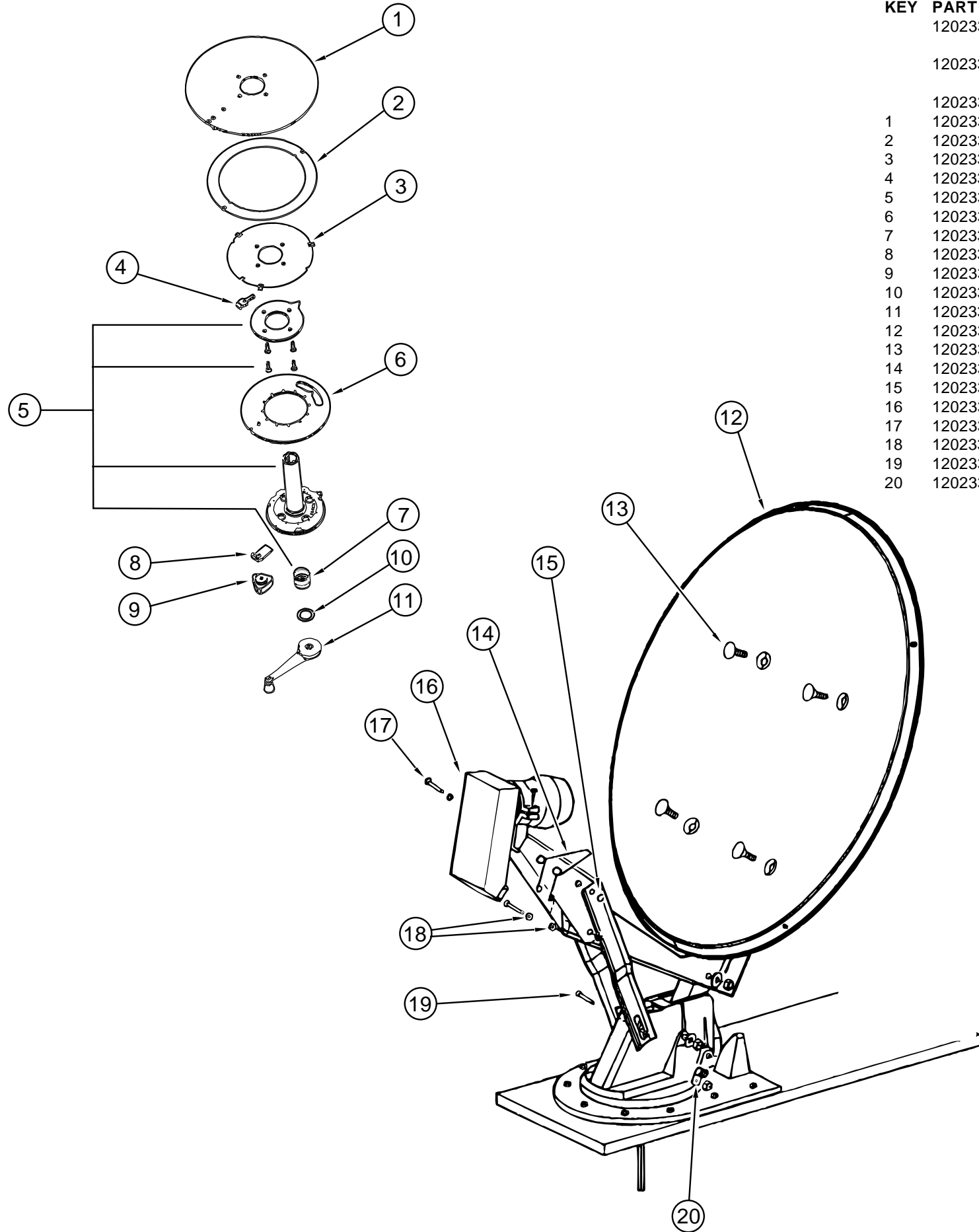
RADIOSYSTEMS&ANTENNA

KEY	PARTNUMBER	U/M DESCRIPTION	VENDORNO.
	116148-03-000	EA RADIO-AM/FMSTEREO/CDPLAYER-CLARION	FROM: 00-00-00 THRU: 08-13-96
	116148-04-000	EA RADIO-AM/FMSTEREO/CDPLAYER-CLARION	FROM: 08-14-96 THRU: 99-99-99
	110267-03-000	EA RADIO-AM/FMSTEREO-CDCOMPATIBLE-AUDIOVOX	FROM: 00-00-00 THRU: 08-13-96
	110267-04-000	EA RADIO-AM/FMSTEREO-CDCOMPATIBLE-AUDIOVOX	FROM: 08-14-96 THRU: 99-99-99
	097460-08-000	EA RADIO-AM/FMSTEREO/CASSETTE-SONY-W.I.E.EXPORTOPTION	FROM: 00-00-00 THRU: 05-12-97
	127264-01-000	EA RADIO-AM/FMSTEREO/CASSETTE-PANASONIC-W.I.E.EXPORTOPTION	FROM: 05-13-97 THRU: 99-99-99
	127264-01-700	EA TRIMRING	YFC054C044ZB
	127264-01-701	EA KNOB-VOLUME	YFE074C045ZA
	127264-01-702	EA KNOB-FADER	YEFE074C026
	127264-01-703	EA FACTORYHARNES	YAJ024C048ZB
	077069-02-000	EA CABLE-ANTENNA/EXTENSION-RADIO-96"	FROM: 05-13-97 THRU: 99-99-99
	090944-01-000	EA ANTENNA-RADIO,16"RUBBER	
	089340-02-000	EA GRILLE-SPEAKER,6.5"SQUARE	
	089340-03-000	EA SPACER-GRILLE,6.5"SQUARE-TAN	
	094097-01-000	EA SPEAKER-RADIO/TV-W/OGRILLE-5.25"DIAMETER	
	110469-01-000	EA SPEAKER-4"X6"OVAL-COAXIAL	
	110470-01-01A	EA GRILLE-4"X6"OVAL-BLACK	

CBANTENNA

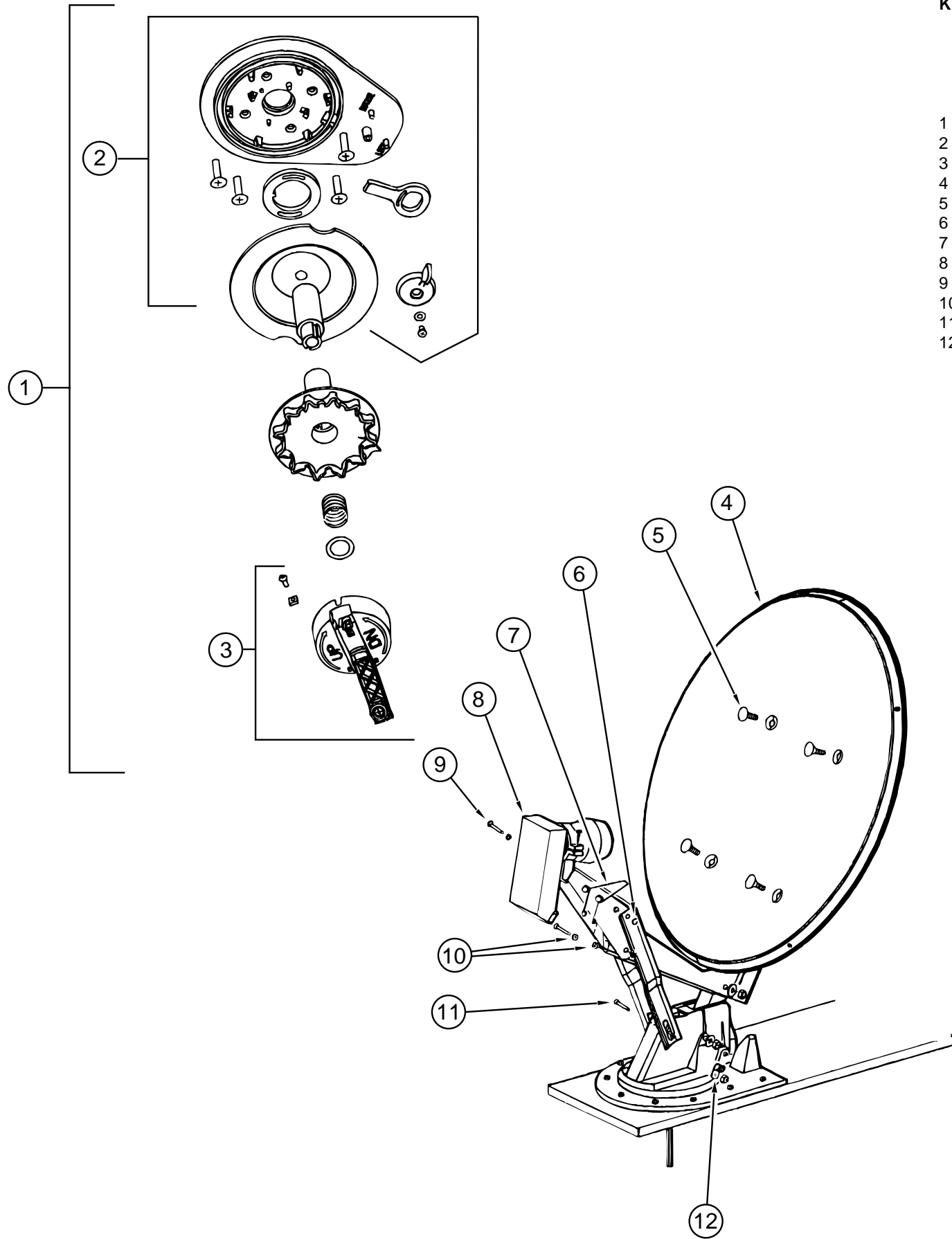
KEY	PARTNUMBER	U/M DESCRIPTION
	123256-01-000	EA ANTENNA-CBW/OCABLE
	123256-02-000	EA CABLE-CBCOAX

AUDIOVIDEOGROUP(CONTINUED)
WINEGARDSATELLITEANTENNA-OLDSTYLE



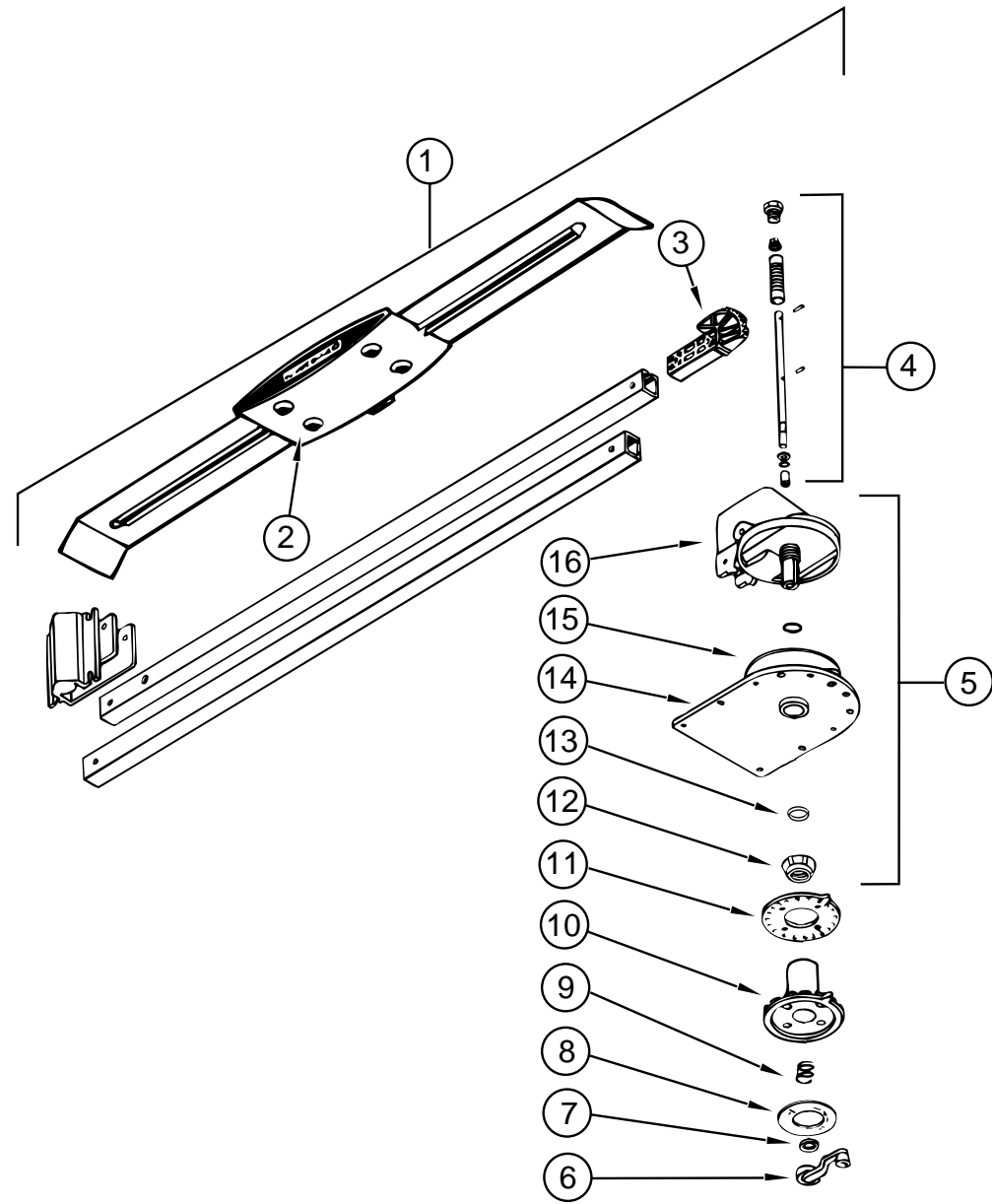
KEY	PARTNUMBER	U/M	DESCRIPTION	VENDOR NO.
	120233-02-000	EA	RECEIVER ONLY-SATELLITE ANTENNA-RC-1000	
				FROM: 00-00-00 THRU: 01-26-97
	120233-02-700	EA	REMOTE	RC-0012
				FROM: 00-00-00 THRU: 01-26-97
	120233-01-000	EA	ANTENNA-SATELLITE W/O RECEIVER-(DISH&HARDWARE KIT)-MANUAL	
1	120233-01-700	EA	PLATE-FIXED	3750821
2	120233-01-701	EA	DIAL-DIRECTIONAL	2745056
3	120233-01-702	EA	PIVOT-DIAL-DIRECTIONAL	2745058
4	120233-01-703	EA	STOP-ROTATION	3711281
5	120233-01-704	EA	PLATE-CEILING W/DIRECTIONAL HANDLE	RP-6300
6	120233-01-705	EA	PLATE-ROTATE	3750820
7	120233-01-706	EA	SPRING	RP-6822
8	120233-01-707	EA	CLAMP-ROTATE	3711280
9	120233-01-708	EA	KNOB-CLAMP	2200061
10	120233-01-709	EA	WASHER-NYLON	RP-2658
11	120233-01-710	EA	HANDLE-CRANK	RP-6795
12	120233-01-711	EA	REFLECTOR-46CM	2745304
13	120233-01-712	EA	BOLT-FLATHEAD	2160253
14	120233-01-713	EA	SPRING	2160820
15	120233-01-714	EA	CLIP-E	5160818
16	120233-01-715	EA	LOW NOISE BLOCK FILTER(LNBF)	2780177
17	120233-01-716	EA	PIN	2160814
18	120233-01-717	EA	BEARING-NYLON	2200726
19	120233-01-718	EA	PIN	5160817
20	120233-01-719	EA	CLAMP-CABLE	2200060

AUDIOVIDEOGROUP(CONTINUED)
WINEGARDSATELLITEANTENNA-NEWSTYLE



KEY	PARTNUMBER	U/M	DESCRIPTION	VENDOR NO.
	120233-02-000	EA	RECEIVER ONLY-SATELLITE ANTENNA-RC-1000	
				FROM: 00-00-00 THRU: 01-26-97
	120233-02-700	EA	REMOTE	RC-0012
				FROM: 00-00-00 THRU: 01-26-97
	120233-01-000	EA	ANTENNA-SATELLITE W/O RECEIVER-(DISH&HARDWAREKIT)-MANUAL	
1	120233-01-720	EA	CEILING PLATE ASM (RETROFIT)	RP-4100
2	120233-01-722	EA	PLATE ASSEMBLY (CEILING)	2762826
3	120233-01-721	EA	CRANK HANDLE ASSEMBLY	2762825
4	120233-01-711	EA	REFLECTOR -46CM	2745304
5	120233-01-712	EA	BOLT-FLATHEAD	2160253
6	120233-01-714	EA	CLIP-E	5160818
7	120233-01-713	EA	SPRING	2160820
8	120233-01-715	EA	LOW NOISE BLOCK FILTER (LNBF)	2780177
9	120233-01-716	EA	PIN	2160814
10	120233-01-717	EA	BEARING-NYLON	2200726
11	120233-01-718	EA	PIN	5160817
12	120233-01-719	EA	CLAMP-CABLE	2200060

AUDIOVIDEOGROUP(CONTINUED)
WINEGARDTVANTENNA

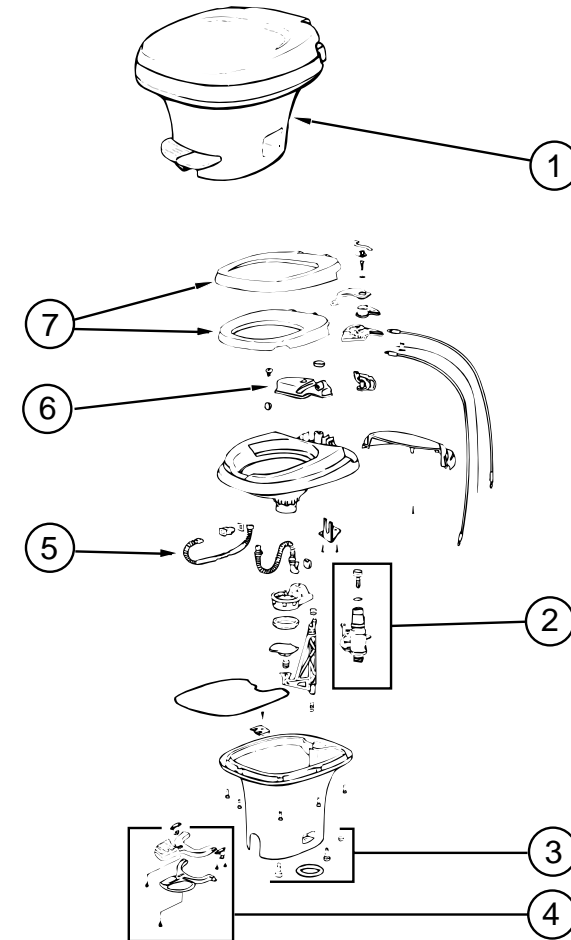


KEY	PARTNUMBER	U/M	DESCRIPTION	VENDORNO.
1	076319-21-000	EA	ANTENNA-TV, ROOFMOUNT-3"ROOF	
2	076319-01-700	EA	HEAD-ANTENNA, AMPLIFIED	RVSAU/V
3	076319-01-701	EA	GEAR-ELEVATING, PLASTIC	2200046
4	076319-01-702	EA	SHAFTASM-ELEVATING	RVP-400A
5	076319-01-711	EA	BASE & LIFT ASM	2762802
6	076319-01-706	EA	CRANK-ELEVATING, W/SETSCREW	2750897
7	076319-01-705	EA	GROMMET-NYLON, 7/8"ID	3200658
8	076319-01-708	EA	DECAL-CRANK	5413002
9	076319-01-707	EA	SPRING-HANDLE	5160822
10	076319-01-709	EA	PLATE-DIRECTIONAL, FORHEAD	3200621
11	076319-01-712	EA	PLATE-CEILING, DIRECTIONAL	3200608
12	076319-01-715	EA	NUT (GEARHOUSING)	2200047
13	076319-01-704	EA	BEARING-NYLON, 1.25"OD	3200657
14	076319-01-713	EA	PLATE-BASE, STEEL	3100523
15	076319-01-703	EA	BEARING-NYLON, 5"OD	3200656
16	076319-01-714	EA	HOUSING, ROTATING GEAR	2200049

AUDIOVIDEOGROUP(CONTINUED)
TV,VCR&COMPONENTS

KEY	PARTNUMBER	U/M DESCRIPTION	VENDORNO.
	113684-02-000	EA TV-19"COLORUL/CSA-1/8"JACK-AUDIOVOXAVT-1980	
	113684-02-700	EA REMOTEFORAUDIOVOXAVT-1980TV	0892355
	119120-02-000	EA VCR-VHS,CABLEREADYW/REMOTE-AUDIOVOXAVR-1170	
		FROM: 00-00-00 THRU: 02-16-97	
	119120-02-700	EA REMOTEFORAUDIOVOXAVR-1170VCR	0994569
		FROM: 00-00-00 THRU: 02-16-97	
	119120-03-000	EA VCR-VHS-CABLEREADY-REMOTE-AUDIOVOXAVR-1108	
		FROM: 02-17-97 THRU: 99-99-99	
	119120-03-700	EA REMOTEFORAUDIOVOXAVR-1108VCR	0994571
		FROM: 02-17-97 THRU: 99-99-99	
	086757-03-000	EA CONTROLCENTER-SWITCH,VCR/TV	
	086777-05-000	EA PLATE-WALL,ANTENNA-1OUTPUT-IVORY	
	093214-01-02A	EA GRILLE-SPEAKER,4"BROWN	
	098819-01-000	EA SPEAKER-2WATT,8OHM-4"	
	076319-09-000	EA WALLPLATE-CABLERECEPTACLE,TV-SINGLE-BROWN	
	076319-08-000	EA WALLPLATE-CABLERECEPTACLE,TV-SINGLE-IVORY	
	086777-01-000	EA WALLPLATE-TVCABLE,W/ANTENNASWITCH-IVORY	
	093901-03-000	EA PLATE-COAXIALCABLE,64MMX45MM-STEEL-E-COAT	
	076319-12-000	EA CONNECTOR-COAXIAL,ONEPIECE	
	082134-01-000	EA ADAPTER-TV,CABLETOCABLE	
	086756-01-000	EA SPLITTER-TV,2WAY	
	076319-03-000	FT CABLE-COAXIAL,75OHM	
	082136-01-000	EA NUT-HEXJAM-3/8-32	
	076319-06-000	EA ADAPTER-CABLEROOFPLATE	
	114870-02-000	EA PLUG-.14"AUDIOW/LEADS	

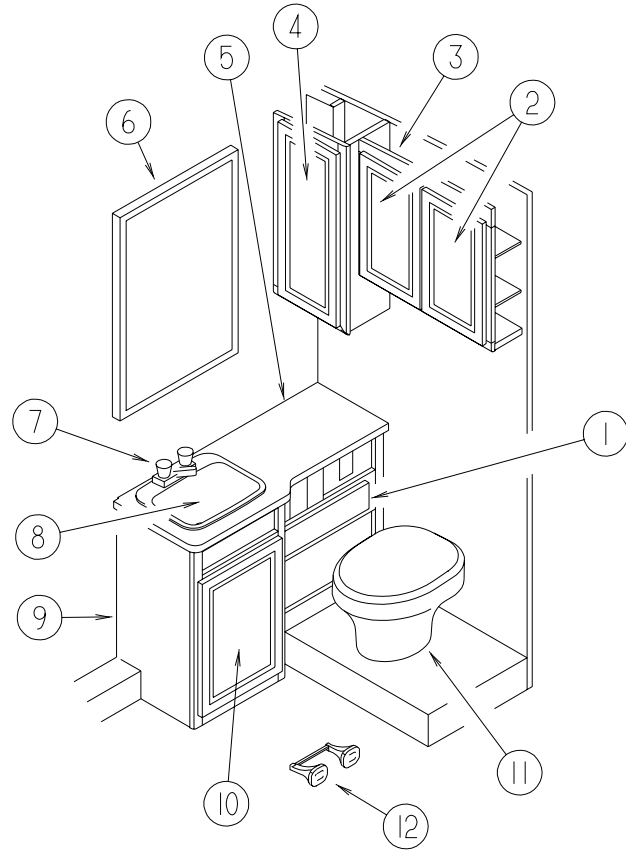
BATHGROUP



AQUAMAGICIV-LOW-FOOTFLUSHTOILET

KEY	PARTNUMBER	U/M DESCRIPTION	VENDORNO.
1	067487-02-000	EA TOILET-12.37"-IVORY-FOOTFLUSH	
2	063740-01-714	EA VALVEASM(VALVE-BALLSEAL)	13168
3	063740-01-706	EA BOLTPACKAGE-FLOORFLANGE	12524
4	067487-02-701	EA PEDALPKG.(FOOTFLUSH)	20821
5	063740-01-717	EA TUBE-FLUSH	12509
6	063740-02-701	EA RESERVOIR(TANKASM.)	24630
7	063740-02-700	EA SEAT&COVER,PARCHMENT	2464157

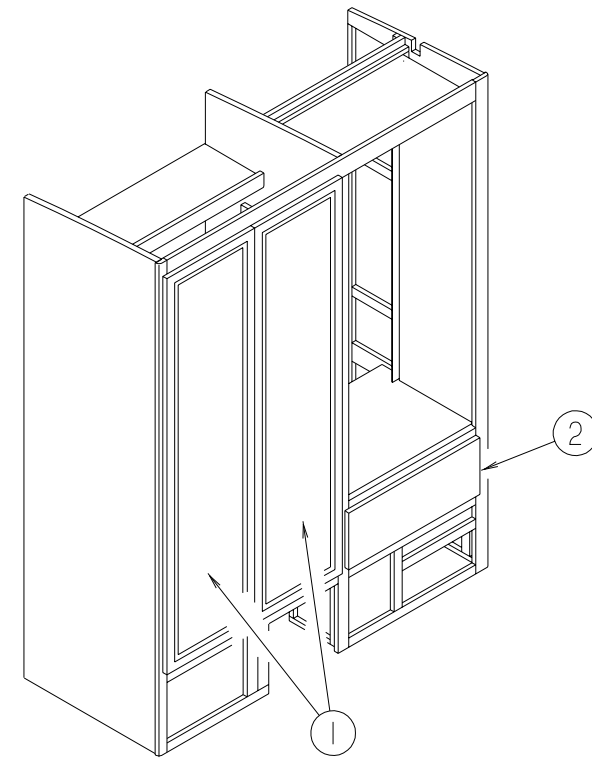
BATHGROUP(CONTINUED)



BATHROOMCABINET&COMPONENTS

KEY	PARTNUMBER	U/M	DESCRIPTION	VENDORNO.
1	M05971-X7-H33	EA	DRAWER-OGEEEDGE-14.4"WX11.8"D-W/OSLIDES/HARDWARE	
2	M06803-06-G09	EA	DOOR-MIRROR/MTRDCRNR/OGEEEDGE-11.2"X19.6"-W/OHDW	
3	111978-01-G35	EA	CABINETASM-LINEN	
	076767-04-000	EA	CABLE-SUPPORT-5.9"STAINLESSSTEEL	
4	M06803-36-H33	EA	DOOR-MITEREDCORNER/OGEEEDGE-10.8"X28"-W/OHDW	
5	121208-11-G45	EA	COUNTERTOP-LAVATORY(H33)	
5	121208-11-G46	EA	COUNTERTOP-LAVATORY(H34/H35)	
6	058331-08-000	EA	MIRROR-SAFETYGLASS-24"X30"	
7	075240-06-000	EA	FAUCET-LAVATORY/BONE	
	091253-01-000	EA	GASKET-FAUCET-LAVATORY/GALLEY	
8	096927-01-01A	EA	SINK-LAVATORY-RECTANGULAR-PLASTIC/BONE	
	096927-01-700	EA	SINKSTOPPER	M9801
	096927-01-701	EA	TAILPIECE-DRAIN-LAVATORY	M9802
9	121208-01-H33	EA	CABINET-LAVATORY-W/ODOORS/DRAWERS/HARDWARE	
9	121208-01-H34	EA	CABINET-LAVATORY-W/ODOORS/DRAWERS/HARDWARE	
9	121208-01-H35	EA	CABINET-LAVATORY-W/ODOORS/DRAWERS/HARDWARE	
10	M06803-R3-H33	EA	DOOR-MITEREDCORNER/OGEEEDGE-14.9"X21.4"-W/OHDW	
11	067487-02-000	EA	TOILET-12.37"-IVORY-FOOTFLUSH	
12	075452-02-000	EA	HOLDER-TOILETTISSUE-BRASS	
	075453-02-000	EA	BAR-TOWEL-18"BRASS	
	075454-02-000	EA	RING-TOWEL-W/MOUNTINGHARDWARE-BRASS	

BATHGROUP(CONTINUED)



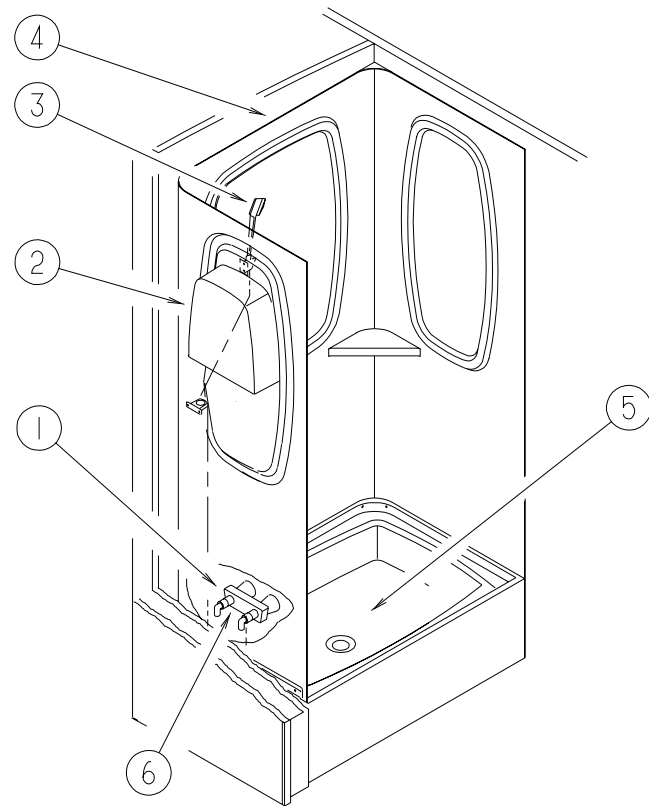
WARDROBECABINET&COMPONENTS

KEY	PARTNUMBER	U/M	DESCRIPTION
1	M06803-11-G09	EA	DOOR-MIRROR/MTRDCRNR/OGEEEDGE-16"X65"-W/OHDW
2	M05971-BF-H33	EA	DRAWER-OGEEEDGE-22.5"WX19.7"D-W/OSLIDES/HARDWARE

BATHROOMDOOR&COMPONENTS

KEY	PARTNUMBER	U/M	DESCRIPTION
	121449-22-H17	EA	DOOR-BATH-W/OHARDWARE
	094485-03-01A	EA	KNOB-BRASS
	009059-02-000	EA	HINGE-DOOR-2"X2.7"-BRASS
	121449-12-G04	EA	RACK-TOWEL-BATHDOOR
	100357-01-000	EA	ROD-F/TOWELBAR-BRASS

BATHGROUP(CONTINUED)



SHOWER&COMPONENTS

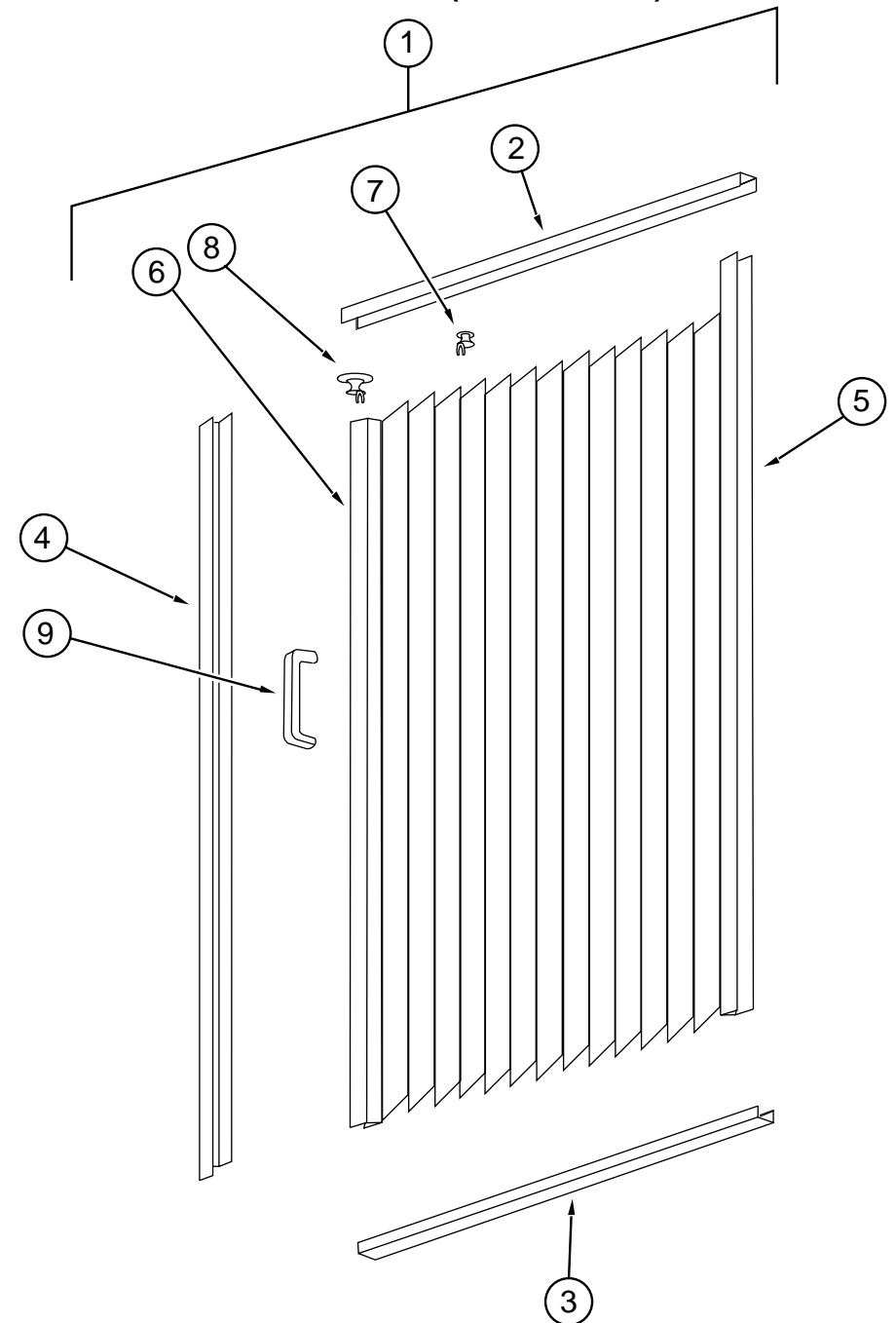
KEY	PARTNUMBER	U/M	DESCRIPTION	VENDOR NO.
1	079563-04-01A	EA	FAUCET-SHOWER1/2MPTX11/4LONGINLETPIPE	
2	104462-01-01A	EA	CADDY-SHOWER-OFFWHITE	
3	103092-01-000	EA	SHOWERHEAD-W/60"HOSE-WHITE	
3	103092-02-000	EA	SHOWERHEAD-W/60"HOSE-CSA	
	103092-01-700	EA	BRACKET-F/SHOWERHEAD,CLEAR	2328028
	103092-01-702	EA	SEALS-SPRAYHEAD	24466
	011048-03-700	EA	BRACKET-F/SHOWERHEAD	2328029-3
4	104464-02-01A	EA	SURROUND-SHOWER-OFF/WHITE	
5	M02630-22-C07	EA	SHOWERPAN	
	066729-01-000	EA	STRAINER-TUB/SHOWER-W/PLUG	
	066436-01-000	EA	NUT-SLIP-TAILPIECE1.5"	
6	075606-01-000	EA	PANEL-PLASTIC-FAUCETBACK-5"X9"	
	113646-01-01A	EA	RETAINER-SHELF/SHOWER	

FROM: 00-00-00 THRU: 12-06-96

SKYLITE

KEY	PARTNUMBER	U/M	DESCRIPTION
	122192-01-01A	EA	PANEL-SKYLITE-OUTER-16.4"X27.8" FROM: 00-00-00 THRU: 02-13-97
	122192-01-02A	EA	PANEL-SKYLITE-OUTER-16.4"X27.8" FROM: 02-14-97 THRU: 99-99-99
	122193-01-01A	EA	PANEL-SKYLITE-INNER FROM: 00-00-00 THRU: 02-13-97
	122193-01-02A	EA	PANEL-SKYLITE-INNER FROM: 02-14-97 THRU: 99-99-99

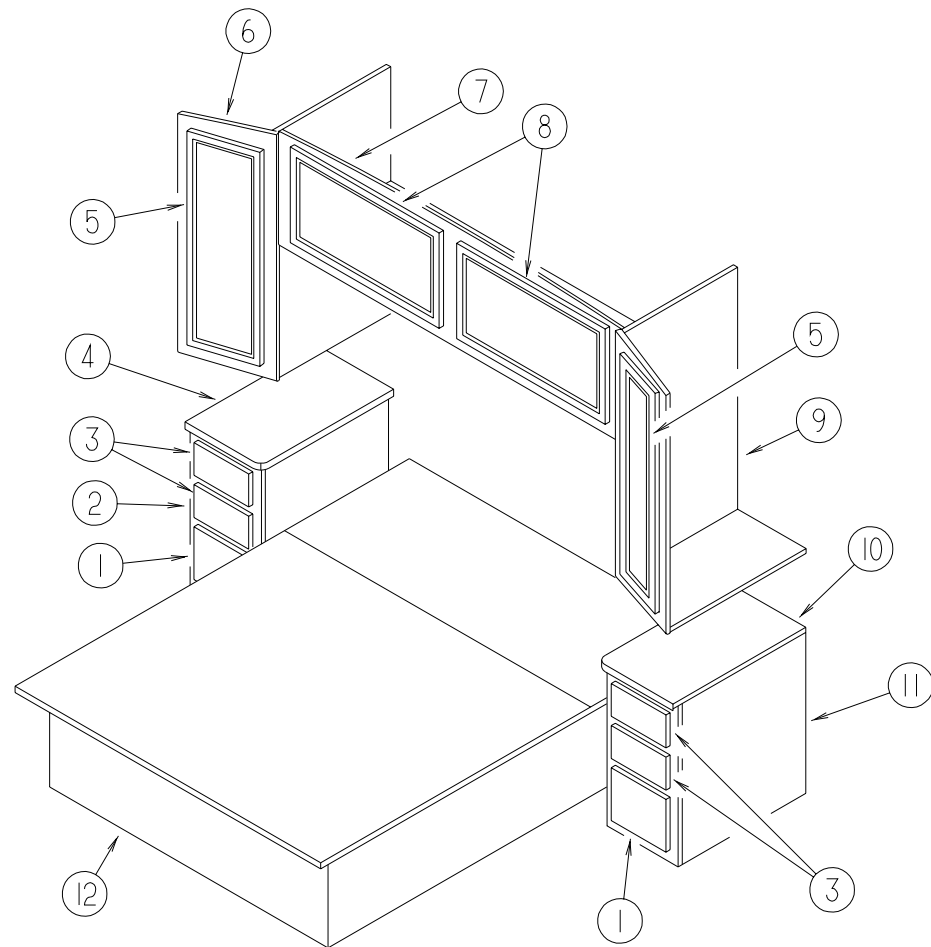
BATHGROUP(CONTINUED)



SHOWERDOOR&COMPONENTS

KEY	PARTNUMBER	U/M	DESCRIPTION
1	117431-02-01A	EA	DOOR-SHOWER-FABRIC/PLEATED
2	117431-01-700	EA	TRACK-TOP,48"-W/IVORYINSERT-ALUMINUM
3	117431-01-701	EA	TRACK-BOTTOM,40"
4	117431-01-702	EA	RAIL-SIDE,67"
5	117431-01-703	EA	RAIL-STATIONARY,67"
6	117431-01-704	EA	RAIL-LEAD,67"
7	117431-01-705	EA	GLIDE-IVORY,TRAVELER
8	117431-01-706	EA	GLIDE-IVORYLEAD,TRAVELER
9	117431-01-708	EA	HANDLES&SCREWS
	117431-01-707	EA	LATCH
	117431-02-700	EA	STRAP-VINYLSHOWER

BEDROOMGROUP



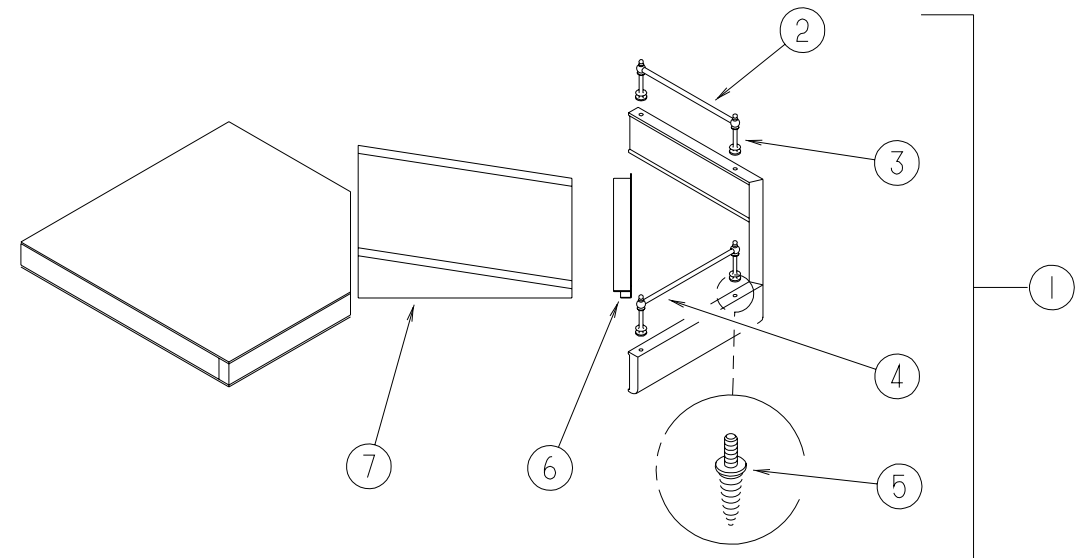
QUEENBEDROOMCABINTRY

KEY	PARTNUMBER	U/M	DESCRIPTION
1	M05971-79-H33	EA	DRAWER-OGEEEDGE-9.2"WX21.6"D-W/SLIDES/HDW
2	104361-01-G45	EA	CABINET-NIGHTSTAND/RIGHTHAND-W/ODOORS/DRAWERS/HDW(H33)
2	104361-01-G46	EA	CABINET-NIGHTSTAND/RIGHTHAND-W/ODOORS/DRAWERS/HDW(H34,H35)
3	M05971-70-H33	EA	DRAWER-OGEEEDGE-9.1"WX21.6"D-W/SLIDES/HDW
4	104361-11-F31	EA	COUNTERTOP-NIGHTSTAND(H33)
4	104361-11-F32	EA	COUNTERTOP-NIGHTSTAND(H34,H35)
5	M06803-10-G09	EA	DOOR-MITEREDCORNER/OGEEEDGE-10.8"X36.4"-W/OHDW
6	110625-01-G35	EA	CABINET-SHIRT CLOSET/RIGHTHAND-W/ODOORS/HARDWARE
7	106523-01-G09	EA	CABINET-OVERHEAD/REAR-W/ODOORS/HARDWARE
8	M06803-13-H33	EA	DOOR-MIRROR/MTRDCRNR/OGEEEDGE-15.7"X28"-W/OHDW
8	M06803-02-G09	EA	DOOR-MITEREDCORNER/OGEEEDGE-15.7"X28"-W/OHDW DECORATIVE DOOR/GENERAL TRAILER OPTION
9	110625-02-G35	EA	CABINET-SHIRT CLOSET/LEFTHAND-W/ODOORS/HARDWARE
10	104362-11-F31	EA	COUNTERTOP-NIGHTSTAND(H33)
10	104362-11-F32	EA	COUNTERTOP-NIGHTSTAND(H34,H35)
11	104362-01-G45	EA	CABINET-NIGHTSTAND/LEFTHAND-W/ODOORS/DRAWERS/HDW(H33)
11	104362-01-G46	EA	CABINET-NIGHTSTAND/LEFTHAND-W/ODOORS/DRAWERS/HDW(H34,H35)
12	P22396-01-H33	EA	CABINET-BASE/QUEENBED-W/ODOORS/DRAWERS/HARDWARE

BATHROOM/BEDROOMSLIDINGDOOR&COMPONENTS

KEY	PARTNUMBER	U/M	DESCRIPTION
	104013-03-G15	EA	DOOR-SLIDING-W/OHARDWARE
	103908-03-H17	EA	HEADER-DOOR
	103868-09-01A	EA	TRACK-SLIDINGDOOR-64.3"-OFFWHITE
	064467-01-000	EA	GUIDE-POCKET-SLIDINGDOOR-WALLMOUNTED
	103874-01-000	EA	HANGER-SLIDINGDOOR
	098410-01-01A	EA	PULL-FINGER-BRASS

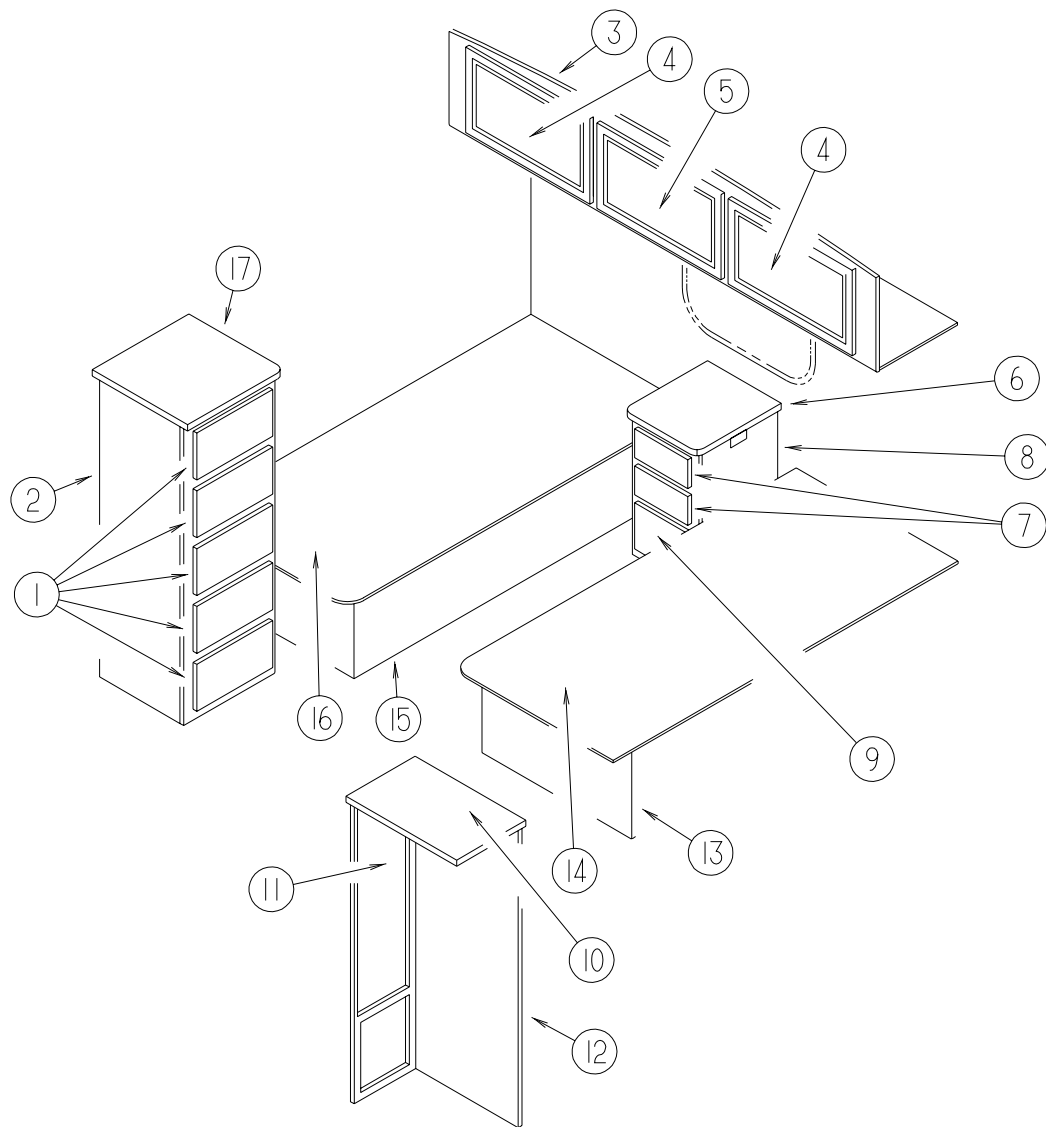
BEDROOMGROUP(CONTINUED)



TVSHELF-QUEENBED

KEY	PARTNUMBER	U/M	DESCRIPTION
1	116553-01-GB1	EA	CABINET-TV SHELF-W/BRASS RODS/POST ENDS
2	084071-12-000	EA	ROD-BRASS-4.08" LONG
3	084070-02-000	EA	POST-END-2.4"-BRASS
4	084071-19-000	EA	ROD-BRASS-7.09" LONG
5	106166-01-000	EA	BOLT/COLLARED HANGER-8-32X1"
6	103186-01-05A	FT	MOLDING-PLASTIC/3/8" U-CHANNEL W/3/4" FACE-WATERFORD OAK
7	116553-15-GB1	EA	WEDGE-TV SHELF
	099717-02-000	EA	STRAP-TV TIEDOWN W/29.9" FEMALE STRAP & 14.2" MALE STRAP

BEDROOMGROUP(CONTINUED)
TWINBEDROOMCABINERY



KEY	PARTNUMBER	U/M	DESCRIPTION
6	122515-11-H33	EA	COUNTERTOP-NIGHTSTAND
6	122515-11-H34	EA	COUNTERTOP-NIGHTSTAND
6	122515-11-H35	EA	COUNTERTOP-NIGHTSTAND
7	M05971-Z4-H33	EA	DRAWER-OGEEEDGE-10.3"WX13.8"D-W/OSLIDES/HARDWARE
8	122515-01-H33	EA	CABINET-NIGHTSTAND-W/ODOORS/DRAWERS/HARDWARE
8	122515-01-H34	EA	CABINET-NIGHTSTAND-W/ODOORS/DRAWERS/HARDWARE
8	122515-01-H35	EA	CABINET-NIGHTSTAND-W/ODOORS/DRAWERS/HARDWARE
9	M05971-Z5-H33	EA	DRAWER-OGEEEDGE-10.3"WX13.8"D-W/OSLIDES/HARDWARE
10	124024-11-H33	EA	COUNTERTOP-SHIRT CLOSET
10	124024-11-H34	EA	COUNTERTOP-SHIRT CLOSET
10	124024-11-H35	EA	COUNTERTOP-SHIRT CLOSET
	098335-25-H33	EA	RAIL-GALLEY-21"(H33)
	098335-25-H34	EA	RAIL-GALLEY-21"(H34,H35)
11	M06803-W1-H33	EA	DOOR-MITEREDCORNER/OGEEEDGE-12"X40"-W/OHARDWARE
12	124024-01-H33	EA	CABINET-SHIRT CLOSET-LEFTHAND-W/ODOORS/HARDWARE
12	124024-01-H34	EA	CABINET-SHIRT CLOSET-LEFTHAND-W/ODOORS/HARDWARE
12	124024-01-H35	EA	CABINET-SHIRT CLOSET-LEFTHAND-W/ODOORS/HARDWARE
13	P22498-01-H33	EA	CABINET-BASE/TWINBED/LEFTHAND-W/ODOORS/DRAWERS/HDW
	098442-02-GB1	EA	LEG-SUPPORT
14	M07504-05-H33	EA	TOP-TWINBED/LEFTHAND-W/OHARDWARE
15	P22497-01-H33	EA	CABINET-BASE/TWINBED/RIGHTHAND-W/ODOORS/DRAWERS/HDW
16	M07504-06-H33	EA	TOP-TWINBED/RIGHTHAND-W/OHARDWARE
	098442-02-GB1	EA	LEG-SUPPORT
17	124025-11-H33	EA	COUNTERTOP-DRESSER
17	124025-11-H34	EA	COUNTERTOP-DRESSER
17	124025-11-H35	EA	COUNTERTOP-DRESSER

TWINBEDGASSPRING&HARDWARE

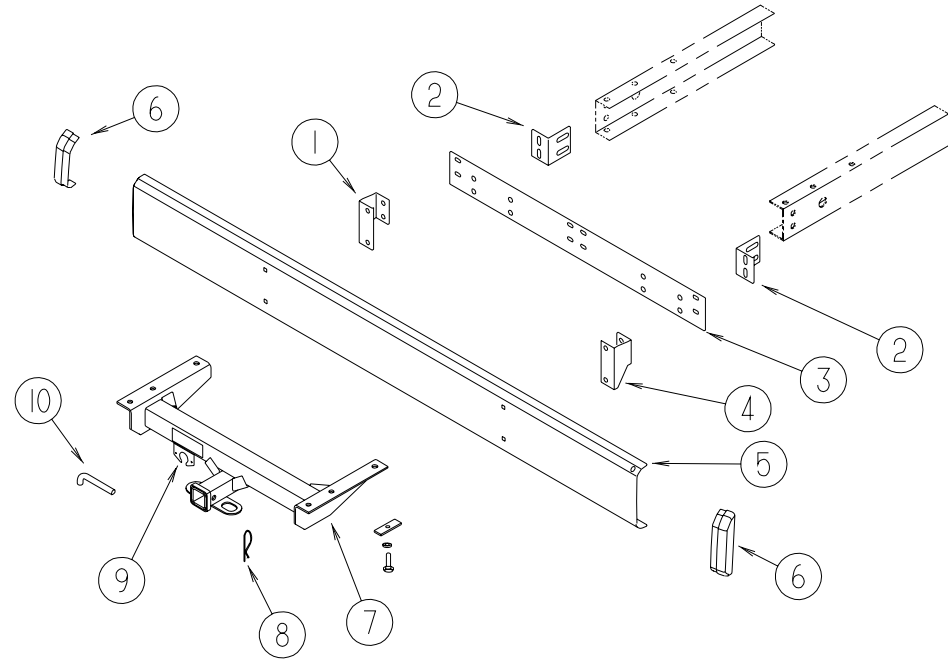
KEY	PARTNUMBER	U/M	DESCRIPTION
	107796-06-000	EA	SPRING/GAS-12"COMPRESSED/20"EXTENDED-120LB.
	126259-01-000	EA	STUD-BALL
	126263-08-02B	EA	BRACKET-GASSPRING
	126263-06-02B	EA	BRACKET-GASSPRING-E-COATED
	107796-07-000	EA	BRACKET-SUPPORT-GASSPRINGTOBED-ANGLE(UPPER)
	091952-01-000	EA	CLIP-GRIPPER-1"
	097872-04-000	EA	DOWEL-WOOD-1"DIAMETERX1.38"LONG

BATHROOM/BEDROOMSLIDINGDOOR&COMPONENTS

KEY	PARTNUMBER	U/M	DESCRIPTION
1	M05971-BH-H33	EA	DRAWER-OGEEEDGE-12.7"WX17.7"D-W/OSLIDES/HARDWARE
2	124025-01-H33	EA	CABINET-DRESSERRIGHTHAND/TWIN-W/ODOORS/DRAWERS/HDW
2	124025-01-H34	EA	CABINET-DRESSERRIGHTHAND/TWIN-W/ODOORS/DRAWERS/HDW
2	124025-01-H35	EA	CABINET-DRESSERRIGHTHAND/TWIN-W/ODOORS/DRAWERS/HDW
3	121864-01-H33	EA	CABINET-OVERHEAD/REAR-W/ODOORS/HARDWARE
4	M06803-13-H33	EA	DOOR-MIRROR/MITEREDCRNR/OGEEEDGE-15.7"X28"-W/OHDW
4	M06803-02-G09	EA	DOOR-MITEREDCORNER/OGEEEDGE-15.7"X28"-W/OHDW DECORATIVEDOOR/GENERALTRAILEROPTION
5	M06803-13-H33	EA	DOOR-MIRROR/MITEREDCRNR/OGEEEDGE-15.7"X28"-W/OHDW FROM: 00-00-00 THRU: 01-02-97
5	M06803-03-H33	EA	DOOR-MIRROR/MTRDCRNR/OGEEEDGE-15.7"X20.4"-W/OHDW FROM: 01-03-97 THRU: 99-99-99
5	M06803-02-G09	EA	DOOR-MITEREDCORNER/OGEEEDGE-15.7"X28"-W/OHDW DECORATIVEDOOR/GENERALTRAILEROPTION FROM: 00-00-00 THRU: 01-02-97
5	M06803-41-G09	EA	DOOR-MITEREDCORNER/OGEEEDGE-15.7"X20.4"-W/OHDW DECORATIVEDOOR/GENERALTRAILEROPTION FROM: 01-03-97 THRU: 99-99-99

KEY	PARTNUMBER	U/M	DESCRIPTION
	104013-03-G15	EA	DOOR-SLIDING-W/OHARDWARE
	103908-03-H17	EA	HEADER-DOOR
	103868-09-01A	EA	TRACK-SLIDINGDOOR-64.3"-OFFWHITE
	064467-01-000	EA	GUIDE-POCKET-SLIDINGDOOR-WALLMOUNTED
	103874-01-000	EA	HANGER-SLIDINGDOOR
	098410-01-01A	EA	PULL-FINGER-BRASS

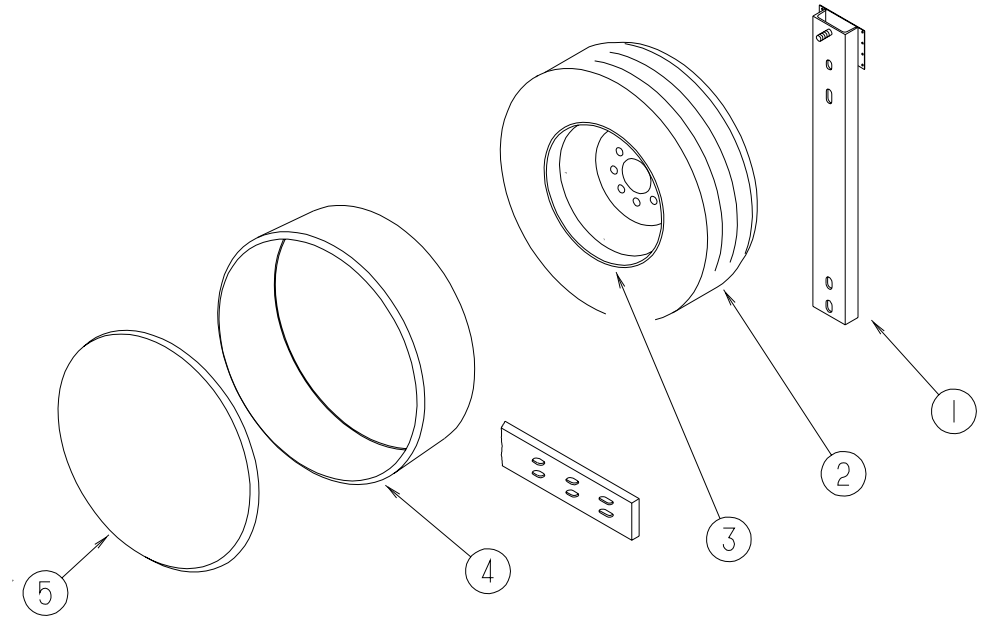
CHASSISGROUP



REARBUMPER, TRAILERHITCH & COMPONENTS

KEY	PARTNUMBER	U/M	DESCRIPTION
1	117950-04-02B	EA	BRACKET-BUMPER/REAR
2	078668-01-000	EA	SUPPORTANGLE-BUMPER/REAR-LANGLE-4"X3"STEEL/BLK
3	078678-02-000	EA	PLATE-MOUNTING-BUMPER/REAR-46"X5"-W/WELDNUTS
4	117950-03-02B	EA	BRACKET-BUMPER/REAR
5	103099-01-06A	EA	BUMPER-REAR-BRIGHTWHITE
5	103099-07-02A	EA	BUMPER-REAR(W.I.E.EXPORT)
6	103228-01-06A	EA	ENDCAP-REARBUMPER-DRIVER/PASSENGER
7	107707-01-000	EA	HITCHRECEIVER-BOLT-ONCLASSII
8	034513-01-000	EA	PIN-HITCH-3/16"WIRE
9	113588-02-01B	EA	BRACKET-CONNECTOR-TRAILERW/OLIP
10	034512-01-000	EA	PIN-LOCKING-DRAWBAR
	070579-09-000	EA	PLATE-ANCHOR,1.8"X1.5"-STEEL-E-COAT
	113589-02-000	EA	CONNECTOR-SOCKET-TRAILER
	113589-01-000	EA	CONNECTOR-PLUG-TRAILER

CHASSISGROUP(CONTINUED)



CHEVY SPARE TIRE, CARRIER, COVER & LUG WRENCH

KEY	PARTNUMBER	U/M	DESCRIPTION
1	102944-05-000	EA	BRACKET-TIRECARRIER-CHEVY
2	091673-01-000	EA	TIRE-MICHELIN-225/70R19.5LRF-XZA-CHEVY
3	064963-01-000	EA	WHEEL-STEEL-19.5"X6"-CHEVY
4	108163-04-01A	EA	COVER-TIRE-W/OINSERT-81/4"WIDEX100"CIRCUMFERENCE
			FROM: 00-00-00 THRU: 08-17-96
4	108163-05-01A	EA	COVER-TIRE-81/4"X101"
			FROM: 08-18-96 THRU: 99-99-99
5	108560-04-01A	EA	INSERT-TIRECOVER
	051377-01-000	EA	VALVESTEM-CHEVY
	077030-02-000	EA	EXTENSION-VALVESTEM-1.25"
	080208-02-000	EA	BAR-LEVERAGE-LUGWRENCH-CHEVY
	080208-01-000	EA	LUGWRENCH-1"X1.06"W/SHALLOWSOCKETENDS-CHEVY
			FROM: 00-00-00 THRU: 09-26-96
	080208-06-000	EA	LUGWRENCH-1"X1.06"W/DEEPSOCKETENDS-CHEVY
			FROM: 09-27-96 THRU: 99-99-99

FORD SPARE TIRE, CARRIER, & COVER

KEY	PARTNUMBER	U/M	DESCRIPTION
1	102944-06-000	EA	BRACKET-TIRECARRIER-FORD
2	083425-05-000	EA	TIRE-MICHELIN-LT235/85R16-LOADRANGEE
3	095853-02-000	EA	WHEEL-STEEL-16"X6K-F2TA-1015-NA
4	108163-04-01A	EA	COVER-TIRE-W/OINSERT-81/4"WIDEX100"CIRCUMFERENCE
5	108560-02-03A	EA	INSERT-TIRECOVER-16"
	051377-05-000	EA	VALVESTEM
	077030-02-000	EA	EXTENSION-VALVESTEM-1.25"

CHASSISGROUP(CONTINUED)

19.5" CHEVY STAINLESS STEEL WHEEL LINERS (FROM: 00-00-00 THRU: 05-06-97)

KEY	PARTNUMBER	U/M DESCRIPTION	VENDORNO.
	110435-06-000	EA LINER-WHEELSET (SET=4) 19.5" F/GMW/LONGSTUDS-DICOR	
	110435-01-711	EA DECAL-CENTERCAP-2"	
	110435-02-703	EA NUT(JAMB)	V160SD-JNT
	110435-02-704	EA COVER-LUGNUT	V160F0-LNC
	110435-02-705	EA TOOLF/JAMBNUT-INSTALL.	V160F0-TOL
	110435-06-700	EA LINER-WHEEL-FRONT	V195P5-FWC
	110435-06-701	EA LINER-WHEEL-REAR	V195P5-RWC
	110435-06-702	EA BRACKET-BRIDGE	V195P5-BRK
	110435-06-703	EA NUT-JAM-BRIDGE BRKT 1 1/16	V195P5-BJN
	110435-06-704	EA STUDEXTENDERS-P30	V195P5-STX

19.5" CHEVY STAINLESS STEEL WHEEL LINERS (FROM: 05-07-97 THRU: 99-99-99)

KEY	PARTNUMBER	U/M DESCRIPTION	VENDORNO.
	110435-10-000	EA LINER-WHEEL-SET 4-19.5"	
	110435-10-700	EA LINER-WHEEL-FRONT-1 PC	V195P7-FWC
	110435-10-701	EA LINER-WHEEL-REAR-1 PC.	V195P7-RWC
	110435-10-702	EA JAMBNUT-ENCLOSED/LNC	V195P7-EJN
	110435-10-703	EA STUD-PLASTIC	V195P7-PST
	110435-10-704	EA JAMBNUT-PLASTIC/LNC	V195P7-PJN
	110435-10-705	EA TOOL-INSTALLATION	V195P7-TOL

19.5" CHEVY WHEEL COVERS (FROM: 00-00-00 THRU: 12-20-96)

KEY	PARTNUMBER	U/M DESCRIPTION	VENDORNO.
	109443-01-000	EA WHEEL-COVER-4/SET-19.5W/HDW	
	109443-01-700	EA COVER-WHEEL 19.5 FRT. & REAR	SHAG95
	109443-01-701	EA BRACKET-RETENTION-FRONTWHEEL	SHAG95-FBS
	109443-01-702	EA BRACKET-RETENTION-REARWHEEL	SHAG95-RBS
	109443-01-703	EA CAP-CENTER-HUB-DICOR	SP-AUCAP
	109443-01-704	EA CLIP-RETAINER	V160GM-PNT

19.5" CHEVY WHEEL COVERS (FROM: 12-21-96 THRU: 99-99-99)

KEY	PARTNUMBER	U/M DESCRIPTION	VENDORNO.
	109443-06-000	EA WHEEL-COVER-4/SET-19.5"	
	109443-01-700	EA COVER-WHEEL 19.5 FRT/RREA=1	SHAG95
	109443-01-701	EA BRACKET-RETENTIONFRONT	SHAG95-FBS
	109443-01-703	EA CAP-CENTER-HUB-DICOR	SHAU95-CAP
	109443-01-704	EA CLIP-RETAINER	V160GM-PNT
	109443-06-701	EA BRACKET-RETENTIONREAR	SHG795-RBS

CHASSISGROUP(CONTINUED)

16" FORD CHROME WHEEL LINERS

KEY	PARTNUMBER	U/M DESCRIPTION	VENDORNO.
	110435-08-000	EA LINER-WHEELSET (SET=4) 16"	
	110435-01-711	EA DECAL-CENTERCAP-2"	
	110435-02-702	EA STUDEXTENDER	V160SD-STX
	110435-02-703	EA NUT(JAMB)	V160SD-JNT
	110435-02-704	EA COVER-LUGNUT	V160F0-LNC
	110435-02-705	EA TOOLF/JAMBNUT-INSTALL.	V160F0-TOL
	110435-08-700	EA LINER-WHEEL-FRONT	V160SD-FWC
	110435-08-701	EA LINER-WHEEL-REAR	V160SD-RWC

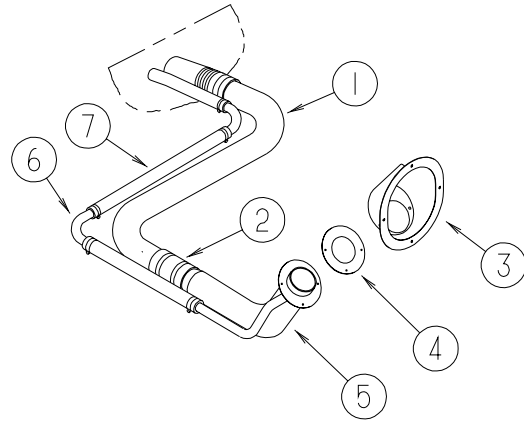
16" FORD WHEEL COVERS

KEY	PARTNUMBER	U/M DESCRIPTION	VENDORNO.
	098532-01-000	EA COVER-WHEEL-FORD-16"-SET OF 4-DICOR SH-SD-16	
	098532-01-700	EA COVER-LUGNUT (CHROME)	SHAU-LNC
	098532-01-701	EA COVER-WHEEL (FRONT OR REAR)	SH-SD-16

FRONT SHOCKS & STABILIZER (CHEVY)

KEY	PARTNUMBER	U/M DESCRIPTION	VENDORNO.
	104993-02-000	EA SHOCK ABSORBER-GAS-P30 FRONT	
	122756-01-000	EA SHOCK & STABILIZER (REDBOOT) KIT-FRONT END P30 CHASSIS FROM: 00-00-00 THRU: 12-11-96	
	122756-02-000	EA SHOCK AND STABILIZER (BLUEBOOT) KIT-FRONT END P30 CHASSIS FROM: 12-12-96 THRU: 99-99-99	
	122756-02-700	EA BRACKET ASM-DRIVERS SIDE	T818L
	122756-02-701	EA BRACKET ASM-PASSENGER SIDE	T818R
	122756-02-702	EA BRACKET ONLY-DRIVERS SIDE	T818L
	122756-02-703	EA BRACKET ONLY-PASSENGER SIDE T818R	
	122756-02-704	EA BOLTPACKAGE-BOLTS/NUTSETC	T818R
	122756-02-705	EA SHOCK	T818SH
	122756-02-706	EA STUD-SHOCK MOUNTING	T818S
	122756-02-707	EA DAMPENER-STEERING	T818SD
	122756-02-708	EA BOOT-STEERING DAMPENER	T818SDB
	122756-02-709	EA BUSHING PKG-STEERING DAMPENER	T818SDBSH
	122756-02-710	EA BOLTPKG-STEERING DAMPENER	T818S

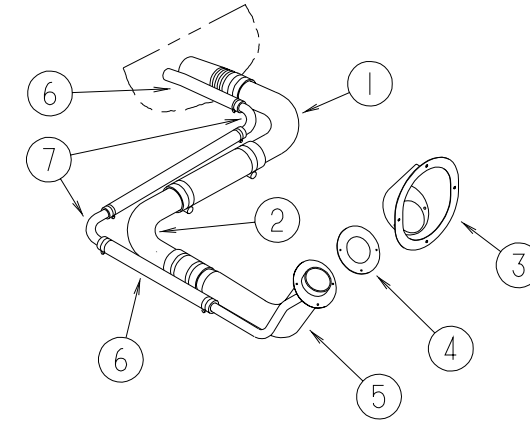
CHASSISGROUP(CONTINUED)



FORD FUEL SYSTEM

KEY	PARTNUMBER	U/M	DESCRIPTION
1	100140-02-000	EA	TUBE-FUELINLET
2	007111-02-000	EA	HOSE-FUELFILL-2"ID
3	095854-01-04A	EA	SHROUD-FUELFILL-BRIGHTWHITE
4	078200-01-000	EA	GASKET-FUELFILL-3.5"ODX2"ID
5	087256-07-000	EA	NECK-FUELFILL
6	066732-01-000	FT	HOSE-FUEL-.62"ID
7	098806-01-000	EA	PIPE-FILLVENT-90DEGREEBEND-.635OD-STEEL
	007063-01-000	FT	HOSE-FUEL-1/4"IDX1/2"OD
	084884-01-000	EA	PLUG-BRASS-3/8"
	068382-06-000	EA	BUSHING-BRASS-3/8MPTX1/8FPT
	114254-01-000	EA	ADAPTER-1/4BARBX1/8MPT

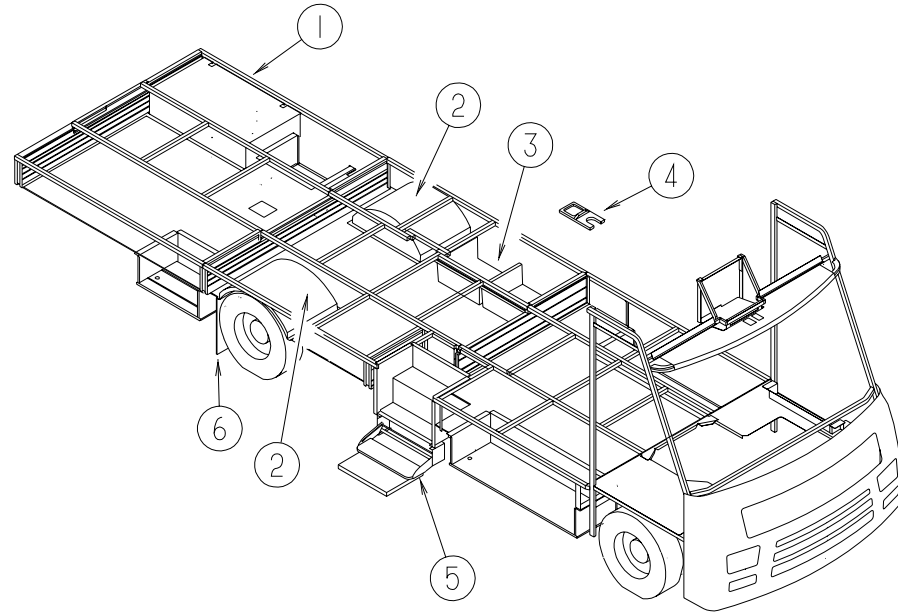
CHASSISGROUP(CONTINUED)



CHEVY FUEL SYSTEM

KEY	PARTNUMBER	U/M	DESCRIPTION
1	098803-01-000	EA	PIPE-FUELFILL-90DEGREEBEND-13.2"-1 3/4"OD FROM: 00-00-00 THRU: 10-22-96
1	098803-02-000	EA	PIPE-FUELFILL FROM: 10-23-96 THRU: 99-99-99
2	098807-01-000	EA	PIPE-FUELFILL-90DEGREEBEND-6.6"-1 3/4"OD
3	095854-01-04A	EA	SHROUD-FUELFILL-BRIGHTWHITE
4	078200-01-000	EA	GASKET-FUELFILL-3.5"ODX2"ID
5	087256-10-000	EA	NECK-FUELFILL
5	087256-08-000	EA	NECK-FUELFILL-DIESEL
6	066732-01-000	FT	HOSE-FUEL-.62"ID
7	098806-01-000	EA	PIPE-FILLVENT-90DEGREEBEND-.635OD-STEEL
	007063-01-000	FT	HOSE-FUEL-1/4"IDX1/2"OD
	084884-01-000	EA	PLUG-BRASS-3/8"
	068382-06-000	EA	BUSHING-BRASS-3/8MPTX1/8FPT
	114254-01-000	EA	ADAPTER-1/4BARBX1/8MPT

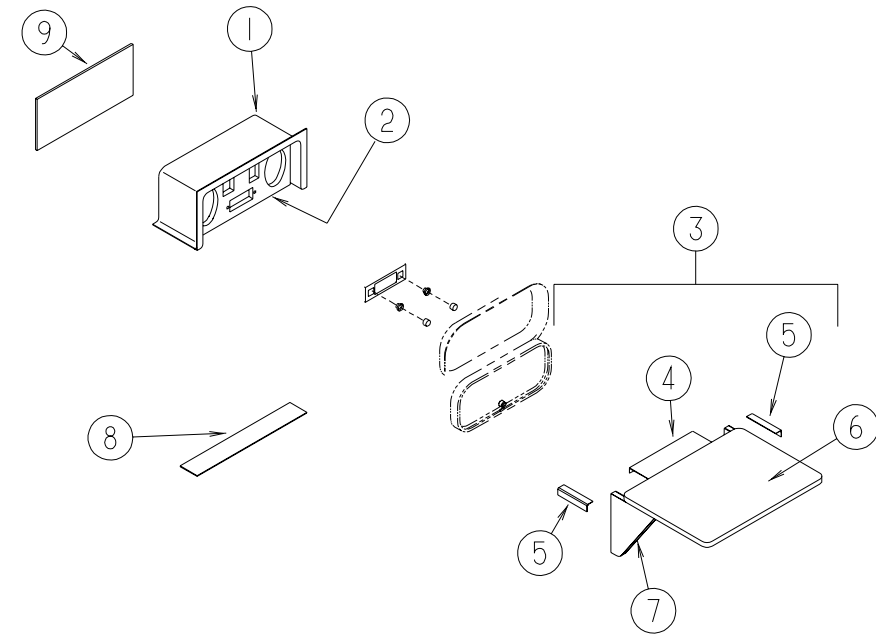
CHASSISGROUP(CONTINUED)



STORAGECOMPARTMENTS&WHEELWELLS

KEY	PARTNUMBER	U/M	DESCRIPTION
1	105732-02-000	EA	TRAY-GENERATOR
2	055080-01-000	EA	WHEELWELL-PLASTIC-REAR-LEFTORRIGHT
3	M07452-02-F36	EA	COMPARTMENT-STORAGEW/HATCH11"X48.9"
	121175-01-01A	EA	LATCH-SWELL-BLACK
4	M06991-03-F36	EA	HATCH-W/FOAM
5	094707-01-01A	EA	STEP-DOUBLE-ELECTRIC-KWIKEE
5	104452-03-000	EA	SUPPORT-STEP
			FROM: 12-20-96 THRU: 99-99-99
	090604-06-000	EA	TRAY-BATTERY-AUTO-W/TWOHEXNUTS-FORD
6	017516-01-000	EA	MUDFLAP - 14" X 18" - BLACK
6	020167-03-000	EA	DIRT GUARD-STEEL-11" LONG
	104147-02-000	EA	SHIELD-SPLASH-RIGHTHAND

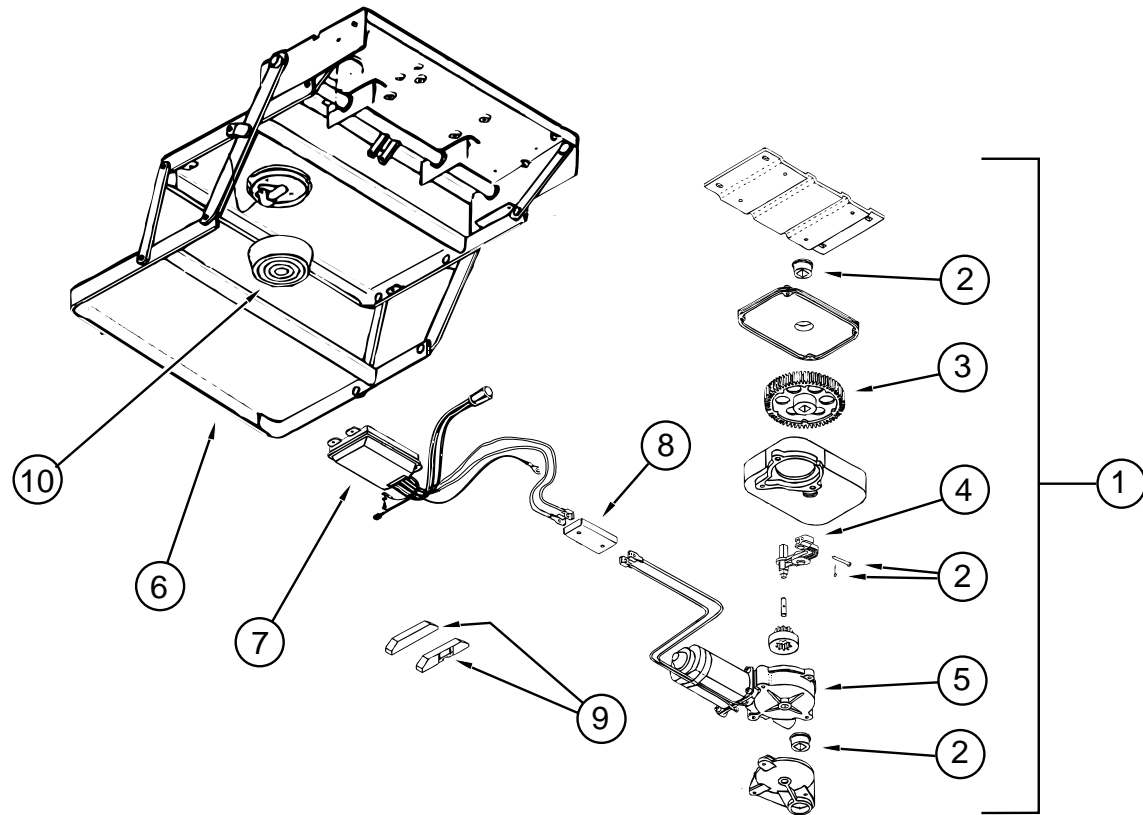
CHASSISGROUP(CONTINUED)



PATIOENTERTAINMENTCENTER

KEY	PARTNUMBER	U/M	DESCRIPTION
1	104897-01-02A	EA	BOX-ENTERTAINMENTCENTER-BRIGHTWHITE
2	104899-01-C05	EA	PLATE-RADIOMOUNTING
3	105230-01-E01	EA	SHELF
4	105377-01-01A	EA	BRACKET-TABLEHANGER,OFFWHITE
			FROM: 00-00-00 THRU: 01-05-97
4	105377-01-04A	EA	BRACKET-TABLEHANGER,BRIGHTWHITE
			FROM: 01-06-97 THRU: 99-99-99
5	105376-01-02A	EA	HINGE-CONTINUOUS,2"X5.5"-OFFWHITE
			FROM: 00-00-00 THRU: 01-05-97
5	105376-01-03A	EA	HINGE-CONTINUOUS,2"X5.5"-BRIGHTWHITE
			FROM: 01-06-97 THRU: 99-99-99
6	105230-11-E01	EA	SHELF
7	105230-12-E01	EA	SUPPORT-SHELF
8	104898-01-02A	EA	PLATE-PLASTIC,BOTTOM-19.38"X3.1"-BRIGHTWHITE
9	104898-02-02A	EA	PLATE-PLASTIC,REAR-16.1"X6.3"-BRIGHTWHITE

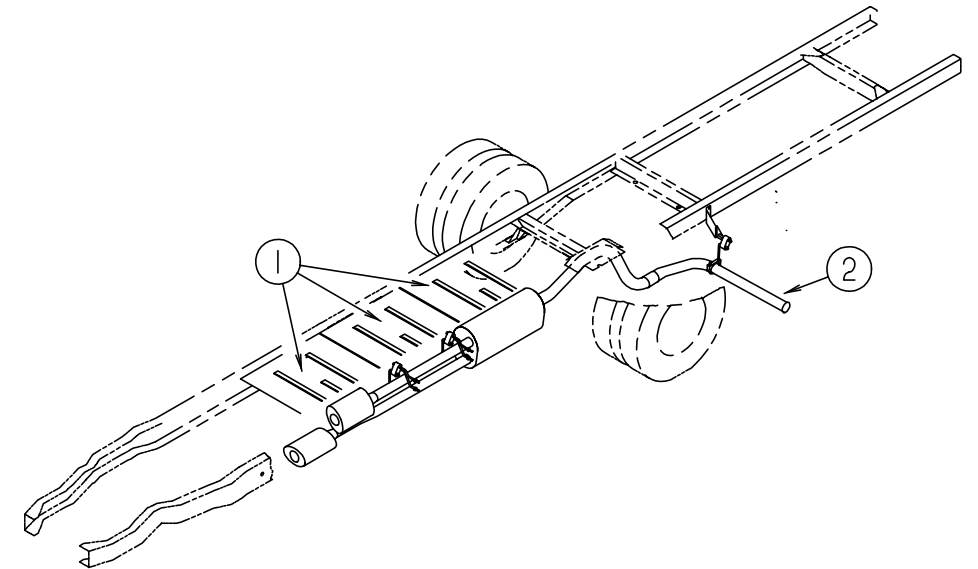
CHASSIS GROUP (CONTINUED)



KWIKIEE ELECTRIC ENTRY DOUBLE STEP

KEY	PART NUMBER	U/M	DESCRIPTION	VENDOR NO.
1	094707-01-01A	EA	STEP - DOUBLE - ELECTRIC - KWIKIEE	
2	094707-02-703	EA	BEARING & PINS	909530
3	094707-02-702	EA	GEAR KIT,W/BEARINGS,PIN-CASE	909525
4	094707-02-701	EA	LINKAGE ASM. W/BEARINGS-PINS	909534
5	094707-02-700	EA	MOTOR REPLACEMENT KIT - MODELS 32 & 28	9520
6	094707-01-702	EA	FRAME W/DBL STEP,3200 SERIES	908032
7	094707-02-705	EA	CONTROL UNIT, WHITE	909513
8	094707-02-704	EA	CONNECTOR-MOTOR ASM.W/PLATES	909537
9	116995-01-000	EA	SWITCH/MAGNET - ELECTRIC STEP	
10	088746-01-705	EA	LIGHT-UNDER STEP	9004
	088733-01-700	EA	BULB	9004
	094707-02-707	EA	TREAD - NON SKID - BLACK	909333
	094707-02-708	EA	TREAD - NON-SKID - YELLOW	909331

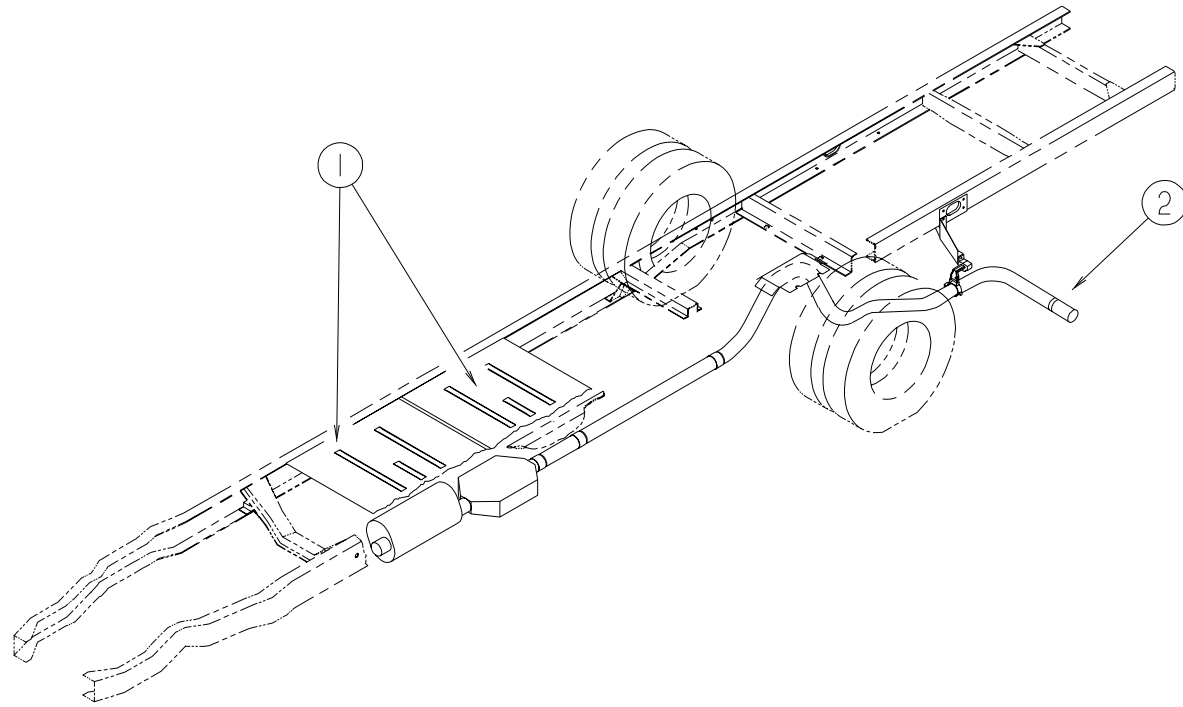
CHASSIS GROUP (CONTINUED)



VORTEC CHEVY EXHAUST SYSTEM - GAS

KEY	PART NUMBER	U/M	DESCRIPTION
1	101544-06-000	EA	SHIELD - HEAT/EXHAUST - 33.9" X 29.1"
2	098762-05-000	EA	EXTENSION - EXHAUST - STRAIGHT - 3" O.D X 7.9" LONG - SST
2	119119-01-000	EA	PIPE - EXHAUST/TAIL 90 DEGREEE
2	094918-01-000	EA	CLAMP - EXHAUST - 3" - GUILLOTINE STYLE

CHASSISGROUP(CONTINUED)



CHEVYEXHAUSTSYSTEM

KEY	PARTNUMBER	U/M	DESCRIPTION
1	101544-02-000	EA	SHIELD-HEAT/EXHAUST-30"X29.1"
2	098762-05-000	EA	EXTENSION-EXHAUST-STRAIGHT-3"O.DX7.9"LONG-SST
2	094918-01-000	EA	CLAMP-EXHAUST-3"-GUILLOTINESTYLE

FORDEXHAUSTSYSTEM

KEY	PARTNUMBER	U/M	DESCRIPTION
	101544-02-000	EA	SHIELD-HEAT/EXHAUST-30"X29.1"
	075307-03-000	EA	SHIELD-HEAT-LP

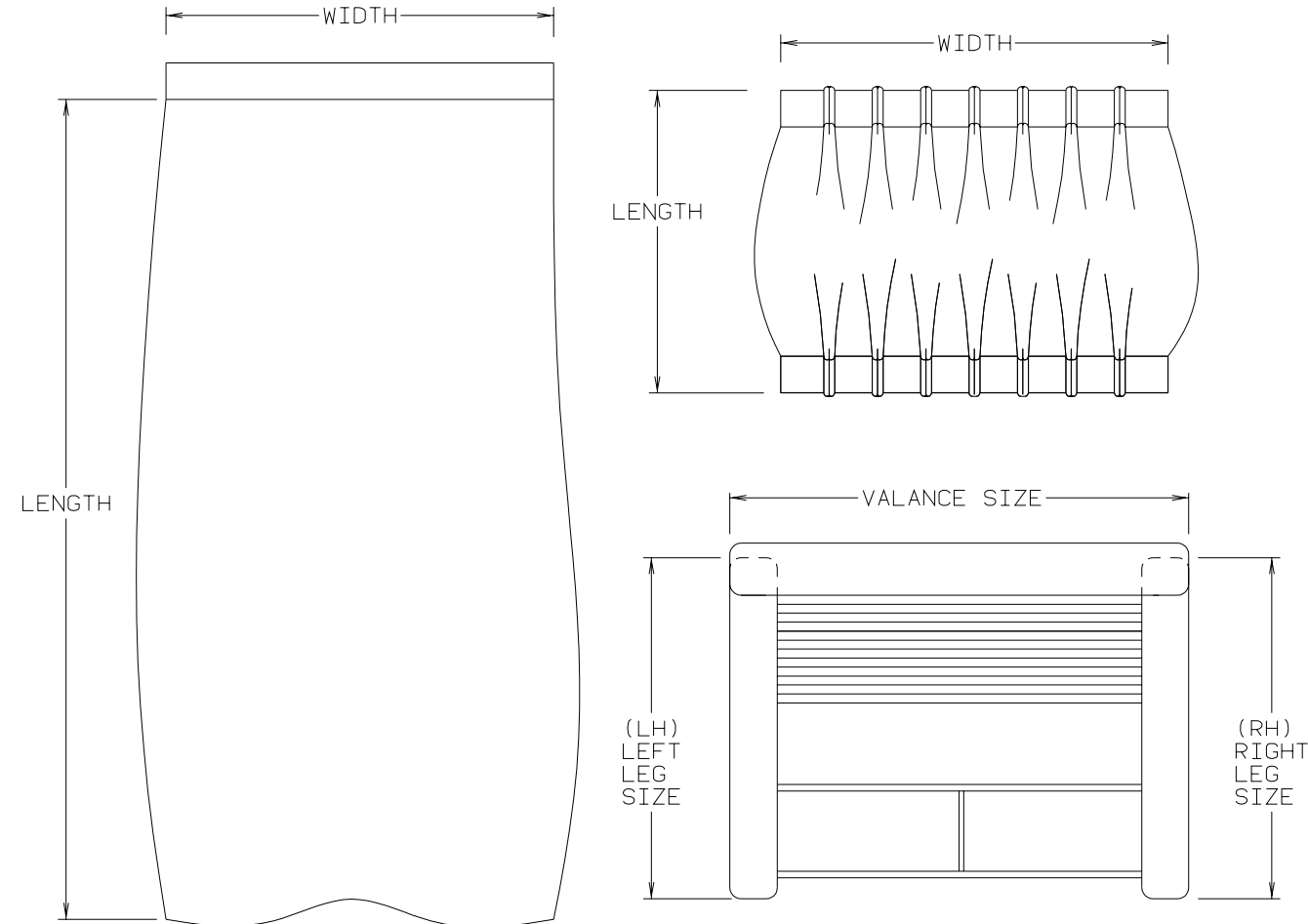
CHASSISMISCELLANEOUS

KEY	PARTNUMBER	U/M	DESCRIPTION
	102805-01-000	EA	CHANNEL-EXTENSION-FRONTFRAME-13.7"
	102805-03-000	EA	CHANNEL-EXTENSION-FRONTFRAME-10.6"
	119847-01-02B	EA	SHIELD-A/C COMPRESSOR
	113452-01-000	FT	SEAL/TRIM-FRONT-VINYLOW/WIRECARRIER
			FROM: 02-03-97 THRU: 99-99-99
	112864-01-000	FT	SEAL-FOAM/BUTYLCOVERED-3/8"
	123361-01-000	EA	DUCT-AIRINTAKE
	077298-55-003	EA	EXTRUSION-TUBE-.275"
	088497-02-000	EA	NUT-INVERTEDFLARE-1/4"

**CURTAIN&CUSHIONGROUP
NOTICE**

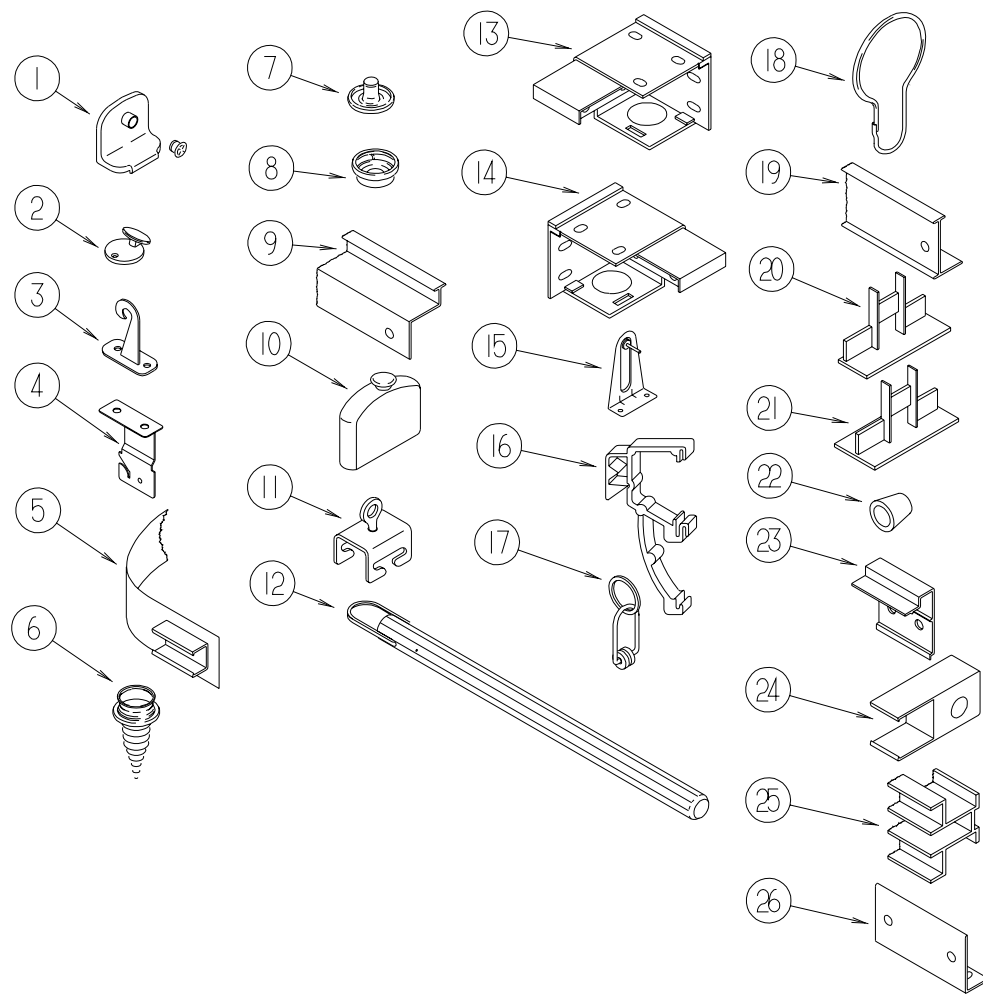
INORDERTOASSISTOURPARTSSALESDEPT.INPROVIDINGINTERIORSOFTGOODSITEMS, PLEASEINCLUDETHESERIALNUMBERANDTHECOLORCODENUMBERFROMTHEVEHICLE CERTIFICATIONLABELWHENORDERING. THISLABELISLOCATEDONTHELEFTSIDEWALL ATTHEENDOFTHE DASH(A-BODY),ORONTHE DRIVER'SDOORLATCHPLATE(C-BODY).

ANEXAMPLEOFACOLORCODENUMBERISB07,WHICHDESIGNATESANOVERALLCOLOR SCHEMEOFPARTICULARUNIT.THECOLORLISTEDAFTERTHEITEMDESCRIPTIONONTHE MICROFICHE,INDICATESTHEOVERALLUNITCOLOR.ORDERTHEITEMYOUDESIREACCORD- INGTOUNITCOLORCODE.



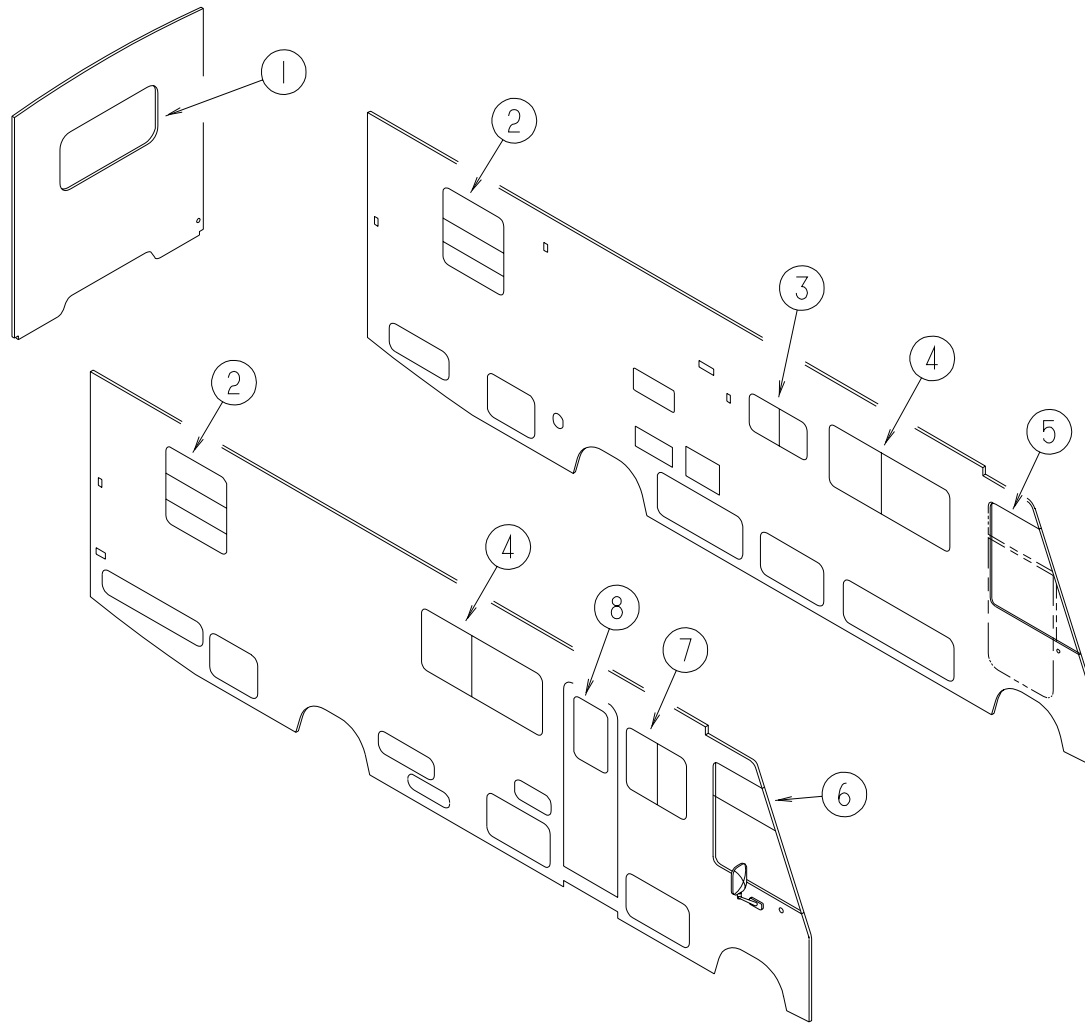
NOTE:USETHISILLUSTRATIONWHENDETERMININGLENGTHANDWIDTHMEASUREMENTSFOR CURTAINS.YOUWILLNOTETHEWIDTHMEASUREMENTISTAKENONTHE TOP OF THE CURTAIN WITH THE CURTAIN FULLY EXTENDED. THE LENGTH MEASUREMENT IS TAKEN FROM TOP TO BOTTOM. LEFT AND RIGHT WINDOW LEGS ARE DETERMINED WHEN FACING THE WINDOW.

CURTAIN&CUSHIONGROUP(CONTINUED)
CURTAIN,BLINDHARDWARE&TRACKS



KEY	PARTNUMBER	U/M	DESCRIPTION
1	106544-01-000	EA	PULL-SHADE/BRASS
1	106544-01-001	EA	SCREW-SHADE/BRASS
2	102555-03-000	EA	CLEAT-BLINDCORD-MILKYWHITEPLASTIC
3	109441-03-000	EA	HOLDDOWN-BLIND(CLOUDY)
	109441-02-000	EA	HOLDDOWN-SPACER
4	084434-01-000	EA	BRACKET-MOUNTING-ROLLER SHADE-13/8"
	096843-01-000	EA	SPRING-REWIND/ROLLERSHADE
	086276-01-000	EA	TAPE-DOUBLE SIDED-1/2"
5	101031-01-000	YD	TAPE-GLIDE/CURTAIN-4.25" SPACING
6	029130-01-000	EA	SCREW-SNAP SOCKET-#8PHX5/8"
7	029155-01-000	EA	CAP-SNAP-5/32" O.D.OF PIN
8	029156-01-000	EA	SOCKET-SNAP-9/16" O.D.
9	111298-01-01A	EA	TRACK-SHOWERO/W
9	114641-05-04A	EA	TRACK-CURTAIN-WRAPAROUNDW/SPACERS-RIGHTHAND
9	114641-06-04A	EA	TRACK-CURTAIN-WRAPAROUNDW/SPACERS-LEFTHAND
9	114641-07-G35	EA	TRACK-WRAPAROUNDW/SPACERS-RIGHTHAND
9	114641-08-G35	EA	TRACK-WRAPAROUNDW/SPACERS-LEFTHAND
10	093475-01-701	EA	CAP-END,WITHINVERTEDSTUD
11	009702-01-000	EA	ENDSTOP-CURTAINCARRIER-LROD
12	093475-01-700	EA	WAND-BLINDW/METALCLIP,8"
13	083170-01-000	EA	BRACKET-BLIND-LEFTSIDEWHENFACINGWINDOW
14	083170-02-000	EA	BRACKET-BLIND-RIGHTSIDEWHENFACINGWINDOW
15	095591-02-000	EA	BRACKET-BLIND-HOLDDOWNW/PIN-METAL
16	109353-04-000	EA	CLIP-VALANCESLATMOUNTING-CLEARPLASTIC
17	009701-01-000	EA	CARRIER-CURTAIN-LROD
18	009136-02-000	EA	HANGER-RING-PINTYPE-CURTAIN-BRASS
19	009700-04-002	EA	TRACK-L-SHAPED195.5"-OFFWHITE
20	094907-04-000	EA	HARDWARE-ENDCAPBOTTOM-PULLTYPE(RH&LH)
21	094907-02-000	EA	ENDCAP-TOP/PLEATEDBLIND-PLASTIC-GRAY
22	097564-01-000	EA	HANDLE-T-EZLIFT SHADE
23	097565-01-000	EA	BRACKET-MOUNTING/PLEATEDBLIND
24	101033-02-000	EA	ENDCAP-TRACK/CLEAR
25	101033-04-000	EA	TRACK-WALL-3'
26	083125-07-000	EA	BRACE-COUCH-2.5"
	046867-03-000	EA	GROMMET-HANDYBUTTON#3
	048394-02-000	YD	VELCROTAPE-HOOK-ADHESIVEBACK-.75"WIDE-BEIGE
	088792-01-000	YD	VELCROTAPE-HOOK-5/8"-NON-ADHESIVEBACKED
	088792-02-000	YD	VELCROTAPE-LOOP-.75"-ADHESIVEBACKED-BEIGE
	088792-06-000	YD	VELCROTAPE-LOOP-.75"-NON-ADHESIVEBACKED-BUFF
	094896-02-000	EA	GROMMET-CORD/PLEATEDBLIND-NYLON-GRAY
	097591-01-000	EA	SPRING-EXTENSION/PLEATEDBLIND
	097592-01-000	EA	SPOOL-CORD-ELEVATEDBLINDHOLDUP-CLEARPLASTIC
	097593-02-000	FT	CORD-BLIND/PLEATED-GRAY

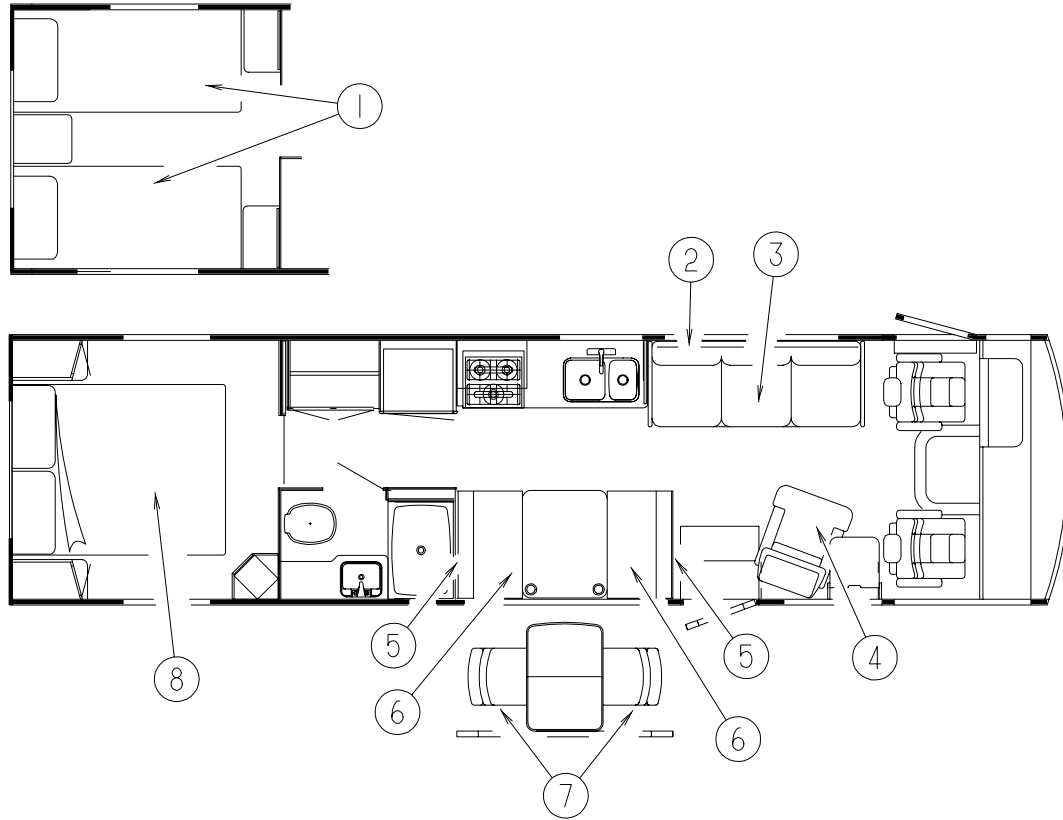
CURTAIN&CUSHIONGROUP(CONTINUED)
WINDOWTREATMENT



KEY	PARTNUMBER	U/M	DESCRIPTION
1	118064-01-GB1	EA	VALANCE-VALENCIA-52"(H33)
1	118064-01-H05	EA	VALANCE-VALENCIA-52"(H34)
1	118064-01-H35	EA	VALANCE-VALENCIA-52"(H35)
1	109041-41-01A	EA	BLIND-MINI-51"X26"(H33)
1	109041-41-02A	EA	BLIND-MINI-51"X26"(H34,H35)
1	111910-48-H33	EA	BLIND-DAY/NIGHTER-51"X27"-WINDOWCOVERINGSOPTION FROM: 00-00-00 THRU: 10-27-96
1	111910-48-HA3	EA	BLIND-DAY/NIGHTER-51"X27"-WINDOWCOVERINGSOPTION FROM: 10-28-96 THRU: 99-99-99
2	118064-06-H33	EA	VALANCE-VALENCIA-34"
2	118064-06-H34	EA	VALANCE-VALENCIA-34"
2	118064-06-H35	EA	VALANCE-VALENCIA-34"
2	109041-42-01A	EA	BLIND-MINI-32"X36"(H33)
2	109041-42-02A	EA	BLIND-MINI-32"X36"(H34,H35)
2	111910-49-H33	EA	BLIND-DAY/NIGHTER-32"X36"-WINDOWCOVERINGSOPTION FROM: 00-00-00 THRU: 10-27-96
2	111910-49-HA3	EA	BLIND-DAY/NIGHTER-32"X36"-WINDOWCOVERINGSOPTION FROM: 10-28-96 THRU: 99-99-99
3	109041-44-01A	EA	BLIND-MINI-30.5"X18"(H33)
3	109041-44-02A	EA	BLIND-MINI-30.5"X18"(H34,H35)
	109353-04-000	EA	CLIP-VALANCESLATMOUNTING-CLEARPLASTIC

KEY	PARTNUMBER	U/M	DESCRIPTION
4	118299-10-H33	EA	VALANCE-METRO-65.5"(H33) FROM: 00-00-00 THRU: 01-12-97
4	118299-10-H3A	EA	VALANCE-METRO-65.5"(H33) FROM: 01-13-97 THRU: 99-99-99
4	118299-10-H34	EA	VALANCE-METRO-65.5"(H34)
4	118299-10-H35	EA	VALANCE-METRO-65.5"(H35)
4	119333-01-H04	EA	LEG-RIGHT-25"(H33) FROM: 00-00-00 THRU: 01-12-97
4	119333-01-H3A	EA	LEG-RIGHT-25"(H33) FROM: 01-13-97 THRU: 99-99-99
4	119333-01-G16	EA	LEG-RIGHT-25"(H34)
4	119333-01-H35	EA	LEG-RIGHT-25"(H35)
4	119333-02-H04	EA	LEG-LEFT-25"(H33) FROM: 00-00-00 THRU: 01-12-97
4	119333-02-H3A	EA	LEG-LEFT-25"(H33) FROM: 01-13-97 THRU: 99-99-99
4	119333-02-G16	EA	LEG-LEFT-25"(H34)
4	119333-02-H35	EA	LEG-LEFT-25"(H35)
4	109041-46-01A	EA	BLIND-MINI-60"X27.5"(H33)
4	109041-46-02A	EA	BLIND-MINI-60"X27.5"(H34,H35)
4	109802-51-H33	EA	BLIND-PLEATED-60"X27.5"-WINDOWCOVERINGSOPTION
5	101668-46-E10	EA	CURTAIN-LEFTHAND-48"X95"(H33/H35)
5	101668-46-E11	EA	CURTAIN-LEFTHAND-48"X95"(H34)
6	101668-45-E10	EA	CURTAIN-RIGHTHAND-48"X95"(H33/H35)
6	101668-45-E11	EA	CURTAIN-RIGHTHAND-48"X95"(H34)
	073260-42-D09	EA	TIEBACK-6"X18"(H33/H35)
	073260-42-D10	EA	TIEBACK-6"X18"(H34)
7	118299-18-H33	EA	VALANCE-METROII-34.5"(H33) FROM: 00-00-00 THRU: 01-12-97
7	118299-18-H3A	EA	VALANCE-METRO-34.5"(H33) FROM: 01-13-97 THRU: 99-99-99
7	118299-18-H34	EA	VALANCE-METROII-34.5"(H34)
7	118299-18-H35	EA	VALANCE-METROII-34.5"(H35)
7	109041-47-01A	EA	BLIND-MINI-30"X27.5"(H33)
7	109041-47-02A	EA	BLIND-MINI-30"X27.5"(H34,H35)
7	109802-52-H33	EA	BLIND-PLEATED-30"X27.7"-WINDOWCOVERINGSOPTION
7	119333-01-H04	EA	LEG-RIGHT-25"(H33) FROM: 00-00-00 THRU: 01-12-97
7	119333-01-H3A	EA	LEG-RIGHT-25"(H33) FROM: 01-13-97 THRU: 99-99-99
7	119333-01-G16	EA	LEG-RIGHT-25"(H34)
7	119333-01-H35	EA	LEG-RIGHT-25"(H35)
7	119333-02-H04	EA	LEG-LEFT-25"(H33) FROM: 00-00-00 THRU: 01-12-97
7	119333-02-H3A	EA	LEG-LEFT-25"(H33) FROM: 01-13-97 THRU: 99-99-99
7	119333-02-G16	EA	LEG-LEFT-25"(H34)
7	119333-02-H35	EA	LEG-LEFT-25"(H35)
8	118299-19-H33	EA	VALANCE-METROII-16.5"X32"(H33) FROM: 00-00-00 THRU: 01-12-97
8	118299-19-H3A	EA	VALANCE-METRO-16.5"X32"(H33) FROM: 01-13-97 THRU: 99-99-99
8	118299-19-H34	EA	VALANCE-METROII-16.5"X32"(H34)
8	118299-19-H35	EA	VALANCE-METROII-16.5"X32"(H35)
8	084755-57-E07	EA	SHADE-PULL-27.25"

CURTAIN&CUSHIONGROUP(CONTINUED)



TWINMATTRESSES&BEDSPREADS

KEY	PARTNUMBER	U/M	DESCRIPTION	
1	123471-07-H33	EA	BEDSPREAD/THROW-36"X80"	
1	123471-07-H34	EA	BEDSPREAD/THROW-36"X80"	
1	123471-07-H35	EA	BEDSPREAD/THROW-36"X80"	
	123015-03-000	EA	MATTRESS-INNERSPRING-36"X74.5"	
	111863-07-H33	EA	PILLOWSHAM	
	111863-07-H34	EA	PILLOWSHAM	
	111863-07-H35	EA	PILLOWSHAM	
	111862-03-H33	EA	PILLOW-15"X15"	
	111862-03-H34	EA	PILLOW-15"X15"	
	111862-01-H34	EA	PILLOW-15"X15"	FROM: 00-00-00 THRU: 11-30-96
	111862-03-H35	EA	PILLOW-15"X15"	FROM: 12-01-96 THRU: 99-99-99

SOFA/BED

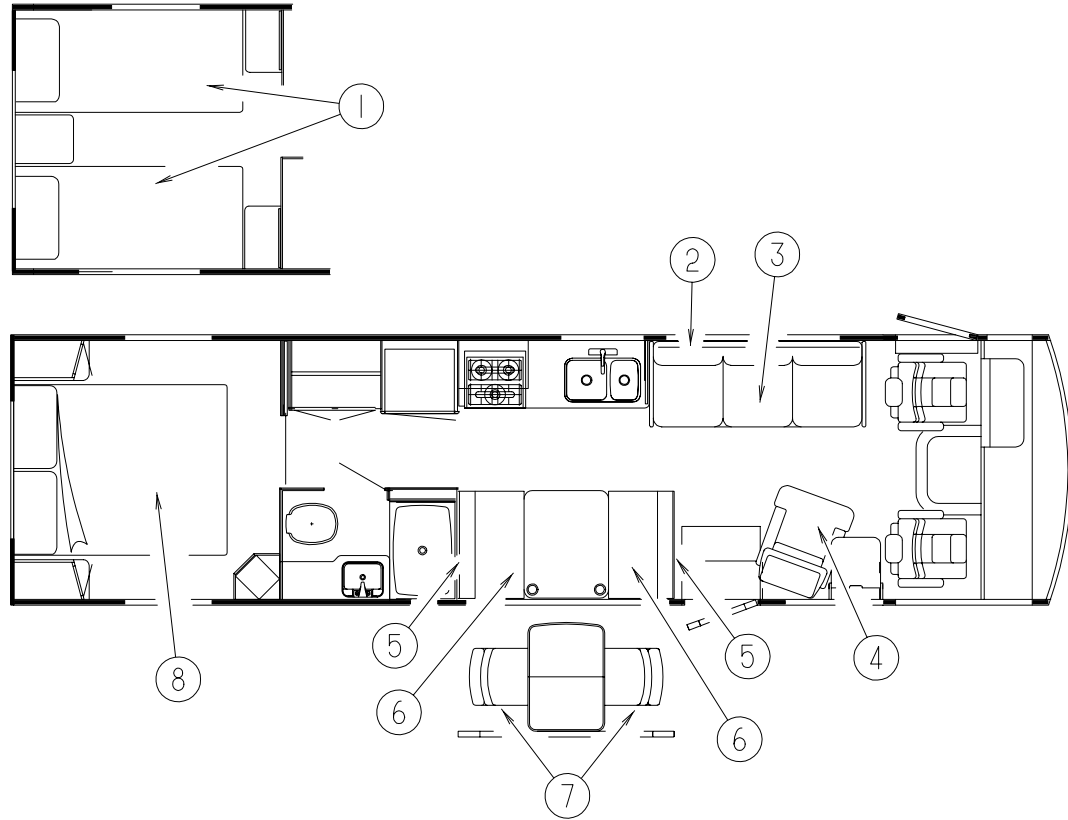
KEY	PARTNUMBER	U/M	DESCRIPTION
2	112104-01-H33	EA	BACK-SOFA/BED-74"-W/OARMS
2	112104-01-H34	EA	BACK-SOFA/BED-74"-W/OARMS
2	112104-01-H35	EA	BACK-SOFA/BED-74"-W/OARMS
	P12104-01-H33	EA	COVER-BACK-SOFA/BED-74"
	P12104-01-H34	EA	COVER-BACK-SOFA/BED-74"
	P12104-01-H35	EA	COVER-BACK-SOFA/BED-74"
	101085-10-000	EA	FRAME-SOFA/BED,JACKKNIFEBACK-74.5"X16"
3	100032-43-H04	EA	SOFA/BED-JACKKNIFESEAT,74"TUCK-W/OARMS(H33)
3	100032-43-H05	EA	SOFA/BED-JACKKNIFESEAT,74"TUCK-W/OARMS(H34)
3	100032-43-H35	EA	SOFA/BED-JACKKNIFESEAT,74"TUCK-W/OARMS(H35)
	P00032-43-H04	EA	COVER-SOFA/BED,JACKKNIFESEAT,74"TUCK-W/OARMS(H33)
	P00032-43-H05	EA	COVER-SOFA/BED,JACKKNIFESEAT,74"TUCK-W/OARMS(H34)
	P00032-43-H35	EA	COVER-SOFA/BED,JACKKNIFESEAT,74"TUCK-W/OARMS(H35)
	101085-04-000	EA	FRAME-SOFA/BED,JACKKNIFESEAT,74.75"
	101085-06-000	EA	FRAME-SOFA/BED,JACKKNIFEBASE,74.75"
	113990-09-000	EA	BRACKET-LOCK,MALE-FLEXSTEEL
	122556-04-01A	EA	LOCK-JACKKNIFESEAT

NOTE: COUCHFRONTANDSIDE PANELSARE FOUNDINTHE LOUNGE GROUP

LOUNGEPIZZOWS

KEY	PARTNUMBER	U/M	DESCRIPTION	
	111637-02-H33	EA	PILLOW-22"X22"(H33)	FROM: 00-00-00 THRU: 01-12-97
	111637-02-H3A	EA	PILLOW-22"X22"(H33)	FROM: 01-13-97 THRU: 99-99-99
	111637-02-H34	EA	PILLOWASM-22"X22"(H34)	
	111637-02-H35	EA	PILLOWASM-22"X22"(H35)	

CURTAIN&CUSHIONGROUP(CONTINUED)



SWIVELCHAIR

KEY	PARTNUMBER	U/M	DESCRIPTION	
4	118538-01-H33	EA	CHAIR-RECLINER(H33)	FROM: 00-00-00 THRU: 01-12-97
4	118538-01-H3A	EA	CHAIR-RECLINER(H33)	FROM: 01-13-97 THRU: 99-99-99
4	118538-01-H34	EA	CHAIR-RECLINER(H34)	
4	118538-01-H35	EA	CHAIR-RECLINER(H35)	

DINETTECUSHIONS

KEY	PARTNUMBER	U/M	DESCRIPTION
5	111880-01-H33	EA	CUSHION-BACK-13.5"X38"X5"
5	111880-01-H34	EA	CUSHION-BACK-13.5"X38"X5"
5	111880-01-H35	EA	CUSHION-BACK-13.5"X38"X5"
	P11880-01-H33	EA	COVER-BACKCUSHION-13.5"X38"X5"
	P11880-01-H34	EA	COVER-BACKCUSHION-13.5"X38"X5"
	P11880-01-H35	EA	COVER-BACKCUSHION-13.5"X38"X5"
	078155-01-000	EA	STRAP-SNAP,BACKRESTCUSHION
6	088927-87-H04	EA	CUSHION-SEATBOTTOM-23"X38"X5"(H33)
6	088927-87-H05	EA	CUSHION-SEATBOTTOM-23"X38"X5"(H34)
6	088927-87-H35	EA	CUSHION-SEATBOTTOM-23"X38"X5"(H35)
	M88927-87-H04	EA	COVER-SEATCUSHION-23"X38"X5"(H33)
	M88927-87-H05	EA	COVER-SEATCUSHION-23"X38"X5"(H34)
	M88927-87-H35	EA	COVER-SEATCUSHION-23"X38"X5"(H35)

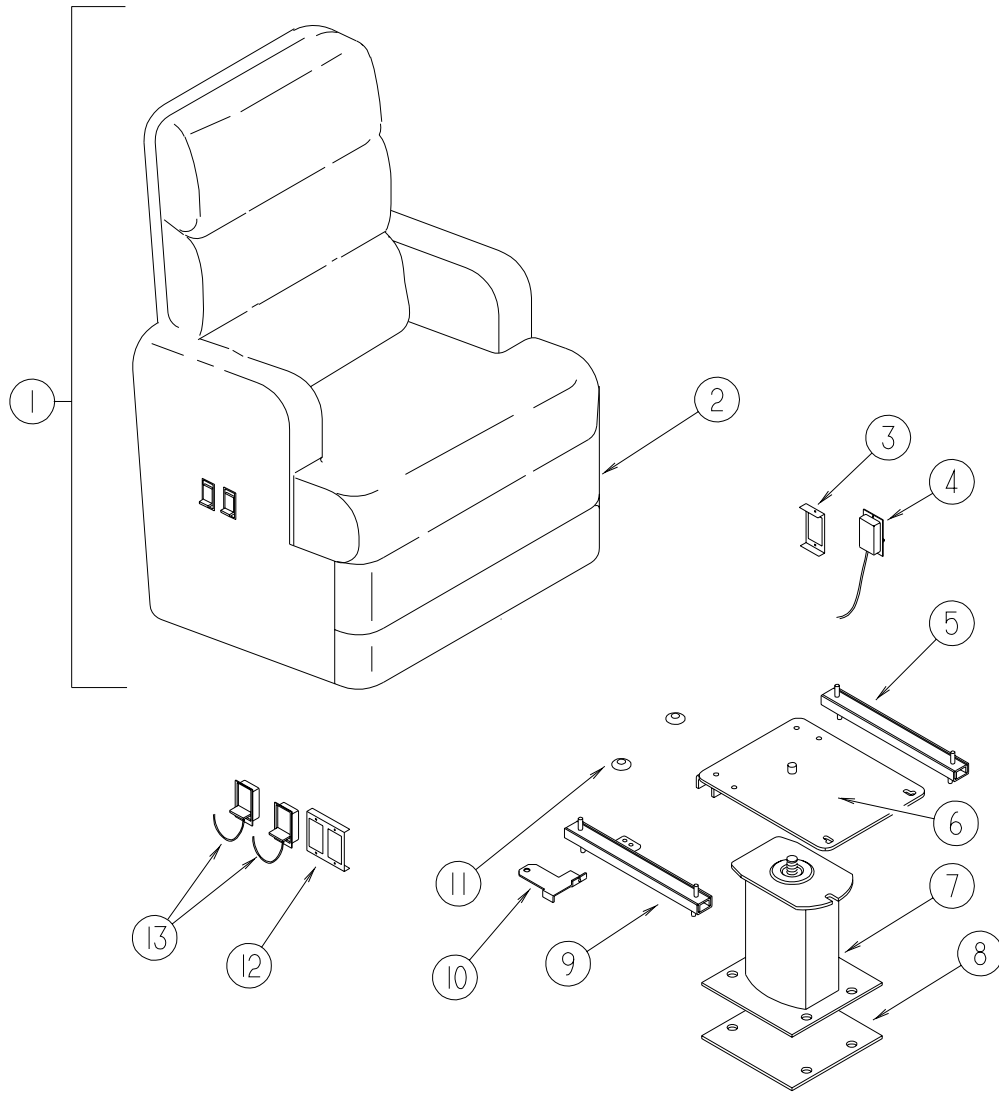
DINETTECHAIR

KEY	PARTNUMBER	U/M	DESCRIPTION	
7	122739-01-H33	EA	CHAIR-SWIVEL(H33)	FROM: 00-00-00 THRU: 01-12-97
7	122739-01-H3A	EA	CHAIR-SWIVEL(H33)	FROM: 01-13-97 THRU: 99-99-99
7	122739-01-H34	EA	CHAIR-SWIVEL(H34)	
7	122739-01-H35	EA	CHAIR-SWIVEL(H35)	
	101604-01-03A	EA	CHAIR-FOLDING/DINETTE-WATERFORDOAK-W/OFABRIC	

QUEENMATTRESS&BEDSPREAD

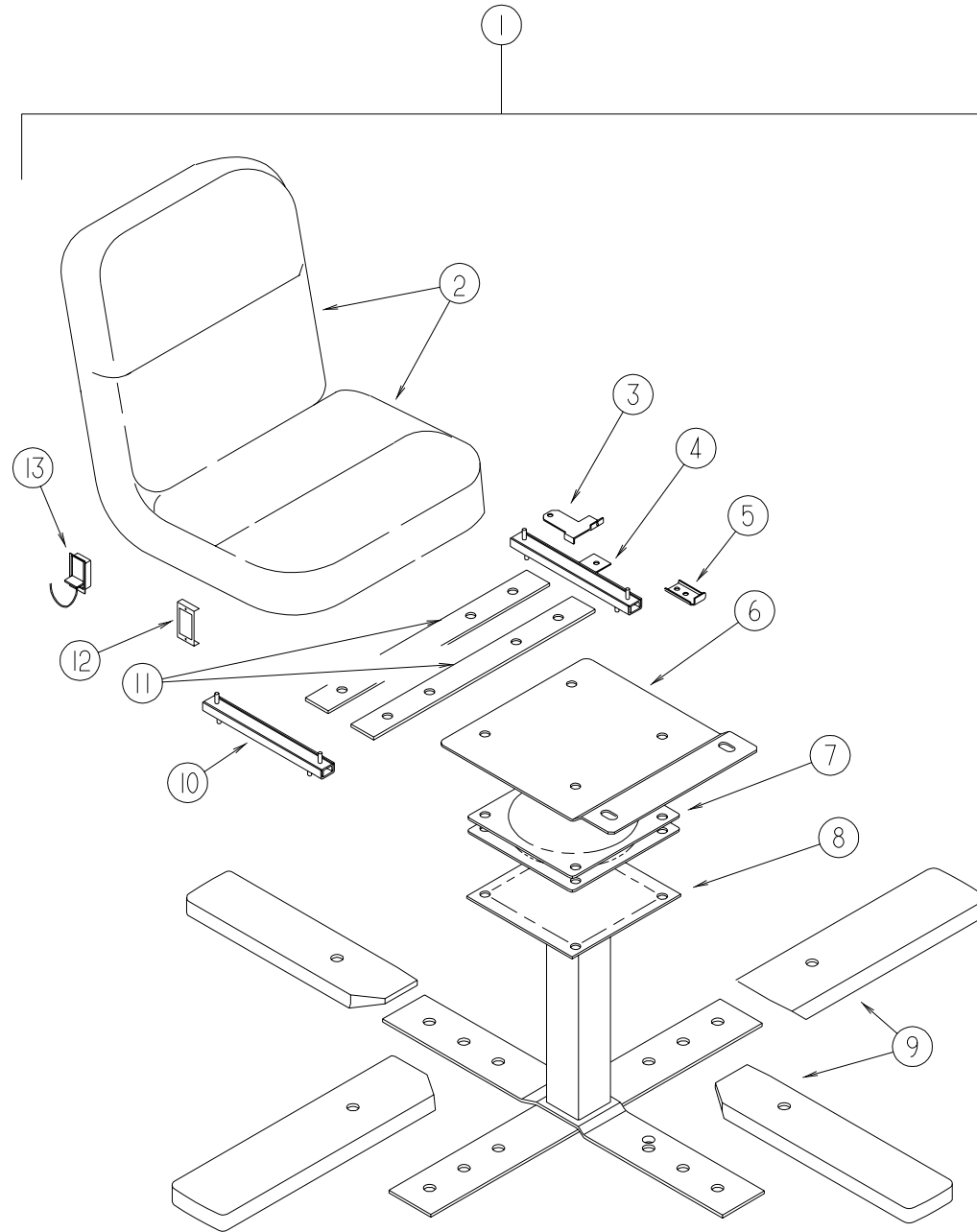
KEY	PARTNUMBER	U/M	DESCRIPTION	
8	123471-04-H33	EA	BEDSPREAD/THROW-60"X75"	
8	123471-04-H34	EA	BEDSPREAD/THROW-60"X75"	
8	123471-04-H35	EA	BEDSPREAD/THROW-60"X75"	
	123015-06-000	EA	MATTRESS-INNERSPRING-60"X74.5"	
	111863-05-H33	EA	PILLOWSHAM	
	111863-05-H34	EA	PILLOWSHAM	
	111863-05-H35	EA	PILLOWSHAM	
	111862-03-H33	EA	PILLOW-15"X15"	FROM: 00-00-00 THRU: 11-30-96
	111862-03-H34	EA	PILLOW-15"X15"	FROM: 12-01-96 THRU: 99-99-99
	111862-01-H34	EA	PILLOW-15"X15"	
	111862-03-H35	EA	PILLOW-15"X15"	

CURTAIN & CUSHION GROUP (CONTINUED)
SWIVEL CHAIR



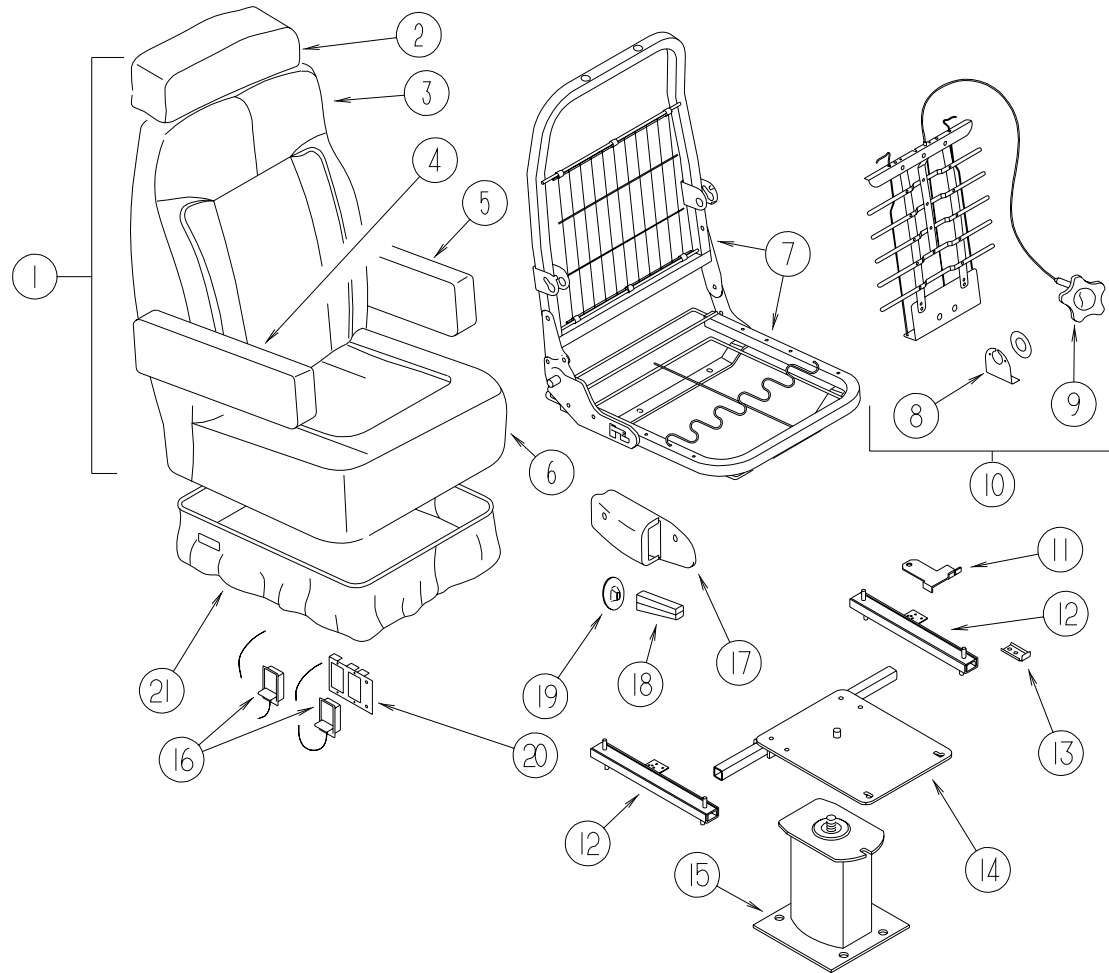
KEY	PARTNUMBER	U/M	DESCRIPTION	
1	118538-01-H33	EA	CHAIR-RECLINER (H33)	FROM: 00-00-00 THRU: 01-12-97
1	118538-01-H3A	EA	CHAIR-RECLINER (H33)	FROM: 01-13-97 THRU: 99-99-99
1	118538-01-H34	EA	CHAIR-RECLINER (H34)	
1	118538-01-H35	EA	CHAIR-RECLINER (H35)	
	P18538-01-H33	EA	COVER-RECLINERCHAIR (H33)	FROM: 00-00-00 THRU: 01-12-97
	P18538-01-H3A	EA	COVER-RECLINERCHAIR (H33)	FROM: 01-13-97 THRU: 99-99-99
	P18538-01-H34	EA	COVER-RECLINERCHAIR (H34)	
	P18538-01-H35	EA	COVER-RECLINERCHAIR (H35)	
2	118539-01-H33	EA	SKIRT-RECLINERCHAIR (H33)	FROM: 00-00-00 THRU: 01-12-97
2	118539-01-H3A	EA	SKIRT-RECLINERCHAIR (H33)	FROM: 01-13-97 THRU: 99-99-99
2	118539-01-H34	EA	SKIRT-RECLINERCHAIR (H34)	
2	118539-01-H35	EA	SKIRT-RECLINERCHAIR (H35)	
3	097683-03-000	EA	BRACKET-REMOTE/SIDEMOUNT-SINGLE	
4	089368-05-000	EA	CABLE-W/SWITCH 25.5" SHEATH-293/4" CABLEW/DOGLEG	
	108049-02-000	EA	CLIP-CABLE/PEDESTAL	
5	119952-02-000	EA	SLIDE/SEAT-HEAVYDUTYNONLOCKING	
6	107921-08-000	EA	TOP PLATE - PEDESTAL - W/O SEATBELT BAR	
7	107921-01-000	EA	PEDESTAL/FLOORMOUNTED-W/9.75" EXTENSION	
8	108445-02-000	EA	PLATE/FLOORMOUNTED-PEDESTAL SEAT	
	107921-06-000	EA	BEARINGKIT-PEDESTAL	
9	119952-04-000	EA	SLIDE/SEAT-HEAVYDUTYLOCKING-4STUDS	
10	117125-01-02B	EA	BRACKET-CABLEMOUNT-ADJUSTER W/LOCK	
11	007221-01-000	EA	SPACER-SEAT/ADJUSTER	
12	097683-02-000	EA	BRACKET-REMOTE/SIDEMOUNT-DOUBLE	
13	108049-03-000	EA	CABLE/CONTROL 25.5" SHEATH/28.5" CABLEW/DOGLEG	
	108049-02-000	EA	CLIP-CABLE/PEDESTAL	
	P18538-27-H33	EA	COVER-ARMREST-UNIVERSAL-SWIVELCHAIR (H33)	FROM: 00-00-00 THRU: 01-12-97
	P18538-27-H3A	EA	COVER-ARMREST-UNIVERSAL-SWIVELCHAIR (H33)	FROM: 01-13-97 THRU: 99-99-99
	P18538-27-H34	EA	COVER-ARMREST-UNIVERSAL-SWIVELCHAIR (H34)	
	P18538-27-H35	EA	COVER-ARMREST-UNIVERSAL-SWIVELCHAIR (H35)	

CURTAIN&CUSHIONGROUP(CONTINUED)
DINETTECHAIR



KEY	PARTNUMBER	U/M	DESCRIPTION	
1	122739-01-H33	EA	CHAIR-SWIVEL(H33)	FROM: 00-00-00 THRU: 01-12-97
1	122739-01-H3A	EA	CHAIR-SWIVEL(H33)	FROM: 01-13-97 THRU: 99-99-99
1	122739-01-H34	EA	CHAIR-SWIVEL(H34)	
1	122739-01-H35	EA	CHAIR-SWIVEL(H35)	
2	P22739-01-H33	EA	COVER-BACK/SEAT-SWIVELCHAIR(H33)	FROM: 00-00-00 THRU: 01-12-97
2	P22739-01-H3A	EA	COVER-BACK/SEAT-SWIVELCHAIR(H33)	FROM: 01-13-97 THRU: 99-99-99
2	P22739-01-H34	EA	COVER-BACK/SEAT-SWIVELCHAIR(H34)	
2	P22739-01-H35	EA	COVER-BACK/SEAT-SWIVELCHAIR(H35)	
3	117125-01-02B	EA	BRACKET-CABLEMOUNT-ADJUSTERW/LOCK	
4	119952-04-000	EA	SLIDE/SEAT-HEAVYDUTYLOCKING-4STUDS	
5	114889-01-000	EA	STOPBAR-UNIVERSAL	
6	119705-11-02B	EA	PLATE-SEAT	
7	119105-01-000	EA	PLATE-SWIVEL-RETURN-0-MATIC	
8	119705-02-03B	EA	PEDESTAL	
9	116080-02-G35	EA	COVER-CHAIRLEG-9.5"WATERFORDOAK	
	074045-10-000	EA	PLUG-OAK-1/2"DIAMETER	
10	119952-02-000	EA	SLIDE/SEAT-HEAVYDUTYNONLOCKING	
11	120109-01-02B	EA	ADAPTERBRACKET-DINETTESWIVELCHAIR	
12	097683-03-000	EA	BRACKET-REMOTE/SIDEMOUNT-SINGLE	
13	108049-03-000	EA	CABLE/CONTROL25.5"SHEATH/28.5"CABLEW/DOGLEG	

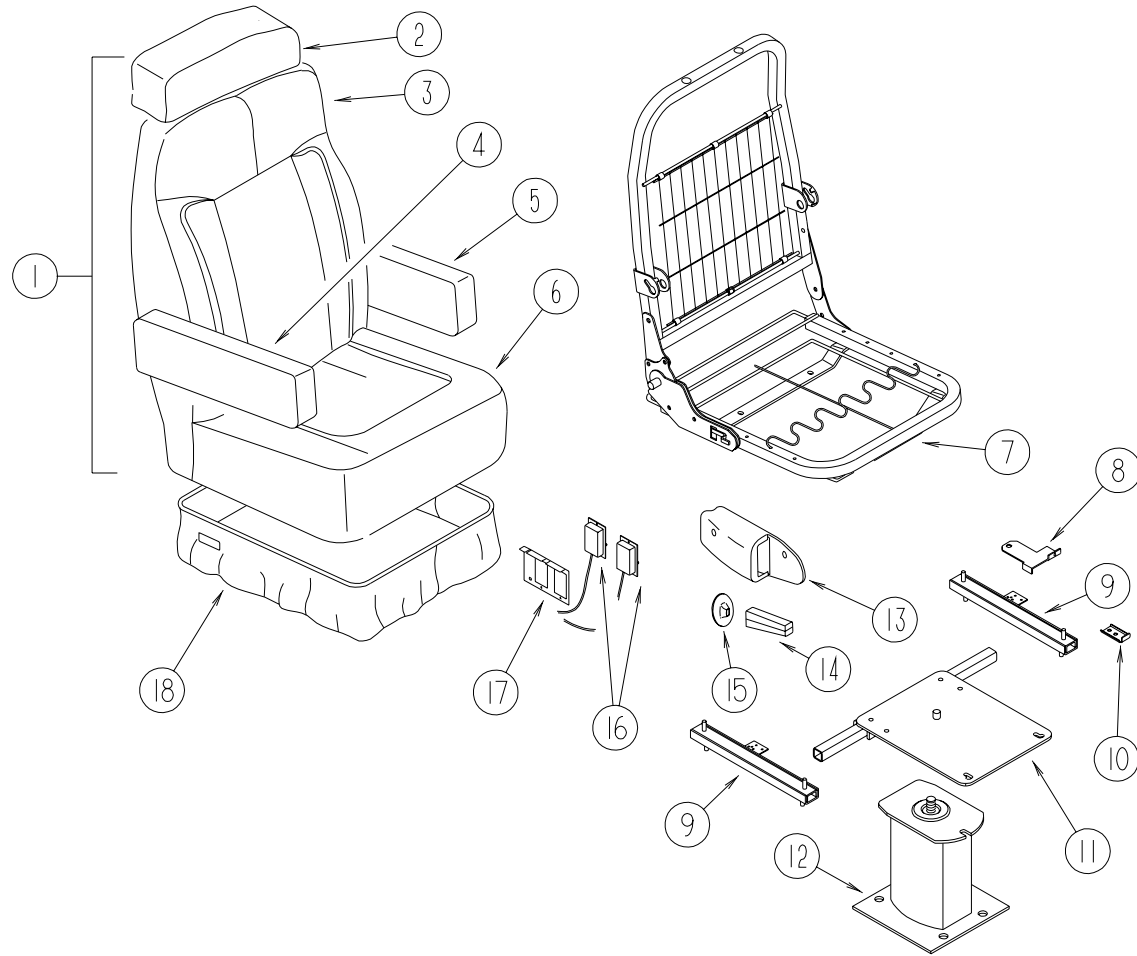
CURTAIN&CUSHIONGROUP(CONTINUED)
DRIVERBUCKETSEAT



KEY	PARTNUMBER	U/M DESCRIPTION	VENDOR NO.
4	122780-01-H33	EA ARMREST-RIGHTHAND(H33)	FROM: 00-00-00 THRU: 01-12-97
4	122780-01-H3A	EA ARMREST-RIGHTHAND(H33)	FROM: 01-13-97 THRU: 99-99-99
4	122780-01-H34	EA ARMREST-RIGHTHAND(H34)	
4	122780-01-H35	EA ARMREST-RIGHTHAND(H35)	
4	115617-03-000	EA ARMREST-W/COVER-RIGHTHAND	
4	P22780-01-H33	EA COVER-ARMREST-RIGHTHAND(H33)	FROM: 00-00-00 THRU: 01-12-97
4	P22780-01-H3A	EA COVER-ARMREST-RIGHTHAND(H33)	FROM: 01-13-97 THRU: 99-99-99
4	P22780-01-H34	EA COVER-ARMREST-RIGHTHAND(H34)	
4	P22780-01-H35	EA COVER-ARMREST-RIGHTHAND(H35)	
5	122780-02-H33	EA ARMREST-LEFTHAND(H33)	FROM: 00-00-00 THRU: 01-12-97
5	122780-02-H33	EA ARMREST-LEFTHAND(H33)	FROM: 01-13-97 THRU: 99-99-99
5	122780-02-H34	EA ARMREST-LEFTHAND(H34)	
5	122780-02-H35	EA ARMREST-LEFTHAND(H35)	
5	115617-04-000	EA ARMREST-W/COVER-LEFTHAND	
5	P22780-02-H33	EA COVER-ARMREST-LEFTHAND(H33)	FROM: 00-00-00 THRU: 01-12-97
5	P22780-02-H3A	EA COVER-ARMREST-LEFTHAND(H33)	FROM: 01-13-97 THRU: 99-99-99
5	P22780-02-H34	EA COVER-ARMREST-LEFTHAND(H34)	
5	P22780-02-H35	EA COVER-ARMREST-LEFTHAND(H35)	
6	M05962-40-H33	EA COVER-SEAT(H33)	FROM: 00-00-00 THRU: 01-12-97
6	M05962-40-H3A	EA COVER-SEAT(H33)	FROM: 01-13-97 THRU: 99-99-99
6	M05962-40-H34	EA COVER-SEAT(H34)	
6	M05962-40-H35	EA COVER-SEAT(H35)	
7	122695-01-01B	EA FRAME-SEAT/BACK	
8	122611-01-702	EA LUMBAR-BRACKET	157C-90
8	122611-01-703	EA LUMBAR-SCREW	210
9	122611-01-701	EA LUMBAR-KNOB	218
10	122611-01-000	EA LUMBAR	
11	117125-01-02B	EA BRACKET-CABLEHOLDER,ADJUSTERW/LOCK-E-COAT	
12	119952-06-000	EA SLIDE-SEAT,HEAVYDUTYLOCKING-4STUDS	
12	119952-07-000	EA WIRE-LATCHRELEASE/ROTARY	
13	114889-01-000	EA STOPBAR-UNIVERSAL	
14	107921-05-000	EA PLATE-TOPW/SEATBELTBAR	
14	107921-06-000	EA BEARINGKIT-PEDESTAL	
15	107921-01-000	EA PEDESTAL/FLOORMOUNTED-W/9.75"EXTENSION	
16	108049-03-000	EA CABLE/CONTROL25.5"SHEATH/28.5"CABLEW/DOGLEG	
16	108049-02-000	EA CLIP-CABLE/PEDESTAL	
17	080730-09-000	EA SHIELD-RECLINERHANDLE	
18	080730-08-000	EA HANDLE-RECLINER	
19	080730-11-000	EA SHIELD-RUBBERBOOT	
20	097683-02-000	EA BRACKET-REMOTE/SIDEMOUNT-DOUBLE	
21	071126-58-H33	EA SKIRT-SINGLE-W/SEATBELTSLOT(H33)	FROM: 00-00-00 THRU: 01-12-97
21	071126-58-H3A	EA SKIRT-SINGLE-W/SEATBELTSLOT(H33)	FROM: 01-13-97 THRU: 99-99-99
21	071126-58-H34	EA SKIRT-SINGLE-W/SEATBELTSLOT(H34)	
21	071126-58-H35	EA SKIRT-SINGLE-W/SEATBELTSLOT(H35)	

KEY	PARTNUMBER	U/M DESCRIPTION
1	122684-01-H33	EA SEAT-BUCKET-DRIVERS-W/LUMBAR(H33) FROM: 00-00-00 THRU: 01-12-97
1	122684-01-H3A	EA SEAT-BUCKET-DRIVERS-W/LUMBAR(H33) FROM: 01-13-97 THRU: 99-99-99
1	122684-01-H34	EA SEAT-BUCKET-DRIVERS-W/LUMBAR(H34)
1	122684-01-H35	EA SEAT-BUCKET-DRIVERS-W/LUMBAR(H35)
2	119509-01-H33	EA HEADREST-BUCKETSEAT(H33) FROM: 00-00-00 THRU: 01-12-97
2	119509-01-H3A	EA HEADREST-BUCKETSEAT(H33) FROM: 01-13-97 THRU: 99-99-99
2	119509-01-G10	EA HEADREST-BUCKETSEAT(H34)
2	119509-01-H35	EA HEADREST-BUCKETSEAT(H35)
2	P19509-01-H33	EA COVER-HEADREST(H33) FROM: 00-00-00 THRU: 01-12-97
2	P19509-01-H3A	EA COVER-HEADREST(H33) FROM: 01-13-97 THRU: 99-99-99
2	P19509-01-G10	EA COVER-HEADREST(H34)
2	P19509-01-H35	EA COVER-HEADREST(H35)
3	113977-12-000	EA HEADRESTINSERT-W/OLOCK
3	113977-13-000	EA HEADRESTINSERT-W/LOCK
3	M05962-39-H33	EA COVER-BACK(H33) FROM: 00-00-00 THRU: 01-12-97
3	M05962-39-H3A	EA COVER-BACK(H33) FROM: 01-13-97 THRU: 99-99-99
3	M05962-39-H34	EA COVER-BACK(H34)
3	M05962-39-H35	EA COVER-BACK(H35)

CURTAIN&CUSHIONGROUP(CONTINUED)
PASSENGERBUCKETSEAT



KEY	PARTNUMBER	U/M	DESCRIPTION
1	122684-02-H33	EA	SEAT-BUCKET-PASSENGER(H33) FROM: 00-00-00 THRU: 01-12-97
1	122684-02-H3A	EA	SEAT-BUCKET-PASSENGER(H33) FROM: 01-13-97 THRU: 99-99-99
1	122684-02-H34	EA	SEAT-BUCKET-PASSENGER(H34)
1	122684-02-H35	EA	SEAT-BUCKET-PASSENGER(H35)
2	119509-01-H33	EA	HEADREST-BUCKETSEAT(H33) FROM: 00-00-00 THRU: 01-12-97
2	119509-01-H3A	EA	HEADREST-BUCKETSEAT(H33) FROM: 01-13-97 THRU: 99-99-99
2	119509-01-G10	EA	HEADREST-BUCKETSEAT(H34)
2	119509-01-H35	EA	HEADREST-BUCKETSEAT(H35)
2	P19509-01-H33	EA	COVER-HEADREST(H33) FROM: 00-00-00 THRU: 01-12-97
2	P19509-01-H3A	EA	COVER-HEADREST(H33) FROM: 01-13-97 THRU: 99-99-99
2	P19509-01-G10	EA	COVER-HEADREST(H34)
2	P19509-01-H35	EA	COVER-HEADREST(H35)
	113977-12-000	EA	HEADRESTINSERT-W/OLOCK
	113977-13-000	EA	HEADRESTINSERT-W/LOCK
3	M05962-39-H33	EA	COVER-BACK(H33) FROM: 00-00-00 THRU: 01-12-97
3	M05962-39-H3A	EA	COVER-BACK(H33) FROM: 01-13-97 THRU: 99-99-99
3	M05962-39-H34	EA	COVER-BACK(H34)
3	M05962-39-H35	EA	COVER-BACK(H35)

KEY	PARTNUMBER	U/M	DESCRIPTION
4	122780-01-H33	EA	ARMREST-RIGHTHAND(H33) FROM: 00-00-00 THRU: 01-12-97
4	122780-01-H3A	EA	ARMREST-RIGHTHAND(H33) FROM: 01-13-97 THRU: 99-99-99
4	122780-01-H34	EA	ARMREST-RIGHTHAND(H34)
4	122780-01-H35	EA	ARMREST-RIGHTHAND(H35)
	115617-03-000	EA	ARMRESTW/COVER-RIGHT
4	P22780-01-H33	EA	COVER-ARMREST-RIGHTHAND(H33) FROM: 00-00-00 THRU: 01-12-97
4	P22780-01-H3A	EA	COVER-ARMREST-RIGHTHAND(H33) FROM: 01-13-97 THRU: 99-99-99
4	P22780-01-H34	EA	COVER-ARMREST-RIGHTHAND(H34)
4	P22780-01-H35	EA	COVER-ARMREST-RIGHTHAND(H35)
5	122780-02-H33	EA	ARMREST-LEFTHAND(H33) FROM: 00-00-00 THRU: 01-12-97
5	122780-02-H3A	EA	ARMREST-LEFTHAND(H33) FROM: 01-13-97 THRU: 99-99-99
5	122780-02-H34	EA	ARMREST-LEFTHAND(H34)
5	122780-02-H35	EA	ARMREST-LEFTHAND(H35)
	115617-04-000	EA	ARMREST-W/COVER-LEFTHAND
5	P22780-02-H33	EA	COVER-ARMREST-LEFTHAND(H33) FROM: 00-00-00 THRU: 01-12-97
5	P22780-02-H3A	EA	COVER-ARMREST-LEFTHAND(H33) FROM: 01-13-97 THRU: 99-99-99
5	P22780-02-H34	EA	COVER-ARMREST-LEFTHAND(H34)
5	P22780-02-H35	EA	COVER-ARMREST-LEFTHAND(H35)
6	M05962-40-H33	EA	COVER-SEAT(H33) FROM: 00-00-00 THRU: 01-12-97
6	M05962-40-H3A	EA	COVER-SEAT(H33) FROM: 01-13-97 THRU: 99-99-99
6	M05962-40-H34	EA	COVER-SEAT(H34)
6	M05962-40-H35	EA	COVER-SEAT(H35)
7	122695-01-01B	EA	FRAME-SEAT/BACK
8	117125-01-02B	EA	BRACKET-CABLEMOUNT-ADJUSTERW/LOCK
9	119952-06-000	EA	SLIDE/SEAT-HEAVYDUTYLOCKING-4STUDS
	119952-07-000	EA	WIRE-LATCHRELEASE/ROTARY
10	114889-01-000	EA	STOPBAR-UNIVERSAL
11	107921-05-000	EA	PLATE-TOP-W/SEATBELTBAR
	107921-06-000	EA	BEARINGKIT-PEDESTAL
12	107921-01-000	EA	PEDESTAL/FLOORMOUNTED-W/9.75"EXTENSION
13	080730-09-000	EA	SHIELD-RECLINERHANDLE
14	080730-08-000	EA	HANDLE-RECLINER
15	080730-11-000	EA	SHIELD-RUBBERBOOT
16	108049-03-000	EA	CABLE/CONTROL25.5"SHEATH/28.5"CABLEW/DOGLEG
	108049-02-000	EA	CLIP-CABLE/PEDESTAL
17	097683-02-000	EA	BRACKET-REMOTE/SIDEMOUNT-DOUBLE
18	071126-58-H33	EA	SKIRT-SINGLE-W/SEATBELTSLOT(H33) FROM: 00-00-00 THRU: 01-12-97
18	071126-58-H3A	EA	SKIRT-SINGLE-W/SEATBELTSLOT(H33) FROM: 01-13-97 THRU: 99-99-99
18	071126-58-H34	EA	SKIRT-SINGLE-W/SEATBELTSLOT(H34)
18	071126-58-H35	EA	SKIRT-SINGLE-W/SEATBELTSLOT(H35)

CURTAIN&CUSHIONGROUP(CONTINUED)
BUTTON,TRIM,ASSISTHANDLE&SEATBELT

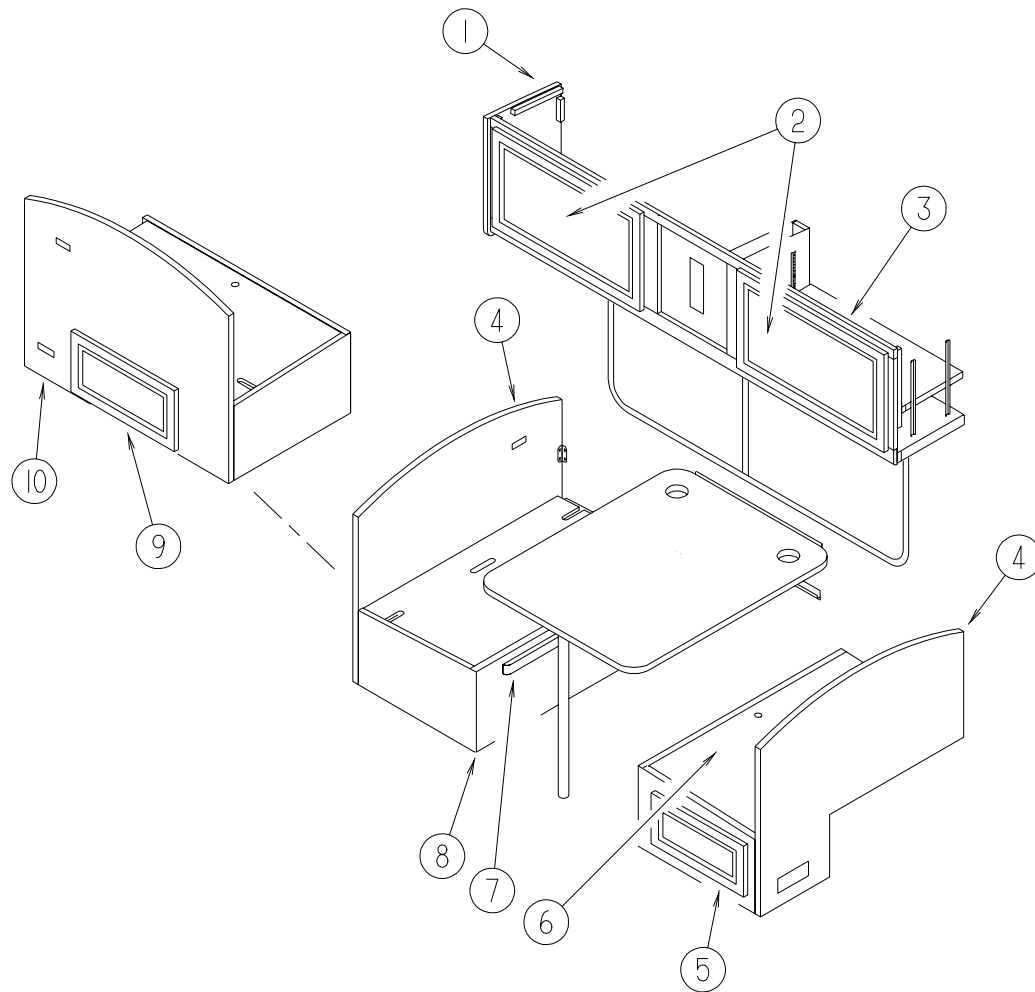
KEY	PARTNUMBER	U/M	DESCRIPTION
	070578-02-B10	EA	BUTTON-SCREW-STUD-#30VINYL
	118337-01-H33	YD	BUTTON-#60(H33)
			FROM: 00-00-00 THRU: 01-12-97
	118337-01-H3A	YD	BUTTON-#60(H33)
			FROM: 01-13-97 THRU: 99-99-99
	118337-01-G10	YD	BUTTON-#60(H34)
	118337-01-H35	YD	BUTTON-#60(H35)
	074494-02-000	EA	BUTTON-RETAININGPIVOT-#60
	074494-03-000	EA	BUTTON-SERRATEDPIVOT-W/3/8TACK
	079349-04-H33	YD	WELT-NARROW(H33)
			FROM: 00-00-00 THRU: 01-12-97
	079349-04-H3A	YD	WELT-NARROW(H33)
			FROM: 01-13-97 THRU: 99-99-99
	079349-04-H34	YD	WELT-NARROW(H34)
	079349-04-H35	YD	WELT-NARROW(H35)
	057759-01-000	EA	WASHERBRACKET-SEATBELT,4"DIAMETER
	007021-01-000	EA	SEATBELT-2"X90"-BLACK
	056271-02-000	EA	BELT-SEAT-2"X72"-BLACK
	069178-02-000	EA	BRACKET-MOUNTING,ASSISTHANDLE-LANGLE-W/HOLES-STEEL
	053552-02-AA8	EA	HANDLE-ASSIST,INTERIOR-ENTRYDOOR-VINYL-OFFWHITE
	000D20-07-00B	EA	NUT-ACORN-ASSISTHANDLE-7/16-14
	057534-03-000	EA	TIEBACK/TIEDOWN-BED/CURTAIN/DOOR,7.5"-PLASTIC-CLEAR

CURTAIN&CUSHIONGROUP(CONTINUED)
SUNRISE FABRIC

COLOR CODES	H33 FROM: 00-00-00 THRU: 01-12-97	H33 FROM: 01-13-97 THRU: 99-99-99	H34	H35
	BLUE LAGOON (BLUE)	BLUE LAGOON (BLUE)	KRYPTONITE (TAN)	SEQUOIA (SAGE)
CEILING MATERIAL FROM: 00-00-00 THRU: 10-13-96	113979-01-01A	113979-01-01A	113979-01-01A	113979-01-01A
CEILING MATERIAL FROM: 10-14-96 THRU: 03-31-97	113979-04-01A	113979-04-01A	113979-04-01A	113979-04-01A
CEILING MATERIAL FROM: 04-01-97 THRU: 99-99-99	113979-01-01A	113979-01-01A	113979-01-01A	113979-01-01A
QUICKSILVER VINYL	103907-01-05A	103907-01-05A	103907-01-05A	103907-01-05A
DRAPERY LINING	087272-03-000	087272-03-000	087272-03-000	087272-03-000
BUCKET SEATS	108446-K9-000	108446-S9-000	108446-77-000	108446-59-000
MC CLAIN'S BUCKET SEATS	103907-01-04A	103907-01-04A	103907-01-04A	103907-01-04A
DINETTE	108446-K7-000	108446-K7-000	108446-K8-000	108446-M2-000
DINETTE PADS	108446-K9-000	108446-S9-000	108446-77-000	108446-59-000
SOFA	108446-K7-000	108446-K7-000	108446-K8-000	108446-M2-000
SOFA PILLOWS	108446-K9-000	108446-S9-000	108446-G2-000	108446-M7-000
SWIVEL CHAIR	108446-K9-000	108446-S9-000	108446-G2-000	108446-M7-000
DINETTE/LOUNGE WINDOWS	108446-K9-000 108446-K7-000	108446-K9-000 108446-K7-000 108446-S9-000	108446-77-000 108446-K8-000 108446-G2-000	108446-59-000 108446-M2-000 108446-M7-000
BEDROOM WINDOWS	105745-B3-000	105745-B3-000	105745-D5-000	105745-E5-000
BEDSPREAD	105745-B3-000 105745-61-000	105745-B3-000 105745-61-000	105745-D5-000 108446-62-000	105745-E5-000 105745-E2-000
PILLOW SHAMS	105745-B3-000 105745-61-000	105745-B3-000 105745-61-000	105745-D5-000 108446-62-000	105745-E5-000 105745-E2-000
HEADBOARD	105745-B3-000 105745-61-000	105745-B3-000 105745-61-000	105745-D5-000 108446-62-000	105745-E5-000 105745-E2-000
BEDROOM PILLOWS	105745-B7-000 105745-A2-000	105745-B7-000 105745-A2-000	105745-D5-000 108446-62-000	105745-D0-000 105745-E5-000
FRONT WRAP AROUND	072333-90-000	072333-90-000	072333-82-000	072333-90-000
MAP POCKETS	108446-K9-000	108446-S9-000	108446-G2-000	108446-59-000

NOTE: FABRIC LISTED FIRST, IN A BLOCK, IS THE LARGEST QUANTITY OF FABRIC USED.

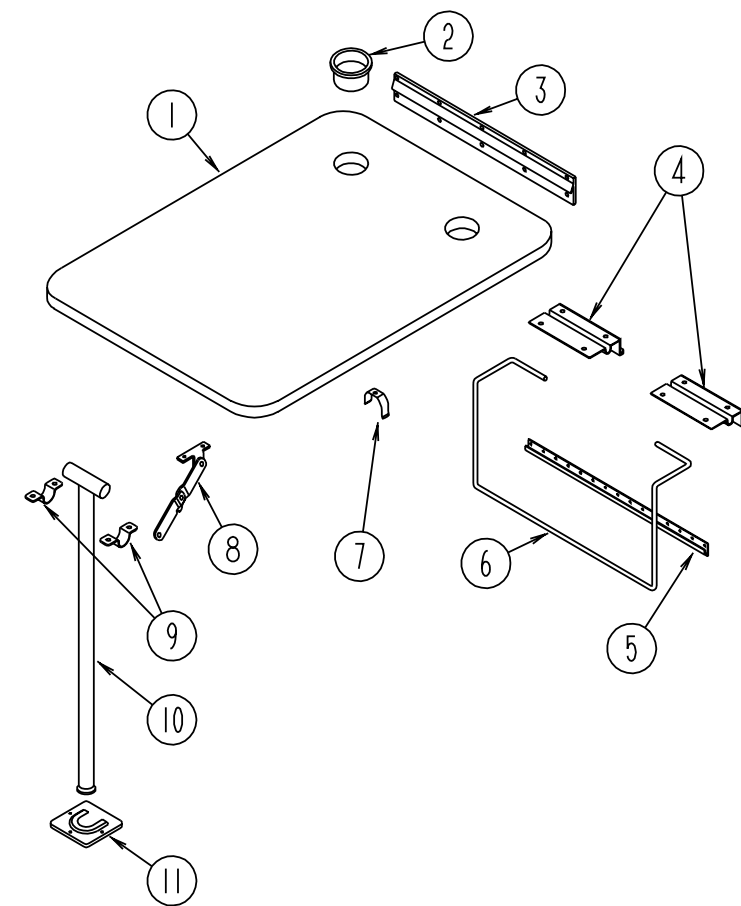
DINETTEGROUP



DINETTE CABINETRY

KEY	PARTNUMBER	U/M	DESCRIPTION
1	103128-02-G09	EA	ENDCAP-OVERHEADCABINET-LEFTHAND
2	M06803-02-G09	EA	DOOR-MITEREDCORNER/OGEEEDGE-15.7"X28"-W/OHDW
2	M06803-82-G09	EA	DOOR-MITEREDCORNER/OGEEEDGE-15.7"X28"-W/OHDW GENERALTRAIEROPTION
3	117902-07-H33	EA	CABINET-DINETTEOVERHEAD-W/ODOORS/HARDWARE
3	117902-07-H34	EA	CABINET-DINETTEOVERHEAD-W/ODOORS/HARDWARE
3	117902-07-H35	EA	CABINET-DINETTEOVERHEAD-W/ODOORS/HARDWARE
	117902-14-G09	EA	SHELF-W/PLASTICEDGETRIM
3	117579-01-H33	EA	CABINET-OVERHEAD,W/ODOORS-COFFEEMAKEROPTION(H33)
3	117579-01-G14	EA	CABINET-OVERHEAD,W/ODOORS-COFFEEMAKEROPTION(H34)
3	117579-01-H35	EA	CABINET-OVERHEAD,W/ODOORS-COFFEEMAKEROPTION(H35)
	117579-13-G09	EA	SHELF-W/PLASTICEDGETRIM
4	104787-04-H33	EA	PAD-DINETTE(H33)
			FROM: 00-00-00 THRU: 01-12-97
4	104787-04-H3A	EA	PAD-DINETTE(H33)
			FROM: 01-13-97 THRU: 99-99-99
4	104787-04-E33	EA	PAD-DINETTE(H34)
4	104787-04-E70	EA	PAD-DINETTE(H35)
5	M06803-T5-H13	EA	DOOR-MITEREDCORNER/OGEEEDGE-10"X19.1"-W/OHDW
6	M04175-97-H33	EA	CABINET-SEATBOTTOMRIGHTHAND-W/ODOORS/DRAWERS/HDW
7	081295-01-G01	EA	SUPPORT-BED/DINETTE-28"LONG
8	M04175-69-H13	EA	CABINET-SEATBOTTOMLEFTHAND-W/ODOORS/DRAWERS/HDW
9	M06803-07-G09	EA	DOOR-MITEREDCORNER/OGEEEDGE-10"X19"-W/OHDW
10	M04174-69-G09	EA	CABINET-SEATBACKLEFTHAND-W/OHARDWARE

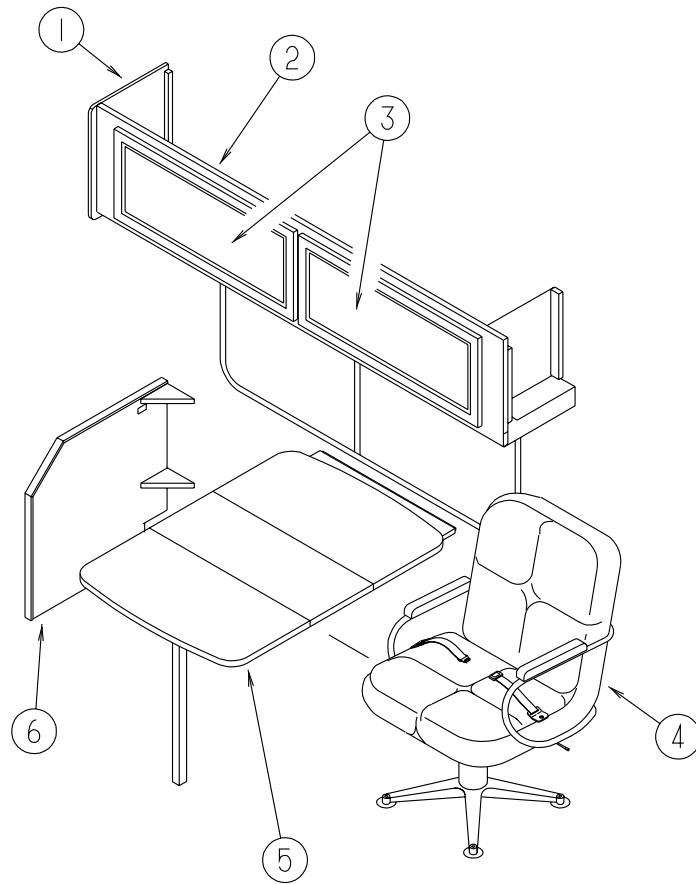
DINETTEGROUP(CONTINUED)



DINETTETABLE

KEY	PARTNUMBER	U/M	DESCRIPTION
1	081322-01-G31	EA	TABLETOPONLY(H33)
1	081322-01-G14	EA	TABLETOPONLY(H34,H35)
2	064781-06-000	EA	HOLDER-CUP-TWOSTEP-OFFWHITE
3	053200-12-000	EA	BRACKET-TABLESUPPORT-UPPERWALLMOUNTED-23.50"
4	088410-02-000	EA	BRACKET-LIFT-TABLEMOUNTED
5	024281-14-000	EA	BRACKET-LIFTROD/LOWERWALLMOUNTED-22.12"
6	024275-12-000	EA	ROD-TABLELIFT
7	024283-01-000	EA	CLIP-LEG-1"-1.125"OD-BLACK
8	024282-01-000	EA	BRACE-TABLELEG-HINGED
9	064050-05-000	EA	HINGE-TABLELEG-OFFWHITE
10	024276-23-000	EA	LEG-TABLE-METAL-OFFWHITE
11	049493-12-000	EA	CATCH-TABLELEG/FLOORMOUNTED-OFFWHITE
	049493-11-700	EA	CATCH-TABLELEG-E-COAT

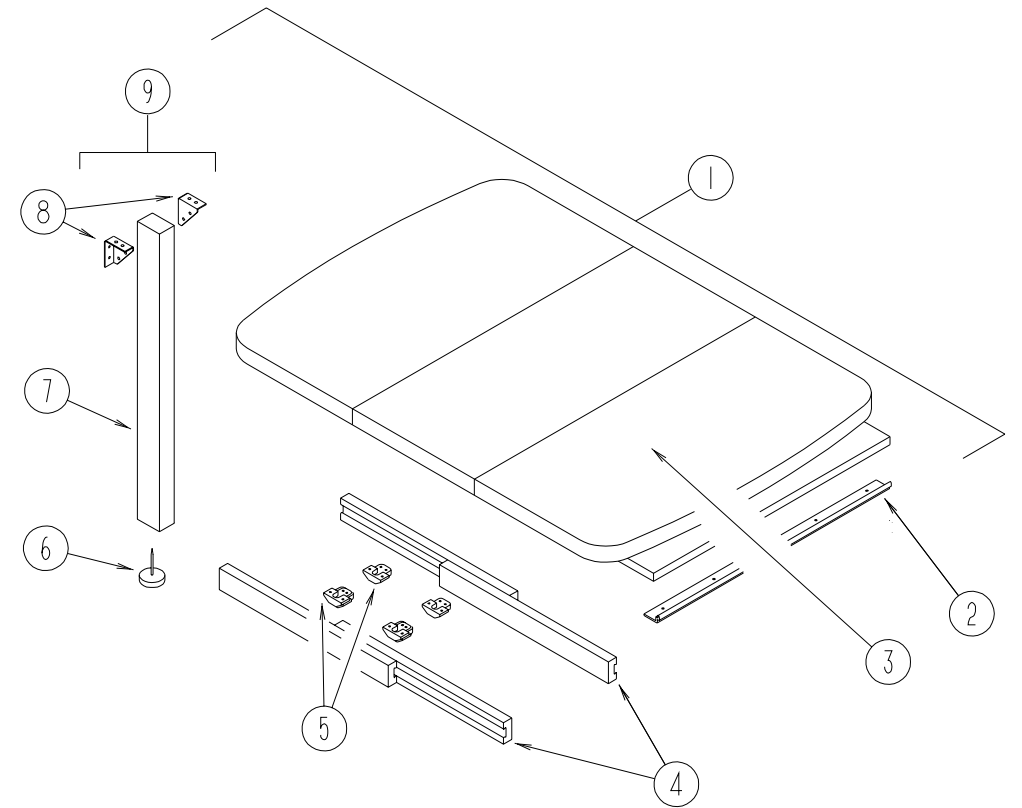
DINETTEGROUP(CONTINUED)



OPTIONALDINETTECABINERY

KEY	PARTNUMBER	U/M	DESCRIPTION
1	103128-02-G09	EA	ENDCAP-OVERHEADCABINET-LEFTHAND
2	117902-07-H33	EA	CABINET-DINETTEOVERHEAD-W/ODOORS/HARDWARE
2	117902-07-H34	EA	CABINET-DINETTEOVERHEAD-W/ODOORS/HARDWARE
2	117902-07-H35	EA	CABINET-DINETTEOVERHEAD-W/ODOORS/HARDWARE
	117902-14-G09	EA	SHELF-W/PLASTICEDGETRIM
2	117579-01-H33	EA	CABINET-OVERHEAD,W/ODOORS-COFFEEMAKEROPTION(H33)
2	117579-01-G14	EA	CABINET-OVERHEAD,W/ODOORS-COFFEEMAKEROPTION(H34)
2	117579-01-H35	EA	CABINET-OVERHEAD,W/ODOORS-COFFEEMAKEROPTION(H35)
	117579-13-G09	EA	SHELF-W/PLASTICEDGETRIM
3	M06803-02-G09	EA	DOOR-MITEREDCORNER/OGEEEDGE-15.7"X28"-W/OHDW
3	M06803-82-G09	EA	DOOR-MITEREDCORNER/OGEEEDGE-15.7"X28"-W/OHDW GENERALTRAILEROPTION
4	122739-01-H33	EA	CHAIR-SWIVEL(H33)
			FROM: 00-00-00 THRU: 01-12-97
4	122739-01-H3A	EA	CHAIR-SWIVEL(H33)
			FROM: 01-13-97 THRU: 99-99-99
4	122739-01-H34	EA	CHAIR-SWIVEL(H34)
4	122739-01-H35	EA	CHAIR-SWIVEL(H35)
5	P21955-01-H33	EA	TABLE-DROPLEAF-W/OHARDWARE(H33)
5	P21955-01-H34	EA	TABLE-DROPLEAF-W/OHARDWARE(H34,H35)
6	108385-01-G15	EA	CABINETASM-WALL,STEP

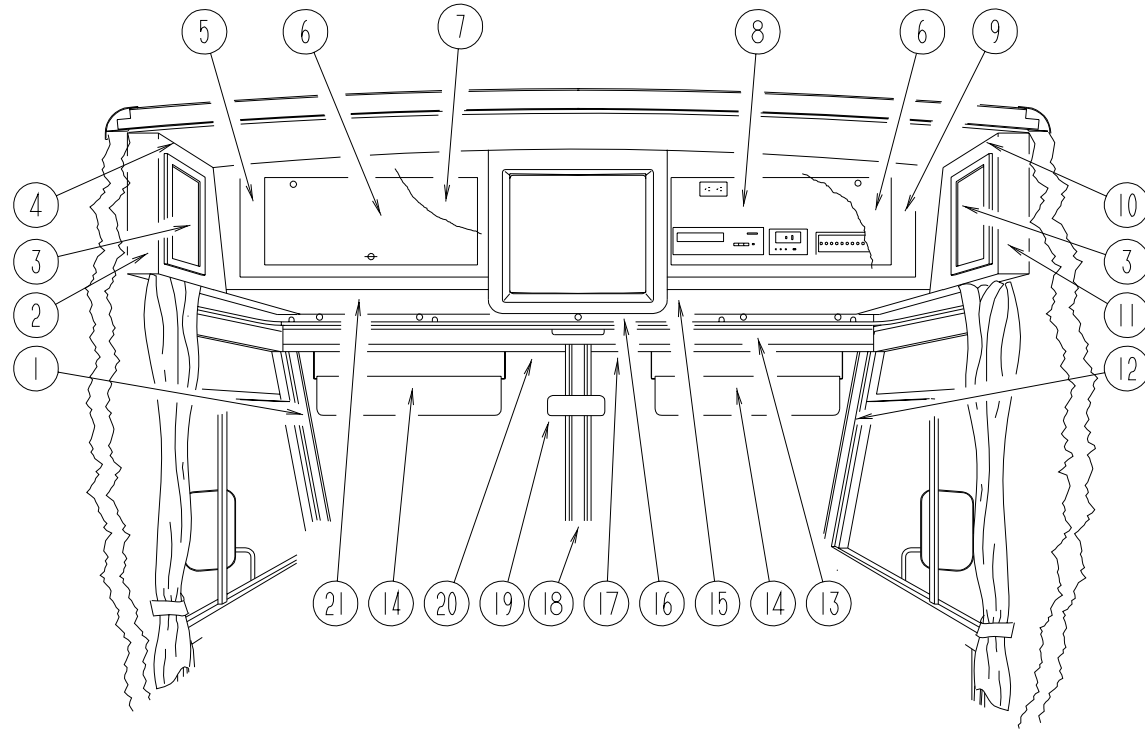
DINETTEGROUP(CONTINUED)



DINETTETABLE

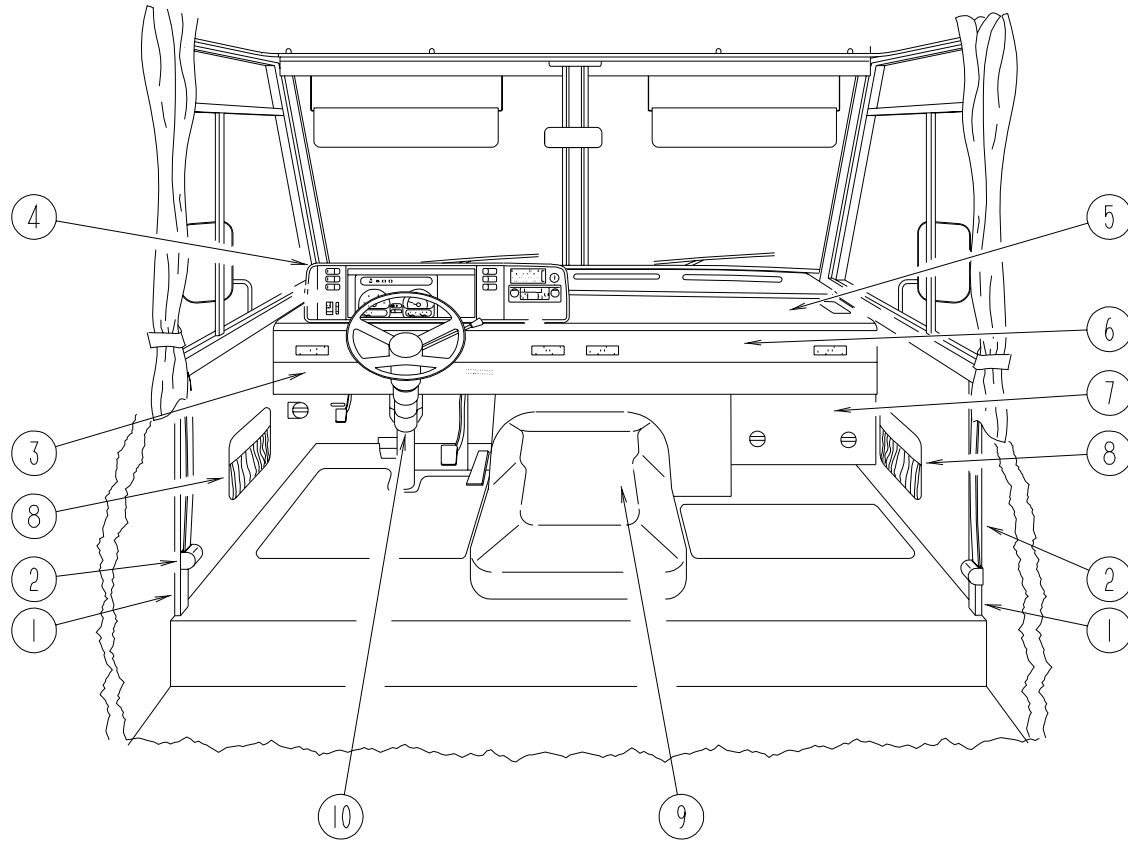
KEY	PARTNUMBER	U/M	DESCRIPTION
1	P21955-01-H33	EA	TABLE-DROPLEAF-W/OHARDWARE(H33)
1	P21955-01-H34	EA	TABLE-DROPLEAF-W/OHARDWARE(H34,H35)
2	041389-18-000	EA	HINGE-PIANO-1.50"X19"-OFFWHITE
3	121955-11-H33	EA	COUNTERTOP-PULLOUTTABLE(H33)
3	121955-11-H34	EA	COUNTERTOP-PULLOUTTABLE(H34,H35)
4	110749-01-000	EA	SLIDE-TABLE-193/4"LONG
5	009050-02-000	EA	LEVELER-TABLETOP-MALEENDW/4SCREWS-PLASTIC
5	009050-03-000	EA	LEVELER-TABLETOP-FEMALEENDW/2SCREWS-PLASTIC
6	102194-01-000	EA	GUIDE-PLASTIC
7	092707-07-05A	EA	LEG-TABLE-W/OHARDWARE
8	102810-01-04A	EA	BRACE-TABLELEG-BLACK
8	102810-01-03A	EA	BRACE-TABLELEG-MILL
9	092708-12-G35	EA	LEGASSEMBLY-TABLE
	092593-01-05A	EA	CATCH-TABLELEG-OFF/WHITE

DRIVERSCOMPARTMENTGROUP
DRIVERSCOMPARTMENT-UPPER



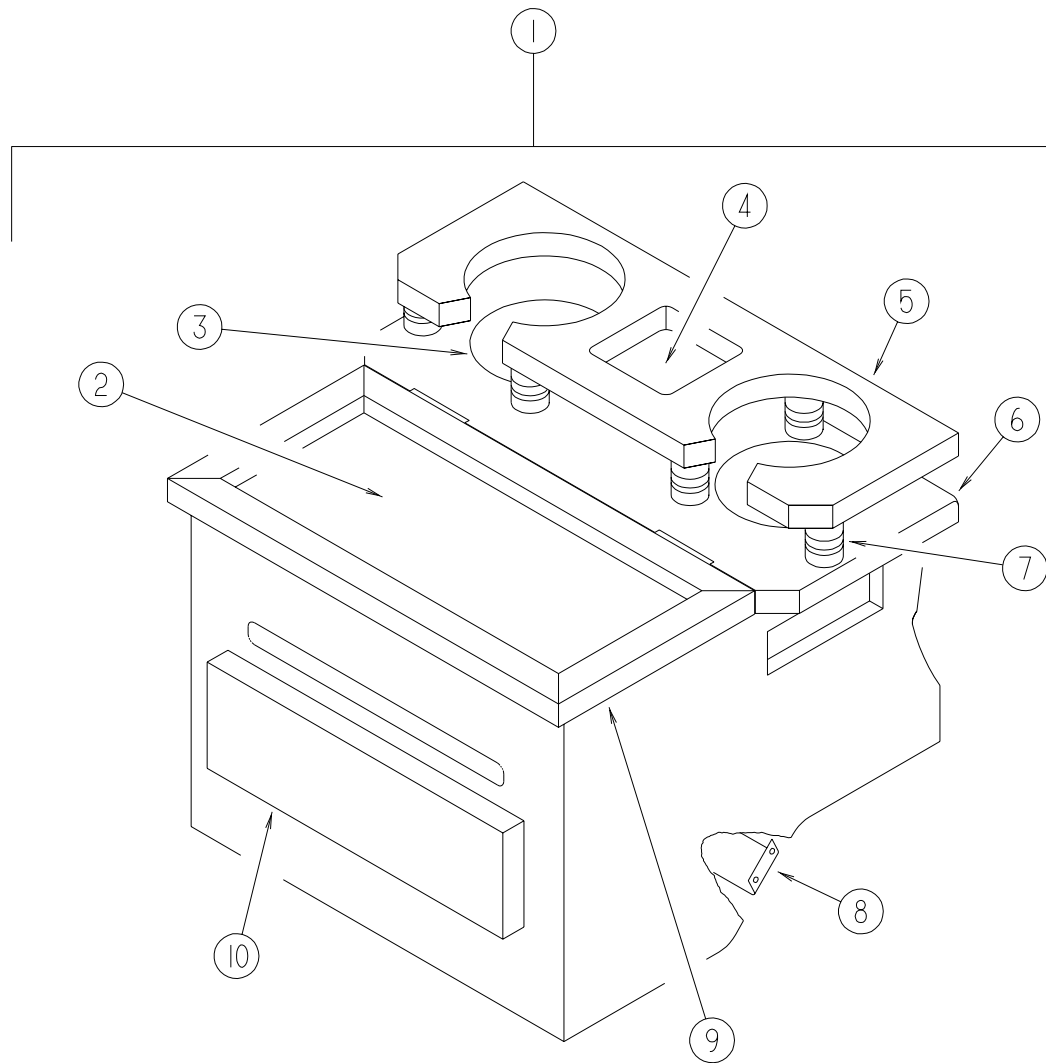
KEY	PARTNUMBER	U/M	DESCRIPTION
1	103931-04-04A	EA	COVER-INTERIOR-A-PILLAR-DRIVERSIDE-QUICKSILVER
2	103128-09-G09	EA	ENDCAP-OVERHEADCABINET-LEFTHAND
3	M06803-04-G09	EA	DOOR-MITEREDCORNER/OGEEEDGE-10"X19.1"-WOHDW
3	M06803-F8-G12	EA	DOOR-MITEREDCORNER/OGEEEDGE-10"X19.1"-W/OHDW GENERALTRAILEROPTION
4	109561-04-H33	EA	CABINET-OVERHEAD-FRONT/LEFTHAND-W/ODOOR/HDW
4	109561-04-H34	EA	CABINET-OVERHEAD-FRONT/LEFTHAND-W/ODOOR/HDW
4	109561-04-H35	EA	CABINET-OVERHEAD-FRONT/LEFTHAND-W/ODOOR/HDW
	P09561-04-G35	EA	BOTTOM-VINYLCOVERED-FRONTOVERHEAD-DRIVER
	104289-08-H33	EA	PANEL-VINYLCOVERED-OVERHEAD-LEFTHAND-ANGLED
5	114612-02-G32	EA	FACE-OVERHEAD/TV-LEFTHAND-15.4"X33.7"
	100676-02-000	EA	SHELF-OVERHEADCABINET-VCR/INVERTER
	106699-01-01A	EA	BRACKET-OVERHEADCABINET/TV
6	100708-12-000	EA	DOOR-GLASSTVCABINET-9.7"X23.2"-W/OHARDWARE
7	114661-06-H33	EA	PANEL-HEADLINER/OVERHEAD-LEFTHAND-W/OTV
7	114661-24-H33	EA	PANEL-HEADLINER/OVERHEAD-LEFTHAND-TVOPTION-SATELLITEDISH
7	114661-12-H33	EA	PANEL-HEADLINER/OVERHEAD-LEFTHAND-TVOPTION
	118836-02-H33	EA	PANEL-VINYLCOVERED-BACK-SATELLITEDISHPACKAGEW/ORECEIVER
8	114661-01-H33	EA	PANEL-HEADLINER/OVERHEAD-RIGHTHAND-W/OTV
8	114661-13-H33	EA	PANEL-HEADLINER/OVERHEAD-RIGHTHAND-TVOPTION
8	114661-14-H33	EA	PANEL-HEADLINER/OVERHEAD-RIGHTHAND-TV/VCR
8	114661-15-H33	EA	PANEL-HEADLINER/OVERHEAD-RTHAND-TV/VCR/INVERTER
8	114661-16-H33	EA	PANEL-HEADLINER/OVERHEAD-RTHAND-TV/INVERTER
9	114612-01-G32	EA	FACE-OVERHEAD/TV-RIGHTHAND-15.4"X33.7"
	106699-01-01A	EA	BRACKET-OVERHEADCABINET/TV
10	109561-03-H33	EA	CABINET-OVERHEAD-FRONTPASSENGER-W/ODOOR/HDW
10	109561-03-H34	EA	CABINET-OVERHEAD-FRONTPASSENGER-W/ODOOR/HDW
10	109561-03-H35	EA	CABINET-OVERHEAD-FRONTPASSENGER-W/ODOOR/HDW
11	103128-08-G09	EA	ENDCAP-OVERHEADCABINET-RIGHTHAND
	P09561-03-G35	EA	BOTTOM-VINYLCOVERED,FRONTOVERHEAD-PASSENGERSIDE
	104289-07-H33	EA	PAD-VINYLCOVERED-OVERHEADTV-PASSENGER
12	103931-03-04A	EA	COVER-INTERIOR-A-PILLAR-PASSENGERSIDE-QUICKSILVER
13	078811-08-G29	EA	PANEL-TRIM/LOWERHEADER
14	123298-02-01A	EA	SUNVISOR-7"X28.5"-DRIVER/PASSENGERSIDE
15	P03077-08-H33	EA	SHELF-CABINET-OVERHEAD/RIGHTHAND-VINYLCOVERED-TVOPTION
15	P03077-04-H33	EA	SHELF-CABINET-OVERHEAD/RIGHTHAND-VINYLCOVERED
16	122881-01-02A	EA	INSERT-OVERHEAD/TVFRONT-TVOPTIONS
	118022-06-H33	EA	COVER-TV-OVERHEAD/FRONT-W/OHARDWARE
	114706-02-02B	EA	SUPPORT-SHELF-TV
	091261-01-000	FT	SLIPNOT-ANTISLIP-1"WIDE(100'ROLL)
16	116791-01-H33	EA	FACEFRAME-TV-CABINET-20.6"X22.2"-W/OTV
	114706-02-02B	EA	SUPPORT-SHELF-W/OTV
	P18192-01-G35	EA	CABINET-METAL-VINYLCOVERED-W/OTV
	M06803-C1-H33	EA	DOOR-MITEREDCORNER/OGEEEDGE-16.7"X18.1"-W/OHDW-W/OTV
	115638-01-H33	EA	PANEL-HEADLINER-TOP-W/OTV
	115639-01-H33	EA	PANEL-HEADLINER-SIDE-W/OTV
17	078579-19-000	EA	TRIM-WINDSHIELD-UPPERINNER/PASSENGER
18	079765-13-000	EA	TRIM-WINDSHIELDCENTER
19	040714-01-000	EA	MIRROR-REARVIEW/ARMMOUNT&SETSCREW-GM#911722
	067490-01-000	EA	BUTTON-MIRROR/REARVIEW
20	078579-20-000	EA	TRIM-WINDSHIELD-UPPERINNER/DRIVER
21	P03077-07-H33	EA	SHELF-CABINET-OVERHEAD/LEFTHAND-VINYLCOVERED-TVOPTION
21	P03077-03-H33	EA	SHELF-CABINET-OVERHEAD/LEFTHAND-VINYLCOVERED

DRIVERSCOMPARTMENTGROUP(CONTINUED)
DRIVERSCOMPARTMENT-LOWER



KEY	PARTNUMBER	U/M	DESCRIPTION	VENDORNO.
1	024700-44-000	EA	COVER-SIDEWALLROLLBAR,OFFWHITE-53"	
	024700-46-000	EA	COVER-ROLLBAR-21.20"-UPPER-DRIVER/PASSENGER	
1	024700-45-000	EA	COVER-SIDEWALLROLLBAR,OFFWHITE-12.8"	
	024700-47-000	EA	COVER-SIDEWALLROLLBAR,OFFWHITE-18.9"-DRIVERDOOR	
	024700-48-000	EA	COVER-SIDEWALLROLLBAR,OFFWHITE-25"-DRIVERDOOR	
2	091990-04-01A	EA	SEATBELT-SHOULDERHARNESS-DRIVERS/PASSENGERS-BLACK	
	091990-01-700	EA	BOLTCOVER	
	091990-01-701	EA	EXTENDER-SEATBELTSHOULDERHARNESS,9"	I-1331-02
	109146-01-000	EA	BOLT-SHOULDER,SEATBELT	
	103961-01-01A	EA	COVER-BRACKET-SEATBELT/RIGHTHAND	
	103961-02-01A	EA	COVER-BRACKET-SEATBELT/LEFTHAND-F/DRIVERDOOROPTION	
3	103812-11-02A	EA	TRIM-DASH,LOWER-QUICKSILVER-CHEVY	
3	117306-01-G35	EA	TRIMASM-DASH,LOWERRH-QUICKSILVER-FORD	
3	111528-06-03A	EA	TRIMASM-DASH,LOWERRH-QUICKSILVER-FORD	
4	111499-01-05A	EA	POD-INSTRUMENTPANEL,QUICKSILVER-PLASTIC	
5	P03817-17-000	EA	DASHASM,W/OVINYL-FORD	
5	P03817-18-000	EA	DASHASM,W/OVINYL-CHEVY	
	106569-02-05A	YD	VINYL-LAMINATE,1/4"X16"X8'-QUICKSILVER	
	077539-01-000	EA	BRACKET-MOUNTING,DASHPANEL-L/SHAPED-2.5"X1"X1.5"	
	105927-02-000	EA	PANEL-DASHTOPW/STUD	
	113452-01-000	FT	SEAL-TRIM,U-SHAPEDVINYL	
				FROM: 02-03-97 THRU: 99-99-99
6	104354-01-07A	EA	APPLIQUE-LOWERDASH,2300MMLONG	
7	095757-03-F25	EA	COVER-HEATERW/CARPET(H33)	
7	095757-03-E33	EA	COVER-HEATERW/CARPET(H34)	
7	095757-03-H35	EA	COVER-HEATERW/CARPET(H35)	
8	086120-01-H33	EA	PAD-MAPPOCKET,12"X16"(H33)	
				FROM: 00-00-00 THRU: 01-12-97
8	086120-01-H3A	EA	PAD-MAPPOCKET,12"X16"(H33)	
				FROM: 01-13-97 THRU: 99-99-99
8	086120-01-H34	EA	PAD-MAPPOCKET,12"X16"(H34)	
8	086120-01-H35	EA	PAD-MAPPOCKET,12"X16"(H35)	
9	115840-01-01A	EA	COVER-MOTOR,W/OCARPET	
9	115840-02-01A	EA	COVER-MOTOR,W/OCARPET-VORTECEENGINEOPTION	
	115850-01-02B	EA	RETAINER-LATCH-MOTORCOVER-RIGHTHAND-E-COAT	
	116581-01-000	EA	LATCH-MOTORCOVER	
	115852-01-02B	EA	STRIKE-LATCH-MOTORCOVER-E-COATED	
	116833-01-02B	EA	WRENCH-HEX,MOTORCOVER-E-COAT	
	115860-01-01A	EA	TRIM-MOTORCOVER,BOTTOM-MILLFINISHALUMINUM	
	039623-01-000	FT	SEAL-MOTORCOVER,RUBBERBULBTYPE-BLACK	
	122772-02-02B	EA	BRACKETASM-MOUNTING,BEVERAGETRAY-E-COAT	
10	103498-06-000	EA	BOOT-STEERINGCOLUMN/UNIVERSAL	
				FROM: 00-00-00 THRU: 12-18-96
10	103498-09-000	EA	BOOT-STEERINGCOLUMN-W/1/2CIRCLE	
				FROM: 12-19-96 THRU: 99-99-99
	111521-03-01A	EA	COVER-STEERINGCOLUMN-RIGHTHAND-FORD	
	111521-04-01A	EA	COVER-STEERINGCOLUMN-LEFTHAND-FORD	
	112634-01-01A	EA	TRIM-STEERINGCOLUMN,RIGHTHAND-FORD	
	112634-02-01A	EA	TRIM-STEERINGCOLUMN,LEFTHAND-FORD	

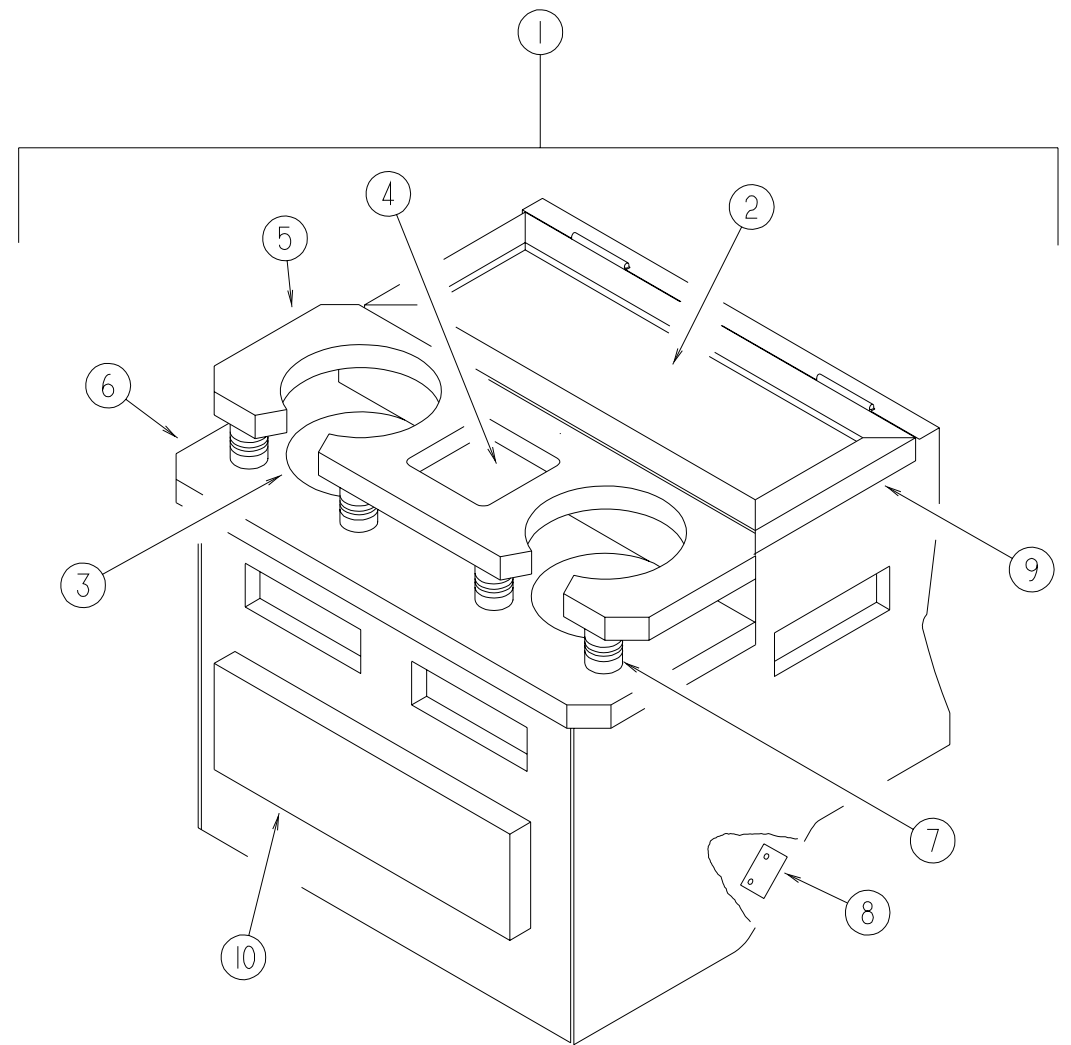
DRIVERSCOMPARTMENTGROUP(CONTINUED)



BEVERAGETRAY(FROM: 00-00-00 THRU: 03-16-97)

KEY	PARTNUMBER	U/M	DESCRIPTION
1	122707-01-H17	EA	TRAYASM-BEVERAGE, W/ODRAWERORLOUVERS
1	122707-02-H17	EA	TRAYASM-BEVERAGE, W/ODRAWERORLOUVERS-VORTECEENGINEOPTION
2	122717-03-01A	FT	PAD-NON-SKID, PSA-6.5"X50"
3	122717-01-01A	EA	PAD-NONSKID, PSA-4"DIAMETERROUND
4	122717-02-01A	EA	PAD-NONSKID, PSA-4"X4"
5	122707-11-H17	EA	SHELFW/OPADORDOWELS
6	122707-12-H17	EA	SHELFASMW/PADSW/OHARDWAREORDOWELS
7	097872-04-000	EA	DOWEL-WOOD, 1"DIAMETERX1.38"LONG-UNFINISHED
8	122832-01-02B	EA	BRACKET-MOUNT, BEVERAGETRAY-E-COAT
9	122707-13-H17	EA	LIDW/OPADORHARDWARE
10	M05971-AZ-H33	EA	DRAWER-OGEEEDGE-10"WX11.8"D-W/OSLIDES/HDW
	100128-02-000	FT	SEAL-FOAM, ADHESIVEBACK-.37"WX.37"THICK

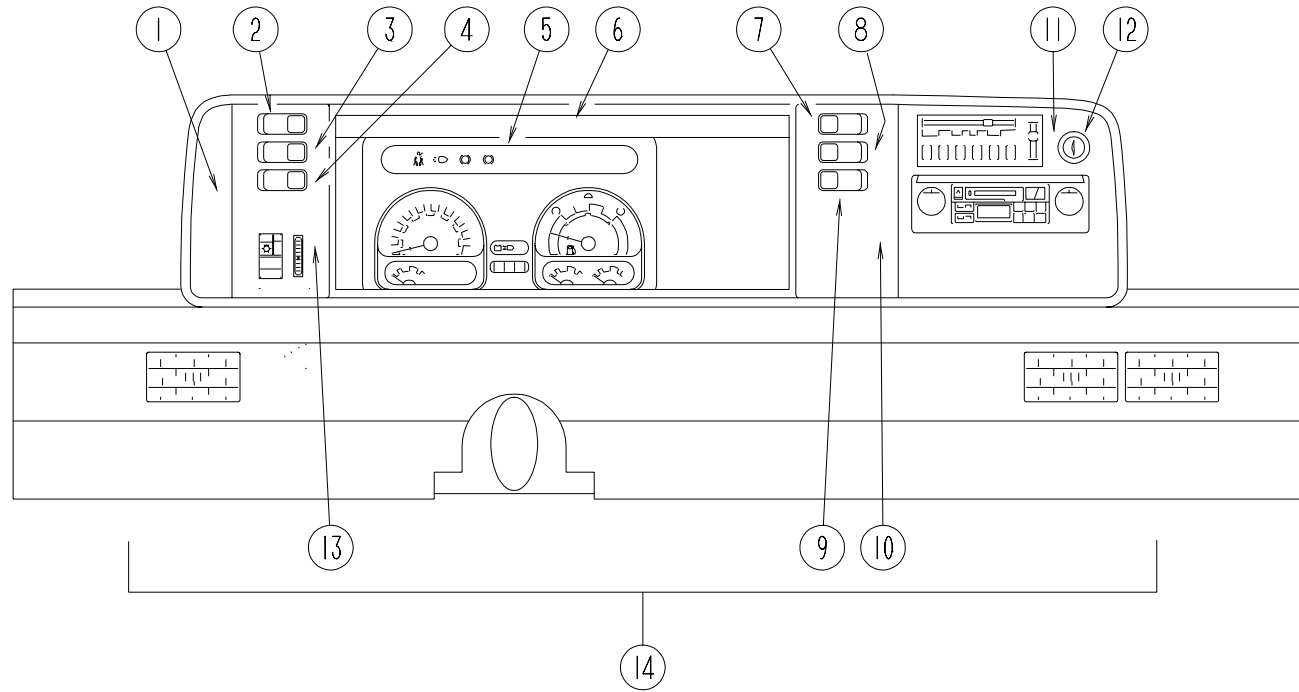
DRIVERS COMPARTMENTGROUP(CONTINUED)



BEVERAGETRAY(FROM: 03-17-97 THRU: 99-99-99)

KEY	PARTNUMBER	U/M	DESCRIPTION
1	126680-01-H17	EA	TRAYASM-BEVERAGE, W/ODRAWERORLOUVERS
1	126680-02-H17	EA	TRAYASM-BEVERAGE, W/ODRAWERORLOUVERS-VORTECEENGINEOPTION
2	122717-06-01A	FT	PAD-NON-SKID, PSA-6.5"X13.8"
3	122717-01-01A	EA	PAD-NONSKID, PSA-4"DIAMETERROUND
4	122717-02-01A	EA	PAD-NONSKID, PSA-4"X4"
5	126680-15-H17	EA	SHELFW/OPADORDOWELS
6	126680-14-H17	EA	SHELFASMW/PADSW/OHARDWAREORDOWELS
7	097872-04-000	EA	DOWEL-WOOD, 1"DIAMETERX1.38"LONG-UNFINISHED
8	122832-01-02B	EA	BRACKET-MOUNT, BEVERAGETRAY-E-COAT
9	126680-16-H17	EA	LIDW/PADW/OHARDWARE
10	M05971-AZ-H33	EA	DRAWER-OGEEEDGE-10"WX11.8"D-W/OSLIDES/HDW
	100128-02-000	FT	SEAL-FOAM, ADHESIVEBACK-.37"WIDEX.37"THICKX60'ROLL

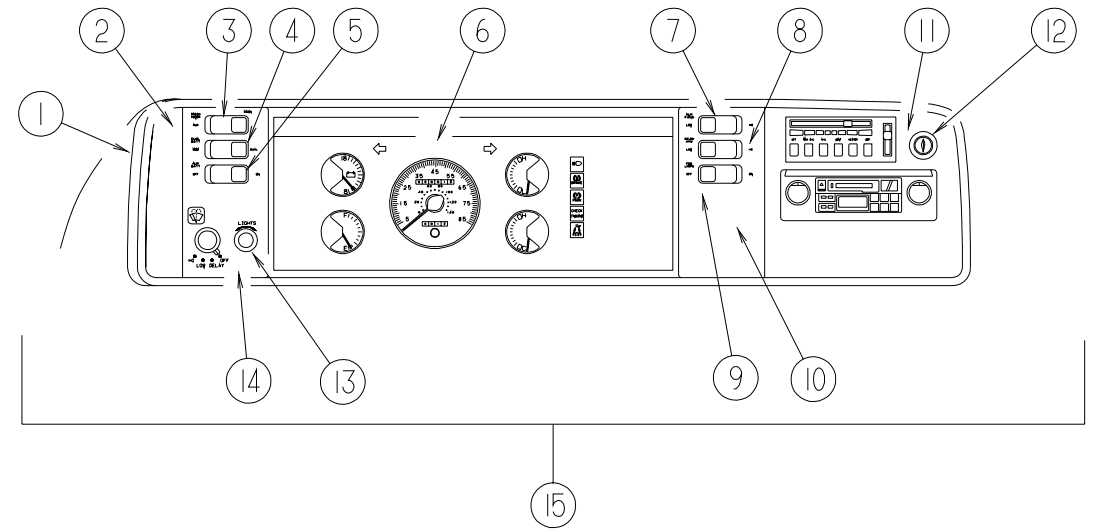
DRIVERSCOMPARTMENTGROUP(CONTINUED)



DASH, GAUGES & SWITCHES-CHEVY

KEY	PARTNUMBER	U/M	DESCRIPTION
1	104056-01-04A	EA	APPLIQUE-BEZEL
2	108356-02-01A	EA	COVER/ACTUATOR SWITCH-2 ROWS DIMPLES-CONTURAII-BLACK
2	108357-05-000	EA	SWITCH-ROCKER, SPDT ON/NONE/ON-RADIO POWER W/OCD
2	108357-08-000	EA	SWITCH-ROCKER, DPDT ON/NONE/ON-6 TERMINAL-RADIO POWER W/CD
3	108356-02-01A	EA	COVER/ACTUATOR SWITCH-2 ROWS DIMPLES-CONTURAII-BLACK
3	108357-09-000	EA	SWITCH-ROCKER SPDT-ON/NONE/MOM-3 TERMINAL-DUAL BATTERY
4	108356-02-01A	EA	COVER/ACTUATOR SWITCH-2 ROWS DIMPLES-CONTURAII-BLACK
4	108357-06-000	EA	SWITCH-ROCKER DPDT-MOM/OFF/MOM-6 TERMINAL BATTERY DISCONNECT SWITCH OPTION
4	096241-03-000	EA	SWITCH-BLANK
5	094796-07-000	EA	CLUSTER-INSTRUMENT PANEL, KILOMETERS-GAS FROM: 00-00-00 THRU: 10-06-96
5	125001-02-000	EA	CLUSTER-INSTRUMENT PANEL, KILOMETERS/MILES-GAS FROM: 10-07-96 THRU: 99-99-99
5	094796-11-000	EA	CLUSTER-INSTRUMENT-METRIC/ENGLAND-DIESEL FROM: 00-00-00 THRU: 02-17-97
5	125001-03-000	EA	CLUSTER-INSTRUMENT-MPH REGISTERED/KILO READING-DIESEL-ENG FROM: 02-18-97 THRU: 99-99-99
6	103662-01-01A	EA	BEZEL-INSTRUMENT PANEL
7	108356-04-01A	EA	COVER/ACTUATOR SWITCH-2 ROWS DIMPLES W/LIGHT-CONTURAII-BLACK
7	108357-10-000	EA	SWITCH-ROCKER SPDT W/LIGHT-MOM/NONE/MOM-5 TERMINAL GENERATOR OPTION
7	096241-03-000	EA	SWITCH-BLANK
8	108356-02-01A	EA	COVER/ACTUATOR SWITCH-2 ROWS DIMPLES-CONTURAII-BLACK
8	108357-03-000	EA	SWITCH-ROCKER SPDT-ON/OFF/ON-3 TERMINAL-REAR HEATER
8	096241-03-000	EA	SWITCH-BLANK
9	096241-03-000	EA	SWITCH-BLANK
10	104056-21-01A	EA	APPLIQUE-BEZEL
11	104056-06-04A	EA	APPLIQUE-BEZEL
12	089294-01-000	EA	LIGHTER-CIGARETTE-W/O WIRES
13	104056-22-01A	EA	APPLIQUE-BEZEL
14	M05946-40-H33	EA	DASH POD-CHEVY-W/O CLUSTER
	100138-01-000	EA	MODULE-DAY TIME RUNNING LIGHT-CANADIAN
	077031-01-000	EA	FILM-BLACK, 1" X 1.75"
	077031-03-000	EA	FILM-WHITE, .75" X 1"
	049176-01-000	EA	HEADLOCK II-3/4" DIAMETER, SCREW MOUNT
	103603-01-000	EA	BULB-12V NO. 740.12A WEDGE

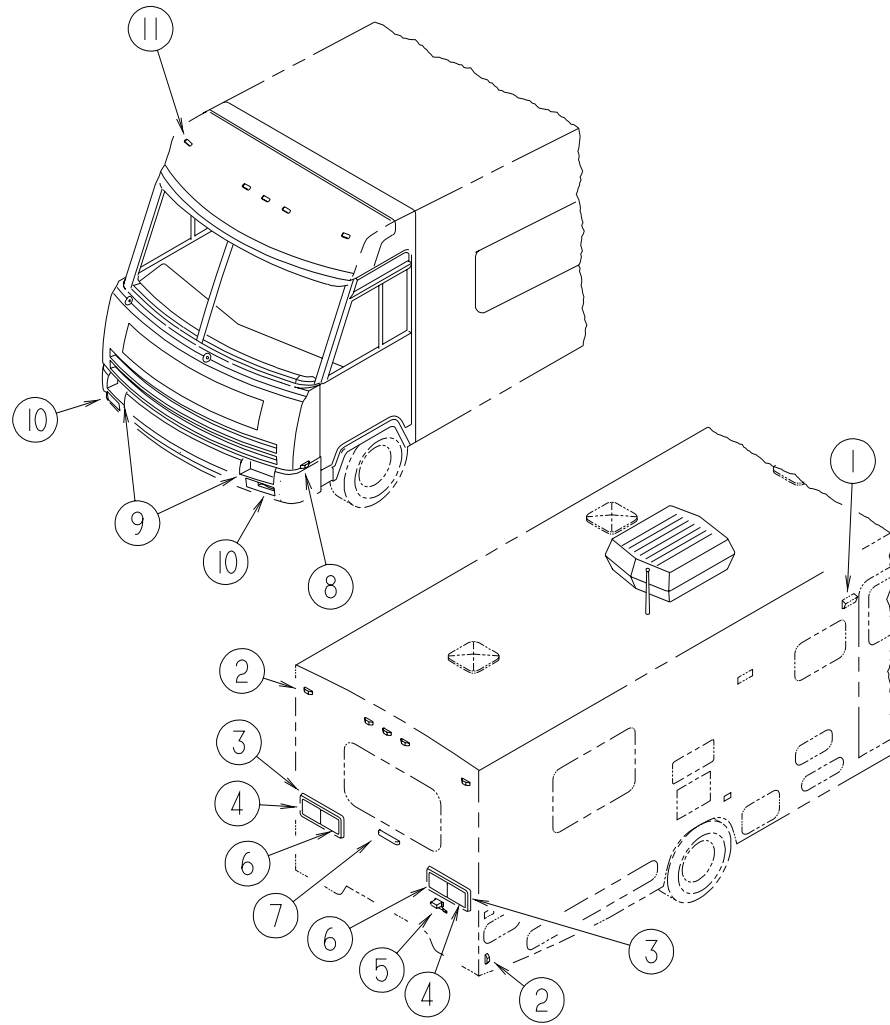
DRIVERSCOMPARTMENTGROUP(CONTINUED)



DASH, GAUGES & SWITCHES-FORD

KEY	PARTNUMBER	U/M	DESCRIPTION
1	103662-04-01A	EA	BEZEL-INSTRUMENT PANEL
2	104056-01-04A	EA	APPLIQUE-BEZEL
3	108356-02-01A	EA	COVER/ACTUATOR SWITCH-2 ROWS DIMPLES-CONTURAII-BLACK
3	108357-05-000	EA	SWITCH-ROCKER, SPDT ON/NONE/ON-RADIO POWER W/OCD
3	108357-08-000	EA	SWITCH-ROCKER, DPDT ON/NONE/ON-6 TERMINAL-RADIO POWER W/CD
4	108356-02-01A	EA	COVER/ACTUATOR SWITCH-2 ROWS DIMPLES-CONTURAII-BLACK
4	108357-09-000	EA	SWITCH-ROCKER SPDT-ON/NONE/MOM-3 TERMINAL
5	108356-02-01A	EA	COVER/ACTUATOR SWITCH-2 ROWS DIMPLES-CONTURAII-BLACK
5	108357-06-000	EA	SWITCH-ROCKER DPDT-MOM/OFF/MOM-6 TERMINAL BATTERY DISCONNECT SWITCH OPTION
5	096241-03-000	EA	SWITCH-BLANK
6	094794-06-000	EA	CLUSTER-INSTRUMENT PANEL, KILOMETERS
7	108356-04-01A	EA	COVER/ACTUATOR SWITCH-2 ROWS DIMPLES W/LIGHT-CONTURAII-BLACK
7	108357-10-000	EA	SWITCH-ROCKER SPDT W/LIGHT-MOM/NONE/MOM-5 TERMINAL GENERATOR OPTION
7	096241-03-000	EA	SWITCH-BLANK
8	108356-02-01A	EA	COVER/ACTUATOR SWITCH-2 ROWS DIMPLES-CONTURAII-BLACK
8	108357-03-000	EA	SWITCH-ROCKER, SPDT ON/OFF/ON-CARLING V6D1000B-0-REAR HEATER
8	096241-03-000	EA	SWITCH-BLANK
9	096241-03-000	EA	SWITCH-BLANK
10	104056-21-01A	EA	APPLIQUE-BEZEL
11	104056-06-04A	EA	APPLIQUE-BEZEL
12	089294-01-000	EA	LIGHTER-CIGARETTE-W/O WIRES
13	096674-01-000	EA	NUT-HEADLAMP KNOB, BLACK
13	096675-01-000	EA	KNOB-HEADLAMP-W/SHAFT
14	104056-24-01A	EA	APPLIQUE-BEZEL
15	M05946-39-H33	EA	DASH POD-FORD-W/O CLUSTER
	100138-01-000	EA	MODULE-DAY TIME RUNNING LIGHT-CANADIAN
	103603-01-000	EA	BULB-12 VOLT-#74-.12A WEDGE-GE 22-25 USED IN DASH
	077031-01-000	EA	FILM-BLACK, 1" X 1.75"
	077031-03-000	EA	FILM-WHITE, .75" X 1"
	049176-01-000	EA	HEADLOCK II-3/4" DIAMETER, SCREW MOUNT
	111904-01-000	EA	INDICATOR-TRANSMISSION-FORD

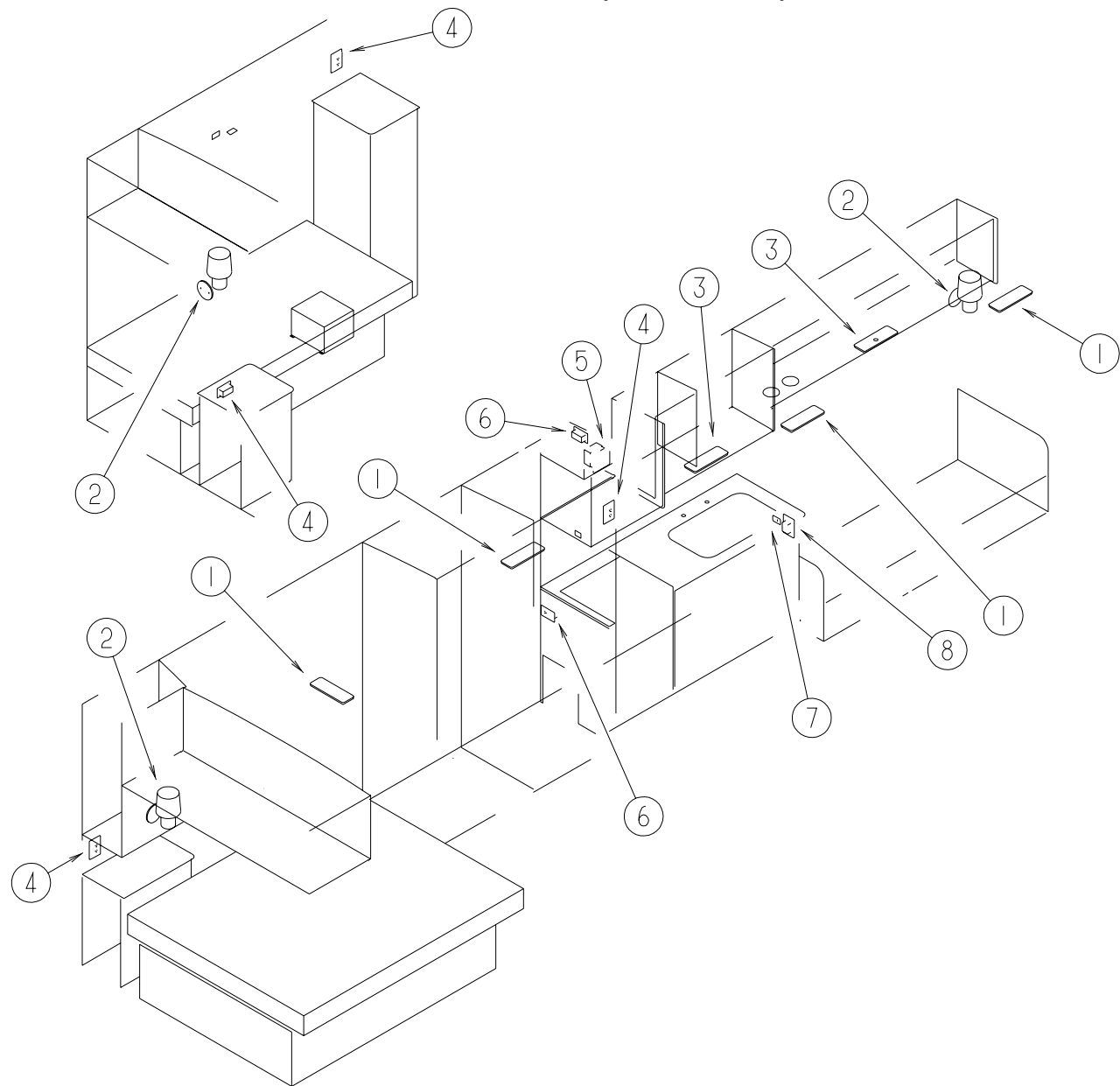
**ELECTRICALGROUP
EXTERIORLIGHTS**



KEY	PARTNUMBER	U/M DESCRIPTION	VENDORNO.
1	097917-01-06A	EA LIGHT-PORCH,ENTRYDOOR-BRIGHTWHITE	
	008215-01-000	EA BULB-12V,.94AMP-#1003	
	097917-01-700	EA LENS-LIGHT,PORCH	
2	111102-01-000	EA LAMP-MARKER,BASE-TRIPLEX117XAS	
	036196-01-000	EA BULB-12V,#194-.27AMP-BAYONETTE	
2	111102-03-000	EA LENS-MARKERLAMP,RED-TRIPLEX117R	
3	121621-01-01A	EA POD-TAILLIGHTS,BRIGHTWHITE	
4	115632-03-02A	EA LIGHT-STOP/TAIL/BACKUP	
5	066432-02-000	EA LIGHT-LICENSE,BLACK	
	066432-03-000	EA BRACKET-LICENSEPLATE-BARGMAN30-60-030	
6	115632-01-02A	EA LIGHT-STOP/TURN/TAIL,RED	
7	121950-01-000	EA LIGHTASM-BRAKE,CENTERMOUNT-RUSSELLJI-100	
8	111102-01-000	EA LAMP-MARKER,BASE-TRIPLEX117XAS	
	036196-01-000	EA BULB-12V,#194-.27AMP-BAYONETTE	
8	111102-02-000	EA LENS-MARKERLAMP,AMBER-TRIPLEX118A	
9	070907-04-000	EA HEADLAMP-HIGH/LOWHALOGEN	
	049359-01-000	EA SPRING-RETAINER,HEADLAMP-GM#496096	
	073308-01-000	EA SCREW-ADJUSTING,HEADLAMP	
	106687-02-000	EA SOCKET-LIGHT,3-WIRE	
10	106688-02-000	EA LIGHT-TURNSIGNAL,AMBER(LENS/BACKPAN)	
	037935-01-000	EA BULB-12V-#1157OR#2057-2.1AMP-CLEARGLASS	
11	102520-01-000	EA LIGHT-CLEARANCE,W/OSOCKETCONNECTIONS-AMBER	
	036196-01-000	EA BULB-12V,.27AMP-BAYONETTE-#194	
	102540-01-000	EA SEAL-SCREW,ROUND-RUBBER	
	102541-01-000	EA GASKET-CLEARANCELIGHT	
	067789-02-000	EA SOCKET-LAMP	
	098024-01-03A	EA LIGHT-DOME,1BULB-WHITE(COMPARTMENTS)	
	008218-01-000	EA BULB-DOMELIGHT,12V-NUMBER1141	
	098024-01-700	EA LENS-LIGHT	

807877

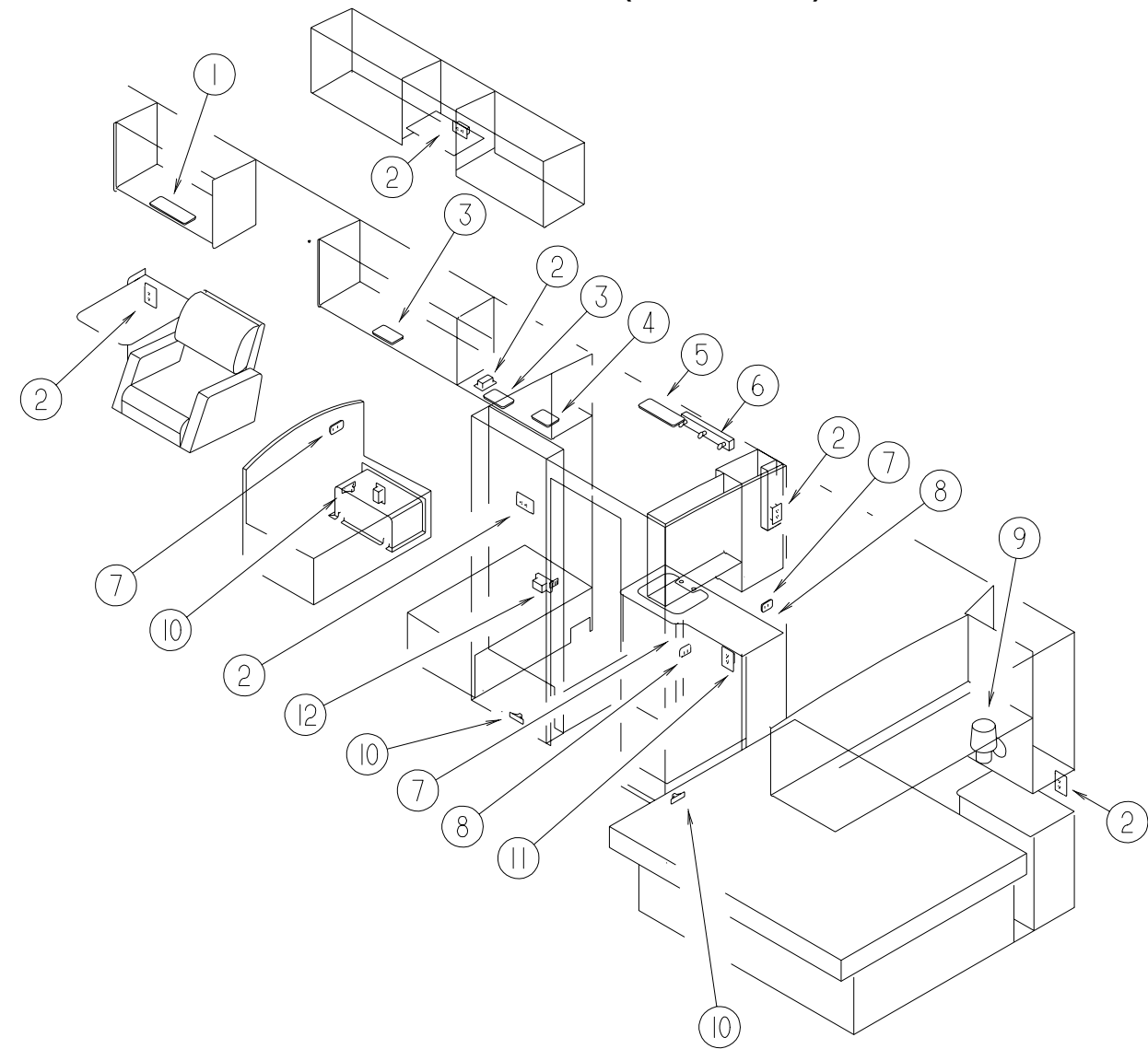
ELECTRICAL GROUP (CONTINUED)



LIGHTS, SWITCHES, & RECEPTACLES DRIVERSIDE

KEY	PARTNUMBER	U/M	DESCRIPTION	VENDOR NO.
1	098024-03-02A	EA	LIGHT - DOME - 2 BULB - WHITE	
	008218-01-000	EA	BULB - DOMELIGHT - 12VOLT - NO. 1141	
	098024-01-700	EA	LENS - LIGHT	807877
2	119257-04-01A	EA	SHADE - LAMP, LINENWHITE	
2	119258-05-01A	EA	LAMP - WALL, UL/CSA - BRASS	
2	119258-01-700	EA	FINIAL - PYRAMID	12-0322
2	067479-01-000	EA	BULB - 12V, NUMBER 1076	
3	098024-06-02A	EA	LIGHT - DOME - 2 BULB - SKYLITE	
	008218-01-000	EA	BULB - DOMELIGHT - 12VOLT - NO. 1141	
	098024-01-701	EA	LENS - OPTICLEAR - SKYLITE	809902
4	058708-01-000	EA	RECEPTACLE - ELECTRIC - DOUBLE - BROWN	
4	058708-02-000	EA	RECEPTACLE - ELECTRIC - DOUBLE - IVORY	
5	073937-03-000	EA	SWITCH - ROTARY - AC - SELECTOR - 3 DECK	
6	058707-01-000	EA	RECEPTACLE - ELECTRIC - SINGLE - BROWN	
7	079364-03-000	EA	SWITCH - ON/OFFROCKER - 3 TERMINAL - BROWN	
8	084076-01-000	EA	RECEPTACLE - GFI - 15 AMP - 125 VOLT - IVORY	
	086280-01-000	EA	LIGHT - SURFACE MOUNT - 12 VOLT	
	086280-01-700	EA	BULB - 12V	ARP1089

ELECTRICAL GROUP (CONTINUED)



LIGHTS, SWITCHES, & RECEPTACLES PASSENGERSIDE

KEY	PARTNUMBER	U/M	DESCRIPTION	VENDOR NO.
1	098024-06-02A	EA	LIGHT - DOME - 2 BULB - SKYLITE	
	008218-01-000	EA	BULB - DOMELIGHT - 12VOLT - NO. 1141	
	098024-01-701	EA	LENS - OPTICLEAR - SKYLITE	809902
2	058708-01-000	EA	RECEPTACLE - ELECTRIC - DOUBLE - BROWN	
3	098024-05-02A	EA	LIGHT - DOME - 1 BULB - SKYLITE - WHITE	
	008218-01-000	EA	BULB - DOMELIGHT - 12VOLT - NO. 1141	
	098024-01-701	EA	LENS - OPTICLEAR - SKYLITE	809902
4	121935-01-01A	EA	LIGHT - DOME - SHOWER	
5	098024-03-02A	EA	LIGHT - DOME - 2 BULB - WHITE	
	008218-01-000	EA	BULB - DOMELIGHT - 12VOLT - NO. 1141	
	098024-01-700	EA	LENS - LIGHT	807877
6	110235-01-01A	EA	LIGHT - MAKEUP - 3 BULB	
	081633-01-700	EA	BULB - LIGHT, MAKE-UP	RP1041
7	079364-01-000	EA	SWITCH - ON/OFFROCKER - 2 TERMINAL - BROWN	
8	079364-03-000	EA	SWITCH - ON/OFFROCKER - 3 TERMINAL - BROWN	
9	119257-04-01A	EA	SHADE - LAMP - LINENWHITE	
9	119258-05-01A	EA	LAMP - WALL	
9	119258-01-700	EA	FINIAL (PYRAMID)	12-0322
9	067479-01-000	EA	BULB - 12V, NUMBER 1076	
10	061424-01-000	EA	LIGHT - AISLE - 12VOLT - RECTANGULAR	
	008103-01-000	EA	BULB - DASH/AISLE LIGHT - #53 - 12VOLT - .12 AMP	
11	084076-02-000	EA	RECEPTACLE - GFI - 15 AMP - 125 VOLT - BROWN	
12	112822-01-01A	EA	RECEPTACLE - DUPLEX - IVORY	
12	112824-01-03A	EA	COVER - RECEPTACLE - EXTERIOR DUPLEX	

ELECTRICALGROUP(CONTINUED)
FUSES&FUSEHOUSINGS

KEY	PARTNUMBER	U/M DESCRIPTION
	062901-02-000	EA FUSE-05AMPS-AUTOMOTIVE
	062901-05-000	EA FUSE-15AMPS-AUTOMOTIVE
	062901-06-000	EA FUSE-20AMPS-AUTOMOTIVE
	062901-07-000	EA FUSE-25AMPS-AUTOMOTIVE
	062901-08-000	EA FUSE-30AMPS-AUTOMOTIVE
	062037-01-000	EA HOUSING-AUTOFUSE-NATURAL
	062037-02-000	EA HOUSING-AUTOFUSE-GREEN
	062037-03-000	EA HOUSING-AUTOFUSE-BLACK
	062037-04-000	EA HOUSING-AUTOFUSE-BLUE
	062037-05-000	EA HOUSING-AUTOFUSE-GRAY
	062037-06-000	EA HOUSING-AUTOFUSE-BROWN
	062037-07-000	EA HOUSING-AUTOFUSE-RED
	108669-01-000	EA HOUSING-AUTOFUSEHOLDER
	106656-01-000	EA FUSEBLOCK-4CAVITY-AUTOFUSE

CIRCUITBREAKERS

KEY	PARTNUMBER	U/M DESCRIPTION
	083209-01-000	EA CIRCUITBREAKER-15AMP-120VOLT-CANADIAN
	083209-02-000	EA CIRCUITBREAKER-15/15AMP-120VOLT
	083209-03-000	EA CIRCUITBREAKER-15/20AMP-120VOLT
	083209-04-000	EA CIRCUITBREAKER-30AMP-120VOLT
	083209-06-000	EA CIRCUITBREAKER-30/15AMP-120VOLT
	083209-07-000	EA CIRCUITBREAKER-20/20AMP-120VOLT
	083209-08-000	EA CIRCUITBREAKER-BLANK
	093655-03-000	EA CIRCUITBREAKER-40AMP-12VOLT
	097611-01-000	EA CIRCUITBREAKER-10AMP-12VOLT
	112591-01-000	EA CIRCUITBREAKER-16AMP240VOLT
	112592-01-000	EA CIRCUITBREAKER-25AMP-240VOLT-GFI

TERMINALS

KEY	PARTNUMBER	U/M DESCRIPTION
	008326-01-000	EA TERMINAL-RING,16/14WIRE-3/8"STUD
	008328-01-000	EA TERMINAL-RING,12/10WIRE-#10STUDFIT
	008331-01-000	EA TERMINAL-RING,TONGUE-#4WIRE-3/8"STUD-COPPER
	008348-01-000	EA TERMINAL-RING,3/8"STUD-#2WIRE
	035416-04-000	EA TERMINAL-RING#10STUDFIT,INSULATEDBARREL#16/14
	047443-01-000	EA TERMINAL-.250RECEPTACLEFIT,INSULATED-16/14AWG
	047443-02-000	EA TERMINAL-.250RECEPTACLEFIT,INSULATED-12/10AWG
	062036-01-000	EA TERMINAL-PACK-CON,12/10AWG
	062036-02-000	EA TERMINAL-PACK-CON,16/14AWG
	088267-01-000	EA TERMINAL-FEMALE,1/4
	088476-01-000	EA TERMINAL-ELECTRICAL
	098260-01-000	EA TERMINAL-MALE,56SERIES
	104100-03-000	EA TERMINAL-75AMP
	106007-01-000	EA TERMINAL-FEMALE,14-16AWG
	106655-01-000	EA TERMINAL-FUSEBLOCK,14-16AWG
	106655-02-000	EA TERMINAL-FUSEBLOCK,10-12AWG
	113306-01-000	EA TERMINAL-FEMALE,METRI-PACK-14-16
	113307-01-000	EA TERMINAL-FEMALE,METRI-PACK-16-20
	125324-01-000	EA TERMINAL-MALE,M/P-150

ELECTRICALGROUP(CONTINUED)
ELECTRICBOXES&COVERS

KEY	PARTNUMBER	U/M DESCRIPTION
	008289-01-000	EA BOX-ELECTRIC/STEEL-1/2"&3/4"KNOCKOUTS-4"X4"
	008289-02-000	EA BOX-ELECTRIC/STEEL-1/2"&3/4"KNOCKOUTS-4"X4"-CAN
	008294-01-000	EA COVER-ELECTRICALBOX-BLANK/STEEL-4"X4"-GRAY
	008294-02-000	EA COVER-ELECTRICALBOX-BLANKSTEEL-4"X4"-CANADIAN
	069238-01-000	EA COVER-ELECTRICALBOX-W/HOLE-4"X4"-GRAY
	091910-01-000	EA BOX-ELECTRIC-3.8"X3.5"X1.8"-PLASTIC
	091910-02-000	EA BOX-ELECTRIC-2.2"X3.5"X1.7"-PLASTIC
	074890-01-000	EA BOX-EXTENSION/STEEL-OPENSIDES-4"X4"X11/2"
	074897-01-000	EA COVER-ELECTRICALBOXW/HOLES-4"X4"
	111509-01-000	EA BOX-ELECTRICAL-E-COATED
	111510-01-000	EA DOOR/ACCESSPANEL-ELECTRICALBOX

RECEPTACLE&COVERS

KEY	PARTNUMBER	U/M DESCRIPTION
	024924-02-000	EA RECEPTACLE-POWERCORD-W/PARTIALPLATE
	058707-02-000	EA RECEPTACLE-BLANKJUNCTIONBOX
	058708-05-000	EA RECEPTACLE-SINGLE-BROWN
	091927-01-000	EA COVER-RECEPTACLE-DOUBLE-IVORY
	102568-01-GB1	EA SPACER-RECEPTACLE-SIDEWALL

CONDUIT

KEY	PARTNUMBER	U/M DESCRIPTION
	008394-01-000	FT CONDUIT-FLEXIBLE-1/2"
	041953-01-000	FT CONDUIT-CONVOLUTE,SLIT-.5"ID
	041953-03-000	FT CONDUIT-CONVOLUTE,SLIT-1"ID(CLOTHESRODCOVER)
	041953-05-000	FT CONDUIT-CONVOLUTE,SOLID-.62"ID
	041953-06-000	FT CONDUIT-CONVOLUTE,SLIT-.375"ID
	041953-07-000	FT CONDUIT-CONVOLUTE,SLIT-.25"ID
	041953-08-000	FT CONDUIT-CONVOLUTE,SLIT-1.50"ID
	041953-09-000	FT CONDUIT-CONVOLUTE,SLIT-.50"ID
	041953-10-000	FT CONDUIT-CONVOLUTE,SLIT-.75"ID
	041953-11-000	FT CONDUIT-CONVOLUTE,SLIT-1.06"ID
	041953-12-000	FT CONDUIT-CONVOLUTE,NONSLIT-1.1"ID

POWERCORDS

KEY	PARTNUMBER	U/M DESCRIPTION
	008052-01-000	EA CORD-POWER,10/3-30AMP-25'-CANADIAN
	008054-01-000	EA CORD-POWER,10/3-30AMP-25'-US
	121470-01-000	EA CORD-EXTENSION-6FT-16-2-SATELLITEDISHOPTION

ELECTRICALGROUP(CONTINUED)
HOUSINGS,PINS&SOCKETS

KEY	PARTNUMBER	U/M	DESCRIPTION
	088473-01-000	EA	HOUSING-PIN-12CAVITY
	088473-02-000	EA	HOUSING-PIN-15CAVITY
	088473-03-000	EA	HOUSING-PIN-9CAVITY
	088473-05-000	EA	HOUSING-PIN-6CAVITY
	088473-06-000	EA	HOUSING-PIN-6CAVITY
	088473-08-000	EA	HOUSING-PIN-4CAVITY
	088473-09-000	EA	HOUSING-PIN-3CAVITY
	088473-10-000	EA	HOUSING-PIN-2CAVITY
	088474-01-000	EA	HOUSING-SOCKET-12CAVITY
	088474-02-000	EA	HOUSING-SOCKET-15CAVITY
	088474-03-000	EA	HOUSING-SOCKET-9CAVITY
	088474-06-000	EA	HOUSING-SOCKET-6CAVITY
	088474-07-000	EA	HOUSING-SOCKET-5CAVITY
	088474-08-000	EA	HOUSING-SOCKET-4CAVITY
	088474-09-000	EA	HOUSING-ELECTRICAL-3TERMINAL
	088474-10-000	EA	HOUSING-SOCKET-2CAVITY
	088475-01-000	EA	PIN-CONNECTOR-14-20AWG
	088475-02-000	EA	PIN-CONNECTOR-10-12AWG
	088476-02-000	EA	SOCKET-CONNECTOR-12-10GA-PRE-TIN
	101571-01-000	EA	HOUSING-2POSITION-MALE
	101751-02-000	EA	HOUSING-1PIN-WEATHERPACK
	103608-01-000	EA	SOCKET-WEDGEBASEW/LEADS
	104100-01-000	EA	HOUSING-1POSITION-75AMPS
	106006-01-000	EA	HOUSING-1POSITION-FEMALE
	113131-01-000	EA	HOUSING-3PIN
	110178-01-000	EA	HOUSING-WIPERMOTOR
	113468-01-000	EA	HOUSING-2POSITION-FEMALE
	115556-01-000	EA	HOUSING-3POSITION-FEMALE
	119248-02-000	EA	HOUSING-7POSITION-FEMALE
	125323-02-000	EA	HOUSING-8POSITION-MALE

CONNECTORS

KEY	PARTNUMBER	U/M	DESCRIPTION
	008311-01-000	EA	CONNECTOR-WIRENUT,INSULATED-RED
	008312-01-000	EA	CONNECTOR-WIRENUT,INSULATED-BLUE
	008313-01-000	EA	CONNECTOR-WIRENUT,INSULATED-YELLOW
	008314-01-000	EA	CONNECTOR-WIRENUT,INSULATED-GRAY
	008355-01-000	EA	CONNECTOR-CABLECLAMPING,3/4"
	008356-01-000	EA	CONNECTOR-PLASTIC,3/8"AVG
	008398-01-000	EA	CONNECTOR-1/2"X90DEGREE-FLEXCONDUIT-UL&CSA
	041480-01-000	EA	CONNECTOR-STRAIGHT,1/2"FLEXCONDUIT
	058028-01-000	EA	CONNECTOR-ELECTRICALPIGTAIL,NYLON-CLEAR
	098262-01-000	EA	SEAL-CONNECTOR,WEATHERPACK
	007954-01-000	EA	RECEPTACLE-HOUSING,6POSITION
	080015-02-000	EA	RECEPTACLE-FLAG,.185-16/14GAUGE
	080015-03-000	EA	RECEPTACLE-FLAG-.250-14/16GAUGE
	112823-01-000	EA	SPLICE-REDUCER,16-14T018-22

ELECTRICALGROUP(CONTINUED)
WIREASSEMBLIES

KEY	PARTNUMBER	U/M	DESCRIPTION
	073328-B4-000	EA	CABLEASSEMBLY-BATTERY-W/TERMINALS
	081059-02-000	EA	WIREASSEMBLY-9PIN-F/RADIO
	090986-01-000	EA	WIREASSEMBLY-ELECTRICSTEP
	096449-01-000	EA	WIREASSEMBLY-WATERTANKTOMONITORPANEL
	097618-01-000	EA	WIREASSEMBLY-MONITORPANEL-W/3WIRES&ORANGERESISTOR
	102636-02-000	EA	WIREASSEMBLY-CLEARANCELAMPS
	108303-01-000	EA	WIREASSEMBLY-REARAUTOHEATER
	110256-01-000	EA	WIREASSEMBLY-INSTRUMENTPANEL-GENERATOR
	111915-01-000	EA	WIREASSEMBLY-DAYTIMERUNNINGLAMPS-FUSED
	113134-03-000	EA	WIREASSEMBLY-WIPER/WASHER
	100677-01-000	EA	WIREASSEMBLY-RADIO

CONVERTER&INVERTER

KEY	PARTNUMBER	U/M	DESCRIPTION
	083208-02-000	EA	CONVERTER-POWER-45A-120/12V
	099048-03-000	EA	INVERTER-130WATT

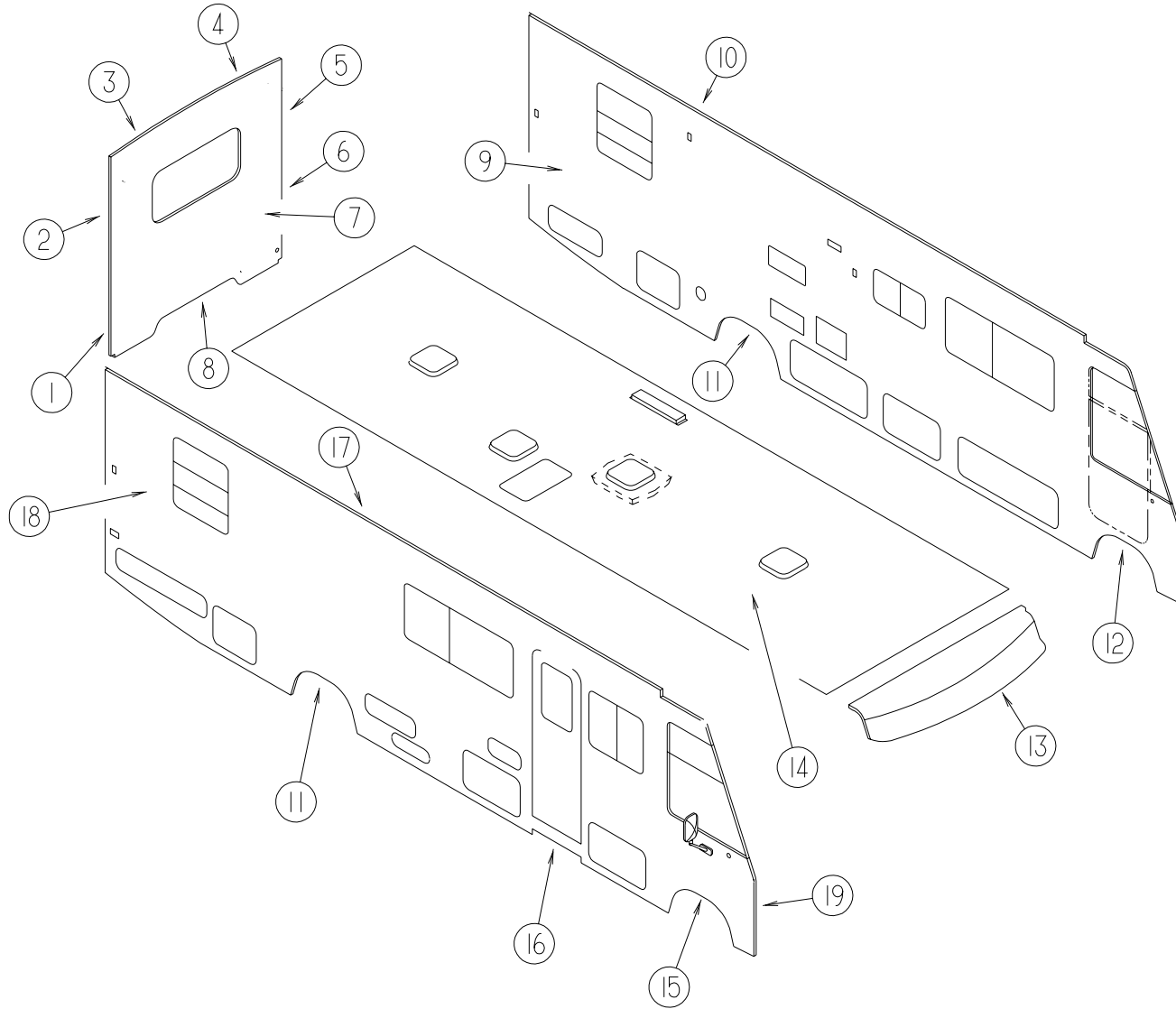
WATERPUMPSWITCH&COVER/ACTUATOR

KEY	PARTNUMBER	U/M	DESCRIPTION
	108357-08-000	EA	SWITCH-ROCKERDPDT-ON/NONE/ON-6TERMINAL
	108356-02-01A	EA	COVER/ACTUATORSWITCH-2ROWSDIMPLES-CONTURAI-BLACK

MISCELLANEOUSELECTRICALCOMPONENTS

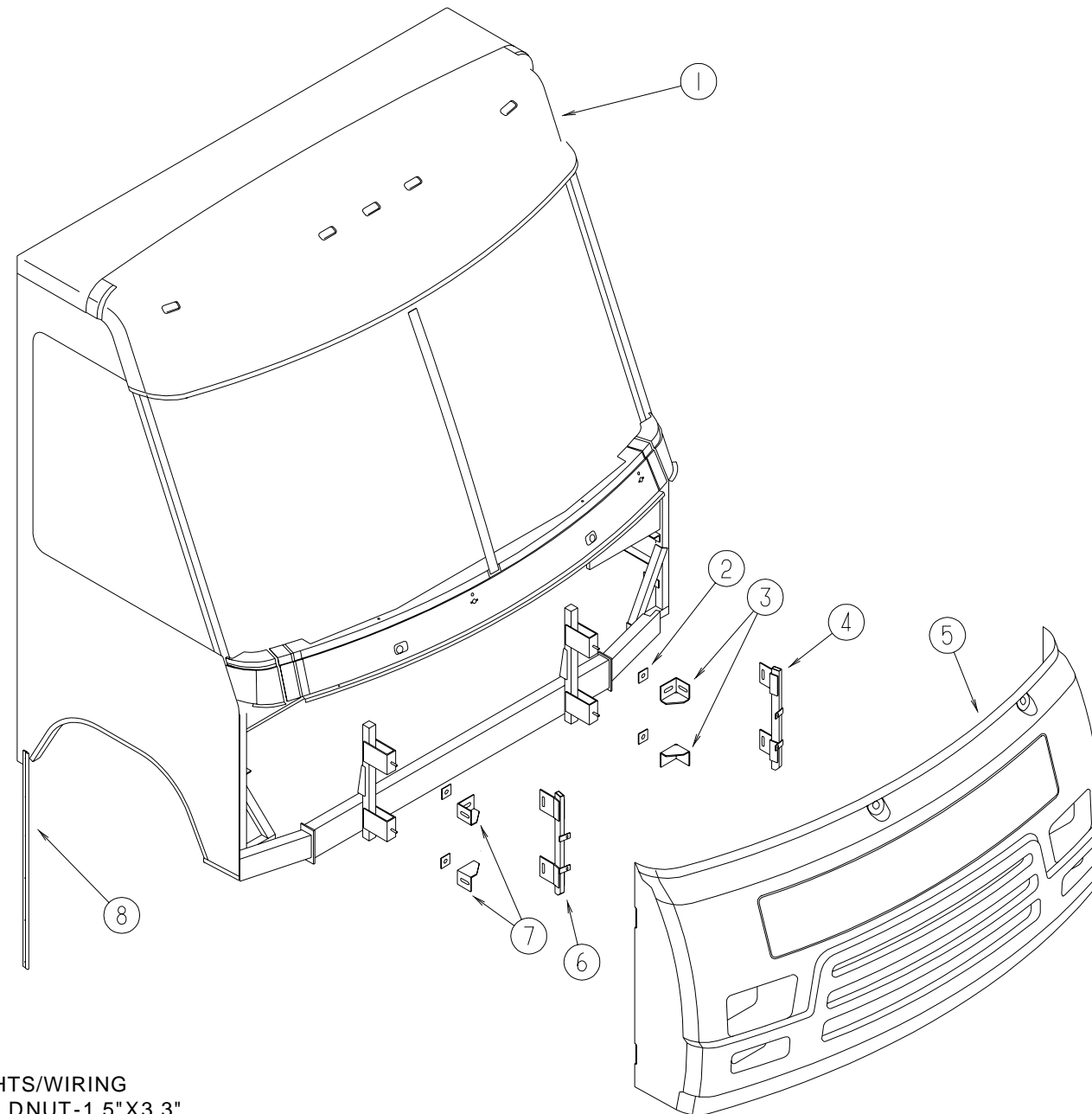
KEY	PARTNUMBER	U/M	DESCRIPTION
	007093-01-000	EA	FLASHER-SIGNAL,STAT
	007956-05-000	EA	INSULATOR-SHRINK-.25IDX1.50-BLACK
	008188-01-000	EA	SOLENOID-3POST,BATTERYCHANGEOVER
	063910-01-000	EA	HOUSING-RELAY
	063912-02-000	EA	RELAY-CANISTER,SPDT
	086233-01-000	EA	STUD-ISOLATED,3/8"X7/8"LONG
	086273-01-000	EA	RELAY-BATTERYDISCONNECT
	103987-02-000	EA	SEAL-SOLENOIDACCESS
	125325-01-000	EA	SEAL-CAVITY
	087225-01-000	FT	SLEEVING-1/2",TYPEH
	087225-02-000	FT	SLEEVING-5/8",TYPEH
	095188-01-01A	EA	SPACER-SWITCH-2.3"X3.4"-PLASTIC-DARKBROWN
	095188-02-01A	EA	SPACER-SWITCH-2.3"X4.1"-PLASTIC-DARKBROWN
	098351-01-01A	EA	PLATE-SWITCH-1GANGPOLISHEDBRASS
	098351-02-01A	EA	PLATE-SWITCH-2GANGPOLISHEDBRASS
	098351-05-01A	EA	PLATE-SWITCH-3GANGPOLISHEDBRASS
	108355-01-000	EA	HOUSING-SWITCH
	077479-01-000	EA	BOOT-BATTERYTERMINAL,DOUBLECABLE
	077479-02-000	EA	BOOT-BATTERYTERMINAL,SINGLECABLE
	087949-01-000	EA	BUSSBAR-2POSITION-.6"X1.5"
	087949-02-000	EA	BUSSBAR-3POSITION-.6"X2.4"

EXTERIORBODYGROUP
EXTERIORBODYPANELSANDTRIM



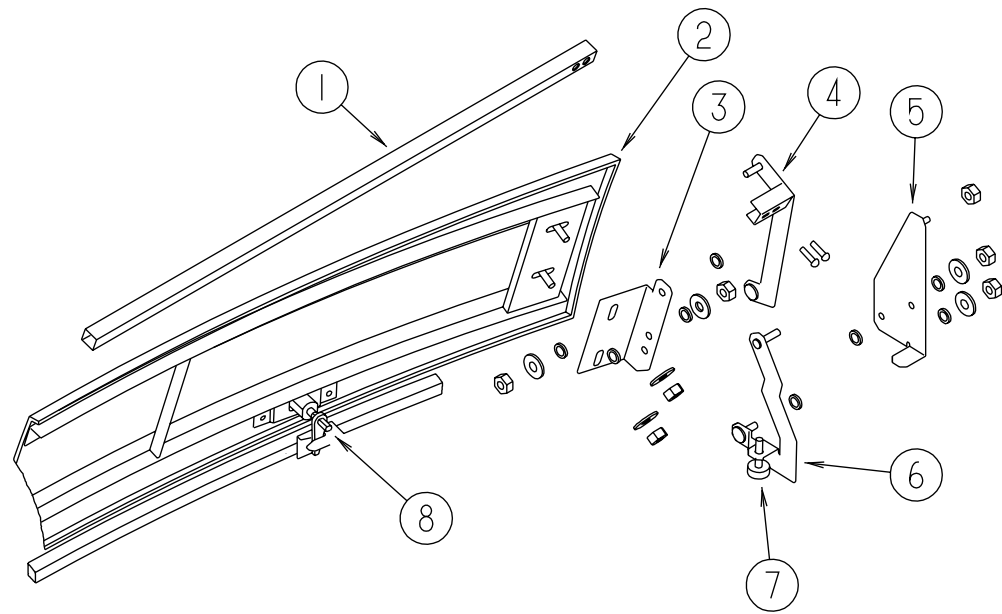
KEY	PARTNUMBER	U/M	DESCRIPTION
1	119212-01-01A	EA	TRIM-BACKWALL-LOWERPASSENGER
2	114874-03-12B	EA	TRIM-BACKWALL-PASSENGER/SIDE-BRIGHTWHITE
3	114872-03-03A	EA	TRIM-BACKWALL-TOP/PASSENGER
4	114873-03-03A	EA	TRIM-BACKWALL-TOP/DRIVER
5	114874-04-12B	EA	TRIM-BACKWALL-DRIVER-BRIGHTWHITE
6	119212-02-01A	EA	TRIM-BACKWALL-LOWERDRIVER
7	123036-01-H33	EA	BACKWALL-W/OWINDOW/TRIM
7	123036-01-H34	EA	BACKWALL-W/OWINDOW/TRIM
7	123036-01-H35	EA	BACKWALL-W/OWINDOW/TRIM
8	050406-29-000	EA	TRIM-LOWERBACKWALL
9	123032-01-H33	EA	SIDEWALL-DRIVER-W/OWINDOWS/TRIM
9	123032-01-H34	EA	SIDEWALL-DRIVER-W/OWINDOWS/TRIM
9	123032-01-H35	EA	SIDEWALL-DRIVER-W/OWINDOWS/TRIM
10	120091-02-02A	EA	TRIM-ROOF
11	108070-01-04A	EA	TRIM-REARWHEELWELL-DRIVER/PASSENGER
11	122276-01-01A	EA	PANEL-WHEELWELL-REAR
12	108069-07-01A	EA	TRIM-WHEELWELL/FRONT-DRIVER/PASSENGER-BRIGHTWHITE
12	122275-02-01A	EA	PANEL-WHEELWELL-FRONT/DRIVER
12	122275-03-01A	EA	PANEL-WHEELWELL-FRONT/DRIVER
13	115042-01-02A	EA	PANEL-ROOFCAP-W/OLIGHTS/WIRING
14	123031-01-H33	EA	ROOF-W/OLIGHTS/VENTS-W/WIRING
15	108069-07-01A	EA	TRIM-WHEELWELL/FRONT-DRIVER/PASSENGER-BRIGHTWHITE
15	122275-01-01A	EA	PANEL-WHEELWELL-FRONT/PASSENGER
16	122562-01-H33	EA	TRIM-SIDEWALL
17	120092-01-02A	EA	RAIL-AWNING
18	123033-01-H33	EA	SIDEWALL-PASSENGER-W/OWINDOWS/TRIMS
18	123033-01-H34	EA	SIDEWALL-PASSENGER-W/OWINDOWS/TRIMS
18	123033-01-H35	EA	SIDEWALL-PASSENGER-W/OWINDOWS/TRIMS
19	116800-55-005	EA	EXTRUDEDCHANNEL-192"-BRIGHTWHITE
	108109-03-01A	EA	TRIM-SIDEWALL-LOWER/FRONT-BRIGHTWHITE
			FROM: 00-00-00 THRU: 04-20-97
	108109-13-01A	EA	TRIM-SIDEWALL-LOWER/FRONT-BRIGHTWHITE
			FROM: 04-21-97 THRU: 99-99-99
	122230-10-01A	EA	TRIM-ROCKERPANEL-192"-BRIGHTWHITE
	108039-07-01A	EA	TRIM-SIDEWALL-28.6"
	104033-10-02A	EA	TRIM-J-BACKWALL-DRIVER/PASSENGER-BRIGHTWHITE
	105312-01-07A	FT	INSERT-VINYLFEATURESTRIP-BRIGHTWHITE
	108651-01-01A	EA	ENDCAP-FEATURESTRIP
	108688-01-03A	EA	STRIP-FEATURE-15'
	002726-01-001	EA	GARNISH-U-CHANNEL-1.38"X19'-SERRATED
	058267-01-000	FT	CHANNEL-STEEL-W/HOLES-SIDEWALLSTIFFENER-2"X20'

EXTERIORBODYGROUP(CONTINUED)
FRONTENDCOMPONENTS



KEY	PARTNUMBER	U/M	DESCRIPTION
1	115042-01-02A	EA	PANEL-ROOFCAP-W/OLIGHTS/WIRING
	070579-06-000	EA	PLATE-ANCHOR,W/7/16WELDNUT-1.5"X3.3"
	077001-01-000	EA	ANGLE-MOUNTINGROOFPANEL VANGLE-3"X2.4"X1.5"
2	116617-02-02B	EA	SPACER/WASHER-BUMPER,SQUARE-E-COATSTEEL
3	117611-04-02B	EA	BRACKET-BUMPER,E-COATED-LH
4	118997-07-H33	EA	SUPPORTASM-GRILLE,FRONT-LH
5	121539-01-01A	EA	PANEL-FRONT/LOWER
	002328-02-000	EA	BLOCK-RUBBER,.062"X.5"X.98"
	121554-01-H33	EA	GRILLEASSEMBLY-UPPER
	121555-01-H33	EA	GRILLEASSEMBLY-LOWER
	115951-01-02B	EA	PLATEASSEMBLY-HEADLAMP-DUAL-RH
	115951-02-02B	EA	PLATEASSEMBLY-HEADLAMP-DUAL-LH
	119445-01-02B	EA	PLATE-W/HOLES-1.5"X1",E-COATSTEEL
	103136-03-000	EA	BRACKET-SUPPORTUPPER-HINGE/RIGHT
	103136-04-000	EA	BRACKET-SUPPORTUPPER-HINGE/LEFT
6	118997-06-H33	EA	SUPPORTASM-GRILLE,FRONT-RH
7	117611-03-02B	EA	BRACKET-BUMPER,E-COATED-RH
8	089922-34-000	EA	TRIM-FIBERGLASSPANEL,BRIGHTWHITE
			FROM: 00-00-00 THRU: 12-01-96
8	123680-03-01A	EA	TRIM-FIBERGLASSPANEL,BRIGHTWHITE
			FROM: 12-02-96 THRU: 99-99-99

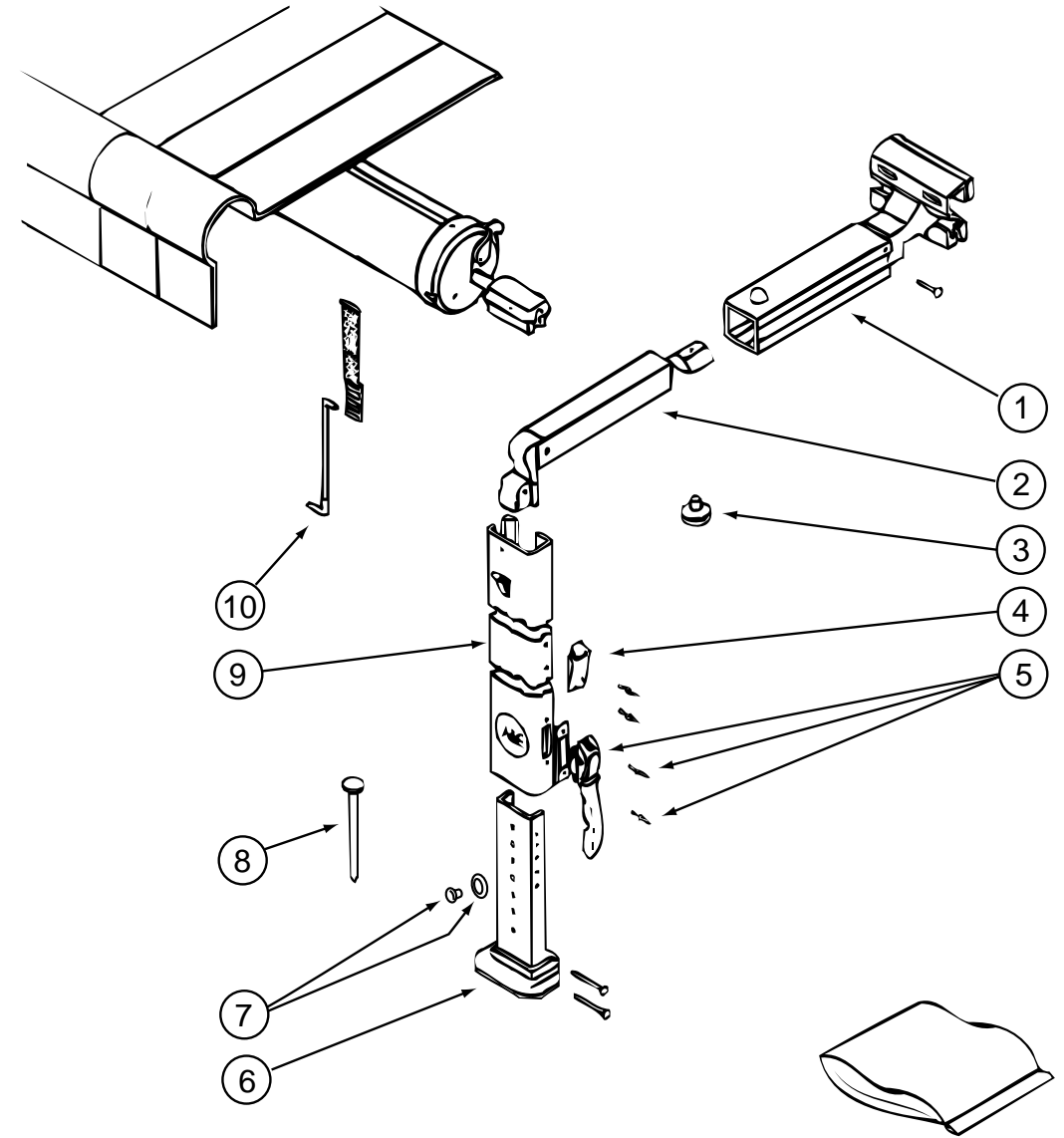
EXTERIORBODYGROUP(CONTINUED)



HOOD&COMPONENTS

KEY	PARTNUMBER	U/M	DESCRIPTION
1	105096-10-000	EA	TUBE-HOODHINGETIMINGW/WELDNUTS
2	115976-04-H01	EA	PANEL-HOOD,BRIGHTWHITE
3	109927-03-000	EA	ANGLE-LINK,HOOD-RH
3	109927-04-000	EA	ANGLE-LINK,HOOD-LH
4	109929-07-000	EA	LINK-HINGE,HOOD-UPPER-RH
4	109929-08-000	EA	LINK-HINGE,HOOD-UPPER-LH
5	109926-23-000	EA	BRACKET-LINK,HINGE-RH
5	109926-24-000	EA	BRACKET-LINK,HINGE-LH
6	109930-15-000	EA	LINK-HINGEW/OBUMPERBOLT,HOOD-LOWER-RH
6	109930-16-000	EA	LINK-HINGEW/OBUMPERBOLT,HOOD-LOWER-LH
7	058786-01-000	EA	BOLT-HOOD,ADJUSTINGW/RUBBERBUMPER
8	102330-02-000	EA	LOCK-SINGLEHOLE,VISEACTION-SOUTHCOE3-56-715-5
	102328-01-000	EA	KEY-BARREL,NICKELPLATED-SOUTHCOE3-26-715-19
	099418-01-000	FT	SEAL-D-SECTION/ADHESIVEBACK-.44"X.44"-BLACKRUBBER
	106748-06-000	EA	LATCH-HOOD,FRONTEND

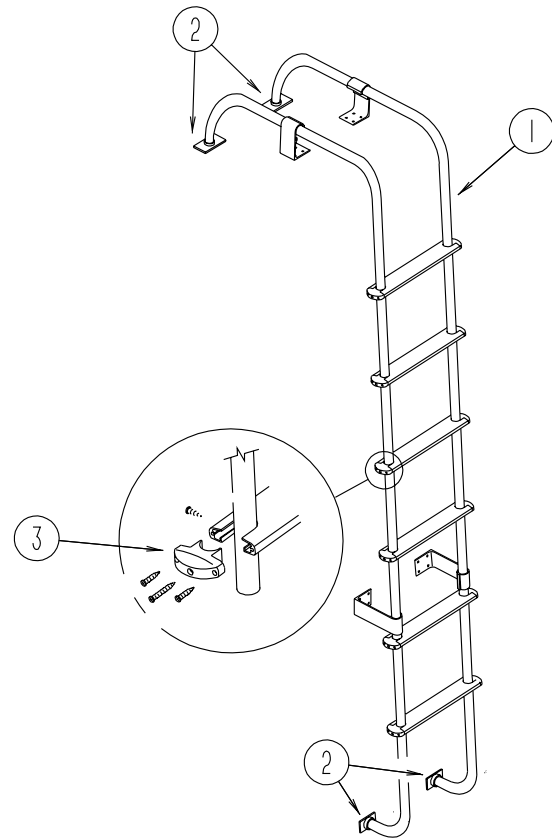
EXTERIORBODYGROUP(CONTINUED)



A&EAWNING&HARDWARE

KEY	PARTNUMBER	U/M	DESCRIPTION	VENDORNO.
	113874-07-01A	EA	AWNING-W/OHDW18'(POLARBLUELAVENDER)VINYL	
	111037-01-01A	EA	SPACER-AWNING-UPPER-BLACK	
	111038-01-01A	EA	SPACER-AWNING-LOWER	
	113874-01-02A	EA	HARDWAREKIT-AWNING-W/OSTANDOFFBRACKET-BRIGHTWHITE	
1	113874-01-714	EA	RAFTER-MAINRH/LH-BRIGHTWHITE	830295.536F
2	113874-01-715	EA	RAFTER-SECONDARY-BRIGHTWHITE	830463.511F
3	113874-01-702	EA	KNOB-ADJUSTING	3105421.014
4	113874-01-706	EA	LOCK-TRAVEL	830587.001
5	113874-01-707	EA	HANDLE-LIFTW/RIVETS	830644
6	113874-01-712	EA	FOOT-PATIO	730366-001
7	113874-01-710	EA	PLUG-STOPKIT	830456
8	113874-01-709	EA	NAIL-SPIKE,8"	113006
9	113874-01-716	EA	ARM-MAINSUPPORT-BRIGHTWHITE	3104502.293/F
10	113874-01-703	EA	ROD-CENTERPULLW/ACCESSORY	830152.102
	119496-01-02A	EA	SPACER/ZEE-AWNING	

EXTERIORBODYGROUP(CONTINUED)



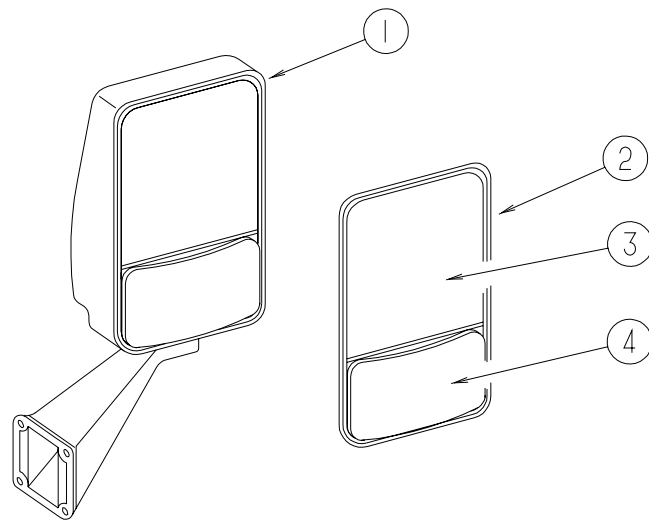
LADDER

KEY	PARTNUMBER	U/M DESCRIPTION
1	102953-11-F31	EA LADDERASSEMBLY
2	067165-01-000	EA MOUNTINGBRACKET-LADDER,LOWER
3	076980-02-000	EA ENDCAP-STEP,BLACK
	038327-01-000	EA TAPE-ANTISLIP,2"X60'

EXTERIORBODYGROUP(CONTINUED)
FIBERGLASS,STYROFOAM&INSULATION

KEY	PARTNUMBER	U/M DESCRIPTION
	076054-S1-000	EA FIBERGLASSSHEET-96"X108"-BRIGHTWHITE
	076054-T7-000	EA FIBERGLASSSHEET-108.8"X362.2"-BRIGHTWHITE
	076054-Z3-000	EA FIBERGLASSSHEET-4"X86"-BRIGHTWHITE
	077517-62-000	EA FIBERGLASS-SHEET,FLAT-.045"X48"X96"-BRIGHTWHITE
	077517-64-000	EA FIBERGLASSSHEET-48"X96"-GRAY
	108535-05-702	EA FIBERGLASSSHEET-FLAT,110"X396"BRIGHTWHITE(ROOFCOVERING)
	108535-04-705	EA FIBERGLASSSHEET-FLAT,6"X34'-BRIGHTWHITE(ROOFCOVERING)
	072877-03-000	EA INSULATION-SOUNDBARRIER,1"X36"X57"
	072878-01-000	SF INSULATION-SOUNDBARRIERPAD,.058"X33"X58"
	000870-08-000	SF STYROFOAM-.75"X48"X96"-PLANED-INCREMENTSOF32SF
	100619-01-000	BF FOAM-EXPANDEDPOLYSTYRENE,1.34"X48"X96"-1.5LB/SQFTDENSITY
	100619-04-000	BF FOAM-EXPANDEDPOLYSTYRENE,.5"X48"X96"-2LB/SQFTDENSITY
	100619-05-000	BF FOAM-EXPANDEDPOLYSTYRENE,.75"X48"X96"-1.5LB/SQFTDENSITY
	100619-10-000	BF FOAM-EXPANDEDPOLYSTYRENE,1.5"X48"X96"-2LB/SQFTDENSITY
	100619-11-000	BF FOAM-EXPANDEDPOLYSTYRENE,2"X48"X96"-1.5LB/SQFTDENSITY
	100619-16-000	BF FOAM-EXPANDEDPOLYSTYRENE,.75"X48"X96"-2LB/SQFTDENSITY
	120107-01-000	EA FOAM-COVE-ROOF-2.8"X96"LONG
	120107-02-000	EA FOAM-PLUG-ROOFTUBE-2.2"X2.9"X1.8"LONG
	120107-03-000	EA FOAM-PLUG-SIDEWALLTUBE-1.2"X2.1"X1.8"LONG

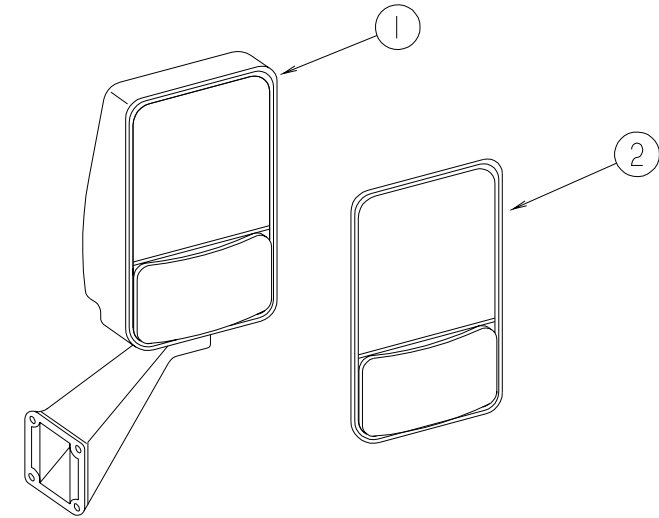
EXTERIORBODYGROUP(CONTINUED)



VELVACHEATEDEXTERIORMIRRORS

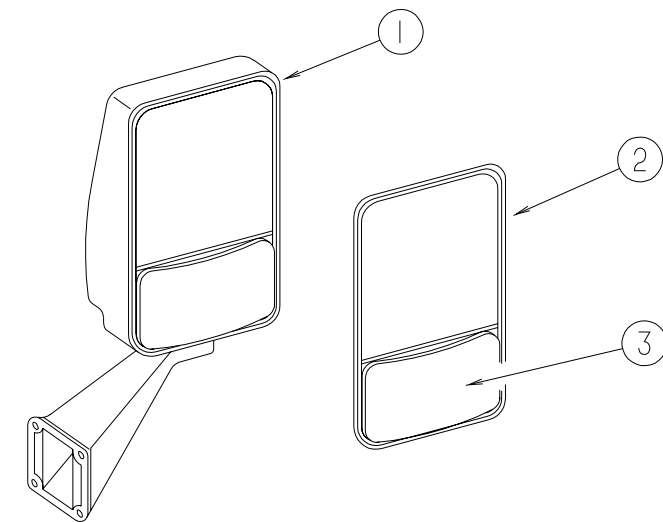
KEY	PARTNUMBER	U/M DESCRIPTION	VENDORNO.
1	106015-05-01A	EA MIRRORASM-REMOTE/HEATEDRIGHTW/OSWITCHES FROM: 00-00-00 THRU: 11-05-96	
1	106015-12-01A	EA MIRRORASM-REMOTE/HEATEDRIGHTW/OSWITCHES FROM: 11-06-96 THRU: 99-99-99	
1	106015-06-01A	EA MIRRORASM-REMOTE/HEATEDLEFTW/OSWITCHES FROM: 00-00-00 THRU: 11-05-96	
1	106015-13-01A	EA MIRRORASM-REMOTE/HEATEDLEFTW/OSWITCHES FROM: 11-06-96 THRU: 99-99-99	
2	086261-01-704	EA MIRRORKIT(BEZELW/MIRRORS)PASSENGERSIDE FROM: 00-00-00 THRU: 11-05-96	709091-8
2	086261-02-701	EA MIRRORKIT(BEZELW/MIRRORS)DRIVERSIDE FROM: 00-00-00 THRU: 11-05-96	709269
3	106015-12-700	EA GLASS-FLATW/HEAT&CLIP FROM: 11-06-96 THRU: 99-99-99	709448
4	106015-12-701	EA GLASS-CONVEXW/HEAT&CLIP FROM: 11-06-96 THRU: 99-99-99	709449
	087695-02-000	EA SWITCH-HEATER,EXTERIORMIRROR-EURAMTECDAV4720-12	
	087695-03-000	EA CONNECTOR-ASSEMBLY-EURAMTECRT10484802	
	088246-01-000	EA SWITCH-REMOTE,EXTERIORMIRROR-SQUAREPUSH7471290	

EXTERIORBODYGROUP(CONTINUED)



VELVACEXTERIORMIRRORS(FROM: 00-00-00 THRU: 03-02-97)

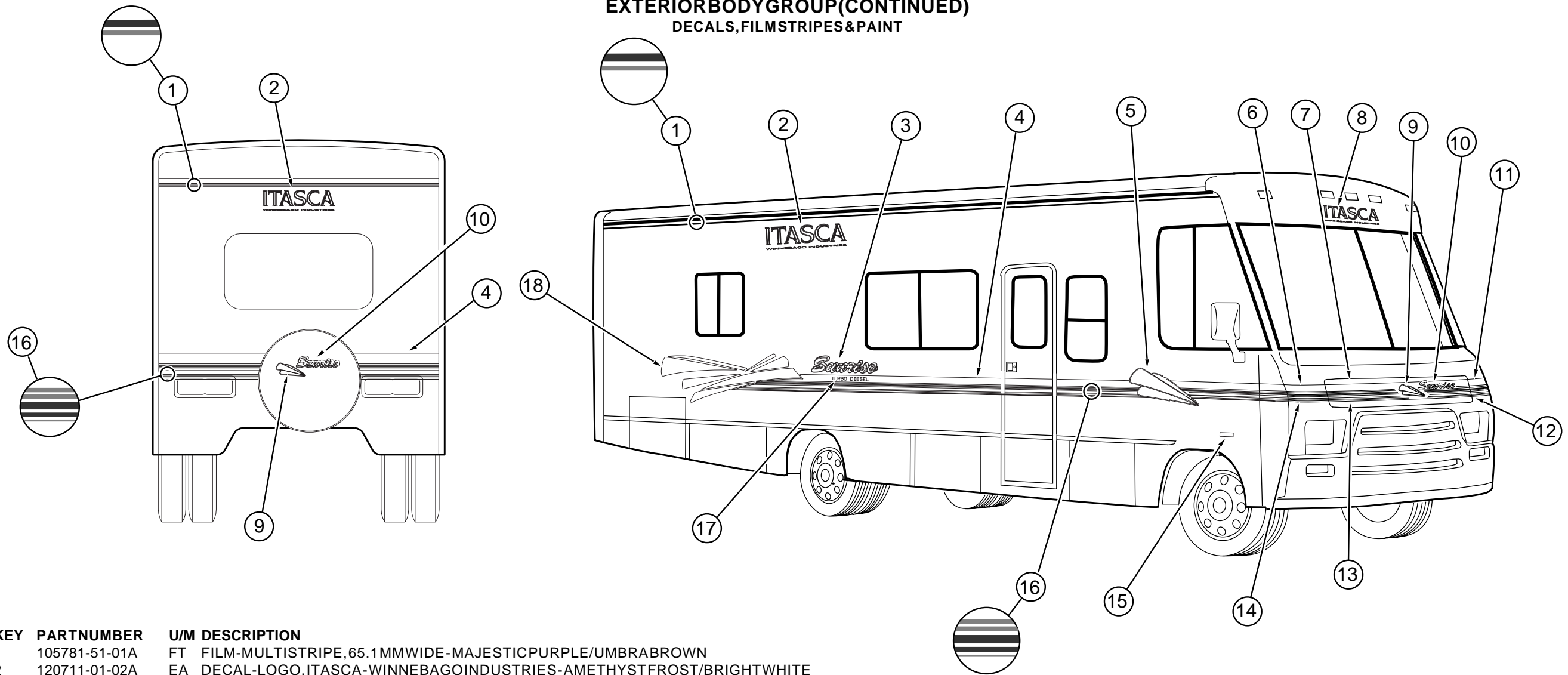
KEY	PARTNUMBER	U/M DESCRIPTION	VENDORNO.
1	106015-09-01A	EA MIRRORASM-EXTERIORADJUSTGLASSRIGHT-BLACK	
1	106015-10-01A	EA MIRRORASM-EXTERIORADJUSTGLASSLEFT-BLACK	
2	106015-01-703	EA MIRRORKIT(BEZELW/MIRRORS)PASSENGERSIDE	709266
2	106015-02-702	EA MIRRORKIT(BEZELW/MIRRORS)DRIVERSIDE	709267



VELVACEXTERIORMIRRORS(FROM: 03-03-97 THRU: 99-99-99)

KEY	PARTNUMBER	U/M DESCRIPTION	VENDORNO.
1	106015-14-01A	EA MIRRORASM-EXTERIORADJUSTGLASSRIGHT-BLACK	
1	106015-15-01A	EA MIRRORASM-EXTERIORADJUSTGLASSLEFT-BLACK	
2	106015-12-700	EA MIRROR-FLAT	709448
3	106015-12-701	EA MIRROR-CONVEX	709449

EXTERIOR BODY GROUP (CONTINUED)
DECALS, FILM STRIPES & PAINT



KEY	PARTNUMBER	U/M	DESCRIPTION
1	105781-51-01A	FT	FILM-MULTISTRIPE, 65.1MM WIDE - MAJESTIC PURPLE/UMBRABROWN
2	120711-01-02A	EA	DECAL-LOGO, ITASCA-WINNEBAGO INDUSTRIES-AMETHYST FROST/BRIGHT WHITE
3	121425-01-01A	EA	DECAL-LOGO, SUNRISE-LARGE AMETHYST FROST/MAJESTIC PURPLE/UMBRABROWN/BRIGHT WHITE
4	093681-49-01A	FT	FILM- STRIPE, 88.9MM WIDE - MAJESTIC PURPLE
5	121419-01-01A	EA	DECAL-BURST, SMALL-RH SHALE BLUE/AMETHYST FROST/MAJESTIC PURPLE/UMBRABROWN/BRIGHT WHITE
	121419-02-01A	EA	DECAL-BURST, SMALL-LH SHALE BLUE/AMETHYST FROST/MAJESTIC PURPLE/UMBRABROWN/BRIGHT WHITE
6	121421-01-01A	EA	DECAL-CORNER, UPPER-RH-MAJESTIC PURPLE
7	121423-01-01A	EA	DECAL-HOOD, UPPER-MAJESTIC PURPLE
8	120710-02-01A	EA	DECAL-LOGO, ITASCA-WINNEBAGO INDUSTRIES-AMETHYST FROST/BRIGHT WHITE
9	121420-01-01A	EA	DECAL-BURST, HOOD & BACK SHALE BLUE/AMETHYST FROST/MAJESTIC PURPLE/UMBRABROWN/BRIGHT WHITE
10	121425-02-01A	EA	DECAL-LOGO, SUNRISE-SMALL AMETHYST FROST/MAJESTIC PURPLE/UMBRABROWN/BRIGHT WHITE
11	121421-02-01A	EA	DECAL-CORNER, UPPER-LH-MAJESTIC PURPLE
12	121422-02-01A	EA	DECAL-CORNER, LOWER-LH-AMETHYST FROST/UMBRABROWN/SHALE BLUE
13	121424-01-01A	EA	DECAL-HOOD, LOWER-AMETHYST FROST/UMBRABROWN/SHALE BLUE
14	121422-01-01A	EA	DECAL-CORNER, LOWER-RH-AMETHYST FROST/UMBRABROWN/SHALE BLUE
15	122312-01-01A	EA	DECAL-VORTEC 7400-BLACK/OFF WHITE/MIST GRAY/SPECTRUM RED
16	094445-05-01A	FT	FILM-MULTISTRIPE, 119.1MM WIDE -AMETHYST FROST/UMBRABROWN/SHALE BLUE
17	111318-03-03A	EA	DECAL-TURBO DIESEL, BRIGHT WHITE
18	121418-01-01A	EA	DECAL-BURST, LARGE-RH SHALE BLUE/AMETHYST FROST/MAJESTIC PURPLE/UMBRABROWN
	121418-02-01A	EA	DECAL-BURST, LARGE-LH SHALE BLUE/AMETHYST FROST/MAJESTIC PURPLE/UMBRABROWN
	099399-23-700	EA	PAINT-SPRAY-BRIGHT WHITE-ENAMEL
	099399-23-701	EA	PAINT-BRIGHT WHITE-.3OZ PEN
	034618-C4-700	EA	PAINT-SPRAY-UMBRA-16OZ

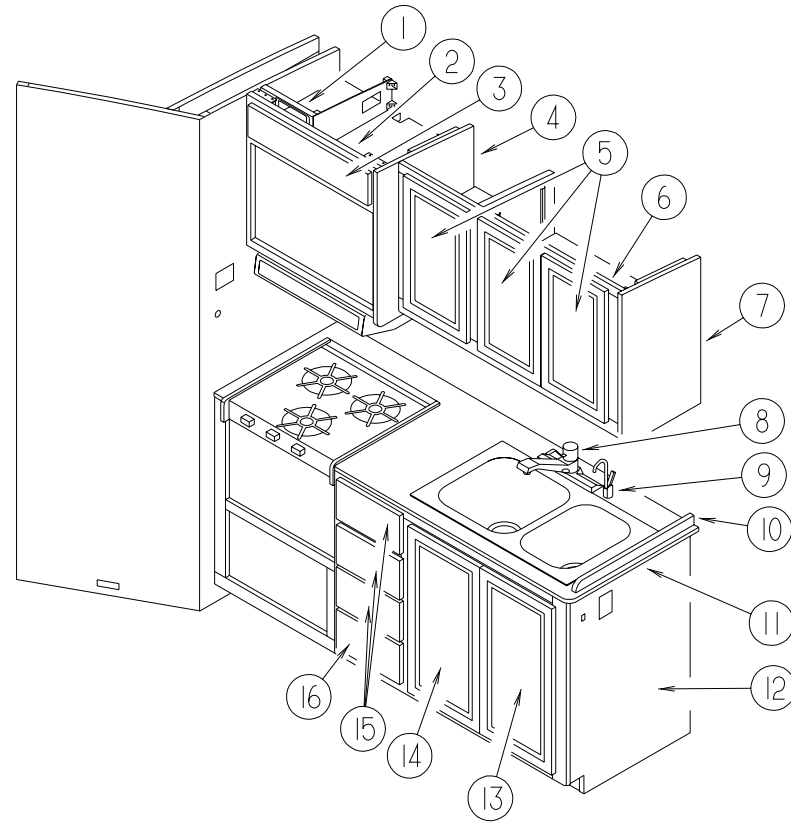
DUPONT PAINT COLOR CODES

BRIGHT WHITE (MAIN BODY COLOR) #B8951
 UMBRA (LOWER ACCENT COLOR) #F2529

DUPONT GRAPHIC COLOR CODES

UMBRABROWN (DECAL COLOR) #F2529
 MAJESTIC PURPLE METALLIC (DECAL COLOR) #F0740
 AMETHYST FROST METALLIC (DECAL COLOR) #RM012
 SHALE BLUE METALLIC (DECAL COLOR) #F0744

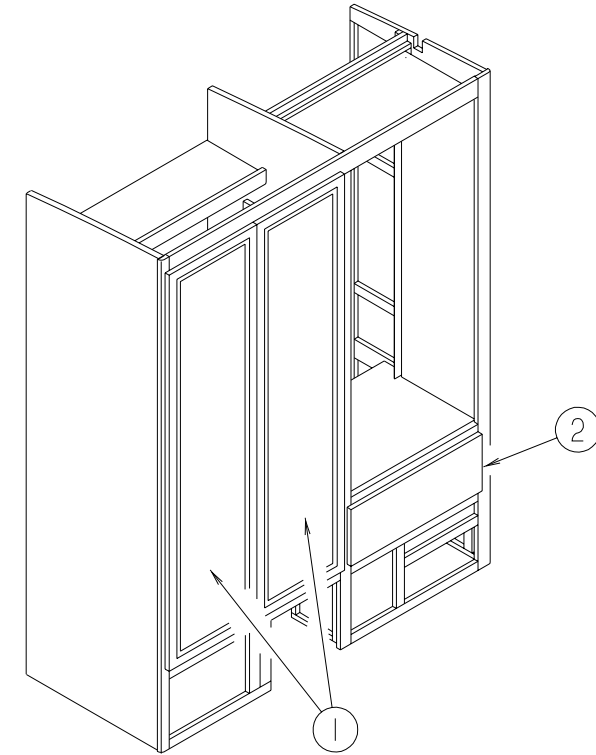
GALLEYGROUP



GALLEYCABINETRY

KEY	PARTNUMBER	U/M	DESCRIPTION	VENDORN.
1	121329-01-H13	EA	CABINET-A/C SWITCH	
2	121328-08-H33	EA	CABINET-OVERHEAD MICROWAVE-W/ODOORS/DRAWERS/HARDWARE	
3	M05992-J9-H13	EA	DOOR-STRAIGHT CORNER/OGEE EDGE-5.1"X22.4"-W/OHDW	
4	081320-16-G09	EA	ENDCAP-OVERHEAD CABINET	
5	M06803-58-G09	EA	DOOR-MITERED CORNER/OGEE EDGE-12"X21.8"-W/OHDW	
5	M06803-29-H33	EA	DOOR-MITERED CORNER/OGEE EDGE-12"X21.8"-W/OHDW GENERAL TRAILER OPTION	
6	P04372-02-H33	EA	CABINET-OVERHEAD GALLEY W/ODOORS/HARDWARE	
	104372-11-G35	EA	SHELF-W/PLASTIC EDGE TRIM	
	104372-12-G35	EA	SHELF-W/PLASTIC EDGE TRIM	
7	081319-17-H17	EA	ENDCAP-OVERHEAD CABINET	
8	104114-02-01A	EA	FAUCET-GALLEY-SINGLE CONTROL	
9	103635-01-000	EA	FAUCET-SINGLE CONTROL (WATER PURIFIER)	
	103635-01-700	EA	FITTING KIT, FAUCET REPAIR	3071-70
	103635-01-701	EA	TUBING-PLASTIC	3019-20
	103635-01-702	EA	FAUCET REPAIR KIT	3026-46
	110654-01-000	EA	SINK-STAINLESS STEEL/DOUBLE BASIN (1LG-1 SMBASIN)	
	092303-01-000	EA	STRAINER-SINK	
	108464-03-E38	EA	COVER-SINK-RIGHT HAND-15"X11" (H33)	
	108464-03-GV4	EA	COVER-SINK-RIGHT HAND-15"X11" (H34,H35)	
	108464-04-E38	EA	COVER-SINK-LEFT HAND-15"X15" (H33)	
	108464-04-F32	EA	COVER-SINK-LEFT HAND-15"X15" (H34,H35)	
10	098335-07-E38	EA	RAIL-GALLEY-22.2" (H33)	
10	098335-07-G36	EA	RAIL-GALLEY-22.2" (H34,H35)	
11	124068-11-H33	EA	COUNTERTOP-GALLEY	
11	124068-11-H34	EA	COUNTERTOP-GALLEY	
11	124068-11-H35	EA	COUNTERTOP-GALLEY	
12	124068-01-H33	EA	CABINET-GALLEY-W/ODOORS/DRAWERS/HARDWARE	
12	124068-01-H34	EA	CABINET-GALLEY-W/ODOORS/DRAWERS/HARDWARE	
12	124068-01-H35	EA	CABINET-GALLEY-W/ODOORS/DRAWERS/HARDWARE	
13	M06803-M3-G09	EA	DOOR-MITERED CORNER/OGEE EDGE-13.4"X21.8"-W/OHDW	
14	M06803-80-G09	EA	DOOR-MITERED CORNER/OGEE EDGE-13.4"X21.8"-W/OHDW	
15	M05971-60-H33	EA	DRAWER-OGEE EDGE-10"WX17.7"D-W/OSLIDES/HARDWARE	
16	M05971-BG-H33	EA	DRAWER-OGEE EDGE-9.9"WX11.8"D-W/OSLIDES/HARDWARE	

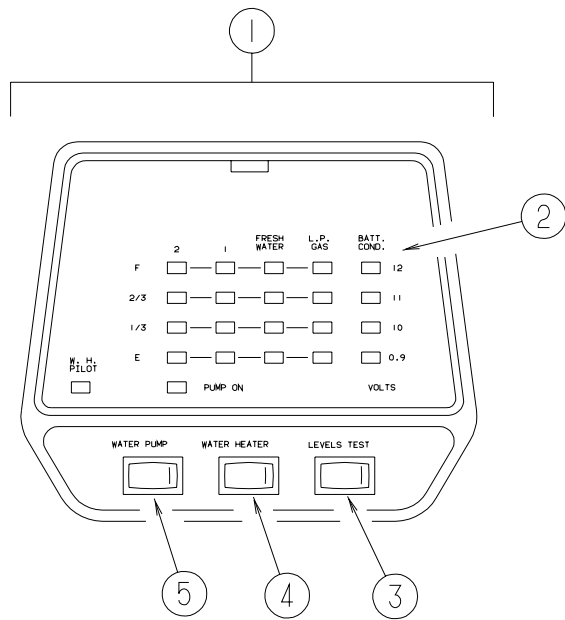
GALLEYGROUP(CONTINUED)



WARDROBE/REFRIGERATOR CABINET & COMPONENTS

KEY	PARTNUMBER	U/M	DESCRIPTION
1	M06803-11-G09	EA	DOOR-MIRROR/MTRDCRNR/OGEE EDGE-16"X65"-W/OHDW
2	M05971-BF-H33	EA	DRAWER-OGEE EDGE-22.5"WX19.7"D-W/OSLIDES/HARDWARE
	090329-01-000	FT	SEAL/T-REFRIGERATOR CABINET

GALLEYGROUP(CONTINUED)



LVSMONITORPANEL

KEY	PARTNUMBER	U/M DESCRIPTION	VENDORNO.
1	102765-04-01A	EA PANEL-MONITOR, W/PLUG-FOR 2 TANKS & WATER HEATER	
2	102765-04-700	EA BOARD-CIRCUIT, 2 HOLDING TANK	5076-11
3	097617-01-702	EA SWITCH (ALMOND)	107
4	097617-01-701	EA SWITCH-ON/OFF, ALMOND	106
5	102765-01-700	EA SWITCH-ON-ON, ALMOND	110-01

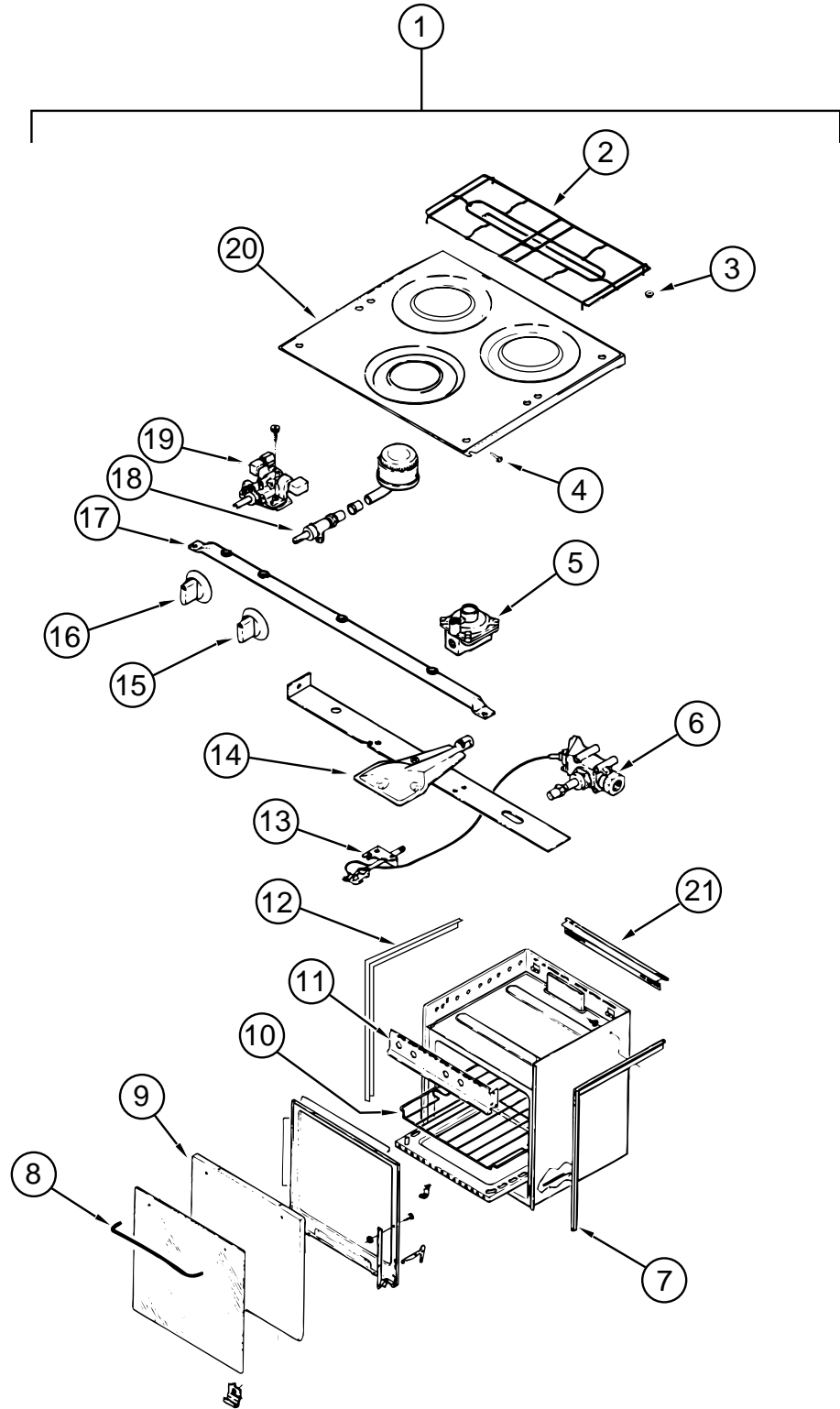
GALLEYGROUP(CONTINUED)
MAGICCHEFMICROWAVEOVEN

KEY	PARTNUMBER	U/M DESCRIPTION
	115303-02-000	EA OVEN-MICROWAVE-1.3 CUFT
	115401-02-01A	EA TRIM-MICROWAVE
	094756-03-G15	EA BRACKET-ANGLE-W/HOLES
	098916-16-02B	EA BRACE-MICROWAVE-LEFT HAND
	098916-17-02B	EA BRACE-MICROWAVE-RIGHT HAND
	094750-07-000	EA BRACKET-MICROWAVE-89 DEGREE

COFFEEMAKER

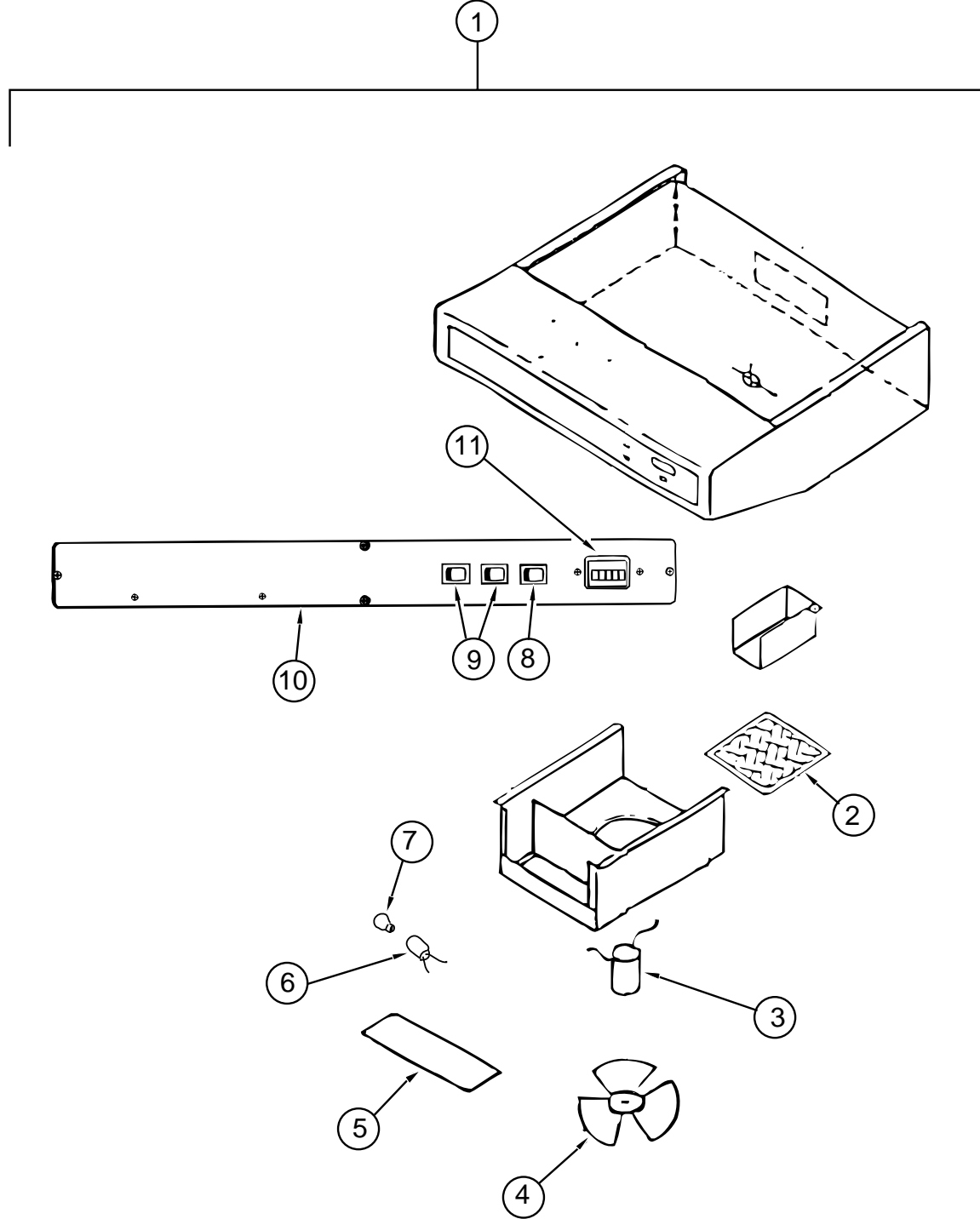
KEY	PARTNUMBER	U/M DESCRIPTION	VENDORNO.
	103799-02-01A	EA COFFEEMAKER WITH CLOCK, WHITE - BLACK & DECKER SDC2B	FROM: 00-00-00 THRU: 04-13-97
	103799-01-700	EA CARAFE-GLASS POT-BLACK & DECKER	679420
	103799-01-701	EA BRACKETS-WHITE, PAIR-BLACK & DECKER	FROM: 00-00-00 THRU: 04-13-97
	126019-01-01A	EA COFFEEMAKER-OPTIMA-W/BRACKETS	FROM: 00-00-00 THRU: 04-13-97
	126019-01-700	EA GLASS CARAFE	FROM: 04-14-97 THRU: 99-99-99
	126019-01-701	EA RESERVOIR-WATER	172547-00
	126019-01-702	EA BASKET-FILTER	FROM: 04-14-97 THRU: 99-99-99
	126019-01-703	EA HARDWARE-MOUNTING	172554
			FROM: 04-14-97 THRU: 99-99-99
			172553-00
			FROM: 04-14-97 THRU: 99-99-99
			172174-00
			FROM: 04-14-97 THRU: 99-99-99

GALLEYGROUP(CONTINUED)
MAGICCHEFRANGE



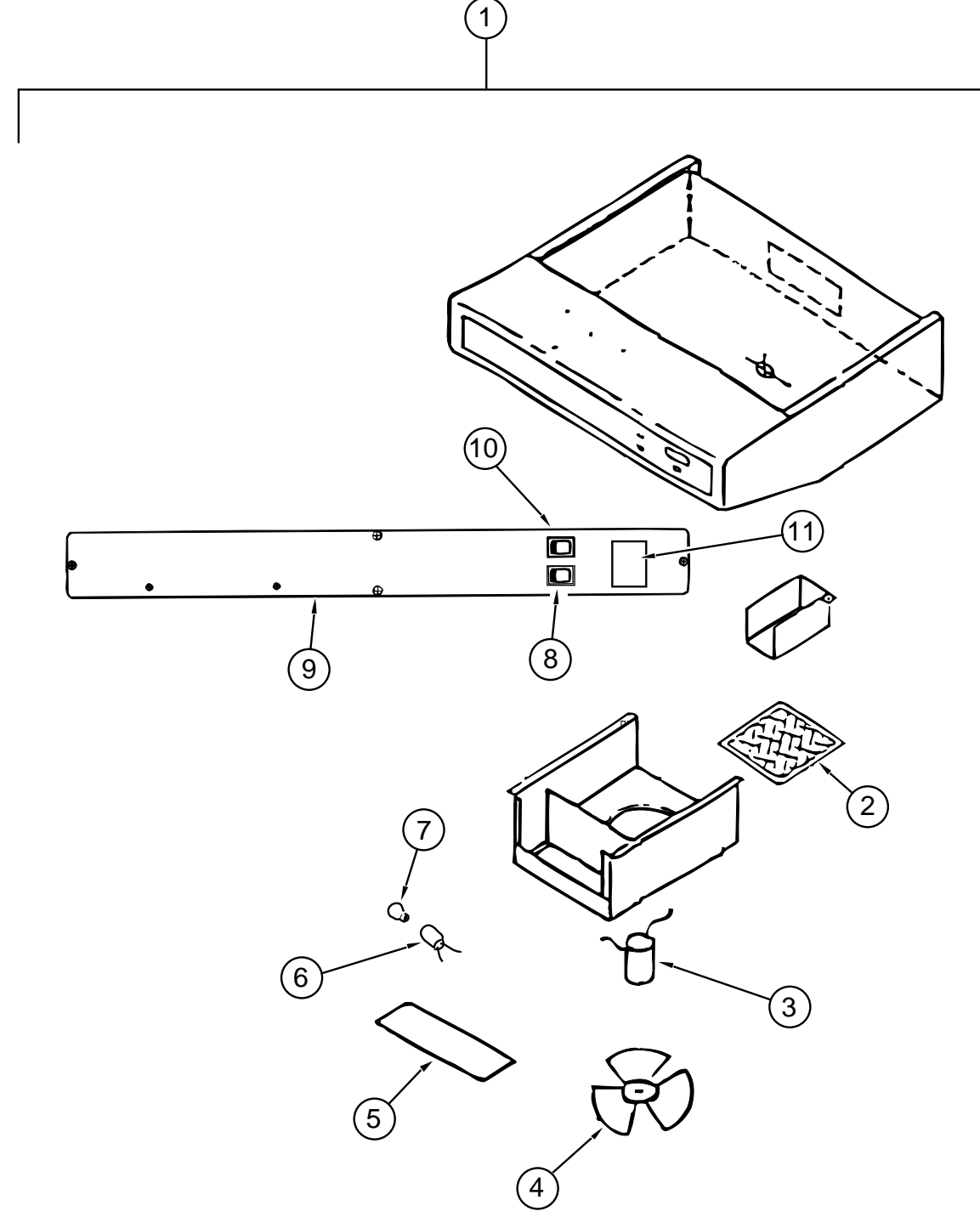
KEY	PARTNUMBER	U/M	DESCRIPTION	VENDORNO.
1	112881-01-04A	EA	RANGE - 16", 3BURNER-MAGICCHEF 16RB-3B49	
2	102020-01-711	EA	GRATE-TOP	7518P012-60
3	102020-01-709	EA	BUMPER-GRATE	8007-P020-60
4	102020-01-724	EA	BUMPER-MAINTOP	8003P008-60
5	102022-01-708	EA	REGULATOR-PRESSURE, 1/4IN1/2OUT	7510P041-60
6	112881-01-702	EA	VALVE-MERCURY, SAFETYVALVE	7501-P121-60
7	112881-01-720	EA	TRIM-FLAT, RIGHT-BLACKTEXTURED	74002813
8	102020-01-701	EA	HANDLE-DOOR	7701P092-60
9	112881-01-713	EA	DOOR-OVEN, TEXTURED	2401F079-70
10	102020-01-700	EA	SHELF-OVEN	7801-P027-60
11	112881-01-701	EA	MANIFOLDPANEL	2616F091-70
12	112881-01-707	EA	TRIM-FLAT, LEFT-BLACKTEXTURED	74002812
13	112881-01-710	EA	PILOT-OVEN	7505P202-60
14	112881-01-711	EA	BURNERASSEMBLY-OVEN	3404W025045
15	112881-01-705	EA	KNOB-TOPBURNER	7733P072-60
15	112881-01-718	EA	KNOB-HIGHOUTPUT, FLAMEINDICATOR	74001794
16	112881-01-704	EA	KNOB-THERMOSTAT	7731P067-60
16	112881-01-716	EA	KNOB-THERMOSTAT, REF. SER. #03C	7731P107-60
17	112881-01-709	EA	PIPE-MANIFOLD	7513P097-60
18	102020-01-722	EA	VALVE-TOPBURNER	7502P181-60
18	112881-01-703	EA	VALVE-TOPBURNER, HI-OUTPUT	7502P180-60
19	112881-01-706	EA	THERMOSTAT-REF. SER. #02C	12400026
19	112881-01-715	EA	THERMOSTAT-REF. SER. #03C	7515P037-60
19	112881-01-722	EA	THERMOSTAT-REF. SER. #01C, 11, 12, 13, ETC.	7515P029-60
20	112881-01-712	EA	TOP-MAIN, BLACK	740101486
21	112881-01-721	EA	DEFLECTOR-FLUE, BLACKTEXTURED	74002809
	105458-03-000	EA	BRACKET-STOVETIEDOWN-RIGHTHAND	
	105458-04-000	EA	BRACKET-STOVETIEDOWN-LEFTHAND	

NOTE: (REF. SER. #) REFER TO THE FIRST THREE CHARACTERS OF THE RANGE'S SERIAL NUMBER



RANGEHOOD-US-GENERATOROPTIONS

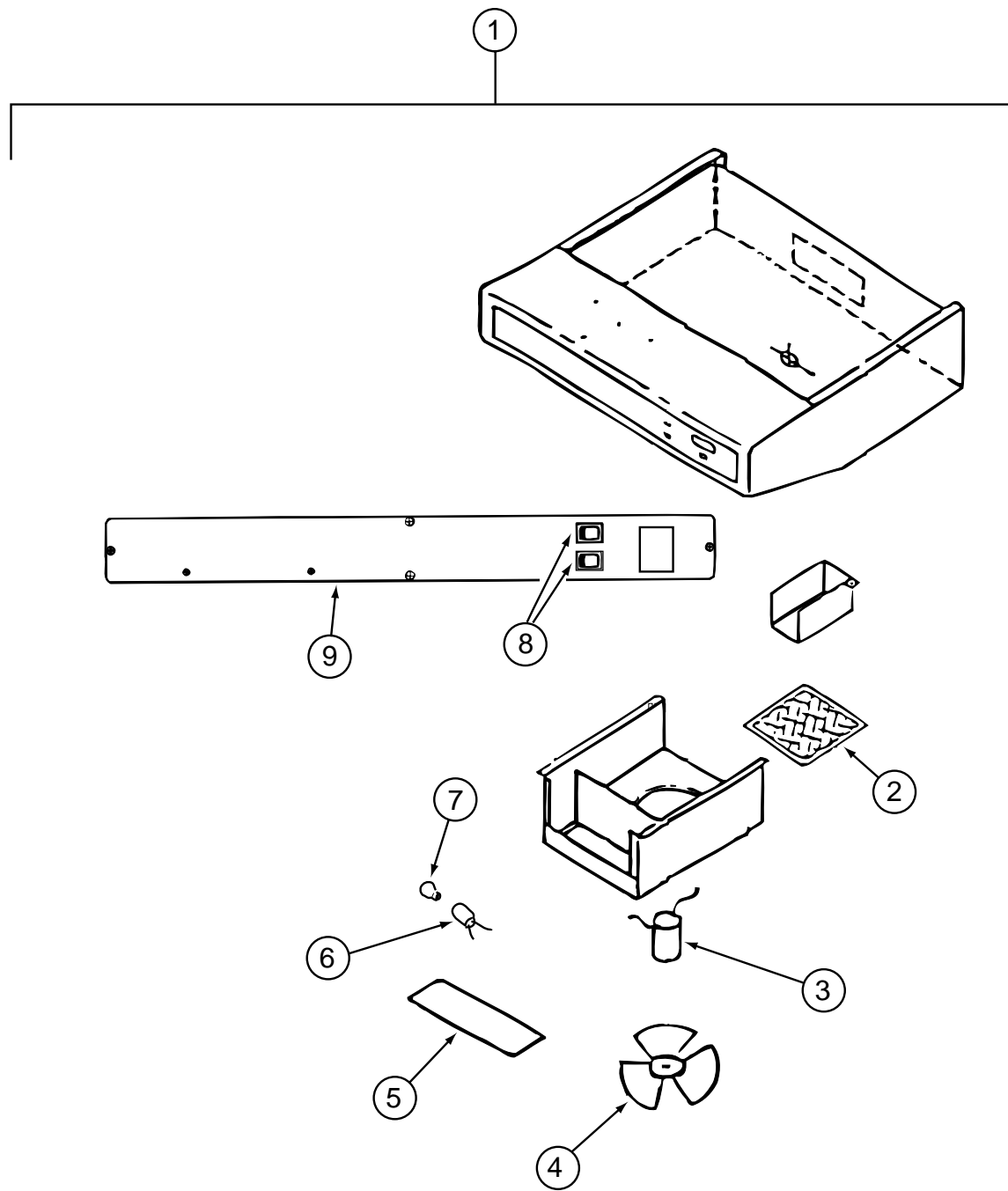
KEY	PARTNUMBER	U/M	DESCRIPTION	VENDORNO.
1	100258-18-03A	EA	HOOD-RANGE,W/OMONITORPANEL-VENTLINETP-55009-SBO-LG	
2	096983-01-707	EA	FILTER-MESH	CC246
3	090973-01-700	EA	MOTOR-12VOLT,CSA&UL	CA508-1
4	090973-01-702	EA	BLADE-FAN	VA183-1
5	092696-02-701	EA	LENS-LAMP	CC179-2
6	092696-01-710	EA	HOLDER-LAMP	CB267-2
7	092696-01-709	EA	LAMP#912	VA415
8	096983-01-702	EA	SWITCH-MOM/MOM	112
9	096983-01-700	EA	SWITCH-ON/OFF	108
10	100258-01-700	EA	LABEL-HOODNOSE	CC428
11	100258-10-01A	EA	GAUGE-HOURMETERW/SWITCH-SCREWONSTYLE-150	
11	100258-10-701	EA	GAUGE-HOURMETER,CLIPON	L0775-00



RANGEHOOD-CANADIAN

KEY	PARTNUMBER	U/M	DESCRIPTION	VENDORNO.
1	100258-17-04A	EA	HOOD-RANGE,W/OMONITORPANELVENTLINE TCS500-NBCLG	
2	096983-01-707	EA	FILTER-MESH	CC246
3	090973-01-700	EA	MOTOR-12VOLT,CSA&UL	CA508-1
4	090973-01-702	EA	BLADE-FAN	VA183-1
5	092696-02-701	EA	LENS-LAMP	CC179-2
6	092696-01-710	EA	HOLDER-LAMP	CB267-2
7	092696-01-709	EA	LAMP#912	VA415
8	096983-01-700	EA	SWITCH-ON/OFF	108
9	100258-01-700	EA	LABEL-HOODNOSE	CC428
10	096983-01-702	EA	SWITCH-MOM/MOM	112
11	100258-10-01A	EA	GAUGE-HOURMETERW/SWITCH-SCREWON(OPTION)-150	
11	100258-10-701	EA	GAUGE-HOURMETER,CLIPON(OPTION)	L0775-00

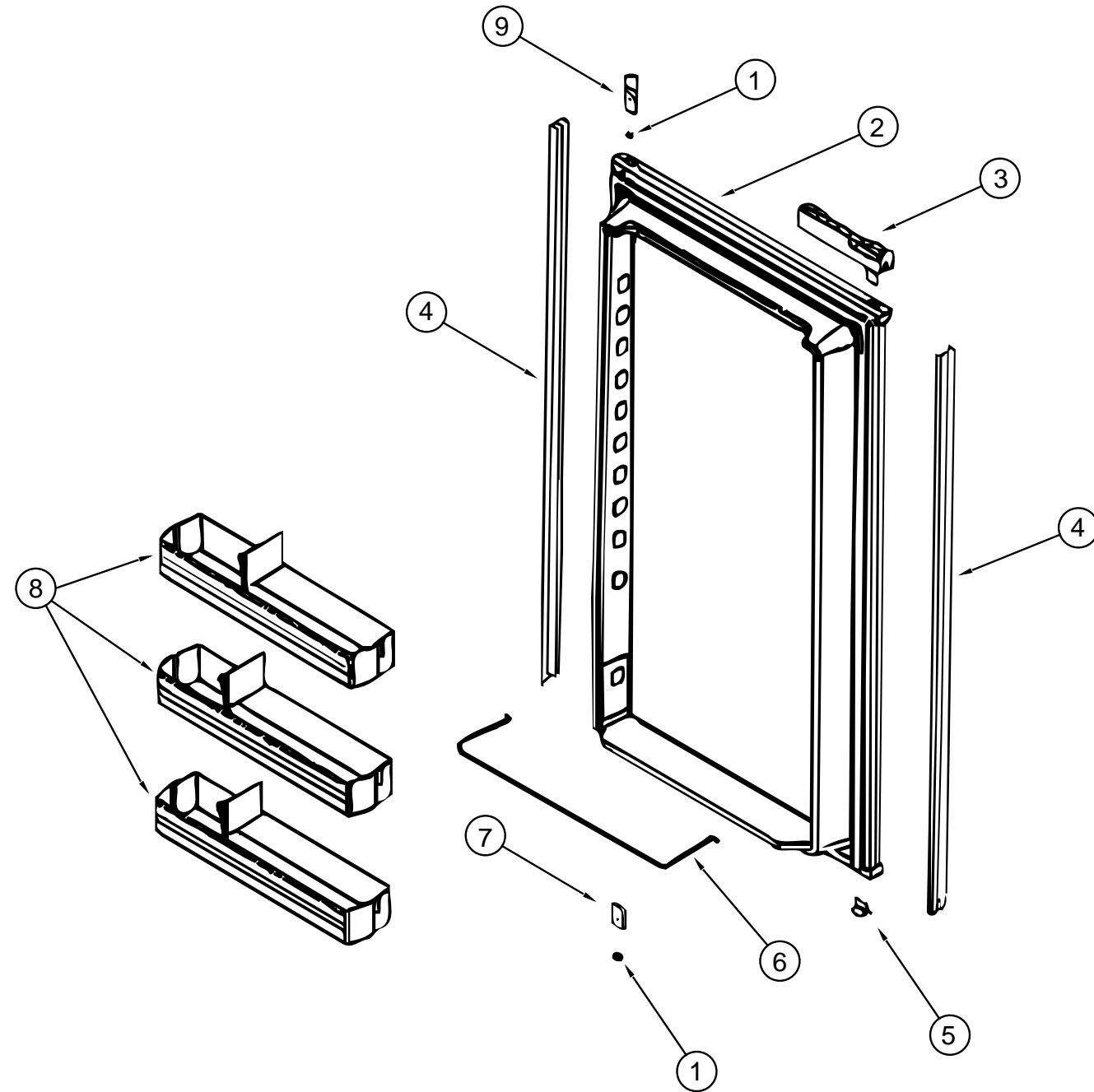
GALLEYGROUP(CONTINUED)



RANGEHOOD-US-STANDARD

KEY	PARTNUMBER	U/M	DESCRIPTION	VENDORNO.
1	100258-16-04A	EA	HOOD-RANGE,W/OMONITORPANEL-VENTLINETCS-5008-NBDLG	CC5008-NBDLG
2	096983-01-707	EA	FILTER-MESH	CC246
3	090973-01-700	EA	MOTOR-12VOLT,CSA&UL	CA508-1
4	090973-01-702	EA	BLADE-FAN	VA183-1
5	092696-02-701	EA	LENS-LAMP	CC179-2
6	092696-01-710	EA	HOLDER-LAMP	CB267-2
7	092696-01-709	EA	LAMP#912	VA415
8	096983-01-701	EA	SWITCH-ON/OFF	108
9	100258-01-700	EA	LABEL-HOODNOSE	CC428

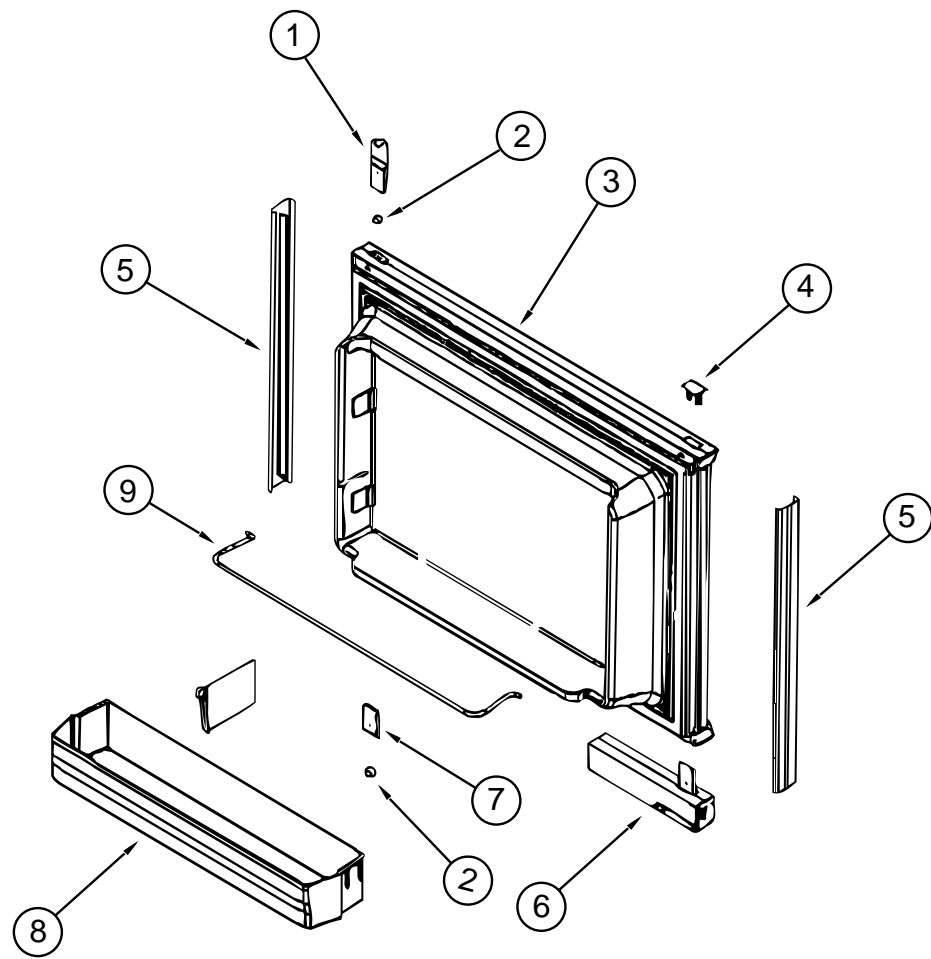
GALLEYGROUP(CONTINUED)



NORCOLDMODEL9162LHREFRIGERATORLOWERDOOR

KEY	PARTNUMBER	U/M	DESCRIPTION	VENDORNO.
	121568-02-01A	EA	REFRIGERATOR-SMALLDOUBLEDOOR-LEFTHAND-2-WAY	
1	120075-01-708	EA	BUSHING-DOORHINGE	618144
2	120076-01-701	EA	DOOR-LOWER-FOAMED,W/GASKET	618210
3	121568-01-702	EA	DOORHANDLE-UPRRH/LWRLH	618230
4	120076-01-700	EA	RETAINER-LOWERDOORPANEL	618132
5	120075-01-702	EA	CAP-HINGEPLUG	618160
6	121568-01-704	EA	RAIL-DOOR,LOWER	618578
7	120075-01-705	EA	HINGE-PAINTED,TOPLH/BOTTOMRH	618510
8	121568-01-701	EA	BIN-DOOR,WHITE	618619
9	120075-01-701	EA	HINGE-TOPRH/BOTTOMLH,PAINTED	618511

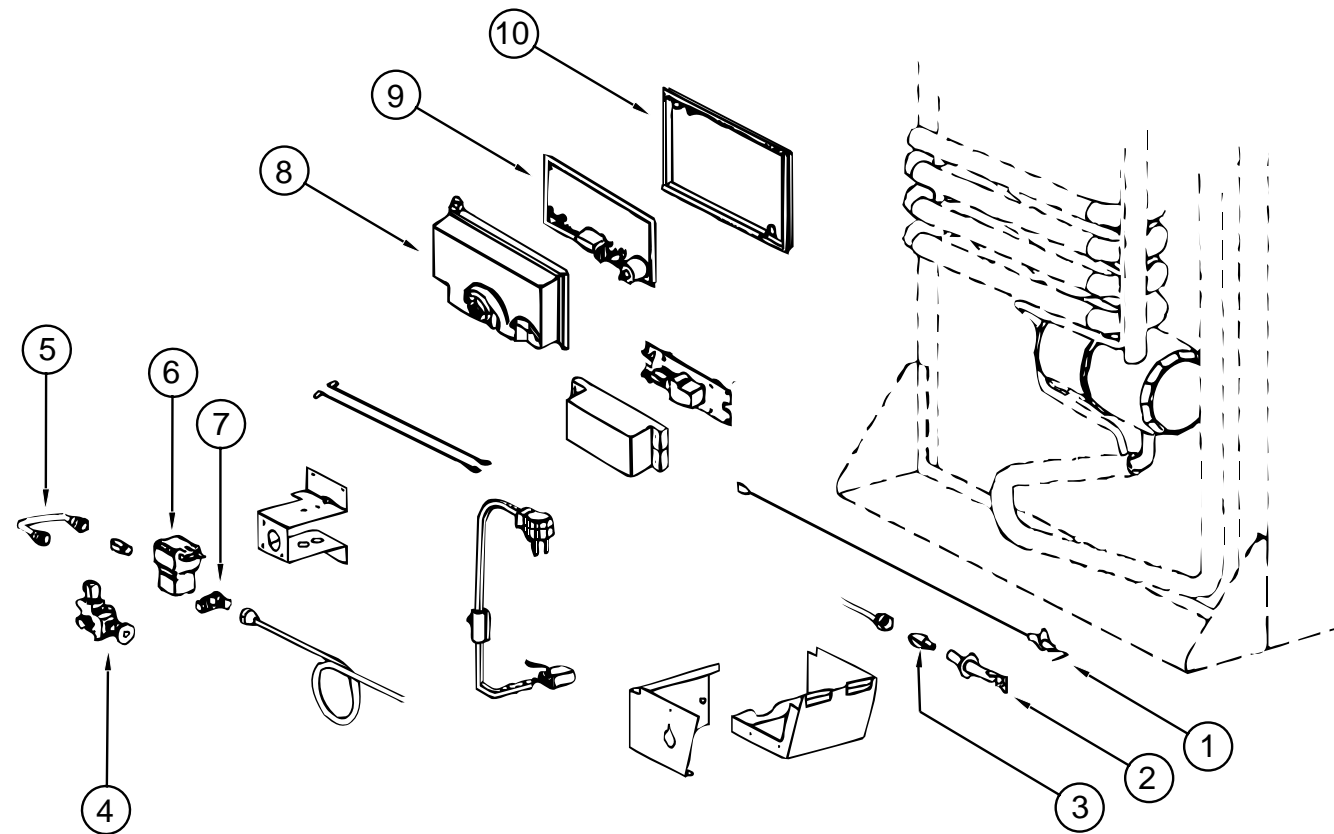
GALLEYGROUP(CONTINUED)



NORCOLDMODEL9162LHREFRIGERATORUPPERDOOR

KEY	PARTNUMBER	U/M	DESCRIPTION	VENDORNO.
	121568-02-01A	EA	REFRIGERATOR-SMALLDOUBLEDOOR-LEFTHAND-2-WAY	
1	120075-01-701	EA	HINGE-TOPRH/BOTTOMLH,PAINTED	618511
2	120075-01-708	EA	BUSHING-DOORHINGE	618144
3	120075-01-703	EA	DOORASSEMBLY-FOAMED,W/GASKET	618205
4	120075-01-702	EA	CAP-HINGEPLUG	618160
5	120075-01-700	EA	RETAINER-DOOR,DECORPANEL	618128
6	120075-01-711	EA	DOORHANDLE-UPRLH/LWRRH	618235
7	120075-01-705	EA	HINGE-PAINTED,TOPLH/BOTTOMRH	618510
8	121568-01-701	EA	BIN-DOOR,WHITE	618619
9	121568-01-700	EA	RAIL-DOOR,UPPER	618618

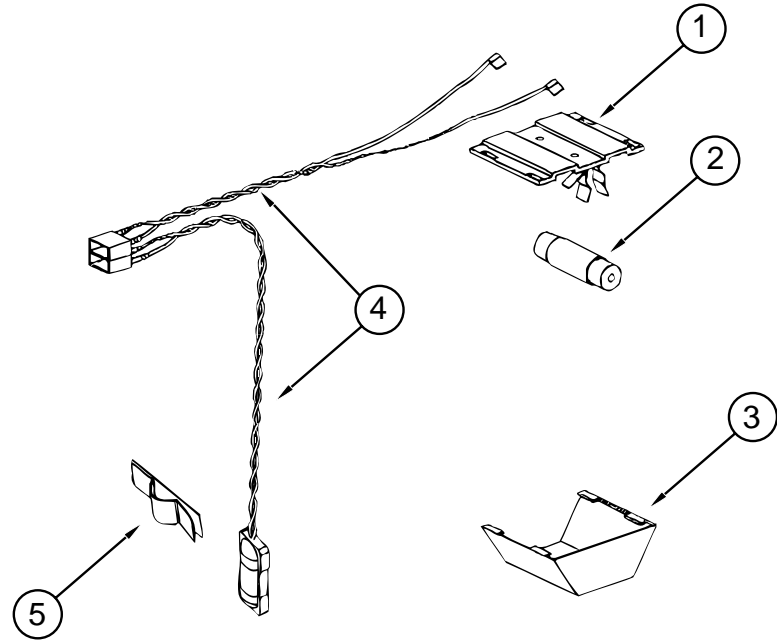
GALLEYGROUP(CONTINUED)



NORCOLDMODEL9162LHREFRIGERATORBURNER&POWERBOARDS

KEY	PARTNUMBER	U/M	DESCRIPTION	VENDORNO.
	121568-02-01A	EA	REFRIGERATOR-SMALLDOUBLEDOOR-LEFTHAND-2-WAY	
1	104137-06-715	EA	ELECTRODE-SPARK/SENSOR,SGL	61692222
2	104137-06-714	EA	BURNERASSEMBLY,5SLOT	61705222
3	120076-01-705	EA	ORIFICE-JEWEL,.015	618283
4	104137-06-709	EA	VALVE-SHUTOFF,MANUAL	61694922
5	113737-01-750	EA	TUBE-UNION	61694622
6	084880-01-718	EA	VALVE-GAS,ASCO	61551822
7	113737-01-716	EA	TAP-PRESSURE	61594422
8	120075-01-738	EA	COVER-POWERBOARD	618185
9	120075-01-741	EA	BOARD-POWER,2-WAY	618574
10	120075-01-740	EA	COVER-BASE,POWERBOARD	618186
	113737-01-702	EA	PLUG-1/8" F/PRESSURETAP	61445322

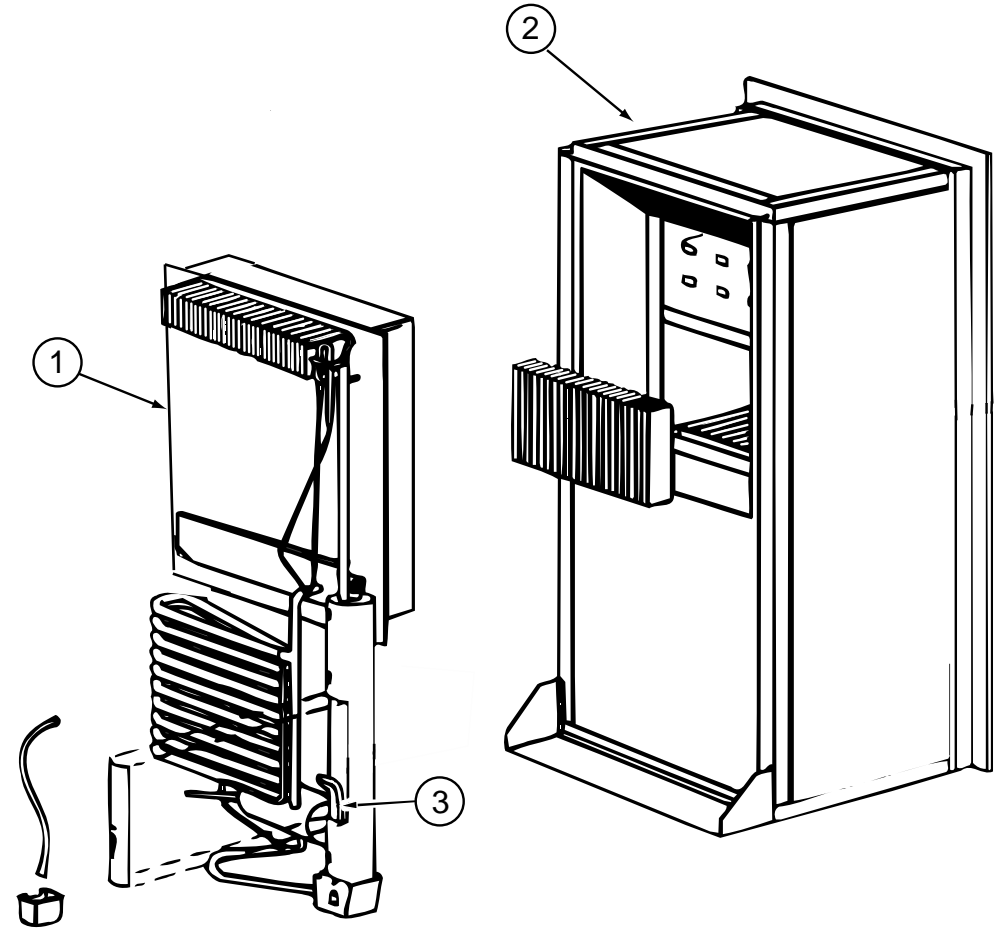
GALLEYGROUP(CONTINUED)



NORCOLDMODEL9162LHREFRIGERATORLAMPASM

KEY	PARTNUMBER	U/M	DESCRIPTION	VENDORNO.
	121568-02-01A	EA	REFRIGERATOR-SMALLDOUBLEDOOR-LEFTHAND-2-WAY	
1	084880-03-705	EA	BRACKET-LIGHT,INTERIOR	61629722
2	084880-03-706	EA	BULB-LAMP	61628922
3	084880-03-707	EA	COVER-LAMP,LENS	61627922
4	120075-01-735	EA	THERMISTERW/LAMP&WIRE/ASM	618548
5	084880-01-760	EA	CLIP-THERMISTER	61689122

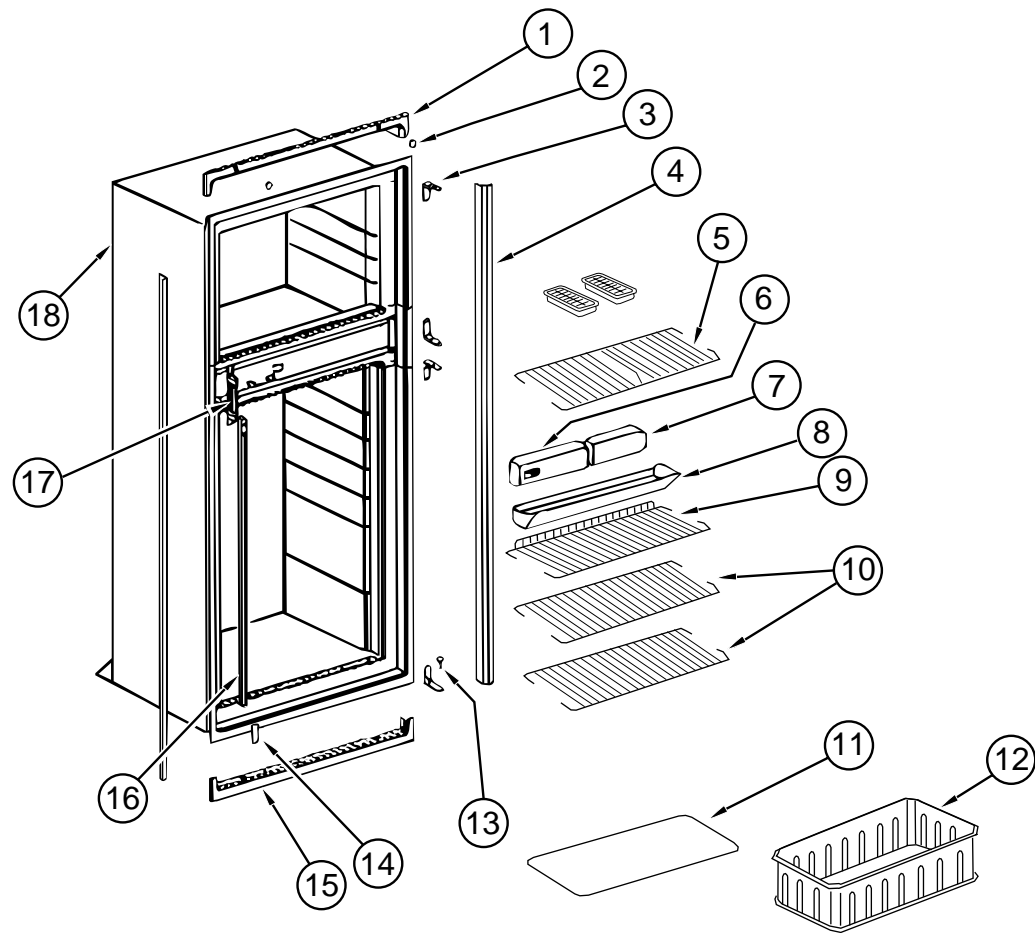
GALLEYGROUP(CONTINUED)



NORCOLDMODEL9162LHREFRIGERATORCOOLINGUNIT,CABINET,&HEATERS

KEY	PARTNUMBER	U/M	DESCRIPTION	VENDORNO.
	121568-02-01A	EA	REFRIGERATOR-SMALLDOUBLEDOOR-LEFTHAND-2-WAY	
1	120076-01-704	EA	COOLINGUNIT-SERVICEPACK	618543
2	120076-01-703	EA	CABINET-FOAMED	618260
3	088248-01-709	EA	HEATER-AC,HORIZONTAL	61562722

GALLEYGROUP(CONTINUED)



NORCOLDMODEL9162LHREFRIGERATORCABINETASMWITHTRAY,TIEDOWNS&LEVEL

KEY	PARTNUMBER	U/M DESCRIPTION	VENDNO.
	121568-02-01A	EA REFRIGERATOR-SMALLDOUBLEDOOR-LEFTHAND-2-WAY	
1	120075-01-713	EA TRIM-TOPPIECE	618124
2	120075-01-714	EA PLUG-HOLE	618170
3	120075-01-715	EA HINGE-CABINETSIDE,PAINTED	618512
	120075-01-708	EA BUSHING-DOORHINGE	618144
4	120076-01-702	EA TRIM,SIDEPIECE	618133
5	121568-01-705	EA SHELF-WIRE,FREEZER	618620
6	121568-01-706	EA CONTROLBOXASSEMBLY	618588
7	120075-01-718	EA BOX-FILLER	618112
8	120075-01-720	EA TRAY-DRIP	618137
	120075-01-721	EA LOUVER-DRIPTRAY	618176
9	121568-01-707	EA SHELF-WIRE,SHORT	618624
10	121568-01-708	EA SHELF-WIRE	618589
11	120075-01-725	EA COVER-CRISPER	618158
12	121568-01-709	EA CRISPER	618571
13	120075-01-727	EA PIN-HINGE	618145
14	120075-01-728	EA COVER-HINGEHOLE	618171
15	120075-01-729	EA TRIM-BOTTOMPIECE	618136
16	120075-01-730	EA RETAINER-SHELF	618181
17	120075-01-732	EA PLATE-STRIKE	618167
18	120076-01-703	EA CABINET-FOAMED	618260
	120075-01-731	EA PLUG-FACADE	618184
	116751-02-01A	EA TRAY-REFRIGERATOR	
	054450-01-000	EA LEVEL-REFRIGERATOR	
	065225-02-000	EA PLATE-TIEDOWN,REFRIGERATOR	
	093646-01-000	EA BRACKETASM-TIEDOWN,REFRIGERATOR-RH	
	093646-02-000	EA BRACKETASM-TIEDOWN,REFRIGERATOR-LH	

GENERATORGROUP 4,000WATTONAN

KEY	PARTNUMBER	U/M DESCRIPTION
	007067-01-000	SF INSULATION-FIBERGLASS-1"THICKX4'-INCREMENTS/4SF
	007125-03-000	EA CLAMP-MUFFLER-1.5"DIAMETER
	007125-04-000	EA CLAMP-MUFFLER-1.12"DIAMETER
	007131-01-000	EA HANGER-TAILPIPE-6SLOTS
	079654-05-000	EA PIPE-EXHAUST-ANGLEDW/FLANGE-2"ID
	081364-03-000	EA MUFFLER-GENERATOR-ONAN
	094059-01-000	EA SPACER-GENERATOR-ONAN
	100974-01-000	EA GENERATOR-4KWEMERALDPLUS-ONANBGE-FA26100G
	106602-01-000	EA PIPE-EXHAUST-GENERATOR
	106607-01-000	EA ANGLE-SUPPORT-EXHAUST

5,000WATTONAN

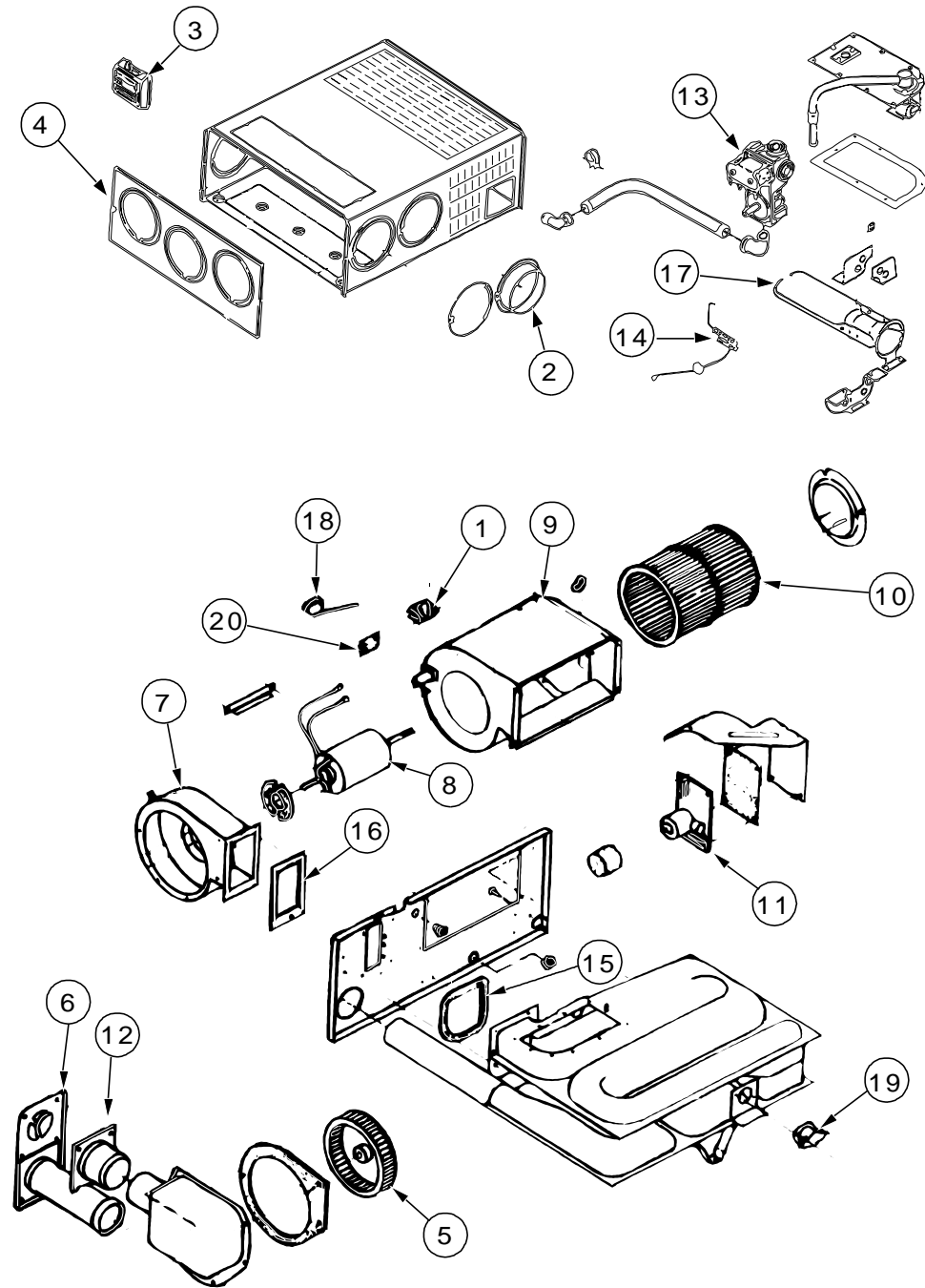
KEY	PARTNUMBER	U/M DESCRIPTION
	007067-01-000	SF INSULATION-FIBERGLASS-1"THICKX4'-INCREMENTS/4SF
	007125-03-000	EA CLAMP-MUFFLER-1.5"DIAMETER
	007125-04-000	EA CLAMP-MUFFLER-1.12"DIAMETER
	079654-05-000	EA PIPE-EXHAUST-ANGLEDW/FLANGE-2"ID
	082272-01-000	EA MUFFLER-GENERATOR
	094059-01-000	EA SPACER-GENERATOR-ONAN
	105958-14-000	EA PIPE-EXHAUST-1.4"INLETX1.5"O.D.-4.9"X66.9"
	109303-01-000	EA GENERATOR-5KW-EMERALDPLUS
	007131-01-000	EA HANGER-TAILPIPE-6SLOTS

6,500WATTONAN

KEY	PARTNUMBER	U/M DESCRIPTION
	007067-01-000	SF INSULATION-FIBERGLASS-1"THICKX4'-INCREMENTS/4SF
	007125-03-000	EA CLAMP-MUFFLER-1.5"DIAMETER
	007125-04-000	EA CLAMP-MUFFLER-1.12"DIAMETER
	079654-05-000	EA PIPE-EXHAUST-ANGLEDW/FLANGE-2"ID
	082272-01-000	EA MUFFLER-GENERATOR
	094059-01-000	EA SPACER-GENERATOR-ONAN
	100975-01-000	EA GENERATOR-6.5KWEMERALDPLUS
	105958-04-000	EA PIPE-EXHAUST-1.4"INLETX1.5"O.D.-4.9"X66.9"
	007131-01-000	EA HANGER-TAILPIPE-6SLOTS

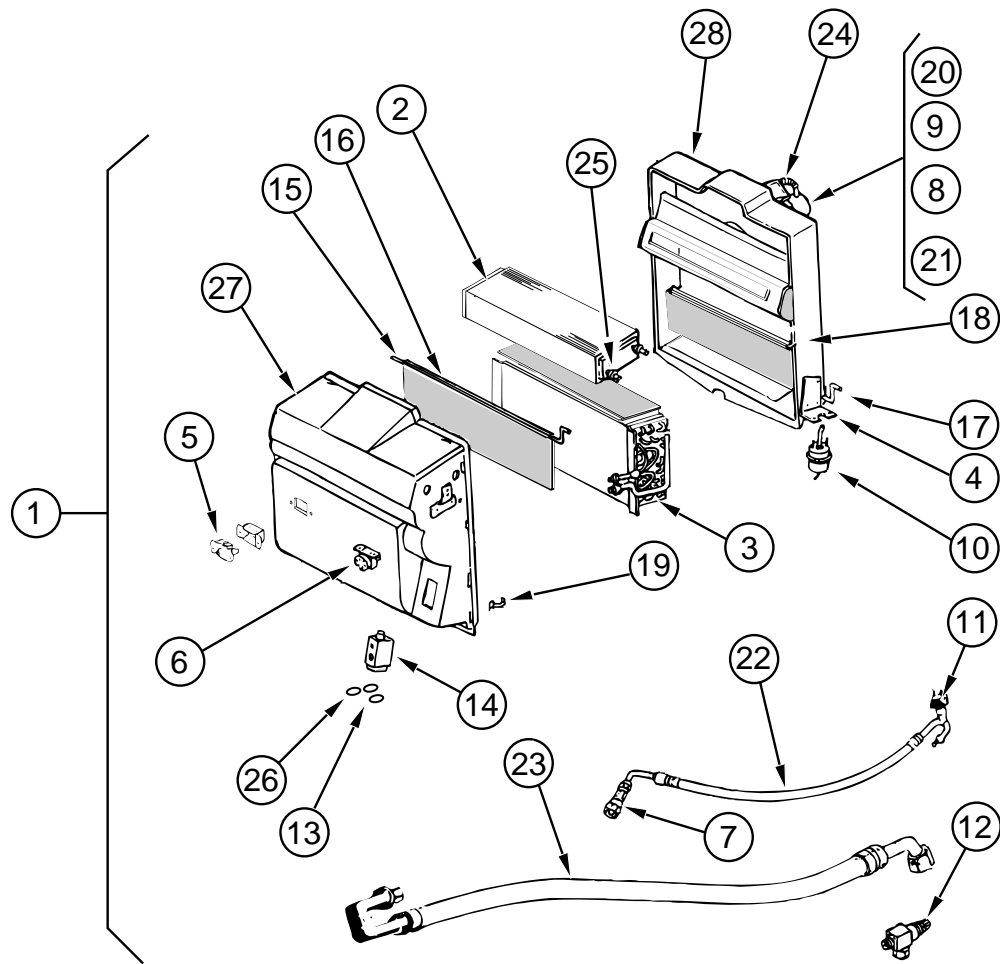
NOTE:ADDITIONALGENERATORCOMPONENTSAREFOUNDINTHECHASSISGROUP.

HEATING & AIR CONDITIONING GROUP
30,000 BTU SUBURBAN FURNACE & WALL THERMOSTAT



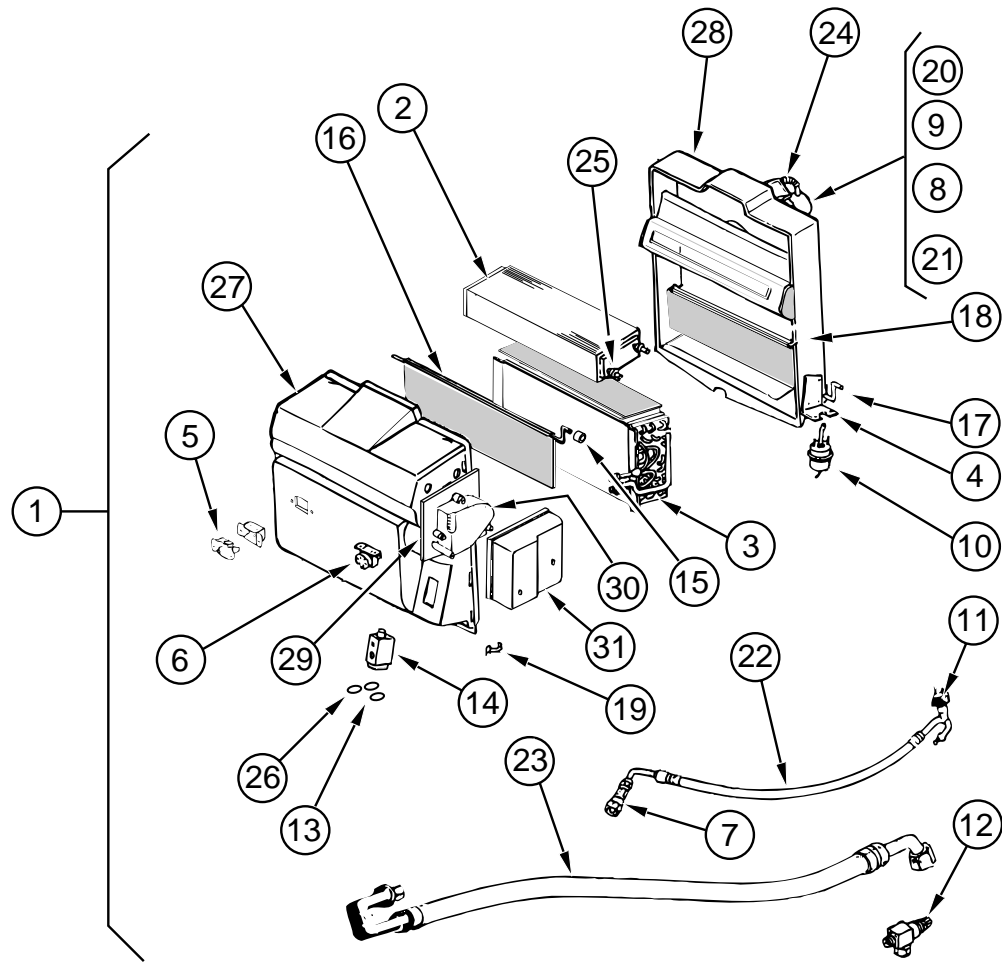
KEY	PART NUMBER	U/M	DESCRIPTION	VENDOR NO.
	098668-20-000	EA	FURNACE-30,000BTU	
1	074466-01-702	EA	RELAY, TIME DELAY	230625
2	075696-02-703	EA	COLLAR-DUCT	050715
3	115764-01-01A	EA	THERMOSTAT-FURNACE	
4	098668-01-700	EA	CABINET FRONT	101242
5	098668-01-706	EA	WHEEL-COMBUSTION AIR	350184
6	098668-01-707	EA	TUBE ASSEMBLY, EXHAUST W/CAP	260231
7	098668-01-708	EA	HOUSING-BLOWER, COMBUSTION	390441
8	098668-01-709	EA	MOTOR ASM., F/SF-25, SF-30	231706
9	098668-01-710	EA	HOUSING-BLOWER, ROOM AIR	390440
10	098668-01-711	EA	WHEEL-BLOWER, ROOM AIR	350129
11	098668-01-712	EA	BOARD-MODULE	520741
12	098668-01-713	EA	TUBE ASSEMBLY, INTAKE	051248
13	098668-01-714	EA	VALVE-GAS, SFS, N. 921401821	161070
14	098668-01-715	EA	ELECTRODE ASM., SINGLE PROBE	232166
15	098668-01-716	EA	GASKET-FIREWALL, CHAMBERSIDE	070808
16	098668-01-717	EA	GASKET-FIREWALL, BLOWERSIDE	070809
17	098668-02-700	EA	BURNER ASSEMBLY, SF-30 & SF35	010745
18	098668-21-700	EA	SWITCH-MICRO-W/O FLAG 3/4"	232261
19	098668-21-701	EA	SWITCH-LIMIT	231799
20	101990-01-714	EA	GASKET-MICROSWITCH	230877
	092300-02-701	EA	ORIFICE-MAIN BURNER NT-30BW	180214
	098668-23-000	EA	DOOR-ACCESS-FURNACE-BRIGHT WHITE	
	056464-10-000	EA	REGISTER-4" DIAMETER-PLASTIC-W/ODAMPER-BEIGE	

HEATING & AIR CONDITIONING GROUP (CONTINUED)
SC SEVAPORATOR/HEATER ASSEMBLY-FORD (FROM: 00-00-00 THRU: 09-01-96)



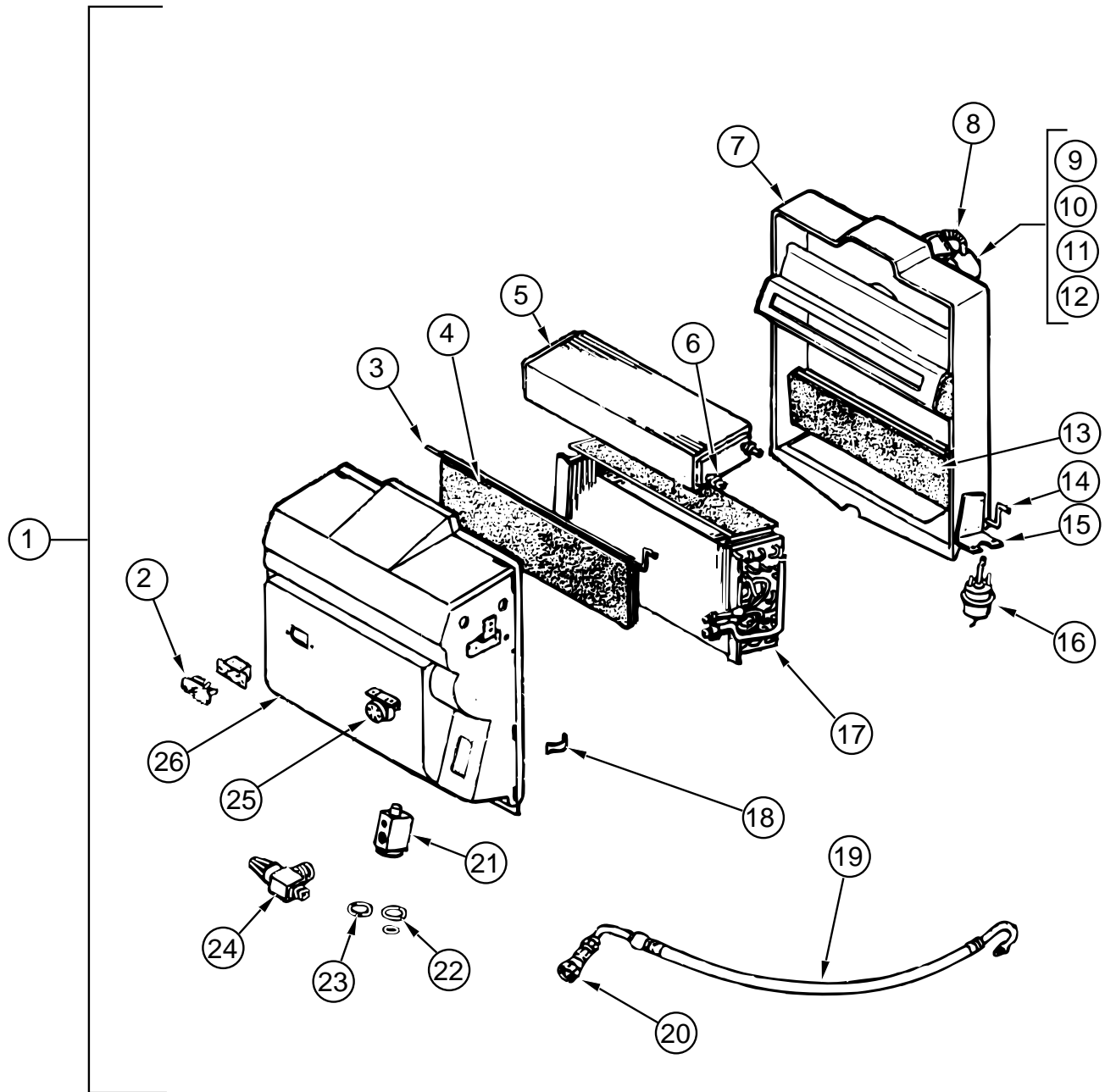
KEY	PARTNUMBER	U/M	DESCRIPTION	VENDOR NO.
1	103930-21-000	EA	EVAPORATOR/HEATER-FORD-R134ABLOCK	
2	103930-01-703	EA	CORE-HEATER	042-0010
3	103930-01-704	EA	COIL-EVAPORATOR	041-0017
4	103930-01-708	EA	BRACKET-VACUUMMOTOR	070-0113
5	103930-01-710	EA	RESISTOR-FUSED,A/C	035-0006
6	103930-01-711	EA	THERMOSTAT	033-0003
7	103930-01-713	EA	FITTING-QUICKCONNECT,#4	050-0030
8	103930-01-717	EA	WHEEL-BLOWER,CLOCKWISE	062-0010
9	103930-30-706	EA	MOTOR-BLOWERPM147W/ADAPTER	030-0109
10	103930-02-708	EA	MOTOR-VACUUMSERVO,A/C	030-0025
11	103930-12-708	EA	SWITCH-BINARY-HI/LOWCUTOUT	032-0048
12	103930-13-702	EA	VALVE-SERVICE,W/OCOMP.	050-0152
13	103930-17-702	EA	O'RING#10	045-0127
14	103930-20-700	EA	VALVE-EXPANSION-BLOCK,2TON	034-0032
15	103930-20-702	EA	ROD-DOOR,BLENDAIR	073-0039
16	103930-20-703	EA	DOOR-BLENDAIR	071-0212
17	103930-20-704	EA	ROD-DOOR-RECIRCULATING	073-0018
18	103930-20-705	EA	PANEL-DOOR,RECIRCULATING	071-0213
19	103930-20-706	EA	CLIP-RETAINER-CASEATTACH	022-0057
20	103930-20-707	EA	HOUSING-BLOWER	062-0145
21	103930-20-708	EA	CLIP-MOTORSHAFT	022-0001
22	103930-21-700	EA	HOSEASM#6EVAPORATOR/DRIER	085-0139
23	103930-21-701	EA	HOSEASM#10EVAPORATOR/COMP	085-0149
24	110279-01-703	EA	HOSE-VENTF/BLOWER MOTOR	051-0034
25	110279-01-712	EA	FITTING-HEATER	050-0076
26	113245-01-707	EA	O'RING#8	045-0126
27	103930-20-710	EA	CASE-FRONT,SUB-ASSEMBLY	062-0146
28	103930-20-711	EA	CASE-BACK,SUB-ASSEMBLY	062-0147

HEATING & AIR CONDITIONING GROUP (CONTINUED)
SC SEVAPRATOR/HEATER ASSEMBLY - FORD (FROM: 09-02-96 THRU: 99-99-99)



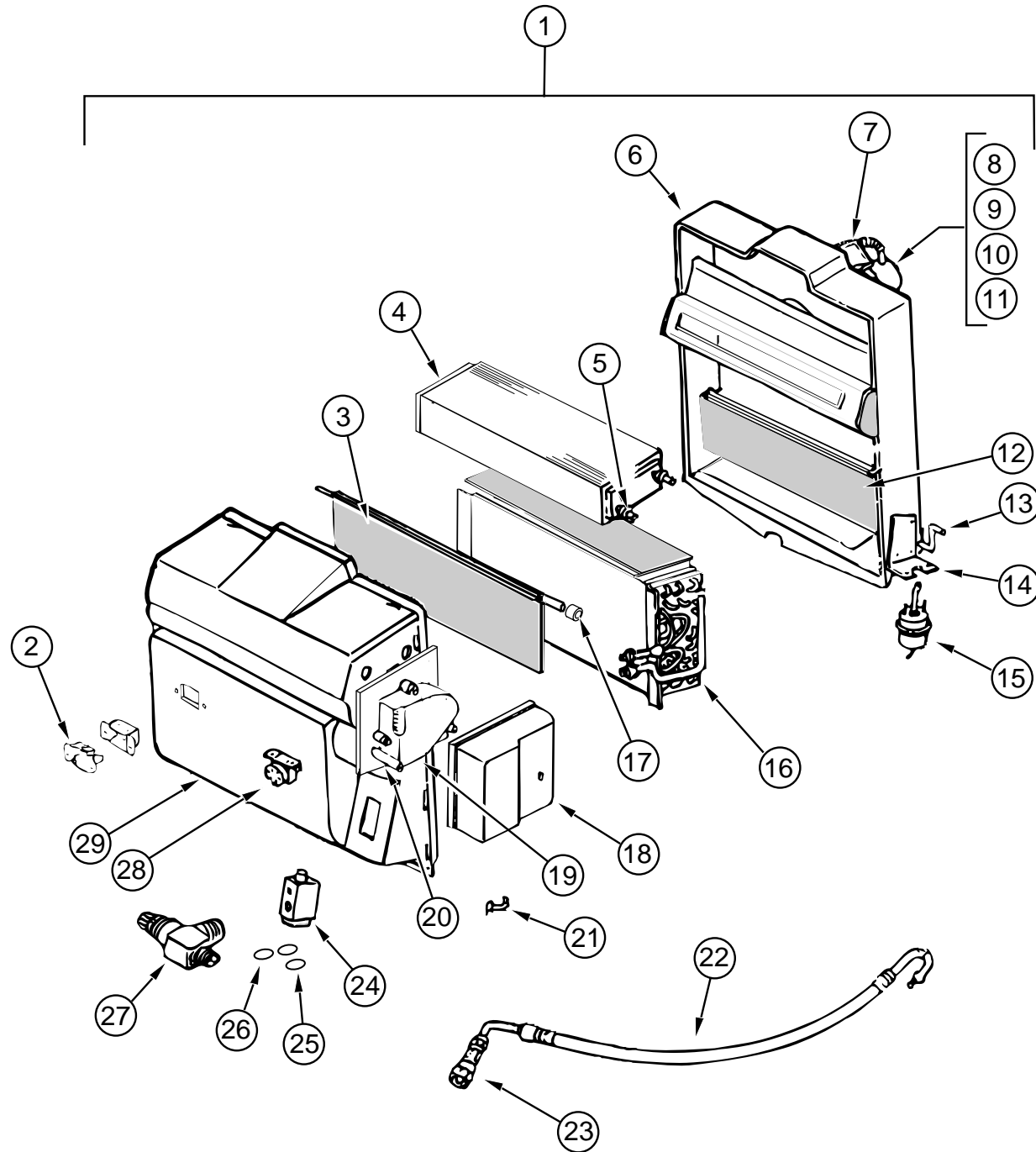
KEY	PARTNUMBER	U/M	DESCRIPTION	VENDORNO.
1	103930-31-000	EA	EVAPORATOR/HEATER-FORD-SERVOMOTORCONTROLLED	
2	103930-01-703	EA	CORE-HEATER	042-0010
3	103930-01-704	EA	COIL-EVAPORATOR	041-0017
4	103930-01-708	EA	BRACKET-VACUUMMOTOR	070-0113
5	103930-01-710	EA	RESISTOR-FUSED,A/C	035-0006
6	103930-01-711	EA	THERMOSTAT	033-0003
7	103930-01-713	EA	FITTING-QUICKCONNECT,#4	050-0030
8	103930-01-717	EA	WHEEL-BLOWER,CLOCKWISE	062-0010
9	103930-30-706	EA	MOTOR-BLOWERPM147W/ADAPTER	030-0109
10	103930-01-709	EA	MOTOR-VACUUMSERVO,A/C	030-0025
11	103930-12-708	EA	SWITCH-BINARY-HI/LOWCUTOUT	032-0048
12	103930-13-702	EA	VALVE-SERVICE,W/OCOMP.	050-0152
13	103930-17-702	EA	O'RING#10	045-0127
14	103930-20-700	EA	VALVE-EXPANSION-BLOCK,2TON	034-0032
15	103930-30-702	EA	BUSHING-BLENDAIRDOOR	062-0168
16	103930-30-705	EA	DOOR-BLENDAIR	071-0568
17	103930-20-704	EA	ROD-DOOR-RECIRCULATING	073-0018
18	103930-20-705	EA	PANEL-DOOR,RECIRCULATING	071-0213
19	103930-20-706	EA	CLIP-RETAINER-CASEATTACH	022-0057
20	103930-20-707	EA	HOUSING-BLOWER	062-0145
21	103930-20-708	EA	CLIP-MOTORSHAFT	022-0001
22	103930-21-700	EA	HOSEASM#6EVAPORATOR/DRIER	085-0139
23	103930-21-701	EA	HOSEASM#10EVAPORATOR/COMP	085-0149
24	110279-01-703	EA	HOSE-VENTF/BLOWERMOTOR	051-0034
25	110279-01-712	EA	FITTING-HEATER	050-0076
26	113245-01-707	EA	O'RING#8	045-0126
27	103930-30-700	EA	CASE-FRONT	062-0542
28	103930-20-711	EA	CASE-BACK,SUB-ASSEMBLY	062-0147
29	103930-30-701	EA	PLATE-MOTORMOUNT	062-0544
30	103930-30-703	EA	MOTOR-SERVO	030-0104
31	103930-30-704	EA	COVER-SERVO	062-0545

HEATING&AIRCONDITIONINGGROUP(CONTINUED)
SCSEVAPORATOR/HEATERASSEMBLY-CHEVYGAS&DIESELCHASSIS(FROM:00-00-00THRU:09-01-96)



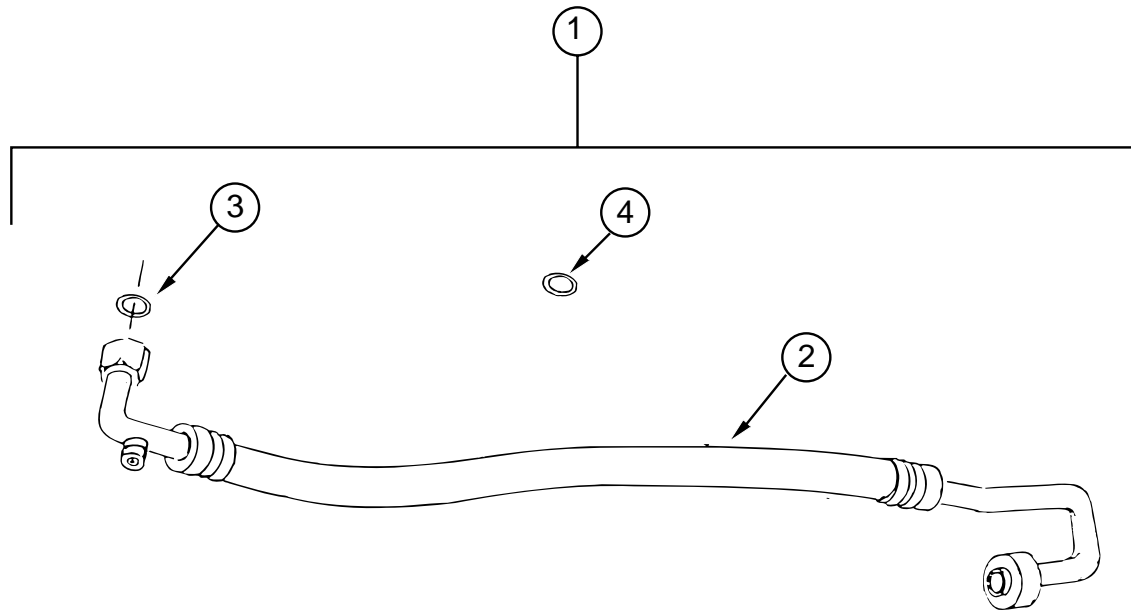
KEY	PARTNUMBER	U/M DESCRIPTION	VENDORN.
1	103930-25-000	EA EVAPORATOR/HEATER-CHEVY-"96"	
2	103930-01-710	EA RESISTOR-FUSED	035-0006
3	103930-20-702	EA ROD-DOOR,BLENDAIR	073-0039
4	103930-20-703	EA DOOR-BLENDAIR	071-0212
5	103930-01-703	EA CORE-HEATER	042-0010
6	110279-01-712	EA FITTING-HEATER	050-0076
7	103930-20-711	EA CASE-BACK,SUB-ASSEMBLY	062-0147
8	110279-01-703	EA HOSE-VENT,BLOWERMOTOR	051-0034
9	103930-20-707	EA HOUSING-BLOWER	062-0145
10	103930-30-706	EA MOTOR-BLOWERPM147W/ADAPTER	030-0109
11	103930-01-717	EA WHEEL-BLOWER,CLOCKWISE	062-0010
12	103930-20-708	EA CLIP-MOTORSHAFT	022-0001
13	103930-20-705	EA PANEL-DOOR,RECIRCULATING	071-0213
14	103930-20-704	EA ROD-DOOR,RECIRCULATING	073-0018
15	103930-01-708	EA BRACKET-VACUUMMOTOR	070-0113
16	103930-02-708	EA MOTOR-VACUUMSERVO,A/C	030-0025
17	103930-01-704	EA COIL-EVAPORATOR	041-0017
18	103930-20-706	EA CLIP-RETAINER-CASEATTACH	022-0057
19	103930-25-700	EA HOSEASSEMBLY-#6,EVAPORATORODRIER	085-0350
20	103930-12-709	EA FITTING-QUICKCONNECT	050-0120
21	103930-20-700	EA VALVE-EXPANSIONBLOCK,2TON	034-0032
22	103930-17-702	EA O'RING-#10	045-0127
23	113245-01-707	EA O'RING-#8	045-0126
24	103930-20-709	EA VALVE-SERVICE	050-0159
25	103930-01-711	EA THERMOSTAT	033-0003
26	103930-20-710	EA CASE-FRONT,SUB-ASSEMBLY	062-0146
	103930-02-714	EA CLAMP-CLUTCH,BARREL	022-0006

HEATING&AIRCONDITIONINGGROUP(CONTINUED)
SCSEVAPORATOR/HEATERASSEMBLY-CHEVYGAS&DIESELCHASSIS(FROM: 09-02-96 THRU: 99-99-99)



KEY	PARTNUMBER	U/M	DESCRIPTION	VENDORNO.
1	103930-30-000	EA	EVAPORATOR/HEATER-CHEVY-SERVOMOTORCONTROLLED	
2	103930-01-710	EA	RESISTOR-FUSED,A/C	035-0006
3	103930-30-705	EA	DOOR-BLENDAIR	071-0568
4	103930-01-703	EA	CORE-HEATER	042-0010
5	110279-01-712	EA	FITTING-HEATER	050-0076
6	103930-20-711	EA	CASE-BACK,SUB-ASSEMBLY	062-0147
7	110279-01-703	EA	HOSE-VENTF/BLOWER MOTOR	051-0034
8	103930-20-707	EA	HOUSING-BLOWER	062-0145
9	103930-30-706	EA	MOTOR-BLOWERPM147W/ADAPTER	030-0109
10	103930-01-717	EA	WHEEL-BLOWER,CLOCKWISE	062-0010
11	103930-20-708	EA	CLIP-MOTORSHAFT	022-0001
12	103930-20-705	EA	PANEL-DOOR,RECIRCULATING	071-0213
13	103930-20-704	EA	ROD-DOOR-RECIRCULATING	073-0018
14	103930-01-708	EA	BRACKET-VACUUMMOTOR	070-0113
15	103930-02-708	EA	MOTOR-VACUUMSERVO,A/C	030-0025
16	103930-01-704	EA	COIL-EVAPORATOR	041-0017
17	103930-30-702	EA	BUSHING-BLENDAIRDOOR	062-0168
18	103930-30-704	EA	COVER-SERVO	062-0545
19	103930-30-703	EA	MOTOR-SERVO	030-0104
20	103930-30-701	EA	PLATE-MOTORMOUNT	062-0544
21	103930-20-706	EA	CLIP-RETAINER-CASEATTACH	022-0057
22	103930-25-700	EA	HOSEASM#6EVAPORATOR/DRIER	085-0350
23	103930-12-709	EA	FITTING-QUICKCONNECT	050-0120
24	103930-20-700	EA	VALVE-EXPANSION-BLOCK,2TON	034-0032
25	103930-17-702	EA	O'RING#10	045-0127
26	113245-01-707	EA	O'RING#8	045-0126
27	103930-20-709	EA	VALVE-SERVICE	050-0159
28	103930-01-711	EA	THERMOSTAT	033-0003
29	103930-30-700	EA	CASE-FRONT	062-0542

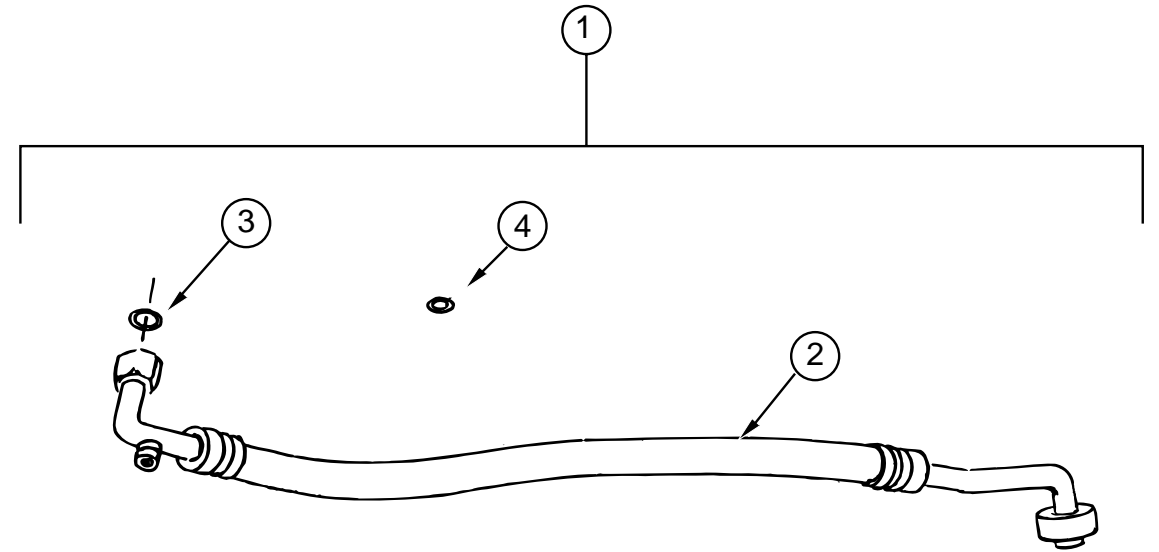
HEATING&AIRCONDITIONINGGROUP(CONTINUED)



CHEVYHOSEKIT-STANDARDGAS

KEY	PARTNUMBER	U/M	DESCRIPTION	VENDORNO.
1	103930-28-000	EA	HOSEKIT-#10 W/GML-19CHASSIS	
2	103930-28-700	EA	HOSEASM#10EVAPORATOR/COMP	085-0347
3	103930-17-702	EA	O'RING#10	045-0127
4	103930-29-701	EA	O'RINGF/LOWPRESSURESWITCH	045-0483

HEATING&AIRCONDITIONINGGROUP(CONTINUED)



CHEVYHOSEKIT-VORTECGASORDIESELOPTION

KEY	PARTNUMBER	U/M	DESCRIPTION	VENDORNO.
1	103930-29-000	EA	HOSEKIT-#10 F/GML-29&L-65CHASSIS	
2	N/A	EA	HOSEASM#10EVAPORATOR/COMP	085-0348
3	103930-17-702	EA	O'RING#10	045-0127
4	103930-29-701	EA	O'RINGF/LOWPRESSURESWITCH	045-0483

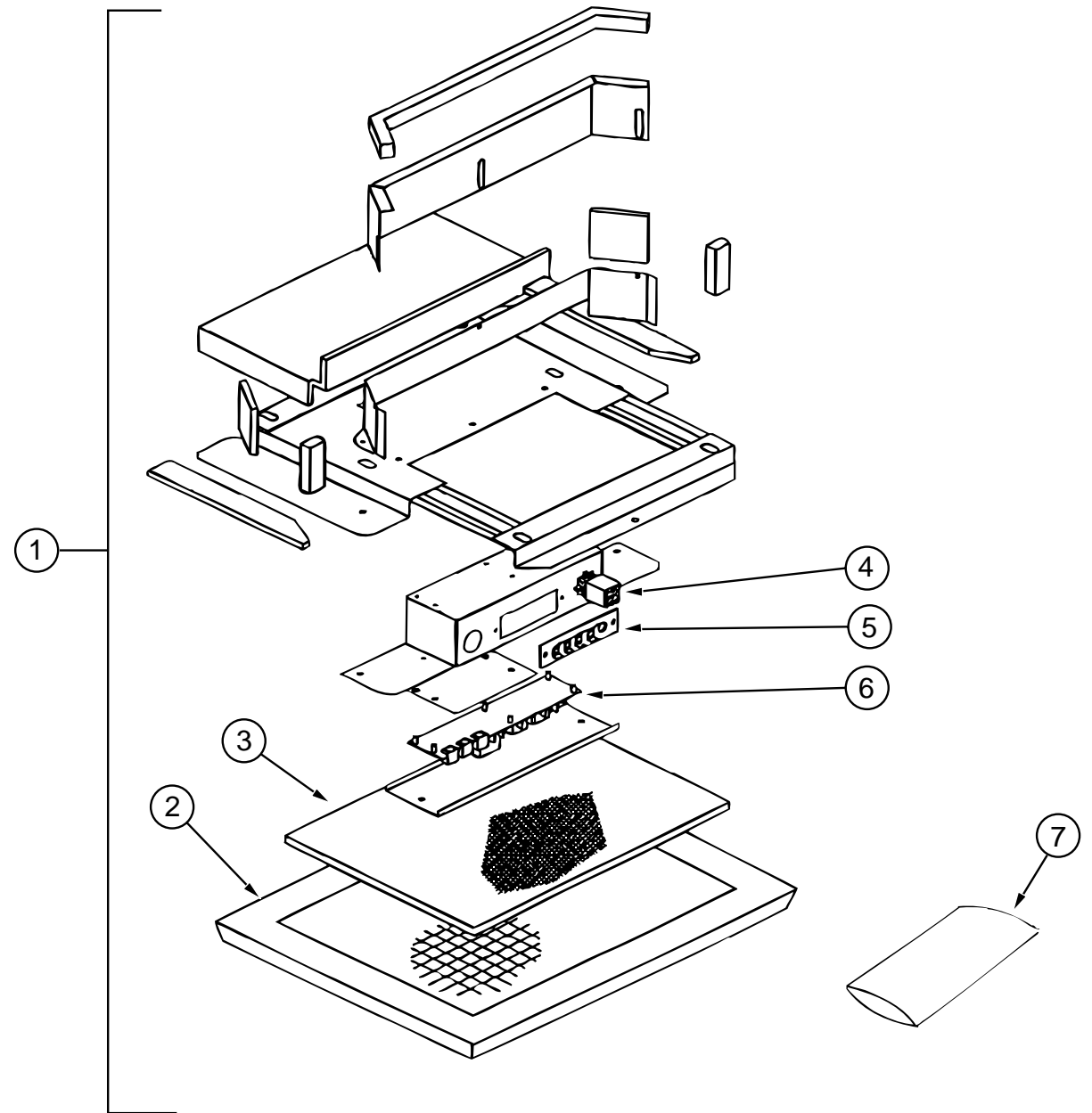
HEATING&AIRCONDITIONINGGROUP(CONTINUED)
AUTOMOTIVEHEATERMISCELLANEOUS

KEY	PARTNUMBER	U/M	DESCRIPTION
	077539-01-000	EA	BRACKET-MOUNTING/DASHPANEL-L/SHAPED-2.5"X1"X1.5"
	009198-01-000	FT	DUCT-HEAT-FLEXIBLE-4"IDX25'
	009200-01-000	EA	TAPE-FURNACE-1 1/2"
	089367-02-000	EA	TEE-4"X2"X4"
	007076-01-000	EA	HOSE-FLEXIBLEPVC-2"ID-INCREMENTSOF50'
	007108-01-000	FT	HOSE-HEATER-5/8"ID-HI-TEMP-FORD
	007281-01-000	EA	HOSE-FLEXIBLEPVC-2.5"IDX50'
	007281-01-700	FT	HOSE-FLEXIBLEPVC,2.5"ID
	024990-05-000	EA	OUTLET-4"DIAMETERW/SWIVELDEFLECTORS
	056402-05-000	EA	BRACKET-HEATERVENT,ROUND-W/BEND-BLACK
	077075-01-000	EA	GASKET-INSTRUMENTPANELTODEFROSTERPLENUM-1.8"X12.6"
	077075-03-000	EA	GASKET-INSTRUMENTPANELTODEFROSTERPLENUM-1.8"X12.3"
	103016-01-000	EA	PLENUM-TRANSITION
	103017-01-000	EA	PLENUM-DEFROSTER
	103930-23-000	EA	VALVE-WATER,2PORT
	103558-01-06A	EA	VENT-DEFROSTER,ABS-QUICKSILVER
	103796-01-01A	EA	LOUVERASSEMBLY-A/CCARYPROD-BLACK
	092776-01-000	EA	ADAPTER-DUCT-2"
	092777-01-000	EA	ADAPTER-DUCT-4"
	097494-02-000	EA	TEE-BRASS,BARB-3/8"X5/32"X3/8"-PARKER224-8-8-4
	103930-05-000	EA	MANUAL-OWNER-HEATER/A/C
			FROM: 00-00-00 THRU: 02-23-97
	103930-37-000	EA	MANUAL-OWNERS-HEATER/A/C
			FROM: 02-24-97 THRU: 99-99-99
	7SB010-96-14Z	EA	MANUAL-DEALERSERVICE/PARTS-SCS057-00171

EVANSREARHEATER&COMPONENTS

KEY	PARTNUMBER	U/M	DESCRIPTION	VENDORNO.
	084405-01-000	EA	HEATER-REAR/DUCTED-W/MOTORAIID	
	084405-01-700	EA	CORE-HEATER	FT200229
	084405-01-701	EA	FANBLADES	HV029931
	084405-01-702	EA	MOTORASSEMBLY,12VOLT	R0200180
	079059-02-000	EA	HOSE-90DEGREE-.61"IDX4"X6"	
	069636-02-000	EA	CONNECTOR-DUCT-4"ID	
	079059-01-000	EA	HOSE-90DEGREE-5/8"IDX4"X36"	
	009198-01-000	FT	DUCT-HEAT-FLEXIBLE-4"IDX25'	
	009198-02-000	FT	DUCT-FLEXIBLE-2"IDX25'	
	056464-10-000	EA	REGISTER-4"DIAMETER-PLASTIC-W/ODAMPER-BEIGE	
	061673-01-000	EA	BRACKET-MOTORAIIDTUBES-4"X1.5"-STEEL	

HEATING&AIRCONDITIONINGGROUP(CONTINUED)



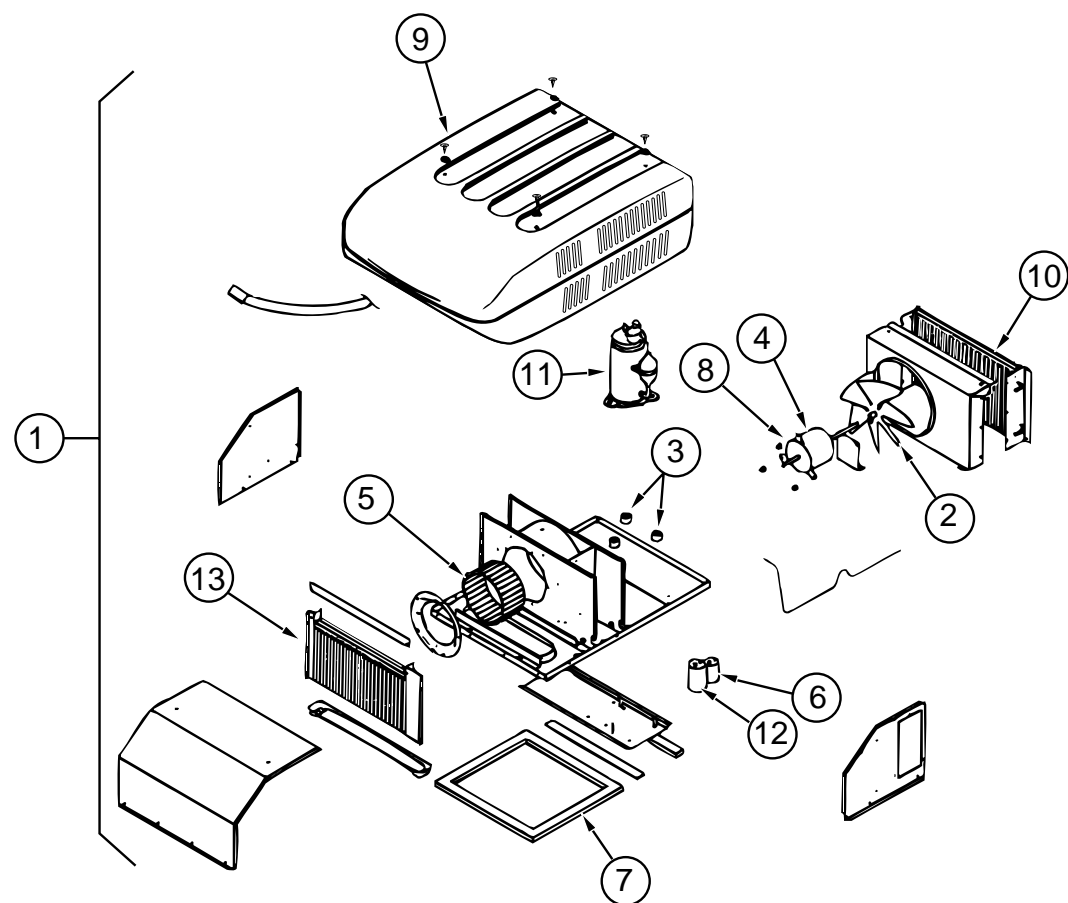
COLEMAN/CCEILINGASSEMBLY,THERMOSTAT,®ISTER

KEY	PARTNUMBER	U/M	DESCRIPTION	VENDORNO.
1	108892-01-01A	EA	CEILINGASM-A/CDUCTED-COLEMAN7330-730IV	
2	108892-01-704	EA	GRILLE(PLASTIC)	6798-3041
3	108892-01-703	EA	FILTER	6798A3761
4	108892-01-700	EA	PLUGASSEMBLY	7330-540
5	108892-01-701	EA	BOARD-TERMINAL	7330-3201
6	108892-01-702	EA	BOARD-PRINTEDCIRCUIT	7330A3211
7	108892-01-705	EA	SMALLPARTSPACKAGE	7330A6101
	117238-01-01A	EA	THERMOSTAT-A/CANDFURNACE-COLEMAN7330-3371	
	117238-02-01A	EA	THERMOSTAT-A/CONLY-COLEMAN7330-3381	
	120134-01-02A	EA	REGISTER-4"-5"DIAMETERW/DAMPER-WHITE-DTW8840	

ROOFA/CCOVERS&ACSELECTORSWITCH

KEY	PARTNUMBER	U/M	DESCRIPTION
	088238-03-000	EA	COVER-A/C SWITCH-DUAL/BLANK-W/50AMP SERVICE
	022756-05-000	EA	COVER-A/C-BLACKPLASTIC
	092633-02-02A	EA	COVER-BLANK-ROOFA/C-5.1"X5.1"
	121365-02-01A	EA	COVER-A/C SWITCH-SINGLE
	073937-03-000	EA	SWITCH-ROTARY-AC-SELECTOR-3DECK

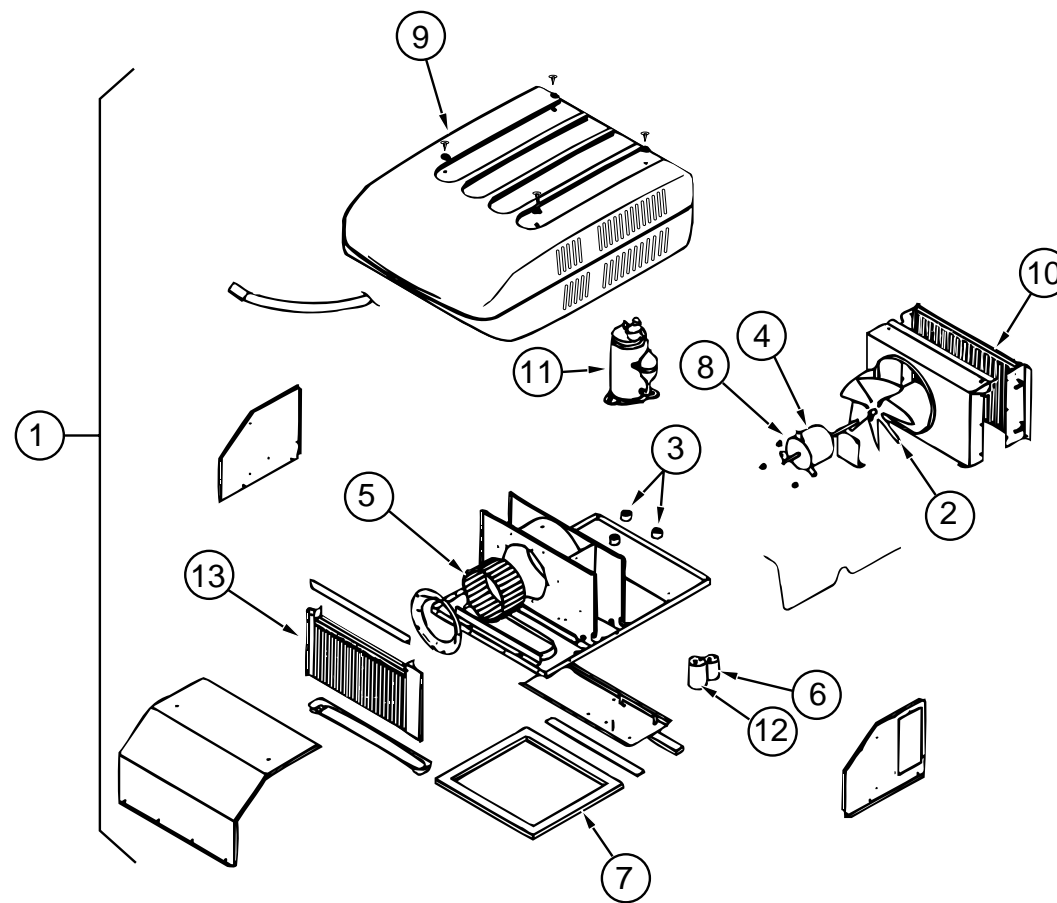
HEATING&AIRCONDITIONINGGROUP(CONTINUED)



COLEMAN14,800BTUROOFA/C

KEY	PARTNUMBER	U/M DESCRIPTION	VENDORNO.
1	115219-01-03A	EA A/C-ROOF, 14,800BTUMACH15-BRIGHTWHITE	
2	093763-01-712	EA BLADE-FAN,CONDENSER	6733-3221
3	105620-01-706	EA FOOTPACKAGE-COMPRESSOR,3PERPACKAGE	6759-3081
4	108889-01-705	EA MOTOR-115V,60HZ	1468-3049
5	108889-01-706	EA IMPELLOR	1472-1041
6	093763-01-704	EA CAPACITOR-FAN	1499-5461
	108889-01-710	EA PAD-FILLER,CONDENSERSEAL	6759B3971
7	108889-01-711	EA GASKETPACKAGE	6792A3301
8	108889-01-715	EA MOTORMOUNT&SHAFTSEALKIT	6792A3361
9	108889-05-700	EA SHROUD-BRIGHTWHITE,W/OLOGO	7333-4601
10	115219-01-700	EA COIL-CONDENSER	1452A1321
11	115219-01-708	EA COMPRESSOR,CONVERSIONKIT	1450A2061
12	115219-01-702	EA CAPACITOR-RUN,COMPRESSOR	1499-5741
	115219-01-703	EA RELAY-START	1497-4151
13	115219-01-704	EA COIL-EVAPORATOR	1452-1331
	115219-01-705	EA LINE-SUCTION,LOWER	7335-130
	115219-01-706	EA LINE-SUCTION,UPPER	7335-131
	115219-01-707	EA LINEASSEMBLY,DISCHARGE	7335A132
	093306-01-720	EA CAPACITOR-START,21-25MFD33	1497-3351
	093306-01-701	EA DECALPACKAGE-LEFT&RIGHT	6798B3591
	102289-01-000	EA SPRING-SCREW,ROOFA/CGASKET-COLEMAN6757-150	

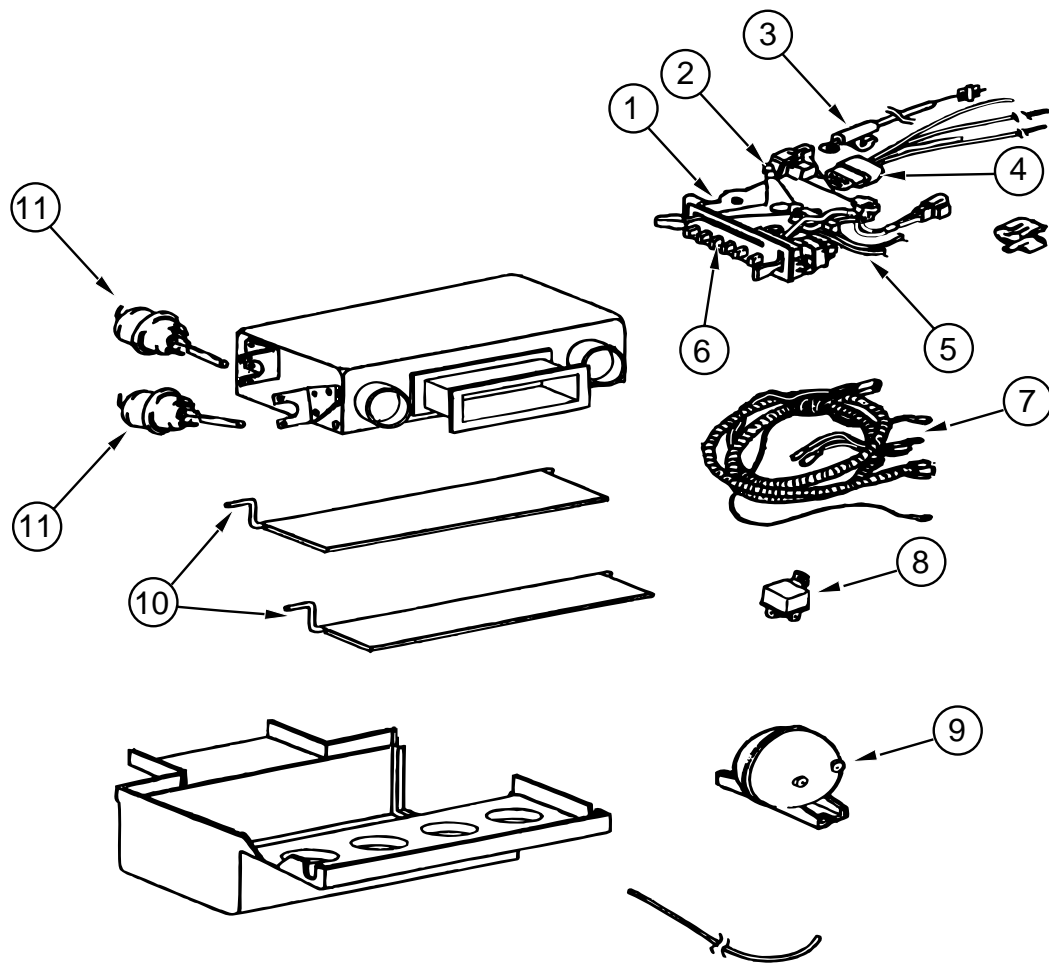
HEATING&AIRCONDITIONINGGROUP(CONTINUED)



COLEMAN13,500BTUROOFA/C-EUROPEAN

KEY	PARTNUMBER	U/M DESCRIPTION	VENDORNO.
1	108889-01-05A	EA A/C-ROOF, 13,500BTUTSRHO-BRIGHTWHITE	
2	093763-01-712	EA BLADE-FAN,CONDENSER	6733-3221
3	105620-01-706	EA FOOTPACKAGE-COMPRESSOR,3PERPACKAGE	6759-3081
4	108889-01-705	EA MOTOR-115V,60HZ	1468-3049
5	108889-01-706	EA IMPELLOR	1472-1041
6	093763-01-704	EA CAPACITOR-FAN	1499-5461
	108889-01-710	EA PAD-FILLER,CONDENSERSEAL	6759B3971
7	108889-01-711	EA GASKETPACKAGE	6792A3301
8	108889-01-715	EA MOTORMOUNT&SHAFTSEALKIT	6792A3361
9	108889-05-700	EA SHROUD-BRIGHTWHITE,W/OLOGO	7333-4601
10	108889-01-703	EA COIL-CONDENSER	1452A1301
11	108889-01-721	EA COMPRESSOR-TSR3MODELS"A&B"ONLY	1450-2079
11	108889-01-722	EA COMPRESSOR-TSR3MODELS"C&D"ONLY	1450-2099
12	108889-01-707	EA CAPACITOR-RUN,COMPRESSOR-25MFD/370	1499-5661
	091225-01-709	EA RELAY-START	1497-4131
13	108889-01-709	EA COIL-EVAPORATOR	1452A1311
	108889-01-712	EA LINE-SUCTION,REDUCER-3/8"X1/2"	1215-2161
	108889-01-713	EA LINE-SUCTION,3/8"ODX032WALL	6792-130
	108889-01-714	EA LINEASSEMBLY-DISCHARGE	6792-531
	108889-01-704	EA OVERLOAD(MRA#98693)	6749-3541
	091225-01-710	EA CAPACITOR-START	1497-0881
	108889-01-720	EA TUBE-CAP	6792-1351
	093306-01-701	EA DECALPACKAGE-LEFT&RIGHT	6798B3591
	102289-01-000	EA SPRING-SCREW,ROOFA/CGASKET-COLEMAN6757-150	

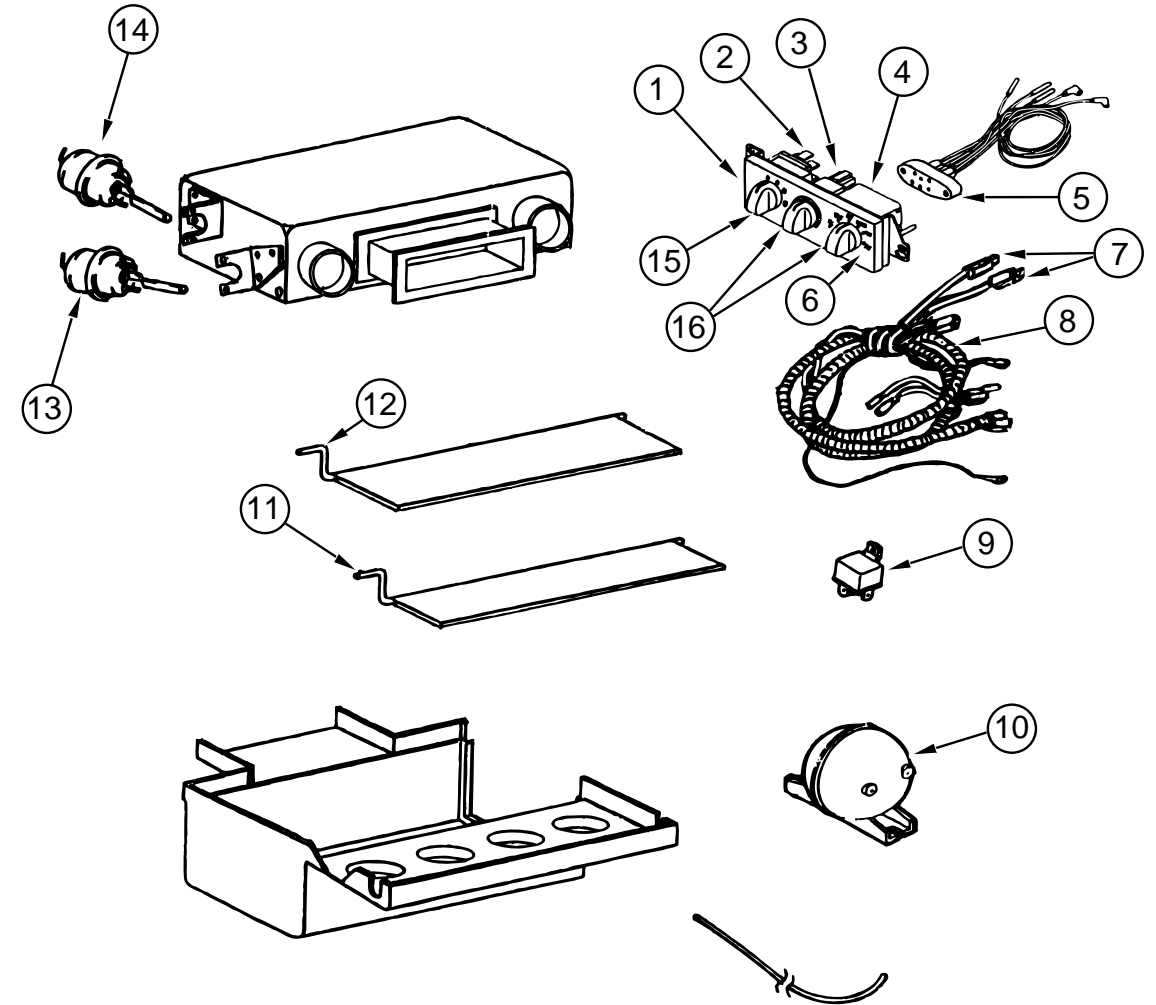
HEATING&AIRCONDITIONINGGROUP(CONTINUED)



SCSCONTROL/PLENUM(FROM:00-00-00THRU:09-01-96)

KEY	PARTNUMBER	U/M DESCRIPTION	VENDORNO.
	103930-38-000	EA CONTROL/PLENUMSET	
1	103930-02-712	EA PANEL-CONT.A/CBLACKBEZEL	032-0054
	072341-06-700	EA SWITCH-4SPEED-FAN	032-0043
2	103930-02-714	EA CLAMP-CLUTCH,BARREL	022-0006
3	103930-02-705	EA CABLE-BOWDENW/OLEVER89"	074-0011
4	103930-02-704	EA HARNESS-VACUUMCONTROL	036-0049
5	103930-02-701	EA SWITCH-VACUUM/CONTROLHEAD	034-0015
6	103930-02-702	EA DECAL-CONTROLHEAD	058-0009
7	103930-02-703	EA HARNESS-WIRECONTROL	036-0048
8	103930-02-707	EA RELAY-BOSCHW/RESISTER	031-0001
9	103930-02-710	EA CANISTER-VACUUM	054-0002
10	103930-33-700	EA ROD-DOORDEFROSTER/AC	073-0028
11	103930-02-708	EA MOTOR-VACUUMSERVO,A/C	030-0025
	094831-01-731	EA ADAPTER-2"	062-0001

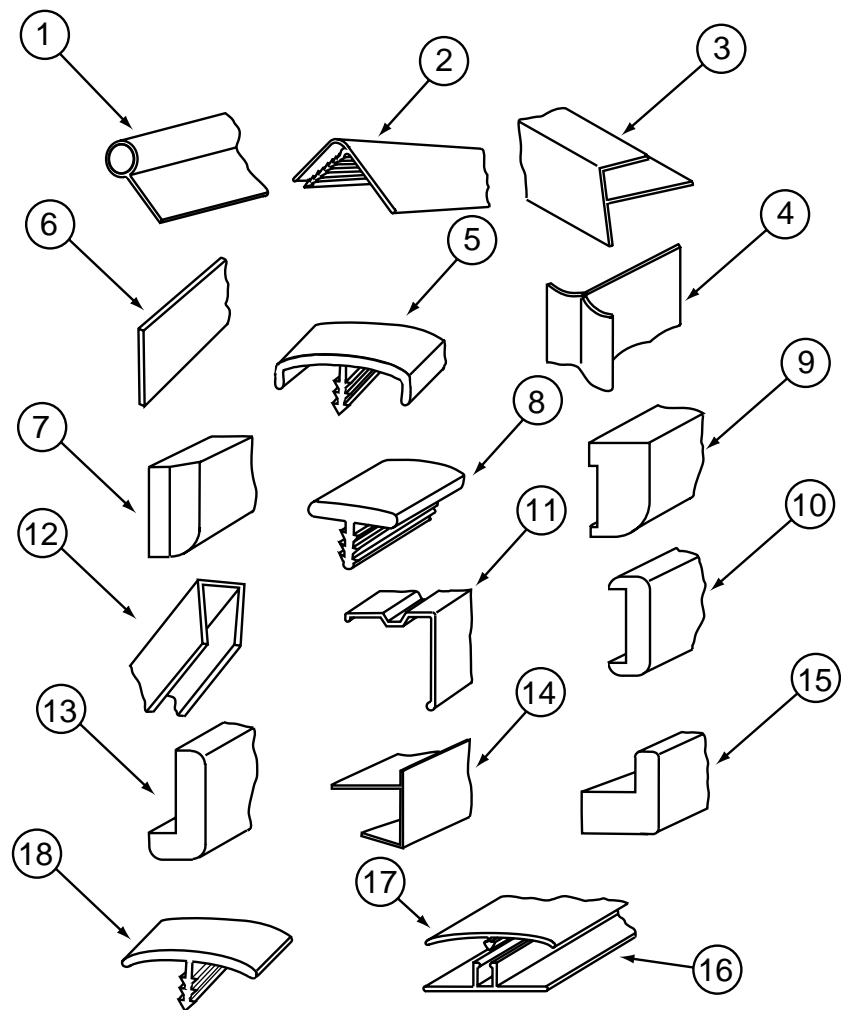
HEATING&AIRCONDITIONINGGROUP(CONTINUED)



SCSCONTROL/PLENUM(FROM:09-02-96THRU:99-99-99)

KEY	PARTNUMBER	U/M DESCRIPTION	VENDORNO.
	103930-34-000	EA CONTROL/PLENUM-ROTARYCONTROLHEAD	
1	103930-33-702	EA PANELASSEMBLY-CONTROL	083-0169
2	103930-33-707	EA SWITCH-BLOWER	032-00066
3	103930-33-708	EA SWITCH-POTENTIOMETER	032-0184
4	103930-33-709	EA SWITCH-VACUUM	032-0183
5	103930-33-703	EA HARNESS-VACUUM	036-0466
6	103930-33-710	EA DECAL-CONTROLHEAD	058-0102
7	103930-33-705	EA BULB-LIGHT	035-0030
8	103930-33-704	EA HARNESS-WIREW/BULBS	036-0465
		FROM:00-00-00THRU:12-21-96	036-0496
8	103930-33-711	EA HARNESS-WIRE,MAIN	031-0001
		FROM:12-22-96THRU:99-99-99	054-0002
9	103930-02-707	EA RELAY-BOSCHW/RESISTOR	073-0028
10	103930-02-710	EA CANISTER-VACUUM	073-0060
11	103930-33-700	EA ROD-DOOR,DEFROSTER/A/C	030-0025
12	103930-33-706	EA ROD-DOOR,A/C/DEFROST	030-0105
13	103930-02-708	EA MOTOR-VACUUMSERVO,A/C	062-00539
14	103930-33-701	EA MOTOR-VACUUM,3STAGE	062-00540
15	103930-33-712	EA KNOB-BLOWER	
16	103930-33-713	EA KNOB	

**INTERIOR FINISH GROUP
MOLDINGS & TRIMS**



KEY	PARTNUMBER	U/M DESCRIPTION
1	009767-12-000	FT WELTING-SIDEWALL/CEILING/CABINET-OFF/WHT
2	009809-28-000	EA MOLDING-CORNER-OUTSIDE-1"X84"-WATERFORDOAK
3	009812-29-000	EA MOLDING-PLASTIC-1/2"O/SCORNER-WATERFORDOAK
4	022992-11-000	FT MOLDING-REVERSECOVE-T-SHAPEDVINYL-IVORY
5	083620-12-000	FT MOLDING-T-ENDCAPEDGE-W/EDGE LIP-.75"-WATERFORDOAK
5	083620-07-000	FT MOLDING-T-ENDCAPEDGE-W/EDGE LIP-.75"-THORPECAN
6	076325-34-000	FT MOLDING-EDGE BAND-15/16"X1.2"-ORCHIDMIST
6	076325-43-000	FT MOLDING-EDGE BAND-.876"X.024"-CLOUD(H33)
6	076325-38-000	FT MOLDING-EDGE BAND-.875"X.024"(H34,H35)
6	076325-46-000	FT MOLDING-EDGE BAND 15/16"X.030"-CLOUD(H33)
6	076325-37-000	FT MOLDING-EDGE BAND-15/16"X.030"(H34,H35)
6	076325-67-000	FT MOLDING-EDGE BAND-.93"X.024"-WATERFORDOAK
6	076325-68-000	FT MOLDING-EDGE BAND-15/16"X.038"-WATERFORDOAK
7	100659-01-G09	EA MOLDING-TRIM-VINYLFLOOR
8	104676-01-01A	FT MOLDING-T-5/16"RIGIDGOLD
9	117268-D2-134	EA MOLDING-VINYLRAPPED-.7"X1.6"X84"-WATERFORDOAK
9	117268-F2-134	EA MOLDING-VINYLRAPPED-.7"X2.7"X84"-WATERFORDOAK
9	117268-F2-438	EA MOLDING-VINYLRAPPED-.7"X2.6"X96"-WATERFORDOAK
10	078323-06-G15	EA MOLDING-CAP-WALL-78"
11	105004-01-05A	EA MOLDING-VINYLRAPPED-1"X96"-WATERFORDOAK
12	093873-01-01A	EA TRIM-CARPET-L-ANGLE 1.1"X1.3"X12'-GRAYVINYL
13	009778-21-000	FT U-CHANNEL-1"-WATERFORDOAK
13	070504-36-000	FT U-CHANNEL-PLASTIC-.13"X72"-WATERFORDOAK
13	070504-37-000	FT U-CHANNEL-PLASTIC-.87"X84"-WATERFORDOAK
13	070504-19-000	FT U-CHANNEL-PLASTIC-.87"X84"-COUNTRYFOREST
14	077840-01-G01	EA MOLDING-CAP/WALL-8"WATERFORDOAK
15	103186-01-05A	FT MOLDING-PLASTIC/3/8"U-CHANNELW/3/4"FACE-WATERFORDOAK
15	103186-02-05A	FT MOLDING-PLASTIC/1"U-CHANNELW/13/8"FACE-WATERFORDOAK
16	100819-01-05A	EA MOLDING-VINYLRAPPED-L-SHAPED-1.5"X1.5"X7'-WATERFORDOAK
17	086229-01-000	EA RETAINER-BATTEN-.75"X92.3"-ANYCOLOR
18	086229-13-000	EA BATTEN-1"X96"-IVORY
18	086229-20-000	EA BATTEN-1"X96"-BEIGE
	105709-01-000	FT T-MOLDING-1"-MODERNIVORY
	117267-D2-438	EA LUMBER-VINYLRAPPED-.7"X1.5"X96"-WATERFORDOAK
	117267-E2-438	EA LUMBER-VINYLRAPPED-.7"X2"X96"-WATERFORDOAK
	117267-G2-438	EA LUMBER-VINYLRAPPED-.7"X3"X96"-WATERFORDOAK
	117267-R2-438	EA LUMBER-VINYLRAPPED-.7"X3"X96"-WATERFORDOAK

INTERIORFINISHGROUP(CONTINUED)

BATTSTRIPS

KEY	PARTNUMBER	U/M	DESCRIPTION
	069733-83-000	EA	BATTSTRIP-WOODGRAINED/WATERFORDOAK-8'
	079653-28-000	EA	BATTSTRIP-WOODGRAINED/WATERFORDOAK-8'-KERFED
	088263-E3-000	EA	BATTSTRIP-SHOWER-8'-PEBBLEEMBOSSANTIQUE
	088263-D8-000	EA	BATTSTRIP-DECORATIVE-MCKENSIECREAM-8'LONG(H33)(MAINWALL)
	088263-D7-000	EA	BATTSTRIP-DECORATIVE-WINDY/WILLOW-8'LONG(H34)(MAINWALL)
	088263-E5-000	EA	BATTSTRIP-DECORATIVE-WYNDEMERE/CINNAMON-8'LONG(H35)(MAINWALL)
	085284-B5-000	FT	BATTTAPE-ADHESIVEBACKED-WOODGRAINED-WATERFORDOAK
	085284-D6-000	FT	BATTTAPE-SHOWER-PEBBLEEMBOSSANTIQUE-ADHESIVEBACKED
	085284-D2-000	FT	BATTTAPE-ADHESIVEBACKED-MCKENSIE/CREAM(H33)(MAINWALL)
	085284-D1-000	FT	BATTTAPE-ADHESIVEBACKED-WINDY/WILLOW(H34)(MAINWALL)
	085284-D9-000	FT	BATTTAPE-WYNDEMERE/CINNAMON-ADHESIVEBACKED(H35)(MAINWALL)

PLASTICLAMINATE

KEY	PARTNUMBER	U/M	DESCRIPTION
	074498-62-000	SF	LAMINATE-PLASTIC,GREYFINESSE-5'X8'-INCREMENTSOF40SF(H33) (GALLEY,DINETTE,BATH,&BEDROOM)
	074498-72-000	SF	LAMINATE-PLASTIC,PEBBLESANTOS-5'X8'-INCREMENTSOF40SF(H34/H35) (GALLEY,DINETTE,BATH,&BEDROOM)
	074498-77-000	SF	LAMINATE-PLASTIC,ARTCABINOAK-5'X8'-INCREMENTSOF40SF (PULLOUTTABLE)
	074498-67-000	SF	LAMINATE-PLASTIC,ORCHIDMIST-5'X8'-INCREMENTSOF40SF (PATIOENTERTAINMENTCENTERTABLE)

WALLPAPERBORDER-QUEENBED

KEY	PARTNUMBER	U/M	DESCRIPTION
	122481-02-000	FT	WALLPAPER-4"BORDER,DECOR(H33)
	122481-03-000	FT	WALLPAPER-4"BORDER,DECOR(H34)
	122481-01-000	FT	WALLPAPER-4"BORDER,DECOR(H35)

INTERIORFINISHGROUP(CONTINUED)

SMOKEDETECTOR,CODETECTOR,FIREEXTINGUISHER&CLOCK

KEY	PARTNUMBER	U/M	DESCRIPTION	VENDORNO.
	072852-01-000	EA	DETECTOR-SMOKE-W/9VOLTBATTERY-US	
	072852-02-000	EA	DETECTOR-SMOKE-W/9/VOLTBATTERY-CANADIAN	
	094499-01-000	EA	EXTINGUISHER/FIRE-DRYW/MOUNTINGBRACKET	
	094499-01-700	EA	BRACKET-MOUNTING,W/PLASTICSTRAP-FIREEXTINGUISHER	294039
	094499-01-701	EA	STRAPONLY(METAL)	320351
	094499-02-000	EA	EXTINGUISHER/FIRE-DRY-1A10BC-CANADIAN	
	112320-03-000	EA	DETECTOR-COGAS-MODEL9D-I	
			FROM: 00-00-00 THRU: 10-20-96	
	112320-04-000	EA	BATTERY/SENSORMODULE-CO(BLACKMODULE)F/9D-ISYSTEM	
			FROM: 00-00-00 THRU: 10-20-96	
	125136-01-000	EA	DETECTOR-CO-GAS-MODEL9L-I	
			FROM: 10-21-96 THRU: 99-99-99	
	118081-02-01A	EA	CLOCK-WALL-ROUND8"BRASS	

ANTISLIP&FLOORMATS

KEY	PARTNUMBER	U/M	DESCRIPTION
	091261-01-000	FT	SLIPNOT-ANTISLIP-1'WIDE(100'ROLL)
	105924-01-F25	EA	MAT-FLOOR-18"X27"(H33)
	105924-01-F12	EA	MAT-FLOOR-18"X27"(H34)
	105924-01-H35	EA	MAT-FLOOR-18"X27"(H35)

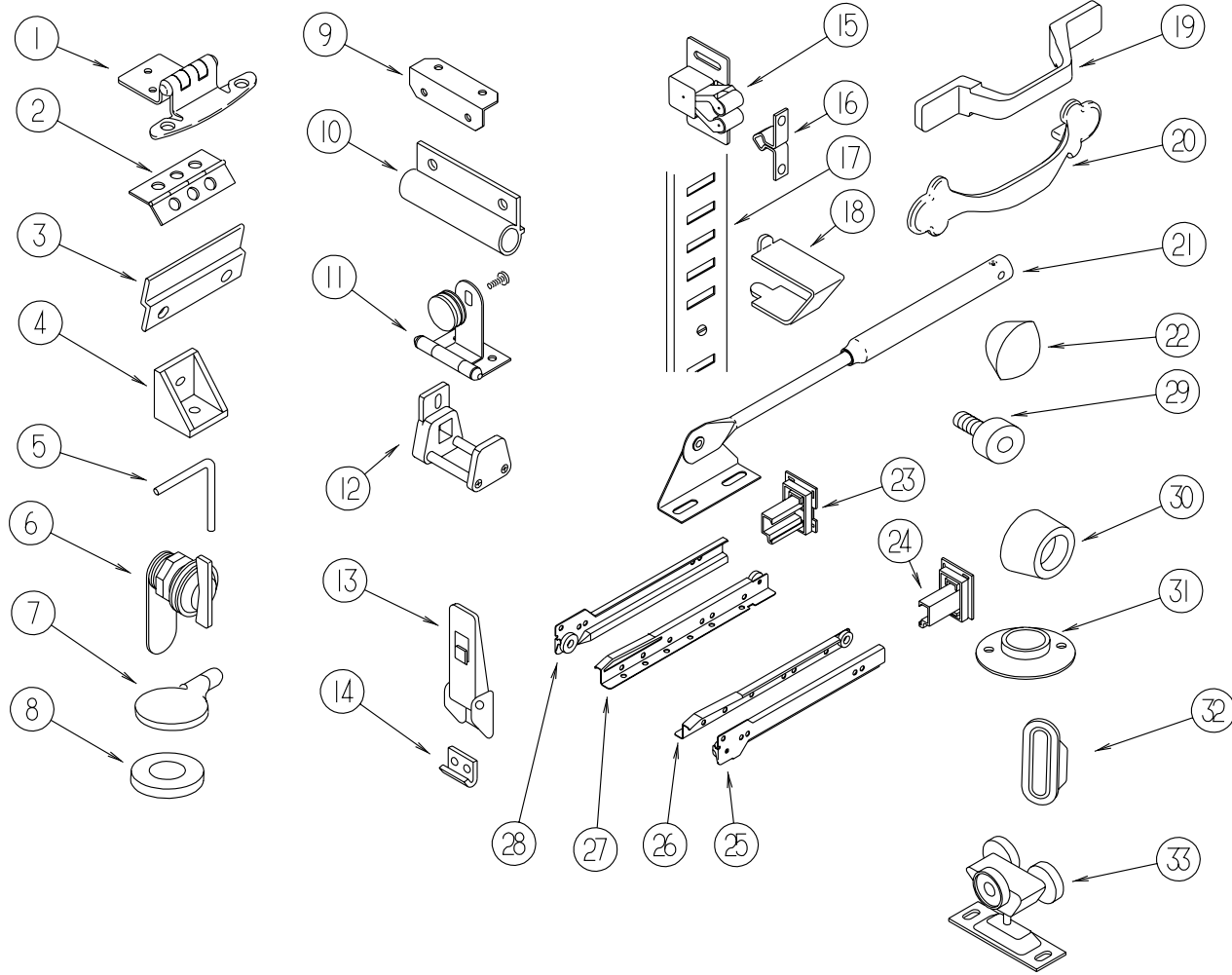
CARPET&TILE

KEY	PARTNUMBER	U/M	DESCRIPTION
	093486-01-000	SY	CARPET-COMPARTMENT-72"WIDE-DARKGRAY
	096060-A8-000	SY	CARPET-BLUELAGOON-INCREMENTSOF4SY(H33)
	096060-99-000	SY	CARPET-PARCHMENT-INCREMENTSOF4SY(H34)
	096060-C3-000	SY	CARPET-SPRUCE-INCREMENTSOF4SY(H35)
	122755-01-01A	EA	TILE-RUBBER/ENTRANCEDOOR-18.5"X27.2"
	122755-03-01A	EA	TILE-RUBBER/ENTRANCEDOOR-17.7"X26.4"

PANELING,PLYWOOD,&PARTICLEBOARD

KEY	PARTNUMBER	U/M	DESCRIPTION
	074497-28-000	SF	PANELING-WATERFORDOAK-48"X96"
	080215-10-000	SF	PANELING-2SIDE-WATERFORD-48"X96"
	088272-G1-000	SF	PANELING-PEBBLEEMBOSSSED-ANTIQUEWHITE-4'X7'
	088272-F6-000	SF	PANELING-MCKENSIECREAM-4'X7'(H33)
	088272-F5-000	SF	PANELING-WINDY/WILLOW-4'X7'(28SF)(H34)
	088272-G3-000	SF	PANELING-WYNDERE-CINNAMON-4'X7'(H35)
	000846-01-000	SF	PLYWOOD-5/16"X48"X96"-CDGRADE
	000846-02-000	SF	PLYWOOD/UNDERLAYMENT-5/16"X48"X96"
	000885-76-000	SF	PARTICLEBOARD-3/8"X48"X96"-WATERFORDOAK/VINYL1SIDE
	000885-77-000	SF	PARTICLEBOARD-3/8"X48"X96"-WATERFORDOAK/VINYL2SIDE
	000885-79-000	SF	PARTICLEBOARD-3/4"X48"X96"-WATERFORDOAK/VINYL2SIDE
	114129-01-02A	SF	LINER-CABINET-.02"X48"X96"
			FROM: 01-02-97 THRU: 99-99-99
	126339-01-000	SF	BOARD-WHEAT-60"X72"
	089297-01-000	SF	PLYWOOD-LUAN,OVERLAYGRADE-4'X8'

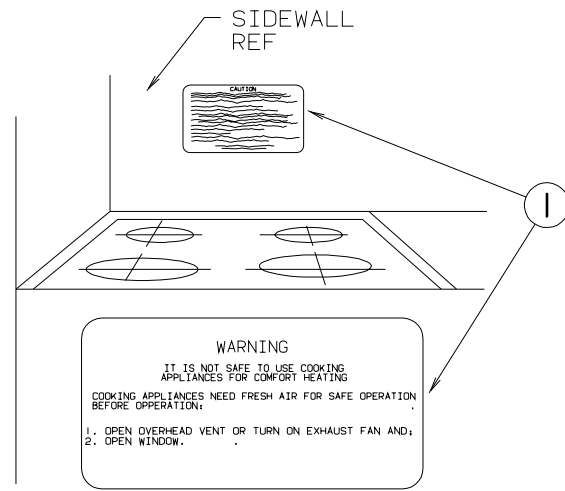
INTERIORFINISHGROUP(CONTINUED)
CABINETHARDWARE



KEY	PARTNUMBER	U/M	DESCRIPTION
1	108138-01-000	EA	HINGE-CABINETDOOR-BURNISHEDBRASS
	000G13-06-08G	EA	SCREW
2	009059-02-000	EA	HINGE-DOOR-2"X2.7"-BRASS
	041389-18-000	EA	HINGE-PIANO-1.50"X19"-OFFWHITE
3	101272-01-000	EA	CATCH-GLASSDOOR
4	065740-01-000	EA	BRACE-CABINET/CORNER-PLASTIC
5	108487-02-01A	EA	SUPPORT-PROPROD/OVERHEAD-BLACK
6	100710-01-01A	EA	LOCK-GLASSDOOR/TWISTTYPE-BRASS
7	101766-01-000	EA	PIN-SUPPORT/GLASSDOOR
8	100707-01-000	EA	SPACER-GLASSDOOR-.8"DIA-.3"HOLE-PLASTIC
9	016604-01-000	EA	BRACE-CABINET-ANGLE-2.5"-UNPAINTEDMETAL
9	016604-05-000	EA	BRACE-CABINET-ANGLE-2.5"-OFFWHITEMETAL
10	108486-01-01A	EA	BRACKET-PROPROD/OVERHEAD-BLACK
11	100711-01-01A	EA	HINGE-GLASSDOOR
12	064467-01-000	EA	GUIDE-POCKET-SLIDINGDOOR-WALLMOUNTED
13	116975-01-01A	EA	LATCH-W/OSTRIKE-BLACK-NEWSTYLE
14	116975-02-01A	EA	NEWSTYLEKEEPER/STRIKE
15	093586-06-000	EA	CATCH-SPRING-ROLLER
16	093586-05-000	EA	STRIKE-SPRINGSTEEL
17	098980-01-000	EA	PILASTER-ADJUSTABLESHELF-18"-WOODGRAINAPPEARANCE
17	098980-02-000	EA	PILASTER-ADJUSTABLESHELF-12"-WOODGRAINAPPEARANCE
17	098980-03-000	EA	PILASTER-ADJUSTABLESHELF-9"-WOODGRAINAPPEARANCE
17	098980-05-000	EA	PILASTER-ADJUSTABLESHELF-15"
18	098979-01-000	EA	CLIP-ADJUSTABLESHELF

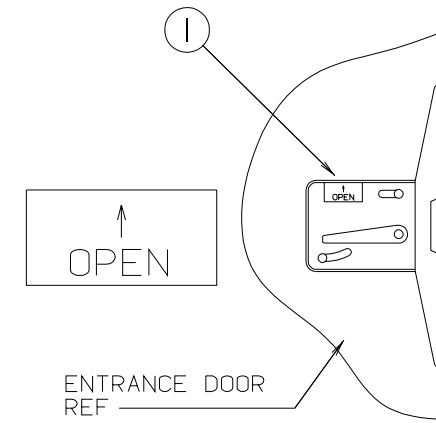
KEY	PARTNUMBER	U/M	DESCRIPTION
19	117801-01-01A	EA	PULL-CABINET-BRASS
20	121890-01-01A	EA	PULL-CABINET-BRASS
21	074493-02-000	EA	SUPPORT-PISTONSRING-CABINETDOOR
22	042356-01-000	EA	PLUG-BUTTON-MAHOGANY-3/8"DIAMETER-WOOD
22	074045-10-000	EA	PLUG-OAK-1/2"DIAMETER
23	114045-01-000	EA	BACKSOCKET-ADJUSTABLELEFT
24	114045-02-000	EA	BACKSOCKET-ADJUSTABLERIGHT
25	114031-02-000	EA	SLIDE-12"-RIGHTSIDE/CABINET
25	114031-06-000	EA	SLIDE-14"-RIGHTSIDE/CABINET
25	114031-10-000	EA	SLIDE-16"-RIGHTSIDE/CABINET
25	114031-14-000	EA	SLIDE-18"-RIGHTSIDE/CABINET
25	114031-18-000	EA	SLIDE-20"-RIGHTSIDE/CABINET
25	114031-22-000	EA	SLIDE-22"-RIGHTSIDE/CABINET
25	114031-26-000	EA	SLIDE-24"-RIGHTSIDE/CABINET
26	114031-04-000	EA	SLIDE-12"-RIGHTSIDE/DRAWER
26	114031-08-000	EA	SLIDE-14"-RIGHTSIDE/DRAWER
26	114031-12-000	EA	SLIDE-16"-RIGHTSIDE/DRAWER
26	114031-16-000	EA	SLIDE-18"-RIGHTSIDE/DRAWER
26	114031-20-000	EA	SLIDE-20"-RIGHTSIDE/DRAWER
26	114031-24-000	EA	SLIDE-22"-RIGHTSIDE/DRAWER
26	114031-28-000	EA	SLIDE-24"-RIGHTSIDE/DRAWER
27	114031-03-000	EA	SLIDE-12"-LEFTSIDE/DRAWER
27	114031-07-000	EA	SLIDE-14"-LEFTSIDE/DRAWER
27	114031-11-000	EA	SLIDE-16"-LEFTSIDE/DRAWER
27	114031-15-000	EA	SLIDE-18"-LEFTSIDE/DRAWER
27	114031-19-000	EA	SLIDE-20"-LEFTSIDE/DRAWER
27	114031-23-000	EA	SLIDE-22"-LEFTSIDE/DRAWER
27	114031-27-000	EA	SLIDE-24"-LEFTSIDE/DRAWER
28	114031-01-000	EA	SLIDE-12"-LEFTSIDE/CABINET
28	114031-05-000	EA	SLIDE-14"-LEFTSIDE/CABINET
28	114031-09-000	EA	SLIDE-16"-LEFTSIDE/CABINET
28	114031-13-000	EA	SLIDE-18"-LEFTSIDE/CABINET
28	114031-17-000	EA	SLIDE-20"-LEFTSIDE/CABINET
28	114031-21-000	EA	SLIDE-22"-LEFTSIDE/CABINET
28	114031-25-000	EA	SLIDE-24"-LEFTSIDE/CABINET
29	079921-01-000	EA	ROLLER-NYLON-W/STEELSHAFT-BARBED
30	004354-01-000	EA	BUMPER-RUBBER-.5"DIA-BROWN
31	009112-01-000	EA	FLANGE-PLASTIC-1"CLOTHESROD-OFFWHITE
32	098410-01-01A	EA	PULL-FINGER-BRASS
33	103874-01-000	EA	HANGER-SLIDINGDOOR
	124311-01-01A	EA	HANDLE-RECESSED-BRASS
	042438-01-000	EA	DOWEL-WOOD-CLOTHESROD-1"DIAMETERX4'
	009059-01-000	EA	HINGE-DOOR-2"X1.4"-BRASS
	114693-01-01A	EA	SUPPORT-BLACK
	114693-02-01A	EA	SUPPORT-BLACK

LABELSGROUP

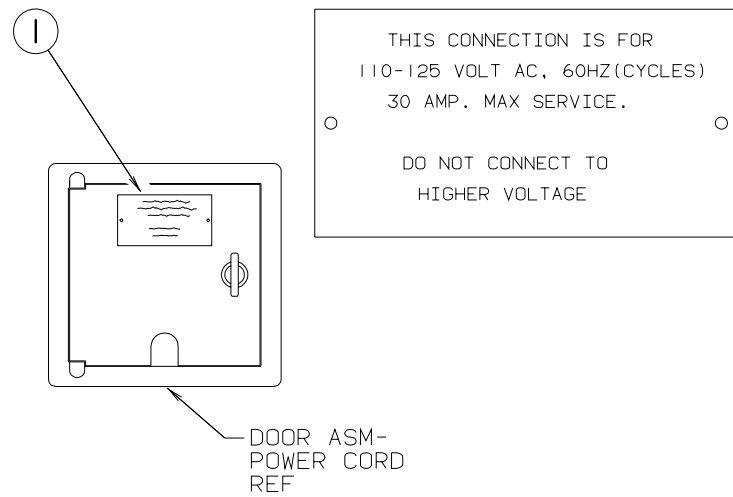


KEY	PARTNUMBER	U/M DESCRIPTION
1	050225-01-000	EA LABEL-WARNING,STOVEVENT-US
1	050222-01-000	EA LABEL-WARNING,STOVEVENT-CANADIAN

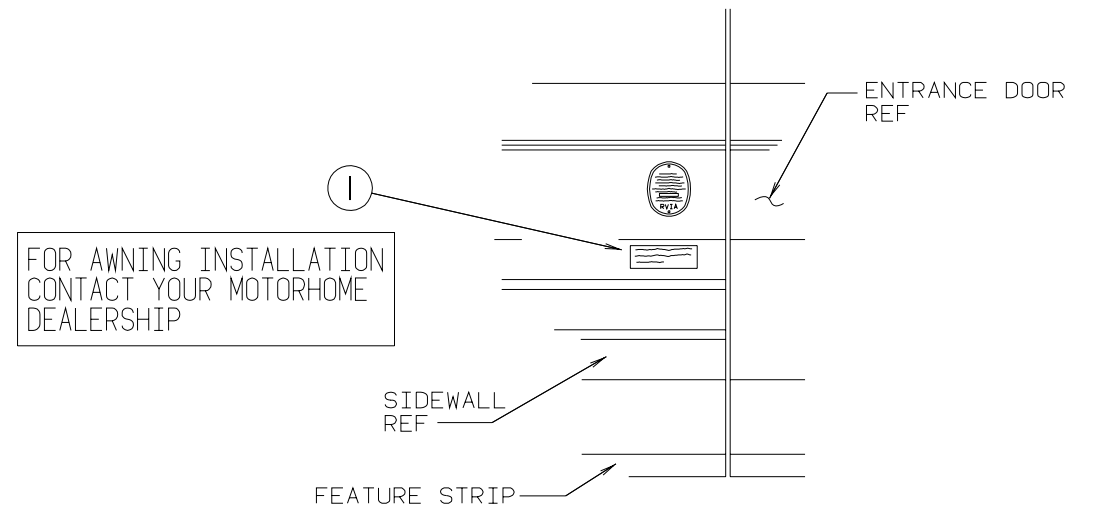
LABELSGROUP(CONTINUED)



KEY	PARTNUMBER	U/M DESCRIPTION
1	040944-01-000	EA LABEL-ENTRANCEDOOR,"OPEN"

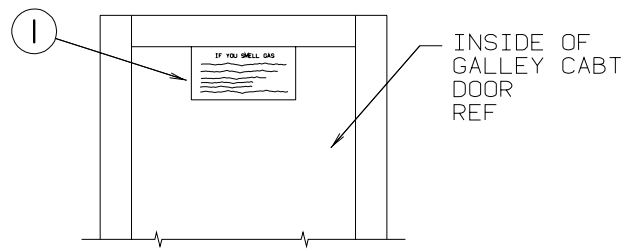


KEY	PARTNUMBER	U/M DESCRIPTION
1	006062-01-000	EA LABEL-ELECTRIC-110VOLTCONNECTION
		FROM: 00-00-00 THRU: 07-13-97
1	125306-01-01A	EA LABEL-ELECTRICALENTRANCE-110VOLT30AMP
		FROM: 07-14-97 THRU: 99-99-99



KEY	PARTNUMBER	U/M DESCRIPTION
1	099509-01-000	EA LABEL-AWNINGINSTALLATION

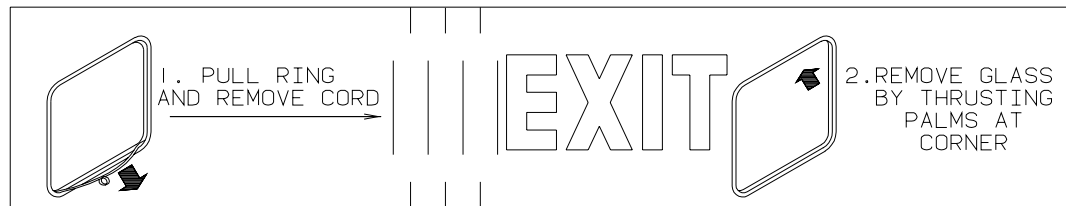
LABELS GROUP(CONTINUED)



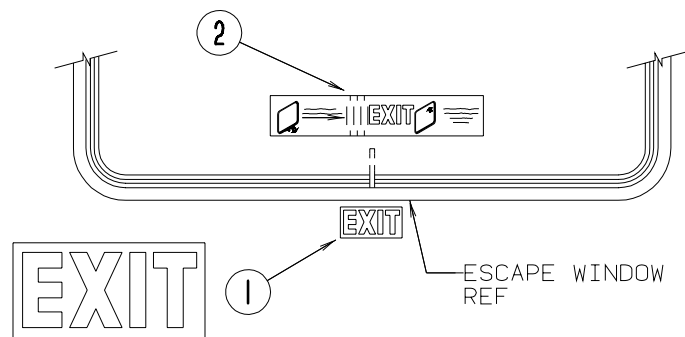
IF YOU SMELL GAS

1. EXTINGUISH ANY OPEN FLAME, PILOT LIGHTS AND ALL SMOKING MATERIALS.
2. SHUT OFF THE GAS SUPPLY AT THE TANK VALVE(OR GAS SUPPLY CONNECTION.
3. OPEN DOORS AND OTHER VENTILATING OPENINGS.
4. DO NOT TOUCH ELECTRICAL SWITCHES.
5. LEAVE THE AREA UNTIL ODOR CLEARS.
6. HAVE THE GAS SYSTEM CHECKED AND LEAKAGE SOURCE CORRECTED BEFORE USING AGAIN.

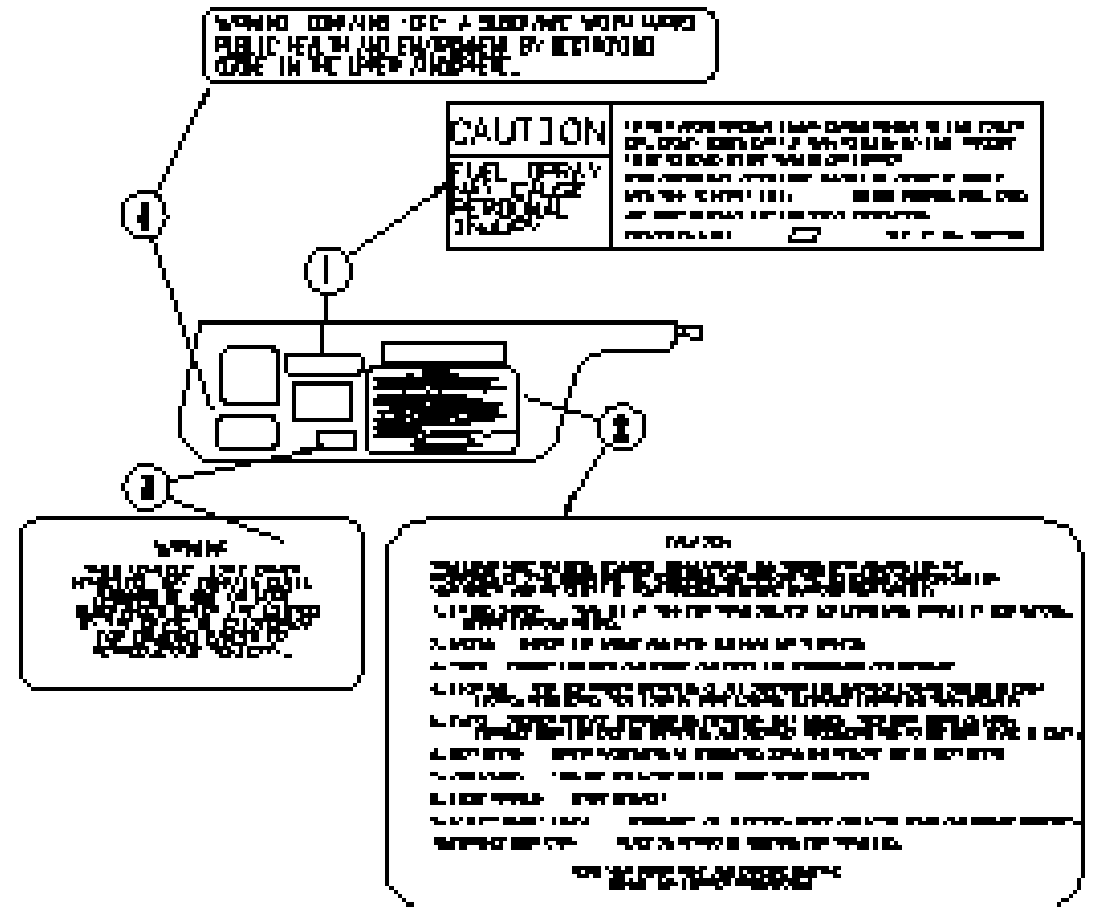
KEY	PARTNUMBER	U/M DESCRIPTION
1	073998-01-000	EA LABEL-LPGODORWARNING



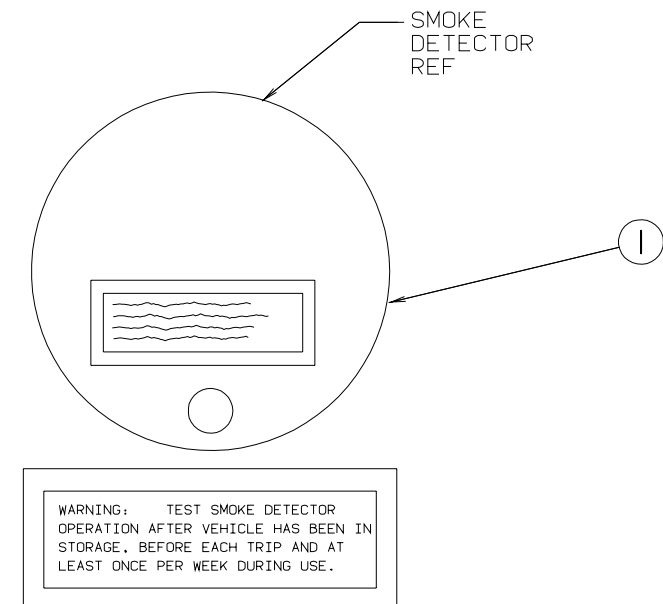
KEY	PARTNUMBER	U/M DESCRIPTION
1	039290-01-000	EA LABEL-WARNING,EXIT
2	107571-01-000	EA LABEL-EXIT/ESCAPEWINDOW



LABELS GROUP(CONTINUED)



KEY	PARTNUMBER	U/M DESCRIPTION
1	087207-05-000	EA LABEL-FUELCAPREMOVAL
2	056259-01-000	EA LABEL-SAFETYCHECKLIST
3	099689-01-000	EA LABEL-WARNING,CANCER/TOXICITY-CALIFORNIA
4	111802-01-000	EA LABEL-CFCWARNING



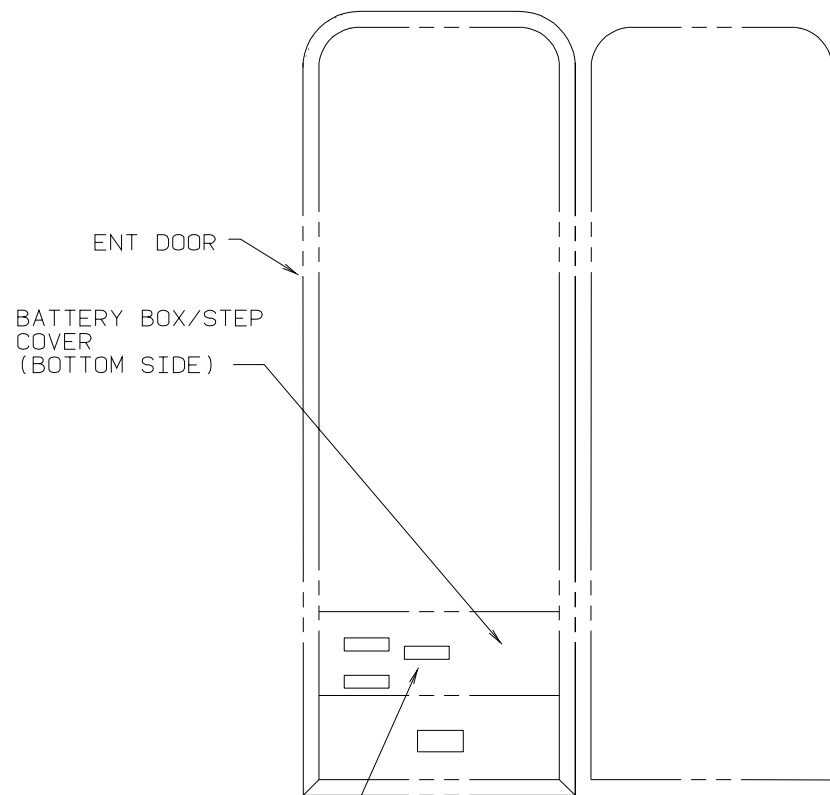
KEY	PARTNUMBER	U/M DESCRIPTION
1	077956-01-000	EA LABEL-WARNING,SMOKEDETECTOR

LABELS GROUP (CONTINUED)

AIR CONDITIONING CIRCUIT.
THIS CONNECTION IS FOR
AIR CONDITIONERS RATED 110-
125 VOLT AC, 60 HZ, 16
AMPERES MAXIMUM. DO NOT
EXCEED CIRCUIT RATING.



KEY	PARTNUMBER	U/M DESCRIPTION
1	091243-01-000	EA LABEL-A/C COVER, "AIRCONDITIONINGCIRCUIT.ETC."



WARNING: DISCONNECT BATTERIES BEFORE
CONNECTING EXTERNAL CHARGING EQUIPMENT.

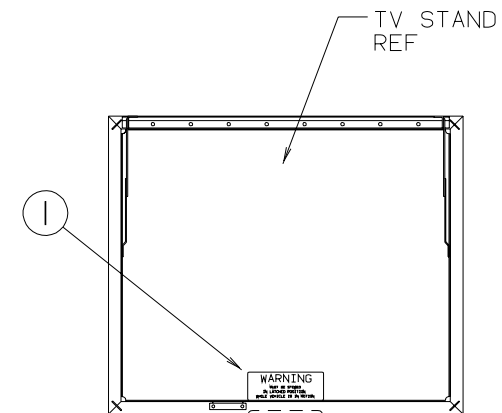
AVERTISSEMENT: DEBRANCHER LES BATTERIES AVANT
DE BRANCHER TOUT EQUIPEMENT DE CHARGE EXTERIEUR.

KEY	PARTNUMBER	U/M DESCRIPTION
1	065748-01-000	EA LABEL-CAUTION, BATTERYCHARGING-US
1	065748-02-000	EA LABEL-CAUTION, BATTERYCHARGING-FRENCH

LABELSGROUP (CONTINUED)

DO NOT USE HITCH BEFORE
READING OWNERS MANUAL REGARDING
VEHICLE LOADING AND TOWING

KEY	PARTNUMBER	U/M DESCRIPTION
1	111104-01-000	EA LABEL-HITCH, READMANUAL-WHITELETTERS
1	111104-02-000	EA LABEL-HITCH, READMANUAL-BLACKLETTERS



WARNING
MUST BE STOWED
IN LATCHED POSITION
WHILE VEHICLE IS IN MOTION

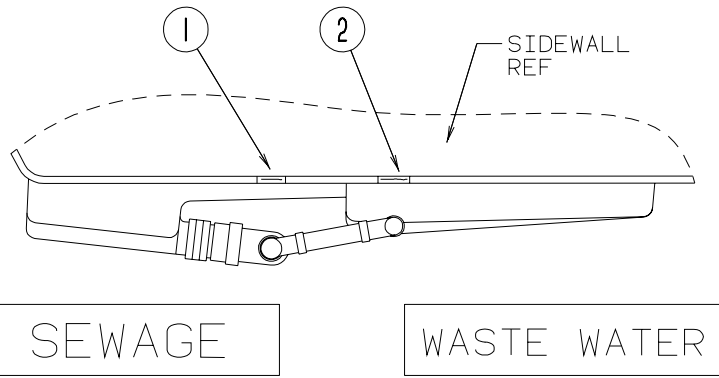
KEY	PARTNUMBER	U/M DESCRIPTION
1	079966-01-000	EA LABEL-WARNING, STOWED-MOTION

NOTE: TUNE ANTENNA
PER MANUFACTURER'S
DIRECTIONS. FAILURE TO
COMPLY COULD RESULT IN
DAMAGE TO CB.

CB POWER PROVISION
RED +12 V
BLACK GROUND
COAX ANTENNA
(SEE REVERSE ALSO)

KEY	PARTNUMBER	U/M DESCRIPTION
1	104678-01-000	EA LABEL-CBPREP

LABELS GROUP(CONTINUED)

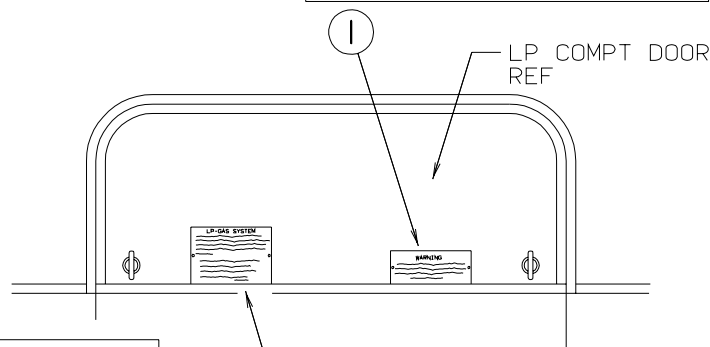


SEWAGE

WASTE WATER

KEY	PARTNUMBER	U/M DESCRIPTION
1	006187-01-000	EA LABEL-SEWAGE
2	006188-01-000	EA LABEL-WASTEWATER

WARNING
ALL PILOT LIGHTS AND APPLIANCES SHALL BE TURNED OFF DURING REFUELING OF MOTOR FUEL TANKS AND/OR PERMANENTLY MOUNTED LP-GAS CONTAINERS.

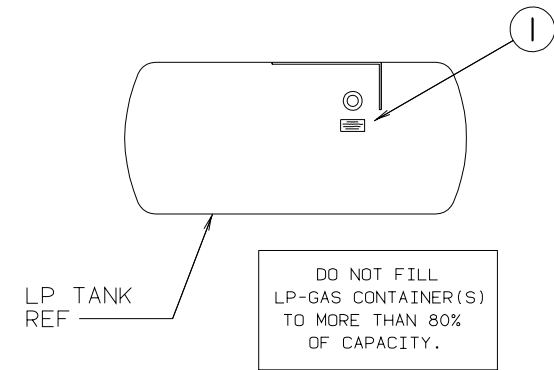


LP-GAS SYSTEM
THIS GAS PIPING SYSTEM IS DESIGNED FOR USE OF LIQUEFIED PETROLEUM GAS ONLY. DO NOT CONNECT NATURAL GAS TO THIS SYSTEM.

SECURELY CAP INLET(S) WHEN NOT CONNECTED FOR USE. AFTER TURNING ON GAS, EXCEPT AFTER NORMAL CONTAINER REPLACEMENT, TEST GAS PIPING AND CONNECTIONS TO APPLIANCE FOR LEAKAGE WITH SOAPY WATER OR BUBBLE SOLUTION. DO NOT USE PRODUCTS THAT CONTAIN AMMONIA OR CHLORINE.
P.N. 54531

KEY	PARTNUMBER	U/M DESCRIPTION
1	124519-01-01A	EA LABEL-WARNING/REFUELING,US
1	124519-02-02A	EA LABEL-WARNING/REFUELING,CANADIAN
2	124520-01-01A	EA LABEL-LPGASONLY,US
2	023769-01-000	EA LABEL-WARNING,LPG-CANADIAN

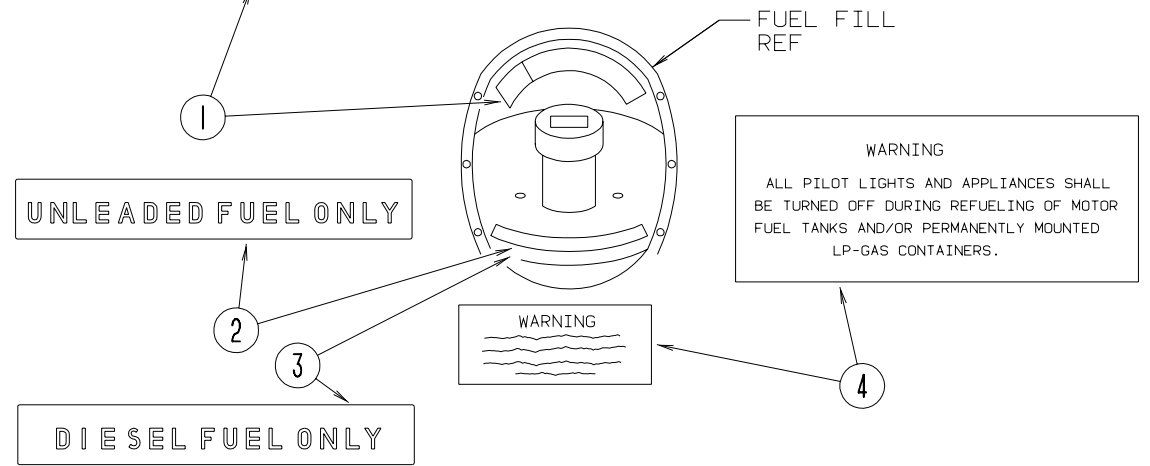
LABELS GROUP(CONTINUED)



KEY	PARTNUMBER	U/M DESCRIPTION
1	079965-01-000	EA LABEL-LPG,80%CAPACITY

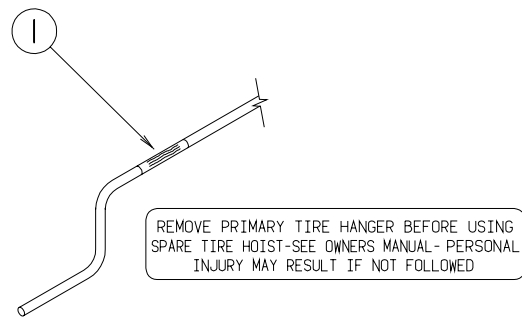
CAUTION
TO HELP AVOID PERSONAL INJURY DURING REMOVAL OF FUEL FILLER CAP, SLOWLY LOOSEN CAP 1/2 TURN TO ALLOW ANY FUEL PRESSURE TO BE RELIEVED BEFORE TURNING CAP FURTHER.

FUEL SPRAY MAY CAUSE PERSONAL INJURY
STOP ADDING FUEL AFTER FIRST SHUTOFF BY AUTOMATIC NOZZLE WHEN TANK IS NEARLY FULL. DO NOT OVERFILL FUEL TANK. SEE OWNERS MANUAL FOR ADDITIONAL INFORMATION.
PRINTED IN U.S.A. MLC PT NO 15611763



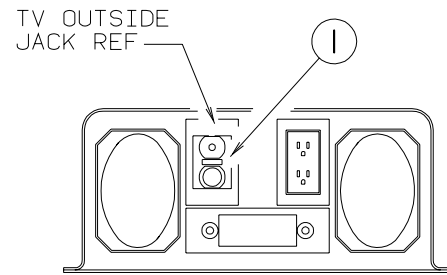
KEY	PARTNUMBER	U/M DESCRIPTION
1	087207-05-000	EA LABEL-FUELCAPREMOVAL
2	062043-01-000	EA LABEL-FUEL,UNLEADED
3	068383-01-000	EA LABEL-DIESELFUELONLY,GM-557005
4	124519-01-01A	EA LABEL-WARNING/REFUELING,US
4	124519-02-02A	EA LABEL-WARNING/REFUELING,CANADIAN

LABELS GROUP(CONTINUED)



KEY	PARTNUMBER	U/M DESCRIPTION
1	126024-01-01A	EA LABEL-TIREHANGERREMOVAL

FROM: 03-14-97 THRU: 99-99-99



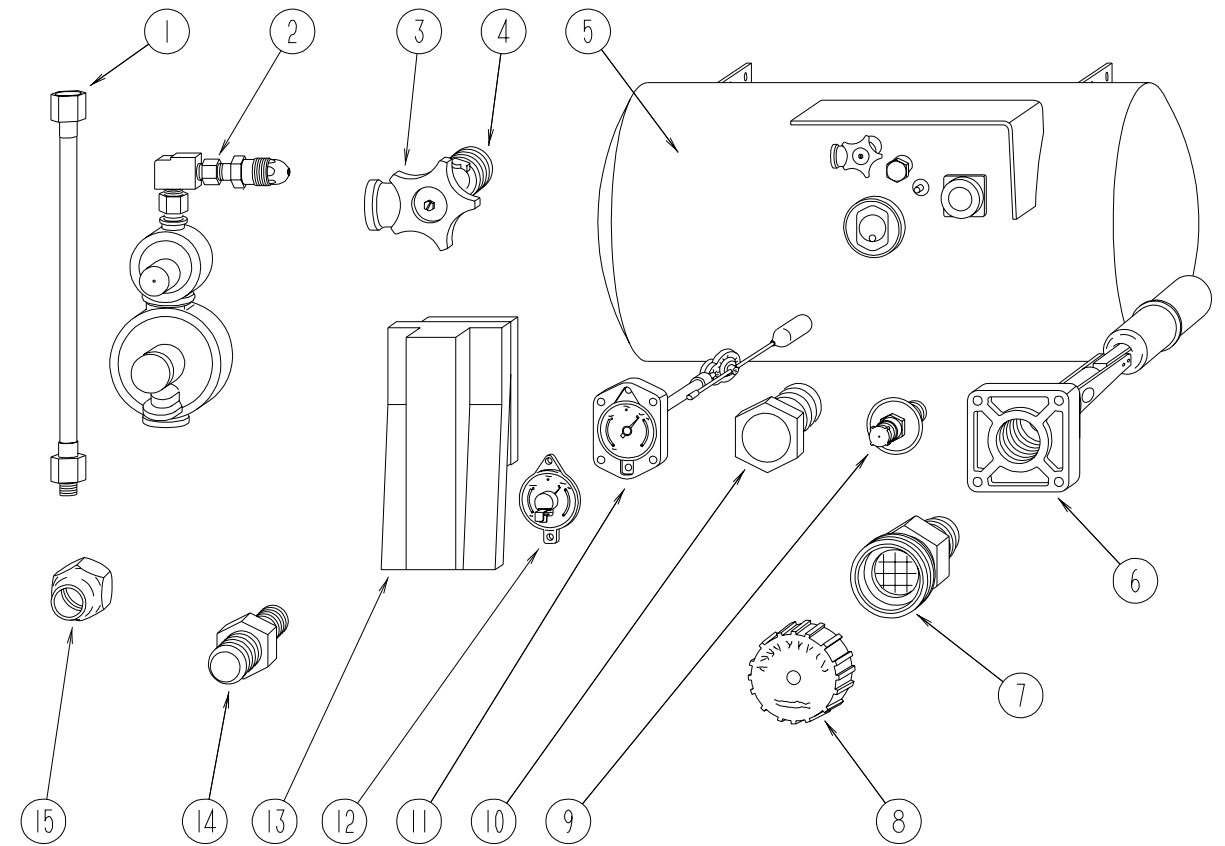
KEY	PARTNUMBER	U/M DESCRIPTION
1	087236-01-000	EA LABEL-CABLE-INPUT

MISCELLANEOUSLABELS

KEY	PARTNUMBER	U/M DESCRIPTION
	006064-01-000	EA LABEL-SEATW/OSEATBELT"NOTINTENDEDFORUSEWHILECOACHINMOTION"
	098379-04-000	EA LABEL-ELECTRICALBOX,SIDE
	098641-01-000	EA LABEL-FUEL,UNLEADED-DASH
	111537-07-000	EA LABEL-FUSES
	113402-02-000	EA LABEL-CAUTION,FURNACEEXHAUST



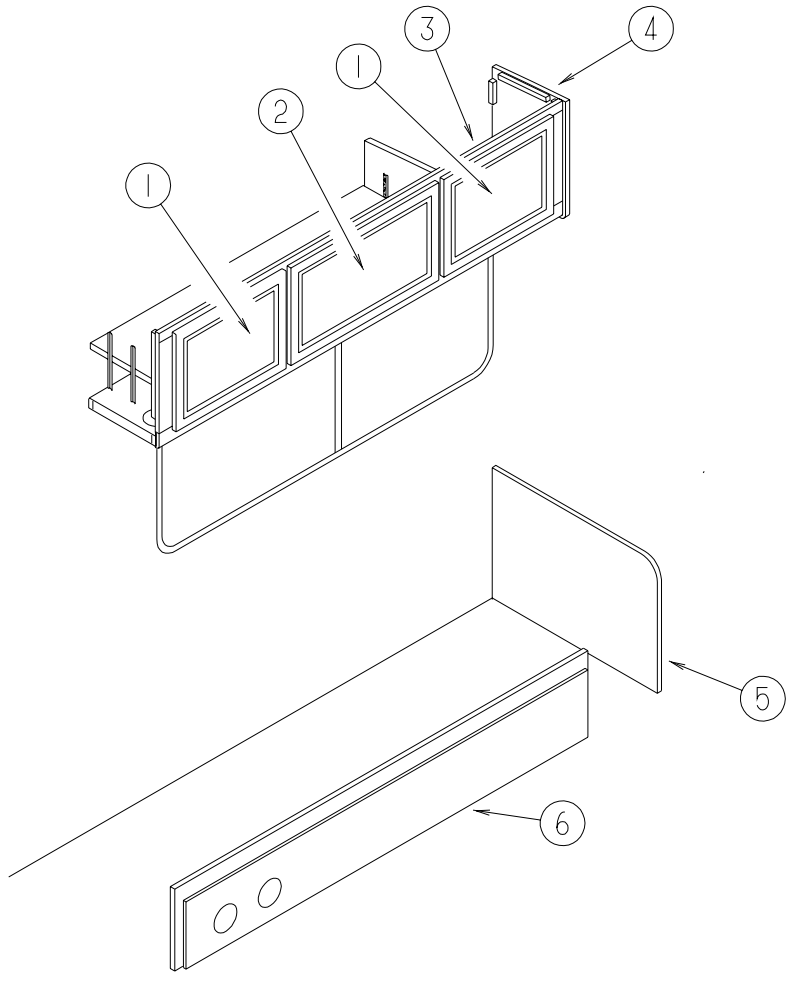
LPGROUP



LPTANK&COMPONENTS

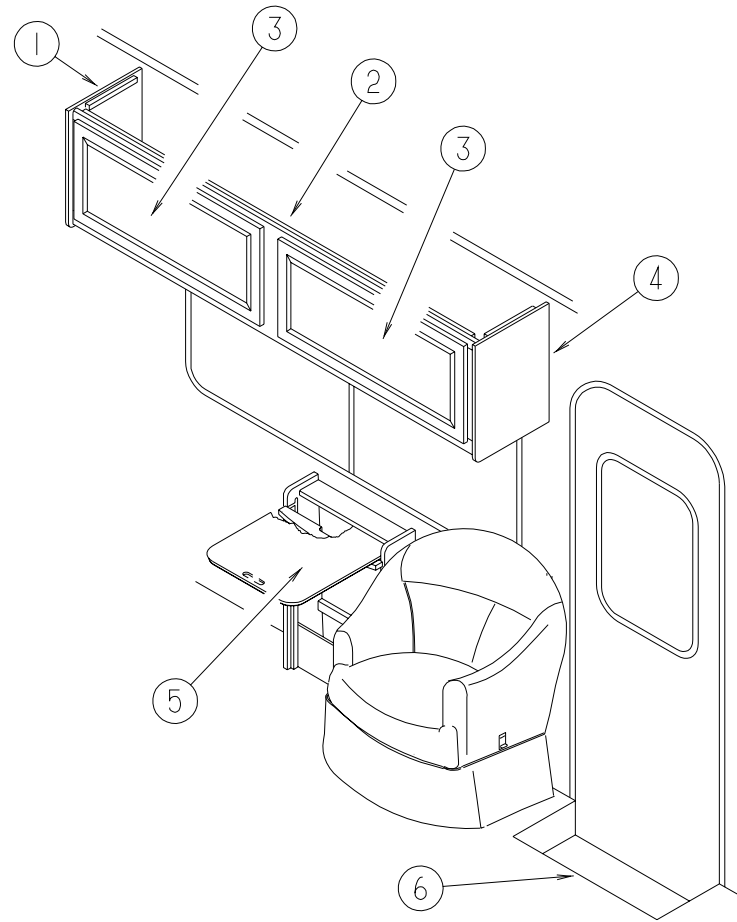
KEY	PARTNUMBER	U/M DESCRIPTION	VENDORNO.
1	045703-01-000	EA HOSE-LP-3/8"IDX24"-3/8"MPTX1/2"FSWIVEL-US	
1	045703-02-000	EA HOSE-LP-3/8"IDX24"-3/8"MPTX1/2"FSWIVEL-CANADIAN	
2	106150-01-000	EA REGULATOR-TWOSTAGE	
3	040421-01-708	EA HANDWHEEL-SERVICEVALVE	G-1015-A
4	040421-01-712	EA VALVE-SERVICEW/OVAPORRELIEF	29000853
5	088253-01-000	EA TANK-LP-80LB-16"DIAMETERX30"	
6	040421-01-711	EA VALVE-80%FILLW/AUTOSTOP	LLL/TL3
7	040421-01-701	EA VALVE-SHORTLPFILLERW/YELLOWCAP	7547B
8	040421-01-702	EA CAP-LPFILLERVALVE,PLASTIC-YELLOW	G-1014-A
9	040421-01-700	EA GAUGE-LIQUIDLEVEL,20%LP	G-1013
10	040421-01-713	EA VALVE-VAPORONLY	29000587
11	088253-01-700	EA GAUGE-FLOATASSEMBLY,L.P.	16C
12	040440-02-000	EA TRANSMITTER-DIAL-0-90OHM-2TERMINAL(POWER&GROUND)	
13	105658-01-000	EA COMPARTMENT-LPREGULATOR	
14	010329-01-000	EA ADAPTER-BRASS,1/2"FX1/2"MPT	
15	010377-02-000	EA NUT-BRASS,3/8"FLARE-FORGED	
15	010380-02-000	EA NUT-BRASS-1/2"FLARE-FORGED	
	008042-01-000	FT TUBING-VINYL,.65"ID	
	010252-01-000	EA ELBOW-BRASS-90DEGREE-3/8"FX1/2"MPT	
	010265-01-000	EA ELBOW-BRASS-90DEGREE-3/8"FX1/2"FP	
	103613-01-000	EA DETECTOR-LPGAS	
	103613-02-000	EA DETECTOR-LPGAS	FROM: 00-00-00 THRU: 11-10-96
	103613-03-000	EA DETECTOR-LPGAS	FROM: 11-11-96 THRU: 04-27-97
	120867-01-02B	EA MOUNT-LPTANK	FROM: 04-28-97 THRU: 99-99-99

**LOUNGE GROUP
DRIVERSIDE OVERHEAD & COUCH CABINETS**



KEY	PART NUMBER	U/M	DESCRIPTION
1	M06803-13-H33	EA	DOOR-MIRROR/MITERED CRNR/OGEE EDGE-15.7"X28"-W/OHDW
1	M06803-02-G09	EA	DOOR-MITERED CORNER/OGEE EDGE-15.7"X28"-W/OHDW DECORATIVE DOOR/GENERAL TRAILER OPTION
2	M06803-13-H33	EA	DOOR-MIRROR/MITERED CRNR/OGEE EDGE-15.7"X28"-W/OHDW FROM: 00-00-00 THRU: 01-02-97
2	M06803-03-H33	EA	DOOR-MIRROR/MTRD CRNR/OGEE EDGE-15.7"X20.4"-W/OHDW FROM: 01-03-97 THRU: 99-99-99
2	M06803-02-G09	EA	DOOR-MITERED CORNER/OGEE EDGE-15.7"X28"-W/OHDW DECORATIVE DOOR/GENERAL TRAILER OPTION FROM: 00-00-00 THRU: 01-02-97
2	M06803-41-G09	EA	DOOR-MITERED CORNER/OGEE EDGE-15.7"X20.4"-W/OHDW DECORATIVE DOOR/GENERAL TRAILER OPTION FROM: 01-03-97 THRU: 99-99-99
3	104312-01-G35	EA	CABINET-OVERHEAD LOUNGE-DRIVER-W/O DOORS/HARDWARE FROM: 00-00-00 THRU: 01-02-97
3	122986-01-H17	EA	CABINET-OVERHEAD/FRONT LEFT HAND-W/O DOORS/HARDWARE FROM: 01-03-97 THRU: 99-99-99
	122986-11-H17	EA	SHELF-W/PLASTIC EDGE TRIM
4	103128-01-G09	EA	ENDCAP-OVERHEAD CABINET-RIGHT HAND
5	M04187-95-H33	EA	CABINET-FABRIC COVERED PANEL-SOFA/BED
5	M04187-95-H34	EA	CABINET-FABRIC COVERED PANEL-SOFA/BED
5	M04187-95-H35	EA	CABINET-FABRIC COVERED PANEL-SOFA/BED
6	M04187-94-H33	EA	CABINET-FABRIC COVERED PANEL-SOFA/BED
6	M04187-94-H34	EA	CABINET-FABRIC COVERED PANEL-SOFA/BED
6	M04187-94-H35	EA	CABINET-FABRIC COVERED PANEL-SOFA/BED
	082525-01-000	EA	BRACE-COUCH-FLOOR MOUNT-ANGLE 3" LONG

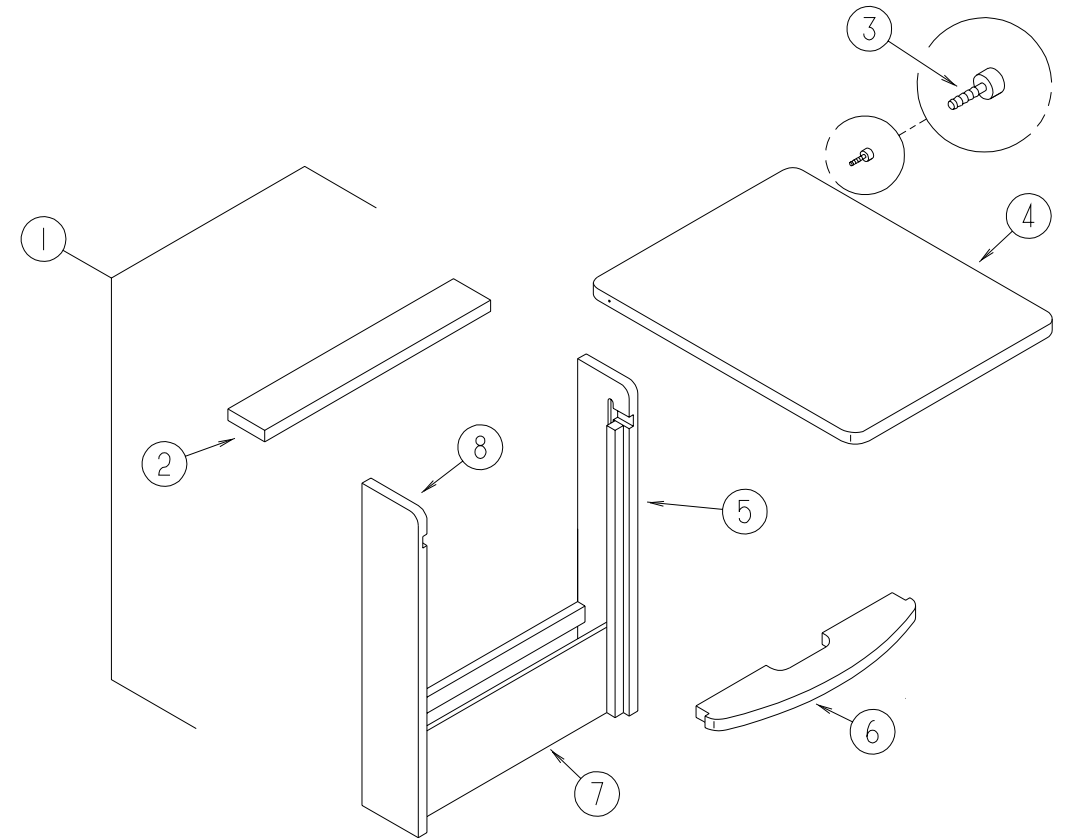
LOUNGE GROUP (CONTINUED)



PASSENGER SIDE OVERHEAD CABINET & PULLOUT TABLE

KEY	PART NUMBER	U/M	DESCRIPTION
1	103128-10-G15	EA	ENDCAP-OVERHEAD CABINET-RIGHT HAND
2	104414-02-H33	EA	CABINET-OVERHEAD FRONT RIGHT HAND-W/O DOORS/HARDWARE
	104414-12-G35	EA	SHELF-W/PLASTIC EDGE MOLDING
3	M06803-X1-H33	EA	DOOR-MITERED CORNER/OGEE EDGE-15.5" X 29.5"-W/O HDW
3	M06803-30-H33	EA	DOOR-MITERED CORNER/OGEE EDGE-15.5" X 29.5"-W/O HDW GENERAL TRAILER OPTION
4	103128-07-G15	EA	ENDCAP-OVERHEAD CABINET-LEFT HAND
5	M96873-01-G01	EA	CABINET-F/PULLOUT TABLE-W/OTOP
6	120234-04-H23	EA	LID-ENTRY STEP
	122755-03-01A	EA	TILE-RUBBER/ENTRANCE DOOR-17.7" X 26.4"
	101222-01-04A	EA	BRACKET-CATCH-LID
	116975-01-01A	EA	LATCH-W/OSTRIKE-BLACK-NEW STYLE
	116975-02-01A	EA	KEEPER/STRIKE-BLACK-NEW STYLE

LOUNGE GROUP (CONTINUED)



PULLOUT TABLE

KEY	PART NUMBER	U/M	DESCRIPTION
1	M96873-01-G01	EA	CABINET-F/PULLOUT TABLE-W/OTOP
2	096873-15-G01	EA	SHELF-SUPPORT-OVER PULLOUT TABLE TOP
3	079921-01-000	EA	ROLLER-NYLON-W/STEEL SHAFT-BARBED
4	096873-11-G01	EA	TABLE TOP ONLY-PULLOUT
	080736-01-000	EA	PULL-RECESSED-1.25 X 4"-OAK
5	096873-13-G01	EA	SIDE END-TABLE-RIGHT SIDE-28.7" X 5.7"
6	096873-12-G01	EA	SHELF-SUPPORT UNDER TABLE TOP
7	096873-16-G01	EA	TABLE FRONT-BOTTOM-18.1" X 6.7"
8	096873-14-G01	EA	SIDE END-TABLE-LEFT SIDE-28.7" X 5.7"

**SEALANTS&FASTENERSGROUP
ADHESIVES**

KEY	PARTNUMBER	U/M DESCRIPTION
	004020-01-000	QT ADHESIVE-ABSCEMENT-QUART
	081377-01-700	EA ADHESIVE-CYANOACRYLATE,10GRAMTUBE
	004006-05-700	EA ADHESIVE-5GALLON-NATURALSTARCH
	062917-03-000	EA ADHESIVE-LOCTITE242
	067788-01-000	EA ADHESIVE-SPRAY-3M-19.5AEROSOLCAN
	087211-01-000	GL PROMOTER-ADHESIVE
	112901-02-000	EA ADHESIVE-PLEXUS-50ML

TAPES

KEY	PARTNUMBER	U/M DESCRIPTION
	002707-02-000	FT TAPE-SEALER-5/16"X1/2"-INCREMENTSOF50FT
	076314-02-000	FT TAPE-CARPETSEAM-HEAT-BOND-4"WIDE
	123244-01-000	FT TAPE-DOUBLECOATEDFOAM.80"THICKX.75"WIDE
	076322-04-000	FT TAPE-DOUBLECOATED/ADHESIVEBACK-.045"THKX.75"WX9'
	076322-05-000	FT TAPE-DOUBLECOATED/ADHESIVEBACK-.045"THKX.75"WX9'
	076322-07-000	FT TAPE-DOUBLECOATED/ADHESIVEBACK-.045"THKX.50"WX9'
	110274-01-000	FT TAPE-DOUBLESIDEDFOAM-.45"X1"
	063642-01-000	FT TAPE-ADHESIVE-10MILX1.5"X180"
	088479-01-000	EA TAPE-ALUMINUM-3"
	120534-01-01A	EA TAPE-SCOTCH-3M-1/2"FINELINE
	123816-01-000	FT TAPE-DOUBLESIDED-1"
	123816-02-000	FT TAPE-DOUBLESIDED-1/2"

SEALERS

KEY	PARTNUMBER	U/M DESCRIPTION
	069640-01-000	FT SEALER-RIBBON-1/4"DIAMETERX30'
	069640-02-000	FT SEALER-TAPE-1/8"THICKX.50"WIDEX60'
	069640-03-000	FT SEALER-TAPE-1/8"THICKX.75"WIDEX60'
	069640-07-000	FT SEALER-TAPE-3/32"THICKX2"WIDEX45'
	069640-09-000	FT SEALER-TAPE-1/32"THICKX2.50"WIDEX80'
	069640-11-000	FT SEALER-TAPE-3/16"THICKX3/8"WIDEX40'
	069640-13-000	FT SEALER-TAPE-3/32"THICKX2"WIDEX45'
	069640-14-000	FT SEALER-TAPE-1/16"THICKX1"WIDEX100'
	069640-15-000	FT SEALER-TAPE-1/16"THICKX3/8"WIDEX80'
	069640-17-000	FT SEALER-TAPE-1/32"THICKX1"WIDEX90'
	069640-18-000	FT SEALER-TAPE-1/2"THICKX1/8"X60'
	900390-01-000	EA TIP-21/2"X1/8"ORIFICE
	900390-03-000	EA NOZZLES-SILICONETUBE,CSLD10
	034552-02-000	EA SILICONE-TUBE-300ML-W/ONOZZLE-CLEAR
	034552-06-000	EA SILICONE-TUBE-300ML-W/ONOZZLE-OFFWHITE
		FROM: 00-00-00 THRU: 07-26-97
	120074-02-01A	EA SEALANT-SILICONE-OFFWHITE
		FROM: 07-27-97 THRU: 99-99-99
	034552-15-000	EA SILICONE-TUBE-300ML-W/ONOZZLE-BRIGHTWHITE
		FROM: 00-00-00 THRU: 01-01-97
	039518-01-000	EA SILICONE-TUBE-300ML-BLACK-W/ONOZZLE
	053766-02-000	EA BEDDINGCOMPOUND-TUBE-WHITE
	053766-06-000	EA BEDDINGCOMPOUND-TUBE-CLEAR
	053766-08-000	EA BEDDINGCOMPOUND-TUBE/GRAY
	072889-01-000	EA SEALANT-URETHANE-BLACK-1/10
	072889-09-000	EA SEALANT-URETHANE-BLACK(TUBE)
	072889-10-000	EA SEALANT-URETHANE(HV)-BRIGHTWHITE
	072889-12-000	EA SEALANT-URETHANE(LV)BRIGHTWHITE
	072889-16-000	EA SEALANT-URETHANE-BLACK
	091255-02-000	FT SEAL-ADHESIVEBACKED/FOAM-.18"THICKX1.5"WIDE
	102540-03-000	EA SEAL-SCREW
	102352-01-000	EA SEALER-PUMPABLE-BLACK
	102352-02-000	EA SEALER-PUMPABLE-CLEAR
	106206-01-000	EA SEALER-PUMPABLE-MANUS30A-BLACK
	108716-03-000	EA SILICONE-TUBE-BRIGHTWHITE/SELFLEVELING

**SEALANTS&FASTENERSGROUP(CONTINUED)
WASHERS**

KEY	PARTNUMBER	U/M DESCRIPTION
	000E11-07-00B	EA WASHER-LOCKING-7/16MEDSPLIT-ZINC
	000E11-08-00B	EA WASHER-LOCKING-1/2MEDSPLIT-ZINC
	000E13-14-00B	EA WASHER-FLAT-1/4WIDE-ZINC
	000E13-18-00B	EA WASHER-FLAT-3/8WIDE-ZINC
	000E13-20-00B	EA WASHER-FLAT-7/16WIDE-ZINC
	000E13-22-00B	EA WASHER-FLAT-1/2WIDE-ZINC
	000E13-26-00B	EA WASHER-FLAT-5/8WIDE-ZINC
	000E14-10-00B	EA WASHER-LOCKING-#10EXTERNALTOOTH-ZINC
	044533-01-000	EA WASHER-PLASTIC-13/8"OD-FORBUTTONS
	058716-02-000	EA WASHER-FLATNYLON
	106649-01-000	EA WASHER-SEALING-GALVANIZED
	110794-01-000	EA WASHER-FLAT-1"IDX13/4'OD

NUTS

KEY	PARTNUMBER	U/M DESCRIPTION
	000D24-10-00B	EA NUT-HEX-SELFLOCKING-10-32ZINC
	000D29-05-00B	EA NUT-5/16-18UNC-SF/LOCKING-NYLONWASHERINSERT
	000D29-09-00B	EA NUT-HEX-SELFLOCKING-9/16-12-ZINC
	000D34-06-00B	EA NUT-HEX-LOCKING-3/8-16GRADEC-ZINC-PREVAILINGT
	000D39-04-00B	EA NUT-HEX-SERRATEDFLANGE-LOCKING-1/4-20-ZINC
	000D39-05-00B	EA NUT-HEX-SERRATEDFLANGE-LOCKING-5/16-18-ZINC
	000D39-06-00B	EA NUT-HEX-SERRATEDFLANGE-LOCKING-3/8-18-ZINC
	000D39-07-00B	EA NUT-HEX-SERRATEDFLANGE-LOCKING-7/16-14-ZINC
	000D39-08-00B	EA NUT-HEX-SERRATEDFLANGE-LOCKING-1/2-13-ZINC
	000D44-07-00B	EA NUT-HEX-SERRATEDFLANGE-LOCKING-7/16-20-ZINC
	000D46-04-00A	EA NUT-HEX-WELD-1/4-20-PLAIN
	040921-01-000	EA NUT-SPEED-UTYPE-10-24BLACK
	040921-04-000	EA NUT-SPEED-UTYPE-#8-.59"LENGTHX.44"WIDTH
	040921-09-000	EA NUT-SPEED-UTYPE-#8
	044364-02-000	EA NUT-SPEED-FLAT-ROUND
	063253-07-000	EA NUT-J-#8A-.120-.130PNLTHK
	087234-01-000	EA NUT-JACK-1/4X20THD-MOLLY-MOUNTSLICENSEPLATES
		MOUNTSLICENSEPLATES
	104369-01-000	EA NUT-HEX-HEAVY-5/8-11UNC

CLAMPS

KEY	PARTNUMBER	U/M DESCRIPTION
	007161-01-000	EA CLAMP-HOSE-SPRINGTYPE-1/2"
	010495-02-000	EA CLAMP-CABLE-3/8"
	010497-01-000	EA CLAMP-CLOSED-5/8"ID
	010497-03-000	EA CLAMP-CLOSED-1"ID-CUSHIONED
	010497-04-000	EA CLAMP-CLOSED-1.62"ID
	010497-05-000	EA CLAMP-CLOSED-1/2ID
	010497-07-000	EA CLAMP-CLOSED-3/8"ID
	010499-01-000	EA CLAMP-CLOSED-3/8"ID
	056134-02-000	EA HOLDER-RING-1.8"DIAMETER-METAL
	062401-01-000	EA CLAMP-HOSE-WORMGEAR-.25"-1"
	062401-02-000	EA CLAMP-HOSE-WORMGEAR-1.56"-2.5"
	062401-03-000	EA CLAMP-HOSE-WORMGEAR-.22"-1"
	062401-04-000	EA CLAMP-HOSE-WORMGEAR-.69"-1.25"
	062401-05-000	EA CLAMP-HOSE-WORMGEAR-2"TO3"ID
	062401-06-000	EA CLAMP-HOSE-WORMGEAR-.22-.62ID
	062401-11-000	EA CLAMP-HOSE-WORMGEAR-3.50-4.50
	075148-02-000	EA CLAMP-GROUNDING-BRONZESCREWS
	083609-01-000	EA CLAMP-WIRE-DUAL-EQUALDIAMETERS-5/8"
	083610-01-000	EA CLAMP-WIRE-DUAL-UNEQUALDIAMETERS-3/4" & 1 1/4"
	083610-02-000	EA CLAMP-WIRE-DUAL-UNEQUALDIAMETERS
	080734-02-000	EA CLIP-WIRENYLON
	091952-01-000	EA CLIP-GRIPPER-1"
	091952-02-000	EA CLIP-GRIPPER-3/4"
	094362-02-000	EA CLIP-XMASTREE-BINDERHEAD-.9"LONG
	077955-01-000	EA CLIP-J-VINYLCOATED-3/8"

SEALANTS&FASTENERSGROUP(CONTINUED)

SCREWS

KEY	PARTNUMBER	U/M	DESCRIPTION
	0G3908-08-170	EA	SCREW-SF/DR-8-18X.50PPH-BRIGHTWHITE
	0G5508-16-190	EA	SCREW-SF/DR-8-18X1.00PWH
	0G6710-08-170	EA	SCREW-10-12X1/2PPH-BRIGHTWHITE
	000G11-05-08B	EA	SCREW-5-20X.50PPH-ZINC
	000G11-06-10J	EA	SCREW-6-20X5/8PPH-BRASS
	000G11-06-06B	EA	SCREW-6-20X3/8PPH-ZINC
	000G11-06-08B	EA	SCREW-6-20X.50PPH-ZINC
	000G11-07-08B	EA	SCREW-7-19X.50PPH-ZINC
	000G11-08-08T	EA	SCREW-8-18X1/5PPH-FLUOROCARBONCOATING
	000G11-08-08B	EA	SCREW-8-18X.50PPH-ZINC
	000G11-08-06B	EA	SCREW-8-18X3/8PPH-ZINC
	000G11-08-20B	EA	SCREW-8-18X1.25PPH-ZINC
	000G11-08-16S	EA	SCREW-8-18X1PPH-OFFWHITE
	000G11-08-12T	EA	SCREW-8-18X.75PPH-BLACK
	000G11-08-12P	EA	SCREW-8-18X.75PPH-DARKBROWN
	000G11-08-12D	EA	SCREW-8-18X.75PPH-BLACK
	000G11-08-12B	EA	SCREW-8-18X.75PPH-ZINC
	000G11-08-12S	EA	SCREW-8-18X.75PPH-OFFWHITE
	000G11-10-12D	EA	SCREW-10-16X.75PPH-BLACK
	000G11-10-40B	EA	SCREW-10-16X21/2PPHCAD-34927-01-000
	000G11-10-16B	EA	SCREW-10-16X1PPH-ZINC
	000G11-10-12S	EA	SCREW-10-16X.75PPH-OFFWHITE
	000G12-06-08T	EA	SCREW-6-20X1/2POH-BLACK
	000G13-06-08B	EA	SCREW-6-20X.50PFH-ZINC
	000G13-06-24J	EA	SCREW-6-20X1.50PFH-BRASS
	000G13-06-16J	EA	SCREW-6-20X1PFH-BRASS
	000G13-06-10G	EA	SCREW-6-20X5/8PFH-ANTIQUEBRASS
	000G13-06-08G	EA	SCREW-6-20X.50PFH-ANTIQUEBRASS
	000G13-07-12B	EA	SCREW-7-19X.75PFH-ZINC
	000G13-07-10H	EA	SCREW-7-19X5/8PFH-BLACK
	000G18-08-22B	EA	SCREW-MACHINE-8-32X13/8PPH-ZINC
	000G18-08-16B	EA	SCREW-MACHINE-8-32X1PFH-ZINC
	000G19-10-08B	EA	SCREW-MACHINE-10-32X.50-PPH-ZINC
	000G19-10-20B	EA	SCREW-MACHINE-10-32X1.25PPH-ZINC
	000G19-10-12F	EA	SCREW-MACHINE-10-32X.75-PPH-STAINLESSSTEEL
	000G32-10-06B	EA	SCREW-10-32X3/8PPH-ZINC
	000G39-06-10T	EA	SCREW-SF/DR-6-20X5/8PPH-BLACK
	000G39-06-16T	EA	SCREW-SF/DR-6-20X1PPH-BLACK
	000G39-08-16R	EA	SCREW-SF/DR-8-18X1PPH
	000G39-08-16B	EA	SCREW-SF/DR-8-18X1PPH-ZINC
	000G39-08-12T	EA	SCREW-SF/DR-8-18X.75PPH-BLACK
	000G39-08-12B	EA	SCREW-SF/DR-8-18X.75PPH-ZINC
	000G39-08-08T	EA	SCREW-SF/DR-8-18X1/2PPH-BLACK
	000G39-08-08S	EA	SCREW-SF/DR-8-18X.50PPH-OFFWHITE
	000G39-08-08B	EA	SCREW-SF/DR-8-18X1.50PPH-ZINC
	000G39-08-16T	EA	SCREW-SF/DR-6-20X1PPH-BLACK
	000G39-08-24B	EA	SCREW-SF/DR-8-18X11/2PPH-ZINC
	000G39-10-08B	EA	SCREW-SF/DR-10-16X.50PPH-ZINC
	000G39-10-129	EA	SCREW-SF/DR-10-16X.75PPH-FLUOROCARBONSILVER
	000G39-10-12D	EA	SCREW-SF/DR-10-16X.75PPH-BLACK
	000G39-10-12B	EA	SCREW-SF/DR-10-16X.75PPH-ZINC
	000G39-10-10B	EA	SCREW-SF/DR-10-16X.625-ZINC
	000G39-10-48T	EA	SCREW-SF/DR-10-16X3.00PPH-BLACK
	000G39-10-48B	EA	SCREW-SF/DR-10-16X3-PPH-ZINC
	000G39-10-32B	EA	SCREW-SF/DR-10-16X2-PPH-ZINC
	000G39-10-209	EA	SCREW-SF/DR-10-16X11/4PPH-FLUOROCARBONSILVER
	000G39-10-20B	EA	SCREW-SF/DR-10-16X1.25PPH-ZINC
	000G42-04-12B	EA	SCREW-SF/DR-1/4-14X.75HWH-ZINC
	000G43-06-24B	EA	SCREW-MACHINE-6-32X1.50-ZINC
	000G46-08-24T	EA	SCREW-MACHINE-8-32X1.50PFH-BLACK
	000G50-04-12B	EA	SCREW-MACHINE-1/4-20X.75PPH-ZINC
	000G52-08-18B	EA	SCREW-MACHINE-8-32X11/8PTH-ZINC

SEALANTS&FASTENERSGROUP(CONTINUED)

SCREWS(CONTINUED)

KEY	PARTNUMBER	U/M	DESCRIPTION
	000G54-04-20B	EA	SCREW-1/4-20X1.25PTH-TYPE23-ZINCPLATED
	000G55-08-12S	EA	SCREW-SF/DR-8-18X.75PWH-OFFWHITE
	000G55-08-16S	EA	SCREW-SF/DR-8-18X1.00-PWH-OFFWHITE
	000G56-12-48B	EA	SCREW-WOOD-12-11X3POH-SPECIALHARDENED
	000G60-10-28T	EA	SCREW-SF/DR-10-16X1.75-BLACK
	000G67-08-32B	EA	SCREW-8-15X2PPH-ZINC
	000G67-10-08B	EA	SCREW-10-12X.50PPH-ZINC
	000G67-10-36T	EA	SCREW-10-12X2.25-PPH-BLACK
	000G67-10-24B	EA	SCREW-10-12X1.25PPH-ZINC
	000G67-10-20D	EA	SCREW-10-12X1.25PPH-BLACK
	000G67-10-120	EA	SCREW-10-12X.75PPH-TAN
	000G67-10-12B	EA	SCREW-10-12X.75PPH-ZINC
	000G67-10-10S	EA	SCREW-10-12X5/8PPH-OFFWHITE
	000G67-10-10D	EA	SCREW-10-12X5/8PPH-BLACK-TYPEA
	000G67-10-10B	EA	SCREW-10-12X5/8PPH-ZINC-TYPEA
	000G67-10-32B	EA	SCREW-10-12X2PPH-ZINC
	000G68-06-10G	EA	SCREW-6-18X5/8POH-ANTIQUEBRASS
	0G3910-12-170	EA	SCREW-SF/DR-10-16X.75PPH-BRIGHTWHITE
	049465-01-000	EA	SCREW-10-16W/WASHERPTH-DARKBROWN
	049465-03-000	EA	SCREW-10-16X1POHW/WASHER-OFFWHITE
	049465-04-000	EA	SCREW-10-16X1PTHW/WASHER-BEIGE
	049465-17-000	EA	SCREW-10-16X1POHW/WASHER
	075908-01-000	EA	SCREW-MACHINE-10-32X.56PTH-EXTERNALTOOTH-ZINC
	076790-01-000	EA	SCREW-6-20X11/4PPH-BLACK
	054434-02-000	EA	SCREW-SF/DR-10-16X2-ZINC
	057671-01-000	EA	COVER-SCREW-#8-PLASTIC-OFFWHITE
	057671-12-000	EA	COVER-SCREW-#8-QUICKSILVER
	057671-15-000	EA	COVER-SCREW
	083554-04-000	EA	SCREW-DRYWALL-8X21/2
	086256-01-000	EA	SCREW-SF/DR-8X3/4HWHLONG
	087721-01-000	EA	SCREW-FLATHEAD-TAPPING-1/4"X11/4"LONG-ZINC
	097974-01-000	EA	SCREW-PARTICLEBOARD-7-9X3/4PPH
	115430-01-01A	EA	SCREW-8-18X1/2POH-W/WASHER

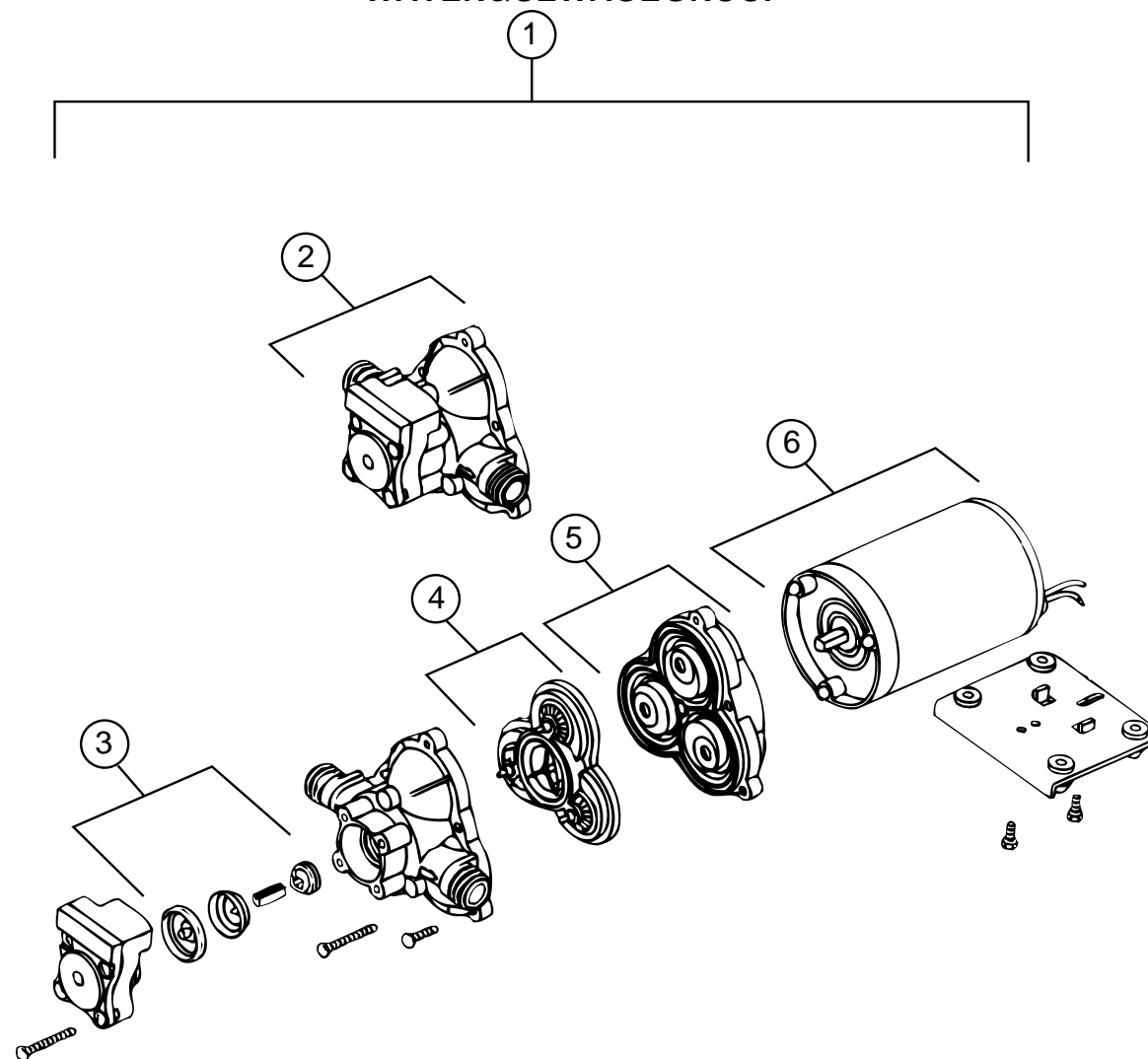
SEALANTS&FASTENERSGROUP(CONTINUED)
BOLTS

KEY	PARTNUMBER	U/M DESCRIPTION
	000C12-04-24B	EA BOLT-HEX-1/4-20X1 1/2-ZINC5
	000C12-05-16B	EA BOLT-HEX-5/16-18X1-ZINC5
	000C12-05-12B	EA BOLT-HEX-5/16-13X3/4ZINC5
	000C12-06-16B	EA BOLT-HEX-3/8-16X1LG-ZINC5
	000C12-08-16B	EA BOLT-HEX-1/2-13X1.OO-GD5-ZINC
	000C12-08-24B	EA BOLT-HEX-1/2-13X1.50-ZINC5
	000C12-09-20B	EA BOLT-HEX-9/16-12X1.25-ZINC5
	000C12-10-24B	EA BOLT-HEX-5/8-11X1.50-ZINC5
	000C13-07-24B	EA BOLT-HEX-7/16-20X1.5-ZINC5
	000C13-07-48B	EA BOLT-HEX-7/16-20X3-ZINC5
	000C18-05-40A	EA BOLT-ELEVATOR-5/16-18X2.50-PL
	000C26-04-18B	EA BOLT-HEX-SERRATEDFLANGE-1/4-20X1 1/8-ZINC
	000C26-04-14B	EA BOLT-HEX-SERRATEDFLANGE-1/4-20X7/8-ZINC
	000C26-04-10B	EA BOLT-HEX-SERRATEDFLANGE-1/4-20X5/8-ZINC
	000C26-05-16B	EA BOLT-HEX-SERRATEDFLANGE-5/16-18X3/4-ZINC
	000C26-05-12B	EA BOLT-HEX-SERRATEDFLANGE-5/16-18X3/4-ZINC
	000C26-06-16B	EA BOLT-HEX-SERRATEDFLANGE-3/8-16X1-ZINC
	000C26-06-12B	EA BOLT-HEX-SERRATEDFLANGE-3/8-16X3/4-ZINC
	000C26-06-28B	EA BOLT-HEX-SERRATEDFLANGE-3/8-16X13/4-ZINC
	000C27-10-32B	EA BOLT-CARRIAGE-5/8-11X2
	000G45-04-24B	EA BOLT-LAG-1/4-9X1.50ZINC
	000G45-05-16B	EA BOLT-LAG-5/16-9X1-ZINC
	102333-01-06A	EA BOLT-CARRIAGE-7/16-14STAINLESSSTEELCAP
	051387-05-000	EA BOLT-CARRIAGEW/OHOLE-5/16-18X8.5-ZINC
	051387-06-000	EA BOLT-CARRIAGEW/OHOLE-5/16-18X9.5-ZINC
	088787-12-000	EA STUD-WELD-1/4-20X1.0LG-MN
	108067-03-000	EA STUD-WELD-1/4-20X1/2CD
	083163-06-000	EA PUSHNUT-FLATTYPE3/8STUD-FORDONLY
	106166-01-000	EA BOLT/COLLAREDHANGER-8-32X1"

RIVETS,GROMMETSANDMISCELLANEOUSFASTENERS

KEY	PARTNUMBER	U/M DESCRIPTION
	000H14-04-04A	EA RIVET-MANDRELBLIND-1/8X.400
	000H16-04-06R	EA RIVET-POPALUMINUM-1/8"X.313-.375
	000H16-06-10R	EA RIVET-POPALUMINUM-3/16X.501-.625
	016188-03-000	EA GROMMET-L/PLINE-3/8"HOLEX2 1/2"LONG-RUBBER
	016188-05-000	EA GROMMET-L/PLINE-3/8"HOLEX1 1/4"LONG-RUBBER
	023942-01-000	EA GROMMET-RUBBER-2"OD
	071015-19-000	EA GROMMET-.38ID-FITS.06MATERIAL
	071015-21-000	EA GROMMET-RUBBER-1/2IDX1.06OD-W/.19GROOVE-BLACK
	071015-26-000	EA GROMMET-RUBBER-1.5"IDX2.12"ODW/.06"GROOVE-BLK
	071015-30-000	EA GROMMET-RUBBER-.31"IDX.81"ODW/.12"GROOVE-BLK
	008380-01-000	EA GROMMET-RUBBER-5/8"HOLEX1 1/2"DIAMETER-BLACK
	088756-01-000	EA GROMMET-WEB-1 1/8" I.D.
	114208-01-000	EA GROMMET-EDGELINER-FITS13/4"
	008343-01-000	EA TIE-WIRE-6"
	008343-02-000	EA TIE-WIRE-14"
	029094-04-000	YD VELCROTAPE-LOOP-1"WIDE-BLACK
	029096-03-000	YD VELCROTAPE-HOOK-1"WIDE-BLACK
	029096-04-000	YD TAPE-HOOK-VELCRO-1"WIDE-BLACK
	085774-01-000	FT FASTENER-DUALHOOK-1"WIDE-ADHESIVEBACK-BLACK
	085774-02-000	FT FASTENER-DUALLOOP-1"WIDE-ADHESIVEBACK-BLACK
	086285-01-000	EA SPACER-NYLON-.5"ODX.257"ID
	108046-02-000	EA CABLETIE-SCREWMOUNT15"
	110943-02-000	FT FELTSTRIP-3/8"-ADHESIVEBACK-WHITE
	115361-01-01A	EA PLUG-PLASTIC
	081211-05-000	EA PLUG-PLASTIC-.188DIAMETER-NATURAL

WATER&SEWAGEGROUP

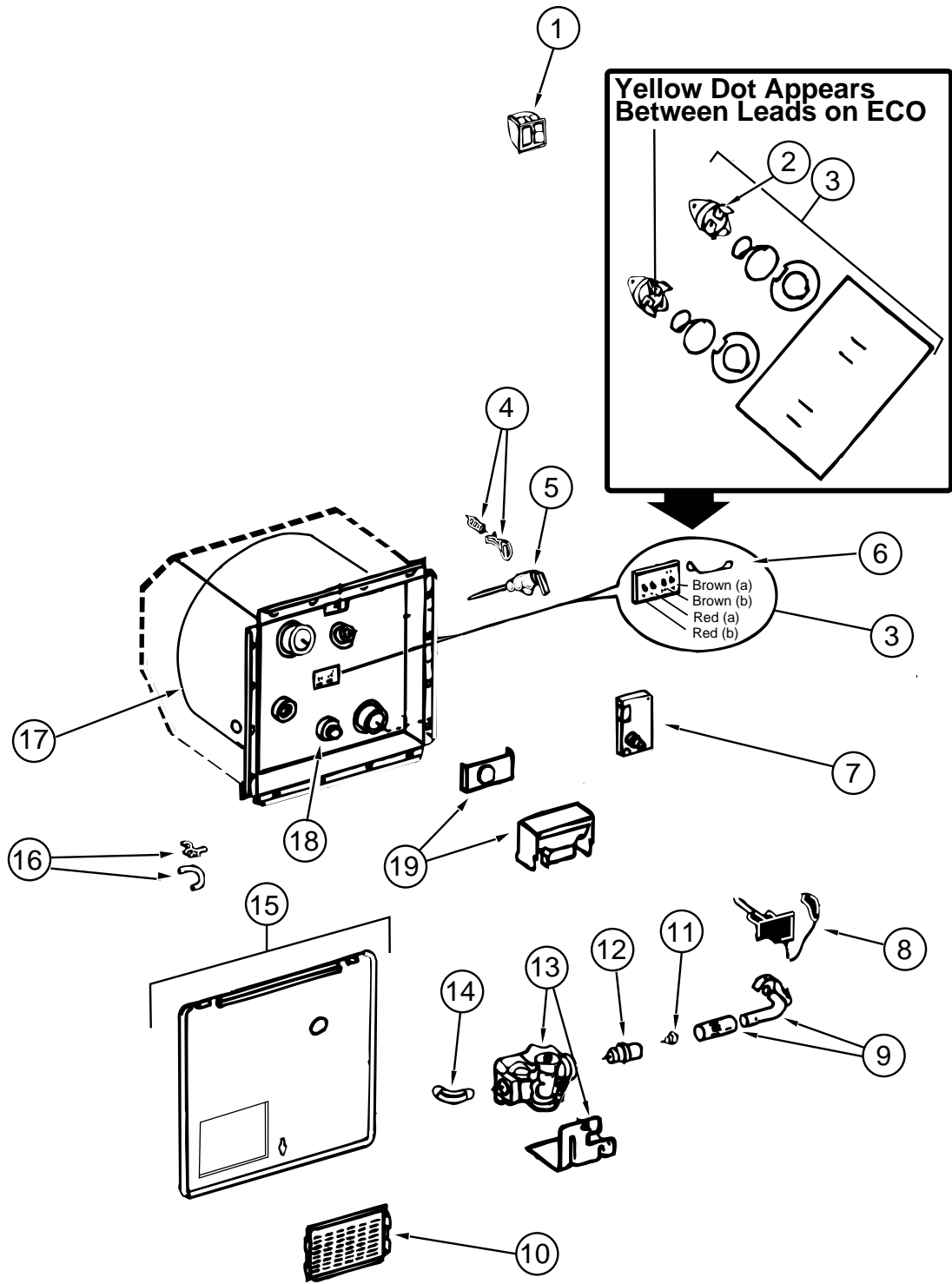


SHURFLOWATERPUMP

KEY	PARTNUMBER	U/M DESCRIPTION	VENDORNO.
1	098607-01-000	EA PUMP-WATER-W/.5"MPTFITTING-FLOW2.8GPM-UL	
2	098607-01-706	EA HOUSINGW/SWITCHONLY	94-231-20
3	098607-01-705	EA VALVE-CHECK,KIT	94-237-00
4	098607-01-703	EA VALVEKIT	94-232-00
5	098607-01-702	EA DIAPHRAGM/DRIVEASSEMBLYKIT	94-238-04
6	098607-01-707	EA MOTORW/BASEPLATE	94-234-03

WATER & SEWAGE GROUP (CONTINUED)
ATWOOD WATER HEATER W/MOTOR AID (GH6-8E)

KEY	PART NUMBER	U/M	DESCRIPTION	VENDOR NO.
	051393-01-000	EA	WATER HEATER - W/MOTOR AID - PILOTLESS IGNITION	
1	051393-01-701	EA	SWITCH PACKAGE	91959
2	051391-04-701	EA	THERMOSTAT 12VDC-120 PRESET	91470
3	051393-01-721	EA	ECO & THERMOSTAT ASM - FRONT MOUNT - 140°	91447
4	051391-01-705	EA	FASTENER - CAMLOC	92609
5	051391-01-704	EA	VALVE - RELIEF - 1/2" FITTING	91604
6	051393-01-723	EA	SWITCH - ENERGY CUT-OFF	93866
7	051393-01-724	EA	CIRCUIT BOARD - W/ SPADE TERMINAL	93867
8	051393-01-725	EA	ELECTRODE - SINGLE SPADE CONNECTION	93868
9	051391-04-703	EA	BURNER - MAIN	91638
10	051391-01-717	EA	GRILLE	92640
11	051391-01-710	EA	ORIFICE - MAIN BURNER	92742
12	051391-03-700	EA	ORIFICE HOLDER	91563
13	051393-01-726	EA	SOLENOID VALVE & BRACKET	93870
14	051391-01-714	EA	ELBOW - 45 DEGREE - 3/8" FX 3/8" MPT	91044
15	052009-06-000	EA	DOOR - WATER HEATER W/ LATCHES, BRIGHT WHITE	
16	051391-01-700	EA	HINGE KIT - W/ CLIP	92568 & 92559
17	051391-04-704	EA	TANK - INNER	91642
18	051391-01-715	EA	DRAIN PLUG	91857
19	051391-04-707	EA	FLUE & GASKET	90960
	111129-01-711	EA	BRACKET - CORNER, SET OF FOUR	91928
	116424-01-000	EA	PROTECTOR - ROUND VINYL - WATER HEATER LATCH	



WATER&SEWAGEGROUP(CONTINUED)
EXTERIORSHOWER

KEY	PARTNUMBER	U/M	DESCRIPTION	VENDORNO.
	075241-05-000	EA	FAUCET-SHOWER,BONE	
	111039-02-000	EA	BRACKET-FAUCET	
	103092-01-000	EA	SHOWERHEAD-W/60"HOSE-US	
	103092-02-000	EA	SHOWERHEAD-W/60"HOSE-CANADIAN	
	103092-01-700	EA	BRACKETONLY-CLEAR,F/SHOWERHEAD-BPC	2328028
	103092-01-702	EA	SEALS-SPRAYHEAD	24466
	011048-03-700	EA	BRACKET/FSHOWERHEAD-BPC	2328029-3
	093527-02-000	EA	BRACKET-SQUEEGEE/SHOWERHEAD	

WATERTANK

KEY	PARTNUMBER	U/M	DESCRIPTION
	116700-01-000	EA	TANK-WATER-59GALLON-W/OFITTINGS(QUEENBED)
	116700-05-000	EA	TANK-WATER-59GALLON-W/FITTINGS(QUEENBED)
	121959-01-000	EA	TANK-WATER-50GALLON-W/OFITTINGS(TWINBED)
	121959-02-000	EA	TANK-WATER-50GALLON-W/FITTINGS(TWINBED)
	039861-01-000	EA	SENDINGUNIT-W/SCREW-WASHER-WELLNUT/TERMINALRING
	042989-03-000	EA	FITTING-WATERTANK-SPINWELD-1 1/4"NPT-PLASTIC
	042989-04-000	EA	FITTING-WATERTANK-SPINWELD-3/8FPT-WHITEPLASTIC
	042989-05-000	EA	FITTING-WATERTANK-SPINWELD-1/2"FPT-PLASTIC
	049032-01-000	EA	PATCH-SPINWELD-3/8"-PLASTIC
	077954-02-000	EA	FILTER-WATERTANK-W/SCREENINTANK

WATERSYSTEMCOMPONENTS

KEY	PARTNUMBER	U/M	DESCRIPTION
	010224-01-000	EA	ADAPTER-HOSE TO PIPE - 3/8MPTX3/8BARB-PLASTIC
	044927-01-000	EA	ADAPTER-HOSE TO PIPE - 1 1/4MPTX 1 1/4BARB-BLKPLS
	123152-01-000	EA	ADAPTER-1/2FPTX1/2BARB-SWIVEL
	101814-01-000	EA	COUPLING-FEMALE-1/2"X1/2"FPT-GRAY
	110438-01-000	EA	VALVE-CHECK-BRASS-1/2MPTX1/2FPT
			FROM: 00-00-00 THRU: 02-16-97
	110438-02-000	EA	VALVE-CHECK-BRASS-1/2MPTX1/2MPT
			FROM: 02-17-97 THRU: 99-99-99
	010230-05-000	EA	FILL-CITYWATER-W/CHECKVALVE
			FROM: 00-00-00 THRU: 09-25-96
	010230-06-000	EA	FILL-CITYWATER-W/CHECKVALVE-MPT
			FROM: 09-26-96 THRU: 99-99-99
	074462-02-000	FT	TUBING-VINYL-3/8IDX20'-CLEAR
	039800-02-000	FT	TUBING-POLYBUTYL-5/8ODX20'-INCOF20'
	039800-04-000	FT	TUBING-POLYBUTYL-1/4"OD
	079381-01-000	FT	TUBING-SMOOTHFLEXIBLE-13/8IDX20'
	039808-03-000	EA	ELBOW-1/2"MPTX1/2"MPT-PLASTIC
	112176-01-000	FT	TUBING-VINYL,REINFORCED-1/2ID
	124188-01-000	FT	TUBING-PEX1/2"IDX20'BLUE
	124188-02-000	FT	TUBING-PEX1/2"IDX20'RED
	111888-01-000	EA	FERRULE-PLASTIC-.250IDX.375OD
			FROM: 01-30-97 THRU: 99-99-99
	111888-02-000	EA	INSERT-BRASS-1/4COMP
			FROM: 01-30-97 THRU: 99-99-99
	117089-01-000	FT	HOSE-1/2"ID-GARDEN
			FROM: 00-00-00 THRU: 03-02-97

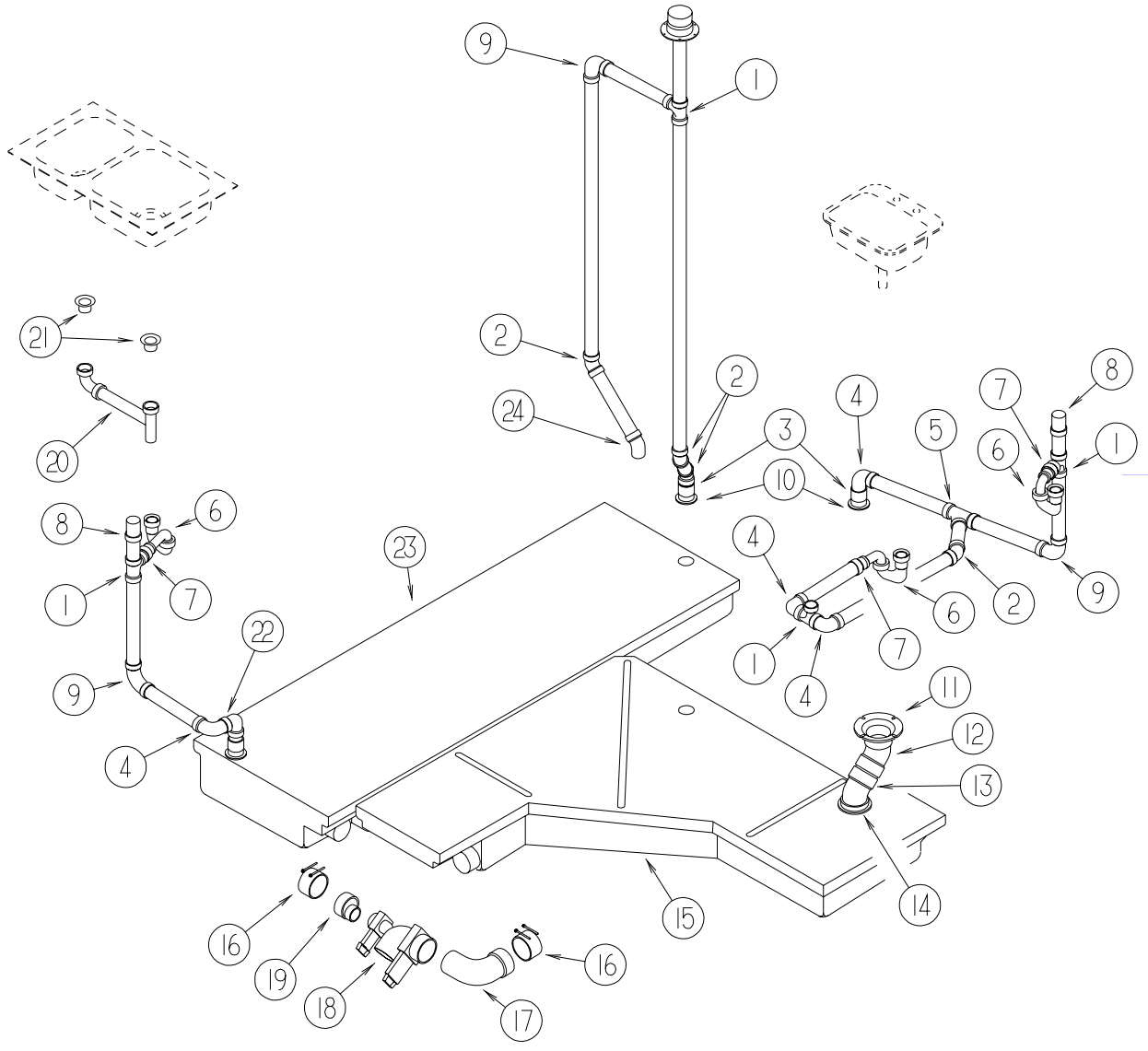
WATER&SEWAGEGROUP(CONTINUED)
WATERSYSTEMCOMPONENTS(FLAIR-IT)

KEY	PARTNUMBER	U/M	DESCRIPTION
	114427-01-000	EA	CAP-1/2P
	114427-02-000	EA	PLUG-1/2P
	114427-03-000	EA	NUT-1/2"Q
	114428-01-000	EA	TEE-1/2PX1/2PX1/2P
	114428-02-000	EA	TEE-SWIVEL-1/2PX1/2PX1/2FPT
	114428-03-000	EA	TEE-1/2PX1/2PX1/2MPT
	114428-04-000	EA	TEE-1/2PX1/2PX1/8FPT
	114429-01-000	EA	ELBOW-1/2PX1/2P
	114429-02-000	EA	ELBOW-1/2PX1/2MPT
	114429-03-000	EA	ELBOW-SWIVEL-1/2PX1/2FPT
	114429-04-000	EA	ELBOW-1/2PX3/8MPT
	114429-05-000	EA	ELBOW-1/2PX3/4MPT
	114429-06-000	EA	ELBOW-SWIVEL-1/2PX3/4FPT
	114429-07-000	EA	ELBOW-1/2PX1/2FPTDROPEAR
	114430-01-000	EA	ADAPTER-1/2PX1/2P
	114430-02-000	EA	ADAPTER-SWIVEL-1/2PX1/2FPT
	114430-03-000	EA	ADAPTER-1/2PX1/2MPT
	114430-04-000	EA	ADAPTER-1/2PX3/8MPT
	114430-05-000	EA	ADAPTER-1/2PX1/8FPT
	114430-06-000	EA	ADAPTER-1/2PX3/8FPT
	114430-07-000	EA	ADAPTER-1/2PX3/8P
	114430-08-000	EA	ADAPTER-1/2PX3/4MPT
	114431-01-000	EA	VALVE-180DEGREE/CENTERDRAIN-1/2P-THREWAY
	114431-02-000	EA	VALVE-WATERBYPASS-1/2"P-THREWAY(WATERHEATER)
	114431-03-000	EA	VALVE-1/2PX1/2P
	114431-04-000	EA	VALVE-STOP-1/2PX1/2P
	114431-05-000	EA	VALVE-NEEDLE-COMP1/8MPTX1/4
	114431-06-000	EA	VALVE-3/8PX3/8P
	114431-07-000	EA	VALVE-3/8PTHREE-WAY
	114431-08-000	EA	STRAIGHTSTOPVALVE3/8PX3/8P
	113697-01-000	EA	CAP-3/8FTG

WATERPURIFICATIONSYSTEM

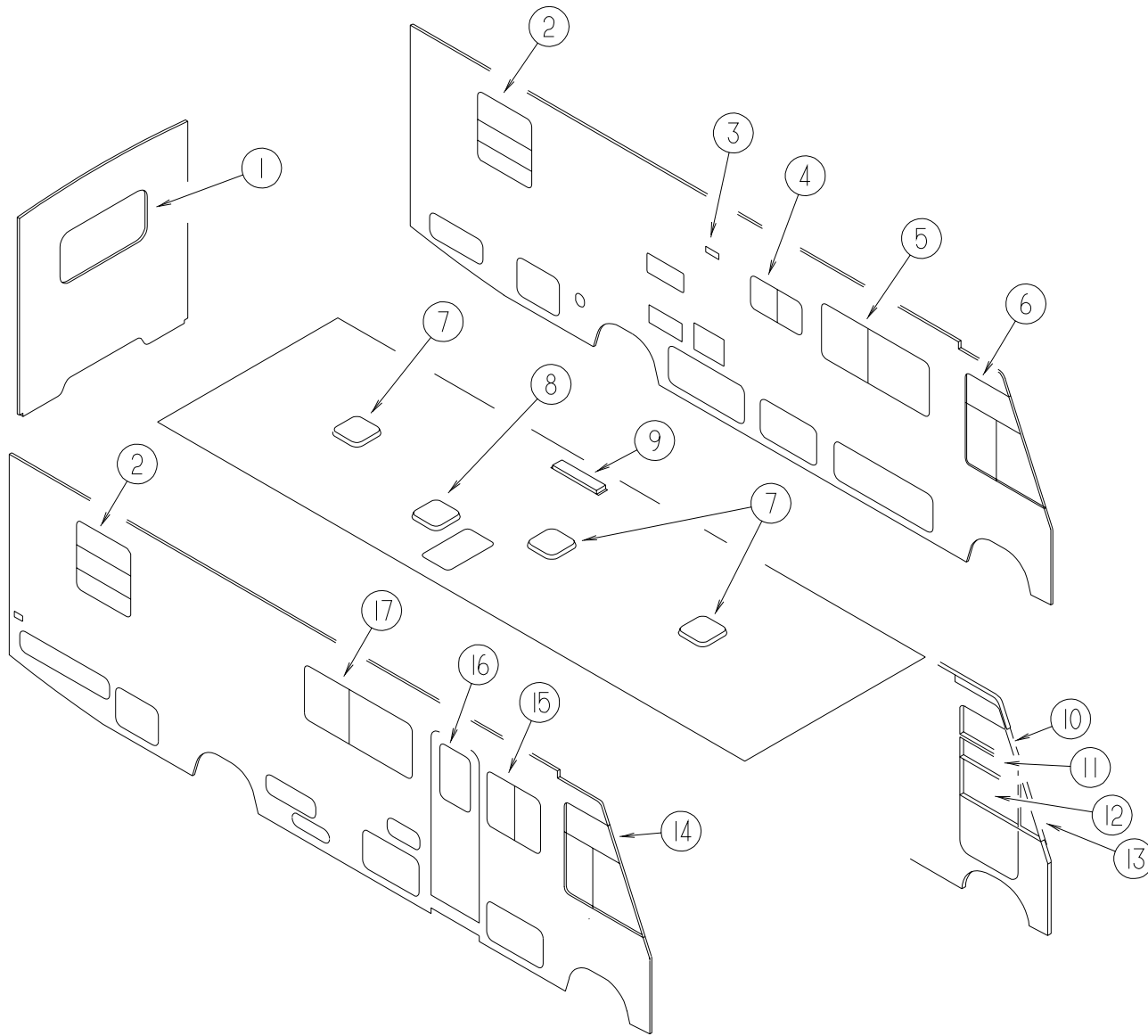
KEY	PARTNUMBER	U/M	DESCRIPTION	VENDORNO.
	701069-01-000	EA	WATERPURIFICATIONSYSTEM-EVERPURE9252	
	701069-03-700	EA	CARTRIDGE-WATERFILTER,AC-EVERPURE	9601-11

WATER & SEWAGE GROUP (CONTINUED)
DRAINAGE SYSTEM



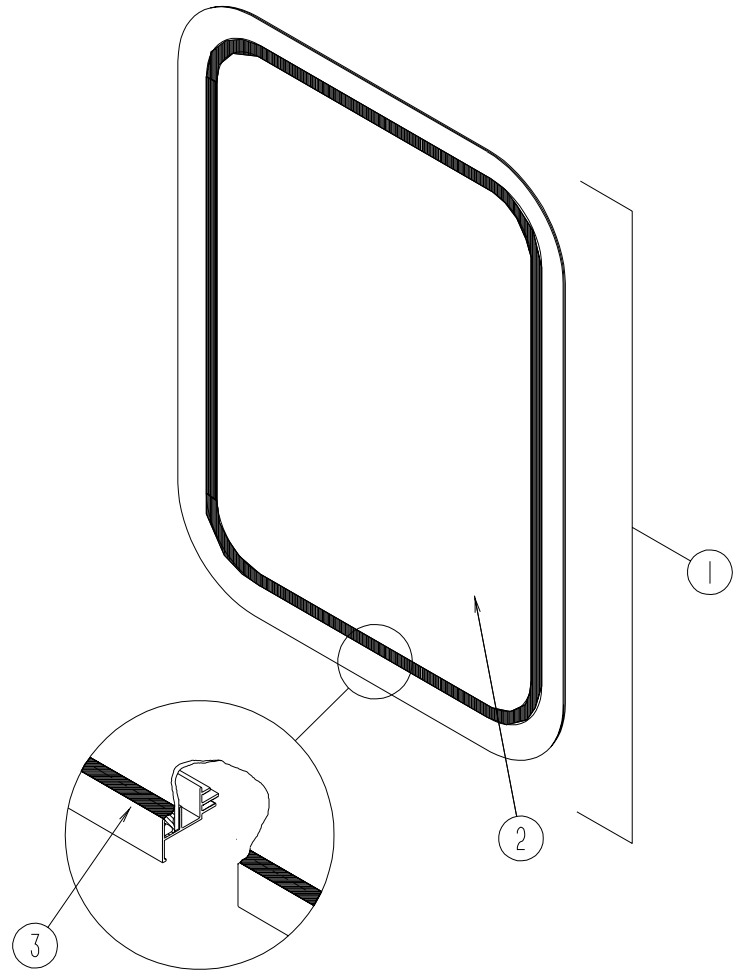
KEY	PARTNUMBER	U/M	DESCRIPTION	VENDOR NO.
1	010071-01-000	EA	TEE - SANITARY - 1 1/2" HUB X HUB X HUB - PLASTIC	
2	010006-01-000	EA	ELBOW - 45 DEGREE - 1 1/2" HUB X HUB - PLASTIC	
3	010115-01-000	EA	COUPLING - 1 1/2" HUB X HUB - PLASTIC	
4	033761-01-000	EA	ELBOW - TURN - 90 DEGREE 1 1/2" HUB X 1 1/2" SPIGOT	
5	010073-01-000	EA	WYE - 45 DEGREE - 1 1/2" HUB X HUB X HUB - PLASTIC	
6	107538-01-000	EA	PTRAP - PLASTIC - 1 1/4" W/EXTENSION ARM	
7	109571-01-000	EA	ADAPTER - PTRAP - 1 1/2" PX 1 1/4" MPT	
8	079968-01-000	EA	VENT - MECHANICAL/TRAP ARM - ANTI-SIPHON - 2" X 7.3" PLASTIC	
9	010008-01-000	EA	ELBOW - 90 DEGREE - 1 1/2" HUB X HUB - PLASTIC	
10	061607-01-000	EA	GROMMET - HOLDING TANK - 1 1/2" NPS	
11	116644-01-000	EA	FLANGE - CLOSET - 4" X 3"	
12	010024-01-000	EA	ELBOW - 45 DEGREE - 3" HUB X HUB - PLASTIC	
13	010061-01-000	EA	ELBOW - 45 DEGREE - 3" SPIGOT/HUB - PLASTIC	
14	061607-02-000	EA	GROMMET - HOLDING TANK - 3" NPS	
15	104350-01-000	EA	TANK - HOLDING - 69 GALLON - "REVISED DESIGN"	
16	078406-01-000	EA	COUPLER - RUBBER - W/CLAMPS - 3" X 3"	
17	041956-01-000	EA	ELBOW - STREET - 1/4" BARB X 90 DEGREE X 3 XLT	
18	070916-01-000	EA	VALVE - DUAL DUMP - W/CAP - 3" X 1 1/2"	
	070916-01-700	EA	VALVE ONLY (WASTE) 3"	T1003BU
	070916-01-701	EA	VALVE ONLY (WASTE) 1 1/2"	T1001BU
19	062422-01-000	EA	ADAPTER - OFFSET REDUCER - 3" X 1 1/2" - PLASTIC	
20	011091-02-000	EA	WASTE - CONTINUOUS - DOUBLE SINK	
21	092303-01-000	EA	STRAINER - SINK	
22	034250-01-000	EA	ELBOW - 90 DEGREE - LONG TURN - 1 1/2" HUB X HUB - ABS	
23	104352-01-000	EA	TANK - HOLDING - 50 GALLON (GRAY) - RECTANGULAR	
24	010051-01-000	EA	ELBOW - 45 DEGREE - 1 1/2" SPIGOT & HUB - PLASTIC	
	011069-02-000	EA	TAILPIECE - TUB/SHOWER - 1 1/2" X 1 1/4" X 4" - BRASS	
	066440-01-000	EA	STRAINER - SHOWER DRAIN - W/RUBBER WASHER	
	010201-01-000	EA	HOSE - SEWER - 3" ID X 8'	
	062416-01-000	EA	ADAPTER - SEWER HOSE TO 3" PIPE	

WINDOW, VENT & EXTERIOR DOOR GROUP
WINDOWS & VENTS



KEY	PARTNUMBER	U/M	DESCRIPTION	VENDOR NO.
1	078528-06-E10	EA	WINDOW-ESCAPE-W/ORETAINER/TRIM-48.5"X24.5"	
1	113502-01-01A	EA	WINDOW-REAR/ESCAPE-THERMO-24.8"X48.7"	
2	112463-03-01A	EA	WINDOW-TIPOUTW/RETAINERTRIM-33.3"X30.2"	
2	112898-16-01A	EA	WINDOW-SLIDER/VERTICAL-THERMOPANE-33.2"X30.2"	
3	084616-07-000	EA	VENT-SHROUD-RANGEHOOD-BRIGHTWHITE	
3	084878-09-000	EA	VENT-HOOD-RANGE/SHORT-OFFWHITE	
4	098647-32-01A	EA	WINDOW-DRIVERSHORIZONTALSLIDER-CLEAR-15.7"X28.5"	
4	112795-20-01A	EA	WINDOW-DRIVER/HORIZONTALSLIDER-THERMO15.7"X28.5"	
5	098647-22-01A	EA	WINDOW-DRIVERS-HORIZONTALSLIDER-26.1"X59.7"	
5	112795-15-01A	EA	WINDOW-DRIVER-HORIZONTALSLIDER-THERMO-263/8"X60"	
6	103658-07-01A	EA	WINDOW-DRIVER-CAB-3GLASS25.3"TX45.4"BX45.2"H	
6	113501-01-01A	EA	WINDOW-DRIVER-CABTHERMO-3WINDOW-44.3"X24.4"X44.1"	
7	122882-01-01A	EA	VENT-ROOF-NONPOWERED-W/OINSIDEGARNISH	
8	122882-02-01A	EA	VENT-ROOF-W/FAN-POWERED-W/OINSIDEGARNISH	
8	122882-03-01A	EA	VENT-ROOF-W/FAN-CSA-W/OINSIDEGARNISH	
9	084073-07-000	EA	VENT-ROOF-REFRIGERATOR-BRIGHTWHITE	
9	084073-04-000	EA	BASE-ROOFVENT-REFRIGERATOR	
10	106467-03-01A	EA	WINDOW-DRIVERVISTA(ABOVEDRDOOR)26.5"TX35.5"BX15.8"H	
10	116000-02-01A	EA	WINDOW-DRIVERVISTA-THERMO-14.8"X25.7"X32.2"	
11	106469-02-702	EA	GLASS-STATIONARY	106-041104
12	106469-01-704	EA	GLASSASM-ROLL-UPW/BACKET	V103-65L
13	106468-02-01A	EA	WINDOW-DRIVERWING	
13	115999-02-01A	EA	WINDOW-DRIVERWING-THERMOPANE-TRIANGULAR	
14	103658-08-01A	EA	WINDOW-PASSENGER-CAB(3GLASS)25.3"TX45.4"BX45.2"H	
14	113501-02-01A	EA	WINDOW-PASSENGER-CABTHERMO-(3WINDOW)-44.3"X24.4"X44.1"	
15	098647-25-01A	EA	WINDOW-PASSENGER-HORIZONTALSLIDER-26.1"X29.6"	
15	112795-18-01A	EA	WINDOW-PASSENGER-HORIZONTALSLIDER-THERMO-263/8"X30"	
16	117053-02-F36	EA	WINDOW-PICTURE-ENTRANCEDOOR-17"X26.4"	
16	113733-01-01A	EA	WINDOW-STATIONARY-THERMOPANE-17"X26.4"	
17	098647-23-01A	EA	WINDOW-PASSENGER-HORIZONTALSLIDER-26.1"X59.7"	
17	112795-16-01A	EA	WINDOW-PASSENGER-HORIZONTALSLIDER-THERMO-263/8"X60"	
	083558-03-000	EA	VENT-PLUMBING-PIPEROOF-W/COVER-OFFWHITE	

WINDOW, VENT & EXTERIOR DOOR GROUP (CONTINUED)



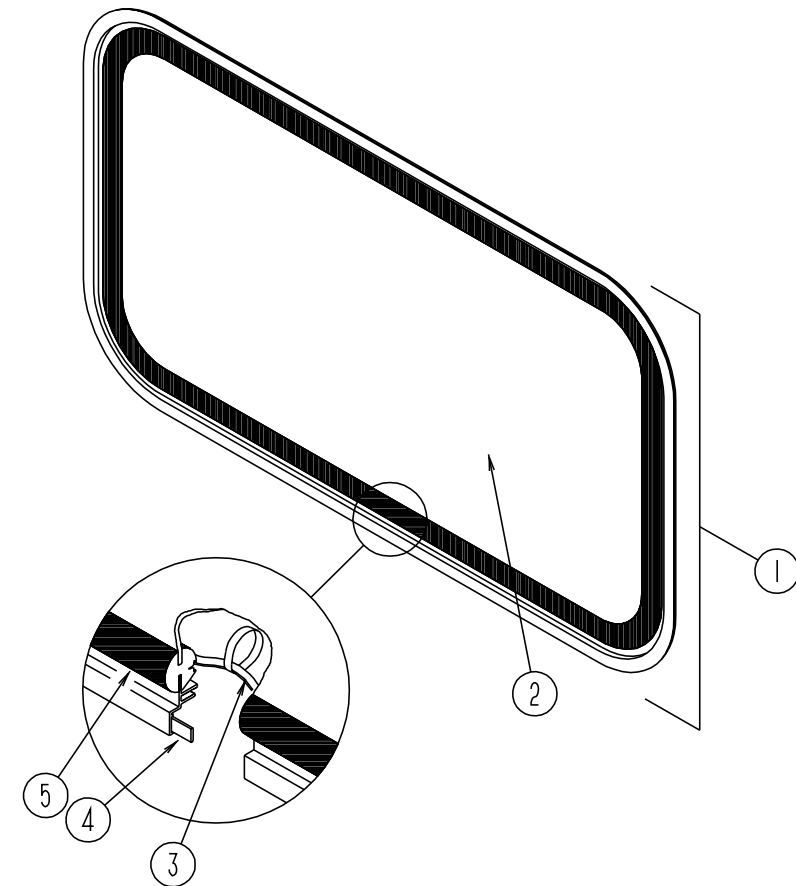
ENTRANCE DOOR WINDOW

KEY	PART NUMBER	U/M	DESCRIPTION
	117054-02-02A	EA	RETAINER-TRIM, ENTRY DOOR WINDOW - BRIGHT WHITE
1	117053-02-F36	EA	WINDOW-PICTURE-ENTRANCE DOOR-17" X 26.4"
2	002181-25-000	EA	GLASS-PICTURE-25.7" X 16.4"
3	087561-01-000	FT	SEAL-GLASS-EXTERIOR-.5" WIDE-VINYL BLACK

EXCEL ENTRANCE DOOR WINDOW-THERMOPANE WINDOW OPTION

KEY	PART NUMBER	U/M	DESCRIPTION	VENDOR NO.
	113733-01-01A	EA	WINDOW-STATIONARY-THERMOPANE-17" X 26.4"	
	112795-01-705	FT	VINYL-GLAZING	132-025736
	113733-01-700	EA	WINDOW ASM. W/OTRIM	DH416-G2
	113733-01-701	EA	RETAINER-TRIM	W41666
	113733-01-702	EA	GLASS-STATIONARY	390-019187

WINDOW, VENT & EXTERIOR DOOR GROUP (CONTINUED)



BACK WALL ESCAPE WINDOW

KEY	PART NUMBER	U/M	DESCRIPTION
	074816-11-000	EA	RETAINER-TRIM, ESCAPE WINDOW - OFF WHITE
1	078528-06-E10	EA	WINDOW ASM-ESCAPE, BACKWALL-W/O RETAINER
2	076337-12-000	EA	GLASS-WINDOW, ESCAPE-1157.4MM X 548.1MM
3	002285-01-000	FT	FILLER-WEATHERSTRIP, RUBBER-BLACK
	077066-01-702	EA	TAPE ASM-ESCAPE WINDOW, RED
4	069640-11-000	FT	SEALER-TAPE, 3/16" THICK X 3/8" WIDE-INCREMENTS OF 40'
5	002282-09-000	EA	WEATHERSTRIP-WINDOW,.125" X 130.53"-BLACK

EXCEL BACK WALL ESCAPE WINDOW-THERMOPANE WINDOW OPTION

KEY	PART NUMBER	U/M	DESCRIPTION	VENDOR NO.
	113502-01-01A	EA	WINDOW-REAR/ESCAPE-THERMO-24.8" X 48.7"	
	098644-01-705	FT	GLAZING-STRIP	132-010231
	112898-06-704	EA	HANDLE-LATCH-RED-RH	182-11293
	112898-06-705	EA	HANDLE-LATCH-RED-LH	182-11294
	113502-01-703	EA	GLASS-STATIONARY, RH&LH	390-019083
	113502-01-704	EA	GLASS-EGRESS, CENTER-ESCAPE	390-019084

WINDOW, VENT & EXTERIOR DOOR GROUP (CONTINUED)
VISTA WINDOW (DRIVERSIDE)

KEY	PARTNUMBER	U/M DESCRIPTION	VENDOR NO.
	106467-03-01A	EA WINDOW-DRIVER VISTA (ABOVE DR DOOR) 26.5" TX 35.5" BX 15.8" H	
	106467-03-700	EA GLASS-STATIONARY	106-018752
	106467-03-701	EA WINDOW	H388-G2L
	106467-03-702	EA RETAINER-TRIM-BLACK	H38827L
	100322-01-703	FT STRIP-GLAZING-BUTYL	132-010723

VISTA WINDOW, THERMO (DRIVERSIDE)

KEY	PARTNUMBER	U/M DESCRIPTION	VENDOR NO.
	116000-02-01A	EA WINDOW-DRIVER VISTA-THERMO-14.8" X 25.7" X 32.2"	
	116000-01-704	FT VINYL-GLAZING	132-018161
	116000-02-700	EA RETAINER-TRIM RAIL TOP/REAR	H388-41L
	116000-02-701	EA RETAINER-TRIM RAIL FRONT	H388-42L
	116000-02-702	EA RETAINER-TRIM RAIL BOTTOM	H382-43L
	116000-03-701	EA GLASS-STATIONARY	390-019551

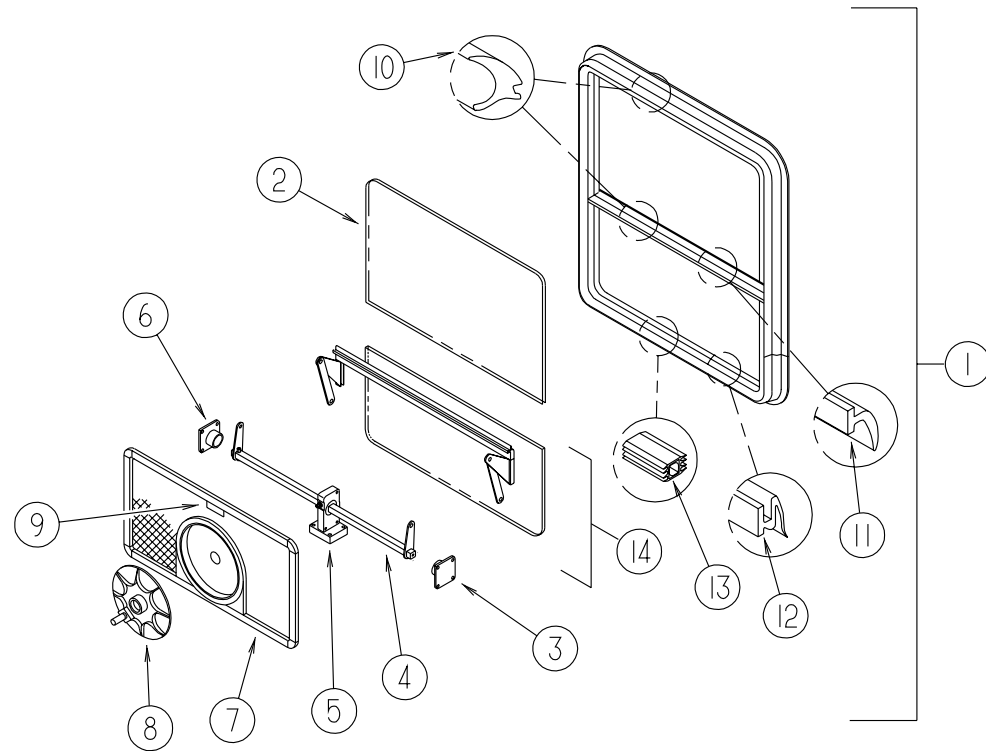
WINDOW, VENT & EXTERIOR DOOR GROUP (CONTINUED)
FRONT SLANT WINDOW (DRIVERSIDE)

KEY	PARTNUMBER	U/M DESCRIPTION	VENDOR NO.
	106468-02-01A	EA WINDOW-DRIVER SWING TRIANGULAR	
	100322-01-703	FT VINYL-GLAZING, BUTYL	132-010723
	106468-02-701	EA RETAINER-TRIM	H383-27L
	106468-02-702	EA GLASS-STATIONARY	106-018740

FRONT SLANT WINDOW, THERMO (DRIVERSIDE)

KEY	PARTNUMBER	U/M DESCRIPTION	VENDOR NO.
	115999-02-01A	EA WINDOW-DRIVER WING/THERMO/TRIANGULAR	
	115999-01-701	EA RETAINER-TRIM	H358-27L
	115999-02-700	EA RETAINER-TRIM RAIL REAR	H383-41L
	115999-03-701	EA GLASS-STATIONARY	390-019550
	116000-01-704	FT VINYL-GLAZING	132-018161

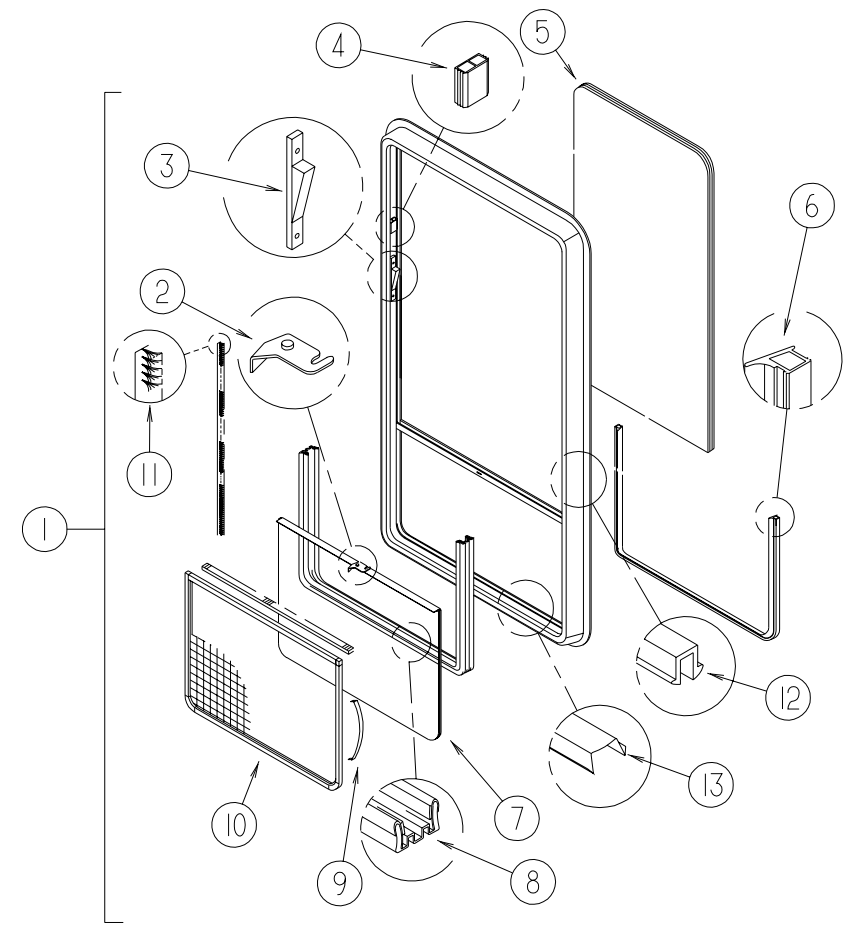
WINDOW, VENT & EXTERIOR DOOR GROUP (CONTINUED)



EXCEL BEDROOM TIPOUT WINDOW - DRIVER OR PASSENGER SIDE

KEY	PART NUMBER	U/M	DESCRIPTION	VENDOR NO.
1	112463-03-01A	EA	WINDOW - TIPOUT W/RETAINER TRIM - 33.3" X 30.2"	
	113500-05-705	EA	RETAINER - TRIM	CW100-59
2	112463-03-701	EA	GLASS - STATIONARY	106-025377
3	100322-01-714	EA	SUPPORT - TORQUE BAR - LH	130-015978
4	112463-03-702	EA	OPERATOR & BAR ASSEMBLY	CH10-18
5	100322-01-716	EA	SUPPORT - TORQUE BAR - CTR RAIL	130-015980
6	100322-01-715	EA	SUPPORT - TORQUE BAR - RH	130-015979
7	112463-03-703	EA	SCREEN ASM - W/SEALS & CLIPS	410-018439
8	100322-01-718	EA	HANDLE - DIAL	410-016081
9	112519-01-706	EA	CLIP - SCREEN	CH21-50
10	100322-01-703	FT	VINYL - GLAZING - BUTYL	132-010723
11	100322-01-702	EA	WEATHERSTRIP - HORIZONTAL RAIL	132-015976
12	100322-01-701	FT	SEAL - VENT	122-016071
13	098644-01-716	FT	PLUG - FILLER	132-014470
14	112463-03-700	EA	VENT ASSEMBLY	CH100-G9
	100322-01-704	FT	TAPE - BUTYL	154-016083
	100322-01-717	EA	E-RING	245-015975

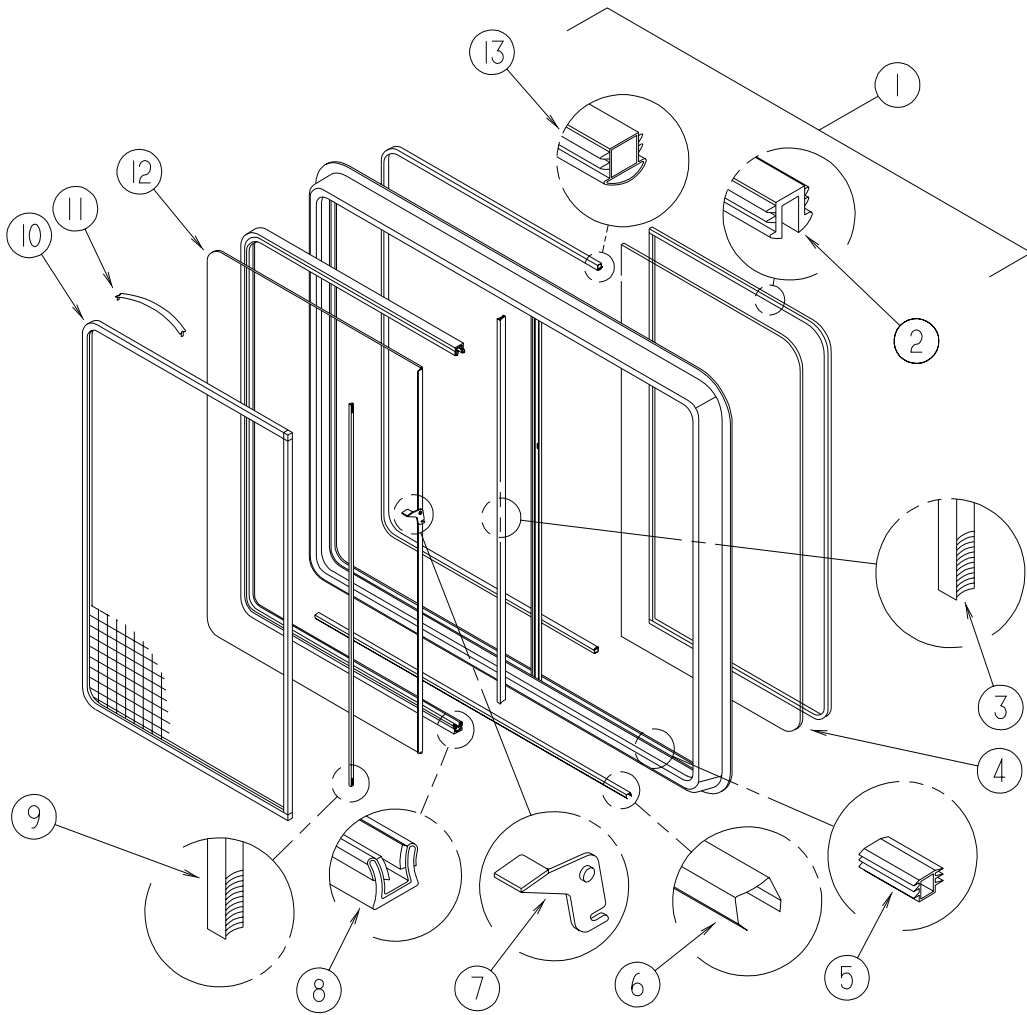
WINDOW, VENT & EXTERIOR DOOR GROUP (CONTINUED)



EXCEL BEDROOM VERTICAL SLIDER WINDOW - DRIVER OR PASSENGER SIDE - THERMOPANE

KEY	PART NUMBER	U/M	DESCRIPTION	VENDOR NO.
1	112898-16-01A	EA	WINDOW - SLIDER / VERTICAL - THERMOPANE - 33.2" X 30.2"	
	112898-16-702	EA	RETAINER - TRIM	CW100-66
2	112795-01-700	EA	LATCH ASM - BLACK, BOLTON	DH287-CK
3	112898-04-703	EA	SASH LATCH KIT, RAISED	DH343-CK
4	112795-01-701	EA	SLIDE - STOP	132-019092
5	112898-16-701	EA	GLASS - STATIONARY	390-025433
6	112795-01-704	FT	PLUG FILLER (DOUBLE GLAZED)	122-018737
7	112898-16-700	EA	GLASS - SLIDING W/SASH & LATCH	DH510-G9
8	112795-01-703	IN	CHANNEL - RUN (INCHES)	122-018736
9	125582-01-701	EA	CLIP - SCREEN - PLASTIC	130005153
9	098644-01-713	EA	CLIP - SCREEN - METAL	226-016966
10	112898-05-704	EA	SCREEN ASM - W/SEALS & CLIPS	410-018862
	098644-01-717	FT	SPLINE - SCREEN	132-004716
11	098644-01-711	FT	WEATHERSTRIP - SCREEN BLACK	171-016965
12	112795-01-705	FT	VINYL - GLAZING	132-025736
13	098644-01-710	FT	TRACK - SCREEN SPACER 12'	132-017135
	098644-01-706	FT	WEATHERSTRIP - GLASS	171-010668

WINDOW, VENT & EXTERIOR DOOR GROUP (CONTINUED)



EXCEL SINGLE SLIDER WINDOW - DRIVER SIDE - LOUNGE

KEY	PARTNUMBER	U/M	DESCRIPTION	VENDORNO.
1	098647-22-01A	EA	WINDOW - DRIVERS - HORIZONTAL SLIDER - 26.1" X 59.7"	
	098647-27-701	EA	RETAINER - TRIM	W287-66
2	098644-01-705	FT	GLAZING - STRIP	132-010231
3	098644-01-706	FT	WEATHERSTRIP - GLASS	171-010668
4	098647-23-703	EA	GLASS - STATIONARY	106-017622
5	098644-01-719	EA	STOP - SLIDER GLASS	132-014203
6	098644-01-710	FT	TRACK - SCREEN SPACER 12'	132-017135
7	098644-01-700	EA	LATCH - REPAIR KIT (BLACK)	B801-CK
8	098644-01-708	FT	CHANNEL - RUN PIERCED	122-016543
9	098644-01-711	FT	WEATHERSTRIP - SCREEN BLACK	171-016965
10	098647-23-704	EA	SCREEN ASM - W/SEALS & CLIPS	410-019066
11	098644-01-713	EA	CLIP - SCREEN - METAL	226-016966
12	098647-23-700	EA	GLASS SLIDING W/SASH & LATCH	H287-G9
13	098644-01-716	FT	PLUG - FILLER	132-014470
	098644-01-717	FT	SPLINE - SCREEN	132-004716

WINDOW, VENT & EXTERIOR DOOR GROUP (CONTINUED)

EXCEL SINGLE SLIDER WINDOW - DRIVER SIDE - GALLEY

KEY	PARTNUMBER	U/M	DESCRIPTION	VENDORNO.
1	098647-32-01A	EA	WINDOW - DRIVER HORIZONTAL SLIDER - CLEAR - 15.7" X 28.5"	
	098647-31-701	EA	RETAINER - TRIM	CW29-66
2	098644-01-705	FT	GLAZING - STRIP	132-010231
3	098644-01-706	FT	WEATHERSTRIP - GLASS	171-010668
4	098647-31-702	EA	GLASS - STATIONARY	096-019299
5	098644-01-719	EA	STOP - SLIDER GLASS	132-014203
6	098644-01-710	FT	TRACK - SCREEN SPACER 12'	132-017135
7	098644-01-700	EA	LATCH - REPAIR KIT (BLACK)	B801-CK
8	098644-01-708	FT	CHANNEL - RUN PIERCED	122-016543
9	098644-01-711	FT	WEATHERSTRIP - SCREEN BLACK	171-016965
10	098647-31-704	EA	SCREEN ASM - W/SEALS & CLIPS	410-019128
	098644-01-717	FT	SPLINE - SCREEN	132-004716
11	125582-01-701	EA	CLIP - SCREEN - PLASTIC	130005153
11	098644-01-713	EA	CLIP - SCREEN - METAL	226-016966
12	098647-31-703	EA	GLASS SLIDING W/SASH & LATCH	H425-C8
13	098644-01-716	FT	PLUG - FILLER	132-014470

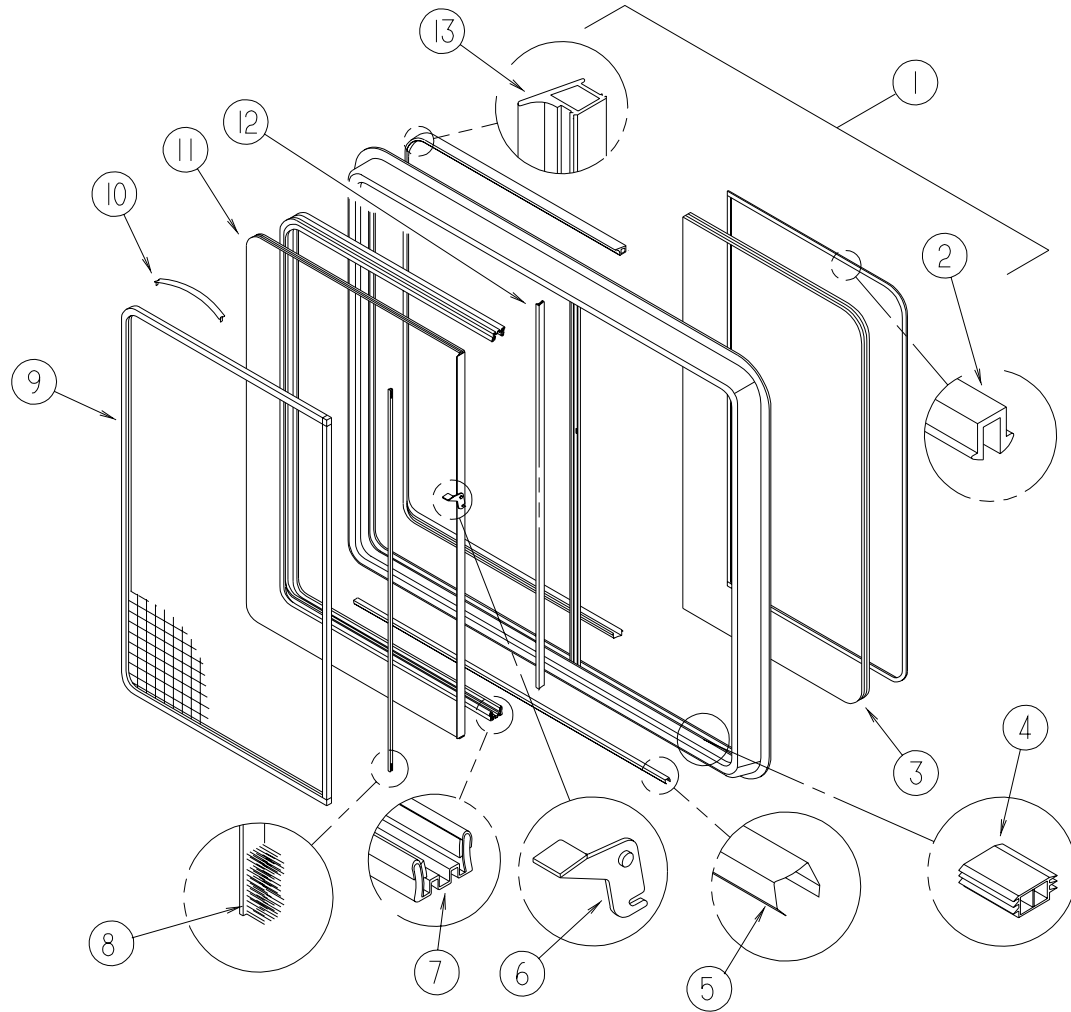
EXCEL SINGLE SLIDER WINDOW - PASSENGER SIDE - LOUNGE

KEY	PARTNUMBER	U/M	DESCRIPTION	VENDORNO.
1	098647-25-01A	EA	WINDOW - PASSENGER - HORIZONTAL SLIDER - 26.1" X 29.6"	
	098647-25-701	EA	RETAINER - TRIM	W286-66
2	098644-01-705	FT	GLAZING - STRIP	132-010231
3	098644-01-706	FT	WEATHERSTRIP - GLASS	171-010668
4	098647-25-702	EA	GLASS - STATIONARY	106-017657
5	098644-01-719	EA	STOP - SLIDER GLASS	132-014203
6	098644-01-710	FT	TRACK - SCREEN SPACER 12'	132-017135
7	098644-01-700	EA	LATCH - REPAIR KIT (BLACK)	B801-CK
8	098644-01-708	FT	CHANNEL - RUN PIERCED	122-016543
9	098644-01-711	FT	WEATHERSTRIP - SCREEN BLACK	171-016965
10	098647-25-704	EA	SCREEN ASM - W/SEALS & CLIPS	410-019065
	098644-01-717	FT	SPLINE - SCREEN	132-004716
11	125582-01-701	EA	CLIP - SCREEN - PLASTIC	130005153
11	098644-01-713	EA	CLIP - SCREEN - METAL	226-016966
12	098647-25-703	EA	GLASS SLIDING W/SASH & LATCH	H286-G9
13	098644-01-716	FT	PLUG - FILLER	132-014470

EXCEL SINGLE SLIDER WINDOW - PASSENGER SIDE - DINETTE

KEY	PARTNUMBER	U/M	DESCRIPTION	VENDORNO.
1	098647-23-01A	EA	WINDOW - PASSENGER - HORIZONTAL SLIDER - 26.1" X 59.7"	
	098647-27-701	EA	RETAINER - TRIM	W287-66
2	098644-01-705	FT	GLAZING - STRIP	132-010231
3	098644-01-706	FT	WEATHERSTRIP - GLASS	171-010668
4	098647-23-703	EA	GLASS - STATIONARY	106-017622
5	098644-01-719	EA	STOP - SLIDER GLASS	132-014203
6	098644-01-710	FT	TRACK - SCREEN SPACER 12'	132-017135
7	098644-01-700	EA	LATCH - REPAIR KIT (BLACK)	B801-CK
8	098644-01-708	FT	CHANNEL - RUN PIERCED	122-016543
9	098644-01-711	FT	WEATHERSTRIP - SCREEN BLACK	171-016965
10	098647-23-704	EA	SCREEN ASM - W/SEALS & CLIPS	410-019066
	098644-01-717	FT	SPLINE - SCREEN	132-004716
11	125582-01-701	EA	CLIP - SCREEN - PLASTIC	130005153
11	098644-01-713	EA	CLIP - SCREEN - METAL	226-016966
12	098647-23-700	EA	GLASS SLIDING W/SASH & LATCH	H287-G9
13	098644-01-716	FT	PLUG - FILLER	132-014470

WINDOW, VENT & EXTERIOR DOOR GROUP (CONTINUED)



EXCEL SINGLE SLIDER WINDOW-THERMOINSULATED-DRIVERSIDE-DINETTE

KEY	PARTNUMBER	U/M DESCRIPTION	VENDORNO.
1	112795-15-01A	EA WINDOW-DRIVER-HORIZONTAL SLIDER-THERMO-263/8" X60"	
	098647-23-702	EA RETAINER-TRIM	W287-66
2	112795-01-705	FT VINYL-GLAZING	132-025736
3	112795-15-701	EA GLASS-STATIONARY	390-019045
4	112795-01-701	EA SLIDE-STOP	132-019092
5	098644-01-710	FT TRACK-SCREENSPACER 12'	132-017135
6	112795-01-700	EA LATCHASM., BLK., (BOLTON)	DH287-CK
7	112795-01-703	IN CHANNEL-RUN (INCHES)	122-018736
8	098644-01-711	FT WEATHERSTRIP-SCREENBLACK	171-016965
9	098647-23-704	EA SCREENASM-W/SEALS&CLIPS	410-019066
10	125582-01-701	EA CLIP-SCREEN-PLASTIC	130005153
10	098644-01-713	EA CLIP-SCREEN-METAL	226-016966
11	112795-15-702	EA GLASS-SLIDINGW/SASH&LATCH	DH287-G9
12	098644-01-706	FT WEATHERSTRIP-GLASS	171-010668
13	112795-01-704	FT PLUGFILLER (DOUBLEGLAZED)	122-018737

WINDOW, VENT & EXTERIOR DOOR GROUP (CONTINUED)
EXCEL SINGLE SLIDER WINDOW-THERMOINSULATED-PASSENGERSIDE-DINETTE

KEY	PARTNUMBER	U/M DESCRIPTION	VENDORNO.
1	112795-16-01A	EA WINDOW-PASSENGER-HORIZONTAL SLIDER-THERMO-263/8" X60"	
	098647-27-701	EA RETAINER-TRIM	W287-66
2	112795-01-705	FT VINYL-GLAZING	132-025736
3	112795-15-701	EA GLASS-STATIONARY	390-019045
4	112795-01-701	EA SLIDE-STOP	132-019092
5	098644-01-710	FT TRACK-SCREENSPACER 12'	132-017135
6	112795-01-700	EA LATCHASM.-BLK. (BOLTON)	DH287-CK
7	112795-01-703	IN CHANNEL-RUN (INCHES)	122-018736
8	098644-01-711	FT WEATHERSTRIP-SCREENBLACK	171-016965
9	098647-23-704	EA SCREENASM-W/SEALS&CLIPS	410-019066
	098644-01-717	FT SPLINE-SCREEN	132-004716
10	125582-01-701	EA CLIP-SCREEN-PLASTIC	130005153
10	098644-01-713	EA CLIP-SCREEN-METAL	226-016966
11	112795-15-702	EA GLASS-SLIDINGW/SASH&LATCH	DH287-G9
12	098644-01-706	FT WEATHERSTRIP-GLASS	171-010668
13	112795-01-704	FT PLUGFILLER (DOUBLEGLAZED)	122-018737

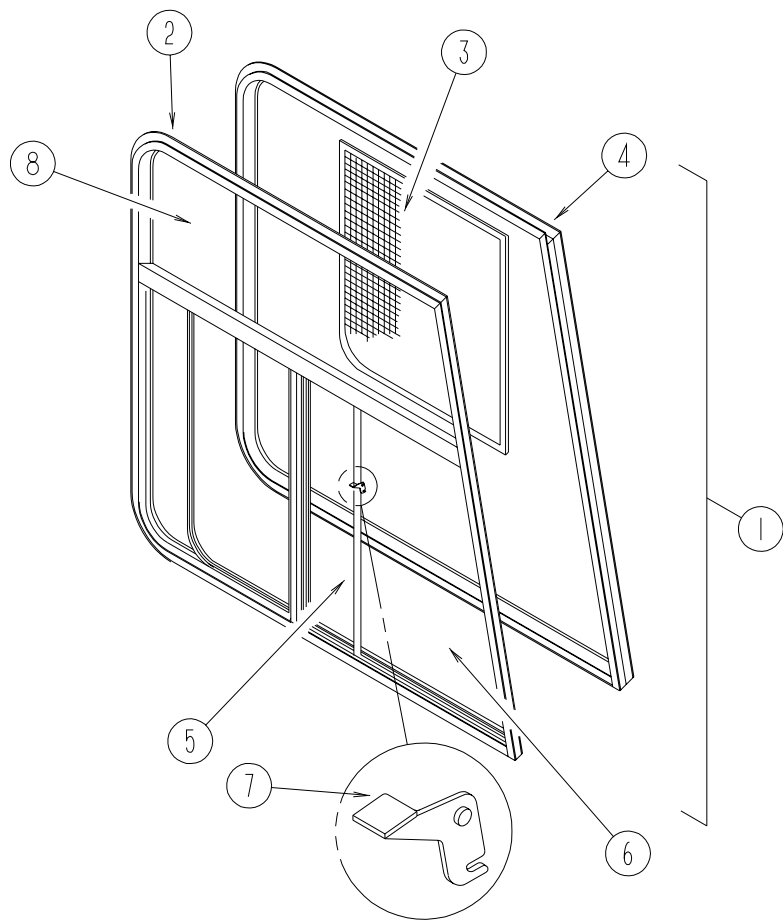
EXCEL SINGLE SLIDER WINDOW-THERMOINSULATED-PASSENGERSIDE-LOUNGE

KEY	PARTNUMBER	U/M DESCRIPTION	VENDORNO.
1	112795-18-01A	EA WINDOW-PASSENGER-HORIZONTAL SLIDER-THERMO-263/8" X30"	
	098647-25-701	EA RETAINER-TRIM	W286-66
2	112795-01-705	FT VINYL-GLAZING	132-025736
3	112795-18-700	EA GLASS-STATIONARY	390-019043
4	112795-01-701	EA SLIDE-STOP	132-019092
5	098644-01-710	FT TRACK-SCREENSPACER 12'	132-017135
6	112795-01-700	EA LATCHASM.-BLK. (BOLTON)	DH287-CK
7	112795-01-703	IN CHANNEL-RUN (INCHES)	122-018736
8	098644-01-711	FT WEATHERSTRIP-SCREENBLACK	171-016965
9	098647-25-704	EA SCREENASM-W/SEALS&CLIPS	410-019065
	098644-01-717	FT SPLINE-SCREEN	132-004716
10	125582-01-701	EA CLIP-SCREEN-PLASTIC	130005153
10	098644-01-713	EA CLIP-SCREEN-METAL	226-016966
11	112795-18-701	EA GLASS-SLIDINGW/SASH&LATCH	DH286-G9
12	098644-01-706	FT WEATHERSTRIP-GLASS	171-010668
13	112795-01-704	FT PLUGFILLER (DOUBLEGLAZED)	122-018737

EXCEL SINGLE SLIDER WINDOW-THERMOINSULATED-DRIVERSIDE-GALLEY

KEY	PARTNUMBER	U/M DESCRIPTION	VENDORNO.
1	112795-20-01A	EA WINDOW-DRIVER/HORIZONTAL SLIDER-THERMO 16.7" X28.5"	
	098647-31-701	EA RETAINER-TRIM	CW29-66
2	112795-01-705	FT VINYL-GLAZING	132-025736
3	112795-19-701	EA GLASS-STATIONARY	390-019134
4	112795-01-701	EA SLIDE-STOP	132-019092
5	098644-01-710	FT TRACK-SCREENSPACER 12'	132-017135
6	112795-01-700	EA LATCHASM.-BLK. (BOLTON)	DH287-CK
7	112795-01-703	IN CHANNEL-RUN (INCHES)	122-018736
8	098644-01-711	FT WEATHERSTRIP-SCREENBLACK	171-016965
9	098647-31-704	EA SCREENASM-W/SEALS&CLIPS	410-019128
10	125582-01-701	EA CLIP-SCREEN-PLASTIC	130005153
10	098644-01-713	EA CLIP-SCREEN-METAL	226-016966
11	112795-19-702	EA GLASS-SLIDINGW/SASH&LATCH	DC29-G9
12	098644-01-706	FT WEATHERSTRIP-GLASS	171-010668
13	112795-01-704	FT PLUGFILLER (DOUBLEGLAZED)	122-018737

WINDOW, VENT & EXTERIOR DOOR GROUP (CONTINUED)

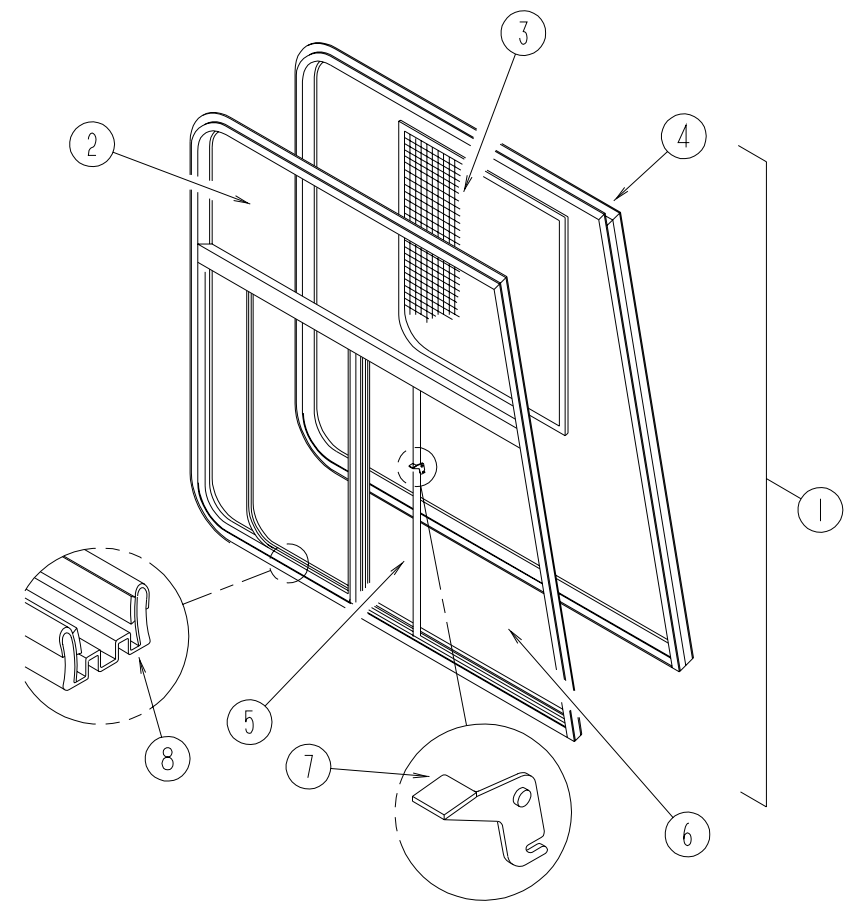


EXCELCABWINDOWS

KEY	PARTNUMBER	U/M	DESCRIPTION
1	103658-07-01A	EA	WINDOW-DRIVERCAB3GLASS 25.3"TX45.4"BX45.2"H
1	103658-08-01A	EA	WINDOW-PASSENGERCAB3GLASS 25.3"TX45.4"BX45.2"H
2	103658-07-704	EA	WINDOWASM.-W/OTRIM-DRIVERSIDE
2	103658-08-700	EA	WINDOWASM.-W/OTRIM-PASSENGERSIDE
3	103658-01-700	EA	SCREENASM-W/SEALS&CLIPS-DRIVERSIDE
3	103658-02-700	EA	SCREENASM-W/SEALS&CLIPS-PASSENGERSIDE
4	103658-07-700	EA	RETAINER-TRIM-DRIVERSIDE
4	103658-08-701	EA	RETAINER-TRIM-PASSENGERSIDE
5	103658-01-703	EA	GLASS-SLIDING-W/SASH&LATCHLH-DRIVERSIDE
5	103658-02-701	EA	GLASS-SLIDING-W/SASH&LATCHRH-PASSENGERSIDE
6	103658-01-702	EA	GLASS-STATIONARY-BOTTOM-DRIVERSIDE
6	103658-01-702	EA	GLASS-STATIONARY-BOTTOM-PASSENGERSIDE
7	098644-01-700	EA	LATCH-REPAIRKIT(BLACK)
8	103658-07-701	EA	GLASS-STATIONARYTOP
	098644-01-706	FT	WEATHERSTRIP-GLASS
	098644-01-708	FT	CHANNEL-RUNPIERCED
	098644-01-710	FT	TRACK-SCREENSPACER12'
	098644-01-711	FT	WEATHERSTRIP-SCREENBLACK
	098644-01-713	EA	CLIP-SPRING-METAL
	098644-01-716	FT	PLUG-FILLER
	098644-01-717	FT	SPLINE-SCREEN

VENDORNO.
H374-A2L
H374-A2R
H322-03L
H322-03R
H374-66&76L
H374-66&76R
H322-A9L
322-A9R
106-017700
106-017700
B801-CK
106-018481
171-010668
122-016543
132-017135
171-016965
226-016966
132-014470
132-004716

WINDOW, VENT & EXTERIOR DOOR GROUP (CONTINUED)

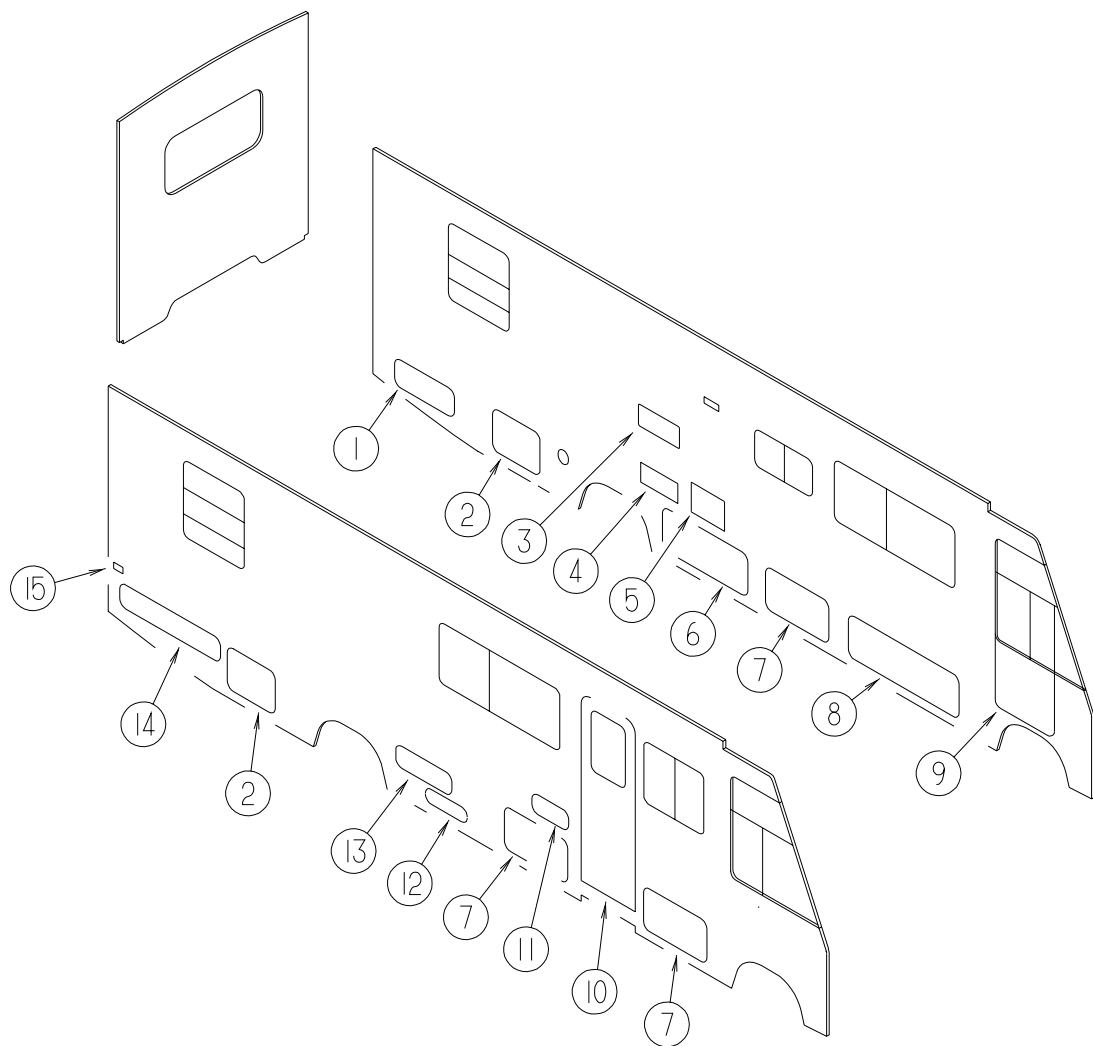


EXCELCABWINDOWS-THERMOPANE

KEY	PARTNUMBER	U/M	DESCRIPTION	VENDORNO.
1	113501-01-01A	EA	WINDOW-DRIVERCABTHERMO(3WINDOW) 44.3"X24.4"X44.1"	
1	113501-02-01A	EA	WINDOW-PASSCABTHERMO(3WINDOW) 44.3"X24.4"X44.1"	
2	113501-01-701	EA	GLASS-STATIONARY-UPPER-DRIVERORPASSSIDE	390-019137
3	103658-01-700	EA	SCREENASM-W/SEALS&CLIPS-DRIVERSIDE	H322-03L
3	103658-02-700	EA	SCREENASM-W/SEALS&CLIPS-PASSSIDE	H322-03R
	098644-01-717	FT	SPLINE-SCREEN	132-004716
	098644-01-713	EA	CLIP-SCREEN-METAL	226-016966
4	103658-05-702	EA	RETAINER-TRIM-DRIVERSIDE	H373-66&76L
4	103658-10-701	EA	RETAINER-TRIM-PASSENGERSIDE	H373-66&76R
5	113501-01-703	EA	GLASS-SLIDINGW/SASH&LATCH-DRIVERSIDE	DH374-A9L
5	113501-02-702	EA	GLASS-SLIDINGW/SASH&LATCH-PASSSIDE	DH374-A9R
6	113501-01-702	EA	GLASS-STATIONARY-LOWER-DRIVERSIDE	390-019139L
6	113501-02-701	EA	GLASS-STATIONARY-LOWER-PASSSIDE	390-019138R
7	112795-01-700	EA	LATCHASM.-BLACK(BOLTON)	DH287-CK
8	112795-01-703	IN	CHANNEL-RUN (INCHES)	122-018736
	098644-01-711	FT	WEATHERSTRIP-SCREENBLACK	171-016965
	112795-01-701	EA	SLIDE-STOP	132-019092
	112795-01-704	FT	PLUGFILLER(DOUBLEGLAZED)	122-018737
	112795-01-705	FT	VINYL-GLAZING	132-019702
	112898-04-703	EA	SASHLATCHKIT-RAISED	DH343-CK

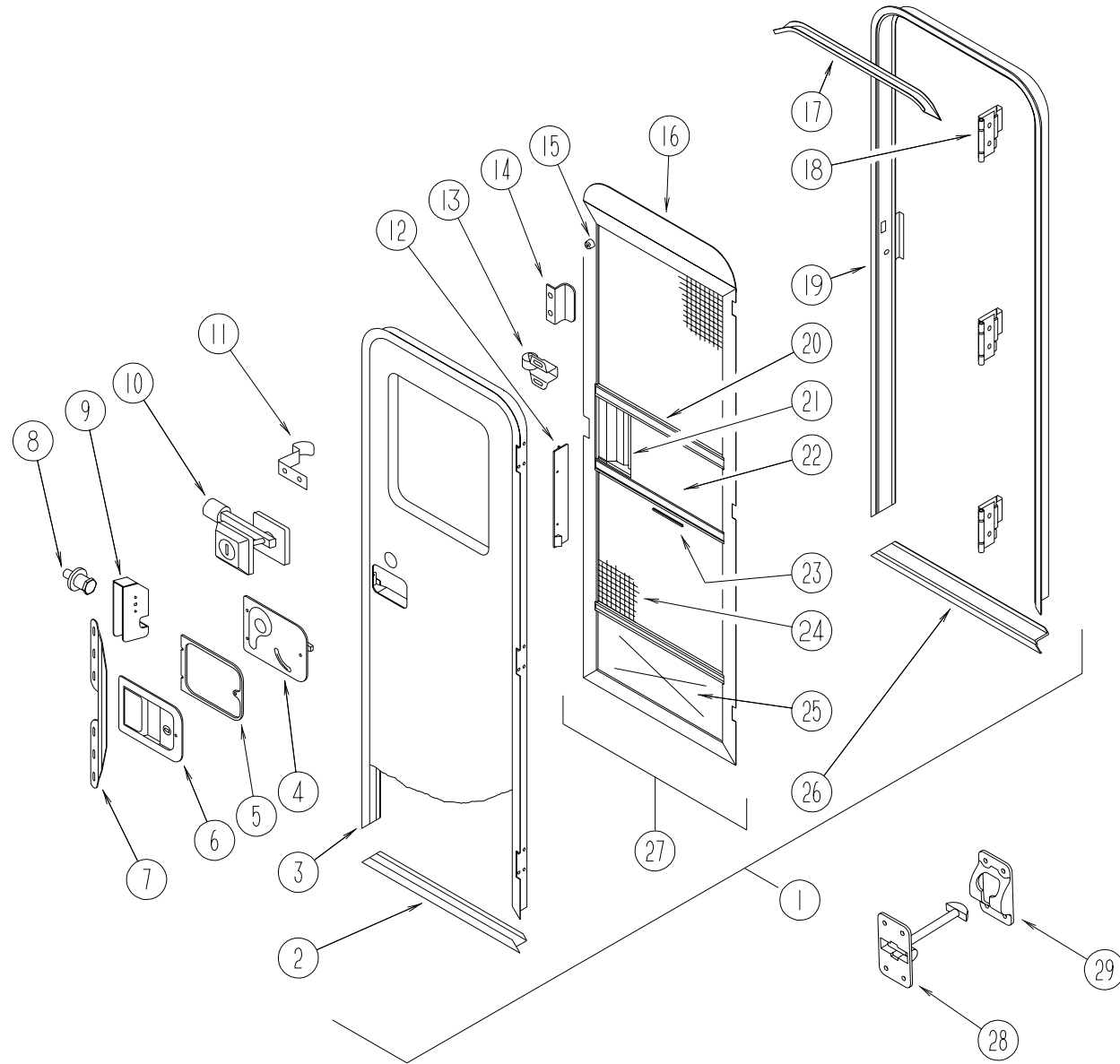
WINDOW, VENT & EXTERIOR DOOR GROUP (CONTINUED)

EXTERIOR DOORS



KEY	PARTNUMBER	U/M	DESCRIPTION	VENDOR NO.
1	111018-03-G29	EA	DOOR-GENERATOR/STORAGE(WHITETRIM)	
1	111018-03-H34	EA	DOOR-GENERATOR/STORAGE(UMBRATRIM)	
2	104558-26-FB1	EA	DOOR-STORAGE-W/OLOCK-23.6"(WHITETRIM)	
2	104558-26-H34	EA	DOOR-STORAGE-W/OLOCK-23.6"(UMBRATRIM)	
3	084103-08-000	EA	DOOR-REFRIGERATOR-VENTED-W/OJAMB	
3	084104-08-000	EA	JAMB-REFRIGERATORDOOR	
3	084104-01-700	EA	LOCK-MALE-FASTENER	201-721-010
3	084104-01-701	EA	LOCK-FEMALE-FASTENER	201-802-010
4	098668-23-000	EA	DOOR-ACCESS-FURNACE	
5	052009-06-000	EA	DOOR-WATERHEATER-BRIGHTWHITE-18"X14.6"	
5	116424-01-000	EA	PROTECTOR-LATCH-WATERHEATER	
6	104558-52-GB1	EA	DOOR-STORAGE-W/OLOCK-49.7"(WHITETRIM)	
6	104558-52-H34	EA	DOOR-STORAGE-W/OLOCK-49.7"(UMBRATRIM)	
7	104558-01-GB1	EA	DOOR-STORAGE-W/OLOCK-31.1"(WHITETRIM)	
7	104558-01-H34	EA	DOOR-STORAGE-W/OLOCK-31.1"(UMBRATRIM)	
8	104558-02-H33	EA	DOOR-STORAGE-W/OLOCK-54.7"(WHITETRIM)	
8	104558-02-H34	EA	DOOR-STORAGE-W/OLOCK-54.7"(UMBRATRIM)	
9	106469-07-01A	EA	DOOR-DRIVER-BLACK	
10	115108-02-H33	EA	DOOR-ENTRY-W/SCREENDOOR-W/OWINDOW	
10	115108-02-H34	EA	DOOR-ENTRY-W/SCREENDOOR-W/OWINDOW	
10	115108-02-H35	EA	DOOR-ENTRY-W/SCREENDOOR-W/OWINDOW	
11	111017-01-H23	EA	DOOR-STORAGE-W/OLOCK-8.1"X17.8"	
12	111009-01-GB1	EA	DOOR-LP-6.5"X20.8"(WHITETRIM)	
12	111009-01-H34	EA	DOOR-LP-6.5"X20.8"(UMBRATRIM)	
13	104558-06-H33	EA	DOOR-STORAGE-W/OLOCK-27.4"(WHITETRIM)	
13	104558-06-H34	EA	DOOR-STORAGE-W/OLOCK-27.4"(UMBRATRIM)	
14	104558-27-FB1	EA	DOOR-STORAGE-W/OLOCK-49.7"(WHITETRIM)	
14	104558-27-H34	EA	DOOR-STORAGE-W/OLOCK-49.7"(UMBRATRIM)	
15	081240-16-000	EA	DOOR-WATERFILL-LOCKABLEW/OLOCK-4"X45/8"	

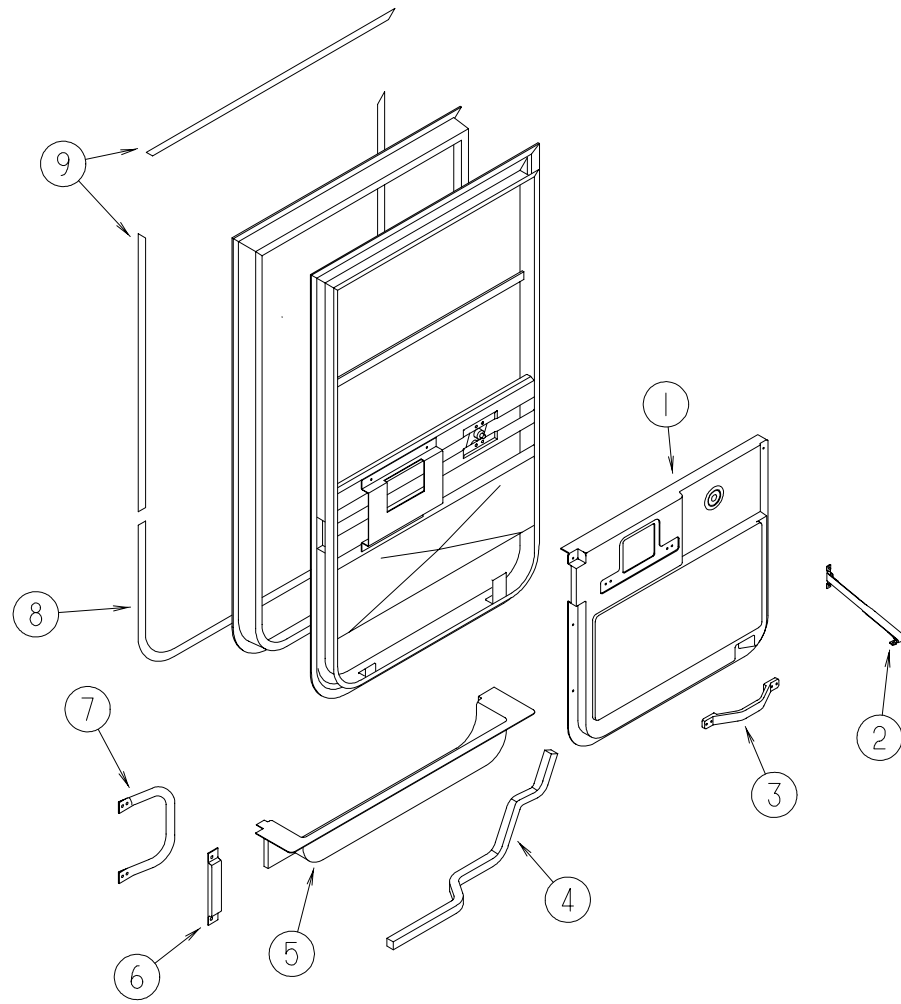
WINDOW, VENT & EXTERIOR DOOR GROUP (CONTINUED)
ENTRANCEDOOR



KEY	PARTNUMBER	U/M	DESCRIPTION	VENDOR NO.
1	115108-02-H33	EA	DOOR-ENTRY-W/SCREENDOOR-W/OWINDOW	
1	115108-02-H34	EA	DOOR-ENTRY-W/SCREENDOOR-W/OWINDOW	
1	115108-02-H35	EA	DOOR-ENTRY-W/SCREENDOOR-W/OWINDOW	
2	121893-01-01A	EA	FRAME-BOTTOM, ENTRYDOOR-BRIGHTWHITE	
3	121894-03-01A	EA	FRAME-ENTRYDOOR, W/OBOTTOM-BRIGHTWHITE	
4	039979-06-000	EA	COVER-LATCHPLATE-RIGHTHAND-BLACKTEXTURED	
	039984-01-000	EA	CAP-ROUND, VINYL-.28"IDX.62"LONG-BLACK	
5	096810-01-01A	EA	PLATE-LATCH, ENTRYDOOR-PLASTIC-BLACK	
	041546-07-000	EA	BRACKET-DOORANGLE, OFFWHITE-METAL	
6	045017-13-000	EA	LATCH-ENTRYDOOR-BLACKTEXTURED	
	045017-11-701	EA	KEY-BLANK-F1SERIES	81312-02
	045017-11-703	EA	CYLINDER-LOCKASM.W/KEYS	81266-09
	075671-04-000	FT	SEAL-SPONGE-LAZYT-W/ADHESIVESTRIP-.5"WIDE	
7	098173-01-07A	EA	STIFFENER-ENTRYDOOR-SUPPORTSLATCH/STRIKEAREA	
7	098173-01-04A	EA	STIFFENER-ENTRYDOOR-SUPPORTSLATCH/STRIKEAREA-UNPAINTED	
8	039539-01-000	EA	STRIKE-LOCK-ENTRYDOOR-ROUNDW/THREADEDWASHER	
	077461-03-000	EA	COVER-STRIKE-ENTRYDOOR-6.5"X2.5"-WHITEPLASTIC	
9	039540-01-000	EA	LATCHMECHANISM-HOOK-ENTRYDOOR-INTERIOR	
10	101145-01-06A	EA	DEADBOLT-ENTRYDOORW/OSECURITYBOLTW/2KEYS-BLACKTEXTURED	
	095229-01-700	EA	KEY-BLANK-DEADBOLT	81205-03
	101145-01-701	EA	CYLINDER-LOCKASSEMBLY,W/KEY	81306-03
	101147-01-000	EA	BOLT-SECURITY, 4.12"BACKSET	
11	100412-01-000	EA	CATCH-SCREENDOOR	
12	079087-03-000	EA	STRIKE-SLIDER, W/LIPFORELBOWCATCH-1.5"X8.6"-BRIGHTWHITE	
13	109403-01-000	EA	CATCH-SCREENDOORROLLER	
14	050712-06-000	EA	HANDLE-SCREENDOOR-BRIGHTWHITE	
15	122241-01-01A	EA	BUMPER-FOAMRUBBER-BLACK(SQUARE)	
			FROM: 00-00-00 THRU: 05-25-97	
15	120863-06-000	EA	BUMPER-RUBBER-3/4"X3/8"	
			FROM: 05-26-97 THRU: 99-99-99	
16	078595-01-000	EA	TOPPLATE-SCREENDOOR-CURVEDTOP-4.7"X25.35"	
17	044582-44-000	EA	CAP-DRIP-JAMB-BRIGHTWHITE	
18	106719-01-05A	EA	HINGE-ENTRANCEDOOR	
18	106719-01-01A	EA	HINGE-ENTRANCEDOOR-MILL	
	102248-01-000	EA	SHIM-DOOR	
	039715-01-000	EA	NUT-SERT-1/4"DIAMETER-20THREADS	
	116111-02-01A	EA	SCREW-TAPTITE-1/4-20X3/8PPH-ZINC	
	118929-01-01A	FT	SEAL-PILE-PUSHON	
	076725-02-000	EA	COVER-HINGE, ENTRYDOOR-6"X3.2"-PLASTIC-OFFWHITE	
19	121898-01-01A	EA	JAMB-ENTRYDOOR, W/BOTTOM-BRIGHTWHITE	
	115222-02-01A	EA	GARNISH-RADIUS-ENTRYDOOR-OFFWHITE	
20	078777-01-000	EA	CHANNEL-SLIDE-SCREENDOORCENTERSLIDECOVER	
21	079086-03-000	EA	SLIDER-SCREENDOOR-BRIGHTWHITE	
22	016454-01-000	EA	INSERT-CENTER-LEATHERGRAINALUMINUM-UNPAINTED	
22	001014-01-013	EA	INSERT-CENTER-10.25"X16.31"-UNPAINTED	
23	002294-01-000	FT	SPLINE-SCREENING, .135"X.138"-BLACK	
24	002293-02-000	SF	SCREENING-WINDOW/DOOR, 26"-CHARCOAL	
25	078552-03-000	EA	KICKPANEL-SCREENDOOR-LOWERINSERT-UNPAINTED	
26	051049-01-000	EA	JAMB-BOTTOM-ENTRYDOOR-25.9"-UNPAINTED	
27	121899-01-G04	EA	DOOR-SCREEN-W/OHARDWARE	
	075673-01-000	FT	SEAL-PILE-ADHESIVEBACK-GRAY	
	075673-05-000	FT	SEAL-PILE-ADHESIVEBACK-BLACK	
	086285-05-000	EA	SPACER-NYLON-.7"X.56"	
	122241-01-01A	EA	BUMPER-FOAMRUBBERW/ADHESIVEBACK, 12.7MMX12.7MMX6.4MM-BLACK	
28	104099-01-04A	EA	CATCH-DOORHOLDER-STRIKE-BRIGHTWHITE	
29	104099-02-04A	EA	CATCH-DOORHOLDER-RETAINER-BRIGHTWHITE	
	009126-03-000	EA	HANDLE-ASSIST-BLACKTEXTURED	
	100128-02-000	FT	SEAL-FOAM, ADHESIVEBACK-.37"WX.37"THICK	

WINDOW, VENT & EXTERIOR DOOR GROUP (CONTINUED)

DRIVER DOOR INTERIOR COMPONENTS

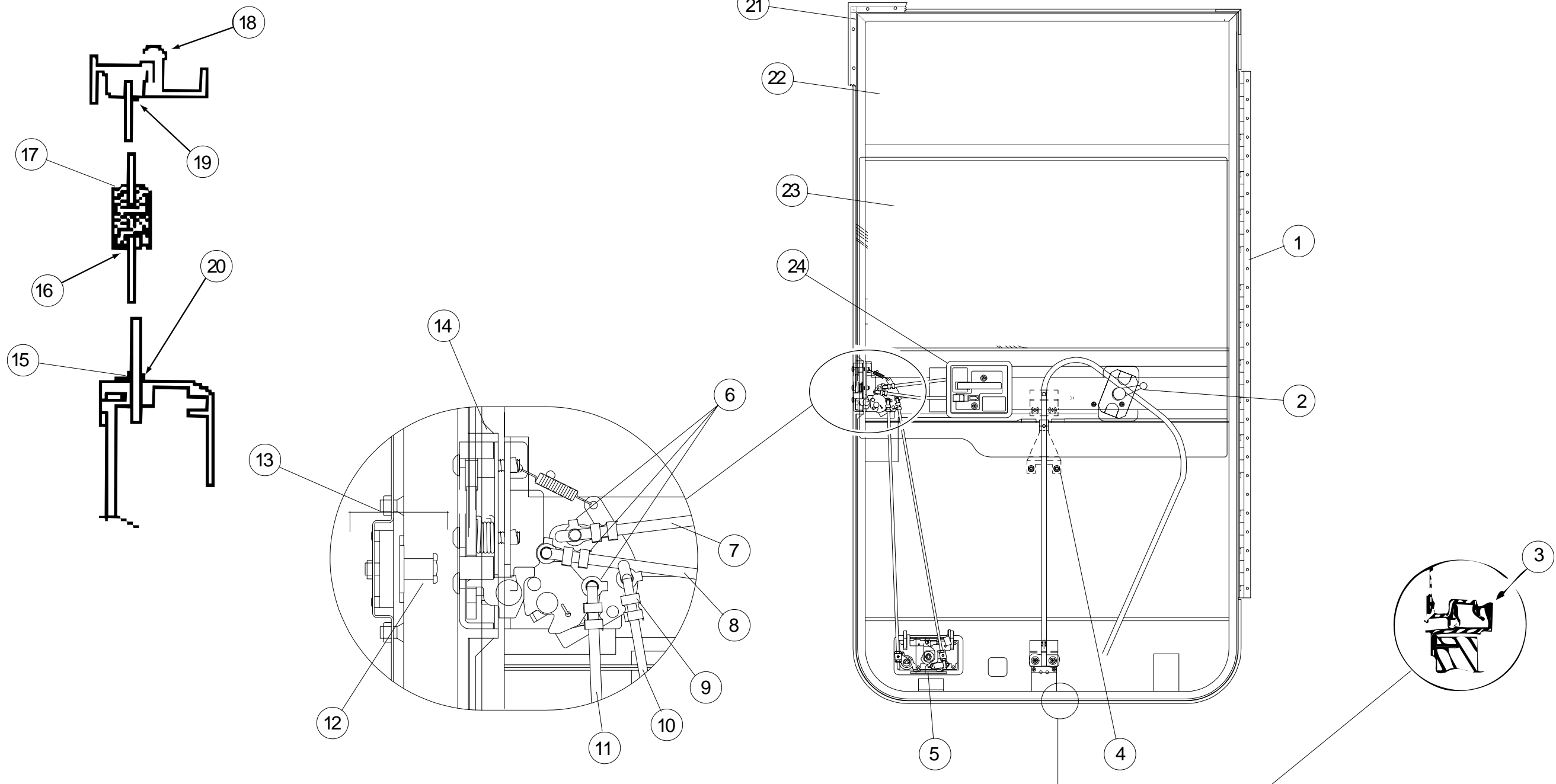


KEY	PART NUMBER	U/M DESCRIPTION
1	114973-01-02A	EA PANEL - DRIVER DOOR - INNER - WILLOW - PLASTIC
2	109378-01-000	EA STRAP - CHECK - DRIVER DOOR - 12.8"
3	110604-01-01A	EA HANDLE - ASSIST - DRIVERS DOOR
4	063977-12-000	EA STEP - DRIVER DOOR - LEFT - PAINTED
4	063977-11-000	EA STEP - DRIVER DOOR - LEFT - UNPAINTED
5	107818-01-01A	EA TRIM - STEP - DRIVERS DOOR - PLASTIC - WILLOW
	106746-01-000	EA PANEL - STEEL - STEPWELL
	106747-01-000	EA PANEL - STEEL - STEPWELL - END RH
	106747-02-000	EA PANEL - STEEL - STEPWELL - END LH
	102569-02-000	EA MAT - ANTI SLIP - LOWER

KEY	PART NUMBER	U/M DESCRIPTION
6	108654-01-01A	EA COVER - STRIKE - DRIVERS DOOR - BLACK
7	108832-01-02A	EA HANDLE - ASSIST - DRIVERS DOOR - METAL - OFF WHITE
	108833-01-01A	EA COVER - HANDLE - ASSIST - OFF WHITE
8	109235-01-05A	FT COVER - SCREW - BRIGHT WHITE - DAWN
9	109235-01-01A	FT COVER - SCREW - MATTE BLACK - DAWN
	108129-02-02A	EA GARNISH - DRIVERS DOOR - FRONT - BLACK
	108107-01-02A	EA GARNISH - DRIVERS DOOR - TOP - BLACK
	108108-04-02A	EA GARNISH - DRIVERS DOOR - REAR UPPER - BLACK
	108897-02-01A	EA GARNISH - DRIVERS DOOR - REAR LOWER - BLACK
	P01713-01-000	EA SWITCH - PUSH BUTTON - IN DOOR JAMB - METAL CHROME
	076725-06-000	EA COVER - ACCESS - DOOR JAMB PUSH BUTTON - BLACK

WINDOW, VENT & EXTERIOR DOOR GROUP (CONTINUED)

DRIVER DOOR (EXCEL)

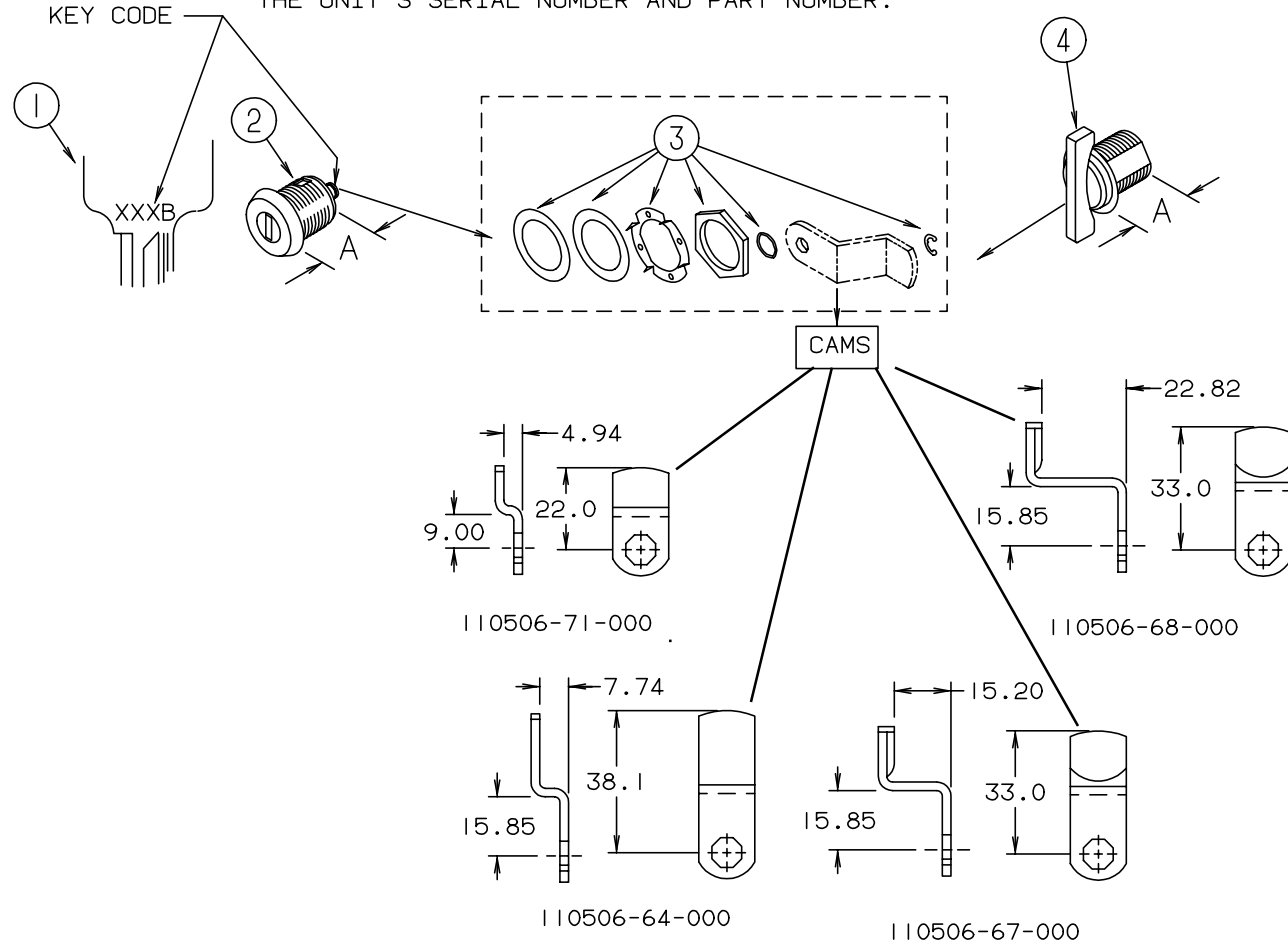


KEY	PART NUMBER	U/M DESCRIPTION	VENDOR NO.
	106469-07-01A	EA DOOR ASM. - DRIVERS - BLACK - V130-01L	
1	106469-05-702	EA HINGE - 42"	211-041194
2	106469-02-704	EA WINDOW HANDLE	V068-16
3	106469-01-723	EA SEAL - BULB ASM. (JAMB)	171-040985
4	106469-02-701	EA REGULATOR - MANUAL	V108-90L
5	106469-04-700	EA PADDLE ASSEMBLY-W/COLLAR	248-041237
5	106469-04-715	EA LATCH COMPLETE W/TUMBLER & KEYS	V123-15
6	106469-04-714	EA ROD CLIP R.H.	248-041153
7	106469-04-705	EA LATCH ROD - HORIZONTAL	203-041139
8	106469-04-711	EA LOCK ROD - HORIZONTAL	203-041137
9	106469-04-713	EA ROD CLIP L.H.	248-041154
10	106469-05-703	EA ROD - LOCK/VERTICAL ADJUST.	203-041239
11	106469-05-705	EA ROD - LATCH/VERTICAL ADJUST.	203-041279
12	106469-04-703	EA BOLT - STRIKER (W/ WASHER)	248-041152
13	106469-04-704	EA NUT ASSEMBLY - CAGED - W/STRIKER	248-041151

KEY	PART NUMBER	U/M DESCRIPTION	VENDOR NO.
14	106469-05-706	EA LATCH - ROTARY - W/LINKAGE	248-041150
15	106469-02-703	EA BELT WEATHERSTRIP (EXT) WDO	V047-57
16	106469-01-705	FT CHANNEL - RUN - SLIDING	122-010850
17	106469-08-700	EA MULLION RAIL	V103-84
18	106469-01-702	EA DOOR SEAL	122-040984
19	125581-02-705	EA HORIZONTAL GLAZING - VINYL	V108-87
20	106469-01-709	FT WEATHERSTRIP - FUZZY	171-040630
21	106469-07-700	EA MOUNTING FRAME ASSEMBLY	V130-30L
22	106469-02-702	EA GLASS - STATIONARY	106-041104
23	106469-01-704	EA GLASS - ROLL-UP W/BACKET	V103-65L
24	106469-04-712	EA HANDLE/DOOR - INNER W/HARDWARE	248-041402
24	106469-04-716	EA LEVER - LOCKING - BLACK	80978-00
	106469-04-701	EA TUMBLER & KEYS (TRI-MARK)	248-041179
	106469-04-702	EA KEYS (BLANK)	248-041180
	125582-01-708	EA WEEPHOLE COVER - RIGHT HAND	130-026598
	125582-01-709	EA WEEPHOLE COVER - LEFT HAND	130-026599

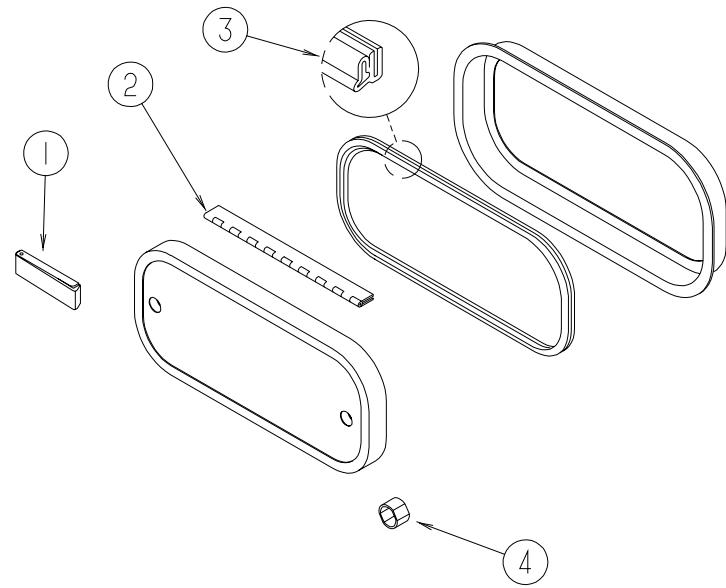
WINDOW, VENT & EXTERIOR DOOR GROUP (CONTINUED)
BRIGGS & STRATTON LOCKS & COMPONENTS

NOTE:
 WHEN ORDERING THE LOCK CASE, THE KEY CODE MUST MATCH THE LAST DIGIT OF THE UNIT'S SERIAL NUMBER AND PART NUMBER; WHEN ORDERING THE KEYS, THE THIRD DIGIT OF THE KEY CODE MUST MATCH THE LAST DIGIT OF THE UNIT'S SERIAL NUMBER AND PART NUMBER.



KEY	PART NUMBER	U/M	DESCRIPTION	VENDOR NO.
1	110506-59-000	EA	KEYS-SET OF 2	596720
2	110506-52-000	EA	CASE-LOCK, A=17 MM	702370
2	110506-53-000	EA	CASE-LOCK, A=25 MM	702380
1	110506-59-001	EA	KEYS-SET OF 2	596721
2	110506-52-001	EA	CASE-LOCK, A=17 MM	702371
2	110506-53-001	EA	CASE-LOCK, A=25 MM	702381
1	110506-59-002	EA	KEYS-SET OF 2	596722
2	110506-52-002	EA	CASE-LOCK, A=17 MM	702372
2	110506-53-002	EA	CASE-LOCK, A=25 MM	702382
1	110506-59-003	EA	KEYS-SET OF 2	596723
2	110506-52-003	EA	CASE-LOCK, A=17 MM	702373
2	110506-53-003	EA	CASE-LOCK, A=25 MM	702383
1	110506-59-004	EA	KEYS-SET OF 2	596724
2	110506-52-004	EA	CASE-LOCK, A=17 MM	702374
2	110506-53-004	EA	CASE-LOCK, A=25 MM	702384
1	110506-59-005	EA	KEYS-SET OF 2	596725
2	110506-52-005	EA	CASE-LOCK, A=17 MM	702375
2	110506-53-005	EA	CASE-LOCK, A=25 MM	702385
1	110506-59-006	EA	KEYS-SET OF 2	596726
2	110506-52-006	EA	CASE-LOCK, A=17 MM	702376
2	110506-53-006	EA	CASE-LOCK, A=25 MM	702386
1	110506-59-007	EA	KEYS-SET OF 2	596727
2	110506-52-007	EA	CASE-LOCK, A=17 MM	702377
2	110506-53-007	EA	CASE-LOCK, A=25 MM	702387
1	110506-59-008	EA	KEYS-SET OF 2	596728
2	110506-52-008	EA	CASE-LOCK, A=17 MM	702378
2	110506-53-008	EA	CASE-LOCK, A=25 MM	702388
1	110506-59-009	EA	KEYS-SET OF 2	596729
2	110506-52-009	EA	CASE-LOCK, A=17 MM	702379
2	110506-53-009	EA	CASE-LOCK, A=25 MM	702389
3	110506-40-700	EA	HARDWARE KIT-LOCK, W/GASKET, NUT, CLIP & WASHERS	
4	110506-50-000	EA	CASE - TWIST LOCK - A= 17 MM	596952
4	110506-51-000	EA	CASE - TWIST LOCK - A= 25 MM	596669
	110506-59-701	EA	KEY BLANK	

WINDOW, VENT & EXTERIOR DOOR GROUP (CONTINUED)



EXTERIOR ACCESS DOOR COMPONENTS

KEY	PARTNUMBER	U/M DESCRIPTION
1	102768-01-000	EA HOLDER-COMPARTMENT/ENTRY DOOR, METAL-MILL FINISH
2	081801-V3-000	EA HINGE-DOOR, PIANO-2" X 96", BRIGHT WHITE-ALUMINUM
3	064075-07-000	FT SEAL-BULB, W/WIRED U CHANNEL-.3" X .5" CHANNEL-BLACK
3	106850-01-000	FT SEAL-E-SPONGE RUBBER-.43" X .75"
4	107997-51-001	EA SPACER-.86" X .6", ALUMINUM
	107997-51-002	EA EXTRUDED SPACER-16'

WINDOW, VENT & EXTERIOR DOOR GROUP (CONTINUED)

ELIXIR ROOF VENT-NONPOWERED

KEY	PARTNUMBER	U/M DESCRIPTION	VENDOR NO.
	122882-01-01A	EA VENT-ROOF, NONPOWERED	
	009440-01-000	EA GEAR/ARM-LIFT-ROOF VENT COVER-705221K38	
	064470-01-700	EA COVER-VENT, W/O(SLIDEBAR)	J7291
	064470-01-701	EA SLIDEBAR, (VENT-LID)	JRP1291B
	122882-01-700	EA HANDLE-CRANK, BLACK	90128
	122882-01-701	EA SCREEN	JRP-1124-B
	122882-07-01A	EA GARNISH-ROOF VENT, 63.5-104.6-POWERED OR NONPOWERED	

ELIXIR ROOF VENT-POWERED

KEY	PARTNUMBER	U/M DESCRIPTION	VENDOR NO.
	122882-02-01A	EA VENT-ROOF, POWERED	
	009440-01-000	EA GEAR/ARM-LIFT-ROOF VENT COVER-705221K38	
	048648-01-000	EA MOTOR-ROOF VENT, 1/8 SHAFT-12V-JENSEN	
	048649-01-000	EA FAN-ROOF VENT, 6 BLADES-6"-JENSEN	
	064470-01-700	EA COVER-VENT, W/O(SLIDEBAR)	J7291
	064470-01-701	EA SLIDEBAR, (VENT-LID)	JRP1291B
	110051-03-700	EA SWITCH-BLACK/PUSHBUTTON	27-0164
	122882-01-700	EA HANDLE-CRANK, BLACK	90128
	122882-01-701	EA SCREEN	JRP-1124-B
	122882-07-01A	EA GARNISH-ROOF VENT, 63.5-104.6-POWERED OR NONPOWERED	

ELIXIR ROOF VENT-POWERED-CANADIAN

KEY	PARTNUMBER	U/M DESCRIPTION	VENDOR NO.
	122882-03-01A	EA VENT-ROOF, POWERED-CANADIAN	
	009440-01-000	EA GEAR/ARM-LIFT-ROOF VENT COVER-705221K38	
	048648-01-000	EA MOTOR-ROOF VENT, 1/8 SHAFT-12V-JENSEN	
	048649-01-000	EA FAN-ROOF VENT, 6 BLADES-6"-JENSEN	
	064470-01-700	EA COVER-VENT, W/O(SLIDEBAR)	J7291
	064470-01-701	EA SLIDEBAR, (VENT-LID)	JRP1291B
	110051-03-700	EA SWITCH-BLACK/PUSHBUTTON	27-0164
	122882-01-700	EA HANDLE-CRANK, BLACK	90128
	122882-01-701	EA SCREEN	JRP-1124-B
	122882-07-01A	EA GARNISH-ROOF VENT, 63.5-104.6-POWERED OR NONPOWERED	

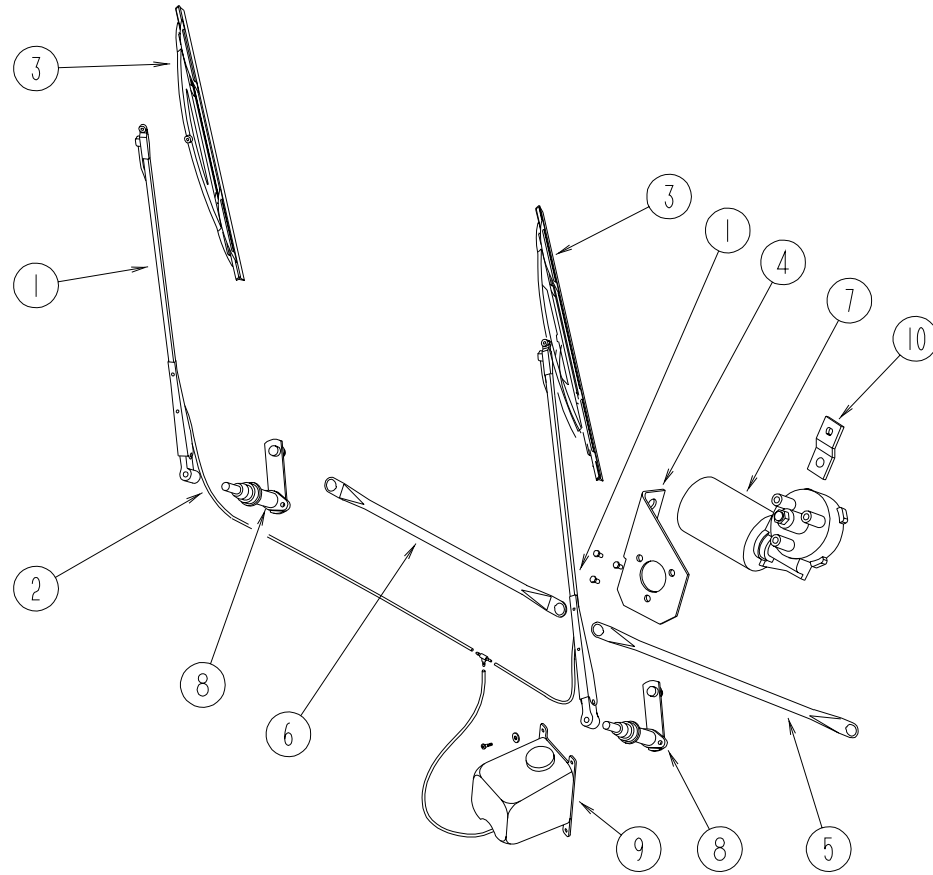
ROOF VENTS

KEY	PARTNUMBER	U/M DESCRIPTION
	083558-03-000	EA VENT-PLUMBING-PIPE ROOF-W/COVER-OFF WHITE
	084073-04-000	EA BASE-ROOF VENT-REFRIGERATOR
	084073-07-000	EA VENT-ROOF-REFRIGERATOR-BRIGHT WHITE

SIDEWALL VENTS

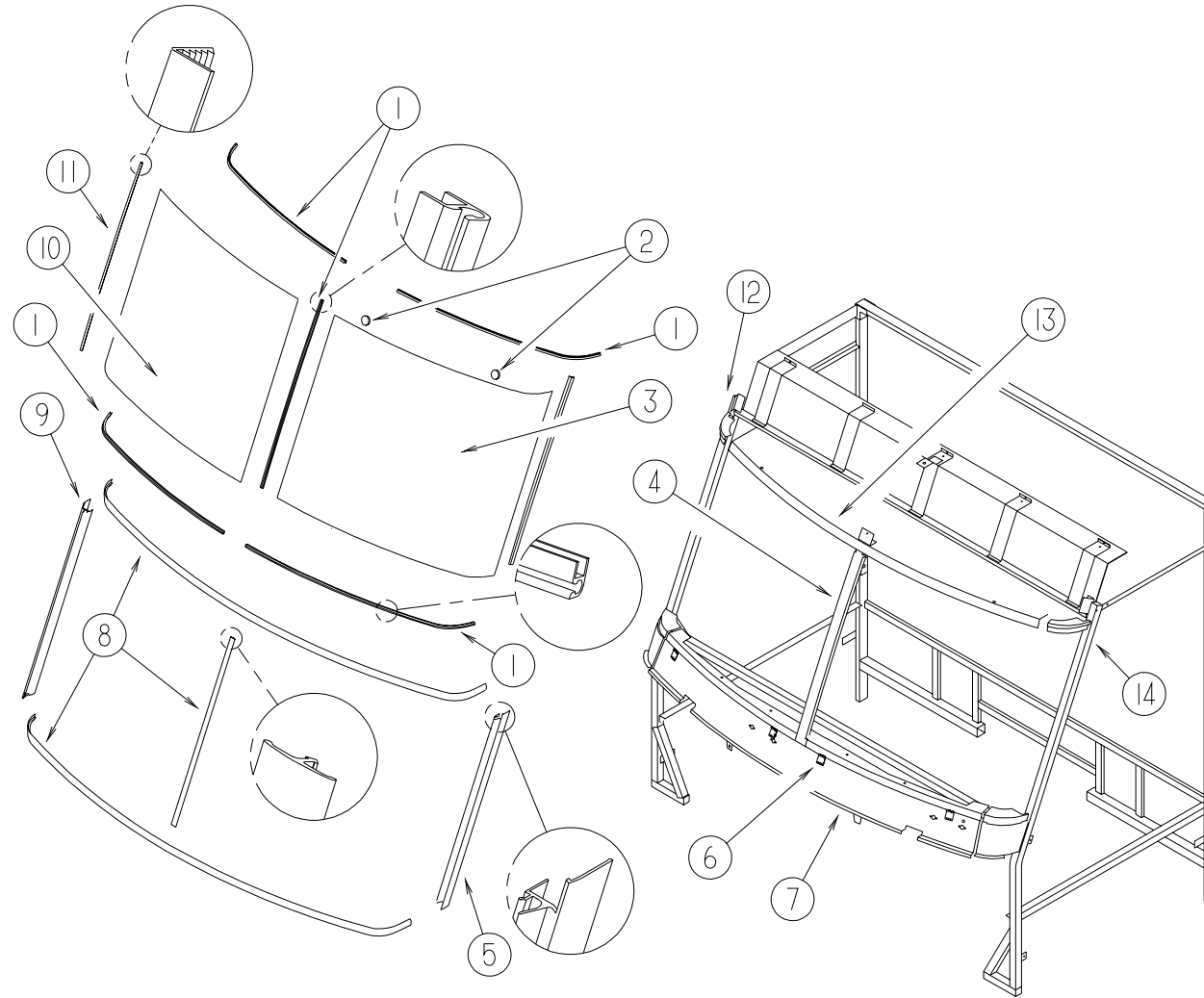
KEY	PARTNUMBER	U/M DESCRIPTION
	084616-07-000	EA VENT-SHROUD-RANGE HOOD-BRIGHT WHITE
	084878-09-000	EA VENT-HOOD-RANGE/SHORT-OFF WHITE

**WINDSHIELD&WIPERGROUP
WIPER&WASHERCOMPONENTS**



KEY	PARTNUMBER	U/M	DESCRIPTION	VENDORNO.
1	103671-01-000	EA	ARM-WIPER,PANTOGRAPH-24"	
	096931-01-700	FT	HOSE-WIPER,TOBLADE	
	096931-01-701	EA	NOZZLE-HARDWAREKIT,INCLUDESNOZZLE,NUT,SHORTTHREAD SCREW,LONGTHREADSCREW,ANDPLASTICCAP	
2	045794-01-000	FT	HOSE-WASHER,WINDSHIELD-5/32"ID-BLACK	
3	095964-01-000	EA	BLADE-WIPER,24"	
4	104549-01-000	EA	BRACKETASSEMBLY-WIPERMOTOR	
5	117008-01-000	EA	LINKASM-CONNECTING-DRIVERSSIDE	
6	117008-02-000	EA	LINKASM-CONNECTING-PASSENGERSIDE	
7	104346-04-000	EA	MOTOR-WIPER,CHEVYCHASSIS-UT65714M02025WJ-CHEVY	
7	104346-05-000	EA	MOTOR-WIPERW/INTERNALBREAKER-DYNAMICPARK-FORD	
8	117322-01-000	EA	SCREW-1/4-28UNF-2A,TORX-U.T.6270020SC25WJ	
	096505-05-000	EA	PIVOT&SHAFTASM-WIPER,PASSENGERWINDSHIELD	
	096505-06-000	EA	PIVOT&SHAFTASM-WIPER,DRIVERWINDSHIELD	
	096505-02-700	EA	DRIVER-KNURLED,(HD)BARREL.687	NT721017
	096505-02-701	EA	NUT-HEX(HD)W/.687BARREL	NT721021
	096505-02-702	EA	CAP-RUBBER(HD)BARREL.687	CP721084
	096505-02-703	EA	CAP-NUT(ACORN)HDW/.687BRL	51065-40-NT27WC
9	117766-02-000	EA	WASHER-WINDSHIELD,BOTTLE&PUMP-MCCORD600328	
	110605-01-000	EA	TEE-BARBED,1/8X1/8X3/16-BAYLOCK3799721	
	110934-01-000	EA	CONNECTOR-BARB,5/16"-PLASTIC-KEVCOTC7055	
	117765-03-000	EA	CONNECTOR-5/32W/SWSH-ITTH-BAYLOCK116756	
10	104347-01-000	EA	ARM-DRIVE,WIPERMOTOR-1.54"	
	061603-01-000	EA	GROMMET-SNAP,3/16ID-3/8HOLE-PLASTIC-BLACK	
	067188-01-000	EA	STUD-CRANK,WIPER	
	110742-01-000	EA	GASKET-WIPER	
	077298-55-003	EA	EXTR-TUBE,0007MM-BLACK	

WINDSHIELD&WIPERGROUP(CONTINUED)
WINDSHIELDMOLDINGS&GLASS



KEY	PARTNUMBER	U/M	DESCRIPTION
1	110268-01-000	EA	CARRIER-WINDSHIELD-50.4"
2	081914-01-000	EA	BUMPER-RUBBER-ROUND-.43"DIAMETER-BLACK
3	103788-02-000	EA	GLASS-WINDSHIELD-DRIVERSIDE
4	075710-01-000	EA	FRAME-WINDSHIELD-CENTERDIVIDER-INNER
5	103107-04-01A	EA	TRIM-WINDSHIELD-DRIVERSIDE-BLACK
6	104449-01-000	EA	BRACKET-WINDSHIELDSUPPORT
7	077847-02-000	EA	SUPPORT-WINDSHIELD-LOWER-W/OBRACKETS
8	102936-01-000	FT	MOLDING-REVEAL-WINDSHIELD
9	103107-03-01A	EA	TRIM-WINDSHIELD-PASSENGERSIDE-BLACK
10	103788-01-000	EA	GLASS-WINDSHIELD-PASSENGERSIDE
11	098788-06-000	EA	CARRIER-REVEAL-48.9"WINDSHIELD
12	077922-03-000	EA	HEADERWINDSHIELDEND-PASSENGERSIDE
13	077922-05-000	EA	HEADERWINDSHIELD-CENTER
14	077922-04-000	EA	HEADERWINDSHIELDEND-DRIVERSIDE
	072874-01-000	EA	EXTRUDED-CAP-WINDSHIELDREVEALMOLDING
	002328-02-000	EA	BLOCK-WINDSHIELD-.062"X.5"X.98"