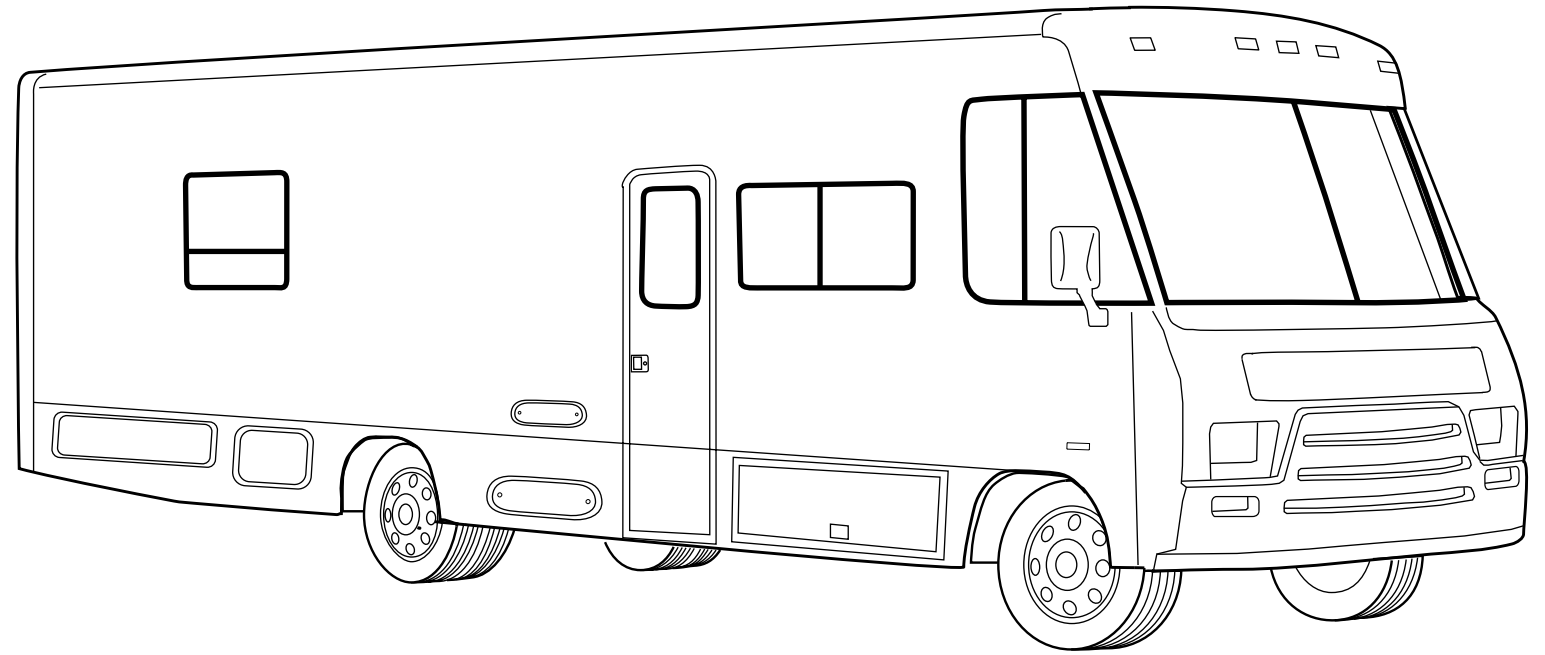


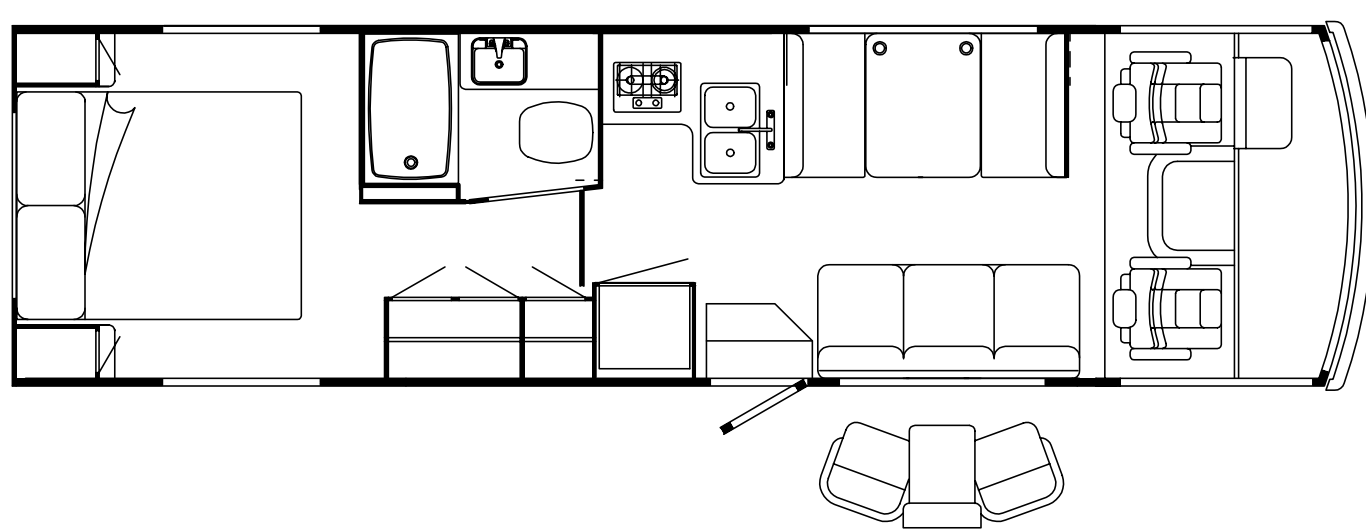
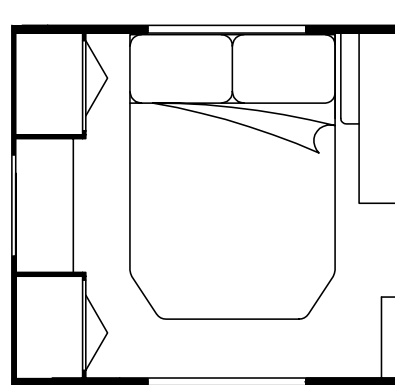
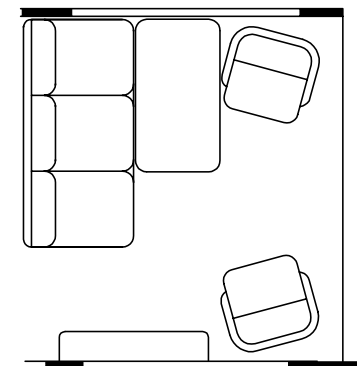
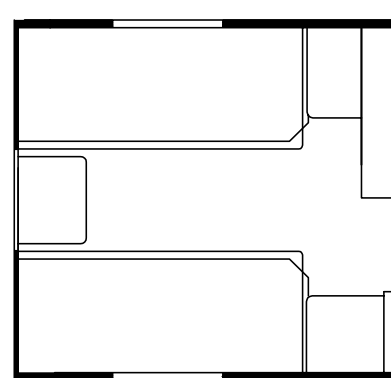
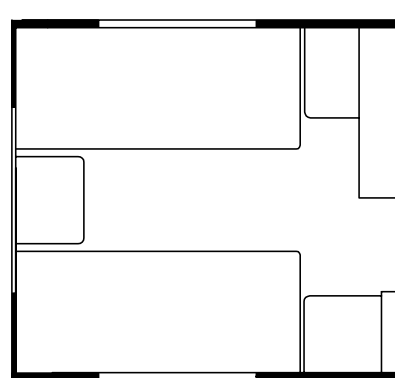
1997 ICF30RQ



H33
BLUE LAGOON (BLUE)

H34
KRYPTONITE (TAN)

H35
SEQUOIA (SAGE)



**ACCESSORIES GROUP
OPERATOR MANUAL**

KEY	PART NUMBER	U/M DESCRIPTION
	054185-F8-000	EA MANUAL-OPERATOR, 1997 SUNRISE
	092318-01-000	EA BINDER - 3 RING, MOTOR HOME MANUAL
	092319-01-000	EA POCKET PAGE - 3 RING BINDER, PLASTIC
	121518-01-000	DW TOP LEVEL DRAWING-F, 1997

**AUDIO VIDEO GROUP
PATIO ENTERTAINMENT CENTER**

KEY	PART NUMBER	U/M DESCRIPTION
	076319-09-000	EA WALLPLATE-CABLE RECEPTACLE, TV - SINGLE - BROWN
	077069-02-000	EA CABLE - ANTENNA/EXTENSION - RADIO - 96"
	082134-01-000	EA ADAPTER-TV, CABLE TO CABLE
	086756-01-000	EA SPLITTER-TV, 2 WAY
	087683-03-000	EA RADIO - AM/FM STEREO CASSETTE - AUDIOVOX
	108847-01-000	EA BRACKET-ANTENNA GROUND
	109889-04-000	EA EXTENDER - ANTENNA SHAFT - 3"
	110469-01-000	EA SPEAKER - 4" X 6" OVAL - COAXIAL
	110470-01-01A	EA GRILLE - 4" X 6" OVAL - BLACK

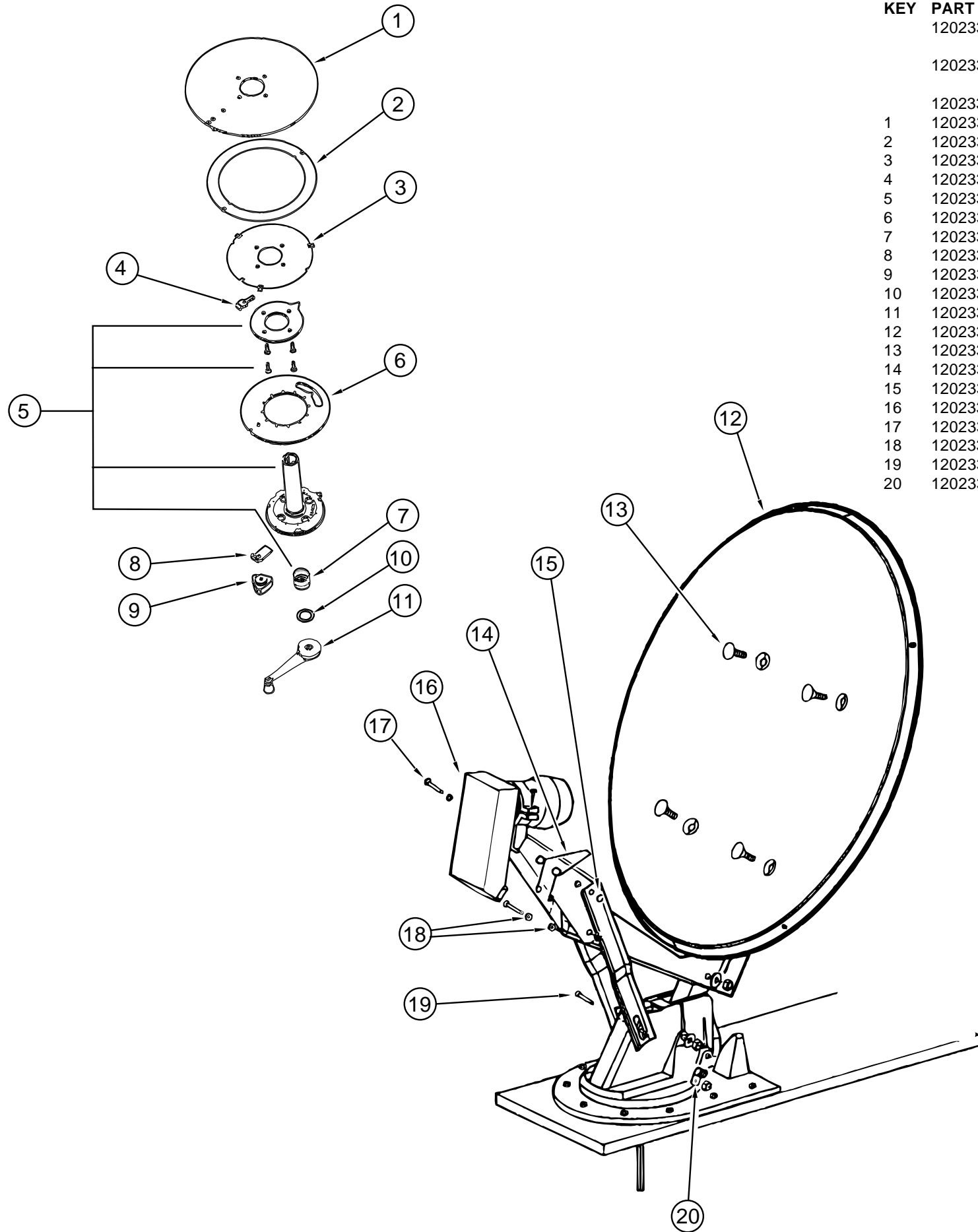
RADIO SYSTEMS & ANTENNA

KEY	PART NUMBER	U/M DESCRIPTION	VENDOR NO.
	116148-03-000	EA RADIO - AM/FM STEREO W/CD PLAYER - CLARION	FROM: 00-00-00 THRU: 08-13-96
	116148-04-000	EA RADIO - AM/FM STEREO W/CD PLAYER - CLARION	FROM: 08-14-96 THRU: 99-99-99
	110267-03-000	EA RADIO-AM/FM STEREO - CD COMPATIBLE - AUDIOVOX	FROM: 00-00-00 THRU: 08-13-96
	110267-04-000	EA RADIO-AM/FM STEREO - CD COMPATIBLE - AUDIOVOX	FROM: 08-14-96 THRU: 99-99-99
	097460-08-000	EA RADIO - AM/FM STEREO/CASSETTE - SONY - W.I.E. EXPORT OPTION	FROM: 05-13-97 THRU: 99-99-99
	127264-01-000	EA RADIO - AM/FM STEREO/CASSETTE - PANASONIC - W.I.E. EXPORT OPTION	FROM: 05-13-97 THRU: 99-99-99
	127264-01-700	EA TRIM RING	YFC054C044ZB
	127264-01-701	EA KNOB - VOLUME	FROM: 05-13-97 THRU: 99-99-99
	127264-01-702	EA KNOB - FADER	YFE074C045ZA
	127264-01-703	EA FACTORY HARNESS	FROM: 05-13-97 THRU: 99-99-99
	077069-02-000	EA CABLE - ANTENNA/EXTENSION - RADIO - 96"	YEF074C026
	090944-01-000	EA ANTENNA-RADIO, 16" RUBBER	FROM: 05-13-97 THRU: 99-99-99
	089340-02-000	EA GRILLE-SPEAKER, 6.5" SQUARE	YAJ024C048ZB
	089340-03-000	EA SPACER-GRILLE, 6.5" SQUARE - TAN	FROM: 05-13-97 THRU: 99-99-99
	094097-01-000	EA SPEAKER - RADIO/TV - W/O GRILLE - 5.25" DIAMETER	
	110469-01-000	EA SPEAKER - 4" X 6" OVAL - COAXIAL	
	110470-01-01A	EA GRILLE - 4" X 6" OVAL - BLACK	

CB ANTENNA

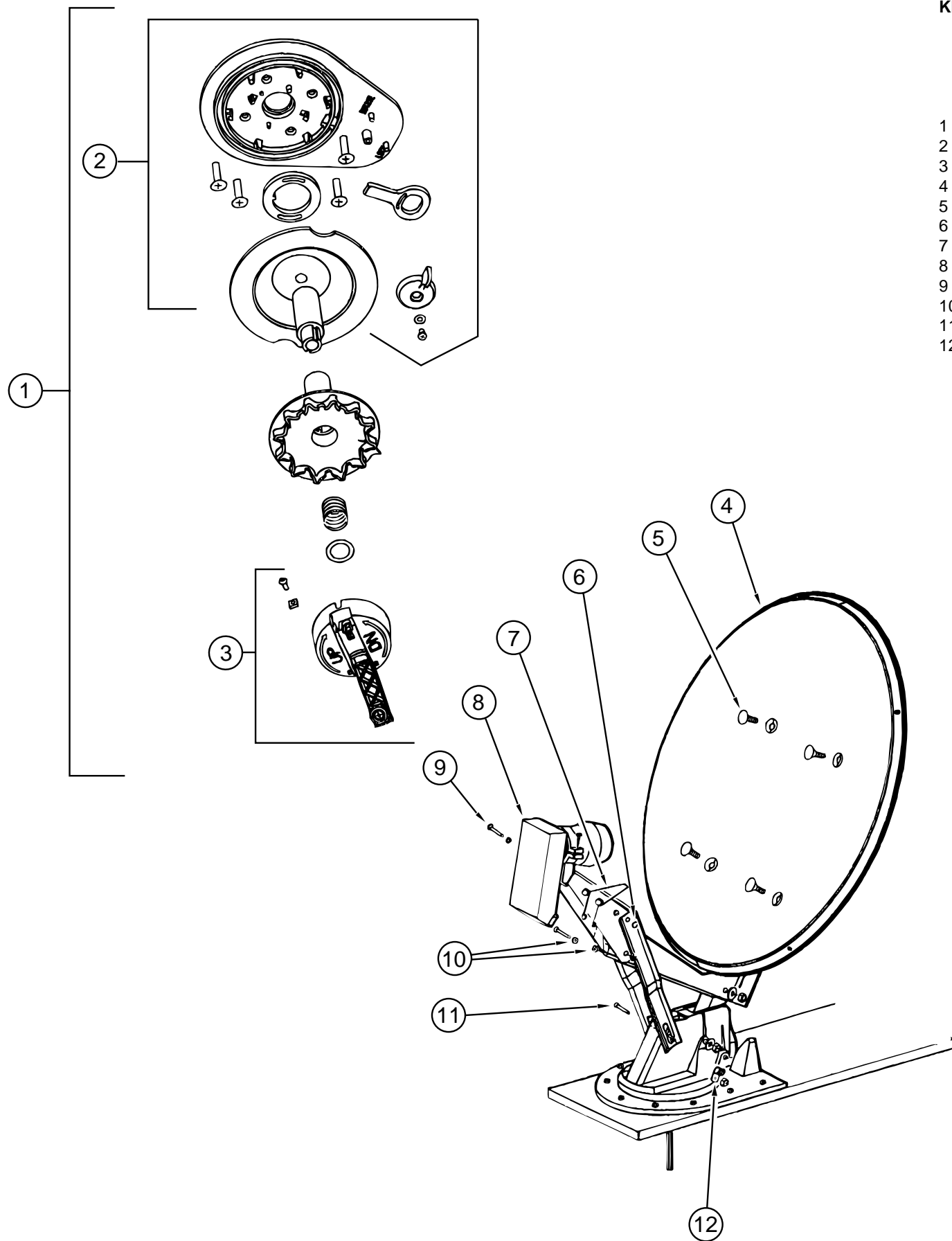
KEY	PART NUMBER	U/M DESCRIPTION
	123256-01-000	EA ANTENNA-CB W/O CABLE
	123256-02-000	EA CABLE-CB COAX

AUDIO VIDEO GROUP (CONTINUED)
WINEGARD SATELLITE ANTENNA - OLD STYLE



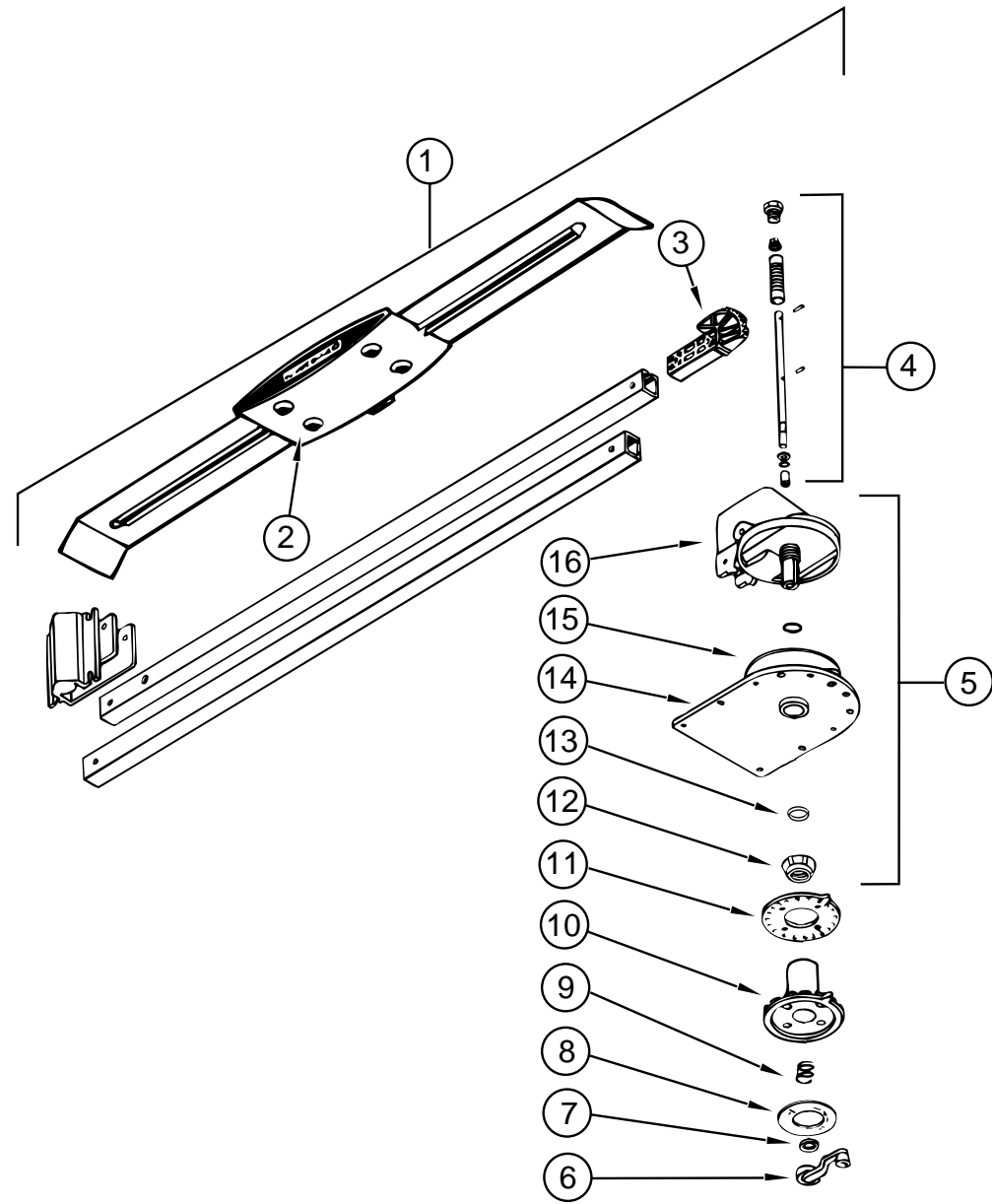
KEY	PART NUMBER	U/M	DESCRIPTION	VENDOR NO.
	120233-02-000	EA	RECEIVER ONLY-SATELLITE ANTENNA - RC-1000	
				FROM: 00-00-00 THRU: 01-26-97
	120233-02-700	EA	REMOTE	RC-0012
				FROM: 00-00-00 THRU: 01-26-97
	120233-01-000	EA	ANTENNA-SATELLITE W/O RECEIVER - (DISH & HARDWARE KIT) - MANUAL	
1	120233-01-700	EA	PLATE-FIXED	3750821
2	120233-01-701	EA	DIAL-DIRECTIONAL	2745056
3	120233-01-702	EA	PIVOT-DIAL-DIRECTIONAL	2745058
4	120233-01-703	EA	STOP-ROTATION	3711281
5	120233-01-704	EA	PLATE-CEILING W/DIRECTIONAL HANDLE	RP-6300
6	120233-01-705	EA	PLATE-ROTATE	3750820
7	120233-01-706	EA	SPRING	RP-6822
8	120233-01-707	EA	CLAMP-ROTATE	3711280
9	120233-01-708	EA	KNOB-CLAMP	2200061
10	120233-01-709	EA	WASHER-NYLON	RP-2658
11	120233-01-710	EA	HANDLE-CRANK	RP-6795
12	120233-01-711	EA	REFLECTOR - 46 CM	2745304
13	120233-01-712	EA	BOLT-FLAT HEAD	2160253
14	120233-01-713	EA	SPRING	2160820
15	120233-01-714	EA	CLIP-E	5160818
16	120233-01-715	EA	LOW NOISE BLOCK FILTER (LNBF)	2780177
17	120233-01-716	EA	PIN	2160814
18	120233-01-717	EA	BEARING-NYLON	2200726
19	120233-01-718	EA	PIN	5160817
20	120233-01-719	EA	CLAMP-CABLE	2200060

AUDIO VIDEO GROUP (CONTINUED)
WINEGARD SATELLITE ANTENNA - NEW STYLE



KEY	PART NUMBER	U/M	DESCRIPTION	VENDOR NO.
	120233-02-000	EA	RECEIVER ONLY-SATELLITE ANTENNA - RC-1000	
				FROM: 00-00-00 THRU: 01-26-97
	120233-02-700	EA	REMOTE	RC-0012
				FROM: 00-00-00 THRU: 01-26-97
	120233-01-000	EA	ANTENNA-SATELLITE W/O RECEIVER - (DISH & HARDWARE KIT) - MANUAL	
1	120233-01-720	EA	CEILING PLATE ASM (RETRO FIT)	RP-4100
2	120233-01-722	EA	PLATE ASSEMBLY (CEILING)	2762826
3	120233-01-721	EA	CRANK HANDLE ASSEMBLY	2762825
4	120233-01-711	EA	REFLECTOR - 46 CM	2745304
5	120233-01-712	EA	BOLT-FLAT HEAD	2160253
6	120233-01-714	EA	CLIP-E	5160818
7	120233-01-713	EA	SPRING	2160820
8	120233-01-715	EA	LOW NOISE BLOCK FILTER (LNBF)	2780177
9	120233-01-716	EA	PIN	2160814
10	120233-01-717	EA	BEARING-NYLON	2200726
11	120233-01-718	EA	PIN	5160817
12	120233-01-719	EA	CLAMP-CABLE	2200060

AUDIO VIDEO GROUP (CONTINUED)
WINEGARD TV ANTENNA

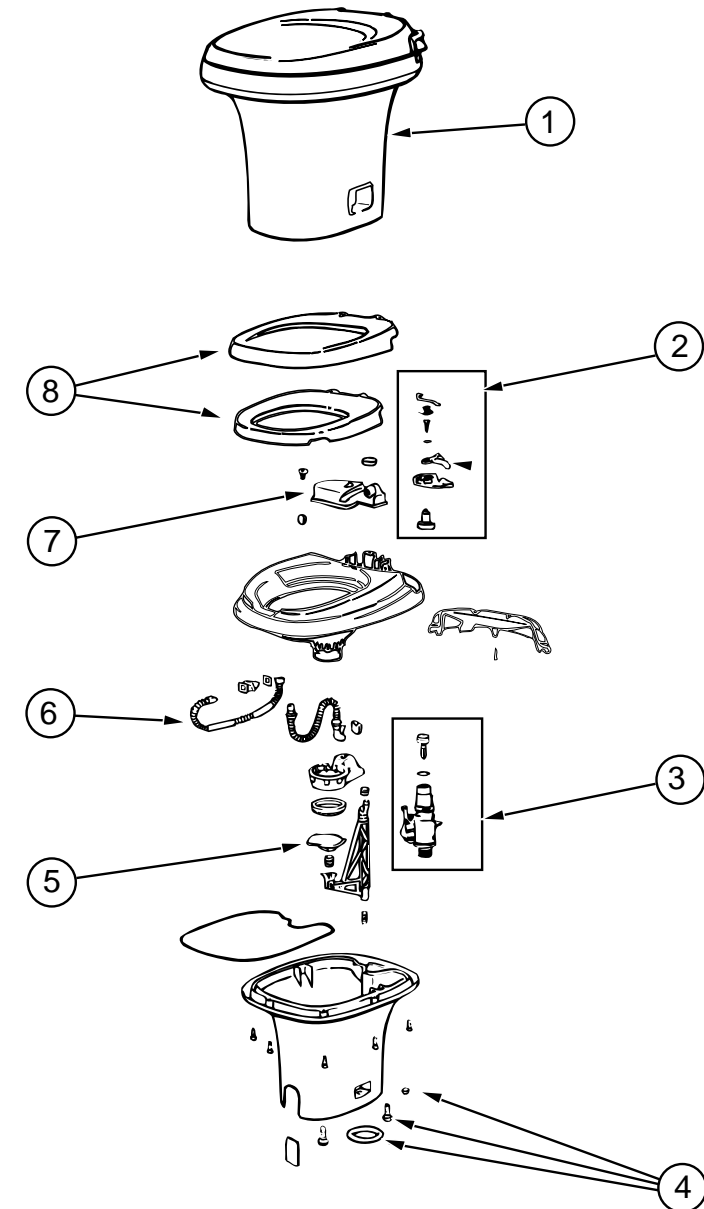


KEY	PART NUMBER	U/M	DESCRIPTION	VENDOR NO.
1	076319-21-000	EA	ANTENNA-TV, ROOF MOUNT - 3" ROOF	
2	076319-01-700	EA	HEAD-ANTENNA, AMPLIFIED	RVSA U/V
3	076319-01-701	EA	GEAR-ELEVATING, PLASTIC	2200046
4	076319-01-702	EA	SHAFT ASM-ELEVATING	RVP-400A
5	076319-01-711	EA	BASE & LIFT ASM	2762802
6	076319-01-706	EA	CRANK-ELEVATING, W/SET SCREW	2750897
7	076319-01-705	EA	GROMMET-NYLON, 7/8" ID	3200658
8	076319-01-708	EA	DECAL-CRANK	5413002
9	076319-01-707	EA	SPRING-HANDLE	5160822
10	076319-01-709	EA	PLATE-DIRECTIONAL, FOR HEAD	3200621
11	076319-01-712	EA	PLATE-CEILING, DIRECTIONAL	3200608
12	076319-01-715	EA	NUT (GEAR HOUSING)	2200047
13	076319-01-704	EA	BEARING-NYLON, 1.25" OD	3200657
14	076319-01-713	EA	PLATE-BASE, STEEL	3100523
15	076319-01-703	EA	BEARING-NYLON, 5" OD	3200656
16	076319-01-714	EA	HOUSING, ROTATING GEAR	2200049

AUDIO VIDEO GROUP (CONTINUED)
TV, VCR & COMPONENTS

KEY	PART NUMBER	U/M DESCRIPTION	VENDOR NO.
	113684-02-000	EA TV - 19" COLOR UL/CSA - 1/8" JACK - AUDIOVOX AVT - 1980	
	113684-02-700	EA REMOTE FOR AUDIOVOX AVT - 1980 TV	0892355
	119120-02-000	EA VCR-VHS, CABLE READY W/REMOTE - AUDIOVOX AVR - 1170	
		FROM: 00-00-00 THRU: 02-16-97	
	119120-02-700	EA REMOTE FOR AUDIOVOX AVR - 1170 VCR	0994569
		FROM: 00-00-00 THRU: 02-16-97	
	119120-03-000	EA VCR-VHS - CABLE READY - REMOTE - AUDIOVOX AVR - 1108	
		FROM: 02-17-97 THRU: 99-99-99	
	119120-03-700	EA REMOTE FOR AUDIOVOX AVR - 1108 VCR	0994571
		FROM: 02-17-97 THRU: 99-99-99	
	086757-03-000	EA CONTROL CENTER-SWITCH, VCR/TV	
	086777-05-000	EA PLATE-WALL, ANTENNA - 1 OUTPUT - IVORY	
	093214-01-02A	EA GRILLE-SPEAKER, 4" BROWN	
	098819-01-000	EA SPEAKER - 2 WATT, 8 OHM - 4"	
	076319-09-000	EA WALLPLATE-CABLE RECEPTACLE, TV - SINGLE - BROWN	
	076319-08-000	EA WALLPLATE-CABLE RECEPTACLE, TV - SINGLE - IVORY	
	086777-01-000	EA WALLPLATE-TV CABLE, W/ANTENNA SWITCH - IVORY	
	093901-03-000	EA PLATE-COAXIAL CABLE, 64 MM X 45 MM - STEEL - E-COAT	
	076319-12-000	EA CONNECTOR-COAXIAL, ONE PIECE	
	082134-01-000	EA ADAPTER-TV, CABLE TO CABLE	
	086756-01-000	EA SPLITTER-TV, 2 WAY	
	076319-03-000	FT CABLE-COAXIAL, 75 OHM	
	082136-01-000	EA NUT - HEX JAM - 3/8 - 32	
	076319-06-000	EA ADAPTER-CABLE ROOF PLATE	
	114870-02-000	EA PLUG - .14" AUDIO W/LEADS	

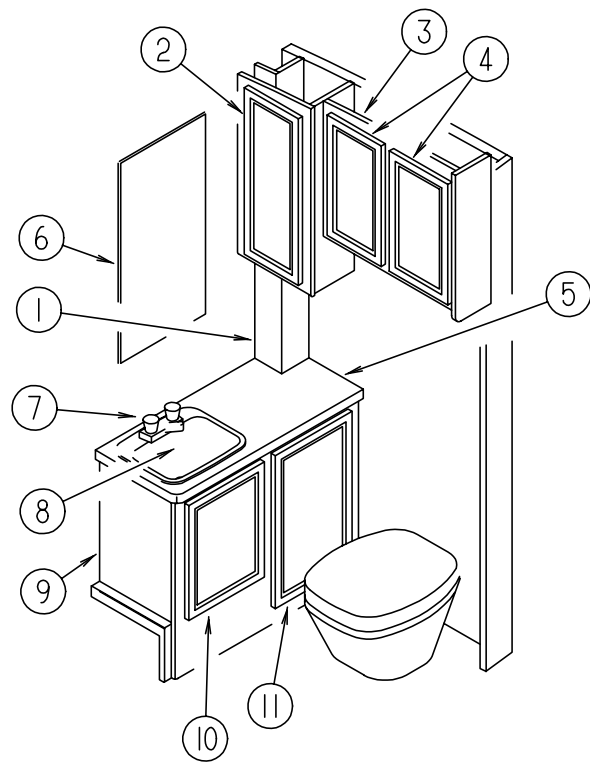
BATH GROUP



AQUA MAGIC IV - HIGH - FOOT FLUSH TOILET

KEY	PART NUMBER	U/M DESCRIPTION	VENDOR NO.
1	063740-02-000	EA TOILET - HIGH - FOOT FLUSH - THETFORD	
2	063740-01-720	EA LEVER KIT, WAT-FLUSH-BEARING	24629
3	063740-01-714	EA VALVE ASM (VALVE-BALL SEAL)	13168
4	063740-01-706	EA BOLT PACKAGE-FLOOR FLANGE	12524
5	063740-01-721	EA BLADE ONLY	1248232
6	063740-01-717	EA TUBE-FLUSH	12509
7	063740-02-701	EA RESERVOIR (TANK ASM.)	24630
8	063740-02-700	EA SEAT & COVER, PARCHMENT	2464157

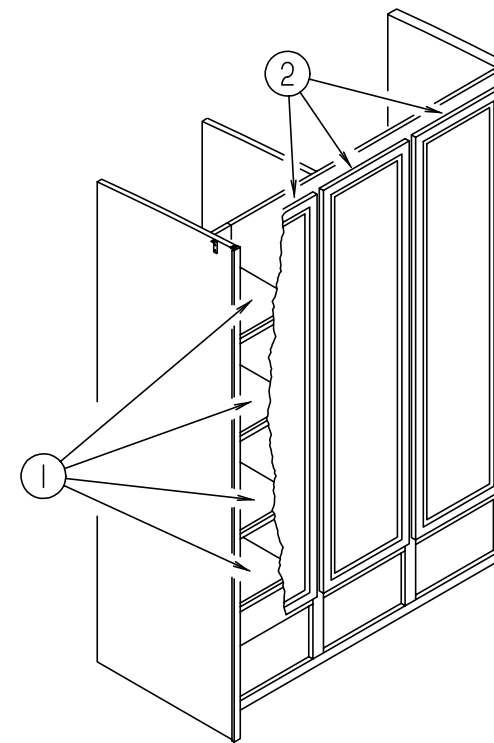
BATH GROUP (CONTINUED)



BATHROOM CABINET & COMPONENTS

KEY	PART NUMBER	U/M	DESCRIPTION	VENDOR NO.
1	122398-01-H33	EA	CABINET - PIPE COVER - W/O HARDWARE	
1	122398-01-H34	EA	CABINET - PIPE COVER - W/O HARDWARE	
1	122398-01-H35	EA	CABINET - PIPE COVER - W/O HARDWARE	
2	M06803-36-H33	EA	DOOR - MITERED CORNER/OGEE EDGE - 10.8" X 28" - W/O HDWR	
2	M06803-U4-H33	EA	DOOR - MITERED CORNER/OGEE EDGE - 10.8" X 28" - W/O HDWR W.I.E. EXPORT OPTION	
3	122324-01-H33	EA	CABINET ASM-LINEN	
	122324-11-H33	EA	SHELF ASM	
	122324-12-H33	EA	SHELF ASM	
4	M06803-06-G09	EA	DOOR - MIRROR/MTRD CRNR/OGEE EDGE - 11.2"X 19.6" - W/O HDW	
4	M06803-87-G09	EA	DOOR - MITERED CORNER/OGEE EDGE - 11.2" X 19.7" - W/O HDW W.I.E. EXPORT OPTION	
5	122397-11-H33	EA	COUNTERTOP - LAVATORY	
5	122397-11-H34	EA	COUNTERTOP - LAVATORY	
5	122397-11-H35	EA	COUNTERTOP - LAVATORY	
6	058331-08-000	EA	MIRROR - SAFETY GLASS - 24" X 30"	
7	075240-06-000	EA	FAUCET - LAVATORY/BONE	
	091253-01-000	EA	GASKET - FAUCET - LAVATORY/GALLEY	
8	096927-01-01A	EA	SINK - LAVATORY - RECTANGULAR - PLASTIC/BONE	
	096927-01-700	EA	SINK STOPPER	M9801
	096927-01-701	EA	TAILPIECE-DRAIN-LAVATORY	M9802
9	122397-01-H33	EA	CABINET ASM-LAVATORY	
9	122397-01-H34	EA	CABINET ASM-LAVATORY	
9	122397-01-H35	EA	CABINET ASM-LAVATORY	
9	122397-02-H33	EA	CABINET ASM-LAVATORY W.I.E. EXPORT OPTION	
9	122397-02-H34	EA	CABINET ASM-LAVATORY W.I.E. EXPORT OPTION	
9	122397-02-H35	EA	CABINET ASM-LAVATORY W.I.E. EXPORT OPTION	
10	M06803-V8-H33	EA	DOOR - MITERED CORNER/OGEE EDGE - 14.3" X 21.8" - W/O HDW	
11	M06803-T8-H33	EA	DOOR - MITERED CORNER/OGEE EDGE - 25.6" X 15.3" - W/O HDW	
	075452-02-000	EA	HOLDER - TOILET TISSUE - BRASS	
	075453-02-000	EA	BAR - TOWEL - 18" BRASS	

BATH GROUP (CONTINUED)



WARDROBE CABINET

KEY	PART NUMBER	U/M	DESCRIPTION
1	122293-14-H33	EA	SHELF ASM
2	M06803-11-G09	EA	DOOR - MIRROR/MTRD CRNR/OGEE EDGE - 16" X 65" - W/O HDW

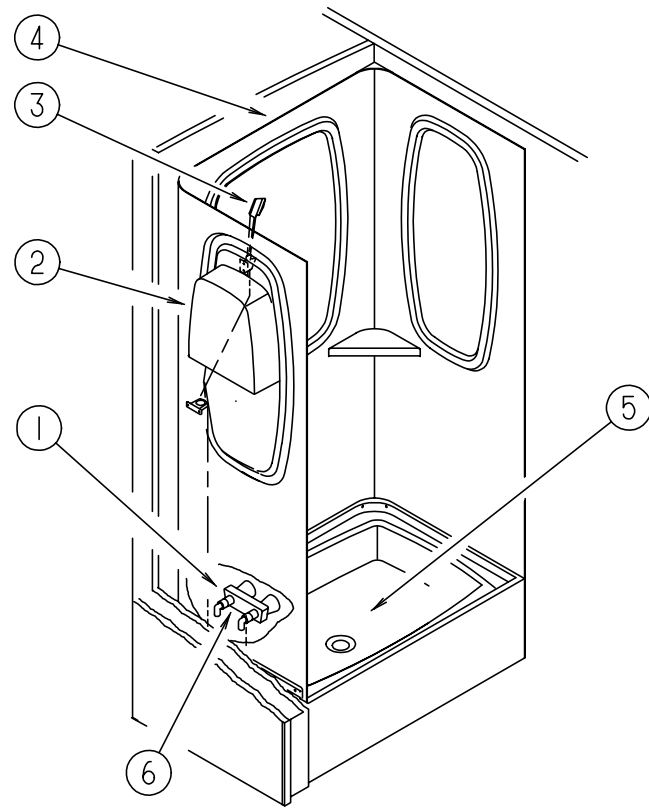
BATHROOM DOOR & COMPONENTS

KEY	PART NUMBER	U/M	DESCRIPTION
	P21662-08-H33	EA	DOOR - BATH - W/TOWEL RACK
	094485-03-01A	EA	KNOB - BRASS
	102920-01-01A	EA	HINGE - SPRING LOADED/BRASS
	009059-02-000	EA	HINGE - DOOR - 2" X 2.7" - BRASS
	121449-12-G04	EA	RACK - TOWEL - BATH DOOR
	100357-01-000	EA	ROD - F/TOWEL BAR - BRASS

BATHROOM/BEDROOM PRIVACY DOOR & COMPONENTS

KEY	PART NUMBER	U/M	DESCRIPTION	VENDOR NO.
	042488-10-000	EA	DOOR - FOLDING - OFF WHITE FABRIC - 37" X 75"	
	042488-10-700	EA	LEADRAIL-PREPUNCHED F/HANDLE	DW2100
	080224-01-703	EA	HANDLE W/LATCH-CATCH, ALMOND	DE03505
	080224-01-705	EA	LATCH & CATCH ASM., ALMOND	DE25010 & DE25020

BATH GROUP (CONTINUED)



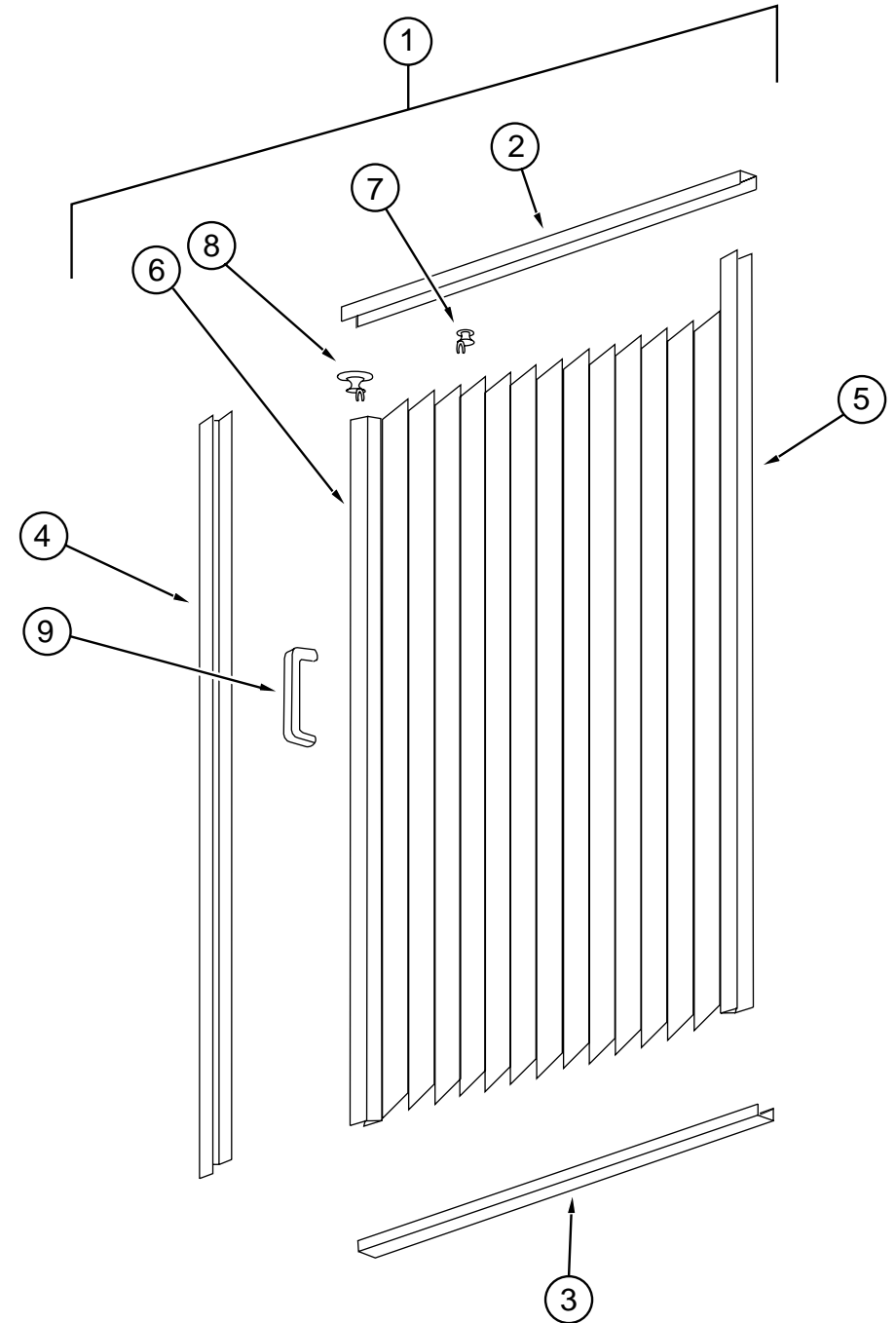
SHOWER & COMPONENTS

KEY	PART NUMBER	U/M DESCRIPTION	VENDOR NO.
1	075242-04-000	EA FAUCET - TUB/SHOWER - BONE	
2	104462-02-01A	EA CADDY - SHOWER - OFF WHITE	
3	103092-01-000	EA SHOWER HEAD - W/60" HOSE - WHITE	
3	103092-02-000	EA SHOWER HEAD - W/60" HOSE - CSA	
	103092-01-700	EA BRACKET-F/SHOWER HEAD, CLEAR	2328028
	103092-01-702	EA SEALS-SPRAY HEAD	24466
	011048-03-700	EA BRACKET - F/SHOWER HEAD	2328029-3
4	115612-02-01A	EA SURROUND - SHOWER - OFF WHITE	
5	M02630-30-GB1	EA SHOWER PAN	
	066436-01-000	EA NUT - SLIP - TAILPIECE 1.5"	
	066729-01-000	EA STRAINER - TUB/SHOWER - W/PLUG	
6	075606-01-000	EA PANEL - PLASTIC - FAUCET BACK - 5" X 9"	

SKYLITE

KEY	PART NUMBER	U/M DESCRIPTION
	122192-01-01A	EA PANEL - SKYLITE - OUTER - 16.4" X 27.8" FROM: 00-00-00 THRU: 02-13-97
	122192-01-02A	EA PANEL - SKYLITE - OUTER - 16.4" X 27.8" FROM: 02-14-97 THRU: 99-99-99
	122193-01-01A	EA PANEL - SKYLITE - INNER FROM: 00-00-00 THRU: 02-13-97
	122193-01-02A	EA PANEL - SKYLITE - INNER FROM: 02-14-97 THRU: 99-99-99

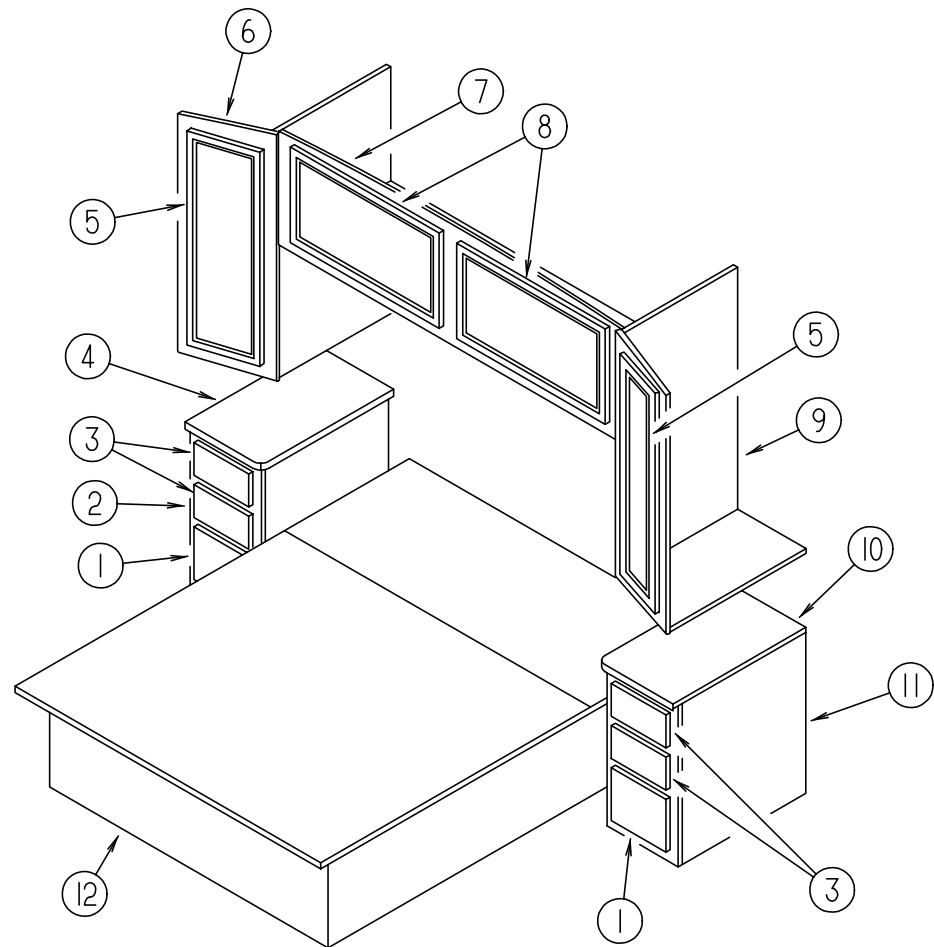
BATH GROUP (CONTINUED)



SHOWER DOOR & COMPONENTS

KEY	PART NUMBER	U/M DESCRIPTION
1	117431-03-01A	EA DOOR - SHOWER PLEATED FABRIC
2	117431-01-700	EA TRACK-TOP, ALUM.IVORY INSERT 48"
3	117431-01-701	EA TRACK-BOTTOM, 48"
4	117431-01-702	EA RAIL-SIDE, 67"
5	117431-01-703	EA RAIL-STATIONARY, 67"
6	117431-01-704	EA RAIL-LEAD, 67"
7	117431-01-705	EA GLIDE-IVORY, TRAVELER
8	117431-01-706	EA GLIDE-IVORY LEAD, TRAVELER
9	117431-01-708	EA HANDLES & SCREWS
	117431-03-700	EA STRAP-VINYL SHOWER
	117431-01-707	EA LATCH

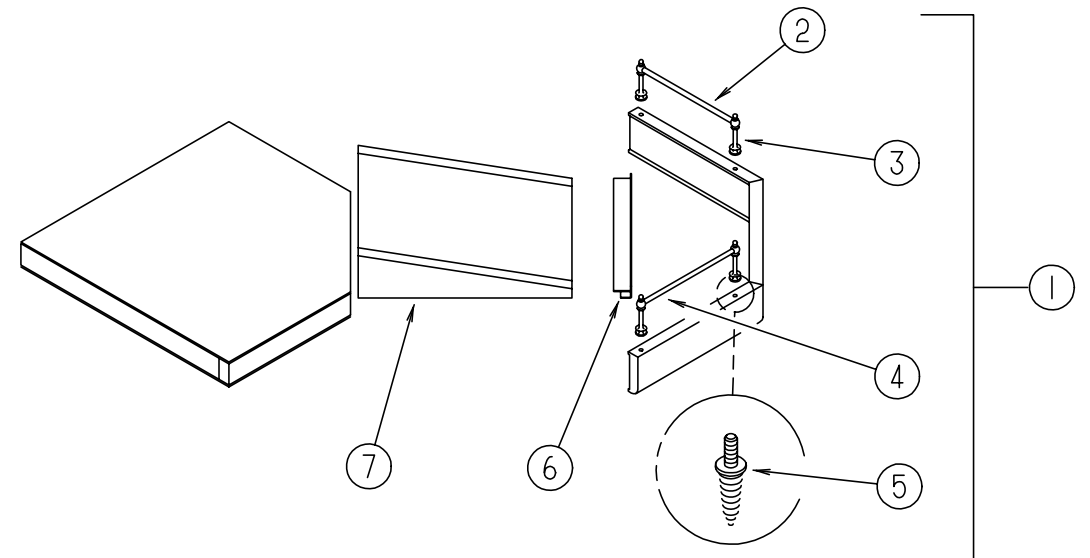
BEDROOM GROUP



QUEEN BEDROOM CABINERY

KEY	PART NUMBER	U/M DESCRIPTION
1	M05971-79-H33	EA DRAWER - OGEE EDGE - 9.2"W X 21.6"D - W/O SLIDES/HDW
2	104361-01-G45	EA CABINET - NIGHTSTAND/RIGHT HAND - W/O DOORS/DRAWERS/HDW (H33)
2	104361-01-G36	EA CABINET - NIGHTSTAND/RIGHT HAND - W/O DOORS/DRAWERS/HDW (H34, H35)
2	104361-02-H33	EA CABINET - NIGHTSTAND/RIGHT HAND - W/O DOORS/DRAWERS/HDW (H33) EXPORT UPGRADE OPTION
2	104361-02-H35	EA CABINET - NIGHTSTAND/RIGHT HAND - W/O DOORS/DRAWERS/HDW (H34, H35) EXPORT UPGRADE OPTION
3	M05971-70-H33	EA DRAWER - OGEE EDGE - 9.1"W X 21.6"D - W/O SLIDES/HDW
4	104361-11-F31	EA COUNTERTOP - NIGHTSTAND (H33)
4	104361-11-F32	EA COUNTERTOP - NIGHTSTAND (H34/H35)
5	M06803-10-G09	EA DOOR - MITERED CORNER/OGEE EDGE - 10.8" X 36.4" - W/O HDW
5	M06803-Z1-H33	EA DOOR - MITERED CORNER/OGEE EDGE - 10.8" X 36.3" W/O HDW W.I.E. EXPORT OPTION
6	110625-01-G35	EA CABINET - SHIRT CLOSET/RIGHT HAND - W/O DOORS/HARDWARE
7	106523-01-G09	EA CABINET - OVERHEAD/REAR - W/O DOORS/HARDWARE
8	M06803-13-H33	EA DOOR - MIRROR/MITERED CRNR/OGEE EDGE - 15.7" X 28"-W/O HDW
8	M06803-K3-G09	EA DOOR - MITERED CORNER/OGEE EDGE - 15.7" X 28" - W/O HDW EXPORT UPGRADE OPTION
8	M06803-02-G09	EA DOOR - MITERED CORNER/OGEE EDGE - 15.7" X 28" - W/O HDW DECORATIVE DOOR OPTION
9	110625-02-G35	EA CABINET - SHIRT CLOSET/LEFT HAND - W/O DOORS/HARDWARE
10	104362-11-F31	EA COUNTERTOP - NIGHTSTAND (H33)
10	104362-11-F32	EA COUNTERTOP - NIGHTSTAND (H34, H35)
11	104362-01-G45	EA CABINET - NIGHTSTAND/LEFT HAND - W/O DOORS/DRAWERS/HDW (H33)
11	104362-01-G36	EA CABINET - NIGHTSTAND/LEFT HAND - W/O DOORS/DRAWERS/HDW (H34, H35)
11	104362-02-H33	EA CABINET - NIGHTSTAND/LEFT HAND - W/O DOORS/DRAWERS/HDW (H33) EXPORT UPGRADE OPTION
11	104362-02-H35	EA CABINET - NIGHTSTAND/LEFT HAND - W/O DOORS/DRAWERS/HDW (H34, H35) EXPORT UPGRADE OPTION
12	P22396-01-H33	EA CABINET - BASE/QUEEN BED - W/O DOORS/DRAWERS/HARDWARE

BEDROOM GROUP (CONTINUED)



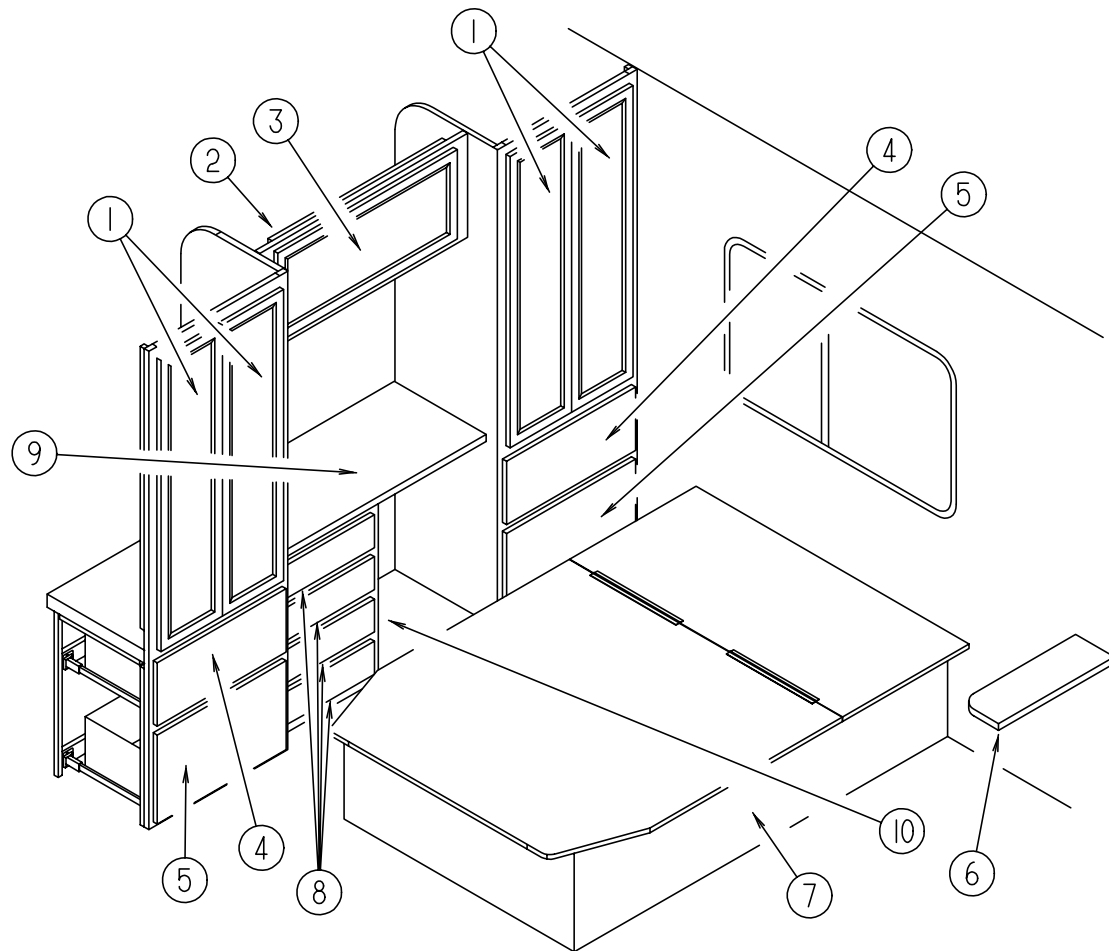
TV SHELF - QUEEN BED

KEY	PART NUMBER	U/M DESCRIPTION
1	116553-01-GB1	EA CABINET - TV SHELF - W/BRASS RODS/POST ENDS
2	084071-12-000	EA ROD - BRASS - 4.08" LONG
3	084070-02-000	EA POST - END - 2.4" - BRASS
4	084071-19-000	EA ROD - BRASS - 7.09" LONG
5	106166-01-000	EA BOLT/COLLARED HANGER - 8-32 X 1"
6	103186-01-05A	FT MOLING - PLASTIC/3/8" U-CHANNEL W/3/4" FACE- WATFORD OAK
7	116553-15-GB1	EA WEDGE - TV SHELF
	099717-02-000	EA STRAP - TV TIE DOWN W/29.9" FEMALE STRAP & 14.2" MALE STRP

QUEEN BED GAS SPRING & HARDWARE

KEY	PART NUMBER	U/M DESCRIPTION
	107796-06-000	EA SPRING/GAS - 12" COMPRESSED/20" EXTENDED - 120 LB.
	107796-07-000	EA BRACKET - SUPPORT - GAS SPRING TO BED - ANGLE (UPPER)
	126263-06-02B	EA BRACKET - GAS SPRING - E-COATED
	126263-08-02B	EA BRACKET - GAS SPRING - E-COATED
	126259-01-000	EA STUD - BALL
	091952-01-000	EA CLIP - GRIPPER - 1"
	097872-04-000	EA DOWEL - WOOD - 1" DIAMETER X 1.38" LONG

BEDROOM GROUP (CONTINUED)
DOUBLE BED BEDROOM CABINETS

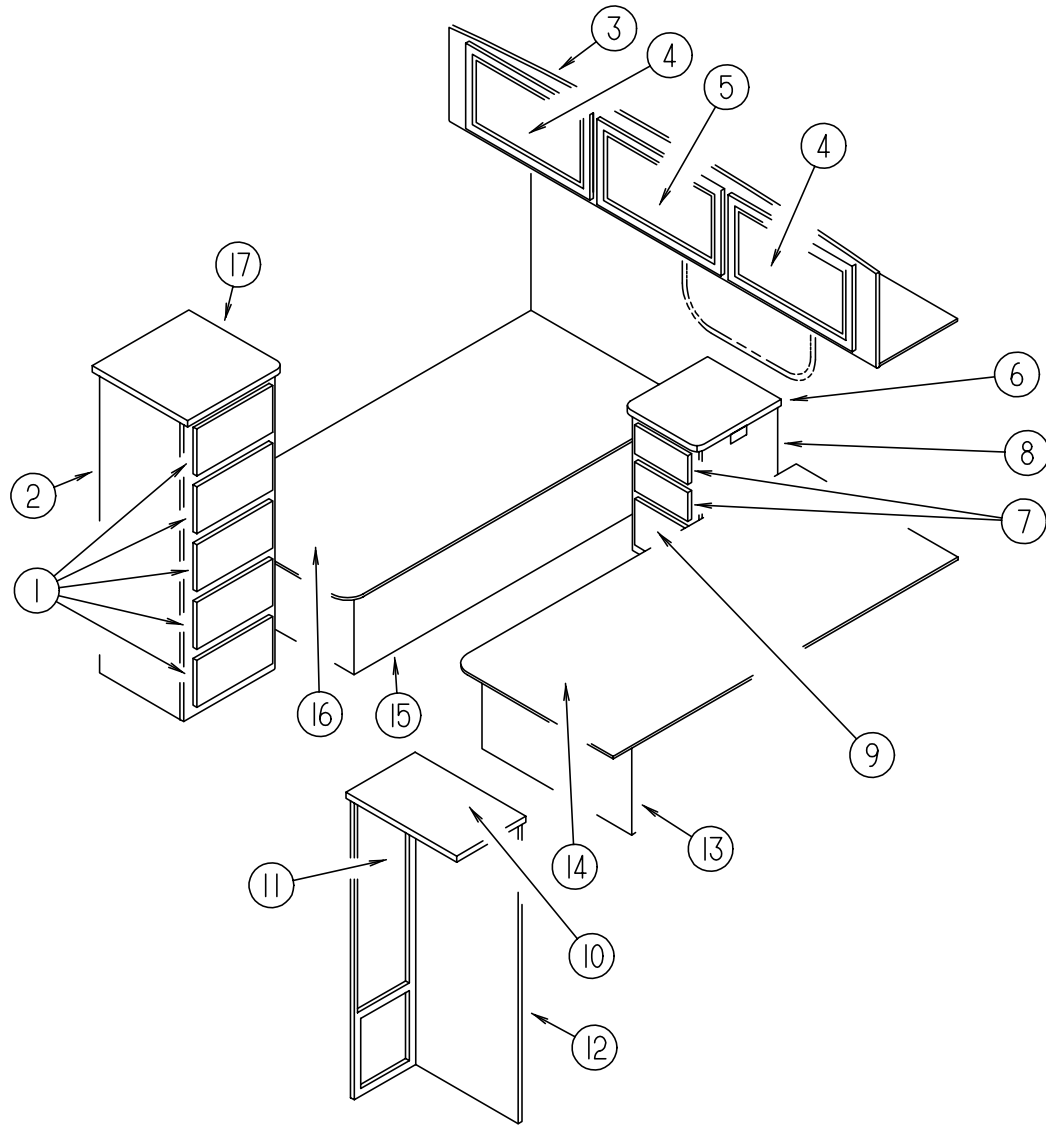


KEY	PART NUMBER	U/M DESCRIPTION
1	M06803-R8-H33	EA DOOR - MIRROR/MTRD CRNR/OGEE EDGE - 12" X 48" - W/O HDW
2	122463-01-H33	EA CABINET - OVERHEAD/REAR - DOUBLE BED - W/O DOORS/HARDWARE
2	122463-02-H33	EA CABINET - OVERHEAD/REAR - DOUBLE BED - W/O DOORS/HARDWARE W.I.E. EXPORT OPTION
3	M06803-P4-H33	EA DOOR - MITERED CORNER/OGEE EDGE - 14.3" X 33.4" - W/O HDW
3	M06803-U5-H33	EA DOOR - MITERED CORNER/OGEE EDGE - 14.3" X 33.4" - W/O HDW W.I.E. EXPORT OPTION
3	M06803-P1-H33	EA DOOR - MITERED CORNER/OGEE EDGE - 11.4" X 28.1" - W/O HDW DECORATIVE DOOR OPTION
4	M05971-T3-H33	EA DRAWER - OGEE EDGE - 21.8"W X 12.8"D - W/O SLIDES/HARDWARE
5	M05971-T4-H33	EA DRAWER - OGEE EDGE - 21.8"W X 13.8"D - W/O SLIDES/HARDWARE
6	116842-01-GB1	EA SHELF - W/PLASTIC EDGE TRIM (H33)
6	116842-01-H34	EA SHELF - W/PLASTIC EDGE TRIM (H34)
6	116842-01-H35	EA SHELF - W/PLASTIC EDGE TRIM (H35)
7	P22447-01-H33	EA CABINET - BASE/DOUBLE BED - W/O DOORS/DRAWERS/HARDWARE
	M07500-03-H33	EA TOP - DOUBLE BED - W/O HARDWARE
8	M05971-T5-H33	EA DRAWER - OGEE EDGE - 15.4"W X 13.8"D - W/O SLIDES/HARDWARE
9	122450-11-H33	EA COUNTERTOP - DRESSER
9	122450-11-H34	EA COUNTERTOP - DRESSER
9	122450-11-H35	EA COUNTERTOP - DRESSER
10	P22450-01-H33	EA DRESSER - W/O DRAWERS/HARDWARE - F/REAR/DOUBLE BED
10	P22450-01-H34	EA DRESSER - W/O DRAWERS/HARDWARE - F/REAR/DOUBLE BED
10	P22450-01-H35	EA DRESSER - W/O DRAWERS/HARDWARE - F/REAR/DOUBLE BED

DOUBLE BED GAS SPRING & HARDWARE

KEY	PART NUMBER	U/M DESCRIPTION
	107796-06-000	EA SPRING/GAS - 12" COMPRESSED/20" EXTENDED - 120 LB.
	107796-07-000	EA BRACKET - SUPPORT - GAS SPRING TO BED - ANGLE (UPPER)
	126263-06-02B	EA BRACKET - GAS SPRING - E-COATED
	126263-08-02B	EA BRACKET - GAS SPRING - E-COATED
	126259-01-000	EA STUD - BALL
	091952-01-000	EA CLIP - GRIPPER - 1"
	097872-04-000	EA DOWEL - WOOD - 1" DIAMETER X 1.38" LONG

BEDROOM GROUP (CONTINUED)
TWIN BEDROOM CABINETS



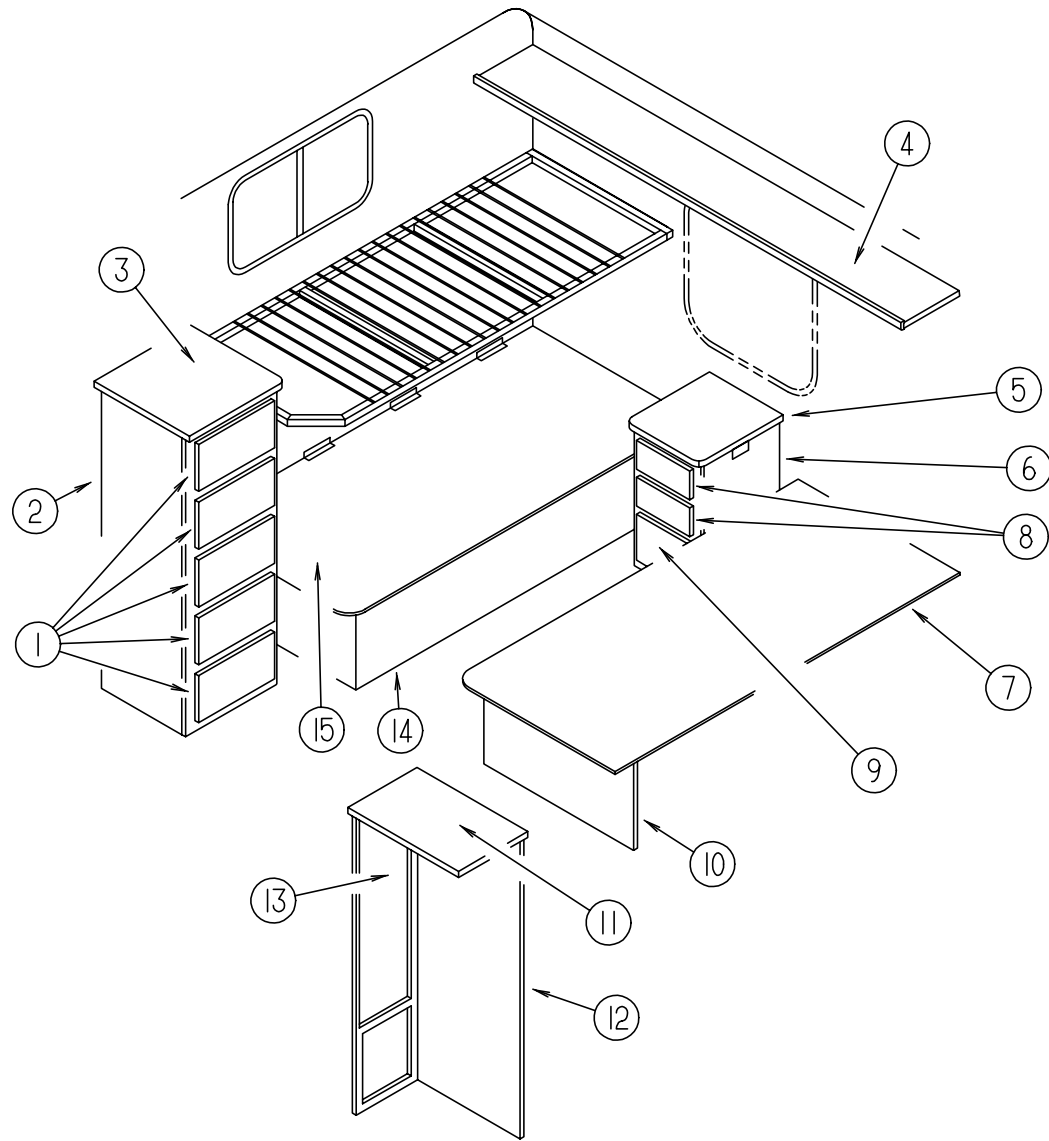
KEY	PART NUMBER	U/M	DESCRIPTION
6	122515-11-H33	EA	COUNTERTOP - NIGHTSTAND
6	122515-11-H34	EA	COUNTERTOP - NIGHTSTAND
6	122515-11-H35	EA	COUNTERTOP - NIGHTSTAND
7	M05971-Z4-H33	EA	DRAWER - OGEE EDGE - 10.3"W X 13.8"D - W/O SLIDES/HARDWARE
8	122515-01-H33	EA	CABINET - NIGHTSTAND - W/O DOORS/DRAWERS/HARDWARE
8	122515-01-H34	EA	CABINET - NIGHTSTAND - W/O DOORS/DRAWERS/HARDWARE
8	122515-01-H35	EA	CABINET - NIGHTSTAND - W/O DOORS/DRAWERS/HARDWARE
8	122515-02-H33	EA	CABINET - NIGHTSTAND - W/O DOORS/DRAWERS/HARDWARE W.I.E. EXPORT OPTION
8	122515-02-H34	EA	CABINET - NIGHTSTAND - W/O DOORS/DRAWERS/HARDWARE W.I.E. EXPORT OPTION
8	122515-02-H35	EA	CABINET - NIGHTSTAND - W/O DOORS/DRAWERS/HARDWARE W.I.E. EXPORT OPTION
9	M05971-Z5-H33	EA	DRAWER - OGEE EDGE - 10.3"W X 13.8"D - W/O SLIDES/HARDWARE
10	122475-11-H33	EA	COUNTERTOP - SHIRT CLOSET
10	122475-11-H34	EA	COUNTERTOP - SHIRT CLOSET
10	122475-11-H35	EA	COUNTERTOP - SHIRT CLOSET
11	M06803-W1-H33	EA	DOOR - MITERED CORNER/OGEE EDGE - 12" X 40" - W/O HARDWARE
11	M06803-W2-H33	EA	DOOR - MITERED CORNER/OGEE EDGE - 12" X 40" - W/O HARDWARE W.I.E. EXPORT OPTION
12	122475-01-H33	EA	CABINET - SHIRT CLOSET/LEFT HAND - W/O DOORS/HARDWARE
12	122475-01-H34	EA	CABINET - SHIRT CLOSET/LEFT HAND - W/O DOORS/HARDWARE
12	122475-01-H35	EA	CABINET - SHIRT CLOSET/LEFT HAND - W/O DOORS/HARDWARE
13	P22498-01-H33	EA	CABINET - BASE/BED - TWIN/LEFT HAND - W/O DOORS/DWRS/HDW
	098442-02-GB1	EA	LEG - SUPPORT
14	M07504-05-H33	EA	TOP - TWIN BED/LEFT HAND - W/O HARDWARE
15	P22497-01-H33	EA	CABINET - BASE/BED - TWIN/RIGHT HAND - W/O DRS/DWRS/HDW
16	M07504-06-H33	EA	TOP - TWIN BED/RIGHT HAND - W/O HARDWARE
	098442-02-GB1	EA	LEG - SUPPORT
17	122499-11-H33	EA	COUNTERTOP - DRESSER
17	122499-11-H34	EA	COUNTERTOP - DRESSER
17	122499-11-H35	EA	COUNTERTOP - DRESSER

TWIN BED GAS SPRING & HARDWARE

KEY	PART NUMBER	U/M	DESCRIPTION
1	M05971-Z3-H33	EA	DRAWER - OGEE EDGE - 15.1"W X 15.7"D - W/O SLIDES/HARDWARE
2	122499-01-H33	EA	CABINET - DRESSER, RIGHT HAND - TWIN BED - W/O DRS/DWRS/HDW
2	122499-01-H34	EA	CABINET - DRESSER, RIGHT HAND - TWIN BED - W/O DRS/DWRS/HDW
2	122499-01-H35	EA	CABINET - DRESSER, RIGHT HAND - TWIN BED - W/O DRS/DWRS/HDW
3	121864-01-H33	EA	CABINET - OVERHEAD/REAR - W/O DOORS/HARDWARE
4	M06803-13-H33	EA	DOOR - MIRROR/MITERED CRNR/OGEE EDGE - 15.7" X 28"-W/O HDW
4	M06803-02-G09	EA	DOOR - MITERED CORNER/OGEE EDGE - 15.7" X 28" - W/O HDW DECORATIVE DOOR OPTION
4	M06803-K3-G09	EA	DOOR - MITERED CORNER/OGEE EDGE - 15.7" X 28" - W/O HDW W.I.E. EXPORT OPTION
5	M06803-13-H33	EA	DOOR - MIRROR/MITERED CRNR/OGEE EDGE - 15.7" X 28"-W/O HDW FROM: 00-00-00 THRU: 01-02-97
5	M06803-03-H33	EA	DOOR - MIRROR/MTRD CRNR/OGEE EDGE - 15.7"X 20.4" - W/O HDW FROM: 01-03-97 THRU: 99-99-99
5	M06803-02-G09	EA	DOOR - MITERED CORNER/OGEE EDGE - 15.7" X 28" - W/O HDW DECORATIVE DOOR OPTION FROM: 00-00-00 THRU: 01-02-97
5	M06803-41-G09	EA	DOOR - MITERED CORNER/OGEE EDGE - 15.7" X 20.4" - W/O HDW DECORATIVE DOOR OPTION FROM: 01-03-97 THRU: 99-99-99
5	M06803-K3-G09	EA	DOOR - MITERED CORNER/OGEE EDGE - 15.7" X 28" - W/O HDW W.I.E. EXPORT OPTION FROM: 00-00-00 THRU: 01-02-97
5	M06803-K5-G09	EA	DOOR - MITERED CORNER/OGEE EDGE - 15.7" X 20.4" - W/O HDW W.I.E. EXPORT OPTION FROM: 01-03-97 THRU: 99-99-99

KEY	PART NUMBER	U/M	DESCRIPTION
	107796-06-000	EA	SPRING/GAS - 12" COMPRESSED/20" EXTENDED - 120 LB.
	126259-01-000	EA	STUD - BALL
	126263-08-02B	EA	BRACKET - GAS SPRING
	126263-06-02B	EA	BRACKET - GAS SPRING - E-COATED
	107796-07-000	EA	BRACKET - SUPPORT - GAS SPRING TO BED - ANGLE(UPPER)
	091952-01-000	EA	CLIP - GRIPPER - 1"
	097872-04-000	EA	DOWEL - WOOD - 1" DIAMETER X 1.38" LONG

BEDROOM GROUP (CONTINUED)
TWIN BED W/OVERHEAD BUNK CABINERY

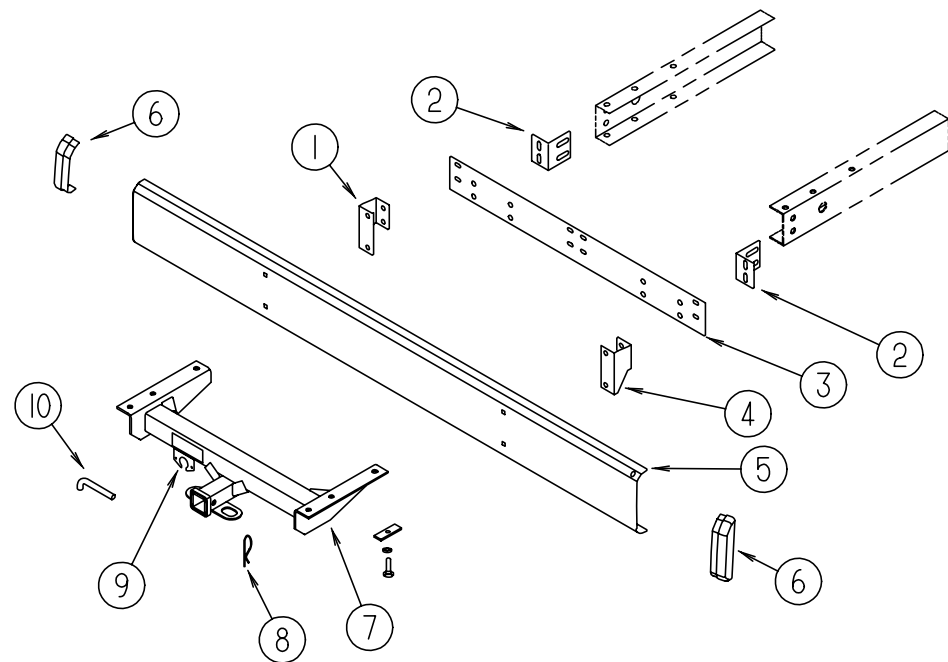


KEY	PART NUMBER	U/M	DESCRIPTION
1	M05971-Z3-H33	EA	DRAWER - OGEE EDGE - 15.1"W X 15.7"D - W/O SLIDES/HARDWARE
2	122499-01-H33	EA	CABINET - DRESSER, RIGHT HAND - TWIN BED - W/O DRS/DWRS/HDW
2	122499-01-H34	EA	CABINET - DRESSER, RIGHT HAND - TWIN BED - W/O DRS/DWRS/HDW
2	122499-01-H35	EA	CABINET - DRESSER, RIGHT HAND - TWIN BED - W/O DRS/DWRS/HDW
3	122499-11-H33	EA	COUNTERTOP - DRESSER
3	122499-11-H34	EA	COUNTERTOP - DRESSER
3	122499-11-H35	EA	COUNTERTOP - DRESSER
4	117090-01-G01	EA	SHELF - OVERHEAD/BACK WALL - W/O HARDWARE
5	122515-11-H33	EA	COUNTERTOP - NIGHTSTAND
5	122515-11-H34	EA	COUNTERTOP - NIGHTSTAND
5	122515-11-H35	EA	COUNTERTOP - NIGHTSTAND
6	122515-01-H33	EA	CABINET - NIGHTSTAND - W/O DOORS/DRAWERS/HARDWARE
6	122515-01-H34	EA	CABINET - NIGHTSTAND - W/O DOORS/DRAWERS/HARDWARE
6	122515-01-H35	EA	CABINET - NIGHTSTAND - W/O DOORS/DRAWERS/HARDWARE
6	122515-02-H33	EA	CABINET - NIGHTSTAND - W/O DOORS/DRAWERS/HARDWARE W.I.E. EXPORT OPTION
6	122515-02-H34	EA	CABINET - NIGHTSTAND - W/O DOORS/DRAWERS/HARDWARE W.I.E. EXPORT OPTION
6	122515-02-H35	EA	CABINET - NIGHTSTAND - W/O DOORS/DRAWERS/HARDWARE W.I.E. EXPORT OPTION
7	M07504-05-H33	EA	TOP - TWIN BED/LEFT HAND - W/O HARDWARE
8	M05971-Z5-H33	EA	DRAWER - OGEE EDGE - 10.3"W X 13.8"D - W/O SLIDES/HARDWARE
9	M05971-Z4-H33	EA	DRAWER - OGEE EDGE - 10.3"W X 13.8"D - W/O SLIDES/HARDWARE
10	P22498-01-H33	EA	CABINET - BASE/BED - TWIN/LEFT HAND - W/O DOORS/DWRS/HDW
	098442-02-GB1	EA	LEG - SUPPORT
11	122475-11-H33	EA	COUNTERTOP - SHIRT CLOSET
11	122475-11-H34	EA	COUNTERTOP - SHIRT CLOSET
11	122475-11-H35	EA	COUNTERTOP - SHIRT CLOSET
12	122475-01-H33	EA	CABINET - SHIRT CLOSET/LEFT HAND - W/O DOORS/HARDWARE
12	122475-01-H34	EA	CABINET - SHIRT CLOSET/LEFT HAND - W/O DOORS/HARDWARE
12	122475-01-H35	EA	CABINET - SHIRT CLOSET/LEFT HAND - W/O DOORS/HARDWARE
13	M06803-W1-H33	EA	DOOR - MITERED CORNER/OGEE EDGE - 12" X 40" - W/O HARDWARE
13	M06803-W2-H33	EA	DOOR - MITERED CORNER/OGEE EDGE - 12" X 40" - W/O HARDWARE W.I.E. EXPORT OPTION
14	P22497-01-H33	EA	CABINET - BASE/BED - TWIN/RIGHT HAND - W/O DRS/DWRS/HDW
15	M07504-06-H33	EA	TOP - TWIN BED/RIGHT HAND - W/O HARDWARE
	098442-02-GB1	EA	LEG - SUPPORT

TWIN BED GAS SPRING & HARDWARE

KEY	PART NUMBER	U/M	DESCRIPTION
	107796-06-000	EA	SPRING/GAS - 12" COMPRESSED/20" EXTENDED - 120 LB.
	126259-01-000	EA	STUD - BALL
	126263-08-02B	EA	BRACKET - GAS SPRING
	126263-06-02B	EA	BRACKET - GAS SPRING - E-COATED
	107796-07-000	EA	BRACKET - SUPPORT - GAS SPRING TO BED - ANGLE(UPPER)
	091952-01-000	EA	CLIP - GRIPPER - 1"
	097872-04-000	EA	DOWEL - WOOD - 1" DIAMETER X 1.38" LONG

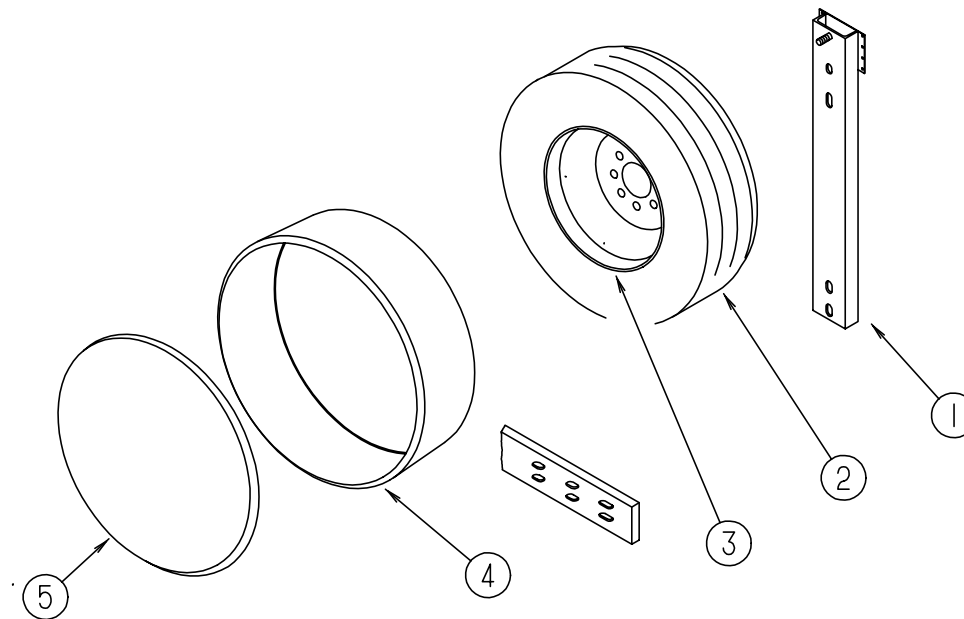
CHASSIS GROUP



REAR BUMPER, TRAILER HITCH & COMPONENTS

KEY	PART NUMBER	U/M DESCRIPTION
1	117950-04-02B	EA BRACKET - BUMPER/REAR
2	078668-01-000	EA SUPPORT ANGLE - BUMPER/REAR - L ANGLE - 4" X 3" STEEL/BLK
3	078678-02-000	EA PLATE - MOUNTING - BUMPER/REAR - 46" X 5" - W/WELD NUTS
4	117950-03-02B	EA BRACKET - BUMPER/REAR
5	103099-01-06A	EA BUMPER - REAR - BRIGHT WHITE
5	103099-07-02A	EA BUMPER - REAR (W.I.E. EXPORT)
6	103228-01-06A	EA END CAP - REAR BUMPER - DRIVER/PASSENGER
7	107707-01-000	EA HITCH RECEIVER - BOLT-ON CLASS II
8	034513-01-000	EA PIN - HITCH - 3/16" WIRE
9	113588-02-01B	EA BRACKET - CONNECTOR - TRAILER W/O LIP
10	034512-01-000	EA PIN - LOCKING - DRAWBAR
	070579-09-000	EA PLATE-ANCHOR, 1.8" X 1.5" - STEEL - E-COAT
	113589-02-000	EA CONNECTOR - SOCKET - TRAILER
	113589-01-000	EA CONNECTOR - PLUG - TRAILER
	083376-01-000	EA PLATE/SKID - 13.2" X 6" X 2" STEEL

CHASSIS GROUP (CONTINUED)



CHEVY SPARE TIRE, CARRIER, COVER & LUG WRENCH

KEY	PART NUMBER	U/M DESCRIPTION
1	102944-05-000	EA BRACKET - TIRE CARRIER - CHEVY
2	091673-01-000	EA TIRE - MICHELIN - 225/70 R19.5 LRF - XZA - CHEVY
3	064963-01-000	EA WHEEL - STEEL - 19.5" X 6" - CHEVY
4	108163-04-01A	EA COVER - TIRE - W/O INSERT-8 1/4" WIDE X 100" CIRCUMFERENCE
		FROM: 00-00-00 THRU: 08-17-96
4	108163-05-01A	EA COVER - TIRE - 8 1/4" X 101"
		FROM: 08-18-96 THRU: 99-99-99
5	108560-04-01A	EA INSERT - TIRE COVER
	051377-01-000	EA VALVE STEM - CHEVY
	077030-02-000	EA EXTENSION - VALVE STEM - 1.25"
	080208-02-000	EA BAR - LEVERAGE - LUG WRENCH - CHEVY
	080208-01-000	EA LUG WRENCH - 1" X 1.06" W/SHALLOW SOCKET ENDS - CHEVY
		FROM: 00-00-00 THRU: 09-26-96
	080208-06-000	EA LUG WRENCH - 1" X 1.06" W/DEEP SOCKET ENDS - CHEVY
		FROM: 09-27-96 THRU: 99-99-99

FORD SPARE TIRE, CARRIER, & COVER

KEY	PART NUMBER	U/M DESCRIPTION
1	102944-06-000	EA BRACKET - TIRE CARRIER - FORD
2	083425-10-000	EA TIRE - LT215/85R16 LRE XCH4
3	095853-02-000	EA WHEEL - STEEL - 16" X 6K - F2TA-1015-NA
4	108163-01-01A	EA COVER - TIRE - 16"
5	108560-02-03A	EA INSERT - TIRE COVER - 16"
	051377-05-000	EA VALVE STEM
	077030-02-000	EA EXTENSION - VALVE STEM - 1.25"

CHASSIS GROUP (CONTINUED)

19.5" CHEVY STAINLESS STEEL WHEEL LINERS (FROM: 00-00-00 THRU: 07-14-96)

KEY	PART NUMBER	U/M DESCRIPTION	VENDOR NO.
	091209-01-000	EA LINER - WHEEL - 19.5" STAINLESS STEEL - SET 4 F/GM CHASSIS	
	091209-01-700	EA LINER-WHEEL FRT 10 LUG	37N
	091209-01-701	EA LINER-WHEEL RR 10 LUG EA=1	38N
	091209-01-702	EA COVER-AXLE, FRT 19.5 10 LUG	34N
	091209-01-703	EA COVER-AXLE, REAR 19.5 10 LUG	35N
	091209-01-704	EA COVER-LUG NUT W/O FLANGE	36

19.5" CHEVY STAINLESS STEEL WHEEL LINERS (FROM: 07-15-96 THRU: 05-06-97)

KEY	PART NUMBER	U/M DESCRIPTION	VENDOR NO.
	110435-06-000	EA LINER - WHEEL SET (SET=4) 19.5" F/GM W/LONG STUDS - DICOR	
	110435-01-711	EA DECAL - CENTER CAP - 2"	
	110435-02-703	EA NUT (JAMB)	V160SD-JNT
	110435-02-704	EA COVER - LUG NUT	V160F0-LNC
	110435-02-705	EA TOOL F/ JAMB NUT - INSTALL.	V160F0-TOL
	110435-06-700	EA LINER - WHEEL - FRONT	V195P5-FWC
	110435-06-701	EA LINER - WHEEL - REAR	V195P5-RWC
	110435-06-702	EA BRACKET - BRIDGE	V195P5-BRK
	110435-06-703	EA NUT - JAM - BRIDGE BRKT 1 1/16	V195P5-BJN
	110435-06-704	EA STUD EXTENDERS - P30	V195P5-STX

19.5" CHEVY STAINLESS STEEL WHEEL LINERS (FROM: 05-07-97 THRU: 99-99-99)

KEY	PART NUMBER	U/M DESCRIPTION	VENDOR NO.
	110435-10-000	EA LINER - WHEEL - SET 4 - 19.5"	
	110435-10-700	EA LINER - WHEEL - FRONT - 1 PC	V195P7-FWC
	110435-10-701	EA LINER - WHEEL - REAR - 1 PC.	V195P7-RWC
	110435-10-702	EA JAMB NUT - ENCLOSED/LNC	V195P7-EJN
	110435-10-703	EA STUD - PLASTIC	V195P7-PST
	110435-10-704	EA JAMB NUT - PLASTIC/LNC	V195P7-PJN
	110435-10-705	EA TOOL - INSTALLATION	V195P7-TOL

19.5" CHEVY WHEEL COVERS (FROM: 00-00-00 THRU: 12-20-96)

KEY	PART NUMBER	U/M DESCRIPTION	VENDOR NO.
	109443-01-000	EA WHEEL - COVER - 4/SET - 19.5 W/HDW	
	109443-01-700	EA COVER-WHEEL 19.5 FRT/RR EA=1	SHAG95
	109443-01-701	EA BRACKET - RETENTION - FRONT WHEEL	SHAG95-FBS
	109443-01-702	EA BRACKET - RETENTION - REAR WHEEL	SHAG95-RBS
	109443-01-703	EA CAP - CENTER - HUB - DICOR	SP-AUCAP
	109443-01-704	EA CLIP-RETAINER	V160GM-PNT

19.5" CHEVY WHEEL COVERS (FROM: 12-21-96 THRU: 99-99-99)

KEY	PART NUMBER	U/M DESCRIPTION	VENDOR NO.
	109443-06-000	EA WHEEL - COVER - 4/SET - 19.5"	
	109443-01-700	EA COVER - WHEEL 19.5 FRT/RR EA=1	SHAG95
	109443-01-701	EA BRACKET - RETENTION FRONT	SHAG95-FBS
	109443-01-703	EA CAP - CENTER - HUB - DICOR	SHAU95-CAP
	109443-01-704	EA CLIP - RETAINER	V160GM-PNT
	109443-06-701	EA BRACKET - RETENTION REAR	SHG795-RBS

CHASSIS GROUP (CONTINUED)

16" FORD CHROME WHEEL LINERS

KEY	PART NUMBER	U/M DESCRIPTION	VENDOR NO.
	110435-08-000	EA LINER - WHEEL SET (SET=4) 16"	
	110435-01-711	EA DECAL - CENTER CAP - 2"	
	110435-02-702	EA STUD EXTENDER	V160SD-STX
	110435-02-703	EA NUT (JAMB)	V160SD-JNT
	110435-02-704	EA COVER - LUG NUT	V160F0-LNC
	110435-02-705	EA TOOL F/ JAMB NUT - INSTALL.	V160F0-TOL
	110435-08-700	EA LINER - WHEEL - FRONT	V160SD-FWC
	110435-08-701	EA LINER - WHEEL - REAR	V160SD-RWC

16" FORD WHEEL COVERS

KEY	PART NUMBER	U/M DESCRIPTION	VENDOR NO.
	098532-01-000	EA COVER - WHEEL - FORD - 16" - SET OF 4 - DICOR SH-SD-16	
	098532-01-700	EA COVER - LUG NUT (CHROME)	SHAU-LNC
	098532-01-701	EA COVER - WHEEL (FRONT OR REAR)	SH-SD-16

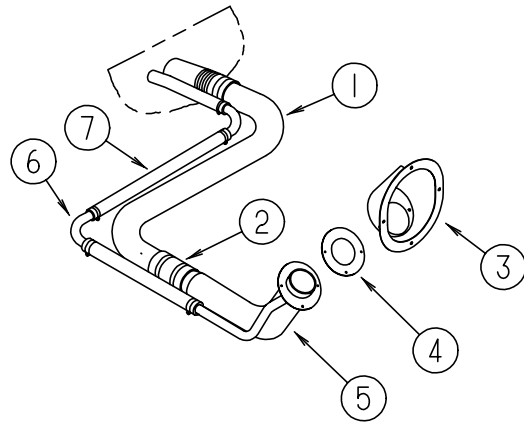
DRIVETRAIN (W.I.E. DIESEL EXPORT)

KEY	PART NUMBER	U/M DESCRIPTION
	075302-32-000	EA DRIVESHAFT ASSEMBLY - 3 BALANCED - CHEVY 190"
	075302-16-000	EA DRIVESHAFT ASSEMBLY - YOKE/YOKE/BEARING - 46.72"
	075466-01-000	EA UNION - INVERTED FLAIR - 1/4"
	088497-02-000	EA NUT - INVERTED FLARE - 1/4"

FRONT SHOCKS & STABILIZER (CHEVY)

KEY	PART NUMBER	U/M DESCRIPTION	VENDOR NO.
	104993-02-000	EA SHOCK ABSORBER - GAS - P30 FRONT	
	122756-01-000	EA SHOCK & STABILIZER (RED BOOT) KIT - FRONT END P30 CHASSIS FROM: 00-00-00 THRU: 12-11-96	
	122756-02-000	EA SHOCK AND STABILIZER (BLUE BOOT) KIT - FRONT END P30 CHASSIS FROM: 12-12-96 THRU: 99-99-99	
	122756-02-700	EA BRACKET ASM - DRIVERS SIDE	T818L
	122756-02-701	EA BRACKET ASM - PASSENGER SIDE	T818R
	122756-02-702	EA BRACKET ONLY - DRIVERS SIDE	T818L
	122756-02-703	EA BRACKET ONLY -PASSENGER SIDE	T818R
	122756-02-704	EA BOLT PACKAGE -BOLTS/NUTS ETC	T818R
	122756-02-705	EA SHOCK	T818SH
	122756-02-706	EA STUD - SHOCK MOUNTING	T818S
	122756-02-707	EA DAMPENER - STEERING	T818SD
	122756-02-708	EA BOOT - STEERING DAMPENER	T818SDB
	122756-02-709	EA BUSHING PKG-STEERING DAMPENER	T818SDBSH
	122756-02-710	EA BOLT PKG - STEERING DAMPENER	T818S

CHASSIS GROUP (CONTINUED)



FUEL SYSTEM

KEY	PART NUMBER	U/M	DESCRIPTION
1	100140-02-000	EA	TUBE - FUEL INLET
2	007111-02-000	EA	HOSE - FUEL FILL - 2" ID
3	095854-01-04A	EA	SHROUD - FUEL FILL - BRIGHT WHITE
4	078200-01-000	EA	GASKET - FUEL FILL - 3.5" OD X 2" ID
5	087256-07-000	EA	NECK - FUEL FILL - FORD
5	087256-02-000	EA	NECK - FUEL FILL - CHEVY
5	087256-08-000	EA	NECK - FUEL FILL - CHEVY DIESEL
			FROM: 09-30-96 THRU: 99-99-99
6	066732-01-000	FT	HOSE - FUEL - .62"ID
7	098806-01-000	EA	PIPE - FILL VENT - 90 DEGREE BEND - .635 OD - STEEL
			FROM: 00-00-00 THRU: 02-18-97
7	100139-02-000	EA	TUBE - FUEL VENT
			FROM: 02-19-97 THRU: 99-99-99
	007063-01-000	FT	HOSE - FUEL - 1/4"ID X 1/2"OD
	084884-01-000	EA	PLUG - BRASS - 3/8"
	068382-06-000	EA	BUSHING - BRASS - 3/8 MPT X 1/8 FPT
	114254-01-000	EA	ADAPTER - 1/4 BARB X 1/8 MPT
	044317-01-000	FT	HOSE - FUEL - 3/8" ID
	087269-01-000	EA	TEE - 1/4" X 1/4" X 1/4" - BRASS

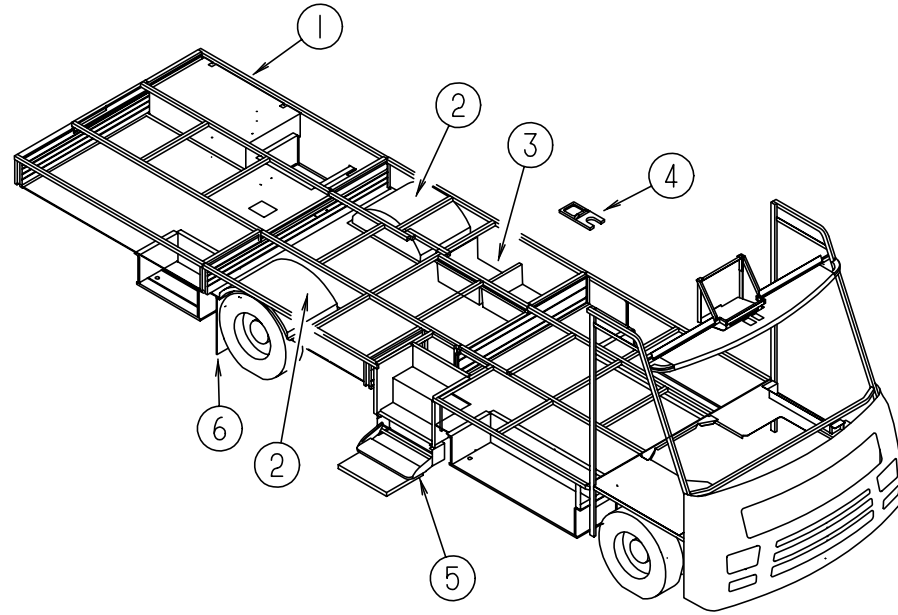
CHASSIS GROUP (CONTINUED)
HWH LEVELING SYSTEM

KEY	PART NUMBER	U/M	DESCRIPTION	VENDOR NO.
	100532-08-000	EA	LEVELING SYSTEM - HYDRAULIC - JOYSTICK - HWH	
	100532-01-704	EA	SWITCH - MERCURY -6K/9K JACK	RAP1010
	100532-01-705	EA	SPRING KIT-9K JACK	R1171
	100532-01-714	EA	SCREW KIT (LEVELING JACKS)	R1280
	100532-02-700	EA	JACK ASSEMBLY, 6K TALL	RAP7164
	100532-02-701	EA	SPRING KIT-6K JACK	R6824
	100532-02-704	EA	CABLE-ACTUATOR, 6K JACK	RAP7194
	100532-02-705	EA	PUMP/RESERVOIR ASM-MONARCH	RAP8178
	100532-03-710	EA	SENSING UNIT 21' MTA	RAP6798
	100532-03-715	EA	CAP-BREATHER W/DIPSTICK	RAP7876
	100532-08-700	EA	POWER UNIT ASM.	AP10470
	100532-08-701	EA	CONTROL,BI-AXIS-F/200 SYSTEM	RAP0612
	100532-08-702	EA	VALVE,BI-AXIS	RAP9589
	100532-08-703	EA	PANEL ASM.-200 BI-AXIS SYS.	RAP9755
	100532-08-704	EA	JACK ASM.-9K TALL 200 SYS.	RAP7002
	100532-08-705	EA	KNOB-3/4" BLACK, SET OF FOUR	RAP1379
	100532-08-706	EA	KNOB-1 3/16" BLACK	RAP9734
	100532-08-707	EA	BEZEL W/GASKET, F/SYSTEM 200	RAP9592
	100532-09-707	EA	ACTUATOR ASM.-9K	RAP0547
	100532-09-709	EA	ACTUATOR ASM.-6K	RAP0448
	100532-09-710	EA	SOLENOID-INTERMITENT DUTY	RAP0533
	100533-05-000	EA	BRACKETS - FRONT LEVELING JACK - CHEVY	
	100534-12-000	EA	BRACKETS - REAR LEVELING JACKS (KICKDOWN) - CHEV	
	100536-11-000	EA	HOSE KIT - HWH #AP0013	
	107890-01-000	EA	ELBOW - STEEL - 90 D - 1/4 X 3/8 D - FLARE	
	117183-01-02B	EA	COVER - SENSOR - LEVELING	
	120916-01-02B	EA	BRACKET - PUMP - LEVELING SYSTEM	
	122309-01-09B	EA	SHIELD-LEVELING JACK,GALV	

AUXILIARY REAR AIR SPRINGS (EXPORT)

KEY	PART NUMBER	U/M	DESCRIPTION	VENDOR NO.
	084086-07-000	EA	COMPRESSOR/ACCESSORY KIT - 12 VOLT/ 1/6HP	
	084086-05-703	EA	LOWER BRACKET	5098
	084086-07-700	EA	COMPRESSOR	21-9014
	084086-07-701	EA	TUBING-18FT	21-9038
	084086-07-702	EA	TANK-AIR	21-9003
	084086-07-703	EA	HOSE-AIR	21-9006
	084086-08-000	EA	AIRSPRING KIT - '93-'97 GM 14,500-16,000 GVW	
	084086-05-706	EA	VALVE-INFLATION,PUSH TO CONN	3032
	084086-08-700	EA	BAG-AIR, (SPRING), 224C	0335
	084086-08-701	EA	TUBING-22FT	0937
	084086-08-702	EA	BRACKET-UPPER	5104
	084086-08-703	EA	BRACKET-LOWER	5128
	084086-08-704	EA	FITTING-PUSH TO CONNECT	3046
	084086-08-705	EA	SLEEVE-THERMAL	0899
	084086-09-000	EA	CONTROL KIT - AIR SPRING - SINGLE CONTROL	
	084086-06-700	EA	PANEL-AIR CONTROL, RIGHT	21-9012
	084086-06-702	EA	TUBING-FLEXIBLE	21-9008
	084086-06-703	EA	CONNECTOR-T	21-3005
	084086-06-704	EA	FERRULE	21-0932
	120501-01-02B	EA	BRACKET - CONTROL - RIDE RIDE	

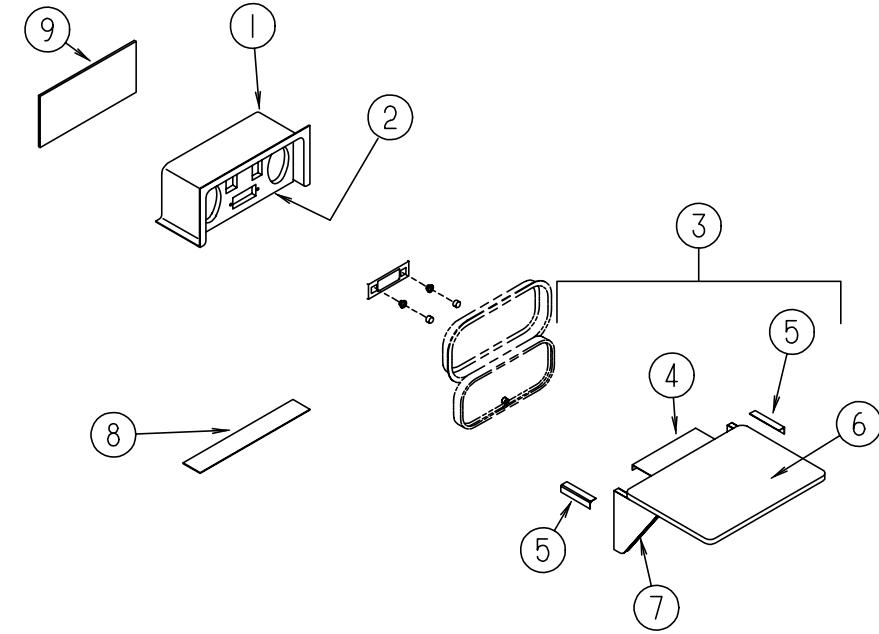
CHASSIS GROUP (CONTINUED)



STORAGE COMPARTMENTS & WHEELWELLS

KEY	PART NUMBER	U/M	DESCRIPTION
1	114070-02-02B	EA	SUPPORT - GENERATOR - LEFT
1	114071-02-02B	EA	SUPPORT - GENERATOR - RIGHT
2	055080-01-000	EA	WHEELWELL - PLASTIC - REAR - LEFT OR RIGHT
3	M07452-01-F36	EA	COMPARTMENT - STORAGE W/HATCH 11" X 48.9"
			FROM: 00-00-00 THRU: 08-25-96
3	M07452-02-F36	EA	COMPARTMENT - STORAGE W/HATCH 11" X 48.9"
			FROM: 08-26-96 THRU: 99-99-99
	121175-01-01A	EA	LATCH - SWELL - BLACK
4	M06991-03-F36	EA	HATCH - W/FOAM
5	094707-01-01A	EA	STEP - DOUBLE - ELECTRIC - KWIKEE
5	104452-03-000	EA	SUPPORT - STEP
			FROM: 12-20-96 THRU: 99-99-99
	090604-06-000	EA	TRAY - BATTERY - AUTO - W/TWO HEX NUTS - FORD
	087475-02-000	EA	BRACKET - BATTERY TIE DOWN - 13.5" X 1.3"
	065450-05-000	EA	TIEDOWN - BATTERY - 8.4" TUBE
6	017516-01-000	EA	MUD FLAP - 14" X 18" - BLACK
6	020167-03-000	EA	DIRT GUARD - STEEL - 11" LONG
	104147-02-000	EA	SHIELD - SPLASH - RIGHT HAND

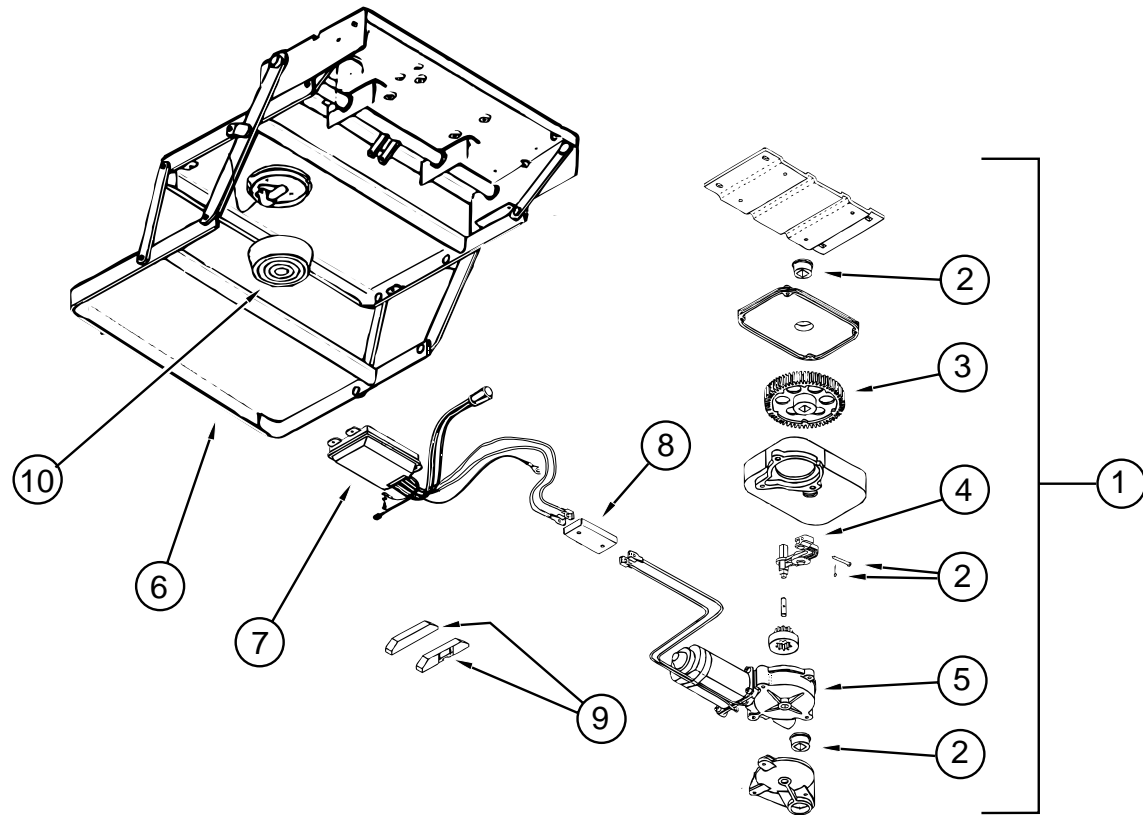
CHASSIS GROUP (CONTINUED)



PATIO ENTERTAINMENT CENTER

KEY	PART NUMBER	U/M	DESCRIPTION
1	104897-03-02A	EA	BOX-ENTERTAINMENT CENTER - BRIGHT WHITE
2	104899-01-C05	EA	PLATE-RADIO MOUNTING
3	105230-01-E01	EA	SHELF
4	105377-01-01A	EA	BRACKET-TABLE HANGER, OFF WHITE
			FROM: 00-00-00 THRU: 01-05-97
4	105377-01-04A	EA	BRACKET-TABLE HANGER, BRIGHT WHITE
			FROM: 01-06-97 THRU: 99-99-99
5	105376-01-02A	EA	HINGE-CONTINUOUS, 2" X 5.5" - OFF WHITE
			FROM: 00-00-00 THRU: 01-05-97
5	105376-01-03A	EA	HINGE-CONTINUOUS, 2" X 5.5" - BRIGHT WHITE
			FROM: 01-06-97 THRU: 99-99-99
6	105230-11-E01	EA	SHELF
7	105230-12-E01	EA	SUPPORT-SHELF
8	104898-01-02A	EA	PLATE-PLASTIC, BOTTOM - 19.38" X 3.1" - BRIGHT WHITE
9	104898-02-02A	EA	PLATE-PLASTIC, REAR - 16.1" X 6.3" - BRIGHT WHITE

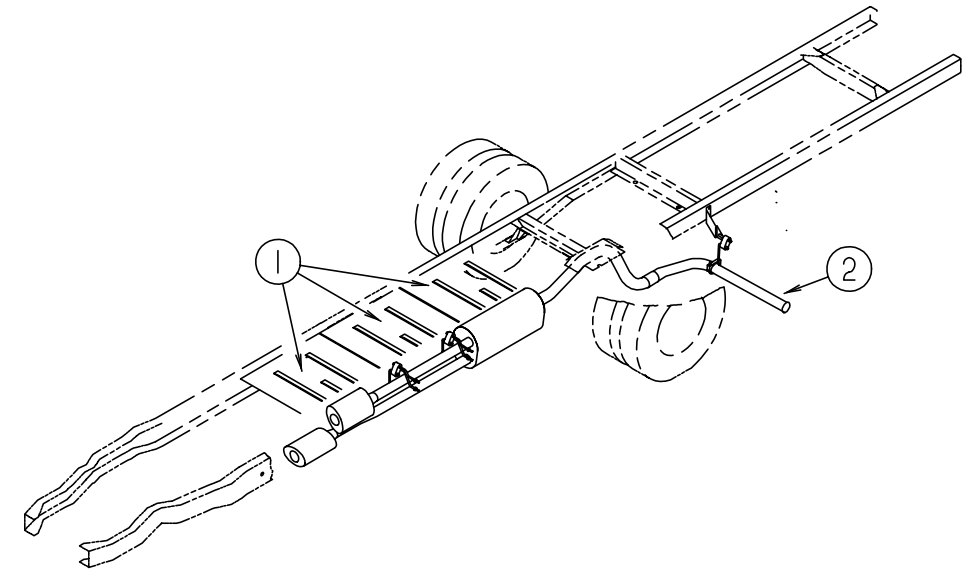
CHASSIS GROUP (CONTINUED)



KWIKIEE ELECTRIC ENTRY DOUBLE STEP

KEY	PART NUMBER	U/M	DESCRIPTION	VENDOR NO.
1	094707-01-01A	EA	STEP - DOUBLE - ELECTRIC - KWIKIEE	
2	094707-02-703	EA	BEARING & PINS	909530
3	094707-02-702	EA	GEAR KIT,W/BEARINGS,PIN-CASE	909525
4	094707-02-701	EA	LINKAGE ASM. W/BEARINGS-PINS	909534
5	094707-02-700	EA	MOTOR REPLACEMENT KIT - MODELS 32 & 28	9520
6	094707-01-702	EA	FRAME W/DBL STEP,3200 SERIES	908032
7	094707-02-705	EA	CONTROL UNIT, WHITE	909513
8	094707-02-704	EA	CONNECTOR-MOTOR ASM.W/PLATES	909537
9	116995-01-000	EA	SWITCH/MAGNET - ELECTRIC STEP	
10	088746-01-705	EA	LIGHT-UNDER STEP	9004
	088733-01-700	EA	BULB	9004
	094707-02-707	EA	TREAD - NON SKID - BLACK	909333
	094707-02-708	EA	TREAD - NON-SKID - YELLOW	909331

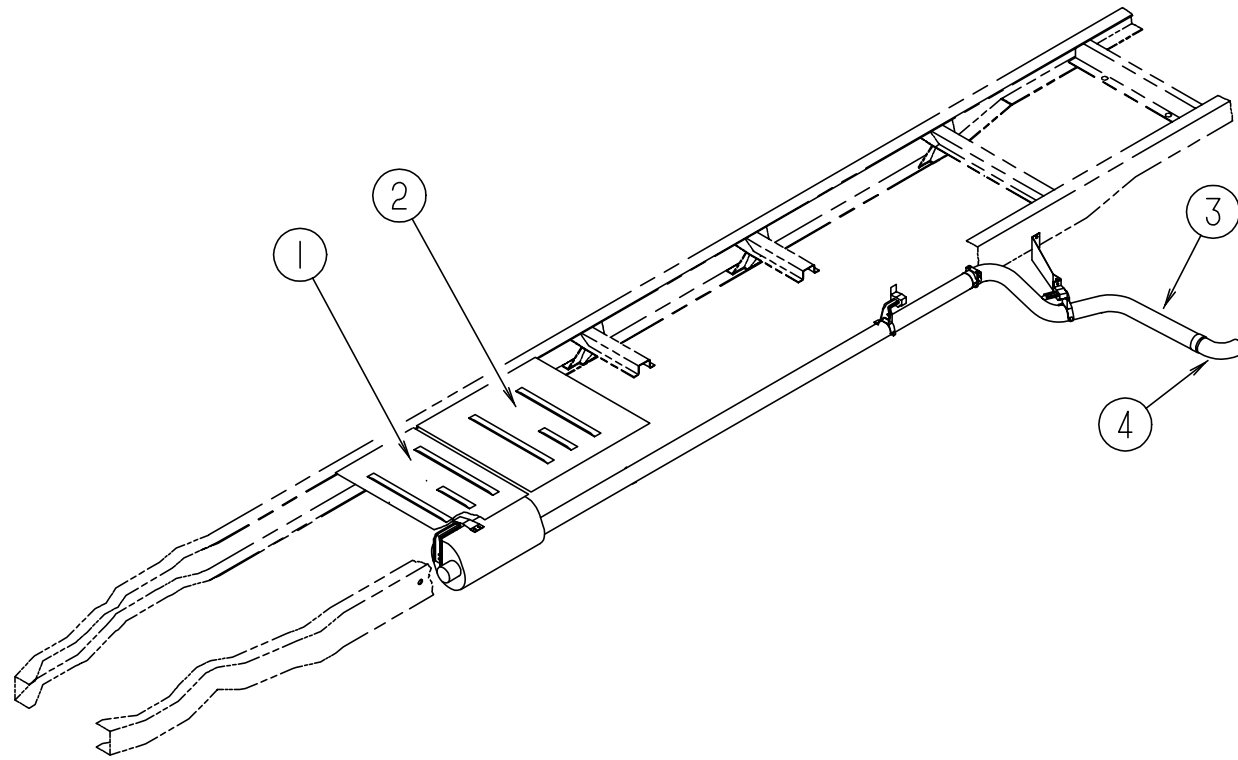
CHASSIS GROUP (CONTINUED)



VORTEC CHEVY EXHAUST SYSTEM - GAS

KEY	PART NUMBER	U/M	DESCRIPTION
1	101544-06-000	EA	SHIELD - HEAT/EXHAUST - 33.9" X 29.1"
2	098762-05-000	EA	EXTENSION - EXHAUST - STRAIGHT - 3" O.D X 7.9" LONG - SST
2	119119-01-000	EA	PIPE - EXHAUST/TAIL 90 DEGREEE
2	094918-01-000	EA	CLAMP - EXHAUST - 3" - GUILLOTINE STYLE

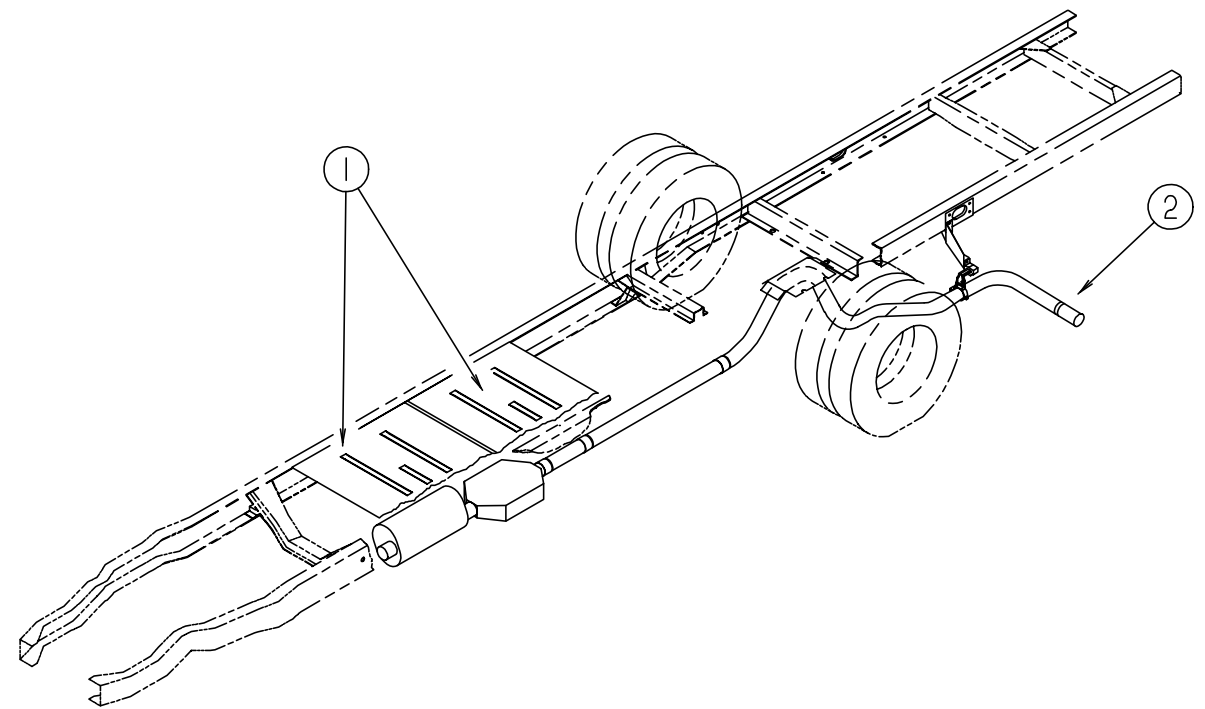
CHASSIS GROUP (CONTINUED)



CHEVY EXHAUST SYSTEM - W.I.E. DIESEL

KEY	PART NUMBER	U/M	DESCRIPTION
1	101544-01-000	EA	SHIELD - HEAT/EXHAUST - 19.7" X 29.1"
2	101544-02-000	EA	SHIELD - HEAT/EXHAUST - 30" X 29.1"
3	122529-01-000	EA	PIPE - EXHAUST
4	119119-01-000	EA	PIPE - EXHAUST/TAIL 90 DEGREEE
4	094918-01-000	EA	CLAMP - EXHAUST - 3" - GUILLOTINE STYLE
	102116-02-000	EA	BRACKET - EXHAUST - UPPER

CHASSIS GROUP (CONTINUED)



CHEVY EXHAUST SYSTEM

KEY	PART NUMBER	U/M	DESCRIPTION
1	101544-02-000	EA	SHIELD - HEAT/EXHAUST - 30" X 29.1"
2	098762-05-000	EA	EXTENSION - EXHAUST - STRAIGHT - 3" O.D X 7.9" LONG - SST
2	094918-01-000	EA	CLAMP - EXHAUST - 3" - GUILLOTINE STYLE

CHASSIS GROUP (CONTINUED)
FORD EXHAUST SYSTEM

KEY	PART NUMBER	U/M	DESCRIPTION
	101544-02-000	EA	SHIELD - HEAT/EXHAUST - 30" X 29.1"
	075307-03-000	EA	SHIELD - HEAT - LP

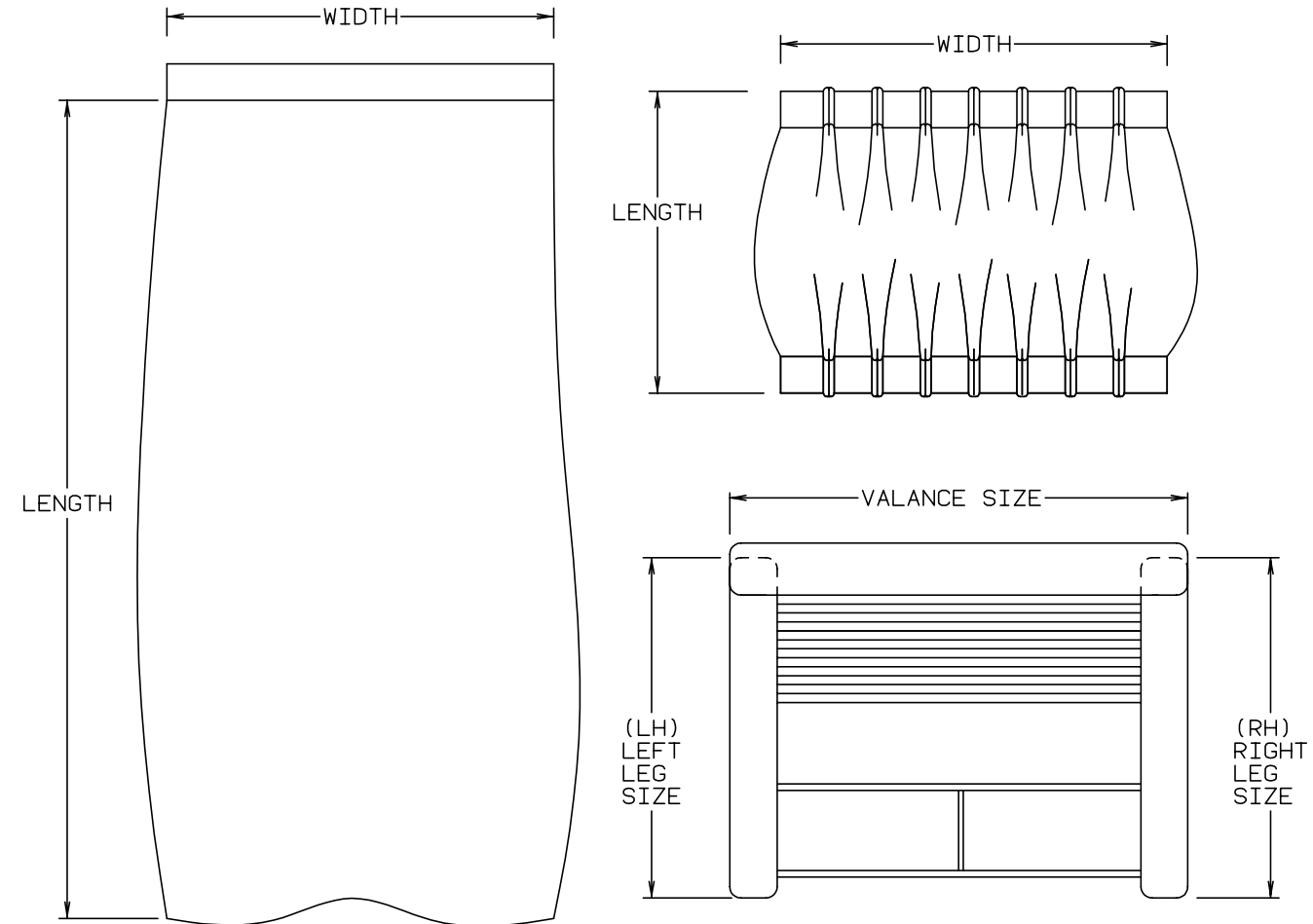
CHASSIS MISCELLANEOUS

KEY	PART NUMBER	U/M	DESCRIPTION
	102805-01-000	EA	CHANNEL - EXTENSION - FRONT FRAME - 13.7"
	102805-03-000	EA	CHANNEL - EXTENSION - FRONT FRAME - 10.6"
	119847-01-02B	EA	SHIELD - A/C COMPRESSOR
	113452-01-000	FT	SEAL/TRIM - FRONT - VINYL W/WIRE CARRIER FROM: 02-03-97 THRU: 99-99-99
	112864-01-000	FT	SEAL - FOAM/BUTYL COVERED - 3/8"
	123361-01-000	EA	DUCT - AIR INTAKE
	077298-55-003	EA	EXTRUSION - TUBE - .275"
	110439-01-000	EA	FASTENER - SNAP - BUTTON

CURTAIN & CUSHION GROUP
NOTICE

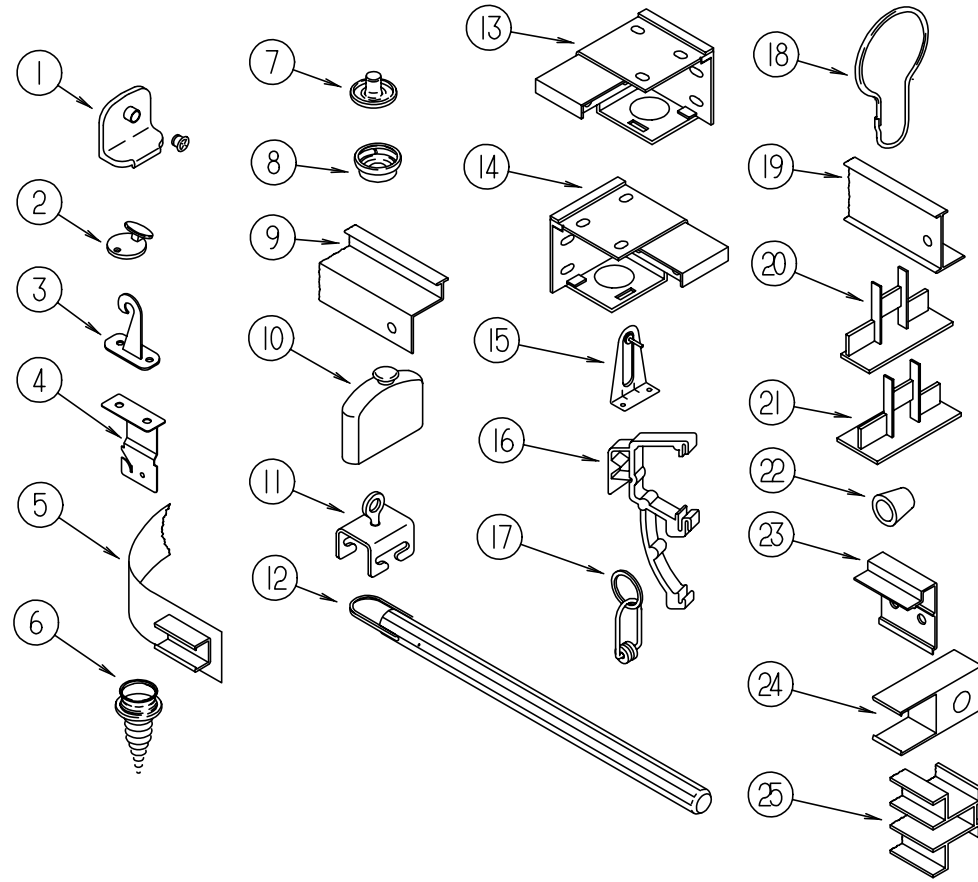
IN ORDER TO ASSIST OUR PARTS SALES DEPT. IN PROVIDING INTERIOR SOFT GOODS ITEMS, PLEASE INCLUDE THE SERIAL NUMBER AND THE COLOR CODE NUMBER FROM THE VEHICLE CERTIFICATION LABEL WHEN ORDERING. THIS LABEL IS LOCATED ON THE LEFT SIDEWALL AT THE END OF THE DASH (A-BODY), OR ON THE DRIVER'S DOOR LATCH PLATE (C-BODY).

AN EXAMPLE OF A COLOR CODE NUMBER IS B07, WHICH DESIGNATES AN OVERALL COLOR SCHEME OF A PARTICULAR UNIT. THE COLOR LISTED AFTER THE ITEM DESCRIPTION ON THE MICROFICHE, INDICATES THE OVERALL UNIT COLOR. ORDER THE ITEM YOU DESIRE ACCORDING TO UNIT COLOR CODE.



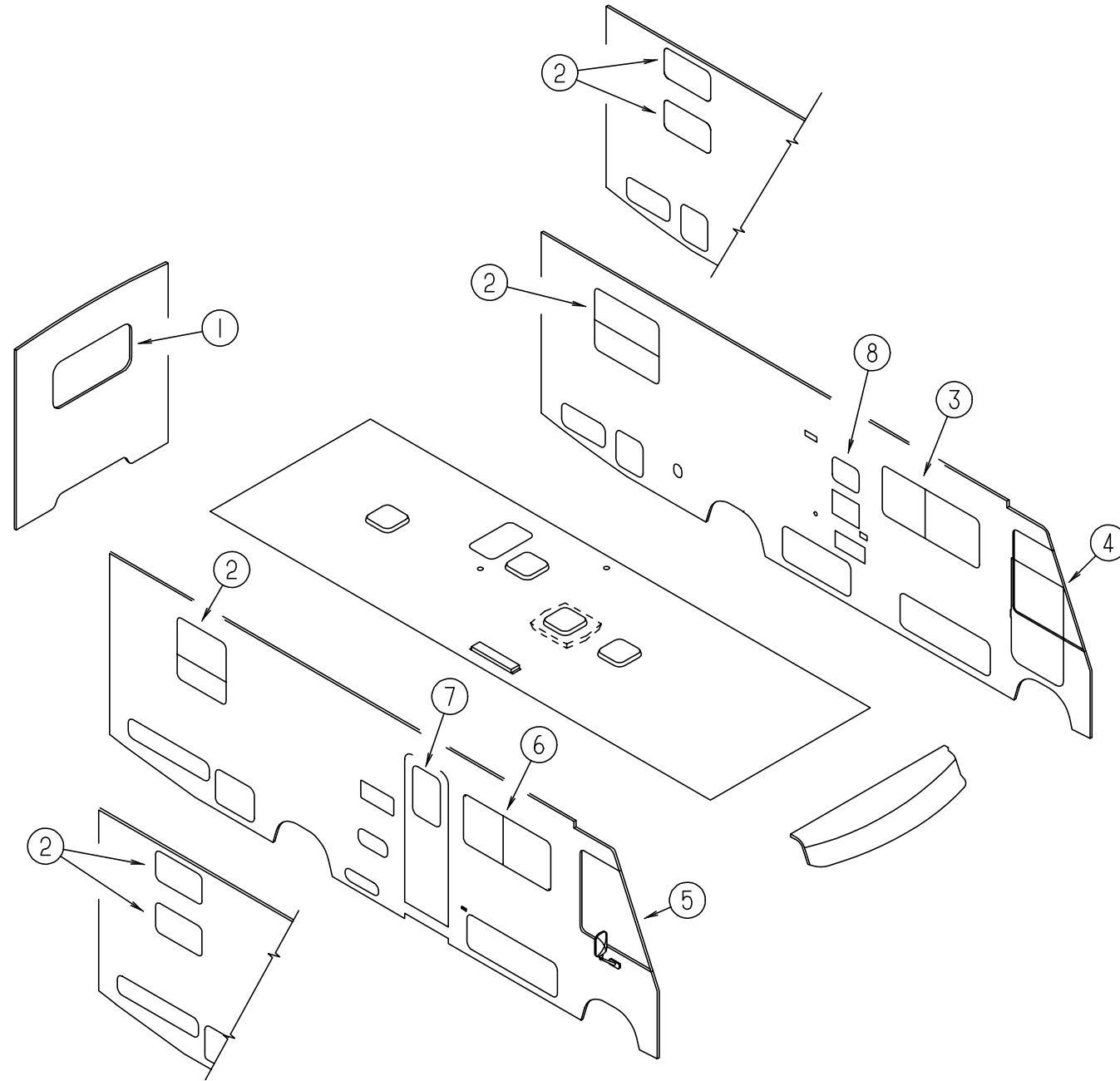
NOTE: USE THIS ILLUSTRATION WHEN DETERMINING LENGTH AND WIDTH MEASUREMENTS FOR CURTAINS. YOU WILL NOTE THE WIDTH MEASUREMENT IS TAKEN ON THE TOP OF THE CURTAIN WITH THE CURTAIN FULLY EXTENDED. THE LENGTH MEASUREMENT IS TAKEN FROM TOP TO BOTTOM. LEFT AND RIGHT WINDOW LEGS ARE DETERMINED WHEN FACING THE WINDOW.

CURTAIN & CUSHION GROUP (CONTINUED)
CURTAIN, BLIND HARDWARE & TRACKS



KEY	PART NUMBER	U/M	DESCRIPTION
1	106544-01-000	EA	PULL - SHADE/BRASS
1	106544-01-001	EA	SCREW - SHADE/BRASS
2	102555-03-000	EA	CLEAT - BLIND CORD - MILKY WHITE PLASTIC
3	109441-03-000	EA	HOLD DOWN - BLIND (CLOUDY)
	109441-02-000	EA	HOLD DOWN - SPACER
4	084434-01-000	EA	BRACKET - MOUNTING - ROLLER SHADE - 1 3/8"
	096843-01-000	EA	SPRING - REWIND/ROLLER SHADE
	086276-01-000	EA	TAPE - DOUBLE SIDED - 1/2"
5	101031-01-000	YD	TAPE - GLIDE/CURTAIN - 4.25" SPACING
6	029130-01-000	EA	SCREW - SNAP SOCKET - #8 PH X 5/8"
7	029155-01-000	EA	CAP - SNAP - 5/32" O.D. OF PIN
8	029156-01-000	EA	SOCKET - SNAP - 9/16" O.D.
9	111298-01-01A	EA	TRACK-SHOWER O/W
9	114641-05-04A	EA	TRACK - CURTAIN - WRAPAROUND W/SPACERS - RIGHT HAND
9	114641-06-04A	EA	TRACK - CURTAIN - WRAPAROUND W/SPACERS - LEFT HAND
9	114641-07-G35	EA	TRACK - WRAPAROUND W/SPACERS - RIGHT HAND
9	114641-08-G35	EA	TRACK - WRAPAROUND W/SPACERS - LEFT HAND
10	093475-01-701	EA	CAP-END, WITH INVERTED STUD
11	009702-01-000	EA	END STOP - CURTAIN CARRIER - L ROD
12	093475-01-700	EA	WAND-BLIND W/METAL CLIP, 8"
13	083170-01-000	EA	BRACKET - BLIND - LEFT SIDE WHEN FACING WINDOW
14	083170-02-000	EA	BRACKET - BLIND - RIGHT SIDE WHEN FACING WINDOW
15	095591-02-000	EA	BRACKET - BLIND - HOLD DOWN W/PIN - METAL
16	109353-04-000	EA	CLIP - VALANCE SLAT MOUNTING - CLEAR PLASTIC
17	009701-01-000	EA	CARRIER - CURTAIN - L ROD
18	009136-02-000	EA	HANGER - RING - PIN TYPE - CURTAIN - BRASS
19	009700-04-002	EA	TRACK - L-SHAPED 195.5" - OFF WHITE
20	094907-04-000	EA	HARDWARE - END CAP BOTTOM - PULL TYPE (RH & LH)
21	094907-02-000	EA	END CAP - TOP/PLEATED BLIND - PLASTIC - GRAY
22	097564-01-000	EA	HANDLE-T - EZ LIFT SHADE
23	097565-01-000	EA	BRACKET - MOUNTING/PLEATED BLIND
24	101033-02-000	EA	END CAP - TRACK/CLEAR
25	101033-04-000	EA	TRACK - WALL - 3'
	046867-03-000	EA	GROMMET - HANDY BUTTON #3
	048394-02-000	YD	VELCRO TAPE - HOOK - ADHESIVE BACK - .75" WIDE - BEIGE
	088792-01-000	YD	VELCRO TAPE - HOOK - 5/8" - NON-ADHESIVE BACKED
	088792-02-000	YD	VELCRO TAPE - LOOP - .75" - ADHESIVE BACKED - BEIGE
	088792-06-000	YD	VELCRO TAPE - LOOP - .75" - NON-ADHESIVE BACKED - BUFF
	094896-02-000	EA	GROMMET - CORD/PLEATED BLIND - NYLON - GRAY
	097591-01-000	EA	SPRING - EXTENSION/PLEATED BLIND
	097592-01-000	EA	SPOOL - CORD - ELEVATED BLIND HOLDUP - CLEAR PLASTIC
	097593-02-000	FT	CORD - BLIND/PLEATED - GRAY

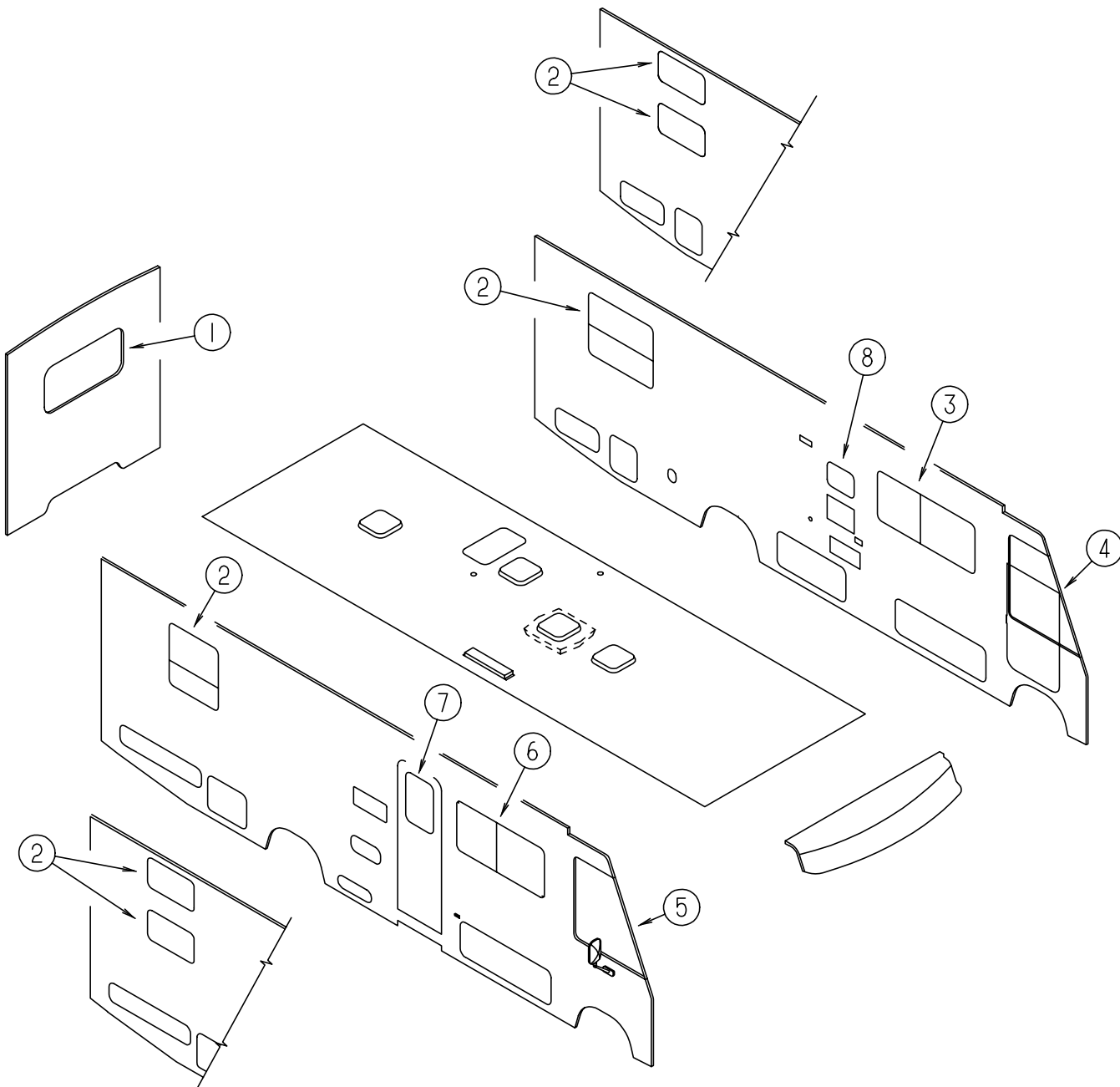
CURTAIN & CUSHION GROUP (CONTINUED)
WINDOW TREATMENT



KEY	PART NUMBER	U/M DESCRIPTION
1	118064-01-GB1	EA VALANCE - VALENCIA - 52" (H33) - QUEEN BED
1	118064-01-H05	EA VALANCE - VALENCIA - 52" (H34) - QUEEN BED
1	118064-01-H35	EA VALANCE - VALENCIA - 52" (H35) - QUEEN BED
1	118064-03-H33	EA VALANCE - VALENCIA - 29" (H33) - DOUBLE/TWIN/TWIN W/BUNK BED
1	118064-03-H05	EA VALANCE - VALENCIA - 29" (H34) - DOUBLE/TWIN/TWIN W/BUNK BED
1	118064-03-H35	EA VALANCE - VALENCIA - 29" (H35) - DOUBLE/TWIN/TWIN W/BUNK BED
1	109041-41-01A	EA BLIND - MINI - 51" X 26" (H33) - QUEEN BED
1	109041-41-02A	EA BLIND - MINI - 51" X 26" (H34/H35) - QUEEN BED
1	093475-80-02A	EA BLIND - MINI - 28" X 27" (H33) - DOUBLE/TWIN/TWIN W/BUNK BED
1	093475-80-03A	EA BLIND - MINI - 28" X 27" (H34, H35) - DOUBLE/TWIN/TWIN W/BUNK BED
1	111910-48-H33	EA BLIND - DAY/NIGHTER - 51" X 27" UPGRADE OPTION - QUEEN BED FROM: 00-00-00 THRU: 10-27-96
1	111910-48-HA3	EA BLIND - DAY/NIGHTER - 51" X 27" UPGRADE OPTION - QUEEN BED FROM: 10-28-96 THRU: 99-99-99
1	111910-20-G08	EA BLIND - DAY/NIGHTER - 28" X 28" UPGRADE OPTION - DBL/TWIN/TWIN W/BUNK BED FROM: 00-00-00 THRU: 10-27-96
1	111910-20-HA3	EA BLIND - DAY/NIGHTER - 28" X 28" UPGRADE OPTION - DBL/TWIN/TWIN W/BUNK BED FROM: 10-28-96 THRU: 99-99-99

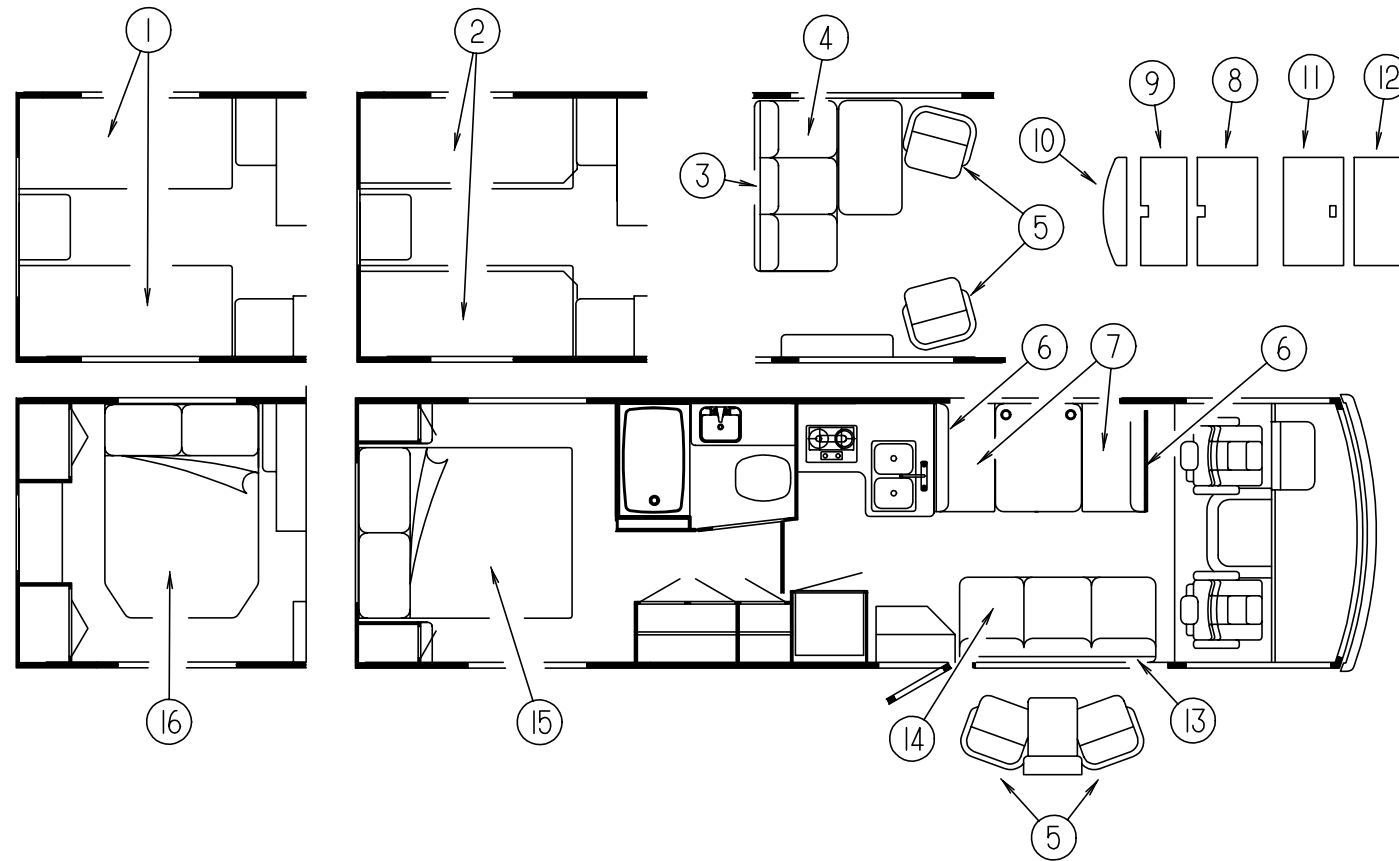
KEY	PART NUMBER	U/M DESCRIPTION
2	118064-06-H33	EA VALANCE - VALENCIA - 34"
2	118064-06-H34	EA VALANCE - VALENCIA - 34"
2	118064-06-H35	EA VALANCE - VALENCIA - 34"
2	109041-42-01A	EA BLIND - MINI - 32" X 36" (H33) - QUEEN/DOUBLE/TWIN BED
2	109041-42-02A	EA BLIND - MINI - 32" X 36" (H34, H35) - QUEEN/DOUBLE/TWIN BED
2	111910-49-H33	EA BLIND - DAY/NIGHTER - 32" X 36" - UPGRADE OPTION FROM: 00-00-00 THRU: 10-27-96
2	111910-49-HA3	EA BLIND - DAY/NIGHTER - 32" X 36" - UPGRADE OPTION FROM: 10-28-96 THRU: 99-99-99
2	101034-49-GB1	EA CURTAIN - RIGHT HAND - 19" X 19" (H33) TWIN W/BUNK BED
2	101034-49-H05	EA CURTAIN - RIGHT HAND - 19" X 19" (H34) TWIN W/BUNK BED
2	101034-49-H35	EA CURTAIN - RIGHT HAND - 19" X 19" (H35) TWIN W/BUNK BED
2	101034-50-GB1	EA CURTAIN - LEFT HAND - 19" X 19" (H33) TWIN W/BUNK BED
2	101034-50-H05	EA CURTAIN - LEFT HAND - 19" X 19" (H34) TWIN W/BUNK BED
2	101034-50-H35	EA CURTAIN - LEFT HAND - 19" X 19" (H35) TWIN W/BUNK BED

CURTAIN & CUSHION GROUP (CONTINUED)
WINDOW TREATMENT (CONTINUED)



KEY	PART NUMBER	U/M	DESCRIPTION	
3	118299-10-H33	EA	VALANCE - METRO - 65.5" (H33)	FROM: 00-00-00 THRU: 01-12-97
3	118299-10-H3A	EA	VALANCE - METRO - 66.5" (H33)	FROM: 01-13-97 THRU: 99-99-99
3	118299-10-H34	EA	VALANCE - METRO - 65.5" (H34)	
3	118299-10-H35	EA	VALANCE - METRO - 65.5" (H35)	
3	109041-46-01A	EA	BLIND - MINI - 60" X 27.5" (H33)	
3	109041-46-02A	EA	BLIND - MINI - 60" X 27.5" (H34, H35)	
3	109802-51-H33	EA	BLIND - PLEATED - 60" X 27.5" - QUEEN/DOUBLE/TWIN BED	
3	109802-10-G01	EA	BLIND - PLEATED - 60" X 28.5" - EXPORT UPGRADE OPTION	
3	119333-01-H04	EA	LEG - RIGHT - 25" (H33)	FROM: 00-00-00 THRU: 01-12-97
3	119333-01-H3A	EA	LEG - RIGHT - 25" (H33)	FROM: 01-13-97 THRU: 99-99-99
3	119333-01-G16	EA	LEG - RIGHT - 25" (H34)	
3	119333-01-H35	EA	LEG - RIGHT - 25" (H35)	
3	119333-02-H04	EA	LEG - LEFT - 25" (H33)	FROM: 00-00-00 THRU: 01-12-97
3	119333-02-H3A	EA	LEG - LEFT - 25" (H33)	FROM: 01-13-97 THRU: 99-99-99
3	119333-02-G16	EA	LEG - LEFT - 25" (H34)	
3	119333-02-H35	EA	LEG - LEFT - 25" (H35)	
4	101668-46-E10	EA	CURTAIN - LEFT HAND - 48" X 95" (H33, H35)	
4	101668-46-E11	EA	CURTAIN - LEFT HAND - 48" X 95" (H34)	
5	101668-45-E10	EA	CURTAIN - RIGHT HAND - 48" X 95" (H33/H35)	
5	101668-45-E11	EA	CURTAIN - RIGHT HAND - 48" X 95" (H34)	
	073260-42-D09	EA	TIEBACK - 6" X 18" (H33, H35)	
	073260-42-D10	EA	TIEBACK - 6" X 18" (H34)	
6	118299-11-H33	EA	VALANCE - METRO II - 58.5" (H33)	FROM: 00-00-00 THRU: 01-12-97
6	118299-11-H3A	EA	VALANCE - METRO - 58.5" (H33)	FROM: 01-13-97 THRU: 99-99-99
6	118299-11-H34	EA	VALANCE - METRO II - 58.5" (H34)	
6	118299-11-H35	EA	VALANCE - METRO II - 58.5" (H35)	
6	109041-28-01A	EA	BLIND - MINI - 54" X 28.5" (H33)	
6	109041-28-02A	EA	BLIND - MINI - 54" X 28.5" (H34, H35)	
6	109802-32-F14	EA	BLIND - PLEATED - 54" X 28.5" - UPGRADE OPTION	
6	119333-01-H04	EA	LEG - RIGHT - 25" (H33)	FROM: 00-00-00 THRU: 01-12-97
6	119333-01-H3A	EA	LEG - RIGHT - 25" (H33)	FROM: 01-13-97 THRU: 99-99-99
6	119333-01-G16	EA	LEG - RIGHT - 25" (H34)	
6	119333-01-H35	EA	LEG - RIGHT - 25" (H35)	
6	119333-02-H04	EA	LEG - LEFT - 25" (H33)	FROM: 00-00-00 THRU: 01-12-97
6	119333-02-H3A	EA	LEG - LEFT - 25" (H33)	FROM: 01-13-97 THRU: 99-99-99
6	119333-02-G16	EA	LEG - LEFT - 25" (H34)	
6	119333-02-H35	EA	LEG - LEFT - 25" (H35)	
7	118299-12-H33	EA	VALANCE - METRO II - 16.5" X 35" (H33)	FROM: 00-00-00 THRU: 01-12-97
7	118299-12-H3A	EA	VALANCE - METRO II - 16.5" X 35" (H33)	FROM: 01-13-97 THRU: 99-99-99
7	118299-12-H34	EA	VALANCE - METRO II - 16.5" X 35" (H34)	
7	118299-12-H35	EA	VALANCE - METRO II - 16.5" X 35" (H35)	
7	084755-57-E07	EA	SHADE - PULL - 27.25"	
8	109041-49-01A	EA	BLIND - MINI - 21" X 19" (H33)	
8	109041-49-02A	EA	BLIND - MINI - 21" X 19" (H34, H35)	
	109353-04-000	EA	CLIP - VALANCE SLAT MOUNTING - CLEAR PLASTIC	

CURTAIN & CUSHION GROUP (CONTINUED)



TWIN MATTRESSES, BEDSPREADS & PILLOW SHAMS

KEY	PART NUMBER	U/M DESCRIPTION
1	123471-06-H33	EA BEDSPREAD/THROW - 36" X 75"
1	123471-06-H34	EA BEDSPREAD/THROW - 36" X 75"
1	123471-06-H35	EA BEDSPREAD/THROW - 36" X 75"
1	111863-07-H33	EA PILLOW SHAM - 22" X 37"
1	111863-07-H34	EA PILLOW SHAM - 22" X 37"
1	111863-07-H35	EA PILLOW SHAM - 22" X 37"
	123015-03-000	EA MATTRESS - INNERSPRING - 36" X 74.5"
	117067-11-H33	EA COVER - FITTED SHEET - 36" X 75" X 5"
	117067-11-H34	EA COVER - FITTED SHEET - 36" X 75" X 5"
	117067-11-H35	EA COVER - FITTED SHEET - 36" X 75" X 5"

TWIN W/BUNK MATTRESSES, BEDSPREADS & PILLOW SHAMS

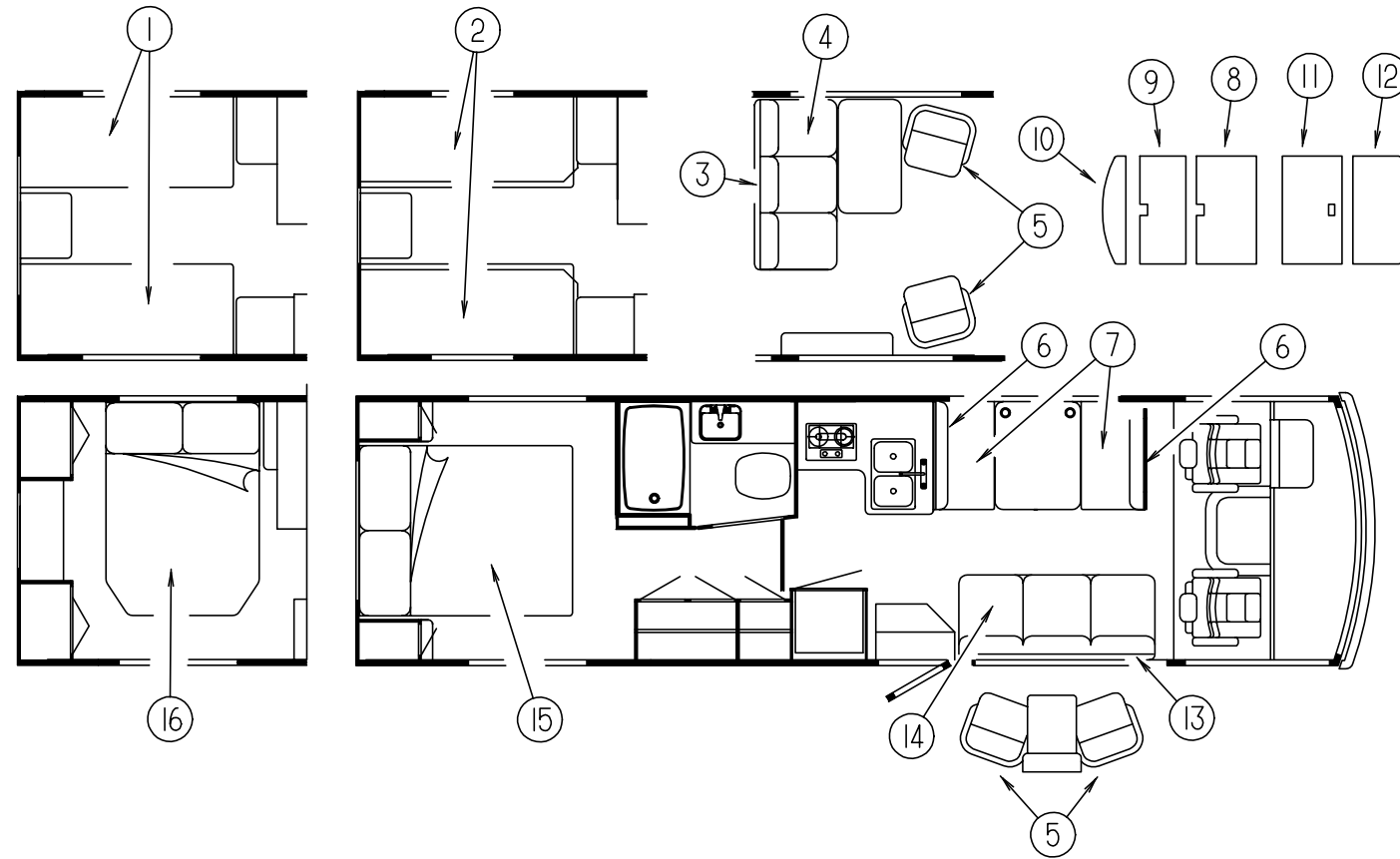
KEY	PART NUMBER	U/M DESCRIPTION
2	117067-01-GB1	EA COVER - FITTED SHEET - RIGHT 4" (H33)
2	117067-01-H05	EA COVER - FITTED SHEET - RIGHT 4" (H34)
2	117067-01-H35	EA COVER - FITTED SHEET - RIGHT 4" (H35)
2	117067-02-GB1	EA COVER - FITTED SHEET - LEFT 4" (H33)
2	117067-02-H05	EA COVER - FITTED SHEET - LEFT 4" (H34)
2	117067-02-H35	EA COVER - FITTED SHEET - LEFT 4" (H35)
	101123-23-000	EA MATTRESS - FOAM - 30" X 76" X 4" - W/RIGHT CUT CORNER
	P01123-23-000	EA COVER - MATTRESS - 30" X 76" X 4" - W/RIGHT CUT CORNER
	101123-24-000	EA MATTRESS - FOAM - 30" X 76" X 4" - W/LEFT CUT CORNER
	P01123-24-000	EA COVER - MATTRESS - 30" X 76" X 4" - W/LEFT CUT CORNER
	111863-06-H33	EA PILLOW SHAM - 20" X 30"
	111863-06-H34	EA PILLOW SHAM - 20" X 30"
	111863-06-H35	EA PILLOW SHAM - 20" X 30"

SOFA/BED

KEY	PART NUMBER	U/M DESCRIPTION
3	115469-01-H33	EA BACK - SOFA/BED - W/O ARMS
3	115469-01-H34	EA BACK - SOFA/BED - W/O ARMS
3	115469-01-H35	EA BACK - SOFA/BED - W/O ARMS
	115469-02-H33	EA BACK - SOFA/BED - RIGHT & LEFT CUSHIONS
	115469-02-H34	EA BACK - SOFA/BED - RIGHT & LEFT CUSHIONS
	115469-02-H35	EA BACK - SOFA/BED - RIGHT & LEFT CUSHIONS
	P15469-02-H33	EA COVER - SOFA/BED - RIGHT & LEFT CUSHIONS
	P15469-02-H34	EA COVER - SOFA/BED - RIGHT & LEFT CUSHIONS
	P15469-02-H35	EA COVER - SOFA/BED - RIGHT & LEFT CUSHIONS
	115469-03-H33	EA BACK - SOFA/BED - CENTER CUSHION - W/O ARMS
	115469-03-H34	EA BACK - SOFA/BED - CENTER CUSHION - W/O ARMS
	115469-03-H35	EA BACK - SOFA/BED - CENTER CUSHION - W/O ARMS
	P15469-03-H33	EA COVER - END - CENTER
	P15469-03-H34	EA COVER - END - CENTER
	P15469-03-H35	EA COVER - END - CENTER
	114726-01-GB1	EA TRAY - BEVERAGE - W/O HARDWARE
4	114969-04-H33	EA SEAT - SOFA/BED - W/O BACK
4	114969-04-H34	EA SEAT - SOFA/BED - W/O BACK
4	114969-04-H35	EA SEAT - SOFA/BED - W/O BACK
	P14969-04-H33	EA COVER - SEAT - SOFA/BED
	P14969-04-H34	EA COVER - SEAT - SOFA/BED
	P14969-04-H35	EA COVER - SEAT - SOFA/BED
	114763-01-000	EA FRAME - FORWARD FACING BASE - SOFA/BED
	114763-02-000	EA FRAME - FORWARD FACING SEAT - SOFA/BED
	114763-07-000	EA FRAME - FORWARD FACING LEGS - SOFA/BED
	120962-01-000	EA BRACKET - QUICK RELEASE CLAMP
	116631-02-02B	EA PLATE - W/HOLES - E-COATED

NOTE: COUCH FRONT AND SIDE PANELS ARE FOUND IN THE LOUNGE GROUP

CURTAIN & CUSHION GROUP (CONTINUED)



SWIVEL CHAIR

KEY	PART NUMBER	U/M	DESCRIPTION
5	118538-01-H33	EA	CHAIR - RECLINER (H33)
FROM: 00-00-00 THRU: 01-12-97			
5	118538-01-H3A	EA	CHAIR - RECLINER (H33)
FROM: 01-13-97 THRU: 99-99-99			
5	118538-01-H34	EA	CHAIR - RECLINER (H34)
5	118538-01-H35	EA	CHAIR - RECLINER (H35)

DINETTE CUSHIONS

KEY	PART NUMBER	U/M	DESCRIPTION
6	111880-01-H33	EA	CUSHION - BACK - 13.5" X 38" X 5"
6	111880-01-H34	EA	CUSHION - BACK - 13.5" X 38" X 5"
6	111880-01-H35	EA	CUSHION - BACK - 13.5" X 38" X 5"
	P11880-01-H33	EA	COVER - BACK CUSHION - 13.5" X 38" X 5"
	P11880-01-H34	EA	COVER - BACK CUSHION - 13.5" X 38" X 5"
	P11880-01-H35	EA	COVER - BACK CUSHION - 13.5" X 38" X 5"
	078155-01-000	EA	STRAP - SNAP - BACK CUSHION
7	088927-87-H04	EA	CUSHION - SEAT BOTTOM - 23" X 38" X 5" (H33)
7	088927-87-H05	EA	CUSHION - SEAT BOTTOM - 23" X 38" X 5" (H34)
7	088927-87-H35	EA	CUSHION - SEAT BOTTOM - 23" X 38" X 5" (H35)
	M88927-87-H04	EA	COVER - SEAT CUSHION - 23" X 38" X 5" (H33)
	M88927-87-H05	EA	COVER - SEAT CUSHION - 23" X 38" X 5" (H34)
	M88927-87-H35	EA	COVER - SEAT CUSHION - 23" X 38" X 5" (H35)

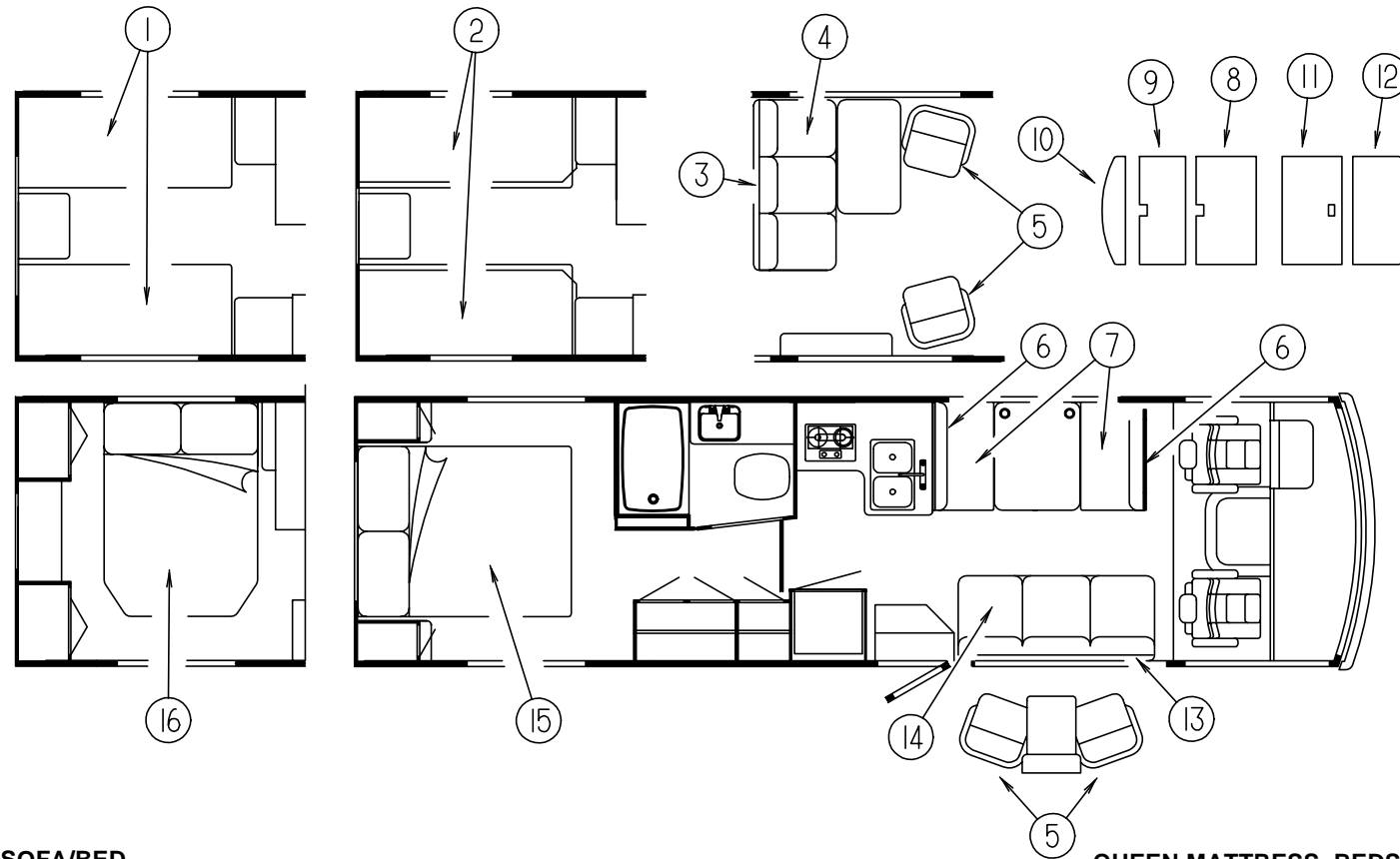
DINETTE CUSHIONS - W.I.E. EXPORT

KEY	PART NUMBER	U/M	DESCRIPTION
8	120968-02-H33	EA	CUSHION - SEAT - 23" X 41" X 5"
8	120968-02-H34	EA	CUSHION - SEAT - 23" X 41" X 5"
8	120968-02-H35	EA	CUSHION - SEAT - 23" X 41" X 5"
	P20968-02-H33	EA	COVER - SEAT CUSHION - 23" X 41" X 5"
	P20968-02-H34	EA	COVER - SEAT CUSHION - 23" X 41" X 5"
	P20968-02-H35	EA	COVER - SEAT CUSHION - 23" X 41" X 5"

DINETTE CUSHIONS - W.I.E. EXPORT (CONTINUED)

KEY	PART NUMBER	U/M	DESCRIPTION
9	120968-01-H33	EA	CUSHION - BACK - 23" X 41" X 5"
9	120968-01-H34	EA	CUSHION - BACK - 23" X 41" X 5"
9	120968-01-H35	EA	CUSHION - BACK - 23" X 41" X 5"
	P20968-01-H33	EA	COVER - BACK CUSHION - 23" X 41" X 5"
	P20968-01-H34	EA	COVER - BACK CUSHION - 23" X 41" X 5"
	P20968-01-H35	EA	COVER - BACK CUSHION - 23" X 41" X 5"
10	120968-03-H33	EA	CUSHION - TOP BACK
10	120968-03-H34	EA	CUSHION - TOP BACK
10	120968-03-H35	EA	CUSHION - TOP BACK
	P20968-03-H33	EA	COVER - CUSHION - TOP BACK
	P20968-03-H34	EA	COVER - CUSHION - TOP BACK
	P20968-03-H35	EA	COVER - CUSHION - TOP BACK
11	120968-05-H33	EA	CUSHION - SEAT - 23" X 41" X 5"
11	120968-05-H34	EA	CUSHION - SEAT - 23" X 41" X 5"
11	120968-05-H35	EA	CUSHION - SEAT - 23" X 41" X 5"
	P20968-05-H33	EA	COVER - SEAT/CUSHION - 23" X 41" X 5"
	P20968-05-H34	EA	COVER - SEAT/CUSHION - 23" X 41" X 5"
	P20968-05-H35	EA	COVER - SEAT/CUSHION - 23" X 41" X 5"
12	120968-04-H33	EA	CUSHION - BACK - 41" X 28" X 5"
12	120968-04-H34	EA	CUSHION - BACK - 41" X 28" X 5"
12	120968-04-H35	EA	CUSHION - BACK - 41" X 28" X 5"
	P20968-04-H33	EA	COVER - BACK CUSHION - 41" X 28" X 5"
	P20968-04-H34	EA	COVER - BACK CUSHION - 41" X 28" X 5"
	P20968-04-H35	EA	COVER - BACK CUSHION - 41" X 28" X 5"
	120968-11-H33	EA	CUSHION - BED - EUROPEAN DINETTE
	120968-11-H34	EA	CUSHION - BED - EUROPEAN DINETTE
	120968-11-H35	EA	CUSHION - BED - EUROPEAN DINETTE
	P20968-11-H33	EA	COVER - CUSHION - EUROPEAN DINETTE
	P20968-11-H34	EA	COVER - CUSHION - EUROPEAN DINETTE
	P20968-11-H35	EA	COVER - CUSHION - EUROPEAN DINETTE

CURTAIN & CUSHION GROUP (CONTINUED)



SOFA/BED

QUEEN MATTRESS, BEDSPREADS & PILLOW SHAMS

KEY	PART NUMBER	U/M DESCRIPTION
13	112104-02-H33	EA BACK - SOFA/BED - W/O ARMS - 66.5"
13	112104-02-H34	EA BACK - SOFA/BED - W/O ARMS - 66.5"
13	112104-02-H35	EA BACK - SOFA/BED - W/O ARMS - 66.5"
	P12104-02-H33	EA COVER - BACK - SOFA/BED - 66.5"
	P12104-02-H34	EA COVER - BACK - SOFA/BED - 66.5"
	P12104-02-H35	EA COVER - BACK - SOFA/BED - 66.5"
14	100032-37-H33	EA SEAT - SOFA/BED W/FRAME - 66.5"
14	100032-37-H34	EA SEAT - SOFA/BED W/FRAME - 66.5"
14	100032-37-H35	EA SEAT - SOFA/BED W/FRAME - 66.5"
	P00032-37-H04	EA COVER - SEAT - SOFA/BED - 66.5" (H33)
	P00032-37-H05	EA COVER - SEAT - SOFA/BED - 66.5" (H34)
	P00032-37-H35	EA COVER - SEAT - SOFA/BED - 66.5" (H35)
	101085-01-000	EA FRAME - SEAT - SOFA/BED - 64" X 20"
	101085-03-000	EA FRAME - BASE - SOFA/BED - 66.5" X 19.5"
	101085-09-000	EA FRAME - BACK - SOFA/BED - 66.5" X 16"
	113990-09-000	EA LOCK - BRACKET - MALE FLEXSTEEL
	122556-04-01A	EA LOCK - JACK KNIFE SEAT

KEY	PART NUMBER	U/M DESCRIPTION
15	123471-04-H33	EA BEDSPREAD/THROW - 60" X 75"
15	123471-04-H34	EA BEDSPREAD/THROW - 60" X 75"
15	123471-04-H35	EA BEDSPREAD/THROW - 60" X 75"
	123015-06-000	EA MATTRESS - INNERSPRING - 60" X 74.5"
	111863-05-H33	EA PILLOW SHAM - 20" X 33"
	111863-05-H34	EA PILLOW SHAM - 20" X 33"
	111863-05-H35	EA PILLOW SHAM - 20" X 33"

DOUBLE MATTRESS, BEDSPREADS & PILLOW SHAMS

KEY	PART NUMBER	U/M DESCRIPTION
16	123471-05-H33	EA BEDSPREAD/THROW - 54" X 75"
16	123471-05-H34	EA BEDSPREAD/THROW - 54" X 75"
16	123471-05-H35	EA BEDSPREAD/THROW - 54" X 75"
	101123-32-000	EA MATTRESS - FOAM - 54" X 75"
	P01123-16-000	EA COVER - MATTRESS - 54" X 74" X 5" - W/CUT CORNER
	111863-06-H33	EA PILLOW SHAM - 20" X 30"
	111863-06-H34	EA PILLOW SHAM - 20" X 30"
	111863-06-H35	EA PILLOW SHAM - 20" X 30"

NOTE: COUCH FRONT AND SIDE PANELS ARE FOUND IN THE LOUNGE GROUP

LOUNGE ACCENT PILLOWS

KEY	PART NUMBER	U/M DESCRIPTION
	111637-02-H33	EA PILLOW - 22" X 22" (H33)
	111637-02-H3A	EA PILLOW - 22" X 22" (H33)
	111637-02-H34	EA PILLOW - 22" X 22" (H34)
	111637-02-H35	EA PILLOW - 22" X 22" (H35)

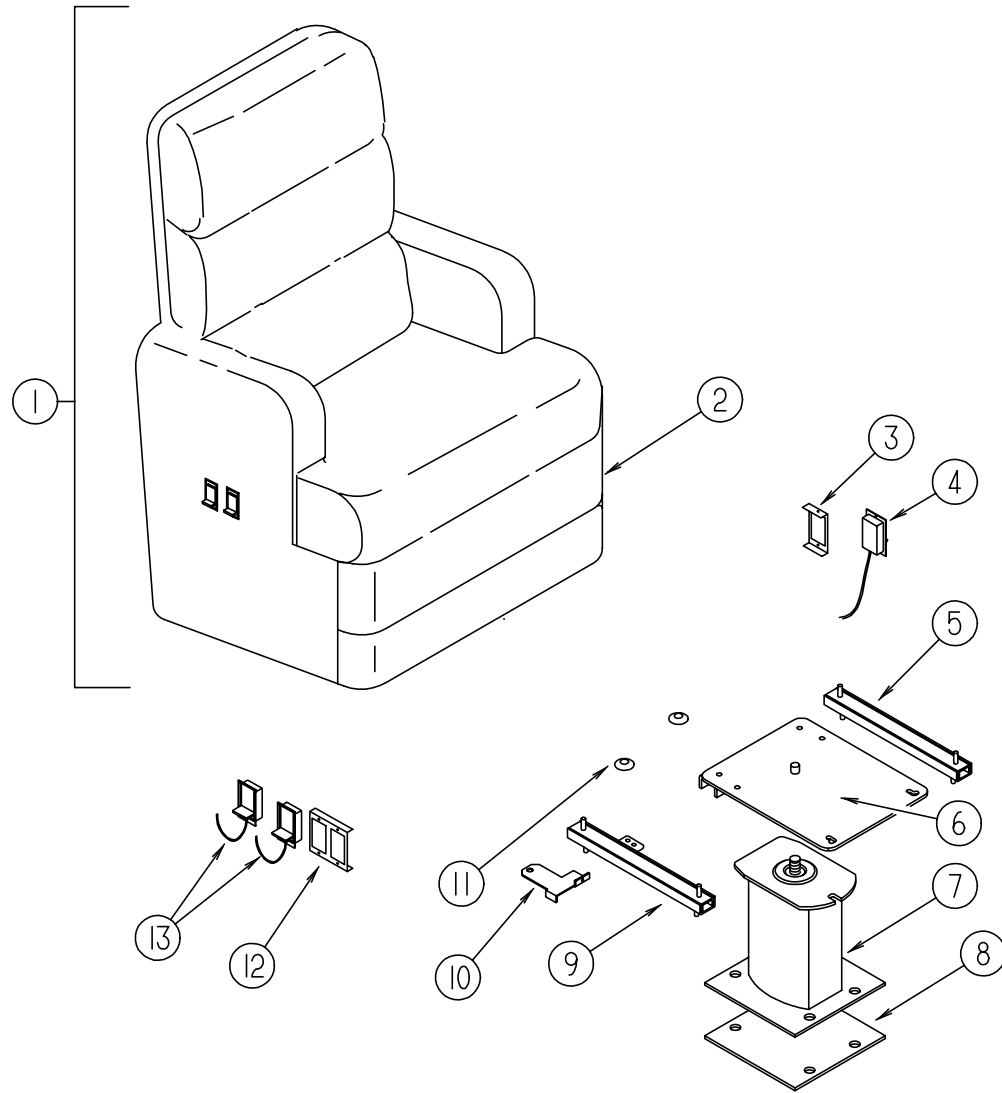
FROM: 00-00-00 THRU: 01-12-97
FROM: 01-13-97 THRU: 99-99-99

BEDROOM ACCENT PILLOWS

KEY	PART NUMBER	U/M DESCRIPTION
	111862-03-H33	EA PILLOW - 15" X 15"
	111862-03-H34	EA PILLOW - 15" X 15"
	111862-01-H34	EA PILLOW - 15" X 15"
	111862-03-H35	EA PILLOW - 15" X 15"

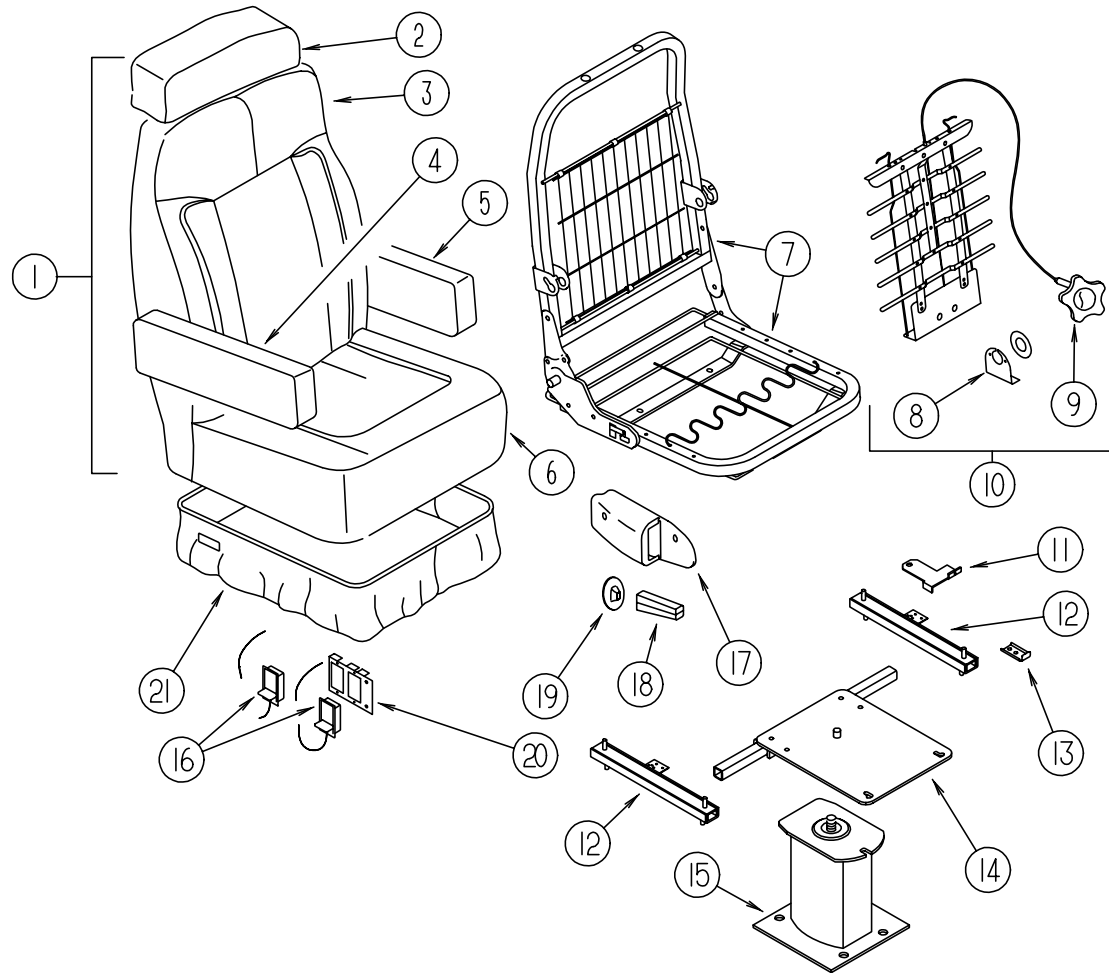
FROM: 00-00-00 THRU: 11-30-96
FROM: 12-01-96 THRU: 99-99-99

CURTAIN & CUSHION GROUP (CONTINUED)
SWIVEL CHAIR



KEY	PART NUMBER	U/M	DESCRIPTION	
1	118538-01-H33	EA	CHAIR - RECLINER (H33)	FROM: 00-00-00 THRU: 01-12-97
1	118538-01-H3A	EA	CHAIR - RECLINER (H33)	FROM: 01-13-97 THRU: 99-99-99
1	118538-01-H34	EA	CHAIR - RECLINER (H34)	
1	118538-01-H35	EA	CHAIR - RECLINER (H35)	
	P18538-01-H33	EA	COVER - RECLINER CHAIR (H33)	FROM: 00-00-00 THRU: 01-12-97
	P18538-01-H3A	EA	COVER - RECLINER CHAIR (H33)	FROM: 01-13-97 THRU: 99-99-99
	P18538-01-H34	EA	COVER - RECLINER CHAIR (H34)	
	P18538-01-H35	EA	COVER - RECLINER CHAIR (H35)	
2	118539-01-H33	EA	SKIRT - RECLINER CHAIR (H33)	FROM: 00-00-00 THRU: 01-12-97
2	118539-01-H3A	EA	SKIRT - RECLINER CHAIR (H33)	FROM: 01-13-97 THRU: 99-99-99
2	118539-01-H34	EA	SKIRT - RECLINER CHAIR (H34)	
2	118539-01-H35	EA	SKIRT - RECLINER CHAIR (H35)	
3	097683-03-000	EA	BRACKET - REMOTE/SIDE MOUNT - SINGLE	
4	089368-05-000	EA	CABLE- W/SWITCH 25.5" SHEATH-29 3/4" CABLE W/DOG LEG	
	108049-02-000	EA	CLIP - CABLE/PEDESTAL	
5	119952-02-000	EA	SLIDE/SEAT - HEAVY DUTY NON LOCKING	
6	107921-08-000	EA	TOP PLATE - PEDESTAL - W/O SEAT BELT BAR	
7	107921-01-000	EA	PEDESTAL/FLOOR MOUNTED - W/9.75" EXTENSION	
8	108445-02-000	EA	PLATE/FLOOR MOUNTED - PEDESTAL SEAT	
	107921-06-000	EA	BEARING KIT - PEDESTAL	
9	119952-04-000	EA	SLIDE/SEAT - HEAVY DUTY LOCKING - 4 STUDS	
10	117125-01-02B	EA	BRACKET - CABLE MOUNT - ADJUSTER W/LOCK	
11	007221-01-000	EA	SPACER - SEAT/ADJUSTER	
12	097683-02-000	EA	BRACKET - REMOTE/SIDE MOUNT - DOUBLE	
13	108049-03-000	EA	CABLE/CONTROL 25.5" SHEATH/28.5" CABLE W/DOG LEG	
	108049-02-000	EA	CLIP - CABLE/PEDESTAL	
	P18538-27-H33	EA	COVER - ARMREST - UNIVERSAL - SWIVEL CHAIR (H33)	FROM: 00-00-00 THRU: 01-12-97
	P18538-27-H3A	EA	COVER - ARMREST - UNIVERSAL - SWIVEL CHAIR (H33)	FROM: 01-13-97 THRU: 99-99-99
	P18538-27-H34	EA	COVER - ARMREST - UNIVERSAL - SWIVEL CHAIR (H34)	
	P18538-27-H35	EA	COVER - ARMREST - UNIVERSAL - SWIVEL CHAIR (H35)	

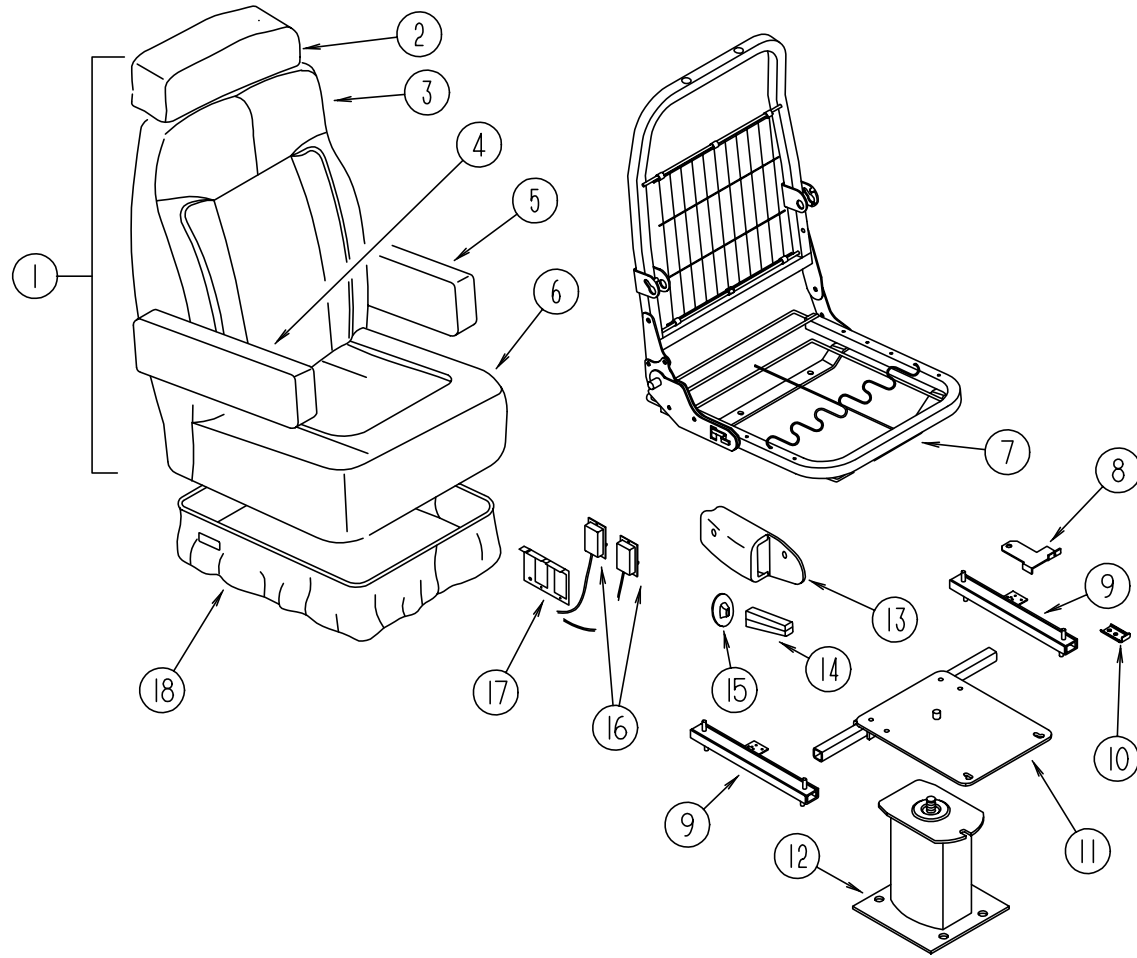
CURTAIN & CUSHION GROUP (CONTINUED)
DRIVER BUCKET SEAT



KEY	PART NUMBER	U/M DESCRIPTION
1	122684-01-H33	EA SEAT - BUCKET - DRIVERS - W/LUMBAR (H33) FROM: 00-00-00 THRU: 01-12-97
1	122684-01-H3A	EA SEAT - BUCKET - DRIVERS - W/LUMBAR (H33) FROM: 01-13-97 THRU: 99-99-99
1	122684-01-H34	EA SEAT - BUCKET - DRIVERS - W/LUMBAR (H34)
1	122684-01-H35	EA SEAT - BUCKET - DRIVERS - W/LUMBAR (H35)
2	119509-01-H33	EA HEADREST - BUCKET SEAT (H33) FROM: 00-00-00 THRU: 01-12-97
2	119509-01-H3A	EA HEADREST - BUCKET SEAT (H33) FROM: 01-13-97 THRU: 99-99-99
2	119509-01-G10	EA HEADREST - BUCKET SEAT (H34)
2	119509-01-H35	EA HEADREST - BUCKET SEAT (H35)
2	P19509-01-H33	EA COVER-HEADREST (H33) FROM: 00-00-00 THRU: 01-12-97
2	P19509-01-H3A	EA COVER - HEADREST (H33) FROM: 01-13-97 THRU: 99-99-99
2	P19509-01-G10	EA COVER - HEADREST (H34)
2	P19509-01-H35	EA COVER - HEADREST (H35)
	113977-12-000	EA HEADREST INSERT - W/O LOCK
	113977-13-000	EA HEADREST INSERT - W/LOCK
3	M05962-39-H33	EA COVER - BACK (H33) FROM: 00-00-00 THRU: 01-12-97
3	M05962-39-H3A	EA COVER - BACK (H33) FROM: 01-13-97 THRU: 99-99-99
3	M05962-39-H34	EA COVER - BACK (H34)
3	M05962-39-H35	EA COVER - BACK (H35)

KEY	PART NUMBER	U/M DESCRIPTION	VENDOR NO.
4	122780-01-H33	EA ARMREST - RIGHT HAND (H33) FROM: 00-00-00 THRU: 01-12-97	
4	122780-01-H3A	EA ARMREST - RIGHT HAND (H33) FROM: 01-13-97 THRU: 99-99-99	
4	122780-01-H34	EA ARMREST - RIGHT HAND (H34)	
4	122780-01-H35	EA ARMREST - RIGHT HAND (H35)	
	115617-03-000	EA ARMREST - W/O COVER - RIGHT HAND	
4	P22780-01-H33	EA COVER - ARMREST - RIGHT HAND (H33) FROM: 00-00-00 THRU: 01-12-97	
4	P22780-01-H3A	EA COVER - ARMREST - RIGHT HAND (H33) FROM: 01-13-97 THRU: 99-99-99	
4	P22780-01-H34	EA COVER - ARMREST - RIGHT HAND (H34)	
4	P22780-01-H35	EA COVER - ARMREST - RIGHT HAND (H35)	
5	122780-02-H33	EA ARMREST - LEFT HAND (H33) FROM: 00-00-00 THRU: 01-12-97	
5	122780-02-H33	EA ARMREST - LEFT HAND (H33) FROM: 01-13-97 THRU: 99-99-99	
5	122780-02-H34	EA ARMREST - LEFT HAND (H34)	
5	122780-02-H35	EA ARMREST - LEFT HAND (H35)	
	115617-04-000	EA ARMREST - W/O COVER - LEFT HAND	
5	P22780-02-H33	EA COVER - ARMREST - LEFT HAND (H33) FROM: 00-00-00 THRU: 01-12-97	
5	P22780-02-H3A	EA COVER - ARMREST - LEFT HAND (H33) FROM: 01-13-97 THRU: 99-99-99	
5	P22780-02-H34	EA COVER - ARMREST - LEFT HAND (H34)	
5	P22780-02-H35	EA COVER - ARMREST - LEFT HAND (H35)	
6	M05962-40-H33	EA COVER - SEAT (H33) FROM: 00-00-00 THRU: 01-12-97	
6	M05962-40-H3A	EA COVER -SEAT (H33) FROM: 01-13-97 THRU: 99-99-99	
6	M05962-40-H34	EA COVER - SEAT (H34)	
6	M05962-40-H35	EA COVER - SEAT (H35)	
7	122695-01-01B	EA FRAME - SEAT/BACK	
8	122611-01-702	EA LUMBAR - BRACKET	157C-90
	122611-01-703	EA LUMBAR - SCREW	210
9	122611-01-701	EA LUMBAR - KNOB	218
10	122611-01-000	EA LUMBAR	
11	117125-01-02B	EA BRACKET-CABLE HOLDER, ADJUSTER W/LOCK - E-COAT	
12	119952-06-000	EA SLIDE-SEAT, HEAVY DUTY LOCKING - 4 STUDS	
	119952-07-000	EA WIRE-LATCH RELEASE/ROTARY	
13	114889-01-000	EA STOP BAR-UNIVERSAL	
14	107921-05-000	EA PLATE-TOP W/SEAT BELT BAR	
	107921-06-000	EA BEARING KIT - PEDESTAL	
15	107921-01-000	EA PEDESTAL/FLOOR MOUNTED - W/9.75" EXTENSION	
16	108049-03-000	EA CABLE/CONTROL 25.5" SHEATH/28.5" CABLE W/DOG LEG	
	108049-02-000	EA CLIP-CABLE/PEDESTAL	
17	080730-09-000	EA SHIELD - RECLINER HANDLE	
18	080730-08-000	EA HANDLE - RECLINER	
19	080730-11-000	EA SHIELD - RUBBER BOOT	
20	097683-02-000	EA BRACKET - REMOTE/SIDE MOUNT - DOUBLE	
21	071126-58-H33	EA SKIRT - SINGLE - W/SEAT BELT SLOT (H33) FROM: 00-00-00 THRU: 01-12-97	
21	071126-58-H3A	EA SKIRT - SINGLE - W/SEAT BELT SLOT (H33) FROM: 01-13-97 THRU: 99-99-99	
21	071126-58-H34	EA SKIRT - SINGLE - W/SEAT BELT SLOT (H34)	
21	071126-58-H35	EA SKIRT - SINGLE - W/SEAT BELT SLOT (H35)	

CURTAIN & CUSHION GROUP (CONTINUED)
PASSENGER BUCKET SEAT



KEY	PART NUMBER	U/M	DESCRIPTION
1	122684-02-H33	EA	SEAT - BUCKET - PASSENGER (H33) FROM: 00-00-00 THRU: 01-12-97
1	122684-02-H3A	EA	SEAT - BUCKET - PASSENGER (H33) FROM: 01-13-97 THRU: 99-99-99
1	122684-02-H34	EA	SEAT - BUCKET - PASSENGER (H34)
1	122684-02-H35	EA	SEAT - BUCKET - PASSENGER (H35)
2	119509-01-H33	EA	HEADREST - BUCKET SEAT (H33) FROM: 00-00-00 THRU: 01-12-97
2	119509-01-H3A	EA	HEADREST - BUCKET SEAT (H33) FROM: 01-13-97 THRU: 99-99-99
2	119509-01-G10	EA	HEADREST - BUCKET SEAT (H34)
2	119509-01-H35	EA	HEADREST - BUCKET SEAT (H35)
2	P19509-01-H33	EA	COVER - HEADREST (H33) FROM: 00-00-00 THRU: 01-12-97
2	P19509-01-H3A	EA	COVER - HEADREST (H33) FROM: 01-13-97 THRU: 99-99-99
2	P19509-01-G10	EA	COVER - HEADREST (H34)
2	P19509-01-H35	EA	COVER - HEADREST (H35)
	113977-12-000	EA	HEADREST INSERT - W/O LOCK
	113977-13-000	EA	HEADREST INSERT - W/LOCK
3	M05962-39-H33	EA	COVER - BACK (H33) FROM: 00-00-00 THRU: 01-12-97
3	M05962-39-H3A	EA	COVER - BACK (H33) FROM: 01-13-97 THRU: 99-99-99
3	M05962-39-H34	EA	COVER - BACK (H34)
3	M05962-39-H35	EA	COVER - BACK (H35)

KEY	PART NUMBER	U/M	DESCRIPTION
4	122780-01-H33	EA	ARMREST - RIGHT HAND (H33) FROM: 00-00-00 THRU: 01-12-97
4	122780-01-H3A	EA	ARMREST - RIGHT HAND (H33) FROM: 01-13-97 THRU: 99-99-99
4	122780-01-H34	EA	ARMREST - RIGHT HAND (H34)
4	122780-01-H35	EA	ARMREST - RIGHT HAND (H35)
	115617-03-000	EA	ARMREST W/O COVER - RIGHT
4	P22780-01-H33	EA	COVER - ARMREST - RIGHT HAND (H33) FROM: 00-00-00 THRU: 01-12-97
4	P22780-01-H3A	EA	COVER - ARMREST - RIGHT HAND (H33) FROM: 01-13-97 THRU: 99-99-99
4	P22780-01-H34	EA	COVER - ARMREST - RIGHT HAND (H34)
4	P22780-01-H35	EA	COVER - ARMREST - RIGHT HAND (H35)
5	122780-02-H33	EA	ARMREST - LEFT HAND (H33) FROM: 00-00-00 THRU: 01-12-97
5	122780-02-H3A	EA	ARMREST - LEFT HAND (H33) FROM: 01-13-97 THRU: 99-99-99
5	122780-02-H34	EA	ARMREST - LEFT HAND (H34)
5	122780-02-H35	EA	ARMREST - LEFT HAND (H35)
	115617-04-000	EA	ARMREST - W/O COVER - LEFT HAND
5	P22780-02-H33	EA	COVER - ARMREST - LEFT HAND (H33) FROM: 00-00-00 THRU: 01-12-97
5	P22780-02-H3A	EA	COVER - ARMREST - LEFT HAND (H33) FROM: 01-13-97 THRU: 99-99-99
5	P22780-02-H34	EA	COVER - ARMREST - LEFT HAND (H34)
5	P22780-02-H35	EA	COVER - ARMREST - LEFT HAND (H35)
6	M05962-40-H33	EA	COVER - SEAT (H33) FROM: 00-00-00 THRU: 01-12-97
6	M05962-40-H3A	EA	COVER - SEAT (H33) FROM: 01-13-97 THRU: 99-99-99
6	M05962-40-H34	EA	COVER - SEAT (H34)
6	M05962-40-H35	EA	COVER - SEAT (H35)
7	122695-01-01B	EA	FRAME - SEAT/BACK
8	117125-01-02B	EA	BRACKET - CABLE MOUNT - ADJUSTER W/LOCK
9	119952-06-000	EA	SLIDE/SEAT - HEAVY DUTY LOCKING - 4 STUDS
	119952-07-000	EA	WIRE - LATCH RELEASE/ROTARY
10	114889-01-000	EA	STOP BAR - UNIVERSAL
11	107921-05-000	EA	PLATE - TOP - W/SEAT BELT BAR
	107921-06-000	EA	BEARING KIT - PEDESTAL
12	107921-01-000	EA	PEDESTAL/FLOOR MOUNTED - W/9.75" EXTENSION
13	080730-09-000	EA	SHIELD - RECLINER HANDLE
14	080730-08-000	EA	HANDLE - RECLINER
15	080730-11-000	EA	SHIELD - RUBBER BOOT
16	108049-03-000	EA	CABLE/CONTROL 25.5" SHEATH/28.5" CABLE W/DOG LEG
	108049-02-000	EA	CLIP - CABLE/PEDESTAL
17	097683-02-000	EA	BRACKET - REMOTE/SIDE MOUNT - DOUBLE
18	071126-58-H33	EA	SKIRT - SINGLE - W/SEAT BELT SLOT (H33) FROM: 00-00-00 THRU: 01-12-97
18	071126-58-H3A	EA	SKIRT - SINGLE - W/SEAT BELT SLOT (H33) FROM: 01-13-97 THRU: 99-99-99
18	071126-58-H34	EA	SKIRT - SINGLE - W/SEAT BELT SLOT (H34)
18	071126-58-H35	EA	SKIRT - SINGLE - W/SEAT BELT SLOT (H35)

CURTAIN & CUSHION GROUP (CONTINUED)
BUTTON, TRIM, ASSIST HANDLE & SEAT BELT

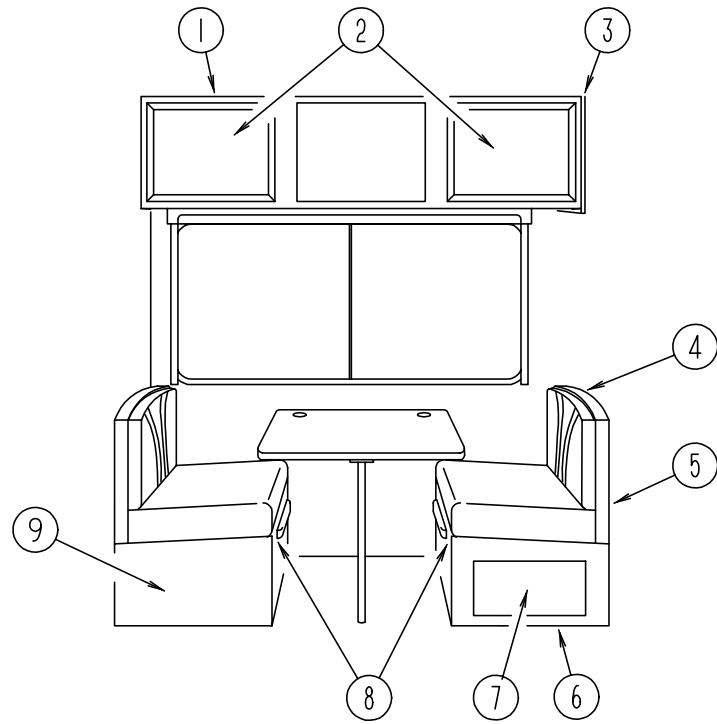
KEY	PART NUMBER	U/M	DESCRIPTION
	070578-02-B10	EA	BUTTON - SCREW - STUD - #30 VINYL
	118337-01-H33	YD	BUTTON - #60 (H33)
			FROM: 00-00-00 THRU: 01-12-97
	118337-01-H3A	YD	BUTTON - #60 (H33)
			FROM: 01-13-97 THRU: 99-99-99
	118337-01-G10	YD	BUTTON - #60 (H34)
	118337-01-H35	YD	BUTTON - #60 (H35)
	074494-02-000	EA	BUTTON - RETAINING PIVOT - #60
	074494-03-000	EA	BUTTON - SERRATED PIVOT - W/3/8 TACK
	079349-04-H33	YD	WELT - NARROW (H33)
			FROM: 00-00-00 THRU: 01-12-97
	079349-04-H3A	YD	WELT - NARROW (H33)
			FROM: 01-13-97 THRU: 99-99-99
	079349-04-H34	YD	WELT - NARROW (H34)
	079349-04-H35	YD	WELT - NARROW (H35)
	057759-01-000	EA	WASHER BRACKET-SEAT BELT, 4" DIAMETER
	007021-01-000	EA	SEAT BELT - 2" X 90" - BLACK
	056271-02-000	EA	BELT - SEAT - 2" X 72" - BLACK
	069178-02-000	EA	BRACKET-MOUNTING, ASSIST HANDLE - L ANGLE - W/HOLES - STEEL
	053552-02-AA8	EA	HANDLE-ASSIST, INTERIOR - ENTRY DOOR - VINYL - OFF WHITE
	057534-03-000	EA	TIEBACK/TIEDOWN-BED/CURTAIN/DOOR, 7.5" - PLASTIC - CLEAR

CURTAIN & CUSHION GROUP (CONTINUED)
SUNRISE FABRIC

COLOR CODES	H33 FROM: 00-00-00 THRU: 01-12-97	H33 FROM: 01-13-97 THRU: 99-99-99	H34	H35
	BLUE LAGOON (BLUE)	BLUE LAGOON (BLUE)	KRYPTONITE (TAN)	SEQUOIA (SAGE)
CEILING MATERIAL FROM: 00-00-00 THRU: 10-13-96	113979-01-01A	113979-01-01A	113979-01-01A	113979-01-01A
CEILING MATERIAL FROM: 10-14-96 THRU: 03-31-97	113979-04-01A	113979-04-01A	113979-04-01A	113979-04-01A
CEILING MATERIAL FROM: 04-01-97 THRU: 99-99-99	113979-01-01A	113979-01-01A	113979-01-01A	113979-01-01A
QUICKSILVER VINYL	103907-01-05A	103907-01-05A	103907-01-05A	103907-01-05A
DRAPERY LINING	087272-03-000	087272-03-000	087272-03-000	087272-03-000
BUCKET SEATS	108446-K9-000	108446-S9-000	108446-77-000	108446-59-000
MC CLAIN'S BUCKET SEATS	103907-01-04A	103907-01-04A	103907-01-04A	103907-01-04A
DINETTE	108446-K7-000	108446-K7-000	108446-K8-000	108446-M2-000
DINETTE PADS	108446-K9-000	108446-S9-000	108446-77-000	108446-59-000
SOFA	108446-K7-000	108446-K7-000	108446-K8-000	108446-M2-000
SOFA PILLOWS	108446-K9-000	108446-S9-000	108446-G2-000	108446-M7-000
SWIVEL CHAIR	108446-K9-000	108446-S9-000	108446-G2-000	108446-M7-000
DINETTE/LOUNGE WINDOWS	108446-K9-000 108446-K7-000	108446-K9-000 108446-K7-000 108446-S9-000	108446-77-000 108446-K8-000 108446-G2-000	108446-59-000 108446-M2-000 108446-M7-000
BEDROOM WINDOWS	105745-B3-000	105745-B3-000	105745-D5-000	105745-E5-000
BEDSPREAD	105745-B3-000 105745-61-000	105745-B3-000 105745-61-000	105745-D5-000 108446-62-000	105745-E5-000 105745-E2-000
PILLOW SHAMS	105745-B3-000 105745-61-000	105745-B3-000 105745-61-000	105745-D5-000 108446-62-000	105745-E5-000 105745-E2-000
HEADBOARD	105745-B3-000 105745-61-000	105745-B3-000 105745-61-000	105745-D5-000 108446-62-000	105745-E5-000 105745-E2-000
BEDROOM PILLOWS	105745-B7-000 105745-A2-000	105745-B7-000 105745-A2-000	105745-D5-000 108446-62-000	105745-D0-000 105745-E5-000
FRONT WRAP AROUND	072333-90-000	072333-90-000	072333-82-000	072333-90-000
MAP POCKETS	108446-K9-000	108446-S9-000	108446-G2-000	108446-59-000

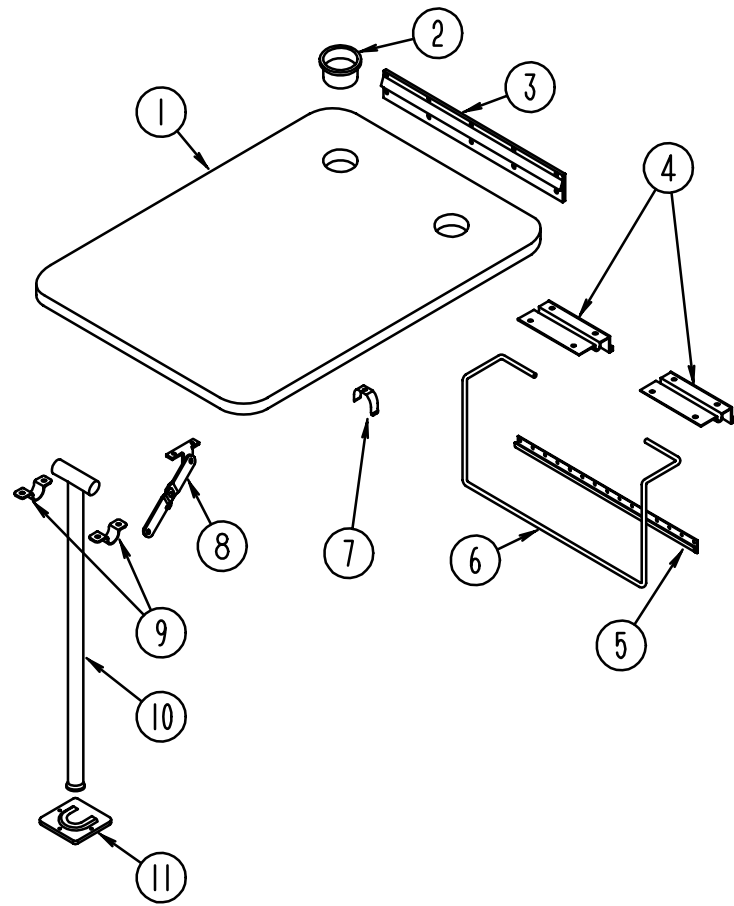
NOTE: FABRIC LISTED FIRST, IN A BLOCK, IS THE LARGEST QUANTITY OF FABRIC USED.

DINETTE GROUP
DINETTE CABINERY



KEY	PART NUMBER	U/M	DESCRIPTION
1	117922-01-H33	EA	CABINET - OVERHEAD/DINETTE - W/O DOORS/HARDWARE (H33)
1	117922-01-G14	EA	CABINET - OVERHEAD/DINETTE - W/O DOORS/HARDWARE (H34)
1	117922-01-H35	EA	CABINET - OVERHEAD/DINETTE - W/O DOORS/HARDWARE (H35)
1	117922-06-H33	EA	CABINET - OVERHEAD/DINETTE - W/O DOORS/HARDWARE (H33) W.I.E. EXPORT OPTION
1	117922-06-H34	EA	CABINET - OVERHEAD/DINETTE - W/O DOORS/HARDWARE (H34) W.I.E. EXPORT OPTION
1	117922-06-H35	EA	CABINET - OVERHEAD/DINETTE - W/O DOORS/HARDWARE (H35) W.I.E. EXPORT OPTION
1	117579-07-H33	EA	CABINET - OVERHEAD/DINETTE - W/O DOORS/HDW - F/COFFEEMAKER
1	117579-07-H34	EA	CABINET - OVERHEAD/DINETTE - W/O DOORS/HDW - F/COFFEEMAKER
1	117579-07-H35	EA	CABINET - OVERHEAD/DINETTE - W/O DOORS/HDW - F/COFFEEMAKER
	117579-13-G09	EA	SHELF - W/PLASTIC EDGE TRIM
2	M06803-76-H33	EA	DOOR - MITERED CORNER/OGEE EDGE - 15.7" X 28" - W/O HDW
2	M06803-K3-G09	EA	DOOR - MITERED CORNER/OGEE EDGE - 15.7" X 28" - W/O HDW W.I.E. EXPORT OPTION
2	M06803-02-G09	EA	DOOR - MITERED CORNER/OGEE EDGE - 15.7" X 28" - W/O HDW DECORATOR DOOR OPTION
3	103128-01-G09	EA	END CAP - OVERHEAD CABINET - RIGHT HAND
4	104787-04-H33	EA	PAD - SEATBACK/TOP (H33) FROM: 00-00-00 THRU: 01-12-97
4	104787-04-H3A	EA	PAD - SEATBACK/TOP (H33) FROM: 01-13-97 THRU: 99-99-99
4	104787-04-E33	EA	PAD - SEATBACK/TOP (H34)
4	104787-04-E70	EA	PAD - SEATBACK/TOP (H35)
4	104787-09-H33	EA	PAD - DINETTE - RH (H33) - W.I.E. EXPORT OPTION FROM: 00-00-00 THRU: 01-12-97
4	104787-09-H3A	EA	PAD - DINETTE - RH (H33) - W.I.E. EXPORT OPTION FROM: 01-13-97 THRU: 99-99-99
4	104787-09-G08	EA	PAD - DINETTE - RH (H34) - W.I.E. EXPORT OPTION
4	104787-09-H33	EA	PAD - DINETTE - RH (H35) - W.I.E. EXPORT OPTION
4	104787-10-H33	EA	PAD - DINETTE - LH (H33) - W.I.E. EXPORT OPTION FROM: 00-00-00 THRU: 01-12-97
4	104787-10-H3A	EA	PAD - DINETTE - LH (H33) - W.I.E. EXPORT OPTION FROM: 01-13-97 THRU: 99-99-99
4	104787-10-G08	EA	PAD - DINETTE - LH (H34) - W.I.E. EXPORT OPTION
4	104787-10-H35	EA	PAD - DINETTE - LH (H35) - W.I.E. EXPORT OPTION
5	M04174-79-G09	EA	CABINET - SEATBACK RIGHT HAND - W/O HARDWARE
5	M04174-81-G09	EA	CABINET - SEATBACK RIGHT HAND - W/O HARDWARE - W.I.E. EXPORT OPTION
6	M04175-79-H33	EA	CABINET - SEAT BOTTOM RIGHT HAND - W/O DOOR/DRAWERS/HDW
6	M04175-81-H33	EA	CABINET - SEAT BOTTOM RIGHT HAND - W/O DOORS/DRAWERS/HDW W.I.E. EXPORT OPTION
7	M06803-T5-H13	EA	DOOR - MITERED CORNER/OGEE EDGE - 10" X 19.1" - W/O HDW
8	081295-01-G01	EA	SUPPORT - BED/DINETTE - 28" LONG
9	M04175-91-H33	EA	CABINET - SEAT BOTTOM LEFT HAND - W/O DOORS/DRAWERS/HDW

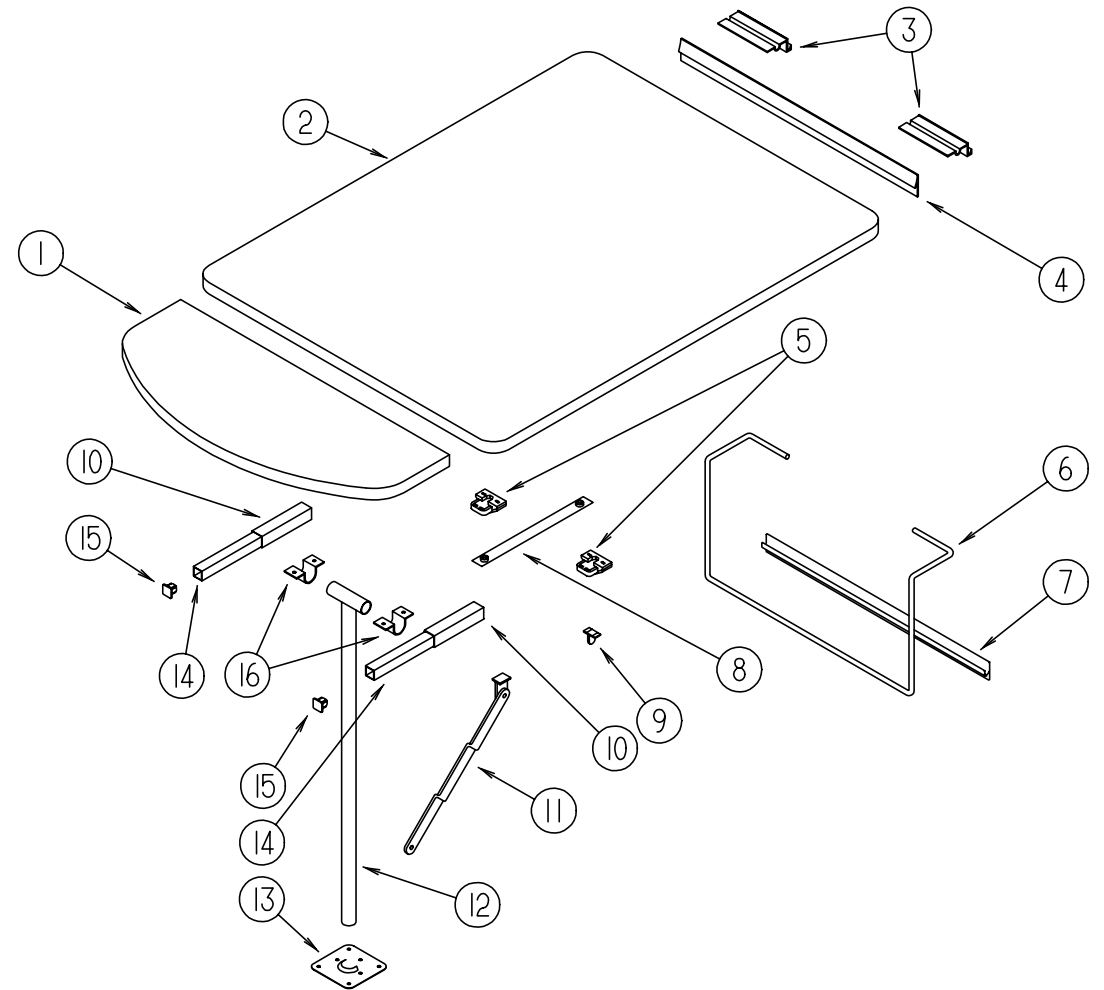
DINETTE GROUP (CONTINUED)



DINETTE TABLE

KEY	PART NUMBER	U/M DESCRIPTION
1	081322-01-G31	EA TABLE TOP ONLY (H33)
1	081322-01-G14	EA TABLE TOP ONLY (H34, H35)
1	081322-05-G31	EA TABLE TOP ONLY (H33) DINETTE EXCHANGE OPTION
1	081322-05-G14	EA TABLE TOP ONLY (H34, H35) DINETTE EXCHANGE OPTION
	114681-01-F02	EA TABLE - LOUNGE/SMALL - W/O HARDWARE (H33) DINETTE EXCHANGE OPTION
	114681-01-F29	EA TABLE - LOUNGE/SMALL - W/O HARDWARE (H34/H35) DINETTE EXCHANGE OPTION
	114724-02-000	EA PLATE - TABLE LEG - DINETTE EXCHANGE OPTION
2	064781-06-000	EA HOLDER - CUP - TWO STEP - OFF WHITE
3	053200-12-000	EA BRACKET - TABLE SUPPORT - UPPER WALL MOUNTED - 23.50"
4	088410-02-000	EA BRACKET - LIFT - TABLE MOUNTED
5	024281-14-000	EA BRACKET - LIFT ROD/LOWER WALL MOUNTED - 22.12"
6	024275-12-000	EA ROD - TABLE LIFT
7	024283-01-000	EA CLIP - LEG - 1" - 1.125" OD - BLACK
8	024282-01-000	EA BRACE - TABLE LEG - HINGED
9	064050-05-000	EA HINGE - TABLE LEG - OFF WHITE
10	024276-23-000	EA LEG - TABLE - METAL - OFF WHITE
11	049493-12-000	EA CATCH - TABLE LEG/FLOOR MOUNTED - OFF WHITE
	049493-11-700	EA CATCH - TABLE LEG - E-COAT

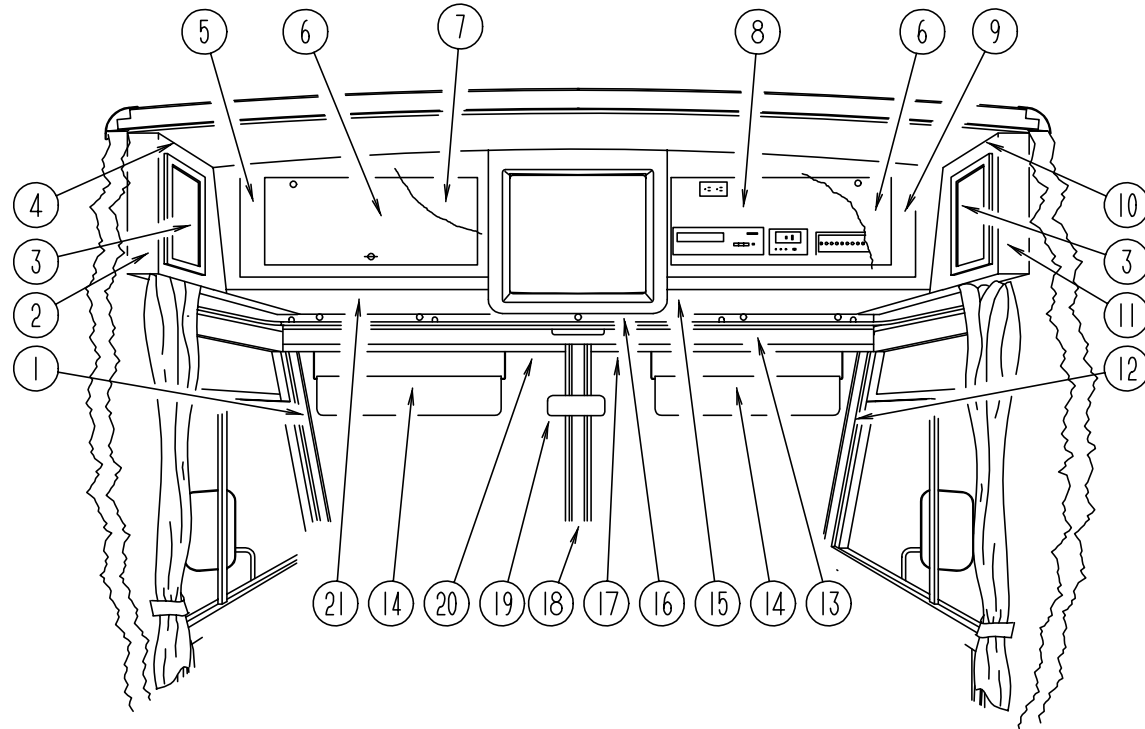
DINETTE GROUP (CONTINUED)



DINETTE TABLE - WIE EXPORT OPTION

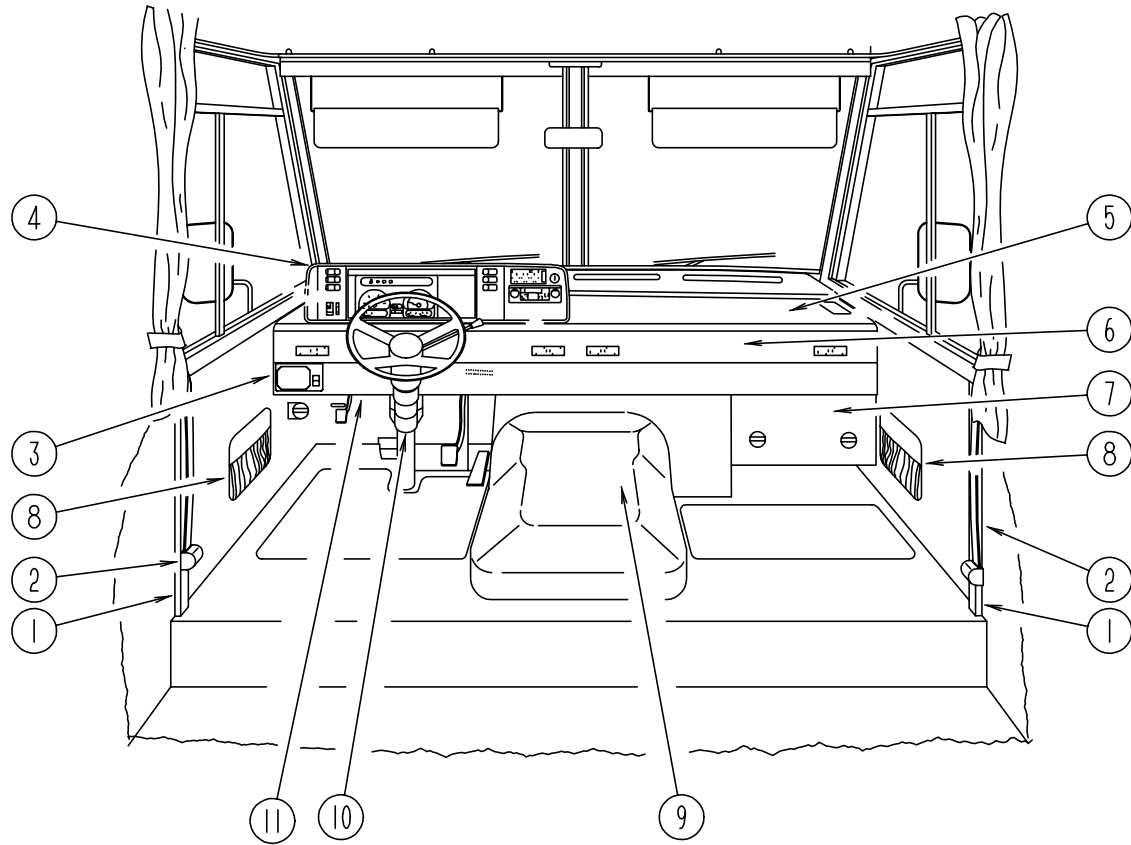
KEY	PART NUMBER	U/M DESCRIPTION
1	119963-12-G45	EA EXTENSION - TABLE (H33)
1	119963-12-G46	EA EXTENSION - TABLE (H34, H35)
2	119963-11-G45	EA TABLE TOP - W/O EXTENSION (H33)
2	119963-11-G46	EA TABLE TOP - W/O EXTENSION (H34, H35)
3	088410-02-000	EA BRACKET - LIFT - TABLE MOUNTED
4	053200-12-000	EA BRACKET - TABLE SUPPORT - UPPER WALL MOUNTED - 23.50"
5	009050-02-000	EA LEVELER - TABLE TOP - MALE END W/4 SCREWS - PLASTIC
6	024275-12-000	EA ROD - TABLE LIFT
7	024281-14-000	EA BRACKET - LIFT ROD/LOWER WALL MOUNTED - 22.12"
8	057534-01-000	EA TIEBACK/TIEDOWN - 6" CLEAR PLASTIC
	029130-04-000	EA SOCKET - SNAP FASTENER
9	024283-01-000	EA CLIP - LEG - 1" - 1.125" OD - BLACK
10	113729-01-02A	EA TUBE - SUPPORT/TABLE
11	024282-01-000	EA BRACE - TABLE LEG - HINGED
12	024276-22-000	EA LEG - TABLE - W/O HARDWARE - OFF WHITE
13	049493-12-000	EA CATCH - TABLE LEG/FLOOR MOUNTED - OFF WHITE
	049493-11-700	EA CATCH - TABLE LEG/FLOOR MOUNTED - E COATED
14	113728-01-02A	EA TUBE - SUPPORT/TABLE
	114117-01-02A	EA PLATE - SPACER
15	110550-01-000	EA CAP - TUBE .9" SQUARE
16	064050-05-000	EA HINGE - TABLE LEG - OFF WHITE
	093550-01-000	EA BRACKET - HINGE - MOUNTS TO LEG & TABLE TOP - 1.7" X 2.6"

DRIVERS COMPARTMENT GROUP
DRIVERS COMPARTMENT - UPPER



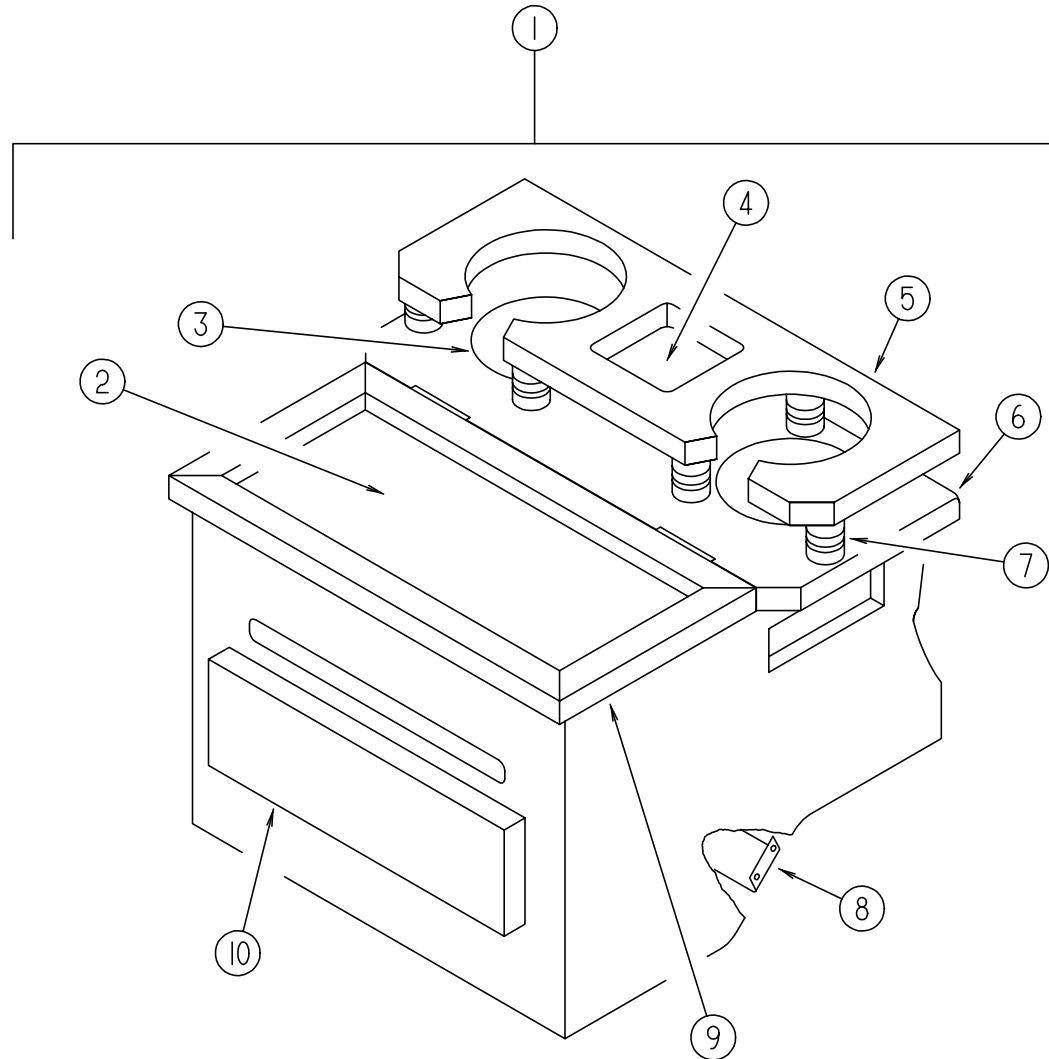
KEY	PART NUMBER	U/M	DESCRIPTION
1	103931-04-04A	EA	COVER - INTERIOR - A-PILLAR - DRIVER SIDE - QUICKSILVER
2	103128-09-G09	EA	END CAP - OVERHEAD CABINET - LEFT HAND
3	M06803-04-G09	EA	DOOR - MITERED CORNER/OGEE EDGE - 10" X 19.1" - WO HDW
4	109561-04-H33	EA	CABINET - OVERHEAD - FRONT/LEFT HAND - W/O DOOR/HDW
4	109561-04-H34	EA	CABINET - OVERHEAD - FRONT/LEFT HAND - W/O DOOR/HDW
4	109561-04-H35	EA	CABINET - OVERHEAD - FRONT/LEFT HAND - W/O DOOR/HDW
	P09561-04-G35	EA	BOTTOM - VINYL COVERED - FRONT OVERHEAD - DRIVER
	104289-08-H33	EA	PANEL - VINYL COVERED - OVERHEAD - LEFT HAND - ANGLED
5	114612-02-G32	EA	FACE - OVERHEAD/TV - LEFT HAND - 15.4" X 33.7"
	100676-02-000	EA	SHELF - OVERHEAD CABINET - VCR/INVERTOR
	106699-01-01A	EA	BRACKET - OVERHEAD CABINET/TV
6	100708-12-000	EA	DOOR - GLASS TV CABINET - 9.7" X 23.2" - W/O HARDWARE
7	114661-06-H33	EA	PANEL - HEADLINER/OVERHEAD - LEFT HAND - W/O TV
7	114661-24-H33	EA	PANEL - HEADLINER/OVERHEAD - LEFT HAND - TV OPTION - SATELLITE DISH
7	114661-12-H33	EA	PANEL - HEADLINER/OVERHEAD - LEFT HAND - TV OPTION
	118836-02-H33	EA	PANEL - VINYL COVERED - BACK - SATELLITE DISH PACKAGE W/O RECEIVER
8	114661-01-H33	EA	PANEL - HEADLINER/OVERHEAD - RIGHT HAND - W/O TV
8	114661-13-H33	EA	PANEL - HEADLINER/OVERHEAD - RIGHT HAND - TV OPTION
8	114661-14-H33	EA	PANEL - HEADLINER/OVERHEAD - RIGHT HAND - TV/VCR
8	114661-15-H33	EA	PANEL - HEADLINER/OVERHEAD - RT HAND - TV/VCR/INVERTER
8	114661-16-H33	EA	PANEL - HEADLINER/OVERHEAD - RT HAND - TV/INVERTOR
8	114661-25-H33	EA	PANEL - HEADLINER/OVERHEAD - RIGHT HAND - TV OPTION - EUROPEAN
8	114661-26-H33	EA	PANEL - HEADLINER/OVERHEAD - RIGHT HAND - TV/VCR - EUROPEAN
9	114612-01-G32	EA	FACE - OVERHEAD/TV - RIGHT HAND - 15.4" X 33.7"
	106699-01-01A	EA	BRACKET - OVERHEAD CABINET/TV
10	109561-03-H33	EA	CABINET - OVERHEAD - FRONT PASSENGER - W/O DOOR/HDW
10	109561-03-H34	EA	CABINET - OVERHEAD - FRONT PASSENGER - W/O DOOR/HDW
10	109561-03-H35	EA	CABINET - OVERHEAD - FRONT PASSENGER - W/O DOOR/HDW
11	103128-08-G09	EA	END CAP - OVERHEAD CABINET - RIGHT HAND
	P09561-03-G35	EA	BOTTOM-VINYL COVERED, FRONT OVERHEAD - PASSENGER SIDE
	104289-07-H33	EA	PAD - VINYL COVERED - OVERHEAD TV - PASSENGER
12	103931-03-04A	EA	COVER - INTERIOR - A-PILLAR - PASSENGER SIDE - QUICKSILVER
13	078811-08-G29	EA	PANEL - TRIM/LOWER HEADER
13	078811-06-H33	EA	PANEL - TRIM/LOWER HEADER - EUROPEAN
14	123298-02-01A	EA	SUNVISOR - 7" X 28.5" - DRIVER/PASSENGER SIDE
15	P03077-08-H33	EA	SHELF - CABINET - OVERHEAD/RIGHT HAND - VINYL COVERED - TV OPTION
15	P03077-04-H33	EA	SHELF - CABINET - OVERHEAD/RIGHT HAND - VINYL COVERED
16	122881-01-02A	EA	INSERT - OVERHEAD/TV FRONT - TV OPTIONS
	118022-06-H33	EA	COVER - TV - OVERHEAD/FRONT - W/O HARDWARE
	114706-02-02B	EA	SUPPORT - SHELF - TV
	091261-01-000	FT	SLIPNOT - ANTISLIP - 1" WIDE (100' ROLL)
16	116791-01-H33	EA	FACE FRAME - TV CABINET - 20.6" X 22.2" - W/O TV
	114706-02-02B	EA	SUPPORT - SHELF - W/O TV
	P18192-01-G35	EA	CABINET - METAL - VINYL COVERED - W/O TV
	M06803-C1-H33	EA	DOOR - MITERED CORNER/OGEE EDGE - 16.7" X 18.1" - W/O HDW - W/O TV
	115638-01-H33	EA	PANEL - HEADLINER - TOP - W/O TV
	115639-01-H33	EA	PANEL - HEADLINER - SIDE - W/O TV
17	078579-19-000	EA	TRIM - WINDSHIELD - UPPER INNER/PASSENGER
18	079765-13-000	EA	TRIM - WINDSHIELD CENTER
19	040714-01-000	EA	MIRROR - REAR VIEW/ARM MOUNT & SET SCREW - GM # 911722
	067490-01-000	EA	BUTTON - MIRROR/REAR VIEW
20	078579-20-000	EA	TRIM - WINDSHIELD - UPPER INNER/DRIVER
21	P03077-07-H33	EA	SHELF - CABINET - OVERHEAD/LEFT HAND - VINYL COVERED - TV OPTION
21	P03077-03-H33	EA	SHELF - CABINET - OVERHEAD/LEFT HAND - VINYL COVERED

DRIVERS COMPARTMENT GROUP (CONTINUED)
DRIVERS COMPARTMENT - LOWER



KEY	PART NUMBER	U/M	DESCRIPTION	VENDOR NO.
1	024700-44-000	EA	COVER-SIDEWALL ROLL BAR, OFF WHITE - 53"	
	024700-46-000	EA	COVER - ROLL BAR - 21.20" - UPPER - DRIVER/PASSENGER	
1	024700-45-000	EA	COVER-SIDEWALL ROLL BAR, OFF WHITE - 12.8"	
	024700-47-000	EA	COVER-SIDEWALL ROLL BAR, OFF WHITE - 18.9" - DRIVER DOOR	
	024700-48-000	EA	COVER-SIDEWALL ROLL BAR, OFF WHITE - 25" - DRIVER DOOR	
2	091990-04-01A	EA	SEAT BELT-SHOULDER HARNESS - DRIVERS/PASSENGERS - BLACK	
	091990-01-700	EA	BOLT COVER	
	091990-01-701	EA	EXTENDER-SEAT BELT SHOULDER HARNESS, 9"	I-1331-02
	109146-01-000	EA	BOLT-SHOULDER, SEAT BELT	
	103961-01-01A	EA	COVER - BRACKET - SEATBELT - OFF WHITE	
	103961-04-01A	EA	COVER - BRACKET - SEAT BELT/RH - OFF WHITE - EUROPEAN - DRIVER DOOR	
	103961-02-01A	EA	COVER - BRACKET - SEAT BELT/LEFT HAND - OFF WHITE - DRIVER DOOR	
	103961-05-01A	EA	COVER - BRACKET - SEAT BELT/RIGHT HAND - OFF WHITE - EUROPEAN	
3	112236-01-G35	EA	BEZEL - LEVELING PANEL	
4	111499-01-05A	EA	POD-INSTRUMENT PANEL, QUICKSILVER - PLASTIC	
5	P03817-17-000	EA	DASH ASM, W/O VINYL - FORD	
5	P03817-18-000	EA	DASH ASM, W/O VINYL - CHEVY	
	106569-02-05A	YD	VINYL-LAMINATE, 1/4" X 16" X 8' - QUICKSILVER	
	077539-01-000	EA	BRACKET-MOUNTING, DASH PANEL - L/SHAPED - 2.5" X 1" X 1.5"	
	105927-02-000	EA	PANEL-DASH TOP W/STUD	
	113452-01-000	FT	SEAL-TRIM, U-SHAPED VINYL	
				FROM: 02-03-97 THRU: 99-99-99
6	104354-01-07A	EA	APPLIQUE-LOWER DASH, 2300 MM LONG	
7	095757-03-F25	EA	COVER-HEATER W/CARPET (H33)	
7	095757-03-E33	EA	COVER-HEATER W/CARPET (H34)	
7	095757-03-H35	EA	COVER-HEATER W/CARPET (H35)	
8	086120-01-H33	EA	PAD-MAP POCKET, 12" X 16" (H33)	
				FROM: 00-00-00 THRU: 01-12-97
8	086120-01-H3A	EA	PAD-MAP POCKET, 12" X 16" (H33)	
				FROM: 01-13-97 THRU: 99-99-99
8	086120-01-H34	EA	PAD-MAP POCKET, 12" X 16" (H34)	
8	086120-01-H35	EA	PAD-MAP POCKET, 12" X 16" (H35)	
9	115840-01-01A	EA	COVER-MOTOR, W/O CARPET	
9	115840-02-01A	EA	COVER-MOTOR, W/O CARPET - VORTEC ENGINE OPTION	
	115850-01-02B	EA	RETAINER - LATCH - MOTOR COVER - RIGHT HAND - E-COAT	
	116581-01-000	EA	LATCH-MOTOR COVER	
	115852-01-02B	EA	STRIKE - LATCH - MOTOR COVER - E-COATED	
	116833-01-02B	EA	WRENCH-HEX, MOTOR COVER - E-COAT	
	115860-01-01A	EA	TRIM-MOTOR COVER, BOTTOM - MILL FINISH ALUMINUM	
	039623-01-000	FT	SEAL-MOTOR COVER, RUBBER BULB TYPE - BLACK	
	122772-02-02B	EA	BRACKET ASM-MOUNTNG, BEVERAGE TRAY - E-COAT	
10	103498-06-000	EA	BOOT - STEERING COLUMN/UNIVERSAL	
				FROM: 00-00-00 THRU: 12-18-96
10	103498-09-000	EA	BOOT - STEERING COLUMN - W/1/2 CIRCLE	
				FROM: 12-19-96 THRU: 99-99-99
	111521-03-01A	EA	COVER - STEERING COLUMN - RIGHT HAND - FORD	
	111521-04-01A	EA	COVER - STEERING COLUMN - LEFT HAND - FORD	
	112634-01-01A	EA	TRIM-STEERING COLUMN, RIGHT HAND - FORD	
	112634-02-01A	EA	TRIM-STEERING COLUMN, LEFT HAND - FORD	
11	103812-11-02A	EA	TRIM-DASH, LOWER - QUICKSILVER - CHEVY	
11	117306-01-G35	EA	TRIM ASM-DASH, LOWER LEFT HAND - QUICKSILVER - FORD	
11	111528-06-03A	EA	TRIM ASM-DASH, LOWER RIGHT HAND - QUICKSILVER - FORD	

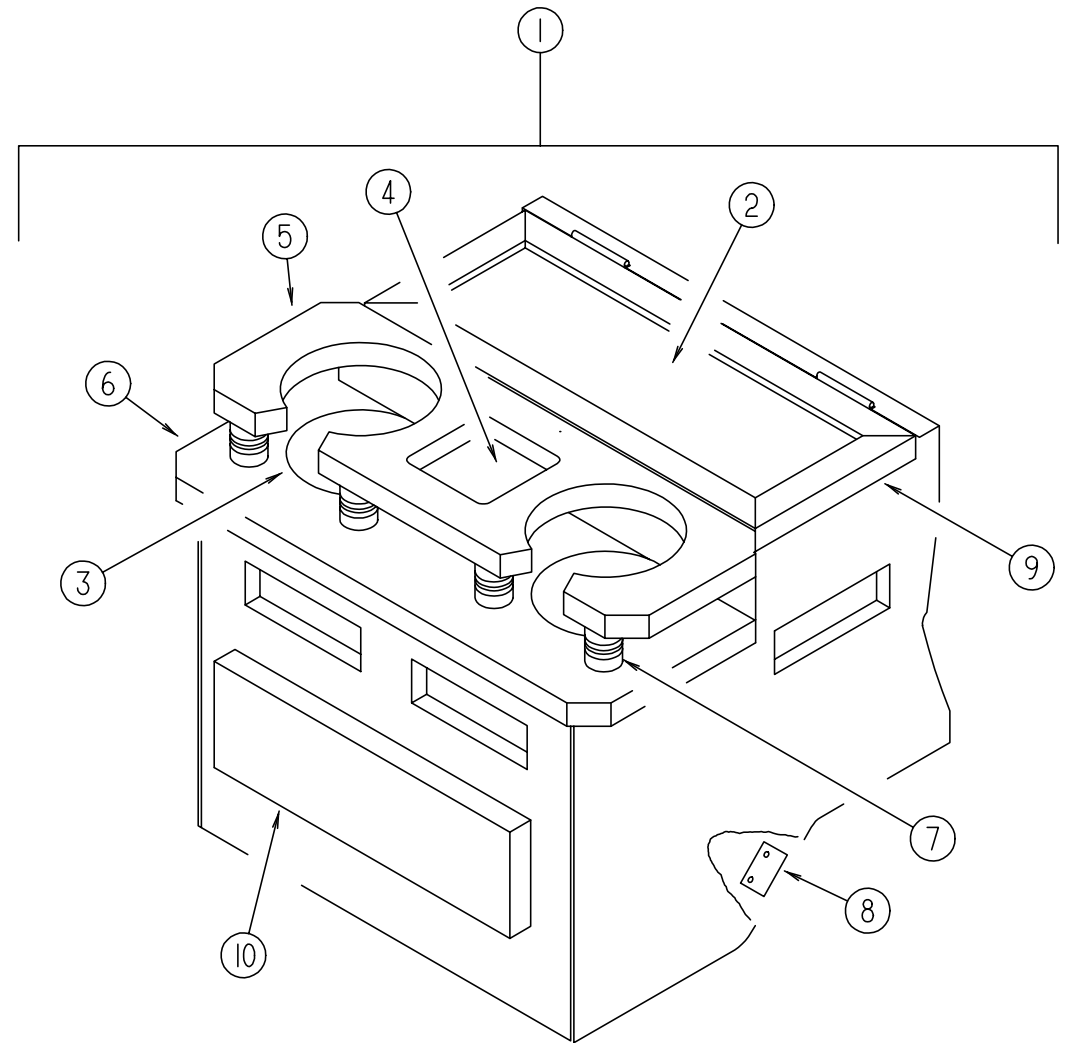
DRIVERS COMPARTMENT GROUP (CONTINUED)



BEVERAGE TRAY (FROM: 00-00-00 THRU: 03-16-97)

KEY	PART NUMBER	U/M	DESCRIPTION
1	122707-01-H17	EA	TRAY ASM-BEVERAGE, W/O DRAWER OR LOUVERS
1	122707-02-H17	EA	TRAY ASM-BEVERAGE, W/O DRAWER OR LOUVERS - VORTEC ENGINE OPTION
2	122717-03-01A	FT	PAD - NON-SKID, PSA - 6.5" X 50'
3	122717-01-01A	EA	PAD - NON SKID, PSA - 4" DIAMETER ROUND
4	122717-02-01A	EA	PAD - NON SKID, PSA - 4" X 4"
5	122707-11-H17	EA	SHELF W/O PAD OR DOWELS
6	122707-12-H17	EA	SHELF ASM W/PADS W/O HARDWARE OR DOWELS
7	097872-04-000	EA	DOWEL-WOOD, 1" DIAMETER X 1.38" LONG - UNFINISHED
8	122832-01-02B	EA	BRACKET-MOUNT, BEVERAGE TRAY - E-COAT
9	122707-13-H17	EA	LID W/O PAD OR HARDWARE
10	M05971-AZ-H33	EA	DRAWER - OGEE EDGE - 10"W X 11.8"D - W/O SLIDES/HDW
	100128-02-000	FT	SEAL-FOAM, ADHESIVE BACK - .37" W X .37" THICK

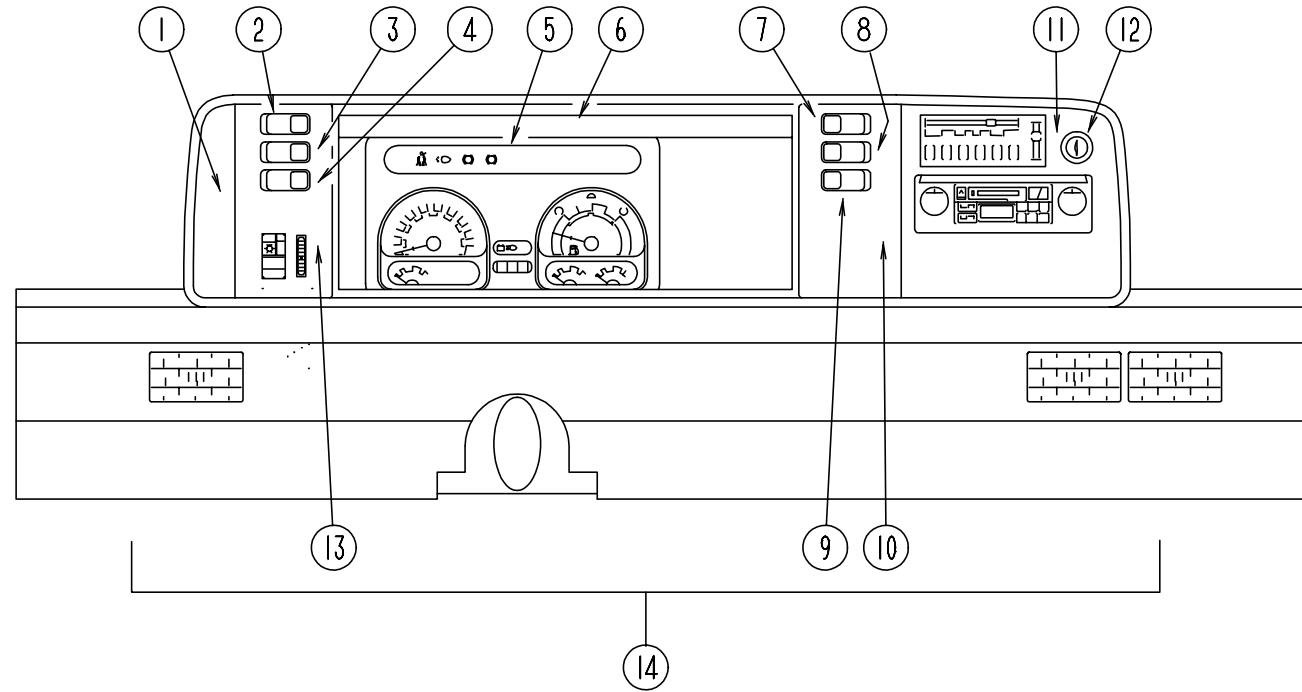
DRIVERS COMPARTMENT GROUP (CONTINUED)



BEVERAGE TRAY (FROM: 03-17-97 THRU: 99-99-99)

KEY	PART NUMBER	U/M	DESCRIPTION
1	126680-01-H17	EA	TRAY ASM-BEVERAGE, W/O DRAWER OR LOUVERS
1	126680-02-H17	EA	TRAY ASM-BEVERAGE, W/O DRAWER OR LOUVERS - VORTEC ENGINE OPTION
2	122717-06-01A	FT	PAD - NON-SKID, PSA - 6.5" X 13.8"
3	122717-01-01A	EA	PAD - NON SKID, PSA - 4" DIAMETER ROUND
4	122717-02-01A	EA	PAD - NON SKID, PSA - 4" X 4"
5	126680-15-H17	EA	SHELF W/O PAD OR DOWELS
6	126680-14-H17	EA	SHELF ASM W/PADS W/O HARDWARE OR DOWELS
7	097872-04-000	EA	DOWEL-WOOD, 1" DIAMETER X 1.38" LONG - UNFINISHED
8	122832-01-02B	EA	BRACKET-MOUNT, BEVERAGE TRAY - E-COAT
9	126680-16-H17	EA	LID W/PAD W/O HARDWARE
10	M05971-AZ-H33	EA	DRAWER - OGEE EDGE - 10"W X 11.8"D - W/O SLIDES/HDW
	100128-02-000	FT	SEAL-FOAM, ADHESIVE BACK - .37" WIDE X .37" THICK X 60' ROLL

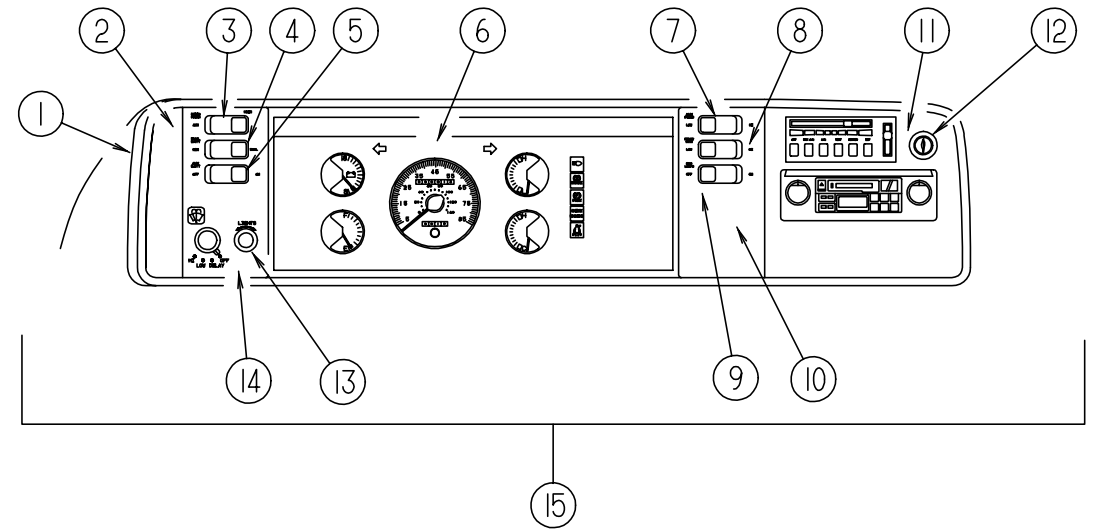
DRIVERS COMPARTMENT GROUP (CONTINUED)



DASH, GAUGES & SWITCHES - CHEVY

KEY	PART NUMBER	U/M	DESCRIPTION
1	104056-01-04A	EA	APPLIQUE-BEZEL
2	108356-02-01A	EA	COVER/ACTUATOR SWITCH - 2 ROWS DIMPLES - CONTURA II - BLACK
2	108357-05-000	EA	SWITCH-ROCKER, SPDT ON/NONE/ON - RADIO POWER W/O CD
2	108357-08-000	EA	SWITCH-ROCKER, DPDT ON/NONE/ON 6 TERMINAL - RADIO POWER W/CD
3	108356-02-01A	EA	COVER/ACTUATOR SWITCH - 2 ROWS DIMPLES - CONTURA II - BLACK
3	108357-09-000	EA	SWITCH - ROCKER SPDT - ON/NONE/MOM - 3 TERMINAL - DUAL BATTERY
4	108356-02-01A	EA	COVER/ACTUATOR SWITCH - 2 ROWS DIMPLES - CONTURA II - BLACK
4	108357-06-000	EA	SWITCH - ROCKER DPDT - MOM/OFF/MOM - 6 TERMINAL BATTERY DISCONNECT SWITCH OPTION
4	096241-03-000	EA	SWITCH-BLANK
5	094796-07-000	EA	CLUSTER-INSTRUMENT PANEL, KILOMETERS - GAS FROM: 00-00-00 THRU: 10-06-96
5	125001-02-000	EA	CLUSTER-INSTRUMENT PANEL, KILOMETERS/MILES - GAS FROM: 10-07-96 THRU: 99-99-99
5	094796-11-000	EA	CLUSTER - INSTRUMENT - METRIC/ENGLAND - DIESEL FROM: 00-00-00 THRU: 02-17-97
5	125001-03-000	EA	CLUSTER-INSTRUMENT-MPH REGISTERED/KILO READING-DIESEL-ENG FROM: 02-18-97 THRU: 99-99-99
6	103662-01-01A	EA	BEZEL-INSTRUMENT PANEL
7	108356-04-01A	EA	COVER/ACTUATOR SWITCH - 2 ROWS DIMPLES W/LIGHT - CONTURA II - BLACK
7	108357-10-000	EA	SWITCH - ROCKER SPDT W/LIGHT - MOM/NONE/MOM - 5 TERMINAL GENERATOR OPTION
7	096241-03-000	EA	SWITCH-BLANK
8	108356-02-01A	EA	COVER/ACTUATOR SWITCH - 2 ROWS DIMPLES - CONTURA II - BLACK
8	108357-03-000	EA	SWITCH - ROCKER SPDT - ON/OFF/ON - 3 TERMINAL - REAR HEATER
8	096241-03-000	EA	SWITCH-BLANK
9	096241-03-000	EA	SWITCH-BLANK
10	104056-21-01A	EA	APPLIQUE-BEZEL
11	104056-06-04A	EA	APPLIQUE-BEZEL
12	089294-01-000	EA	LIGHTER - CIGARETTE - W/O WIRES
13	104056-22-01A	EA	APPLIQUE-BEZEL
14	M05946-40-H33	EA	DASH POD - CHEVY - W/O CLUSTER
	100138-01-000	EA	MODULE-DAYTIME RUNNING LIGHT - CANADIAN
	077031-01-000	EA	FILM-BLACK, 1" X 1.75"
	077031-03-000	EA	FILM-WHITE, .75" X 1"
	049176-01-000	EA	HEDLOCK II - 3/4" DIAMETER, SCREW MOUNT
	103603-01-000	EA	BULB - 12V NO.74 0.12A WEDGE

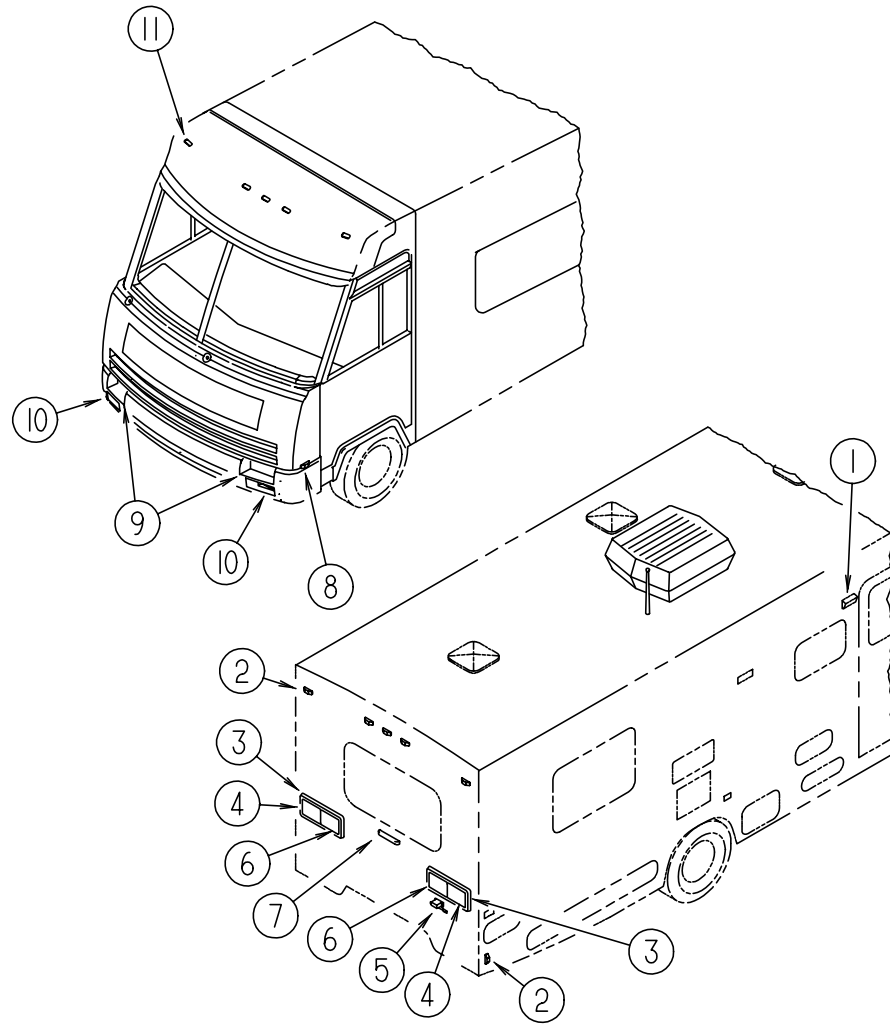
DRIVERS COMPARTMENT GROUP (CONTINUED)



DASH, GAUGES & SWITCHES - FORD

KEY	PART NUMBER	U/M	DESCRIPTION
1	103662-04-01A	EA	BEZEL-INSTRUMENT PANEL
2	104056-01-04A	EA	APPLIQUE-BEZEL
3	108356-02-01A	EA	COVER/ACTUATOR SWITCH - 2 ROWS DIMPLES - CONTURA II - BLACK
3	108357-05-000	EA	SWITCH-ROCKER, SPDT ON/NONE/ON - RADIO POWER W/O CD
3	108357-08-000	EA	SWITCH-ROCKER, DPDT ON/NONE/ON 6 TERMINAL - RADIO POWER W/CD
4	108356-02-01A	EA	COVER/ACTUATOR SWITCH - 2 ROWS DIMPLES - CONTURA II - BLACK
4	108357-09-000	EA	SWITCH - ROCKER SPDT - ON/NONE/MOM - 3 TERMINAL
5	108356-02-01A	EA	COVER/ACTUATOR SWITCH - 2 ROWS DIMPLES - CONTURA II - BLACK
5	108357-06-000	EA	SWITCH - ROCKER DPDT - MOM/OFF/MOM - 6 TERMINAL BATTERY DISCONNECT SWITCH OPTION
5	096241-03-000	EA	SWITCH-BLANK
6	094794-06-000	EA	CLUSTER-INSTRUMENT PANEL, KILOMETERS
7	108356-04-01A	EA	COVER/ACTUATOR SWITCH - 2 ROWS DIMPLES W/LIGHT - CONTURA II - BLACK
7	108357-10-000	EA	SWITCH - ROCKER SPDT W/LIGHT - MOM/NONE/MOM - 5 TERMINAL GENERATOR OPTION
7	096241-03-000	EA	SWITCH-BLANK
8	108356-02-01A	EA	COVER/ACTUATOR SWITCH - 2 ROWS DIMPLES - CONTURA II - BLACK
8	108357-03-000	EA	SWITCH-ROCKER, SPDT ON/OFF/ON - CARLING V6D1000B-0 - REAR HEATER
8	096241-03-000	EA	SWITCH-BLANK
9	096241-03-000	EA	SWITCH-BLANK
10	104056-21-01A	EA	APPLIQUE-BEZEL
11	104056-06-04A	EA	APPLIQUE-BEZEL
12	089294-01-000	EA	LIGHTER - CIGARETTE - W/O WIRES
13	096674-01-000	EA	NUT-HEADLAMP KNOB, BLACK
13	096675-01-000	EA	KNOB - HEADLAMP - W/SHAFT
14	104056-24-01A	EA	APPLIQUE-BEZEL
15	M05946-39-H33	EA	DASH POD - FORD - W/O CLUSTER
	100138-01-000	EA	MODULE-DAYTIME RUNNING LIGHT - CANADIAN
	103603-01-000	EA	BULB - 12 VOLT - #74 - .12A WEDGE - GE 22-25 USED IN DASH
	077031-01-000	EA	FILM-BLACK, 1" X 1.75"
	077031-03-000	EA	FILM-WHITE, .75" X 1"
	049176-01-000	EA	HEDLOCK II - 3/4" DIAMETER, SCREW MOUNT
	111904-01-000	EA	INDICATOR - TRANSMISSION - FORD

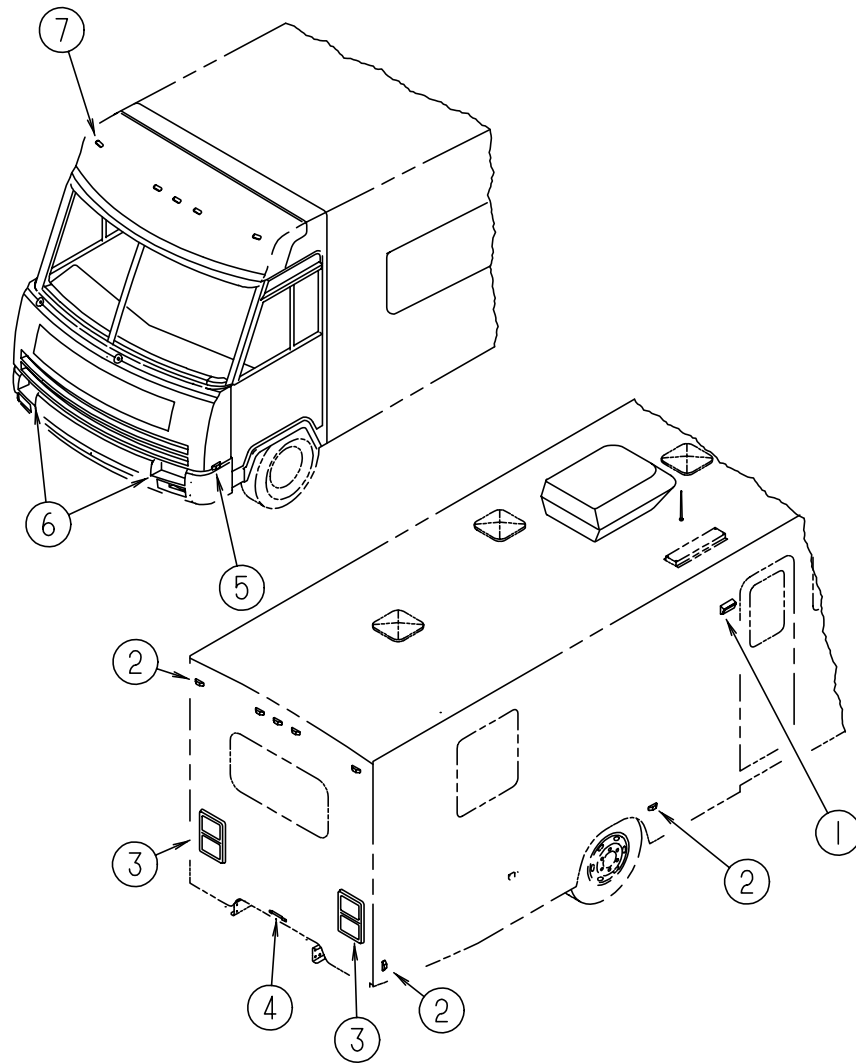
ELECTRICAL GROUP
EXTERIOR LIGHTS



KEY	PART NUMBER	U/M DESCRIPTION	VENDOR NO.
1	097917-01-06A	EA LIGHT-PORCH, ENTRY DOOR - BRIGHT WHITE	
	008215-01-000	EA BULB - 12V, .94 AMP - #1003	
	097917-01-700	EA LENS-LIGHT, PORCH	
2	111102-01-000	EA LAMP-MARKER, BASE - TRIPLEX 117XAS	
	036196-01-000	EA BULB - 12V, #194 - .27 AMP - BAYONETTE	
2	111102-03-000	EA LENS-MARKER LAMP, RED - TRIPLEX 117R	
3	121621-01-01A	EA POD-TAILLIGHTS, BRIGHT WHITE	
4	115632-03-02A	EA LIGHT-STOP/TAIL/BACKUP	
5	066432-02-000	EA LIGHT-LICENSE, BLACK	
	066432-03-000	EA BRACKET-LICENSE PLATE - BARGMAN 30-60-030	
6	115632-01-02A	EA LIGHT-STOP/TURN/TAIL, RED	
7	121950-01-000	EA LIGHT ASM-BRAKE, CENTER MOUNT - RUSSELL JI-100	
8	111102-01-000	EA LAMP-MARKER, BASE - TRIPLEX 117XAS	
	036196-01-000	EA BULB - 12V, #194 - .27 AMP - BAYONETTE	
8	111102-02-000	EA LENS-MARKER LAMP, AMBER - TRIPLEX 118A	
9	070907-04-000	EA HEADLAMP - HIGH/LOW HALOGEN	
	049359-01-000	EA SPRING-RETAINER, HEADLAMP - GM #496096	
	073308-01-000	EA SCREW-ADJUSTING, HEADLAMP	
	106687-02-000	EA SOCKET-LIGHT, 3-WIRE	
10	106688-02-000	EA LIGHT-TURN SIGNAL, AMBER (LENS/BACK PAN)	
	037935-01-000	EA BULB - 12V - #1157 OR #2057 - 2.1 AMP - CLEAR GLASS	
11	102520-01-000	EA LIGHT-CLEARANCE, W/O SOCKET CONNECTIONS - AMBER	
	036196-01-000	EA BULB - 12V, .27 AMP - BAYONETTE - #194	
	102540-01-000	EA SEAL-SCREW, ROUND - RUBBER	
	102541-01-000	EA GASKET-CLEARANCE LIGHT	
	067789-02-000	EA SOCKET-LAMP	
	098024-01-03A	EA LIGHT-DOME, 1 BULB - WHITE (COMPARTMENTS)	
	008218-01-000	EA BULB-DOME LIGHT, 12V - NUMBER 1141	
	098024-01-700	EA LENS-LIGHT	

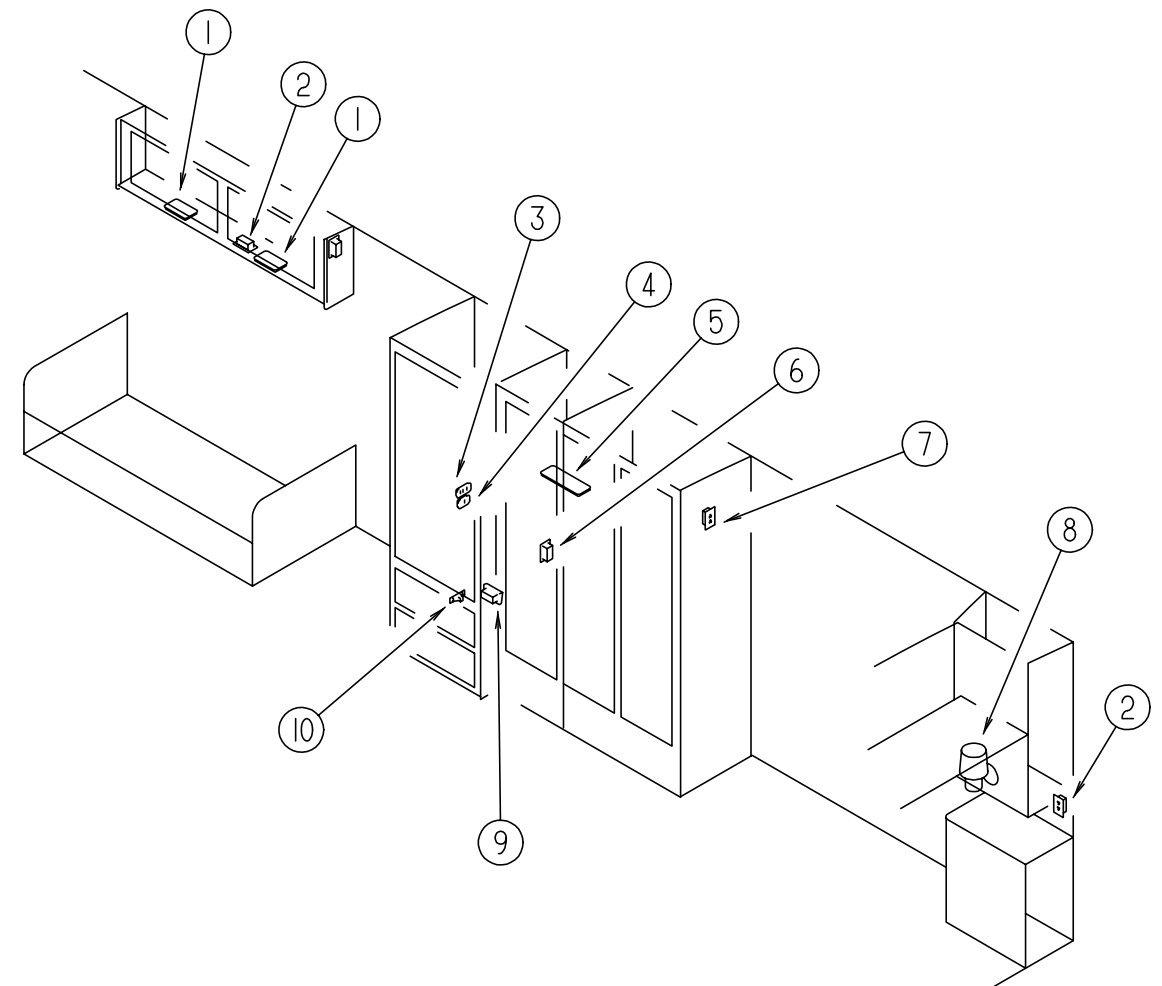
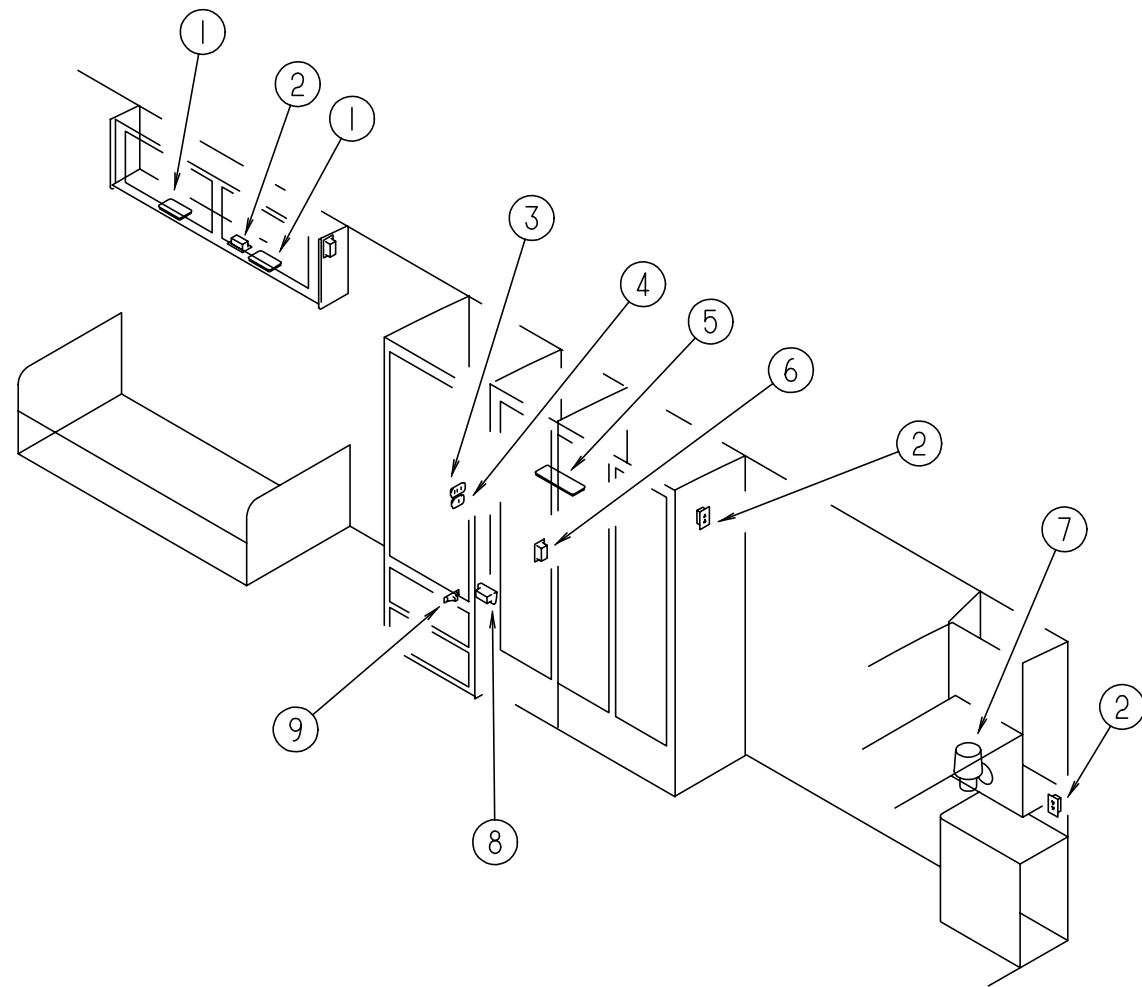
807877

ELECTRICAL GROUP (CONTINUED)
EXTERIOR LIGHTS (EUROPEAN EXPORT)



KEY	PART NUMBER	U/M	DESCRIPTION	VENDOR NO.
1	097917-01-06A	EA	LIGHT-PORCH, ENTRY DOOR - BRIGHT WHITE	
	008215-01-000	EA	BULB - 12V, .94 AMP - #1003	
	097917-01-700	EA	LENS-LIGHT, PORCH	
2	121685-03-000	EA	LAMP - SIDEMARKER - AMBER	
	121685-03-700	EA	LENS	9EL 141 135-031
2	124221-01-000	EA	BULB - 12 VOLT/.4 AMP/5 WATT - #2825	
2	121685-02-000	EA	LAMP - CLEARANCE - RED	
	121685-02-700	EA	LENS	9EL 141 135-001
2	124221-01-000	EA	BULB - 12 VOLT/.4 AMP/5 WATT - #2825	
3	121679-01-000	EA	LIGHT - STOP/TAIL/BUMPER/TURN	
	121679-01-700	EA	LENS	9EL 122 689-021
3	124219-01-000	EA	BULB - 12 VOLT/.83 AMP/10 WATT - #5008	
3	124220-01-000	EA	BULB - 12 VOLT/1.75 AMP/21 WATT - #7506	
3	123154-02-01A	EA	TRIM - TAIL LIGHT	
4	121680-01-000	EA	LAMP - LICENSE PLATE	
5	121684-02-000	EA	LAMP - SIDEMARKER - AMBER - LEFT HAND	
	121684-01-000	EA	LAMP - SIDEMARKER - AMBER - RIGHT HAND	
5	124220-01-000	EA	BULB - 12 VOLT/1.75 AMP/21 WATT - #7506	
6	121686-01-000	EA	HEADLAMP-H/L, EUROPEAN,W/PARK - HELLA 1AE003427021	
	124217-01-000	EA	BULB - 12 VOLT/ 60/55 WATT - #64193	
	049359-01-000	EA	SPRING-RETAINER, HEADLAMP - GM #496096	
	073308-01-000	EA	SCREW-ADJUSTING, HEADLAMP	
6	121682-01-000	EA	LAMP - TURN - FRONT	
6	124220-01-000	EA	BULB - 12 VOLT/1.75 AMP/21 WATT - #7506	
	121685-01-000	EA	LAMP - CLEARANCE - CLEAR	
	121685-01-700	EA	LENS	9EL 141 135-011
7	124221-01-000	EA	BULB - 12 VOLT/.4 AMP/5 WATT - #2825	
	098024-01-03A	EA	LIGHT-DOME, 1 BULB - WHITE (COMPARTMENTS)	
	008218-01-000	EA	BULB-DOME LIGHT, 12V - NUMBER 1141	
	098024-01-700	EA	LENS-LIGHT	807877

ELECTRICAL GROUP (CONTINUED)



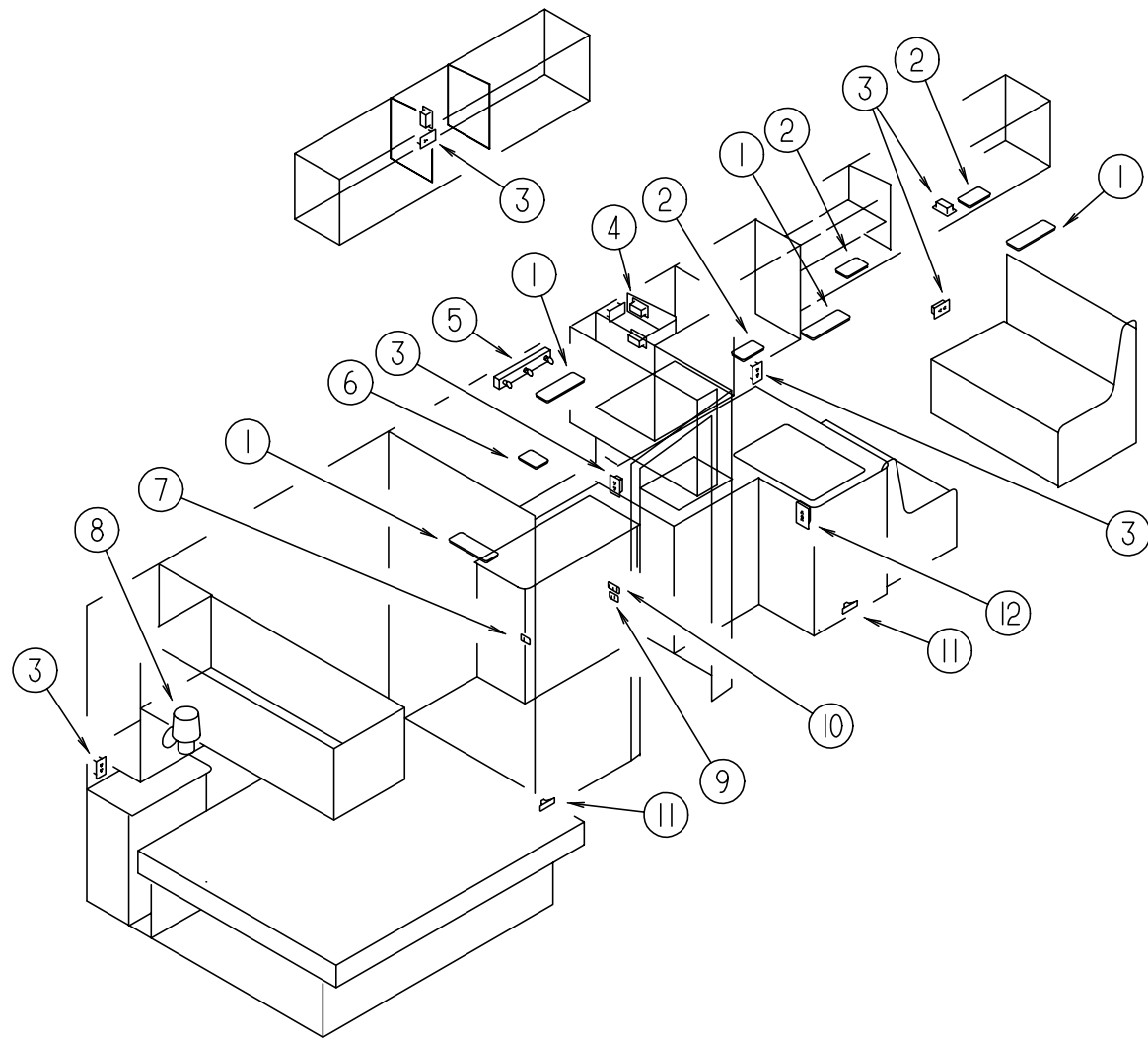
LIGHTS, SWITCHES, & RECEPTACLES PASSENGERS SIDE

KEY	PART NUMBER	U/M DESCRIPTION	VENDOR NO.
1	098024-05-02A	EA LIGHT - DOME - 1 BULB - SKYLITE - WHITE	
	008218-01-000	EA BULB - DOME LIGHT - 12 VOLT - NO. 1141	
	098024-01-701	EA LENS - OPTI CLEAR - SKYLITE	809902
2	058708-01-000	EA RECEPTACLE - ELECTRIC - DOUBLE - BROWN	
2	058708-02-000	EA RECEPTACLE - ELECTRIC - DOUBLE - IVORY	
3	079364-01-000	EA SWITCH - ON/OFF ROCKER - 2 TERMINAL - BROWN	
3	098351-05-01A	EA PLATE - SWITCH - 3 GANG POLISHED BRASS	
4	079364-03-000	EA SWITCH - ON/OFF ROCKER - 3 TERMINAL - BROWN	
4	098351-01-01A	EA PLATE - SWITCH - 1 GANG POLISHED BRASS	
5	098024-03-02A	EA LIGHT - DOME - 2 BULB - WHITE	
	008218-01-000	EA BULB - DOME LIGHT - 12 VOLT - NO. 1141	
	098024-01-700	EA LENS-LIGHT	807877
6	058707-01-000	EA RECEPTACLE - ELECTRIC - SINGLE - BROWN	
7	119257-04-01A	EA SHADE - LAMP - LINEN WHITE	
7	119258-05-01A	EA LAMP - WALL	
7	119258-01-700	EA FINIAL (PYRAMID)	12-0322
8	112822-01-01A	EA RECEPTACLE - DUPLEX - IVORY	
8	112824-01-03A	EA COVER - RECEPTACLE - EXTERIOR DUPLEX - WHITE	
9	061424-01-000	EA LIGHT - AISLE - 12 VOLT - RECTANGULAR	
	008103-01-000	EA BULB - DASH/AISLE LIGHT - #53 - 12 VOLT - .12 AMP	

LIGHTS, SWITCHES, & RECEPTACLES PASSENGERS SIDE (EUROPEAN)

KEY	PART NUMBER	U/M DESCRIPTION	VENDOR NO.
1	098024-05-02A	EA LIGHT - DOME - 1 BULB - SKYLITE - WHITE	
	008218-01-000	EA BULB - DOME LIGHT - 12 VOLT - NO. 1141	
	098024-01-701	EA LENS - OPTI CLEAR - SKYLITE	809902
2	123657-01-01A	EA RECEPTACLE - DUPLEX - 16 AMP - EUROPEAN	
3	079364-01-000	EA SWITCH - ON/OFF ROCKER - 2 TERMINAL - BROWN	
3	098351-05-01A	EA PLATE - SWITCH - 3 GANG POLISHED BRASS	
4	079364-03-000	EA SWITCH - ON/OFF ROCKER - 3 TERMINAL - BROWN	
4	098351-01-01A	EA PLATE - SWITCH - 1 GANG POLISHED BRASS	
5	098024-03-02A	EA LIGHT - DOME - 2 BULB - WHITE	
	008218-01-000	EA BULB - DOME LIGHT - 12 VOLT - NO. 1141	
	098024-01-700	EA LENS-LIGHT	807877
6	112590-01-000	EA RECEPTACLE - 16 AMP - 240 VOLT - 2 POLE W/GROUND	
7	123656-01-01A	EA RECEPTACLE - DUPLEX - 16 AMP - EUROPEAN	
8	119257-04-01A	EA SHADE - LAMP - LINEN WHITE	
8	119258-05-01A	EA LAMP - WALL	
8	119258-01-700	EA FINIAL (PYRAMID)	12-0322
9	112822-01-01A	EA RECEPTACLE - DUPLEX - IVORY	
9	112824-01-03A	EA COVER - RECEPTACLE - EXTERIOR DUPLEX - WHITE	
10	061424-01-000	EA LIGHT - AISLE - 12 VOLT - RECTANGULAR	
	008103-01-000	EA BULB - DASH/AISLE LIGHT - #53 - 12 VOLT - .12 AMP	

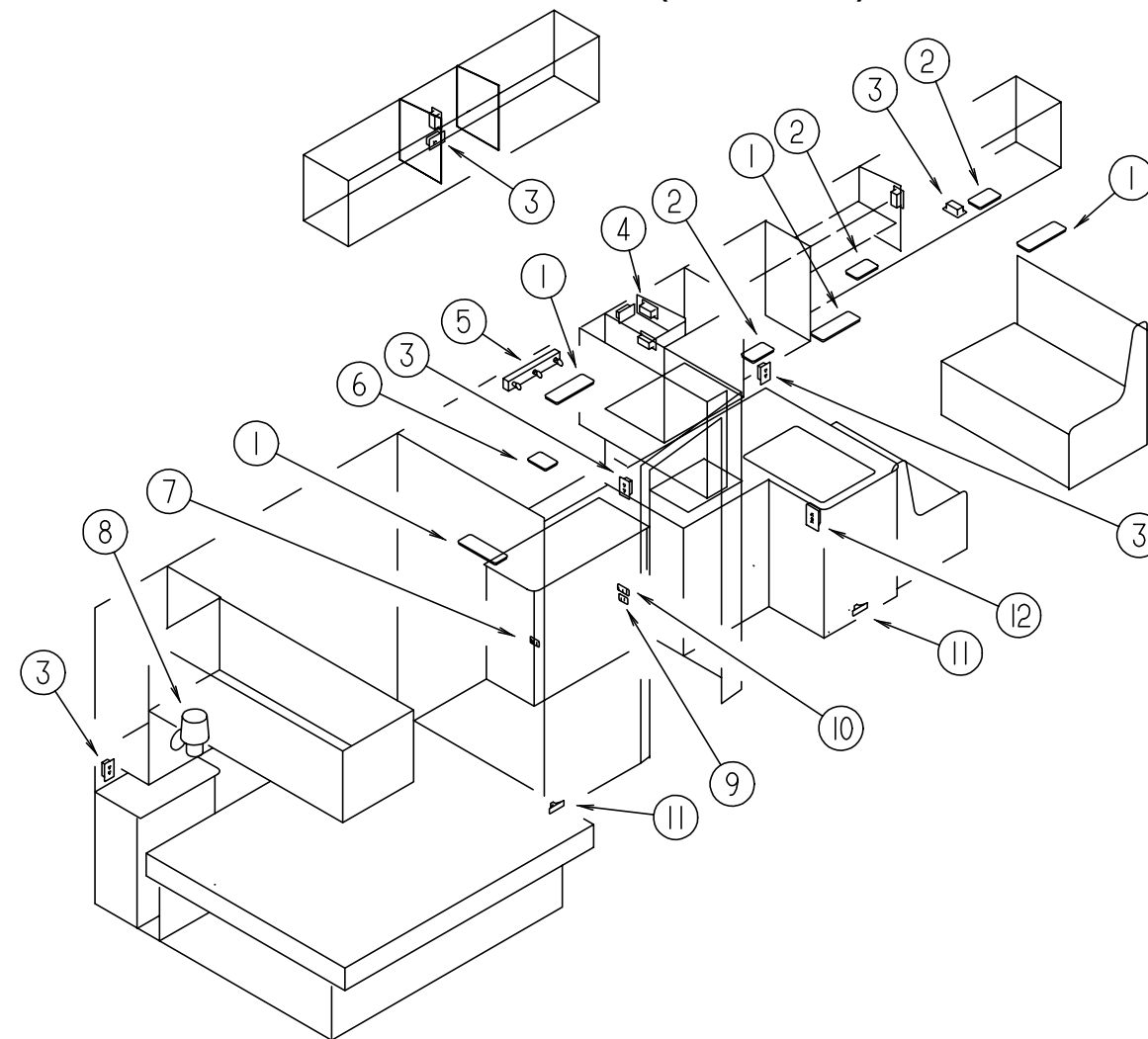
ELECTRICAL GROUP (CONTINUED)



LIGHTS, SWITCHES, & RECEPTACLES DRIVERS SIDE

KEY	PART NUMBER	U/M	DESCRIPTION	VENDOR NO.
1	098024-03-02A	EA	LIGHT - DOME - 2 BULB - WHITE	
	008218-01-000	EA	BULB - DOME LIGHT - 12 VOLT - NO. 1141	
	098024-01-700	EA	LENS-LIGHT	807877
2	098024-05-02A	EA	LIGHT - DOME - 1 BULB - SKYLITE - WHITE	
	008218-01-000	EA	BULB - DOME LIGHT - 12 VOLT - NO. 1141	
	098024-01-701	EA	LENS - OPTI CLEAR - SKYLITE	809902
3	058708-01-000	EA	RECEPTACLE - ELECTRIC - DOUBLE - BROWN	
3	058708-02-000	EA	RECEPTACLE - ELECTRIC - DOUBLE - IVORY	
4	058708-05-000	EA	RECEPTACLE - SINGLE - BROWN	
5	110235-01-01A	EA	LIGHT - MAKE UP - 3 BULB	
	081633-01-700	EA	BULB-LIGHT, MAKE-UP	RP1041
6	121935-01-01A	EA	LIGHT - DOME - SHOWER	
7	098351-03-01A	EA	PLATE - SWITCH - 3 GANG POLISHED BRASS	
7	079364-01-000	EA	SWITCH - ON/OFF ROCKER - 2 TERMINAL - BROWN	
7	079364-03-000	EA	SWITCH - ON/OFF ROCKER - 3 TERMINAL - BROWN	
8	119257-04-01A	EA	SHADE - LAMP - LINEN WHITE	
8	119258-05-01A	EA	LAMP - WALL	
8	119258-01-700	EA	FINIAL (PYRAMID)	12-0322
9	098351-01-01A	EA	PLATE - SWITCH - 1 GANG POLISHED BRASS	
9	079364-01-000	EA	SWITCH - ON/OFF ROCKER - 2 TERMINAL - BROWN	
10	098351-03-01A	EA	PLATE - SWITCH - 3 GANG POLISHED BRASS	
10	079364-01-000	EA	SWITCH - ON/OFF ROCKER - 2 TERMINAL - BROWN	
10	079364-03-000	EA	SWITCH - ON/OFF ROCKER - 3 TERMINAL - BROWN	
11	061424-01-000	EA	LIGHT - AISLE - 12 VOLT - RECTANGULAR	
	008103-01-000	EA	BULB - DASH/AISLE LIGHT - #53 - 12 VOLT - .12 AMP	
12	084076-02-000	EA	RECEPTACLE - GFI - 15 AMP - 125 VOLT - BROWN	

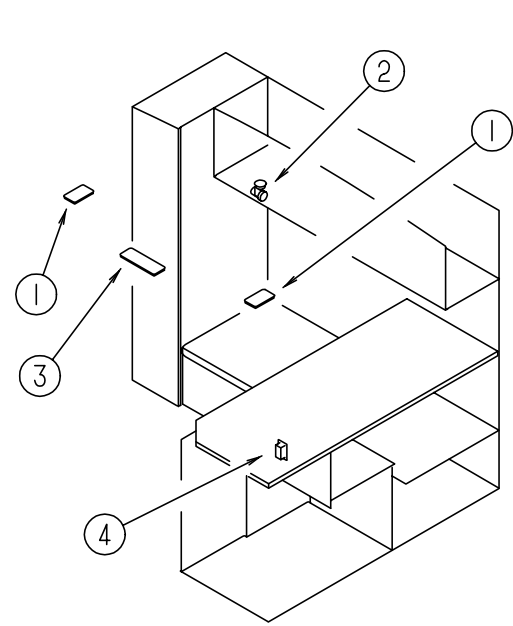
ELECTRICAL GROUP (CONTINUED)



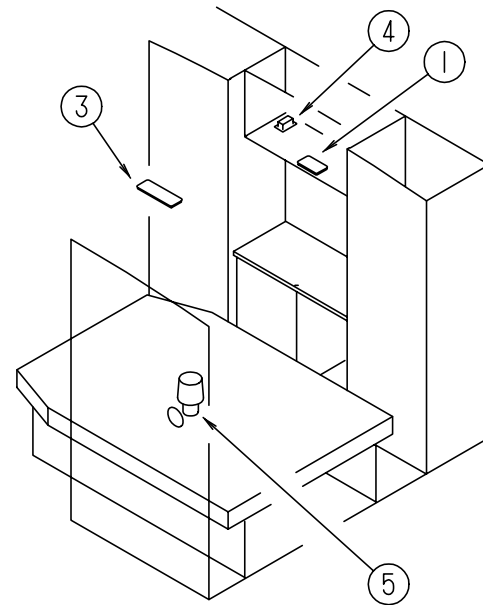
LIGHTS, SWITCHES, & RECEPTACLES DRIVERS SIDE (EUROPEAN)

KEY	PART NUMBER	U/M	DESCRIPTION	VENDOR NO.
1	098024-03-02A	EA	LIGHT - DOME - 2 BULB - WHITE	
	008218-01-000	EA	BULB - DOME LIGHT - 12 VOLT - NO. 1141	
	098024-01-700	EA	LENS-LIGHT	807877
2	098024-05-02A	EA	LIGHT - DOME - 1 BULB - SKYLITE - WHITE	
	008218-01-000	EA	BULB - DOME LIGHT - 12 VOLT - NO. 1141	
	098024-01-701	EA	LENS - OPTI CLEAR - SKYLITE	809902
3	123657-01-01A	EA	RECEPTACLE - DUPLEX - 16 AMP - EUROPEAN	
4	112590-01-000	EA	RECEPTACLE - 16 AMP - 240 VOLT - 2 POLE W/GROUND	
5	110235-01-01A	EA	LIGHT - MAKE UP - 3 BULB	
	081633-01-700	EA	BULB-LIGHT, MAKE-UP	RP1041
6	121935-01-01A	EA	LIGHT - DOME - SHOWER	
7	098351-03-01A	EA	PLATE - SWITCH - 3 GANG POLISHED BRASS	
7	079364-01-000	EA	SWITCH - ON/OFF ROCKER - 2 TERMINAL - BROWN	
7	079364-03-000	EA	SWITCH - ON/OFF ROCKER - 3 TERMINAL - BROWN	
8	119257-04-01A	EA	SHADE - LAMP - LINEN WHITE	
8	119258-05-01A	EA	LAMP - WALL	
8	119258-01-700	EA	FINIAL (PYRAMID)	12-0322
9	098351-01-01A	EA	PLATE - SWITCH - 1 GANG POLISHED BRASS	
9	079364-01-000	EA	SWITCH - ON/OFF ROCKER - 2 TERMINAL - BROWN	
10	098351-03-01A	EA	PLATE - SWITCH - 3 GANG POLISHED BRASS	
10	079364-01-000	EA	SWITCH - ON/OFF ROCKER - 2 TERMINAL - BROWN	
10	079364-03-000	EA	SWITCH - ON/OFF ROCKER - 3 TERMINAL - BROWN	
11	061424-01-000	EA	LIGHT - AISLE - 12 VOLT - RECTANGULAR	
	008103-01-000	EA	BULB - DASH/AISLE LIGHT - #53 - 12 VOLT - .12 AMP	
12	123660-01-01A	EA	RECEPTACLE - SINGLE - WC - EUROPEAN	

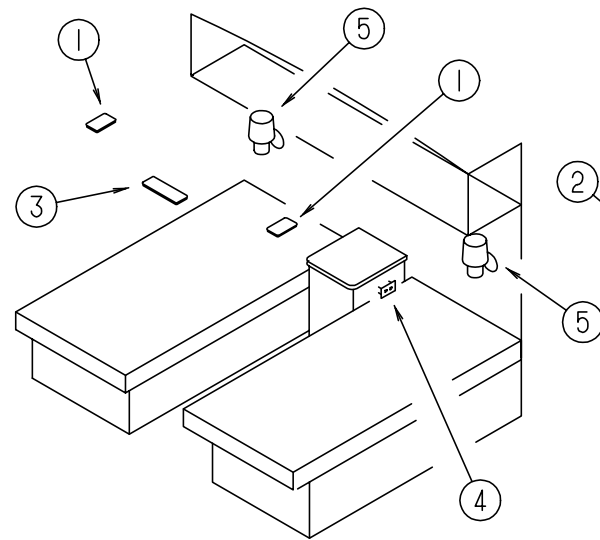
ELECTRICAL GROUP (CONTINUED)



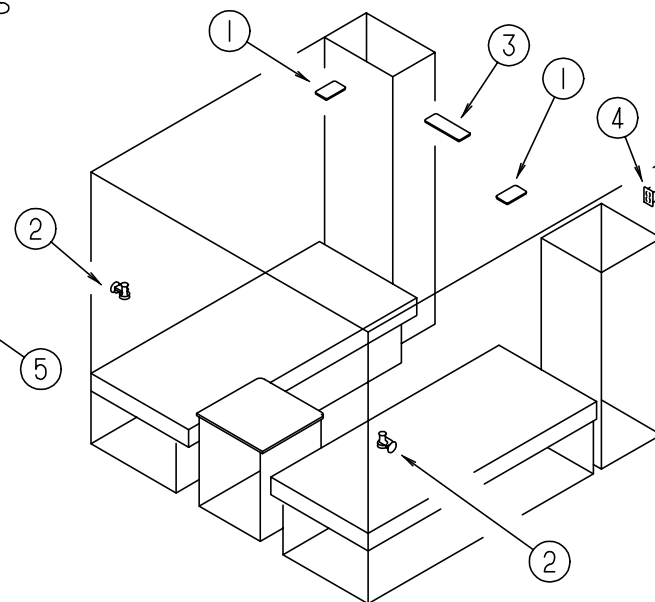
CROSS-STACKED BEDS



DOUBLE BED



TWIN BEDS



BUNK BEDS

ELECTRICAL GROUP (CONTINUED)

LIGHTS, SWITCHES, & RECEPTACLES OPTIONAL BEDROOM AREAS

KEY	PART NUMBER	U/M	DESCRIPTION	VENDOR NO.
1	098024-05-02A	EA	LIGHT - DOME - 1 BULB - SKYLITE - WHITE	
	008218-01-000	EA	BULB - DOME LIGHT - 12 VOLT - NO. 1141	
	098024-01-701	EA	LENS - OPTI CLEAR - SKYLITE	809902
2	104173-02-01A	EA	LIGHT - DESIGNER - BLACK	
	104173-01-700	EA	BULB	81900
3	098024-03-02A	EA	LIGHT - DOME - 2 BULB - WHITE	
	008218-01-000	EA	BULB - DOME LIGHT - 12 VOLT - NO. 1141	
	098024-01-700	EA	LENS-LIGHT	807877
4	058708-01-000	EA	RECEPTACLE - ELECTRIC - DOUBLE - BROWN	
4	058708-02-000	EA	RECEPTACLE - ELECTRIC - DOUBLE - IVORY	
5	119257-04-01A	EA	SHADE - LAMP - LINEN WHITE	
5	119258-05-01A	EA	LAMP - WALL	
5	119258-01-700	EA	FINIAL (PYRAMID)	12-0322

LIGHTS, SWITCHES, & RECEPTACLES OPTIONAL BEDROOM AREAS (EUROPEAN)

KEY	PART NUMBER	U/M	DESCRIPTION	VENDOR NO.
1	098024-05-02A	EA	LIGHT - DOME - 1 BULB - SKYLITE - WHITE	
	008218-01-000	EA	BULB - DOME LIGHT - 12 VOLT - NO. 1141	
	098024-01-701	EA	LENS - OPTI CLEAR - SKYLITE	809902
2	104173-02-01A	EA	LIGHT - DESIGNER - BLACK	
	104173-01-700	EA	BULB	81900
3	098024-03-02A	EA	LIGHT - DOME - 2 BULB - WHITE	
	008218-01-000	EA	BULB - DOME LIGHT - 12 VOLT - NO. 1141	
	098024-01-700	EA	LENS-LIGHT	807877
4	123657-01-01A	EA	RECEPTACLE - DUPLEX - 16 AMP - EUROPEAN	
5	119257-04-01A	EA	SHADE - LAMP - LINEN WHITE	
5	119258-05-01A	EA	LAMP - WALL	
5	119258-01-700	EA	FINIAL (PYRAMID)	12-0322

ELECTRICAL GROUP (CONTINUED)
FUSES & FUSE HOUSINGS

KEY	PART NUMBER	U/M DESCRIPTION
	062901-02-000	EA FUSE - 05 AMPS - AUTOMOTIVE
	062901-05-000	EA FUSE - 15 AMPS - AUTOMOTIVE
	062901-06-000	EA FUSE - 20 AMPS - AUTOMOTIVE
	062901-07-000	EA FUSE - 25 AMPS - AUTOMOTIVE
	062901-08-000	EA FUSE - 30 AMPS - AUTOMOTIVE
	062037-01-000	EA HOUSING - AUTO FUSE - NATURAL
	062037-02-000	EA HOUSING - AUTO FUSE - GREEN
	062037-03-000	EA HOUSING - AUTO FUSE - BLACK
	062037-04-000	EA HOUSING - AUTO FUSE - BLUE
	062037-05-000	EA HOUSING - AUTO FUSE - GRAY
	062037-06-000	EA HOUSING - AUTO FUSE - BROWN
	062037-07-000	EA HOUSING - AUTO FUSE - RED
	108669-01-000	EA HOUSING - AUTO FUSE HOLDER
	106656-01-000	EA FUSE BLOCK - 4 CAVITY - AUTOFUSE

CIRCUIT BREAKERS

KEY	PART NUMBER	U/M DESCRIPTION
	083209-01-000	EA CIRCUIT BREAKER - 15 AMP - 120 VOLT - CANADIAN
	083209-02-000	EA CIRCUIT BREAKER - 15/15 AMP - 120 VOLT
	083209-03-000	EA CIRCUIT BREAKER - 15/20 AMP - 120 VOLT
	083209-04-000	EA CIRCUIT BREAKER - 30 AMP - 120 VOLT
	083209-06-000	EA CIRCUIT BREAKER - 30/15 AMP - 120 VOLT
	083209-07-000	EA CIRCUIT BREAKER - 20/20 AMP - 120 VOLT
	083209-08-000	EA CIRCUIT BREAKER - BLANK
	093655-03-000	EA CIRCUIT BREAKER - 40 AMP - 12 VOLT
	097611-01-000	EA CIRCUIT BREAKER - 10 AMP - 12 VOLT
	112591-01-000	EA CIRCUIT BREAKER - 16 AMP 240 VOLT
	112592-01-000	EA CIRCUIT BREAKER - 25 AMP - 240 VOLT - GFI

TERMINALS

KEY	PART NUMBER	U/M DESCRIPTION
	008326-01-000	EA TERMINAL-RING, 16/14 WIRE - 3/8" STUD
	008328-01-000	EA TERMINAL-RING, 12/10 WIRE - #10 STUD FIT
	008331-01-000	EA TERMINAL-RING, TONGUE - #4 WIRE - 3/8" STUD - COPPER
	008348-01-000	EA TERMINAL-RING, 3/8" STUD - #2 WIRE
	035416-04-000	EA TERMINAL-RING #10 STUD FIT, INSULATED BARREL #16/14
	047443-01-000	EA TERMINAL - .250 RECEPTACLE FIT, INSULATED - 16/14 AWG
	047443-02-000	EA TERMINAL - .250 RECEPTACLE FIT, INSULATED - 12/10 AWG
	062036-01-000	EA TERMINAL-PACK-CON, 12/10 AWG
	062036-02-000	EA TERMINAL-PACK-CON, 16/14 AWG
	088267-01-000	EA TERMINAL-FEMALE, 1/4
	088476-01-000	EA TERMINAL - ELECTRICAL
	098260-01-000	EA TERMINAL-MALE, 56 SERIES
	104100-03-000	EA TERMINAL - 75 AMP
	106007-01-000	EA TERMINAL-FEMALE, 14-16 AWG
	106655-01-000	EA TERMINAL-FUSE BLOCK, 14-16 AWG
	106655-02-000	EA TERMINAL-FUSE BLOCK, 10-12 AWG
	113135-01-000	EA TERMINAL - FEMALE- M/P - 14-16
	113306-01-000	EA TERMINAL-FEMALE, METRI-PACK - 14-16
	113307-01-000	EA TERMINAL-FEMALE, METRI-PACK - 16-20
	125324-01-000	EA TERMINAL-MALE, M/P - 150

ELECTRICAL GROUP (CONTINUED)
ELECTRIC BOXES & COVERS

KEY	PART NUMBER	U/M DESCRIPTION
	008289-01-000	EA BOX - ELECTRIC/STEEL - 1/2" & 3/4" KNOCKOUTS - 4" X 4"
	008289-02-000	EA BOX - ELECTRIC/STEEL - 1/2" & 3/4" KNOCKOUTS - 4" X 4"-CAN
	008294-01-000	EA COVER - ELECTRICAL BOX - BLANK/STEEL - 4" X 4" - GRAY
	008294-02-000	EA COVER - ELECTRICAL BOX - BLANK STEEL - 4" X 4" - CANADIAN
	069238-01-000	EA COVER - ELECTRICAL BOX - W/HOLE - 4" X 4" - GRAY
	091910-01-000	EA BOX - ELECTRIC - 3.8" X 3.5" X 1.8" - PLASTIC
	091910-02-000	EA BOX - ELECTRIC - 2.2" X 3.5" X 1.7" - PLASTIC
	093257-02-000	EA BOX - ELECTRIC - CIRCUIT BREAKER
	111509-01-000	EA BOX - ELECTRICAL - E-COATED
	111510-01-000	EA DOOR/ACCESS PANEL - ELECTRICAL BOX
	123659-01-000	EA BOX - ELECTRIC - RECEPTACLE - EUROPEAN

RECEPTACLE & COVERS

KEY	PART NUMBER	U/M DESCRIPTION
	024924-02-000	EA RECEPTACLE - POWER CORD - W/PARTIAL PLATE
	058707-02-000	EA RECEPTACLE - BLANK JUNCTION BOX
	084076-01-000	EA RECEPTACLE - GFI - 15A - 125V
	091927-01-000	EA COVER - RECEPTACLE - DOUBLE - IVORY
	102568-01-GB1	EA SPACER - RECEPTACLE - SIDEWALL
	123661-01-01A	EA FRAME - TRIM - SINGLE OUTLET - EXPORT

CONDUIT

KEY	PART NUMBER	U/M DESCRIPTION
	041953-01-000	FT CONDUIT-CONVOLUTE, SLIT - .5" ID
	041953-03-000	FT CONDUIT-CONVOLUTE, SLIT - 1" ID (CLOTHES ROD COVER)
	041953-05-000	FT CONDUIT-CONVOLUTE, SOLID - .62" ID
	041953-06-000	FT CONDUIT-CONVOLUTE, SLIT - .375" ID
	041953-07-000	FT CONDUIT-CONVOLUTE, SLIT - .25" ID
	041953-08-000	FT CONDUIT-CONVOLUTE, SLIT - 1.50" ID
	041953-09-000	FT CONDUIT-CONVOLUTE, SLIT - .50" ID
	041953-10-000	FT CONDUIT-CONVOLUTE, SLIT - .75" ID
	041953-11-000	FT CONDUIT-CONVOLUTE, SLIT - 1.06" ID
	041953-12-000	FT CONDUIT-CONVOLUTE, NON SLIT - 1.1" ID

POWER CORDS

KEY	PART NUMBER	U/M DESCRIPTION
	008052-01-000	EA CORD-POWER, 10/3 - 30 AMP - 25' - CANADIAN
	008054-01-000	EA CORD-POWER, 10/3 - 30 AMP - 25' - US
	121470-01-000	EA CORD-EXTENSION, 6 FT - 16-2 - SATELLITE DISH OPTION

ELECTRICAL GROUP (CONTINUED)
HOUSINGS, PINS & SOCKETS

KEY	PART NUMBER	U/M DESCRIPTION
	088473-01-000	EA HOUSING - PIN - 12 CAVITY
	088473-02-000	EA HOUSING - PIN - 15 CAVITY
	088473-03-000	EA HOUSING - PIN - 9 CAVITY
	088473-05-000	EA HOUSING - PIN - 6 CAVITY
	088473-06-000	EA HOUSING - PIN - 6 CAVITY
	088473-08-000	EA HOUSING - PIN - 4 CAVITY
	088473-09-000	EA HOUSING - PIN - 3 CAVITY
	088473-10-000	EA HOUSING - PIN - 2 CAVITY
	088474-01-000	EA HOUSING - SOCKET - 12 CAVITY
	088474-02-000	EA HOUSING - SOCKET - 15 CAVITY
	088474-03-000	EA HOUSING - SOCKET - 9 CAVITY
	088474-06-000	EA HOUSING - SOCKET - 6 CAVITY
	088474-07-000	EA HOUSING - SOCKET - 5 CAVITY
	088474-08-000	EA HOUSING - SOCKET - 4 CAVITY
	088474-09-000	EA HOUSING - ELECTRICAL - 3 TERMINAL
	088474-10-000	EA HOUSING - SOCKET - 2 CAVITY
	088475-01-000	EA PIN - CONNECTOR - 14 - 20 AWG
	088475-02-000	EA PIN - CONNECTOR - 10-12 AWG
	088476-02-000	EA SOCKET - CONNECTOR - 12-10 GA - PRE-TIN
	101571-01-000	EA HOUSING - 2 POSITION - MALE
	101751-02-000	EA HOUSING - 1 PIN - WEATHER PACK
	103608-01-000	EA SOCKET - WEDGE BASE W/LEADS
	104100-01-000	EA HOUSING - 1 POSITION - 75 AMPS
	106006-01-000	EA HOUSING - 1 POSITION - FEMALE
	113131-01-000	EA HOUSING - 3 PIN
	110178-01-000	EA HOUSING - WIPER MOTOR
	113468-01-000	EA HOUSING - 2 POSITION - FEMALE
	115556-01-000	EA HOUSING - 3 POSITION - FEMALE
	119248-02-000	EA HOUSING - 7 POSITION - FEMALE
	125323-02-000	EA HOUSING - 8 POSITION - MALE
	125325-01-000	EA SEAL - CAVITY

CONNECTORS

KEY	PART NUMBER	U/M DESCRIPTION
	008311-01-000	EA CONNECTOR-WIRE NUT, INSULATED - RED
	008312-01-000	EA CONNECTOR-WIRE NUT, INSULATED - BLUE
	008313-01-000	EA CONNECTOR-WIRE NUT, INSULATED - YELLOW
	008314-01-000	EA CONNECTOR-WIRE NUT, INSULATED - GRAY
	008355-01-000	EA CONNECTOR-CABLE CLAMPING, 3/4"
	008356-01-000	EA CONNECTOR-PLASTIC, 3/8" AVG
	041480-01-000	EA CONNECTOR-STRAIGHT, 1/2" FLEX CONDUIT
	058028-01-000	EA CONNECTOR-ELECTRICAL PIGTAIL, NYLON - CLEAR
	098261-02-000	EA SOCKET-CONNECTOR, WEATHERPACK
	098262-01-000	EA SEAL-CONNECTOR, WEATHER PACK
	007954-01-000	EA RECEPTACLE-HOUSING, 6 POSITION
	080015-02-000	EA RECEPTACLE-FLAG, .185 - 16/14 GAUGE
	080015-03-000	EA RECEPTACLE - FLAG - .250 - 14/16 GAUGE
	112823-01-000	EA SPLICE-REDUCER, 16-14 TO 18-22

ELECTRICAL GROUP (CONTINUED)
WIRE ASSEMBLIES

KEY	PART NUMBER	U/M DESCRIPTION
	073328-B4-000	EA CABLE ASSEMBLY - BATTERY - W/TERMINALS
	081059-02-000	EA WIRE ASSEMBLY - 9PIN - F/RADIO
	090986-01-000	EA WIRE ASSEMBLY - ELECTRIC STEP
	096449-01-000	EA WIRE ASSEMBLY - WATER TANK TO MONITOR PANEL
	097618-01-000	EA WIRE ASSEMBLY - MONITOR PANEL- W/3 WIRES & ORANGE RESISTOR
	102636-02-000	EA WIRE ASSEMBLY - CLEARANCE LAMPS
	108303-01-000	EA WIRE ASSEMBLY - REAR AUTO HEATER
	110256-01-000	EA WIRE ASSEMBLY - INSTRUMENT PANEL - GENERATOR
	111915-01-000	EA WIRE ASSEMBLY - DAYTIME RUNNING LAMPS - FUSED
	113134-03-000	EA WIRE ASSEMBLY - WIPER/WASHER
	100677-01-000	EA WIRE ASSEMBLY - RADIO
	108885-02-000	EA WIRE-REAR MONITOR -(W/3 PIN HOUSING F/FUSE BLOCK) CHEVY
	111915-03-000	EA WIRE ASSEMBLY - DAYTIME RUNNING LAMPS - FUSED
	124096-01-000	EA WIRE - INSTRUMENT PANEL - FOG LAMPS

CONVERTER & INVERTER

KEY	PART NUMBER	U/M DESCRIPTION
	083208-02-000	EA CONVERTER - POWER - 45A - 120/12V
	099048-03-000	EA INVERTER - 130 WATT
	113493-01-000	EA LOAD CENTER - 12 MDL - FLUSH MOUNT
	114511-01-000	EA CONVERTER - 40 AMP - W/CHARGER
	125570-01-000	EA TRANSFORMER - 220 TO 110 VAC

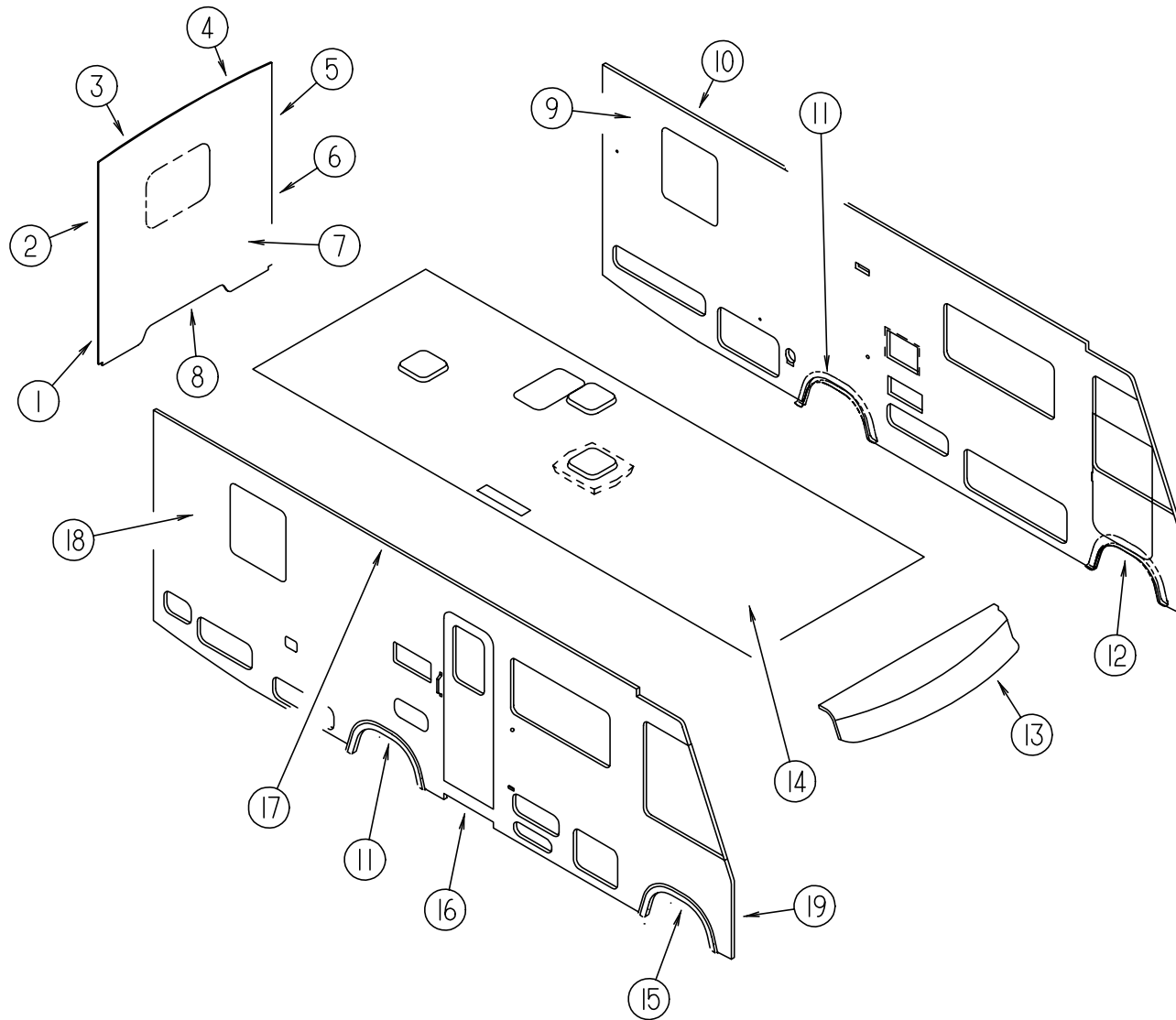
WATER PUMP SWITCH & COVER/ACTUATOR

KEY	PART NUMBER	U/M DESCRIPTION
	108357-08-000	EA SWITCH - ROCKER DPDT - ON/NONE/ON - 6 TERMINAL
	108356-02-01A	EA COVER/ACTUATOR SWITCH - 2 ROWS DIMPLES - CONTURA II - BLACK

MISCELLANEOUS ELECTRICAL COMPONENTS

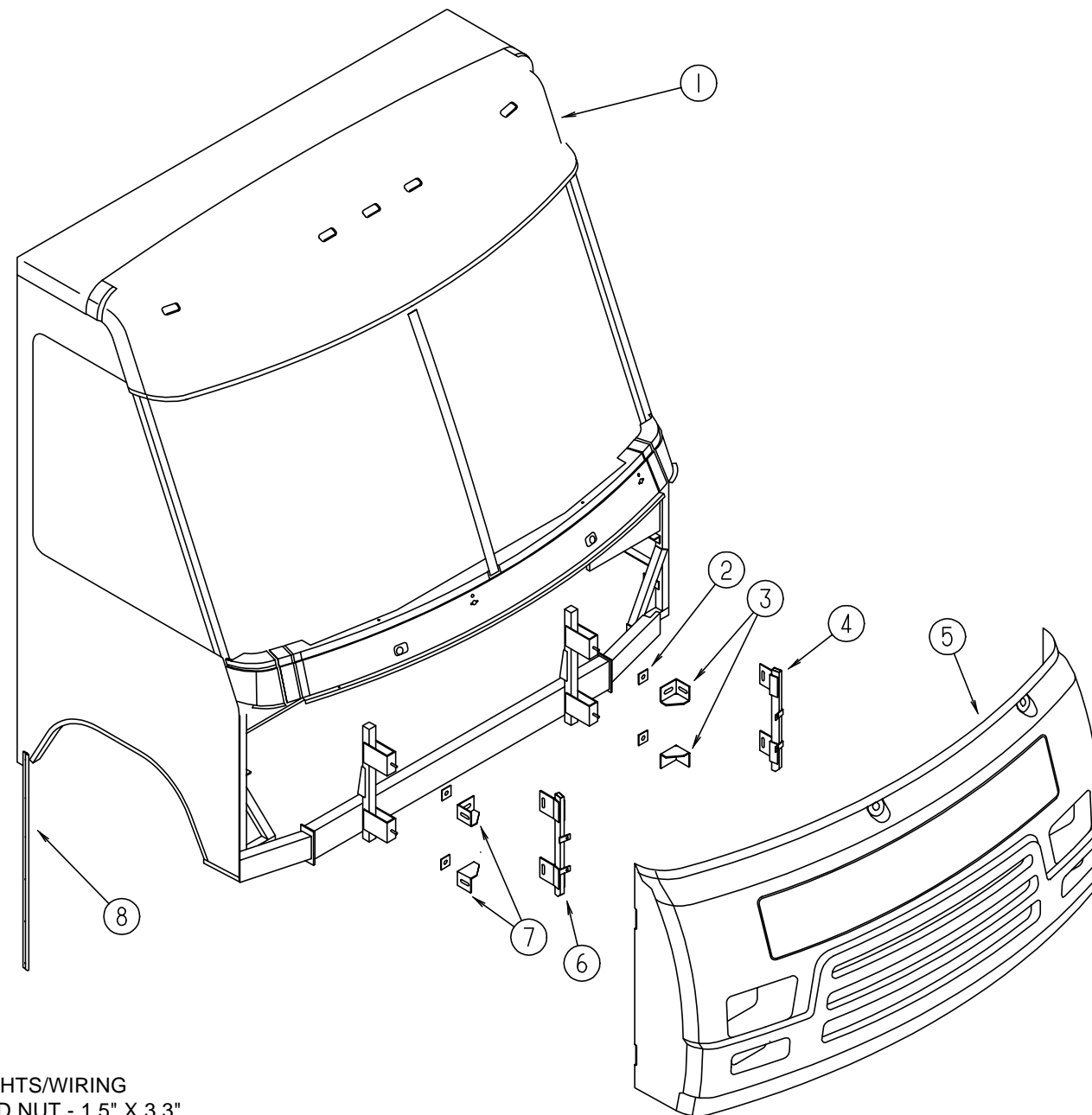
KEY	PART NUMBER	U/M DESCRIPTION
	007093-01-000	EA FLASHER-SIGNAL, STAT
	007956-05-000	EA INSULATOR - SHRINK - .25 ID X 1.50 - BLACK
	008188-01-000	EA SOLENOID - 3 POST, BATTERY CHANGE OVER
	022756-03-000	EA COVER-A/C, OFF WHITE - PLASTIC
	063910-01-000	EA HOUSING-RELAY
	063912-02-000	EA RELAY-CANISTER, SPDT
	086233-01-000	EA STUD-ISOLATED, 3/8" X 7/8" LONG
	086273-01-000	EA RELAY-BATTERY DISCONNECT
	103987-02-000	EA SEAL-SOLENOID ACCESS
	087225-01-000	FT SLEEVING - 1/2", TYPE H
	087225-02-000	FT SLEEVING - 5/8", TYPE H
	095188-01-01A	EA SPACER - SWITCH - 2.3" X 3.4" - PLASTIC - DARK BROWN
	095188-02-01A	EA SPACER - SWITCH - 2.3" X 4.1" - PLASTIC - DARK BROWN
	098351-13-01A	EA PLATE - SWITCH - 4 GANG
	108355-01-000	EA HOUSING - SWITCH
	108356-11-01A	EA COVER-ACTUATOR SWITCH - 3 GROOVES - AUX BATT - BLACK
	112593-01-000	FT CABLE - 3 WIRE - 16A - FLEX RUBBER - EUROPEAN
	112593-02-000	FT CABLE - 3 WIRE - 25A - FLEX RUBBER - EUROPEAN
	112594-01-000	EA INLET - 16 AMP 240 VOLT - 2 POLE W/GROUND - EUROPEAN
	077479-01-000	EA BOOT-BATTERY TERMINAL, DOUBLE CABLE
	077479-02-000	EA BOOT-BATTERY TERMINAL, SINGLE CABLE
	087949-01-000	EA BUSS BAR - 2 POSITION - .6" X 1.5"
	087949-02-000	EA BUSS BAR - 3 POSITION - .6" X 2.4"
	113494-01-000	EA CONTACTOR - 25 AMP - 230 VOLT - 50 HZ

EXTERIOR BODY GROUP
EXTERIOR BODY PANELS AND TRIM



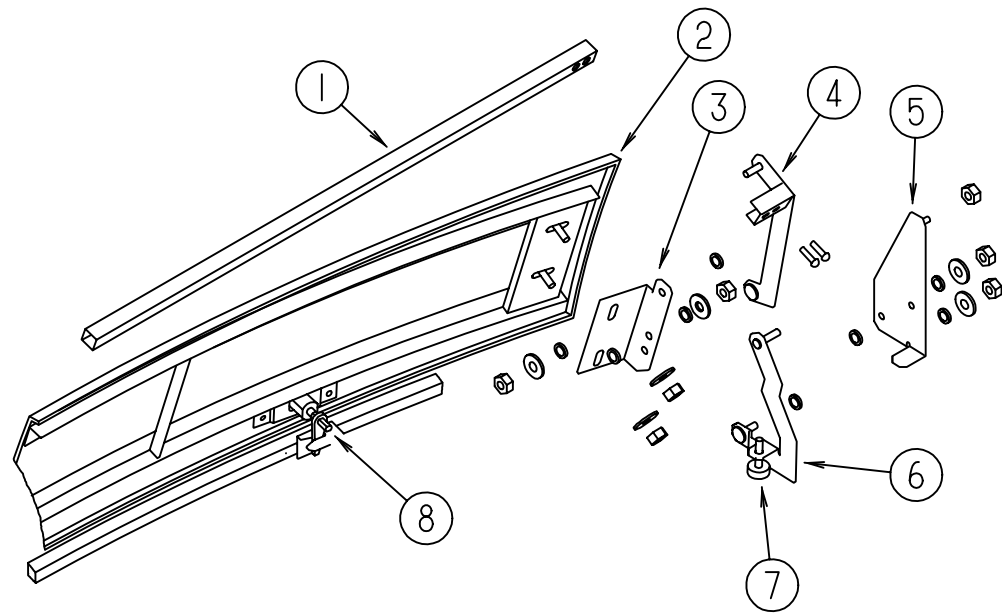
KEY	PART NUMBER	U/M	DESCRIPTION
1	119212-01-01A	EA	TRIM - BACKWALL - LOWER PASSENGER
2	114874-03-12B	EA	TRIM - BACKWALL - PASSENGER/SIDE - BRIGHT WHITE
3	114872-03-03A	EA	TRIM - BACKWALL - TOP/PASSENGER
4	114873-03-03A	EA	TRIM - BACKWALL - TOP/DRIVER
5	114874-04-12B	EA	TRIM - BACKWALL - DRIVER - BRIGHT WHITE
6	119212-02-01A	EA	TRIM - BACKWALL - LOWER DRIVER
7	122160-01-H33	EA	BACKWALL - W/O WINDOW/TRIM
7	122160-01-H34	EA	BACKWALL - W/O WINDOW/TRIM
7	122160-01-H35	EA	BACKWALL - W/O WINDOW/TRIM
8	050406-29-000	EA	TRIM - LOWER BACKWALL - DRIVER OR PASSENGER SIDE
9	122059-01-H33	EA	SEAWALL - DRIVER - W/O WINDOWS/TRIM
9	122059-01-H34	EA	SEAWALL - DRIVER - W/O WINDOWS/TRIM
9	122059-01-H35	EA	SEAWALL - DRIVER - W/O WINDOWS/TRIM
10	120091-02-02A	EA	TRIM - ROOF
11	108070-01-04A	EA	TRIM - REAR WHEELWELL - DRIVER/PASSENGER
11	122276-01-01A	EA	PANEL - WHEEL LIP - REAR
12	108069-07-01A	EA	TRIM - WHEELWELL/FRONT - DRIVER/PASSENGER - BRIGHT WHITE
12	122275-02-01A	EA	PANEL - WHEEL LIP - FRONT/DRIVER
12	122275-03-01A	EA	PANEL - WHEEL LIP - FRONT/DRIVER - DRIVER DOOR OPTION
13	115042-01-02A	EA	PANEL - ROOF CAP - W/O LIGHTS/WIRING
13	115042-03-G29	EA	PANEL - ROOF CAP - W/O LIGHTS/WIRING - EUROPEAN
14	122114-01-H33	EA	ROOF - W/O VENTS/LIGHTS - W/WIRING
15	108069-07-01A	EA	TRIM - WHEELWELL/FRONT - DRIVER/PASSENGER - BRIGHT WHITE
15	122275-01-01A	EA	PANEL - WHEEL LIP - FRONT/PASSENGER
16	122562-01-H33	EA	TRIM - SIDEWALL
17	120092-01-02A	EA	RAIL - AWNING
18	122260-01-H33	EA	SIDEWALL - PASSENGER - W/O WINDOWS/TRIM
18	122260-01-H34	EA	SIDEWALL - PASSENGER - W/O WINDOWS/TRIM
18	122260-01-H35	EA	SIDEWALL - PASSENGER - W/O WINDOWS/TRIM
19	116800-55-005	EA	EXTRUDED CHANNEL - 192" - BRIGHT WHITE
	108109-03-01A	EA	TRIM - SIDEWALL - LOWER/FRONT - BRIGHT WHITE
			FROM: 00-00-00 THRU: 04-20-97
	108109-13-01A	EA	TRIM - SIDEWALL - LOWER/FRONT - BRIGHT WHITE
			FROM: 04-21-97 THRU: 99-99-99
	122230-10-01A	EA	TRIM - ROCKER PANEL - 192" - BRIGHT WHITE
	108039-07-01A	EA	TRIM - SIDEWALL - 28.6"
	104033-10-02A	EA	TRIM-J - BACKWALL - DRIVER/PASSENGER - BRIGHT WHITE
	105312-01-07A	FT	INSERT - VINYL FEATURE STRIP - BRIGHT WHITE
	108651-01-01A	EA	END CAP - FEATURE STRIP
	108688-01-03A	EA	STRIP - FEATURE - 15'
	120091-02-02A	EA	TRIM - ROOF
	002726-01-001	EA	GARNISH - U-CHANNEL - 1.38" X 19' - SERRATED
	058267-01-000	FT	CHANNEL - STEEL - W/HOLES - SIDEWALL STIFFENER - 2" X 20'

EXTERIOR BODY GROUP (CONTINUED)
FRONT END COMPONENTS



KEY	PART NUMBER	U/M	DESCRIPTION
1	115042-01-02A	EA	PANEL - ROOF CAP - W/O LIGHTS/WIRING
	070579-06-000	EA	PLATE-ANCHOR, W/7/16 WELD NUT - 1.5" X 3.3"
	077001-01-000	EA	ANGLE - MOUNTING ROOF PANEL V ANGLE - 3" X 2.4" X 1.5"
2	116617-02-02B	EA	SPACER/WASHER-BUMPER, SQUARE - E-COAT STEEL
3	117611-04-02B	EA	BRACKET-BUMPER, E-COATED - LH
4	118997-07-H33	EA	SUPPORT ASM-GRILLE, FRONT - LH
5	121539-01-01A	EA	PANEL - FRONT/LOWER
	002328-02-000	EA	BLOCK-RUBBER, .062" X .5" X .98"
	121554-01-H33	EA	GRILLE ASSEMBLY-UPPER
	121555-01-H33	EA	GRILLE ASSEMBLY-LOWER
	115951-01-02B	EA	PLATE ASSEMBLY-HEADLAMP - DUAL - RH
	115951-02-02B	EA	PLATE ASSEMBLY-HEADLAMP - DUAL - LH
	119445-01-02B	EA	PLATE-W/HOLES - 1.5" X 1", E-COAT STEEL
	103136-03-000	EA	BRACKET - SUPPORT UPPER - HINGE/RIGHT
	103136-04-000	EA	BRACKET - SUPPORT UPPER - HINGE/LEFT
6	118997-06-H33	EA	SUPPORT ASM-GRILLE, FRONT - RH
7	117611-03-02B	EA	BRACKET-BUMPER, E-COATED - RH
8	089922-34-000	EA	TRIM-FIBERGLASS PANEL, BRIGHT WHITE
			FROM: 00-00-00 THRU: 12-01-96
8	123680-03-01A	EA	TRIM-FIBERGLASS PANEL, BRIGHT WHITE
			FROM: 12-02-96 THRU: 99-99-99

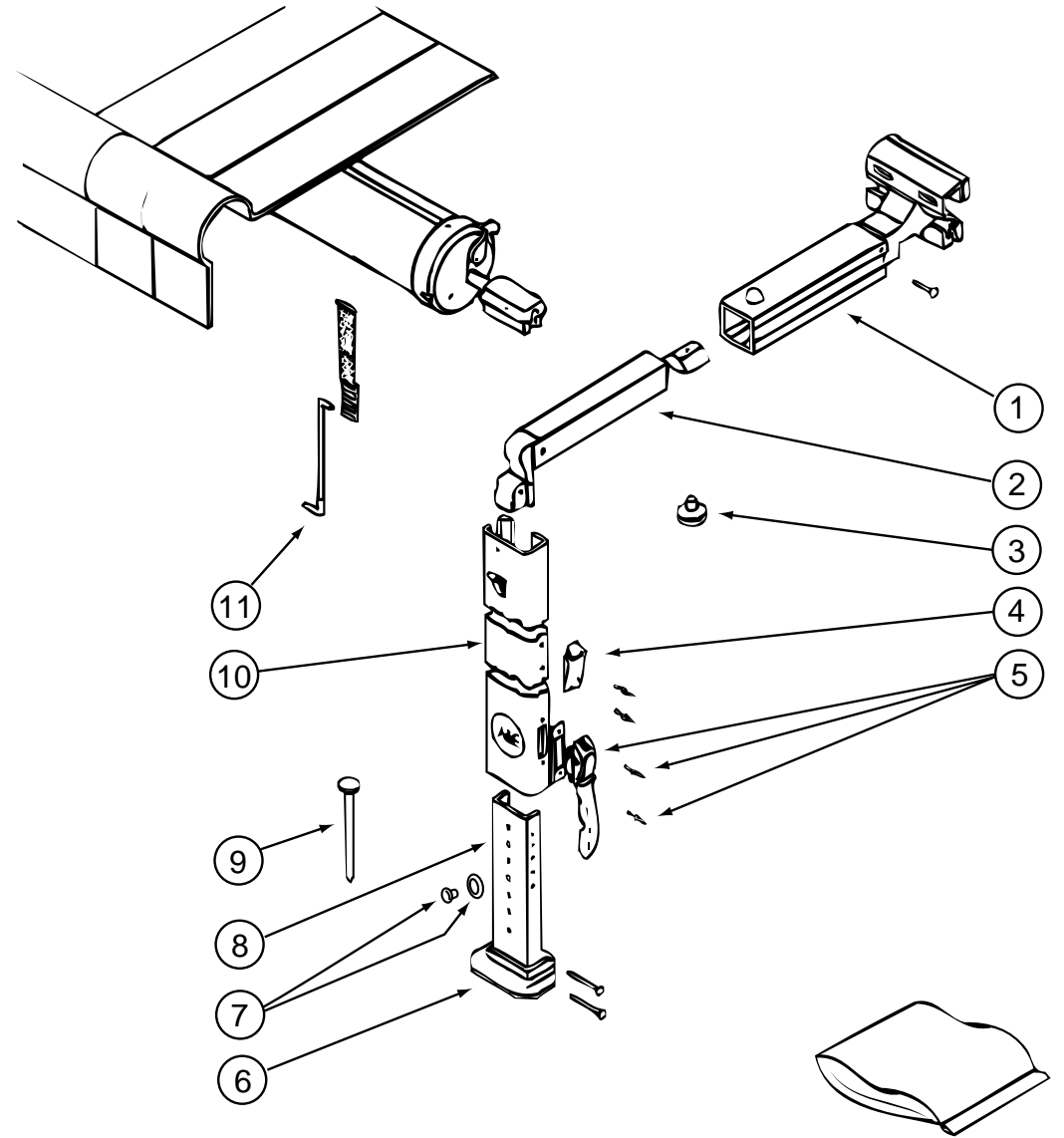
EXTERIOR BODY GROUP (CONTINUED)



HOOD & COMPONENTS

KEY	PART NUMBER	U/M	DESCRIPTION
1	105096-10-000	EA	TUBE-HOOD HINGE TIMING W/WELDNUTS
2	115976-04-H01	EA	PANEL-HOOD, BRIGHT WHITE
3	109927-03-000	EA	ANGLE-LINK, HOOD - RH
3	109927-04-000	EA	ANGLE-LINK, HOOD - LH
4	109929-07-000	EA	LINK-HINGE, HOOD - UPPER - RH
4	109929-08-000	EA	LINK-HINGE, HOOD - UPPER - LH
5	109926-23-000	EA	BRACKET-LINK, HINGE - RH
5	109926-24-000	EA	BRACKET-LINK, HINGE - LH
6	109930-15-000	EA	LINK-HINGE W/O BUMPER BOLT, HOOD - LOWER - RH
6	109930-16-000	EA	LINK-HINGE W/O BUMPER BOLT, HOOD - LOWER - LH
7	058786-01-000	EA	BOLT-HOOD, ADJUSTING W/RUBBER BUMPER
8	102330-02-000	EA	LOCK-SINGLE HOLE, VISE ACTION - SOUTHCOE 3-56-715-5
	102328-01-000	EA	KEY-BARREL, NICKEL PLATED - SOUTHCOE 3-26-715-19
	099418-01-000	FT	SEAL - D-SECTION/ADHESIVE BACK - .44" X .44" - BLACK RUBBER
	106748-06-000	EA	LATCH-HOOD, FRONT END

EXTERIOR BODY GROUP (CONTINUED)

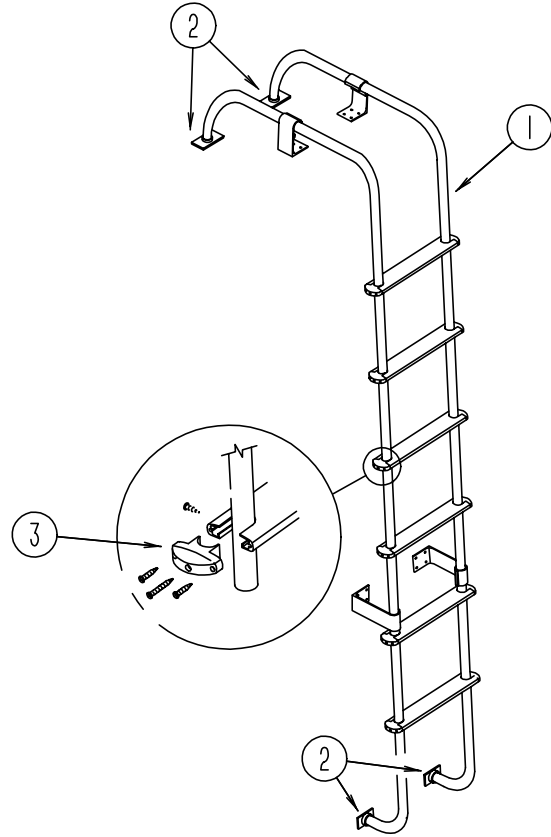


A & E AWNING & HARDWARE

KEY	PART NUMBER	U/M	DESCRIPTION	VENDOR NO.
	113874-06-01A	EA	AWNING - W/O HDW 14' (POLAR BLUE LAVENDER) VINYL	
	113874-06-02A	EA	AWNING - W/O HDW 16' (POLAR NAVY TEAL) VINYL - EUROPEAN EXPORT	
	111037-01-01A	EA	SPACER - AWNING - UPPER - BLACK	
	111038-01-01A	EA	SPACER - AWNING - LOWER	
	113874-01-02A	EA	HARDWARE KIT - AWNING- W/O STANDOFF BRACKET - BRIGHT WHITE	
1	113874-01-714	EA	RAFTER - MAIN RH/LH - BRIGHT WHITE	830295.536F
2	113874-01-715	EA	RAFTER - SECONDARY - BRIGHT WHITE	830463.511F
3	113874-01-702	EA	KNOB - ADJUSTING	3105421.014
4	113874-01-706	EA	LOCK - TRAVEL	830587.001
5	113874-01-707	EA	HANDLE - LIFT W/RIVETS	830644
6	113874-01-712	EA	FOOT - PATIO	730366-001
7	113874-01-710	EA	PLUG-STOP KIT	830456
8	113874-01-717	EA	ARM - ADJUSTABLE - BRIGHT WHITE	830467.517/F
9	113874-01-709	EA	NAIL-SPIKE, 8"	113006
10	113874-01-716	EA	ARM - MAIN SUPPORT - BRIGHT WHITE	3104502.293/F
11	113874-01-703	EA	ROD-CENTER PULL W/ACCESSORY	830152.102
	119496-01-02A	EA	SPACER/ZEE - AWNING	
	113874-10-01A	EA	SPACER - AWNING - LOWER BRACKET	

FROM: 00-00-00 THRU: 08-28-96

EXTERIOR BODY GROUP (CONTINUED)



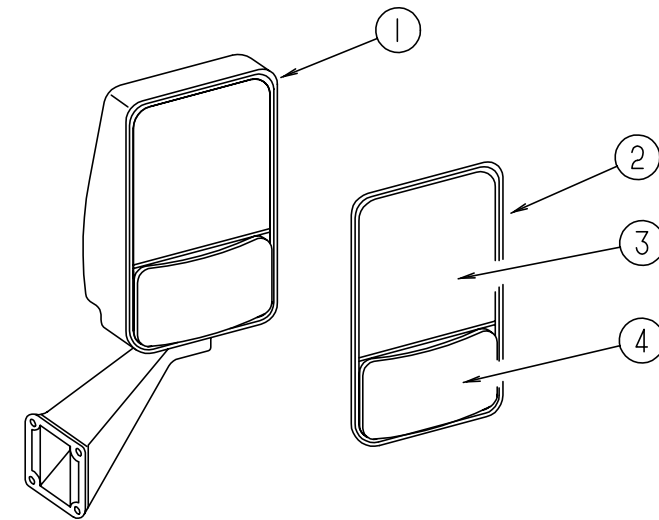
LADDER

KEY	PART NUMBER	U/M DESCRIPTION
1	102953-11-F31	EA LADDER ASSEMBLY
2	067165-01-000	EA MOUNTING BRACKET-LADDER, LOWER
3	076980-02-000	EA END CAP-STEP, BLACK
	038327-01-000	EA TAPE-ANTI SLIP, 2" X 60'

FIBERGLASS, STYROFOAM & INSULATION

KEY	PART NUMBER	U/M DESCRIPTION
	076054-S1-000	EA FIBERGLASS SHEET - 96" X 108" - BRIGHT WHITE
	076054-T2-000	EA FIBERGLASS SHEET - 106.8" X 343.5" - BRIGHT WHITE
	076054-Z3-000	EA FIBERGLASS SHEET - 4" X 86" - BRIGHT WHITE
		FROM: 06-23-97 THRU: 99-99-99
	077517-62-000	EA FIBERGLASS-SHEET, FLAT - .045" X 48" X 96" - BRIGHT WHITE
	077517-64-000	EA FIBERGLASS SHEET - 48" X 96" - GRAY
	108535-05-702	EA FIBERGLASS SHEET-FLAT, 110" X 396" BRIGHT WHITE (ROOF COVERING)
	108535-04-705	EA FIBERGLASS SHEET-FLAT, 6" X 34' - BRIGHT WHITE (ROOF COVERING)
	072877-03-000	EA INSULATION-SOUND BARRIER, 1" X 36" X 57"
	072878-01-000	SF INSULATION-SOUND BARRIER PAD, .058" X 33" X 58"
	000870-08-000	SF STYROFOAM - .75" X 48" X 96" - PLANED - INCREMENTS OF 32 SF
	100619-01-000	BF FOAM-EXPANDED POLYSTYRENE, 1.34" X 48" X 96" - 1.5 LB/SQ FT DENSITY
	100619-04-000	BF FOAM-EXPANDED POLYSTYRENE, .5" X 48" X 96" - 2 LB/SQ FT DENSITY
	100619-05-000	BF FOAM-EXPANDED POLYSTYRENE, .75" X 48" X 96" - 1.5 LB/SQ FT DENSITY
	100619-10-000	BF FOAM-EXPANDED POLYSTYRENE, 1.5" X 48" X 96" - 2 LB/SQ FT DENSITY
	100619-11-000	BF FOAM-EXPANDED POLYSTYRENE, 2" X 48" X 96" - 1.5 LB/SQ FT DENSITY
	100619-16-000	BF FOAM-EXPANDED POLYSTYRENE, .75" X 48" X 96" - 2 LB/SQ FT DENSITY
	120107-01-000	EA FOAM - COVE - ROOF - 2.8" X 96" LONG
	120107-02-000	EA FOAM - PLUG - ROOF TUBE - 2.2" X 2.9" X 1.8" LONG
	120107-03-000	EA FOAM - PLUG - SIDEWALL TUBE - 1.2" X 2.1" X 1.8" LONG

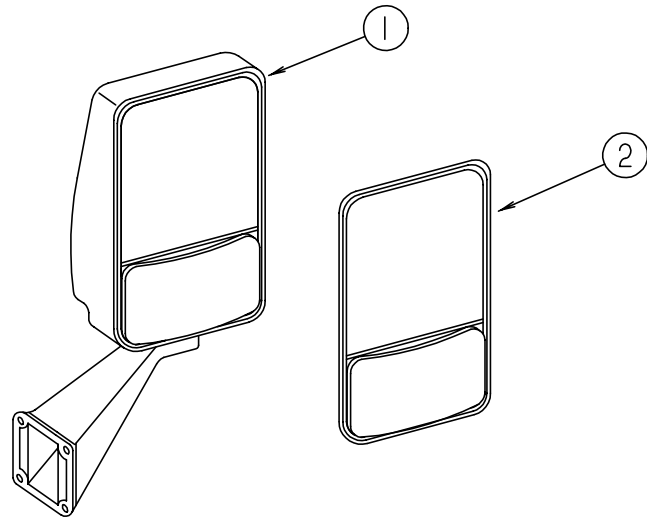
EXTERIOR BODY GROUP (CONTINUED)



VELVAC HEATED EXTERIOR MIRRORS

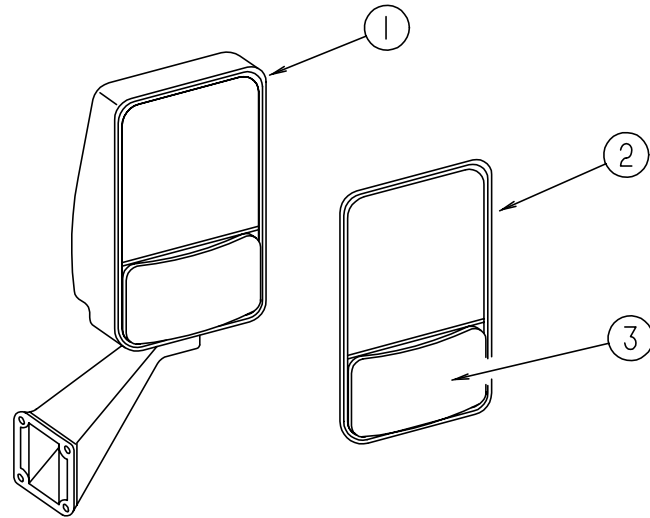
KEY	PART NUMBER	U/M DESCRIPTION	VENDOR NO.
1	106015-05-01A	EA MIRROR ASM - REMOTE/HEATED RIGHT W/O SWITCHES	
		FROM: 00-00-00 THRU: 11-05-96	
1	106015-12-01A	EA MIRROR ASM - REMOTE/HEATED RIGHT W/O SWITCHES	
		FROM: 11-06-96 THRU: 99-99-99	
1	106015-06-01A	EA MIRROR ASM - REMOTE/HEATED LEFT W/O SWITCHES	
		FROM: 00-00-00 THRU: 11-05-96	
1	106015-13-01A	EA MIRROR ASM - REMOTE/HEATED LEFT W/O SWITCHES	
		FROM: 11-06-96 THRU: 99-99-99	
2	086261-01-704	EA MIRROR KIT (BEZEL W/MIRRORS) PASSENGER SIDE	709091-8
		FROM: 00-00-00 THRU: 11-05-96	
2	086261-02-701	EA MIRROR KIT (BEZEL W/MIRRORS) DRIVER SIDE	709269
		FROM: 00-00-00 THRU: 11-05-96	
3	106015-12-700	EA GLASS-FLAT W/HEAT & CLIP	709448
		FROM: 11-06-96 THRU: 99-99-99	
4	106015-12-701	EA GLASS-CONVEX W/HEAT & CLIP	709449
		FROM: 11-06-96 THRU: 99-99-99	
	087695-02-000	EA SWITCH-HEATER, EXTERIOR MIRROR - EURAMTEC DAV4720-12	
	087695-03-000	EA CONNECTOR-ASSEMBLY - EURAMTEC RT10484802	
	088246-01-000	EA SWITCH-REMOTE, EXTERIOR MIRROR - SQUARE PUSH 7471290	

EXTERIOR BODY GROUP (CONTINUED)



VELVAC EXTERIOR MIRRORS (FROM: 00-00-00 THRU: 03-02-97)

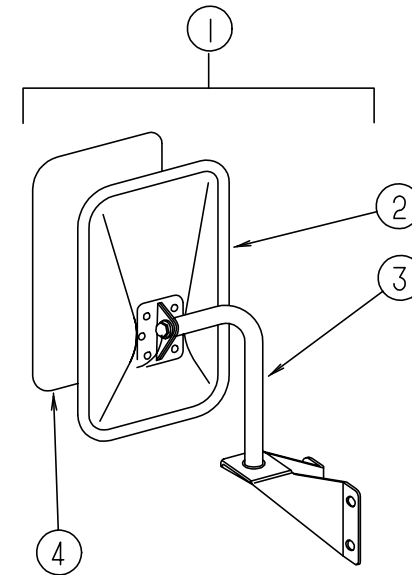
KEY	PART NUMBER	U/M DESCRIPTION	VENDOR NO.
1	106015-09-01A	EA MIRROR ASM-EXTERIOR ADJUST GLASS RIGHT - BLACK	
1	106015-10-01A	EA MIRROR ASM-EXTERIOR ADJUST GLASS LEFT - BLACK	
2	106015-01-703	EA MIRROR KIT (BEZEL W/MIRRORS) PASSENGER SIDE	709266
2	106015-02-702	EA MIRROR KIT (BEZEL W/MIRRORS) DRIVER SIDE	709267



VELVAC EXTERIOR MIRRORS (FROM: 03-03-97 THRU: 99-99-99)

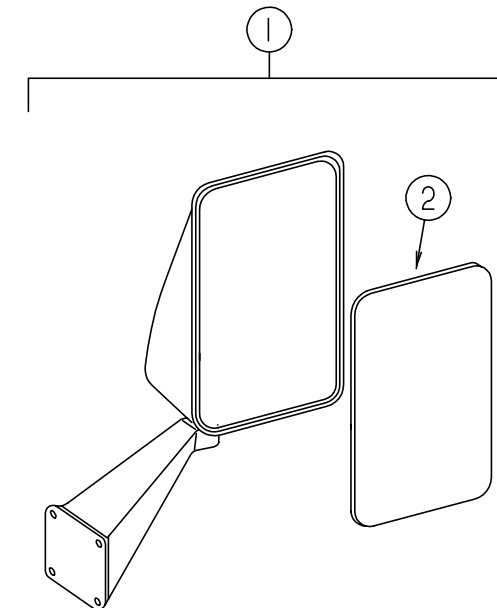
KEY	PART NUMBER	U/M DESCRIPTION	VENDOR NO.
1	106015-14-01A	EA MIRROR ASM-EXTERIOR ADJUST GLASS RIGHT - BLACK	
1	106015-15-01A	EA MIRROR ASM-EXTERIOR ADJUST GLASS LEFT - BLACK	
2	106015-12-700	EA MIRROR - FLAT	709448
3	106015-12-701	EA MIRROR - CONVEX	709449

EXTERIOR BODY GROUP (CONTINUED)



VELVAC EXTERIOR MIRRORS - EUROPEAN EXPORT (FROM: 00-00-00 THRU: 11-05-96)

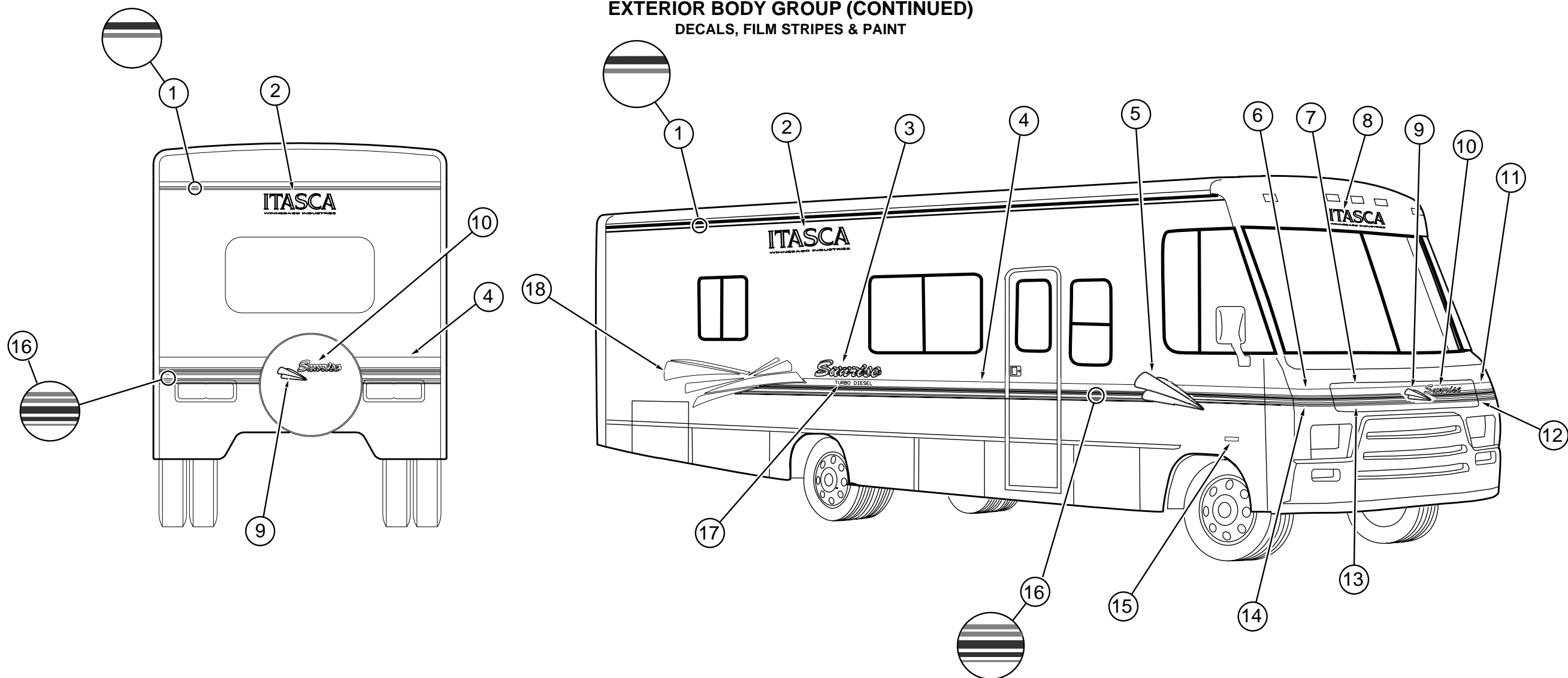
KEY	PART NUMBER	U/M DESCRIPTION	VENDOR NO.
1	105076-01-702	EA MIRROR ASM-FLAT BLACK HOUSING, LH OR RH	713196
2	105076-01-703	EA MIRROR-HEAD, FLAT BLACK	709275-8
3	105076-01-704	EA ARM	Q780521-9
4	049347-01-700	EA GLASS-EXT. MIRROR 7.5 X 10.5	702081
	117051-01-700	EA MIRROR-CONVEX	723068-4



VELVAC EXTERIOR MIRRORS - EUROPEAN EXPORT (FROM: 11-06-96 THRU: 99-99-99)

KEY	PART NUMBER	U/M DESCRIPTION	VENDOR NO.
1	123297-01-01A	EA MIRROR - EXTERIOR - ADJUSTABLE GLASS - DRIVER	
1	123297-02-01A	EA MIRROR - EXTERIOR - ADJUSTABLE GLASS - PASSENGER	
2	106860-02-702	EA GLASS ONLY - FLAT - RH/LH STAR	702086-8
	117051-01-700	EA MIRROR-CONVEX	723068-4

EXTERIOR BODY GROUP (CONTINUED)
DECALS, FILM STRIPES & PAINT



KEY	PART NUMBER	U/M	DESCRIPTION
1	105781-51-01A	FT	FILM-MULTISTRIPE, 65.1 MM WIDE - MAJESTIC PURPLE/UMBRA BROWN
2	120711-01-02A	EA	DECAL-LOGO, ITASCA - WINNEBAGO INDUSTRIES - AMETHYST FROST/BRIGHT WHITE
3	121425-01-01A	EA	DECAL-LOGO, SUNRISE - LARGE AMETHYST FROST/MAJESTIC PURPLE/UMBRA BROWN/BRIGHT WHITE
4	093681-49-01A	FT	FILM - STRIPE, 88.9 MM WIDE - MAJESTIC PURPLE
5	121419-01-01A	EA	DECAL-BURST, SMALL - RH SHALE BLUE/AMETHYST FROST/MAJESTIC PURPLE/UMBRA BROWN/BRIGHT WHITE
	121419-02-01A	EA	DECAL-BURST, SMALL - LH SHALE BLUE/AMETHYST FROST/MAJESTIC PURPLE/UMBRA BROWN/BRIGHT WHITE
6	121421-01-01A	EA	DECAL-CORNER, UPPER - RH - MAJESTIC PURPLE
7	121423-01-01A	EA	DECAL-HOOD, UPPER - MAJESTIC PURPLE
8	120710-02-01A	EA	DECAL-LOGO, ITASCA - WINNEBAGO INDUSTRIES - AMETHYST FROST/BRIGHT WHITE
9	121420-01-01A	EA	DECAL-BURST, HOOD & BACK SHALE BLUE/AMETHYST FROST/MAJESTIC PURPLE/UMBRA BROWN/BRIGHT WHITE
10	121425-02-01A	EA	DECAL-LOGO, SUNRISE - SMALL AMETHYST FROST/MAJESTIC PURPLE/UMBRA BROWN/BRIGHT WHITE
11	121421-02-01A	EA	DECAL-CORNER, UPPER - LH - MAJESTIC PURPLE
12	121422-02-01A	EA	DECAL-CORNER, LOWER - LH - AMETHYST FROST/UMBRA BROWN/SHALE BLUE
13	121424-01-01A	EA	DECAL-HOOD, LOWER - AMETHYST FROST/UMBRA BROWN/SHALE BLUE
14	121422-01-01A	EA	DECAL-CORNER, LOWER - RH - AMETHYST FROST/UMBRA BROWN/SHALE BLUE
15	122312-01-01A	EA	DECAL-VORTEC 7400 - BLACK/OFF WHITE/MIST GRAY/SPECTRA RED
16	094445-05-01A	FT	FILM-MULTISTRIPE, 119.1 MM WIDE - AMETHYST FROST/UMBRA BROWN/SHALE BLUE
17	111318-03-03A	EA	DECAL-TURBO DIESEL, BRIGHT WHITE
18	121418-01-01A	EA	DECAL-BURST, LARGE - RH SHALE BLUE/AMETHYST FROST/MAJESTIC PURPLE/UMBRA BROWN
	121418-02-01A	EA	DECAL-BURST, LARGE - LH SHALE BLUE/AMETHYST FROST/MAJESTIC PURPLE/UMBRA BROWN

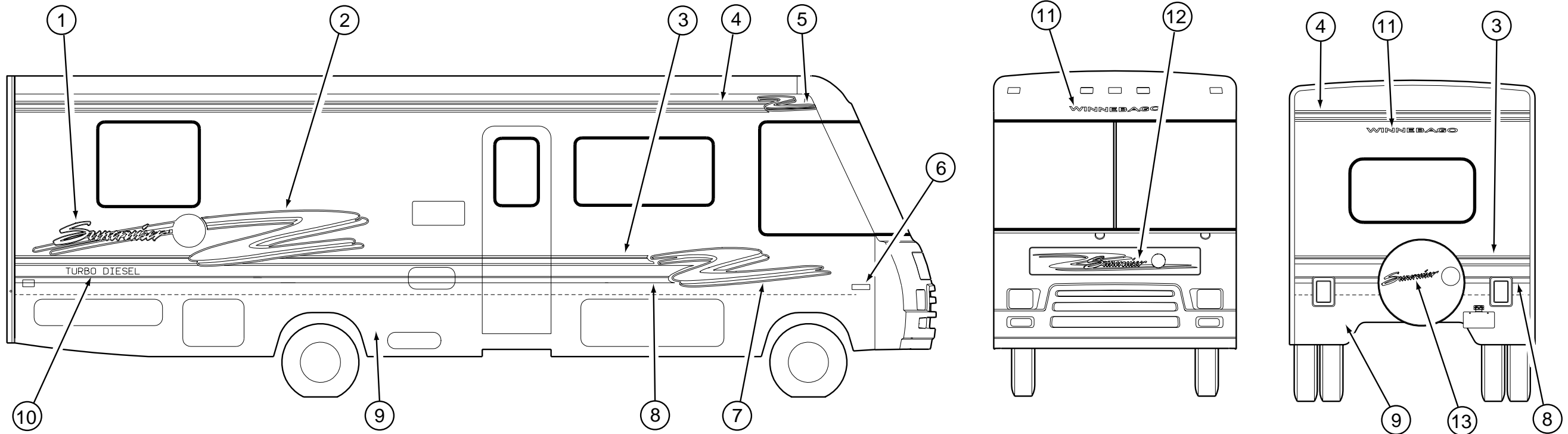
DUPONT PAINT COLOR CODES

BRIGHT WHITE (MAIN BODY COLOR) #B8951
 UMBRA (LOWER ACCENT COLOR) #F2529

DUPONT GRAPHIC COLOR CODES

UMBRA BROWN (DECAL COLOR) #F2529
 MAJESTIC PURPLE METALLIC (DECAL COLOR) #F0740
 AMETHYST FROST METALLIC (DECAL COLOR) #RM012
 SHALE BLUE METALLIC (DECAL COLOR) #F0744

EXTERIOR BODY GROUP (CONTINUED)
DECALS, FILM STRIPES & PAINT (EUROPEAN EXPORT)

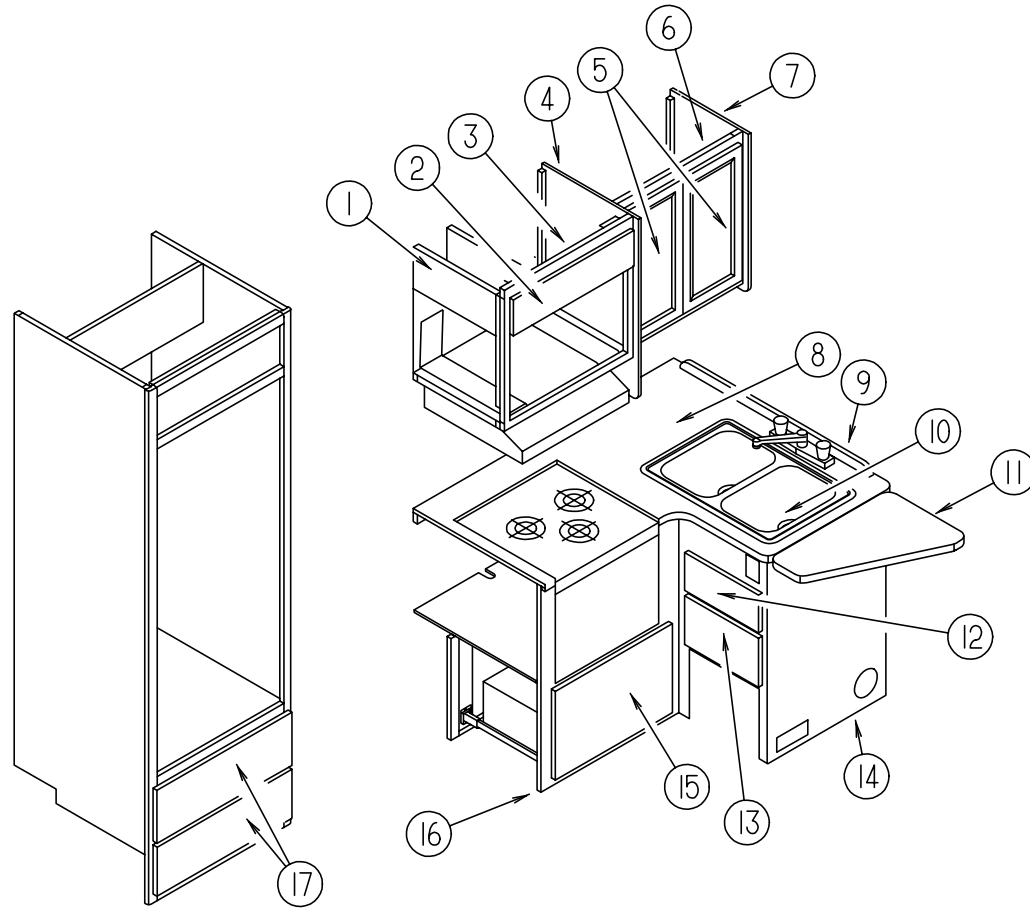


KEY	PART NUMBER	U/M	DESCRIPTION
1	122036-01-01A	EA	DECAL - TAIL - RIGHT HAND (PASSENGER)
	122036-02-01A	EA	DECAL - TAIL - LEFT HAND (DRIVERS)
2	122032-01-01A	EA	DECAL - SWOOP - #1 - RIGHT HAND (PASSENGER)
	122032-02-01A	EA	DECAL - SWOOP - #1 - LEFT HAND (DRIVERS)
3	105781-55-01A	FT	FILM - MULTISTRIPE - 3.12"
4	094443-45-01A	FT	FILM - MULTISTRIPE - 4.24"
5	122035-01-01A	EA	DECAL - SWOOP - #4 - RIGHT HAND (PASSENGER)
	122035-02-01A	EA	DECAL - SWOOP - #4 - LEFT HAND (DRIVERS)
6	122312-01-01A	EA	DECAL - VORTEC 7400
			FROM: 00-00-00 THRU: 09-14-97
6	122312-02-01A	EA	DECAL - VORTEC
			FROM: 09-15-97 THRU: 99-99-99
7	122034-01-01A	EA	DECAL - SWOOP - #3 - RIGHT HAND (PASSENGER)
	122034-02-01A	EA	DECAL - SWOOP/#3 - LEFT HAND (DRIVERS)
8	105781-56-01A	FT	FILM - MULTISTRIPE - 6.74"
9	N/A		PAINT - LACQUER - DELFT BLUE 1GL - DUPONT F1919L
10	111318-03-03A	EA	DECAL - TURBO DIESEL
11	050313-16-000	EA	DECAL - LOGO - "WINNEBAGO" - 2.8" GLOSS BLACK,3M 365
12	122031-01-01A	EA	DECAL - HOOD
13	122030-01-01A	EA	DECAL - LOGO - SUNCRUISER W/ EARTH
	004308-01-000	EA	PAINT - BLACK SPRAY
	041561-03-000	EA	PAINT - 16 OZ SPRAY - OFF WHITE

DUPONT PAINT COLOR CODES

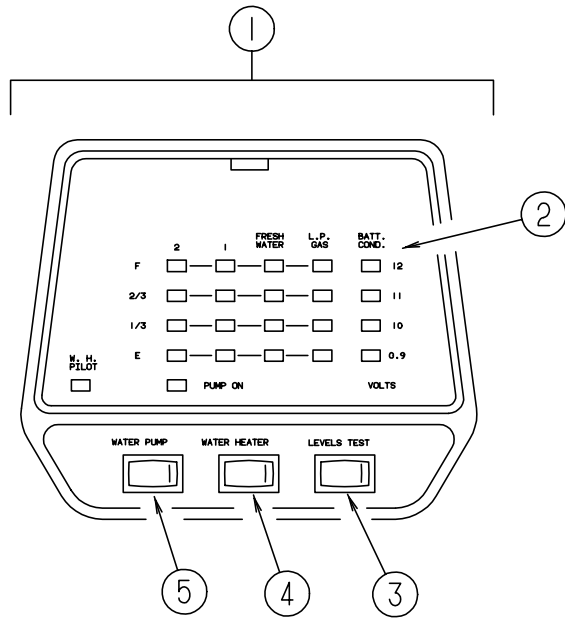
OFF WHITE	#L8723
BLUE	#F1919L
BRIGHT WHITE	#B8951U

GALLEY GROUP
GALLEY CABINETRY



KEY	PART NUMBER	U/M	DESCRIPTION
1	121329-03-H13	EA	CABINET - A/C SWITCH
1	121329-04-H13	EA	CABINET - A/C SWITCH - W.I.E. EXPORT OPTION
2	M05992-J9-H13	EA	DOOR - STRAIGHT CORNER/OGEE EDGE - 5.1" X 22.4" - W/O HDW
3	121328-06-H33	EA	CABINET - OVERHEAD/MICROWAVE - W/O DOORS/HARDWARE
4	081320-16-G09	EA	END CAP - OVERHEAD CABINET
5	M06803-W7-H33	EA	DOOR - MITERED CORNER/OGEE EDGE - 10.2"W X 21.4" - W/O HDW
5	M06803-W8-H33	EA	DOOR - MITERED CORNER/OGEE EDGE - 10.2" X 21.5" - W/O HDW W.I.E. EXPORT OPTION
6	122174-01-H33	EA	CABINET - OVERHEAD/GALLEY - W/O DOORS/HARDWARE
	122174-11-H33	EA	SHELF - W/PLASTIC EDGE TRIM
7	103128-11-H33	EA	END CAP - OVERHEAD CABINET - RIGHT HAND
8	122162-11-H33	EA	COUNTERTOP - GALLEY
8	122162-11-H34	EA	COUNTERTOP - GALLEY
8	122162-11-H35	EA	COUNTERTOP - GALLEY
8	122162-21-H33	EA	COUNTERTOP - GALLEY - W.I.E. EXPORT OPTION
8	122162-21-H34	EA	COUNTERTOP - GALLEY - W.I.E. EXPORT OPTION
8	122162-21-H35	EA	COUNTERTOP - GALLEY - W.I.E. EXPORT OPTION
9	098335-22-H33	EA	RAIL - GALLEY - 37.4"
9	098335-22-H34	EA	RAIL - GALLEY - 37.4"
9	098335-22-H35	EA	RAIL - GALLEY - 37.4"
10	104113-01-000	EA	SINK - DOUBLE - STAINLESS STEEL
	092303-01-000	EA	STRAINER - SINK
	104114-02-01A	EA	FAUCET - GALLEY - SINGLE CONTROL
	103635-01-000	EA	FAUCET - SINGLE CONTROL (WATER PURIFIER)
	108464-01-E13	EA	COVER - SINK - SMALL - 15.2" X 11.1" - RH (H33)
	108464-01-H34	EA	COVER - SINK - SMALL - 15.2" X 11.1" - RH (H34/H35)
	108464-02-E13	EA	COVER - SINK - SMALL - 15.2" X 11.1" - LH (H33)
	108464-02-H34	EA	COVER - SINK - SMALL - 15.2" X 11.1" - LH (H34/H35)
11	122162-12-H33	EA	EXTENSION ASM
11	122162-12-H34	EA	EXTENSION ASM
11	122162-12-H35	EA	EXTENSION ASM
12	M05971-Z0-H33	EA	DRAWER - OGEE EDGE - 11.2"W X 7.9"D - W/O SLIDES/HARDWARE
13	M05971-Z1-H33	EA	DRAWER - OGEE EDGE - 11.2"W X 11.8"D - W/O SLIDES/HARDWARE
14	122162-01-H33	EA	CABINET - GALLEY - W/O DOORS/DRAWERS/HARDWARE
14	122162-01-H34	EA	CABINET - GALLEY - W/O DOORS/DRAWERS/HARDWARE
14	122162-01-H35	EA	CABINET - GALLEY - W/O DOORS/DRAWERS/HARDWARE
14	122162-02-H33	EA	CABINET ASM-GALLEY - W.I.E. EXPORT OPTION
14	122162-02-H34	EA	CABINET ASM-GALLEY - W.I.E. EXPORT OPTION
14	122162-02-H35	EA	CABINET ASM-GALLEY - W.I.E. EXPORT OPTION
15	M05971-Z2-H33	EA	DRAWER - OGEE EDGE - 19.6"W X 13.8"D - W/O SLIDES/HARDWARE
15	M05971-AF-H33	EA	DRAWER - OGEE EDGE - 19.6" W X 21.6" D - W/O SLIDES/HARDWARE W.I.E. EXPORT OPTION
16	122162-19-H33	EA	TOE KICK - GALLEY CABINET
17	M05971-Y9-H33	EA	DRAWER - OGEE EDGE - 22.5"W X 11.8"D - W/O SLIDES/HARDWARE
	090329-01-000	FT	SEAL/T - REFRIGERATOR CABINET

GALLEY GROUP (CONTINUED)



LVS MONITOR PANEL

KEY	PART NUMBER	U/M DESCRIPTION	VENDOR NO.
1	102765-04-01A	EA PANEL-MONITOR, W/PLUG - FOR 2 TANKS & WATER HEATER	
2	102765-04-700	EA BOARD-CIRCUIT, 2 HOLDING TANK	5076-11
3	097617-01-702	EA SWITCH (ALMOND)	107
4	097617-01-701	EA SWITCH-ON/OFF, ALMOND	106
5	102765-01-700	EA SWITCH-ON-ON, ALMOND	110-01

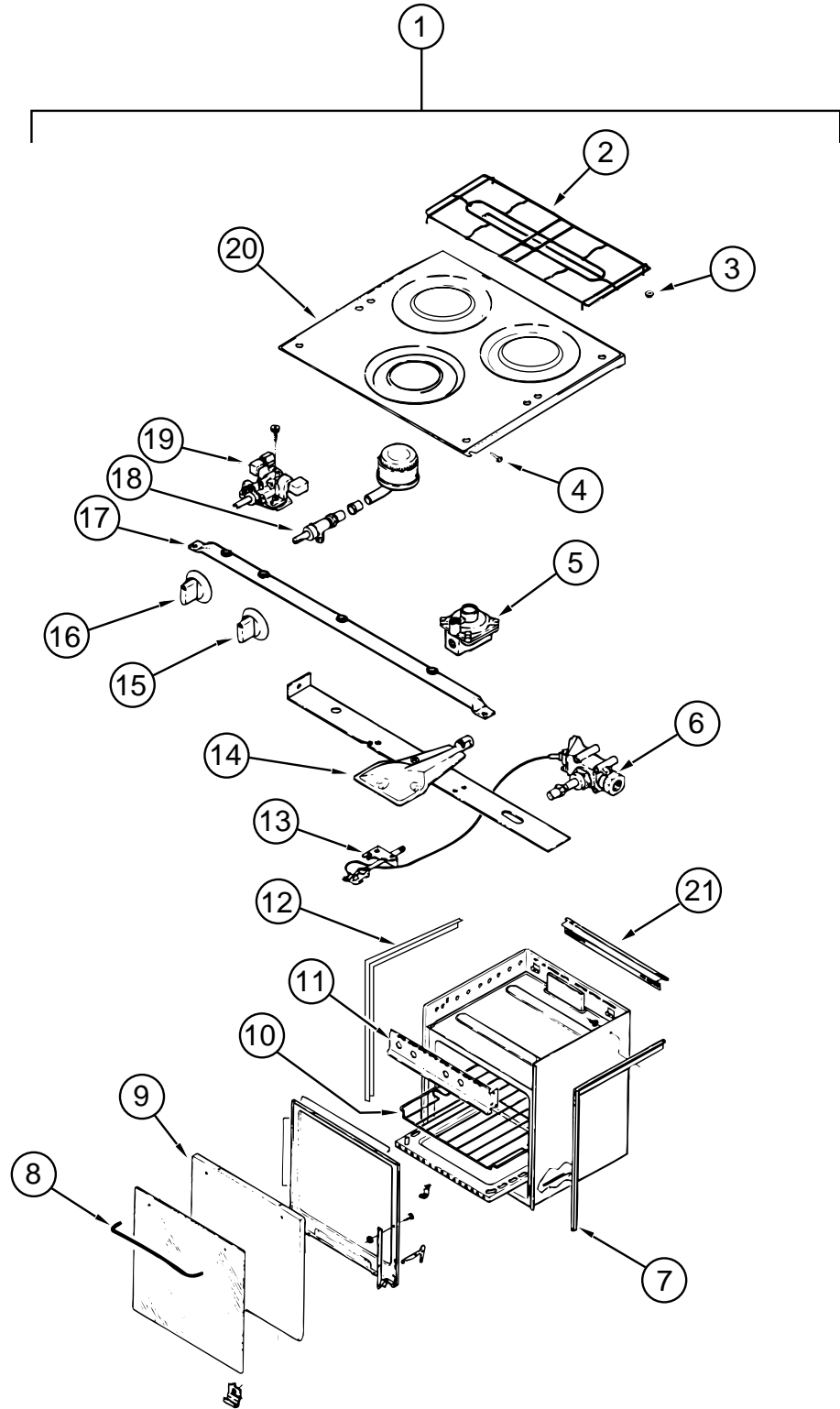
GALLEY GROUP (CONTINUED)
MAGIC CHEF MICROWAVE OVEN

KEY	PART NUMBER	U/M DESCRIPTION
	115303-02-000	EA OVEN - MICROWAVE - 1.3 CU FT
	115401-02-01A	EA TRIM - MICROWAVE
	094756-03-G15	EA BRACKET - ANGLE - W/HOLES
	094756-02-01A	EA BRACKET - L - MICROWAVE - 6.1" LONG X 3.9" WIDE - STEEL
	098916-16-02B	EA BRACE - MICROWAVE - LEFT HAND
	098916-17-02B	EA BRACE - MICROWAVE - RIGHT HAND
	094750-07-000	EA BRACKET - MICROWAVE - 89 DEGREE

COFFEE MAKER

KEY	PART NUMBER	U/M DESCRIPTION	VENDOR NO.
	103799-02-01A	EA COFFEE MAKER WITH CLOCK, WHITE - BLACK & DECKER SDC2B	
			FROM: 00-00-00 THRU: 04-13-97
	103799-01-700	EA CARAFE-GLASS POT - BLACK & DECKER	679420
			FROM: 00-00-00 THRU: 04-13-97
	103799-01-701	EA BRACKETS-WHITE, PAIR - BLACK & DECKER	164734-06
			FROM: 00-00-00 THRU: 04-13-97
	126019-01-01A	EA COFFEE MAKER - OPTIMA - W/BRACKETS	
			FROM: 04-14-97 THRU: 99-99-99
	126019-01-700	EA GLASS CARAFE	172547-00
			FROM: 04-14-97 THRU: 99-99-99
	126019-01-701	EA RESERVOIR - WATER	172554
			FROM: 04-14-97 THRU: 99-99-99
	126019-01-702	EA BASKET - FILTER	172553-00
			FROM: 04-14-97 THRU: 99-99-99
	126019-01-703	EA HARDWARE - MOUNTING	172174-00
			FROM: 04-14-97 THRU: 99-99-99

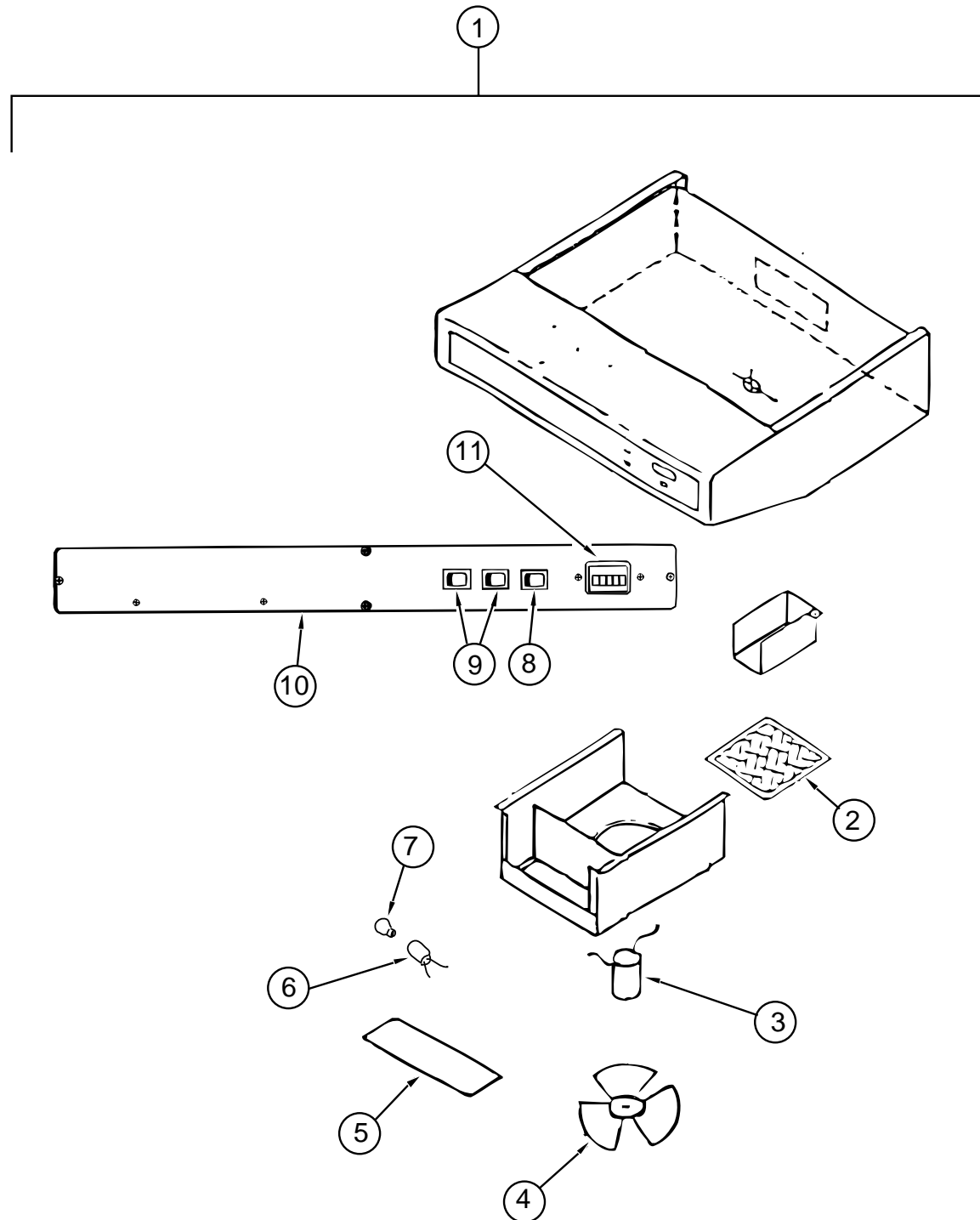
GALLEY GROUP (CONTINUED)
MAGIC CHEF RANGE



KEY	PART NUMBER	U/M	DESCRIPTION	VENDOR NO.
1	112881-01-04A	EA	RANGE - 16", 3 BURNER - MAGIC CHEF 16RB-3B49	
2	102020-01-711	EA	GRATE-TOP	7518P012-60
3	102020-01-709	EA	BUMPER-GRATE	8007-P020-60
4	102020-01-724	EA	BUMPER-MAIN TOP	8003P008-60
5	102022-01-708	EA	REGULATOR-PRESSURE, 1/4 IN 1/2 OUT	7510P041-60
6	112881-01-702	EA	VALVE-MERCURY, SAFETY VALVE	7501-P121-60
7	112881-01-720	EA	TRIM-FLAT, RIGHT - BLACK TEXTURED	74002813
8	102020-01-701	EA	HANDLE-DOOR	7701P092-60
9	112881-01-713	EA	DOOR-OVEN, TEXTURED	2401F079-70
10	102020-01-700	EA	SHELF-OVEN	7801-P027-60
11	112881-01-701	EA	MANIFOLD PANEL	2616F091-70
12	112881-01-707	EA	TRIM-FLAT, LEFT - BLACK TEXTURED	74002812
13	112881-01-710	EA	PILOT-OVEN	7505P202-60
14	112881-01-711	EA	BURNER ASSEMBLY-OVEN	3404W025045
15	112881-01-705	EA	KNOB-TOP BURNER	7733P072-60
15	112881-01-718	EA	KNOB-HIGH OUTPUT, FLAME INDICATOR	74001794
16	112881-01-704	EA	KNOB-THERMOSTAT	7731P067-60
16	112881-01-716	EA	KNOB-THERMOSTAT, REF. SER. # 03C	7731P107-60
17	112881-01-709	EA	PIPE-MANIFOLD	7513P097-60
18	102020-01-722	EA	VALVE-TOP BURNER	7502P181-60
18	112881-01-703	EA	VALVE-TOP BURNER, HI-OUTPUT	7502P180-60
19	112881-01-706	EA	THERMOSTAT - REF. SER. # 02C	12400026
19	112881-01-715	EA	THERMOSTAT - REF. SER. # 03C	7515P037-60
19	112881-01-722	EA	THERMOSTAT - REF. SER. # 01C, 11, 12, 13, ETC.	7515P029-60
20	112881-01-712	EA	TOP-MAIN, BLACK	740101486
21	112881-01-721	EA	DEFLECTOR-FLUE, BLACK TEXTURED	74002809
	105458-03-000	EA	BRACKET - STOVE TIEDOWN - RIGHT HAND	
	105458-04-000	EA	BRACKET - STOVE TIEDOWN - LEFT HAND	

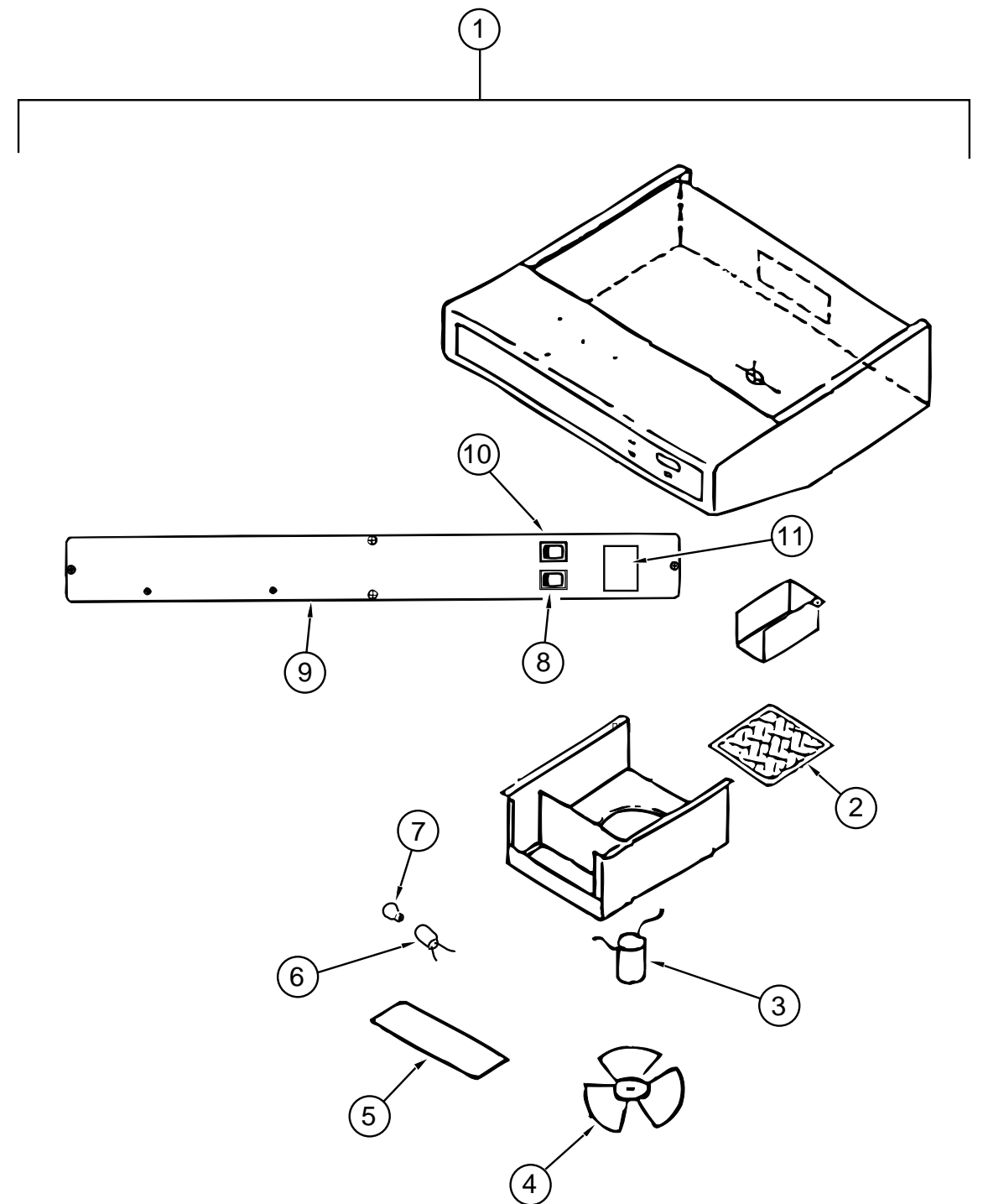
NOTE: (REF. SER. #) REFERS TO THE FIRST THREE CHARACTERS OF THE RANGE'S SERIAL NUMBER

GALLEY GROUP (CONTINUED)



RANGE HOOD - US - GENERATOR OPTIONS

GALLEY GROUP (CONTINUED)

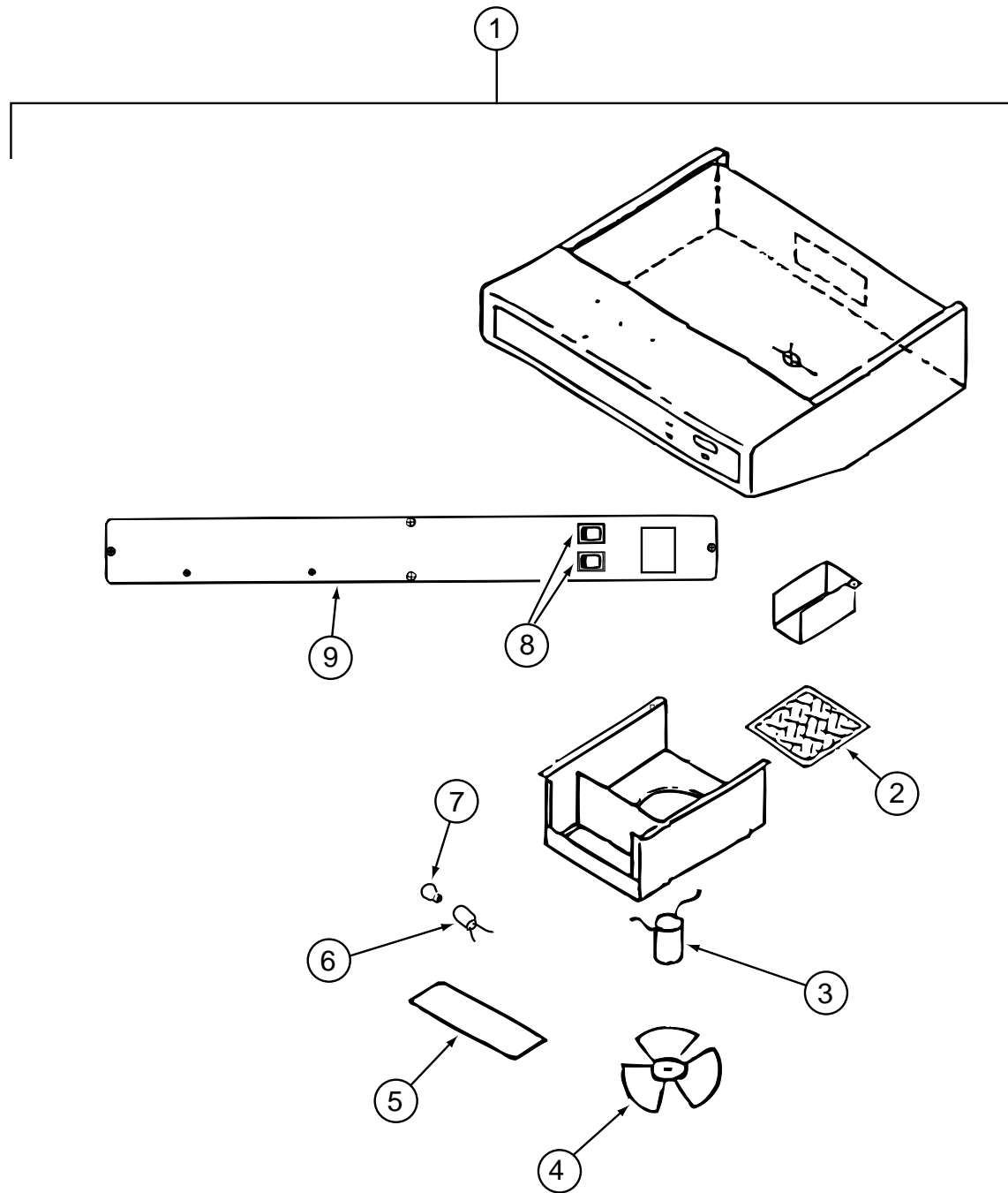


RANGE HOOD - CANADIAN

KEY	PART NUMBER	U/M	DESCRIPTION	VENDOR NO.
1	100258-18-03A	EA	HOOD-RANGE, W/O MONITOR PANEL - VENTLINE TP-55009-SBO-LG	
2	096983-01-707	EA	FILTER-MESH	CC246
3	090973-01-700	EA	MOTOR-12 VOLT, CSA & UL	CA508-1
4	090973-01-702	EA	BLADE-FAN	VA183-1
5	092696-02-701	EA	LENS-LAMP	CC179-2
6	092696-01-710	EA	HOLDER-LAMP	CB267-2
7	092696-01-709	EA	LAMP #912	VA415
8	096983-01-702	EA	SWITCH-MOM/MOM	112
9	096983-01-700	EA	SWITCH-ON/OFF	108
10	100258-01-700	EA	LABEL-HOOD NOSE	CC428
11	100258-10-01A	EA	GAUGE-HOUR METER W/SWITCH - SCREW ON STYLE - 150	
11	100258-10-701	EA	GAUGE-HOUR METER, CLIP ON	L0775-00

KEY	PART NUMBER	U/M	DESCRIPTION	VENDOR NO.
1	100258-17-04A	EA	HOOD-RANGE, W/O MONITOR PANEL VENTLINE TCS 500-NBCLG	
2	096983-01-707	EA	FILTER-MESH	CC246
3	090973-01-700	EA	MOTOR-12 VOLT, CSA & UL	CA508-1
4	090973-01-702	EA	BLADE-FAN	VA183-1
5	092696-02-701	EA	LENS-LAMP	CC179-2
6	092696-01-710	EA	HOLDER-LAMP	CB267-2
7	092696-01-709	EA	LAMP #912	VA415
8	096983-01-700	EA	SWITCH-ON/OFF	108
9	100258-01-700	EA	LABEL-HOOD NOSE	CC428
10	096983-01-702	EA	SWITCH-MOM/MOM	112
11	100258-10-01A	EA	GAUGE-HOUR METER W/SWITCH - SCREW ON (OPTION) - 150	
11	100258-10-701	EA	GAUGE-HOUR METER, CLIP ON (OPTION)	L0775-00

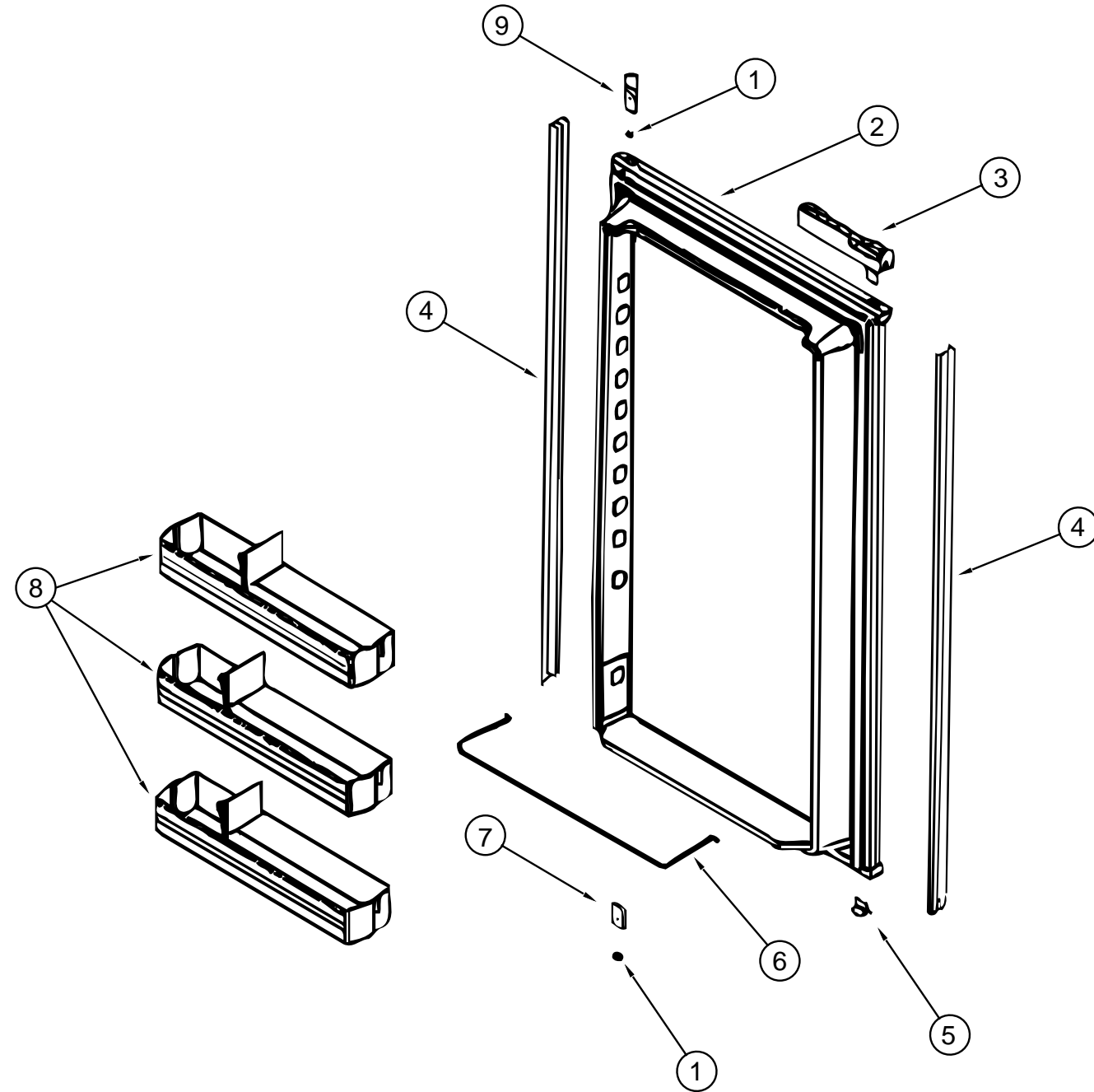
GALLEY GROUP (CONTINUED)



RANGE HOOD - US - STANDARD

KEY	PART NUMBER	U/M	DESCRIPTION	VENDOR NO.
1	100258-16-04A	EA	HOOD-RANGE, W/O MONITOR PANEL - VENTLINE TCS-5008-NBDLG	
2	096983-01-707	EA	FILTER-MESH	CC246
3	090973-01-700	EA	MOTOR-12 VOLT, CSA & UL	CA508-1
4	090973-01-702	EA	BLADE-FAN	VA183-1
5	092696-02-701	EA	LENS-LAMP	CC179-2
6	092696-01-710	EA	HOLDER-LAMP	CB267-2
7	092696-01-709	EA	LAMP #912	VA415
8	096983-01-700	EA	SWITCH-ON/OFF	108
9	100258-01-700	EA	LABEL-HOOD NOSE	CC428

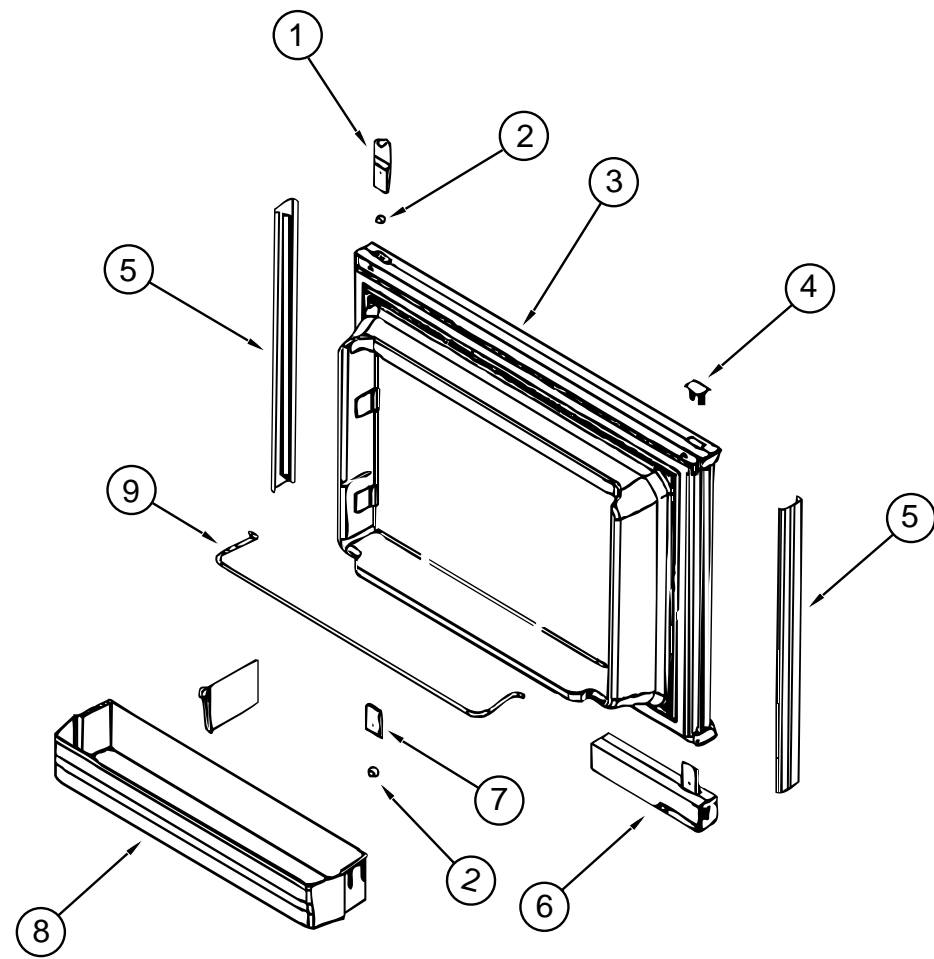
GALLEY GROUP (CONTINUED)



NORCOLD MODEL 9162 RH REFRIGERATOR LOWER DOOR

KEY	PART NUMBER	U/M	DESCRIPTION	VENDOR NO.
	121568-01-01A	EA	REFRIGERATOR - SMALL DOUBLE DOOR - RIGHT HAND - 2-WAY	
1	120075-01-708	EA	BUSHING-DOOR HINGE	618144
2	120076-01-701	EA	DOOR-LOWER-FOAMED, W/GASKET	618210
3	120075-01-711	EA	DOOR HANDLE - UPR LH/LWR RH	618235
4	120076-01-700	EA	RETAINER-LOWER DOOR PANEL	618132
5	120075-01-702	EA	CAP-HINGE PLUG	618160
6	121568-01-704	EA	RAIL-DOOR, LOWER	618578
7	120075-01-705	EA	HINGE-PAINTED, TOP LH/BOTTOM RH	618510
8	121568-01-701	EA	BIN-DOOR, WHITE	618619
9	120075-01-701	EA	HINGE-TOP RH/BOTTOM LH, PAINTED	618511

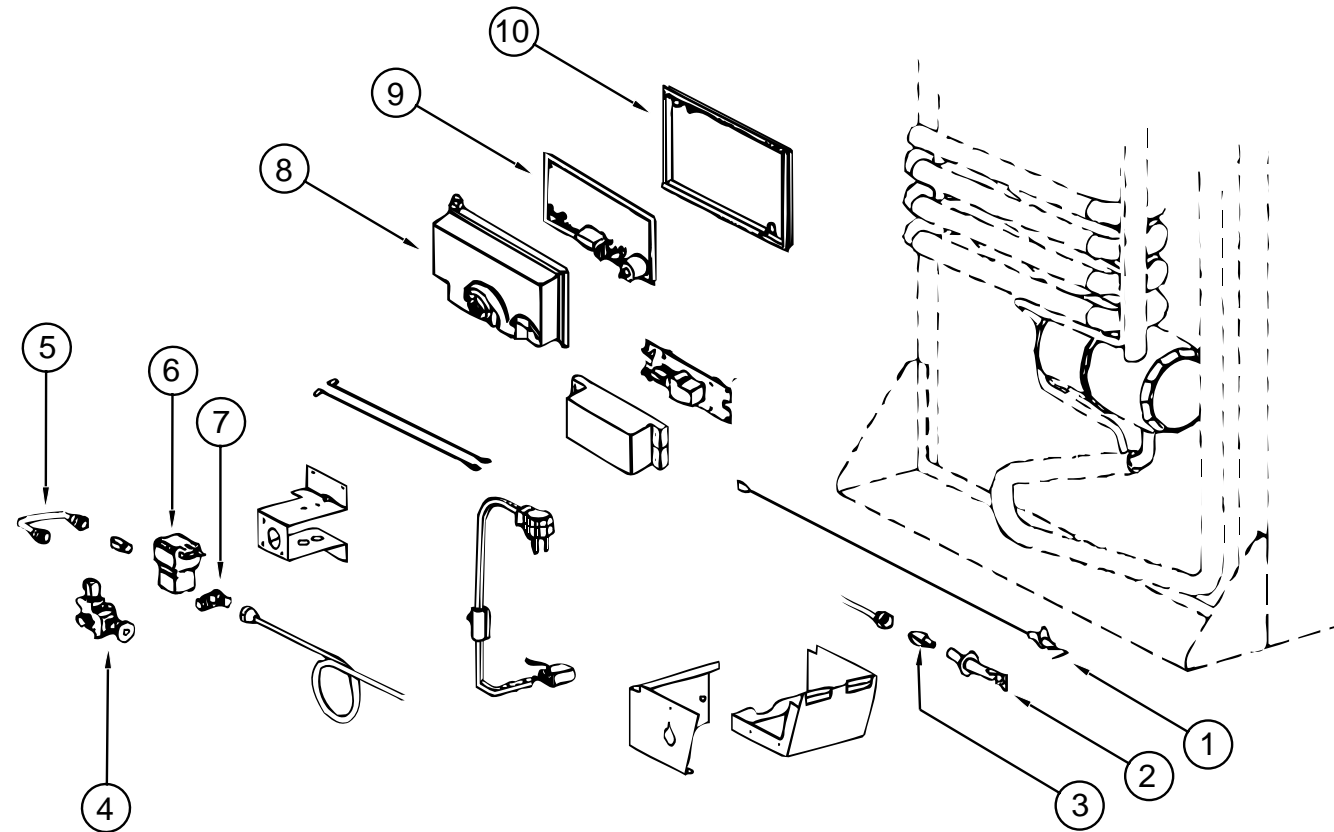
GALLEY GROUP (CONTINUED)



NORCOLD MODEL 9162 RH REFRIGERATOR UPPER DOOR

KEY	PART NUMBER	U/M	DESCRIPTION	VENDOR NO.
	121568-01-01A	EA	REFRIGERATOR - SMALL DOUBLE DOOR - RIGHT HAND - 2-WAY	
1	120075-01-701	EA	HINGE-TOP RH/BOTTOM LH, PAINTED	618511
2	120075-01-708	EA	BUSHING-DOOR HINGE	618144
3	120075-01-703	EA	DOOR ASSEMBLY-FOAMED, W/GASKET	618205
4	120075-01-702	EA	CAP-HINGE PLUG	618160
5	120075-01-700	EA	RETAINER-DOOR, DECOR PANEL	618128
6	121568-01-702	EA	DOOR HANDLE - UPR RH/LWR LH	618230
7	120075-01-705	EA	HINGE-PAINTED, TOP LH/BOTTOM RH	618510
8	121568-01-701	EA	BIN-DOOR, WHITE	618619
9	121568-01-700	EA	RAIL-DOOR, UPPER	618618

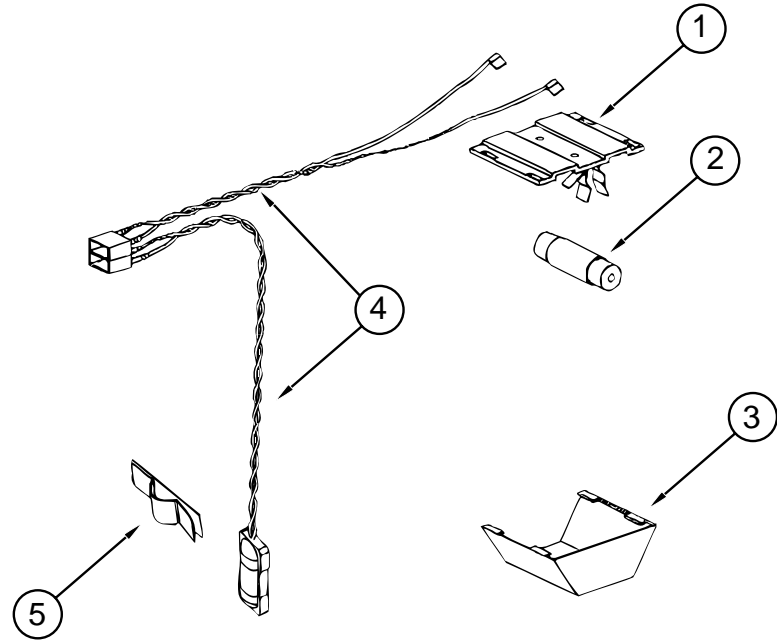
GALLEY GROUP (CONTINUED)



NORCOLD MODEL 9162 RH REFRIGERATOR BURNER & POWER BOARDS

KEY	PART NUMBER	U/M	DESCRIPTION	VENDOR NO.
	121568-01-01A	EA	REFRIGERATOR - SMALL DOUBLE DOOR - RIGHT HAND - 2-WAY	
1	104137-06-715	EA	ELECTRODE-SPARK/SENSOR, SGL	61692222
2	104137-06-714	EA	BURNER ASSEMBLY, 5 SLOT	61705222
3	120076-01-705	EA	ORIFICE-JEWEL, .015	618283
4	104137-06-709	EA	VALVE-SHUT OFF, MANUAL	61694922
5	113737-01-750	EA	TUBE-UNION	61694622
6	084880-01-718	EA	VALVE-GAS, ASCO	61551822
7	113737-01-716	EA	TAP-PRESSURE	61594422
8	113737-01-702	EA	PLUG - 1/8" F/PRESSURE TAP	61445322
8	120075-01-738	EA	COVER-POWER BOARD	618185
9	120075-01-741	EA	BOARD-POWER, 2-WAY	618574
10	120075-01-740	EA	COVER-BASE, POWER BOARD	618186

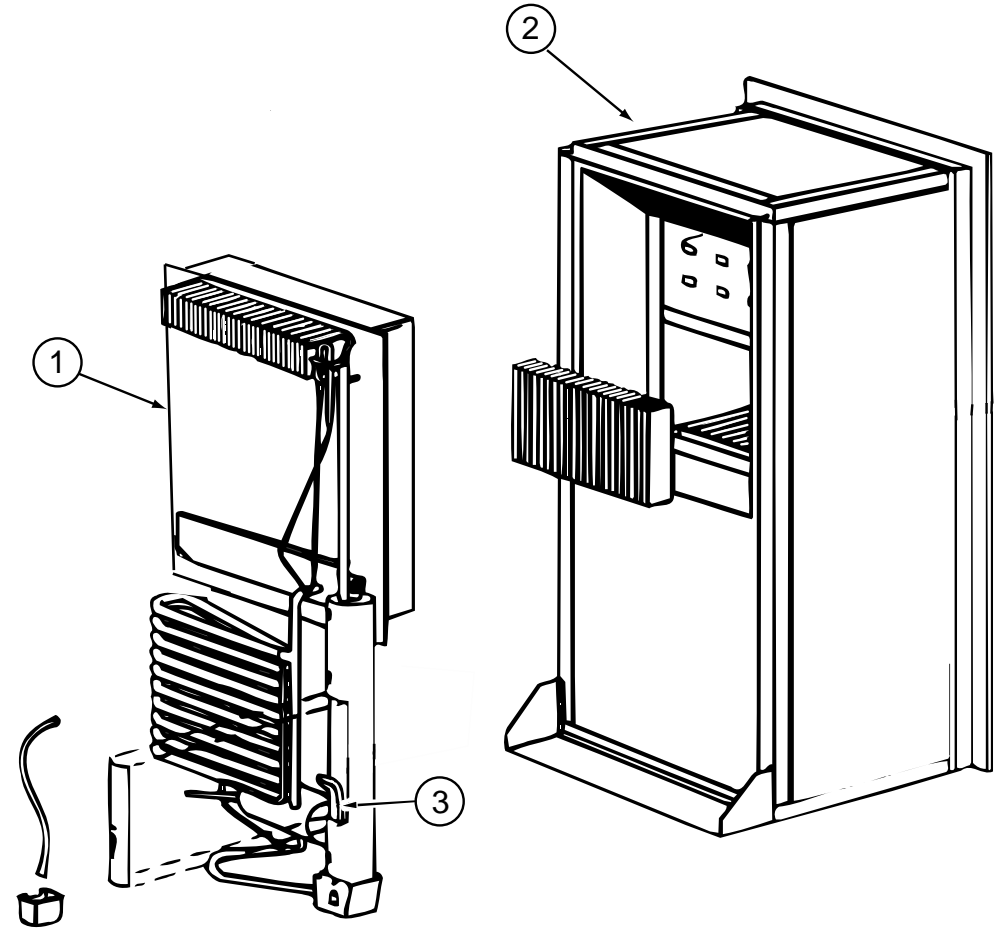
GALLEY GROUP (CONTINUED)



NORCOLD MODEL 9162 RH REFRIGERATOR LAMP ASM

KEY	PART NUMBER	U/M	DESCRIPTION	VENDOR NO.
	121568-01-01A	EA	REFRIGERATOR - SMALL DOUBLE DOOR - RIGHT HAND - 2-WAY	
1	084880-03-705	EA	BRACKET-LIGHT, INTERIOR	61629722
2	084880-03-706	EA	BULB-LAMP	61628922
3	084880-03-707	EA	COVER-LAMP, LENS	61627922
4	120075-01-735	EA	WIRE ASSEMBLY-LAMP	618548
5	084880-01-760	EA	CLIP-THERMISTER	61689122

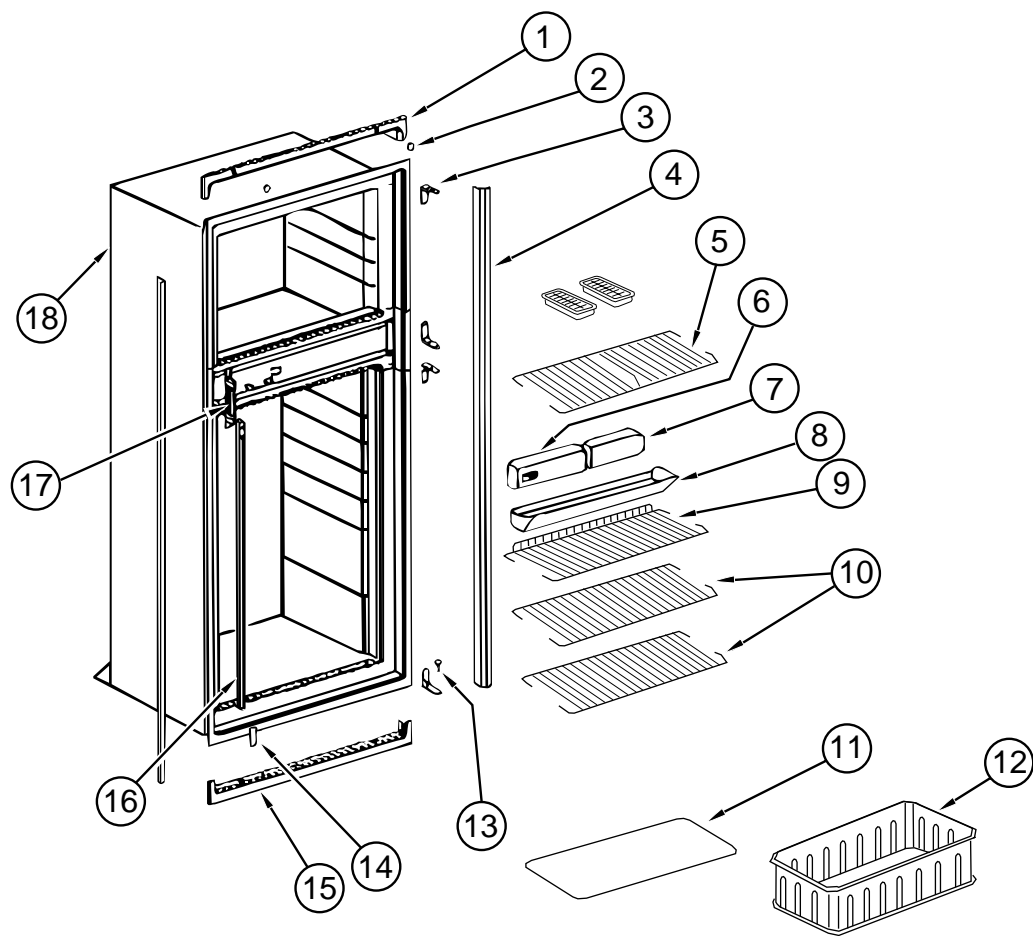
GALLEY GROUP (CONTINUED)



NORCOLD MODEL 9162 RH REFRIGERATOR COOLING UNIT, CABINET, & HEATER

KEY	PART NUMBER	U/M	DESCRIPTION	VENDOR NO.
	121568-01-01A	EA	REFRIGERATOR - SMALL DOUBLE DOOR - RIGHT HAND - 2-WAY	
1	120076-01-704	EA	COOLING UNIT-SERVICE PACK	618543
2	120076-01-703	EA	CABINET-FOAMED	618260
3	088248-01-709	EA	HEATER-AC, HORIZONTAL	61562722

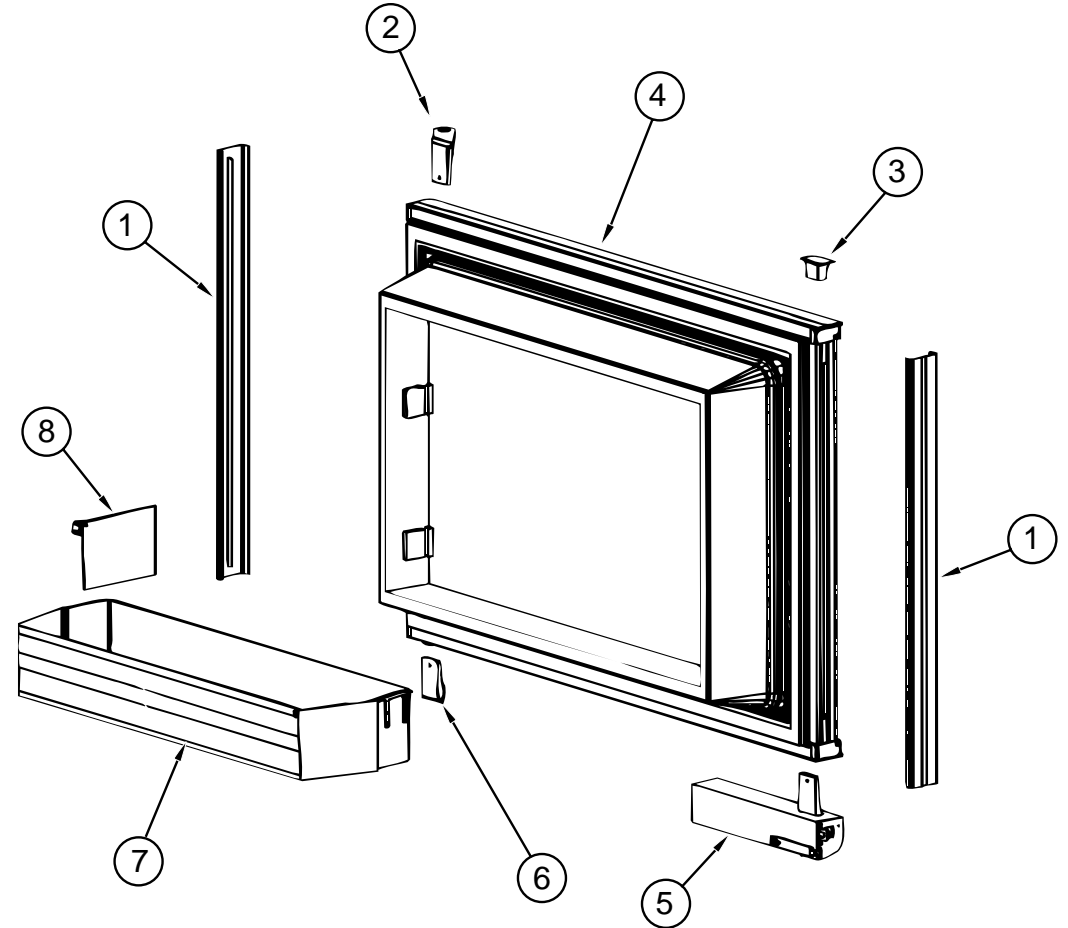
GALLEY GROUP (CONTINUED)



NORCOLD MODEL 9162 RH REFRIGERATOR CABINET ASM WITH TRAY, TIEDOWNS & LEVEL

KEY	PART NUMBER	U/M	DESCRIPTION	VENDOR NO.
	121568-01-01A	EA	REFRIGERATOR - SMALL DOUBLE DOOR - RIGHT HAND - 2-WAY	
1	120075-01-713	EA	TRIM-TOP PIECE	618124
2	120075-01-714	EA	PLUG-HOLE	618170
3	120075-01-715	EA	HINGE-CABINET SIDE, PAINTED	618512
	120075-01-708	EA	BUSHING-DOOR HINGE	618144
4	120076-01-702	EA	TRIM, SIDE PIECE	618133
5	121568-01-705	EA	SHELF-WIRE, FREEZER	618620
6	121568-01-706	EA	CONTROL BOX ASSEMBLY	618588
7	120075-01-718	EA	BOX-FILLER	618112
8	120075-01-720	EA	TRAY-DRIP	618137
	120075-01-721	EA	LOUVER-DRIP TRAY	618176
9	121568-01-707	EA	SHELF-WIRE, SHORT	618624
10	121568-01-708	EA	SHELF-WIRE	618589
11	120075-01-725	EA	COVER-CRISPER	618158
12	121568-01-709	EA	CRISPER	618571
13	120075-01-727	EA	PIN-HINGE	618145
14	120075-01-728	EA	COVER-HINGE HOLE	618171
15	120075-01-729	EA	TRIM-BOTTOMPIECE	618136
16	120075-01-730	EA	RETAINER-SHELF	618181
17	120075-01-732	EA	PLATE-STRIKE	618167
18	120076-01-703	EA	CABINET-FOAMED	618260
	120075-01-731	EA	PLUG-FACADE	618184
	116751-05-01A	EA	TRAY-REFRIGERATOR	
	054450-01-000	EA	LEVEL-REFRIGERATOR	
	065225-02-000	EA	PLATE-TIEDOWN, REFRIGERATOR	
	093646-01-000	EA	BRACKET ASM-TIEDOWN, REFRIGERATOR - RH	
	093646-02-000	EA	BRACKET ASM-TIEDOWN, REFRIGERATOR - LH	

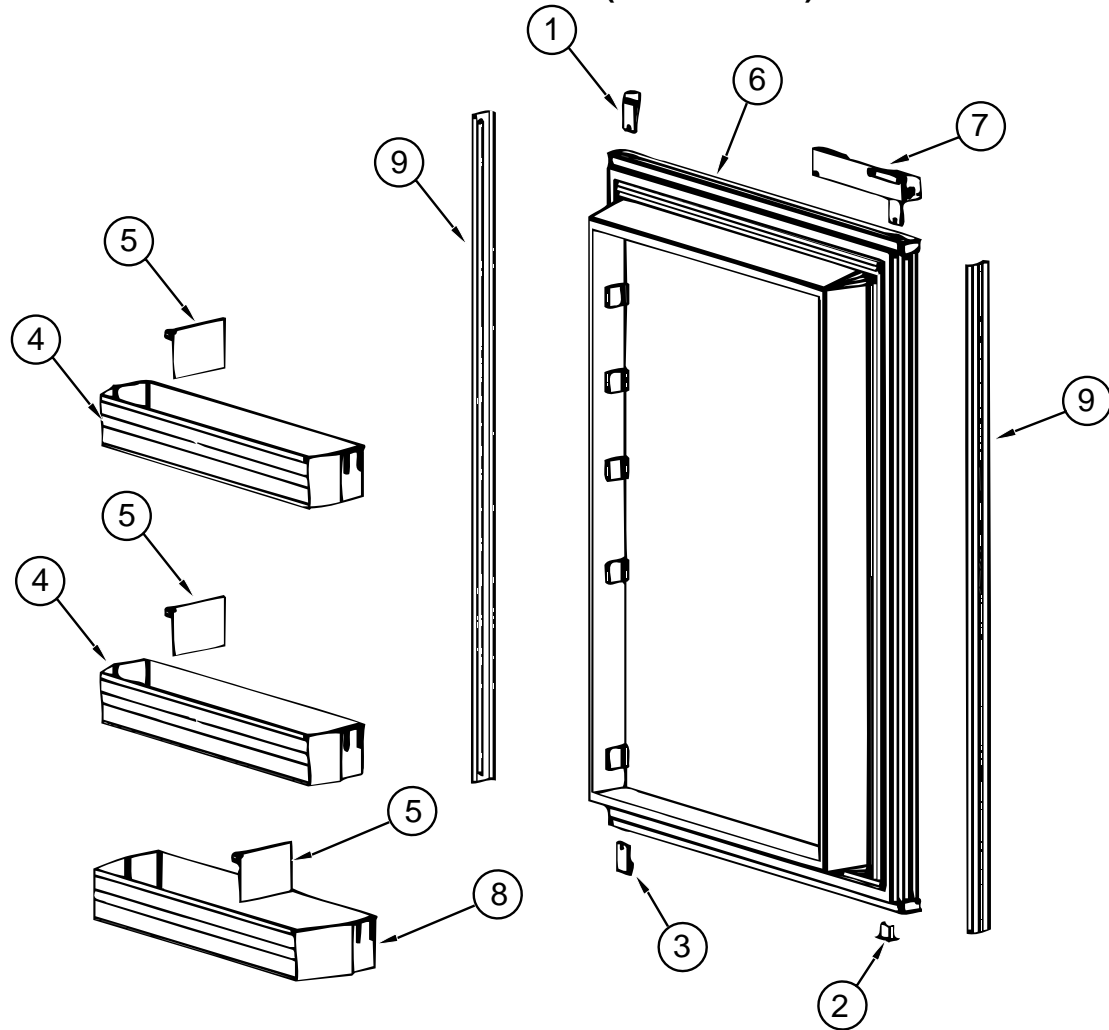
GALLEY GROUP (CONTINUED)



NORCOLD 963 REFRIGERATOR UPPER DOOR ASSEMBLY - W.I.E. EXPORT

KEY	PART NUMBER	U/M	DESCRIPTION	VENDOR NO.
	120076-03-01A	EA	REFRIGERATOR - SMALL DOUBLE DOOR/BLACK 3-WAY - RIGHT HAND	
1	120075-01-700	EA	RETAINER - DOOR DECOR PANEL	618128
2	120075-01-701	EA	HINGE-TOP RH/BOTTOM LH	618511
3	120075-01-702	EA	CAP, (HINGE PLUG)	618160
4	120075-01-703	EA	DOOR ASM., FOAMED, W/GASKET	618205
5	120075-01-704	EA	DOOR HANDLE - UPR RH/LWR LH	618230
6	120075-01-705	EA	HINGE-TOP LH/BOTTOM RH	618510
7	120075-01-706	EA	BIN-DOOR	618635
8	120075-01-707	EA	DIVIDER-DOOR BIN	618637

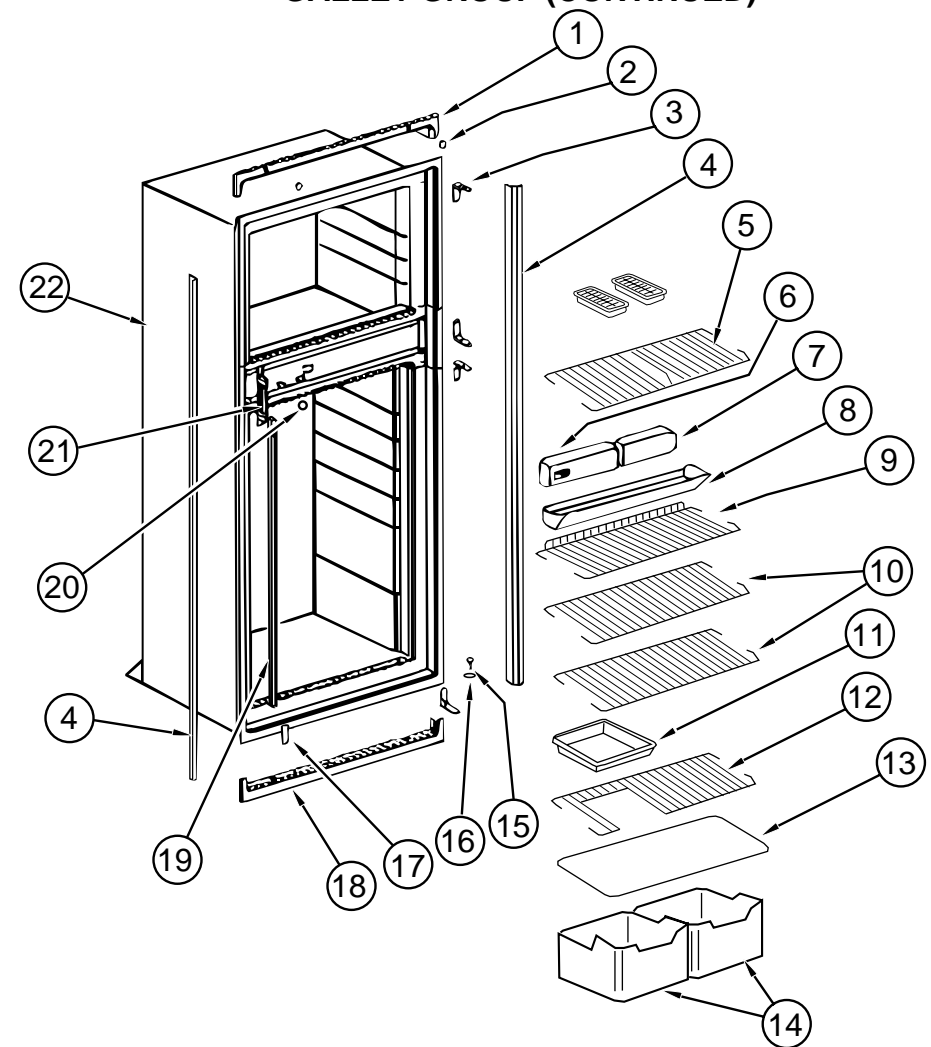
GALLEY GROUP (CONTINUED)



NORCOLD 963 REFRIGERATOR LOWER DOOR ASSEMBLY - W.I.E. EXPORT

KEY	PART NUMBER	U/M	DESCRIPTION	VENDOR NO.
	120076-03-01A	EA	REFRIGERATOR - SMALL DOUBLE DOOR/BLACK 3-WAY - RIGHT HAND	
1	120075-01-701	EA	HINGE-TOP RH/BOTTOM LH	618511
2	120075-01-702	EA	CAP, (HINGE PLUG)	618160
3	120075-01-705	EA	HINGE-TOP LH/BOTTOM RH	618510
4	120075-01-706	EA	BIN-DOOR	618635
5	120075-01-707	EA	DIVIDER-DOOR BIN	618637
6	120076-01-701	EA	DOOR-LOWER-FOAMED, W/GASKET	618210
7	120075-01-711	EA	DOOR HANDLE- UPR LH/LOWER RH	618235
8	120075-01-712	EA	BIN-DOOR/BOTTOM-LARGE	618634
9	121568-01-703	EA	RETAINER - PANEL LOWER DOOR	618129

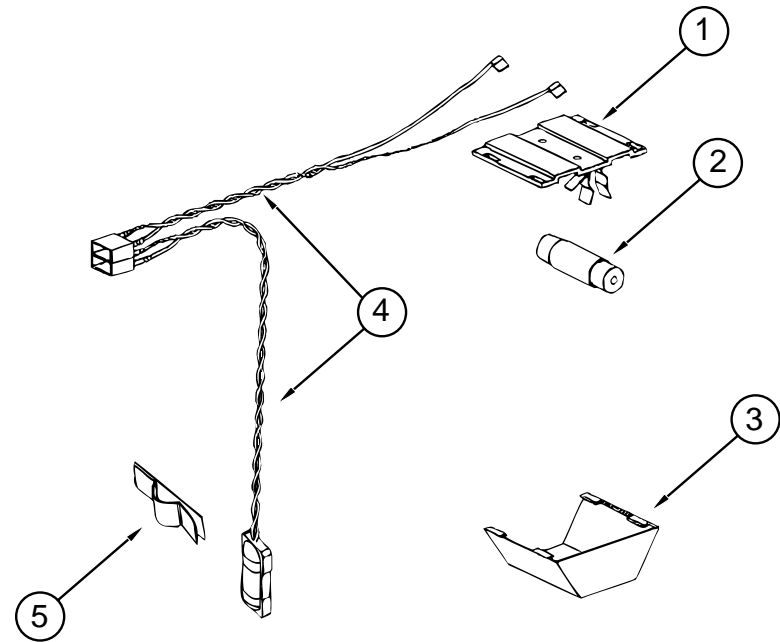
GALLEY GROUP (CONTINUED)



NORCOLD 963 REFRIGERATOR CABINET ASSEMBLY - W.I.E. EXPORT

KEY	PART NUMBER	U/M	DESCRIPTION	VENDOR NO.
	120076-03-01A	EA	REFRIGERATOR - SMALL DOUBLE DOOR/BLACK 3-WAY - RIGHT HAND	
1	120075-01-713	EA	TRIM-TOP PIECE	618124
2	120075-01-714	EA	PLUG-HOLE	618170
3	120075-01-715	EA	HINGE-CABINET	618512
4	120075-01-716	EA	TRIM-SIDE PIECE	618134
5	120075-01-717	EA	SHELF-FREEZER, WIRE	618172
6	120075-01-719	EA	OPTICAL CONTROL BOX ASSEMBLY	618245
7	120075-01-718	EA	BOX-FILLER	618112
8	120075-01-720	EA	TRAY-DRIP	618137
	120075-01-721	EA	LOUVER-DRIP TRAY	618176
9	120075-01-722	EA	SHELF-WIRE, SHORT	618239
10	120075-01-723	EA	SHELF-WIRE	618114
11	104137-06-718	EA	SHELF-TRAY, WHITE, W/CUTOUT	617756
12	120075-01-724	EA	SHELF-WIRE, W/CUTOUT	618177
13	120075-01-725	EA	COVER-CRISPER	618158
14	120075-03-704	EA	BIN-ICE CUBE	618154
15	120075-01-727	EA	PIN-HINGE	618145
16	120075-01-708	EA	BUSHING-DOOR HINGE	618144
17	120075-01-728	EA	COVER-HINGE HOLE	618171
18	120075-01-729	EA	TRIM-BOTTOM PIECE	618136
19	120075-01-730	EA	RETAINER-SHELF	618181
20	120075-01-731	EA	PLUG-FACADE	618184
21	120075-01-732	EA	PLATE-STRIKE	618167
22	120075-01-733	EA	CABINET-FOAMED	618265
	054450-01-000	EA	LEVEL - REFRIGERATOR	
	065225-02-000	EA	PLATE - TIEDOWN - REFRIGERATOR	
	093646-01-000	EA	BRACKET - TIEDOWN/REFRIGERATOR - RIGHT HAND	
	093646-02-000	EA	BRACKET - TIEDOWN/REFRIGERATOR - LEFT HAND	
	116751-06-01A	EA	TRAY - REFRIGERATOR - BLACK	

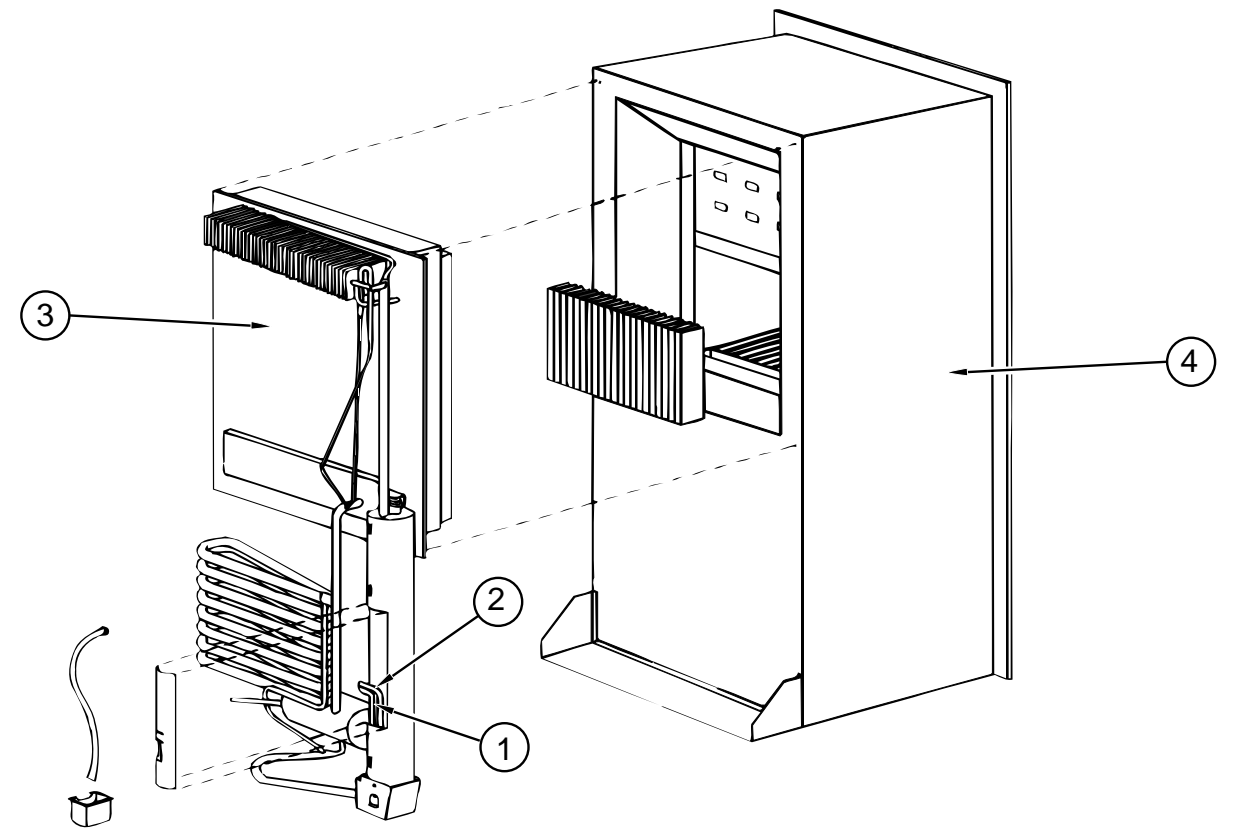
GALLEY GROUP (CONTINUED)



NORCOLD 963 REFRIGERATOR LIGHT & THERMISTER - W.I.E. EXPORT

KEY	PART NUMBER	U/M	DESCRIPTION	VENDOR NO.
	120076-03-01A	EA	REFRIGERATOR - SMALL DOUBLE DOOR/BLACK 3-WAY - RIGHT HAND	
1	084880-03-705	EA	BRACKET-LIGHT-INTERIOR	61629722
2	084880-03-706	EA	BULB-LAMP	61628922
3	120075-01-734	EA	COVER-LENS	618190
4	120075-01-735	EA	THERMISTER W/LAMP & WIRE/ASM	618548
5	084880-01-760	EA	CLIP (THERMISTER)	61689122

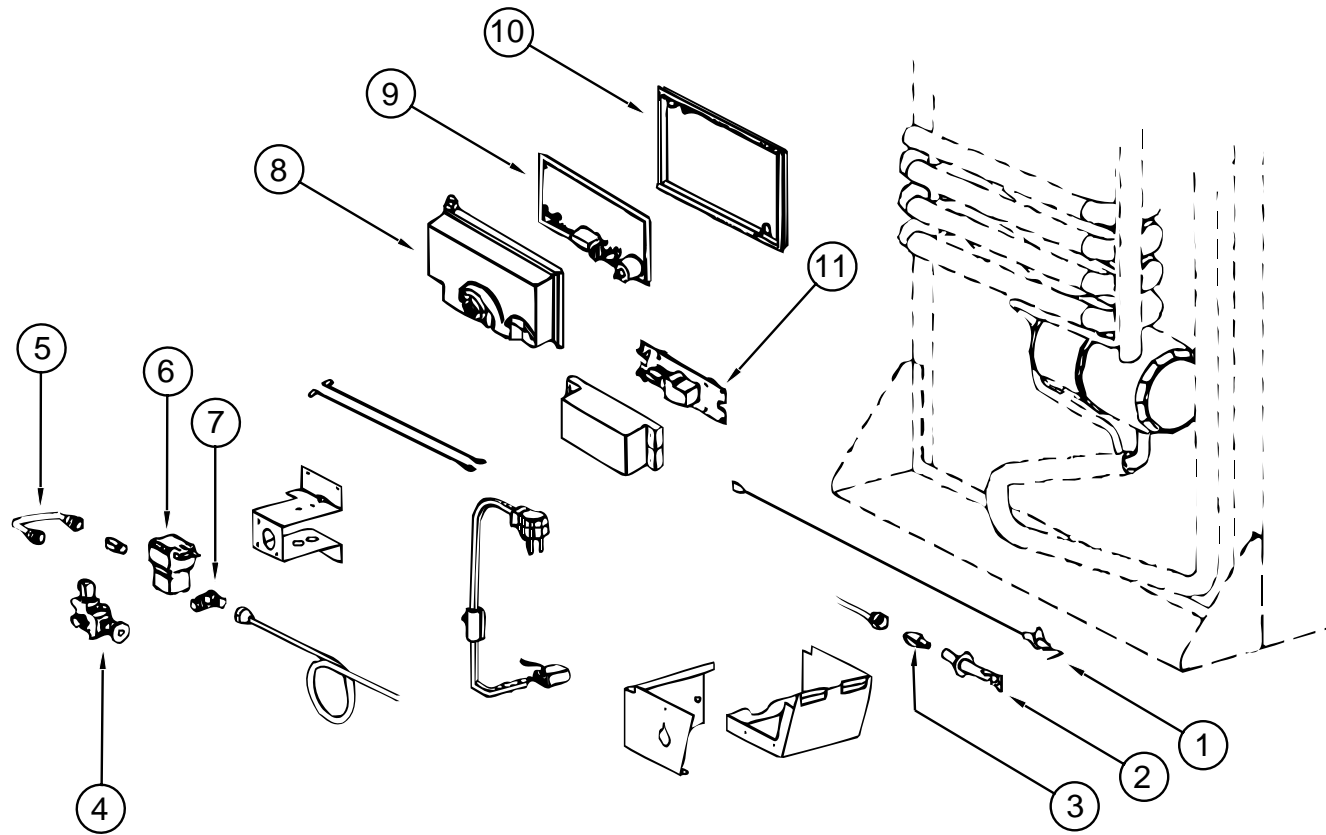
GALLEY GROUP (CONTINUED)



NORCOLD 963 REFRIGERATOR COOLING UNIT ASSEMBLY - W.I.E. EXPORT

KEY	PART NUMBER	U/M	DESCRIPTION	VENDOR NO.
	120076-03-01A	EA	REFRIGERATOR - SMALL DOUBLE DOOR/BLACK 3-WAY - RIGHT HAND	
1	088248-01-709	EA	HEATER-AC (HORIZONTAL)	61562722
2	088248-01-710	EA	HEATER DC (HORIZONTAL)	61562822
3	120075-01-736	EA	COOLING UNIT, SERVICE PACK	618542
4	120075-01-733	EA	CABINET-FOAMED	618265

GALLEY GROUP (CONTINUED)



**GENERATOR GROUP
3,300 WATT ONAN MICROLITE - EXPORT**

KEY	PART NUMBER	U/M DESCRIPTION
	007125-04-000	EA CLAMP - MUFFLER - 1.12" DIAMETER
	105958-09-000	EA PIPE - GENERATOR EXHAUST 1.25" OD X 5.9" X 22"
	109982-05-000	EA GENERATOR - 3.3 KW MICROLITE - ONAN

4,000 WATT ONAN MICROLITE

KEY	PART NUMBER	U/M DESCRIPTION
	109982-03-000	EA GENERATOR - 4.0 KW MICROLITE
	007125-04-000	EA CLAMP - MUFFLER - 1.12" DIAMETER
	105958-09-000	EA PIPE - GENERATOR EXHAUST 1.25" OD X 5.9" X 22"

3,600 WATT ONAN MICROLITE - LP

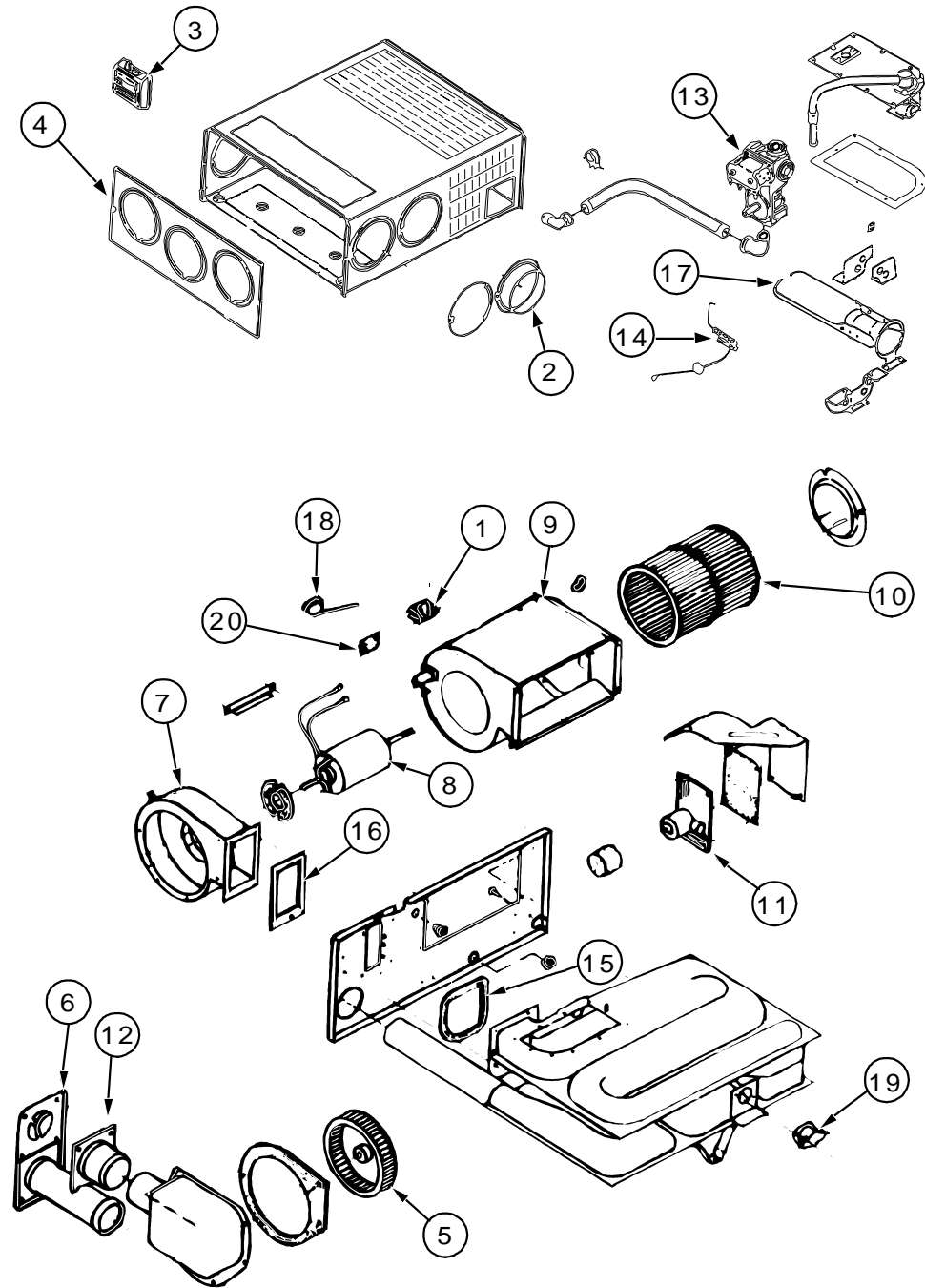
KEY	PART NUMBER	U/M DESCRIPTION
	109982-04-000	EA GENERATOR - 3.6 KW MICROLITE
	007125-04-000	EA CLAMP - MUFFLER - 1.12" DIAMETER
	105958-09-000	EA PIPE - GENERATOR EXHAUST 1.25" OD X 5.9" X 22"

NOTE: ADDITIONAL GENERATOR COMPONENTS ARE FOUND IN THE CHASSIS GROUP.

NORCOLD 963 REFRIGERATOR REAR OF REFRIGERATOR - W.I.E. EXPORT

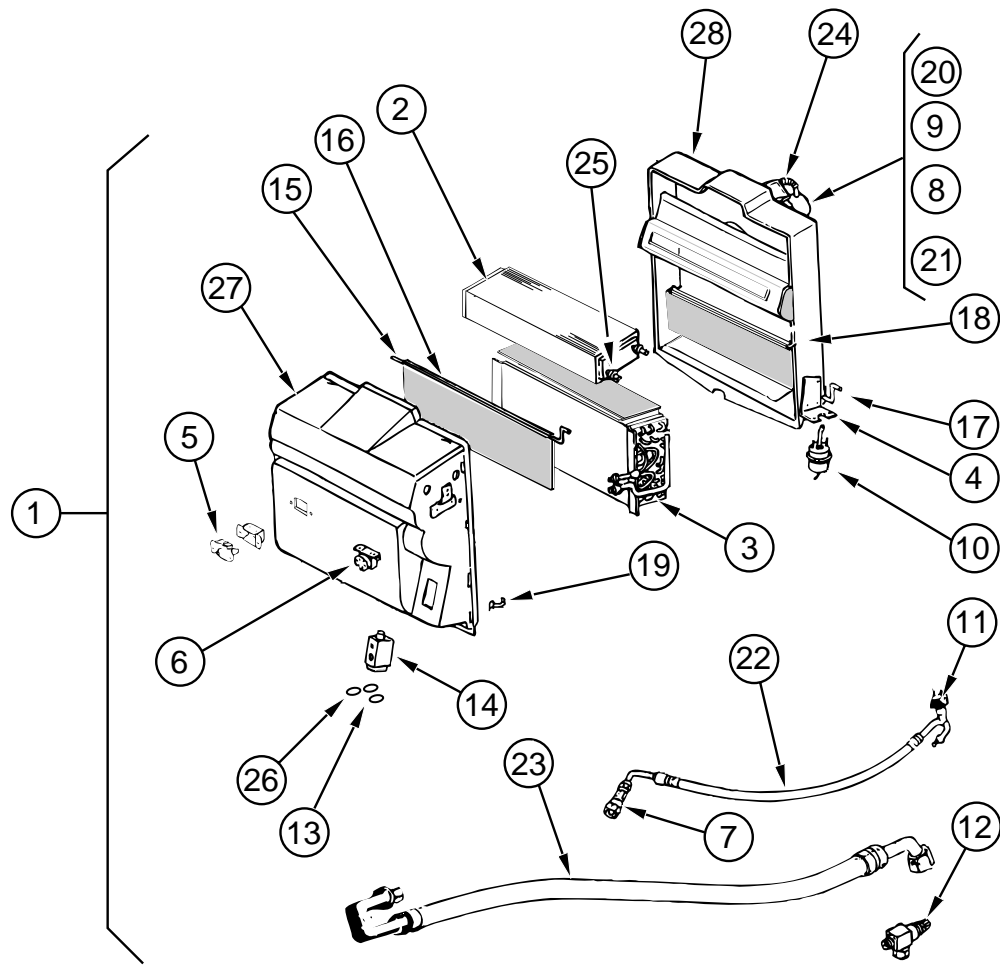
KEY	PART NUMBER	U/M DESCRIPTION	VENDOR NO.
	120076-03-01A	EA REFRIGERATOR - SMALL DOUBLE DOOR/BLACK 3-WAY - RIGHT HAND	
1	104137-06-715	EA ELECTRODE-SPARK/SENSOR, SGL	61692222
2	104137-06-714	EA BURNER ASSEMBLY, 5-SLOT	61705222
3	120075-01-737	EA ORIFICE - JEWEL - .0155	618284
4	104137-06-709	EA VALVE-SHUT OFF, MANUAL	61694922
5	113737-01-750	EA TUBE-UNION	61694622
6	084880-01-718	EA VALVE-GAS, (ASCO)	61551822
7	113737-01-716	EA TAP-PRESSURE	61594422
	113737-01-702	EA PLUG 1/8" F/PRESSURE TAP	61445322
8	120075-01-738	EA COVER-POWER BOARD	618185
9	120075-01-741	EA BOARD - POWER, 2-WAY	618574
10	120075-01-740	EA COVER-BASE, POWER BOARD	618186
11	120076-03-700	EA BOARD - POWER/3-WAY	618224

HEATING & AIR CONDITIONING GROUP
30,000 BTU SUBURBAN FURNACE & WALL THERMOSTAT



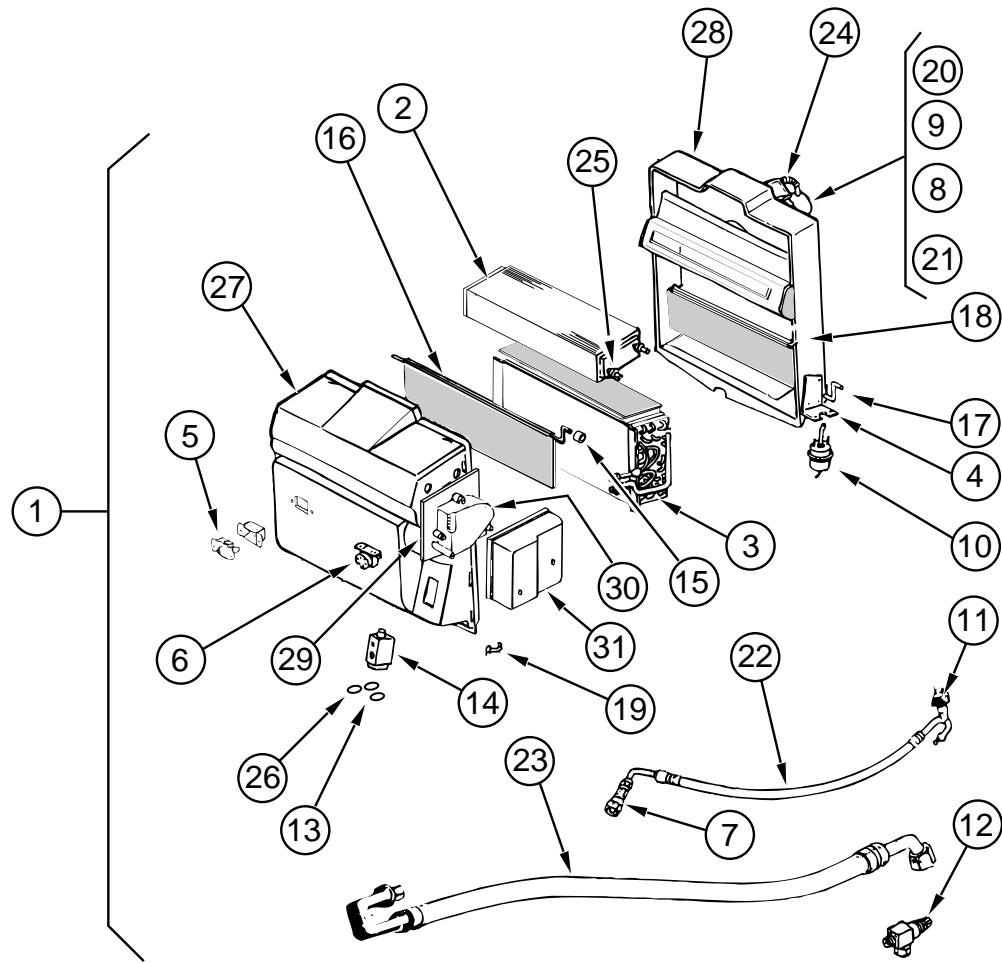
KEY	PART NUMBER	U/M DESCRIPTION	VENDOR NO.
	098668-20-000	EA FURNACE - 30,000 BTU	
1	074466-01-702	EA RELAY, TIME DELAY	230625
2	075696-02-703	EA COLLAR-DUCT	050715
3	115764-01-01A	EA THERMOSTAT - FURNACE	
4	098668-01-700	EA CABINET FRONT	101242
5	098668-01-706	EA WHEEL-COMBUSTION AIR	350184
6	098668-01-707	EA TUBE ASSEMBLY, EXHAUST W/CAP	260231
7	098668-01-708	EA HOUSING-BLOWER, COMBUSTION	390441
8	098668-01-709	EA MOTOR ASM., F/SF-25, SF-30	231706
9	098668-01-710	EA HOUSING-BLOWER, ROOM AIR	390440
10	098668-01-711	EA WHEEL-BLOWER, ROOM AIR	350129
11	098668-01-712	EA BOARD-MODULE	520741
12	098668-01-713	EA TUBE ASSEMBLY, INTAKE	051248
13	098668-01-714	EA VALVE-GAS,SF S.N. 921401821	161070
14	098668-01-715	EA ELECTRODE ASM., SINGLE PROBE	232166
15	098668-01-716	EA GASKET-FIREWALL,CHAMBER SIDE	070808
16	098668-01-717	EA GASKET-FIREWALL, BLOWER SIDE	070809
17	098668-02-700	EA BURNER ASSEMBLY,SF-30 & SF35	010745
18	098668-21-700	EA SWITCH-MICRO-W/O FLAG 3 1/4"	232261
19	098668-21-701	EA SWITCH - LIMIT	231799
20	101990-01-714	EA GASKET-MICROSWITCH	230877
	092300-02-701	EA ORIFICE-MAIN BURNER NT-30BW	180214
	098668-23-000	EA DOOR - ACCESS - FURNACE - BRIGHT WHITE	
	056464-09-000	EA REGISTER - 4" DIAMETER - PLASTIC - W/DAMPENER - BEIGE	
		FROM: 00-00-00 THRU: 06-01-97	
	056464-11-000	EA REGISTER - 4" DIAMETER - PLASTIC - W/DAMPENER - OFF WHITE	
		FROM: 06-02-97 THRU: 99-99-99	
	094600-05-01A	EA REGISTER - HEAT - W/O DAMPER - 11.3" - BEIGE	

HEATING & AIR CONDITIONING GROUP (CONTINUED)
SCS EVAPORATOR/HEATER ASSEMBLY - FORD (FROM: 00-00-00 THRU: 09-01-96)



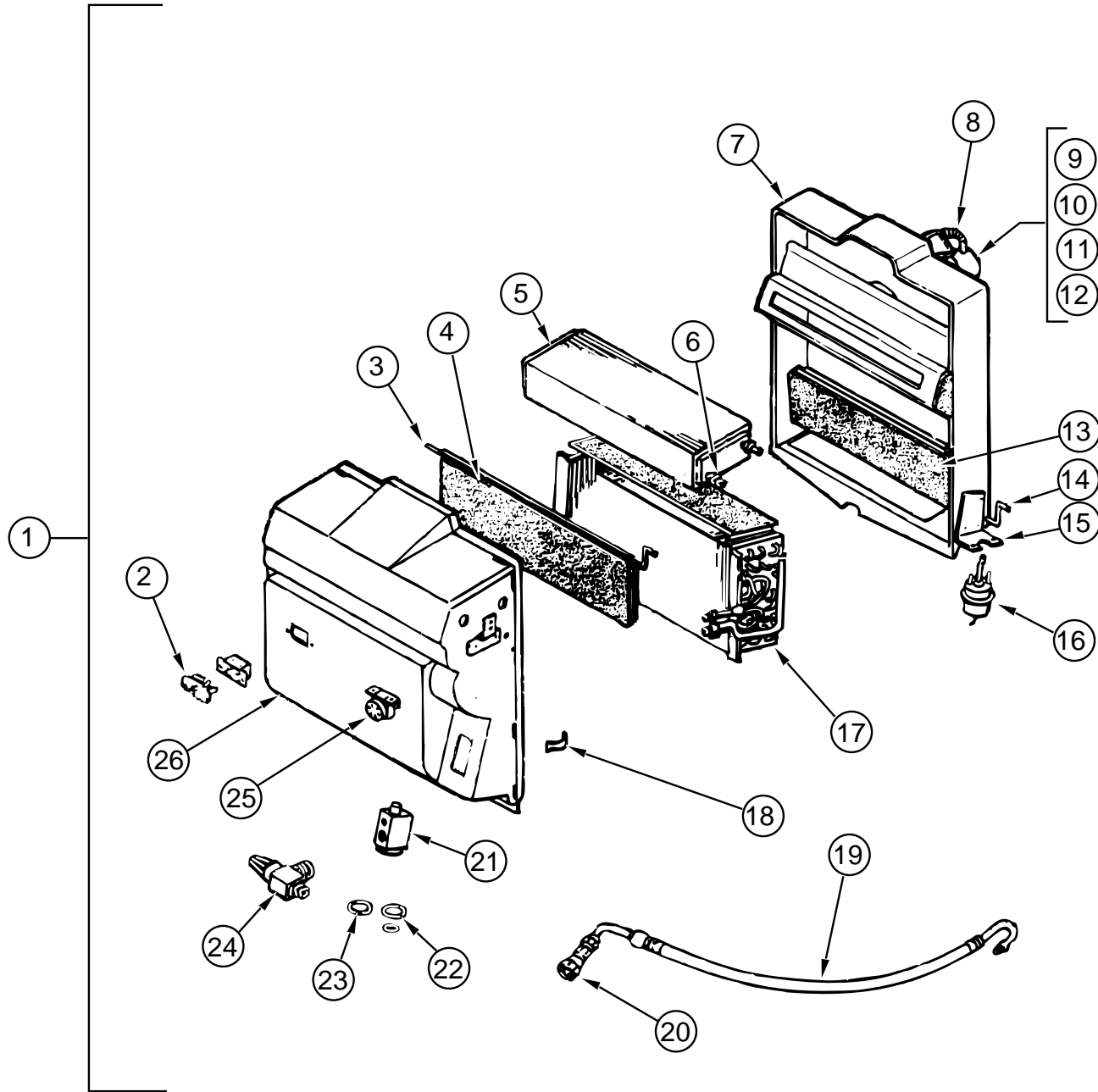
KEY	PART NUMBER	U/M	DESCRIPTION	VENDOR NO.
1	103930-21-000	EA	EVAPORATOR/HEATER - FORD - R134A BLOCK	
2	103930-01-703	EA	CORE-HEATER	042-0010
3	103930-01-704	EA	COIL-EVAPORATOR	041-0017
4	103930-01-708	EA	BRACKET-VACUUM MOTOR	070-0113
5	103930-01-710	EA	RESISTOR-FUSED, A/C	035-0006
6	103930-01-711	EA	THERMOSTAT	033-0003
7	103930-01-713	EA	FITTING-QUICK CONNECT, #4	050-0030
8	103930-01-717	EA	WHEEL-BLOWER, CLOCKWISE	062-0010
9	103930-30-706	EA	MOTOR-BLOWER PM147 W/ADAPTER	030-0109
10	103930-02-708	EA	MOTOR-VACUUM SERVO, A/C	030-0025
11	103930-12-708	EA	SWITCH-BINARY-HI/LOW CUTOUT	032-0048
12	103930-13-702	EA	VALVE-SERVICE, W/O COMP.	050-0152
13	103930-17-702	EA	O'RING #10	045-0127
14	103930-20-700	EA	VALVE-EXPANSION-BLOCK, 2 TON	034-0032
15	103930-20-702	EA	ROD-DOOR, BLEND AIR	073-0039
16	103930-20-703	EA	DOOR-BLEND AIR	071-0212
17	103930-20-704	EA	ROD-DOOR-RECIRCULATING	073-0018
18	103930-20-705	EA	PANEL-DOOR, RECIRCULATING	071-0213
19	103930-20-706	EA	CLIP-RETAINER - CASE ATTACH	022-0057
20	103930-20-707	EA	HOUSING-BLOWER	062-0145
21	103930-20-708	EA	CLIP-MOTOR SHAFT	022-0001
22	103930-21-700	EA	HOSE ASM #6 EVAPORATOR/DRIER	085-0139
23	103930-21-701	EA	HOSE ASM #10 EVAPORATOR/COMP	085-0149
24	110279-01-703	EA	HOSE-VENT F/BLOWER MOTOR	051-0034
25	110279-01-712	EA	FITTING-HEATER	050-0076
26	113245-01-707	EA	O'RING #8	045-0126
27	103930-20-710	EA	CASE-FRONT, SUB-ASSEMBLY	062-0146
28	103930-20-711	EA	CASE-BACK, SUB-ASSEMBLY	062-0147

HEATING & AIR CONDITIONING GROUP (CONTINUED)
SCS EVAPRATOR/HEATER ASSEMBLY - FORD (FROM: 09-02-96 THRU: 99-99-99)



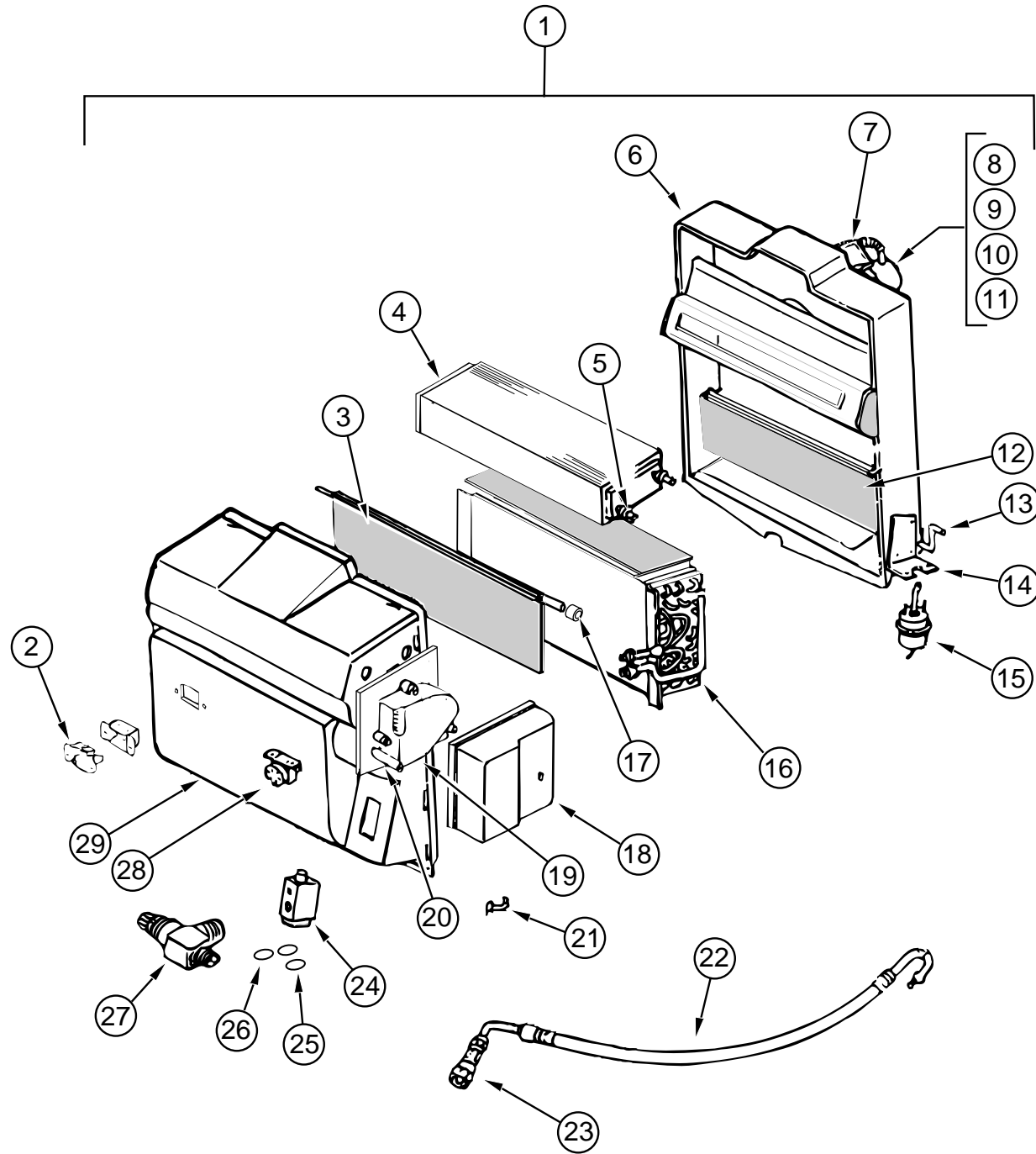
KEY	PART NUMBER	U/M	DESCRIPTION	VENDOR NO.
1	103930-31-000	EA	EVAPORATOR/HEATER - FORD - SERVO MOTOR CONTROLLED	
2	103930-01-703	EA	CORE-HEATER	042-0010
3	103930-01-704	EA	COIL-EVAPORATOR	041-0017
4	103930-01-708	EA	BRACKET-VACUUM MOTOR	070-0113
5	103930-01-710	EA	RESISTOR-FUSED, A/C	035-0006
6	103930-01-711	EA	THERMOSTAT	033-0003
7	103930-01-713	EA	FITTING-QUICK CONNECT, #4	050-0030
8	103930-01-717	EA	WHEEL-BLOWER, CLOCKWISE	062-0010
9	103930-30-706	EA	MOTOR-BLOWER PM147 W/ADAPTER	030-0109
10	103930-01-709	EA	MOTOR-VACUUM SERVO, A/C	030-0025
11	103930-12-708	EA	SWITCH-BINARY-HI/LOW CUTOUT	032-0048
12	103930-13-702	EA	VALVE-SERVICE, W/O COMP.	050-0152
13	103930-17-702	EA	O'RING #10	045-0127
14	103930-20-700	EA	VALVE-EXPANSION-BLOCK, 2 TON	034-0032
15	103930-30-702	EA	BUSHING - BLEND AIR DOOR	062-0168
16	103930-30-705	EA	DOOR - BLEND AIR	071-0568
17	103930-20-704	EA	ROD-DOOR-RECIRCULATING	073-0018
18	103930-20-705	EA	PANEL-DOOR, RECIRCULATING	071-0213
19	103930-20-706	EA	CLIP-RETAINER - CASE ATTACH	022-0057
20	103930-20-707	EA	HOUSING-BLOWER	062-0145
21	103930-20-708	EA	CLIP-MOTOR SHAFT	022-0001
22	103930-21-700	EA	HOSE ASM #6 EVAPORATOR/DRIER	085-0139
23	103930-21-701	EA	HOSE ASM #10 EVAPORATOR/COMP	085-0149
24	110279-01-703	EA	HOSE-VENT F/BLOWER MOTOR	051-0034
25	110279-01-712	EA	FITTING-HEATER	050-0076
26	113245-01-707	EA	O'RING #8	045-0126
27	103930-30-700	EA	CASE - FRONT	062-0542
28	103930-20-711	EA	CASE-BACK, SUB-ASSEMBLY	062-0147
29	103930-30-701	EA	PLATE - MOTOR MOUNT	062-0544
30	103930-30-703	EA	MOTOR - SERVO	030-0104
31	103930-30-704	EA	COVER - SERVO	062-0545

HEATING & AIR CONDITIONING GROUP (CONTINUED)
SCS EVAPORATOR/HEATER ASSEMBLY - CHEVY GAS & DIESEL CHASSIS (FROM: 00-00-00 THRU: 09-01-96)



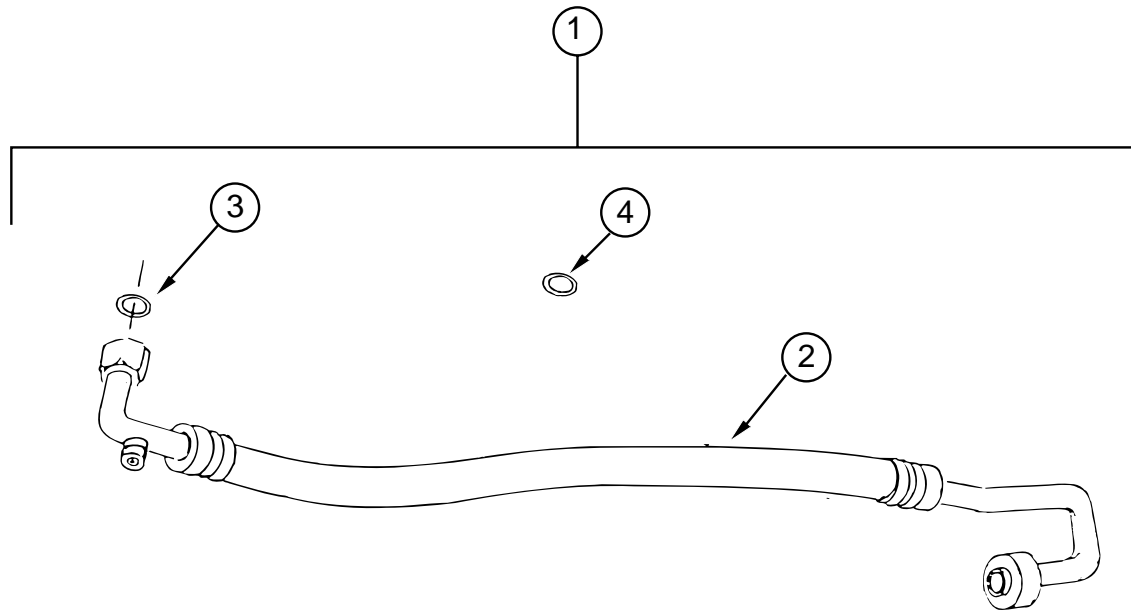
KEY	PART NUMBER	U/M DESCRIPTION	VENDOR NO.
1	103930-25-000	EA EVAPORATOR/HEATER - CHEVY - "96"	
2	103930-01-710	EA RESISTOR-FUSED	035-0006
3	103930-20-702	EA ROD-DOOR, BLEND AIR	073-0039
4	103930-20-703	EA DOOR-BLEND AIR	071-0212
5	103930-01-703	EA CORE-HEATER	042-0010
6	110279-01-712	EA FITTING-HEATER	050-0076
7	103930-20-711	EA CASE-BACK, SUB-ASSEMBLY	062-0147
8	110279-01-703	EA HOSE-VENT, BLOWER MOTOR	051-0034
9	103930-20-707	EA HOUSING-BLOWER	062-0145
10	103930-30-706	EA MOTOR-BLOWER PM147 W/ADAPTER	030-0109
11	103930-01-717	EA WHEEL-BLOWER, CLOCKWISE	062-0010
12	103930-20-708	EA CLIP-MOTOR SHAFT	022-0001
13	103930-20-705	EA PANEL-DOOR, RECIRCULATING	071-0213
14	103930-20-704	EA ROD-DOOR, RECIRCULATING	073-0018
15	103930-01-708	EA BRACKET-VACUUM MOTOR	070-0113
16	103930-02-708	EA MOTOR-VACUUM SERVO, A/C	030-0025
17	103930-01-704	EA COIL-EVAPORATOR	041-0017
18	103930-20-706	EA CLIP-RETAINER - CASE ATTACH	022-0057
19	103930-25-700	EA HOSE ASSEMBLY - #6, EVAPORATOR TO DRIER	085-0350
20	103930-12-709	EA FITTING-QUICK CONNECT	050-0120
21	103930-20-700	EA VALVE-EXPANSION BLOCK, 2 TON	034-0032
22	103930-17-702	EA O' RING - #10	045-0127
23	113245-01-707	EA O' RING - #8	045-0126
24	103930-20-709	EA VALVE-SERVICE	050-0159
25	103930-01-711	EA THERMOSTAT	033-0003
26	103930-20-710	EA CASE-FRONT, SUB-ASSEMBLY	062-0146
	103930-02-714	EA CLAMP-CLUTCH, BARREL	022-0006

HEATING & AIR CONDITIONING GROUP (CONTINUED)
SCS EVAPORATOR/HEATER ASSEMBLY - CHEVY GAS & DIESEL CHASSIS (FROM: 09-02-96 THRU: 99-99-99)



KEY	PART NUMBER	U/M	DESCRIPTION	VENDOR NO.
1	103930-30-000	EA	EVAPORATOR/HEATER - CHEVY - SERVO MOTOR CONTROLLED	
2	103930-01-710	EA	RESISTOR-FUSED, A/C	035-0006
3	103930-30-705	EA	DOOR - BLEND AIR	071-0568
4	103930-01-703	EA	CORE-HEATER	042-0010
5	110279-01-712	EA	FITTING-HEATER	050-0076
6	103930-20-711	EA	CASE-BACK, SUB-ASSEMBLY	062-0147
7	110279-01-703	EA	HOSE-VENT F/BLOWER MOTOR	051-0034
8	103930-20-707	EA	HOUSING-BLOWER	062-0145
9	103930-30-706	EA	MOTOR-BLOWER PM147 W/ADAPTER	030-0109
10	103930-01-717	EA	WHEEL-BLOWER, CLOCKWISE	062-0010
11	103930-20-708	EA	CLIP-MOTOR SHAFT	022-0001
12	103930-20-705	EA	PANEL-DOOR, RECIRCULATING	071-0213
13	103930-20-704	EA	ROD-DOOR-RECIRCULATING	073-0018
14	103930-01-708	EA	BRACKET-VACUUM MOTOR	070-0113
15	103930-02-708	EA	MOTOR-VACUUM SERVO, A/C	030-0025
16	103930-01-704	EA	COIL-EVAPORATOR	041-0017
17	103930-30-702	EA	BUSHING - BLEND AIR DOOR	062-0168
18	103930-30-704	EA	COVER - SERVO	062-0545
19	103930-30-703	EA	MOTOR - SERVO	030-0104
20	103930-30-701	EA	PLATE - MOTOR MOUNT	062-0544
21	103930-20-706	EA	CLIP-RETAINER - CASE ATTACH	022-0057
22	103930-25-700	EA	HOSE ASM #6 EVAPORATOR/DRIER	085-0350
23	103930-12-709	EA	FITTING-QUICK CONNECT	050-0120
24	103930-20-700	EA	VALVE-EXPANSION-BLOCK, 2 TON	034-0032
25	103930-17-702	EA	O'RING #10	045-0127
26	113245-01-707	EA	O'RING #8	045-0126
27	103930-20-709	EA	VALVE-SERVICE	050-0159
28	103930-01-711	EA	THERMOSTAT	033-0003
29	103930-30-700	EA	CASE - FRONT	062-0542

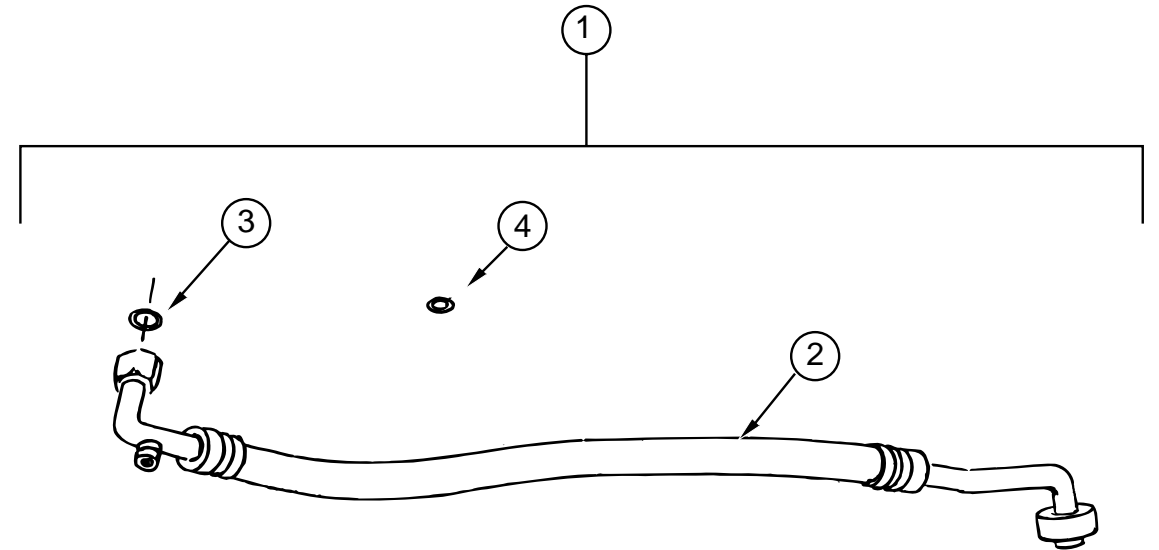
HEATING & AIR CONDITIONING GROUP (CONTINUED)



CHEVY HOSE KIT - STANDARD GAS

KEY	PART NUMBER	U/M	DESCRIPTION	VENDOR NO.
1	103930-28-000	EA	HOSE KIT - #10 W/GM L-19 CHASSIS	
2	103930-28-700	EA	HOSE ASM #10 EVAPORATOR/COMP	085-0347
3	103930-17-702	EA	O'RING #10	045-0127
4	103930-29-701	EA	O'RING F/LOW PRESSURE SWITCH	045-0483

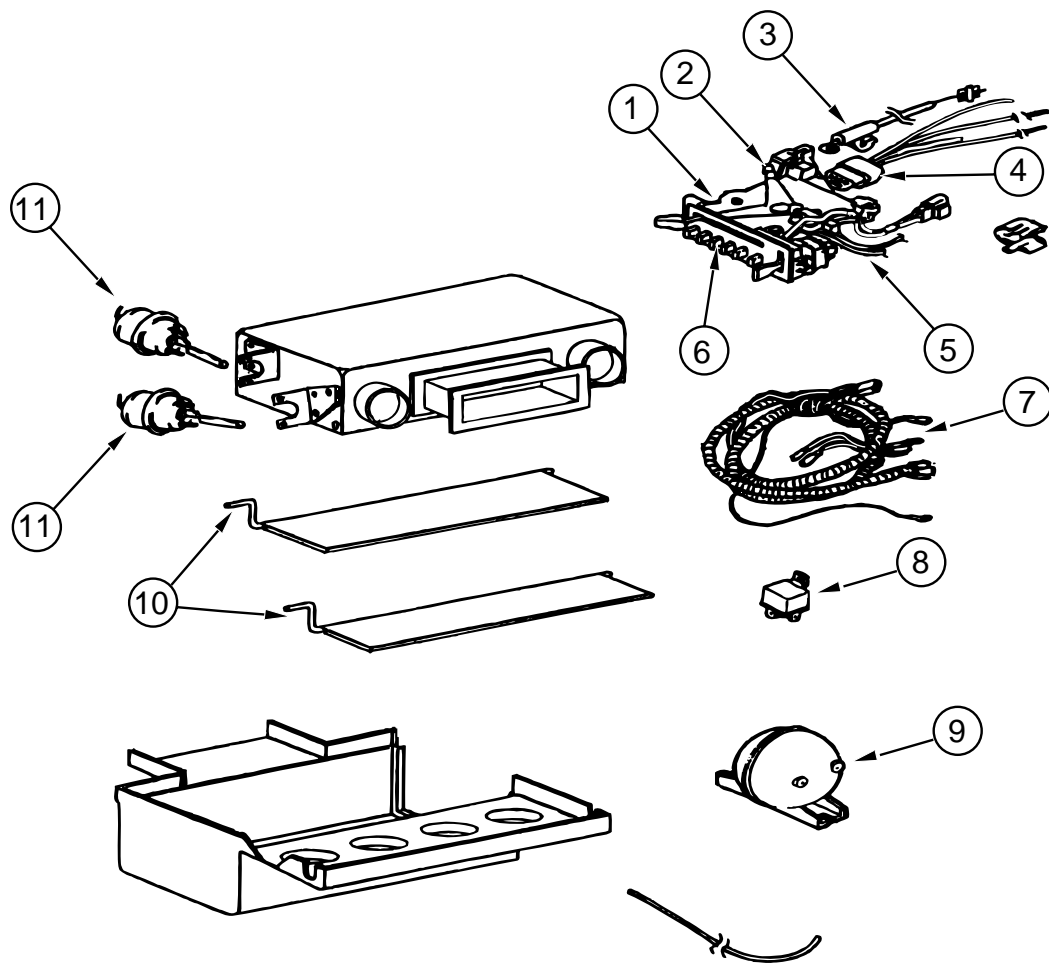
HEATING & AIR CONDITIONING GROUP (CONTINUED)



CHEVY HOSE KIT - VORTEC GAS OR DIESEL OPTION

KEY	PART NUMBER	U/M	DESCRIPTION	VENDOR NO.
1	103930-29-000	EA	HOSE KIT - #10 F/GM L-29 & L-65 CHASSIS	
2	N/A	EA	HOSE ASM #10 EVAPORATOR/COMP	085-0348
3	103930-17-702	EA	O'RING #10	045-0127
4	103930-29-701	EA	O'RING F/LOW PRESSURE SWITCH	045-0483

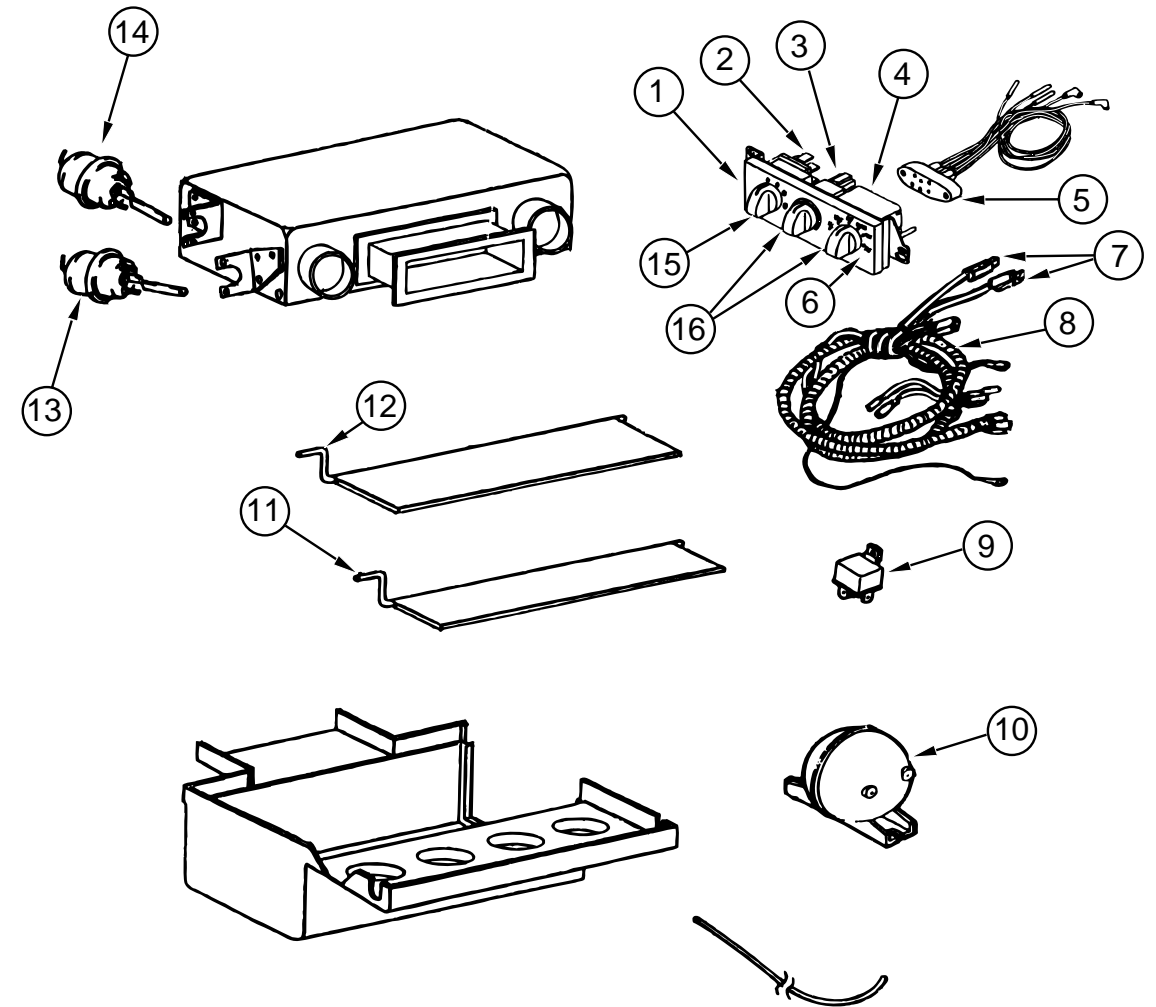
HEATING & AIR CONDITIONING GROUP (CONTINUED)



SCS CONTROL/PLENUM (FROM: 00-00-00 THRU: 09-01-96)

KEY	PART NUMBER	U/M	DESCRIPTION	VENDOR NO.
	103930-38-000	EA	CONTROL/PLENUM SET	
1	103930-02-712	EA	PANEL-CONT. A/C BLACK BEZEL	032-0054
	072341-06-700	EA	SWITCH - 4 SPEED - FAN	032-0043
2	103930-02-714	EA	CLAMP-CLUTCH, BARREL	022-0006
3	103930-02-705	EA	CABLE-BOWDEN W/O LEVER 89"	074-0011
4	103930-02-704	EA	HARNESS-VACUUM CONTROL	036-0049
5	103930-02-701	EA	SWITCH - VACUUM/CONTROL HEAD	034-0015
6	103930-02-702	EA	DECAL-CONTROL HEAD	058-0009
7	103930-02-703	EA	HARNESS-WIRE CONTROL	036-0048
8	103930-02-707	EA	RELAY-BOSCH W/RESISTOR	031-0001
9	103930-02-710	EA	CANISTER-VACUUM	054-0002
10	103930-33-700	EA	ROD - DOOR DEFROSTER/AC	073-0028
11	103930-02-708	EA	MOTOR-VACUUM SERVO, A/C	030-0025
	094831-01-731	EA	ADAPTER-2"	062-0001

HEATING & AIR CONDITIONING GROUP (CONTINUED)



SCS CONTROL/PLENUM (FROM: 09-02-96 THRU: 99-99-99)

KEY	PART NUMBER	U/M	DESCRIPTION	VENDOR NO.
	103930-34-000	EA	CONTROL/PLENUM-ROTARY CONTROL HEAD	
1	103930-33-702	EA	PANEL ASSEMBLY-CONTROL	083-0169
2	103930-33-707	EA	SWITCH-BLOWER	032-00066
3	103930-33-708	EA	SWITCH-POTENTIOMETER	032-0184
4	103930-33-709	EA	SWITCH-VACUUM	032-0183
5	103930-33-703	EA	HARNESS-VACUUM	036-0466
6	103930-33-710	EA	DECAL-CONTROL HEAD	058-0102
7	103930-33-705	EA	BULB-LIGHT	035-0030
8	103930-33-704	EA	HARNESS-WIRE W/BULBS	036-0465
			FROM: 00-00-00 THRU: 12-21-96	
8	103930-33-711	EA	HARNESS-WIRE, MAIN	036-0496
			FROM: 12-22-96 THRU: 99-99-99	
9	103930-02-707	EA	RELAY-BOSCH W/RESISTOR	031-0001
10	103930-02-710	EA	CANISTER-VACUUM	054-0002
11	103930-33-700	EA	ROD-DOOR, DEFROSTER/A/C	073-0028
12	103930-33-706	EA	ROD-DOOR, A/C/DEFROST	073-0060
13	103930-02-708	EA	MOTOR-VACUUM SERVO, A/C	030-0025
14	103930-33-701	EA	MOTOR-VACUUM, 3 STAGE	030-0105
15	103930-33-712	EA	KNOB - BLOWER	062-00539
16	103930-33-713	EA	KNOB	062-00540

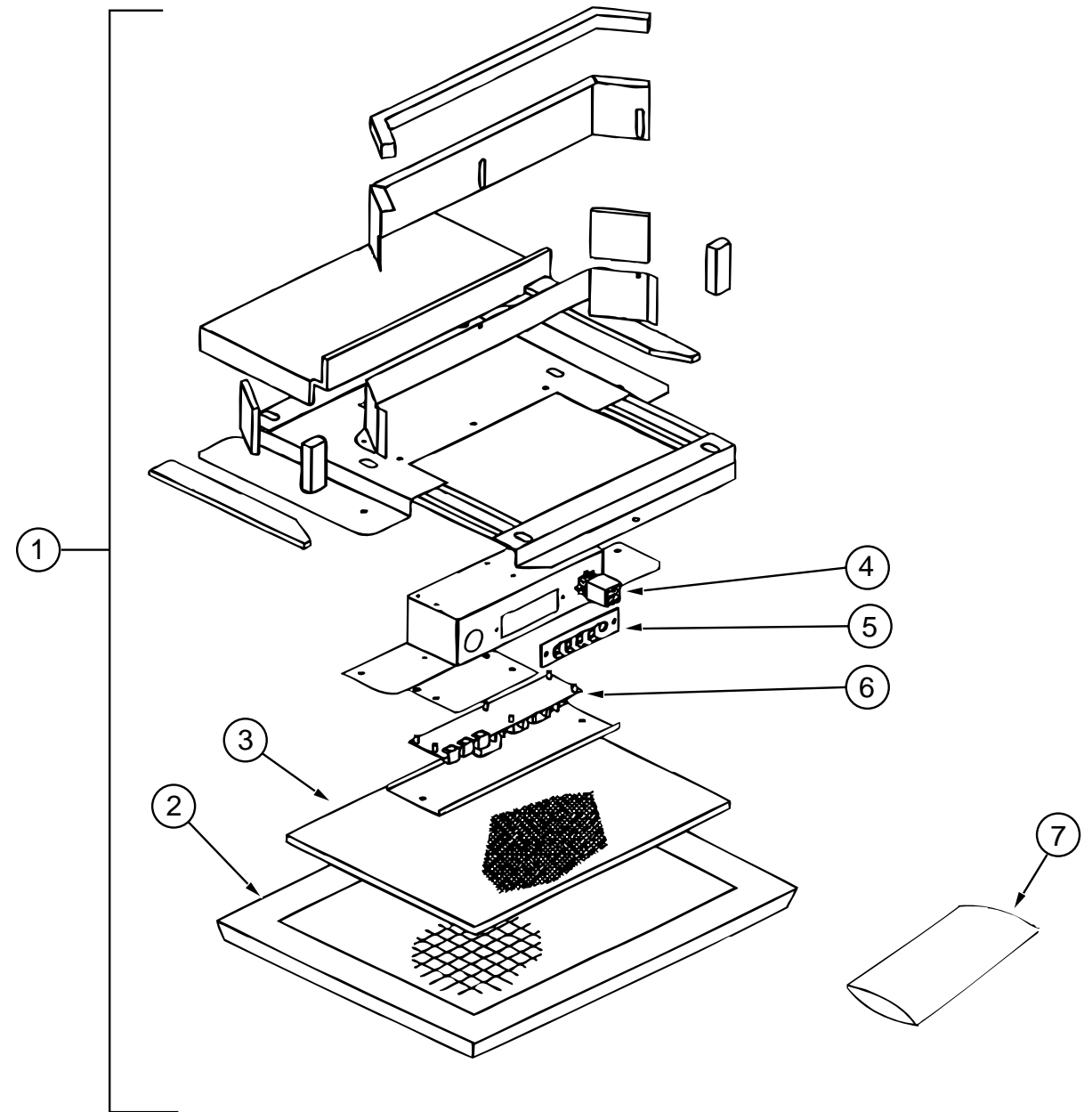
HEATING & AIR CONDITIONING GROUP (CONTINUED)
AUTOMOTIVE HEATER MISCELLANEOUS

KEY	PART NUMBER	U/M	DESCRIPTION
	077539-01-000	EA	BRACKET - MOUNTING/DASH PANEL - L/SHAPED - 2.5"X1"X1.5"
	009198-01-000	FT	DUCT - HEAT - FLEXIBLE - 4" ID X 25'
	009200-01-000	EA	TAPE - FURNACE - 1 1/2"
	089367-02-000	EA	TEE - 4" X 2" X 4"
	007076-01-000	EA	HOSE - FLEXIBLE PVC - 2" ID - INCREMENTS OF 50'
	007108-01-000	FT	HOSE - HEATER - 5/8" ID - HI-TEMP - FORD
	007281-01-000	EA	HOSE - FLEXIBLE PVC - 2.5" ID X 50'
	007281-01-700	FT	HOSE-FLEXIBLE PVC, 2.5" ID
	024990-05-000	EA	OUTLET - 4" DIAMETER W/SWIVEL DEFLECTORS
	056402-05-000	EA	BRACKET-HEATER VENT, ROUND - W/BEND - BLACK
	077075-01-000	EA	GASKET-INSTRUMENT PANEL TO DEFROSTER PLENUM - 1.8" X 12.5"
	077075-03-000	EA	GASKET-INSTRUMENT PANEL TO DEFROSTER PLENUM - 1.8" X 12.25"
	103016-01-000	EA	PLENUM-TRANSITION
	103017-01-000	EA	PLENUM-DEFROSTER
	103930-23-000	EA	VALVE-WATER, 2 PORT
	103558-01-06A	EA	VENT-DEFROSTER, ABS - QUICKSILVER
	103796-01-01A	EA	LOUVER ASSEMBLY-A/C CARY PROD - BLACK
	097494-02-000	EA	TEE-BRASS, BARB - 3/8" X 5/32" X 3/8" - PARKER 224-8-8-4
	103930-05-000	EA	MANUAL - OWNER - HEATER/A/C
			FROM: 00-00-00 THRU: 02-23-97
	103930-37-000	EA	MANUAL - OWNERS - HEATER/A/C
			FROM: 02-24-97 THRU: 99-99-99
	7SB010-96-14Z	EA	MANUAL-DEALER SERVICE/PARTS - SCS 057-00171

EVANS REAR HEATER & COMPONENTS

KEY	PART NUMBER	U/M	DESCRIPTION	VENDOR NO.
	084405-01-000	EA	HEATER - REAR/DUCTED - W/MOTOR AID	
	084405-01-700	EA	CORE-HEATER	FT200229
	084405-01-701	EA	FAN BLADES	HV029931
	084405-01-702	EA	MOTOR ASSEMBLY, 12 VOLT	R0200180
	079059-02-000	EA	HOSE - 90 DEGREE - .61" ID X 4" X 6"	
	079059-13-000	EA	HOSE - 90 DEGREE - .61" X 4" X 48"	
	009198-01-000	FT	DUCT - HEAT - FLEXIBLE - 4" ID X 25'	
	009198-02-000	FT	DUCT - FLEXIBLE - 2" ID X 25'	
	056464-10-000	EA	REGISTER - 4" DIAMETER - PLASTIC - W/O DAMPENER - BEIGE	
	061673-01-000	EA	BRACKET - MOTOR AID TUBES - 4" X 1.5" - STEEL	

HEATING & AIR CONDITIONING GROUP (CONTINUED)



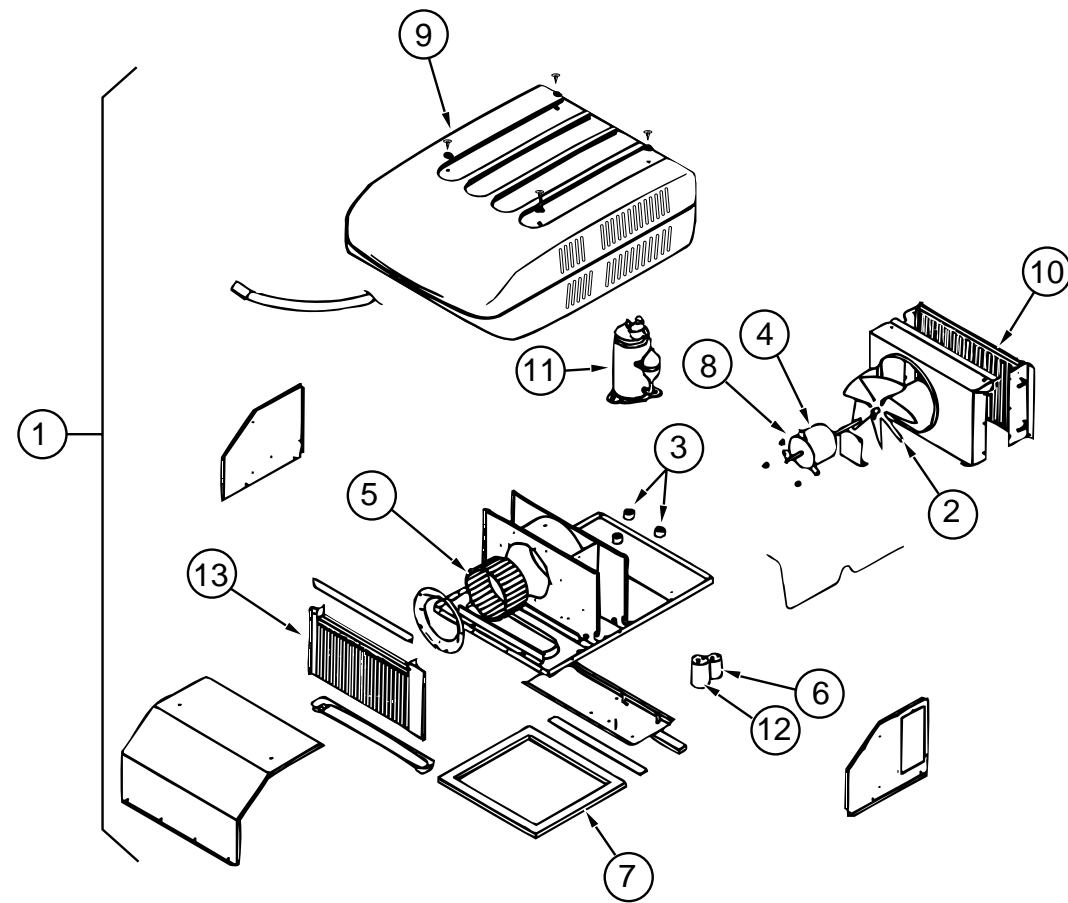
COLEMAN A/C CEILING ASSEMBLY, THERMOSTAT, & REGISTER

KEY	PART NUMBER	U/M	DESCRIPTION	VENDOR NO.
1	108892-01-01A	EA	CEILING ASM-A/C DUCTED - COLEMAN 7330-730IV	
2	108892-01-704	EA	GRILLE (PLASTIC)	6798-3041
3	108892-01-703	EA	FILTER	6798A3761
4	108892-01-700	EA	PLUG ASSEMBLY	7330-540
5	108892-01-701	EA	BOARD-TERMINAL	7330-3201
6	108892-01-702	EA	BOARD-PRINTED CIRCUIT	7330A3211
7	108892-01-705	EA	SMALL PARTS PACKAGE	7330A6101
	117238-01-01A	EA	THERMOSTAT-A/C AND FURNACE - COLEMAN 7330-3371	
	117238-02-01A	EA	THERMOSTAT-A/C ONLY - COLEMAN 7330-3381	
	120134-01-02A	EA	REGISTER - 4" - 5" DIAMETER W/DAMPER - WHITE - DTW 8840	

ROOF A/C COVERS & AC SELECTOR SWITCH

KEY	PART NUMBER	U/M	DESCRIPTION
	088238-03-000	EA	COVER - A/C SWITCH - DUAL/BLANK - W/50 AMP SERVICE
	022756-05-000	EA	COVER - A/C - BLACK PLASTIC
	092633-02-02A	EA	COVER - BLANK - ROOF A/C - 5.1" X 5.1"
	121365-02-01A	EA	COVER - A/C SWITCH - SINGLE

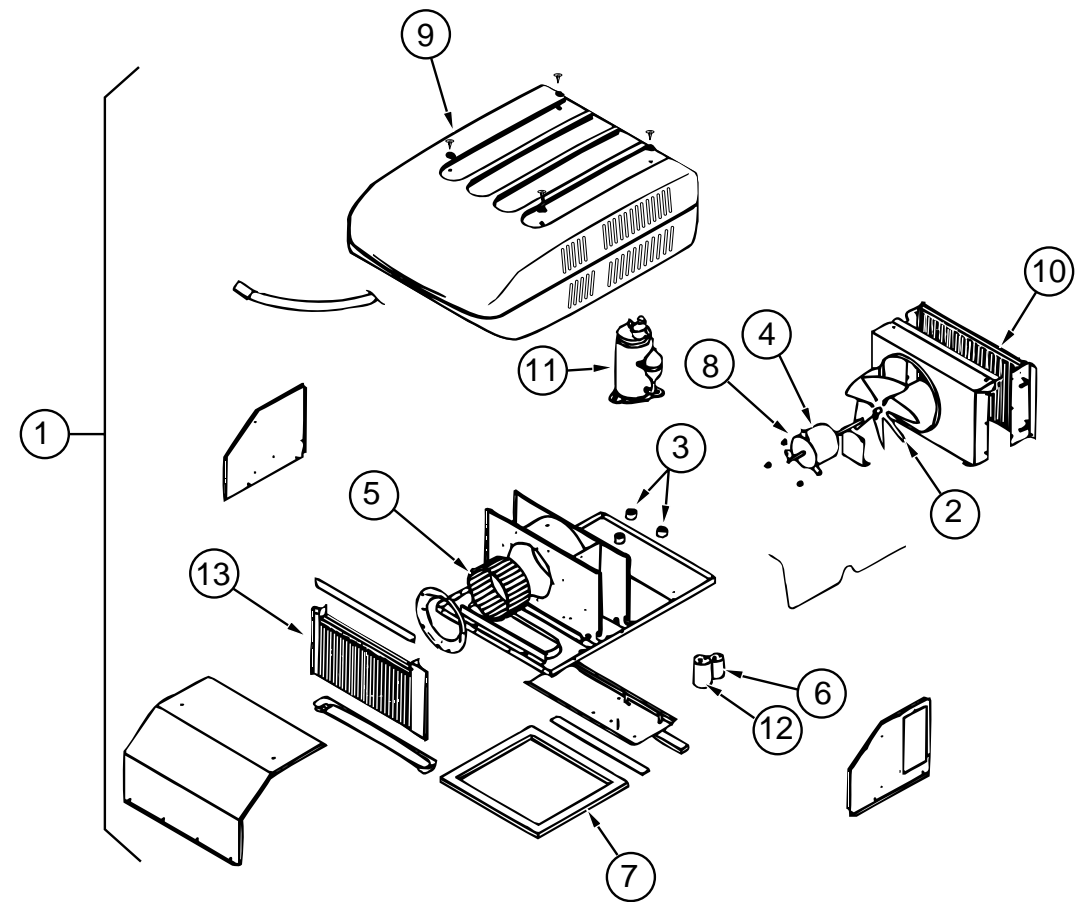
HEATING & AIR CONDITIONING GROUP (CONTINUED)



COLEMAN 14,800 BTU ROOF A/C

KEY	PART NUMBER	U/M DESCRIPTION	VENDOR NO.
1	115219-01-03A	EA A/C-ROOF, 14,800 BTU MACH 15 - BRIGHT WHITE	
2	093763-01-712	EA BLADE-FAN, CONDENSER	6733-3221
3	105620-01-706	EA FOOT PACKAGE-COMPRESSOR, 3 PER PACKAGE	6759-3081
4	108889-01-705	EA MOTOR - 115V, 60HZ	1468-3049
5	108889-01-706	EA IMPELLOR	1472-1041
6	093763-01-704	EA CAPACITOR-FAN	1499-5461
	108889-01-710	EA PAD-FILLER, CONDENSER SEAL	6759B3971
7	108889-01-711	EA GASKET PACKAGE	6792A3301
8	108889-01-715	EA MOTOR MOUNT & SHAFT SEAL KIT	6792A3361
9	108889-05-700	EA SHROUD - BRIGHT WHITE, W/O LOGO	7333-4601
10	115219-01-700	EA COIL-CONDENSER	1452A1321
11	115219-01-708	EA COMPRESSOR, CONVERSION KIT	1450A2061
12	115219-01-702	EA CAPACITOR-RUN, COMPRESSOR	1499-5741
	115219-01-703	EA RELAY-START	1497-4151
13	115219-01-704	EA COIL-EVAPORATOR	1452-1331
	115219-01-705	EA LINE-SUCTION, LOWER	7335-130
	115219-01-706	EA LINE-SUCTION, UPPER	7335-131
	115219-01-707	EA LINE ASSEMBLY, DISCHARGE	7335A132
	093306-01-720	EA CAPACITOR-START, 21-25 MFD33	1497-3351
	093306-01-701	EA DECAL PACKAGE-LEFT & RIGHT	6798B3591
	102289-01-000	EA SPRING-SCREW, ROOF A/C GASKET - COLEMAN 6757-150	

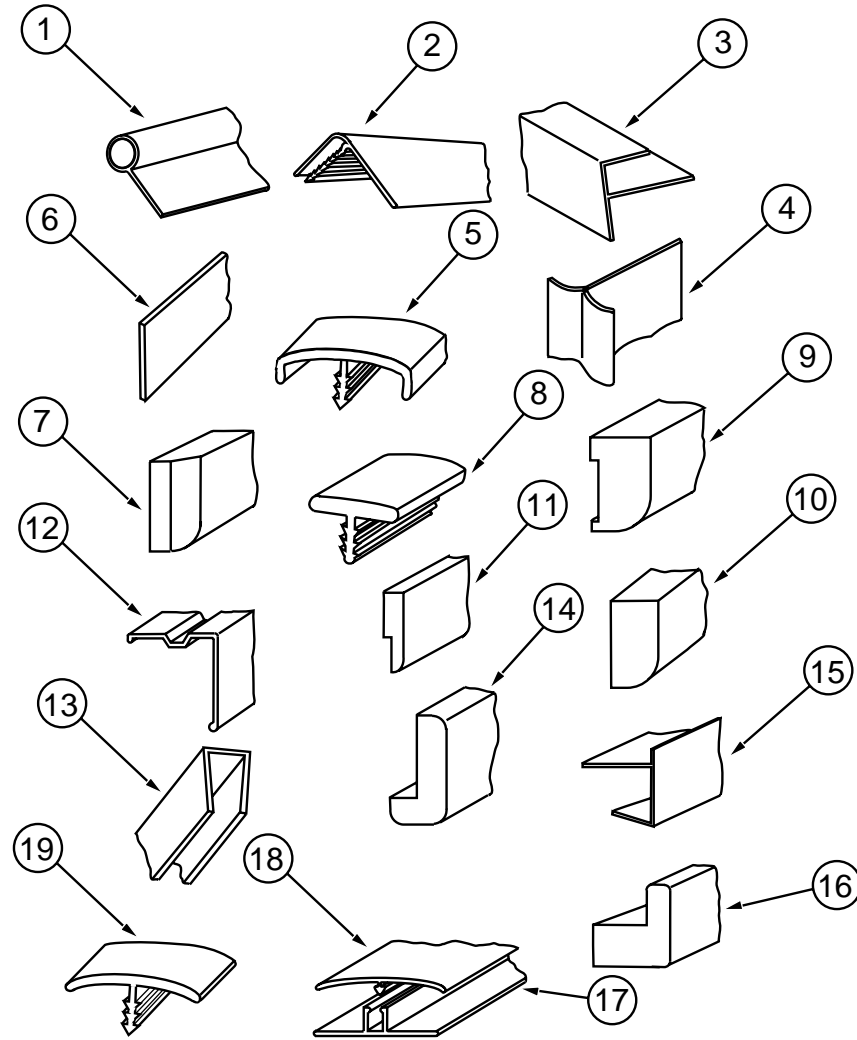
HEATING & AIR CONDITIONING GROUP (CONTINUED)



COLEMAN 13,500 BTU ROOF A/C - EUROPEAN

KEY	PART NUMBER	U/M DESCRIPTION	VENDOR NO.
1	108889-02-03A	EA A/C-ROOF, 13,500 BTU - TSR - 220 VOLT - BRIGHT WHITE - COLEMAN 7373A891	
	093306-01-701	EA DECAL PACKAGE-LEFT & RIGHT	6798B3591
2	093763-01-712	EA FAN BLADE-CONDENSER	6733-3221
	105620-01-705	EA PROTECTOR-OVERLOAD, RH & LH	6759-3791
3	105620-01-706	EA FOOT PACKAGE-COMPRESSOR, 3 PER PKG	6759-3081
4	108889-02-701	EA MOTOR	1468-3059
5	108889-01-706	EA IMPELLOR	1472-1041
6	093763-01-704	EA CAPACITOR-FAN	1499-5461
7	108889-01-711	EA GASKET PACKAGE	6792A3301
8	108889-01-715	EA MOTOR MOUNT & SHAFT SEAL KIT	6792A3361
9	108889-05-700	EA SHROUD-BRIGHT/WHT. W/O LOGO	7333-4601
10	108889-01-703	EA COIL-CONDENSER	1452A1301
11	108889-02-700	EA COMPRESSOR-TECUMSEH	1450A2029
12	108889-01-707	EA CAPACITOR-RUN, COMPRESSOR-25MFD/370	1499-5661
13	108889-01-709	EA COIL-EVAPORATOR	1452A1311
	108889-01-710	EA PAD-FILLER, CONDENSER SEAL	6759B3971
	108889-01-713	EA SUCTION LINE, 3/8" OD X .032" WALL	6792-130
	108889-01-714	EA LINE ASSEMBLY-DISCHARGE	6792-531
	108889-02-702	EA CAPACITOR-START	1497-0891
	108889-02-703	EA RELAY-START	1497-4141
	102289-01-000	EA SPRING-SCREW, ROOF A/C GASKET - COLEMAN 6757-150	

**INTERIOR FINISH GROUP
MOLDINGS & TRIMS**



KEY	PART NUMBER	U/M	DESCRIPTION
1	009767-12-000	FT	WELTING - SIDEWALL/CEILING/CABINET - OFF/WHT
2	009809-28-000	EA	MOLDING - CORNER - OUTSIDE - 1" X 84" - WATERFORD OAK
3	009812-29-000	EA	MOLDING - PLASTIC - CORNER/OUTSIDE - .5" X 7' WATERFORD OAK
4	022992-11-000	FT	MOLDING - REVERSE COVE - T-SHAPED VINYL - IVORY
5	083620-12-000	FT	MOLDING-T - END CAP EDGE - W/EDGE LIP - .75"-WATERFORD OAK
6	076325-34-000	FT	MOLDING - EDGE BAND - 1 5/16" X .030" - ORCHID MIST
6	076325-43-000	FT	MOLDING - EDGE BAND .876" X .024" - CLOUD (H33)
6	076325-38-000	FT	MOLDING - EDGE BAND - .875" X .024" (H34,H35)
6	076325-46-000	FT	MOLDING - EDGE BAND 1 5/16" X .030" - CLOUD (H33)
6	076325-37-000	FT	MOLDING - EDGE BAND - 1 5/16" X .030" (H34,H35)
6	076325-67-000	FT	MOLDING - EDGE BAND - .93" X .024" - WATERFORD OAK
6	076325-68-000	FT	MOLDING - EDGE BAND - 1 5/16" X .038" - WATERFORD OAK
7	100659-01-G09	EA	MOLDING - TRIM - VINYL FLOOR
8	104676-01-01A	FT	MOLDING-T - 5/16" RIGID GOLD
9	117268-D2-438	EA	MOLDING - VINYL WRAPPED - .7" X 1.5" X 96" - WATERFORD OAK
9	117268-D2-134	EA	MOLDING - VINYL WRAPPED - .7" X 1.6" X 84" - WATERFORD OAK
9	117268-F2-134	EA	MOLDING - VINYL WRAPPED - .7" X 2.7" X 84" - WATERFORD OAK
9	117268-F2-438	EA	MOLDING - VINYL WRAPPED - .7" X 2.6" X 96" - WATERFORD OAK
10	100818-01-05A	EA	MOLDING - VINYL WRAPPED - 1.65" X .4" X 7'
11	105004-01-05A	EA	MOLDING - VINYL WRAPPED - 1" X 96" - WATERFORD OAK
12	093873-01-01A	EA	TRIM - CARPET - L-ANGLE 1.1" X 1.3" X 12' - GRAY VINYL
13	009778-21-000	FT	U - CHANNEL - 1" X 96" - INCREMENTS - PLASTIC
13	070504-36-000	FT	U-CHANNEL - PLASTIC - .65" X 72" - WATERFORD OAK
13	070504-37-000	FT	U-CHANNEL - PLASTIC - .81" X 96" - WATERFORD OAK
14	077840-01-G01	EA	MOLDING - CAP/WALL - 8' WATERFORD OAK
15	103186-01-05A	FT	MOLDING - PLASTIC/3/8" U-CHANNEL W/3/4" FACE- WATERFORD OAK
15	103186-02-05A	FT	MOLDING - PLASTIC/1" U-CHANNEL W/1 3/8" FACE-WATERFORD OAK
16	100819-01-05A	EA	MOLDING - VINYL WRAPPED - L-SHAPED - 1.5" X 1.5" X 7' - WATERFORD OAK
17	086229-01-000	EA	RETAINER - BATTEN - .75" X 92.24" - ANY COLOR
18	086229-20-000	EA	BATTEN - 1" X 96" - BEIGE
19	105709-01-000	FT	T-MOLDING - 1" - MODERN IVORY
	117267-D2-438	EA	LUMBER - VINYL WRAPPED - .7" X 1.5" X 96" - WATERFORD OAK
	117267-E2-438	EA	LUMBER - VINYL WRAPPED .7" X 2" X 96" - WATERFORD OAK
	117267-G2-438	EA	LUMBER - VINYL WRAPPED - .7" X 3" X 96" - WATERFORD OAK

INTERIOR FINISH GROUP (CONTINUED)

BATT STRIPS

KEY	PART NUMBER	U/M DESCRIPTION
	069733-83-000	EA BATT STRIP - WOODGRAINED/WATERFORD OAK - 8'
	079653-28-000	EA BATT STRIP - WOODGRAINED/WATERFORD OAK - 8' - KERFED
	088263-E3-000	EA BATT STRIP - SHOWER - 8' - PEBBLE EMBOSS ANTIQUE
	088263-D8-000	EA BATT STRIP - DECORATIVE - MCKENSIE CREAM - 8' LONG (H33) (MAIN WALL)
	088263-D7-000	EA BATT STRIP - DECORATIVE - WINDY/WILLOW - 8' LONG (H34) (MAIN WALL)
	088263-E5-000	EA BATT STRIP - DECORATIVE - WYNDEMERE/CINNAMON - 8' LONG (H35) (MAIN WALL)
	085284-B5-000	FT BATT TAPE - ADHESIVE BACKED - WOODGRAINED - WATERFORD OAK
	085284-D6-000	FT BATT TAPE - SHOWER - PEBBLE EMBOSS ANTIQUE - ADHESIVE BACKED
	085284-D2-000	FT BATT TAPE - ADHESIVE BACKED - MCKENSIE/CREAM (H33) (MAIN WALL)
	085284-D1-000	FT BATT TAPE - ADHESIVE BACKED - WINDY/WILLOW (H34) (MAIN WALL)
	085284-D9-000	FT BATT TAPE - WYNDEMERE CINNAMON - ADHESIVE BACKED (H35) (MAIN WALL)

PLASTIC LAMINATE

KEY	PART NUMBER	U/M DESCRIPTION
	074498-62-000	SF LAMINATE-PLASTIC, GREY FINESSE - 5' X 8' - INCREMENTS OF 40 SF (H33) (GALLEY, DINETTE, BATH, & BEDROOM)
	074498-72-000	SF LAMINATE-PLASTIC, PEBBLE SANTOS - 5' X 8' - INCREMENTS OF 40 SF (H34/H35) (GALLEY, DINETTE, BATH, & BEDROOM)
	074498-77-000	SF LAMINATE-PLASTIC, ART CABIN OAK - 5' X 8' - INCREMENTS OF 40 SF (PULL OUT TABLE)
	074498-67-000	SF LAMINATE-PLASTIC, ORCHID MIST - 5' X 8' - INCREMENTS OF 40 SF (PATIO ENTERTAINMENT CENTER TABLE)

WALLPAPER BORDER - QUEEN BED

KEY	PART NUMBER	U/M DESCRIPTION
	122481-02-000	FT WALLPAPER - 4" BORDER, DECOR (H33)
	122481-03-000	FT WALLPAPER - 4" BORDER, DECOR (H34)
	122481-01-000	FT WALLPAPER - 4" BORDER, DECOR (H35)

INTERIOR FINISH GROUP (CONTINUED)

SMOKE DETECTOR, CO DETECTOR, FIRE EXTINGUISHER & CLOCK

KEY	PART NUMBER	U/M DESCRIPTION	VENDOR NO.
	072852-01-000	EA DETECTOR - SMOKE - W/9 VOLT BATTERY - US	
	072852-02-000	EA DETECTOR - SMOKE - W/9/VOLT BATTERY - CANADIAN	
	094499-01-000	EA EXTINGUISHER/FIRE - DRY W/MOUNTING BRACKET	
	094499-01-700	EA BRACKET-MOUNTING, W/PLASTIC STRAP - FIRE EXTINGUISHER	294039
	094499-01-701	EA STRAP ONLY (METAL)	320351
	094499-02-000	EA EXTINGUISHER/FIRE - DRY - 1A10BC - CANADIAN	
	112320-03-000	EA DETECTOR - CO GAS - MODEL 9D-I	
		FROM: 00-00-00 THRU: 10-20-96	
	112320-04-000	EA BATTERY/SENSOR MODULE - CO (BLACK MODULE) F/9D-I SYSTEM	
		FROM: 00-00-00 THRU: 10-20-96	
	125136-01-000	EA DETECTOR - CO - GAS - MODEL 9L-I	
		FROM: 10-21-96 THRU: 99-99-99	
	118081-01-01A	EA CLOCK - WALL - ROUND 8" - BRASS	
		FROM: 00-00-00 THRU: 06-22-97	
	118081-02-01A	EA CLOCK - WALL - ROUND 8" BRASS	
		FROM: 06-23-97 THRU: 99-99-99	

ANTISLIP & FLOOR MATS

KEY	PART NUMBER	U/M DESCRIPTION
	091261-01-000	FT SLIPNOT - ANTISLIP - 1' WIDE (100' ROLL)
	105924-01-F25	EA MAT - FLOOR - 18" X 27" (H33)
	105924-01-F12	EA MAT - FLOOR - 18" X 27" (H34)
	105924-01-H35	EA MAT - FLOOR - 18" X 27" (H35)

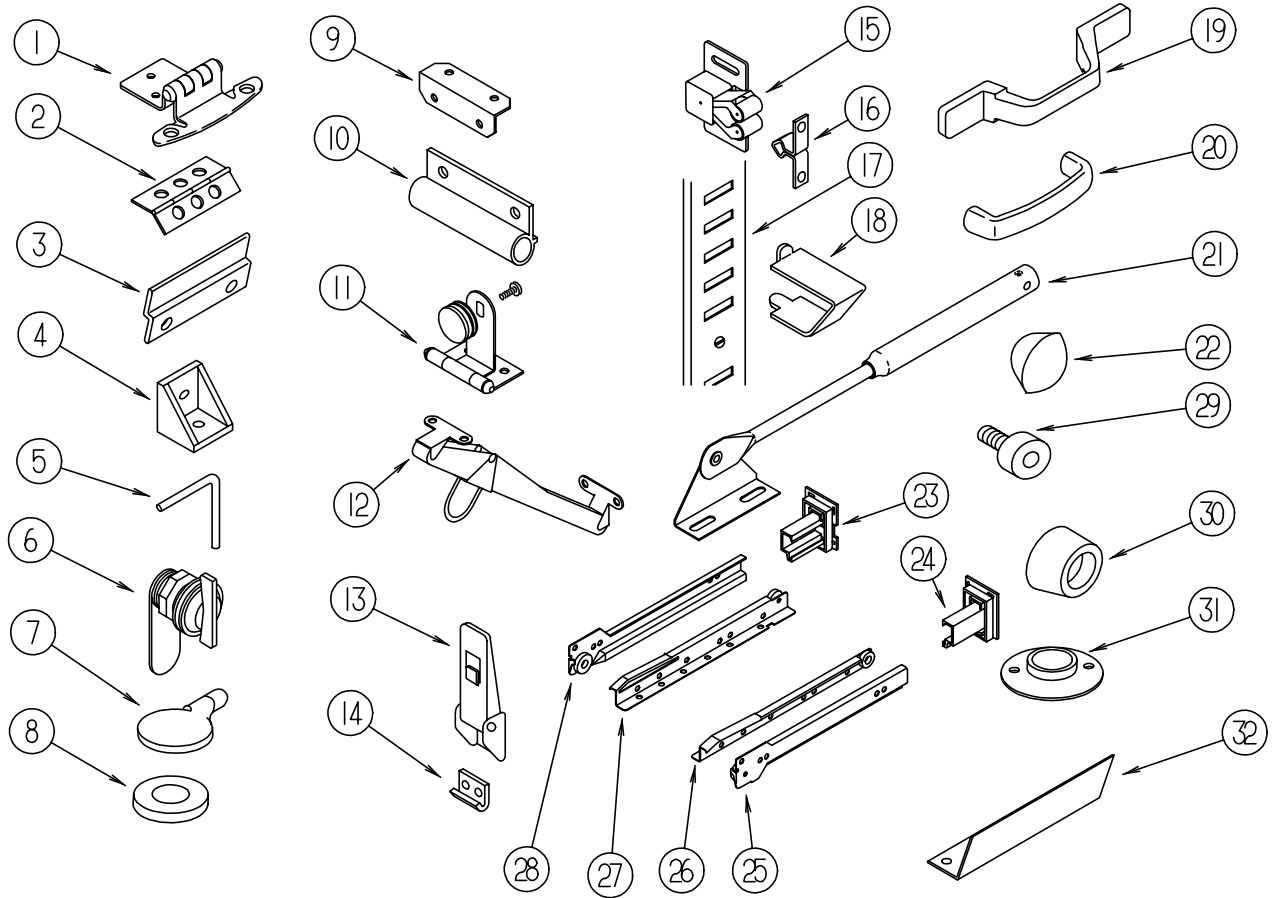
CARPET & TILE

KEY	PART NUMBER	U/M DESCRIPTION
	093486-01-000	SY CARPET - COMPARTMENT - 72" WIDE - DARK GRAY
	096060-A8-000	SY CARPET - BLUE LAGOON - INCREMENTS OF 4 SY (H33)
	096060-99-000	SY CARPET - PARCHMENT - INCREMENTS OF 4 SY (H34)
	096060-C3-000	SY CARPET - SPRUCE - INCREMENTS OF 4 SY (H35)
	122755-01-01A	EA TILE - RUBBER/ENTRANCE DOOR - 18.5" X 27.2"
	122755-03-01A	EA TILE - RUBBER/ENTRANCE DOOR - 17.7" X 26.4"

PANELING, PLYWOOD, & PARTICLE BOARD

KEY	PART NUMBER	U/M DESCRIPTION
	074497-28-000	SF PANELING - WATERFORD OAK - 48" X 96"
	080215-10-000	SF PANELING - 2 SIDE - WATERFORD - 48" X 96"
	088272-G1-000	SF PANELING - PEBBLE EMBOSS - ANTIQUE WHITE - 4' X 7'
	088272-F6-000	SF PANELING - MCKENSIE CREAM - 4' X 7' (H33)
	088272-F5-000	SF PANELING - WINDY/WILOW (H34)
	088272-G3-000	SF PANELING - WYNDERE - CINNAMON - 4' X 7' (H35)
	000846-01-000	SF PLYWOOD - 5/16" X 48" X 96" - CD GRADE
	000846-02-000	SF PLYWOOD/UNDERLAYMENT - 5/16" X 48" X 96"
	000885-76-000	SF PARTICLE BOARD-3/8" X 48" X 96"-WATERFORD OAK/VINYL 1 SIDE
	000885-77-000	SF PARTICLE BOARD-3/8" X 48" X 96"-WATERFORD OAK/VINYL 2 SIDE
	000885-79-000	SF PARTICLE BOARD-3/4" X 48" X 96"-WATERFORD OAK/VINYL 2 SIDE
	114129-01-02A	SF LINER - CABINET - .02" X 48" X 96"
		FROM: 01-02-97 THRU: 99-99-99
	126339-01-000	SF BOARD - WHEAT - 60" X 72"
	089297-01-000	SF PLYWOOD-LUAN, OVERLAY GRADE - 4' X 8'

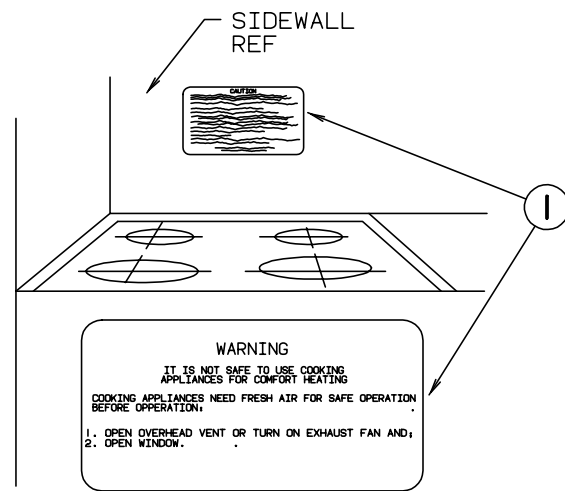
INTERIOR FINISH GROUP (CONTINUED)
CABINET HARDWARE



KEY	PART NUMBER	U/M	DESCRIPTION
1	108138-01-000	EA	HINGE - CABINET DOOR - BURNISHED BRASS
	000G13-06-08G	EA	SCREW
2	009059-02-000	EA	HINGE - DOOR - 2" X 2.7" - BRASS
	041389-35-000	EA	HINGE - PIANO - OFF WHITE - 31"
3	101272-01-000	EA	CATCH - GLASS DOOR
4	065740-01-000	EA	BRACE - CABINET/CORNER - PLASTIC
5	108487-02-01A	EA	SUPPORT - PROP ROD/OVERHEAD - BLACK
6	100710-01-01A	EA	LOCK - GLASS DOOR/TWIST TYPE - BRASS
7	101766-01-000	EA	PIN - SUPPORT/GLASS DOOR
8	100707-01-000	EA	SPACER - GLASS DOOR - .8" DIA - .3" HOLE - PLASTIC
9	016604-01-000	EA	BRACE - CABINET - ANGLE - 2.5" - UNPAINTED METAL
9	016604-05-000	EA	BRACE - CABINET - ANGLE - 2.5" - OFF WHITE METAL
10	108486-01-01A	EA	BRACKET - PROP ROD/OVERHEAD - BLACK
11	100711-01-01A	EA	HINGE - GLASS DOOR
12	104181-01-01A	EA	SUPPORT - LEAF 5.3" EXTENDS TO 7.5" - SAFETY RING - METAL
13	116975-01-01A	EA	LATCH - W/O STRIKE - BLACK - NEW STYLE
14	116975-02-01A	EA	NEW STYLE KEEPER/STRIKE
15	093586-06-000	EA	CATCH - SPRING - ROLLER
16	093586-05-000	EA	STRIKE - SPRING STEEL
17	098980-01-000	EA	PILASTER - ADJUSTABLE SHELF - 18" - WOODGRAIN APPEARANCE
17	098980-02-000	EA	PILASTER - ADJUSTABLE SHELF - 12" - WOODGRAIN APPEARANCE
17	098980-03-000	EA	PILASTER - ADJUSTABLE SHELF - 9" - WOODGRAIN APPEARANCE
17	098980-04-000	EA	PILASTER - ADJUSTABLE SHELF - 48" - WOODGRAIN APPEARANCE
17	098980-05-000	EA	PILASTER - ADJUSTABLE SHELF - 15"
17	098980-06-000	EA	PILASTER - ADJUSTABLE SHELF - 24"
18	098979-01-000	EA	CLIP - ADJUSTABLE SHELF

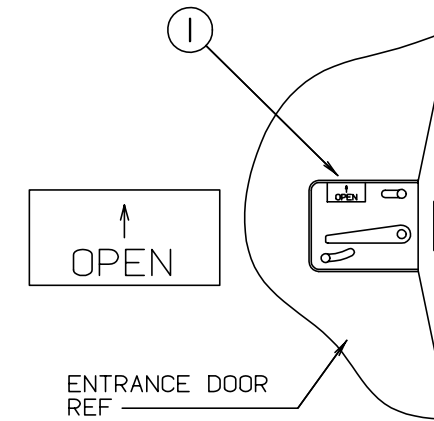
KEY	PART NUMBER	U/M	DESCRIPTION
19	117801-01-01A	EA	PULL - CABINET - BRASS
20	111093-01-000	EA	PULL - CABINET - BRASS - EUROPEAN EXPORT
21	074493-02-000	EA	SUPPORT - PISTON SPRING - CABINET DOOR
22	042356-01-000	EA	PLUG - BUTTON - MAHOGANY - 3/8" DIAMETER - WOOD
23	114045-01-000	EA	BACKSOCKET - ADJUSTABLE LEFT
24	114045-02-000	EA	BACKSOCKET - ADJUSTABLE RIGHT
25	114031-02-000	EA	SLIDE - 12" - RIGHT SIDE/CABINET
25	114031-06-000	EA	SLIDE - 14" - RIGHT SIDE/CABINET
25	114031-10-000	EA	SLIDE - 16" - RIGHT SIDE/CABINET
25	114031-14-000	EA	SLIDE - 18" - RIGHT SIDE/CABINET
25	114031-18-000	EA	SLIDE - 20" - RIGHT SIDE/CABINET
25	114031-22-000	EA	SLIDE - 22" - RIGHT SIDE/CABINET
25	114031-26-000	EA	SLIDE - 24" - RIGHT SIDE/CABINET
26	114031-04-000	EA	SLIDE - 12" - RIGHT SIDE/DRAWER
26	114031-08-000	EA	SLIDE - 14" - RIGHT SIDE/DRAWER
26	114031-12-000	EA	SLIDE - 16" - RIGHT SIDE/DRAWER
26	114031-16-000	EA	SLIDE - 18" - RIGHT SIDE/DRAWER
26	114031-20-000	EA	SLIDE - 20" - RIGHT SIDE/DRAWER
26	114031-24-000	EA	SLIDE - 22" - RIGHT SIDE/DRAWER
26	114031-28-000	EA	SLIDE - 24" - RIGHT SIDE/DRAWER
27	114031-03-000	EA	SLIDE - 12" - LEFT SIDE/DRAWER
27	114031-07-000	EA	SLIDE - 14" - LEFT SIDE/DRAWER
27	114031-11-000	EA	SLIDE - 16" - LEFT SIDE/DRAWER
27	114031-15-000	EA	SLIDE - 18" - LEFT SIDE/DRAWER
27	114031-19-000	EA	SLIDE - 20" - LEFT SIDE/DRAWER
27	114031-23-000	EA	SLIDE - 22" - LEFT SIDE/DRAWER
27	114031-27-000	EA	SLIDE - 24" - LEFT SIDE/DRAWER
28	114031-01-000	EA	SLIDE - 12" - LEFT SIDE/CABINET
28	114031-05-000	EA	SLIDE - 14" - LEFT SIDE/CABINET
28	114031-09-000	EA	SLIDE - 16" - LEFT SIDE/CABINET
28	114031-13-000	EA	SLIDE - 18" - LEFT SIDE/CABINET
28	114031-17-000	EA	SLIDE - 20" - LEFT SIDE/CABINET
28	114031-21-000	EA	SLIDE - 22" - LEFT SIDE/CABINET
28	114031-25-000	EA	SLIDE - 24" - LEFT SIDE/CABINET
29	079921-01-000	EA	ROLLER - NYLON - W/STEEL SHAFT - BARBED
30	004354-01-000	EA	BUMPER - RUBBER - .5" DIA - BROWN
31	009112-01-000	EA	FLANGE - PLASTIC - 1" CLOTHES ROD - OFF WHITE
32	111866-01-02A	EA	BRACE - SEAT - ANGLE - OFF WHITE
	009059-01-000	EA	HINGE - DOOR - 2" X 1.4" - BRASS
	114693-01-01A	EA	SUPPORT - BLACK
	114693-02-01A	EA	SUPPORT - BLACK
	124311-01-01A	EA	HANDLE - RECESSED - BRASS
	042438-01-000	EA	DOWEL - WOOD - CLOTHES ROD - 1" DIAMETER X 4'

LABELS GROUP

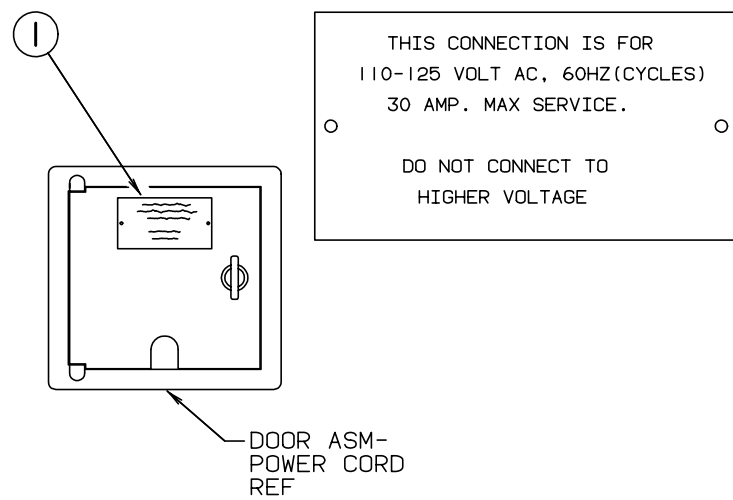


KEY	PART NUMBER	U/M DESCRIPTION
1	050225-01-000	EA LABEL-WARNING, STOVE VENT - US
1	050222-01-000	EA LABEL-WARNING, STOVE VENT - CANADIAN

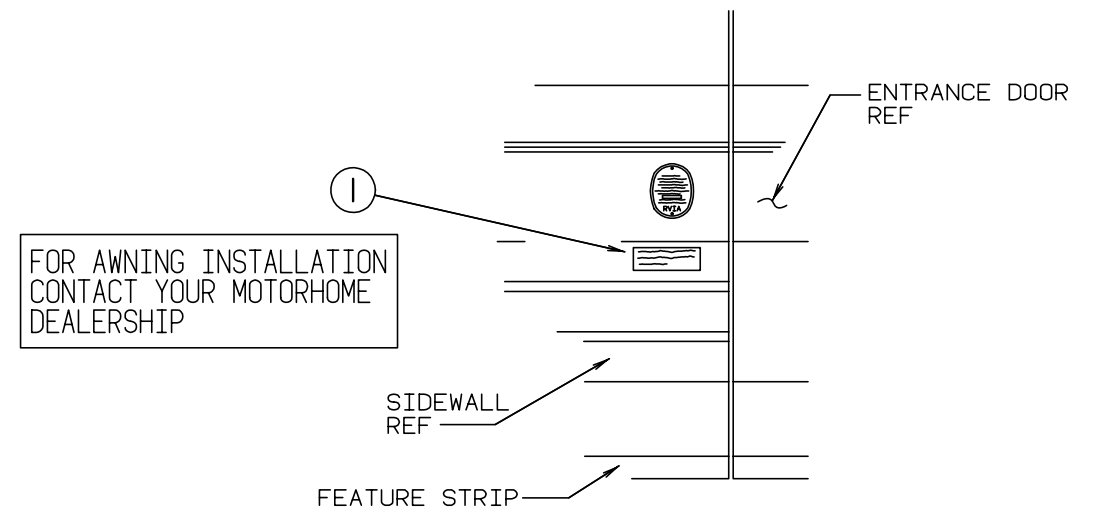
LABELS GROUP (CONTINUED)



KEY	PART NUMBER	U/M DESCRIPTION
1	040944-01-000	EA LABEL-ENTRANCE DOOR, "OPEN"

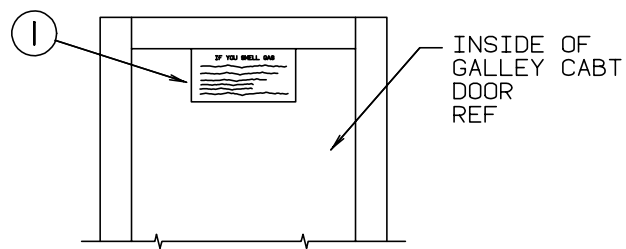


KEY	PART NUMBER	U/M DESCRIPTION
1	006062-01-000	EA LABEL - ELECTRIC - 110 VOLT CONNECTION FROM: 00-00-00 THRU: 07-13-97
1	006062-05-000	EA LABEL - ELECTRIC - 220V - 25AMP SERVICE FROM: 00-00-00 THRU: 07-13-97
1	125306-01-01A	EA LABEL - ELECTRICAL ENTRANCE - 110 VOLT 30 AMP FROM: 07-14-97 THRU: 99-99-99
1	125306-05-01A	EA LABEL - ELECTRICAL ENTRANCE - 220 VOLT 25 AMP FROM: 07-14-97 THRU: 99-99-99



KEY	PART NUMBER	U/M DESCRIPTION
1	099509-01-000	EA LABEL-AWNING INSTALLATION

LABELS GROUP (CONTINUED)



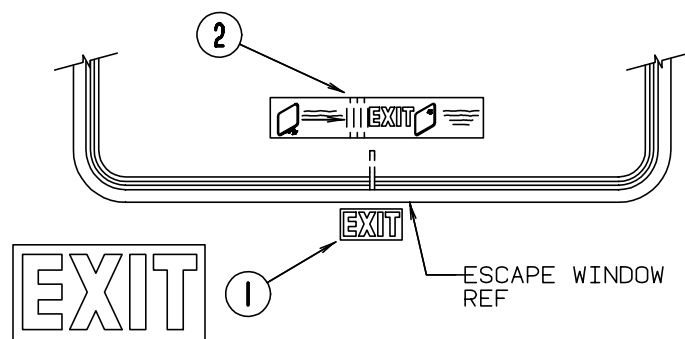
IF YOU SMELL GAS

1. EXTINGUISH ANY OPEN FLAME, PILOT LIGHTS AND ALL SMOKING MATERIALS.
2. SHUT OFF THE GAS SUPPLY AT THE TANK VALVE(OR GAS SUPPLY CONNECTION.
3. OPEN DOORS AND OTHER VENTILATING OPENINGS.
4. DO NOT TOUCH ELECTRICAL SWITCHES.
5. LEAVE THE AREA UNTIL ODOR CLEARS.
6. HAVE THE GAS SYSTEM CHECKED AND LEAKAGE SOURCE CORRECTED BEFORE USING AGAIN.

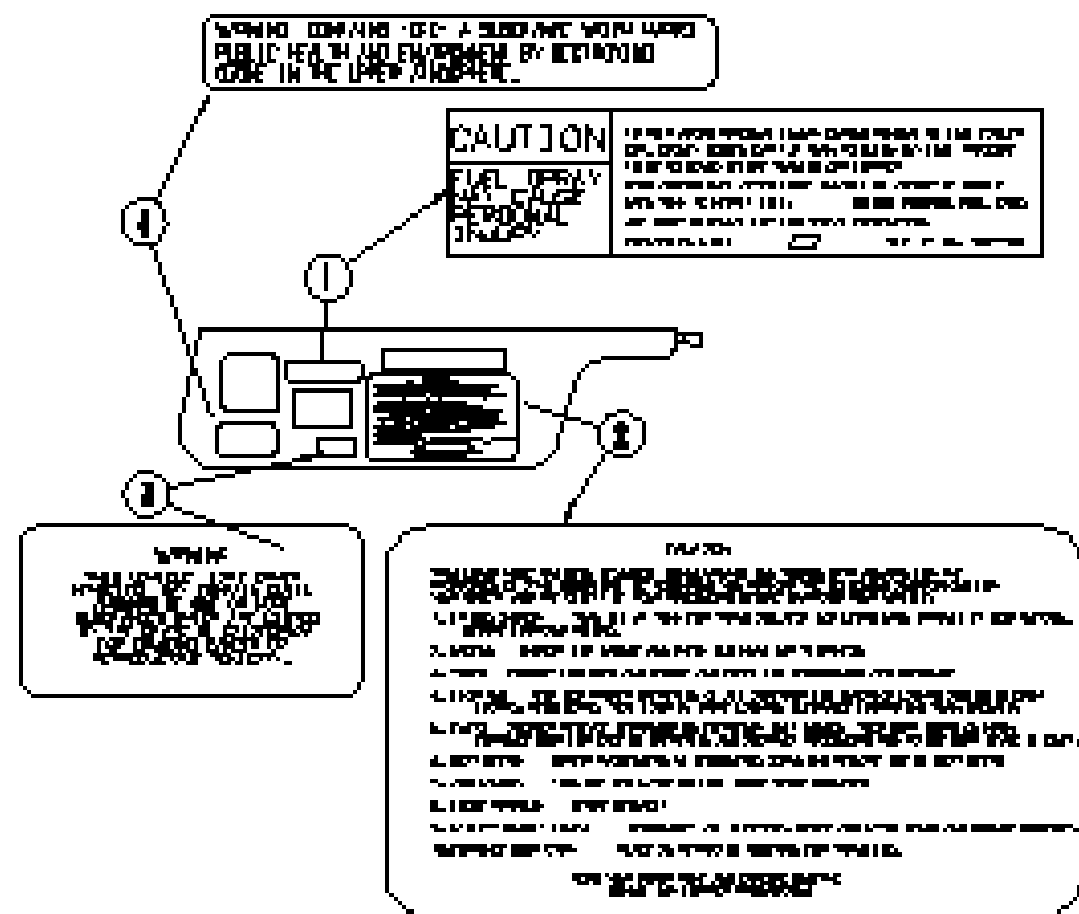
KEY	PART NUMBER	U/M DESCRIPTION
1	073998-01-000	EA LABEL-LPG ODOR WARNING



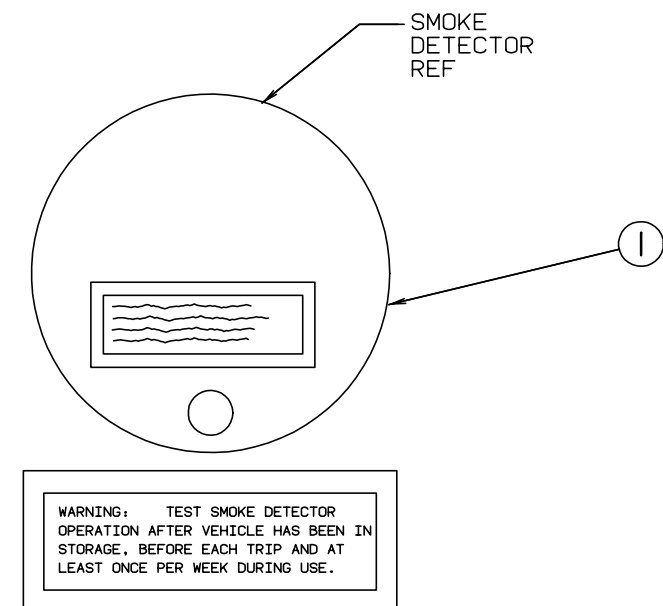
KEY	PART NUMBER	U/M DESCRIPTION
1	039290-01-000	EA LABEL-WARNING, EXIT
2	107571-01-000	EA LABEL-EXIT/ESCAPE WINDOW



LABELS GROUP (CONTINUED)



KEY	PART NUMBER	U/M DESCRIPTION
1	087207-05-000	EA LABEL-FUEL CAP REMOVAL
2	056259-01-000	EA LABEL-SAFETY CHECK LIST
3	099689-01-000	EA LABEL-WARNING, CANCER/TOXICITY - CALIFORNIA
4	111802-01-000	EA LABEL-CFC WARNING



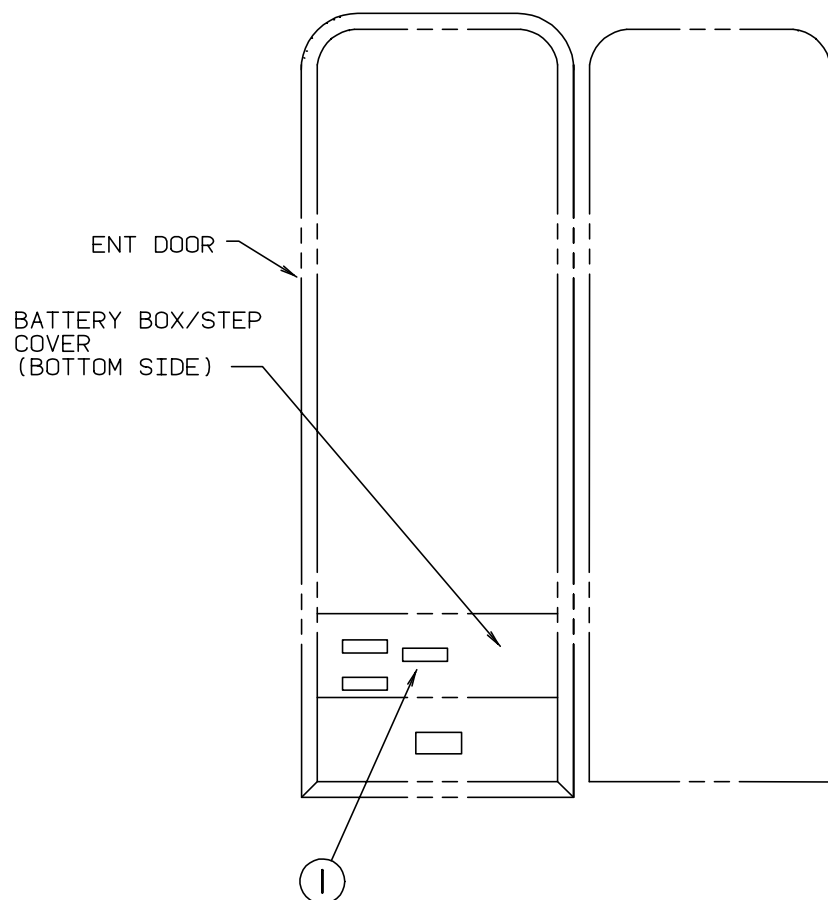
KEY	PART NUMBER	U/M DESCRIPTION
1	077956-01-000	EA LABEL-WARNING, SMOKE DETECTOR

LABELS GROUP (CONTINUED)

AIR CONDITIONING CIRCUIT.
THIS CONNECTION IS FOR
AIR CONDITIONERS RATED 110-
125 VOLT AC, 60 HZ, 16
AMPERES MAXIMUM. DO NOT
EXCEED CIRCUIT RATING.



KEY	PART NUMBER	U/M DESCRIPTION
1	091243-01-000	EA LABEL-A/C COVER, "AIR CONDITIONING CIRCUIT. ETC."



WARNING: DISCONNECT BATTERIES BEFORE CONNECTING EXTERNAL CHARGING EQUIPMENT.

AVERTISSEMENT: DEBRANCHER LES BATTERIES AVANT DE BRANCHER TOUT EQUIPEMENT DE CHARGE EXTERIEUR.

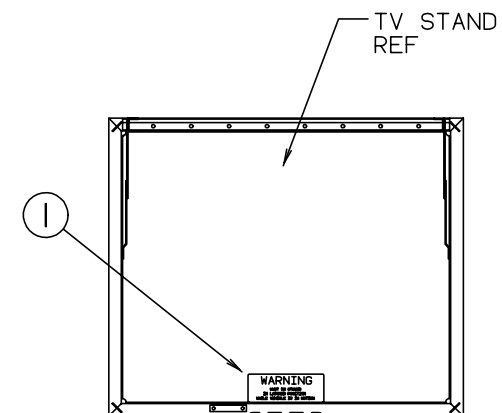
KEY	PART NUMBER	U/M DESCRIPTION
1	065748-01-000	EA LABEL-CAUTION, BATTERY CHARGING - US
1	065748-02-000	EA LABEL-CAUTION, BATTERY CHARGING - FRENCH

LABELS GROUP (CONTINUED)

DO NOT USE HITCH BEFORE READING OWNERS MANUAL REGARDING VEHICLE LOADING AND TOWING



KEY	PART NUMBER	U/M DESCRIPTION
1	111104-01-000	EA LABEL-HITCH, READ MANUAL - WHITE LETTERS
1	111104-02-000	EA LABEL-HITCH, READ MANUAL - BLACK LETTERS



WARNING
MUST BE STOWED
IN LATCHED POSITION
WHILE VEHICLE IS IN MOTION

KEY	PART NUMBER	U/M DESCRIPTION
1	079966-01-000	EA LABEL-WARNING, STOWED - MOTION

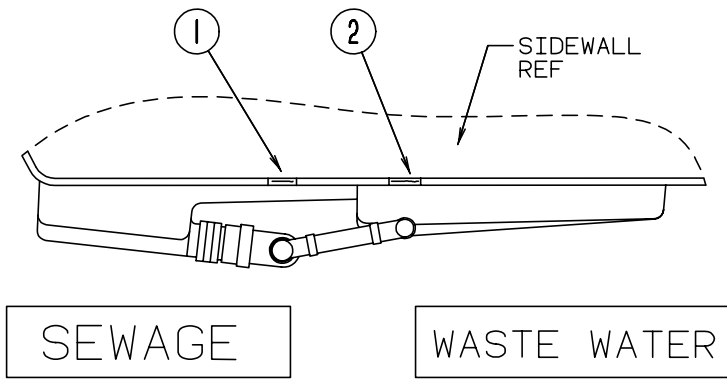
NOTE: TUNE ANTENNA PER MANUFACTURER'S DIRECTIONS. FAILURE TO COMPLY COULD RESULT IN DAMAGE TO CB.

CB POWER PROVISION
RED +12 V
BLACK GROUND
COAX ANTENNA
(SEE REVERSE ALSO)



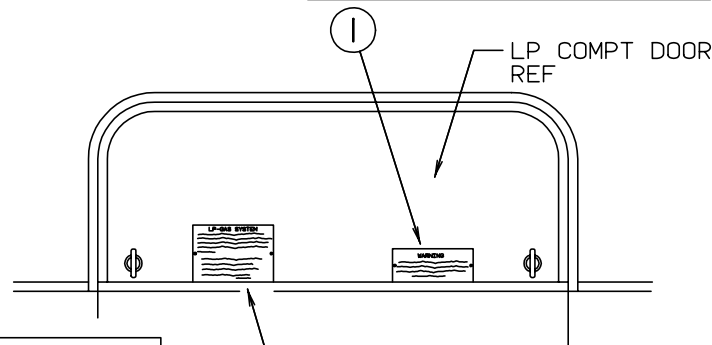
KEY	PART NUMBER	U/M DESCRIPTION
1	104678-01-000	EA LABEL-CB PREP

LABELS GROUP (CONTINUED)



KEY	PART NUMBER	U/M DESCRIPTION
1	006187-01-000	EA LABEL-SEWAGE
2	006188-01-000	EA LABEL-WASTE WATER

WARNING
 ALL PILOT LIGHTS AND APPLIANCES SHALL BE TURNED OFF DURING REFUELING OF MOTOR FUEL TANKS AND/OR PERMANENTLY MOUNTED LP-GAS CONTAINERS.

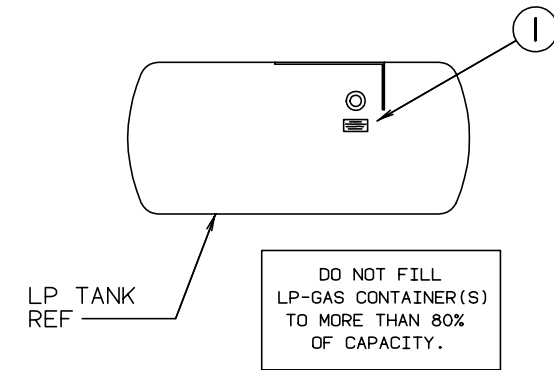


LP-GAS SYSTEM
 THIS GAS PIPING SYSTEM IS DESIGNED FOR USE OF LIQUEFIED PETROLEUM GAS ONLY. DO NOT CONNECT NATURAL GAS TO THIS SYSTEM.

SECURELY CAP INLET(S) WHEN NOT CONNECTED FOR USE. AFTER TURNING ON GAS, EXCEPT AFTER NORMAL CONTAINER REPLACEMENT, TEST GAS PIPING AND CONNECTIONS TO APPLIANCE FOR LEAKAGE WITH SOAPY WATER OR BUBBLE SOLUTION. DO NOT USE PRODUCTS THAT CONTAIN AMMONIA OR CHLORINE.
 P.N. 54531

KEY	PART NUMBER	U/M DESCRIPTION
1	124519-01-01A	EA LABEL-WARNING/REFUELING, US
1	124519-02-02A	EA LABEL-WARNING/REFUELING, CANADIAN
2	124520-01-01A	EA LABEL-LP GAS ONLY, US
2	023769-01-000	EA LABEL-WARNING, LPG - CANADIAN

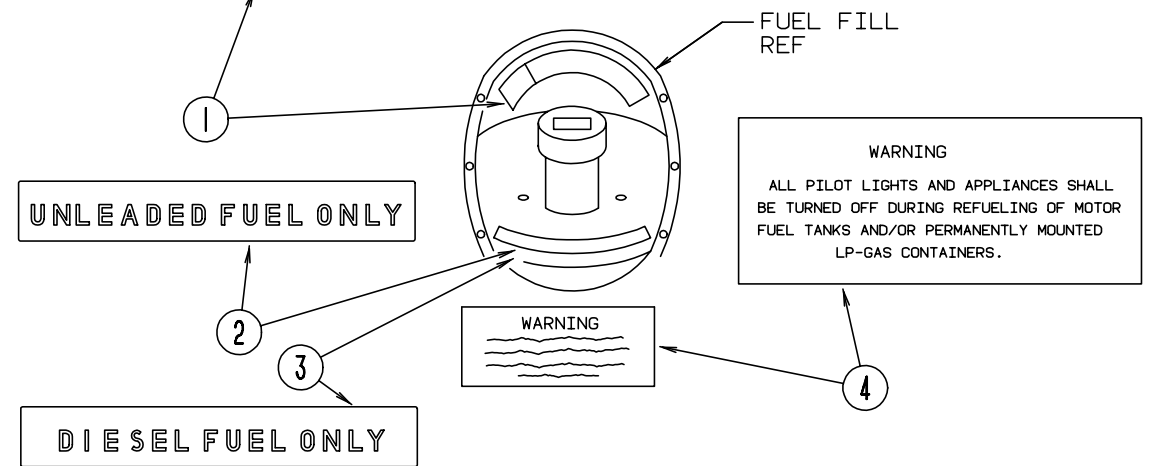
LABELS GROUP (CONTINUED)



KEY	PART NUMBER	U/M DESCRIPTION
1	079965-01-000	EA LABEL-LPG, 80% CAPACITY

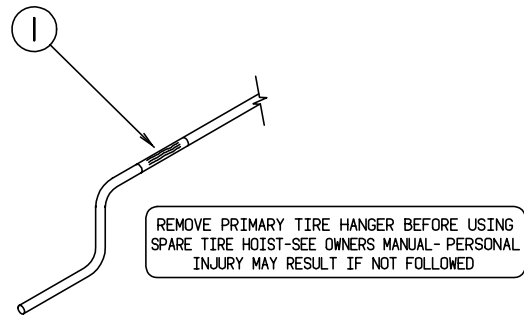
CAUTION
 TO HELP AVOID PERSONAL INJURY DURING REMOVAL OF FUEL FILLER CAP, SLOWLY LOOSEN CAP 1/2 TURN TO ALLOW ANY FUEL PRESSURE TO BE RELIEVED BEFORE TURNING CAP FURTHER.

FUEL SPRAY MAY CAUSE PERSONAL INJURY
 STOP ADDING FUEL AFTER FIRST SHUTOFF BY AUTOMATIC NOZZLE WHEN TANK IS NEARLY FULL. DO NOT OVERFILL FUEL TANK. SEE OWNERS MANUAL FOR ADDITIONAL INFORMATION.
 PRINTED IN U.S.A. MLC PT NO 15611763



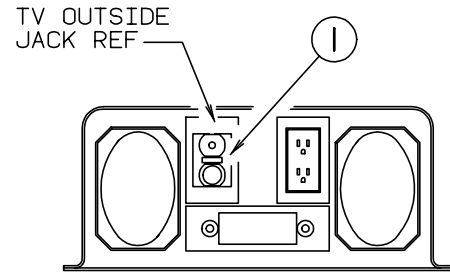
KEY	PART NUMBER	U/M DESCRIPTION
1	087207-05-000	EA LABEL-FUEL CAP REMOVAL
2	062043-01-000	EA LABEL-FUEL, UNLEADED
3	068383-01-000	EA LABEL-DIESEL FUEL ONLY, GM-557005
4	124519-01-01A	EA LABEL-WARNING/REFUELING, US
4	124519-02-02A	EA LABEL-WARNING/REFUELING, CANADIAN

LABELS GROUP (CONTINUED)



KEY	PART NUMBER	U/M DESCRIPTION
1	126024-01-01A	EA LABEL - TIRE HANGER REMOVAL

FROM: 03-14-97 THRU: 99-99-99



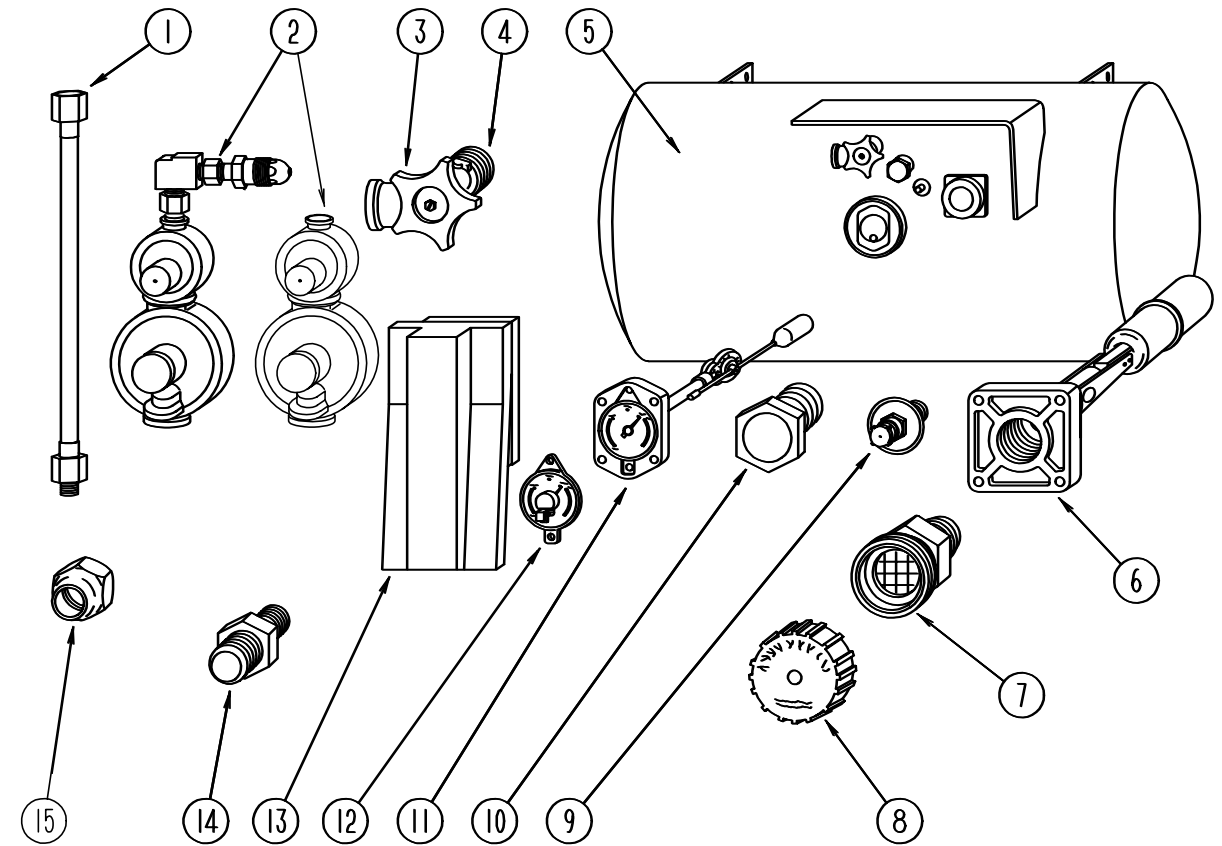
KEY	PART NUMBER	U/M DESCRIPTION
1	087236-01-000	EA LABEL - CABLE - INPUT



MISCELLANEOUS LABELS

KEY	PART NUMBER	U/M DESCRIPTION
006064-01-000	EA	LABEL-SEAT W/O SEATBELT "NOT INTENDED FOR USE WHILE COACH IN MOTION"
098379-04-000	EA	LABEL-ELECTRICAL BOX, SIDE
098641-01-000	EA	LABEL-FUEL, UNLEADED - DASH
111537-07-000	EA	LABEL-FUSES
113402-02-000	EA	LABEL-CAUTION, FURNACE EXHAUST

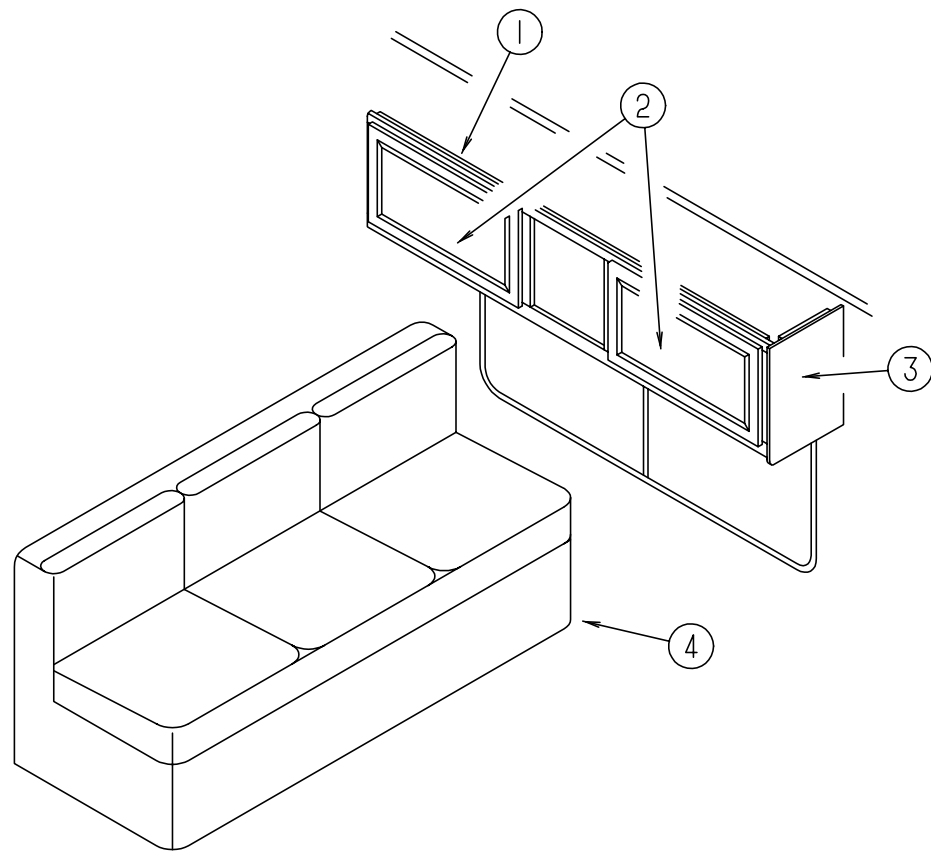
LP GROUP



LP TANK & COMPONENTS

KEY	PART NUMBER	U/M DESCRIPTION	VENDOR NO.
1	045703-01-000	EA HOSE - LP - 3/8" ID X 24" - 3/8" MPT X 1/2" F SWIVEL - US	
1	045703-03-000	EA HOSE - LP - 3/8" ID X 18" - 3/8" MPT X 1/2" F SWIVEL - US	
1	045703-02-000	EA HOSE - LP - 3/8" ID X 24" - 3/8" MPT X 1/2" F SWIVEL - CANADIAN	
1	045703-12-000	EA HOSE - LP - 3/8" ID X 18" - 3/8" MPT X 1/2" F SWIVEL - CANADIAN	
2	106150-01-000	EA REGULATOR-TWO STAGE	
2	106150-02-000	EA REGULATOR-TWO STAGE - EUROPEAN	
3	040421-01-708	EA HANDWHEEL-SERVICE VALVE	G-1015-A
4	040421-01-712	EA VALVE-SERVICE W/O VAPOR RELIEF	29000853
5	088253-07-000	EA TANK - LP - 80 LB - 16" X 30" - TOP MOUNT	
6	040421-01-711	EA VALVE - 80% FILL W/AUTO STOP	LLL/TL3
7	040421-01-701	EA VALVE-SHORT LP FILLER W/YELLOW CAP	7547B
8	040421-01-702	EA CAP-LP FILLER VALVE, PLASTIC - YELLOW	G-1014-A
9	040421-01-700	EA GAUGE-LIQUID LEVEL, 20% LP	G-1013
10	040421-01-713	EA VALVE-VAPOR ONLY	29000587
11	088253-01-700	EA GAUGE-FLOAT ASSEMBLY, L.P.	16C
12	040440-02-000	EA TRANSMITTER - DIAL - 0-90 OHM - 2 TERMINAL (POWER & GROUND)	
13	105658-01-000	EA COMPARTMENT-LP REGULATOR	
14	010323-01-000	EA ADAPTER-BRASS, 3/8" F X 1/2" MPT	
14	010329-01-000	EA ADAPTER-BRASS, 1/2" F X 1/2" MPT	
15	010377-02-000	EA NUT-BRASS, 3/8" FLARE - FORGED	
15	010380-02-000	EA NUT - BRASS - 1/2" FLARE - FORGED	
	008042-01-000	FT TUBING-VINYL, .65" ID	
	010265-01-000	EA ELBOW - BRASS - 90 DEGREE - 3/8" F X 1/2" F MPT	
	035340-01-000	EA ELBOW - 3/8" MPT X 1/2" F - BRASS	
	103613-01-000	EA DETECTOR-LP GAS	
			FROM: 00-00-00 THRU: 11-10-96
	103613-02-000	EA DETECTOR - LP GAS	
			FROM: 11-11-96 THRU: 04-27-97
	103613-03-000	EA DETECTOR - LP GAS	
			FROM: 04-28-97 THRU: 99-99-99
	122752-01-02B	EA BRACKET-LP, E-COAT	

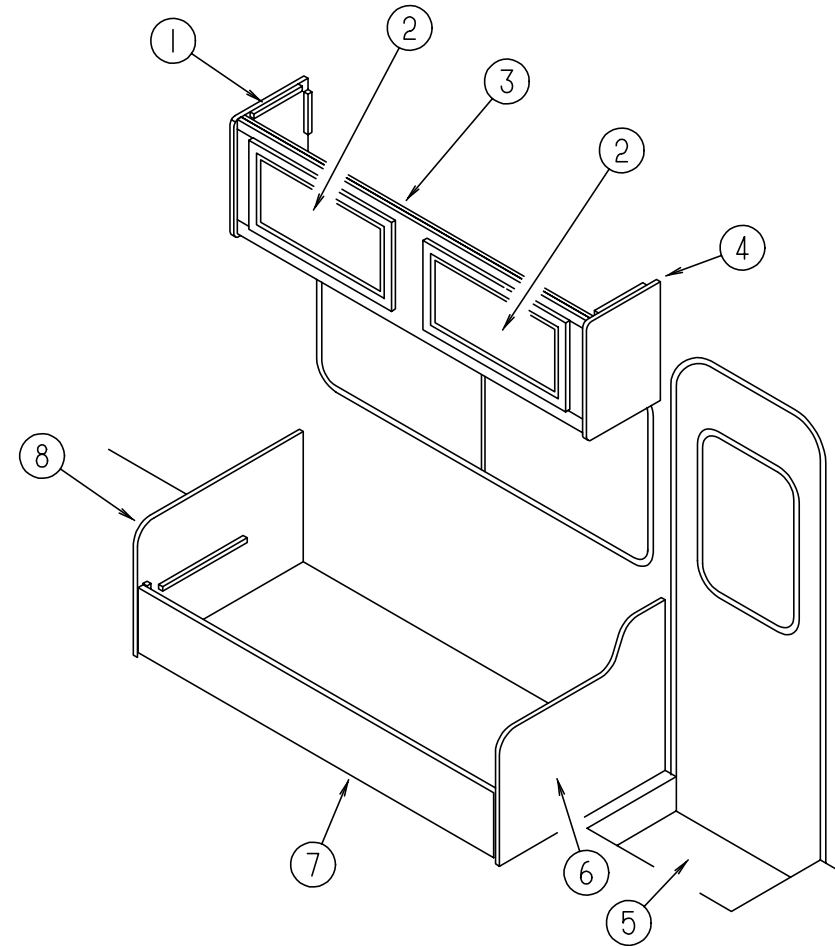
LOUNGE GROUP



DRIVER SIDE OVERHEAD & COUCH CABINETS

KEY	PART NUMBER	U/M	DESCRIPTION
1	117922-01-H33	EA	CABINET - OVERHEAD/DINETTE - W/O DOORS/HARDWARE (H33)
1	117922-01-G14	EA	CABINET - OVERHEAD/DINETTE - W/O DOORS/HARDWARE (H34)
1	117922-01-H35	EA	CABINET - OVERHEAD/DINETTE - W/O DOORS/HARDWARE (H35)
1	117922-06-H33	EA	CABINET - OVERHEAD/DINETTE - W/O DOORS/HARDWARE (H33) W.I.E. EXPORT OPTION
1	117922-06-H34	EA	CABINET - OVERHEAD/DINETTE - W/O DOORS/HARDWARE (H34) W.I.E. EXPORT OPTION
1	117922-06-H35	EA	CABINET - OVERHEAD/DINETTE - W/O DOORS/HARDWARE (H35) W.I.E. EXPORT OPTION
	117579-13-G09	EA	SHELF - W/PLASTIC EDGE TRIM
2	M06803-76-H33	EA	DOOR - MITERED CORNER/OGEE EDGE - 15.7" X 28" - W/O HDW
2	M06803-K3-G09	EA	DOOR - MITERED CORNER/OGEE EDGE - 15.7" X 28" - W/O HDW W.I.E. EXPORT OPTION
2	M06803-02-G09	EA	DOOR - MITERED CORNER/OGEE EDGE - 15.7" X 28" - W/O HDW DECORATOR DOOR OPTION
3	103128-01-G09	EA	END CAP - OVERHEAD CABINET - RIGHT HAND
4	M04187-89-H33	EA	PANEL - COUCH FRONT - FABRIC COVERED
4	M04187-89-H34	EA	PANEL - COUCH FRONT - FABRIC COVERED
4	M04187-89-H35	EA	PANEL - COUCH FRONT - FABRIC COVERED

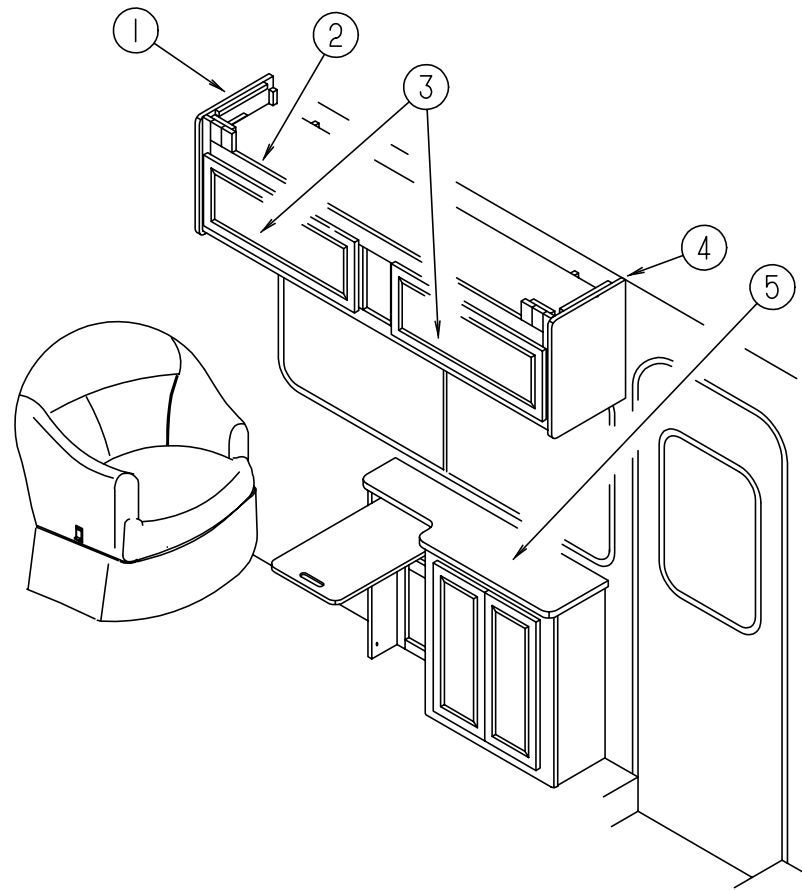
LOUNGE GROUP (CONTINUED)



PASSENGER SIDE OVERHEAD & COUCH CABINETS

KEY	PART NUMBER	U/M	DESCRIPTION
1	103128-13-H33	EA	END CAP - OVERHEAD CABINET - LEFT HAND
2	M06803-22-G09	EA	DOOR - MITERED CORNER/OGEE EDGE - 14.3" X 26.7" - W/O HDW
2	M06803-L0-H33	EA	DOOR - MITERED CORNER/OGEE EDGE - 14.3" X 26.7" - W/O HDW W.I.E. EXPORTOPTION
3	122173-01-H33	EA	CABINET - OVERHEAD/LOUNGE - W/O DOORS/HARDWARE
3	122173-02-H33	EA	CABINET - OVERHEAD/LOUNGE - W/O DOORS/HARDWARE - W.I.E. EXPORT OPTION
4	103128-12-H33	EA	END CAP - OVERHEAD CABINET - RIGHT HAND
5	120234-04-H13	EA	LID - ENTRY STEP
	122755-03-01A	EA	TILE - RUBBER/ENTRANCE DOOR - 17.7" X 26.4"
	101222-01-04A	EA	BRACKET - CATCH - LID
	116975-01-01A	EA	LATCH - W/O STRIKE - BLACK - NEW STYLE
	116975-02-01A	EA	KEEPER/STRIKE - BLACK - NEW STYLE
6	M04187-84-H33	EA	PANEL - COUCH/RIGHT END - FABRIC COVERED
6	M04187-84-H34	EA	PANEL - COUCH/RIGHT END - FABRIC COVERED
6	M04187-84-H35	EA	PANEL - COUCH/RIGHT END - FABRIC COVERED
7	M04187-83-H33	EA	PANEL - COUCH/KICK PANEL - FABRIC COVERED
7	M04187-83-H34	EA	PANEL - COUCH/KICK PANEL - FABRIC COVERED
7	M04187-83-H35	EA	PANEL - COUCH/KICK PANEL - FABRIC COVERED
8	M04187-85-H33	EA	PANEL - COUCH/LEFT END - FABRIC COVERED
8	M04187-85-H34	EA	PANEL - COUCH/LEFT END - FABRIC COVERED
8	M04187-85-H35	EA	PANEL - COUCH/LEFT END - FABRIC COVERED
	082525-01-000	EA	BRACE - COUCH - FLOOR MOUNT - ANGLE 3" LONG

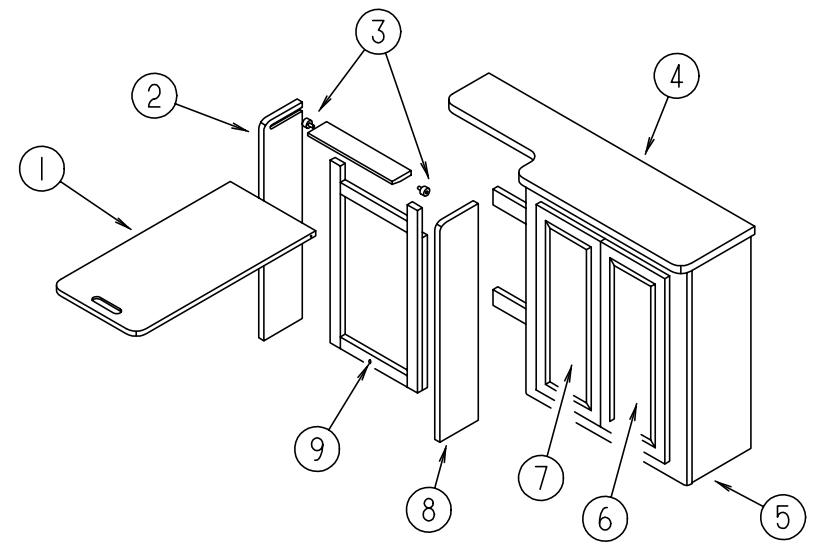
LOUNGE GROUP (CONTINUED)



PASSENGER SIDE OVERHEAD CABINET & HUTCH

KEY	PART NUMBER	U/M	DESCRIPTION
1	103128-13-H33	EA	END CAP - OVERHEAD CABINET - LEFT HAND
2	M06803-22-G09	EA	DOOR - MITERED CORNER/OGEE EDGE - 14.3" X 26.7" - W/O HDW
2	M06803-L0-H33	EA	DOOR - MITERED CORNER/OGEE EDGE - 14.3" X 26.7" - W/O HDW W.I.E. EXPORTOPTION
3	122173-01-H33	EA	CABINET - OVERHEAD/LOUNGE - W/O DOORS/HARDWARE
3	122173-02-H33	EA	CABINET - OVERHEAD/LOUNGE - W/O DOORS/HARDWARE - W.I.E. EXPORTOPTION
4	103128-12-H33	EA	END CAP - OVERHEAD CABINET - RIGHT HAND
5	114796-01-GB1	EA	CABINET - HUTCH PASS/LOUNGE - W/PULLOUT TBL - W/O DRS/HDW (H33)
5	114796-01-G05	EA	CABINET - HUTCH PASS/LOUNGE - W/PULLOUT TBL - W/O DRS/HDW (H34, H35)
	120234-04-H13	EA	LID - ENTRY STEP
	122755-03-01A	EA	TILE - RUBBER/ENTRANCE DOOR - 17.7" X 26.4"
	101222-01-04A	EA	BRACKET - CATCH - LID
	116975-01-01A	EA	LATCH - W/O STRIKE - BLACK - NEW STYLE
	116975-02-01A	EA	KEEPER/STRIKE - BLACK - NEW STYLE

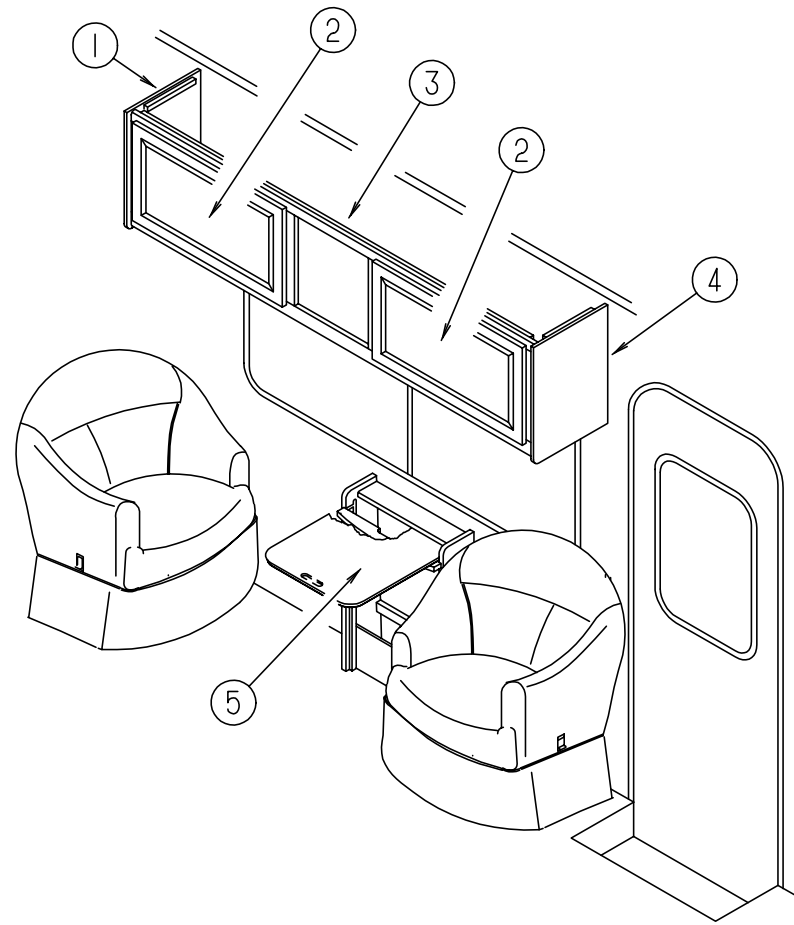
LOUNGE GROUP (CONTINUED)



PASSENGER SIDE HUTCH

KEY	PART NUMBER	U/M	DESCRIPTION
1	114796-15-G04	EA	TABLE - PULLOUT - HUTCH CABINET
2	114796-13-G04	EA	PANEL - OUTSIDE - FLIP UP TABLE CABINET
3	079921-01-000	EA	ROLLER - NYLON - W/STEEL SHAFT - BARBED
4	114796-11-F02	EA	COUNTERTOP - HUTCH CABINET (H33)
4	114796-11-F29	EA	COUNTERTOP - HUTCH CABINET (H34,H35)
5	114796-01-GB1	EA	CABINET - HUTCH PASS/LOUNGE - W/PULLOUT TBL - W/O DRS/HDW (H33)
5	114796-01-G05	EA	CABINET - HUTCH PASS/LOUNGE - W/PULLOUT TBL - W/O DRS/HDW (H34,H35)
6	M06803-20-G09	EA	DOOR - MITERED CORNER/OGEE EDGE - 10" X 25.2" - W/O HDW
7	M06803-D9-G09	EA	DOOR - MITERED CORNER/OGEE EDGE - 10" X 25.2" - W/O HDW
8	114796-12-G04	EA	PANEL - INSIDE - FLIP UP TABLE CABINET
9	049176-01-000	EA	HEDLOCK II - 3/4 DIAMETER SCREW MOUNT

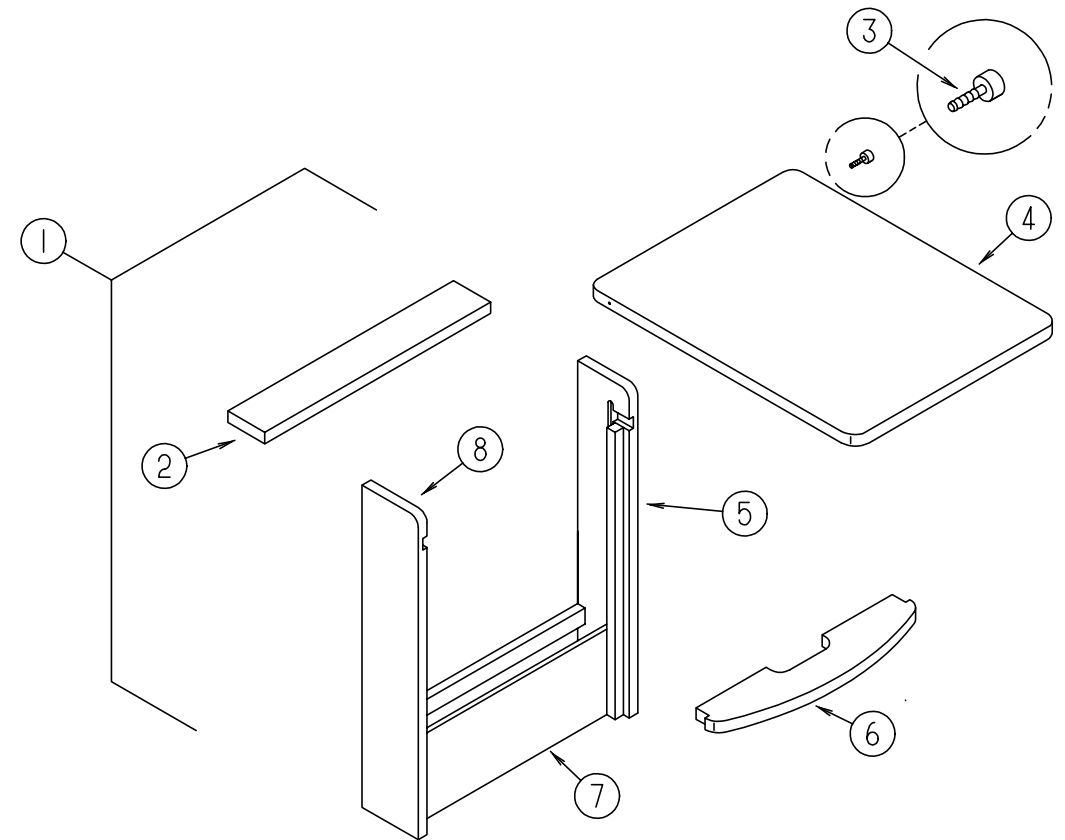
LOUNGE GROUP (CONTINUED)



PASSENGER SIDE OVERHEAD CABINET & PULLOUT TABLE

KEY	PART NUMBER	U/M DESCRIPTION
1	103128-13-H33	EA END CAP - OVERHEAD CABINET - LEFT HAND
2	M06803-22-G09	EA DOOR - MITERED CORNER/OGEE EDGE - 14.3" X 26.7" - W/O HDW
2	M06803-L0-H33	EA DOOR - MITERED CORNER/OGEE EDGE - 14.3" X 26.7" - W/O HDW W.I.E. EXPORTOPTION
3	122173-01-H33	EA CABINET - OVERHEAD/LOUNGE - W/O DOORS/HARDWARE
3	122173-02-H33	EA CABINET - OVERHEAD/LOUNGE - W/O DOORS/HARDWARE - W.I.E. EXPORTOPTION
4	103128-12-H33	EA END CAP - OVERHEAD CABINET - RIGHT HAND
5	M96873-01-G01	EA CABINET - F/PULLOUT TABLE - W/O TOP
	120234-04-H13	EA LID - ENTRY STEP
	122755-03-01A	EA TILE - RUBBER/ENTRANCE DOOR - 17.7" X 26.4"
	101222-01-04A	EA BRACKET - CATCH - LID
	116975-01-01A	EA LATCH - W/O STRIKE - BLACK - NEW STYLE
	116975-02-01A	EA KEEPER/STRIKE - BLACK - NEW STYLE

LOUNGE GROUP (CONTINUED)



PULLOUT TABLE

KEY	PART NUMBER	U/M DESCRIPTION
1	M96873-01-G01	EA CABINET - F/PULLOUT TABLE - W/O TOP
2	096873-15-G01	EA SHELF - SUPPORT - OVER PULLOUT TABLE TOP
3	079921-01-000	EA ROLLER - NYLON - W/STEEL SHAFT - BARBED
4	096873-11-G01	EA TABLE TOP ONLY - PULLOUT
	080736-01-000	EA PULL - RECESSED - 1.25 X 4" - OAK
5	096873-13-G01	EA SIDE END - TABLE - RIGHT SIDE - 28.7" X 5.7"
6	096873-12-G01	EA SHELF - SUPPORT UNDER TABLE TOP
7	096873-16-G01	EA TABLE FRONT - BOTTOM - 18.1" X 6.7"
8	096873-14-G01	EA SIDE END - TABLE - LEFT SIDE - 28.7" X 5.7"

**SEALANTS & FASTENERS GROUP
ADHESIVES**

KEY	PART NUMBER	U/M	DESCRIPTION
	004020-01-000	QT	ADHESIVE - ABS CEMENT - QUART
	081377-01-700	EA	ADHESIVE - CYANOACRYLATE, 10 GRAM TUBE
	004006-05-700	EA	ADHESIVE - 5 GALLON - NATURAL STARCH
	062917-03-000	EA	ADHESIVE - LOCTITE 242
	067788-01-000	EA	ADHESIVE - SPRAY - 3M - 19.5 AEROSOL CAN
	087211-01-000	GL	PROMOTER - ADHESIVE
	112901-02-000	EA	ADHESIVE - PLEXUS - 50ML

TAPES

KEY	PART NUMBER	U/M	DESCRIPTION
	002707-02-000	FT	TAPE - SEALER - 5/16" X 1/2" - INCREMENTS OF 50 FT
	076314-02-000	FT	TAPE - CARPET SEAM - HEAT-BOND - 4" WIDE
	123244-01-000	FT	TAPE - DOUBLE COATED FOAM .80" THICK X .75" WIDE
	076322-04-000	FT	TAPE - DOUBLE COATED/ADHESIVE BACK - .045"THK X .75"W X 9'
	076322-05-000	FT	TAPE - DOUBLE COATED/ADHESIVE BACK - .045"THK X .75"W X 9'
	076322-07-000	FT	TAPE - DOUBLE COATED/ADHESIVE BACK - .045"THK X .50"W X 9'
	110274-01-000	FT	TAPE - DOUBLE SIDED FOAM - .45" X 1"
	063642-01-000	FT	TAPE - ADHESIVE - 10 MIL X 1.5" X 180"
	088479-01-000	EA	TAPE - ALUMINUM - 3"
	120534-01-01A	EA	TAPE - SCOTCH - 3M - 1/2" FINE LINE
	123816-01-000	FT	TAPE - DOUBLE SIDED - 1"
	123816-02-000	FT	TAPE - DOUBLE SIDED - 1/2"

SEALERS

KEY	PART NUMBER	U/M	DESCRIPTION
	069640-01-000	FT	SEALER - RIBBON - 1/4"DIAMETER X 30'
	069640-02-000	FT	SEALER - TAPE - 1/8"THICK X .50"WIDE X 60'
	069640-03-000	FT	SEALER - TAPE - 1/8"THICK X .75"WIDE X 60'
	069640-07-000	FT	SEALER - TAPE - 3/32"THICK X 2"WIDE X 45'
	069640-09-000	FT	SEALER - TAPE - 1/32"THICK X 2.50"WIDE X 80'
	069640-11-000	FT	SEALER - TAPE - 3/16"THICK X 3/8"WIDE X 40'
	069640-13-000	FT	SEALER - TAPE - 3/32"THICK X 2"WIDE X 45'
	069640-14-000	FT	SEALER - TAPE - 1/16"THICK X 1"WIDE X 100'
	069640-15-000	FT	SEALER - TAPE - 1/16"THICK X 3/8"WIDE X 80'
	069640-17-000	FT	SEALER - TAPE - 1/32" THICK X 1"WIDE X 90'
	069640-18-000	FT	SEALER - TAPE - 1/2" THICK X 1/8" X 60'
	900390-01-000	EA	TIP - 2 1/2" X 1/8" ORIFICE
	900390-03-000	EA	NOZZLES-SILICONE TUBE, CSL D10
	034552-02-000	EA	SILICONE - TUBE - 300 ML - W/O NOZZLE - CLEAR
	034552-06-000	EA	SILICONE - TUBE - 300 ML - W/O NOZZLE - OFF WHITE
	120074-02-01A	EA	SEALANT - SILICONE - OFF WHITE
	034552-15-000	EA	SILICONE - TUBE - 300 ML - W/O NOZZLE - BRIGHT WHITE
	039518-01-000	EA	SILICONE - TUBE - 300 ML - BLACK - W/O NOZZLE
	053766-02-000	EA	BEDDING COMPOUND - TUBE - WHITE
	053766-06-000	EA	BEDDING COMPOUND - TUBE - CLEAR
	053766-08-000	EA	BEDDING COMPOUND - TUBE/GRAY
	072889-01-000	EA	SEALANT - URETHANE - BLACK - 1/10
	072889-09-000	EA	SEALANT - URETHANE - BLACK (TUBE)
	072889-10-000	EA	SEALANT - URETHANE (HV) - BRIGHT WHITE
	072889-12-000	EA	SEALANT - URETHANE (LV) BRIGHT WHITE
	072889-16-000	EA	SEALANT - URETHANE - BLACK
	091255-02-000	FT	SEAL - ADHESIVE BACKED/FOAM - .18" THICK X 1.5" WIDE
	102540-03-000	EA	SEAL - SCREW
	102352-01-000	EA	SEALER - PUMPABLE - BLACK
	102352-02-000	EA	SEALER - PUMPABLE - CLEAR
	106206-01-000	EA	SEALER - PUMPABLE - MANUS 30A - BLACK
	108716-03-000	EA	SILICONE - TUBE - BRIGHT WHITE/SELF LEVELING

**SEALANTS & FASTENERS GROUP (CONTINUED)
WASHERS**

KEY	PART NUMBER	U/M	DESCRIPTION
	000E11-07-00B	EA	WASHER - LOCKING - 7/16 MED SPLIT - ZINC
	000E11-08-00B	EA	WASHER - LOCKING - 1/2 MED SPLIT - ZINC
	000E13-14-00B	EA	WASHER - FLAT - 1/4 WIDE - ZINC
	000E13-18-00B	EA	WASHER - FLAT - 3/8 WIDE - ZINC
	000E13-20-00B	EA	WASHER - FLAT - 7/16 WIDE - ZINC
	000E13-22-00B	EA	WASHER - FLAT - 1/2 WIDE - ZINC
	000E13-26-00B	EA	WASHER - FLAT - 5/8 WIDE - ZINC
	000E14-10-00B	EA	WASHER - LOCKING - #10 EXTERNAL TOOTH - ZINC
	044533-01-000	EA	WASHER - PLASTIC - 1 3/8" OD - FOR BUTTONS
	058716-02-000	EA	WASHER - FLAT NYLON
	106649-01-000	EA	WASHER - SEALING - GALVANIZED
	110794-01-000	EA	WASHER - FLAT - 1" ID X 1 3/4' OD

NUTS

KEY	PART NUMBER	U/M	DESCRIPTION
	000D24-10-00B	EA	NUT - HEX - SELF LOCKING - 10-32 ZINC
	000D29-05-00B	EA	NUT - 5/16 - 18 UNC - SF/LOCKING - NYLON WASHER INSERT
	000D29-09-00B	EA	NUT - HEX - SELF LOCKING - 9/16-12 - ZINC
	000D34-06-00B	EA	NUT - HEX - LOCKING - 3/8 - 16 GRADE C - ZINC-PREVAILING T
	000D39-04-00B	EA	NUT - HEX - SERRATED FLANGE - LOCKING - 1/4 - 20 - ZINC
	000D39-05-00B	EA	NUT - HEX - SERRATED FLANGE - LOCKING - 5/16 - 18 - ZINC
	000D39-06-00B	EA	NUT - HEX - SERRATED FLANGE - LOCKING - 3/8 - 18 - ZINC
	000D39-07-00B	EA	NUT - HEX - SERRATED FLANGE - LOCKING - 7/16 - 14 - ZINC
	000D39-08-00B	EA	NUT - HEX - SERRATED FLANGE - LOCKING - 1/2 - 13 - ZINC
	000D44-07-00B	EA	NUT - HEX - SERRATED FLANGE - LOCKING - 7/16-20 - ZINC
	000D46-04-00A	EA	NUT - HEX - WELD - 1/4 - 20 - PLAIN
	040921-01-000	EA	NUT - SPEED - U TYPE - 10-24 BLACK
	040921-04-000	EA	NUT - SPEED - U TYPE - # 8 - .59" LENGTH X .44" WIDTH
	040921-09-000	EA	NUT - SPEED - U TYPE - # 8
	044364-02-000	EA	NUT - SPEED - FLAT - ROUND
	063253-07-000	EA	NUT - J - #8A - .120 - .130 PNL THK
	087234-01-000	EA	NUT - JACK - 1/4 X 20 THD - MOLLY - MOUNTS LICENSE PLATES
	104369-01-000	EA	NUT - HEX - HEAVY - 5/8-11 UNC

CLAMPS

KEY	PART NUMBER	U/M	DESCRIPTION
	007161-01-000	EA	CLAMP - HOSE - SPRING TYPE - 1/2"
	010495-02-000	EA	CLAMP - CABLE - 3/8"
	010497-01-000	EA	CLAMP - CLOSED - 5/8" ID
	010497-03-000	EA	CLAMP - CLOSED - 1" ID - CUSHIONED
	010497-04-000	EA	CLAMP - CLOSED - 1.62" ID
	010497-05-000	EA	CLAMP - CLOSED - 1/2 ID
	010497-07-000	EA	CLAMP - CLOSED - 3/8" ID
	010499-01-000	EA	CLAMP - CLOSED - 3/8" ID
	056134-02-000	EA	HOLDER - RING - 1.8" DIAMETER - METAL
	062401-01-000	EA	CLAMP - HOSE - WORMGEAR - .25" - 1"
	062401-02-000	EA	CLAMP - HOSE - WORMGEAR - 1.56" - 2.5"
	062401-03-000	EA	CLAMP - HOSE - WORMGEAR - .22" - 1"
	062401-04-000	EA	CLAMP - HOSE - WORMGEAR - .69" - 1.25"
	062401-05-000	EA	CLAMP - HOSE - WORMGEAR - 2" TO 3" ID
	062401-06-000	EA	CLAMP - HOSE - WORMGEAR - .22 - .62 ID
	062401-11-000	EA	CLAMP - HOSE - WORMGEAR - 3.50 - 4.50
	075148-02-000	EA	CLAMP - GROUNDING - BRONZE SCREWS
	083609-01-000	EA	CLAMP - WIRE - DUAL - EQUAL DIAMETERS - 5/8"
	083610-01-000	EA	CLAMP - WIRE - DUAL - UNEQUAL DIAMETERS - 3/4" & 1 1/4"
	083610-02-000	EA	CLAMP - WIRE - DUAL - UNEQUAL DIAMETERS
	080734-02-000	EA	CLIP - WIRE NYLON
	091952-01-000	EA	CLIP - GRIPPER - 1"
	091952-02-000	EA	CLIP - GRIPPER - 3/4"
	094362-02-000	EA	CLIP - XMAS TREE - BINDER HEAD - .9" LONG
	077955-01-000	EA	CLIP-J - VINYL COATED - 3/8"

SEALANTS & FASTENERS GROUP (CONTINUED)

SCREWS

KEY	PART NUMBER	U/M DESCRIPTION
	0G3908-08-170	EA SCREW - SF/DR - 8-18 X .50 PPH - BRIGHT WHITE
	0G5508-16-190	EA SCREW - SF/DR - 8-18 X 1.00 PWH
	0G6710-08-170	EA SCREW - 10-12 X 1/2 PPH - BRIGHT WHITE
	000G11-05-08B	EA SCREW - 5-20 X .50 PPH - ZINC
	000G11-06-10J	EA SCREW - 6-20 X 5/8 PPH - BRASS
	000G11-06-06B	EA SCREW - 6-20 X 3/8 PPH - ZINC
	000G11-06-08B	EA SCREW - 6-20 X .50 PPH - ZINC
	000G11-07-08B	EA SCREW - 7-19 X .50 PPH - ZINC
	000G11-08-08T	EA SCREW - 8-18 X 1/5 PPH - FLUORO CARBON COATING
	000G11-08-08B	EA SCREW - 8-18 X .50 PPH - ZINC
	000G11-08-06B	EA SCREW - 8-18 X 3/8 PPH - ZINC
	000G11-08-20B	EA SCREW - 8-18 X 1.25 PPH - ZINC
	000G11-08-16S	EA SCREW - 8-18 X 1 PPH - OFF WHITE
	000G11-08-12T	EA SCREW - 8-18 X .75 PPH - BLACK
	000G11-08-12P	EA SCREW - 8-18 X .75 PPH - DARK BROWN
	000G11-08-12D	EA SCREW - 8-18 X .75 PPH - BLACK
	000G11-08-12B	EA SCREW - 8-18 X .75 PPH - ZINC
	000G11-08-12S	EA SCREW - 8-18 X .75 PPH - OFF WHITE
	000G11-10-12D	EA SCREW - 10-16 X .75 PPH - BLACK
	000G11-10-40B	EA SCREW - 10-16 X 2 1/2 PPH CAD - 34927-01-000
	000G11-10-16B	EA SCREW - 10-16 X 1 PPH - ZINC
	000G11-10-12S	EA SCREW - 10-16 X .75 PPH - OFF WHITE
	000G12-06-08T	EA SCREW - 6-20 X 1/2 POH - BLACK
	000G13-06-08B	EA SCREW - 6-20 X .50 PFH - ZINC
	000G13-06-24J	EA SCREW - 6-20 X 1.50 PFH - BRASS
	000G13-06-16J	EA SCREW - 6-20 X 1 PFH - BRASS
	000G13-06-10G	EA SCREW - 6-20 X 5/8 PFH - ANTIQUE BRASS
	000G13-06-08G	EA SCREW - 6-20 X .50 PFH - ANTIQUE BRASS
	000G13-07-12B	EA SCREW - 7-19 X .75 PFH - ZINC
	000G13-07-10H	EA SCREW - 7-19 X 5/8 PFH - BLACK
	000G18-08-22B	EA SCREW - MACHINE - 8-32 X 1 3/8 PPH - ZINC
	000G18-08-16B	EA SCREW - MACHINE - 8-32 X 1 PFH - ZINC
	000G19-10-08B	EA SCREW - MACHINE - 10-32 X .50 - PPH - ZINC
	000G19-10-20B	EA SCREW - MACHINE - 10-32 X 1.25 PPH - ZINC
	000G19-10-12F	EA SCREW - MACHINE - 10-32 X .75 - PPH - STAINLESS STEEL
	000G32-10-06B	EA SCREW - 10-32 X 3/8 PPH - ZINC
	000G39-06-10T	EA SCREW - SF/DR - 6-20 X 5/8 PPH - BLACK
	000G39-06-16T	EA SCREW - SF/DR - 6-20 X 1 PPH - BLACK
	000G39-08-16R	EA SCREW - SF/DR - 8-18 X 1 PPH
	000G39-08-16B	EA SCREW - SF/DR - 8-18 X 1 PPH - ZINC
	000G39-08-12T	EA SCREW - SF/DR - 8-18 X .75 PPH - BLACK
	000G39-08-12B	EA SCREW - SF/DR - 8-18 X .75 PPH - ZINC
	000G39-08-08T	EA SCREW - SF/DR - 8-18 X 1/2 PPH - BLACK
	000G39-08-08S	EA SCREW - SF/DR - 8-18 X .50 PPH - OFF WHITE
	000G39-08-08B	EA SCREW - SF/DR - 8-18 X 1.50 PPH - ZINC
	000G39-08-24B	EA SCREW - SF/DR - 8-18 X 1 1/2 PPH - ZINC
	000G39-10-08B	EA SCREW - SF/DR - 10-16 X .50 PPH - ZINC
	000G39-10-129	EA SCREW - SF/DR - 10-16 X .75 PPH - FLUOROCARBON SILVER
	000G39-10-12D	EA SCREW - SF/DR - 10-16 X .75 PPH - BLACK
	000G39-10-12B	EA SCREW - SF/DR - 10-16 X .75 PPH - ZINC
	000G39-10-10B	EA SCREW - SF/DR - 10-16 X .625 - ZINC
	000G39-10-48T	EA SCREW - SF/DR - 10-16 X 3.00 PPH - BLACK
	000G39-10-209	EA SCREW - SF/DR - 10-16 X 1 1/4 PPH - FLUOROCARBON SILVER
	000G39-10-20B	EA SCREW - SF/DR - 10-16 X 1.25 PPH - ZINC
	000G43-06-24B	EA SCREW - MACHINE - 6-32 X 1.50 - ZINC
	000G46-08-24T	EA SCREW - MACHINE - 8-32 X 1.50 PFH - BLACK
	000G50-04-12B	EA SCREW - MACHINE - 1/4-20 X .75 PPH - ZINC
	000G52-08-18B	EA SCREW - MACHINE - 8-32 X 1 1/8 PTH - ZINC
	000G54-04-20B	EA SCREW - 1/4-20 X 1.25 PTH - TYPE 23 - ZINC PLATED
	000G55-08-12S	EA SCREW - SF/DR - 8-18 X .75 PWH - OFF WHITE
	000G55-08-16S	EA SCREW - SF/DR - 8-18 X 1.00 - PWH - OFF WHITE
	000G56-12-48B	EA SCREW - WOOD - 12-11 X 3 POH - SPECIAL HARDENED
	000G60-10-28T	EA SCREW - SF/DR - 10-16 X 1.75 - BLACK

SEALANTS & FASTENERS GROUP (CONTINUED)

SCREWS (CONTINUED)

KEY	PART NUMBER	U/M DESCRIPTION
	000G67-08-32B	EA SCREW - 8-15 X 2 PPH - ZINC
	000G67-10-08B	EA SCREW - 10-12 X .50 PPH - ZINC
	000G67-10-36T	EA SCREW - 10-12 X 2.25 - PPH - BLACK
	000G67-10-24B	EA SCREW - 10-12 X 1.25 PPH - ZINC
	000G67-10-20D	EA SCREW - 10-12 X 1.25 PPH - BLACK
	000G67-10-120	EA SCREW - 10-12 X .75 PPH - TAN
	000G67-10-12B	EA SCREW - 10-12 X .75 PPH - ZINC
	000G67-10-10S	EA SCREW - 10-12 X 5/8 PPH - OFF WHITE
	000G67-10-10D	EA SCREW - 10-12 X 5/8 PPH - BLACK - TYPE A
	000G67-10-10B	EA SCREW - 10-12 X 5/8 PPH - ZINC - TYPE A
	000G67-10-32B	EA SCREW - 10-12 X 2 PPH - ZINC
	000G68-06-10G	EA SCREW - 6-18 X 5/8 POH - ANTIQUE BRASS
	0G3910-12-170	EA SCREW - SF/DR - 10-16 X .75 PPH - BRIGHT WHITE
	049465-01-000	EA SCREW - 10-16 W/WASHER PTH - DARK BROWN
	049465-03-000	EA SCREW - 10-16 X 1 POH W/WASHER - OFF WHITE
	049465-04-000	EA SCREW - 10-16 X 1 PTH W/WASHER - BEIGE
	049465-17-000	EA SCREW - 10-16 X 1 POH W/WASHER
	075908-01-000	EA SCREW - MACHINE - 10-32 X .56 PTH - EXTERNAL TOOTH - ZINC
	076790-01-000	EA SCREW - 6-20 X 1 1/4 PPH - BLACK
	054434-02-000	EA SCREW - SF/DR - 10-16 X 2 - ZINC
	057671-01-000	EA COVER - SCREW - #8 - PLASTIC - OFF WHITE
	057671-12-000	EA COVER - SCREW - #8 - QUICKSILVER
	057671-15-000	EA COVER - SCREW
	083554-04-000	EA SCREW - DRYWALL - 8 X 2 1/2
	086256-01-000	EA SCREW - SF/DR - 8 X 3/4 HWH LONG
	087721-01-000	EA SCREW - FLAT HEAD - TAPPING - 1/4" X 1 1/4" LONG - ZINC
	097974-01-000	EA SCREW - PARTICLE BOARD - 7-9 X 3/4 PPH
	115430-01-01A	EA SCREW - 8-18 X 1/2 POH - W/WASHER

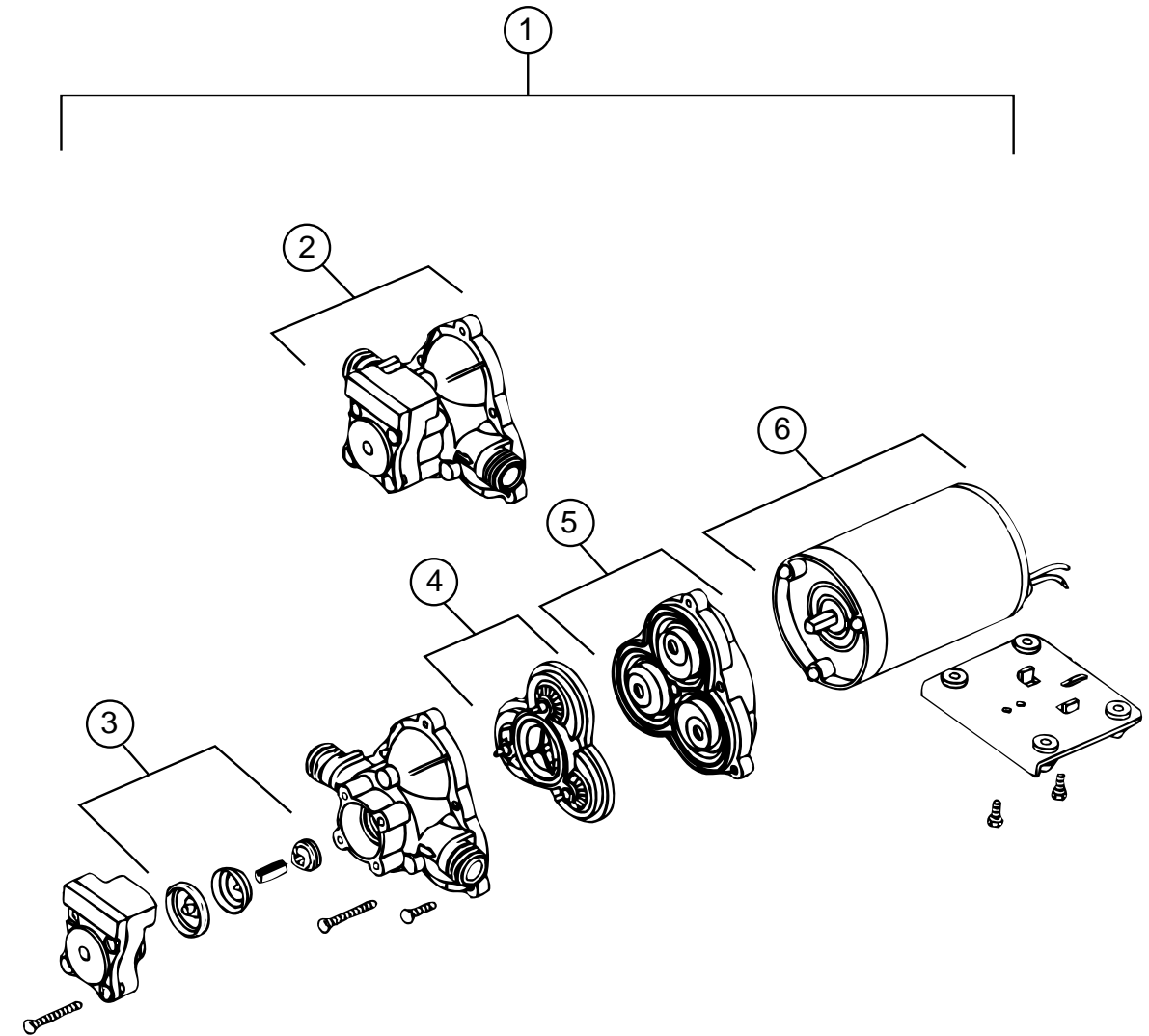
SEALANTS & FASTENERS GROUP (CONTINUED)
BOLTS

KEY	PART NUMBER	U/M DESCRIPTION
	000C12-04-24B	EA BOLT - HEX - 1/4-20 X 1 1/2 - ZINC 5
	000C12-05-16B	EA BOLT - HEX - 5/16-18 X 1 - ZINC 5
	000C12-05-12B	EA BOLT - HEX - 5/16-13 X 3/4 ZINC 5
	000C12-06-16B	EA BOLT - HEX - 3/8-16 X 1 LG - ZINC 5
	000C12-08-16B	EA BOLT - HEX - 1/2-13 X 1.00 - GD5 - ZINC
	000C12-08-24B	EA BOLT - HEX - 1/2-13 X 1.50 - ZINC 5
	000C12-09-20B	EA BOLT - HEX - 9/16-12 X 1.25 - ZINC 5
	000C12-10-24B	EA BOLT - HEX - 5/8-11 X 1.50 - ZINC 5
	000C13-07-48B	EA BOLT - HEX - 7/16-20 X 3 - ZINC 5
	000C18-05-40A	EA BOLT - ELEVATOR - 5/16-18 X 2.50 - PL
	000C26-04-18B	EA BOLT - HEX - SERRATED FLANGE - 1/4-20 X 1 1/8 - ZINC
	000C26-04-14B	EA BOLT - HEX - SERRATED FLANGE - 1/4-20 X 7/8 - ZINC
	000C26-04-10B	EA BOLT - HEX - SERRATED FLANGE - 1/4-20 X 5/8 - ZINC
	000C26-05-16B	EA BOLT - HEX - SERRATED FLANGE - 5/16-18 X 3/4 - ZINC
	000C26-05-12B	EA BOLT - HEX - SERRATED FLANGE - 5/16-18 X 3/4 - ZINC
	000C26-06-16B	EA BOLT - HEX - SERRATED FLANGE - 3/8-16 X 1 - ZINC
	000C26-06-12B	EA BOLT - HEX - SERRATED FLANGE - 3/8-16 X 3/4 - ZINC
	000C27-10-32B	EA BOLT - CARRIAGE - 5/8-11 X 2
	000G45-04-24B	EA BOLT - LAG - 1/4-9 X 1.50 ZINC
	000G45-05-16B	EA BOLT - LAG - 5/16-9 X 1 - ZINC
	102333-01-06A	EA BOLT - CARRIAGE - 7/16-14 STAINLESS STEEL CAP
	051387-06-000	EA BOLT - CARRIAGE W/O HOLE - 5/16-18 X 9.5 - ZINC
	088787-12-000	EA STUD - WELD - 1/4 - 20 X 1.0 LG - MN
	108067-03-000	EA STUD - WELD - 1/4 - 20 X 1/2 CD
	083163-06-000	EA PUSHNUT - FLAT TYPE 3/8 STUD - FORD ONLY
	106166-01-000	EA BOLT/COLLARED HANGER - 8-32 X 1"

RIVETS, GROMMETS AND MISCELLANEOUS FASTENERS

KEY	PART NUMBER	U/M DESCRIPTION
	000H14-04-04A	EA RIVET - MANDREL BLIND - 1/8 X .400
	000H16-04-06R	EA RIVET - POP ALUMINUM - 1/8" X .313 - .375
	000H16-06-10R	EA RIVET - POP ALUMINUM - 3/16 X .501-.625
	016188-03-000	EA GROMMET - L/P LINE - 3/8" HOLE X 2 1/2" LONG - RUBBER
	016188-05-000	EA GROMMET - L/P LINE - 3/8" HOLE X 1 1/4" LONG - RUBBER
	023942-01-000	EA GROMMET - RUBBER - 2" OD
	071015-19-000	EA GROMMET - .38 ID - FITS .06 MATERIAL
	071015-21-000	EA GROMMET - RUBBER - 1/2 ID X 1.06 OD - W/.19 GROOVE - BLACK
	071015-26-000	EA GROMMET - RUBBER - 1.5" ID X 2.12" OD W/.06" GROOVE - BLK
	071015-30-000	EA GROMMET - RUBBER - .31" ID X .81" OD W/.12" GROOVE - BLK
	008380-01-000	EA GROMMET - RUBBER - 5/8" HOLE X 1 1/2" DIAMETER - BLACK
	088756-01-000	EA GROMMET - WEB - 1 1/8 " I.D.
	114208-01-000	EA GROMMET - EDGE LINER - FITS 1 3/4"
	008343-01-000	EA TIE - WIRE - 6"
	008343-02-000	EA TIE - WIRE - 14"
	029094-04-000	YD VELCRO TAPE - LOOP - 1" WIDE - BLACK
	029096-03-000	YD VELCRO TAPE - HOOK - 1" WIDE - BLACK
	029096-04-000	YD TAPE - HOOK - VELCRO - 1" WIDE - BLACK
	085774-01-000	FT FASTENER - DUAL HOOK - 1" WIDE - ADHESIVE BACK - BLACK
	085774-02-000	FT FASTENER - DUAL LOOP - 1" WIDE - ADHESIVE BACK - BLACK
	086285-01-000	EA SPACER - NYLON - .5" OD X .257" ID
	108046-02-000	EA CABLE TIE - SCREW MOUNT 15"
	110943-02-000	FT FELTSTRIP - 3/8" - ADHESIVE BACK - WHITE
	115361-01-01A	EA PLUG - PLASTIC

WATER & SEWAGE GROUP



SHURFLO WATER PUMP

KEY	PART NUMBER	U/M DESCRIPTION	VENDOR NO.
1	098607-01-000	EA PUMP-WATER - W/.5" MPT FITTING - FLOW 2.8 GPM - UL	
2	098607-01-706	EA HOUSING W/SWITCH ONLY	94-231-20
3	098607-01-705	EA VALVE-CHECK, KIT	94-237-00
4	098607-01-703	EA VALVE KIT	94-232-00
5	098607-01-702	EA DIAPHRAGM/DRIVE ASSEMBLY KIT	94-238-04
6	098607-01-707	EA MOTOR W/BASEPLATE	94-234-03

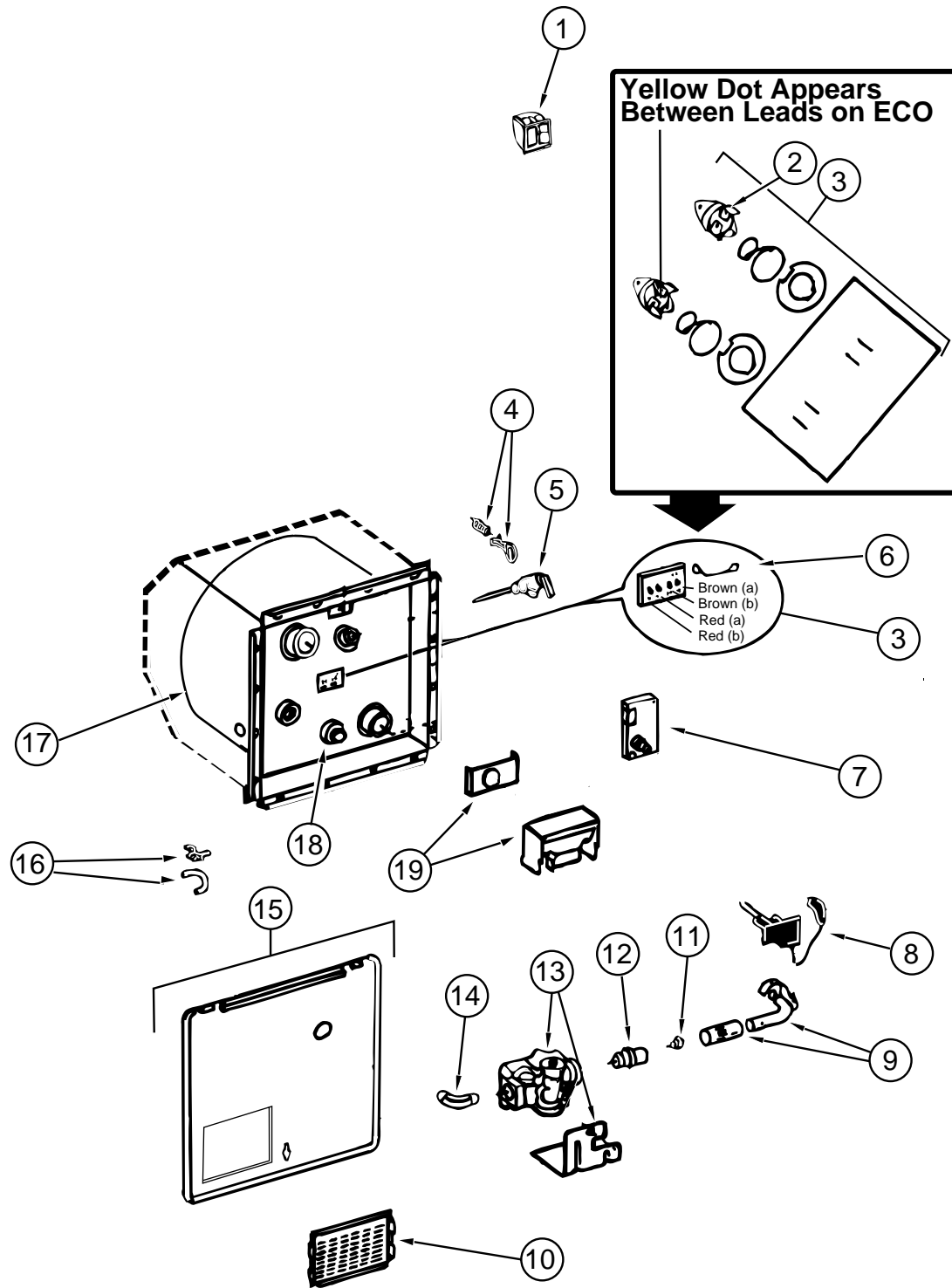
WATER & SEWAGE GROUP (CONTINUED)

ATWOOD WATER HEATER W/MOTOR AID (GH6-8E)

KEY	PART NUMBER	U/M DESCRIPTION	VENDOR NO.
	051393-01-000	EA WATER HEATER - W/MOTOR AID - PILOTLESS IGNITION	
1	051393-01-701	EA SWITCH PACKAGE	91959
2	051391-04-701	EA THERMOSTAT 12V DC-120 PRESET	91470
3	051393-01-721	EA ECO & THERMOSTAT ASM - FRONT MOUNT - 140°	91447
4	051391-01-705	EA FASTENER - CAMLOC	92609
5	051391-01-704	EA VALVE - RELIEF - 1/2" FITTING	91604
6	051393-01-723	EA SWITCH - ENERGY CUT-OFF	93866
7	051393-01-724	EA CIRCUIT BOARD - W/ SPADE TERMINAL	93867
8	051393-01-725	EA ELECTRODE - SINGLE SPADE CONNECTION	93868
9	051391-04-703	EA BURNER - MAIN	91638
10	051391-01-717	EA GRILLE	92640
11	051391-01-710	EA ORIFICE - MAIN BURNER	92742
12	051391-03-700	EA ORIFICE HOLDER	91563
13	051393-01-726	EA SOLENOID VALVE & BRACKET	93870
14	051391-01-714	EA ELBOW - 45 DEGREE - 3/8" F X 3/8" MPT	91044
15	052009-06-000	EA DOOR-WATER HEATER W/O LATCHES, BRIGHT WHITE	
16	051391-01-700	EA HINGE KIT - W/CLIP	92568 & 92559
17	051391-04-704	EA TANK - INNER	91642
18	051391-01-715	EA DRAIN PLUG	91857
19	051391-04-707	EA FLUE & GASKET	90960
	111129-01-711	EA BRACKET-CORNER, SET OF FOUR	91928
	116424-01-000	EA PROTECTOR - ROUND VINYL - WATER HEATER LATCH	

ATWOOD WATER HEATER W/ELECTRIC IGNITION (ICH6-6E) - EUROPEAN

KEY	PART NUMBER	U/M DESCRIPTION	VENDOR NO.
	111129-01-000	EA WATER HEATER - ELECTRIC IGNITION - 220 VOLTS	
	111129-01-700	EA SWITCH - WALL PACKAGE	91208
	111129-01-701	EA VALVE - DRAIN PRESSURE - 2 BAR	91190
	111129-01-702	EA VALVE - DRAIN PRESSURE - 3.5 BAR	91898
	111129-01-703	EA THERMOSTAT (60*) ECO (82*) KIT	91191
	111129-01-704	EA BOARD - IGNITION	91194
	111129-01-705	EA REGULATOR - GAS PRESSURE #10	91198
	111129-01-706	EA ORIFICE - MAIN BURNER COMPLETE	91017
	111129-01-707	EA BURNER KIT - MAIN	91204
	111129-01-708	EA IGNITION KIT - SPARK & PROBE	91196
	111129-01-709	EA FLUE ASSEMBLY	91045
	111129-01-710	EA DOOR - ACCESS - W/LOCK	91203
	111129-01-711	EA BRACKET - CORNER - SET OF FOUR	91928
	111129-01-712	EA HARDWARE KIT - W/LOCK	91193
	111129-01-713	EA TANK INNER ICH6-6E	91188
	111129-01-714	EA THERMOSTAT - ELECTRIC - 220V	91207
	111129-01-715	EA RELAY - 220 V/12 VDC	91206
	111129-01-716	EA ELEMENT - HEATING - 220V/500WATT	91081
	111129-01-717	EA BUSHING - STRAIN RELIEF	91372



WATER & SEWAGE GROUP (CONTINUED)
EXTERIOR SHOWER

KEY	PART NUMBER	U/M DESCRIPTION	VENDOR NO.
	075241-05-000	EA FAUCET-SHOWER, BONE	
	103092-01-000	EA SHOWER HEAD-W/60" HOSE - US	
	103092-02-000	EA SHOWER HEAD-W/60" HOSE - CANADIAN	
	103092-01-700	EA BRACKET ONLY-CLEAR, F/SHOWER HEAD - BPC	2328028
	103092-01-702	EA SEALS-SPRAY HEAD	24466
	011048-03-700	EA BRACKET/F SHOWER HEAD - BPC	2328029-3
	093527-02-000	EA BRACKET-SQUEEGEE/SHOWER HEAD	

WATER TANK

KEY	PART NUMBER	U/M DESCRIPTION
	116700-01-000	EA TANK - WATER - 59 GALLON - W/O FITTINGS
	116700-04-000	EA TANK - WATER - 59 GALLON - W/FITTINGS - EUROPEAN
	116700-05-000	EA TANK - WATER - 59 GALLON - W/FITTINGS
	039861-01-000	EA SENDING UNIT - W/SCREW - WASHER - WELL NUT/TERMINAL RING
	042989-03-000	EA FITTING - WATER TANK - SPINWELD - 1 1/4"NPT - PLASTIC
	042989-04-000	EA FITTING - WATER TANK - SPINWELD - 3/8 FPT - WHITE PLASTIC
	042989-05-000	EA FITTING - WATER TANK - SPINWELD - 1/2"FPT - PLASTIC
	092887-01-000	EA HATCH/PLATE - 6"ID - BLACK - EUROPEAN
	120070-01-000	EA FITTING - SPINWELD - PLASTIC 3" FPT - EUROPEAN
	120069-01-000	EA PLUG - 3" - POLYETHYLENE MPT - EUROPEAN
	049032-01-000	EA PATCH - SPINWELD - 3/8" - PLASTIC
	077954-02-000	EA FILTER - WATER TANK - W/SCREEN IN TANK

WATER SYSTEM COMPONENTS

KEY	PART NUMBER	U/M DESCRIPTION
	010224-01-000	EA ADAPTER - HOSE TO PIPE - 3/8 MPT X 3/8 BARB - PLASTIC
	044927-01-000	EA ADAPTER - HOSE TO PIPE - 1 1/4 MPT X 1 1/4 BARB - BLK PLS
	123152-01-000	EA ADAPTER - 1/2 FPT X 1/2 BARB - SWIVEL
	101814-01-000	EA COUPLING - FEMALE - 1/2" X 1/2" FPT - GRAY
	110438-01-000	EA VALVE - CHECK - BRASS - 1/2 MPT X 1/2 FPT
		FROM: 00-00-00 THRU: 02-16-97
	110438-02-000	EA VALVE - CHECK - BRASS - 1/2 MPT X 1/2 MPT
		FROM: 02-17-97 THRU: 99-99-99
	010230-05-000	EA FILL - CITY WATER - W/CHECK VALVE
		FROM: 00-00-00 THRU: 09-25-96
	010230-06-000	EA FILL - CITY WATER - W/CHECK VALVE - MPT
		FROM: 09-26-96 THRU: 99-99-99
	074462-02-000	FT TUBING - VINYL - 3/8 ID X 20' - CLEAR
	039800-02-000	FT TUBING - POLYBUTYL - 5/8 OD X 20' - INC OF 20'
	039800-04-000	FT TUBING - POLYBUTYL - 1/4"OD
	079381-01-000	FT TUBING - SMOOTH FLEXIBLE - 1 3/8 ID X 20'
	039808-03-000	EA ELBOW - 1/2" MPT X 1/2" MPT - PLASTIC
	112176-01-000	FT TUBING - VINYL, REINFORCED - 1/2 ID
	124188-02-000	FT TUBING - PEX 1/2" ID X 20' RED
	117089-01-000	FT HOSE - 1/2" ID - GARDEN
		FROM: 00-00-00 THRU: 03-02-97

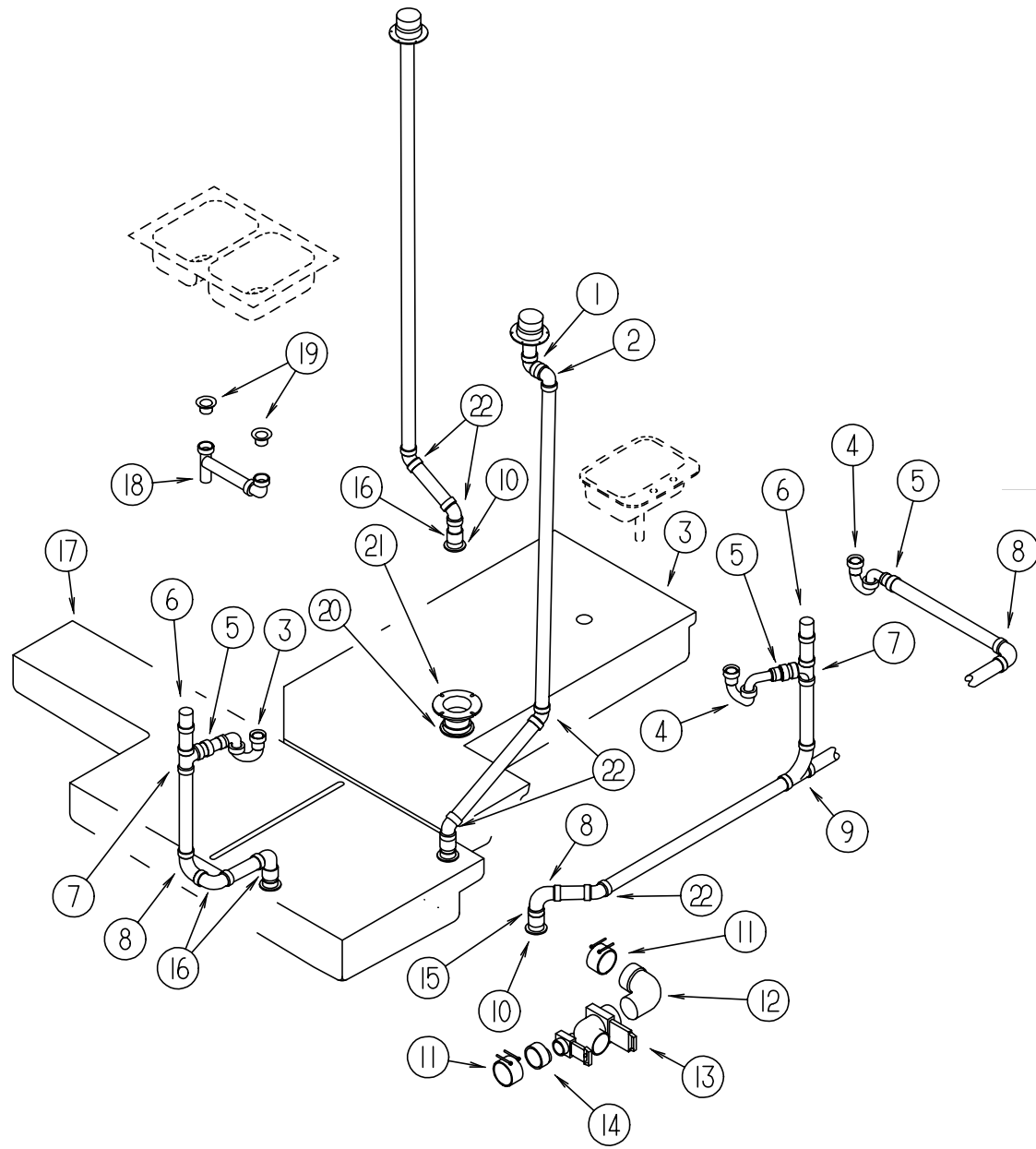
WATER & SEWAGE GROUP (CONTINUED)
WATER SYSTEM COMPONENTS (FLAIR-IT)

KEY	PART NUMBER	U/M DESCRIPTION
	114427-01-000	EA CAP - 1/2P
	114427-02-000	EA PLUG - 1/2P
	114427-03-000	EA NUT - 1/2"Q
	114428-01-000	EA TEE - 1/2P X 1/2P X 1/2P
	114428-02-000	EA TEE - SWIVEL -1/2P X 1/2P X 1/2FPT
	114428-03-000	EA TEE - 1/2P X 1/2P X 1/2 MPT
	114428-04-000	EA TEE - 1/2P X 1/2P X 1/8FPT
	114429-01-000	EA ELBOW - 1/2P X 1/2P
	114429-02-000	EA ELBOW - 1/2P X 1/2MPT
	114429-03-000	EA ELBOW - SWIVEL -1/2PX1/2FPT
	114429-04-000	EA ELBOW - 1/2P X 3/8MPT
	114429-05-000	EA ELBOW - 1/2P X 3/4MPT
	114429-06-000	EA ELBOW - SWIVEL -1/2P X 3/4FPT
	114429-07-000	EA ELBOW - 1/2P X 1/2FPT DROPEAR
	114430-01-000	EA ADAPTER - 1/2P X 1/2P
	114430-02-000	EA ADAPTER - SWIVEL -1/2P X 1/2FPT
	114430-03-000	EA ADAPTER - 1/2P X 1/2MPT
	114430-04-000	EA ADAPTER - 1/2P X 3/8MPT
	114430-05-000	EA ADAPTER - 1/2P X 1/8FPT
	114430-06-000	EA ADAPTER - 1/2P X 3/8FPT
	114430-07-000	EA ADAPTER - 1/2P X 3/8P
	114430-08-000	EA ADAPTER - 1/2P X 3/4MPT
	114431-01-000	EA VALVE - 180 DEGREE/CENTER DRAIN - 1/2P - THREE WAY
	114431-02-000	EA VALVE - WATER BYPASS - 1/2"P - THREE WAY (WATER HEATER)
	114431-03-000	EA VALVE - 1/2P X 1/2P
	114431-04-000	EA VALVE - STOP -1/2P X 1/2P
	114431-05-000	EA VALVE - NEEDLE - COMP 1/8 MPT X 1/4
	114431-06-000	EA VALVE - 3/8P X 3/8P
	114431-07-000	EA VALVE - 3/8P THREE - WAY
	114431-08-000	EA STRAIGHT STOP VALVE 3/8P X 3/8P
	113697-01-000	EA CAP - 3/8 FTG

WATER PURIFICATION SYSTEM

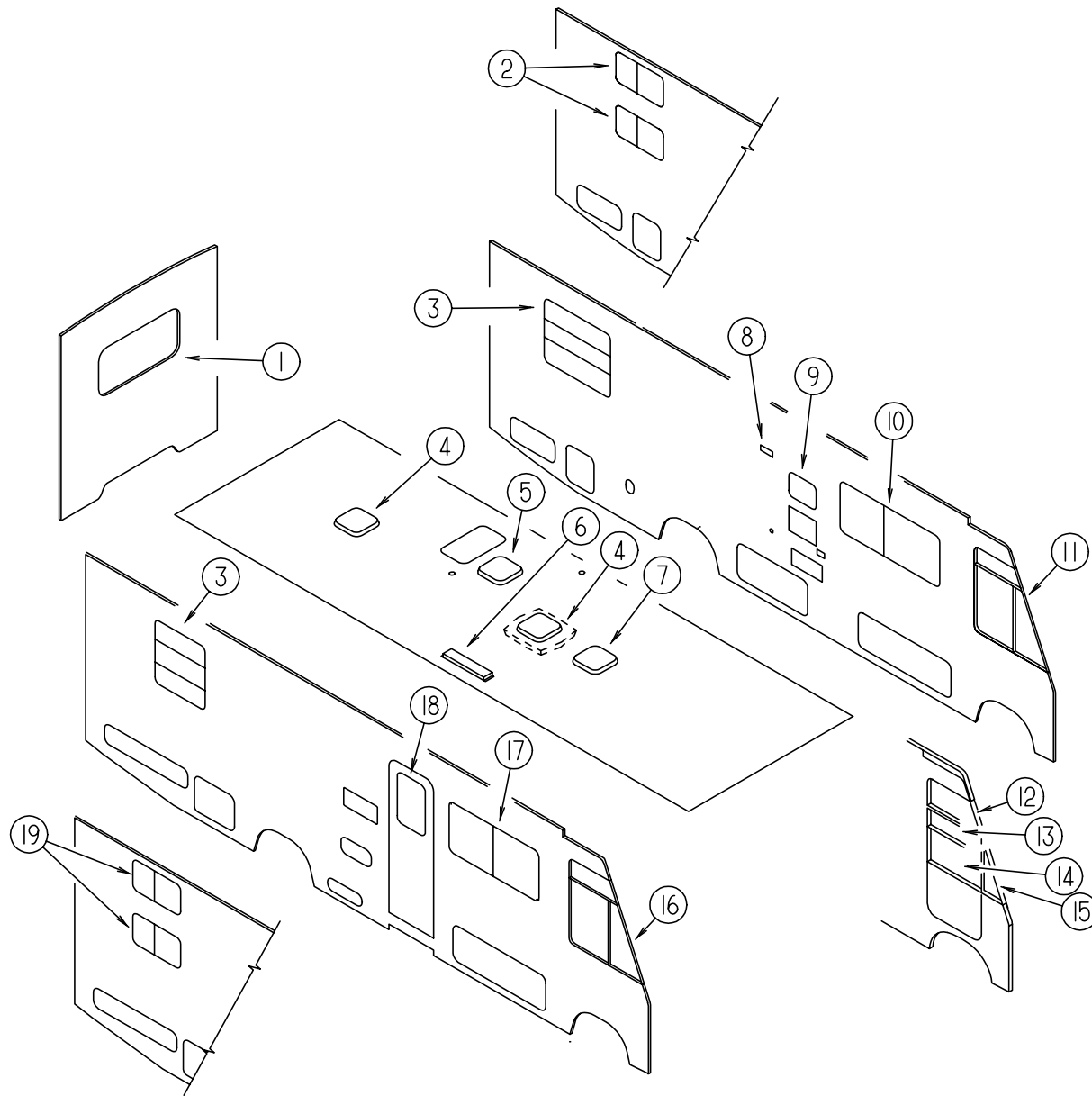
KEY	PART NUMBER	U/M DESCRIPTION	VENDOR NO.
	701069-01-000	EA WATER PURIFICATION SYSTEM - EVERPURE 9252	
	701069-03-700	EA CARTRIDGE-WATER FILTER, AC - EVERPURE	9601-11

WATER & SEWAGE GROUP (CONTINUED)
DRAINAGE SYSTEM



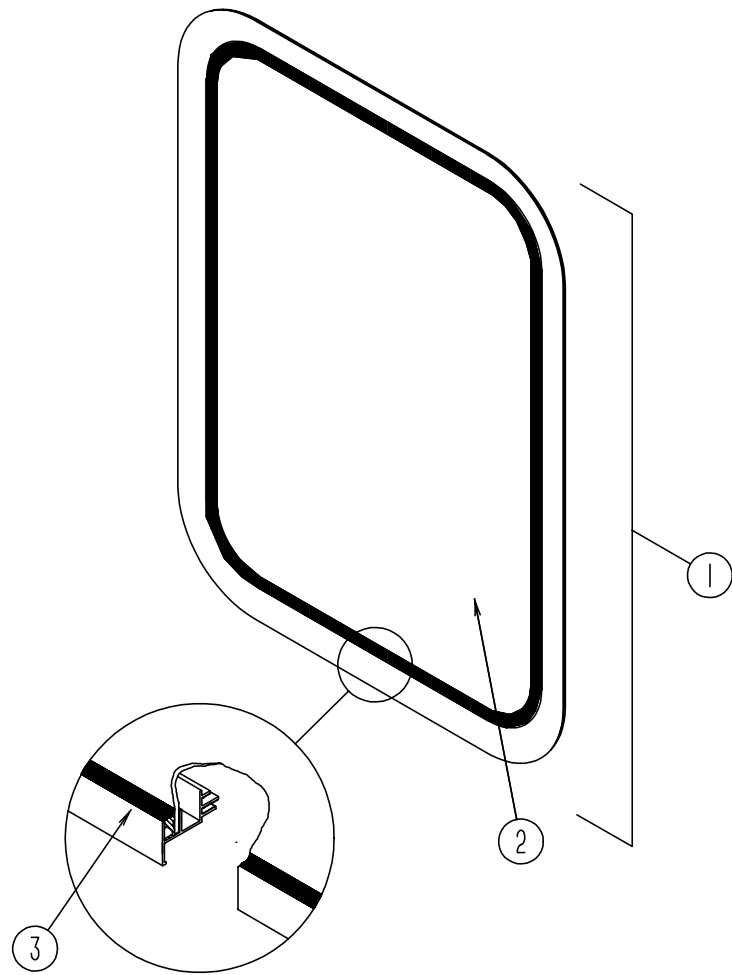
KEY	PART NUMBER	U/M	DESCRIPTION	VENDOR NO.
1	034250-01-000	EA	ELBOW - 90 DEGREE - LONG TURN - 1 1/2" HUB X HUB - ABS	
2	010009-01-000	EA	ELBOW - 90 DEGREE - 1/4 BEND - 1 1/2" PLASTIC (STREET)	
3	104351-01-000	EA	TANK - HOLDING - SEWAGE - 55 GALLON	
4	107538-01-000	EA	P TRAP - PLASTIC - 1 1/4" W/EXTENSION ARM	
5	109571-01-000	EA	ADAPTER - P TRAP - 1 1/2" P X 1 1/4" MPT	
6	079968-01-000	EA	VENT - MECHANICAL/TRAP ARM - ANTI-SIPHON-2" X 7.3" PLASTIC	
7	010071-01-000	EA	TEE - SANITARY - 1 1/2 HUB X HUB X HUB - PLASTIC	
8	010008-01-000	EA	ELBOW - 90 DEGREE - 1 1/2" HUB X HUB - PLASTIC	
9	031365-02-000	EA	TEE - PLASTIC - 1 1/2" EXT LG TURN	
10	061607-01-000	EA	GROMMET - HOLDING TANK - 1 1/2" NPS	
11	078406-01-000	EA	COUPLER - RUBBER - W/CLAMPS - 3" X 3"	
12	041956-01-000	EA	ELBOW - STREET - 1/4" BARB X 90 DEGREE X 3 XLT	
13	070916-01-000	EA	VALVE - DUAL DUMP - W/CAP - 3" X 1 1/2"	
	070916-01-700	EA	VALVE ONLY (WASTE) 3"	T1003BU
	070916-01-701	EA	VALVE ONLY (WASTE) 1 1/2"	T1001BU
14	062422-01-000	EA	ADAPTER - OFFSET REDUCER - 3" X 1 1/2" - PLASTIC	
15	010115-01-000	EA	COUPLING - 1 1/2" HUB X HUB - PLASTIC	
16	033761-01-000	EA	ELBOW - TURN - 90 DEGREE 1 1/2" HUB X 1 1/2" SPIGOT	
17	111229-01-000	EA	TANK - HOLDING - WASTE WATER - 56 GALLON	
18	011091-02-000	EA	WASTE - CONTINUOUS - DOUBLE SINK (US)	
18	011071-01-000	EA	WASTE - CONTINUOUS - DOUBLE SINK (CSA)	
19	092303-01-000	EA	STRAINER - SINK	
20	061607-02-000	EA	GROMMET - HOLDING TANK - 3" NPS	
21	116644-01-000	EA	FLANGE - CLOSET - 4" X 3"	
22	010006-01-000	EA	ELBOW - 45 DEGREE - 1 1/2" HUB X HUB - PLASTIC	
	011069-02-000	EA	TAILPIECE - TUB/SHOWER - 1 1/2" X 1 1/4" X 4" - BRASS	
	066440-01-000	EA	STRAINER - SHOWER DRAIN - W/RUBBER WASHER	
	010201-01-000	EA	HOSE - SEWER - 3" ID X 8'	
	062416-01-000	EA	ADAPTER - SEWER HOSE TO 3" PIPE	

WINDOW, VENT & EXTERIOR DOOR GROUP
WINDOWS & VENTS



KEY	PART NUMBER	U/M	DESCRIPTION	VENDOR NO.
1	078528-06-E10	EA	WINDOW - ESCAPE - W/O RETAINER/TRIM - 48.5" X 24.5" (QUEEN, TWIN BED)	
1	113502-01-01A	EA	WINDOW - REAR/ESCAPE - THERMO - 24.8" X 48.7" (QUEEN, TWIN BED)	
1	113502-06-01A	EA	WINDOW - REAR ESCAPE - THERMO - 24.8" X 38.7" (EXPORT) (QUEEN, TWIN BED)	
1	116976-01-01A	EA	WINDOW - REAR ESCAPE - 26.4" X 26.3" (DOUBLE, BUNK BED)	
1	113502-04-01A	EA	WINDOW - REAR ESCAPE - THERMO - 26.4" X 26.3" (DOUBLE, BUNK BED)	
1	113502-05-01A	EA	WINDOW - REAR ESCAPE THERMO - 26.4" X 26.25" (EXPORT) (DOUBLE, BUNK BED)	
2	098647-34-01A	EA	WINDOW - DRIVER/HORIZONTAL SLIDER - 15.7" X 28.5" (BUNK BEDS)	
2	112795-20-01A	EA	WINDOW - DRIVER/HORIZONTAL SLIDER - THERMO - 16.7" X 28.5" (BUNK BEDS)	
2	112795-42-01A	EA	WINDOW - DRIVER/HORIZONTAL SLIDER - THERMO - 16" X 28 3/4" (EXPORT)	
3	112463-03-01A	EA	WINDOW - TIPOUT W/RETAINER TRIM - 33.3" X 30.2" (W/O BUNK BEDS)	
3	112898-16-01A	EA	WINDOW - SLIDER/VERTICAL - THERMOPANE - 33.2" X 30.2" (W/O BUNK BEDS)	
3	112898-17-01A	EA	WINDOW - VERTICAL SLIDER - THERMO - 33.1" X 30.1" (W/O BUNK BEDS) (EXPORT)	
4	122882-01-01A	EA	VENT - ROOF - NONPOWERED - W/O INSIDE GARNISH	
5	122882-02-01A	EA	VENT - ROOF - W/FAN - POWERED - W/O INSIDE GARNISH	
5	122882-03-01A	EA	VENT - ROOF - W/FAN - CSA - W/O INSIDE GARNISH	
6	084073-07-000	EA	VENT - ROOF - REFRIGERATOR - BRIGHT WHITE	
6	084073-04-000	EA	BASE - ROOF VENT - REFRIGERATOR	
7	123780-03-01A	EA	VENT - EXHAUST - 3" ROOF (US)	
7	123780-04-01A	EA	VENT - EXHAUST - 3" CEILING (CSA)	
8	084616-07-000	EA	VENT - SHROUD - RANGE HOOD - BRIGHT WHITE	
8	084878-09-000	EA	VENT - HOOD - RANGE/SHORT - OFF WHITE	
9	112795-55-01A	EA	WINDOW - DRIVER - HORIZONTAL SLIDER - THERMO 15 1/2"X18 1/2" (EXPORT)	
10	098647-22-01A	EA	WINDOW - DRIVER - HORIZONTAL SLIDER - 26.1" X 59.7"	
10	112795-15-01A	EA	WINDOW - DRIVER - HORIZONTAL SLIDER - THERMO - 26 3/8" X 60"	
10	112795-40-01A	EA	WINDOW - DRIVER - HORIZONTAL SLIDER - THERMO - 26 3/8" X 60" (EXPORT)	
11	103658-07-01A	EA	WINDOW - DRIVER - CAB - 3 GLASS 25.3"T X 45.4"B X 45.2"H	
11	113501-01-01A	EA	WINDOW - DRIVER - CAB THERMO - 3 WINDOW - 44.3" X 24.4" X 44.1"	
11	113501-06-01A	EA	WINDOW - DRIVER - CAB THERMO (3 WINDOW) 44.3" X 24.4" X 44.1" (EXPORT)	
12	106467-03-01A	EA	WINDOW - DRIVER VISTA (ABOVE DR DOOR) 26.5"T X 35.5"B X 15.8"H	
12	116000-02-01A	EA	WINDOW - DRIVER VISTA - THERMO - 14.8" X 25.7" X 32.2"	
12	116000-03-01A	EA	WINDOW - DRIVER VISTA - THERMO - 14.8" X 25.7" X 32.2" (EXPORT)	
13	106469-02-702	EA	GLASS - STATIONARY - HORIZONTAL	106-041104
13	106469-08-701	EA	GLASS - STATIONARY - HORIZONTAL - E-GLASS	106-041244
14	106469-01-704	EA	GLASS ASM - ROLL-UP W/ BRACKET	V103-65L
14	106469-08-702	EA	GLASS ASM - ROLL-UP W/ BRACKET - E-GLASS	V130-65EL
15	106468-02-01A	EA	WINDOW - DRIVER WING	
15	115999-02-01A	EA	WINDOW - DRIVER WING - THERMOPANE - TRIANGULAR	
15	115999-03-01A	EA	WINDOW - DRIVER WING - THERMO - TRIANGULAR (EXPORT)	
16	103658-08-01A	EA	WINDOW - PASSENGER - CAB (3 GLASS) 25.3"TX 45.4" BX 45.2"H	
16	113501-02-01A	EA	WINDOW - PASSENGER - CAB THERMO - (3 WINDOW) - 44.3" X 24.4" X 44.1"	
16	113501-05-01A	EA	WINDOW - PASS CAB THERMO (3 WINDOW) 44.3" X 24.4" X 44.1" (EXPORT)	
17	098647-24-01A	EA	WINDOW - PASSENGER HORIZONTAL SLIDER - 26.1" X 53.8"	
17	112795-17-01A	EA	WINDOW - PASSENGER - HORIZONTAL SLIDER - THERMO - 25 3/8"X54"	
17	112795-43-01A	EA	WINDOW - PASSENGER HORIZONTAL SLIDE THERMO - 26 3/8" X 54" (EXPORT)	
18	117053-02-F36	EA	WINDOW - PICTURE - ENTRANCE DOOR - 17" X 26.4"	
18	113733-01-01A	EA	WINDOW - STATIONARY - THERMOPANE - 17" X 26.4"	
18	113733-03-01A	EA	WINDOW - STATIONARY THERMOPANE - 26.4" X 17" (EXPORT)	
19	098647-33-01A	EA	WINDOW - PASSENGER/HORIZONTAL SLIDER - 15.7" X 28.5" (BUNK BEDS)	
19	112795-19-01A	EA	WINDOW - PASSENGER/HORIZONTAL SLIDER - THERMO 16.7" X 28.5" (BUNK BEDS)	
19	112795-41-01A	EA	WINDOW - PASSENGER HORIZONTAL SLIDER/THERMO - 16"X 28 3/4" (EXPORT)	
	083558-03-000	EA	VENT - PLUMBING - PIPE ROOF - W/COVER - OFF WHITE	

WINDOW, VENT & EXTERIOR DOOR GROUP (CONTINUED)



ENTRANCE DOOR WINDOW

KEY	PART NUMBER	U/M DESCRIPTION
	117054-02-02A	EA RETAINER-TRIM, ENTRY DOOR WINDOW - BRIGHT WHITE
1	117053-02-F36	EA WINDOW - PICTURE - ENTRANCE DOOR - 17" X 26.4"
2	002181-25-000	EA GLASS - PICTURE - 25.7" X 16.4"
3	087561-01-000	FT SEAL - GLASS - EXTERIOR - .5" WIDE - VINYL BLACK

EXCEL ENTRANCE DOOR WINDOW - THERMOPANE WINDOW OPTION

KEY	PART NUMBER	U/M DESCRIPTION	VENDOR NO.
	113733-01-01A	EA WINDOW - STATIONARY - THERMOPANE - 17" X 26.4"	
	112795-01-705	FT VINYL - GLAZING	132-025736
	113733-01-700	EA WINDOW ASM. W/O TRIM	DH416-G2
	113733-01-701	EA RETAINER - TRIM	W41666
	113733-01-702	EA GLASS - STATIONARY	390-019187

EXCEL ENTRANCE DOOR WINDOW - THERMOPANE WINDOW (EXPORT OPTION)

KEY	PART NUMBER	U/M DESCRIPTION	VENDOR NO.
	113733-03-01A	EA WINDOW - STATIONARY THERMOPANE - 26.4" X 17"	
	112795-01-705	FT VINYL - GLAZING	132-025736
	113733-01-701	EA RETAINER - TRIM	W41666
	113733-03-700	EA GLASS - STATIONARY	390-019685

WINDOW, VENT & EXTERIOR DOOR GROUP (CONTINUED)

VISTA WINDOW (DRIVER SIDE)

KEY	PART NUMBER	U/M DESCRIPTION	VENDOR NO.
	106467-03-01A	EA WINDOW - DRIVER VISTA (ABOVE DR DOOR) 26.5"T X 35.5"B X 15.8"H	
	106467-03-700	EA GLASS - STATIONARY	106-018752
	106467-03-701	EA WINDOW	H388-G2L
	106467-03-702	EA RETAINER - TRIM - BLACK	H38827L
	100322-01-703	FT STRIP - GLAZING - BUTYL	132-010723

VISTA WINDOW, THERMO (DRIVER SIDE)

KEY	PART NUMBER	U/M DESCRIPTION	VENDOR NO.
	116000-02-01A	EA WINDOW - DRIVER VISTA - THERMO - 14.8" X 25.7" X 32.2"	
	116000-01-704	FT VINYL - GLAZING	132-018161
	116000-02-700	EA RETAINER - TRIM RAIL TOP/REAR	H388-41L
	116000-02-701	EA RETAINER - TRIM RAIL FRONT	H388-42L
	116000-02-702	EA RETAINER - TRIM RAIL BOTTOM	H382-43L
	116000-03-701	EA GLASS - STATIONARY	390-019551

VISTA WINDOW, THERMO (DRIVER SIDE) (EXPORT OPTION)

KEY	PART NUMBER	U/M DESCRIPTION	VENDOR NO.
	116000-03-01A	EA WINDOW - DRIVER VISTA - THERMO - 14.8" X 25.7" X 32.2"	
	106467-03-702	FT RETAINER - TRIM	H388-27L
	116000-01-704	EA VINYL - GLAZING	132-018161
	116000-03-700	EA WINDOW ASM - W/O TRIM	DH388-G2L
	116000-03-701	EA GLASS - STATIONARY	390-019551

FRONT SLANT WINDOW (DRIVER SIDE)

KEY	PART NUMBER	U/M DESCRIPTION	VENDOR NO.
	106468-02-01A	EA WINDOW - DRIVERS WING TRIANGULAR	
	100322-01-703	FT VINYL - GLAZING, BUTYL	132-010723
	106468-02-701	EA RETAINER - TRIM	H383-27L
	106468-02-702	EA GLASS - STATIONARY	106-018740

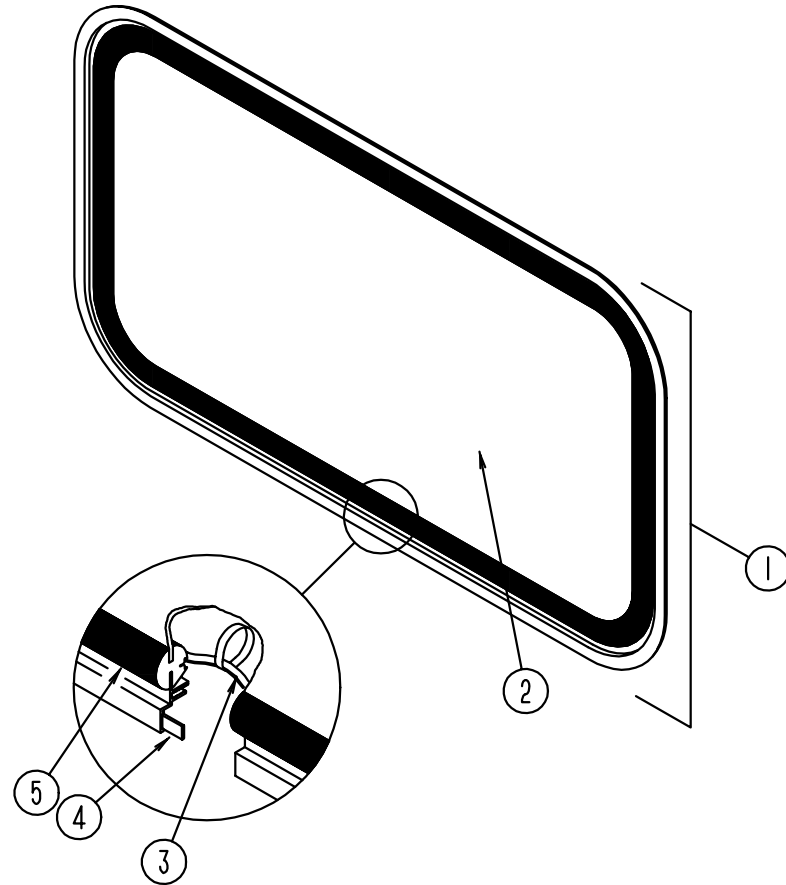
FRONT SLANT WINDOW, THERMO (DRIVER SIDE)

KEY	PART NUMBER	U/M DESCRIPTION	VENDOR NO.
	115999-02-01A	EA WINDOW - DRIVER WING/THERMO/TRIANGULAR	
	115999-01-701	EA RETAINER - TRIM	H358-27L
	115999-02-700	EA RETAINER - TRIM RAIL REAR	H383-41L
	115999-03-701	EA GLASS - STATIONARY	390-019550
	116000-01-704	FT VINYL - GLAZING	132-018161

FRONT SLANT WINDOW, THERMO (DRIVER SIDE) (EXPORT OPTION)

KEY	PART NUMBER	U/M DESCRIPTION	VENDOR NO.
	115999-03-01A	EA WINDOW - DRIVER WING - THERMO - TRIANGULAR	
	115999-02-702	EA RETAINER - TRIM RAIL FRONT	H383-43L
	115999-01-703	EA RETAINER - TRIM RAIL REAR	H358-41L
	115999-03-701	EA WINDOW ASM W/O TRIM	DH383-A2L
	115999-03-701	EA GLASS - STATIONARY	390-019550
	116000-01-704	FT VINYL - GLAZING	132-01816

WINDOW, VENT & EXTERIOR DOOR GROUP (CONTINUED)



BACKWALL ESCAPE WINDOW (QUEEN, TWIN BED)

KEY	PART NUMBER	U/M DESCRIPTION
	074816-11-000	EA RETAINER-TRIM, ESCAPE WINDOW - OFF WHITE
1	078528-06-E10	EA WINDOW ASM-ESCAPE, BACKWALL - W/O RETAINER
2	076337-12-000	EA GLASS-WINDOW, ESCAPE - 1157.4 MM X 548.1 MM
3	002285-01-000	FT FILLER-WEATHER STRIP, RUBBER - BLACK
	077066-01-702	EA TAPE ASM-ESCAPE WINDOW, RED
4	069640-11-000	FT SEALER-TAPE, 3/16" THICK X 3/8" WIDE - INCREMENTS OF 40'
5	002282-09-000	EA WEATHERSTRIP-WINDOW, .125" X 130.53" - BLACK

WINDOW, VENT & EXTERIOR DOOR GROUP (CONTINUED)
EXCEL BACKWALL ESCAPE WINDOW - THERMOPANE WINDOW OPTION (QUEEN, TWIN BED)

KEY	PART NUMBER	U/M DESCRIPTION	VENDOR NO.
	113502-01-01A	EA WINDOW - REAR/ESCAPE - THERMO - 24.8" X 48.7"	
	098644-01-705	FT GLAZING-STRIP	132-010231
	112898-06-704	EA HANDLE - LATCH - RED-RH	182-11293
	112898-06-705	EA HANDLE - LATCH - RED-LH	182-11294
	113502-01-703	EA GLASS-STATIONARY, RH & LH	390-019083
	113502-01-704	EA GLASS-EGRESS, CENTER-ESCAPE	390-019084

EXCEL BACKWALL ESCAPE WINDOW - THERMOPANE WINDOW (QUEEN, TWIN BED) (EXPORT OPTION)

KEY	PART NUMBER	U/M DESCRIPTION	VENDOR NO.
	113502-06-01A	EA WINDOW - REAR ESCAPE - THERMO - 24.8" X 38.7" - EUROPEAN	
	113502-06-700	EA WINDOW W/O TRIM	DH153-EG2
	098644-01-705	FT GLAZING - STRIP	132-010231
	112898-06-704	EA HANDLE - LATCH - RED-RH	182-11293
	112898-06-705	EA HANDLE - LATCH - RED-LH	182-11294
	113502-06-701	EA RETAINER - TRIM	W096-80
	113502-06-702	EA GLASS - STATIONARY (RT/LT)	390-019788
	113502-06-703	EA GLASS - STATIONARY CTR EGRESS	390-019789

EXCEL BACKWALL ESCAPE WINDOW (DOUBLE, BUNK BED)

KEY	PART NUMBER	U/M DESCRIPTION	VENDOR NO.
	116976-01-01A	EA WINDOW - REAR ESCAPE - 26.4" X 26.3"	
	100322-01-701	FT SEAL-VENT	122-016071
	112898-06-704	EA HANDLE-LATCH, RED-RH	182-11293
	112898-06-705	EA HANDLE-LATCH, RED-LH	182-11294
	116976-01-700	EA GLASS	096-018786
	116976-01-701	EA RETAINER - TRIM	W386-53
	116976-01-702	FT FILLER PLUG	132-016065

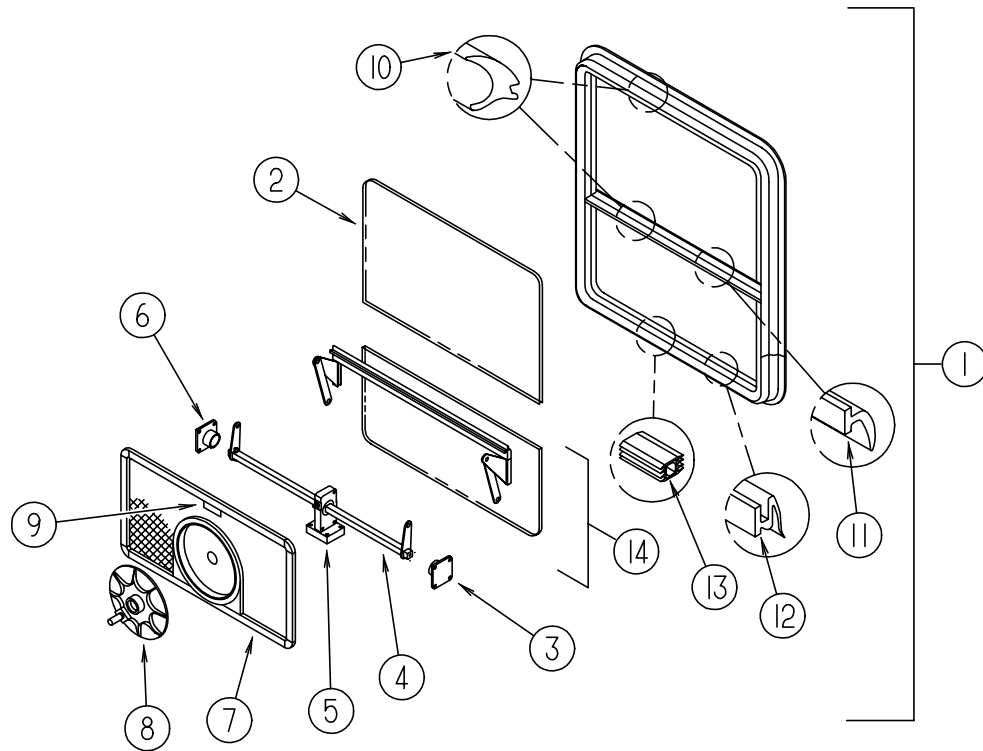
EXCEL BACKWALL ESCAPE WINDOW - THERMOPANE WINDOW OPTION (DOUBLE, BUNK BED)

KEY	PART NUMBER	U/M DESCRIPTION	VENDOR NO.
	113502-04-01A	EA WINDOW - REAR ESCAPE - THERMO - 26.4" X 26.3"	
	098644-01-705	FT GLAZING - STRIP	132-010231
	112898-06-704	EA HANDLE-LATCH, RED-RH	182-11293
	112898-06-705	EA HANDLE-LATCH, RED-LH	182-11294
	113502-04-700	EA WINDOW W/O TRIM	DH449-G2
	113502-04-701	EA RETAINER - TRIM	W449-58
	113502-04-702	EA GLASS - STATIONARY	390-019460

EXCEL BACKWALL ESCAPE WINDOW - THERMOPANE WINDOW (DOUBLE, BUNK BED) (EXPORT OPTION)

KEY	PART NUMBER	U/M DESCRIPTION	VENDOR NO.
	113502-05-01A	EA WINDOW - REAR ESCAPE THERMO/EUROPEAN - 26.4" X 26.25"	
	098644-01-705	FT GLAZING - STRIP	132-010231
	112898-06-704	EA HANDLE - LATCH - RED-RH	182-11293
	112898-06-705	EA HANDLE - LATCH - RED-LH	182-11294
	113502-04-701	EA RETAINER - TRIM	W449-58
	113502-05-700	EA GLASS - STATIONARY	390-025787

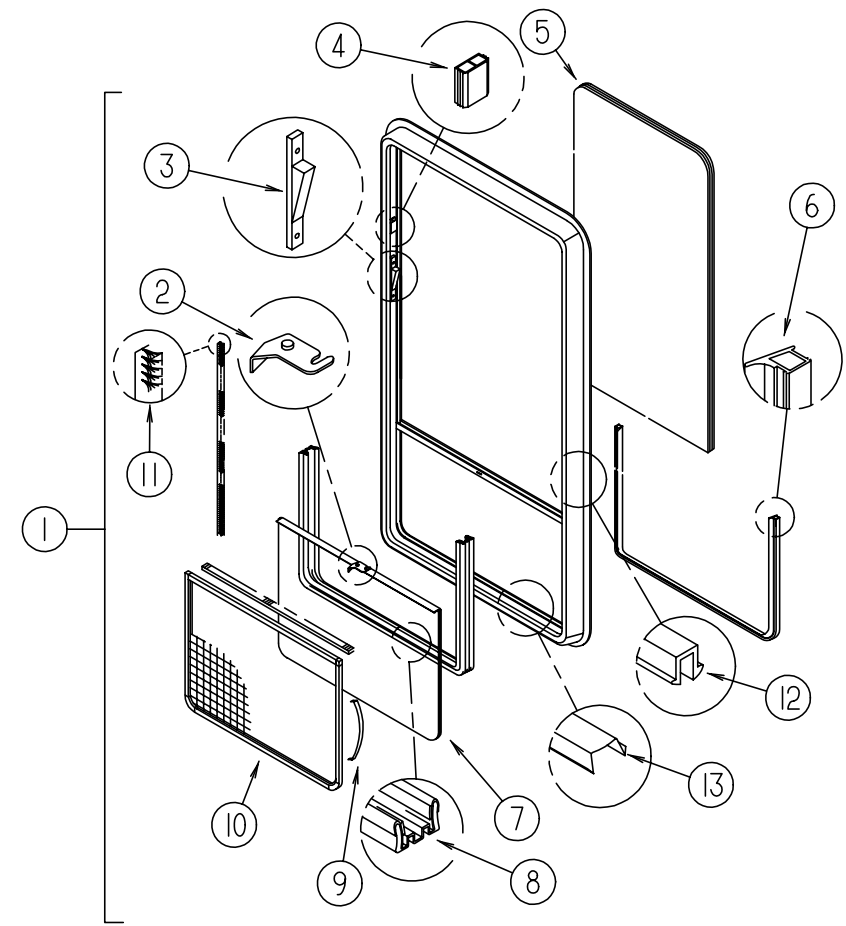
WINDOW, VENT & EXTERIOR DOOR GROUP (CONTINUED)



EXCEL BEDROOM TIPOUT WINDOW - DRIVER OR PASSENGER SIDE

KEY	PART NUMBER	U/M	DESCRIPTION	VENDOR NO.
1	112463-03-01A	EA	WINDOW - TIPOUT W/RETAINER TRIM - 33.3" X 30.2"	
	113500-05-705	EA	RETAINER - TRIM	CW100-59
2	112463-03-701	EA	GLASS - STATIONARY	106-025377
3	100322-01-714	EA	SUPPORT-TORQUE BAR - LH	130-015978
4	112463-03-702	EA	OPERATOR & BAR ASSEMBLY	CH10-18
5	100322-01-716	EA	SUPPORT - TORQUE BAR - CTR RAIL	130-015980
6	100322-01-715	EA	SUPPORT - TORQUE BAR - RH	130-015979
7	112463-03-703	EA	SCREEN ASM - W/SEALS & CLIPS	410-018439
8	100322-01-718	EA	HANDLE - DIAL	410-016081
9	112519-01-706	EA	CLIP - SCREEN	CH21-50
10	100322-01-703	FT	VINYL - GLAZING - BUTYL	132-010723
11	100322-01-702	EA	WEATHERSTRIP - HORIZONTAL RAIL	132-015976
12	100322-01-701	FT	SEAL - VENT	122-016071
13	098644-01-716	FT	PLUG - FILLER	132-014470
14	112463-03-700	EA	VENT ASSEMBLY	CH100-G9
	100322-01-704	FT	TAPE - BUTYL	154-016083
	100322-01-717	EA	E-RING	245-015975

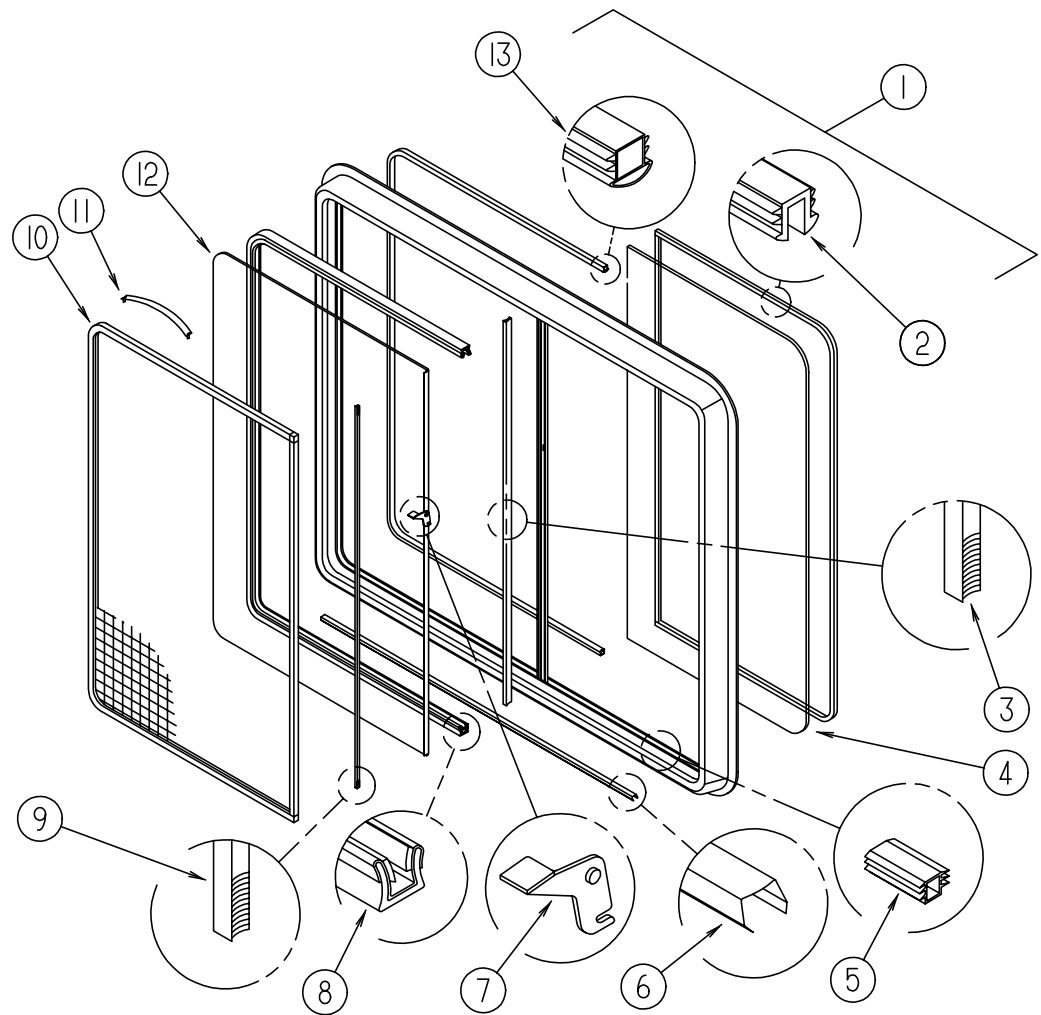
WINDOW, VENT & EXTERIOR DOOR GROUP (CONTINUED)



EXCEL BEDROOM VERTICAL SLIDER WINDOW - DRIVER OR PASSENGER SIDE - THERMOPANE

KEY	PART NUMBER	U/M	DESCRIPTION	VENDOR NO.
1	112898-16-01A	EA	WINDOW - SLIDER/VERTICAL - THERMOPANE - 33.2" X 30.2"	
1	112898-17-01A	EA	WINDOW - VERTICAL SLIDER - THERMOPANE - 33.1" X 30.1" (EXPORT OPTION)	
	112898-16-702	EA	RETAINER - TRIM	CW100-66
2	112795-01-700	EA	LATCH ASM-BLACK, BOLT ON	DH287-CK
3	112898-04-703	EA	SASH LATCH KIT, RAISED	DH343-CK
4	112795-01-701	EA	SLIDE-STOP	132-019092
5	112898-16-701	EA	GLASS - STATIONARY	390-025433
5	112898-17-701	EA	GLASS - STATIONARY (EXPORT OPTION)	390-025437
6	112795-01-704	FT	PLUG FILLER (DOUBLE GLAZED)	122-018737
7	112898-16-700	EA	GLASS - SLIDING W/SASH & LATCH	DH510-G9
7	112898-17-700	EA	GLASS - SLIDING W/SASH & LATCH (EXPORT OPTION)	DH510-EG9
8	112795-01-703	IN	CHANNEL-RUN (INCHES)	122-018736
9	125582-01-701	EA	CLIP - SCREEN - PLASTIC	130005153
9	098644-01-713	EA	CLIP - SCREEN - METAL	226-016966
10	112898-05-704	EA	SCREEN ASM - W/SEALS & CLIPS	410-018862
11	098644-01-711	FT	WEATHERSTRIP - SCREEN BLACK	171-016965
12	112795-01-705	FT	VINYL - GLAZING	132-025736
13	098644-01-710	FT	TRACK - SCREEN SPACER, 12'	132-017135

WINDOW, VENT & EXTERIOR DOOR GROUP (CONTINUED)



EXCEL SINGLE SLIDER WINDOW - DRIVER SIDE - DINETTE

KEY	PART NUMBER	U/M	DESCRIPTION	VENDOR NO.
1	098647-22-01A	EA	WINDOW - DRIVERS - HORIZONTAL SLIDER - 26.1" X 59.7"	
	098647-27-701	EA	RETAINER - TRIM	W287-66
2	098644-01-705	FT	GLAZING - STRIP	132-010231
3	098644-01-706	FT	WEATHERSTRIP - GLASS	171-010668
4	098647-23-703	EA	GLASS - STATIONARY	106-017622
5	098644-01-719	EA	STOP - SLIDER GLASS	132-014203
6	098644-01-710	FT	TRACK - SCREEN SPACER 12'	132-017135
7	098644-01-700	EA	LATCH - REPAIR KIT (BLACK)	B801-CK
8	098644-01-708	FT	CHANNEL - RUN PIERCED	122-016543
9	098644-01-711	FT	WEATHERSTRIP - SCREEN BLACK	171-016965
10	098647-23-704	EA	SCREEN ASM - W/SEALS & CLIPS	410-019066
11	125582-01-701	EA	CLIP - SCREEN - PLASTIC	130005153
11	098644-01-713	EA	CLIP - SCREEN - METAL	226-016966
12	098647-23-700	EA	GLASS SLIDING W/SASH & LATCH	H287-G9
13	098644-01-716	FT	PLUG - FILLER	132-014470
	098644-01-717	FT	SPLINE - SCREEN	132-004716

WINDOW, VENT & EXTERIOR DOOR GROUP (CONTINUED)

EXCEL SINGLE SLIDER WINDOW - PASSENGER SIDE - LOUNGE

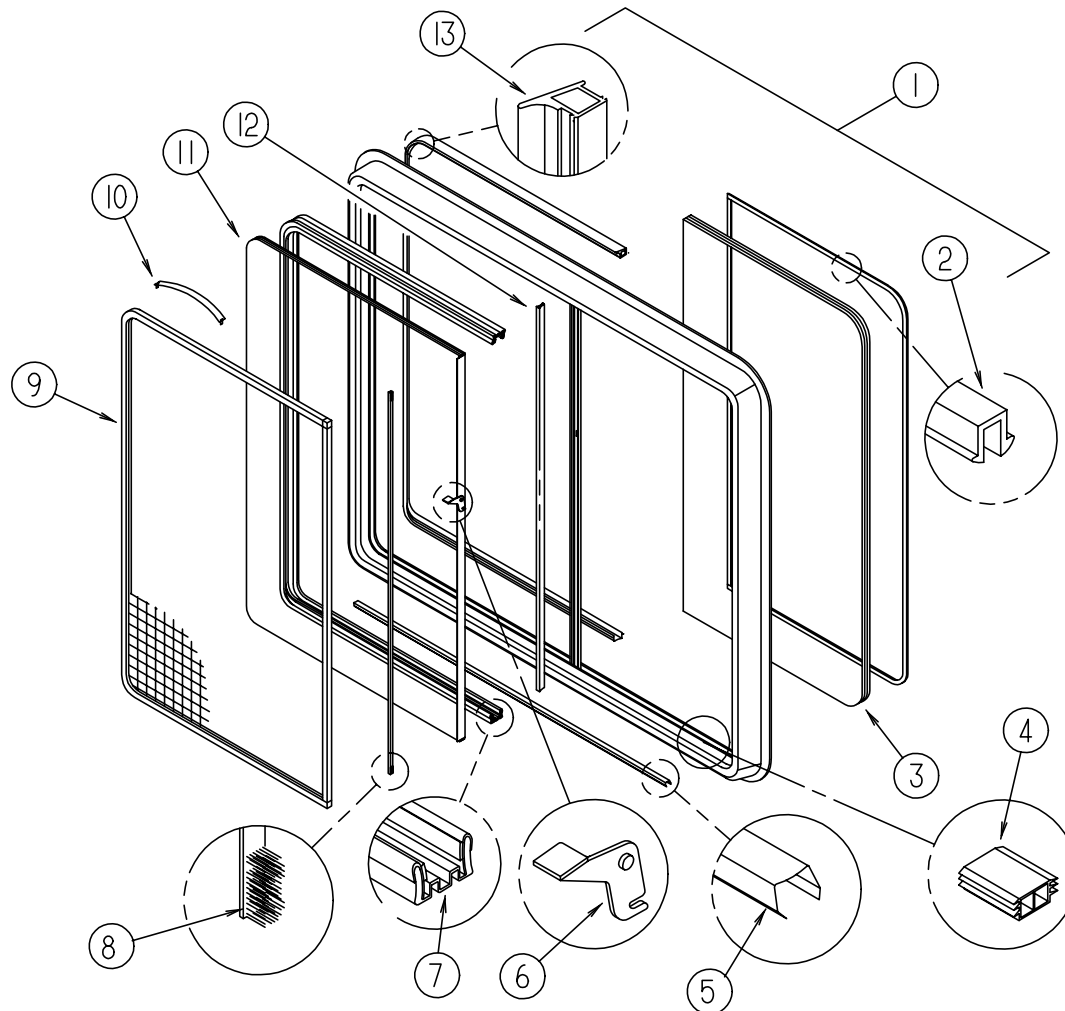
KEY	PART NUMBER	U/M	DESCRIPTION	VENDOR NO.
1	098647-24-01A	EA	WINDOW - PASSENGER - HORIZONTAL SLIDER - 26.1" X 53.8"	
	098647-36-701	EA	RETAINER - TRIM	CW80-66
2	098644-01-705	FT	GLAZING - STRIP	132-010231
3	098644-01-706	FT	WEATHERSTRIP - GLASS	171-010668
4	098647-35-701	EA	GLASS - STATIONARY	106-019119
5	098644-01-719	EA	STOP - SLIDER GLASS	132-014203
6	098644-01-710	FT	TRACK - SCREEN SPACER 12'	132-017135
7	098644-01-700	EA	LATCH - REPAIR KIT (BLACK)	B801-CK
8	098644-01-708	FT	CHANNEL - RUN PIERCED	122-016543
9	098644-01-711	FT	WEATHERSTRIP - SCREEN BLACK	171-016965
10	098647-36-704	EA	SCREEN ASM - W/SEALS & CLIPS	410-017750
11	125582-01-701	EA	CLIP - SCREEN - PLASTIC	130005153
11	098644-01-713	EA	CLIP - SCREEN - METAL	226-016966
12	098647-35-702	EA	GLASS-SLIDING W/SASH & LATCH	H279-G9
13	098644-01-716	FT	PLUG - FILLER	132-014470
	098644-01-717	FT	SPLINE - SCREEN	132-004716

EXCEL SINGLE SLIDER WINDOW - DRIVER SIDE - BEDROOM W/ BUNK BEDS

KEY	PART NUMBER	U/M	DESCRIPTION	VENDOR NO.
1	098647-34-01A	EA	WINDOW - DRIVER/HORIZONTAL SLIDER - 15.7" X 28.5"	
	098647-31-701	EA	RETAINER - TRIM	CW29-66
2	098644-01-705	FT	GLAZING - STRIP	132-010231
3	098644-01-706	FT	WEATHERSTRIP - GLASS	171-010668
4	098647-33-702	EA	GLASS - STATIONARY	106-019297
5	098644-01-719	EA	STOP - SLIDER GLASS	132-014203
6	098644-01-710	FT	TRACK - SCREEN SPACER 12'	132-017135
7	098644-01-700	EA	LATCH - REPAIR KIT (BLACK)	B801-CK
8	098644-01-708	FT	CHANNEL - RUN PIERCED	122-016543
9	098644-01-711	FT	WEATHERSTRIP - SCREEN BLACK	171-016965
10	098647-33-704	EA	SCREEN ASM - W/SEALS & CLIPS	410-019134
11	125582-01-701	EA	CLIP - SCREEN - PLASTIC	130005153
11	098644-01-713	EA	CLIP - SCREEN - METAL	226-016966
12	098647-33-703	EA	GLASS-SLIDING W/SASH & LATCH	H425-G9
13	098644-01-716	FT	PLUG - FILLER	132-014470
	098644-01-717	FT	SPLINE - SCREEN	132-004716

EXCEL SINGLE SLIDER WINDOW - PASSENGER SIDE - BEDROOM W/ BUNK BEDS

KEY	PART NUMBER	U/M	DESCRIPTION	VENDOR NO.
1	098647-33-01A	EA	WINDOW - PASSENGER/HORIZONTAL SLIDER - 15.7" X 28.5"	
	098647-31-701	EA	RETAINER - TRIM	CW29-66
2	098644-01-705	FT	GLAZING - STRIP	132-010231
3	098644-01-706	FT	WEATHERSTRIP - GLASS	171-010668
4	098647-33-702	EA	GLASS - STATIONARY	106-019297
5	098644-01-719	EA	STOP - SLIDER GLASS	132-014203
6	098644-01-710	FT	TRACK - SCREEN SPACER 12'	132-017135
7	098644-01-700	EA	LATCH - REPAIR KIT (BLACK)	B801-CK
8	098644-01-708	FT	CHANNEL - RUN PIERCED	122-016543
9	098644-01-711	FT	WEATHERSTRIP - SCREEN BLACK	171-016965
10	098647-33-704	EA	SCREEN ASM - W/SEALS & CLIPS	410-019134
11	125582-01-701	EA	CLIP - SCREEN - PLASTIC	130005153
11	098644-01-713	EA	CLIP - SCREEN - METAL	226-016966
12	098647-33-703	EA	GLASS-SLIDING W/SASH & LATCH	H425-G9
13	098644-01-716	FT	PLUG - FILLER	132-014470
	098644-01-717	FT	SPLINE - SCREEN	132-004716



EXCEL SINGLE SLIDER WINDOW - THERMO - DRIVER SIDE - DINETTE

KEY	PART NUMBER	U/M DESCRIPTION	VENDOR NO.
1	112795-15-01A	EA WINDOW - DRIVER - HORIZONTAL SLIDER-THERMO - 26 3/8" X 60"	
	098647-23-702	EA RETAINER - TRIM	W287-66
2	112795-01-705	FT VINYL - GLAZING	132-025736
3	112795-15-701	EA GLASS - STATIONARY	390-019045
4	112795-01-701	EA SLIDE-STOP	132-019092
5	098644-01-710	FT TRACK - SCREEN SPACER 12'	132-017135
6	112795-01-700	EA LATCH ASM., BLK.,(BOLT ON)	DH287-CK
7	112795-01-703	IN CHANNEL-RUN (INCHES)	122-018736
8	098644-01-711	FT WEATHERSTRIP - SCREEN BLACK	171-016965
9	098647-23-704	EA SCREEN ASM - W/SEALS & CLIPS	410-019066
10	125582-01-701	EA CLIP - SCREEN - PLASTIC	130005153
10	098644-01-713	EA CLIP - SCREEN - METAL	226-016966
11	112795-15-702	EA GLASS-SLIDING W/SASH & LATCH	DH287-G9
12	098644-01-706	FT WEATHERSTRIP - GLASS	171-010668
13	112795-01-704	FT PLUG FILLER (DOUBLE GLAZED)	122-018737

SINGLE SLIDER WINDOW (EXCEL) (THERMO DRIVER SIDE, DINETTE) (EXPORT OPTION)

KEY	PART NUMBER	U/M DESCRIPTION	VENDOR NO.
1	112795-40-01A	EA WINDOW - DRIVER HORIZONTAL SLIDER - THERMO - 26 3/8" X 60"	
	098647-27-701	EA RETAINER - TRIM	W287-66
2	112795-01-705	FT VINYL - GLAZING	132-025736
3	112795-39-701	EA GLASS - STATIONARY	390 - 019792
4	112795-01-701	EA SLIDE-STOP	132-019092
5	098644-01-710	FT TRACK - SCREEN SPACER 12'	132-017135
6	112795-01-700	EA LATCH ASM. - BLK. (BOLT ON)	DH287-CK
7	112795-01-703	IN CHANNEL-RUN (INCHES)	122-018736
8	098644-01-711	FT WEATHERSTRIP - SCREEN BLACK	171-016965
9	098647-23-704	EA SCREEN ASM - W/SEALS & CLIPS	410-019066

EXCEL SINGLE SLIDER WINDOW - THERMO - DRIVER SIDE DINETTE - EXPORT OPTION (CONTINUED)

KEY	PART NUMBER	U/M DESCRIPTION	VENDOR NO.
	098644-01-717	FT SPLINE - SCREEN	132-004716
10	125582-01-701	EA CLIP - SCREEN - PLASTIC	130005153
10	098644-01-713	EA CLIP - SCREEN - METAL	226-016966
11	112795-39-700	EA GLASS-SLIDING W/SASH & LATCH	DH287-EG9
12	098644-01-706	FT WEATHERSTRIP - GLASS	171-010668
13	112795-01-704	FT PLUG FILLER (DOUBLE GLAZED)	122-018737

EXCEL SINGLE SLIDER WINDOW - THERMO - PASSENGER SIDE - LOUNGE

KEY	PART NUMBER	U/M DESCRIPTION	VENDOR NO.
1	112795-17-01A	EA WINDOW - PASSENGER - HORIZONTAL SLIDER - THERMO-25 3/8"X54"	
	112795-17-703	EA RETAINER - TRIM	CW80-66
2	112795-01-705	FT VINYL - GLAZING	132-025736
3	112795-17-700	EA GLASS - STATIONARY	390-019041
4	112795-01-701	EA SLIDE-STOP	132-019092
5	098644-01-710	FT TRACK - SCREEN SPACER 12'	132-017135
6	112795-01-700	EA LATCH ASM. - BLK. (BOLT ON)	DH287-CK
7	112795-01-703	IN CHANNEL-RUN (INCHES)	122-018736
8	098644-01-711	FT WEATHERSTRIP - SCREEN BLACK	171-016965
9	112795-17-702	EA SCREEN ASM. W/SEALS & CLIPS	410-019064
10	125582-01-701	EA CLIP - SCREEN - PLASTIC	130005153
10	098644-01-713	EA CLIP - SCREEN - METAL	226-016966
11	112795-17-701	EA GLASS-SLIDING W/SASH & LATCH	DC80-G9
12	098644-01-706	FT WEATHERSTRIP - GLASS	171-010668
13	112795-01-704	FT PLUG FILLER (DOUBLE GLAZED)	122-018737

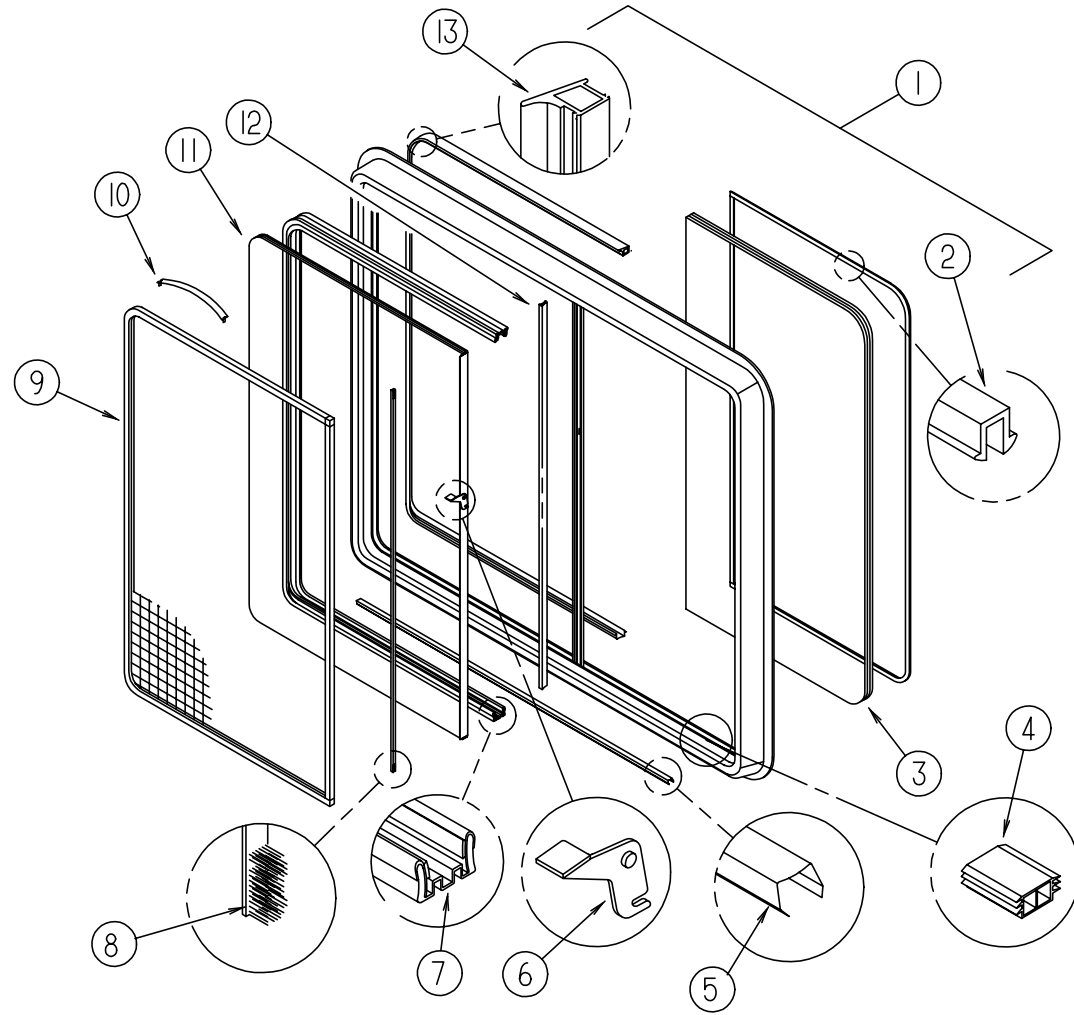
EXCEL SINGLE SLIDER WINDOW - THERMO - PASSENGER SIDE - LOUNGE (EXPORT OPTION)

KEY	PART NUMBER	U/M DESCRIPTION	VENDOR NO.
1	112795-43-01A	EA WINDOW - PASSENGER HORIZONTAL SLIDE THERMO 26 3/8" X 54"	
	112795-17-703	EA RETAINER - TRIM	CW80-66
2	112795-01-705	FT VINYL - GLAZING	132-025736
3	112795-43-701	EA GLASS - STATIONARY	390-019784
4	112795-01-701	EA SLIDE-STOP	132-019092
5	098644-01-710	FT TRACK - SCREEN SPACER 12'	132-017135
6	112795-01-700	EA LATCH ASM. - BLK. (BOLT ON)	DH287-CK
7	112795-01-703	IN CHANNEL-RUN (INCHES)	122-018736
8	098644-01-711	FT WEATHERSTRIP - SCREEN BLACK	171-016965
9	112795-17-702	EA SCREEN ASM. W/SEALS & CLIPS	410-019064
	098644-01-717	FT SPLINE - SCREEN	132-004716
10	125582-01-701	EA CLIP - SCREEN - PLASTIC	130005153
10	098644-01-713	EA CLIP - SCREEN - METAL	226-016966
11	112795-43-700	EA GLASS-SLIDING W/SASH & LATCH	DC80-EG9
12	098644-01-706	FT WEATHERSTRIP - GLASS	171-010668
13	112795-01-704	FT PLUG FILLER (DOUBLE GLAZED)	122-018737

EXCEL SINGLE SLIDER WINDOW - THERMO - DRIVER SIDE - BEDROOM W/BUNK BEDS

KEY	PART NUMBER	U/M DESCRIPTION	VENDOR NO.
1	112795-20-01A	EA WINDOW - DRIVER/HORIZONTAL SLIDER - THERMO 16.7" X 28.5"	
	098647-31-701	EA RETAINER - TRIM	CW29-66
2	112795-01-705	FT VINYL - GLAZING	132-025736
3	112795-19-701	EA GLASS - STATIONARY	390-019134
4	112795-01-701	EA SLIDE - STOP	132-019092
5	098644-01-710	FT TRACK - SCREEN SPACER 12'	132-017135
6	112795-01-700	EA LATCH ASM. - BLK. (BOLT ON)	DH287-CK
7	112795-01-703	IN CHANNEL - RUN (INCHES)	122-018736
8	098644-01-711	FT WEATHERSTRIP - SCREEN BLACK	171-016965
9	098647-31-704	EA SCREEN ASM - W/SEALS & CLIPS	410-019128
10	125582-01-701	EA CLIP - SCREEN - PLASTIC	130005153
10	098644-01-713	EA CLIP - SCREEN - METAL	226-016966
11	112795-19-702	EA GLASS - SLIDING W/SASH & LATCH	DC29-G9
12	098644-01-706	FT WEATHERSTRIP - GLASS	171-010668
13	112795-01-704	FT PLUG FILLER (DOUBLE GLAZED)	122-018737

WINDOW, VENT & EXTERIOR DOOR GROUP (CONTINUED)



EXCEL SINGLE SLIDER WINDOW - THERMO INSULATED - DR SIDE BEDROOM W/BUNK BEDS (EXPORT OPTION)

KEY	PART NUMBER	U/M	DESCRIPTION	VENDOR NO.
1	112795-42-01A	EA	WINDOW - DRIVER HORIZONTAL SLIDER - THERMO - 16" X 28 3/4"	
	098647-31-701	EA	RETAINER - TRIM	CW29-66
2	112795-01-705	FT	VINYL - GLAZING	132-025736
3	112795-41-701	EA	GLASS - STATIONARY	390-019826
4	112795-01-701	EA	SLIDE - STOP	132-019092
5	098644-01-710	FT	TRACK - SCREEN SPACER 12'	132-017135
6	112795-01-700	EA	LATCH ASM. - BLK. (BOLT ON)	DH287-CK
7	112795-01-703	IN	CHANNEL - RUN (INCHES)	122-018736
8	098644-01-711	FT	WEATHERSTRIP - SCREEN BLACK	171-016965
9	098647-31-704	EA	SCREEN ASM - W/SEALS & CLIPS	410-019128
	098644-01-717	FT	SPLINE - SCREEN	132-004716
10	125582-01-701	EA	CLIP - SCREEN - PLASTIC	130005153
10	098644-01-713	EA	CLIP - SCREEN - METAL	226-016966
11	112795-41-700	EA	GLASS-SLIDING W/SASH & LATCH	DC29-EG9
12	098644-01-706	FT	WEATHERSTRIP - GLASS	171-010668
13	112795-01-704	FT	PLUG FILLER (DOUBLE GLAZED)	122-018737

WINDOW, VENT & EXTERIOR DOOR GROUP (CONTINUED)

EXCEL SINGLE SLIDER WINDOW - THERMO INSULATED - PASSENGER SIDE - BEDROOM W/BUNK BEDS

KEY	PART NUMBER	U/M	DESCRIPTION	VENDOR NO.
1	112795-19-01A	EA	WINDOW - PASSENGER/HORIZONTAL SLIDER - THERMO 16.7" X 28.5"	
	098647-31-701	EA	RETAINER - TRIM	CW29-66
2	112795-01-705	FT	VINYL - GLAZING	132-025736
3	112795-19-701	EA	GLASS - STATIONARY	390-019134
4	112795-01-701	EA	SLIDE - STOP	132-019092
5	098644-01-710	FT	TRACK - SCREEN SPACER 12'	132-017135
6	112795-01-700	EA	LATCH ASM. - BLK. (BOLT ON)	DH287-CK
7	112795-01-703	IN	CHANNEL - RUN (INCHES)	122-018736
8	098644-01-711	FT	WEATHERSTRIP - SCREEN BLACK	171-016965
9	098647-31-704	EA	SCREEN ASM - W/SEALS & CLIPS	410-019128
10	125582-01-701	EA	CLIP - SCREEN - PLASTIC	130005153
10	098644-01-713	EA	CLIP - SCREEN - METAL	226-016966
11	112795-19-702	EA	GLASS - SLIDING W/SASH & LATCH	DC29-G9
12	098644-01-706	FT	WEATHERSTRIP - GLASS	171-010668
13	112795-01-704	FT	PLUG FILLER (DOUBLE GLAZED)	122-018737

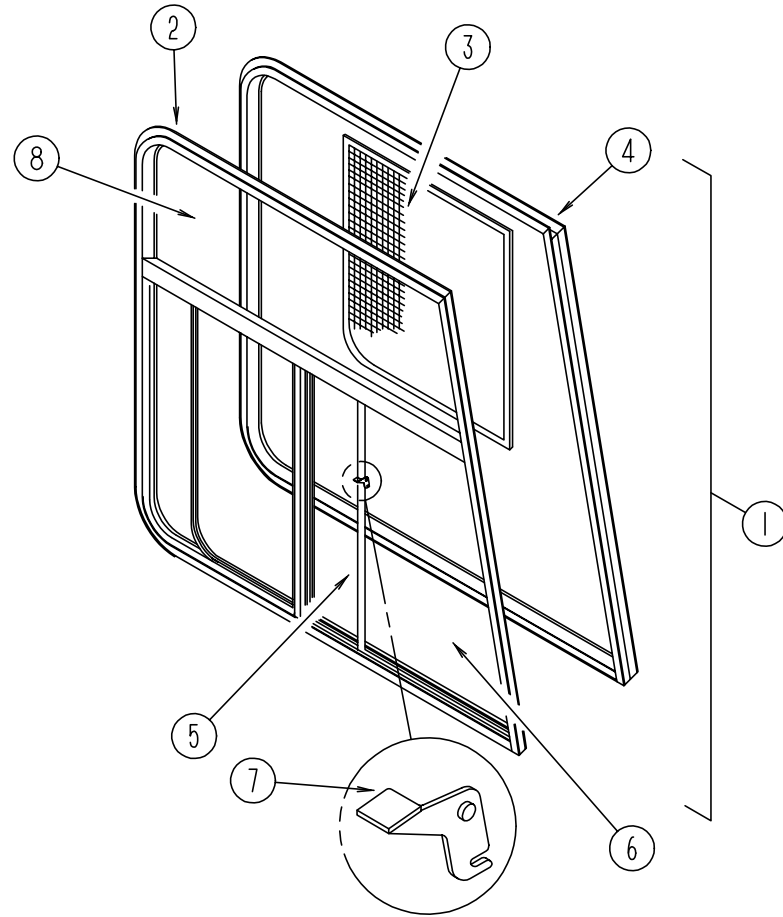
EXCEL SINGLE SLIDER WINDOW - THERMO - PASSENGER SIDE - BEDROOM W/BUNK BEDS (EXPORT OPTION)

KEY	PART NUMBER	U/M	DESCRIPTION	VENDOR NO.
1	112795-41-01A	EA	WINDOW - PASSENGER HORIZONTAL SLIDER - THERMO - 16" X 28 3/4"	
	098647-31-701	EA	RETAINER - TRIM	CW29-66
2	112795-01-705	FT	VINYL - GLAZING	132-025736
3	112795-41-701	EA	GLASS - STATIONARY	390-019826
4	112795-01-701	EA	SLIDE-STOP	132-019092
5	098644-01-710	FT	TRACK - SCREEN SPACER 12'	132-017135
6	112795-01-700	EA	LATCH ASM. - BLK. (BOLT ON)	DH287-CK
7	112795-01-703	IN	CHANNEL-RUN (INCHES)	122-018736
8	098644-01-711	FT	WEATHERSTRIP - SCREEN BLACK	171-016965
9	098647-31-704	EA	SCREEN ASM - W/SEALS & CLIPS	410-019128
	098644-01-717	FT	SPLINE - SCREEN	132-004716
10	125582-01-701	EA	CLIP - SCREEN - PLASTIC	130005153
10	098644-01-713	EA	CLIP - SCREEN - METAL	226-016966
11	112795-41-700	EA	GLASS-SLIDING W/SASH & LATCH	DC29-EG9
12	098644-01-706	FT	WEATHERSTRIP - GLASS	171-010668
13	112795-01-704	FT	PLUG FILLER (DOUBLE GLAZED)	122-018737

EXCEL SINGLE SLIDER WINDOW - THERMO INSULATED - DRIVER SIDE GALLEY (EXPORT OPTION)

KEY	PART NUMBER	U/M	DESCRIPTION	VENDOR NO.
1	112795-55-01A	EA	WINDOW - DRIVER - HORIZONTAL SLIDER-THERMO 15 1/2"X18 1/2"	
	112795-56-703	EA	RETAINER - TRIM	V969-66
2	112795-01-705	FT	VINYL - GLAZING	132-025736
3	112795-55-701	EA	GLASS - STATIONARY	390-025284
4	112795-01-701	EA	SLIDE - STOP	132-019092
5	098644-01-710	FT	TRACK - SCREEN SPACER 12'	132-017135
6	112795-01-700	EA	LATCH ASM. - BLK. (BOLT ON)	DH287-CK
7	112795-01-703	IN	CHANNEL - RUN (INCHES)	122-018736
8	098644-01-711	FT	WEATHERSTRIP - SCREEN BLACK	171-016965
9	112795-56-702	EA	SCREEN ASM - W/SEALS & CLIPS	410-019414
	098644-01-717	FT	SPLINE - SCREEN	132-004716
10	125582-01-701	EA	CLIP - SCREEN - PLASTIC	130005153
10	098644-01-713	EA	CLIP - SCREEN - METAL	226-016966
11	112795-55-700	EA	GLASS-SLIDING W/SASH & LATCH	DB809-EG9
12	098644-01-706	FT	WEATHERSTRIP - GLASS	171-010668
13	112795-01-704	FT	PLUG FILLER (DOUBLE GLAZED)	122-018737

WINDOW, VENT & EXTERIOR DOOR GROUP (CONTINUED)

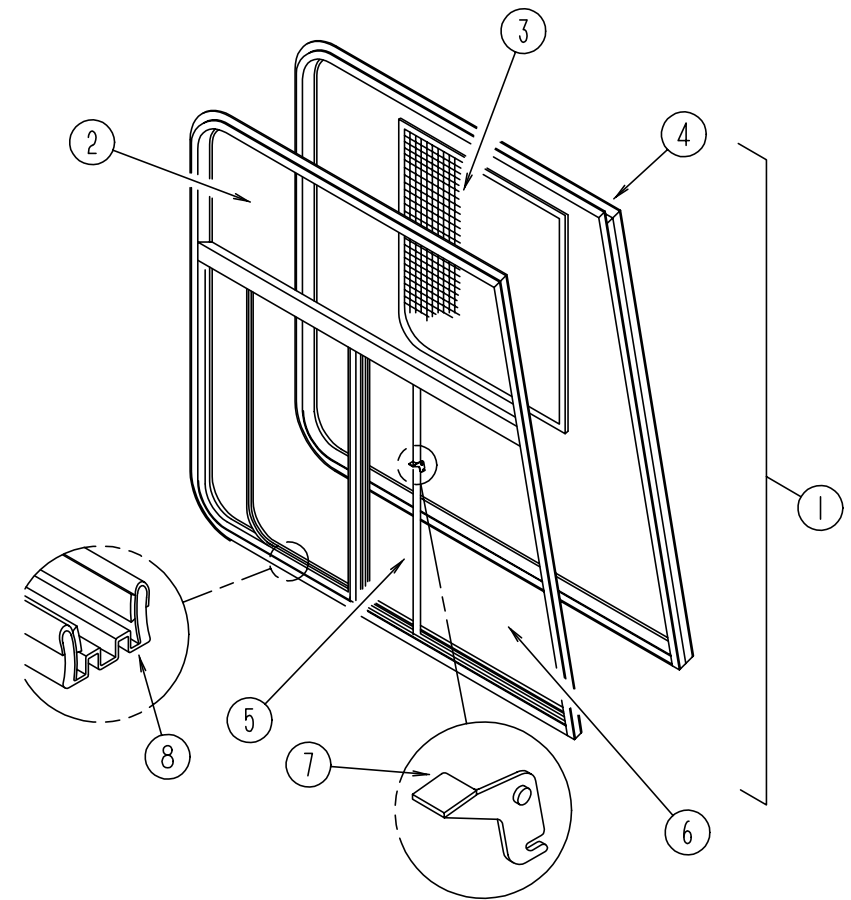


EXCEL CAB WINDOWS

KEY	PART NUMBER	U/M	DESCRIPTION
1	103658-07-01A	EA	WINDOW - DRIVER CAB 3 GLASS 25.3"T X 45.4"B X 45.2"H
1	103658-08-01A	EA	WINDOW - PASSENGER CAB 3 GLASS 25.3"T X 45.4"B X 45.2"H
2	103658-07-704	EA	WINDOW ASM. - W/O TRIM - DRIVER SIDE
2	103658-08-700	EA	WINDOW ASM. - W/O TRIM - PASSENGER SIDE
3	103658-01-700	EA	SCREEN ASM - W/ SEALS & CLIPS - DRIVER SIDE
3	103658-02-700	EA	SCREEN ASM - W/ SEALS & CLIPS - PASSENGER SIDE
4	103658-07-700	EA	RETAINER - TRIM - DRIVER SIDE
4	103658-08-701	EA	RETAINER - TRIM - PASSENGER SIDE
5	103658-01-703	EA	GLASS - SLIDING - W/ SASH & LATCH LH - DRIVER SIDE
5	103658-02-701	EA	GLASS - SLIDING - W/ SASH & LATCH RH - PASSENGER SIDE
6	103658-01-702	EA	GLASS - STATIONARY - BOTTOM - DRIVER SIDE
6	103658-01-702	EA	GLASS - STATIONARY - BOTTOM - PASSENGER SIDE
7	098644-01-700	EA	LATCH - REPAIR KIT (BLACK)
8	103658-07-701	EA	GLASS - STATIONARY TOP
	098644-01-706	FT	WEATHERSTRIP - GLASS
	098644-01-708	FT	CHANNEL - RUN PIERCED
	098644-01-710	FT	TRACK - SCREEN SPACER 12'
	098644-01-711	FT	WEATHERSTRIP - SCREEN BLACK
	098644-01-713	EA	CLIP - SPRING - METAL
	098644-01-716	FT	PLUG - FILLER
	098644-01-717	FT	SPLINE - SCREEN

VENDOR NO.
H374-A2L
H374-A2R
H322-03L
H322-03R
H374-66 & 76L
H374-66 & 76R
H322-A9L
322-A9R
106-017700
106-017700
B801-CK
106-018481
171-010668
122-016543
132-017135
171-016965
226-016966
132-014470
132-004716

WINDOW, VENT & EXTERIOR DOOR GROUP (CONTINUED)

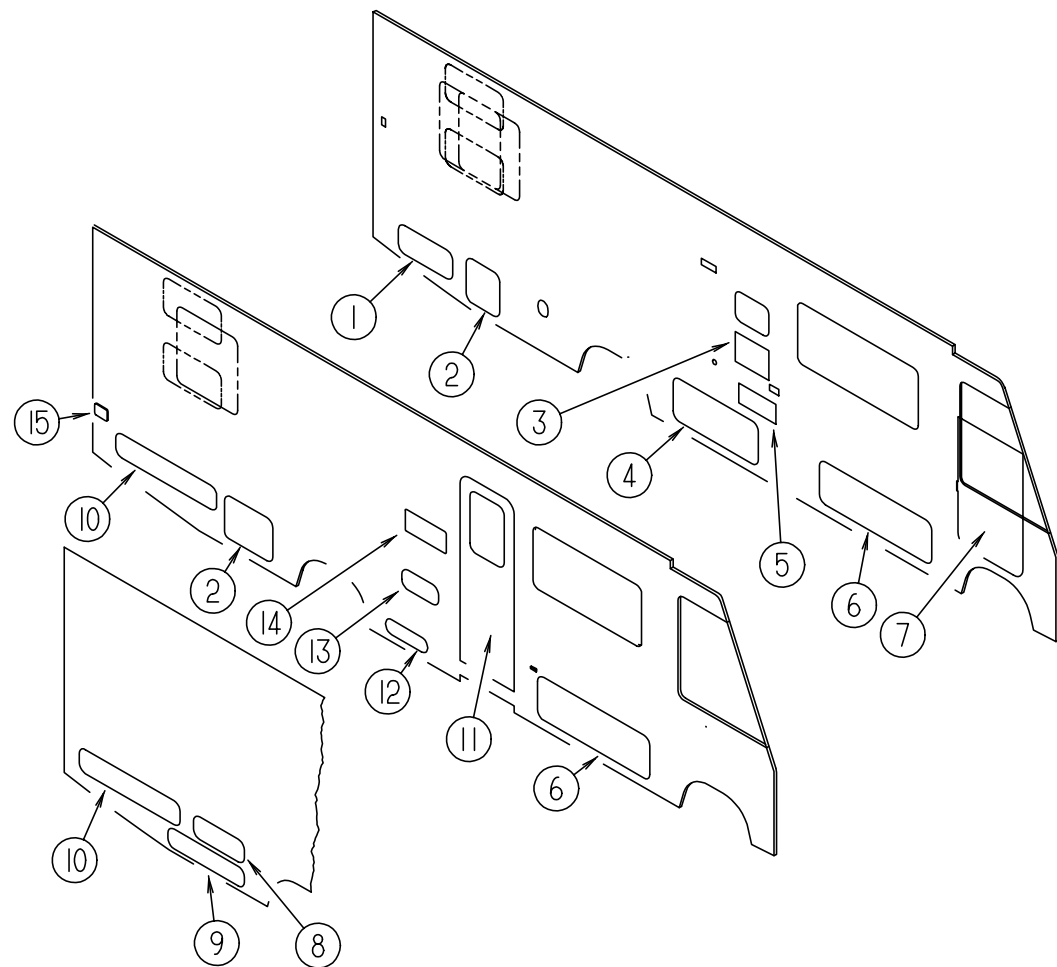


EXCEL CAB WINDOWS - THERMOPANE

KEY	PART NUMBER	U/M	DESCRIPTION	VENDOR NO.
1	113501-01-01A	EA	WINDOW - DRIVER CAB THERMO (3 WINDOW) 44.3" X 24.4" X 44.1"	
1	113501-02-01A	EA	WINDOW - PASS CAB THERMO (3 WINDOW) 44.3" X 24.4" X 44.1"	
1	113501-06-01A	EA	WINDOW - DRIVER CAB/THERMO/EURO (3GLS) 24.4"T X 44.1"B X 44.3"H	
1	113501-05-01A	EA	WINDOW - PASS CAB/THERMO/EURO (3 GLS) 24.4"T X 44.1"B X 44.3"H	
2	113501-01-701	EA	GLASS - STATIONARY - UPPER - DRIVER OR PASS SIDE	390-019137
2	113501-05-700	EA	GLASS - STATIONARY - UPPER - DR OR PASS SIDE/EURO	390-019799R&L
3	103658-01-700	EA	SCREEN ASM - W/ SEALS & CLIPS - DRIVER SIDE	H322-03L
3	103658-02-700	EA	SCREEN ASM - W/ SEALS & CLIPS - PASS SIDE	H322-03R
	098644-01-717	FT	SPLINE - SCREEN	132-004716
	125582-01-701	EA	CLIP - SCREEN - PLASTIC	130005153
	098644-01-713	EA	CLIP - SCREEN - METAL	226-016966
	103658-05-702	EA	RETAINER - TRIM - DRIVER SIDE	H373-66 & 76L
	103658-10-701	EA	RETAINER - TRIM - PASSENGER SIDE	H373-66 & 76R
	103658-07-700	EA	RETAINER - TRIM - DRIVER SIDE - EURO	H374-66 & 76L
	103658-08-701	EA	RETAINER - TRIM - PASSENGER SIDE - EURO	H374-66 & 76R
5	113501-01-703	EA	GLASS-SLIDING W/ SASH & LATCH - DRIVER SIDE	DH374-A9L
5	113501-02-702	EA	GLASS-SLIDING W/ SASH & LATCH - PASS SIDE	DH374-A9R
5	113501-05-702	EA	GLASS - SLIDING W/ SASH & LATCH - DRIVER SIDE - EURO	DH374-EA9L
5	113501-06-701	EA	GLASS - SLIDING W/ SASH & LATCH - PASS SIDE - EURO	DH374-EA9R
6	113501-01-702	EA	GLASS - STATIONARY - LOWER - DRIVER SIDE	390-019139L
6	113501-02-701	EA	GLASS - STATIONARY - LOWER - PASS SIDE	390-019138R
6	113501-05-701	EA	GLASS - STATIONARY - LOWER - DRIVER SIDE - EURO	395-019801L
6	113501-06-700	EA	GLASS - STATIONARY - LOWER - PASS SIDE - EURO	395-019800R
7	112795-01-700	EA	LATCH ASM. - BLACK (BOLT ON)	DH287-CK
8	112795-01-703	IN	CHANNEL - RUN (INCHES)	122-018736
	098644-01-711	FT	WEATHERSTRIP - SCREEN BLACK	171-016965
	112795-01-701	EA	SLIDE - STOP	132-019092
	112795-01-704	FT	PLUG FILLER (DOUBLE GLAZED)	122-018737
	112795-01-705	FT	VINYL - GLAZING	132-019702
	112898-04-703	EA	SASH LATCH KIT - RAISED	DH343-CK

WINDOW, VENT & EXTERIOR DOOR GROUP (CONTINUED)

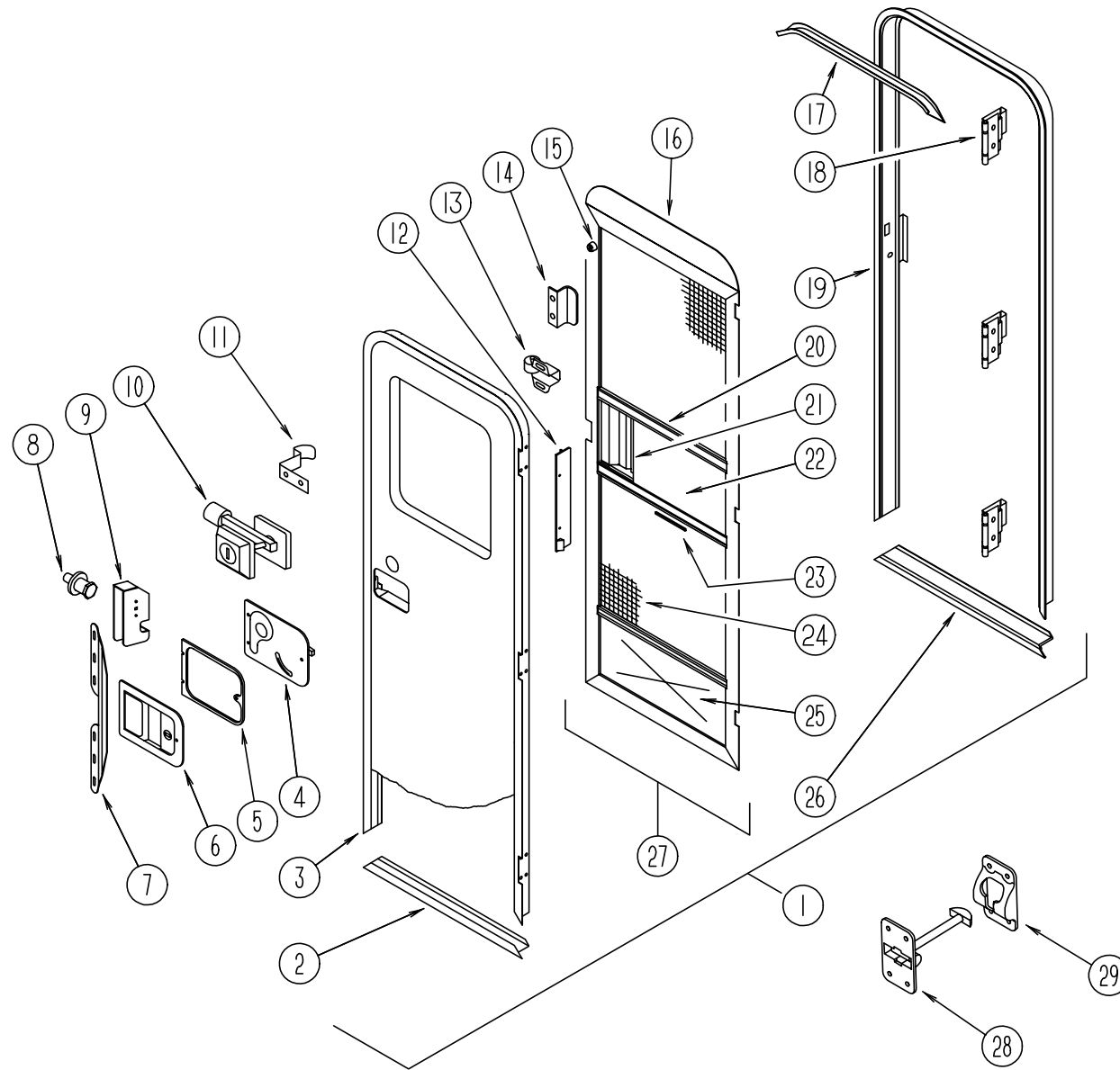
EXTERIOR DOORS



KEY	PART NUMBER	U/M	DESCRIPTION	VENDOR NO.
1	111018-03-G29	EA	DOOR - GENERATOR/STORAGE (WHITE TRIM)	
1	111018-03-H34	EA	DOOR - GENERATOR/STORAGE (UMBRA TRIM)	
1	111018-03-H35	EA	DOOR - GENERATOR/STORAGE (BLUE TRIM)	
2	104558-26-FB1	EA	DOOR - STORAGE - W/O LOCK - 23.6" (WHITE TRIM)	
2	104558-26-H34	EA	DOOR - STORAGE - W/O LOCK - 23.6" (UMBRA TRIM)	
2	104558-26-H35	EA	DOOR - STORAGE - W/O LOCK - 23.6" (BLUE TRIM)	
3	052009-06-000	EA	DOOR - WATER HEATER - BRIGHT WHITE - 18" X 14.6"	
3	116424-01-000	EA	PROTECTOR - LATCH - WATER HEATER	
4	104558-52-GB1	EA	DOOR - STORAGE - W/O LOCK - 49.7" (WHITE TRIM)	
4	104558-52-H34	EA	DOOR - STORAGE - W/O LOCK - 49.7" (UMBRA TRIM)	
4	104558-52-H35	EA	DOOR - STORAGE - W/O LOCK - 49.7" (BLUE TRIM)	
5	098668-23-000	EA	DOOR - ACCESS - FURNACE	
6	104558-24-FB1	EA	DOOR - STORAGE - W/O LOCK - 55.4" (WHITE TRIM)	
6	104558-24-H34	EA	DOOR - STORAGE - W/O LOCK - 55.4" (UMBRA TRIM)	
6	104558-24-H35	EA	DOOR - STORAGE - W/O LOCK - 55.4" (BLUE TRIM)	
7	106469-07-01A	EA	DOOR - DRIVER - BLACK	
7	106469-08-01A	EA	DOOR - DRIVER - W/ E-GLASS	
8	104558-29-FB1	EA	DOOR - STORAGE - W/O LOCK - 24.8" (WHITE TRIM)	
8	104558-29-H34	EA	DOOR - STORAGE - W/O LOCK - 24.8" (UMBRA TRIM)	
8	104558-29-H35	EA	DOOR - STORAGE - W/O LOCK - 24.8" (BLUE TRIM)	
9	104558-54-H33	EA	DOOR - STORAGE - W/O LOCK - 49.7" (WHITE TRIM)	
9	104558-54-H34	EA	DOOR - STORAGE - W/O LOCK - 49.7" (UMBRA TRIM)	
9	104558-54-H35	EA	DOOR - STORAGE - W/O LOCK - 49.7" (BLUE TRIM)	
10	104558-27-FB1	EA	DOOR - STORAGE - W/O LOCK - 49.7" (WHITE TRIM)	
10	104558-27-H34	EA	DOOR - STORAGE - W/O LOCK - 49.7" (UMBRA TRIM)	
10	104558-27-H35	EA	DOOR - STORAGE - W/O LOCK - 49.7" (BLUE TRIM)	
11	115108-02-H33	EA	DOOR - ENTRY - W/SCREEN DOOR - W/O WINDOW	
11	115108-02-H34	EA	DOOR - ENTRY - W/SCREEN DOOR - W/O WINDOW	
11	115108-02-H35	EA	DOOR - ENTRY - W/SCREEN DOOR - W/O WINDOW	
12	111009-01-GB1	EA	DOOR - LP - 6.5" X 20.8" (WHITE TRIM)	
12	111009-01-H34	EA	DOOR - LP - 6.5" X 20.8" (UMBRA TRIM)	
12	111009-01-H14	EA	DOOR - LP - 6.5" X 20.8" (BLUE TRIM)	
13	111017-01-H23	EA	DOOR - STORAGE - W/O LOCK - 8.1" X 17.8"	
14	084103-08-000	EA	DOOR - REFRIGERATOR - VENTED - W/O JAMB	
14	084104-08-000	EA	JAMB - REFRIGERATOR DOOR	
14	084104-01-700	EA	LOCK - MALE - FASTENER	201-721-010
14	084104-01-701	EA	LOCK - FEMALE - FASTENER	201-802-010
15	081240-16-000	EA	DOOR - WATER FILL - LOCKABLE W/O LOCK - 4" X 4 5/8"	

WINDOW, VENT & EXTERIOR DOOR GROUP (CONTINUED)

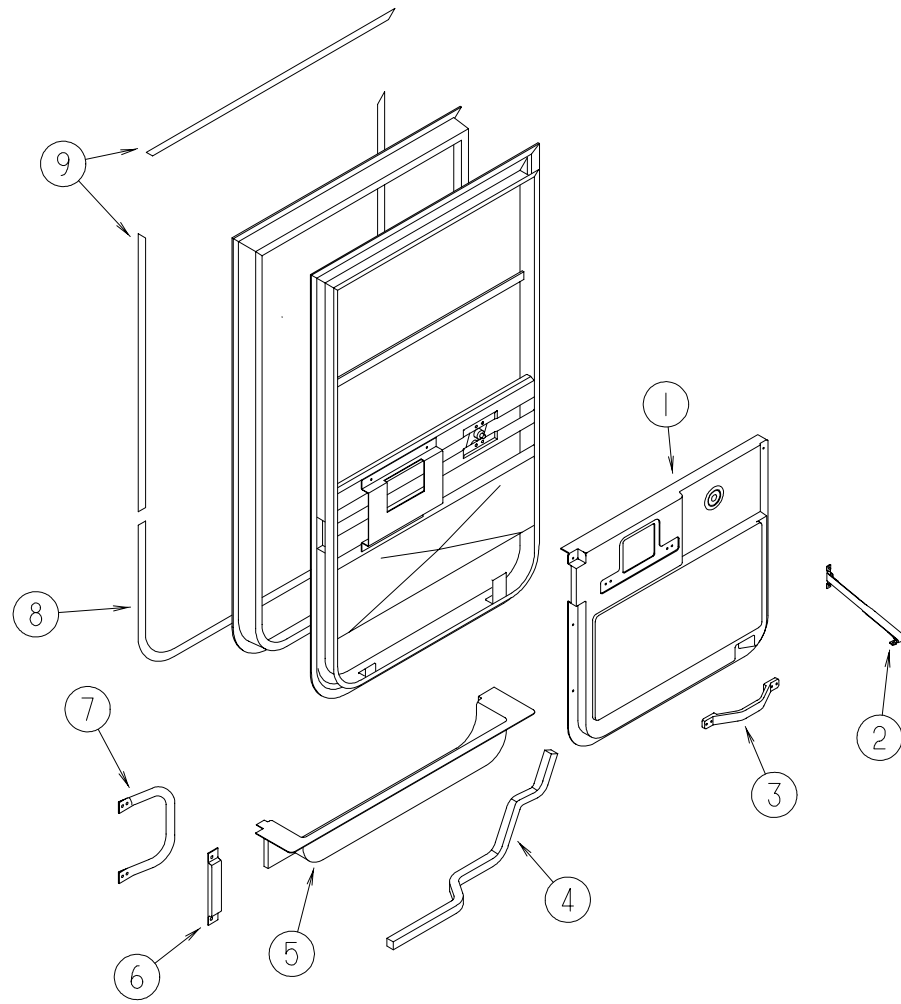
ENTRANCE DOOR



KEY	PART NUMBER	U/M	DESCRIPTION	VENDOR NO.
1	115108-02-H33	EA	DOOR - ENTRY - W/SCREEN DOOR - W/O WINDOW	
1	115108-02-H34	EA	DOOR - ENTRY - W/SCREEN DOOR - W/O WINDOW	
1	115108-02-H35	EA	DOOR - ENTRY - W/SCREEN DOOR - W/O WINDOW	
2	121893-01-01A	EA	FRAME-BOTTOM, ENTRY DOOR - BRIGHT WHITE	
3	121894-03-01A	EA	FRAME-ENTRY DOOR, W/O BOTTOM - BRIGHT WHITE	
4	039979-06-000	EA	COVER - LATCH PLATE - RIGHT HAND - BLACK TEXTURED	
	039984-01-000	EA	CAP-ROUND, VINYL - .28" ID X .62" LONG - BLACK	
5	096810-01-01A	EA	PLATE-LATCH, ENTRY DOOR - PLASTIC - BLACK	
	041546-07-000	EA	BRACKET-DOOR ANGLE, OFF WHITE - METAL	
6	045017-13-000	EA	LATCH - ENTRY DOOR - BLACK TEXTURED	
	045017-11-701	EA	KEY-BLANK - F1 SERIES	81312-02
	045017-11-703	EA	CYLINDER - LOCK ASM. W/KEYS	81266-09
	075671-04-000	FT	SEAL - SPONGE - LAZY T - W/ADHESIVE STRIP - .5" WIDE	
7	098173-01-07A	EA	STIFFENER - ENTRY DOOR - SUPPORTS LATCH/STRIKE AREA	
7	098173-01-04A	EA	STIFFENER - ENTRY DOOR - SUPPORTS LATCH/STRIKE AREA - UNPAINTED	
8	039539-01-000	EA	STRIKE - LOCK - ENTRY DOOR - ROUND W/THREADED WASHER	
	077461-03-000	EA	COVER - STRIKE - ENTRY DOOR - 6.5" X 2.5" - WHITE PLASTIC	
9	039540-01-000	EA	LATCH MECHANISM - HOOK - ENTRY DOOR - INTERIOR	
10	101145-01-06A	EA	DEADBOLT - ENTRY DOOR W/O SECURITY BOLT W/2 KEYS - BLACK TEXTURED	
	095229-01-700	EA	KEY-BLANK - DEADBOLT	81205-03
	101145-01-701	EA	CYLINDER-LOCK ASSEMBLY, W/KEY	81306-03
	101147-01-000	EA	BOLT-SECURITY, 4.12" BACKSET	
11	100412-01-000	EA	CATCH - SCREEN DOOR	
12	079087-03-000	EA	STRIKE-SLIDER, W/LIP FOR ELBOW CATCH - 1.5" X 8.6" - BRIGHT WHITE	
13	109403-01-000	EA	CATCH - SCREEN DOOR ROLLER	
14	050712-06-000	EA	HANDLE - SCREEN DOOR - BRIGHT WHITE	
15	122241-01-01A	EA	BUMPER - FOAM RUBBER - BLACK (SQUARE)	
			FROM: 00-00-00 THRU: 05-25-97	
15	120863-06-000	EA	BUMPER - RUBBER - 3/4" X 3/8"	
			FROM: 05-26-97 THRU: 99-99-99	
16	078595-01-000	EA	TOP PLATE - SCREEN DOOR - CURVED TOP - 4.7" X 25.35"	
17	044582-44-000	EA	CAP - DRIP - JAMB - BRIGHT WHITE	
18	106719-01-05A	EA	HINGE - ENTRANCE DOOR	
18	106719-01-01A	EA	HINGE - ENTRANCE DOOR - MILL	
	102248-01-000	EA	SHIM - DOOR	
	039715-01-000	EA	NUT-SERT - 1/4" DIAMETER - 20 THREADS	
	116111-02-01A	EA	SCREW - TAPTITE - 1/4-20 X 3/8 PPH - ZINC	
	118929-01-01A	FT	SEAL - PILE - PUSH ON	
	076725-02-000	EA	COVER-HINGE, ENTRY DOOR - 6" X 3.2" - PLASTIC - OFF WHITE	
19	121898-01-01A	EA	JAMB-ENTRY DOOR, W/BOTTOM - BRIGHT WHITE	
	115222-02-01A	EA	GARNISH - RADIUS - ENTRY DOOR - OFF WHITE	
20	078777-01-000	EA	CHANNEL - SLIDE - SCREEN DOOR CENTER SLIDER COVER	
21	079086-03-000	EA	SLIDER - SCREEN DOOR - BRIGHT WHITE	
22	016454-01-000	EA	INSERT - CENTER - LEATHER GRAIN ALUMINUM - UNPAINTED	
22	001014-01-013	EA	INSERT - CENTER - 10.25" X 16.31" - UNPAINTED	
23	002294-01-000	FT	SPLINE-SCREENING, .135" X .138" - BLACK	
24	002293-02-000	SF	SCREENING-WINDOW/DOOR, 26" - CHARCOAL	
25	078552-03-000	EA	KICK PANEL - SCREEN DOOR - LOWER INSERT - UNPAINTED	
26	051049-01-000	EA	JAMB - BOTTOM - ENTRY DOOR - 25.9" - UNPAINTED	
27	121899-01-G04	EA	DOOR - SCREEN - W/O HARDWARE	
	075673-01-000	FT	SEAL - PILE - ADHESIVE BACK - GRAY	
	075673-05-000	FT	SEAL - PILE - ADHESIVE BACK - BLACK	
	086285-05-000	EA	SPACER - NYLON - .7" X .56"	
	122241-01-01A	EA	BUMPER-FOAM RUBBER W/ADHESIVE BACK, 12.7 MM X 12.7 MM X 6.4 MM - BLACK	
28	104099-01-04A	EA	CATCH - DOOR HOLDER - STRIKE - BRIGHT WHITE	
29	104099-02-04A	EA	CATCH - DOOR HOLDER - RETAINER - BRIGHT WHITE	
	009126-03-000	EA	HANDLE - ASSIST - BLACK TEXTURED	
	100128-02-000	FT	SEAL-FOAM, ADHESIVE BACK - .37" W X .37" THICK	

WINDOW, VENT & EXTERIOR DOOR GROUP (CONTINUED)

DRIVER DOOR INTERIOR COMPONENTS

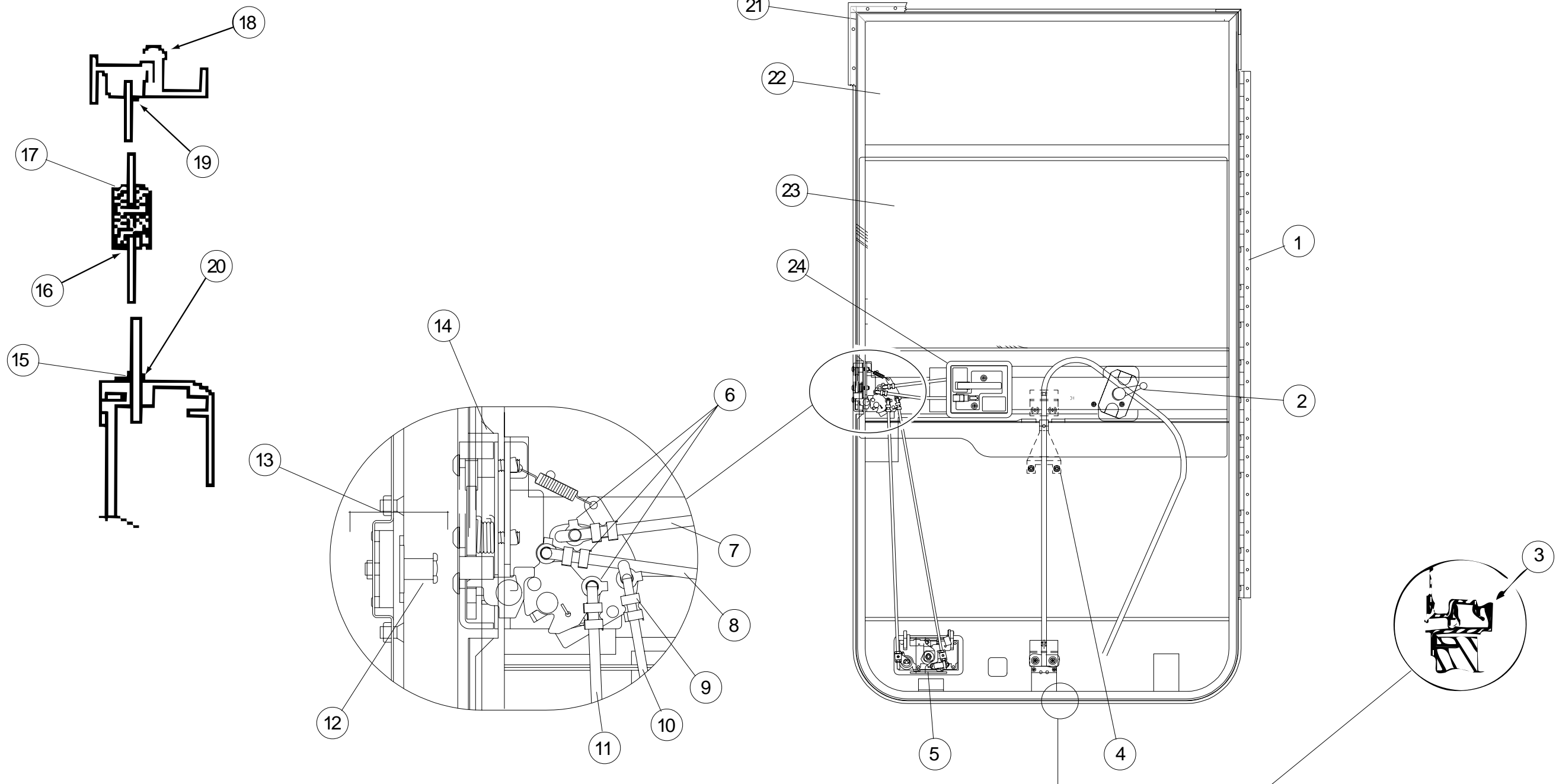


KEY	PART NUMBER	U/M DESCRIPTION
1	114973-01-02A	EA PANEL - DRIVER DOOR - INNER - WILLOW - PLASTIC
2	109378-01-000	EA STRAP - CHECK - DRIVER DOOR - 12.8"
3	110604-01-01A	EA HANDLE - ASSIST - DRIVERS DOOR
4	063977-12-000	EA STEP - DRIVER DOOR - LEFT - PAINTED
4	063977-11-000	EA STEP - DRIVER DOOR - LEFT - UNPAINTED
5	107818-01-01A	EA TRIM - STEP - DRIVERS DOOR - PLASTIC - WILLOW
	106746-01-000	EA PANEL - STEEL - STEPWELL
	106747-01-000	EA PANEL - STEEL - STEPWELL - END RH
	106747-02-000	EA PANEL - STEEL - STEPWELL - END LH
	102569-02-000	EA MAT - ANTI SLIP - LOWER

KEY	PART NUMBER	U/M DESCRIPTION
6	108654-01-01A	EA COVER - STRIKE - DRIVERS DOOR - BLACK
7	108832-01-02A	EA HANDLE - ASSIST - DRIVERS DOOR - METAL - OFF WHITE
	108833-01-01A	EA COVER - HANDLE - ASSIST - OFF WHITE
8	109235-01-05A	FT COVER - SCREW - BRIGHT WHITE - DAWN
9	109235-01-01A	FT COVER - SCREW - MATTE BLACK - DAWN
	108129-02-02A	EA GARNISH - DRIVERS DOOR - FRONT - BLACK
	108107-01-02A	EA GARNISH - DRIVERS DOOR - TOP - BLACK
	108108-04-02A	EA GARNISH - DRIVERS DOOR - REAR UPPER - BLACK
	108897-02-01A	EA GARNISH - DRIVERS DOOR - REAR LOWER - BLACK
	P01713-01-000	EA SWITCH - PUSH BUTTON - IN DOOR JAMB - METAL CHROME
	076725-06-000	EA COVER - ACCESS - DOOR JAMB PUSH BUTTON - BLACK

WINDOW, VENT & EXTERIOR DOOR GROUP (CONTINUED)

DRIVER DOOR (EXCEL)

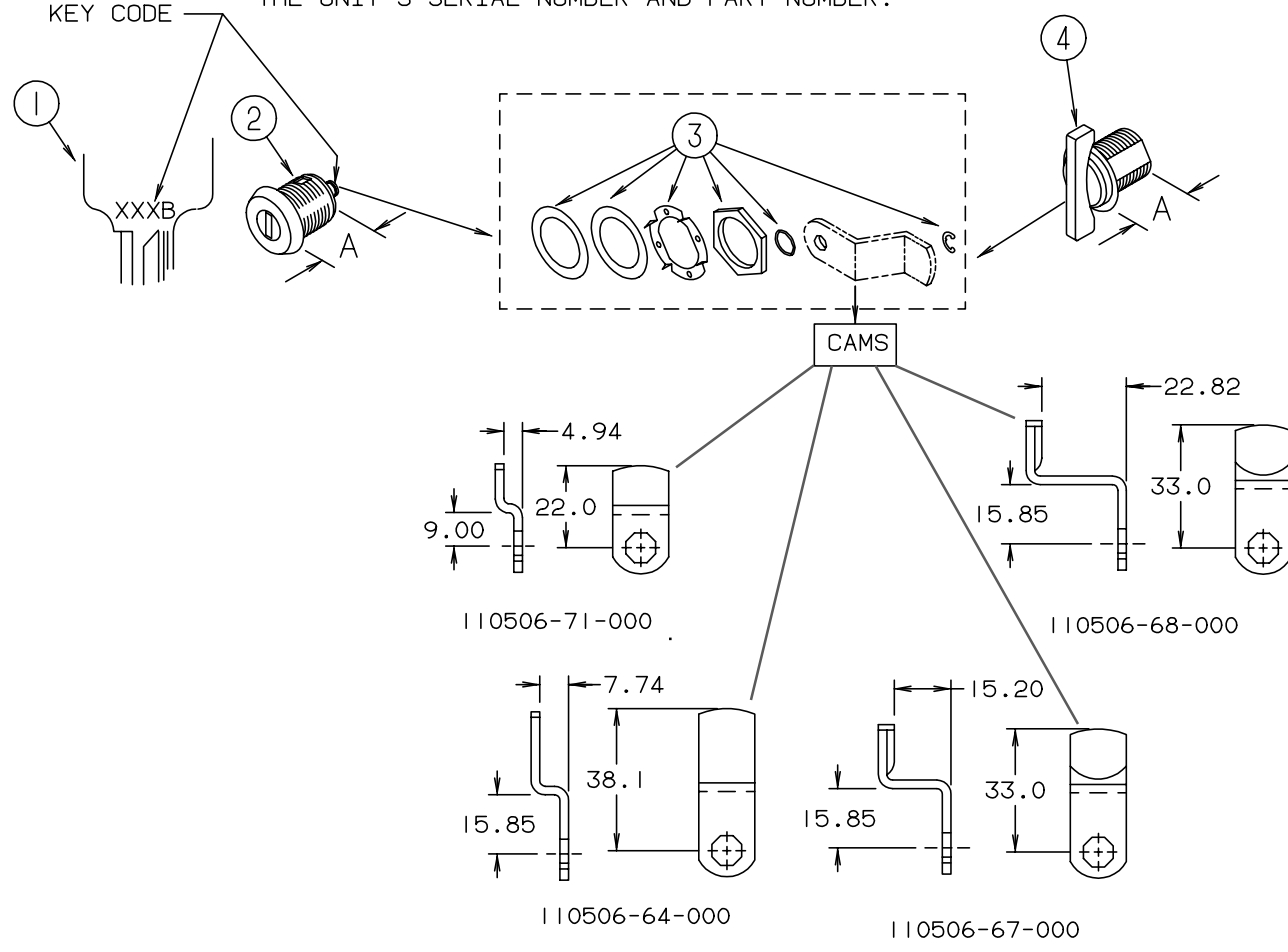


KEY	PART NUMBER	U/M DESCRIPTION	VENDOR NO.
	106469-07-01A	EA DOOR ASM. - DRIVERS - BLACK - V130-01L	
1	106469-05-702	EA HINGE - 42"	211-041194
2	106469-02-704	EA WINDOW HANDLE	V068-16
3	106469-01-723	EA SEAL - BULB ASM. (JAMB)	171-040985
4	106469-02-701	EA REGULATOR - MANUAL	V108-90L
5	106469-04-700	EA PADDLE ASSEMBLY-W/COLLAR	248-041237
5	106469-04-715	EA LATCH COMPLETE W/TUMBLER & KEYS	V123-15
6	106469-04-714	EA ROD CLIP R.H.	248-041153
7	106469-04-705	EA LATCH ROD - HORIZONTAL	203-041139
8	106469-04-711	EA LOCK ROD - HORIZONTAL	203-041137
9	106469-04-713	EA ROD CLIP L.H.	248-041154
10	106469-05-703	EA ROD - LOCK/VERTICAL ADJUST.	203-041239
11	106469-05-705	EA ROD - LATCH/VERTICAL ADJUST.	203-041279
12	106469-04-703	EA BOLT - STRIKER (W/ WASHER)	248-041152
13	106469-04-704	EA NUT ASSEMBLY - CAGED - W/STRIKER	248-041151

KEY	PART NUMBER	U/M DESCRIPTION	VENDOR NO.
14	106469-05-706	EA LATCH - ROTARY - W/LINKAGE	248-041150
15	106469-02-703	EA BELT WEATHERSTRIP (EXT) WDO	V047-57
16	106469-01-705	FT CHANNEL - RUN - SLIDING	122-010850
17	106469-08-700	EA MULLION RAIL	V103-84
18	106469-01-702	EA DOOR SEAL	122-040984
19	125581-02-705	EA HORIZONTAL GLAZING - VINYL	V108-87
20	106469-01-709	FT WEATHERSTRIP - FUZZY	171-040630
21	106469-07-700	EA MOUNTING FRAME ASSEMBLY	V130-30L
22	106469-02-702	EA GLASS - STATIONARY	106-041104
23	106469-01-704	EA GLASS - ROLL-UP W/BACKET	V103-65L
24	106469-04-712	EA HANDLE/DOOR - INNER W/HARDWARE	248-041402
24	106469-04-716	EA LEVER - LOCKING - BLACK	80978-00
	106469-04-701	EA TUMBLER & KEYS (TRI-MARK)	248-041179
	106469-04-702	EA KEYS (BLANK)	248-041180
	125582-01-708	EA WEEPHOLE COVER - RIGHT HAND	130-026598
	125582-01-709	EA WEEPHOLE COVER - LEFT HAND	130-026599

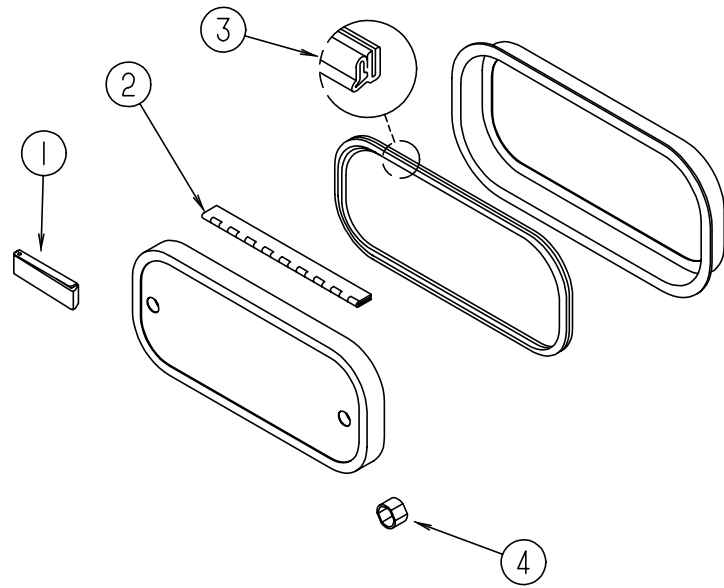
WINDOW, VENT & EXTERIOR DOOR GROUP (CONTINUED)
BRIGGS & STRATTON LOCKS & COMPONENTS

NOTE:
 WHEN ORDERING THE LOCK CASE, THE KEY CODE MUST MATCH THE LAST DIGIT OF THE UNIT'S SERIAL NUMBER AND PART NUMBER; WHEN ORDERING THE KEYS, THE THIRD DIGIT OF THE KEY CODE MUST MATCH THE LAST DIGIT OF THE UNIT'S SERIAL NUMBER AND PART NUMBER.



KEY	PART NUMBER	U/M	DESCRIPTION	VENDOR NO.
1	110506-59-000	EA	KEYS-SET OF 2	596720
2	110506-52-000	EA	CASE-LOCK, A=17 MM	702370
2	110506-53-000	EA	CASE-LOCK, A=25 MM	702380
1	110506-59-001	EA	KEYS-SET OF 2	596721
2	110506-52-001	EA	CASE-LOCK, A=17 MM	702371
2	110506-53-001	EA	CASE-LOCK, A=25 MM	702381
1	110506-59-002	EA	KEYS-SET OF 2	596722
2	110506-52-002	EA	CASE-LOCK, A=17 MM	702372
2	110506-53-002	EA	CASE-LOCK, A=25 MM	702382
1	110506-59-003	EA	KEYS-SET OF 2	596723
2	110506-52-003	EA	CASE-LOCK, A=17 MM	702373
2	110506-53-003	EA	CASE-LOCK, A=25 MM	702383
1	110506-59-004	EA	KEYS-SET OF 2	596724
2	110506-52-004	EA	CASE-LOCK, A=17 MM	702374
2	110506-53-004	EA	CASE-LOCK, A=25 MM	702384
1	110506-59-005	EA	KEYS-SET OF 2	596725
2	110506-52-005	EA	CASE-LOCK, A=17 MM	702375
2	110506-53-005	EA	CASE-LOCK, A=25 MM	702385
1	110506-59-006	EA	KEYS-SET OF 2	596726
2	110506-52-006	EA	CASE-LOCK, A=17 MM	702376
2	110506-53-006	EA	CASE-LOCK, A=25 MM	702386
1	110506-59-007	EA	KEYS-SET OF 2	596727
2	110506-52-007	EA	CASE-LOCK, A=17 MM	702377
2	110506-53-007	EA	CASE-LOCK, A=25 MM	702387
1	110506-59-008	EA	KEYS-SET OF 2	596728
2	110506-52-008	EA	CASE-LOCK, A=17 MM	702378
2	110506-53-008	EA	CASE-LOCK, A=25 MM	702388
1	110506-59-009	EA	KEYS-SET OF 2	596729
2	110506-52-009	EA	CASE-LOCK, A=17 MM	702379
2	110506-53-009	EA	CASE-LOCK, A=25 MM	702389
3	110506-40-700	EA	HARDWARE KIT-LOCK, W/GASKET, NUT, CLIP & WASHERS	
4	110506-50-000	EA	CASE - TWIST LOCK - A= 17 MM	596952
4	110506-51-000	EA	CASE - TWIST LOCK - A= 25 MM	596669
	110506-59-701	EA	KEY BLANK	

WINDOW, VENT & EXTERIOR DOOR GROUP (CONTINUED)



EXTERIOR ACCESS DOOR COMPONENTS

KEY	PART NUMBER	U/M DESCRIPTION
1	102768-01-000	EA HOLDER-COMPARTMENT/ENTRY DOOR, METAL - MILL FINISH
2	081801-V3-000	EA HINGE-DOOR, PIANO - 2" X 96", BRIGHT WHITE - ALUMINUM
3	064075-07-000	FT SEAL-BULB, W/WIRED U CHANNEL - .3" X .5" CHANNEL - BLACK
3	106850-01-000	FT SEAL - E-SPONGE RUBBER - .43" X .75"
4	107997-51-001	EA SPACER - .86" X .6", ALUMINUM
	107997-51-002	EA EXTRUDED SPACER - 16'

ELIXIR ROOF VENT - NONPOWERED

KEY	PART NUMBER	U/M DESCRIPTION	VENDOR NO.
	122882-01-01A	EA VENT-ROOF, NONPOWERED	
	009440-01-000	EA GEAR/ARM - LIFT - ROOF VENT COVER - 705221K38	
	064470-01-700	EA COVER-VENT, W/O (SLIDE BAR)	J7291
	064470-01-701	EA SLIDE BAR, (VENT-LID)	JRP1291B
	122882-01-700	EA HANDLE-CRANK, BLACK	90128
	122882-01-701	EA SCREEN	JRP-1124-B
	122882-07-01A	EA GARNISH-ROOF VENT, 63.5 - 104.6 - POWERED OR NONPOWERED	

ELIXIR ROOF VENT - WINDOW, VENT & EXTERIOR DOOR GROUP (CONTINUED)

ELIXIR ROOF VENT - POWERED

KEY	PART NUMBER	U/M DESCRIPTION	VENDOR NO.
	122882-02-01A	EA VENT-ROOF, POWERED	
	009440-01-000	EA GEAR/ARM - LIFT - ROOF VENT COVER - 705221K38	
	048648-01-000	EA MOTOR-ROOF VENT, 1/8 SHAFT - 12V - JENSEN	
	048649-01-000	EA FAN-ROOF VENT, 6 BLADES - 6" - JENSEN	
	064470-01-700	EA COVER-VENT, W/O (SLIDE BAR)	J7291
	064470-01-701	EA SLIDE BAR, (VENT-LID)	JRP1291B
	110051-03-700	EA SWITCH-BLACK/PUSH BUTTON	27-0164
	122882-01-700	EA HANDLE-CRANK, BLACK	90128
	122882-01-701	EA SCREEN	JRP-1124-B
	122882-07-01A	EA GARNISH-ROOF VENT, 63.5 - 104.6 - POWERED OR NONPOWERED	

ELIXIR ROOF VENT - POWERED - CANADIAN

KEY	PART NUMBER	U/M DESCRIPTION	VENDOR NO.
	122882-03-01A	EA VENT-ROOF, POWERED - CANADIAN	
	009440-01-000	EA GEAR/ARM - LIFT - ROOF VENT COVER - 705221K38	
	048648-01-000	EA MOTOR-ROOF VENT, 1/8 SHAFT - 12V - JENSEN	
	048649-01-000	EA FAN-ROOF VENT, 6 BLADES - 6" - JENSEN	
	064470-01-700	EA COVER-VENT, W/O (SLIDE BAR)	J7291
	064470-01-701	EA SLIDE BAR, (VENT-LID)	JRP1291B
	110051-03-700	EA SWITCH-BLACK/PUSH BUTTON	27-0164
	122882-01-700	EA HANDLE-CRANK, BLACK	90128
	122882-01-701	EA SCREEN	JRP-1124-B
	122882-07-01A	EA GARNISH-ROOF VENT, 63.5 - 104.6 - POWERED OR NONPOWERED	

ROOF VENTS

KEY	PART NUMBER	U/M DESCRIPTION
	083558-03-000	EA VENT - PLUMBING - PIPE ROOF - W/COVER - OFF WHITE
	084073-04-000	EA BASE - ROOF VENT - REFRIGERATOR
	084073-07-000	EA VENT - ROOF - REFRIGERATOR - BRIGHT WHITE

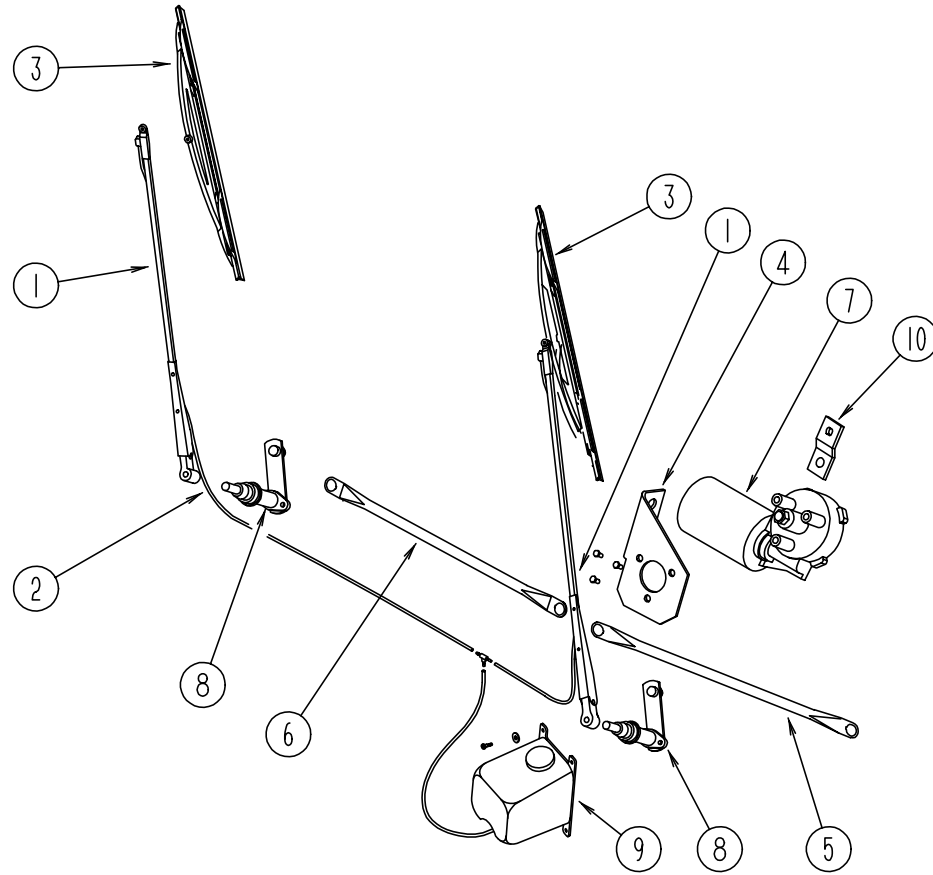
SIDEWALL VENTS

KEY	PART NUMBER	U/M DESCRIPTION
	084616-07-000	EA VENT - SHROUD - RANGE HOOD - BRIGHT WHITE
	084878-09-000	EA VENT - HOOD - RANGE/SHORT - OFF WHITE

FANTASTIC POWERED ROOF VENTS

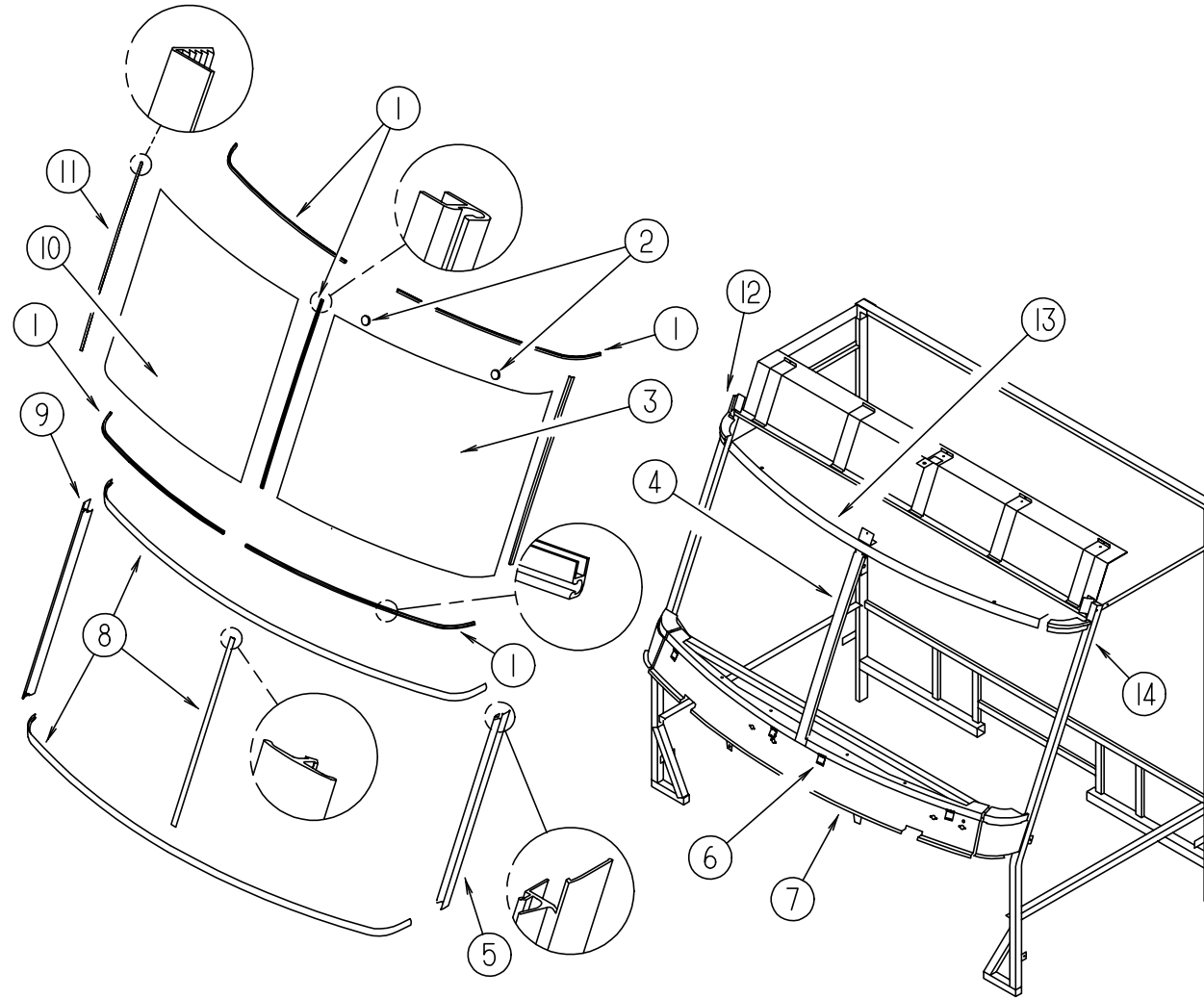
KEY	PART NUMBER	U/M DESCRIPTION	VENDOR NO.
	123780-03-01A	EA VENT - EXHAUST - F/3" TO 4" ROOF - US	
	123780-04-01A	EA VENT - EXHAUST - F/3" TO 4" ROOF - CANADIAN	
	009440-01-000	EA GEAR/ ARM - VENT COVER - LIFT	
	084079-01-703	EA KNOB - LIFT - W/ EXT. & SCREW	1140K-00
	084079-01-704	EA BLADE - FAN	1070-00
	084079-01-705	EA MOTOR	1080-00
	084079-01-707	EA SWITCH - SAFETY	1122.05
	084079-01-709	EA SWITCH - MAIN - 3 SPEED	1031-05
	084079-01-711	EA H-MOLDING - MOTOR MOUNT	
	084079-11-700	EA MOTOR - BRKT. - FAN BLADE - KIT	4017K-09
	123780-01-700	EA COVER - VENT W/ HINGE & SLIDE	1020K-81
	123780-01-702	EA SCREEN W/FRAME	103581
	123780-03-700	EA GARNISH - INT. 3"-4" BRT/ WHT	1040-81

WINDSHIELD & WIPER GROUP
WIPER & WASHER COMPONENTS



KEY	PART NUMBER	U/M DESCRIPTION	VENDOR NO.
1	103671-01-000	EA ARM-WIPER, PANTOGRAPH - 24"	
	096931-01-700	FT HOSE-WIPER, TO BLADE	
	096931-01-701	EA NOZZLE-HARDWARE KIT, INCLUDES NOZZLE, NUT, SHORT THREAD SCREW, LONG THREAD SCREW, AND PLASTIC CAP	
2	045794-01-000	FT HOSE-WASHER, WINDSHIELD - 5/32" ID - BLACK	
3	095964-01-000	EA BLADE-WIPER, 24"	
4	104549-01-000	EA BRACKET ASSEMBLY-WIPER MOTOR	
5	117008-01-000	EA LINK ASM - CONNECTING - DRIVERS SIDE	
6	117008-02-000	EA LINK ASM - CONNECTING - PASSENGERS SIDE	
7	104346-04-000	EA MOTOR-WIPER, CHEVY CHASSIS - UT 65714M02025WJ - CHEVY	
7	104346-05-000	EA MOTOR - WIPER W/INTERNAL BREAKER - DYNAMIC PARK - FORD	
8	117322-01-000	EA SCREW - 1/4-28 UNF-2A, TORX - U.T. 6270020 SC25WJ	
	096505-05-000	EA PIVOT & SHAFT ASM-WIPER, PASSENGER WINDSHIELD	
	096505-06-000	EA PIVOT & SHAFT ASM-WIPER, DRIVER WINDSHIELD	
	096505-02-700	EA DRIVER-KNURLED,(HD) BARREL .687	NT721017
	096505-02-701	EA NUT-HEX (HD) W/.687 BARREL	NT721021
	096505-02-702	EA CAP-RUBBER (HD) BARREL .687	CP721084
	096505-02-703	EA CAP-NUT(ACORN) HD W/.687 BRL	51065-40-NT27WC
9	117766-02-000	EA WASHER-WINDSHIELD, BOTTLE & PUMP - MCCORD 600328	
	110605-01-000	EA TEE-BARBED, 1/8 X 1/8 X 3/16 - BAYLOCK 3799721	
	110934-01-000	EA CONNECTOR-BARB, 5/16" - PLASTIC - KEVCO TC 7055	
	117765-03-000	EA CONNECTOR - 5/32 W/SWSH - ITT H-BAYLOCK 116756	
10	104347-01-000	EA ARM-DRIVE, WIPER MOTOR - 1.54"	
	061603-01-000	EA GROMMET-SNAP, 3/16 ID - 3/8 HOLE - PLASTIC - BLACK	
	067188-01-000	EA STUD-CRANK, WIPER	
	110742-01-000	EA GASKET-WIPER	
	077298-55-003	EA EXTR-TUBE, 0007 MM - BLACK	

WINDSHIELD & WIPER GROUP (CONTINUED)
WINDSHIELD MOLDINGS & GLASS



KEY	PART NUMBER	U/M	DESCRIPTION
1	110268-01-000	EA	CARRIER - WINDSHIELD - 50.4"
2	081914-01-000	EA	BUMPER - RUBBER - ROUND - .43" DIAMETER - BLACK
3	103788-02-000	EA	GLASS - WINDSHIELD - DRIVER SIDE
3	103788-04-000	EA	GLASS - WINDSHIELD - DRIVER - EXPORT
4	075710-01-000	EA	FRAME - WINDSHIELD - CENTER DIVIDER - INNER
5	103107-04-01A	EA	TRIM - WINDSHIELD - DRIVER SIDE - BLACK
6	104449-01-000	EA	BRACKET - WINDSHIELD SUPPORT
7	077847-02-000	EA	SUPPORT - WINDSHIELD - LOWER - W/O BRACKETS
8	102936-01-000	FT	MOLDING - REVEAL - WINDSHIELD
9	103107-03-01A	EA	TRIM - WINDSHIELD - PASSENGER SIDE - BLACK
10	103788-01-000	EA	GLASS - WINDSHIELD - PASSENGER SIDE
10	103788-03-000	EA	GLASS - WINDSHIELD - PASSENGER - EXPORT
11	098788-06-000	EA	CARRIER - REVEAL - 48.9" WINDSHIELD
12	077922-03-000	EA	HEADER WINDSHIELD END - PASSENGER SIDE
13	077922-05-000	EA	HEADER WINDSHIELD - CENTER
14	077922-04-000	EA	HEADER WINDSHIELD END - DRIVER SIDE
	072874-01-000	EA	EXTRUDED - CAP - WINDSHIELD REVEAL MOLDING
	002328-02-000	EA	BLOCK - WINDSHIELD - .062" X .5" X .98"