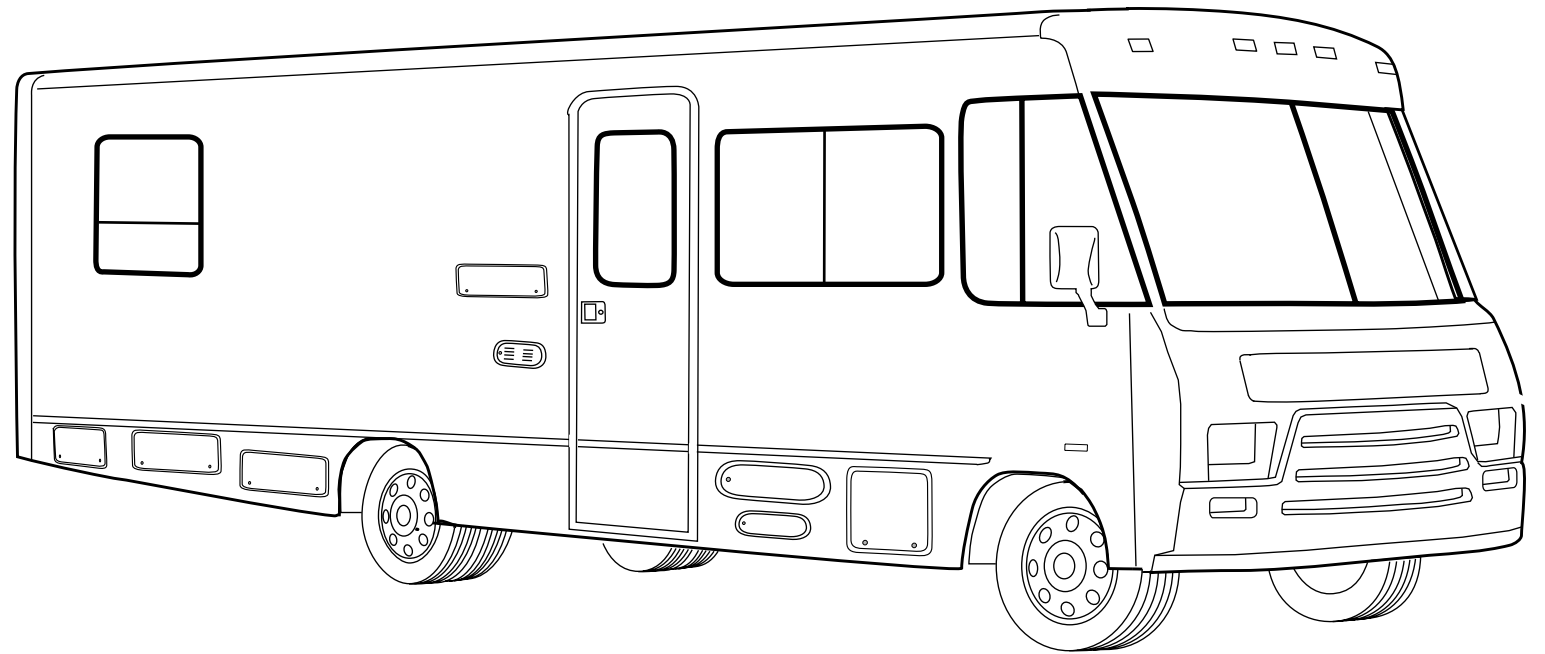


1997 ICF28RQ



H33

BLUE LAGOON (BLUE)

H34

KRYPTONITE (TAN)

H35

SEQUOIA (SAGE)



**ACCESSORIES GROUP
OPERATOR MANUAL**

KEY	PART NUMBER	U/M DESCRIPTION
	054185-F8-000	EA MANUAL-OPERATOR, 1997 SUNRISE
	092318-01-000	EA BINDER - 3 RING, MOTOR HOME MANUAL
	092319-01-000	EA POCKET PAGE - 3 RING BINDER, PLASTIC
	121518-01-000	DW TOP LEVEL DRAWING-F, 1997

**AUDIO VIDEO GROUP
PATIO ENTERTAINMENT CENTER**

KEY	PART NUMBER	U/M DESCRIPTION
	076319-09-000	EA WALLPLATE-CABLE RECEPTACLE, TV - SINGLE - BROWN
	077069-02-000	EA CABLE - ANTENNA/EXTENSION - RADIO - 96"
	082134-01-000	EA ADAPTER-TV, CABLE TO CABLE
	086756-01-000	EA SPLITTER-TV, 2 WAY
	087683-03-000	EA RADIO - AM/FM STEREO CASSETTE - AUDIOVOX
	108847-01-000	EA BRACKET-ANTENNA GROUND
	109889-04-000	EA EXTENDER - ANTENNA SHAFT - 3"
	110469-01-000	EA SPEAKER - 4" X 6" OVAL - COAXIAL
	110470-01-01A	EA GRILLE - 4" X 6" OVAL - BLACK

RADIO SYSTEMS & ANTENNA

KEY	PART NUMBER	U/M DESCRIPTION
	116148-03-000	EA RADIO - AM/FM STEREO W/CD PLAYER - CLARION FROM: 00-00-00 THRU: 02-09-97
	116148-04-000	EA RADIO - AM/FM STEREO W/CD PLAYER - CLARION FROM: 02-10-97 THRU: 99-99-99
	110267-04-000	EA RADIO-AM/FM STEREO - CD COMPATIBLE - AUDIOVOX
	077069-02-000	EA CABLE - ANTENNA/EXTENSION - RADIO - 96"
	090944-01-000	EA ANTENNA-RADIO, 16" RUBBER
	089340-02-000	EA GRILLE-SPEAKER, 6.5" SQUARE
	089340-03-000	EA SPACER-GRILLE, 6.5" SQUARE - TAN
	094097-01-000	EA SPEAKER - RADIO/TV - W/O GRILLE - 5.25" DIAMETER
	110469-01-000	EA SPEAKER - 4" X 6" OVAL - COAXIAL
	110470-01-01A	EA GRILLE - 4" X 6" OVAL - BLACK

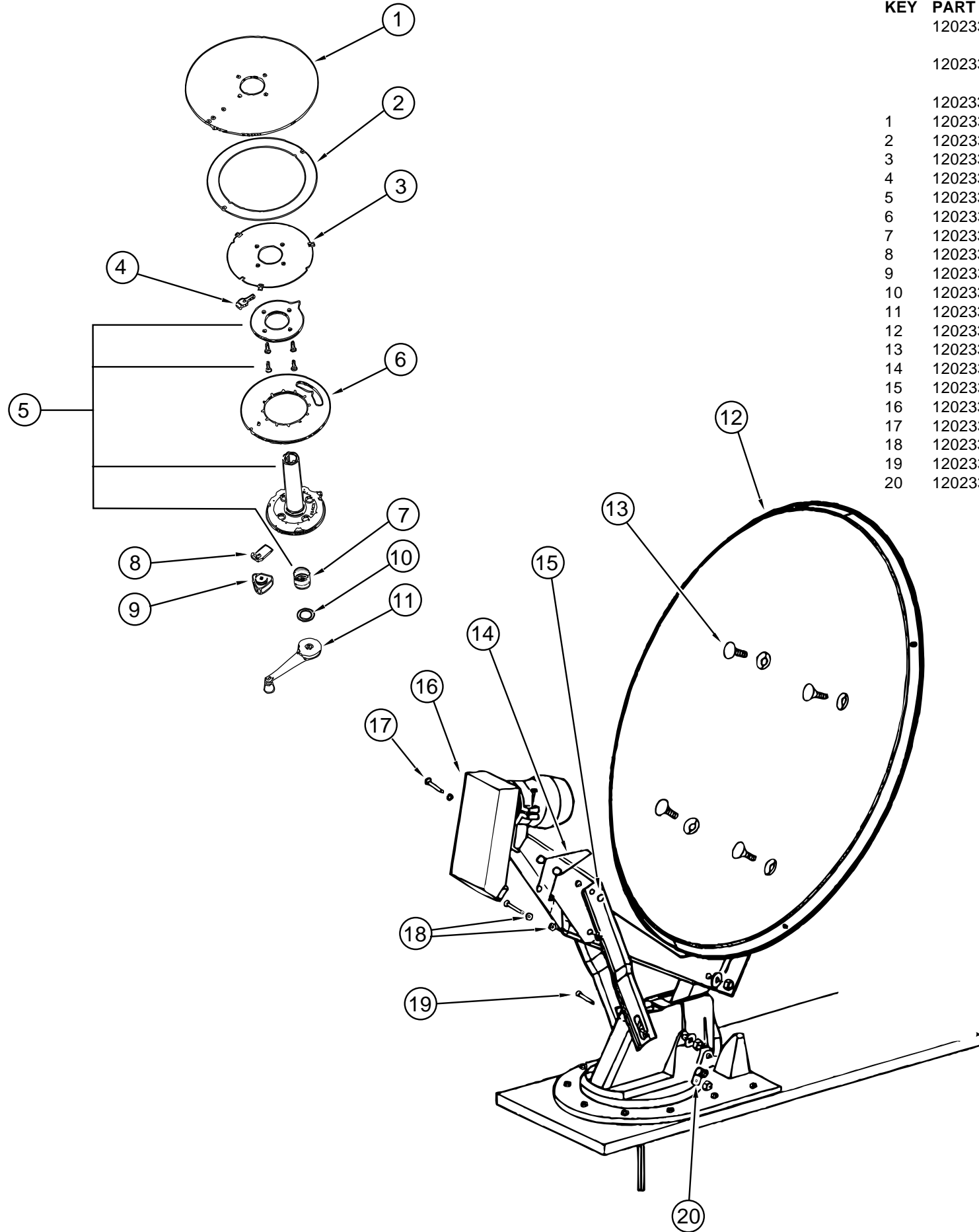
CB ANTENNA

KEY	PART NUMBER	U/M DESCRIPTION
	123256-01-000	EA ANTENNA-CB W/O CABLE
	123256-02-000	EA CABLE-CB COAX

TV, VCR & COMPONENTS

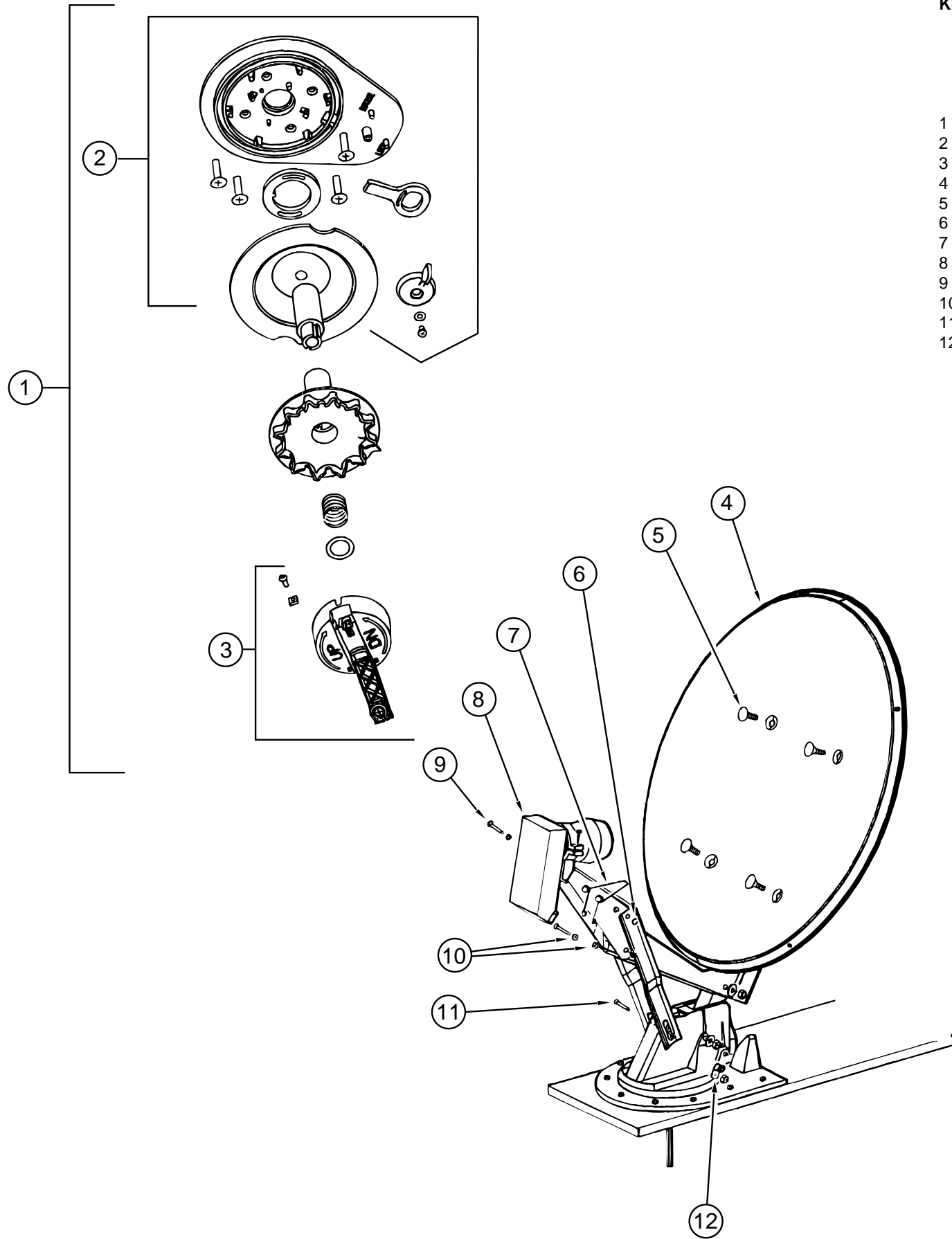
KEY	PART NUMBER	U/M DESCRIPTION	VENDOR NO.
	113684-02-000	EA TV - 19" COLOR UL/CSA - 1/8" JACK - AUDIOVOX AVT - 1980	
	113684-02-700	EA REMOTE FOR AUDIOVOX AVT - 1980 TV	0892355
	119120-02-000	EA VCR-VHS, CABLE READY W/REMOTE - AUDIOVOX AVR - 1170 FROM: 00-00-00 THRU: 02-16-97	
	119120-02-700	EA REMOTE FOR AUDIOVOX AVR - 1170 VCR FROM: 00-00-00 THRU: 02-16-97	0994569
	119120-03-000	EA VCR-VHS - CABLE READY - REMOTE - AUDIOVOX AVR - 1108 FROM: 02-17-97 THRU: 99-99-99	
	119120-03-700	EA REMOTE FOR AUDIOVOX AVR - 1108 VCR FROM: 02-17-97 THRU: 99-99-99	0994571
	086757-03-000	EA CONTROL CENTER-SWITCH, VCR/TV	
	086777-05-000	EA PLATE-WALL, ANTENNA - 1 OUTPUT - IVORY	
	093214-01-02A	EA GRILLE-SPEAKER, 4" BROWN	
	098819-01-000	EA SPEAKER - 2 WATT, 8 OHM - 4"	
	076319-09-000	EA WALLPLATE-CABLE RECEPTACLE, TV - SINGLE - BROWN	
	076319-08-000	EA WALLPLATE-CABLE RECEPTACLE, TV - SINGLE - IVORY	
	086777-01-000	EA WALLPLATE-TV CABLE, W/ANTENNA SWITCH - IVORY	
	093901-03-000	EA PLATE-COAXIAL CABLE, 64 MM X 45 MM - STEEL - E-COAT	
	076319-12-000	EA CONNECTOR-COAXIAL, ONE PIECE	
	082134-01-000	EA ADAPTER-TV, CABLE TO CABLE	
	086756-01-000	EA SPLITTER-TV, 2 WAY	
	076319-03-000	FT CABLE-COAXIAL, 75 OHM	
	082136-01-000	EA NUT - HEX JAM - 3/8 - 32	
	076319-06-000	EA ADAPTOR-CABLE ROOF PLATE	
	114870-02-000	EA PLUG - .14" AUDIO W/LEADS	

AUDIO VIDEO GROUP (CONTINUED)
WINEGARD SATELLITE ANTENNA - OLD STYLE



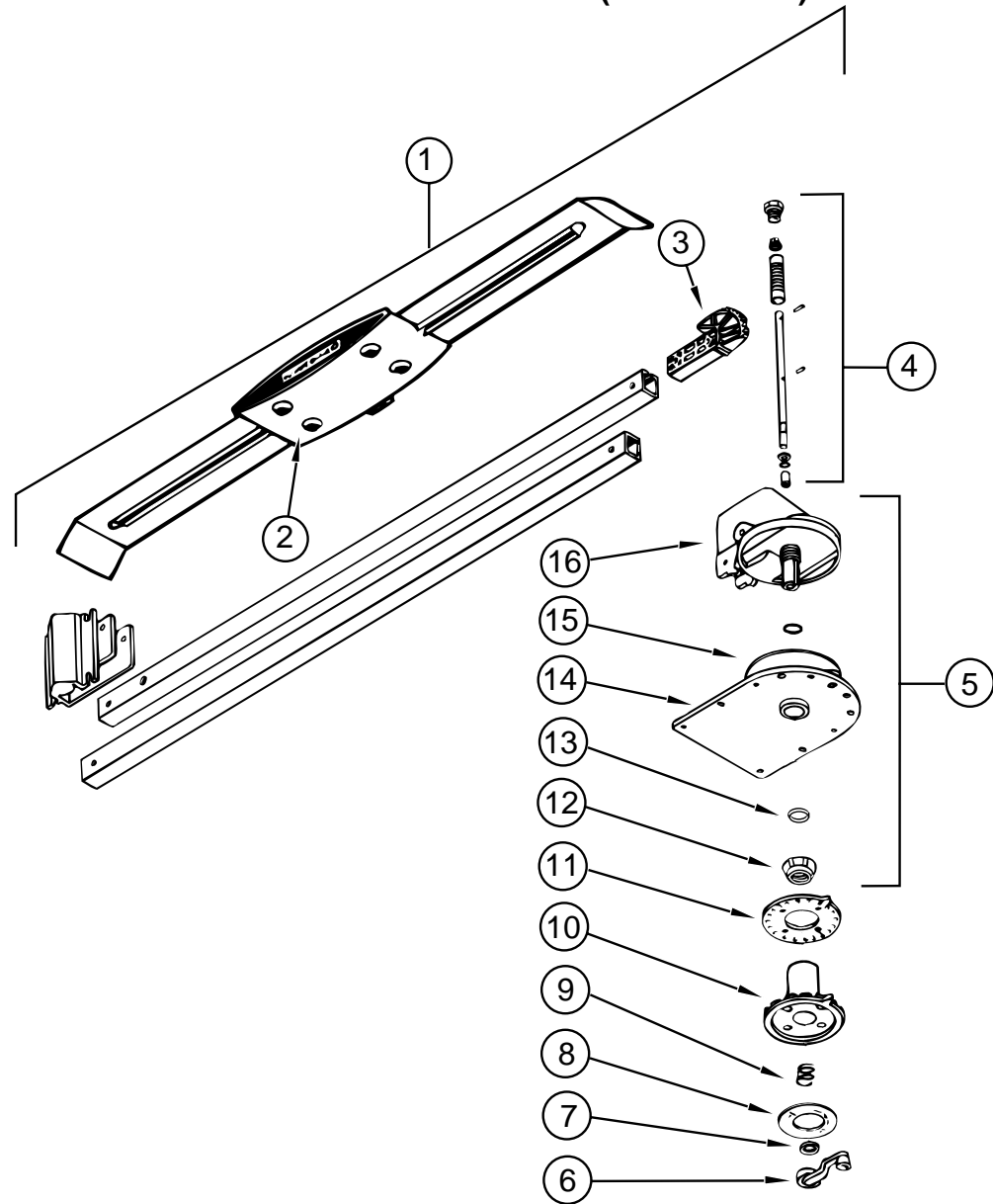
KEY	PART NUMBER	U/M	DESCRIPTION	VENDOR NO.
	120233-02-000	EA	RECEIVER ONLY-SATELLITE ANTENNA - RC-1000	
			FROM: 00-00-00 THRU: 01-26-97	
	120233-02-700	EA	REMOTE	RC-0012
			FROM: 00-00-00 THRU: 01-26-97	
	120233-01-000	EA	ANTENNA-SATELLITE W/O RECEIVER - (DISH & HARDWARE KIT) - MANUAL	
1	120233-01-700	EA	PLATE-FIXED	3750821
2	120233-01-701	EA	DIAL-DIRECTIONAL	2745056
3	120233-01-702	EA	PIVOT-DIAL-DIRECTIONAL	2745058
4	120233-01-703	EA	STOP-ROTATION	3711281
5	120233-01-704	EA	PLATE-CEILING W/DIRECTIONAL HANDLE	RP-6300
6	120233-01-705	EA	PLATE-ROTATE	3750820
7	120233-01-706	EA	SPRING	RP-6822
8	120233-01-707	EA	CLAMP-ROTATE	3711280
9	120233-01-708	EA	KNOB-CLAMP	2200061
10	120233-01-709	EA	WASHER-NYLON	RP-2658
11	120233-01-710	EA	HANDLE-CRANK	RP-6795
12	120233-01-711	EA	REFLECTOR - 46 CM	2745304
13	120233-01-712	EA	BOLT-FLAT HEAD	2160253
14	120233-01-713	EA	SPRING	2160820
15	120233-01-714	EA	CLIP-E	5160818
16	120233-01-715	EA	LOW NOISE BLOCK FILTER (LNBF)	2780177
17	120233-01-716	EA	PIN	2160814
18	120233-01-717	EA	BEARING-NYLON	2200726
19	120233-01-718	EA	PIN	5160817
20	120233-01-719	EA	CLAMP-CABLE	2200060

AUDIO VIDEO GROUP (CONTINUED)
WINEGARD SATELLITE ANTENNA - NEW STYLE



KEY	PART NUMBER	U/M	DESCRIPTION	VENDOR NO.
	120233-02-000	EA	RECEIVER ONLY-SATELLITE ANTENNA - RC-1000	
				FROM: 00-00-00 THRU: 01-26-97
	120233-02-700	EA	REMOTE	RC-0012
				FROM: 00-00-00 THRU: 01-26-97
	120233-01-000	EA	ANTENNA-SATELLITE W/O RECEIVER - (DISH & HARDWARE KIT) - MANUAL	
1	120233-01-720	EA	CEILING PLATE ASM (RETRO FIT)	RP-4100
2	120233-01-722	EA	PLATE ASSEMBLY (CEILING)	2762826
3	120233-01-721	EA	CRANK HANDLE ASSEMBLY	2762825
4	120233-01-711	EA	REFLECTOR - 46 CM	2745304
5	120233-01-712	EA	BOLT-FLAT HEAD	2160253
6	120233-01-714	EA	CLIP-E	5160818
7	120233-01-713	EA	SPRING	2160820
8	120233-01-715	EA	LOW NOISE BLOCK FILTER (LNBF)	2780177
9	120233-01-716	EA	PIN	2160814
10	120233-01-717	EA	BEARING-NYLON	2200726
11	120233-01-718	EA	PIN	5160817
12	120233-01-719	EA	CLAMP-CABLE	2200060

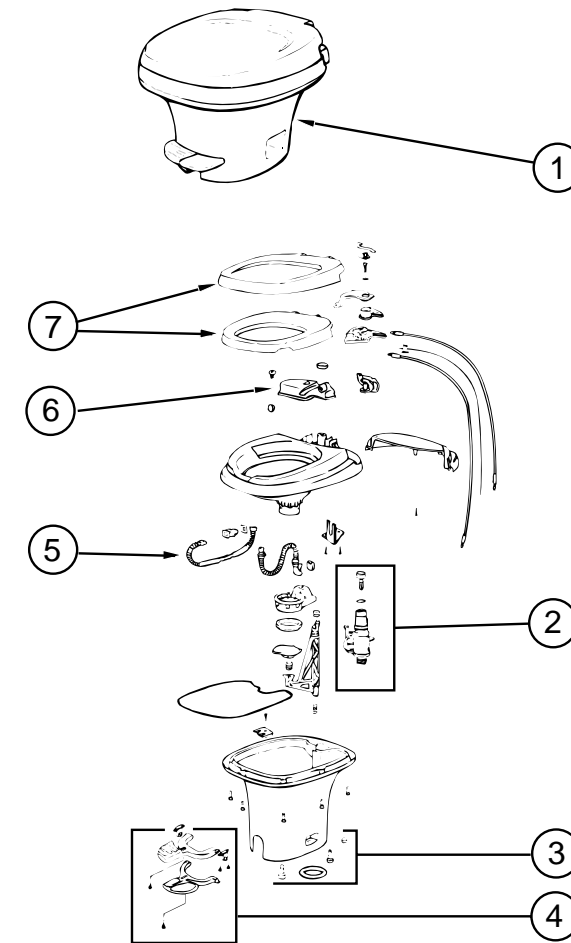
AUDIO VIDEO GROUP (CONTINUED)



WINEGARD TV ANTENNA

KEY	PART NUMBER	U/M DESCRIPTION	VENDOR NO.
1	076319-21-000	EA ANTENNA-TV, ROOF MOUNT - 3" ROOF	
2	076319-01-700	EA HEAD-ANTENNA, AMPLIFIED	RVSA U/V
3	076319-01-701	EA GEAR-ELEVATING, PLASTIC	2200046
4	076319-01-702	EA SHAFT ASM-ELEVATING	RVP-400A
5	076319-01-711	EA BASE & LIFT ASM	2762802
6	076319-01-706	EA CRANK-ELEVATING, W/SET SCREW	2750897
7	076319-01-705	EA GROMMET-NYLON, 7/8" ID	3200658
8	076319-01-708	EA DECAL-CRANK	5413002
9	076319-01-707	EA SPRING-HANDLE	5160822
10	076319-01-709	EA PLATE-DIRECTIONAL, FOR HEAD	3200621
11	076319-01-712	EA PLATE-CEILING, DIRECTIONAL	3200608
12	076319-01-715	EA NUT (GEAR HOUSING)	2200047
13	076319-01-704	EA BEARING-NYLON, 1.25" OD	3200657
14	076319-01-713	EA PLATE-BASE, STEEL	3100523
15	076319-01-703	EA BEARING-NYLON, 5" OD	3200656
16	076319-01-714	EA HOUSING, ROTATING GEAR	2200049

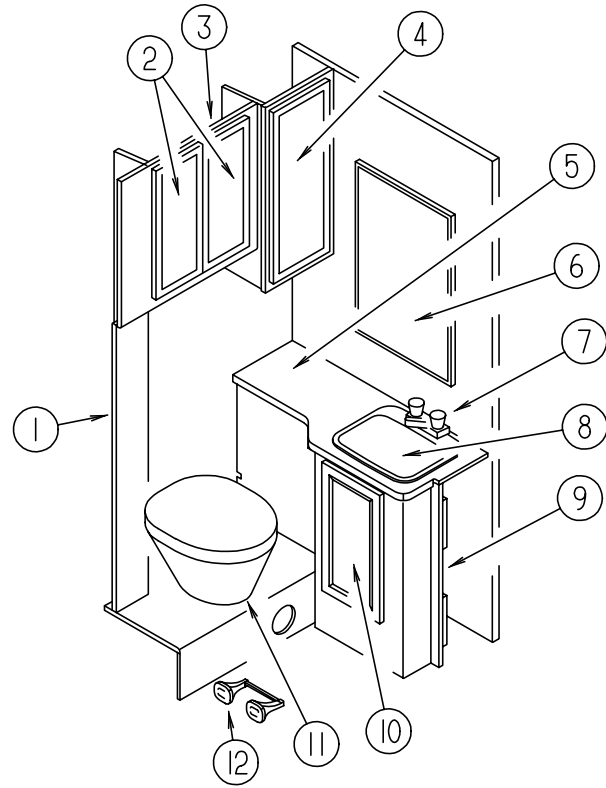
BATH GROUP



AQUA MAGIC IV - LOW - FOOT FLUSH TOILET

KEY	PART NUMBER	U/M DESCRIPTION	VENDOR NO.
1	067487-02-000	EA TOILET - 12.37" - IVORY - FOOT FLUSH	
2	063740-01-714	EA VALVE ASM (VALVE-BALL SEAL)	13168
3	063740-01-706	EA BOLT PACKAGE-FLOOR FLANGE	12524
4	067487-02-701	EA PEDAL PKG. (FOOT FLUSH)	20821
5	063740-01-717	EA TUBE-FLUSH	12509
6	063740-02-701	EA RESERVOIR (TANK ASM.)	24630
7	063740-02-700	EA SEAT & COVER, PARCHMENT	2464157

BATH GROUP (CONTINUED)
BATHROOM CABINET & COMPONENTS

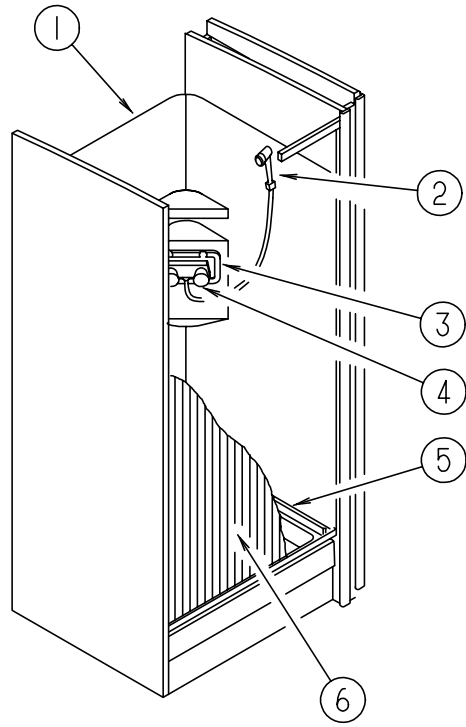


KEY	PART NUMBER	U/M	DESCRIPTION
1	124586-01-H33	EA	CABINET - PIPE COVER
1	124586-01-H34	EA	CABINET - PIPE COVER
1	124586-01-H35	EA	CABINET - PIPE COVER
2	M06803-Z3-H33	EA	DOOR - MITERED CORNER/OGEE EDGE - 8.7" X 21.8"-W/O HARDWRE
3	124609-01-H33	EA	CABINET - LINEN/MEDICINE - W/O DOORS/HARDWARE
4	M06803-36-H33	EA	DOOR - MITERED CORNER/OGEE EDGE - 10.8" X 28" - W/O HDWR
	124609-11-H33	EA	SHELF - W/PLASTIC EDGE MOLDING - MEDICINE CABINET
	124609-12-H33	EA	SHELF - W/PLASTIC EDGE MOLDING - LINEN CABINET
5	124594-12-H33	EA	COUNTERTOP - LAVATORY
5	124594-12-H34	EA	COUNTERTOP - LAVATORY
5	124594-12-H35	EA	COUNTERTOP - LAVATORY
6	058331-08-000	EA	MIRROR - SAFETY GLASS - 24" X 30"
7	075240-06-000	EA	FAUCET - LAVATORY/BONE
	091253-01-000	EA	GASKET - FAUCET - LAVATORY/GALLEY
8	096927-01-01A	EA	SINK - LAVATORY - RECTANGULAR - PLASTIC/BONE
	096927-01-700	EA	SINK STOPPER
	096927-01-701	EA	TAILPIECE-DRAIN-LAVATORY
9	124594-01-H33	EA	CABINET - LAVATORY - W/O DOORS/DRAWERS/HARDWARE
9	124594-01-H34	EA	CABINET - LAVATORY - W/O DOORS/DRAWERS/HARDWARE
9	124594-01-H35	EA	CABINET - LAVATORY - W/O DOORS/DRAWERS/HARDWARE
10	M06803-89-H33	EA	DOOR - MITERED CORNER - OGEE EDGE - 15" X 21.8" - W/O HDW
11	067487-02-000	EA	TOILET - 12.37" - IVORY - FOOT FLUSH
12	075452-02-000	EA	HOLDER - TOILET TISSUE - BRASS

BATHROOM DOOR & COMPONENTS

KEY	PART NUMBER	U/M	DESCRIPTION
	121449-26-H33	EA	DOOR - BATH - W/TOWEL RACK
	094485-03-01A	EA	KNOB - BRASS
	102920-01-01A	EA	HINGE - SPRING LOADED/BRASS
	009059-02-000	EA	HINGE - DOOR - 2" X 2.7" - BRASS
	121449-12-G04	EA	RACK - TOWEL - BATH DOOR
	100357-01-000	EA	ROD - F/TOWEL BAR - BRASS

BATH GROUP (CONTINUED)



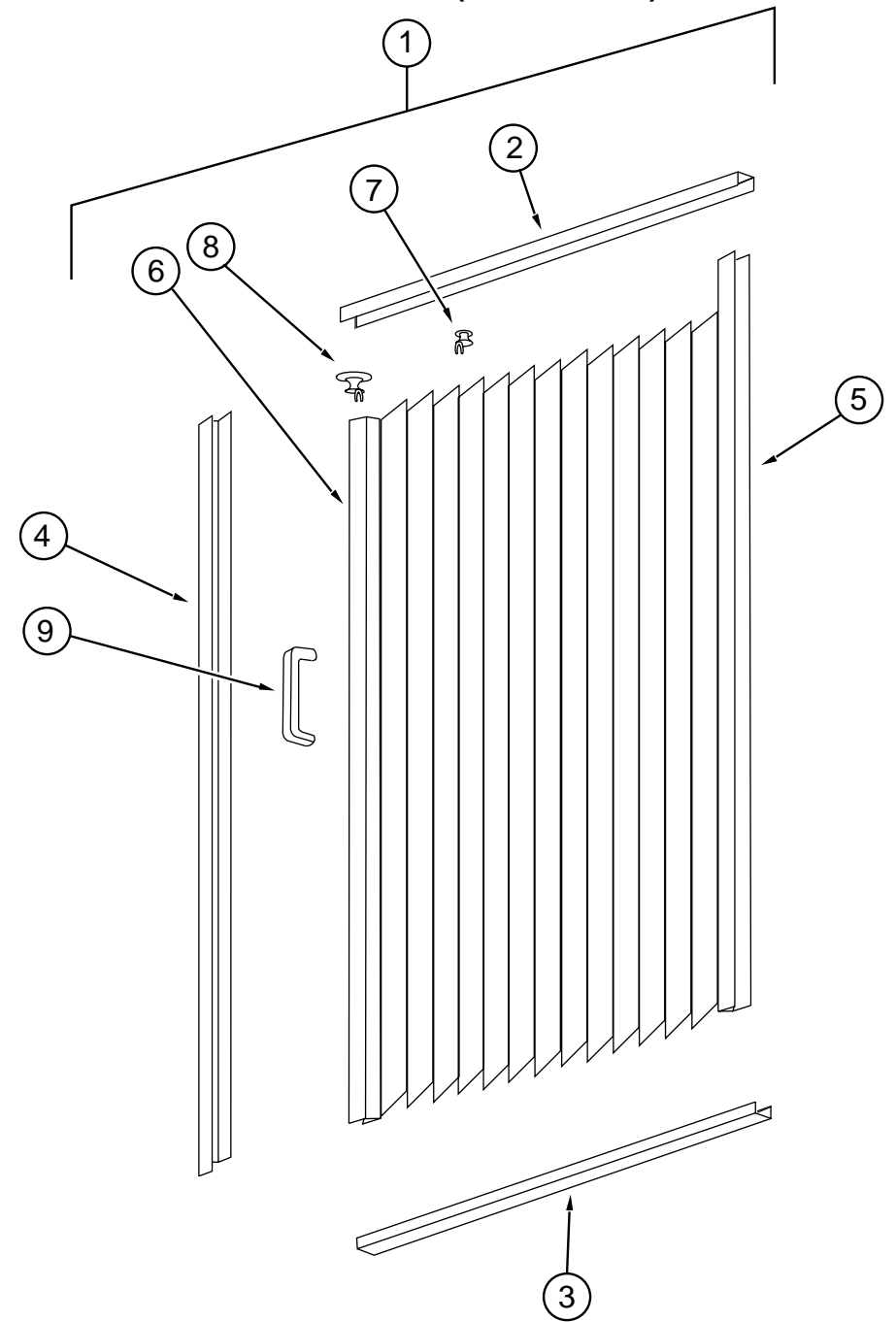
SHOWER & COMPONENTS

KEY	PART NUMBER	U/M DESCRIPTION	VENDOR NO.
1	105629-02-01A	EA SURROUND - SHOWER	
2	103092-01-000	EA SHOWER HEAD - W/60" HOSE - WHITE	
2	103092-02-000	EA SHOWER HEAD - W/60" HOSE - CSA	
	103092-01-700	EA BRACKET-F/SHOWER HEAD, CLEAR	2328028
	011048-03-700	EA BRACKET - F/SHOWER HEAD	2328029-3
3	075606-01-000	EA PANEL - PLASTIC - FAUCET BACK - 5" X 9"	
4	075241-05-000	EA FAUCET/SHOWER - BONE 3/4" MPT X 1.4" LONG INLET PIPES	
5	M02673-05-B13	EA PAN - SHOWER - 29.8" X 22.7" X 5.7"	
	066436-01-000	EA NUT - SLIP - TAILPIECE 1.5"	
6	117431-01-01A	EA DOOR - SHOWER - FABRIC PLEATED - 29.6" X 63.0"	

SKYLITE

KEY	PART NUMBER	U/M DESCRIPTION
	122192-01-01A	EA PANEL - SKYLITE - OUTER - 16.4" X 27.8" FROM: 00-00-00 THRU: 02-13-97
	122192-01-02A	EA PANEL - SKYLITE - OUTER - 16.4" X 27.8" FROM: 02-14-97 THRU: 99-99-99
	122193-01-01A	EA PANEL - SKYLITE - INNER FROM: 00-00-00 THRU: 02-13-97
	122193-01-02A	EA PANEL - SKYLITE - INNER FROM: 02-14-97 THRU: 99-99-99

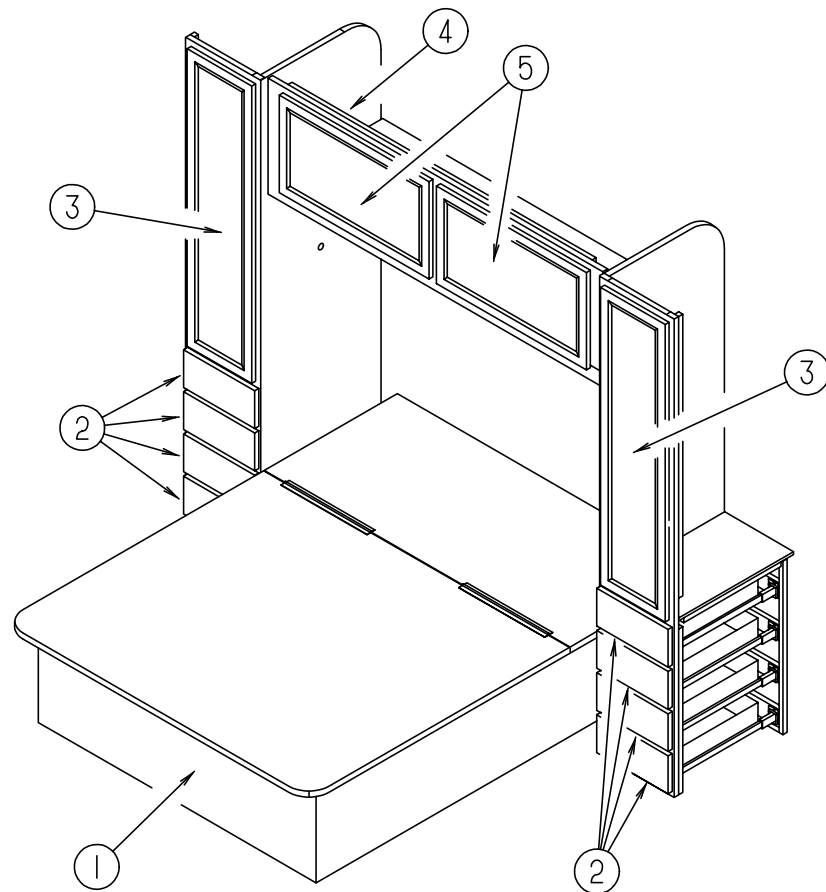
BATH GROUP (CONTINUED)



SHOWER DOOR & COMPONENTS

KEY	PART NUMBER	U/M DESCRIPTION
1	117431-01-01A	EA DOOR - SHOWER - FABRIC PLEATED - 29.6" X 63.0"
2	117431-01-700	EA TRACK-TOP, ALUM.IVORY INSERT 48"
3	117431-01-701	EA TRACK-BOTTOM, 48 "
4	117431-01-702	EA RAIL-SIDE, 67"
5	117431-01-703	EA RAIL-STATIONARY, 67"
6	117431-01-704	EA RAIL-LEAD, 67"
7	117431-01-705	EA GLIDE-IVORY, TRAVELER
8	117431-01-706	EA GLIDE-IVORY LEAD, TRAVELER
9	117431-01-708	EA HANDLES & SCREWS
	117431-01-707	EA LATCH
	117431-01-709	EA STRAP-VINYL

BEDROOM GROUP



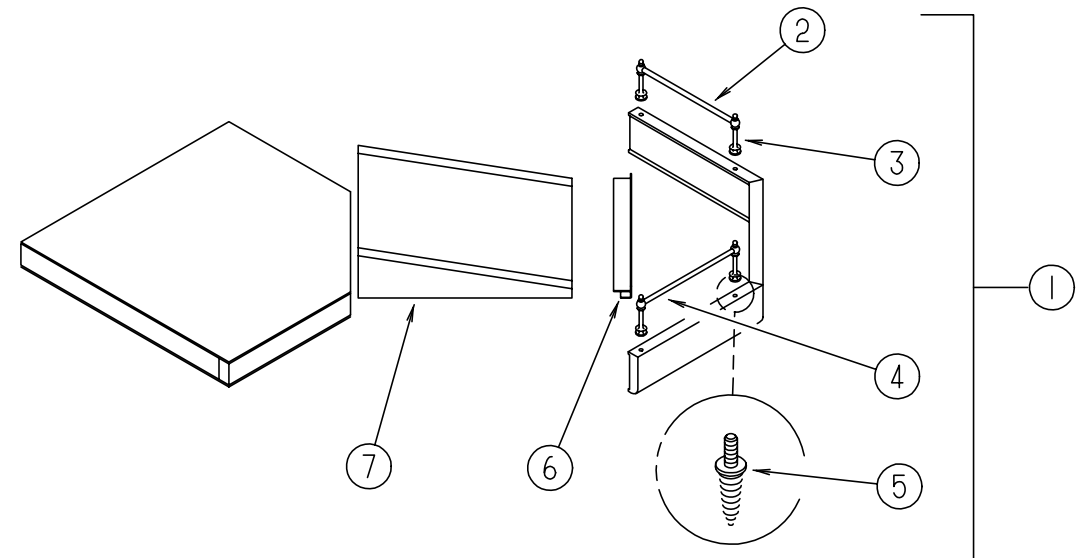
QUEEN BEDROOM CABINERY

KEY	PART NUMBER	U/M DESCRIPTION
1	P22396-01-H33	EA CABINET - BASE/QUEEN BED - W/O DOORS/DRAWERS/HARDWARE
2	M05971-49-H33	EA DRAWER - OGEE EDGE - 9.8"W X 17.7"D - W/O SLIDES/HARDWARE
3	M06803-40-G09	EA DOOR - MITERED CORNER/OGEE EDGE - 12" X 48" W/O HARDWARE
4	124595-01-H33	EA CABINET - OVERHEAD REAR - W/O DOORS/HARDWARE
5	M06803-13-H33	EA DOOR - MIRROR/MITERED CRNR/OGEE EDGE - 15.7" X 28"-W/O HDW
5	M06803-02-G09	EA DOOR - MITERED CORNER/OGEE EDGE - 15.7" X 28" - W/O HDW DECORATOR DOOR OPTION

QUEEN BED GAS SPRING & HARDWARE

KEY	PART NUMBER	U/M DESCRIPTION
	107796-06-000	EA SPRING/GAS - 12" COMPRESSED/20" EXTENDED - 120 LB.
	107796-07-000	EA BRACKET - SUPPORT - GAS SPRING TO BED - ANGLE(UPPER)
	126263-06-01B	EA BRACKET - GAS SPRING
	126259-01-000	EA STUD - BALL
	126263-08-01B	EA BRACKET - GAS SPRING
	091952-01-000	EA CLIP - GRIPPER - 1"
	097872-04-000	EA DOWEL - WOOD - 1" DIAMETER X 1.38" LONG

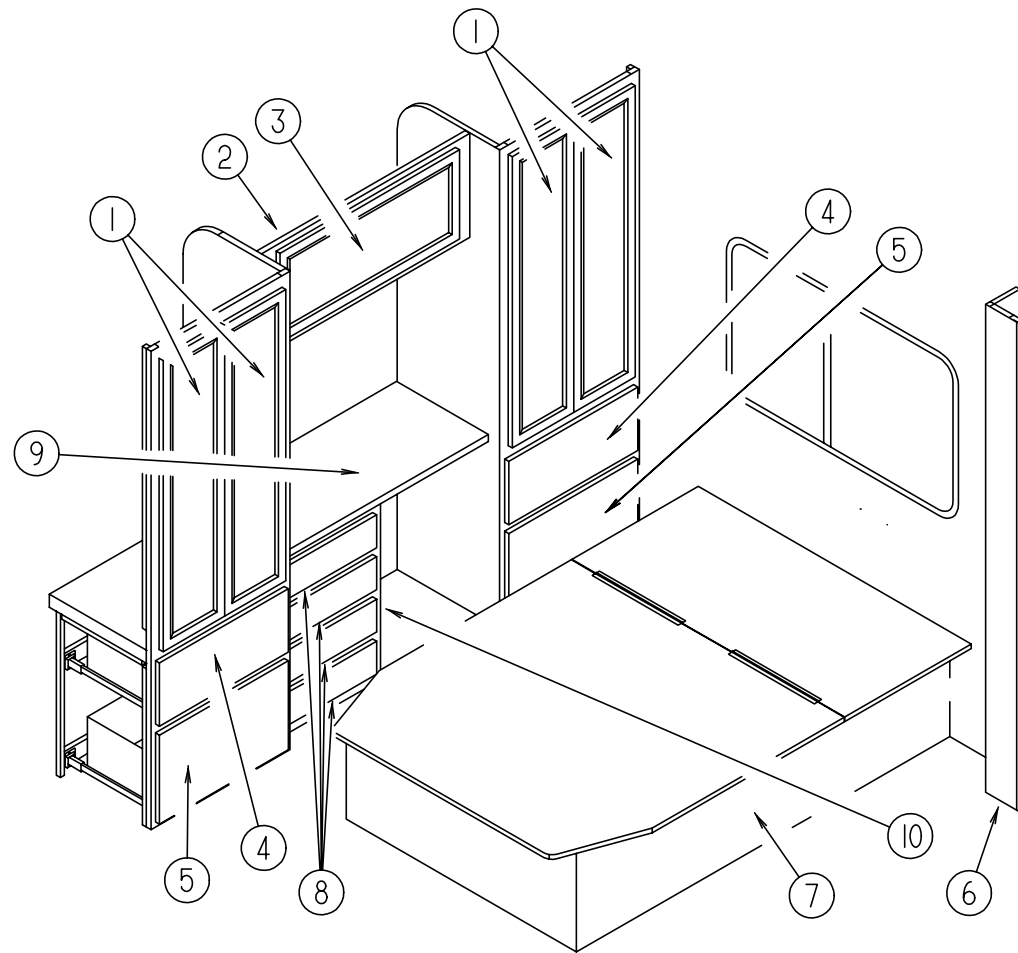
BEDROOM GROUP (CONTINUED)



TV SHELF - QUEEN BED

KEY	PART NUMBER	U/M DESCRIPTION
1	120676-02-H33	EA CABINET - TV REAR - W/O DOORS/HARDWARE
2	084071-12-000	EA ROD - BRASS - 4.08" LONG
3	084070-03-000	EA POST - END - 2.4" - BRASS
4	084071-19-000	EA ROD - BRASS - 7.09" LONG
5	106166-01-000	EA BOLT/COLLARED HANGER - 8-32 X 1"
6	103186-01-05A	FT MOLDING - PLASTIC/3/8" U-CHANNEL W/3/4" FACE- WATERFORD OAK
7	120676-16-GB1	EA WEDGE - TV SHELF

BEDROOM GROUP (CONTINUED)
DOUBLE BED BEDROOM CABINETS

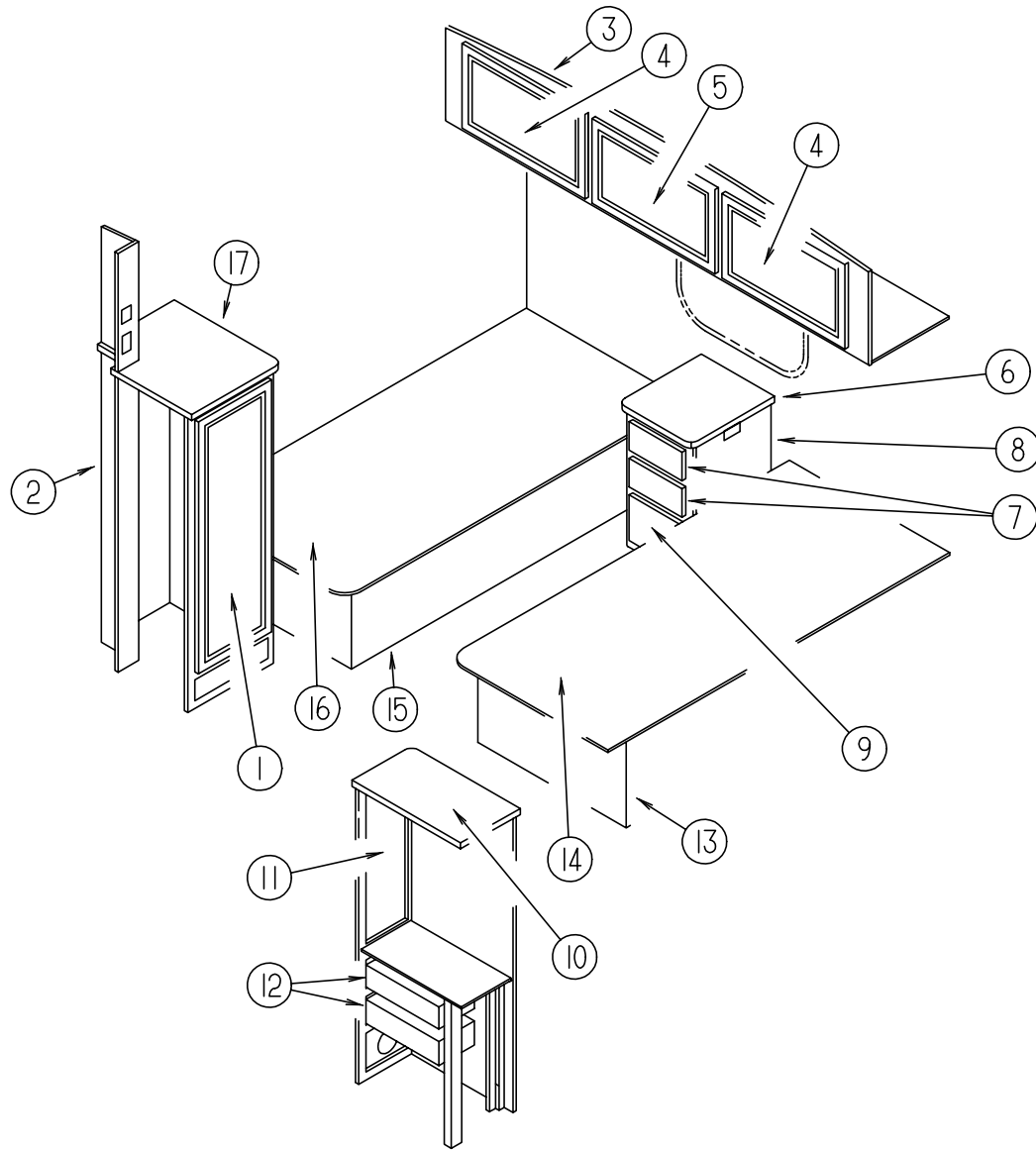


KEY	PART NUMBER	U/M DESCRIPTION
1	M06803-R8-H33	EA DOOR - MIRROR/MTRD CRNR/OGEE EDGE - 12" X 48" - W/O HDW
2	122463-01-H33	EA CABINET - OVERHEAD/REAR - DOUBLE BED - W/O DOORS/HARDWARE
3	M06803-P4-H33	EA DOOR - MITERED CORNER/OGEE EDGE - 14.3" X 33.4" - W/O HDW
3	M06803-P1-H33	EA DOOR - MITERED CORNER/OGEE EDGE - 14.3" X 33.4" - W/O HDW DECORATOR DOOR OPTION
4	M05971-T3-H33	EA DRAWER - OGEE EDGE - 21.8"W X 12.8"D - W/O SLIDES/HARDWARE
5	M05971-T4-H33	EA DRAWER - OGEE EDGE - 21.8"W X 13.8"D - W/O SLIDES/HARDWARE
6	124585-01-H33	EA CABINET - PIPE COVER/DOUBLE BED
6	124585-01-H34	EA CABINET - PIPE COVER/DOUBLE BED
6	124585-01-H35	EA CABINET - PIPE COVER/DOUBLE BED
7	P22447-01-H33	EA CABINET - BASE/DOUBLE BED - W/O DOORS/DRAWERS/HARDWARE
	M07500-03-H33	EA TOP - DOUBLE BED - W/O HARDWARE
8	M05971-T5-H33	EA DRAWER - OGEE EDGE - 15.4"W X 13.8"D - W/O SLIDES/HARDWARE
9	122450-11-H33	EA COUNTERTOP - DRESSER
9	122450-11-H34	EA COUNTERTOP - DRESSER
9	122450-11-H35	EA COUNTERTOP - DRESSER
10	P22450-01-H33	EA DRESSER - W/O DRAWERS/HARDWARE - F/REAR/DOUBLE BED
10	P22450-01-H34	EA DRESSER - W/O DRAWERS/HARDWARE - F/REAR/DOUBLE BED
10	P22450-01-H35	EA DRESSER - W/O DRAWERS/HARDWARE - F/REAR/DOUBLE BED

DOUBLE BED GAS SPRING & HARDWARE

KEY	PART NUMBER	U/M DESCRIPTION
	107796-06-000	EA SPRING/GAS - 12" COMPRESSED/20" EXTENDED - 120 LB.
	107796-07-000	EA BRACKET - SUPPORT - GAS SPRING TO BED - ANGLE(UPPER)
	126263-06-01B	EA BRACKET - GAS SPRING
	126259-01-000	EA STUD - BALL
	126263-08-01B	EA BRACKET - GAS SPRING
	091952-01-000	EA CLIP - GRIPPER - 1"
	097872-04-000	EA DOWEL - WOOD - 1" DIAMETER X 1.38" LONG

BEDROOM GROUP (CONTINUED)
TWIN BEDROOM CABINETS

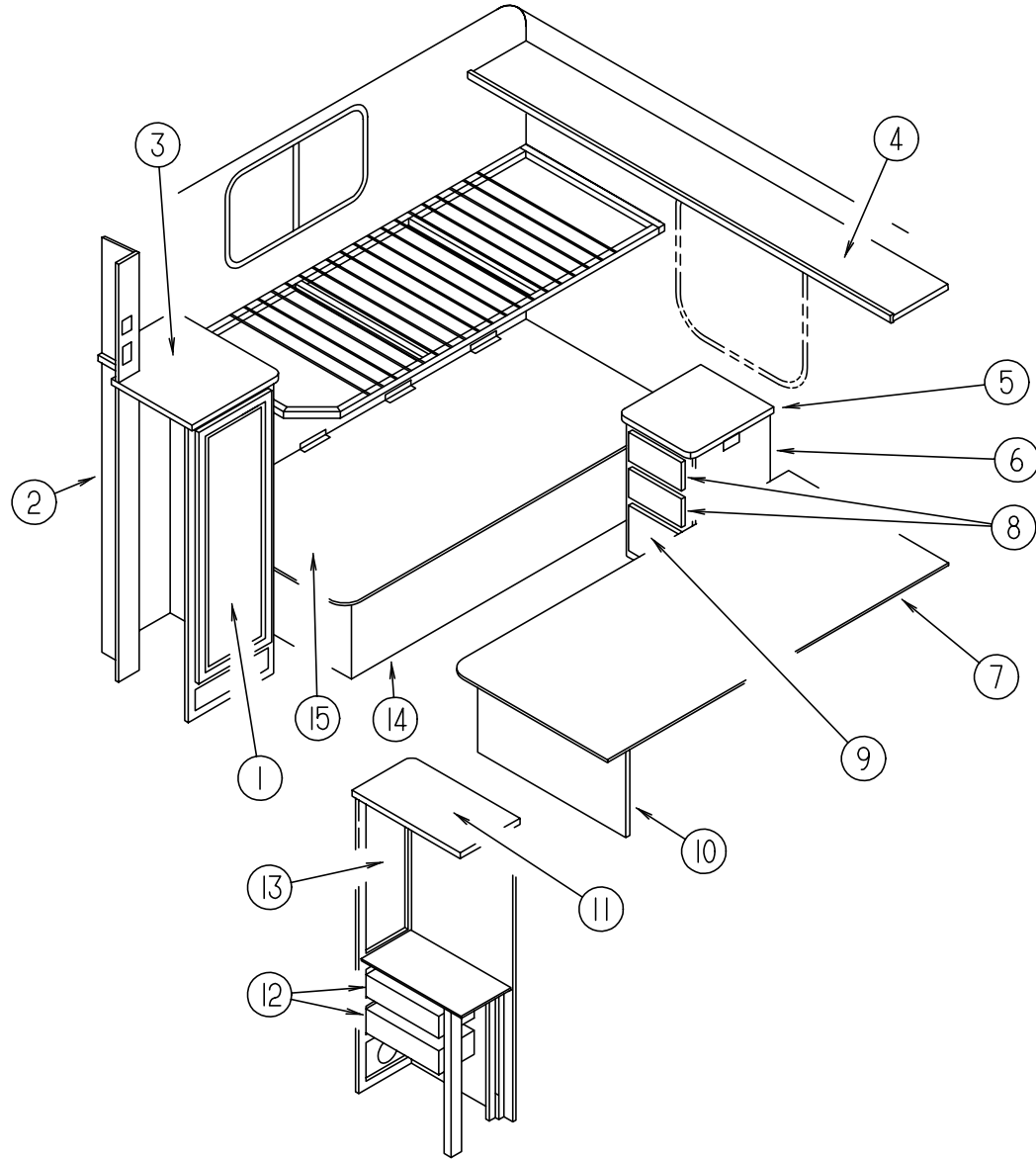


KEY	PART NUMBER	U/M DESCRIPTION
1	M06803-W6-H13	EA DOOR - MITERED CORNER/OGEE EDGE - 16.7" X 48" - W/O HDW
2	124616-01-H33	EA CABINET - PIPE COVER - TWIN
2	124616-01-H34	EA CABINET - PIPE COVER - TWIN
2	124616-01-H35	EA CABINET - PIPE COVER - TWIN
3	121864-01-H33	EA CABINET - OVERHEAD/REAR - W/O DOORS/HARDWARE
4	M06803-13-H33	EA DOOR - MIRROR/MITERED CRNR/OGEE EDGE - 15.7" X 28"-W/O HDW
4	M06803-02-G09	EA DOOR - MITERED CORNER/OGEE EDGE - 15.7" X 28" - W/O HDW DECORATOR DOOR OPTION
5	M06803-13-H33	EA DOOR - MIRROR/MITERED CRNR/OGEE EDGE - 15.7" X 28"-W/O HDW FROM: 00-00-00 THRU: 01-02-97
5	M06803-02-G09	EA DOOR - MITERED CORNER/OGEE EDGE - 15.7" X 28" - W/O HDW DECORATOR DOOR OPTION FROM: 00-00-00 THRU: 01-02-97
5	M06803-03-H33	EA DOOR - MIRROR/MTRD CRNR/OGEE EDGE - 15.7"X 20.4" - W/O HDW FROM: 01-03-97 THRU: 99-99-99
5	M06803-41-G09	EA DOOR - MITERED CORNER/OGEE EDGE - 15.7" X 20.4" - W/O HDW DECORATOR DOOR OPTION FROM: 01-03-97 THRU: 99-99-99
6	122515-11-H33	EA COUNTERTOP - NIGHTSTAND
6	122515-11-H34	EA COUNTERTOP - NIGHTSTAND
6	122515-11-H35	EA COUNTERTOP - NIGHTSTAND
7	M05971-Z4-H33	EA DRAWER - OGEE EDGE - 10.3"W X 13.8"D - W/O SLIDES/HARDWARE
8	122515-01-H33	EA CABINET - NIGHTSTAND - W/O DOORS/DRAWERS/HARDWARE
8	122515-01-H34	EA CABINET - NIGHTSTAND - W/O DOORS/DRAWERS/HARDWARE
8	122515-01-H35	EA CABINET - NIGHTSTAND - W/O DOORS/DRAWERS/HARDWARE
9	M05971-Z5-H33	EA DRAWER - OGEE EDGE - 10.3"W X 13.8"D - W/O SLIDES/HARDWARE
10	124614-12-H33	EA COUNTERTOP - WARDROBE
10	124614-12-H34	EA COUNTERTOP - WARDROBE
10	124614-12-H35	EA COUNTERTOP - WARDROBE
11	M06803-Z2-H33	EA DOOR - MITERED CORNER/OGEE EDGE - 10.02" X 29.5" - W/O HDW
12	M05971-71-H33	EA DRAWER - OGEE EDGE - 8.0"W X 17.7"D - W/O SLIDES/HARDWARE
13	P22498-01-H33	EA CABINET - BASE/BED - TWIN/LEFT HAND - W/O DOORS/DWRS/HDW
	098442-02-GB1	EA LEG - SUPPORT
14	M07504-05-H33	EA TOP - TWIN BED/LEFT HAND - W/O HARDWARE
15	P22497-01-H33	EA CABINET - BASE/BED - TWIN/RIGHT HAND - W/O DRS/DWRS/HDW
16	M07504-06-H33	EA TOP - TWIN BED/RIGHT HAND - W/O HARDWARE
	098442-02-GB1	EA LEG - SUPPORT
17	124615-11-H33	EA COUNTERTOP - WARDROBE
17	124615-11-H34	EA COUNTERTOP - WARDROBE
17	124615-11-H35	EA COUNTERTOP - WARDROBE

TWIN BED GAS SPRING & HARDWARE

KEY	PART NUMBER	U/M DESCRIPTION
	107796-06-000	EA SPRING/GAS - 12" COMPRESSED/20" EXTENDED - 120 LB.
	107796-07-000	EA BRACKET - SUPPORT - GAS SPRING TO BED - ANGLE(UPPER)
	126263-06-01B	EA BRACKET - GAS SPRING
	126259-01-000	EA STUD - BALL
	126263-08-01B	EA BRACKET - GAS SPRING
	091952-01-000	EA CLIP - GRIPPER - 1"
	097872-04-000	EA DOWEL - WOOD - 1" DIAMETER X 1.38" LONG

BEDROOM GROUP (CONTINUED)
TWIN BED W/OVERHEAD BUNK CABINERY

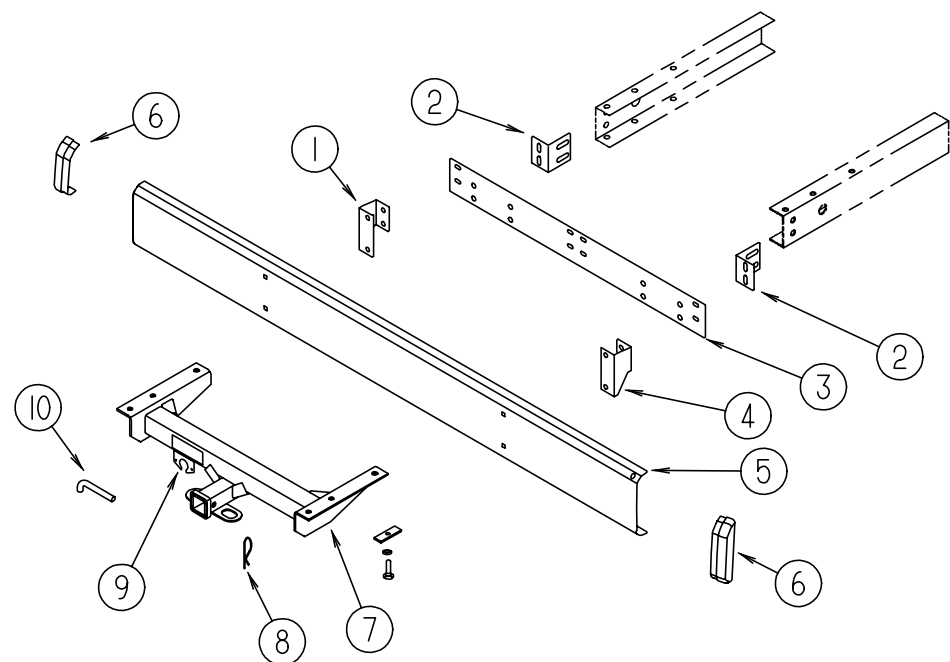


KEY	PART NUMBER	U/M	DESCRIPTION
1	M06803-W6-H13	EA	DOOR - MITERED CORNER/OGEE EDGE - 16.7" X 48" - W/O HDW
2	124616-01-H33	EA	CABINET - PIPE COVER - TWIN
2	124616-01-H34	EA	CABINET - PIPE COVER - TWIN
2	124616-01-H35	EA	CABINET - PIPE COVER - TWIN
3	124615-11-H33	EA	COUNTERTOP - WARDROBE
3	124615-11-H34	EA	COUNTERTOP - WARDROBE
3	124615-11-H35	EA	COUNTERTOP - WARDROBE
4	117090-01-G01	EA	SHELF - OVERHEAD/BACK WALL - W/O HARDWARE
5	122515-11-H33	EA	COUNTERTOP - NIGHTSTAND
5	122515-11-H34	EA	COUNTERTOP - NIGHTSTAND
5	122515-11-H35	EA	COUNTERTOP - NIGHTSTAND
6	122515-01-H33	EA	CABINET - NIGHTSTAND - W/O DOORS/DRAWERS/HARDWARE
6	122515-01-H34	EA	CABINET - NIGHTSTAND - W/O DOORS/DRAWERS/HARDWARE
6	122515-01-H35	EA	CABINET - NIGHTSTAND - W/O DOORS/DRAWERS/HARDWARE
7	M07504-05-H33	EA	TOP - TWIN BED/LEFT HAND - W/O HARDWARE
	098442-02-GB1	EA	LEG - SUPPORT
8	M05971-Z4-H33	EA	DRAWER - OGEE EDGE - 10.3"W X 13.8"D - W/O SLIDES/HARDWARE
9	M05971-Z5-H33	EA	DRAWER - OGEE EDGE - 10.3"W X 13.8"D - W/O SLIDES/HARDWARE
10	P22498-01-H33	EA	CABINET - BASE/BED - TWIN/LEFT HAND - W/O DOORS/DWRS/HDW
11	124614-12-H33	EA	COUNTERTOP - WARDROBE
11	124614-12-H34	EA	COUNTERTOP - WARDROBE
11	124614-12-H35	EA	COUNTERTOP - WARDROBE
12	M05971-71-H33	EA	DRAWER - OGEE EDGE - 8.0"W X 17.7"D - W/O SLIDES/HARDWARE
13	M06803-Z2-H33	EA	DOOR - MITERED CORNER/OGEE EDGE - 10.02" X 29.5" - W/O HDW
14	P22497-01-H33	EA	CABINET - BASE/BED - TWIN/RIGHT HAND - W/O DRS/DWRS/HDW
15	M07504-06-H33	EA	TOP - TWIN BED/RIGHT HAND - W/O HARDWARE
	098442-02-GB1	EA	LEG - SUPPORT

TWIN BED GAS SPRING & HARDWARE

KEY	PART NUMBER	U/M	DESCRIPTION
	107796-06-000	EA	SPRING/GAS - 12" COMPRESSED/20" EXTENDED - 120 LB.
	107796-07-000	EA	BRACKET - SUPPORT - GAS SPRING TO BED - ANGLE(UPPER)
	126263-06-01B	EA	BRACKET - GAS SPRING
	126259-01-000	EA	STUD - BALL
	126263-08-01B	EA	BRACKET - GAS SPRING
	091952-01-000	EA	CLIP - GRIPPER - 1"
	097872-04-000	EA	DOWEL - WOOD - 1" DIAMETER X 1.38" LONG

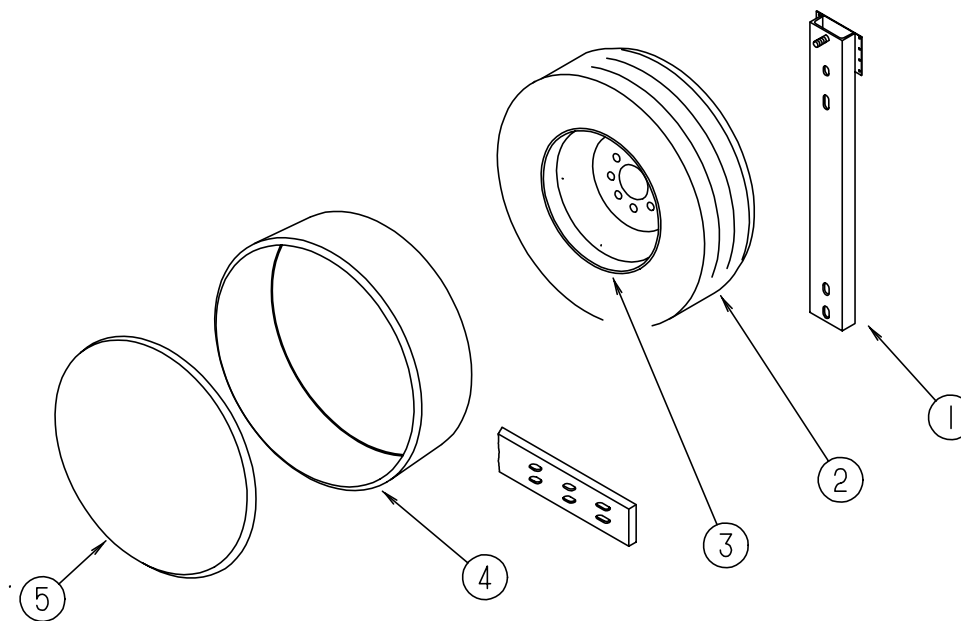
CHASSIS GROUP



REAR BUMPER, TRAILER HITCH & COMPONENTS

KEY	PART NUMBER	U/M DESCRIPTION
1	117950-04-02B	EA BRACKET - BUMPER/REAR
2	078668-01-000	EA SUPPORT ANGLE - BUMPER/REAR - L ANGLE - 4" X 3" STEEL/BLK
3	078678-02-000	EA PLATE - MOUNTING - BUMPER/REAR - 46" X 5" - W/WELD NUTS
4	117950-03-02B	EA BRACKET - BUMPER/REAR
5	103099-01-06A	EA BUMPER - REAR - BRIGHT WHITE
6	103228-01-06A	EA END CAP - REAR BUMPER - DRIVER/PASSENGER
7	107707-01-000	EA HITCH RECEIVER - BOLT-ON CLASS II
8	034513-01-000	EA PIN - HITCH - 3/16" WIRE
9	113588-02-01B	EA BRACKET - CONNECTOR - TRAILER W/O LIP
10	034512-01-000	EA PIN - LOCKING - DRAWBAR
	070579-09-000	EA PLATE-ANCHOR, 1.8" X 1.5" - STEEL - E-COAT
	113589-02-000	EA CONNECTOR - SOCKET - TRAILER
	113589-01-000	EA CONNECTOR - PLUG - TRAILER

CHASSIS GROUP (CONTINUED)



SPARE TIRE, CARRIER, COVER & LUG WRENCH

KEY	PART NUMBER	U/M DESCRIPTION
1	102944-05-000	EA BRACKET - TIRE CARRIER - CHEVY
2	091673-01-000	EA TIRE - MICHELIN - 225/70 R19.5 LRF - XZA - CHEVY
3	064963-01-000	EA WHEEL - STEEL - 19.5" X 6" - CHEVY
4	108163-05-01A	EA COVER - TIRE - 8 1/4" X 101"
5	108560-04-01A	EA INSERT - TIRE COVER
	051377-01-000	EA VALVE STEM - CHEVY
	077030-02-000	EA EXTENSION - VALVE STEM - 1.25"
	080208-02-000	EA BAR - LEVERAGE - LUG WRENCH - CHEVY
	080208-01-000	EA LUG WRENCH - 1" X 1.06" W/SHALLOW SOCKET ENDS - CHEVY
		FROM: 00-00-00 THRU: 09-26-96
	080208-06-000	EA LUG WRENCH - 1" X 1.06" W/DEEP SOCKET ENDS - CHEVY
		FROM: 09-27-96 THRU: 99-99-99

CHASSIS GROUP (CONTINUED)

19.5" CHEVY STAINLESS STEEL WHEEL LINERS (FROM: 00-00-00 THRU: 05-06-97)

KEY	PART NUMBER	U/M DESCRIPTION	VENDOR NO.
	110435-06-000	EA LINER - WHEEL SET (SET=4) 19.5" F/GM W/LONG STUDS - DICOR	
	110435-01-711	EA DECAL - CENTER CAP - 2"	
	110435-02-703	EA NUT (JAMB)	V160SD-JNT
	110435-02-704	EA COVER - LUG NUT	V160F0-LNC
	110435-02-705	EA TOOL F/ JAMB NUT - INSTALL.	V160F0-TOL
	110435-06-700	EA LINER - WHEEL - FRONT	V195P5-FWC
	110435-06-701	EA LINER - WHEEL - REAR	V195P5-RWC
	110435-06-702	EA BRACKET - BRIDGE	V195P5-BRK
	110435-06-703	EA NUT - JAM - BRIDGE BRKT 1 1/16	V195P5-BJN
	110435-06-704	EA STUD EXTENDERS - P30	V195P5-STX

19.5" CHEVY STAINLESS STEEL WHEEL LINERS (FROM: 05-07-97 THRU: 99-99-99)

KEY	PART NUMBER	U/M DESCRIPTION	VENDOR NO.
	110435-10-000	EA LINER - WHEEL - SET 4 - 19.5"	
	110435-10-700	EA LINER - WHEEL - FRONT - 1 PC	V195P7-FWC
	110435-10-701	EA LINER - WHEEL - REAR - 1 PC.	V195P7-RWC
	110435-10-702	EA JAMB NUT - ENCLOSED/LNC	V195P7-EJN
	110435-10-703	EA STUD - PLASTIC	V195P7-PST
	110435-10-704	EA JAMB NUT - PLASTIC/LNC	V195P7-PJN
	110435-10-705	EA TOOL - INSTALLATION	V195P7-TOL

19.5" CHEVY WHEEL COVERS (FROM: 00-00-00 THRU: 12-20-96)

KEY	PART NUMBER	U/M DESCRIPTION	VENDOR NO.
	109443-01-000	EA WHEEL - COVER - 4/SET - 19.5 W/HDW	
	109443-01-700	EA COVER - WHEEL 19.5 FRT. & REAR	SHAG95
	109443-01-701	EA BRACKET - RETENTION - FRONT WHEEL	SHAG95-FBS
	109443-01-702	EA BRACKET - RETENTION - REAR WHEEL	SHAG95-RBS
	109443-01-703	EA CAP - CENTER - HUB - DICOR	SP-AUCAP
	109443-01-704	EA CLIP-RETAINER	V160GM-PNT

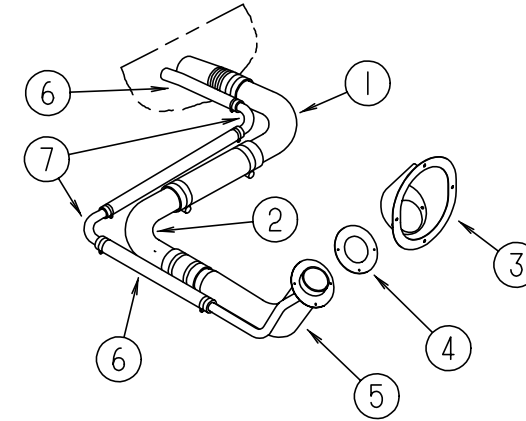
19.5" CHEVY WHEEL COVERS (FROM: 12-21-96 THRU: 99-99-99)

KEY	PART NUMBER	U/M DESCRIPTION	VENDOR NO.
	109443-06-000	EA WHEEL - COVER - 4/SET - 19.5"	
	109443-01-700	EA COVER - WHEEL 19.5 FRT/RR EA=1	SHAG95
	109443-01-701	EA BRACKET - RETENTION FRONT	SHAG95-FBS
	109443-01-703	EA CAP - CENTER - HUB - DICOR	SHAU95-CAP
	109443-01-704	EA CLIP - RETAINER	V160GM-PNT
	109443-06-701	EA BRACKET - RETENTION REAR	SHG795-RBS

SUSPENSION SYSTEM (CHEVY)

KEY	PART NUMBER	U/M DESCRIPTION	VENDOR NO.
	104993-02-000	EA SHOCK ABSORBER - GAS - P30 FRONT	
	122756-01-000	EA SHOCK & STABILIZER (RED BOOT) KIT - FRONT END P30 CHASSIS	
		FROM: 00-00-00 THRU: 12-11-96	
	122756-02-000	EA SHOCK AND STABILIZER (BLUE BOOT) KIT - FRONT END P30 CHASSIS	
		FROM: 12-12-96 THRU: 99-99-99	
	122756-02-700	EA BRACKET ASM - DRIVERS SIDE	T818L
	122756-02-701	EA BRACKET ASM - PASSENGER SIDE	T818R
	122756-02-702	EA BRACKET ONLY - DRIVERS SIDE	T818L
	122756-02-703	EA BRACKET ONLY -PASSENGER SIDE	T818R
	122756-02-704	EA BOLT PACKAGE -BOLTS/NUTS ETC	T818R
	122756-02-705	EA SHOCK	T818SH
	122756-02-706	EA STUD - SHOCK MOUNTING	T818S
	122756-02-707	EA DAMPENER - STEERING	T818SD
	122756-02-708	EA BOOT - STEERING DAMPNER	T818SDB
	122756-02-709	EA BUSHING PKG-STEERING DAMPENE	T818SDBSH
	122756-02-710	EA BOLT PKG - STEERING DAMPENER	T818S

CHASSIS GROUP (CONTINUED)



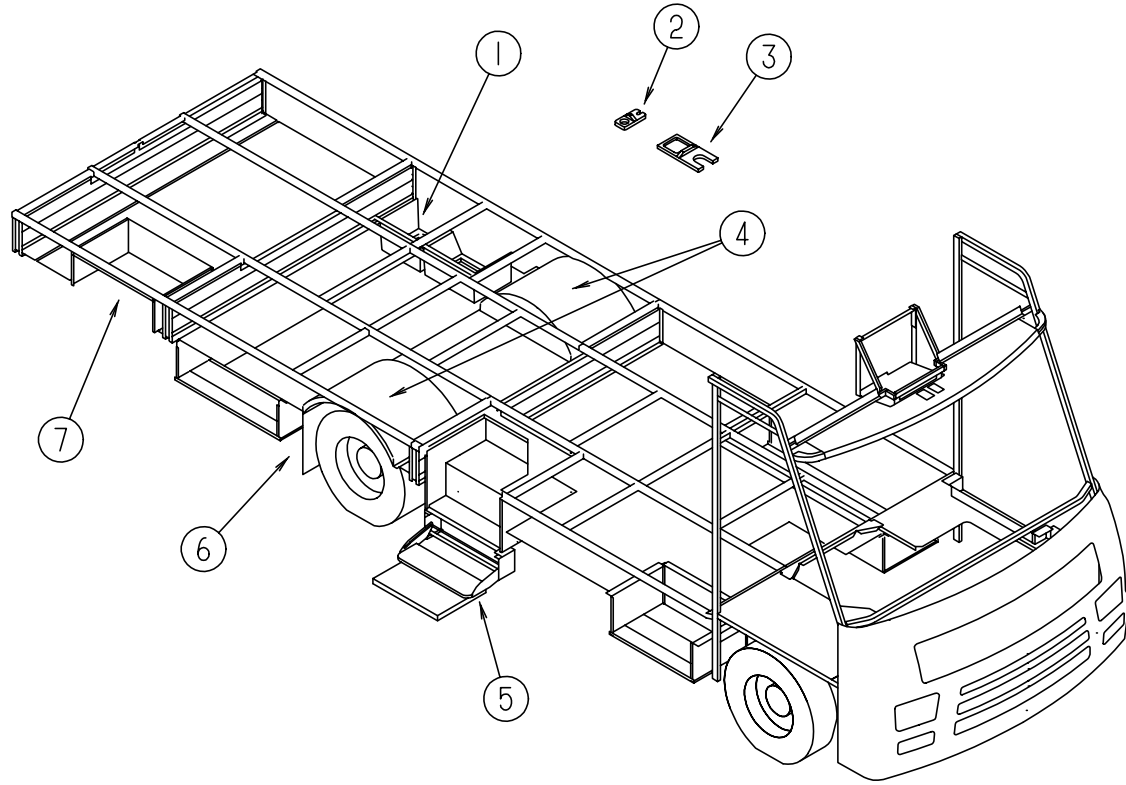
CHEVY FUEL SYSTEM

KEY	PART NUMBER	U/M DESCRIPTION
1	098803-02-000	EA PIPE - FUEL FILL
2	098807-01-000	EA PIPE - FUEL FILL - 90 DEGREE BEND - 6.6" - 1 3/4 OD
3	095854-01-04A	EA SHROUD - FUEL FILL - BRIGHT WHITE
4	078200-01-000	EA GASKET - FUEL FILL - 3.5" OD X 2" ID
5	087256-10-000	EA NECK - FUEL FILL (GAS)
5	087256-08-000	EA NECK - FUEL FILL (DIESEL)
6	066732-01-000	FT HOSE - FUEL - .62"ID
7	098806-01-000	EA PIPE - FILL VENT - 90 DEGREE BEND - .635 OD - STEEL
	007063-01-000	FT HOSE - FUEL - 1/4"ID X 1/2"OD
	084884-01-000	EA PLUG - BRASS - 3/8"
	068382-06-000	EA BUSHING - BRASS - 3/8 MPT X 1/8 FPT
	114254-01-000	EA ADAPTER - 1/4 BARB X 1/8 MPT

CHASSIS MISCELLANEOUS

KEY	PART NUMBER	U/M DESCRIPTION
	102805-01-000	EA CHANNEL - EXTENSION - FRONT FRAME - 13.7"
	065450-05-000	EA TIEDOWN - BATTERY - 8.4" TUBE
	119847-01-02B	EA SHIELD - A/C COMPRESSOR
	113452-01-000	FT SEAL/TRIM - FRONT - VINYL W/WIRE CARRIER
		FROM: 02-03-97 THRU: 99-99-99
	112864-01-000	FT SEAL - FOAM/BUTYL COVERED - 3/8"
	123361-01-000	EA DUCT - AIR INTAKE

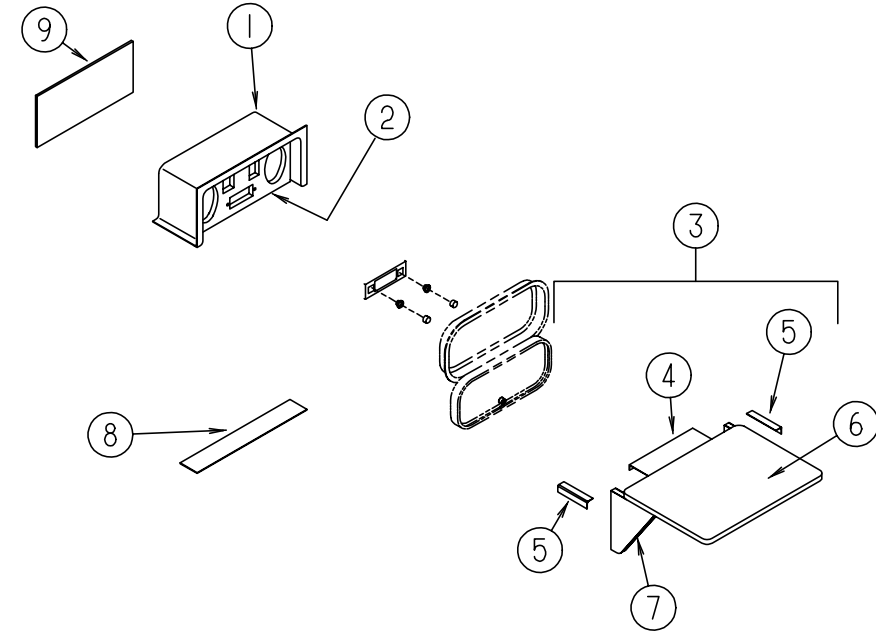
CHASSIS GROUP (CONTINUED)



STORAGE COMPARTMENTS & WHEELWELLS

KEY	PART NUMBER	U/M	DESCRIPTION
1	116926-01-01A	EA	COMPARTMENT - SEWER
	121175-01-01A	EA	LATCH - SWELL - BLACK
2	M06991-02-FQ0	EA	HATCH - W/FOAM INSULATION (110 POWER)
3	M06991-04-FB1	EA	HATCH - W/FOAM INSULATION (WATER OR SEWER)
4	055080-01-000	EA	WHEELWELL - PLASTIC - REAR - LEFT OR RIGHT
5	094707-01-01A	EA	STEP - DOUBLE - ELECTRIC - KWIKEE
	104452-03-000	EA	SUPPORT - STEP
			FROM: 12-20-96 THRU: 99-99-99
6	017516-01-000	EA	MUD FLAP - 14" X 18" - BLACK
6	020167-03-000	EA	DIRT GUARD - STEEL - 11" LONG
7	114070-02-02B	EA	SUPPORT - GENERATOR - LEFT
7	114071-02-02B	EA	SUPPORT - GENERATOR - RIGHT

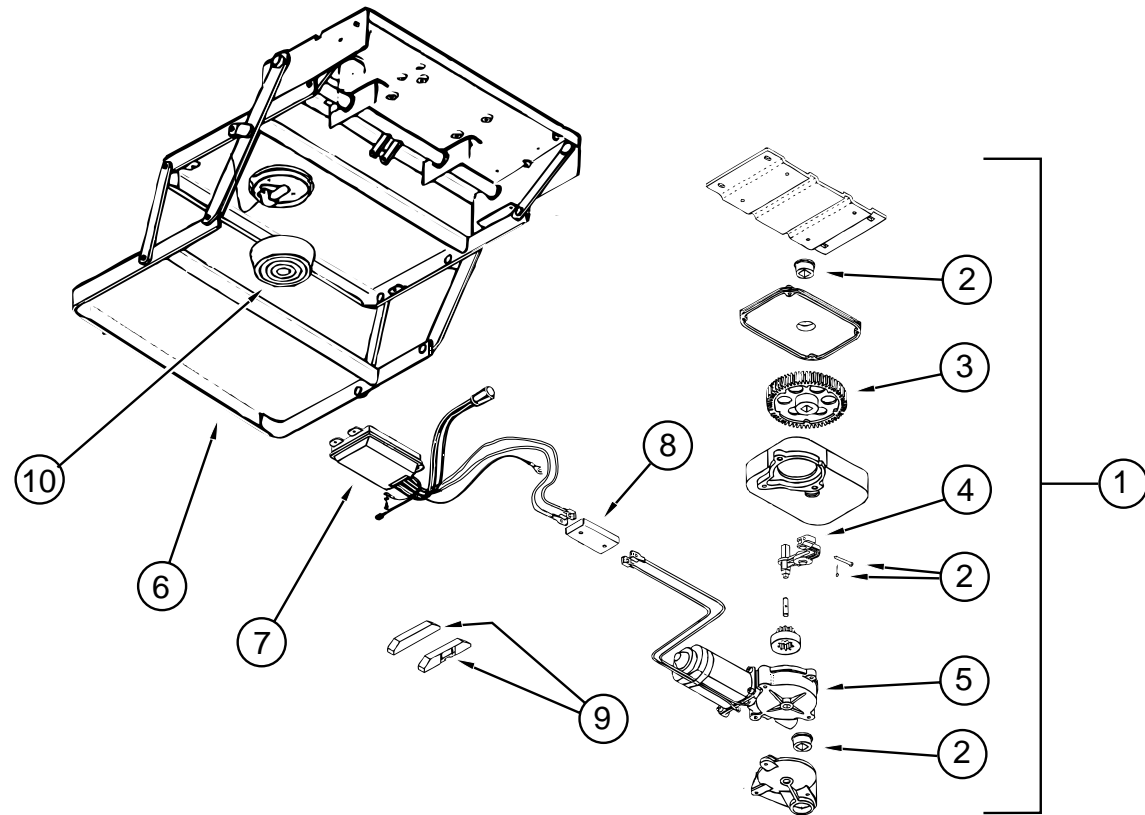
CHASSIS GROUP (CONTINUED)



PATIO ENTERTAINMENT CENTER

KEY	PART NUMBER	U/M	DESCRIPTION
1	104897-03-02A	EA	BOX-ENTERTAINMENT CENTER - BRIGHT WHITE
2	104899-01-C05	EA	PLATE-RADIO MOUNTING
3	105230-01-E01	EA	SHELF
4	105377-01-01A	EA	BRACKET-TABLE HANGER, OFF WHITE
			FROM: 00-00-00 THRU: 01-05-97
4	105377-01-04A	EA	BRACKET-TABLE HANGER, BRIGHT WHITE
			FROM: 01-06-97 THRU: 99-99-99
5	105376-01-02A	EA	HINGE-CONTINUOUS, 2" X 5.5" - OFF WHITE
			FROM: 00-00-00 THRU: 01-05-97
5	105376-01-03A	EA	HINGE-CONTINUOUS, 2" X 5.5" - BRIGHT WHITE
			FROM: 01-06-97 THRU: 99-99-99
6	105230-11-E01	EA	SHELF
7	105230-12-E01	EA	SUPPORT-SHELF
8	104898-01-02A	EA	PLATE-PLASTIC, BOTTOM - 19.38" X 3.1" - BRIGHT WHITE
9	104898-02-02A	EA	PLATE-PLASTIC, REAR - 16.1" X 6.3" - BRIGHT WHITE

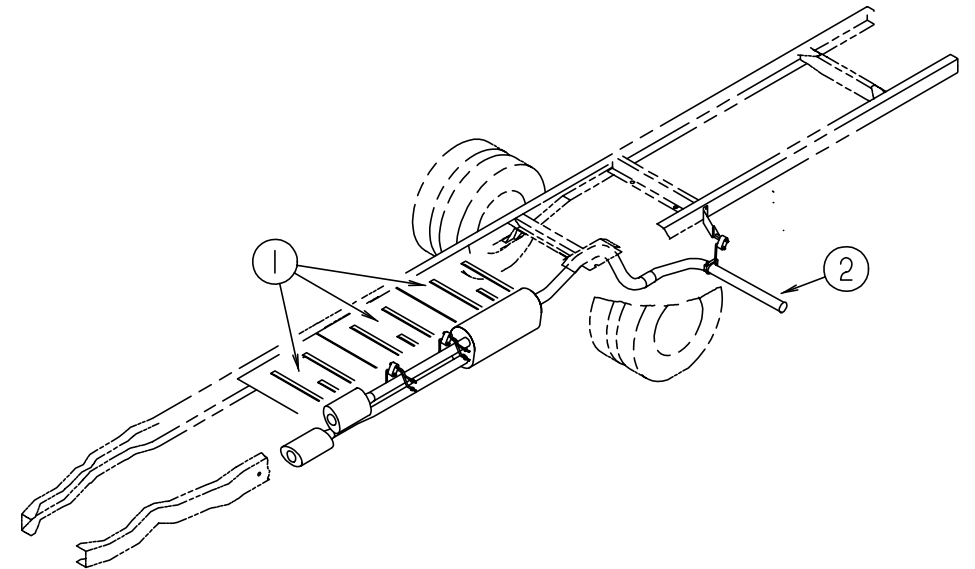
CHASSIS GROUP (CONTINUED)



KWIKIEE ELECTRIC ENTRY DOUBLE STEP

KEY	PART NUMBER	U/M	DESCRIPTION	VENDOR NO.
1	094707-01-01A	EA	STEP - DOUBLE - ELECTRIC - KWIKIEE	
2	094707-02-703	EA	BEARING & PINS	909530
3	094707-02-702	EA	GEAR KIT,W/BEARINGS,PIN-CASE	909525
4	094707-02-701	EA	LINKAGE ASM. W/BEARINGS-PINS	909534
5	094707-02-703	EA	BEARING & PINS	909530
6	094707-01-702	EA	FRAME W/DBL STEP,3200 SERIES	908032
7	094707-01-702	EA	FRAME W/DBL STEP,3200 SERIES	908032
8	094707-02-704	EA	CONNECTOR-MOTOR ASM.W/PLATES	909537
9	116995-01-000	EA	SWITCH/MAGNET - ELECTRIC STEP	
10	088746-01-705	EA	LIGHT-UNDER STEP	9004
	088733-01-700	EA	BULB	9004
	094707-02-707	EA	TREAD - NON SKID - BLACK	909333
	094707-02-708	EA	TREAD - NON-SKID - YELLOW	909331

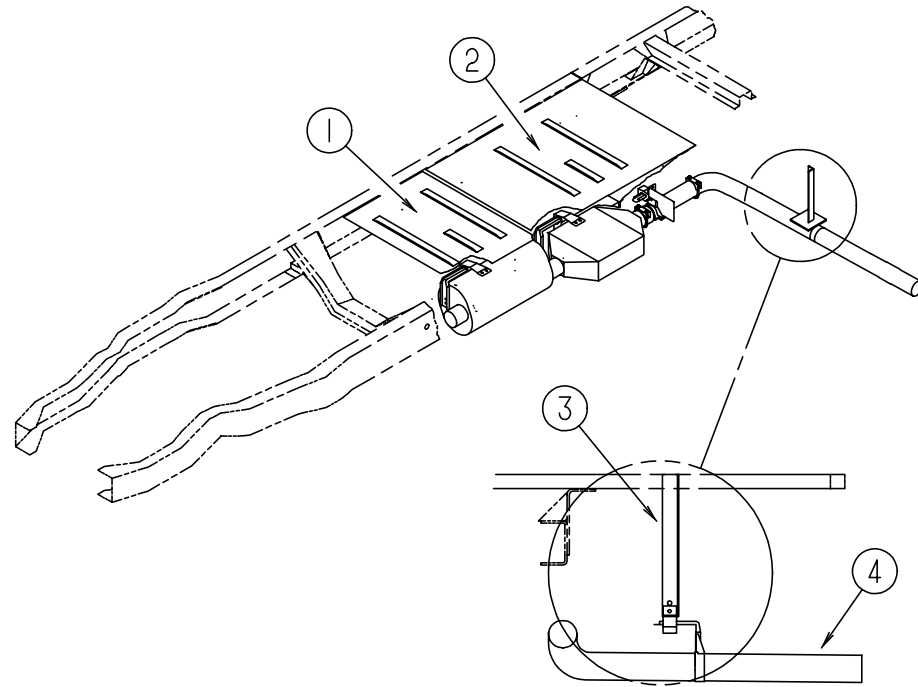
CHASSIS GROUP (CONTINUED)



VORTEC CHEVY EXHAUST SYSTEM - GAS

KEY	PART NUMBER	U/M	DESCRIPTION	
1	101544-02-000	EA	SHIELD - HEAT/EXHAUST - 30" X 29.1"	
2	098608-02-000	EA	PIPE - SINGLE EXHAUST	
	094918-01-000	EA	CLAMP - EXHAUST - 3" - GUILLOTINE STYLE	
	095523-04-000	EA	BRACKET - EXHAUST - UPPER	FROM: 00-00-00 THRU: 11-05-96
	122392-01-02B	EA	HANGER - TAILPIPE	FROM: 00-00-00 THRU: 11-17-96
	122392-03-02B	EA	HANGER - TAILPIPE - REAR	FROM: 00-00-00 THRU: 11-17-96

CHASSIS GROUP (CONTINUED)



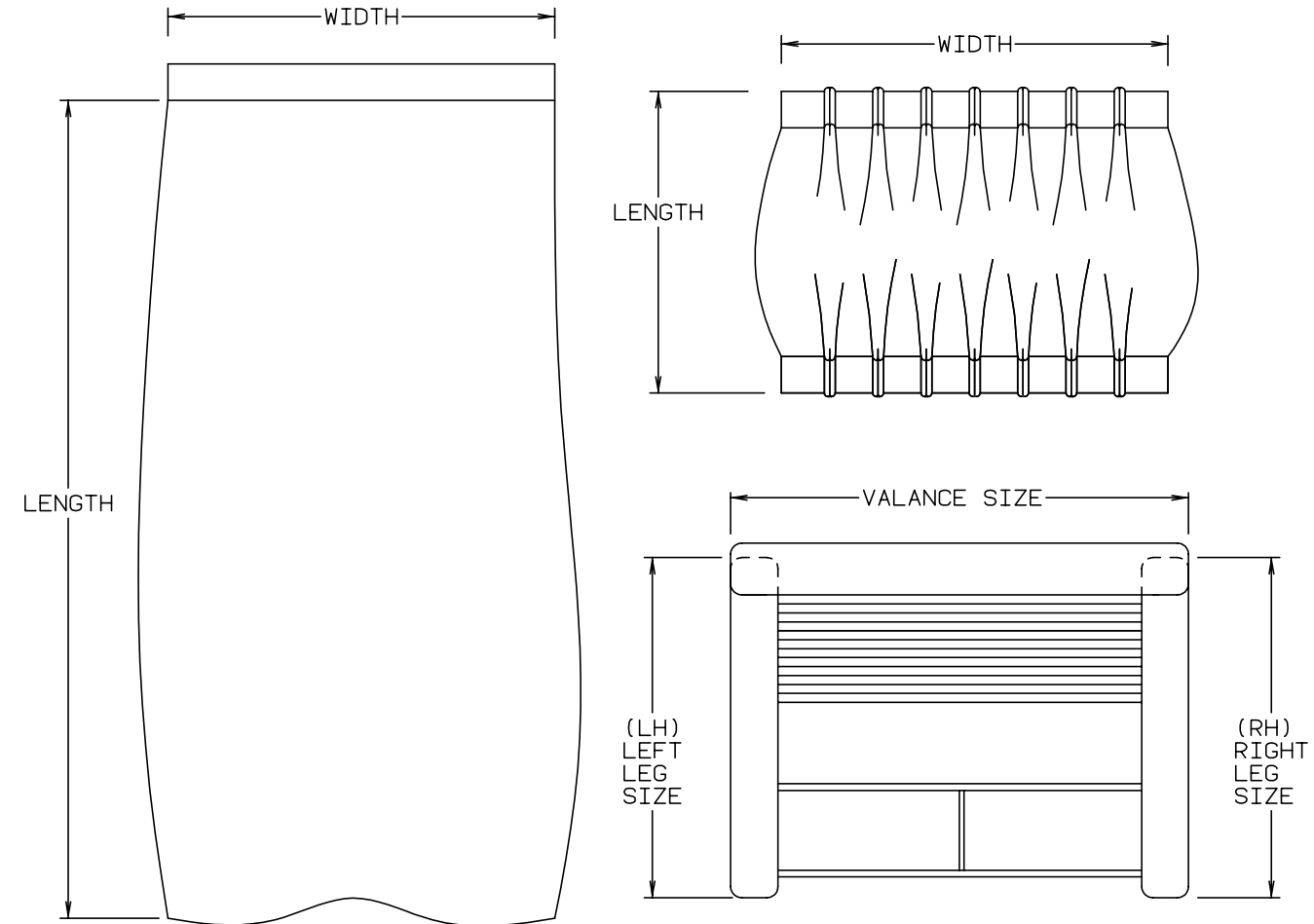
CHEVY EXHAUST SYSTEM - GAS OR DIESEL

KEY	PART NUMBER	U/M	DESCRIPTION	
1	101544-01-000	EA	SHIELD - HEAT/EXHAUST - 19.7" X 29.1"	
2	101544-02-000	EA	SHIELD - HEAT/EXHAUST - 30" X 29.1"	
3	098833-03-000	EA	BRACKET - EXHAUST/HANGER	
3	095190-01-000	EA	HANGER - EXHAUST - 4" X 1.4"	
3	125110-01-02B	EA	HANGER - TAILPIPE	FROM: 00-00-00 THRU: 11-05-96
4	098608-03-000	EA	PIPE - EXHAUST (GAS)	FROM: 11-06-96 THRU: 99-99-99
4	122529-01-000	EA	PIPE - EXHAUST (DIESEL)	

CURTAIN & CUSHION GROUP NOTICE

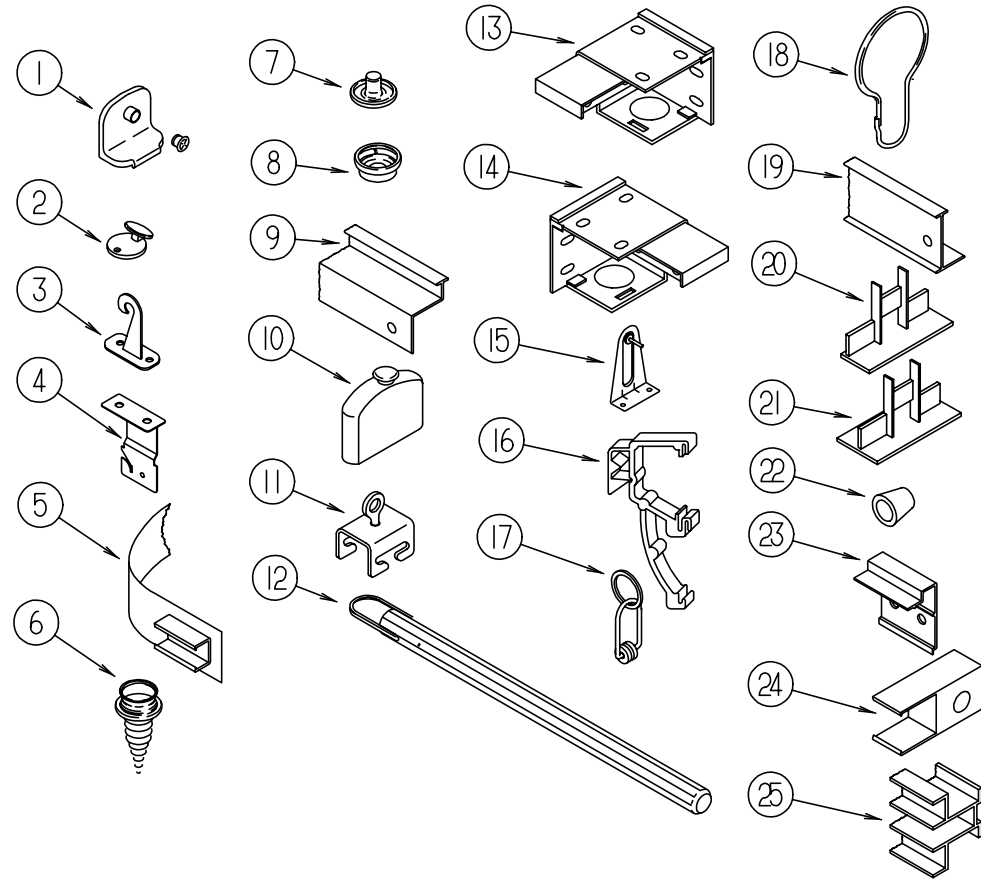
IN ORDER TO ASSIST OUR PARTS SALES DEPT. IN PROVIDING INTERIOR SOFTGOODS ITEMS, PLEASE INCLUDE THE SERIAL NUMBER AND THE COLOR CODE NUMBER FROM THE VEHICLE CERTIFICATION LABEL WHEN ORDERING. THIS LABEL IS LOCATED ON THE LEFT SIDEWALL AT THE END OF THE DASH (A-BODY), OR ON THE DRIVER'S DOOR LATCH PLATE (C-BODY).

AN EXAMPLE OF A COLOR CODE NUMBER IS B07, WHICH DESIGNATES AN OVERALL COLOR SCHEME OF A PARTICULAR UNIT. THE COLOR LISTED AFTER THE ITEM DESCRIPTION ON THE MICROFICHE, INDICATES THE OVERALL UNIT COLOR. ORDER THE ITEM YOU DESIRE ACCORDING TO UNIT COLOR CODE.



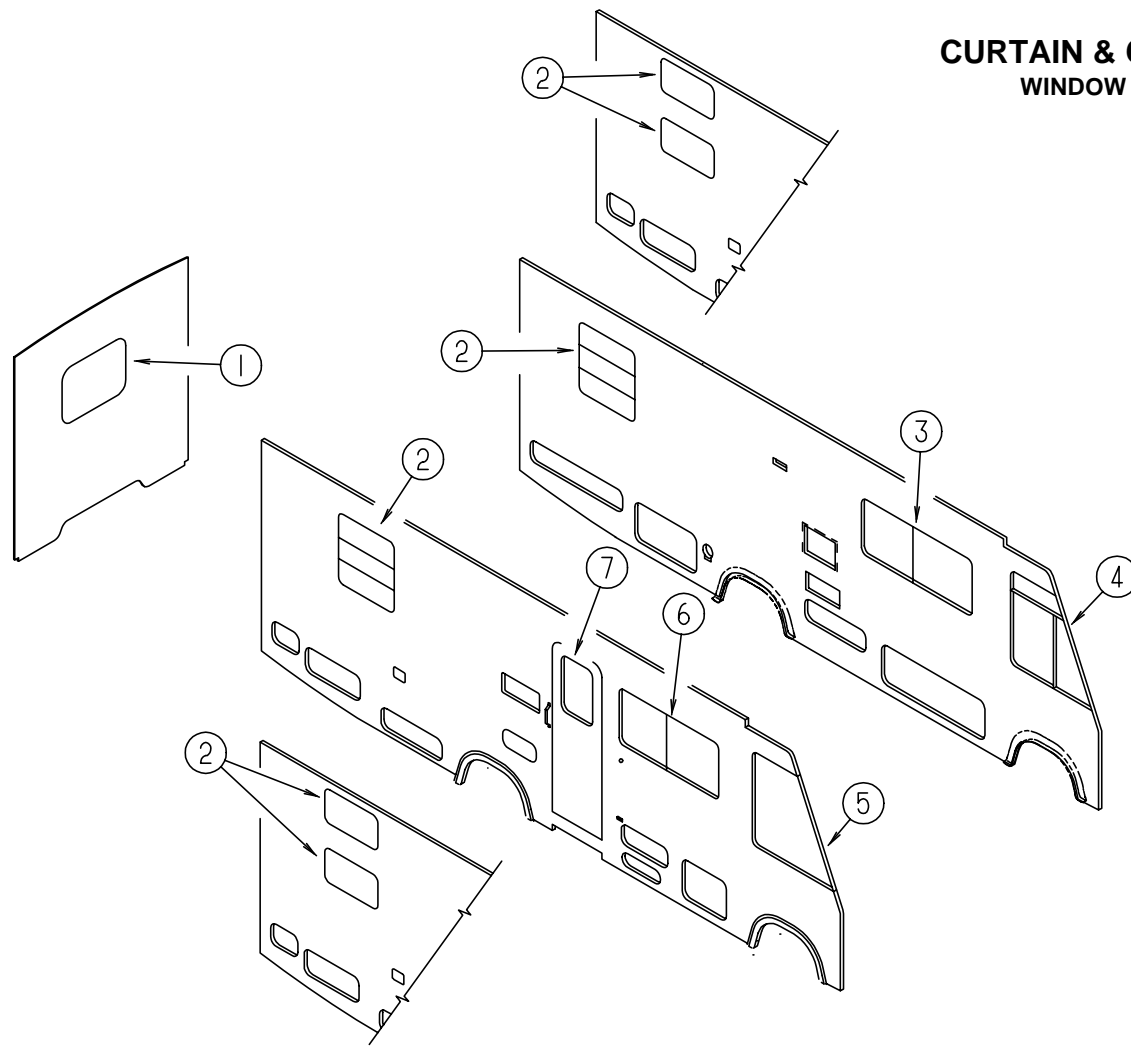
NOTE: USE THIS ILLUSTRATION WHEN DETERMINING LENGTH AND WIDTH MEASUREMENTS FOR CURTAINS. YOU WILL NOTE THE WIDTH MEASUREMENT IS TAKEN ON THE TOP OF THE CURTAIN WITH THE CURTAIN FULLY EXTENDED. THE LENGTH MEASUREMENT IS TAKEN FROM TOP TO BOTTOM. LEFT AND RIGHT WINDOW LEGS ARE DETERMINED WHEN FACING THE WINDOW.

CURTAIN & CUSHION GROUP (CONTINUED)
CURTAIN, BLIND HARDWARE & TRACKS



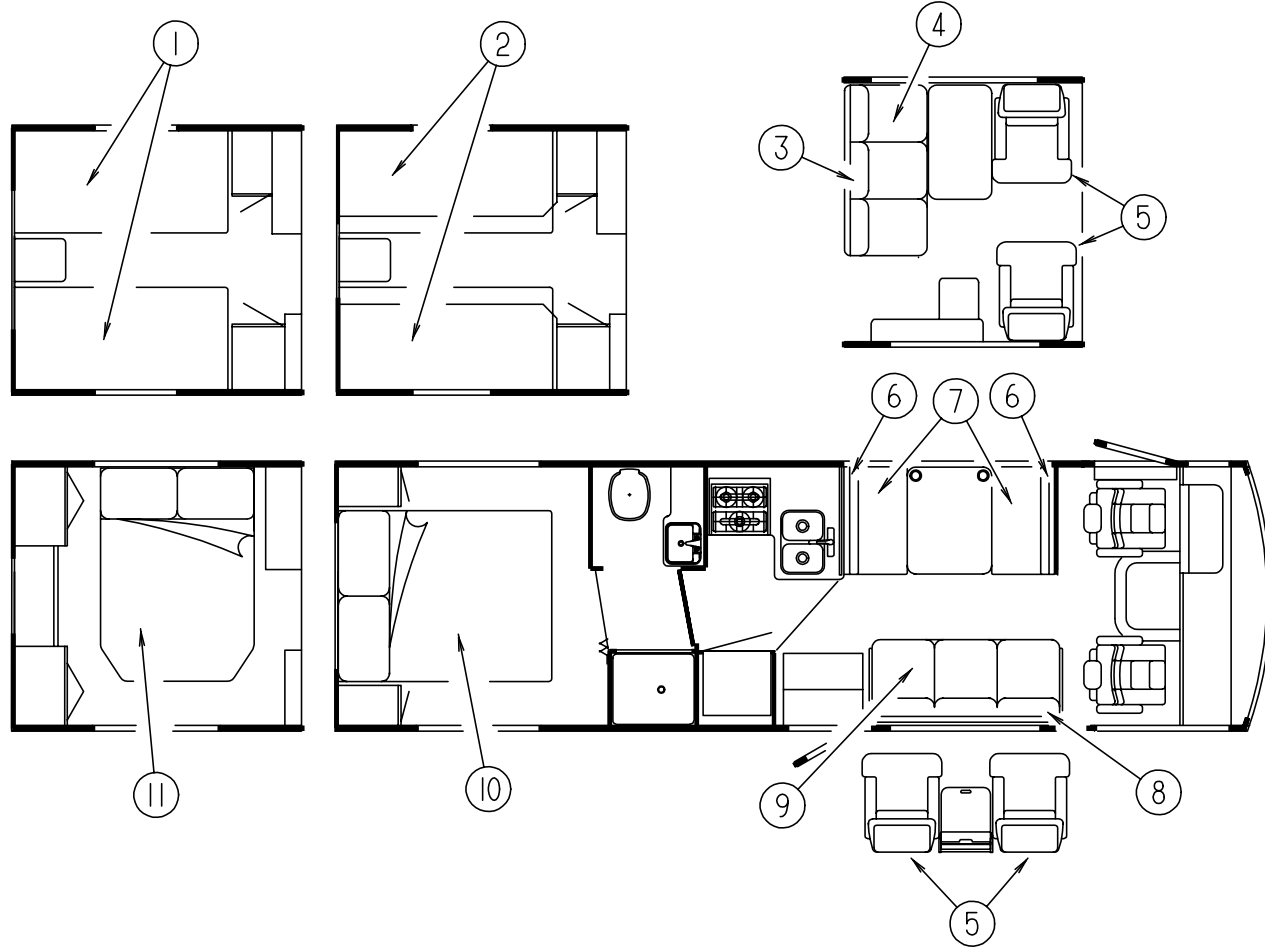
KEY	PART NUMBER	U/M	DESCRIPTION
1	106544-01-000	EA	PULL - SHADE/BRASS
1	106544-01-001	EA	SCREW - SHADE/BRASS
2	102555-03-000	EA	CLEAT - BLIND CORD - MILKY WHITE PLASTIC
3	109441-03-000	EA	HOLD DOWN - BLIND (CLOUDY)
	109441-02-000	EA	HOLD DOWN - SPACER
4	084434-01-000	EA	BRACKET - MOUNTING - ROLLER SHADE - 1 3/8"
	096843-01-000	EA	SPRING - REWIND/ROLLER SHADE
	086276-01-000	EA	TAPE - DOUBLE SIDED - 1/2"
5	101031-01-000	YD	TAPE - GLIDE/CURTAIN - 4.25" SPACING
6	029130-01-000	EA	SCREW - SNAP SOCKET - #8 PH X 5/8"
7	029155-01-000	EA	CAP - SNAP - 5/32" O.D. OF PIN
8	029156-01-000	EA	SOCKET - SNAP - 9/16" O.D.
9	111298-01-01A	EA	TRACK-SHOWER O/W
9	114641-05-04A	EA	TRACK - CURTAIN - WRAPAROUND W/SPACERS - RIGHT HAND
9	114641-06-04A	EA	TRACK - CURTAIN - WRAPAROUND W/SPACERS - LEFT HAND
9	114641-07-G35	EA	TRACK - WRAPAROUND W/SPACERS - RIGHT HAND
9	114641-08-G35	EA	TRACK - WRAPAROUND W/SPACERS - LEFT HAND
10	093475-01-701	EA	CAP-END, WITH INVERTED STUD
11	009702-01-000	EA	END STOP - CURTAIN CARRIER - L ROD
12	093475-01-700	EA	WAND-BLIND W/METAL CLIP, 8"
13	083170-01-000	EA	BRACKET - BLIND - LEFT SIDE WHEN FACING WINDOW
14	083170-02-000	EA	BRACKET - BLIND - RIGHT SIDE WHEN FACING WINDOW
15	095591-02-000	EA	BRACKET - BLIND - HOLD DOWN W/PIN - METAL
16	109353-04-000	EA	CLIP - VALANCE SLAT MOUNTING - CLEAR PLASTIC
17	009137-01-000	EA	CARRIER - CURTAIN - L ROD
18	009136-02-000	EA	HANGER - RING - PIN TYPE - CURTAIN - BRASS
19	009700-04-002	EA	TRACK - L-SHAPED 195.5" - OFF WHITE
20	094907-04-000	EA	HARDWARE - END CAP BOTTOM - PULL TYPE (RH & LH)
21	094907-02-000	EA	END CAP - TOP/PLEATED BLIND - PLASTIC - GRAY
22	097564-01-000	EA	HANDLE-T - EZ LIFT SHADE
23	097565-01-000	EA	BRACKET - MOUNTING/PLEATED BLIND
24	101033-02-000	EA	END CAP - TRACK/CLEAR
25	101033-04-000	EA	TRACK - WALL - 3'
	046867-03-000	EA	GROMMET - HANDY BUTTON #3
	048394-02-000	YD	VELCRO TAPE - HOOK - ADHESIVE BACK - .75" WIDE - BEIGE
	088792-01-000	YD	VELCRO TAPE - HOOK - 5/8" - NON-ADHESIVE BACKED
	088792-02-000	YD	VELCRO TAPE - LOOP - .75" - ADHESIVE BACKED - BEIGE
	088792-06-000	YD	VELCRO TAPE - LOOP - .75" - NON-ADHESIVE BACKED - BUFF
	094896-02-000	EA	GROMMET - CORD/PLEATED BLIND - NYLON - GRAY
	097591-01-000	EA	SPRING - EXTENSION/PLEATED BLIND
	097592-01-000	EA	SPOOL - CORD - ELEVATED BLIND HOLDUP - CLEAR PLASTIC
	097593-02-000	FT	CORD - BLIND/PLEATED - GRAY

CURTAIN & CUSHION GROUP (CONTINUED)
WINDOW TREATMENT & SHOWER CURTAIN



KEY	PART NUMBER	U/M DESCRIPTION
1	118064-01-GB1	EA VALANCE - VALENCIA - 52" (H33) - QUEEN BED
1	118064-01-H05	EA VALANCE - VALENCIA - 52" (H34) - QUEEN BED
1	118064-01-H35	EA VALANCE - VALENCIA - 52" (H35) - QUEEN BED
1	118064-03-H33	EA VALANCE - VALENCIA - 29" (H33) - DOUBLE/TWIN/TWIN W/BUNKS
1	118064-03-H05	EA VALANCE - VALENCIA - 29" (H34) - DOUBLE/TWIN/TWIN W/BUNKS
1	118064-03-H35	EA VALANCE - VALENCIA - 29" (H35) - DOUBLE/TWIN/TWIN W/BUNKS
1	109041-41-01A	EA BLIND - MINI - 51" X 26" (H33) - QUEEN BED
1	109041-41-02A	EA BLIND - MINI - 51" X 26" (H34,H35) - QUEEN BED
1	093475-80-02A	EA BLIND - MINI - 28" X 27" (H33) - DOUBLE/TWIN/TWIN W/BUNK BED
1	093475-80-03A	EA BLIND - MINI - 28" X 27" (H34,H35) - DOUBLE/TWIN/TWIN W/BUNK BED
1	111910-48-H33	EA BLIND - DAY/NIGHTER - 51" X 27" - UPGRADE OPTION - QUEEN BED FROM: 00-00-00 THRU: 10-27-96
1	111910-48-HA3	EA BLIND - DAY/NIGHTER - 51" X 27" - UPGRADE OPTION - QUEEN BED FROM: 10-28-96 THRU: 99-99-99
1	111910-20-H11	EA BLIND - DAY/NIGHTER - 28" X 28" - UPGRADE OPTION - DBLE/TWIN/TWIN W/BUNKS FROM: 00-00-00 THRU: 10-27-96
1	111910-20-HA3	EA BLIND - DAY/NIGHTER - 28" X 28" - UPGRADE OPTION - DBLE/TWIN/TWIN W/BUNKS FROM: 10-28-96 THRU: 99-99-99
2	118064-06-H33	EA VALANCE - VALENCIA - 34" (H33)
2	118064-06-H34	EA VALANCE - VALENCIA - 34" (H34)
2	118064-06-H35	EA VALANCE - VALENCIA - 34" (H35)
2	109041-42-01A	EA BLIND - MINI - 32" X 36" (H33) - QUEEN/DOUBLE/TWIN BED
2	109041-42-02A	EA BLIND - MINI - 32" X 36" (H34/H35) - QUEEN/DOUBLE/TWIN BED
2	111910-49-H33	EA BLIND - DAY/NIGHTER - 32" X 36" - UPGRADE OPTION FROM: 00-00-00 THRU: 10-27-96
2	111910-49-HA3	EA BLIND - DAY/NIGHTER - 32" X 36" - UPGRADE OPTION FROM: 10-28-96 THRU: 99-99-99
2	101034-49-GB1	EA CURTAIN - RIGHT HAND - 19" X 19" (H33) TWIN W/BUNKS
2	101034-49-H05	EA CURTAIN - RIGHT HAND - 19" X 19" (H34) TWIN W/BUNKS
2	101034-49-H35	EA CURTAIN - RIGHT HAND - 19" X 19" (H35) TWIN W/BUNKS
2	101034-50-GB1	EA CURTAIN - LEFT HAND - 19" X 19" (H33) TWIN W/BUNKS
2	101034-50-H05	EA CURTAIN - LEFT HAND - 19" X 19" (H34) TWIN W/BUNKS
2	101034-50-H35	EA CURTAIN - LEFT HAND - 19" X 19" (H35) TWIN W/BUNKS
3	118299-10-H33	EA VALANCE - METRO - 65.5" (H33) FROM: 00-00-00 THRU: 01-12-97
3	118299-10-H3A	EA VALANCE - METRO - 66.5" (H33) FROM: 01-13-97 THRU: 99-99-99
3	118299-10-H34	EA VALANCE - METRO - 65.5" (H34)
3	118299-10-H35	EA VALANCE - METRO - 65.5" (H35)
3	109041-46-01A	EA BLIND - MINI - 60" X 27.5" (H33)
3	109041-46-02A	EA BLIND - MINI - 60" X 27.5" (H34,H35)
3	109802-51-H33	EA BLIND - PLEATED - 60" X 27.5" - UPGRADE OPTION
3	119333-01-H04	EA LEG - RIGHT - 25" (H33) FROM: 00-00-00 THRU: 01-12-97
3	119333-01-H3A	EA LEG - RIGHT - 25" (H33) FROM: 01-13-97 THRU: 99-99-99
3	119333-01-G16	EA LEG - RIGHT - 25" (H34)
3	119333-01-H35	EA LEG - RIGHT - 25" (H35)
3	119333-02-H04	EA LEG - LEFT - 25" (H33) FROM: 00-00-00 THRU: 01-12-97
3	119333-02-H3A	EA LEG - LEFT - 25" (H33) FROM: 01-13-97 THRU: 99-99-99
3	119333-02-G16	EA LEG - LEFT - 25" (H34)
3	119333-02-H35	EA LEG - LEFT - 25" (H35)
4	101668-46-E10	EA CURTAIN - LEFT HAND - 48" X 95" (H33/H35)
4	101668-46-E11	EA CURTAIN - LEFT HAND - 48" X 95" (H34)
5	101668-45-E10	EA CURTAIN - RIGHT HAND - 48" X 95" (H33/H35)
5	101668-45-E11	EA CURTAIN - RIGHT HAND - 48" X 95" (H34)
	073260-42-D09	EA TIEBACK - 6" X 18" (H33/H35)
	073260-42-D10	EA TIEBACK - 6" X 18" (H34)
6	118299-11-H33	EA VALANCE - METRO II - 58.5" (H33) FROM: 00-00-00 THRU: 01-12-97
6	118299-11-H3A	EA VALANCE - METRO II - 58.5" (H33) FROM: 01-13-97 THRU: 99-99-99
6	118299-11-H34	EA VALANCE - METRO II - 58.5" (H34)
6	118299-11-H35	EA VALANCE - METRO II - 58.5" (H35)
6	109041-28-01A	EA BLIND - MINI - 54" X 28.5" (H33)
6	109041-28-02A	EA BLIND - MINI - 54" X 28.5" (H34/H35)
6	109802-32-F14	EA BLIND - PLEATED - 54" X 28.5" - UPGRADE OPTION
6	119333-01-H04	EA LEG - RIGHT - 25" (H33) FROM: 00-00-00 THRU: 01-12-97
6	119333-01-H3A	EA LEG - RIGHT - 25" (H33) FROM: 01-13-97 THRU: 99-99-99
6	119333-01-G16	EA LEG - RIGHT - 25" (H34)
6	119333-01-H35	EA LEG - RIGHT - 25" (H35)
6	119333-02-H04	EA LEG - LEFT - 25" (H33) FROM: 00-00-00 THRU: 01-12-97
6	119333-02-H3A	EA LEG - LEFT - 25" (H33) FROM: 01-13-97 THRU: 99-99-99
6	119333-02-G16	EA LEG - LEFT - 25" (H34)
6	119333-02-H35	EA LEG - LEFT - 25" (H35)
7	118299-12-H33	EA VALANCE - METRO II - 16.5" X 35" (H33) FROM: 00-00-00 THRU: 01-12-97
7	118299-12-H3A	EA VALANCE - METRO II - 16.5" X 35" (H33) FROM: 01-13-97 THRU: 99-99-99
7	118299-12-H34	EA VALANCE - METRO II - 16.5" X 35" (H34)
7	118299-12-H35	EA VALANCE - METRO II - 16.5" X 35" (H35)
7	084755-60-F01	EA SHADE - PULL - 29.25"

CURTAIN & CUSHION GROUP (CONTINUED)



SOFA/BED

KEY	PART NUMBER	U/M	DESCRIPTION
3	115469-01-H33	EA	BACK - SOFA/BED - W/O ARMS
3	115469-01-H34	EA	BACK - SOFA/BED - W/O ARMS
3	115469-01-H35	EA	BACK - SOFA/BED - W/O ARMS
	115469-02-H33	EA	BACK - SOFA/BED - RIGHT & LEFT CUSHIONS
	115469-02-H34	EA	BACK - SOFA/BED - RIGHT & LEFT CUSHIONS
	115469-02-H35	EA	BACK - SOFA/BED - RIGHT & LEFT CUSHIONS
	P15469-02-H33	EA	COVER - SOFA/BED - RIGHT & LEFT CUSHIONS
	P15469-02-H34	EA	COVER - SOFA/BED - RIGHT & LEFT CUSHIONS
	P15469-02-H35	EA	COVER - SOFA/BED - RIGHT & LEFT CUSHIONS
	115469-03-H33	EA	BACK - SOFA/BED - CENTER CUSHION - W/O ARMS
	115469-03-H34	EA	BACK - SOFA/BED - CENTER CUSHION - W/O ARMS
	115469-03-H35	EA	BACK - SOFA/BED - CENTER CUSHION - W/O ARMS
	P15469-03-H33	EA	COVER - END - CENTER
	P15469-03-H34	EA	COVER - END - CENTER
	P15469-03-H35	EA	COVER - END - CENTER
	114726-01-H07	EA	TRAY - BEVERAGE - W/O HARDWARE
4	114969-04-H33	EA	SEAT - SOFA/BED - W/O BACK
4	114969-04-H34	EA	SEAT - SOFA/BED - W/O BACK
4	114969-04-H35	EA	SEAT - SOFA/BED - W/O BACK
	P14969-04-H33	EA	COVER - SEAT - SOFA/BED
	P14969-04-H34	EA	COVER - SEAT - SOFA/BED
	P14969-04-H35	EA	COVER - SEAT - SOFA/BED
	114763-01-000	EA	FRAME - FORWARD FACING BASE - SOFA/BED
	114763-02-000	EA	FRAME - FORWARD FACING SEAT - SOFA/BED
	114763-07-000	EA	FRAME - FORWARD FACING LEGS - SOFA/BED
	120962-01-000	EA	BRACKET - QUICK RELEASE CLAMP
	116631-02-02B	EA	PLATE - W/HOLES - E-COATED

NOTE: SOFA/BED FRONT AND SIDE PANELS ARE FOUND IN THE LOUNGE GROUP

TWIN MATTRESSES, BEDSPREADS & PILLOW SHAMS

KEY	PART NUMBER	U/M	DESCRIPTION
1	123471-06-H33	EA	BEDSPREAD/THROW - 36" X 75"
1	123471-06-H34	EA	BEDSPREAD/THROW - 36" X 75"
1	123471-06-H35	EA	BEDSPREAD/THROW - 36" X 75"
	111863-07-H33	EA	PILLOW SHAM - 22" X 37"
	111863-07-H34	EA	PILLOW SHAM - 22" X 37"
	111863-07-H35	EA	PILLOW SHAM - 22" X 37"
	123015-03-000	EA	MATTRESS - INNERSPRING - 36" X 74.5"
	117067-11-H33	EA	COVER - FITTED SHEET - 36" X 75" X 5"
	117067-11-H34	EA	COVER - FITTED SHEET - 36" X 75" X 5"
	117067-11-H35	EA	COVER - FITTED SHEET - 36" X 75" X 5"

TWIN W/BUNK MATTRESSES, BEDSPREADS & PILLOW SHAMS

KEY	PART NUMBER	U/M	DESCRIPTION
2	117067-01-GB1	EA	COVER - FITTED SHEET - RIGHT 4" (H33)
2	117067-01-H05	EA	COVER - FITTED SHEET - RIGHT 4" (H34)
2	117067-01-H35	EA	COVER - FITTED SHEET - RIGHT 4" (H35)
2	117067-02-GB1	EA	COVER - FITTED SHEET - LEFT 4" (H33)
2	117067-02-H05	EA	COVER - FITTED SHEET - LEFT 4" (H34)
2	117067-02-H35	EA	COVER - FITTED SHEET - LEFT 4" (H35)
	101123-23-000	EA	MATTRESS - FOAM - 30" X 76" X 4" - W/RIGHT CUT CORNER
	P01123-23-000	EA	COVER - MATTRESS - 30" X 76" X 4" - W/RIGHT CUT CORNER
	101123-24-000	EA	MATTRESS - FOAM - 30" X 76" X 4" - W/LEFT CUT CORNER
	P01123-24-000	EA	COVER - MATTRESS - 30" X 76" X 4" - W/LEFT CUT CORNER
	111863-06-H33	EA	PILLOW SHAM - 20" X 30"
	111863-06-H34	EA	PILLOW SHAM - 20" X 30"
	111863-06-H35	EA	PILLOW SHAM - 20" X 30"

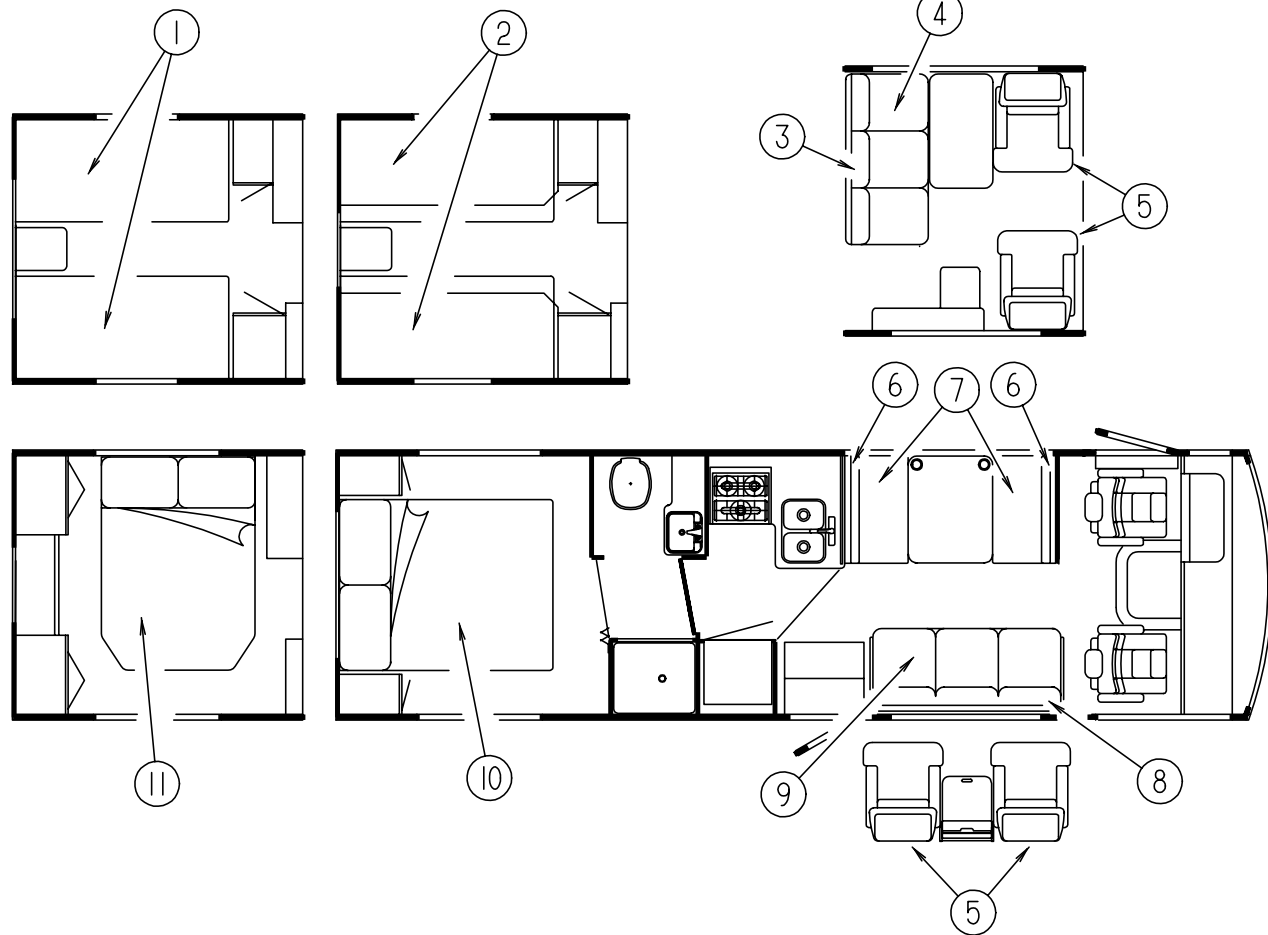
SWIVEL CHAIR

KEY	PART NUMBER	U/M	DESCRIPTION
5	118538-01-H33	EA	CHAIR - RECLINER (H33)
			FROM: 00-00-00 THRU: 01-12-97
5	118538-01-H3A	EA	CHAIR - RECLINER (H33)
			FROM: 01-13-97 THRU: 99-99-99
5	118538-01-H34	EA	CHAIR - RECLINER (H34)
5	118538-01-H35	EA	CHAIR - RECLINER (H35)

DINETTE CUSHIONS

KEY	PART NUMBER	U/M	DESCRIPTION
6	111880-01-H33	EA	CUSHION - BACK - 13.5" X 38" X 5"
6	111880-01-H34	EA	CUSHION - BACK - 13.5" X 38" X 5"
6	111880-01-H35	EA	CUSHION - BACK - 13.5" X 38" X 5"
	P11880-01-H33	EA	COVER - BACK CUSHION - 13.5" X 38" X 5"
	P11880-01-H34	EA	COVER - BACK CUSHION - 13.5" X 38" X 5"
	P11880-01-H35	EA	COVER - BACK CUSHION - 13.5" X 38" X 5"
	078155-01-000	EA	STRAP - SNAP - BACK CUSHION
7	088927-87-H04	EA	CUSHION - SEAT BOTTOM - 23" X 38" X 5" (H33)
7	088927-87-H05	EA	CUSHION - SEAT BOTTOM - 23" X 38" X 5" (H34)
7	088927-87-H35	EA	CUSHION - SEAT BOTTOM - 23" X 38" X 5" (H35)
	M88927-87-H04	EA	COVER - SEAT CUSHION - 23" X 38" X 5" (H33)
	M88927-87-H05	EA	COVER - SEAT CUSHION - 23" X 38" X 5" (H34)
	M88927-87-H35	EA	COVER - SEAT CUSHION - 23" X 38" X 5" (H35)

CURTAIN & CUSHION GROUP (CONTINUED)



SOFA/BED

KEY	PART NUMBER	U/M DESCRIPTION
8	112104-02-H33	EA BACK - SOFA/BED - W/O ARMS - 66.5"
8	112104-02-H34	EA BACK - SOFA/BED - W/O ARMS - 66.5"
8	112104-02-H35	EA BACK - SOFA/BED - W/O ARMS - 66.5"
	P12104-02-H33	EA COVER - BACK - SOFA/BED - 66.5"
	P12104-02-H34	EA COVER - BACK - SOFA/BED - 66.5"
	P12104-02-H35	EA COVER - BACK - SOFA/BED - 66.5"
9	100032-37-H33	EA SEAT - SOFA/BED W/FRAME - 66.5" (H33)
9	100032-37-H05	EA SEAT - SOFA/BED W/FRAME - 66.5" (H34)
9	100032-37-H35	EA SEAT - SOFA/BED W/FRAME - 66.5" (H35)
	P00032-37-H04	EA COVER - SEAT - SOFA/BED - 66.5" (H33)
	P00032-37-H05	EA COVER - SEAT - SOFA/BED - 66.5" (H34)
	P00032-37-H35	EA COVER - SEAT - SOFA/BED - 66.5" (H35)
	101085-01-000	EA FRAME - SEAT - SOFA/BED - 66.5"
	101085-03-000	EA FRAME - SEAT - SOFA/BED - 66.5"
	101085-09-000	EA FRAME - BACK - SOFA/BED - 66.5" X 16"
	113990-09-000	EA LOCK - BRACKET - MALE FLEXSTEEL
	122556-04-01A	EA LOCK - JACK KNIFE SEAT

NOTE: SOFA/BED FRONT AND SIDE PANELS ARE FOUND IN THE LOUNGE GROUP

LOUNGE ACCENT PILLOWS

KEY	PART NUMBER	U/M DESCRIPTION	
	111637-02-H33	EA PILLOW - 22" X 22" (H33)	FROM: 00-00-00 THRU: 01-12-97
	111637-02-H3A	EA PILLOW - 22" X 22" (H33)	FROM: 01-13-97 THRU: 99-99-99
	111637-02-H34	EA PILLOW - 22" X 22" (H34)	
	111637-02-H35	EA PILLOW - 22" X 22" (H35)	

QUEEN MATTRESS, BEDSPREADS & PILLOW SHAMS

KEY	PART NUMBER	U/M DESCRIPTION
10	123471-04-H33	EA BEDSPREAD/THROW - 60" X 75"
10	123471-04-H34	EA BEDSPREAD/THROW - 60" X 75"
10	123471-04-H35	EA BEDSPREAD/THROW - 60" X 75"
	123015-06-000	EA MATTRESS - INNERSPRING - 60" X 74.5"
	111863-05-H33	EA PILLOW SHAM - 20" X 33"
	111863-05-H34	EA PILLOW SHAM - 20" X 33"
	111863-05-H35	EA PILLOW SHAM - 20" X 33"

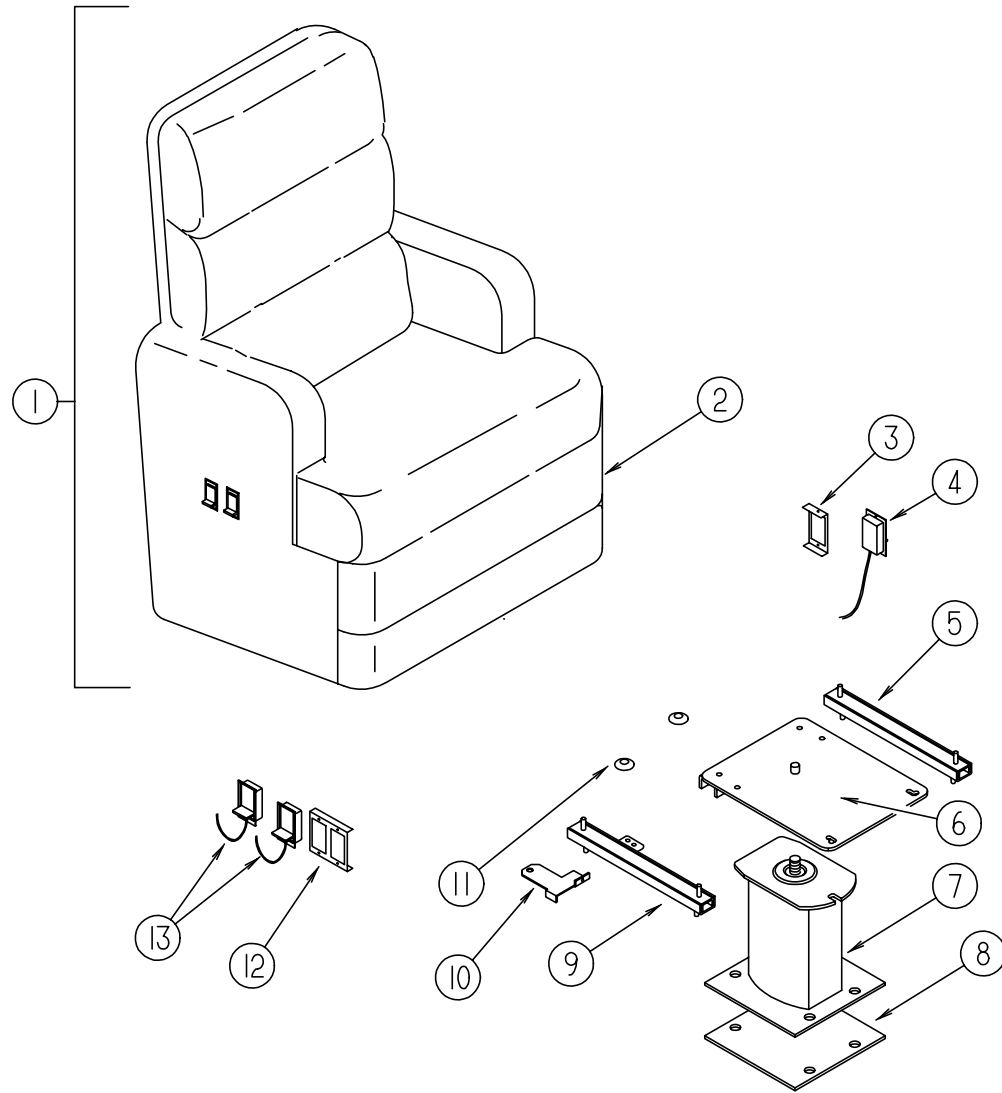
DOUBLE MATTRESS, BEDSPREADS & PILLOW SHAMS

KEY	PART NUMBER	U/M DESCRIPTION
11	123471-05-H33	EA BEDSPREAD/THROW - 54" X 75"
11	123471-05-H34	EA BEDSPREAD/THROW - 54" X 75"
11	123471-05-H35	EA BEDSPREAD/THROW - 54" X 75"
	101123-32-000	EA MATTRESS - FOAM - 54" X 75"
	P01123-16-000	EA COVER - MATTRESS - 54" X 74" X 5" - W/CUT CORNER
	111863-06-H33	EA PILLOW SHAM - 20" X 30"
	111863-06-H34	EA PILLOW SHAM - 20" X 30"
	111863-06-H35	EA PILLOW SHAM - 20" X 30"

BEDROOM ACCENT PILLOWS

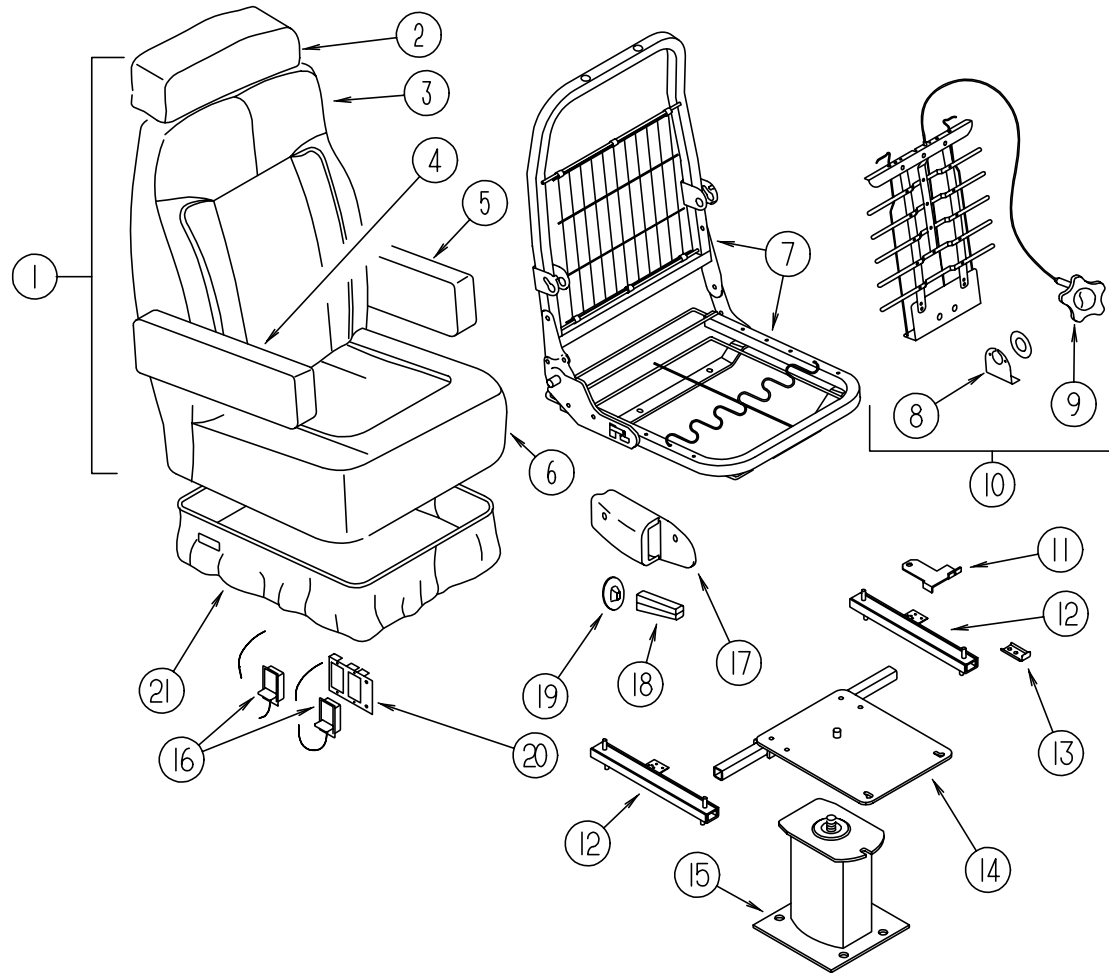
KEY	PART NUMBER	U/M DESCRIPTION	
	111862-03-H33	EA PILLOW - 15" X 15"	FROM: 00-00-00 THRU: 11-30-96
	111862-03-H34	EA PILLOW - 15" X 15"	FROM: 12-01-96 THRU: 99-99-99
	111862-01-H34	EA PILLOW - 15" X 15"	
	111862-03-H35	EA PILLOW - 15" X 15"	

CURTAIN & CUSHION GROUP (CONTINUED)
SWIVEL CHAIR



KEY	PART NUMBER	U/M	DESCRIPTION	
1	118538-01-H33	EA	CHAIR - RECLINER (H33)	FROM: 00-00-00 THRU: 01-12-97
1	118538-01-H3A	EA	CHAIR - RECLINER (H33)	FROM: 01-13-97 THRU: 99-99-99
1	118538-01-H34	EA	CHAIR - RECLINER (H34)	
1	118538-01-H35	EA	CHAIR - RECLINER (H35)	
	P18538-01-H33	EA	COVER - RECLINER CHAIR (H33)	FROM: 00-00-00 THRU: 01-12-97
	P18538-01-H3A	EA	COVER - RECLINER CHAIR (H33)	FROM: 01-13-97 THRU: 99-99-99
	P18538-01-H34	EA	COVER - RECLINER CHAIR (H34)	
	P18538-01-H35	EA	COVER - RECLINER CHAIR (H35)	
2	118539-01-H33	EA	SKIRT - RECLINER CHAIR (H33)	FROM: 00-00-00 THRU: 01-12-97
2	118539-01-H3A	EA	SKIRT - RECLINER CHAIR (H33)	FROM: 01-13-97 THRU: 99-99-99
2	118539-01-H34	EA	SKIRT - RECLINER CHAIR (H34)	
2	118539-01-H35	EA	SKIRT - RECLINER CHAIR (H35)	
3	097683-03-000	EA	BRACKET - REMOTE/SIDE MOUNT - SINGLE	
4	089368-05-000	EA	CABLE- W/SWITCH 25.5" SHEATH-29 3/4" CABLE W/DOG LEG	
	108049-02-000	EA	CLIP - CABLE/PEDESTAL	
5	119952-02-000	EA	SLIDE/SEAT - HEAVY DUTY NON LOCKING	
6	107921-08-000	EA	TOP PLATE - PEDESTAL - W/O SEAT BELT BAR	
7	107921-01-000	EA	PEDESTAL/FLOOR MOUNTED - W/9.75" EXTENSION	
8	108445-02-000	EA	PLATE/FLOOR MOUNTED - PEDESTAL SEAT	
	107921-06-000	EA	BEARING KIT - PEDESTAL	
9	119952-04-000	EA	SLIDE/SEAT - HEAVY DUTY LOCKING - 4 STUDS	
10	117125-01-02B	EA	BRACKET - CABLE MOUNT - ADJUSTER W/LOCK	
11	007221-01-000	EA	SPACER - SEAT/ADJUSTER	
12	097683-02-000	EA	BRACKET - REMOTE/SIDE MOUNT - DOUBLE	
13	108049-03-000	EA	CABLE/CONTROL 25.5" SHEATH/28.5" CABLE W/DOG LEG	
	108049-02-000	EA	CLIP - CABLE/PEDESTAL	
	P18538-27-H33	EA	COVER - ARMREST - UNIVERSAL - SWIVEL CHAIR (H33)	FROM: 00-00-00 THRU: 01-12-97
	P18538-27-H3A	EA	COVER - ARMREST - UNIVERSAL - SWIVEL CHAIR (H33)	FROM: 01-13-97 THRU: 99-99-99
	P18538-27-H34	EA	COVER - ARMREST - UNIVERSAL - SWIVEL CHAIR (H34)	
	P18538-27-H35	EA	COVER - ARMREST - UNIVERSAL - SWIVEL CHAIR (H35)	

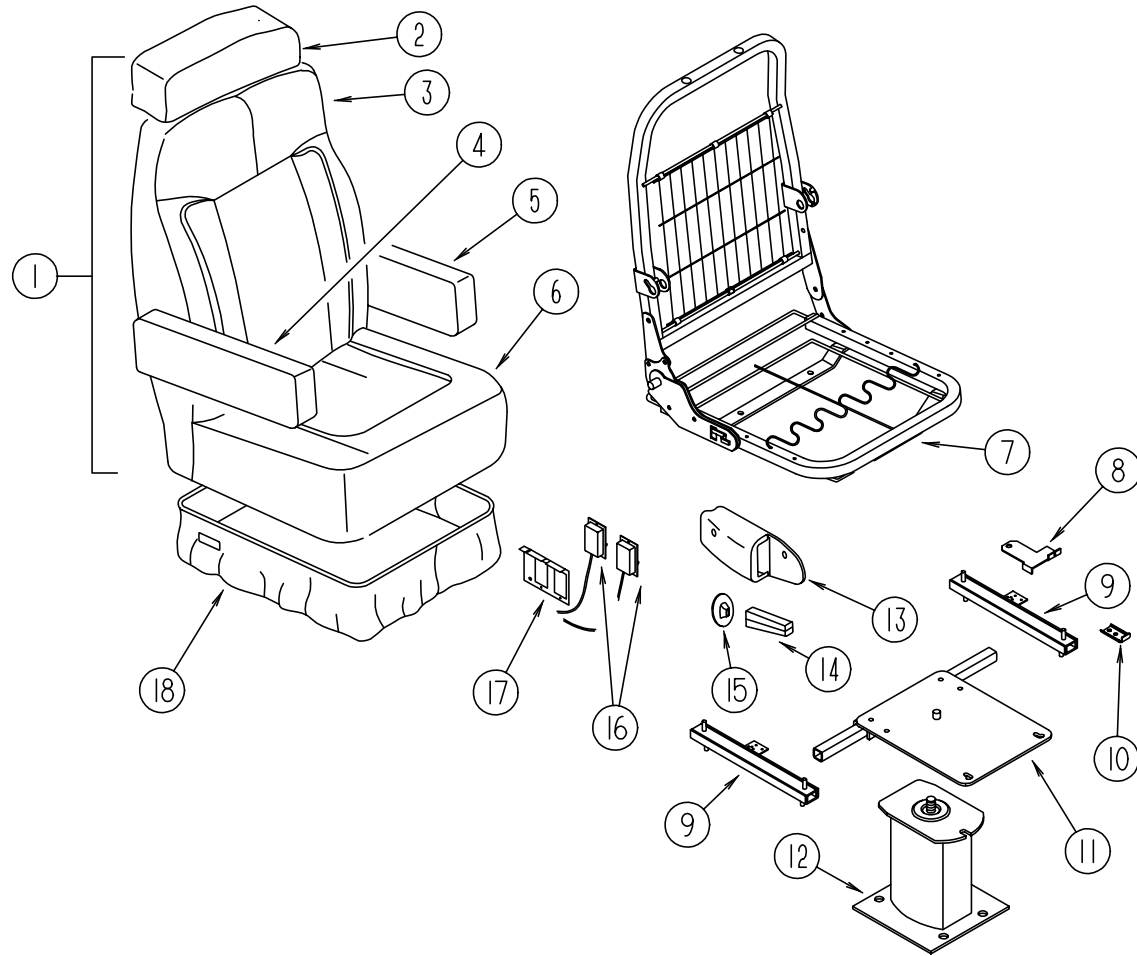
CURTAIN & CUSHION GROUP (CONTINUED)
DRIVER BUCKET SEAT



KEY	PART NUMBER	U/M DESCRIPTION
1	122684-01-H33	EA SEAT - BUCKET - DRIVERS - W/LUMBAR (H33) FROM: 00-00-00 THRU: 01-12-97
1	122684-01-H3A	EA SEAT - BUCKET - DRIVERS - W/LUMBAR (H33) FROM: 01-13-97 THRU: 99-99-99
1	122684-01-H34	EA SEAT - BUCKET - DRIVERS - W/LUMBAR (H34)
1	122684-01-H35	EA SEAT - BUCKET - DRIVERS - W/LUMBAR (H35)
2	119509-01-H33	EA HEADREST - BUCKET SEAT (H33) FROM: 00-00-00 THRU: 01-12-97
2	119509-01-H3A	EA HEADREST - BUCKET SEAT (H33) FROM: 01-13-97 THRU: 99-99-99
2	119509-01-G10	EA HEADREST - BUCKET SEAT (H34)
2	119509-01-H35	EA HEADREST - BUCKET SEAT (H35)
2	P19509-01-H33	EA COVER-HEADREST (H33) FROM: 00-00-00 THRU: 01-12-97
2	P19509-01-H3A	EA COVER - HEADREST (H33) FROM: 01-13-97 THRU: 99-99-99
2	P19509-01-G10	EA COVER - HEADREST (H34)
2	P19509-01-H35	EA COVER - HEADREST (H35)
	113977-12-000	EA HEADREST INSERT - W/O LOCK
	113977-13-000	EA HEADREST INSERT - W/LOCK
3	M05962-39-H33	EA COVER - BACK (H33) FROM: 00-00-00 THRU: 01-12-97
3	M05962-39-H3A	EA COVER - BACK (H33) FROM: 01-13-97 THRU: 99-99-99
3	M05962-39-H34	EA COVER - BACK (H34)
3	M05962-39-H35	EA COVER - BACK (H35)

KEY	PART NUMBER	U/M DESCRIPTION	VENDOR NO.
4	122780-01-H33	EA ARMREST - RIGHT HAND (H33) FROM: 00-00-00 THRU: 01-12-97	
4	122780-01-H3A	EA ARMREST - RIGHT HAND (H33) FROM: 01-13-97 THRU: 99-99-99	
4	122780-01-H34	EA ARMREST - RIGHT HAND (H34)	
4	122780-01-H35	EA ARMREST - RIGHT HAND (H35)	
	115617-03-000	EA ARMREST - W/O COVER - RIGHT HAND	
4	P22780-01-H33	EA COVER - ARMREST - RIGHT HAND (H33) FROM: 00-00-00 THRU: 01-12-97	
4	P22780-01-H3A	EA COVER - ARMREST - RIGHT HAND (H33) FROM: 01-13-97 THRU: 99-99-99	
4	P22780-01-H34	EA COVER - ARMREST - RIGHT HAND (H34)	
4	P22780-01-H35	EA COVER - ARMREST - RIGHT HAND (H35)	
5	122780-02-H33	EA ARMREST - LEFT HAND (H33) FROM: 00-00-00 THRU: 01-12-97	
5	122780-02-H33	EA ARMREST - LEFT HAND (H33) FROM: 01-13-97 THRU: 99-99-99	
5	122780-02-H34	EA ARMREST - LEFT HAND (H34)	
5	122780-02-H35	EA ARMREST - LEFT HAND (H35)	
	115617-04-000	EA ARMREST - W/O COVER - LEFT HAND	
5	P22780-02-H33	EA COVER - ARMREST - LEFT HAND (H33) FROM: 00-00-00 THRU: 01-12-97	
5	P22780-02-H3A	EA COVER - ARMREST - LEFT HAND (H33) FROM: 01-13-97 THRU: 99-99-99	
5	P22780-02-H34	EA COVER - ARMREST - LEFT HAND (H34)	
5	P22780-02-H35	EA COVER - ARMREST - LEFT HAND (H35)	
6	M05962-40-H33	EA COVER - SEAT (H33) FROM: 00-00-00 THRU: 01-12-97	
6	M05962-40-H3A	EA COVER -SEAT (H33) FROM: 01-13-97 THRU: 99-99-99	
6	M05962-40-H34	EA COVER - SEAT (H34)	
6	M05962-40-H35	EA COVER - SEAT (H35)	
7	122695-01-01B	EA FRAME - SEAT/BACK	
8	122611-01-702	EA LUMBAR - BRACKET	157C-90
	122611-01-703	EA LUMBAR - SCREW	210
9	122611-01-701	EA LUMBAR - KNOB	218
10	122611-01-000	EA LUMBAR	
11	117125-01-02B	EA BRACKET-CABLE HOLDER, ADJUSTER W/LOCK - E-COAT	
12	119952-06-000	EA SLIDE-SEAT, HEAVY DUTY LOCKING - 4 STUDS	
	119952-07-000	EA WIRE-LATCH RELEASE/ROTARY	
13	114889-01-000	EA STOP BAR-UNIVERSAL	
14	107921-05-000	EA PLATE-TOP W/SEAT BELT BAR	
	107921-06-000	EA BEARING KIT - PEDESTAL	
15	107921-01-000	EA PEDESTAL/FLOOR MOUNTED - W/9.75" EXTENSION	
16	108049-03-000	EA CABLE/CONTROL 25.5" SHEATH/28.5" CABLE W/DOG LEG	
	108049-02-000	EA CLIP-CABLE/PEDESTAL	
17	080730-09-000	EA SHIELD - RECLINER HANDLE	
18	080730-08-000	EA HANDLE - RECLINER	
19	080730-11-000	EA SHIELD - RUBBER BOOT	
20	097683-02-000	EA BRACKET - REMOTE/SIDE MOUNT - DOUBLE	
21	071126-58-H33	EA SKIRT - SINGLE - W/SEAT BELT SLOT (H33) FROM: 00-00-00 THRU: 01-12-97	
21	071126-58-H3A	EA SKIRT - SINGLE - W/SEAT BELT SLOT (H33) FROM: 01-13-97 THRU: 99-99-99	
21	071126-58-H34	EA SKIRT - SINGLE - W/SEAT BELT SLOT (H34)	
21	071126-58-H35	EA SKIRT - SINGLE - W/SEAT BELT SLOT (H35)	

CURTAIN & CUSHION GROUP (CONTINUED)
PASSENGER BUCKET SEAT



KEY	PART NUMBER	U/M	DESCRIPTION
1	122684-02-H33	EA	SEAT - BUCKET - PASSENGER (H33) FROM: 00-00-00 THRU: 01-12-97
1	122684-02-H3A	EA	SEAT - BUCKET - PASSENGER (H33) FROM: 01-13-97 THRU: 99-99-99
1	122684-02-H34	EA	SEAT - BUCKET - PASSENGER (H34)
1	122684-02-H35	EA	SEAT - BUCKET - PASSENGER (H35)
2	119509-01-H33	EA	HEADREST - BUCKET SEAT (H33) FROM: 00-00-00 THRU: 01-12-97
2	119509-01-H3A	EA	HEADREST - BUCKET SEAT (H33) FROM: 01-13-97 THRU: 99-99-99
2	119509-01-G10	EA	HEADREST - BUCKET SEAT (H34)
2	119509-01-H35	EA	HEADREST - BUCKET SEAT (H35)
2	P19509-01-H33	EA	COVER - HEADREST (H33) FROM: 00-00-00 THRU: 01-12-97
2	P19509-01-H3A	EA	COVER - HEADREST (H33) FROM: 01-13-97 THRU: 99-99-99
2	P19509-01-G10	EA	COVER - HEADREST (H34)
2	P19509-01-H35	EA	COVER - HEADREST (H35)
	113977-12-000	EA	HEADREST INSERT - W/O LOCK
	113977-13-000	EA	HEADREST INSERT - W/LOCK
3	M05962-39-H33	EA	COVER - BACK (H33) FROM: 00-00-00 THRU: 01-12-97
3	M05962-39-H3A	EA	COVER - BACK (H33) FROM: 01-13-97 THRU: 99-99-99
3	M05962-39-H34	EA	COVER - BACK (H34)
3	M05962-39-H35	EA	COVER - BACK (H35)

KEY	PART NUMBER	U/M	DESCRIPTION
4	122780-01-H33	EA	ARMREST - RIGHT HAND (H33) FROM: 00-00-00 THRU: 01-12-97
4	122780-01-H3A	EA	ARMREST - RIGHT HAND (H33) FROM: 01-13-97 THRU: 99-99-99
4	122780-01-H34	EA	ARMREST - RIGHT HAND (H34)
4	122780-01-H35	EA	ARMREST - RIGHT HAND (H35)
	115617-03-000	EA	ARMREST W/O COVER - RIGHT
4	P22780-01-H33	EA	COVER - ARMREST - RIGHT HAND (H33) FROM: 00-00-00 THRU: 01-12-97
4	P22780-01-H3A	EA	COVER - ARMREST - RIGHT HAND (H33) FROM: 01-13-97 THRU: 99-99-99
4	P22780-01-H34	EA	COVER - ARMREST - RIGHT HAND (H34)
4	P22780-01-H35	EA	COVER - ARMREST - RIGHT HAND (H35)
5	122780-02-H33	EA	ARMREST - LEFT HAND (H33) FROM: 00-00-00 THRU: 01-12-97
5	122780-02-H3A	EA	ARMREST - LEFT HAND (H33) FROM: 01-13-97 THRU: 99-99-99
5	122780-02-H34	EA	ARMREST - LEFT HAND (H34)
5	122780-02-H35	EA	ARMREST - LEFT HAND (H35)
	115617-04-000	EA	ARMREST - W/O COVER - LEFT HAND
5	P22780-02-H33	EA	COVER - ARMREST - LEFT HAND (H33) FROM: 00-00-00 THRU: 01-12-97
5	P22780-02-H3A	EA	COVER - ARMREST - LEFT HAND (H33) FROM: 01-13-97 THRU: 99-99-99
5	P22780-02-H34	EA	COVER - ARMREST - LEFT HAND (H34)
5	P22780-02-H35	EA	COVER - ARMREST - LEFT HAND (H35)
6	M05962-40-H33	EA	COVER - SEAT (H33) FROM: 00-00-00 THRU: 01-12-97
6	M05962-40-H3A	EA	COVER - SEAT (H33) FROM: 01-13-97 THRU: 99-99-99
6	M05962-40-H34	EA	COVER - SEAT (H34)
6	M05962-40-H35	EA	COVER - SEAT (H35)
7	122695-01-01B	EA	FRAME - SEAT/BACK
8	117125-01-02B	EA	BRACKET - CABLE MOUNT - ADJUSTER W/LOCK
9	119952-06-000	EA	SLIDE/SEAT - HEAVY DUTY LOCKING - 4 STUDS
	119952-07-000	EA	WIRE - LATCH RELEASE/ROTARY
10	114889-01-000	EA	STOP BAR - UNIVERSAL
11	107921-05-000	EA	PLATE - TOP - W/SEAT BELT BAR
	107921-06-000	EA	BEARING KIT - PEDESTAL
12	107921-01-000	EA	PEDESTAL/FLOOR MOUNTED - W/9.75" EXTENSION
13	080730-09-000	EA	SHIELD - RECLINER HANDLE
14	080730-08-000	EA	HANDLE - RECLINER
15	080730-11-000	EA	SHIELD - RUBBER BOOT
16	108049-03-000	EA	CABLE/CONTROL 25.5" SHEATH/28.5" CABLE W/DOG LEG
	108049-02-000	EA	CLIP - CABLE/PEDESTAL
17	097683-02-000	EA	BRACKET - REMOTE/SIDE MOUNT - DOUBLE
18	071126-58-H33	EA	SKIRT - SINGLE - W/SEAT BELT SLOT (H33) FROM: 00-00-00 THRU: 01-12-97
18	071126-58-H3A	EA	SKIRT - SINGLE - W/SEAT BELT SLOT (H33) FROM: 01-13-97 THRU: 99-99-99
18	071126-58-H34	EA	SKIRT - SINGLE - W/SEAT BELT SLOT (H34)
18	071126-58-H35	EA	SKIRT - SINGLE - W/SEAT BELT SLOT (H35)

CURTAIN & CUSHION GROUP (CONTINUED)
BUTTON, TRIM, ASSIST HANDLE & SEAT BELT

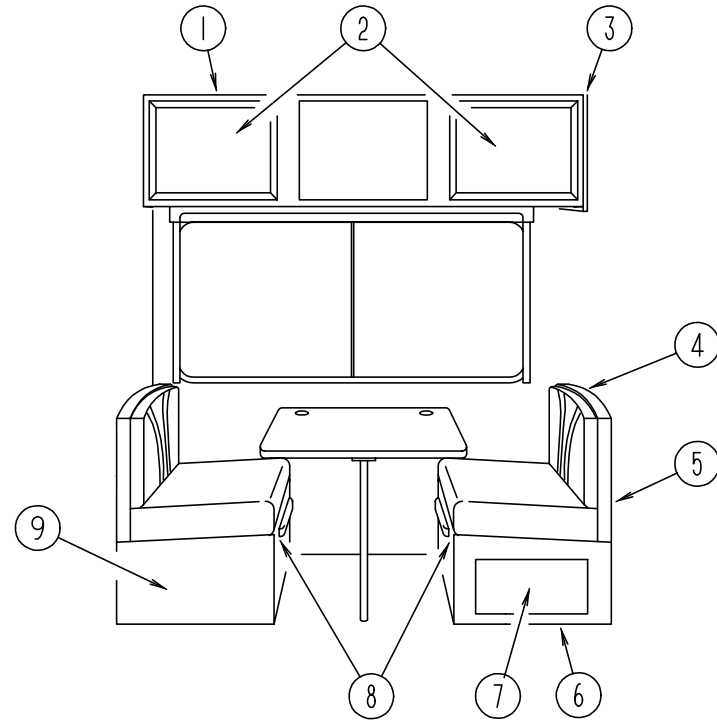
KEY	PART NUMBER	U/M	DESCRIPTION
	070578-02-B10	EA	BUTTON - SCREW - STUD - #30 VINYL
	118337-01-H33	YD	BUTTON - #60 (H33)
			FROM: 00-00-00 THRU: 01-12-97
	118337-01-H3A	YD	BUTTON - #60 (H33)
			FROM: 01-13-97 THRU: 99-99-99
	118337-01-G10	YD	BUTTON - #60 (H34)
	118337-01-H35	YD	BUTTON - #60 (H35)
	074494-02-000	EA	BUTTON - RETAINING PIVOT - #60
	074494-03-000	EA	BUTTON - SERRATED PIVOT - W/3/8 TACK
	079349-04-H33	YD	WELT - NARROW (H33)
			FROM: 00-00-00 THRU: 01-12-97
	079349-04-H3A	YD	WELT - NARROW (H33)
			FROM: 01-13-97 THRU: 99-99-99
	079349-04-H34	YD	WELT - NARROW (H34)
	079349-04-H35	YD	WELT - NARROW (H35)
	057759-01-000	EA	WASHER BRACKET-SEAT BELT, 4" DIAMETER
	007021-01-000	EA	SEAT BELT - 2" X 90" - BLACK
	056271-02-000	EA	BELT - SEAT - 2" X 72" - BLACK
	069178-02-000	EA	BRACKET-MOUNTING, ASSIST HANDLE - L ANGLE - W/HOLES - STEEL
	053552-02-AA8	EA	HANDLE-ASSIST, INTERIOR - ENTRY DOOR - VINYL - OFF WHITE
	057534-03-000	EA	TIEBACK/TIEDOWN-BED/CURTAIN/DOOR, 7.5" - PLASTIC - CLEAR

CURTAIN & CUSHION GROUP (CONTINUED)
SUNRISE FABRIC

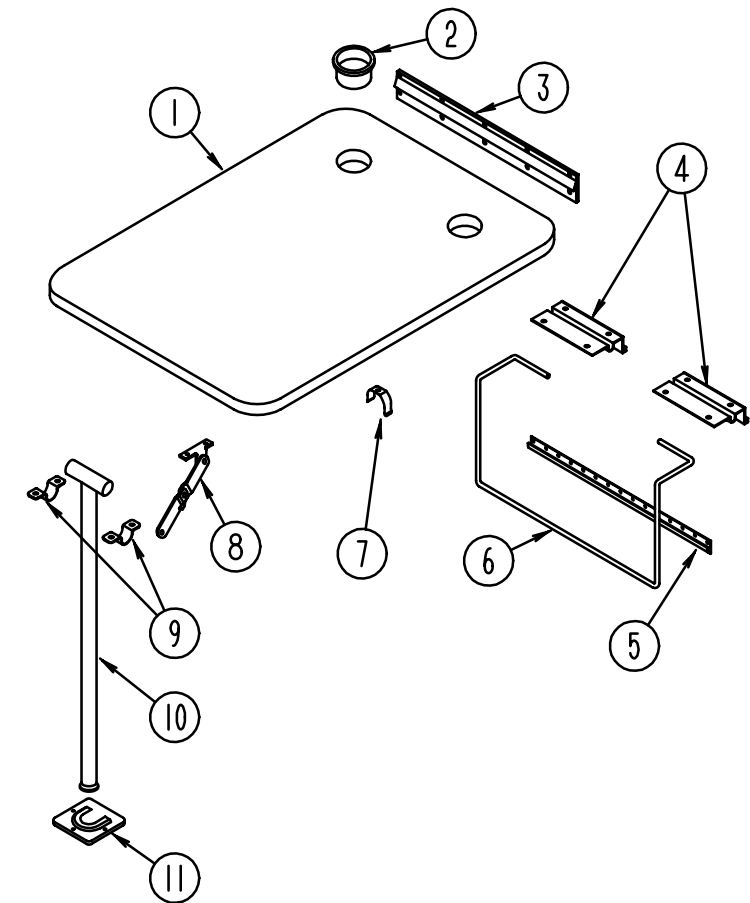
COLOR CODES	H33 FROM: 00-00-00 THRU: 01-12-97	H33 FROM: 01-13-97 THRU: 99-99-99	H34	H35
	BLUE LAGOON (BLUE)	BLUE LAGOON (BLUE)	KRYPTONITE (TAN)	SEQUOIA (SAGE)
CEILING MATERIAL FROM: 00-00-00 THRU: 10-13-96	113979-01-01A	113979-01-01A	113979-01-01A	113979-01-01A
CEILING MATERIAL FROM: 10-14-96 THRU: 03-31-97	113979-04-01A	113979-04-01A	113979-04-01A	113979-04-01A
CEILING MATERIAL FROM: 04-01-97 THRU: 99-99-99	113979-01-01A	113979-01-01A	113979-01-01A	113979-01-01A
QUICKSILVER VINYL	103907-01-05A	103907-01-05A	103907-01-05A	103907-01-05A
DRAPERY LINING	087272-03-000	087272-03-000	087272-03-000	087272-03-000
BUCKET SEATS	108446-K9-000	108446-S9-000	108446-77-000	108446-59-000
MC CLAIN'S BUCKET SEATS	103907-01-04A	103907-01-04A	103907-01-04A	103907-01-04A
DINETTE	108446-K7-000	108446-K7-000	108446-K8-000	108446-M2-000
DINETTE PADS	108446-K9-000	108446-S9-000	108446-77-000	108446-59-000
SOFA	108446-K7-000	108446-K7-000	108446-K8-000	108446-M2-000
SOFA PILLOWS	108446-K9-000	108446-S9-000	108446-G2-000	108446-M7-000
SWIVEL CHAIR	108446-K9-000	108446-S9-000	108446-G2-000	108446-M7-000
DINETTE/LOUNGE WINDOWS	108446-K9-000 108446-K7-000	108446-K9-000 108446-K7-000 108446-S9-000	108446-77-000 108446-K8-000 108446-G2-000	108446-59-000 108446-M2-000 108446-M7-000
BEDROOM WINDOWS	105745-B3-000	105745-B3-000	105745-D5-000	105745-E5-000
BEDSPREAD	105745-B3-000 105745-61-000	105745-B3-000 105745-61-000	105745-D5-000 108446-62-000	105745-E5-000 105745-E2-000
PILLOW SHAMS	105745-B3-000 105745-61-000	105745-B3-000 105745-61-000	105745-D5-000 108446-62-000	105745-E5-000 105745-E2-000
HEADBOARD	105745-B3-000 105745-61-000	105745-B3-000 105745-61-000	105745-D5-000 108446-62-000	105745-E5-000 105745-E2-000
BEDROOM PILLOWS	105745-B7-000 105745-A2-000	105745-B7-000 105745-A2-000	105745-D5-000 108446-62-000	105745-D0-000 105745-E5-000
FRONT WRAP AROUND	072333-90-000	072333-90-000	072333-82-000	072333-90-000
MAP POCKETS	108446-K9-000	108446-S9-000	108446-G2-000	108446-59-000

NOTE: FABRIC LISTED FIRST, IN A BLOCK, IS THE LARGEST QUANTITY OF FABRIC USED.

DINETTE GROUP



DINETTE GROUP (CONTINUED)



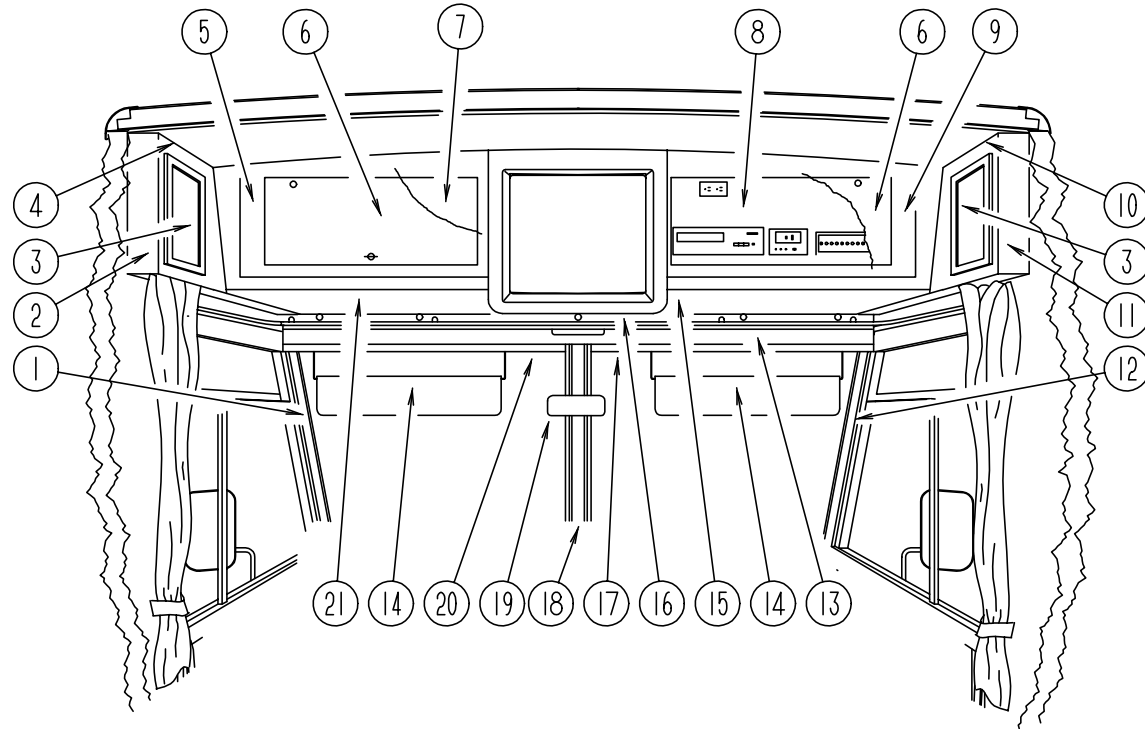
DINETTE CABINETRY

KEY	PART NUMBER	U/M	DESCRIPTION
1	117922-05-H33	EA	CABINET - OVERHEAD/DINETTE - W/O DOORS/HARDWARE
1	117922-05-H34	EA	CABINET - OVERHEAD/DINETTE - W/O DOORS/HARDWARE
1	117922-05-H35	EA	CABINET - OVERHEAD/DINETTE - W/O DOORS/HARDWARE
1	117579-07-H33	EA	CABINET - OVERHEAD/DINETTE - W/O DOORS/HDW - F/COFFEEMAKER
1	117579-07-H34	EA	CABINET - OVERHEAD/DINETTE - W/O DOORS/HDW - F/COFFEEMAKER
1	117579-07-H35	EA	CABINET - OVERHEAD/DINETTE - W/O DOORS/HDW - F/COFFEEMAKER
1	117579-13-G09	EA	SHELF - W/PLASTIC EDGE TRIM
2	M06803-76-H33	EA	DOOR - MITERED CORNER/OGEE EDGE - 15.7" X 28" - W/O HDW
2	M06803-02-G09	EA	DOOR - MITERED CORNER/OGEE EDGE - 15.7" X 28" - W/O HDW DECORATOR DOOR OPTION
3	103128-01-G09	EA	END CAP - OVERHEAD CABINET - RIGHT HAND
4	104787-04-H33	EA	PAD - SEATBACK/TOP (H33)
4	104787-04-H3A	EA	PAD - SEATBACK/TOP (H33) FROM: 00-00-00 THRU: 01-12-97
4	104787-04-E33	EA	PAD - SEATBACK/TOP (H34)
4	104787-04-E70	EA	PAD - SEATBACK/TOP (H35)
5	M04174-79-G09	EA	CABINET - SEATBACK RIGHT HAND - W/O HARDWARE
6	M04175-79-H33	EA	CABINET - SEAT BOTTOM RIGHT HAND - W/O DOOR/HDW
7	M06803-T5-H13	EA	DOOR - MITERED CORNER/OGEE EDGE - 10" X 19.1" - W/O HDW
8	081295-01-G01	EA	SUPPORT - BED/DINETTE - 28" LONG
9	M04175-91-H33	EA	CABINET - SEAT BOTTOM RIGHT HAND - W/O HDW

DINETTE TABLE

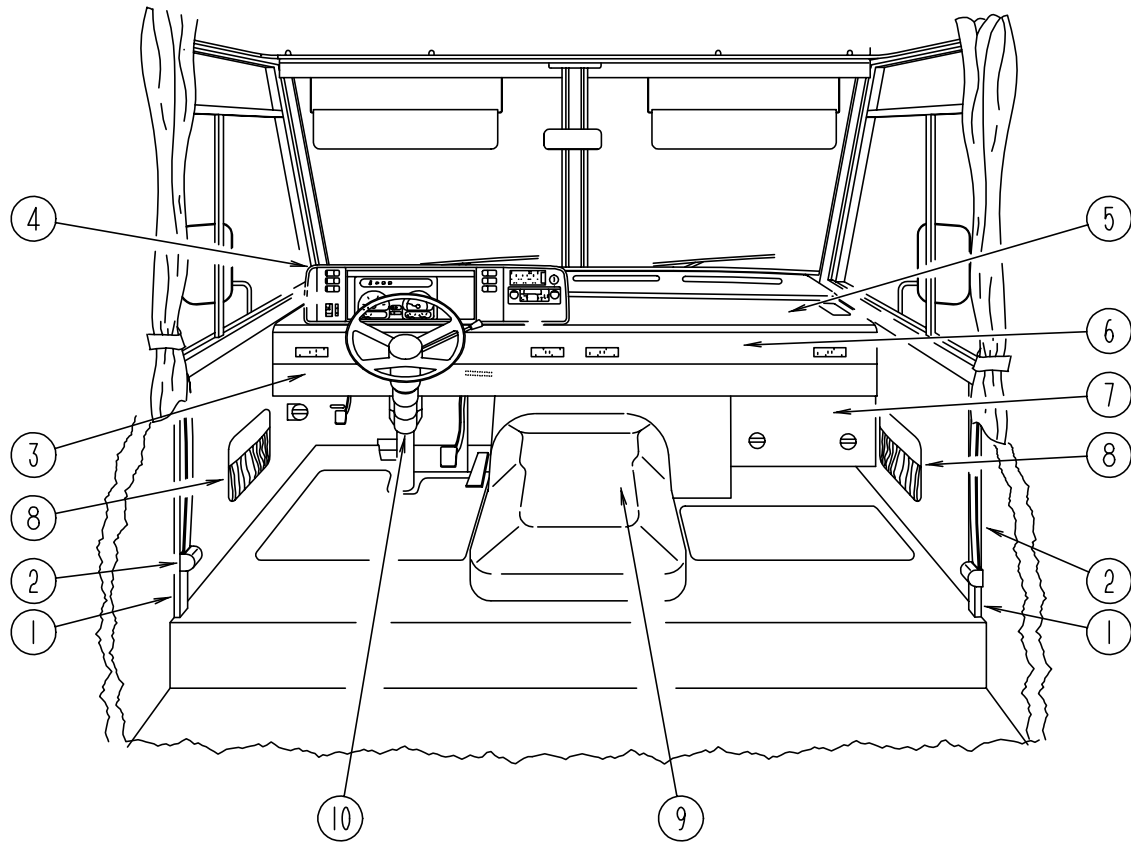
KEY	PART NUMBER	U/M	DESCRIPTION
1	081322-01-G31	EA	TABLE TOP ONLY (H33)
1	081322-01-G14	EA	TABLE TOP ONLY (H34,H35)
1	081322-05-G31	EA	TABLE TOP ONLY (H33) - DINETTE EXCHANGE OPTION
1	081322-05-G14	EA	TABLE TOP ONLY (H34,H35) - DINETTE EXCHANGE OPTION
	114681-01-F02	EA	TABLE - LOUNGE/SMALL - W/O HARDWARE (H33) - DINETTE EXCHANGE OPTION
	114724-02-000	EA	TABLE - LOUNGE/SMALL - W/O HARDWARE (H34,H35) - DINETTE EXCHANGE OPTION
	114724-02-000	EA	PLATE - TABLE LEG - DINETTE EXCHANGE OPTION
2	064781-06-000	EA	HOLDER - CUP - TWO STEP - OFF WHITE
3	053200-12-000	EA	BRACKET - TABLE SUPPORT - UPPER WALL MOUNTED - 23.50"
4	088410-02-000	EA	BRACKET - LIFT - TABLE MOUNTED
5	024281-14-000	EA	BRACKET - LIFT ROD/LOWER WALL MOUNTED - 22.12"
6	024275-12-000	EA	ROD - TABLE LIFT
7	024283-01-000	EA	CLIP - LEG - 1" - 1.125" OD - BLACK
8	024282-01-000	EA	BRACE - TABLE LEG - HINGED
9	064050-05-000	EA	HINGE - TABLE LEG - OFF WHITE
10	024276-23-000	EA	LEG - TABLE - METAL - OFF WHITE
11	049493-12-000	EA	CATCH - TABLE LEG/FLOOR MOUNTED - OFF WHITE
	049493-11-700	EA	CATCH - TABLE LEG - E-COAT

DRIVERS COMPARTMENT GROUP
DRIVERS COMPARTMENT - UPPER



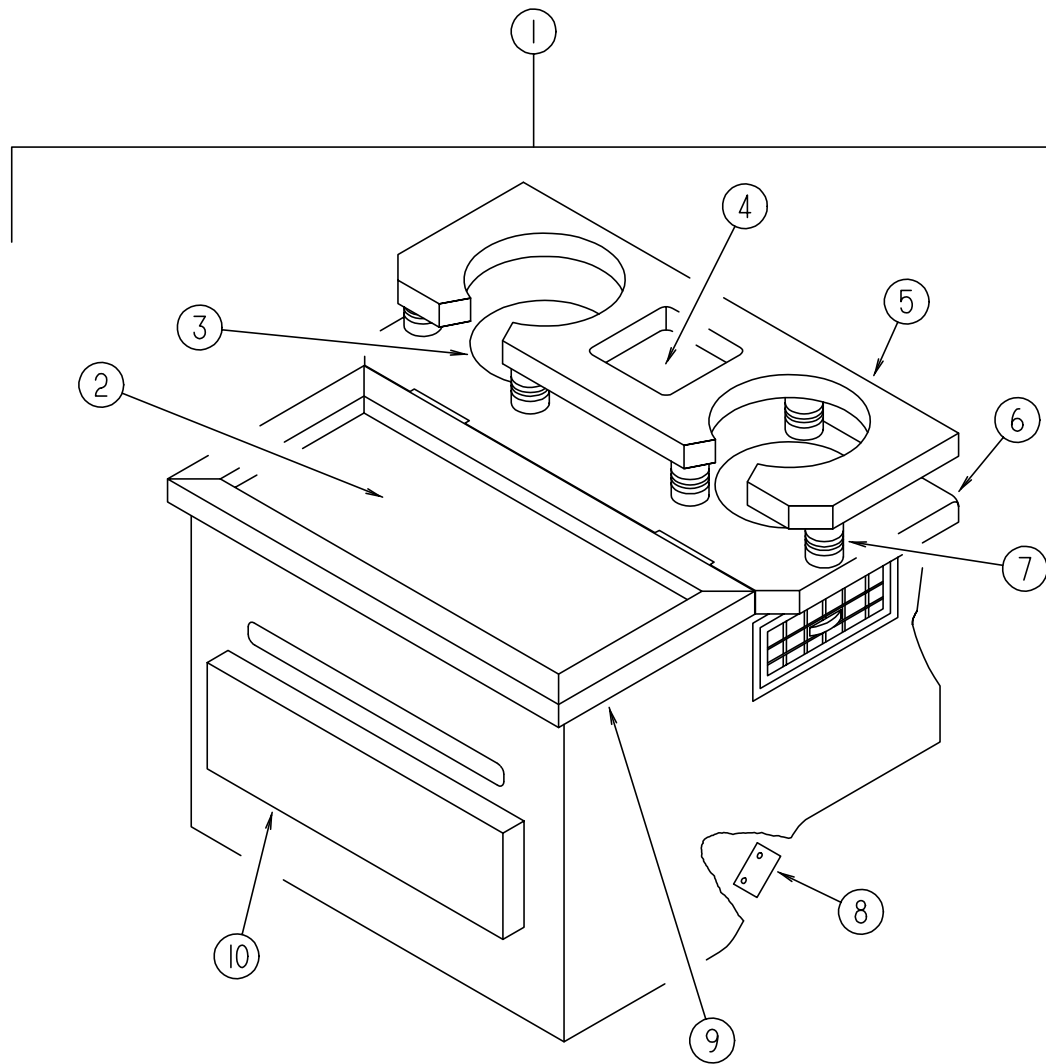
KEY	PART NUMBER	U/M	DESCRIPTION
1	103931-04-04A	EA	COVER - INTERIOR - A-PILLAR - DRIVER SIDE - QUICKSILVER
2	103128-09-G09	EA	END CAP - OVERHEAD CABINET - LEFT HAND
3	M06803-04-G09	EA	DOOR - MITERED CORNER/OGEE EDGE - 10" X 19.1" - WO HDW
4	109561-04-H33	EA	CABINET - OVERHEAD - FRONT/LEFT HAND - W/O DOOR/HDW
4	109561-04-H34	EA	CABINET - OVERHEAD - FRONT/LEFT HAND - W/O DOOR/HDW
4	109561-04-H35	EA	CABINET - OVERHEAD - FRONT/LEFT HAND - W/O DOOR/HDW
	P09561-04-G35	EA	BOTTOM - VINYL COVERED - FRONT OVERHEAD - DRIVER
	104289-04-H33	EA	PANEL - VINYL COVERED - OVERHEAD - LEFT HAND - ANGLED
5	114612-02-G32	EA	FACE - OVERHEAD/TV - LEFT HAND - 15.4" X 33.7"
	100676-02-000	EA	SHELF - OVERHEAD CABINET - VCR/INVERTOR
	106699-01-01A	EA	BRACKET - OVERHEAD CABINET/TV
6	100708-12-000	EA	DOOR - GLASS TV CABINET - 9.7" X 23.2" - W/O HARDWARE
7	114661-06-H33	EA	PANEL - HEADLINER/OVERHEAD - LEFT HAND - W/O TV
7	114661-24-H33	EA	PANEL - HEADLINER/OVERHEAD - LEFT HAND - TV OPTION - SATELLITE DISH
7	114661-12-H33	EA	PANEL - HEADLINER/OVERHEAD - LEFT HAND - TV OPTION
	118836-02-H33	EA	PANEL - VINYL COVERED - BACK - SATELLITE DISH PACKAGE W/O RECEIVER
8	114661-01-H33	EA	PANEL - HEADLINER/OVERHEAD - RIGHT HAND - W/O TV
8	114661-13-H33	EA	PANEL - HEADLINER/FRONT - RIGHT HAND - TV OPTION
8	114661-14-H33	EA	PANEL - HEADLINER/OVERHEAD - RIGHT HAND - TV/VCR
8	114661-15-H33	EA	PANEL - HEADLINER/OVERHEAD - RT HAND - TV/VCR/INVERTER
8	114661-16-H33	EA	PANEL - HEADLINER/OVERHEAD - RT HAND - TV/INVERTOR
9	114612-01-G32	EA	FACE - OVERHEAD/TV - RIGHT HAND - 15.4" X 33.7"
	106699-01-01A	EA	BRACKET - OVERHEAD CABINET/TV
10	109561-01-H33	EA	CABINET - OVERHEAD - FRONT PASSENGER - W/O DOOR/HDW
10	109561-01-H34	EA	CABINET - OVERHEAD - FRONT PASSENGER - W/O DOOR/HDW
10	109561-01-H35	EA	CABINET - OVERHEAD - FRONT PASSENGER - W/O DOOR/HDW
11	103128-08-G09	EA	END CAP - OVERHEAD CABINET - RIGHT HAND
	P09561-03-G35	EA	BOTTOM-VINYL COVERED, FRONT OVERHEAD - PASSENGER SIDE
	104289-07-H33	EA	PAD - VINYL COVERED - OVERHEAD TV - PASSENGER
12	103931-03-04A	EA	COVER - INTERIOR - A-PILLAR - PASSENGER SIDE - QUICKSILVER
13	078811-08-G29	EA	PANEL - TRIM/LOWER HEADER
14	123298-02-01A	EA	SUNVISOR - 7" X 28.5" - DRIVER/PASSENGER SIDE
15	P03077-08-H33	EA	SHELF - CABINET - OVERHEAD/RIGHT HAND - VINYL COVERED - TV OPTION
15	P03077-04-H33	EA	SHELF - CABINET - OVERHEAD/RIGHT HAND - VINYL COVERED
16	122881-01-02A	EA	INSERT - OVERHEAD/TV FRONT - TV OPTIONS
	118022-06-H33	EA	COVER - TV - OVERHEAD/FRONT - W/O HARDWARE
	114706-02-02B	EA	SUPPORT - SHELF - TV
	091261-01-000	FT	SLIPNOT - ANTISLIP - 1" WIDE (100' ROLL)
16	116791-01-H33	EA	FACE FRAME - TV CABINET - 20.6" X 22.2" - W/O TV
	114706-02-02B	EA	SUPPORT - SHELF - W/O TV
	P18192-01-G35	EA	CABINET - METAL - VINYL COVERED - W/O TV
	M06803-C1-H33	EA	DOOR - MITERED CORNER/OGEE EDGE - 16.7" X 18.1" - W/O HDW - W/O TV
	115638-01-H33	EA	PANEL - HEADLINER - TOP - W/O TV
	115639-01-H33	EA	PANEL - HEADLINER - SIDE - W/O TV
17	078579-19-000	EA	TRIM - WINDSHIELD - UPPER INNER/PASSENGER
18	079765-13-000	EA	TRIM - WINDSHIELD CENTER
19	040714-01-000	EA	MIRROR - REAR VIEW/ARM MOUNT & SET SCREW - GM # 911722
	067490-01-000	EA	BUTTON - MIRROR/REAR VIEW
20	078579-20-000	EA	TRIM - WINDSHIELD - UPPER INNER/DRIVER
21	P03077-07-H33	EA	SHELF - CABINET - OVERHEAD/LEFT HAND - VINYL COVERED - TV OPTION
21	P03077-03-H33	EA	SHELF - CABINET - OVERHEAD/LEFT HAND - VINYL COVERED

DRIVERS COMPARTMENT GROUP (CONTINUED)
DRIVERS COMPARTMENT - LOWER



KEY	PART NUMBER	U/M	DESCRIPTION	VENDOR NO.
1	024700-44-000	EA	COVER-SIDEWALL ROLL BAR, OFF WHITE - 53"	
	024700-46-000	EA	COVER - ROLL BAR - 21.20" - UPPER - DRIVER/PASSENGER	
1	024700-45-000	EA	COVER-SIDEWALL ROLL BAR, OFF WHITE - 12.8"	
	024700-47-000	EA	COVER-SIDEWALL ROLL BAR, OFF WHITE - 18.9" - DRIVER DOOR	
	024700-48-000	EA	COVER-SIDEWALL ROLL BAR, OFF WHITE - 25" - DRIVER DOOR	
2	091990-04-01A	EA	SEAT BELT-SHOULDER HARNESS - DRIVERS/PASSENGERS - BLACK	
	091990-01-700	EA	BOLT COVER	
	091990-01-701	EA	EXTENDER-SEAT BELT SHOULDER HARNESS, 9"	I-1331-02
	109146-01-000	EA	BOLT-SHOULDER, SEAT BELT	
	103961-01-01A	EA	COVER-BRACKET, SEATBELT - OFF WHITE	
	103961-02-01A	EA	COVER-BRACKET, SEATBELT - OFF WHITE - DRIVER DOOR OPTION	
3	103812-11-02A	EA	TRIM-DASH, LOWER - QUICKSILVER - CHEVY	
4	111499-01-05A	EA	POD-INSTRUMENT PANEL, QUICKSILVER - PLASTIC	
5	P03817-18-000	EA	DASH ASM, W/O VINYL - CHEVY	
	106569-02-05A	YD	VINYL-LAMINATE, 1/4" X 16" X 8' - QUICKSILVER	
	077539-01-000	EA	BRACKET-MOUNTING, DASH PANEL - L/SHAPED - 2.5" X 1" X 1.5"	
	105927-02-000	EA	PANEL-DASH TOP W/STUD	
	113452-01-000	FT	SEAL-TRIM, U-SHAPED VINYL	
				FROM: 02-03-97 THRU: 99-99-99
6	104354-01-07A	EA	APPLIQUE-LOWER DASH, 2300 MM LONG	
7	095757-03-F25	EA	COVER-HEATER W/CARPET (H33)	
7	095757-03-E33	EA	COVER-HEATER W/CARPET (H34)	
7	095757-03-H35	EA	COVER-HEATER W/CARPET (H35)	
8	086120-01-H33	EA	PAD-MAP POCKET, 12" X 16" (H33)	
				FROM: 00-00-00 THRU: 01-12-97
8	086120-01-H3A	EA	PAD-MAP POCKET, 12" X 16" (H33)	
				FROM: 01-13-97 THRU: 99-99-99
8	086120-01-H34	EA	PAD-MAP POCKET, 12" X 16" (H34)	
8	086120-01-H35	EA	PAD-MAP POCKET, 12" X 16" (H35)	
9	115840-01-01A	EA	COVER-MOTOR, W/O CARPET	
9	115840-02-01A	EA	COVER-MOTOR, W/O CARPET - VORTEC ENGINE OPTION	
	115850-01-02B	EA	RETAINER - LATCH - MOTOR COVER - RIGHT HAND - E-COAT	
	116581-01-000	EA	LATCH-MOTOR COVER	
	115852-01-02B	EA	STRIKE - LATCH - MOTOR COVER - E-COATED	
	116833-01-02B	EA	WRENCH-HEX, MOTOR COVER - E-COAT	
	115860-01-01A	EA	TRIM-MOTOR COVER, BOTTOM - MILL FINISH ALUMINUM	
	039623-01-000	FT	SEAL-MOTOR COVER, RUBBER BULB TYPE - BLACK	
	122772-02-02B	EA	BRACKET ASM-MOUNTNG, BEVERAGE TRAY - E-COAT	
10	103498-06-000	EA	BOOT - STEERING COLUMN/UNIVERSAL	
				FROM: 00-00-00 THRU: 12-18-96
10	103498-09-000	EA	BOOT - STEERING COLUMN - W/1/2 CIRCLE	
				FROM: 12-19-96 THRU: 99-99-99

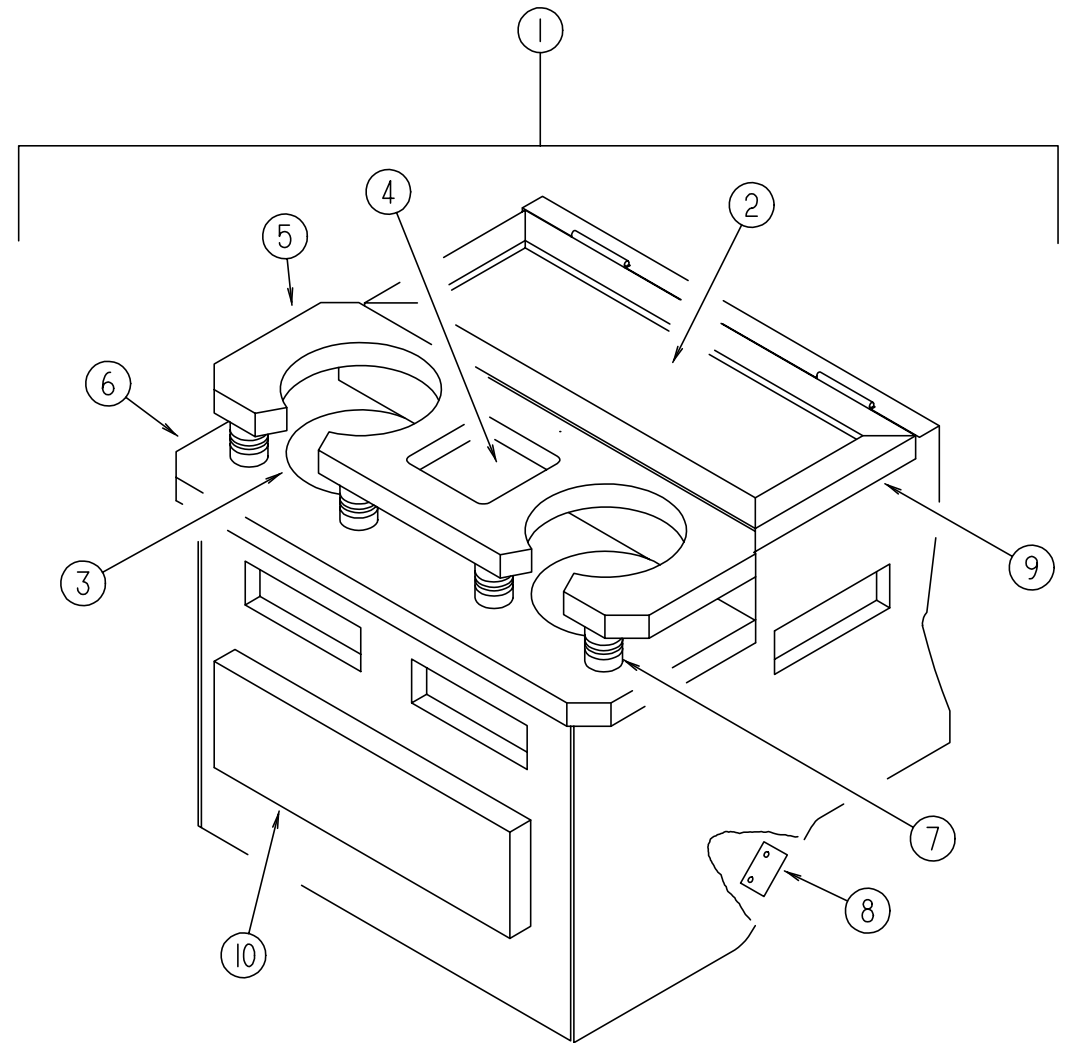
DRIVERS COMPARTMENT GROUP (CONTINUED)



BEVERAGE TRAY (FROM: 00-00-00 THRU: 03-16-97)

KEY	PART NUMBER	U/M	DESCRIPTION
1	122707-01-H17	EA	TRAY ASM-BEVERAGE, W/O DRAWER OR LOUVERS
1	122707-02-H17	EA	TRAY ASM-BEVERAGE, W/O DRAWER OR LOUVERS - VORTEC ENGINE OPTION
2	122717-03-01A	FT	PAD - NON-SKID, PSA - 6.5" X 50'
3	122717-01-01A	EA	PAD - NON SKID, PSA - 4" DIAMETER ROUND
4	122717-02-01A	EA	PAD - NON SKID, PSA - 4" X 4"
5	122707-11-H17	EA	SHELF W/O PAD OR DOWELS
6	122707-12-H17	EA	SHELF ASM W/PADS W/O HARDWARE OR DOWELS
7	097872-04-000	EA	DOWEL-WOOD, 1" DIAMETER X 1.38" LONG - UNFINISHED
8	122832-01-02B	EA	BRACKET-MOUNT, BEVERAGE TRAY - E-COAT
9	122707-13-H17	EA	LID W/O PAD OR HARDWARE
10	M05971-AZ-H33	EA	DRAWER - OGEE EDGE - 10"W X 11.8"D - W/O SLIDES/HDW
	100128-02-000	FT	SEAL-FOAM, ADHESIVE BACK - .37" W X .37" THICK

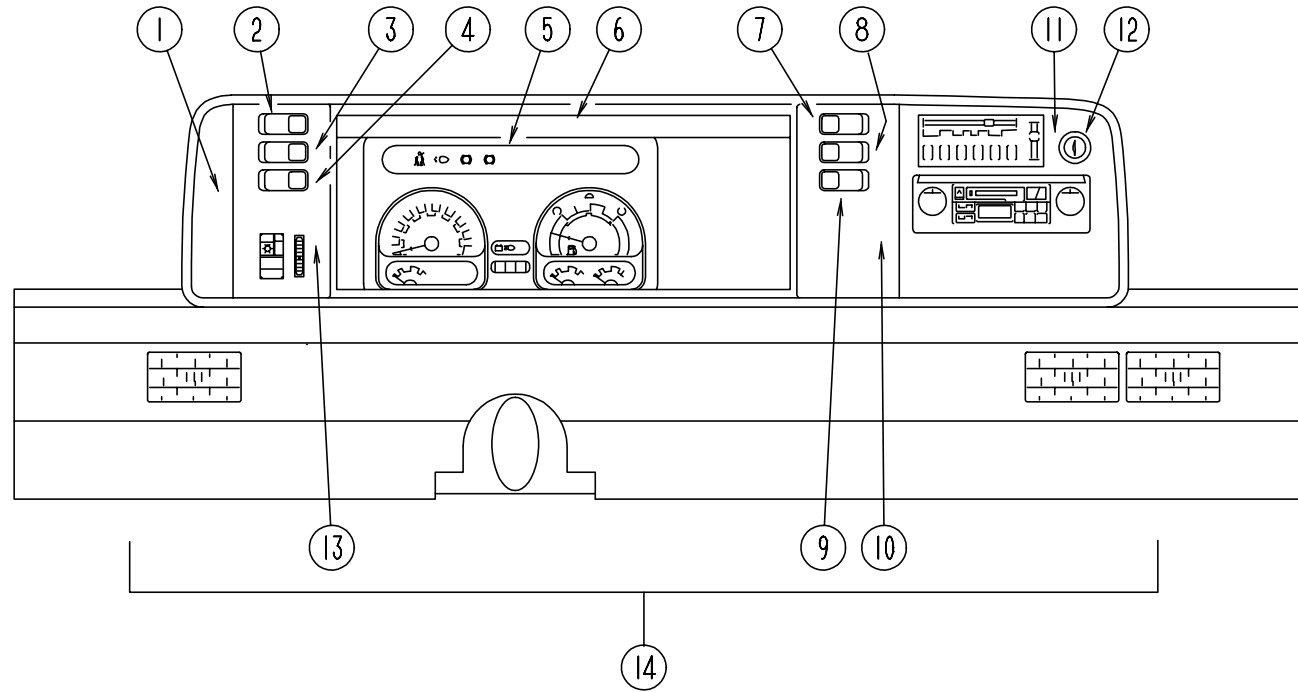
DRIVERS COMPARTMENT GROUP (CONTINUED)



BEVERAGE TRAY (FROM: 03-17-97 THRU: 99-99-99)

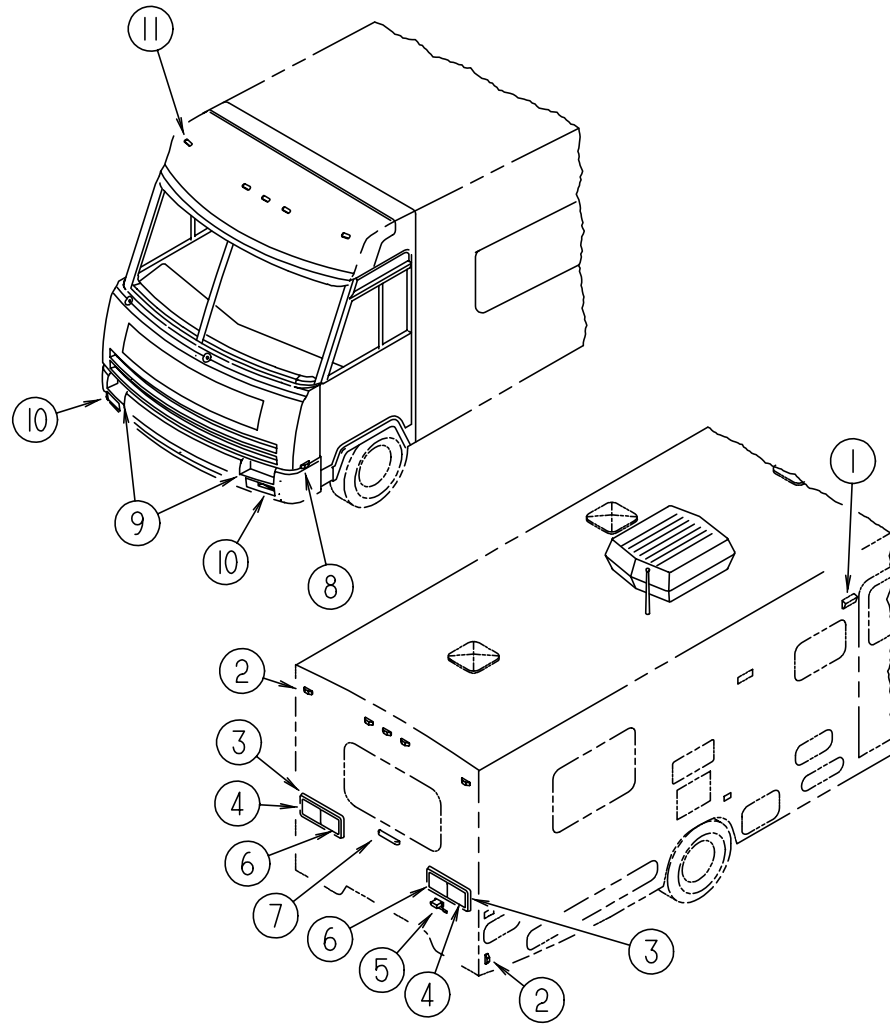
KEY	PART NUMBER	U/M	DESCRIPTION
1	126680-01-H17	EA	TRAY ASM-BEVERAGE, W/O DRAWER OR LOUVERS
1	126680-02-H17	EA	TRAY ASM-BEVERAGE, W/O DRAWER OR LOUVERS - VORTEC ENGINE OPTION
2	122717-06-01A	FT	PAD - NON-SKID, PSA - 6.5" X 13.8"
3	122717-01-01A	EA	PAD - NON SKID, PSA - 4" DIAMETER ROUND
4	122717-02-01A	EA	PAD - NON SKID, PSA - 4" X 4"
5	126680-15-H17	EA	SHELF W/O PAD OR DOWELS
6	126680-14-H17	EA	SHELF ASM W/PADS W/O HARDWARE OR DOWELS
7	097872-04-000	EA	DOWEL-WOOD, 1" DIAMETER X 1.38" LONG - UNFINISHED
8	122832-01-02B	EA	BRACKET-MOUNT, BEVERAGE TRAY - E-COAT
9	126680-16-H17	EA	LID W/PAD W/O HARDWARE
10	M05971-AZ-H33	EA	DRAWER - OGEE EDGE - 10"W X 11.8"D - W/O SLIDES/HDW
	100128-02-000	FT	SEAL-FOAM, ADHESIVE BACK - .37" WIDE X .37" THICK X 60' ROLL

DRIVERS COMPARTMENT GROUP (CONTINUED)
DASH, GAUGES & SWITCHES - CHEVY



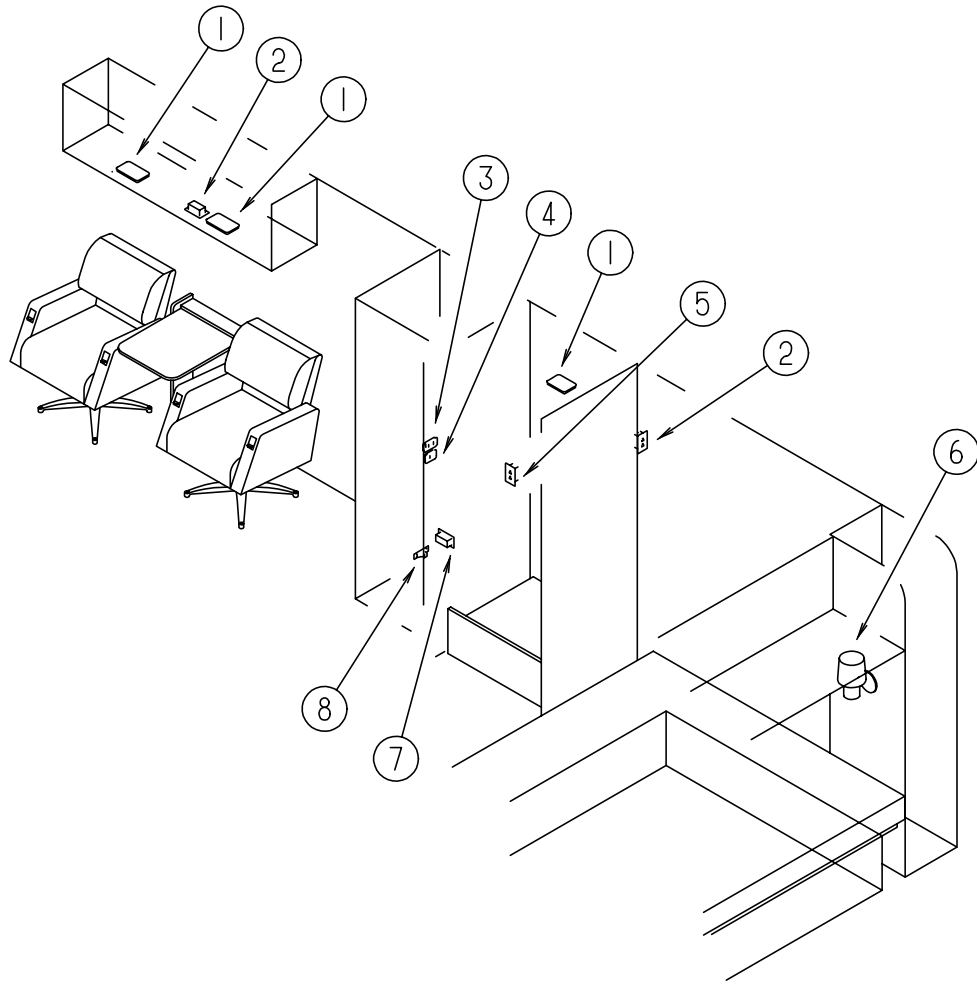
KEY	PART NUMBER	U/M DESCRIPTION
1	104056-01-04A	EA APPLIQUE-BEZEL
2	108356-02-01A	EA COVER/ACTUATOR SWITCH - 2 ROWS DIMPLES - CONTURA II - BLACK
2	108357-05-000	EA SWITCH-ROCKER, SPDT ON/NONE/ON - RADIO POWER W/O CD
2	108357-08-000	EA SWITCH-ROCKER, DPDT ON/NONE/ON 6 TERMINAL - RADIO POWER W/CD
3	108356-02-01A	EA COVER/ACTUATOR SWITCH - 2 ROWS DIMPLES - CONTURA II - BLACK
3	108357-09-000	EA SWITCH - ROCKER SPDT - ON/NONE/MOM - 3 TERMINAL - DUAL BATTERY
4	108356-02-01A	EA COVER/ACTUATOR SWITCH - 2 ROWS DIMPLES - CONTURA II - BLACK
4	108357-06-000	EA SWITCH - ROCKER DPDT - MOM/OFF/MOM - 6 TERMINAL BATTERY DISCONNECT SWITCH OPTION
4	096241-03-000	EA SWITCH-BLANK
5	094796-07-000	EA CLUSTER-INSTRUMENT PANEL, KILOMETERS - GAS FROM: 00-00-00 THRU: 10-06-96
5	125001-02-000	EA CLUSTER-INSTRUMENT PANEL, KILOMETERS/MILES - GAS FROM: 10-07-96 THRU: 99-99-99
5	094796-08-000	EA CLUSTER-INSTRUMENT PANEL, KILOMETERS - DIESEL FROM: 00-00-00 THRU: 12-08-96
5	125001-04-000	EA CLUSTER-INSTRUMENT PANEL, KILOMETERS/MILES - DIESEL FROM: 12-09-96 THRU: 99-99-99
5	094796-11-000	EA CLUSTER - INSTRUMENT - METRIC/ENGLAND - DIESEL FROM: 00-00-00 THRU: 02-17-97
5	125001-03-000	EA CLUSTER-INSTRUMENT-MPH REGISTERED/KILO READING-DIESEL-ENG FROM: 02-18-97 THRU: 99-99-99
6	103662-01-01A	EA BEZEL-INSTRUMENT PANEL
7	108356-04-01A	EA COVER/ACTUATOR SWITCH - 2 ROWS DIMPLES W/LIGHT - CONTURA II - BLACK
7	108357-10-000	EA SWITCH - ROCKER SPDT W/LIGHT - MOM/NONE/MOM - 5 TERMINAL GENERATOR OPTION
7	096241-03-000	EA SWITCH-BLANK
8	108356-02-01A	EA COVER/ACTUATOR SWITCH - 2 ROWS DIMPLES - CONTURA II - BLACK
8	108357-03-000	EA SWITCH - ROCKER SPDT - ON/OFF/ON - 3 TERMINAL - REAR HEATER
8	096241-03-000	EA SWITCH-BLANK
9	096241-03-000	EA SWITCH-BLANK
10	104056-21-01A	EA APPLIQUE-BEZEL
11	104056-06-04A	EA APPLIQUE-BEZEL
12	089294-01-000	EA LIGHTER - CIGARETTE - W/O WIRES
13	104056-22-01A	EA APPLIQUE-BEZEL
14	M05946-40-H33	EA DASH POD - CHEVY - W/O CLUSTER
	100138-01-000	EA MODULE-DAYTIME RUNNING LIGHT - CANADIAN
	077031-01-000	EA FILM-BLACK, 1" X 1.75"
	077031-03-000	EA FILM-WHITE, .75" X 1"
	049176-01-000	EA HEDLOCK II - 3/4" DIAMETER, SCREW MOUNT
	103603-01-000	EA BULB - 12V NO.74 0.12A WEDGE

ELECTRICAL GROUP
EXTERIOR LIGHTS



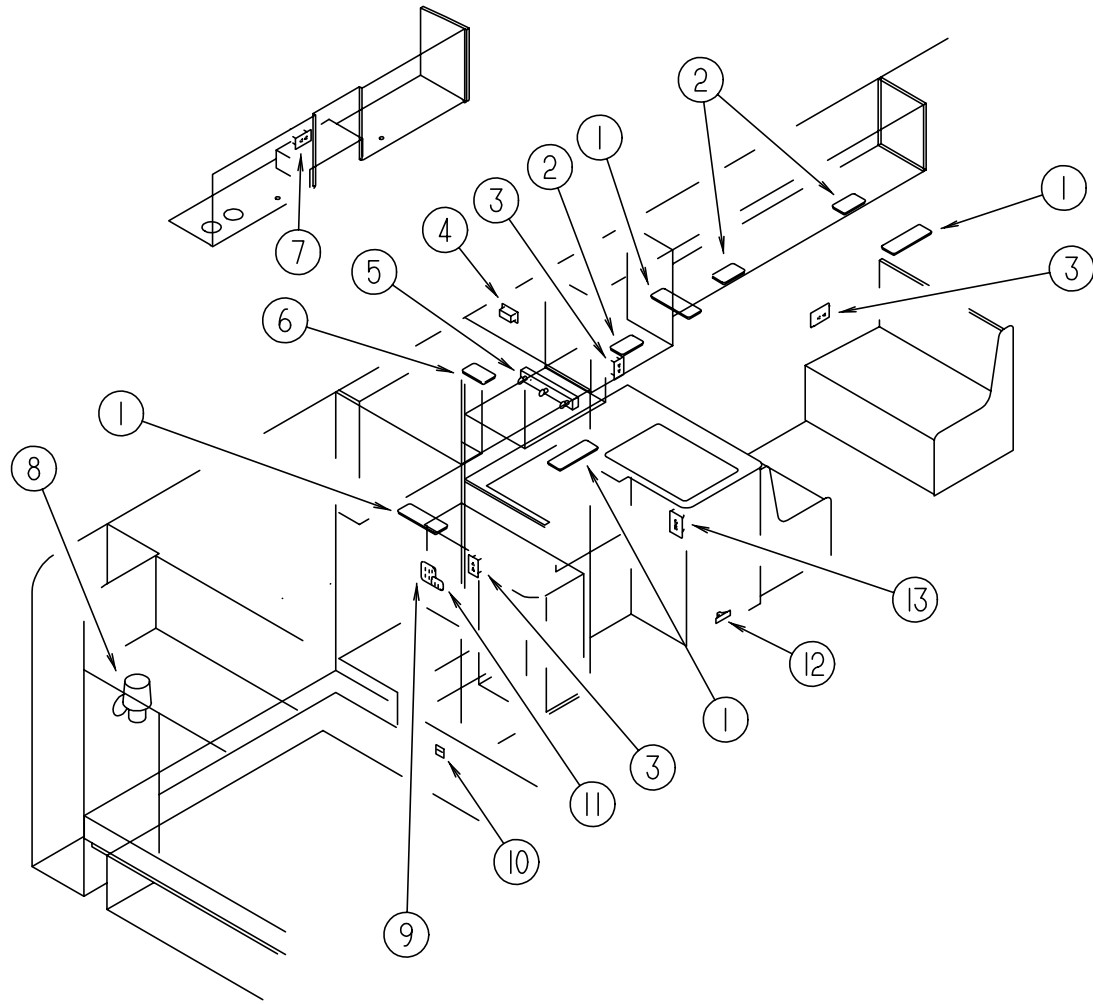
KEY	PART NUMBER	U/M	DESCRIPTION
1	097917-01-06A	EA	LIGHT-PORCH, ENTRY DOOR - BRIGHT WHITE
	008215-01-000	EA	BULB - 12V, .94 AMP - #1003
	097917-01-700	EA	LENS-LIGHT, PORCH
2	111102-01-000	EA	LAMP-MARKER, BASE - TRIPLEX 117XAS
	036196-01-000	EA	BULB - 12V, #194 - .27 AMP - BAYONETTE
2	111102-03-000	EA	LENS-MARKER LAMP, RED - TRIPLEX 117R
3	121621-01-01A	EA	POD-TAILLIGHTS, BRIGHT WHITE
4	115632-03-02A	EA	LIGHT-STOP/TAIL/BACKUP
5	066432-02-000	EA	LIGHT-LICENSE, BLACK
	066432-03-000	EA	BRACKET-LICENSE PLATE - BARGMAN 30-60-030
6	115632-01-02A	EA	LIGHT-STOP/TURN/TAIL, RED
	121621-01-01A	EA	POD-TAILLIGHTS, BRIGHT WHITE
7	121950-01-000	EA	LIGHT ASM-BRAKE, CENTER MOUNT - RUSSELL JI-100
8	111102-01-000	EA	LAMP-MARKER, BASE - TRIPLEX 117XAS
	036196-01-000	EA	BULB - 12V, #194 - .27 AMP - BAYONETTE
8	111102-02-000	EA	LENS-MARKER LAMP, AMBER - TRIPLEX 118A
9	070907-04-000	EA	HEADLAMP - HIGH/LOW HALOGEN
	049359-01-000	EA	SPRING-RETAINER, HEADLAMP - GM #496096
	073308-01-000	EA	SCREW-ADJUSTING, HEADLAMP
	106687-02-000	EA	SOCKET-LIGHT, 3-WIRE
10	106688-02-000	EA	LIGHT-TURN SIGNAL, AMBER (LENS/BACK PAN)
	037935-01-000	EA	BULB - 12V - #1157 OR #2057 - 2.1 AMP - CLEAR GLASS
11	102520-01-000	EA	LIGHT-CLEARANCE, W/O SOCKET CONNECTIONS - AMBER
	036196-01-000	EA	BULB - 12V, .27 AMP - BAYONETTE - #194
	102540-01-000	EA	SEAL-SCREW, ROUND - RUBBER
	102541-01-000	EA	GASKET-CLEARANCE LIGHT
	067789-02-000	EA	SOCKET-LAMP
	098024-01-03A	EA	LIGHT-DOME, 1 BULB - WHITE (COMPARTMENTS)
	008218-01-000	EA	BULB-DOME LIGHT, 12V - NUMBER 1141

ELECTRICAL GROUP (CONTINUED)
LIGHTS, SWITCHES, & RECEPTACLES PASSENGERS SIDE



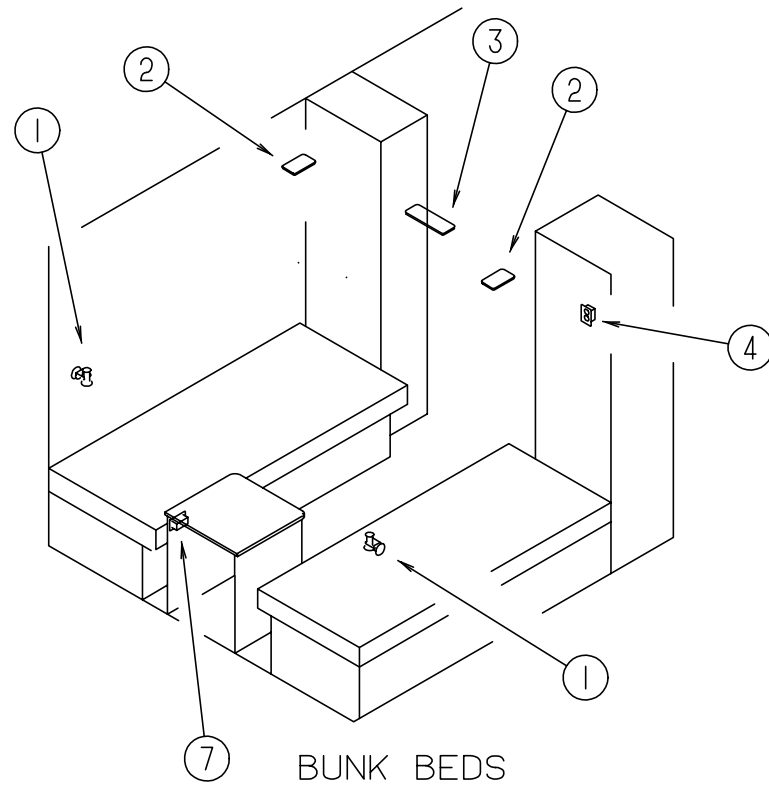
KEY	PART NUMBER	U/M	DESCRIPTION	VENDOR NO.
1	098024-05-02A	EA	LIGHT - DOME - 1 BULB - SKYLITE - WHITE	809902
	008218-01-000	EA	BULB - DOME LIGHT - 12 VOLT - NO. 1141	
	098024-01-701	EA	LENS - OPTI CLEAR - SKYLITE	
2	058708-01-000	EA	RECEPTACLE - ELECTRIC - DOUBLE - BROWN	
	058708-02-000	EA	RECEPTACLE - ELECTRIC - DOUBLE - IVORY	
3	098351-06-01A	EA	PLATE - SWITCH - 2 GANG POLISHED BRASS	
	098351-02-01A	EA	PLATE - SWITCH - 2 GANG POLISHED BRASS	
4	098351-01-01A	EA	PLATE - SWITCH - 1 GANG POLISHED BRASS	
5	058707-01-000	EA	RECEPTACLE - ELECTRIC - SINGLE - BROWN	
6	119257-04-01A	EA	SHADE - LAMP - LINEN WHITE	12-0322
	119258-05-01A	EA	LAMP - WALL	
	119258-01-700	EA	FINIAL (PYRAMID)	
7	112822-01-01A	EA	RECEPTACLE - DUPLEX - IVORY	
8	108354-01-01A	EA	LIGHT - COURTESY	395-B
	108354-01-700	EA	BULB-COURTESY LIGHT	

ELECTRICAL GROUP (CONTINUED)
LIGHTS, SWITCHES, & RECEPTACLES DRIVERS SIDE

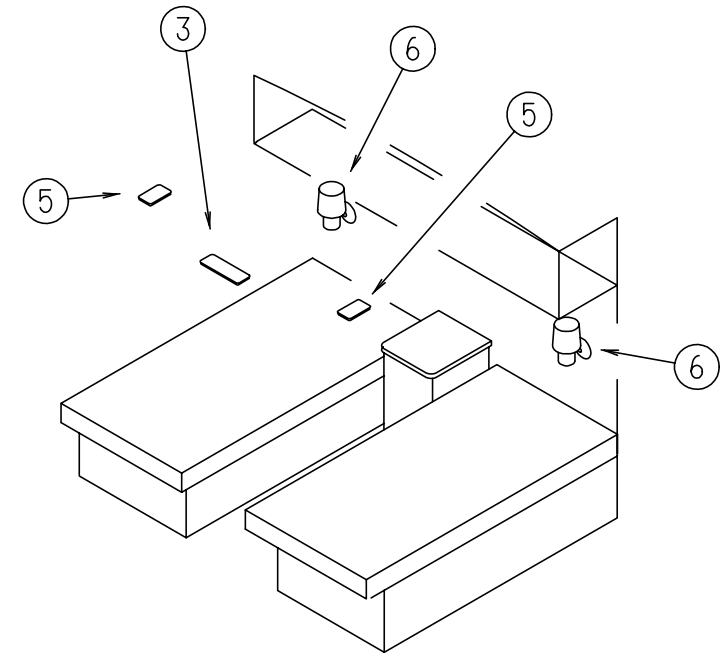


KEY	PART NUMBER	U/M	DESCRIPTION	VENDOR NO.
1	098024-03-02A	EA	LIGHT - DOME - 2 BULB - WHITE	
	008218-01-000	EA	BULB - DOME LIGHT - 12 VOLT - NO. 1141	
	098024-01-700	EA	LENS-LIGHT	807877
2	098024-05-02A	EA	LIGHT - DOME - 1 BULB - SKYLITE - WHITE	
	008218-01-000	EA	BULB - DOME LIGHT - 12 VOLT - NO. 1141	
	098024-01-701	EA	LENS - OPTI CLEAR - SKYLITE	809902
3	058708-01-000	EA	RECEPTACLE - ELECTRIC - DOUBLE - BROWN	
3	058708-02-000	EA	RECEPTACLE - ELECTRIC - DOUBLE - IVORY	
4	058708-05-000	EA	RECEPTACLE - SINGLE - BROWN	
5	110235-01-01A	EA	LIGHT - MAKE UP - 3 BULB	
	081633-01-700	EA	BULB-LIGHT, MAKE-UP	RP1041
	098024-01-03A	EA	LIGHT - DOME - 1 BULB - WHITE	
6	008218-01-000	EA	BULB - DOME LIGHT - 12 VOLT - NO. 1141	
	098024-01-700	EA	LENS-LIGHT	807877
	112822-01-01A	EA	RECEPTACLE - DUPLEX - IVORY	
8	119257-04-01A	EA	SHADE - LAMP - LINEN WHITE	
8	119258-05-01A	EA	LAMP - WALL	
	119258-01-700	EA	FINIAL (PYRAMID)	12-0322
	098351-03-01A	EA	PLATE - SWITCH - 3 GANG POLISHED BRASS	
10	108354-01-01A	EA	LIGHT - COURTESY	
	108354-01-700	EA	BULB-COURTESY LIGHT	395-B
	098351-02-01A	EA	PLATE - SWITCH - 2 GANG POLISHED BRASS	
12	061424-01-000	EA	LIGHT - AISLE - 12 VOLT - RECTANGULAR	
	008103-01-000	EA	BULB - DASH/AISLE LIGHT - #53 - 12 VOLT - .12 AMP	
	084076-01-000	EA	RECEPTACLE - GFI - 15A - 125V	

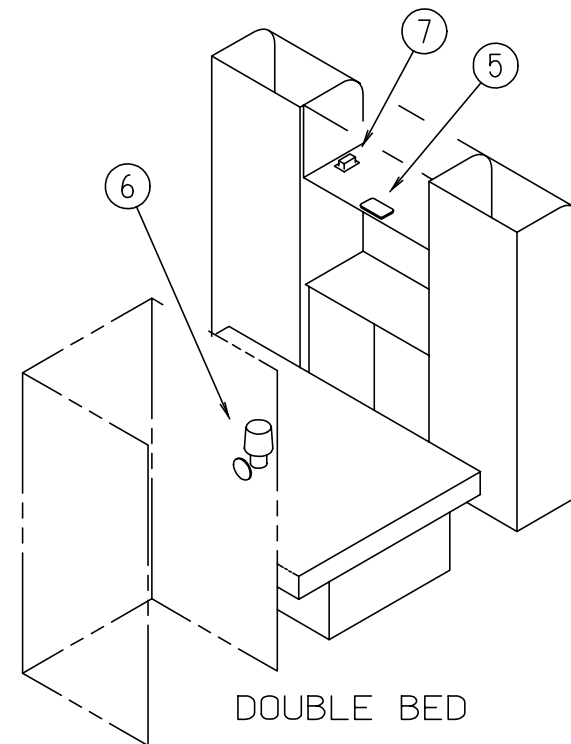
ELECTRICAL GROUP (CONTINUED)
LIGHTS, SWITCHES, & RECEPTACLES OPTIONAL BEDROOM AREAS



BUNK BEDS



TWIN BEDS



DOUBLE BED

KEY	PART NUMBER	U/M	DESCRIPTION	VENDOR NO.
1	104172-01-01A	EA	LIGHT - BULLET - BULB #93 12V	
2	098024-01-03A	EA	LIGHT - DOME - 1 BULB - WHITE	
	008218-01-000	EA	BULB - DOME LIGHT - 12 VOLT - NO. 1141	
	098024-01-700	EA	LENS-LIGHT	807877
3	098024-01-03A	EA	LIGHT - DOME - 1 BULB - WHITE	
	008218-01-000	EA	BULB - DOME LIGHT - 12 VOLT - NO. 1141	
	098024-01-700	EA	LENS-LIGHT	807877
4	058708-01-000	EA	RECEPTACLE - ELECTRIC - DOUBLE - BROWN	
4	058708-02-000	EA	RECEPTACLE - ELECTRIC - DOUBLE - IVORY	
5	058708-05-000	EA	RECEPTACLE - SINGLE - BROWN	
6	119257-04-01A	EA	SHADE - LAMP - LINEN WHITE	
6	119258-05-01A	EA	LAMP - WALL	
	119258-01-700	EA	FINIAL (PYRAMID)	12-0322
7	058708-01-000	EA	RECEPTACLE - ELECTRIC - DOUBLE - BROWN	
7	058708-02-000	EA	RECEPTACLE - ELECTRIC - DOUBLE - IVORY	

ELECTRICAL GROUP (CONTINUED)
FUSES & FUSE HOUSINGS

KEY	PART NUMBER	U/M DESCRIPTION
	062901-02-000	EA FUSE - 05 AMPS - AUTOMOTIVE
	062901-05-000	EA FUSE - 15 AMPS - AUTOMOTIVE
	062901-06-000	EA FUSE - 20 AMPS - AUTOMOTIVE
	062901-07-000	EA FUSE - 25 AMPS - AUTOMOTIVE
	062901-08-000	EA FUSE - 30 AMPS - AUTOMOTIVE
	062037-01-000	EA HOUSING - AUTO FUSE - NATURAL
	062037-02-000	EA HOUSING - AUTO FUSE - GREEN
	062037-03-000	EA HOUSING - AUTO FUSE - BLACK
	062037-04-000	EA HOUSING - AUTO FUSE - BLUE
	062037-06-000	EA HOUSING - AUTO FUSE - BROWN
	062037-07-000	EA HOUSING - AUTO FUSE - RED
	108669-01-000	EA HOUSING - AUTO FUSE HOLDER
	106656-01-000	EA FUSE BLOCK - 4 CAVITY - AUTOFUSE

CIRCUIT BREAKERS

KEY	PART NUMBER	U/M DESCRIPTION
	083209-01-000	EA CIRCUIT BREAKER - 15 AMP - 120 VOLT - CANADIAN
	083209-02-000	EA CIRCUIT BREAKER - 15/15 AMP - 120 VOLT
	083209-03-000	EA CIRCUIT BREAKER - 15/20 AMP - 120 VOLT
	083209-04-000	EA CIRCUIT BREAKER - 30 AMP - 120 VOLT
	083209-06-000	EA CIRCUIT BREAKER - 30/15 AMP - 120 VOLT
	083209-07-000	EA CIRCUIT BREAKER - 20/20 AMP - 120 VOLT
	093655-03-000	EA CIRCUIT BREAKER - 40 AMP - 12 VOLT
	097611-01-000	EA CIRCUIT BREAKER - 10 AMP - 12 VOLT
		FROM: 00-00-00 THRU: 11-01-96
	112591-01-000	EA CIRCUIT BREAKER - 16 AMP 240 VOLT

TERMINALS

KEY	PART NUMBER	U/M DESCRIPTION
	008326-01-000	EA TERMINAL-RING, 16/14 WIRE - 3/8" STUD
	008328-01-000	EA TERMINAL-RING, 12/10 WIRE - #10 STUD FIT
	008331-01-000	EA TERMINAL-RING, TONGUE - #4 WIRE - 3/8" STUD - COPPER
	008348-01-000	EA TERMINAL-RING, 3/8" STUD - #2 WIRE
	035416-04-000	EA TERMINAL-RING #10 STUD FIT, INSULATED BARREL #16/14
	047443-01-000	EA TERMINAL - .250 RECEPTACLE FIT, INSULATED - 16/14 AWG
	047443-02-000	EA TERMINAL - .250 RECEPTACLE FIT, INSULATED - 12/10 AWG
	062036-01-000	EA TERMINAL-PACK-CON, 12/10 AWG
	062036-02-000	EA TERMINAL-PACK-CON, 16/14 AWG
	088267-01-000	EA TERMINAL-FEMALE, 1/4
	098260-01-000	EA TERMINAL-MALE, 56 SERIES
	104100-03-000	EA TERMINAL - 75 AMP
	106007-01-000	EA TERMINAL-FEMALE, 14-16 AWG
	106655-01-000	EA TERMINAL-FUSE BLOCK, 14-16 AWG
	106655-02-000	EA TERMINAL-FUSE BLOCK, 10-12 AWG
	113306-01-000	EA TERMINAL-FEMALE, METRI-PACK - 14-16
	113307-01-000	EA TERMINAL-FEMALE, METRI-PACK - 16-20
	125324-01-000	EA TERMINAL-MALE, M/P - 150

ELECTRICAL GROUP (CONTINUED)
ELECTRIC BOXES & COVERS

KEY	PART NUMBER	U/M DESCRIPTION
	008289-01-000	EA BOX - ELECTRIC/STEEL - 1/2" & 3/4" KNOCKOUTS - 4" X 4"
	008289-02-000	EA BOX - ELECTRIC/STEEL - 1/2" & 3/4" KNOCKOUTS - 4" X 4"-CAN
	008294-01-000	EA COVER - ELECTRICAL BOX - BLANK/STEEL - 4" X 4" - GRAY
	008294-02-000	EA COVER - ELECTRICAL BOX - BLANK STEEL - 4" X 4" - CANADIAN
	069238-01-000	EA COVER - ELECTRICAL BOX - W/HOLE - 4" X 4" - GRAY
	074890-01-000	EA BOX - EXTENSION/STEEL - OPEN SIDES - 4" X 4" X 1 1/2"
	074897-01-000	EA COVER - ELECTRICAL BOX W/HOLES - 4" X 4"
	091910-01-000	EA BOX - ELECTRIC - 3.8" X 3.5" X 1.8" - PLASTIC
	091910-02-000	EA BOX - ELECTRIC - 2.2" X 3.5" X 1.7" - PLASTIC
	111509-01-000	EA BOX - ELECTRICAL - E-COATED
	111510-01-000	EA DOOR/ACCESS PANEL - ELECTRICAL BOX

RECEPTACLE & COVERS

KEY	PART NUMBER	U/M DESCRIPTION
	024924-02-000	EA RECEPTACLE - POWER CORD - W/PARTIAL PLATE
	058707-01-000	EA RECEPTACLE - ELECTRIC - SINGLE - BROWN
	058707-02-000	EA RECEPTACLE - BLANK JUNCTION BOX
	058708-01-000	EA RECEPTACLE - ELECTRIC - DOUBLE - BROWN
	058708-02-000	EA RECEPTACLE - ELECTRIC - DOUBLE - IVORY
	058708-05-000	EA RECEPTACLE - SINGLE - BROWN
	084076-01-000	EA RECEPTACLE - GFI - 15A - 125V
	091927-01-000	EA COVER - RECEPTACLE - DOUBLE - IVORY
	102568-01-GB1	EA SPACER - RECEPTACLE - SIDEWALL
	112822-01-01A	EA RECEPTACLE - DUPLEX - IVORY
	112824-01-03A	EA COVER - RECEPTACLE - EXTERIOR DUPLEX

CONDUIT

KEY	PART NUMBER	U/M DESCRIPTION
	041953-01-000	FT CONDUIT-CONVOLUTE, SLIT - .5" ID
	041953-03-000	FT CONDUIT-CONVOLUTE, SLIT - 1" ID (CLOTHES ROD COVER)
	041953-05-000	FT CONDUIT-CONVOLUTE, SOLID - .62" ID
	041953-06-000	FT CONDUIT-CONVOLUTE, SLIT - .375" ID
	041953-07-000	FT CONDUIT-CONVOLUTE, SLIT - .25" ID
	041953-08-000	FT CONDUIT-CONVOLUTE, SLIT - 1.50" ID
	041953-09-000	FT CONDUIT-CONVOLUTE, SLIT - .50" ID
	041953-10-000	FT CONDUIT-CONVOLUTE, SLIT - .75" ID
	041953-11-000	FT CONDUIT-CONVOLUTE, SLIT - 1.06" ID
	041953-12-000	FT CONDUIT-CONVOLUTE, NON SLIT - 1.1" ID

ELECTRICAL GROUP (CONTINUED)
HOUSINGS, PINS & SOCKETS

KEY	PART NUMBER	U/M DESCRIPTION
	088473-01-000	EA HOUSING - PIN - 12 CAVITY
	088473-02-000	EA HOUSING - PIN - 15 CAVITY
	088473-03-000	EA HOUSING - PIN - 9 CAVITY
	088473-06-000	EA HOUSING - PIN - 6 CAVITY
	088473-08-000	EA HOUSING - PIN - 4 CAVITY
	088473-09-000	EA HOUSING - PIN - 3 CAVITY
	088473-10-000	EA HOUSING - PIN - 2 CAVITY
	088474-01-000	EA HOUSING - SOCKET - 12 CAVITY
	088474-02-000	EA HOUSING - SOCKET - 15 CAVITY
	088474-03-000	EA HOUSING - SOCKET - 9 CAVITY
	088474-06-000	EA HOUSING - SOCKET - 6 CAVITY
	088474-07-000	EA HOUSING - SOCKET - 5 CAVITY
	088474-08-000	EA HOUSING - SOCKET - 4 CAVITY
	088474-09-000	EA HOUSING - ELECTRICAL - 3 TERMINAL
	088474-10-000	EA HOUSING - SOCKET - 2 CAVITY
	088475-01-000	EA PIN - CONNECTOR - 14 - 20 AWG
	088475-02-000	EA PIN - CONNECTOR - 10-12 AWG
	088476-01-000	EA TERMINAL - ELECTRICAL
	088476-02-000	EA SOCKET - CONNECTOR - 12-10 GA - PRE-TIN
	098260-01-000	EA TERMINAL - MALE - 56 SERIES
	101571-01-000	EA HOUSING - 2 POSITION - MALE
	103608-01-000	EA SOCKET - WEDGE BASE W/LEADS
	103987-02-000	EA SEAL - SOLENOID ACCESS
	104100-01-000	EA HOUSING - 1 POSITION - 75 AMPS
	104100-03-000	EA TERMINAL - 75 AMP
	106006-01-000	EA HOUSING - 1 POSITION - FEMALE
	106007-01-000	EA TERMINAL - FEMALE - 14-16 AWG
	106655-01-000	EA TERMINAL - FUSE BLOCK - 14-16 AWG
	106655-02-000	EA TERMINAL - FUSE BLOCK - 10-12 AWG
	110178-01-000	EA HOUSING - WIPER MOTOR
	112823-01-000	EA SPLICE - REDUCER - 16-14 TO 18-22
	113306-01-000	EA TERMINAL - FEMALE - M/P - 14-16
	113307-01-000	EA TERMINAL - FEMALE - M/P - 16-20
	113468-01-000	EA HOUSING - 2 POSITION - FEMALE
	115556-01-000	EA HOUSING - 3 POSITION - FEM
	119248-02-000	EA HOUSING - 7 POSITION - FEMALE
	125323-02-000	EA HOUSING - 8 POSITION - MALE
	125324-01-000	EA TERMINAL - MALE
	125325-01-000	EA SEAL - CAVITY

CONNECTORS

KEY	PART NUMBER	U/M DESCRIPTION
	008311-01-000	EA CONNECTOR-WIRE NUT, INSULATED - RED
	008312-01-000	EA CONNECTOR-WIRE NUT, INSULATED - BLUE
	008313-01-000	EA CONNECTOR-WIRE NUT, INSULATED - YELLOW
	008314-01-000	EA CONNECTOR-WIRE NUT, INSULATED - GRAY
	008355-01-000	EA CONNECTOR-CABLE CLAMPING, 3/4"
	008356-01-000	EA CONNECTOR-PLASTIC, 3/8" AVG
	008398-01-000	EA CONNECTOR - 1/2" X 90 DEGREE, FLEX CONDUIT - UL AND CSA
	041480-01-000	EA CONNECTOR-STRAIGHT, 1/2" FLEX CONDUIT
	058028-01-000	EA CONNECTOR-ELECTRICAL PIGTAIL, NYLON - CLEAR
	082741-01-000	EA CONNECTOR BODY - 2 CONNECTOR - MALE
	098261-02-000	EA SOCKET-CONNECTOR, WEATHERPACK
	098262-01-000	EA SEAL-CONNECTOR, WEATHER PACK
	098265-02-000	EA PIN-CONNECTOR, WEATHER PACK
	007940-01-000	EA RECEPTACLE-SLIDE, 16 TO 12 AWG - FEMALE END
	007954-01-000	EA RECEPTACLE-HOUSING, 6 POSITION
	080015-02-000	EA RECEPTACLE-FLAG, .185 - 16/14 GAUGE
	112823-01-000	EA SPLICE-REDUCER, 16-14 TO 18-22

ELECTRICAL GROUP (CONTINUED)
POWER CORDS

KEY	PART NUMBER	U/M DESCRIPTION
	008052-01-000	EA CORD-POWER, 10/3 - 30 AMP - 25' - CANADIAN
	008054-01-000	EA CORD-POWER, 10/3 - 30 AMP - 25' - US
	121470-01-000	EA CORD-EXTENSTION, 6 FT - 16-2 - SATELLITE DISH OPTION

WIRE ASSEMBLIES

KEY	PART NUMBER	U/M DESCRIPTION
	073328-B4-000	EA CABLE ASSEMBLY - BATTERY - W/TERMINALS
	090986-01-000	EA WIRE ASSEMBLY - ELECTRIC STEP
	096449-01-000	EA WIRE ASSEMBLY - WATER TANK TO MONITOR PANEL
	097618-01-000	EA WIRE ASSEMBLY - MONITOR PANEL- W/3 WIRES & ORANGE RESISTOR
	102636-02-000	EA WIRE ASSEMBLY - CLEARANCE LAMPS
	108303-01-000	EA WIRE ASSEMBLY - REAR AUTO HEATER
	110256-01-000	EA WIRE ASSEMBLY - INSTRUMENT PANEL - GENERATOR
	111915-01-000	EA WIRE ASSEMBLY - DAYTIME RUNNING LAMPS - FUSED
	113134-03-000	EA WIRE ASSEMBLY - WIPER/WASHER

CONVERTER & INVERTER

KEY	PART NUMBER	U/M DESCRIPTION
	083208-02-000	EA CONVERTER - POWER - 45A - 120/12V
	099048-03-000	EA INVERTER - 130 WATT

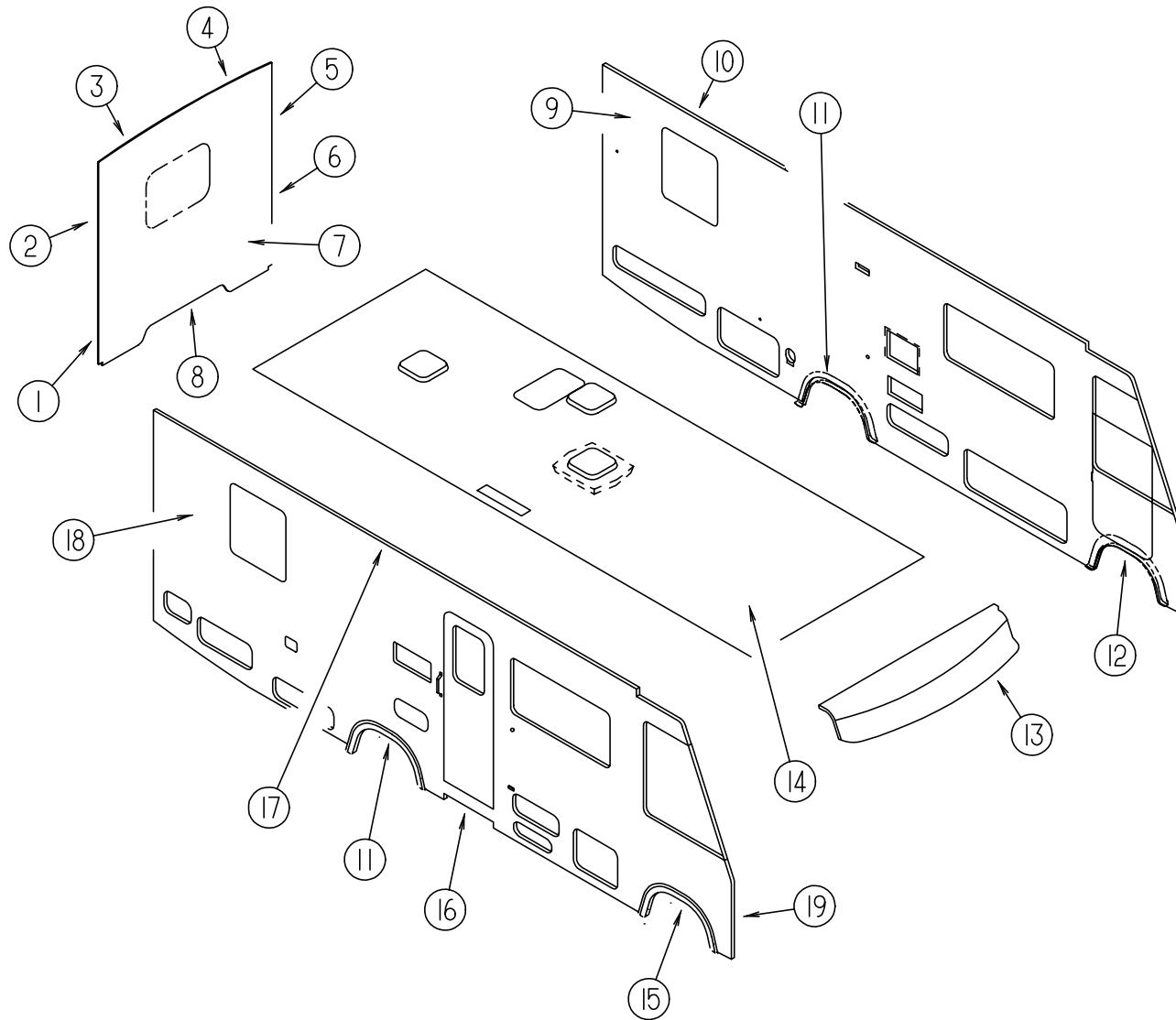
WATER PUMP SWITCH & COVER/ACTUATOR

KEY	PART NUMBER	U/M DESCRIPTION
	108357-08-000	EA SWITCH - ROCKER DPDT - ON/NONE/ON - 6 TERMINAL
	108356-02-01A	EA COVER/ACTUATOR SWITCH - 2 ROWS DIMPLES - CONTURA II - BLACK

MISCELLANEOUS ELECTRICAL COMPONENTS

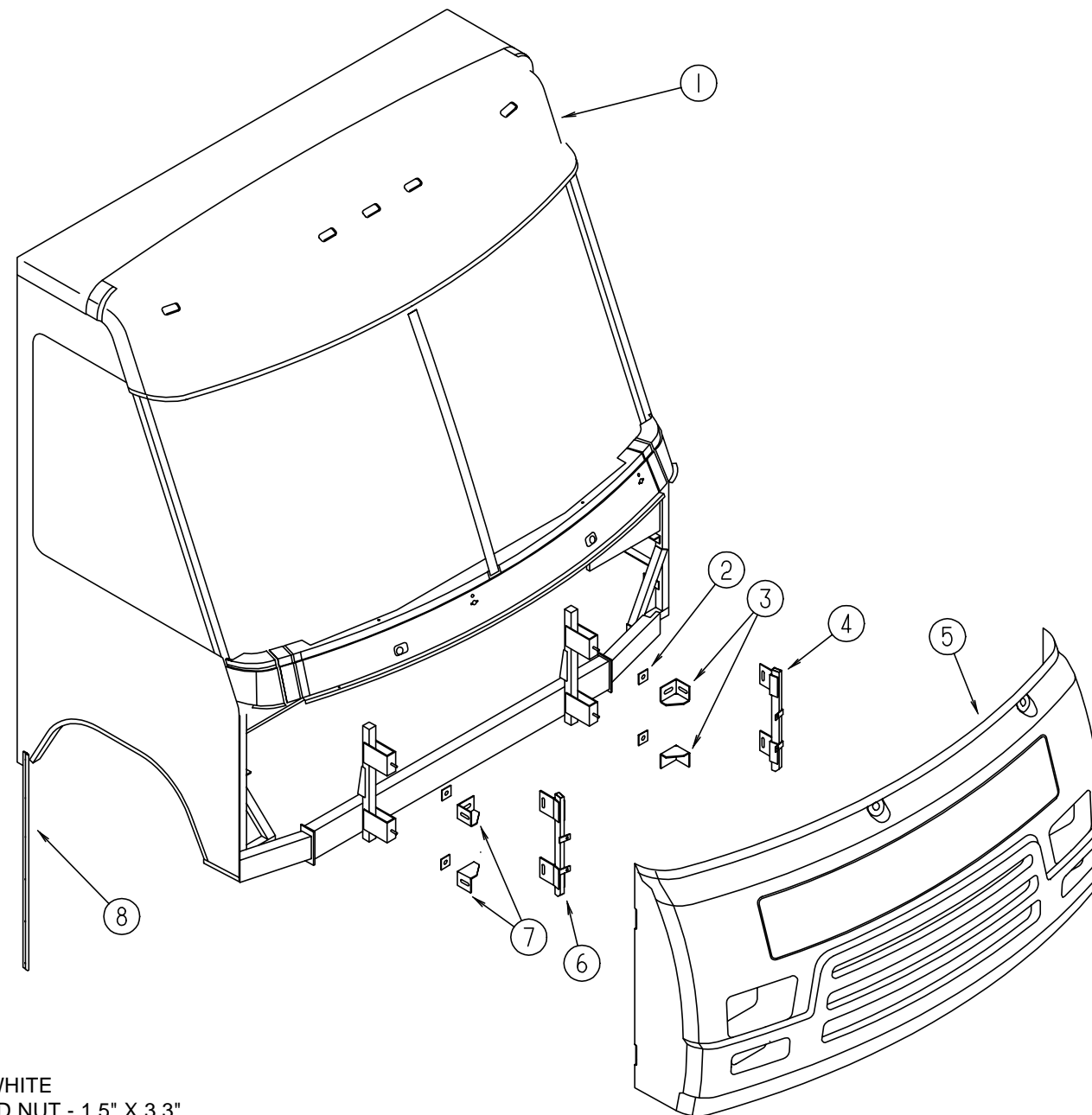
KEY	PART NUMBER	U/M DESCRIPTION
	007093-01-000	EA FLASHER-SIGNAL, STAT
	007956-05-000	EA INSULATOR - SHRINK - .25 ID X 1.50 - BLACK
	008188-01-000	EA SOLENOID - 3 POST, BATTERY CHANGE OVER
	022756-03-000	EA COVER-A/C, OFF WHITE - PLASTIC
	063910-01-000	EA HOUSING-RELAY
	063912-02-000	EA RELAY-CANISTER, SPDT
	086233-01-000	EA STUD-ISOLATED, 3/8" X 7/8" LONG
	086273-01-000	EA RELAY-BATTERY DISCONNECT
	103987-02-000	EA SEAL-SOLENOID ACCESS
	087225-01-000	FT SLEEVING - 1/2", TYPE H
	087225-02-000	FT SLEEVING - 5/8", TYPE H
	077479-01-000	EA BOOT-BATTERY TERMINAL, DOUBLE CABLE
	077479-02-000	EA BOOT-BATTERY TERMINAL, SINGLE CABLE
	087949-01-000	EA BUSS BAR - 2 POSITION - .6" X 1.5"
	087949-02-000	EA BUSS BAR - 3 POSITION - .6" X 2.4"

EXTERIOR BODY GROUP
EXTERIOR BODY PANELS AND TRIM



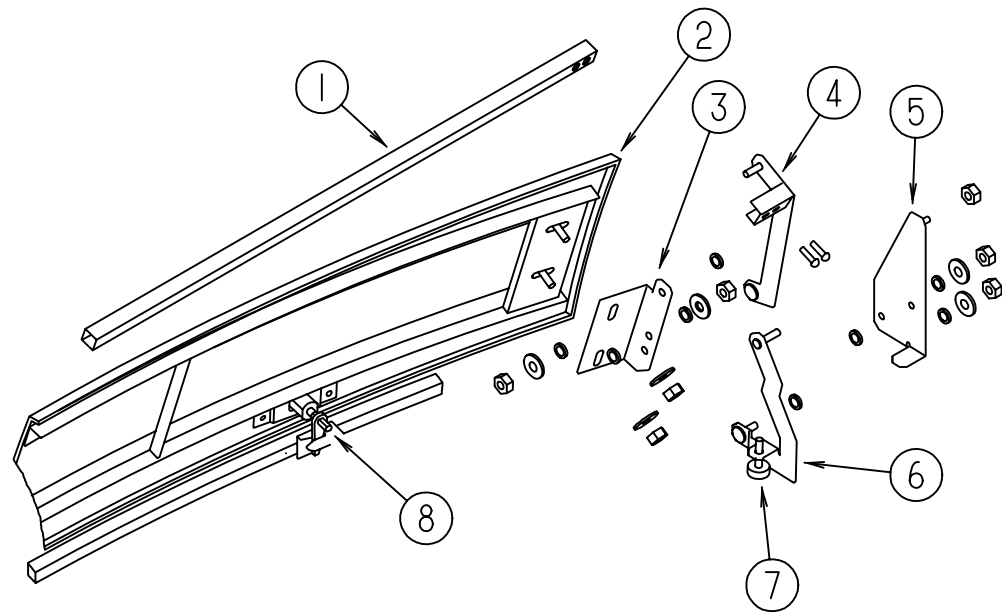
KEY	PART NUMBER	U/M	DESCRIPTION
1	119212-01-01A	EA	TRIM - BACKWALL - LOWER PASSENGER
2	114874-03-12B	EA	TRIM - BACKWALL - PASSENGER/SIDE - BRIGHT WHITE
3	114872-01-02A	EA	TRIM - BACKWALL - TOP/PASSENGER
4	114873-01-02A	EA	TRIM - BACKWALL - TOP/DRIVER
5	114874-04-12B	EA	TRIM - BACKWALL - DRIVER - BRIGHT WHITE
6	119212-02-01A	EA	TRIM - BACKWALL - LOWER DRIVER
7	122160-01-H33	EA	BACKWALL - W/O WINDOW/TRIM
7	122160-01-H34	EA	BACKWALL - W/O WINDOW/TRIM
7	122160-01-H35	EA	BACKWALL - W/O WINDOW/TRIM
8	050406-29-000	EA	TRIM - LOWER BACKWALL - DRIVER OR PASSENGER SIDE
9	124469-01-H33	EA	SIDEWALL - DRIVER - W/O WINDOWS/TRIM
9	124469-01-H34	EA	SIDEWALL - DRIVER - W/O WINDOWS/TRIM
9	124469-01-H35	EA	SIDEWALL - DRIVER - W/O WINDOWS/TRIM
10	093673-01-06A	FT	MOLDING - BODY ENTRANCE DOOR
11	108070-01-04A	EA	TRIM - REAR WHEELWELL - DRIVER/PASSENGER
11	122276-01-01A	EA	PANEL - WHEEL LIP - REAR
12	108069-07-01A	EA	TRIM - WHEELWELL/FRONT - DRIVER/PASSENGER - BRIGHT WHITE
12	122275-02-01A	EA	PANEL - WHEEL LIP - FRONT/DRIVER
12	122275-03-01A	EA	PANEL - WHEEL LIP - FRONT/DRIVER - DRIVER DOOR OPTION
13	115042-01-02A	EA	PANEL - ROOF CAP - W/O LIGHTS/WIRING
14	124471-01-H33	EA	ROOF - W/O VENTS/LIGHTS - W/WIRING
15	108069-07-01A	EA	TRIM - WHEELWELL/FRONT - DRIVER/PASSENGER - BRIGHT WHITE
15	122275-01-01A	EA	PANEL - WHEEL LIP - FRONT/PASSENGER
16	122562-01-H33	EA	TRIM - SIDEWALL
	108109-03-01A	EA	TRIM - SIDEWALL - LOWER/FRONT - BRIGHT WHITE FROM: 00-00-00 THRU: 04-20-97
	108109-13-01A	EA	TRIM - SIDEWALL - LOWER/FRONT - BRIGHT WHITE FROM: 04-21-97 THRU: 99-99-99
	122230-10-01A	EA	TRIM - ROCKER PANEL - 192" - BRIGHT WHITE
	116800-55-005	EA	EXTRUDED CHANNEL - 192" - BRIGHT WHITE
17	120092-01-02A	EA	RAIL - AWNING
18	124470-01-H33	EA	SIDEWALL - PASSENGER - W/O WINDOWS/TRIM
18	124470-01-H34	EA	SIDEWALL - PASSENGER - W/O WINDOWS/TRIM
18	124470-01-H35	EA	SIDEWALL - PASSENGER - W/O WINDOWS/TRIM
19	116800-55-005	EA	EXTRUDED CHANNEL - 192" - BRIGHT WHITE
	108109-03-01A	EA	TRIM - SIDEWALL - LOWER/FRONT - BRIGHT WHITE FROM: 00-00-00 THRU: 04-20-97
	108109-13-01A	EA	TRIM - SIDEWALL - LOWER/FRONT - BRIGHT WHITE FROM: 04-21-97 THRU: 99-99-99
	122230-10-01A	EA	TRIM - ROCKER PANEL - 192" - BRIGHT WHITE
	108039-07-01A	EA	TRIM - SIDEWALL - 28.6"
	104033-10-02A	EA	TRIM-J - BACKWALL - DRIVER/PASSENGER - BRIGHT WHITE
	105312-01-07A	FT	INSERT - VINYL FEATURE STRIP - BRIGHT WHITE
	108651-01-01A	EA	END CAP - FEATURE STRIP
	108688-01-03A	EA	STRIP - FEATURE - 15'
	120091-02-02A	EA	TRIM - ROOF
	002726-01-001	EA	GARNISH - U-CHANNEL - 1.38" X 19' - SERRATED
	033381-17-001	FT	STEEL - TUBE - 16 GAUGE 1.5" X 1.5" X 16'
	058267-01-000	FT	CHANNEL - STEEL - W/HOLES - SIDEWALL STIFFENER - 2" X 20'

EXTERIOR BODY GROUP (CONTINUED)
FRONT END COMPONENTS



KEY	PART NUMBER	U/M	DESCRIPTION
1	115042-01-02A	EA	PANEL-ROOF CAP, BRIGHT WHITE
	070579-06-000	EA	PLATE-ANCHOR, W/7/16 WELD NUT - 1.5" X 3.3"
	077001-01-000	EA	ANGLE - MOUNTING ROOF PANEL V ANGLE - 3" X 2.4" X 1.5"
2	116617-02-02B	EA	SPACER/WASHER-BUMPER, SQUARE - E-COAT STEEL
3	117611-04-02B	EA	BRACKET-BUMPER, E-COATED - LH
4	118997-07-H33	EA	SUPPORT ASM-GRILLE, FRONT - LH
5	121539-01-01A	EA	PANEL - FRONT/LOWER
	002328-02-000	EA	BLOCK-RUBBER, .062" X .5" X .98"
	121554-01-H33	EA	GRILLE ASSEMBLY-UPPER
	121555-01-H33	EA	GRILLE ASSEMBLY-LOWER
	115951-01-02B	EA	PLATE ASSEMBLY-HEADLAMP - DUAL - RH
	115951-02-02B	EA	PLATE ASSEMBLY-HEADLAMP - DUAL - LH
	119445-01-02B	EA	PLATE-W/HOLES - 1.5" X 1", E-COAT STEEL
	103136-03-000	EA	BRACKET - SUPPORT UPPER - HINGE/RIGHT
	103136-04-000	EA	BRACKET - SUPPORT UPPER - HINGE/LEFT
6	118997-06-H33	EA	SUPPORT ASM-GRILLE, FRONT - RH
7	117611-03-02B	EA	BRACKET-BUMPER, E-COATED - RH
8	089922-34-000	EA	TRIM-FIBERGLASS PANEL, BRIGHT WHITE
			FROM: 00-00-00 THRU: 12-01-96
8	123680-03-01A	EA	TRIM-FIBERGLASS PANEL, BRIGHT WHITE
			FROM: 12-02-96 THRU: 99-99-99

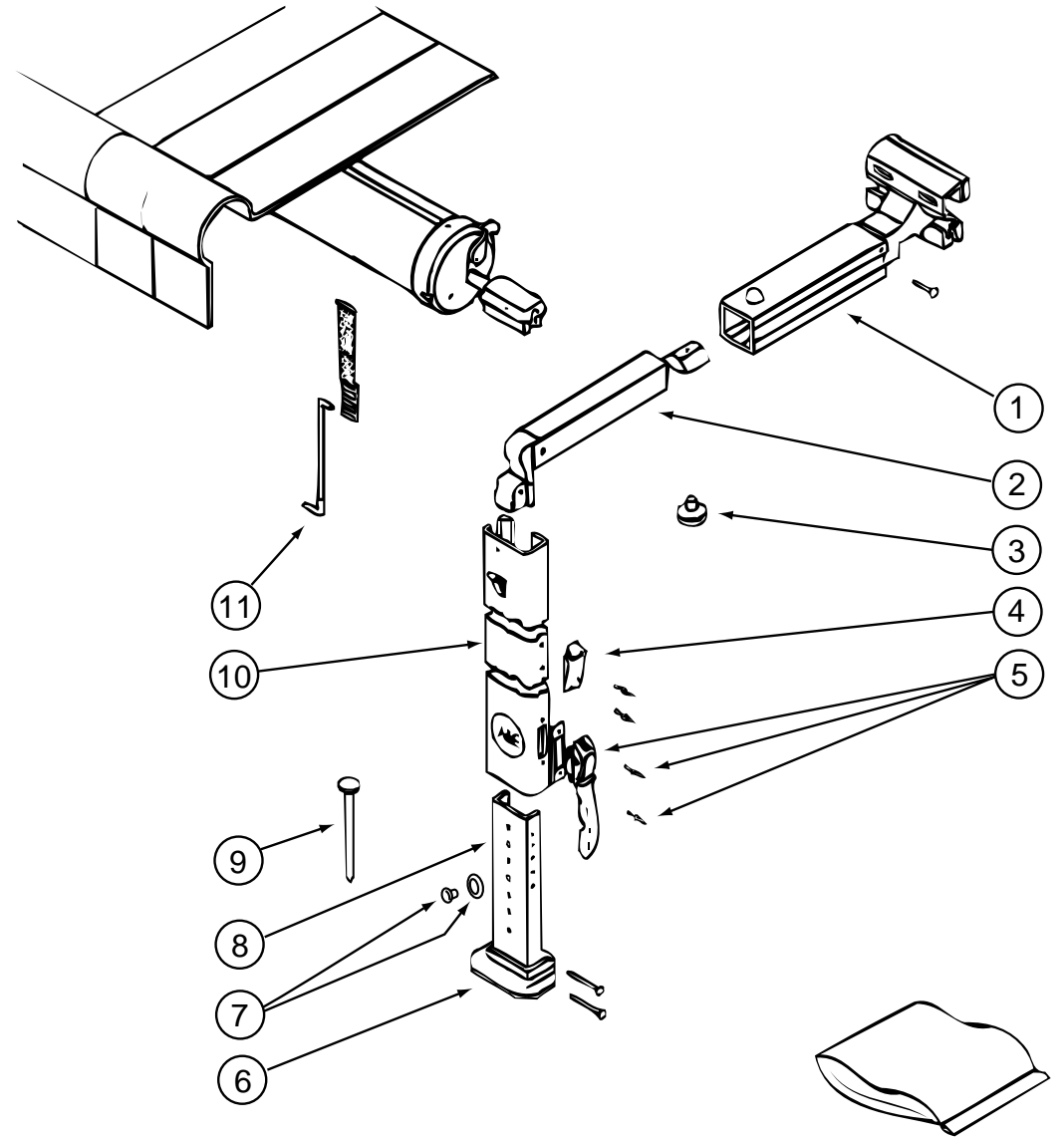
EXTERIOR BODY GROUP (CONTINUED)



HOOD & COMPONENTS

KEY	PART NUMBER	U/M	DESCRIPTION
1	105096-10-000	EA	TUBE-HOOD HINGE TIMING W/WELDNUTS
2	115976-04-H01	EA	PANEL-HOOD, BRIGHT WHITE
3	109927-03-000	EA	ANGLE-LINK, HOOD - RH
3	109927-04-000	EA	ANGLE-LINK, HOOD - LH
4	109929-07-000	EA	LINK-HINGE, HOOD - UPPER - RH
4	109929-08-000	EA	LINK-HINGE, HOOD - UPPER - LH
5	109926-23-000	EA	BRACKET-LINK, HINGE - RH
5	109926-24-000	EA	BRACKET-LINK, HINGE - LH
6	109930-15-000	EA	LINK-HINGE W/O BUMPER BOLT, HOOD - LOWER - RH
6	109930-16-000	EA	LINK-HINGE W/O BUMPER BOLT, HOOD - LOWER - LH
7	058786-01-000	EA	BOLT-HOOD, ADJUSTING W/RUBBER BUMPER
8	102330-02-000	EA	LOCK-SINGLE HOLE, VISE ACTION - SOUTHCOE 3-56-715-5
	102328-01-000	EA	KEY-BARREL, NICKEL PLATED - SOUTHCOE 3-26-715-19
	099418-01-000	FT	SEAL - D-SECTION/ADHESIVE BACK - .44" X .44" - BLACK RUBBER
	106748-06-000	EA	LATCH-HOOD, FRONT END

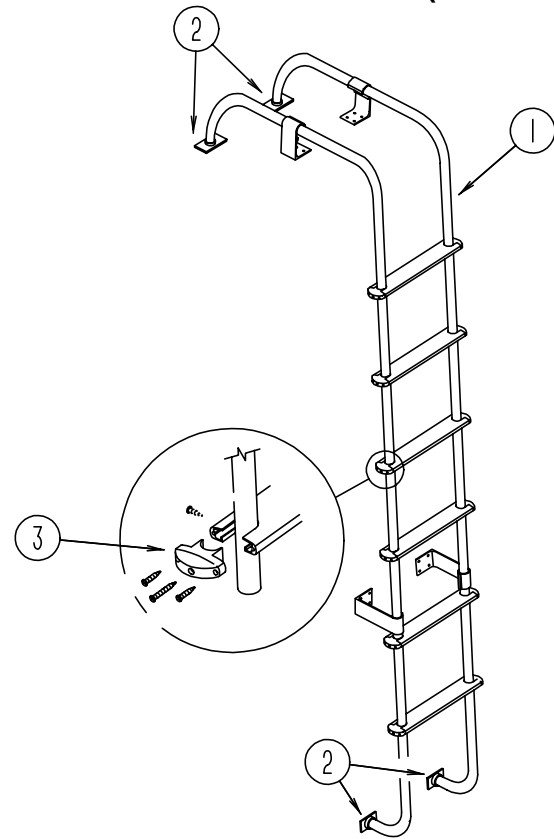
EXTERIOR BODY GROUP (CONTINUED)



A & E AWNING & HARDWARE

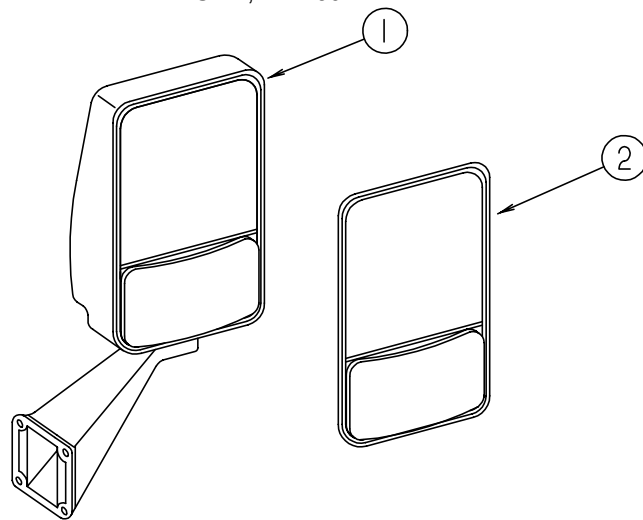
KEY	PART NUMBER	U/M	DESCRIPTION	VENDOR NO.
	113874-05-05A	EA	AWNING - W/O HDW 14' (POLAR BLUE LAVENDER) VINYL	
	111037-01-01A	EA	SPACER - AWNING - UPPER - BLACK	
	111038-01-01A	EA	SPACER - AWNING - LOWER	
	113874-01-02A	EA	HARDWARE KIT - AWNING- W/O STANDOFF BRACKET - BRIGHT WHITE	
1	113874-01-714	EA	RAFTER - MAIN RH/LH - BRIGHT WHITE	830295.536F
2	113874-01-715	EA	RAFTER - SECONDARY - BRIGHT WHITE	830463.511F
3	113874-01-702	EA	KNOB - ADJUSTING	3105421.014
4	113874-01-706	EA	LOCK - TRAVEL	830587.001
5	113874-01-707	EA	HANDLE - LIFT W/RIVETS	830644
6	113874-01-712	EA	FOOT - PATIO	730366-001
7	113874-01-710	EA	PLUG-STOP KIT	830456
8	113874-01-717	EA	ARM - ADJUSTABLE - BRIGHT WHITE	830467.517/F
9	113874-01-709	EA	NAIL-SPIKE, 8"	113006
10	113874-01-716	EA	ARM - MAIN SUPPORT - BRIGHT WHITE	3104502.293/F
11	113874-01-703	EA	ROD-CENTER PULL W/ACCESSORY	830152.102
	119496-01-02A	EA	SPACER/ZEE - AWNING	

EXTERIOR BODY GROUP (CONTINUED)



LADDER

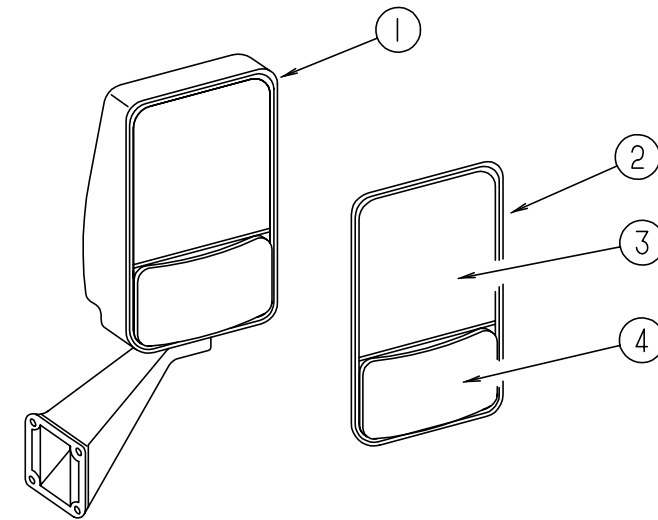
KEY	PART NUMBER	U/M DESCRIPTION
1	102953-16-G09	EA LADDER ASSEMBLY
2	067165-01-000	EA MOUNTING BRACKET-LADDER, LOWER
3	076980-02-000	EA END CAP-STEP, BLACK
	038327-01-000	EA TAPE-ANTI SLIP, 2" X 60'



VELVAC EXTERIOR MIRRORS

KEY	PART NUMBER	U/M DESCRIPTION	VENDOR NO.
1	106015-09-01A	EA MIRROR ASM-EXTERIOR ADJUST GLASS RIGHT - BLACK FROM: 00-00-00 THRU: 01-05-97	
1	106015-14-01A	EA MIRROR ASM-EXTERIOR ADJUST GLASS RIGHT - BLACK FROM: 01-06-97 THRU: 99-99-99	
1	106015-10-01A	EA MIRROR ASM-EXTERIOR ADJUST GLASS LEFT - BLACK FROM: 00-00-00 THRU: 01-05-97	
1	106015-15-01A	EA MIRROR ASM-EXTERIOR ADJUST GLASS LEFT - BLACK FROM: 01-06-97 THRU: 99-99-99	
2	106015-01-703	EA MIRROR KIT (BEZEL W/MIRRORS) PASSENGER SIDE	709266
2	106015-02-702	EA MIRROR KIT (BEZEL W/MIRRORS) DRIVER SIDE	709267

EXTERIOR BODY GROUP (CONTINUED)



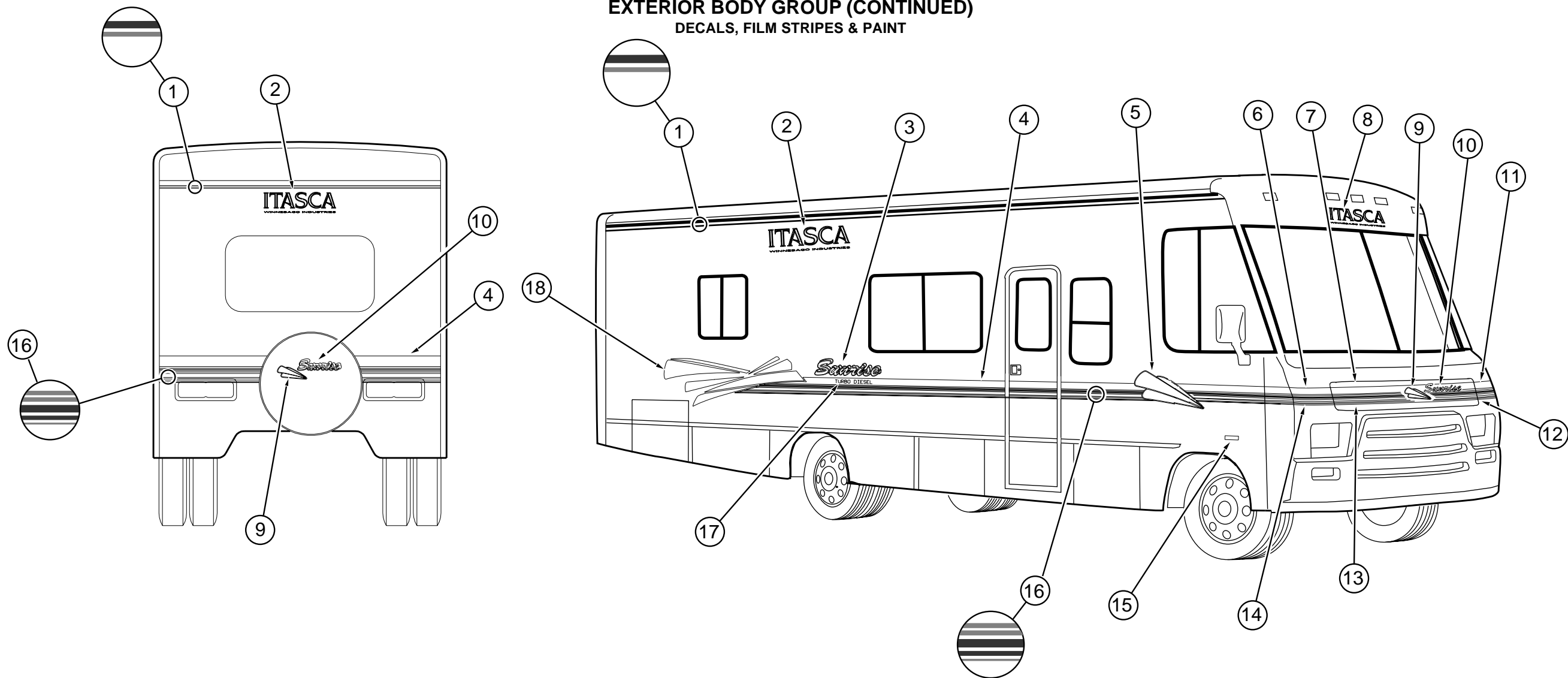
VELVAC HEATED EXTERIOR MIRRORS

KEY	PART NUMBER	U/M DESCRIPTION	VENDOR NO.
1	106015-05-01A	EA MIRROR ASM - REMOTE/HEATED RIGHT W/O SWITCHES FROM: 00-00-00 THRU: 11-05-96	
1	106015-12-01A	EA MIRROR ASM - REMOTE/HEATED RIGHT W/O SWITCHES FROM: 11-06-96 THRU: 99-99-99	
1	106015-06-01A	EA MIRROR ASM - REMOTE/HEATED LEFT W/O SWITCHES FROM: 00-00-00 THRU: 11-05-96	
1	106015-13-01A	EA MIRROR ASM - REMOTE/HEATED LEFT W/O SWITCHES FROM: 11-06-96 THRU: 99-99-99	
2	086261-01-704	EA MIRROR KIT (BEZEL W/MIRRORS) PASSENGER SIDE	709091-8
2	086261-02-701	EA MIRROR KIT (BEZEL W/MIRRORS) DRIVER SIDE	709269
3	106015-12-700	EA GLASS-FLAT W/HEAT & CLIP FROM: 11-06-96 THRU: 99-99-99	709448
4	106015-12-701	EA GLASS-CONVEX W/HEAT & CLIP FROM: 11-06-96 THRU: 99-99-99	709449
	087695-02-000	EA SWITCH-HEATER, EXTERIOR MIRROR - EURAMTEC DAV4720-12	
	087695-03-000	EA CONNECTOR-ASSEMBLY - EURAMTEC RT10484802	
	088246-01-000	EA SWITCH-REMOTE, EXTERIOR MIRROR - SQUARE PUSH 7471290	

FIBERGLASS, STYROFOAM & INSULATION

KEY	PART NUMBER	U/M DESCRIPTION
	076054-S1-000	EA FIBERGLASS SHEET - 96" X 108" - BRIGHT WHITE
	076054-T2-000	EA FIBERGLASS SHEET - 106.8" X 343.5" - BRIGHT WHITE
	077517-62-000	EA FIBERGLASS-SHEET, FLAT - .045" X 48" X 96" - BRIGHT WHITE
	077517-64-000	EA FIBERGLASS SHEET - 48" X 96" - GRAY
	108535-05-702	EA FIBERGLASS SHEET-FLAT, 110" X 396" BRIGHT WHITE (ROOF COVERING)
	108535-04-705	EA FIBERGLASS SHEET-FLAT, 6" X 34' - BRIGHT WHITE (ROOF COVERING)
	072877-03-000	EA INSULATION-SOUND BARRIER, 1" X 36" X 57"
	072878-01-000	SF INSULATION-SOUND BARRIER PAD, .058" X 33" X 58"
	000870-08-000	SF STYROFOAM - .75" X 48" X 96" - PLANED - INCREMENTS OF 32 SF
	100619-01-000	BF FOAM-EXPANDED POLYSTYRENE, 1.34" X 48" X 96" - 1.5 LB/SQ FT DENSITY
	100619-04-000	BF FOAM-EXPANDED POLYSTYRENE, .5" X 48" X 96" - 2 LB/SQ FT DENSITY
	100619-05-000	BF FOAM-EXPANDED POLYSTYRENE, .75" X 48" X 96" - 1.5 LB/SQ FT DENSITY
	100619-10-000	BF FOAM-EXPANDED POLYSTYRENE, 1.5" X 48" X 96" - 2 LB/SQ FT DENSITY
	100619-11-000	BF FOAM-EXPANDED POLYSTYRENE, 2" X 48" X 96" - 1.5 LB/SQ FT DENSITY
	100619-16-000	BF FOAM-EXPANDED POLYSTYRENE, .75" X 48" X 96" - 2 LB/SQ FT DENSITY
	120107-03-000	EA FOAM-PLUG, TUBE - 29.6 MM X 54.5 MM X 45 MM LONG - POLYSTYRENE FOAM
	120107-01-000	EA FOAM-COVE, ROOF - 70.6 MM X 2438 MM LONG - POLYSTYRENE FOAM
	120107-02-000	EA FOAM-PLUG, TUBE - 57 MM X 74.3 MM X 45 MM LONG - POLYSTYRENE FOAM

EXTERIOR BODY GROUP (CONTINUED)
DECALS, FILM STRIPES & PAINT

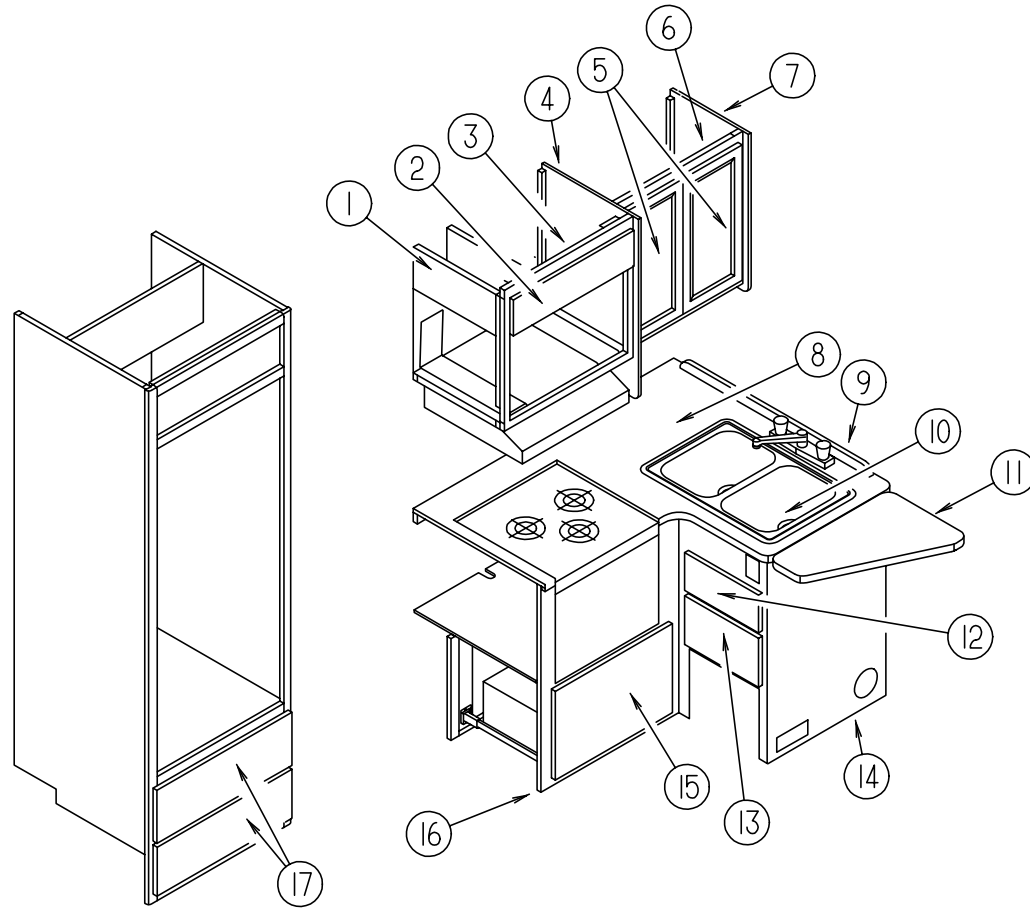


KEY	PART NUMBER	U/M	DESCRIPTION
1	105781-51-01A	FT	FILM-MULTISTRIPE, 65.1 MM WIDE - MAJESTIC PURPLE/UMBRA BROWN
2	120711-01-02A	EA	DECAL-LOGO, ITASCA - WINNEBAGO INDUSTRIES - AMETHYST FROST/BRIGHT WHITE
3	121425-01-01A	EA	DECAL-LOGO, SUNRISE - LARGE AMETHYST FROST/MAJESTIC PURPLE/UMBRA BROWN/BRIGHT WHITE
4	093681-49-01A	FT	FILM - STRIPE, 88.9 MM WIDE - MAJESTIC PURPLE
5	121419-01-01A	EA	DECAL-BURST, SMALL - RH SHALE BLUE/AMETHYST FROST/MAJESTIC PURPLE/UMBRA BROWN/BRIGHT WHITE
	121419-02-01A	EA	DECAL-BURST, SMALL - LH SHALE BLUE/AMETHYST FROST/MAJESTIC PURPLE/UMBRA BROWN/BRIGHT WHITE
6	121421-01-01A	EA	DECAL-CORNER, UPPER - RH - MAJESTIC PURPLE
7	121423-01-01A	EA	DECAL-HOOD, UPPER - MAJESTIC PURPLE
8	120710-02-01A	EA	DECAL-LOGO, ITASCA - WINNEBAGO INDUSTRIES - AMETHYST FROST/BRIGHT WHITE
9	121420-01-01A	EA	DECAL-BURST, HOOD & BACK SHALE BLUE/AMETHYST FROST/MAJESTIC PURPLE/UMBRA BROWN/BRIGHT WHITE
10	121425-02-01A	EA	DECAL-LOGO, SUNRISE - SMALL AMETHYST FROST/MAJESTIC PURPLE/UMBRA BROWN/BRIGHT WHITE
11	121421-02-01A	EA	DECAL-CORNER, UPPER - LH - MAJESTIC PURPLE
12	121422-02-01A	EA	DECAL-CORNER, LOWER - LH - AMETHYST FROST/UMBRA BROWN/SHALE BLUE
13	121424-01-01A	EA	DECAL-HOOD, LOWER - AMETHYST FROST/UMBRA BROWN/SHALE BLUE
14	121422-01-01A	EA	DECAL-CORNER, LOWER - RH - AMETHYST FROST/UMBRA BROWN/SHALE BLUE
15	122312-01-01A	EA	DECAL-VORTEC 7400 - BLACK/OFF WHITE/MIST GRAY/SPECTRA RED
16	094445-05-01A	FT	FILM-MULTISTRIPE, 119.1 MM WIDE - AMETHYST FROST/UMBRA BROWN/SHALE BLUE
17	111318-03-03A	EA	DECAL-TURBO DIESEL, BRIGHT WHITE
18	121418-01-01A	EA	DECAL-BURST, LARGE - RH SHALE BLUE/AMETHYST FROST/MAJESTIC PURPLE/UMBRA BROWN
	121418-02-01A	EA	DECAL-BURST, LARGE - LH SHALE BLUE/AMETHYST FROST/MAJESTIC PURPLE/UMBRA BROWN

DUPONT COLOR CODES

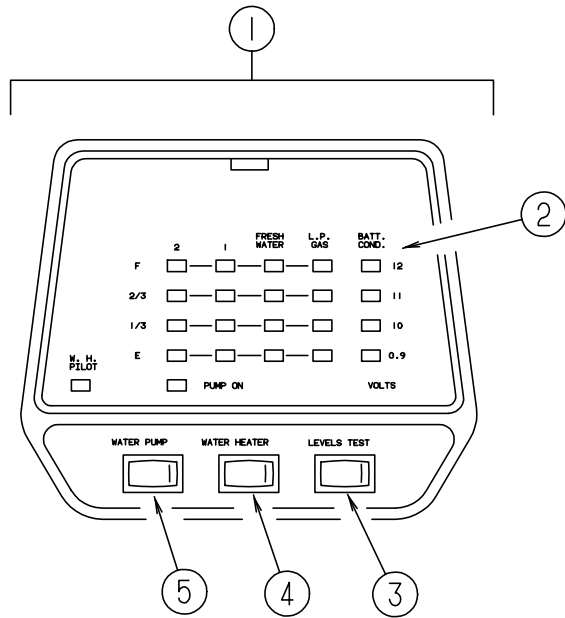
BRIGHT WHITE (MAIN BODY COLOR)	#B8951
UMBRA (LOWER ACCENT COLOR)	#F2529
UMBRA BROWN (DECAL COLOR)	#F2529
MAJESTIC PURPLE METALLIC (DECAL COLOR)	#F0740
AMETHYST FROST METALLIC (DECAL COLOR)	#RM012
SHALE BLUE METALLIC (DECAL COLOR)	#F0744

GALLEY GROUP
GALLEY CABINETRY



KEY	PART NUMBER	U/M	DESCRIPTION
1	121329-03-H13	EA	CABINET - A/C SWITCH
2	M05992-J9-H13	EA	DOOR - MITERED CORNER/OGEE EDGE - 5.1" X 22.4" - W/O HDW
3	121328-06-H33	EA	CABINET - OVERHEAD/MICROWAVE - W/O DOORS/HARDWARE
4	081320-16-G09	EA	END CAP - OVERHEAD CABINET
5	M06803-W7-H33	EA	DOOR - MITERED CORNER/OGEE EDGE - 10.2"W X 21.4" - W/O HDW
6	122174-01-H33	EA	CABINET - OVERHEAD/GALLEY - W/O DOORS/HARDWARE
	122174-11-H33	EA	SHELF - W/PLASTIC EDGE TRIM
7	103128-11-H33	EA	END CAP - OVERHEAD CABINET - RIGHT HAND
8	122162-11-H33	EA	COUNTERTOP - GALLEY
8	122162-11-H34	EA	COUNTERTOP - GALLEY
8	122162-11-H35	EA	COUNTERTOP - GALLEY
9	098335-22-H33	EA	RAIL - GALLEY - 37.4"
9	098335-22-H34	EA	RAIL - GALLEY - 37.4"
9	098335-22-H35	EA	RAIL - GALLEY - 37.4"
10	104113-01-000	EA	SINK - DOUBLE - STAINLESS STEEL
	092303-01-000	EA	STRAINER - SINK
	104114-02-01A	EA	FAUCET - GALLEY - SINGLE CONTROL
	103635-01-000	EA	FAUCET - SINGLE CONTROL
	108464-01-E13	EA	COVER - SINK - SMALL - 15.2" X 11.1" - RH (H33)
	108464-01-H34	EA	COVER - SINK - SMALL - 15.2" X 11.1" - RH (H34/H35)
	108464-02-E13	EA	COVER - SINK - SMALL - 15.2" X 11.1" - LH (H33)
	108464-02-H34	EA	COVER - SINK - SMALL - 15.2" X 11.1" - LH (H34/H35)
11	122162-12-H33	EA	EXTENSION ASM
11	122162-12-H34	EA	EXTENSION ASM
11	122162-12-H35	EA	EXTENSION ASM
12	M05971-Z0-H33	EA	DRAWER - OGEE EDGE - 11.2"W X 7.9"D - W/O SLIDES/HARDWARE
13	M05971-Z1-H33	EA	DRAWER - OGEE EDGE - 11.2"W X 11.8"D - W/O SLIDES/HARDWARE
14	122162-01-H33	EA	CABINET - GALLEY - W/O DOORS/DRAWERS/HARDWARE
14	122162-01-H34	EA	CABINET - GALLEY - W/O DOORS/DRAWERS/HARDWARE
14	122162-01-H35	EA	CABINET - GALLEY - W/O DOORS/DRAWERS/HARDWARE
15	M05971-Z2-H33	EA	DRAWER - OGEE EDGE - 19.6"W X 13.8"D - W/O SLIDES/HARDWARE
16	122162-19-H33	EA	TOE KICK ASM
17	M05971-Y9-H33	EA	DRAWER - OGEE EDGE - 22.5"W X 11.8"D - W/O SLIDES/HARDWARE
	090329-01-000	FT	SEAL/T - REFRIGERATOR CABINET

GALLEY GROUP (CONTINUED)



LVS MONITOR PANEL

KEY	PART NUMBER	U/M DESCRIPTION	VENDOR NO.
1	102765-04-01A	EA PANEL-MONITOR, W/PLUG - FOR 2 TANKS & WATER HEATER	
2	102765-04-700	EA BOARD-CIRCUIT, 2 HOLDING TANK	5076-11
3	097617-01-702	EA SWITCH (ALMOND)	107
4	097617-01-701	EA SWITCH-ON/OFF, ALMOND	106
5	102765-01-700	EA SWITCH-ON-ON, ALMOND	110-01

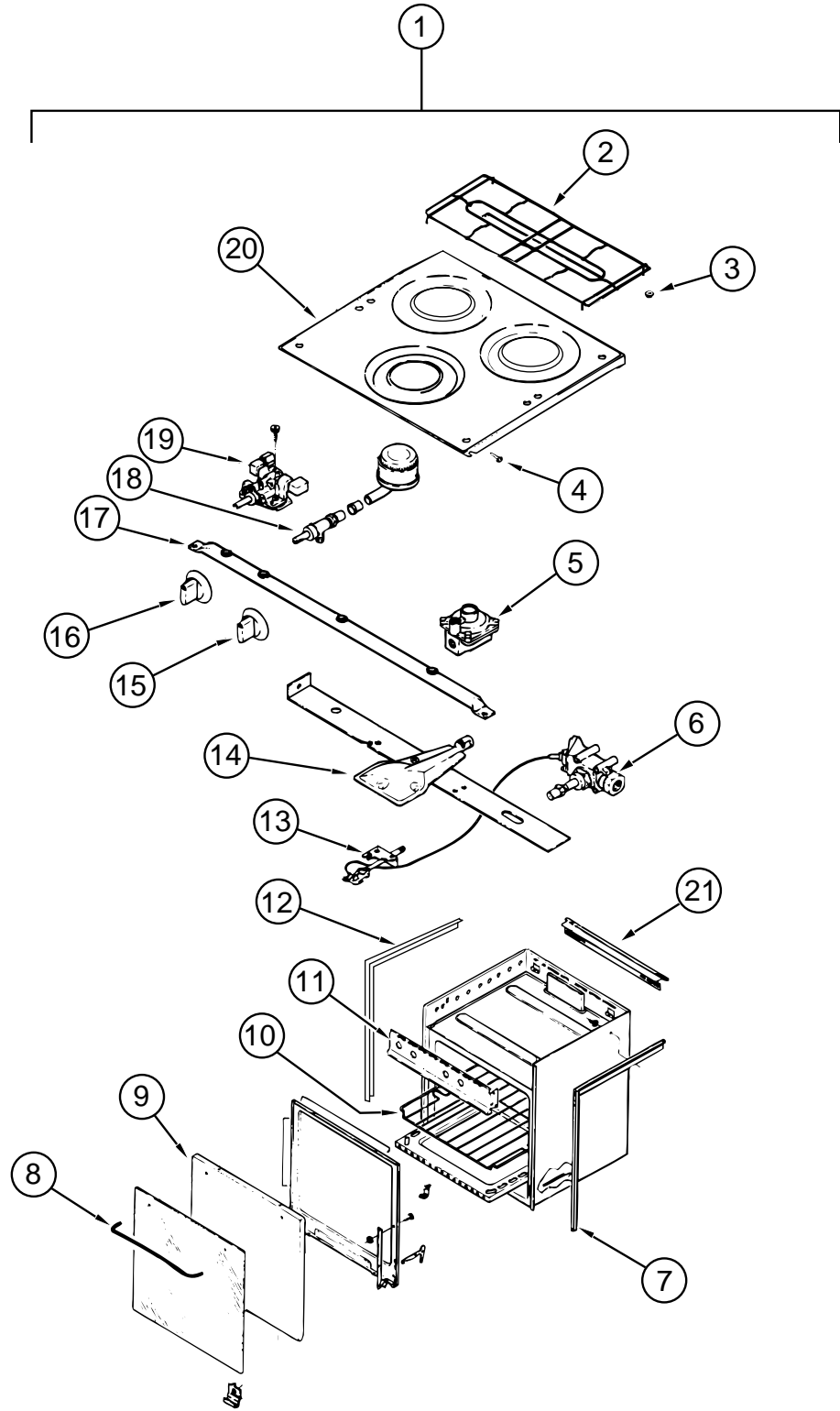
**GALLEY GROUP (CONTINUED)
MAGIC CHEF MICROWAVE OVEN**

KEY	PART NUMBER	U/M DESCRIPTION
	115303-02-000	EA OVEN - MICROWAVE - 1.3 CU FT
	115401-02-01A	EA TRIM - MICROWAVE
	094756-03-G15	EA BRACKET - ANGLE - W/HOLES
	094756-02-01A	EA BRACKET - L - MICROWAVE - 6.1" LONG X 3.9" WIDE - STEEL
	098916-16-02B	EA BRACE - MICROWAVE - LEFT HAND
	098916-17-02B	EA BRACE - MICROWAVE - RIGHT HAND
	094750-07-000	EA BRACKET - MICROWAVE - 89 DEGREE

COFFEE MAKER

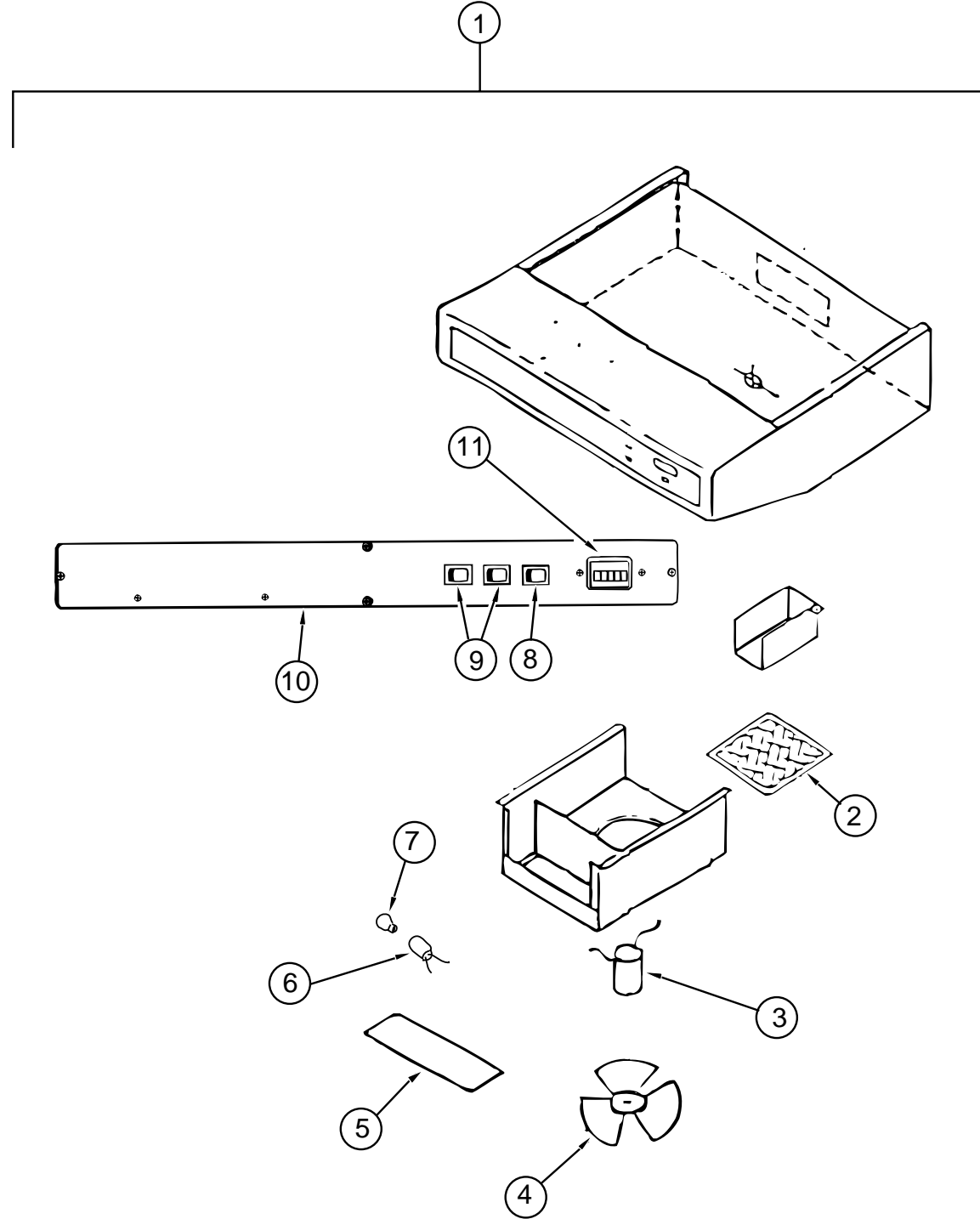
KEY	PART NUMBER	U/M DESCRIPTION	VENDOR NO.
	103799-02-01A	EA COFFEE MAKER WITH CLOCK, WHITE - BLACK & DECKER SDC2B	FROM: 00-00-00 THRU: 04-13-97
	103799-01-700	EA CARAFE-GLASS POT - BLACK & DECKER	679420 FROM: 00-00-00 THRU: 04-13-97
	103799-01-701	EA BRACKETS-WHITE, PAIR - BLACK & DECKER	164734-06 FROM: 00-00-00 THRU: 04-13-97
	126019-01-01A	EA COFFEEMAKER - OPTIMA - W/BRACKETS	FROM: 04-14-97 THRU: 99-99-99

GALLEY GROUP (CONTINUED)
MAGIC CHEF RANGE



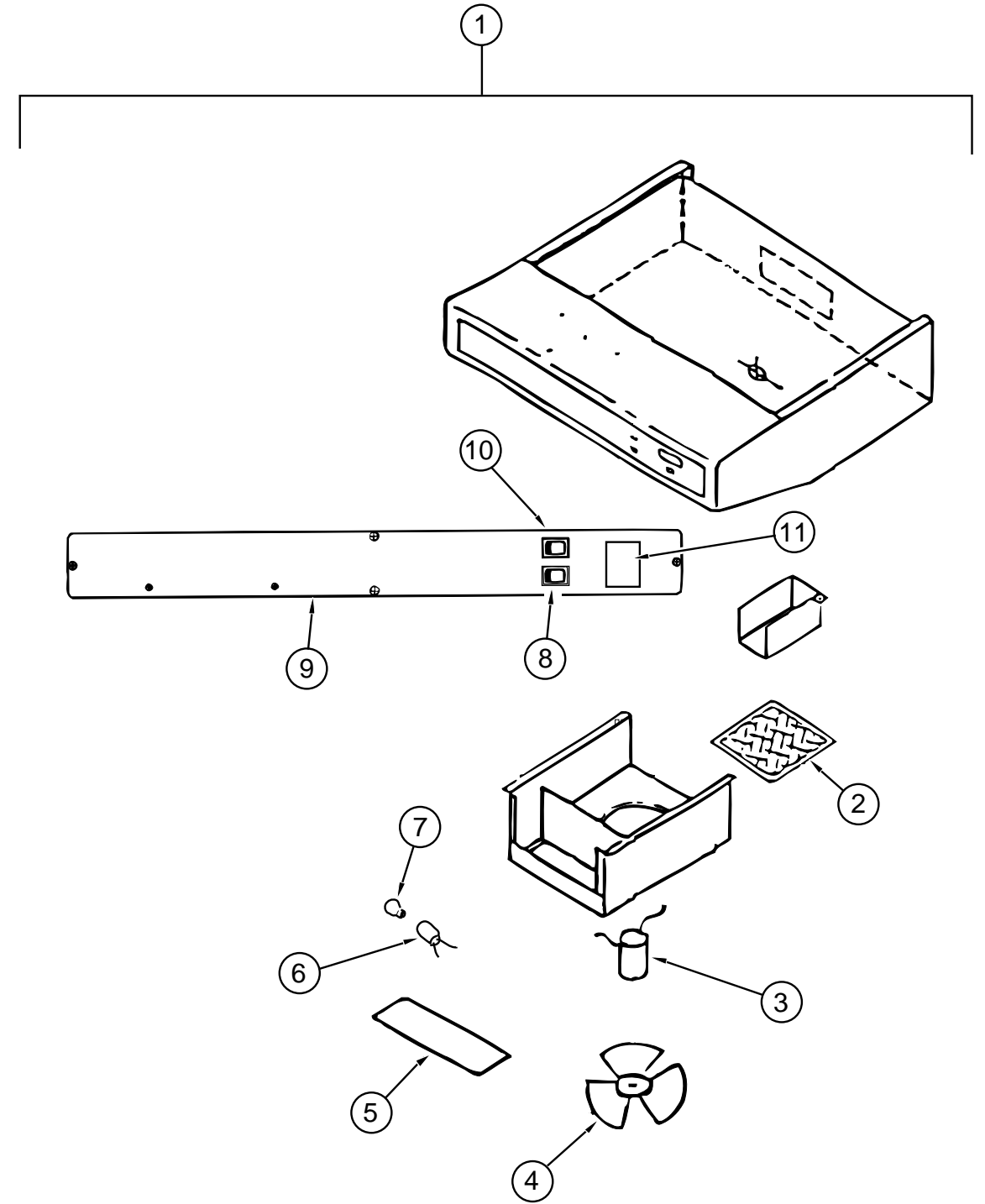
KEY	PART NUMBER	U/M	DESCRIPTION	VENDOR NO.
1	112881-01-04A	EA	RANGE - 16", 3 BURNER - MAGIC CHEF 16RB-3B49	
2	102020-01-711	EA	GRATE-TOP	7518P012-60
3	102020-01-709	EA	BUMPER-GRATE	8007-P020-60
4	102020-01-724	EA	BUMPER-MAIN TOP	8003P008-60
5	102022-01-708	EA	REGULATOR-PRESSURE, 1/4 IN 1/2 OUT	7510P041-60
6	112881-01-702	EA	VALVE-MERCURY, SAFETY VALVE	7501-P121-60
7	112881-01-720	EA	TRIM-FLAT, RIGHT - BLACK TEXTURED	74002813
8	102020-01-701	EA	HANDLE-DOOR	7701P092-60
9	112881-01-713	EA	DOOR-OVEN, TEXTURED	2401F079-70
10	102020-01-700	EA	SHELF-OVEN	7801-P027-60
11	112881-01-701	EA	MANIFOLD PANEL	2616F091-70
12	112881-01-707	EA	TRIM-FLAT, LEFT - BLACK TEXTURED	74002812
13	112881-01-710	EA	PILOT-OVEN	7505P202-60
14	112881-01-711	EA	BURNER ASSEMBLY-OVEN	3404W025045
15	112881-01-705	EA	KNOB-TOP BURNER	7733P072-60
15	112881-01-718	EA	KNOB-HIGH OUTPUT, FLAME INDICATOR	74001794
16	112881-01-704	EA	KNOB-THERMOSTAT	7731P067-60
16	112881-01-716	EA	KNOB-THERMOSTAT, REF. SER. # 03C	7731P107-60
17	112881-01-709	EA	PIPE-MANIFOLD	7513P097-60
18	102020-01-722	EA	VALVE-TOP BURNER	7502P181-60
18	112881-01-703	EA	VALVE-TOP BURNER, HI-OUTPUT	7502P180-60
19	112881-01-706	EA	THERMOSTAT - REF. SER. # 02C	12400026
19	112881-01-715	EA	THERMOSTAT - REF. SER. # 03C	7515P037-60
19	112881-01-722	EA	THERMOSTAT - REF. SER. # 01C, 11, 12, 13, ETC.	7515P029-60
20	112881-01-712	EA	TOP-MAIN, BLACK	740101486
21	112881-01-721	EA	DEFLECTOR-FLUE, BLACK TEXTURED	74002809
	105458-03-000	EA	BRACKET - STOVE TIEDOWN - RIGHT HAND	
	105458-04-000	EA	BRACKET - STOVE TIEDOWN - LEFT HAND	

NOTE: (REF. SER. #) REFERS TO THE FIRST THREE CHARACTERS OF THE RANGE'S SERIAL NUMBER



RANGE HOOD - US - GENERATOR OPTIONS

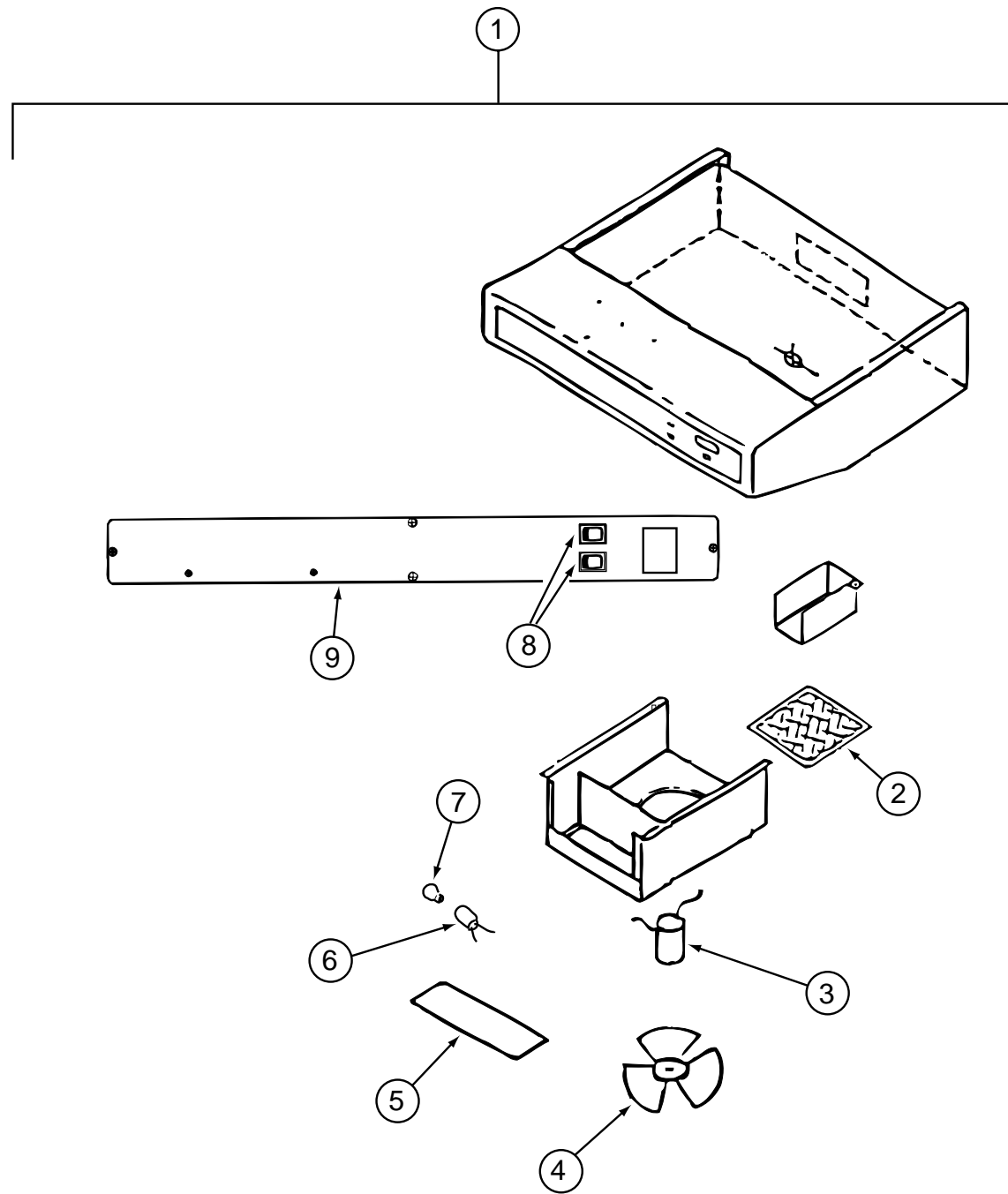
KEY	PART NUMBER	U/M DESCRIPTION	VENDOR NO.
1	100258-18-03A	EA HOOD-RANGE, W/O MONITOR PANEL - VENTLINE	TP-55009-SBO-LG
2	096983-01-707	EA FILTER-MESH	CC246
3	090973-01-700	EA MOTOR-12 VOLT, CSA & UL	CA508-1
4	090973-01-702	EA BLADE-FAN	VA183-1
5	092696-02-701	EA LENS-LAMP	CC179-2
6	092696-01-710	EA HOLDER-LAMP	CB267-2
7	092696-01-709	EA LAMP #912	VA415
8	096983-01-702	EA SWITCH-MOM/MOM	112
9	096983-01-700	EA SWITCH-ON/OFF	108
10	100258-01-700	EA LABEL-HOOD NOSE	CC428
11	100258-10-01A	EA GAUGE-HOUR METER W/SWITCH - SCREW ON STYLE - 150	
11	100258-10-701	EA GAUGE-HOUR METER, CLIP ON	L0775-00



RANGE HOOD - CANADIAN

KEY	PART NUMBER	U/M DESCRIPTION	VENDOR NO.
1	100258-17-04A	EA HOOD-RANGE, W/O MONITOR PANEL VENTLINE	TCS 500-NBCLG
2	096983-01-707	EA FILTER-MESH	CC246
3	090973-01-700	EA MOTOR-12 VOLT, CSA & UL	CA508-1
4	090973-01-702	EA BLADE-FAN	VA183-1
5	092696-02-701	EA LENS-LAMP	CC179-2
6	092696-01-710	EA HOLDER-LAMP	CB267-2
7	092696-01-709	EA LAMP #912	VA415
8	096983-01-700	EA SWITCH-ON/OFF	108
9	100258-01-700	EA LABEL-HOOD NOSE	CC428
10	096983-01-702	EA SWITCH-MOM/MOM	112
11	100258-10-01A	EA GAUGE-HOUR METER W/SWITCH - SCREW ON (OPTION) - 150	
11	100258-10-701	EA GAUGE-HOUR METER, CLIP ON (OPTION)	L0775-00

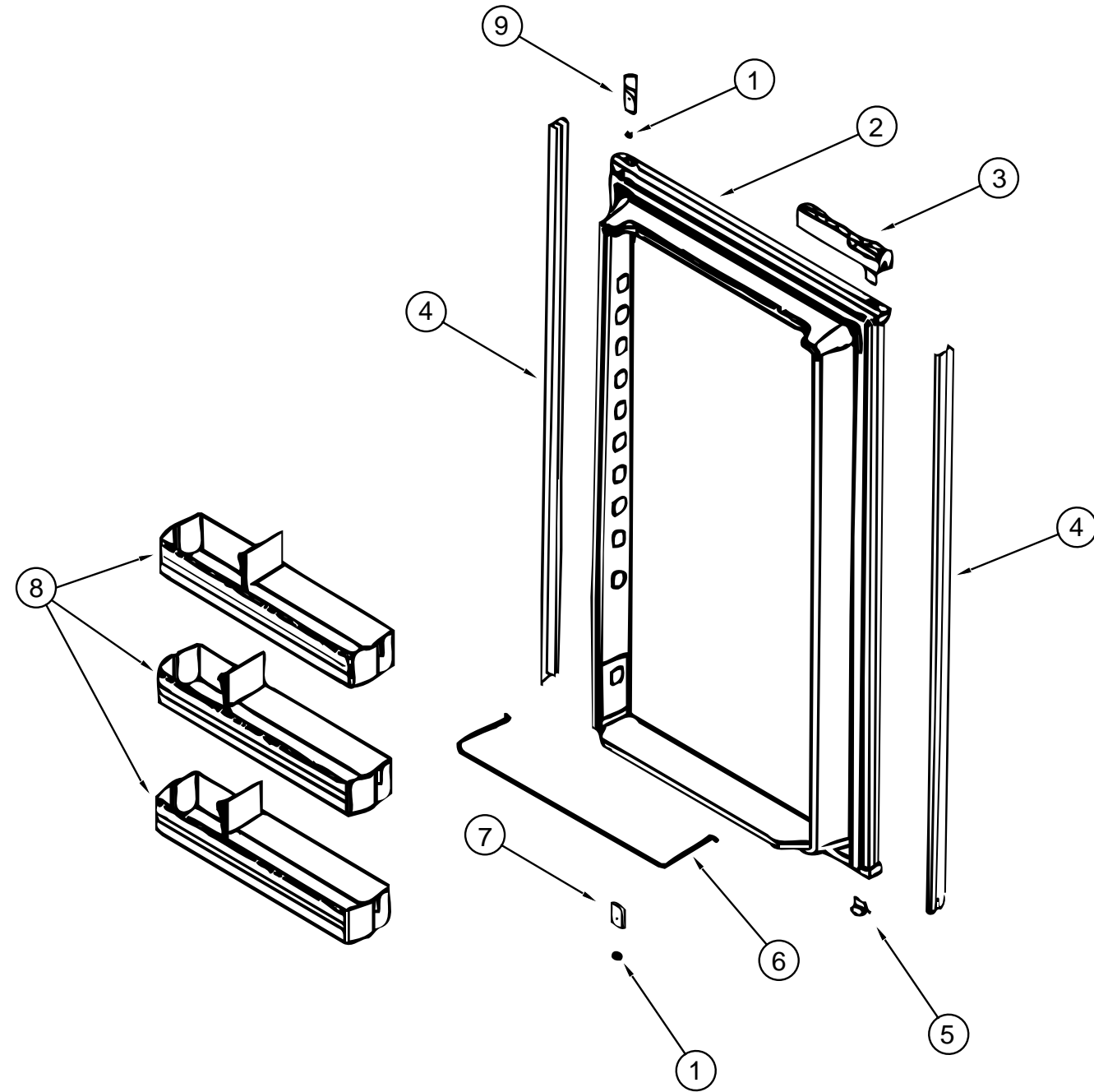
GALLEY GROUP (CONTINUED)



RANGE HOOD - US - STANDARD

KEY	PART NUMBER	U/M	DESCRIPTION	VENDOR NO.
1	100258-16-04A	EA	HOOD-RANGE, W/O MONITOR PANEL - VENTLINE	TCS-5008-NBDLG
2	096983-01-707	EA	FILTER-MESH	CC246
3	090973-01-700	EA	MOTOR-12 VOLT, CSA & UL	CA508-1
4	090973-01-702	EA	BLADE-FAN	VA183-1
5	092696-02-701	EA	LENS-LAMP	CC179-2
6	092696-01-710	EA	HOLDER-LAMP	CB267-2
7	092696-01-709	EA	LAMP #912	VA415
8	096983-01-700	EA	SWITCH-ON/OFF	108
9	100258-01-700	EA	LABEL-HOOD NOSE	CC428

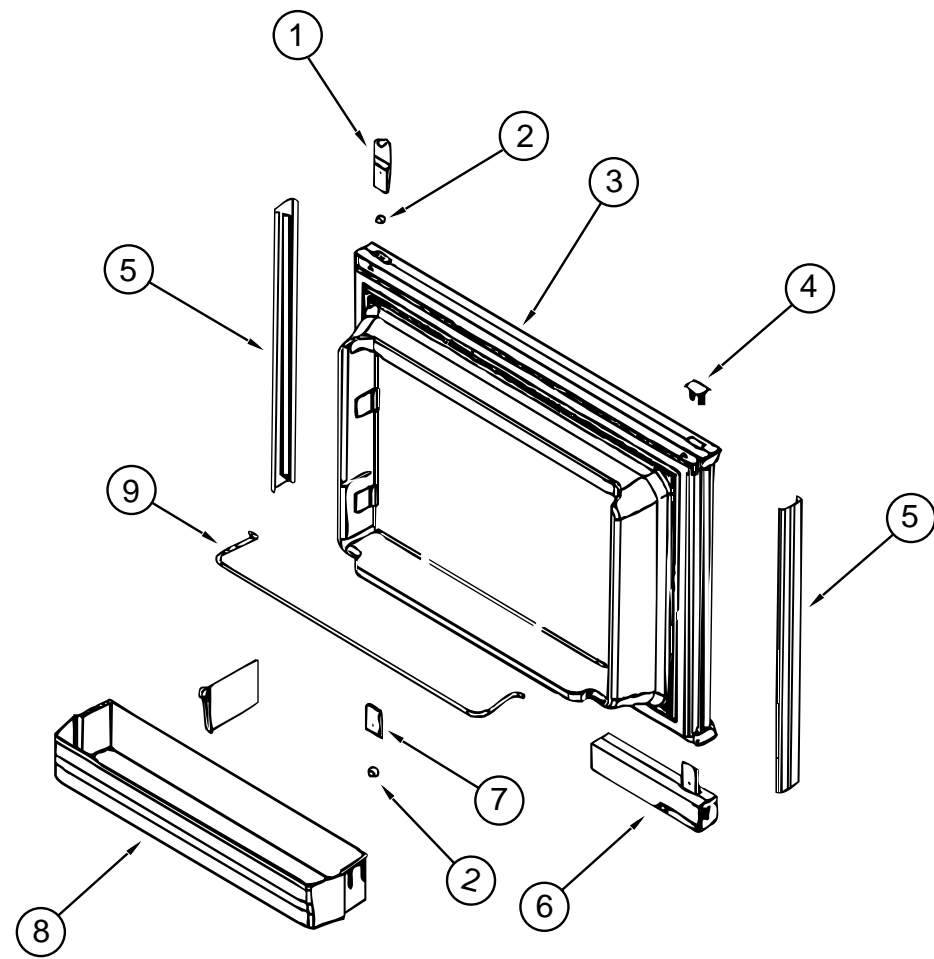
GALLEY GROUP (CONTINUED)



NORCOLD MODEL 9162 RH REFRIGERATOR LOWER DOOR

KEY	PART NUMBER	U/M	DESCRIPTION	VENDOR NO.
	121568-01-01A	EA	REFRIGERATOR - SMALL DOUBLE DOOR - RIGHT HAND - 2-WAY	
1	120075-01-708	EA	BUSHING-DOOR HINGE	618144
2	120076-01-701	EA	DOOR-LOWER-FOAMED, W/GASKET	618210
3	120075-01-711	EA	DOOR HANDLE - UPR LH/LWR RH	618235
4	120076-01-700	EA	RETAINER-LOWER DOOR PANEL	618132
5	120075-01-702	EA	CAP-HINGE PLUG	618160
6	121568-01-704	EA	RAIL-DOOR, LOWER	618578
7	120075-01-705	EA	HINGE-PAINTED, TOP LH/BOTTOM RH	618510
8	121568-01-701	EA	BIN-DOOR, WHITE	618619
9	120075-01-701	EA	HINGE-TOP RH/BOTTOM LH, PAINTED	618511

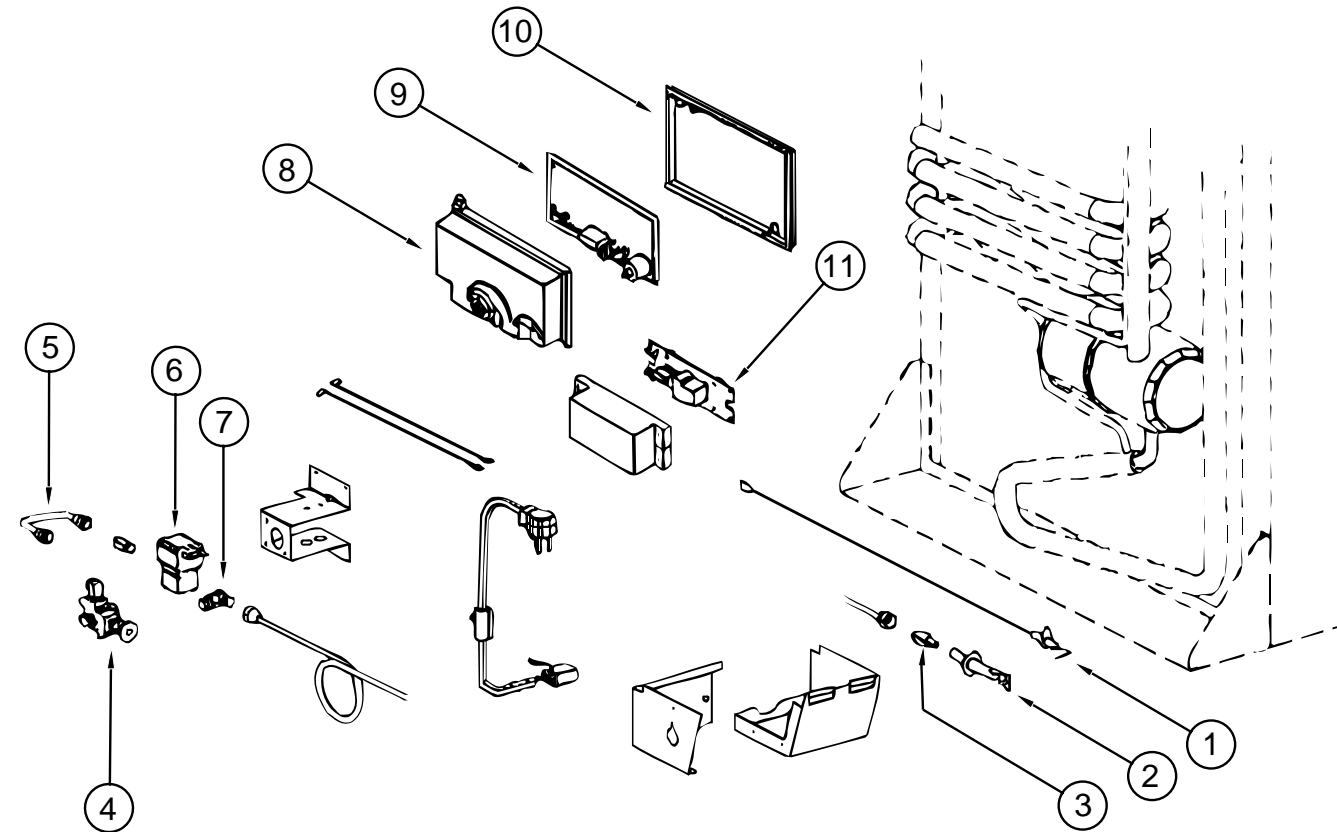
GALLEY GROUP (CONTINUED)



NORCOLD MODEL 9162 RH REFRIGERATOR UPPER DOOR

KEY	PART NUMBER	U/M	DESCRIPTION	VENDOR NO.
	121568-01-01A	EA	REFRIGERATOR - SMALL DOUBLE DOOR - RIGHT HAND - 2-WAY	
1	120075-01-701	EA	HINGE-TOP RH/BOTTOM LH, PAINTED	618511
2	120075-01-708	EA	BUSHING-DOOR HINGE	618144
3	120075-01-703	EA	DOOR ASSEMBLY-FOAMED, W/GASKET	618205
4	120075-01-702	EA	CAP-HINGE PLUG	618160
5	120075-01-700	EA	RETAINER-DOOR, DECOR PANEL	618128
6	121568-01-702	EA	DOOR HANDLE - UPR RH/LWR LH	618230
7	120075-01-705	EA	HINGE-PAINTED, TOP LH/BOTTOM RH	618510
8	121568-01-701	EA	BIN-DOOR, WHITE	618619
9	121568-01-700	EA	RAIL-DOOR, UPPER	618618

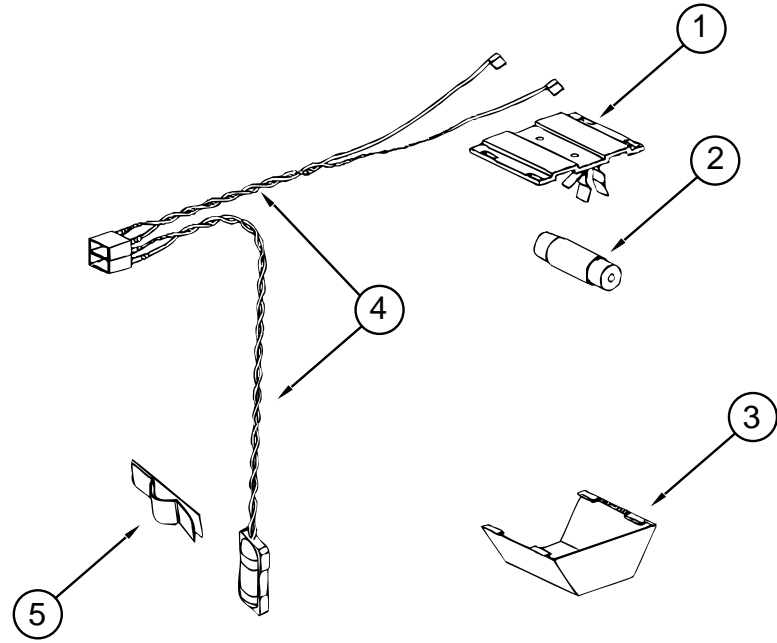
GALLEY GROUP (CONTINUED)



NORCOLD MODEL 9162 RH REFRIGERATOR BURNER & POWER BOARDS

KEY	PART NUMBER	U/M	DESCRIPTION	VENDOR NO.
	121568-01-01A	EA	REFRIGERATOR - SMALL DOUBLE DOOR - RIGHT HAND - 2-WAY	
1	104137-06-715	EA	ELECTRODE-SPARK/SENSOR, SGL	61692222
2	104137-06-714	EA	BURNER ASSEMBLY, 5 SLOT	61705222
3	120076-01-705	EA	ORIFICE-JEWEL, .015	618283
4	104137-06-709	EA	VALVE-SHUT OFF, MANUAL	61694922
5	113737-01-750	EA	TUBE-UNION	61694622
6	084880-01-718	EA	VALVE-GAS, ASCO	61551822
7	113737-01-716	EA	TAP-PRESSURE	61594422
	113737-01-702	EA	PLUG - 1/8" F/PRESSURE TAP	61445322
8	120075-01-738	EA	COVER-POWER BOARD	618185
9	120075-01-741	EA	BOARD-POWER, 2-WAY	618574
10	120075-01-740	EA	COVER-BASE, POWER BOARD	618186
11	121568-01-711	EA	BOARD-MODULE, DC	618561

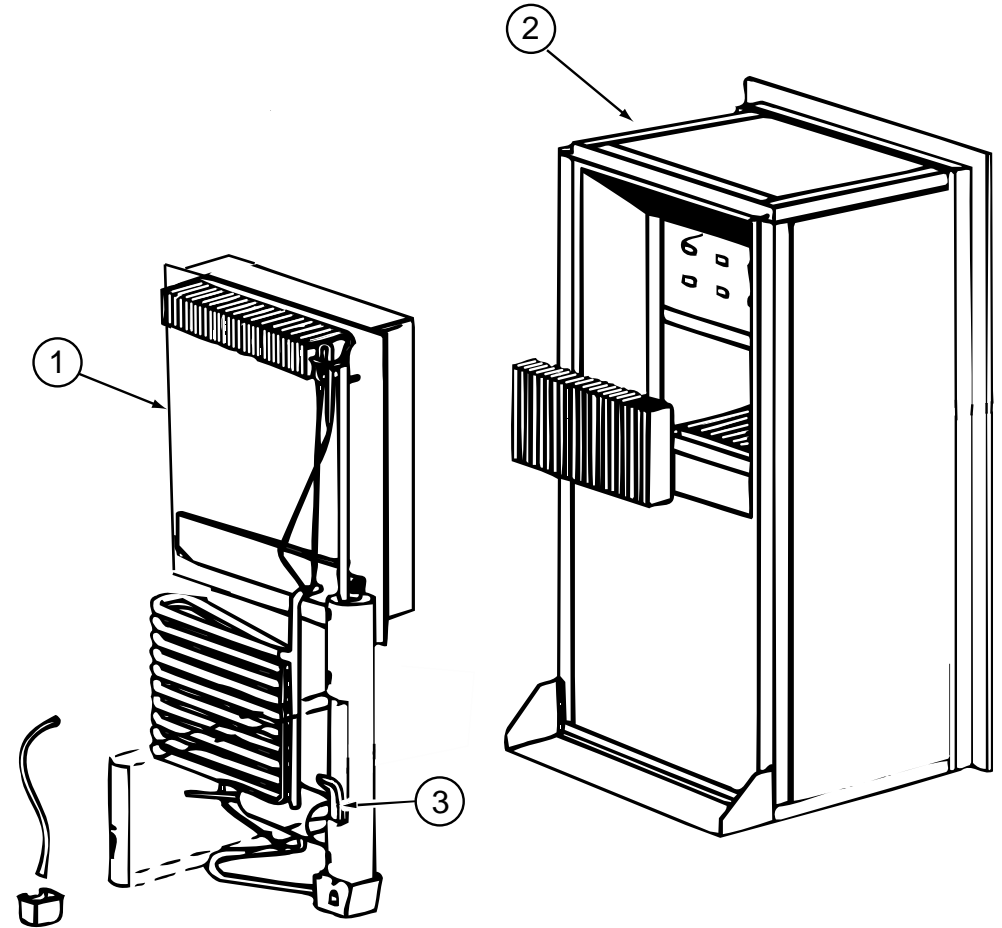
GALLEY GROUP (CONTINUED)



NORCOLD MODEL 9162 RH REFRIGERATOR LAMP ASM

KEY	PART NUMBER	U/M	DESCRIPTION	VENDOR NO.
	121568-01-01A	EA	REFRIGERATOR - SMALL DOUBLE DOOR - RIGHT HAND - 2-WAY	
1	084880-03-705	EA	BRACKET-LIGHT, INTERIOR	61629722
2	084880-03-706	EA	BULB-LAMP	61628922
3	084880-03-707	EA	COVER-LAMP, LENS	61627922
4	120075-01-735	EA	WIRE ASSEMBLY-LAMP	618548
5	084880-01-760	EA	CLIP-THERMISTER	61689122

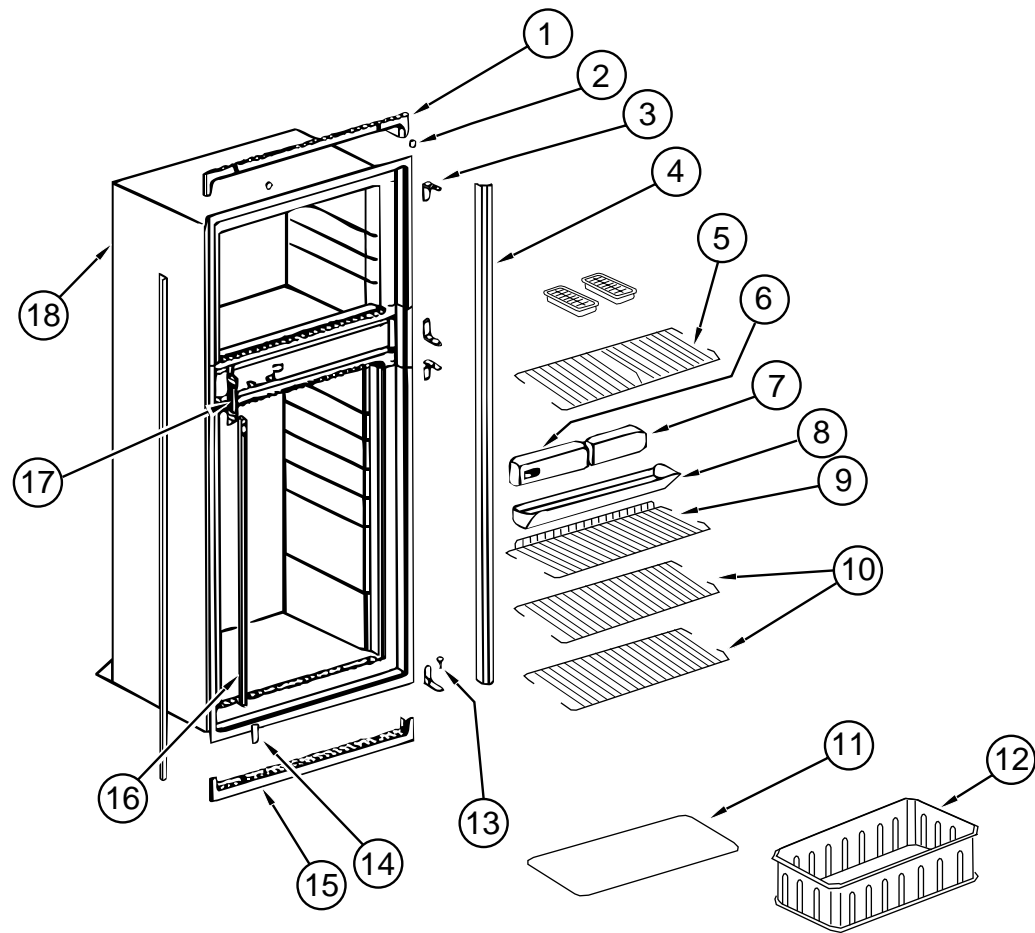
GALLEY GROUP (CONTINUED)



NORCOLD MODEL 9162 RH REFRIGERATOR COOLING UNIT, CABINET, & HEATERS

KEY	PART NUMBER	U/M	DESCRIPTION	VENDOR NO.
	121568-01-01A	EA	REFRIGERATOR - SMALL DOUBLE DOOR - RIGHT HAND - 2-WAY	
1	120076-01-704	EA	COOLING UNIT-SERVICE PACK	618543
2	120076-01-703	EA	CABINET-FOAMED	618260
3	088248-01-709	EA	HEATER-AC, HORIZONTAL	61562722

GALLEY GROUP (CONTINUED)



NORCOLD MODEL 9162 RH REFRIGERATOR CABINET ASM WITH TRAY, TIEDOWNS & LEVEL

KEY	PART NUMBER	U/M DESCRIPTION	VENDOR NO.
	121568-01-01A	EA REFRIGERATOR - SMALL DOUBLE DOOR - RIGHT HAND - 2-WAY	
1	120075-01-713	EA TRIM-TOP PIECE	618124
2	120075-01-714	EA PLUG-HOLE	618170
3	120075-01-715	EA HINGE-CABINET SIDE, PAINTED	618512
	120075-01-708	EA BUSHING-DOOR HINGE	618144
4	120076-01-702	EA TRIM, SIDE PIECE	618133
5	121568-01-705	EA SHELF-WIRE, FREEZER	618620
6	121568-01-706	EA CONTROL BOX ASSEMBLY	618588
7	120075-01-718	EA BOX-FILLER	618112
8	120075-01-720	EA TRAY-DRIP	618137
	120075-01-721	EA LOUVER-DRIP TRAY	618176
9	121568-01-707	EA SHELF-WIRE, SHORT	618624
10	121568-01-708	EA SHELF-WIRE	618589
11	120075-01-725	EA COVER-CRISPER	618158
12	121568-01-709	EA CRISPER	618571
13	120075-01-727	EA PIN-HINGE	618145
14	120075-01-728	EA COVER-HINGE HOLE	618171
15	120075-01-729	EA TRIM-BOTTOM PIECE	618136
16	120075-01-730	EA RETAINER-SHELF	618181
17	120075-01-732	EA PLATE-STRIKE	618167
18	120076-01-703	EA CABINET-FOAMED	618260
	120075-01-731	EA PLUG-FACADE	618184
	116751-05-01A	EA TRAY-REFRIGERATOR	
	054450-01-000	EA LEVEL-REFRIGERATOR	
	065225-02-000	EA PLATE-TIEDOWN, REFRIGERATOR	
	093646-01-000	EA BRACKET ASM-TIEDOWN, REFRIGERATOR - RH	
	093646-02-000	EA BRACKET ASM-TIEDOWN, REFRIGERATOR - LH	

GENERATOR GROUP 4,000 WATT ONAN MICROLITE

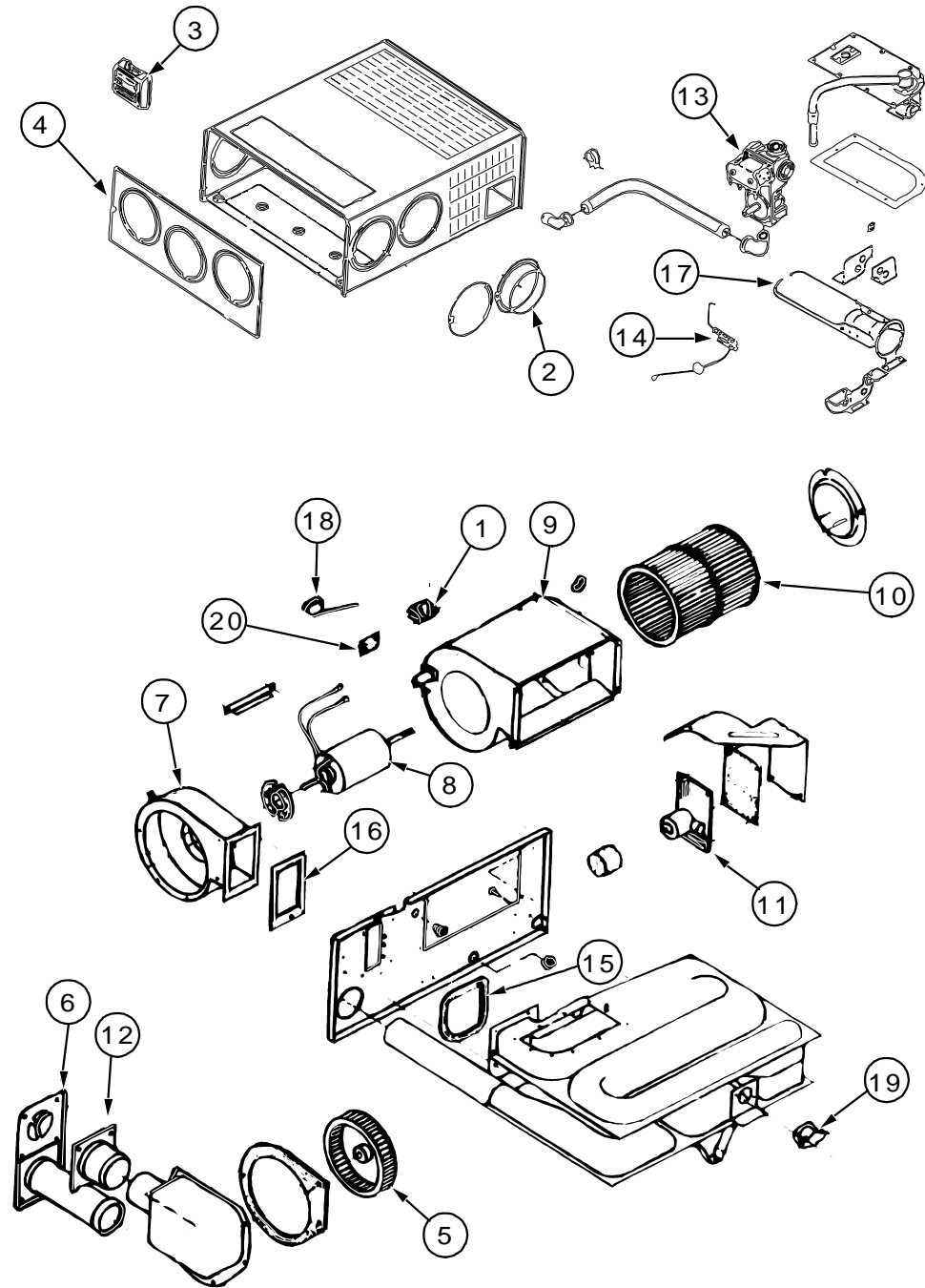
KEY	PART NUMBER	U/M DESCRIPTION
	109982-03-000	EA GENERATOR - 4.0 KW MICROLITE
	007125-04-000	EA CLAMP - MUFFLER - 1.12" DIAMETER
	105958-09-000	EA PIPE - GENERATOR EXHAUST 1.25" OD X 5.9" X 22"

3,600 WATT ONAN MICROLITE - LP

KEY	PART NUMBER	U/M DESCRIPTION
	109982-04-000	EA GENERATOR - 3.6 KW MICROLITE
	007125-04-000	EA CLAMP - MUFFLER - 1.12" DIAMETER
	105958-09-000	EA PIPE - GENERATOR EXHAUST 1.25" OD X 5.9" X 22"

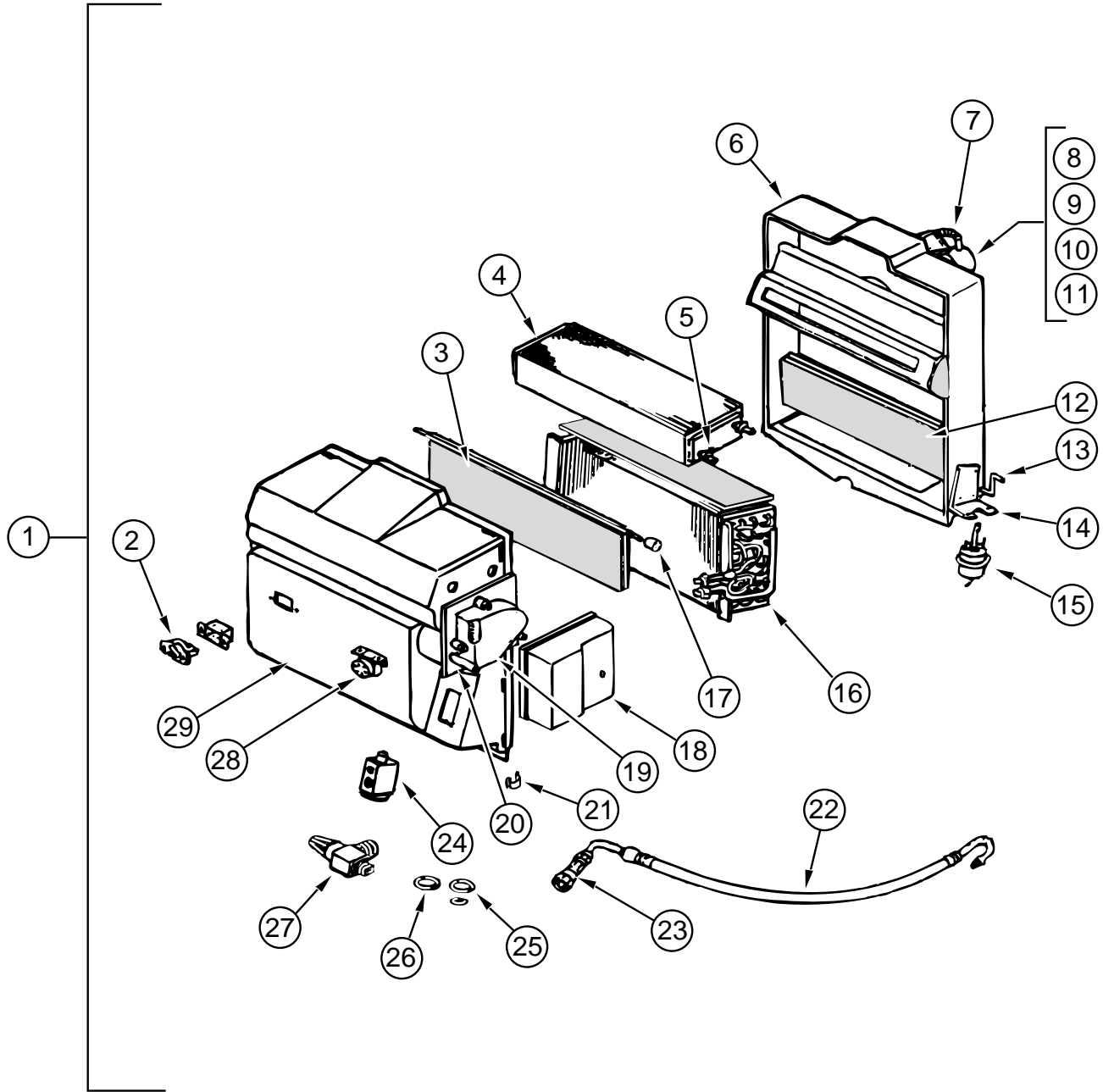
NOTE: ADDITIONAL GENERATOR COMPONENTS ARE FOUND IN THE CHASSIS GROUP.

HEATING & AIR CONDITIONING GROUP
35,000 BTU SUBURBAN FURNACE & WALL THERMOSTAT



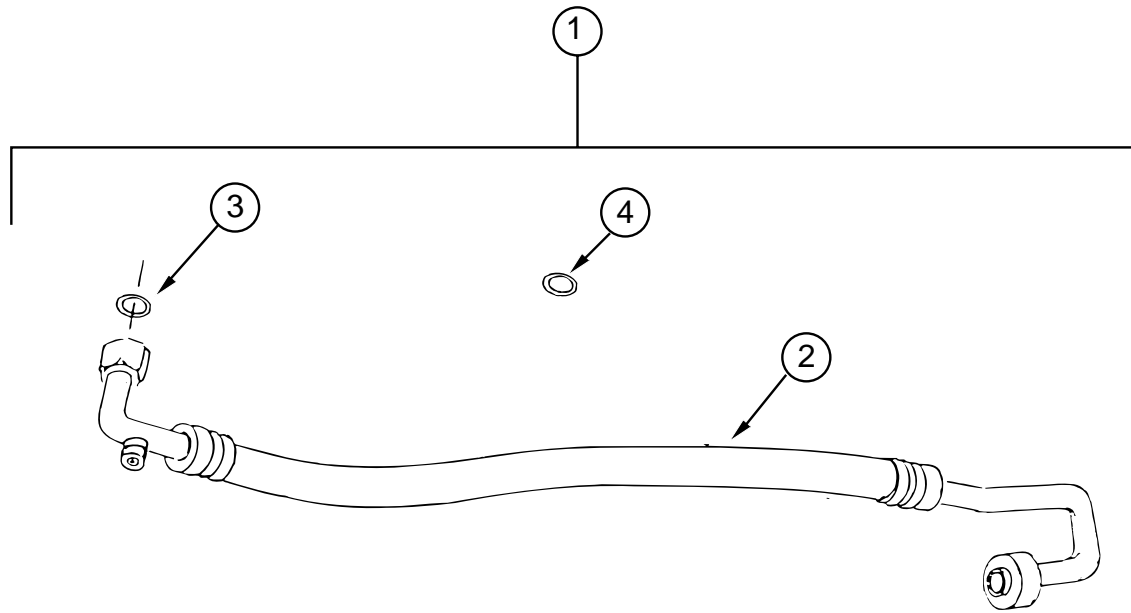
KEY	PART NUMBER	U/M DESCRIPTION	VENDOR NO.
	098668-20-000	EA FURNACE - 30,000 BTU	
1	074466-01-702	EA RELAY-TIME DELAY	230625
2	075696-02-703	EA COLLAR-DUCT	050715
3	115764-01-01A	EA THERMOSTAT - WALL, FURNACE 160902	
4	098668-01-700	EA CABINET-FRONT	101242
5	098668-01-706	EA WHEEL-COMBUSTION AIR	350122
6	098668-01-707	EA VENT ASSEMBLY-CAP AND TUBE	260193
7	098668-01-708	EA BLOWER ASSEMBLY-COMBUSTION AIR	390441
8	098668-01-709	EA MOTOR ASSEMBLY-F/SF-25, SF-30	231706
9	098668-01-710	EA BLOWER ASSEMBLY-ROOM AIR	390440
10	098668-01-711	EA WHEEL-ROOM AIR	350123
11	098668-01-712	EA BOARD-MODULE	231741
12	098668-01-713	EA INTAKE VENT TUBE ASSEMBLY	051044
13	098668-01-714	EA VALVE-GAS, (WHITE ROGERS	161070
14	098668-01-715	EA ELECTRODE ASSEMBLY-SINGLE PROBE	232166
15	098668-01-716	EA GASKET-FIREWALL, CHAMBER SIDE	232166
16	098668-01-717	EA GASKET-FIREWALL, BLOWER SIDE	070163
17	098668-02-700	EA BURNER ASSEMBLY COMPLETE - (SF-30/SF35)	010745
18	098668-21-700	EA MICROSWITCH W/O FLAG 3 1/4"	232261
19	098668-21-701	EA LIMIT SWITCH	231799
20	101990-01-714	EA MICROSWITCH GASKET	230877
	092300-02-701	EA ORIFICE-(MAIN BURNER)	180214
	098668-23-000	EA DOOR-ACCESS, FURNACE - BRIGHT WHITE	
	056464-09-000	EA REGISTER - 4" DIAMETER - PLASTIC - W/DAMPENER - BEIGE	
	056464-10-000	EA REGISTER - 4" DIAMETER - PLASTIC - W/O DAMPENER - BEIGE	
	093614-01-02A	EA GRILLE-RETURN AIR, FURNACE - 15.6" X 7.6" - BEIGE	

HEATING & AIR CONDITIONING GROUP (CONTINUED)
SCS EVAPORATOR/HEATER ASSEMBLY - CHEVY GAS & DIESEL CHASSIS



KEY	PART NUMBER	U/M	DESCRIPTION	VENDOR NO.
1	103930-30-000	EA	EVAPORATOR/HEATER ASM - SERVO MOTOR CONTROLLED	
2	103930-01-710	EA	RESISTOR-FUSED, A/C	035-0006
3	103930-30-705	EA	PANEL-DOOR, BLEND AIR	071-0568
4	103930-01-703	EA	CORE-HEATER	042-0010
5	110279-01-712	EA	FITTING-HEATER	050-0076
6	103930-20-711	EA	CASE-BACK, SUB-ASSEMBLY	062-0147
7	110279-01-703	EA	HOSE-VENT, BLOWER MOTOR	051-0034
8	103930-20-707	EA	HOUSING-BLOWER	062-0145
9	103930-01-720	EA	MOTOR-BLOWER, PM105	030-0004
			FROM: 00-00-00 THRU: 12-21-96	
9	103930-30-706	EA	MOTOR-BLOWER, PM147 W/ADAPTER	030-0109
			FROM: 12-22-96 THRU: 99-99-99	
10	103930-01-717	EA	WHEEL-BLOWER, CLOCKWISE	062-0010
11	103930-20-708	EA	CLIP-MOTOR SHAFT	022-0001
12	103930-20-705	EA	PANEL-DOOR, RECIRCULATING	071-0213
13	103930-20-704	EA	ROD-DOOR, RECIRCULATING	073-0018
14	103930-01-708	EA	BRACKET-VACUUM MOTOR	070-0113
15	103930-02-708	EA	MOTOR-VACUUM SERVO, A/C	030-0025
16	103930-01-704	EA	COIL-EVAPORATOR	041-0017
17	103930-30-702	EA	BUSHING-BLEND AIR DOOR	062-0168
18	103930-30-704	EA	COVER-SERVO	062-0545
19	103930-30-703	EA	MOTOR-SERVO	030-0104
20	103930-30-701	EA	PLATE-SERVO MOTOR MOUNT	062-0544
21	103930-20-706	EA	CLIP-RETAINER	022-0057
22	103930-25-700	EA	HOSE ASSEMBLY - #6, EVAPORATOR TO DRIER	085-0350
23	103930-12-709	EA	FITTING-QUICK CONNECT	050-0120
24	103930-20-700	EA	VALVE-EXPANSION BLOCK, 2 TON	034-0032
25	103930-17-702	EA	O' RING - #10	045-0127
26	113245-01-707	EA	O' RING - #8	045-0126
27	103930-20-709	EA	VALVE-SERVICE	050-0159
28	103930-01-711	EA	THERMOSTAT	033-0003
29	103930-30-700	EA	CASE-FRONT	062-0542

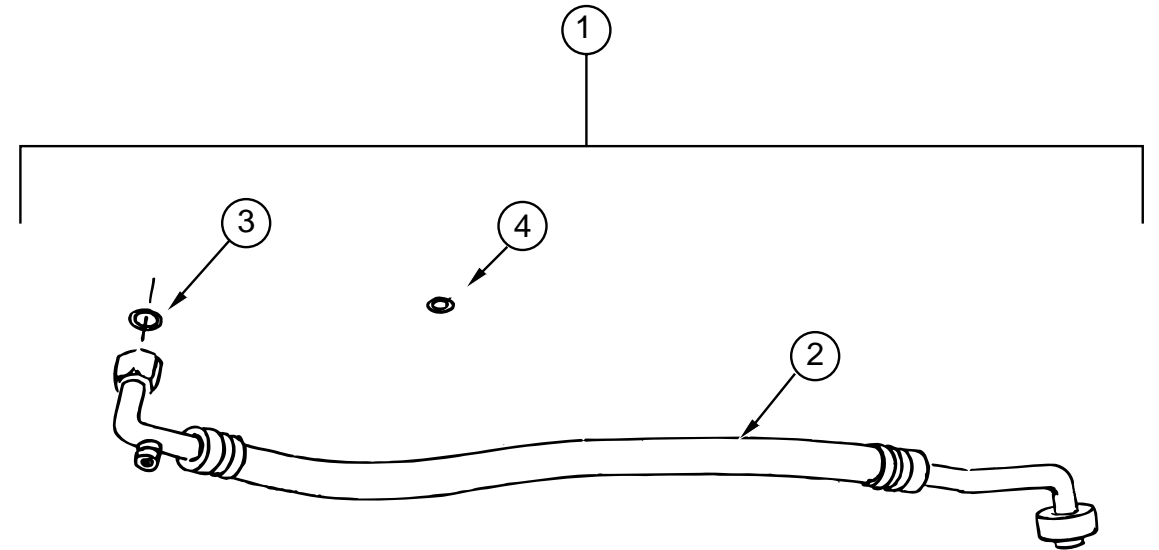
HEATING & AIR CONDITIONING GROUP (CONTINUED)



CHEVY HOSE KIT - STANDARD GAS

KEY	PART NUMBER	U/M	DESCRIPTION	VENDOR NO.
1	103930-28-000	EA	HOSE KIT - #10 W/GM L-19 CHASSIS	
2	103930-28-700	EA	HOSE ASM #10 EVAPORATOR/COMP	085-0347
3	103930-17-702	EA	O'RING #10	045-0127
4	103930-29-701	EA	O'RING F/LOW PRESSURE SWITCH	045-0483

HEATING & AIR CONDITIONING GROUP (CONTINUED)



CHEVY HOSE KIT - VORTEC GAS OR DIESEL OPTION

KEY	PART NUMBER	U/M	DESCRIPTION	VENDOR NO.
1	103930-29-000	EA	HOSE KIT - #10 F/GM L-29 & L-65 CHASSIS	
2	N/A	EA	HOSE ASM #10 EVAPORATOR/COMP	085-0348
3	103930-17-702	EA	O'RING #10	045-0127
4	103930-29-701	EA	O'RING F/LOW PRESSURE SWITCH	045-0483

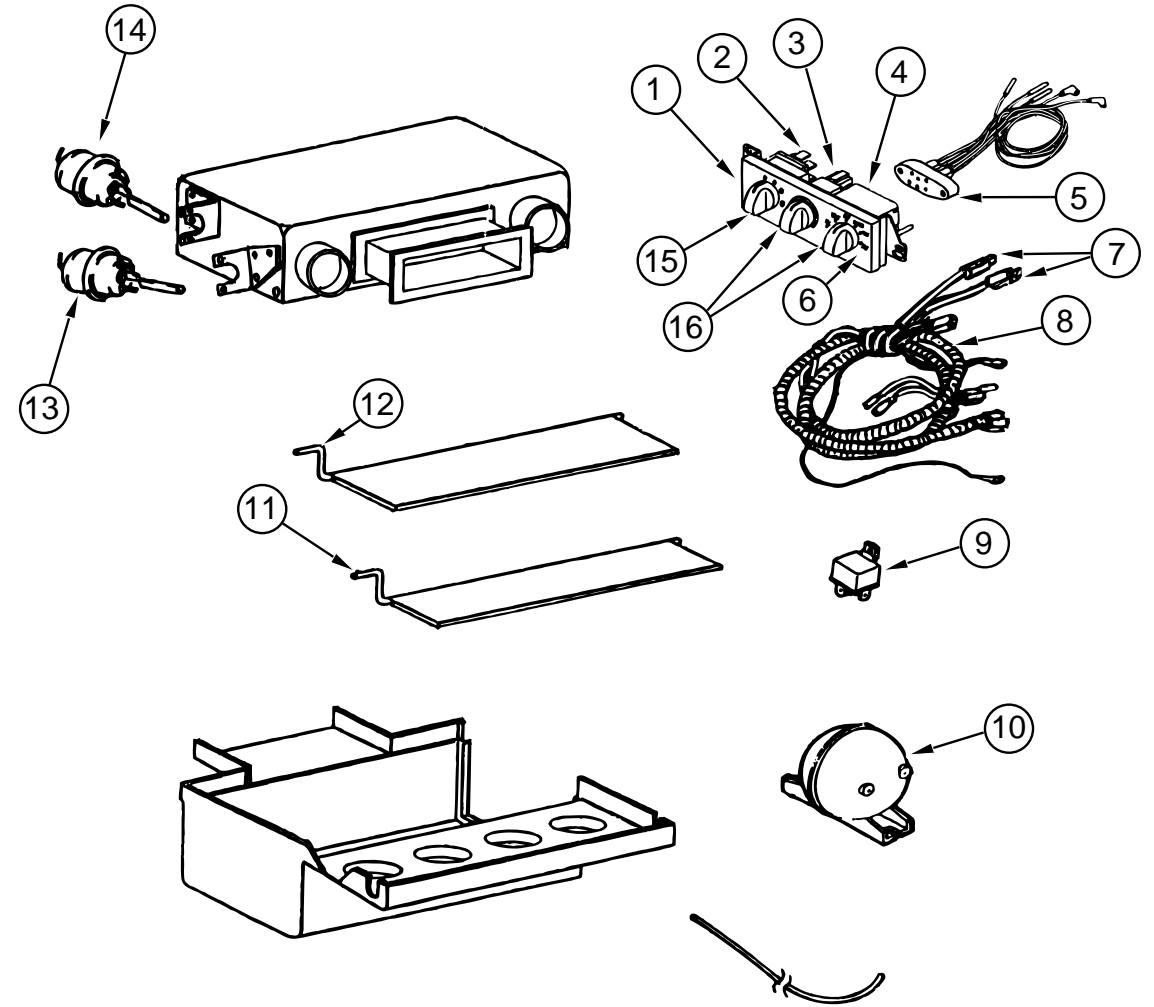
HEATING & AIR CONDITIONING GROUP (CONTINUED)
AUTOMOTIVE HEATER MISCELLANEOUS

KEY	PART NUMBER	U/M DESCRIPTION
	076776-01-000	EA TEE - BEADED - 5/8" X 5/8" X 5/8"
	009198-01-000	FT DUCT - HEAT - FLEXIBLE - 4" ID X 25'
	009200-01-000	EA TAPE - FURNACE - 1 1/2"
	069636-02-000	EA CONNECTOR - DUCT - 4" ID
	007076-01-000	EA HOSE - FLEXIBLE PVC - 2" ID - INCREMENTS OF 50'
	007108-01-000	FT HOSE - HEATER - 5/8" ID - HI-TEMP - FORD
	007281-01-000	EA HOSE - FLEXIBLE PVC - 2.5" ID X 50'
	007281-01-700	FT HOSE-FLEXIBLE PVC, 2.5" ID
	024990-05-000	EA OUTLET - 4" DIAMETER W/SWIVEL DEFLECTORS
	056402-05-000	EA BRACKET-HEATER VENT, ROUND - W/BEND - BLACK
	077075-01-000	EA GASKET-INSTRUMENT PANEL TO DEFROSTER PLENUM - 1.8" X 12.5"
	077075-03-000	EA GASKET-INSTRUMENT PANEL TO DEFROSTER PLENUM - 1.8" X 12.25"
	103016-01-000	EA PLENUM-TRANSITION
	103017-01-000	EA PLENUM-DEFROSTER
	103930-23-000	EA VALVE-WATER, 2 PORT
	103558-01-06A	EA VENT-DEFROSTER, ABS - QUICKSILVER
	103796-01-01A	EA LOUVER ASSEMBLY-A/C CARY PROD - BLACK
	097494-02-000	EA TEE-BRASS, BARB - 3/8" X 5/32" X 3/8" - PARKER 224-8-8-4
	103930-05-000	EA MANUAL - OWNER - HEATER/A/C
		FROM: 00-00-00 THRU: 02-23-97
	103930-37-000	EA MANUAL - OWNERS - HEATER/A/C
		FROM: 02-24-97 THRU: 99-99-99
	7SB010-96-14Z	EA MANUAL-DEALER SERVICE/PARTS - SCS 057-00171

EVANS REAR HEATER & COMPONENTS

KEY	PART NUMBER	U/M DESCRIPTION	VENDOR NO.
	084405-01-000	EA HEATER ASSEMBLY-REAR, DUCTED - W/MOTOR AID - EVANS	
	084405-01-700	EA CORE-HEATER	FT200229
	084405-01-701	EA FAN BLADES	HV029931
	084405-01-702	EA MOTOR ASSEMBLY, 12 VOLT	R0200180
	007108-01-000	FT HOSE-HEATER, 5/8" ID - HI-TEMP - FORD ESE-M2D192-A	
	007076-01-000	EA HOSE - FLEXIBLE PVC - 2" ID - INCREMENTS OF 50'	
	061673-01-000	EA BRACKET-MOTOR AID TUBES, 4" X 1.5" - STEEL	
	079059-01-000	EA HOSE - 90 DEGREE - 5/8" ID X 4" X 36"	

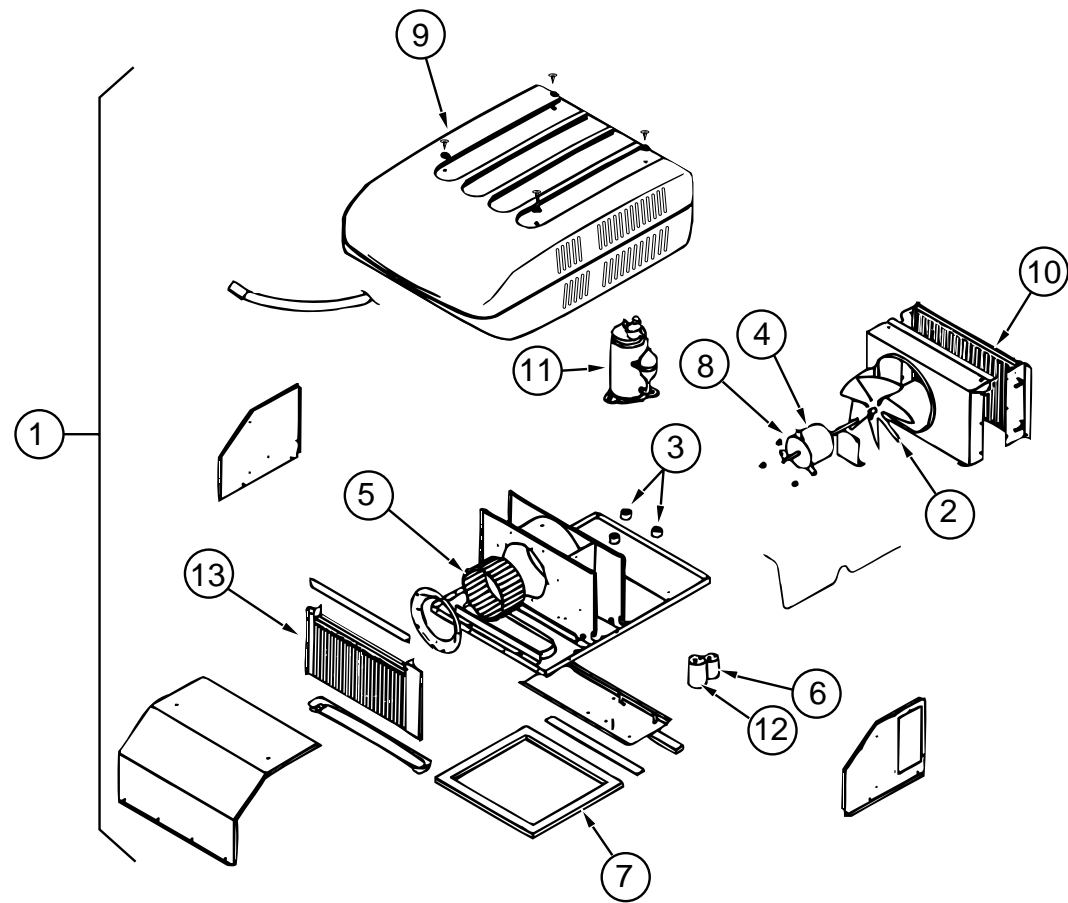
HEATING & AIR CONDITIONING GROUP (CONTINUED)



SCS CONTROL/PLENUM

KEY	PART NUMBER	U/M DESCRIPTION	VENDOR NO.
	103930-34-000	EA CONTROL/PLENUM-ROTARY CONTROL HEAD	
1	103930-33-702	EA PANEL ASSEMBLY-CONTROL	083-0169
2	103930-33-707	EA SWITCH-BLOWER	032-00066
3	103930-33-708	EA SWITCH-POTENTIOMETER	032-0184
4	103930-33-709	EA SWITCH-VACUUM	032-0183
5	103930-33-703	EA HARNESS-VACUUM	036-0466
6	103930-33-710	EA DECAL-CONTROL HEAD	058-0102
7	103930-33-705	EA BULB-LIGHT	035-0030
8	103930-33-704	EA HARNESS-WIRE W/BULBS	036-0465
		FROM: 00-00-00 THRU: 12-21-96	
8	103930-33-711	EA HARNESS-WIRE, MAIN	036-0496
		FROM: 12-22-96 THRU: 99-99-99	
9	103930-02-707	EA RELAY-BOSCH W/RESISTOR	031-0001
10	103930-02-710	EA CANISTER-VACUUM	054-0002
11	103930-33-700	EA ROD-DOOR, DEFROSTER/A/C	073-0028
12	103930-33-706	EA ROD-DOOR, A/C/DEFROST	073-0060
13	103930-02-708	EA MOTOR-VACUUM SERVO, A/C	030-0025
14	103930-33-701	EA MOTOR-VACUUM, 3 STAGE	030-0105
15	103930-33-712	EA KNOB - BLOWER	062-00539
16	103930-33-713	EA KNOB	062-00540

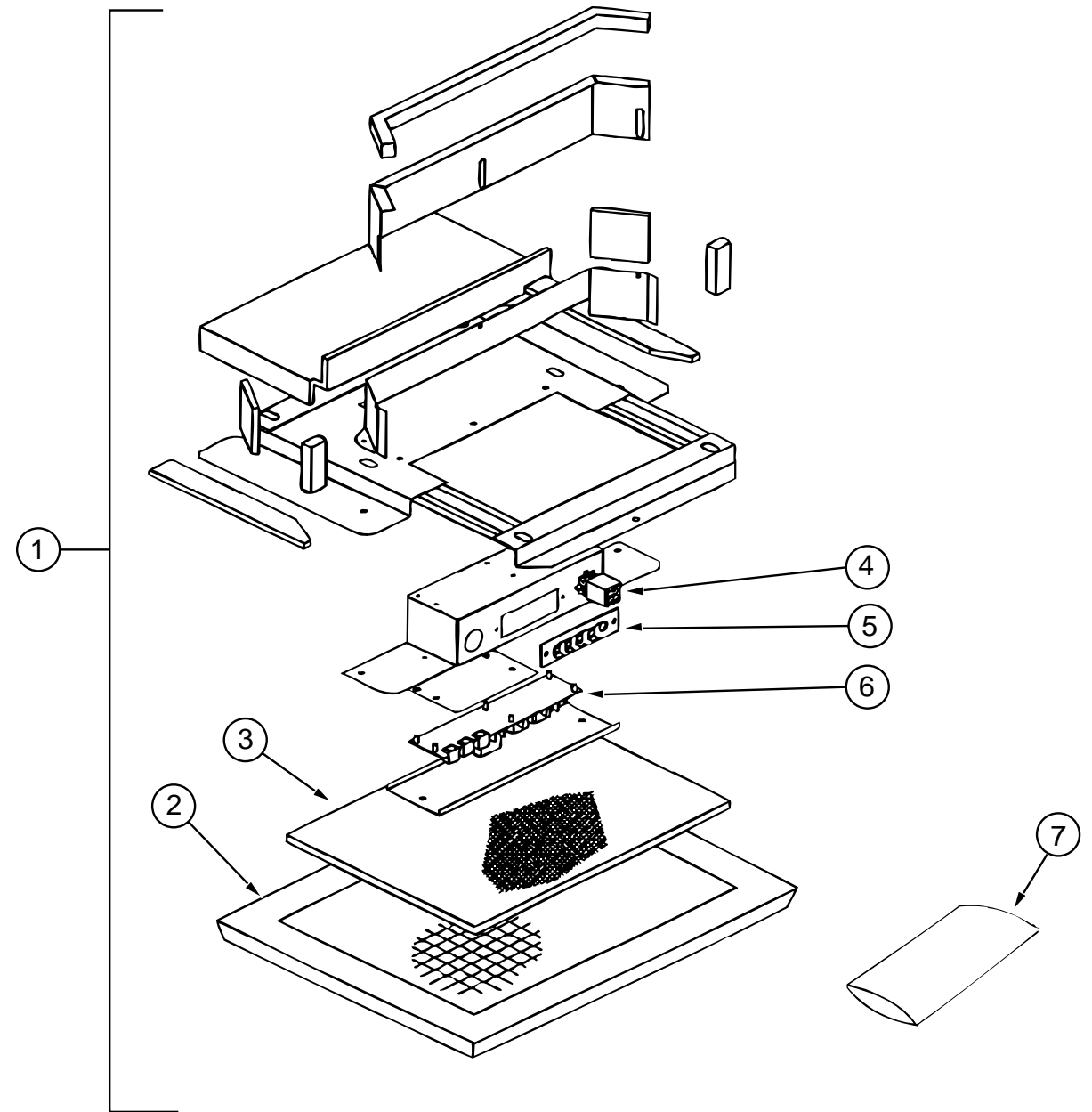
HEATING & AIR CONDITIONING GROUP (CONTINUED)



COLEMAN 14,800 BTU ROOF A/C

KEY	PART NUMBER	U/M DESCRIPTION	VENDOR NO.
1	115219-01-03A	EA A/C-ROOF, 14,800 BTU MACH 15 - BRIGHT WHITE	
2	093763-01-712	EA BLADE-FAN, CONDENSER	6733-3221
3	105620-01-706	EA FOOT PACKAGE-COMPRESSOR, 3 PER PACKAGE	6759-3081
4	108889-01-705	EA MOTOR - 115V, 60HZ	1468-3049
5	108889-01-706	EA IMPELLOR	1472-1041
6	093763-01-704	EA CAPACITOR-FAN	1499-5461
	108889-01-710	EA PAD-FILLER, CONDENSER SEAL	6759B3971
7	108889-01-711	EA GASKET PACKAGE	6792A3301
8	108889-01-715	EA MOTOR MOUNT & SHAFT SEAL KIT	6792A3361
9	108889-05-700	EA SHROUD - BRIGHT WHITE, W/O LOGO	7333-4601
10	115219-01-700	EA COIL-CONDENSER	1452A1321
11	115219-01-708	EA COMPRESSOR, CONVERSION KIT	1450A2061
12	115219-01-702	EA CAPACITOR-RUN, COMPRESSOR	1499-5741
	115219-01-703	EA RELAY-START	1497-4151
13	115219-01-704	EA COIL-EVAPORATOR	1452-1331
	115219-01-705	EA LINE-SUCTION, LOWER	7335-130
	115219-01-706	EA LINE-SUCTION, UPPER	7335-131
	115219-01-707	EA LINE ASSEMBLY, DISCHARGE	7335A132
	093306-01-720	EA CAPACITOR-START, 21-25 MFD33	1497-3351
	093306-01-701	EA DECAL PACKAGE-LEFT & RIGHT	6798B3591
	102289-01-000	EA SPRING-SCREW, ROOF A/C GASKET - COLEMAN 6757-150	

HEATING & AIR CONDITIONING GROUP (CONTINUED)



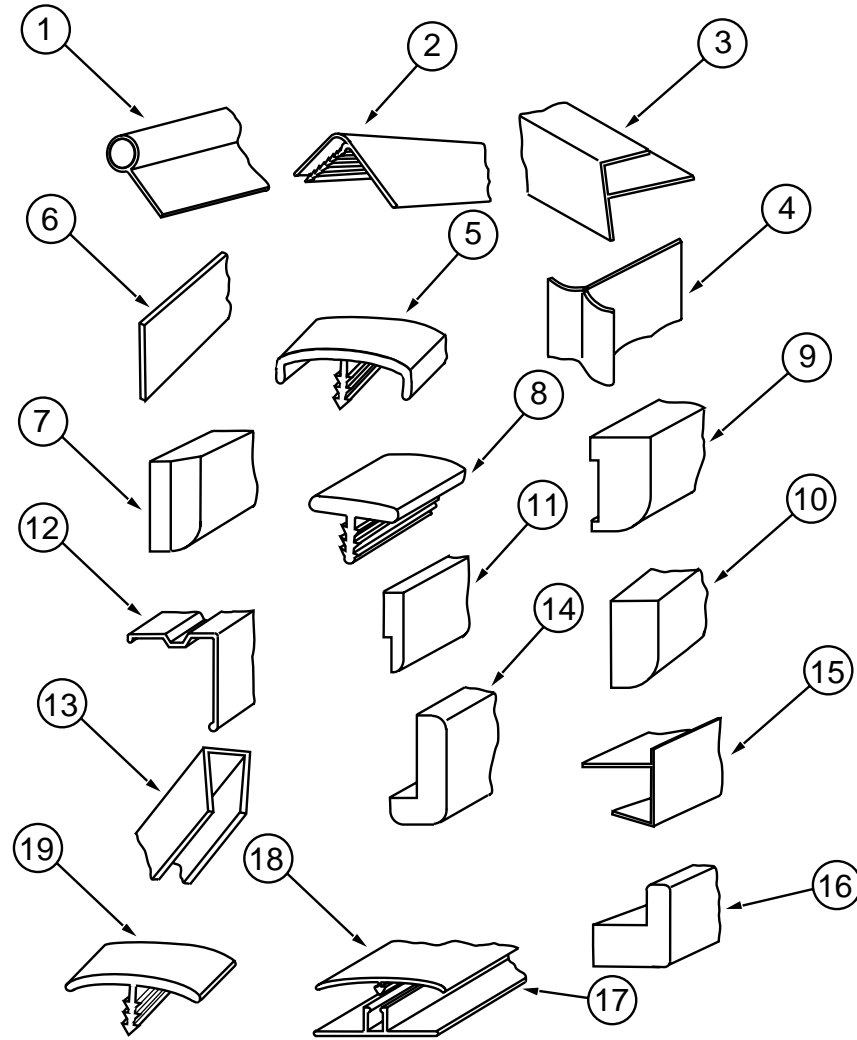
COLEMAN 14,800 BTU A/C CEILING ASSEMBLY, THERMOSTAT, & REGISTER

KEY	PART NUMBER	U/M DESCRIPTION	VENDOR NO.
1	108892-01-01A	EA CEILING ASM-A/C DUCTED - COLEMAN 7330-730IV	
2	108892-01-704	EA GRILLE (PLASTIC)	6798-3041
3	108892-01-703	EA FILTER	6798A3761
4	108892-01-700	EA PLUG ASSEMBLY	7330-540
5	108892-01-701	EA BOARD-TERMINAL	7330-3201
6	108892-01-702	EA BOARD-PRINTED CIRCUIT	7330A3211
7	108892-01-705	EA SMALL PARTS PACKAGE	7330A6101
	117238-01-01A	EA THERMOSTAT-A/C AND FURNACE - COLEMAN 7330-3371	
	117238-02-01A	EA THERMOSTAT-A/C ONLY - COLEMAN 7330-3381	
	120134-01-02A	EA REGISTER - 4" - 5" DIAMETER W/DAMPER - WHITE - DTW 8840	

ROOF A/C COVERS & AC SELECTOR SWITCH

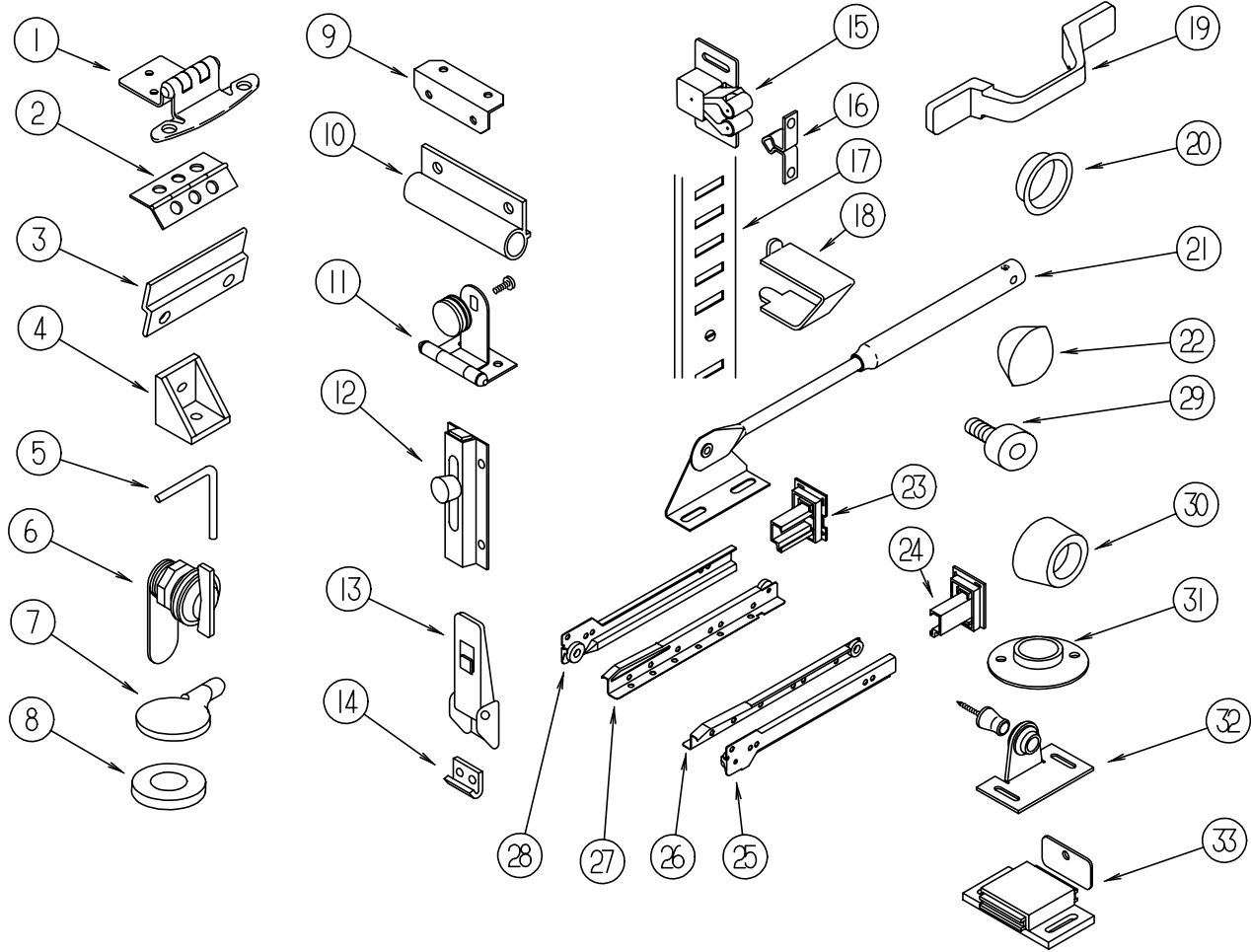
KEY	PART NUMBER	U/M DESCRIPTION
	092633-02-02A	EA COVER-BLANK, ROOF A/C - 5.1" X 5.1" - PLASTIC - OFF WHITE

**INTERIOR FINISH GROUP
MOLDINGS & TRIMS**



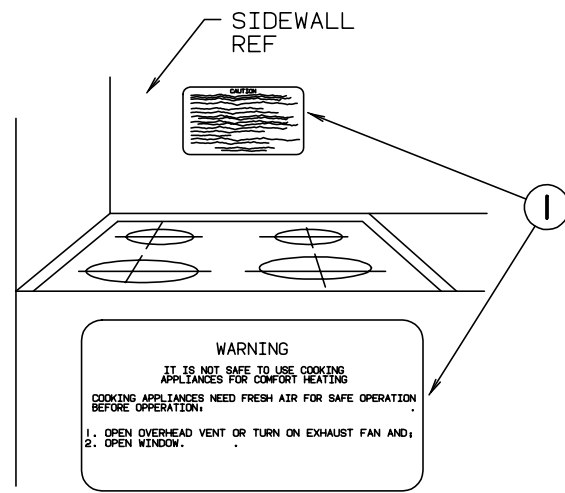
KEY	PART NUMBER	U/M DESCRIPTION
1	009767-12-000	FT WELTING - SIDEWALL/CEILING/CABINET - OFF/WHT
2	009809-28-000	EA MOLDING - CORNER - OUTSIDE - 1" X 84" - WATERFORD OAK
3	009812-29-000	EA MOLDING - PLASTIC - CORNER/OUTSIDE - .5" X 7' WATERFORD OAK
4	022992-11-000	FT MOLDING - REVERSE COVE - T-SHAPED VINYL - IVORY
5	083620-12-000	FT MOLDING-T - END CAP EDGE - W/EDGE LIP - .75"-WATERFORD OAK
6	076325-34-000	FT MOLDING - EDGE BAND - 1 5/16" X 1.2" - ORCHID MIST
6	076325-43-000	FT MOLDING - EDGE BAND .876" X .024" - CLOUD (H33)
6	076325-38-000	FT MOLDING - EDGE BAND - .875" X .024" (H34,H35)
6	076325-46-000	FT MOLDING - EDGE BAND 1 5/16" X .030" - CLOUD (H33)
6	076325-37-000	FT MOLDING - EDGE BAND - 1 5/16" X .030" (H34,H35)
6	076325-67-000	FT MOLDING - EDGE BAND - .93" X .024" - WATERFORD OAK
6	076325-68-000	FT MOLDING - EDGE BAND - 1 5/16" X .038" - WATERFORD OAK
7	100659-01-G09	EA MOLDING - TRIM - VINYL FLOOR
8	104676-01-01A	FT MOLDING-T - 5/16" RIGID GOLD
9	117268-D2-438	EA MOLDING - VINYL WRAPPED - .7" X 1.5" X 96" - WATERFORD OAK
9	117268-D2-134	EA MOLDING - VINYL WRAPPED - .7" X 1.6" X 84" - WATERFORD OAK
9	117268-F2-134	EA MOLDING - VINYL WRAPPED - .7" X 2.7" X 84" - WATERFORD OAK
9	117268-F2-438	EA MOLDING - VINYL WRAPPED - .7" X 2.6" X 96" - WATERFORD
10	100818-01-05A	EA MOLDING - VINYL WRAPPED - 1.65" X .4" X 7'
11	105004-01-05A	EA MOLDING - VINYL WRAPPED - 1" X 96" - WATERFORD OAK
12	093873-01-01A	EA TRIM - CARPET - L-ANGLE 1.1" X 1.3" X 12' - GRAY VINYL
13	009778-21-000	FT U - CHANNEL - 1" X 96" - INCREMENTS - PLASTIC
13	070504-36-000	FT U-CHANNEL - PLASTIC - .65" X 72" - WATERFORD OAK
13	070504-37-000	FT U-CHANNEL - PLASTIC - .81" X 96" - WATERFORD OAK
14	077840-01-G01	EA MOLDING - CAP/WALL - 8' WATERFORD OAK
15	103186-01-05A	FT MOLDING - PLASTIC/3/8" U-CHANNEL W/3/4" FACE- WATERFORD OAK
15	103186-02-05A	FT MOLDING - PLASTIC/1" U-CHANNEL W/1 3/8" FACE-WATERFORD OAK
16	100819-01-05A	EA MOLDING - VINYL WRAPPED - L-SHAPED - 1.5" X 1.5" X 7' - WATERFORD OAK
17	086229-01-000	EA RETAINER - BATTEN - .75" X 92.24" - ANY COLOR
18	086229-20-000	EA BATTEN - 1" X 96" - BEIGE
19	105709-01-000	FT T-MOLDING - 1" - MODERN IVORY
	117267-D2-438	EA LUMBER - VINYL WRAPPED - .7" X 1.5" X 96" - WATERFORD OAK
	117267-E2-438	EA LUMBER - VINYL WRAPPED .7" X 2" X 96" - WATERFORD OAK
	117267-G2-438	EA LUMBER - VINYL WRAPPED - .7" X 3" X 96" - WATERFORD OAK

INTERIOR FINISH GROUP (CONTINUED)
CABINET HARDWARE



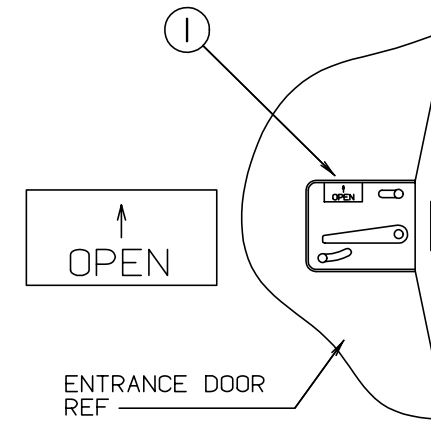
KEY	PART NUMBER	U/M	DESCRIPTION
1	108138-01-000	EA	HINGE - CABINET DOOR - BURNISHED BRASS
	000G13-06-08G	EA	SCREW
2	009059-02-000	EA	HINGE - DOOR - 2" X 2.7" - BRASS
	041389-33-000	EA	HINGE - PIANO - 72.5" - OFF WHITE
3	101272-01-000	EA	CATCH - GLASS DOOR
4	065740-01-000	EA	BRACE - CABINET/CORNER - PLASTIC
5	108487-02-01A	EA	SUPPORT - PROP ROD/OVERHEAD - BLACK
	039984-01-000	EA	CAP-ROUND, VINYL - .28" ID X .62" LONG - BLACK
6	100710-01-01A	EA	LOCK - GLASS DOOR/TWIST TYPE - BRASS
7	101766-01-000	EA	PIN - SUPPORT/GLASS DOOR
8	100707-01-000	EA	SPACER - GLASS DOOR - .8" DIA - .3" HOLE - PLASTIC
9	016604-01-000	EA	BRACE - CABINET - ANGLE - 2.5" - UNPAINTED METAL
9	016604-05-000	EA	BRACE - CABINET - ANGLE - 2.5" - OFF WHITE METAL
10	108486-01-01A	EA	BRACKET - PROP ROD/OVERHEAD - BLACK
11	100711-01-01A	EA	HINGE - GLASS DOOR
12	061604-01-000	EA	SLIDE - BOLT - BRIGHT BRASS
13	116975-01-01A	EA	LATCH - W/O STRIKE
14	116975-02-01A	EA	NEW STYLE KEEPER/STRIKE
15	093586-06-000	EA	CATCH - SPRING - ROLLER
16	093586-05-000	EA	STRIKE - SPRING STEEL
17	098980-01-000	EA	PILASTER - ADJUSTABLE SHELF - 18" - WOODGRAIN APPEARANCE
17	098980-02-000	EA	PILASTER - ADJUSTABLE SHELF - 12" - WOODGRAIN APPEARANCE
18	098979-01-000	EA	CLIP - ADJUSTABLE SHELF
19	117801-01-01A	EA	PULL - CABINET - BRASS
20	080728-01-000	EA	HANDLE - PULL - 1.3" X 4.4" - BROWN PLASTIC
21	074493-02-000	EA	SUPPORT - PISTON SPRING - CABINET DOOR
22	042356-01-000	EA	PLUG - BUTTON - MAHOGANY - 3/8" DIAMETER - WOOD
23	114045-01-000	EA	BACKSOCKET - ADJUSTABLE LEFT
24	114045-02-000	EA	BACKSOCKET - ADJUSTABLE RIGHT
25	114031-02-000	EA	SLIDE - 12" - RIGHT SIDE/CABINET
25	114031-06-000	EA	SLIDE - 14" - RIGHT SIDE/CABINET
25	114031-10-000	EA	SLIDE - 16" - RIGHT SIDE/CABINET
25	114031-22-000	EA	SLIDE - 22" - RIGHT SIDE/CABINET
25	114031-26-000	EA	SLIDE - 24" - RIGHT SIDE/CABINET
26	114031-04-000	EA	SLIDE - 12" - RIGHT SIDE/DRAWER
26	114031-08-000	EA	SLIDE - 14" - RIGHT SIDE/DRAWER
26	114031-12-000	EA	SLIDE - 16" - RIGHT SIDE/DRAWER
26	114031-24-000	EA	SLIDE - 22" - RIGHT SIDE/DRAWER
26	114031-28-000	EA	SLIDE - 24" - RIGHT SIDE/DRAWER
27	114031-03-000	EA	SLIDE - 12" - LEFT SIDE/DRAWER
27	114031-07-000	EA	SLIDE - 14" - LEFT SIDE/DRAWER
27	114031-11-000	EA	SLIDE - 16" - LEFT SIDE/DRAWER
27	114031-23-000	EA	SLIDE - 22" - LEFT SIDE/DRAWER
27	114031-27-000	EA	SLIDE - 24" - LEFT SIDE/DRAWER
28	114031-01-000	EA	SLIDE - 12" - LEFT SIDE/CABINET
28	114031-05-000	EA	SLIDE - 14" - LEFT SIDE/CABINET
28	114031-09-000	EA	SLIDE - 16" - LEFT SIDE/CABINET
28	114031-21-000	EA	SLIDE - 22" - LEFT SIDE/CABINET
28	114031-25-000	EA	SLIDE - 24" - LEFT SIDE/CABINET
29	079921-01-000	EA	ROLLER - NYLON - W/STEEL SHAFT - BARBED
30	004354-01-000	EA	BUMPER - RUBBER - .5" DIA - BROWN
31	009112-01-000	EA	FLANGE - PLASTIC - 1" CLOTHES ROD - OFF WHITE
32	009013-01-000	EA	CATCH - BULLDOG - MALE/FEMALE
33	088254-01-000	EA	CATCH - MAGNETIC - 1.8" X .7"
	023320-01-000	EA	PAD - FELT 3/8" DIAMETER
	042438-01-000	EA	DOWEL - WOOD - CLOTHES ROD - 1" DIAMETER X 4'
	042438-02-000	EA	DOWEL - WOOD - 2" X 2"
	112457-01-01A	EA	PLATE - CATCH - DOOR

LABELS GROUP

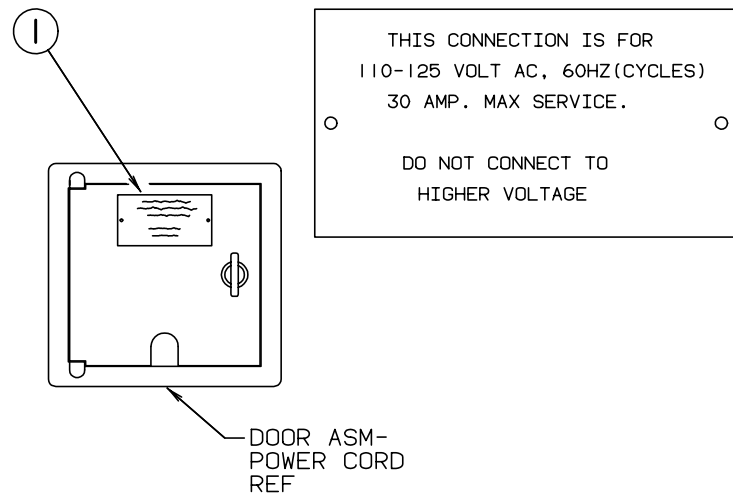


KEY	PART NUMBER	U/M DESCRIPTION
1	050225-01-000	EA LABEL-WARNING, STOVE VENT - US
1	050222-01-000	EA LABEL-WARNING, STOVE VENT - CANADIAN

LABELS GROUP (CONTINUED)

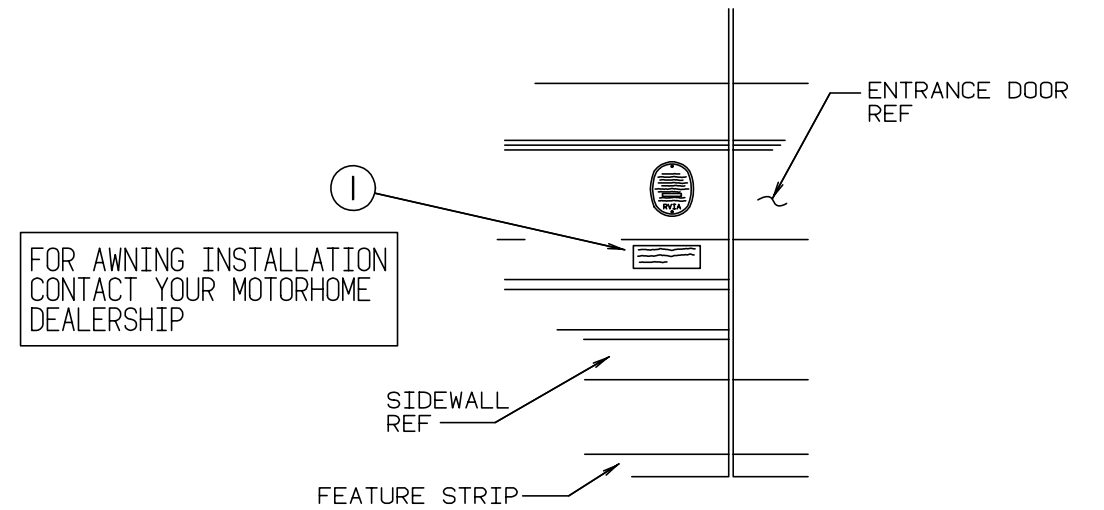


KEY	PART NUMBER	U/M DESCRIPTION
1	040944-01-000	EA LABEL-ENTRANCE DOOR, "OPEN"



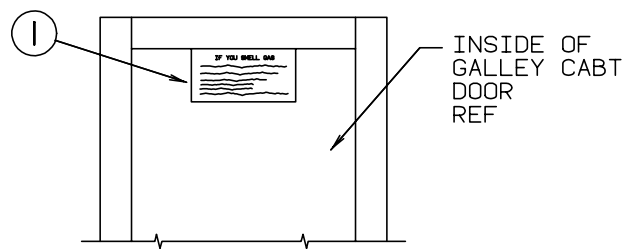
KEY	PART NUMBER	U/M DESCRIPTION
1	006062-01-000	EA LABEL - ELECTRIC - 110 VOLT CONNECTION
1	125306-01-01A	EA LABEL - ELECTRICAL ENTRANCE - 110 VOLT 30 AMP

FROM: 00-00-00 THRU: 07-13-97
FROM: 07-14-97 THRU: 99-99-99



KEY	PART NUMBER	U/M DESCRIPTION
1	099509-01-000	EA LABEL-AWNING INSTALLATION

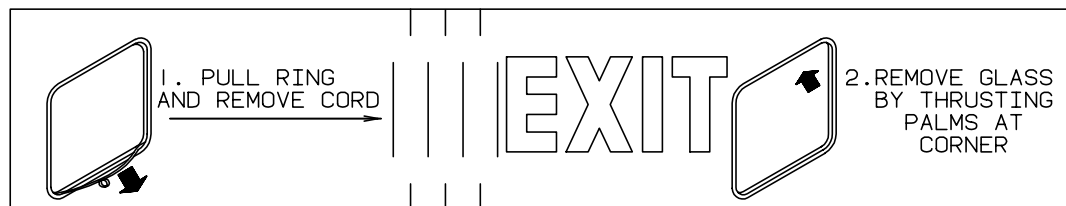
LABELS GROUP (CONTINUED)



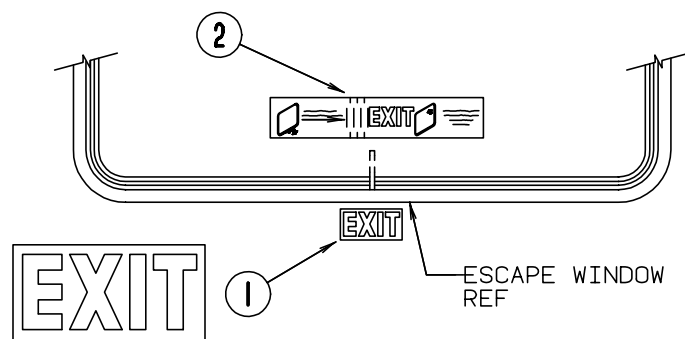
IF YOU SMELL GAS

1. EXTINGUISH ANY OPEN FLAME, PILOT LIGHTS AND ALL SMOKING MATERIALS.
2. SHUT OFF THE GAS SUPPLY AT THE TANK VALVE(OR GAS SUPPLY CONNECTION.
3. OPEN DOORS AND OTHER VENTILATING OPENINGS.
4. DO NOT TOUCH ELECTRICAL SWITCHES.
5. LEAVE THE AREA UNTIL ODOR CLEARS.
6. HAVE THE GAS SYSTEM CHECKED AND LEAKAGE SOURCE CORRECTED BEFORE USING AGAIN.

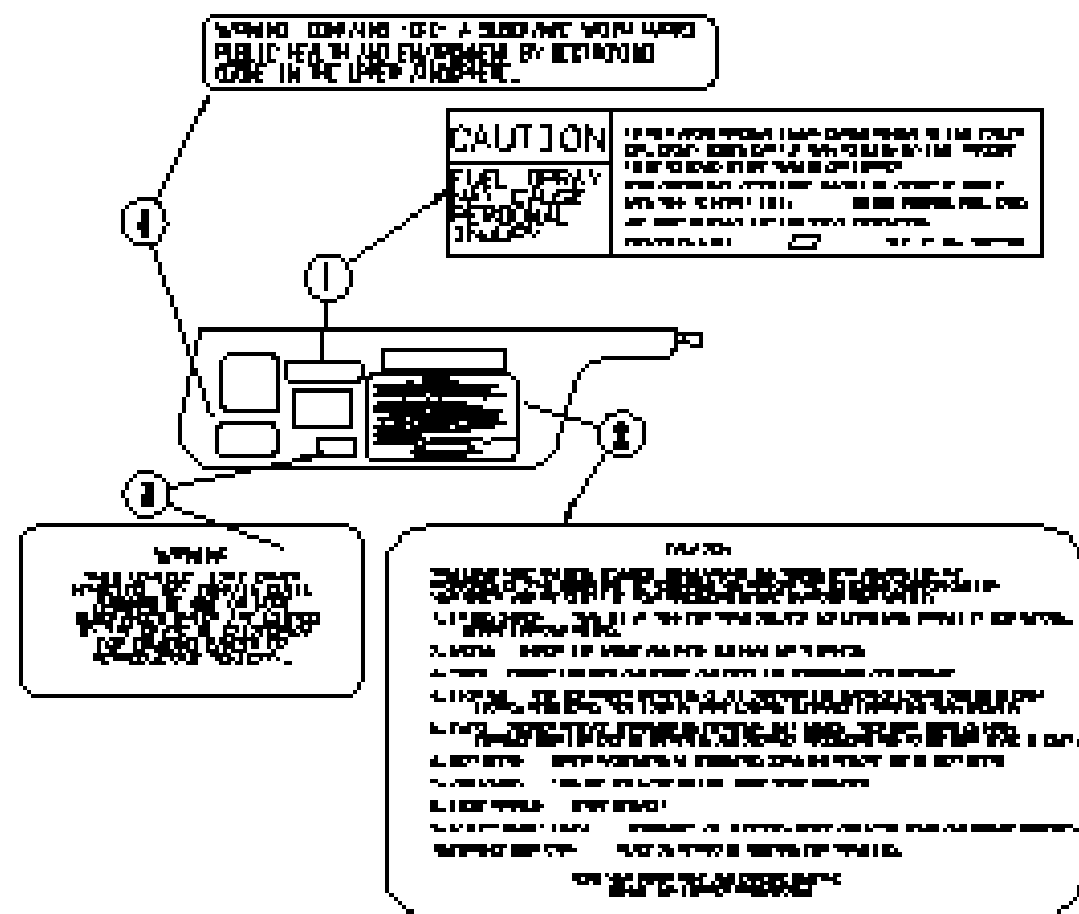
KEY	PART NUMBER	U/M DESCRIPTION
1	073998-01-000	EA LABEL-LPG ODOR WARNING



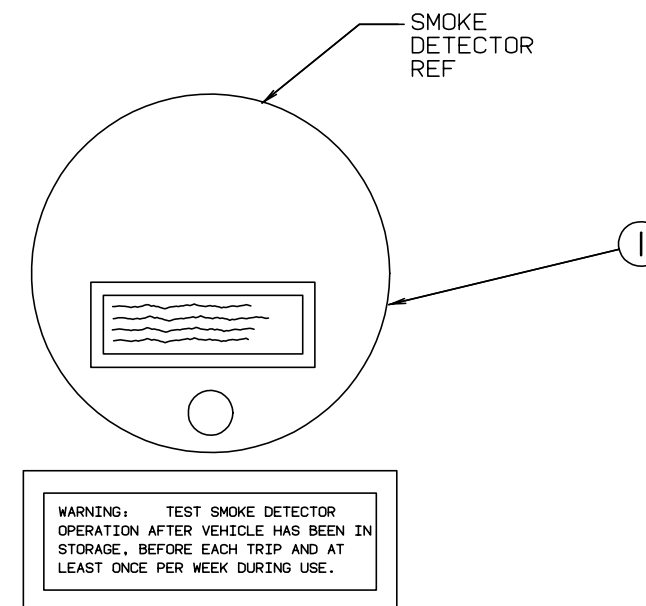
KEY	PART NUMBER	U/M DESCRIPTION
1	039290-01-000	EA LABEL-WARNING, EXIT
2	107571-01-000	EA LABEL-EXIT/ESCAPE WINDOW



LABELS GROUP (CONTINUED)



KEY	PART NUMBER	U/M DESCRIPTION
1	087207-05-000	EA LABEL-FUEL CAP REMOVAL
2	056259-01-000	EA LABEL-SAFETY CHECK LIST
3	099689-01-000	EA LABEL-WARNING, CANCER/TOXICITY - CALIFORNIA
4	111802-01-000	EA LABEL-CFC WARNING



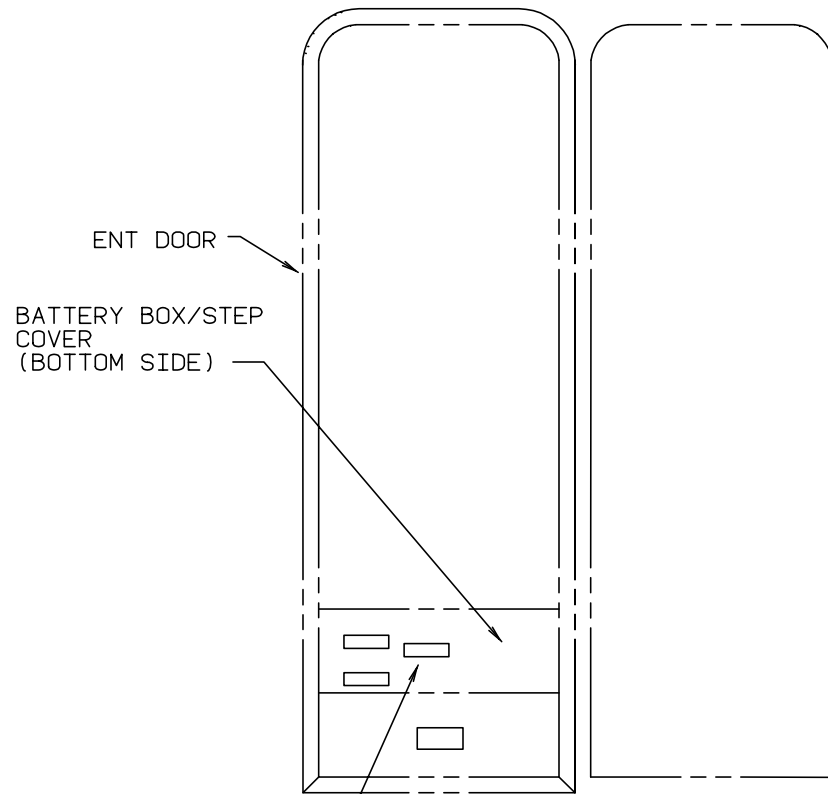
KEY	PART NUMBER	U/M DESCRIPTION
1	077956-01-000	EA LABEL-WARNING, SMOKE DETECTOR

LABELS GROUP (CONTINUED)

AIR CONDITIONING CIRCUIT.
THIS CONNECTION IS FOR
AIR CONDITIONERS RATED 110-
125 VOLT AC, 60 HZ, 16
AMPERES MAXIMUM. DO NOT
EXCEED CIRCUIT RATING.



KEY	PART NUMBER	U/M DESCRIPTION
1	091243-01-000	EA LABEL-A/C COVER, "AIR CONDITIONING CIRCUIT. ETC."



WARNING: DISCONNECT BATTERIES BEFORE
CONNECTING EXTERNAL CHARGING EQUIPMENT.

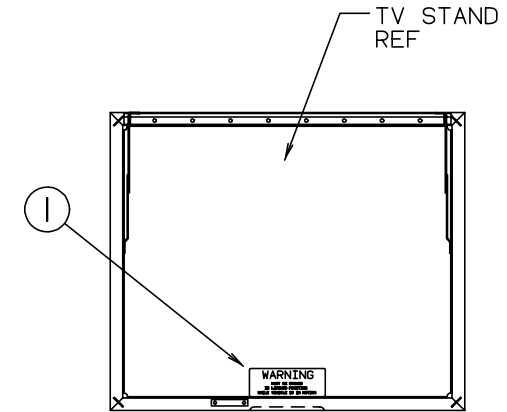
AVERTISSEMENT: DEBRANCHER LES BATTERIES AVANT
DE BRANCHER TOUT EQUIPEMENT DE CHARGE EXTERIEUR.

KEY	PART NUMBER	U/M DESCRIPTION
1	065748-01-000	EA LABEL-CAUTION, BATTERY CHARGING - US
1	065748-02-000	EA LABEL-CAUTION, BATTERY CHARGING - FRENCH

LABELS GROUP (CONTINUED)

DO NOT USE HITCH BEFORE
READING OWNERS MANUAL REGARDING
VEHICLE LOADING AND TOWING

KEY	PART NUMBER	U/M DESCRIPTION
1	111104-01-000	EA LABEL-HITCH, READ MANUAL - WHITE LETTERS
1	111104-02-000	EA LABEL-HITCH, READ MANUAL - BLACK LETTERS



WARNING
MUST BE STOWED
IN LATCHED POSITION
WHILE VEHICLE IS IN MOTION

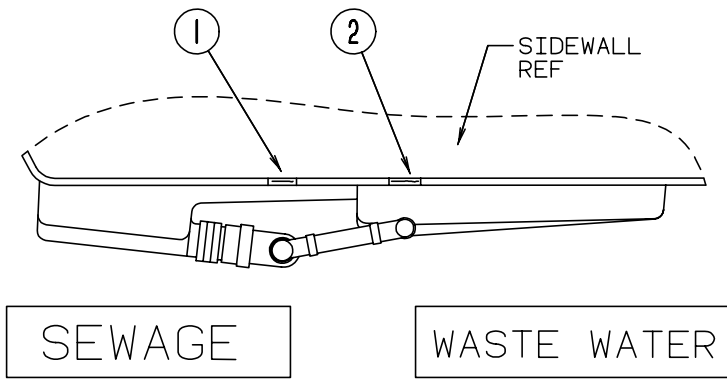
KEY	PART NUMBER	U/M DESCRIPTION
1	079966-01-000	EA LABEL-WARNING, STOWED - MOTION

NOTE: TUNE ANTENNA
PER MANUFACTURER'S
DIRECTIONS. FAILURE TO
COMPLY COULD RESULT IN
DAMAGE TO CB.

CB POWER PROVISION
RED +12 V
BLACK GROUND
COAX ANTENNA
(SEE REVERSE ALSO)

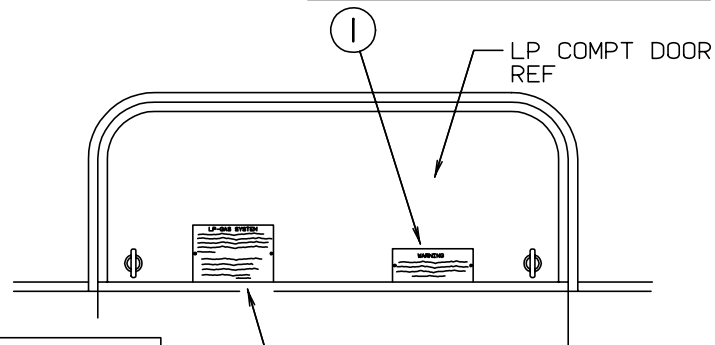
KEY	PART NUMBER	U/M DESCRIPTION
1	104678-01-000	EA LABEL-CB PREP

LABELS GROUP (CONTINUED)



KEY	PART NUMBER	U/M DESCRIPTION
1	006187-01-000	EA LABEL-SEWAGE
2	006188-01-000	EA LABEL-WASTE WATER

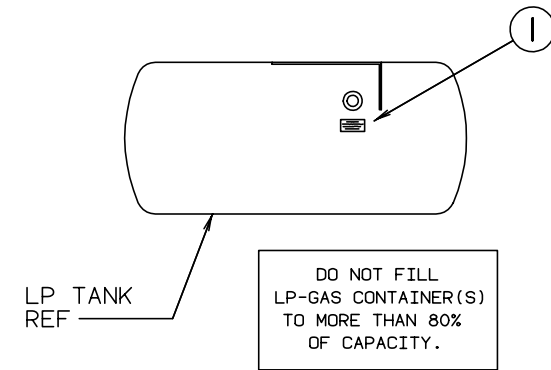
WARNING
 ALL PILOT LIGHTS AND APPLIANCES SHALL BE TURNED OFF DURING REFUELING OF MOTOR FUEL TANKS AND/OR PERMANENTLY MOUNTED LP-GAS CONTAINERS.



LP-GAS SYSTEM
 THIS GAS PIPING SYSTEM IS DESIGNED FOR USE OF LIQUEFIED PETROLEUM GAS ONLY. DO NOT CONNECT NATURAL GAS TO THIS SYSTEM.
 SECURELY CAP INLET(S) WHEN NOT CONNECTED FOR USE. AFTER TURNING ON GAS, EXCEPT AFTER NORMAL CONTAINER REPLACEMENT, TEST GAS PIPING AND CONNECTIONS TO APPLIANCE FOR LEAKAGE WITH SOAPY WATER OR BUBBLE SOLUTION. DO NOT USE PRODUCTS THAT CONTAIN AMMONIA OR CHLORINE.
 P.N. 54531

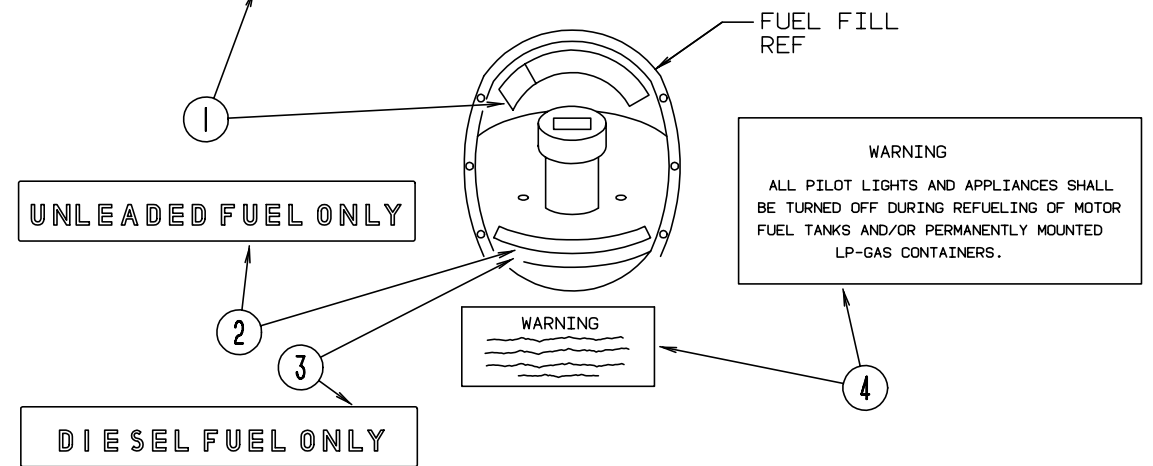
KEY	PART NUMBER	U/M DESCRIPTION
1	124519-01-01A	EA LABEL-WARNING/REFUELING, US
1	124519-02-02A	EA LABEL-WARNING/REFUELING, CANADIAN
2	124520-01-01A	EA LABEL-LP GAS ONLY, US
2	023769-01-000	EA LABEL-WARNING, LPG - CANADIAN

LABELS GROUP (CONTINUED)



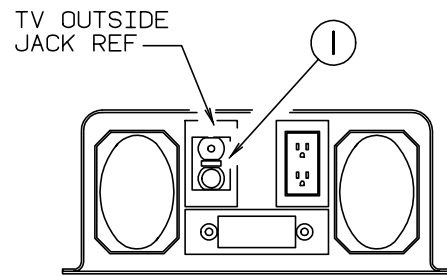
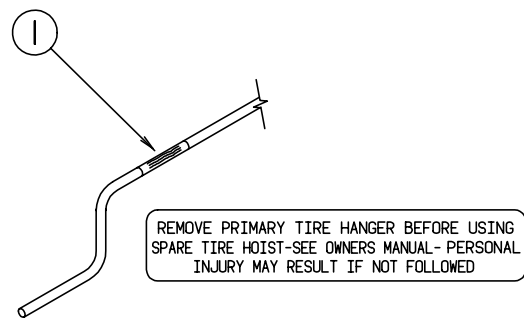
KEY	PART NUMBER	U/M DESCRIPTION
1	079965-01-000	EA LABEL-LPG, 80% CAPACITY

CAUTION
 TO HELP AVOID PERSONAL INJURY DURING REMOVAL OF FUEL FILLER CAP, SLOWLY LOOSEN CAP 1/2 TURN TO ALLOW ANY FUEL PRESSURE TO BE RELIEVED BEFORE TURNING CAP FURTHER.
FUEL SPRAY MAY CAUSE PERSONAL INJURY
 STOP ADDING FUEL AFTER FIRST SHUTOFF BY AUTOMATIC NOZZLE WHEN TANK IS NEARLY FULL. DO NOT OVERFILL FUEL TANK.
 SEE OWNERS MANUAL FOR ADDITIONAL INFORMATION.
 PRINTED IN U.S.A. MLC PT NO 15611763



KEY	PART NUMBER	U/M DESCRIPTION
1	087207-05-000	EA LABEL-FUEL CAP REMOVAL
2	062043-01-000	EA LABEL-FUEL, UNLEADED
3	068383-01-000	EA LABEL-DIESEL FUEL ONLY, GM-557005
4	124519-01-01A	EA LABEL-WARNING/REFUELING, US
4	124519-02-02A	EA LABEL-WARNING/REFUELING, CANADIAN

LABELS GROUP (CONTINUED)



OUTLET

KEY PART NUMBER U/M DESCRIPTION
 1 126024-01-01A EA LABEL - TIRE HANGER REMOVAL

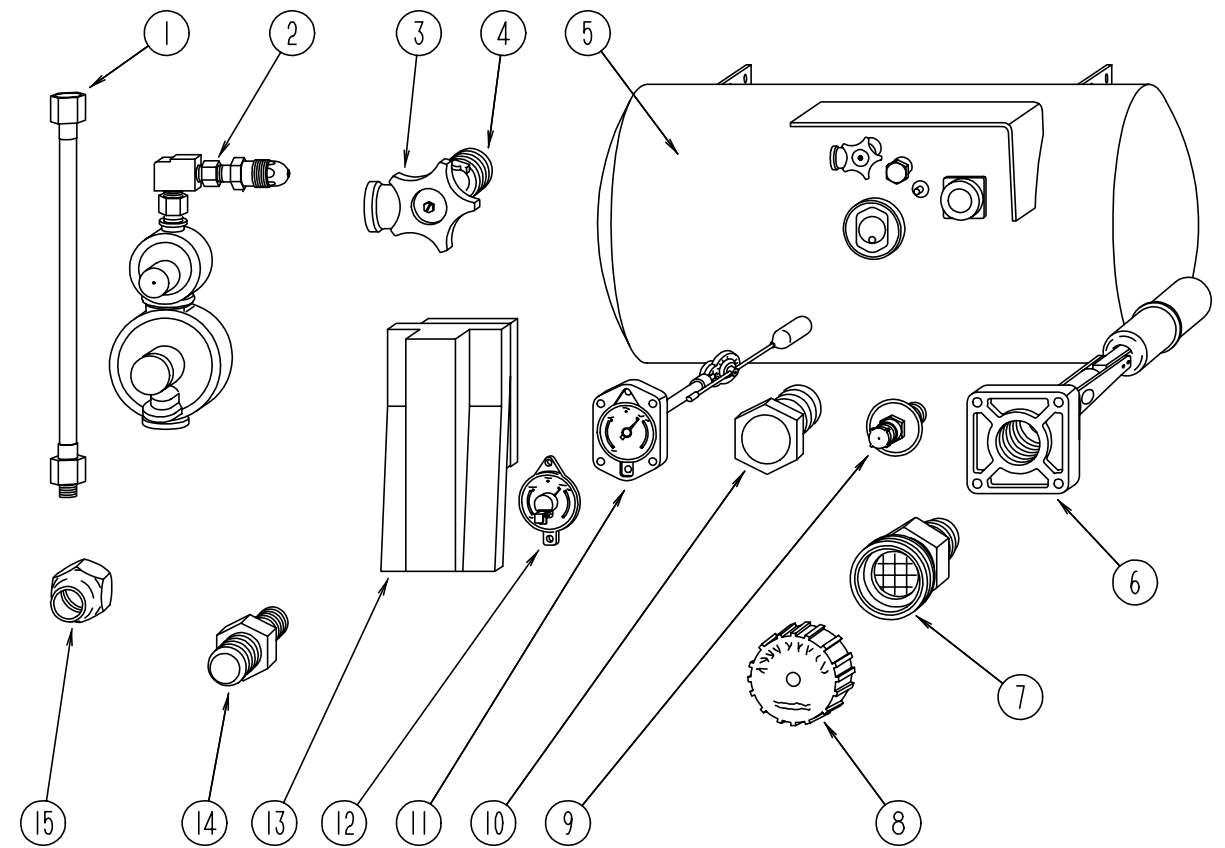
FROM: 03-14-97 THRU: 99-99-99

KEY PART NUMBER U/M DESCRIPTION
 1 087236-01-000 EA LABEL - CABLE - INPUT

MISCELLANEOUS LABELS

KEY PART NUMBER U/M DESCRIPTION
 006064-01-000 EA LABEL-SEAT W/O SEATBELT "NOT INTENDED FOR USE WHILE COACH IN MOTION"
 098379-04-000 EA LABEL-ELECTRICAL BOX, SIDE
 098641-01-000 EA LABEL-FUEL, UNLEADED - DASH
 111537-07-000 EA LABEL-FUSES
 113402-02-000 EA LABEL-CAUTION, FURNACE EXHAUST

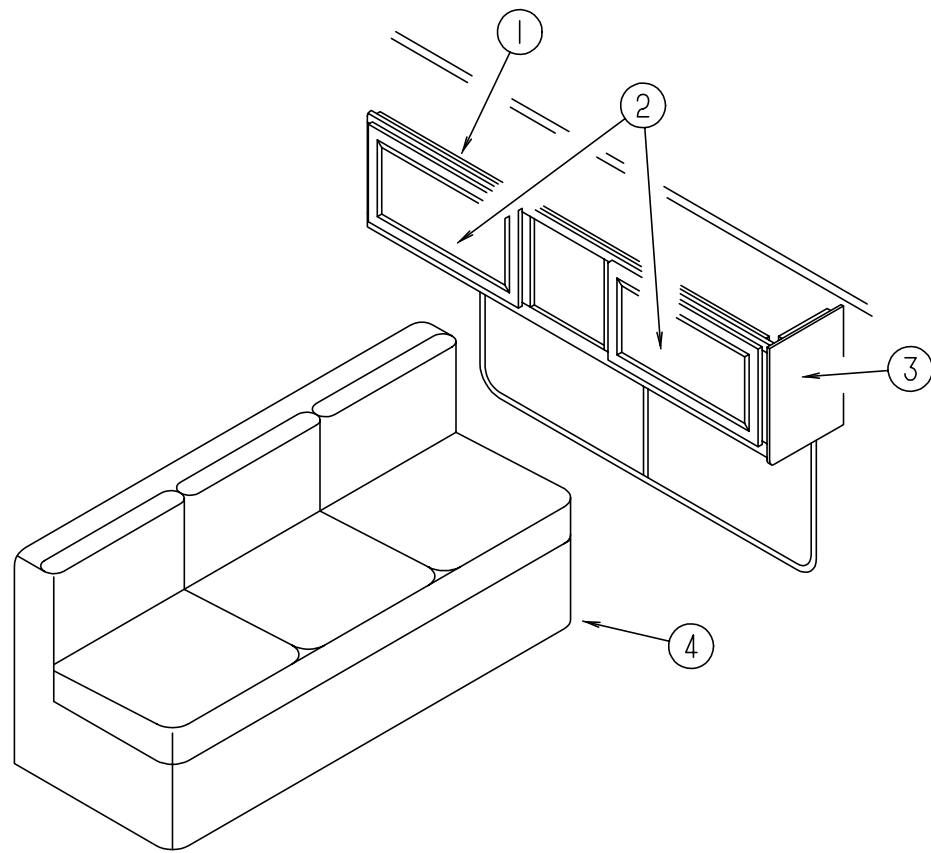
LP GROUP



LP TANK & COMPONENTS

KEY	PART NUMBER	U/M DESCRIPTION	VENDOR NO.
1	045703-01-000	EA HOSE-LP - 3/8" ID X 24" - 3/8" MPT X 1/2" F SWIVEL - US	
1	045703-03-000	EA HOSE-LP - 3/8" ID X 18" - 3/8" MPT X 1/2" F SWIVEL - US	
1	045703-02-000	EA HOSE - LP - 3/8" ID X 24" - 3/8" MPT X 1/2" F SWIVEL - CANADIAN	
1	045703-12-000	EA HOSE - LP - 3/8" ID X 18" - 3/8" MPT X 1/2" F SWIVEL - CANADIAN	
2	106150-01-000	EA REGULATOR-TWO STAGE	
2	106150-02-000	EA REGULATOR-TWO STAGE - EUROPEAN	
3	040421-01-708	EA HANDWHEEL-SERVICE VALVE	G-1015-A
4	040421-01-712	EA VALVE-SERVICE W/O VAPOR RELIEF	29000853
5	088253-01-000	EA TANK - LP - 80 LB - 16" DIAMETER X 30"	
6	040421-01-711	EA VALVE - 80% FILL W/AUTO STOP	LLL/TL3
7	040421-01-701	EA VALVE-SHORT LP FILLER W/YELLOW CAP	7547B
8	040421-01-702	EA CAP-LP FILLER VALVE, PLASTIC - YELLOW	G-1014-A
9	040421-01-700	EA GAUGE-LIQUID LEVEL, 20% LP	G-1013
10	040421-01-713	EA VALVE-VAPOR ONLY	29000587
11	088253-01-700	EA GAUGE-FLOAT ASSEMBLY, L.P.	16C
12	040440-02-000	EA TRANSMITTER - DIAL - 0-90 OHM - 2 TERMINAL (POWER & GROUND)	
13	105658-01-000	EA COMPARTMENT-LP REGULATOR	
14	010323-01-000	EA ADAPTER-BRASS, 3/8" F X 1/2" MPT	
14	010329-01-000	EA ADAPTER-BRASS, 1/2" F X 1/2" MPT	
15	010377-02-000	EA NUT-BRASS, 3/8" FLARE - FORGED	
15	010380-02-000	EA NUT - BRASS - 1/2" FLARE - FORGED	
	008042-01-000	FT TUBING-VINYL, .65" ID	
	010265-01-000	EA ELBOW - BRASS - 90 DEGREE - 3/8" F X 1/2" FPT	
	035340-01-000	EA ELBOW - 3/8" MPT X 1/2" F - BRASS	
	103613-01-000	EA DETECTOR-LP GAS	
			FROM: 00-00-00 THRU: 11-10-96
	103613-02-000	EA DETECTOR - LP GAS	
			FROM: 11-11-96 THRU: 04-27-97
	103613-03-000	EA DETECTOR - LP GAS	
			FROM: 04-28-97 THRU: 99-99-99

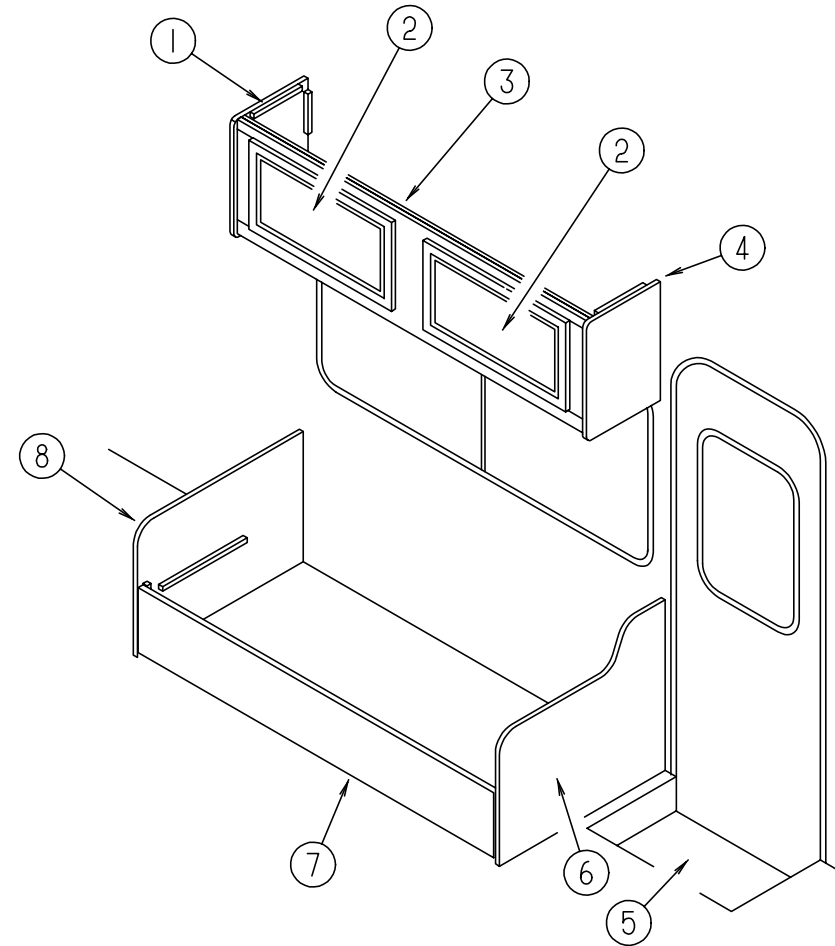
LOUNGE GROUP



DRIVER SIDE OVERHEAD & COUCH CABINETS

KEY	PART NUMBER	U/M	DESCRIPTION
1	117922-05-H33	EA	CABINET - OVERHEAD/DINETTE - W/O DOORS/HARDWARE
1	117922-05-H34	EA	CABINET - OVERHEAD/DINETTE - W/O DOORS/HARDWARE
1	117922-05-H35	EA	CABINET - OVERHEAD/DINETTE - W/O DOORS/HARDWARE
2	M06803-76-H33	EA	DOOR - MITERED CORNER/OGEE EDGE - 15.7" X 28" - W/O HDW
2	M06803-02-G09	EA	DOOR - MITERED CORNER/OGEE EDGE - 15.7" X 28" - W/O HDW DECORATOR DOOR OPTION
3	103128-01-G09	EA	END CAP - OVERHEAD CABINET - RIGHT HAND
4	M04187-89-H33	EA	PANEL - COUCH FRONT - FABRIC COVERED
4	M04187-89-H34	EA	PANEL - COUCH FRONT - FABRIC COVERED
4	M04187-89-H35	EA	PANEL - COUCH FRONT - FABRIC COVERED

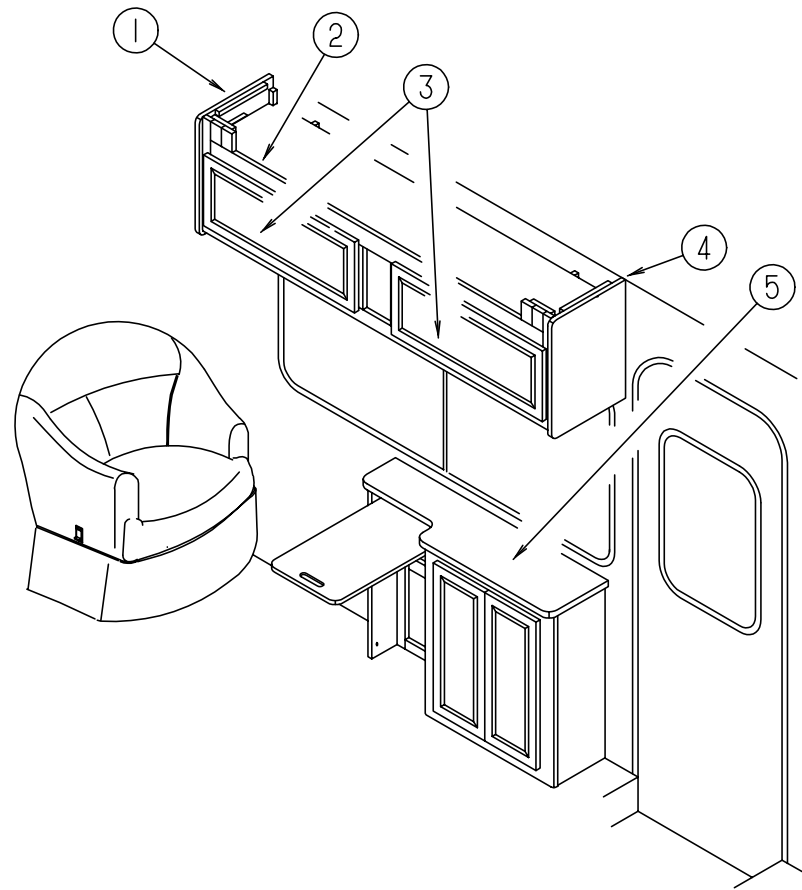
LOUNGE GROUP (CONTINUED)



PASSENGER SIDE OVERHEAD & COUCH CABINETS

KEY	PART NUMBER	U/M	DESCRIPTION
1	103128-13-H33	EA	END CAP - OVERHEAD CABINET - LEFT HAND
2	M06803-22-G09	EA	DOOR - MITERED CORNER/OGEE EDGE - 14.3" X 26.7" - W/O HDW
3	122173-01-H33	EA	CABINET - OVERHEAD/LOUNGE - W/O DOORS/HARDWARE
4	103128-12-H33	EA	END CAP - OVERHEAD CABINET - RIGHT HAND
5	120234-04-H13	EA	LID - ENTRY STEP
	122755-03-01A	EA	TILE - RUBBER/ENTRANCE DOOR - 17.7" X 26.4"
	101222-01-04A	EA	BRACKET - CATCH - LID
	116975-01-01A	EA	LATCH - W/O STRIKE - BLACK - NEW STYLE
	116975-02-01A	EA	KEEPER/STRIKE - BLACK - NEW STYLE
6	M04187-84-H33	EA	PANEL - COUCH/RIGHT END - FABRIC COVERED
6	M04187-84-H34	EA	PANEL - COUCH/RIGHT END - FABRIC COVERED
6	M04187-84-H35	EA	PANEL - COUCH/RIGHT END - FABRIC COVERED
7	M04187-83-H33	EA	PANEL - COUCH/KICK PANEL - FABRIC COVERED
7	M04187-83-H34	EA	PANEL - COUCH/KICK PANEL - FABRIC COVERED
7	M04187-83-H35	EA	PANEL - COUCH/KICK PANEL - FABRIC COVERED
8	M04187-85-H33	EA	PANEL - COUCH/LEFT END - FABRIC COVERED
8	M04187-85-H34	EA	PANEL - COUCH/LEFT END - FABRIC COVERED
8	M04187-85-H35	EA	PANEL - COUCH/LEFT END - FABRIC COVERED
	082525-01-000	EA	BRACE - COUCH - FLOOR MOUNT - ANGLE 3" LONG

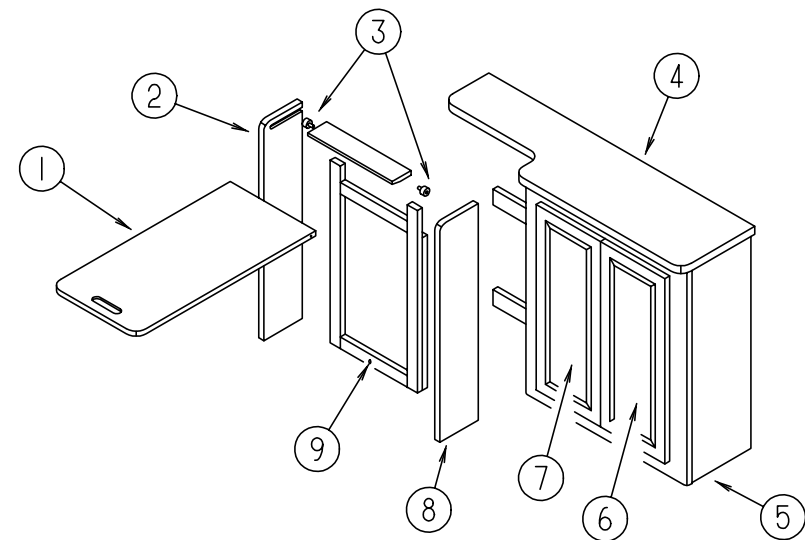
LOUNGE GROUP (CONTINUED)



PASSENGER SIDE OVERHEAD CABINET & HUTCH

KEY	PART NUMBER	U/M	DESCRIPTION
1	103128-13-H33	EA	END CAP - OVERHEAD CABINET - LEFT HAND
2	122173-01-H33	EA	CABINET - OVERHEAD/LOUNGE - W/O DOORS/HARDWARE
3	M06803-22-G09	EA	DOOR - MITERED CORNER/OGEE EDGE - 14.3" X 26.7" - W/O HDW
4	103128-12-H33	EA	END CAP - OVERHEAD CABINET - RIGHT HAND
5	114796-01-GB1	EA	CABINET - HUTCH PASS/LOUNGE - W/PULLOUT TBL - W/O DRS/HDW (H33)
5	114796-01-G05	EA	CABINET - HUTCH PASS/LOUNGE - W/PULLOUT TBL - W/O DRS/HDW (H34,H35)

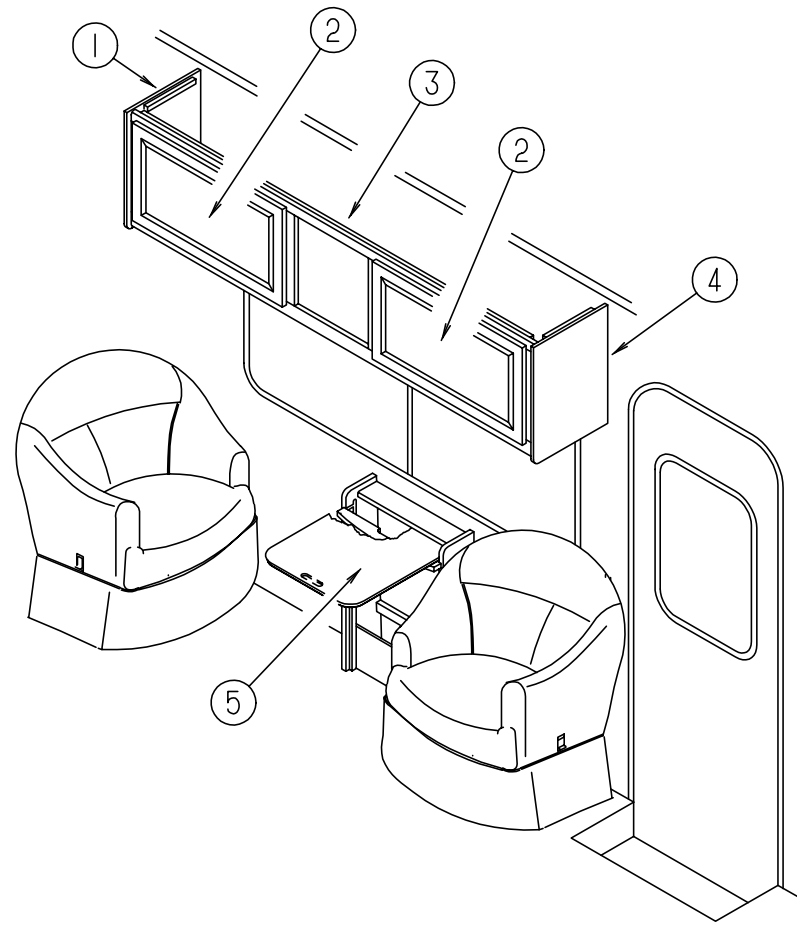
LOUNGE GROUP (CONTINUED)



PASSENGER SIDE HUTCH

KEY	PART NUMBER	U/M	DESCRIPTION
1	114796-15-G04	EA	TABLE - PULLOUT - HUTCH CABINET
2	114796-13-G04	EA	PANEL - OUTSIDE - FLIP UP TABLE CABINET
3	079921-01-000	EA	ROLLER - NYLON - W/STEEL SHAFT - BARBED
4	114796-11-F02	EA	COUNTERTOP - HUTCH CABINET (H33)
4	114796-11-F29	EA	COUNTERTOP - HUTCH CABINET (H34,H35)
5	114796-01-GB1	EA	CABINET - HUTCH PASS/LOUNGE - W/PULLOUT TBL - W/O DRS/HDW (H33)
5	114796-01-G05	EA	CABINET - HUTCH PASS/LOUNGE - W/PULLOUT TBL - W/O DRS/HDW (H34,H35)
6	M06803-20-G09	EA	DOOR - MITERED CORNER/OGEE EDGE - 10" X 25.2" - W/O HDW
7	M06803-D9-G09	EA	DOOR - MITERED CORNER/OGEE EDGE - 10" X 25.2" - W/O HDW
8	114796-12-G04	EA	PANEL - INSIDE - FLIP UP TABLE CABINET
9	049176-01-000	EA	HEDLOCK II - 3/4 DIAMETER SCREW MOUNT

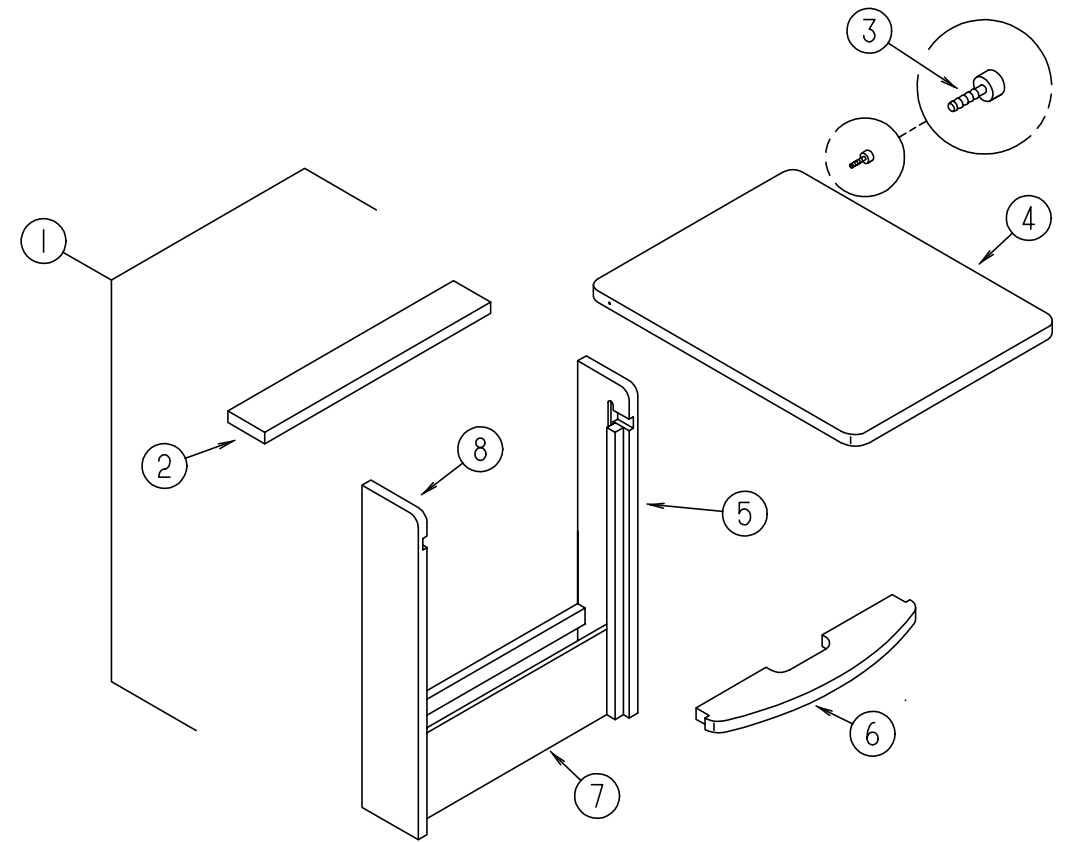
LOUNGE GROUP (CONTINUED)



PASSENGER SIDE OVERHEAD CABINET & PULLOUT TABLE

KEY	PART NUMBER	U/M DESCRIPTION
1	103128-13-H33	EA END CAP - OVERHEAD CABINET - LEFT HAND
2	M06803-22-G09	EA DOOR - MITERED CORNER/OGEE EDGE - 14.3" X 26.7" - W/O HDW
3	122173-01-H33	EA CABINET - OVERHEAD/LOUNGE - W/O DOORS/HARDWARE
4	103128-12-H33	EA END CAP - OVERHEAD CABINET - RIGHT HAND
5	M96873-01-G01	EA CABINET - F/PULLOUT TABLE - W/O TOP

LOUNGE GROUP (CONTINUED)



PULLOUT TABLE

KEY	PART NUMBER	U/M DESCRIPTION
1	M96873-01-G01	EA CABINET - F/PULLOUT TABLE - W/O TOP
2	096873-15-G01	EA SHELF - SUPPORT - OVER PULLOUT TABLE TOP
3	079921-01-000	EA ROLLER - NYLON - W/STEEL SHAFT - BARBED
4	096873-11-G01	EA TABLE TOP ONLY - PULLOUT
	080736-01-000	EA PULL - RECESSED - 1.25 X 4" - OAK
5	096873-13-G01	EA SIDE END - TABLE - RIGHT SIDE - 28.7" X 5.7"
6	096873-12-G01	EA SHELF - SUPPORT UNDER TABLE TOP
7	096873-16-G01	EA TABLE FRONT - BOTTOM - 18.1" X 6.7"
8	096873-14-G01	EA SIDE END - TABLE - LEFT SIDE - 28.7" X 5.7"

SEALANTS & FASTENERS GROUP

ADHESIVES

KEY	PART NUMBER	U/M	DESCRIPTION
	004020-01-000	QT	ADHESIVE - ABS CEMENT - QUART
	081377-01-700	EA	ADHESIVE - CYANOACRYLATE, 10 GRAM TUBE
	004006-05-700	EA	ADHESIVE - 5 GALLON - NATURAL STARCH
	062917-03-000	EA	ADHESIVE - LOCTITE 242
	067788-01-000	EA	ADHESIVE - SPRAY - 3M - 19.5 AEROSOL CAN
	087211-01-000	GL	PROMOTER - ADHESIVE

TAPES

KEY	PART NUMBER	U/M	DESCRIPTION
	076314-02-000	FT	TAPE - CARPET SEAM - HEAT-BOND - 4" WIDE
	076322-02-000	FT	TAPE - DOUBLE COATED/ADHESIVE BACK - .045"THK X 1"W X 9'
	076322-05-000	FT	TAPE - DOUBLE COATED/ADHESIVE BACK - .045"THK X .75"W X 9'
	110274-01-000	FT	TAPE - DOUBLE SIDED FOAM - .45" X 1"
	063642-01-000	FT	TAPE - ADHESIVE - 10 MIL X 1.5" X 180"
	088479-01-000	EA	TAPE - ALUMINUM - 3"
	120534-01-01A	EA	TAPE - SCOTCH - 3M - 1/2" FINE LINE
	123816-01-000	FT	TAPE - DOUBLE SIDED - 1"
	123816-02-000	FT	TAPE - DOUBLE SIDED - 1/2"

SEALERS

KEY	PART NUMBER	U/M	DESCRIPTION
	069640-01-000	FT	SEALER - RIBBON - 1/4"DIAMETER X 30'
	069640-02-000	FT	SEALER - TAPE - 1/8"THICK X .50"WIDE X 60'
	069640-03-000	FT	SEALER - TAPE - 1/8"THICK X .75"WIDE X 60'
	069640-07-000	FT	SEALER - TAPE - 3/32"THICK X 2"WIDE X 45'
	069640-09-000	FT	SEALER - TAPE - 1/32"THICK X 2.50"WIDE X 80'
	069640-11-000	FT	SEALER - TAPE - 3/16"THICK X 3/8"WIDE X 40'
	069640-13-000	FT	SEALER - TAPE - 3/32"THICK X 2"WIDE X 45'
	069640-14-000	FT	SEALER - TAPE - 1/16"THICK X 1"WIDE X 100'
	069640-15-000	FT	SEALER - TAPE - 1/16"THICK X 3/8"WIDE X 80'
	069640-17-000	FT	SEALER - TAPE - 1/32" THICK X 1"WIDE X 90'
	069640-18-000	FT	SEALER - TAPE - 1/2" THICK X 1/8" X 60'
	900390-01-000	EA	TIP - 2 1/2" X 1/8" ORIFICE
	900390-03-000	EA	NOZZLES-SILICONE TUBE, CSL D10
	034552-02-000	EA	SILICONE - TUBE - 300 ML - W/O NOZZLE - CLEAR
	034552-06-000	EA	SILICONE - TUBE - 300 ML - W/O NOZZLE - OFF WHITE
	120074-02-01A	EA	SEALANT - SILICONE - OFF WHITE
	034552-15-000	EA	SILICONE - TUBE - 300 ML - W/O NOZZLE - BRIGHT WHITE
	039518-01-000	EA	SILICONE - TUBE - 300 ML - BLACK - W/O NOZZLE
	053766-02-000	EA	BEDDING COMPOUND - TUBE - WHITE
	053766-06-000	EA	BEDDING COMPOUND - TUBE - CLEAR
	053766-08-000	EA	BEDDING COMPOUND - TUBE/GRAY
	072889-01-000	EA	SEALANT - URETHANE - BLACK - 1/10
	072889-09-000	EA	SEALANT - URETHANE - BLACK (TUBE)
	072889-10-000	EA	SEALANT - URETHANE (HV) - BRIGHT WHITE
	072889-12-000	EA	SEALANT - URETHANE (LV) BRIGHT WHITE
	072889-16-000	EA	SEALANT - URETHANE - BLACK
	102540-03-000	EA	SEAL - SCREW
	102352-01-000	EA	SEALER - PUMPABLE - BLACK
	102352-02-000	EA	SEALER - PUMPABLE - CLEAR
	106206-01-000	EA	SEALER - PUMPABLE - MANUS 30A - BLACK
	108716-03-000	EA	SILICONE - TUBE - BRIGHT WHITE/SELF LEVELING

SEALANTS & FASTENERS GROUP (CONTINUED)

WASHERS

KEY	PART NUMBER	U/M	DESCRIPTION
	000E11-07-00B	EA	WASHER - LOCKING - 7/16 MED SPLIT - ZINC
	000E13-14-00B	EA	WASHER - FLAT - 1/4 WIDE - ZINC
	000E13-18-00B	EA	WASHER - FLAT - 3/8 WIDE - ZINC
	000E13-20-00B	EA	WASHER - FLAT - 7/16 WIDE - ZINC
	000E13-22-00B	EA	WASHER - FLAT - 1/2 WIDE - ZINC
	000E13-26-00B	EA	WASHER - FLAT - 5/8 WIDE - ZINC
	000E14-10-00B	EA	WASHER - LOCKING - #10 EXTERNAL TOOTH - ZINC
	044533-01-000	EA	WASHER - PLASTIC - 1 3/8" OD - FOR BUTTONS
	058716-02-000	EA	WASHER - FLAT NYLON
	106649-01-000	EA	WASHER - SEALING - GALVANIZED

NUTS

KEY	PART NUMBER	U/M	DESCRIPTION
	000D24-10-00B	EA	NUT - HEX - SELF LOCKING - 10-32 ZINC
	000D29-05-00B	EA	NUT - 5/16 - 18 UNC - SF/LOCKING - NYLON WASHER INSERT
	000D34-06-00B	EA	NUT - HEX - LOCKING - 3/8 - 16 GRADE C - ZINC-PREVAILING T
	000D39-04-00B	EA	NUT - HEX - SERRATED FLANGE - LOCKING - 1/4 - 20 - ZINC
	000D39-05-00B	EA	NUT - HEX - SERRATED FLANGE - LOCKING - 5/16 - 18 - ZINC
	000D39-06-00B	EA	NUT - HEX - SERRATED FLANGE - LOCKING - 3/8 - 18 - ZINC
	000D39-07-00B	EA	NUT - HEX - SERRATED FLANGE - LOCKING - 7/16 - 14 - ZINC
	000D39-08-00B	EA	NUT - HEX - SERRATED FLANGE - LOCKING - 1/2 - 13 - ZINC
	000D44-07-00B	EA	NUT - HEX - SERRATED FLANGE - LOCKING - 7/16-20 - ZINC
	000D46-04-00A	EA	NUT - HEX - WELD - 1/4 - 20 - PLAIN
	040921-01-000	EA	NUT - SPEED - U TYPE - 10-24 BLACK
	040921-04-000	EA	NUT - SPEED - U TYPE - # 8 - .59" LENGTH X .44" WIDTH
	040921-09-000	EA	NUT - SPEED - U TYPE - # 8
	044364-02-000	EA	NUT - SPEED - FLAT - ROUND
	063253-07-000	EA	NUT - J - #8A - .120 - .130 PNL THK
	087234-01-000	EA	NUT - JACK - 1/4 X 20 THD - MOLLY - MOUNTS LICENSE PLATES
	104369-01-000	EA	NUT - HEX - HEAVY - 5/8-11 UNC

CLAMPS

KEY	PART NUMBER	U/M	DESCRIPTION
	007161-01-000	EA	CLAMP - HOSE - SPRING TYPE - 1/2"
	010495-01-000	EA	CLAMP - CABLE - 9/16"
	010497-01-000	EA	CLAMP - CLOSED - 5/8" ID
	010497-03-000	EA	CLAMP - CLOSED - 1" ID - CUSHIONED
	010497-04-000	EA	CLAMP - CLOSED - 1.62" ID
	010497-05-000	EA	CLAMP - CLOSED - 1/2 ID
	010499-01-000	EA	CLAMP - CLOSED - 3/8" ID
	056134-02-000	EA	HOLDER - RING - 1.8" DIAMETER - METAL
	062401-01-000	EA	CLAMP - HOSE - WORMGEAR - .25" - 1"
	062401-02-000	EA	CLAMP - HOSE - WORMGEAR - 1.56" - 2.5"
	062401-03-000	EA	CLAMP - HOSE - WORMGEAR - .22"- 1"
	062401-04-000	EA	CLAMP - HOSE - WORMGEAR - .69" - 1.25"
	062401-05-000	EA	CLAMP - HOSE - WORMGEAR - 2" TO 3" ID
	062401-06-000	EA	CLAMP - HOSE - WORMGEAR - .22 - .62 ID
	062401-11-000	EA	CLAMP - HOSE - WORMGEAR - 3.50 - 4.50
	075148-02-000	EA	CLAMP - GROUNDING - BRONZE SCREWS
	083609-01-000	EA	CLAMP - WIRE - DUAL - EQUAL DIAMETERS - 5/8"
	083610-01-000	EA	CLAMP - WIRE - DUAL - UNEQUAL DIAMETERS - 3/4" & 1 1/4"
	080734-02-000	EA	CLIP - WIRE NYLON
	091952-02-000	EA	CLIP - GRIPPER - 3/4"
	094362-02-000	EA	CLIP - XMAS TREE - BINDER HEAD - .9" LONG

SEALANTS & FASTENERS GROUP (CONTINUED)

SCREWS

KEY	PART NUMBER	U/M DESCRIPTION
	0G3908-08-170	EA SCREW - SF/DR - 8-18 X .50 PPH - BRIGHT WHITE
	000G11-05-08B	EA SCREW - 5-20 X .50 PPH - ZINC
	000G11-06-10J	EA SCREW - 6-20 X 5/8 PPH - BRASS
	000G11-06-10B	EA SCREW - 6-20 X 5/8 PPH - ZINC
	000G11-06-08B	EA SCREW - 6-20 X .50 PPH - ZINC
	000G11-07-08B	EA SCREW - 7-19 X .50 PPH - ZINC
	000G11-08-08T	EA SCREW - 8-18 X 1/5 PPH - FLUORO CARBON COATING
	000G11-08-08B	EA SCREW - 8-18 X .50 PPH - ZINC
	000G11-08-06B	EA SCREW - 8-18 X 3/8 PPH - ZINC
	000G11-08-20B	EA SCREW - 8-18 X 1.25 PPH - ZINC
	000G11-08-16S	EA SCREW - 8-18 X 1 PPH - OFF WHITE
	000G11-08-12T	EA SCREW - 8-18 X .75 PPH - BLACK
	000G11-08-12P	EA SCREW - 8-18 X .75 PPH - DARK BROWN
	000G11-08-12P	EA SCREW - 8-18 X .75 PPH - DARK BROWN
	000G11-08-12D	EA SCREW - 8-18 X .75 PPH - BLACK
	000G11-08-12B	EA SCREW - 8-18 X .75 PPH - ZINC
	000G11-10-12D	EA SCREW - 10-16 X .75 PPH - BLACK
	000G11-10-40B	EA SCREW - 10-16 X 2 1/2 PPH CAD - 34927-01-000
	000G11-10-16B	EA SCREW - 10-16 X 1 PPH - ZINC
	000G11-10-12S	EA SCREW - 10-16 X .75 PPH - OFF WHITE
	000G12-06-08T	EA SCREW - 6-20 X 1/2 POH - BLACK
	000G13-06-24J	EA SCREW - 6-20 X 1.50 PFH - BRASS
	000G13-06-16J	EA SCREW - 6-20 X 1 PFH - BRASS
	000G13-06-10G	EA SCREW - 6-20 X 5/8 PFH - ANTIQUE BRASS
	000G13-06-08G	EA SCREW - 6-20 X .50 PFH - ANTIQUE BRASS
	000G13-07-12B	EA SCREW - 7-19 X .75 PFH - ZINC
	000G13-07-10H	EA SCREW - 7-19 X 5/8 PFH - BLACK
	000G18-08-22B	EA SCREW - MACHINE - 8-32 X 1 3/8 PPH - ZINC
	000G19-10-08B	EA SCREW - MACHINE - 10-32 X .50 - PPH - ZINC
	000G19-10-20B	EA SCREW - MACHINE - 10-32 X 1.25 PPH - ZINC
	000G19-10-12F	EA SCREW - MACHINE - 10-32 X .75 - PPH - STAINLESS STEEL
	000G32-10-06B	EA SCREW - 10-32 X 3/8 PPH - ZINC
	000G39-06-10T	EA SCREW - SF/DR - 6-20 X 5/8 PPH - BLACK
	000G39-06-16T	EA SCREW - SF/DR - 6-20 X 1 PPH - BLACK
	000G39-08-08S	EA SCREW - SF/DR - 8-18 X .50 PPH - OFF WHITE
	000G39-08-08B	EA SCREW - SF/DR - 8-18 X 1.50 PPH - ZINC
	000G39-08-06B	EA SCREW - SF/DR - 8-18 X 3/8 PPH - ZINC
	000G39-08-32B	EA SCREW - SF/DR - 8-18 X 2 PPH - ZINC
	000G39-08-16T	EA SCREW - SF/DR - 6-20 X 1 PPH - BLACK
	000G39-08-16R	EA SCREW - SF/DR - 8-18 X 1 PPH - BEIGE
	000G39-08-16B	EA SCREW - SF/DR - 8-18 X 1 PPH - ZINC
	000G39-08-12T	EA SCREW - SF/DR - 8-18 X .75 PPH - BLACK
	000G39-08-12B	EA SCREW - SF/DR - 8-18 X .75 PPH - ZINC
	000G39-10-088	EA SCREW - SF/DR - 10-16 X 1/2 PPH - FLEX FLUOROCARBON
	000G39-10-08B	EA SCREW - SF/DR - 10-16 X .50 PPH - ZINC
	000G39-10-129	EA SCREW - SF/DR - 10-16 X .75 PPH - FLUOROCARBON SILVER
	000G39-10-12D	EA SCREW - SF/DR - 10-16 X .75 PPH - BLACK
	000G39-10-12B	EA SCREW - SF/DR - 10-16 X .75 PPH - ZINC
	000G39-10-10B	EA SCREW - SF/DR - 10-16 X .625 - ZINC
	000G39-10-209	EA SCREW - SF/DR - 10-16 X 1 1/4 PPH - FLUOROCARBON SILVER
	000G39-10-20B	EA SCREW - SF/DR - 10-16 X 1.25 PPH - ZINC
	000G42-04-12B	EA SCREW - SF/DR - 1/4-14 X .75 HWH - ZINC
	000G43-06-24B	EA SCREW - MACHINE - 6-32 X 1.50 - ZINC
	000G46-08-24T	EA SCREW - MACHINE - 8-32 X 1.50 PFH - BLACK
	000G50-04-08B	EA SCREW - MACHINE - 1/4-20 X .50 PTH - ZINC
	000G50-04-12B	EA SCREW - MACHINE - 1/4-20 X .75 PPH - ZINC
	000G52-08-18B	EA SCREW - MACHINE - 8-32 X 1 1/8 PTH - ZINC
	000G54-04-20B	EA SCREW - 1/4-20 X 1.25 PTH - TYPE 23 - ZINC PLATED
	000G55-08-12S	EA SCREW - SF/DR - 8-18 X .75 PWH - OFF WHITE
	000G55-08-16S	EA SCREW - SF/DR - 8-18 X 1.00 - PWH - OFF WHITE
	000G56-12-48B	EA SCREW - WOOD - 12-11 X 3 POH - SPECIAL HARDENED
	000G60-10-28T	EA SCREW - SF/DR - 10-16 X 1.75 - BLACK

SEALANTS & FASTENERS GROUP (CONTINUED)

SCREWS (CONTINUED)

KEY	PART NUMBER	U/M DESCRIPTION
	000G67-10-08B	EA SCREW - 10-12 X .50 PPH - ZINC
	000G67-10-36T	EA SCREW - 10-12 X 2.25 - PPH - BLACK
	000G67-10-24B	EA SCREW - 10-12 X 1.25 PPH - ZINC
	000G67-10-20D	EA SCREW - 10-12 X 1.25 PPH - BLACK
	000G67-10-120	EA SCREW - 10-12 X .75 PPH - TAN
	000G67-10-120	EA SCREW - 10-12 X .75 PPH - TAN
	000G67-10-12B	EA SCREW - 10-12 X .75 PPH - ZINC
	000G67-10-10S	EA SCREW - 10-12 X 5/8 PPH - OFF WHITE
	000G67-10-10D	EA SCREW - 10-12 X 5/8 PPH - BLACK - TYPE A
	000G68-06-10G	EA SCREW - 6-18 X 5/8 POH - ANTIQUE BRASS
	0G3910-12-170	EA SCREW - SF/DR - 10-16 X .75 PPH - BRIGHT WHITE
	049465-01-000	EA SCREW - 10-16 W/WASHER PTH - DARK BROWN
	049465-03-000	EA SCREW - 10-16 X 1 POH W/WASHER - OFF WHITE
	049465-04-000	EA SCREW - 10-16 X 1 PTH W/WASHER - BEIGE
	049465-17-000	EA SCREW - 10-16 X 1 POH W/WASHER
	075908-01-000	EA SCREW - MACHINE - 10-32 X .56 PTH - EXTERNAL TOOTH - ZINC
	076790-01-000	EA SCREW - 6-20 X 1 1/4 PPH - BLACK
	057671-01-000	EA COVER - SCREW - #8 - PLASTIC - OFF WHITE
	057671-12-000	EA COVER - SCREW - #8 - QUICKSILVER
	057671-15-000	EA COVER - SCREW
	083554-04-000	EA SCREW - DRYWALL - 8 X 2 1/2
	086256-01-000	EA SCREW - SF/DR - 8 X 3/4 HWH LONG
	087721-01-000	EA SCREW - FLAT HEAD - TAPPING - 1/4" X 1 1/4" LONG - ZINC
	097974-01-000	EA SCREW - PARTICLE BOARD - 7-9 X 3/4 PPH
	115430-01-01A	EA SCREW - 8-18 X 1/2 POH - W/WASHER

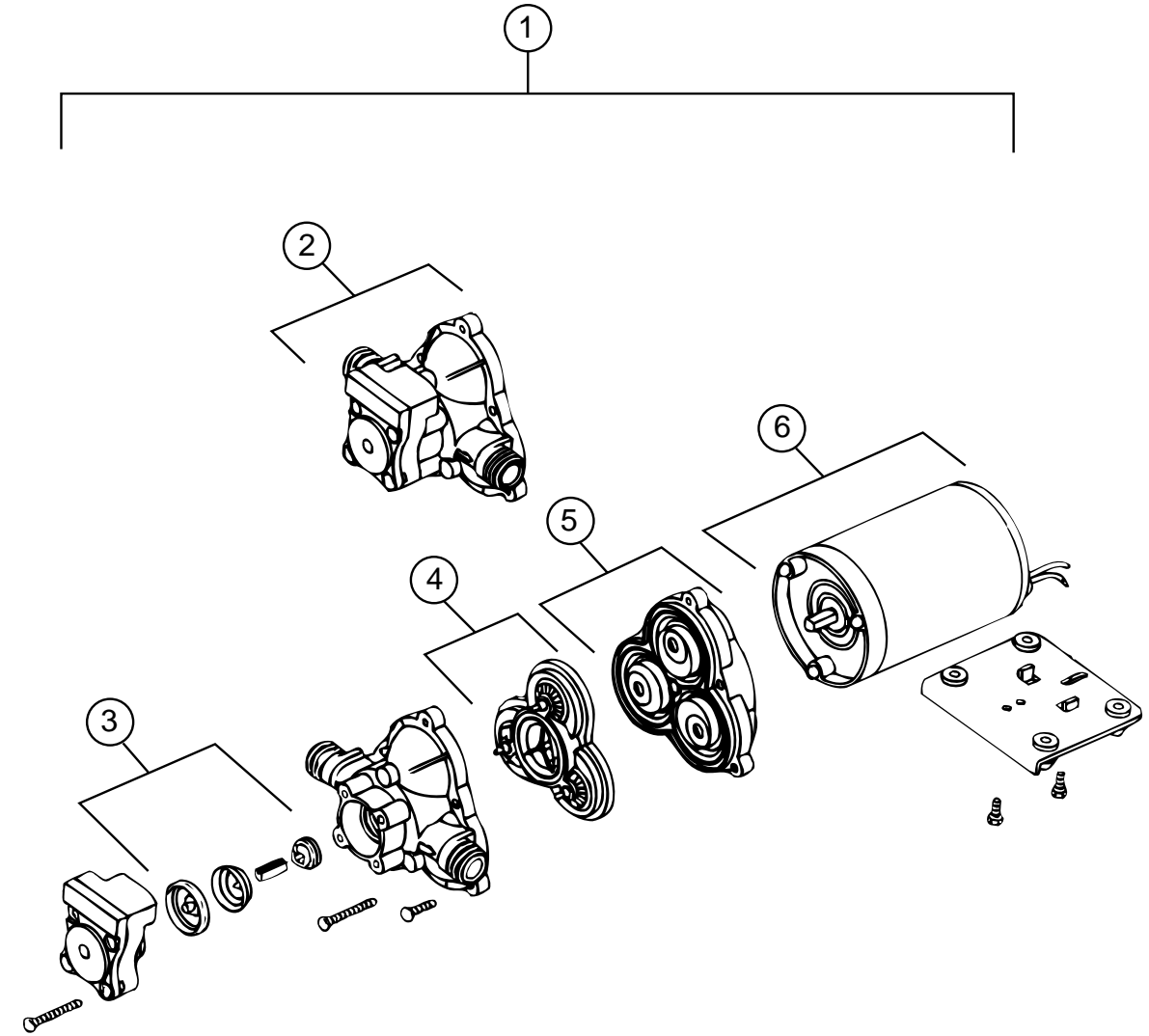
SEALANTS & FASTENERS GROUP (CONTINUED)
BOLTS

KEY	PART NUMBER	U/M DESCRIPTION
	000C12-04-24B	EA BOLT - HEX - 1/4-20 X 1 1/2 - ZINC 5
	000C12-05-16B	EA BOLT - HEX - 5/16-18 X 1 - ZINC 5
	000C12-05-12B	EA BOLT - HEX - 5/16-13 X 3/4 ZINC 5
	000C12-06-16B	EA BOLT - HEX - 3/8-16 X 1 LG - ZINC 5
	000C12-08-24B	EA BOLT - HEX - 1/2-13 X 1.50 - ZINC 5
	000C12-10-24B	EA BOLT - HEX - 5/8-11 X 1.50 - ZINC 5
	000C13-07-48B	EA BOLT - HEX - 7/16-20 X 3 - ZINC 5
	000C18-05-40A	EA BOLT - ELEVATOR - 5/16-18 X 2.50 - PL
	000C26-04-18B	EA BOLT - HEX - SERRATED FLANGE - 1/4-20 X 1 1/8 - ZINC
	000C26-04-14B	EA BOLT - HEX - SERRATED FLANGE - 1/4-20 X 7/8 - ZINC
	000C26-04-10B	EA BOLT - HEX - SERRATED FLANGE - 1/4-20 X 5/8 - ZINC
	000C26-05-16B	EA BOLT - HEX - SERRATED FLANGE - 5/16-18 X 3/4 - ZINC
	000C26-05-12B	EA BOLT - HEX - SERRATED FLANGE - 5/16-18 X 3/4 - ZINC
	000C26-06-16B	EA BOLT - HEX - SERRATED FLANGE - 3/8-16 X 1 - ZINC
	000C26-06-12B	EA BOLT - HEX - SERRATED FLANGE - 3/8-16 X 3/4 - ZINC
	000C27-10-32B	EA BOLT - CARRIAGE - 5/8-11 X 2
	000G45-04-24B	EA BOLT - LAG - 1/4-9 X 1.50 ZINC
	000G45-05-16B	EA BOLT - LAG - 5/16-9 X 1 - ZINC
	102333-01-06A	EA BOLT - CARRIAGE - 7/16-14 STAINLESS STEEL CAP
	051387-06-000	EA BOLT - CARRIAGE W/O HOLE - 5/16-18 X 9.5 - ZINC
	088787-12-000	EA STUD - WELD - 1/4 - 20 X 1.0 LG - MN

RIVETS, GROMMETS AND MISCELLANEOUS FASTENERS

KEY	PART NUMBER	U/M DESCRIPTION
	000H16-04-06R	EA RIVET - POP ALUMINUM - 1/8" X .313 - .375
	000H16-06-10R	EA RIVET - POP ALUMINUM - 3/16 X .501-.625
	016188-03-000	EA GROMMET - L/P LINE - 3/8" HOLE X 2 1/2" LONG - RUBBER
	016188-05-000	EA GROMMET - L/P LINE - 3/8" HOLE X 1 1/4" LONG - RUBBER
	023942-01-000	EA GROMMET - RUBBER - 2" OD
	071015-19-000	EA GROMMET - .38 ID - FITS .06 MATERIAL
	071015-21-000	EA GROMMET - RUBBER - 1/2 ID X 1.06 OD - W/.19 GROOVE - BLACK
	071015-26-000	EA GROMMET - RUBBER - 1.5" ID X 2.12" OD W/.06" GROOVE - BLK
	008380-01-000	EA GROMMET - RUBBER - 5/8" HOLE X 1 1/2" DIAMETER - BLACK
	069592-02-000	EA RIVET-T - POP - 1/4 X .093 - .156
	008343-01-000	EA TIE - WIRE - 6"
	008343-02-000	EA TIE - WIRE - 14"
	029094-04-000	YD VELCRO TAPE - LOOP - 1" WIDE - BLACK
	029096-03-000	YD VELCRO TAPE - HOOK - 1" WIDE - BLACK
	081211-05-000	EA PLUG - PLASTIC - .188 DIAMETER - NATURAL
	085774-01-000	FT FASTENER - DUAL HOOK - 1" WIDE - ADHESIVE BACK - BLACK
	085774-02-000	FT FASTENER - DUAL LOOP - 1" WIDE - ADHESIVE BACK - BLACK
	086285-01-000	EA SPACER - NYLON - .5" OD X .257" ID
	108046-02-000	EA CABLE TIE - SCREW MOUNT 15"
	110943-02-000	FT FELTSTRIP - 3/8" - ADHESIVE BACK - WHITE
	115361-01-01A	EA PLUG - PLASTIC

WATER & SEWAGE GROUP

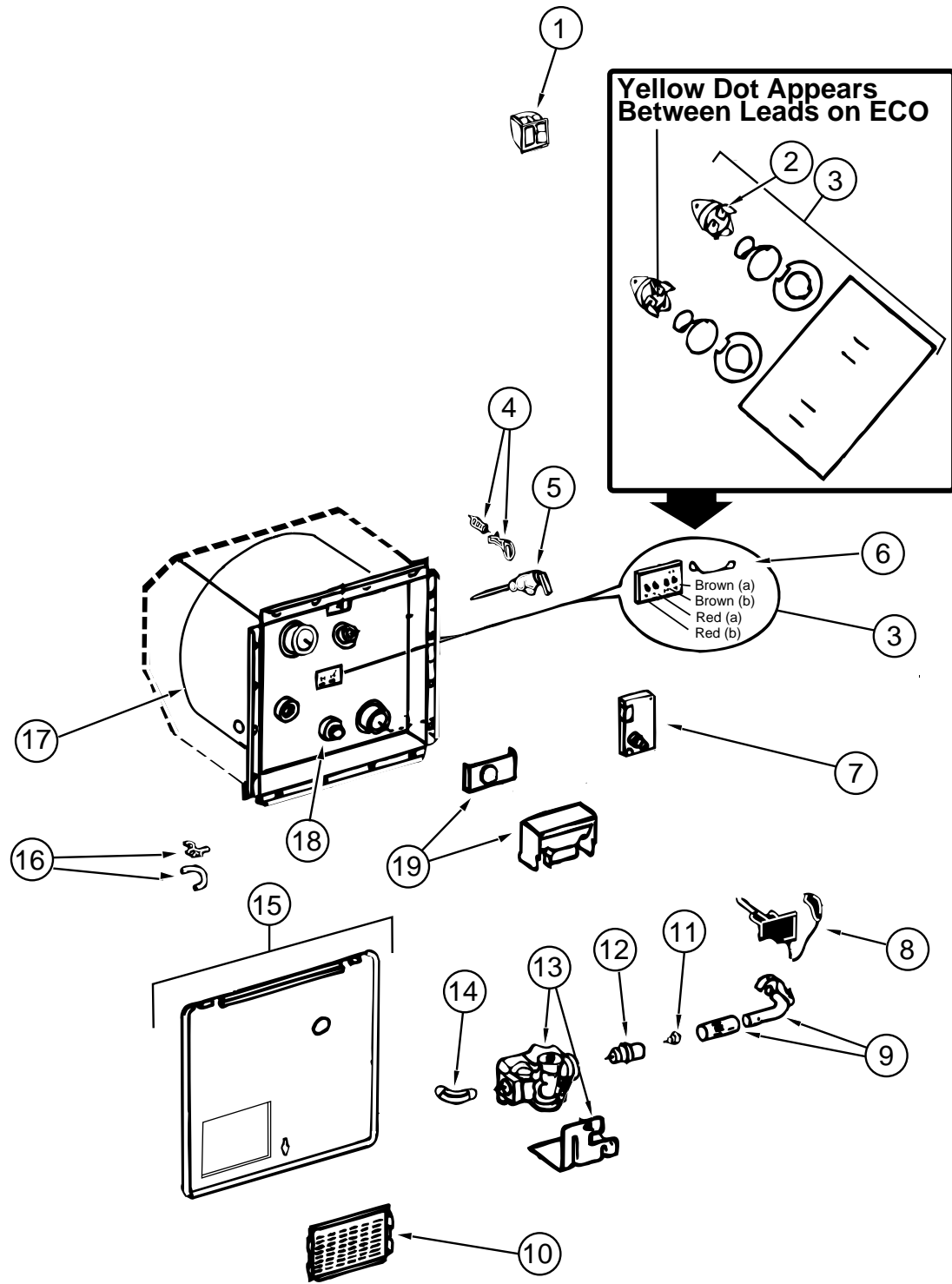


SHURFLO WATER PUMP

KEY	PART NUMBER	U/M DESCRIPTION	VENDOR NO.
1	098607-01-000	EA PUMP-WATER, W/.5" MPT FITTING - FLOW 2.8 GPM - UL	
2	098607-01-706	EA HOUSING W/SWITCH ONLY	94-231-20
3	098607-01-705	EA VALVE-CHECK, KIT	94-237-00
4	098607-01-703	EA VALVE KIT	94-232-00
5	098607-01-702	EA DIAPHRAGM/DRIVE ASSEMBLY KIT	94-238-04
6	098607-01-707	EA MOTOR W/BASEPLATE	94-234-03

WATER & SEWAGE GROUP (CONTINUED)
ATWOOD WATER HEATER W/MOTOR AID (GH6-8E)

KEY	PART NUMBER	U/M DESCRIPTION	VENDOR NO.
	051393-01-000	EA WATER HEATER - W/MOTOR AID - PILOTLESS IGNITION	
1	051393-01-701	EA SWITCH PACKAGE	91959
2	051391-04-701	EA THERMOSTAT 12V DC-120 PRESET	91470
3	051393-01-721	EA ECO & THERMOSTAT ASM - FRONT MOUNT - 140°	91447
4	051391-01-705	EA FASTENER - CAMLOC	92609
5	051391-01-704	EA VALVE - RELIEF - 1/2" FITTING	91604
6	051393-01-723	EA SWITCH - ENERGY CUT-OFF	93866
7	051393-01-724	EA CIRCUIT BOARD - W/ SPADE TERMINAL	93867
8	051393-01-725	EA ELECTRODE - SINGLE SPADE CONNECTION	93868
9	051391-04-703	EA BURNER - MAIN	91638
10	051391-01-717	EA GRILLE	92640
11	051391-01-710	EA ORIFICE - MAIN BURNER	92742
12	051391-03-700	EA ORIFICE HOLDER	91563
13	051393-01-726	EA SOLENOID VALVE & BRACKET	93870
14	051391-01-714	EA ELBOW - 45 DEGREE - 3/8" F X 3/8" MPT	91044
15	052009-06-000	EA DOOR-WATER HEATER W/O LATCHES, BRIGHT WHITE	
16	051391-01-700	EA HINGE KIT - W/CLIP	92568 & 92559
17	051391-04-704	EA TANK - INNER	91642
18	051391-01-715	EA DRAIN PLUG	91857
19	051391-04-707	EA FLUE & GASKET	90960
	111129-01-711	EA BRACKET-CORNER, SET OF FOUR	91928
	116424-01-000	EA PROTECTOR - ROUND VINYL - WATER HEATER LATCH	



WATER & SEWAGE GROUP (CONTINUED)
WATER PURIFICATION SYSTEM

KEY	PART NUMBER	U/M DESCRIPTION	VENDOR NO.
	701069-01-000	EA WATER PURIFICATION SYSTEM - EVERPURE 9252	
	701069-03-700	EA CARTRIDGE-WATER FILTER, AC - EVERPURE	9601-11

EXTERIOR SHOWER

KEY	PART NUMBER	U/M DESCRIPTION	VENDOR NO.
	075241-05-000	EA FAUCET-SHOWER, BONE	
	103092-01-000	EA SHOWER HEAD-W/60" HOSE - US	
	103092-02-000	EA SHOWER HEAD-W/60" HOSE - CANADIAN	
	103092-01-700	EA BRACKET ONLY-CLEAR, F/SHOWER HEAD - BPC	2328028
	103092-01-702	EA SEALS-SPRAY HEAD	24466
	011048-03-700	EA BRACKET/F SHOWER HEAD - BPC	2328029-3
	093527-02-000	EA BRACKET-SQUEEGEE/SHOWER HEAD	

WATER TANK

KEY	PART NUMBER	U/M DESCRIPTION
	116700-01-000	EA TANK - WATER - 59 GALLON - W/O FITTINGS
	116700-02-000	EA TANK - WATER - 59 GALLON - W/FITTINGS
	039861-01-000	EA SENDING UNIT - W/SCREW - WASHER - WELL NUT/TERMINAL RING
	042989-03-000	EA FITTING - WATER TANK - SPINWELD - 1 1/4"NPT - PLASTIC
	042989-04-000	EA FITTING - WATER TANK - SPINWELD - 3/8 FPT - WHITE PLASTIC
	042989-05-000	EA FITTING - WATER TANK - SPINWELD - 1/2"FPT - PLASTIC
	049032-01-000	EA PATCH - SPINWELD - 3/8" - PLASTIC
	077954-02-000	EA FILTER - WATER TANK - W/SCREEN IN TANK

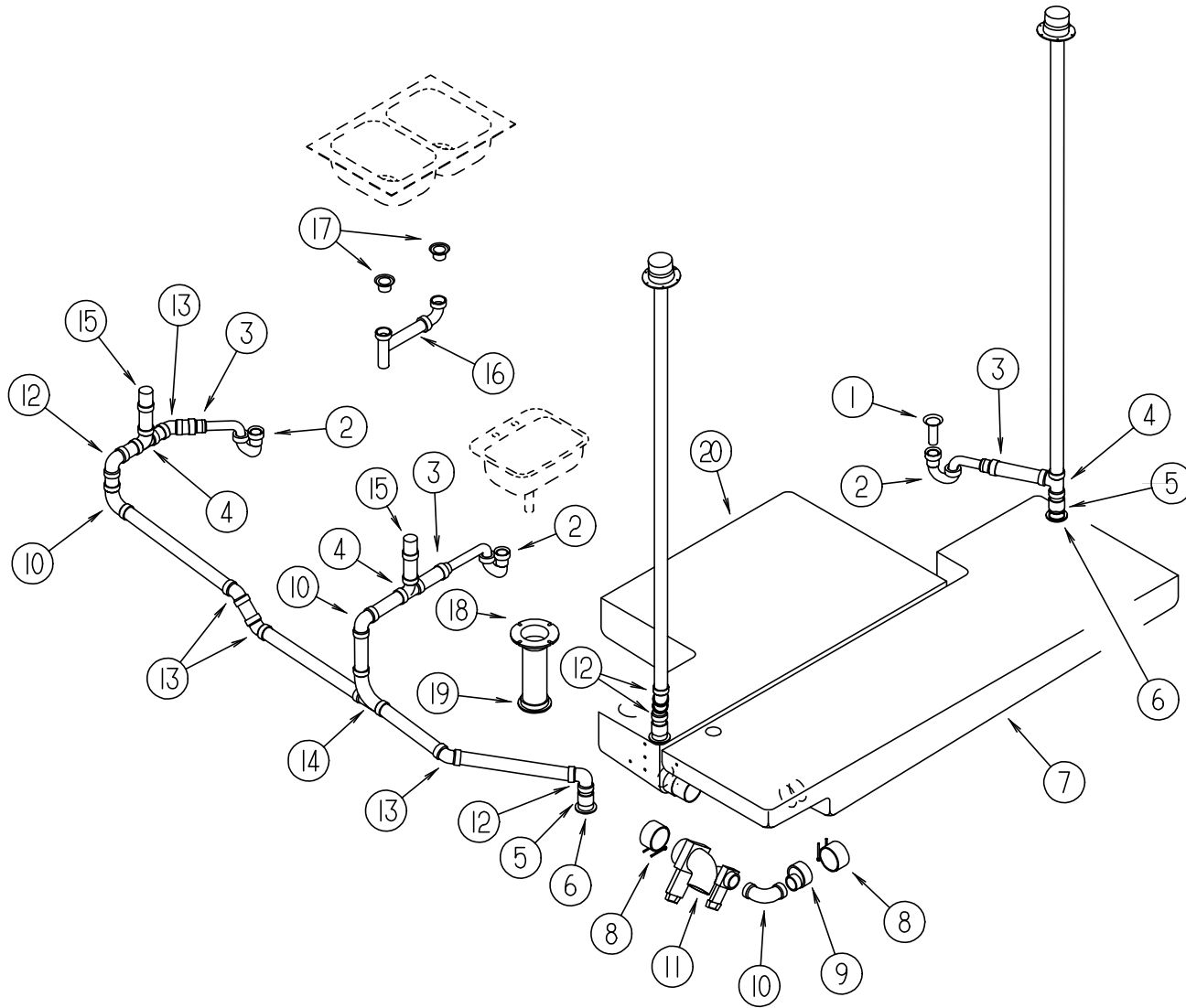
WATER & SEWAGE GROUP (CONTINUED)
WATER SYSTEM COMPONENTS

KEY	PART NUMBER	U/M DESCRIPTION
	010224-01-000	EA ADAPTER - HOSE TO PIPE - 3/8 MPT X 3/8 BARB - PLASTIC
	044927-01-000	EA ADAPTER - HOSE TO PIPE - 1 1/4 MPT X 1 1/4 BARB - BLK PLS
	123152-01-000	EA ADAPTER - 1/2 FPT X 1/2 BARB - SWIVEL
	101814-01-000	EA COUPLING - FEMALE - 1/2" X 1/2" FPT - GRAY
	110438-01-000	EA VALVE - CHECK - BRASS - 1/2 MPT X 1/2 FPT FROM: 00-00-00 THRU: 02-16-97
	110438-02-000	EA VALVE - CHECK - BRASS - 1/2 MPT X 1/2 MPT FROM: 02-17-97 THRU: 99-99-99
	010230-06-000	EA FILL - CITY WATER - W/CHECK VALVE - MPT
	074462-02-000	FT TUBING - VINYL - 3/8 ID X 20' - CLEAR
	039800-02-000	FT TUBING - POLYBUTYL - 5/8 OD X 20' - INC OF 20'
	039800-04-000	FT TUBING - POLYBUTYL - 1/4"OD
	039800-05-000	FT TUBING - POLYBUTYL - 5/8 OD X 20'
	079381-01-000	FT TUBING - SMOOTH FLEXIBLE - 1 3/8 ID X 20'
	039808-03-000	EA ELBOW - 1/2" MPT X 1/2" MPT - PLASTIC
	112176-01-000	FT TUBING - VINYL, REINFORCED - 1/2 ID
	123150-01-000	EA ELBOW - 1/2 FPT X 1/2 BARB - SWIVEL
	124188-02-000	FT TUBING - PEX 1/2" ID X 20' RED

WATER SYSTEM COMPONENTS (FLAIR-IT)

KEY	PART NUMBER	U/M DESCRIPTION
	114427-01-000	EA CAP - 1/2P
	114427-02-000	EA PLUG - 1/2P
	114427-03-000	EA NUT - 1/2"Q
	114428-01-000	EA TEE - 1/2P X 1/2P X 1/2P
	114428-02-000	EA TEE - SWIVEL -1/2P X 1/2P X 1/2FPT
	114428-03-000	EA TEE - 1/2P X 1/2P X 1/2 MPT
	114428-04-000	EA TEE - 1/2P X 1/2P X 1/8FPT
	114429-01-000	EA ELBOW - 1/2P X 1/2P
	114429-02-000	EA ELBOW - 1/2P X 1/2MPT
	114429-03-000	EA ELBOW - SWIVEL -1/2PX1/2FPT
	114429-04-000	EA ELBOW - 1/2P X 3/8MPT
	114429-05-000	EA ELBOW - 1/2P X 3/4MPT
	114429-06-000	EA ELBOW - SWIVEL -1/2P X 3/4FPT
	114429-07-000	EA ELBOW - 1/2P X 1/2FPT DROPEAR
	114430-01-000	EA ADAPTER - 1/2P X 1/2P
	114430-02-000	EA ADAPTER - SWIVEL -1/2P X 1/2FPT
	114430-03-000	EA ADAPTER - 1/2P X 1/2MPT
	114430-04-000	EA ADAPTER - 1/2P X 3/8MPT
	114430-05-000	EA ADAPTER - 1/2P X 1/8FPT
	114430-06-000	EA ADAPTER - 1/2P X 3/8FPT
	114430-07-000	EA ADAPTER - 1/2P X 3/8P
	114430-08-000	EA ADAPTER - 1/2P X 3/4MPT
	114431-01-000	EA VALVE - 180 DEGREE/CENTER DRAIN - 1/2P - THREE WAY
	114431-02-000	EA VALVE - WATER BYPASS - 1/2"P - THREE WAY (WATER HEATER)
	114431-03-000	EA VALVE - 1/2P X 1/2P
	114431-04-000	EA VALVE - STOP -1/2P X 1/2P
	114431-05-000	EA VALVE - NEEDLE - COMP 1/8 MPT X 1/4
	114431-06-000	EA VALVE - 3/8P X 3/8P
	114431-07-000	EA VALVE - 3/8P THREE - WAY
	114431-08-000	EA STRAIGHT STOP VALVE 3/8P X 3/8P
	113697-01-000	EA CAP - 3/8 FTG

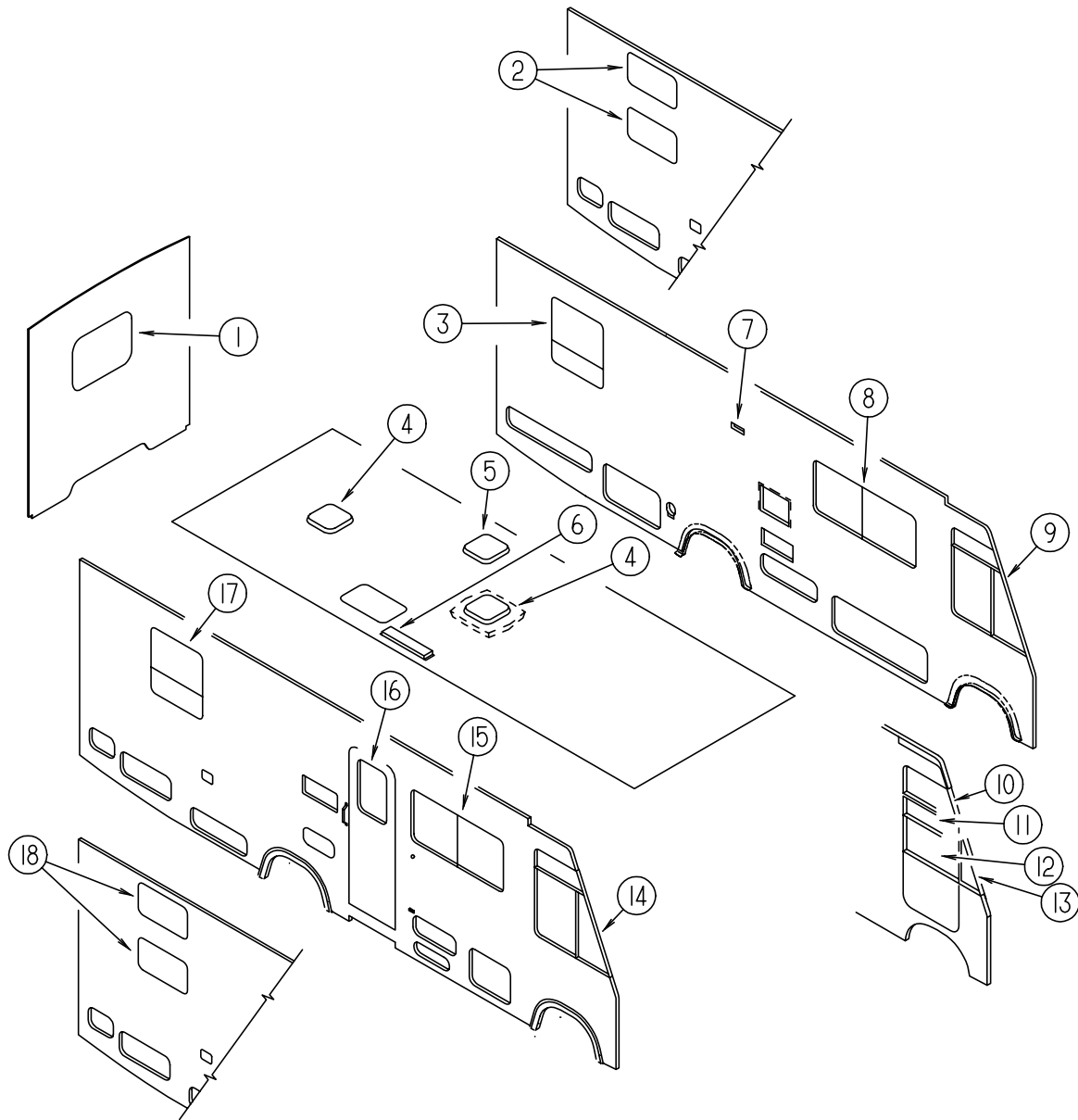
WATER & SEWAGE GROUP (CONTINUED)
DRAINAGE SYSTEM



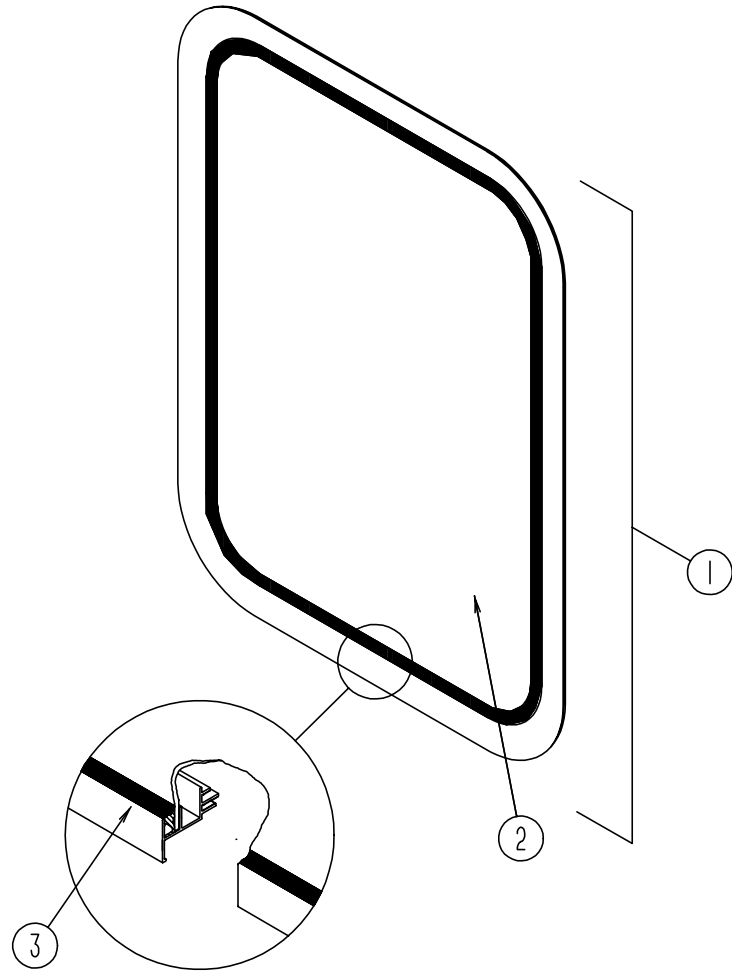
KEY	PART NUMBER	U/M	DESCRIPTION	VENDOR NO.
1	011069-02-000	EA	TAILPIECE - TUB/SHOWER - 1 1/2" X 1 1/4" X 4" - BRASS	
	066440-01-000	EA	STRAINER - SHOWER DRAIN - W/RUBBER WASHER	
2	107538-01-000	EA	P TRAP - PLASTIC - 1 1/4" W/EXTENSION ARM	
3	109571-01-000	EA	ADAPTER - P TRAP - 1 1/2"P X 1 1/4"MPT	
4	010071-01-000	EA	TEE - SANITARY - 1 1/2 HUB X HUB X HUB - PLASTIC	
5	010115-01-000	EA	COUPLING - 1 1/2" HUB X HUB - PLASTIC	
6	061607-01-000	EA	GROMMET - HOLDING TANK - 1 1/2" NPS	
7	116703-01-000	EA	TANK - HOLDING - 41 GALLON - W/O FITTINGS	
8	078406-01-000	EA	COUPLER - RUBBER - W/CLAMPS - 3" X 3"	
9	062422-01-000	EA	ADAPTER - OFFSET REDUCER - 3" X 1 1/2" - PLASTIC	
10	010008-01-000	EA	ELBOW - 90 DEGREE - 1 1/2" HUB X HUB - PLASTIC	
11	070916-01-000	EA	VALVE - DUAL DUMP - W/CAP - 3" X 1 1/2"	
	070916-01-700	EA	VALVE ONLY (WASTE) 3"	T1003BU
	070916-01-701	EA	VALVE ONLY (WASTE) 1 1/2"	T1001BU
12	034250-01-000	EA	ELBOW - 90 DEGREE - LONG TURN - 1 1/2" HUB X HUB - ABS	
13	010006-01-000	EA	ELBOW - 45 DEGREE - 1 1/2" HUB X HUB - PLASTIC	
14	031365-02-000	EA	TEE - PLASTIC - 1 1/2" EXT LG TURN	
15	079968-01-000	EA	VENT - MECHANICAL/TRAP ARM - ANTI-SIPHON-2" X 7.3" PLASTIC	
16	011091-02-000	EA	WASTE - CONTINUOUS - DOUBLE SINK (US)	
16	011071-01-000	EA	WASTE - CONTINUOUS - DOUBLE SINK (CSA)	
17	092303-01-000	EA	STRAINER - SINK	
18	116644-01-000	EA	FLANGE - CLOSET - 4" X 3"	
19	061607-02-000	EA	GROMMET - HOLDING TANK - 3" NPS	
20	116705-01-000	EA	TANK - HOLDING - 38 GALLON - W/O FITTINGS	
	010201-01-000	EA	HOSE - SEWER - 3" ID X 8'	
	062416-01-000	EA	ADAPTER - SEWER HOSE TO 3" PIPE	

WINDOW, VENT & EXTERIOR DOOR GROUP
WINDOWS & VENTS

KEY	PART NUMBER	U/M	DESCRIPTION	VENDOR NO.
1	078528-06-E10	EA	WINDOW - ESCAPE - W/O RETAINER/TRIM - 48.5" X 24.5" (QUEEN, TWIN BED)	
1	113502-01-01A	EA	WINDOW - REAR/ESCAPE - THERMO - 24.8" X 48.7" (QUEEN, TWIN BED)	
1	116976-01-01A	EA	WINDOW - REAR ESCAPE - 26.4" X 26.3" (DOUBLE, BUNK BED)	
1	113502-04-01A	EA	WINDOW - REAR ESCAPE - THERMO - 26.4" X 26.3" (DOUBLE, BUNK BED)	
2	098647-34-01A	EA	WINDOW - DRIVER/HORIZONTAL SLIDER - 15.7" X 28.5" (BUNK BEDS)	
2	112795-20-01A	EA	WINDOW - DRIVER/HORIZONTAL SLIDER-THERMO 16.7" X 28.5" (BUNK BEDS)	
3	112463-03-01A	EA	WINDOW - TIPOUT W/RETAINER TRIM - 33.3" X 30.2" (W/O BUNK BEDS)	
3	112898-16-01A	EA	WINDOW - SLIDER/VERTICAL - THERMOPANE - 33.2" X 30.2" (W/O BUNK BEDS)	
4	122882-01-01A	EA	VENT - ROOF - NONPOWERED - W/O INSIDE GARNISH	
5	122882-02-01A	EA	VENT - ROOF - W/FAN - POWERED - W/O INSIDE GARNISH - US	
5	122882-03-01A	EA	VENT-ROOF, POWERED - CANADIAN	
6	084073-07-000	EA	VENT - ROOF - REFRIGERATOR - BRIGHT WHITE	
6	084073-04-000	EA	BASE - ROOF VENT - REFRIGERATOR	
7	084616-07-000	EA	VENT - SHROUD - RANGE HOOD - BRIGHT WHITE	
	084878-09-000	EA	VENT - HOOD - RANGE/SHORT - OFF WHITE	
8	098647-22-01A	EA	WINDOW - DRIVERS - HORIZONTAL SLIDER - 26.1" X 59.7"	
8	112795-15-01A	EA	WINDOW - DRIVER - HORIZONTAL SLIDER - THERMO - 26 3/8" X 60"	
9	103658-07-01A	EA	WINDOW - DRIVER CAB - 3 GLASS 25.3"T X 45.4"B X 45.2"H	
9	113501-01-01A	EA	WINDOW - DRIVER - CAB THERMO - 3 WINDOW - 44.3" X 24.4" X 44.1"	
10	106467-03-01A	EA	WINDOW - DRIVER VISTA (ABOVE DR DOOR) 26.5"T X 35.5"B X 15.8"H	
10	116000-02-01A	EA	WINDOW - DRIVER VISTA - THERMO - 14.8" X 25.7" X 32.2"	
11	106469-02-702	EA	GLASS - STATIONARY	106-041104
12	106469-01-704	EA	GLASS ASM - ROLL-UP W/ BRACKET	V103-65L
13	106468-02-01A	EA	WINDOW - DRIVER WING	
13	115999-02-01A	EA	WINDOW - DRIVER WING - THERMOPANE - TRIANGULAR	
14	103658-08-01A	EA	WINDOW - PASSENGER - CAB (3 GLASS) 25.3"TX 45.4" BX 45.2"H	
14	113501-02-01A	EA	WINDOW - PASSENGER - CAB THERMO - (3 WINDOW) - 44.3" X 24.4" X 44.1"	
15	098647-24-01A	EA	WINDOW - PASSENGER HORIZONTAL SLIDER - 26.1" X 53.8"	
15	112795-17-01A	EA	WINDOW - PASSENGER - HORIZONTAL SLIDER - THERMO-25 3/8"X54"	
16	117053-02-F36	EA	WINDOW - PICTURE - ENTRANCE DOOR - 17" X 26.4"	
16	113733-01-01A	EA	WINDOW - STATIONARY - THERMOPANE - 17" X 26.4"	
17	112463-03-01A	EA	WINDOW - TIPOUT W/RETAINER TRIM - 33.3" X 30.2" (W/O BUNK BEDS)	
17	112898-16-01A	EA	WINDOW - SLIDER/VERTICAL - THERMOPANE - 33.2" X 30.2" (W/O BUNK BEDS)	
18	098647-33-01A	EA	WINDOW - PASSENGER/HORIZONTAL SLIDER - 15.7" X 28.5" (BUNK BEDS)	
18	112795-19-01A	EA	WINDOW - PASSENGER/HORIZONTAL SLIDER - THERMO 16.7" X 28.5" (BUNK BEDS)	
	083558-03-000	EA	VENT - PLUMBING - PIPE ROOF - W/COVER - OFF WHITE	



WINDOW, VENT & EXTERIOR DOOR GROUP (CONTINUED)



ENTRANCE DOOR WINDOW

KEY	PART NUMBER	U/M DESCRIPTION
	117054-02-02A	EA RETAINER-TRIM, ENTRY DOOR WINDOW - BRIGHT WHITE
1	117053-02-F36	EA WINDOW ASM-PICTURE W/O RETAINER, ENTRANCE DOOR - 26.4" X 17"
2	002181-25-000	EA GLASS-PICTURE WINDOW, 655 MM X 417 MM
3	087561-01-000	FT SEAL-GLASS, EXTERIOR - .5" WIDE - VINYL - BLACK

EXCEL ENTRANCE DOOR WINDOW - THERMOPANE WINDOW OPTION

KEY	PART NUMBER	U/M DESCRIPTION	VENDOR NO.
	113733-01-01A	EA WINDOW ASM-STATIONARY W/RETAINER, 26.4" X 17"	
	113733-01-700	EA WINDOW-PICTURE, W/O RETAINER	DH416-G2
	113733-01-701	EA RETAINER-TRIM, ENTRY DOOR WINDOW	W41666
	113733-01-702	EA GLASS-STATIONARY	390-019187
	112795-01-705	FT VINYL-GLAZING	132-019702

WINDOW, VENT & EXTERIOR DOOR GROUP (CONTINUED)

EXCEL DRIVERS DOOR WING WINDOW

KEY	PART NUMBER	U/M DESCRIPTION	VENDOR NO.
	106468-02-01A	EA WINDOW - DRIVER WING - TRIANGULAR	
	100322-01-703	FT VINYL - GLAZING - BUTYL	132-010723
	106468-02-701	EA RETAINER - TRIM	H383-27L
	106468-02-702	EA GLASS - STATIONARY	106-018740

EXCEL DRIVERS DOOR WING WINDOW - THERMOPANE

KEY	PART NUMBER	U/M DESCRIPTION	VENDOR NO.
	115999-02-01A	EA WINDOW - DRIVER WING - THERMOPANE - TRIANGULAR	
	115999-01-701	EA RETAINER - TRIM	H358-27L
	115999-02-700	EA RETAINER - TRIM RAIL REAR	H383-41L
	115999-03-701	EA GLASS - STATIONARY	390-019550
	116000-01-704	FT VINYL - GLAZING	132-018161

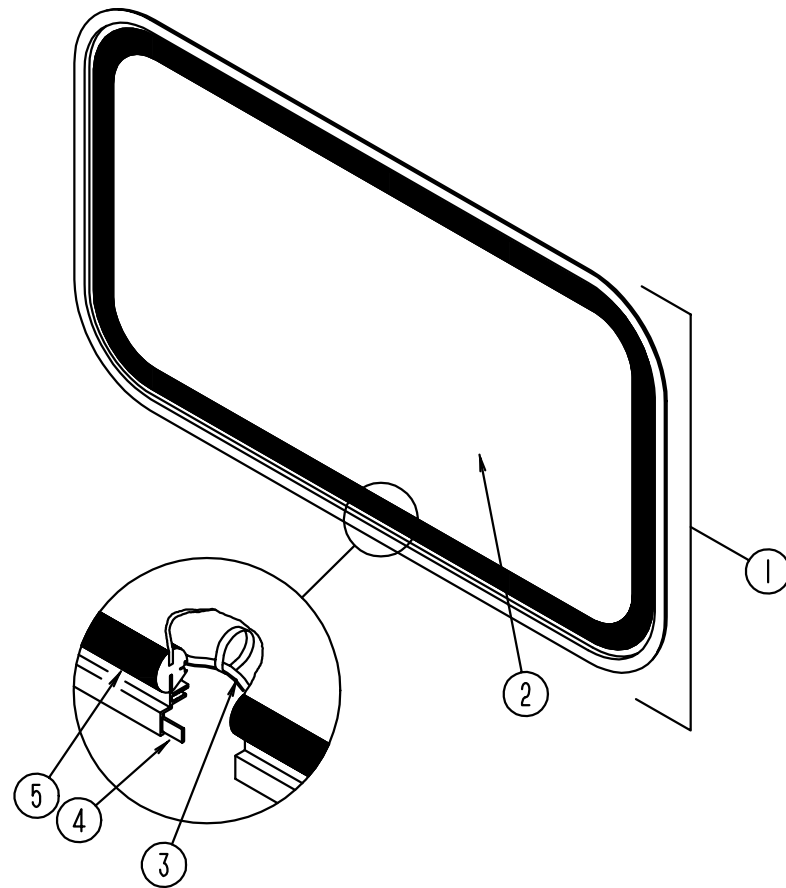
EXCEL DRIVERS DOOR VISTA WINDOW

KEY	PART NUMBER	U/M DESCRIPTION	VENDOR NO.
	106467-02-01A	EA WINDOW - DRIVER VISTA (ABOVE DR DOOR) 30.3"T X 33.5"B X 7.3"H	
	100322-01-703	FT VINYL - GLAZING - BUTYL	132-010723

EXCEL DRIVERS DOOR VISTA WINDOW - THERMOPANE

KEY	PART NUMBER	U/M DESCRIPTION	VENDOR NO.
	116000-05-01A	EA WINDOW - DRIVER VISTA - THERMO - 6.3" X 29.5" X 32.2"	
	116000-01-704	FT VINYL - GLAZING	132-018161
	116000-05-700	EA GLASS - STATIONARY	390-019688
	116000-04-701	EA RETAINER - TRIM RAIL TOP/REAR	H382-41L
	116000-04-702	EA RETAINER - TRIM RAIL FRONT	H382-42L
	116000-04-703	EA RETAINER - TRIM RAIL BOTTOM	H382-43L

WINDOW, VENT & EXTERIOR DOOR GROUP (CONTINUED)



BACKWALL ESCAPE WINDOW (QUEEN, TWIN BED)

KEY	PART NUMBER	U/M DESCRIPTION
	074816-11-000	EA RETAINER-TRIM, ESCAPE WINDOW - OFF WHITE
1	078528-06-E10	EA WINDOW ASM-ESCAPE, BACKWALL - W/O RETAINER
2	076337-12-000	EA GLASS-WINDOW, ESCAPE - 1157.4 MM X 548.1 MM
3	002285-01-000	FT FILLER-WEATHER STRIP, RUBBER - BLACK
	077066-01-702	EA TAPE ASM-ESCAPE WINDOW, RED
4	069640-11-000	FT SEALER-TAPE, 3/16" THICK X 3/8" WIDE - INCREMENTS OF 40'
5	002282-09-000	EA WEATHERSTRIP-WINDOW, .125" X 130.53" - BLACK

WINDOW, VENT & EXTERIOR DOOR GROUP (CONTINUED)
EXCEL BACKWALL ESCAPE WINDOW - THERMOPANE WINDOW OPTION (QUEEN, TWIN BED)

KEY	PART NUMBER	U/M DESCRIPTION	VENDOR NO.
	113502-01-01A	EA WINDOW - REAR/ESCAPE - THERMO - 24.8" X 48.7"	
	098644-01-705	FT GLAZING-STRIP	132-010231
	112898-06-704	EA HANDLE - LATCH - RED-RH	182-11293
	112898-06-705	EA HANDLE - LATCH - RED-LH	182-11294
	113502-01-703	EA GLASS-STATIONARY, RH & LH	390-019083
	113502-01-704	EA GLASS-EGRESS, CENTER-ESCAPE	390-019084

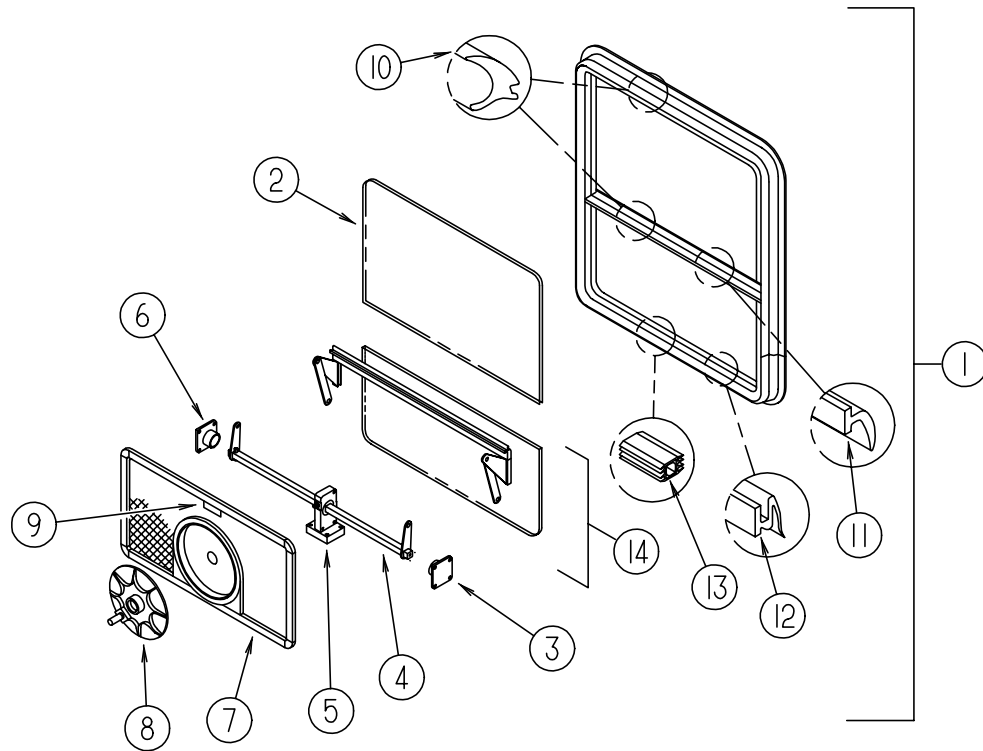
EXCEL BACKWALL ESCAPE WINDOW (DOUBLE, BUNK BED)

KEY	PART NUMBER	U/M DESCRIPTION	VENDOR NO.
	116976-01-01A	EA WINDOW - REAR ESCAPE - 26.4" X 26.3"	
	100322-01-701	FT SEAL-VENT	122-016071
	112898-06-704	EA HANDLE-LATCH, RED-RH	182-11293
	112898-06-705	EA HANDLE-LATCH, RED-LH	182-11294
	116976-01-700	EA GLASS	096-018786
	116976-01-701	EA RETAINER - TRIM	W386-53
	116976-01-702	FT FILLER PLUG	132-016065

EXCEL BACKWALL ESCAPE WINDOW - THERMOPANE WINDOW OPTION (DOUBLE, BUNK BED)

KEY	PART NUMBER	U/M DESCRIPTION	VENDOR NO.
	113502-04-01A	EA WINDOW - REAR ESCAPE - THERMO - 26.4" X 26.3"	
	098644-01-705	FT GLAZING - STRIP	132-010231
	112898-06-704	EA HANDLE-LATCH, RED-RH	182-11293
	112898-06-705	EA HANDLE-LATCH, RED-LH	182-11294
	113502-04-700	EA WINDOW W/O TRIM	DH449-G2
	113502-04-701	EA RETAINER - TRIM	W449-58
	113502-04-702	EA GLASS - STATIONARY	390-019460

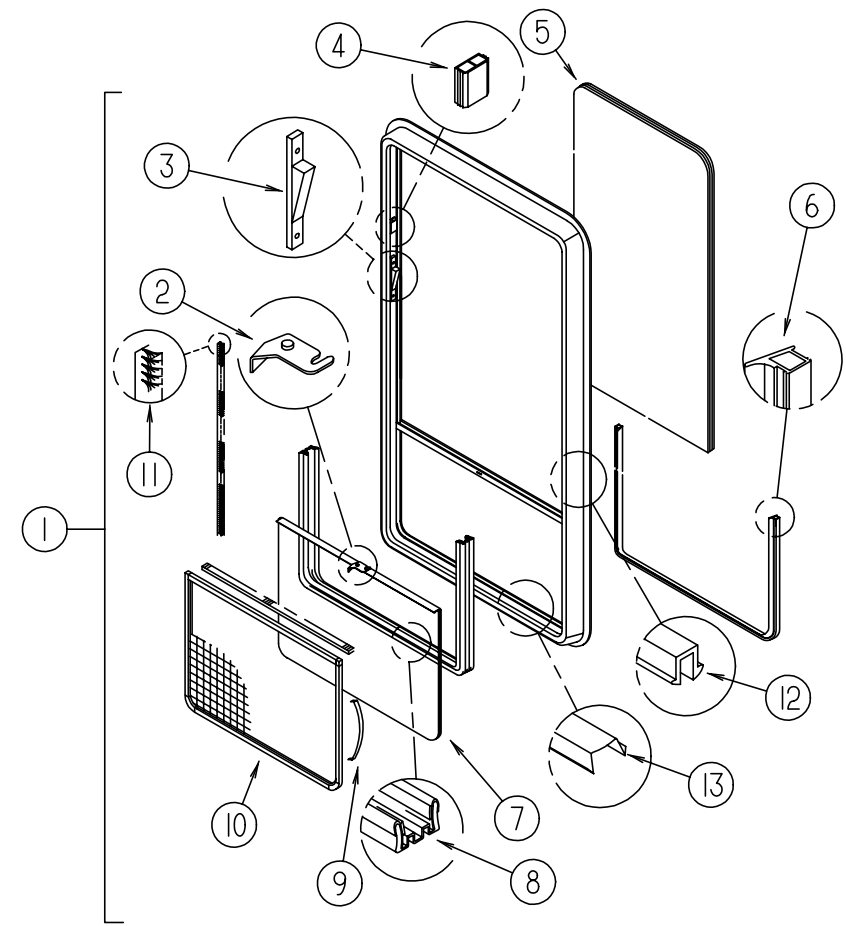
WINDOW, VENT & EXTERIOR DOOR GROUP (CONTINUED)



EXCEL BEDROOM TIPOUT WINDOW - DRIVER OR PASSENGER SIDE

KEY	PART NUMBER	U/M	DESCRIPTION	VENDOR NO.
1	112463-03-01A	EA	WINDOW - TIPOUT W/RETAINER TRIM - 33.3" X 30.2"	
	113500-05-705	EA	RETAINER - TRIM	CW100-59
2	112463-03-701	EA	GLASS - STATIONARY	106-025377
3	100322-01-714	EA	SUPPORT-TORQUE BAR - LH	130-015978
4	112463-03-702	EA	OPERATOR & BAR ASSEMBLY	CH10-18
5	100322-01-716	EA	SUPPORT - TORQUE BAR - CTR RAIL	130-015980
6	100322-01-715	EA	SUPPORT - TORQUE BAR - RH	130-015979
7	112463-03-703	EA	SCREEN ASM - W/SEALS & CLIPS	410-018439
8	100322-01-718	EA	HANDLE - DIAL	410-016081
9	112519-01-706	EA	CLIP - SCREEN	CH21-50
10	100322-01-703	FT	VINYL - GLAZING - BUTYL	132-010723
11	100322-01-702	EA	WEATHERSTRIP - HORIZONTAL RAIL	132-015976
12	100322-01-701	FT	SEAL - VENT	122-016071
13	098644-01-716	FT	PLUG - FILLER	132-014470
14	112463-03-700	EA	VENT ASSEMBLY	CH100-G9
	100322-01-704	FT	TAPE - BUTYL	154-016083
	100322-01-717	EA	E-RING	245-015975

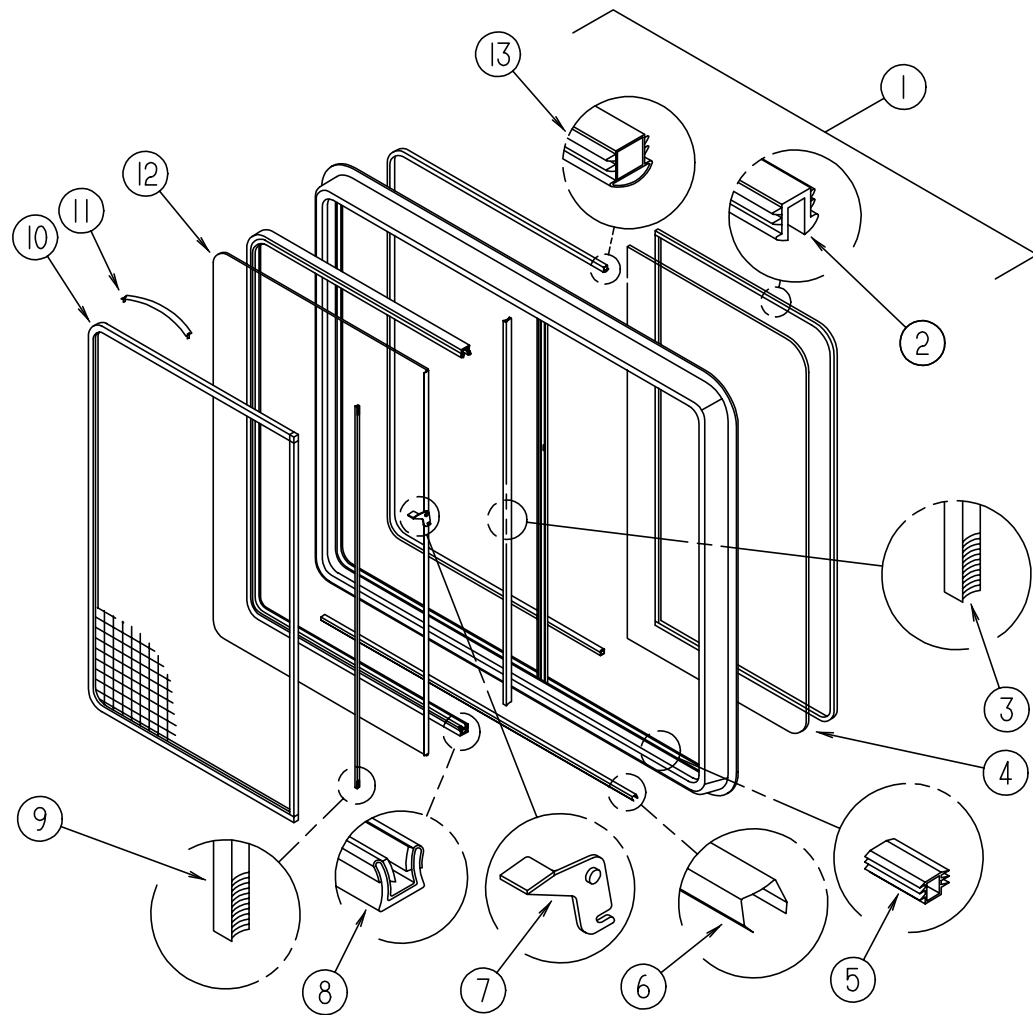
WINDOW, VENT & EXTERIOR DOOR GROUP (CONTINUED)



EXCEL BEDROOM VERTICAL SLIDER WINDOW - DRIVER OR PASSENGER SIDE - THERMOPANE

KEY	PART NUMBER	U/M	DESCRIPTION	VENDOR NO.
1	112898-16-01A	EA	WINDOW - SLIDER/VERTICAL - THERMOPANE - 33.2" X 30.2"	
	112898-16-702	EA	RETAINER - TRIM	CW100-66
2	112795-01-700	EA	LATCH ASM-BLACK, BOLT ON	DH287-CK
3	112898-04-703	EA	SASH LATCH KIT, RAISED	DH343-CK
4	112795-01-701	EA	SLIDE-STOP	132-019092
5	112898-16-701	EA	GLASS - STATIONARY	390-025433
6	112795-01-704	FT	PLUG FILLER (DOUBLE GLAZED)	122-018737
7	112898-16-700	EA	GLASS-SLIDING W/SASH & LATCH	DH510-G9
8	112795-01-703	IN	CHANNEL-RUN (INCHES)	122-018736
9	098644-01-713	EA	CLIP - SPRING - METAL	226-016966
10	112898-05-704	EA	SCREEN ASM - W/SEALS & CLIPS	410-018862
11	098644-01-711	FT	WEATHERSTRIP - SCREEN BLACK	171-016965
12	112795-01-705	FT	VINYL - GLAZING	132-025736
13	098644-01-710	FT	TRACK - SCREEN SPACER, 12'	132-017135

WINDOW, VENT & EXTERIOR DOOR GROUP (CONTINUED)



WINDOW, VENT & EXTERIOR DOOR GROUP (CONTINUED)

EXCEL SINGLE SLIDER WINDOW - PASSENGER SIDE - LOUNGE

KEY	PART NUMBER	U/M DESCRIPTION	VENDOR NO.
1	098647-24-01A	EA WINDOW - PASSENGER - HORIZONTAL SLIDER - 26.1" X 53.8"	
	098647-36-701	EA RETAINER - TRIM	CW80-66
2	098644-01-705	FT GLAZING - STRIP	132-010231
3	098644-01-706	FT WEATHERSTRIP - GLASS	171-010668
4	098647-35-701	EA GLASS - STATIONARY	106-019119
5	098644-01-719	EA STOP - SLIDER GLASS	132-014203
6	098644-01-710	FT TRACK - SCREEN SPACER 12'	132-017135
7	098644-01-700	EA LATCH - REPAIR KIT (BLACK)	B801-CK
8	098644-01-708	FT CHANNEL - RUN PIERCED	122-016543
9	098644-01-711	FT WEATHERSTRIP - SCREEN BLACK	171-016965
10	098647-36-704	EA SCREEN ASM - W/SEALS & CLIPS	410-017750
11	098644-01-713	EA CLIP - SPRING - METAL	226-016966
12	098647-35-702	EA GLASS-SLIDING W/SASH & LATCH	H279-G9
13	098644-01-716	FT PLUG - FILLER	132-014470
	098644-01-717	FT SPLINE - SCREEN	132-004716

EXCEL SINGLE SLIDER WINDOW - DRIVER SIDE - BEDROOM W/ BUNK BEDS

KEY	PART NUMBER	U/M DESCRIPTION	VENDOR NO.
1	098647-34-01A	EA WINDOW - DRIVER/HORIZONTAL SLIDER - 15.7" X 28.5"	
	098647-31-701	EA RETAINER - TRIM	CW29-66
2	098644-01-705	FT GLAZING - STRIP	132-010231
3	098644-01-706	FT WEATHERSTRIP - GLASS	171-010668
4	098647-33-702	EA GLASS - STATIONARY	106-019297
5	098644-01-719	EA STOP - SLIDER GLASS	132-014203
6	098644-01-710	FT TRACK - SCREEN SPACER 12'	132-017135
7	098644-01-700	EA LATCH - REPAIR KIT (BLACK)	B801-CK
8	098644-01-708	FT CHANNEL - RUN PIERCED	122-016543
9	098644-01-711	FT WEATHERSTRIP - SCREEN BLACK	171-016965
10	098647-33-704	EA SCREEN ASM - W/SEALS & CLIPS	410-019134
11	098644-01-713	EA CLIP - SPRING - METAL	226-016966
12	098647-33-703	EA GLASS-SLIDING W/SASH & LATCH	H425-G9
13	098644-01-716	FT PLUG - FILLER	132-014470
	098644-01-717	FT SPLINE - SCREEN	132-004716

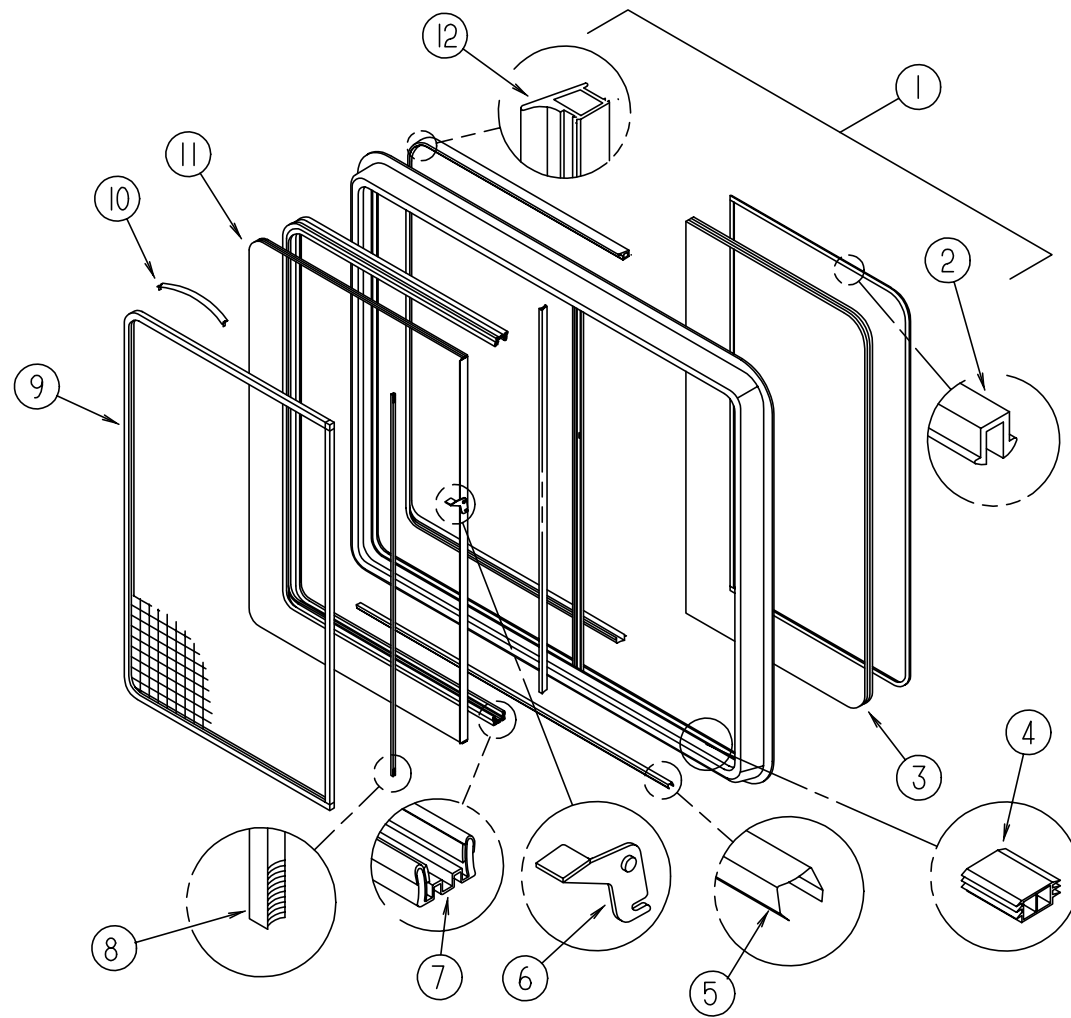
EXCEL SINGLE SLIDER WINDOW - DRIVER SIDE - DINETTE

KEY	PART NUMBER	U/M DESCRIPTION	VENDOR NO.
1	098647-22-01A	EA WINDOW - DRIVERS - HORIZONTAL SLIDER - 26.1" X 59.7"	
	098647-27-701	EA RETAINER - TRIM	W287-66
2	098644-01-705	FT GLAZING - STRIP	132-010231
3	098644-01-706	FT WEATHERSTRIP - GLASS	171-010668
4	098647-23-703	EA GLASS - STATIONARY	106-017622
5	098644-01-719	EA STOP - SLIDER GLASS	132-014203
6	098644-01-710	FT TRACK - SCREEN SPACER 12'	132-017135
7	098644-01-700	EA LATCH - REPAIR KIT (BLACK)	B801-CK
8	098644-01-708	FT CHANNEL - RUN PIERCED	122-016543
9	098644-01-711	FT WEATHERSTRIP - SCREEN BLACK	171-016965
10	098647-23-704	EA SCREEN ASM - W/SEALS & CLIPS	410-019066
11	098644-01-713	EA CLIP - SPRING - METAL	226-016966
12	098647-23-700	EA GLASS SLIDING W/SASH & LATCH	H287-G9
13	098644-01-716	FT PLUG - FILLER	132-014470
	098644-01-717	FT SPLINE - SCREEN	132-004716

SINGLE SLIDER WINDOW (EXCEL) (PASSENGER SIDE, BEDROOM) (W/ BUNK BEDS)

KEY	PART NUMBER	U/M DESCRIPTION	VENDOR NO.
1	098647-33-01A	EA WINDOW - PASSENGER/HORIZONTAL SLIDER - 15.7" X 28.5"	
	098647-31-701	EA RETAINER - TRIM	CW29-66
2	098644-01-705	FT GLAZING - STRIP	132-010231
3	098644-01-706	FT WEATHERSTRIP - GLASS	171-010668
4	098647-33-702	EA GLASS - STATIONARY	106-019297
5	098644-01-719	EA STOP - SLIDER GLASS	132-014203
6	098644-01-710	FT TRACK - SCREEN SPACER 12'	132-017135
7	098644-01-700	EA LATCH - REPAIR KIT (BLACK)	B801-CK
8	098644-01-708	FT CHANNEL - RUN PIERCED	122-016543
9	098644-01-711	FT WEATHERSTRIP - SCREEN BLACK	171-016965
10	098647-33-704	EA SCREEN ASM - W/SEALS & CLIPS	410-019134
11	098644-01-713	EA CLIP - SPRING - METAL	226-016966
12	098647-33-703	EA GLASS-SLIDING W/SASH & LATCH	H425-G9
13	098644-01-716	FT PLUG - FILLER	132-014470
	098644-01-717	FT SPLINE - SCREEN	132-004716

WINDOW, VENT & EXTERIOR DOOR GROUP (CONTINUED)



WINDOW, VENT & EXTERIOR DOOR GROUP (CONTINUED)
EXCEL SINGLE SLIDER WINDOW - THERMO INSULATED - PASSENGER SIDE - LOUNGE

KEY	PART NUMBER	U/M	DESCRIPTION	VENDOR NO.
1	112795-17-01A	EA	WINDOW - PASSENGER - HORIZONTAL SLIDER-THERMO-25 3/8"X54"	
	112795-17-703	EA	RETAINER - TRIM	CW80-66
2	112795-01-705	FT	VINYL - GLAZING	132-025736
3	112795-17-700	EA	GLASS - STATIONARY	390-019041
4	112795-01-701	EA	SLIDE-STOP	132-019092
5	098644-01-710	FT	TRACK - SCREEN SPACER 12'	132-017135
6	112795-01-700	EA	LATCH ASM. - BLK. (BOLT ON)	DH287-CK
7	112795-01-703	IN	CHANNEL-RUN (INCHES)	122-018736
8	098644-01-711	FT	WEATHERSTRIP - SCREEN BLACK	171-016965
9	112795-17-702	EA	SCREEN ASM. W/SEALS & CLIPS	410-019064
10	098644-01-713	EA	CLIP - SPRING - METAL	226-016966
11	112795-17-701	EA	GLASS-SLIDING W/SASH & LATCH	DC80-G9
12	112795-01-704	FT	PLUG FILLER (DOUBLE GLAZED)	122-018737

EXCEL SINGLE SLIDER WINDOW - THERMO INSULATED - DRIVER SIDE - BEDROOM W/BUNK BEDS)

KEY	PART NUMBER	U/M	DESCRIPTION	VENDOR NO.
1	112795-20-01A	EA	WINDOW - DRIVER/HORIZONTAL SLIDER - THERMO 16.7" X 28.5"	
	098647-31-701	EA	RETAINER - TRIM	CW29-66
2	112795-01-705	FT	VINYL - GLAZING	132-025736
3	112795-19-701	EA	GLASS - STATIONARY	390-019134
4	112795-01-701	EA	SLIDE - STOP	132-019092
5	098644-01-710	FT	TRACK - SCREEN SPACER 12'	132-017135
6	112795-01-700	EA	LATCH ASM. - BLK. (BOLT ON)	DH287-CK
7	112795-01-703	IN	CHANNEL - RUN (INCHES)	122-018736
8	098644-01-711	FT	WEATHERSTRIP - SCREEN BLACK	171-016965
9	098647-31-704	EA	SCREEN ASM - W/SEALS & CLIPS	410-019128
10	098644-01-713	EA	CLIP - SPRING - METAL	226-016966
11	112795-19-702	EA	GLASS - SLIDING W/SASH & LATCH	DC29-G9
12	112795-01-704	FT	PLUG FILLER (DOUBLE GLAZED)	122-018737

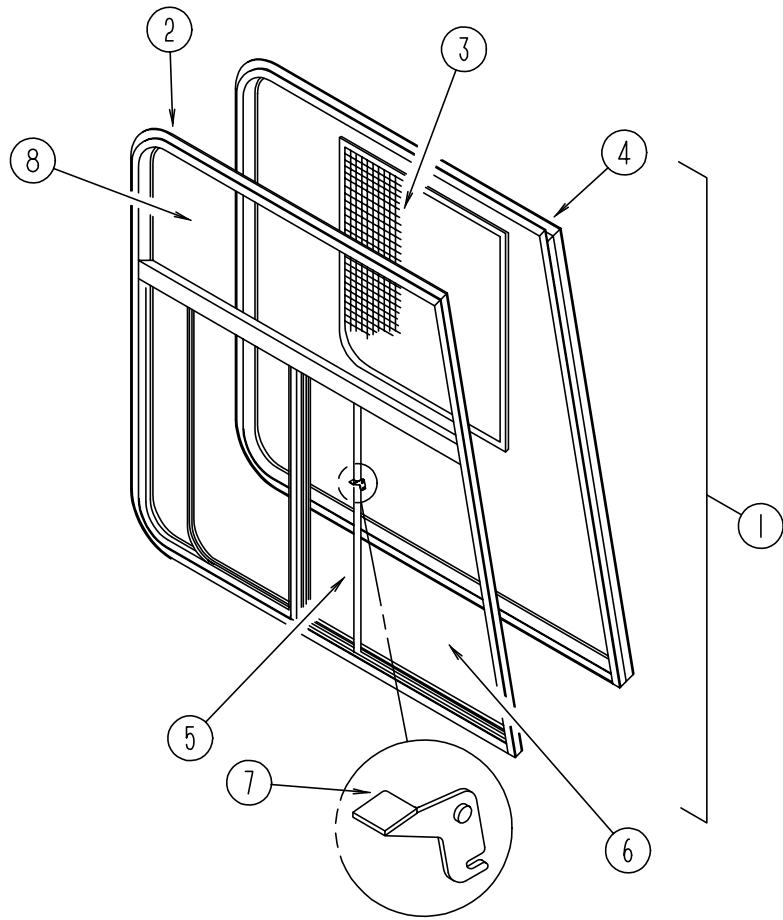
EXCEL SINGLE SLIDER WINDOW - THERMO INSULATED - PASSENGER SIDE - BEDROOM W/BUNK BEDS)

KEY	PART NUMBER	U/M	DESCRIPTION	VENDOR NO.
1	112795-19-01A	EA	WINDOW - PASSENGER/HORIZONTAL SLIDER - THERMO 16.7" X 28.5"	
	098647-31-701	EA	RETAINER - TRIM	CW29-66
2	112795-01-705	FT	VINYL - GLAZING	132-025736
3	112795-19-701	EA	GLASS - STATIONARY	390-019134
4	112795-01-701	EA	SLIDE - STOP	132-019092
5	098644-01-710	FT	TRACK - SCREEN SPACER 12'	132-017135
6	112795-01-700	EA	LATCH ASM. - BLK. (BOLT ON)	DH287-CK
7	112795-01-703	IN	CHANNEL - RUN (INCHES)	122-018736
8	098644-01-711	FT	WEATHERSTRIP - SCREEN BLACK	171-016965
9	098647-31-704	EA	SCREEN ASM - W/SEALS & CLIPS	410-019128
10	098644-01-713	EA	CLIP - SPRING - METAL	226-016966
11	112795-19-702	EA	GLASS - SLIDING W/SASH & LATCH	DC29-G9
12	112795-01-704	FT	PLUG FILLER (DOUBLE GLAZED)	122-018737

EXCEL SINGLE SLIDER WINDOW - THERMO INSULATED - DRIVER SIDE - DINETTE

KEY	PART NUMBER	U/M	DESCRIPTION	VENDOR NO.
1	112795-15-01A	EA	WINDOW - DRIVER - HORIZONTAL SLIDER-THERMO - 26 3/8" X 60"	
	098647-23-702	EA	RETAINER - TRIM	W287-66
2	112795-01-705	FT	VINYL - GLAZING	132-025736
3	112795-15-701	EA	GLASS - STATIONARY	390-019045
4	112795-01-701	EA	SLIDE-STOP	132-019092
5	098644-01-710	FT	TRACK - SCREEN SPACER 12'	132-017135
6	112795-01-700	EA	LATCH ASM., BLK.,(BOLT ON)	DH287-CK
7	112795-01-703	IN	CHANNEL-RUN (INCHES)	122-018736
8	098644-01-711	FT	WEATHERSTRIP - SCREEN BLACK	171-016965
9	098647-23-704	EA	SCREEN ASM - W/SEALS & CLIPS	410-019066
10	098644-01-713	EA	CLIP - SPRING - METAL	226-016966
11	112795-15-702	EA	GLASS-SLIDING W/SASH & LATCH	DH287-G9
12	112795-01-704	FT	PLUG FILLER (DOUBLE GLAZED)	122-018737

WINDOW, VENT & EXTERIOR DOOR GROUP (CONTINUED)

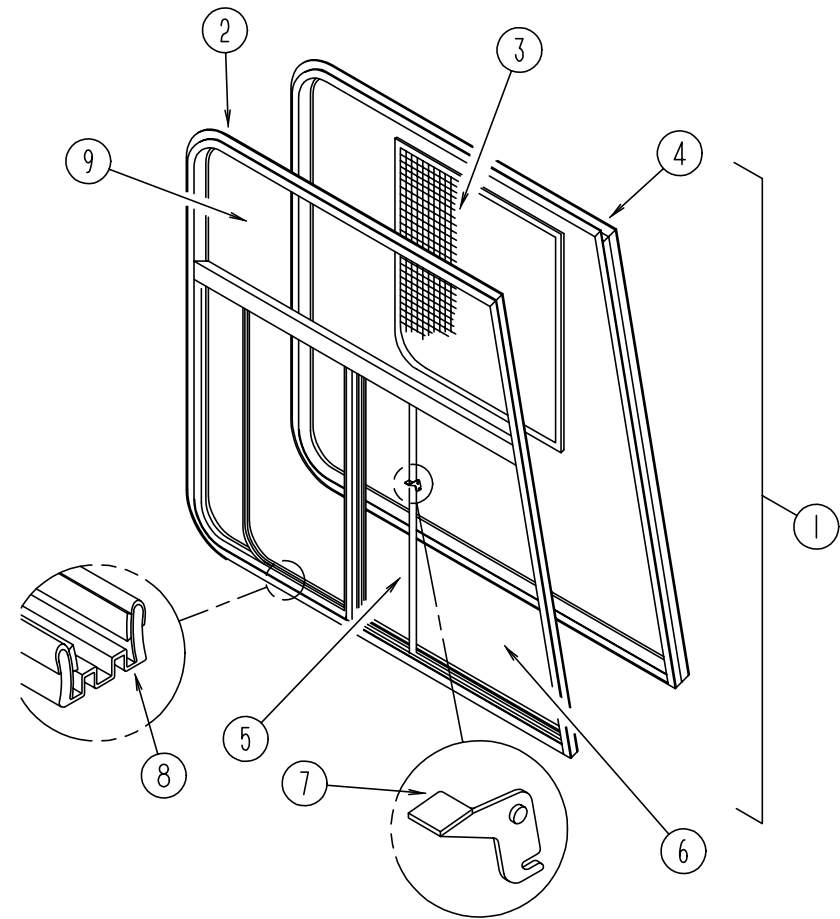


EXCEL CAB WINDOWS

KEY	PART NUMBER	U/M	DESCRIPTION
1	103658-07-01A	EA	WINDOW - DRIVER CAB 3 GLASS 25.3"T X 45.4"B X 45.2"H
1	103658-08-01A	EA	WINDOW - PASSENGER CAB 3 GLASS 25.3"T X 45.4"B X 45.2"H
2	103658-07-704	EA	WINDOW ASM. - W/O TRIM - DRIVER SIDE
2	103658-08-700	EA	WINDOW ASM. - W/O TRIM - PASSENGER SIDE
3	103658-01-700	EA	SCREEN ASM - W/ SEALS & CLIPS - DRIVER SIDE
3	103658-02-700	EA	SCREEN ASM - W/ SEALS & CLIPS - PASSENGER SIDE
4	103658-07-700	EA	RETAINER - TRIM - DRIVER SIDE
4	103658-08-701	EA	RETAINER - TRIM - PASSENGER SIDE
5	103658-01-703	EA	GLASS - SLIDING - W/ SASH & LATCH LH - DRIVER SIDE
5	103658-02-701	EA	GLASS - SLIDING - W/ SASH & LATCH RH - PASSENGER SIDE
6	103658-01-702	EA	GLASS - STATIONARY - BOTTOM - DRIVER SIDE
6	103658-01-702	EA	GLASS - STATIONARY - BOTTOM - PASSENGER SIDE
7	098644-01-700	EA	LATCH - REPAIR KIT (BLACK)
8	103658-07-701	EA	GLASS - STATIONARY TOP
	098644-01-706	FT	WEATHERSTRIP - GLASS
	098644-01-708	FT	CHANNEL - RUN PIERCED
	098644-01-710	FT	TRACK - SCREEN SPACER 12'
	098644-01-711	FT	WEATHERSTRIP - SCREEN BLACK
	098644-01-713	EA	CLIP - SPRING - METAL
	098644-01-716	FT	PLUG - FILLER
	098644-01-717	FT	SPLINE - SCREEN

VENDOR NO.
H374-A2L
H374-A2R
H322-03L
H322-03R
H374-66 & 76L
H374-66 & 76R
H322-A9L
322-A9R
106-017700
106-017700
B801-CK
106-018481
171-010668
122-016543
132-017135
171-016965
226-016966
132-014470
132-004716

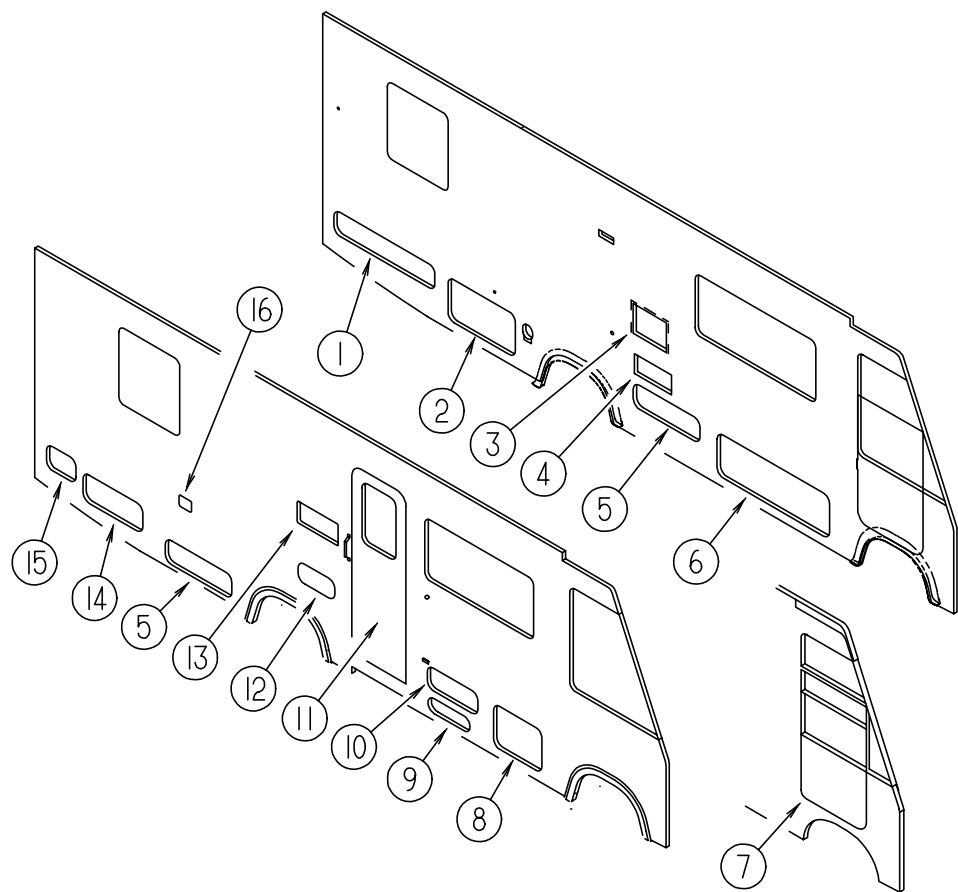
WINDOW, VENT & EXTERIOR DOOR GROUP (CONTINUED)



EXCEL CAB WINDOWS - THERMOPANE

KEY	PART NUMBER	U/M	DESCRIPTION	VENDOR NO.
1	113501-01-01A	EA	WINDOW - DRIVER CAB THERMO (3 WINDOW) 44.3" X 24.4" X 44.1"	
1	113501-02-01A	EA	WINDOW - PASS CAB THERMO (3 WINDOW) 44.3" X 24.4" X 44.1"	
2	113501-01-700	EA	WINDOW W/O TRIM - DRIVER SIDE	DH374-A2L
2	113501-02-700	EA	WINDOW W/O TRIM - PASSENGER SIDE	DH374-A2R
3	103658-01-700	EA	SCREEN ASM - W/ SEALS & CLIPS - DRIVER SIDE	H322-03L
3	103658-02-700	EA	SCREEN ASM - W/ SEALS & CLIPS - PASSENGER SIDE	H322-03R
	098644-01-717	FT	SPLINE - SCREEN	132-004716
	098644-01-713	EA	CLIP - SPRING - METAL	226-016966
4	103658-05-702	EA	RETAINER - TRIM - DRIVER SIDE	H373-66 & 76L
4	103658-10-701	EA	RETAINER - TRIM - PASSENGER SIDE	H373-66 & 76R
5	113501-01-703	EA	GLASS-SLIDING W/ SASH & LATCH - DRIVER SIDE	DH374-A9L
5	113501-02-702	EA	GLASS-SLIDING W/ SASH & LATCH - PASSENGER SIDE	DH374-A9R
6	113501-01-702	EA	GLASS - STATIONARY - LOWER - DRIVER SIDE	390-019139L
6	113501-02-701	EA	GLASS - STATIONARY - LOWER - PASSENGER SIDE	390-019138R
7	112795-01-700	EA	LATCH ASM. - BLACK (BOLT ON)	DH287-CK
8	112795-01-703	IN	CHANNEL - RUN (INCHES)	122-018736
9	113501-01-701	EA	GLASS - STATIONARY - UPPER - DRIVER OR PASSENGER SIDE	390-019137
	098644-01-711	FT	WEATHERSTRIP - SCREEN BLACK	171-016965
	112795-01-701	EA	SLIDE - STOP	132-019092
	112795-01-704	FT	PLUG FILLER (DOUBLE GLAZED)	122-018737
	112795-01-705	FT	VINYL - GLAZING	132-019702
	112898-04-703	EA	SASH LATCH KIT - RAISED	DH343-CK

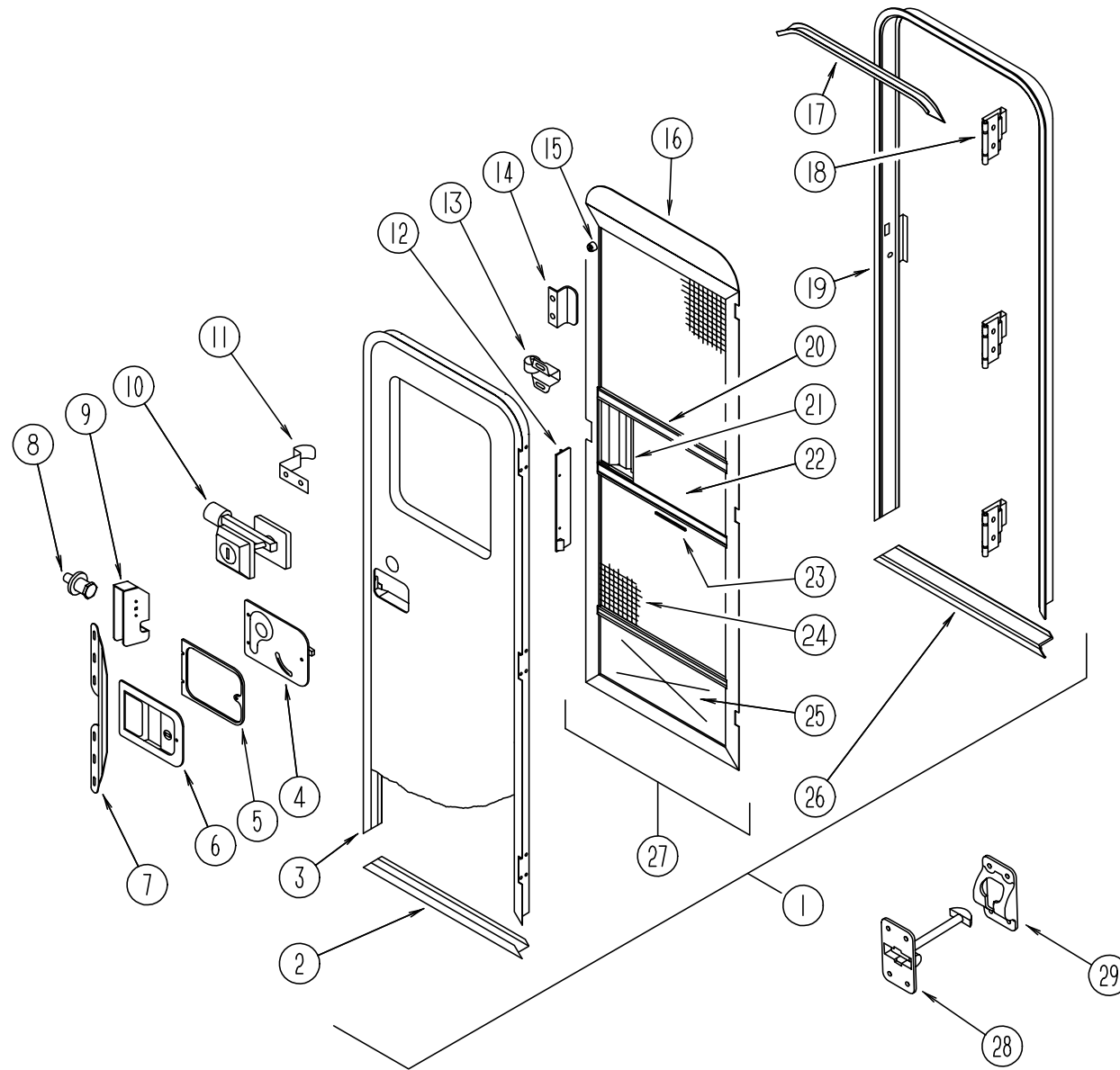
WINDOW, VENT & EXTERIOR DOOR GROUP (CONTINUED)
EXTERIOR DOORS & PANEL



KEY	PART NUMBER	U/M	DESCRIPTION	VENDOR NO.
1	104558-27-H34	EA	DOOR - STORAGE - 49.7" (UMBRA TRIM)	
1	104558-27-FB1	EA	DOOR - STORAGE - 49.7" (WHITE TRIM)	
2	104558-25-H34	EA	DOOR - STORAGE - 33.1" (UMBRA TRIM)	
2	104558-25-FB1	EA	DOOR - STORAGE - 33.1" (WHITE TRIM)	
3	052009-06-000	EA	DOOR - WATER HEATER - BRIGHT WHITE - 18" X 14.6"	
3	116424-01-000	EA	PROTECTOR - LATCH - WATER HEATER	
4	098668-23-000	EA	DOOR - ACCESS - FURNACE	
5	104558-30-H34	EA	DOOR - STORAGE - 32.7" (UMBRA TRIM)	
5	104558-30-FB1	EA	DOOR - STORAGE - 32.7" (WHITE TRIM)	
6	104558-24-H34	EA	DOOR - STORAGE - 55.4" (UMBRA TRIM)	
6	104558-24-FB1	EA	DOOR - STORAGE - 55.4" (WHITE TRIM)	
7	106469-07-01A	EA	DOOR - DRIVER - BLACK	
8	104558-26-H34	EA	DOOR - STORAGE - 23.6" (UMBRA TRIM)	
8	104558-26-FB1	EA	DOOR - STORAGE - 23.6" (WHITE TRIM)	
9	111009-01-H34	EA	DOOR - LP - 6.5" X 20.8" (WHITE TRIM)	
10	104558-29-H34	EA	DOOR - STORAGE - 24.8" (UMBRA TRIM)	
10	104558-29-FB1	EA	DOOR - STORAGE - 24.8" (WHITE TRIM)	
11	115108-02-H33	EA	DOOR - ENTRY - W/SCREEN DOOR - W/O WINDOW	
11	115108-02-H34	EA	DOOR - ENTRY - W/SCREEN DOOR - W/O WINDOW	
11	115108-02-H35	EA	DOOR - ENTRY - W/SCREEN DOOR - W/O WINDOW	
12	111017-01-H23	EA	DOOR - STORAGE - W/O LOCK - 8.1" X 17.8" (WHITE TRIM)	
13	084103-08-000	EA	DOOR - REFRIGERATOR - VENTED - W/O JAMB	
13	084104-08-000	EA	JAMB - REFRIGERATOR DOOR	
13	084104-01-700	EA	LOCK - MALE - FASTENER	201-721-010
13	084104-01-701	EA	LOCK - FEMALE - FASTENER	201-802-010
14	111018-03-H34	EA	DOOR - GENERATOR/STORAGE (WHITE TRIM)	
15	104558-48-H34	EA	DOOR - STORAGE - 14.3" (UMBRA TRIM)	
15	104558-48-GB1	EA	DOOR - STORAGE - 14.3" (WHITE TRIM)	
16	081240-16-000	EA	DOOR - WATER FILL - LOCKABLE W/O LOCK - 4" X 4 5/8"	

WINDOW, VENT & EXTERIOR DOOR GROUP (CONTINUED)

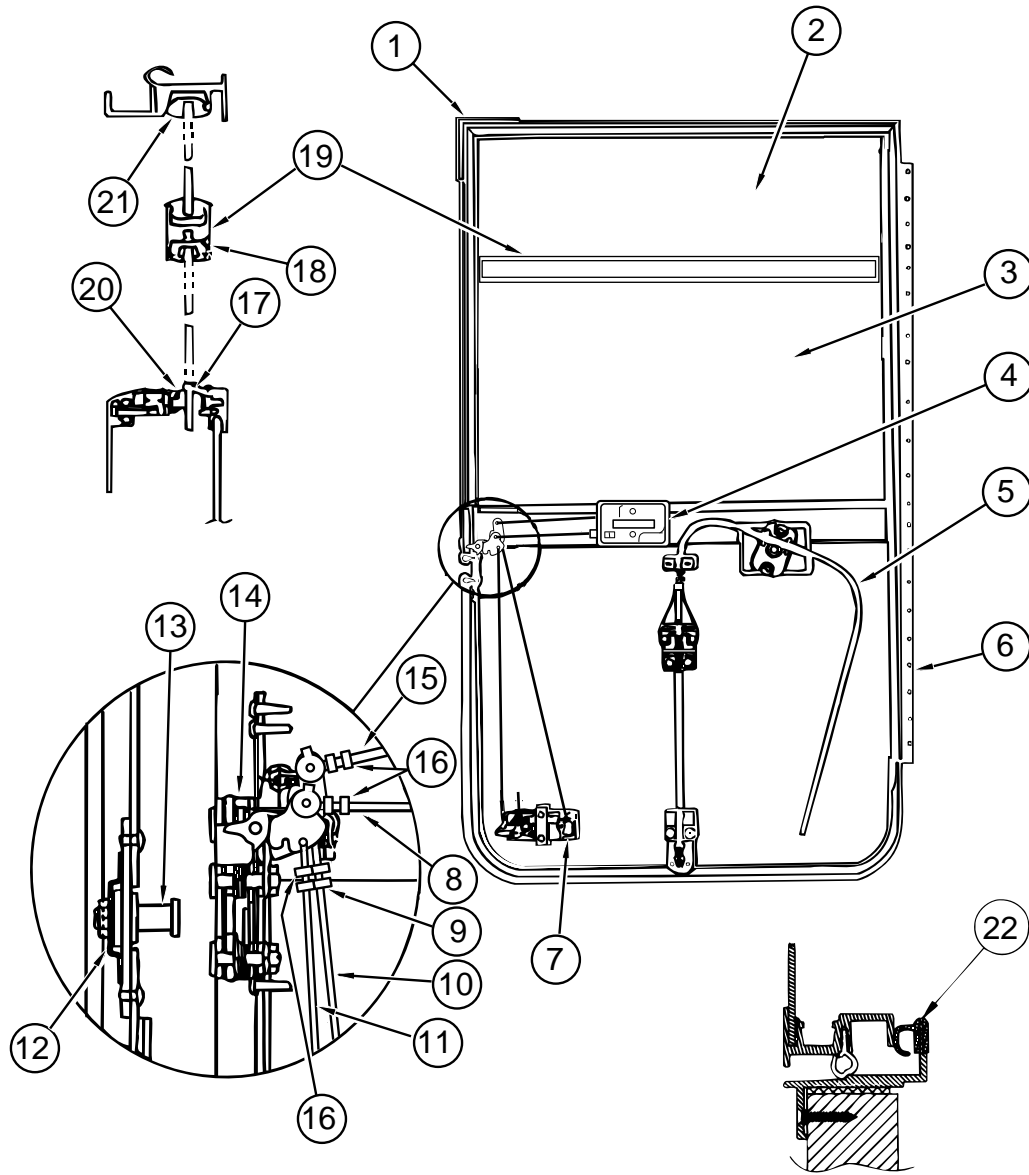
ENTRANCE DOOR



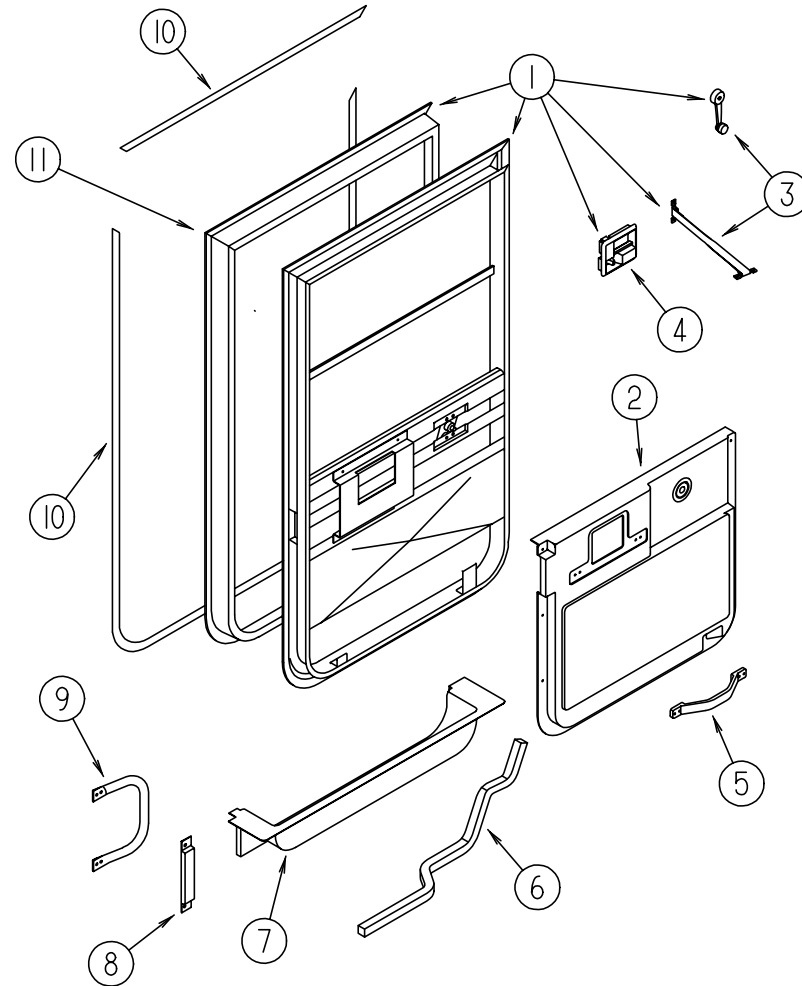
KEY	PART NUMBER	U/M	DESCRIPTION	VENDOR NO.
1	115108-02-H33	EA	DOOR - ENTRY - W/SCREEN DOOR - W/O WINDOW	
1	115108-02-H34	EA	DOOR - ENTRY - W/SCREEN DOOR - W/O WINDOW	
1	115108-02-H35	EA	DOOR - ENTRY - W/SCREEN DOOR - W/O WINDOW	
2	121893-01-01A	EA	FRAME-BOTTOM, ENTRY DOOR - BRIGHT WHITE	
3	121894-03-01A	EA	FRAME-ENTRY DOOR, W/O BOTTOM - BRIGHT WHITE	
4	039979-06-000	EA	COVER - LATCH PLATE - RIGHT HAND - BLACK TEXTURED	
	039984-01-000	EA	CAP-ROUND, VINYL - .28" ID X .62" LONG - BLACK	
5	096810-01-01A	EA	PLATE-LATCH, ENTRY DOOR - PLASTIC - BLACK	
	041546-07-000	EA	BRACKET-DOOR ANGLE, OFF WHITE - METAL	
6	045017-13-000	EA	LATCH - ENTRY DOOR - BLACK TEXTURED	
	045017-11-701	EA	KEY-BLANK - F1 SERIES	81312-02
	045017-11-703	EA	CYLINDER - LOCK ASM. W/KEYS	81266-09
	075671-04-000	FT	SEAL - SPONGE - LAZY T - W/ADHESIVE STRIP - .5" WIDE	
7	098173-01-07A	EA	STIFFENER - ENTRY DOOR - SUPPORTS LATCH/STRIKE AREA	
7	098173-01-04A	EA	STIFFENER - ENTRY DOOR - SUPPORTS LATCH/STRIKE AREA - UNPAINTED	
8	039539-01-000	EA	STRIKE - LOCK - ENTRY DOOR - ROUND W/THREADED WASHER	
	077461-03-000	EA	COVER - STRIKE - ENTRY DOOR - 6.5" X 2.5" - WHITE PLASTIC	
9	039540-01-000	EA	LATCH MECHANISM - HOOK - ENTRY DOOR - INTERIOR	
10	101145-01-06A	EA	DEADBOLT - ENTRY DOOR W/O SECURITY BOLT W/2 KEYS - BLACK TEXTURED	
	095229-01-700	EA	KEY-BLANK - DEADBOLT	81205-03
	101145-01-701	EA	CYLINDER-LOCK ASSEMBLY, W/KEY	81306-03
	101147-01-000	EA	BOLT-SECURITY, 4.12" BACKSET	
11	100412-01-000	EA	CATCH - SCREEN DOOR	
12	079087-03-000	EA	STRIKE-SLIDER, W/LIP FOR ELBOW CATCH - 1.5" X 8.6" - BRIGHT WHITE	
13	109403-01-000	EA	CATCH - SCREEN DOOR ROLLER	
14	050712-06-000	EA	HANDLE - SCREEN DOOR - BRIGHT WHITE	
15	122241-01-01A	EA	BUMPER - FOAM RUBBER - BLACK (SQUARE)	
			FROM: 00-00-00 THRU: 05-25-97	
15	120863-06-000	EA	BUMPER - RUBBER - 3/4" X 3/8"	
			FROM: 05-26-97 THRU: 99-99-99	
16	078595-01-000	EA	TOP PLATE - SCREEN DOOR - CURVED TOP - 4.7" X 25.35"	
17	044582-44-000	EA	CAP - DRIP - JAMB - BRIGHT WHITE	
18	106719-01-05A	EA	HINGE - ENTRANCE DOOR	
18	106719-01-01A	EA	HINGE - ENTRANCE DOOR - MILL	
	102248-01-000	EA	SHIM - DOOR	
	039715-01-000	EA	NUT-SERT - 1/4" DIAMETER - 20 THREADS	
	116111-02-01A	EA	SCREW - TAPTITE - 1/4-20 X 3/8 PPH - ZINC	
	118929-01-01A	FT	SEAL - PILE - PUSH ON	
	076725-02-000	EA	COVER-HINGE, ENTRY DOOR - 6" X 3.2" - PLASTIC - OFF WHITE	
19	121898-01-01A	EA	JAMB-ENTRY DOOR, W/BOTTOM - BRIGHT WHITE	
	115222-02-01A	EA	GARNISH - RADIUS - ENTRY DOOR - OFF WHITE	
20	078777-01-000	EA	CHANNEL - SLIDE - SCREEN DOOR CENTER SLIDER COVER	
21	079086-03-000	EA	SLIDER - SCREEN DOOR - BRIGHT WHITE	
22	016454-01-000	EA	INSERT - CENTER - LEATHER GRAIN ALUMINUM - UNPAINTED	
22	001014-01-013	EA	INSERT - CENTER - 10.25" X 16.31" - UNPAINTED	
23	002294-01-000	FT	SPLINE-SCREENING, .135" X .138" - BLACK	
24	002293-02-000	SF	SCREENING-WINDOW/DOOR, 26" - CHARCOAL	
25	078552-03-000	EA	KICK PANEL - SCREEN DOOR - LOWER INSERT - UNPAINTED	
26	051049-01-000	EA	JAMB - BOTTOM - ENTRY DOOR - 25.9" - UNPAINTED	
27	121899-01-G04	EA	DOOR - SCREEN - W/O HARDWARE	
	075673-01-000	FT	SEAL - PILE - ADHESIVE BACK - GRAY	
	075673-05-000	FT	SEAL - PILE - ADHESIVE BACK - BLACK	
	086285-05-000	EA	SPACER - NYLON - .7" X .56"	
	122241-01-01A	EA	BUMPER-FOAM RUBBER W/ADHESIVE BACK, 12.7 MM X 12.7 MM X 6.4 MM - BLACK	
28	104099-01-04A	EA	CATCH - DOOR HOLDER - STRIKE - BRIGHT WHITE	
29	104099-02-04A	EA	CATCH - DOOR HOLDER - RETAINER - BRIGHT WHITE	
	009126-03-000	EA	HANDLE - ASSIST - BLACK TEXTURED	
	100128-02-000	FT	SEAL-FOAM, ADHESIVE BACK - .37" W X .37" THICK	

WINDOW, VENT & EXTERIOR DOOR GROUP (CONTINUED)
EXCEL DRIVERS DOOR

KEY	PART NUMBER	U/M	DESCRIPTION	VENDOR NO.
1	106469-01-702	EA	SEAL-DOOR, (FRAME) EA=1	122-040984
2	106469-02-702	EA	GLASS-STATIONARY, HORIZONTAL	106-041104
3	106469-01-704	EA	GLASS ASSEMBLY-ROLL-UP W/BRACKET	V103-65L
4	106469-04-712	EA	HARDWARE-INNER HANDLE, LH	248-041402
5	106469-02-701	EA	REGULATOR ASSEMBLY	V108-90L
6	106469-05-702	EA	HINGE - 42"	211-041194
7	106469-04-700	EA	PADDLE ASSEMBLY W/COLLAR	248-041237
	106469-04-701	EA	TUMBLER & KEYS, TRI-MARK	248-041179
	106469-04-715	EA	LATCH COMPLETE W/TUMBLER & KEYS	V123-15
	045017-11-701	EA	KEY-BLANK, TRIMARK	81312-02
8	106469-04-711	EA	ROD-LOCK, HORIZONTAL	203-041137
9	106469-04-713	EA	ROD-CLIP, LH	248-041154
10	106469-05-703	EA	LATCH ROD, VERTICAL ADJUSTMENT	203-041239
11	106469-05-705	EA	ROD-LOCK, VERTICAL ADJUSTMENT	203-041279
12	106469-04-704	EA	NUT ASSEMBLY-CAGED W/STRIKER	248-041151
13	106469-04-703	EA	BOLT-STRIKER, W/WASHER	248-041152
14	106469-05-706	EA	LATCH-ROTARY, W/LINKAGE	248-041150
15	106469-04-705	EA	ROD-LATCH, HORIZONTAL	203-041139
16	106469-04-714	EA	ROD-CLIP, RH	248-041153
17	106469-02-703	EA	BELT-WEATHERSTRIP, EXTERIOR - ROLL-UP GLASS	V047-57
18	106469-01-705	FT	CHANNEL-RUN, SLIDING	122-010850
19	106469-01-719	EA	MULLION RAIL	V103-84
20	106469-01-709	FT	WEATHERSTRIP-FUZZY	171-040630
21	106469-02-705	EA	GLAZING-VINYL, HORIZONTAL - 6.3317"	V108-87
22	106469-01-723	EA	SEAL ASSEMBLY-BULB, DRIVERS DOOR JAMB - PREFORMED	171-040985
	106469-02-704	EA	PARTS BAG-WINDOW HANDLE MISCELLANEOUS	V068-16
	106469-07-700	EA	FRAME MOUNTING ASSEMBLY	V130-30L



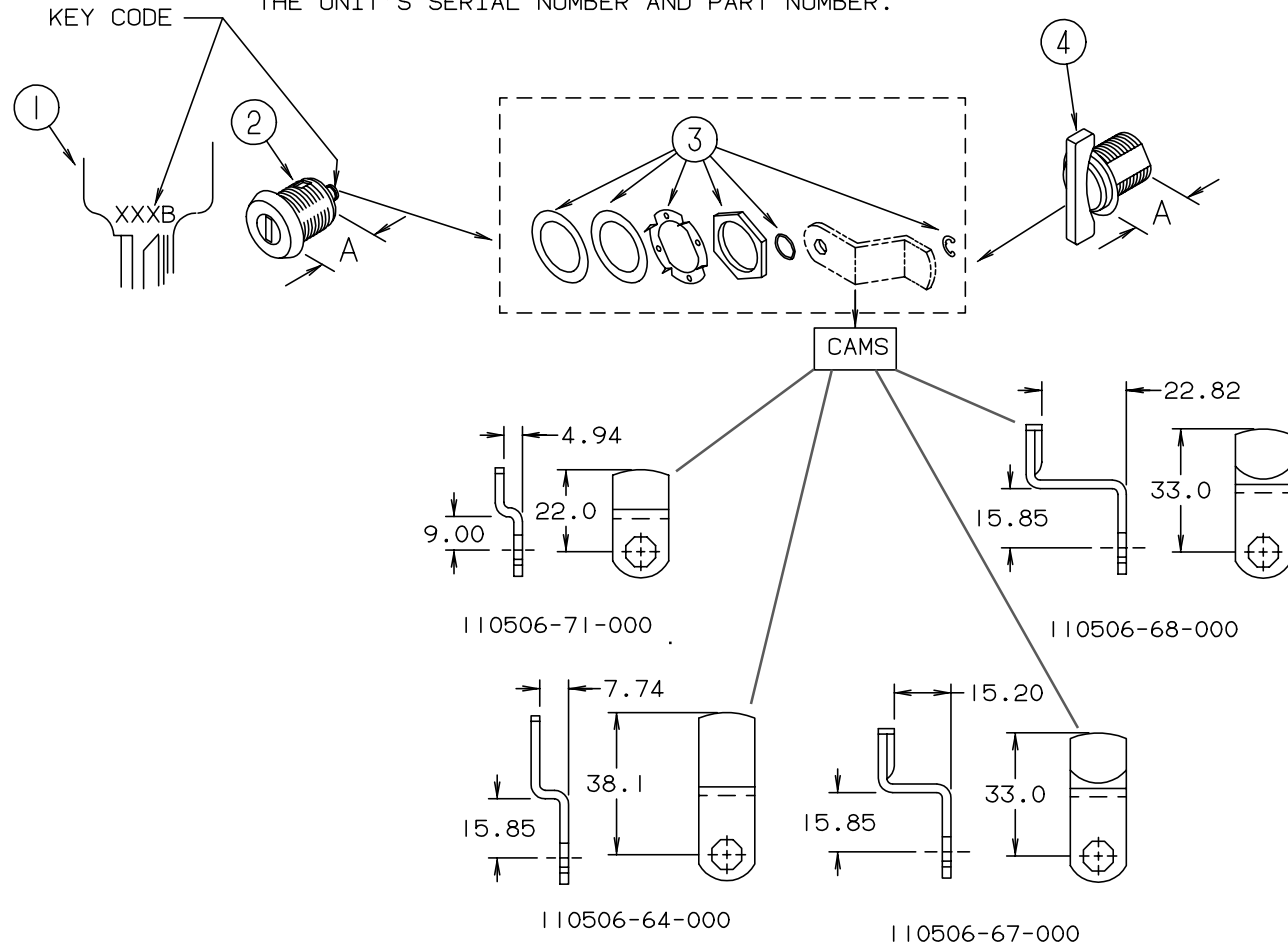
WINDOW, VENT & EXTERIOR DOOR GROUP (CONTINUED)
EXCEL DRIVERS DOOR



KEY	PART NUMBER	U/M	DESCRIPTION	VENDOR NO.
1	106469-07-01A	EA	DOOR - DRIVER - BLACK	
2	114973-01-02A	EA	PANEL-DRIVERS DOOR, INNER - WILLOW - PLASTIC	
3	106469-02-704	EA	PARTS BAG (WINDOW HANDLE & CHECK STRAP)	V068-16
4	106469-04-712	EA	INNER HANDLE HARDWARE - LEFT HAND	248-041148
5	110604-01-01A	EA	HANDLE-ASSIST, DRIVERS DOOR - 10.8" LONG - BLACK	
6	063977-11-000	EA	STEP - DRIVER DOOR - LEFT - UNPAINTED	
7	107818-01-01A	EA	TRIM - STEP - DRIVERS DOOR	
				FROM: 00-00-00 THRU: 01-14-97
7	126069-03-01A	EA	TRIM - STEP - DRIVER	
				FROM: 01-15-97 THRU: 99-99-99
	102569-02-000	EA	MAT-ANTISLIP, 4" X 22" - LOWER	
8	108654-01-01A	EA	COVER-STRIKE, DRIVERS DOOR - BLACK	
9	108832-01-02A	EA	HANDLE - ASSIST - DRIVER DOOR - METAL - OFF WHITE	
	108833-01-01A	EA	COVER - HANDLE - ASSIST - OFF WHITE	
10	109235-01-01A	FT	COVER - SCREW - MAT BLACK	
11	106469-07-700	EA	MOUNTING FRAME ASM.	V130-30L
	108129-02-02A	EA	GARNISH - DRIVERS DOOR - FRONT - BLACK	
	108107-01-02A	EA	GARNISH - DRIVERS DOOR - TOP - BLACK	
	108108-04-02A	EA	GARNISH - DRIVERS DOOR - REAR UPPER - BLACK	
	108897-02-01A	EA	GARNISH - DRIVERS DOOR - REAR LOWER - BLACK	
	P01713-01-000	EA	SWITCH - PUSH BUTTON - IN DOOR JAMB - METAL CHROME	
	076725-06-000	EA	COVER - ACCESS - DOOR JAMB PUSH BUTTON - BLACK	
	109235-01-05A	FT	COVER-SCREW, BRIGHT WHITE	
	106746-01-000	EA	PANEL-STEPWELL, 789 MM LONG - STEEL	
	106747-01-000	EA	PANEL-STEPWELL, RH END - STEEL	
	106747-02-000	EA	PANEL-STEPWELL, LH END - STEEL	
	107868-01-000	EA	ANGLE-SUPPORT, DOOR - 38 MM X 38 MM X 19 MM - E-COAT - STEEL	

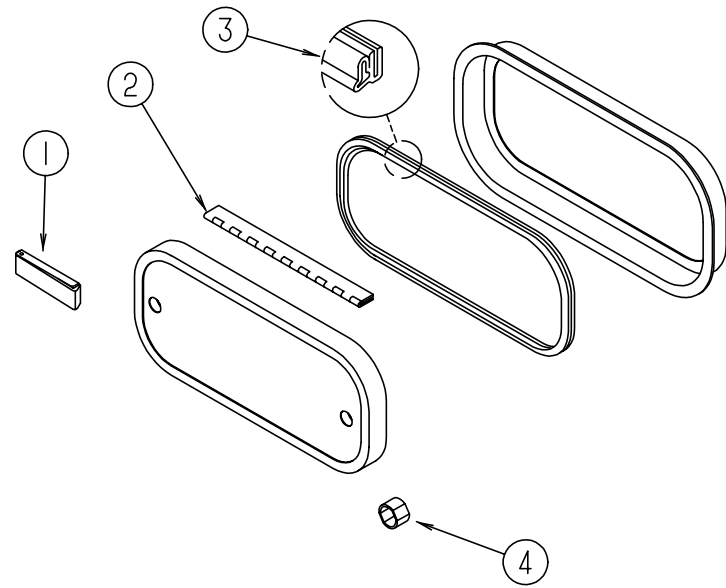
WINDOW, VENT & EXTERIOR DOOR GROUP (CONTINUED)
BRIGGS & STRATTON LOCKS & COMPONENTS

NOTE:
 WHEN ORDERING THE LOCK CASE, THE KEY CODE MUST MATCH THE LAST DIGIT OF THE UNIT'S SERIAL NUMBER AND PART NUMBER; WHEN ORDERING THE KEYS, THE THIRD DIGIT OF THE KEY CODE MUST MATCH THE LAST DIGIT OF THE UNIT'S SERIAL NUMBER AND PART NUMBER.



KEY	PART NUMBER	U/M	DESCRIPTION	VENDOR NO.
1	110506-59-000	EA	KEYS-SET OF 2	596720
2	110506-52-000	EA	CASE-LOCK, A=17 MM	702370
2	110506-53-000	EA	CASE-LOCK, A=25 MM	702380
1	110506-59-001	EA	KEYS-SET OF 2	596721
2	110506-52-001	EA	CASE-LOCK, A=17 MM	702371
2	110506-53-001	EA	CASE-LOCK, A=25 MM	702381
1	110506-59-002	EA	KEYS-SET OF 2	596722
2	110506-52-002	EA	CASE-LOCK, A=17 MM	702372
2	110506-53-002	EA	CASE-LOCK, A=25 MM	702382
1	110506-59-003	EA	KEYS-SET OF 2	596723
2	110506-52-003	EA	CASE-LOCK, A=17 MM	702373
2	110506-53-003	EA	CASE-LOCK, A=25 MM	702383
1	110506-59-004	EA	KEYS-SET OF 2	596724
2	110506-52-004	EA	CASE-LOCK, A=17 MM	702374
2	110506-53-004	EA	CASE-LOCK, A=25 MM	702384
1	110506-59-005	EA	KEYS-SET OF 2	596725
2	110506-52-005	EA	CASE-LOCK, A=17 MM	702375
2	110506-53-005	EA	CASE-LOCK, A=25 MM	702385
1	110506-59-006	EA	KEYS-SET OF 2	596726
2	110506-52-006	EA	CASE-LOCK, A=17 MM	702376
2	110506-53-006	EA	CASE-LOCK, A=25 MM	702386
1	110506-59-007	EA	KEYS-SET OF 2	596727
2	110506-52-007	EA	CASE-LOCK, A=17 MM	702377
2	110506-53-007	EA	CASE-LOCK, A=25 MM	702387
1	110506-59-008	EA	KEYS-SET OF 2	596728
2	110506-52-008	EA	CASE-LOCK, A=17 MM	702378
2	110506-53-008	EA	CASE-LOCK, A=25 MM	702388
1	110506-59-009	EA	KEYS-SET OF 2	596729
2	110506-52-009	EA	CASE-LOCK, A=17 MM	702379
2	110506-53-009	EA	CASE-LOCK, A=25 MM	702389
3	110506-40-700	EA	HARDWARE KIT-LOCK, W/GASKET, NUT, CLIP & WASHERS	
4	110506-50-000	EA	CASE - TWIST LOCK - A= 17 MM	596952
4	110506-51-000	EA	CASE - TWIST LOCK - A= 25 MM	596669
	110506-59-701	EA	KEY BLANK	

WINDOW, VENT & EXTERIOR DOOR GROUP (CONTINUED)



EXTERIOR ACCESS DOOR COMPONENTS

KEY	PART NUMBER	U/M DESCRIPTION
1	102768-01-000	EA HOLDER-COMPARTMENT/ENTRY DOOR, METAL - MILL FINISH
2	081801-V3-000	EA HINGE-DOOR, PIANO - 2" X 96", BRIGHT WHITE - ALUMINUM
3	064075-07-000	FT SEAL-BULB, W/WIRED U CHANNEL - .3" X .5" CHANNEL - BLACK
3	106850-01-000	FT SEAL - E-SPONGE RUBBER - .43" X .75"
4	107997-51-001	EA SPACER - .86" X .6", ALUMINUM
	107997-51-002	EA EXTRUDED SPACER - 16'

WINDOW, VENT & EXTERIOR DOOR GROUP (CONTINUED)

ELIXIR ROOF VENT - NONPOWERED

KEY	PART NUMBER	U/M DESCRIPTION	VENDOR NO.
	122882-01-01A	EA VENT-ROOF, NONPOWERED	
	009440-01-000	EA GEAR/ARM - LIFT - ROOF VENT COVER - 705221K38	
	064470-01-700	EA COVER-VENT, W/O (SLIDE BAR)	J7291
	064470-01-701	EA SLIDE BAR, (VENT-LID)	JRP1291B
	122882-01-700	EA HANDLE-CRANK, BLACK	90128
	122882-01-701	EA SCREEN	JRP-1124-B
	122882-07-01A	EA GARNISH-ROOF VENT, 63.5 - 104.6 - POWERED OR NONPOWERED	

ELIXIR ROOF VENT - POWERED

KEY	PART NUMBER	U/M DESCRIPTION	VENDOR NO.
	122882-02-01A	EA VENT-ROOF, POWERED	
	009440-01-000	EA GEAR/ARM - LIFT - ROOF VENT COVER - 705221K38	
	048648-01-000	EA MOTOR-ROOF VENT, 1/8 SHAFT - 12V - JENSEN	
	048649-01-000	EA FAN-ROOF VENT, 6 BLADES - 6" - JENSEN	
	064470-01-700	EA COVER-VENT, W/O (SLIDE BAR)	J7291
	064470-01-701	EA SLIDE BAR, (VENT-LID)	JRP1291B
	110051-03-700	EA SWITCH-BLACK/PUSH BUTTON	27-0164
	122882-01-700	EA HANDLE-CRANK, BLACK	90128
	122882-01-701	EA SCREEN	JRP-1124-B
	122882-07-01A	EA GARNISH-ROOF VENT, 63.5 - 104.6 - POWERED OR NONPOWERED	

ELIXIR ROOF VENT - POWERED - CANADIAN

KEY	PART NUMBER	U/M DESCRIPTION	VENDOR NO.
	122882-03-01A	EA VENT-ROOF, POWERED - CANADIAN	
	009440-01-000	EA GEAR/ARM - LIFT - ROOF VENT COVER - 705221K38	
	048648-01-000	EA MOTOR-ROOF VENT, 1/8 SHAFT - 12V - JENSEN	
	048649-01-000	EA FAN-ROOF VENT, 6 BLADES - 6" - JENSEN	
	064470-01-700	EA COVER-VENT, W/O (SLIDE BAR)	J7291
	064470-01-701	EA SLIDE BAR, (VENT-LID)	JRP1291B
	110051-03-700	EA SWITCH-BLACK/PUSH BUTTON	27-0164
	122882-01-700	EA HANDLE-CRANK, BLACK	90128
	122882-01-701	EA SCREEN	JRP-1124-B
	122882-07-01A	EA GARNISH-ROOF VENT, 63.5 - 104.6 - POWERED OR NONPOWERED	

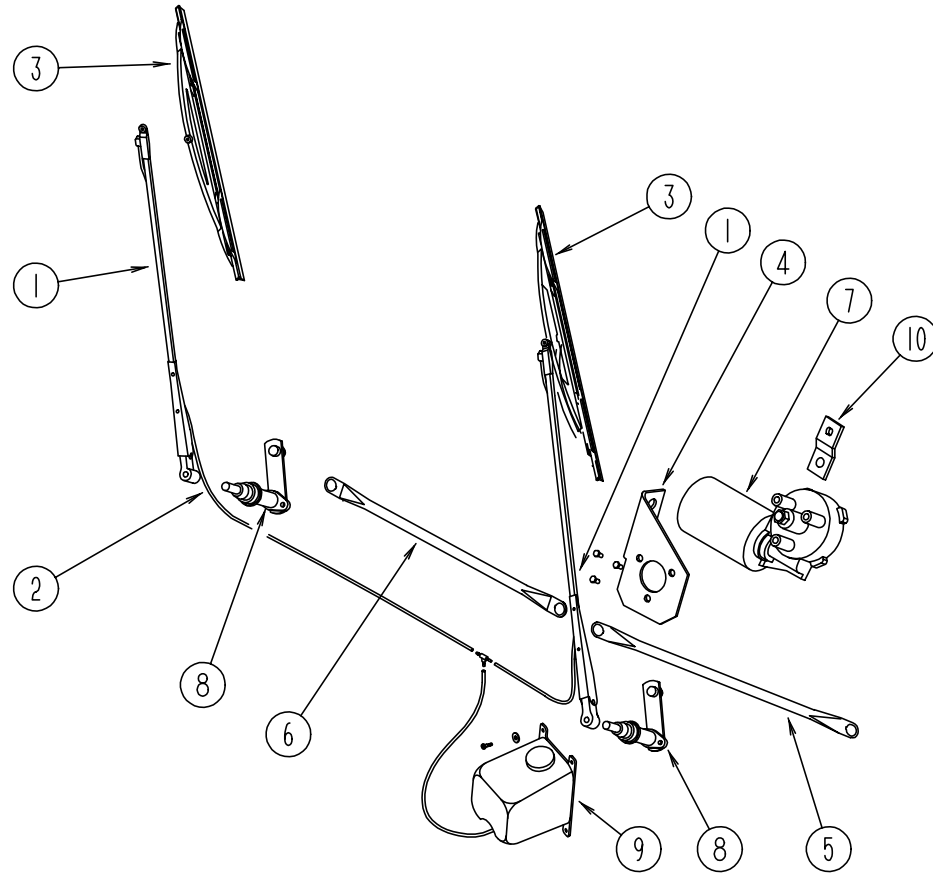
ROOF VENTS

KEY	PART NUMBER	U/M DESCRIPTION
	083558-03-000	EA VENT - PLUMBING - PIPE ROOF - W/COVER - OFF WHITE
	084073-04-000	EA BASE - ROOF VENT - REFRIGERATOR
	084073-07-000	EA VENT - ROOF - REFRIGERATOR - BRIGHT WHITE

SIDEWALL VENTS

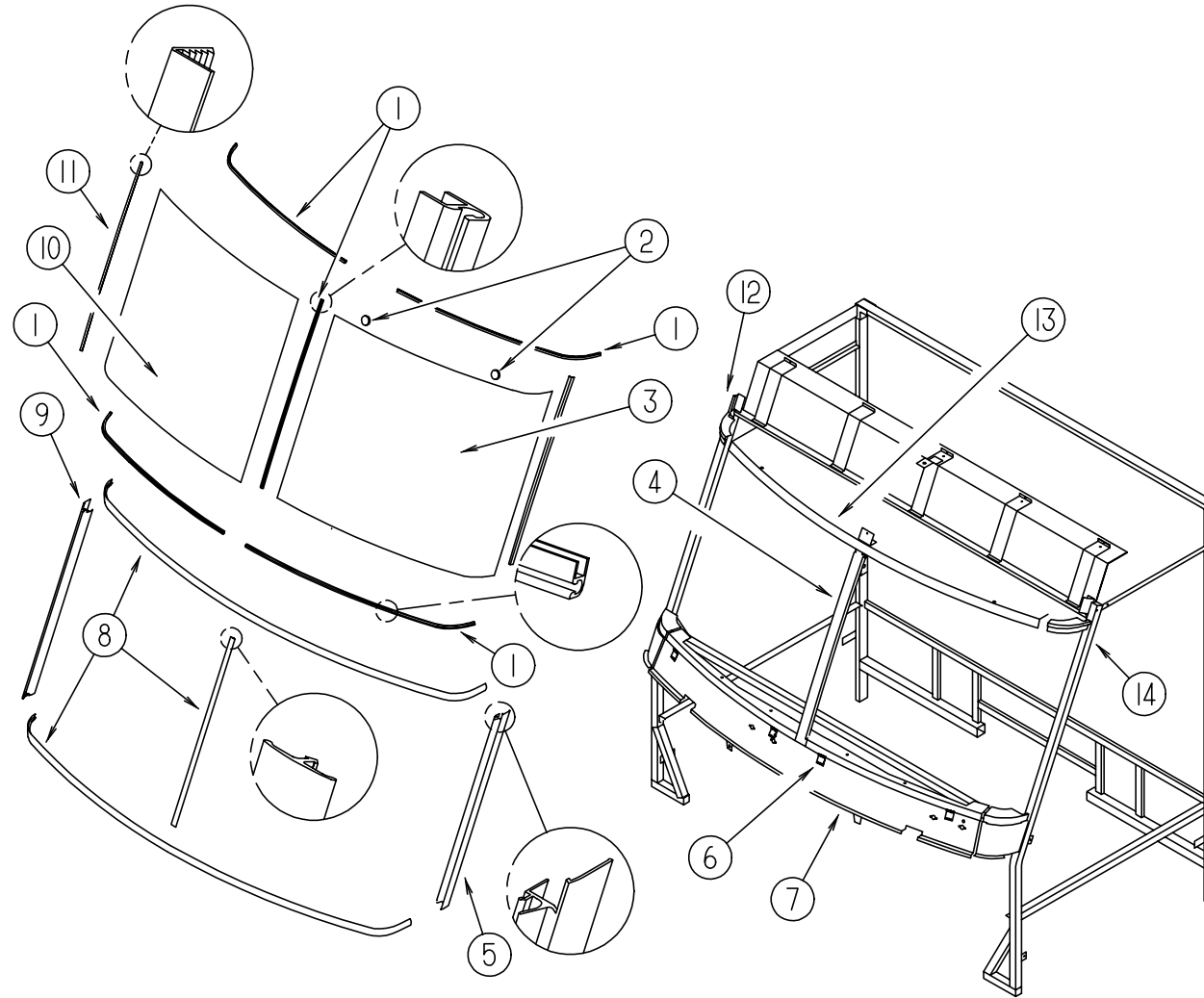
KEY	PART NUMBER	U/M DESCRIPTION
	084616-07-000	EA VENT - SHROUD - RANGE HOOD - BRIGHT WHITE
	084878-09-000	EA VENT - HOOD - RANGE/SHORT - OFF WHITE

WINDSHIELD & WIPER GROUP
WIPER & WASHER COMPONENTS



KEY	PART NUMBER	U/M DESCRIPTION	VENDOR NO.
1	103671-01-000	EA ARM-WIPER, PANTOGRAPH - 24"	
	096931-01-700	FT HOSE-WIPER, TO BLADE	
	096931-01-701	EA NOZZLE-HARDWARE KIT, INCLUDES NOZZLE, NUT, SHORT THREAD SCREW, LONG THREAD SCREW, AND PLASTIC CAP	
2	045794-01-000	FT HOSE-WASHER, WINDSHIELD - 5/32" ID - BLACK	
3	095964-01-000	EA BLADE-WIPER, 24"	
4	104549-01-000	EA BRACKET ASSEMBLY-WIPER MOTOR	
5	117008-01-000	EA LINK ASM - CONNECTING - DRIVERS SIDE	
6	117008-02-000	EA LINK ASM - CONNECTING - PASSENGERS SIDE	
7	104346-04-000	EA MOTOR-WIPER, CHEVY CHASSIS - UT 65714M02025WJ	
	117322-01-000	EA SCREW - 1/4-28 UNF-2A, TORX - U.T. 6270020 SC25WJ	
8	096505-05-000	EA PIVOT & SHAFT ASM-WIPER, PASSENGER WINDSHIELD	
	096505-06-000	EA PIVOT & SHAFT ASM-WIPER, DRIVER WINDSHIELD	
9	096505-02-700	EA DRIVER-KNURLED,(HD) BARREL .687	NT721017
	096505-02-701	EA NUT-HEX (HD) W/.687 BARREL	NT721021
	096505-02-702	EA CAP-RUBBER (HD) BARREL .687	CP721084
	096505-02-703	EA CAP-NUT(ACORN) HD W/.687 BRL	51065-40-NT27WC
	117766-02-000	EA WASHER-WINDSHIELD, BOTTLE & PUMP - MCCORD 600328	
10	110605-01-000	EA TEE-BARBED, 1/8 X 1/8 X 3/16 - BAYLOCK 3799721	
	110934-01-000	EA CONNECTOR-BARB, 5/16" - PLASTIC - KEVCO TC 7055	
	117765-03-000	EA CONNECTOR - 5/32 W/SWSH - ITT H-BAYLOCK 116756	
	104347-01-000	EA ARM-DRIVE, WIPER MOTOR - 1.54"	
	061603-01-000	EA GROMMET-SNAP, 3/16 ID - 3/8 HOLE - PLASTIC - BLACK	
	067188-01-000	EA STUD-CRANK, WIPER	
	110742-01-000	EA GASKET-WIPER	
	077298-55-003	EA EXTR-TUBE, 0007 MM - BLACK	

WINDSHIELD & WIPER GROUP (CONTINUED)
WINDSHIELD MOLDINGS & GLASS



KEY	PART NUMBER	U/M	DESCRIPTION
1	110268-01-000	EA	CARRIER - WINDSHIELD - 50.4"
2	081914-01-000	EA	BUMPER - RUBBER - ROUND - .43" DIAMETER - BLACK
3	103788-02-000	EA	GLASS - WINDSHIELD - DRIVER SIDE
4	075710-01-000	EA	FRAME - WINDSHIELD - CENTER DIVIDER - INNER
5	103107-04-01A	EA	TRIM - WINDSHIELD - DRIVER SIDE - BLACK
6	104449-01-000	EA	BRACKET - WINDSHIELD SUPPORT
7	077847-02-000	EA	SUPPORT - WINDSHIELD - LOWER - W/O BRACKETS
8	102936-01-000	FT	MOLDING - REVEAL - WINDSHIELD
9	103107-03-01A	EA	TRIM - WINDSHIELD - PASSENGER SIDE - BLACK
10	103788-01-000	EA	GLASS - WINDSHIELD - PASSENGER SIDE
11	098788-06-000	EA	CARRIER - REVEAL - 48.9" WINDSHIELD
12	077922-03-000	EA	HEADER WINDSHIELD END - PASSENGER SIDE
13	077922-05-000	EA	HEADER WINDSHIELD - CENTER
14	077922-04-000	EA	HEADER WINDSHIELD END - DRIVER SIDE