

**1997  
ICF25RC**

**H33**

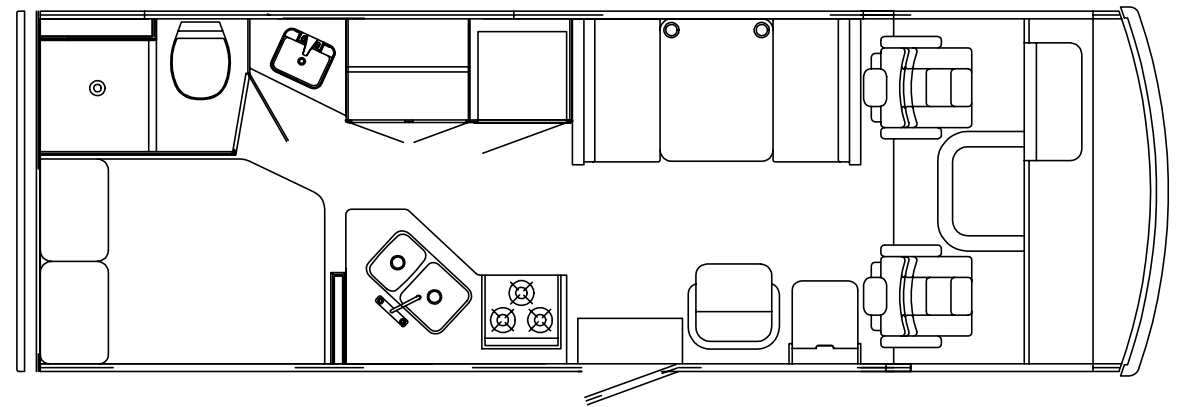
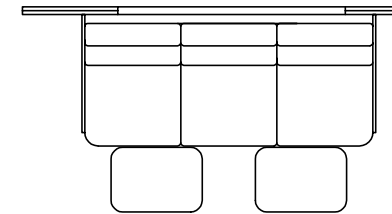
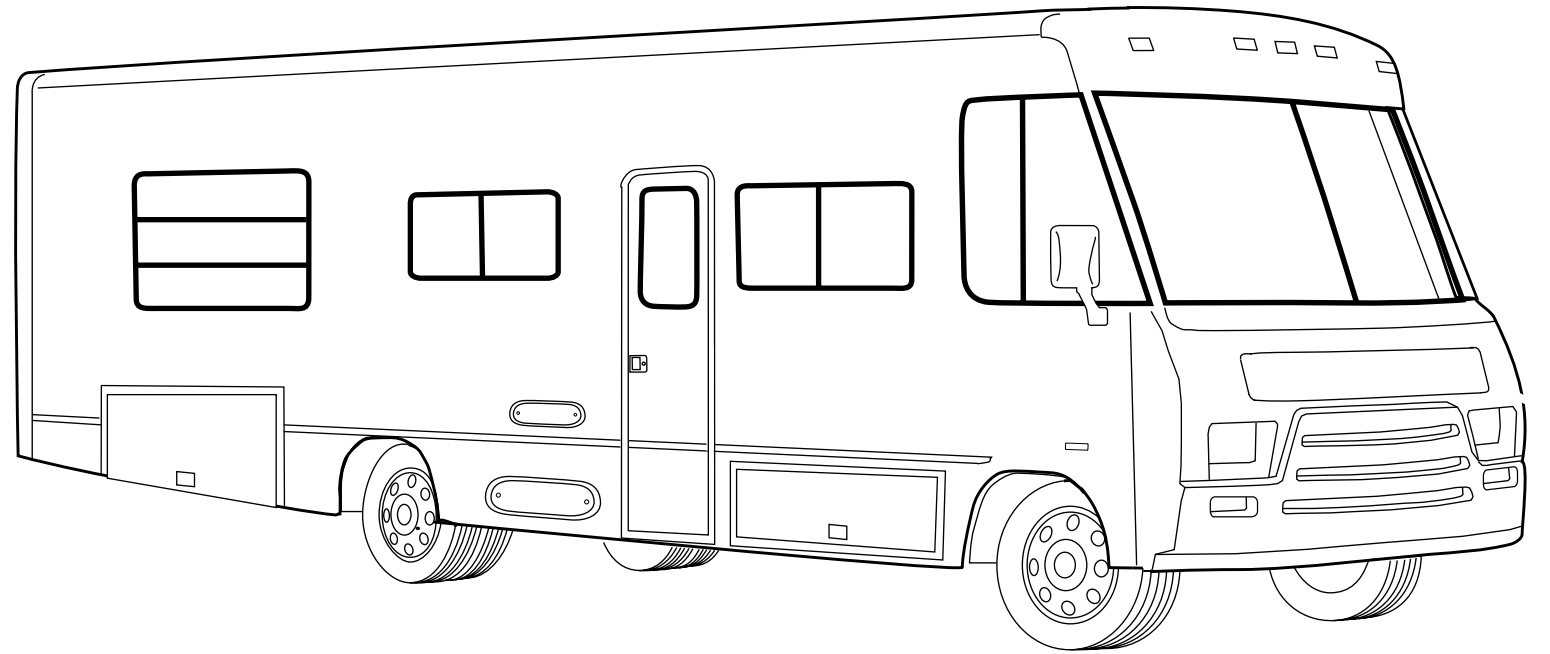
**BLUE LAGOON (BLUE)**

**H34**

**KRYPTONITE (TAN)**

**H35**

**SEQUOIA (SAGE)**



**ACCESSORIES GROUP  
OPERATOR MANUAL**

KEY	PART NUMBER	U/M DESCRIPTION
	054185-F8-000	EA MANUAL - OPERATOR, 97 SUNRISE
	092318-01-000	EA BINDER - 3 RING, MOTOR HOME MANUAL
	092319-01-000	EA POCKET PAGE - 3 RING BINDER, PLASTIC
	121518-01-000	DW TOP LEVEL DRAWING-F, 1997

**AUDIO VIDEO GROUP  
PATIO ENTERTAINMENT CENTER**

KEY	PART NUMBER	U/M DESCRIPTION
	076319-09-000	EA WALLPLATE-CABLE RECEPTACLE, TV - SINGLE - BROWN
	077069-02-000	EA CABLE - ANTENNA/EXTENSION - RADIO - 96"
	082134-01-000	EA ADAPTER-TV, CABLE TO CABLE
	086756-01-000	EA SPLITTER-TV, 2 WAY
	087683-03-000	EA RADIO - AM/FM STEREO CASSETTE - AUDIOVOX
	090944-01-000	EA ANTENNA-RADIO, 16" RUBBER
	108847-01-000	EA BRACKET-ANTENNA GROUND
	109889-04-000	EA EXTENDER - ANTENNA SHAFT - 3"
	110469-01-000	EA SPEAKER - 4" X 6" OVAL - COAXIAL
	110470-01-01A	EA GRILLE - 4" X 6" OVAL - BLACK

**RADIO SYSTEMS & ANTENNA**

KEY	PART NUMBER	U/M DESCRIPTION
	116148-03-000	EA RADIO - AM/FM STEREO W/CD PLAYER - CLARION FROM: 00-00-00 THRU: 02-09-97
	116148-04-000	EA RADIO - AM/FM STEREO W/CD PLAYER - CLARION FROM: 02-10-97 THRU: 99-99-99
	110267-04-000	EA RADIO-AM/FM STEREO - CD COMPATIBLE - AUDIOVOX
	077069-02-000	EA CABLE - ANTENNA/EXTENSION - RADIO - 96"
	090944-01-000	EA ANTENNA-RADIO, 16" RUBBER
	115916-01-01B	EA BRACKET - ANTENNA MOUNT
	089340-02-000	EA GRILLE-SPEAKER, 6.5" SQUARE
	089340-03-000	EA SPACER-GRILLE, 6.5" SQUARE - TAN
	094097-01-000	EA SPEAKER - RADIO/TV - W/O GRILLE - 5.25" DIAMETER
	110469-01-000	EA SPEAKER - 4" X 6" OVAL - COAXIAL
	110470-01-01A	EA GRILLE - 4" X 6" OVAL - BLACK

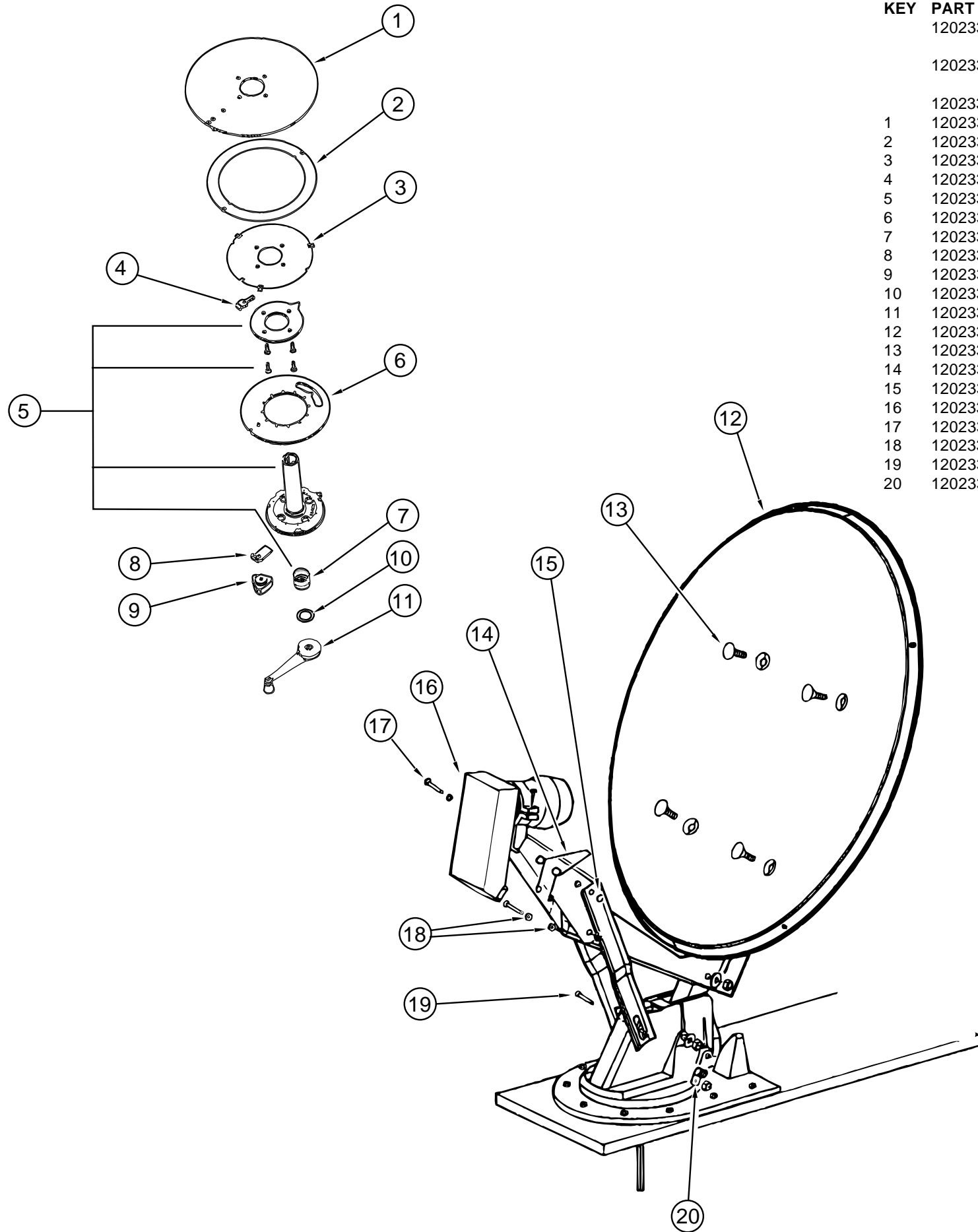
**CB ANTENNA**

KEY	PART NUMBER	U/M DESCRIPTION
	123256-01-000	EA ANTENNA-CB W/O CABLE
	123256-02-000	EA CABLE-CB COAX

**TV, VCR & COMPONENTS**

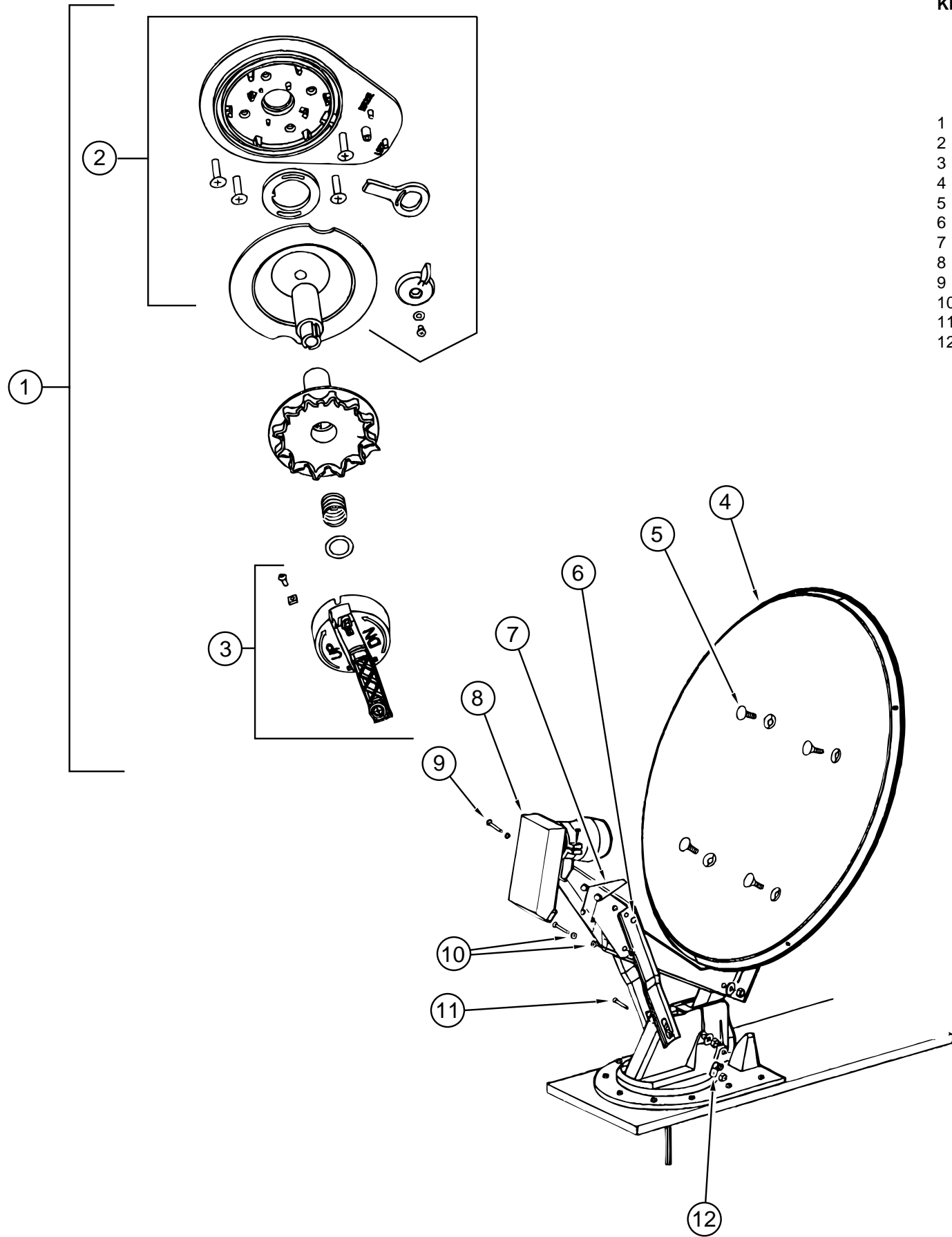
KEY	PART NUMBER	U/M DESCRIPTION	VENDOR NO.
	113684-02-000	EA TV - 19" COLOR UL/CSA - 1/8" JACK - AUDIOVOX AVT - 1980	
	113684-02-700	EA REMOTE FOR AUDIOVOX AVT - 1980 TV	0892355
	119120-02-000	EA VCR-VHS, CABLE READY W/REMOTE - AUDIOVOX AVR - 1170 FROM: 00-00-00 THRU: 02-16-97	
	119120-02-700	EA REMOTE FOR AUDIOVOX AVR - 1170 VCR FROM: 00-00-00 THRU: 02-16-97	0994569
	119120-03-000	EA VCR-VHS - CABLE READY - REMOTE - AUDIOVOX AVR - 1108 FROM: 02-17-97 THRU: 99-99-99	
	119120-03-700	EA REMOTE FOR AUDIOVOX AVR - 1108 VCR FROM: 02-17-97 THRU: 99-99-99	0994571
	086757-03-000	EA CONTROL CENTER-SWITCH, VCR/TV	
	086777-05-000	EA PLATE-WALL, ANTENNA - 1 OUTPUT - IVORY	
	093214-01-02A	EA GRILLE-SPEAKER, 4" BROWN	
	098819-01-000	EA SPEAKER - 2 WATT, 8 OHM - 4"	
	076319-09-000	EA WALLPLATE-CABLE RECEPTACLE, TV - SINGLE - BROWN	
	076319-08-000	EA WALLPLATE-CABLE RECEPTACLE, TV - SINGLE - IVORY	
	086777-01-000	EA WALLPLATE-TV CABLE, W/ANTENNA SWITCH - IVORY	
	093901-03-000	EA PLATE-COAXIAL CABLE, 64 MM X 45 MM - STEEL - E-COAT	
	076319-12-000	EA CONNECTOR-COAXIAL, ONE PIECE	
	082134-01-000	EA ADAPTER-TV, CABLE TO CABLE	
	086756-01-000	EA SPLITTER-TV, 2 WAY	
	076319-03-000	FT CABLE-COAXIAL, 75 OHM	
	082136-01-000	EA NUT - HEX JAM - 3/8 - 32	
	076319-06-000	EA ADAPTER-CABLE ROOF PLATE	
	114870-02-000	EA PLUG - .14" AUDIO W/LEADS	

**AUDIO VIDEO GROUP (CONTINUED)**  
**WINEGARD SATELLITE ANTENNA - OLD STYLE**



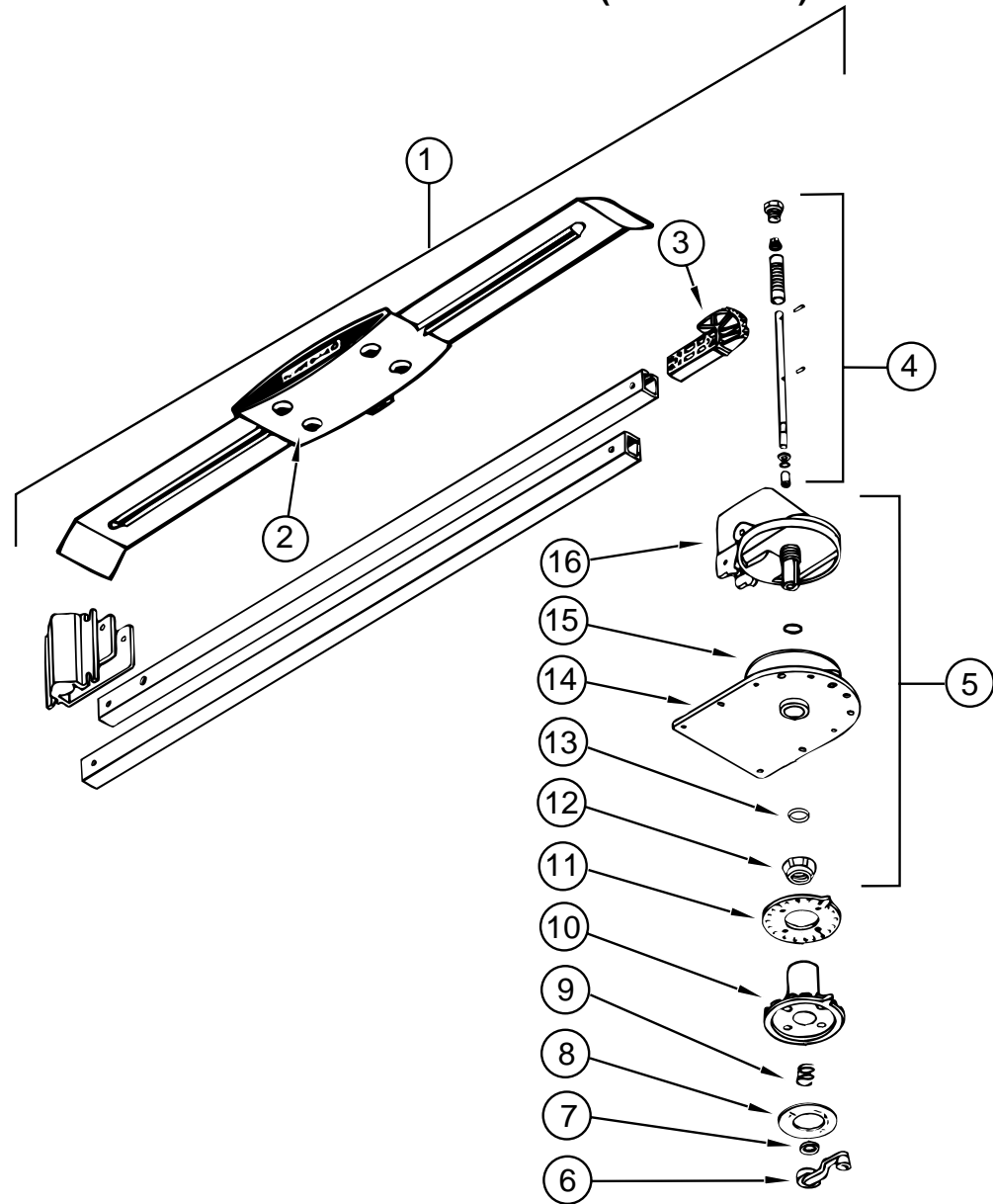
KEY	PART NUMBER	U/M	DESCRIPTION	VENDOR NO.
	120233-02-000	EA	RECEIVER ONLY-SATELLITE ANTENNA - RC-1000	
			FROM: 00-00-00 THRU: 01-26-97	
	120233-02-700	EA	REMOTE	RC-0012
			FROM: 00-00-00 THRU: 01-26-97	
	120233-01-000	EA	ANTENNA-SATELLITE W/O RECEIVER - (DISH & HARDWARE KIT) - MANUAL	
1	120233-01-700	EA	PLATE-FIXED	3750821
2	120233-01-701	EA	DIAL-DIRECTIONAL	2745056
3	120233-01-702	EA	PIVOT-DIAL-DIRECTIONAL	2745058
4	120233-01-703	EA	STOP-ROTATION	3711281
5	120233-01-704	EA	PLATE-CEILING W/DIRECTIONAL HANDLE	RP-6300
6	120233-01-705	EA	PLATE-ROTATE	3750820
7	120233-01-706	EA	SPRING	RP-6822
8	120233-01-707	EA	CLAMP-ROTATE	3711280
9	120233-01-708	EA	KNOB-CLAMP	2200061
10	120233-01-709	EA	WASHER-NYLON	RP-2658
11	120233-01-710	EA	HANDLE-CRANK	RP-6795
12	120233-01-711	EA	REFLECTOR - 46 CM	2745304
13	120233-01-712	EA	BOLT-FLAT HEAD	2160253
14	120233-01-713	EA	SPRING	2160820
15	120233-01-714	EA	CLIP-E	5160818
16	120233-01-715	EA	LOW NOISE BLOCK FILTER (LNBF)	2780177
17	120233-01-716	EA	PIN	2160814
18	120233-01-717	EA	BEARING-NYLON	2200726
19	120233-01-718	EA	PIN	5160817
20	120233-01-719	EA	CLAMP-CABLE	2200060

**AUDIO VIDEO GROUP (CONTINUED)**  
**WINEGARD SATELLITE ANTENNA - NEW STYLE**



KEY	PART NUMBER	U/M	DESCRIPTION	VENDOR NO.
	120233-02-000	EA	RECEIVER ONLY-SATELLITE ANTENNA - RC-1000	
			FROM: 00-00-00 THRU: 01-26-97	
	120233-02-700	EA	REMOTE	RC-0012
			FROM: 00-00-00 THRU: 01-26-97	
	120233-01-000	EA	ANTENNA-SATELLITE W/O RECEIVER - (DISH & HARDWARE KIT) - MANUAL	
1	120233-01-720	EA	CEILING PLATE ASM (RETRO FIT)	RP-4100
2	120233-01-722	EA	PLATE ASSEMBLY (CEILING)	2762826
3	120233-01-721	EA	CRANK HANDLE ASSEMBLY	2762825
4	120233-01-711	EA	REFLECTOR - 46 CM	2745304
5	120233-01-712	EA	BOLT-FLAT HEAD	2160253
6	120233-01-714	EA	CLIP-E	5160818
7	120233-01-713	EA	SPRING	2160820
8	120233-01-715	EA	LOW NOISE BLOCK FILTER (LNBF)	2780177
9	120233-01-716	EA	PIN	2160814
10	120233-01-717	EA	BEARING-NYLON	2200726
11	120233-01-718	EA	PIN	5160817
12	120233-01-719	EA	CLAMP-CABLE	2200060

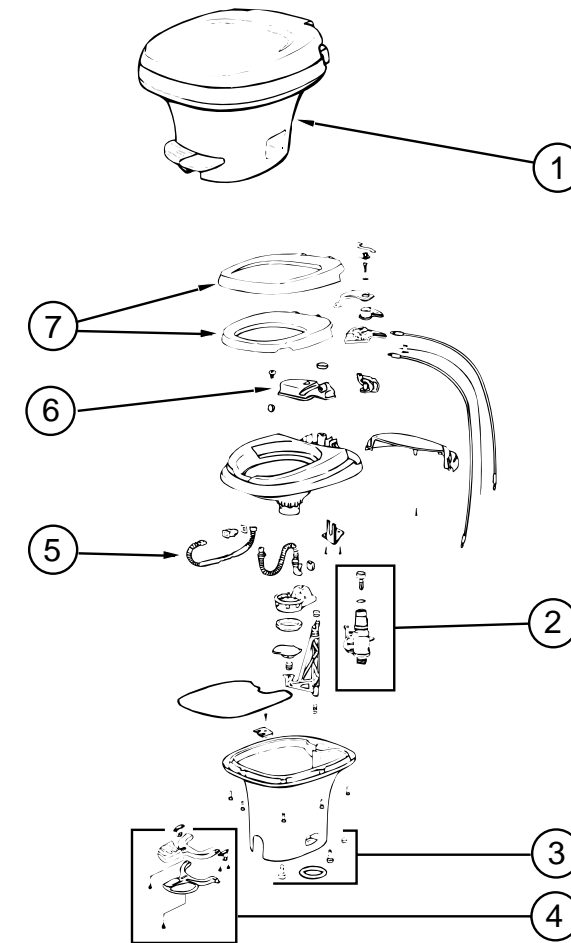
**AUDIO VIDEO GROUP (CONTINUED)**



**WINEGARD TV ANTENNA**

KEY	PART NUMBER	U/M DESCRIPTION	VENDOR NO.
1	076319-21-000	EA ANTENNA-TV, ROOF MOUNT - 3" ROOF	
2	076319-01-700	EA HEAD-ANTENNA, AMPLIFIED	RVSA U/V
3	076319-01-701	EA GEAR-ELEVATING, PLASTIC	2200046
4	076319-01-702	EA SHAFT ASM-ELEVATING	RVP-400A
5	076319-01-711	EA BASE & LIFT ASM	2762802
6	076319-01-706	EA CRANK-ELEVATING, W/SET SCREW	2750897
7	076319-01-705	EA GROMMET-NYLON, 7/8" ID	3200658
8	076319-01-708	EA DECAL-CRANK	5413002
9	076319-01-707	EA SPRING-HANDLE	5160822
10	076319-01-709	EA PLATE-DIRECTIONAL, FOR HEAD	3200621
11	076319-01-712	EA PLATE-CEILING, DIRECTIONAL	3200608
12	076319-01-715	EA NUT (GEAR HOUSING)	2200047
13	076319-01-704	EA BEARING-NYLON, 1.25" OD	3200657
14	076319-01-713	EA PLATE-BASE, STEEL	3100523
15	076319-01-703	EA BEARING-NYLON, 5" OD	3200656
16	076319-01-714	EA HOUSING, ROTATING GEAR	2200049

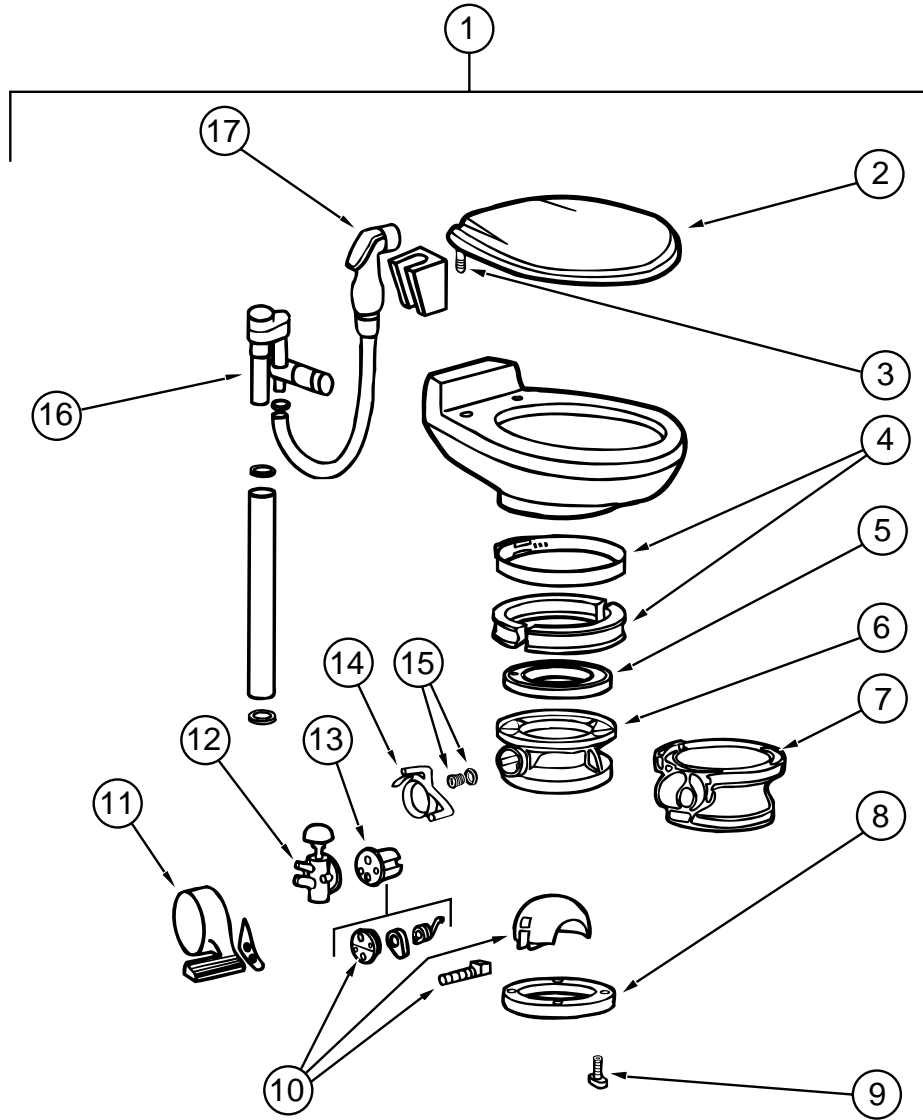
**BATH GROUP**



**AQUA MAGIC IV - LOW - FOOT FLUSH TOILET**

KEY	PART NUMBER	U/M DESCRIPTION	VENDOR NO.
1	067487-02-000	EA TOILET - 12.37" - IVORY - FOOT FLUSH	
2	063740-01-714	EA VALVE ASM (VALVE-BALL SEAL)	13168
3	063740-01-706	EA BOLT PACKAGE-FLOOR FLANGE	12524
4	067487-02-701	EA PEDAL PKG. (FOOT FLUSH)	20821
5	063740-01-717	EA TUBE-FLUSH	12509
6	063740-02-701	EA RESERVOIR (TANK ASM.)	24630
7	063740-02-700	EA SEAT & COVER, PARCHMENT	2464157

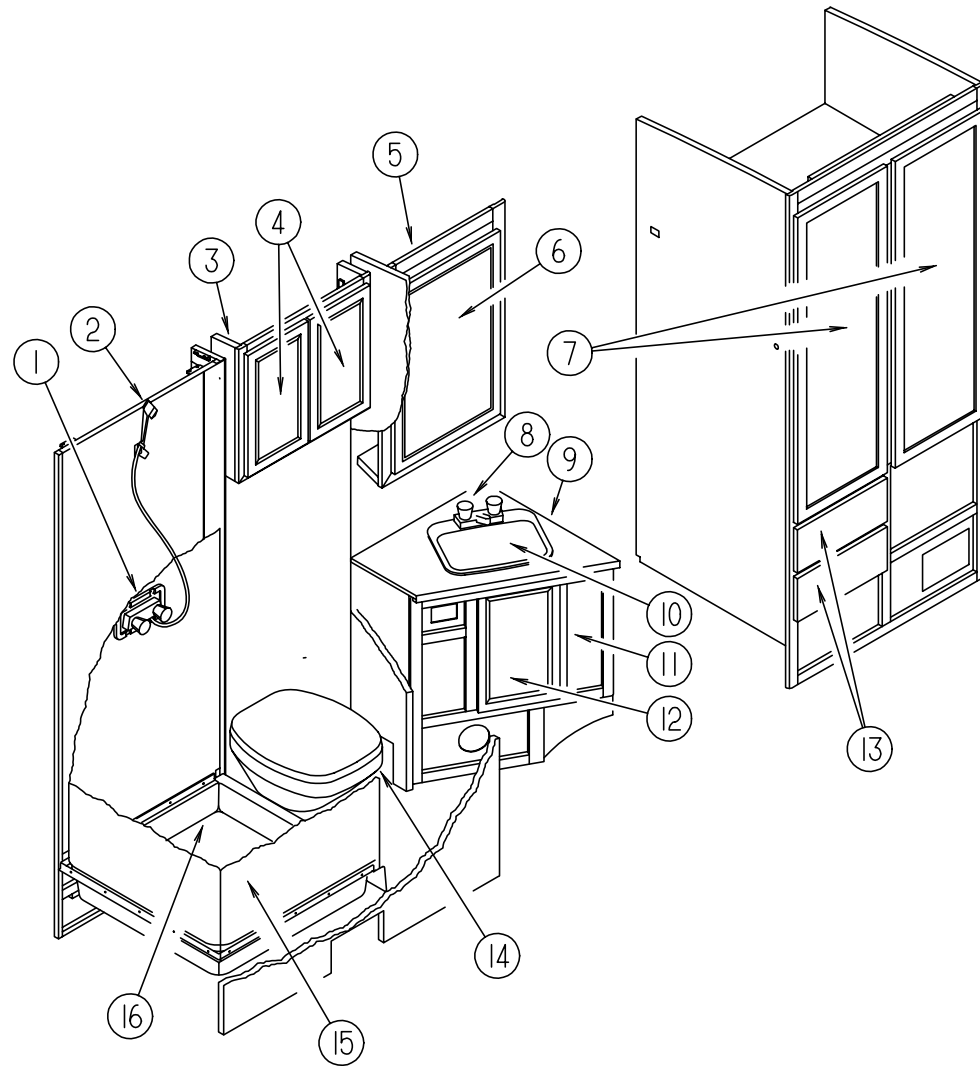
**BATH GROUP (CONTINUED)**  
**SEALAND - MODEL 911 W/SPRAYER TOILET - MCCLAIN ANNIVERSARY OPTION**



KEY	PART NUMBER	U/M	DESCRIPTION
1	085330-07-000	EA	TOILET - CHINA - SHORTY W/SPRAY - BONE
2	085330-06-700	EA	SEAT ASSEMBLY, BONE
3	085330-06-702	EA	HINGE HARDWARE (BONE) SET
4	085330-01-703	EA	RING & HALF CLAMPS, BONE
5	085330-01-704	EA	TEFLON & RUBBER SEAL KIT
6	085330-04-704	EA	BASE ASM-BONE
	085330-01-718	EA	SEAL & BASE W/MOUNTING HDW
7	085330-04-705	EA	COVER ASSEMBLY-PEDESTAL
8	085330-01-714	EA	SEAL-FLANGE, FLOOR
	085330-01-705	EA	SUPPORT-SEAL, PLASTIC
9	085330-01-717	EA	STOOL MTG., PKG. BOLT & SEAL
10	085330-01-706	EA	BALL(FLAPPER)SHAFT/CARTRIDGE
11	085330-04-703	EA	COVER ASSEMBLY-PEDAL
12	085330-01-709	EA	VALVE-WATER
13	085330-01-707	EA	CARTRIDGE SPRING ASSEMBLY
14	085330-04-702	EA	LEVER-FLUSH
15	085330-01-710	EA	DRAIN-KIT, PLUG-CAP W/SEAL
16	085330-06-701	EA	BREAKER-VACUUM/DIVERTER(900)
17	085330-04-701	EA	HAND SPRAY W/HOSE(500 & 900)

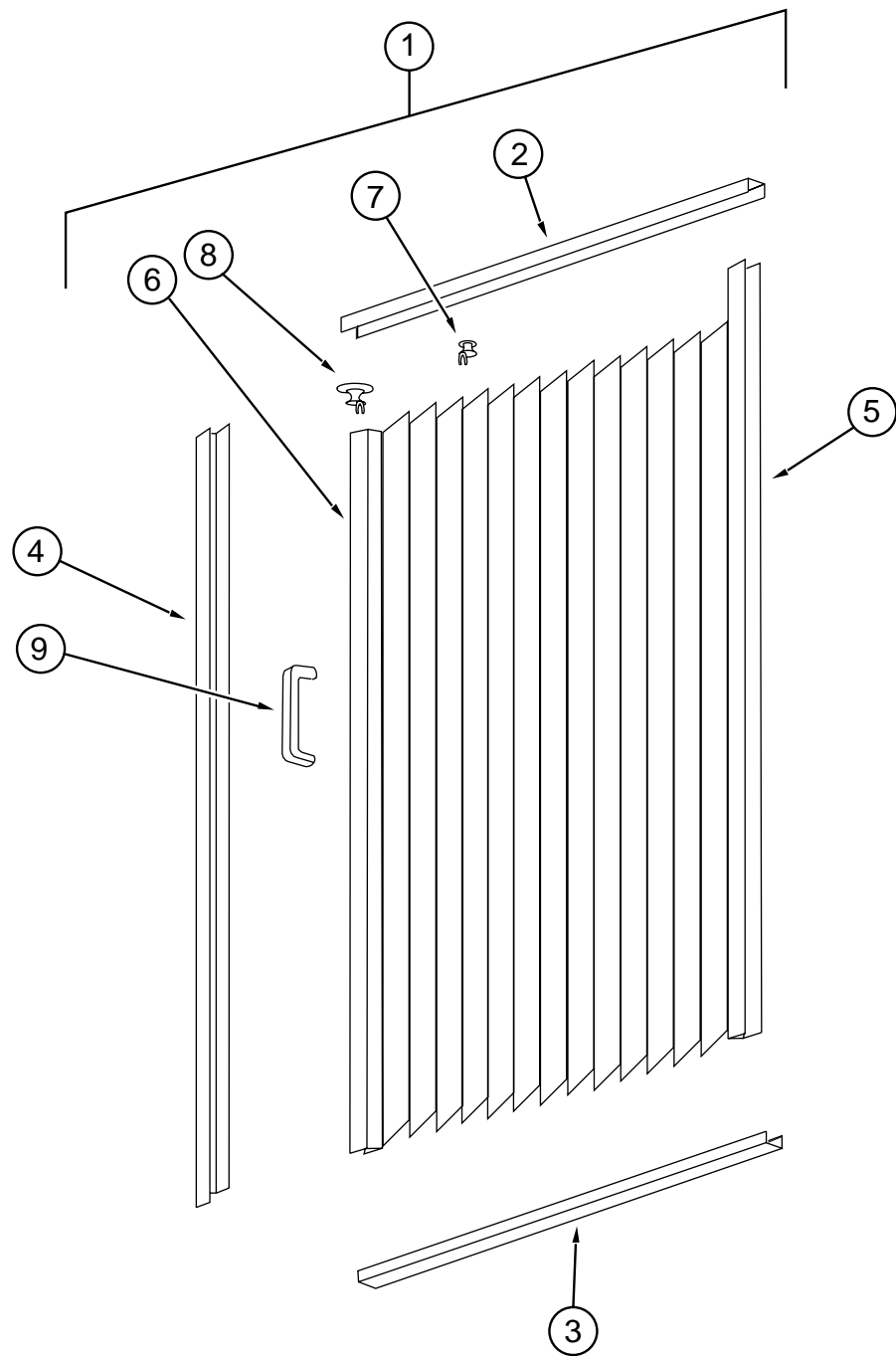
VENDOR NO.
340591
342131
385310048
385316140
310124
3853100-63
310109
390343892
390346405
310064
385318162
310118
385314349
381236096
340825
230384
230335
340683

**BATH GROUP (CONTINUED)**  
**BATHROOM CABINET & COMPONENTS**



KEY	PART NUMBER	U/M DESCRIPTION	VENDOR NO.
1	075241-05-000	EA FAUCET/SHOWER - BONE 3/4" MPT X 1.4" LONG INLET PIPES	
	075606-01-000	EA PANEL - PLASTIC - FAUCET BACK - 5" X 9"	
2	103092-01-000	EA SHOWER HEAD - W/60" HOSE - WHITE	
2	103092-02-000	EA SHOWER HEAD - W/60" HOSE - CSA	
	103092-01-700	EA BRACKET-F/SHOWER HEAD, CLEAR	2328028
	103092-01-702	EA SEALS-SPRAY HEAD	24466
	011048-03-700	EA BRACKET - F/SHOWER HEAD	2328029-3
	113714-02-01A	EA RETAINER - SHELF	
3	102851-01-G09	EA CABINET - STORAGE/BATH - W/O DOORS/DRAWERS/HARDWARE	
4	M06803-06-G09	EA DOOR - MIRROR/MTRD CRNR/OGEE EDGE - 11.2"X 19.6" - W/O HDW	
5	118964-01-G09	EA CABINET - MEDICINE - W/O DOORS/HARDWARE	
6	115237-01-G01	EA DOOR - MIRROR/MEDICINE CABINET - 19.7" X 29.5" - W/O HDW	
7	M06803-N1-G09	EA DOOR - MIRROR/MTRD CRNR/OGEE EDGE - 13.8"X 53.9" - W/O HDW	
8	075240-06-000	EA FAUCET - LAVATORY/BONE	
9	118963-14-G31	EA COUNTERTOP - LAVATORY (H33)	
9	118963-14-G14	EA COUNTERTOP - LAVATORY (H34, H35)	
10	096927-01-01A	EA SINK - LAVATORY - RECTANGULAR - PLASTIC/BONE	
	096927-01-700	EA SINK STOPPER	M9801
	096927-01-701	EA TAILPIECE-DRAIN-LAVATORY	M9802
11	P18963-01-H33	EA CABINET - LAVATORY W/O DOORS/DRAWERS/HARDWARE (H33)	
11	P18963-01-H35	EA CABINET - LAVATORY W/O DOORS/DRAWERS/HARDWARE (H34, H35)	
12	M06803-25-G09	EA DOOR - MITERED CORNER/OGEE EDGE - 12" X 18.7" - W/O HDW	
13	M05971-S1-G09	EA DRAWER - OGEE EDGE - 11.6"W X 17.7"D - W/O SLIDES/HARDWARE	
14	067487-02-000	EA TOILET - 12.37" - IVORY - FOOT FLUSH	
14	085330-07-000	EA TOILET - CHINA - SHORTY W/SPRAY - BONE - MC CLAIMS ANNIVERSARY OPTION	
15	102046-01-01A	EA SURROUND - SHOWER - OFF WHITE	
16	M02429-10-000	EA PAN - SHOWER	
	066436-01-000	EA NUT - SLIP - TAILPIECE 1.5"	
	075452-02-000	EA HOLDER - TOILET TISSUE - BRASS	
	075453-02-000	EA BAR - TOWEL - 18" BRASS	
	075454-02-000	EA RING - TOWEL - W/MOUNTING HARDWARE - BRASS	

**BATH GROUP (CONTINUED)**



**SHOWER DOOR & COMPONENTS**

KEY	PART NUMBER	U/M DESCRIPTION
1	117431-01-01A	EA DOOR - SHOWER - FABRIC PLEATED - 29.6" X 63.0"
2	117431-01-700	EA TRACK-TOP, ALUM.IVORY INSERT 48"
3	117431-01-701	EA TRACK-BOTTOM, 48"
4	117431-01-702	EA RAIL-SIDE, 67"
5	117431-01-703	EA RAIL-STATIONARY, 67"
6	117431-01-704	EA RAIL-LEAD, 67"
7	117431-01-705	EA GLIDE-IVORY, TRAVELER
8	117431-01-706	EA GLIDE-IVORY LEAD, TRAVELER
9	117431-01-707	EA LATCH
	117431-01-708	EA HANDLES & SCREWS
	117431-01-709	EA STRAP-VINYL

**BATH GROUP (CONTINUED)**  
**BATH/BEDROOM PRIVACY DOOR**

KEY	PART NUMBER	U/M DESCRIPTION	VENDOR NO.
	042488-10-000	EA DOOR - FOLDING - OFF WHITE FABRIC - 37" X 75"	
	042488-04-700	EA LATCH & CATCH ASM. LEAD EDGE	DW-21632
	042488-10-700	EA LEADRAIL-PREPUNCHED F/HANDLE	DW2100
	080224-01-703	EA HANDLE W/LATCH-CATCH, ALMOND	DE03505
	080224-01-705	EA LATCH & CATCH ASM., ALMOND	DE25010 & DE25020

**BATH DOOR**

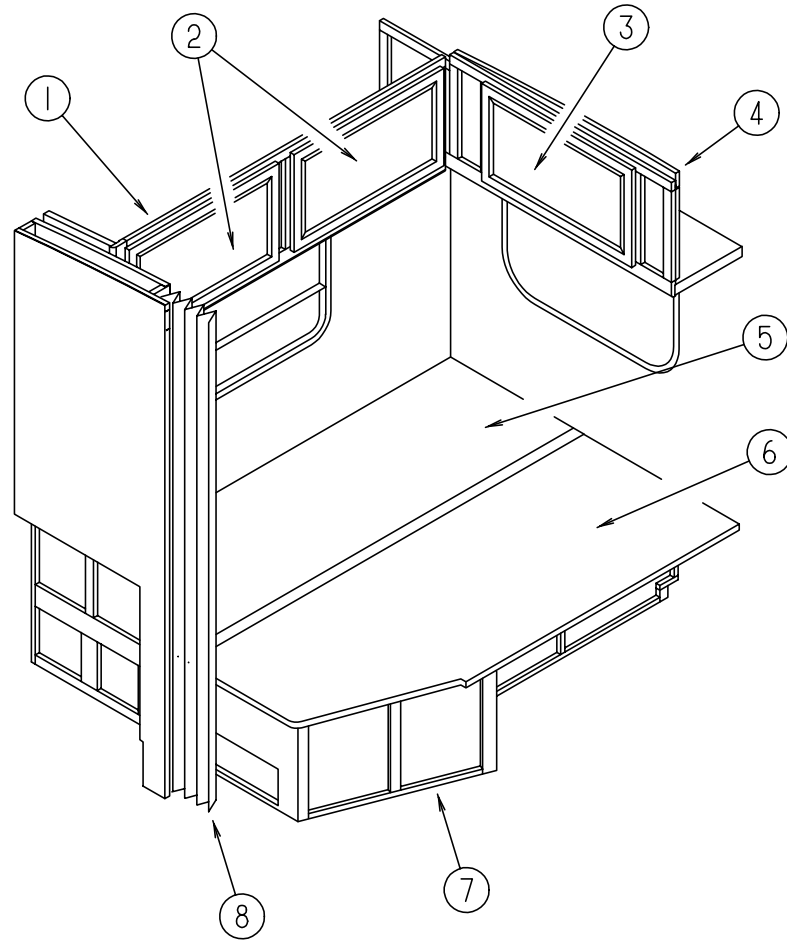
KEY	PART NUMBER	U/M DESCRIPTION
	121449-30-H13	EA DOOR - BATH
	094485-03-01A	EA KNOB - BRASS
	110496-01-01A	EA HINGE - BRASS
	121449-12-G04	EA RACK - TOWEL - BATH DOOR
	100357-01-000	EA ROD - F/TOWEL BAR - BRASS

**SKYLITE**

KEY	PART NUMBER	U/M DESCRIPTION
	122192-01-01A	EA PANEL - SKYLITE - OUTER - 16.4" X 27.8" FROM: 00-00-00 THRU: 02-13-97
	122192-01-02A	EA PANEL - SKYLITE - OUTER - 16.4" X 27.8" FROM: 02-14-97 THRU: 99-99-99
	122193-01-01A	EA PANEL - SKYLITE - INNER FROM: 00-00-00 THRU: 02-13-97
	122193-01-02A	EA PANEL - SKYLITE - INNER FROM: 02-14-97 THRU: 99-99-99

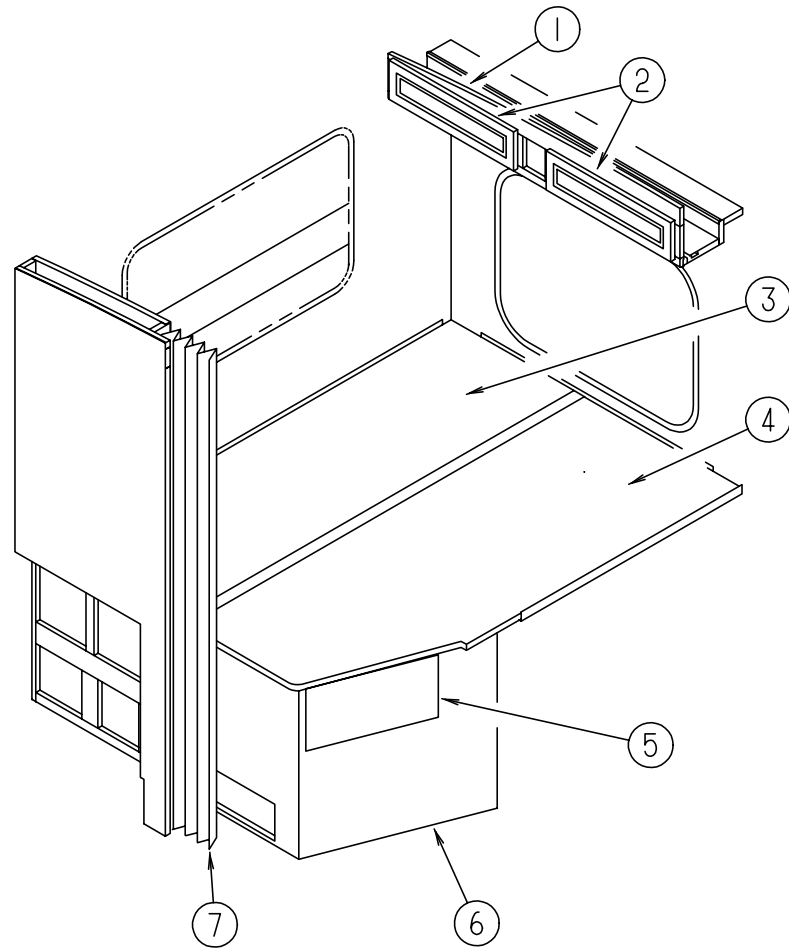


**BEDROOM GROUP**  
**DOUBLE BEDROOM CABINETS**



KEY	PART NUMBER	U/M	DESCRIPTION
1	116151-01-G09	EA	CABINET - OVERHEAD/REAR/RIGHT HAND - W/O DOORS/HARDWARE
2	M06803-02-G09	EA	DOOR - MITERED CORNER/OGEE EDGE - 15.7" X 28" - W/O HDW
3	M06803-13-H33	EA	DOOR - MIRROR/MITERED CRNR/OGEE EDGE - 15.7" X 28" - W/O HDW
3	M06803-02-G09	EA	DOOR - MITERED CORNER/OGEE EDGE - 15.7" X 28" - W/O HDW DECORATOR DOOR OPTION
3	M06803-K3-G09	EA	DOOR - MITERED CORNER/OGEE EDGE - 15.7" X 27.9" - W/O HDW EXPORT UPGRADE OPTION
4	103273-01-H33	EA	CABINET - OVERHEAD REAR - W/O DOORS/HARDWARE FROM: 00-00-00 THRU: 02-16-97
4	124873-01-H33	EA	CABINET - OVERHEAD/REAR - W/O DOORS/HARDWARE FROM: 02-17-97 THRU: 99-99-99
4	103273-01-H34	EA	CABINET - OVERHEAD REAR - W/O DOORS/HARDWARE FROM: 00-00-00 THRU: 02-16-97
4	124873-01-H34	EA	CABINET - OVERHEAD/REAR - W/O DOORS/HARDWARE FROM: 02-17-97 THRU: 99-99-99
4	103273-01-H35	EA	CABINET - OVERHEAD REAR - W/O DOORS/HARDWARE FROM: 00-00-00 THRU: 02-16-97
4	124873-01-H35	EA	CABINET - OVERHEAD/REAR - W/O DOORS/HARDWARE FROM: 02-17-97 THRU: 99-99-99
5	M04169-11-H33	EA	TOP - DOUBLE BED - W/O HARDWARE
5	M04169-11-H34	EA	TOP - DOUBLE BED - W/O HARDWARE
5	M04169-11-H35	EA	TOP - DOUBLE BED - W/O HARDWARE
6	M04169-12-000	EA	TOP - DOUBLE BED W/O HARDWARE
	107796-11-000	EA	SPRING/GAS - 11" COMPRESSED/17" EXTENDED - 90 LB
7	P18965-01-G09	EA	CABINET - BASE - DOUBLE BED - W/O HARDWARE
8	042488-10-000	EA	DOOR - FOLDING - OFF WHITE FABRIC - 37" X 75"

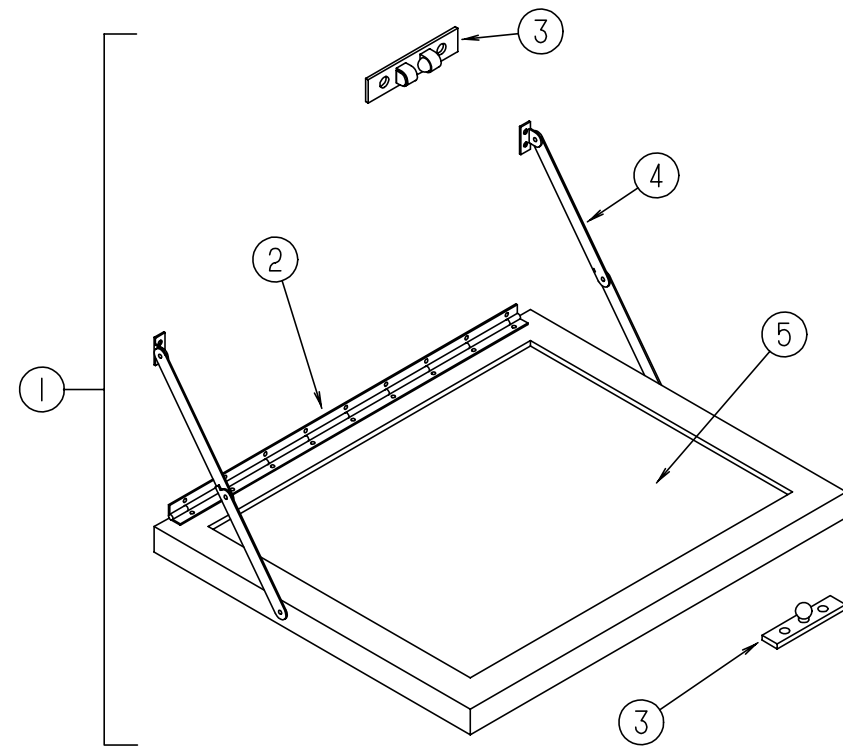
**BEDROOM GROUP (CONTINUED)**



**DOUBLE BEDROOM CABINETRY - RAISED BED OPTION**

KEY	PART NUMBER	U/M	DESCRIPTION
1	119485-01-G09	EA	CABINET - OVERHEAD/REAR - W/O DOORS/HARDWARE
2	M05992-G3-G09	EA	DOOR - STRAIGHT CORNER/OGEE EDGE - 6.3" X 23.2" - W/O HDW
3	M04169-18-H33	EA	TOP - RAISED BED - W/O HARDWARE
3	M04169-18-H34	EA	TOP - RAISED BED - W/O HARDWARE
3	M04169-18-H35	EA	TOP - RAISED BED - W/O HARDWARE
4	M04169-17-H33	EA	TOP - RAISED BED - W/O HARDWARE
4	M04169-17-H34	EA	TOP - RAISED BED - W/O HARDWARE
4	M04169-17-H35	EA	TOP - RAISED BED - W/O HARDWARE
	107796-26-000	EA	SPRING - GAS - 20" LONG - 90 LB
	108998-04-000	EA	SPRING/GAS - 12" COMPRESSED/20" EXTENDED - 60LB
5	M06803-T5-H13	EA	DOOR - MITERED CORNER/OGEE EDGE - 10" X 19.1" - W/O HDW
6	P19360-01-G09	EA	CABINET - BASE - RAISED BED - W/O DOORS/DRAWERS/HARDWARE
7	042488-10-000	EA	DOOR - FOLDING - OFF WHITE FABRIC - 37" X 75"

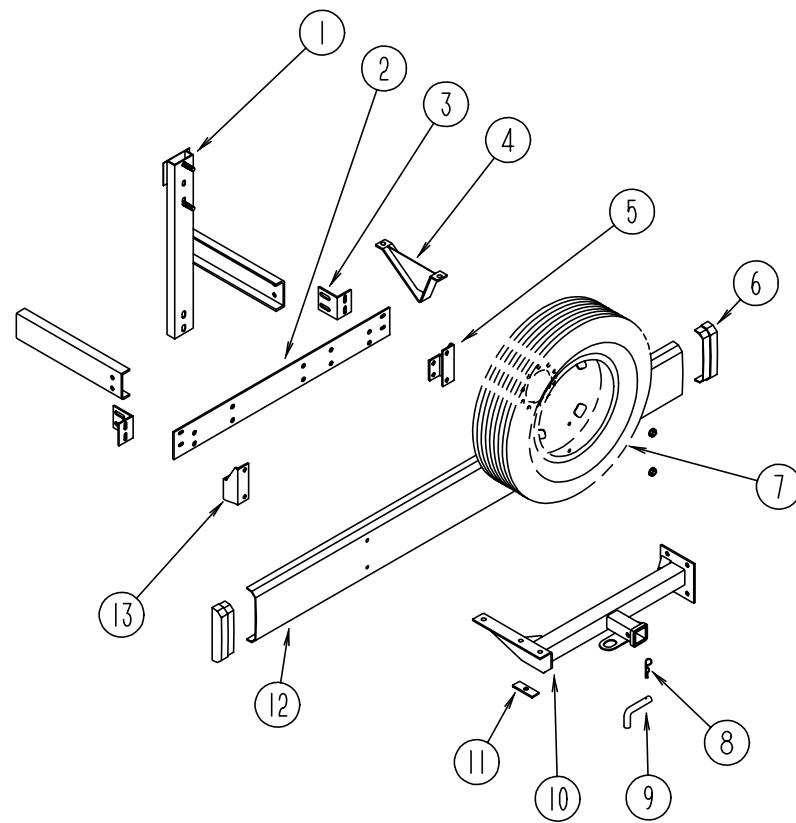
**BEDROOM GROUP (CONTINUED)**



**TV STAND**

KEY	PART NUMBER	U/M	DESCRIPTION
1	084357-01-G04	EA	TV STAND
2	084413-01-000	EA	HINGE/CONTINUOUS - ALUMINUM 1" X 72" - W/HOLES
3	084451-01-000	EA	CATCH - BRASS
4	084412-01-000	EA	SUPPORT/HINGE KIT (LEFT & RIGHT HINGES)
5	084356-03-000	EA	INSERT - TV STAND - METAL - TAN

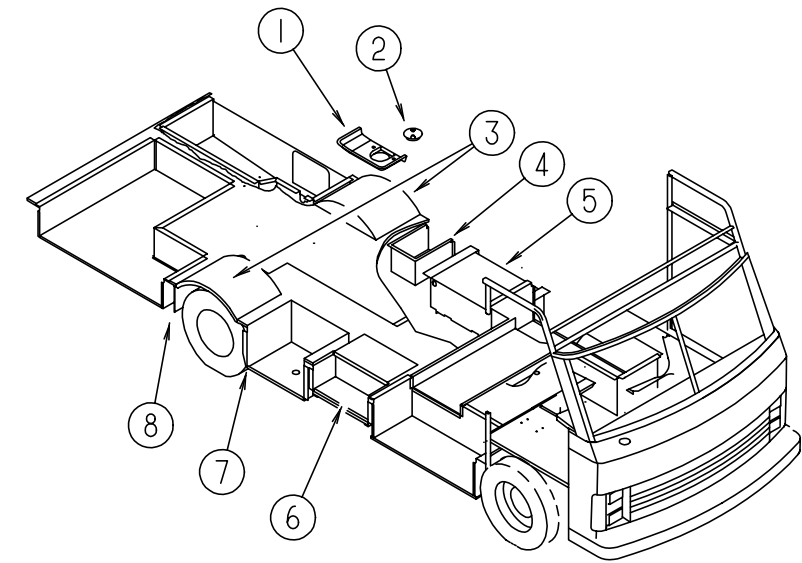
## CHASSIS GROUP



REAR BUMPER, TRAILER HITCH & COMPONENTS

KEY	PART NUMBER	U/M	DESCRIPTION
1	102944-05-000	EA	BRACKET - TIRE CARRIER - CHEVY
2	078678-02-000	EA	PLATE - MOUNTING - BUMPER/REAR - 46" X 5" - W/WELD NUTS
3	078668-01-000	EA	SUPPORT ANGLE - BUMPER/REAR - L ANGLE - 4" X 3" STEEL/BLK
4	111742-01-000	EA	PLATE - SKID
5	117950-03-02B	EA	BRACKET - BUMPER/REAR
6	103228-01-06A	EA	END CAP - REAR BUMPER - DRIVER/PASSENGER
7	091673-01-000	EA	TIRE - 225.70 R19.5 LRF - XZA
7	083425-07-000	EA	TIRE - 7.50 X R16 LRD
	089359-03-000	EA	WHEEL - STEEL - 16" X 6" L - 8 HOLE - PRIMED
	064963-01-000	EA	WHEEL - STEEL - 19.5" X 6" - GM 14005758
	051377-01-000	EA	VALVE STEM
	077030-02-000	EA	EXTENSION - VALVE STEM - 1.25"
8	034513-01-000	EA	PIN - HITCH - 3/16" WIRE
9	034512-01-000	EA	PIN - LOCKING - DRAWBAR
10	107707-09-000	EA	HITCH RECEIVER - BOLT-ON CLASS II
11	070579-09-000	EA	PLATE - ANCHOR
12	103099-01-06A	EA	BUMPER - REAR - BRIGHT WHITE
12	103099-07-02A	EA	BUMPER - REAR (EUROPEAN)
13	117950-04-02B	EA	BRACKET - BUMPER/REAR
	113589-02-000	EA	CONNECTOR - SOCKET - TRAILER
	113589-01-000	EA	CONNECTOR - PLUG - TRAILER
	113588-02-01B	EA	BRACKET - CONNECTOR - TRAILER W/O LIP

## CHASSIS GROUP (CONTINUED)



STORAGE COMPARTMENTS & WHEELWELLS

KEY	PART NUMBER	U/M	DESCRIPTION
1	119536-01-01A	EA	COVER - VALVE - DRAINAGE
2	092887-01-000	EA	HATCH - COMPARTMENT - SEWER HOSE - 6"
	092887-04-000	EA	CHAIN - TWIST CAP - 9"
	106208-01-01A	EA	COMPARTMENT - EXTERIOR SHOWER
3	102921-01-000	EA	WHEELWELL - PLASTIC
4	102979-04-000	EA	BOX - POWER CORD
5	114070-02-02B	EA	SUPPORT - GENERATOR - LEFT
5	114071-02-02B	EA	SUPPORT - GENERATOR - RIGHT
6	091176-01-000	EA	SUPPORT - BASE - ENTRANCE STEP
7	020167-05-000	EA	DIRT GUARD - STEEL - 15" LONG
8	017516-01-000	EA	MUD FLAP - 14" X 18" - BLACK
8	020167-05-000	EA	DIRT GUARD - STEEL - 15" LONG
	056748-01-000	EA	PLUG - CAP - 1.5" DIAMETER
	061420-10-000	EA	PLUG/PLASTIC - 1.50" DIAMETER - BLACK FROM: 00-00-00 THRU: 06-01-97
	102805-01-000	EA	CHANNEL - EXTENSION - FRONT FRAME - 13.7" FROM: 06-02-97 THRU: 99-99-99
	065450-05-000	EA	TIEDOWN - BATTERY - 8.4" TUBE
	112864-01-000	FT	SEAL - FOAM/BUTYL COVERED - 3/8"
	113452-01-000	FT	SEAL/TRIM - FRONT - VINYL W/WIRE CARRIER FROM: 02-03-97 THRU: 99-99-99

**CHASSIS GROUP (CONTINUED)**

**19.5" CHEVY STAINLESS STEEL WHEEL LINERS (FROM: 00-00-00 THRU: 05-06-97 )**

KEY	PART NUMBER	U/M DESCRIPTION	VENDOR NO.
	110435-06-000	EA LINER - WHEEL SET (SET=4) 19.5" F/GM W/LONG STUDS - DICOR	
	110435-01-711	EA DECAL - CENTER CAP - 2"	
	110435-02-703	EA NUT (JAMB)	V160SD-JNT
	110435-02-704	EA COVER - LUG NUT	V160F0-LNC
	110435-02-705	EA TOOL F/ JAMB NUT - INSTALL.	V160F0-TOL
	110435-06-700	EA LINER - WHEEL - FRONT	V195P5-FWC
	110435-06-701	EA LINER - WHEEL - REAR	V195P5-RWC
	110435-06-702	EA BRACKET - BRIDGE	V195P5-BRK
	110435-06-703	EA NUT - JAM - BRIDGE BRKT 1 1/16	V195P5-BJN
	110435-06-704	EA STUD EXTENDERS - P30	V195P5-STX

**19.5" CHEVY STAINLESS STEEL WHEEL LINERS (FROM: 05-07-97 THRU: 99-99-99)**

KEY	PART NUMBER	U/M DESCRIPTION	VENDOR NO.
	110435-10-000	EA LINER - WHEEL - SET 4 - 19.5"	
	110435-10-700	EA LINER - WHEEL - FRONT - 1 PC	V195P7-FWC
	110435-10-701	EA LINER - WHEEL - REAR - 1 PC.	V195P7-RWC
	110435-10-702	EA JAMB NUT - ENCLOSED/LNC	V195P7-EJN
	110435-10-703	EA STUD - PLASTIC	V195P7-PST
	110435-10-704	EA JAMB NUT - PLASTIC/LNC	V195P7-PJN
	110435-10-705	EA TOOL - INSTALLATION	V195P7-TOL

**19.5" CHEVY WHEEL COVERS (FROM: 00-00-00 THRU: 12-20-96)**

KEY	PART NUMBER	U/M DESCRIPTION	VENDOR NO.
	109443-01-000	EA WHEEL - COVER - 4/SET - 19.5 W/HDW	
	109443-01-700	EA COVER - WHEEL 19.5 FRT. & REAR	SHAG95
	109443-01-701	EA BRACKET - RETENTION - FRONT WHEEL	SHAG95-FBS
	109443-01-702	EA BRACKET - RETENTION - REAR WHEEL	SHAG95-RBS
	109443-01-703	EA CAP - CENTER - HUB - DICOR	SP-AUCAP
	109443-01-704	EA CLIP-RETAINER	V160GM-PNT

**19.5" CHEVY WHEEL COVERS (FROM: 12-21-96 THRU: 99-99-99)**

KEY	PART NUMBER	U/M DESCRIPTION	VENDOR NO.
	109443-06-000	EA WHEEL - COVER - 4/SET - 19.5"	
	109443-01-700	EA COVER - WHEEL 19.5 FRT/RR EA=1	SHAG95
	109443-01-701	EA BRACKET - RETENTION FRONT	SHAG95-FBS
	109443-01-703	EA CAP - CENTER - HUB - DICOR	SHAU95-CAP
	109443-01-704	EA CLIP - RETAINER	V160GM-PNT
	109443-06-701	EA BRACKET - RETENTION REAR	SHG795-RBS

**16" CHEVY STAINLESS STEEL WHEEL LINERS**

KEY	PART NUMBER	U/M DESCRIPTION	VENDOR NO.
	091209-05-000	EA LINER - WHEEL - SET OF 4 - 16" - STAINLESS STEEL	
	091209-03-702	EA COVER-AXLE, FRONT, 8 LUG	64UE
	091209-03-703	EA COVER-AXLE, REAR, 8 LUG	65UE
	091209-03-704	EA RING-SNAP	00
	091209-05-700	EA LINER-WHEEL, FRONT	57-88 KAPER
	091209-05-701	EA LINER-WHEEL, REAR	58-88

**16" CHEVY WHEEL COVERS**

KEY	PART NUMBER	U/M DESCRIPTION	VENDOR NO.
	109443-05-000	EA WHEEL COVER - 4/SET - 16" STAINLESS STEEL	
	098532-01-700	EA COVER-LUG NUT (CHROME)	SHAU-LNC
	109443-05-700	EA COVER-WHEEL, 16" SS EA=1	SHFM16-CVR

**CHASSIS GROUP (CONTINUED)**

**FIRESTONE AIRSPRING ASSEMBLY 10,500 - 12,300 GVW**

KEY	PART NUMBER	U/M DESCRIPTION	VENDOR NO.
	084086-04-000	EA AIRSPRING KIT - REAR AXLE - GM TO 1996 - 10,500-12,300 GVW	
	084086-01-701	EA TUBING, DOT 1/4"X22'	21-0937
	084086-01-702	EA BOLT, RIBBED NECK 3/8-24X21/2	21-0829
	084086-01-705	EA PROTECTOR-TUBING	21-0899
	084086-01-706	EA BRACKET-UPPER TO FRAME	21-0150
	084086-01-711	EA SHIELD-HEAT, 224-DOS SYSTEM	21-5042
	084086-01-713	EA BRACKET-AXLE STRAP, 4"	21-1163
	084086-01-714	EA BRACKET-AXLE STRAP, 4 3/4"	21-5038
	084086-04-700	EA BRACKET-LOWER DRIVERS SIDE	21-5064
	084086-04-701	EA BRACKET-LOWER PASSENGER SIDE	21-5065
	084086-04-702	EA BAG-AIR, BELLOWS W/BOLT-ELBOW W/ 1/8" AIR INLET PORT - INTERNAL THREADS ON BOTH TOP AND BOTTOM MOUNT PLATES	W217602064
	084086-05-706	EA VALVE-INFLATION, PUSH TO CONN	3032

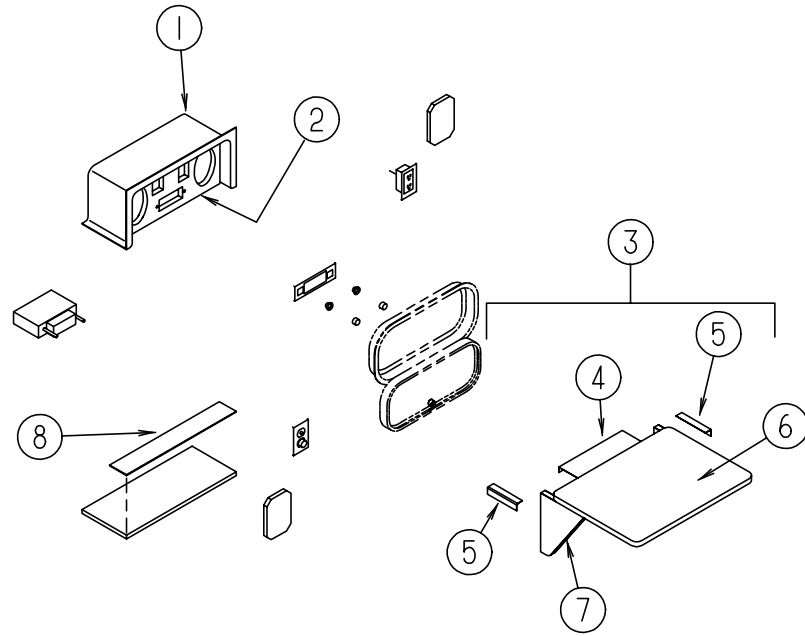
**FIRESTONE AIRSPRING ASSEMBLY 14,500 - 16,000 GVW**

KEY	PART NUMBER	U/M DESCRIPTION	VENDOR NO.
	084086-08-000	EA AIRSPRING KIT - '93-'97 GM 14,500-16,000 GVW	
	084086-05-706	EA VALVE-INFLATION, PUSH TO CONN	3032
	084086-08-700	EA BAG-AIR, (SPRING), 224C	0335
	084086-08-701	EA TUBING-22FT	0937
	084086-08-702	EA BRACKET-UPPER	5104
	084086-08-703	EA BRACKET-LOWER	5128
	084086-08-704	EA FITTING-PUSH TO CONNECT	3046
	084086-08-705	EA SLEEVE-THERMAL	0899

**FRONT SHOCKS & STABILIZER**

KEY	PART NUMBER	U/M DESCRIPTION	VENDOR NO.
	104993-02-000	EA SHOCK ABSORBER - GAS - P30 FRONT	
	122756-01-000	EA SHOCK & STABILIZER (RED BOOT) KIT - FRONT END P30 CHASSIS FROM: 00-00-00 THRU: 12-11-96	
	122756-02-000	EA SHOCK AND STABILIZER (BLUE BOOT) KIT - FRONT END P30 CHASS FROM: 12-12-96 THRU: 99-99-99	
	122756-02-700	EA BRACKET ASM - DRIVERS SIDE	T818L
	122756-02-701	EA BRACKET ASM - PASSENGER SIDE	T818R
	122756-02-702	EA BRACKET ONLY - DRIVERS SIDE	T818L
	122756-02-703	EA BRACKET ONLY -PASSENGER SIDE	T818R
	122756-02-704	EA BOLT PACKAGE -BOLTS/NUTS ETC	T818R
	122756-02-705	EA SHOCK	T818SH
	122756-02-706	EA STUD - SHOCK MOUNTING	T818S
	122756-02-707	EA DAMPENER - STEERING	T818SD
	122756-02-708	EA BOOT - STEERING DAMPENER	T818SDB
	122756-02-709	EA BUSHING PKG-STEERING DAMPENER	T818SDBSH
	122756-02-710	EA BOLT PKG - STEERING DAMPENER	T818S

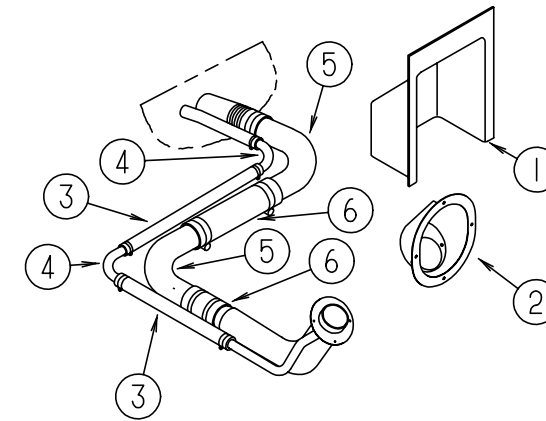
## CHASSIS GROUP (CONTINUED)



### PATIO ENTERTAINMENT CENTER

KEY	PART NUMBER	U/M	DESCRIPTION
1	104897-02-02A	EA	BOX - EXTERIOR ENTERTAINMENT CENTER
2	104899-01-C05	EA	PLATE - RADIO MOUNTING
3	105230-01-H33	EA	SHELF - EXTERIOR TV
4	105377-01-01A	EA	BRACKET-TABLE HANGER, OFF WHITE FROM: 00-00-00 THRU: 01-05-97
4	105377-01-04A	EA	BRACKET-TABLE HANGER, BRIGHT WHITE FROM: 01-06-97 THRU: 99-99-99
5	105376-01-02A	EA	HINGE-CONTINUOUS, 2" X 5.5" - OFF WHITE FROM: 00-00-00 THRU: 01-05-97
5	105376-01-03A	EA	HINGE-CONTINUOUS, 2" X 5.5" - BRIGHT WHITE FROM: 01-06-97 THRU: 99-99-99
6	105230-11-E01	EA	SHELF - EXTERIOR ENTERTAINMENT CENTER - W/O HARDWARE
7	105230-12-F11	EA	SUPPORT - EXTERIOR SHELF
8	104898-01-02A	EA	PLATE-PLASTIC, BOTTOM - 19.38" X 3.1" - BRIGHT WHITE

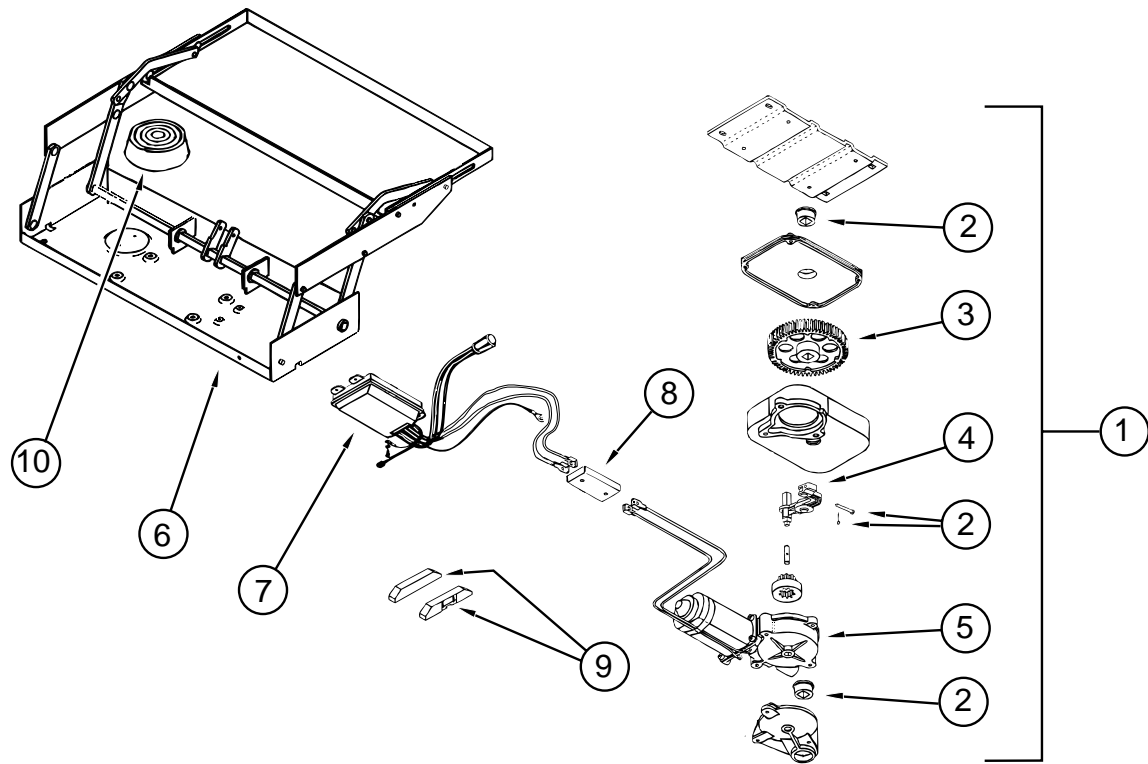
## CHASSIS GROUP (CONTINUED)



### FUEL SYSTEM

KEY	PART NUMBER	U/M	DESCRIPTION
1	072447-09-000	EA	SHROUD - FUEL FILL
2	095854-01-04A	EA	SHROUD - FUEL FILL - BRIGHT WHITE
3	066732-01-000	FT	HOSE - FUEL - .62"ID
4	098806-01-000	EA	PIPE - FILL VENT - 90 DEGREE BEND - .635 OD - STEEL
5	098803-02-000	EA	PIPE - FUEL FILL
6	007111-03-000	EA	HOSE - FUEL FILL - 1.75" X 3'
	007063-01-000	FT	HOSE - FUEL - 1/4"ID X 1/2"OD
	068382-06-000	EA	BUSHING - BRASS - 3/8 MPT X 1/8 FPT
	087269-01-000	EA	TEE - 1/4" X 1/4" X 1/4" - BRASS
	084884-01-000	EA	PLUG - BRASS - 3/8"

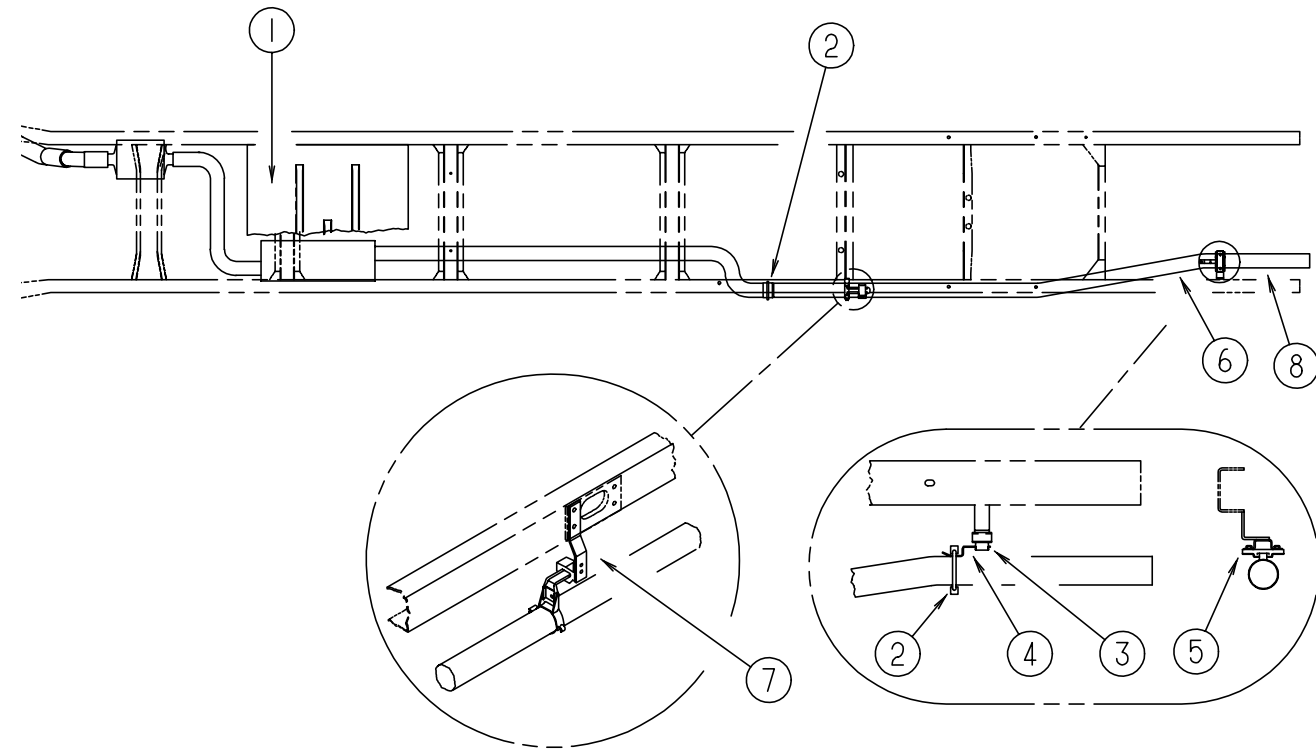
### CHASSIS GROUP (CONTINUED)



### KWIKEE ELECTRIC ENTRY STEP

KEY	PART NUMBER	U/M DESCRIPTION	VENDOR NO.
1	094707-01-01A	EA STEP - DOUBLE - ELECTRIC - KWIKEE	
2	094707-02-703	EA BEARING & PINS	909530
3	094707-02-702	EA GEAR KIT, W/BEARINGS, PIN-CASE	909525
4	094707-02-701	EA LINKAGE ASM. W/BEARINGS-PINS	909534
5	094707-02-700	EA MOTOR REPLACEMENT KIT - MODELS 32 & 28	9520
6	094707-01-702	EA FRAME W/DBL STEP, 3200 SERIES	908032
7	094707-02-705	EA CONTROL UNIT, WHITE	909513
8	094707-02-704	EA CONNECTOR-MOTOR ASM. W/PLATES	909537
9	116995-01-000	EA SWITCH/MAGNET - ELECTRIC STEP	
10	088746-01-705	EA LIGHT-UNDER STEP	9004
	088733-01-700	EA BULB	9004
	094707-02-707	EA TREAD - NON SKID - BLACK	909333
	094707-02-708	EA TREAD - NON-SKID - YELLOW	909331

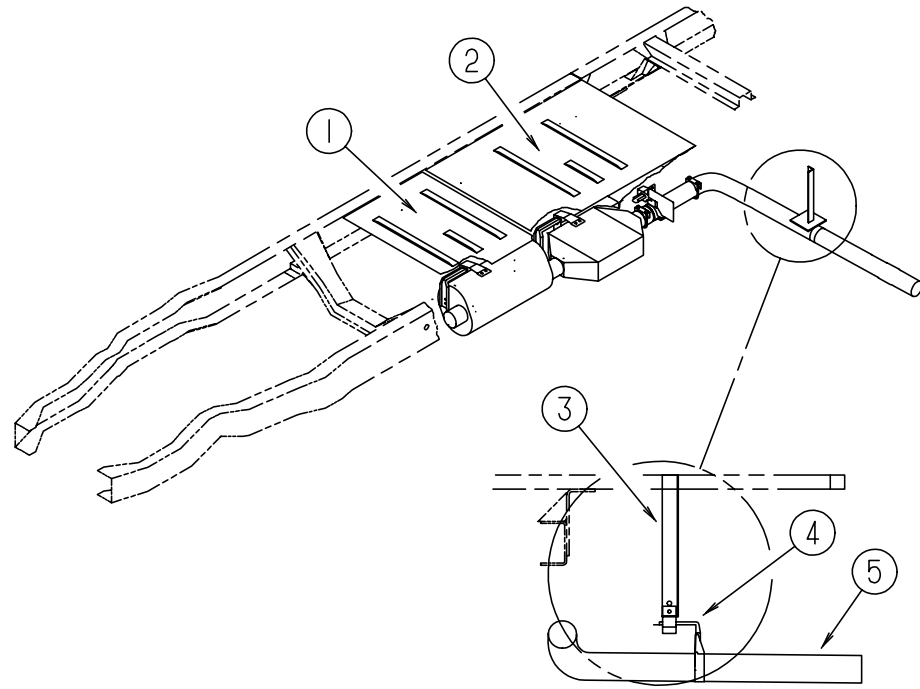
### CHASSIS GROUP (CONTINUED)



### EXHAUST SYSTEM - DIESEL

KEY	PART NUMBER	U/M DESCRIPTION
1	101544-02-000	EA SHIELD - HEAT/EXHAUST - 30" X 29.1"
2	094918-01-000	EA CLAMP - EXHAUST - 3" - GUILLOTINE STYLE
3	095190-01-000	EA HANGER - EXHAUST - 4" X 1.4"
4	096054-04-000	EA SUPPORT - EXHAUST PIPE
5	102116-02-000	EA BRACKET - EXHAUST - UPPER
6	117048-01-000	EA PIPE - TAIL - EXHAUST OUT REAR
7	117029-01-02B	EA HANGER - EXHAUST
8	098762-05-000	EA EXTENSION - EXHAUST - STRAIGHT - 3" O.D X 7.9" LONG - SST
8	094918-01-000	EA CLAMP - EXHAUST - 3" - GUILLOTINE STYLE

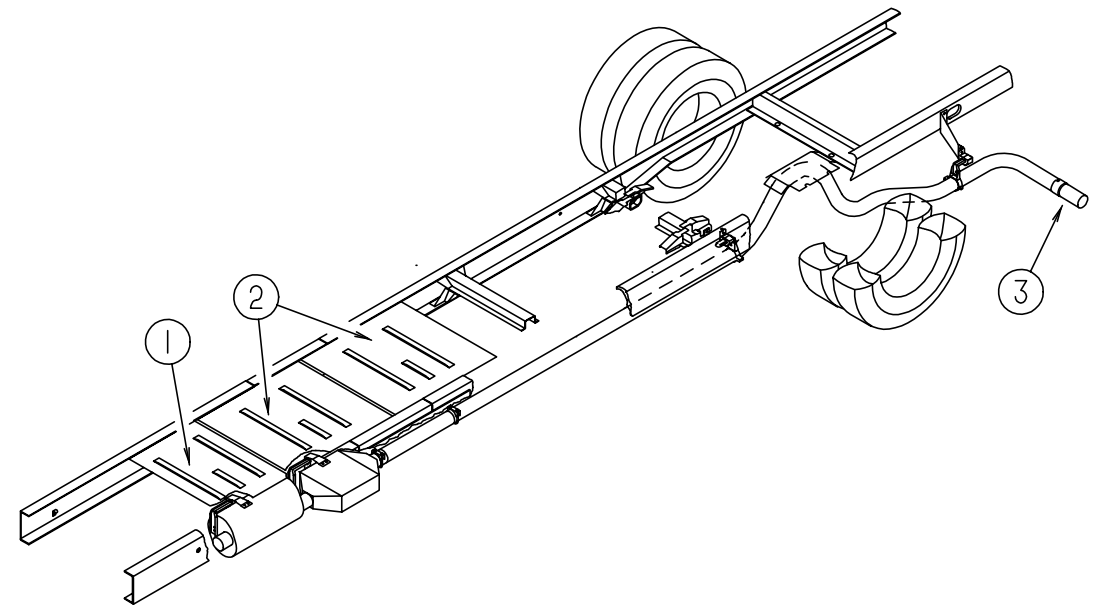
**CHASSIS GROUP (CONTINUED)**



**EXHAUST SYSTEM - GAS**

KEY	PART NUMBER	U/M	DESCRIPTION
1	101544-01-000	EA	SHIELD - HEAT/EXHAUST - 19.7" X 29.1"
2	101544-02-000	EA	SHIELD - HEAT/EXHAUST - 30" X 29.1"
3	098833-03-000	EA	BRACKET - EXHAUST/HANGER
4	125110-01-02B	EA	HANGER - TAILPIPE
5	098608-03-000	EA	PIPE - EXHAUST

**CHASSIS GROUP (CONTINUED)**



**VORTEC EXHAUST SYSTEM - GAS**

KEY	PART NUMBER	U/M	DESCRIPTION
1	101544-01-000	EA	SHIELD - HEAT/EXHAUST - 19.7" X 29.1"
2	101544-02-000	EA	SHIELD - HEAT/EXHAUST - 30" X 29.1"
3	122529-01-000	EA	PIPE - EXHAUST
			FROM: 00-00-00 THRU: 01-02-97
3	125842-01-000	EA	PIPE - TAIL - 3" X 22.75" FLAIRED END X 24.2"
			FROM: 01-03-97 THRU: 99-99-99
3	094918-01-000	EA	CLAMP - EXHAUST - 3" - GUILLOTINE STYLE
	122392-01-02B	EA	HANGER - TAILPIPE
	122392-03-02B	EA	HANGER - TAILPIPE - REAR

**CHASSIS GROUP (CONTINUED)**  
**LUG WRENCH & LEVERAGE BAR**

KEY	PART NUMBER	U/M DESCRIPTION
	080208-01-000	EA LUG WRENCH - 1.06 X 1.00 W/SHALLOW SOCKET ENDS FROM: 00-00-00 THRU: 09-26-96
	080208-06-000	EA LUG WRENCH - 1" X 1.06" W/DEEP SOCKET ENDS FROM: 09-27-96 THRU: 99-99-99
	080208-02-000	EA BAR - LEVERAGE - LUG WRENCH

**TIRE COVERS**

KEY	PART NUMBER	U/M DESCRIPTION
	108163-05-01A	EA COVER - TIRE - 8 1/4" X 101"
	108560-04-01A	EA INSERT - TIRE COVER
	108163-01-01A	EA COVER - TIRE - 16" CHEVY
	108560-02-04A	EA INSERT - TIRE COVER - 16"

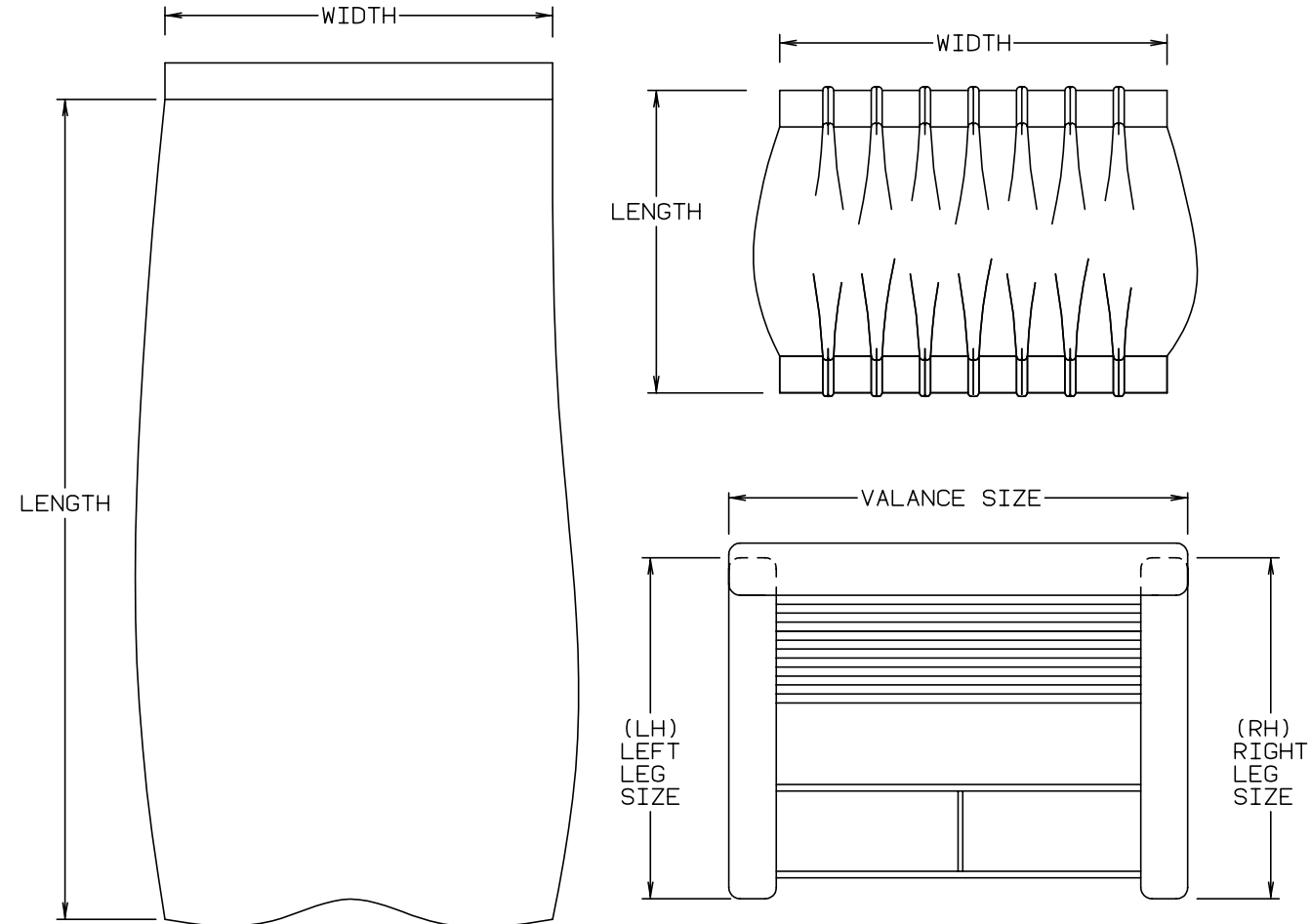
**CHASSIS MISCELLANEOUS**

KEY	PART NUMBER	U/M DESCRIPTION
	055278-51-259	FT TUBING-STEEL, .75" X 1.5" X 150"
	008042-01-000	FT TUBING-VINYL, .65" ID
	119847-01-02B	EA SHIELD-A/C COMPRESSOR, E-COAT
	077298-55-003	EA EXTR-TUBE, 0007 MM, BLACK - 6060T6
	104147-02-000	EA SHIELD ASM-SPLASH, RH - 494 MM X 408 MM - W/STUDS - E-COATED STEEL
	114254-01-000	EA ADAPTER - 1/4" SINGLE BARB X 1/8" MPT
	117287-01-01B	EA BRACKET-MOUNT,CABLE

**CURTAIN & CUSHION GROUP**  
**NOTICE**

IN ORDER TO ASSIST OUR PARTS SALES DEPT. IN PROVIDING INTERIOR SOFT GOODS ITEMS, PLEASE INCLUDE THE SERIAL NUMBER AND THE COLOR CODE NUMBER FROM THE VEHICLE CERTIFICATION LABEL WHEN ORDERING. THIS LABEL IS LOCATED ON THE LEFT SIDEWALL AT THE END OF THE DASH (A-BODY),OR ON THE DRIVER'S DOOR LATCH PLATE (C-BODY).

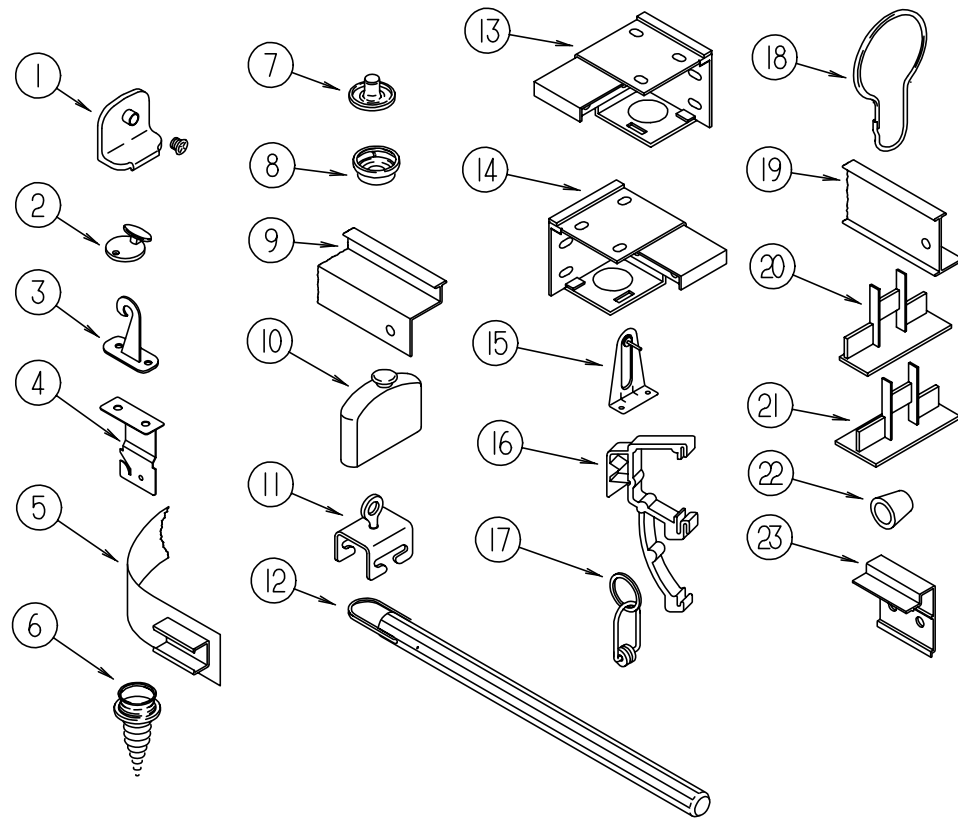
AN EXAMPLE OF A COLOR CODE NUMBER IS B07, WHICH DESIGNATES AN OVERALL COLOR SCHEME OF A PARTICULAR UNIT. THE COLOR LISTED AFTER THE ITEM DESCRIPTION ON THE MICROFICHE, INDICATES THE OVERALL UNIT COLOR. ORDER THE ITEM YOU DESIRE ACCORDING TO UNIT COLOR CODE.



NOTE: USE THIS ILLUSTRATION WHEN DETERMINING LENGTH AND WIDTH MEASUREMENTS FOR CURTAINS. YOU WILL NOTE THE WIDTH MEASUREMENT IS TAKEN ON THE TOP OF THE CURTAIN WITH THE CURTAIN FULLY EXTENDED. THE LENGTH MEASUREMENT IS TAKEN FROM TOP TO BOTTOM. LEFT AND RIGHT WINDOW LEGS ARE DETERMINED WHEN FACING THE WINDOW.

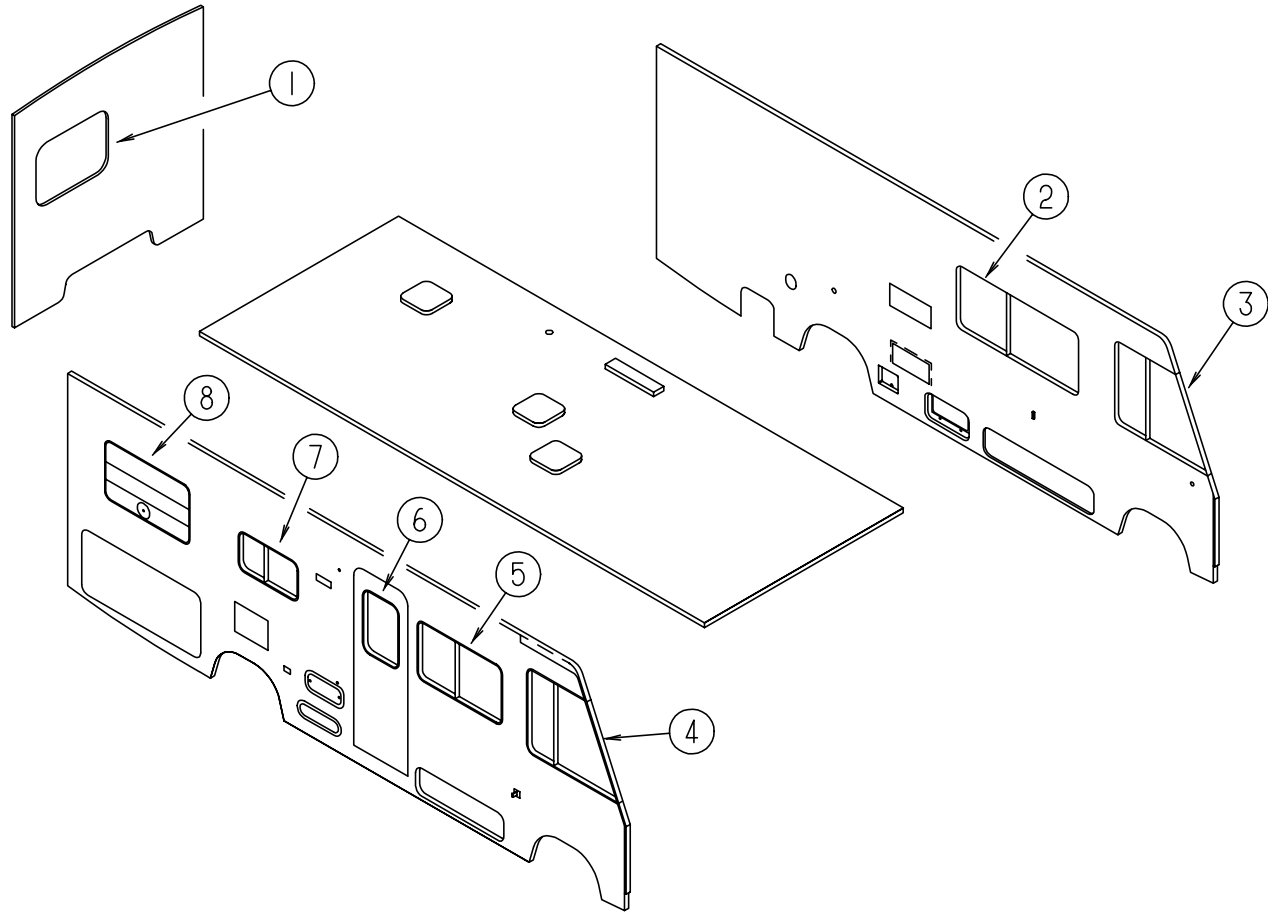


**CURTAIN & CUSHION GROUP (CONTINUED)**  
**CURTAIN, BLIND HARDWARE & TRACKS**



KEY	PART NUMBER	U/M	DESCRIPTION
1	106544-01-000	EA	PULL-SHADE, BRASS
1	106544-01-001	EA	SCREW-SHADE PULL, BRASS
2	102555-03-000	EA	CLEAT-BLIND CORD, MILKY WHITE PLASTIC
3	109441-03-000	EA	HOLD DOWN BLIND, CLOUDY
	109441-02-000	EA	SPACER-HOLD DOWN, BLIND
4	084434-01-000	EA	BRACKET-MOUNTING, ROLLER SHADE - 1 3/8"
	096843-01-000	EA	SPRING-REWIND, ROLLER SHADE
	086276-01-000	EA	TAPE-DOUBLE SIDED, 1/2"
5	101031-01-000	YD	TAPE-GLIDE, CURTAIN - 4.25" SPACING
6	029130-01-000	EA	SCREW-SNAP SOCKET, #8 PH X 5/8"
7	029155-01-000	EA	CAP-SNAP, 5/32" O.D. OF PIN
8	029156-01-000	EA	SOCKET-SNAP, 9/16" O.D.
9	114641-07-G35	EA	TRACK - WRAPAROUND W/SPACERS - RIGHT HAND
9	114641-08-G35	EA	TRACK - WRAPAROUND W/SPACERS - LEFT HAND
10	093475-01-701	EA	END CAP-BLIND, W/STUD
11	009702-01-000	EA	END STOP-CURTAIN CARRIER, L ROD
12	093475-01-700	EA	WAND-BLIND, W/METAL CLIP - 8" LONG
13	083170-01-000	EA	BRACKET - BLIND - LEFT SIDE WHEN FACING WINDOW
14	083170-02-000	EA	BRACKET - BLIND - RIGHT SIDE WHEN FACING WINDOW
15	095591-02-000	EA	BRACKET-HOLD DOWN, W/PIN - BLIND - METAL
16	109353-04-000	EA	CLIP-MOUNTING, VALANCE SLAT - CLEAR PLASTIC
17	009701-01-000	EA	CARRIER-CURTAIN, L-ROD
18	009136-02-000	EA	HANGER-RING, PIN TYPE - CURTAIN - BRASS
19	009700-04-002	EA	TRACK - L-SHAPED 195.5" - OFF WHITE
20	094907-04-000	EA	END CAP-BOTTOM, PLEATED BLIND - PLASTIC - GRAY
21	094907-02-000	EA	END CAP-TOP, PLEATED BLIND - PLASTIC - GRAY
22	097564-01-000	EA	HANDLE-T, PLEATED BLIND
23	097565-01-000	EA	BRACKET-MOUNTING, PLEATED BLIND
	046867-03-000	EA	GROMMET-HANDY BUTTON NO 3
	048394-02-000	YD	VELCRO TAPE-HOOK, ADHESIVE BACK - .75" WIDE - BEIGE
	088792-01-000	YD	VELCRO-HOOK, .75" WIDE - BEIGE - NONADHESIVE BACKED
	088792-02-000	YD	VELCRO TAPE-LOOP, ADHESIVE BACKED - .75" WIDE - BEIGE
	088792-06-000	YD	VELCRO TAPE - LOOP - .75" - NON-ADHESIVE BACKED - BUFF
	094896-02-000	EA	GROMMET-CORD, PLEATED BLIND - NYLON - GRAY
	097591-01-000	EA	SPRING-EXTENSION, PLEATED BLIND
	097592-01-000	EA	SPOOL-CORD, PLEATED BLIND - CLEAR PLASTIC
	097593-02-000	EA	CORD-BLIND, GRAY

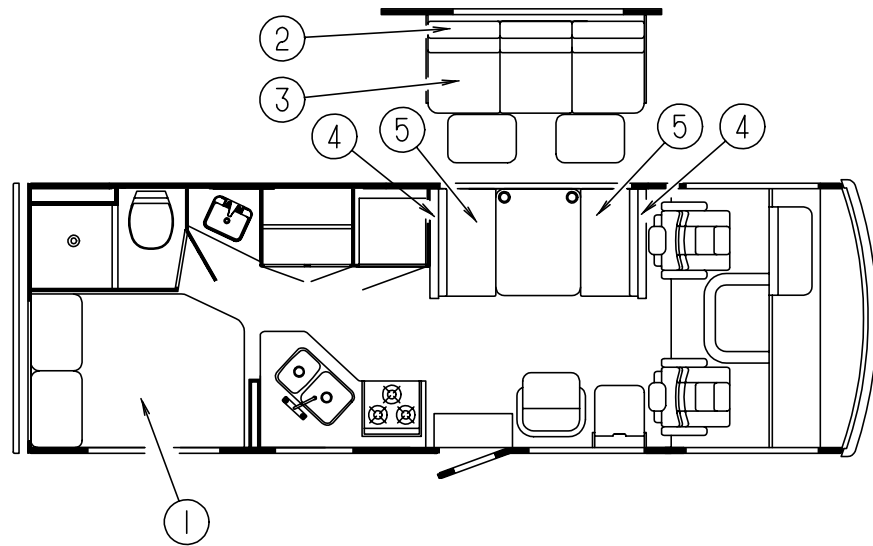
**CURTAIN & CUSHION GROUP (CONTINUED)**  
WINDOW TREATMENT



KEY	PART NUMBER	U/M DESCRIPTION
1	118064-04-H33	EA VALANCE - VALENCIA - 39"
1	118064-04-H34	EA VALANCE - VALENCIA - 39"
1	118064-04-H35	EA VALANCE - VALENCIA - 39"
1	093475-78-05A	EA BLIND - MINI - 36" X 28" (H33)
1	093475-78-06A	EA BLIND - MINI - 36" X 28" (H34, H35)
1	111910-41-G13	EA BLIND - DAY/NIGHTER - 36" X 28" UPGRADE OPTION
		FROM: 00-00-00 THRU: 10-27-96
1	111910-41-HA3	EA BLIND - DAY/NIGHTER - 36" X 28" UPGRADE OPTION
		FROM: 10-28-96 THRU: 99-99-99
2	118299-10-H33	EA VALANCE - METRO - 65.5" (H33)
		FROM: 00-00-00 THRU: 01-12-97
2	118299-10-H3A	EA VALANCE - METRO - 66.5" (H33)
		FROM: 01-13-97 THRU: 99-99-99
2	118299-10-H34	EA VALANCE - METRO - 65.5" (H34)
2	118299-10-H35	EA VALANCE - METRO - 65.5" (H35)
2	093475-76-05A	EA BLIND - MINI - 60" X 28.5" (H33)
2	093475-76-06A	EA BLIND - MINI - 60" X 28.5" (H34, H35)
2	109802-10-G01	EA BLIND - PLEATED - 60" X 28.5" UPGRADE OPTION
2	119333-01-H04	EA LEG - RIGHT - 25" (H33)
		FROM: 00-00-00 THRU: 01-12-97
2	119333-01-H3A	EA LEG - RIGHT - 25" (H33)
		FROM: 01-13-97 THRU: 99-99-99
2	119333-01-G16	EA LEG - RIGHT - 25" (H34)
2	119333-01-H35	EA LEG - RIGHT - 25" (H35)
2	119333-02-H04	EA LEG - LEFT - 25" (H33)
		FROM: 00-00-00 THRU: 01-12-97
2	119333-02-H3A	EA LEG - LEFT - 25" (H33)
		FROM: 01-13-97 THRU: 99-99-99
2	119333-02-G16	EA LEG - LEFT - 25" (H34)
2	119333-02-H35	EA LEG - LEFT - 25" (H35)

KEY	PART NUMBER	U/M DESCRIPTION
3	101668-57-G09	EA CURTAIN - LEFT HAND - 38" X 95" (H33, H35)
3	101668-57-G10	EA CURTAIN - LEFT HAND - 38" X 95" (H34)
4	101668-56-G09	EA CURTAIN - RIGHT HAND - 38" X 95" (H33, H35)
4	101668-56-G10	EA CURTAIN - RIGHT HAND - 38" X 95" (H34)
	073260-42-D09	EA TIEBACK - 6" X 18" (H33, H35)
	073260-42-D10	EA TIEBACK - 6" X 18" (H34)
	101668-32-D09	EA CURTAIN - 40" X 40" (H33, H35) - BUNK OPTION
	101668-32-D10	EA CURTAIN - 40" X 40" (H34) - BUNK OPTION
	101668-33-D09	EA CURTAIN - 38" X 125" (H33, H35) - BUNK OPTION
	101668-33-D10	EA CURTAIN - 38" X 125" (H34) - BUNK OPTION
5	118299-20-H33	EA VALANCE - METRO II (H33)
		FROM: 00-00-00 THRU: 01-12-97
5	118299-20-H3A	EA VALANCE - METRO - 45.5" (H33)
		FROM: 01-13-97 THRU: 99-99-99
5	118299-20-H34	EA VALANCE - METRO - 45.5" (H34)
5	118299-20-H35	EA VALANCE - METRO - 45.5" (H35)
5	109041-33-01A	EA BLIND - MINI - 42" X 28" (H33)
5	109041-33-02A	EA BLIND - MINI - 42" X 28" (H34, H35)
5	109802-44-G09	EA BLIND - PLEATED - 41" X 28.5" UPGRADE OPTION
5	119333-01-H04	EA LEG - RIGHT - 25" (H33)
		FROM: 00-00-00 THRU: 01-12-97
5	119333-01-H3A	EA LEG - RIGHT - 25" (H33)
		FROM: 01-13-97 THRU: 99-99-99
5	119333-01-G16	EA LEG - RIGHT - 25" (H34)
5	119333-01-H35	EA LEG - RIGHT - 25" (H35)
5	119333-02-H04	EA LEG - LEFT - 25" (H33)
		FROM: 00-00-00 THRU: 01-12-97
5	119333-02-H3A	EA LEG - LEFT - 25" (H33)
		FROM: 01-13-97 THRU: 99-99-99
5	119333-02-G16	EA LEG - LEFT - 25" (H34)
5	119333-02-H35	EA LEG - LEFT - 25" (H35)
6	118299-21-H33	EA VALANCE - METRO II - 31.25" (H33)
		FROM: 00-00-00 THRU: 01-12-97
6	118299-21-H3A	EA VALANCE - METRO II - 31.25" (H33)
		FROM: 01-13-97 THRU: 99-99-99
6	118299-21-H34	EA VALANCE - METRO II - 31.25" (H34)
6	118299-21-H35	EA VALANCE - METRO II - 31.25" (H35)
6	084755-57-E07	EA SHADE - PULL - 27.25"
7	109353-10-01A	EA BLIND - SLAT - 30.5" (H33)
7	109353-10-02A	EA BLIND - SLAT - 30.5" (H34, H35)
7	109041-44-01A	EA BLIND - MINI - 30.5" X 18" (H33)
7	109041-44-02A	EA BLIND - MINI - 30.5" X 18" (H34, H35)
	109353-04-000	EA CLIP - VALANCE SLAT MOUNTING - CLEAR PLASTIC
8	118064-02-GB1	EA VALANCE - VALENCIA - 44" (H33)
8	118064-02-H05	EA VALANCE - VALENCIA - 44" (H34)
8	118064-02-H35	EA VALANCE - VALENCIA - 44" (H35)
8	109041-33-01A	EA BLIND - MINI - 42" X 28" (H33)
8	109041-33-02A	EA BLIND - MINI - 42" X 28" (H34, H35)
8	111910-25-G13	EA BLIND - DAY/NIGHTER - 41" X 28.5" UPGRADE OPTION
		FROM: 00-00-00 THRU: 10-27-96
8	111910-25-HA3	EA BLIND - DAY/NIGHTER - 41" X 28.5" UPGRADE OPTION
		FROM: 10-28-96 THRU: 99-99-99

**CURTAIN & CUSHION GROUP (CONTINUED)**



**SOFA/BED**

KEY	PART NUMBER	U/M	DESCRIPTION
2	112104-01-H33	EA	BACK - SOFA/BED - 74" - W/O ARMS
2	112104-01-H34	EA	BACK - SOFA/BED - 74" - W/O ARMS
2	112104-01-H35	EA	BACK - SOFA/BED - 74" - W/O ARMS
	P12104-01-H33	EA	COVER - BACK - SOFA/BED - 74"
	P12104-01-H34	EA	COVER - BACK - SOFA/BED - 74"
	P12104-01-H35	EA	COVER - BACK - SOFA/BED - 74"
	101085-10-000	EA	FRAME - BACK - SOFA/BED - 74.75"
3	100032-43-H04	EA	SEAT - SOFA/BED W/FRAME - 74" - W/O ARMS (H33)
3	100032-43-H05	EA	SEAT - SOFA/BED W/FRAME - 74" - W/O ARMS (H34)
3	100032-43-H35	EA	SEAT - SOFA/BED W/FRAME - 74" - W/O ARMS (H35)
	P00032-43-H04	EA	COVER - SEAT - SOFA/BED - 74" - NO ARMS (H33)
	P00032-43-H05	EA	COVER - SEAT - SOFA/BED - 74" - NO ARMS (H34)
	P00032-43-H35	EA	COVER - SEAT - SOFA/BED - 74" - NO ARMS (H35)
	101085-04-000	EA	FRAME - SEAT - SOFA/BED - 74.75"
	101085-06-000	EA	FRAME - SEAT - SOFA/BED - 74.75"
	113990-09-000	EA	LOCK - BRACKET - MALE FLEXSTEEL - CSA
	122556-04-01A	EA	LOCK - JACK KNIFE SEAT - CSA

**DOUBLE BED BEDSPREADS, PILLOW SHAMS & MATTRESS**

KEY	PART NUMBER	U/M	DESCRIPTION
1	123471-05-H33	EA	BEDSPREAD/THROW - 54" X 75"
1	123471-05-H34	EA	BEDSPREAD/THROW - 54" X 75"
1	123471-05-H35	EA	BEDSPREAD/THROW - 54" X 75"
	111863-06-H33	EA	PILLOW SHAM - 20" X 30"
	111863-06-H34	EA	PILLOW SHAM - 20" X 30"
	111863-06-H35	EA	PILLOW SHAM - 20" X 30"
	101123-03-000	EA	MATTRESS - DOUBLE - W/CUT CORNER - 53" X 74"
	P01123-03-000	EA	COVER - MATTRESS - 53" X 74"

**BEDROOM ACCENT PILLOWS**

KEY	PART NUMBER	U/M	DESCRIPTION
	111862-03-H33	EA	PILLOW - 15" X 15"
	111862-03-H34	EA	PILLOW - 15" X 15"
	111862-01-H34	EA	PILLOW - 15" X 15"
	111862-03-H35	EA	PILLOW - 15" X 15"

FROM: 00-00-00 THRU: 11-30-96

FROM: 12-01-96 THRU: 99-99-99

**PILLOWS - MC CLAIMS ANNIVERSARY OPTION**

KEY	PART NUMBER	U/M	DESCRIPTION
	111862-08-H3A	EA	PILLOW - 15" X 15" (H33)
	111862-08-H34	EA	PILLOW - 15" X 15" (H34)
	111862-08-H35	EA	PILLOW - 15" X 15" (H35)

**BUNK CUSHION**

KEY	PART NUMBER	U/M	DESCRIPTION
	079145-06-000	EA	CUSHION - BUNK - 30" X 77" X 4"
	M79145-06-000	EA	COVER - BUNK CUSHION - 30" X 77" X 4"
	094658-01-G09	EA	HANDLE - OAK/BUNK

**LOUNGE ACCENT PILLOWS**

KEY	PART NUMBER	U/M	DESCRIPTION
	111637-03-H33	EA	PILLOW - 22" X 22" (H33)
	111637-03-H3A	EA	PILLOW - 22" X 22" (H33)
	111637-03-H34	EA	PILLOW - 22" X 22" (H34)
	111637-03-H35	EA	PILLOW - 22" X 22" (H35)

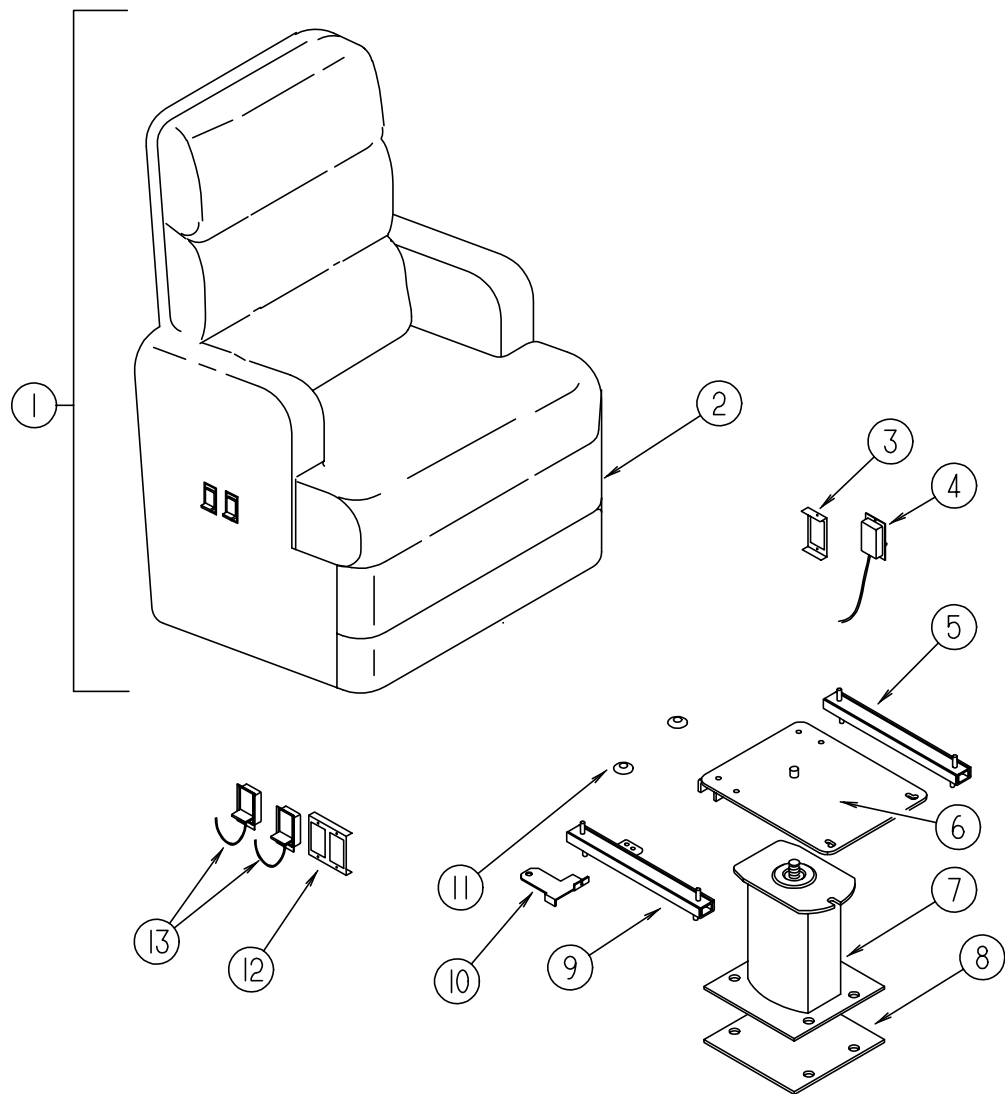
FROM: 00-00-00 THRU: 01-12-97

FROM: 01-13-97 THRU: 99-99-99

**DINETTE CUSHIONS**

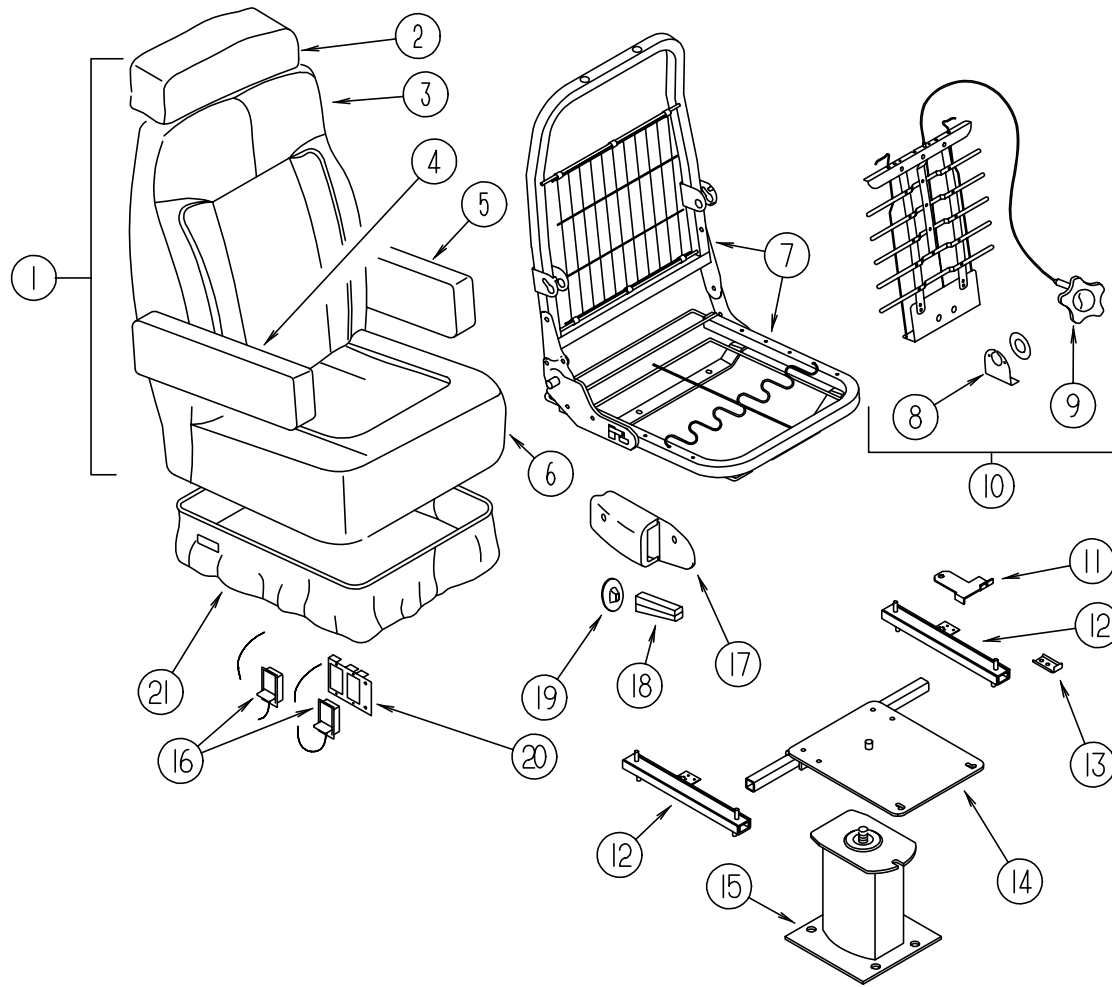
KEY	PART NUMBER	U/M	DESCRIPTION
4	111880-01-H33	EA	CUSHION - BACK - 13.5" X 38" X 5"
4	111880-01-H34	EA	CUSHION - BACK - 13.5" X 38" X 5"
4	111880-01-H35	EA	CUSHION - BACK - 13.5" X 38" X 5"
	P11880-01-H33	EA	COVER - BACK CUSHION - 13.5" X 38" X 5"
	P11880-01-H34	EA	COVER - BACK CUSHION - 13.5" X 38" X 5"
	P11880-01-H35	EA	COVER - BACK CUSHION - 13.5" X 38" X 5"
	078155-01-000	EA	STRAP - SNAP - BACK CUSHION
5	088927-87-H04	EA	CUSHION - SEAT BOTTOM - 23" X 38" X 5" (H33)
5	088927-87-H05	EA	CUSHION - SEAT BOTTOM - 23" X 38" X 5" (H34)
5	088927-87-H35	EA	CUSHION - SEAT BOTTOM - 23" X 38" X 5" (H35)
	M88927-87-H04	EA	COVER - SEAT CUSHION - 23" X 38" X 5" (H33)
	M88927-87-H05	EA	COVER - SEAT CUSHION - 23" X 38" X 5" (H34)
	M88927-87-H35	EA	COVER - SEAT CUSHION - 23" X 38" X 5" (H35)

**CURTAIN & CUSHION GROUP (CONTINUED)**  
**SWIVEL CHAIR**



KEY	PART NUMBER	U/M	DESCRIPTION	
1	118538-01-H33	EA	CHAIR - RECLINER (H33)	FROM: 00-00-00 THRU: 01-12-97
1	118538-01-H3A	EA	CHAIR - RECLINER (H33)	FROM: 01-13-97 THRU: 99-99-99
1	118538-01-H34	EA	CHAIR - RECLINER (H34)	
1	118538-01-H35	EA	CHAIR - RECLINER (H35)	
	P18538-01-H33	EA	COVER - RECLINER CHAIR (H33)	FROM: 00-00-00 THRU: 01-12-97
	P18538-01-H3A	EA	COVER - RECLINER CHAIR (H33)	FROM: 01-13-97 THRU: 99-99-99
	P18538-01-H34	EA	COVER - RECLINER CHAIR (H34)	
	P18538-01-H35	EA	COVER - RECLINER CHAIR (H35)	
2	118539-01-H33	EA	SKIRT - RECLINER CHAIR (H33)	FROM: 00-00-00 THRU: 01-12-97
2	118539-01-H3A	EA	SKIRT - RECLINER CHAIR (H33)	FROM: 01-13-97 THRU: 99-99-99
2	118539-01-H34	EA	SKIRT - RECLINER CHAIR (H34)	
2	118539-01-H35	EA	SKIRT - RECLINER CHAIR (H35)	
3	097683-03-000	EA	BRACKET - REMOTE/SIDE MOUNT - SINGLE	
4	089368-05-000	EA	CABLE- W/SWITCH 25.5" SHEATH-29 3/4" CABLE W/DOG LEG	
	108049-02-000	EA	CLIP - CABLE/PEDESTAL	
5	119952-02-000	EA	SLIDE/SEAT - HEAVY DUTY NON LOCKING	
6	107921-08-000	EA	TOP PLATE - PEDESTAL - W/O SEAT BELT BAR	
7	107921-01-000	EA	PEDESTAL/FLOOR MOUNTED - W/9.75" EXTENSION	
8	108445-02-000	EA	PLATE/FLOOR MOUNTED - PEDESTAL SEAT	
	107921-06-000	EA	BEARING KIT - PEDESTAL	
9	119952-04-000	EA	SLIDE/SEAT - HEAVY DUTY LOCKING - 4 STUDS	
10	117125-01-02B	EA	BRACKET - CABLE MOUNT - ADJUSTER W/LOCK	
11	007221-01-000	EA	SPACER - SEAT/ADJUSTER	
12	097683-02-000	EA	BRACKET - REMOTE/SIDE MOUNT - DOUBLE	
13	108049-03-000	EA	CABLE/CONTROL 25.5" SHEATH/28.5" CABLE W/DOG LEG	
	108049-02-000	EA	CLIP - CABLE/PEDESTAL	
	P18538-27-H33	EA	COVER - ARMREST - UNIVERSAL - SWIVEL CHAIR (H33)	FROM: 00-00-00 THRU: 01-12-97
	P18538-27-H3A	EA	COVER - ARMREST - UNIVERSAL - SWIVEL CHAIR (H33)	FROM: 01-13-97 THRU: 99-99-99
	P18538-27-H34	EA	COVER - ARMREST - UNIVERSAL - SWIVEL CHAIR (H34)	
	P18538-27-H35	EA	COVER - ARMREST - UNIVERSAL - SWIVEL CHAIR (H35)	

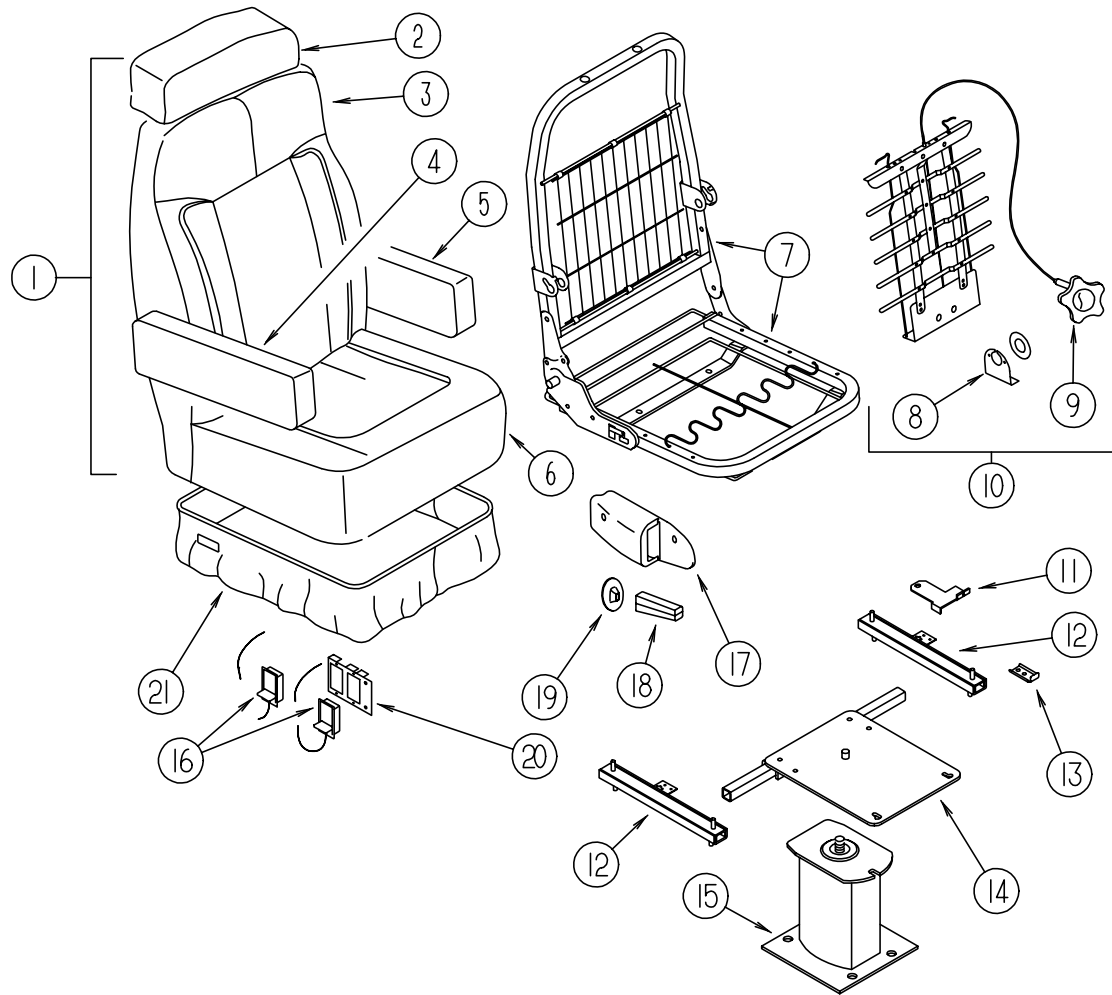
**CURTAIN & CUSHION GROUP (CONTINUED)**  
**DRIVER BUCKET SEAT**



KEY	PART NUMBER	U/M	DESCRIPTION	
2	P19509-01-H33	EA	COVER-HEADREST (H33)	FROM: 00-00-00 THRU: 01-12-97
2	P19509-01-H3A	EA	COVER - HEADREST (H33)	FROM: 01-13-97 THRU: 99-99-99
2	P19509-01-G10	EA	COVER - HEADREST (H34)	
2	P19509-01-H35	EA	COVER - HEADREST (H35)	
2	P24682-02-H56	EA	COVER - HEADREST - MCCLAINS ANNIVERSARY OPTION	
	113977-12-000	EA	HEADREST INSERT - W/O LOCK	
	113977-13-000	EA	HEADREST INSERT - W/LOCK	
3	M05962-39-H33	EA	COVER - BACK (H33)	FROM: 00-00-00 THRU: 01-12-97
3	M05962-39-H3A	EA	COVER - BACK (H33)	FROM: 01-13-97 THRU: 99-99-99
3	M05962-39-H34	EA	COVER - BACK (H34)	
3	M05962-39-H35	EA	COVER - BACK (H35)	
3	M05962-49-H60	EA	COVER - BACK - LEATHER/VINYL - MCCLAINS ANNIVERSARY OPTION	
4	122780-01-H33	EA	ARMREST - RIGHT HAND (H33)	FROM: 00-00-00 THRU: 01-12-97
4	122780-01-H3A	EA	ARMREST - RIGHT HAND (H33)	FROM: 01-13-97 THRU: 99-99-99
4	122780-01-H34	EA	ARMREST - RIGHT HAND (H34)	
4	122780-01-H35	EA	ARMREST - RIGHT HAND (H35)	
	115617-03-000	EA	ARMREST - W/O COVER - RIGHT HAND	
4	123962-03-H50	EA	ARMREST - ADJUSTABLE/RIGHT HAND - MCCLAINS ANNIVERSARY OPTION	
	122622-04-000	EA	BRACKET - ADJUSTABLE/ARMREST - RIGHT HAND - MCCLAINS ANNIVERSARY OPTION	
	122622-06-000	EA	BRACKET - ADJUSTABLE KNOB - 3/8" - MCCLAINS ANNIVERSARY OPTION	
4	P22780-01-H33	EA	COVER - ARMREST - RIGHT HAND (H33)	FROM: 00-00-00 THRU: 01-12-97
4	P22780-01-H3A	EA	COVER - ARMREST - RIGHT HAND (H33)	FROM: 01-13-97 THRU: 99-99-99
4	P22780-01-H34	EA	COVER - ARMREST - RIGHT HAND (H34)	
4	P22780-01-H35	EA	COVER - ARMREST - RIGHT HAND (H35)	
4	P23962-03-H50	EA	COVER - ARMREST - RIGHT HAND - MCCLAINS ANNIVERSARY OPTION	
5	122780-02-H33	EA	ARMREST - LEFT HAND (H33)	FROM: 00-00-00 THRU: 01-12-97
5	122780-02-H33	EA	ARMREST - LEFT HAND (H33)	FROM: 01-13-97 THRU: 99-99-99
5	122780-02-H34	EA	ARMREST - LEFT HAND (H34)	
5	122780-02-H35	EA	ARMREST - LEFT HAND (H35)	
	115617-04-000	EA	ARMREST - W/O COVER - LEFT HAND	
5	123962-04-H13	EA	ARMREST - ADJUSTABLE/LEFT HAND - MCCLAINS ANNIVERSARY OPTION	
	122622-05-000	EA	BRACKET - ADJUSTABLE/ARMREST - LEFT HAND - MCCLAINS ANNIVERSARY OPTION	
	122622-06-000	EA	BRACKET - ADJUSTABLE KNOB - 3/8" - MCCLAINS ANNIVERSARY OPTION	
5	P22780-02-H33	EA	COVER - ARMREST - LEFT HAND (H33)	FROM: 00-00-00 THRU: 01-12-97
5	P22780-02-H3A	EA	COVER - ARMREST - LEFT HAND (H33)	FROM: 01-13-97 THRU: 99-99-99
5	P22780-02-H34	EA	COVER - ARMREST - LEFT HAND (H34)	
5	P22780-02-H35	EA	COVER - ARMREST - LEFT HAND (H35)	
5	P23962-04-H13	EA	COVER - ARMREST - LEFT HAND - MCCLAINS ANNIVERSARY OPTION	

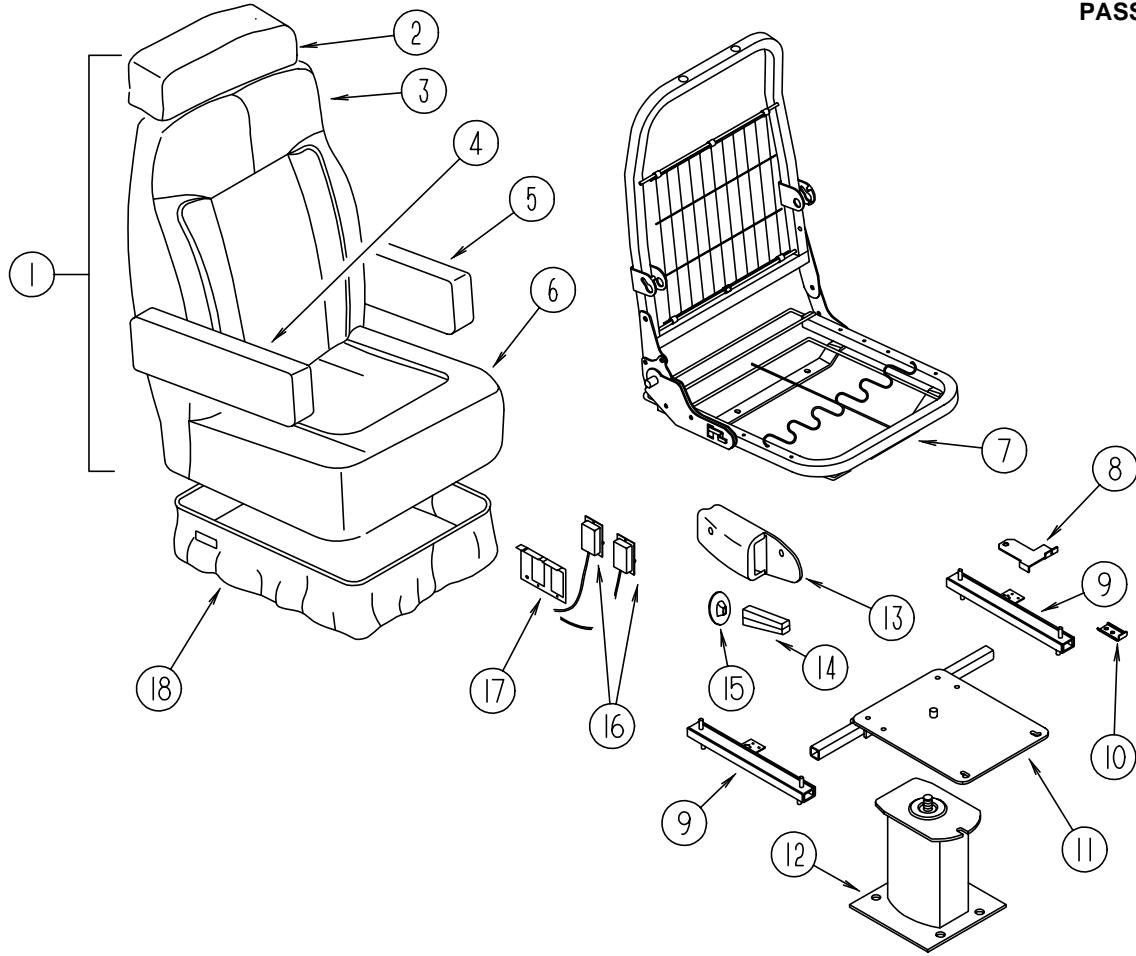
KEY	PART NUMBER	U/M	DESCRIPTION
1	122684-01-H33	EA	SEAT - BUCKET - DRIVERS - W/LUMBAR (H33) FROM: 00-00-00 THRU: 01-12-97
1	122684-01-H3A	EA	SEAT - BUCKET - DRIVERS - W/LUMBAR (H33) FROM: 01-13-97 THRU: 99-99-99
1	122684-01-H34	EA	SEAT - BUCKET - DRIVERS - W/LUMBAR (H34)
1	122684-01-H35	EA	SEAT - BUCKET - DRIVERS - W/LUMBAR (H35)
1	123820-03-H13	EA	SEAT - BUCKET - MCCLAINS ANNIVERSARY OPTION
2	119509-01-H33	EA	HEADREST - BUCKET SEAT (H33) FROM: 00-00-00 THRU: 01-12-97
2	119509-01-H3A	EA	HEADREST - BUCKET SEAT (H33) FROM: 01-13-97 THRU: 99-99-99
2	119509-01-G10	EA	HEADREST - BUCKET SEAT (H34)
2	119509-01-H35	EA	HEADREST - BUCKET SEAT (H35)
2	124682-02-H56	EA	HEADREST - MCCLAINS ANNIVERSARY OPTION

**CURTAIN & CUSHION GROUP (CONTINUED)**  
**DRIVER BUCKET SEAT (CONTINUED)**



KEY	PART NUMBER	U/M	DESCRIPTION	VENDOR NO.
6	M05962-40-H33	EA	COVER - SEAT (H33)	
				FROM: 00-00-00 THRU: 01-12-97
6	M05962-40-H3A	EA	COVER -SEAT (H33)	
				FROM: 01-13-97 THRU: 99-99-99
6	M05962-40-H34	EA	COVER - SEAT (H34)	
6	M05962-40-H35	EA	COVER - SEAT (H35)	
6	M05962-50-H60	EA	COVER - SEAT - LEATHER/VINYL - MCCLAINS ANNIVERSARY OPTION	
7	122695-01-01B	EA	FRAME - SEAT/BACK	
8	122611-01-702	EA	LUMBAR - BRACKET	157C-90
	122611-01-703	EA	LUMBAR - SCREW	210
9	122611-01-701	EA	LUMBAR - KNOB	218
10	122611-01-000	EA	LUMBAR	
11	117125-01-02B	EA	BRACKET-CABLE HOLDER, ADJUSTER W/LOCK - E-COAT	
12	119952-06-000	EA	SLIDE-SEAT, HEAVY DUTY LOCKING - 4 STUDS	
	119952-07-000	EA	WIRE-LATCH RELEASE/ROTARY	
13	114889-01-000	EA	STOP BAR-UNIVERSAL	
14	107921-05-000	EA	PLATE-TOP W/SEAT BELT BAR	
				FROM: 00-00-00 THRU: 05-21-97
	107921-06-000	EA	BEARING KIT - PEDESTAL	
15	107921-01-000	EA	PEDESTAL/FLOOR MOUNTED - W/9.75" EXTENSION	
16	108049-03-000	EA	CABLE/CONTROL 25.5" SHEATH/28.5" CABLE W/DOG LEG	
	108049-02-000	EA	CLIP-CABLE/PEDESTAL	
17	080730-09-000	EA	SHIELD - RECLINER HANDLE	
18	080730-08-000	EA	HANDLE - RECLINER	
19	080730-11-000	EA	SHIELD - RUBBER BOOT	
20	097683-02-000	EA	BRACKET - REMOTE/SIDE MOUNT - DOUBLE	
21	071126-58-H33	EA	SKIRT - SINGLE - W/SEAT BELT SLOT (H33)	
				FROM: 00-00-00 THRU: 01-12-97
21	071126-58-H3A	EA	SKIRT - SINGLE - W/SEAT BELT SLOT (H33)	
				FROM: 01-13-97 THRU: 99-99-99
21	071126-58-H34	EA	SKIRT - SINGLE - W/SEAT BELT SLOT (H34)	
21	071126-58-H35	EA	SKIRT - SINGLE - W/SEAT BELT SLOT (H35)	
21	071126-62-H13	EA	SKIRT - SINGLE - 10.5" - W/SEAT BELT SLOT - MCCLAINS ANNIVERSARY OPTION	

**CURTAIN & CUSHION GROUP (CONTINUED)**  
**PASSENGER BUCKET SEAT**



KEY	PART NUMBER	U/M DESCRIPTION
1	122684-02-H33	EA SEAT - BUCKET - PASSENGER (H33) FROM: 00-00-00 THRU: 01-12-97
1	122684-02-H3A	EA SEAT - BUCKET - PASSENGER (H33) FROM: 01-13-97 THRU: 99-99-99
1	122684-02-H34	EA SEAT - BUCKET - PASSENGER (H34)
1	122684-02-H35	EA SEAT - BUCKET - PASSENGER (H35)
1	123820-04-H13	EA SEAT - BUCKET - MCCLAINS ANNIVERSARY OPTION
2	119509-01-H33	EA HEADREST - BUCKET SEAT (H33) FROM: 00-00-00 THRU: 01-12-97
2	119509-01-H3A	EA HEADREST - BUCKET SEAT (H33) FROM: 01-13-97 THRU: 99-99-99
2	119509-01-G10	EA HEADREST - BUCKET SEAT (H34)
2	119509-01-H35	EA HEADREST - BUCKET SEAT (H35)
2	124682-02-H56	EA HEADREST - BUCKET SEAT - MCCLAINS ANNIVERSARY OPTION
2	P19509-01-H33	EA COVER - HEADREST (H33) FROM: 00-00-00 THRU: 01-12-97
2	P19509-01-H3A	EA COVER - HEADREST (H33) FROM: 01-13-97 THRU: 99-99-99
2	P19509-01-G10	EA COVER - HEADREST (H34)
2	P19509-01-H35	EA COVER - HEADREST (H35)
2	P24682-02-H56	EA COVER - HEADREST - MCCLAINS ANNIVERSARY OPTION
2	113977-12-000	EA HEADREST INSERT - W/O LOCK
2	113977-13-000	EA HEADREST INSERT - W/LOCK
3	M05962-39-H33	EA COVER - BACK (H33) FROM: 00-00-00 THRU: 01-12-97
3	M05962-39-H3A	EA COVER - BACK (H33) FROM: 01-13-97 THRU: 99-99-99
3	M05962-39-H34	EA COVER - BACK (H34)
3	M05962-39-H35	EA COVER - BACK (H35)
3	M05962-49-H60	EA COVER - BACK - LEATHER/VINYL - MCCLAINS ANNIVERSARY OPTION

KEY	PART NUMBER	U/M DESCRIPTION
4	122780-01-H33	EA ARMREST - RIGHT HAND (H33) FROM: 00-00-00 THRU: 01-12-97
4	122780-01-H3A	EA ARMREST - RIGHT HAND (H33) FROM: 01-13-97 THRU: 99-99-99
4	122780-01-H34	EA ARMREST - RIGHT HAND (H34)
4	122780-01-H35	EA ARMREST - RIGHT HAND (H35)
4	115617-03-000	EA ARMREST W/O COVER - RIGHT
4	122780-03-H60	EA ARMREST - RIGHT HAND - MCCLAINS ANNIVERSARY OPTION
4	P22780-01-H33	EA COVER - ARMREST - RIGHT HAND (H33) FROM: 00-00-00 THRU: 01-12-97
4	P22780-01-H3A	EA COVER - ARMREST - RIGHT HAND (H33) FROM: 01-13-97 THRU: 99-99-99
4	P22780-01-H34	EA COVER - ARMREST - RIGHT HAND (H34)
4	P22780-01-H35	EA COVER - ARMREST - RIGHT HAND (H35)
4	P22780-03-H60	EA COVER - ARMREST - RIGHT HAND - MCCLAINS ANNIVERSARY OPTION
5	122780-02-H33	EA ARMREST - LEFT HAND (H33) FROM: 00-00-00 THRU: 01-12-97
5	122780-02-H3A	EA ARMREST - LEFT HAND (H33) FROM: 01-13-97 THRU: 99-99-99
5	122780-02-H34	EA ARMREST - LEFT HAND (H34)
5	122780-02-H35	EA ARMREST - LEFT HAND (H35)
5	115617-04-000	EA ARMREST - W/O COVER - LEFT HAND
5	122780-04-H60	EA ARMREST - LEFT HAND - MCCLAINS ANNIVERSARY OPTION
5	P22780-02-H33	EA COVER - ARMREST - LEFT HAND (H33) FROM: 00-00-00 THRU: 01-12-97
5	P22780-02-H3A	EA COVER - ARMREST - LEFT HAND (H33) FROM: 01-13-97 THRU: 99-99-99
5	P22780-02-H34	EA COVER - ARMREST - LEFT HAND (H34)
5	P22780-02-H35	EA COVER - ARMREST - LEFT HAND (H35)
6	M05962-50-H60	EA COVER - SEAT - LEATHER/VINYL - MCCLAINS ANNIVERSARY OPTION
6	M05962-40-H33	EA COVER - SEAT (H33) FROM: 00-00-00 THRU: 01-12-97
6	M05962-40-H3A	EA COVER - SEAT (H33) FROM: 01-13-97 THRU: 99-99-99
6	M05962-40-H34	EA COVER - SEAT (H34)
6	M05962-40-H35	EA COVER - SEAT (H35)
6	M05962-50-H60	EA COVER - SEAT - LEATHER/VINYL - MCCLAINS ANNIVERSARY OPTION
7	122695-01-01B	EA FRAME - SEAT/BACK
8	117125-01-02B	EA BRACKET - CABLE MOUNT - ADJUSTER W/LOCK
9	119952-06-000	EA SLIDE/SEAT - HEAVY DUTY LOCKING - 4 STUDS
9	119952-07-000	EA WIRE - LATCH RELEASE/ROTARY
10	114889-01-000	EA STOP BAR - UNIVERSAL
11	107921-05-000	EA PLATE - TOP - W/SEAT BELT BAR
11	107921-06-000	EA BEARING KIT - PEDESTAL
12	107921-01-000	EA PEDESTAL/FLOOR MOUNTED - W/9.75" EXTENSION
13	080730-09-000	EA SHIELD - RECLINER HANDLE
14	080730-08-000	EA HANDLE - RECLINER
15	080730-11-000	EA SHIELD - RUBBER BOOT
16	108049-03-000	EA CABLE/CONTROL 25.5" SHEATH/28.5" CABLE W/DOG LEG
16	108049-02-000	EA CLIP - CABLE/PEDESTAL
17	097683-02-000	EA BRACKET - REMOTE/SIDE MOUNT - DOUBLE
18	071126-58-H33	EA SKIRT - SINGLE - W/SEAT BELT SLOT (H33) FROM: 00-00-00 THRU: 01-12-97
18	071126-58-H3A	EA SKIRT - SINGLE - W/SEAT BELT SLOT (H33) FROM: 01-13-97 THRU: 99-99-99
18	071126-58-H34	EA SKIRT - SINGLE - W/SEAT BELT SLOT (H34)
18	071126-58-H35	EA SKIRT - SINGLE - W/SEAT BELT SLOT (H35)
18	071126-62-H13	EA SKIRT - SINGLE - 10.5" - W/SEAT BELT SLOT - MCCLAINS ANNIVERSARY OPTION

**CURTAIN & CUSHION GROUP (CONTINUED)**  
**BUTTON, TRIM, ASSIST HANDLE & SEAT BELT**

KEY	PART NUMBER	U/M	DESCRIPTION
	070578-02-B10	EA	BUTTON - SCREW - STUD - #30 VINYL
	118337-01-H33	EA	BUTTON - #60 (H33)
			FROM: 00-00-00 THRU: 01-12-97
	118337-01-H3A	EA	BUTTON - #60 (H33)
			FROM: 01-13-97 THRU: 99-99-99
	118337-01-G10	EA	BUTTON - #60 (H34)
	118337-01-H35	EA	BUTTON - #60 (H35)
	074494-02-000	EA	BUTTON - RETAINING PIVOT - #60
	074494-03-000	EA	BUTTON - SERRATED PIVOT - W/3/8 TACK
	079349-04-H33	YD	WELT - NARROW (H33)
			FROM: 00-00-00 THRU: 01-12-97
	079349-04-H3A	YD	WELT - NARROW (H33)
			FROM: 01-13-97 THRU: 99-99-99
	079349-04-H34	YD	WELT - NARROW (H34)
	079349-04-H35	YD	WELT - NARROW (H35)
	057759-01-000	EA	WASHER BRACKET-SEAT BELT, 4" DIAMETER
	007021-01-000	EA	BELT-SEAT, 2" X 90" - BLACK
	056271-02-000	EA	BELT-SEAT, 2" X 72" - BLACK
	069178-02-000	EA	BRACKET-MOUNTING, ASSIST HANDLE - L ANGLE - W/HOLES - STEEL
	053552-02-AA8	EA	HANDLE-ASSIST, INTERIOR - ENTRY DOOR - VINYL - OFF WHITE
	057534-03-000	EA	TIEBACK/TIEDOWN-BED/CURTAIN/DOOR, 7.5" - PLASTIC - CLEAR
	000D20-07-00B	EA	NUT - ACORN - ASSIST HANDLE - 7/16 - 14

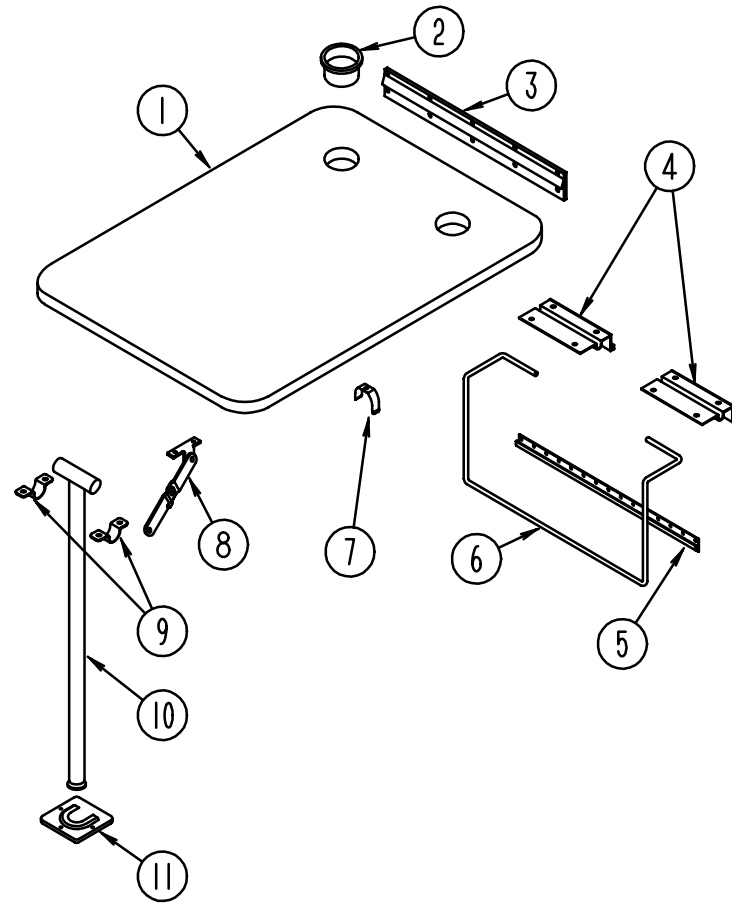
**CURTAIN & CUSHION GROUP (CONTINUED)**  
**SUNRISE FABRIC**

COLOR CODES	H33 FROM: 00-00-00 THRU: 01-12-97	H33 FROM: 01-13-97 THRU: 99-99-99	H34	H35
	BLUE LAGOON (BLUE)	BLUE LAGOON (BLUE)	KRYPTONITE (TAN)	SEQUOIA (SAGE)
CEILING MATERIAL FROM: 00-00-00 THRU: 10-13-96	113979-01-01A	113979-01-01A	113979-01-01A	113979-01-01A
CEILING MATERIAL FROM: 10-14-96 THRU: 03-31-97	113979-04-01A	113979-04-01A	113979-04-01A	113979-04-01A
CEILING MATERIAL FROM: 04-01-97 THRU: 99-99-99	113979-01-01A	113979-01-01A	113979-01-01A	113979-01-01A
QUICKSILVER VINYL	103907-01-05A	103907-01-05A	103907-01-05A	103907-01-05A
DRAPERY LINING	087272-03-000	087272-03-000	087272-03-000	087272-03-000
BUCKET SEATS	108446-K9-000	108446-S9-000	108446-77-000	108446-59-000
MC CLAIN'S BUCKET SEATS	103907-01-04A	103907-01-04A	103907-01-04A	103907-01-04A
DINETTE	108446-K7-000	108446-K7-000	108446-K8-000	108446-M2-000
DINETTE PADS	108446-K9-000	108446-S9-000	108446-77-000	108446-59-000
SOFA	108446-K7-000	108446-K7-000	108446-K8-000	108446-M2-000
SOFA PILLOWS	108446-K9-000	108446-S9-000	108446-G2-000	108446-M7-000
SWIVEL CHAIR	108446-K9-000	108446-S9-000	108446-G2-000	108446-M7-000
DINETTE/LOUNGE WINDOWS	108446-K9-000 108446-K7-000	108446-K9-000 108446-K7-000 108446-S9-000	108446-77-000 108446-K8-000 108446-G2-000	108446-59-000 108446-M2-000 108446-M7-000
BEDROOM WINDOWS	105745-B3-000	105745-B3-000	105745-D5-000	105745-E5-000
BEDSPREAD	105745-B3-000 105745-61-000	105745-B3-000 105745-61-000	105745-D5-000 108446-62-000	105745-E5-000 105745-E2-000
PILLOW SHAMS	105745-B3-000 105745-61-000	105745-B3-000 105745-61-000	105745-D5-000 108446-62-000	105745-E5-000 105745-E2-000
HEADBOARD	105745-B3-000 105745-61-000	105745-B3-000 105745-61-000	105745-D5-000 108446-62-000	105745-E5-000 105745-E2-000
BEDROOM PILLOWS	105745-B7-000 105745-A2-000	105745-B7-000 105745-A2-000	105745-D5-000 108446-62-000	105745-D0-000 105745-E5-000
FRONT WRAP AROUND	072333-90-000	072333-90-000	072333-82-000	072333-90-000
MAP POCKETS	108446-K9-000	108446-S9-000	108446-G2-000	108446-59-000

NOTE: FABRIC LISTED FIRST, IN A BLOCK, IS THE LARGEST QUANTITY OF FABRIC USED.



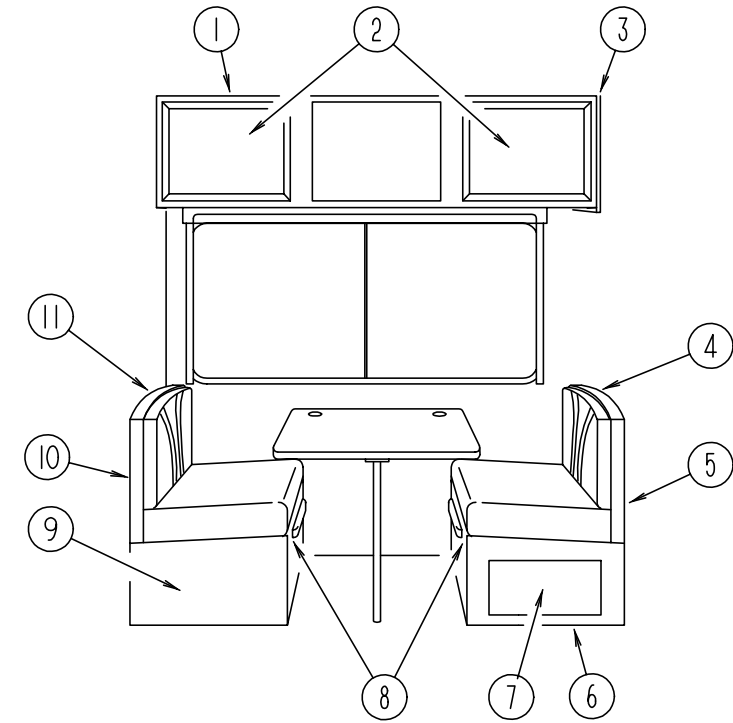
**DINETTE GROUP**



**DINETTE TABLE**

KEY	PART NUMBER	U/M	DESCRIPTION
1	081322-05-G31	EA	TABLE TOP ONLY (H33)
1	081322-05-G14	EA	TABLE TOP ONLY (H34, H35)
2	064781-06-000	EA	HOLDER-CUP, TWO STEP - OFF WHITE
3	053200-12-000	EA	SUPPORT-TABLE, 23.5" - BEIGE
4	088410-02-000	EA	BRACKET-LIFT, TABLE MOUNTED - OFF WHITE
5	024281-14-000	EA	BRACKET-LIFT ROD, LOWER WALL MOUNTED - 22.12" - OFF WHITE
6	024275-12-000	EA	ROD-TABLE LIFT, OFF WHITE
7	024283-01-000	EA	CLIP-LEG, 1" X 1.125" OD - BLACK
8	024282-01-000	EA	BRACE-TABLE LEG, HINGED
9	064050-05-000	EA	HINGE-TABLE LEG, OFF WHITE
10	024276-23-000	EA	LEG-TABLE, METAL - OFF WHITE
11	049493-12-000	EA	CATCH-LEG, FLOOR MOUNTED - 2.5" X 2.7" - METAL - OFF WHITE
11	049493-11-700	EA	CATCH-LEG, FLOOR MOUNTED - 2.5" X 2.7" - METAL - E-COAT

**DINETTE GROUP (CONTINUED)**



**DINETTE CABINETRY**

KEY	PART NUMBER	U/M	DESCRIPTION
1	117922-01-H33	EA	CABINET - OVERHEAD/DINETTE - W/O DOORS/HARDWARE
1	117922-01-H34	EA	CABINET - OVERHEAD/DINETTE - W/O DOORS/HARDWARE
1	117922-01-H35	EA	CABINET - OVERHEAD/DINETTE - W/O DOORS/HARDWARE
1	117922-14-G35	EA	SHELF - W/PLASTIC EDGE TRIM
1	117579-02-H33	EA	CABINET - OVERHEAD/DINETTE - W/O DOORS/HDW - F/COFFEEMAKER
1	117579-02-H34	EA	CABINET - OVERHEAD/DINETTE - W/O DOORS/HDW - F/COFFEEMAKER
1	117579-02-H35	EA	CABINET - OVERHEAD/DINETTE - W/O DOORS/HDW - F/COFFEEMAKER
1	117579-13-G09	EA	SHELF - W/PLASTIC EDGE TRIM
2	M06803-13-H33	EA	DOOR - MIRROR/MITERED CRNR/OGEE EDGE - 15.7" X 28"-W/O HDW
2	M06803-02-G09	EA	DOOR - MITERED CORNER/OGEE EDGE - 15.7" X 28" - W/O HDW DECORATOR DOOR OPTION
3	103128-01-G09	EA	END CAP - OVERHEAD CABINET - RIGHT HAND
4	104787-04-H33	EA	PAD - SEATBACK/TOP (H33)
4	104787-04-H3A	EA	PAD - SEATBACK/TOP (H33)
4	104787-04-E33	EA	PAD - SEATBACK/TOP (H34)
4	104787-04-E70	EA	PAD - SEATBACK/TOP (H35)
5	M04174-79-G09	EA	CABINET - SEATBACK RIGHT HAND - W/O HARDWARE
6	M04175-79-H33	EA	CABINET - SEAT BOTTOM RIGHT HAND - W/O DOOR/DRAWERS/HDW
7	M06803-07-G09	EA	DOOR - MITERED CORNER/OGEE EDGE - 10" X 19" - W/O HDW
8	081295-01-G01	EA	SUPPORT - BED/DINETTE - 28" LONG
9	M04175-80-H13	EA	SEATBASE - DINETTE LEFT HAND - W/O DOORS/DWRS/HDW
10	M04174-80-G09	EA	CABINET - SEATBACK LEFT HAND - W/O HARDWARE
11	104787-04-H33	EA	PAD - SEATBACK/TOP (H33)
11	104787-04-H3A	EA	PAD - SEATBACK/TOP (H33)
11	104787-04-E33	EA	PAD - SEATBACK/TOP (H34)
11	104787-04-E70	EA	PAD - SEATBACK/TOP (H35)

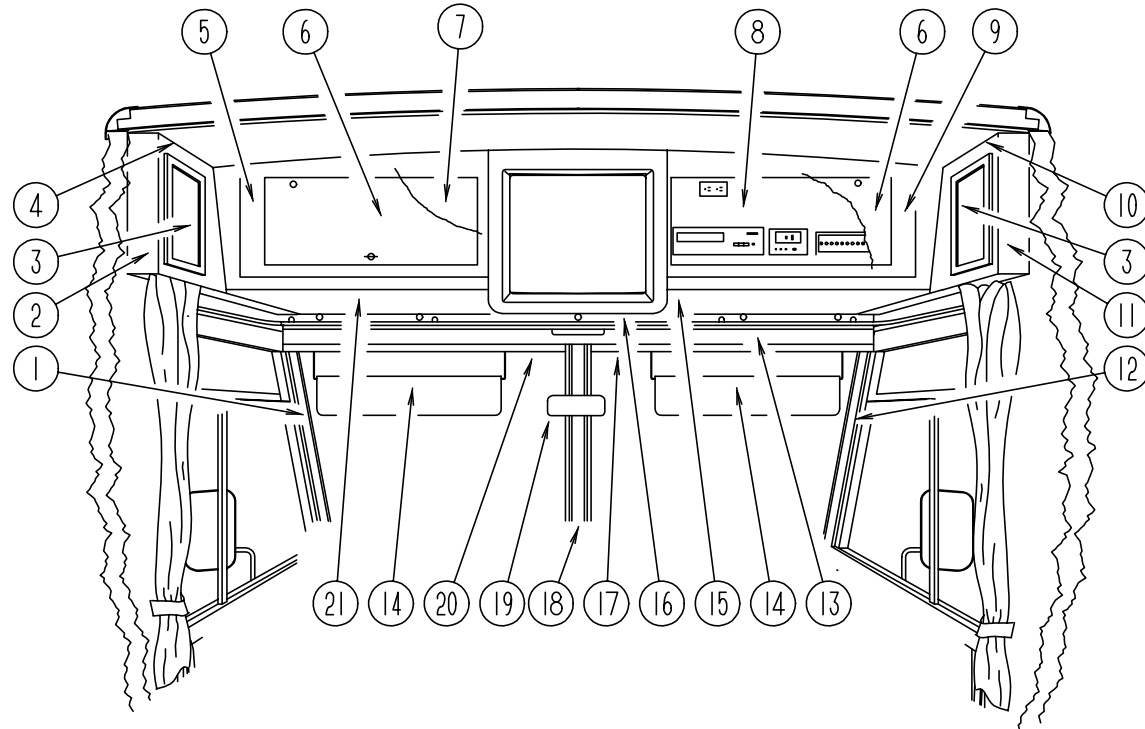
FROM: 00-00-00 THRU: 01-13-97

FROM: 01-14-97 THRU: 99-99-99

FROM: 00-00-00 THRU: 01-13-97

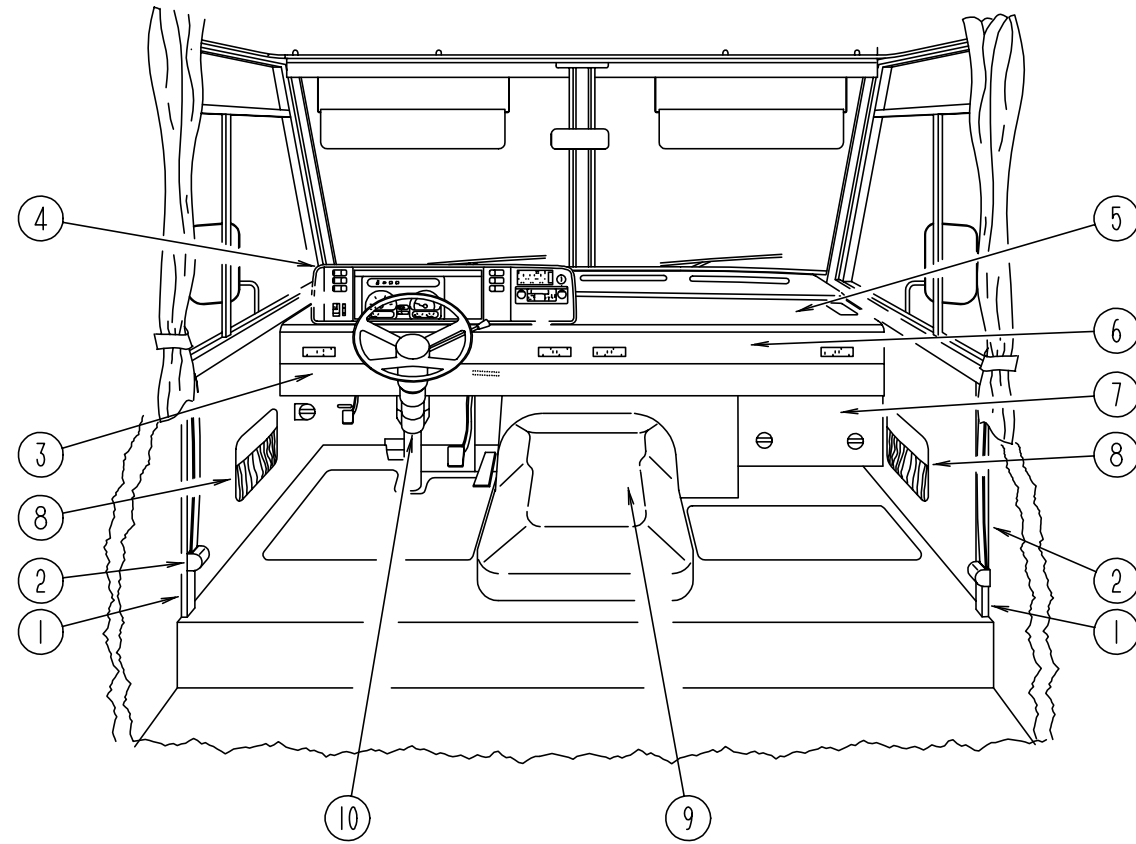
FROM: 01-14-97 THRU: 99-99-99

**DRIVERS COMPARTMENT GROUP**  
**DRIVERS COMPARTMENT - UPPER**



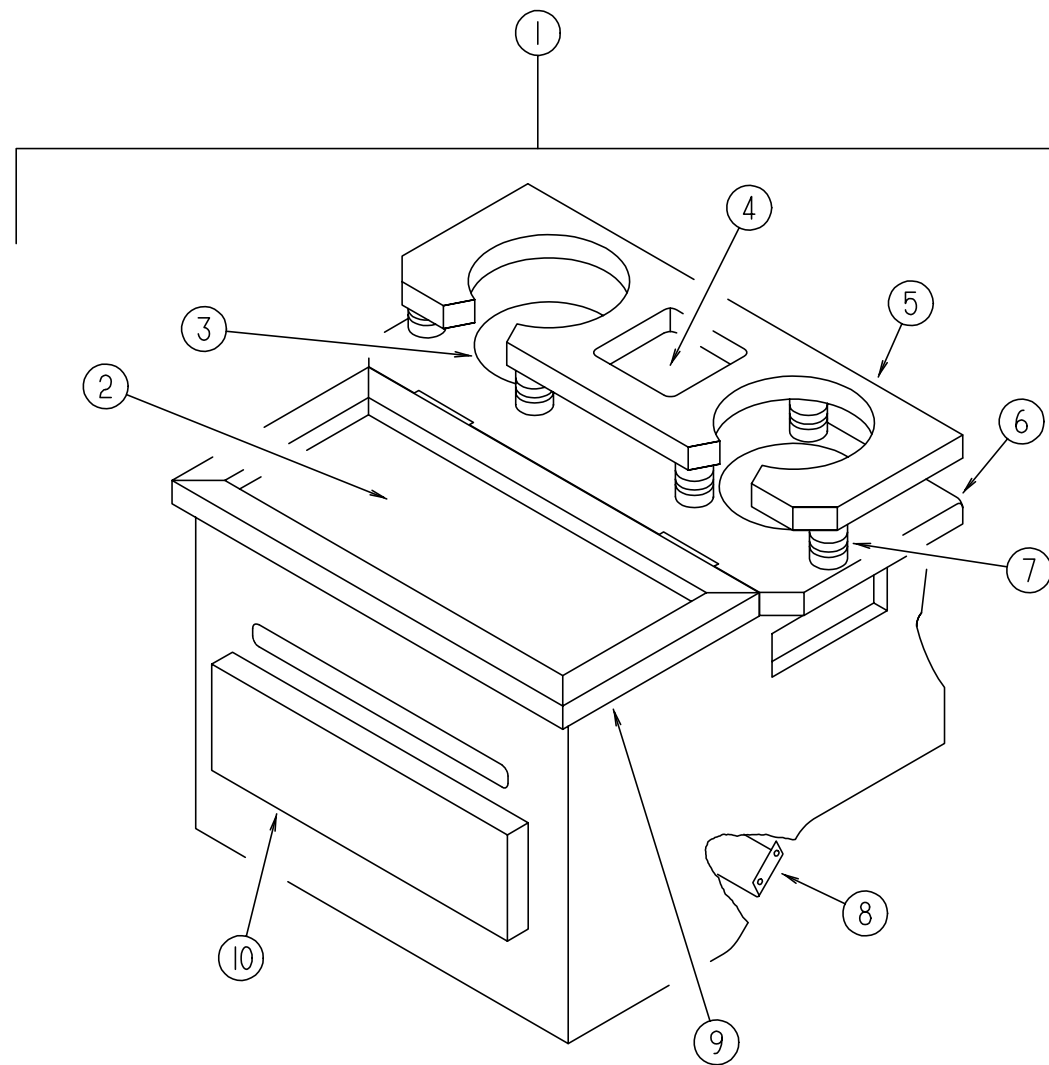
KEY	PART NUMBER	U/M	DESCRIPTION
1	103931-02-03A	EA	COVER - INTERIOR - A-PILLAR - DRIVER SIDE - QUICKSILVER
2	103128-09-G09	EA	END CAP - OVERHEAD CABINET - LEFT HAND
3	M06803-04-G09	EA	DOOR - MITERED CORNER/OGEE EDGE - 10" X 19.1" - WO HDW
4	109561-04-H33	EA	CABINET - OVERHEAD - FRONT/LEFT HAND - W/O DOOR/HDW
4	109561-04-H34	EA	CABINET - OVERHEAD - FRONT/LEFT HAND - W/O DOOR/HDW
4	109561-04-H35	EA	CABINET - OVERHEAD - FRONT/LEFT HAND - W/O DOOR/HDW
	P09561-02-G29	EA	PANEL - VINYL COVERED/CABINET BOTTOM - DRIVER
	104289-04-H33	EA	PANEL - VINYL COVERED/OVERHEAD TV CABINET - LEFT SIDE
5	114612-02-G32	EA	FACE - OVERHEAD/TV - LEFT HAND - 15.4" X 33.7"
	100676-02-000	EA	SHELF - OVERHEAD CABINET - VCR/INVERTOR
	106699-01-01A	EA	BRACKET - OVERHEAD CABINET/TV
6	100708-12-000	EA	DOOR - GLASS TV CABINET - 9.7" X 23.2" - W/O HARDWARE
7	114661-06-H33	EA	PANEL - HEADLINER/OVERHEAD - LEFT HAND - W/O TV
7	114661-24-H33	EA	PANEL - HEADLINER/OVERHEAD - LEFT HAND - TV OPTION
7	114661-12-H33	EA	PANEL - HEADLINER/OVERHEAD - LEFT HAND - TV OPTION
	118836-02-H33	EA	PANEL - VINYL COVERED - BACK - SATELLITE DISH PACKAGE W/O RECEIVER
8	114661-01-H33	EA	PANEL - HEADLINER/OVERHEAD - RIGHT HAND - TV OPTION - W/O TV
8	114661-13-H33	EA	PANEL - HEADLINER/FRONT - RIGHT HAND - TV OPTION
8	114661-14-H33	EA	PANEL - HEADLINER/OVERHEAD - RIGHT HAND - TV/VCR
8	114661-15-H33	EA	PANEL - HEADLINER/OVERHEAD - RT HAND - TV/VCR/INVERTER
8	114661-16-H33	EA	PANEL - HEADLINER/OVERHEAD - RT HAND - TV/INVERTOR
9	114612-01-G32	EA	FACE - OVERHEAD/TV - RIGHT HAND - 15.4" X 33.7"
	106699-01-01A	EA	BRACKET - OVERHEAD CABINET/TV
10	109561-03-H33	EA	CABINET - OVERHEAD - FRONT PASSENGER - W/O DOOR/HDW
10	109561-03-H34	EA	CABINET - OVERHEAD - FRONT PASSENGER - W/O DOOR/HDW
10	109561-03-H35	EA	CABINET - OVERHEAD - FRONT PASSENGER - W/O DOOR/HDW
11	103128-08-G09	EA	CAP-END, FRONT OVERHEAD, PASSENGERS SIDE
	P09561-01-G29	EA	PANEL - VINYL COVERED/CABINET BOTTOM - PASSENGER
	104289-05-H33	EA	PANEL - VINYL COVERED/OVERHEAD TV CABINET - RIGHT SIDE
12	103931-01-03A	EA	COVER - INTERIOR - A-PILLAR - QUICKSILVER
13	078811-08-G29	EA	PANEL - TRIM/LOWER HEADER
14	123298-01-02A	EA	SUNVISOR - 7" X 28.5" - DRIVER/PASSENGER SIDE
15	P03077-08-H33	EA	SHELF - CABINET - OVERHEAD/RIGHT HAND - VINYL COVERED - TV OPTION
15	P03077-04-H33	EA	SHELF - CABINET - OVERHEAD/RIGHT HAND - VINYL COVERED - W/O TV
16	122881-01-02A	EA	INSERT - OVERHEAD/TV FRONT - TV OPTIONS
	118022-06-H33	EA	COVER - TV - OVERHEAD/FRONT - W/O HARDWARE
	114706-02-02B	EA	SUPPORT - SHELF - TV
	091261-01-000	FT	SLIPNOT - ANTISLIP - 1" WIDE (100' ROLL)
16	116791-01-H33	EA	FACE FRAME - TV CABINET - 20.6" X 22.2" - W/O TV
	114706-02-02B	EA	SUPPORT - SHELF - TV
	P18192-01-G35	EA	CABINET - METAL - VINYL COVERED - TV
	M06803-C1-H33	EA	DOOR - MITERED CORNER/OGEE EDGE - 16.7" X 18.1" - W/O HDW
	115638-01-H33	EA	PANEL - HEADLINER - TOP
	115639-01-H33	EA	PANEL - HEADLINER - SIDE
17	078579-19-000	EA	TRIM - WINDSHIELD - UPPER INNER/PASSENGER
18	079765-13-000	EA	TRIM - WINDSHIELD CENTER
19	040714-01-000	EA	MIRROR - REAR VIEW/ARM MOUNT & SET SCREW - GM # 911722
	067490-01-000	EA	BUTTON - MIRROR/REAR VIEW
20	078579-20-000	EA	TRIM - WINDSHIELD - UPPER INNER/DRIVER
21	P03077-07-H33	EA	SHELF - CABINET - OVERHEAD/LEFT HAND - VINYL COVERED - TV OPTION
21	P03077-03-H33	EA	SHELF - CABINET - OVERHEAD/LEFT HAND - VINYL COVERED

**DRIVERS COMPARTMENT GROUP (CONTINUED)**  
**DRIVERS COMPARTMENT - LOWER**



KEY	PART NUMBER	U/M DESCRIPTION	VENDOR NO.
1	024700-44-000	EA COVER-SIDEWALL ROLL BAR, OFF WHITE - 53"	
1	024700-45-000	EA COVER-SIDEWALL ROLL BAR, OFF WHITE - 12.8"	
	024700-47-000	EA COVER-SIDEWALL ROLL BAR, OFF WHITE - 18.9" - DRIVER DOOR	
	024700-48-000	EA COVER-SIDEWALL ROLL BAR, OFF WHITE - 25" - DRIVER DOOR	
2	091990-04-01A	EA SEAT BELT-SHOULDER HARNESS - DRIVERS/PASSENGERS - BLACK	
	091990-01-700	EA BOLT COVER	
	091990-01-701	EA EXTENDER-SEAT BELT SHOULDER HARNESS, 9"	I-1331-02
	109146-01-000	EA BOLT-SHOULDER, SEAT BELT	
	103961-01-01A	EA COVER - BRACKET - SEATBELT - OFF WHITE	
	103961-02-01A	EA COVER - BRACKET - SEATBELT - OFF WHITE - DRIVER DOOR OPTION	
3	103812-11-02A	EA TRIM-DASH, LOWER - QUICKSILVER - CHEVY	
4	111499-01-05A	EA POD-INSTRUMENT PANEL, QUICKSILVER - PLASTIC	
5	P03817-18-000	EA DASH ASM, W/O VINYL - CHEVY	
	106569-02-05A	YD VINYL-LAMINATE, 1/4" X 16" X 8' - QUICKSILVER	
	077539-01-000	EA BRACKET-MOUNTING, DASH PANEL - L/SHAPED - 2.5" X 1" X 1.5"	
	105927-02-000	EA PANEL-DASH TOP W/STUD	
	113452-01-000	FT SEAL-TRIM, U-SHAPED VINYL	
		FROM: 02-03-97 THRU: 99-99-99	
6	104354-01-07A	EA APPLIQUE-LOWER DASH, 2300 MM LONG	
7	095757-03-F25	EA COVER-HEATER W/CARPET (H33)	
7	095757-03-E33	EA COVER-HEATER W/CARPET (H34)	
7	095757-03-H35	EA COVER-HEATER W/CARPET (H35)	
8	086120-01-H33	EA PAD-MAP POCKET, 12" X 16" (H33)	
		FROM: 00-00-00 THRU: 01-12-97	
8	086120-01-H3A	EA PAD-MAP POCKET, 12" X 16" (H33)	
		FROM: 01-13-97 THRU: 99-99-99	
8	086120-01-H34	EA PAD-MAP POCKET, 12" X 16" (H34)	
8	086120-01-H35	EA PAD-MAP POCKET, 12" X 16" (H35)	
9	115840-01-01A	EA COVER-MOTOR, W/O CARPET	
9	115840-02-01A	EA COVER-MOTOR, W/O CARPET - VORTEC ENGINE OPTION	
	115850-01-02B	EA RETAINER - LATCH - MOTOR COVER - RIGHT HAND - E-COAT	
	116581-01-000	EA LATCH-MOTOR COVER	
	115852-01-02B	EA STRIKE - LATCH - MOTOR COVER - E-COATED	
	116833-01-02B	EA WRENCH-HEX, MOTOR COVER - E-COAT	
	115860-01-01A	EA TRIM-MOTOR COVER, BOTTOM - MILL FINISH ALUMINUM	
	039623-01-000	FT SEAL-MOTOR COVER, RUBBER BULB TYPE - BLACK	
	122772-02-02B	EA BRACKET ASM-MOUNTNG, BEVERAGE TRAY - E-COAT	
10	103498-06-000	EA BOOT - STEERING COLUMN/UNIVERSAL	
		FROM: 00-00-00 THRU: 12-18-96	
10	103498-09-000	EA BOOT - STEERING COLUMN - W/1/2 CIRCLE	
		FROM: 12-19-96 THRU: 99-99-99	

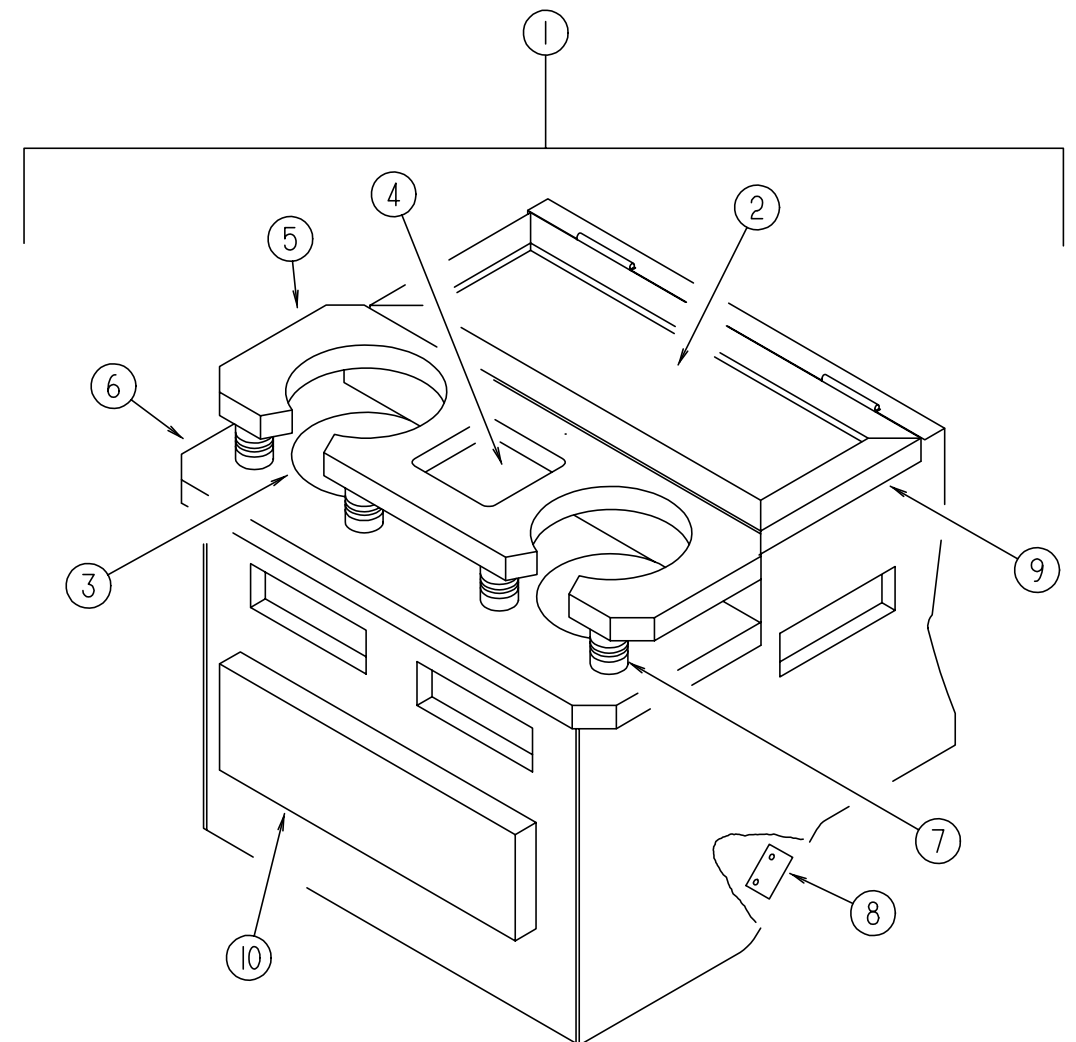
**DRIVERS COMPARTMENT GROUP (CONTINUED)**



**BEVERAGE TRAY (FROM: 00-00-00 THRU: 03-16-97)**

KEY	PART NUMBER	U/M DESCRIPTION
1	122707-01-H17	EA TRAY ASM-BEVERAGE, W/O DRAWER OR LOUVERS
1	122707-02-H17	EA TRAY ASM-BEVERAGE, W/O DRAWER OR LOUVERS - VORTEC ENGINE OPTION
2	122717-03-01A	FT PAD - NON-SKID, PSA - 6.5" X 50"
3	122717-01-01A	EA PAD - NON SKID, PSA - 4" DIAMETER ROUND
4	122717-02-01A	EA PAD - NON SKID, PSA - 4" X 4"
5	122707-11-H17	EA SHELF W/O PAD OR DOWELS
6	122707-12-H17	EA SHELF ASM W/PADS W/O HARDWARE OR DOWELS
7	097872-04-000	EA DOWEL-WOOD, 1" DIAMETER X 1.38" LONG - UNFINISHED
8	122832-01-02B	EA BRACKET-MOUNT, BEVERAGE TRAY - E-COAT
9	122707-13-H17	EA LID W/O PAD OR HARDWARE
10	M05971-AZ-H33	EA DRAWER - OGEE EDGE - 10"W X 11.8"D - W/O SLIDES/HDW
	100128-02-000	FT SEAL - FOAM - ADHESIVE BACK - .37" W X .37" THICK

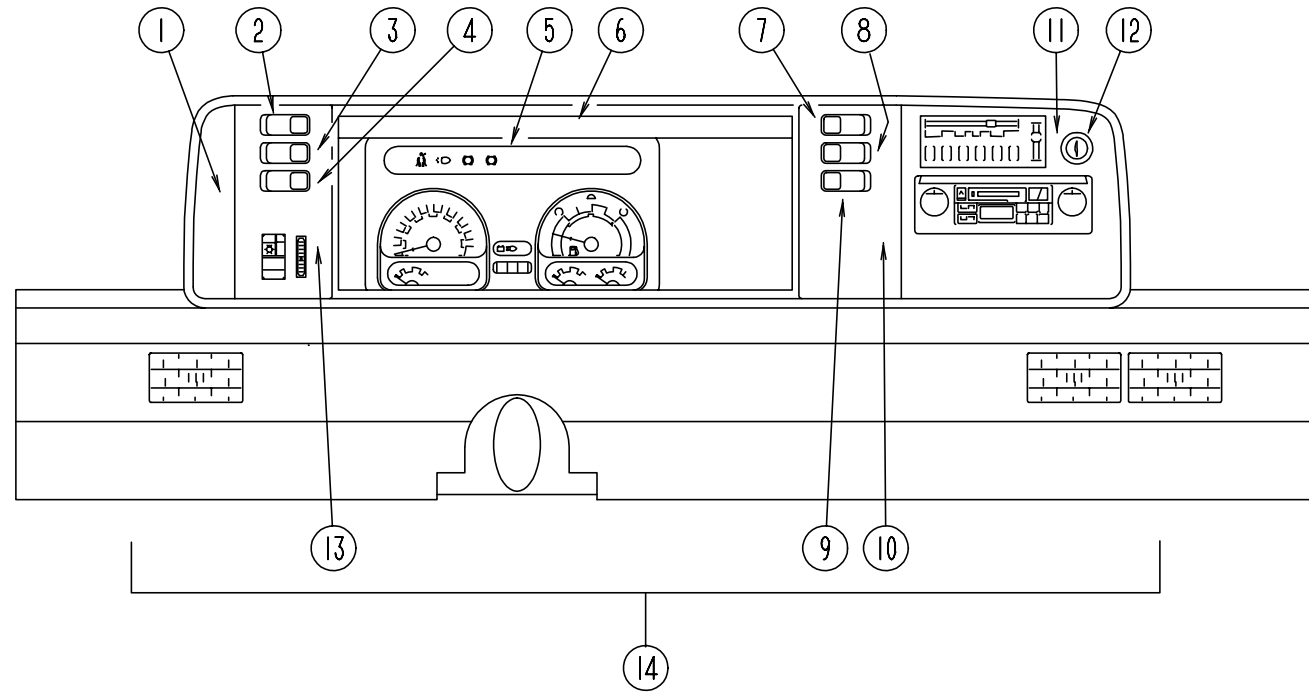
**DRIVERS COMPARTMENT GROUP (CONTINUED)**



**BEVERAGE TRAY (FROM: 03-17-97 THRU: 99-99-99)**

KEY	PART NUMBER	U/M DESCRIPTION
1	126680-01-H17	EA TRAY ASM-BEVERAGE, W/O DRAWER OR LOUVERS
1	126680-02-H17	EA TRAY ASM-BEVERAGE, W/O DRAWER OR LOUVERS - VORTEC ENGINE OPTION
2	122717-06-01A	FT PAD - NON-SKID, PSA - 6.5" X 13.8"
3	122717-01-01A	EA PAD - NON SKID, PSA - 4" DIAMETER ROUND
4	122717-02-01A	EA PAD - NON SKID, PSA - 4" X 4"
5	126680-15-H17	EA SHELF W/O PAD OR DOWELS
6	126680-14-H17	EA SHELF ASM W/PADS W/O HARDWARE OR DOWELS
7	097872-04-000	EA DOWEL-WOOD, 1" DIAMETER X 1.38" LONG - UNFINISHED
8	122832-01-02B	EA BRACKET-MOUNT, BEVERAGE TRAY - E-COAT
9	126680-16-H17	EA LID W/PAD W/O HARDWARE
10	M05971-AZ-H33	EA DRAWER - OGEE EDGE - 10"W X 11.8"D - W/O SLIDES/HDW
	100128-02-000	FT SEAL - FOAM - ADHESIVE BACK - .37" W X .37" THICK

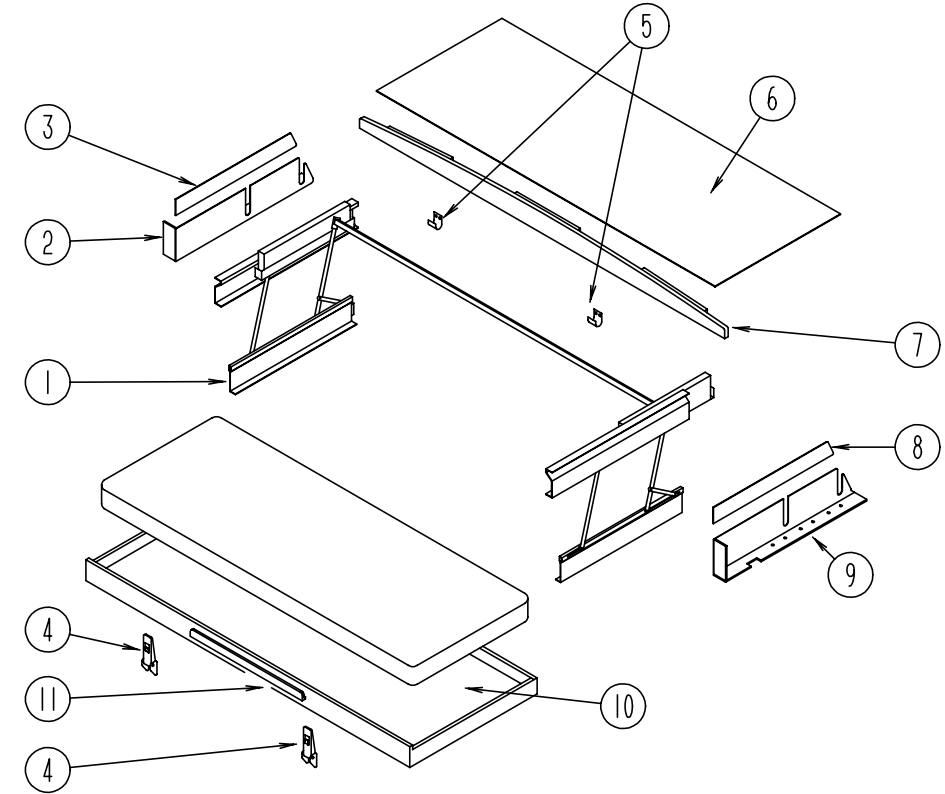
**DRIVERS COMPARTMENT GROUP (CONTINUED)**



**DASH, GAUGES & SWITCHES - CHEVY**

KEY	PART NUMBER	U/M	DESCRIPTION
1	104056-01-04A	EA	APPLIQUE-BEZEL
2	108356-02-01A	EA	COVER/ACTUATOR SWITCH - 2 ROWS DIMPLES - CONTURA II - BLACK
2	108357-05-000	EA	SWITCH-ROCKER, SPDT ON/NONE/ON - RADIO POWER W/O CD
2	108357-08-000	EA	SWITCH-ROCKER, DPDT ON/NONE/ON 6 TERMINAL - RADIO POWER W/CD
3	108356-02-01A	EA	COVER/ACTUATOR SWITCH - 2 ROWS DIMPLES - CONTURA II - BLACK
3	108357-09-000	EA	SWITCH - ROCKER SPDT - ON/NONE/MOM - 3 TERMINAL - DUAL BATTERY
4	108356-02-01A	EA	COVER/ACTUATOR SWITCH - 2 ROWS DIMPLES - CONTURA II - BLACK
4	108357-06-000	EA	SWITCH - ROCKER DPDT - MOM/OFF/MOM - 6 TERMINAL BATTERY DISCONNECT SWITCH OPTION
4	096241-03-000	EA	SWITCH-BLANK
5	125001-02-000	EA	CLUSTER-INSTRUMENT PANEL, KILOMETERS/MILES - GAS
5	094796-08-000	EA	CLUSTER-INSTRUMENT PANEL, KILOMETERS - DIESEL FROM: 00-00-00 THRU: 12-08-96
5	125001-04-000	EA	CLUSTER-INSTRUMENT PANEL, KILOMETERS/MILES - DIESEL FROM: 12-09-96 THRU: 99-99-99
5	094796-11-000	EA	CLUSTER-INSTRUMENT PANEL, MILES - DIESEL - ENGLAND FROM: 00-00-00 THRU: 10-06-96
5	125001-03-000	EA	CLUSTER-INSTRUMENT PANEL, MILES/KILOMETERS - DIESEL - ENGLAND FROM: 10-07-96 THRU: 99-99-99
6	103662-01-01A	EA	BEZEL-INSTRUMENT PANEL
7	108356-04-01A	EA	COVER/ACTUATOR SWITCH - 2 ROWS DIMPLES W/LIGHT - CONTURA II - BLACK
7	108357-10-000	EA	SWITCH - ROCKER SPDT W/LIGHT - MOM/NONE/MOM - 5 TERMINAL GENERATOR OPTION
7	096241-03-000	EA	SWITCH-BLANK
8	108356-02-01A	EA	COVER/ACTUATOR SWITCH - 2 ROWS DIMPLES - CONTURA II - BLACK
8	108357-03-000	EA	SWITCH - ROCKER SPDT - ON/OFF/ON - 3 TERMINAL REAR HEATER OPTION
8	096241-03-000	EA	SWITCH-BLANK
9	096241-03-000	EA	SWITCH-BLANK
10	104056-21-01A	EA	APPLIQUE-BEZEL
11	104056-06-04A	EA	APPLIQUE-BEZEL
12	089294-01-000	EA	LIGHTER - CIGARETTE - W/O WIRES
13	104056-22-01A	EA	APPLIQUE-BEZEL
14	M05946-40-H33	EA	DASH POD - CHEVY - W/O CLUSTER
	100138-01-000	EA	MODULE-DAYTIME RUNNING LIGHT - CANADIAN
	077031-01-000	EA	FILM-BLACK, 1" X 1.75"
	077031-03-000	EA	FILM-WHITE, .75" X 1"
	049176-01-000	EA	HEDLOCK II - 3/4" DIAMETER, SCREW MOUNT
	103603-01-000	EA	BULB - 12V NO.74 0.12A WEDGE

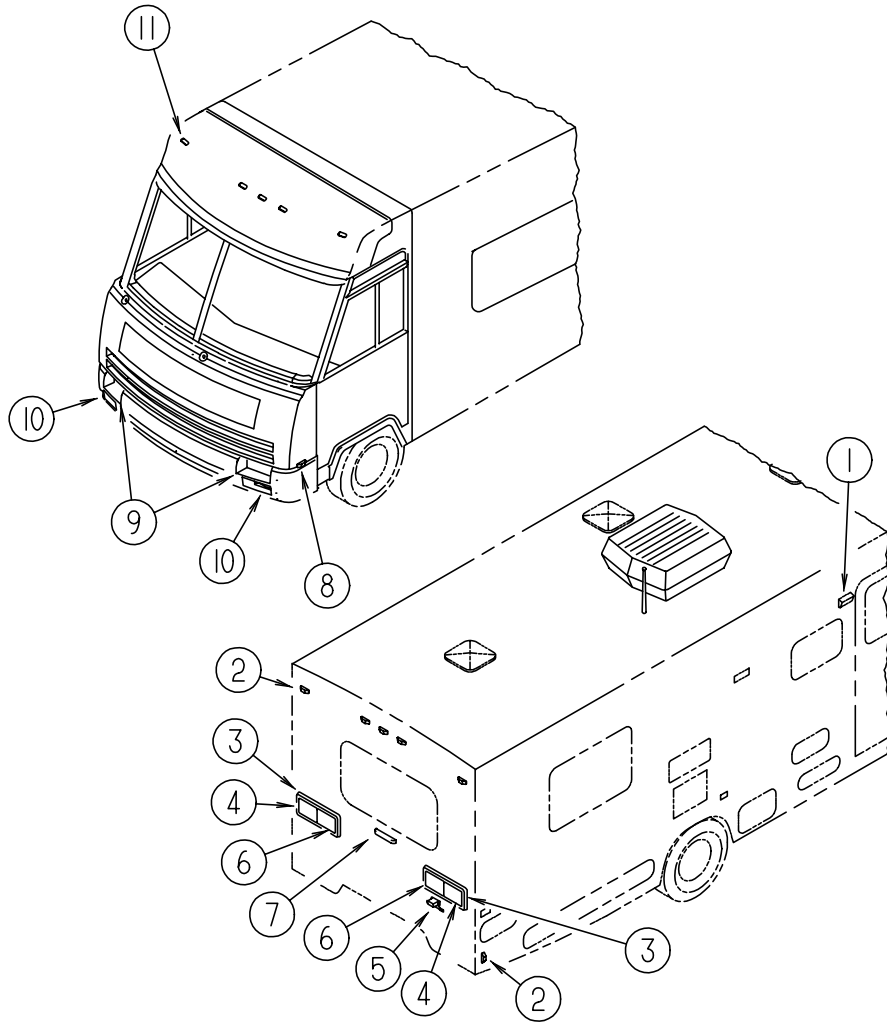
**DRIVERS COMPARTMENT GROUP (CONTINUED)**



**FRONT BUNK**

KEY	PART NUMBER	U/M	DESCRIPTION	VENDOR NO.
1	076760-02-000	EA	BUNK HARDWARE - COMPLETE	
	076760-02-700	EA	SPRING-GAS, BUNK HARDWARE	9272
2	101499-10-H33	EA	PANEL - END CAP - BOTTOM/LEFT HAND	
3	101497-25-H33	EA	PANEL - END CAP - UPPER LEFT HAND/BUNK	
4	116975-01-01A	EA	LATCH - W/O STRIKE - BLACK - NEW STYLE	
5	116975-02-01A	EA	NEW STYLE KEEPER/STRIKE	
6	122194-02-H33	EA	PANEL - HEADLINER - OVERHEAD TV	
7	P03199-01-C05	EA	BOARD - TRIM/BUNK - CEILING MOUNTED	
8	101497-24-H33	EA	PANEL - END CAP - UPPER/RIGHT HAND BUNK	
9	101499-09-H33	EA	PANEL - END CAP - BOTTOM/RIGHT HAND	
10	081717-03-G09	EA	BED - BUNK/FRONT	
11	094658-01-G09	EA	HANDLE - OAK/BUNK	

**ELECTRICAL GROUP**  
**EXTERIOR LIGHTS**

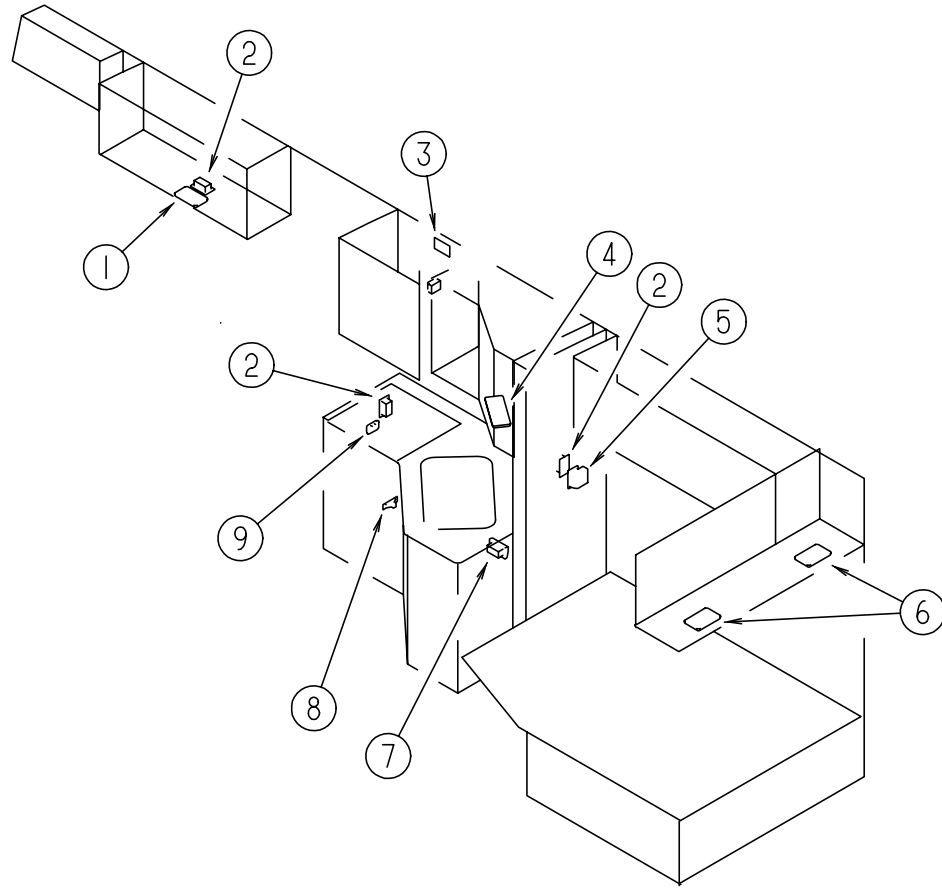


KEY	PART NUMBER	U/M	DESCRIPTION
1	097917-01-06A	EA	LIGHT-PORCH, ENTRY DOOR - BRIGHT WHITE
	008215-01-000	EA	BULB - 12V, .94 AMP - #1003
	097917-01-700	EA	LENS-LIGHT, PORCH
2	111102-01-000	EA	LAMP-MARKER, BASE - TRIPLEX 117XAS
	036196-01-000	EA	BULB - 12V, #194 - .27 AMP - BAYONETTE
2	111102-03-000	EA	LENS-MARKER LAMP, RED - TRIPLEX 117R
3	121621-01-01A	EA	POD-TAILLIGHTS, BRIGHT WHITE
4	115632-03-02A	EA	LIGHT-STOP/TAIL/BACKUP
5	066432-02-000	EA	LIGHT-LICENSE, BLACK
	066432-03-000	EA	BRACKET-LICENSE PLATE - BARGMAN 30-60-030
6	115632-01-02A	EA	LIGHT-STOP/TURN/TAIL, RED
	121621-01-01A	EA	POD-TAILLIGHTS, BRIGHT WHITE
7	121950-01-000	EA	LIGHT ASM-BRAKE, CENTER MOUNT - RUSSELL JI-100
8	111102-01-000	EA	LAMP-MARKER, BASE - TRIPLEX 117XAS
	036196-01-000	EA	BULB - 12V, #194 - .27 AMP - BAYONETTE
8	111102-02-000	EA	LENS-MARKER LAMP, AMBER - TRIPLEX 118A
9	070907-04-000	EA	HEADLAMP - HIGH/LOW HALOGEN
	049359-01-000	EA	SPRING-RETAINER, HEADLAMP - GM #496096
	073308-01-000	EA	SCREW-ADJUSTING, HEADLAMP
	106687-02-000	EA	SOCKET-LIGHT, 3-WIRE
10	106688-02-000	EA	LIGHT-TURN SIGNAL, AMBER (LENS/BACK PAN)
	037935-01-000	EA	BULB - 12V - #1157 OR #2057 - 2.1 AMP - CLEAR GLASS
11	102520-01-000	EA	LIGHT-CLEARANCE, W/O SOCKET CONNECTIONS - AMBER
	036196-01-000	EA	BULB - 12V, .27 AMP - BAYONETTE - #194
	102540-01-000	EA	SEAL-SCREW, ROUND - RUBBER
	102541-01-000	EA	GASKET-CLEARANCE LIGHT
	067789-02-000	EA	SOCKET-LAMP
	098024-01-03A	EA	LIGHT-DOME, 1 BULB - WHITE (COMPARTMENTS)
	008218-01-000	EA	BULB-DOME LIGHT, 12V - NUMBER 1141
	098024-01-700	EA	LENS-LIGHT

VENDOR NO.

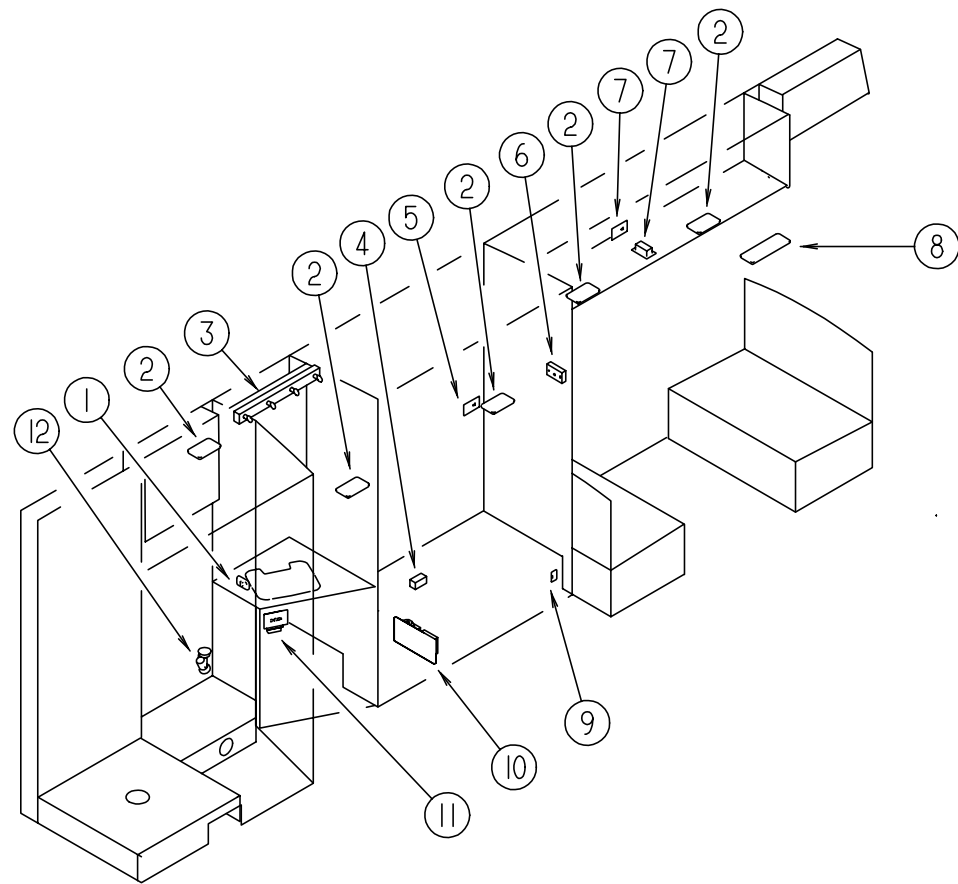
807877

**ELECTRICAL GROUP (CONTINUED)**  
**LIGHTS, SWITCHES, & RECEPTACLES - PASSENGERS SIDE**



KEY	PART NUMBER	U/M	DESCRIPTION	VENDOR NO.
1	098024-06-02A	EA	LIGHT - DOME - 2 BULB - SKYLITE	807877
	008218-01-000	EA	BULB-DOME LIGHT, ``12V - NUMBER 1141	
	098024-01-700	EA	LENS-LIGHT	
2	058708-01-000	EA	RECEPTACLE-ELECTRIC, DOUBLE - BROWN	807877
	058708-02-000	EA	RECEPTACLE-ELECTRIC, DOUBLE - IVORY	
3	058707-01-000	EA	RECEPTACLE-ELECTRIC, SINGLE - BROWN	
4	098024-06-02A	EA	LIGHT - DOME - 2 BULB - SKYLITE	807877
	008218-01-000	EA	BULB-DOME LIGHT, ``12V - NUMBER 1141	
	098024-01-700	EA	LENS-LIGHT	
5	084076-01-000	EA	RECEPTACLE-GFI, 15A - 125V - IVORY	
5	084076-02-000	EA	RECEPTACLE-GFI, 15A - 125V - BROWN	
5	097734-01-02A	EA	EXTENSION-RECEPTACLE, 3.2" X 5" X .7" - PLASTIC - BROWN - CANADIAN	
6	098024-05-02A	EA	LIGHT - DOME - 1 BULB - SKYLITE - WHITE	809902
	008218-01-000	EA	BULB - DOME LIGHT - 12 VOLT - NO. 1141	
	098024-01-701	EA	LENS - OPTI CLEAR - SKYLITE	
7	112822-01-01A	EA	RECEPTACLE - DUPLEX - IVORY	
7	112824-01-03A	EA	COVER - RECEPTACLE - EXTERIOR DUPLEX - WHITE	
8	061424-01-000	EA	LIGHT-AISLE, 12V - RECTANGULAR	
	008103-01-000	EA	BULB-DASH/AISLE LIGHT, #53 - 12 V - .12 AMP	
9	098351-05-01A	EA	PLATE - SWITCH - 3 GANG POLISHED BRASS	
9	098351-06-01A	EA	PLATE - SWITCH - 2 GANG POLISHED BRASS	
9	095188-02-01A	EA	SPACER - SWITCH - 2.3" X 4.1" - PLASTIC - DARK BROWN	
9	095188-01-01A	EA	SPACER - SWITCH - 2.3" X 3.4" - PLASTIC - DARK BROWN	
9	079364-01-000	EA	SWITCH - ON/OFF ROCKER - 2 TERMINAL - BROWN	ARP1089
	086280-01-000	EA	LIGHT - SURFACE MOUNT - 12 VOLT	
	086280-01-700	EA	BULB,12V	
	091927-01-000	EA	COVER - RECEPTACLE - DOUBLE - IVORY	

**ELECTRICAL GROUP (CONTINUED)**  
**LIGHTS, SWITCHES, & RECEPTACLES - DRIVERS SIDE**



KEY	PART NUMBER	U/M	DESCRIPTION	VENDOR NO.
1	079364-01-000	EA	SWITCH - ON/OFF ROCKER - 2 TERMINAL - BROWN	
1	079364-03-000	EA	SWITCH - ON/OFF ROCKER - 3 TERMINAL - BROWN	
1	098351-05-01A	EA	PLATE - SWITCH - 3 GANG POLISHED BRASS	
1	098351-06-01A	EA	PLATE - SWITCH - 2 GANG POLISHED BRASS	
1	095188-02-01A	EA	SPACER - SWITCH - 2.3" X 4.1" - PLASTIC - DARK BROWN	
1	095188-01-01A	EA	SPACER - SWITCH - 2.3" X 3.4" - PLASTIC - DARK BROWN	
2	098024-01-03A	EA	LIGHT - DOME - 1 BULB - WHITE	
	008218-01-000	EA	BULB-DOME LIGHT, 12V - NUMBER 1141	
	098024-01-700	EA	LENS-LIGHT	807877
3	110235-02-01A	EA	LIGHT-MAKE UP, BRASS - 4 BULB PANLESS - PD PD200-622	
3	081633-01-700	EA	BULB-MAKE UP LIGHT, JENSEN	
4	058707-02-000	EA	RECEPTACLE-BLANK, JUNCTION - WIRECON WDJ20BR	
5	058707-01-000	EA	RECEPTACLE-ELECTRIC, SINGLE - BROWN	
6	115764-01-01A	EA	THERMOSTAT - FURNACE - SUBURBAN 160902	
	117806-01-000	EA	BULB - 12 VOLT #912 - 1.0 AMPS	
7	058708-01-000	EA	RECEPTACLE-ELECTRIC, DOUBLE - BROWN	
7	058708-02-000	EA	RECEPTACLE-ELECTRIC, DOUBLE - IVORY	
8	098024-03-02A	EA	LIGHT - DOME - 2 BULB - WHITE	
	008218-01-000	EA	BULB-DOME LIGHT, 12V - NUMBER 1141	
	098024-01-700	EA	LENS-LIGHT	807877
9	098351-01-01A	EA	PLATE - SWITCH - 1 GANG POLISHED BRASS	
9	079364-01-000	EA	SWITCH-ON/OFF ROCKER, 2 PRONGS - BROWN - LP DETECTOR	
10	024924-02-000	EA	RECEPTACLE-POWER CORD, W/PARTIAL PLATE	
11	084076-01-000	EA	RECEPTACLE-GFI, 15A - 125V - IVORY	
11	084076-02-000	EA	RECEPTACLE-GFI, 15A - 125V - BROWN	
	084077-02-000	EA	PLATE - COVER - RECEPTACLE - GFI - BROWN	
	091927-01-000	EA	COVER - RECEPTACLE - DOUBLE - IVORY	
11	097734-01-02A	EA	EXTENSION-RECEPTACLE, 3.2" X 5" X .7" - PLASTIC - BROWN - CANADIAN	
12	104172-01-01A	EA	LIGHT-BULLET, BEIGE - #787 SERIES - CSA	
	086280-01-000	EA	LIGHT-SURFACE MOUNT, 12V - JENSEN 1236	
	086280-01-700	EA	BULB - 12 VOLT, 6 WATT	
	054250-01-000	EA	COVER-ANGLED, W/O HOLE - 3.6" X 4.5" - PLASTIC - BEIGE	
	054250-04-000	EA	COVER-ANGLED, W/O HOLE - 3.6" X 4.5" - PLASTIC - OFF WHITE	
	077942-01-000	EA	SWITCH-DUMMY, BLACK	



**ELECTRICAL GROUP (CONTINUED)**  
**FUSES & FUSE HOUSINGS**

KEY	PART NUMBER	U/M DESCRIPTION
	008234-01-000	EA FUSE - 10 AMPS, 12 VOLT
	062901-02-000	EA FUSE - 05 AMPS - AUTOMOTIVE
	062901-05-000	EA FUSE - 15 AMPS - AUTOMOTIVE
	062901-06-000	EA FUSE - 20 AMPS - AUTOMOTIVE
	062901-07-000	EA FUSE - 25 AMPS - AUTOMOTIVE
	062901-08-000	EA FUSE - 30 AMPS - AUTOMOTIVE
	062037-01-000	EA HOUSING - AUTO FUSE - NATURAL
	062037-02-000	EA HOUSING - AUTO FUSE - GREEN
	062037-03-000	EA HOUSING - AUTO FUSE - BLACK
	062037-04-000	EA HOUSING - AUTO FUSE - BLUE
	062037-05-000	EA HOUSING - AUTO FUSE - GRAY
	062037-06-000	EA HOUSING - AUTO FUSE - BROWN
	062037-07-000	EA HOUSING - AUTO FUSE - RED
	106656-01-000	EA FUSE BLOCK - 4 CAVITY - AUTOFUSE
	108669-01-000	EA HOUSING - AUTO FUSE HOLDER

**CIRCUIT BREAKERS**

KEY	PART NUMBER	U/M DESCRIPTION
	083209-01-000	EA CIRCUIT BREAKER - 15 AMP - 120 VOLT
	083209-02-000	EA CIRCUIT BREAKER - 15/15 AMP - 120 VOLT
	083209-03-000	EA CIRCUIT BREAKER - 15/20 AMP - 120 VOLT
	083209-04-000	EA CIRCUIT BREAKER - 30 AMP - 120 VOLT
	083209-05-000	EA CIRCUIT BREAKER - 20A - 120 VOLT
	083209-06-000	EA CIRCUIT BREAKER - 30/15 AMP - 120 VOLT
	083209-07-000	EA CIRCUIT BREAKER - 20/20 AMP - 120 VOLT
	083209-08-000	EA CIRCUIT BREAKER - BLANK
	093655-03-000	EA CIRCUIT BREAKER - 40 AMP - 12 VOLT
	097611-01-000	EA CIRCUIT BREAKER - 10 AMP - 12 VOLT

FROM: 00-00-00 THRU: 11-01-96

**TERMINALS**

KEY	PART NUMBER	U/M DESCRIPTION
	008326-01-000	EA TERMINAL-RING, 16/14 WIRE - 3/8" STUD
	008328-01-000	EA TERMINAL-RING, 12/10 WIRE - #10 STUD FIT
	008331-01-000	EA TERMINAL-RING, TONGUE - #4 WIRE - 3/8" STUD - COPPER
	008348-01-000	EA TERMINAL-RING, 3/8" STUD - #2 WIRE
	035416-04-000	EA TERMINAL-RING #10 STUD FIT, INSULATED BARREL #16/14
	047443-01-000	EA TERMINAL - .250 RECEPTACLE FIT, INSULATED - 16/14 AWG
	047443-02-000	EA TERMINAL - .250 RECEPTACLE FIT, INSULATED - 12/10 AWG
	062036-01-000	EA TERMINAL-PACK-CON, 12/10 AWG
	062036-02-000	EA TERMINAL-PACK-CON, 16/14 AWG
	088267-01-000	EA TERMINAL-FEMALE, 1/4
	088476-01-000	EA TERMINAL - ELECTRICAL
	098260-01-000	EA TERMINAL-MALE, 56 SERIES
	104100-03-000	EA TERMINAL - 75 AMP
	106007-01-000	EA TERMINAL-FEMALE, 14-16 AWG
	106655-01-000	EA TERMINAL-FUSE BLOCK, 14-16 AWG
	106655-02-000	EA TERMINAL-FUSE BLOCK, 10-12 AWG
	113306-01-000	EA TERMINAL-FEMALE, METRI-PACK - 14-16
	113307-01-000	EA TERMINAL-FEMALE, METRI-PACK - 16-20
	125324-01-000	EA TERMINAL-MALE, M/P - 150

**ELECTRICAL GROUP (CONTINUED)**  
**ELECTRIC BOXES & COVERS**

KEY	PART NUMBER	U/M DESCRIPTION
	008289-01-000	EA BOX-ELECTRIC, STEEL - 1/2" AND 3/4" KNOCKOUTS - 4" X 4" - US
	008289-02-000	EA BOX-ELECTRIC, STEEL - 1/2" AND 3/4" KNOCKOUTS - 4" X 4" - CANADIAN
	091910-01-000	EA BOX - ELECTRIC - 3.8" X 3.5" X 1.8" - PLASTIC
	091910-02-000	EA BOX - ELECTRIC - 2.2" X 3.5" X 1.7" - PLASTIC
	008294-01-000	EA COVER-ELECTRICAL BOX, BLANK/STEEL - 4" X 4" - GRAY
	008294-02-000	EA COVER-ELECTRICAL BOX, BLANK STEEL - 4" X 4" - CANADIAN
	069238-01-000	EA COVER-ELECTRICAL BOX, W/HOLE - 4" X 4" - GRAY USED WITH 30 AMP RECEPTACLE
	093257-02-000	EA BOX - ELECTRIC - CIRCUIT BREAKER
	111509-01-000	EA BOX ASM-ELECTRICAL, FRONT
	111510-01-000	EA DOOR-ELECTRICAL BOX, FRONT

**HOUSINGS, PINS & SOCKETS**

KEY	PART NUMBER	U/M DESCRIPTION
	088473-01-000	EA HOUSING-PIN, 4 ROWS OF 3
	088473-02-000	EA HOUSING-PIN, 15 CAVITY
	088473-03-000	EA HOUSING-PIN, 9 POSITION
	088473-05-000	EA HOUSING-PIN, 6 POSITION (SINGLE ROW)
	088473-06-000	EA HOUSING-PIN, 6 POSITION (TWO ROWS OF THREE)
	088473-08-000	EA HOUSING-PIN, 4 POSITION
	088473-09-000	EA HOUSING-PIN, 3 POSITION (SINGLE ROW)
	088473-10-000	EA HOUSING-PIN, 2 POSITION
	088474-01-000	EA HOUSING - SOCKET - 12 CAVITY
	088474-02-000	EA HOUSING - SOCKET - 15 CAVITY
	088474-03-000	EA HOUSING - SOCKET - 9 CAVITY
	088474-06-000	EA HOUSING - SOCKET - 6 CAVITY
	088474-07-000	EA HOUSING - SOCKET - 5 CAVITY
	088474-08-000	EA HOUSING - SOCKET - 4 CAVITY
	088474-09-000	EA HOUSING - ELECTRICAL - 3 TERMINAL
	088474-10-000	EA HOUSING - SOCKET - 2 CAVITY
	088475-01-000	EA PIN-CONNECTOR, 14 TO 20 AWG
	088475-02-000	EA PIN-CONNECTOR, 10 TO 12 AWG
	098265-02-000	EA PIN - CONNECTOR - WEATHERPACK
	088476-02-000	EA SOCKET - CONNECTOR - 12-10 GA - PRE-TIN
	103608-01-000	EA SOCKET-WEDGE BASE W/LEADS
	098261-02-000	EA SOCKET - CONNECTOR - WEATHERPACK
	098262-01-000	EA SEAL - CONNECTOR - WEATHERPACK
	098264-01-000	EA HOUSING - 2 PIN - WEATHERPACK
	101571-01-000	EA HOUSING - 2 POSITION - MALE
	101751-01-000	EA HOUSING - 1 PIN - WEATHER PACK
	101751-02-000	EA HOUSING - 1 PIN - WEATHER PACK
	104100-01-000	EA HOUSING - 1 POSITION, 75 AMP
	106006-01-000	EA HOUSING - 1 POSITION, FEMALE
	110178-01-000	EA HOUSING-WIPER MOTOR
	113468-01-000	EA HOUSING - 2 POSITION, FEMALE - 56-SERIES USED ON WIPER/WASHER WIRE ASM
	115556-01-000	EA HOUSING - 3 POSITION - FEM
	119248-02-000	EA HOUSING - 7 POSITION, FEMALE - METRI-PACK
	125323-02-000	EA HOUSING - 8 POSITION, MALE
	125325-01-000	EA SEAL - CAVITY
	108355-01-000	EA HOUSING-SWITCH

**ELECTRICAL GROUP (CONTINUED)**  
**CONNECTORS**

KEY	PART NUMBER	U/M DESCRIPTION
	008311-01-000	EA CONNECTOR - WIRE NUT - INSULATED - RED
	008312-01-000	EA CONNECTOR - WIRE NUT - INSULATED - BLUE
	008313-01-000	EA CONNECTOR - WIRE NUT - INSULATED - YELLOW
	008314-01-000	EA CONNECTOR - WIRE NUT - INSULATED - GRAY
	008355-01-000	EA CONNECTOR - CABLE CLAMPING - 3/4"
	008356-01-000	EA CONNECTOR - PLASTIC - 3/8" AVG
	041480-01-000	EA CONNECTOR - STRAIGHT - 1/2' FLEX CONDUIT
	058028-01-000	EA CONNECTOR - ELECTRICAL PIGTAIL - NYLON - CLEAR
	080015-02-000	EA RECEPTACLE - FLAG - .185 - 16/14 GAUGE
	087225-01-000	FT SLEEVING - 1/2" - TYPE H
	008398-01-000	EA CONNECTOR - 1/2" X 90 DEGREE, FLEX CONDUIT - UL AND CSA
	007942-01-000	EA TAB-WIRE, 18 TO 14 AWG
	082741-01-000	EA CONNECTOR BODY - 2 CONNECTOR - MALE
	087695-03-000	EA CONNECTOR-ASSEMBLY - EURAMTEC RT10484802
	007940-01-000	EA RECEPTACLE-SLIDE, 16 TO 12 AWG - FEMALE END
	007954-01-000	EA RECEPTACLE-HOUSING, 6 POSITION
	112823-01-000	EA SPLICE-REDUCER, 16-14 TO 18-22

**POWER CORDS**

KEY	PART NUMBER	U/M DESCRIPTION
	008052-01-000	EA CORD-POWER, 10/3 - 30 AMP - 25' - CANADIAN
	008054-01-000	EA CORD-POWER, 10/3 - 30 AMP - 25' - US
	121470-01-000	EA CORD-EXTENSTION, 6 FT - 16-2 - SATELLITE DISH OPTION

**WIRE ASSEMBLIES**

KEY	PART NUMBER	U/M DESCRIPTION
	096449-01-000	EA WIRE ASSEMBLY-WATER TANK TO MONITOR PANEL
	097618-01-000	EA WIRE ASSEMBLY-MONITOR PANEL, W/3 WIRES & ORANGE RESISTOR- LVS
	102636-02-000	EA WIRE ASSEMBLY-CLEARANCE LAMPS
	110256-01-000	EA WIRE ASSEMBLY-IP, GENERATOR
	111915-01-000	EA WIRE ASSEMBLY-DAY RUN LAMPS, FUSE - GM
	090986-01-000	EA WIRE ASSEMBLY - ELECTRIC STEP
	113134-03-000	EA WIRE ASSEMBLY - WIPER/WASHER
	081059-02-000	EA WIRE ASSEMBLY - 9PIN - F/RADIO
	100677-01-000	EA WIRE ASSEMBLY - RADIO

**CONDUIT**

KEY	PART NUMBER	U/M DESCRIPTION
	041953-01-000	FT CONDUIT-CONVOLUTE, SLIT - .5" ID
	041953-03-000	FT CONDUIT-CONVOLUTE, SLIT - 1" ID (CLOTHES ROD COVER)
	041953-05-000	FT CONDUIT-CONVOLUTE, SOLID - .62" ID
	041953-06-000	FT CONDUIT-CONVOLUTE, SLIT - .375" ID
	041953-07-000	FT CONDUIT-CONVOLUTE, SLIT - .25" ID
	041953-08-000	FT CONDUIT-CONVOLUTE, SLIT - 1.50" ID
	041953-09-000	FT CONDUIT-CONVOLUTE, SLIT - .50" ID
	041953-10-000	FT CONDUIT-CONVOLUTE, SLIT - .75" ID
	041953-11-000	FT CONDUIT-CONVOLUTE, SLIT - 1.06" ID
	041953-12-000	FT CONDUIT-CONVOLUTE, NON SLIT - 1.1" ID

**ELECTRICAL GROUP (CONTINUED)**  
**CONVERTER & INVERTER**

KEY	PART NUMBER	U/M DESCRIPTION
	083208-01-000	EA CONVERTER - POWER - 32A AMP - 120V/12V
	083208-02-000	EA CONVERTER - POWER - 45A - 120/12V
	099048-03-000	EA INVERTER - 130 WATT

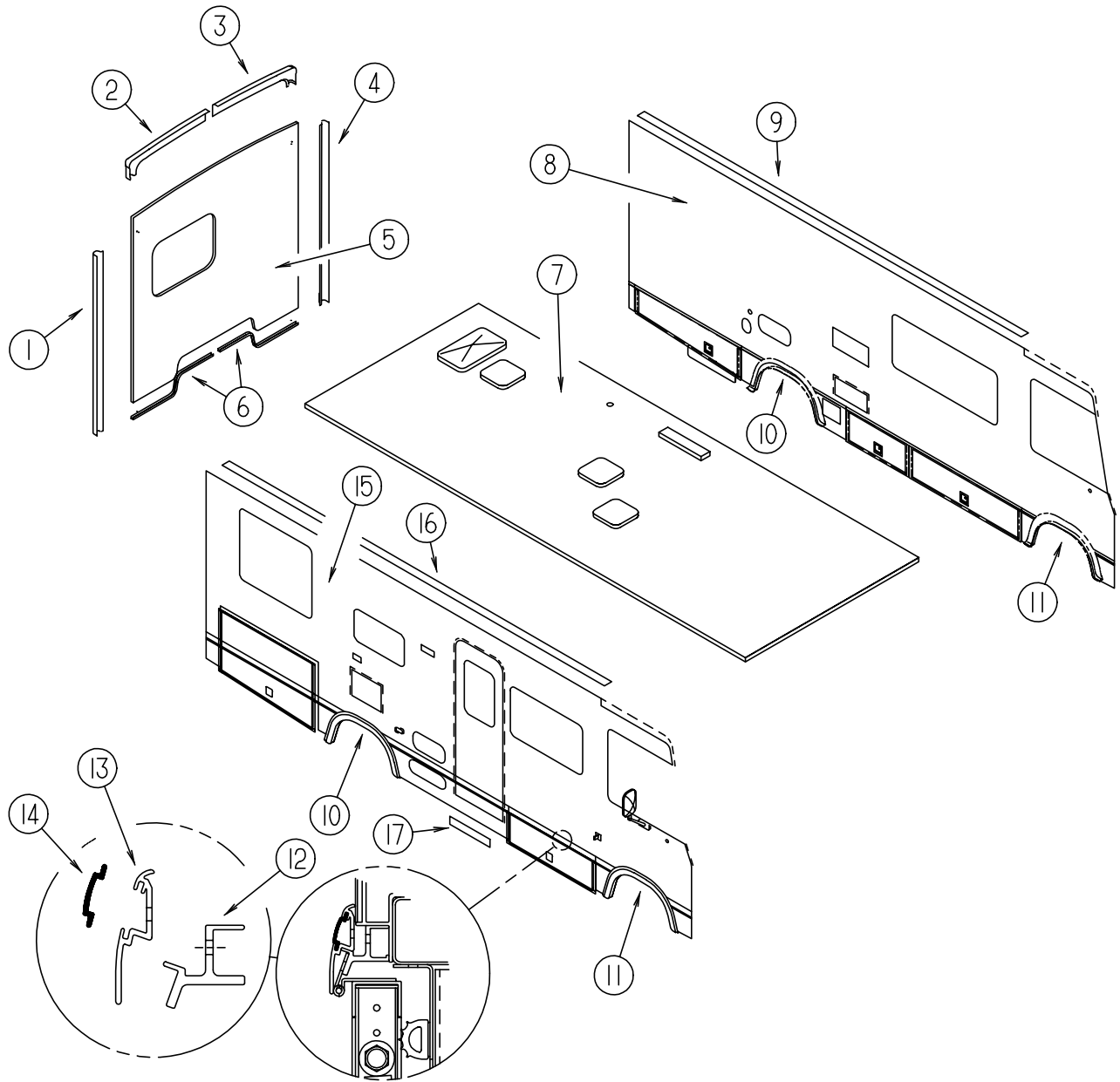
**SOLAR PANEL & MONITOR (MCCLAIN ANNIVERSARY OPTION)**

KEY	PART NUMBER	U/M DESCRIPTION	VENDOR NO.
	115504-01-000	EA PANEL - SOLAR, 10 WATT	
	115504-01-700	EA PLUG & CABLE, 10 WATT PANEL	600-016
	115505-01-000	EA LIGHT - MONITOR/SOLAR PANEL - RED LED INDICATOR	

**MISCELLANEOUS ELECTRICAL COMPONENTS**

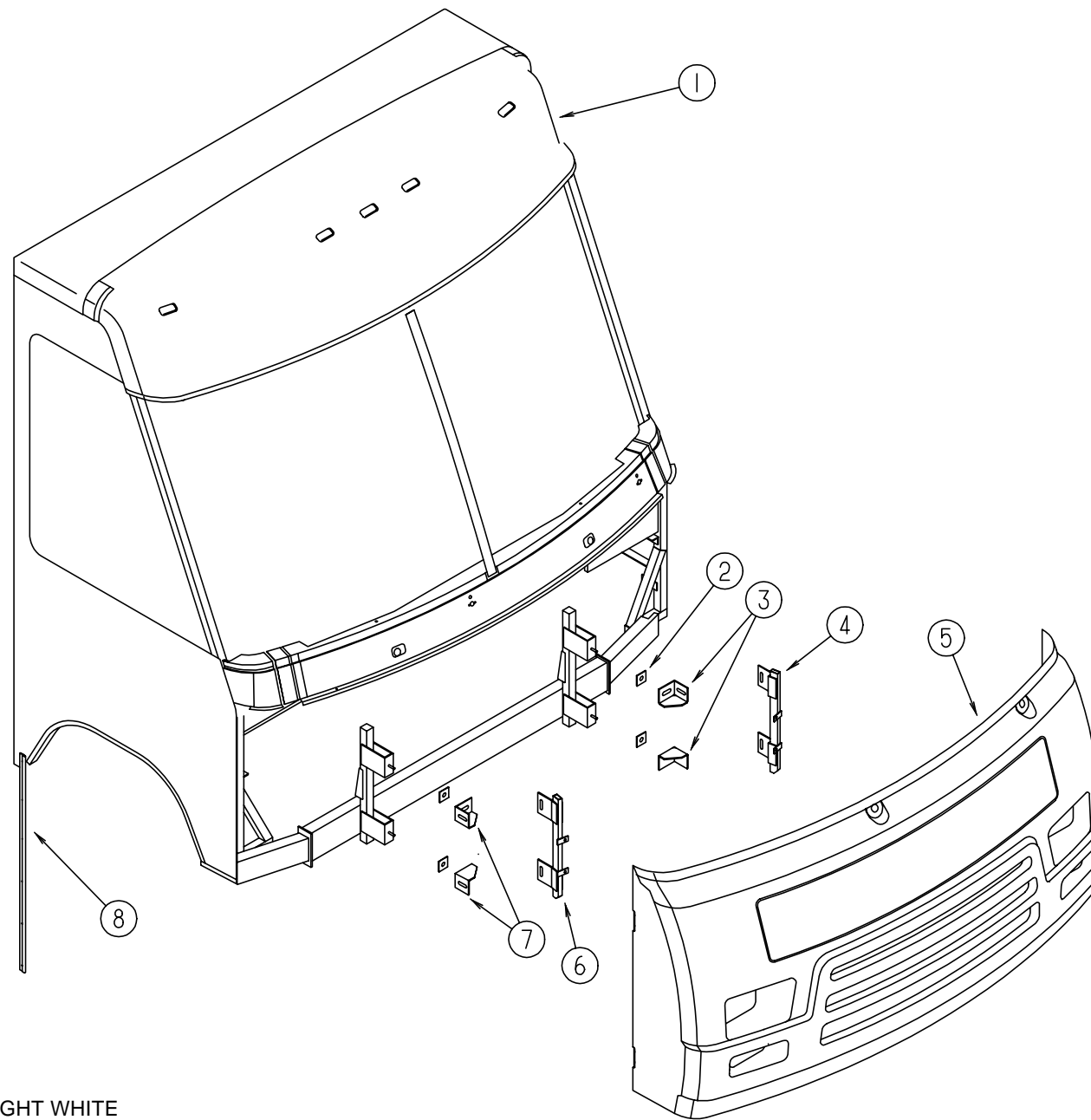
KEY	PART NUMBER	U/M DESCRIPTION
	007093-01-000	EA FLASHER-SIGNAL, STAT
	007956-05-000	EA INSULATOR - SHRINK - .25 ID X 1.50 - BLACK
	008188-01-000	EA SOLENOID - 3 POST, BATTERY CHANGE OVER
	063910-01-000	EA HOUSING-RELAY
	063912-02-000	EA RELAY-CANISTER, SPDT
	086233-01-000	EA STUD-ISOLATED, 3/8" X 7/8" LONG
	086273-01-000	EA RELAY-BATTERY DISCONNECT
	103987-02-000	EA SEAL-SOLENOID ACCESS
	073328-B4-000	EA CABLE ASSEMBLY-BATTERY, W/TERMINALS
	077479-01-000	EA BOOT - BATTERY TERMINAL - DOUBLE CABLE
	077479-02-000	EA BOOT - BATTERY TERMINAL - SINGLE CABLE

**EXTERIOR BODY GROUP**  
**EXTERIOR BODY PANELS AND TRIM**



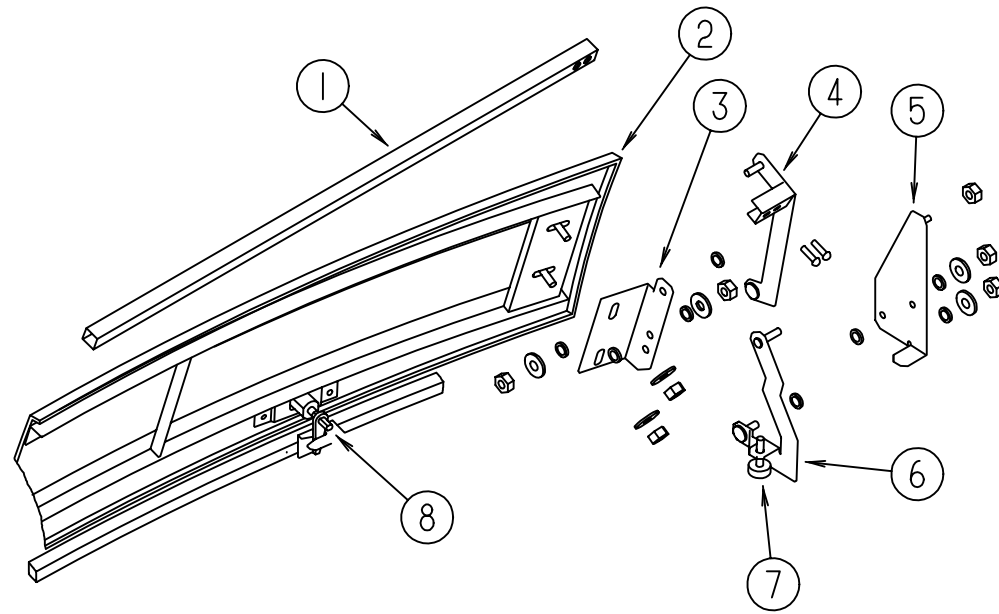
KEY	PART NUMBER	U/M DESCRIPTION
1	114874-05-12B	EA TRIM-BACKWALL SIDE, RIGHT - BRIGHT WHITE - STEEL
1	104033-11-02A	EA TRIM-J, BACKWALL - RIGHT - BRIGHT WHITE - ALUMINUM
2	114872-01-02A	EA TRIM-BACKWALL, TOP W/O CLEARANCE LIGHTS - RH - BRIGHT WHITE PLASTIC
3	114873-01-02A	EA TRIM-BACKWALL, TOP W/O CLEARANCE LIGHTS - LH - BRIGHT WHITE PLASTIC
4	114874-06-12B	EA TRIM-BACKWALL SIDE, LEFT - BRIGHT WHITE - STEEL
4	104033-12-02A	EA TRIM-J, BACKWALL - LEFT - BRIGHT WHITE - ALUMINUM
5	122900-01-H33	EA BACKWALL - W/O WINDOW/TRIM
5	122900-01-H34	EA BACKWALL - W/O WINDOW/TRIM
5	122900-01-H35	EA BACKWALL - W/O WINDOW/TRIM
	108688-01-03A	EA STRIP - FEATURE - 15' - BRIGHT WHITE
	105312-01-07A	FT INSERT - VINYL FEATURE STRIP - BRIGHT WHITE
	105312-01-03A	FT INSERT-FEATURE STRIP, GRAY MET - EXTERIOR PAINT OPTION
	108651-01-01A	EA END CAP - FEATURE STRIP
6	050406-30-000	EA TRIM - LOWER BACKWALL - BRIGHT WHITE
7	122899-02-H33	EA ROOF ASM
8	122897-02-H33	EA SIDEWALL - DRIVER - W/O WINDOWS/TRIM
8	122897-02-H34	EA SIDEWALL - DRIVER - W/O WINDOWS/TRIM
8	122897-02-H35	EA SIDEWALL - DRIVER - W/O WINDOWS/TRIM
9	120091-02-02A	EA TRIM-ROOF, BRIGHT WHITE
10	122276-01-01A	EA PANEL - WHEEL LIP - REAR
	124512-01-01A	EA TRIM - WHEELWELL/REAR - BRIGHT WHITE
11	122275-03-01A	EA PANEL - WHEEL LIP - FRONT/DRIVER - W/DRIVER DOOR
11	122275-02-01A	EA PANEL - WHEEL LIP - FRONT/DRIVER
11	122275-01-01A	EA PANEL - WHEEL LIP - FRONT/PASSENGER
	124513-01-01A	EA TRIM - WHEELWELL/FRONT - NOTCHED
12	124299-51-001	EA EXTRUDED - RETAINER - TRIM - 144"
13	124176-01-01A	EA TRIM-SIDEWALL, BRIGHT WHITE ALUMINUM
14	105312-01-07A	FT INSERT-FEATURE STRIP, BRIGHT WHITE
14	105312-01-03A	FT INSERT-FEATURE STRIP, GRAY MET - EXTERIOR PAINT OPTION
15	122896-02-H33	EA SIDEWALL - PASSENGER - W/O WINDOWS/TRIM
15	122896-02-H34	EA SIDEWALL - PASSENGER - W/O WINDOWS/TRIM
15	122896-02-H35	EA SIDEWALL - PASSENGER - W/O WINDOWS/TRIM
16	120092-01-02A	EA RAIL-AWNING, BRIGHT WHITE
	120091-02-02A	EA TRIM-ROOF, BRIGHT WHITE
	124179-03-01A	EA CAP-SIDEWALL TRIM, ANGLED - LEFT HAND - BRIGHT WHITE (WHEELWELL)
	124179-04-01A	EA CAP-SIDEWALL TRIM, ANGLED - RIGHT HAND - BRIGHT WHITE (WHEELWELL)
	124132-01-01A	EA CAP-SIDEWALL TRIM W/O NOTCH, 90 DEGREE - RIGHT HAND - BRIGHT WHITE
	124132-02-01A	EA CAP-SIDEWALL TRIM W/O NOTCH, 90 DEGREE - LEFT HAND - BRIGHT WHITE
17	124542-01-H13	EA TRIM - SIDEWALL - BRIGHT WHITE
17	124542-01-H33	EA TRIM - SIDEWALL - UMBRA - EXTERIOR PAINT OPTION
17	124542-01-HA3	EA TRIM - SIDEWALL - SILVER - MC CLAINS ANNIVERSARY OPTION
	093673-01-06A	FT TRIM - 1.3" WIDE, BRIGHT WHITE
	002726-01-001	EA GARNISH-U-CHANNEL, 1.38" X 19' - SERRATED - MILL ALUMINUM
	058267-01-000	FT CHANNEL - STEEL - W/HOLES - SIDEWALL STIFFENER - 2" X 20'
	068716-01-001	EA BRACE - 90 DEGREE L-ANGLE - 16'
	069726-02-000	EA BUMPER - .88" DIA X .40", BLACK
	116800-55-005	EA U-CHANNEL-EXTRUDED, 1.7" X 16' - BRIGHT WHITE
	122613-55-001	EA EXTRUDED - ROCKER PANEL - 192" - BRIGHT WHITE
	122613-55-003	EA EXTRUDED - ROCKER PANEL - 192" - UMBRA
	122613-55-006	EA EXTRUDED - ROCKER PANEL - 192" - SILVER

**EXTERIOR BODY GROUP (CONTINUED)**  
**FRONT END COMPONENTS**



KEY	PART NUMBER	U/M	DESCRIPTION
1	115042-01-02A	EA	PANEL-ROOF CAP, BRIGHT WHITE
	070579-06-000	EA	PLATE-ANCHOR, W/7/16 WELD NUT - 1.5" X 3.3"
	077001-01-000	EA	ANGLE - MOUNTING ROOF PANEL V ANGLE - 3" X 2.4" X 1.5"
2	116617-02-02B	EA	SPACER/WASHER-BUMPER, SQUARE - E-COAT STEEL
3	117611-04-02B	EA	BRACKET-BUMPER, E-COATED - LH
4	118997-07-H33	EA	SUPPORT ASM-GRILLE, FRONT - LH
5	121539-01-01A	EA	PANEL - FRONT/LOWER
	002328-02-000	EA	BLOCK-RUBBER, .062" X .5" X .98"
	121554-01-H33	EA	GRILLE ASSEMBLY-UPPER
	121555-01-H33	EA	GRILLE ASSEMBLY-LOWER
	115951-01-02B	EA	PLATE ASSEMBLY-HEADLAMP - DUAL - RH
	115951-02-02B	EA	PLATE ASSEMBLY-HEADLAMP - DUAL - LH
	119445-01-02B	EA	PLATE-W/HOLES - 1.5" X 1", E-COAT STEEL
	103136-03-000	EA	BRACKET - SUPPORT UPPER - HINGE/RIGHT
	103136-04-000	EA	BRACKET - SUPPORT UPPER - HINGE/LEFT
6	118997-06-H33	EA	SUPPORT ASM-GRILLE, FRONT - RH
7	117611-03-02B	EA	BRACKET-BUMPER, E-COATED - RH
8	089922-34-000	EA	TRIM-FIBERGLASS PANEL, BRIGHT WHITE
			FROM: 00-00-00 THRU: 12-01-96
8	123680-03-01A	EA	TRIM-FIBERGLASS PANEL, BRIGHT WHITE
			FROM: 12-02-96 THRU: 99-99-99

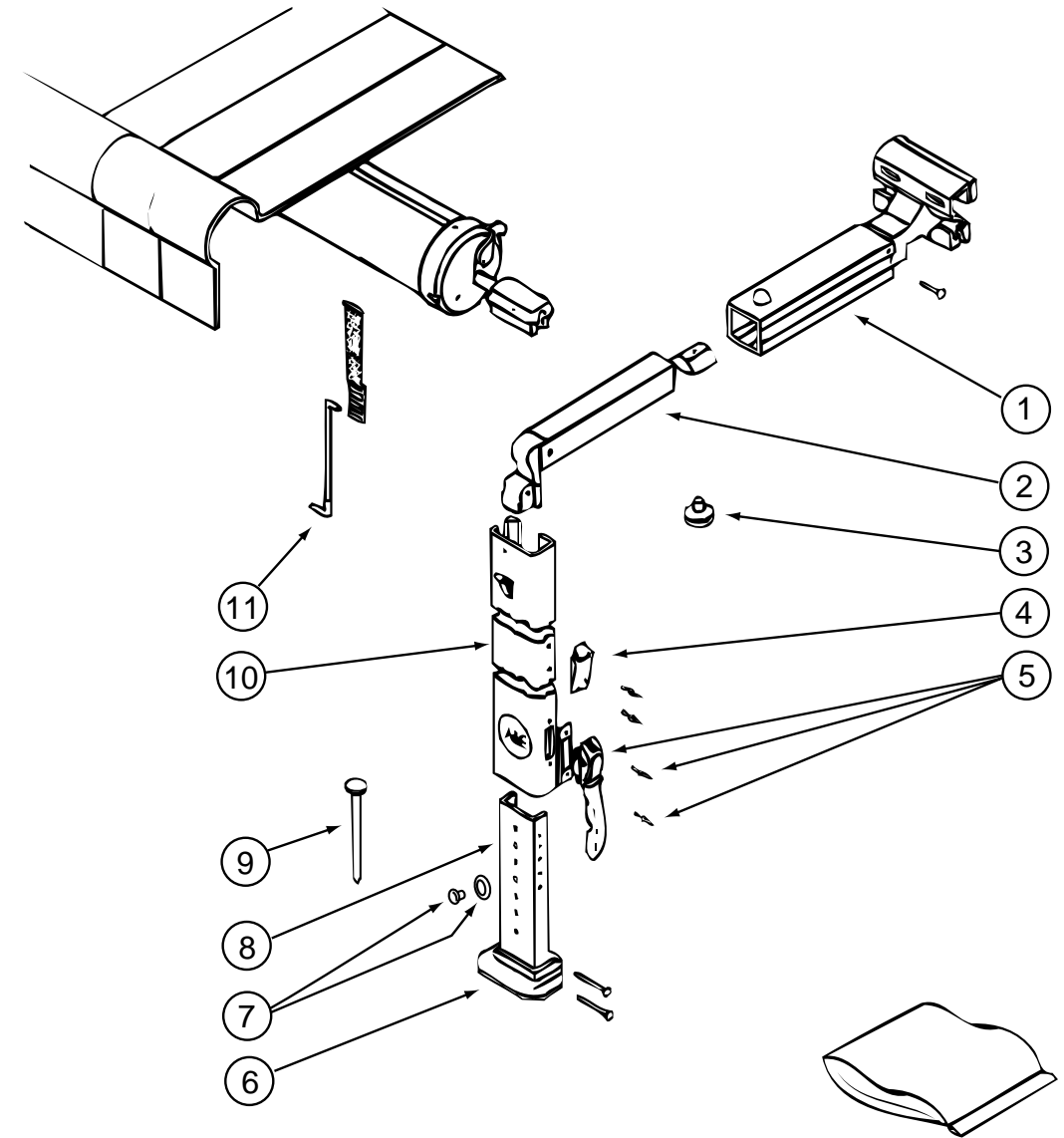
**EXTERIOR BODY GROUP (CONTINUED)**



**HOOD & COMPONENTS**

KEY	PART NUMBER	U/M	DESCRIPTION
1	105096-10-000	EA	TUBE-HOOD HINGE TIMING W/WELDNUTS
2	115976-04-H01	EA	PANEL-HOOD, BRIGHT WHITE
3	109927-03-000	EA	ANGLE-LINK, HOOD - RH
3	109927-04-000	EA	ANGLE-LINK, HOOD - LH
4	109929-07-000	EA	LINK-HINGE, HOOD - UPPER - RH
4	109929-08-000	EA	LINK-HINGE, HOOD - UPPER - LH
5	109926-23-000	EA	BRACKET-LINK, HINGE - RH
5	109926-24-000	EA	BRACKET-LINK, HINGE - LH
6	109930-15-000	EA	LINK-HINGE W/O BUMPER BOLT, HOOD - LOWER - RH
6	109930-16-000	EA	LINK-HINGE W/O BUMPER BOLT, HOOD - LOWER - LH
7	058786-01-000	EA	BOLT-HOOD, ADJUSTING W/RUBBER BUMPER
8	102330-02-000	EA	LOCK-SINGLE HOLE, VISE ACTION - SOUTHCOE 3-56-715-5
	102328-01-000	EA	KEY-BARREL, NICKEL PLATED - SOUTHCOE 3-26-715-19
	099418-01-000	FT	SEAL - D-SECTION/ADHESIVE BACK - .44" X .44" - BLACK RUBBER
	106748-06-000	EA	LATCH-HOOD, FRONT END

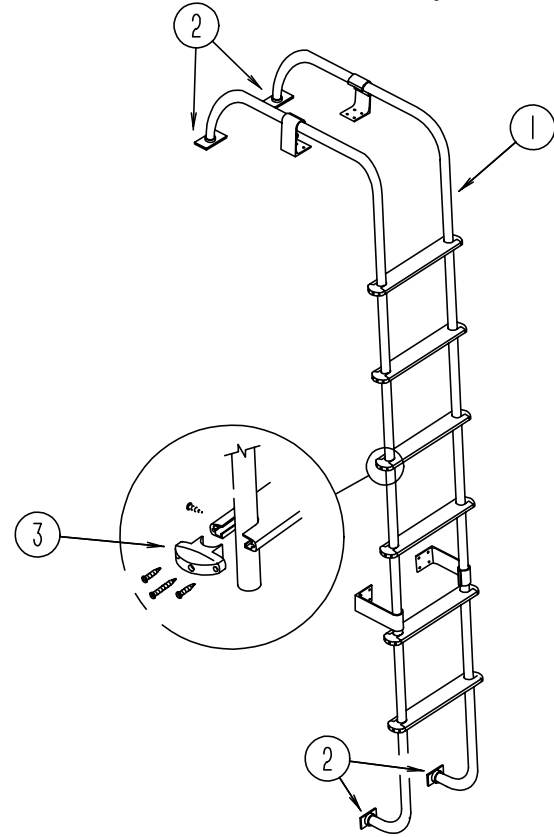
**EXTERIOR BODY GROUP (CONTINUED)**



**A & E AWNING & HARDWARE**

KEY	PART NUMBER	U/M	DESCRIPTION	VENDOR NO.
	113874-04-01A	EA	AWNING - W/O HDW 13' (POLAR BLUE LAVENDER) VINYL	
	111037-01-01A	EA	SPACER - AWNING - UPPER - BLACK	
	111038-01-01A	EA	SPACER - AWNING - LOWER	
	113874-01-02A	EA	HARDWARE KIT - AWNING- W/O STANDOFF BRACKET - BRIGHT WHITE	
1	113874-01-714	EA	RAFTER - MAIN RH/LH - BRIGHT WHITE	830295.536F
2	113874-01-715	EA	RAFTER - SECONDARY - BRIGHT WHITE	830463.511F
3	113874-01-702	EA	KNOB - ADJUSTING	3105421.014
4	113874-01-706	EA	LOCK - TRAVEL	830587.001
5	113874-01-707	EA	HANDLE - LIFT W/RIVETS	830644
6	113874-01-712	EA	FOOT - PATIO	730366-001
7	113874-01-710	EA	PLUG-STOP KIT	830456
8	113874-01-717	EA	ARM - ADJUSTABLE - BRIGHT WHITE	830467.517/F
9	113874-01-709	EA	NAIL-SPIKE, 8"	113006
10	113874-01-716	EA	ARM - MAIN SUPPORT - BRIGHT WHITE	3104502.293/F
11	113874-01-703	EA	ROD-CENTER PULL W/ACCESSORY	830152.102
	119496-01-02A	EA	SPACER/ZEE - AWNING	

**EXTERIOR BODY GROUP (CONTINUED)**



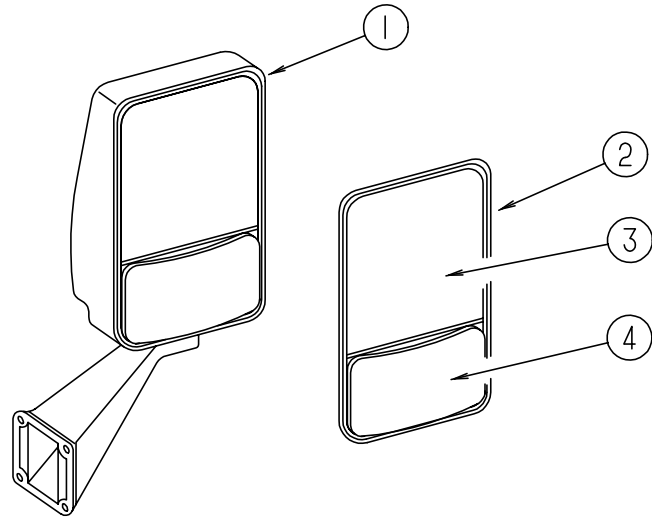
**LADDER**

KEY	PART NUMBER	U/M DESCRIPTION
1	102953-18-H13	EA LADDER
2	067165-01-000	EA MOUNTING BRACKET-LADDER, LOWER
3	076980-02-000	EA END CAP-STEP, BLACK
	038327-01-000	EA TAPE-ANTI SLIP, 2" X 60'

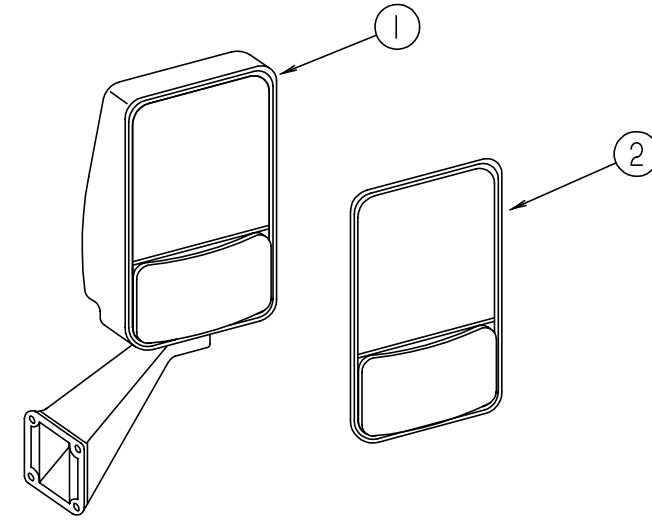
**EXTERIOR BODY GROUP (CONTINUED)**  
**FIBERGLASS, STYROFOAM & INSULATION**

KEY	PART NUMBER	U/M DESCRIPTION
	076054-N1-000	EA FIBERGLASS SHEET - 96" X 355.5" BRIGHT WHITE
	076054-N9-000	EA FIBERGLASS SHEET - 96" X 102" BRIGHT WHITE
	076054-W4-000	EA FIBERGLASS SHEET - 79" X 337" - BRIGHT WHITE
	077517-62-000	EA FIBERGLASS SHEET - .045" X 48" X 96" - BRIGHT WHITE
	108535-05-702	EA FIBERGLASS SHEET - 110" X 396" - BRIGHT WHITE (ROOF COVERING)
	108535-04-705	EA FIBERGLASS SHEET - 6" X 34' - BRIGHT WHITE (ROOF COVERING)
	108535-06-700	EA FIBERGLASS SHEET - 102" X 102" - BRIGHT WHITE
	000870-08-000	SF STYROFOAM - .75" X 48" X 96" - PLANED - INCREMENTS OF 32 SF
	072877-03-000	EA INSULATION - SOUND BARRIER - 1" X 36" X 57"
	072878-01-000	SF INSULATION - SOUND BARRIER PAD - .058" X 33" X 58"
	100619-01-000	BF FOAM-EXPANDED POLYSTYRENE, 1.34" X 48" X 96" - 1.5 LB/SQ FT DENSITY
	100619-04-000	BF FOAM-EXPANDED POLYSTYRENE, .5" X 48" X 96" - 2 LB/SQ FT DENSITY
	100619-05-000	BF FOAM-EXPANDED POLYSTYRENE, .75" X 48" X 96" - 1.5 LB/SQ FT DENSITY
	100619-10-000	BF FOAM-EXPANDED POLYSTYRENE, 1.5" X 48" X 96" - 2 LB/SQ FT DENSITY
	100619-11-000	BF FOAM-EXPANDED POLYSTYRENE, 2" X 48" X 96" - 1.5 LB/SQ FT DENSITY
	100619-16-000	BF FOAM-EXPANDED POLYSTYRENE, .75" X 48" X 96" - 2 LB/SQ FT DENSITY
	120107-01-000	EA FOAM - COVE - ROOF - 2.8" X 96" LONG
	120107-02-000	EA FOAM - PLUG - ROOF TUBE - 2.2" X 2.9" X 1.8" LONG
	120107-03-000	EA FOAM - PLUG - SIDEWALL TUBE - 1.2" X 2.1" X 1.8" LONG

**EXTERIOR BODY GROUP (CONTINUED)**



**EXTERIOR BODY GROUP (CONTINUED)**

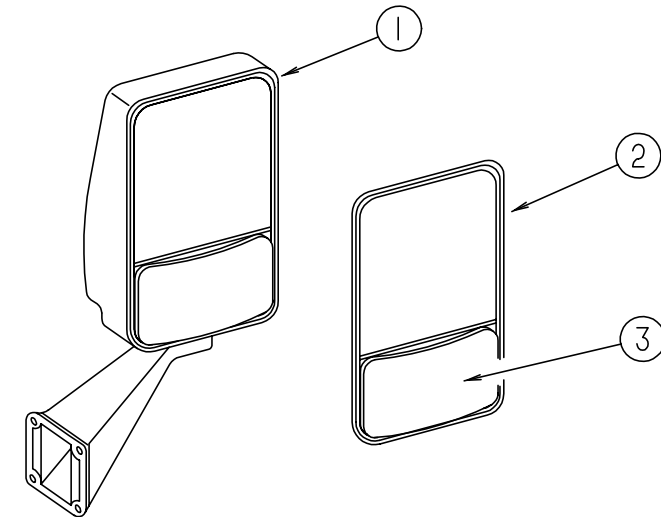


**VELVAC EXTERIOR MIRRORS - FROM: 00-00-00 THRU: 03-02-97**

KEY	PART NUMBER	U/M DESCRIPTION	VENDOR NO.
1	106015-09-01A	EA MIRROR ASM-EXTERIOR ADJUST GLASS RIGHT - BLACK	
1	106015-10-01A	EA MIRROR ASM-EXTERIOR ADJUST GLASS LEFT - BLACK	
2	106015-01-703	EA MIRROR KIT (BEZEL W/MIRRORS) PASSENGER SIDE	709266
2	106015-02-702	EA MIRROR KIT (BEZEL W/MIRRORS) DRIVER SIDE	709267

**VELVAC HEATED EXTERIOR MIRRORS**

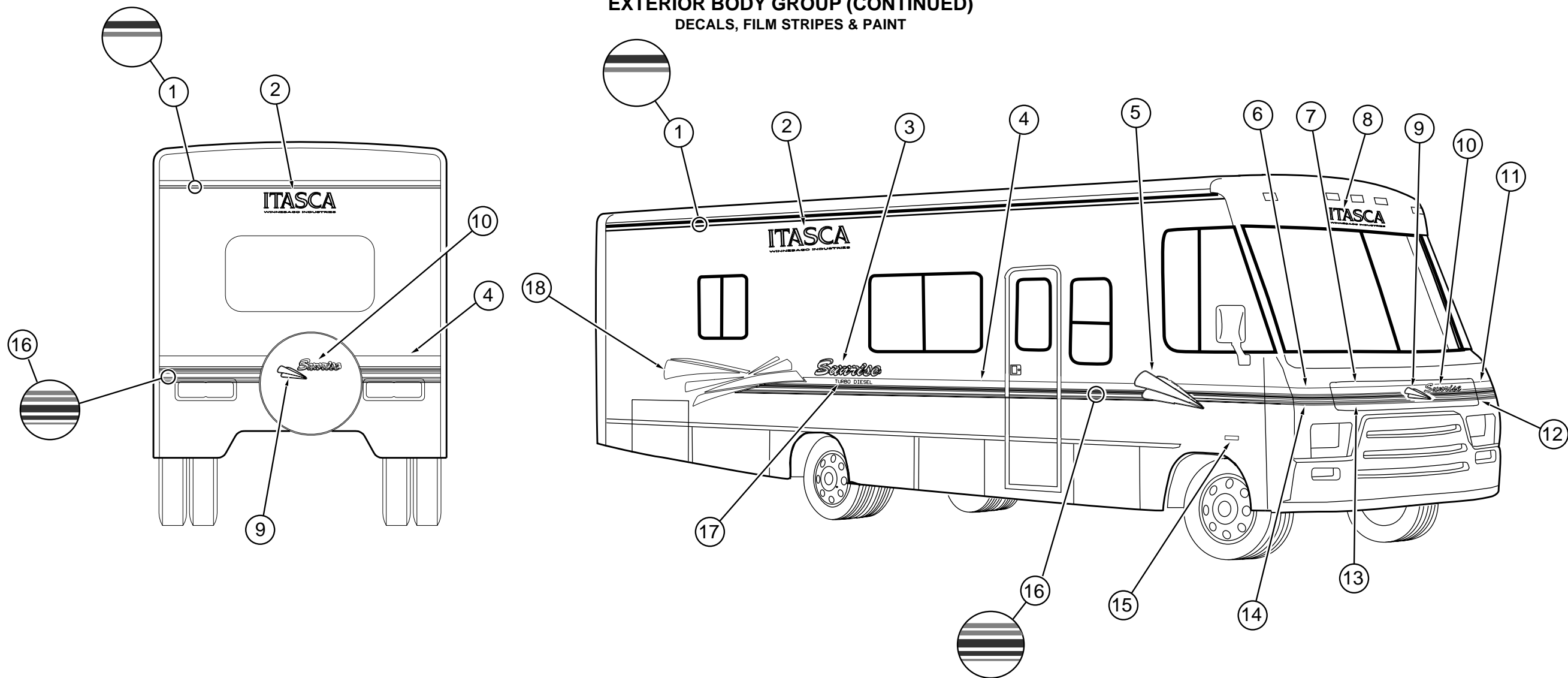
KEY	PART NUMBER	U/M DESCRIPTION	VENDOR NO.
1	106015-05-01A	EA MIRROR ASM - REMOTE/HEATED RIGHT W/O SWITCHES FROM: 00-00-00 THRU: 11-05-96	
1	106015-12-01A	EA MIRROR ASM - REMOTE/HEATED RIGHT W/O SWITCHES FROM: 11-06-96 THRU: 99-99-99	
1	106015-06-01A	EA MIRROR ASM - REMOTE/HEATED LEFT W/O SWITCHES FROM: 00-00-00 THRU: 11-05-96	
1	106015-13-01A	EA MIRROR ASM - REMOTE/HEATED LEFT W/O SWITCHES FROM: 11-06-96 THRU: 99-99-99	
2	086261-01-704	EA MIRROR KIT (BEZEL W/MIRRORS) PASSENGER SIDE FROM: 00-00-00 THRU: 11-05-96	709091-8
2	086261-02-701	EA MIRROR KIT (BEZEL W/MIRRORS) DRIVER SIDE FROM: 00-00-00 THRU: 11-05-96	709269
3	106015-12-700	EA GLASS-FLAT W/HEAT & CLIP FROM: 11-06-96 THRU: 99-99-99	709448
4	106015-12-701	EA GLASS-CONVEX W/HEAT & CLIP FROM: 11-06-96 THRU: 99-99-99	709449
	087695-02-000	EA SWITCH-HEATER, EXTERIOR MIRROR - EURAMTEC DAV4720-12	
	087695-03-000	EA CONNECTOR-ASSEMBLY - EURAMTEC RT10484802	
	088246-01-000	EA SWITCH-REMOTE, EXTERIOR MIRROR - SQUARE PUSH 7471290	



**VELVAC EXTERIOR MIRRORS - FROM: 03-03-97 THRU: 99-99-99**

KEY	PART NUMBER	U/M DESCRIPTION	VENDOR NO.
1	106015-14-01A	EA MIRROR - EXTERIOR ADJUSTABLE GLASS - PASSENGER	
1	106015-15-01A	EA MIRROR - EXTERIOR ADJUSTABLE GLASS - DRIVER	
2	106015-12-700	EA MIRROR - FLAT	709448
3	106015-12-701	EA MIRROR - CONVEX	709449

**EXTERIOR BODY GROUP (CONTINUED)**  
**DECALS, FILM STRIPES & PAINT**



KEY	PART NUMBER	U/M	DESCRIPTION
1	105781-51-01A	FT	FILM-MULTISTRIPE, 65.1 MM WIDE - MAJESTIC PURPLE/UMBRA BROWN
2	120711-01-02A	EA	DECAL-LOGO, ITASCA - WINNEBAGO INDUSTRIES - AMETHYST FROST/BRIGHT WHITE
3	121425-01-01A	EA	DECAL-LOGO, SUNRISE - LARGE AMETHYST FROST/MAJESTIC PURPLE/UMBRA BROWN/BRIGHT WHITE
4	093681-49-01A	FT	FILM - STRIPE, 88.9 MM WIDE - MAJESTIC PURPLE
5	121419-01-01A	EA	DECAL-BURST, SMALL - RH SHALE BLUE/AMETHYST FROST/MAJESTIC PURPLE/UMBRA BROWN/BRIGHT WHITE
	121419-02-01A	EA	DECAL-BURST, SMALL - LH SHALE BLUE/AMETHYST FROST/MAJESTIC PURPLE/UMBRA BROWN/BRIGHT WHITE
6	121421-01-01A	EA	DECAL-CORNER, UPPER - RH - MAJESTIC PURPLE
7	121423-01-01A	EA	DECAL-HOOD, UPPER - MAJESTIC PURPLE
8	120710-02-01A	EA	DECAL-LOGO, ITASCA - WINNEBAGO INDUSTRIES - AMETHYST FROST/BRIGHT WHITE
9	121420-01-01A	EA	DECAL-BURST, HOOD & BACK SHALE BLUE/AMETHYST FROST/MAJESTIC PURPLE/UMBRA BROWN/BRIGHT WHITE
10	121425-02-01A	EA	DECAL-LOGO, SUNRISE - SMALL AMETHYST FROST/MAJESTIC PURPLE/UMBRA BROWN/BRIGHT WHITE
11	121421-02-01A	EA	DECAL-CORNER, UPPER - LH - MAJESTIC PURPLE
12	121422-02-01A	EA	DECAL-CORNER, LOWER - LH - AMETHYST FROST/UMBRA BROWN/SHALE BLUE
13	121424-01-01A	EA	DECAL-HOOD, LOWER - AMETHYST FROST/UMBRA BROWN/SHALE BLUE
14	121422-01-01A	EA	DECAL-CORNER, LOWER - RH - AMETHYST FROST/UMBRA BROWN/SHALE BLUE
15	122312-01-01A	EA	DECAL-VORTEC 7400 - BLACK/OFF WHITE/MIST GRAY/SPECTRA RED
16	094445-05-01A	FT	FILM-MULTISTRIPE, 119.1 MM WIDE - AMETHYST FROST/UMBRA BROWN/SHALE BLUE
17	111318-03-03A	EA	DECAL-TURBO DIESEL, BRIGHT WHITE
18	121418-01-01A	EA	DECAL-BURST, LARGE - RH SHALE BLUE/AMETHYST FROST/MAJESTIC PURPLE/UMBRA BROWN
	121418-02-01A	EA	DECAL-BURST, LARGE - LH SHALE BLUE/AMETHYST FROST/MAJESTIC PURPLE/UMBRA BROWN
	126511-01-01A	EA	DECAL - MCCLAINS RV 34TH ANNIVERSARY

**DUPONT PAINT COLOR CODES**

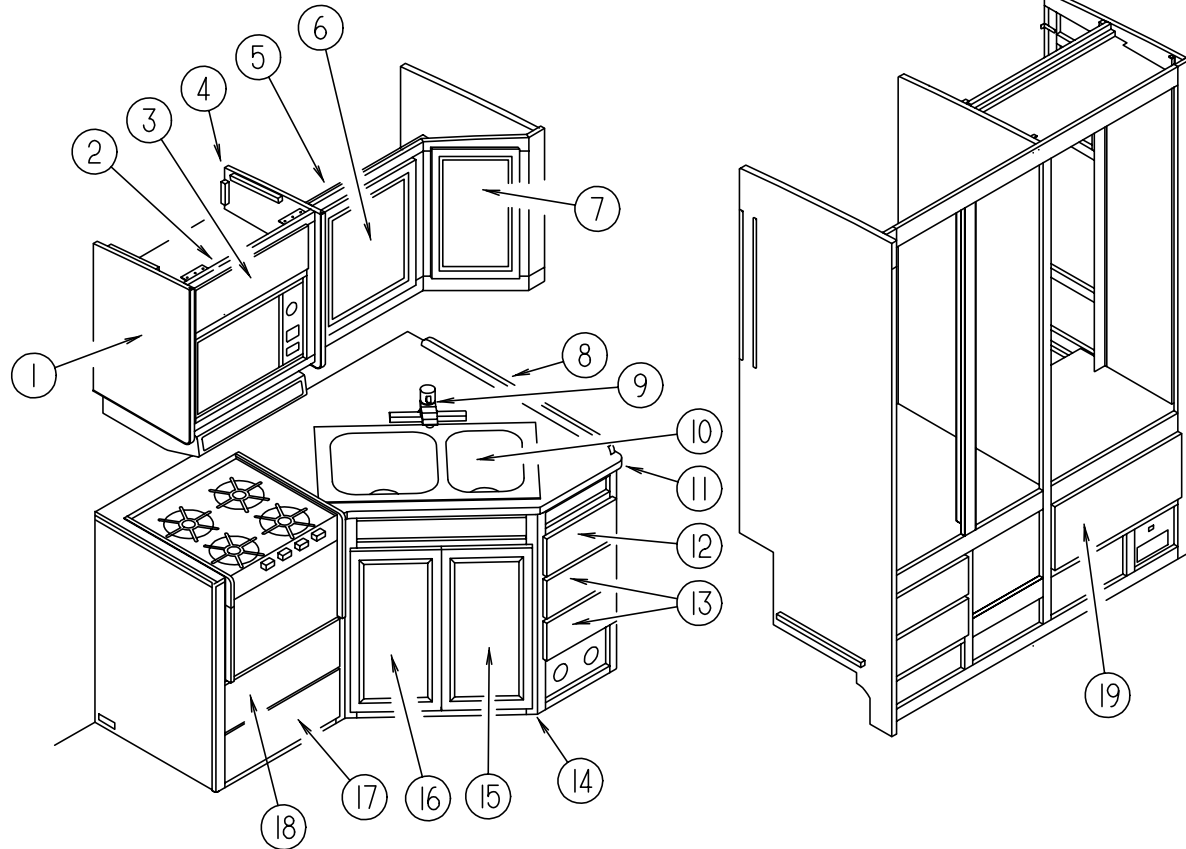
BRIGHT WHITE (MAIN BODY COLOR) #B8951  
 UMBRA (LOWER ACCENT COLOR) #F2529

**DUPONT GRAPHIC COLOR CODES**

UMBRA BROWN (DECAL COLOR) #F2529  
 MAJESTIC PURPLE METALLIC (DECAL COLOR) #F0740  
 AMETHYST FROST METALLIC (DECAL COLOR) #RM012  
 SHALE BLUE METALLIC (DECAL COLOR) #F0744

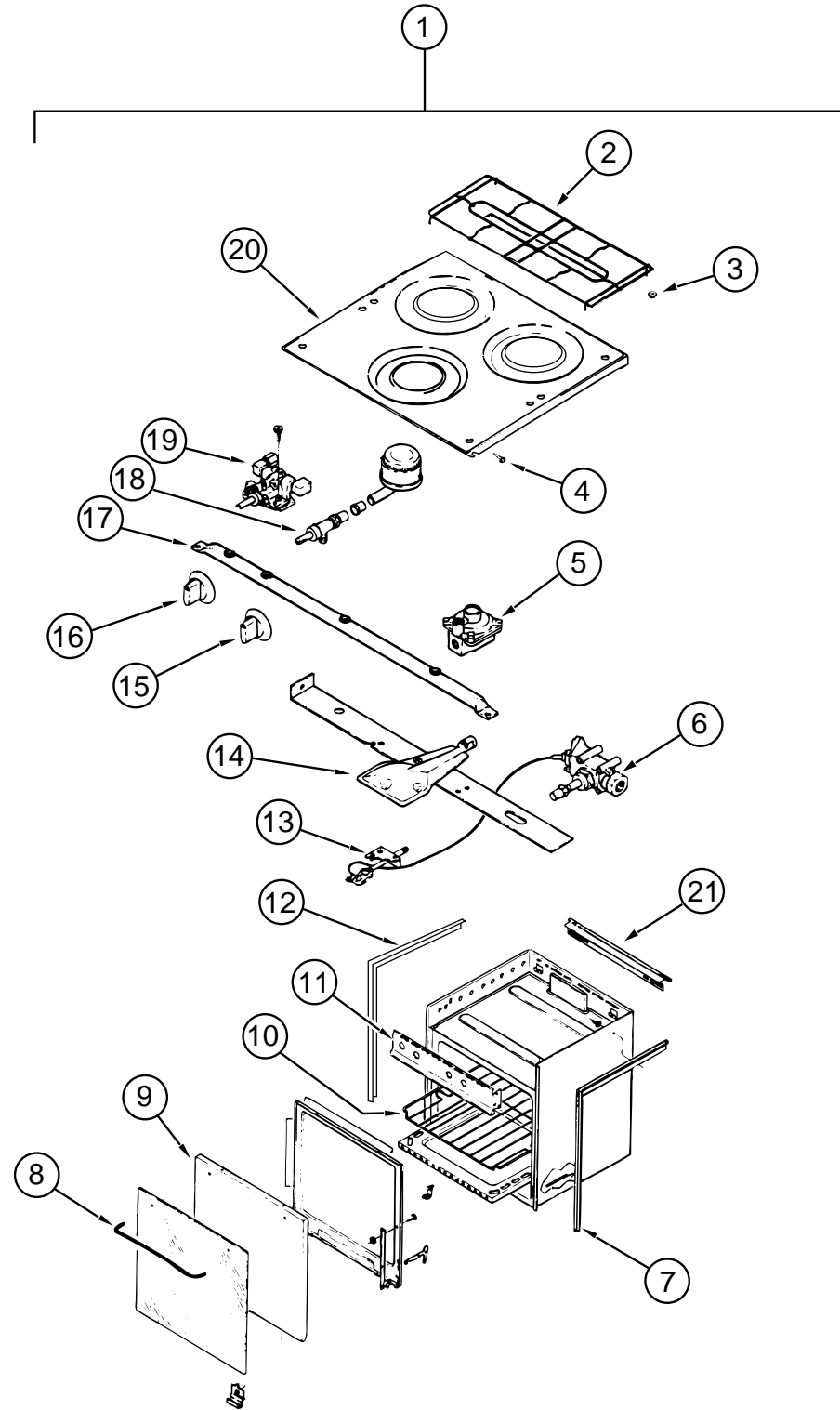


**GALLEY GROUP**  
**GALLEY CABINETRY**



KEY	PART NUMBER	U/M DESCRIPTION
1	081320-14-G09	EA END CAP - OVERHEAD CABINET
2	121328-03-H13	EA CABINET - OVERHEAD MICROWAVE - W/O DOORS/HARDWARE
3	M05992-J9-H13	EA DOOR - STRAIGHT CORNER/OGEE EDGE - 5.1" X 22.4" - W/O HDW
4	081320-16-G09	EA END CAP - OVERHEAD CABINET
5	118943-01-G09	EA CABINET - OVERHEAD/GALLEY - W/O DOORS/DRAWERS/HARDWARE
6	M06803-N3-G09	EA DOOR - MITERED CORNER/OGEE EDGE - 17.7" X 21.8" - W/O HDW
7	M06803-58-G09	EA DOOR - MITERED CORNER/OGEE EDGE - 12" X 21.8" - W/O HDW
8	098335-16-H33	EA RAIL - GALLEY - 39" (H33)
8	098335-16-H34	EA RAIL - GALLEY - 39" (H34, H35)
9	103243-01-000	EA FAUCET-GALLEY, DUAL CONTROL
9	103635-01-000	EA FAUCET-SINGLE CONTROL, (WATER PURIFIER) EVERPURE MCCLAIN ANNIVERSARY OPTION
10	110654-01-000	EA SINK - STAINLESS STEEL/DOUBLE BASIN (1 LG-1 SM BASIN)
	092303-01-000	EA STRAINER - SINK
	108464-03-E38	EA COVER - SINK - 15" X 11" - SMALL SINK (H33)
	108464-03-GV4	EA COVER - SINK - 15" X 11" - SMALL SINK (H34, H35)
	108464-04-E38	EA COVER - SINK - 15" X 15" - LARGE (H33)
	108464-04-F32	EA COVER - SINK - 15" X 15" - LARGE (H34, H35)
11	118798-18-G31	EA COUNTERTOP - GALLEY (H33)
11	118798-18-G14	EA COUNTERTOP - GALLEY (H34,H35)
12	M05971-42-G09	EA DRAWER - OGEE EDGE - 10.8"W X 9"D - W/O SLIDES/HARDWARE
13	M05971-U5-G09	EA DRAWER - OGEE EDGE - 10.8"W X 11.8"D - W/O SLIDES/HARDWARE
14	M07426-22-H33	EA CABINET - GALLEY - W/O DOORS/HARDWARE
14	M07426-22-H34	EA CABINET - GALLEY - W/O DOORS/HARDWARE
14	M07426-22-H35	EA CABINET - GALLEY - W/O DOORS/HARDWARE
15	M06803-27-G09	EA DOOR - MITERED CORNER/OGEE EDGE - 12" X 25.9" - W/O HDW
16	M06803-26-G09	EA DOOR - MITERED CORNER/OGEE EDGE - 12" X 25.9" - W/O HDW
17	M05971-S3-G09	EA DRAWER - OGEE EDGE - 22"W X 9.8"D - W/O SLIDES/HARDWARE
18	M05971-S4-G09	EA DRAWER - OGEE EDGE - 19.8"W X 17.7"D - W/O SLIDES/HARDWARE
19	M05971-S2-G09	EA DRAWER - OGEE EDGE - 22.5"W X 17.7"D - W/O SLIDES/HARDWARE
	080812-04-G31	EA EXTENSION - GALLEY COUNTERTOP (H33)
	080812-04-G14	EA EXTENSION - GALLEY COUNTERTOP (H34,H35)
	090329-01-000	FT SEAL/T - REFRIGERATOR CABINET
	P13147-01-000	EA SHELF-REFR/WARDROBE

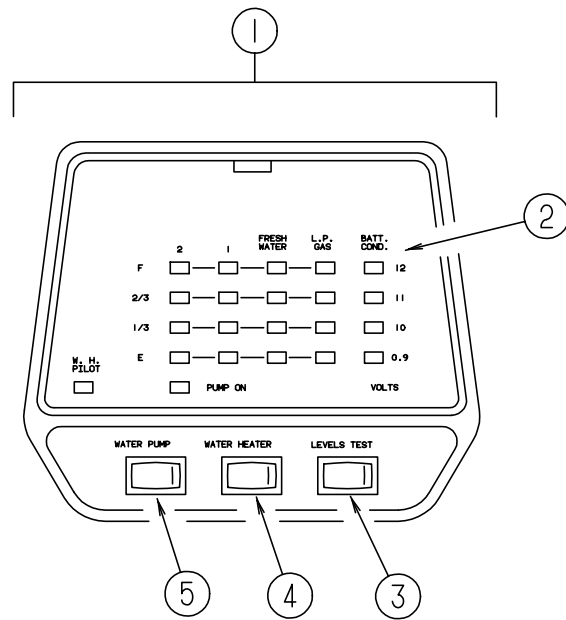
**GALLEY GROUP (CONTINUED)**  
MAGIC CHEF RANGE



KEY	PART NUMBER	U/M	DESCRIPTION	VENDOR NO.
1	112881-01-04A	EA	RANGE - 16", 3 BURNER - MAGIC CHEF 16RB-3B49	
2	102020-01-711	EA	GRATE-TOP	7518P012-60
3	102020-01-709	EA	BUMPER-GRATE	8007-P020-60
4	102020-01-724	EA	BUMPER-MAIN TOP	8003P008-60
5	102022-01-708	EA	REGULATOR-PRESSURE, 1/4 IN 1/2 OUT	7510P041-60
6	112881-01-702	EA	VALVE-MERCURY, SAFETY VALVE	7501-P121-60
7	112881-01-720	EA	TRIM-FLAT, RIGHT - BLACK TEXTURED	74002813
8	102020-01-701	EA	HANDLE-DOOR	7701P092-60
9	112881-01-713	EA	DOOR-OVEN, TEXTURED	2401F079-70
10	102020-01-700	EA	SHELF-OVEN	7801-P027-60
11	112881-01-701	EA	MANIFOLD PANEL	2616F091-70
12	112881-01-707	EA	TRIM-FLAT, LEFT - BLACK TEXTURED	74002812
13	112881-01-710	EA	PILOT-OVEN	7505P202-60
14	112881-01-711	EA	BURNER ASSEMBLY-OVEN	3404W025045
15	112881-01-705	EA	KNOB-TOP BURNER	7733P072-60
15	112881-01-718	EA	KNOB-HIGH OUTPUT, FLAME INDICATOR	74001794
16	112881-01-704	EA	KNOB-THERMOSTAT	7731P067-60
16	112881-01-716	EA	KNOB-THERMOSTAT, REF. SER. # 03C	7731P107-60
17	112881-01-709	EA	PIPE-MANIFOLD	7513P097-60
18	102020-01-722	EA	VALVE-TOP BURNER	7502P181-60
18	112881-01-703	EA	VALVE-TOP BURNER, HI-OUTPUT	7502P180-60
19	112881-01-706	EA	THERMOSTAT - REF. SER. # 02C	12400026
19	112881-01-715	EA	THERMOSTAT - REF. SER. # 03C	7515P037-60
19	112881-01-722	EA	THERMOSTAT - REF. SER. # 01C, 11, 12, 13, ETC.	7515P029-60
20	112881-01-712	EA	TOP-MAIN, BLACK	740101486
21	112881-01-721	EA	DEFLECTOR-FLUE, BLACK TEXTURED	74002809
	105458-03-000	EA	BRACKET - STOVE TIEDOWN - RIGHT HAND	
	105458-04-000	EA	BRACKET - STOVE TIEDOWN - LEFT HAND	

**NOTE: (REF. SER. #) REFERS TO THE FIRST THREE CHARACTERS OF THE RANGE'S SERIAL NUMBER**

### GALLEY GROUP (CONTINUED)



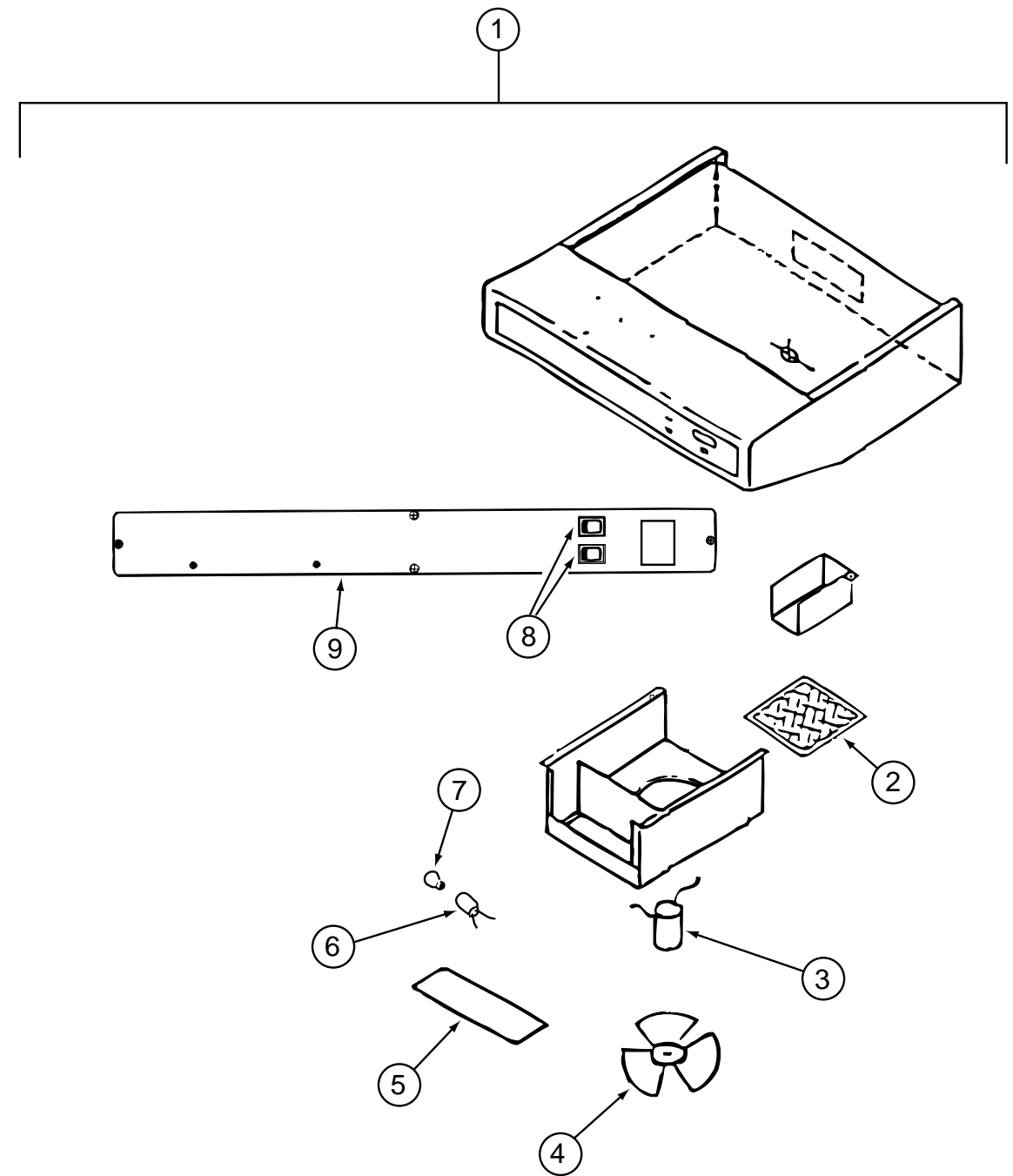
**LVS MONITOR PANEL**

KEY	PART NUMBER	U/M	DESCRIPTION
1	102765-04-01A	EA	PANEL-MONITOR, W/PLUG - FOR 2 TANKS & WATER HEATER
2	102765-04-700	EA	BOARD-CIRCUIT, 2 HOLDING TANK
3	097617-01-702	EA	SWITCH (ALMOND)
4	097617-01-701	EA	SWITCH-ON/OFF, ALMOND
5	102765-01-700	EA	SWITCH-ON-ON, ALMOND

**VENDOR NO.**

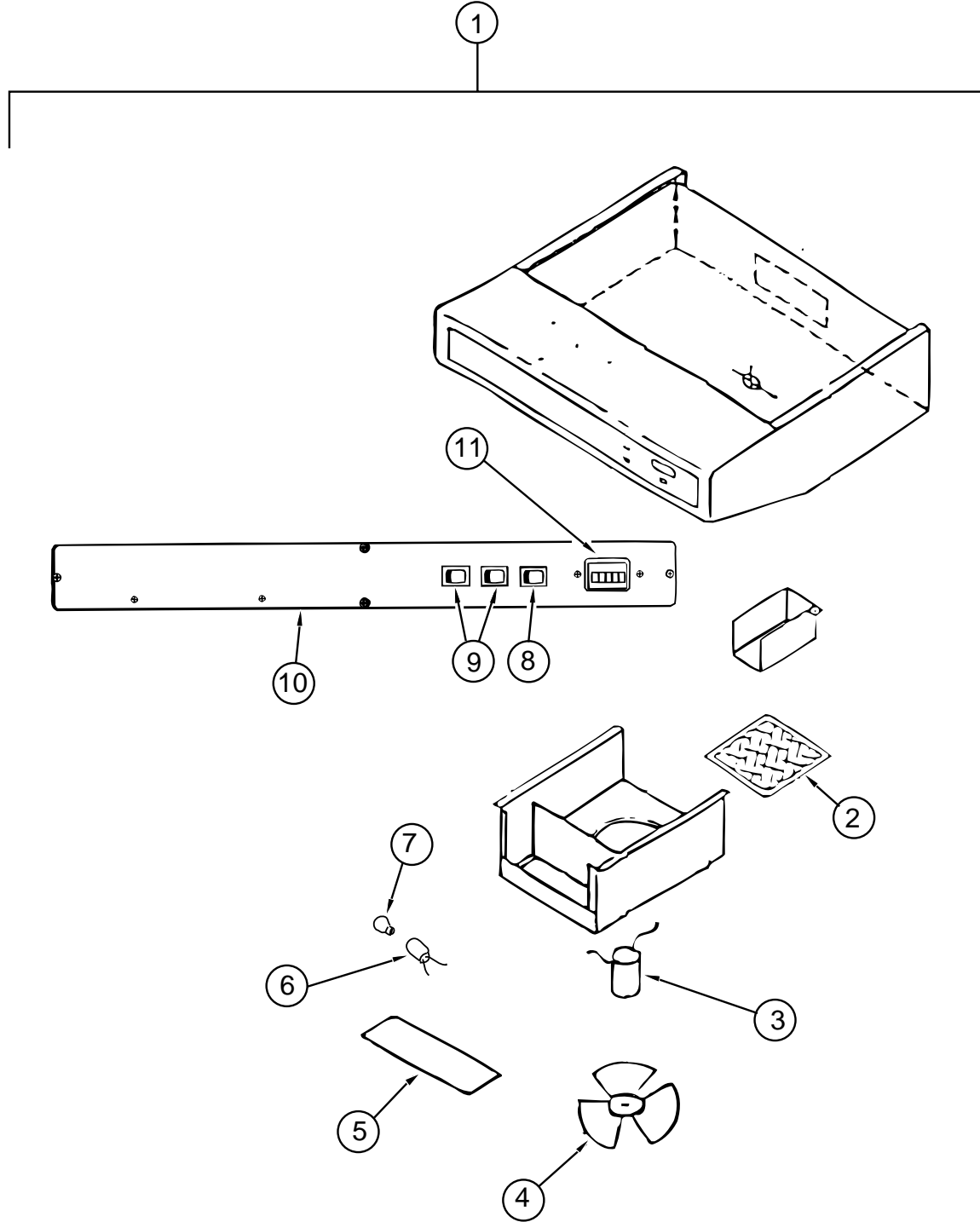
5076-11  
107  
106  
110-01

### GALLEY GROUP (CONTINUED)

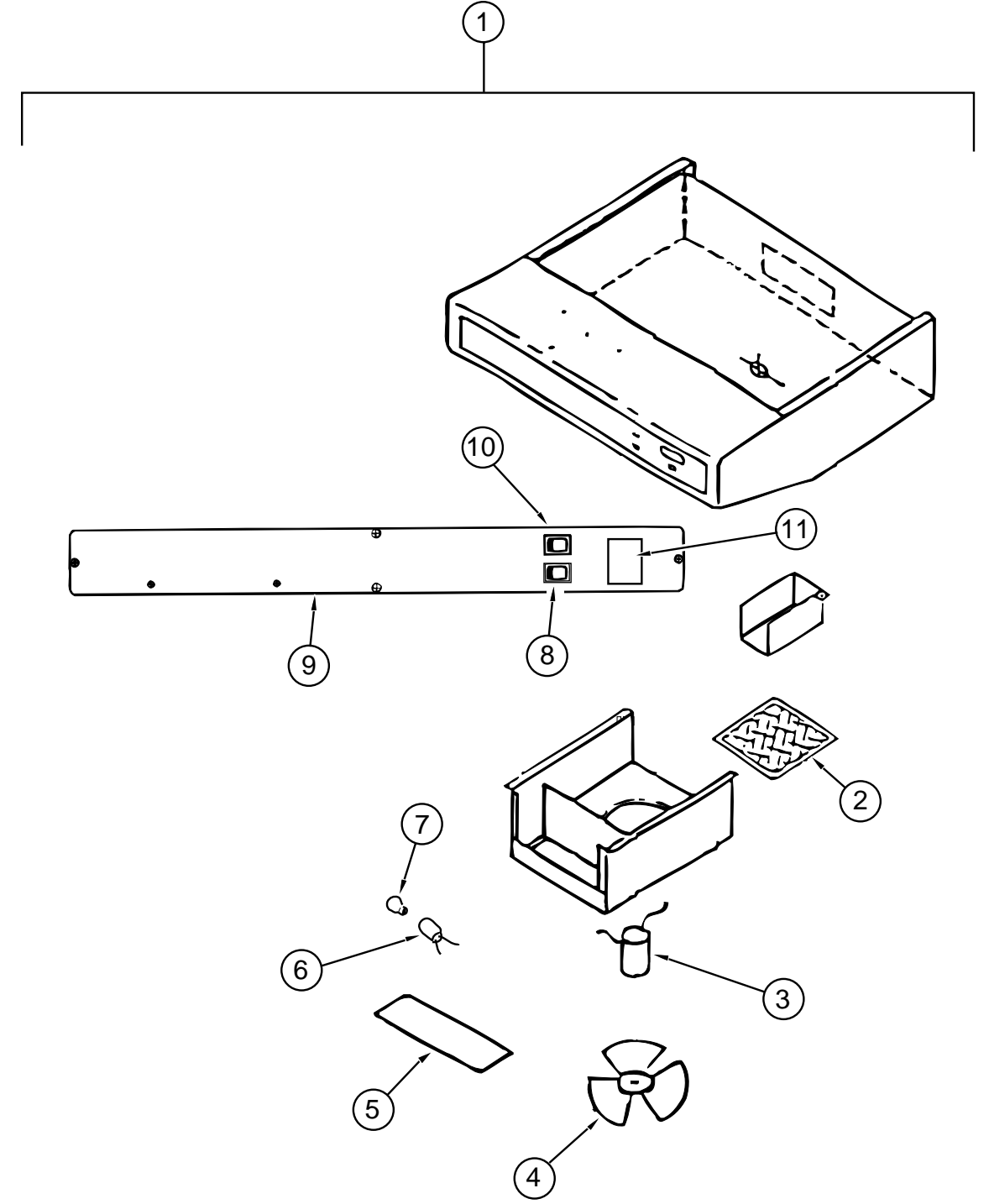


**RANGE HOOD - US - STANDARD**

KEY	PART NUMBER	U/M	DESCRIPTION	VENDOR NO.
1	100258-16-04A	EA	HOOD-RANGE, W/O MONITOR PANEL - VENTLINE TCS-5008-NBDLG	
2	096983-01-707	EA	FILTER-MESH	CC246
3	090973-01-700	EA	MOTOR-12 VOLT, CSA & UL	CA508-1
4	090973-01-702	EA	BLADE-FAN	VA183-1
5	092696-02-701	EA	LENS-LAMP	CC179-2
6	092696-01-710	EA	HOLDER-LAMP	CB267-2
7	092696-01-709	EA	LAMP #912	VA415
8	096983-01-700	EA	SWITCH-ON/OFF	108
9	100258-01-700	EA	LABEL-HOOD NOSE	CC428



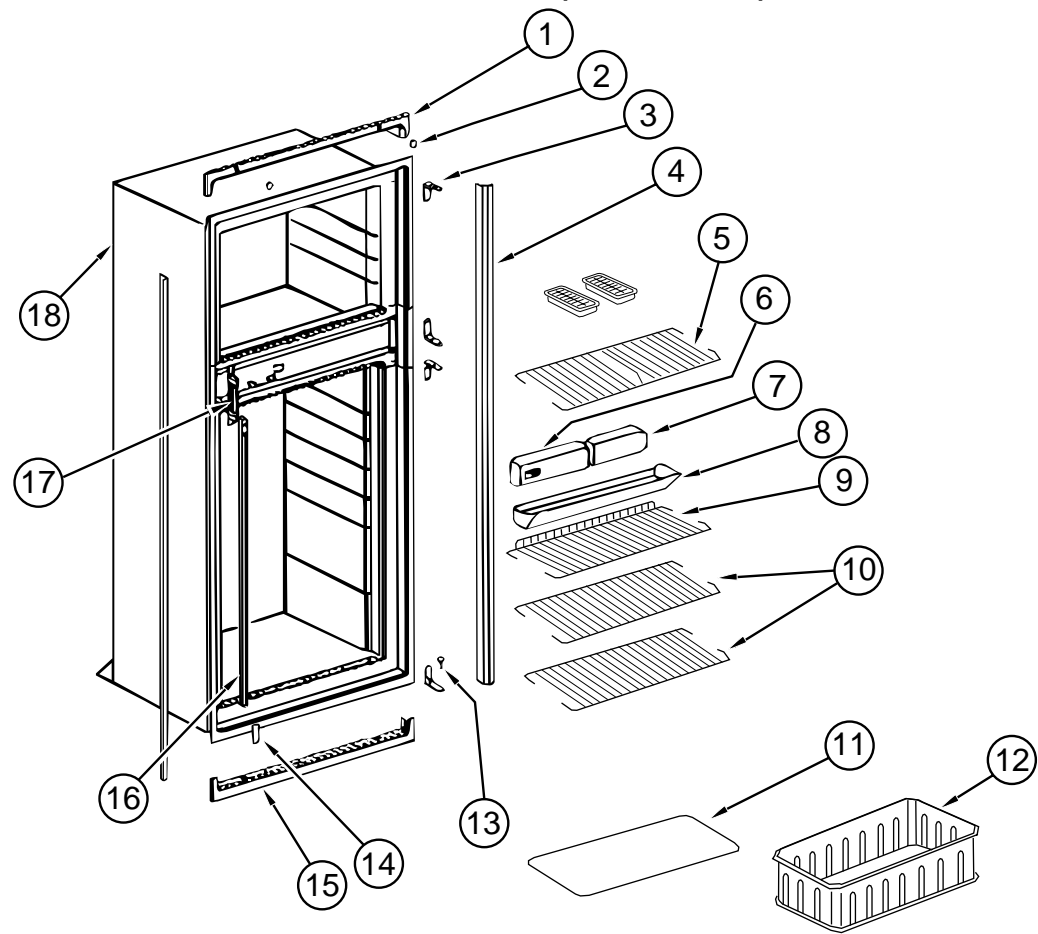
**RANGE HOOD - US - GENERATOR OPTIONS**



**RANGE HOOD - CANADIAN**

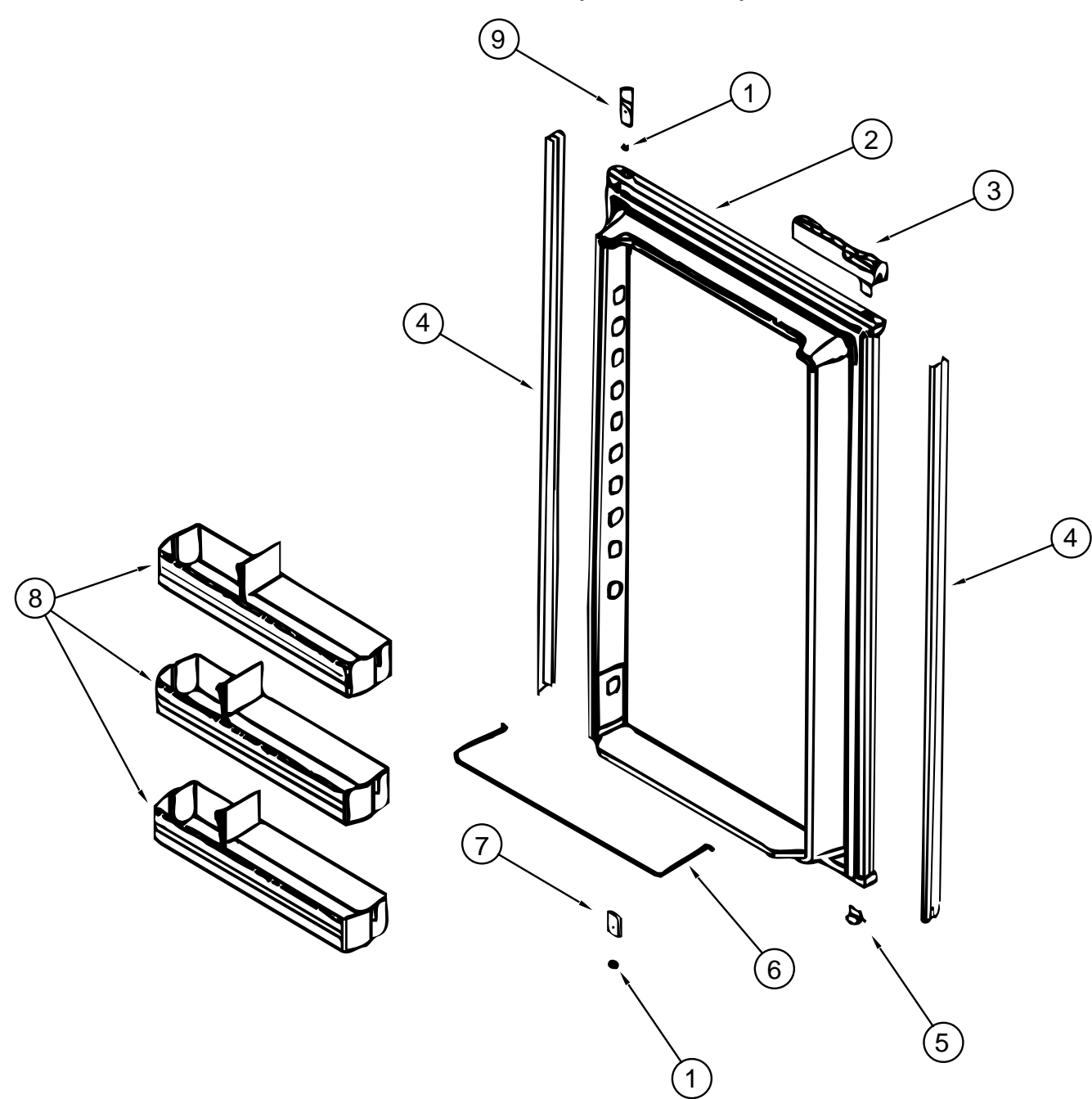
KEY	PART NUMBER	U/M DESCRIPTION	VENDOR NO.
1	100258-18-03A	EA HOOD-RANGE, W/O MONITOR PANEL - VENTLINE TP-55009-SBO-LG	
2	096983-01-707	EA FILTER-MESH	CC246
3	090973-01-700	EA MOTOR-12 VOLT, CSA & UL	CA508-1
4	090973-01-702	EA BLADE-FAN	VA183-1
5	092696-02-701	EA LENS-LAMP	CC179-2
6	092696-01-710	EA HOLDER-LAMP	CB267-2
7	092696-01-709	EA LAMP #912	VA415
8	096983-01-702	EA SWITCH-MOM/MOM	112
9	096983-01-700	EA SWITCH-ON/OFF	108
10	100258-01-700	EA LABEL-HOOD NOSE	CC428
11	100258-10-01A	EA GAUGE-HOUR METER W/SWITCH - SCREW ON STYLE - 150	
11	100258-10-701	EA GAUGE-HOUR METER, CLIP ON	L0775-00

KEY	PART NUMBER	U/M DESCRIPTION	VENDOR NO.
1	100258-17-04A	EA HOOD-RANGE, W/O MONITOR PANEL VENTLINE TCS 500-NBCLG	
2	096983-01-707	EA FILTER-MESH	CC246
3	090973-01-700	EA MOTOR-12 VOLT, CSA & UL	CA508-1
4	090973-01-702	EA BLADE-FAN	VA183-1
5	092696-02-701	EA LENS-LAMP	CC179-2
6	092696-01-710	EA HOLDER-LAMP	CB267-2
7	092696-01-709	EA LAMP #912	VA415
8	096983-01-700	EA SWITCH-ON/OFF	108
9	100258-01-700	EA LABEL-HOOD NOSE	CC428
10	096983-01-702	EA SWITCH-MOM/MOM	112
11	100258-10-01A	EA GAUGE-HOUR METER W/SWITCH - SCREW ON (OPTION) - 150	
11	100258-10-701	EA GAUGE-HOUR METER, CLIP ON (OPTION)	L0775-00



**NORCOLD MODEL 9162 REFRIGERATOR CABINET ASM WITH TRAY, TIEDOWNS & LEVEL**

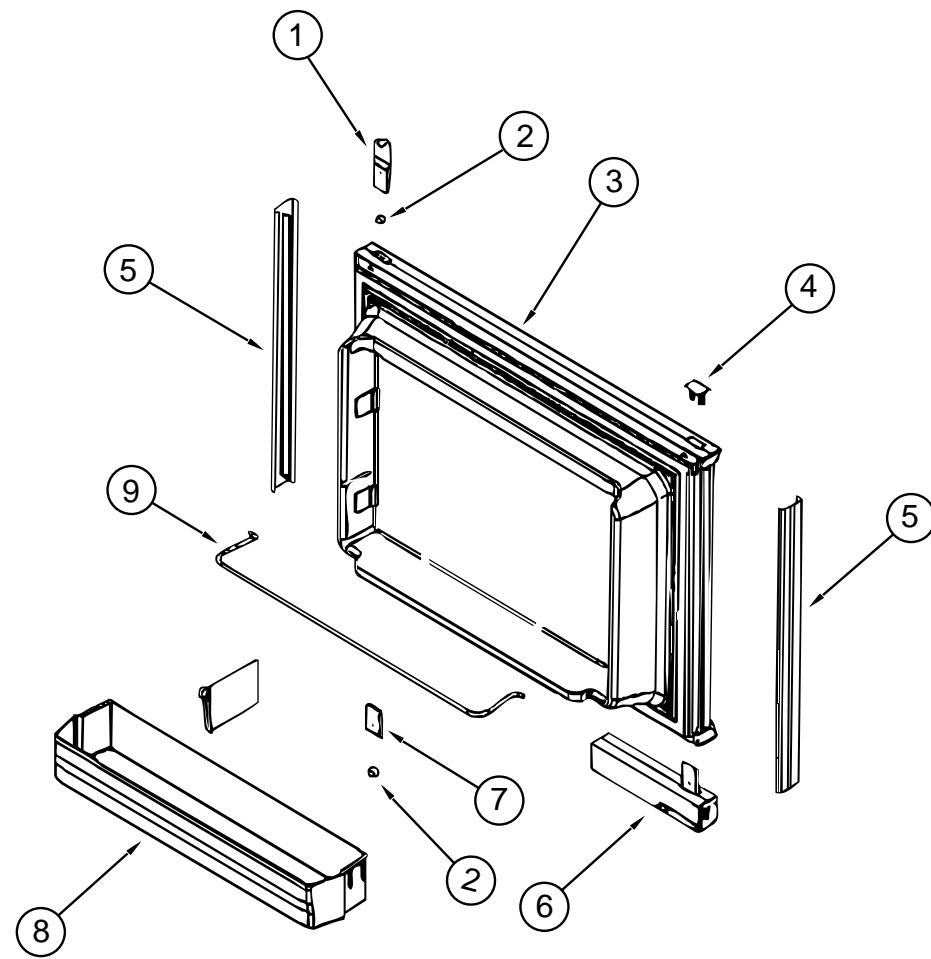
KEY	PART NUMBER	U/M	DESCRIPTION	VENDOR NO.
	121568-01-01A	EA	REFRIGERATOR - SMALL DOUBLE DOOR - RIGHT HAND - 2-WAY FROM: 00-00-00 THRU: 02-26-97	
	121568-02-01A	EA	REFRIGERATOR - SMALL DOUBLE DOOR - LEFT HAND - 2-WAY FROM: 02-27-97 THRU: 99-99-99	
1	120075-01-713	EA	TRIM-TOP PIECE	618124
2	120075-01-714	EA	PLUG-HOLE	618170
3	120075-01-715	EA	HINGE-CABINET SIDE, PAINTED	618512
	120075-01-708	EA	BUSHING-DOOR HINGE	618144
4	120076-01-702	EA	TRIM, SIDE PIECE	618133
5	121568-01-705	EA	SHELF-WIRE, FREEZER	618620
6	121568-01-706	EA	CONTROL BOX ASSEMBLY	618588
7	120075-01-718	EA	BOX-FILLER	618112
8	120075-01-720	EA	TRAY-DRIP	618137
	120075-01-721	EA	LOUVER-DRIP TRAY	618176
9	121568-01-707	EA	SHELF-WIRE, SHORT	618624
10	121568-01-708	EA	SHELF-WIRE	618589
11	120075-01-725	EA	COVER-CRISPER	618158
12	121568-01-709	EA	CRISPER	618571
13	120075-01-727	EA	PIN-HINGE	618145
14	120075-01-728	EA	COVER-HINGE HOLE	618171
15	120075-01-729	EA	TRIM-BOTTOM PIECE	618136
16	120075-01-730	EA	RETAINER-SHELF	618181
17	120075-01-732	EA	PLATE-STRIKE	618167
18	120076-01-703	EA	CABINET-FOAMED	618260
	120075-01-731	EA	PLUG-FACADE	618184
	116751-06-01A	EA	TRAY-REFRIGERATOR	
	054450-01-000	EA	LEVEL-REFRIGERATOR	
	065225-02-000	EA	PLATE-TIEDOWN, REFRIGERATOR	
	093646-01-000	EA	BRACKET ASM-TIEDOWN, REFRIGERATOR - RH	
	093646-02-000	EA	BRACKET ASM-TIEDOWN, REFRIGERATOR - LH	



**NORCOLD MODEL 9162 REFRIGERATOR LOWER DOOR**

KEY	PART NUMBER	U/M	DESCRIPTION	VENDOR NO.
	121568-01-01A	EA	REFRIGERATOR - SMALL DOUBLE DOOR - RIGHT HAND - 2-WAY FROM: 00-00-00 THRU: 02-26-97	
	121568-02-01A	EA	REFRIGERATOR - SMALL DOUBLE DOOR - LEFT HAND - 2-WAY FROM: 02-27-97 THRU: 99-99-99	
1	120075-01-708	EA	BUSHING-DOOR HINGE	618144
2	120076-01-701	EA	DOOR-LOWER-FOAMED, W/GASKET	618210
3	120075-01-711	EA	DOOR HANDLE - UPR LH/LWR RH	618235
			FROM: 00-00-00 THRU: 02-26-97	
3	121568-01-702	EA	DOOR HANDLE - UPR RH/LWR LH	618230
			FROM: 02-27-97 THRU: 99-99-99	
4	120076-01-700	EA	RETAINER-LOWER DOOR PANEL	618132
5	120075-01-702	EA	CAP-HINGE PLUG	618160
6	121568-01-704	EA	RAIL-DOOR, LOWER	618578
7	120075-01-705	EA	HINGE-PAINTED, TOP LH/BOTTOM RH	618510
8	121568-01-701	EA	BIN-DOOR, WHITE	618619
9	120075-01-701	EA	HINGE-TOP RH/BOTTOM LH, PAINTED	618511

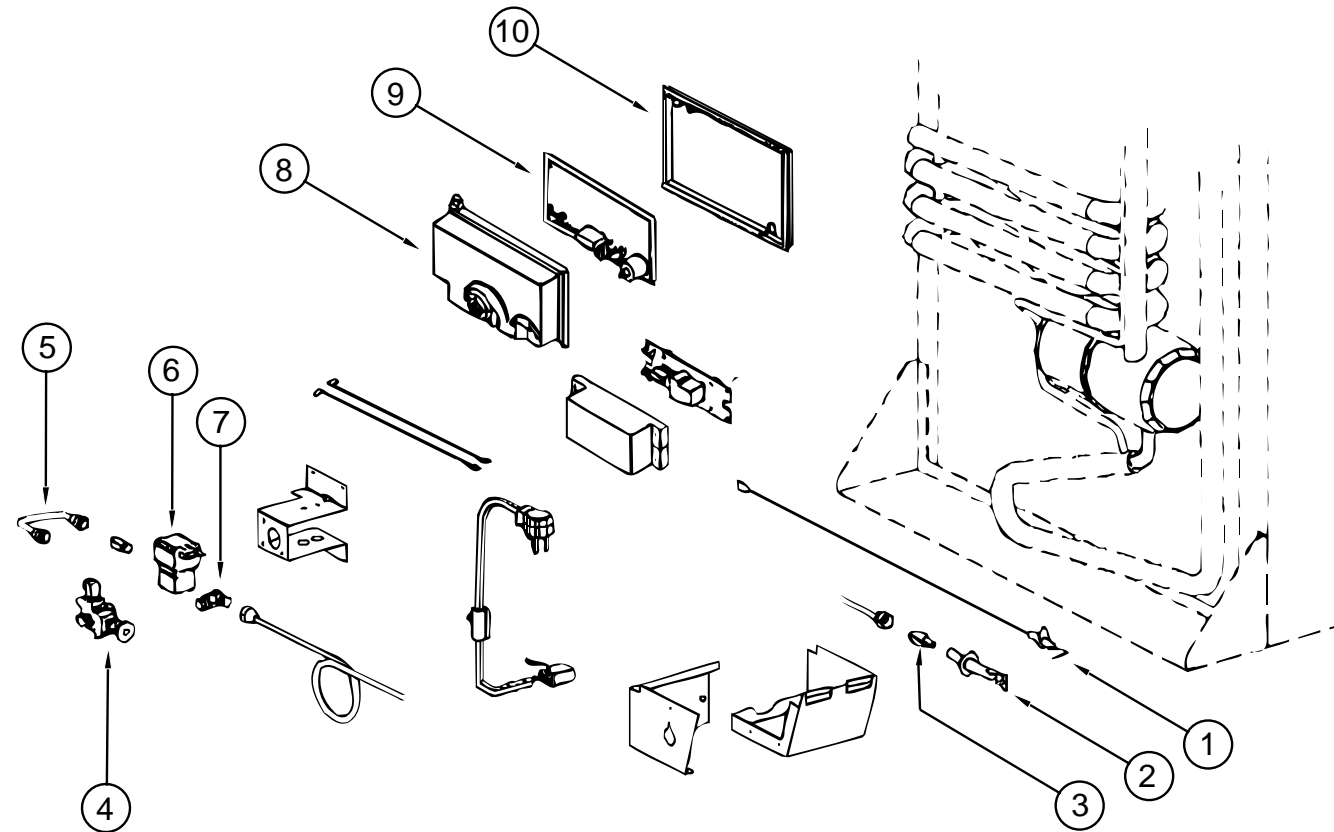
**GALLEY GROUP (CONTINUED)**



**NORCOLD MODEL 9162 REFRIGERATOR UPPER DOOR**

KEY	PART NUMBER	U/M	DESCRIPTION	VENDOR NO.
	121568-01-01A	EA	REFRIGERATOR - SMALL DOUBLE DOOR - RIGHT HAND - 2-WAY FROM: 00-00-00 THRU: 02-26-97	
	121568-02-01A	EA	REFRIGERATOR - SMALL DOUBLE DOOR - LEFT HAND - 2-WAY FROM: 02-27-97 THRU: 99-99-99	
1	120075-01-701	EA	HINGE-TOP RH/BOTTOM LH, PAINTED	618511
2	120075-01-708	EA	BUSHING-DOOR HINGE	618144
3	120075-01-703	EA	DOOR ASSEMBLY-FOAMED, W/GASKET	618205
4	120075-01-702	EA	CAP-HINGE PLUG	618160
5	120075-01-700	EA	RETAINER-DOOR, DECOR PANEL	618128
6	121568-01-702	EA	DOOR HANDLE - UPR RH/LWR LH FROM: 00-00-00 THRU: 02-26-97	618230
6	120075-01-711	EA	DOOR HANDLE - UPR LH/LWR RH FROM: 02-27-97 THRU: 99-99-99	618235
7	120075-01-705	EA	HINGE-PAINTED, TOP LH/BOTTOM RH	618510
8	121568-01-701	EA	BIN-DOOR, WHITE	618619
9	121568-01-700	EA	RAIL-DOOR, UPPER	618618

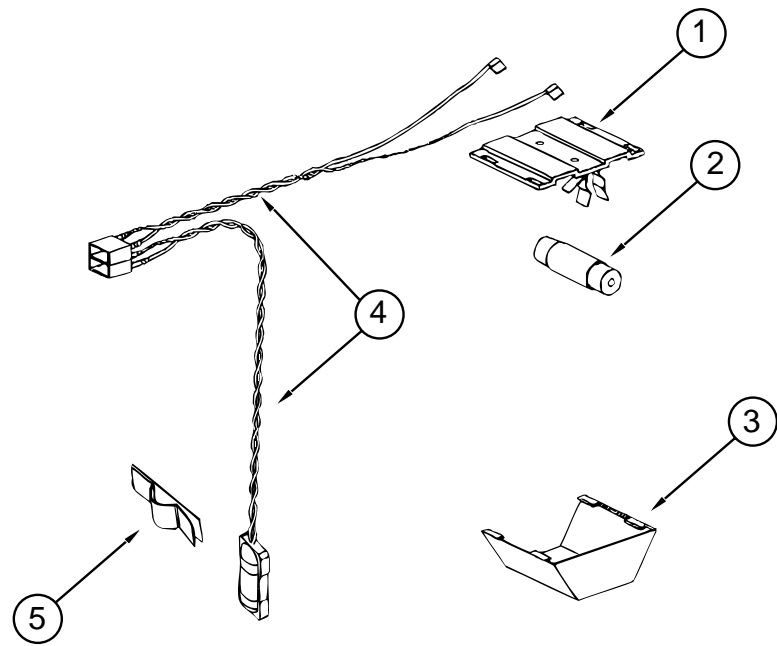
**GALLEY GROUP (CONTINUED)**



**NORCOLD MODEL 9162 REFRIGERATOR BURNER & POWER BOARDS**

KEY	PART NUMBER	U/M	DESCRIPTION	VENDOR NO.
	121568-01-01A	EA	REFRIGERATOR - SMALL DOUBLE DOOR - RIGHT HAND - 2-WAY FROM: 00-00-00 THRU: 02-26-97	
	121568-02-01A	EA	REFRIGERATOR - SMALL DOUBLE DOOR - LEFT HAND - 2-WAY FROM: 02-27-97 THRU: 99-99-99	
1	104137-06-715	EA	ELECTRODE-SPARK/SENSOR, SGL	61692222
2	104137-06-714	EA	BURNER ASSEMBLY, 5 SLOT	61705222
3	120076-01-705	EA	ORIFICE-JEWEL, .015	618283
4	104137-06-709	EA	VALVE-SHUT OFF, MANUAL	61694922
5	113737-01-750	EA	TUBE-UNION	61694622
6	084880-01-718	EA	VALVE-GAS, ASCO	61551822
7	113737-01-716	EA	TAP-PRESSURE	61594422
8	120075-01-738	EA	COVER-POWER BOARD	618185
9	120075-01-741	EA	BOARD-POWER, 2-WAY	618574
10	120075-01-740	EA	COVER-BASE, POWER BOARD	618186
	113737-01-702	EA	PLUG - 1/8" F/PRESSURE TAP	61445322

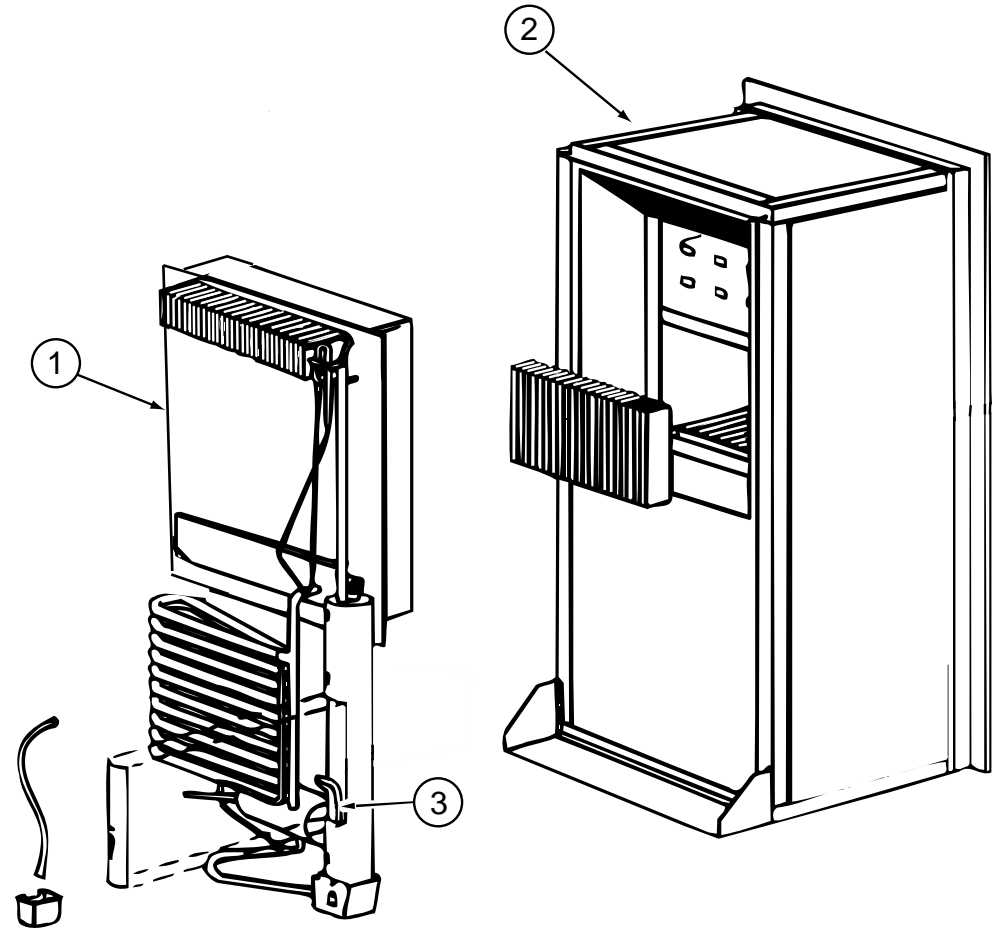
**GALLEY GROUP (CONTINUED)**



**NORCOLD MODEL 9162 REFRIGERATOR LAMP ASM**

KEY	PART NUMBER	U/M	DESCRIPTION	VENDOR NO.
	121568-01-01A	EA	REFRIGERATOR - SMALL DOUBLE DOOR - RIGHT HAND - 2-WAY FROM: 00-00-00 THRU: 02-26-97	
	121568-02-01A	EA	REFRIGERATOR - SMALL DOUBLE DOOR - LEFT HAND - 2-WAY FROM: 02-27-97 THRU: 99-99-99	
1	084880-03-705	EA	BRACKET-LIGHT, INTERIOR	61629722
2	084880-03-706	EA	BULB-LAMP	61628922
3	084880-03-707	EA	COVER-LAMP, LENS	61627922
4	120075-01-735	EA	WIRE ASSEMBLY-LAMP	618548
5	084880-01-760	EA	CLIP-THERMISTER	61689122

**GALLEY GROUP (CONTINUED)**



**NORCOLD MODEL 9162REFRIGERATOR COOLING UNIT, CABINET, & HEATERS**

KEY	PART NUMBER	U/M	DESCRIPTION	VENDOR NO.
	121568-01-01A	EA	REFRIGERATOR - SMALL DOUBLE DOOR - RIGHT HAND - 2-WAY FROM: 00-00-00 THRU: 02-26-97	
	121568-02-01A	EA	REFRIGERATOR - SMALL DOUBLE DOOR - LEFT HAND - 2-WAY FROM: 02-27-97 THRU: 99-99-99	
1	120076-01-704	EA	COOLING UNIT-SERVICE PACK	618543
2	120076-01-703	EA	CABINET-FOAMED	618260
3	088248-01-709	EA	HEATER-AC, HORIZONTAL	61562722

**GALLEY GROUP (CONTINUED)**  
**MAGIC CHEF MICROWAVE OVEN**

KEY	PART NUMBER	U/M DESCRIPTION
	115303-02-000	EA OVEN-MICROWAVE - 1.3 CU FT
	115401-02-01A	EA TRIM-MICROWAVE, BLACK
	094750-07-000	EA BRACKET-MICROWAVE, 89 DEGREE - STEEL
	098916-16-02B	EA BRACE-MICROWAVE CABINET, LEFT - 7.5" X 7.5" - E-COAT STEEL
	098916-17-02B	EA BRACE-MICROWAVE CABINET, RIGHT - 7.5" X 7.5" - E-COAT STEEL

**COFFEE MAKER**

KEY	PART NUMBER	U/M DESCRIPTION	VENDOR NO.
	103799-02-01A	EA COFFEE MAKER WITH CLOCK, WHITE - BLACK & DECKER SDC2B FROM: 00-00-00 THRU: 04-13-97	
	103799-01-700	EA CARAFE-GLASS POT - BLACK & DECKER FROM: 00-00-00 THRU: 04-13-97	679420
	103799-01-701	EA BRACKETS-WHITE, PAIR - BLACK & DECKER FROM: 00-00-00 THRU: 04-13-97	164734-06
	126019-01-01A	EA COFFEE MAKER - OPTIMA - W/BRACKETS FROM: 04-14-97 THRU: 99-99-99	
	126019-01-700	EA GLASS CARAFE FROM: 04-14-97 THRU: 99-99-99	172547-00
	126019-01-701	EA RESERVOIR - WATER FROM: 04-14-97 THRU: 99-99-99	172554
	126019-01-702	EA BASKET - FILTER FROM: 04-14-97 THRU: 99-99-99	172553-00
	126019-01-703	EA HARDWARE - MOUNTING FROM: 04-14-97 THRU: 99-99-99	172174-00

**GENERATOR GROUP**  
**4,000 WATT ONAN MICROLITE**

KEY	PART NUMBER	U/M DESCRIPTION
	109982-03-000	EA GENERATOR - 4.0 KW MICROLITE
	007125-04-000	EA CLAMP - MUFFLER - 1.12" DIAMETER
	105958-09-000	EA PIPE - GENERATOR EXHAUST 1.25" OD X 5.9" X 22"

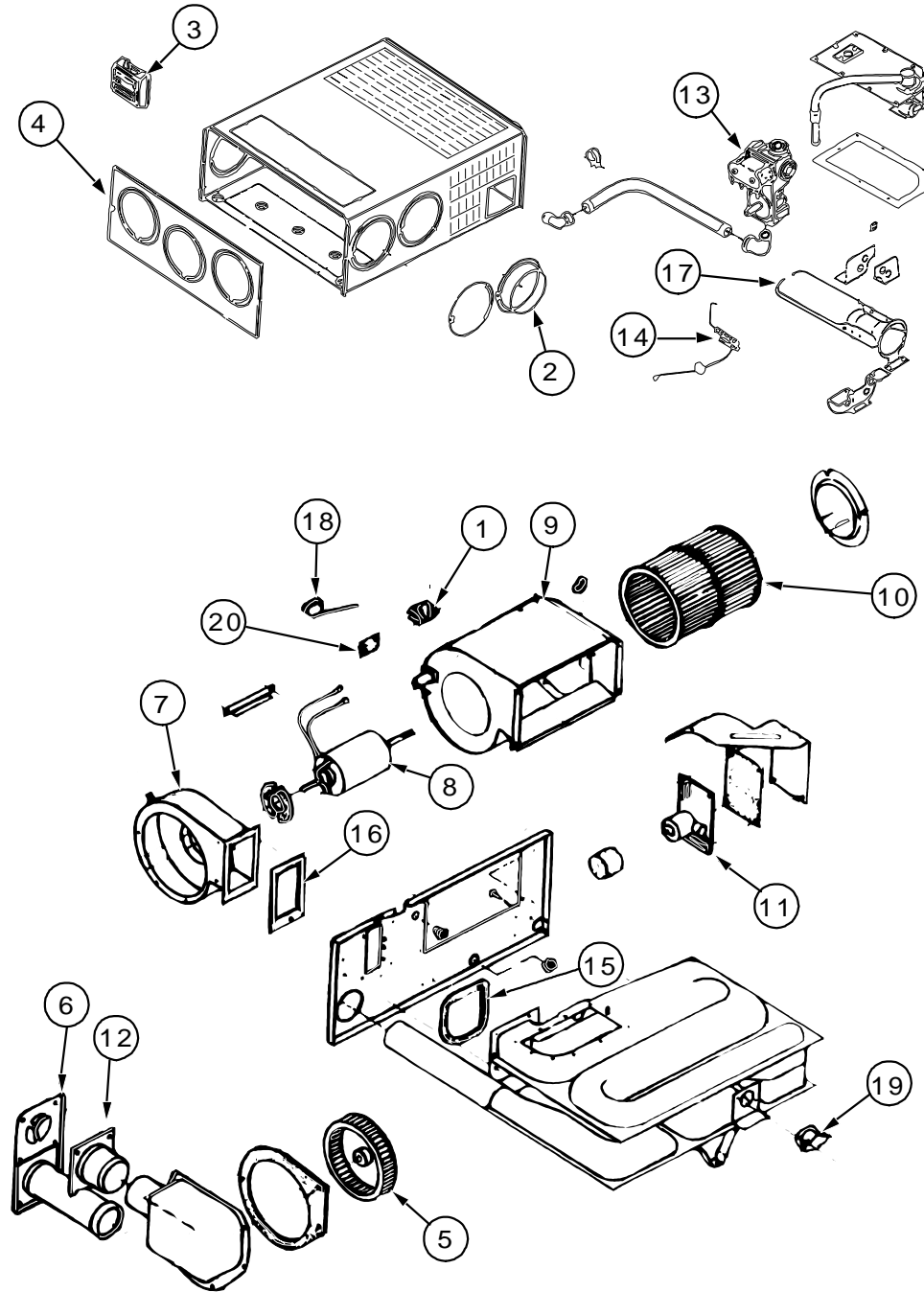
**3,600 WATT ONAN MICROLITE - LP**

KEY	PART NUMBER	U/M DESCRIPTION
	109982-04-000	EA GENERATOR - 3.6 KW MICROLITE
	007125-04-000	EA CLAMP - MUFFLER - 1.12" DIAMETER
	105958-09-000	EA PIPE - GENERATOR EXHAUST 1.25" OD X 5.9" X 22"

**NOTE: ADDITIONAL GENERATOR COMPONENTS ARE FOUND IN THE CHASSIS GROUP.**

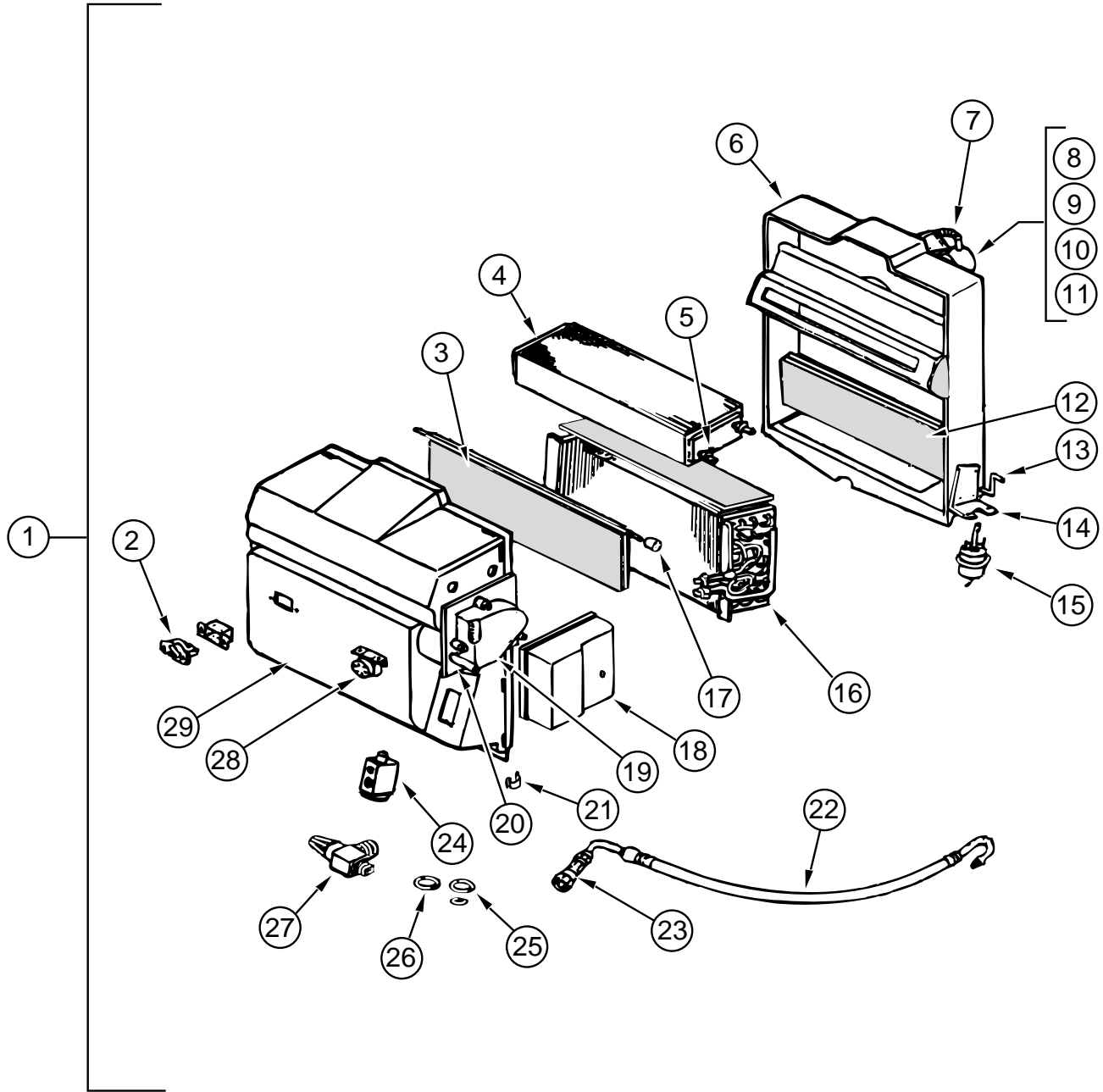


**HEATING & AIR CONDITIONING GROUP**  
**25,000 BTU SUBURBAN FURNACE & WALL THERMOSTAT**



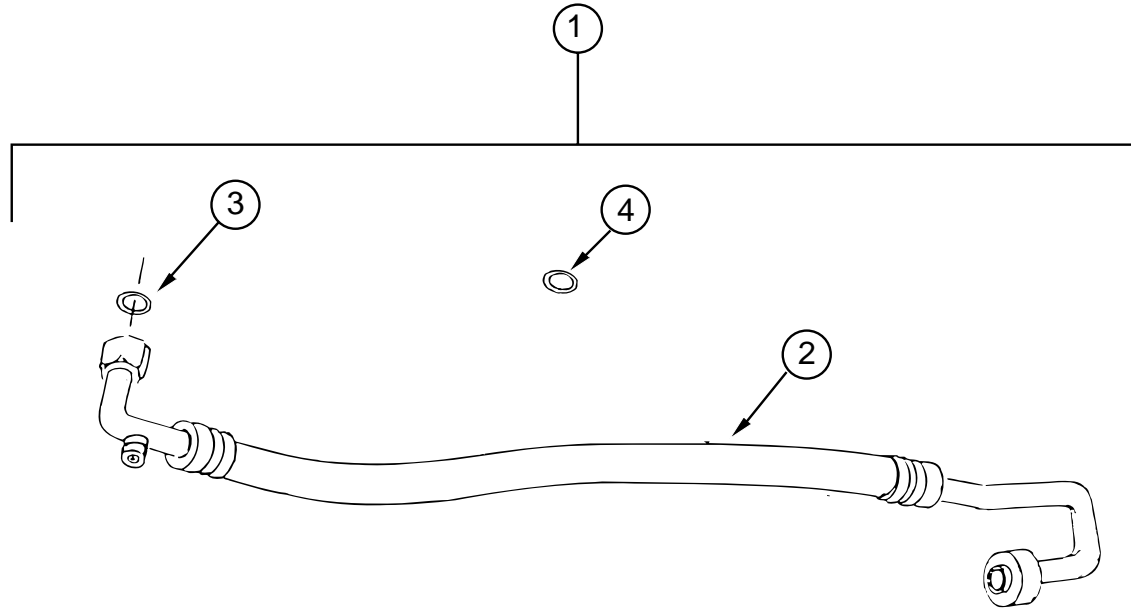
KEY	PART NUMBER	U/M	DESCRIPTION	VENDOR NO.
	098668-19-000	EA	FURNACE - 25,000 BTU	
1	074466-01-702	EA	RELAY, TIME DELAY	230625
2	075696-02-703	EA	COLLAR-DUCT	050715
3	115764-01-01A	EA	THERMOSTAT - FURNACE	
4	098668-01-700	EA	CABINET FRONT	101242
5	098668-01-706	EA	WHEEL-COMBUSTION AIR	350184
6	098668-01-707	EA	TUBE ASSEMBLY, EXHAUST W/CAP	260231
7	098668-01-708	EA	HOUSING-BLOWER, COMBUSTION	390441
8	098668-01-709	EA	MOTOR ASM., F/SF-25, SF-30	231706
9	098668-01-710	EA	HOUSING-BLOWER, ROOM AIR	390440
10	098668-01-711	EA	WHEEL-BLOWER, ROOM AIR	350129
11	098668-01-712	EA	BOARD-MODULE	520741
12	098668-01-713	EA	TUBE ASSEMBLY, INTAKE	051248
13	098668-01-714	EA	VALVE-GAS,SF S.N. 921401821	161070
14	098668-01-715	EA	ELECTRODE ASM., SINGLE PROBE	232166
15	098668-01-716	EA	GASKET-FIREWALL,CHAMBER SIDE	070808
16	098668-01-717	EA	GASKET-FIREWALL, BLOWER SIDE	070809
17	098668-01-703	EA	BURNER ASSEMBLY	010762
18	098668-21-700	EA	SWITCH-MICRO-W/O FLAG 3 1/4"	232261
19	098668-21-701	EA	SWITCH - LIMIT	231799
20	101990-01-714	EA	GASKET-MICROSWITCH	230877
	090039-01-703	EA	ORIFICE-MAIN BURNER	180193
	098668-23-000	EA	DOOR - ACCESS - FURNACE	
	056464-09-000	EA	REGISTER - 4" DIAMETER - PLASTIC - W/DAMPENER - BEIGE	
	056464-10-000	EA	REGISTER - 4" DIAMETER - PLASTIC - W/O DAMPENER - BEIGE	
	093614-01-02A	EA	GRILLE - RETURN AIR - 15.6" X 7.6" - BEIGE	

**HEATING & AIR CONDITIONING GROUP (CONTINUED)**  
**SCS EVAPORATOR/HEATER ASSEMBLY - CHEVY GAS & DIESEL CHASSIS**



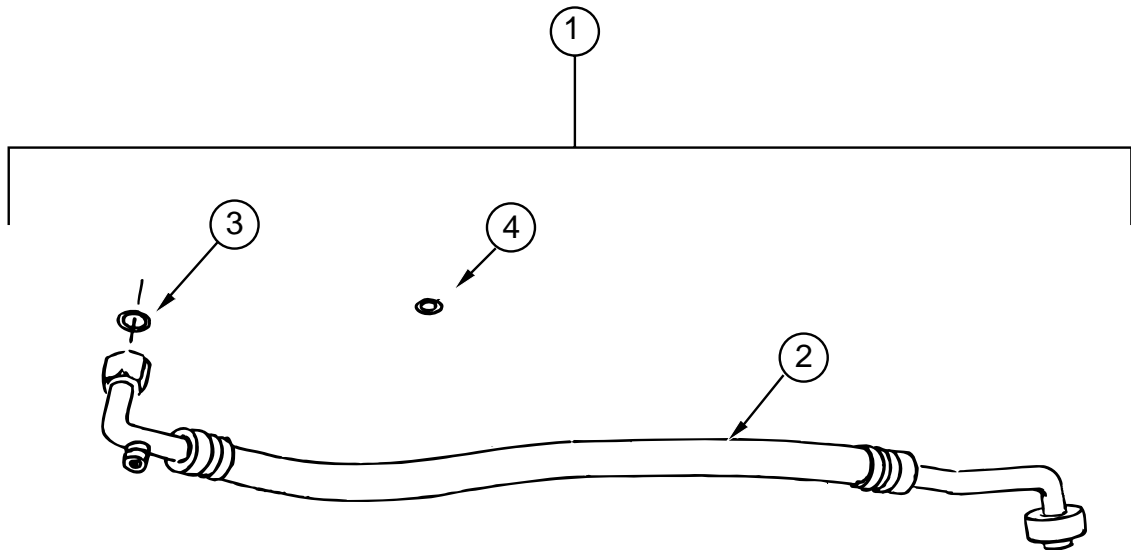
KEY	PART NUMBER	U/M	DESCRIPTION	VENDOR NO.
1	103930-30-000	EA	EVAPORATOR/HEATER ASM - SERVO MOTOR CONTROLLED	
2	103930-01-710	EA	RESISTOR-FUSED, A/C	035-0006
3	103930-30-705	EA	PANEL-DOOR, BLEND AIR	071-0568
4	103930-01-703	EA	CORE-HEATER	042-0010
5	110279-01-712	EA	FITTING-HEATER	050-0076
6	103930-20-711	EA	CASE-BACK, SUB-ASSEMBLY	062-0147
7	110279-01-703	EA	HOSE-VENT, BLOWER MOTOR	051-0034
8	103930-20-707	EA	HOUSING-BLOWER	062-0145
9	103930-01-720	EA	MOTOR-BLOWER, PM105	030-0004
				FROM: 00-00-00 THRU: 12-21-96
9	103930-30-706	EA	MOTOR-BLOWER, PM147 W/ADAPTER	030-0109
				FROM: 12-22-96 THRU: 99-99-99
10	103930-01-717	EA	WHEEL-BLOWER, CLOCKWISE	062-0010
11	103930-20-708	EA	CLIP-MOTOR SHAFT	022-0001
12	103930-20-705	EA	PANEL-DOOR, RECIRCULATING	071-0213
13	103930-20-704	EA	ROD-DOOR, RECIRCULATING	073-0018
14	103930-01-708	EA	BRACKET-VACUUM MOTOR	070-0113
15	103930-02-708	EA	MOTOR-VACUUM SERVO, A/C	030-0025
16	103930-01-704	EA	COIL-EVAPORATOR	041-0017
17	103930-30-702	EA	BUSHING-BLEND AIR DOOR	062-0168
18	103930-30-704	EA	COVER-SERVO	062-0545
19	103930-30-703	EA	MOTOR-SERVO	030-0104
20	103930-30-701	EA	PLATE-SERVO MOTOR MOUNT	062-0544
21	103930-20-706	EA	CLIP-RETAINER	022-0057
22	103930-25-700	EA	HOSE ASSEMBLY - #6, EVAPORATOR TO DRIER	0850350
23	103930-12-709	EA	FITTING-QUICK CONNECT	050-0120
24	103930-20-700	EA	VALVE-EXPANSION BLOCK, 2 TON	034-0032
25	103930-17-702	EA	O' RING - #10	045-0127
26	113245-01-707	EA	O' RING - #8	045-0126
27	103930-20-709	EA	VALVE-SERVICE	050-0159
28	103930-01-711	EA	THERMOSTAT	033-0003
29	103930-30-700	EA	CASE-FRONT	062-0542
	103930-23-000	EA	VALVE - WATER - 2 PORT	

**HEATING & AIR CONDITIONING GROUP (CONTINUED)**



**CHEVY HOSE KIT - STANDARD GAS**

KEY	PART NUMBER	U/M DESCRIPTION	VENDOR NO.
1	103930-28-000	EA HOSE KIT - #10 W/GM L-19 CHASSIS	
2	103930-28-700	EA HOSE ASM #10 EVAPORATOR/COMP	085-0347
3	103930-17-702	EA O'RING #10	045-0127
4	103930-29-701	EA O'RING F/LOW PRESSURE SWITCH	045-0483



**CHEVY HOSE KIT - VORTEC GAS OR DIESEL OPTION**

KEY	PART NUMBER	U/M DESCRIPTION	VENDOR NO.
1	103930-29-000	EA HOSE KIT - #10 F/GM L-29 & L-65 CHASSIS	
2	N/A	EA HOSE ASM #10 EVAPORATOR/COMP	085-0348
3	103930-17-702	EA O'RING #10	045-0127
4	103930-29-701	EA O'RING F/LOW PRESSURE SWITCH	045-0483

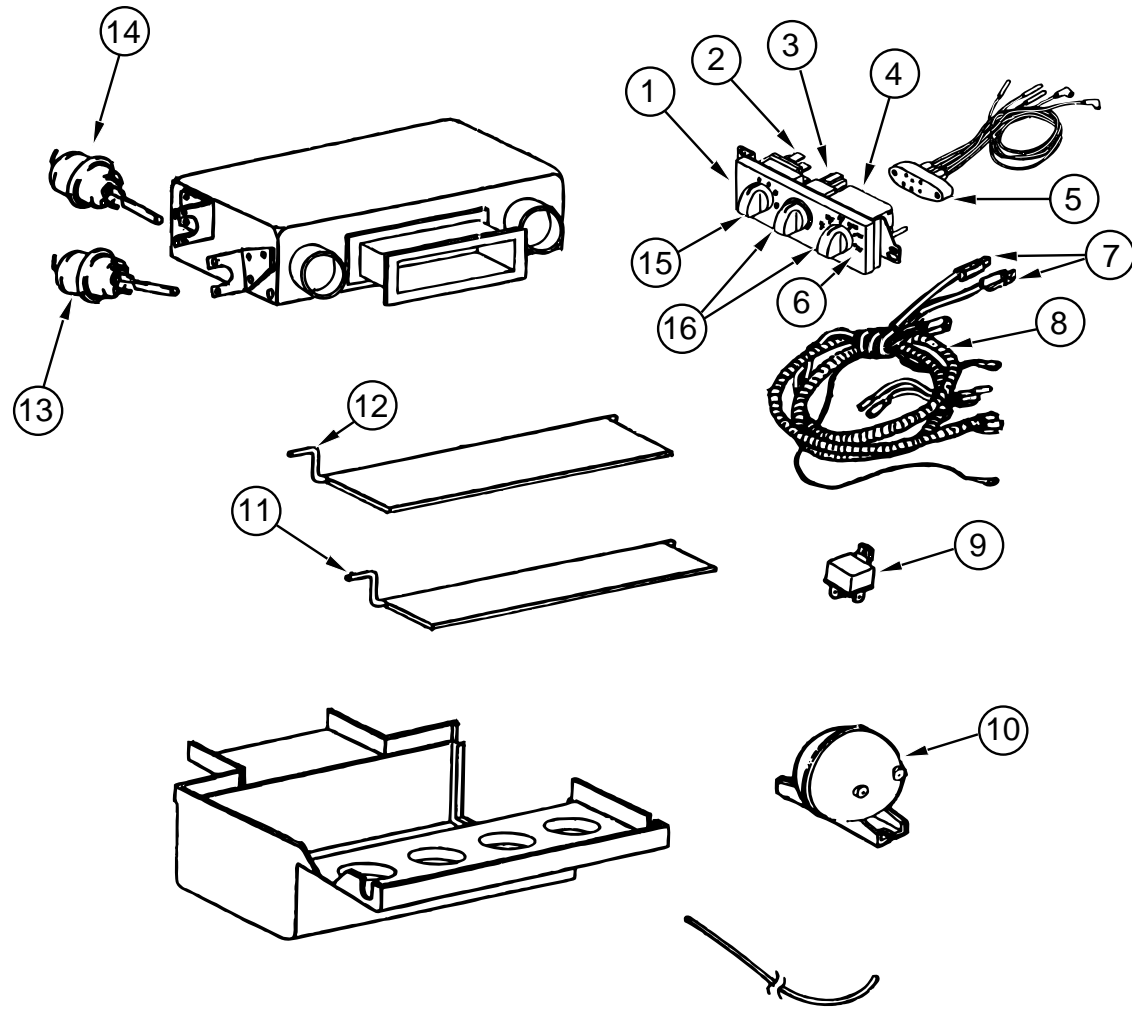
**HEATING & AIR CONDITIONING GROUP (CONTINUED)**  
**AUTOMOTIVE HEATER MISCELLANEOUS**

KEY	PART NUMBER	U/M DESCRIPTION
	089367-02-000	EA TEE - 4" X 2" X 4"
	009198-01-000	FT DUCT - HEAT - FLEXIBLE - 4" ID X 25'
	009198-02-000	FT DUCT - FLEXIBLE - 2" ID X 25'
	009200-01-000	EA TAPE - FURNACE - 1 1/2"
	079059-02-000	EA HOSE - 90 DEGREE - .61" ID X 4" X 6"
		FROM: 02-07-97 THRU: 99-99-99
	007076-01-000	EA HOSE-FLEXIBLE PVC - 2" ID INCREMENTS OF 50'
	007108-01-000	FT HOSE-HEATER, 5/8" ID - HI-TEMP - FORD ESE-M2D192-A
	007281-01-000	EA HOSE-FLEXIBLE PVC, 2.5" ID X 50' - ATCOFLEX A-182-355
	007281-01-700	FT HOSE-FLEXIBLE PVC, 2.5" ID
	024990-05-000	EA OUTLET - 4" DIAMETER W/SWIVEL DEFLECTORS
	056402-05-000	EA BRACKET-HEATER VENT, ROUND - W/BEND - BLACK
	077075-01-000	EA GASKET-INSTRUMENT PANEL TO DEFROSTER PLENUM - 1.8" X 12.5"
	077075-03-000	EA GASKET-INSTRUMENT PANEL TO DEFROSTER PLENUM - 1.8" X 12.25"
	103016-01-000	EA PLENUM-TRANSITION
	103017-01-000	EA PLENUM-DEFROSTER
	103558-01-06A	EA VENT - DEFROSTER - 2" X 14.4" X 1.4" - QUICK SILVER
	103796-01-01A	EA LOUVER ASSEMBLY-A/C CARY PROD - BLACK
	097494-02-000	EA TEE-BRASS, BARB - 3/8" X 5/32" X 3/8" - PARKER 224-8-8-4
	103930-05-000	EA MANUAL - OWNER - HEATER/A/C
		FROM: 00-00-00 THRU: 02-23-97
	103930-37-000	EA MANUAL - OWNERS - HEATER/A/C
		FROM: 02-24-97 THRU: 99-99-99
	7SB010-96-14Z	EA MANUAL-DEALER SERVICE/PARTS - SCS 057-00171

**EVANS REAR HEATER & COMPONENTS**

KEY	PART NUMBER	U/M DESCRIPTION	VENDOR NO.
	084405-01-000	EA HEATER ASSEMBLY-REAR, DUCTED - W/MOTOR AID - EVANS	
	084405-01-700	EA CORE-HEATER	FT200229
	084405-01-701	EA FAN BLADES	HV029931
	084405-01-702	EA MOTOR ASSEMBLY, 12 VOLT	R0200180
	007108-01-000	FT HOSE-HEATER, 5/8" ID - HI-TEMP - FORD ESE-M2D192-A	
	061673-01-000	EA BRACKET-MOTOR AID TUBES, 4" X 1.5" - STEEL	
	079059-02-000	EA HOSE - 90 DEGREE - .61" ID X 4" X 6"	
		FROM: 02-07-97 THRU: 99-99-99	

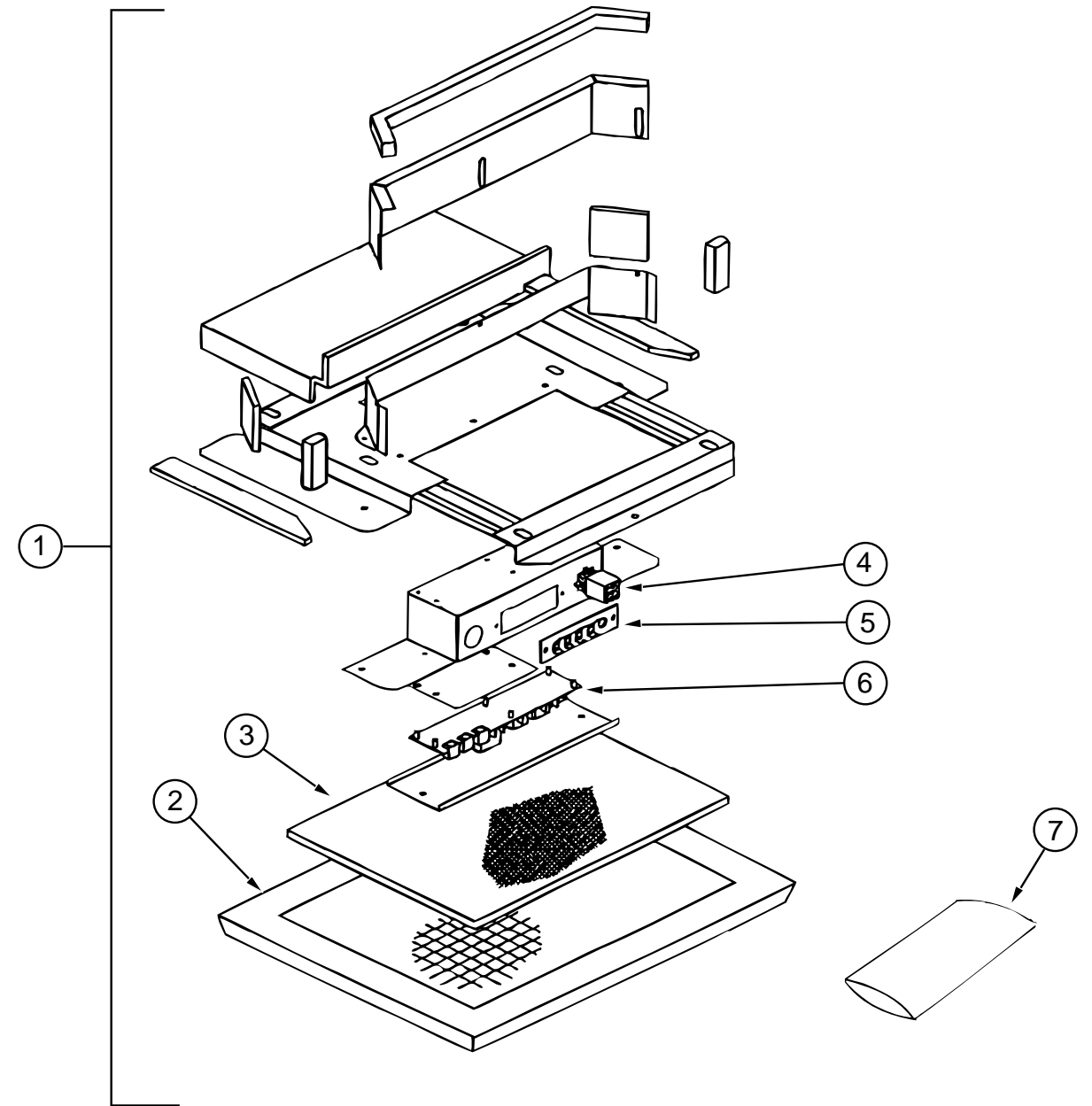
**HEATING & AIR CONDITIONING GROUP (CONTINUED)**



**SCS CONTROL/PLENUM**

KEY	PART NUMBER	U/M	DESCRIPTION	VENDOR NO.
	103930-34-000	EA	CONTROL/PLENUM-ROTARY CONTROL HEAD	
1	103930-33-702	EA	PANEL ASSEMBLY-CONTROL	083-0169
2	103930-33-707	EA	SWITCH-BLOWER	032-00066
3	103930-33-708	EA	SWITCH-POTENTIOMETER	032-0184
4	103930-33-709	EA	SWITCH-VACUUM	032-0183
5	103930-33-703	EA	HARNESS-VACUUM	036-0466
6	103930-33-710	EA	DECAL-CONTROL HEAD	058-0102
7	103930-33-705	EA	BULB-LIGHT	035-0030
8	103930-33-704	EA	HARNESS-WIRE W/BULBS	036-0465
			FROM: 00-00-00 THRU: 12-21-96	
8	103930-33-711	EA	HARNESS-WIRE, MAIN	036-0496
			FROM: 12-22-96 THRU: 99-99-99	
9	103930-02-707	EA	RELAY-BOSCH W/RESISTOR	031-0001
10	103930-02-710	EA	CANISTER-VACUUM	054-0002
11	103930-33-700	EA	ROD-DOOR, DEFROSTER/A/C	073-0028
12	103930-33-706	EA	ROD-DOOR, A/C/DEFROST	073-0060
13	103930-02-708	EA	MOTOR-VACUUM SERVO, A/C	030-0025
14	103930-33-701	EA	MOTOR-VACUUM, 3 STAGE	030-0105
15	103930-33-712	EA	KNOB - BLOWER	062-00539
16	103930-33-713	EA	KNOB	062-00540

**HEATING & AIR CONDITIONING GROUP (CONTINUED)**



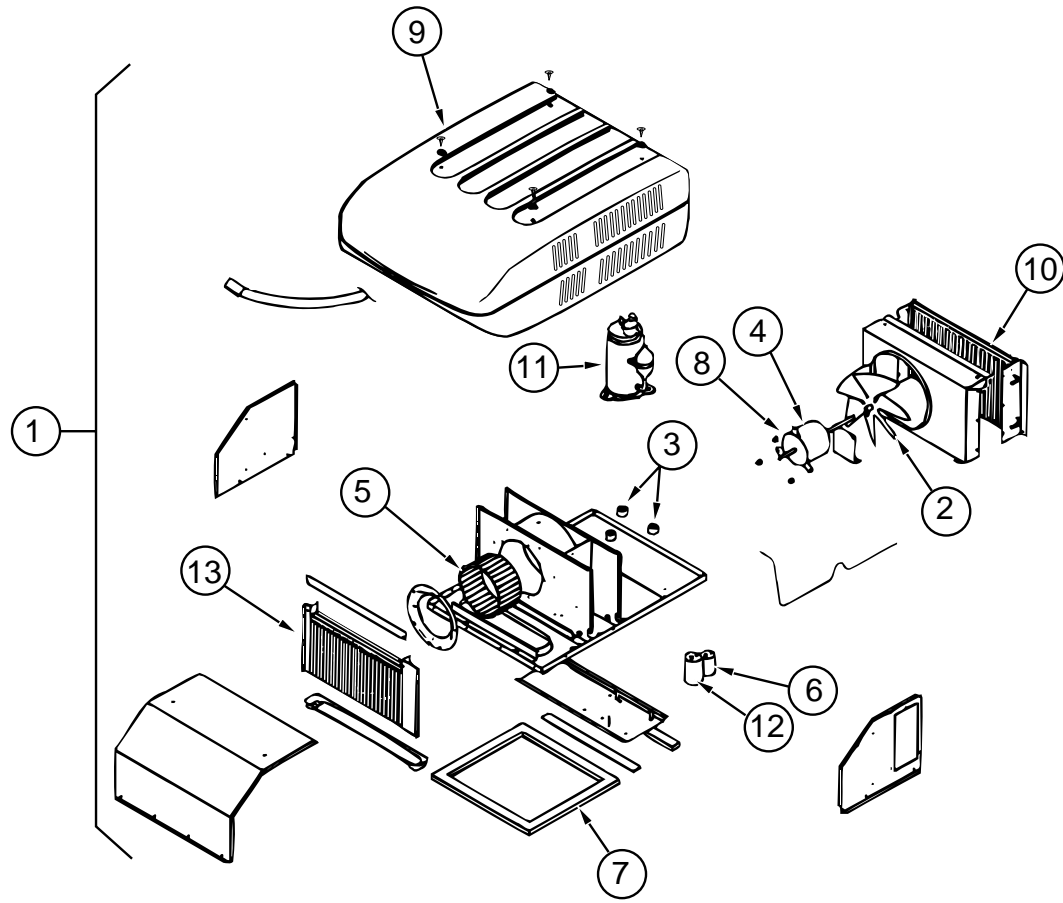
**COLEMAN A/C CEILING ASSEMBLY, THERMOSTAT, & REGISTER**

KEY	PART NUMBER	U/M	DESCRIPTION	VENDOR NO.
1	108892-01-01A	EA	CEILING ASM-A/C DUCTED - COLEMAN 7330-730IV	
2	108892-01-704	EA	GRILLE (PLASTIC)	6798-3041
3	108892-01-703	EA	FILTER	6798A3761
4	108892-01-700	EA	PLUG ASSEMBLY	7330-540
5	108892-01-701	EA	BOARD-TERMINAL	7330-3201
6	108892-01-702	EA	BOARD-PRINTED CIRCUIT	7330A3211
7	108892-01-705	EA	SMALL PARTS PACKAGE	7330A6101
	117238-01-01A	EA	THERMOSTAT-A/C AND FURNACE - COLEMAN 7330-3371	
	117238-02-01A	EA	THERMOSTAT-A/C ONLY - COLEMAN 7330-3381	
	120134-01-02A	EA	REGISTER - 4" - 5" DIAMETER W/DAMPER - WHITE - DTW 8840	

**ROOF A/C COVER**

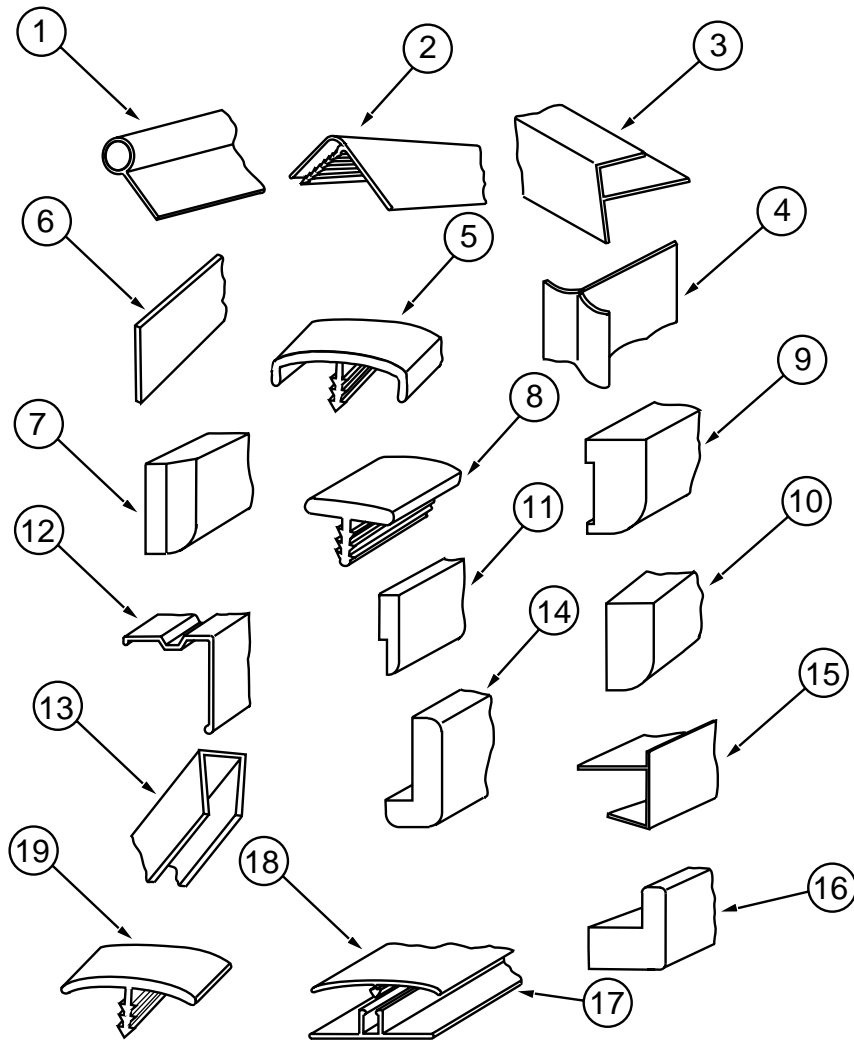
KEY	PART NUMBER	U/M	DESCRIPTION
	092633-02-02A	EA	COVER-BLANK, ROOF A/C - 5.1" X 5.1" - PLASTIC - OFF WHITE

**HEATING & AIR CONDITIONING GROUP (CONTINUED)**  
**COLEMAN 14,800 BTU ROOF A/C**



KEY	PART NUMBER	U/M DESCRIPTION	VENDOR NO.
1	115219-01-03A	EA A/C-ROOF, 14,800 BTU MACH 15 - BRIGHT WHITE	
2	093763-01-712	EA BLADE-FAN, CONDENSER	6733-3221
3	105620-01-706	EA FOOT PACKAGE-COMPRESSOR, 3 PER PACKAGE	6759-3081
4	108889-01-705	EA MOTOR - 115V, 60HZ	1468-3049
5	108889-01-706	EA IMPELLOR	1472-1041
6	093763-01-704	EA CAPACITOR-FAN	1499-5461
	108889-01-710	EA PAD-FILLER, CONDENSER SEAL	6759B3971
7	108889-01-711	EA GASKET PACKAGE	6792A3301
8	108889-01-715	EA MOTOR MOUNT & SHAFT SEAL KIT	6792A3361
9	108889-05-700	EA SHROUD - BRIGHT WHITE, W/O LOGO	7333-4601
10	115219-01-700	EA COIL-CONDENSER	1452A1321
11	115219-01-708	EA COMPRESSOR, CONVERSION KIT	1450A2061
12	115219-01-702	EA CAPACITOR-RUN, COMPRESSOR	1499-5741
	115219-01-703	EA RELAY-START	1497-4151
13	115219-01-704	EA COIL-EVAPORATOR	1452-1331
	115219-01-705	EA LINE-SUCTION, LOWER	7335-130
	115219-01-706	EA LINE-SUCTION, UPPER	7335-131
	115219-01-707	EA LINE ASSEMBLY, DISCHARGE	7335A132
	093306-01-720	EA CAPACITOR-START, 21-25 MFD33	1497-3351
	093306-01-701	EA DECAL PACKAGE-LEFT & RIGHT	6798B3591
	102289-01-000	EA SPRING-SCREW, ROOF A/C GASKET - COLEMAN 6757-150	

**INTERIOR FINISH GROUP**  
**MOLDINGS & TRIMS**



KEY	PART NUMBER	U/M DESCRIPTION
1	009767-12-000	FT WELTING - SIDEWALL/CEILING/CABINET - OFF/WHT
2	009809-28-000	EA MOLDING - CORNER - OUTSIDE - 1" X 84" - WATERFORD OAK
3	009812-29-000	EA MOLDING - PLASTIC - CORNER/OUTSIDE - .5" X 7" WATERFORD OAK
4	022992-11-000	FT MOLDING - REVERSE COVE - T-SHAPED VINYL - IVORY
5	083620-12-000	FT MOLDING-T - END CAP EDGE - W/EDGE LIP - .75"-WATERFORD OAK
6	076325-34-000	FT MOLDING - EDGE BAND - 1 5/16" X 1.2" - ORCHID MIST
6	076325-43-000	FT MOLDING - EDGE BAND .876" X .024" - CLOUD (H33)
6	076325-38-000	FT MOLDING - EDGE BAND - .875" X .024" (H34,H35)
6	076325-46-000	FT MOLDING - EDGE BAND 1 5/16" X .030" - CLOUD (H33)
6	076325-37-000	FT MOLDING - EDGE BAND - 1 5/16" X .030" (H34,H35)
6	076325-67-000	FT MOLDING - EDGE BAND - .93" X .024" - WATERFORD OAK
6	076325-68-000	FT MOLDING - EDGE BAND - 1 5/16" X .038" - WATERFORD OAK
7	100659-01-G09	EA MOLDING - TRIM - VINYL FLOOR
8	104676-01-01A	FT MOLDING-T - 5/16" RIGID GOLD
9	117268-D2-438	EA MOLDING - VINYL WRAPPED - .7" X 1.5" X 96" - WATERFORD OAK
9	117268-D2-134	EA MOLDING - VINYL WRAPPED - .7" X 1.6" X 84" - WATERFORD OAK
9	117268-F2-134	EA MOLDING - VINYL WRAPPED - .7" X 2.7" X 84" - WATERFORD OAK
9	117268-F2-438	EA MOLDING - VINYL WRAPPED - .7" X 2.6" X 96" - WATERFORD
10	100818-01-05A	EA MOLDING - VINYL WRAPPED - 1.65" X .4" X 7"
11	105004-01-05A	EA MOLDING - VINYL WRAPPED - 1" X 96" - WATERFORD OAK
12	093873-01-01A	EA TRIM - CARPET - L-ANGLE 1.1" X 1.3" X 12' - GRAY VINYL
13	009778-21-000	FT U - CHANNEL - 1" X 96" - INCREMENTS - PLASTIC
13	070504-36-000	FT U-CHANNEL - PLASTIC - .65" X 72" - WATERFORD OAK
13	070504-37-000	FT U-CHANNEL - PLASTIC - .81" X 96" - WATERFORD OAK
14	077840-01-G01	EA MOLDING - CAP/WALL - 8' WATERFORD OAK
15	103186-01-05A	FT MOLDING - PLASTIC/3/8" U-CHANNEL W/3/4" FACE- WATERFORD OAK
15	103186-02-05A	FT MOLDING - PLASTIC/1" U-CHANNEL W/1 3/8" FACE-WATERFORD OAK
16	100819-01-05A	EA MOLDING - VINYL WRAPPED - L-SHAPED - 1.5" X 1.5" X 7' - WATERFORD OAK
17	086229-01-000	EA RETAINER - BATTEN - .75" X 92.24" - ANY COLOR
18	086229-20-000	EA BATTEN - 1" X 96" - BEIGE
19	105709-01-000	FT T-MOLDING - 1" - MODERN IVORY
	117267-D2-438	EA LUMBER - VINYL WRAPPED - .7" X 1.5" X 96" - WATERFORD OAK
	117267-E2-438	EA LUMBER - VINYL WRAPPED .7" X 2" X 96" - WATERFORD OAK
	117267-G2-438	EA LUMBER - VINYL WRAPPED - .7" X 3" X 96" - WATERFORD OAK
	072368-02-000	EA TRIM - VINYL - EDGE - BLACK
	113452-01-000	FT SEAL/TRIM - FRONT - VINYL W/WIRE CARRIER

FROM: 00-00-00 THRU: 02-02-97  
FROM: 02-03-97 THRU: 99-99-99

**INTERIOR FINISH GROUP (CONTINUED)**

**BATT STRIPS**

KEY	PART NUMBER	U/M DESCRIPTION
	069733-83-000	EA BATT STRIP - WOODGRAINED/WATERFORD OAK - 8'
	079653-28-000	EA BATT STRIP - WOODGRAINED/WATERFORD OAK - 8' - KERFED
	088263-E3-000	EA BATT STRIP - SHOWER - 8' - PEBBLE EMBOSS ANTIQUE
	088263-D8-000	EA BATT STRIP - DECORATIVE - MCKENSIE CREAM - 8' LONG (H33) (MAIN WALL)
	088263-D7-000	EA BATT STRIP - DECORATIVE - WINDY/WILLOW - 8' LONG (H34) (MAIN WALL)
	088263-E5-000	EA BATT STRIP - DECORATIVE - WYNDEMERE/CINNAMON - 8' LONG (H35) (MAIN WALL)
	085284-B5-000	FT BATT TAPE - ADHESIVE BACKED - WOODGRAINED - WATERFORD OAK
	085284-D6-000	FT BATT TAPE - SHOWER - PEBBLE EMBOSS ANTIQUE - ADHESIVE BACKED
	085284-D2-000	FT BATT TAPE - ADHESIVE BACKED - MCKENSIE/CREAM (H33) (MAIN WALL)
	085284-D1-000	FT BATT TAPE - ADHESIVE BACKED - WINDY/WILLOW (H34) (MAIN WALL)
	085284-D9-000	FT BATT TAPE - WYNDEMERE CINNAMON - ADHESIVE BACKED (H35) (MAIN WALL)

**PLASTIC LAMINATE**

KEY	PART NUMBER	U/M DESCRIPTION
	074498-62-000	SF LAMINATE-PLASTIC, GREY FINESSE - 5' X 8' - INCREMENTS OF 40 SF (H33) (GALLEY, DINETTE, BATH, & BEDROOM)
	074498-72-000	SF LAMINATE-PLASTIC, PEBBLE SANTOS - 5' X 8' - INCREMENTS OF 40 SF (H34/H35) (GALLEY, DINETTE, BATH, & BEDROOM)
	074498-77-000	SF LAMINATE-PLASTIC, ART CABIN OAK - 5' X 8' - INCREMENTS OF 40 SF (PULL OUT TABLE)
	074498-67-000	SF LAMINATE-PLASTIC, ORCHID MIST - 5' X 8' - INCREMENTS OF 40 SF (PATIO ENTERTAINMENT CENTER TABLE)

**SMOKE DETECTOR, CO DETECTOR, FIRE EXTINGUISHER & CLOCK**

KEY	PART NUMBER	U/M DESCRIPTION	VENDOR NO.
	072852-01-000	EA DETECTOR-SMOKE, W/9 VOLT BATTERY - US	
	072852-02-000	EA DETECTOR-SMOKE, W/9 VOLT BATTERY - CANADIAN	
	094499-01-000	EA EXTINGUISHER-FIRE, DRY W/MOUNTING BRACKET - 10 BC	
	094499-01-700	EA BRACKET-MOUNTING, W/PLASTIC STRAP - FIRE EXTINGUISHER	294039
	094499-01-701	EA STRAP ONLY (METAL)	320351
	094499-02-000	EA EXTINGUISHER-FIRE, DRY - 1A10BC - CANADIAN	
	112320-03-000	EA DETECTOR-CO GAS, MODEL 9D-I	
		FROM: 00-00-00 THRU: 10-20-96	
	112320-04-000	EA BATTERY/SENSOR MODULE - CO (BLACK MODULE) F/9D-I SYSTEM	
		FROM: 00-00-00 THRU: 10-20-96	
	125136-01-000	EA DETECTOR-CO GAS, MODEL 9L-I	
		FROM: 10-21-96 THRU: 99-99-99	
	118081-01-01A	EA CLOCK - WALL - ROUND 8" - BRASS	
		FROM: 00-00-00 THRU: 06-22-97	
	118081-02-01A	EA CLOCK - WALL - ROUND 8" BRASS	
		FROM: 06-23-97 THRU: 99-99-99	

**INTERIOR FINISH GROUP (CONTINUED)**

**ANTISLIP & FLOOR MATS**

KEY	PART NUMBER	U/M DESCRIPTION
	091261-01-000	FT SLIPNOT - ANTISLIP - 1" WIDE (100' ROLL)
	105924-01-F25	EA MAT - FLOOR - 18" X 27" (H33)
	105924-01-F12	EA MAT - FLOOR - 18" X 27" (H34)
	105924-01-H35	EA MAT - FLOOR - 18" X 27" (H35)

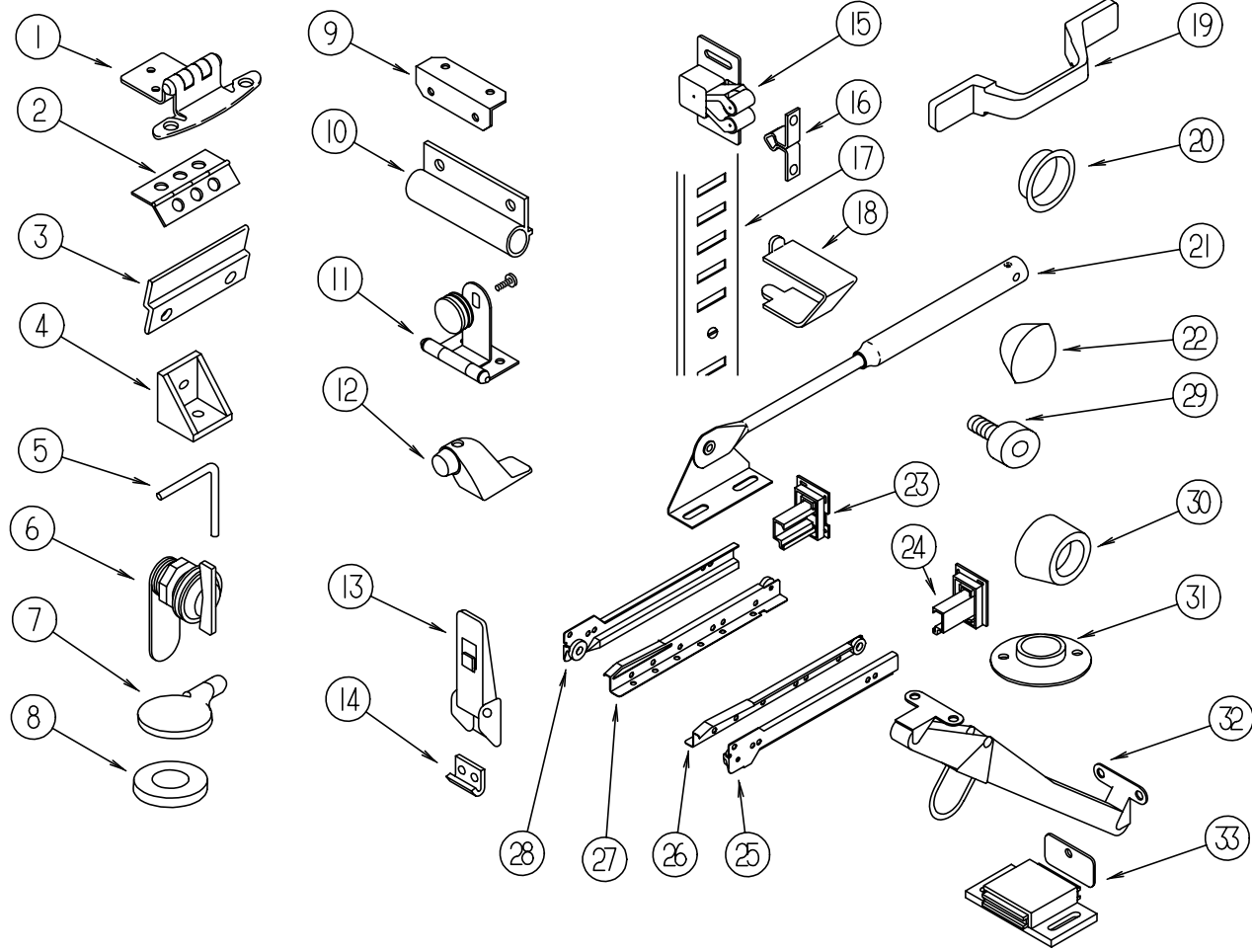
**CARPET & TILE**

KEY	PART NUMBER	U/M DESCRIPTION
	093486-01-000	SY CARPET - COMPARTMENT - 72" WIDE - DARK GRAY
	096060-A8-000	SY CARPET - BLUE LAGOON - INCREMENTS OF 4 SY (H33)
	096060-99-000	SY CARPET - PARCHMENT - INCREMENTS OF 4 SQ YDS (H34)
	096060-C3-000	SY CARPET - SPRUCE - INCREMENTS OF 4 SQ YDS (H35)
	122755-05-01A	EA TILE - RUBBER/ENTRANCE DOOR - 11.2" X 26.9"

**PANELING, PLYWOOD, & PARTICLE BOARD**

KEY	PART NUMBER	U/M DESCRIPTION
	074497-28-000	SF PANELING - WATERFORD OAK - 48" X 96"
	080215-10-000	SF PANELING - 2 SIDE - WATERFORD - 48" X 96"
	088272-G1-000	SF PANELING - PEBBLE EMBOSS - ANTIQUE WHITE - 4' X 7'
	088272-F6-000	SF PANELING - MCKENSIE CREAM - 4' X 7' (H33)
	088272-F5-000	SF PANELING - WINDY/WILOW (H34)
	088272-G3-000	SF PANELING - WYNDERE - CINNAMON - 4' X 7' (H35)
	000846-01-000	SF PLYWOOD - 5/16" X 48" X 96" - CD GRADE
	000846-02-000	SF PLYWOOD/UNDERLAYMENT - 5/16" X 48" X 96"
	000885-76-000	SF PARTICLE BOARD-3/8" X 48" X 96"-WATERFORD OAK/VINYL 1 SIDE
	000885-77-000	SF PARTICLE BOARD-3/8" X 48" X 96"-WATERFORD OAK/VINYL 2 SIDE
	000885-79-000	SF PARTICLE BOARD-3/4" X 48" X 96"-WATERFORD OAK/VINYL 2 SIDE
	114129-01-02A	SF LINER - CABINET - .02" X 48" X 96"
		FROM: 01-02-97 THRU: 99-99-99
	126339-01-000	SF BOARD - WHEAT - 60" X 72"
	089297-01-000	SF PLYWOOD-LUAN, OVERLAY GRADE - 4' X 8'

**INTERIOR FINISH GROUP (CONTINUED)**  
**CABINET HARDWARE**

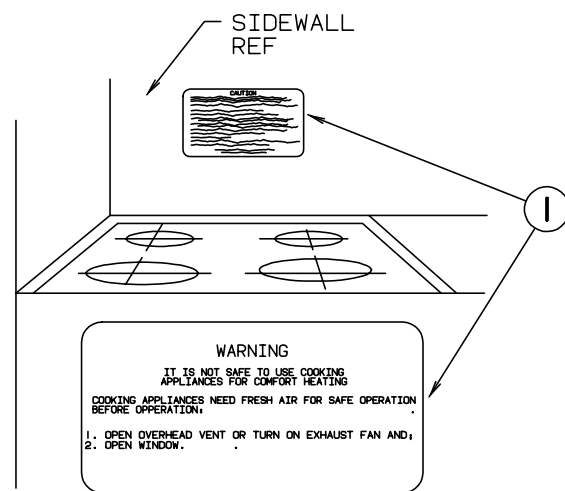


KEY	PART NUMBER	U/M	DESCRIPTION
1	108138-01-000	EA	HINGE - CABINET DOOR - BURNISHED BRASS
	000G13-06-08G	EA	SCREW
2	009059-01-000	EA	HINGE - DOOR - 2" X 1.4" - BRASS
2	009059-02-000	EA	HINGE - DOOR - 2" X 2.7" - BRASS
3	101272-01-000	EA	CATCH - DOOR - GLASS
4	065740-01-000	EA	BRACE - CABINET/CORNER - PLASTIC
5	108487-02-01A	EA	SUPPORT - PROP ROD/OVERHEAD - BLACK
	039984-01-000	EA	CAP-ROUND, VINYL - .28" ID X .62" LONG - BLACK
6	100710-01-01A	EA	LOCK - GLASS DOOR/TWIST TYPE - BRASS
7	101766-01-000	EA	PIN - SUPPORT/GLASS DOOR
8	100707-01-000	EA	SPACER - GLASS DOOR - .8" DIA - .3" HOLE - PLASTIC
9	016604-01-000	EA	BRACE - CABINET - ANGLE - 2.5" - UNPAINTED METAL
9	016604-05-000	EA	BRACE - CABINET - ANGLE - 2.5" OFF WHITE METAL
10	108486-01-01A	EA	BRACKET - PROP ROD/OVERHEAD - BLACK
11	100711-01-01A	EA	HINGE - GLASS DOOR
12	103257-01-000	EA	STOP - DOOR
13	116975-01-01A	EA	LATCH - W/O STRIKE
14	116975-02-01A	EA	NEW STYLE KEEPER/STRIKE
15	093586-06-000	EA	CATCH - SPRING - ROLLER
16	093586-05-000	EA	STRIKE - SPRING STEEL
17	098980-01-000	EA	PILASTER - ADJUSTABLE SHELF - 18"
17	098980-02-000	EA	PILASTER - ADJUSTABLE SHELF - 12"
17	098980-03-000	EA	PILASTER - ADJUSTABLE SHELF - 9"
17	098980-04-000	EA	PILASTER - ADJUSTABLE SHELF - 48"
18	098979-01-000	EA	CLIP - ADJUSTABLE SHELF

KEY	PART NUMBER	U/M	DESCRIPTION
19	117801-01-01A	EA	PULL - CABINET - BRASS
20	080728-01-000	EA	HANDLE - PULL - 1.3" X 4.4" - BROWN PLASTIC
21	074493-02-000	EA	SUPPORT - PISTON SPRING - CABINET DOOR
22	042356-01-000	EA	PLUG - BUTTON - MAHOGANY - 3/8" DIAMETER - WOOD
23	114045-01-000	EA	BACKSOCKET - ADJUSTABLE LEFT
24	114045-02-000	EA	BACKSOCKET - ADJUSTABLE RIGHT
25	114031-02-000	EA	SLIDE - 12" - RIGHT SIDE/CABINET
25	114031-06-000	EA	SLIDE - 14" - RIGHT SIDE/CABINET
25	114031-10-000	EA	SLIDE - 16" - RIGHT SIDE/CABINET
25	114031-14-000	EA	SLIDE - 18" - RIGHT SIDE/CABINET
25	114031-18-000	EA	SLIDE - 20" - RIGHT SIDE/CABINET
25	114031-22-000	EA	SLIDE - 22" - RIGHT SIDE/CABINET
25	114031-26-000	EA	SLIDE - 24" - RIGHT SIDE/CABINET
26	114031-04-000	EA	SLIDE - 12" - RIGHT SIDE/DRAWER
26	114031-08-000	EA	SLIDE - 14" - RIGHT SIDE/DRAWER
26	114031-12-000	EA	SLIDE - 16" - RIGHT SIDE/DRAWER
26	114031-16-000	EA	SLIDE - 18" - RIGHT SIDE/DRAWER
26	114031-20-000	EA	SLIDE - 20" - RIGHT SIDE/DRAWER
26	114031-24-000	EA	SLIDE - 22" - RIGHT SIDE/DRAWER
26	114031-28-000	EA	SLIDE - 24" - RIGHT SIDE/DRAWER
27	114031-03-000	EA	SLIDE - 12" - LEFT SIDE/DRAWER
27	114031-07-000	EA	SLIDE - 14" - LEFT SIDE/DRAWER
27	114031-11-000	EA	SLIDE - 16" - LEFT SIDE/DRAWER
27	114031-15-000	EA	SLIDE - 18" - LEFT SIDE/DRAWER
27	114031-19-000	EA	SLIDE - 20" - LEFT SIDE/DRAWER
27	114031-23-000	EA	SLIDE - 22" - LEFT SIDE/DRAWER
27	114031-27-000	EA	SLIDE - 24" - LEFT SIDE/DRAWER
28	114031-01-000	EA	SLIDE - 12" - LEFT SIDE/CABINET
28	114031-05-000	EA	SLIDE - 14" - LEFT SIDE/CABINET
28	114031-09-000	EA	SLIDE - 16" - LEFT SIDE/CABINET
28	114031-13-000	EA	SLIDE - 18" - LEFT SIDE/CABINET
28	114031-17-000	EA	SLIDE - 20" - LEFT SIDE/CABINET
28	114031-21-000	EA	SLIDE - 22" - LEFT SIDE/CABINET
28	114031-25-000	EA	SLIDE - 24" - LEFT SIDE/CABINET
29	079921-01-000	EA	ROLLER - NYLON - W/STEEL SHAFT - BARBED
30	004354-01-000	EA	BUMPER - RUBBER - .5" DIA - BROWN
31	009112-01-000	EA	FLANGE - PLASTIC - 1" CLOTHES ROD - OFF WHITE
32	104181-01-01A	EA	SUPPORT - LEAF 5.3" EXTENDS TO 7.5" - SAFETY RING - METAL
33	088254-01-000	EA	CATCH - MAGNETIC - 1.8" X .7"
	023320-01-000	EA	PAD - FELT 3/8" DIAMETER
	042438-01-000	EA	DOWEL - WOOD - CLOTHES ROD - 1" DIAMETER X 4'
	042438-02-000	EA	DOWEL - WOOD - 2" X 2"
	122021-01-01A	EA	ANGLE - W/HOLES - 1" X 1" X 9" - MILL
	122021-02-02A	EA	ANGLE - W/HOLES - 1" X 1" X 13.8" - MILL

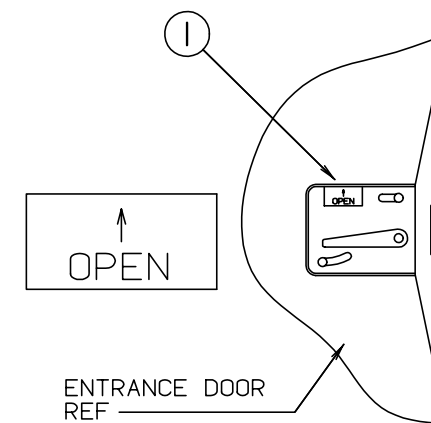


**LABELS GROUP**

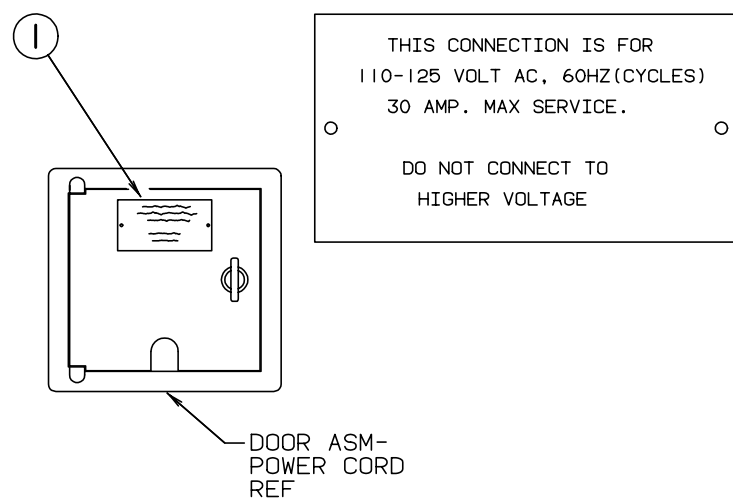


KEY	PART NUMBER	U/M DESCRIPTION
1	050225-01-000	EA LABEL-WARNING, STOVE VENT - US
1	050222-01-000	EA LABEL-WARNING, STOVE VENT - CANADIAN

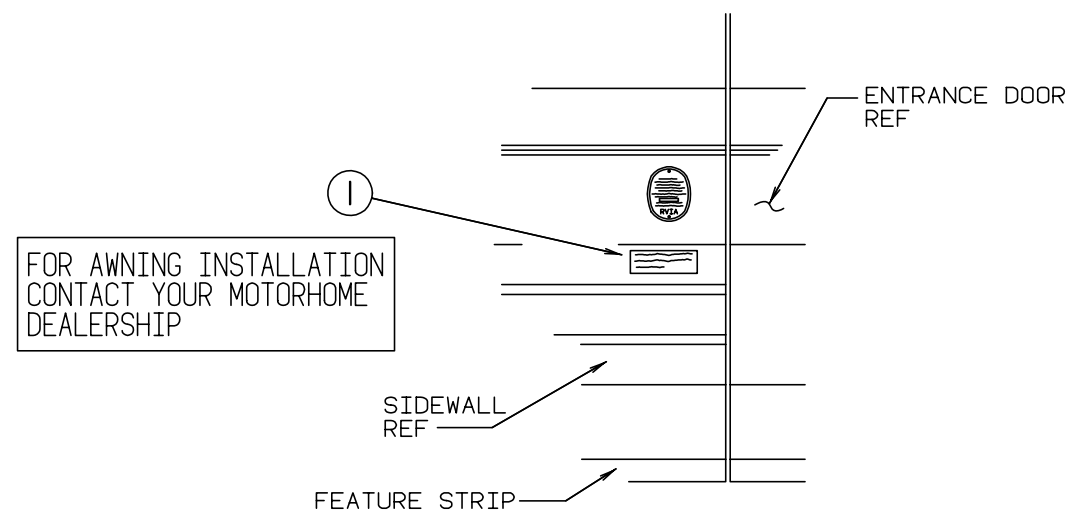
**LABELS GROUP (CONTINUED)**



KEY	PART NUMBER	U/M DESCRIPTION
1	040944-01-000	EA LABEL-ENTRANCE DOOR, "OPEN"

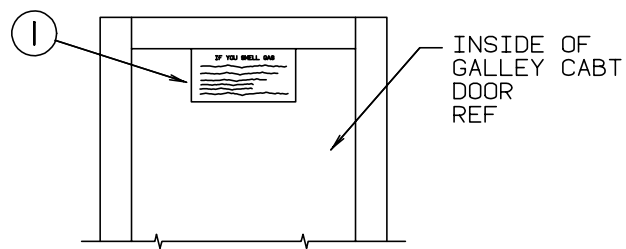


KEY	PART NUMBER	U/M DESCRIPTION
1	006062-01-000	EA LABEL - ELECTRIC - 110 VOLT CONNECTION FROM: 00-00-00 THRU: 07-13-97
1	125306-01-01A	EA LABEL - ELECTRICAL ENTRANCE - 110 VOLT 30 AMP FROM: 07-14-97 THRU: 99-99-99



KEY	PART NUMBER	U/M DESCRIPTION
1	099509-01-000	EA LABEL-AWNING INSTALLATION

**LABELS GROUP (CONTINUED)**



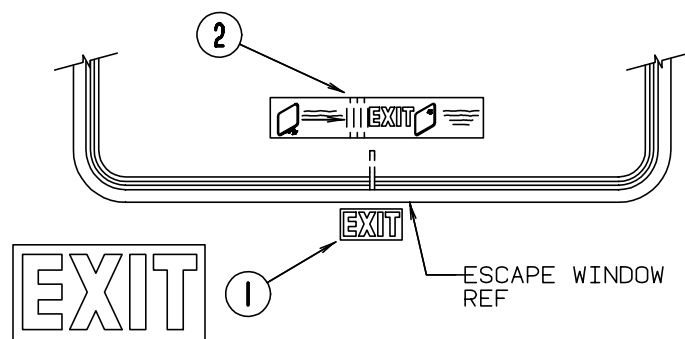
**IF YOU SMELL GAS**

1. EXTINGUISH ANY OPEN FLAME, PILOT LIGHTS AND ALL SMOKING MATERIALS.
2. SHUT OFF THE GAS SUPPLY AT THE TANK VALVE( OR GAS SUPPLY CONNECTION.
3. OPEN DOORS AND OTHER VENTILATING OPENINGS.
4. DO NOT TOUCH ELECTRICAL SWITCHES.
5. LEAVE THE AREA UNTIL ODOR CLEARS.
6. HAVE THE GAS SYSTEM CHECKED AND LEAKAGE SOURCE CORRECTED BEFORE USING AGAIN.

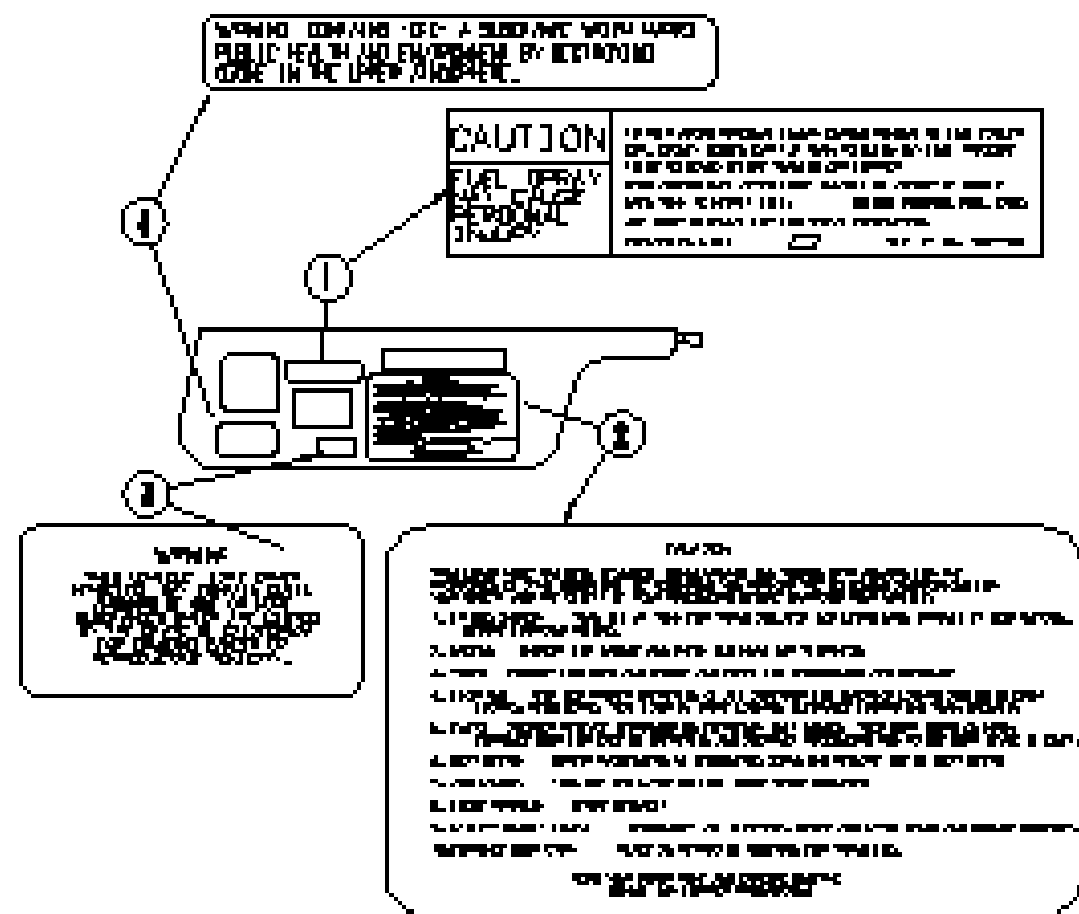
KEY	PART NUMBER	U/M DESCRIPTION
1	073998-01-000	EA LABEL-LPG ODOR WARNING



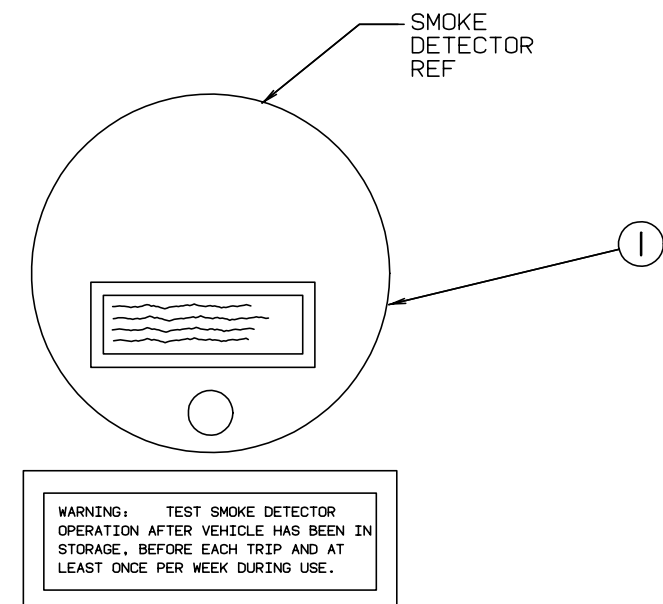
KEY	PART NUMBER	U/M DESCRIPTION
1	039290-01-000	EA LABEL-WARNING, EXIT
2	107571-01-000	EA LABEL-EXIT/ESCAPE WINDOW



**LABELS GROUP (CONTINUED)**



KEY	PART NUMBER	U/M DESCRIPTION
1	087207-05-000	EA LABEL-FUEL CAP REMOVAL
2	056259-01-000	EA LABEL-SAFETY CHECK LIST
3	099689-01-000	EA LABEL-WARNING, CANCER/TOXICITY - CALIFORNIA
4	111802-01-000	EA LABEL-CFC WARNING



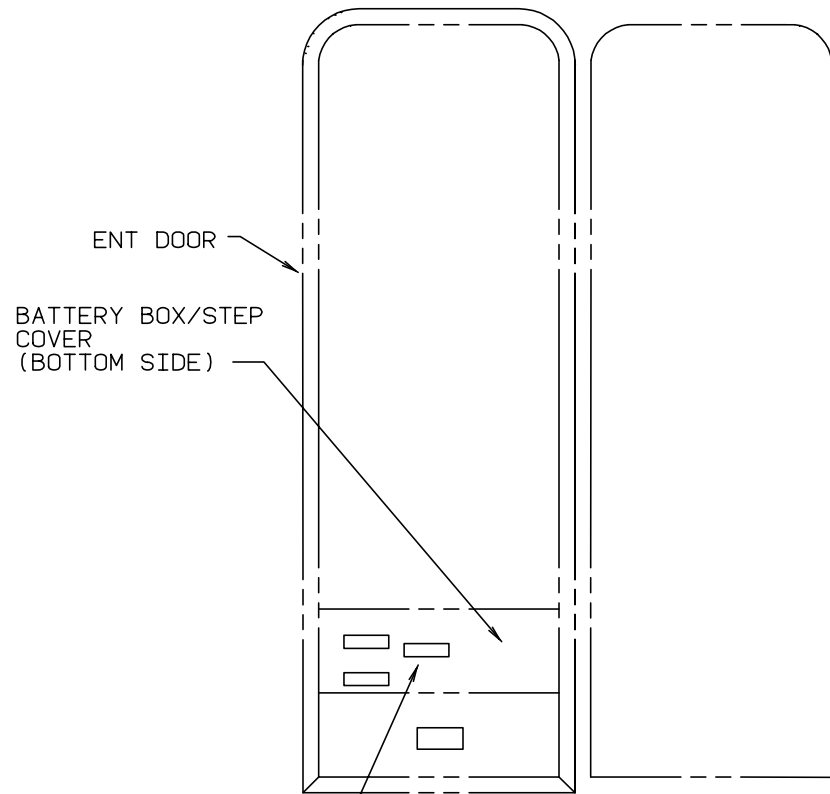
KEY	PART NUMBER	U/M DESCRIPTION
1	077956-01-000	EA LABEL-WARNING, SMOKE DETECTOR

**LABELS GROUP (CONTINUED)**

AIR CONDITIONING CIRCUIT.  
THIS CONNECTION IS FOR  
AIR CONDITIONERS RATED 110-  
125 VOLT AC, 60 HZ, 16  
AMPERES MAXIMUM. DO NOT  
EXCEED CIRCUIT RATING.



KEY	PART NUMBER	U/M DESCRIPTION
1	091243-01-000	EA LABEL-A/C COVER, "AIR CONDITIONING CIRCUIT. ETC."



**WARNING:** DISCONNECT BATTERIES BEFORE  
CONNECTING EXTERNAL CHARGING EQUIPMENT.

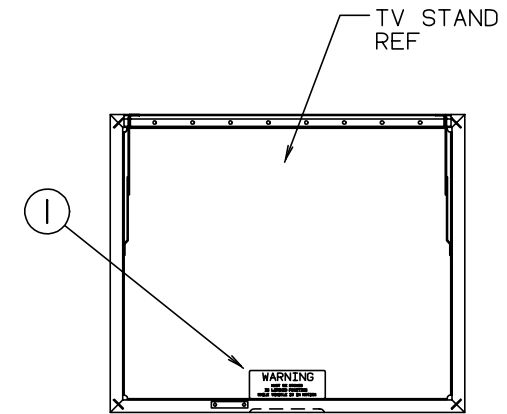
**AVERTISSEMENT:** DEBRANCHER LES BATTERIES AVANT  
DE BRANCHER TOUT EQUIPEMENT DE CHARGE EXTERIEUR.

KEY	PART NUMBER	U/M DESCRIPTION
1	065748-01-000	EA LABEL-CAUTION, BATTERY CHARGING - US
1	065748-02-000	EA LABEL-CAUTION, BATTERY CHARGING - FRENCH

**LABELS GROUP (CONTINUED)**

DO NOT USE HITCH BEFORE  
READING OWNERS MANUAL REGARDING  
VEHICLE LOADING AND TOWING

KEY	PART NUMBER	U/M DESCRIPTION
1	111104-01-000	EA LABEL-HITCH, READ MANUAL - WHITE LETTERS
1	111104-02-000	EA LABEL-HITCH, READ MANUAL - BLACK LETTERS



**WARNING**  
MUST BE STOWED  
IN LATCHED POSITION  
WHILE VEHICLE IS IN MOTION

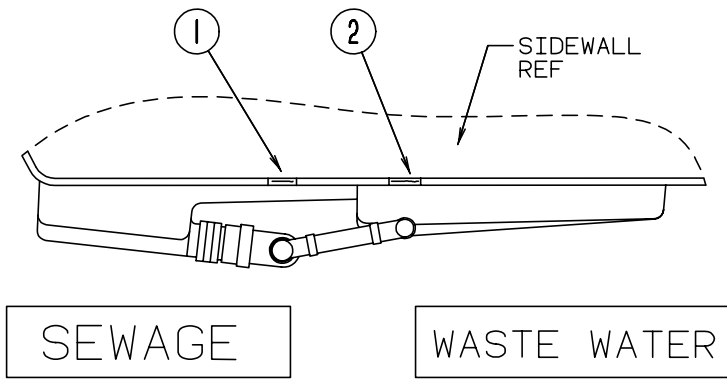
KEY	PART NUMBER	U/M DESCRIPTION
1	079966-01-000	EA LABEL-WARNING, STOWED - MOTION

NOTE: TUNE ANTENNA  
PER MANUFACTURER'S  
DIRECTIONS. FAILURE TO  
COMPLY COULD RESULT IN  
DAMAGE TO CB.

**CB POWER PROVISION**  
RED +12 V  
BLACK GROUND  
COAX ANTENNA  
(SEE REVERSE ALSO)

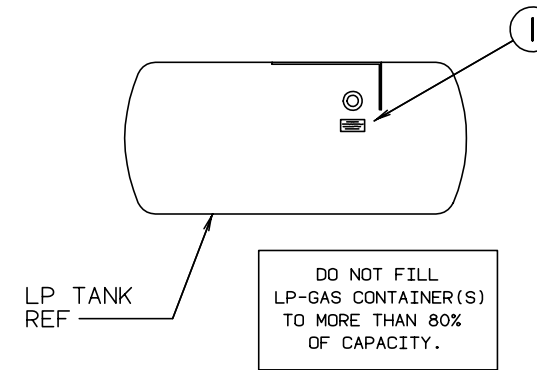
KEY	PART NUMBER	U/M DESCRIPTION
1	104678-01-000	EA LABEL-CB PREP

**LABELS GROUP (CONTINUED)**



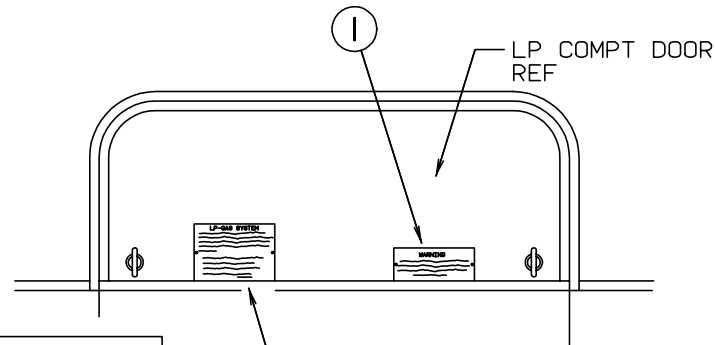
KEY	PART NUMBER	U/M DESCRIPTION
1	006187-01-000	EA LABEL-SEWAGE
2	006188-01-000	EA LABEL-WASTE WATER

**LABELS GROUP (CONTINUED)**



KEY	PART NUMBER	U/M DESCRIPTION
1	079965-01-000	EA LABEL-LPG, 80% CAPACITY

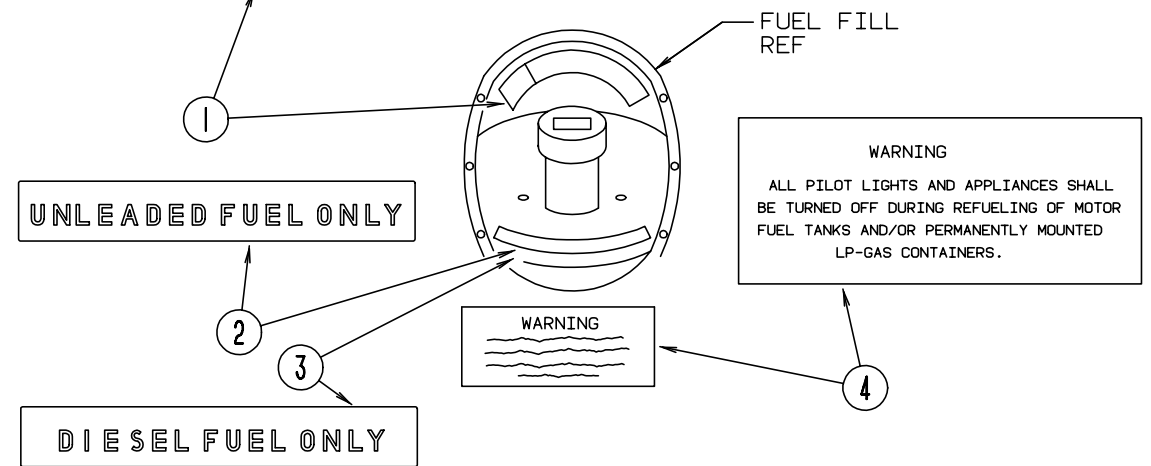
**WARNING**  
ALL PILOT LIGHTS AND APPLIANCES SHALL BE TURNED OFF DURING REFUELING OF MOTOR FUEL TANKS AND/OR PERMANENTLY MOUNTED LP-GAS CONTAINERS.



**LP-GAS SYSTEM**  
THIS GAS PIPING SYSTEM IS DESIGNED FOR USE OF LIQUEFIED PETROLEUM GAS ONLY. DO NOT CONNECT NATURAL GAS TO THIS SYSTEM.  
  
SECURELY CAP INLET(S) WHEN NOT CONNECTED FOR USE. AFTER TURNING ON GAS, EXCEPT AFTER NORMAL CONTAINER REPLACEMENT, TEST GAS PIPING AND CONNECTIONS TO APPLIANCE FOR LEAKAGE WITH SOAPY WATER OR BUBBLE SOLUTION. DO NOT USE PRODUCTS THAT CONTAIN AMMONIA OR CHLORINE.  
P.N. 54531

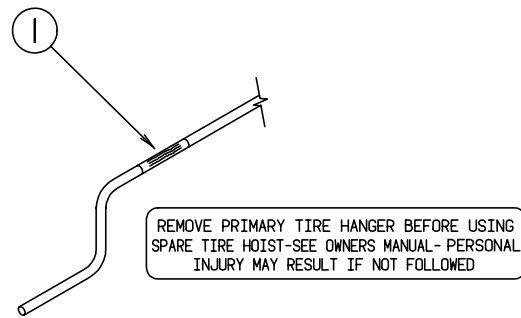
KEY	PART NUMBER	U/M DESCRIPTION
1	124519-01-01A	EA LABEL-WARNING/REFUELING, US
1	124519-02-02A	EA LABEL-WARNING/REFUELING, CANADIAN
2	124520-01-01A	EA LABEL-LP GAS ONLY, US
2	023769-01-000	EA LABEL-WARNING, LPG - CANADIAN

**CAUTION**  
TO HELP AVOID PERSONAL INJURY DURING REMOVAL OF FUEL FILLER CAP, SLOWLY LOOSEN CAP 1/2 TURN TO ALLOW ANY FUEL PRESSURE TO BE RELIEVED BEFORE TURNING CAP FURTHER.  
  
**FUEL SPRAY MAY CAUSE PERSONAL INJURY**  
STOP ADDING FUEL AFTER FIRST SHUTOFF BY AUTOMATIC NOZZLE WHEN TANK IS NEARLY FULL. DO NOT OVERFILL FUEL TANK.  
SEE OWNERS MANUAL FOR ADDITIONAL INFORMATION.  
PRINTED IN U.S.A. MLC PT NO 15611763



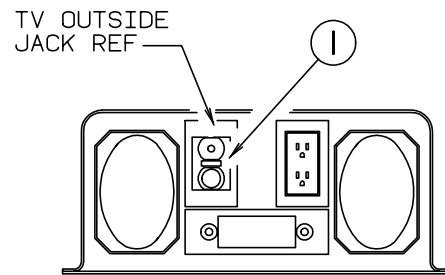
KEY	PART NUMBER	U/M DESCRIPTION
1	087207-05-000	EA LABEL-FUEL CAP REMOVAL
2	062043-01-000	EA LABEL-FUEL, UNLEADED
3	068383-01-000	EA LABEL-DIESEL FUEL ONLY, GM-557005
4	124519-01-01A	EA LABEL-WARNING/REFUELING, US
4	124519-02-02A	EA LABEL-WARNING/REFUELING, CANADIAN

**LABELS GROUP (CONTINUED)**



KEY	PART NUMBER	U/M DESCRIPTION
1	126024-01-01A	EA LABEL - TIRE HANGER REMOVAL

FROM: 03-14-97 THRU: 99-99-99



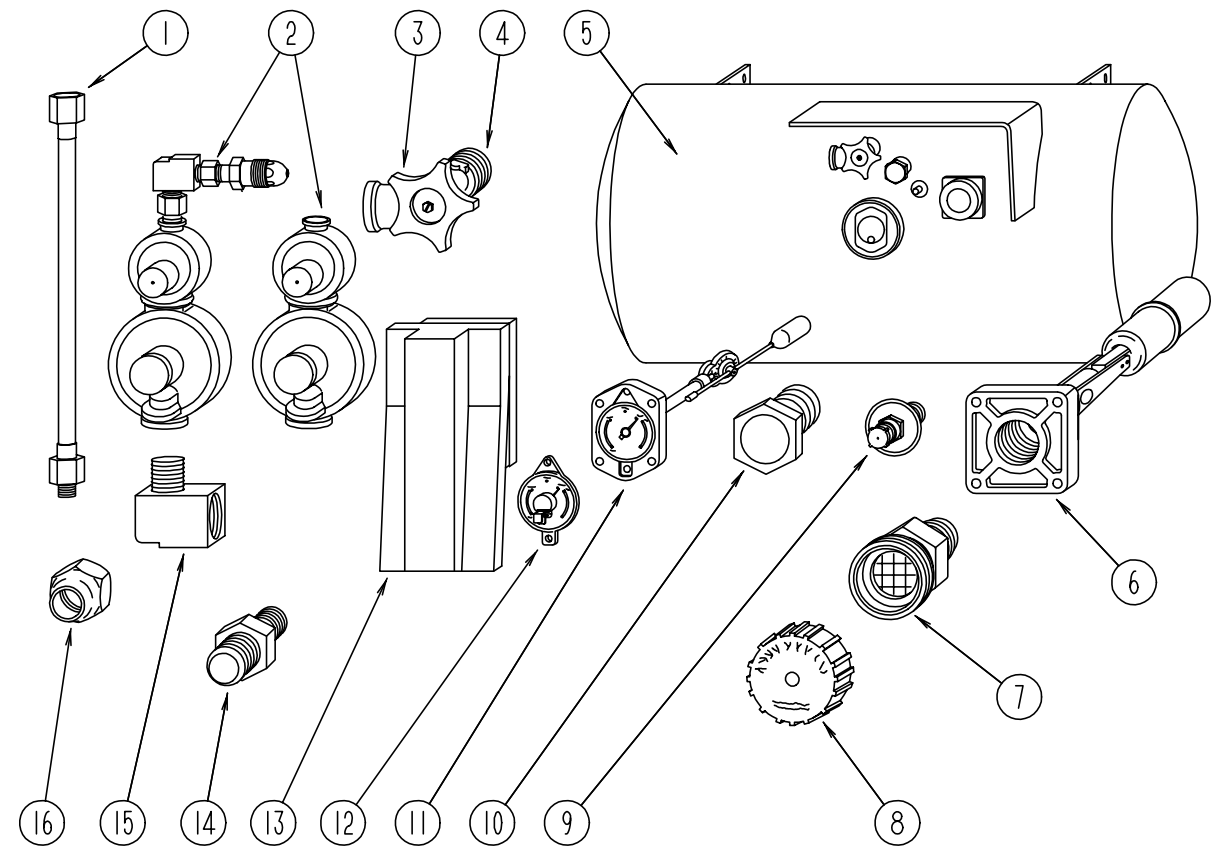
KEY	PART NUMBER	U/M DESCRIPTION
1	087236-01-000	EA LABEL - CABLE - INPUT

**MISCELLANEOUS LABELS**

KEY	PART NUMBER	U/M DESCRIPTION
	006064-01-000	EA LABEL-SEAT W/O SEATBELT "NOT INTENDED FOR USE WHILE COACH IN MOTION"
	098379-04-000	EA LABEL-ELECTRICAL BOX, SIDE
	098641-01-000	EA LABEL-FUEL, UNLEADED - DASH
	111537-07-000	EA LABEL-FUSES
	113402-02-000	EA LABEL-CAUTION, FURNACE EXHAUST

OUTLET

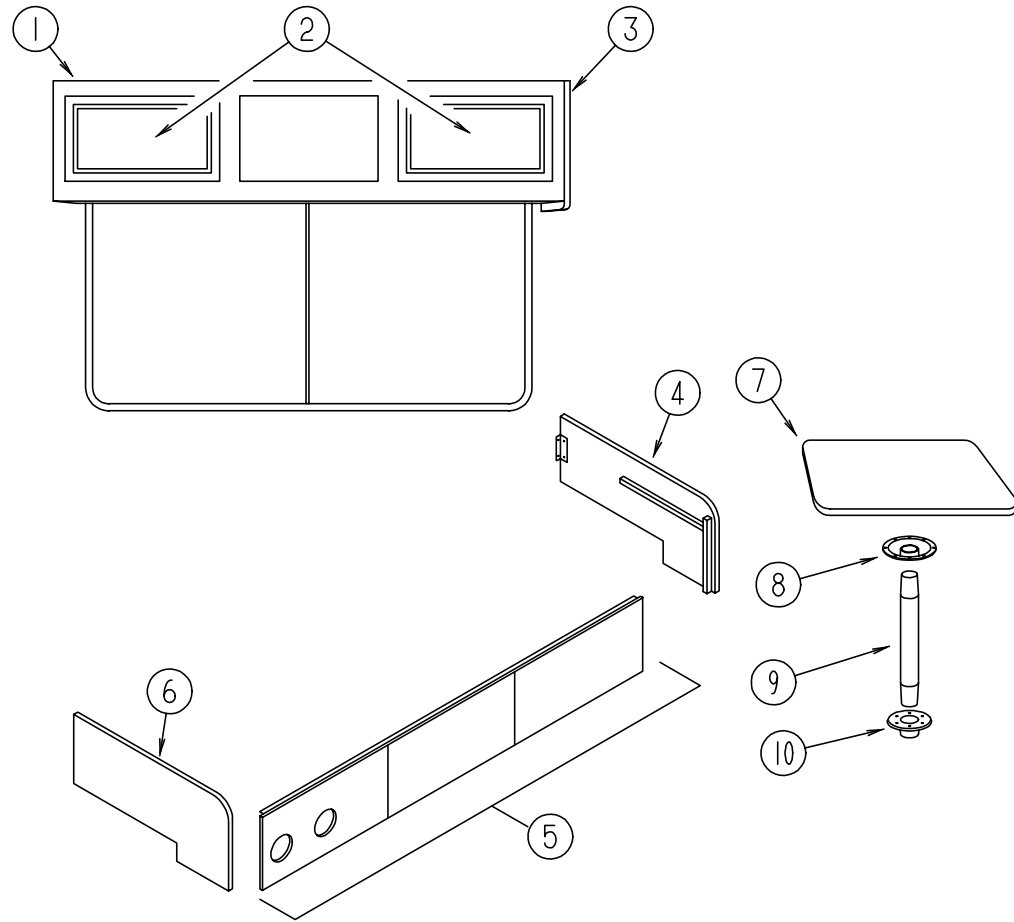
**LP GROUP**



**LP TANK & COMPONENTS**

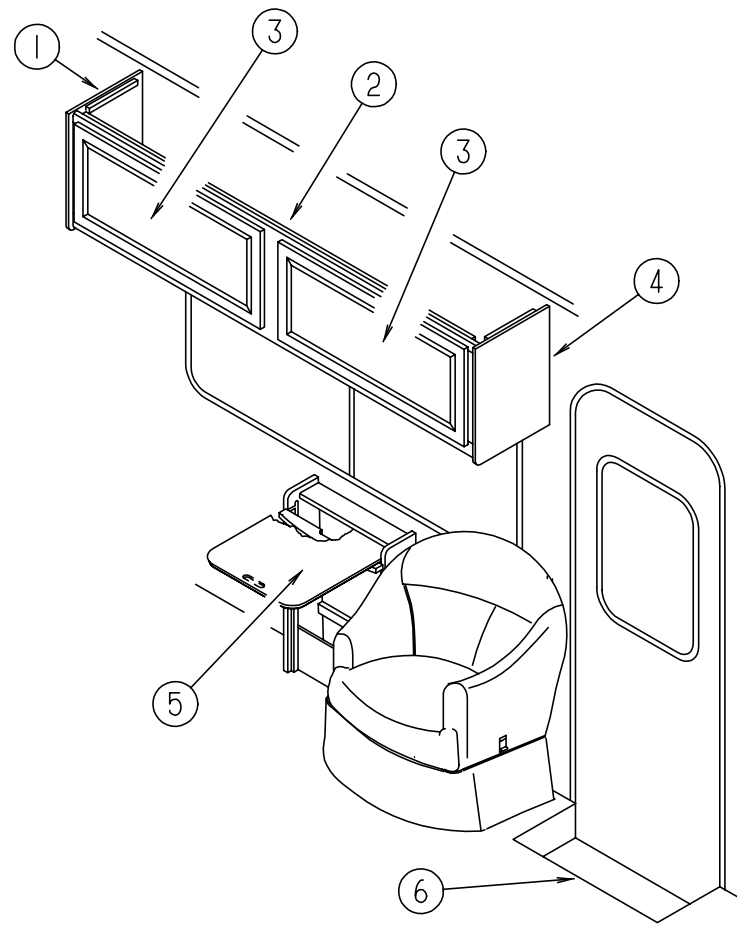
KEY	PART NUMBER	U/M DESCRIPTION	VENDOR NO.
1	045703-01-000	EA HOSE-LP - 3/8" ID X 24" - 3/8" MPT X 1/2" F SWIVEL - US	
1	045703-03-000	EA HOSE-LP - 3/8" ID X 18" - 3/8" MPT X 1/2" F SWIVEL - US	
1	045703-02-000	EA HOSE - LP - 3/8" ID X 24" - 3/8" MPT X 1/2" F SWIVEL - CANADIAN	
1	045703-12-000	EA HOSE - LP - 3/8" ID X 18" - 3/8" MPT X 1/2" F SWIVEL - CANADIAN	
2	106150-01-000	EA REGULATOR-TWO STAGE	
2	106150-02-000	EA REGULATOR-TWO STAGE - LP GENERATOR	
3	040421-01-708	EA HANDWHEEL-SERVICE VALVE	G-1015-A
4	040421-01-712	EA VALVE-SERVICE W/O VAPOR RELIEF	29000853
5	097821-02-000	EA TANK - LP - 60 LB - 14" X 30"	
6	040421-01-711	EA VALVE - 80% FILL W/AUTO STOP	LLL/TL3
7	040421-01-701	EA VALVE-SHORT LP FILLER W/YELLOW CAP	7547B
8	040421-01-702	EA CAP-LP FILLER VALVE, PLASTIC - YELLOW	G-1014-A
9	040421-01-700	EA GAUGE-LIQUID LEVEL, 20% LP	G-1013
10	040421-01-713	EA VALVE-VAPOR ONLY	29000587
11	040421-01-707	EA FLOAT ASM.(SIGHT GAUGE) 14"	14C
12	040440-02-000	EA TRANSMITTER - DIAL - 0-90 OHM - 2 TERMINAL (POWER & GROUND)	
13	105658-01-000	EA COMPARTMENT-LP REGULATOR	
14	010323-01-000	EA ADAPTER-BRASS, 3/8" F X 1/2" MPT	
15	065318-02-000	EA ELBOW - 90 DEGREE, 3/8" MPT TO 3/8" FPT	
16	010377-02-000	EA NUT-BRASS, 3/8" FLARE - FORGED	
	008042-01-000	FT TUBING-VINYL, .65" ID	
	010252-01-000	EA ELBOW - BRASS - 90 DEGREE - 3/8" F X 1/2" MPT	
	010326-01-000	EA ADAPTER - FLARE - W/CONE GASKET - 3/8" FEMALE X 1/2" MALE	
	103613-01-000	EA DETECTOR - LP GAS	
			FROM: 00-00-00 THRU: 11-10-96
	103613-02-000	EA DETECTOR - LP GAS	
			FROM: 11-11-96 THRU: 04-27-97
	103613-03-000	EA DETECTOR - LP GAS	
			FROM: 04-28-97 THRU: 99-99-99

**LOUNGE GROUP  
DRIVER SIDE COUCH & TABLES**



KEY	PART NUMBER	U/M	DESCRIPTION
1	117922-01-H33	EA	CABINET - OVERHEAD/DINETTE - W/O DOORS/HARDWARE
1	117922-01-H34	EA	CABINET - OVERHEAD/DINETTE - W/O DOORS/HARDWARE
1	117922-01-H35	EA	CABINET - OVERHEAD/DINETTE - W/O DOORS/HARDWARE
	117922-14-G35	EA	SHELF - W/PLASTIC EDGE TRIM
2	M06803-13-H33	EA	DOOR - MIRROR/MITERED CRNR/OGEE EDGE - 15.7" X 28"-W/O HDW
2	M06803-02-G09	EA	DOOR - MITERED CORNER/OGEE EDGE - 15.7" X 28" - W/O HDW DECORATOR DOOR OPTION
3	103128-01-G09	EA	END CAP - OVERHEAD CABINET - RIGHT HAND
4	M06978-02-H33	EA	CABINET - COUCH PANEL/LEFT END - FABRIC COVERED
4	M06978-02-H34	EA	CABINET - COUCH PANEL/LEFT END - FABRIC COVERED
4	M06978-02-H35	EA	CABINET - COUCH PANEL/LEFT END - FABRIC COVERED
5	M06978-03-H33	EA	CABINET - COUCH FRONT KICK PANEL - FABRIC COVERED
5	M06978-03-H34	EA	CABINET - COUCH FRONT KICK PANEL - FABRIC COVERED
5	M06978-03-H35	EA	CABINET - COUCH FRONT KICK PANEL - FABRIC COVERED
6	M06978-01-H33	EA	PANEL - RIGHT END COUCH/BED - FABRIC COVERED - W/O HDW
6	M06978-01-H34	EA	PANEL - RIGHT END COUCH/BED - FABRIC COVERED - W/O HDW
6	M06978-01-H35	EA	PANEL - RIGHT END COUCH/BED - FABRIC COVERED - W/O HDW
	082525-01-000	EA	BRACE - COUCH - FLOOR MOUNT - ANGLE 3" LONG
7	081298-01-E04	EA	TABLE TOP ONLY (H33)
7	081298-01-F32	EA	TABLE TOP ONLY (H34, H35)
8	009040-03-000	EA	BASE - TABLE/RAISED - TABLE MOUNTED
9	009040-02-000	EA	PEDESTAL TABLE LEG - 27.5" X 2.25" DIAMETER
	062046-01-000	EA	CLIP - LEG - PEDESTAL - 1.7" X 2.2" - DIA FROM 2 - 2.5"
10	041194-01-000	EA	BASE - TABLE/FLUSH - FLOOR MOUNTED

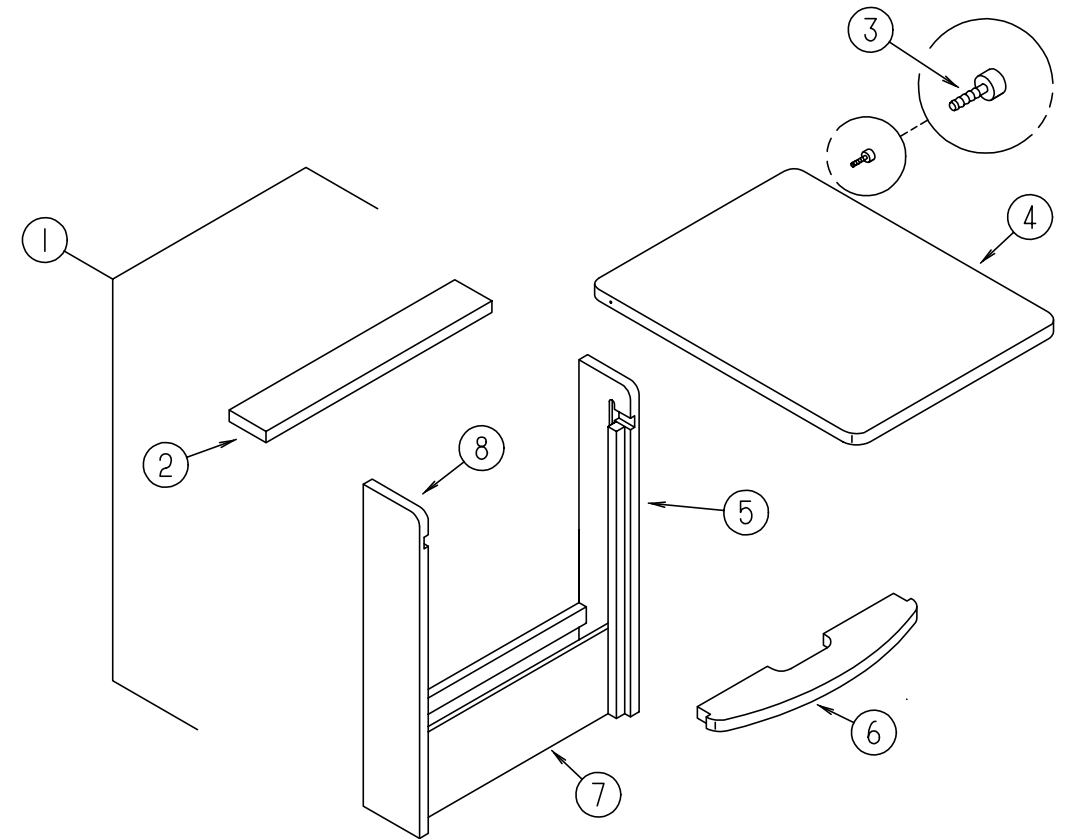
**LOUNGE GROUP (CONTINUED)**



**PASSENGER SIDE SWIVEL CHAIR & TABLE**

KEY	PART NUMBER	U/M	DESCRIPTION
1	103128-07-G15	EA	END CAP - OVERHEAD CABINET - LEFT HAND
2	118978-01-G09	EA	CABINET - OVERHEAD/FRONT/RIGHT HAND - W/O DOORS/HARDWARE
3	M06803-M8-G09	EA	DOOR - MITERED CORNER/OGEE EDGE - 15.7" X 19.7" - W/O HDW
4	103128-10-G15	EA	END CAP - OVERHEAD CABINET - RIGHT HAND
5	M96873-01-G01	EA	CABINET - F/PULLOUT TABLE - W/O TOP
6	104006-01-C05	EA	LID-ENTRANCE STEP COMPARTMENT, W/O CARPET OR HARDWARE
	107941-01-02A	EA	SUPPORT - ENTRANCE STEP LID
	101222-01-02A	EA	BRACKET - CATCH - LID - OFF WHITE
	116975-01-01A	EA	LATCH - W/O STRIKE - BLACK - NEW STYLE
	116975-02-01A	EA	KEEPER/STRIKE - BLACK - NEW STYLE

**LOUNGE GROUP (CONTINUED)**



**PULLOUT TABLE**

KEY	PART NUMBER	U/M	DESCRIPTION
1	M96873-01-G01	EA	CABINET - F/PULLOUT TABLE - W/O TOP
2	096873-15-G01	EA	SHELF - SUPPORT - OVER PULLOUT TABLE TOP
3	079921-01-000	EA	ROLLER - NYLON - W/STEEL SHAFT - BARBED
4	096873-11-G01	EA	TABLE TOP ONLY - PULLOUT
	080736-01-000	EA	PULL - RECESSED - 1.25 X 4" - OAK
5	096873-13-G01	EA	SIDE END - TABLE - RIGHT SIDE - 28.7" X 5.7"
6	096873-12-G01	EA	SHELF - SUPPORT UNDER TABLE TOP
7	096873-16-G01	EA	TABLE FRONT - BOTTOM - 18.1" X 6.7"
8	096873-14-G01	EA	SIDE END - TABLE - LEFT SIDE - 28.7" X 5.7"

**SEALANTS & FASTENERS GROUP  
ADHESIVES**

KEY	PART NUMBER	U/M DESCRIPTION
	004020-01-000	QT ADHESIVE - ABS CEMENT - QUART
	081377-01-700	EA ADHESIVE - CYANOACRYLATE, 10 GRAM TUBE
	004006-05-700	EA ADHESIVE - 5 GALLON - NATURAL STARCH
	062917-03-000	EA ADHESIVE - LOCTITE 242
	067788-01-000	EA ADHESIVE - SPRAY - 3M - 19.5 AEROSOL CAN
	087211-01-000	GL PROMOTER - ADHESIVE

**TAPES**

KEY	PART NUMBER	U/M DESCRIPTION
	076314-02-000	FT TAPE - CARPET SEAM - HEAT-BOND - 4" WIDE
	076322-01-000	FT TAPE - DOUBLE COATED/ADHESIVE BACK - .025"THK X .75"W X 18'
	076322-02-000	FT TAPE - DOUBLE COATED/ADHESIVE BACK - .045"THK X 1"W X 9'
	076322-05-000	FT TAPE - DOUBLE COATED/ADHESIVE BACK - .045"THK X .75"W X 9'
	076322-07-000	FT TAPE - DOUBLE COATED/ADHESIVE BACK - .045"THK X .50"W X 9'
	110274-01-000	FT TAPE - DOUBLE SIDED FOAM - .45" X 1"
	002707-02-000	FT TAPE - SEALER - 5/16" X 1/2" - INCREMENTS OF 50 FT
	004363-01-000	FT TAPE - ADHESIVE FOAM/1 SIDE - 3/16" X 1/2" X 50' - GRAY
	063642-01-000	FT TAPE - ADHESIVE - 10 MIL X 1.5" X 180"
	088479-01-000	EA TAPE - ALUMINUM - 3"
	120534-01-01A	EA TAPE - SCOTCH - 3M - 1/2" FINE LINE
	123816-01-000	FT TAPE - DOUBLE SIDED - 1"
	123816-02-000	FT TAPE - DOUBLE SIDED - 1/2" X 12RR
	123816-03-000	FT TAPE - DOUBLE SIDED - 1/2"

**SEALERS**

KEY	PART NUMBER	U/M DESCRIPTION
	069640-01-000	FT SEALER - RIBBON - 1/4"DIAMETER X 30'
	069640-02-000	FT SEALER - TAPE - 1/8"THICK X .50"WIDE X 60'
	069640-03-000	FT SEALER - TAPE - 1/8"THICK X .75"WIDE X 60'
	069640-07-000	FT SEALER - TAPE - 3/32"THICK X 2"WIDE X 45'
	069640-09-000	FT SEALER - TAPE - 1/32"THICK X 2.50"WIDE X 80'
	069640-11-000	FT SEALER - TAPE - 3/16"THICK X 3/8"WIDE X 40'
	069640-13-000	FT SEALER - TAPE - 3/32"THICK X 2"WIDE X 45'
	069640-14-000	FT SEALER - TAPE - 1/16"THICK X 1"WIDE X 100'
	069640-15-000	FT SEALER - TAPE - 1/16"THICK X 3/8"WIDE X 80'
	069640-17-000	FT SEALER - TAPE - 1/32" THICK X 1"WIDE X 90'
	069640-18-000	FT SEALER - TAPE - 1/2" THICK X 1/8" X 60'
	900390-01-000	EA TIP - 2 1/2" X 1/8" ORIFICE
	900390-03-000	EA NOZZLES-SILICONE TUBE, CSL D10
	034552-02-000	EA SILICONE - TUBE - 300 ML - W/O NOZZLE - CLEAR
	034552-06-000	EA SILICONE - TUBE - 300 ML - W/O NOZZLE - OFF WHITE
		FROM: 00-00-00 THRU: 07-26-97
	120074-02-01A	EA SEALANT - SILICONE - OFF WHITE
		FROM: 07-27-97 THRU: 99-99-99
	034552-15-000	EA SILICONE - TUBE - 300 ML - W/O NOZZLE - BRIGHT WHITE
		FROM: 00-00-00 THRU: 01-01-97
	039518-01-000	EA SILICONE - TUBE - 300 ML - BLACK - W/O NOZZLE
	053766-02-000	EA BEDDING COMPOUND - TUBE - WHITE
	053766-06-000	EA BEDDING COMPOUND - TUBE - CLEAR
	072889-01-000	EA SEALANT - URETHANE - BLACK - 1/10
	072889-09-000	EA SEALANT - URETHANE - BLACK (TUBE)
	072889-10-000	EA SEALANT - URETHANE (HV) - BRIGHT WHITE
	072889-12-000	EA SEALANT - URETHANE (LV) BRIGHT WHITE
	072889-16-000	EA SEALANT - URETHANE - BLACK
	102352-01-000	EA SEALER - PUMPABLE - BLACK
	102352-02-000	EA SEALER - PUMPABLE - CLEAR
	106206-01-000	EA SEALER - PUMPABLE - MANUS 30A - BLACK
	108716-03-000	EA SILICONE - TUBE - BRIGHT WHITE/SELF LEVELING

**SEALANTS & FASTENERS GROUP (CONTINUED)  
WASHERS**

KEY	PART NUMBER	U/M DESCRIPTION
	000E11-07-00B	EA WASHER - LOCKING - 7/16 MED SPLIT - ZINC
	000E13-14-00B	EA WASHER - FLAT - 1/4 WIDE - ZINC
	000E13-18-00B	EA WASHER - FLAT - 3/8 WIDE - ZINC
	000E13-20-00B	EA WASHER - FLAT - 7/16 WIDE - ZINC
	000E13-22-00B	EA WASHER - FLAT - 1/2 WIDE - ZINC
	000E13-26-00B	EA WASHER - FLAT - 5/8 WIDE - ZINC
	000E14-10-00B	EA WASHER - LOCKING - #10 EXTERNAL TOOTH - ZINC
	044533-01-000	EA WASHER - PLASTIC - 1 3/8" OD - FOR BUTTONS
	058716-02-000	EA WASHER - FLAT NYLON
	106649-01-000	EA WASHER - SEALING - GALVANIZED
	110794-01-000	EA WASHER - FLAT - 1" ID X 1 3/4" OD

**NUTS**

KEY	PART NUMBER	U/M DESCRIPTION
	000D15-06-00B	EA NUT - HEX - 3/8-24 - ZINC 5
	000D24-10-00B	EA NUT - HEX - SELF LOCKING - 10-32 ZINC
	000D29-05-00B	EA NUT - 5/16 - 18 UNC - SF/LOCKING - NYLON WASHER INSERT
	000D34-06-00B	EA NUT - HEX - LOCKING - 3/8 - 16 GRADE C - ZINC-PREVAILING T
	000D39-04-00B	EA NUT - HEX - SERRATED FLANGE - LOCKING - 1/4 - 20 - ZINC
	000D39-05-00B	EA NUT - HEX - SERRATED FLANGE - LOCKING - 5/16 - 18 - ZINC
	000D39-06-00B	EA NUT - HEX - SERRATED FLANGE - LOCKING - 3/8 - 18 - ZINC
	000D39-07-00B	EA NUT - HEX - SERRATED FLANGE - LOCKING - 7/16 - 14 - ZINC
	000D39-08-00B	EA NUT - HEX - SERRATED FLANGE - LOCKING - 1/2 - 13 - ZINC
	000D44-07-00B	EA NUT - HEX - SERRATED FLANGE - LOCKING - 7/16-20 - ZINC
	000D46-04-00A	EA NUT - HEX - WELD - 1/4 - 20 - PLAIN
	000D58-06-00A	EA NUT - HEX - WELD 3/8-16 - PLAIN
	000D60-05-00A	EA NUT - HEX - WELD/LOCK 5/16 - 18 UNCUT
	005081-01-000	EA NUT - SPEED - C-TYPE - #8 SCREW
	040921-01-000	EA NUT - SPEED - U TYPE - 10-24 BLACK
	040921-04-000	EA NUT - SPEED - U TYPE - # 8 - .59" LENGTH X .44" WIDTH
	040921-09-000	EA NUT - SPEED - U TYPE - # 8
	044364-02-000	EA NUT - SPEED - FLAT - ROUND
	063253-07-000	EA NUT - J - #8A - .120 - .130 PNL THK
	087234-01-000	EA NUT - JACK - 1/4 X 20 THD - MOLLY - MOUNTS LICENSE PLATES
	104369-01-000	EA NUT - HEX - HEAVY - 5/8-11 UNC

**CLAMPS**

KEY	PART NUMBER	U/M DESCRIPTION
	007161-01-000	EA CLAMP - HOSE - SPRING TYPE - 1/2"
	010495-01-000	EA CLAMP - CABLE - 9/16"
	010497-01-000	EA CLAMP - CLOSED - 5/8" ID
	010497-03-000	EA CLAMP - CLOSED - 1" ID - CUSHIONED
	010497-04-000	EA CLAMP - CLOSED - 1.62" ID
	010497-05-000	EA CLAMP - CLOSED - 1/2 ID
	010499-01-000	EA CLAMP - CLOSED - 3/8" ID
	062401-01-000	EA CLAMP - HOSE - WORMGEAR - .25" - 1"
	062401-02-000	EA CLAMP - HOSE - WORMGEAR - 1.56" - 2.5"
	062401-03-000	EA CLAMP - HOSE - WORMGEAR - .22" - 1"
	062401-04-000	EA CLAMP - HOSE - WORMGEAR - .69" - 1.25"
	062401-05-000	EA CLAMP - HOSE - WORMGEAR - 2" TO 3" ID
	062401-06-000	EA CLAMP - HOSE - WORMGEAR - .22 - .62 ID
	062401-09-000	EA CLAMP - HOSE - WORMGEAR - 2.8" - 3.75"
	062401-11-000	EA CLAMP - HOSE - WORMGEAR - 3.50 - 4.50
	075148-02-000	EA CLAMP - GROUNDING - BRONZE SCREWS
	083609-01-000	EA CLAMP - WIRE - DUAL - EQUAL DIAMETERS - 5/8"
	083610-01-000	EA CLAMP - WIRE - DUAL - UNEQUAL DIAMETERS - 3/4" & 1 1/4"



**SEALANTS & FASTENERS GROUP (CONTINUED)**

**SCREWS**

KEY	PART NUMBER	U/M DESCRIPTION
	0G3908-08-170	EA SCREW - SF/DR - 8-18 X .50 PPH - BRIGHT WHITE
	000G11-05-08B	EA SCREW - 5-20 X .50 PPH - ZINC
	000G11-06-10J	EA SCREW - 6-20 X 5/8 PPH - BRASS
	000G11-06-10B	EA SCREW - 6-20 X 5/8 PPH - ZINC
	000G11-06-08B	EA SCREW - 6-20 X .50 PPH - ZINC
	000G11-06-06B	EA SCREW - 6-20 X 3/8 PPH - ZINC
	000G11-07-08B	EA SCREW - 7-19 X .50 PPH - ZINC
	000G11-08-08T	EA SCREW - 8-18 X 1/5 PPH - FLUOROCARBON COATING
	000G11-08-08B	EA SCREW - 8-18 X .50 PPH - ZINC
	000G11-08-06B	EA SCREW - 8-18 X 3/8 PPH - ZINC
	000G11-08-20B	EA SCREW - 8-18 X 1.25 PPH - ZINC
	000G11-08-16S	EA SCREW - 8-18 X 1 PPH - OFF WHITE
	000G11-08-12T	EA SCREW - 8-18 X .75 PPH - BLACK
	000G11-08-12P	EA SCREW - 8-18 X .75 PPH - DARK BROWN
	000G11-08-12D	EA SCREW - 8-18 X .75 PPH - BLACK
	000G11-08-12B	EA SCREW - 8-18 X .75 PPH - ZINC
	000G11-10-12D	EA SCREW - 10-16 X .75 PPH - BLACK
	000G11-10-40B	EA SCREW - 10-16 X 2 1/2 PPH CAD - 34927-01-000
	000G11-10-24P	EA SCREW - 10-16 X 1 1/2 PPH - DARK BROWN
	000G11-10-12S	EA SCREW - 10-16 X .75 PPH - OFF WHITE
	000G12-06-08T	EA SCREW - 6-20 X 1/2 POH - BLACK
	000G13-06-16J	EA SCREW - 6-20 X 1 PFH - BRASS
	000G13-06-10G	EA SCREW - 6-20 X 5/8 PFH - ANTIQUE BRASS
	000G13-06-08G	EA SCREW - 6-20 X .50 PFH - ANTIQUE BRASS
	000G13-06-08B	EA SCREW - 6-20 X .50 PFH - ZINC
	000G13-06-24J	EA SCREW - 6-20 X 1.50 PFH - BRASS
	000G13-07-12B	EA SCREW - 7-19 X .75 PFH - ZINC
	000G13-07-10H	EA SCREW - 7-19 X 5/8 PFH - BLACK
	000G13-08-16B	EA SCREW - 8-18 X 1 PFH - ZINC
	000G18-08-22B	EA SCREW - MACHINE - 8-32 X 1 3/8 PPH - ZINC
	000G19-10-20B	EA SCREW - MACHINE - 10-32 X 1.25 PPH - ZINC
	000G19-10-12F	EA SCREW - MACHINE - 10-32 X .75 - PPH - STAINLESS STEEL
	000G19-10-08B	EA SCREW - MACHINE - 10-32 X .50 - PPH - ZINC
	000G32-10-06B	EA SCREW - 10-32 X 3/8 PPH - ZINC
	000G39-06-16T	EA SCREW - SF/DR - 6-20 X 1 PPH - BLACK
	000G39-06-10T	EA SCREW - SF/DR - 6-20 X 5/8 PPH - BLACK
	000G39-08-06B	EA SCREW - SF/DR - 8-18 X 3/8 PPH - ZINC
	000G39-08-12T	EA SCREW - SF/DR - 8-18 X .75 PPH - BLACK
	000G39-08-12B	EA SCREW - SF/DR - 8-18 X .75 PPH - ZINC
	000G39-08-08S	EA SCREW - SF/DR - 8-18 X .50 PPH - OFF WHITE
	0G5508-16-190	EA SCREW - SF/DR - 8-18 X 1.00 PWH
	000G39-08-08B	EA SCREW - SF/DR - 8-18 X 1.50 PPH - ZINC
	000G39-08-32B	EA SCREW - SF/DR - 8-18 X 2 PPH - ZINC
	000G39-08-24B	EA SCREW - SF/DR - 8-18 X 1 1/2 PPH - ZINC
	000G39-08-16T	EA SCREW - SF/DR - 6-20 X 1 PPH - BLACK
	000G39-08-16R	EA SCREW - SF/DR - 8-18 X 1 PPH - BEIGE
	000G39-08-16B	EA SCREW - SF/DR - 8-18 X 1 PPH - ZINC
	000G39-10-10B	EA SCREW - SF/DR - 10-16 X .625 - ZINC
	000G39-10-088	EA SCREW - SF/DR - 10-16 X 1/2 PPH - FLEX FLUOROCARBON
	000G39-10-08B	EA SCREW - SF/DR - 10-16 X .50 PPH - ZINC
	000G39-10-48B	EA SCREW - SF/DR - 10-16 X 3 - PPH - ZINC
	000G39-10-209	EA SCREW - SF/DR - 10-16 X 1 1/4 PPH - FLUOROCARBON SILVER
	000G39-10-20B	EA SCREW - SF/DR - 10-16 X 1.25 PPH - ZINC
	000G39-10-129	EA SCREW - SF/DR - 10-16 X .75 PPH - FLUOROCARBON SILVER
	000G39-10-12D	EA SCREW - SF/DR - 10-16 X .75 PPH - BLACK
	000G39-10-12B	EA SCREW - SF/DR - 10-16 X .75 PPH - ZINC
	000G42-04-12B	EA SCREW - SF/DR - 1/4-14 X .75 HWH - ZINC
	000G43-06-24B	EA SCREW - MACHINE - 6-32 X 1.50 - ZINC
	000G46-08-24T	EA SCREW - MACHINE - 8-32 X 1.50 PFH - BLACK
	000G50-04-12B	EA SCREW - MACHINE - 1/4-20 X .75 PPH - ZINC
	000G52-08-18B	EA SCREW - MACHINE - 8-32 X 1 1/8 PTH - ZINC
	000G54-04-20B	EA SCREW - 1/4-20 X 1.25 PTH - TYPE 23 - ZINC PLATED
	000G55-08-16S	EA SCREW - SF/DR - 8-18 X 1.00 - PWH - OFF WHITE
	000G55-08-12S	EA SCREW - SF/DR - 8-18 X .75 PWH - OFF WHITE

**SEALANTS & FASTENERS GROUP (CONTINUED)**

**SCREWS (CONTINUED)**

KEY	PART NUMBER	U/M DESCRIPTION
	000G56-12-48B	EA SCREW - WOOD - 12-11 X 3 POH - SPECIAL HARDENED
	000G60-10-20B	EA SCREW - SF/DR - 10-16 X 1.25 POH - ZINC
	000G67-10-10B	EA SCREW - 10-12 X 5/8 PPH - ZINC - TYPE A
		FROM: 03-26-97 THRU: 99-99-99
	000G67-10-08R	EA SCREW - 10-12 X 1/2 PPH - BEIGE - TYPE A
	000G67-10-08B	EA SCREW - 10-12 X .50 PPH - ZINC
	000G67-10-120	EA SCREW - 10-12 X .75 PPH - TAN
	000G67-10-12P	EA SCREW - 10-12 X .75 - PPH - DARK BROWN
	000G67-10-12B	EA SCREW - 10-12 X .75 PPH - ZINC
	000G67-10-10D	EA SCREW - 10-12 X 5/8 PPH - BLACK - TYPE A
	000G67-10-36T	EA SCREW - 10-12 X 2.25 - PPH - BLACK
	000G67-10-24B	EA SCREW - 10-12 X 1.25 PPH - ZINC
	000G67-10-20D	EA SCREW - 10-12 X 1.25 PPH - BLACK
	000G67-10-16B	EA SCREW - 10-12 X 1 PPH - ZINC
	000G67-10-120	EA SCREW - 10-12 X .75 PPH - TAN
	000G68-06-10G	EA SCREW - 6-18 X 5/8 POH - ANTIQUE BRASS
	049465-01-000	EA SCREW - 10-16 W/WASHER PTH - DARK BROWN
	049465-03-000	EA SCREW - 10-16 X 1 POH W/WASHER - OFF WHITE
	049465-04-000	EA SCREW - 10-16 X 1 PTH W/WASHER - BEIGE
	049465-17-000	EA SCREW - 10-16 X 1 POH W/WASHER
	057671-01-000	EA COVER - SCREW - #8 - PLASTIC - OFF WHITE
	057671-12-000	EA COVER - SCREW - #8 -QUICK SILVER
	057671-15-000	EA COVER - SCREW - BRIGHT WHITE
	075908-01-000	EA SCREW - MACHINE - 10-32 X .56 PTH - EXTERNAL TOOTH - ZINC
	076790-01-000	EA SCREW - 6-20 X 1 1/4 PPH - BLACK
	083554-04-000	EA SCREW - DRYWALL - 8 X 2 1/2
	086256-01-000	EA SCREW - SF/DR - 8 X 3/4 HWH LONG
	087721-01-000	EA SCREW - FLAT HEAD - TAPPING - 1/4" X 1 1/4" LONG - ZINC
	097974-01-000	EA SCREW - PARTICLE BOARD - 7-9 X 3/4 PPH
	115430-01-01A	EA SCREW - 8-18 X 1/2 POH - W/WASHER

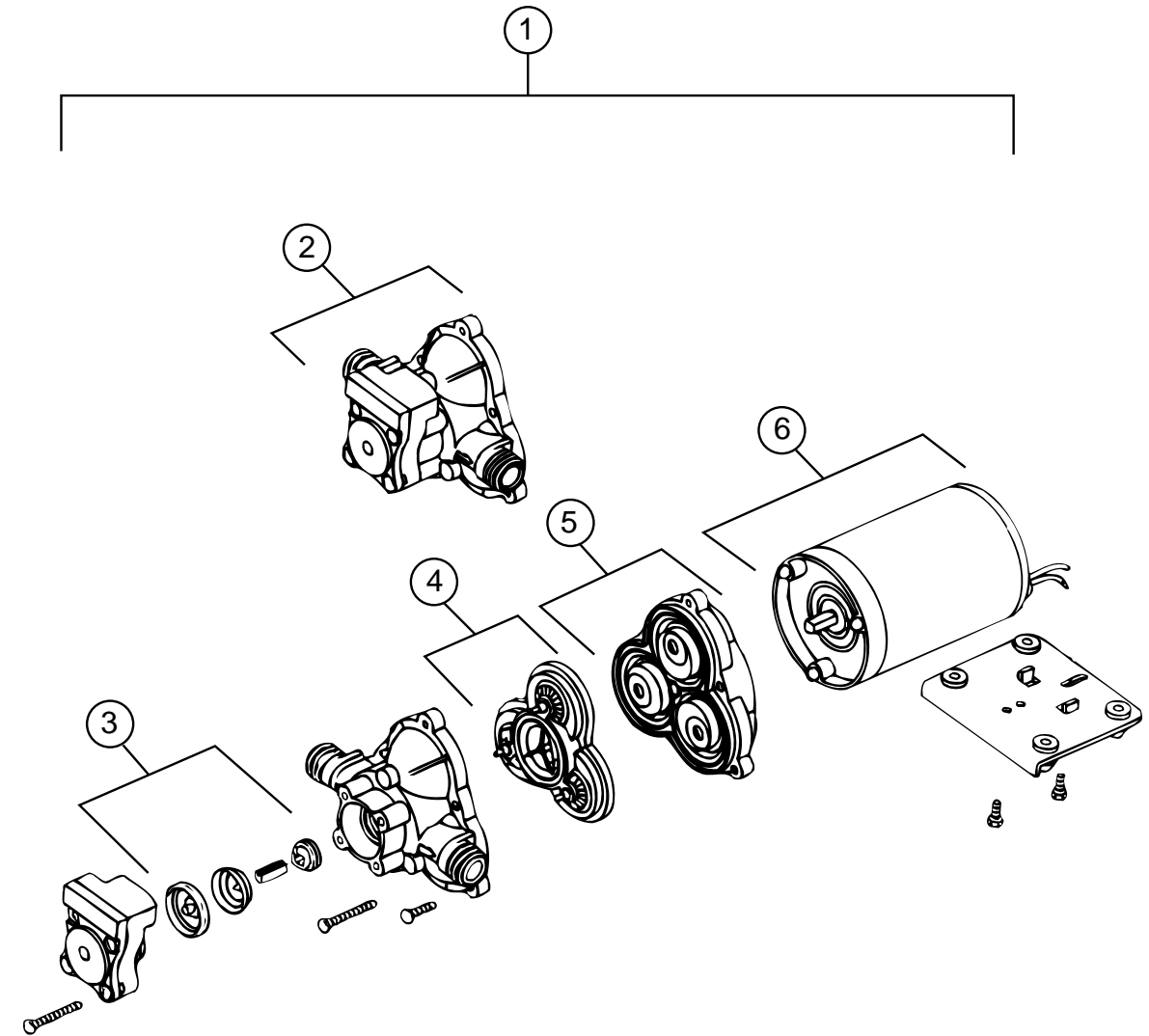
**SEALANTS & FASTENERS GROUP (CONTINUED)**  
**BOLTS**

KEY	PART NUMBER	U/M DESCRIPTION
	000C18-05-40A	EA BOLT - ELEVATOR - 5/16-18 X 2.50 - PL
	000C12-04-24B	EA BOLT - HEX - 1/4-20 X 1 1/2 - ZINC 5
	000C12-05-16B	EA BOLT - HEX - 5/16-18 X 1 - ZINC 5
	000C12-05-12B	EA BOLT - HEX - 5/16-13 X 3/4 ZINC 5
	000C12-05-24B	EA BOLT - HEX - 5/16-18 X 1 1/2 - ZINC 5
	000C12-06-20B	EA BOLT - HEX - 3/8 - 16 X 1 1/4 - ZINC #5
	000C12-06-16B	EA BOLT - HEX - 3/8-16 X 1 LG - ZINC 5
	000C12-07-20B	EA BOLT - HEX - 7/16-14 X 1 1/4 - ZINC 5
	000C12-08-24B	EA BOLT - HEX - 1/2-13 X 1.50 - ZINC 5
	000C12-08-16B	EA BOLT - HEX - 1/2-13 X 1.00 - GD5 - ZINC
	000C12-10-24B	EA BOLT - HEX - 5/8-11 X 1.50 - ZINC 5
	000C13-07-48B	EA BOLT - HEX - 7/16-20 X 3 - ZINC 5
	000C26-04-14B	EA BOLT - HEX - SERRATED FLANGE - 1/4-20 X 7/8 - ZINC
	000C26-04-10B	EA BOLT - HEX - SERRATED FLANGE - 1/4-20 X 5/8 - ZINC
	000C26-04-18B	EA BOLT - HEX - SERRATED FLANGE - 1/4-20 X 1 1/8 - ZINC
	000C26-05-16B	EA BOLT - HEX - SERRATED FLANGE - 5/16-18 X 3/4 - ZINC
	000C26-05-12B	EA BOLT - HEX - SERRATED FLANGE - 5/16-18 X 3/4 - ZINC
	000C26-06-12B	EA BOLT - HEX - SERRATED FLANGE - 3/8-16 X 3/4 - ZINC
	000C26-06-40B	EA BOLT - HEX - SER FLG 3/8-16 X 2 1/2 - ZINC
	000C26-06-16B	EA BOLT - HEX - SERRATED FLANGE - 3/8-16 X 1 - ZINC
	000C27-10-32B	EA BOLT - CARRIAGE - 5/8-11 X 2
	051387-06-000	EA BOLT - CARRIAGE W/O HOLE - 5/16-18 X 9.5 - ZINC
	102333-01-06A	EA BOLT - CARRIAGE - 7/16-14 STAINLESS STEEL CAP
	000G45-04-24B	EA BOLT - LAG - 1/4-9 X 1.50 ZINC
	102540-03-000	EA SEAL - SCREW
	088787-12-000	EA STUD - WELD - 1/4 - 20 X 1.0 LG - MN

**RIVETS, GROMMETS AND MISCELLANEOUS FASTENERS**

KEY	PART NUMBER	U/M DESCRIPTION
	000H16-04-06R	EA RIVET - POP ALUMINUM - 1/8" X .313 - .375
	000H16-06-10R	EA RIVET - POP ALUMINUM - 3/16 X .501-.625
	069592-02-000	EA RIVET-T - POP - 1/4 X .093 - .156
	008380-01-000	EA GROMMET - RUBBER - 5/8" HOLE X 1 1/2" DIAMETER - BLACK
	016188-05-000	EA GROMMET - L/P LINE - 3/8" HOLE X 1 1/4" LONG - RUBBER
	023942-01-000	EA GROMMET - RUBBER - 2" OD
	071015-19-000	EA GROMMET - .38 ID - FITS .06 MATERIAL
	071015-21-000	EA GROMMET - RUBBER - 1/2 ID X 1.06 OD - W/.19 GROOVE - BLACK
	071015-26-000	EA GROMMET - RUBBER - 1.5" ID X 2.12" OD W/.06" GROOVE - BLK
	071015-29-000	EA GROMMET - RUBBER - 1/4 ID X 1 1/4 OD W .12 GROOVE - BLK
	077953-01-000	EA GROMMET - EDGE LINER - FITS 1"
	114208-02-000	EA GROMMET - EDGE LINER - FITS .625
	056134-02-000	EA HOLDER - RING - 1.8" DIAMETER - METAL
	086285-01-000	EA SPACER - NYLON - .5" OD X .257" ID
	081211-05-000	EA PLUG - PLASTIC - .188 DIAMETER - NATURAL
	034141-02-000	EA PLUG - HOLE - 3/8" NYLON/BLACK
	115361-01-01A	EA PLUG - PLASTIC
	029094-04-000	YD VELCRO TAPE - LOOP - 1" WIDE - BLACK
	029096-03-000	YD VELCRO TAPE - HOOK - 1" WIDE - BLACK
	085774-01-000	FT FASTENER - DUAL HOOK - 1" WIDE - ADHESIVE BACK - BLACK
	085774-02-000	FT FASTENER - DUAL LOOP - 1" WIDE - ADHESIVE BACK - BLACK
	008343-01-000	EA TIE - WIRE - 6"
	008343-02-000	EA TIE - WIRE - 14"
	077955-01-000	EA CLIP-J - VINYL COATED - 3/8"
	108046-02-000	EA CABLE TIE - SCREW MOUNT 15"
	091952-02-000	EA CLIP - GRIPPER - 3/4"
	110943-02-000	FT FELTSTRIP - 3/8" - ADHESIVE BACK

**WATER & SEWAGE GROUP**



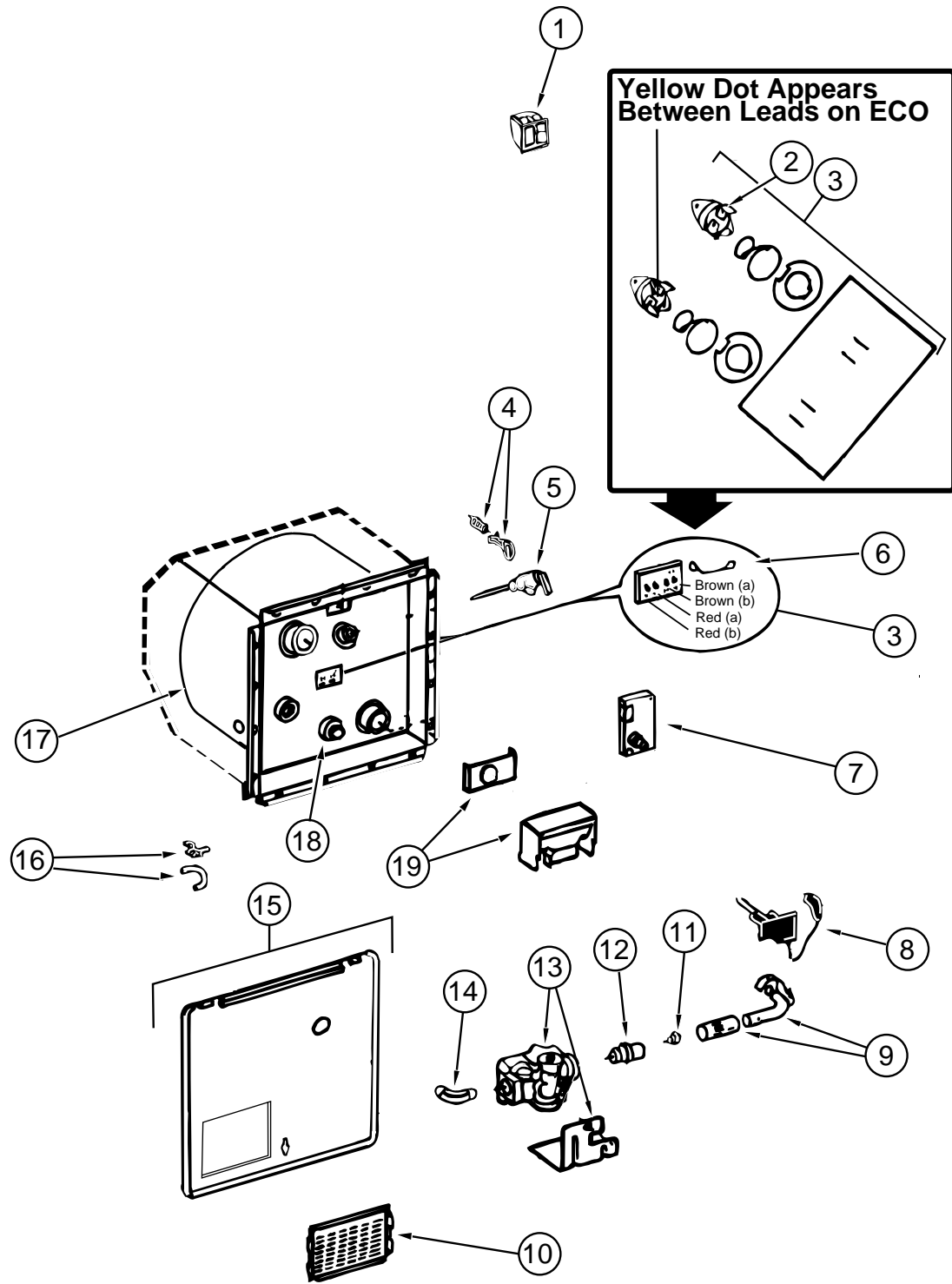
**SHURFLO WATER PUMP**

KEY	PART NUMBER	U/M DESCRIPTION	VENDOR NO.
1	098607-01-000	EA PUMP-WATER, W/.5" MPT FITTING - FLOW 2.8 GPM - UL	
2	098607-01-706	EA HOUSING W/SWITCH ONLY	94-231-20
3	098607-01-705	EA VALVE-CHECK, KIT	94-237-00
4	098607-01-703	EA VALVE KIT	94-232-00
5	098607-01-702	EA DIAPHRAGM/DRIVE ASSEMBLY KIT	94-238-04
6	098607-01-707	EA MOTOR W/BASEPLATE	94-234-03

## WATER & SEWAGE GROUP (CONTINUED)

### ATWOOD WATER HEATER W/MOTOR AID (GH6-8E)

KEY	PART NUMBER	U/M DESCRIPTION	VENDOR NO.
	051393-01-000	EA WATER HEATER - W/ MOTOR AID - PILOTLESS IGNITION	
1	051393-01-701	EA SWITCH PACKAGE	91959
2	051391-04-701	EA THERMOSTAT 12V DC-120 PRESET	91470
3	051393-01-721	EA ECO & THERMOSTAT ASM - FRONT MOUNT - 140°	91447
4	051391-01-705	EA FASTENER - CAMLOC	92609
5	051391-01-704	EA VALVE - RELIEF - 1/2" FITTING	91604
6	051393-01-723	EA SWITCH - ENERGY CUT-OFF	93866
7	051393-01-724	EA CIRCUIT BOARD - W/ SPADE TERMINAL	93867
8	051393-01-725	EA ELECTRODE - SINGLE SPADE CONNECTION	93868
9	051391-04-703	EA BURNER - MAIN	91638
10	051391-01-717	EA GRILLE	92640
11	051391-01-710	EA ORIFICE - MAIN BURNER	92742
12	051391-03-700	EA ORIFICE HOLDER	91563
13	051393-01-726	EA SOLENOID VALVE & BRACKET	93870
14	051391-01-714	EA ELBOW - 45 DEGREE - 3/8" F X 3/8" MPT	91044
15	052009-06-000	EA DOOR-WATER HEATER W/O LATCHES, BRIGHT WHITE	
16	051391-01-700	EA HINGE KIT - W/CLIP	92568 & 92559
17	051391-04-704	EA TANK - INNER	91642
18	051391-01-715	EA DRAIN PLUG	91857
19	051391-04-707	EA FLUE & GASKET	90960
	111129-01-711	EA BRACKET-CORNER, SET OF FOUR	91928
	116424-01-000	EA PROTECTOR - ROUND VINYL - WATER HEATER LATCH	



**WATER & SEWAGE GROUP (CONTINUED)**  
EXTERIOR SHOWER

KEY	PART NUMBER	U/M DESCRIPTION	VENDOR NO.
	079563-04-01A	EA FAUCET - SHOWER 1/2 MPT X 1 1/4 LONG INLET PIPE	
	103092-01-000	EA SHOWER HEAD-W/60" HOSE - US	
	103092-02-000	EA SHOWER HEAD-W/60" HOSE - CANADIAN	
	103092-01-700	EA BRACKET ONLY-CLEAR, F/SHOWER HEAD - BPC	2328028
	103092-01-702	EA SEALS-SPRAY HEAD	24466
	011048-03-700	EA BRACKET/F SHOWER HEAD - BPC	2328029-3
	093527-02-000	EA BRACKET-SQUEEGEE/SHOWER HEAD	

**WATER TANK**

KEY	PART NUMBER	U/M DESCRIPTION
	118001-01-000	EA TANK - WATER - 58 GALLON - W/O FITTINGS
	118001-02-000	EA TANK - WATER - 58 GALLON - W/FITTINGS
	039861-01-000	EA SENDING UNIT - W/SCREW - WASHER - WELL NUT/TERMINAL RING
	042989-03-000	EA FITTING - WATER TANK - SPINWELD - 1 1/4"NPT - PLASTIC
	042989-04-000	EA FITTING - WATER TANK - SPINWELD - 3/8 FPT - WHITE PLASTIC
	042989-05-000	EA FITTING - WATER TANK - SPINWELD - 1/2"FPT - PLASTIC
	049032-01-000	EA PATCH - SPINWELD - 3/8" - PLASTIC
	077954-02-000	EA FILTER - WATER TANK - W/SCREEN IN TANK

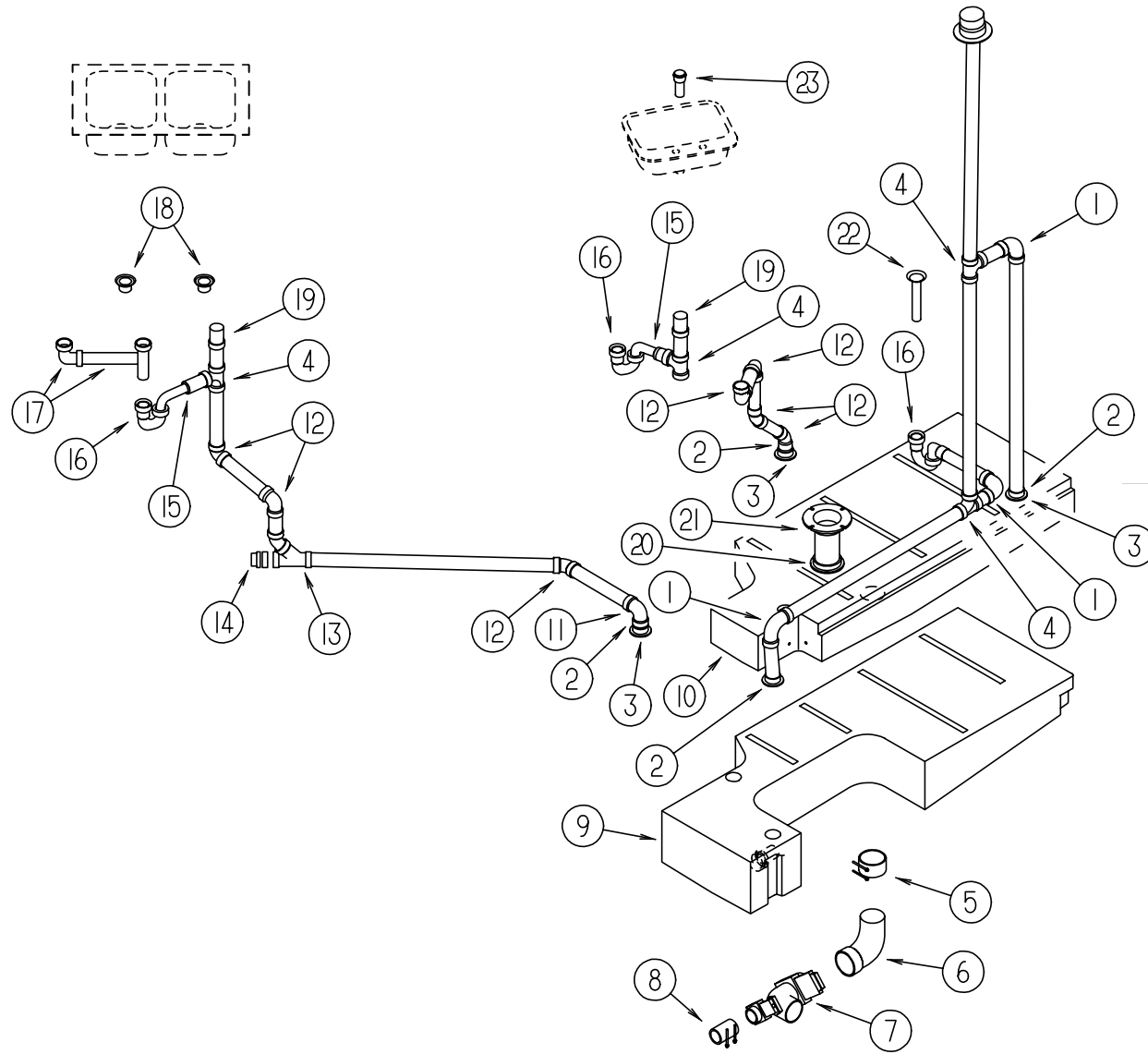
**WATER & SEWAGE GROUP (CONTINUED)**  
WATER SYSTEM COMPONENTS

KEY	PART NUMBER	U/M DESCRIPTION
	010224-01-000	EA ADAPTER - HOSE TO PIPE - 3/8 MPT X 3/8 BARB - PLASTIC
	123152-01-000	EA ADAPTER - 1/2 FPT X 1/2 BARB - SWIVEL
	101814-01-000	EA COUPLING - FEMALE - 1/2" X 1/2" FPT - GRAY
	110438-01-000	EA VALVE - CHECK - BRASS - 1/2 MPT X 1/2 FPT
		FROM: 00-00-00 THRU: 02-16-97
	110438-02-000	EA VALVE - CHECK - BRASS - 1/2 MPT X 1/2 MPT
		FROM: 02-17-97 THRU: 99-99-99
	110915-01-01A	EA FILL - CITY WATER - CHROME
	046128-01-000	EA VALVE - DRAIN - PLASTIC - 1/2" FPT
	113697-01-000	EA CAP - 3/8 FTG
	124188-02-000	FT TUBING - PEX 1/2" ID X 20' RED
	039800-05-000	FT TUBING - POLYBUTYL - 5/8 OD X 20'
	039808-03-000	EA ELBOW - 1/2" MPT X 1/2" MPT - PLASTIC
	123150-01-000	EA ELBOW - 1/2 FPT X 1/2 BARB - SWIVEL

**WATER SYSTEM COMPONENTS (FLAIR-IT)**

KEY	PART NUMBER	U/M DESCRIPTION
	114427-01-000	EA CAP - 1/2P
	114427-02-000	EA PLUG - 1/2P
	114427-03-000	EA NUT - 1/2"Q
	114428-01-000	EA TEE - 1/2P X 1/2P X 1/2P
	114428-02-000	EA TEE - SWIVEL -1/2P X 1/2P X 1/2FPT
	114428-03-000	EA TEE - 1/2P X 1/2P X 1/2 MPT
	114428-04-000	EA TEE - 1/2P X 1/2P X 1/8FPT
	114429-01-000	EA ELBOW - 1/2P X 1/2P
	114429-02-000	EA ELBOW - 1/2P X 1/2MPT
	114429-03-000	EA ELBOW - SWIVEL -1/2PX1/2FPT
	114429-04-000	EA ELBOW - 1/2P X 3/8MPT
	114429-05-000	EA ELBOW - 1/2P X 3/4MPT
	114429-06-000	EA ELBOW - SWIVEL -1/2P X 3/4FPT
	114429-07-000	EA ELBOW - 1/2P X 1/2FPT DROPEAR
	114430-01-000	EA ADAPTER - 1/2P X 1/2P
	114430-02-000	EA ADAPTER - SWIVEL -1/2P X 1/2FPT
	114430-03-000	EA ADAPTER - 1/2P X 1/2MPT
	114430-04-000	EA ADAPTER - 1/2P X 3/8MPT
	114430-05-000	EA ADAPTER - 1/2P X 1/8FPT
	114430-06-000	EA ADAPTER - 1/2P X 3/8FPT
	114430-07-000	EA ADAPTER - 1/2P X 3/8P
	114430-08-000	EA ADAPTER - 1/2P X 3/4MPT
	114431-01-000	EA VALVE - 180 DEGREE/CENTER DRAIN - 1/2P - THREE WAY
	114431-02-000	EA VALVE - WATER BYPASS - 1/2"P - THREE WAY (WATER HEATER)
	114431-03-000	EA VALVE - 1/2P X 1/2P
	114431-04-000	EA VALVE - STOP -1/2P X 1/2P
	114431-05-000	EA VALVE - NEEDLE - COMP 1/8 MPT X 1/4
	114431-06-000	EA VALVE - 3/8P X 3/8P
	114431-07-000	EA VALVE - 3/8P THREE - WAY
	114431-08-000	EA STRAIGHT STOP VALVE 3/8P X 3/8P

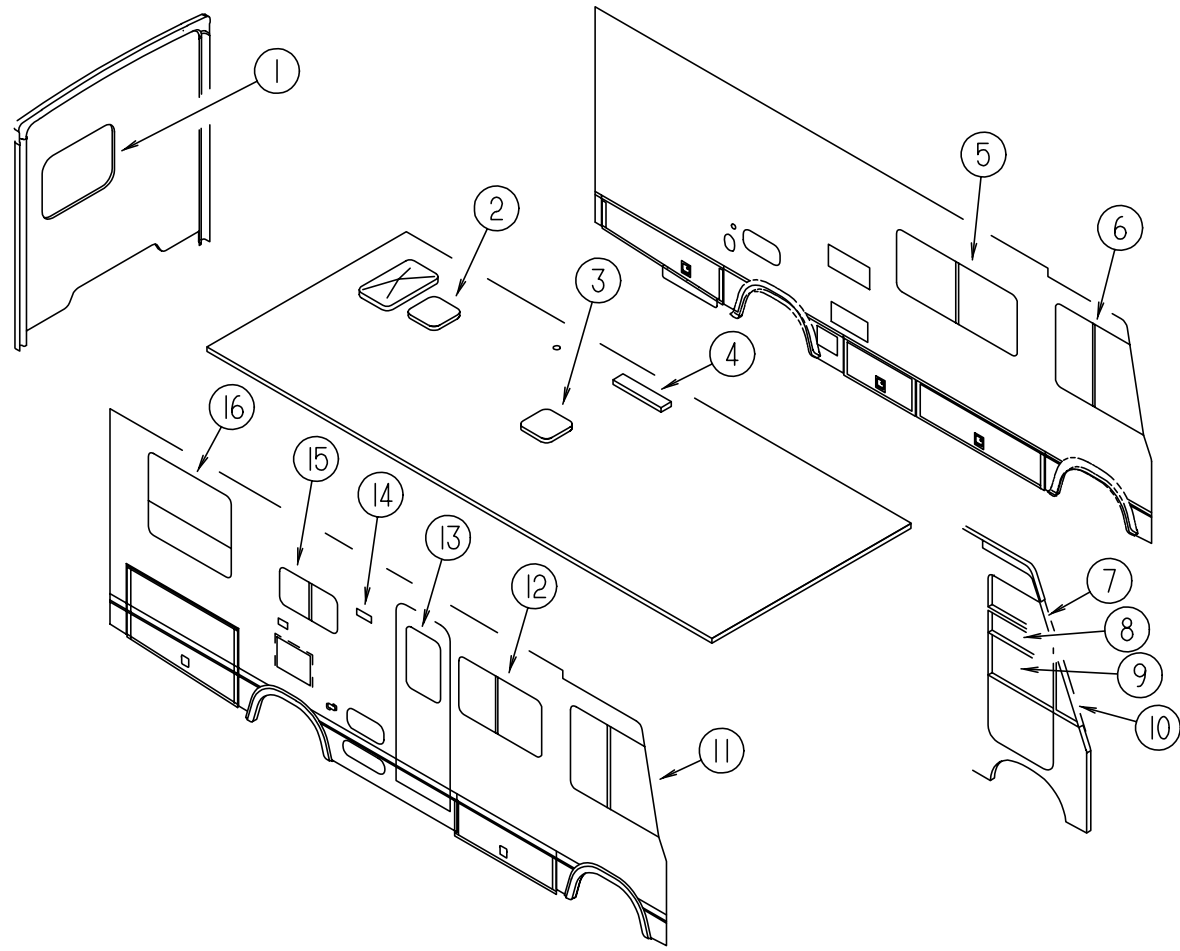
**WATER & SEWAGE GROUP (CONTINUED)**  
**DRAINAGE SYSTEM**



KEY	PART NUMBER	U/M	DESCRIPTION	VENDOR NO
1	010008-01-000	EA	ELBOW - 90 DEGREE - 1 1/2" HUB X HUB - PLASTIC	
2	010115-01-000	EA	COUPLING - 1 1/2" HUB X HUB - PLASTIC	
3	061607-01-000	EA	GROMMET - HOLDING TANK - 1 1/2" NPS	
4	010071-01-000	EA	TEE - SANITARY - 1 1/2" HUB X HUB X HUB - PLASTIC	
5	078406-01-000	EA	COUPLER - RUBBER - W/CLAMPS - 3" X 3"	
6	031126-01-000	EA	ELBOW - 1/4 BEND - 3" X 90" XLT - BLACK PLASTIC	
7	070916-01-000	EA	VALVE - DUAL DUMP - W/CAP - 3" X 1 1/2"	
	070916-01-700	EA	VALVE ONLY (WASTE) 3"	T1003BU
	070916-01-701	EA	VALVE ONLY (WASTE) 1 1/2"	T1001BU
8	089355-01-000	EA	COUPLER - RUBBER - 1 1/2" X 1 1/2"	
9	117924-01-000	EA	TANK - HOLDING - 35 GALLON - W/O FITTINGS	
10	117925-01-000	EA	TANK - HOLDING - 32 GALLON - W/O FITTINGS	
11	034250-01-000	EA	ELBOW - 90 DEGREE - LONG TURN - 1 1/2" HUB X HUB - ABS	
12	010006-01-000	EA	ELBOW - 45 DEGREE - 1 1/2" HUB X HUB - PLASTIC	
13	031365-02-000	EA	TEE - PLASTIC - 1 1/2" EXT LG TURN	
14	010166-01-000	EA	PLUG - THREADED - 3 1/4" DIAMETER - PLASTIC - BLACK	
15	109571-01-000	EA	ADAPTER - P TRAP - 1 1/2" P X 1 1/4" MPT	
16	107538-01-000	EA	P TRAP - PLASTIC - 1 1/4" W/EXTENSION ARM	
16	011066-02-000	EA	P TRAP - 1 1/4" HUB X SLIP JOINT - W/UNION - ABS - CANADIAN	
17	011091-02-000	EA	WASTE - CONTINUOUS - DOUBLE SINK	
18	092303-01-000	EA	STRAINER - SINK	
19	079968-01-000	EA	VENT - MECHANICAL/TRAP ARM - ANTI-SIPHON-2" X 7.3" PLASTIC	
20	061607-02-000	EA	GROMMET - HOLDING TANK - 3" NPS	
21	116644-01-000	EA	FLANGE - CLOSET - 4" X 3"	
22	011069-03-000	EA	TAILPIECE - TUB/SHOWER - 1 1/2" X 1 3/4" - PLASTIC (US)	
22	011069-02-000	EA	TAILPIECE - TUB/SHOWER - 1 1/2" X 1 1/4" X 4" - BRASS (CSA)	
	066440-01-000	EA	STRAINER - SHOWER DRAIN - W/RUBBER WASHER	
	069735-01-000	EA	WASHER - STRAINER TO TAILPIECE - PLASTIC - 1.5"	
23	096927-01-701	EA	TAILPIECE - DRAIN - LAVATORY	M9802
	066440-01-000	EA	STRAINER - SHOWER DRAIN - W/RUBBER WASHER	
	069735-01-000	EA	WASHER - STRAINER TO TAILPIECE - PLASTIC - 1.5"	
	011069-02-000	EA	TAILPIECE - TUB/SHOWER - 1 1/2" X 1 1/4" X 4" - BRASS	
	010201-01-000	EA	HOSE - SEWER - 3" ID X 8'	
	062416-01-000	EA	ADAPTER - SEWER HOSE TO 3" PIPE	

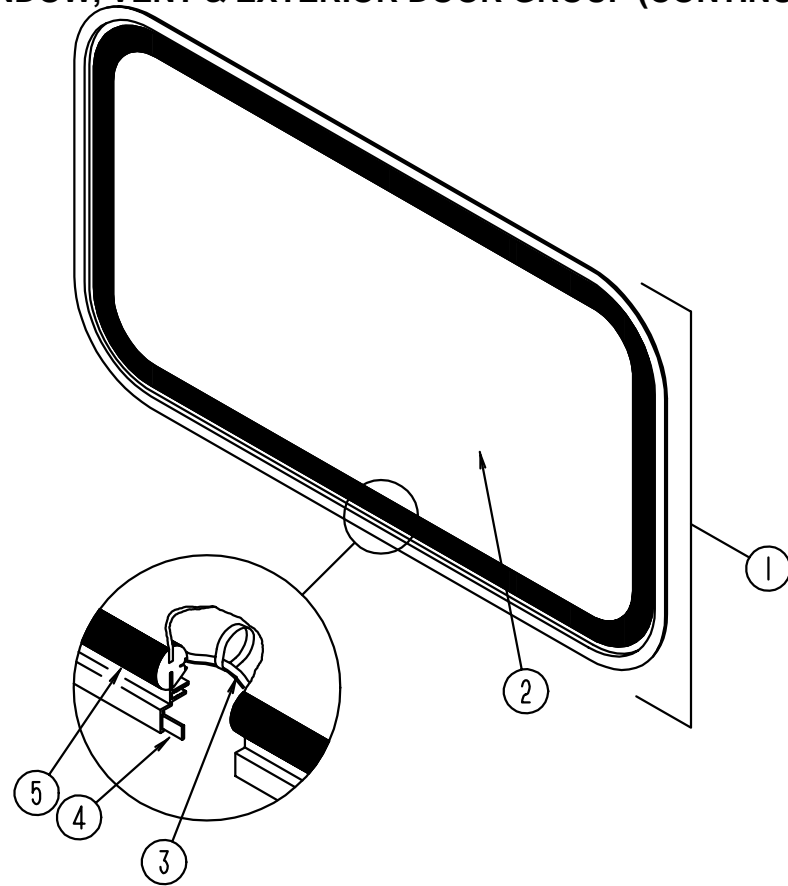
## WINDOW, VENT & EXTERIOR DOOR GROUP

### WINDOWS & VENTS



KEY	PART NUMBER	U/M	DESCRIPTION	VENDOR NO.
1	078528-12-FB1	EA	WINDOW - ESCAPE W/O INSIDE TRIM - TINTED - 35.6" X 26.1"	
1	113502-03-01A	EA	WINDOW - REAR ESCAPE - THERMO - 26.4" X 35.9"	
2	122882-02-01A	EA	VENT - ROOF - W/FAN - POWERED - US	
2	122882-03-01A	EA	VENT - ROOF - W/FAN - POWERED - CSA	
3	122882-01-01A	EA	VENT - ROOF - NONPOWERED	
4	084073-07-000	EA	VENT - ROOF - REFRIGERATOR - BRIGHT WHITE	
5	098647-22-01A	EA	WINDOW - DRIVER - HORIZONTAL SLIDER - 26.1" X 59.7"	
5	112795-15-01A	EA	WINDOW - DRIVER - HORIZONTAL SLIDER - THERMO - 26 3/8" X 60"	
6	103658-09-01A	EA	WINDOW - DRIVER - CAB 2 GLASS - 29.1"T X 45.4"B X 36.7"H	
6	113501-03-01A	EA	WINDOW - DRIVER CAB THERMO (2 WINDOW) 35.7" X 28.3" X 44.1"	
7	106467-02-01A	EA	WINDOW - DRIVER VISTA (ABOVE DR DOOR) 30.3"T X 33.5"B X 7.3"H	
7	116000-05-01A	EA	WINDOW - DRIVER VISTA - THERMO - 6.3" X 29.5" X 32.5"	
8	106469-02-702	EA	GLASS - STATIONARY	
9	106469-01-704	EA	GLASS ASM - ROLL-UP W/ BRACKET	106-041104
10	106468-02-01A	EA	WINDOW - DRIVER WING - TRIANGULAR	V103-65L
10	115999-02-01A	EA	WINDOW - DRIVER WING - THERMOPANE - TRIANGULAR	
11	103658-10-01A	EA	WINDOW - PASSENGER - CAB 2 GLASS - 29.1"T X 45.4"B X 36.7"H	
11	113501-04-01A	EA	WINDOW - PASSENGER - CAB THERMO (2 WINDOW) 35.7" X 28.3" X 44.1"	
12	098647-41-01A	EA	WINDOW - PASSENGER HORIZONTAL SLIDER 24.2" X 41"	
12	112795-21-01A	EA	WINDOW - PASSENGER/HORIZONTAL SLIDER/THERMO 24.5" X 41.25"	
13	117053-02-F36	EA	WINDOW - PICTURE - ENTRANCE DOOR - 17" X 26.4"	
13	113733-01-01A	EA	WINDOW - STATIONARY - THERMOPANE - 17" X 26.4"	
14	084616-07-000	EA	VENT - SHROUD - RANGE HOOD - BRIGHT WHITE	
	084878-09-000	EA	VENT - HOOD - RANGE/SHORT - OFF WHITE	
15	098647-33-01A	EA	WINDOW - PASSENGER/HORIZONTAL SLIDER - 15.7" X 28.5"	
15	112795-19-01A	EA	WINDOW - PASSENGER/HORIZONTAL SLIDER-THERMO 16.7" X 28.5"	
16	113500-01-01A	EA	WINDOW - DOUBLE TIPOUT - 24.5" X 41.3"	
16	112795-21-01A	EA	WINDOW - PASSENGER/HORIZONTAL SLIDER/THERMO 24.5" X 41.25"	
	083558-03-000	EA	VENT - PLUMBING - PIPE ROOF - W/COVER - OFF WHITE	

**WINDOW, VENT & EXTERIOR DOOR GROUP (CONTINUED)**



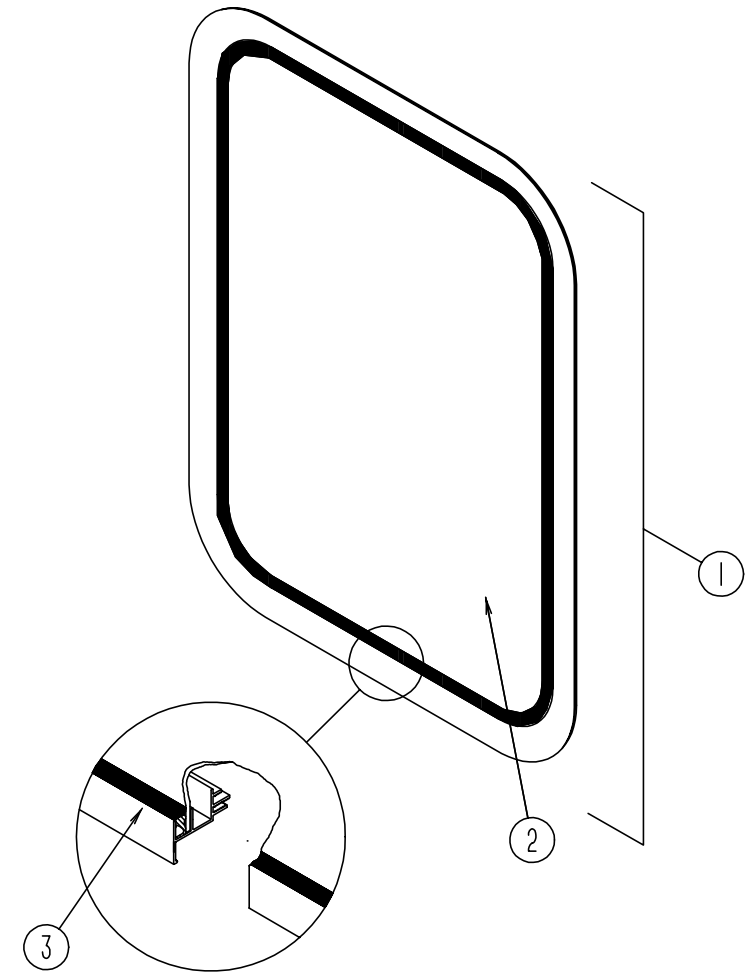
**BACKWALL ESCAPE WINDOW**

KEY	PART NUMBER	U/M DESCRIPTION
	074816-14-000	EA FRAME - WINDOW - INSIDE ESCAPE - OFF WHITE
1	078528-12-FB1	EA WINDOW - ESCAPE W/O INSIDE FRAME - TINTED - 35.6" X 26.1"
2	076337-17-000	EA GLASS - EGRESS - 23.2" X 32.6"
3	002285-01-000	FT FILLER - WEATHERSTRIP - RUBBER - BLACK
	077066-01-702	EA TAPE ASM-ESCAPE WINDOW, RED
4	069640-11-000	FT SEALER-TAPE, 3/16" THICK X 3/8" WIDE - INCREMENTS OF 40'
5	002282-09-000	EA WEATHERSTRIP-WINDOW, .125" X 130.53" - BLACK

**EXCEL BACKWALL ESCAPE WINDOW - THERMOPANE WINDOW OPTION**

KEY	PART NUMBER	U/M DESCRIPTION	VENDOR NO.
	113502-03-01A	EA WINDOW - REAR ESCAPE THERMO - 26.4" X 35.9"	
	098644-01-705	FT GLAZING - STRIP	132-010231
	112898-06-704	EA HANDLE - LATCH - RED-RH	182-11293
	112898-06-705	EA HANDLE - LATCH - RED-LH	182-11294
	113502-03-700	EA WINDOW W/O TRIM	DH437-G2
	113502-03-701	EA RETAINER - TRIM	W306-58
	113502-03-702	EA GLASS - STATIONARY	390-019466

**WINDOW, VENT & EXTERIOR DOOR GROUP (CONTINUED)**



**ENTRANCE DOOR WINDOW**

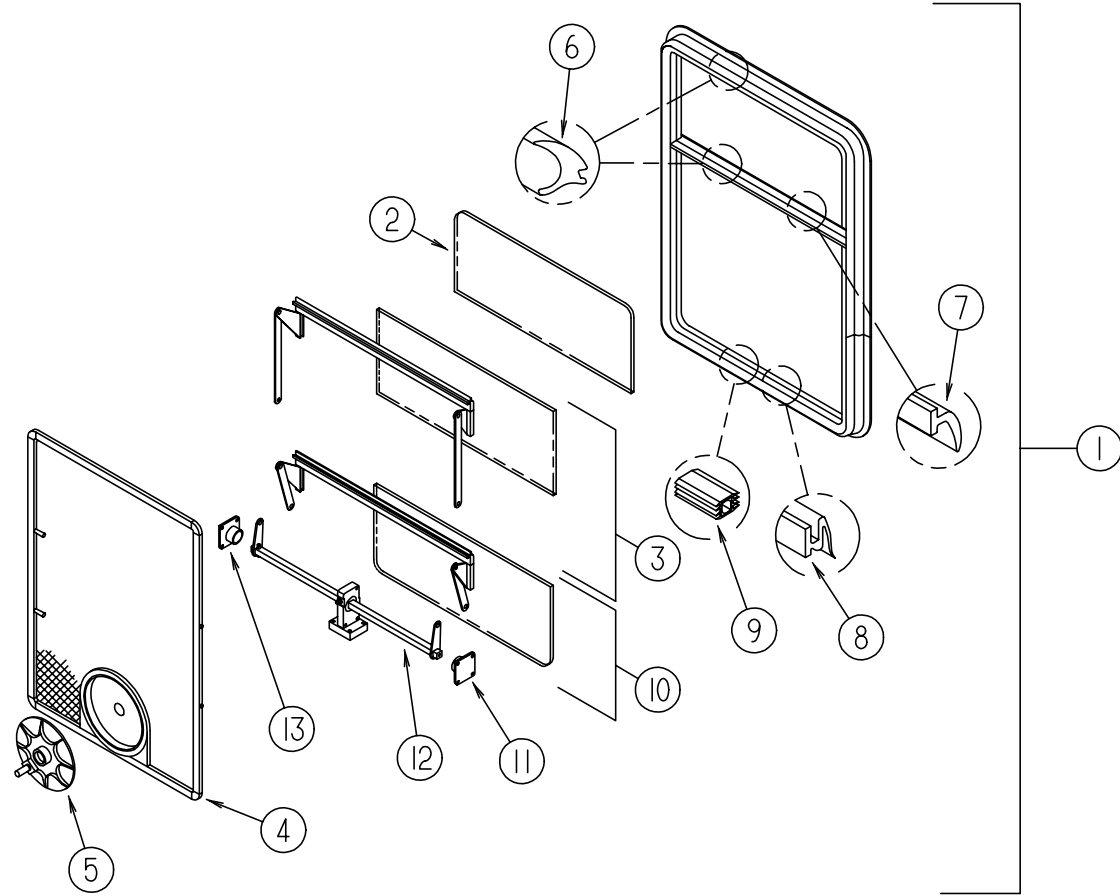
KEY	PART NUMBER	U/M DESCRIPTION
	117054-02-02A	EA RETAINER-TRIM, ENTRY DOOR WINDOW - BRIGHT WHITE
1	117053-02-F36	EA WINDOW - PICTURE - ENTRANCE DOOR - 17" X 26.4"
2	002181-25-000	EA GLASS - PICTURE - 25.7" X 16.4"
3	087561-01-000	FT SEAL - GLASS - EXTERIOR - .5" WIDE - VINYL BLACK

**EXCEL ENTRANCE DOOR WINDOW - THERMOPANE WINDOW OPTION**

KEY	PART NUMBER	U/M DESCRIPTION	VENDOR NO.
	113733-01-01A	EA WINDOW - STATIONARY - THERMOPANE - 17" X 26.4"	
	112795-01-705	FT VINYL - GLAZING	132-025736
	113733-01-700	EA WINDOW ASM. W/O TRIM	DH416-G2
	113733-01-701	EA RETAINER - TRIM	W41666
	113733-01-702	EA GLASS - STATIONARY	390-019187

**WINDOW, VENT & EXTERIOR DOOR GROUP (CONTINUED)**

**WINDOW, VENT & EXTERIOR DOOR GROUP (CONTINUED)**



**EXCEL DRIVERS DOOR WING WINDOW**

KEY	PART NUMBER	U/M DESCRIPTION	VENDOR NO.
	106468-02-01A	EA WINDOW - DRIVER WING - TRIANGULAR	
	100322-01-703	FT VINYL - GLAZING - BUTYL	132-010723
	106468-02-701	EA RETAINER - TRIM	H383-27L
	106468-02-702	EA GLASS - STATIONARY	106-018740

**EXCEL DRIVERS DOOR WING WINDOW - THERMOPANE**

KEY	PART NUMBER	U/M DESCRIPTION	VENDOR NO.
	115999-02-01A	EA WINDOW - DRIVER WING - THERMOPANE - TRIANGULAR	
	115999-01-701	EA RETAINER - TRIM	H358-27L
	115999-02-700	EA RETAINER - TRIM RAIL REAR	H383-41L
	115999-03-701	EA GLASS - STATIONARY	390-019550
	116000-01-704	FT VINYL - GLAZING	132-018161

**EXCEL DRIVERS DOOR VISTA WINDOW**

KEY	PART NUMBER	U/M DESCRIPTION	VENDOR NO.
	106467-02-01A	EA WINDOW - DRIVER VISTA (ABOVE DR DOOR) 30.3"T X 33.5"B X 7.3"H	
	100322-01-703	FT VINYL - GLAZING - BUTYL	132-010723

**EXCEL DRIVERS DOOR VISTA WINDOW - THERMOPANE**

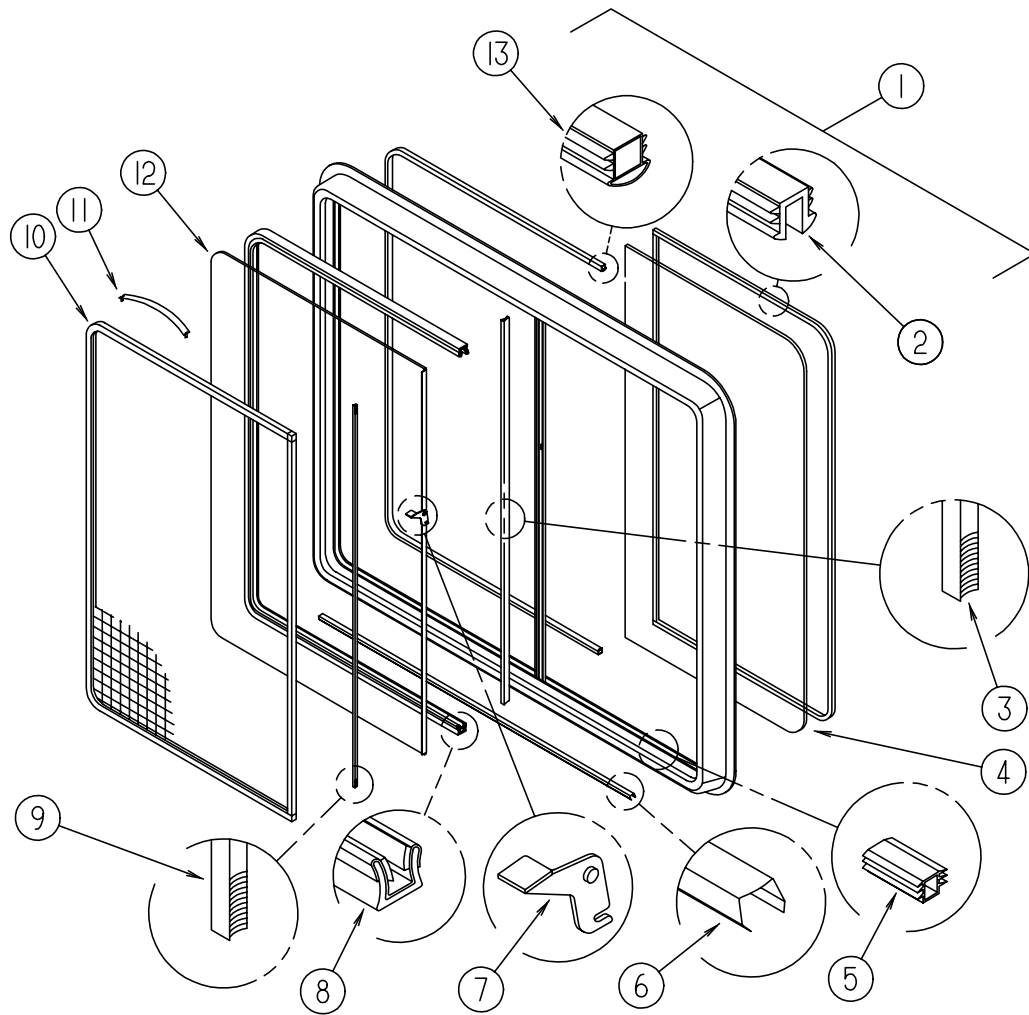
KEY	PART NUMBER	U/M DESCRIPTION	VENDOR NO.
	116000-05-01A	EA WINDOW - DRIVER VISTA - THERMO - 6.3" X 29.5" X 32.2"	
	116000-01-704	FT VINYL - GLAZING	132-018161
	116000-05-700	EA GLASS - STATIONARY	390-019688
	116000-04-701	EA RETAINER - TRIM RAIL TOP/REAR	H382-41L
	116000-04-702	EA RETAINER - TRIM RAIL FRONT	H382-42L
	116000-04-703	EA RETAINER - TRIM RAIL BOTTOM	H382-43L

**EXCEL DOUBLE TIPOUT WINDOW - PASSENGER SIDE BEDROOM**

KEY	PART NUMBER	U/M DESCRIPTION	VENDOR NO.
	113500-01-01A	EA WINDOW - DOUBLE TIPOUT - 24.5 X 41.3"	
1	113500-01-701	EA WINDOW - W/O RETAINER - TRIM	CH04-G2
	113500-01-702	EA RETAINER - TRIM	CW04-59
2	113500-01-703	EA GLASS - TOP STATIONARY	106-015970
3	113500-01-704	EA GLASS - UPPER VENT ASSEMBLY	CH04-G7
4	113500-01-700	EA SCREEN ASM - W/SEALS & CLIPS	410-016020
5	100322-01-718	EA HANDLE - DIAL	410-016081
6	100322-01-703	FT VINYL - GLAZING - BUTYL	132-010723
7	100322-01-702	EA WEATHERSTRIP - HORIZONTAL RAIL	132-015976
8	100322-01-701	FT SEAL - VENT	122-016071
9	098644-01-716	FT PLUG - FILLER	132-014470
10	113500-01-705	EA GLASS - LOWER VENT ASSEMBLY	CH04-G9
11	100322-01-714	EA SUPPORT - TORQUE BAR - LH	130-015978
	112519-01-702	EA OPERATOR - VENT	410-016123
	113500-01-706	EA OPERATOR & BAR ASSEMBLY	CH04-15
13	100322-01-715	EA SUPPORT - TORQUE BAR - RH	130-015979
	100322-01-704	FT TAPE - BUTYL	154-016083
	100322-01-717	EA E - RING	245-015975



## WINDOW, VENT & EXTERIOR DOOR GROUP (CONTINUED)



### EXCEL SINGLE SLIDER WINDOW - DRIVER SIDE - LOUNGE

KEY	PART NUMBER	U/M DESCRIPTION	VENDOR NO.
1	098647-22-01A	EA WINDOW - DRIVERS - HORIZONTAL SLIDER - 26.1" X 59.7"	
	098647-27-701	EA RETAINER - TRIM	W287-66
2	098644-01-705	FT GLAZING - STRIP	132-010231
3	098644-01-706	FT WEATHERSTRIP - GLASS	171-010668
4	098647-23-703	EA GLASS - STATIONARY	106-017622
5	098644-01-719	EA STOP - SLIDER GLASS	132-014203
6	098644-01-710	FT TRACK - SCREEN SPACER 12'	132-017135
7	098644-01-700	EA LATCH - REPAIR KIT (BLACK)	B801-CK
8	098644-01-708	FT CHANNEL - RUN PIERCED	122-016543
9	098644-01-711	FT WEATHERSTRIP - SCREEN BLACK	171-016965
10	098647-23-704	EA SCREEN ASM - W/SEALS & CLIPS	410-019066
11	098644-01-713	EA CLIP - SPRING - METAL	226-016966
12	098647-23-700	EA GLASS SLIDING W/SASH & LATCH	H287-G9
13	098644-01-716	FT PLUG - FILLER	132-014470
	098644-01-717	FT SPLINE - SCREEN	132-004716

### EXCEL SINGLE SLIDER WINDOW - PASSENGER SIDE - GALLEY

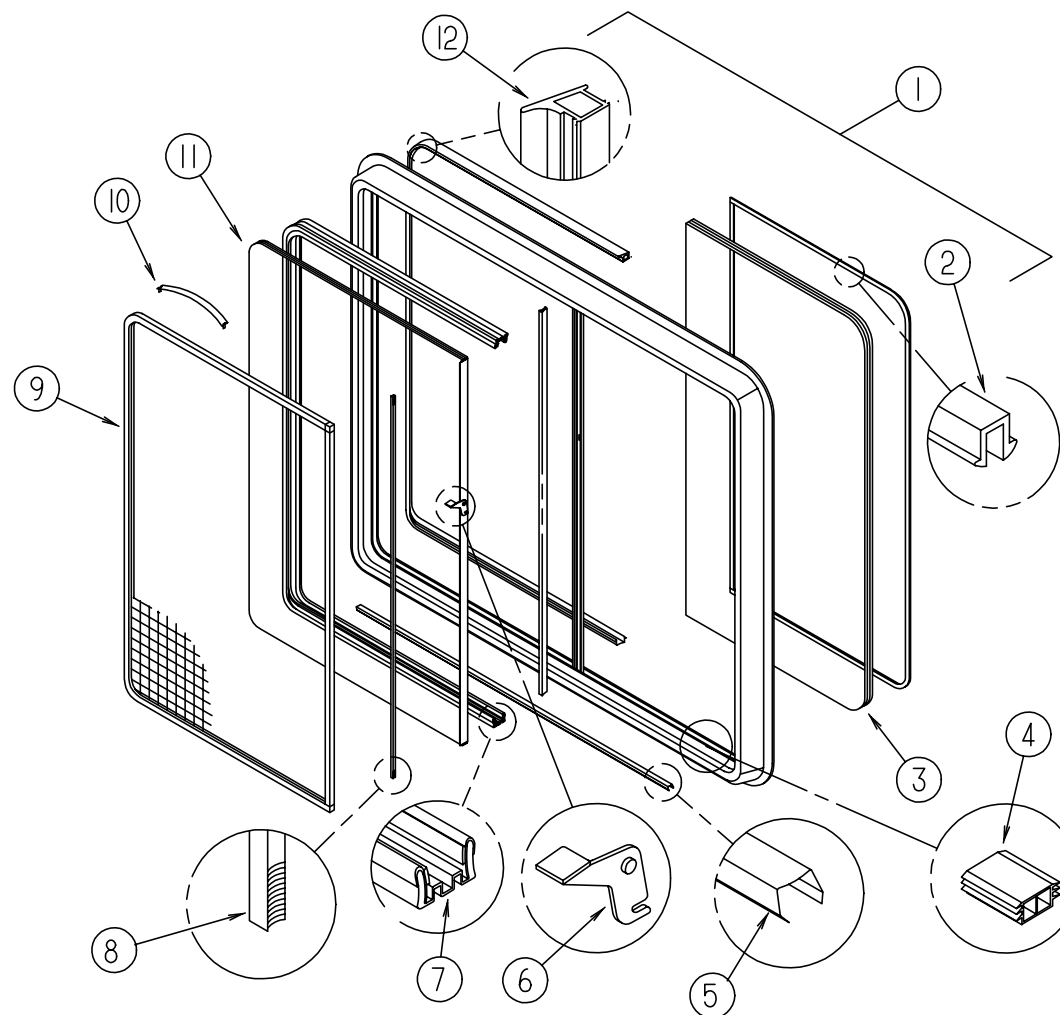
KEY	PART NUMBER	U/M DESCRIPTION	VENDOR NO.
1	098647-33-01A	EA WINDOW - PASSENGER/HORIZONTAL SLIDER - 15.7" X 28.5"	
	098647-31-701	EA RETAINER - TRIM	CW29-66
2	098644-01-705	FT GLAZING - STRIP	132-010231
3	098644-01-706	FT WEATHERSTRIP - GLASS	171-010668
4	098647-33-702	EA GLASS - STATIONARY	106-019297
5	098644-01-719	EA STOP - SLIDER GLASS	132-014203
6	098644-01-710	FT TRACK - SCREEN SPACER 12'	132-017135
7	098644-01-700	EA LATCH - REPAIR KIT (BLACK)	B801-CK
8	098644-01-708	FT CHANNEL - RUN PIERCED	122-016543
9	098644-01-711	FT WEATHERSTRIP - SCREEN BLACK	171-016965
10	098647-33-704	EA SCREEN ASM - W/SEALS & CLIPS	410-019134
11	098644-01-713	EA CLIP - SPRING - METAL	226-016966
12	098647-33-703	EA GLASS-SLIDING W/SASH & LATCH	H425-G9
13	098644-01-716	FT PLUG - FILLER	132-014470
	098644-01-717	FT SPLINE - SCREEN	132-004716

### EXCEL SINGLE SLIDER WINDOW - PASSENGER SIDE - LOUNGE

KEY	PART NUMBER	U/M DESCRIPTION	VENDOR NO.
1	098647-41-01A	EA WINDOW - PASSENGER - HORIZONTAL SLIDER - 24.2" X 41"	
	098647-29-701	EA RETAINER - TRIM	CW04-66
2	098644-01-705	FT GLAZING - STRIP	132-010231
3	098644-01-706	FT WEATHERSTRIP - GLASS	171-010668
4	098647-41-701	EA GLASS - STATIONARY	106-015474
5	098644-01-719	EA STOP - SLIDER GLASS	132-014203
6	098644-01-710	FT TRACK - SCREEN SPACER 12'	132-017135
7	098644-01-700	EA LATCH - REPAIR KIT (BLACK)	B801-CK
8	098644-01-708	FT CHANNEL - RUN PIERCED	122-016543
9	098644-01-711	FT WEATHERSTRIP - SCREEN BLACK	171-016965
10	098647-29-704	EA SCREEN ASM - W/SEALS & CLIPS	410-018864
11	098644-01-713	EA CLIP - SPRING - METAL	226-016966
12	098647-41-700	EA GLASS SLIDING W/SASH & LATCH	H172-G9
13	098644-01-716	FT PLUG - FILLER	132-014470
	098644-01-717	FT SPLINE - SCREEN	132-004716

## WINDOW, VENT & EXTERIOR DOOR GROUP (CONTINUED)

### EXCEL SINGLE SLIDER WINDOW - THERMO INSULATED - DRIVER SIDE - DINETTE



KEY	PART NUMBER	U/M	DESCRIPTION	VENDOR NO.
1	112795-15-01A	EA	WINDOW - DRIVER - HORIZONTAL SLIDER-THERMO - 26 3/8" X 60"	
	098647-23-702	EA	RETAINER - TRIM	W287-66
2	112795-01-705	FT	VINYL - GLAZING	132-025736
3	112795-15-701	EA	GLASS - STATIONARY	390-019045
4	112795-01-701	EA	SLIDE-STOP	132-019092
5	098644-01-710	FT	TRACK - SCREEN SPACER 12'	132-017135
6	112795-01-700	EA	LATCH ASM., BLK.,(BOLT ON)	DH287-CK
7	112795-01-703	IN	CHANNEL-RUN (INCHES)	122-018736
8	098644-01-711	FT	WEATHERSTRIP - SCREEN BLACK	171-016965
9	098647-23-704	EA	SCREEN ASM - W/SEALS & CLIPS	410-019066
10	125582-01-701	EA	CLIP - SCREEN - PLASTIC	130005153
10	098644-01-713	EA	CLIP - SCREEN - METAL	226-016966
11	112795-15-702	EA	GLASS-SLIDING W/SASH & LATCH	DH287-G9
12	112795-01-704	FT	PLUG FILLER (DOUBLE GLAZED)	122-018737

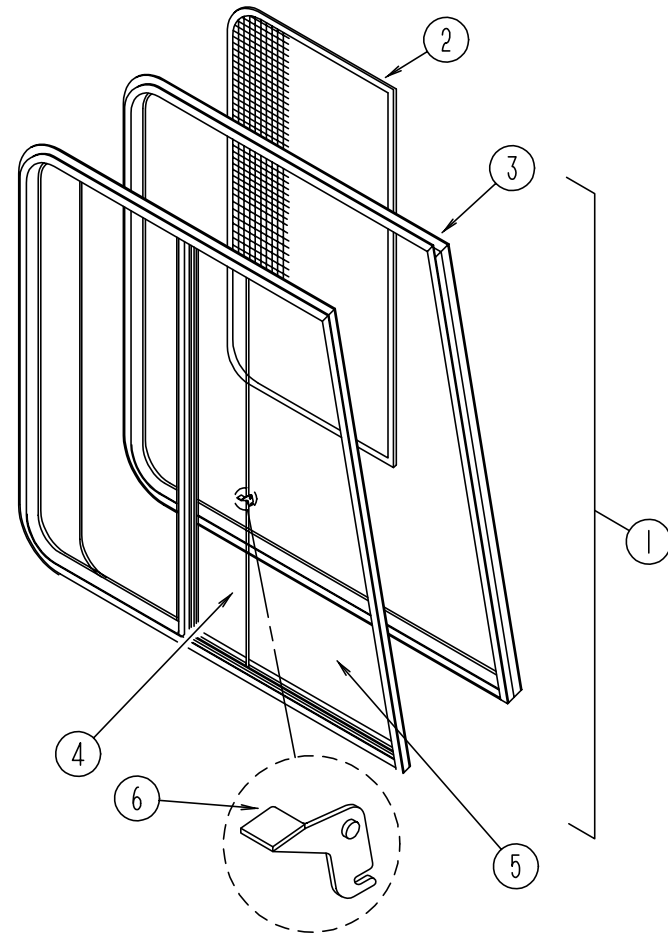
### EXCEL SINGLE SLIDER WINDOW - THERMO INSULATED - PASSENGER SIDE - GALLEY

KEY	PART NUMBER	U/M	DESCRIPTION	VENDOR NO.
1	112795-19-01A	EA	WINDOW - PASSENGER/HORIZONTAL SLIDER - THERMO 16.7" X 28.5"	
	098647-31-701	EA	RETAINER - TRIM	CW29-66
2	112795-01-705	FT	VINYL - GLAZING	132-025736
3	112795-19-701	EA	GLASS - STATIONARY	390-019134
4	112795-01-701	EA	SLIDE-STOP	132-019092
5	098644-01-710	FT	TRACK - SCREEN SPACER 12'	132-017135
6	112795-01-700	EA	LATCH ASM. - BLK. (BOLT ON)	DH287-CK
7	112795-01-703	IN	CHANNEL-RUN (INCHES)	122-018736
8	098644-01-711	FT	WEATHERSTRIP - SCREEN BLACK	171-016965
9	098647-31-704	EA	SCREEN ASM - W/SEALS & CLIPS	410-019128
10	125582-01-701	EA	CLIP - SCREEN - PLASTIC	130005153
10	098644-01-713	EA	CLIP - SCREEN - METAL	226-016966
11	112795-19-702	EA	GLASS-SLIDING W/SASH & LATCH	DC29-G9
12	112795-01-704	FT	PLUG FILLER (DOUBLE GLAZED)	122-018737

### EXCEL SINGLE SLIDER WINDOW - THERMO INSULATED - PASSENGER SIDE - LOUNGE - BEDROOM

KEY	PART NUMBER	U/M	DESCRIPTION	VENDOR NO.
1	112795-21-01A	EA	WINDOW - PASSENGER/HORIZONTAL SLIDER/THERMO 24.5" X 41.25"	
	098647-29-701	EA	RETAINER - TRIM	CW04-66
2	112795-01-705	FT	VINYL - GLAZING	132-025736
3	112795-21-701	EA	GLASS - STATIONARY	390-019132
4	112795-01-701	EA	SLIDE-STOP	132-019092
5	098644-01-710	FT	TRACK - SCREEN SPACER 12'	132-017135
6	112795-01-700	EA	LATCH ASM., BLK.,(BOLT ON)	DH287-CK
7	112795-01-703	IN	CHANNEL-RUN (INCHES)	122-018736
8	098644-01-711	FT	WEATHERSTRIP - SCREEN BLACK7	171-016965
9	098647-29-704	EA	SCREEN ASM - W/SEALS & CLIPS	410-018864
10	125582-01-701	EA	CLIP - SCREEN - PLASTIC	130005153
10	098644-01-713	EA	CLIP - SCREEN - METAL	226-016966
11	112795-21-702	EA	GLASS-SLIDING W/SASH & LATCH	DC04-G9
12	112795-01-704	FT	PLUG FILLER (DOUBLE GLAZED)	122-018737

**WINDOW, VENT & EXTERIOR DOOR GROUP (CONTINUED)**



**EXCEL CAB WINDOWS**

KEY	PART NUMBER	U/M DESCRIPTION	VENDOR NO.
1	103658-09-01A	EA WINDOW - DRIVER - CAB 2 GLASS - 29.1" T X 45.4" B X 36.7" HH	
1	103658-10-01A	EA WINDOW - PASSENGER - CAB 2 GLASS - 29.1" T X 45.4" B X 36.7" H	
2	103658-09-705	EA SCREEN ASM - W/SEALS & CLIPS	410-018973LT/RT
3	103658-05-702	EA RETAINER - TRIM - DRIVERS SIDE	H373-66 & 76L
3	103658-05-700	EA RETAINER - TRIM - PASSENGERS SIDE	H373-66 & 76R
4	103658-09-704	EA GLASS-SLIDING W/SASH & LATCH - DRIVERS SIDE	H405-A9L
4	103658-10-703	EA GLASS-SLIDING W/SASH & LATCH - PASSENGERS SIDE	H405-A9R
5	103658-09-700	EA GLASS - STATIONARY RH/LH	106-018971
5	113501-11-700	EA GLASS - STATIONARY	390-025769
6	098644-01-700	EA LATCH - REPAIR KIT (BLACK)	B801-CK
	098644-01-706	FT WEATHERSTRIP - GLASS	171-010668
	098644-01-708	FT CHANNEL - RUN PIERCED	122-016543
	098644-01-710	FT TRACK - SCREEN SPACER 12'	132-017135
	098644-01-711	FT WEATHERSTRIP - SCREEN BLACK	171-016965
	098644-01-713	EA CLIP - SPRING - METAL	226-016966
	098644-01-716	FT PLUG - FILLER	132-014470
	098644-01-717	FT SPLINE - SCREEN	132-004716

**WINDOW, VENT & EXTERIOR DOOR GROUP (CONTINUED)**

**EXCEL CAB WINDOW - DRIVER SIDE - THERMOPANE**

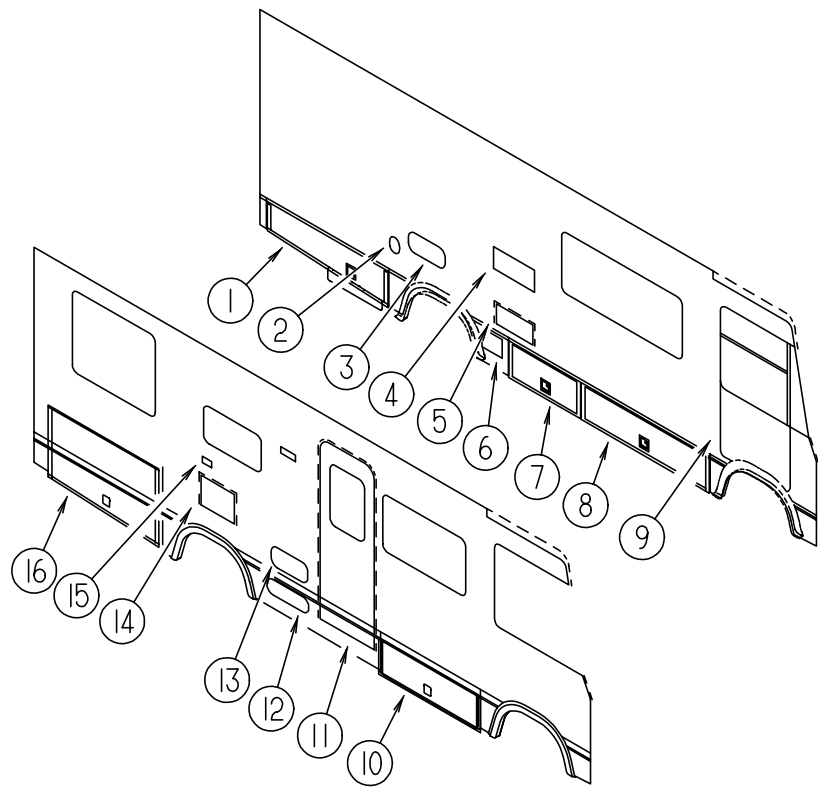
KEY	PART NUMBER	U/M DESCRIPTION	VENDOR NO.
	113501-03-01A	EA WINDOW - DRIVER CAB THERMO (2 WINDOW)-35.7" X 28.3" X 44.1"	
	103658-05-702	EA RETAINER - TRIM	H373-66 & 76L
	098644-01-711	FT WEATHERSTRIP - SCREEN BLACK	171-016965
	098644-01-713	EA CLIP - SPRING - METAL	226-016966
	098644-01-717	FT SPLINE - SCREEN	132-004716
	103658-09-705	EA SCREEN ASM - W/SEALS & CLIPS	410-018973LT/RT
	112795-01-700	EA LATCH ASM. - BLK. (BOLT ON)	DH287-CK
	112795-01-701	EA SLIDE-STOP	132-019092
	112795-01-703	IN CHANNEL - RUN (INCHES)	122-018736
	112795-01-704	FT PLUG FILLER (DOUBLE GLAZED)	122-018737
	112795-01-705	FT VINYL - GLAZING	132-025736
	112898-04-703	EA SASH LATCH KIT - RAISED	DH343-CK
	113501-03-700	EA WINDOW W/O TRIM	DH405-A2L
	113501-03-701	EA GLASS - STATIONARY	390-019397L
	113501-03-702	EA GLASS - SLIDING W/SASH & LATCH	DH405-A9L

**EXCEL CAB WINDOW - PASSENGER SIDE - THERMOPANE**

KEY	PART NUMBER	U/M DESCRIPTION	VENDOR NO.
	113501-04-01A	EA WINDOW - PASSENGER - CAB THERMO (2 WINDOW) 35.7" X 28.3" X 44.1"	
	103658-05-700	EA RETAINER - TRIM	H373-66 & 76R
	098644-01-711	FT WEATHERSTRIP - SCREEN BLACK	171-016965
	098644-01-713	EA CLIP - SPRING - METAL	226-016966
	098644-01-717	FT SPLINE - SCREEN	132-004716
	103658-09-705	EA SCREEN ASM - W/SEALS & CLIPS	410-018973LT/RT
	112795-01-700	EA LATCH ASM. - BLK. (BOLT ON)	DH287-CK
	112795-01-701	EA SLIDE - STOP	132-019092
	112795-01-703	IN CHANNEL - RUN (INCHES)	122-018736
	112795-01-704	FT PLUG FILLER (DOUBLE GLAZED)	122-018737
	112795-01-705	FT VINYL - GLAZING	132-025736
	112898-04-703	EA SASH LATCH KIT - RAISED	DH343-CK
	113501-04-700	EA WINDOW W/O TRIM	DH405-A2R
	113501-04-701	EA GLASS - STATIONARY	390-019395R
	113501-04-702	EA GLASS - SLIDING W/SASH & LATCH	DH405-A9R

## WINDOW, VENT & EXTERIOR DOOR GROUP (CONTINUED)

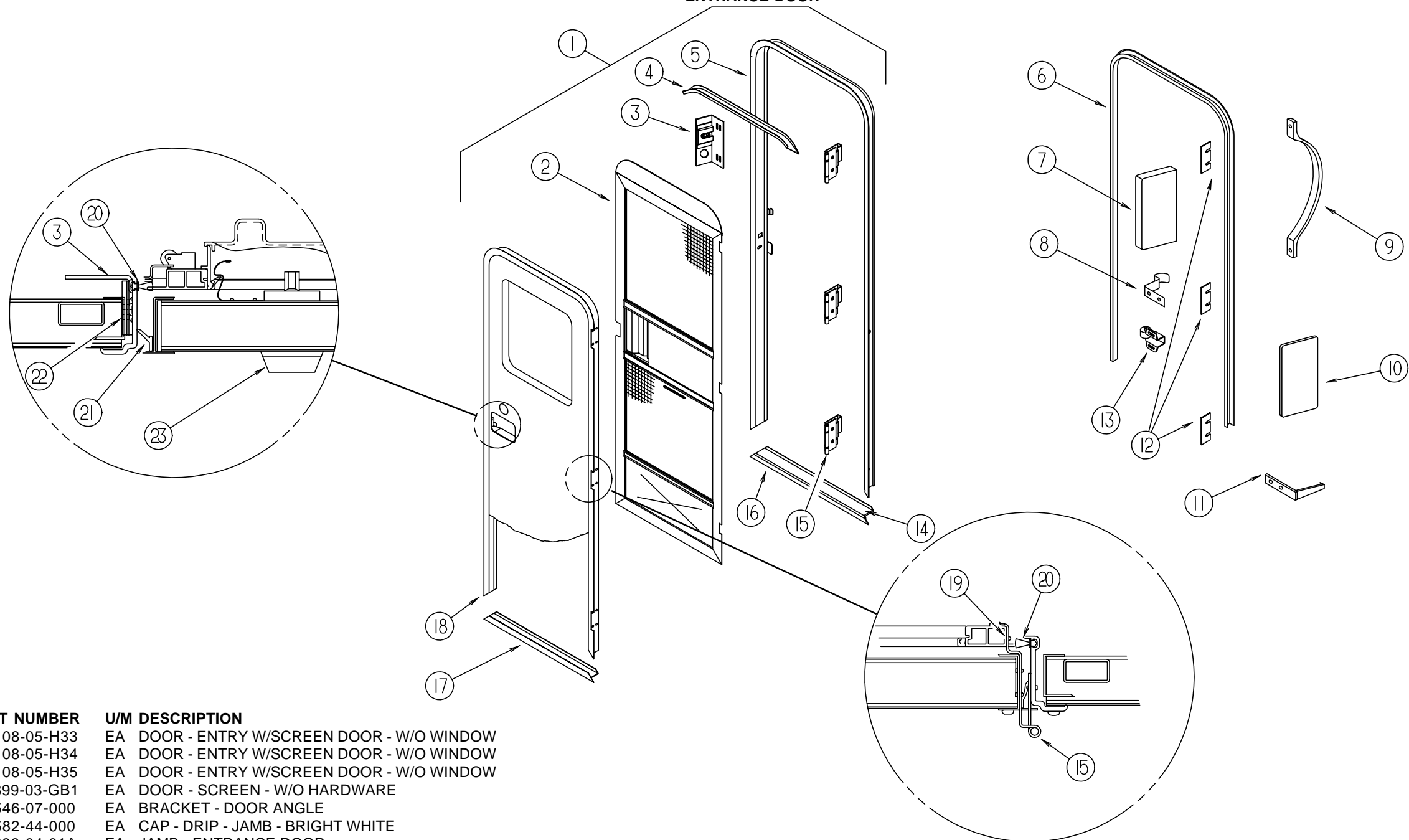
### EXTERIOR DOORS



KEY	PART NUMBER	U/M DESCRIPTION	VENDOR NO.
1	122391-28-H13	EA DOOR - STORAGE - W/O PADDLE LATCH - 59.8"	
1	122391-28-HA3	EA DOOR - STORAGE - W/O PADDLE LATCH - 59.8" - MC CLAIMS ANNIVERSARY OPTION	
1	122391-28-H17	EA DOOR - STORAGE - W/O PADDLE LATCH - 59.8" - EXTERIOR PAINT OPTION	
	122268-58-000	EA ROD - LATCH - 19.80"	
	122269-58-000	EA ROD - LATCH - 19.80"	
	107796-27-000	EA SPRING/GAS - 12" LONG - 90 LB	
2	078010-15-000	EA DOOR - FUEL FILL - W/O LOCK	
3	111017-02-F24	EA DOOR - STORAGE - W/O LOCK - 8.1" X 17.8" - WHITE TRIM)	
4	084103-08-000	EA DOOR - REFRIGERATOR - VENTED - W/O JAMB	
4	084104-08-000	EA JAMB - REFRIGERATOR DOOR	
	084104-01-700	EA LOCK - MALE - FASTENER	201-721-010
	084104-01-701	EA LOCK - FEMALE - FASTENER	201-802-010
5	098668-23-000	EA DOOR - ACCESS - FURNACE	
6	088794-06-000	EA DOOR - POWER CORD W/HATCH - BRIGHT WHITE - 9.2" X 11"	
7	122239-37-H17	EA DOOR - STORAGE - W/O PADDLE LATCH - 35.6" - EXTERIOR PAINT OPTION	
7	122239-37-HA3	EA DOOR - STORAGE - W/O PADDLE LATCH - 35.6" - MC CLAIMS ANNIVERSARY OPTION	
7	122239-37-H13	EA DOOR - STORAGE - W/O PADDLE LATCH - 35.6" - WHITE TRIM	
	122268-50-000	EA ROD - LATCH - 10.13"	
	122269-50-000	EA ROD - LATCH - 10.13"	
	107796-20-000	EA SPRING/GAS - 10" LONG - 60 LB	
8	122239-38-H17	EA DOOR - STORAGE - W/O PADDLE LATCH - 63.4" - EXTERIOR PAINT OPTION	
8	122239-38-HA3	EA DOOR - STORAGE - W/O PADDLE LATCH - 63.4" - MC CLAIMS ANNIVERSARY OPTION	
8	122239-38-H13	EA DOOR - STORAGE - W/O PADDLE LATCH - 63.4" - WHITE TRIM	
	122268-06-000	EA ROD - LATCH - 24.07"	
	122269-06-000	EA ROD - LATCH - 24.07"	
	107796-18-000	EA SPRING/GAS - 10" LENGTH - 80 LB	
9	106469-07-01A	EA DOOR - DRIVER - BLACK - MANUAL WINDOW	
10	122239-36-H17	EA DOOR - STORAGE - W/O PADDLE LATCH - 50.3" - EXTERIOR PAINT OPTION	
10	122239-36-HA3	EA DOOR - STORAGE - W/O PADDLE LATCH - 50.3" - MC CLAIMS ANNIVERSARY OPTION	
10	122239-36-H13	EA DOOR - STORAGE - W/O PADDLE LATCH - 50.3" - WHITE TRIM	
	122268-49-000	EA ROD - LATCH - 17.51"	
	122269-49-000	EA ROD - LATCH - 17.51"	
	107796-18-000	EA SPRING/GAS - 10" LENGTH - 80 LB	
11	115108-05-H33	EA DOOR - ENTRY W/SCREEN DOOR - W/O WINDOW	
11	115108-05-H34	EA DOOR - ENTRY W/SCREEN DOOR - W/O WINDOW	
11	115108-05-H35	EA DOOR - ENTRY W/SCREEN DOOR - W/O WINDOW	
12	111009-01-H34	EA DOOR - COMPARTMENT/LP - 6.5" X 20.8" - EXTERIOR PAINT OPTION	
12	111009-01-H10	EA DOOR - COMPARTMENT/LP - 6.5" X 20.8" - MC CLAIMS ANNIVERSARY OPTION	
12	111009-01-GB1	EA DOOR - COMPARTMENT/LP - 6.5" X 20.8" - WHITE TRIM	
13	111017-01-H23	EA DOOR - STORAGE - W/O LOCK - 8.1" X 17.8" - WHITE TRIM	
14	052009-06-000	EA DOOR - WATER HEATER - BRIGHT WHITE - 18" X 14.6"	
	116424-01-000	EA PROTECTOR - LATCH - WATER HEATER	
15	081240-16-000	EA DOOR - WATER FILL - LOCKABLE W/O LOCK - 4" X 4 5/8"	
16	124245-04-H13	EA DOOR - STORAGE - W/O PADDLE LATCH - 55.7" (WHITE TRIM)	
	122268-57-000	EA ROD - LATCH - 19.80"	
	122269-57-000	EA ROD - LATCH - 19.80"	
	107796-11-000	EA SPRING/GAS - 11" COMPRESSED/17" EXTENDED - 90 LB	
16	124245-03-H13	EA DOOR - STORAGE - W/O PADDLE LATCH - 55.7" (WHITE TRIM) (W/RAISED BED)	
	122268-57-000	EA ROD - LATCH - 19.80"	
	122269-57-000	EA ROD - LATCH - 19.80"	
	107796-26-000	EA SPRING - GAS - 20" LONG - 90 LB	

# WINDOW, VENT & EXTERIOR DOOR GROUP (CONTINUED)

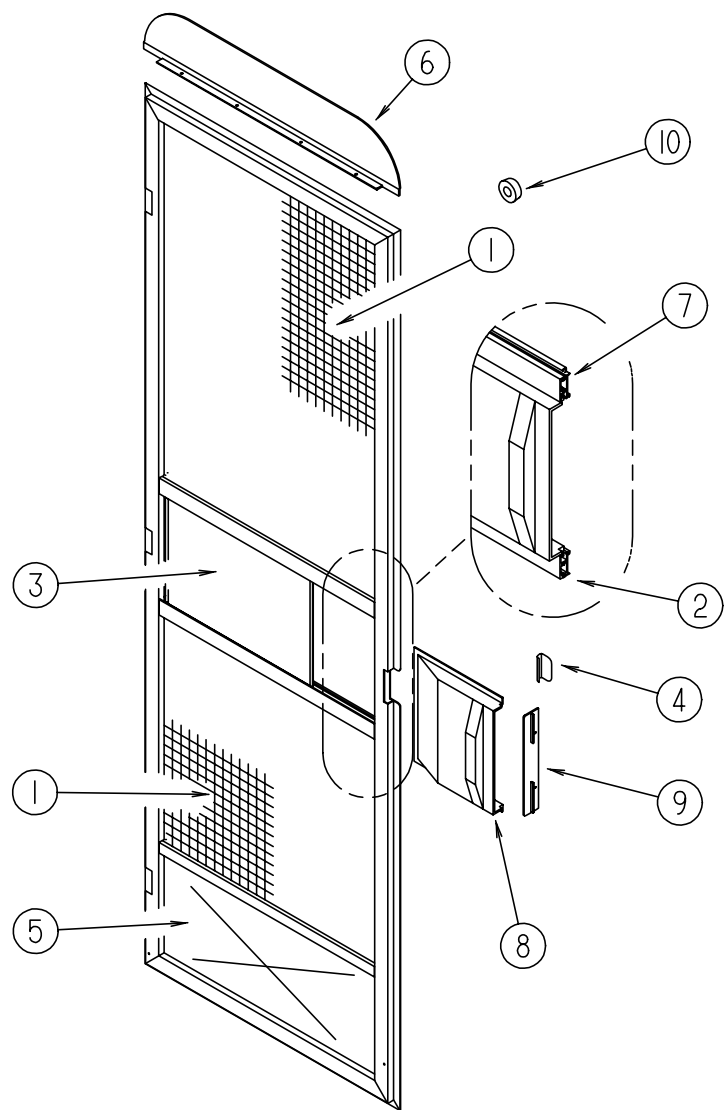
## ENTRANCE DOOR



KEY	PART NUMBER	U/M	DESCRIPTION
1	115108-05-H33	EA	DOOR - ENTRY W/SCREEN DOOR - W/O WINDOW
1	115108-05-H34	EA	DOOR - ENTRY W/SCREEN DOOR - W/O WINDOW
1	115108-05-H35	EA	DOOR - ENTRY W/SCREEN DOOR - W/O WINDOW
2	121899-03-GB1	EA	DOOR - SCREEN - W/O HARDWARE
3	041546-07-000	EA	BRACKET - DOOR ANGLE
4	044582-44-000	EA	CAP - DRIP - JAMB - BRIGHT WHITE
5	121898-04-01A	EA	JAMB - ENTRANCE DOOR
6	115222-01-01A	EA	GARNISH - RADIUS - ENTRY DOOR
7	077461-03-000	EA	COVER - STRIKE - ENTRY DOOR - 6.5" X 2.5" - WHITE PLASTIC
8	100412-01-000	EA	CATCH - SCREEN DOOR
9	009126-03-000	EA	HANDLE - ASSIST - BLACK TEXTURED
10	076725-02-000	EA	COVER - ACCESS - HINGE - ENTRY DOOR - 6" X 3.2"
11	102768-01-000	EA	HOLDER - COMPARTMENT/ENTRY DOOR - METAL - MILL FINISH
12	102248-01-000	EA	SHIM - DOOR
13	100412-01-000	EA	CATCH - SCREEN DOOR
14	038327-01-000	EA	TAPE - ANTI-SLIP - 2" X 60'
15	106719-01-05A	EA	HINGE - ENTRANCE DOOR
	106719-01-01A	EA	HINGE - ENTRANCE DOOR - MILL
	116111-02-01A	EA	SCREW - TAPTITE - 1/4-20 X 3/8 PPH - ZINC
	039715-01-000	EA	NUT-SERT - 1/4" DIAMETER - 20 THREADS
16	051049-01-000	EA	JAMB - BOTTOM - ENTRY DOOR - 25.9" - UNPAINTED

KEY	PART NUMBER	U/M	DESCRIPTION	VENDOR NO.
17	121893-01-01A	EA	FRAME - ENTRY DOOR - BOTTOM - BRIGHT WHITE	
18	121894-07-01A	EA	FRAME - ENTRY DOOR/BOTTOM - BRIGHT WHITE	
	122241-01-01A	EA	BUMPER - FOAM RUBBER W/ADHESIVE BACK - .5" X .5" X .25"	
	098173-01-07A	EA	STIFFENER - ENTRY DOOR - SUPPORTS LATCH/STRIKE AREA - BRIGHT WHITE	
	098173-01-04A	EA	STIFFENER - ENTRY DOOR - SUPPORTS LATCH/STRIKE AREA	
	122241-01-01A	EA	BUMPER - FOAM RUBBER W/ADHESIVE BACK - .5" X .5" X .25"	
19	100128-02-000	FT	SEAL - FOAM - ADHESIVE BACK - .37" WIDE X .37" THICK	
20	118929-01-01A	FT	SEAL - PILE - PUSH ON	
21	075671-04-000	FT	SEAL - SPONGE - LAZY T - W/ADHESIVE STRIP - .5" WIDE	
22	104692-01-000	FT	SEAL - FOAM/ADHESIVE BACK - .75" THICK X .75" WIDE X 25'	
23	101145-01-06A	EA	DEADBOLT - ENTRY DOOR W/O SECURITY BOLT W/2 KEYS - BLACK	
	101147-01-000	EA	BOLT - SECURITY - 4.12"	
	095229-01-700	EA	KEY-BLANK, DEADBOLT	81205-03
	101145-01-701	EA	CYLINDER-LOCK ASM., W/KEY	81306-03
	104099-01-04A	EA	CATCH - DOOR HOLDER - STRIKE	
	104099-02-04A	EA	CATCH - DOOR HOLDER - RETAINER	

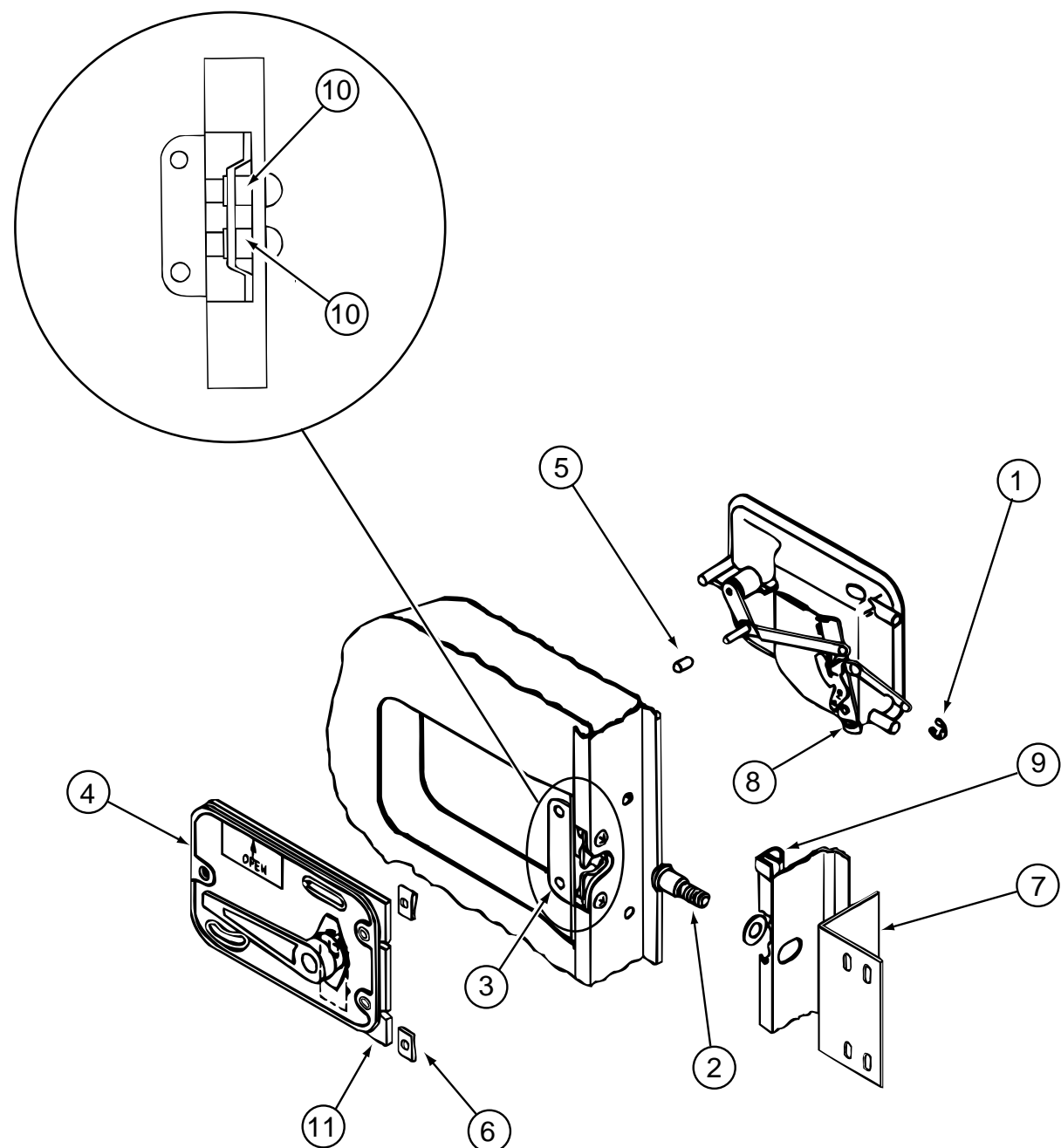
**WINDOW, VENT & EXTERIOR DOOR GROUP**



**SCREEN DOOR**

KEY	PART NUMBER	U/M	DESCRIPTION
	121899-03-GB1	EA	DOOR - SCREEN - W/O HARDWARE
1	002293-02-000	SF	SCREENING - WINDOW/DOOR - 26" - CHARCOAL
2	002294-01-000	FT	SPLINE - SCREENING - .135" X .138"
3	016454-01-000	EA	INSERT - CENTER - LEATHER GRAIN ALUMINUM - UNPAINTED
	001014-01-013	EA	INSERT - CENTER - 10.25" X 16.31" - UNPAINTED
4	050712-06-000	EA	HANDLE - SCREEN DOOR - BRIGHT WHITE
5	078552-03-000	EA	KICK PANEL - SCREEN DOOR - LOWER INSERT - UNPAINTED
6	078595-01-000	EA	TOP PLATE - SCREEN DOOR - CURVED TOP - 4.7" X 25.35"
7	078777-01-000	EA	CHANNEL - SLIDER - SCREEN DOOR CENTER SLIDER COVER
8	079086-03-000	EA	SLIDER - SCREEN DOOR - BRIGHT WHITE
9	079087-03-000	EA	STRIKE - SLIDER - SCREEN DOOR - BRIGHT WHITE
10	120863-05-000	EA	BUMPER - RUBBER - 3/4" X 3/8"
	075673-01-000	FT	SEAL - PILE - ADHESIVE BACK - GRAY
	120863-06-000	EA	BUMPER - RUBBER

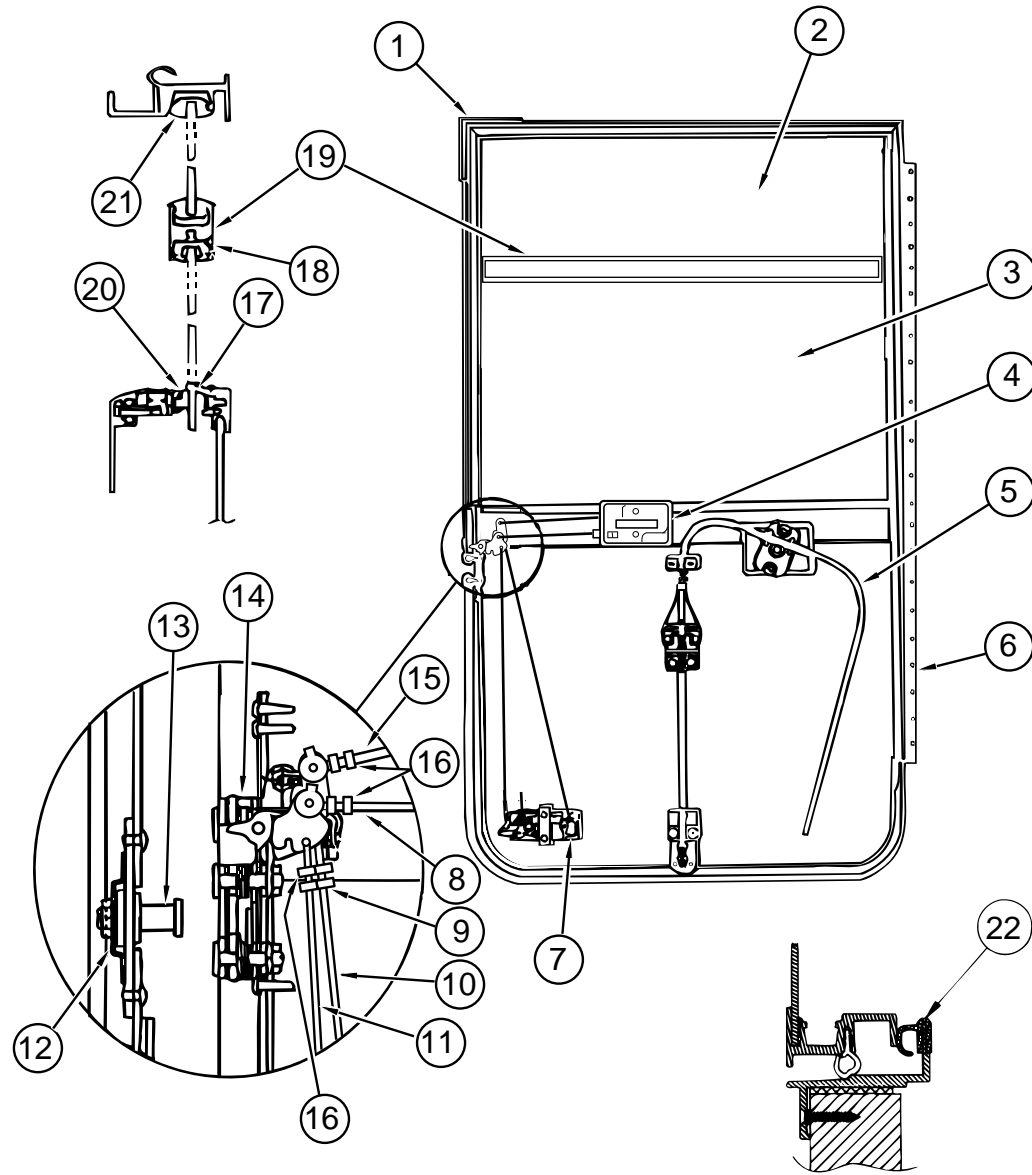
**WINDOW, VENT & EXTERIOR DOOR GROUP (CONTINUED)**



**ENTRY DOOR LOCK INSTALLATION**

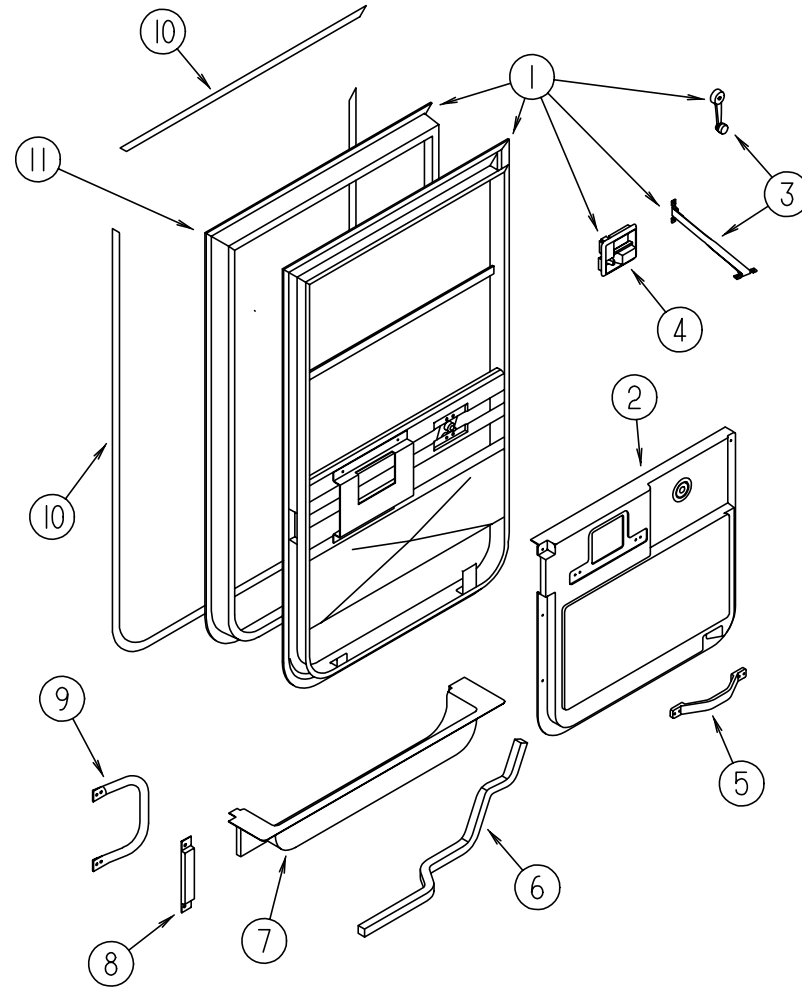
KEY	PART NUMBER	U/M	DESCRIPTION
1	036618-02-000	EA	E RING - EXTERNAL - 3/16" SHAFT DIAMETER - LYNOR DOOR LOCK
2	039539-01-000	EA	STRIKE - LOCK - ENTRY DOOR - ROUND W/THREADED WASHER
3	039540-01-000	EA	LATCH MECHANISM - HOOK - ENTRY DOOR - INTERIOR
4	039979-06-000	EA	COVER - LATCH PLATE - RIGHT HAND - BLACK TEXTURED
5	039984-01-000	EA	CAP - ROUND - VINYL - .28" ID X .62" - BLACK
6	040921-01-000	EA	NUT - SPEED - U TYPE - 10-24 BLACK
7	041546-07-000	EA	BRACKET - DOOR ANGLE
8	045017-13-000	EA	LATCH - ENTRY DOOR - BLACK TEXTURED
	045017-11-701	EA	KEY-BLANK, F1 SERIES 81312-02
	045017-11-703	EA	CYLINDER-LOCK ASM. W/KEYS 81266-09
9	064075-07-000	FT	SEAL - BULB - W/WIRED U CHANNEL - .3" X .5" CHANNEL - BLK
	075671-04-000	FT	SEAL - SPONGE - LAZY T - W/ADHESIVE STRIP - .5" WIDE
	075673-01-000	FT	SEAL - PILE - ADHESIVE BACK - GRAY
	075673-05-000	FT	SEAL - PILE - ADHESIVE BACK - BLACK
10	086285-05-000	EA	SPACER - NYLON - .7" X .56"
11	096810-01-01A	EA	PLATE - LATCH - ENTRY DOOR

**WINDOW, VENT & EXTERIOR DOOR GROUP (CONTINUED)**  
**EXCEL DRIVERS DOOR**



KEY	PART NUMBER	U/M	DESCRIPTION	VENDOR NO.
1	106469-01-702	EA	SEAL-DOOR, (FRAME) EA=1	122-040984
2	106469-02-702	EA	GLASS - STATIONARY - HORIZONTAL	106-041104
3	106469-01-704	EA	GLASS ASM - ROLL-UP W/ BRACKET	V103-65L
4	106469-04-712	EA	HARDWARE-INNER HANDLE, LH	248-041402
5	106469-02-701	EA	REGULATOR ASSEMBLY	V108-90L
6	106469-05-702	EA	HINGE - 42"	211-041194
7	106469-04-700	EA	PADDLE ASSEMBLY W/COLLAR	248-041237
	106469-04-701	EA	TUMBLER & KEYS, TRI-MARK	248-041179
	106469-04-715	EA	LATCH COMPLETE W/TUMBLER & KEYS	V123-15
	045017-11-701	EA	KEY-BLANK, TRIMARK	81312-02
8	106469-04-711	EA	ROD-LOCK, HORIZONTAL	203-041137
9	106469-04-713	EA	ROD-CLIP, LH	248-041154
10	106469-05-703	EA	LATCH ROD, VERTICAL ADJUSTMENT	203-041239
11	106469-05-705	EA	ROD-LOCK, VERTICAL ADJUSTMENT	203-041279
12	106469-04-704	EA	NUT ASSEMBLY-CAGED W/STRIKER	248-041151
13	106469-04-703	EA	BOLT-STRIKER, W/WASHER	248-041152
14	106469-05-706	EA	LATCH-ROTARY, W/LINKAGE	248-041150
15	106469-04-705	EA	ROD-LATCH, HORIZONTAL	203-041139
16	106469-04-714	EA	ROD-CLIP, RH	248-041153
17	106469-02-703	EA	BELT-WEATHERSTRIP, EXTERIOR - ROLL-UP GLASS	V047-57
18	106469-01-705	FT	CHANNEL-RUN, SLIDING	122-010850
19	106469-01-719	EA	MULLION RAIL	V103-84
20	106469-01-709	FT	WEATHERSTRIP-FUZZY	171-040630
21	106469-02-705	EA	GLAZING-VINYL, HORIZONTAL - 6.3317"	V108-87
22	106469-01-723	EA	SEAL ASSEMBLY-BULB, DRIVERS DOOR JAMB - PREFORMED	171-040985
	106469-02-704	EA	PARTS BAG-WINDOW HANDLE MISCELLANEOUS	V068-16

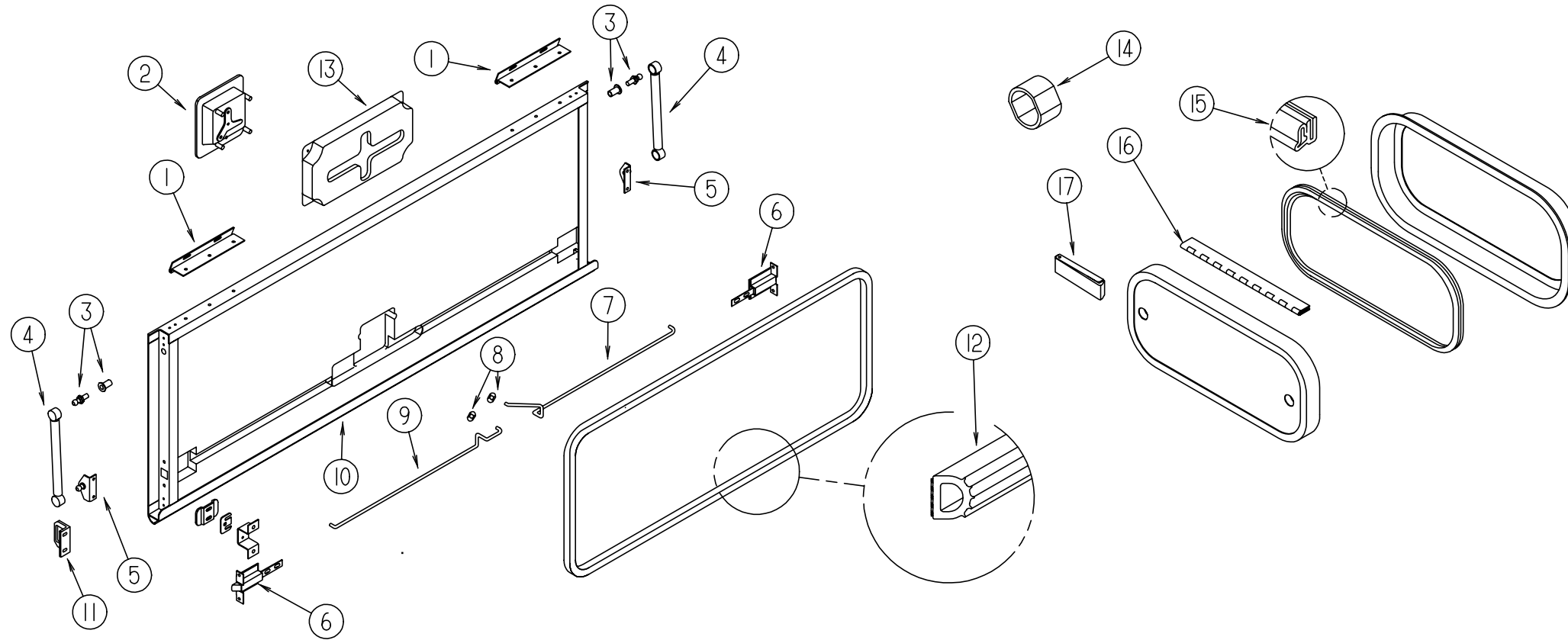
**WINDOW, VENT & EXTERIOR DOOR GROUP (CONTINUED)**  
**EXCEL DRIVERS DOOR**



KEY	PART NUMBER	U/M	DESCRIPTION	VENDOR NO.
1	106469-07-01A	EA	DOOR - DRIVER - BLACK	
2	114973-01-04A	EA	PANEL-DRIVERS DOOR - INNER - QUICK SILVER - PLASTIC	
3	106469-02-704	EA	PARTS BAG (WINDOW HANDLE & CHECK STRAP)	V068-16
4	106469-04-712	EA	INNER HANDLE HARDWARE - LEFT HAND	248-041148
5	110604-01-01A	EA	HANDLE-ASSIST, DRIVERS DOOR - 10.8" LONG - BLACK	
6	063977-11-000	EA	STEP - DRIVER DOOR - LEFT - UNPAINTED	
7	107818-01-01A	EA	TRIM - STEP - DRIVERS DOOR	
			FROM: 00-00-00 THRU: 01-14-97	
7	126069-03-01A	EA	TRIM - STEP - DRIVER	
			FROM: 01-15-97 THRU: 99-99-99	
	102569-02-000	EA	MAT-ANTISLIP, 4" X 22" - LOWER	
8	108654-01-01A	EA	COVER-STRIKE, DRIVERS DOOR - BLACK	
9	108832-01-02A	EA	HANDLE - ASSIST - DRIVER DOOR - METAL - OFF WHITE	
	108833-01-01A	EA	COVER - HANDLE - ASSIST - OFF WHITE	
10	109235-01-01A	FT	COVER - SCREW - MAT BLACK	
11	106469-07-700	EA	MOUNTING FRAME ASM.	V130-30L
	108129-02-02A	EA	GARNISH - DRIVERS DOOR - FRONT - BLACK	
	108107-01-02A	EA	GARNISH - DRIVERS DOOR - TOP - BLACK	
	108108-04-02A	EA	GARNISH - DRIVERS DOOR - REAR UPPER - BLACK	
	108897-02-01A	EA	GARNISH - DRIVERS DOOR - REAR LOWER - BLACK	
	116995-01-000	EA	SWITCH/MAGNET - ELECTRIC STEP	
	076725-06-000	EA	COVER - ACCESS - DOOR JAMB PUSH BUTTON - BLACK	
	109235-01-05A	FT	COVER-SCREW, BRIGHT WHITE	
	106746-01-000	EA	PANEL-STEPWELL, 789 MM LONG - STEEL	
	106747-01-000	EA	PANEL-STEPWELL, RH END - STEEL	
	106747-02-000	EA	PANEL-STEPWELL, LH END - STEEL	
	107868-01-000	EA	ANGLE-SUPPORT, DOOR - 38 MM X 38 MM X 19 MM - E-COAT - STEEL	



**WINDOW, VENT & EXTERIOR DOOR GROUP (CONTINUED)**  
**EXTERIOR ACCESS DOOR COMPONENTS**

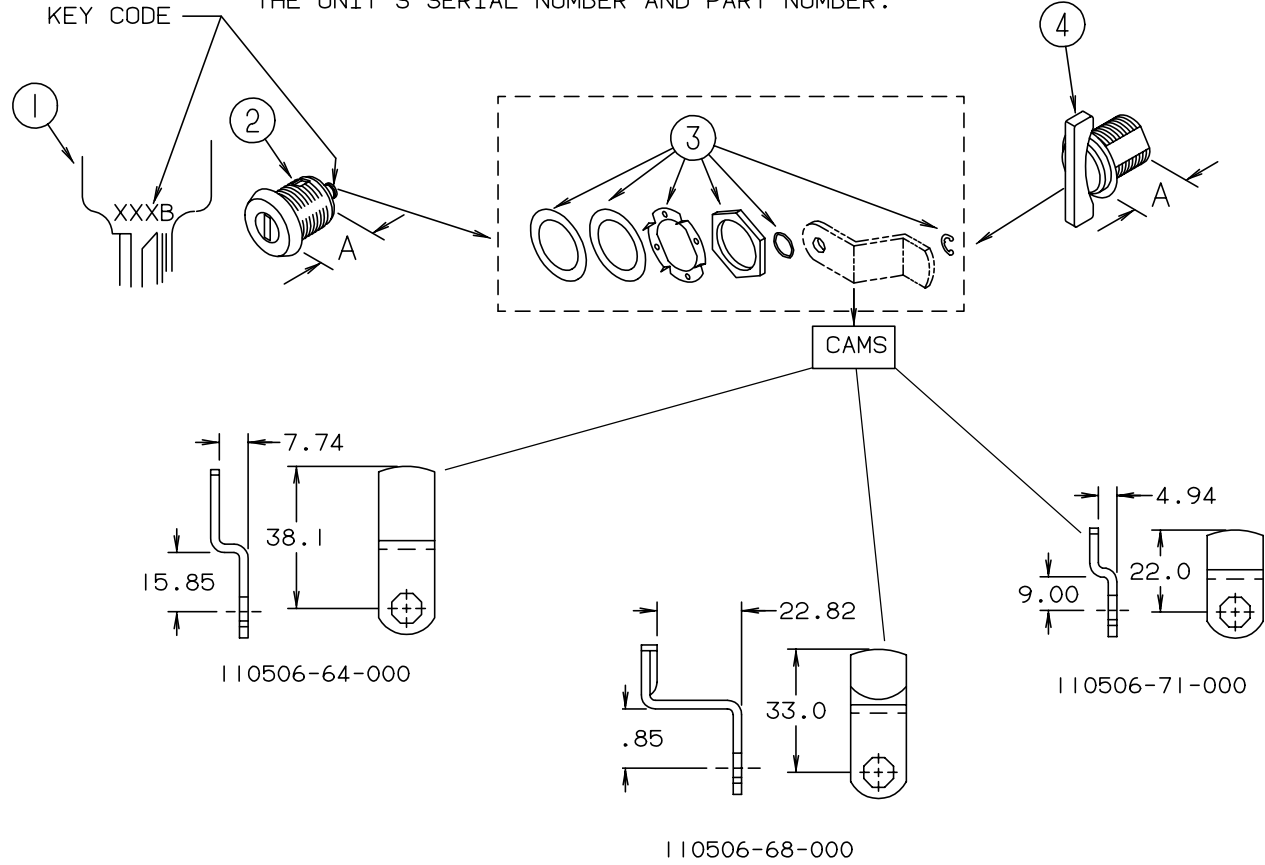


KEY	PART NUMBER	U/M DESCRIPTION
1	121755-01-04A	EA HINGE - 6" LONG
2	112949-01-04A	EA LATCH-PADDLE W/LOCK, BLACK - EXTERIOR PAINT OPTION
2	112949-01-03A	EA LATCH-PADDLE W/LOCK, BRIGHT WHITE
2	112949-02-05A	EA LATCH-PADDLE W/O LOCK, BLACK - EXTERIOR PAINT OPTION
2	112949-02-04A	EA LATCH-PADDLE W/O LOCK, BRIGHT WHITE
	112949-03-000	EA KEY-PADDLE LATCH W/LOCK - TRI-MARK #TM500
3	057460-08-000	EA BALL STUD - 10 MM BALL, 5/16-18
4	108998-04-000	EA SPRING/GAS - 12" COMPRESSED/20" EXTENDED - 60LB
4	107796-11-000	EA SPRING/GAS - 11" COMPRESSED/17" EXTENDED - 90 LB
4	107796-18-000	EA SPRING/GAS - 7" COMPRESSED/10" EXTENDED - 80 LB
4	107796-20-000	EA SPRING/GAS - 7" COMPRESSED/10" EXTENDED - 60 LB
4	107796-26-000	EA SPRING/GAS - 12" COMPRESSED/20" EXTENDED - 90 LB
4	107796-27-000	EA SPRING/GAS - 8.5" COMPRESSED/12" EXTENDED - 90 LB
5	107796-19-000	EA BRACKET - GAS SPRING - SMALL - BLACK
5	107796-03-000	EA BRACKET - GAS SPRING - SMALL
6	121947-01-01A	EA BOLT-SLIDE, LATCH - STEEL
7	122269-58-000	EA ROD - LATCH - 15.78" LONG (CLIPPED TO UPPER PIN ON PADDLE LATCH)
7	122269-57-000	EA ROD - LATCH - 19.80" LONG (CLIPPED TO UPPER PIN ON PADDLE LATCH)
7	122269-06-000	EA ROD - LATCH - 24.7" LONG (CLIPPED TO UPPER PIN ON PADDLE LATCH)
7	122269-49-000	EA ROD - LATCH - 17.51" LONG (CLIPPED TO UPPER PIN ON PADDLE LATCH)
7	122269-50-000	EA ROD - LATCH - 10.13" LONG (CLIPPED TO UPPER PIN ON PADDLE LATCH)
8	124304-01-000	EA CLIP-ROUND PUSH ON

KEY	PART NUMBER	U/M DESCRIPTION
9	122268-58-000	EA ROD - LATCH - 28.75" LONG (CLIPPED TO LOWER PIN ON PADDLE LATCH)
9	122268-57-000	EA ROD - LATCH - 19.80" LONG (CLIPPED TO LOWER PIN ON PADDLE LATCH)
9	122268-06-000	EA ROD - LATCH - 24.07" LONG (CLIPPED TO LOWER PIN ON PADDLE LATCH)
9	122268-49-000	EA ROD - LATCH - 17.51" LONG (CLIPPED TO LOWER PIN ON PADDLE LATCH)
9	122268-50-000	EA ROD - LATCH - 10.13" LONG (CLIPPED TO LOWER PIN ON PADDLE LATCH)
10	122613-55-001	EA EXTRUDED - ROCKER PANEL - 192" - BRIGHT WHITE
10	122613-55-003	EA EXTRUDED - ROCKER PANEL - 192" - UMBRA - EXTERIOR PAINT OPTION
10	122613-55-006	EA EXTRUDED - ROCKER PANEL - 192" - SILVER - MC CLAIMS ANNIVERSARY OPTION
11	123783-01-01A	EA STRIKER-DOOR, SLIDE LATCH - MILL
12	107721-04-000	FT SEAL - ACCESS DOOR
		FROM: 00-00-00 THRU: 03-11-97
12	107721-07-000	FT SEAL - ACCESS DOOR
		FROM: 03-12-97 THRU: 99-99-99
13	122277-02-01A	EA COVER-LATCH, PLASTIC - BLACK
14	107997-51-001	EA SPACER - DOOR LOCK - .6" DEEP
	107997-51-002	EA EXTRUDED SPACER - 16'
15	064075-07-000	FT SEAL-BULB, W/ WIRED U CHANNEL - .3" X .5" CHANNEL - BLACK
16	081801-V3-000	EA HINGE - DOOR - PIANO - 2" X 96" - BRIGHT WHITE - ALUMINUM
16	081801-02-000	EA HINGE - DOOR - PIANO - 2" X 8" - OFF WHITE - ALUMINUM
16	009065-01-000	EA HINGE - ALUMINUM - 1 1/2" X 96" - UNPAINTED
16	034007-D9-000	EA HINGE - CONTINUOUS ALUMINUM - 1.5" X 8' - SILVER
16	034007-B3-000	EA HINGE - CONTINUOUS ALUMINUM - 1.5" X 96" - BRIGHT WHITE
17	102768-01-000	EA HOLDER-COMPARTMENT/ ENTRY DOOR, METAL - MILL FINISH
	068559-01-001	FT EXTRUSION-ANGLE, 1" X .9" X 192" - MILL ALUMINUM
	104692-01-000	FT SEAL - FOAM/ADHESIVE BACK - .75"THICK X .75"WIDE X 25'
	104692-03-000	FT SEAL - FOAM/ADHESIVE BACK - 1"THICK X 1.25"WIDE X 15'
	112160-01-000	FT SEAL-D SECTION, 6 X 10 - FOAM RUBBER - BLACK - LAUREN 1153

**WINDOW, VENT & EXTERIOR DOOR GROUP (CONTINUED)**  
**BRIGGS & STRATTON LOCKS & COMPONENTS**

NOTE:  
 WHEN ORDERING THE LOCK CASE, THE KEY CODE MUST MATCH THE LAST DIGIT OF THE UNIT'S SERIAL NUMBER AND PART NUMBER; WHEN ORDERING THE KEYS, THE THIRD DIGIT OF THE KEY CODE MUST MATCH THE LAST DIGIT OF THE UNIT'S SERIAL NUMBER AND PART NUMBER.



KEY	PART NUMBER	U/M	DESCRIPTION	VENDOR NO.
1	110506-59-000	EA	KEYS-SET OF 2	596720
2	110506-52-000	EA	CASE-LOCK, A=17 MM	702370
2	110506-53-000	EA	CASE-LOCK, A=25 MM	702380
1	110506-59-001	EA	KEYS-SET OF 2	596721
2	110506-52-001	EA	CASE-LOCK, A=17 MM	702371
2	110506-53-001	EA	CASE-LOCK, A=25 MM	702381
1	110506-59-002	EA	KEYS-SET OF 2	596722
2	110506-52-002	EA	CASE-LOCK, A=17 MM	702372
2	110506-53-002	EA	CASE-LOCK, A=25 MM	702382
1	110506-59-003	EA	KEYS-SET OF 2	596723
2	110506-52-003	EA	CASE-LOCK, A=17 MM	702373
2	110506-53-003	EA	CASE-LOCK, A=25 MM	702383
1	110506-59-004	EA	KEYS-SET OF 2	596724
2	110506-52-004	EA	CASE-LOCK, A=17 MM	702374
2	110506-53-004	EA	CASE-LOCK, A=25 MM	702384
1	110506-59-005	EA	KEYS-SET OF 2	596725
2	110506-52-005	EA	CASE-LOCK, A=17 MM	702375
2	110506-53-005	EA	CASE-LOCK, A=25 MM	702385
1	110506-59-006	EA	KEYS-SET OF 2	596726
2	110506-52-006	EA	CASE-LOCK, A=17 MM	702376
2	110506-53-006	EA	CASE-LOCK, A=25 MM	702386
1	110506-59-007	EA	KEYS-SET OF 2	596727
2	110506-52-007	EA	CASE-LOCK, A=17 MM	702377
2	110506-53-007	EA	CASE-LOCK, A=25 MM	702387
1	110506-59-008	EA	KEYS-SET OF 2	596728
2	110506-52-008	EA	CASE-LOCK, A=17 MM	702378
2	110506-53-008	EA	CASE-LOCK, A=25 MM	702388
1	110506-59-009	EA	KEYS-SET OF 2	596729
2	110506-52-009	EA	CASE-LOCK, A=17 MM	702379
2	110506-53-009	EA	CASE-LOCK, A=25 MM	702389
3	110506-40-700	EA	HARDWARE KIT-LOCK, W/GASKET, NUT, CLIP & WASHERS	
4	110506-50-000	EA	CASE - TWIST LOCK - A= 17 MM	596952
4	110506-51-000	EA	CASE - TWIST LOCK - A= 25 MM	596669
	110506-59-701	EA	KEY BLANK	

**WINDOW, VENT & EXTERIOR DOOR GROUP (CONTINUED)**

**ELIXIR ROOF VENT - NONPOWERED**

KEY	PART NUMBER	U/M	DESCRIPTION	VENDOR NO.
	122882-01-01A	EA	VENT-ROOF, NONPOWERED	
	009440-01-000	EA	GEAR/ARM - LIFT - ROOF VENT COVER - 705221K38	
	064470-01-700	EA	COVER-VENT, W/O (SLIDE BAR)	J7291
	064470-01-701	EA	SLIDE BAR, (VENT-LID)	JRP1291B
	122882-01-700	EA	HANDLE-CRANK, BLACK	90128
	122882-01-701	EA	SCREEN	JRP-1124-B
	122882-07-01A	EA	GARNISH-ROOF VENT, 63.5 - 104.6 - POWERED OR NONPOWERED	

**ELIXIR ROOF VENT - POWERED**

KEY	PART NUMBER	U/M	DESCRIPTION	VENDOR NO.
	122882-02-01A	EA	VENT-ROOF, POWERED	
	009440-01-000	EA	GEAR/ARM - LIFT - ROOF VENT COVER - 705221K38	
	048648-01-000	EA	MOTOR-ROOF VENT, 1/8 SHAFT - 12V - JENSEN	
	048649-01-000	EA	FAN-ROOF VENT, 6 BLADES - 6" - JENSEN	
	064470-01-700	EA	COVER-VENT, W/O (SLIDE BAR)	J7291
	064470-01-701	EA	SLIDE BAR, (VENT-LID)	JRP1291B
	110051-03-700	EA	SWITCH-BLACK/PUSH BUTTON	27-0164
	122882-01-700	EA	HANDLE-CRANK, BLACK	90128
	122882-01-701	EA	SCREEN	JRP-1124-B
	122882-07-01A	EA	GARNISH-ROOF VENT, 63.5 - 104.6 - POWERED OR NONPOWERED	

**ELIXIR ROOF VENT - POWERED - CANADIAN**

KEY	PART NUMBER	U/M	DESCRIPTION	VENDOR NO.
	122882-03-01A	EA	VENT-ROOF, POWERED - CANADIAN	
	009440-01-000	EA	GEAR/ARM - LIFT - ROOF VENT COVER - 705221K38	
	048648-01-000	EA	MOTOR-ROOF VENT, 1/8 SHAFT - 12V - JENSEN	
	048649-01-000	EA	FAN-ROOF VENT, 6 BLADES - 6" - JENSEN	
	064470-01-700	EA	COVER-VENT, W/O (SLIDE BAR)	J7291
	064470-01-701	EA	SLIDE BAR, (VENT-LID)	JRP1291B
	110051-03-700	EA	SWITCH-BLACK/PUSH BUTTON	27-0164
	122882-01-700	EA	HANDLE-CRANK, BLACK	90128
	122882-01-701	EA	SCREEN	JRP-1124-B
	122882-07-01A	EA	GARNISH-ROOF VENT, 63.5 - 104.6 - POWERED OR NONPOWERED	

**WINDOW, VENT & EXTERIOR DOOR GROUP (CONTINUED)**

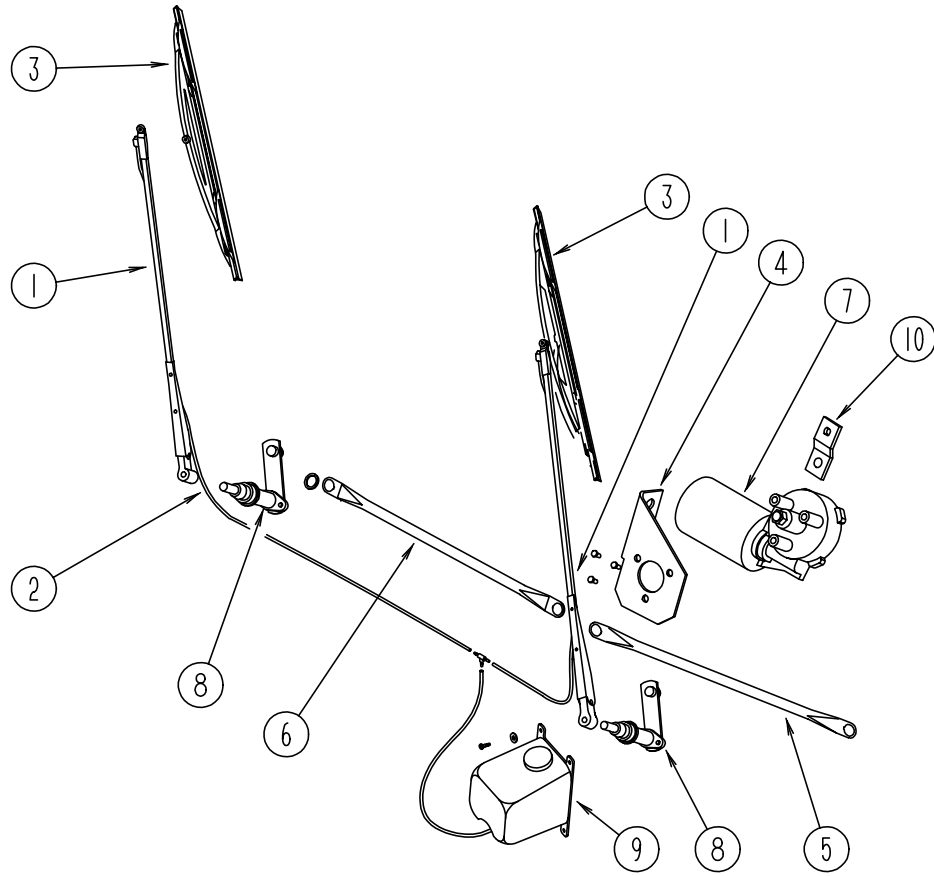
**ROOF VENTS**

KEY	PART NUMBER	U/M	DESCRIPTION
	083558-03-000	EA	VENT - PLUMBING - PIPE ROOF - W/COVER - OFF WHITE
	084073-04-000	EA	BASE - ROOF VENT - REFRIGERATOR
	084073-07-000	EA	VENT - ROOF - REFRIGERATOR - BRIGHT WHITE

**SIDEWALL VENTS**

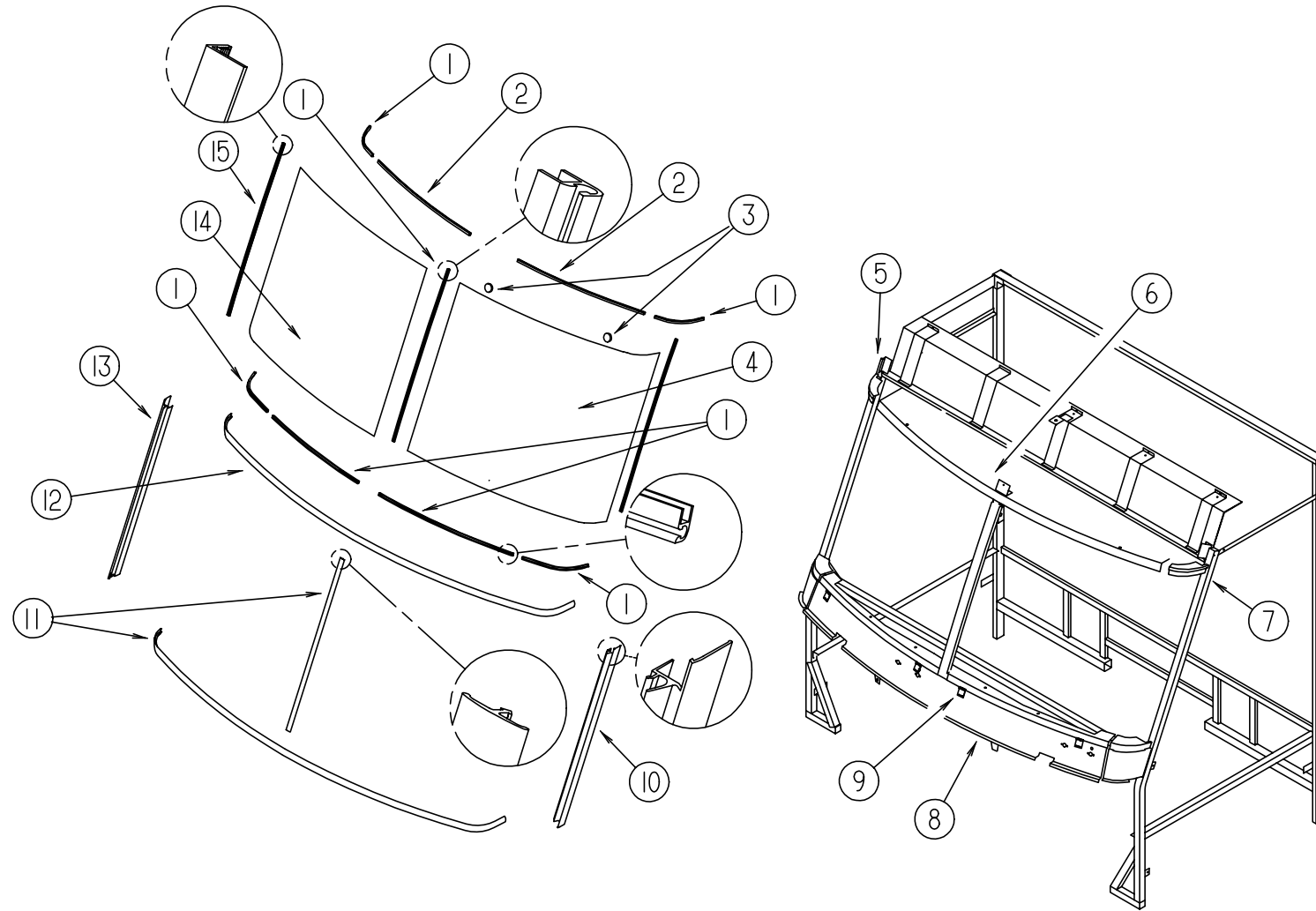
KEY	PART NUMBER	U/M	DESCRIPTION
	084616-07-000	EA	VENT - SHROUD - RANGE HOOD - BRIGHT WHITE
	084878-09-000	EA	VENT - HOOD - RANGE/SHORT - OFF WHITE

**WINDSHIELD & WIPER GROUP**  
**WIPER & WASHER COMPONENTS**



KEY	PART NUMBER	U/M	DESCRIPTION	VENDOR NO.	
1	103671-01-000	EA	ARM-WIPER, PANTOGRAPH - 24"		
	096931-01-700	FT	HOSE-WIPER, TO BLADE		
	096931-01-701	EA	NOZZLE-HARDWARE KIT, INCLUDES NOZZLE, NUT, SHORT THREAD SCREW, LONG THREAD SCREW, AND PLASTIC CAP		
2	045794-01-000	FT	HOSE-WASHER, WINDSHIELD - 5/32" ID - BLACK		
3	095964-01-000	EA	BLADE-WIPER, 24"		
4	104549-01-000	EA	BRACKET ASSEMBLY-WIPER MOTOR		
5	117008-01-000	EA	LINK ASM - CONNECTING - DRIVERS SIDE		
6	117008-02-000	EA	LINK ASM - CONNECTING - PASSENGERS SIDE		
7	104346-04-000	EA	MOTOR-WIPER, CHEVY CHASSIS - UT 65714M02025WJ		
	117322-01-000	EA	SCREW - 1/4-28 UNF-2A, TORX - U.T. 6270020 SC25WJ		
8	096505-05-000	EA	PIVOT & SHAFT ASM-WIPER, PASSENGER WINDSHIELD		
8	096505-06-000	EA	PIVOT & SHAFT ASM-WIPER, DRIVER WINDSHIELD		
	096505-02-700	EA	DRIVER-KNURLED,(HD) BARREL .687	NT721017	
	096505-02-701	EA	NUT-HEX (HD) W/.687 BARREL	NT721021	
	096505-02-702	EA	CAP-RUBBER (HD) BARREL .687	CP721084	
	096505-02-703	EA	CAP-NUT(ACORN) HD W/.687 BRL	51065-40-NT27WC	
	9	117766-02-000	EA	WASHER-WINDSHIELD, BOTTLE & PUMP - MCCORD 600328	
	110605-01-000	EA	TEE-BARBED, 1/8 X 1/8 X 3/16 - BAYLOCK 3799721		
110934-01-000	EA	CONNECTOR-BARB, 5/16" - PLASTIC - KEVCO TC 7055			
117765-03-000	EA	CONNECTOR - 5/32 W/SWSH - ITT H-BAYLOCK 116756			
10	104347-01-000	EA	ARM-DRIVE, WIPER MOTOR - 1.54"		
	061603-01-000	EA	GROMMET-SNAP, 3/16 ID - 3/8 HOLE - PLASTIC - BLACK		
	067188-01-000	EA	STUD-CRANK, WIPER		
	110742-01-000	EA	GASKET-WIPER		
	077298-55-003	EA	EXTR-TUBE, 0007 MM - BLACK		

**WINDSHIELD & WIPER GROUP (CONTINUED)**  
**WINDSHIELD MOLDINGS & GLASS**



KEY	PART NUMBER	U/M	DESCRIPTION
1	110268-01-000	EA	CARRIER - REVEAL - 50.4" - WINDSHIELD
2	117335-09-000	EA	CARRIER - REVEAL - 42.2" - WINDSHIELD
3	081914-01-000	EA	BUMPER - RUBBER - ROUND - .43" DIAMETER - BLACK
4	088793-04-000	EA	WINDSHIELD-DRIVER, 49.5" X 38.5"
5	077922-03-000	EA	HEADER-WINDSHIELD/END, PASSENGER SIDE
6	077922-05-000	EA	HEADER-WINDSHIELD, CENTER
7	077922-04-000	EA	HEADER-WINDSHIELD/END, DRIVER SIDE
8	077847-02-000	EA	SUPPORT-WINDSHIELD, LOWER - W/O BRACKETS
9	104449-01-000	EA	SUPPORT - WINDSHIELD ONLY NEEDED IF BROKEN OFF WINDSHIELD FRAME ASSEMBLY
10	103107-02-01A	EA	TRIM-WINDSHIELD, DRIVER SIDE - BLACK
11	102936-01-000	FT	MOLDING-REVEAL, WINDSHIELD
12	120533-01-000	FT	MOLDING-REVEAL, WINDSHIELD - UPPER
13	103107-01-01A	EA	TRIM - WINDSHIELD - PASSENGER SIDE - BLACK
14	088793-03-000	EA	WINDSHIELD-PASSENGER, 49.5" X 38.5"
15	098788-06-000	EA	CHANNEL - 49" PVC, DRIVER OR PASSENGER SIDE
	002328-02-000	EA	BLOCK-WINDSHIELD, .062" X .5" X .98"
	123244-01-000	FT	TAPE-DOUBLE COATED FOAM, .80" THICK X .75" WIDE