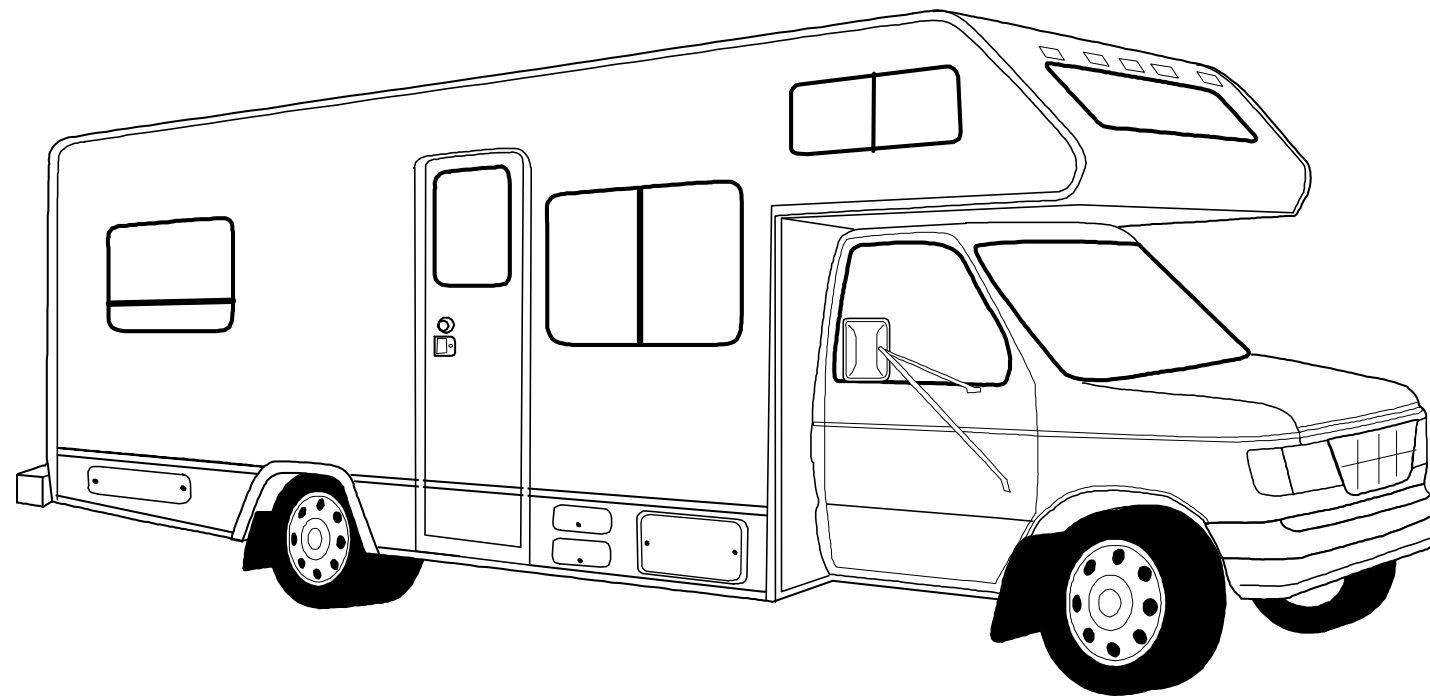


**1997**  
**IF431WQ DL**

**H30**  
**GEMSTONE (GREEN)**

**H31**  
**LAPIS (NAVY)**



## ACCESSORIESGROUP

### OPERATORSMANUAL

KEY	PARTNUMBER	U/M	DESCRIPTION
	054185-F6-000	EA	MANUAL-OPERATOR-97SUNDANCER
	092318-01-000	EA	BINDER-3RING-MOTORHOMEMANUAL
	092319-01-000	EA	POCKETPAGE-3RINGBINDER-PLASTIC-(50PERPKG)
	121390-01-000	DW	TOPEVELLDRAWING-1997C-BODY

## AUDIOVIDEOGROUP

### RADIOSYSTEM&ANTENNA

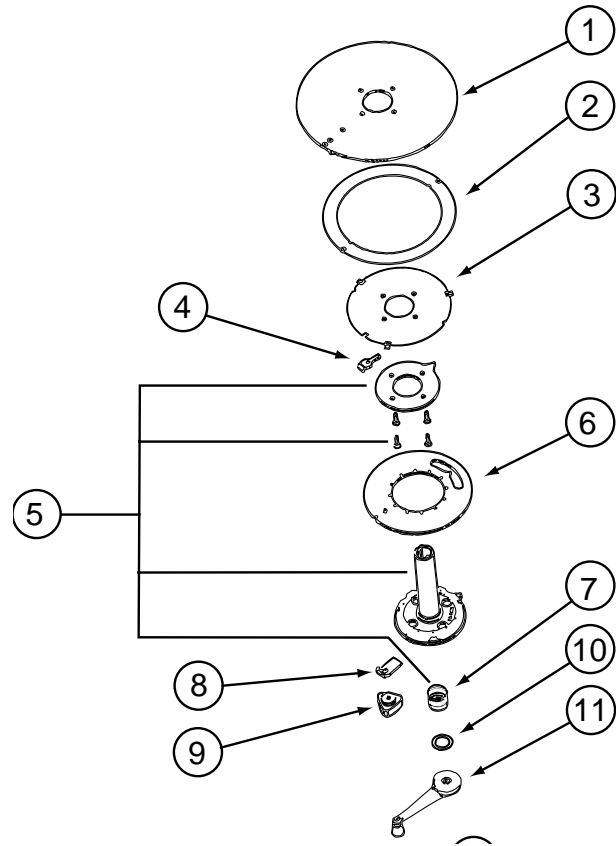
KEY	PARTNUMBER	U/M	DESCRIPTION
	N/A	EA	SPEAKER-5"X7"OVAL-FORDF2UF-18814-CD
	111177-01-01A	EA	GRILLE-SPEAKER-6.6"X8.9"-HOUSING5"X7"SPEAKER
	087683-03-000	EA	RADIO-AM/FMSTEREOCASSETTE
	090944-01-000	EA	ANTENNA-RADIO-16"RUBBER
	077069-02-000	EA	CABLE-ANTENNA/EXTENSION-RADIO-96"
	108137-01-000	EA	PLUG-ANTENNA
	108847-01-000	EA	BRACKET-ANTENNAGROUND
	109889-04-000	EA	EXTENDER-ANTENNASHAFT-3"
	110469-01-000	EA	SPEAKER-4"X6"OVAL-COAXIAL
	110470-01-01A	EA	GRILLE-4"X6"OVAL-BLACK

### TV&VCRSYSTEMS

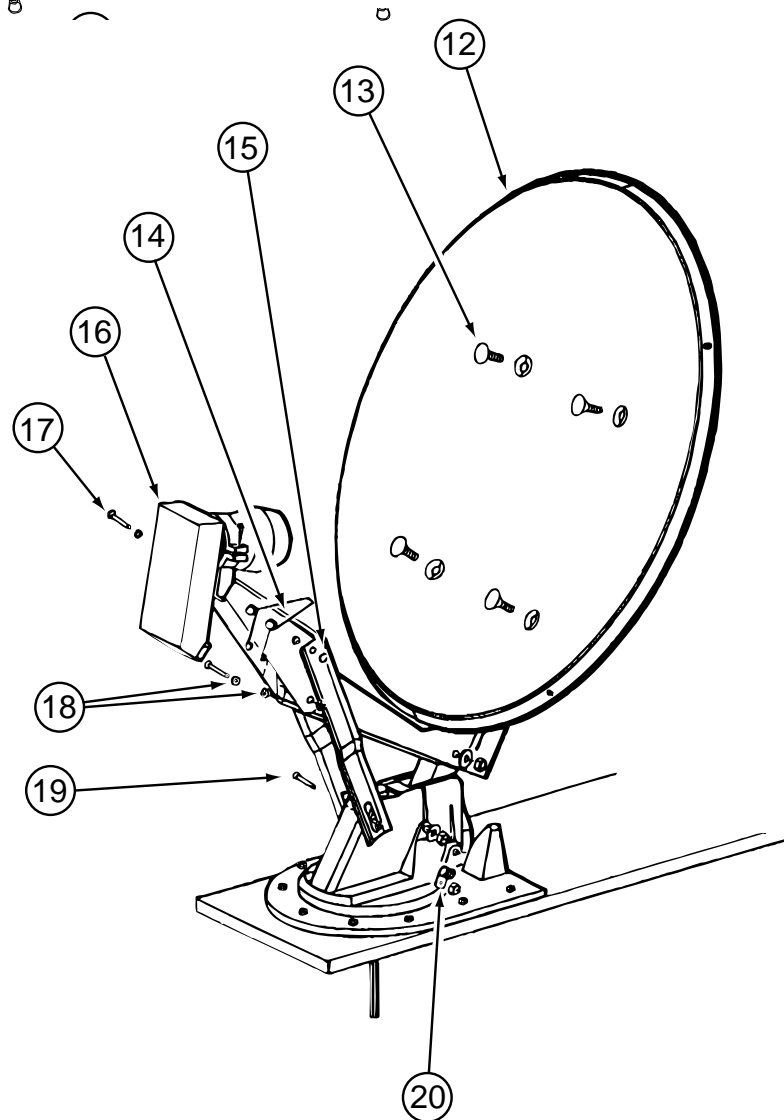
KEY	PARTNUMBER	U/M	DESCRIPTION	VENDORNO.
	113684-02-000	EA	TV-19"COLORW/1/8"JACK-UL/CSA-AUDIOVOX	
	113684-01-700	EA	REMOTE	0892345
	119120-02-000	EA	VCR/VHS-CABLEREADYW/REMOTE-AUDIOVOX	
			FROM: 00-00-00 THRU: 02-16-97	
	119120-02-700	EA	REMOTE	0994569
			FROM: 00-00-00 THRU: 02-16-97	
	119120-03-000	EA	VCR-VHS-CABLEREADY-REMOTE-AUDIOVOX	
			FROM: 02-17-97 THRU: 99-99-99	
	119120-03-700	EA	REMOTE	0994571
			FROM: 02-17-97 THRU: 99-99-99	
	086231-08-000	EA	TV-13"COLOR-DC-AUDIOVOX	
	086231-08-700	EA	REMOTE-UNIVERSAL	8822325
	094487-03-000	EA	VIDEOCASSETTEPLAYERW/OREMOTE-AUDIOVOX	
	082134-01-000	EA	ADAPTER-TV-CABLETOCABLE-WINEGARDF-81M	
	082136-01-000	EA	NUT-HEXJAM-3/8-32	
	076319-09-000	EA	WALLPLATE-CABLERECEPTACLE-TV-SINGLE-BROWN	
	076319-08-000	EA	WALLPLATE-CABLERECEPTACLE-TV-SINGLE/IVORY	
	086777-02-000	EA	WALLPLATE-TVCABLE-W/ANTENNASWITCH	
	086777-06-000	EA	WALLPLATE-ANTENNA1OUTPUT	
	086756-01-000	EA	SPLITTER-TV-2WAY	
	086757-03-000	EA	CONTROLCENTER-SWITCH-VCR/TV	
	093901-03-000	EA	PLATE-COAXIALCABLE	
	099717-02-000	EA	STRAP-TVTIEDOWNW/29.9"FEMALESTRAP&14.2"MALESTRAP	

# AUDIOVIDEOGROUP(CONTINUED)

## ANTENNASATELLITE&RECEIVERSYSTEMS-WINEGARDOLDSTYLE

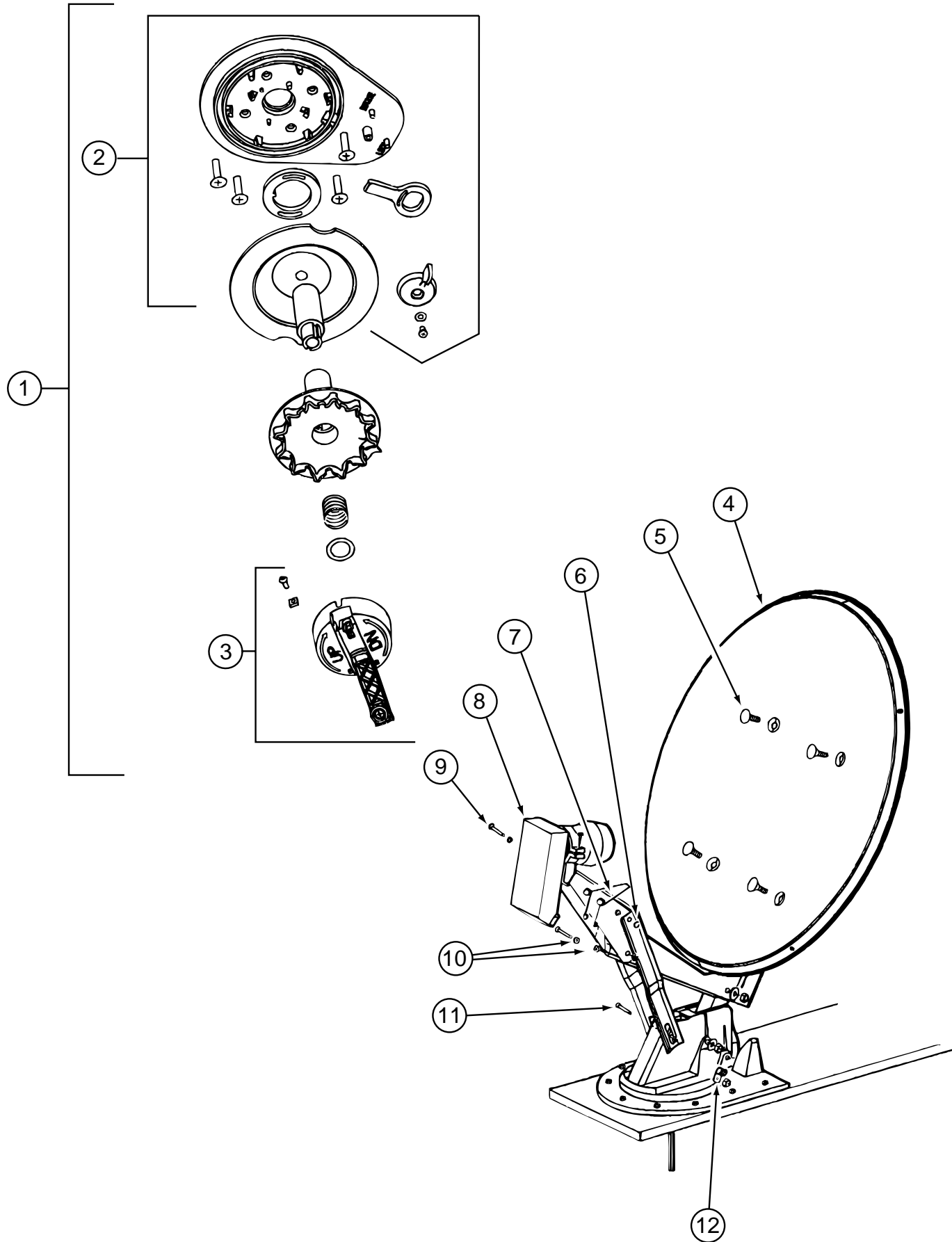


KEY	PARTNUMBER	U/M	DESCRIPTION	VENDORNO.
	120233-01-000	EA	ANTENNA-SATELLITEW/ORECEIVER(DISH&HDWKIT)MANUAL	
	120233-02-000	EA	RECEIVER-SATELLITEONLY	
	120233-02-700	EA	REMOTE	RC-0012
1	120233-01-700	EA	PLATE-FIXED	3750821
2	120233-01-701	EA	DIAL-DIRECTIONAL	2745056
3	120233-01-702	EA	PIVOT-DIAL,DIRECTIONAL	2745058
4	120233-01-703	EA	STOP-ROTATION	3711281
5	120233-01-704	EA	PLATE-CEILINGW/DIRECTIONALHANDLE	RP-6300
6	120233-01-705	EA	PLATE-ROTATE	3750820
7	120233-01-706	EA	SPRING	RP-6822
8	120233-01-707	EA	CLAMP-ROTATE	3711280
9	120233-01-708	EA	KNOB-CLAMP	2200061
10	120233-01-709	EA	WASHER-NYLON	RP-2658
11	120233-01-710	EA	HANDLE-CRANK	RP-6795
12	120233-01-711	EA	REFLECTOR-46CM	2745304
13	120233-01-712	EA	BOLT-FLATHEAD	2160253
14	120233-01-713	EA	SPRING	2160820
15	120233-01-714	EA	CLIP-E	5160818
16	120233-01-715	EA	GARDINER-LNBF	2780177
17	120233-01-716	EA	PIN	2160814
18	120233-01-717	EA	BEARING-NYLON	2200728
19	120233-01-718	EA	PIN	5160817
20	120233-01-719	EA	CLAMP-CABLE	2200060



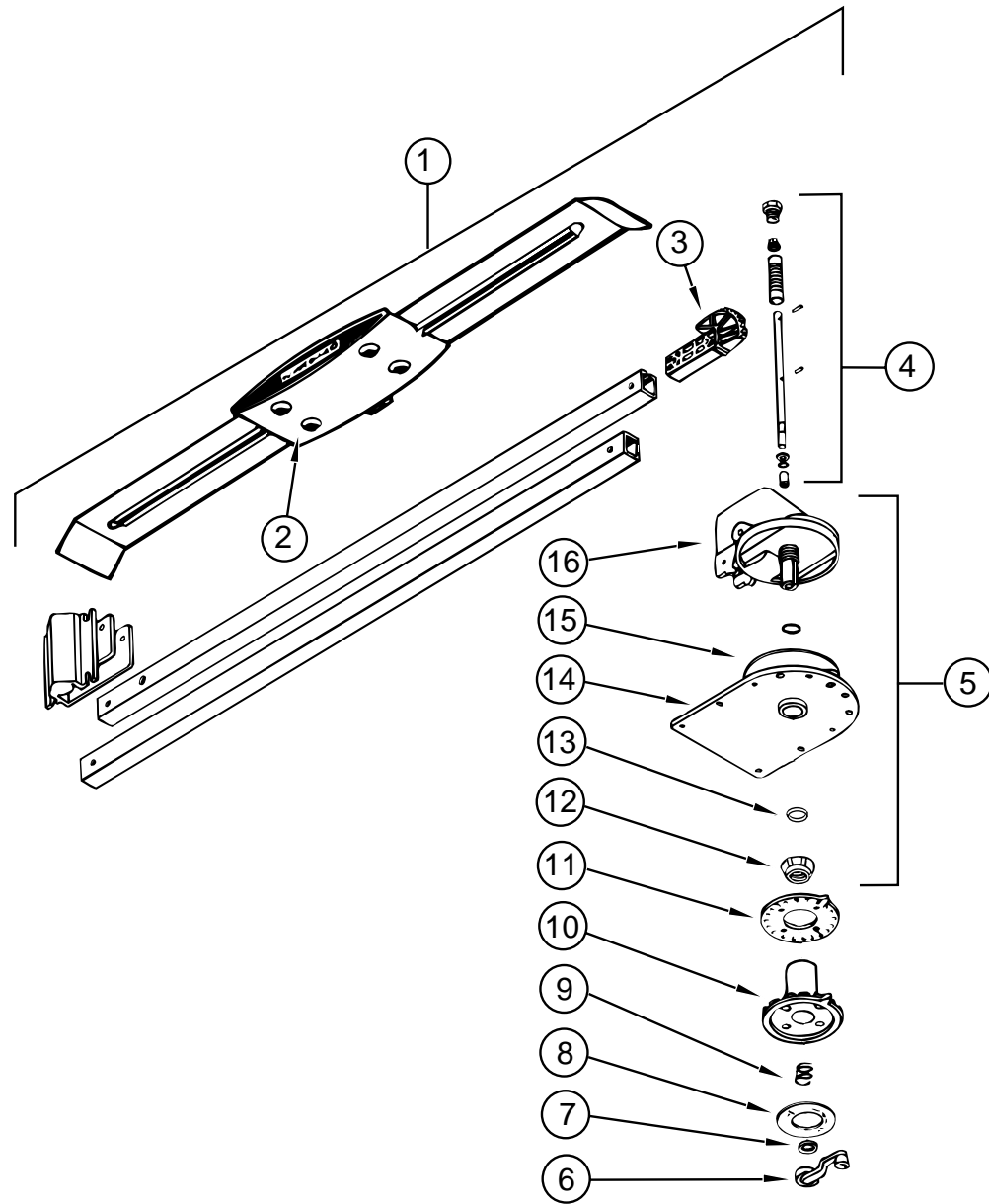
# AUDIOVIDEOGROUP(CONTINUED)

## ANTENNASATELLITESYSTEMS-WINEGARDNEWSTYLE



KEY	PARTNUMBER	U/M	DESCRIPTION	VENDORNO.
	120233-01-000	EA	ANTENNA-SATELLITEW/ORECEIVER(DISH&HDWKIT)MANUAL	
	120233-02-000	EA	RECEIVER-SATELLITEONLY	
	120233-02-700	EA	REMOTE	RC-0012
1	120233-01-720	EA	CEILINGPLATEASM(RETROFIT)	RP-4100
2	120233-01-722	EA	PLATEASSEMBLY(CEILING)	2762826
3	120233-01-721	EA	CRANKHANDLEASSEMBLY	2762825
4	120233-01-711	EA	REFLECTOR-46CM	2745304
5	120233-01-712	EA	BOLT-FLATHEAD	2160253
6	120233-01-714	EA	CLIP-E	5160818
7	120233-01-713	EA	SPRING	2160820
8	120233-01-715	EA	GARDINER-LNBF	2780177
9	120233-01-716	EA	PIN	2160814
10	120233-01-717	EA	BEARING-NYLON	2200728
11	120233-01-718	EA	PIN	5160817
12	120233-01-719	EA	CLAMP-CABLE	2200060

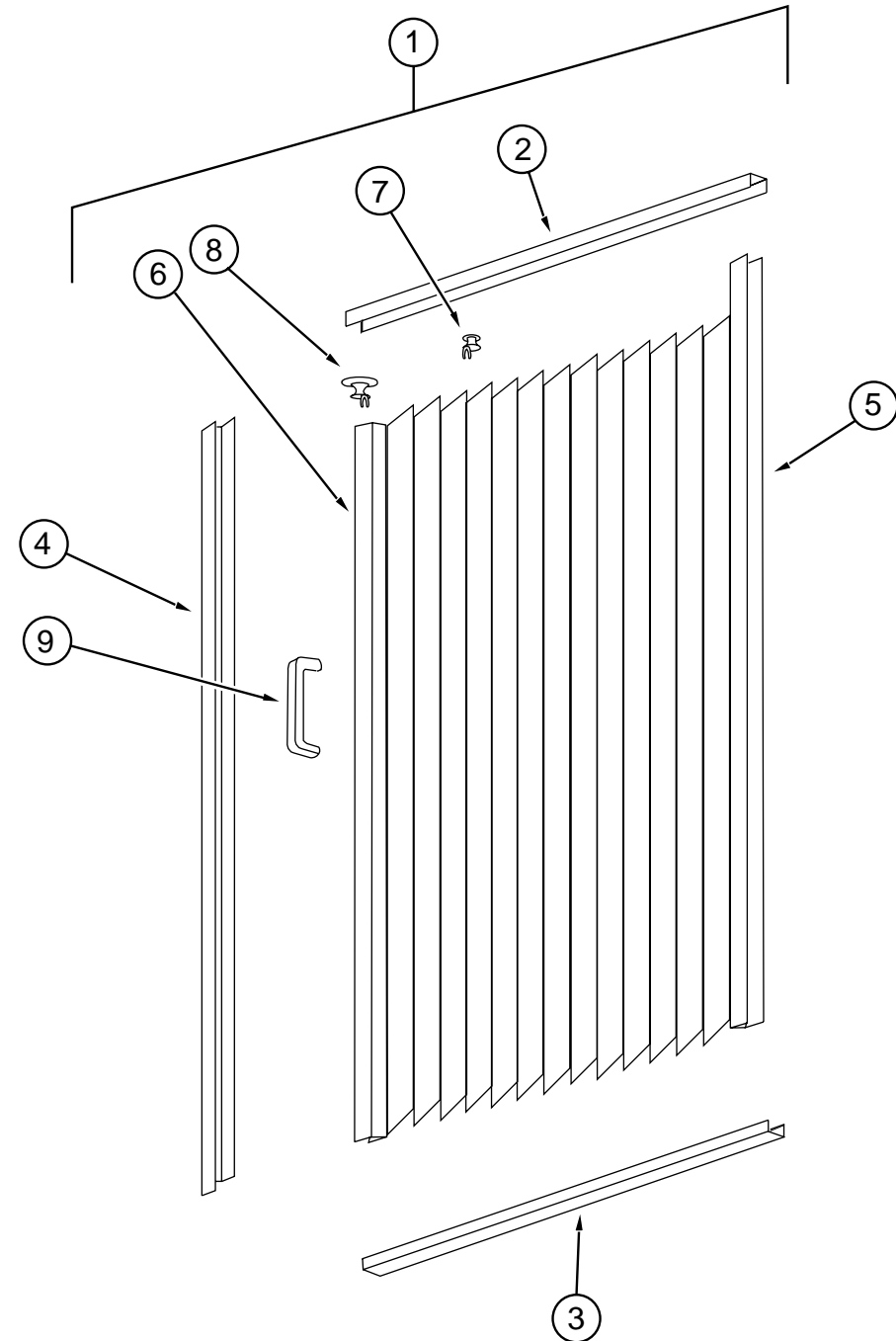
### AUDIOVIDEOGROUP(CONTINUED)



**TV ANTENNA - WINEGARD - MODEL RVAW02**

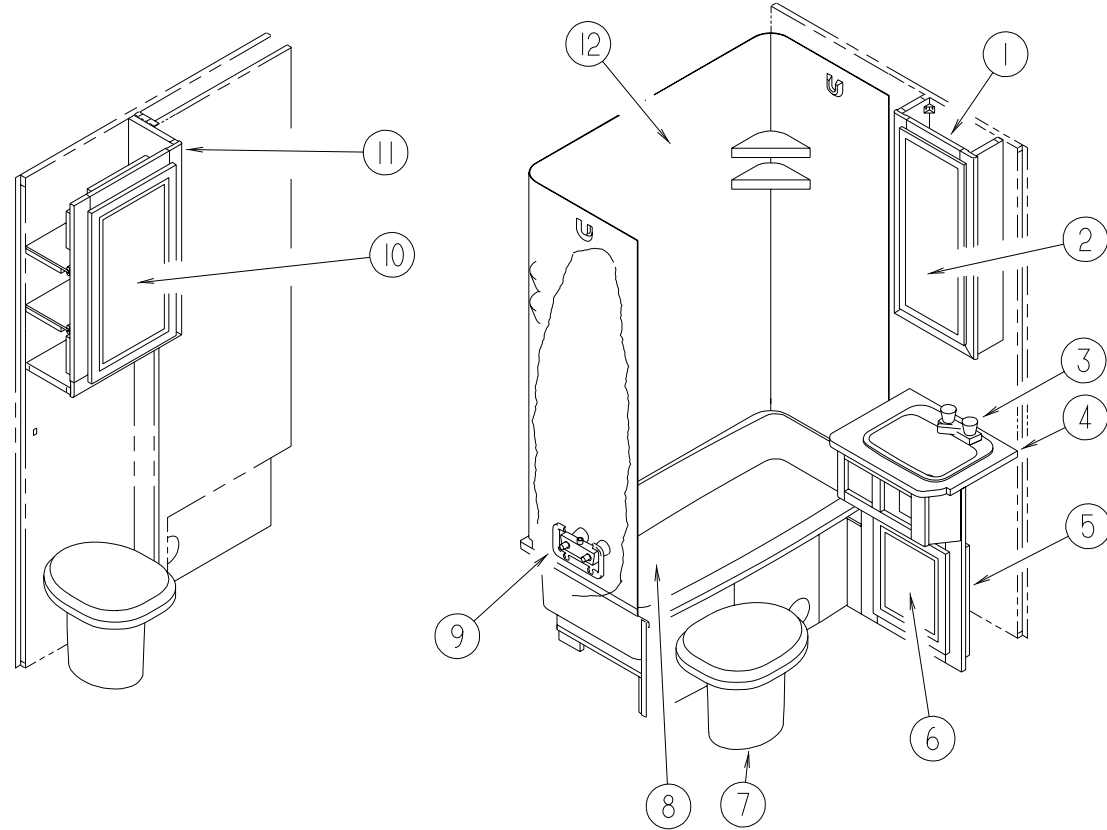
KEY	PARTNUMBER	U/M	DESCRIPTION	VENDOR NO.
1	076319-21-000	EA	ANTENNA-TVROOFMOUNT3"ROOF	
2	076319-01-700	EA	HEAD-ANTENNA,AMPLIFIED	RVSAU/V
3	076319-01-701	EA	GEAR-ELEVATING,PLASTIC	2200046
4	076319-01-702	EA	SHAFTASM-ELEVATING	RVP-400A
5	076319-01-711	EA	BASE&LIFTASM	2762802
6	076319-01-706	EA	CRANK-ELEVATINGW/SETSCREW	2750897
7	076319-01-705	EA	GROMMET-NYLON,7/8"ID	3200658
8	076319-01-708	EA	DECAL-CRANK	5413002
9	076319-01-707	EA	SPRING-HANDLE	5160822
10	076319-01-709	EA	PLATE-DIRECTIONAL,F/HEAD	3200621
11	076319-01-712	EA	PLATE-CEILING,DIRECTIONAL	3200608
12	076319-01-715	EA	NUT(GEARHOUSING)	2200047
13	076319-01-704	EA	BEARING-NYLON,1.25"OD	3200657
14	076319-01-713	EA	PLATE-BASE,STEEL	3100523
15	076319-01-703	EA	BEARING-NYLON,5"OD	3200656
16	076319-01-714	EA	HOUSING,ROTATINGGEAR	2200049

### BATHGROUP



**SHOWERDOOR-COASTAL**

KEY	PARTNUMBER	U/M	DESCRIPTION
1	117431-05-01A	EA	DOOR-SHOWER-PLEATEDFABRIC
2	117431-01-700	EA	TRACK-TOP,ALUM.IVORYINSERT 48"
3	117431-01-701	EA	TRACK-BOTTOM,40"
4	117431-01-702	EA	RAIL-SIDE,67"
5	117431-01-703	EA	RAIL-STATIONARY,67"
6	117431-01-704	EA	RAIL-LEAD,67"
7	117431-01-705	EA	GLIDE-IVORY,TRAVELER
8	117431-01-706	EA	GLIDE-IVORYLEAD,TRAVELER
9	117431-01-708	EA	HANDLES&SCREWS
	117431-01-707	EA	LATCH
	117431-05-700	EA	STRAP-VINYLSHOWER

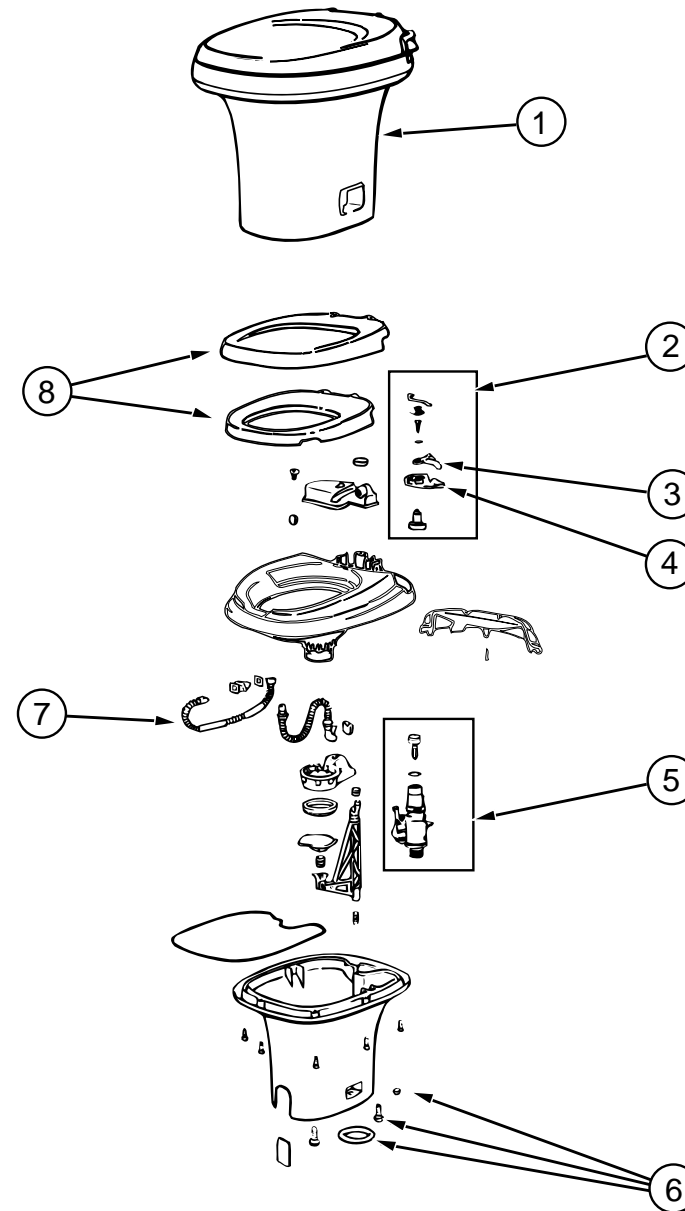


**BATHROOM CABINETS & FIXTURES**

KEY	PARTNUMBER	U/M	DESCRIPTION	VENDOR NO.
1	114744-01-H30	EA	CABINET-MEDICINE-W/ODOORS/HARDWARE	
	114744-11-H30	EA	SHELF-W/PLASTIC EDGETRIM	
2	M06803-A4-H30	EA	DOOR-MITERED CORNER/OGEE EDGE-10"X29.5"-W/OHDW	
3	075240-06-000	EA	FAUCET-LAVATORY/BONE	
3	096927-01-01A	EA	SINK-LAVATORY-RECTANGULAR-PLASTIC/BONE	
	096927-01-700	EA	SINK-STOPPER	M9801
	096927-01-701	EA	TAILPIECE-SINK	M9802
4	121282-13-G07	EA	COUNTERTOP-LAVATORY-W/T-MOLDING(H30)	
4	121282-13-G28	EA	COUNTERTOP-LAVATORY-W/T-MOLDING(H31)	
5	121282-02-H30	EA	CABINET-LAVATORY-W/ODOORS/DRAWERS/HARDWARE	
5	121282-02-H31	EA	CABINET-LAVATORY-W/ODOORS/DRAWERS/HARDWARE	
6	M06803-T3-H30	EA	DOOR-MITERED CORNER/OGEE EDGE-14.3"X17.9" W/O HARDWARE	
7	063740-01-000	EA	TOILET-HIGH/HANDFLUSH	
8	M02630-32-G04	EA	TUB/SHOWER	
9	075242-04-000	EA	FAUCET-TUB/SHOWER-BONE	
	066729-01-000	EA	STRAINER-TUB/SHOWER-W/PLUG	
	103092-01-000	EA	HEAD-SHOWER-W/60" HOSE	
	103092-02-000	EA	SHOWERHEAD-W/60" HOSE-CSA	
	103092-01-700	EA	BRACKET ONLY-CLEAR-F/SHOWERHEAD	2328028
	011048-03-700	EA	BRACKET/F/SHOWERHEAD	2328029-3
	075606-01-000	EA	PANEL-FAUCETBACK-SHOWER-5"X9"-PLASTIC	
10	M06803-V9-H30	EA	DOOR-MITERED CORNERS/OGEE EDGE-15.9"X21.8"-W/O HARDWARE	
11	121325-01-H30	EA	CABINET-LINEN-W/ODOORS/HARDWARE	
	121325-11-H30	EA	SHELF-W/PLASTIC EDGETRIM	
12	110541-03-01A	EA	SURROUND-SHOWER/TUB-W/MOLDED ROD BRACKETS	
	102075-10-01A	EA	ROD-CURTAIN/SHOWER	
	085278-01-000	EA	HOLDER-TOILET PAPER-RECESSED-BRASS	
	114496-01-01A	EA	PANEL-OUTER SKYLIGHT-22"X37"	
			FROM: 00-00-00 THRU: 02-05-97	
	114496-01-02A	EA	PANEL-OUTER SKYLIGHT-22"X37"	
			FROM: 02-06-97 THRU: 99-99-99	
	122191-01-01A	EA	PANEL-SKYLITE-INNER W/LIGHT CUTOUT-20.7"X35.4"	
			FROM: 00-00-00 THRU: 02-05-97	
	122191-01-02A	EA	PANEL-SKYLITE-INNER W/LIGHT CUTOUT-20.7"X35.4"	
			FROM: 02-06-97 THRU: 99-99-99	

**BATHDOOR**

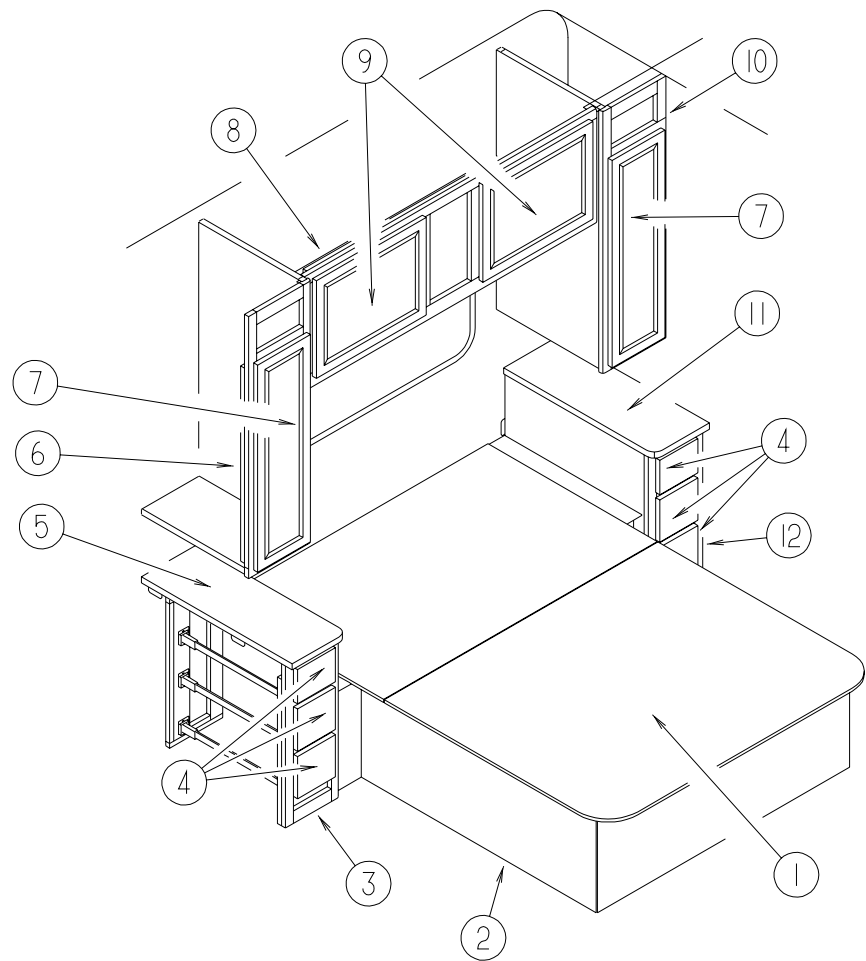
KEY	PARTNUMBER	U/M	DESCRIPTION
	121449-01-H30	EA	DOOR-BATH-W/O HARDWARE
	110496-01-01A	EA	HINGE-BRASS
	102920-01-01A	EA	HINGE-SPRING LOADED/BRASS
	094485-03-01A	EA	KNOB-BRASS
	121449-12-H37	EA	RACK-TOWEL-BATHDOOR
	100357-01-000	EA	ROD-F/TOWEL BAR-BRASS
	105394-01-06A	EA	EXTRUDED PLASTIC-DOOR JAMB-SOLAR MAPLE-7'



**AQUAMAGIC V LOW TOILET-THE T FORD**

KEY	PARTNUMBER	U/M	DESCRIPTION	VENDOR NO.
1	063740-01-000	EA	TOILET-HIGH/HANDFLUSH	
2	063740-01-720	EA	LEVER KIT-WAT-FLUSH-BEARING	24629
3	063740-01-700	EA	LEVER-WATER	12514
4	063740-01-701	EA	LEVER-FLUSH	12515
5	063740-01-714	EA	VALVE ASM.-W/GASKET & FLOAT	13168
6	063740-01-706	EA	BOLT PACKAGE-FLOOR FLANGE	12524
7	063740-01-717	EA	TUBE-FLUSH	12509
8	063740-02-700	EA	SEAT & COVER, PARCHMENT	2464157
	063740-01-721	EA	BLADE ONLY	124832

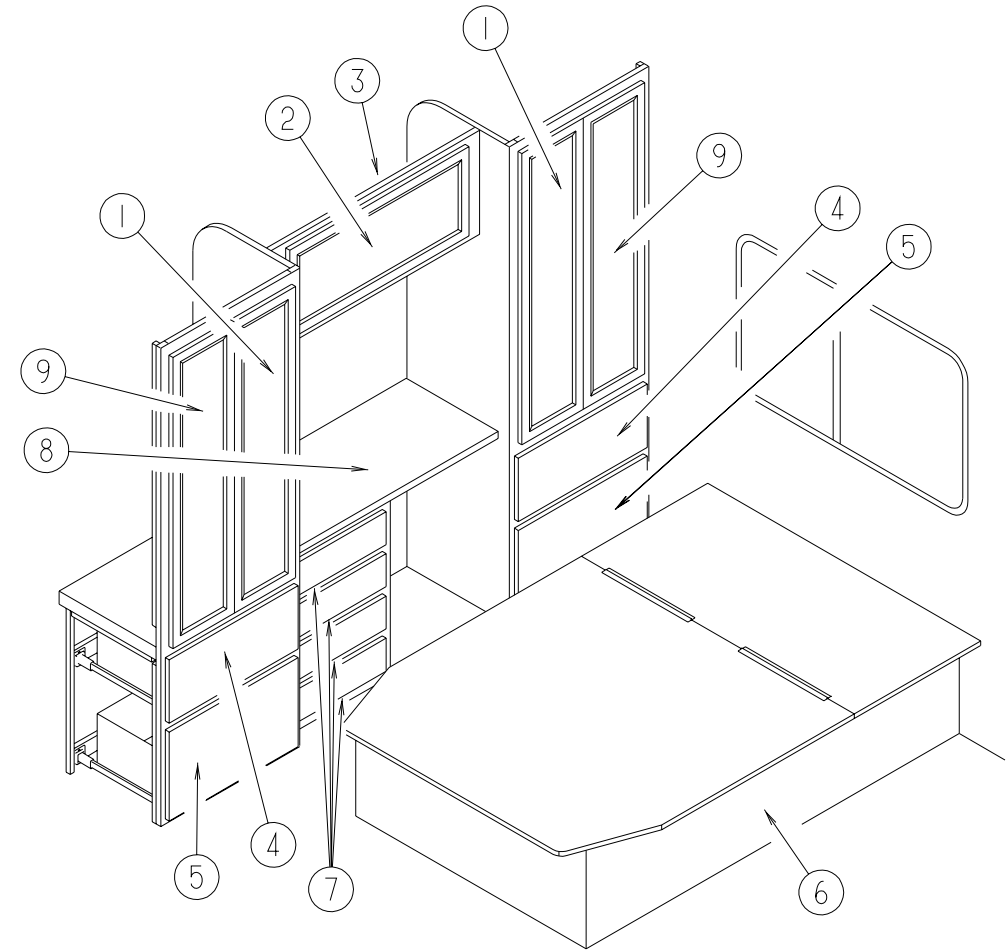
## BEDROOMGROUP



CENTERQUEENBEDROOM

KEY	PARTNUMBER	U/M	DESCRIPTION
1	M07550-02-000	EA	TOP-QUEENBED-W/OHARDWARE
	084413-01-000	EA	HINGE/CONTINUOUS-ALUMINUM 1"X72"-W/HOLES
	091261-01-000	FT	SLIPNOT-ANTISLIP-1"WIDE(100'ROLL)
	107796-05-000	EA	BRACKET-SUPPORT-GASSPRINGTOBED-FLAT(LOWER)
	107796-06-000	EA	SPRING/GAS-12"COMPRESSED/20"EXTENDED-120LB.
	107796-07-000	EA	BRACKET-SUPPORT-GASSPRINGTOBED-ANGLE(UPPER)
	097872-04-000	EA	DOWEL-WOOD-1"DIAMETERX1.38"LONG
	091952-01-000	EA	CLIP-GRIPPER-1"
2	P18430-04-H30	EA	CABINET-BASE-QUEENBED-W/ODOORS/DRAWERS/HARDWARE
3	P21159-02-H30	EA	CABINET-NIGHTSTAND-RIGHTHAND-W/ODOORS/DRAWERS/HDW
3	P21159-02-H31	EA	CABINET-NIGHTSTAND-RIGHTHAND-W/ODOORS/DRAWERS/HDW
4	M05971-11-H30	EA	DRAWER-OGEEEDGE-9.9"WX17.7"D-W/OSLIDES/HARDWARE
5	121159-12-G07	EA	COUNTERTOP-NIGHTSTAND-W/EDGE BAND(H30)
5	121159-12-G28	EA	COUNTERTOP-NIGHTSTAND-W/EDGE BAND(H31)
6	121108-01-H30	EA	CABINET-SHIRT CLOSET/RIGHTHAND-W/ODOORS/HARDWARE
7	M06803-G1-H30	EA	DOOR-MIRROR/MTRDCRNR/OGEEEDGE-14.4"X36.4"-W/OHDW
8	121165-01-H30	EA	CABINET-OVERHEADREAR-W/ODOORS/HARDWARE
9	M06803-82-H30	EA	DOOR-MITEREDCORNER/OGEEEDGE-15.7"X28"-W/OHDW
9	M06803-13-H30	EA	DOOR-MIRROR/MITEREDCRNR/OGEEEDGE-15.7"X28"-W/OHDW
10	121112-01-H30	EA	CABINET-SHIRT CLOSET/LEFTHAND-W/ODOORS/HARDWARE
11	121158-12-G07	EA	COUNTERTOP-NIGHTSTAND-W/T-MOLDING(H30)
11	121158-12-G28	EA	COUNTERTOP-NIGHTSTAND-W/T-MOLDING(H31)
12	P21158-02-H30	EA	CABINET-NIGHTSTAND-LEFTHAND-W/ODOORS/DRAWERS/HDW
12	P21158-02-H31	EA	CABINET-NIGHTSTAND-LEFTHAND-W/ODOORS/DRAWERS/HDW

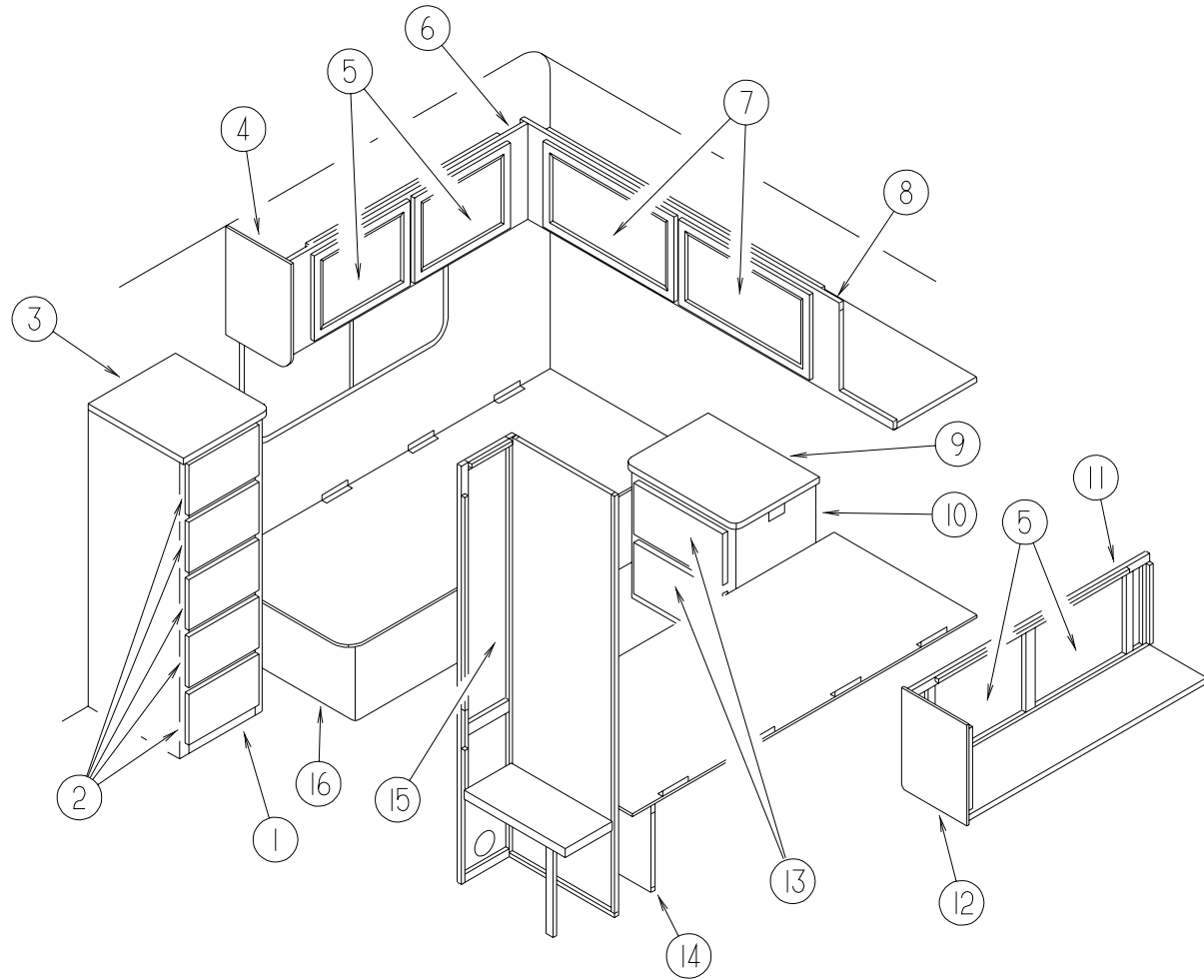
## BEDROOMGROUP(CONTINUED)



DOUBLEBED & WARDROBE CABINERY

KEY	PARTNUMBER	U/M	DESCRIPTION
1	M06803-R8-H30	EA	DOOR-MIRROR/MTRDCRNR/OGEEEDGE-12"X48"-W/OHDW
2	M06803-P4-H30	EA	DOOR-MIRROR/MITEREDCRNR/OGEEEDGE-14.3"X33.4"-W/OHDW
2	M06803-L7-H30	EA	DOOR-MITEREDCORNER/OGEEEDGE-14.3"X33.4"-W/OHDW
3	118677-01-H30	EA	CABINET-REAROVERHEAD-W/ODOORS/HARDWARE
3	118677-01-H31	EA	CABINET-REAROVERHEAD-W/ODOORS/HARDWARE
4	M05971-T3-H30	EA	DRAWER-OGEEEDGE-21.8"WX12.8"D-W/OSLIDES/HARDWARE
5	M05971-T4-H30	EA	DRAWER-OGEEEDGE-21.8"WX13.8"D-W/OSLIDES/HARDWARE
6	P19644-02-H30	EA	CABINET-BASE-DOUBLEBED-W/ODOORS/DRAWERS/HARDWARE
	084413-01-000	EA	HINGE/CONTINUOUS-ALUMINUM 1"X72"-W/HOLES
	091261-01-000	FT	SLIPNOT-ANTISLIP-1"WIDE(100'ROLL)
	107796-05-000	EA	BRACKET-SUPPORT-GASSPRINGTOBED-FLAT(LOWER)
	107796-06-000	EA	SPRING/GAS-12"COMPRESSED/20"EXTENDED-120LB.
	107796-07-000	EA	BRACKET-SUPPORT-GASSPRINGTOBED-ANGLE(UPPER)
	097872-04-000	EA	DOWEL-WOOD-1"DIAMETERX1.38"LONG
	091952-01-000	EA	CLIP-GRIPPER-1"
7	M05971-T5-H30	EA	DRAWER-OGEEEDGE-15.4"WX13.8"D-W/OSLIDES/HARDWARE
8	118676-11-G25	EA	COUNTERTOP-VANITY-W/TMOLDING(H30)
8	118676-11-G05	EA	COUNTERTOP-VANITY-W/TMOLDING(H31)
9	M06803-66-H30	EA	DOOR-MITEREDCORNER/OGEEEDGE-12"-48"-W/OHDW
	P18676-01-G30	EA	CABINET-VANITY-W/ODOORS/DRAWERS/HARDWARE(H30)
	P18676-01-G31	EA	CABINET-VANITY-W/ODOORS/DRAWERS/HARDWARE(H31)

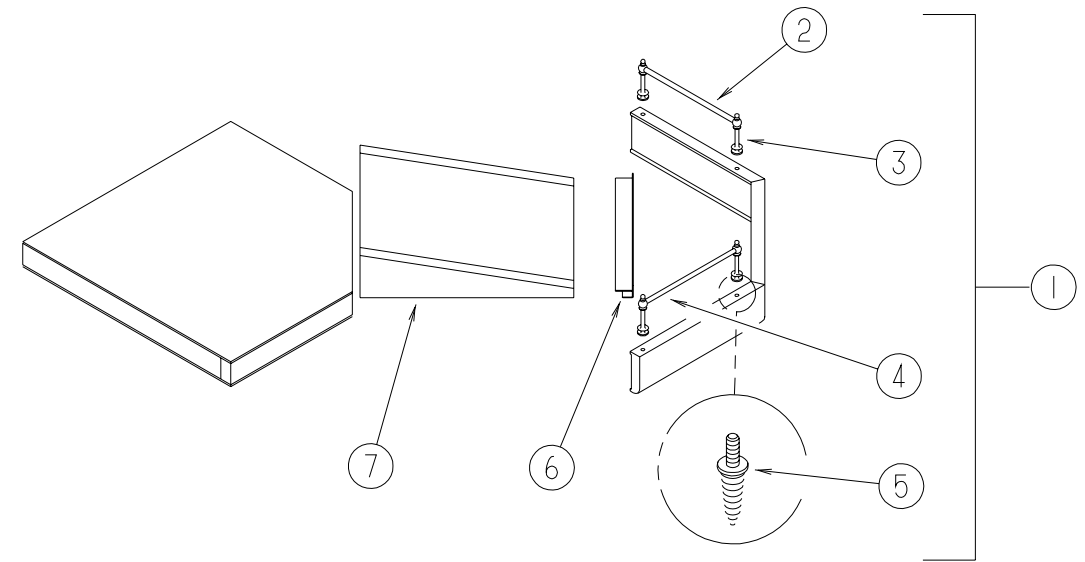
**BEDROOMGROUP(CONTINUED)**



**TWINBEDS&CABINERY**

KEY	PARTNUMBER	U/M	DESCRIPTION
1	P21604-02-H30	EA	CABINET-DRESSER-RIGHTHAND/TWIN-W/ODRAWERS/HARDWARE
1	P21604-02-H31	EA	CABINET-DRESSER-RIGHTHAND/TWIN-W/ODRAWERS/HARDWARE
2	M05971-BN-H30	EA	DRAWER-OGEEEDGE-W/OSLIDES/HARDWARE
3	121604-11-G07	EA	COUNTERTOP-DRESSER(H30)
3	121604-11-G28	EA	COUNTERTOP-DRESSER(H31)
4	109908-31-H30	EA	ENDCAP-OVERHEADCABINET
5	M06803-B1-H30	EA	DOOR-MITEREDCORNER/OGEEEDGE-15.7"X20.4"-W/OHDW
6	121345-01-H30	EA	CABINET-OVERHEADREAR/RIGHTHAND/TWIN-W/ODRS/HDW
7	M06803-B1-H30	EA	DOOR-MITEREDCORNERS/OGEEEDGE-15.7"X20.4"-W/OHDW
8	121210-01-H30	EA	CABINET-OVERHEADREAR-W/ODOORS/HARDWARE
9	121166-12-G07	EA	COUNTERTOP-NIGHTSTAND(H30)
9	121166-12-G28	EA	COUNTERTOP-NIGHTSTAND(H31)
10	P21166-02-H30	EA	CABINET-NIGHTSTAND-W/ODOORS/DRAWERS/HARDWARE
10	P21166-02-H31	EA	CABINET-NIGHTSTAND-W/ODOORS/DRAWERS/HARDWARE
11	121345-02-H30	EA	CABINET-OVERHEADREAR/LEFTHAND/TWIN-W/ODRS/HDW
12	109908-30-H30	EA	ENDCAP-OVERHEADCABINET
13	M05971-Y7-H30	EA	DRAWER-OGEEEDGE-W/OSLIDES/HARDWARE
14	P21137-01-H30	EA	CABINET-BASE-TWINBED/LEFTHAND-W/ODOORS/DRAWERS/HDW
15	M06803-T7-H30	EA	DOOR-MITEREDCORNER/OGEEEDGE-10.02"X47.9"-W/OHDW
16	P21138-01-H30	EA	CABINET-BASE-TWINBED/RIGHTHAND-W/ODOORS/DRAWERS/HDW
	084413-01-000	EA	HINGE/CONTINUOUS-ALUMINUM 1"X72"-W/HOLES
	091261-01-000	FT	SLIPNOT-ANTISLIP-1"WIDE(100'ROLL)
	107796-05-000	EA	BRACKET-SUPPORT-GASSPRINGTOBED-FLAT(LOWER)
	107796-06-000	EA	SPRING/GAS-12"COMPRESSED/20"EXTENDED-120LB.
	107796-07-000	EA	BRACKET-SUPPORT-GASSPRINGTOBED-ANGLE(UPPER)
	097872-04-000	EA	DOWEL-WOOD-1"DIAMETERX1.38"LONG
	091952-01-000	EA	CLIP-GRIPPER-1"

**BEDROOMGROUP(CONTINUED)**



**TVSHELF-BEDROOM**

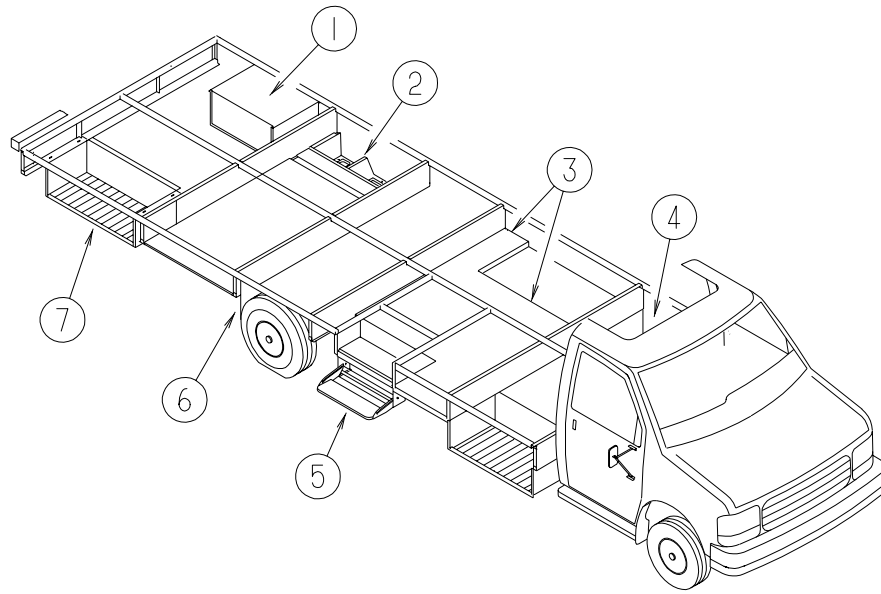
KEY	PARTNUMBER	U/M	DESCRIPTION
1	116553-01-H30	EA	CABINET-TV SHELF-W/BRASSRODS/POSTENDS
2	084071-12-000	EA	ROD-BRASS-4.08"LONG
3	084070-02-000	EA	POST-END-2.4"-BRASS
4	084071-19-000	EA	ROD-BRASS-7.09"LONG
5	106166-01-000	EA	BOLT/COLLARED HANGER-8-32X1"
6	103186-01-06A	FT	MOLDING-PLASTIC/3/8"U-CHANNELW/3/4"FACE-SOLARMAPLE
7	116553-15-H30	EA	WEDGE-TV SHELF

**FOLDINGDOOR&HARDWARE**

KEY	PARTNUMBER	U/M	DESCRIPTION	VENDOR NO.
	042488-10-000	EA	DOOR-FOLDING-OFFWHITE FABRIC-37"X75"	
	080224-01-703	EA	HANDLE/LATCH-CATCH,ALMOND	DE03505
	080224-01-705	EA	LATCH&CATCHASM.,ALMOND	DE25010&DE25020
	042488-04-700	EA	LATCH&CATCHASM.LEADEDGE	DW-21632
	042488-10-700	EA	LEADRAIL-PREPUNCHEDF/HANDLE	DW2100
	094856-10-01A	EA	TRACK-FOLDINGDOOR-OFFWHITE	



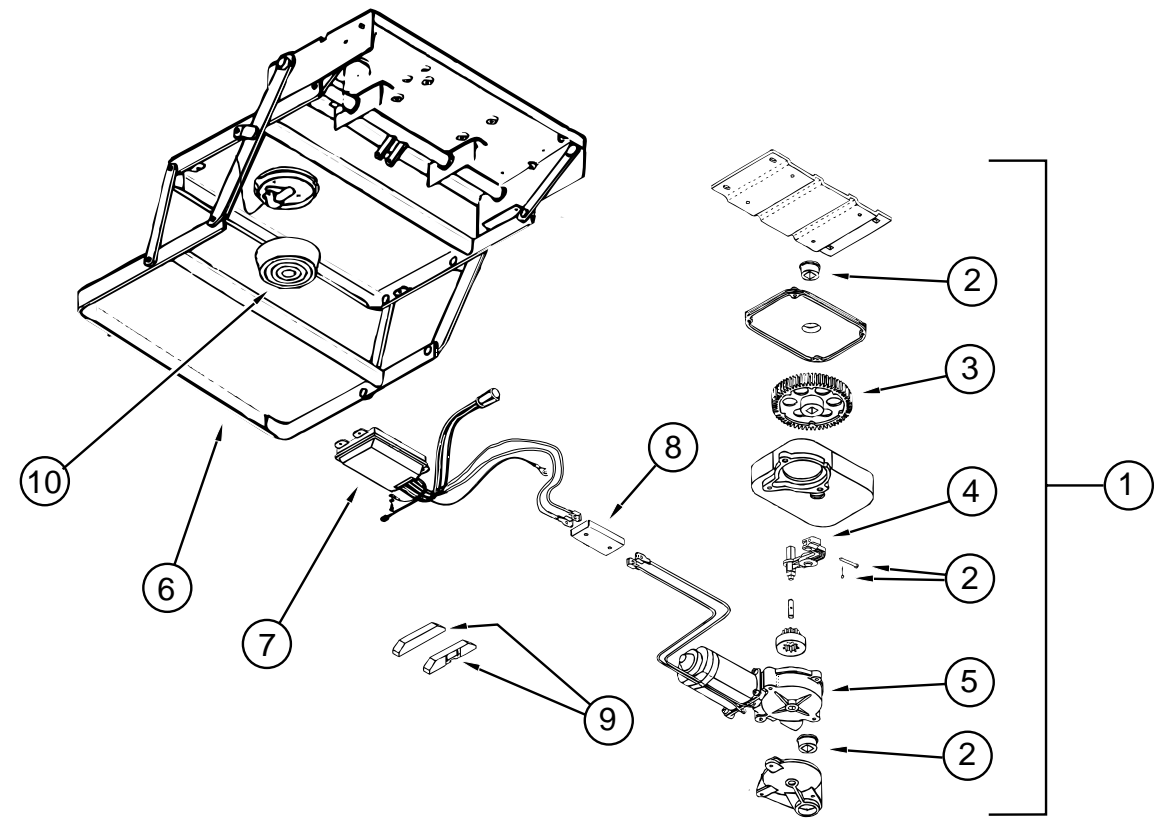
## CHASSISGROUP



### COMPARTMENTS,PLUGS&SEALS

KEY	PARTNUMBER	U/M	DESCRIPTION
1	114070-02-02B	EA	SUPPORT-GENERATOR-LEFT
1	114071-02-02B	EA	SUPPORT-GENERATOR-RIGHT
2	117186-02-G04	EA	COMPARTMENT-STORAGE
2	116926-02-01A	EA	COMPARTMENT-SEWER&110VPOWERCORD
2	M06991-02-FQ0	EA	HATCH-W/FOAMINSULATION(110POWER)
2	M06991-04-FB1	EA	HATCH-W/FOAMINSULATION(WATERORSEWER)
2	121175-01-01A	EA	LATCH-SWELL-BLACK
3	117928-05-01A	EA	COMPARTMENT-STORAGE-23.4"X53.6"
4	117928-06-01A	EA	COMPARTMENT-STORAGE-23.4"X42.4"
	065450-05-000	EA	TIEDOWN-BATTERY-8.4" TUBE
	084993-02-000	EA	STRAP-BATTERY
5	094707-01-01A	EA	STEP-DOUBLE-ELECTRIC-KWIKEE
	091176-01-000	EA	SUPPORT-BASE-ENTRANCESTEP
6	017516-01-000	EA	MUDFLAP-14"X18"-BLACK
7	093873-01-01A	EA	TRIM-CARPET-L-ANGLE1.1"X1.3"X12'-GRAYVINYL
7	093873-01-02A	EA	TRIM-CARPET-L-ANGLE-1.1"X1.3"X12'-TANVINYL
	119845-01-01A	EA	PLUG-PLASTIC-BLACK
	088270-01-000	FT	SEAL/BULB-RIGIDWIREDU-CHANNEL-.5"-RUBBER-BLACK
	121948-01-000	EA	SHIELD-SIGHT

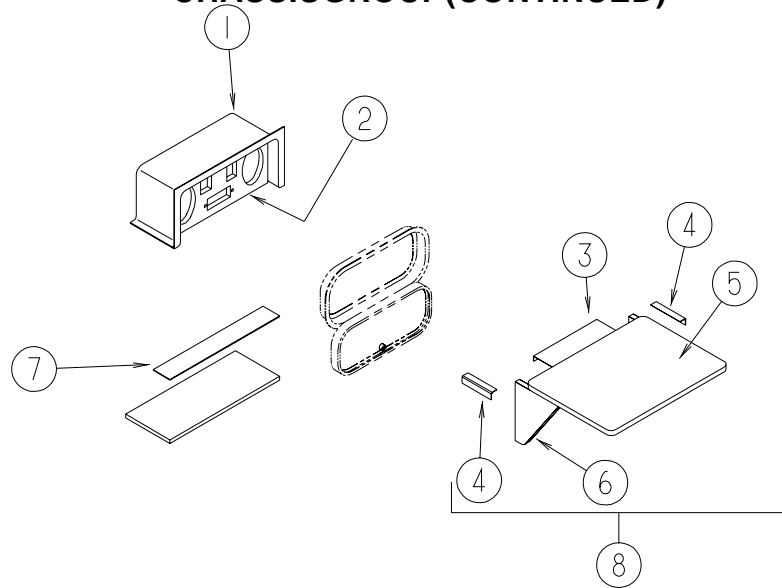
## CHASSISGROUP(CONTINUED)



### STEPASSEMBLY(3200SERIES)

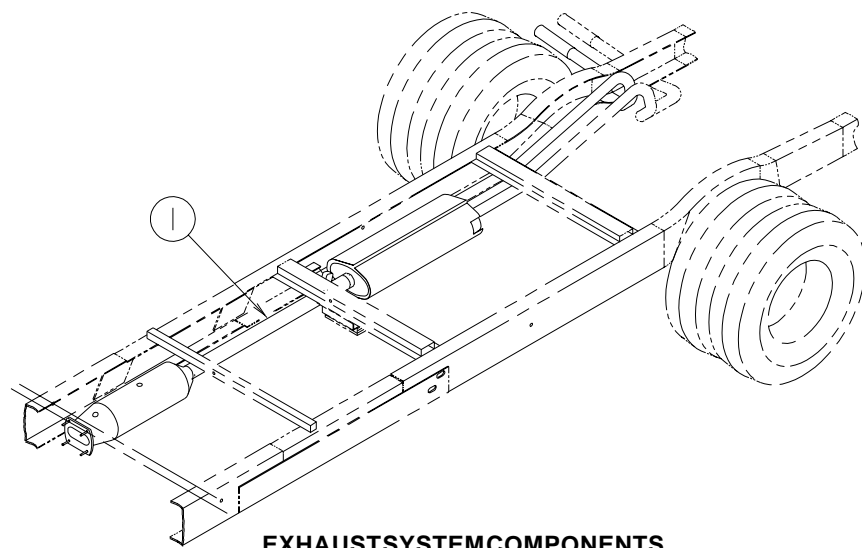
KEY	PARTNUMBER	U/M	DESCRIPTION	VENDORNO.
1	094707-01-01A	EA	STEP-DOUBLE-ELECTRIC-KWIKEE	
2	094707-02-703	EA	BEARING&PINS	909530
3	094707-02-702	EA	GEARKIT,W/BEARINGS,PIN-CASE	909525
4	094707-02-701	EA	LINKAGEASM.W/BEARINGS-PINS	909534
5	094707-02-700	EA	MOTORASM.,W/BEARINGS&PINS	909520
6	094707-01-702	EA	FRAMEW/DBLSTEP,3200SERIES	908032
7	094707-02-705	EA	CONTROLUNIT,WHITE	909513
8	094707-02-704	EA	CONNECTOR-MOTORASM.W/PLATES	909537
	094707-02-707	EA	TREAD-NONSKID,BLACK6"X21"	909333
	094707-02-708	EA	TREAD-NON-SKID-YELLOW	909331
9	116995-01-000	EA	SWITCH/MAGNET-ELECTRICSTEP	
10	088746-01-705	EA	LIGHT-UNDERSTEP	9004
	088733-01-700	EA	BULB	9004

### CHASSISGROUP(CONTINUED)



#### EXTERIORENTERTAINMENTCOMPARTMENT

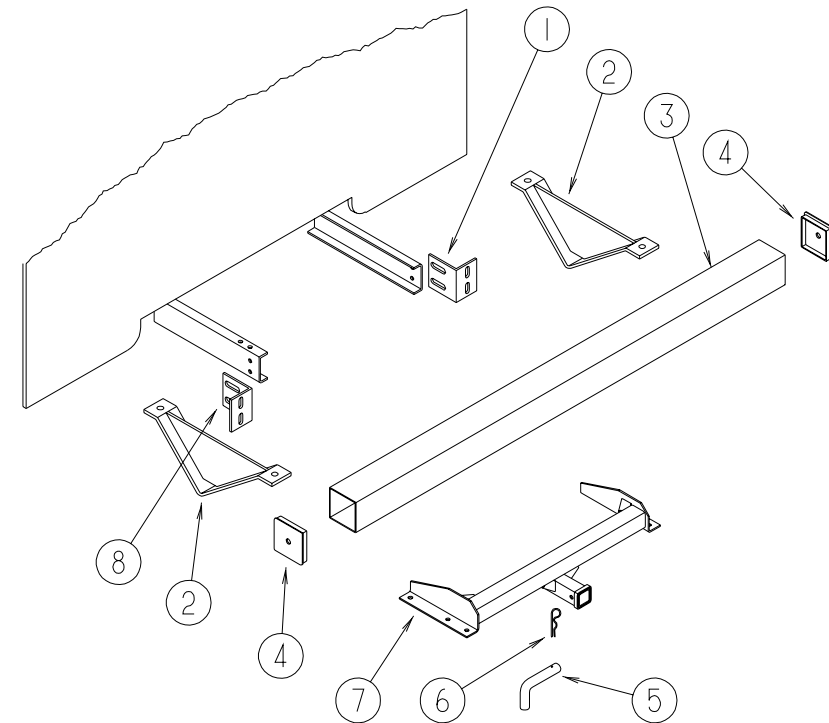
KEY	PARTNUMBER	U/M	DESCRIPTION
1	104897-02-02A	EA	BOX-ENTERTAINMENTCENTER
2	104899-01-C05	EA	PLATE-RADIOMOUNTING
3	105377-01-01A	EA	BRACKET-TABLEHANGER
			FROM: 00-00-00 THRU: 01-05-97
3	105377-01-04A	EA	BRACKET-TABLEHANGER
			FROM: 01-06-97 THRU: 99-99-99
4	105376-01-02A	EA	HINGE-CONTINUOUS-2"X5.5"
			FROM: 00-00-00 THRU: 01-05-97
4	105376-01-03A	EA	HINGE-CONTINUOUS-2"X5.5"
			FROM: 01-06-97 THRU: 99-99-99
5	105230-11-E01	EA	SHELF-EXTERIORENTERTAINMENTCENTER-W/OHARDWARE
6	105230-12-F11	EA	SUPPORT-EXTERIORSHELF
7	104898-01-02A	EA	PLATE-PLASTICBOTTOM
8	105230-01-H33	EA	SHELF-EXTERIORTV
	099717-04-000	EA	STRAP-TV TIEDOWN W/21.3" FEMALE STRAP & 27.2" MALE STRAP



#### EXHAUSTSYSTEMCOMPONENTS

KEY	PARTNUMBER	U/M	DESCRIPTION
1	111478-03-000	EA	PIPE-EXHAUST
	094918-06-000	EA	CLAMP-EXHAUST-3"-HEAVY DUTY
	098762-15-000	EA	PIPE-EXHAUST-STRAIGHT-3.5"
	094918-02-000	EA	CLAMP-EXHAUST-3.5"
	098762-18-000	EA	PIPE-EXHAUST-STRAIGHT-3"

### CHASSISGROUP(CONTINUED)



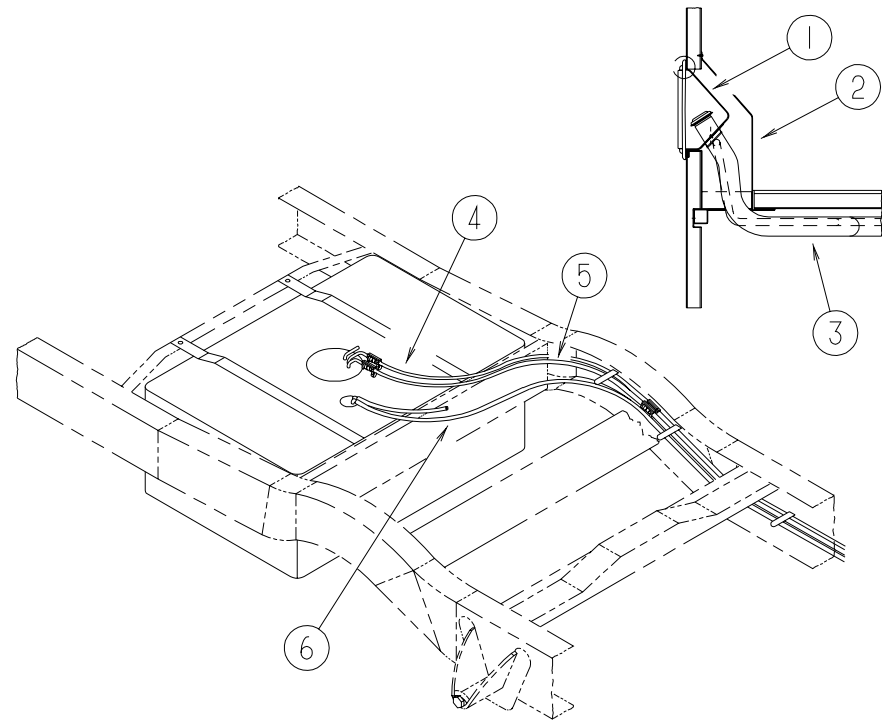
#### REARBUMPER&HITCH

KEY	PARTNUMBER	U/M	DESCRIPTION
1	104420-01-000	EA	SUPPORT/ANGLE-REARBUMPER
2	083376-01-000	EA	PLATE/SKID-13.2"X6"X2"STEEL
3	103099-05-02A	EA	BUMPER-REAR-BRIGHTWHITE
	105933-01-000	EA	BRACKET-BUMPER-REAR/RIGHTHAND
	105933-02-000	EA	BRACKET-BUMPER-REAR/LEFTHAND
4	106147-01-02A	EA	CAP-END-BUMPER-BLACK
5	034512-01-000	EA	PIN-LOCKING-DRAWBAR
6	034513-01-000	EA	PIN-HITCH-3/16" WIRE
7	107707-08-000	EA	HITCHRECEIVER-BOLT-ONCLASSII
8	104420-02-000	EA	SUPPORT/ANGLE-REARBUMPER
	097744-02-000	EA	HOUSING-TRAILERPIN-48"
	097745-02-000	EA	HOUSING-RECEPTACLE-TRAILER-48"WIRELENGTH
	113634-01-000	EA	WIREASSEMBLY-TRAILERADAPTER
	113589-02-000	EA	CONNECTOR-SOCKET-TRAILER
	113589-01-000	EA	CONNECTOR-PLUG-TRAILER
	113588-02-01B	EA	BRACKET-CONNECTOR-TRAILERW/OLIP
	070579-09-000	EA	PLATE-ANCHOR

#### DRIVESHAFT&BRAKELINEFLAREUNION

KEY	PARTNUMBER	U/M	DESCRIPTION
	074833-01-000	EA	SPACER-BEARING-DRIVESHAFT-2"X8"X.5"THICK
	085771-03-000	EA	NUT-HEX-FLARETORQUE-GRADEG-DRIVESHAFT
	088498-01-000	EA	UNION-INVERTEDFLARE-BRASS-3/16
	103653-22-000	EA	BOLT-U-JOINT-5/16STRAP&NUT
	103653-23-000	EA	BOLT-U-JOINT-5/16-24X.75
	103653-24-000	EA	STRAP-U-JOINT

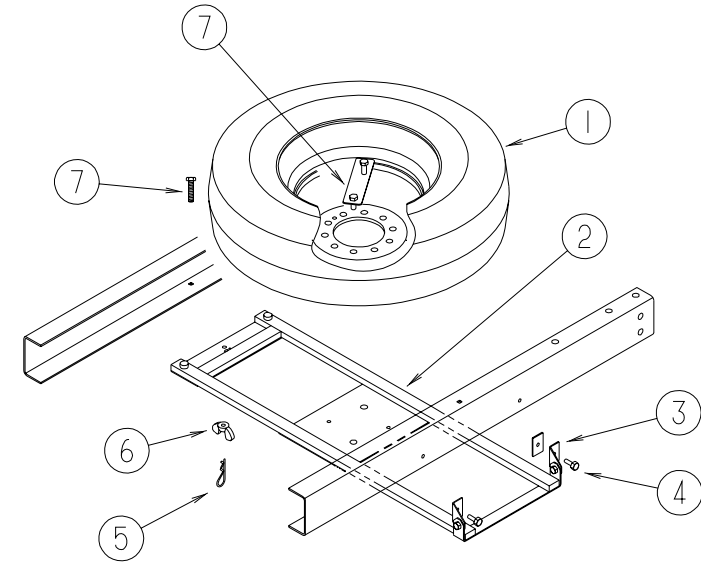
**CHASSISGROUP(CONTINUED)**



**FUELSYSTEMCOMPONENTS**

KEY	PARTNUMBER	U/M	DESCRIPTION
1	095854-01-04A	EA	SHROUD-FUELFILL-BRIGHTWHITE
2	078040-06-000	EA	SHROUD-FUELFILL-UPPER
3	117934-01-000	EA	NECK-FILLER-FUELFILL
			FROM: 00-00-00 THRU: 10-13-96
3	124994-01-000	EA	NECK-FILLER-FUELFILL
			FROM: 10-14-96 THRU: 99-99-99
3	117934-02-000	EA	NECK-FILLER-FUELFILL(DIESEL)
	078200-01-000	EA	GASKET-FUELFILL-3.5"ODX2"ID
4	N/A	EA	FUELLINEASM-FORD-3/8HP
5	N/A	EA	FUELLINEASM-FORD-5/16HP
6	007063-01-000	FT	HOSE-FUEL-1/4"IDX1/2"OD
	044317-01-000	FT	HOSE-FUEL-3/8"ID
			FROM: 00-00-00 THRU: 10-14-96
	125187-01-000	FT	HOSE-FUEL-LOWPERM-11.1ID
			FROM: 10-15-96 THRU: 99-99-99
	125187-02-000	FT	HOSE-FUEL-LOWPERM-12.7ID
			FROM: 10-15-96 THRU: 99-99-99
	084884-01-000	EA	PLUG-BRASS-3/8"

**CHASSISGROUP(CONTINUED)**



**SPARETIRE**

KEY	PARTNUMBER	U/M	DESCRIPTION
1	070917-06-000	EA	TIRE-LT225/75R16E-R4S-M/S
1	083617-03-000	EA	WHEEL-STEEL-16.0X6
	095012-05-000	EA	EXTENSION-VALVESTEM-LIVE5"
	095012-06-000	EA	STABILIZER-VALVE-EXTENSION-L
	112358-01-000	EA	WRENCH-LUG-7/8"-L-SHAPE
2	116348-01-02B	EA	CRADLE-SPARETIRE-E-COATED
3	116349-01-02B	EA	BRACKET/HINGE-SPARETIRE-E-COATED
4	000C26-06-12B	EA	BOLT-HEX-SERRATEDFLANGE-3/8-16X3/4-ZINC
4	000E13-17-00B	EA	WASHER-FLAT-3/8"AR-ZINC
4	000D34-06-00B	EA	NUT-HEX-LOCKING-3/8-16GRADE-C-ZINC-PREVALINGT
5	034513-01-000	EA	PIN-HITCH-3/16"WIRE
6	064081-03-000	EA	NUT-WING3/8-16-W/WELDNUT
7	116338-02-02B	EA	BRACKET/CLAMP-SPARETIRE-E-COATED
	000D29-09-00B	EA	NUT-HEX-SELFLOCKING-9/16-12-ZINC
	115580-01-000	EA	STRAP-SPARETIRE

**WHEELINERS**

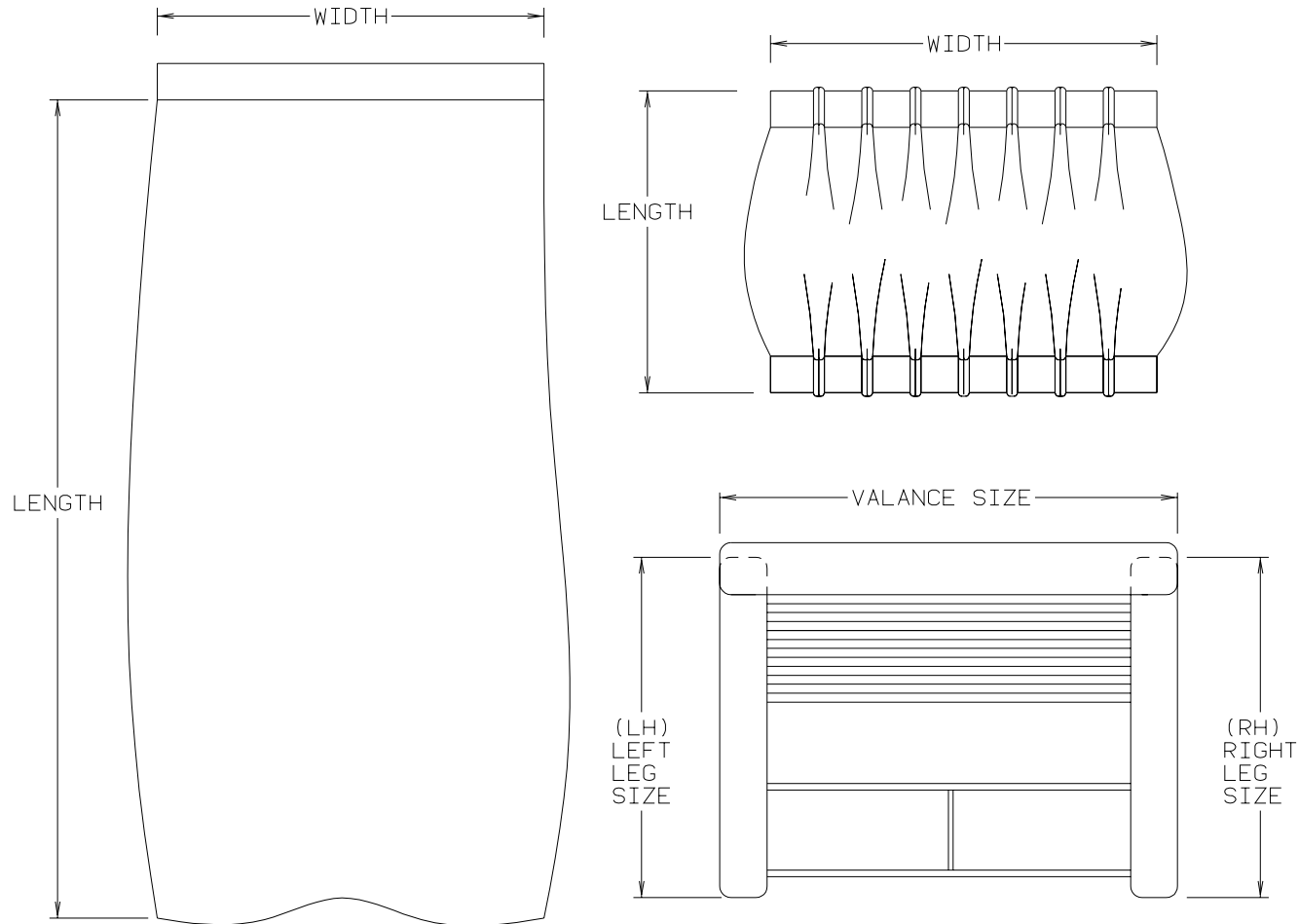
KEY	PARTNUMBER	U/M	DESCRIPTION	VENDORNO.
	110435-02-000	EA	LINER/WHEEL-SETOF4	
	110435-01-711	EA	DECAL-CENTERCAP,2"	
	110435-02-700	EA	LINER-WHEEL,FRONT	V160F2-FWC
	110435-02-701	EA	LINER-WHEEL,REAR	V160F2-RWC
	110435-02-702	EA	STUDEXTENDER	V160SD-STX
	110435-02-703	EA	NUT(JAMB)	V160SD-JNT
	110435-02-704	EA	COVER-LUGNUT	V160F0-LNC
	110435-02-705	EA	TOOLF/JAMBNUT,INSTALL.	V160FO-TOL

## CURTAIN&CUSHIONGROUP

### NOTICE

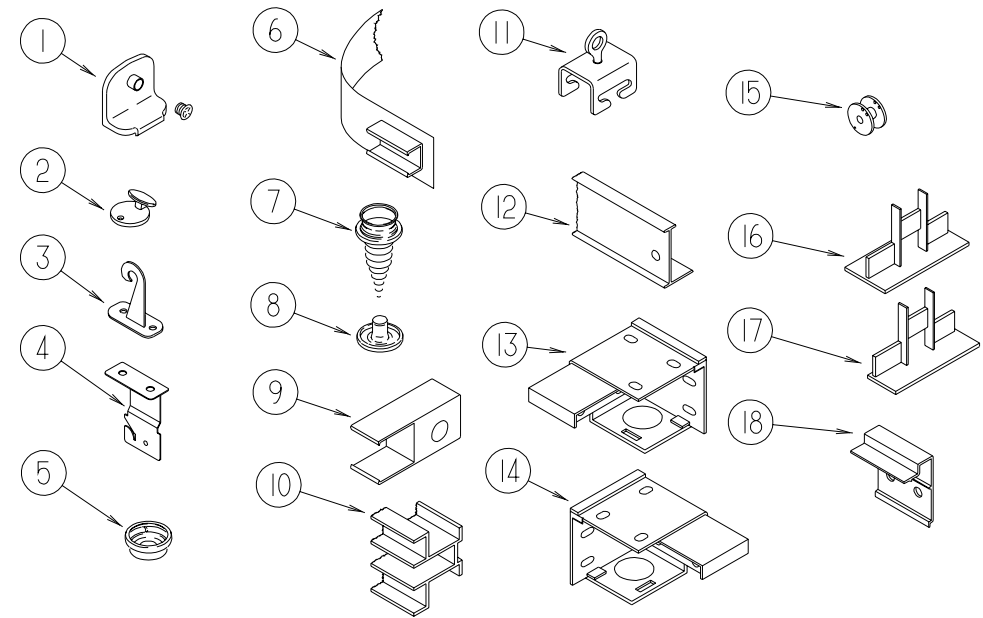
INORDERTOASSISTOURPARTSSALESEPT.INPROVIDINGINTERIORSOFTWAREITEMS, PLEASEINCLUDETHESERIALNUMBERANDTHECOLORCODENUMBERFROMTHEVEHICLE CERTIFICATIONLABELWHENORDERING. THISLABELISLOCATEDONTHELEFTSIDEWALL ATTHEENDOFTHEDASH(A-BODY),ORONTHEDRIVER'SDOORLATCHPLATE(C-BODY).

ANEXAMPLEOFACOLORCODENUMBERISB07,WHICHDESIGNATESANOVERALLCOLOR SCHEMEOFAPARTICULARUNIT. THECOLORLISTEDAFTERTHEITEMDESCRIPTIONONTHE MICROFICHE,INDICATESTHEOVERALLUNITCOLOR. ORDERTHEITEMYOUDESIREACCORD- INGTOUNITCOLORCODE.



NOTE:USETHISILLUSTRATIONWHENDETERMININGLENGTHANDWIDTHMEASUREMENTSFOR CURTAINS. YOUWILLNOTETHIEWIDTHMEASUREMENTISTAKENONTHE TOP OF THE CURTAIN WITH THE CURTAIN FULLY EXTENDED. THE LENGTH MEASUREMENT IS TAKEN FROM TOP TO BOTTOM. LEFT AND RIGHT WINDOW LEGS ARE DETERMINED WHEN FACING THE WINDOW.

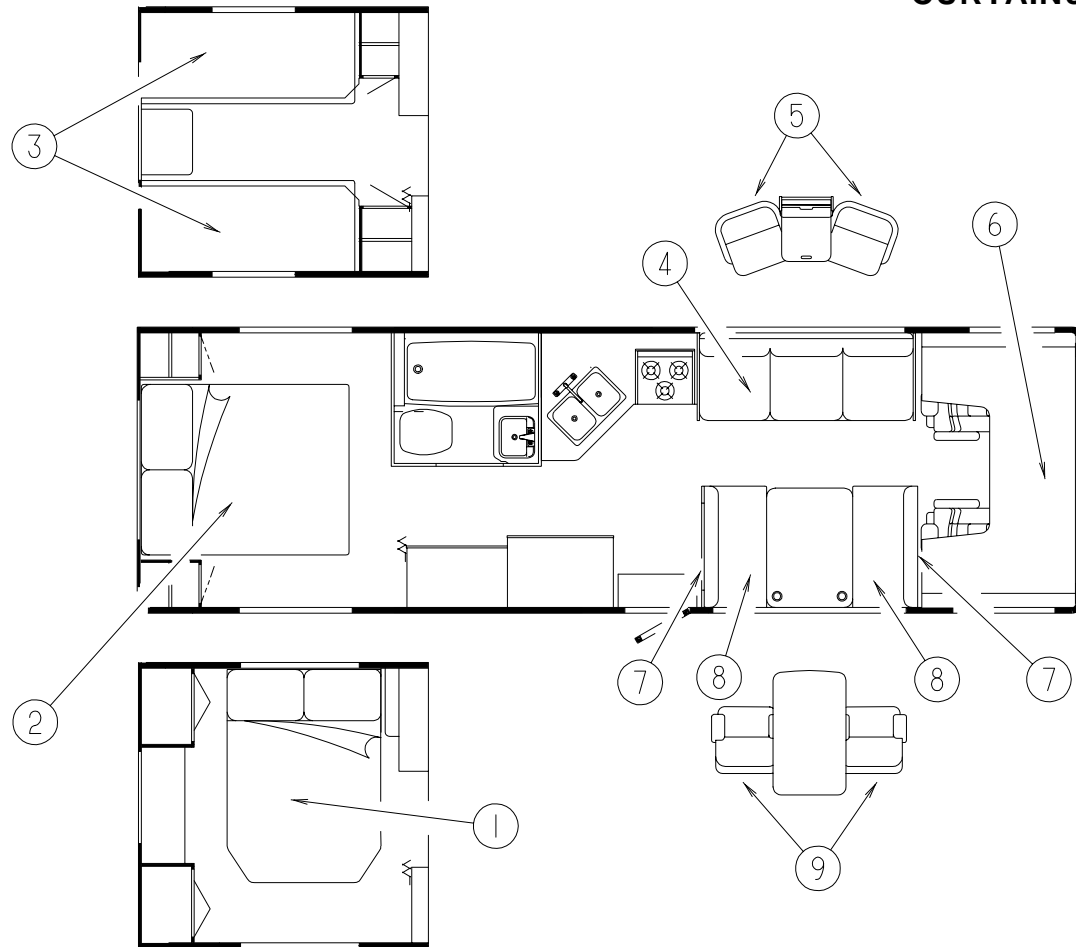
## CURTAIN&CUSHIONGROUP(CONTINUED)



### CURTAIN&BLINDHARDWARE

KEY	PARTNUMBER	U/M	DESCRIPTION
1	106544-01-000	EA	PULL-SHADE/BRASS
	106544-01-001	EA	SCREW-SHADE/BRASS
2	102555-03-000	EA	CLEAT-BLINDCORD-MILKYWHITEPLASTIC
3	109441-03-000	EA	HOLDDOWN-BLIND(CLOUDY)
4	084434-01-000	EA	BRACKET-MOUNTING-ROLLERSHADE-13/8"
5	029156-01-000	EA	SOCKET-SNAP-9/16"O.D.
6	101031-01-000	YD	TAPE-GLIDE/CURTAIN-4.25"SPACING
7	029130-01-000	EA	SCREW-SNAPSOCKET-#8PHX5/8"
8	029155-01-000	EA	CAP-SNAP-5/32"O.D.OFPIN
9	101033-02-000	EA	ENDCAP-TRACK/CLEAR
10	101033-04-000	EA	TRACK-WALL-3'
10	101033-06-000	EA	TRACK-WALL-6.5'
10	101033-07-000	EA	TRACK-WALL-2.5'
11	009702-01-000	EA	ENDSTOP-CURTAINCARRIER-LROD
12	009700-04-002	EA	TRACK-L-SHAPED195.5"-OFFWHITE
13	083170-01-000	EA	BRACKET-BLIND-LEFTSIDEWHENFACINGWINDOW
14	083170-02-000	EA	BRACKET-BLIND-RIGHTSIDEWHENFACINGWINDOW
15	097592-01-000	EA	SPOOL-CORD-ELEVATEDBLINDHOLDUP-CLEARPLASTIC
16	094907-04-000	EA	HARDWARE-ENDCAPBOTTOM-PULLTYPE(RH&LH)
	094907-04-700	EA	ENDCAP-RHBOTTOMBLIND
	094907-04-701	EA	ENDCAP-LHBOTTOMBLIND
17	094907-02-000	EA	ENDCAP-TOP/PLEATEDBLIND-PLASTIC-GRAY
18	097565-01-000	EA	BRACKET-MOUNTING/PLEATEDBLIND
	086276-01-000	EA	TAPE-DOUBLESIDED-1/2"
	088792-01-000	YD	VELCROTAPE-HOOK-5/8"-NON-ADHESIVEBACKED
	088792-02-000	YD	VELCROTAPE-LOOP-.75"-ADHESIVEBACKED-BEIGE
	088792-06-000	YD	VELCROTAPE-LOOP-.75"-NON-ADHESIVEBACKED-BUFF
	094896-02-000	EA	GROMMET-CORD/PLEATEDBLIND-NYLON-GRAY
	096843-01-000	EA	SPRING-REWIND/ROLLERSHADE
	097564-01-000	EA	HANDLE-T-EZLIFTSHADE
	097591-01-000	EA	SPRING-EXTENSION/PLEATEDBLIND
	075943-10-000	EA	BRACE-VALANCE-20"
	046867-03-000	EA	GROMMET-HANDYBUTTON#3
	048394-02-000	YD	VELCROTAPE-HOOK-ADHESIVEBACK-.75"WIDE-BEIGE
	097593-02-000	FT	CORD-BLIND/PLEATED-GRAY(H30)
	097593-06-000	FT	CORD-BLIND-PLEATED-PEWTER(H31)

## CURTAIN&CUSHIONGROUP(CONTINUED)



### DOUBLEBED,BEDSPREAD,PILLOW&MATTRESS

KEY	PARTNUMBER	U/M	DESCRIPTION
1	101123-32-000	EA	MATTRESS-FOAM-54"X75"
1	P01123-16-000	EA	COVER-MATTRESS-W/CUTCORNER-54"X74"X5"
1	123471-03-H30	EA	BEDSPREAD/THROW-54"X75"
1	123471-03-H31	EA	BEDSPREAD/THROW-54"X75"
	119555-02-H30	EA	PILLOWSHAM-20"X30"
	119555-02-H31	EA	PILLOWSHAM-20"X30"
	111862-07-H30	EA	PILLOW-15"X15"
	111862-07-H31	EA	PILLOW-15"X15"

### QUEENBED,BEDSPREAD,PILLOW&MATTRESS

KEY	PARTNUMBER	U/M	DESCRIPTION
2	123015-06-000	EA	MATTRESS-INNERSPRING-60"X74.5"
2	123471-01-H30	EA	BEDSPREAD/THROW-60"X75"
2	123471-01-H31	EA	BEDSPREAD/THROW-60"X75"
	119555-01-H30	EA	PILLOWSHAM-20"X33"
	119555-01-H31	EA	PILLOWSHAM-20"X33"
	111862-07-H30	EA	PILLOW-15"X15"
	111862-07-H31	EA	PILLOW-15"X15"

### TWINBED,BEDSPREAD,PILLOW&MATTRESS

KEY	PARTNUMBER	U/M	DESCRIPTION
3	101123-29-000	EA	MATTRESS-FOAM-35"X74"
3	P01123-29-000	EA	COVER-MATTRESS-35"X74"
3	123471-02-H30	EA	BEDSPREAD/THROW-36"X75"
3	123471-02-H31	EA	BEDSPREAD/THROW-36"X75"
	119555-03-H30	EA	PILLOWSHAM-22"X37"
	119555-03-H31	EA	PILLOWSHAM-22"X37"
	111862-07-H30	EA	PILLOW-15"X15"
	111862-07-H31	EA	PILLOW-15"X15"

### COUCH

KEY	PARTNUMBER	U/M	DESCRIPTION
4	100032-43-H30	EA	SEAT-SOFA/BEDW/FRAE-74"-W/OARMS
4	100032-43-H31	EA	SEAT-SOFA/BEDW/FRAE-74"-W/OARMS
4	P00032-43-H30	EA	COVER-SEAT-SOFA/BED-74"-W/OARMS
4	P00032-43-H31	EA	COVER-SEAT-SOFA/BED-74"-W/OARMS
4	101085-04-000	EA	FRAME-SEAT-SOFA/BED-74.75"
	111319-01-H30	EA	BACK-SOFA/BED-W/FRAE-74"
	111319-01-H31	EA	BACK-COUCH/BEDW/OARMS-74"
	P11319-01-H30	EA	COVER-BACK-SOFA/BED-74"
	P11319-01-H31	EA	COVER-BACK-SOFA/BED-74"
	101085-10-000	EA	FRAME-BACK-SOFA/BED-74.75"
	101085-06-000	EA	FRAME-BASE-SOFA/BED-74.75"
	104166-04-H30	EA	PILLOW-14"X14"
	104166-04-H31	EA	PILLOW-14"X14"
	122556-04-01A	EA	LOCK-JACKKNIFESEAT
	113990-09-000	EA	LOCK-BRACKET-MALEFLEXSTEEL

**NOTE:COUCHFRONTANDSIDE PANELSAREFOUNDINTHELOUNGE GROUP.**

### SWIVELCHAIR

KEY	PARTNUMBER	U/M	DESCRIPTION
5	115470-01-H30	EA	CHAIR-SWIVEL(H30)
5	115470-01-H10	EA	CHAIR-SWIVEL(H31)
	P15470-01-H30	EA	COVER-CHAIR(H30)
	P15470-01-H10	EA	COVER-CHAIR(H31)

### BUNKCUSHIONS

KEY	PARTNUMBER	U/M	DESCRIPTION
6	105573-10-H30	EA	CUSHION-OVERHEAD-REARBUNK-27"X23"X80"X5"(H30)
6	105573-10-H10	EA	CUSHION-OVERHEAD-REARBUNK-27"X23"X80"X5"(H31)
	P05573-10-H30	EA	COVER-OVERHEAD-REARBUNKCUSHION-27"X23"X80"X5"(H30)
	P05573-10-H10	EA	COVER-OVERHEAD-REARBUNKCUSHION-27"X23"X80"X5"(H31)
	105573-09-H30	EA	CUSHION-OVERHEAD-FRONTBUNK-32.5"X80"X5"(H30)
	105573-09-H10	EA	CUSHION-OVERHEAD-FRONTBUNK-32.5"X80"X5"(H31)
	P05573-09-H30	EA	COVER-OVERHEAD-FRONTBUNKCUSHION-32.5"X80"X5"(H30)
	P05573-09-H10	EA	COVER-OVERHEAD-FRONTBUNKCUSHION-32.5"X80"X5"(H31)
	079145-08-000	EA	CUSHION-BUNK-25"X74"X3.5"(FRONTENTERTAINMENTCENTER)
	M79145-08-000	EA	COVER-CUSHIONBUNK-25"X74"X3.5"(FRONTENTERTAINMENTCENTER)
	094658-02-H30	EA	HANDLE-OAK

### DINETTECUSHIONS

KEY	PARTNUMBER	U/M	DESCRIPTION
7	111897-05-H30	EA	CUSHION-BACK-13.5"X42"X5"
7	111897-05-H31	EA	CUSHION-BACK-13.5"X42"X5"
	P11897-05-H30	EA	COVER-BACK-13.5"X42"X5"
	P11897-05-H31	EA	COVER-BACK-13.5"X42"X5"
8	105603-15-H30	EA	CUSHION-SEAT-23"X42"X5"
8	105603-15-H31	EA	CUSHION-SEAT-23"X42"X5"
	P05603-15-H30	EA	COVER-SEAT-23"X42"X5"
	P05603-15-H31	EA	COVER-SEAT-23"X42"X5"
	078155-01-000	EA	STRAP-SNAP-BACKCUSHION

### DINETTECHAIRS

KEY	PARTNUMBER	U/M	DESCRIPTION
9	122739-01-H30	EA	CHAIR-SWIVEL
9	122739-01-H10	EA	CHAIR-SWIVEL

### FOLDINGCHAIRS

KEY	PARTNUMBER	U/M	DESCRIPTION
	101604-01-01A	EA	CHAIR-FOLDING/DINETTE-W/OFABRIC
	099717-04-000	EA	STRAP-TIEDOWNW/21.3"FEMALESTRAP&27.2"MALESTRAP

**CURTAIN&CUSHIONGROUP(CONTINUED)**

**VINYlassistHANDLE, BUTTONS, WELTING&SEATBELTS**

KEY	PARTNUMBER	U/M	DESCRIPTION
	007021-01-000	EA	SEATBELT-2"X90"-BLACK
	057759-01-000	EA	WASHERBRACKET-SEATBELT-4"DIAMETER
	084415-70-000	YD	TRIM-BRAID-CORD(H30)
	084415-87-000	YD	TRIM-BRAID-AMBER(CHORD)(H31)
	084415-88-000	YD	TRIM-BRAID-AMBER(FRINGE)(H31)
	074494-02-000	EA	BUTTON-RETAININGPIVOT-#60
	074494-03-000	EA	BUTTON-SERRATEDPIVOT-W/3/8TACK
	118337-04-H30	EA	BUTTON-#60
	118337-04-H31	EA	BUTTON-#60
	099717-02-000	EA	STRAP-TV TIEDOWNW/29.9" FEMALE STRAP & 14.2" MALE STRP
	069178-02-000	EA	BRACKET-MOUNTING/ASSISTHANDLE
	000C16-07-16B	EA	BOLT-CARRIAGE-ASSISTHANDLE-7/16"-14X1"
	000D20-07-00B	EA	NUT-ACORN-ASSISTHANDLE-7/16-14
	053552-02-AA8	EA	HANDLE-ASSIST-INTERIOR/ENTRYDOOR-VINYL/OFFWHITE
	057534-06-000	EA	TIEBACK/TIEDOWN-VINYL-6"BEIGE

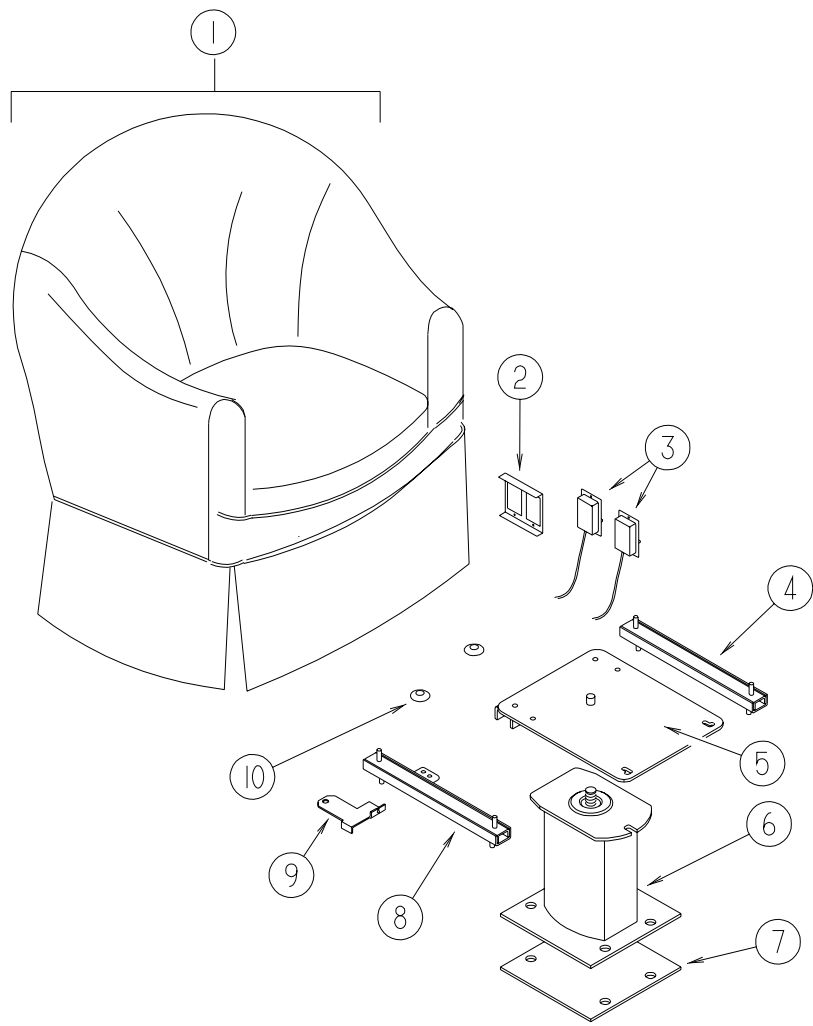
**CURTAIN&CUSHIONGROUP(CONTINUED)**

**SUNDANCERDLFABRICS**

Family - 400 DL's	H10 Chameleon	H11 Pasadena
Bucket Seats	108446-G3-000	108446-55-000
Dinette	108446-M8-000	108446-M9-000
Dinette Pads	104233-G3-000	108446-55-000
Sofa	108446-M8-000	108446-M9-000
Swivel Chair	108446-G3-000	108446-N5-000
Lounge Pillow	108446-G3-000	108446-N5-000
Lounge Windows	108446-G3-000 108446-M8-000	108446-M9-000 108446-79-000
Legs	105745-61-000	105745-D0-000
Overhead Bunk	108446-G3-000	108446-N5-000
Bedroom Window	105745-E9-000	105745-E8-000
Bedroom Legs	105745-61-000	105745-D0-000
Bedroom Pillow	105745-E9-000 105745-61-000	105745-E8-000 105745-D0-000
Bedsread	105745-E9-000 084415-87-000	105745-E8-000 084415-79-000
Pillow Shams	105745-E9-000 084415-87-000	105745-E8-000 084415-79-000
Front Wraparound	072333-85-000	072333-85-000
Overhead Curtain	105745-E9-000	105745-E8-000
Day/Nighter	094911-25-000 094911-38-000	094911-30-000 094911-26-000
Ceiling Vinyl	113979-01-01A	113979-01-01A

NOTE: THE FABRIC LISTED FIRST, IN A BLOCK, IS THE LARGEST QUANTITY OF FABRIC USED.

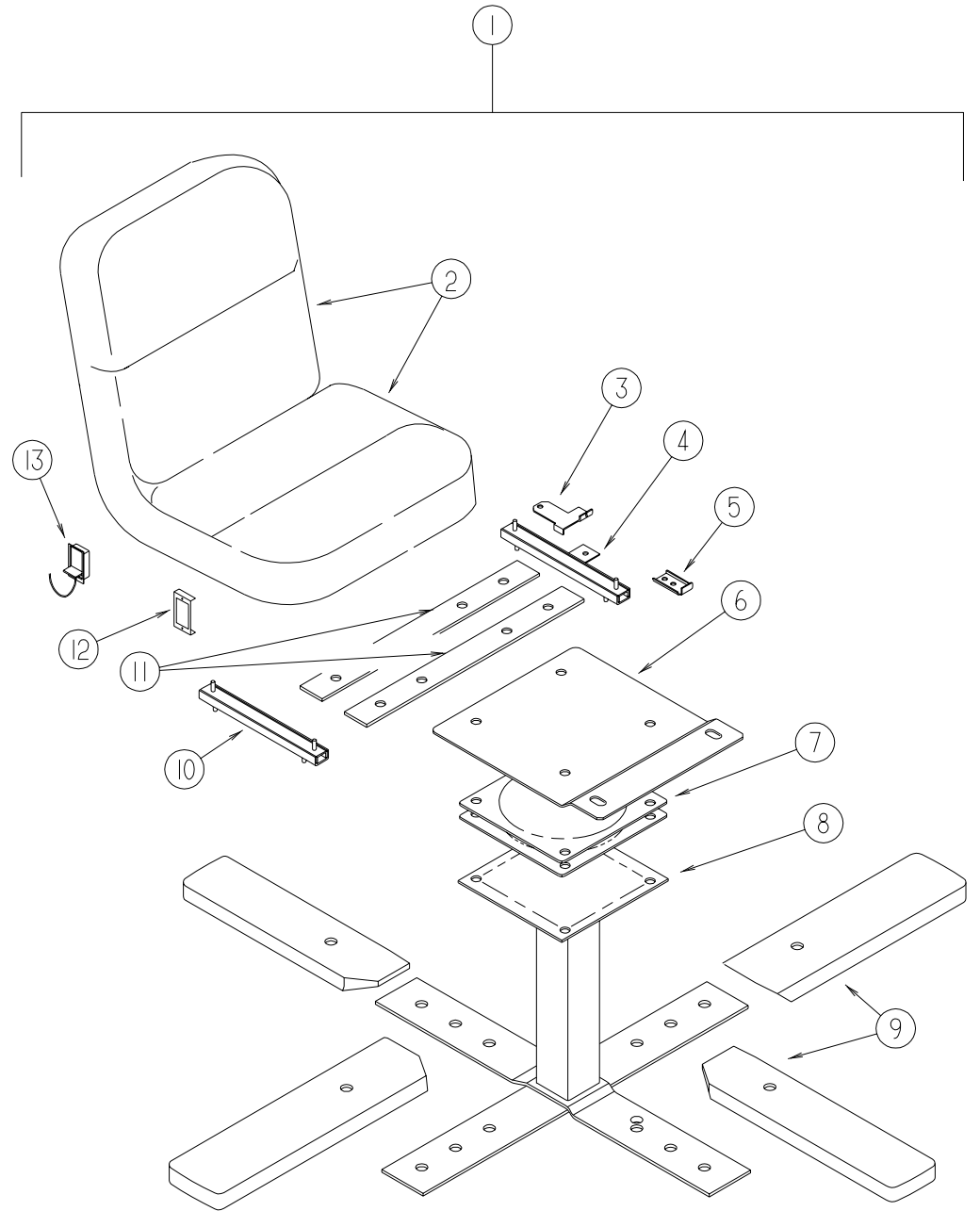
**CURTAIN&CUSHIONGROUP(CONTINUED)**



**SWIVELCHAIR**

KEY	PARTNUMBER	U/M	DESCRIPTION
1	115470-01-H30	EA	CHAIR-SWIVEL(H30)
1	115470-01-H10	EA	CHAIR-SWIVEL(H31)
	P15470-01-H30	EA	COVER-CHAIR(H30)
	P15470-01-H10	EA	COVER-CHAIR(H31)
	P07977-01-H30	EA	COVER-SKIRT(H30)
	P07977-01-H10	EA	COVER-SKIRT(H31)
2	097683-02-000	EA	BRACKET-REMOTE/SIDEMOUNT-DOUBLE
3	108049-03-000	EA	CABLE/CONTROL25.5"SHEATH/28.5"CABLEW/DOGLEG
	108049-02-000	EA	CLIP-CABLE/PEDESTAL
4	119952-01-000	EA	SLIDE/SEAT-HEAVYDUTYNONLOCKING
5	107921-08-000	EA	TOPPLATE-PEDESTAL-W/OSEATBELTBAR
	107921-06-000	EA	BEARINGKIT-PEDESTAL
6	107921-01-000	EA	PEDESTAL/FLOORMOUNTED-W/9.75"EXTENSION
7	108445-02-000	EA	PLATE/FLOORMOUNTED-PEDESTALSEAT
8	119952-03-000	EA	SLIDE/SEAT-HEAVYDUTYLOCKING-2STUDS
9	117125-01-02B	EA	BRACKET-CABLEMOUNT-ADJUSTERW/LOCK
10	007221-01-000	EA	SPACER-SEAT/ADJUSTER
	114889-01-000	EA	STOPBAR-UNIVERSALCURTAIN&CUSHIONGROUP(CONTINUED)

**CURTAIN&CUSHIONGROUP(CONTINUED)**

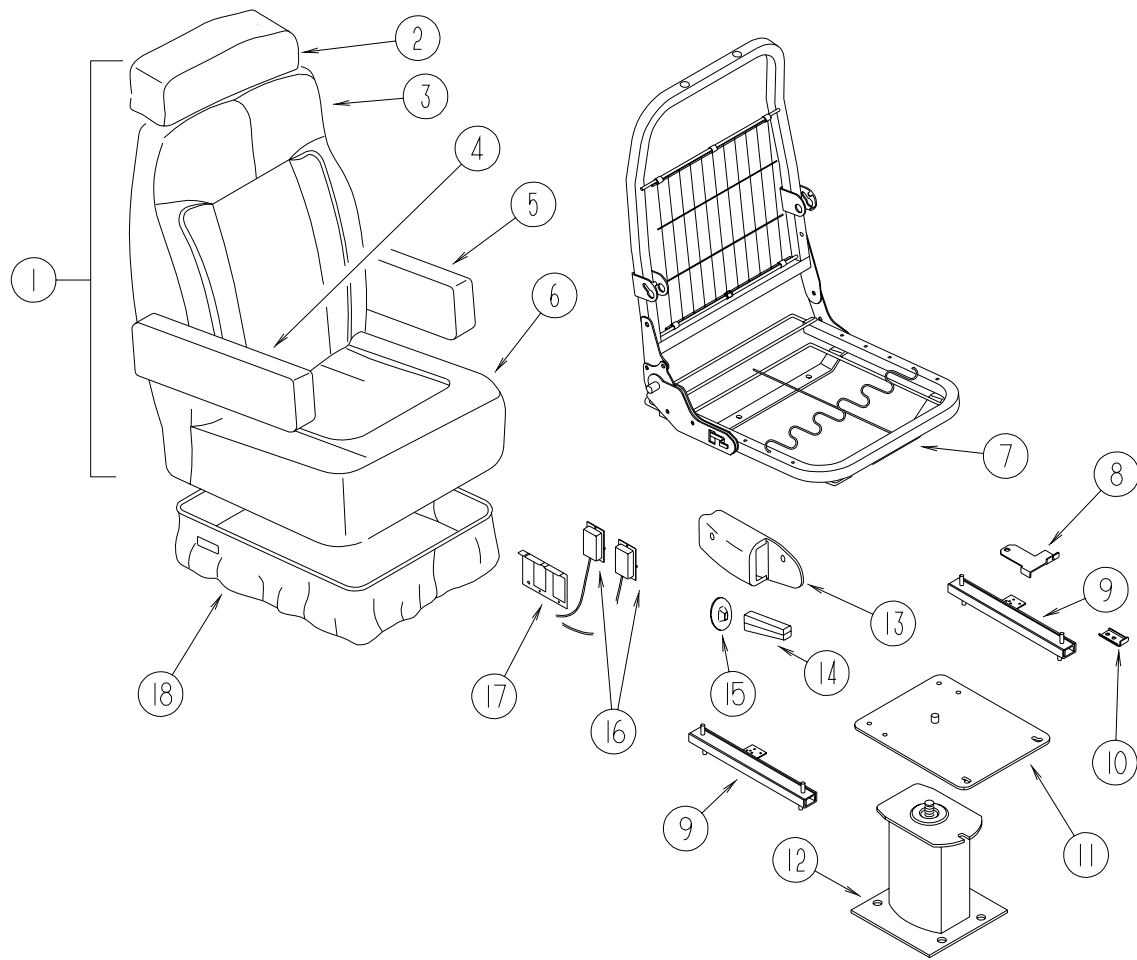


**DINETTESWIVELCHAIR**

KEY	PARTNUMBER	U/M	DESCRIPTION
1	122739-01-H30	EA	CHAIR-SWIVEL(H30)
1	122739-01-H10	EA	CHAIR-SWIVEL(H31)
2	P22739-01-H30	EA	COVER-BACK/SEAT/SKIRT-SWIVELCHAIR(H30)
2	P22739-01-H10	EA	COVER-BACK/SEAT/SKIRT-SWIVELCHAIR(H31)
3	117125-01-02B	EA	BRACKET-CABLEMOUNT-ADJUSTERW/LOCK
4	119952-04-000	EA	SLIDE/SEAT-HEAVYDUTYLOCKING-4STUDS
5	114889-01-000	EA	STOPBAR-UNIVERSAL
6	119705-11-02B	EA	PLATE-SEAT
7	119105-01-000	EA	PLATE-SWIVEL-RETURN-0-MATIC
8	119705-02-03B	EA	PEDESTAL
9	116080-02-G35	EA	COVER-CHAIRLEG
10	119952-02-000	EA	SLIDE/SEAT-HEAVYDUTYNONLOCKING
11	120109-01-02B	EA	ADAPTERBRACKET-DINETTESWIVELCHAIR
12	097683-03-000	EA	BRACKET-REMOTE/SIDEMOUNT-SINGLE
13	108049-03-000	EA	CABLE/CONTROL25.5"SHEATH/28.5"CABLEW/DOGLEG
	108049-02-000	EA	CLIP-CABLE/PEDESTAL

## CURTAIN&CUSHIONGROUP(CONTINUED)

**BUCKETSEATS**  
(FROM: 00-00-00 THRU: 10-13-96)

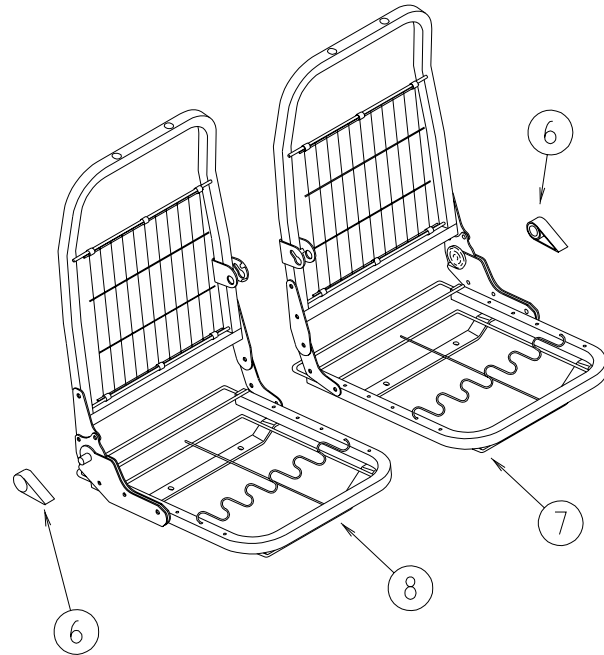
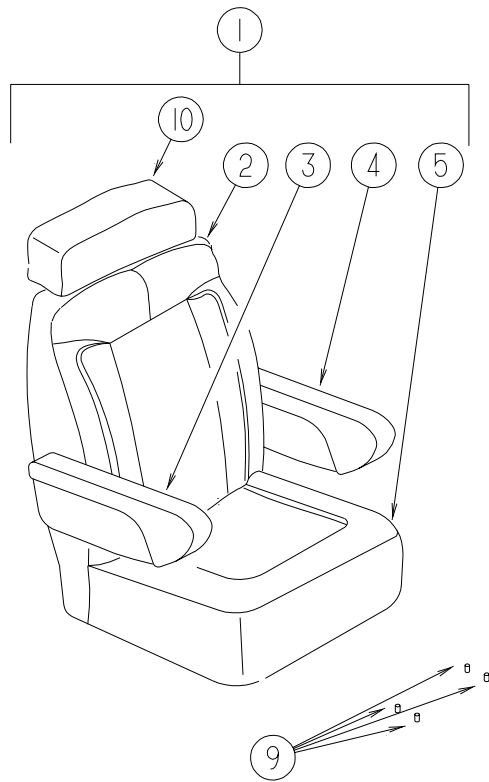


KEY	PARTNUMBER	U/M	DESCRIPTION
1	122738-03-H30	EA	SEAT-BUCKET-DRIVER-W/HEADREST/ARMRESTS
1	122738-03-H31	EA	SEAT-BUCKET-DRIVER-W/HEADREST/ARMRESTS
2	119509-01-H30	EA	HEADREST-BUCKETSEAT
2	119509-01-H31	EA	HEADREST-BUCKETSEAT
	P19509-01-H30	EA	COVER-HEADREST
	P19509-01-H31	EA	COVER-HEADREST
	113977-12-000	EA	HEADRESTINSERT-W/OLOCK
	113977-13-000	EA	HEADRESTINSERT-W/LOCK
3	M05962-41-H30	EA	COVER-BUCKETBACK-530NARROW
3	M05962-41-H31	EA	COVER-BUCKETBACK-530NARROW
4	122780-01-H30	EA	ARMREST-RIGHTHAND(H30)
4	122780-01-H10	EA	ARMREST-RIGHTHAND(H31)
	P22780-01-H30	EA	COVER-ARMREST-RIGHTHAND(H30)
	P22780-01-H10	EA	COVER-ARMREST-RIGHTHAND(H31)
	115617-03-000	EA	ARMREST-W/OCOVER-RIGHTHAND
5	122780-02-H30	EA	ARMREST-LEFTHAND(H30)
5	122780-02-H10	EA	ARMREST-LEFTHAND(H31)
	P22780-02-H30	EA	COVER-ARMREST-LEFTHAND(H30)
	P22780-02-H10	EA	COVER-ARMREST-LEFTHAND(H31)
	115617-04-000	EA	ARMREST-W/OCOVER-LEFTHAND
6	M05962-42-H30	EA	COVER-BUCKETSEAT-530NARROW
6	M05962-42-H31	EA	COVER-BUCKETSEAT-530NARROW
7	122695-02-01B	EA	FRAME-SEAT/BACK
8	117125-01-02B	EA	BRACKET-CABLEHOLDER-E-COAT
9	119952-06-000	EA	SLIDE/SEAT-HEAVYDUTYLOCKING-4STUDS
9	119952-07-000	EA	WIRE-LATCHRELEASE/ROTARY
10	114889-01-000	EA	STOPBAR-UNIVERSAL-SHROCK
11	107921-08-000	EA	TOPPLATE-PEDESTAL-W/OSEATBELTBAR
	107921-06-000	EA	BEARINGKIT-PEDESTAL
12	107921-09-000	EA	PEDESTAL-SEAT-FORD
13	080730-09-000	EA	SHIELD-RECLINERHANDLE
	000G39-10-12D	EA	SHIELDSCREW
14	080730-08-000	EA	HANDLE-RECLINER-BLACK
15	080730-11-000	EA	SHIELD-RUBBERBOOT
16	108049-03-000	EA	CABLE-26"ZENDCABLE
	108049-02-000	EA	CLIP-CABLE-PEDESTAL-FLEXSTEEL2592-CA
17	097683-02-000	EA	BRACKET-REMOTE/SIDEMOUNT-DOUBLE
18	071126-42-G07	EA	SKIRT-7"-W/OPENBACKCORNERS(H30)
18	071126-42-H10	EA	SKIRT-7"-W/OPENBACKCORNERS(H31)
	089323-01-000	FT	STRIP-POLYENTHYLENE-J-CHANNEL FLEX-O-LATORS



## CURTAIN&CUSHIONGROUP(CONTINUED)

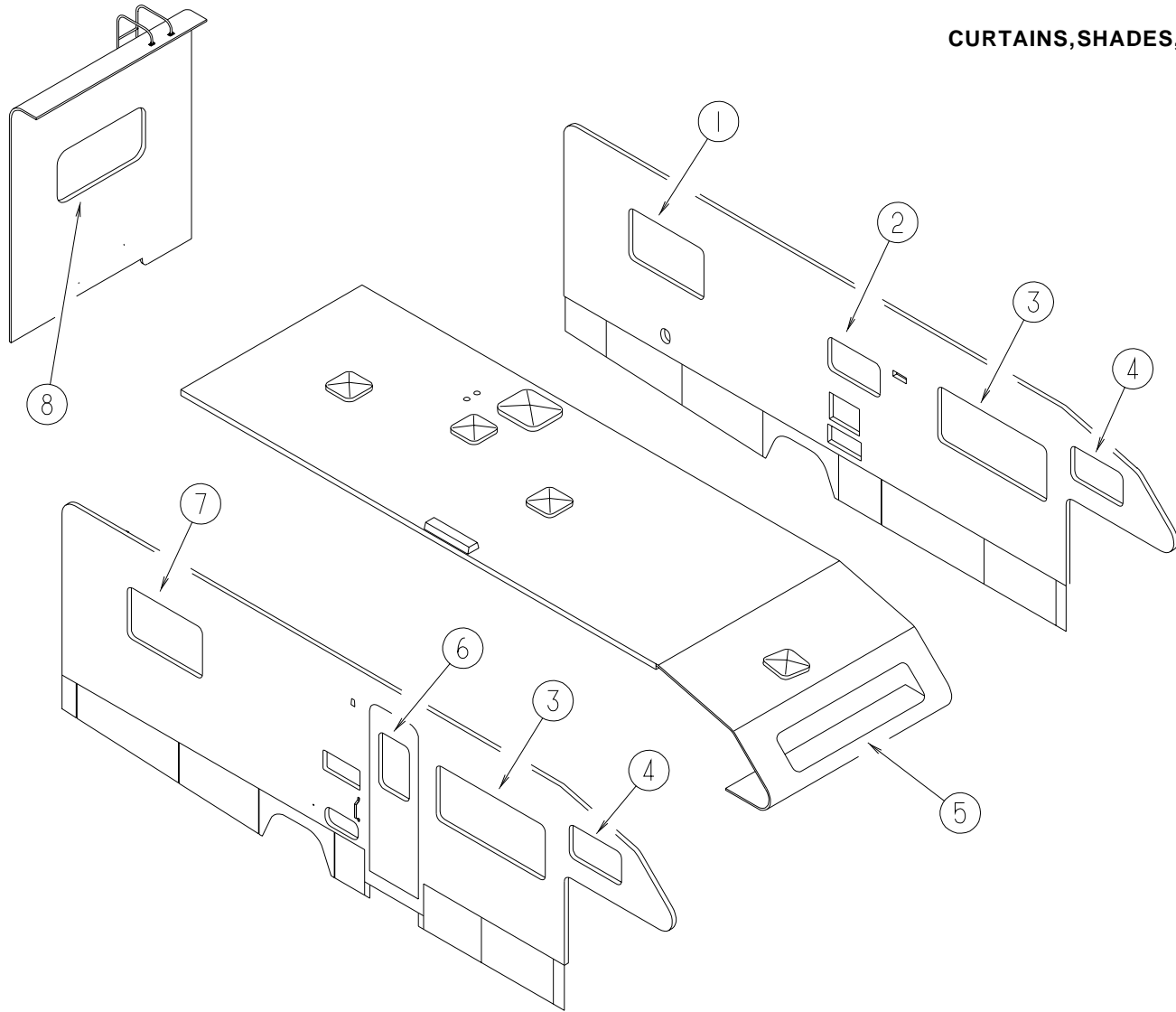
**BUCKETSEATS**  
(FROM: 10-14-96 THRU: 99-99-99)



KEY	PARTNUMBER	U/M	DESCRIPTION
1	122738-05-H30	EA	SEAT-BUCKET/DRIVER-W/HEADREST/RIGHTARMREST
1	122738-05-H31	EA	SEAT-BUCKET/DRIVER-W/HEADREST/RIGHTARMREST
1	122738-04-H30	EA	SEAT-BUCKET/PASSENGER-W/HEADREST/LEFTARMREST
1	122738-04-H31	EA	SEAT-BUCKET/PASSENGER-W/HEADREST/LEFTARMREST
2	M05962-59-H30	EA	COVER-BACK
2	M05962-59-H31	EA	COVER-BACK
3	122780-01-H30	EA	ARMREST-RIGHTHAND(H30)
3	122780-01-H10	EA	ARMREST-RIGHTHAND(H31)
	P22780-01-H30	EA	COVER-ARMREST-RIGHTHAND(H30)
	P22780-01-H10	EA	COVER-ARMREST-RIGHTHAND(H31)
	115617-03-000	EA	ARMREST-W/OCOVER-RIGHTHAND
4	122780-02-H30	EA	ARMREST-LEFTHAND(H30)
4	122780-02-H10	EA	ARMREST-LEFTHAND(H31)
	P22780-02-H30	EA	COVER-ARMREST-LEFTHAND(H30)
	P22780-02-H10	EA	COVER-ARMREST-LEFTHAND(H31)
	115617-04-000	EA	ARMREST-W/OCOVER-LEFTHAND
5	M05962-60-H30	EA	COVER-SEAT
5	M05962-60-H31	EA	COVER-SEAT
6	125229-03-000	EA	KNOB-RECLINING
7	125229-01-000	EA	FRAME-SEAT-LEFT
8	125229-02-000	EA	FRAME-SEAT-RIGHT
9	125229-05-000	EA	PALNUT
10	119509-01-H30	EA	HEADREST-BUCKETSEAT
10	119509-01-H31	EA	HEADREST-BUCKETSEAT
	P19509-01-H30	EA	COVER-HEADREST
	P19509-01-H31	EA	COVER-HEADREST
	113977-12-000	EA	HEADRESTINSERT-W/OLOCK
	113977-13-000	EA	HEADRESTINSERT-W/LOCK

# CURTAIN&CUSHIONGROUP(CONTINUED)

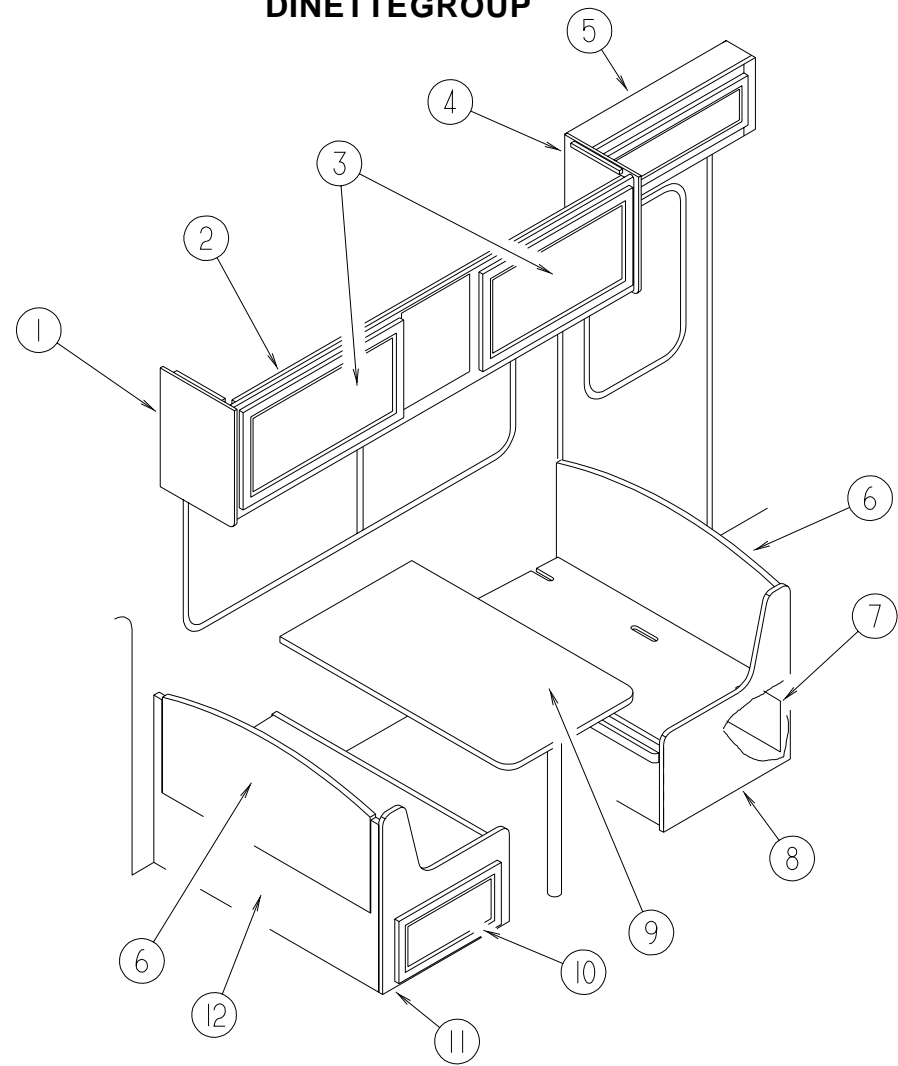
## CURTAINS,SHADES,VALANCES&BLINDS



KEY	PARTNUMBER	U/M	DESCRIPTION
1	115398-02-H30	EA	VALANCE-BRIGHTON-45"(QUEENBED)
1	115398-02-H31	EA	VALANCE-BRIGHTON-45"(QUEENBED)
1	115398-01-H30	EA	VALANCE-BRIGHTON-53"(TWIN,DOUBLEBED)
1	115398-01-H31	EA	VALANCE-BRIGHTON-53"(TWIN,DOUBLEBED)
1	123910-07-H30	EA	LEG-RIGHT-28"
1	123910-07-H31	EA	LEG-RIGHT-28"
1	123910-08-H30	EA	LEG-LEFT-28"
1	123910-08-H31	EA	LEG-LEFT-28"
1	111910-25-H30	EA	BLIND-DAY/NIGHTER-41"X28.5"(QUEENBED)(H30) FROM: 00-00-00 THRU: 10-27-96
1	111910-25-H31	EA	BLIND-DAY/NIGHTER-41"X28.5"(QUEENBED)(H31) FROM: 00-00-00 THRU: 10-27-96
1	111910-25-HA3	EA	BLIND-DAY/NIGHTER-41"X28.5"(QUEENBED)(H30,H31) FROM: 10-28-96 THRU: 99-99-99
1	111910-19-H30	EA	BLIND-DAY/NIGHTER-50"X28"(TWIN,DOUBLEBED)(H30) FROM: 00-00-00 THRU: 10-27-96
1	111910-19-H31	EA	BLIND-DAY/NIGHTER-50"X28"(TWIN,DOUBLEBED)(H31) FROM: 00-00-00 THRU: 10-27-96
1	111910-19-HA3	EA	BLIND-DAY/NIGHTER-50"X28"(TWIN,DOUBLEBED)(H30,H31) FROM: 10-28-96 THRU: 99-99-99
2	109041-43-02A	EA	BLIND-MINI-27"X20"(H30)
2	109041-43-01A	EA	BLIND-MINI-27"X20"(H31)
2	109353-08-02A	EA	BLIND-SLAT-28"(H30)
2	109353-08-01A	EA	BLIND-SLAT-28"(H31)
2	109353-04-000	EA	CLIP-VALANCESLATMOUNTING-CLEARPLASTIC

KEY	PARTNUMBER	U/M	DESCRIPTION
3	119136-07-H30	EA	VALANCE-STANWICK-64.5"
3	119136-07-H31	EA	VALANCE-STANWICK-64.5"
3	119333-01-H30	EA	LEG-RIGHT-25"
3	119333-01-H31	EA	LEG-RIGHT-25"
3	119333-02-H30	EA	LEG-LEFT-25"
3	119333-02-H31	EA	LEG-LEFT-25"
3	111910-22-H11	EA	BLIND-DAY/NIGHTER-60"X28.5"(H30)
3	111910-22-G22	EA	BLIND-DAY/NIGHTER-60"X28.5"(H31)
4	101034-51-H30	EA	CURTAIN-RIGHTHAND-19"X34"(H30)
4	101034-51-H10	EA	CURTAIN-RIGHTHAND-19"X34"(H31)
4	101034-52-H30	EA	CURTAIN-LEFTHAND-19"X34"(H30)
4	101034-52-H10	EA	CURTAIN-LEFTHAND-19"X34"(H31)
5	101034-33-H30	EA	CURTAIN-RIGHTHAND-21"X60"(H30)
5	101034-33-H10	EA	CURTAIN-RIGHTHAND-21"X60"(H31)
5	101034-34-H30	EA	CURTAIN-LEFTHAND-21"X60"(H30)
5	101034-34-H10	EA	CURTAIN-LEFTHAND-21"X60"(H31)
6	119136-13-H30	EA	VALANCE-MONACO-11"X31.75"
6	119136-13-H31	EA	VALANCE-MONACO-11"X31.75"
6	084755-57-E07	EA	SHADE-PULL-27.25"
7	115398-02-H30	EA	VALANCE-BRIGHTON-45"(QUEENBED)
7	115398-02-H31	EA	VALANCE-BRIGHTON-45"(QUEENBED)
7	115398-01-H30	EA	VALANCE-BRIGHTON-53"(TWIN,DOUBLEBED)
7	115398-01-H31	EA	VALANCE-BRIGHTON-53"(TWIN,DOUBLEBED)
7	123910-07-H30	EA	LEG-RIGHT-28"
7	123910-07-H31	EA	LEG-RIGHT-28"
7	123910-08-H30	EA	LEG-LEFT-28"
7	123910-08-H31	EA	LEG-LEFT-28"
7	111910-25-H30	EA	BLIND-DAY/NIGHTER-41"X28.5"(QUEENBED)(H30) FROM: 00-00-00 THRU: 10-27-96
7	111910-25-H31	EA	BLIND-DAY/NIGHTER-41"X28.5"(QUEENBED)(H31) FROM: 00-00-00 THRU: 10-27-96
7	111910-25-HA3	EA	BLIND-DAY/NIGHTER-41"X28.5"(QUEENBED)(H30,H31) FROM: 10-28-96 THRU: 99-99-99
7	111910-19-H30	EA	BLIND-DAY/NIGHTER-50"X28"(TWIN,DOUBLEBED)(H30) FROM: 00-00-00 THRU: 10-27-96
7	111910-19-H31	EA	BLIND-DAY/NIGHTER-50"X28"(TWIN,DOUBLEBED)(H31) FROM: 00-00-00 THRU: 10-27-96
7	111910-19-HA3	EA	BLIND-DAY/NIGHTER-50"X28"(TWIN,DOUBLEBED)(H30,H31) FROM: 10-28-96 THRU: 99-99-99
8	115398-01-H30	EA	VALANCE-BRIGHTON-45"(QUEEN,TWINBED)
8	115398-02-H31	EA	VALANCE-BRIGHTON-45"(QUEEN,TWINBED)
8	115398-04-H30	EA	VALANCE-BRIGHTON-53"(DOUBLEBED)
8	115398-04-H31	EA	VALANCE-BRIGHTON-53"(DOUBLEBED)
8	123910-07-H30	EA	LEG-RIGHT-28"
8	123910-07-H31	EA	LEG-RIGHT-28"
8	123910-08-H30	EA	LEG-LEFT-28"
8	123910-08-H31	EA	LEG-LEFT-28"
8	111910-19-H30	EA	BLIND-DAY/NIGHTER-50"X28"(QUEEN,TWINBED)(H30) FROM: 00-00-00 THRU: 10-27-96
8	111910-19-H31	EA	BLIND-DAY/NIGHTER-50"X28"(QUEEN,TWINBED)(H31) FROM: 00-00-00 THRU: 10-27-96
8	111910-19-HA3	EA	BLIND-DAY/NIGHTER-50"X28"(QUEEN,TWINBED)(H30,H31) FROM: 10-28-96 THRU: 99-99-99
8	111910-20-H30	EA	BLIND-DAY/NIGHTER-28"X28"(DOUBLEBED)(H30) FROM: 00-00-00 THRU: 10-27-96
8	111910-20-H31	EA	BLIND-DAY/NIGHTER-28"X28"(DOUBLEBED)(H31) FROM: 00-00-00 THRU: 10-27-96
8	111910-20-HA3	EA	BLIND-DAY/NIGHTER-28"X28"(DOUBLEBED)(H30,H31) FROM: 10-28-96 THRU: 99-99-99
	093487-10-01A	EA	CURTAIN-PLEATED31"X100"-BUNKPRIVACY
	076892-23-G07	EA	CURTAIN-44"X80"

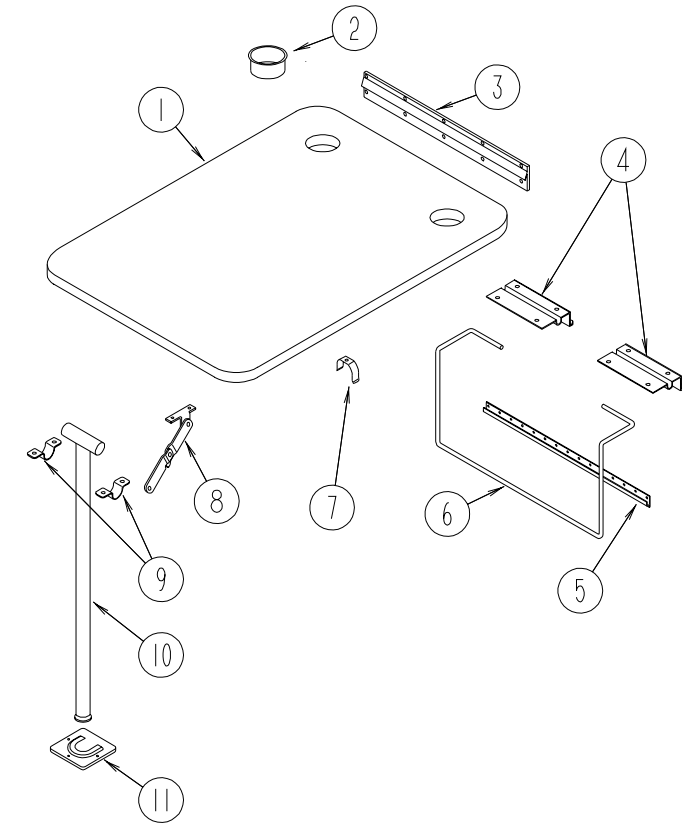
## DINETTEGROUP



### DINETTECABINETS

KEY	PARTNUMBER	U/M	DESCRIPTION
1	109908-08-H30	EA	ENDCAP-OVERHEADCABINET
2	124526-01-H30	EA	CABINET-OVERHEADFRONT-W/ODOORS/HARDWARE
3	M06803-B1-H30	EA	DOOR-MITEREDCORNER/OGEEEDGE-15.7"X20.4"-W/OHDW
4	109908-09-H30	EA	ENDCAP-OVERHEADCABINET
5	112964-05-J05	EA	CABINET-OVERHEADENTRANCE-W/ODOORS/HARDWARE
6	111338-06-G15	EA	PAD-DINETTESEATBACK(H30)(2USED)
6	111338-06-H10	EA	PAD-DINETTESEATBACK(H31)(2USED)
6	M08123-03-H30	EA	CABINET-SEATBACK-RIGHTHAND-W/OHARDWARE
7	M06803-T6-H30	EA	DOOR-MITEREDCORNER/OGEEEDGE-10.02"X29.5"-W/OHARDWARE
8	M08122-03-H30	EA	CABINET-SEATBASE-RIGHTHAND-W/ODOORS/DRAWERS/HDW
	081295-04-G04	EA	SUPPORT-BED/DINETTE-40"LONG
9	081322-16-H30	EA	TABLETOPONLY
9	081322-16-H31	EA	TABLETOPONLY
10	M06803-T5-H30	EA	DOOR-MITEREDCORNER/OGEEEDGE-10"X19.1"-W/OHDW
11	M08122-04-H30	EA	CABINET-SEATBASE-LEFTHAND-W/ODOORS/DRAWERS/HDW
	081295-04-E01	EA	SUPPORT-BED/DINETTE-40"LONG
12	M08123-04-H30	EA	CABINET-SEATBACK-W/OHARDWARE
	101222-01-02A	EA	BRACKET-CATCH-LID-OFFWHITE
	P14437-02-000	EA	CABINET-LIDENTRANCEDOOR-W/OCARPET

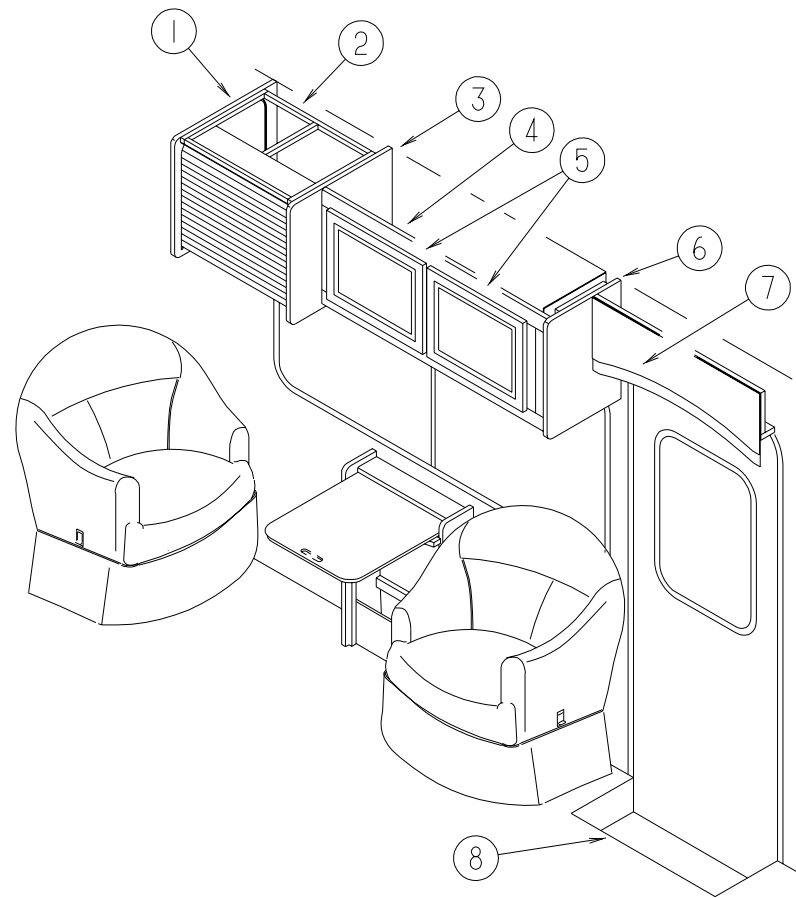
## DINETTEGROUP(CONTINUED)



### DINETTETABLE

KEY	PARTNUMBER	U/M	DESCRIPTION
1	081322-16-H30	EA	TABLETOPONLY
1	081322-16-H31	EA	TABLETOPONLY
2	064781-06-000	EA	HOLDER-CUP-TWOSTEP-OFFWHITE
3	053200-12-000	EA	BRACKET-TABLESUPPORT-UPPERWALLMOUNTED-23.50"
4	088410-02-000	EA	BRACKET-LIFT-TABLEMOUNTED
5	024281-14-000	EA	BRACKET-LIFTROD/LOWERWALLMOUNTED-22.12"
6	024275-12-000	EA	ROD-TABLELIFT
7	024283-01-000	EA	CLIP-LEG-1"-1.125"OD-BLACK
8	024282-01-000	EA	BRACE-TABLELEG-HINGED
9	064050-05-000	EA	HINGE-TABLELEG-OFFWHITE
10	024276-23-000	EA	LEG-TABLE-METAL-OFFWHITE
11	049493-12-000	EA	CATCH-TABLELEG/FLOORMOUNTED-OFFWHITE
11	049493-11-700	EA	CATCH-TABLELEG,E-COAT

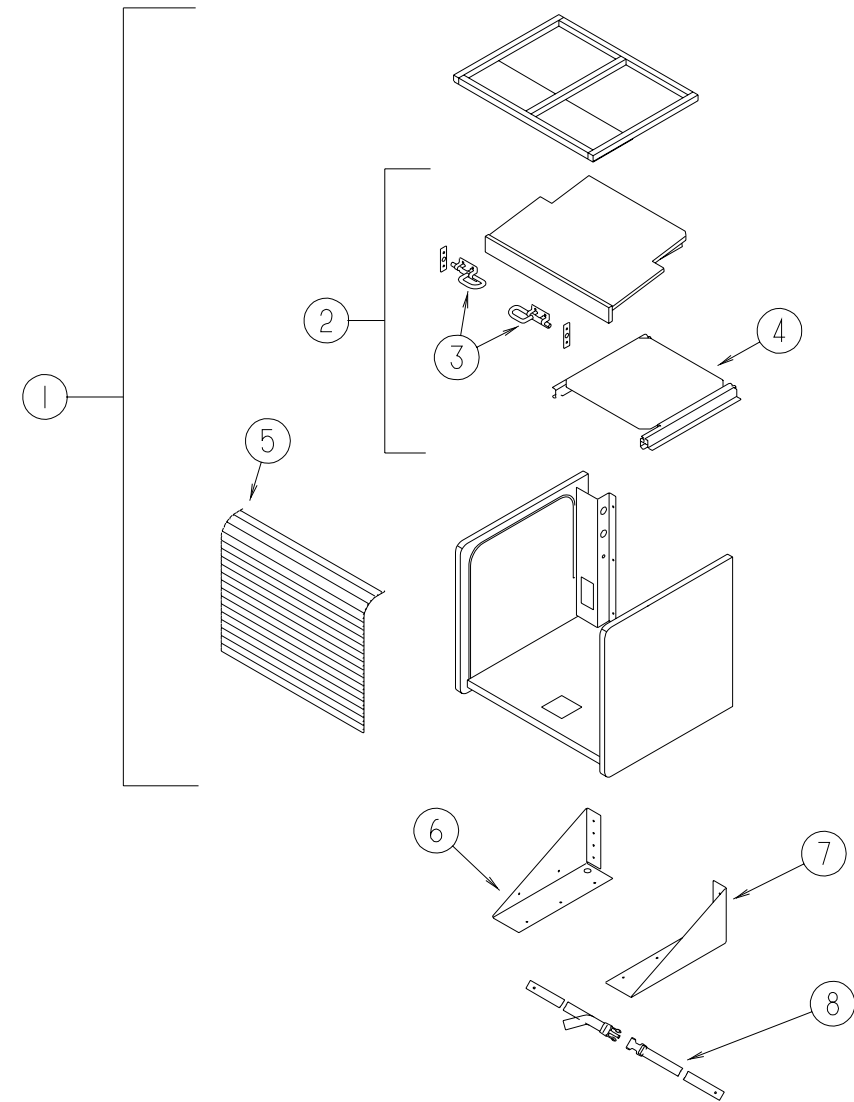
### DINETTEGROUP(CONTINUED)



### PASSENGERSIDELOUNGEWITHCHAIR

KEY	PARTNUMBER	U/M	DESCRIPTION
1	121877-14-H30	EA	ENDCAP
2	M08163-01-H30	EA	CABINET-TV/VCP-W/OSHELF/SLIDES/SWIVEL-W/TAMBOURDOOR
2	M08163-02-H30	EA	CABINET-TV/VCP-W/SHELF/SLIDES/SWIVEL/TAMBOURDOOR
3	121877-15-H30	EA	ENDCAP
4	124527-01-H30	EA	CABINET-OVERHEADFRONT-W/ODOORS/HARDWARE
5	M06803-Y1-H30	EA	DOOR-MITEREDCORNER/OGEEEDGE-14.3\"/>

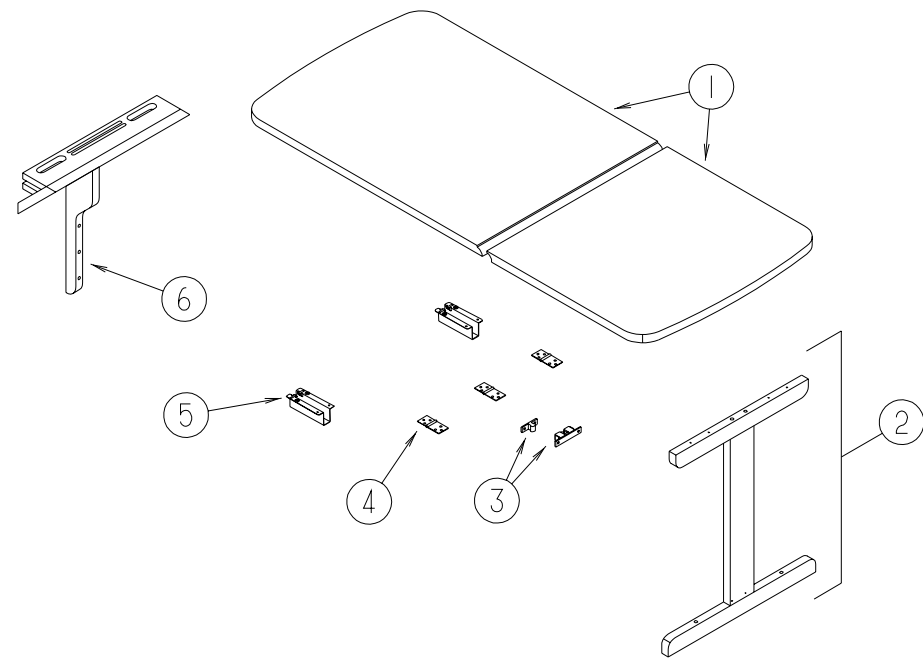
### DINETTEGROUP(CONTINUED)



### PASSENGERSIDE TV CABINET

KEY	PARTNUMBER	U/M	DESCRIPTION
1	M08163-01-H30	EA	CABINET-W/OTV/VCP OPTION-W/ODOOR/HARDWARE
1	M08163-02-H30	EA	CABINET-W/TV/VCP OPTION-W/ODOOR/HARDWARE
2	121877-11-H30	EA	SHELF-W/SLIDEANDSWIVEL
3	103256-01-000	EA	LATCH-SLIDE
4	116773-02-000	EA	SWIVEL/SLIDES-F/TV SHELF
5	121877-20-H04	EA	DOOR-TAMBOUR
6	122298-03-02B	EA	BRACKET-TV/VCR-RIGHTHAND
7	122298-02-02B	EA	BRACKET-TV/VCR-LEFTHAND
8	099717-04-000	EA	STRAP-TIEDOWNW/21.3\"/>

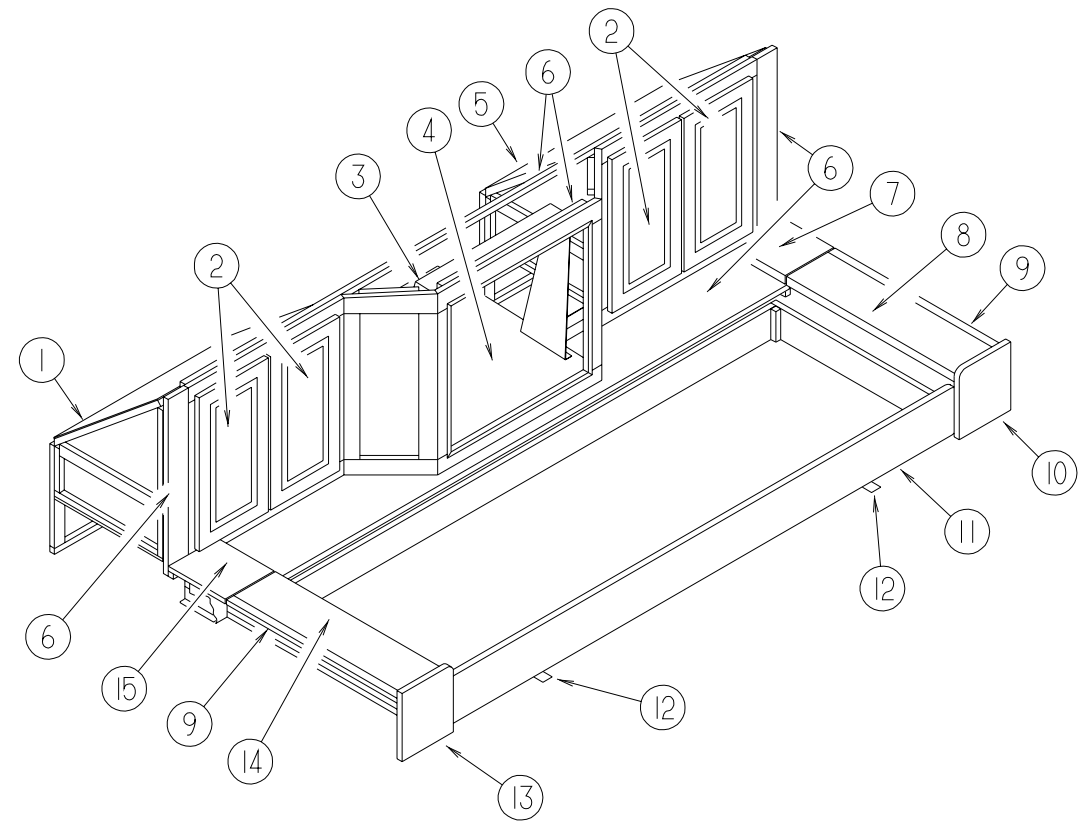
## DINETTEGROUP(CONTINUED)



### FOLDOUTTABLE

KEY	PARTNUMBER	U/M	DESCRIPTION
1	120898-21-H30	EA	TABLETOP-DROPLEAF
1	120898-21-H31	EA	TABLETOP-DROPLEAF
2	120898-26-H30	EA	LEG-W/OHARDWARE
3	084451-01-000	EA	CATCH-TV SHELF-BRASS
4	120972-01-01A	EA	HINGE-TABLE/DROPLEAF
5	120973-01-000	EA	SUPPORT-TABLE/DROPLEAF-PAIR
6	120898-25-H37	EA	MOUNT-WALL-DROPLEAF TABLE

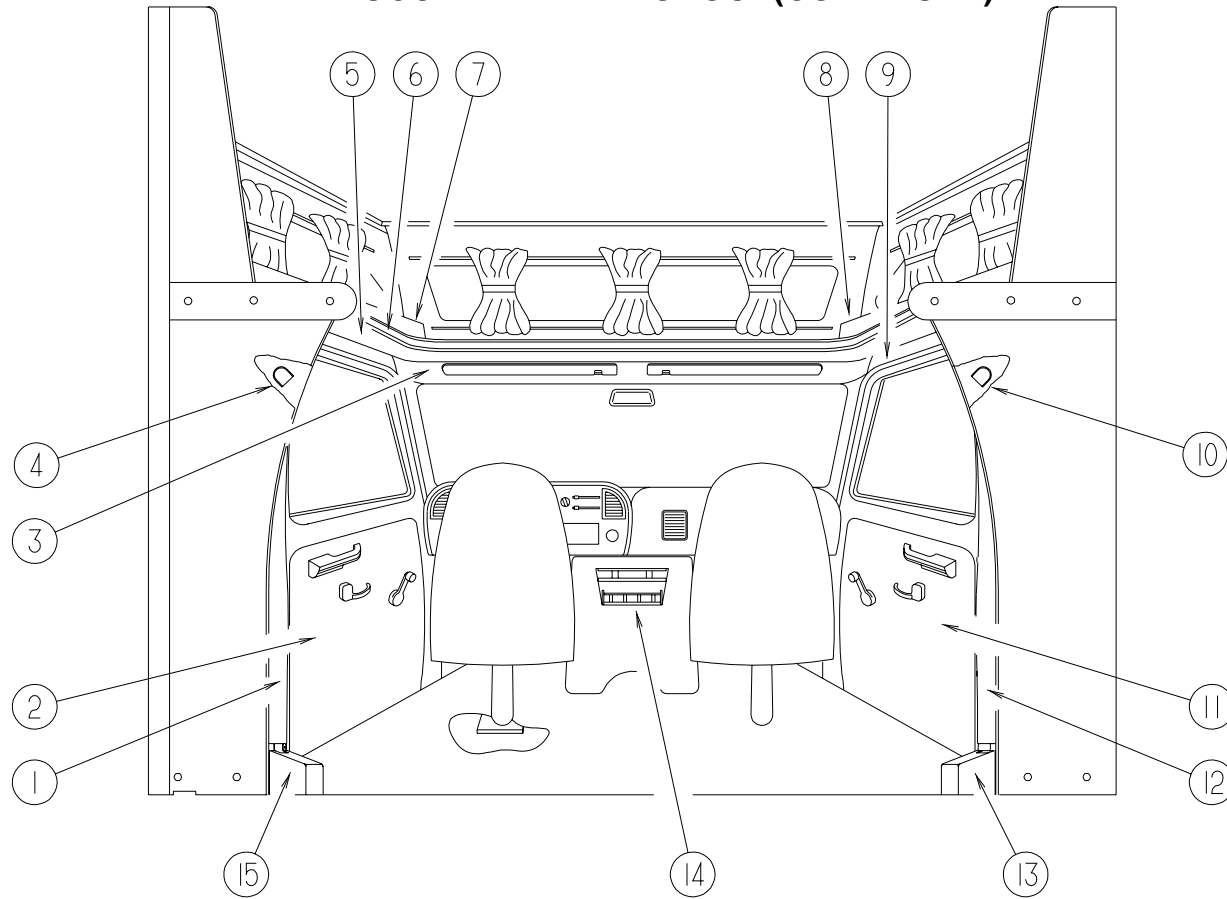
## DRIVERSCOMPARTMENTGROUP



### FRONTENTERTAINMENTCENTER

KEY	PARTNUMBER	U/M	DESCRIPTION
1	113156-02-H30	EA	CABINET-ENTERTAINMENTCTR-W/SHELF-DRIVERSIDE-W/ODOOR/HDW
2	M06803-F1-H30	EA	DOOR-MITEREDCORNER/OGEEEDGE-10.6"X19.9"-W/OHDW
3	110790-02-000	EA	BRACKET-TV TIEDOWN
4	111356-01-H30	EA	SHELF-TV-W/TIEDOWNBRACKET
5	113156-01-H30	EA	CABINET-ENTERTAINMENTCTR-W/SHELF-PASSSIDE-W/ODOOR/HDW
6	121563-01-H30	EA	FACE-ENTERTAINMENTCENTER-W/OHARDWARE
7	113155-11-F09	EA	COUNTERTOP-ENTERTAINMENTCENTERSTORAGE(H30)
7	113155-11-G05	EA	COUNTERTOP-ENTERTAINMENTCENTERSTORAGE(H31)
8	113155-12-G07	EA	COUNTERTOP-ENTERTAINMENTCENTERSTORAGE(H30)
8	113155-12-G05	EA	COUNTERTOP-ENTERTAINMENTCENTERSTORAGE(H31)
9	113155-21-F09	EA	COUNTERTOP-ENTERTAINMENTCENTER(H30)
9	113155-21-G05	EA	COUNTERTOP-ENTERTAINMENTCENTER(H31)
10	113155-01-H30	EA	CABINET/STORAGE-RIGHTEND-W/FLIPUPCOUNTERTOP
10	113155-01-H31	EA	CABINET/STORAGE-RIGHTEND-W/FLIPUPCOUNTERTOP
11	100847-01-H30	EA	DRAWER-ENTERTAINMENTCENTER-W/OHARDWARE
11	100847-01-H31	EA	DRAWER-ENTERTAINMENTCENTER-W/OHARDWARE
12	093673-01-01A	FT	TRIM/MOLDING-1.4"WIDEX8'LONG
13	113155-02-H30	EA	CABINET/STORAGE-LEFTEND-W/FLIPUPCOUNTERTOP
13	113155-02-H31	EA	CABINET/STORAGE-LEFTEND-W/FLIPUPCOUNTERTOP
14	113155-18-G07	EA	COUNTERTOP-ENTERTAINMENTCENTER(H30)
14	113155-18-G05	EA	COUNTERTOP-ENTERTAINMENTCENTER(H31)
15	113155-19-F09	EA	COUNTERTOP-ENTERTAINMENTCENTER(H30)
15	113155-19-G05	EA	COUNTERTOP-ENTERTAINMENTCENTER(H31)
	106699-01-01A	EA	BRACKET-OVERHEADCABINET/TV
	099717-02-000	EA	STRAP-TV TIEDOWNW/29.9" FEMALE STRAP & 14.2" MALE STRP

**DRIVERSCOMPARTMENTGROUP(CONTINUED)**



**DRIVERSCOMPARTMENT**

KEY	PARTNUMBER	U/M	DESCRIPTION
1	106446-02-C03	EA	TRIM-CABB-PILLAR-DRIVERSSIDE FROM: 00-00-00 THRU: 10-13-96
1	125031-02-G04	EA	TRIM-CABB-PILLAR-DRIVERSSIDE FROM: 10-14-96 THRU: 12-13-96
1	125031-02-H04	EA	TRIM-CABB-PILLAR-DRIVERSSIDE FROM: 12-14-96 THRU: 99-99-99
2	109573-02-H30	EA	PANEL-DOOR/DRIVER-FORD
2	109573-02-H31	EA	PANEL-DOOR/DRIVER-FORD
3	106448-01-C03	EA	HEADLINER-W/VINYL FROM: 00-00-00 THRU: 10-13-96
3	106448-01-C52	EA	HEADLINER-W/VINYL FROM: 10-14-96 THRU: 12-13-96
3	106448-01-H04	EA	HEADLINER-W/VINYL FROM: 12-14-96 THRU: 99-99-99
4	115038-02-01A	EA	COVER-SEATBELTUPPERLEFTHAND FROM: 00-00-00 THRU: 10-13-96
5	106447-02-C03	EA	TRIM-CABDOOR-UPPER-DRIVERSSIDE FROM: 00-00-00 THRU: 10-13-96
5	106447-02-C52	EA	TRIM-CABDOOR-UPPER-DRIVERSSIDE FROM: 10-14-96 THRU: 12-13-96
5	106447-02-H04	EA	TRIM-CABDOOR-UPPER-DRIVERSSIDE FROM: 12-14-96 THRU: 99-99-99
6	119520-01-01A	FT	MOLDING-T-1"W/EDGE LIPS(OFF/WHITE-CREAM)
7	109894-01-H30	EA	CABINET-HAMPER-FRONT-DRIVER
7	109894-01-H31	EA	CABINET-HAMPER-FRONT-DRIVER
8	109894-03-H30	EA	CABINET-HAMPER-FRONT-PASSENGER
8	109894-03-H31	EA	CABINET-HAMPER-FRONT-PASSENGER
9	106447-01-C03	EA	TRIM-CABDOOR-UPPER-PASSENGERSIDE FROM: 00-00-00 THRU: 10-13-96
9	106447-01-C52	EA	TRIM-CABDOOR-UPPER-PASSENGERSIDE FROM: 10-14-96 THRU: 12-13-96
9	106447-01-H04	EA	TRIM-CABDOOR-UPPER-PASSENGERSIDE FROM: 12-14-96 THRU: 99-99-99

**DRIVERSCOMPARTMENTGROUP(CONTINUED)**

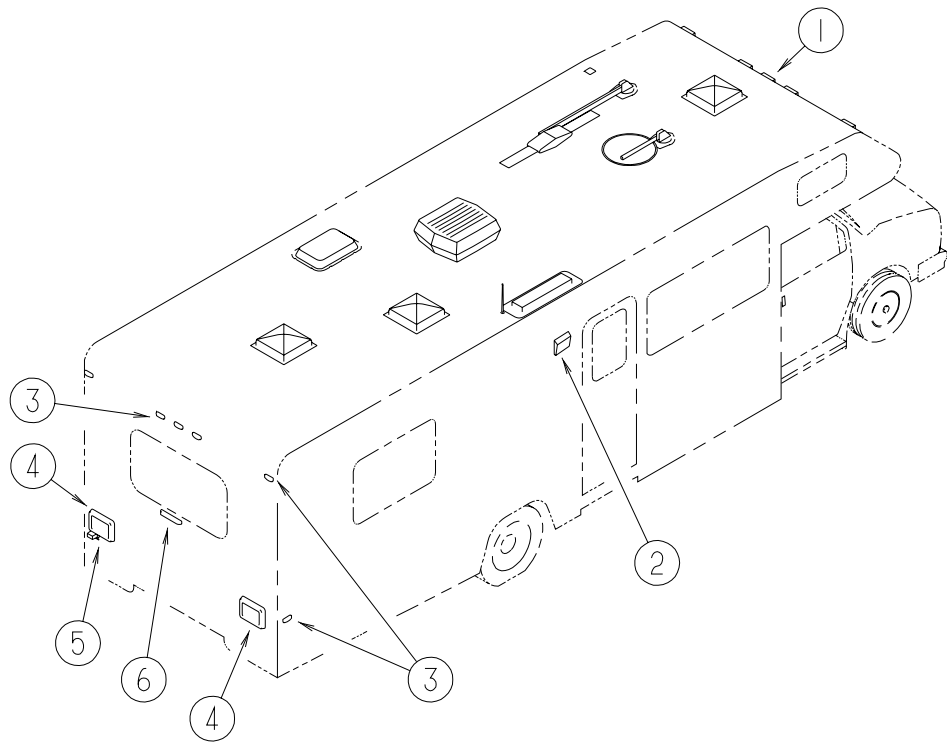
**DRIVERSCOMPARTMENT(CONTINUED)**

KEY	PARTNUMBER	U/M	DESCRIPTION	VENDORNO.
10	115038-01-01A	EA	COVER-SEATBELTUPPERRIGHTHAND FROM: 00-00-00 THRU: 10-13-96	
11	109573-01-H30	EA	PANEL-DOOR/PASSENGER-FORD	
11	109573-01-H31	EA	PANEL-DOOR/PASSENGER-FORD	
12	106446-01-C03	EA	TRIM-CABB-PILLAR-PASSENGERSIDE FROM: 00-00-00 THRU: 10-13-96	
12	125031-01-G04	EA	TRIM-CABB-PILLAR-PASSENGERSIDE FROM: 10-14-96 THRU: 12-13-96	
12	125031-01-H04	EA	TRIM-CABB-PILLAR-PASSENGERSIDE FROM: 12-14-96 THRU: 99-99-99	
13	106431-01-01A	EA	COVER-SEATBELTRECOIL-PASSENGERSIDE-OFFWHITE FROM: 00-00-00 THRU: 12-13-96	
13	106431-01-02A	EA	COVER-SEATBELTRECOIL-PASSENGERSIDE-VWGREY FROM: 12-14-96 THRU: 99-99-99	
14	112185-02-G07	EA	TRAY-BEVERAGE FROM: 00-00-00 THRU: 10-14-96	
14	125291-01-01A	EA	TRAY-BEVERAGE-F/DELUXEMOTORCOVER FROM: 10-15-96 THRU: 99-99-99	
14	046886-03-000	EA	ASHTRAY-CHROME W/COVER FROM: 00-00-00 THRU: 10-14-96	
	069885-23-G07	EA	COVER-MOTOR-W/POCKET(FORD)(H30) FROM: 00-00-00 THRU: 10-14-96	
	069885-23-H10	EA	COVER-MOTOR-W/POCKET(FORD)(H31) FROM: 00-00-00 THRU: 10-14-96	
15	106431-02-01A	EA	COVER-SEATBELTRECOIL-DRIVERSIDE-OFFWHITE FROM: 00-00-00 THRU: 12-13-96	
15	106431-02-02A	EA	COVER-SEATBELTRECOIL-DRIVERSIDE-VWGREY FROM: 12-14-96 THRU: 99-99-99	
	106025-03-01A	EA	LADDER-BUNK-BLACK-47.3"	
	106025-01-700	EA	BRACKETSET-F/BUNKLADDER	08-0030-00
	091952-01-000	EA	CLIP-GRIPPER-1"	

**INSTRUMENTCLUSTERS&SWITCHES**

KEY	PARTNUMBER	U/M	DESCRIPTION
	094795-09-000	EA	CLUSTER-INSTRUMENTPANEL-KM-GAS/DIESEL-FORD
	100138-01-000	EA	MODULE-DAYTIME/RUNNINGLIGHT-CANADIAN
	081994-06-000	EA	PLATE-SWITCH-AUXILIARYSTART
	108357-09-000	EA	SWITCH-ROCKERSPDT-ON/NONE/MOM-3TERMINAL
	108356-07-01A	EA	COVER/ACTUATORSWITCH-2ROWSDIMPLES-AUXSTART-BLACK
	087202-01-000	EA	SWITCH-4POSITIONW/KNOB5TERMINAL(REARAUTOHEATER)

## ELECTRICALGROUP



### EXTERIORLIGHTS

KEY	PARTNUMBER	U/M	DESCRIPTION	VENDORNO.
1	111102-01-000	EA	BASE-LAMPMARKER	
1	111102-02-000	EA	LENS-AMBER-LAMPMARKER	
	036196-01-000	EA	BULB-12VOLT-#194-.27AMP-BAYONETTE	
2	097917-01-06A	EA	LIGHT-PORCH-BRIGHTWHITE	
2	097917-01-700	EA	LENS-LIGHT,CLEAR	30-78-021
	008215-01-000	EA	BULB-12VOLT-#1003-.94AMP	
2	008089-02-000	EA	LIGHT-PORCH-RECESSED-CANADIAN	
2	008089-01-700	EA	LENS-LIGHT,RECESSED-PORCH DECO	
	008214-01-000	EA	BULB-12VOLTNO67-0.59AMP	
	091981-01-000	EA	GASKET-PORCHLIGHT	
3	111102-01-000	EA	BASE-LAMPMARKER	
3	111102-03-000	EA	LENS-RED-LAMPMARKER	
	036196-01-000	EA	BULB-12VOLT-#194-.27AMP-BAYONETTE	
4	081638-01-000	EA	TAILLIGHT/DOUBLEW/BLACKTRIM-DRIVER/PASSENGERSIDE	
4	081638-01-700	EA	LENS-TAILLIGHT,RED	30-84-010
4	081638-01-701	EA	LENS-TAILLIGHT,W/BACKUP	30-84-700
4	103355-01-05A	EA	POD-TAILLIGHT,BRIGHTWHITE	
4	037934-01-000	EA	BULB-12V-#1156-2.1AMPCLEARGLASS	
4	037935-01-000	EA	BULB-12V-#1157OR#2057-2.1AMP-CLEARGLASS	
5	066432-02-000	EA	LIGHT-LICENSE-BLACK	
	066432-03-000	EA	BRACKET-LICENSEPLATE	
6	121950-01-000	EA	LIGHT-BRAKE-CENTERMOUNT	

## ELECTRICALGROUP(CONTINUED)

### FUSES&CIRCUITBREAKERS

KEY	PARTNUMBER	U/M	DESCRIPTION
	008235-01-000	EA	FUSE-15AMP/12VOLT-AUTOMOTIVE
	062901-02-000	EA	FUSE-05AMPS-AUTOMOTIVE
	062901-05-000	EA	FUSE-15AMPS-AUTOMOTIVE
	100341-01-000	EA	FUSEHOLDER-INLINETYPE
	108669-01-000	EA	HOUSING-AUTOFUSEHOLDER
	083209-02-000	EA	CIRCUITBREAKER-15/15AMP-120VOLT
	083209-03-000	EA	CIRCUITBREAKER-15/20AMP-120VOLT
	083209-04-000	EA	CIRCUITBREAKER-30AMP-120VOLT
	083209-06-000	EA	CIRCUITBREAKER-30/15AMP-120VOLT
	093654-01-000	EA	CIRCUITBREAKER-6AMP-12VOLT
	093654-03-000	EA	CIRCUITBREAKER-20AMP-12VOLT
	093655-01-000	EA	CIRCUITBREAKER-25AMP-12VOLT
	093655-02-000	EA	CIRCUITBREAKER-30AMP-12VOLT

### POWERCONVERTER&INVERTER

KEY	PARTNUMBER	U/M	DESCRIPTION
	099048-03-000	EA	INVERTER-130WATT
	113132-01-000	EA	LOADCENTER-120/240VOLT-60AMP
	123058-02-000	EA	CONVERTER-45AMP-ELECTRONIC-41/8"HX7"WX123/8"L

### ELECTRICBOXES,COVERS&POWERCORDS

KEY	PARTNUMBER	U/M	DESCRIPTION
	008052-01-000	EA	CORD-POWER-10/3-30AMP-25'-CANADIAN
	008054-01-000	EA	CORD-POWER-10/3-30AMP-25'
	008289-01-000	EA	BOX-ELECTRIC/STEEL-1/2"&3/4"KNOCKOUTS-4"X4"
	008294-01-000	EA	COVER-ELECTRICALBOX-BLANK/STEEL-4"X4"-GRAY
	069238-01-000	EA	COVER-ELECTRICALBOX-W/HOLE-4"X4"-GRAY
	091910-01-000	EA	BOX-ELECTRIC-3.8"X3.5"X1.8"-PLASTIC
	091910-02-000	EA	BOX-ELECTRIC-2.2"X3.5"X1.7"-PLASTIC
	093257-02-000	EA	BOX-ELECTRIC-CIRCUITBREAKER
	093603-01-000	EA	BOX-ELECTRIC-4"X21/8"X21/8"
	107165-01-01A	EA	BOX-CIRCUITBREAKER-14.6"X4"-PLASTIC
	107165-03-01A	EA	BOX-CIRCUITBREAKER

### RELAYHOUSING&SOLENOID

KEY	PARTNUMBER	U/M	DESCRIPTION
	008188-01-000	EA	SOLENOID-3POST-BATTERYCHANGEOVER
	063910-01-000	EA	HOUSING-RELAY
	086233-01-000	EA	STUD-ISOLATED-3/8"X7/8"LONG
			FROM: 10-14-96 THRU: 99-99-99
	086273-01-000	EA	RELAY-BATTERYDISCONNECT

### WIRINGASSEMBLIES

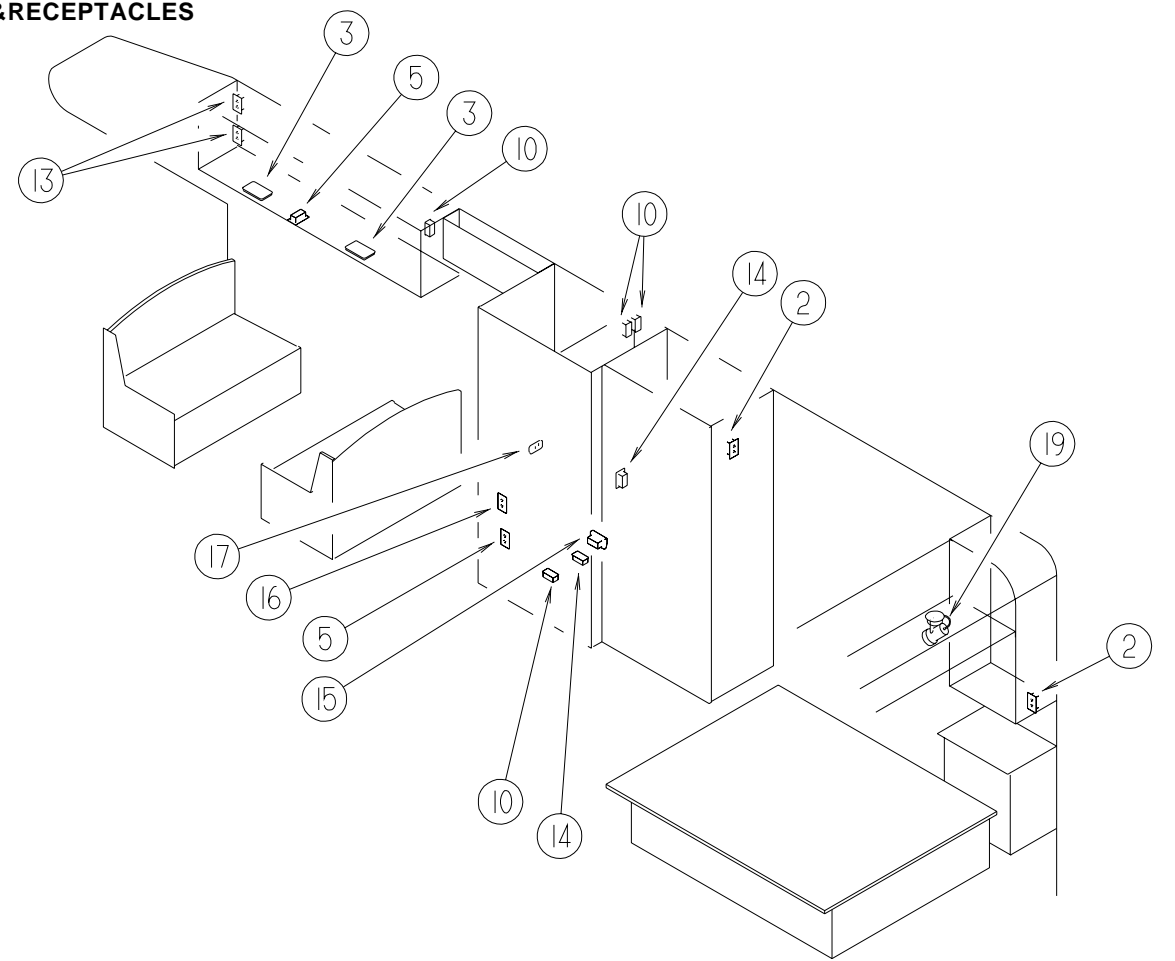
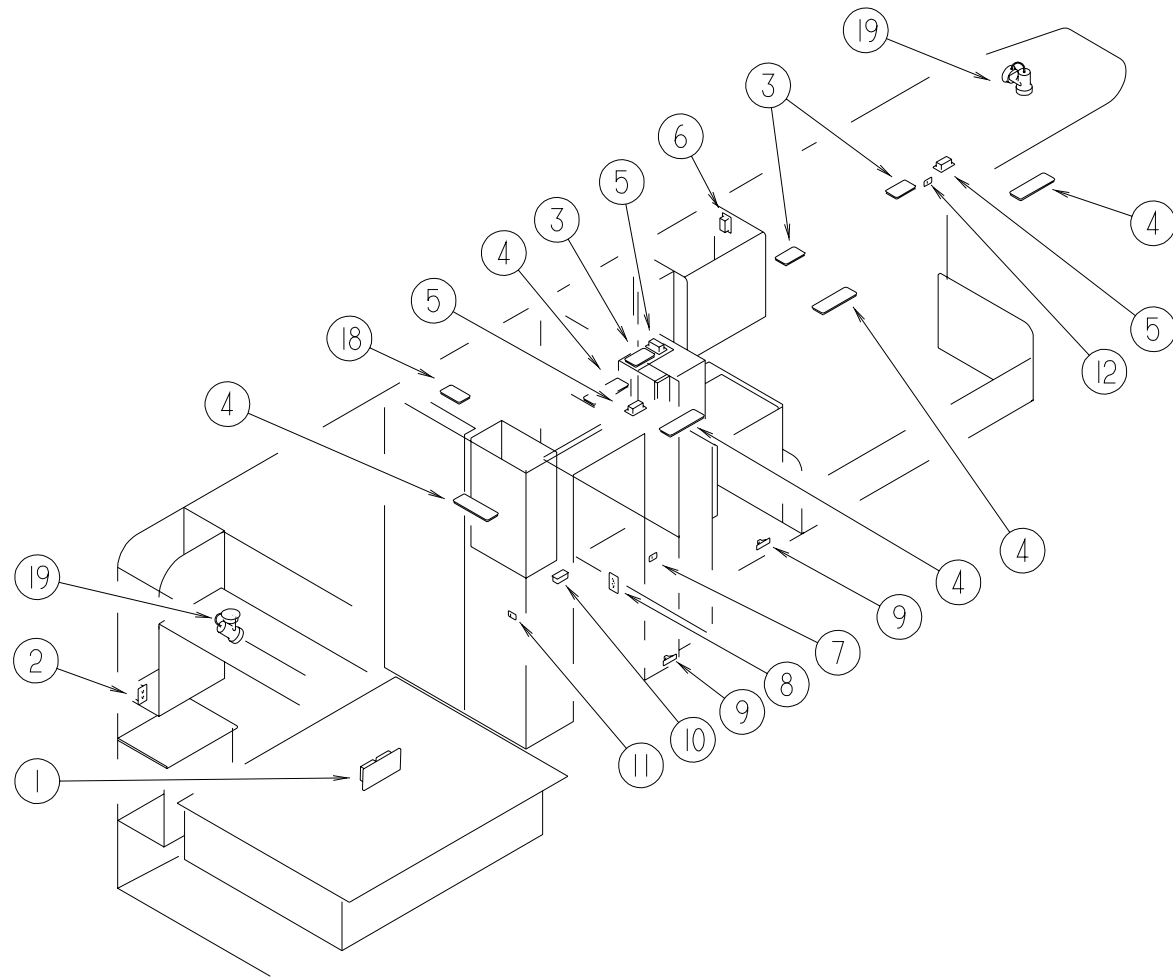
KEY	PARTNUMBER	U/M	DESCRIPTION
	073328-B4-000	EA	CABLEASSEMBLY-BATTERY-W/TERMINALS
	090986-01-000	EA	WIREASSEMBLY-ELECTRICSTEP
	096449-01-000	EA	WIREASSEMBLY-WATERTANKTOMONITORPANEL
	097618-01-000	EA	WIREASSEMBLY-MONITORPANEL-W/3WIRES&ORANGERESISTOR
	105306-01-000	EA	WIREASSEMBLY-MONITORPANELADAPTER
	106851-01-000	EA	WIREASSEMBLY-RUNNINGLIGHTS-FUSE
	116894-01-000	EA	WIREASSEMBLY-SPEEDSENSOREXTENDED

### WATERPUMPSWITCH&COVER/ACTUATOR

KEY	PARTNUMBER	U/M	DESCRIPTION
	108357-08-000	EA	SWITCH-ROCKERDPDT-ON/NONE/ON-6TERMINAL
	108356-02-01A	EA	COVER/ACTUATORSWITCH-2ROWSDIMPLES-CONTURAII-BLACK

## ELECTRICAL GROUP (CONTINUED)

### LIGHTS, SWITCHES & RECEPTACLES

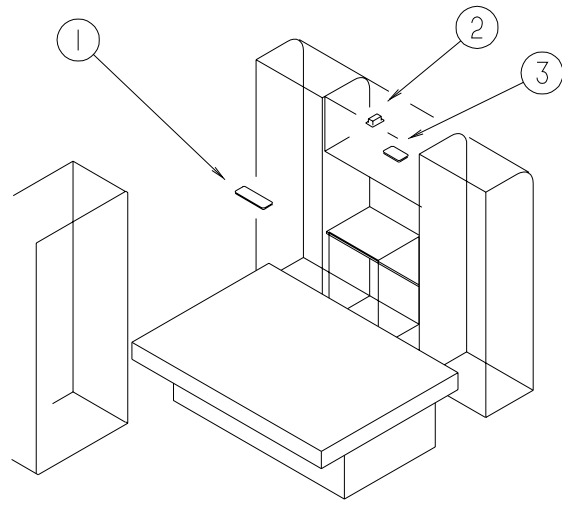


KEY	PART NUMBER	U/M	DESCRIPTION	VENDOR NO.
1	024924-02-000	EA	RECEPTACLE-POWERCORD-W/PARTIAL PLATE	
2	058708-02-000	EA	RECEPTACLE-ELECTRIC-DOUBLE-IVORY	
	102568-01-H37	EA	SPACER-RECEPTACLE-SIDEWALL	
3	098024-05-02A	EA	LIGHT-DOME-1 BULB-SKYLITE-WHITE	
	008218-01-000	EA	BULB-DOMELIGHT-12VOLT-NO.1141	
	098024-01-701	EA	LENS-OPTICLEAR-SKYLITE	809902
4	098024-03-02A	EA	LIGHT-DOME-2 BULB-WHITE	
	008218-01-000	EA	BULB-DOMELIGHT-12VOLT-NO.1141	
	098024-01-700	EA	LENS-LIGHT	807877
5	058708-01-000	EA	RECEPTACLE-ELECTRIC-DOUBLE-BROWN	
6	058708-05-000	EA	RECEPTACLE-SINGLE-BROWN	
7	098351-03-01A	EA	PLATE-SWITCH-3GANG POLISHED BRASS	
7	095188-02-01A	EA	SPACER-SWITCH-2.3" X 4.1"-PLASTIC-DARK BROWN	
7	079364-01-000	EA	SWITCH-ON/OFFROCKER-2 TERMINAL-BROWN	
7	079364-03-000	EA	SWITCH-ON/OFFROCKER-3 TERMINAL-BROWN	
8	084076-02-000	EA	RECEPTACLE-GFI-15 AMP-125 VOLT-BROWN	
	097734-01-02A	EA	EXTENSION-RECEPTACLE-3.2" X 5" X .7"-BROWN PLASTIC	
9	061424-01-000	EA	LIGHT-AISLE-12VOLT-RECTANGULAR	
	008103-01-000	EA	BULB-DASH/AISLE LIGHT-#53-12VOLT-.12 AMP	
10	058707-02-000	EA	RECEPTACLE-BLANK JUNCTION BOX	

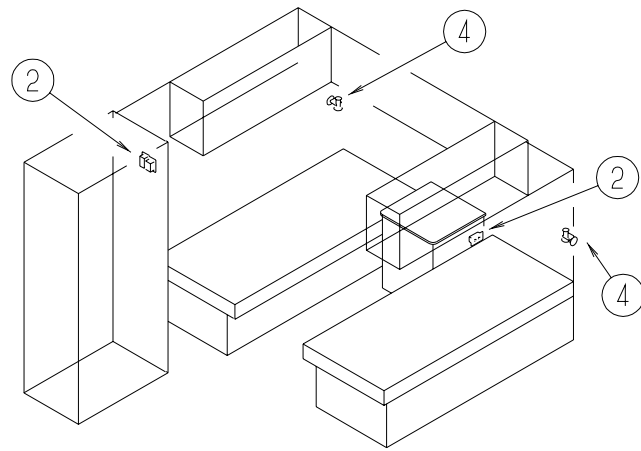
KEY	PART NUMBER	U/M	DESCRIPTION	VENDOR NO.
11	108357-08-000	EA	SWITCH-ROCKER DPDT-ON/NONE/ON-6 TERMINAL	
11	108356-02-01A	EA	COVER-ACTUATOR SWITCH-2 ROWS DIMPLES-CONTUR A II-BLACK	
12	098351-02-01A	EA	PLATE-SWITCH-3GANG POLISHED BRASS	
12	079364-03-000	EA	SWITCH-ON/OFFROCKER-3 TERMINAL-BROWN	
12	079364-01-000	EA	SWITCH-ON/OFFROCKER-2 TERMINAL-BROWN	
13	111414-01-000	EA	RECEPTACLE-12V-W/OBIMETAL	
14	058707-01-000	EA	RECEPTACLE-ELECTRIC-SINGLE-BROWN	
15	112822-01-01A	EA	RECEPTACLE-DUPLEX-IVORY	
15	112824-01-03A	EA	COVER-RECEPTACLE-EXTERIOR DUPLEX	
16	098351-07-01A	EA	PLATE-SWITCH-GENERATOR-POLISHED BRASS	
16	108357-06-000	EA	SWITCH-ROCKER DPDT-MOM/OFF/MOM-6 TERMINAL	
16	108356-11-01A	EA	COVER-ACTUATOR SWITCH-3 GROOVES-AUX BATT-BLACK	
17	098351-05-01A	EA	PLATE-SWITCH-3GANG POLISHED BRASS	
17	095188-02-01A	EA	SPACER-SWITCH-2.3" X 4.1"-PLASTIC-DARK BROWN	
17	079364-01-000	EA	SWITCH-ON/OFFROCKER-2 TERMINAL-BROWN	
18	121935-01-01A	EA	LIGHT-DOME-SHOWER	
19	104173-01-01A	EA	LIGHT-DESIGNER-BRASS	
	104173-01-700	EA	BULB	81900
19	104172-01-01A	EA	LIGHT-BULLET-BULB #93 12V-CSA	



**ELECTRICALGROUP(CONTINUED)**



DOUBLE BED



TWIN BEDS

**LIGHTS&RECEPTACLESW/OPTIONALBEDROOMS**

KEY	PARTNUMBER	U/M	DESCRIPTION	VENDORNO.
1	098024-05-02A	EA	LIGHT-DOME-1BULB-SKYLITE-WHITE	
	008218-01-000	EA	BULB-DOMELIGHT-12VOLT-NO.1141	
	098024-01-701	EA	LENS-OPTICLEAR-SKYLITE	809902
2	058708-01-000	EA	RECEPTACLE-ELECTRIC,DOUBLE-BROWN	
2	076319-08-000	EA	WALLPLATE-CABLERECEPTACLE-TV-SINGLE/IVORY	
2	076319-09-000	EA	WALLPLATE-CABLERECEPTACLE-TV-SINGLE-BROWN	
3	104173-01-01A	EA	LIGHT-DESIGNER-BRASS	
	104173-01-700	EA	BULB	81900
3	104172-01-01A	EA	LIGHT-BULLET-BULB#9312V-CSA	
4	058708-01-000	EA	RECEPTACLE-ELECTRIC,DOUBLE-BROWN	

**ELECTRICALGROUP(CONTINUED)**

**CONDUIT,CONNECTORS,HOUSINGS&TERMINALS**

KEY	PARTNUMBER	U/M	DESCRIPTION
	007956-05-000	EA	INSULATOR-SHRINK-.25IDX1.50
	008311-01-000	EA	CONNECTOR-WIRENUT-INSULATED-RED
	008313-01-000	EA	CONNECTOR-WIRENUT-INSULATED-YELLOW
	008314-01-000	EA	CONNECTOR-WIRENUT-INSULATED-GRAY
	008326-01-000	EA	TERMINAL-RING-16/14WIRE-3/8"STUD
	008328-01-000	EA	TERMINAL-RING-12/10WIRE-#10STUDFIT
	008331-01-000	EA	TERMINAL-RING-TONGUE-#4WIRE-3/8"STUD-COPPER
	008348-01-000	EA	TERMINAL-RING-3/8"STUD2GA.WIRE
	008355-01-000	EA	CONNECTOR-CABLECLAMPING-3/4"
	008356-01-000	EA	CONNECTOR-PLASTIC-3/8"AVG
	035416-04-000	EA	TERMINAL-RING-#10STUDFIT-INSULATEDBARREL#16/14
	041953-01-000	FT	CONDUIT-CONVOLUTESLIT-.5"ID
	041953-01-000	FT	CONDUIT-CONVOLUTESLIT-.5"ID
	041953-03-000	FT	CONDUIT-CONVOLUTESLIT-1"ID(CLOTHESRODCOVER)
	041953-05-000	FT	CONDUIT-CONVOLUTESOLID-.62"ID
	041953-06-000	FT	CONDUIT-CONVOLUTESLIT-.375"ID
	041953-07-000	FT	CONDUIT-CONVOLUTESLIT-.25"ID
	041953-08-000	FT	CONDUIT-CONVOLUTESLIT-1.50"ID
	041953-09-000	FT	CONDUIT-CONVOLUTESLIT-.50"ID
	041953-10-000	FT	CONDUIT-CONVOLUTESLIT-.75"ID
	041953-11-000	FT	CONDUIT-CONVOLUTESLIT-1.06"ID
	041953-12-000	FT	CONDUIT-CONVOLUTENONSLIT-1.1"ID
	047443-01-000	EA	TERMINAL-.250RECEPTACLEFIT-INSULATED-16/14AWG
	058028-01-000	EA	CONNECTOR-ELECTRICALPIGTAIL-NYLON-CLEAR
	077479-01-000	EA	BOOT-BATTERYTERMINAL-DOUBLECABLE
	077479-02-000	EA	BOOT-BATTERYTERMINAL-SINGLECABLE
	080015-02-000	EA	RECEPTACLE-FLAG-.185-16/14GAUGE
	080015-03-000	EA	RECEPTACLE-FLAG-.250-14/16GAUGE
	087949-01-000	EA	BUSSBAR-2POSITION-.6"X1.5"
	088473-01-000	EA	HOUSING-PIN-12CAVITY
	088473-03-000	EA	HOUSING-PIN-9CAVITY
	088473-05-000	EA	HOUSING-PIN-6CAVITY
	088473-06-000	EA	HOUSING-PIN-6CAVITY
	088473-07-000	EA	HOUSING-PIN-5CAVITY
	088473-08-000	EA	HOUSING-PIN-4CAVITY
	088473-09-000	EA	HOUSING-PIN-3CAVITY
	088473-10-000	EA	HOUSING-PIN-2CAVITY
	088474-01-000	EA	HOUSING-SOCKET-12CAVITY
	088474-02-000	EA	HOUSING-SOCKET-15CAVITY
	088474-03-000	EA	HOUSING-SOCKET-9CAVITY
	088474-06-000	EA	HOUSING-SOCKET-6CAVITY
	088474-07-000	EA	HOUSING-SOCKET-5CAVITY
	088474-08-000	EA	HOUSING-SOCKET-4CAVITY
	088474-09-000	EA	HOUSING-ELECTRICAL-3TERMINAL
	088474-10-000	EA	HOUSING-SOCKET-2CAVITY
	088475-01-000	EA	PIN-CONNECTOR-14-20AWG
	088475-02-000	EA	PIN-CONNECTOR-10-12AWG
	088476-01-000	EA	TERMINAL-ELECTRICAL
	088476-02-000	EA	SOCKET-CONNECTOR-12-10GA-PRE-TIN
	098262-01-000	EA	SEAL-CONNECTOR-WEATHERPACK
	098265-02-000	EA	PIN-CONNECTOR-WEATHERPACK
	101751-01-000	EA	HOUSING-1PIN-WEATHERPACK
	101751-02-000	EA	HOUSING-1PIN-WEATHERPACK
	102777-02-000	EA	TERMINAL-RING-#6STUD-10AWG
	106655-01-000	EA	TERMINAL-FUSEBLOCK-14-16AWG
	106655-02-000	EA	TERMINAL-FUSEBLOCK-10-12AWG
	125323-02-000	EA	HOUSING-8POSITION-MALE
	125324-01-000	EA	TERMINAL-MALE
	125325-01-000	EA	SEAL-CAVITY

**EXTERIORBODYGROUP**

**FIBERGLASS,STYROFOAM&ALUMINUMCHANNEL**

KEY	PARTNUMBER	U/M	DESCRIPTION
	000870-08-000	SF	STYROFOAM-.75"X48"X96"PLANEEXPANDEDBEADBOARD
	002726-01-001	EA	GARNISH-U-CHANNEL-1.38"X19"-SERRATED
	033381-17-001	FT	STEEL-TUBE-16GAUGE1.5"X1.5"X16'
	068716-01-001	EA	BRACE-90DEGREEEL-ANGLE-16'
	076054-P9-000	EA	FIBERGLASSSHEET-37.4"X99.25"-BRIGHTWHITE
	076054-R1-000	EA	FIBERGLASSSHEET-24"X65.9"-BRIGHTWHITE
	076054-S3-000	EA	FIBERGLASSSHEET-101.4"X106.9"-BRIGHTWHITE
			FROM: 00-00-00 THRU: 09-19-96
	076054-W2-000	EA	FIBERGLASSSHEET-85"X339"-BRIGHTWHITE
	076054-W5-000	EA	FIBERGLASSSHEET-101.42"X108.66"-BRIGHTWHITE
	077517-62-000	EA	FIBERGLASS-SHEET-48"X96"-BRIGHTWHITE
	083574-06-000	SF	STYROFOAM-.75X48"X108"-INCREMENTSOF14SF
	089297-01-000	SF	PLYWOOD-LUAN-OVERLAYGRADE-48"X96"
	100619-01-000	BF	FOAM-EXPANDEDPOLYSTYRENE-1.34"X48"X96"
	100619-02-000	BF	FOAM-EXPANDEDPOLYSTYRENE-1.5"X48"X96"
	100619-04-000	BF	FOAM-EXPANDEDPOLYSTYRENE-.5"X48"X96"
	100619-05-000	BF	FOAM-EXPANDEDPOLYSTYRENE-.75"X48"X96"
	100619-11-000	BF	FOAM-EXPANDEDPOLYSTYRENE-2"X48"X96"
	100619-13-000	BF	FOAM-EXPANDEDPOLYSTYRENE-.34"X34.65"X96"
	100619-16-000	BF	FOAM-EXPANDEDPOLYSTYRENE-.75"X48"X96"
	108535-05-702	EA	FIBERGLASSSHEET-FLAT-110"X396"BRIGHTWHITE-ROOF
	108535-06-700	EA	FIBERGLASSSHEET-102"X102"BRIGHTWHITE
	117754-03-01A	EA	FIBERGLASSSHEET-10.5"X96"BRIGHTWHITE
	125838-01-002	EA	ACRYLIC SHEET-.125X1.8"X2"

**RUNNINGBOARDS**

KEY	PARTNUMBER	U/M	DESCRIPTION
	106461-03-000	EA	HARDWAREKIT-RUNNINGBOARD
	106461-06-01A	EA	RUNNINGBOARD-FORD-RIGHTHAND
	106461-07-01A	EA	RUNNINGBOARD-FORD-LEFTHAND
	106461-04-000	EA	TRIM-RUNNINGBOARDFORD -QUALITYSET/2
	106461-05-000	EA	NONSKIDSTRIP-RUNNINGBOARD-QUALITYSET/6

**EXTERIORBODYGROUP(CONTINUED)**

**AWNING & HARDWARE - A & E**

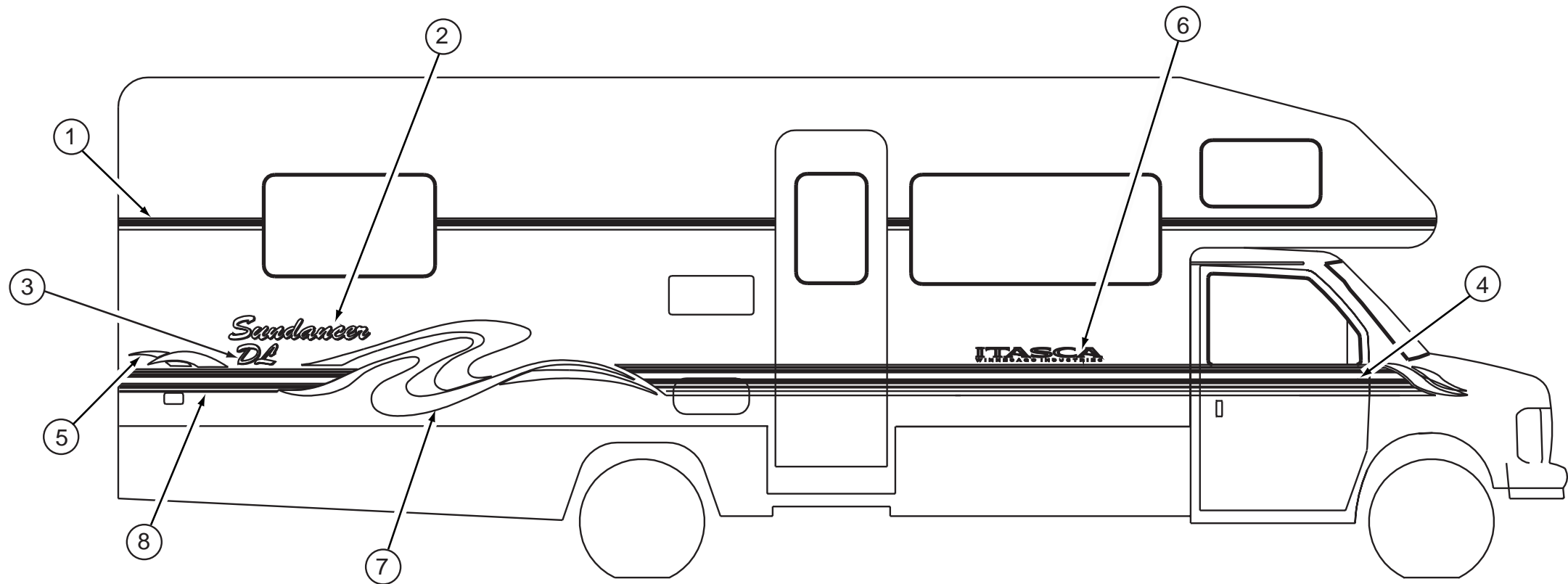
KEY	PARTNUMBER	U/M	DESCRIPTION	VENDORNO.
	113874-05-04A	EA	AWNING-W/OHDW14'(EMERALDFROST)VINYL	
	113874-01-02A	EA	HARDWAREKIT-AWNING-W/OSTANDOFFBRACKET-BRIGHTWHITE	
	113874-01-702	EA	KNOB-ADJUSTING	3105421.014
	113874-01-703	EA	ROD-CENTERPULLW/ACCESSORYS	830152.102
	113874-01-706	EA	LOCK-TRAVEL	830587.001
	113874-01-707	EA	HANDLE-LIFTW/RIVETS	830644
	113874-01-709	EA	NAIL-SPIKE,8"	113006
	113874-01-710	EA	PLUG-STOPKIT	830456
	113874-01-712	EA	FOOT-PATIO	730366-001
	113874-01-714	EA	RAFTER-MAINRH/LHBRT/WHT	830295.536F
	113874-01-715	EA	RAFTER-SECONDARYBRT/WHT	830463.511F
	113874-01-716	EA	ARM-MAINSUPPORTBRT/WHT	3104502.293/F
	113874-01-717	EA	ARM-ADJUSTABLEBRT/WHT	830467.517/F
	111038-01-01A	EA	SPACER-AWNING-LOWER	

**EXTERIORMIRRORS-VELVAC**

KEY	PARTNUMBER	U/M	DESCRIPTION	VENDORNO.
	120269-08-000	EA	HARNESSELECTRICMIRROR	
	120269-05-01A	EA	MIRROR-EXTERIOR-W/HEAT/REMOTE-PASSENGER	
	120269-06-01A	EA	MIRROR-EXTERIOR-W/HEAT/REMOTE-DRIVER	
	120269-05-701	EA	GLASSONLYREPLACEMENTRH/LH	709411-8
	120269-07-01A	EA	PANEL-DRIVERSDOORMIRRORCONTROLW/SWITCH&PIGTAIL	

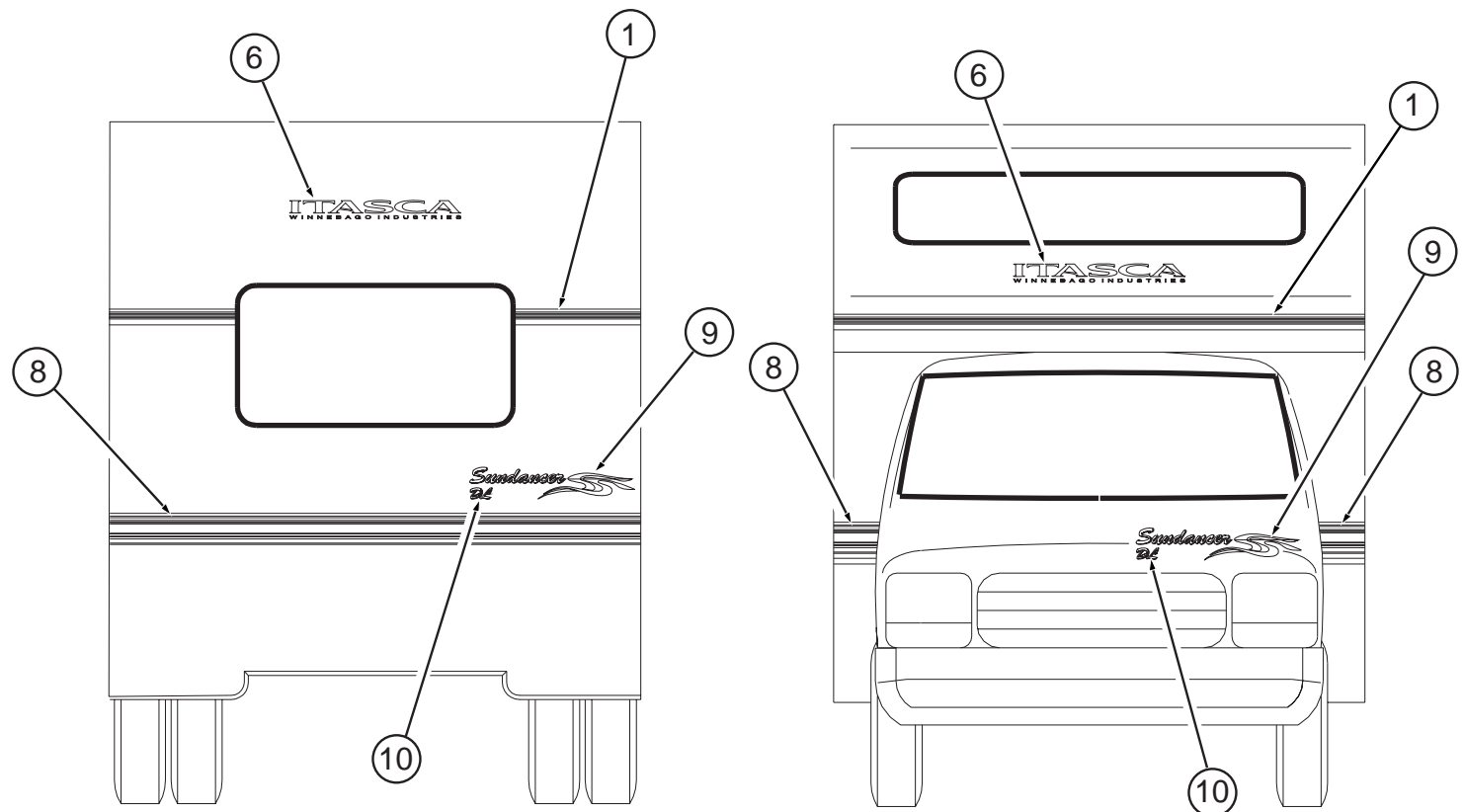
# EXTERIORBODYGROUP(CONTINUED)

## DECALS,STRIPES&PAINT



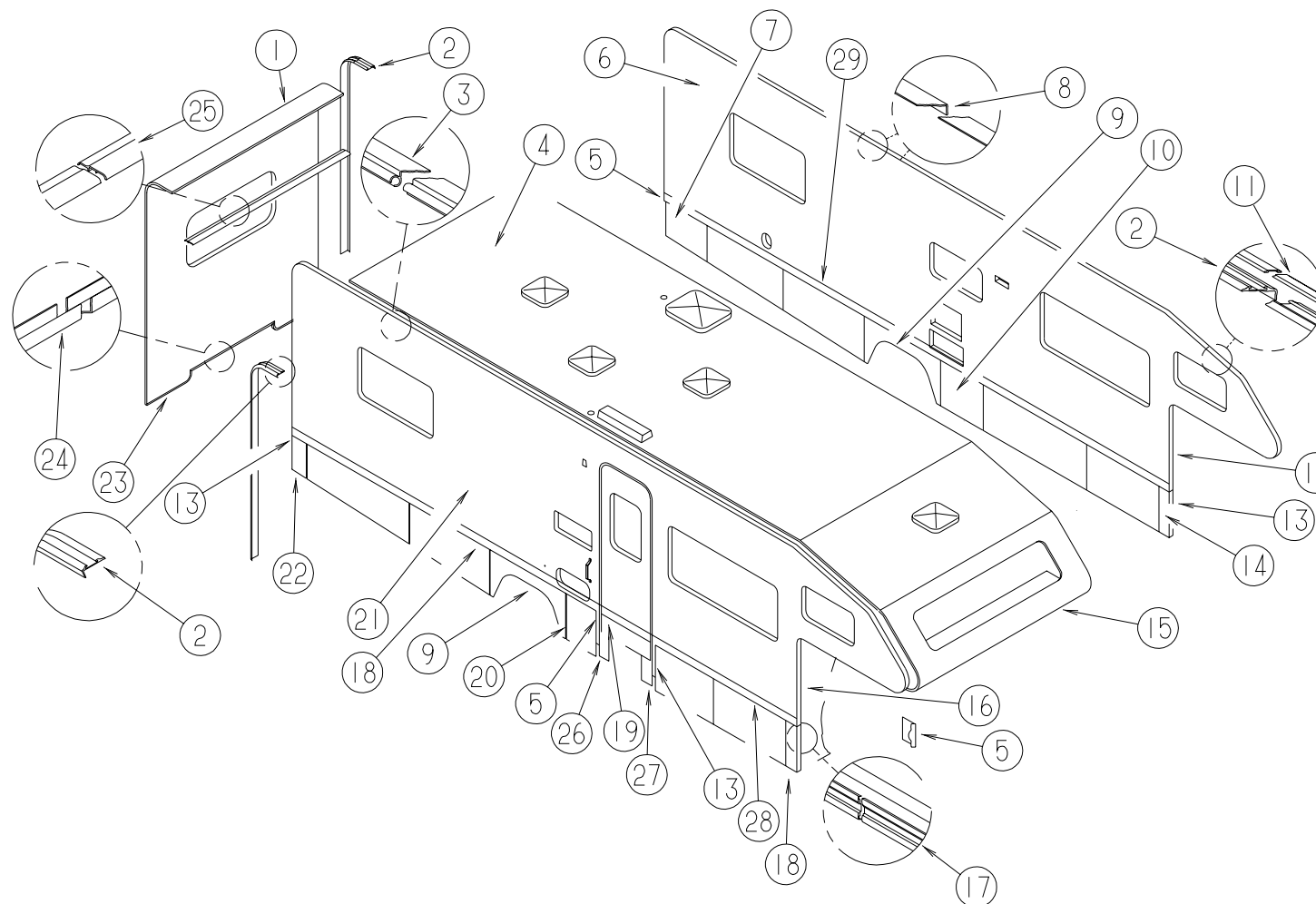
KEY	PARTNUMBER	U/M	DESCRIPTION
1	093689-21-01A	FT	FILM-MULTISTRIPE-2.7"
2	120996-01-01A	EA	DECAL-LOGO-SUNDANCER
3	120995-01-01A	EA	DECAL-LOGO-DL/LARGE
4	120999-01-01A	EA	DECAL-CAB-RIGHTHAND
4	120999-02-01A	EA	DECAL-CAB-LEFTHAND
5	120998-01-01A	EA	DECAL-TAILS-RIGHTHAND
5	120998-02-01A	EA	DECAL-TAILS-LEFTHAND
6	120711-02-01A	EA	DECAL-ITASCA-WINNEBAGOINDUSTRIES
7	120997-01-01A	EA	DECAL-SWIRL-RIGHTHAND
7	120997-02-01A	EA	DECAL-SWIRL-LEFTHAND
8	121001-01-01A	FT	FILM-OVERLAY-MULTISTRIPE-7.4"
9	121000-01-01A	EA	DECAL-SUNDANCER-W/SWIRL
10	120995-02-01A	EA	DECAL-LOGO-DL/SMALL

DUPONTCOLORCODES	
BRIGHTWHITE	B8951
SUPERBLUOMET	F1915
BROWNMET	MM031
SUPERBLUOMET	BM351
LIGHTGREENMET	GM200
DUSTYORCHIDMET	F2984



## EXTERIORBODYGROUP(CONTINUED)

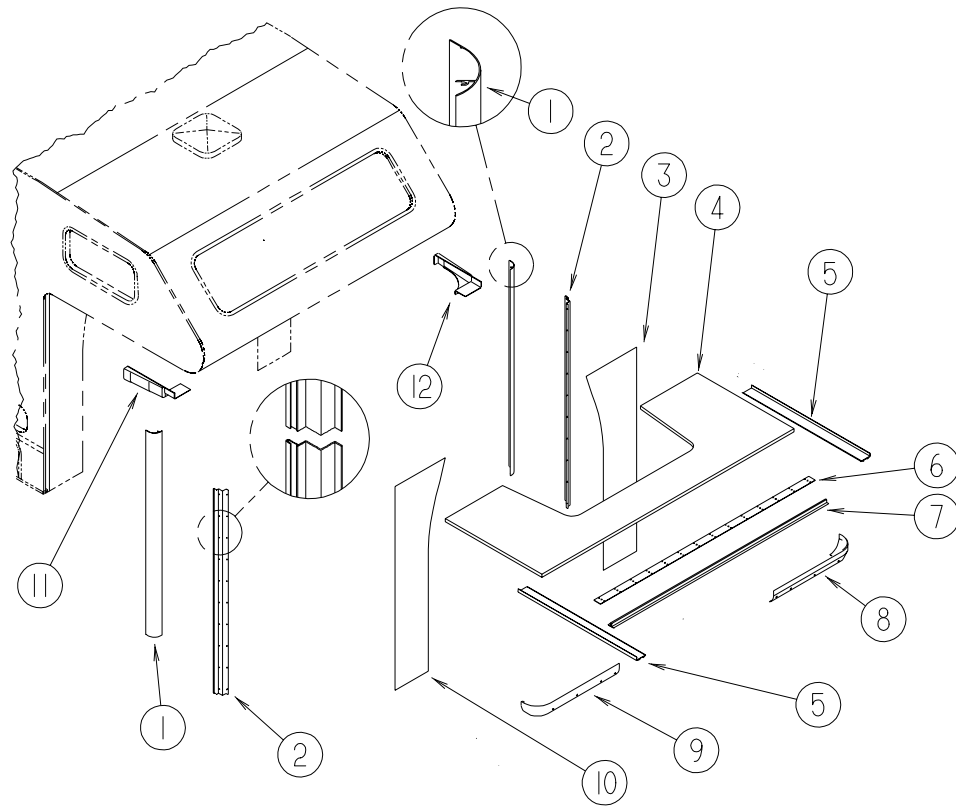
### BODYPANELS&TRIMS



KEY	PARTNUMBER	U/M	DESCRIPTION
1	P23953-02-H30	EA	BACKWALL-W/OWINDOW/TRIM-TWINBED
1	P23953-02-H31	EA	BACKWALL-W/OWINDOW/TRIM-TWINBED
1	P23953-03-H30	EA	BACKWALL-W/OWINDOW/TRIM-DOUBLEBED
1	P23953-03-H31	EA	BACKWALL-W/OWINDOW/TRIM-DOUBLEBED
1	P23953-01-H30	EA	BACKWALL-W/OWINDOW/TRIM-QUEENBED
1	P23953-01-H31	EA	BACKWALL-W/OWINDOW/TRIM-QUEENBED
2	096854-05-02A	EA	TRIM-CONTOUR-115"LONG-PASSENGER/DRIVERSIDE
3	099583-55-004	EA	AWNINGRAIL-133.9"-BRIGHTWHITE
	099583-55-003	EA	AWNINGRAIL-25.4"
4	P23310-01-H07	EA	ROOF-W/OLIGHTS/VENTS-W/WIRING
5	124132-01-01A	EA	CAP-TRIM/SIDEWALL-RIGHTHAND
6	P24011-02-H30	EA	SIDEWALL-DRIVER-W/OWINDOWS/TRIM
6	P24011-02-H31	EA	SIDEWALL-DRIVER-W/OWINDOWS/TRIM
7	122732-07-H30	EA	PANEL-REARVALANCE-W/OHARDWARE
8	096864-01-02A	EA	TRIM-CONTOURROOFTOSIDEWALL-10'
8	096864-02-02A	EA	TRIM-CONTOUR/ROOF
9	121304-02-02A	EA	PANEL-WHEELIP-REAR
10	122776-11-H30	EA	PANEL-VALANCE-W/OHARDWARE
11	105312-01-07A	FT	INSERT-FEATURESTRIPVINYL-BRIGHTWHITE
12	108037-02-02A	EA	COVER-WINGWALLOUTER-CURVEDBRIGHTWHITEALUMINUM
13	124132-02-01A	EA	CAP-TRIM/SIDEWALL
14	122776-07-H30	EA	PANEL-VALANCE-W/OHARDWARE
15	P21337-01-H07	EA	ROOF-FRONTONLY-W/OLIGHTS/VENTS-W/WIRING

KEY	PARTNUMBER	U/M	DESCRIPTION
16	104479-05-02A	EA	TRIM-FRONTCONTOUR-BRIGHTWHITE
17	124176-01-01A	EA	TRIM-SIDEWALL-BRIGHTWHITE
18	122776-06-H30	EA	PANEL-VALANCE-W/OHARDWARE
19	108688-01-03A	EA	STRIP-FEATURE-15'
19	108651-01-01A	EA	ENDCAP-FEATURESTRIP
19	122828-23-01A	EA	TRIM-SIDEWALL-FEATURESTRIP
20	122776-08-H30	EA	PANEL-VALANCE-W/OHARDWARE
21	P24012-02-H30	EA	SIDEWALL-PASSENGER-W/OWINDOWS/TRIM
21	P24012-02-H31	EA	SIDEWALL-PASSENGER-W/OWINDOWS/TRIM
22	122732-06-H30	EA	PANEL-REARVALANCE-W/OHARDWARE
23	103334-03-02A	EA	TRIM-BACKWALL/LOWER
24	103335-02-02A	EA	TRIM-BACKWALL/LOWER
25	078580-02-000	EA	TRIM-ROOF/FROTCAP
26	125089-02-H30	EA	TRIMASM-ENTRANCESTEP
27	125089-01-H30	EA	TRIMASM-ENTRANCESTEP
28	122801-02-01A	EA	TRIM-SIDEWALL-BRIGHTWHITE
29	122801-01-01A	EA	TRIM-SIDEWALL-192"-BRIGHTWHITE
	121117-02-12B	EA	ANGLE-W/HOLES,BRT/WHT(2USED)
	107865-01-000	EA	ROD-SUPPORT-VALANCEPANEL-14.3"
	107865-06-000	EA	ROD-SUPPORT-VALANCEPANEL-15"
	002726-01-001	EA	GARNISH-U-CHANNEL-1.38"X19'-SERRATED
	002365-03-006	EA	U-CHANNEL-EXTRUDED-1"X192"-BRIGHTWHITE
	122613-55-002	EA	EXTRUDED-ROCKERPANEL-192"-SUPERBLUE

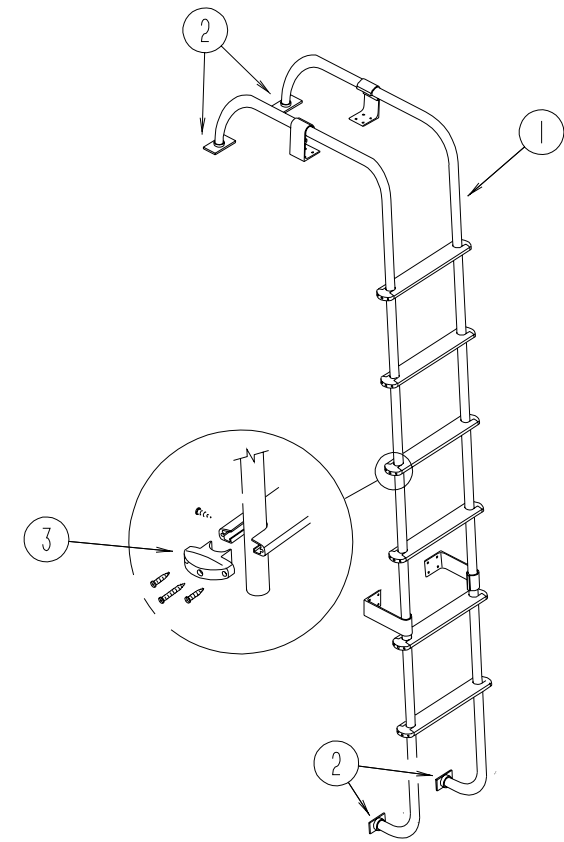
**EXTERIORBODYGROUP(CONTINUED)**



**WINGWALL,SLEEPERBOARD&TRIM**

KEY	PARTNUMBER	U/M	DESCRIPTION
1	108037-02-02A	EA	COVER-WINGWALLOUTER-CURVEDBRIGHTWHITEALUMINUM
2	105015-02-02A	EA	TRIM-WINGWALL/SIDEWALLINNERSUPPORTBRACKET
3	118336-02-G07	EA	WINGWALL
4	P18335-01-G04	EA	SLEEPERBOARD
5	096854-05-02A	EA	TRIM-CONTOUR-115"LONG-PASSENGER/DRIVERSIDE
5	105312-01-07A	FT	INSERT-VINYLFEATURESTRIP-BRIGHTWHITE
6	100086-04-01A	EA	TRIM-SLEEPERBOARD/ROOF-2"X96.6"
7	100085-05-01A	EA	TRIM-STRAP-SLEEPERBOARD
8	122910-02-G07	EA	COVER-WINGWALL-DRIVER
9	122910-01-G07	EA	COVER-WINGWALL-PASSENGER
10	118336-01-G07	EA	WINGWALL
11	104444-01-02A	EA	COVER-WINGWALLTRIM-UPPERPASSENGER
12	104444-02-02A	EA	COVER-WINGWALLTRIM-UPPERDRIVER

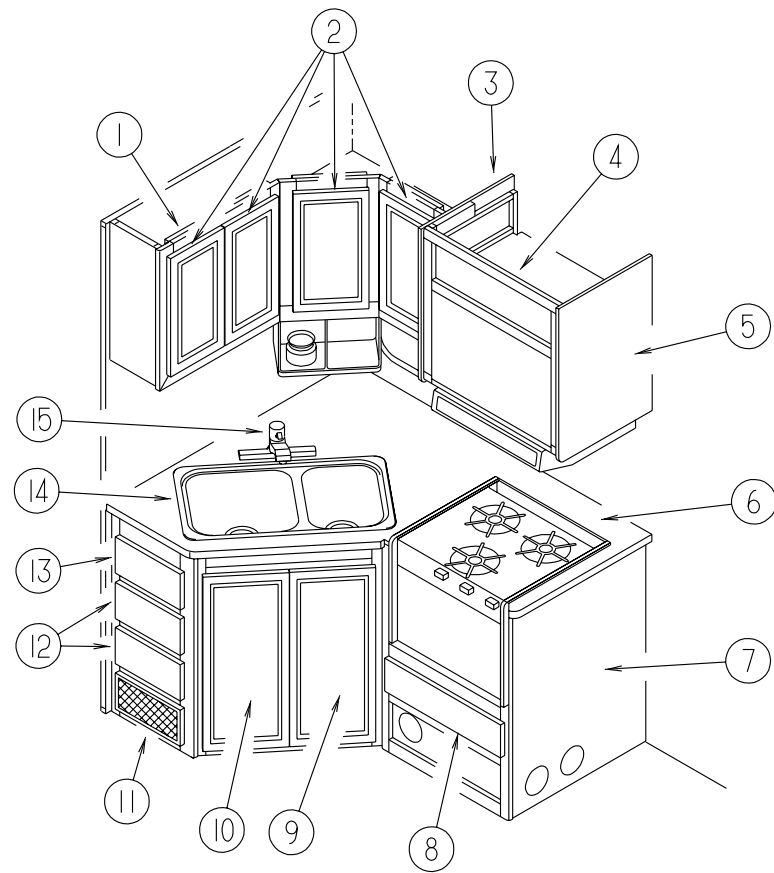
**EXTERIORBODYGROUP(CONTINUED)**



**LADDER**

KEY	PARTNUMBER	U/M	DESCRIPTION
1	102953-15-G04	EA	LADDER
2	067165-01-000	EA	BRACKET-MOUNTING-LOWERLADDER
	000G39-06-10T	EA	SCREW-SF/DR-6-20X5/8PPH-BLACK
	000G68-10-36T	EA	SCREW-10-12X2.25POHBLACK
3	076980-02-000	EA	ENDCAP-STEP-BLACK
	038327-01-000	EA	TAPE-ANTI-SLIP-2"X60'

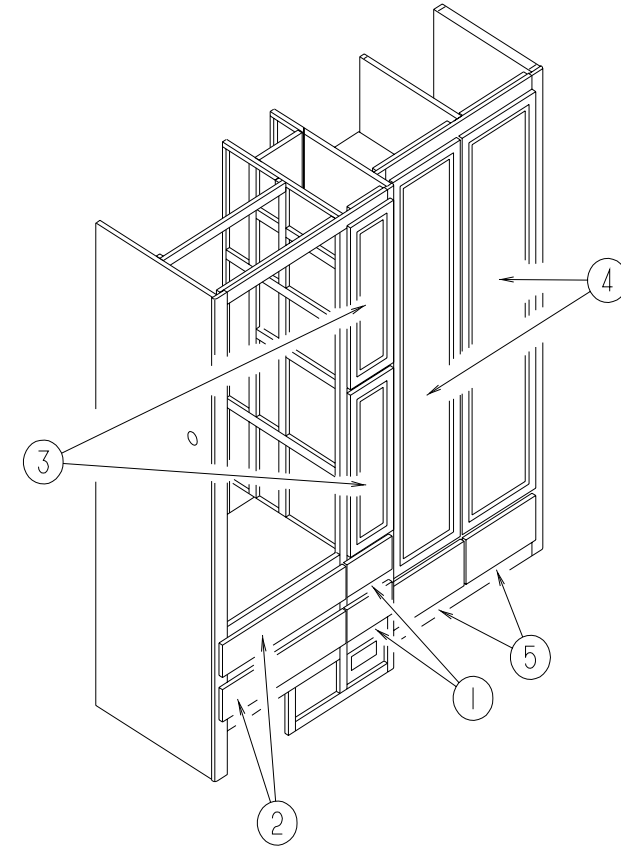
## GALLEYGROUP



## GALLEYCABINETRY

KEY	PARTNUMBER	U/M	DESCRIPTION
1	121393-01-H30	EA	CABINET-OVERHEADGALLEYW/ODOORS/HARDWARE
	121393-11-H30	EA	SHELF-W/PLASTICEDGETRIM
2	M06803-F8-H30	EA	DOOR-MITEREDCORNER/OGEEEDGE-10"X19.1"-W/OHDW
3	109908-07-G30	EA	ENDCAP-OVERHEADCABINET
4	122267-01-H30	EA	CABINET-MICROWAVE-W/ODOORS/HARDWARE
5	109908-21-H30	EA	ENDCAP-OVERHEADCABINET
6	121281-16-G07	EA	COUNTERTOP-GALLEY(H30)
6	121281-16-G05	EA	COUNTERTOP-GALLEY(H31)
7	P21281-03-H30	EA	CABINET-GALLEY-W/ODOORS/DRAWERS/HARDWARE
7	P21281-03-H31	EA	CABINET-GALLEY-W/ODOOR/DRAWERS/HARDWARE
8	M05971-X4-H30	EA	DRAWER-OGEEEDGE-W/OSLIDES/HARDWARE
9	M06803-E6-H30	EA	DOOR-MITEREDCORNER/OGEEEDGE-10"X29.5"-W/OHDW
10	M06803-E5-H30	EA	DOOR-MITEREDCORNER/OGEEEDGE-10"X29.5"-W/OHDW
11	118200-01-01A	SF	MESH-PLASTIC-1/2INCH
12	M05971-X3-H30	EA	DRAWER-OGEEEDGE-W/OSLIDES/HARDWARE
13	M05971-X2-H30	EA	DRAWER-OGEEEDGE-W/OSLIDES/HARDWARE
14	104113-01-000	EA	SINK-DOUBLE-STAINLESSSTEEL
	092303-01-000	EA	STRAINER-SINK
	103610-01-F09	EA	COVER-SINK-15.1"X15.8"(H30)
			FROM: 00-00-00 THRU: 02-12-97
	103610-01-F29	EA	COVER-SINK-15.1"X15.8"(H31)
			FROM: 00-00-00 THRU: 02-12-97
	103610-03-H07	EA	COVER-SINK-15.2"X11"(H30)
			FROM: 02-13-97 THRU: 99-99-99
	103610-03-H05	EA	COVER-SINK-15.2"X11"(H31)
			FROM: 02-13-97 THRU: 99-99-99
15	104114-02-01A	EA	FAUCET-GALLEY-SINGLECONTROL
	098335-07-G07	EA	RAIL-GALLEY-22.2"(H30)
	098335-07-G05	EA	RAIL-GALLEY-22.2"(H31)

## GALLEYGROUP(CONTINUED)



## REFRIGERATOR&WARDROBECABINETRY

KEY	PARTNUMBER	U/M	DESCRIPTION
1	M05971-BA-H30	EA	DRAWER-OGEEEDGEW/OSLIDES/HARDWAR
2	M05971-L9-H30	EA	DRAWER-OGEEEDGE-22.5"WX21.6"D-W/OSLIDES/HDW
	091257-11-000	EA	HANDLE-ASSIST
3	M06803-G7-H30	EA	DOOR-MITEREDCORNER/OGEEEDGE-9"X26.5"-W/OHDW
4	M06803-E7-H30	EA	DOOR-MIRROR/MTRDCRNR/OGEEEDGE-16.1"X65.2"-W/OHDW
5	M05971-X1-H30	EA	DRAWER-OGEEEDGE-W/OSLIDES/HARDWARE
	121077-13-H30	EA	SHELF-W/PLASTICEDGETRIM
	090329-01-000	FT	SEAL/T-REFRIGERATORCABINET

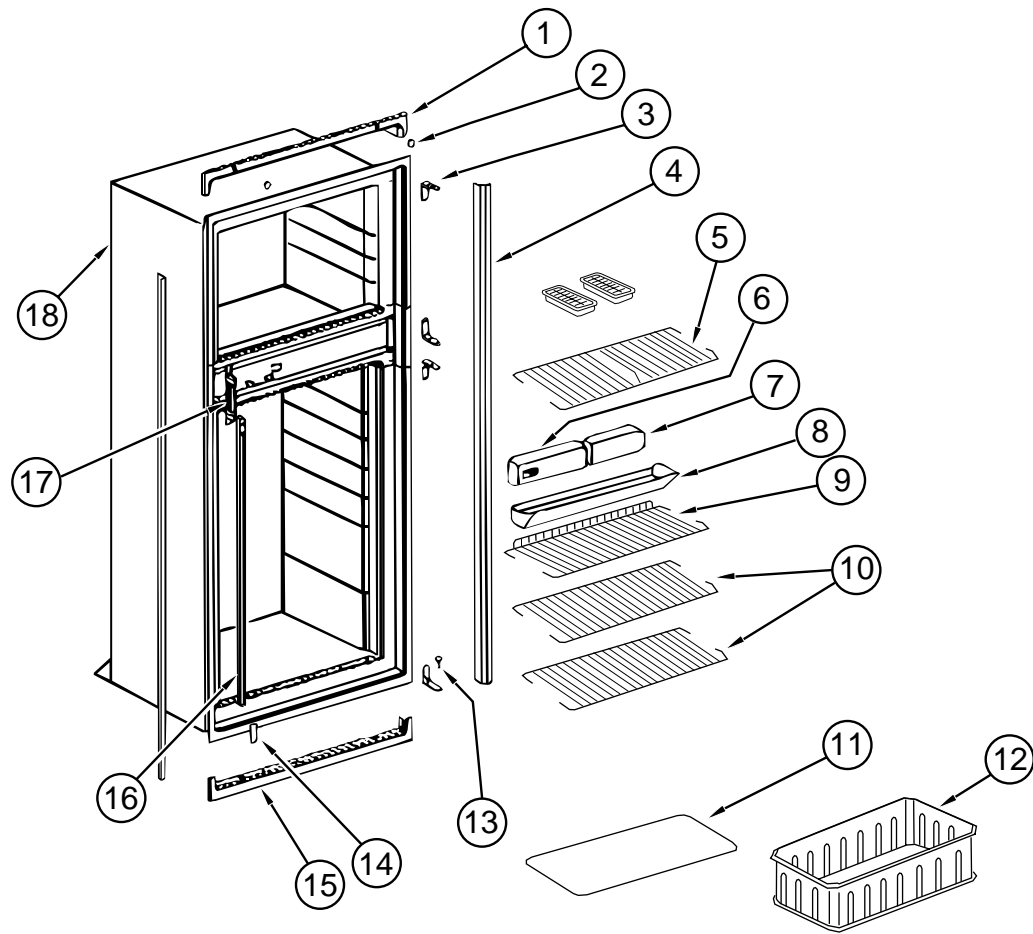
## MICROWAVE

KEY	PARTNUMBER	U/M	DESCRIPTION
	115303-02-000	EA	OVEN-MICROWAVE 1.3CUFT
	115401-02-01A	EA	TRIM-MICROWAVE
	094750-07-000	EA	BRACKET-MICROWAVE-89DEGREE
	094756-02-01A	EA	BRACKET-L-MICROWAVE-6.1"LONGX3.9"WIDE-STEEL-TAN

## COFFEEMAKER-BLACK&DECKER

KEY	PARTNUMBER	U/M	DESCRIPTION	VENDORNO.
	103799-02-01A	EA	COFFEEMAKERWITHCLOCK	
				FROM: 00-00-00 THRU: 04-13-97
	103799-01-701	EA	BRACKETS,WHITEPAIR	164734-06B&D
				FROM: 00-00-00 THRU: 04-13-97
	126019-01-01A	EA	COFFEEMAKER-OPTIMA	
				FROM: 04-14-97 THRU: 99-99-99

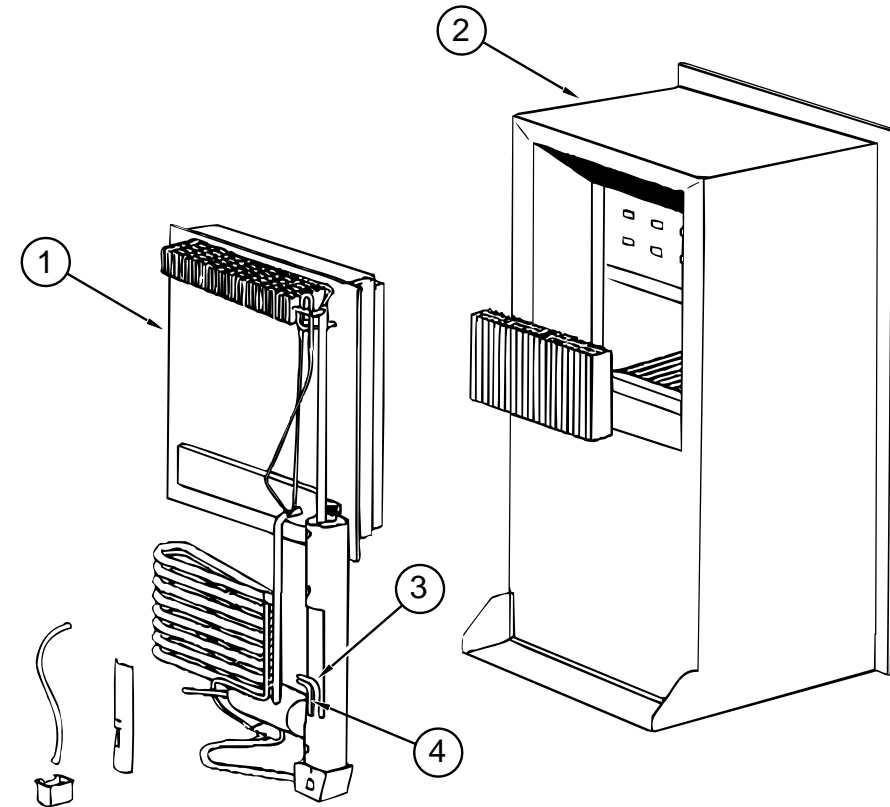
**GALLEYGROUP(CONTINUED)**



**NORCOLDMODEL9162RREFRIGERATORCABINETASMWITHTRAY,TIEDOWNS,&LEVEL**

KEY	PARTNUMBER	U/M	DESCRIPTION	VENDORNO.
	121568-01-01A	EA	REFRIGERATOR-SMALLDOUBLEDOOR-2-WAY	
1	120075-01-713	EA	TRIM-TOPPIECE	618124
2	120075-01-714	EA	PLUG-HOLE	618170
3	120075-01-715	EA	HINGE-CABINET	618512
4	120076-01-702	EA	TRIM,SIDEPIECE	618133
5	121568-01-705	EA	SHELF-WIREFREEZER	618620
6	121568-01-706	EA	CONTROLBOXASSEMBLY	618588
	120075-01-708	EA	BUSHING-DOORHINGE	618144
7	120075-01-718	EA	BOX-FILLER	618112
8	120075-01-720	EA	TRAY-DRIP	618137
	120075-01-721	EA	LOUVER-DRIPTRAY	618176
9	121568-01-707	EA	SHELF-WIRE-SHORT	618624
10	121568-01-708	EA	SHELF-WIRE	618589
11	120075-01-725	EA	COVER-CRISPER	618158
12	121568-01-709	EA	CRISPER	618571
13	120075-01-727	EA	PIN-HINGE	618145
14	120075-01-728	EA	COVER-HINGEHOLE	618171
15	120075-01-729	EA	TRIM-BOTTOMPIECE	618136
16	120075-01-730	EA	RETAINER-SHELF	618181
17	120075-01-732	EA	PLATE-STRIKE	618167
18	120076-01-703	EA	CABINET-FOAMED	618260
	120075-01-731	EA	PLUG-FACADE	618184
	093646-01-000	EA	BRACKET-TIEDOWN/REFRIGERATOR-RIGHTHAND	
	093646-02-000	EA	BRACKET-TIEDOWN/REFRIGERATOR-LEFTHAND	
	116751-05-01A	EA	TRAY-REFRIGERATOR	
	054450-01-000	EA	LEVEL-REFRIGERATOR	
	065225-02-000	EA	PLATE-TIEDOWN-REFRIGERATOR	
	117089-01-000	FT	HOSE-1/2"ID-GARDEN	

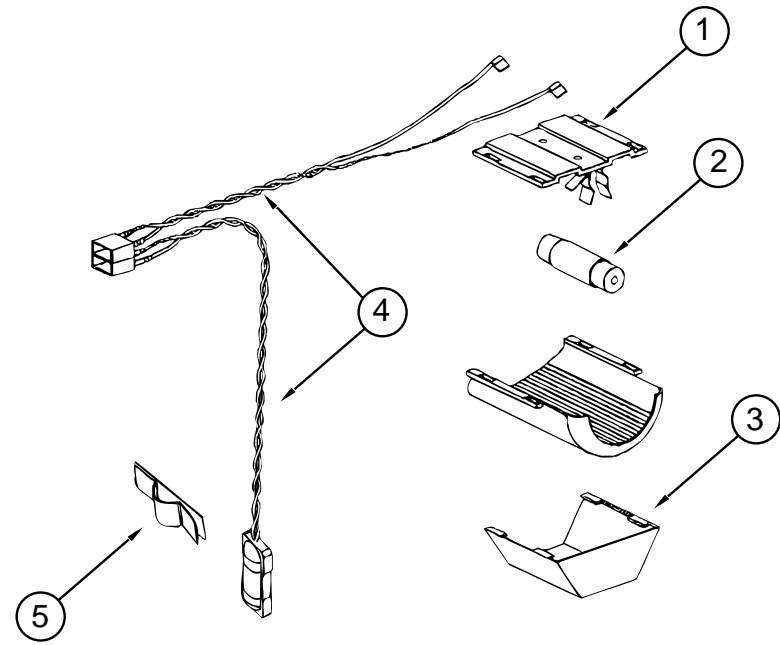
**GALLEYGROUP(CONTINUED)**



**COOLINGUNIT&CABINETASMFORNORCOLDMODEL9162R**

KEY	PARTNUMBER	U/M	DESCRIPTION	VENDORNO.
	121568-01-01A	EA	REFRIGERATOR-SMALLDOUBLEDOOR-2-WAY	
1	120076-01-704	EA	COOLINGUNIT,SERVICEPACK	618543
2	120076-01-703	EA	CABINET-FOAMED	618260
3	088248-01-710	EA	HEATERDC(HORIZONTAL)	61562822
4	088248-01-709	EA	HEATER-AC(HORIZONTAL)	61562722

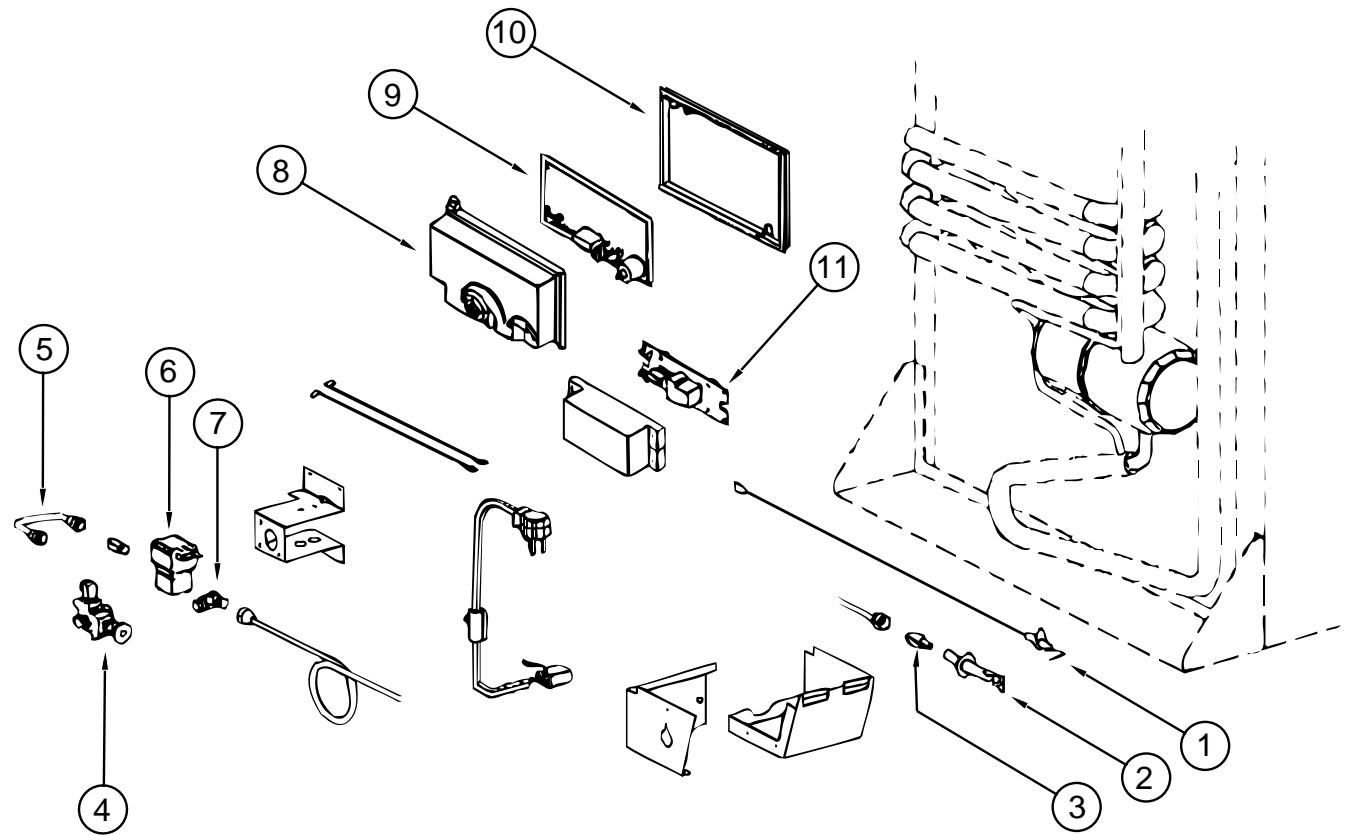
**GALLEYGROUP(CONTINUED)**



**LIGHTFORNORCOLDMODEL9162R**

KEY	PARTNUMBER	U/M	DESCRIPTION	VENDORNO.
	121568-01-01A	EA	REFRIGERATOR-SMALLDOUBLEDOOR-2-WAY	
1	084880-03-705	EA	BRACKET-LIGHT-INTERIOR	61629722
2	084880-03-706	EA	BULB-LAMP	61628922
3	084880-03-707	EA	COVER-LAMP, LENS	61627922
4	120075-01-735	EA	THERMISTERW/LAMP&WIRE/ASM	618548
5	084880-01-760	EA	CLIP(THERMISTER)	61689122

**GALLEYGROUP(CONTINUED)**

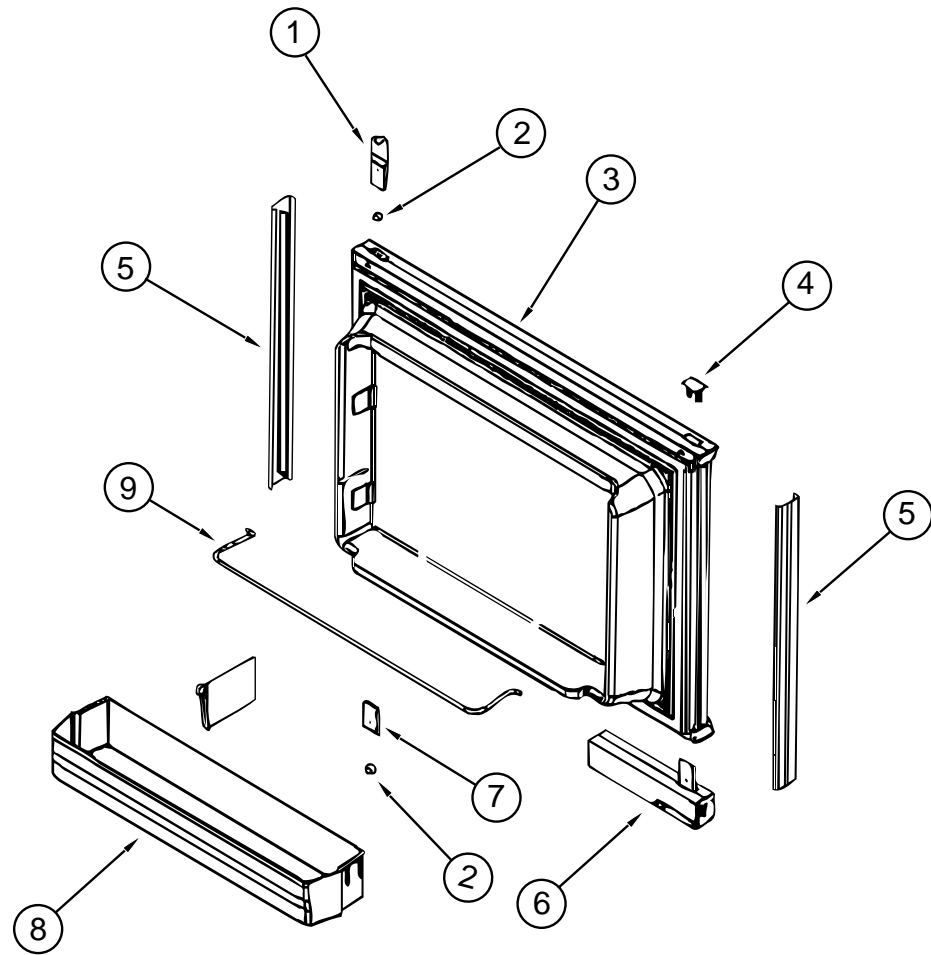


**ELECTRICALCOMPONENTSFORNORCOLDMODEL9162R**

KEY	PARTNUMBER	U/M	DESCRIPTION	VENDORNO.
	121568-01-01A	EA	REFRIGERATOR-SMALLDOUBLEDOOR-2-WAY	
1	104137-06-715	EA	ELECTRODE-SPARK/SENSOR,SGL	61692222
2	104137-06-714	EA	BURNERASSEMBLY,5-SLOT	61705222
3	113737-01-702	EA	PLUG1/8\"/>	



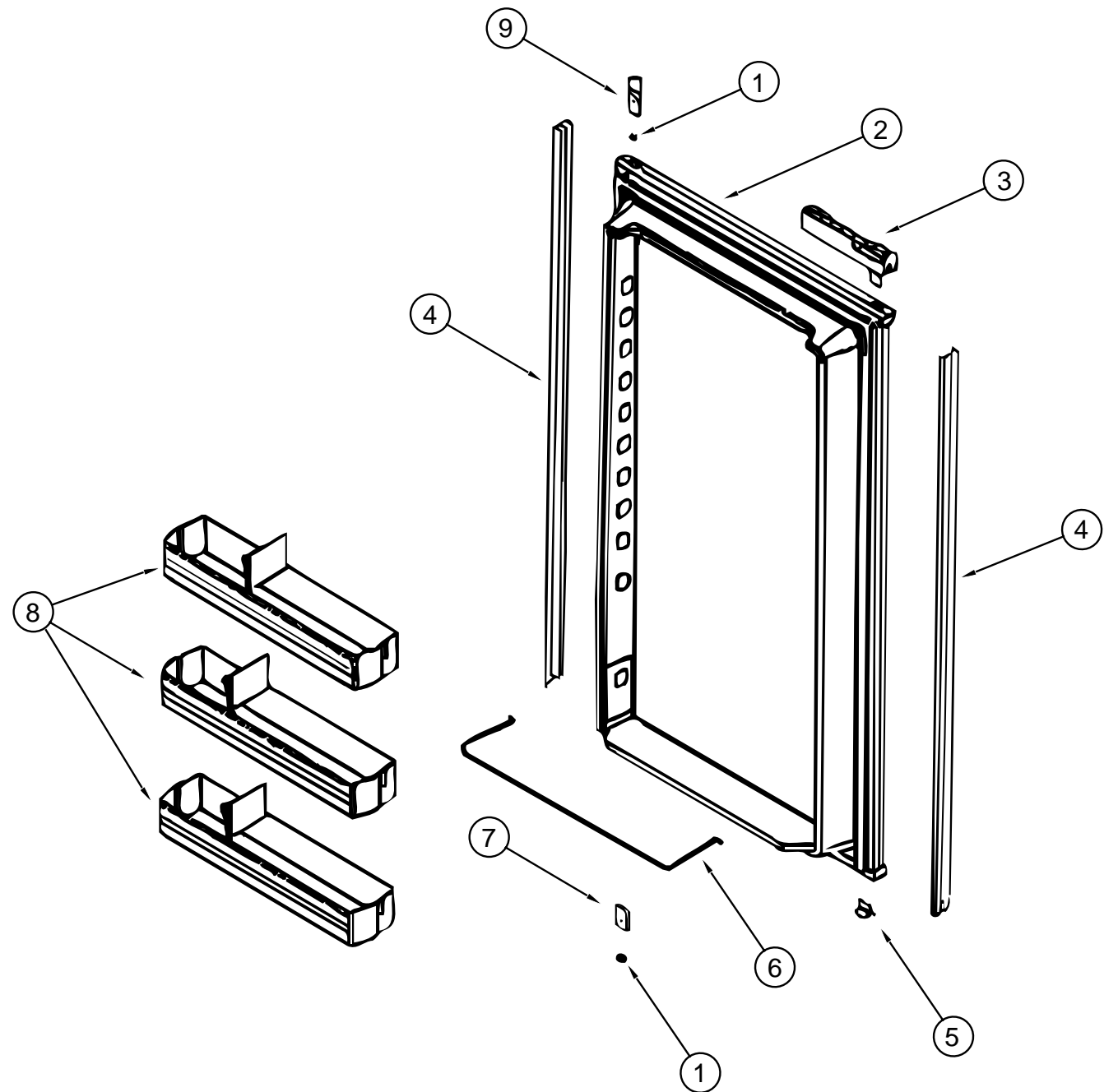
**GALLEYGROUP(CONTINUED)**



**FREEZER DOOR FOR NORCOLD MODEL 9162R**

KEY	PARTNUMBER	U/M	DESCRIPTION	VENDORNO.
	121568-01-01A	EA	REFRIGERATOR-SMALLDOUBLEDOOR-2-WAY	
1	120075-01-701	EA	HINGE-TOPRH/BOTTOMLH	618511
2	120075-01-708	EA	BUSHING-DOORHINGE	618144
3	120075-01-703	EA	DOORASM.,FOAMED,W/GASKET	618205
4	120075-01-702	EA	CAP,(HINGEPLUG)	618160
5	120075-01-700	EA	RETAINER-DOORDECORPANEL	618128
6	121568-01-702	EA	DOORHANDLEASMLWR/LH-TOP/RH	618230
7	120075-01-705	EA	HINGE-TOPLH/BOTTOMRH	618510
8	121568-01-701	EA	BIN-DOORWHITE	618619
9	121568-01-700	EA	RAIL-DOORUPPER	618618

**GALLEYGROUP(CONTINUED)**

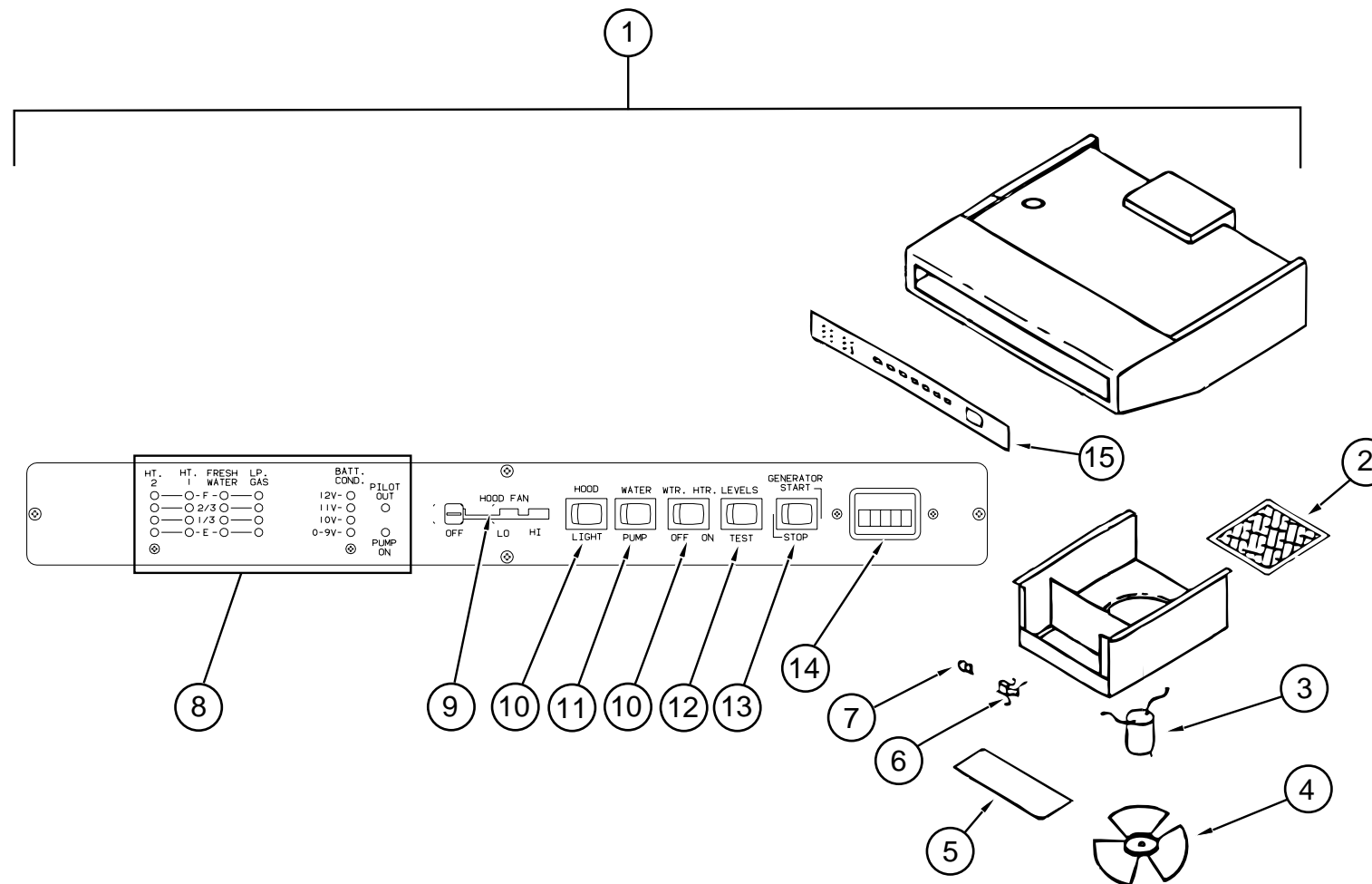


**DOOR FOR NORCOLD MODEL 9162R**

KEY	PARTNUMBER	U/M	DESCRIPTION	VENDORNO.
	121568-01-01A	EA	REFRIGERATOR-SMALLDOUBLEDOOR-2-WAY	
1	120075-01-708	EA	BUSHING-DOORHINGE	618144
2	120076-01-701	EA	DOOR-LOWER-FOAMED,W/GASKET	618210
3	120075-01-711	EA	DOORHANDLE-UPRLH/LOWERRH	618235
4	120076-01-700	EA	RETAINER-LOWERDOORPANEL	618132
5	120075-01-702	EA	CAP,(HINGEPLUG)	618160
6	121568-01-704	EA	RAIL-DOORLOWER	618578
7	120075-01-705	EA	HINGE,PAINTED,TOPLH/BTMRH	618510
8	121568-01-701	EA	BIN-DOORWHITE	618619
9	120075-01-701	EA	HINGE-TOPRH/BTMLH,PAINTED	618511

# GALLEYGROUP(CONTINUED)

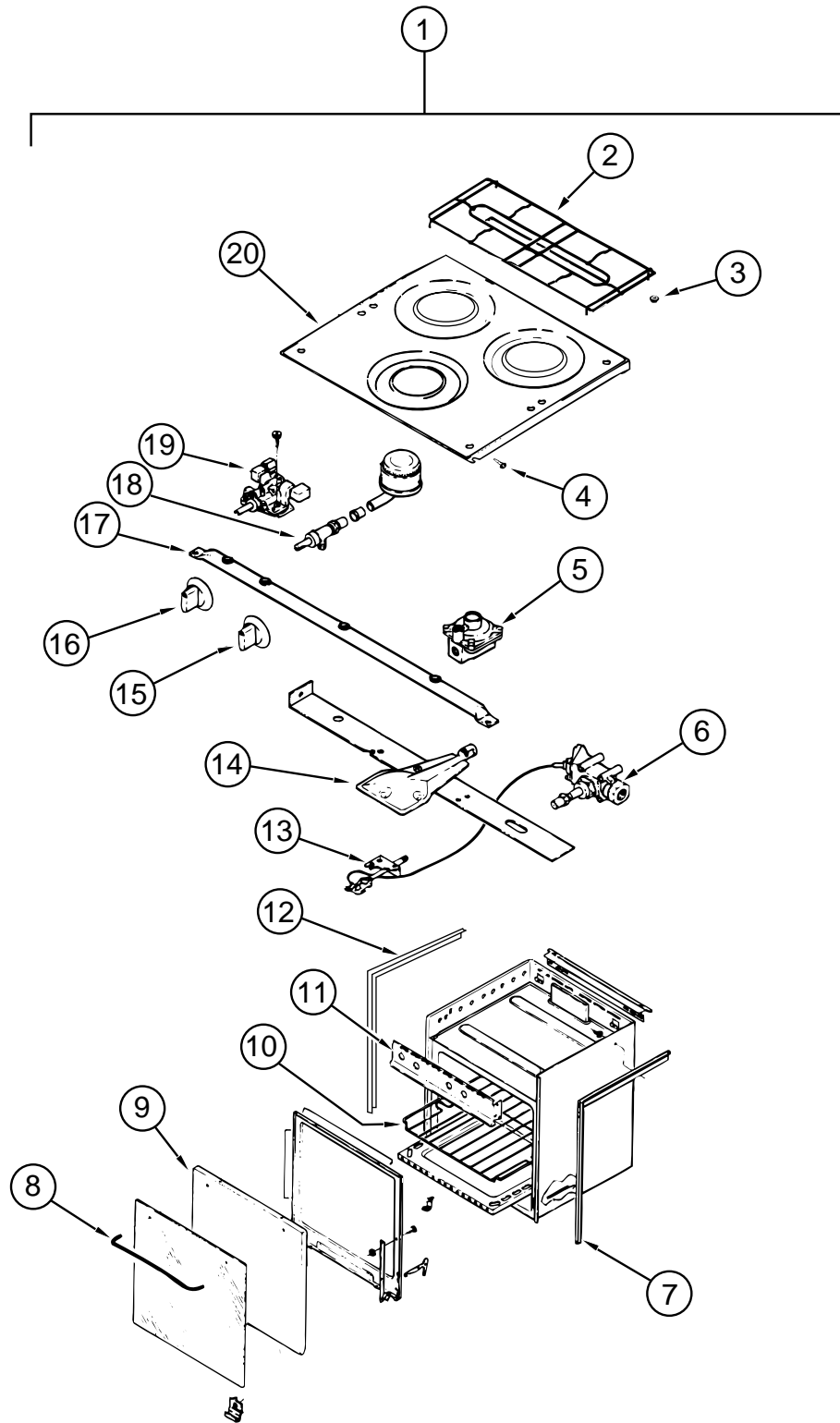
## RANGEHOOD



KEY	PARTNUMBER	U/M	DESCRIPTION	VENDORNO.
1	100258-22-03A	EA	HOOD-RANGE-22"W/MONITORPANEL(US)	
1	100258-23-03A	EA	HOOD-RANGE-22"-W/MONITORPANEL(CSA)	
2	096983-01-707	EA	FILTER-MESH	CC246
3	090973-01-700	EA	MOTOR-12VOLT,CSA&UL	CA508-1
4	090973-01-702	EA	BLADE-FAN	VA183-1
5	092696-02-701	EA	LENS-LAMP	CC179-2
6	092696-01-710	EA	HOLDER-LAMP	CB267-2
7	117806-01-000	EA	BULB-12VOLT#912-1.0AMPS	
8	100258-11-700	EA	BOARD-CIRCUIT	L5099-01
9	100258-04-701	EA	BEZEL-SWITCHLEVER	CC116
9	092696-01-701	EA	KNOB-PLASTIC	CC225
10	096983-01-700	EA	SWITCH-ON/OFF	L0108-00
11	096983-01-703	EA	SWITCH-ON/ON	L0115-00
12	096983-01-701	EA	SWITCH-SPST/MOM2TERMINAL	L0111-00
13	096983-01-702	EA	SWITCH-MOM/OFF/MOM/3TERM	L0112-00
14	100258-10-01A	EA	GAUGE-HOURMETERW/SWITCH-SCREWONSTYLE	
15	100258-12-700	EA	PANEL-CONTROLASSEMBLY	LA9076
	092696-01-702	EA	RESISTER-WIRE	L7314
	100258-04-702	EA	SWITCH-LEVER-W/CABLE	CB547-1

# GALLEYGROUP(CONTINUED)

## RANGE-MAGICCHEF16RB-3BZ



KEY	PARTNUMBER	U/M	DESCRIPTION	VENDORNO.
1	112881-01-02A	EA	RANGE - 16"-3BURNERBLACK-HIGHOUTPUTBURNER	
2	102020-01-711	EA	GRATE-TOP	7518P012-60
3	102020-01-709	EA	BUMPER-GRATE	8007-P020-60
4	102020-01-724	EA	BUMPER-MAINTOP	8003P008-60
5	102022-01-708	EA	REGULATOR,1/4&1/2OUT	7510P041-60
6	112881-01-702	EA	VALVE-MERCURY(SAFETYVALVE)	7501P12160=74001018
7	112881-01-720	EA	TRIM-FLATRHBBLACKTEXTURED	74002812
8	102020-01-701	EA	HANDLE,DOOR	7701P092-60
9	102022-01-704	EA	GLASS-OUTER	7902P261-60
10	102020-01-700	EA	SHELF-OVEN	7801-P027-60
11	112881-01-701	EA	PANEL-MANIFOLD	2616F091-70
12	112881-01-719	EA	TRIM-FLATLHBLACKTEXTURED	74002813
13	112881-01-710	EA	OVENPILOT	7505P202-60
14	112881-01-711	EA	BURNER-OVEN	3403W025045
15	112881-01-705	EA	KNOB-TOPBURNER	7733P072-60
16	112881-01-704	EA	KNOB-THERMOSTAT	7731P067-60
17	112881-01-709	EA	PIPE-MANIFOLD	7513P097-60
18	102020-01-722	EA	VALVE-TOPBURNER	7502P181-60
18	112881-01-703	EA	VALVE-TOPBURNERHI-OUTPUT	7502P180-60
19	112881-01-722	EA	THERMOSTAT	7515P029-60K
	112881-01-706	EA	THERMOSTATSER#02C	7515P031-60
	112881-01-715	EA	THERMOSTAT,REF.SER.#3C	7515P037-60
20	112881-01-712	EA	RANGETOP-MAINBLACK	740101486
	112881-01-721	EA	DEFLECTORFLUEBLACKTEXTURE	74002809
	112881-01-716	EA	KNOB,THERMOSTAT-SER#3C	7731P107-60
	112881-01-718	EA	KNOB-TOPBURNERHI-OUTPUT	74001794
	105458-01-000	EA	BRACKET-STOVETIEDOWN-RH	
	105458-02-000	EA	BRACKET-STOVETIEDOWM-LH	

## GENERATORGROUP

### 4KWONANGENERATOR

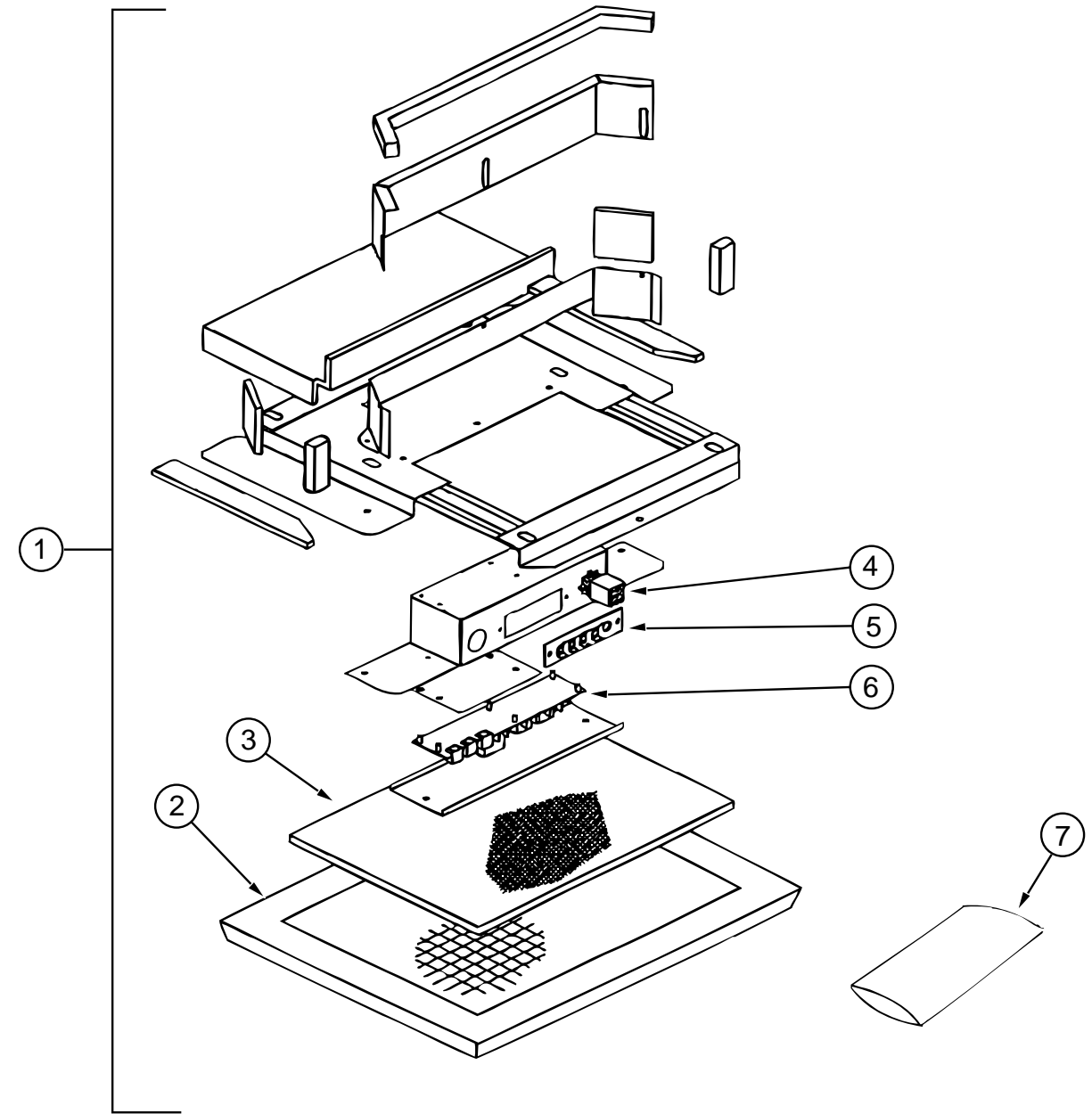
KEY	PARTNUMBER	U/M	DESCRIPTION
	109982-03-000	EA	GENERATOR-4.0MICROLITE
	007067-01-000	SF	INSULATION-FIBERGLASS-1"THICKX4'-INCREMENTSOF4SF
	105958-09-000	EA	PIPE-GENERATOREXHAUST1.25"ODX5.9"X22"
	007125-04-000	EA	CLAMP-MUFFLER-1.12"DIA
	118248-01-02B	EA	BRACKET-GENERATOR-W/ONOTCH-E-COATED
	118248-02-02B	EA	BRACKET-GENERATOR-W/NOTCH-E-COATED

### 3.6KWONANGENERATOR

KEY	PARTNUMBER	U/M	DESCRIPTION
	109982-04-000	EA	GENERATOR-3.6MICROLITE
	007067-01-000	SF	INSULATION-FIBERGLASS-1"THICKX4'-INCREMENTS/4SF
	105958-09-000	EA	PIPE-GENERATOREXHAUST1.25"ODX5.9"X22"
	007125-04-000	EA	CLAMP-MUFFLER-1.12"DIAMETER
	118248-01-02B	EA	BRACKET-GENERATOR-W/ONOTCH-E-COATED
	118248-02-02B	EA	BRACKET-GENERATOR-W/NOTCH-E-COATED

NOTE: ADDITIONAL GENERATOR COMPONENTS ARE FOUND IN THE CHASSIS GROUP.

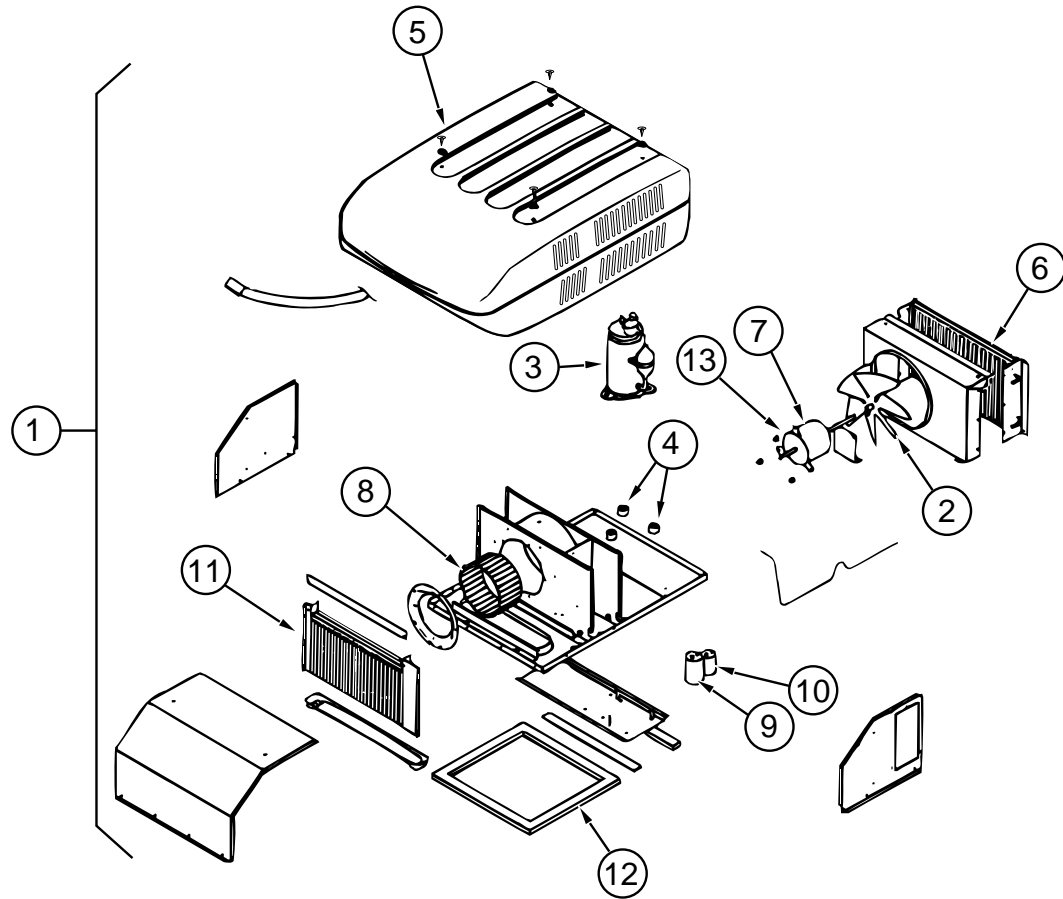
## HEATING&AIRCONDITIONINGGROUP



### CEILING ASM.-A/C-COLEMAN

KEY	PARTNUMBER	U/M	DESCRIPTION	VENDOR NO.
1	108892-01-01A	EA	CEILINGASSEMBLY-A/CDUCTED	6798-3041
2	108892-01-704	EA	GRILLE(PLASTIC)	6798A3761
3	108892-01-703	EA	FILTER	7330-540
4	108892-01-700	EA	PLUGASSEMBLY	7330-3201
5	108892-01-701	EA	BOARD-TERMINAL	7330A3211
6	108892-01-702	EA	BOARD-P.C.	7330A6101
7	108892-01-705	EA	SMALLPARTSPKG	
	120134-01-02A	EA	REGISTER-4"TO5"INDIAMETERW/DAMPER	
	084077-03-000	EA	COVER/BLANK-ROOFA/C5.2"X3.5"-IVORY	
	117238-01-01A	EA	THERMOSTAT-A/C-FURNACE	
	122882-06-01A	EA	VENT-ROOF-GARNISH-1"TO2.56"	
	102289-01-000	EA	SPRING-SCREW-ROOFA/CGASKET	

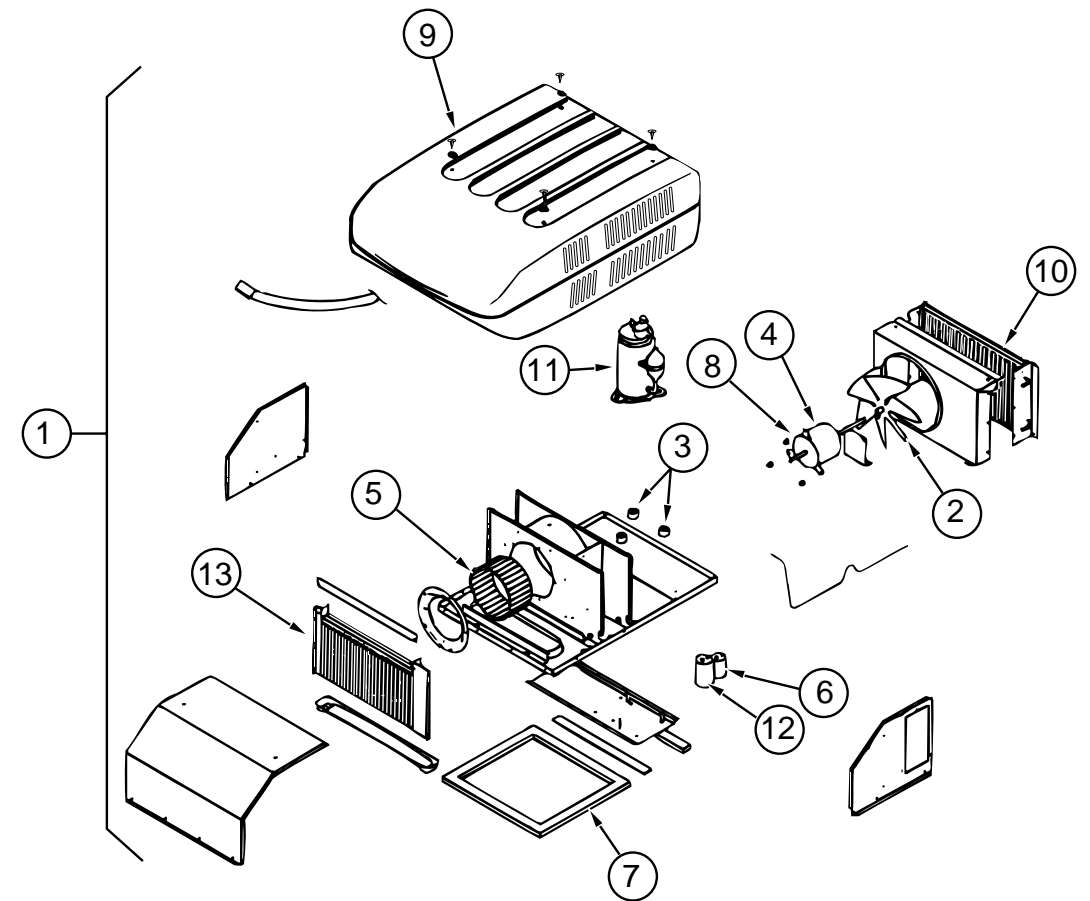
**HEATING&AIRCONDITIONINGGROUP(CONTINUED)**



**ROOFA/C-COLEMAN-13,500TSR220**

KEY	PARTNUMBER	U/M	DESCRIPTION	VENDORN.
1	108889-02-03A	EA	AIRCONDITIONER-13,500BTU/220VOLT	
2	093763-01-712	EA	FANBLADE-CONDENSER-COLEMAN	6733-3221
3	108889-02-700	EA	COMPRESSOR-TECUMSEH	1450A2029
4	105620-01-706	EA	FOOTPKG-COMPRESSOR-3PERPKG-COLEMAN	6759-3081
5	108889-05-700	EA	SHROUD-COLEMAN-BRIGHTWHITE	7333-4601
6	108889-01-703	EA	CONDENSERCOIL	1452A1301
7	108889-02-701	EA	MOTOR-COLEMAN	1468-3059
8	108889-01-706	EA	IMPELLOR-COLEMAN	1472-1041
9	115219-01-702	EA	RUNCAP-COMP-50MFD/370V	1499-5741
10	093763-01-704	EA	FANCAPACITOR-COLEMAN	1499-5461
	108889-01-710	EA	FILLERPAD-CONDAIRSEAL-COLEMAN	6759A3971
11	108889-01-709	EA	EVAPORATORCOIL	1499-5661
12	108889-01-711	EA	GASKETPKG-COLEMAN	6792-3301
13	108889-01-715	EA	MOTORMOUNT&SHAFTSEALKIT-COLEMAN	6792-3361
	108889-02-703	EA	STARTRELAY	1497-4141
	108889-01-713	EA	SUCTIONLINE-3/8ODX032WALL	6792-130
	108889-01-714	EA	DISCHARGELINEASSY.	6792-531
	093306-01-701	EA	DECALPKG-LEFT&RIGHT	6798B3591
	108889-02-702	EA	STARTCAPACITOR	1497-4141
	105620-01-705	EA	PROTECTOR-OVERLOAD-RIGHT&LEFT	6759-3791
	108889-01-707	EA	CAPACIATOR-RUN-COMP-25MFD/370	1499-5661
	102289-01-000	EA	SPRING-SCREW-ROOFA/CGASKET-COLEMAN	6757-150
	084077-03-000	EA	COVER-BLANK-ROOFA/C-5.2"X3.5"-IVORY	

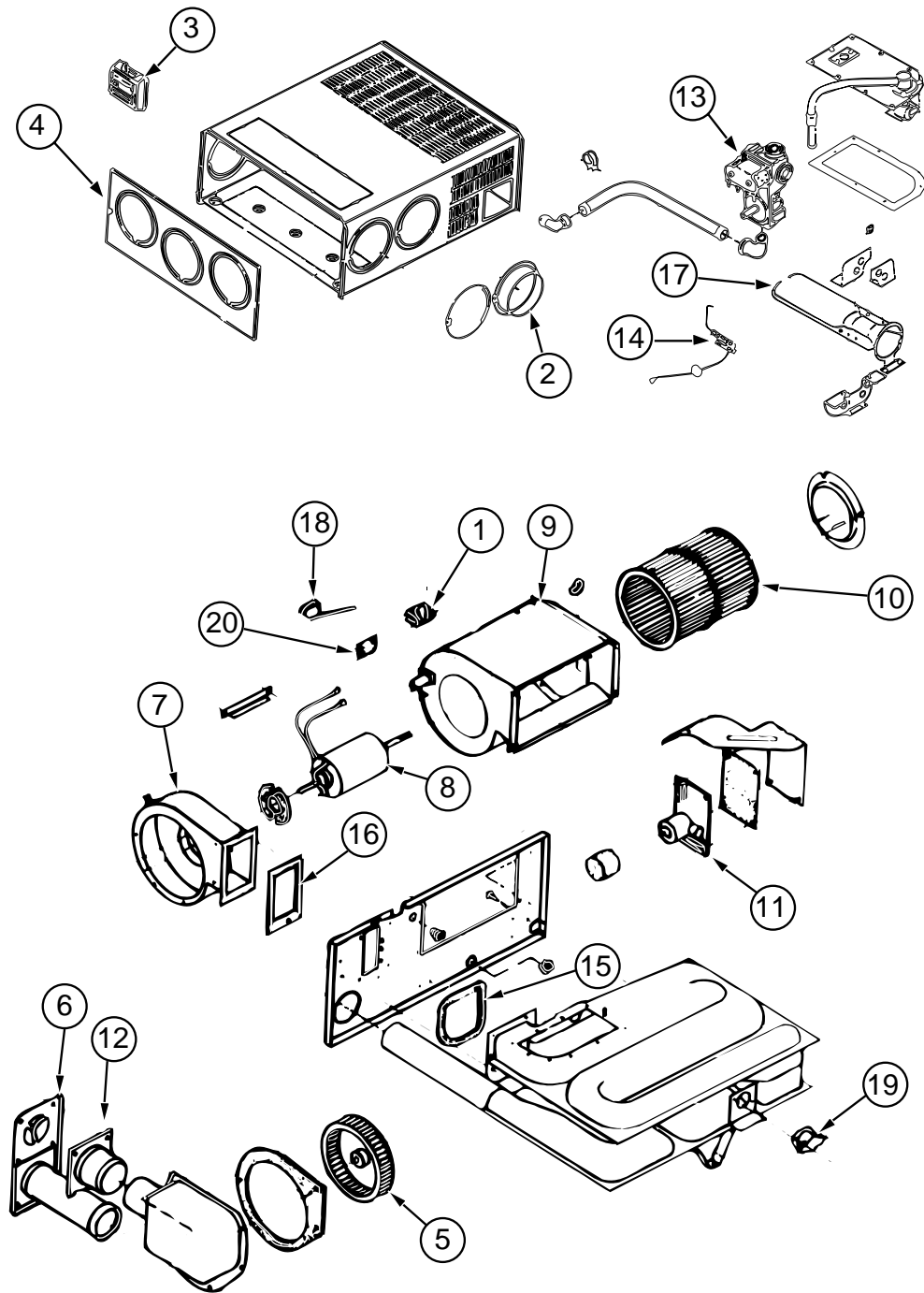
**HEATING&AIRCONDITIONINGGROUP(CONTINUED)**



**ROOFA/C-COLEMAN-14,800MACH15**

KEY	PARTNUMBER	U/M	DESCRIPTION	VENDORN.
1	115219-01-03A	EA	A/C-ROOF-14/800MACH15	
2	093763-01-712	EA	FANBLADE-CONDENSER-COLEMAN	6733-3221
3	105620-01-706	EA	FOOTPKG-COMPRESSOR-3PERPKG-COLEMAN	6759-3081
4	108889-01-705	EA	MOTOR(115-60HZ)COLEMAN	1468-3049
5	108889-01-706	EA	IMPELLOR-COLEMAN	1472-1041
6	093763-01-704	EA	FANCAPACITOR-COLEMAN	1499-5461
	108889-01-710	EA	FILLERPAD-CONDAIRSEAL-COLEMAN	6759A3971
7	108889-01-711	EA	GASKETPKG-COLEMAN	6792-3301
8	108889-01-715	EA	MOTORMOUNT&SHAFTSEALKIT-COLEMAN	6792-3361
9	108889-05-700	EA	SHROUD-COLEMAN-BRIGHTWHITE	7333-4601
10	115219-01-700	EA	CONDENSERCOIL	1452-1321
11	115219-01-708	EA	COMPRESSOR-PANASONIC	1450-2039
12	115219-01-702	EA	RUNCAP-COMP-50MFD/370V	1499-5741
	115219-01-703	EA	STARTRELAY	1497-4151
13	115219-01-704	EA	EVAPORATORCOIL	1452-1331
	115219-01-705	EA	SUCTIONLINE-LOWER	7335-130
	115219-01-706	EA	SUCTIONLINE-UPPER	7335-131
	115219-01-707	EA	DISCHARGELINEASSY.	7335A132
	093306-01-701	EA	DECALPKG-LEFT&RIGHT	6798B3591
	093306-01-720	EA	STARTCAPACITOR(21-25MFD/33	1497-3351
	102289-01-000	EA	SPRING-SCREW-ROOFA/CGASKET-COLEMAN	6757-150
	084077-03-000	EA	COVER-BLANK-ROOFA/C-5.2"X3.5"-IVORY	

**HEATING&AIRCONDITIONINGGROUP(CONTINUED)**



**HEATING&AIRCONDITIONINGGROUP(CONTINUED)**

**FURNACE - SUBURBAN - MODEL SF-302273**

KEY	PARTNUMBER	U/M	DESCRIPTION	VENDORNO.
	098668-20-000	EA	FURNACE - 30000BTU	
1	074466-01-702	EA	RELAY - TIME DELAY 205&L&45000	230625
2	075696-02-703	EA	DUCT COLLAR	050715
3	117238-01-01A	EA	THERMOSTAT - A/C - FURNACE	
4	098668-01-700	EA	CABINET FRONT	101242
5	098668-01-706	EA	WHEEL - COMBUSTION AIR	350128
6	098668-01-707	EA	TUBE ASSEMBLY - EXHAUST W/CAP	260231
7	098668-01-708	EA	HOUSING - BLOWER - COMBUSTION	390441
8	098668-01-709	EA	MOTOR ASM. - F/SF-25, SF-30	231706
9	098668-01-710	EA	HOUSING - BLOWER - ROOM AIR	390440
10	098668-01-711	EA	WHEEL - BLOWER - ROOM AIR	350129
11	098668-01-712	EA	BOARD - MODULE	520741
12	098668-01-713	EA	TUBE ASSEMBLY - INTAKE	051248
13	098668-01-714	EA	VALVE - GAS - SFS. N. 921401821	161070
14	098668-01-715	EA	ELECTRODE ASM. - SINGLE PROBE	232166
15	098668-01-716	EA	GASKET - FIREWALL - CHAMBERSIDE	070808
16	098668-01-717	EA	GASKET - FIREWALL - BLOWERSIDE	070809
17	098668-02-700	EA	BURNER ASSEMBLY - SF-30&SF35	010745
18	098668-21-700	EA	SWITCH - MICRO - W/O FLAG 3/4"	232261
19	098668-21-701	EA	SWITCH - LIMIT	231799
20	101990-01-714	EA	GASKET - MICROSWITCH	230877
	092300-02-701	EA	ORIFICE - MAIN BURNER (NT-30BW)	180214
	098668-23-000	EA	DOOR - ACCESS - FURNACE - 520574	

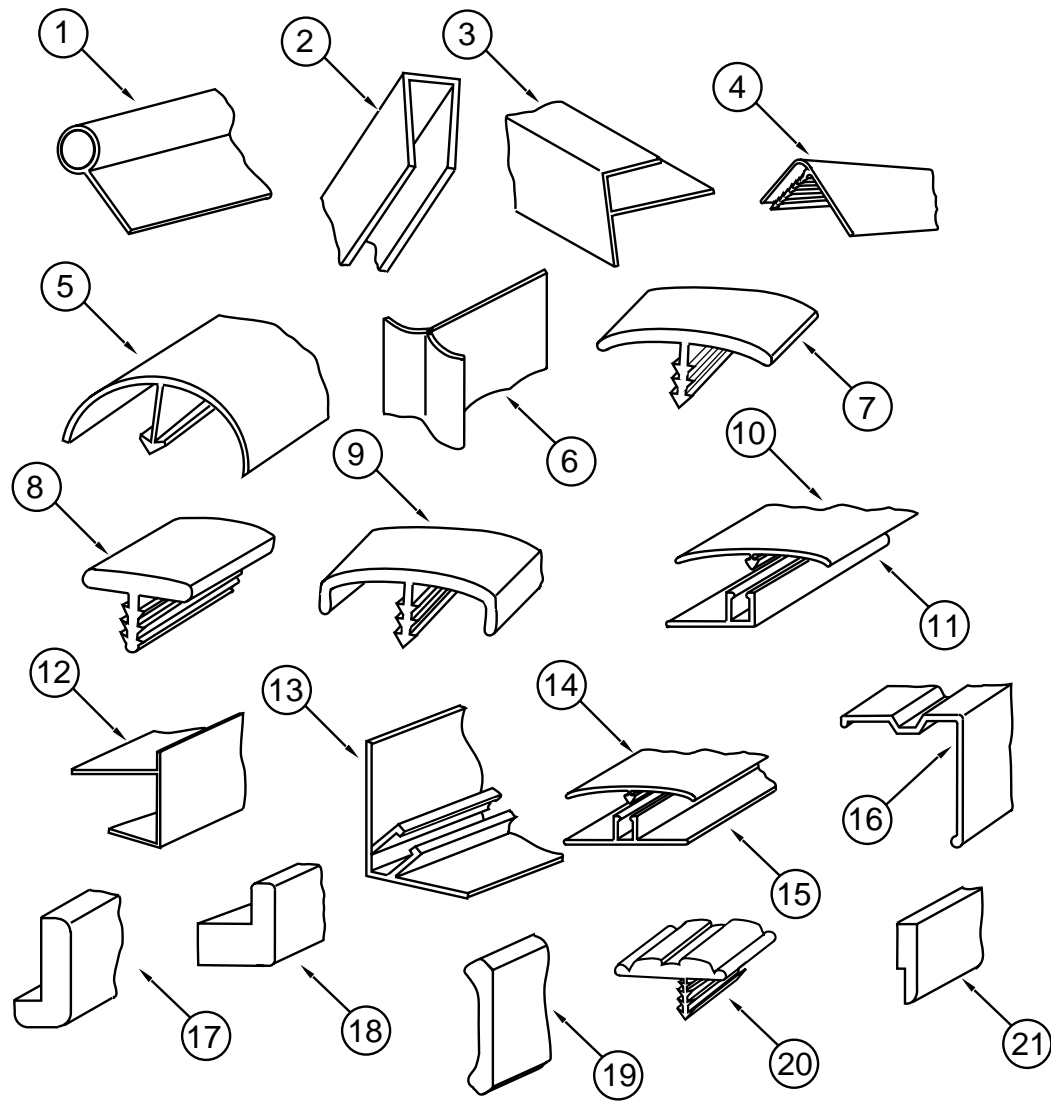
**HEATING SYSTEM**

KEY	PARTNUMBER	U/M	DESCRIPTION
	093741-01-000	EA	BOX - BOOT - FLOOR REGISTER
	089367-02-000	EA	TEE - 4 X 2 X 4"
	069636-02-000	EA	CONNECTOR - DUCT - 4" ID - SUBURBAN 050715
	009198-01-000	FT	DUCT - HEAT - FLEXIBLE - 4" ID X 25 FT
	009198-02-000	FT	DUCT - FLEXIBLE - 2" ID X 25 FT
	093614-01-02A	EA	GRILLE - RETURN AIR
	079059-01-000	EA	HOSE - 90 DEGREE - 5/8" ID X 4" X 36"
	079059-13-000	EA	HOSE - 90 DEGREE - .61" ID X 4" X 48"
	007108-01-000	FT	HOSE - HEATER - 5/8" ID - HI-TEMP - FOR DESE - M2D192-A
	056464-09-000	EA	REGISTER - 4 IN DIA - PLASTIC
	094600-05-01A	EA	REGISTER - HEAT - W/O DAMPER - LIMA 41 - DURA - BEIGE
	056464-10-000	EA	REGISTER - W/O DAMPER - 4" DIAMETER - DURA - BEIGE
	009200-01-000	EA	TAPE - FURNACE - 1 1/2"
	088753-01-000	FT	TUBE - ALUMINIZED STEEL - 5/8" - 18 GAUGE
	008042-01-000	FT	TUBING - VINYL - .65" ID

**REAR HEATER - EVANS**

KEY	PARTNUMBER	U/M	DESCRIPTION	VENDORNO.
	084405-01-000	EA	HEATER - REAR - DUCTED - W/MOTOR AID - EVANS	
	084405-01-700	EA	CORE - HEATER	FT200229
	084405-01-701	EA	FAN BLADES	HV029931
	084405-01-702	EA	MOTOR - 12 VOLT ASSY	R0200180
	081994-06-000	EA	PLATE - SWITCH - AUXILIARY START	
	087202-01-000	EA	SWITCH - 4 POSITION W/KNOB 5 TERMINAL	

**INTERIOR FINISH GROUP**



**MOLDINGS&TRIMS**

KEY	PARTNUMBER	U/M	DESCRIPTION
1	009767-12-000	FT	WELTING-SIDEWALL/CEILING/CABINET-OFF/WHT
1	009767-16-000	FT	WELTING-REBERBIRCH
2	009778-24-000	FT	U-CHANNEL-1"
2	009778-20-700	EA	U-CHANNEL,1"X55"
2	070504-18-000	FT	U-CHANNEL-EXTRUDEDPLASTIC-.65"X84"-IVORY
2	070504-40-000	FT	U-CHANNEL-EXTRUDEDPLASTIC-.81"X84"-SOLARMAPLE
2	070504-41-000	FT	U-CHANNEL-EXTRUDEDPLASTIC-.65"X84"-SOLARMAPLE
3	009812-24-000	EA	MOLDING-PLASTIC-OUTSIDECORNER-.50"X7'-IVORY
3	009812-30-000	EA	MOLDING-PLASTIC-OUTSIDECORNER-.50"X7'-SOLARMAPLE
4	009809-23-000	EA	MOLDING-CORNER-OUTSIDE-1"X84"-MODERNIVORY
4	009809-29-000	EA	MOLDING-CORNER-OUTSIDE-1"X84"-SOLARMAPLE
5	042357-21-000	EA	MOLDING-CORNER-RADIUS/PLASTIC-SOLARMAPLE
6	022992-11-000	FT	MOLDING-REVERSECOVE-T-SHAPEDVINYL-IVORY
6	022992-01-000	FT	MOLDING-REVERSECOVE-T-SHAPED-WHITEVINYL
7	009815-09-000	FT	MOLDING-T-.75"IVORY
7	105709-01-000	FT	T-MOLDING-1"-MODERNIVORY
8	104676-01-01A	FT	T-MOLDING-5/16-RIGIDGOLD
9	104676-02-05A	FT	T-MOLDING-1/2"SOLARMAPLE
9	083620-09-000	FT	T-MOLDING-.75"-W/EDGELIPS-MODERNIVORY
9	083620-14-000	FT	MOLDING-T-ENDCAPEDGE-W/EDGELIPS-.75"-SOLARMAPLE
9	119520-01-01A	FT	MOLDING-T-1"W/EDGELIPS(OFF/WHITE-CREAM)
10	086229-12-000	EA	BATTEN-1.5"OFFSETX97.01"IVORY

**INTERIOR FINISH GROUP (CONTINUED)**

**MOLDINGS&TRIMS (CONTINUED)**

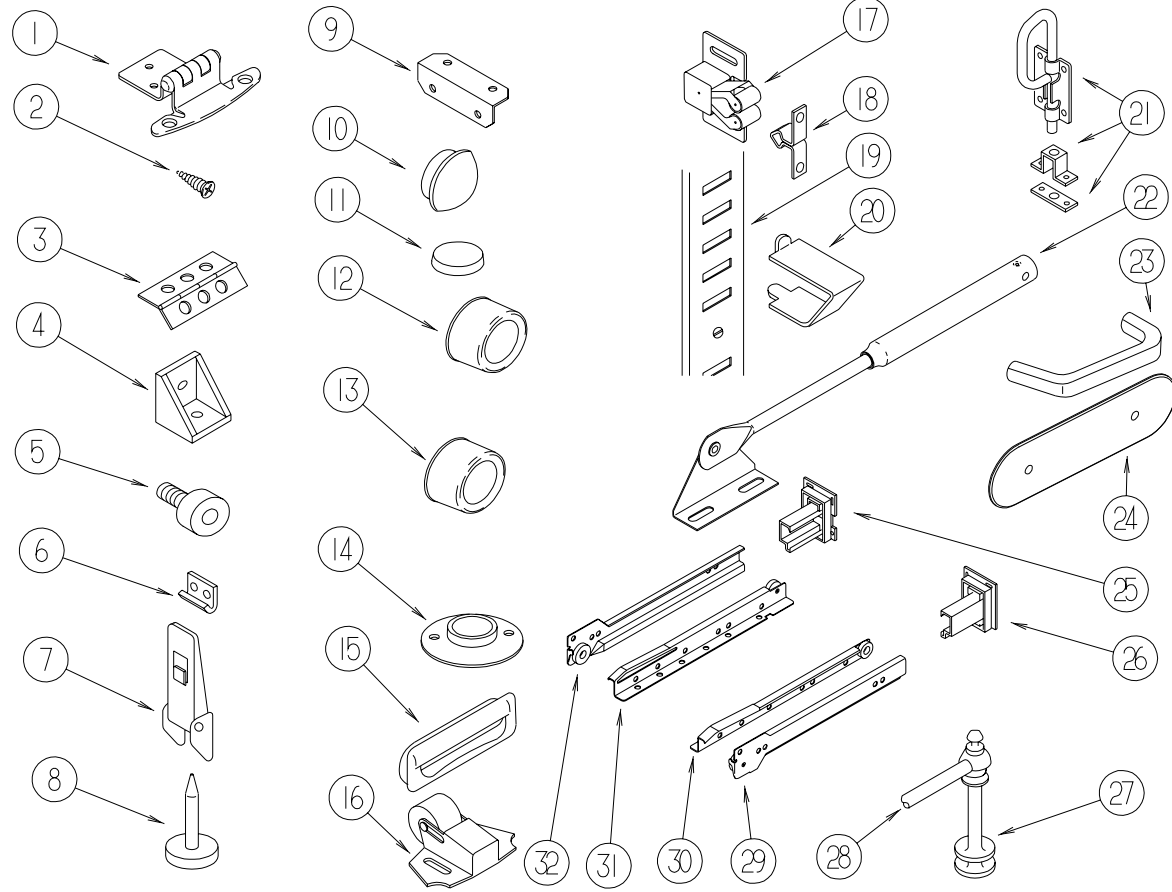
KEY	PARTNUMBER	U/M	DESCRIPTION
11	086229-11-000	EA	RETAINER-OFFSET-97.01"
12	103186-01-06A	FT	MOLDING-PLASTIC/3/8"U-CHANNELW/3/4"FACE-SOLARMAPLE
13	081521-02-007	EA	MOUNT-METALMOLDING-F/RADIUSCORNERMOLDING-12/5"EA
14	086229-13-000	EA	BATTEN-1"X96"-IVORY
14	086229-18-000	EA	BATTEN-1"X97.68"-OFFWHITE
14	086229-20-000	EA	BATTEN-1"X96"-BEIGE
15	086229-14-000	EA	RETAINER-3/4"X98.43"-ANYCOLOR
16	093873-01-01A	FT	TRIM-CARPET-L-ANGLE1.1"X1.3"X12'-GRAYVINYL
17	077840-01-H37	EA	MOLDING-CAP/WALL-8'SOLARMAPLE
18	100819-01-06A	EA	MOLDING-VINYLWRAPPED-DOOR
19	113794-01-03A	FT	MOLDING-CROWN
20	109736-01-01A	FT	T-MOLDING-1"-BRASS/BLACK
21	105004-01-06A	EA	MOLDING-VINYLWRAPPED-1"X96"-SOLARMAPLE
	122186-D2-134	EA	MOLDING-VINYLWRAPPED-.7"X1.6"X84"-SOLARMAPLE
	122186-F2-134	EA	MOLDING-VINYLWRAPPED-.7"X2.6"X84"-SOLARMAPLE
	120492-01-05A	FT	STRIP-TRIM-SOLARMAPLE

**EDGE BAND MOLDING**

KEY	PARTNUMBER	U/M	DESCRIPTION
	076325-34-000	FT	MOLDING-EDGE BAND-15/16"X.030"-ORCHIDMIST
	076325-39-000	FT	MOLDING-EDGE BAND-15/16"X.030"(H30)
	076325-37-000	FT	MOLDING-EDGE BAND-15/16"X.030"(H31)
	076325-40-000	FT	MOLDING-EDGE BAND-.875"X.024"(H30)
	076325-38-000	FT	MOLDING-EDGE BAND-.875"X.024"(H31)
	076325-69-000	FT	MOLDING-EDGE BAND-.93"X.024"-SOLARMAPLE
	076325-70-000	FT	MOLDING-EDGE BAND-15/16"X.038"-SOLARMAPLE

# INTERIORFINISHGROUP(CONTINUED)

## CABINET&TABLEHARDWARE



KEY	PARTNUMBER	U/M	DESCRIPTION
1	108138-01-000	EA	HINGE-CABINETDOOR-BURNISHEDBRASS
2	000G13-06-08G	EA	SCREW-6-20X.50PFH-ANTIQUEBRASS
2	076790-01-000	EA	SCREW-6-20X1 1/4PPH-BLACK
3	041389-35-000	EA	HINGE-PIANO-OW
3	009059-01-000	EA	HINGE-DOOR-2"X1.4"-BRASS
4	065740-01-000	EA	BRACE-CABINETCORNER-PLASTIC
5	079921-01-000	EA	ROLLER-NYLON-W/STEELSHAFT-BARBED
6	042541-05-000	EA	STRIKE-BRASS-W/OLATCH
7	116975-01-01A	EA	LATCH-W/OSTRIKE
8	102194-01-000	EA	GUIDE-PLASTIC
9	016604-01-000	EA	BRACE-CABINET-ANGLE-2.5"-UNPAINTEDMETAL
9	016604-05-000	EA	BRACE-CABINET-ANGLE-2.5"-METAL-OFFWHITEMETAL
10	074045-08-000	EA	PLUG-OAK-1/2"DIAMETER-SALEMCHERRY
11	023320-01-000	EA	PAD-FELT-3/8"DIAMETER
12	069726-02-000	EA	BUMPER-.88"ODX.40"THICK-BLACK
13	004354-01-000	EA	BUMPER-RUBBER-.5"DIA-BROWN
14	009112-01-000	EA	FLANGE-PLASTIC-1"CLOTHESROD-OFFWHITE
15	080728-01-000	EA	HANDLE-PULL-1.3"X4.4"-BROWNPLASTIC
16	109403-01-000	EA	CATCH-SINGLEROLLER-SCREENDOOR
17	093586-06-000	EA	CATCH-SPRING-ROLLER
18	093586-05-000	EA	STRIKE-SPRINGSTEEL
19	098980-01-000	EA	PILASTER-ADJUSTABLESHELF-18"
20	098979-01-000	EA	CLIP-ADJUSTABLESHELF
21	103256-01-000	EA	LATCH-SLIDE
22	074493-02-000	EA	SUPPORT-PISTONSRING-CABINETDOOR
23	111093-01-000	EA	PULL-CABINET-BRASS
24	081376-01-000	EA	BACKPLATE-DOORPULL-OVAL/BRASS-.8"X4.25"
25	114045-01-000	EA	BACKSOCKET-ADJUSTABLE-LEFT-HOUCK751-1
26	114045-02-000	EA	BACKSOCKET-ADJUSTABLE-RIGHT-HOUCK751-2
27	084070-03-000	EA	POST-END-2.4"-BRASS
28	084071-05-000	EA	ROD-BRASS-15"
28	084071-12-000	EA	ROD-BRASS-4.08"LONG
28	084071-19-000	EA	ROD-BRASS-7.09"LONG
29	114031-05-000	EA	SLIDE-14"-LEFTSIDE/CABINET
29	114031-09-000	EA	SLIDE-16"-LEFTSIDE/CABINET
29	114031-13-000	EA	SLIDE-18"-LEFTSIDE/CABINET
29	114031-17-000	EA	SLIDE-20"-LEFTSIDE/CABINET
29	114031-21-000	EA	SLIDE-22"-LEFTSIDE/CABINET
30	114031-07-000	EA	SLIDE-14"-LEFTSIDE/DRAWER
30	114031-11-000	EA	SLIDE-16"-LEFTSIDE/DRAWER
30	114031-15-000	EA	SLIDE-18"-LEFTSIDE/DRAWER
30	114031-19-000	EA	SLIDE-20"-LEFTSIDE/DRAWER
30	114031-23-000	EA	SLIDE-22"-LEFTSIDE/DRAWER
31	114031-08-000	EA	SLIDE-14"-RIGHTSIDE/DRAWER
31	114031-12-000	EA	SLIDE-16"-RIGHTSIDE/DRAWER
31	114031-16-000	EA	SLIDE-18"-RIGHTSIDE/DRAWER
31	114031-20-000	EA	SLIDE-20"-RIGHTSIDE/DRAWER
31	114031-24-000	EA	SLIDE-22"-RIGHTSIDE/DRAWER
32	114031-06-000	EA	SLIDE-14"-RIGHTSIDE/CABINET
32	114031-10-000	EA	SLIDE-16"-RIGHTSIDE/CABINET
32	114031-14-000	EA	SLIDE-18"-RIGHTSIDE/CABINET
32	114031-18-000	EA	SLIDE-20"-RIGHTSIDE/CABINET
32	114031-22-000	EA	SLIDE-22"-RIGHTSIDE/CABINET
	042438-01-000	EA	DOWEL-WOOD-CLOTHESROD-1"DIAMETERX4'



**INTERIORFINISHGROUP(CONTINUED)**

**BATTSTRIPS**

KEY	PARTNUMBER	U/M	DESCRIPTION
	069733-84-000	EA	BATTSTRIP-WOODGRAINED/SOLARMAPLE-8'
	085284-D8-000	FT	BATTTAPE-ADHESIVEBACKED-WOODGRAINED/SOLARMAPLE
	088263-E7-000	EA	BATTSTRIP-DECORATIVE-GAZEBOSTRIPE/SAG-8'LONG(H30)
	088263-E8-000	EA	BATTSTRIP-DECORATIVE-THUNDERBIRED/BISQUE-8'LONG(H31)
	085284-E1-000	FT	BATTTAPE-ADHESIVEBACKED-DECORATIVE-GAZEBOSTRIPE/SAG(H30)
	085284-E2-000	FT	BATTTAPE-ADHESIVEBACKED-DECORATIVE-THUNDERBIRED/BISQUE(H31)

**PANELING,LAMINATES&PLASTIC**

KEY	PARTNUMBER	U/M	DESCRIPTION
	000846-01-000	SF	PLYWOOD-5/16"X48"X96"-CDGRADE
	000846-02-000	SF	PLYWOOD/UNDERLAYMENT-5/16"X48"X96"
	000885-80-000	SF	PARTICLEBOARD-3/8"X48"X96"-1SIDED
	000885-81-000	SF	PARTICLEBOARD-3/8"X48"X96"-2SIDED
	000885-82-000	SF	PARTICLEBOARD-1/2"X48"X96"-2-SIDED
	000885-83-000	SF	PARTICLEBOARD-3/4"X48"X96"-2SIDED
	057882-04-000	SF	TAMBOUR-48"X96"SHEET-UNFINISHED
	074497-35-000	SF	PANELING-SOLARMAPLE-4'X7'
	074497-33-000	SF	PANELING-CEILING-IMPACTPEARL-48"X108" FROM: 00-00-00 THRU: 11-19-96
	074497-38-000	SF	PANELING-IMPACTPEARLTEXTURE-48"X108" FROM: 11-20-96 THRU: 99-99-99
	074498-67-000	SF	LAMINATE-PLASTIC-ORCHIDMIST-5'X8'-INCOF40SF
	074498-71-000	SF	LAMINATE-PLASTIC-NEUTRALSANTOS-5'X8'-INCOF40SF(H30)
	074498-72-000	SF	LAMINATE-PLASTIC-PEBBLE SANTOS-5'X8'INCOF40SF(H31)
	074498-79-000	SF	LAMINATE-PLASTIC-SOLARMAPLE-5'X8'-INCOF40SF
	080215-11-000	SF	PANELING-2SIDED-SOLARMAPLE-48"X96"
	088272-G1-000	SF	PANELING-PEBBLEEMBOSSD-ANTIQUEWHITE-4'X7'
	088272-G5-000	SF	PANELING-GAZEBOSTRIPE-4'X7'(H30)
	088272-G6-000	SF	PANELING-THUNDERBIRD,BISQUE(H31)
	093743-05-01A	SF	PLASTIC-ABSCOIL-BRIGHTWHITE-20"X108"
	098531-04-000	SF	PLYWOOD-MAPLE1/2"
	122185-D2-438	EA	LUMBER-VINYLRAPPED-.7"X1.5"X96"-SOLARMAPLE
	122185-E2-438	EA	LUMBER-VINYLRAPPED-.7"X2"X96"-SOLARMAPLE
	122185-G2-438	EA	LUMBER-VINYLRAPPED-.7"X3"X96"-SOLARMAPLE
	114129-01-02A	SF	LINER-CABINET-.02"X48"X96" FROM: 00-00-00 THRU: 04-13-97
	126339-01-000	SF	BOARD-WHEAT-60"X72" FROM: 04-14-97 THRU: 99-99-99

**INTERIORFINISHGROUP(CONTINUED)**

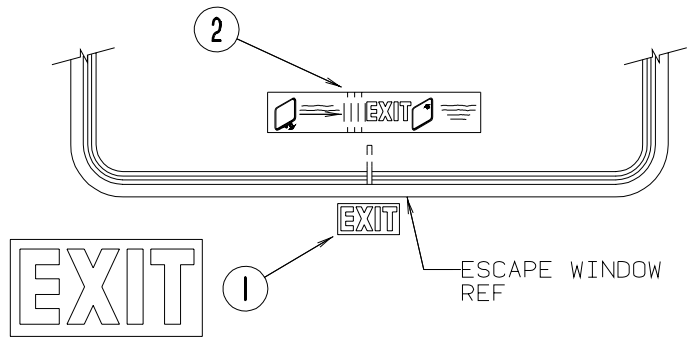
**FIREEXTINGUISHER,DETECTORS&CLOCK**

KEY	PARTNUMBER	U/M	DESCRIPTION	VENDORNO.
	072852-01-000	EA	DETECTOR-SMOKE-W/9VOLT BATTERY-US	
	072852-02-000	EA	DETECTOR-SMOKE-W/9/VOLT BATTERY-CANADIAN	
	094499-01-000	EA	EXTINGUISHER-FIRE-DRYW/MOUNTINGBRACKET-10B:C	
	094499-02-000	EA	EXTINGUISHER-FIRE-DRY-1A10BC-CANADIAN	
	094499-01-700	EA	BRACKETMTG.W/PLAS.STRAP	294039
	094499-01-701	EA	STRAPONLY(METAL)	320351
	118081-01-01A	EA	CLOCK-WALL-ROUND8"-BRASS FROM: 00-00-00 THRU: 06-22-97	
	118081-02-01A	EA	CLOCK-WALL-ROUND8"BRASS FROM: 06-23-97 THRU: 99-99-99	
	112320-03-000	EA	DETECTOR-COGASSMODEL9D-I FROM: 00-00-00 THRU: 10-20-96	
	112320-04-000	EA	BATTERY/SENSORMODULE-CO(BLACKMODULE)F/9D-ISYSTEM FROM: 00-00-00 THRU: 10-20-96	
	125136-01-000	EA	DETECTOR-CO-GAS-MODEL9L-I FROM: 10-21-96 THRU: 99-99-99	

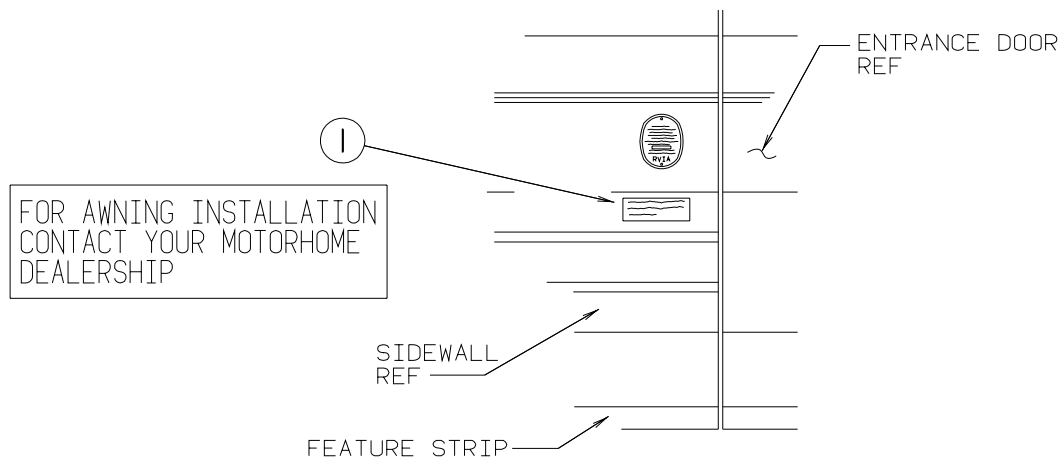
**CARPETING&FLOORMATS**

KEY	PARTNUMBER	U/M	DESCRIPTION
	096060-98-000	SY	CARPET-SILVERASPEN-INCREMENTSOF4SQYD(H30)
	096060-C4-000	SY	CARPET-JUBILATION-NIGHTNAVY(H31)
	093486-01-000	SY	CARPET-COMPARTMENT-54"WIDE-DARKGRAY
	093873-01-01A	EA	TRIM-CARPET-L-ANGLE1.1"X1.3"X12'-GRAYVINYL
	081075-04-000	EA	MAT-FLOOR-ENTRANCE-ITASCA
	106884-03-000	EA	MAT-FLOOR-FRONTPASSENGER"I"-FORD FROM: 00-00-00 THRU: 02-09-97
	125780-03-000	EA	MAT-FLOOR-FRONTPASSENGER"I"-FORD FROM: 02-10-97 THRU: 99-99-99
	106884-04-000	EA	MAT-FLOOR-FRONTDRIVER"I"-FORD FROM: 00-00-00 THRU: 02-09-97
	125780-04-000	EA	MAT-FLOOR-FRONTDRIVER"I"-FORD FROM: 02-10-97 THRU: 99-99-99

### LABELSGROUP

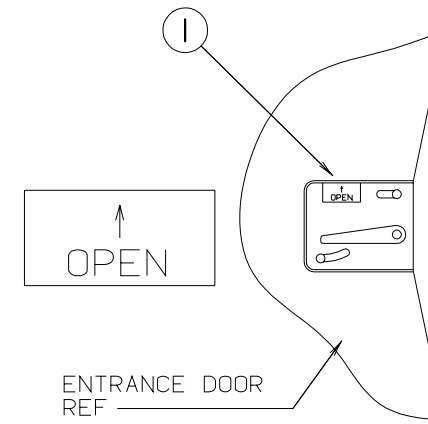


KEY	PARTNUMBER	U/M DESCRIPTION
1	039290-01-000	EA LABEL-WARNING-EXIT
2	107571-01-000	EA LABEL-EXIT/ESCAPEWINDOW



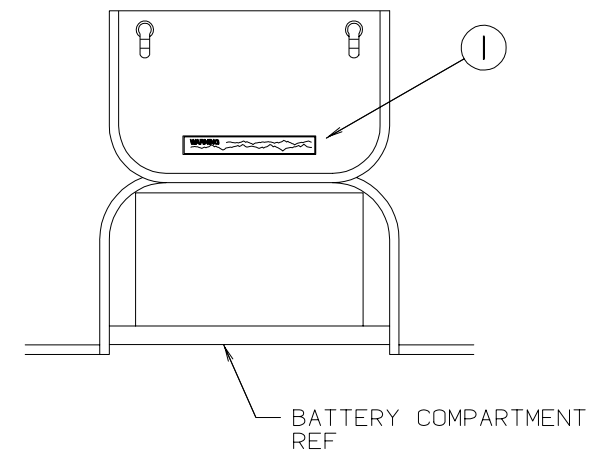
KEY	PARTNUMBER	U/M DESCRIPTION
1	099509-01-000	EA LABEL-AWNINGINSTALLATION

### LABELSGROUP(CONTINUED)



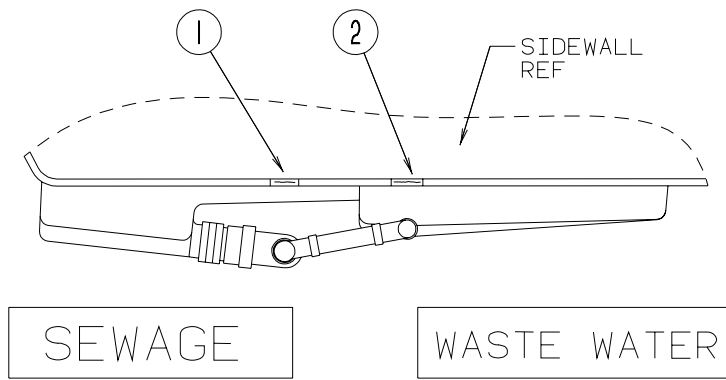
KEY	PARTNUMBER	U/M DESCRIPTION
1	040944-01-000	EA LABEL-ENTRANCEDOOR-"OPEN"

**WARNING** DISCONNECT BATTERIES BEFORE CONNECTING EXTERNAL CHARGING EQUIPMENT.

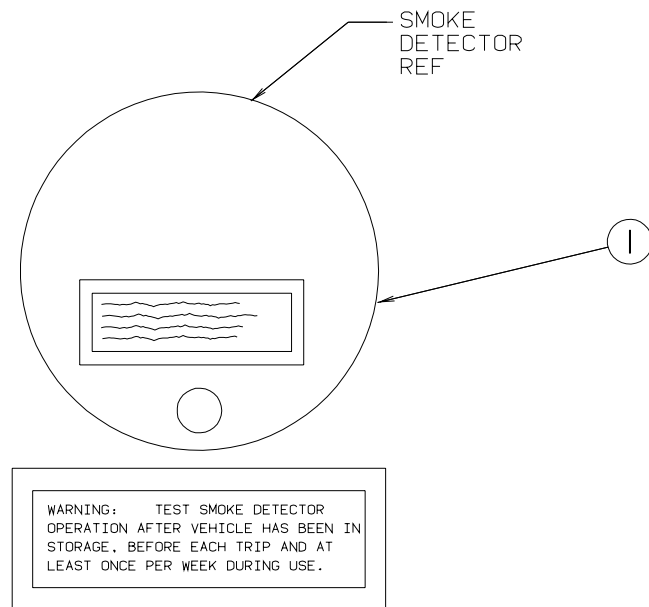


KEY	PARTNUMBER	U/M DESCRIPTION
1	065748-01-000	EA LABEL-CAUTION-BATTERYCHARGING

**LABELSGROUP(CONTINUED)**



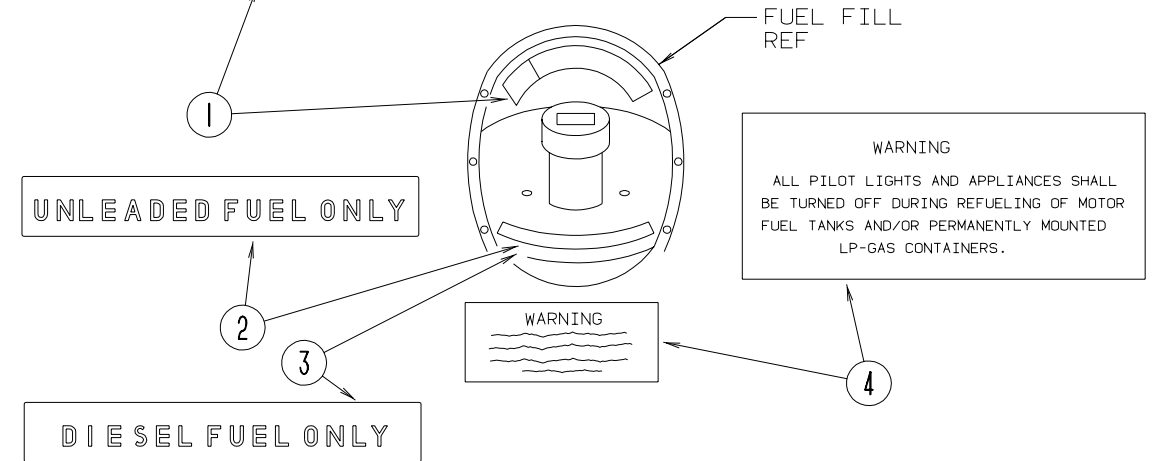
KEY	PARTNUMBER	U/M	DESCRIPTION
1	006187-01-000	EA	LABEL-SEWAGE
2	006188-01-000	EA	LABEL-WASTEWATER



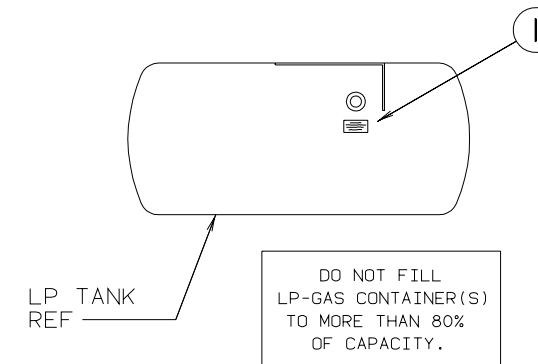
KEY	PARTNUMBER	U/M	DESCRIPTION
1	077956-01-000	EA	LABEL-WARNING-SMOKEDETECTOR

**LABELSGROUP(CONTINUED)**

<b>CAUTION</b>	TO HELP AVOID PERSONAL INJURY DURING REMOVAL OF FUEL FILLER CAP, SLOWLY LOOSEN CAP 1/2 TURN TO ALLOW ANY FUEL PRESSURE TO BE RELIEVED BEFORE TURNING CAP FURTHER.
FUEL SPRAY MAY CAUSE PERSONAL INJURY	STOP ADDING FUEL AFTER FIRST SHUTOFF BY AUTOMATIC NOZZLE WHEN TANK IS NEARLY FULL. DO NOT OVERFILL FUEL TANK. SEE OWNERS MANUAL FOR ADDITIONAL INFORMATION.
	PRINTED IN U.S.A. <span style="float: right;">MLC PT NO 15611763</span>

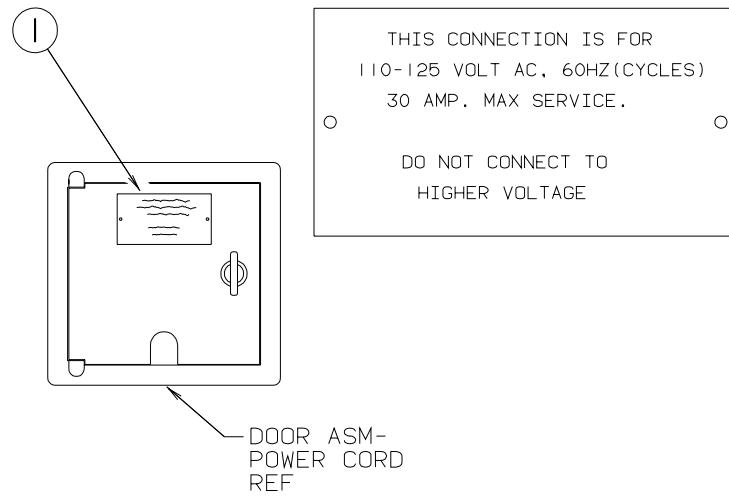


KEY	PARTNUMBER	U/M	DESCRIPTION	
1	087207-05-000	EA	LABEL-FUELCAPREMOVAL	
2	062043-01-000	EA	LABEL-FUEL-UNLEADED	
3	068383-01-000	EA	LABEL-DIESELFUEL	
4	006040-01-000	EA	REFUELWARNING-USA	FROM: 00-00-00 THRU: 09-01-96
4	006040-02-000	EA	REFUELWARNING-CANADIAN	FROM: 00-00-00 THRU: 09-01-96
4	124519-01-02A	EA	REFUELWARNING-USA	FROM: 09-02-96 THRU: 99-99-99
4	124519-02-02A	EA	REFUELWARNING-CANADIAN	FROM: 09-02-96 THRU: 99-99-99

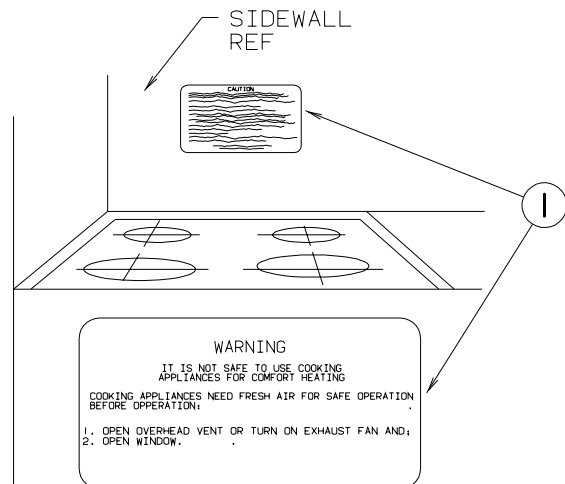


KEY	PARTNUMBER	U/M	DESCRIPTION	
1	054531-01-000	EA	LABEL-LPGASONLY	FROM: 00-00-00 THRU: 09-01-96
1	124520-01-02A	EA	LABEL-LPGASONLY	FROM: 09-02-96 THRU: 99-99-99

**LABELSGROUP(CONTINUED)**

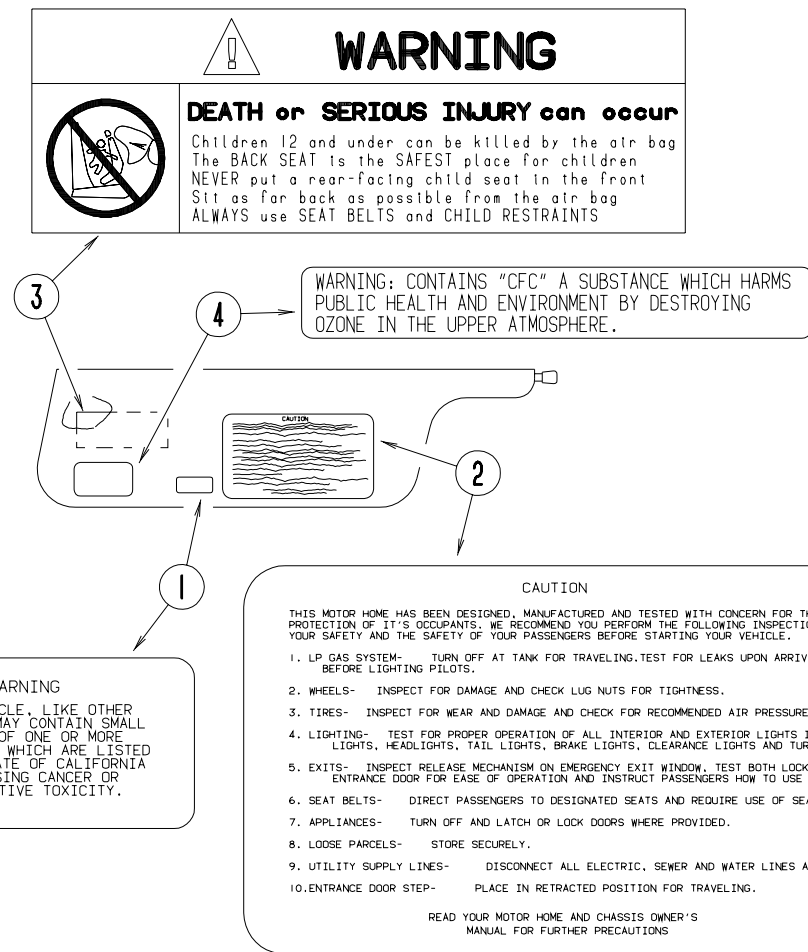


KEY	PARTNUMBER	U/M	DESCRIPTION
1	006062-01-000	EA	TAG-ELECTRIC-110VCONNECTION



KEY	PARTNUMBER	U/M	DESCRIPTION
1	050225-01-000	EA	LABEL-WARNING-STOVEVENT-US

**LABELSGROUP(CONTINUED)**



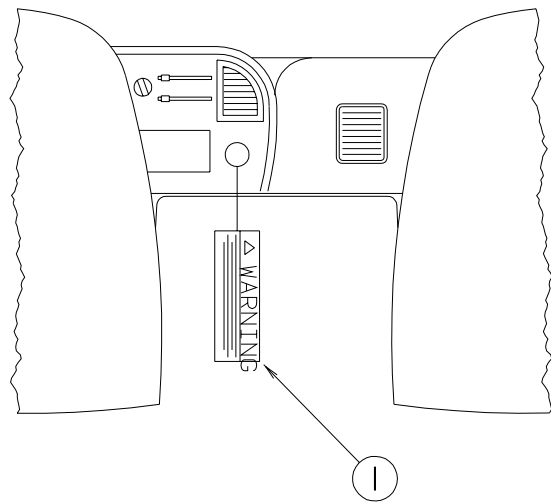
KEY	PARTNUMBER	U/M	DESCRIPTION
1	099689-01-000	EA	LABEL-WARNING,CANCER/TOXICITY
2	056259-01-000	EA	LABEL-SAFETYCHECKLIST
3	126611-01-000	EA	LABEL-AIRBAG-VISOR
4	111802-01-000	EA	LABEL-CFCWARNING

FROM: 03-14-97 THRU: 99-99-99

**MISCELLANEOUSLABELS**

KEY	PARTNUMBER	U/M	DESCRIPTION
	104236-01-000	EA	LABEL-GENERATORCIRCUIT
	006064-01-000	EA	LABEL-SEATW/OSEATBELT(US)
	006064-02-000	EA	LABEL-SEATW/OSEATBELT(CSA) NOTINTENDEDFORUSEWHILECOACHINMOTION
	091243-01-000	EA	LABEL-A/C COVER-"AIRCONDITIONINGCIRCUIT.ETC."
	093236-08-000	EA	LABEL-CIRCUITBREAKER
	111104-01-000	EA	LABEL-HITCH-READMANUAL
	111104-02-000	EA	LABEL-HITCH-READMANUAL-BLACK
	023769-01-000	EA	LABEL-WARNING-LPG-CANADIAN
	099689-01-000	EA	LABEL-WARNING-CANCER/TOXICITY
	091224-02-000	EA	LABEL-TRAILERLIGHTING

**LABELSGROUP(CONTINUED)**

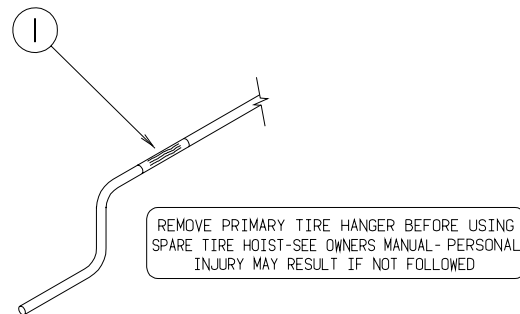


**WARNING**

Children Can be **KILLED** or **INJURED** by Passenger Air Bag

The back seat is the safest place for children 12 and under. Make sure all children use seat belts or child seats.

KEY	PARTNUMBER	U/M	DESCRIPTION
1	126612-01-000	EA	LABEL-HANGTAG-AIRBAG-DASH FROM: 03-14-97 THRU: 99-99-99



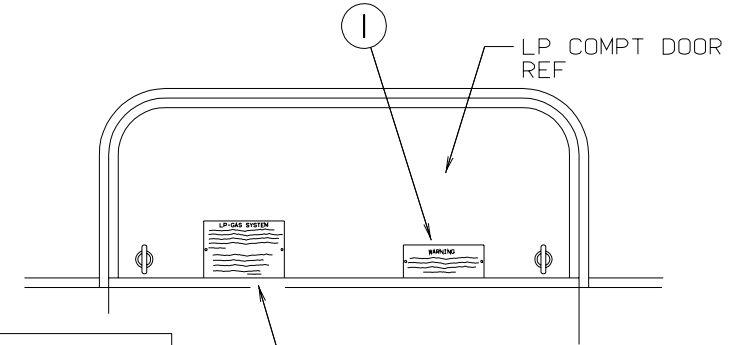
REMOVE PRIMARY TIRE HANGER BEFORE USING SPARE TIRE HOIST-SEE OWNERS MANUAL- PERSONAL INJURY MAY RESULT IF NOT FOLLOWED

KEY	PARTNUMBER	U/M	DESCRIPTION
1	126024-01-01A	EA	LABEL-TIREHANGERREMOVAL FROM: 03-14-97 THRU: 99-99-99

**LABELSGROUP(CONTINUED)**

**WARNING**

ALL PILOT LIGHTS AND APPLIANCES SHALL BE TURNED OFF DURING REFUELING OF MOTOR FUEL TANKS AND/OR PERMANENTLY MOUNTED LP-GAS CONTAINERS.

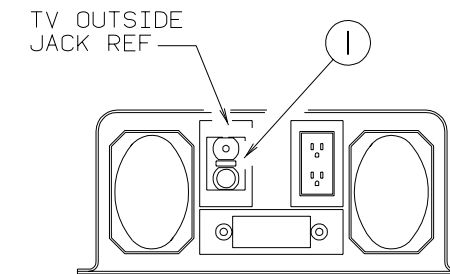


**LP-GAS SYSTEM**

THIS GAS PIPING SYSTEM IS DESIGNED FOR USE OF LIQUEFIED PETROLEUM GAS ONLY. DO NOT CONNECT NATURAL GAS TO THIS SYSTEM.

SECURELY CAP INLET(S) WHEN NOT CONNECTED FOR USE. AFTER TURNING ON GAS, EXCEPT AFTER NORMAL CONTAINER REPLACEMENT, TEST GAS PIPING AND CONNECTIONS TO APPLIANCE FOR LEAKAGE WITH SOAPY WATER OR BUBBLE SOLUTION. DO NOT USE PRODUCTS THAT CONTAIN AMMONIA OR CHLORINE.  
P.N. 54531

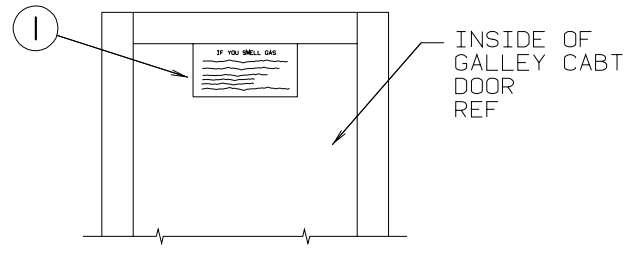
KEY	PARTNUMBER	U/M	DESCRIPTION
1	124519-01-02A	EA	LABEL-WARNING/REFUELING
1	124519-02-02A	EA	LABEL-WARNING/REFUELING-CSA
2	124520-01-02A	EA	LABEL-LPGASONLY
2	023769-01-000	EA	LABEL-WARNING-LPG-CANADIAN



OUTLET

KEY	PARTNUMBER	U/M	DESCRIPTION
1	087236-02-000	EA	LABEL-TVOUTLET

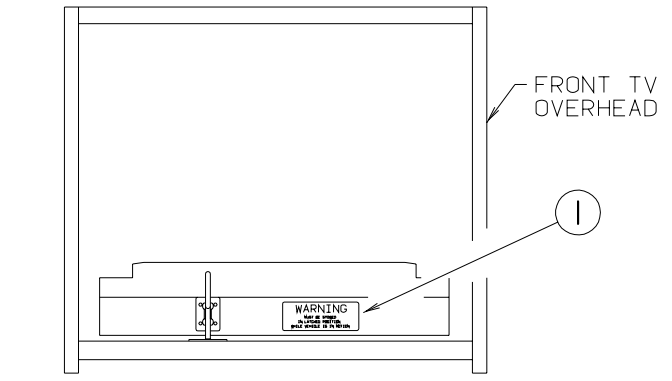
**LABELSGROUP(CONTINUED)**



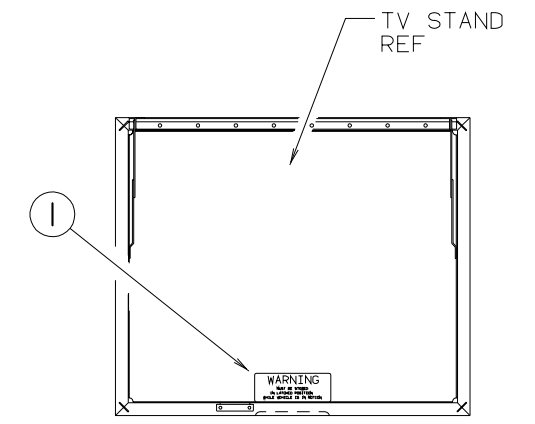
**IF YOU SMELL GAS**

1. EXTINGUISH ANY OPEN FLAME, PILOT LIGHTS AND ALL SMOKING MATERIALS.
2. SHUT OFF THE GAS SUPPLY AT THE TANK VALVE( OR GAS SUPPLY CONNECTION.
3. OPEN DOORS AND OTHER VENTILATING OPENINGS.
4. DO NOT TOUCH ELECTRICAL SWITCHES.
5. LEAVE THE AREA UNTIL ODOR CLEARS.
6. HAVE THE GAS SYSTEM CHECKED AND LEAKAGE SOURCE CORRECTED BEFORE USING AGAIN.

**LABELSGROUP(CONTINUED)**



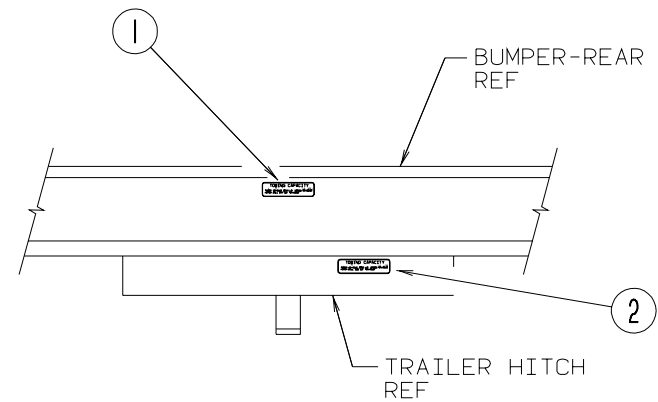
**WARNING**  
MUST BE STOWED  
IN LATCHED POSITION  
WHILE VEHICLE IS IN MOTION



**WARNING**  
MUST BE STOWED  
IN LATCHED POSITION  
WHILE VEHICLE IS IN MOTION

KEY	PARTNUMBER	U/M	DESCRIPTION
1	073998-01-000	EA	LABEL-LPGODORWARNING

KEY	PARTNUMBER	U/M	DESCRIPTION
1	079966-01-000	EA	LABEL-WARNING-STOWED-MOTION

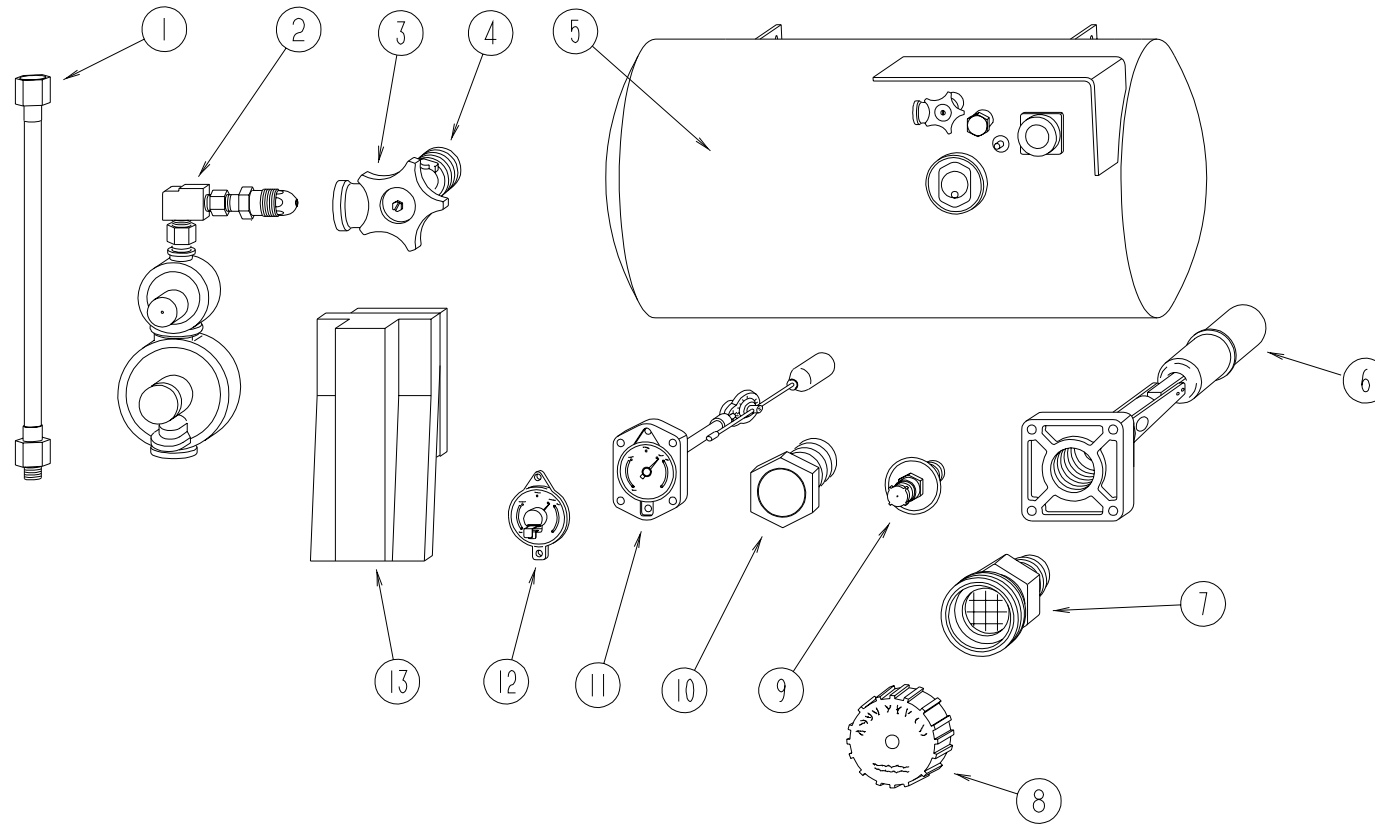


**DO NOT USE HITCH BEFORE  
READING OWNERS MANUAL REGARDING  
VEHICLE LOADING AND TOWING**

KEY	PARTNUMBER	U/M	DESCRIPTION
1	111104-02-000	EA	LABEL-HITCH-READMANUAL-BLACK
2	111104-01-000	EA	LABEL-HITCH-READMANUAL-

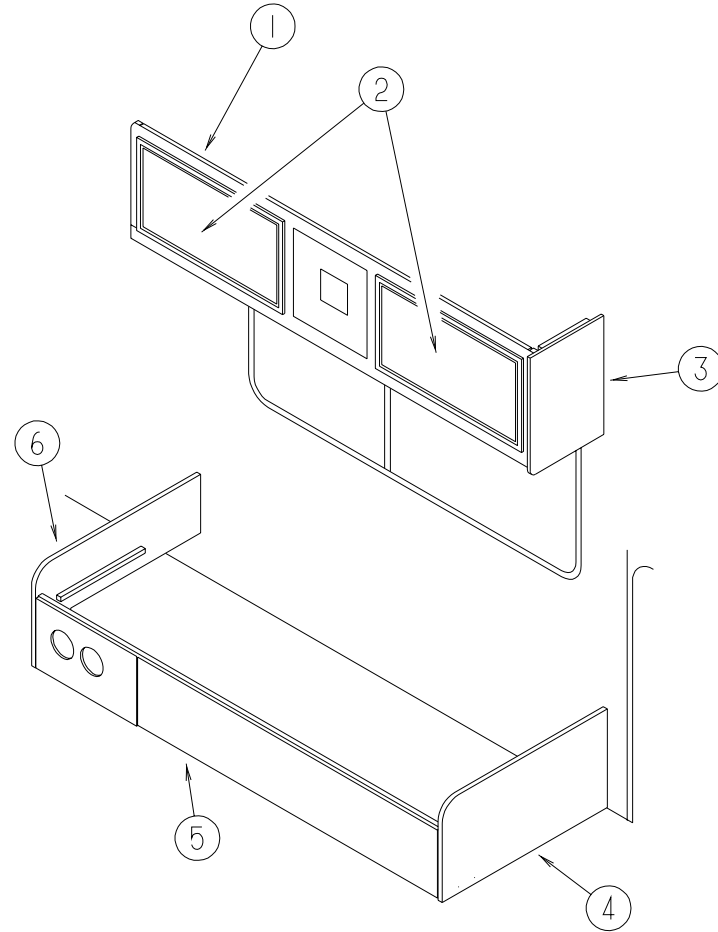
# LPGROUP

## LPSYSTEM



KEY	PARTNUMBER	U/M	DESCRIPTION	VENDOR NO.
1	045703-01-000	EA	HOSE-LP-3/8"IDX24"-3/8"MPTX1/2"FSWIVEL-U.S.	
1	045703-05-000	EA	HOSE-LP-3/8"IDX28"-3.8MPTX1/2FSWIVEL-US	
1	045703-06-000	EA	HOSE-LP-3/8"IDX28"-3/8MPTX1/2FSWIVEL-CANADIAN	
	045703-09-000	EA	HOSE-LP-3/8"IDX24"-3/8"FSWIVELX3/8"FSWIVEL	
2	106150-01-000	EA	REGULATOR-TWOSTAGE	
	106150-02-000	EA	REGULATOR-TWOSTAGE	
3	040421-01-708	EA	HANDWHEEL-SERVICEVALVE	G-1015-A
4	040421-01-712	EA	VALVE,SERV.W/OVAPORRELIEF	29000853
5	097821-01-000	EA	TANK-LP-60LB BRUNNER-14"X30"	
6	040421-01-711	EA	VALVE-80%FILLW/AUTOSTOP	LLL/TL3
7	040421-01-701	EA	VALVE-FILL-SHORT,LP	75478
8	040421-01-702	EA	CAP-FILLVALVE,PLASTIC	G-1014-A
9	040421-01-700	EA	VALVE-LIQUIDLEVEL,20%	G-1013
10	040421-01-713	EA	VALVE-VAPORONLY	29000587
11	040421-01-707	EA	FLOATASM.(SIGHTGAUGE)14"	14C
12	040440-02-000	EA	TRANSMITTER-DIAL-0-90OHM-2TERMINAL(POWER&GROUND)	
13	105658-01-000	EA	COMPARTMENT-LPREGULATOR	
	010265-01-000	EA	ELBOW-BRASS-90DEGREE-3/8"FX1/2"FPT	
	010323-01-000	EA	ADAPTER-BRASS-3/8"FX1/2"MPT	
	010377-02-000	EA	NUT-BRASS-3/8"FLARE-FORGED	
	065318-02-000	EA	ELBOW-90DEGREE-3/8"MPTTO3/8"FPT	
	024250-01-000	EA	ADAPTER-BRASS-3/8"FX1/2"FPT	
	010252-01-000	EA	ELBOW-BRASS-90DEGREE-3/8"FX1/2"MPT	
	103613-01-000	EA	DETECTOR-LPGAS	

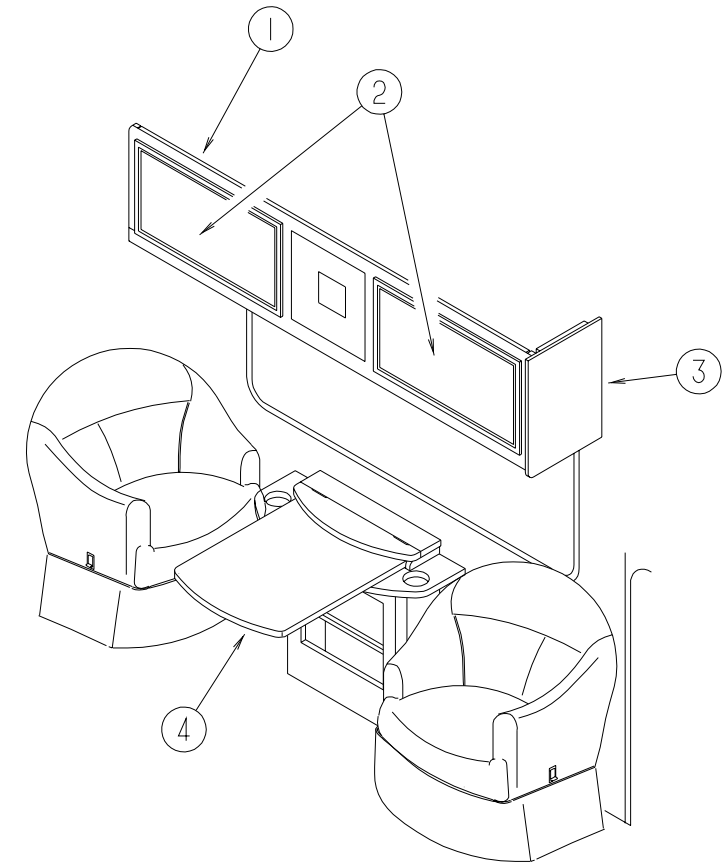
### LOUNGE GROUP



### DRIVERSIDE LOUNGE CABINERY

KEY	PARTNUMBER	U/M	DESCRIPTION
1	122926-01-H30	EA	CABINET-OVERHEAD-DINETTE/LOUNGE-W/ODOORS/HARDWARE
1	122926-01-H31	EA	CABINET-OVERHEAD-DINETTE/LOUNGE-W/ODOORS/HARDWARE
2	M06803-W9-H30	EA	DOOR-MIRROR/MTRDCRNR/OGEEEDGE-11.4"X28"-W/OHDW
2	M06803-D5-H30	EA	DOOR-MITEREDCORNER/OGEEEDGE-11.4"X28"-W/OHDW
3	109908-09-H30	EA	ENDCAP-OVERHEADCABINET
4	M08107-01-H30	EA	PANEL-COUCHLEFTEND-FABRICCOVERED
4	M08107-01-H31	EA	PANEL-COUCHLEFTEND-FABRICCOVERED
5	M08107-18-H30	EA	PANEL-COUCH/FACE-FABRICCOVERED
5	M08107-18-H31	EA	PANEL-COUCH/FACE-FABRICCOVERED
6	M08107-02-H30	EA	PANEL-COUCHRIGHTEND-FABRICCOVERED
6	M08107-02-H31	EA	PANEL-COUCHRIGHTEND-FABRICCOVERED
	083125-07-000	EA	BRACE-COUCH-OFFWHITE
	082525-01-000	EA	BRACE-COUCH-FLOORMOUNT-ANGLE3"LONG-METAL

### LOUNGE GROUP (CONTINUED)

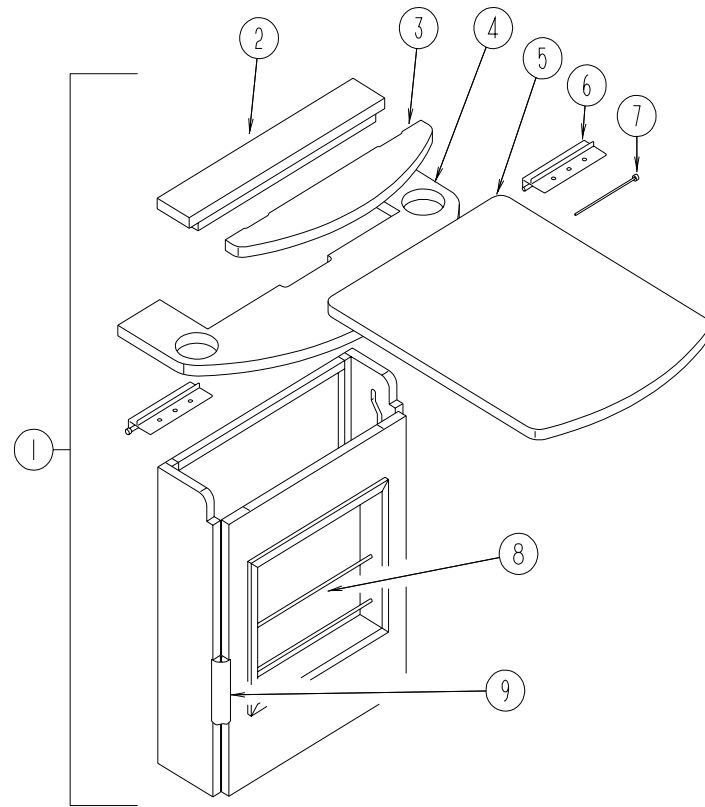


### DRIVER'S SIDE LOUNGE & PULL OUT TABLE

KEY	PARTNUMBER	U/M	DESCRIPTION
1	122926-01-H30	EA	CABINET-OVERHEAD-DINETTE/LOUNGE-W/ODOORS/HARDWARE
1	122926-01-H31	EA	CABINET-OVERHEAD-DINETTE/LOUNGE-W/ODOORS/HARDWARE
2	M06803-D5-H30	EA	DOOR-MITEREDCORNER/OGEEEDGE-11.4"X28"-W/OHDW
2	M06803-W9-H30	EA	DOOR-MIRROR/MTRDCRNR/OGEEEDGE-11.4"X28"-W/OHDW
3	109908-09-H30	EA	ENDCAP-OVERHEADCABINET
4	096928-04-H30	EA	CABINET-F/TABLE-W/OTOP



## LOUNGE GROUP (CONTINUED)



**FRONT DRIVER'S SIDE PULLOUT TABLE**

KEY	PARTNUMBER	U/M	DESCRIPTION
1	096928-04-H30	EA	CABINET-F/TABLE-W/OTOP
2	096928-23-H30	EA	COVER-TOP/BACKPULLOUTTABLE
3	096928-13-H30	EA	COVER-FRONTTOPCURVEDOVERTABLETOP
4	096928-24-H30	EA	TOP-PULLOUTTABLEF/CUPHOLES
5	096928-11-H30	EA	TOP-PULLOUTTABLE-W/OHARDWARE
6	009059-01-000	EA	HINGE-DOOR-2"X1.4"-BRASS
7	079921-01-000	EA	ROLLER-NYLON-W/STEELSHAFT-BARBED
8	097208-01-H30	EA	MAGAZINERACK
9	042357-21-000	EA	MOLDING-CORNER-RADIUS/PLASTIC-SOLARMAPLE
	079789-02-000	EA	SUPPORT-TABLE-PULLOUT
	096928-21-H30	EA	SIDEEND-TABLE-RIGHTSIDE-27.6"X6.2"
	096928-22-H30	EA	SIDEEND-TABLE-LEFTSIDE-27.6"X6.2"
	016604-01-000	EA	BRACE-CABINET,ANGLE-2.5"-UNPAINTED
	080728-01-000	EA	HANDLE-PULL1.3"X4.4"-PLASTIC-BROWN

## SEALANTS & FASTENERS GROUP

### CLAMPS, GROMMETS, CLIPS & RIVETS

KEY	PARTNUMBER	U/M	DESCRIPTION
	000H16-04-06R	EA	RIVET-POPALUMINUM-1/8"X.313-.375
	069592-02-000	EA	RIVET-T-POP-1/4X.093-.156
	007161-01-000	EA	CLAMP-HOSE-SPRINGTYPE-1/2"
	010495-01-000	EA	CLAMP-CABLE-9/16"
	010497-01-000	EA	CLAMP-CLOSED-5/8"ID
	010497-03-000	EA	CLAMP-CLOSED-1"ID-CUSHIONED
	010497-04-000	EA	CLAMP-CLOSED-1.62"ID
	010497-08-000	EA	CLAMP-CLOSED-.125"
	010499-01-000	EA	CLAMP-CLOSED-3/8"ID
	062401-01-000	EA	CLAMP-HOSE-WORMGEAR-.25"-1"
	062401-02-000	EA	CLAMP-HOSE-WORMGEAR-1.56"-2.5"
	062401-03-000	EA	CLAMP-HOSE-WORMGEAR-.22"-1"
	062401-04-000	EA	CLAMP-HOSE-WORMGEAR-.69"-1.25"
	062401-06-000	EA	CLAMP-HOSE-WORMGEAR-.22-.62ID
	062401-11-000	EA	CLAMP-HOSE-WORMGEAR-3.50-4.50
	075148-02-000	EA	CLAMP-GROUNDING-BRONZESCREWS
	083609-01-000	EA	CLAMP-WIRE-DUAL-EQUALDIAMETERS-5/8"
	083610-01-000	EA	CLAMP-WIRE-DUAL-UNEQUALDIAMETERS-3/4" & 1 1/4"
	083610-02-000	EA	CLAMP-WIRE-DUAL-UNEQUALDIAMETERS
	016188-05-000	EA	GROMMET-L/PLINE-3/8"HOLEX1 1/4"LONG-RUBBER
	023942-01-000	EA	GROMMET-RUBBER-2"OD
	114208-02-000	EA	GROMMET-EDGELINER-FITS.625
	071015-26-000	EA	GROMMET-RUBBER-1.5"IDX2.12"ODW/.06"GROOVE-BLK
	091952-02-000	EA	CLIP-GRIPPER-3/4"
	094362-02-000	EA	CLIP-XMASTREE-FLATHEAD-.5"X.95"
	101447-01-000	EA	CLIP-UTYPE
	080734-02-000	EA	CLIP-WIRENYLON
	056134-02-000	EA	HOLDER-RING-1.8"DIAMETER-METAL

**SEALANTS&FASTENERSGROUP(CONTINUED)**

**SCREWS**

KEY	PARTNUMBER	U/M	DESCRIPTION
	0G1208-12-170	EA	SCREW-8-18X.75POH-BRIGHTWHITE
	0G6710-08-170	EA	SCREW-10-12X1/2PPH-BRIGHTWHITE
	000G11-05-08B	EA	SCREW-5-20X.50PPH-ZINC
	000G11-06-10J	EA	SCREW-6-20X5/8PPH-BRASS
	000G11-06-08B	EA	SCREW-6-20X.50PPH-ZINC
	000G11-06-06B	EA	SCREW-6-20X3/8PPH-ZINC
	000G11-07-08B	EA	SCREW-7-19X.50PPH-ZINC
	000G11-08-12B	EA	SCREW-8-18X.75PPH-ZINC
	000G11-08-08B	EA	SCREW-8-18X.50PPH-ZINC
	000G11-08-06B	EA	SCREW-8-18X3/8PPH-ZINC
	000G11-08-20B	EA	SCREW-8-18X1.25PPH-ZINC
	000G11-08-16S	EA	SCREW-8-18X1PPH-OFFWHITE
	000G11-08-12T	EA	SCREW-8-18X.75PPH-BLACK
	000G11-08-12P	EA	SCREW-8-18X3/4PPH-DARKBROWN
	000G11-08-12D	EA	SCREW-8-18X.75PPH-BLACK
	000G11-10-12S	EA	SCREW-10-16X.75"PPH-OFFWHITE
	000G12-06-08T	EA	SCREW-6-20X1/2POH-BLACK
	000G12-08-12S	EA	SCREW-8-18X.75POH-OFFWHITE
	000G13-05-10B	EA	SCREW-5-12X5/8PFH-ZINC
	000G13-06-08G	EA	SCREW-6-20X.50PFH-ANTIQUEBRASS
	000G13-06-08B	EA	SCREW-6-20X.50PFH-ZINC
	000G13-06-24J	EA	SCREW-6-20X1.50PFH-BRASS
	000G13-06-16J	EA	SCREW-6-20X1PFH-BRASS
	000G13-06-10G	EA	SCREW-6-20X5/8PFH-ANTIQUEBRASS
	000G13-07-12B	EA	SCREW-7-19X.75PFH-ZINC
	000G32-10-06B	EA	SCREW-10-32X3/8PPH-ZINC
	000G54-04-20B	EA	SCREW-1/4-20X1.25PTH-TYPE23-ZINCPLATED
	000G56-12-48B	EA	SCREW-WOOD-12-11X3POH-SPECIALHARDENED
	000G67-10-08R	EA	SCREW-10-12X1/2PPH-BEIGE-TYPEA
	000G67-10-08B	EA	SCREW-10-12X.50PPH-ZINC
	000G67-10-36T	EA	SCREW-10-12X2.25-PPH-BLACK
	000G67-10-32B	EA	SCREW-10-12X2PPH-ZINC
	000G67-10-24B	EA	SCREW-10-12X1.25PPH-ZINC
	000G67-10-20D	EA	SCREW-10-12X1.25PPH-BLACK
	000G67-10-16B	EA	SCREW-10-12X1PPH-ZINC
	000G67-10-120	EA	SCREW-10-12X.75PPH-TAN
	000G67-10-12P	EA	SCREW-10-12X.75-PPH-DARKBROWN
	000G67-10-12B	EA	SCREW-10-12X.75PPH-ZINC
	000G67-10-10S	EA	SCREW-10-12X5/8PPH-OFFWHITE
	000G67-10-10D	EA	SCREW-10-12X5/8PPH-BLACK-TYPEA
	000G67-10-10B	EA	SCREW-10-12X5/8PPH-ZINC-TYPEA
	000G68-06-10G	EA	SCREW-6-18X5/8POH-ANTIQUEBRASS
	049465-17-000	EA	SCREW-10-16X1POHW/WASHER
	0G3908-08-170	EA	SCREW-SF/DR-8-18X.50PPH-BRIGHTWHITE
	0G3908-24-170	EA	SCREW-SF/DR-8-18X1.50PPH-BRIGHTWHITE
	0G5508-16-250	EA	SCREW-SF/DR-8-18X1.00PWH
			FROM: 12-16-96 THRU: 99-99-99
	000G39-06-10T	EA	SCREW-SF/DR-6-20X5/8PPH-BLACK
	000G39-06-08B	EA	SCREW-SF/DR-6-18X.50-ZINC
	000G39-08-24B	EA	SCREW-SF/DR-8-18X11/2PPH-ZINC
	000G39-08-16R	EA	SCREW-SF/DR-8-18X1PPH-BEIGE
	000G39-08-16B	EA	SCREW-SF/DR-8-18X1PPH-ZINC
	000G39-08-12B	EA	SCREW-SF/DR-8-18X.75PPH-ZINC
	000G39-08-08T	EA	SCREW-SF/DR-8-18X1/2PPH-BLACK
	000G39-08-08S	EA	SCREW-SF/DR-8-18X.50PPH-OFFWHITE
	000G39-08-08B	EA	SCREW-SF/DR-8-18X1.50PPH-ZINC
	000G39-08-06B	EA	SCREW-SF/DR-8-18X3/8PPH-ZINC
	000G39-10-32B	EA	SCREW-SF/DR-10-16X2-PPH-ZINC
	000G39-10-20B	EA	SCREW-SF/DR-10-16X1.25PPH-ZINC
	000G39-10-129	EA	SCREW-SF/DR-10-16X.75PPH-FLUOROCARBONSILVER

**SEALANTS&FASTENERSGROUP(CONTINUED)**

**SCREWS(CONTINUED)**

KEY	PARTNUMBER	U/M	DESCRIPTION
	000G39-10-12R	EA	SCREW-SF/DR-10-16X.75PPH-BEIGE
	000G39-10-12D	EA	SCREW-SF/DR-10-16X.75PPH-BLACK
	000G39-10-12B	EA	SCREW-SF/DR-10-16X.75PPH-ZINC
	000G39-10-088	EA	SCREW-SF/DR-10-16X1/2PPH-FLEXFLUOROCARBON
	000G39-10-08B	EA	SCREW-SF/DR-10-16X.50PPH-ZINC
	000G42-04-16B	EA	SCREW-SF/DR-1/4-14X1HWH-ZINC
	000G55-08-16S	EA	SCREW-SF/DR-8-18X1.00-PWH-OFFWHITE
	000G60-10-20B	EA	SCREW-SF/DR-10-16X1.25POH-ZINC
	000G60-10-28T	EA	SCREW-SF/DR-10-16X1.75-BLACK
	000G46-08-24T	EA	SCREW-MACHINE-8-32X1.50PFH-BLACK
	000G50-04-12B	EA	SCREW-MACHINE-1/4-20X.75PPH-ZINC
	000G52-08-18B	EA	SCREW-MACHINE-8-32X11/8PTH-ZINC
	000G19-10-12F	EA	SCREW-MACHINE-10-32X.75-PPH-STAINLESSSTEEL
	075908-01-000	EA	SCREW-MACHINE-10-32X.56PTH-EXTERNALTOOTH-ZINC
	054434-02-000	EA	SCREW-SF/DR-10-16X2-ZINC
	054434-03-000	EA	SCREW-SF/DR-10-16X2-PWH-ZINC-W/OWINGS
	086256-01-000	EA	SCREW-SF/DR-8X3/4HWHLONG
	083554-01-000	EA	SCREW-DRYWALL-8X1.25
	083554-04-000	EA	SCREW-DRYWALL-8X21/2
	087721-01-000	EA	SCREW-FLATHEAD-TAPPING-1/4"X11/4"LONG-ZINC
	097974-01-000	EA	SCREW-PARTICLEBOARD-7-9X3/4PPH
	101618-01-000	EA	SCREW-1/4-20X3/4HEX-TAPPING-STALGARDTYPEF
	105126-01-000	EA	SCREW-CACH-8-32X1PPHTAPTIT
	106477-01-000	EA	SCREW-14-10X3.00-PFH

**SEALANTS&FASTENERSGROUP(CONTINUED)**

**BOLTS,NUTS&WASHERS**

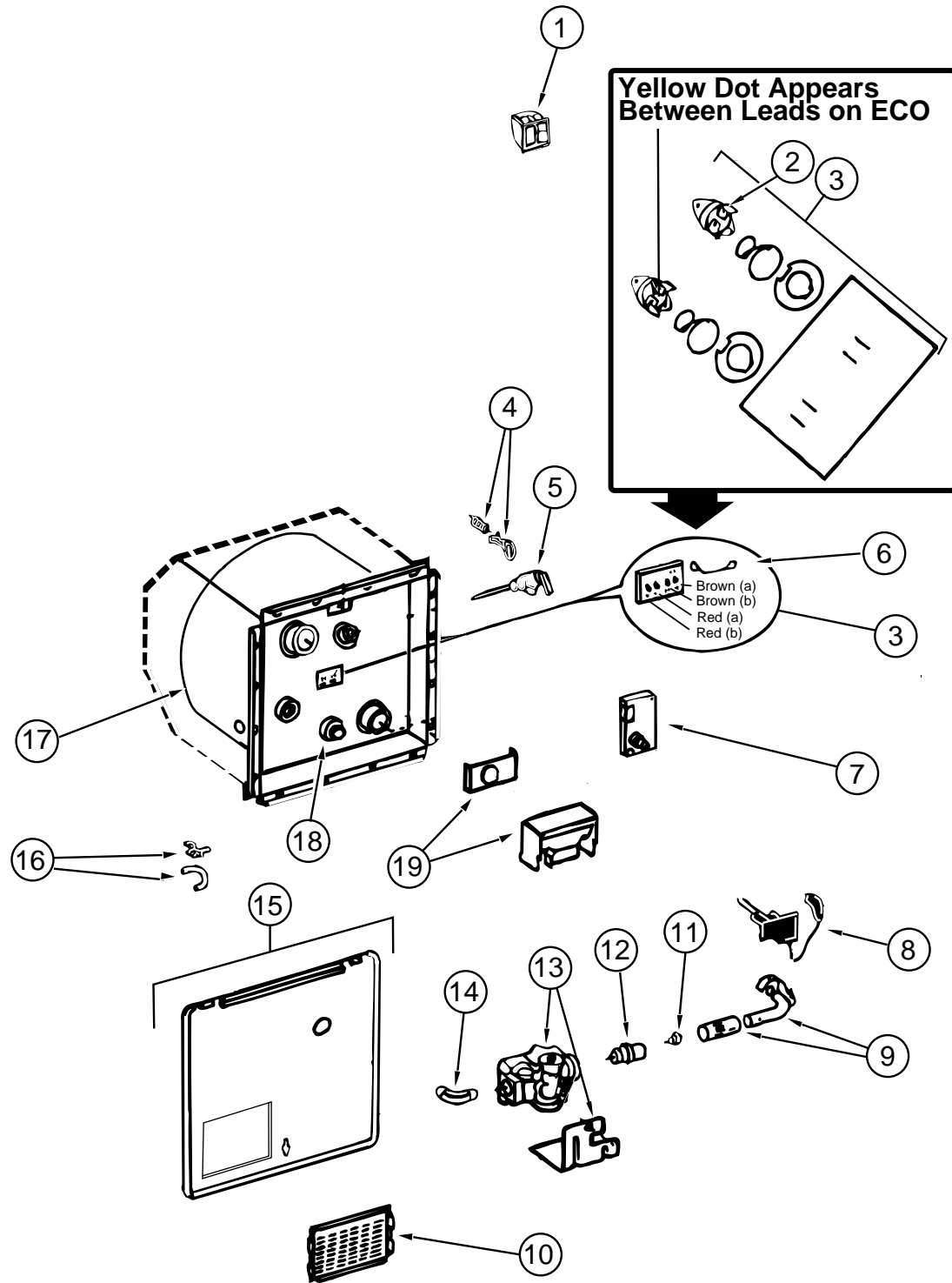
KEY	PARTNUMBER	U/M	DESCRIPTION
	0MC31K-08-020	EA	BOLT-HEX-SERRATEDFLANGE-M8X020
	000C12-05-16B	EA	BOLT-HEX-5/16-18X1-ZINC5
	000C12-06-16B	EA	BOLT-HEX-3/8-16X1LG-ZINC5
	000C12-07-20B	EA	BOLT-HEX-7/16-14X1 1/4-ZINC5
	000C12-08-24B	EA	BOLT-HEX-1/2-13X1.50-ZINC5
	000C12-10-24B	EA	BOLT-HEX-5/8-11X1.50-ZINC5
	000C13-07-48B	EA	BOLT-HEX-7/16-20X3-ZINC5
	000C18-05-40A	EA	BOLT-ELEVATOR-5/16-18X2.50-PL
	000C18-06-48B	EA	BOLT-ELEVATOR-3/8-16X3-ZINC-GRADE5
	000C26-04-14B	EA	BOLT-HEX-SERRATEDFLANGE-1/4-20X7/8-ZINC
	000C26-04-10B	EA	BOLT-HEX-SERRATEDFLANGE-1/4-20X5/8-ZINC
	000C26-05-16B	EA	BOLT-HEX-SERRATEDFLANGE-5/16-18X3/4-ZINC
			FROM: 10-14-96 THRU: 99-99-99
	000C26-05-12B	EA	BOLT-HEX-SERRATEDFLANGE-5/16-18X3/4-ZINC
	000C26-06-16B	EA	BOLT-HEX-SERRATEDFLANGE-3/8-16X1-ZINC
	000C26-06-12B	EA	BOLT-HEX-SERRATEDFLANGE-3/8-16X3/4-ZINC
	091274-03-000	EA	BOLT-J-3/8-16X12.0
	102333-01-06A	EA	BOLT-CARRIAGE-7/16-14STAINLESSSTEELCAP
	106166-01-000	EA	BOLT/COLLAREDHANGER-8-32X1"
	000C18-06-56A	EA	BOLT-ELEVATOR-3/8-16X3 1/2-GRADE5
	051387-06-000	EA	BOLT-CARRIAGEW/OHOLE-5/16-18X9.5-ZINC
	000D24-10-00B	EA	NUT-HEX-SELFLOCKING-10-32ZINC
	000D29-06-00B	EA	NUT-HEX-W/NYLONLOCK-3/8-16-ZINC
	000D29-09-00B	EA	NUT-HEX-SELFLOCKING-9/16-12-ZINC
	000D34-06-00B	EA	NUT-HEX-LOCKING-3/8-16GRADEC-ZINC-PREVAILINGT
	000D39-04-00B	EA	NUT-HEX-SERRATEDFLANGE-LOCKING-1/4-20-ZINC
	000D39-05-00B	EA	NUT-HEX-SERRATEDFLANGE-LOCKING-5/16-18-ZINC
	000D39-06-00B	EA	NUT-HEX-SERRATEDFLANGE-LOCKING-3/8-18-ZINC
	000D39-07-00B	EA	NUT-HEX-SERRATEDFLANGE-LOCKING-7/16-14-ZINC
	000D39-08-00B	EA	NUT-HEX-SERRATEDFLANGE-LOCKING-1/2-13-ZINC
	000D44-07-00B	EA	NUT-HEX-SERRATEDFLANGE-LOCKING-7/16-20-ZINC
	040921-01-000	EA	NUT-SPEED-UTYPE-10-24BLACK
	044364-02-000	EA	NUT-SPEED-FLAT-ROUND
	087234-01-000	EA	NUT-JACK-1/4X20THD-MOLLY MOUNTSLICENSEPLATES
	000E11-07-00B	EA	WASHER-LOCKING-7/16MEDSPLIT-ZINC
	000E13-14-00B	EA	WASHER-FLAT-1/4WIDE-ZINC
	000E13-17-00B	EA	WASHER-FLAT-3/8"AR-ZINC
	000E13-18-00B	EA	WASHER-FLAT-3/8WIDE-ZINC
	000E13-20-00B	EA	WASHER-FLAT-7/16WIDE-ZINC
	041322-01-000	EA	WASHER-FLANGE-15/32IDX23/8OD-FORSEATBELTMOUNT
	077071-01-000	EA	WASHER-FENDER-3/16"IDX1"OD

**SEALANTS&FASTENERSGROUP(CONTINUED)**

**ADHESIVE&FASTENERS**

KEY	PARTNUMBER	U/M	DESCRIPTION
	004006-05-700	EA	ADHESIVE-NAT.STARCH(5GAL) 0802
	004020-01-000	QT	ADHESIVE-ABSCEMENT-QUART
	034552-02-000	EA	SILICONE-TUBE-300ML-W/ONNOZZLE-CLEAR
	034552-06-000	EA	SILICONE-TUBE-300ML-W/ONNOZZLE-OFFWHITE
	034552-15-000	EA	SILICONE-TUBE-300ML-W/ONNOZZLE-BRIGHTWHITE
			FROM: 00-00-00 THRU: 01-01-97
	039518-01-000	EA	SILICONE-TUBE-300ML-BLACK-W/ONNOZZLE
	108716-03-000	EA	SILICONE-TUBE-BRIGHTWHITE/SELFLEVELING
	900390-01-000	EA	TIP-21/2"X1/8"ORIFICE
	900390-03-000	EA	NOZZLE-SILICONETUBE
	053766-02-000	EA	BEDDINGCOMPOUND-TUBE-WHITE
	053766-06-000	EA	BEDDINGCOMPOUND-TUBE-CLEAR
	069640-01-000	FT	SEALER-RIBBON-1/4"DIAMETERX30'
	069640-02-000	FT	SEALER-TAPE-1/8"THICKX.50"WIDEX60'
	069640-03-000	FT	SEALER-TAPE-1/8"THICKX.75"WIDEX60'
	069640-07-000	FT	SEALER-TAPE-3/32"THICKX2"WIDEX45'
	069640-10-000	FT	SEALER-TAPE-1/32"THICKX1.50"WIDEX90'
	069640-11-000	FT	SEALER-TAPE-3/16"THICKX3/8"WIDEX40'
	069640-15-000	FT	SEALER-TAPE-1/16"THICKX3/8"WIDEX80'
	069640-17-000	FT	SEALER-TAPE-1/32"THICKX1"WIDEX90'
	069640-18-000	FT	SEALER-TAPE-1/2"THICKX1/8"X60'
	102352-01-000	EA	SEALER-PUMPABLE-BLACK-COLORIMETRICMS101
	102352-02-000	EA	SEALER-PUMPABLE-CLEAR
	106206-01-000	EA	SEALER-PUMPABLE-MANUS30A-BLACK
	072889-09-000	EA	SEALANT-URETHANE-BLACK(TUBE)
	072889-10-000	EA	SEALANT-URETHANE(HV)-BRIGHTWHITE
	072889-12-000	EA	SEALANT-URETHANE(LV)BRIGHTWHITE
	063642-01-000	FT	TAPE-ADHESIVE-10MILX1.5"X180"
	076314-02-000	FT	TAPE-CARPETSEAM-HEAT-BOND-4"WIDE
	076322-02-000	FT	TAPE-DOUBLECOATED/ADHESIVEBACK-.045"THKX1"WX9'
	076322-05-000	FT	TAPE-DOUBLECOATED/ADHESIVEBACK-.045"THKX75"WX9'
	076322-07-000	FT	TAPE-DOUBLECOATED/ADHESIVEBACK-.045"THKX.50"WX9'
	120534-01-01A	EA	TAPE-SCOTCH-3M-1/2"FINELINE
	118085-02-01A	FT	TAPE-FOIL-1"
	123816-01-000	FT	TAPE-DOUBLESIDED-1"
	123816-02-000	FT	TAPE-DOUBLESIDED-1/2"
	123816-03-000	FT	TAPE-DOUBLESIDED-1/2"
			FROM: 02-04-97 THRU: 99-99-99
	087211-01-000	GL	PROMOTER-ADHESIVE
	091255-02-000	FT	SEAL-ADHESIVEBACKED/FOAM-.18"THICKX1.5"WIDE

## WATER & SEWAGE GROUP



### WATER HEATER W/ELECTRIC IGNITION AT WOOD (G6A-8E)

KEY	PART NUMBER	U/M	DESCRIPTION	VENDOR NO.
	051391-03-000	EA	WATER HEATER - W/ELECTRIC IGNITION	
1	097967-01-000	EA	SWITCH - WATER HEATER - REMOTE W/LIGHT	
2	051391-04-701	EA	THERMOSTAT 12VDC-120 PRESET	91470
3	051393-01-721	EA	ECO & THERMOSTAT ASM - FRONT MOUNT, 140 DEGREE	91447
4	051391-01-705	EA	FASTENER - CAM LOC	92609
5	051391-01-704	EA	VALVE - RELIEF - 1/2" FITTING	91604
6	051393-01-723	EA	SWITCH - THERMAL - CUTOFF (2/PKG)	93866
7	051393-01-724	EA	CIRCUIT BOARD - SPADE TERMINAL	93865
8	051393-01-725	EA	ELECTRODE - SINGLE SPADE CONNECT	93868
9	051391-04-703	EA	BURNER - MAIN	91638
10	051391-01-717	EA	GRILL ONLY (GOES ON THE DOOR)	92640
11	051391-01-710	EA	ORIFICE - MAIN BURNER	92742
12	051391-03-700	EA	ORFICE - HOLDER	91563
13	051393-01-726	EA	SOLENOID VALVE AND BRACKET - WHITE-ROGERS	93870
14	051391-01-714	EA	FITTING - ELBOW 45-3/8 FX 3/8 MPT	1044
15	052009-06-000	EA	DOOR - WATER HEATER - BRIGHT WHITE - 18" X 14.6"	
	116424-01-000	EA	PROTECTOR - WATER HEATER LATCH	
16	051391-01-700	EA	HINGE KIT - W/CLIP	92568 & 92559
17	051391-04-706	EA	TANK - INNER - G6A-4E & 6E - FRONT MOUNT	91641
18	051391-01-715	EA	PLUG - DRAIN - 1 EA = 2 PER PKG	91857
19	051391-04-707	EA	KIT (FLUE & GASKET) FOR EXHAUST	90960
	111129-01-711	EA	BRACKET - CORNER - SET OF FOUR	91928

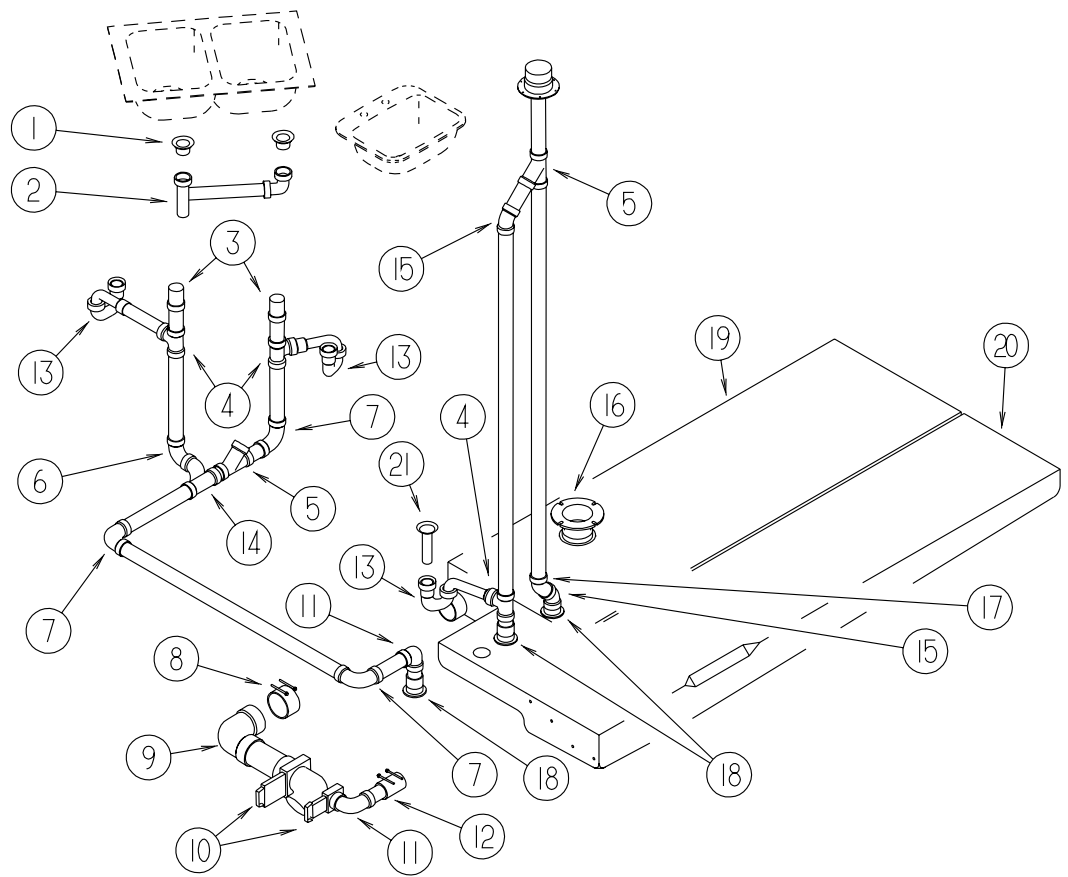
### WATER HEATER W/MOTOR AID AT WOOD (GH6-8E)

KEY	PART NUMBER	U/M	DESCRIPTION	VENDOR NO.
	051393-01-000	EA	WATER HEATER - W/MOTOR AID - PILOTLESS IGNITION	
1	097967-01-000	EA	SWITCH - WATER HEATER - REMOTE W/LIGHT	
2	051391-04-701	EA	THERMOSTAT 12VDC-120 PRESET	91470
3	051393-01-721	EA	ECO & THERMOSTAT ASM - FRONT MOUNT - 140 DEGREE	91447
4	051391-01-705	EA	FASTENER - CAM LOC	92609
5	051391-01-704	EA	VALVE - RELIEF - 1/2" FITTING	91604
6	051393-01-723	EA	SWITCH - THERMAL - CUTOFF (2/PKG)	93866
7	051393-01-724	EA	CIRCUIT BOARD - SPADE TERMINAL - ELECTRIC IGNITION	93865
8	051393-01-725	EA	ELECTRODE - SINGLE SPADE CONNECT. - SPARK PROBE	93868
9	051391-04-703	EA	BURNER - MAIN - 4E AND 6E MODELS	91638
10	051391-01-717	EA	GRILL ONLY (GOES ON THE DOOR)	92640
11	051391-01-710	EA	ORIFICE - MAIN BURNER	92742
12	051391-03-700	EA	ORFICE - HOLDER	91563
13	051393-01-726	EA	SOLENOID VALVE AND BRACKET - WHITE-ROGERS	93870
14	051391-01-714	EA	FITTING - ELBOW 45-3/8 FX 3/8 MPT	1044
15	052009-06-000	EA	DOOR - WATER HEATER - BRIGHT WHITE - 18" X 14.6"	
	116424-01-000	EA	PROTECTOR - WATER HEATER LATCH	
16	051391-01-700	EA	HINGE KIT - W/CLIP	92568 & 92559
17	051391-04-704	EA	TANK - INNER - FRONT MOUNT	91642
18	051391-01-715	EA	PLUG - DRAIN - 1 EA = 2 PER PKG	91857
19	051391-04-707	EA	KIT (FLUE & GASKET) FOR EXHAUST	90960
	111129-01-711	EA	BRACKET - CORNER - SET OF FOUR	91928

**WATER&SEWAGEGROUP(CONTINUED)**

**WATER&SEWAGEGROUP(CONTINUED)**

**DRAINAGESYSTEM(CONTINUED)**



**DRAINAGESYSTEM**

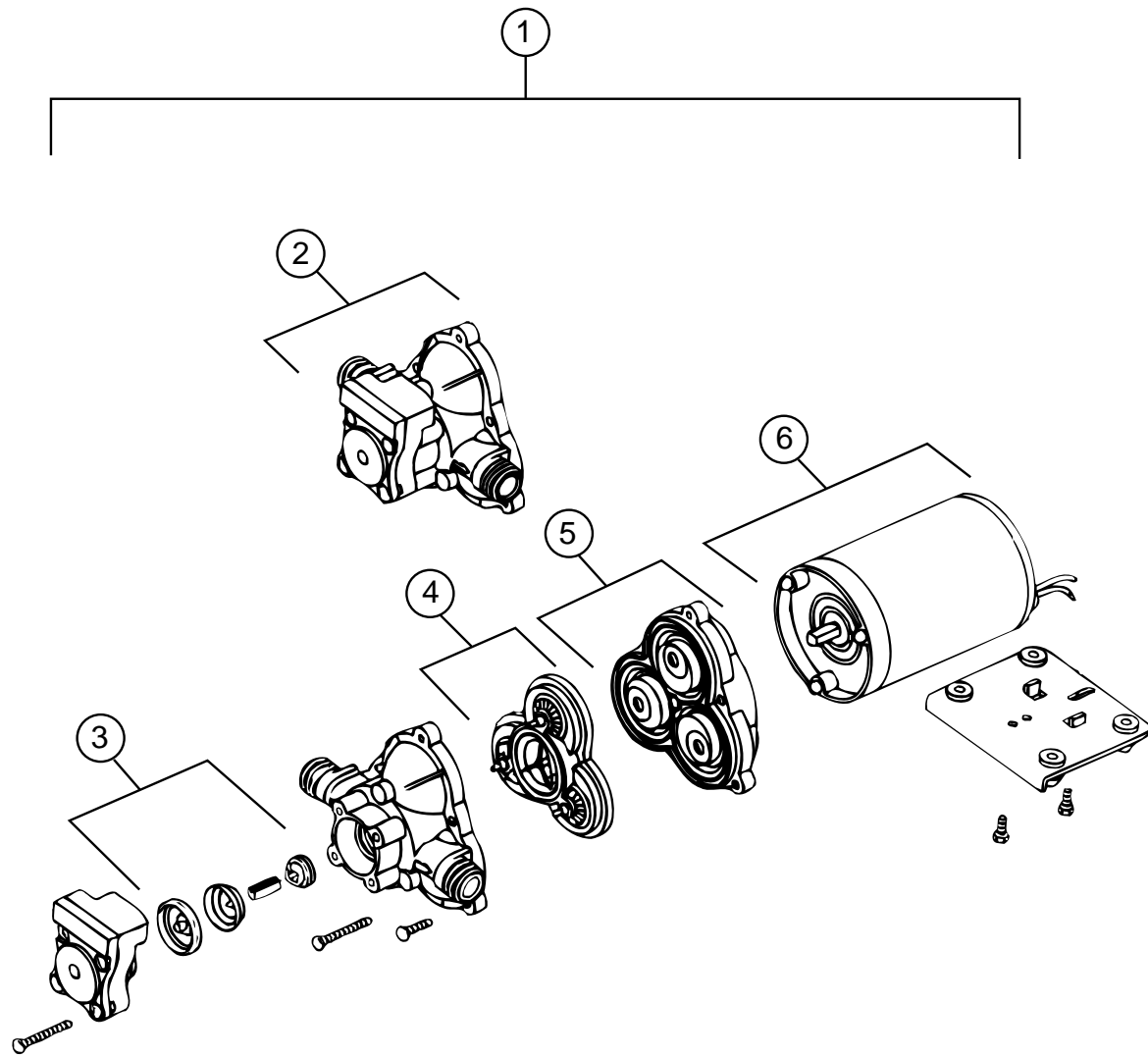
KEY	PARTNUMBER	U/M	DESCRIPTION	VENDORNO.
1	092303-01-000	EA	STRAINER-SINK	
2	011091-02-000	EA	WASTE-CONTINUOUS-DOUBLE SINK	
3	079968-01-000	EA	VENT-MECHANICAL/TRAPARM-ANTI-SIPHON-2"X7.3" PLASTIC	
4	010071-01-000	EA	TEE-SANITARY-1 1/2 HUB X HUB X HUB-PLASTIC	
5	010073-01-000	EA	WYE-45 DEGREE-1 1/2" HUB X HUB X HUB-PLASTIC	
	010122-01-000	EA	BUSHING-REDUCER-1 1/2 SMTH X 1 1/4 THD-BLACK PLASTIC	
	010166-01-000	EA	PLUG-THREADED-1 1/4" DIAMETER-PLASTIC-BLACK	
6	033761-01-000	EA	ELBOW-TURN-90 DEGREE-1 1/2" HUB X 1 1/2" SPIGOT	
7	010008-01-000	EA	ELBOW-90 DEGREE-1 1/2" HUB X HUB-PLASTIC	
8	078406-01-000	EA	COUPLER-RUBBER-W/CLAMPS-3" X 3"	
9	031126-01-000	EA	ELBOW-1/4 BEND-3" X 90" XLT-BLACK PLASTIC	
10	070916-01-000	EA	VALVE-DUAL DUMP-W/CAP-3" X 1 1/2"	
	070916-01-700	EA	VALVE ONLY (WASTE) 3"	T1003BU
	070916-01-701	EA	VALVE ONLY (WASTE) 1 1/2"	T1001BU
11	034250-01-000	EA	ELBOW-90 DEGREE-LONG TURN-1 1/2" HUB X HUB-ABS	
12	089355-01-000	EA	COUPLER-RUBBER 1 1/2" X 1 1/2"	
13	107538-01-000	EA	PTRAP-PLASTIC-1 1/4" W/EXTENSION ARM	
13	011071-01-000	EA	PTRAP-PLASTIC-1 1/2"	
	109571-01-000	EA	ADAPTER-PTRAP-1 1/2" PX 1 1/4" MPT	
14	031365-02-000	EA	TEE-PLASTIC-1 1/2" EXTLG TURN	
15	010006-01-000	EA	ELBOW-45 DEGREE-1 1/2" HUB X HUB-PLASTIC	
16	116644-01-000	EA	FLANGE-CLOSET-4" X 3"	
	061607-02-000	EA	GROMMET-HOLDING TANK-3" NPS	
17	010051-01-000	EA	ELBOW-45 DEGREE-1 1/2" SPIGOT & HUB-PLASTIC	
18	061607-01-000	EA	GROMMET-HOLDING TANK-1 1/2" NPS	
	010115-01-000	EA	COUPLING-1 1/2" HUB X HUB-PLASTIC	
19	117573-01-000	EA	TANK-HOLDING-33 GALLON-W/O FITTINGS	
20	117580-01-000	EA	TANK-HOLDING-33 GALLON-W/O FITTINGS	

KEY	PARTNUMBER	U/M	DESCRIPTION	VENDORNO.
21	011069-04-000	EA	TAILPIECE-1 1/2" X 1 1/4" X 8"-BRASS	
	069735-01-000	EA	WASHER-STRAINER TO TAILPIECE-PLASTIC-1.5"	
	010201-01-000	EA	HOSE-SEWER-3" ID X 8'	
	062416-01-000	EA	ADAPTER-SEWER HOSE TO 3" PIPE	
	062415-01-000	EA	CAP-SEWER-3" DIAMETER	
	062415-01-700	EA	STRING-SEWER CAP	V#SV7STRAP
	119109-06-000	EA	TANK-WATER-40 GALLON-W/FITTINGS	
	119109-01-000	EA	TANK-WATER-40 GALLON-W/O FITTINGS	
	042989-03-000	EA	FITTING-WATER TANK-SPINWELD-1 1/4" NPT-PLASTIC	
	042989-04-000	EA	FITTING-WATER TANK-SPINWELD-3/8 FPT-WHITE PLASTIC	
	042989-05-000	EA	FITTING-WATER TANK-SPINWELD-1/2" FPT-PLASTIC	
	049032-01-000	EA	PATCH-SPINWELD-3/8"-PLASTIC	
	077954-02-000	EA	FILTER-WATER TANK-W/SCREEN IN TANK	
	039861-01-000	EA	SENDING UNIT-W/SCREW-WASHER-WELL NUT/TERMINAL RING	
	091208-01-000	EA	WASHER-RUBBER-.06" X .75" X .5"	

**WATERSYSTEMCOMPONENTS**

KEY	PARTNUMBER	U/M	DESCRIPTION	VENDORNO.
	046128-01-000	EA	VALVE-DRAIN-PLASTIC-1/2" FPT	
	101814-01-000	EA	COUPLING-FEMALE-1/2" X 1/2" FPT-GRAY	
	110438-01-000	EA	VALVE-CHECK-BRASS-1/2 MPT X 1/2 FPT	
			FROM: 00-00-00 THRU: 02-16-97	
	110438-02-000	EA	VALVE-CHECK-BRASS-1/2 MPT X 1/2 FPT	
			FROM: 02-17-97 THRU: 99-99-99	
	010224-01-000	EA	ADAPTER-HOSE TO PIPE-3/8 MPT X 3/8 BARB-PLASTIC	
	044927-01-000	EA	ADAPTER-HOSE TO PIPE-1 1/4 MPT X 1 1/4 BARB-BLK PLS	
	123152-01-000	EA	ADAPTER-1/2 FPT X 1/2 BARB-SWIVEL	
	074462-02-000	FT	TUBING-VINYL-3/8 ID X 20'-CLEAR	
	079381-01-000	FT	TUBING-SMOOTH FLEXIBLE-1 3/8 ID X 20'	
	039800-02-000	FT	TUBING-POLYBUTYL-5/8 OD X 20'-INCOF 20'(BLUE)	
			FROM: 00-00-00 THRU: 05-11-97	
	039800-05-000	FT	TUBING-POLYBUTYL-5/8 OD X 20'(RED)	
			FROM: 00-00-00 THRU: 05-11-97	
	124188-02-000	FT	TUBING-PEX 1/2" ID X 20'(RED)	
			FROM: 05-12-97 THRU: 99-99-99	
	010230-05-000	EA	FILL-CITY WATER-W/CHECK VALVE	
			FROM: 00-00-00 THRU: 09-25-96	
	010230-06-000	EA	FILL-CITY WATER-W/CHECK VALVE-MPT	
			FROM: 09-26-96 THRU: 99-99-99	
	123150-01-000	EA	ELBOW-1/2 FPT X 1/2 BARB-SWIVEL	
	035539-01-000	EA	ELBOW-PLASTIC-3/8 MPT X 3/8 BARB	
	111223-02-000	EA	ELBOW-PLASTIC-1/2 MPT X 3/8 BARB	
	113697-01-000	EA	CAP-3/8 FTG	
	115029-01-000	FT	HOSE-WATER-3/8 ID	
	114428-01-000	EA	TEE-1/2" PX 1/2" PX 1/2" P	
	114428-02-000	EA	TEE-SWIVEL-1/2" PX 1/2" PX 1/2" FPT	
	114428-03-000	EA	TEE-1/2" PX 1/2" PX 1/2" MPT	
	114429-01-000	EA	ELBOW-1/2" PX 1/2" P	
	114429-02-000	EA	ELBOW-1/2" PX 1/2" MPT	
	114429-03-000	EA	ELBOW-FLAIR-IT SWIVEL-1/2" PX 1/2" FPT	
	114430-02-000	EA	ADAPTER-SWIVEL-1/2" PX 1/2" FPT	
	114430-03-000	EA	ADAPTER-1/2" PX 1/2" MPT	
	114430-06-000	EA	ADAPTER-1/2 PX 3/8 FPT	
	114431-02-000	EA	VALVE-WATER BYPASS-1/2" P-THREEWAY (WATER HEATER)	
	114431-03-000	EA	VALVE-90 DEGREE DRAIN-1/2" P	

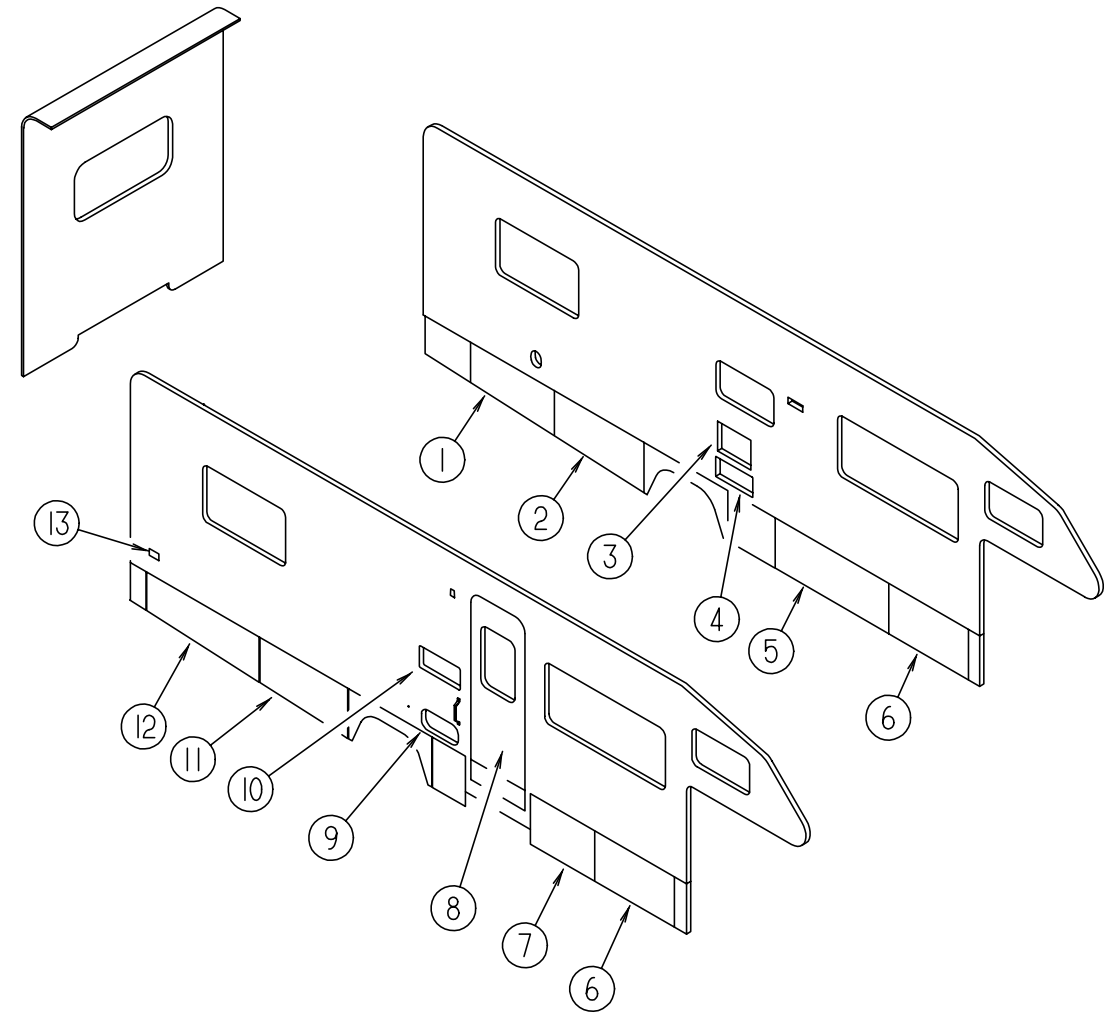
**WATER & SEWAGE GROUP (CONTINUED)**



**WATER PUMP - SHURFLO**

KEY	PART NUMBER	U/M	DESCRIPTION	VENDOR NO.
1	098607-01-000	EA	PUMP - WATER - W/.5" MPT FITTING - FLOW W.9 GPM - UL	
2	098607-01-706	EA	HOUSING - W/ SWITCH ONLY	94-231-20
3	098607-01-705	EA	VALVE - CHECK - KIT	94-237-00
4	098607-01-703	EA	VALVE KIT	94-232-00
5	098607-01-702	EA	DIAPHRAGM/ DRIVE ASSEMBLY KIT	94-238-04
6	098607-01-707	EA	MOTOR W/ BASEPLATE	11-148-04

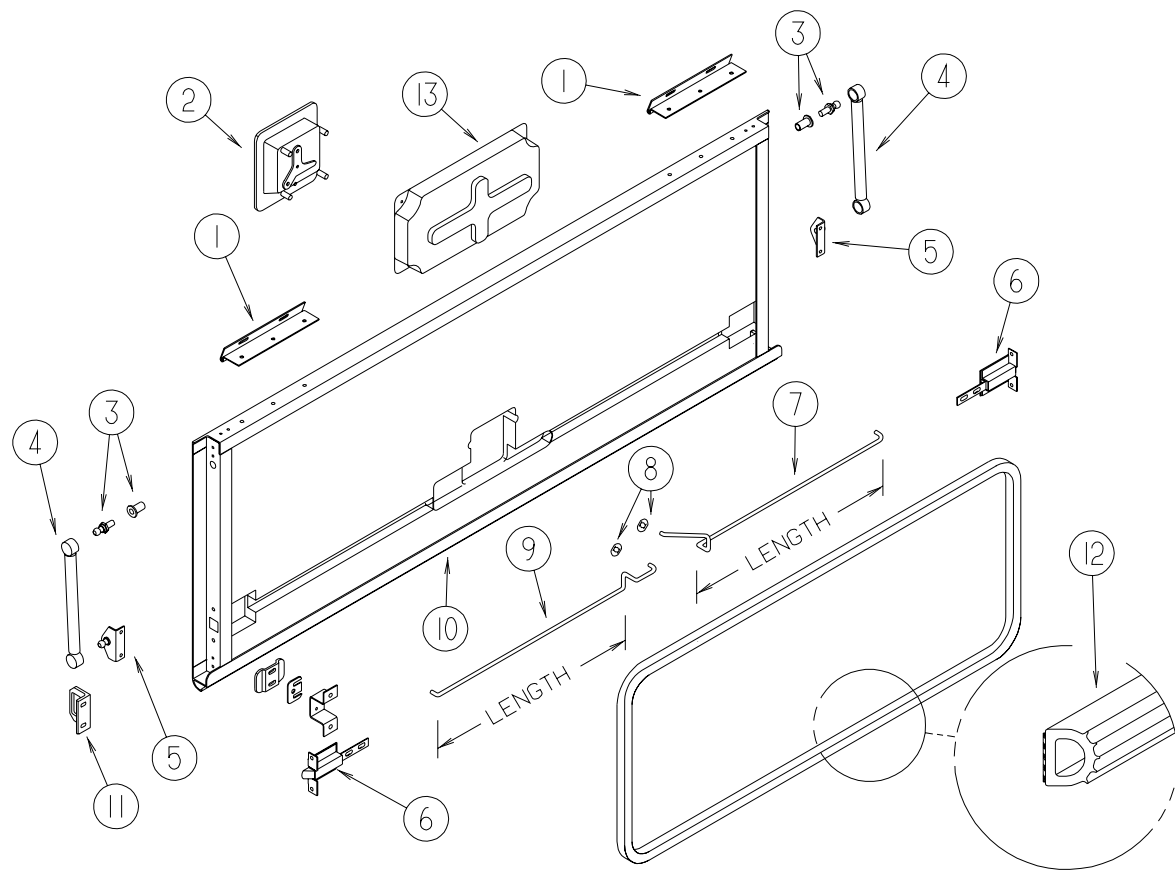
**WINDOW, VENT & EXTERIOR DOOR GROUP**



**EXTERIOR DOORS**

KEY	PART NUMBER	U/M	DESCRIPTION	VENDOR NO.
1	122391-12-H30	EA	DOOR - STORAGE - W/O PADDLE LATCH - 49.5"	
			FROM: 00-00-00 THRU: 09-26-96	
1	122391-38-H30	EA	DOOR - STORAGE - W/O PADDLE LATCH - 49.4"	
			FROM: 09-27-96 THRU: 99-99-99	
2	122391-10-H30	EA	DOOR - STORAGE - W/O PADDLE LATCH - 43.7"	
3	052009-06-000	EA	DOOR - WATER HEATER - BRIGHT WHITE - 18" X 14.6"	
3	116424-01-000	EA	PROTECTOR - LATCH - WATER HEATER	
4	098668-23-000	EA	DOOR - ACCESS - FURNACE - BRIGHT WHITE - SUBURBAN	
5	122239-24-H30	EA	DOOR - STORAGE W/O PADDLE LATCH - 55.9"	
6	122239-17-H30	EA	DOOR - STORAGE W/O PADDLE LATCH - 38"	
7	122239-23-H30	EA	DOOR - STORAGE - W/O PADDLE LATCH - 31.8"	
	123478-01-G04	EA	DOOR - COMPARTMENT - W/ LATCH/HINGE (BLACK)	
8	115108-02-H23	EA	DOOR - ENTRY - W/SCREEN DOOR - W/O WINDOW (H30)	
8	115108-02-H31	EA	DOOR - ENTRY - W/SCREEN DOOR - W/O WINDOW (H31)	
9	111017-01-F24	EA	DOOR - STORAGE - W/O LOCK - 8.1" X 17.8"	
9	079775-D3-000	EA	JAMB - DOOR - STORAGE	
10	084103-08-000	EA	DOOR - REFRIGERATOR - VENTED - W/O JAMB	
10	084104-08-000	EA	JAMB - REFRIGERATOR DOOR	
10	084104-01-700	EA	LOCK - MALE - FASTENER	201-721-010
10	084104-01-701	EA	LOCK - FEMALE - FASTENER	201-802-010
11	122391-37-H30	EA	DOOR - ACCESS - TAPERED - 43.5"	
12	122391-11-H30	EA	DOOR - STORAGE - W/O PADDLE LATCH - 55.8"	
13	081240-16-000	EA	DOOR - WATER FILL - LOCKABLE W/O LOCK - 4" X 4 5/8"	

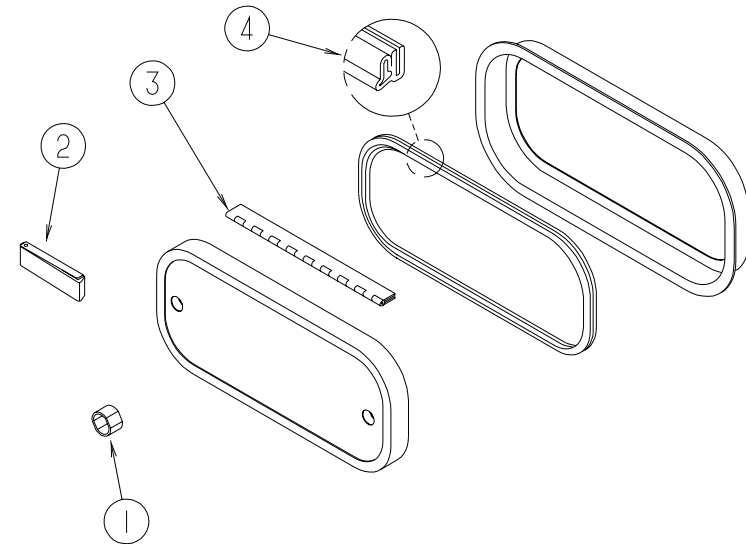
**WINDOW, VENT & EXTERIOR DOOR GROUP (CONTINUED)**



**EXTERIOR DOOR COMPONENTS**

KEY	PARTNUMBER	U/M	DESCRIPTION
1	121755-01-04A	EA	HINGE - 6.00 INCH
2	112949-01-04A	EA	LATCH - PADDLE W/ LOCK W/O KEY - BLACK
2	112949-02-05A	EA	LATCH - PADDLE NON-LOCKING - BLACK
	112949-03-000	EA	KEY - TRI-MARK # TM500
3	057460-08-000	EA	BALL STUD - 10MM BALL - 5/16-18
4	107796-18-000	EA	SPRING - GAS - 10" LENGTH
5	107796-03-000	EA	BRACKET - GAS SPRING - SMALL
5	107796-19-000	EA	BRACKET - GAS SPRING
6	121947-01-01A	EA	BOLT - SLIDE - LATCH - STEEL
7	122269-18-000	EA	ROD - LATCH - 11.28"
7	122269-23-000	EA	ROD - LATCH - 20.19"
7	122269-24-000	EA	ROD - LATCH - 15.09"
7	122269-25-000	EA	ROD - LATCH - 17.04"
7	122269-27-000	EA	ROD - LATCH - 8.22"
7	122269-28-000	EA	ROD - LATCH - 20.29"
8	124304-01-000	EA	CLIP - ROUND PUSH ON
9	122268-18-000	EA	ROD - LATCH - 11.28"
9	122268-23-000	EA	ROD - LATCH - 20.19"
9	122268-24-000	EA	ROD - LATCH - 15.09"
9	122268-25-000	EA	ROD - LATCH - 17.04"
9	122268-27-000	EA	ROD - LATCH - 8.22"
9	122268-28-000	EA	ROD - LATCH - 20.29"
10	122613-55-002	EA	EXTRUDED - ROCKER PANEL - 192" - SUPER BLUE
11	123783-01-01A	EA	STRIKER - DOOR - MILL
	122278-01-01A	EA	PLATE - STRIKE - BLACK
12	107721-01-000	FT	SEAL - ACCESS DOORS
12	107721-04-000	FT	SEAL - ACCESS DOOR (SEWAGE & 110V DOOR ONLY)
13	122277-02-01A	EA	COVER - LATCH - BLACK

**WINDOW, VENT & EXTERIOR DOOR GROUP (CONTINUED)**



**EXTERIOR DOOR COMPONENTS**

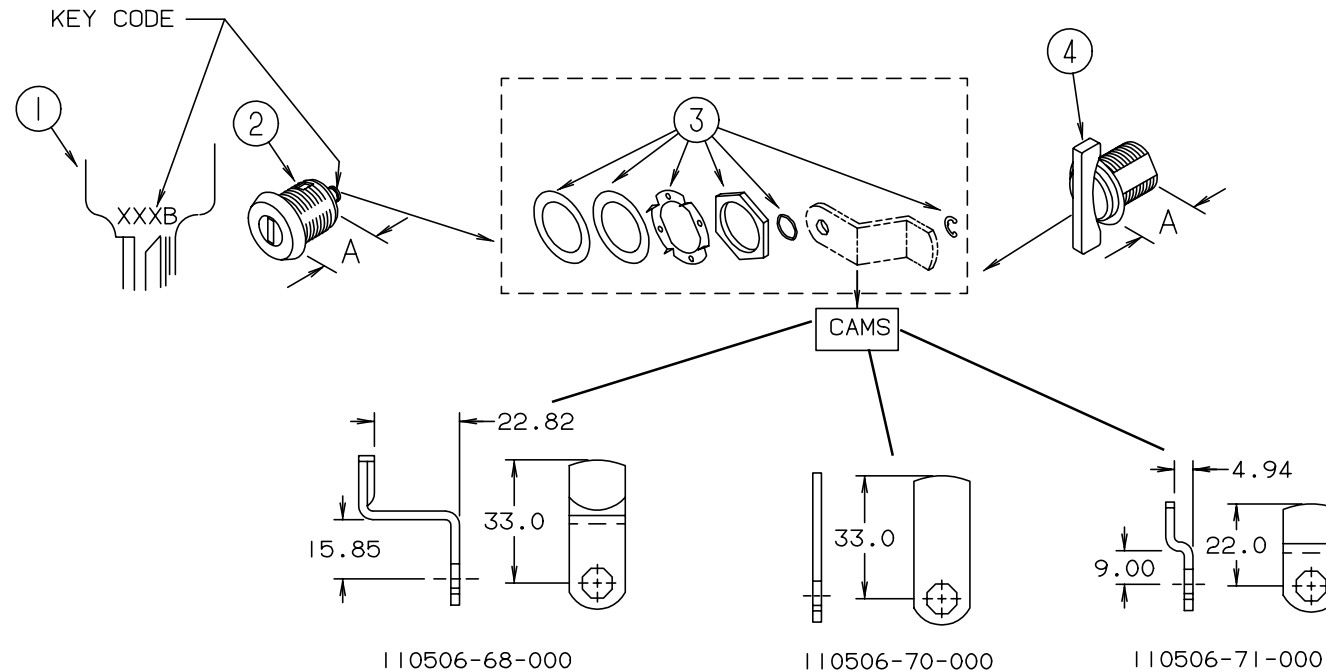
KEY	PARTNUMBER	U/M	DESCRIPTION
1	107997-51-001	EA	SPACER - DOOR LOCK - .6" DEEP
	107997-51-002	EA	EXTRUDED - SPACER - 16'
2	102768-01-000	EA	HOLDER - COMPARTMENT/ENTRY DOOR - METAL - MILL FINISH
3	081801-02-000	EA	HINGE - DOOR - PIANO - 2" X 8'
3	081801-V3-000	EA	HINGE - ALUMINUM - 2" X 96"
3	009065-01-000	EA	HINGE - CONTINUOUS - 1 1/2" X 96" - UNPAINTED
4	064075-07-000	FT	SEAL - BULB - W/WIRED U CHANNEL - .3" X .5" CHANNEL - BLK
4	104692-01-000	FT	SEAL - FOAM/ADHESIVE BACK - .75" THICK X .75" WIDE X 25'

## WINDOW, VENT & EXTERIOR DOOR GROUP (CONTINUED)

### BRIGGS & STRATTON LOCKS & COMPONENTS

**NOTE:**

WHEN ORDERING THE LOCK CASE, THE KEY CODE MUST MATCH THE LAST DIGIT OF THE VEHICLE'S SERIAL NUMBER AND PART NUMBER; WHEN ORDERING THE KEYS, THE THIRD DIGIT OF THE KEY CODE MUST MATCH THE LAST DIGIT OF THE VEHICLE'S SERIAL NUMBER AND PART NUMBER.



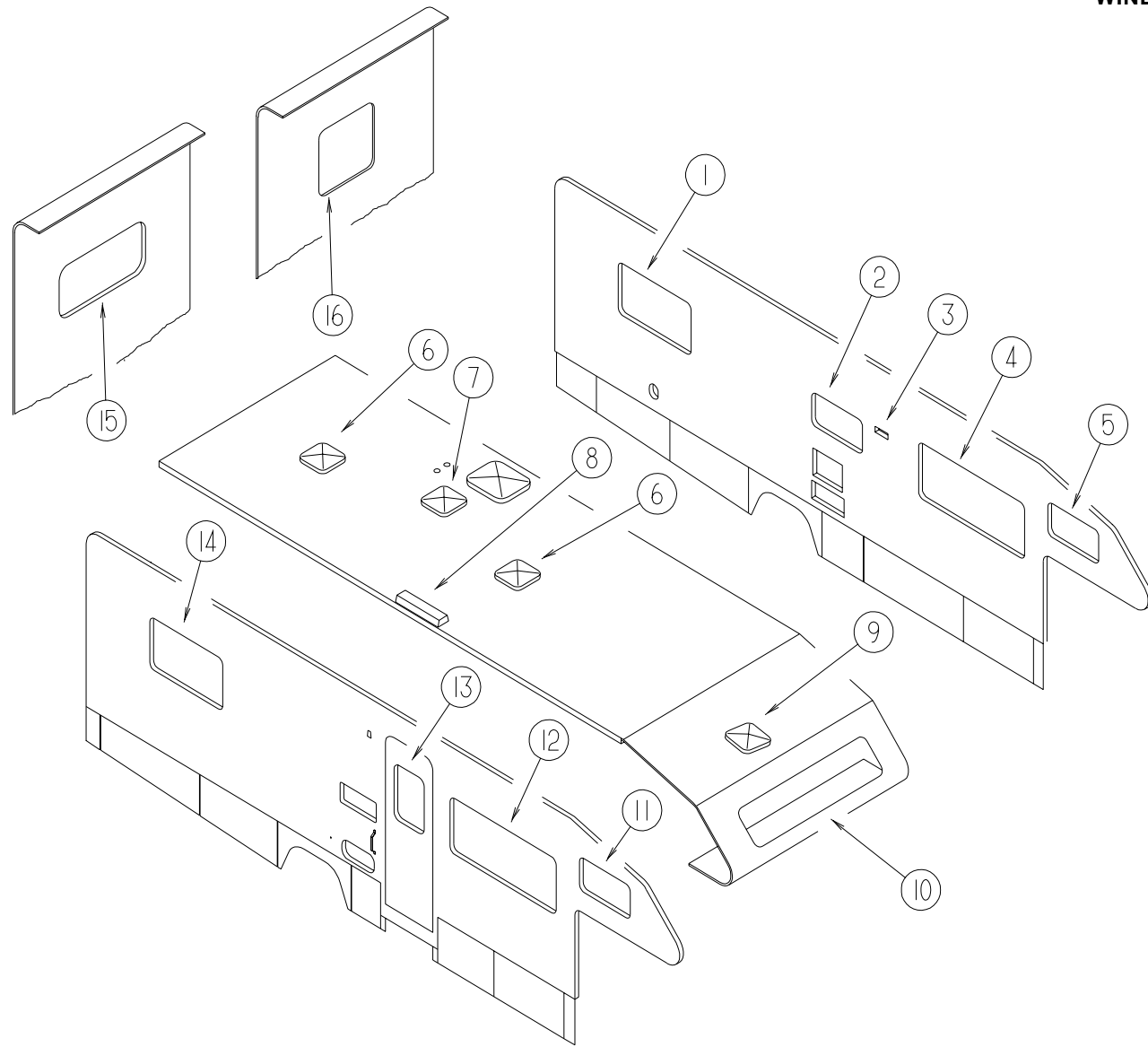
KEY	PART NUMBER	U/M	DESCRIPTION	VENDOR NO.
1	110506-59-000	EA	KEYS - SET OF TWO	596720
2	110506-52-000	EA	CASE - LOCK - A= 17 MM	702370
2	110506-53-000	EA	CASE - LOCK - A= 25 MM	702380
1	110506-59-001	EA	KEYS - SET OF TWO	596721
2	110506-52-001	EA	CASE - LOCK - A= 17 MM	702371
2	110506-53-001	EA	CASE - LOCK - A= 25 MM	702381
1	110506-59-002	EA	KEYS - SET OF TWO	596722
2	110506-52-002	EA	CASE - LOCK - A= 17 MM	702372
2	110506-53-002	EA	CASE - LOCK - A= 25 MM	702382
1	110506-59-003	EA	KEYS - SET OF TWO	596723
2	110506-52-003	EA	CASE - LOCK - A= 17 MM	702373
2	110506-53-003	EA	CASE - LOCK - A= 25 MM	702383
1	110506-59-004	EA	KEYS - SET OF TWO	596724
2	110506-52-004	EA	CASE - LOCK - A= 17 MM	702374
2	110506-53-004	EA	CASE - LOCK - A= 25 MM	702384
1	110506-59-005	EA	KEYS - SET OF TWO	596725
2	110506-52-005	EA	CASE - LOCK - A= 17 MM	702375
2	110506-53-005	EA	CASE - LOCK - A= 25 MM	702385

KEY	PART NUMBER	U/M	DESCRIPTION	VENDOR NO.
1	110506-59-006	EA	KEYS - SET OF TWO	596726
2	110506-52-006	EA	CASE - LOCK - A= 17 MM	702376
2	110506-53-006	EA	CASE - LOCK - A= 25 MM	702386
1	110506-59-007	EA	KEYS - SET OF TWO	596727
2	110506-52-007	EA	CASE - LOCK - A= 17 MM	702377
2	110506-53-007	EA	CASE - LOCK - A= 25 MM	702387
1	110506-59-008	EA	KEYS - SET OF TWO	596728
2	110506-52-008	EA	CASE - LOCK - A= 17 MM	702378
2	110506-53-008	EA	CASE - LOCK - A= 25 MM	702388
1	110506-59-009	EA	KEYS - SET OF TWO	596729
2	110506-52-009	EA	CASE - LOCK - A= 17 MM	702379
2	110506-53-009	EA	CASE - LOCK - A= 25 MM	702389
3	110506-40-700	EA	HARDWARE KIT	596950AAL
4	110506-50-000	EA	CASE - TWIST LOCK - A= 17 MM	596952
4	110506-51-000	EA	CASE - TWIST LOCK - A= 25 MM	596669
	110506-40-000	EA	CLIP-E - LOCK ASM.	93981
	110506-68-000	EA	CAM - LOCK	322284
	110506-70-000	EA	CAM - LOCK	322286
	110506-71-000	EA	CAM - LOCK	322287
	110506-59-701	EA	KEY BLANK - GOLD	



# WINDOW, VENT & EXTERIOR DOOR GROUP (CONTINUED)

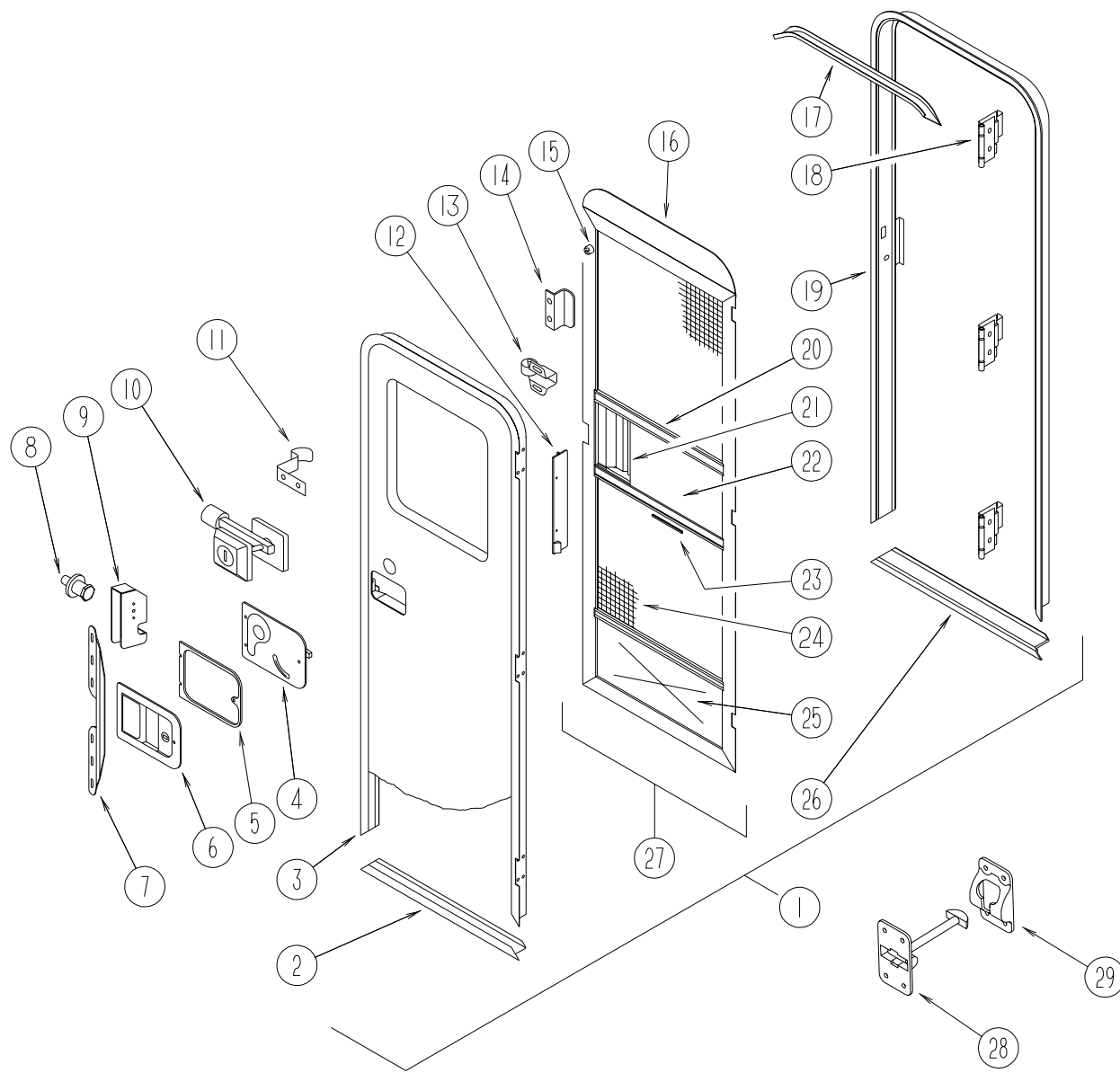
## WINDOWS & VENTS



KEY	PARTNUMBER	U/M	DESCRIPTION
1	113500-01-01A	EA	WINDOW-DOUBLE TIPOUT 24.5X41.3"(QUEEN)
1	112795-23-01A	EA	WINDOW-DRIVER HORIZONTAL SLIDER THERMO 24 1/2"X41 1/2"(QUEEN)
1	104691-13-01A	EA	WINDOW-TIPOUT SINGLE-26.3"X47.9"(TWIN, DOUBLE)
1	112795-25-01A	EA	WINDOW-DRIVER HORIZONTAL SLIDER THERMO 26 3/8"X48"(TWIN, DOUBLE)
2	098647-07-02A	EA	WINDOW-DRIVERS HORIZONTAL SLIDER 15"X23.75"
2	112795-56-01A	EA	WINDOW-DRIVERS/HORIZONTAL SLIDER THERMO 15.2"X24"
3	084616-07-000	EA	VENT-SHROUD-RANGE HOOD-BRIGHT WHITE
4	098647-22-01A	EA	WINDOW-DRIVERS-HORIZONTAL SLIDER-26.1"X59.7"
4	112795-15-01A	EA	WINDOW-DRIVER-HORIZONTAL SLIDER-THERMO-26 3/8"X60"
5	098647-34-01A	EA	WINDOW-DRIVERS-HORIZONTAL SLIDER-15.7"X28.5"
5	112795-20-01A	EA	WINDOW-DRIVER-HORIZONTAL SLIDER-THERMO-16.7"X28.5"
6	122882-01-01A	EA	VENT-ROOF-NONPOWERED
7	122882-02-01A	EA	VENT-ROOF-W/FAN-POWERED
7	122882-03-01A	EA	VENT-ROOF-W/FAN-CSA
8	084073-04-000	EA	BASE-ROOF VENT-REFRIGERATOR
8	084073-07-000	EA	VENT-ROOF-REFRIGERATOR-BRIGHT WHITE
9	122882-01-01A	EA	VENT-ROOF-NONPOWERED
9	123780-03-01A	EA	VENT-EXHAUST-3" ROOF
9	123780-04-01A	EA	VENT-EXHAUST-3" ROOF-CSA
10	103313-03-F15	EA	WINDOW-PICTURE-23.3"X71.3"
10	115630-01-01A	EA	WINDOW-STATIONARY/THERMOPANE-17.2"X72"
11	098647-33-01A	EA	WINDOW-PASSENGER-HORIZONTAL SLIDER-15.7"X28.5"
11	112795-19-01A	EA	WINDOW-PASSENGER-HORIZONTAL SLIDER-THERMO-16.7"X28.5"
12	098647-23-01A	EA	WINDOW-PASSENGER-HORIZONTAL SLIDER-26.1"X59.7"
12	112795-16-01A	EA	WINDOW-PASSENGER-HORIZONTAL SLIDER-THERMO-26 3/8"X60"
13	117053-02-F36	EA	WINDOW-PICTURE-ENTRANCE DOOR-17"X26.4"
13	113733-01-01A	EA	WINDOW-STATIONARY-THERMOPANE-17"X26.4"
14	113500-01-01A	EA	WINDOW-DOUBLE TIPOUT 24.5X41.3"(QUEEN)
14	112795-21-01A	EA	WINDOW-PASSENGER/HORIZONTAL SLIDER/THERMO 24.5"X41.25"(QUEEN)
14	104691-13-01A	EA	WINDOW-TIPOUT SINGLE-26.3"X47.9"(TWIN, DOUBLE BED)
14	112795-22-01A	EA	WINDOW-PASSENGER HORIZONTAL SLIDER/THERMO-26 3/8"X48"(TWIN, DOUBLE)
15	078528-06-E10	EA	WINDOW-ESCAPE-W/RETAINER/TRIM-48.5"X24.5"(QUEEN, TWIN)
15	113502-01-01A	EA	WINDOW-REAR/ESCAPE-THERMO-24.8"X48.7"(QUEEN, TWIN)
16	116976-02-01A	EA	WINDOW-PICTURE/TINTED/ESCAPE-26.4"X25.3"(DOUBLE)
16	113502-04-01A	EA	WINDOW-REAR ESCAPE-THERMO-26.4"X26.3"(DOUBLE)

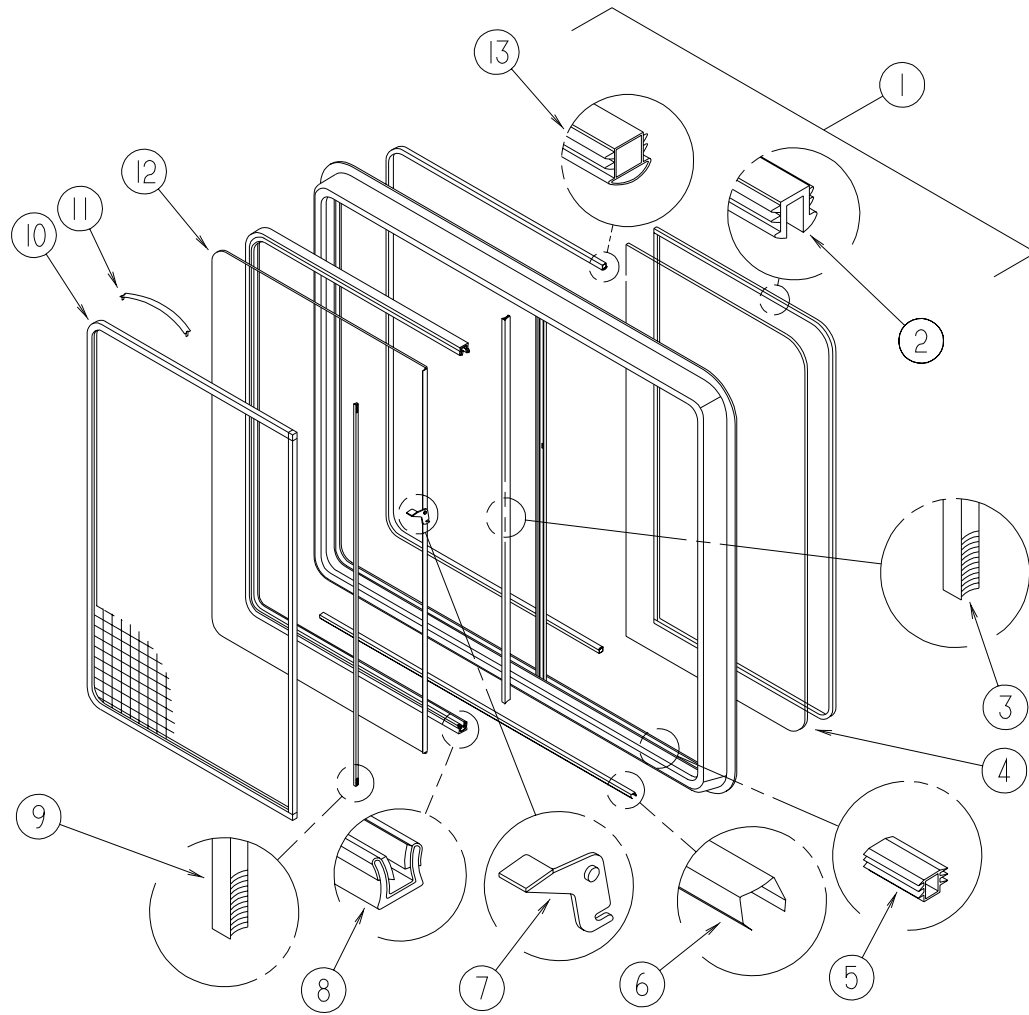
# WINDOW, VENT & EXTERIOR DOOR GROUP (CONTINUED)

## ENTRANCE DOOR



KEY	PART NUMBER	U/M	DESCRIPTION	VENDOR NO.
1	115108-02-H23	EA	DOOR-ENTRY-W/SCREENDOOR-W/OWINDOW(H30)	
1	115108-02-H31	EA	DOOR-ENTRY-W/SCREENDOOR-W/OWINDOW(H31)	
2	121893-01-01A	EA	FRAME-ENTRYDOOR-BOTTOM	
3	121894-03-01A	EA	FRAME-ENTRYDOOR	
4	039979-06-000	EA	COVER-LATCHPLATE-RIGHTHAND-BLACKTEXTURED	
5	096810-01-01A	EA	PLATE-LATCH-ENTRYDOOR	
	041546-07-000	EA	BRACKET-DOORANGLE	
6	045017-13-000	EA	LATCH-ENTRYDOOR-BLACKTEXTURED	
	036618-02-000	EA	ERING-EXTERNAL-3/16"SHAFTDIAMETER-LYNORDOORLOCK	
	045017-11-701	EA	KEY-BLANK-F1SERIES	81312-02
	045017-11-703	EA	CYLINDER-LOCKASM.W/KEYS	81266-09
	075671-04-000	FT	SEAL-SPONGE-LAZYT-W/ADHESIVESTRIP-.5"WIDE	
7	098173-01-07A	EA	STIFFENER-ENTRYDOOR-SUPPORTSLATCH/STRIKEAREA	
7	098173-01-04A	EA	STIFFENER-ENTRYDOOR-SUPPORTSLATCH/STRIKEAREAUNPAINTED	
8	039539-01-000	EA	STRIKE-LOCK-ENTRYDOOR-ROUNDW/THREADEDWASHER	
	077461-05-000	EA	COVER-STRIKE-ENTRYDOOR-6.5"X2.5"-WHITEPLASTIC	
9	039540-01-000	EA	LATCHMECHANISM-HOOK-ENTRYDOOR-INTERIOR	
10	101145-01-06A	EA	DEADBOLT-ENTRYDOORW/OSECURITYBOLTW/2KEYS-BLACK	
	095229-01-700	EA	KEY-BLANK-DEADBOLT	81205-03
	101145-01-701	EA	CYLINDER-LOCKASM.-W/KEY	81306-03
	101147-01-000	EA	BOLT-SECURITY-4.12"	
11	100412-01-000	EA	CATCH-SCREENDOOR	
12	079087-03-000	EA	STRIKE-SLIDER-SCREENDOOR-BRIGHTWHITE	
13	109403-01-000	EA	CATCH-SCREENDOORROLLER	
14	050712-06-000	EA	HANDLE-SCREENDOOR-BRIGHTWHITE	
15	120863-05-000	EA	BUMPER-RUBBER-SCREENDOOR	
16	078595-01-000	EA	TOPPLATE-SCREENDOOR-CURVEDTOP-4.7"X25.35"	
17	044582-44-000	EA	CAP-DRIP-JAMB-BRIGHTWHITE	
18	106719-01-05A	EA	HINGE-ENTRANCEDOOR	
18	106719-01-01A	EA	HINGE-ENTRANCEDOOR-MILL	
	102248-01-000	EA	SHIM-DOOR	
	039715-01-000	EA	NUT-SERT-1/4"DIAMETER-20THREADS	
	116111-02-01A	EA	SCREW-TAPTITE-1/4-20X3/8PPH-ZINC	
	118929-01-01A	FT	SEAL-PILE-PUSHON	
19	121898-01-01A	EA	JAMB-ENTRYDOOR	
	115222-05-01A	EA	GARNISH-RADIUS-ENTRYDOOR	
	078777-01-000	EA	CHANNEL-SLIDE-SCREENDOORCENTERSLIDERCOVER	
20	079086-03-000	EA	SLIDER-SCREENDOOR-BRIGHTWHITE	
21	079086-03-000	EA	SLIDER-SCREENDOOR-BRIGHTWHITE	
22	016454-01-000	EA	INSERT-CENTER-LEATHERGRAINALUMINUM-UNPAINTED	
22	001014-01-013	EA	INSERT-CENTER-10.25"X16.31"-UNPAINTED	
23	002294-01-000	FT	SPLINE-SCREENING-.005"X.0054"	
24	002293-02-000	SF	SCREENING-WINDOW/DOOR-26"	
25	078552-03-000	EA	KICKPANEL-SCREENDOOR-LOWERINSERT-UNPAINTED	
26	051049-01-000	EA	JAMB-BOTTOM-ENTRYDOOR-25.9"-UNPAINTED	
27	121899-01-G04	EA	DOOR-SCREEN-W/OHARDWARE	
	075673-01-000	FT	SEAL-PILE-ADHESIVEBACK-GRAY	
	075673-05-000	FT	SEAL-PILE-ADHESIVEBACK-BLACK	
	086285-05-000	EA	SPACER-NYLON-.7"X.56"	
	122241-01-01A	EA	BUMPER-FOAMRUBBER-BLACK	
28	104099-01-04A	EA	CATCH-DOORHOLDER-STRIKE	
29	104099-02-04A	EA	CATCH-DOORHOLDER-RETAINER	
	009126-03-000	EA	HANDLE-ASSIST-BLACKTEXTURED	

**WINDOW, VENT & EXTERIOR DOOR GROUP (CONTINUED)**



**LOUNGE & DINETTE WINDOWS-EXCEL**

KEY	PARTNUMBER	U/M	DESCRIPTION	VENDORNO.
1	098647-22-01A	EA	WINDOW-DRIVER-HORIZONTAL SLIDER 26.1" X 59.7"	
1	098647-23-01A	EA	WINDOW-PASSENGER-HORIZONTAL SLIDER 26.1" X 59.7"	
	098647-23-702	EA	RETAINER-TRIM	W287-66
2	098644-01-705	FT	GLAZING-STRIP	132-010231
3	098644-01-706	FT	WEATHERSTRIP-GLASS	171-010668
4	098647-23-703	EA	GLASS-STATIONARY	106-017622
5	098644-01-719	EA	STOP-SLIDER GLASS	132-014203
6	098644-01-710	FT	TRACK-SCREEN SPACER 12'	132-017135
7	098644-01-700	EA	LATCH REPAIR KIT (BLACK)	B801-CK
8	098644-01-708	FT	CHANNEL-PIERCED RUN	122-016543
9	098644-01-711	FT	WEATHERSTRIP-SCREEN BLACK	171-016965
10	098647-23-704	EA	SCREEN ASM-W/SEALS & CLIPS	
11	098644-01-713	EA	CLIP-SPRING-METAL	226-016966
12	098647-23-700	EA	GLASS-SLIDING-W/SASH & LATCH	H287-G9
13	098644-01-716	FT	PLUG-FILLER	132-014470
	098644-01-717	FT	SPLINE-SCREEN	32-004716

**WINDOW, VENT & EXTERIOR DOOR GROUP (CONTINUED)**

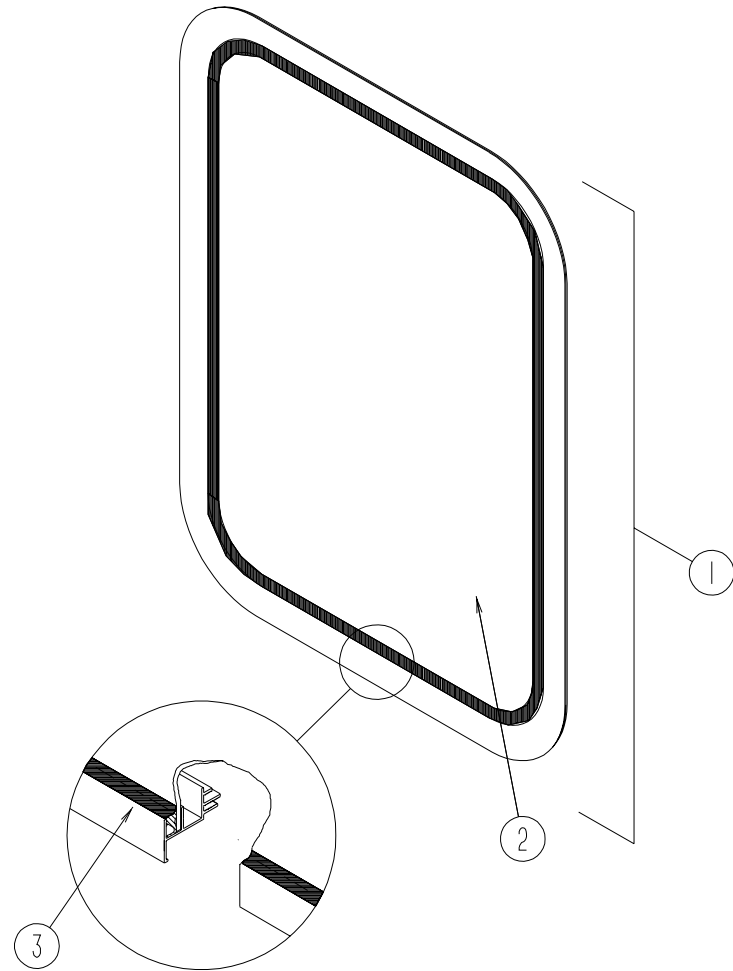
**BUNK WINDOWS-EXCEL**

KEY	PARTNUMBER	U/M	DESCRIPTION	VENDORNO.
1	098647-34-01A	EA	WINDOW-DRIVER HORIZONTAL SLIDER 15.7" X 28.5"	
1	098647-33-01A	EA	WINDOW-PASSENGER HORIZONTAL SLIDER 15.7" X 28.5"	
	098647-31-701	EA	RETAINER-TRIM	CW2966
2	098644-01-705	FT	GLAZING-STRIP	132-010231
2	100322-01-703	FT	STRIP-GLAZING	132-010723
3	098644-01-706	FT	WEATHERSTRIP	171-010668
4	098647-33-702	EA	GLASS-STATIONARY	106-019297
5	098644-01-719	FT	STOP-SLIDER GLASS	132-014203
6	098644-01-710	FT	TRACK-SCREEN SPACER 12' LENGTH	M401-31
7	098644-01-700	EA	LATCH REPAIR KIT	B801-CK
8	098644-01-708	FT	CHANNEL-PIERCED RUN	122-016543
9	098644-01-711	FT	WEATHERSTRIP-SCREEN BLACK	171-016965
10	098647-33-704	EA	SCREEN ASM.-W/SPRING CLIP	410-019134
11	098644-01-713	EA	CLIP-SPRING-METAL	226-016966
12	098647-33-703	EA	GLASS-SLIDING-W/SASH & LATCH	H425-G9
13	098644-01-716	FT	PLUG-FILLER	132-014470
	098644-01-717	FT	SPLINE-SCREEN MFG	32-004716

**GALLEY WINDOW-EXCEL**

KEY	PARTNUMBER	U/M	DESCRIPTION	VENDORNO.
1	098647-07-02A	EA	WINDOW-DRIVER HORIZONTAL SLIDER 15" X 23.75"	
	098647-06-706	EA	RETAINER-TRIM	V969-67
2	098644-01-705	FT	GLAZING-STRIP	132-010231
3	098644-01-706	FT	WEATHERSTRIP	171-010668
4	098647-06-700	EA	GLASS-STATIONARY 10.9 X 13.8	106-016921
5	098644-01-719	FT	STOP-SLIDER GLASS	132-014203
6	098644-01-710	FT	TRACK-SCREEN SPACER 12' LENGTH	M401-31
7	098644-01-700	EA	LATCH REPAIR KIT	B801-CK
8	098644-01-708	FT	CHANNEL-PIERCED RUN	122-016543
9	098644-01-711	FT	WEATHERSTRIP-SCREEN BLACK	171-016965
10	098647-06-703	EA	SCREEN ASM-W/SEALS & CLIPS	410-016477
11	098644-01-713	EA	CLIP-SPRING-METAL	226-016966
12	098647-06-702	EA	GLASS-SLIDING W/SASH & LATCH	B969-G9
13	098644-01-716	FT	PLUG-FILLER	132-014470
	098644-01-717	FT	SPLINE-SCREEN	32-004716

**WINDOW, VENT & EXTERIOR DOOR GROUP (CONTINUED)**



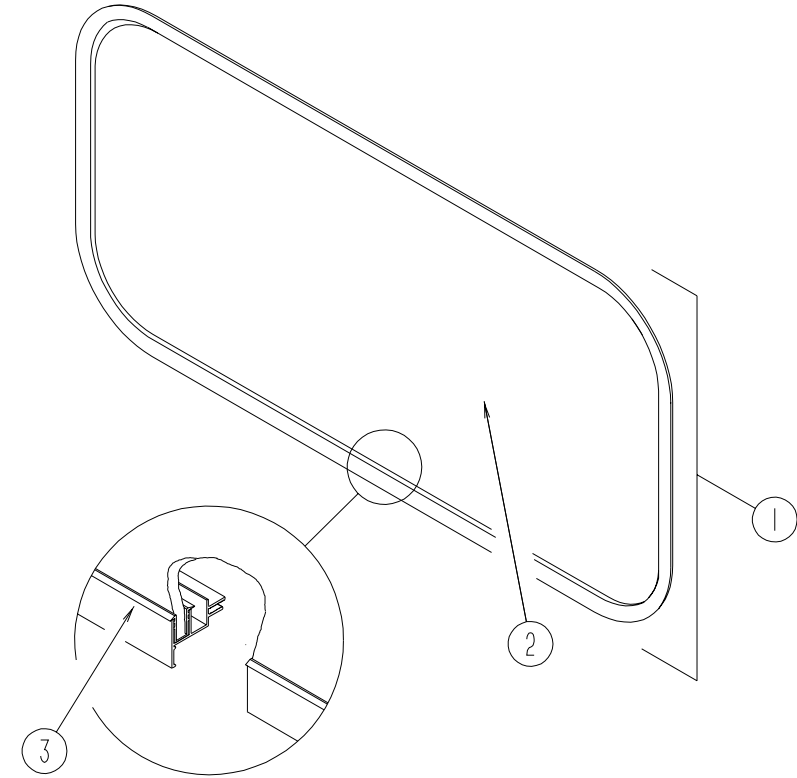
**ENTRY DOOR WINDOW**

KEY	PART NUMBER	U/M	DESCRIPTION
1	117053-02-F36	EA	WINDOW-PICTURE-ENTRANCE DOOR-17"X26.4"
	117054-02-02A	EA	RETAINER-TRIM-BRIGHT WHITE
2	002181-25-000	EA	GLASS-PICTURE-25.7"X16.4"
3	087561-01-000	FT	SEAL-GLASS-EXTERIOR-.5"WIDE-VINYL BLACK

**THERMOPANE ENTRY DOOR WINDOW-EXCEL**

KEY	PART NUMBER	U/M	DESCRIPTION	VENDOR NO.
	113733-01-01A	EA	WINDOW-STATIONARY-THERMOPANE-17"X26.4"	
	113733-01-700	EA	WINDOW ASM. W/OTRIM	DH416-G2
	113733-01-701	EA	RETAINER-TRIM	W41666
	113733-01-702	EA	GLASS-STATIONARY	390-019187
	112795-01-705	FT	VINYL-GLAZING	132-010231

**WINDOW, VENT & EXTERIOR DOOR GROUP (CONTINUED)**



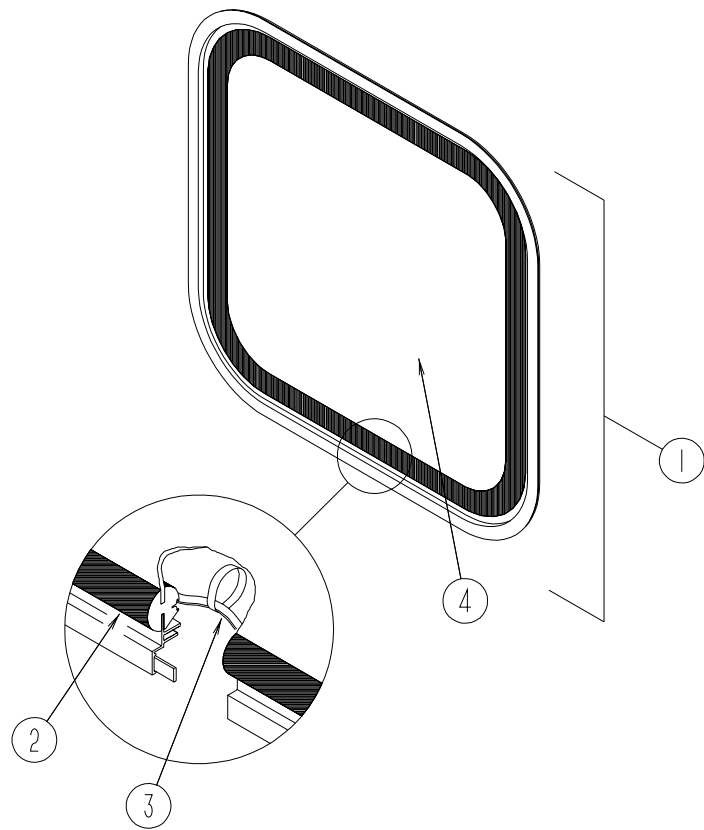
**OVERHEAD BUNK FRONT WINDOW**

KEY	PART NUMBER	U/M	DESCRIPTION
1	103313-03-F15	EA	WINDOW-PICTURE-23.3"X71.3"
	117054-01-01A	EA	RETAINER-TRIM
2	002181-29-000	EA	GLASS-PICTURE-16.4"X71"
3	099154-01-000	FT	CHANNEL-GLAZING-STATIONARY GLASS-.62"X.45"-BLK

**THERMOPANE OVERHEAD BUNK FRONT WINDOW-EXCEL**

KEY	PART NUMBER	U/M	DESCRIPTION	VENDOR NO.
	115630-01-01A	EA	WINDOW-STATIONARY/THERMOPANE-17.2"X72"	
	098644-01-705	FT	GLAZING-STRIP	132-010231
	115630-01-700	EA	WINDOW W/OTRIM	DH438-G2
	115630-01-701	EA	RETAINER-TRIM	W438-58
	115630-01-702	EA	GLASS-STATIONARY	390-019467

**WINDOW, VENT & EXTERIOR DOOR GROUP (CONTINUED)**



**TWIN & QUEEN BED ESCAPE WINDOW**

KEY	PARTNUMBER	U/M	DESCRIPTION
1	078528-06-E10	EA	WINDOW-ESCAPE-W/O RETAINER/TRIM-48.5"X24.5"
	074816-11-000	EA	RETAINER-TRIM O/W
2	002282-09-000	EA	WEATHERSTRIP-WINDOW-.125"X130.5"-BLACK
3	002285-01-000	FT	FILLER-WEATHERSTRIP-RUBBER-BLACK
4	076337-12-000	EA	GLASS-EGRESS-45.5"X21.5"
	077066-01-702	EA	TAPE-REDESCAPEWINDOW

**TWIN & QUEEN BED THERMOPANE ESCAPE WINDOW-EXCEL**

KEY	PARTNUMBER	U/M	DESCRIPTION	VENDOR NO.
	113502-01-01A	EA	WINDOW-REAR/ESCAPE-THERMO-24.8"X48.7"	
	098644-01-705	FT	GLAZING-STRIP	132-010231
	112898-06-704	EA	HANDLE-LATCH, RED-RH	182-11293
	112898-06-705	EA	HANDLE-LATCH, RED-LH	182-11294
	113502-01-703	EA	GLASS-STATIONARY-RH/LH	390-019083
	113502-01-704	EA	GLASS-EGRESS CENTER-ESCP	DH153-G9

**WINDOW, VENT & EXTERIOR DOOR GROUP (CONTINUED)**

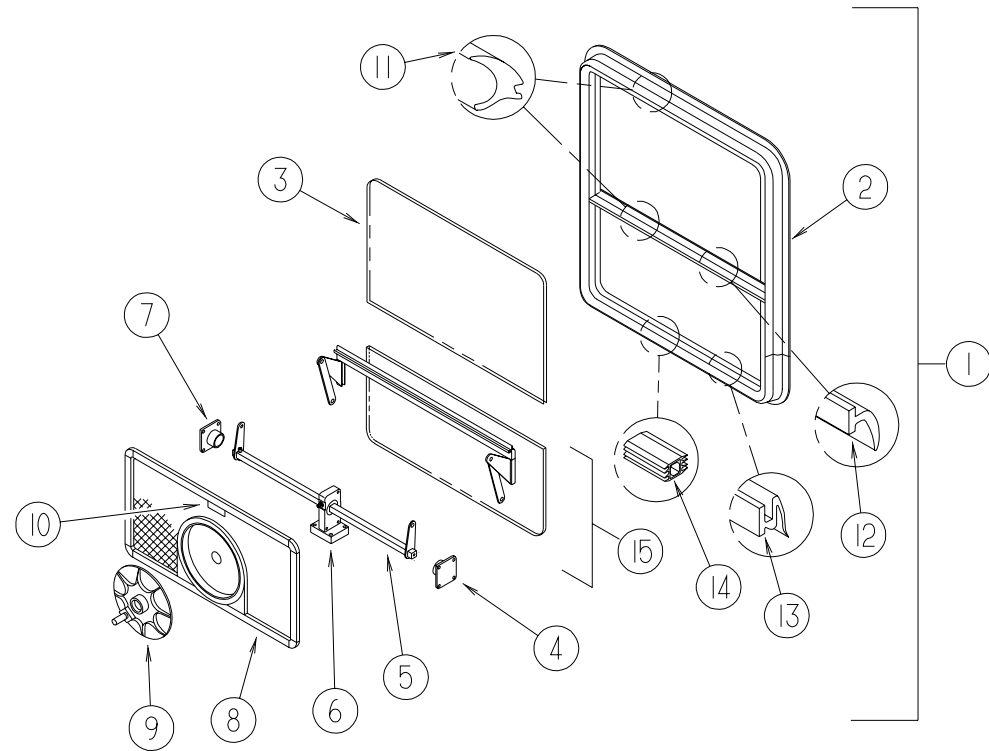
**DOUBLE BED ESCAPE WINDOW-EXCEL**

KEY	PARTNUMBER	U/M	DESCRIPTION	VENDOR NO.
	116976-02-01A	EA	WINDOW-PICTURE/TINTED/ESCAPE-26.4"X25.3"	
	100322-01-701	FT	SEAL-VENT	122-016071
	112898-06-704	EA	HANDLE-LATCH, RED-RH	182-11293
	112898-06-705	EA	HANDLE-LATCH, RED-LH	182-11294
	116976-01-701	EA	RETAINER-TRIM	W386-53
	116976-01-702	FT	FILLERPLUG	132-016065
	116976-02-700	EA	GLASS-STATIONARY	106-018785

**DOUBLE BED THERMOPANE ESCAPE WINDOW-EXCEL**

KEY	PARTNUMBER	U/M	DESCRIPTION	VENDOR NO.
	113502-04-01A	EA	WINDOW-REAR/ESCAPE-THERMO-26.4"X26.3"	
	098644-01-705	FT	GLAZING-STRIP	132-010231
	112898-06-704	EA	HANDLE-LATCH, RED-RH	182-11293
	112898-06-705	EA	HANDLE-LATCH, RED-LH	182-11294
	113502-04-700	EA	WINDOW W/OTRIM	DH449-G2
	113502-04-701	EA	RETAINER-TRIM	W44958
	113502-04-702	EA	GLASS-STATIONARY	390-019460

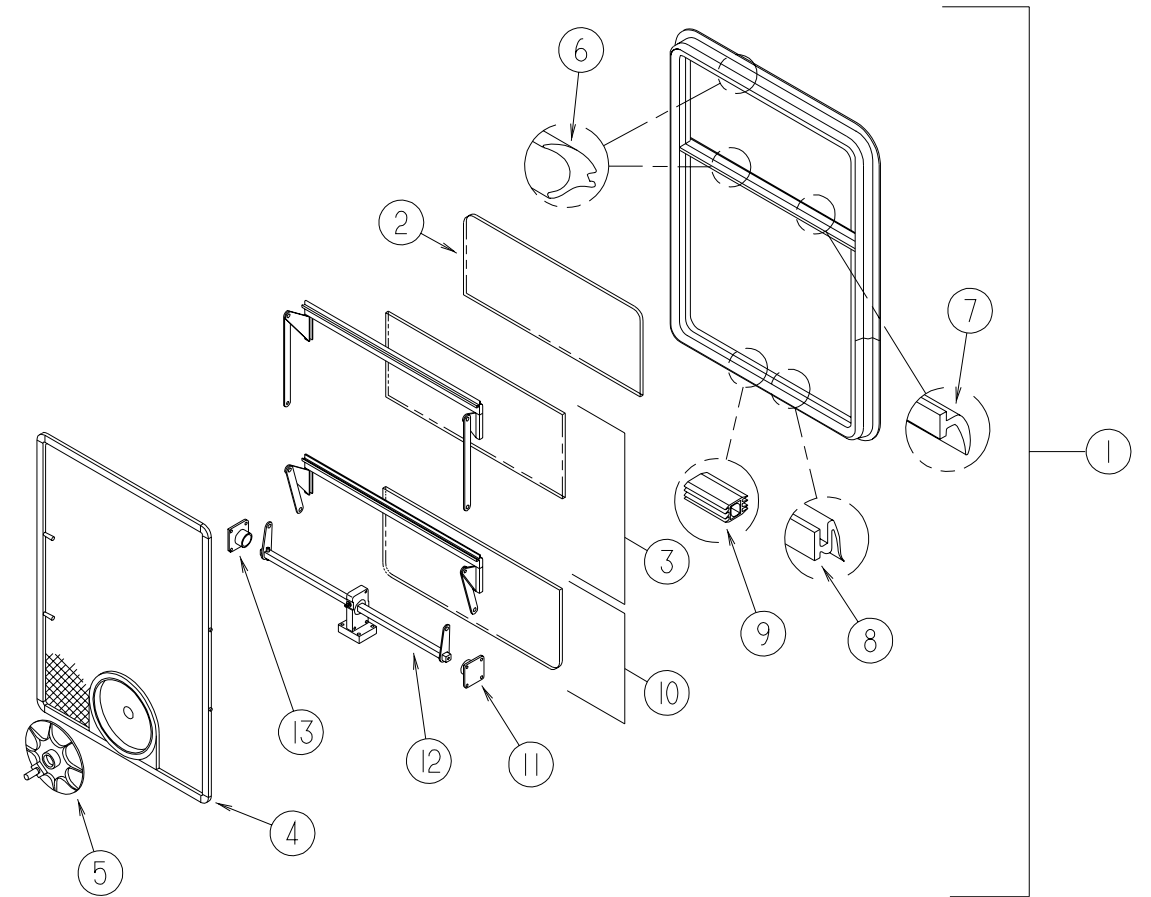
**WINDOW, VENT & EXTERIOR DOOR GROUP (CONTINUED)**



**TWIN & DOUBLE BED SINGLE TIPOUT WINDOW - EXCEL**

KEY	PARTNUMBER	U/M	DESCRIPTION	VENDOR NO.
1	104691-13-01A	EA	WINDOW-TIPOUT SINGLE -26.3"X47.9"	
2	104691-13-700	EA	WINDOW ASM W/OTRIM	CH37-G2
	104691-13-701	EA	RETAINER-TRIM	W303-59
3	104691-13-702	EA	GLASS-STATIONARY	106-017670
	100322-01-704	FT	TAPE-BUTYL	154-016083
4	100322-01-714	EA	SUPPORT-TORQUEBAR, LH	130-015978
5	104691-13-704	EA	OPERATOR & BAR ASSEMBLY	CH36-15
6	112519-01-702	EA	OPERATOR-VENT	410-016123
7	100322-01-715	EA	SUPPORT-TORQUEBAR, RH	130-015979
8	104691-13-705	EA	SCREEN ASM - W/SEALS & CLIPS	410-017763
9	100322-01-718	EA	HANDLE-DIAL	410-016081
10	112519-01-706	EA	CLIP-SCREEN	CH21-50
11	100322-01-703	FT	VINYL-GLAZING, BUTYL	132-010723
12	100322-01-702	EA	WEATHERSTRIP-HORIZONTAL RAIL	132-015976
13	100322-01-701	FT	SEAL-VENT	122-016071
14	116976-01-702	FT	FILLER PLUG	132-016065
15	104691-13-703	EA	GLASS-VENT ASSEMBLY	CH37-G9

**WINDOW, VENT & EXTERIOR DOOR GROUP (CONTINUED)**

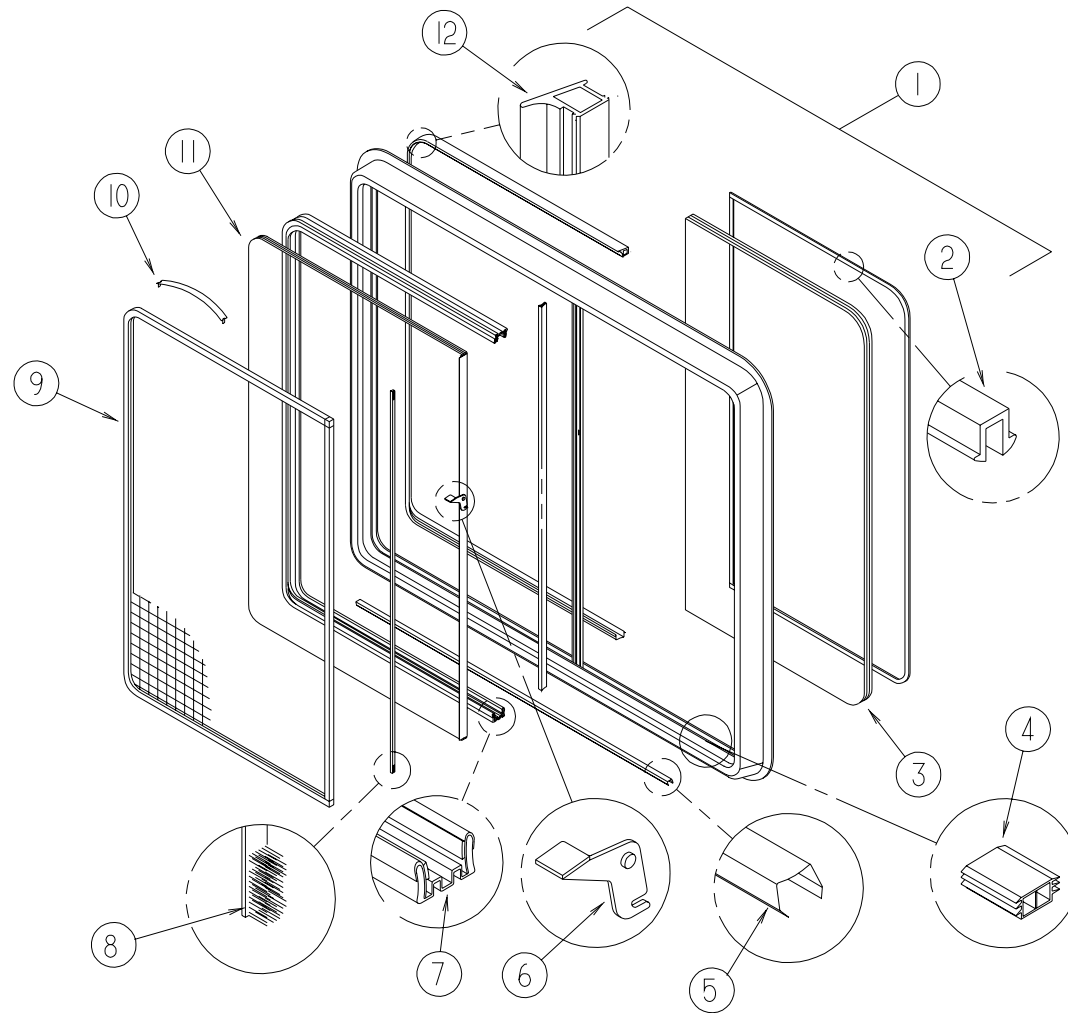


**QUEEN BED DOUBLE TIPOUT WINDOW - EXCEL**

KEY	PARTNUMBER	U/M	DESCRIPTION	VENDOR NO.
	113500-01-01A	EA	WINDOW-DOUBLE TIPOUT 24.5X41.3"	
1	113500-01-701	EA	WINDOW-W/O RETAINER-TRIM	CH04-G2
	113500-01-702	EA	RETAINER-TRIM	CW04-59
2	113500-01-703	EA	GLASS-TOP STATIONARY	106-015970
3	113500-01-704	EA	GLASS-UPPER VENT ASSEMBLY	CH04-G7
4	113500-01-700	EA	SCREEN ASM - W/SEALS & CLIPS	410-016020
5	100322-01-718	EA	HANDLE-DIAL	410-016081
6	100322-01-703	FT	VINYL-GLAZING-BUTYL	132-010723
7	100322-01-702	EA	WEATHERSTRIP-HORIZONTAL RAIL	132-015976
8	100322-01-701	FT	SEAL-VENT	122-016071
9	098644-01-716	FT	PLUG-FILLER	132-014470
10	113500-01-705	EA	GLASS-LOWER VENT ASSEMBLY	CH04-G9
11	100322-01-714	EA	SUPPORT-TORQUEBAR-LH	130-015978
12	112519-01-702	EA	OPERATOR-VENT	410-016123
	113500-01-706	EA	OPERATOR & BAR ASSEMBLY	CH04-15
13	100322-01-715	EA	SUPPORT-TORQUEBAR-RH	130-015979
	100322-01-704	FT	TAPE-BUTYL	154-016083
	100322-01-717	EA	E-RING	245-015975

**WINDOW, VENT & EXTERIOR DOOR GROUP (CONTINUED)**

**WINDOW, VENT & EXTERIOR DOOR GROUP (CONTINUED)**



**TWIN & DOUBLE BED THERMOPANES SLIDER WINDOWS - EXCEL**

KEY	PART NUMBER	U/M	DESCRIPTION	VENDOR NO.
1	112795-25-01A	EA	WINDOW-DRIVER HORIZONTAL SLIDER-THERMO 26 3/8" X 48"	
1	112795-22-01A	EA	WINDOW-PASSENGER HORIZONTAL SLIDER-THERMO 26 3/8" X 48"	
	112795-22-701	EA	RETAINER-(TRIM)	W30366
2	112795-01-705	FT	VINYL-GLAZING	132-019702
3	112795-22-702	EA	GLASS-STATIONARY	390-019039
4	112795-01-701	EA	SLIDE-STOP	132-019092
5	098644-01-710	EA	TRACK-SCREEN SPACER 12'	132-017135
6	112795-01-700	EA	LATCH ASM.-BLK.(BOLTON)	DH287-CK
7	112795-01-703	IN	CHANNEL-RUN (INCHES)	122-018736
8	098644-01-711	EA	WEATHERSTRIP-SCREEN BLACK	171-016965
9	098647-31-704	EA	SCREEN ASM.-W/SEAL & CLIPS	410-019128
10	098644-01-713	EA	CLIP-SPRING-BLACK PLASTIC	226-016966
11	112795-19-702	EA	GLASS-SLIDING-W/SASH & LATCH	DC29-G9
12	112795-01-704	FT	PLUG-FILLER (DOUBLE GLAZED)	122-018737

**QUEEN BED THERMOPANES SLIDER WINDOWS - EXCEL**

KEY	PART NUMBER	U/M	DESCRIPTION	VENDOR NO.
1	112795-23-01A	EA	WINDOW-DRIVER HORIZONTAL SLIDER-THERMO 24 1/2" X 41 1/2"	
1	112795-21-01A	EA	WINDOW-PASSENGER HORIZONTAL SLIDER-THERMO 24.5" X 41.25"	
	112795-29-701	EA	RETAINER-(TRIM)	CW04-66
2	112795-01-705	FT	VINYL-GLAZING	132-019702
3	112795-21-701	EA	GLASS-STATIONARY	390-019132
4	112795-01-701	EA	SLIDE-STOP	132-019092
5	098644-01-710	EA	TRACK-SCREEN SPACER 12'	132-017135
6	112795-01-700	EA	LATCH ASM.-BLK.(BOLTON)	DH287-CK
7	112795-01-703	IN	CHANNEL-RUN (INCHES)	122-018736
8	098644-01-711	EA	WEATHERSTRIP-SCREEN BLACK	171-016965
9	098647-29-704	EA	SCREEN ASM.-W/SEAL & CLIPS	410-018864
10	098644-01-713	EA	CLIP-SPRING-BLACK PLASTIC	226-016966
11	112795-21-702	EA	GLASS-SLIDING-W/SASH & LATCH	DC04-G9
12	112795-01-704	FT	PLUG-FILLER (DOUBLE GLAZED)	122-018737

**BUNK THERMOPANE WINDOWS - EXCEL**

KEY	PART NUMBER	U/M	DESCRIPTION	VENDOR NO.
1	112795-20-01A	EA	WINDOW-DRIVER HORIZONTAL SLIDER THERMO 16" X 28 3/4"	
1	112795-19-01A	EA	WINDOW-PASSENGER HORIZONTAL SLIDER THERMO 16" X 28 3/4"	
	098647-31-701	EA	RETAINER-TRIM	CW29-66
2	112795-01-705	FT	VINYL-GLAZING	132-019702
3	112795-19-701	EA	GLASS-STATIONARY	390-019134
4	112795-01-701	EA	SLIDE-STOP	132-019092
5	098644-01-710	FT	TRACK-SCREEN SPACER 12'	132-017135
6	112795-01-700	EA	LATCH ASM.-BLK., (BOLTON)	DH287-CK
7	112795-01-703	IN	CHANNEL-RUN (INCHES)	122-018736
8	098644-01-711	FT	WEATHERSTRIP-SCREEN BLACK	171-016965
9	098647-31-704	EA	SCREEN ASM.-W/SEALS & CLIPS	410-019128
10	098644-01-713	EA	CLIP-SPRING-METAL	226-016966
11	112795-19-702	EA	GLASS-SLIDING W/SASH & LATCH	DC29-G9
12	112795-01-704	FT	PLUG FILLER (DOUBLE GLAZED)	122-018737

**LOUNGE & DINETTE THERMOPANES SLIDER WINDOWS - EXCEL**

KEY	PART NUMBER	U/M	DESCRIPTION	VENDOR NO.
1	112795-15-01A	EA	WINDOW-DRIVER HORIZONTAL SLIDER-THERMO-26 3/8" X 60"	
1	112795-16-01A	EA	WINDOW-PASSENGER HORIZONTAL SLIDER-THERMO-26 3/8" X 60"	
	098647-23-702	EA	RETAINER-TRIM-WHITE	W28766
2	112795-01-705	FT	VINYL-GLAZING	132-019702
3	112795-15-701	EA	GLASS-STATIONARY	390-019045
4	112795-01-701	EA	SLIDE-STOP	132-019092
5	098644-01-710	EA	TRACK-SCREEN SPACER 12'	132-017135
6	112795-01-700	EA	LATCH ASM.-BLACK	DH287-CK
7	112795-01-703	IN	CHANNEL-RUN	122-018736
8	098644-01-711	EA	WEATHERSTRIP-SCREEN BLACK	171-016965
9	098647-31-704	EA	SCREEN ASM.-W/SEAL & CLIPS	410-019128
10	098644-01-713	EA	CLIP-SPRING-BLACK PLASTIC	226-016966
11	112795-19-702	EA	GLASS-SLIDING-W/SASH & LATCH	DC29-G9
12	112795-01-704	FT	PLUG-FILLER (DOUBLE GLAZED)	122-018737

# WINDOW, VENT & EXTERIOR DOOR GROUP (CONTINUED)

## POWERED ROOF VENTILATOR

KEY	PART NUMBER	U/M	DESCRIPTION	VENDOR NO.
	123780-03-01A	EA	VENT-EXHAUST-3" ROOF	
	123780-04-01A	EA	VENT-EXHAUST-3" ROOF CSA	
	009440-01-000	EA	GEAR/ARM-LIFT-ROOF VENT COVER	
	084079-01-703	EA	KNOB-LIFT, W/EXT. & SCREW	1140K-00
	084079-01-704	EA	BLADE-FAN	1070-00
	084079-01-705	EA	MOTOR	1080-00
	084079-01-707	EA	SWITCH-SAFETY	1122.05
	084079-01-709	EA	SWITCH-MAIN-3 SPEED	1031-05
	084079-01-711	EA	H-MOLDING-MOTOR MOUNT	
	084079-11-700	EA	MOTOR-BRKT.-FAN BLADE, KIT	4017K-09
	123780-01-700	EA	COVER-VENT W/HINGE & SLIDE	1020K-81
	123780-01-701	EA	GARNISH-INT 3/4-1" BRT/WHT	0040-81

## NON POWERED VENT

KEY	PART NUMBER	U/M	DESCRIPTION	VENDOR NO.
	122882-01-01A	EA	VENT-ROOF-NONPOWERED	
	009440-01-000	EA	GEAR/ARM-LIFT-ROOF VENT COVER	
	064470-01-700	EA	COVER-VENT-W/OSLIDE BAR	J7291
	064470-01-701	EA	SLIDEBAR-VENT LID	JRP1291B
	122882-01-700	EA	HANDLE-CRANK BLACK	90128
	122882-01-701	EA	SCREEN	JRP-1124-B

## POWERED VENT

KEY	PART NUMBER	U/M	DESCRIPTION	VENDOR NO.
	122882-02-01A	EA	VENT-ROOF-W/FAN-POWERED	
	122882-03-01A	EA	VENT-ROOF-W/FAN-CSA	
	009440-01-000	EA	GEAR/ARM-LIFT-ROOF VENT COVER	
	048648-01-000	EA	MOTOR-ROOF VENT-1/8 SHAFT-12VOLT	
	048649-01-000	EA	FAN-ROOF VENT-6 BLADES-6"	
	064470-01-700	EA	COVER-VENT-W/OSLIDE BAR	J7291
	064470-01-701	EA	SLIDEBAR-VENT LID	JRP1291B
	110051-03-700	EA	SWITCH-BLACK/PUSH BUTTON	27-0164
	122882-01-700	EA	HANDLE-CRANK BLACK	90128
	122882-01-701	EA	SCREEN	JRP-1124-B
	122882-07-01A	EA	GARNISH-ROOF VENT-2.50" TO 4.12"	

## VENTS, SHROUDS AND ROOF COVERS

KEY	PART NUMBER	U/M	DESCRIPTION	VENDOR NO.
	084073-07-000	EA	VENT-ROOF-REFRIGERATOR-BRIGHT WHITE	
	084073-04-000	EA	BASE-ROOF VENT-REFRIGERATOR	
	084616-07-000	EA	SHROUD-VENT-RANGE HOOD-BRIGHT WHITE	
	084878-09-000	EA	VENT-HOOD-RANGE/SHORT-OFF WHITE	
	092698-02-05A	EA	VENT-W/DOOR	
	092698-02-700	EA	FASTNER-PUSH	VB430
	092698-02-701	EA	CLAMP-CONDUIT	VB334
	083558-03-000	EA	VENT-PLUMBING-PIPE ROOF-W/COVER-OFF WHITE	